

Parts Catalog

목 차

1. 엔진 PART NO. EG

FIG CYLINDER BLOCK	9
FIG OILJET ASS'Y OPTION	11
FIG OIL PUMP	13
FIG HYD. PUMP DRIVE	15
FIG 2ND BALANCE	17
FIG OIL PAN	19
FIG INTAKE MANIFOLD	21
FIG TURBOCHARGER ASS'Y	23
FIG BREATHER	25
FIG FUEL INJECTION PUMP	27
FIG CRANK SHAFT	29
FIG FUEL INJECTION VALVE	31
FIG FUEL PIPE ASS'Y	33
FIG OIL FILTER	35
FIG OIL COOLER	37
FIG OIL GAUGUE	39
FIG OIL FILLER CAP	41
FIG COOLING WATER PUMP	43
FIG CRANK SHAFT PULLEY	45
FIG V-PULLEY	47
FIG COOLING FAN	49
FIG PISTON	51
FIG FLYWHEEL HOUSING	53
FIG FLYWHEEL	55
FIG GLOW PLUG ASS'Y OPTION	57
FIG STARTING MOTOR	59
FIG FUEL FILTER BRACKET ASS'Y	61
FIG ALTERNATOR	63
FIG V-BELT	65
FIG FUEL FILTER	67
FIG DPF SUPPORT	69

FIG DATAPLATE	71
FIG CYLINDER HEAD	73
FIG NAME PLATE, STARTING MOTOR	75
FIG DPF ASS'Y	77
FIG COMP . DRIVE PULLEY ASS'Y OPTION	79
FIG EXHAUST MANIFOLD	81
FIG TURBOCHARGER PLUMBING OPTION	83
FIG ROCKER LEVER	85
FIG LIFT ASS'Y	87
FIG HEAD COVER	89
FIG GEAR CASE	91
FIG IDLE GEAR	93
FIG CAM SHAFT	95

2. 엔진보기품 PART NO. T2

FIG AIR CLEANER	98
FIG RADIATOR	100
FIG MUFFLER	102
FIG FUEL HOSE & FILTER	104
FIG FUEL TANK	106
FIG ACCELERATOR	108

3. 클러치/브레이크/스티어링 PART NO. T3

FIG CLUTCH	111
FIG BRAKE	113
FIG BRAKE PEDAL & LINK	115
FIG FRONT WHEEL	117
FIG REAR WHEEL	119
FIG POWER STEERING WHEEL	121
FIG POWER STEERING VALVE	123
FIG POWER STEERING CYLINDER	125
FIG CLUTCH PEDAL	127

4. 트랜스미션 PART NO. T4

FIG TRANSMISSION FRONT CASE	131
-----------------------------	-----

FIG FORWARD & BACKWARD GEARS	133
FIG IDLE & COUNTER GEARS	135
FIG MAIN SHIFT GEARS	137
FIG P.T.O DRIVE SHAFT	139
FIG MAIN CHANGE LEVER	141
FIG REVERSE CHANGE LEVER	143
FIG TRANSMISSION MID CASE	145
FIG TRANSMISSION REAR CASE	147
FIG SUB CHANGE GEARS	149
FIG SUB CHANGE SHIFTER	151
FIG DRIVE GEARS	153
FIG 4WD CHANGE LEVER	155
FIG P.T.O CHANGE GEARS	157
FIG P.T.O CHANGE SHIFTER	159
FIG REAR AXLE HOUSING	161
FIG REAR DIFFERENTIAL GEARS	163

5. 프런트 액슬 PART NO. T5

FIG FRONT GEAR CASE (3)	167
FIG FRONT AXLE SUPPORT	169
FIG FRONT DRIVE SHAFT	171
FIG FRONT AXLE HOUSING	173
FIG FRONT DIFFERENTIAL GEARS	175
FIG FRONT GEAR CASE (1)	177
FIG FRONT GEAR CASE (2)	179

6. 유압/3점링크 PART NO. T6

FIG CYLINDER CASE	182
FIG LIFT ARM	184
FIG CYLINDER	186
FIG POSITION LINK	188
FIG CONTROL VALVE	190
FIG DRAFT LINK	192
FIG POSITION & DRAFT LEVER (1)	194
FIG EXTERIOR HYD. VALVE	196
FIG HYDRAULIC PIPE	198

FIG JOYSTICK	200
FIG HITCH & 3-POINT LINK	202
FIG LOWER LINK & LIFT ROD	205
FIG POSITION & DRAFT LEVER (2)	207

7. 시트메탈/캐빈 PART NO. T7

FIG EXTENSION COVER	210
FIG LEVER COVER & STEP	212
FIG LEVER COVER & STEP-NON CAB	214
FIG FRONT & REAR MOUNTING	216
FIG SEAT & MAT	218
FIG DOOR	220
FIG FRONT GLASS	223
FIG FRAME & 2POLES-ROPS-NON CAB	225
FIG SIDE GLASS	227
FIG REAR GLASS	229
FIG SUB FENDER & COVER	231
FIG SUB FENDER & COVER-NON CAB	233
FIG MIRROR	235
FIG MIRROR&WORKING LAMP-NON CAB	237
FIG HEATER & AIR-CON	239
FIG HEATER & AIR-CON	241
FIG FENDER COVER	243
FIG ROOF	245
FIG CABIN INTERIOR	247
FIG BONNET (2)	249
FIG BONNET FRAME	251
FIG BONNET (1)	253

8. 전장 PART NO. T8

FIG BATTERY & MOUNTING	256
FIG HARNESS LAMP	258
FIG INSTRUMENT PANEL	260
FIG ELECTRIC SYSTEM (1)	262
FIG ELECTRIC SYSTEM (2)	264
FIG ELECTRIC SYSTEM (2)-NON CAB	266

FIG ELECTRIC SYSTEM (3)

268

9. 라벨/옵션 PART NO. T9

FIG TOOL & ACCESSORY

271

FIG WEIGHT

273

FIG LABEL

275

FIG LABEL

277

1. 엔진 PART NO. EG

FIG CYLINDER BLOCK	9
FIG OILJET ASS'Y OPTION	11
FIG OIL PUMP	13
FIG HYD. PUMP DRIVE	15
FIG 2ND BALANCE	17
FIG OIL PAN	19
FIG INTAKE MANIFOLD	21
FIG TURBOCHARGER ASS'Y	23
FIG BREATHER	25
FIG FUEL INJECTION PUMP	27
FIG CRANK SHAFT	29
FIG FUEL INJECTION VALVE	31
FIG FUEL PIPE ASS'Y	33
FIG OIL FILTER	35
FIG OIL COOLER	37
FIG OIL GAUGUE	39
FIG OIL FILLER CAP	41
FIG COOLING WATER PUMP	43
FIG CRANK SHAFT PULLEY	45
FIG V-PULLEY	47
FIG COOLING FAN	49
FIG PISTON	51
FIG FLYWHEEL HOUSING	53
FIG FLYWHEEL	55
FIG GLOW PLUG ASS'Y OPTION	57
FIG STARTING MOTOR	59
FIG FUEL FILTER BRACKET ASS'Y	61
FIG ALTERNATOR	63
FIG V-BELT	65
FIG FUEL FILTER	67
FIG DPF SUPPORT	69
FIG DATAPLATE	71
FIG CYLINDER HEAD	73
FIG NAME PLATE, STARTING MOTOR	75
FIG DPF ASS'Y	77
FIG COMP . DRIVE PULLEY ASS'Y OPTION	79
FIG EXHAUST MANIFOLD	81
FIG TURBOCHARGER PLUMBING OPTION	83

FIG ROCKER LEVER	85
FIG LIFT ASS'Y	87
FIG HEAD COVER	89
FIG GEAR CASE	91
FIG IDLE GEAR	93
FIG CAM SHAFT	95

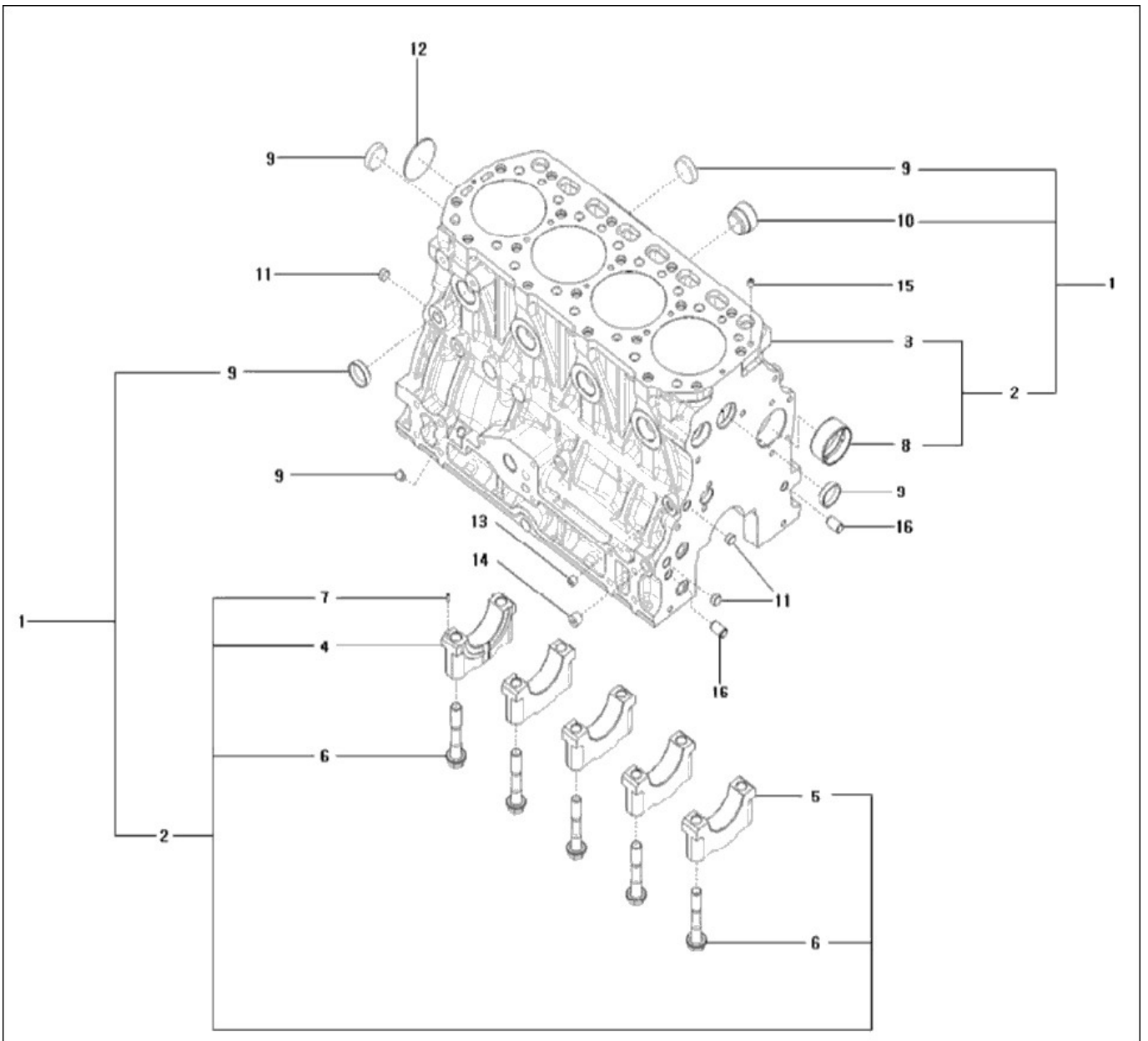
FIG

TE58

CYLINDER BLOCK

년/월
Year/Month

2021-05



NOTE

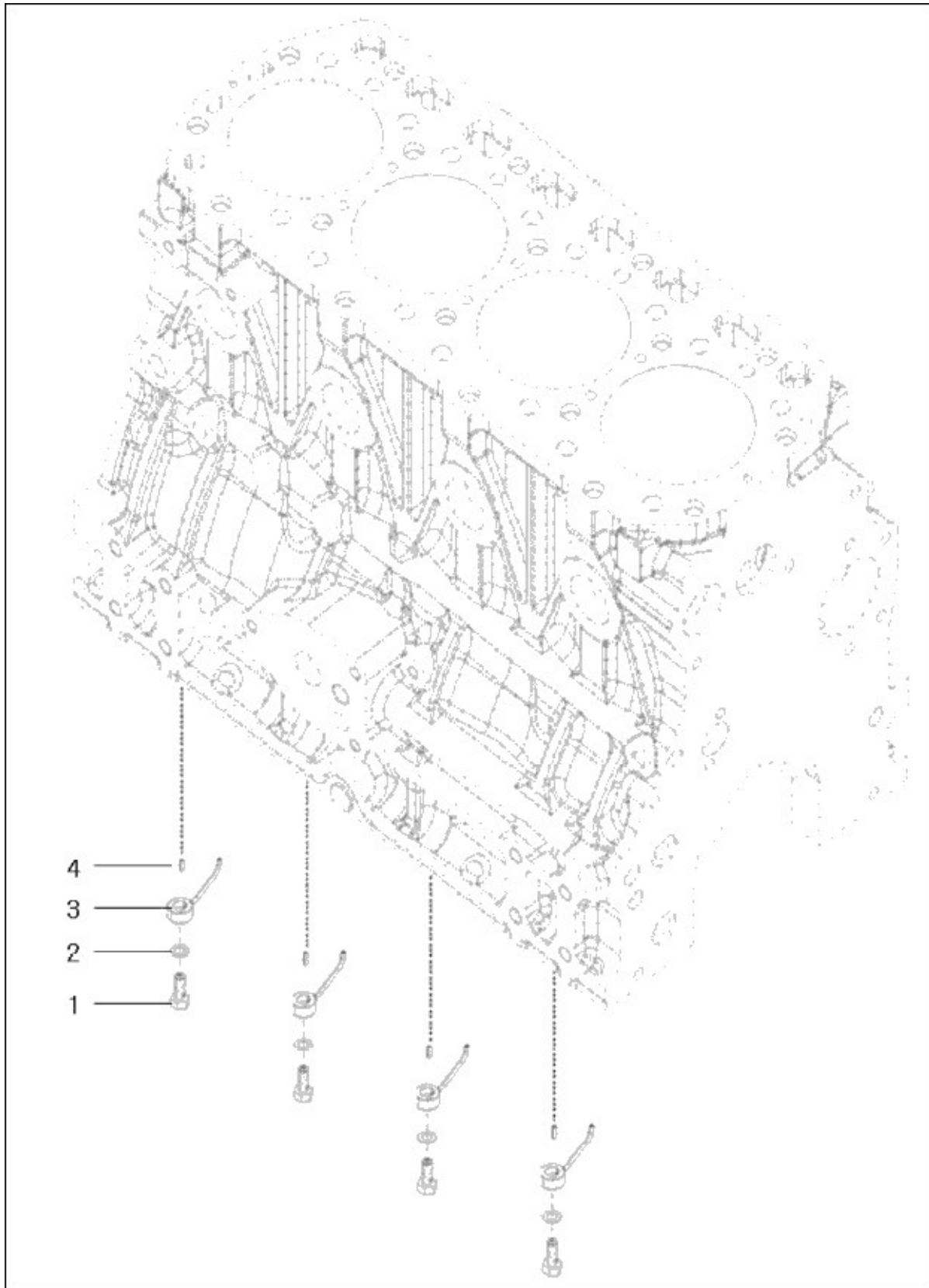
FIG

OILJET ASS'Y OPTION

년/월
Year/Month

TE58

2021-05



NOTE

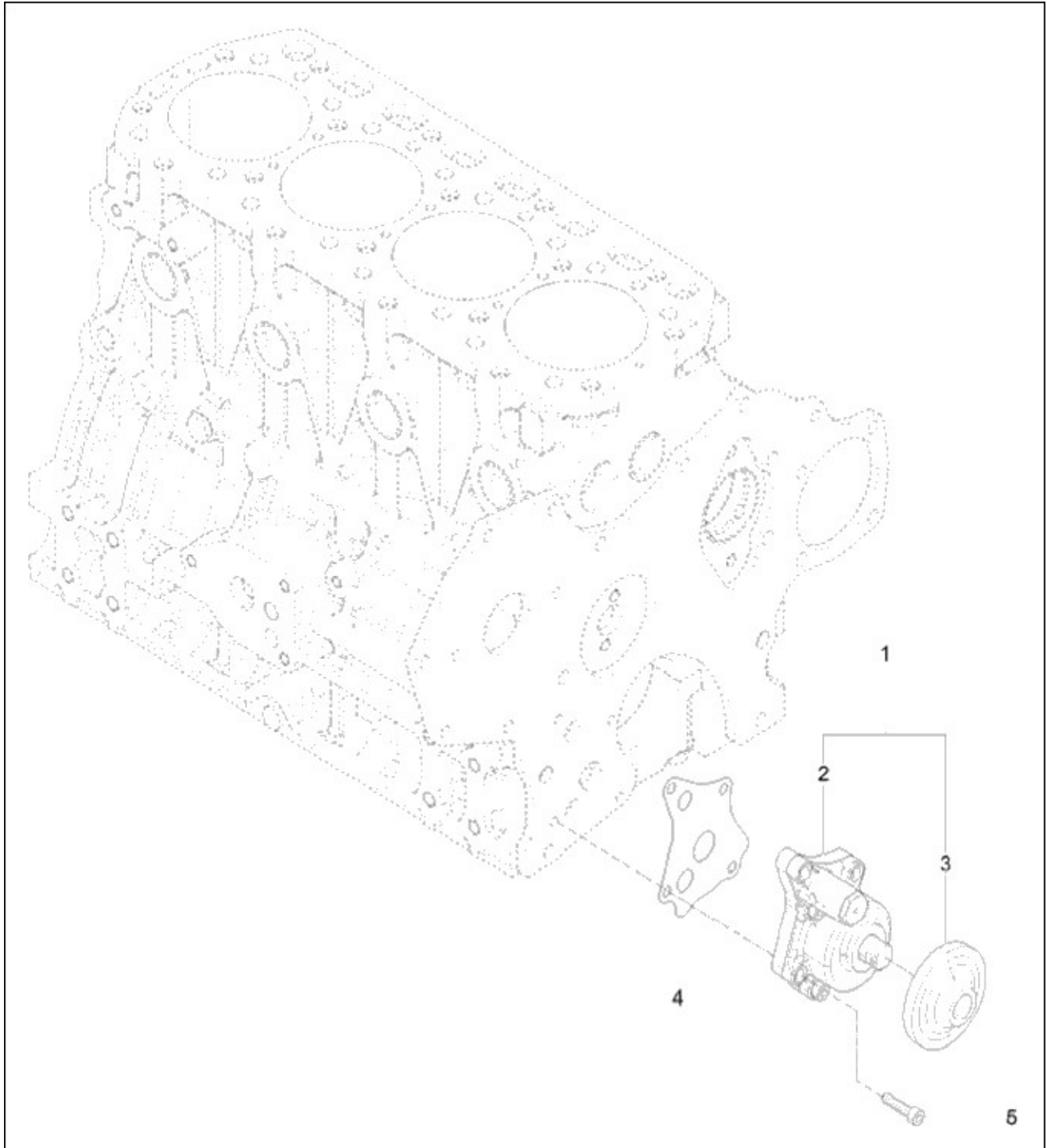
FIG

OIL PUMP

년/월
Year/Month

TE58

2021-05



NOTE

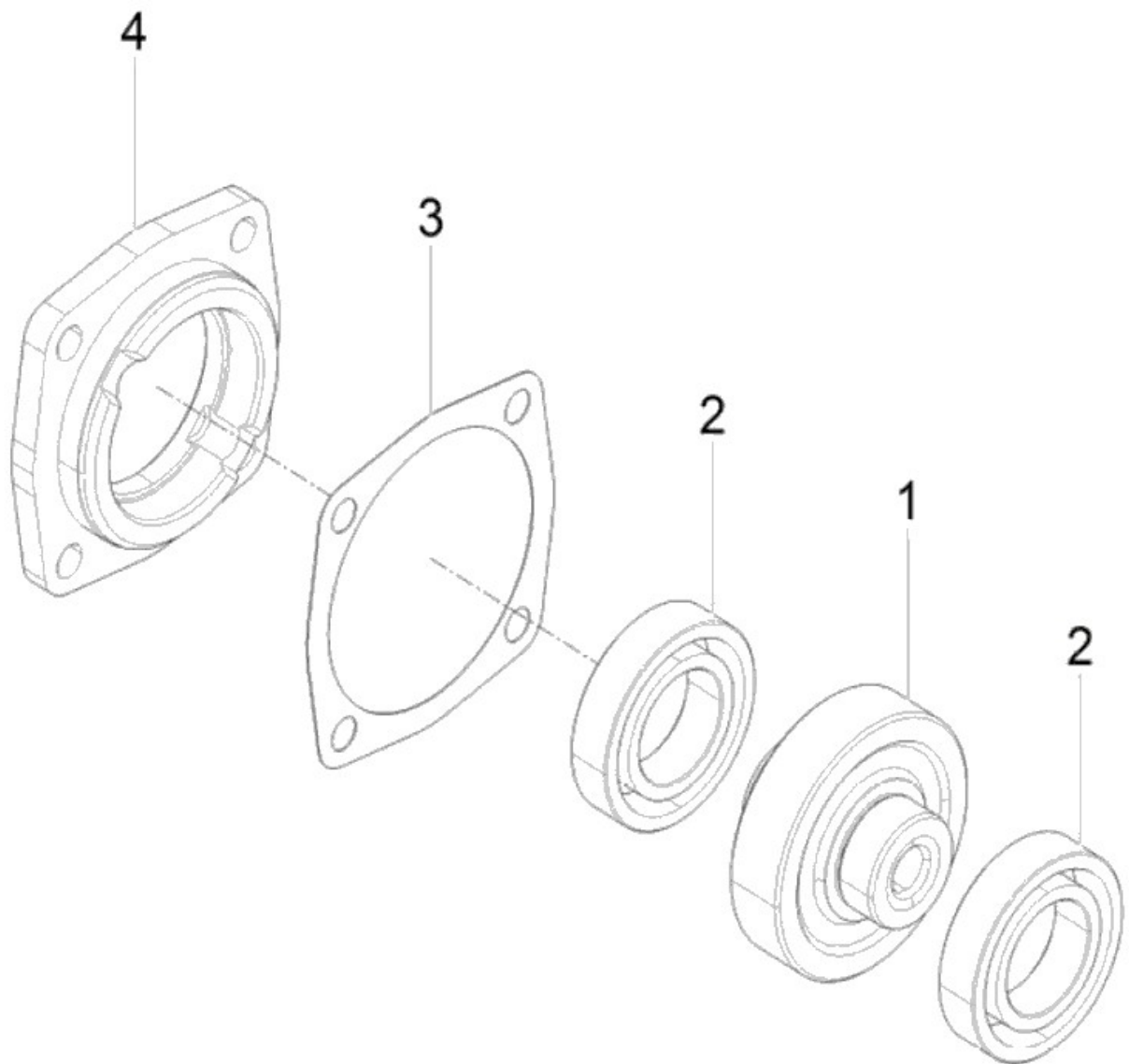
FIG

TE58

HYD. PUMP DRIVE

년/월
Year/Month

2021-05



NOTE

FIG TE58		HYD. PUMP DRIVE						년/월 Year/Month	
								2021-05	
KEY NO		PART NO	DESCRIPTION	SPEC	QTY	REPAIR	EFFECTIVE DATE	REMARKS	
	1	HRA4000300A	HYD. PUMP DRIVE GEAR		1				
	2	24101-060064	BEARING, BALL		2				
	3	HK02350000A	PACKING		1				
	4	HK02340000B	COVER, HYD. PUMP GEAR		1				
NOTE									

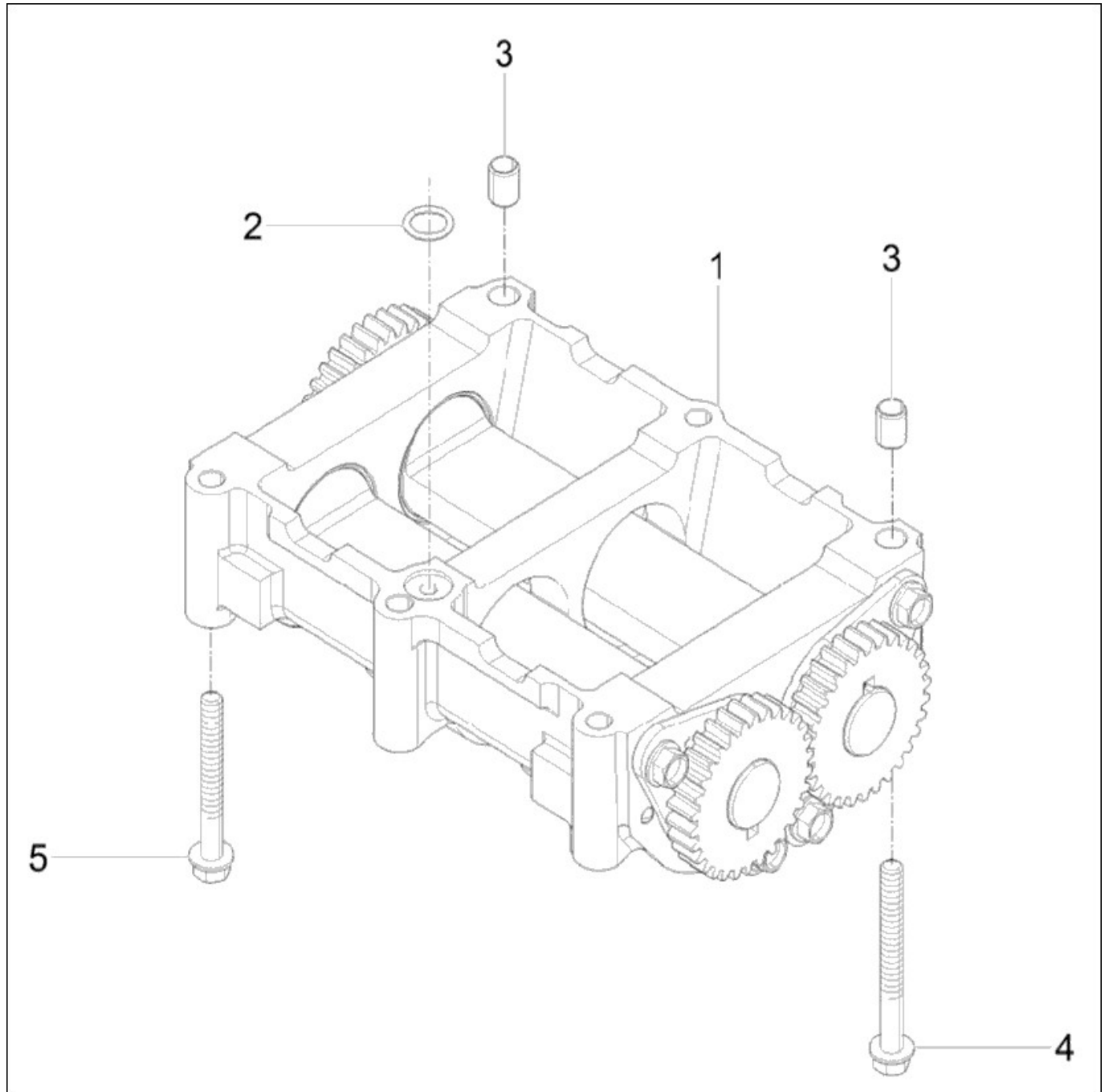
FIG

TE58

2ND BALANCE

년/월
Year/Month

2021-05



NOTE

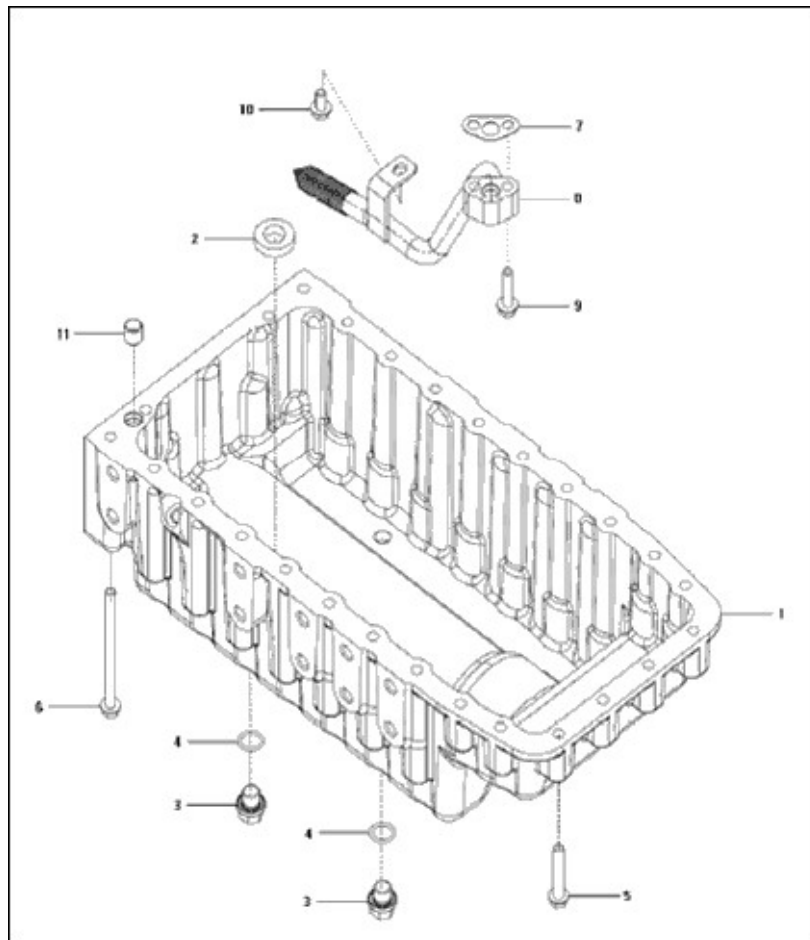
FIG

TE58

OIL PAN

년/월
Year/Month

2021-05



NOTE

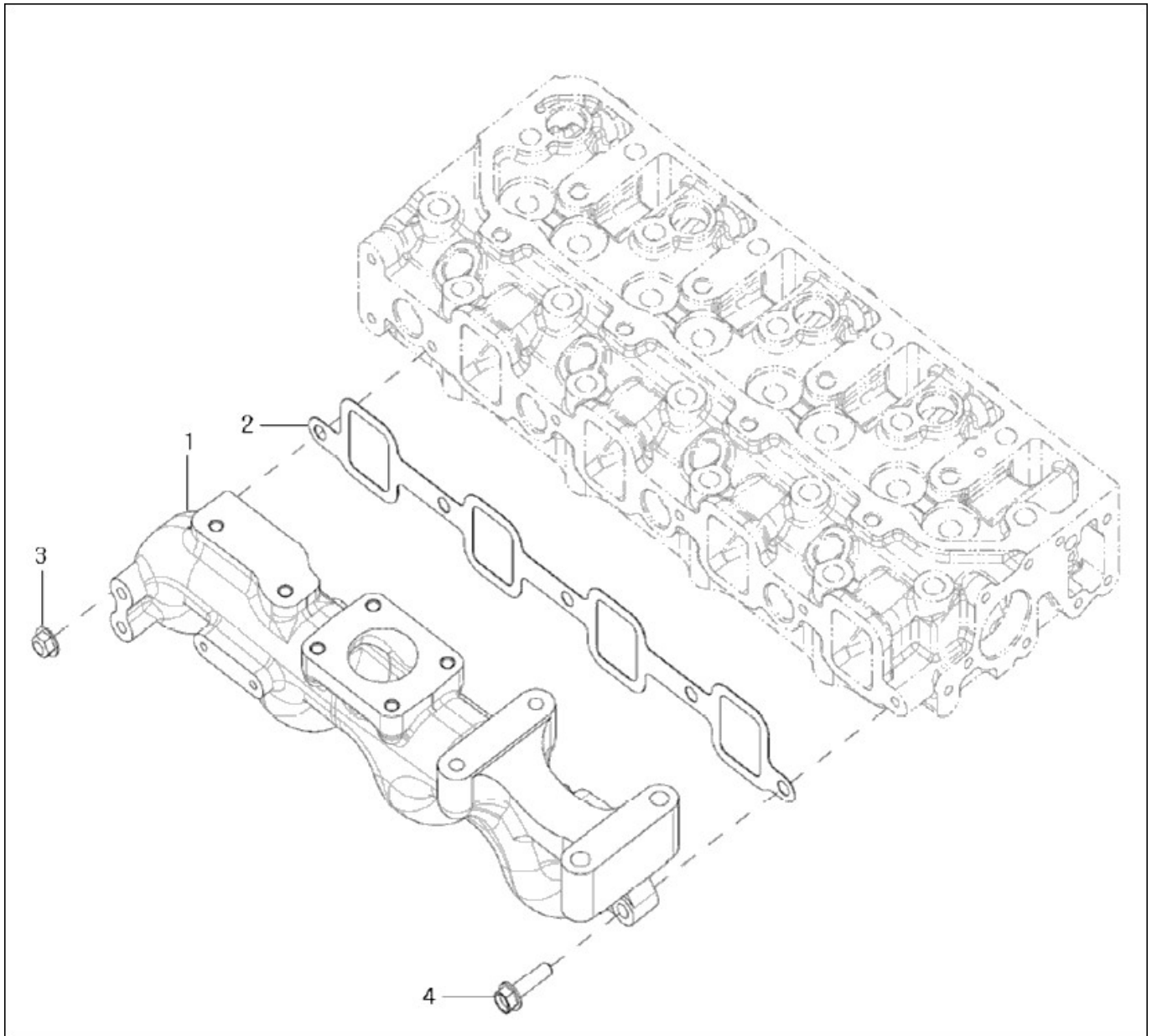
FIG

TE58

INTAKE MANIFOLD

년/월
Year/Month

2021-05



NOTE

FIG TE58		INTAKE MANIFOLD					년/월 Year/Month	
							2021-05	
KEY NO	PART NO	DESCRIPTION	SPEC	QTY	REPAIR	EFFECTIVE DATE	REMARKS	
1	EA00003502B	INTAKE MANIFOLD		1				
2	HRA0500200A	GASKET(INTAKE MANIFOLD)		1				
3	26367-080002	육각플랜지너트		1				
4	26106-080302	육각플랜지볼트		4				
NOTE								

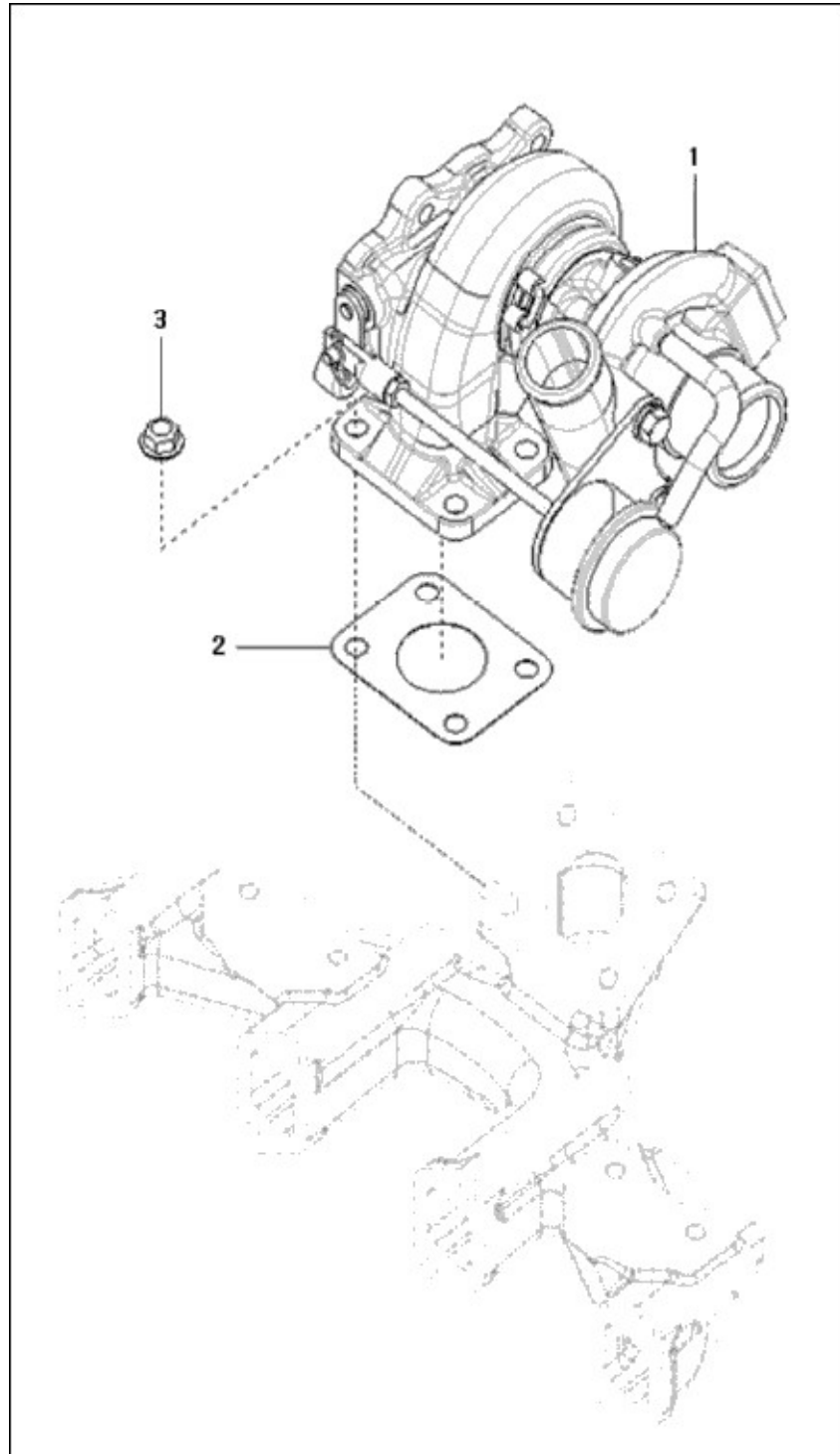
FIG

TE58

TURBOCHARGER ASS'Y

년/월
Year/Month

2021-05



NOTE

FIG TE58		TURBOCHARGER ASS'Y					년/월 Year/Month	
							2021-05	
KEY NO	PART NO	DESCRIPTION	SPEC	QTY	REPAIR	EFFECTIVE DATE	REMARKS	
1	EA00004548A	터보차져		1				
2	HL0706000EB	GASKET, T/C IN		1				
3	26367-080002	육각플랜지너트		4				
NOTE								

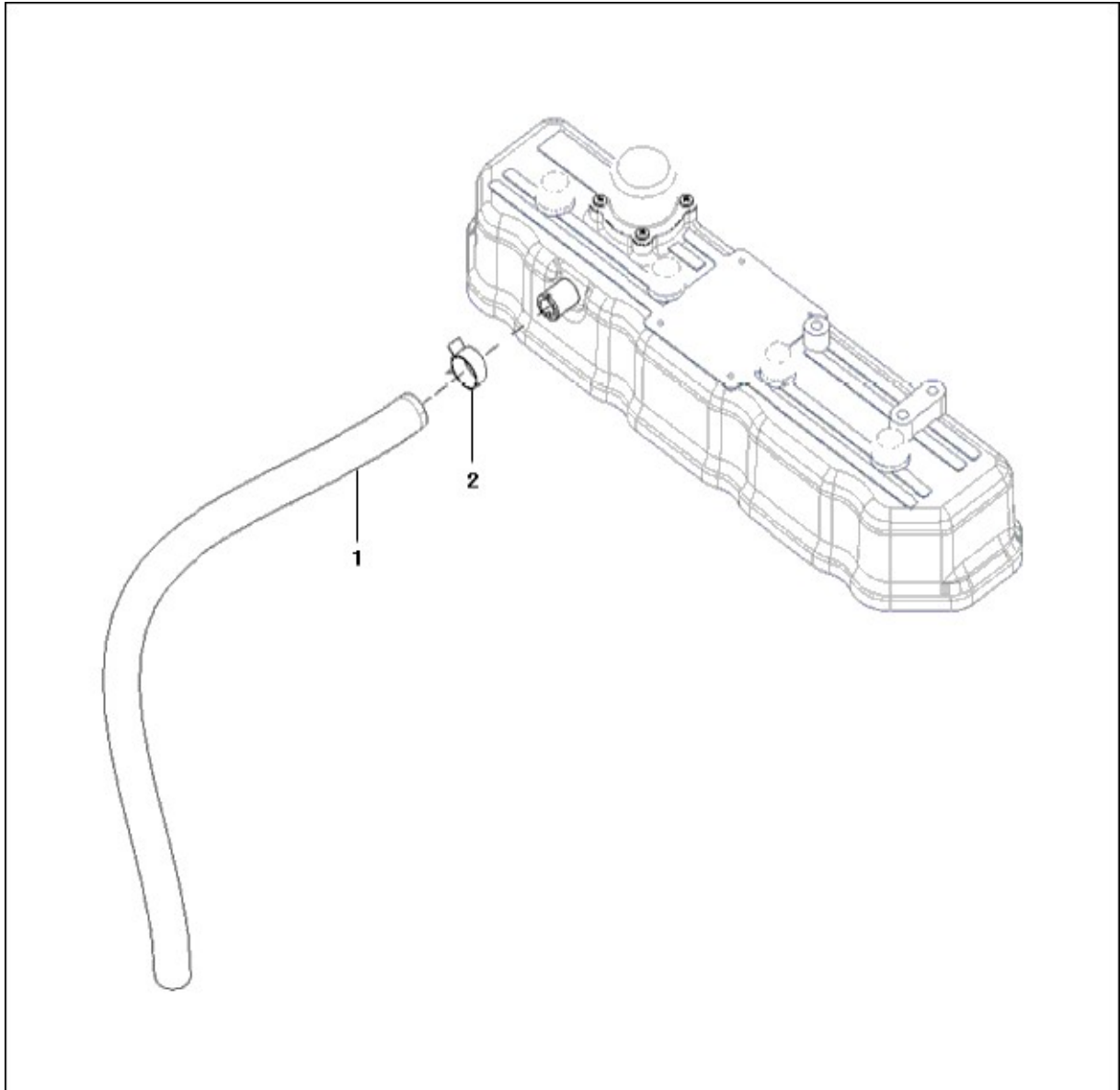
FIG

TE58

BREATHER

년/월
Year/Month

2021-05



NOTE

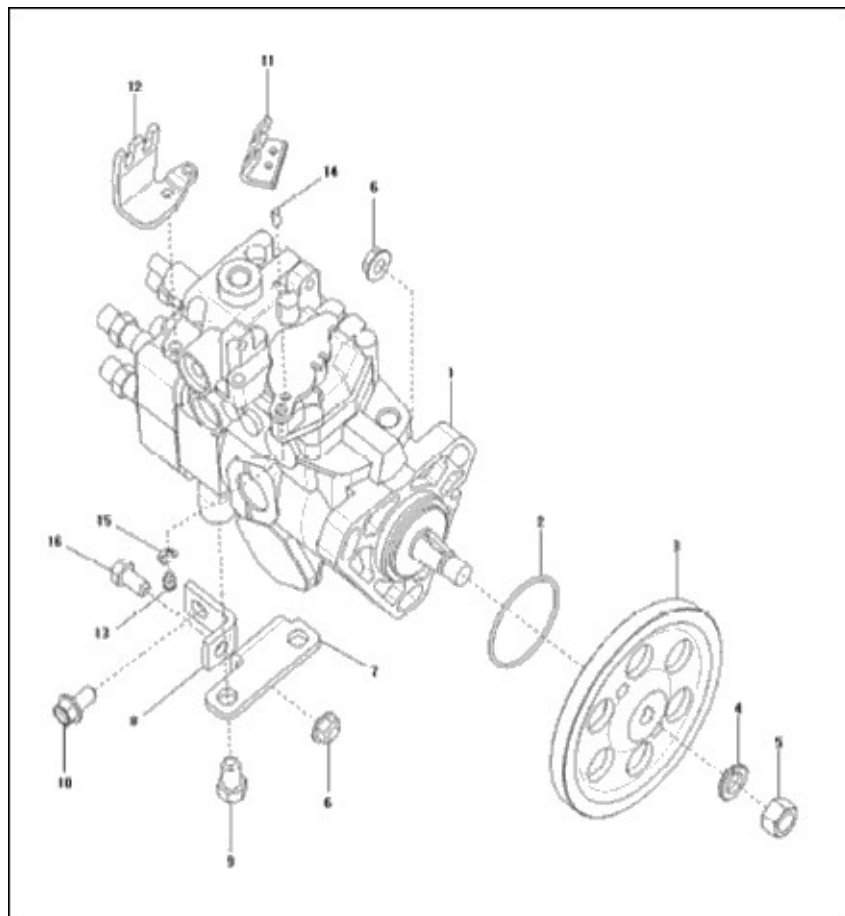
FIG

TE58

FUEL INJECTION PUMP

년/월
Year/Month

2021-05



NOTE

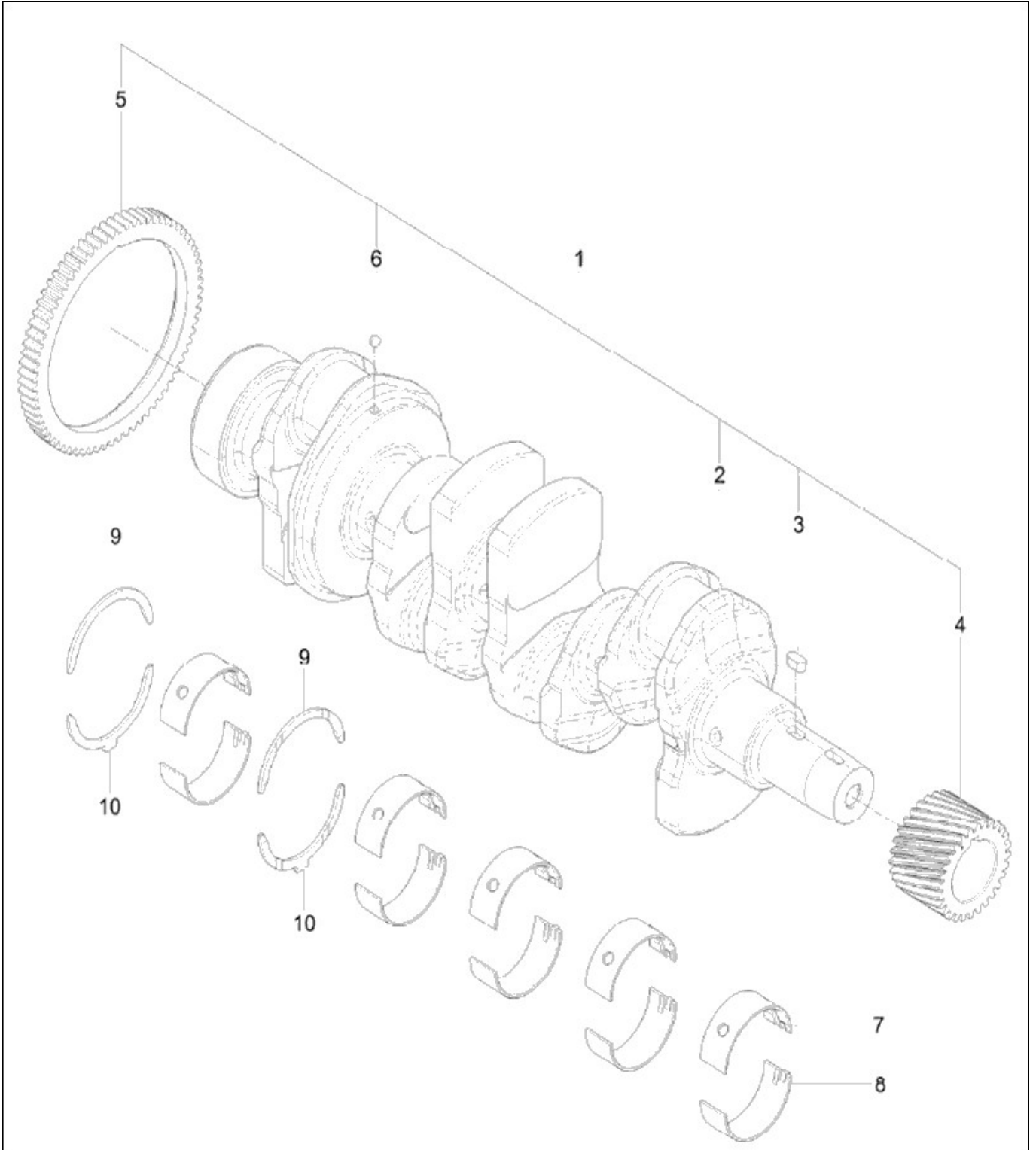
FIG

TE58

CRANK SHAFT

년/월
Year/Month

2021-05



NOTE

FIG TE58	CRANK SHAFT							년/월 Year/Month
								2021-05
KEY NO	PART NO	DESCRIPTION	SPEC	QTY	REPAIR	EFFECTIVE DATE	REMARKS	
1	EA00004512A	크랭크축 조합		1				
2	HRA0800101D	CRANK SHAFT		1				
3	22512-070140	KEY, SQUARE		1				
4	HRA0800200A	GEAR, CRANK		1				
5	HRA0800400A	GEAR, BALANCE DRIVE		1				
6	24190-080002	BALL, STEEL		1				
7	HRA0100201A	BEARING, UPPER MAIN		5				
8	HRA0100202A	BEARING, LOWER MAIN		5				
9	HRA0100301A	BEARING, UPPER THRUST		2				
10	HRA0100302A	BEARING, LOWER THRUST		2				
NOTE								

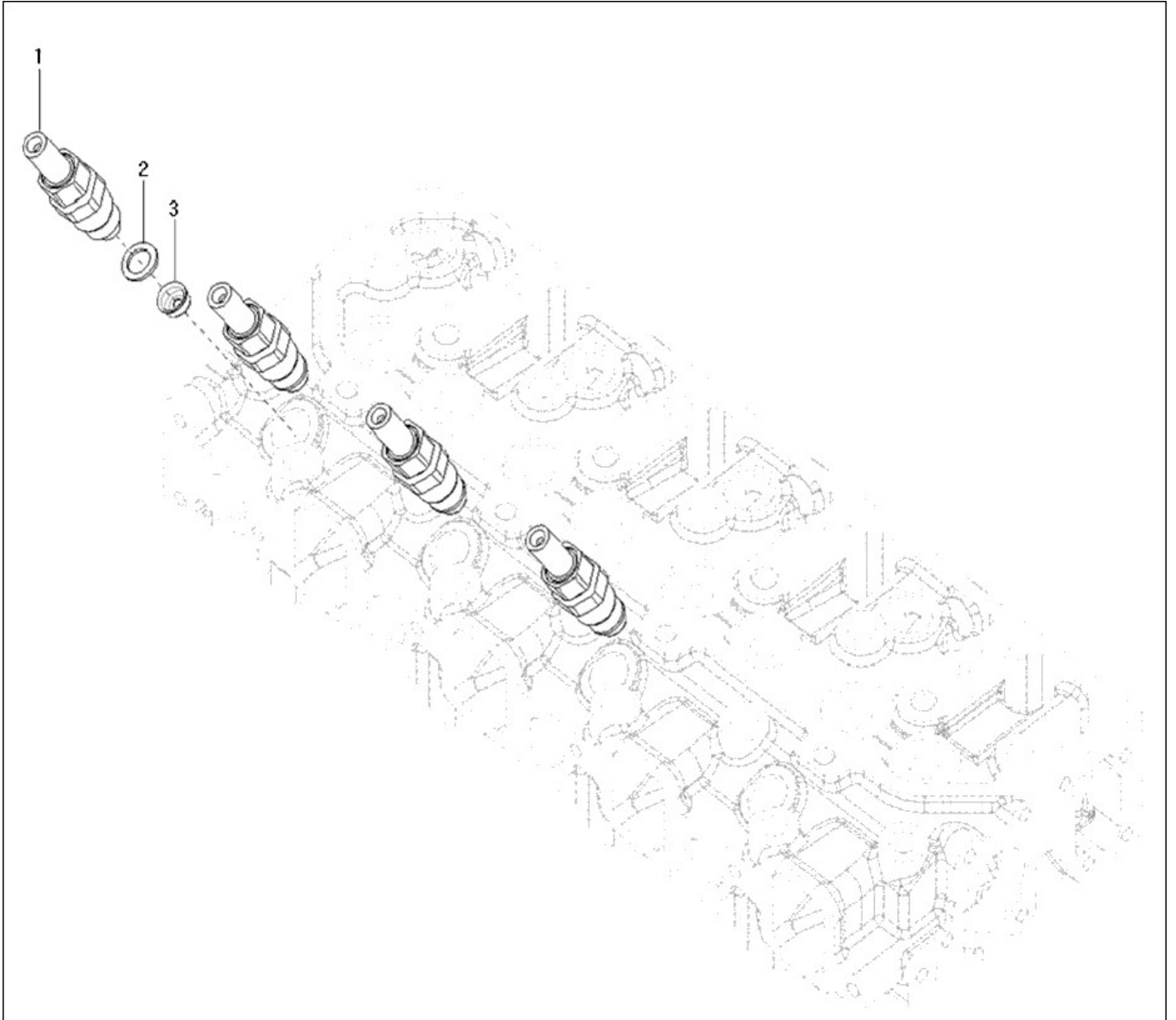
FIG

FUEL INJECTION VALVE

년/월
Year/Month

TE58

2021-05



NOTE

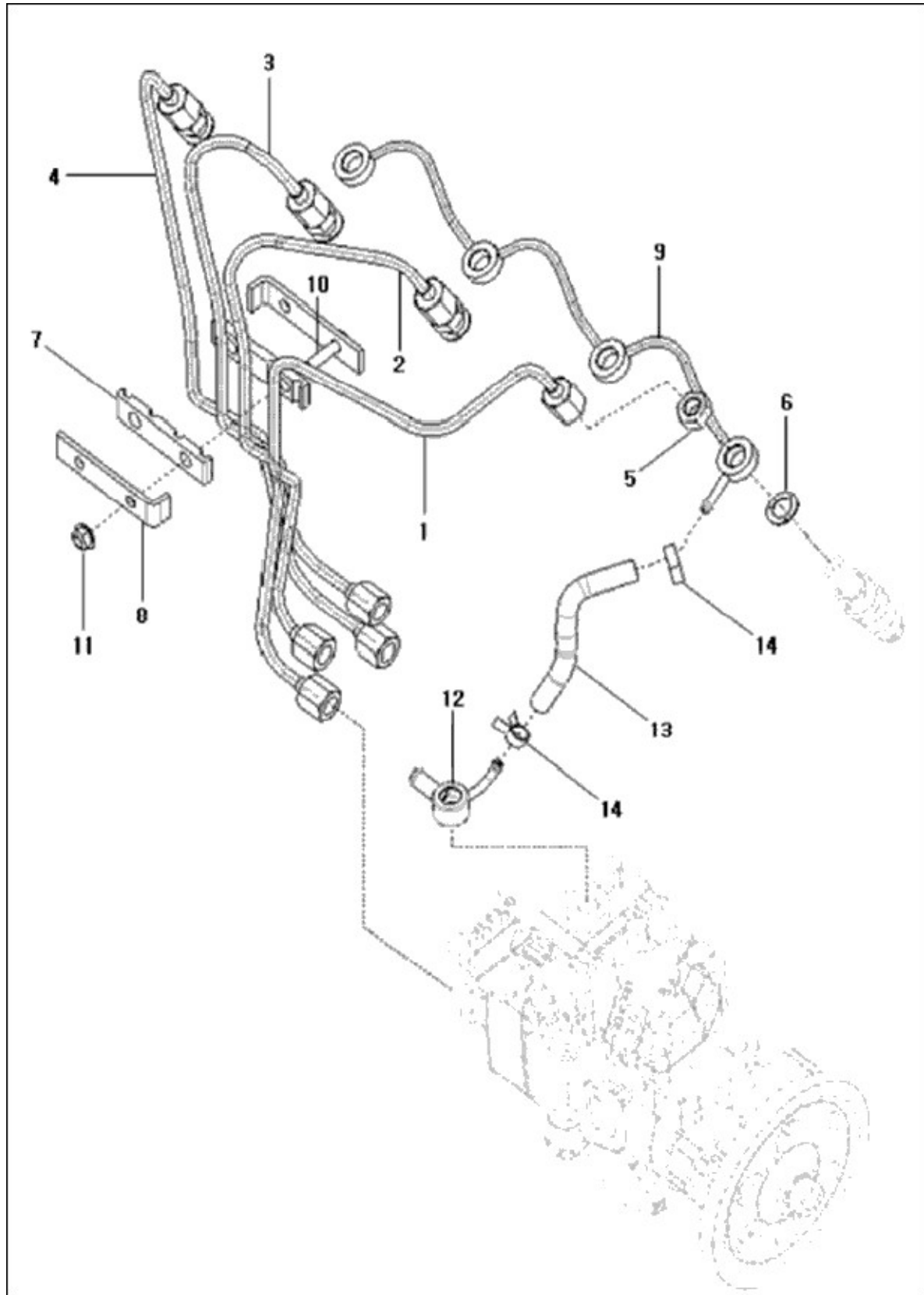
FIG

FUEL PIPE ASS'Y

년/월
Year/Month

TE58

2021-05



NOTE

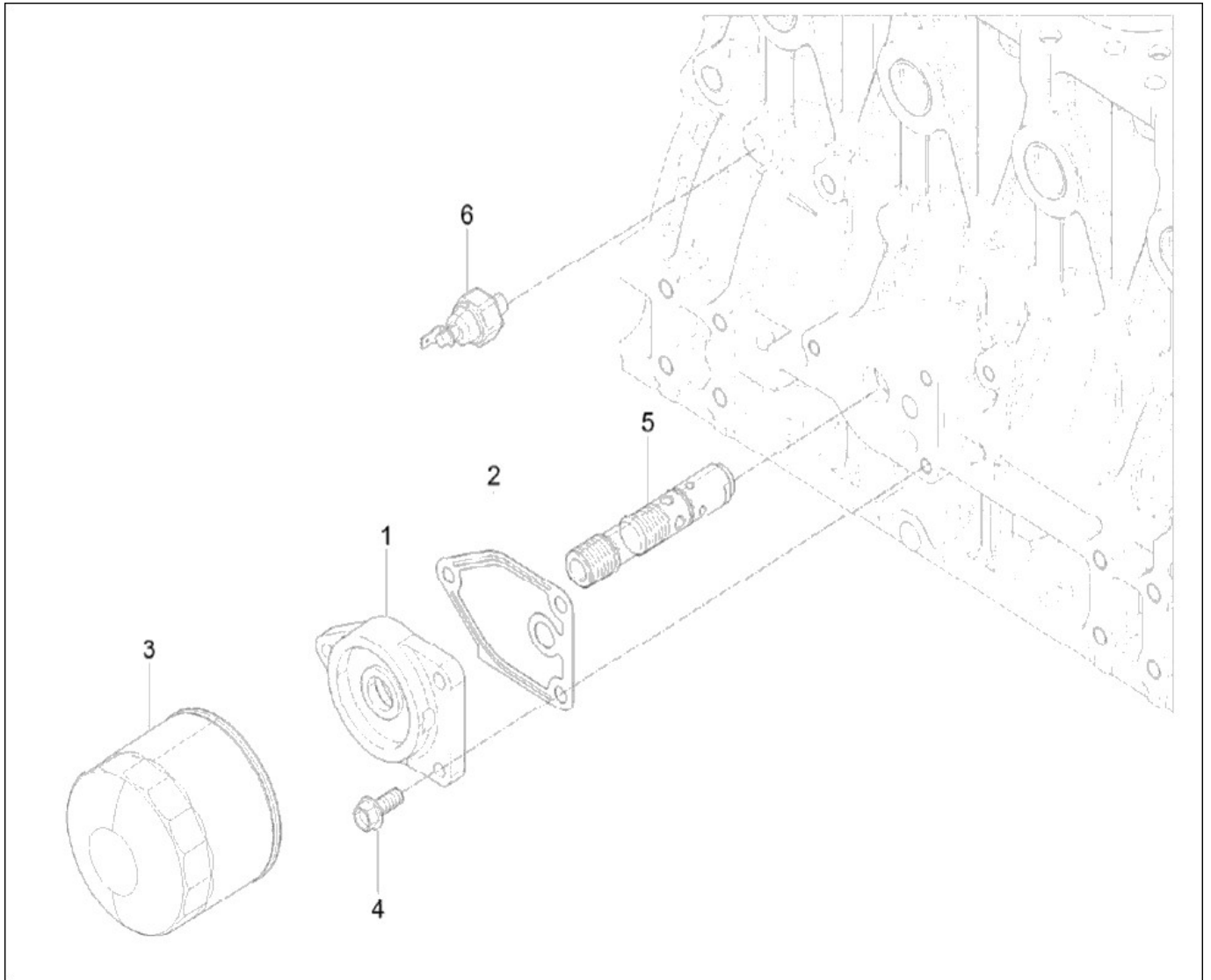
FIG

TE58

OIL FILTER

년/월
Year/Month

2021-05



NOTE

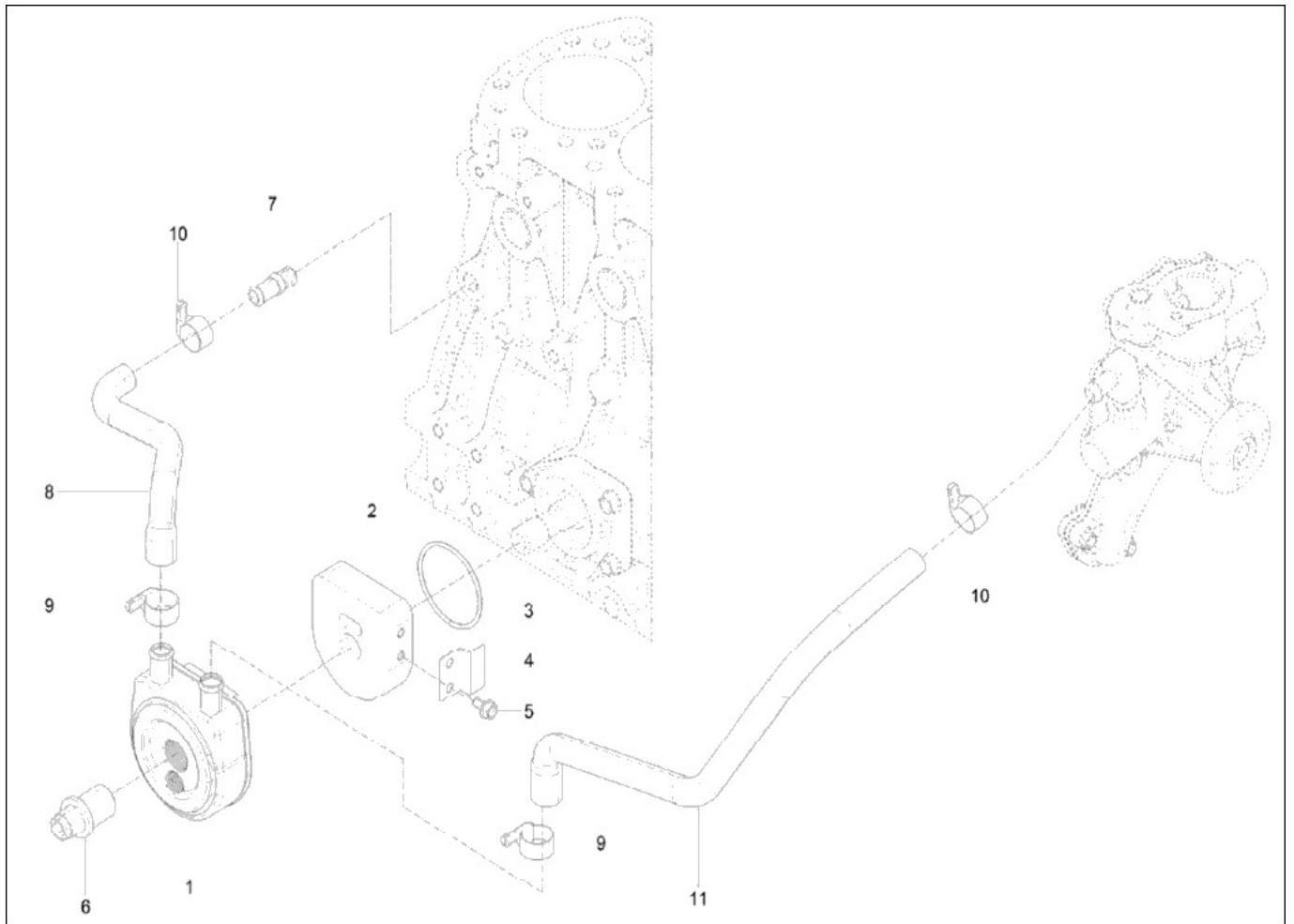
FIG

TE58

OIL COOLER

년/월
Year/Month

2021-05



NOTE

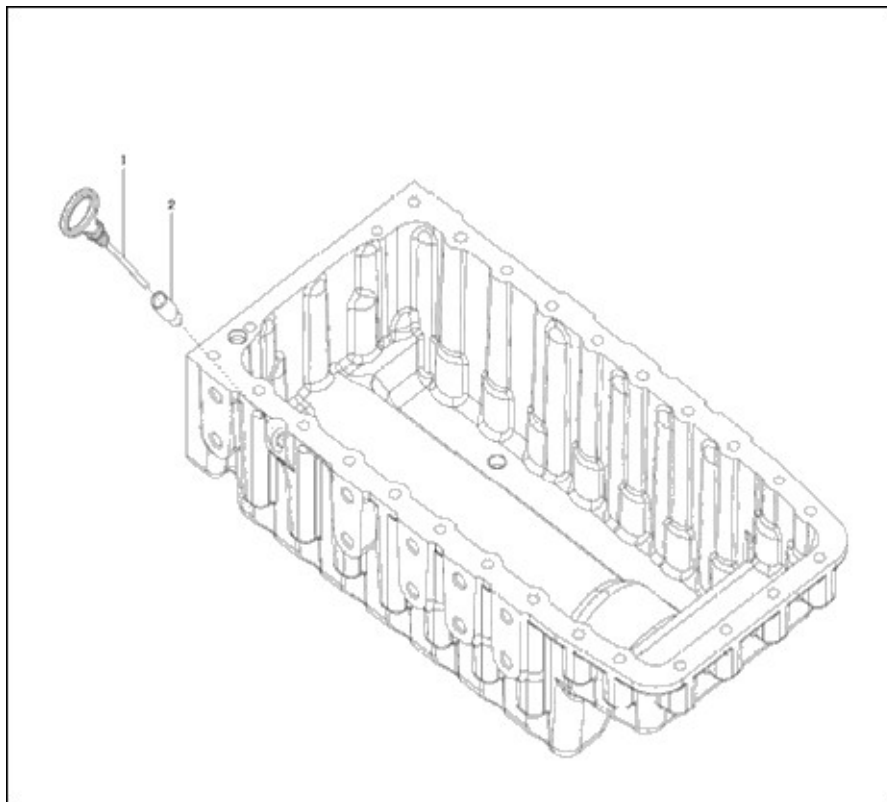
FIG

OIL GAUGUE

년/월
Year/Month

TE58

2021-05



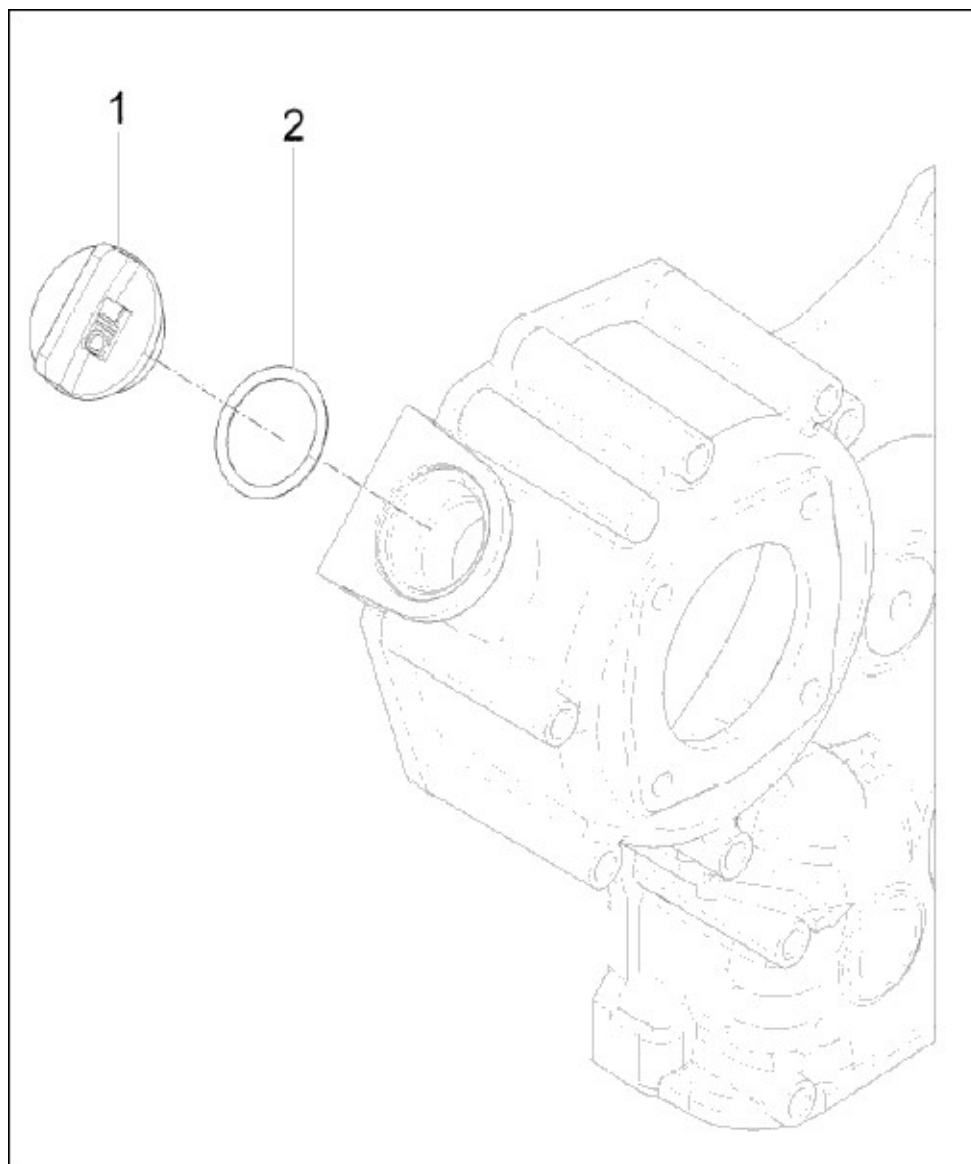
NOTE

FIG
TE58

OIL FILLER CAP

년/월
Year/Month

2021-05



NOTE

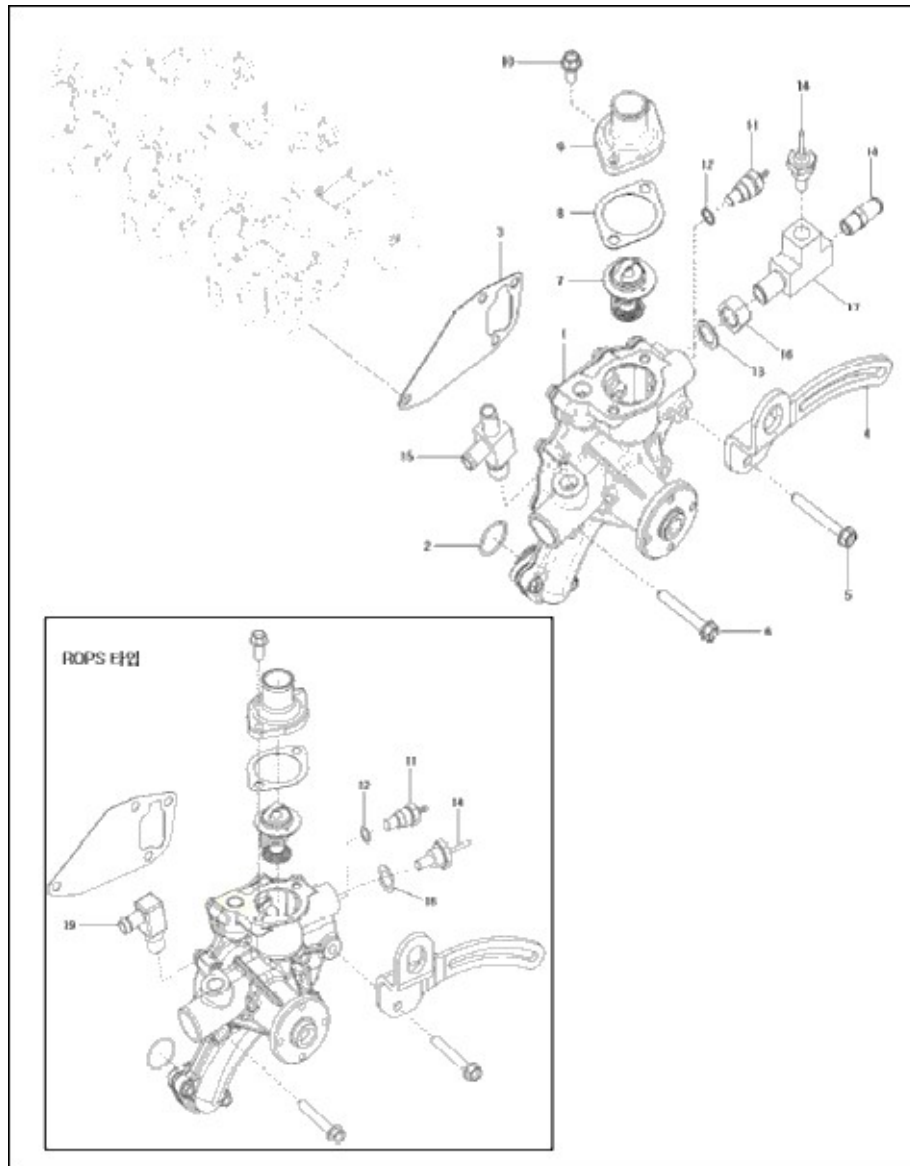
FIG

COOLING WATER PUMP

년/월
Year/Month

TE58

2021-05



NOTE

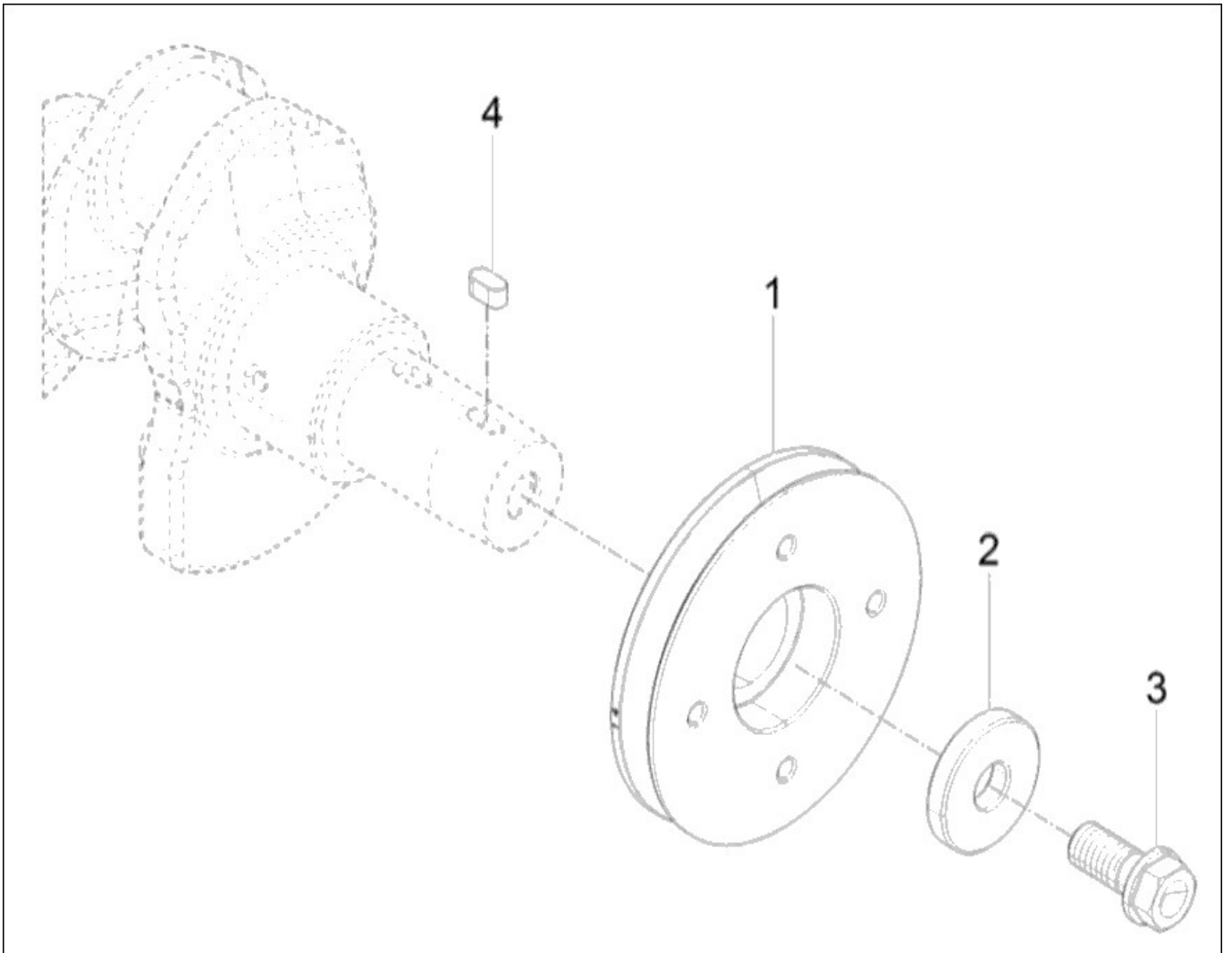
FIG

TE58

CRANK SHAFT PULLEY

년/월
Year/Month

2021-05



NOTE

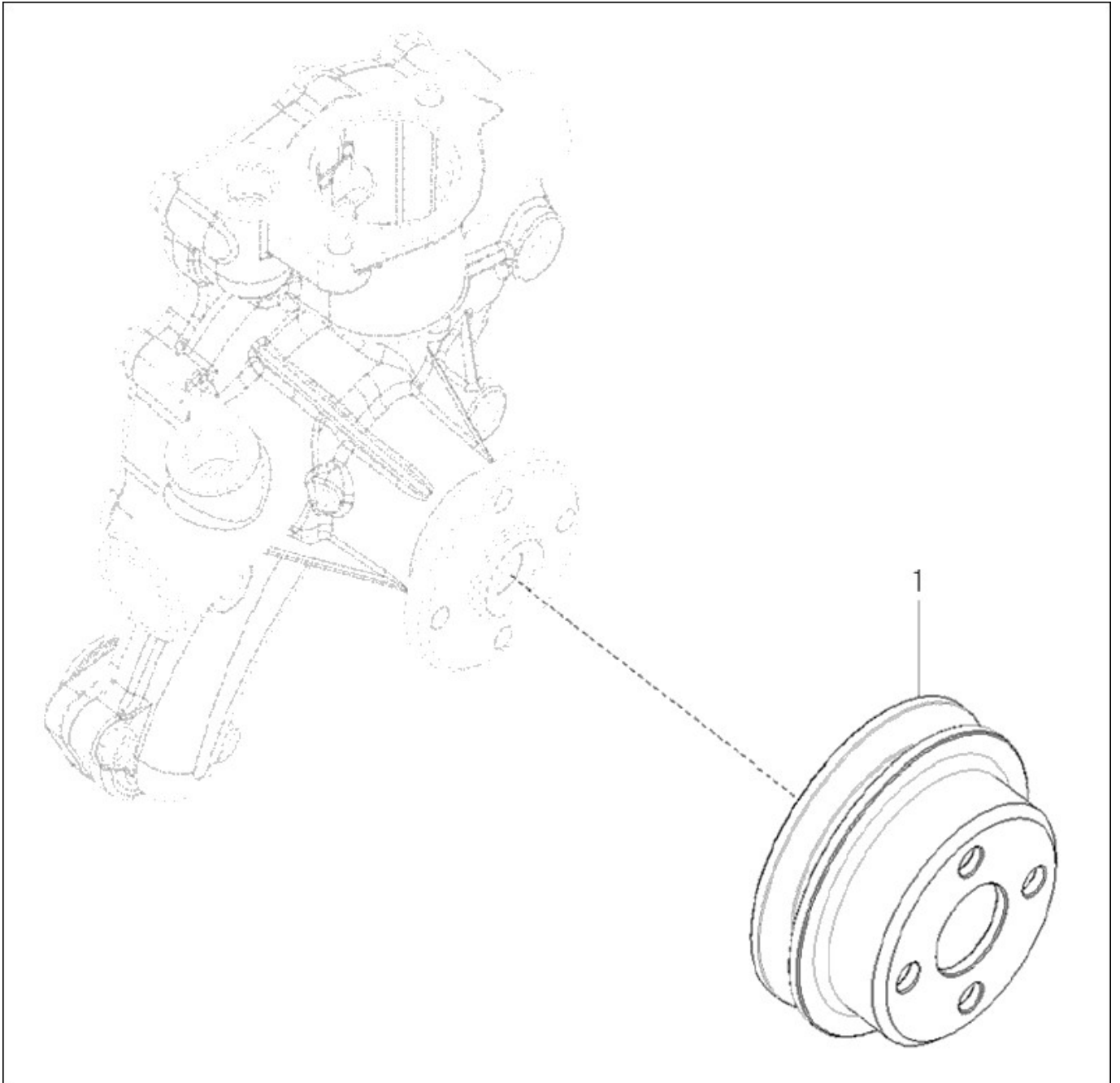
FIG

V-PULLEY

년/월
Year/Month

TE58

2021-05



NOTE

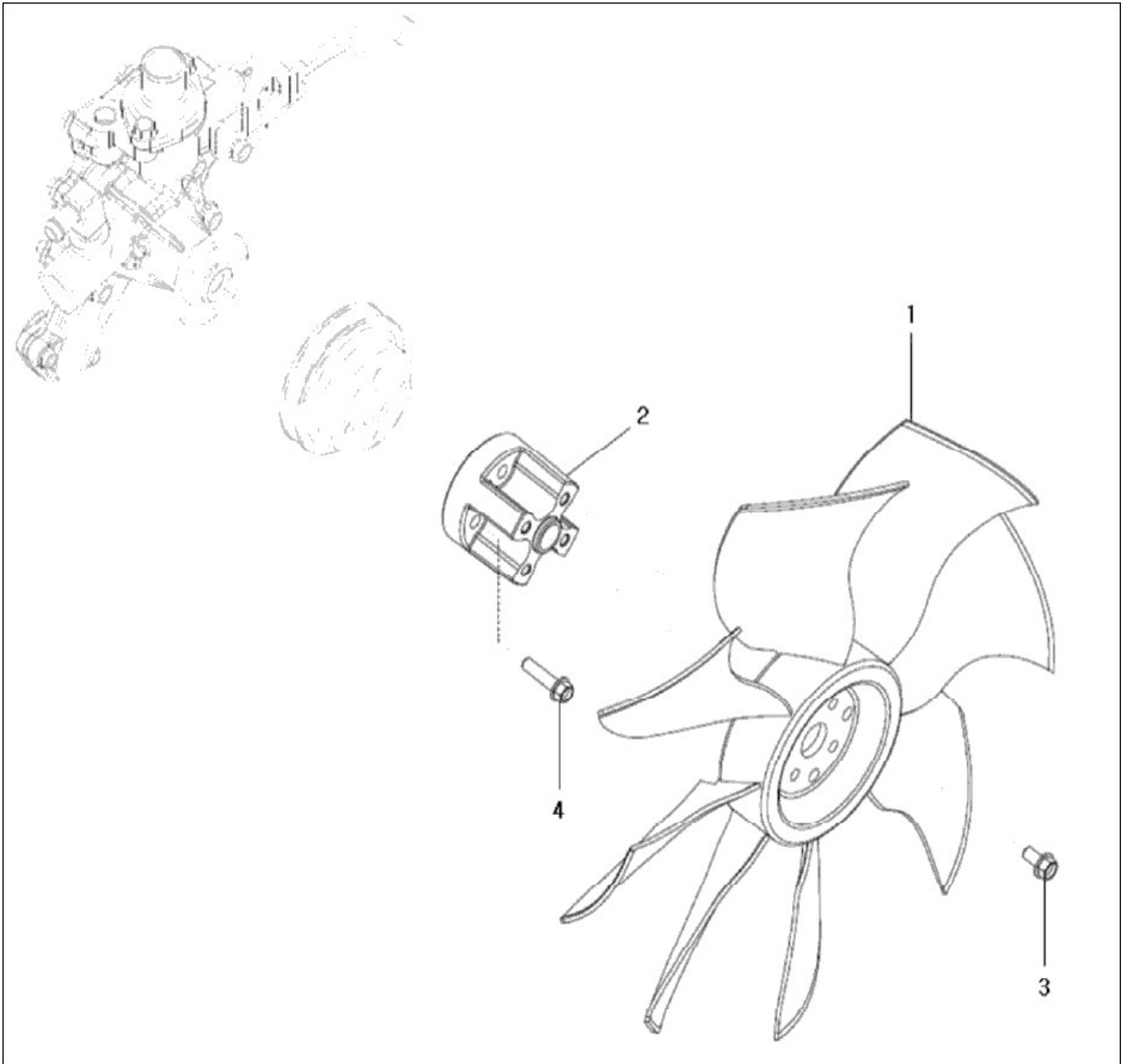
FIG

COOLING FAN

년/월
Year/Month

TE58

2021-05



NOTE

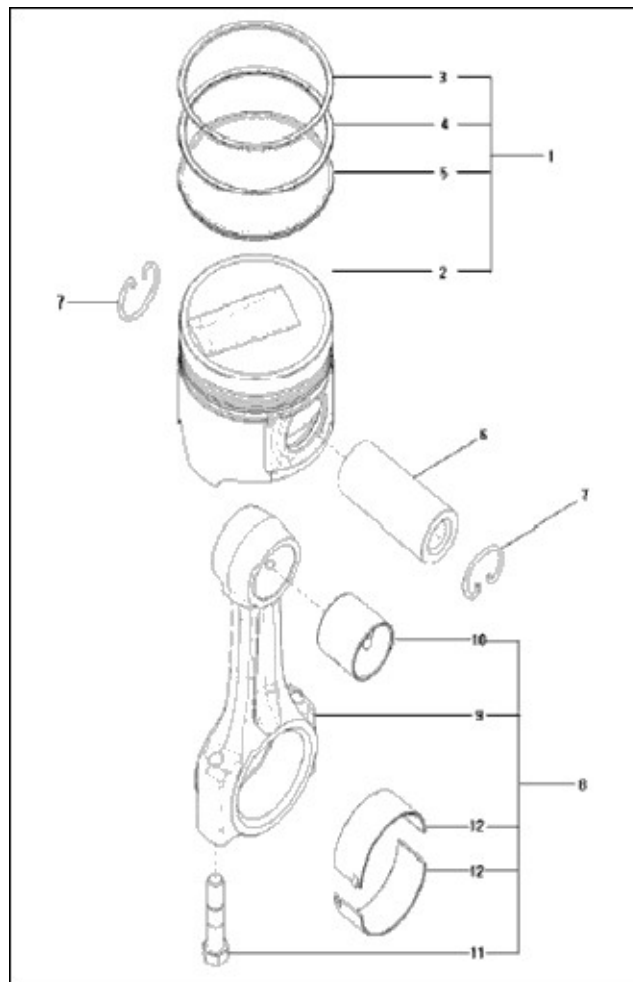
FIG

TE58

PISTON

년/월
Year/Month

2021-05



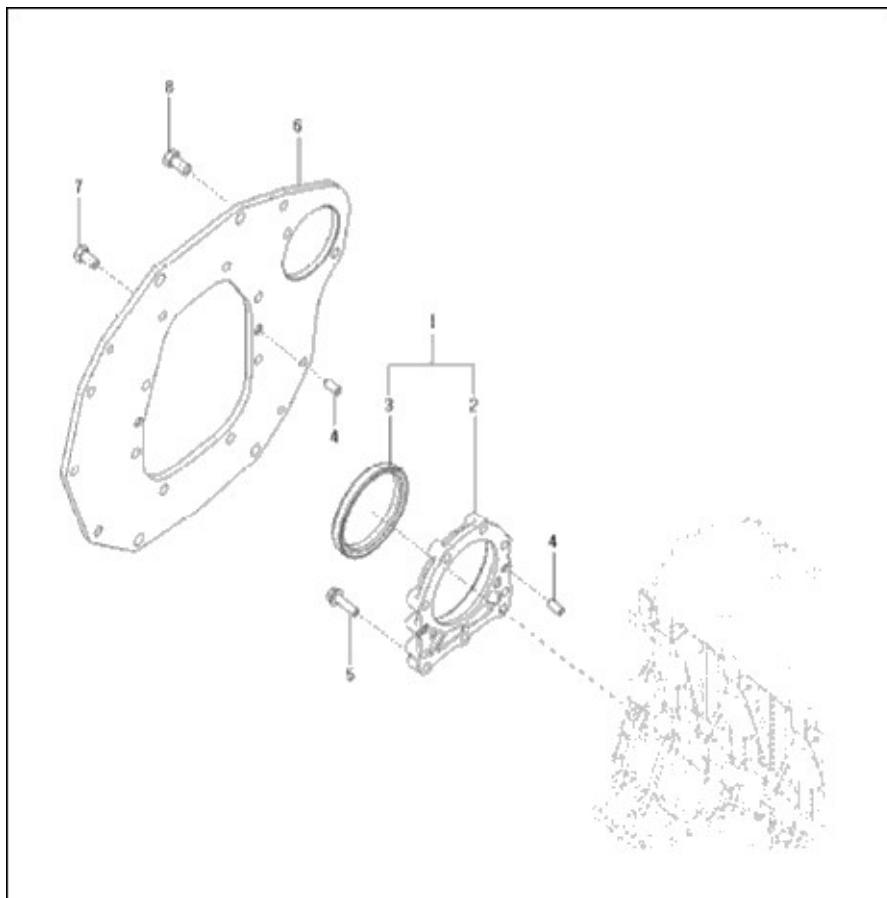
NOTE

FIG
TE58

FLYWHEEL HOUSING

년/월
Year/Month

2021-05



NOTE

FIG TE58		FLYWHEEL HOUSING					년/월 Year/Month	
							2021-05	
KEY NO	PART NO	DESCRIPTION	SPEC	QTY	REPAIR	EFFECTIVE DATE	REMARKS	
1	HRC0300800A	OIL SEAL HOUSING ASS'Y		1				
2	HRA0301401B	HOUSING, OIL SEAL		1				
3	HRC0300802A	OIL SEAL(F)		1				
4	22312-080160	PIN, DOWEL		4				
5	26106-080302	육각플랜지볼트		9				
6	EA00005602A	MOUNTING FLANGE		1				
7	26116-100202	HEX. BOLT		8				
8	26116-120302	HEX. BOLT		4				
NOTE								

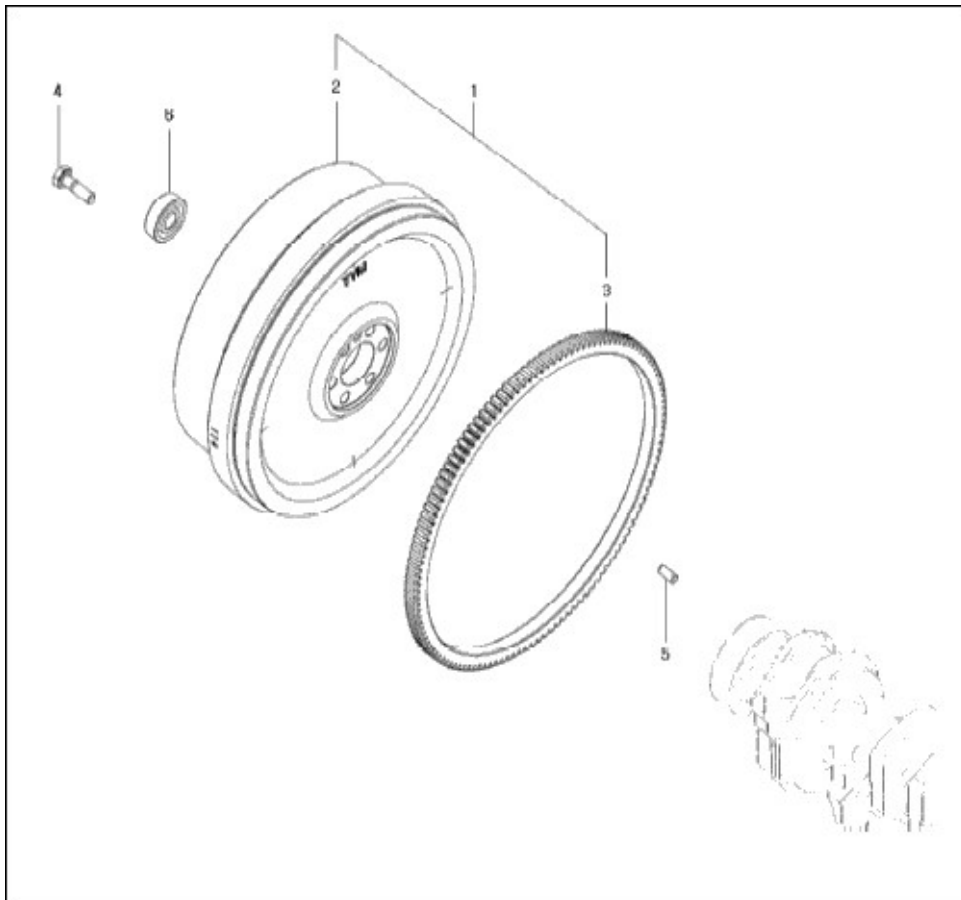
FIG

TE58

FLYWHEEL

년/월
Year/Month

2021-05



NOTE

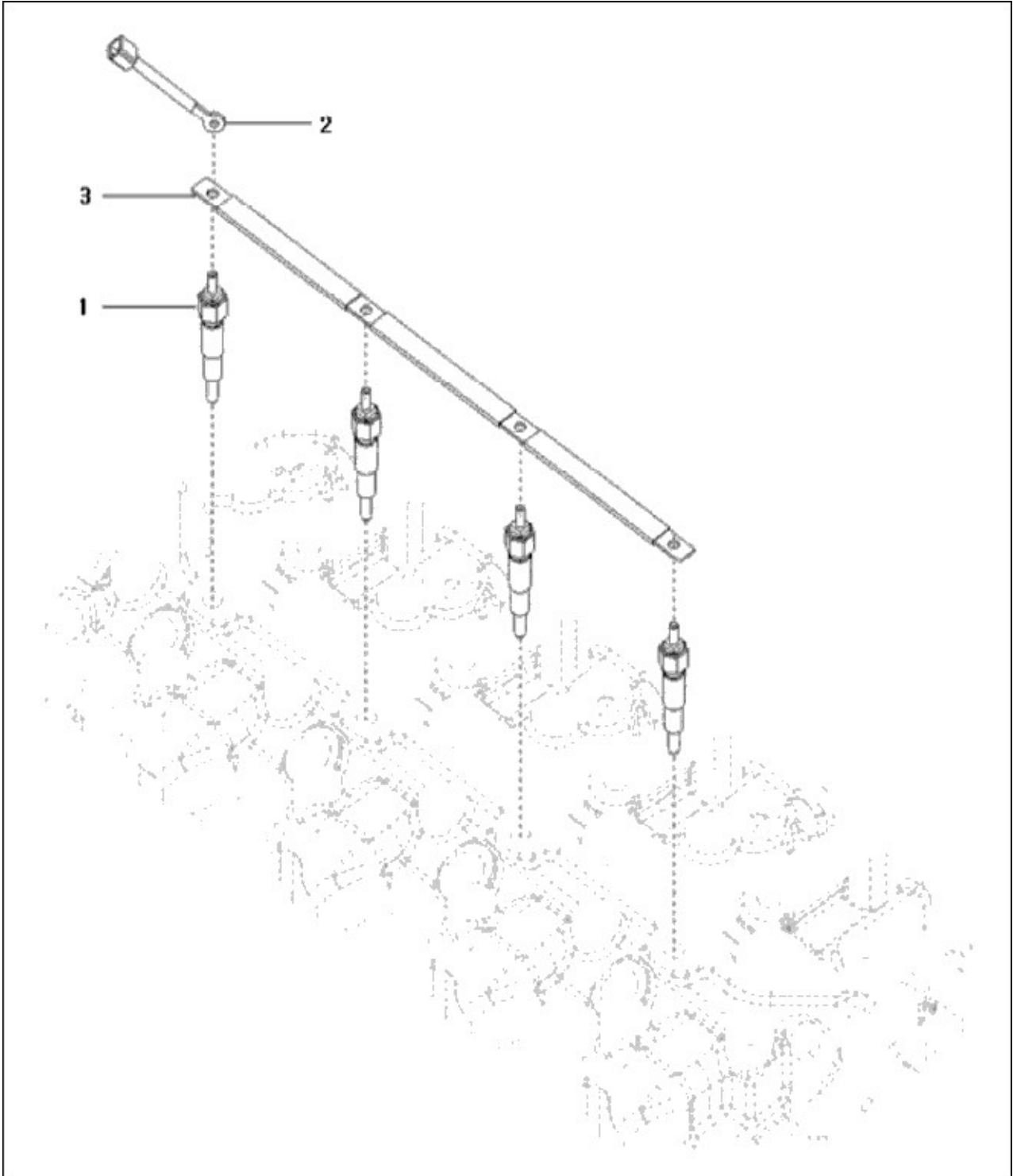
FIG

TE58

GLOW PLUG ASS'Y OPTION

년/월
Year/Month

2021-05



NOTE

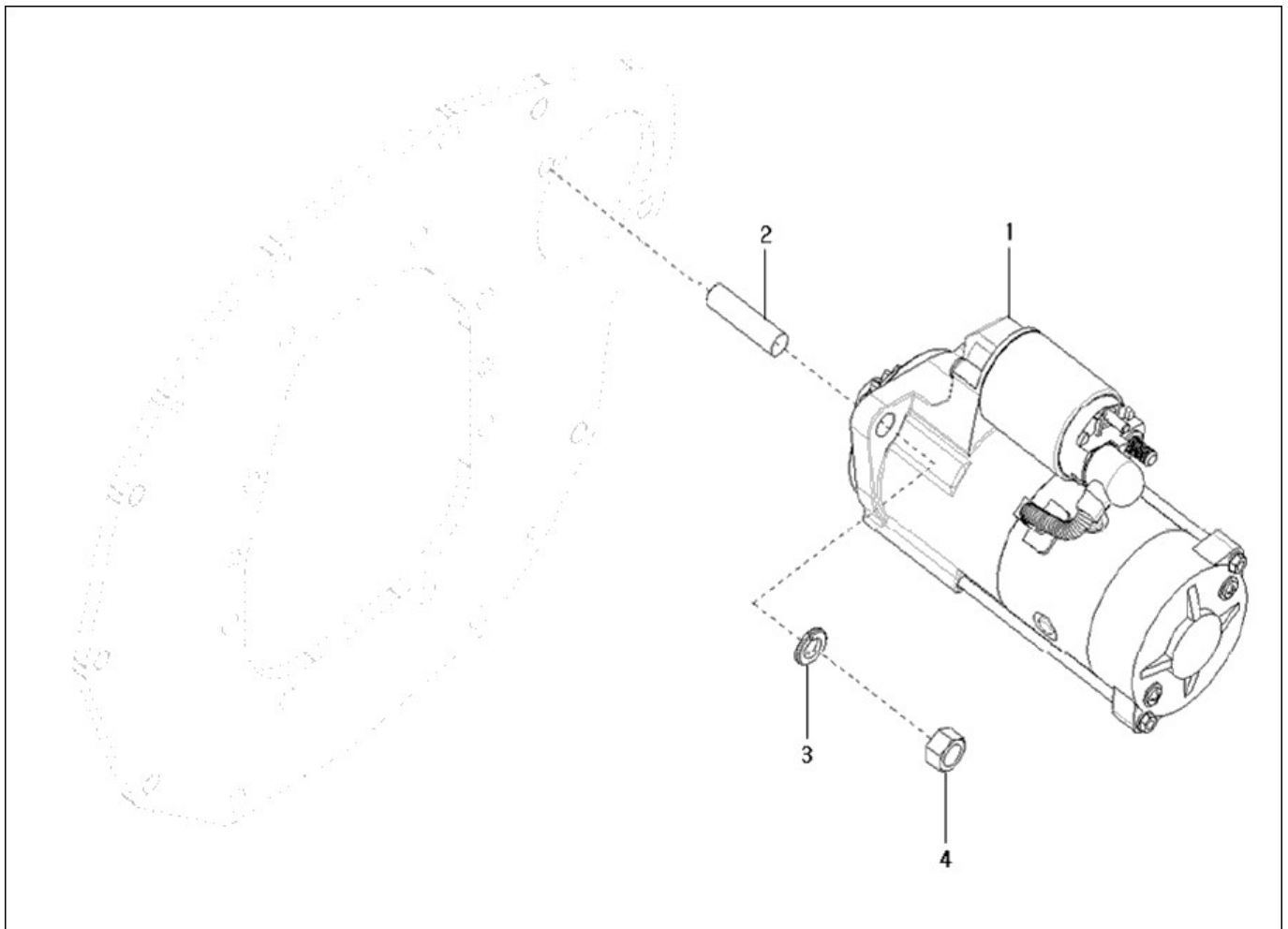
FIG

TE58

STARTING MOTOR

년/월
Year/Month

2021-05



NOTE

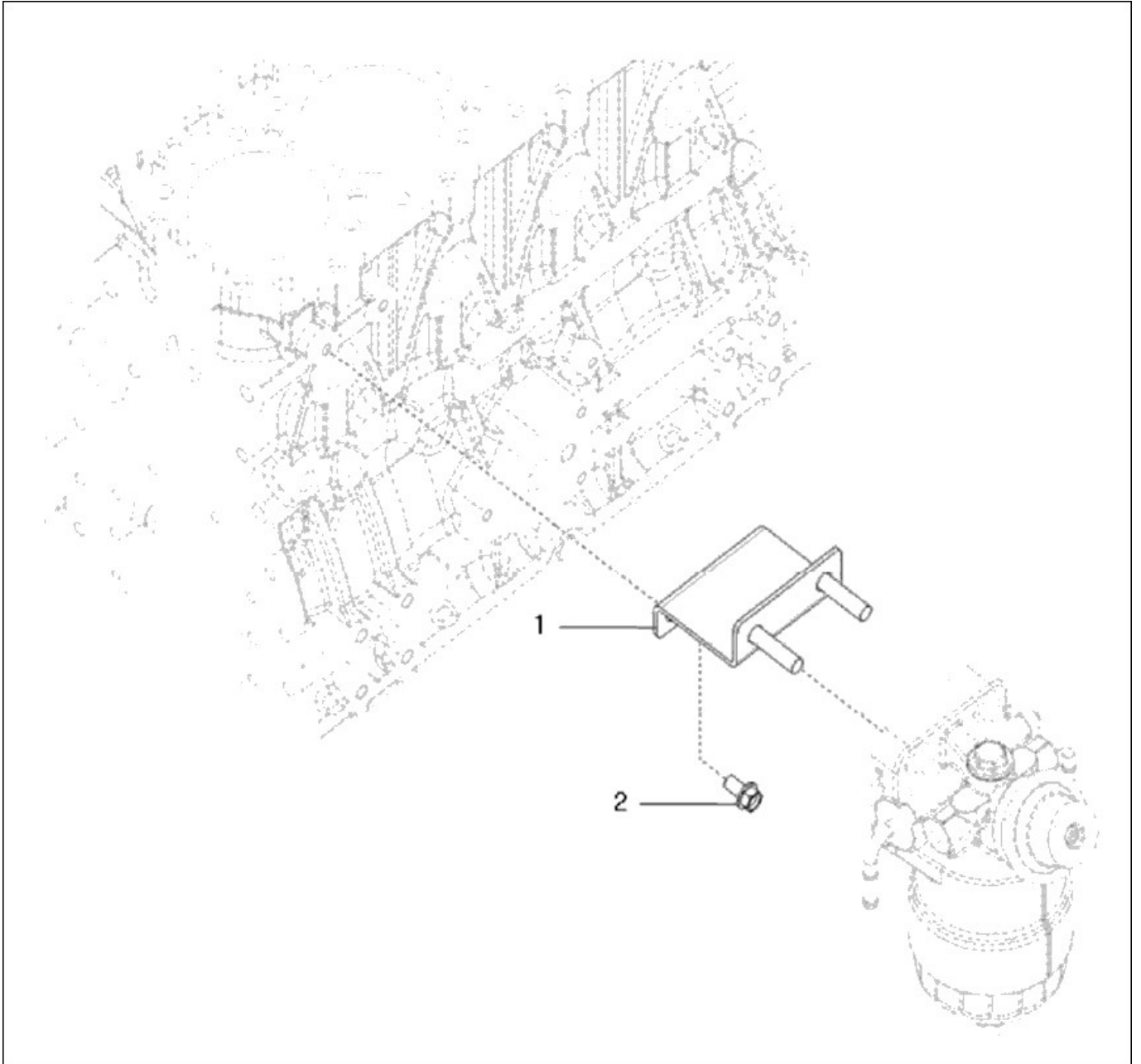
FIG

FUEL FILTER BRACKET ASS'Y

년/월
Year/Month

TE58

2021-05



NOTE

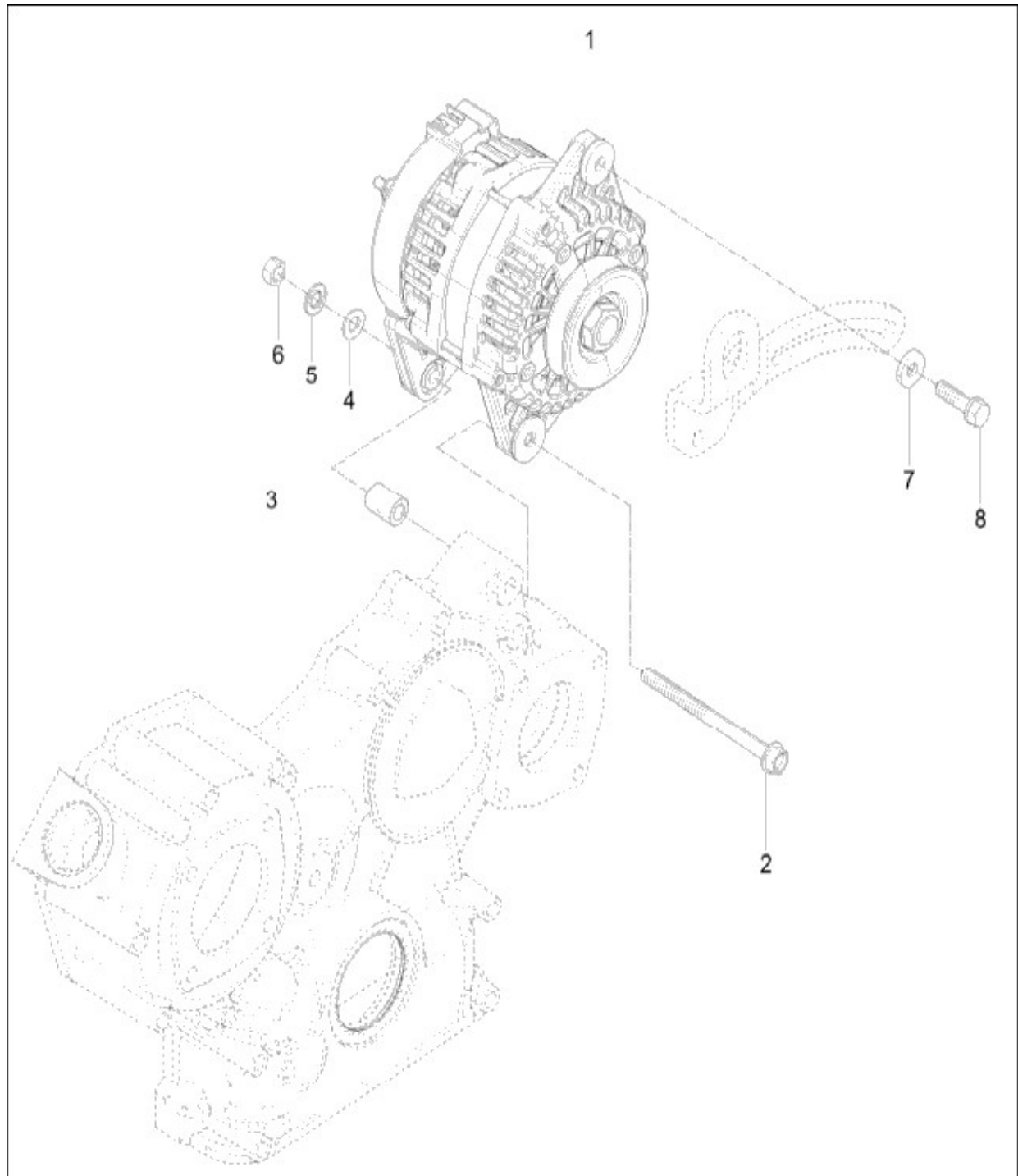
FIG

ALTERNATOR

년/월
Year/Month

TE58

2021-05



NOTE

FIG		ALTERNATOR						년/월 Year/Month	
TE58								2021-05	
KEY NO	PART NO	DESCRIPTION	SPEC	QTY	REPAIR	EFFECTIVE DATE	REMARKS		
1	EA00004190B	발전기조함(12V-70A)		1					
2	26106-081102	HEX. FLANGE BOLT		1					
3	HN21240000A	스페이서		1					
4	22127-080000	PLAIN WASHER		1					
5	22217-080000	스프링와셔		1					
6	26716-080002	HEX. NUT		1					
7	RR15170000A	WASHER		1					
8	26013-080302	와셔조립육각볼트		1					
NOTE									

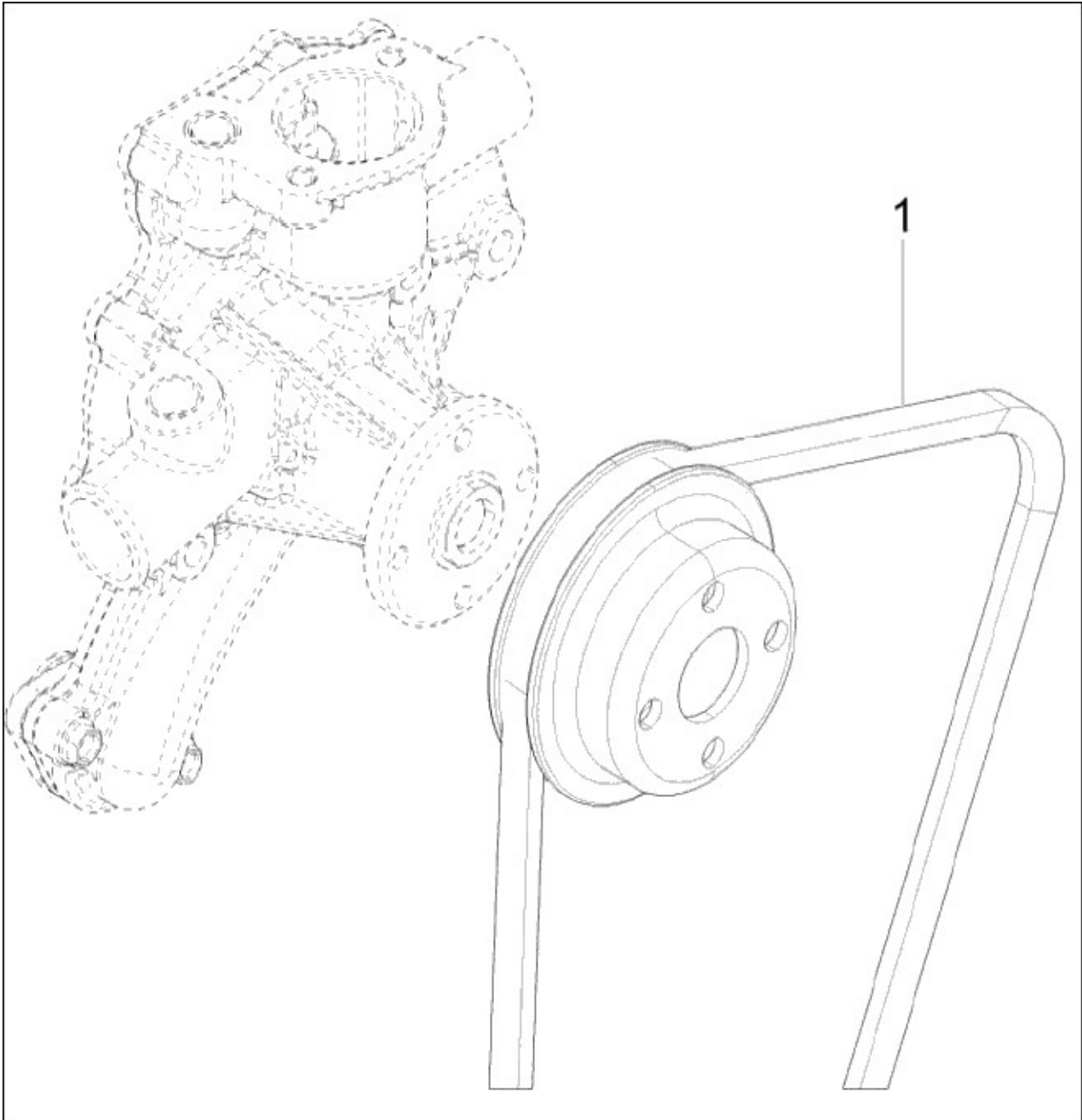
FIG

V-BELT

년/월
Year/Month

TE58

2021-05



NOTE

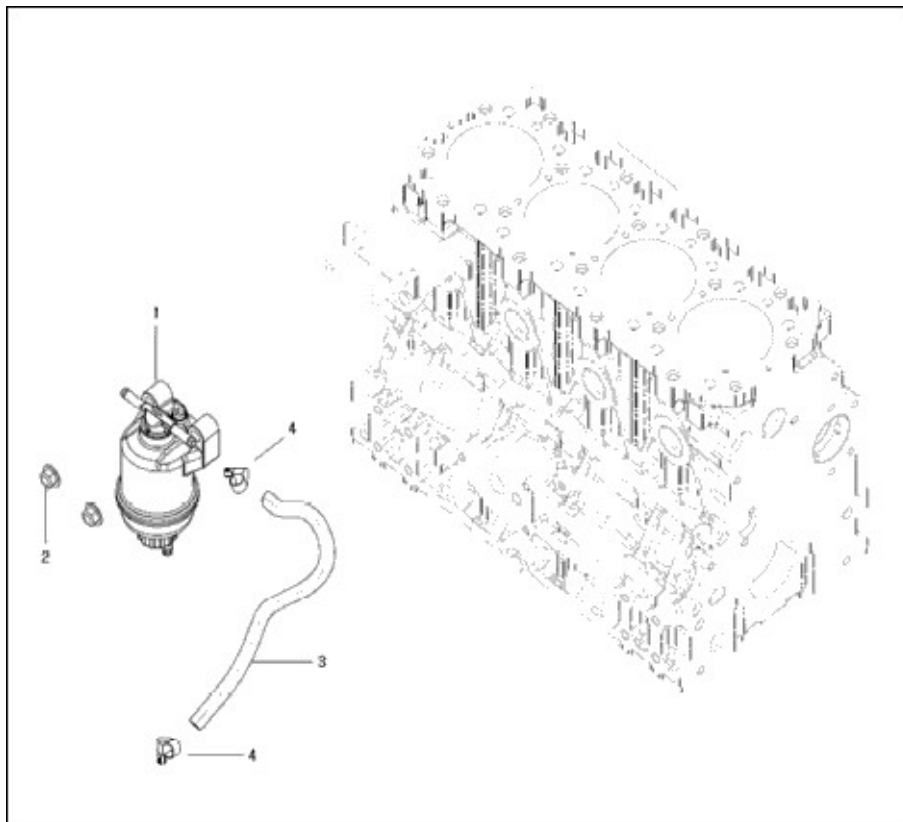
FIG

FUEL FILTER

년/월
Year/Month

TE58

2021-05



NOTE

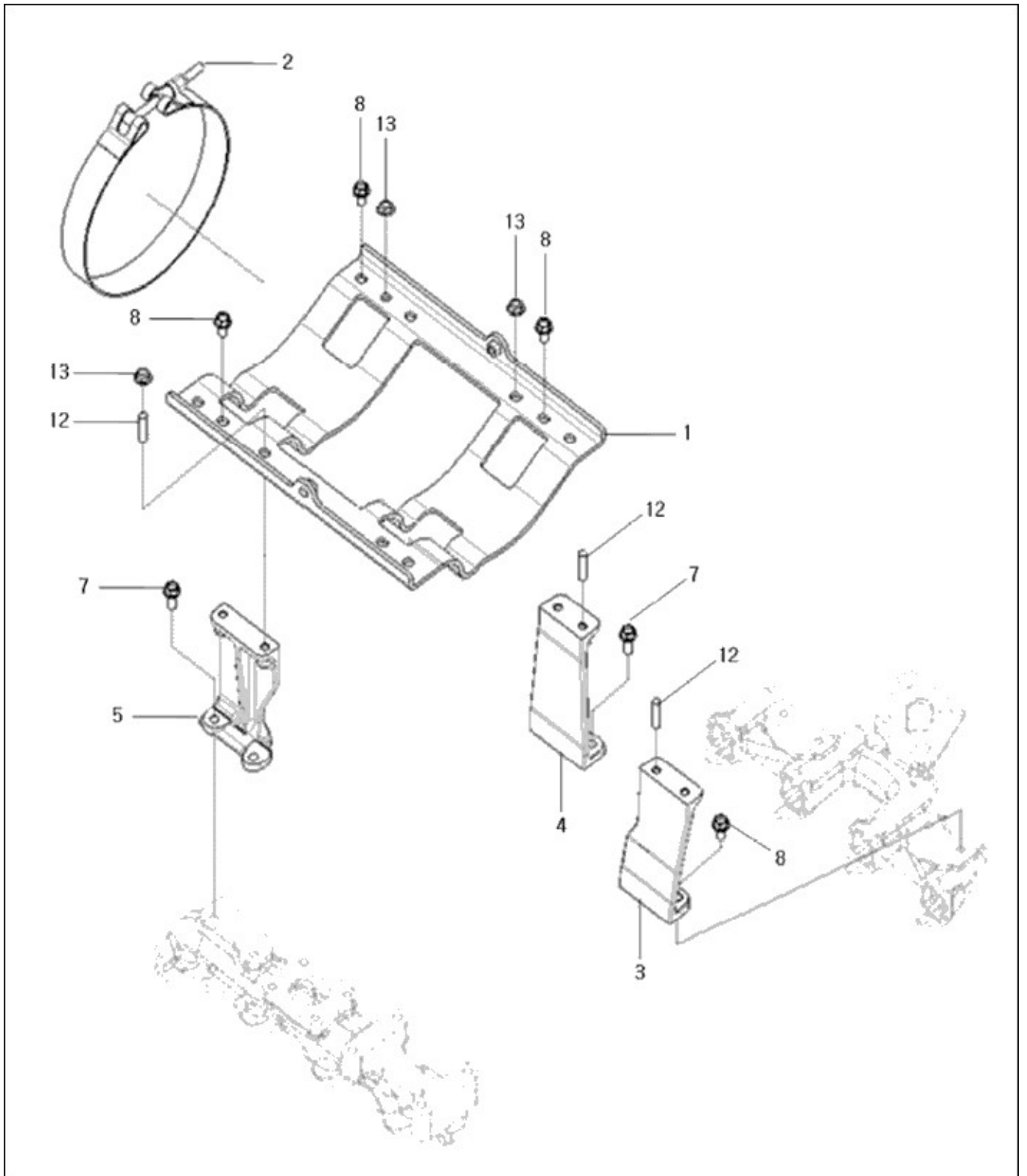
FIG

DPF SUPPORT

년/월
Year/Month

TE58

2021-05



NOTE

FIG TE58		DPF SUPPORT						년/월 Year/Month
								2021-05
KEY NO	PART NO	DESCRIPTION	SPEC	QTY	REPAIR	EFFECTIVE DATE	REMARKS	
1	EA00004273A	MAIN BRACKET ASS'Y		1				
2	EA00004268A	CLAMP, DPF		2				
3	EA00003507B	DPF SUPPORT(A)		1				
4	EA00003508A	DPF SUPPORT(B)		1				
5	EA00003509A	DPF SUPPORT(C)		1				
7	26106-080222	HEX. FLANGE BOLT		4				
8	26106-080162	육각플랜지볼트		6				
13	26367-080002	육각플랜지너트		3				
NOTE								

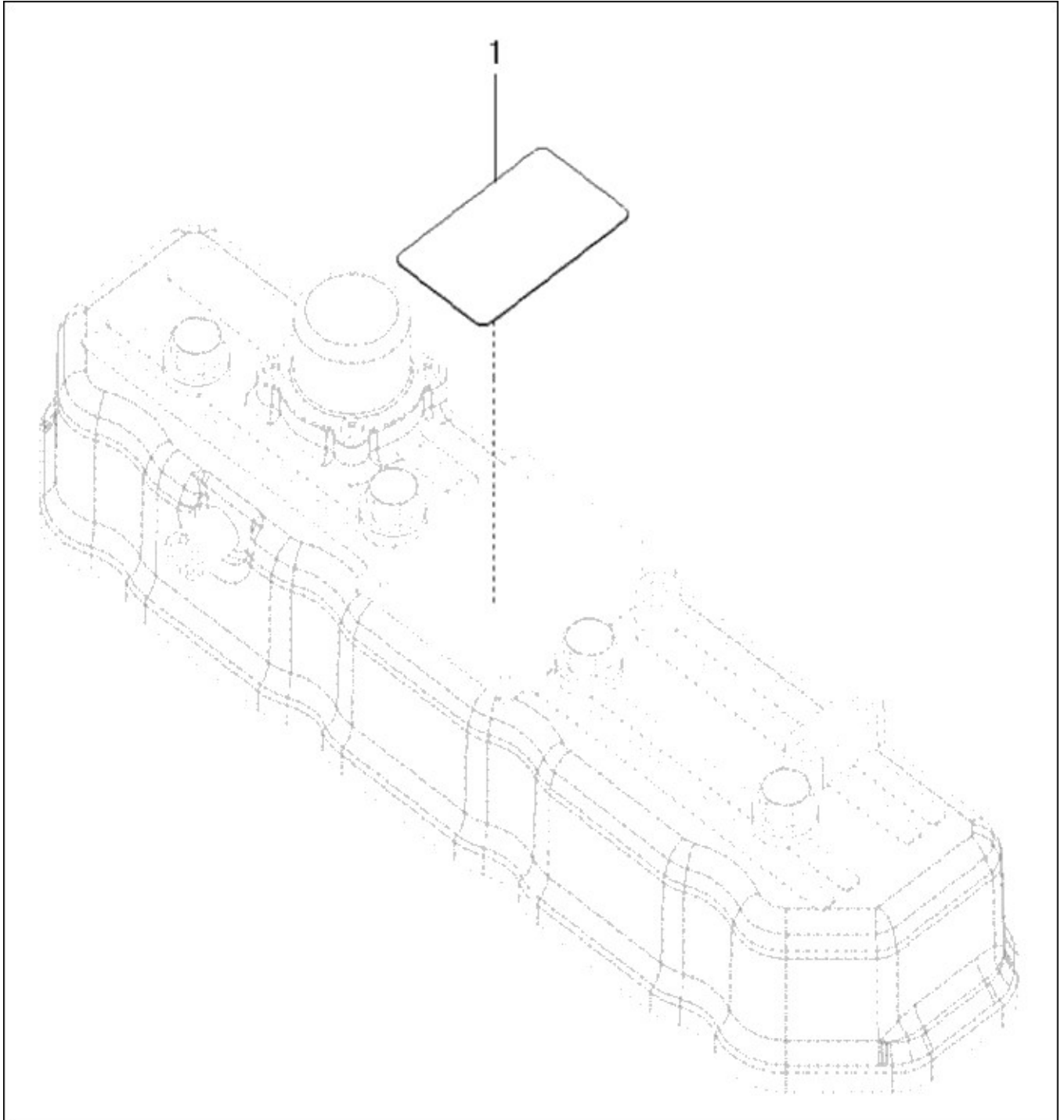
FIG

TE58

DATAPLATE

년/월
Year/Month

2021-05



NOTE

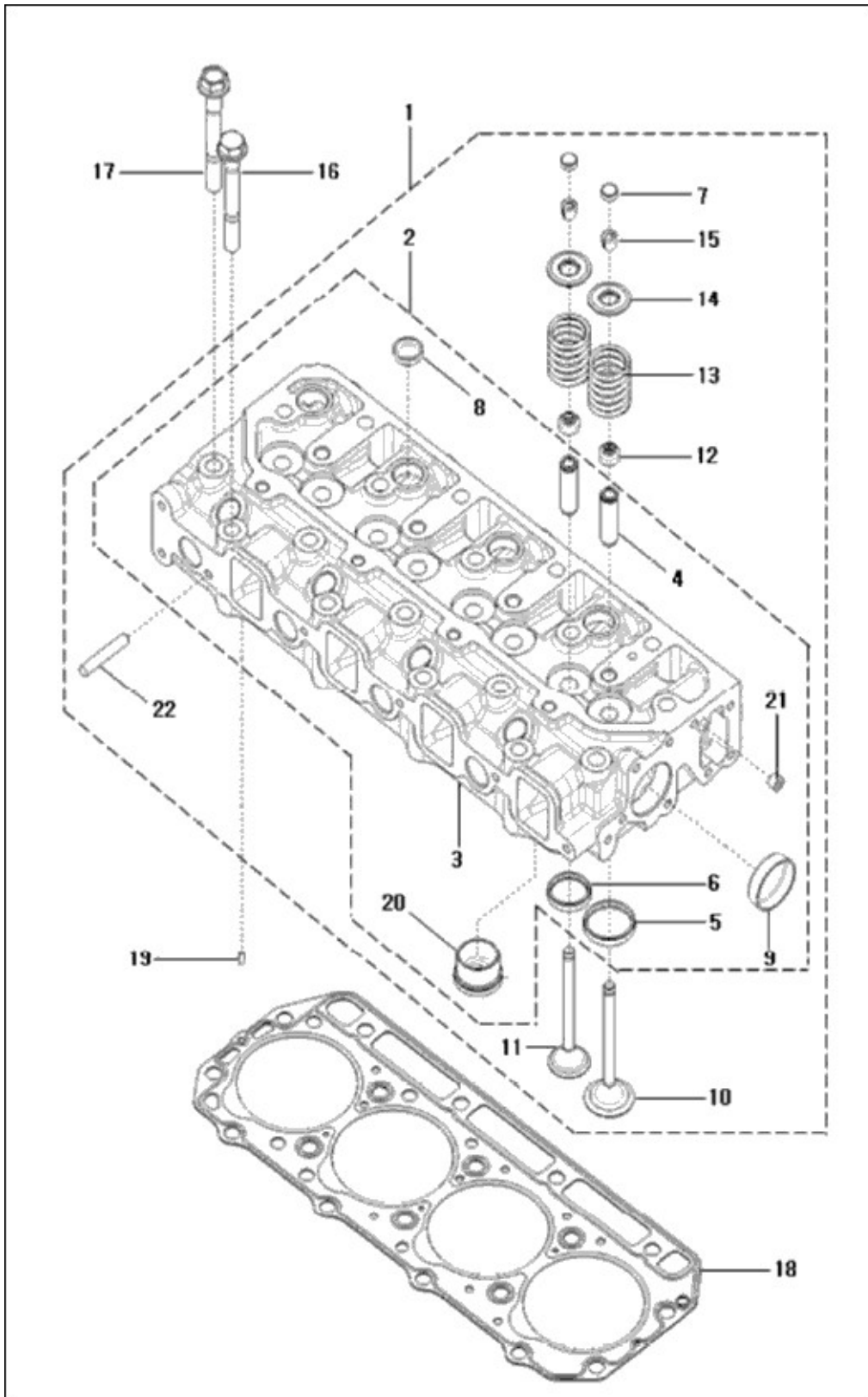
FIG

CYLINDER HEAD

년/월
Year/Month

2021-05

TE58



NOTE

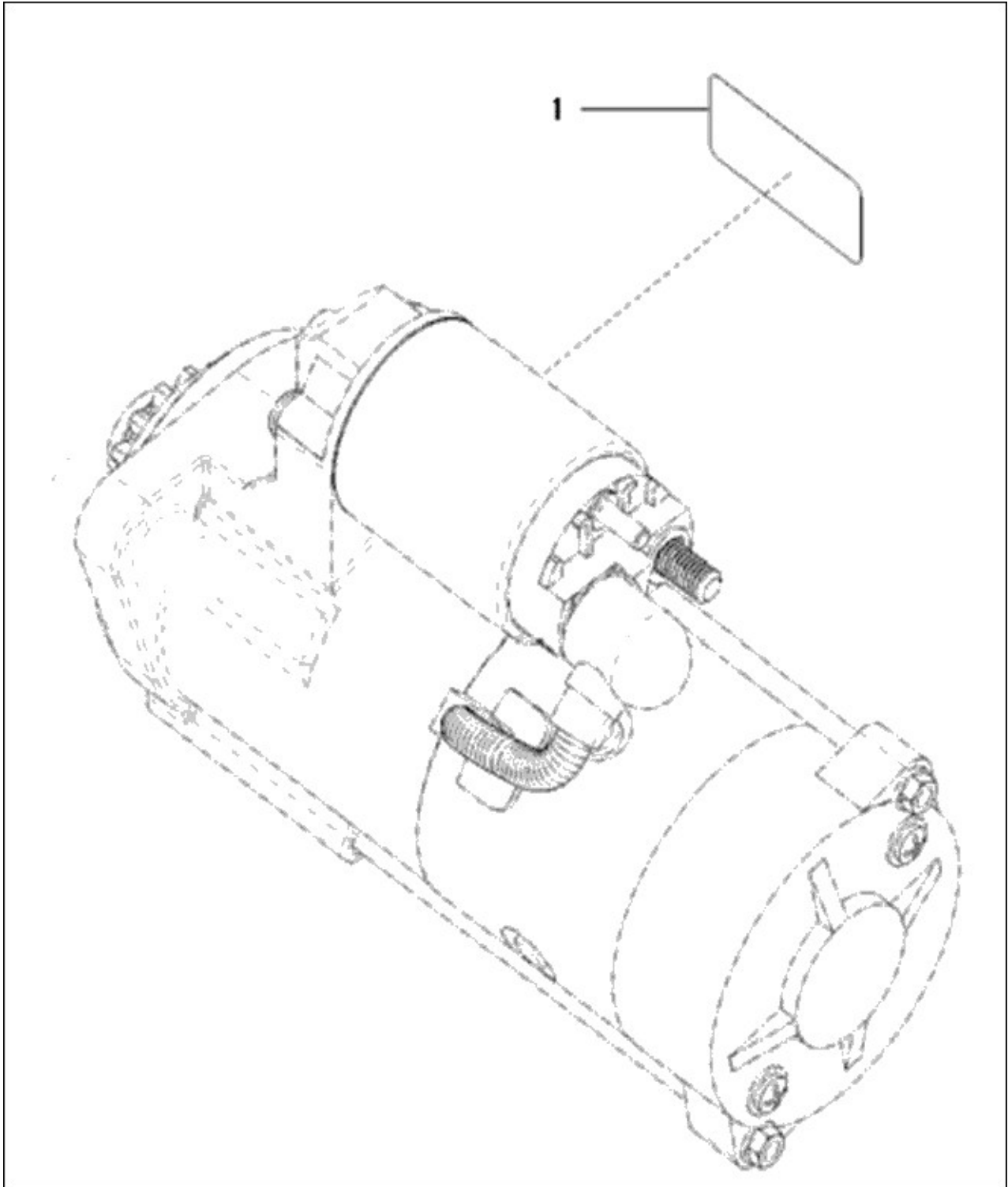
FIG

NAME PLATE, STARTING MOTOR

년/월
Year/Month

TE58

2021-05



NOTE

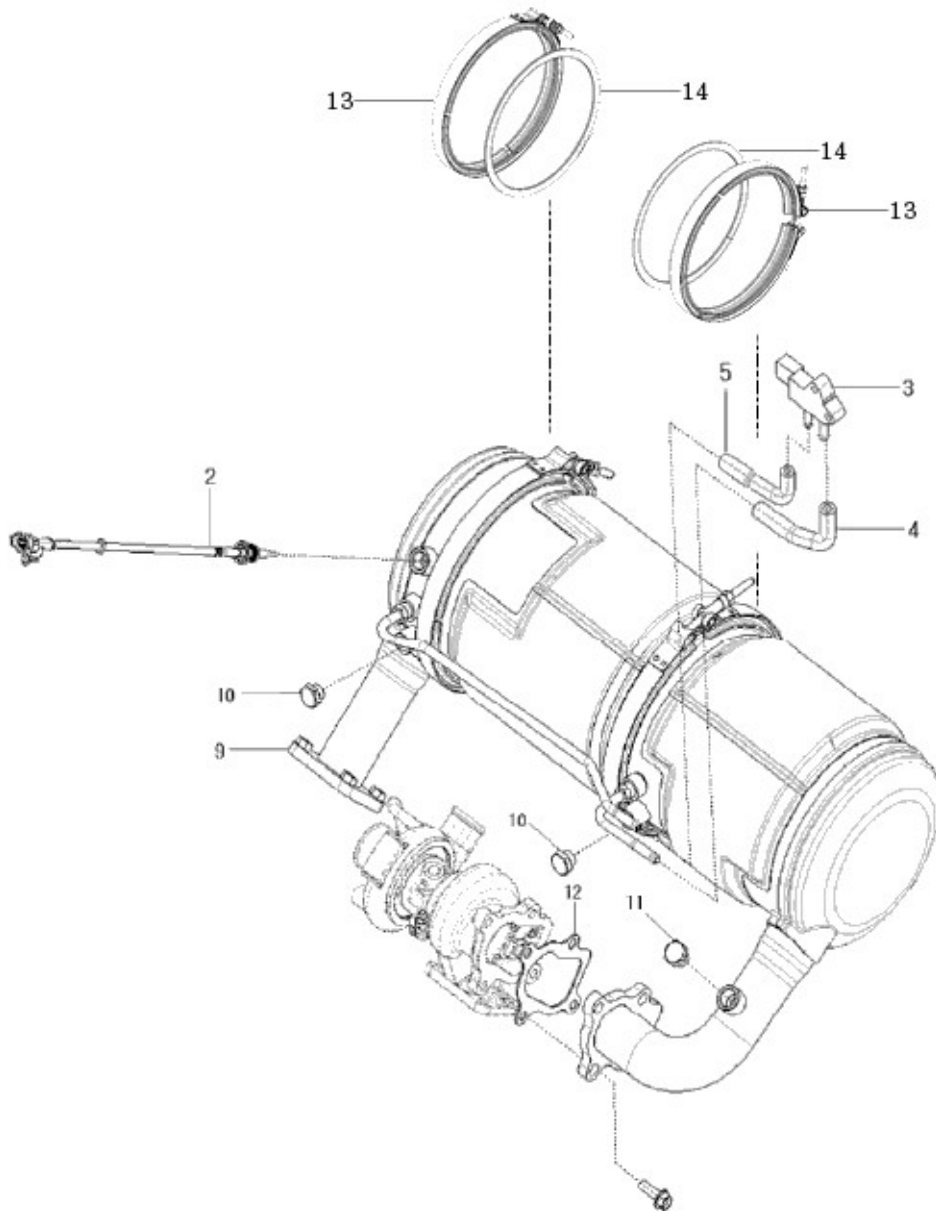
FIG

TE58

DPF ASS'Y

년/월
Year/Month

2021-05



NOTE

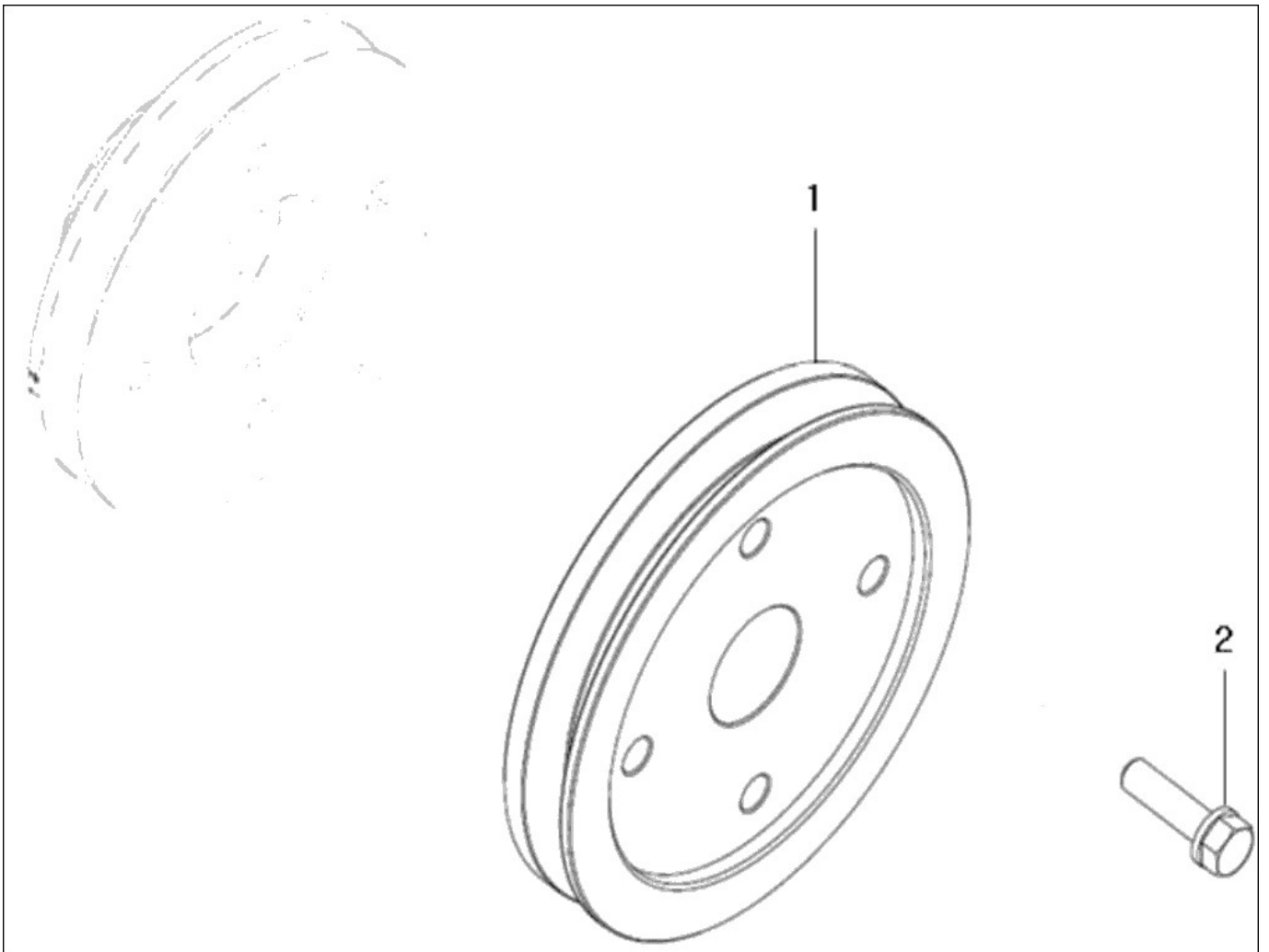
FIG

TE58

COMP . DRIVE PULLEY ASS'Y OPTION

년/월
Year/Month

2021-05



NOTE

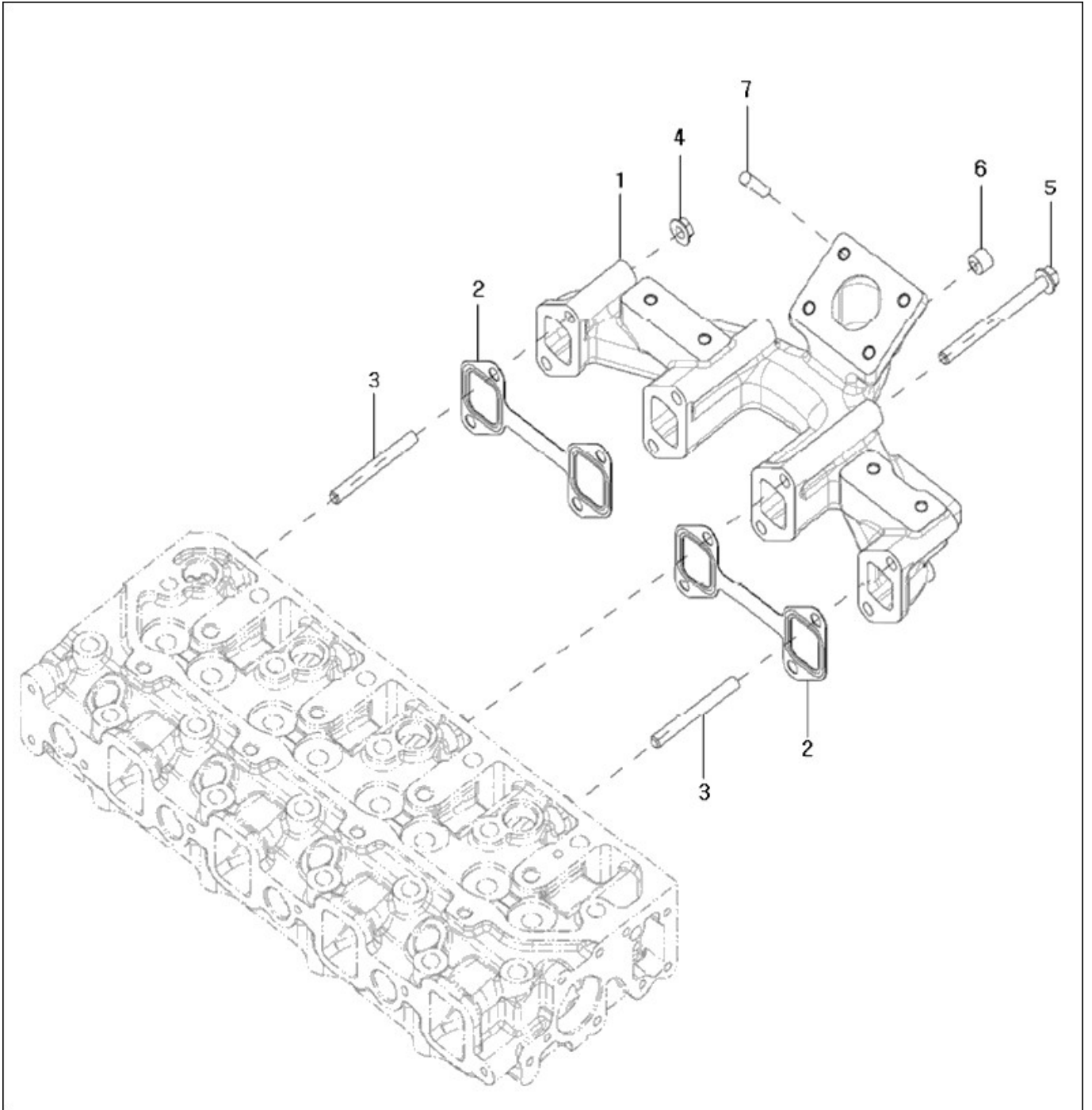
FIG

EXHAUST MANIFOLD

년/월
Year/Month

TE58

2021-05



NOTE

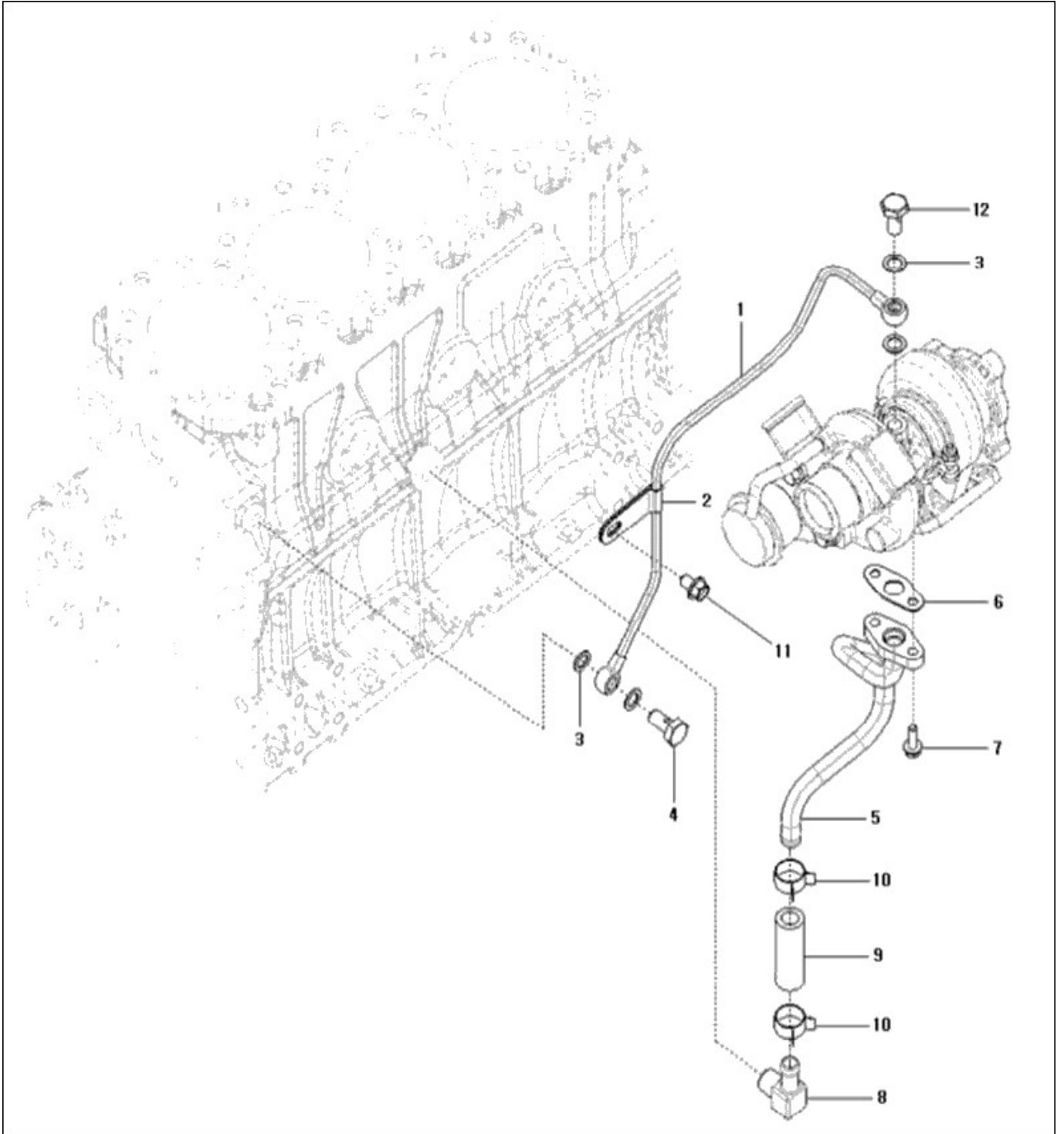
FIG

TURBOCHARGER PLUMBING OPTION

년/월
Year/Month

TE58

2021-05



NOTE

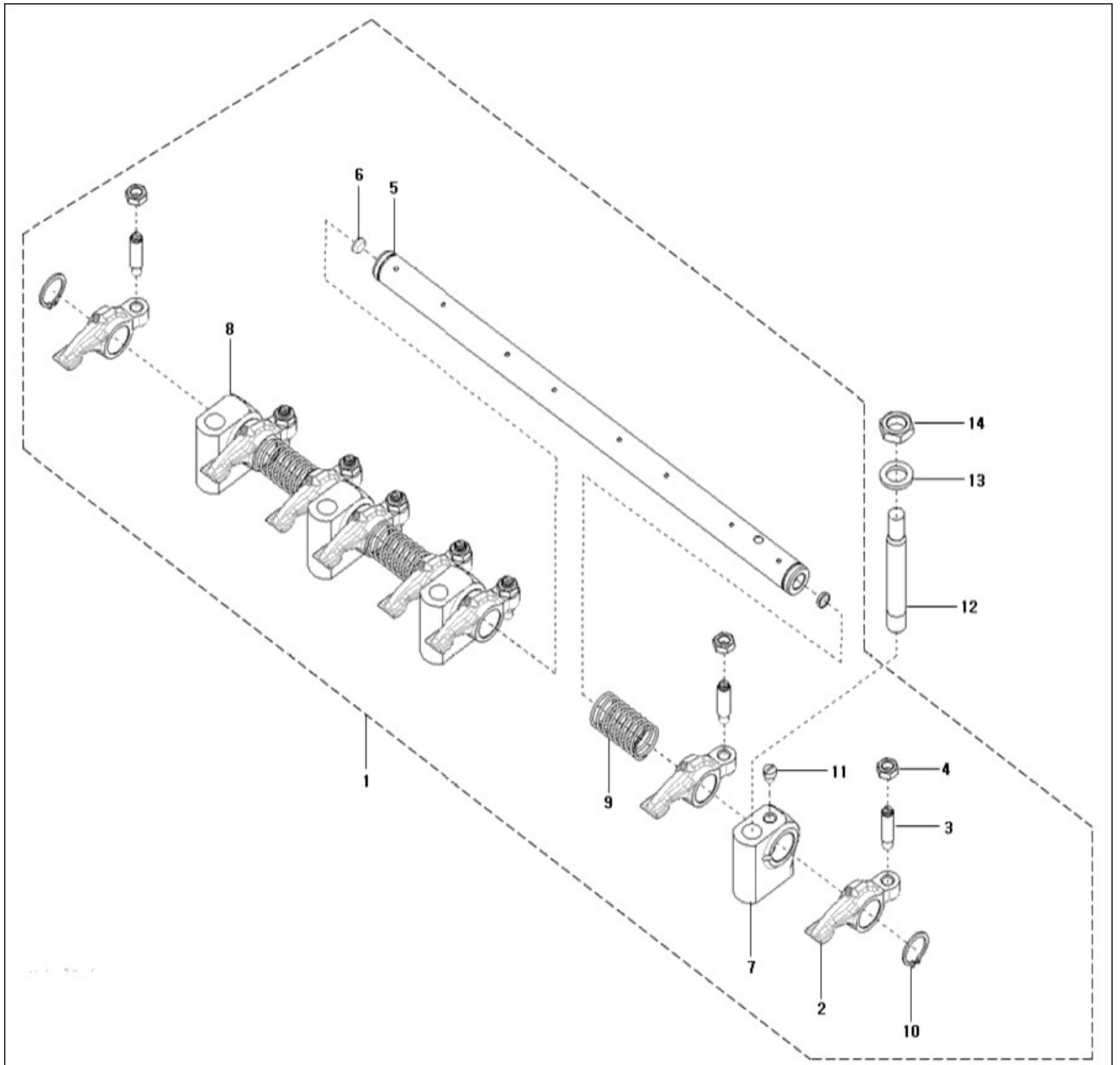
FIG

TE58

ROCKER LEVER

년/월
Year/Month

2021-05



NOTE

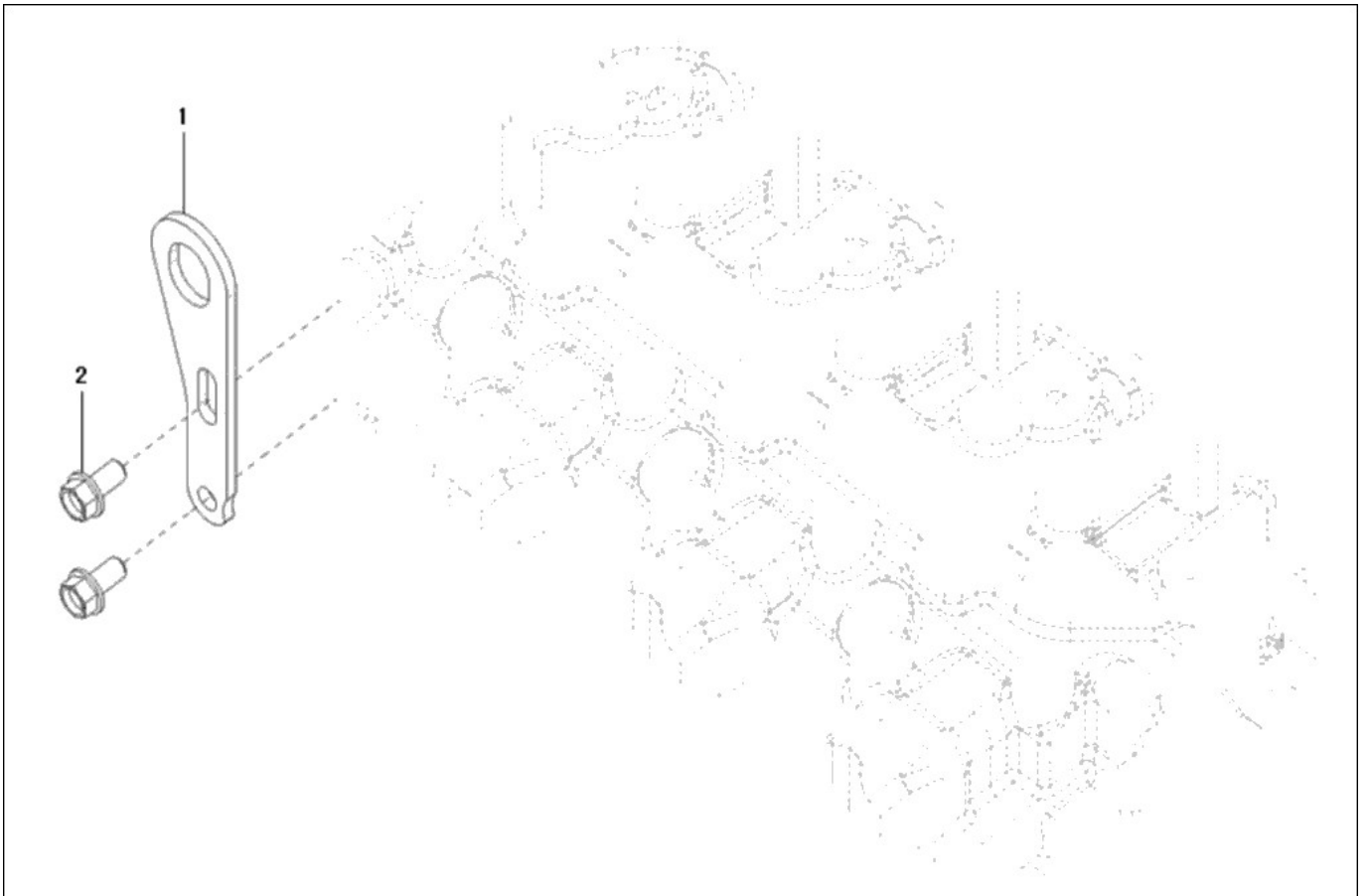
FIG

LIFT ASS'Y

년/월
Year/Month

TE58

2021-05



NOTE

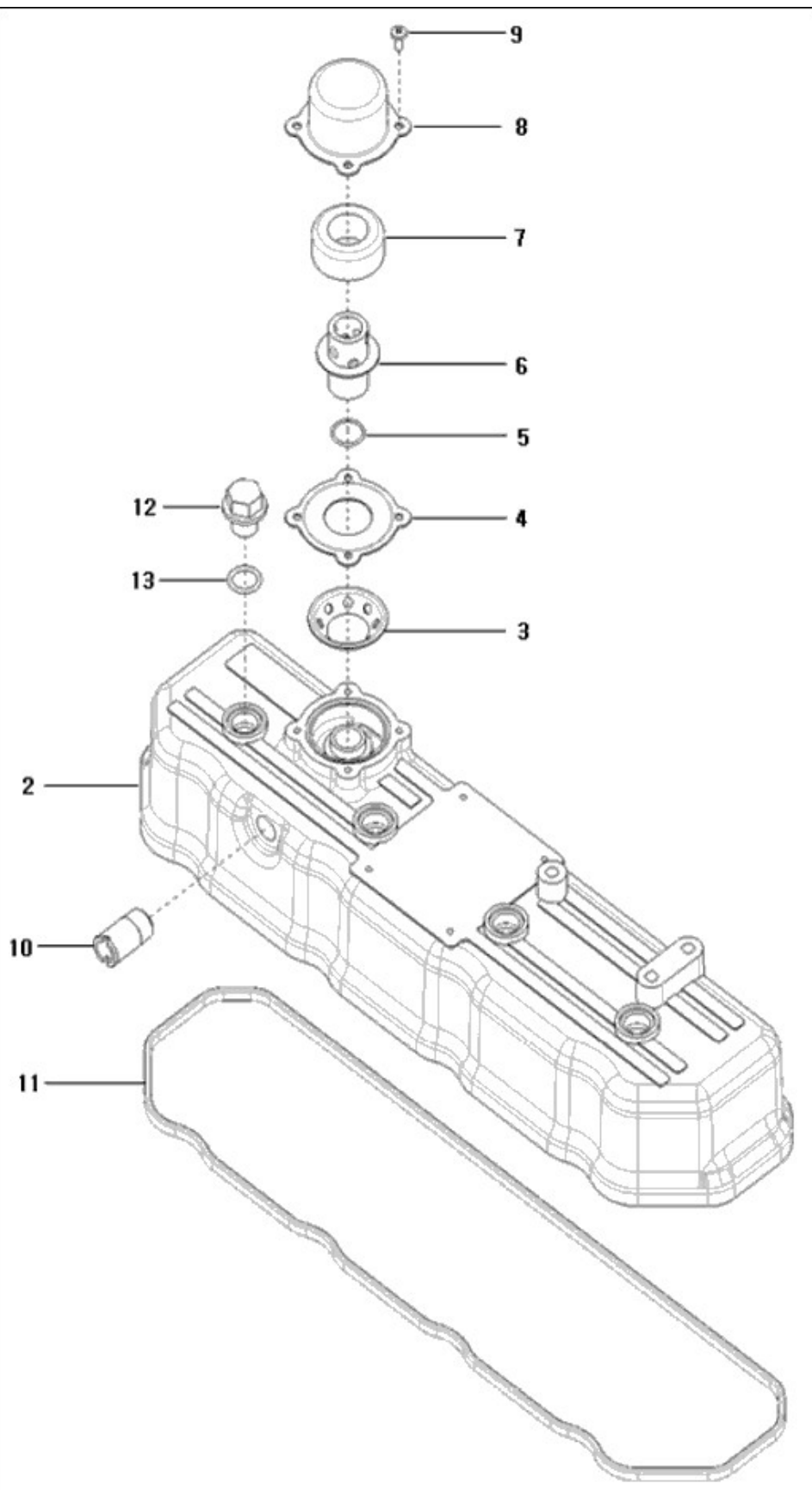
FIG

TE58

HEAD COVER

년/월
Year/Month

2021-05



NOTE

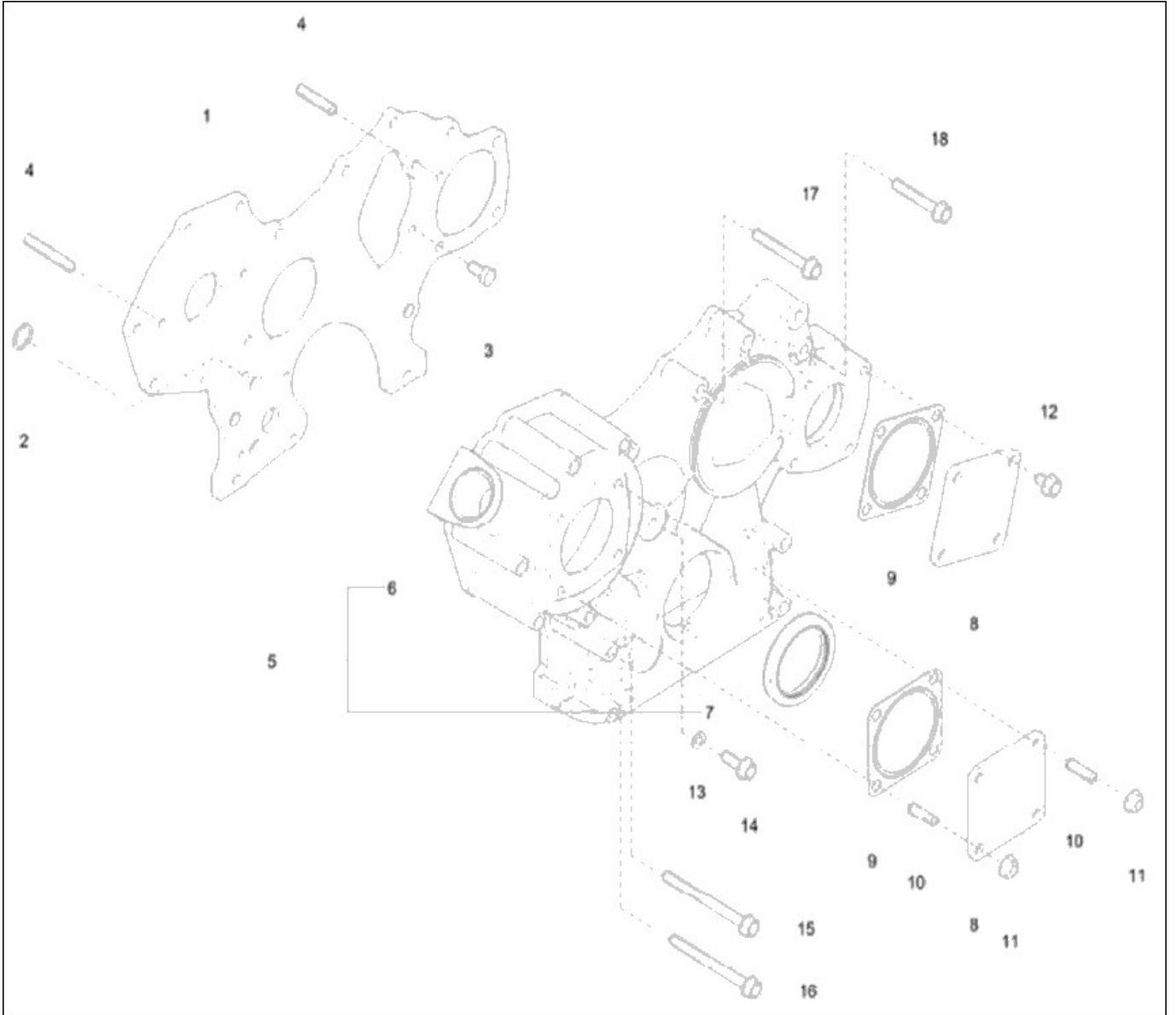
FIG

GEAR CASE

년/월
Year/Month

TE58

2021-05



NOTE

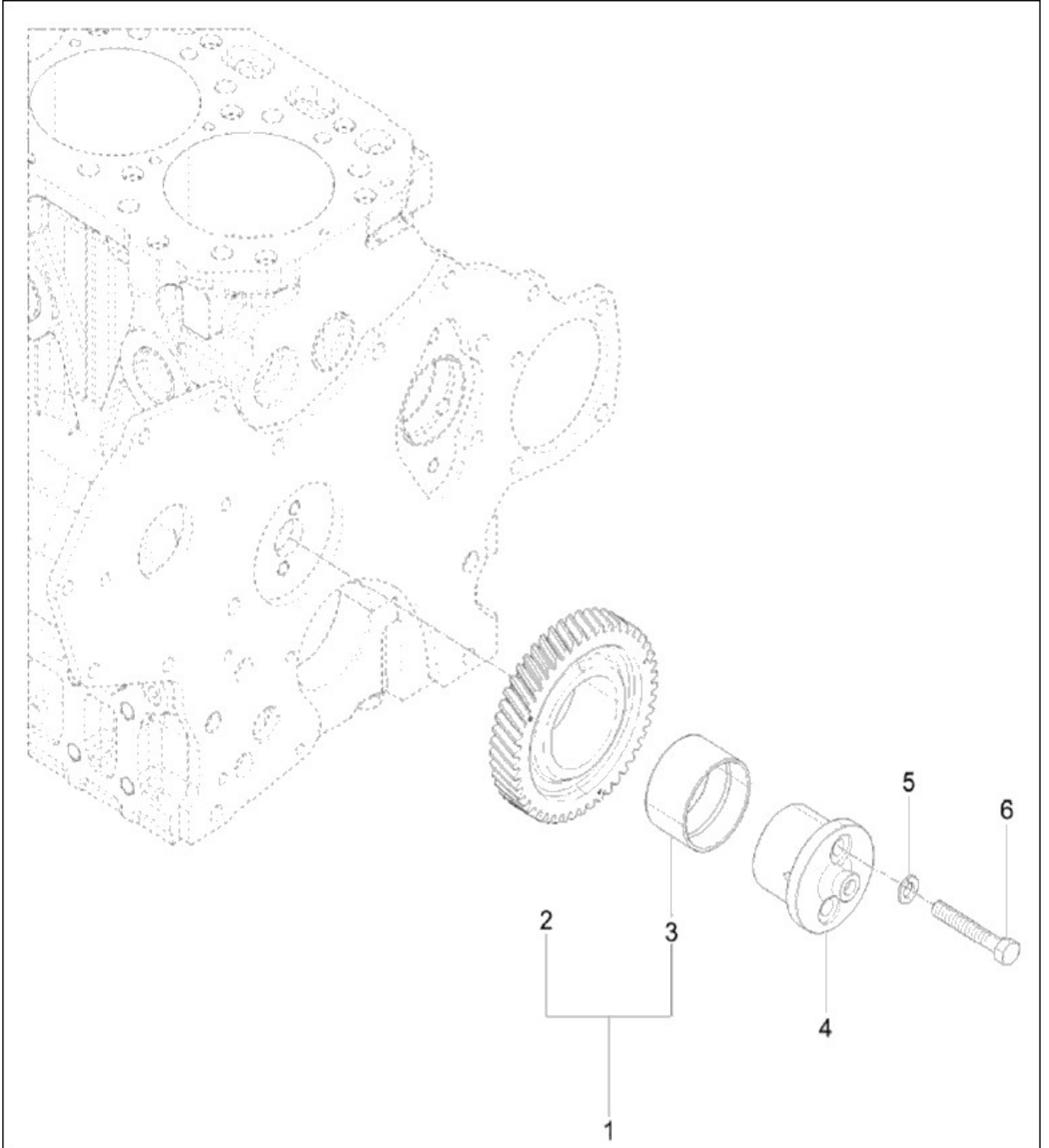
FIG

IDLE GEAR

년/월
Year/Month

TE58

2021-05



NOTE

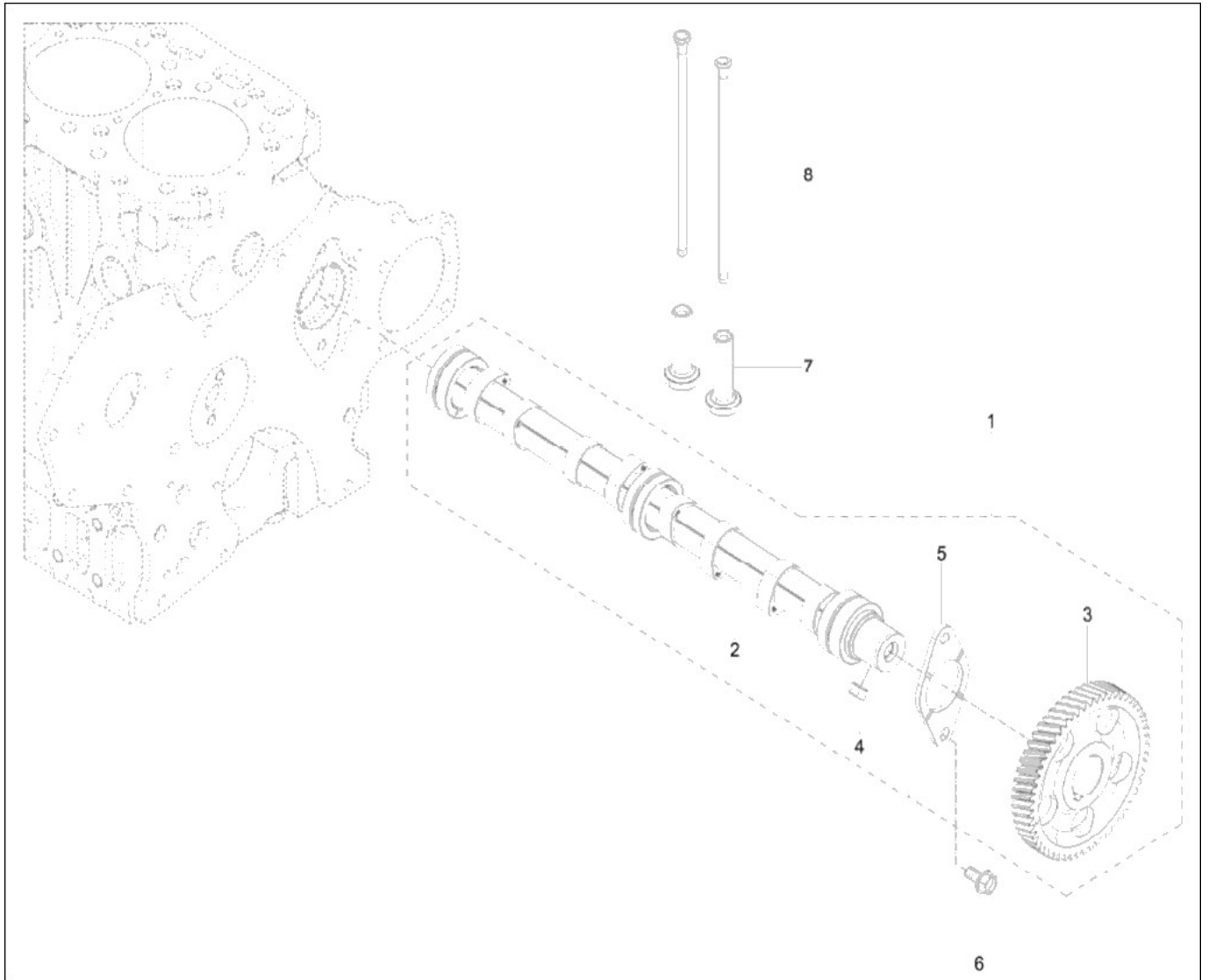
FIG

CAM SHAFT

년/월
Year/Month

TE58

2021-05



NOTE

2. 엔진보기품 PART NO. T2

FIG AIR CLEANER	98
FIG RADIATOR	100
FIG MUFFLER	102
FIG FUEL HOSE & FILTER	104
FIG FUEL TANK	106
FIG ACCELERATOR	108

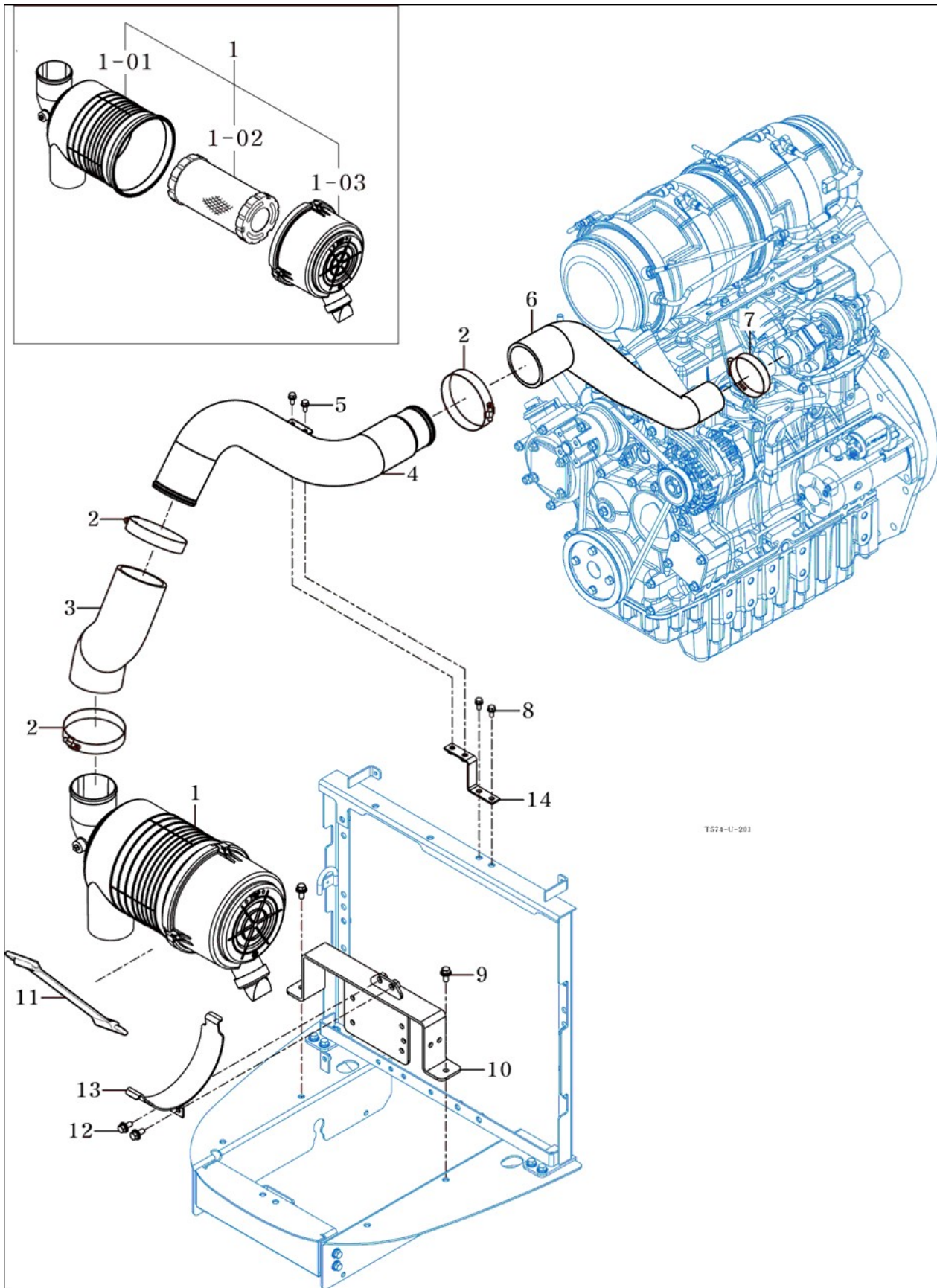
FIG

AIR CLEANER

년/월
Year/Month

TE58

2021-05



NOTE

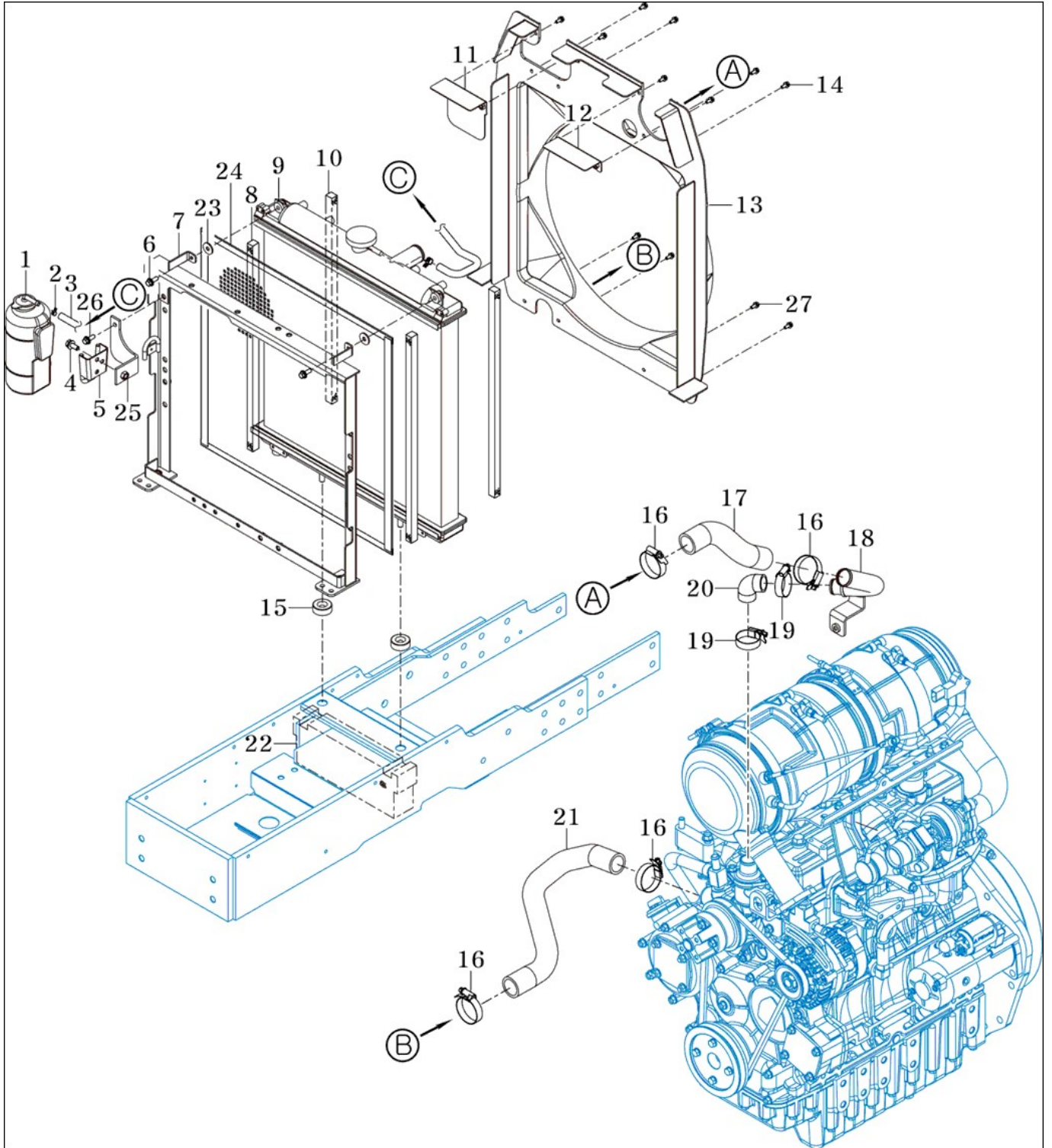
FIG

RADIATOR

년/월
Year/Month

TE58

2021-05



NOTE

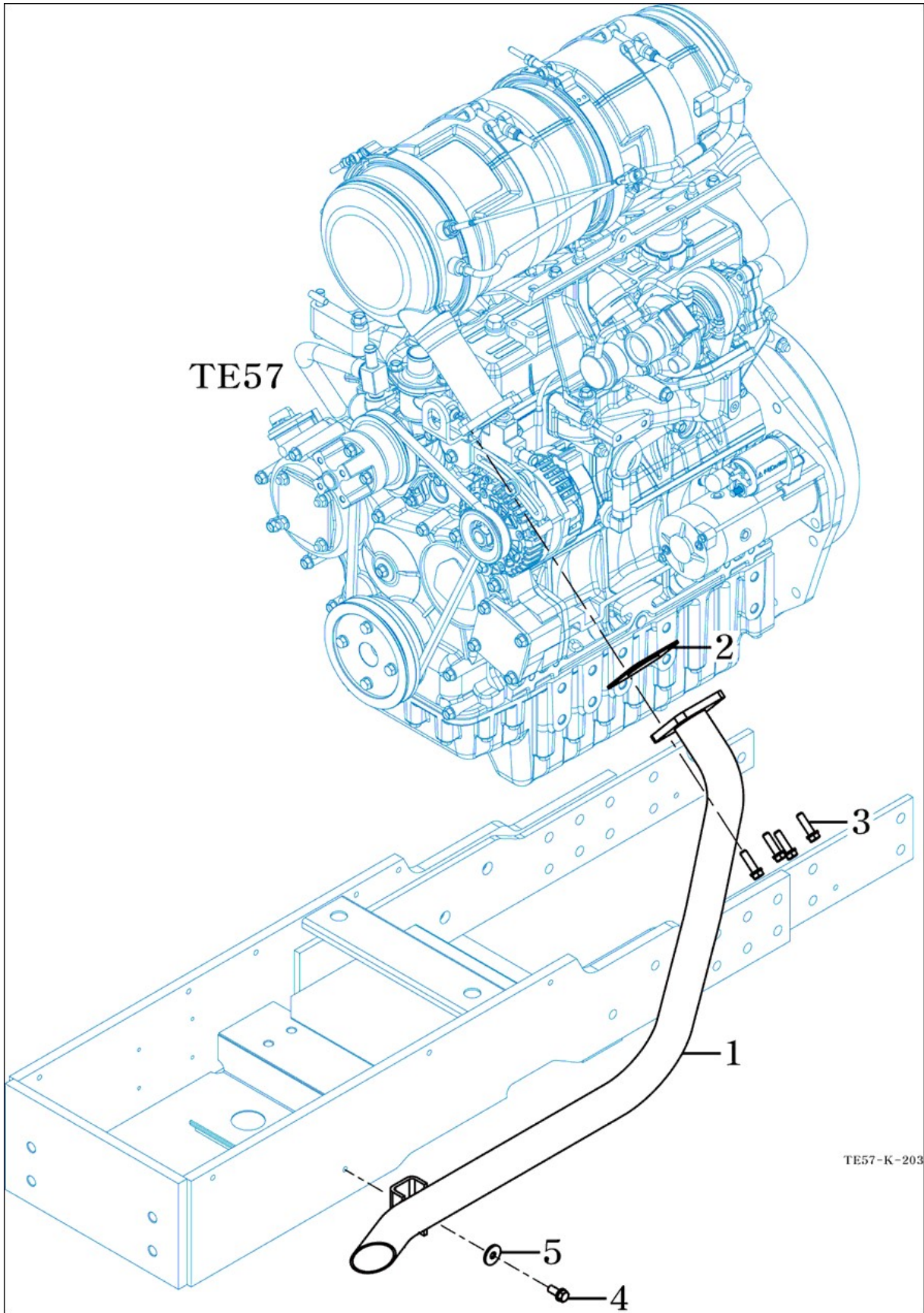
FIG

MUFFLER

년/월
Year/Month

TE58

2021-05



NOTE

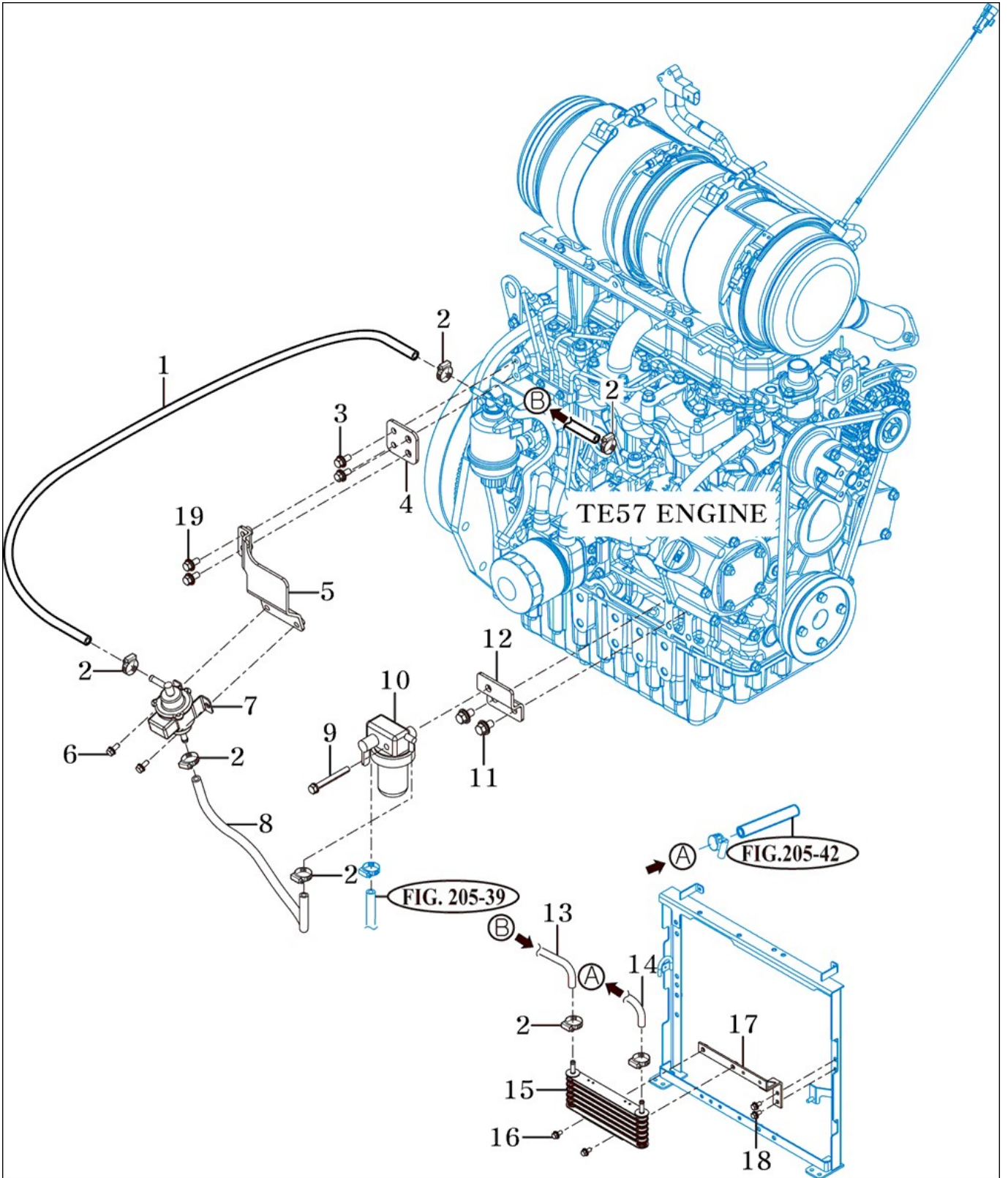
FIG

FUEL HOSE & FILTER

년/월
Year/Month

TE58

2021-05



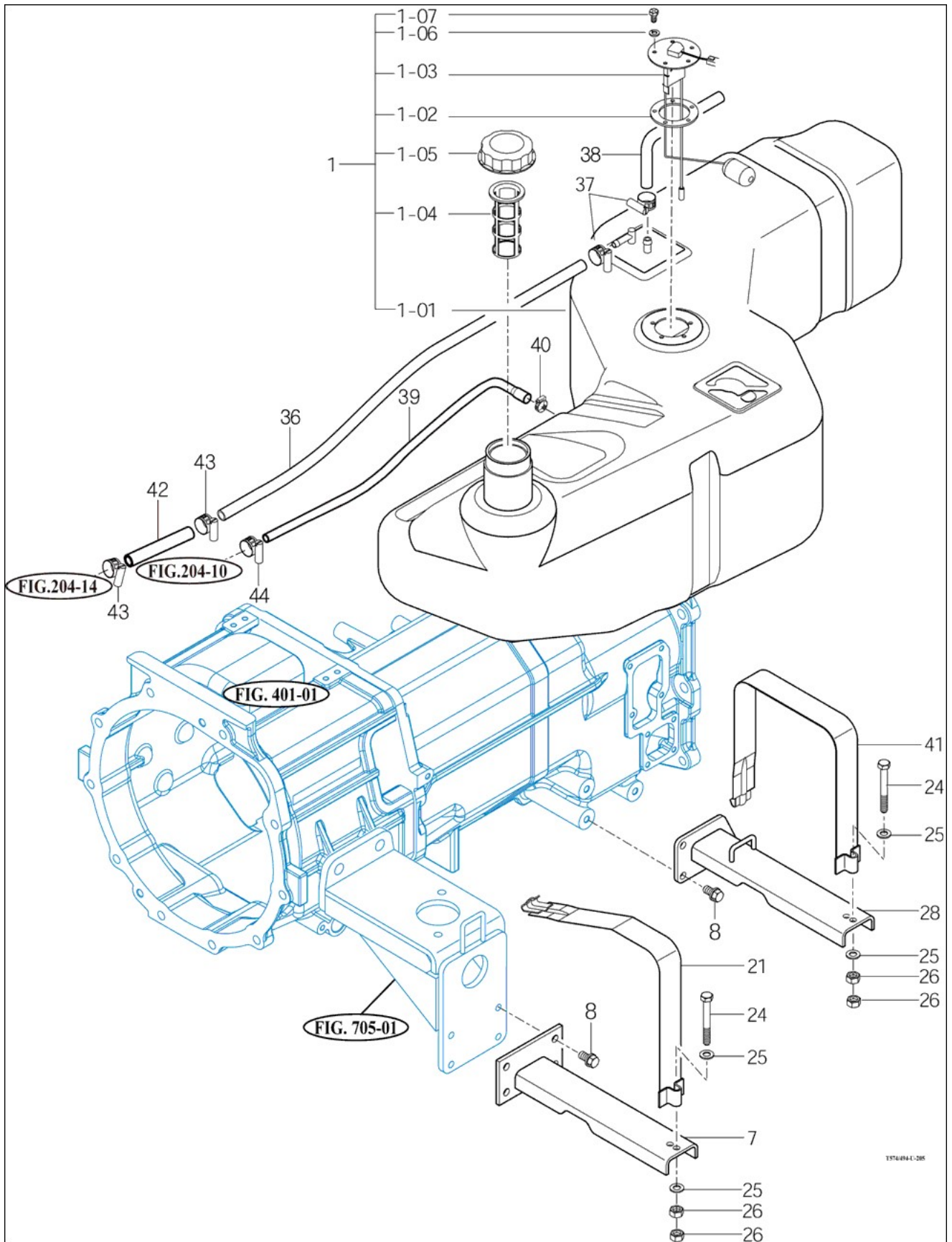
NOTE

FIG
TE58

FUEL TANK

년/월
Year/Month

2021-05



NOTE

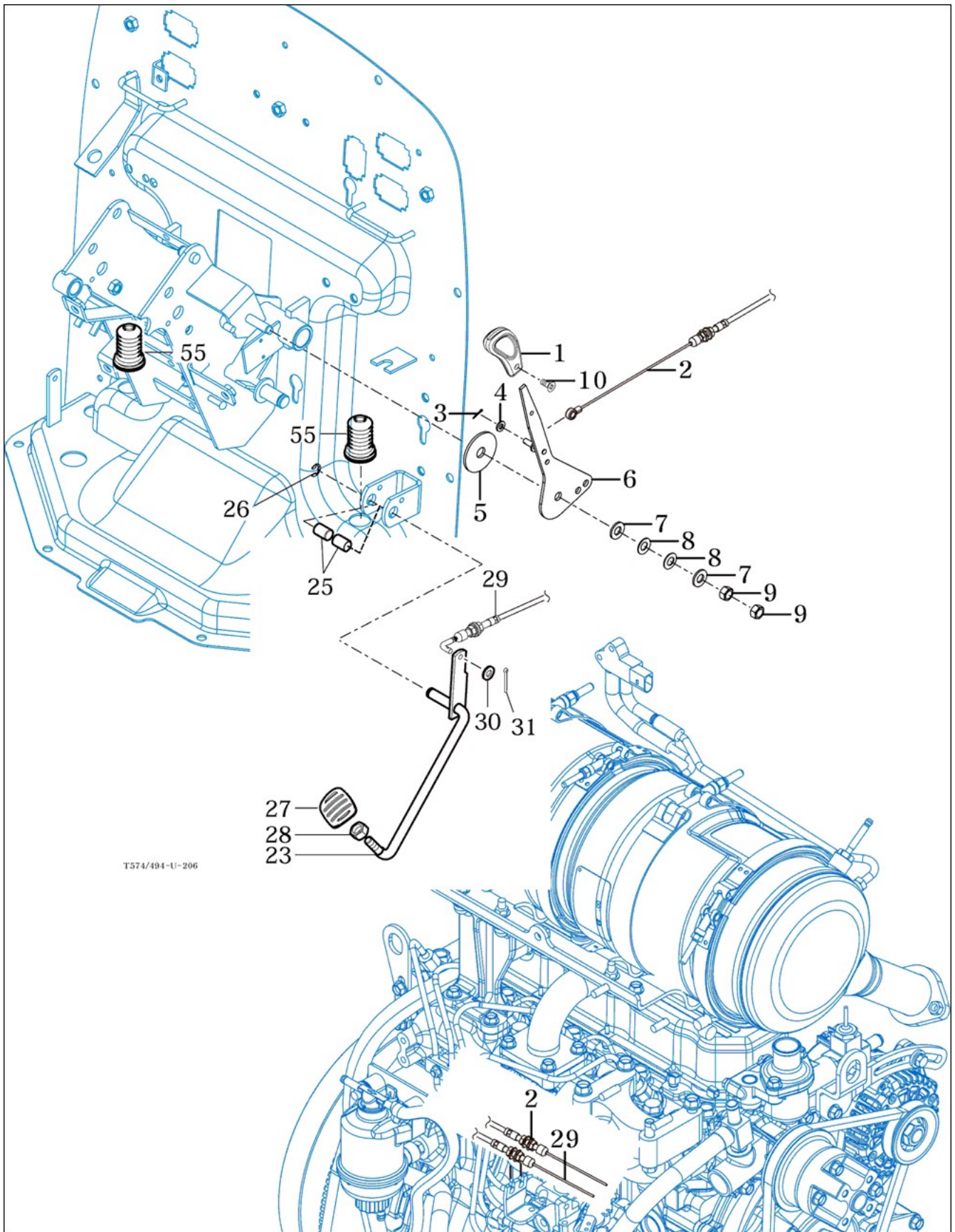
FIG

ACCELERATOR

년/월
Year/Month

TE58

2021-05



NOTE

FIG TE58		ACCELERATOR					년/월 Year/Month	
							2021-05	
		KEY NO	PART NO	DESCRIPTION	SPEC	QTY	REPAIR	EFFECTIVE DATE
1	13837553300	그립, 스로틀		1				
2	13871162200	케이블 ASSY, 핸드(H)		1				
3	V5001916010	분할핀		1				
4	V4111600060	평와셔	M6	1				
5	14141170050	라이닝 (13X50X3)		1				
6	13871162100	레버 COMP, 스로틀		1				
7	V4111600100	평와셔	M10	2				
8	14527060010	접시스프링와셔/M10		2				
9	V3342600100	소형육각너트는가2종	M10	2				
10	V1122605012	십자홈접시작은나사		1				
23	13861162000GB	페달COMP,악셀		1				
25	36504400140	부시(12X14X20)		2				
26	V7081400090	E형멈춤링		1				
27	14521220120	페달COMP,악셀		1				
28	V3342600100	소형육각너트는가2종	M10	1				
29	13861162300	케이블 ASSY, 페달(F)		1				
30	V4111600060	평와셔	M6	1				
31	V5001920020	분할핀	2X20	1				
55	14521160090	부츠,브레이크로드		2				
NOTE								

3. 클러치/브레이크/스티어링 PART NO. T3

FIG CLUTCH	111
FIG BRAKE	113
FIG BRAKE PEDAL & LINK	115
FIG FRONT WHEEL	117
FIG REAR WHEEL	119
FIG POWER STEERING WHEEL	121
FIG POWER STEERING VALVE	123
FIG POWER STEERING CYLINDER	125
FIG CLUTCH PEDAL	127

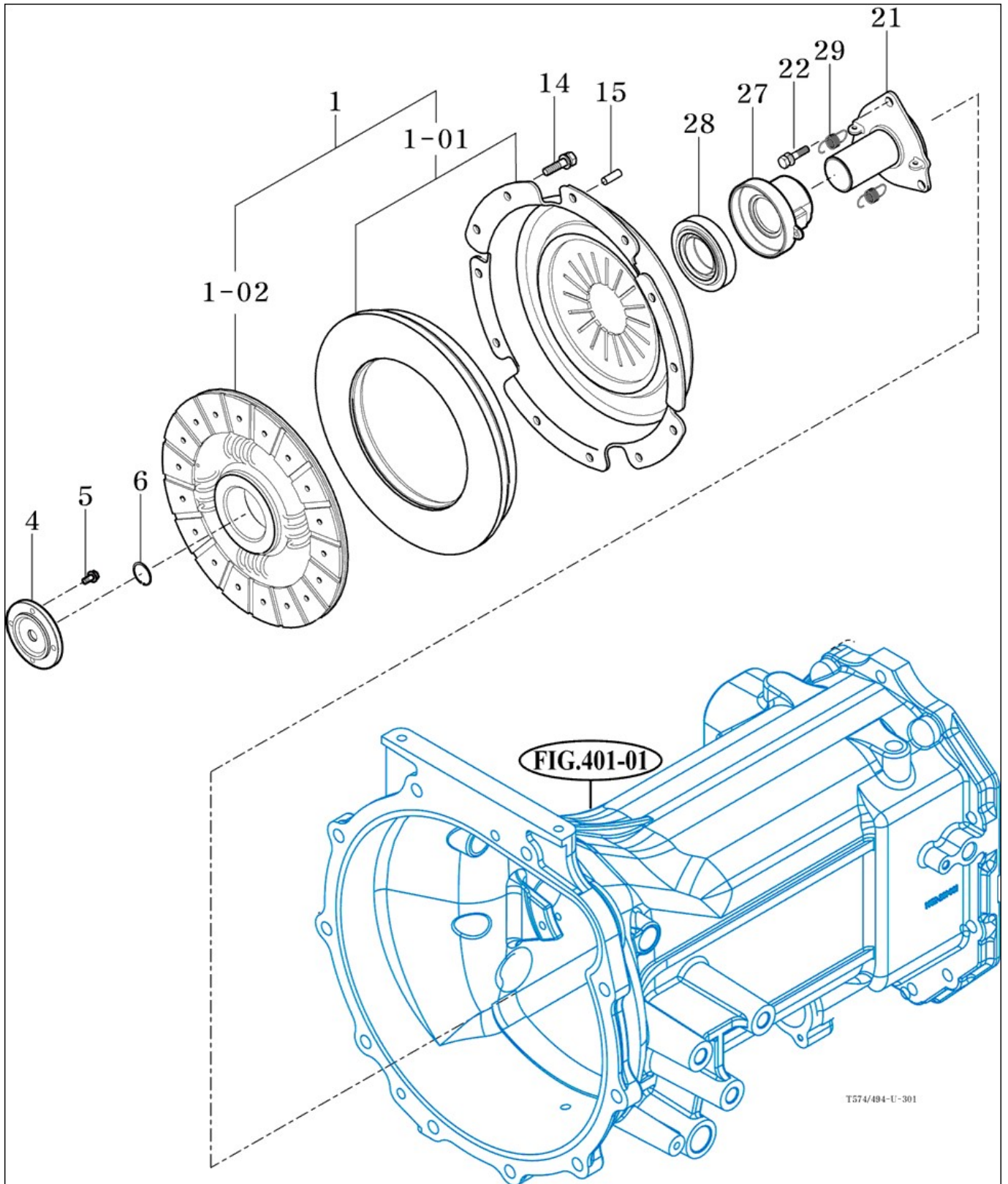
FIG

TE58

CLUTCH

년/월
Year/Month

2021-05



T574/494-U-301

NOTE

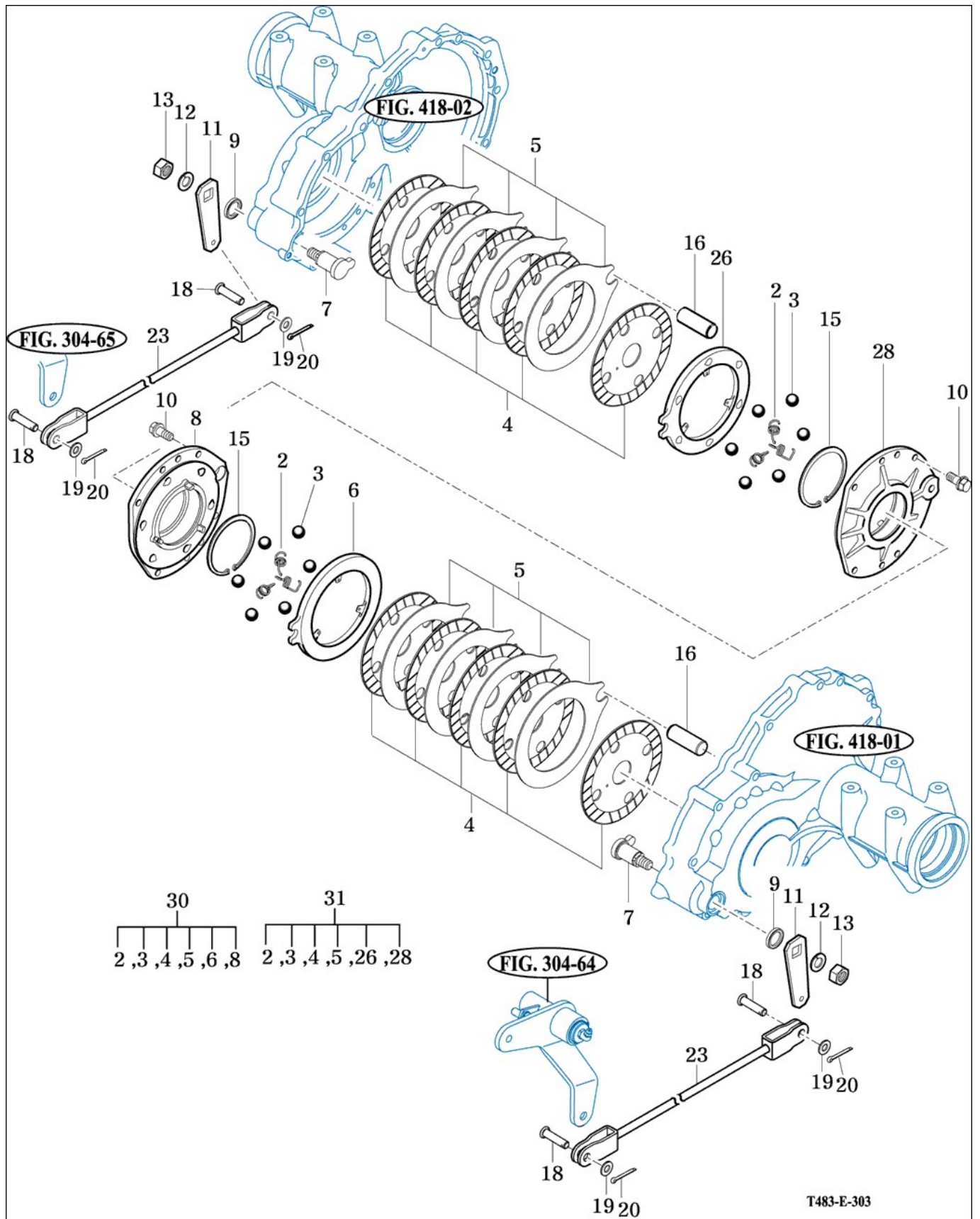
FIG

BRAKE

년/월
Year/Month

TE58

2021-05



T483-E-303

NOTE

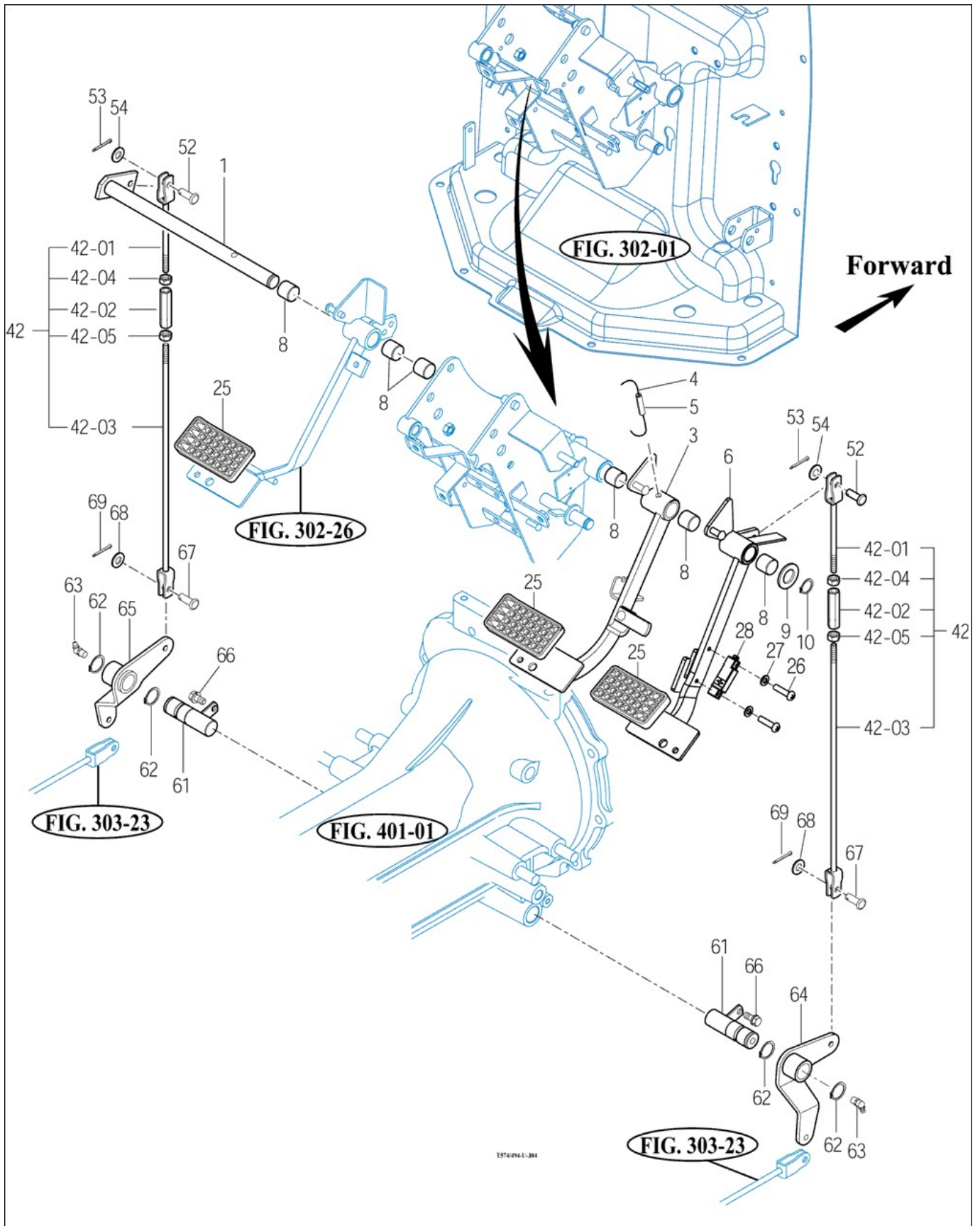
FIG

BRAKE PEDAL & LINK

년/월
Year/Month

TE58

2021-05



NOTE

FIG

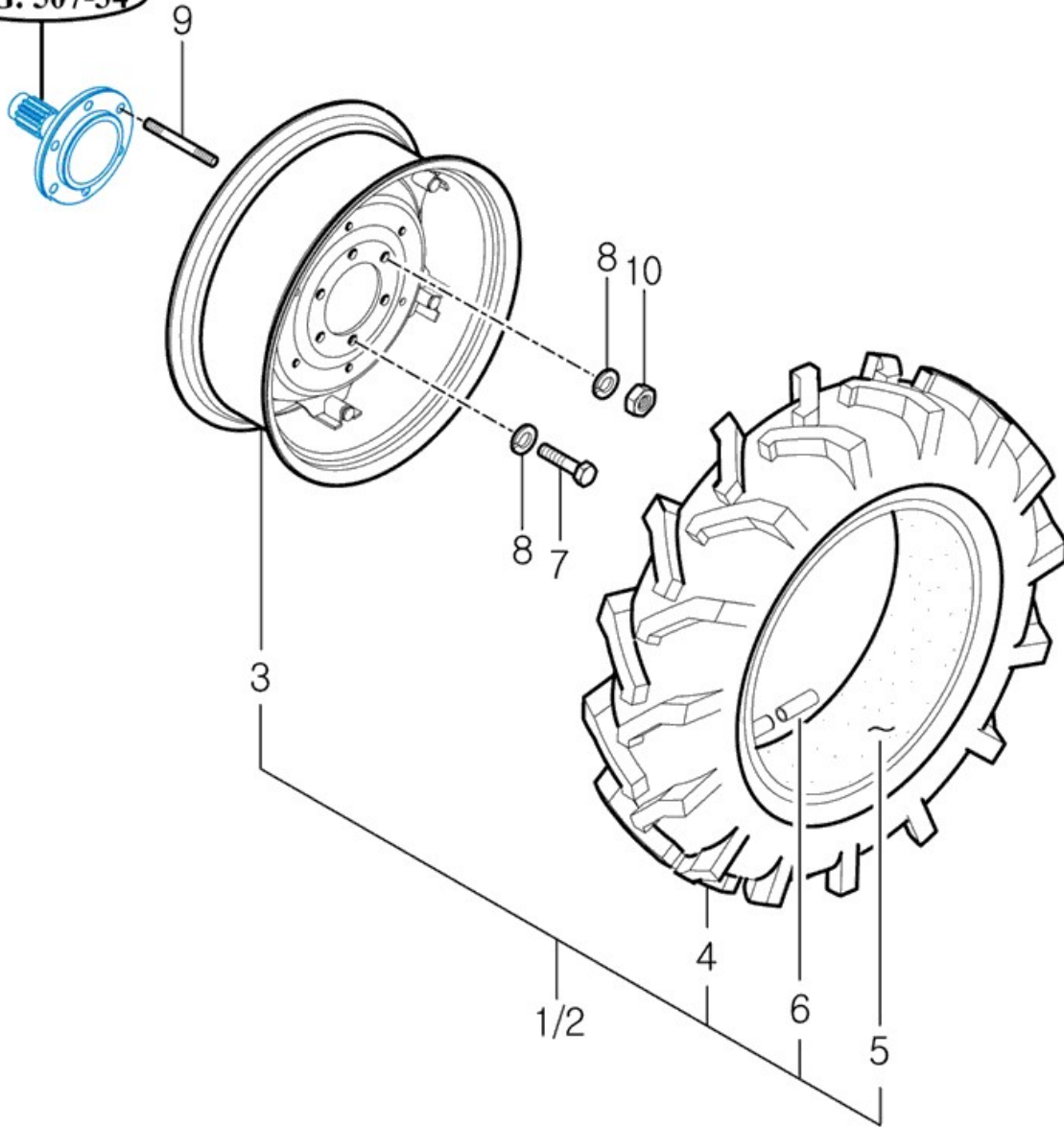
TE58

FRONT WHEEL

년/월
Year/Month

2021-05

FIG. 507-34



G570-K-305

NOTE

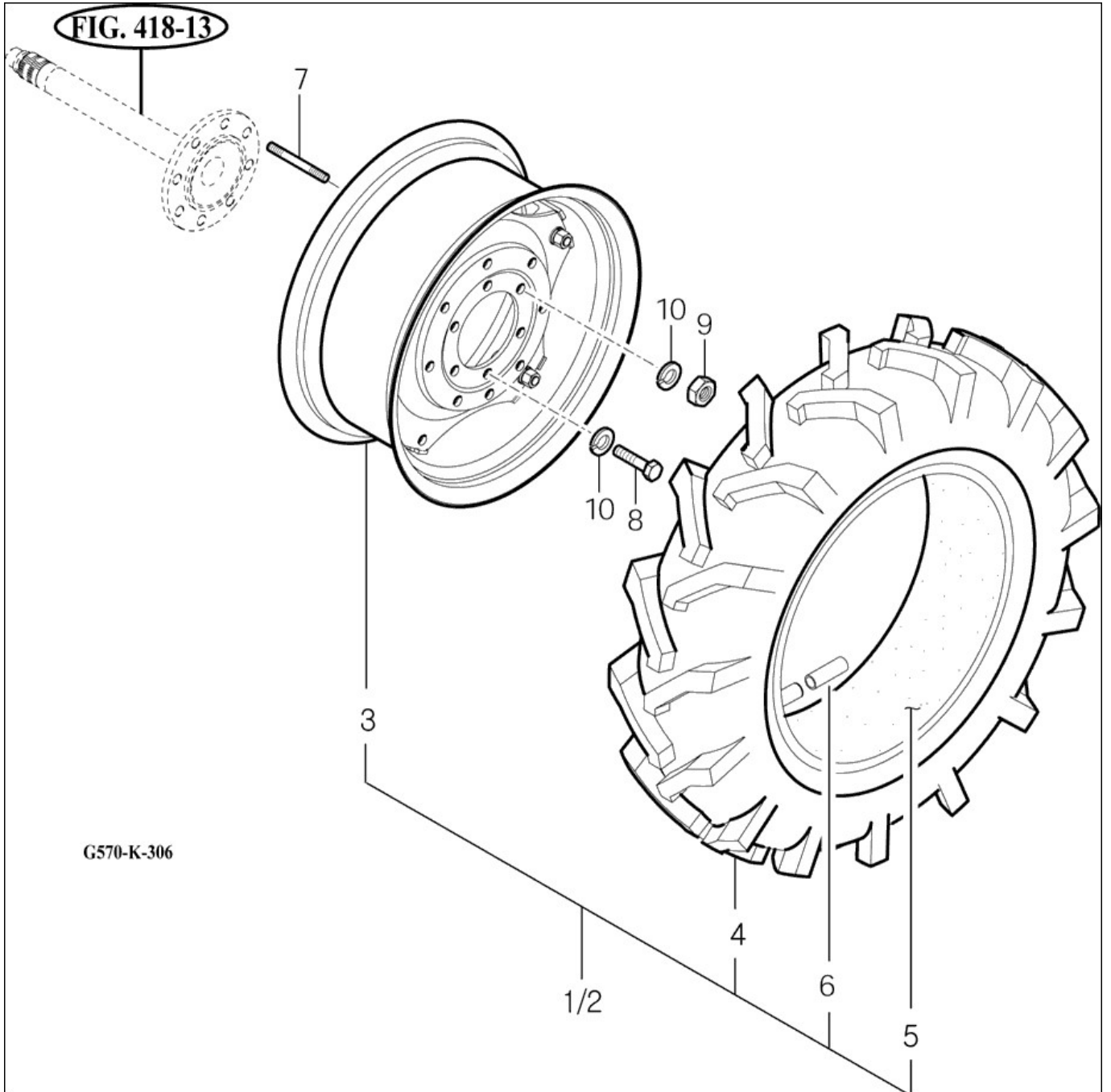
FIG

REAR WHEEL

년/월
Year/Month

TE58

2021-05



NOTE

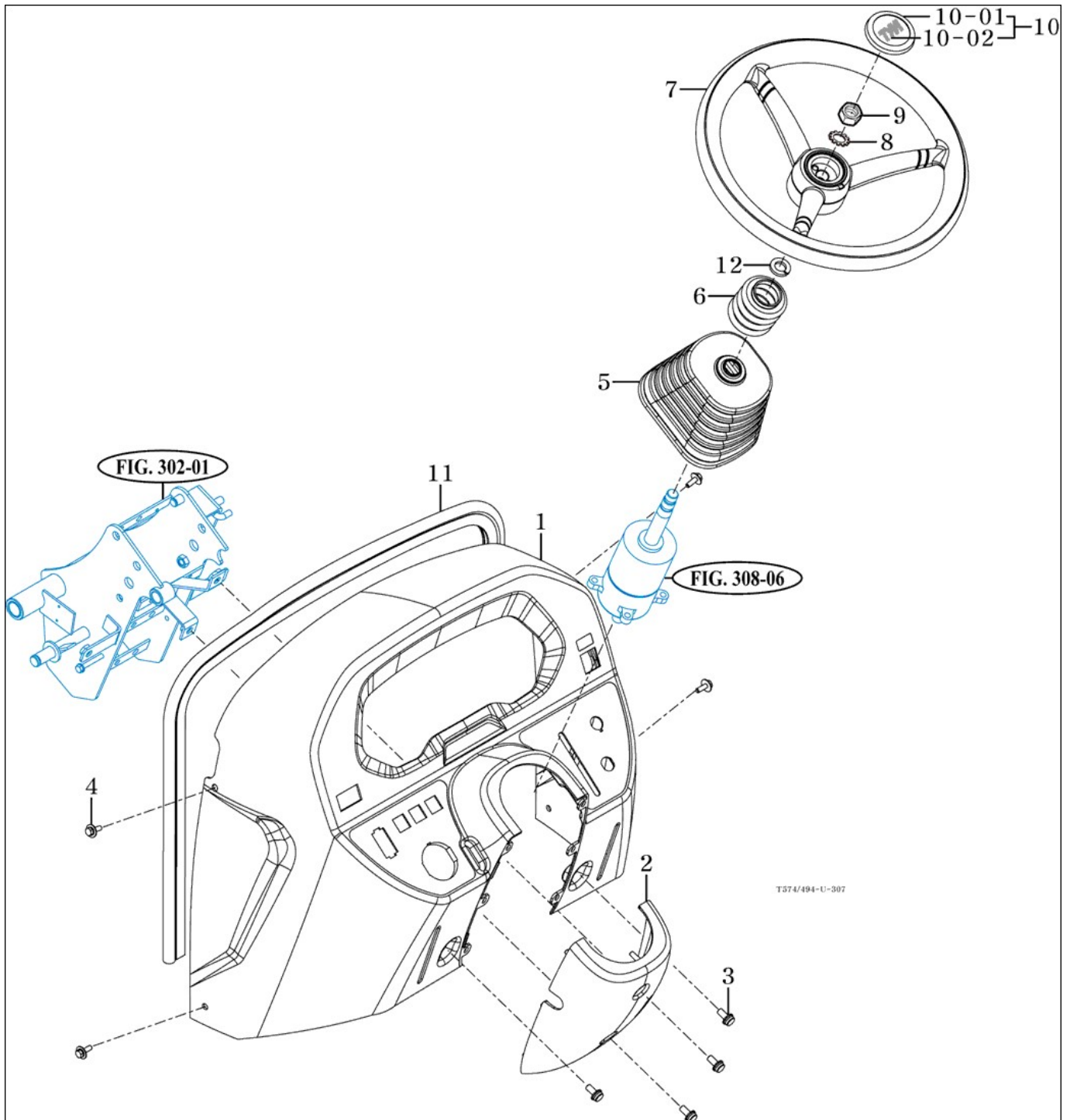
FIG

TE58

POWER STEERING WHEEL

년/월
Year/Month

2021-05



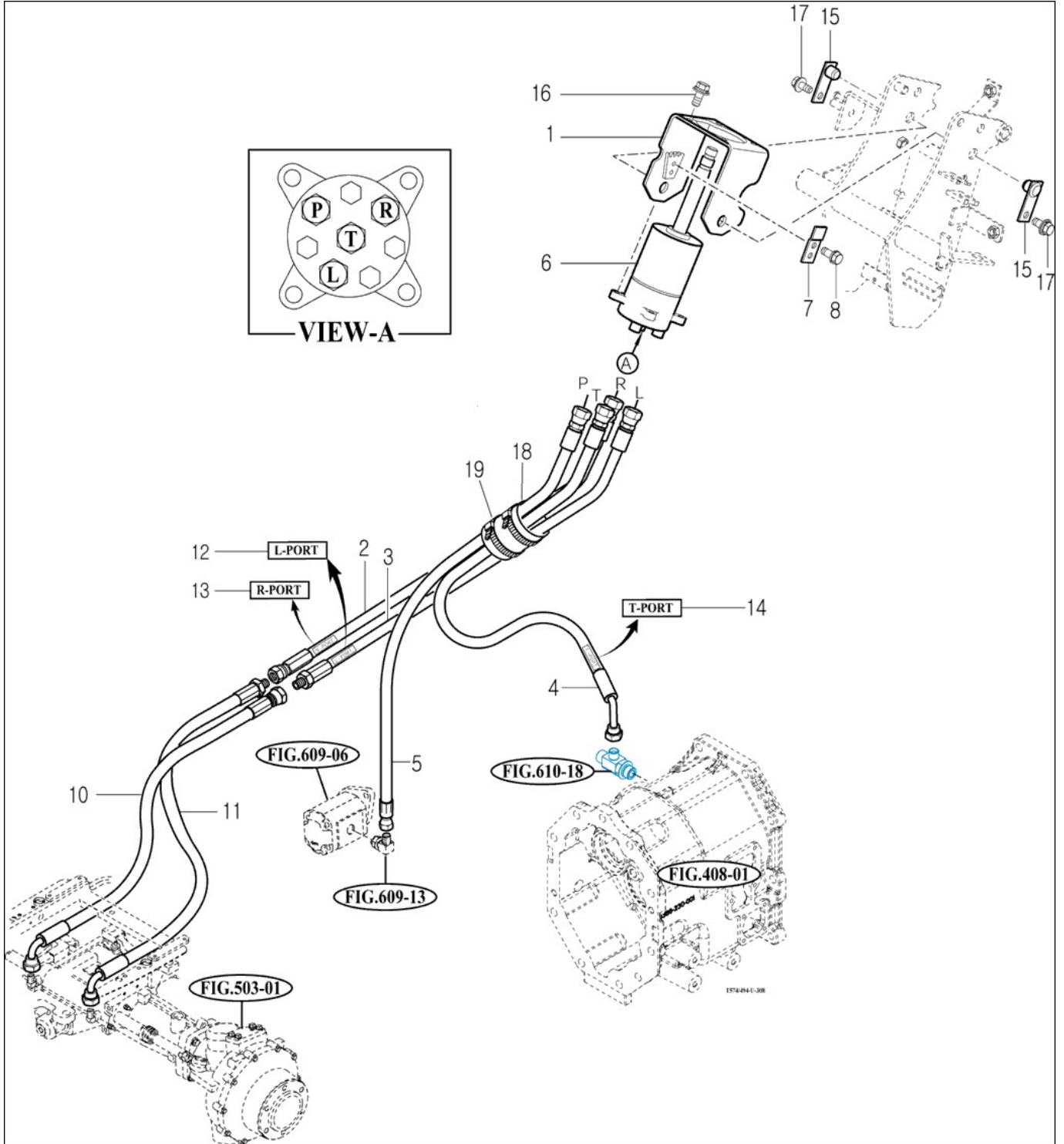
NOTE

FIG
TE58

POWER STEERING VALVE

년/월
Year/Month

2021-05



NOTE

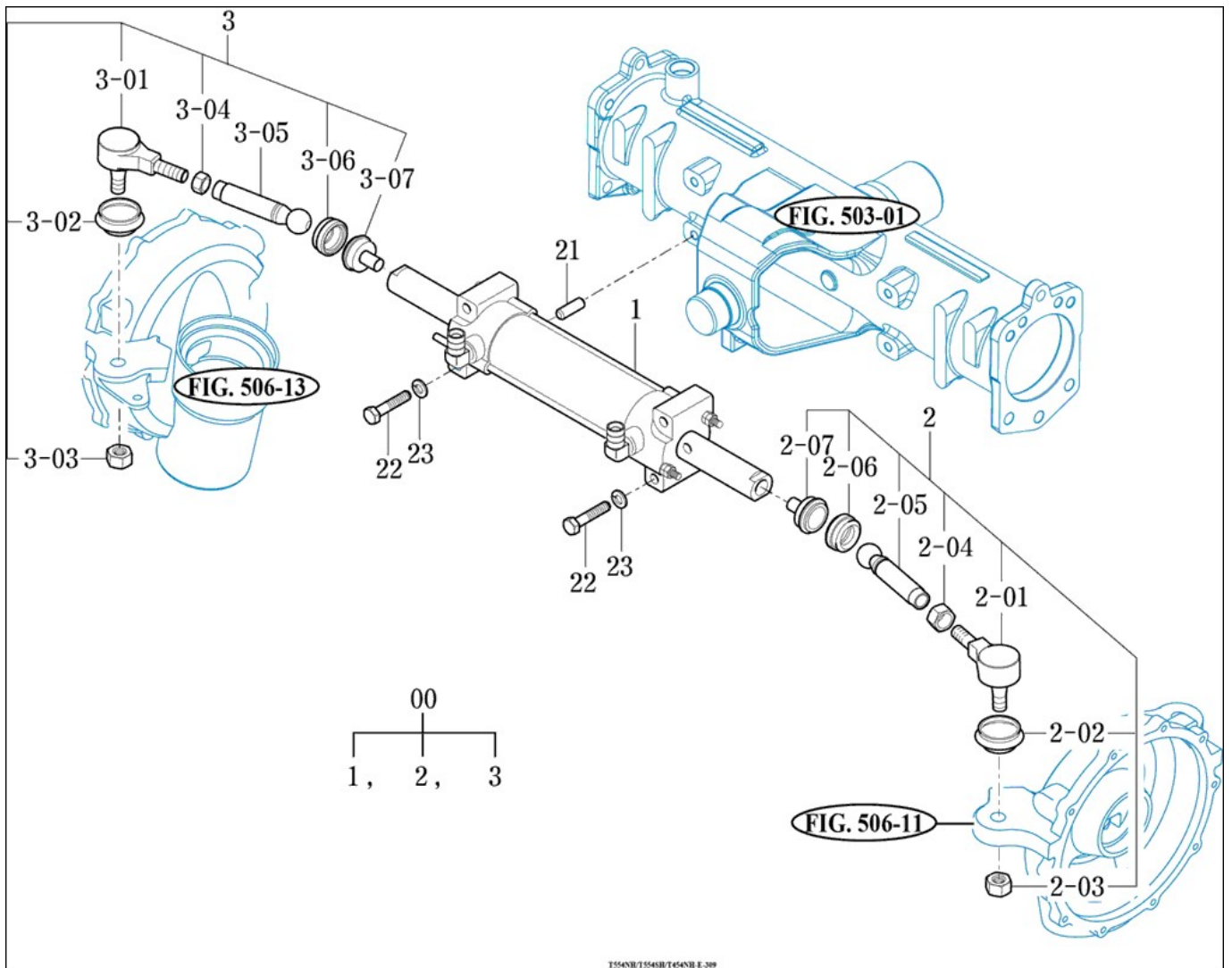
FIG

POWER STEERING CYLINDER

년/월
Year/Month

TE58

2021-05



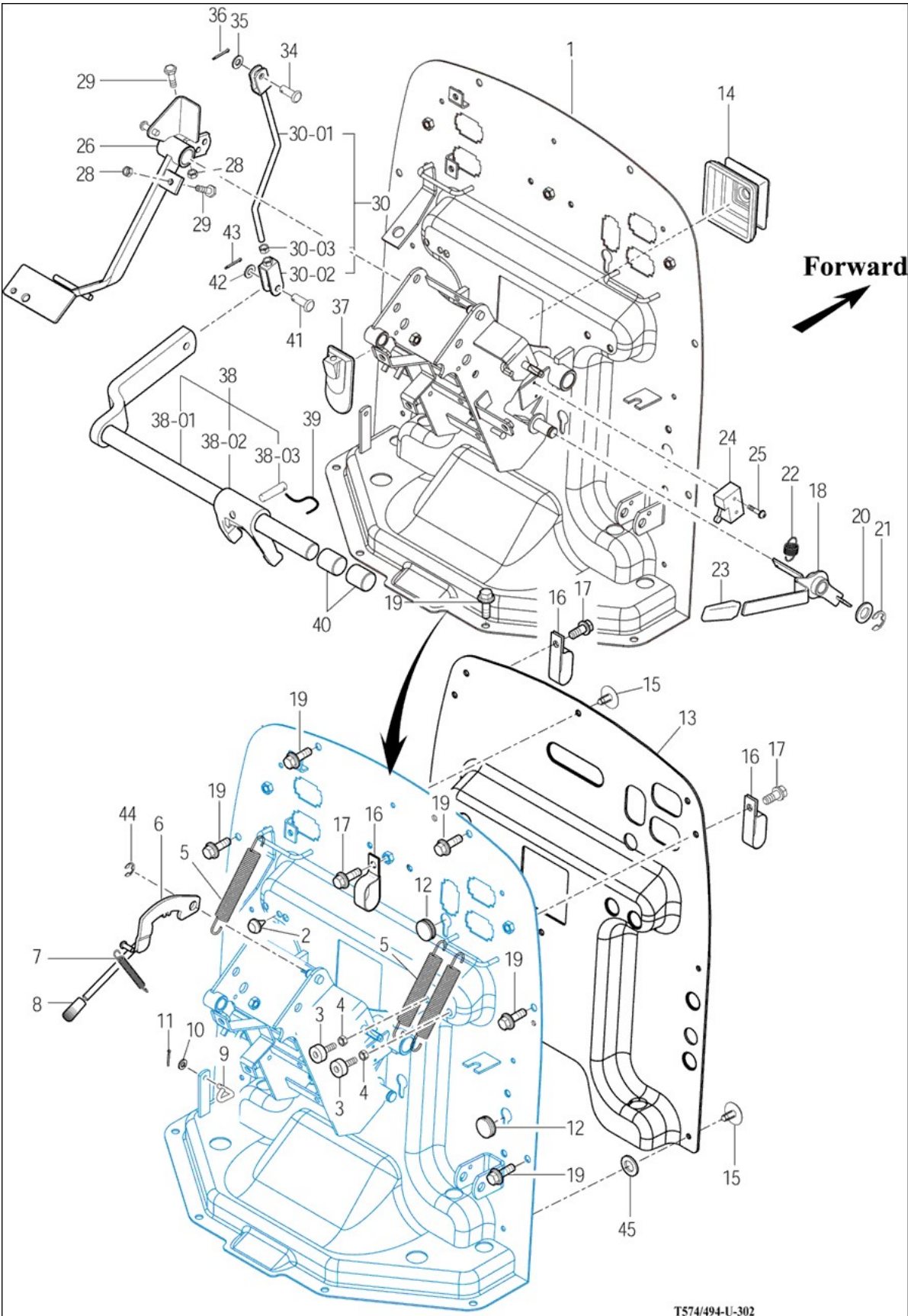
NOTE

FIG

CLUTCH PEDAL

년/월
Year/Month

2021-05



T574/494-U-302

NOTE

FIG		CLUTCH PEDAL					년/월	
							Year/Month	
TE58		2021-05						
KEY NO	PART NO	DESCRIPTION	SPEC	QTY	REPAIR	EFFECTIVE DATE	REMARKS	
1	13866303200GB	대쉬 판넬 COMP		1				
2	14326160020	콧션고무		1				
3	14216020051	콧션고무(B)		2				
4	V3043600080	소형육각너트보통2종	M8	2				
5	14041200080	클러치리턴스프링	D=2.3	3				
6	14724042401GB	틸트레바 COMP		1				
7	16001200080	브레이크리턴스프링	D=1.6	1				
8	21615250020	레버손잡이(적색)		1				
9	15441230050	컷오프로드		1				
10	V4111600060	평와셔	M6	1				
11	V5001920020	분할핀	2X20	1				
12	14326510210	고무캡(20)		2				
13	17467071991	인슐레이터, 데쉬	T=10	1				
14	14526300011	부츠,스티어링호스	T=1.5	1				
15	17686040020	리벳 SET(흑색)	SV302	9				
16	14441010161	라디에터호스클램프		3				
17	V2183608020	소형육각볼트보통(SP)	M8X20	3				
18	14523293301GB	레버조합,파킹		1				
19	V2183608016	소형육각볼트보통(SP)	M8X16	10				
20	V4111600160	평와셔	M16	1				
21	V7081400150	E형멈춤링	15	1				
22	14321200040	텐션스프링(31)	D=1.2	1				
23	34523030020	손잡이(스로틀레바)		1				
24	16756214701	안전스위치ASSY		1				
25	V1222604025	십자홈냄비작은나사(SP)	M4X25	2				
26	14571332100GB	페달(클러치)COMP		1				
28	V3043600080	소형육각너트보통2종	M8	2				
29	V2013608030	소형육각볼트(보통)	M8X30	2				
30	14521330002	로드서브, 클러치		1				
30.1	14521333103	로드조합, 클러치		1				
30.2	14521333200	흑 조합		1				
30.3	V3042600080	소형육각너트보통2종		1				
34	14322420010	핀	D=8	1				
35	V4111600080	평와셔	M8	1				
36	V5001925020	핀	2.5X20	1				
37	14526300210	부츠,클러치 페달		1				
38	14521302000	바 SET		1				
38.1	14521302101	바 COMP		1				
38.2	14521300011	포크(릴리스)		1				
38.3	15601300010	핀(테이퍼,08X40)		1				
39	V5901012150	철선		1				
40	14521302150	부시(바COMP)		2				
41	14043120060	요오크핀 (A)	D=8	1				
42	V4111600080	평와셔	M8	1				
43	V5001920020	분할핀	2X20	1				
NOTE								

4. 트랜스미션 PART NO. T4

FIG TRANSMISSION FRONT CASE	131
FIG FORWARD & BACKWARD GEARS	133
FIG IDLE & COUNTER GEARS	135
FIG MAIN SHIFT GEARS	137
FIG P.T.O DRIVE SHAFT	139
FIG MAIN CHANGE LEVER	141
FIG REVERSE CHANGE LEVER	143
FIG TRANSMISSION MID CASE	145
FIG TRANSMISSION REAR CASE	147
FIG SUB CHANGE GEARS	149
FIG SUB CHANGE SHIFTER	151
FIG DRIVE GEARS	153
FIG 4WD CHANGE LEVER	155
FIG P.T.O CHANGE GEARS	157
FIG P.T.O CHANGE SHIFTER	159
FIG REAR AXLE HOUSING	161
FIG REAR DIFFERENTIAL GEARS	163

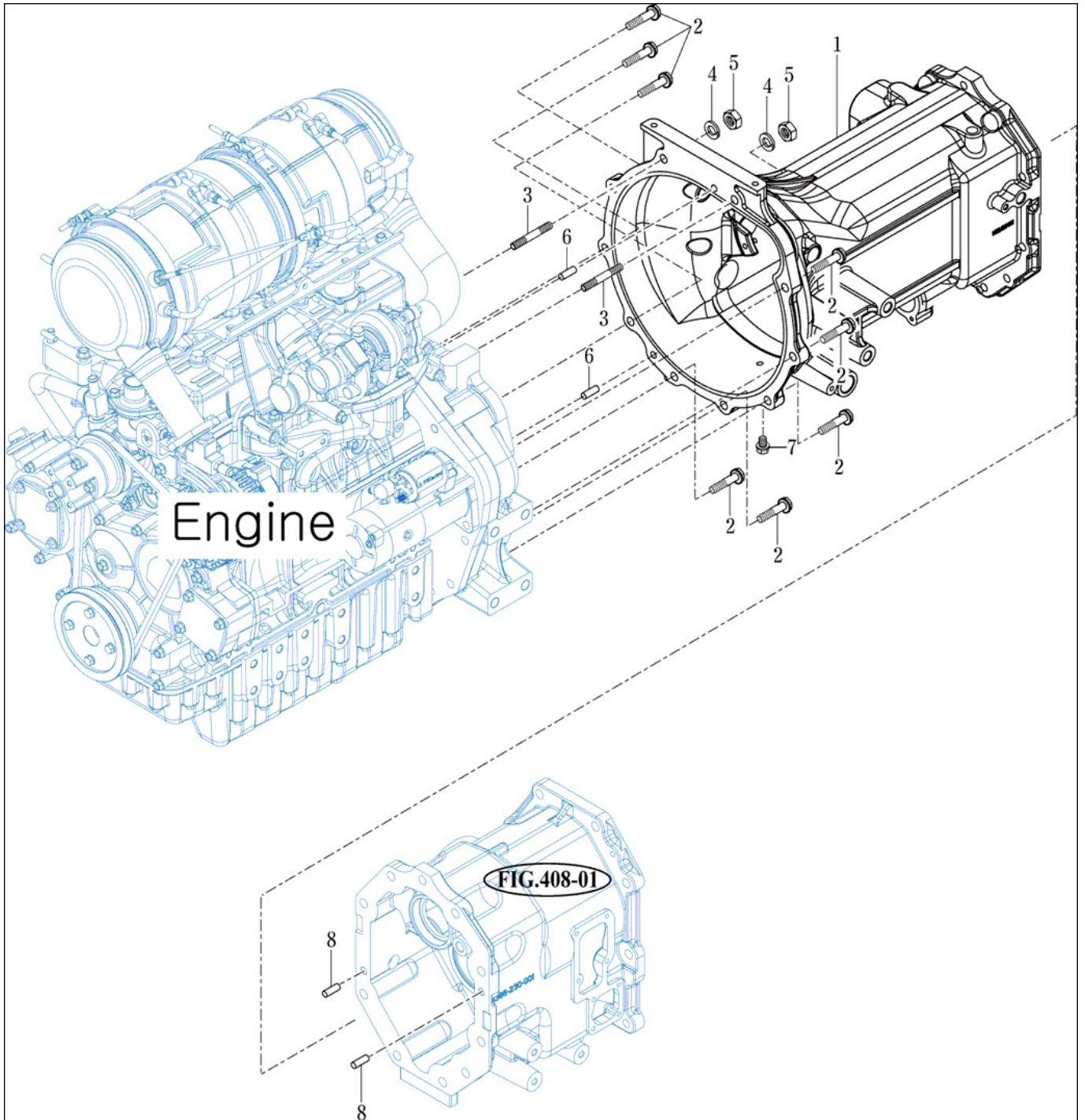
FIG

TRANSMISSION FRONT CASE

년/월
Year/Month

TE58

2021-05



NOTE

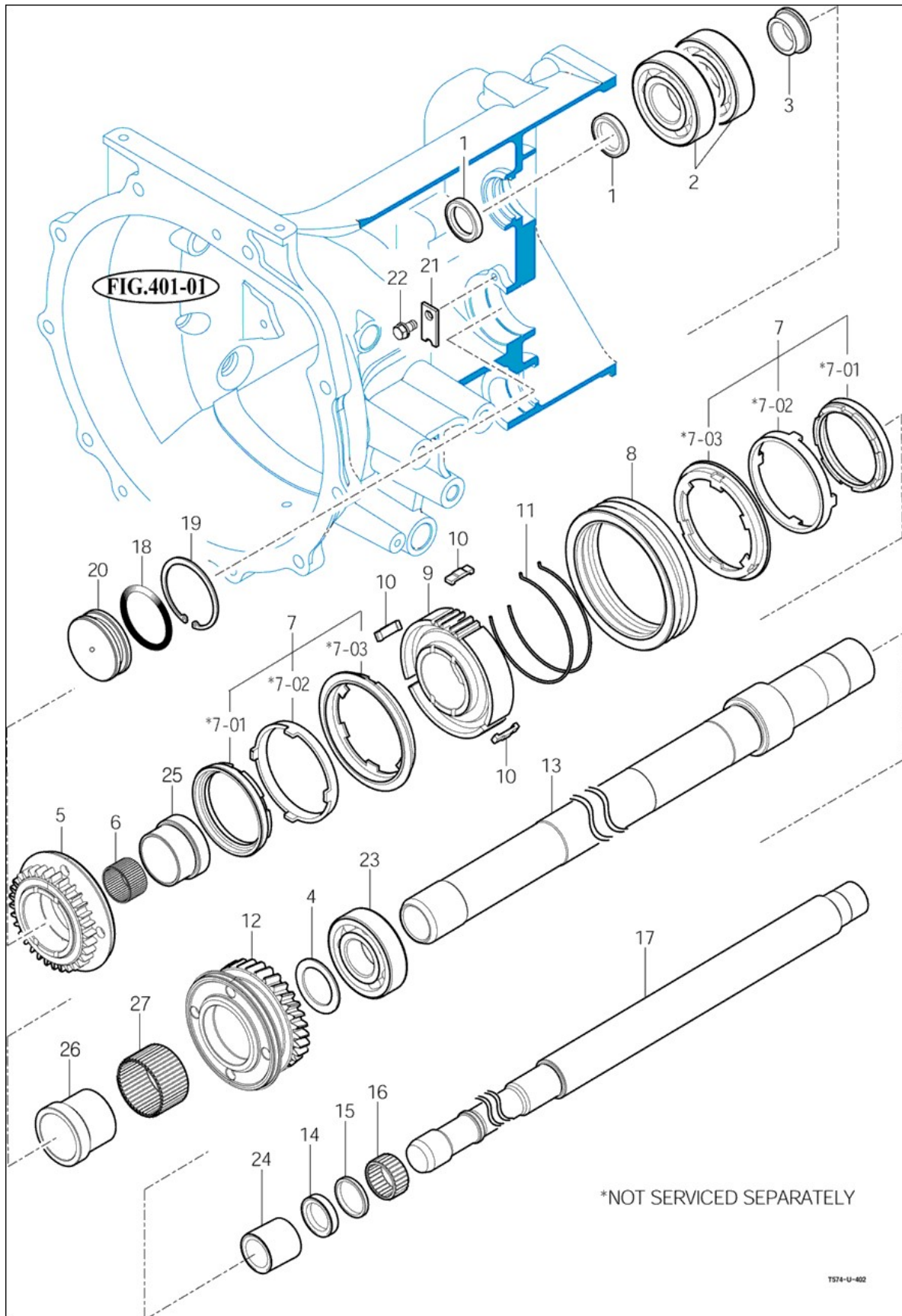
FIG

FORWARD & BACKWARD GEARS

년/월
Year/Month

TE58

2021-05



NOTE

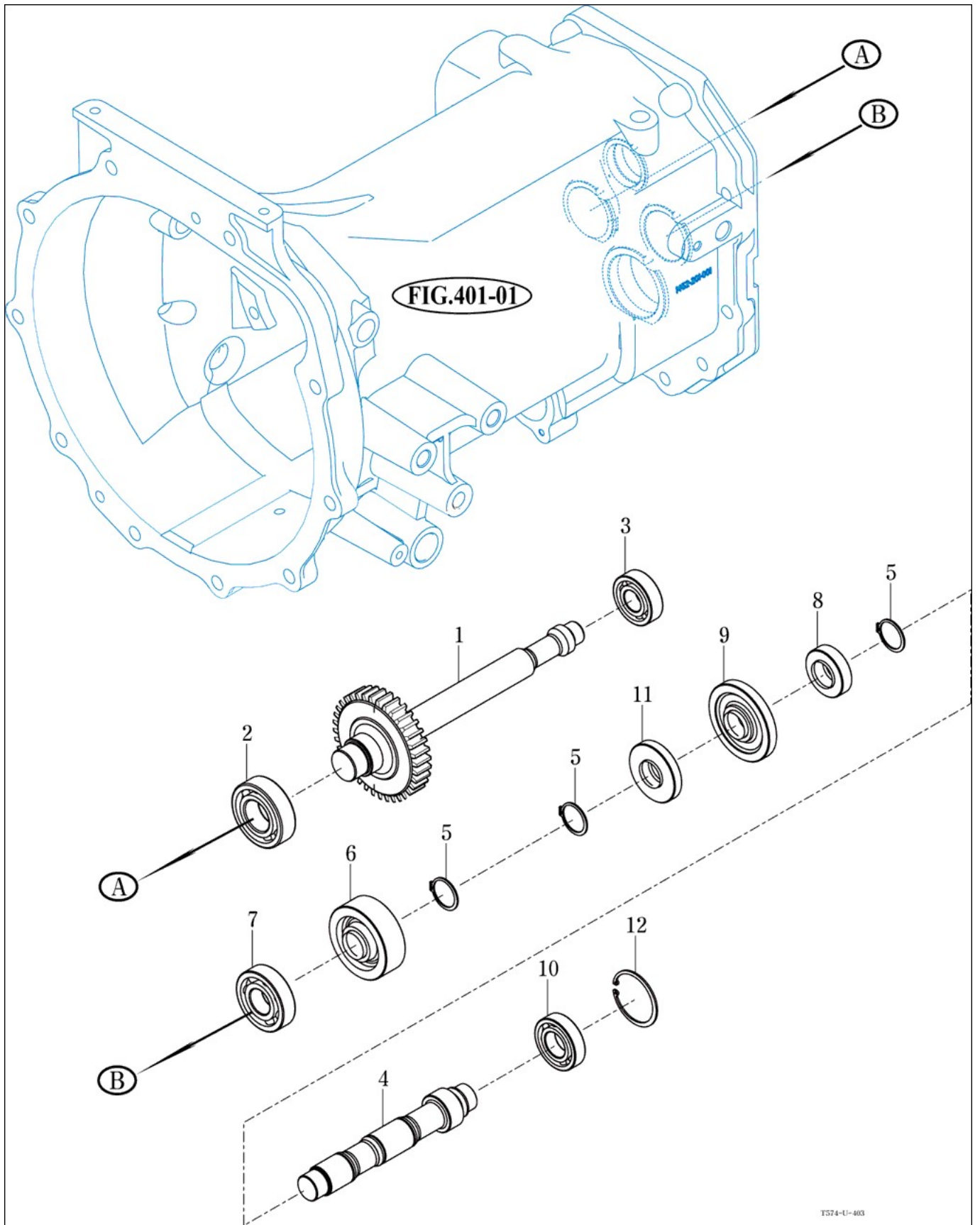
FIG

IDLE & COUNTER GEARS

년/월
Year/Month

TE58

2021-05



NOTE

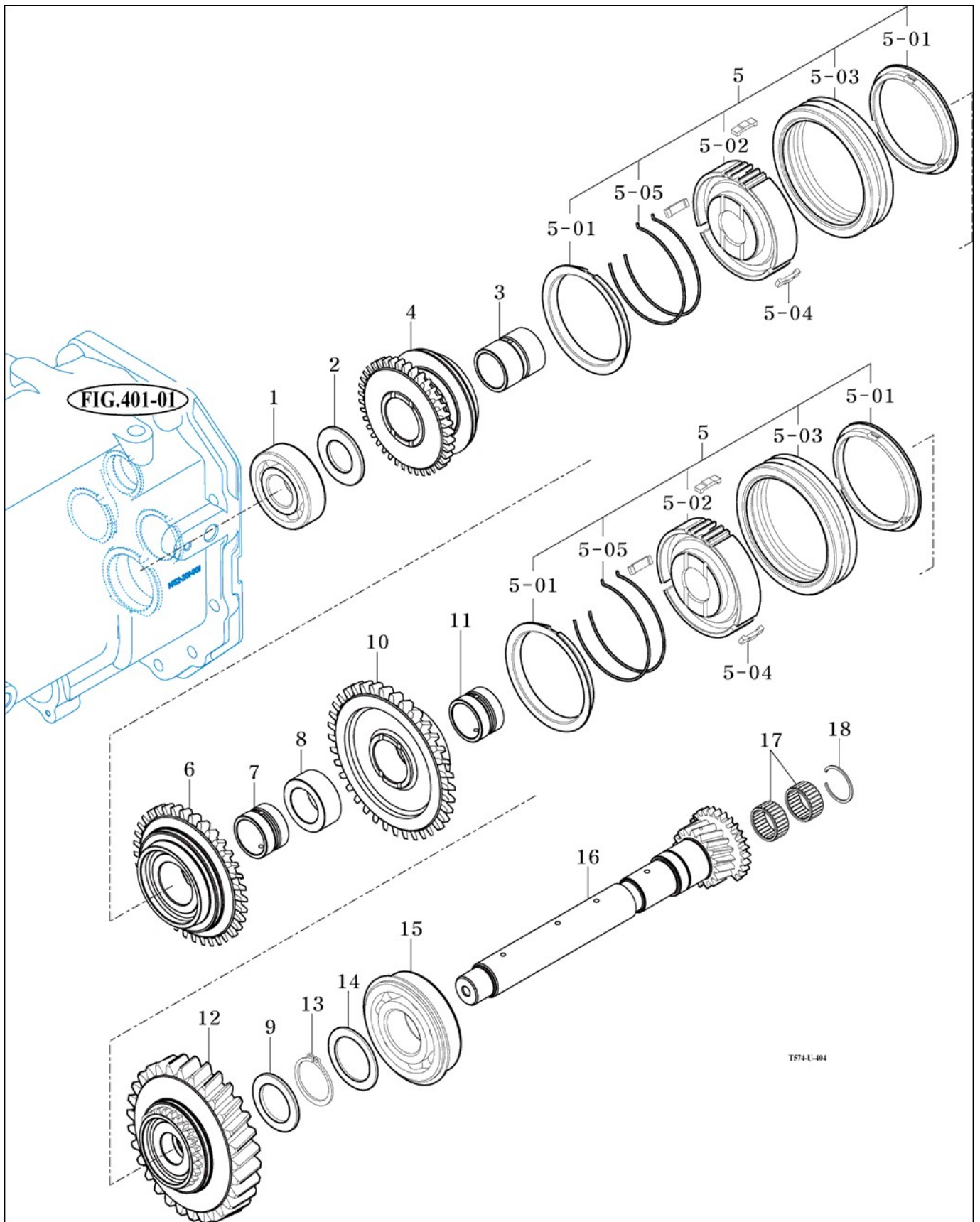
FIG

MAIN SHIFT GEARS

년/월
Year/Month

TE58

2021-05



NOTE

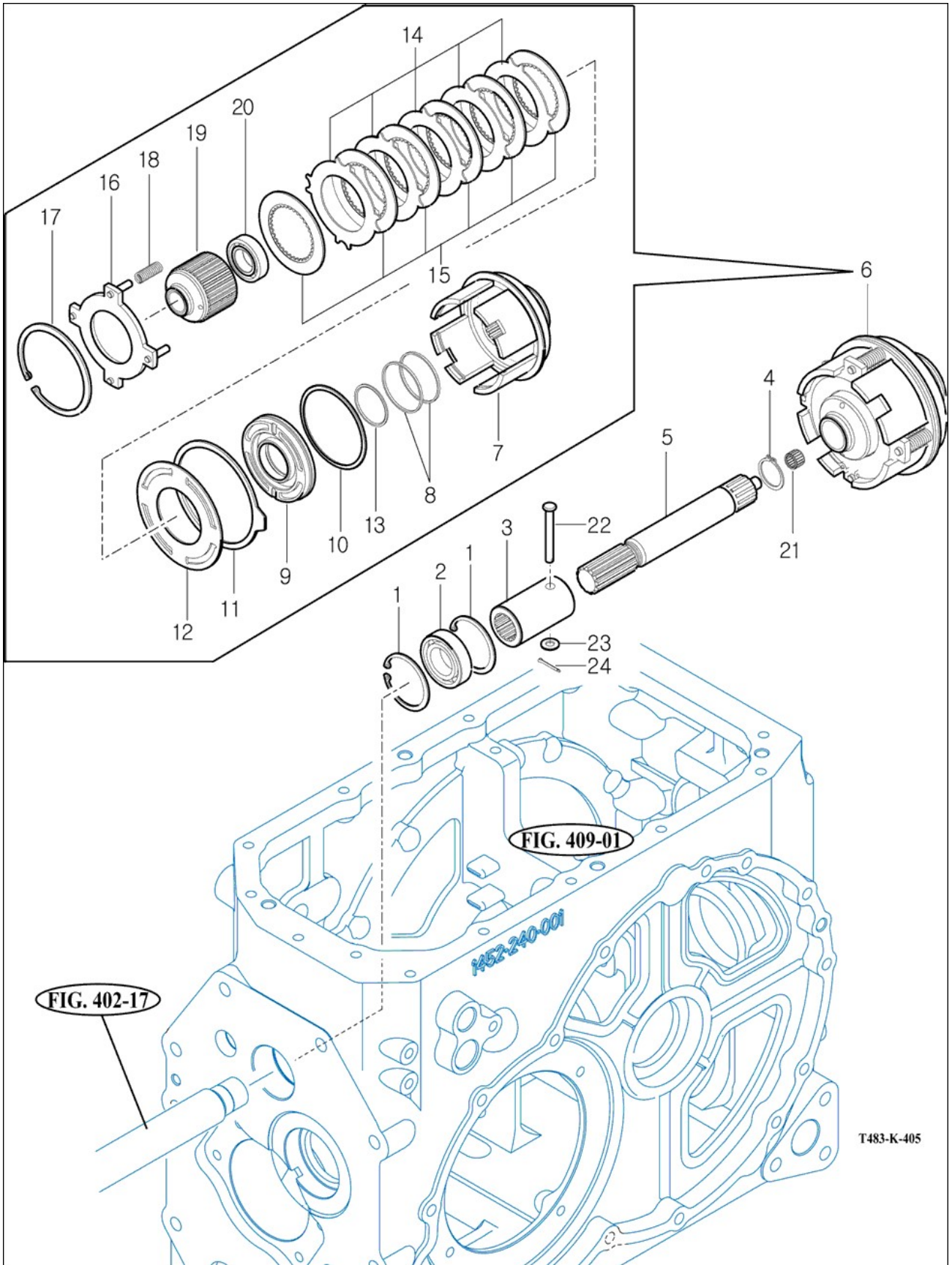
FIG

P.T.O DRIVE SHAFT

년/월
Year/Month

TE58

2021-05



NOTE

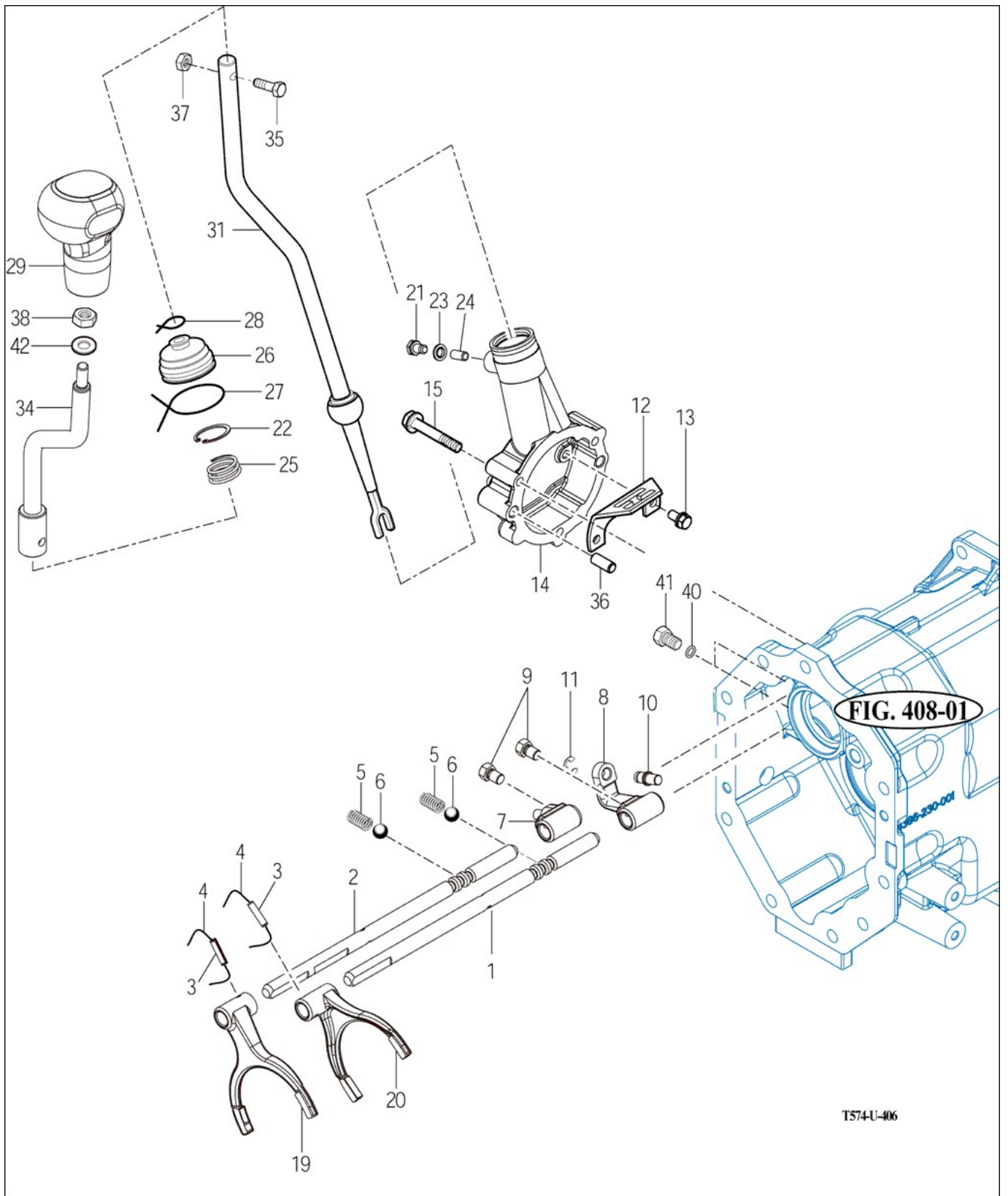
FIG

MAIN CHANGE LEVER

년/월
Year/Month

TE58

2021-05



NOTE

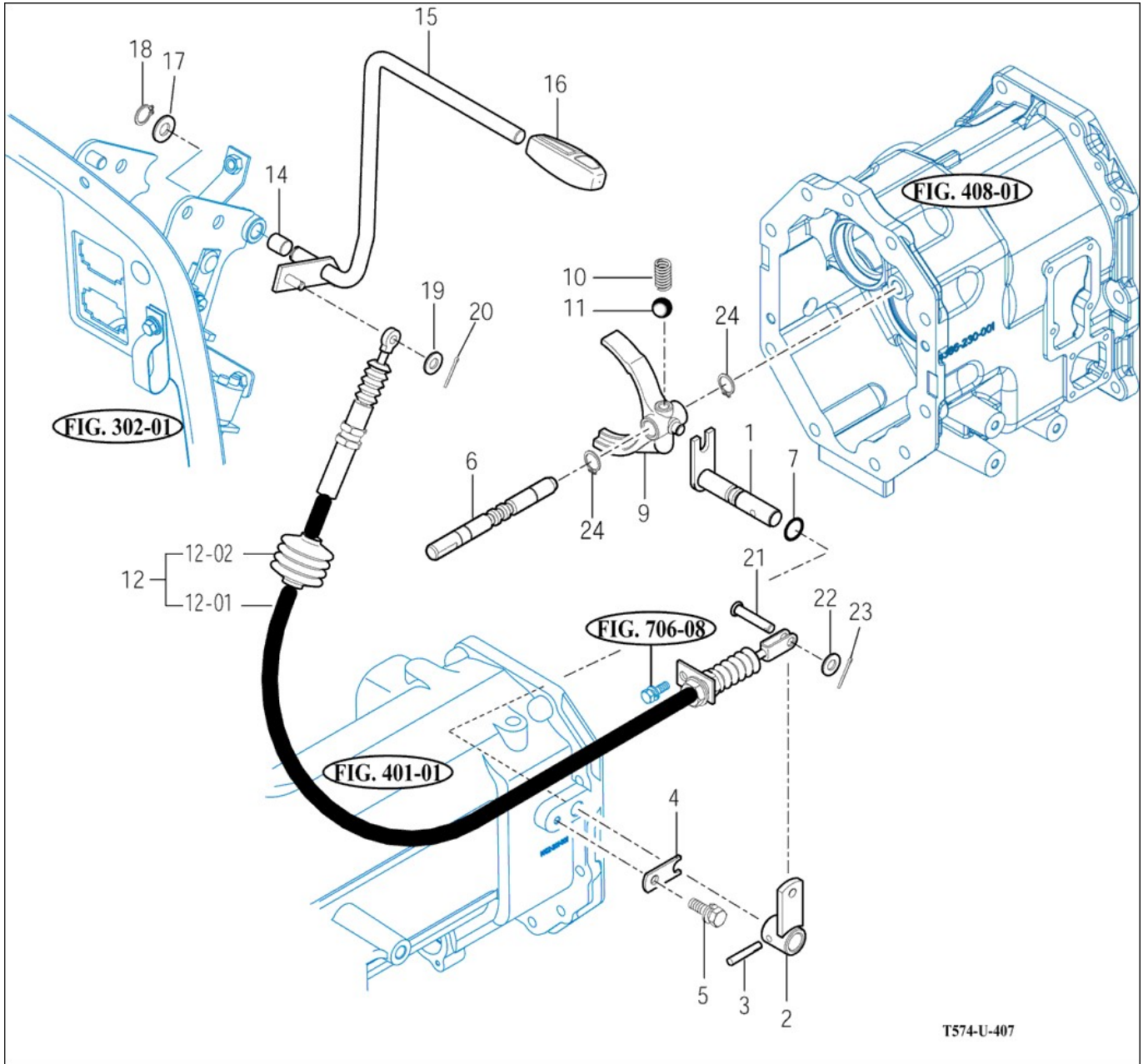
FIG

REVERSE CHANGE LEVER

년/월
Year/Month

TE58

2021-05



T574-U-407

NOTE

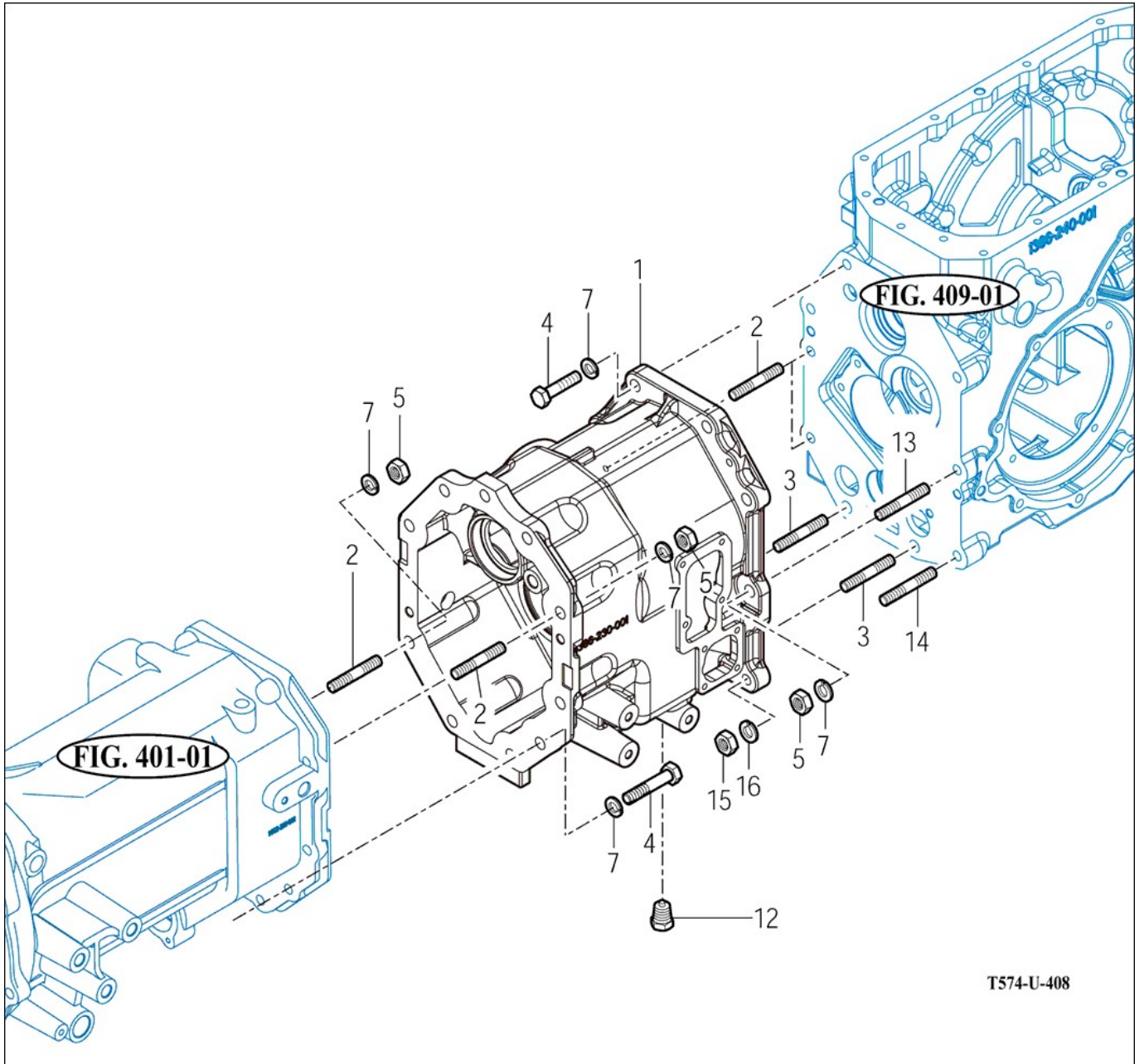
FIG

TE58

TRANSMISSION MID CASE

년/월
Year/Month

2021-05



NOTE

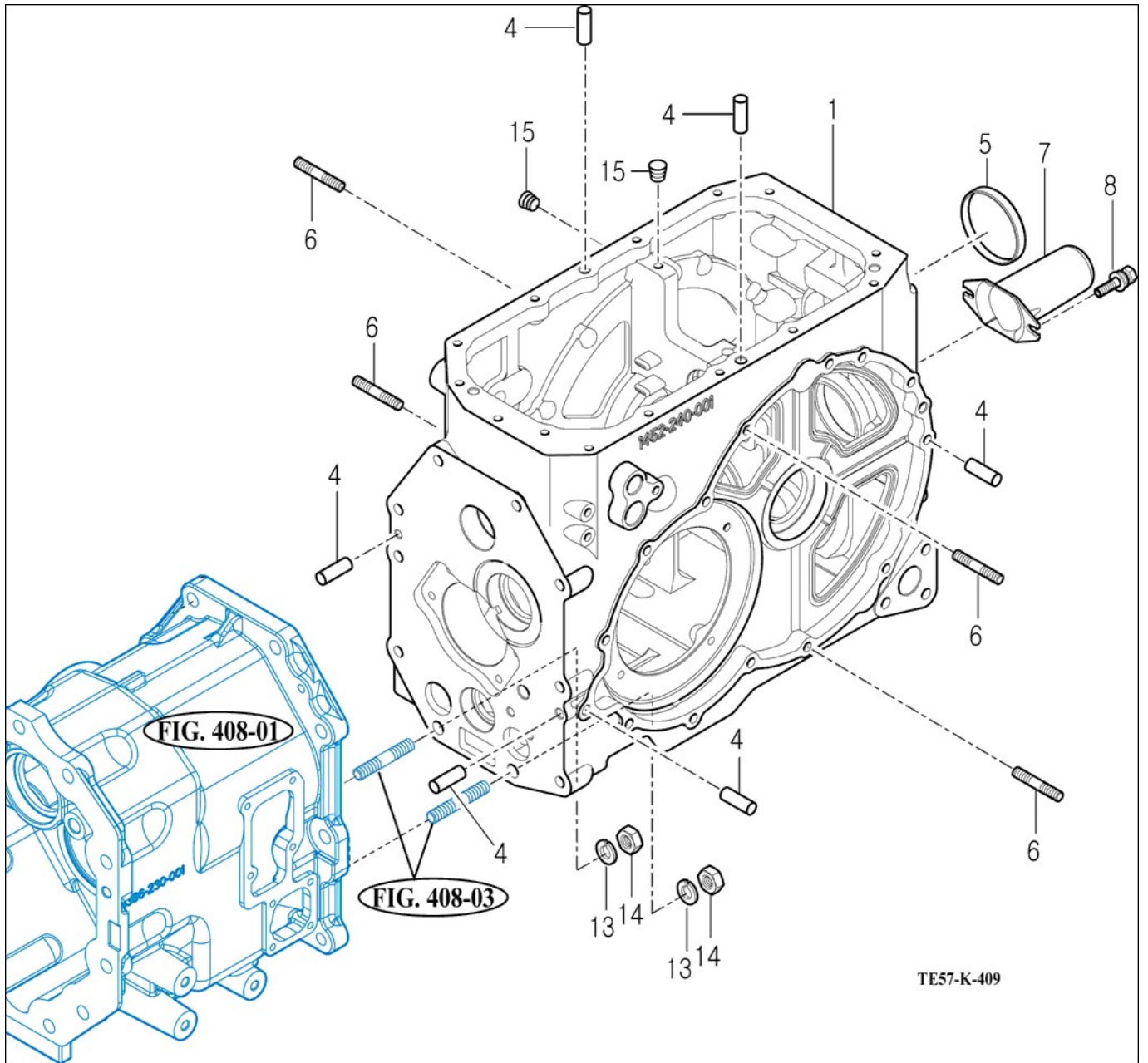
FIG

TRANSMISSION REAR CASE

년/월
Year/Month

TE58

2021-05



NOTE

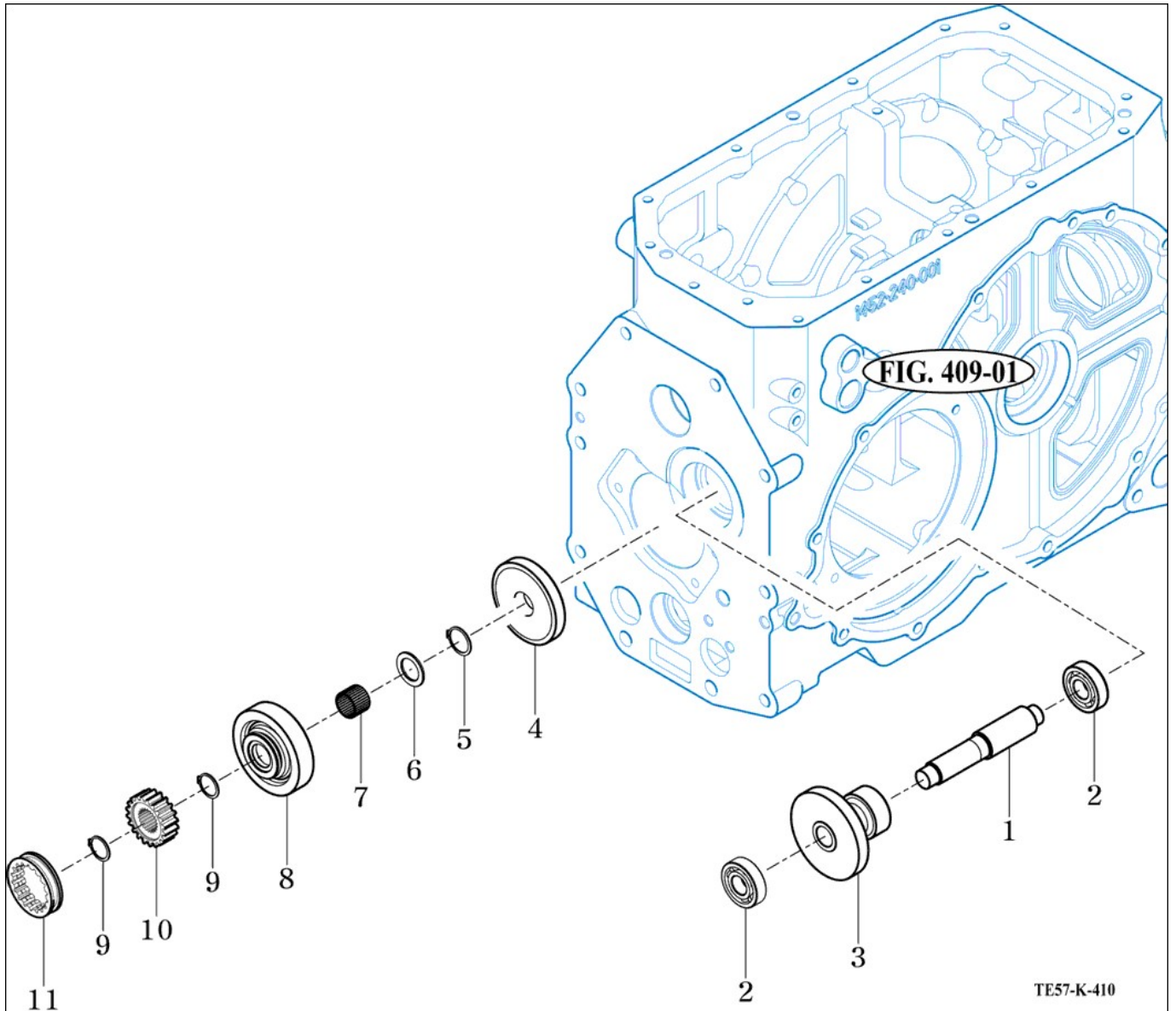
FIG

SUB CHANGE GEARS

년/월
Year/Month

TE58

2021-05



NOTE

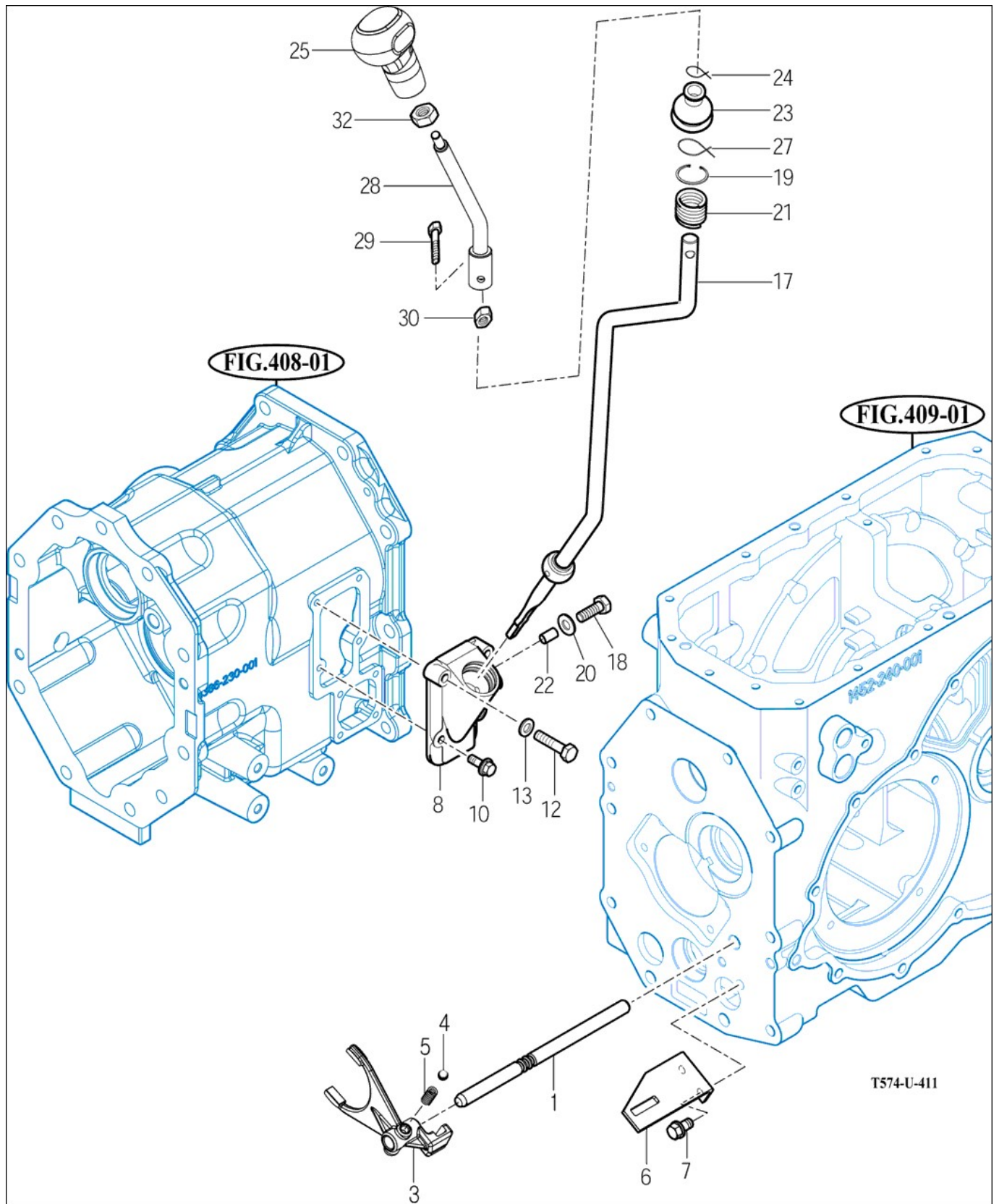
FIG

SUB CHANGE SHIFTER

년/월
Year/Month

TE58

2021-05



NOTE

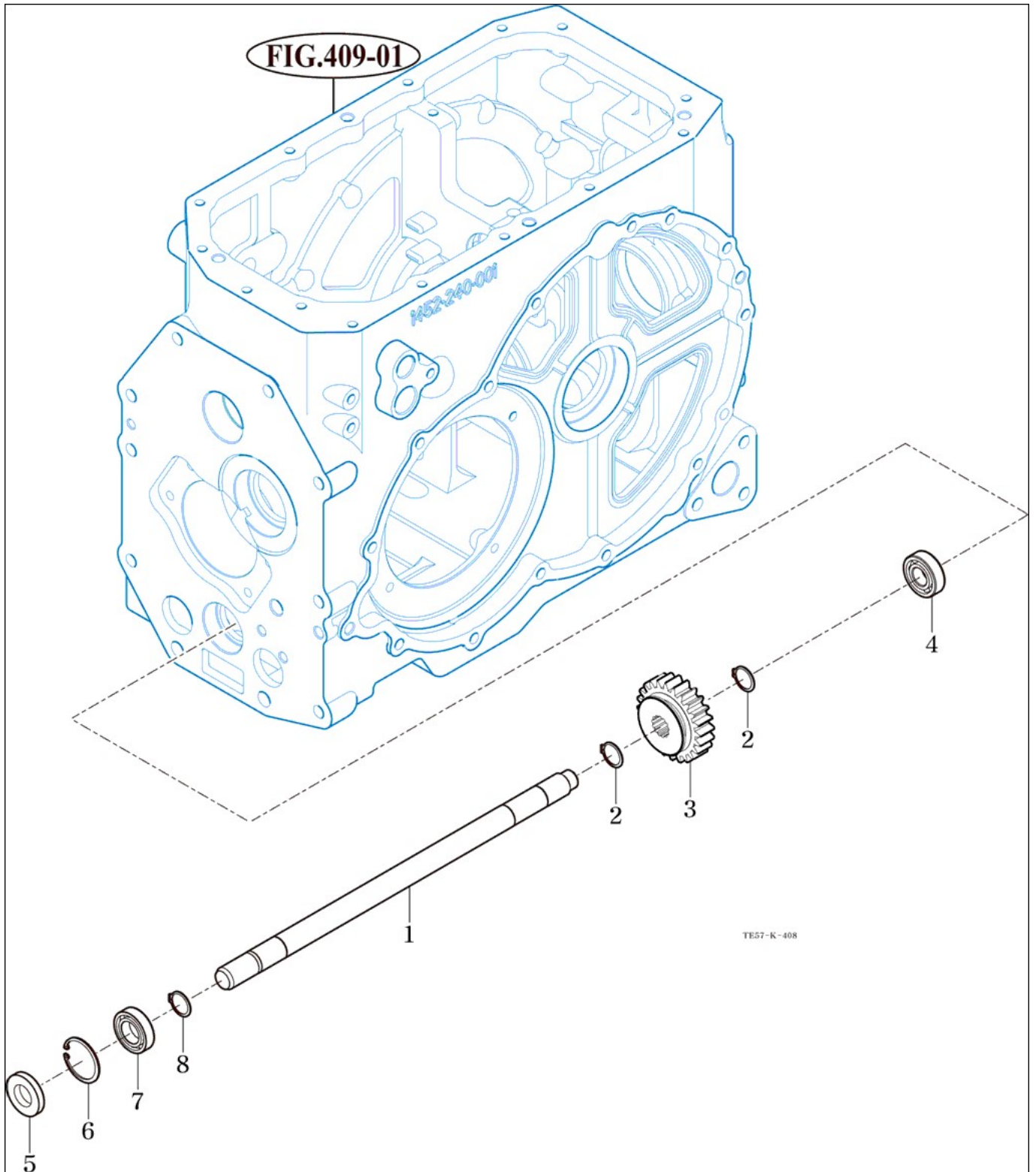
FIG

DRIVE GEARS

년/월
Year/Month

TE58

2021-05



NOTE

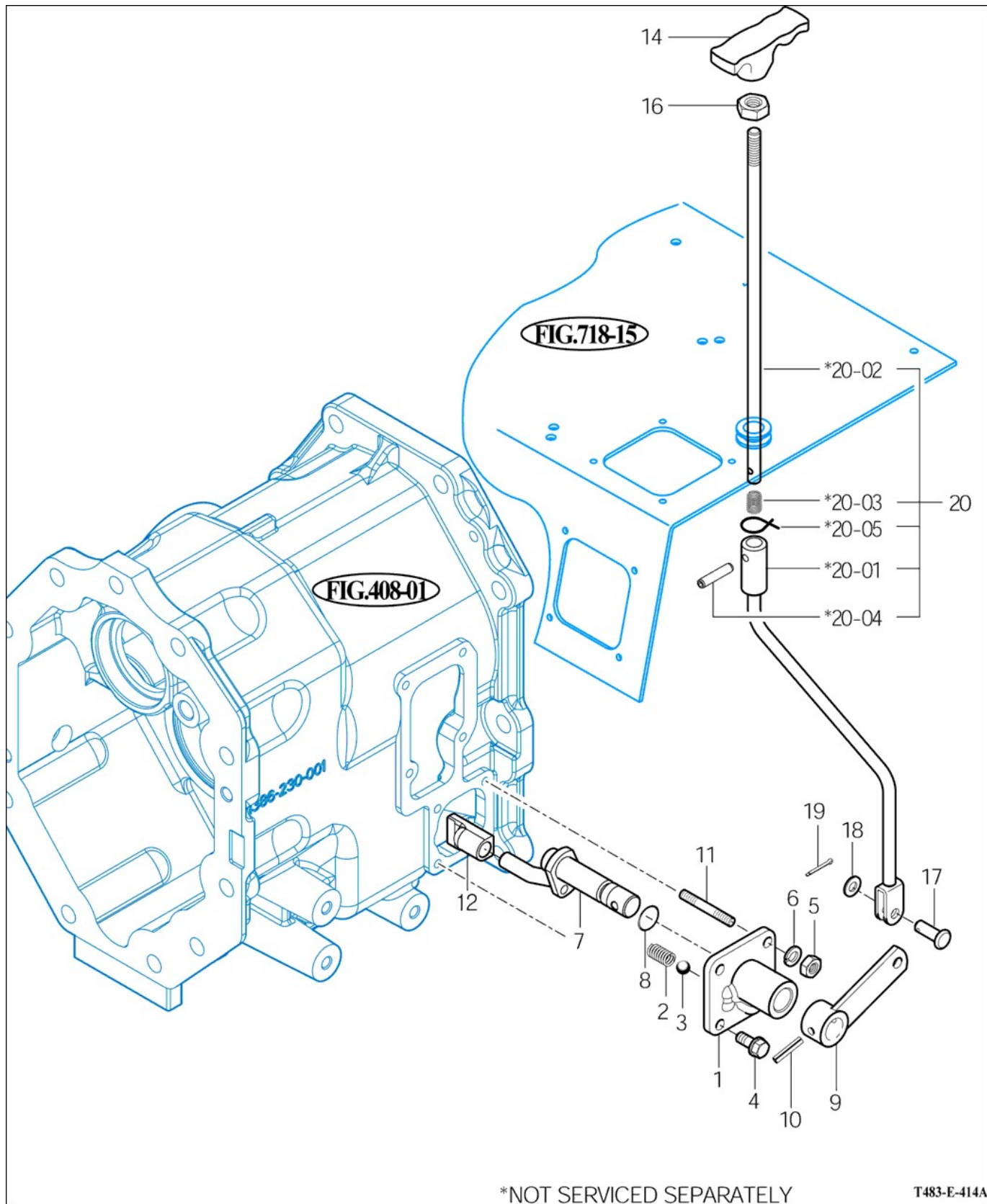
FIG

4WD CHANGE LEVER

년/월
Year/Month

TE58

2021-05



NOTE

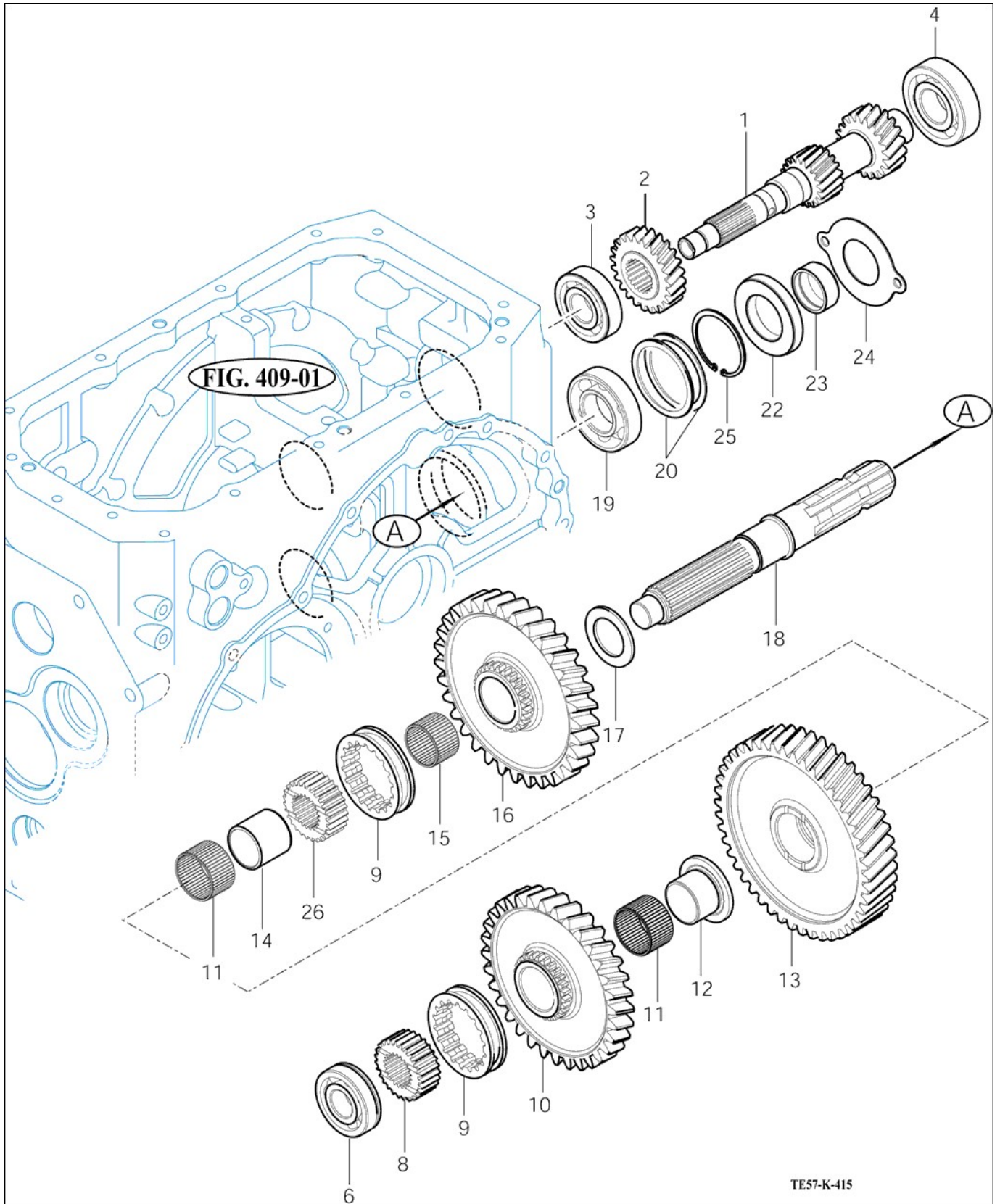
FIG

P.T.O CHANGE GEARS

년/월
Year/Month

TE58

2021-05



NOTE

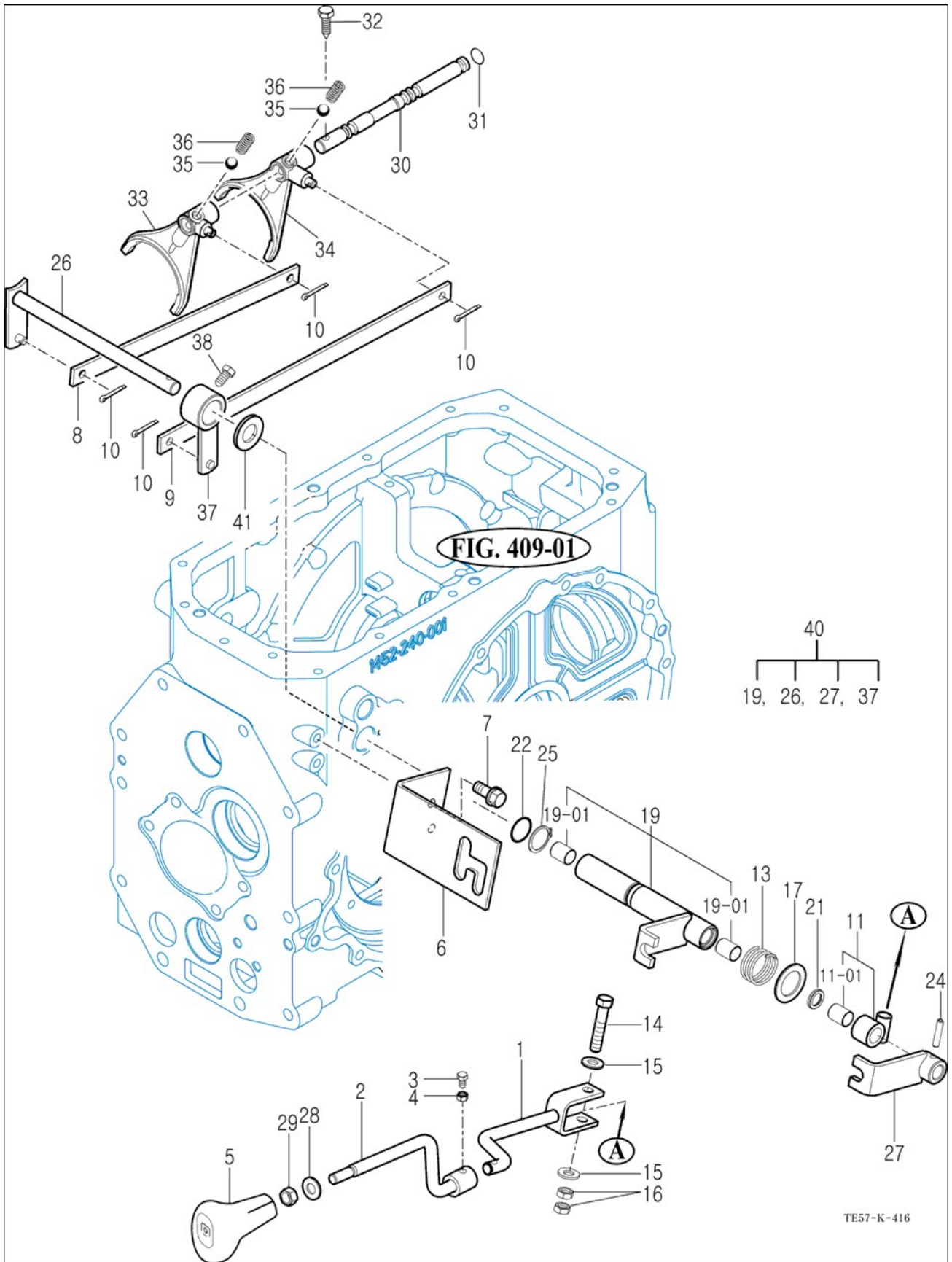
FIG

P.T.O CHANGE SHIFTER

년/월
Year/Month

TE58

2021-05



TE57-K-416

NOTE

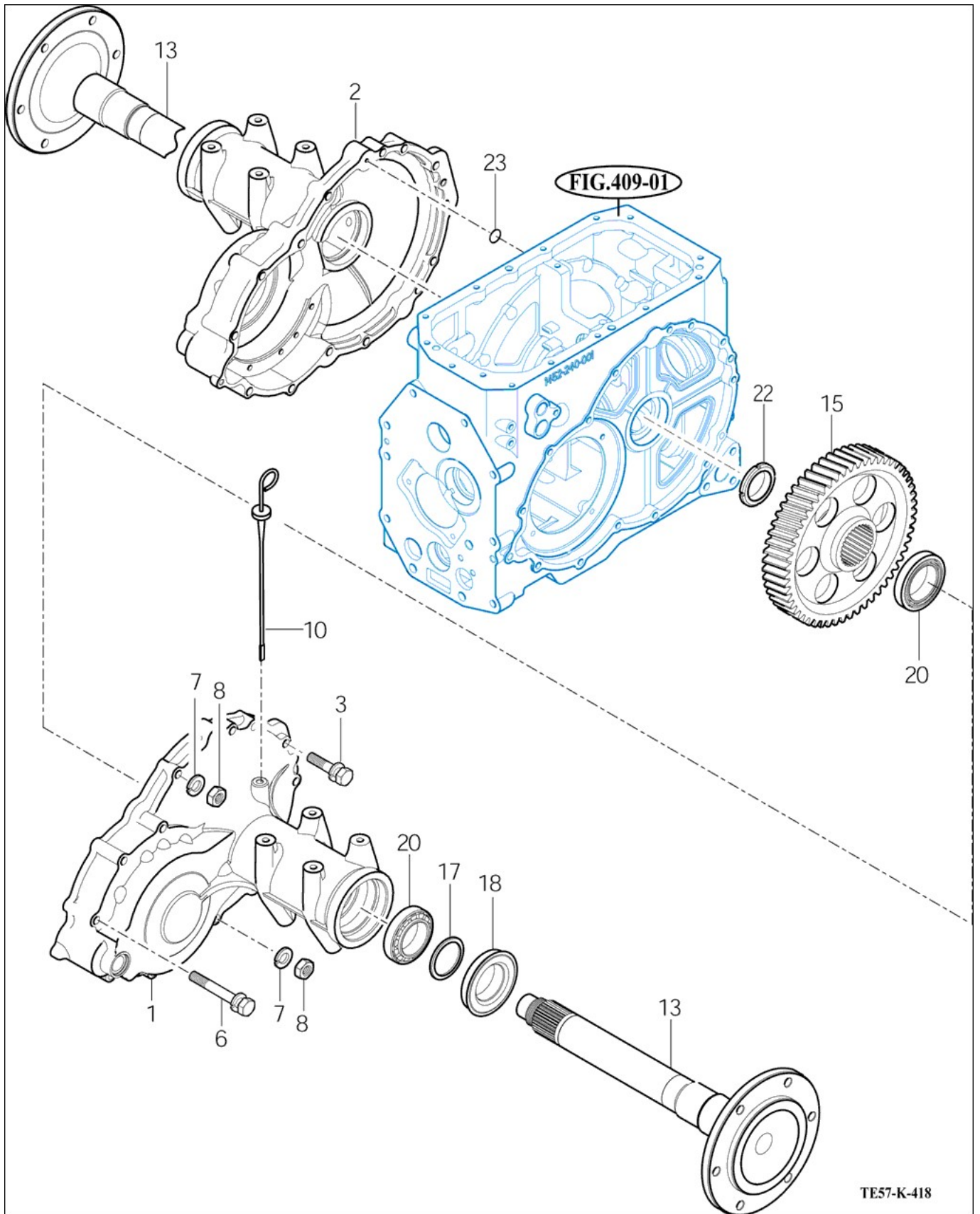
FIG

REAR AXLE HOUSING

년/월
Year/Month

TE58

2021-05



TE57-K-418

NOTE

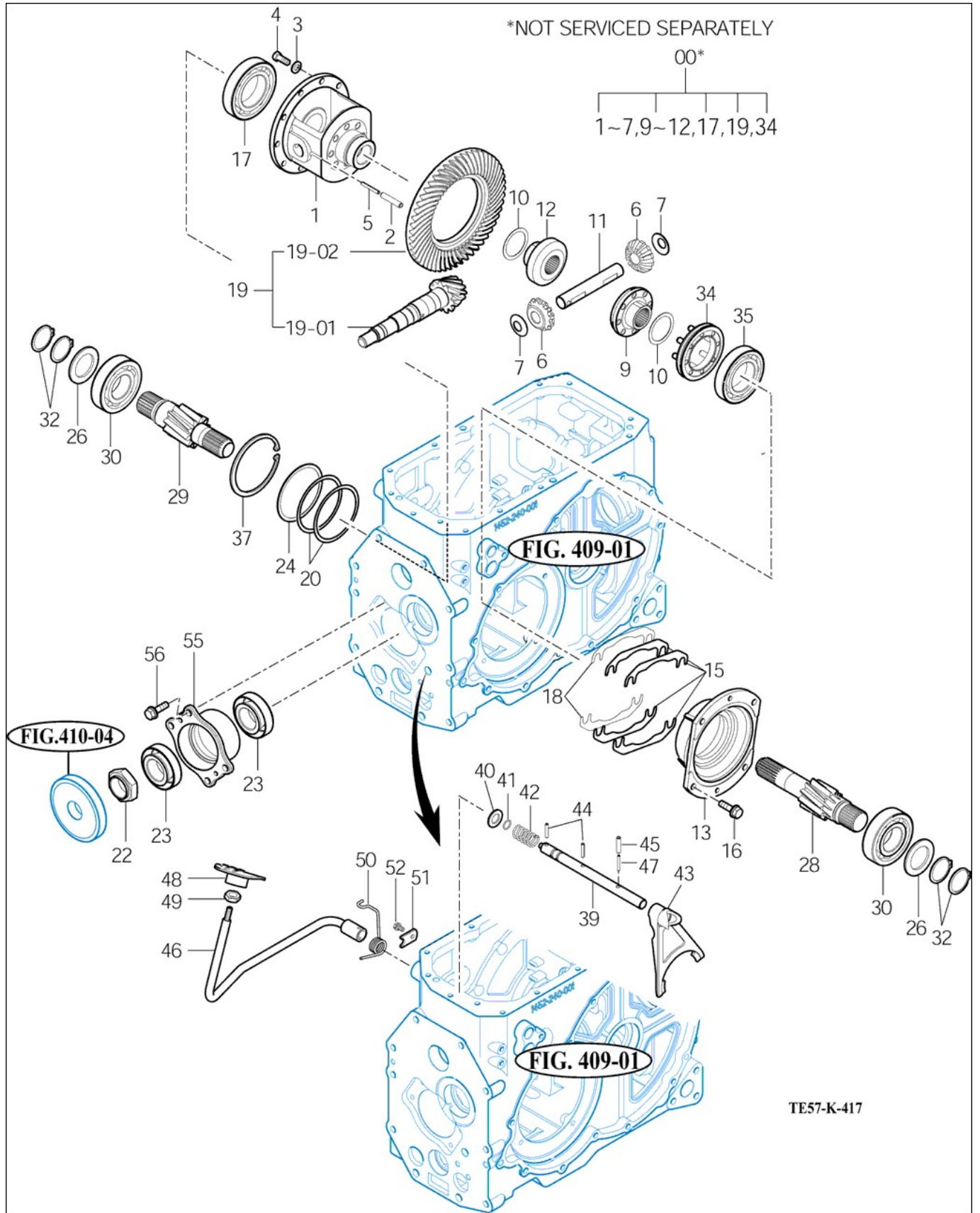
FIG

REAR DIFFERENTIAL GEARS

년/월
Year/Month

TE58

2021-05



NOTE

FIG		REAR DIFFERENTIAL GEARS					년/월	
							Year/Month	
TE58		2021-05						
KEY NO	PART NO	DESCRIPTION	SPEC	QTY	REPAIR	EFFECTIVE DATE	REMARKS	
0	13863031000	리어 차동장치 ASSY		1				
1	14523030010M	케이스(디프)		1				
2	V5801408040	스프링핀	8X50	1				
3	V4011600100	스프링와셔	M10	10				
4	V2024610025	소형육각볼트(가는)	M10X25	10				
5	V5801405036	스프링핀	5X36	1				
6	14523180041	피니언(차동)	1X1X1	2				
7	14523030080	칼라(피니온)	T=1.0	2				
9	14523180061	피니언(베벨/16 LH)	1X1X1	1				
10	14523030100	와셔(스러스트)	D=52.5	2				
11	14523030110	디프피니언샤프트	D=23	1				
12	14523180031	피니언(베벨/16 RH)	1X1X1	1				
13	14523030131M	메탈(LH/디프케이스)		1				
15	14523010090	심(B)	T=0.2	4				
16	V2173610025	소형육각볼트보통(S)	M10X25	4				
17	V6001106212	볼베어링	6212	1				
18	14523010080	심(A)	T=0.1	2				
19	13863022100	기어(10X41)SET		1				
19.1	13863022110	베벨 피니언		1				
19.2	14523022120	스파이럴베벨기어		1				
20	14523010050	심(0.1)	T=0.1	2				
22	15533030020	너트(M40XP1.5)	육각B=55	1				
23	V6321132208	테이퍼롤러베어링(보통)	32208CR	2				
24	14523010100	심(0.2)	T=0.2	1				
26	15133060030	스러스트칼라(45X68X4)		2				
28	14523060010	피니언(헬리컬/11/LH)		1				
29	14523060020	피니언(헬리컬/11/RH)		1				
30	V6001106309	볼베어링	6309	2				
32	V7041400450	C형멈춤링(축용)	45	4				
34	14523033400	슬리브COMP		1				
35	V6001106211	볼베어링	6211	1				
37	V7051401100	C형멈춤링(구멍용)	110	1				
39	14523032002	샤프트(디프록)	D=20	1				
40	V4111600200	평와셔	M20	1				
41	V7201024016	O링(P)	P16	1				
42	17973030420	스프링	(D=3.6) X22.5X74.5	1				
43	14523190011M	포크(디프로크)		1				
44	V5801406032	스프링핀	6X32	2				
45	V5801408036	스프링핀	8X36	1				
46	14543162101	디프록페달COMP		1				
47	V5801405036	스프링핀	5X36	1				
48	14521220120	페달COMP,악셀	1X1X1	1				
49	V3342600100	소형육각너트가는2종	M10	1				
50	14523160020	스프링(디프 페달)	D=5.5	1				
51	16703180191	플레이트	25X4.5T	1				
NOTE								

5. 프런트 액슬 PART NO. T5

FIG FRONT GEAR CASE (3)	167
FIG FRONT AXLE SUPPORT	169
FIG FRONT DRIVE SHAFT	171
FIG FRONT AXLE HOUSING	173
FIG FRONT DIFFERENTIAL GEARS	175
FIG FRONT GEAR CASE (1)	177
FIG FRONT GEAR CASE (2)	179

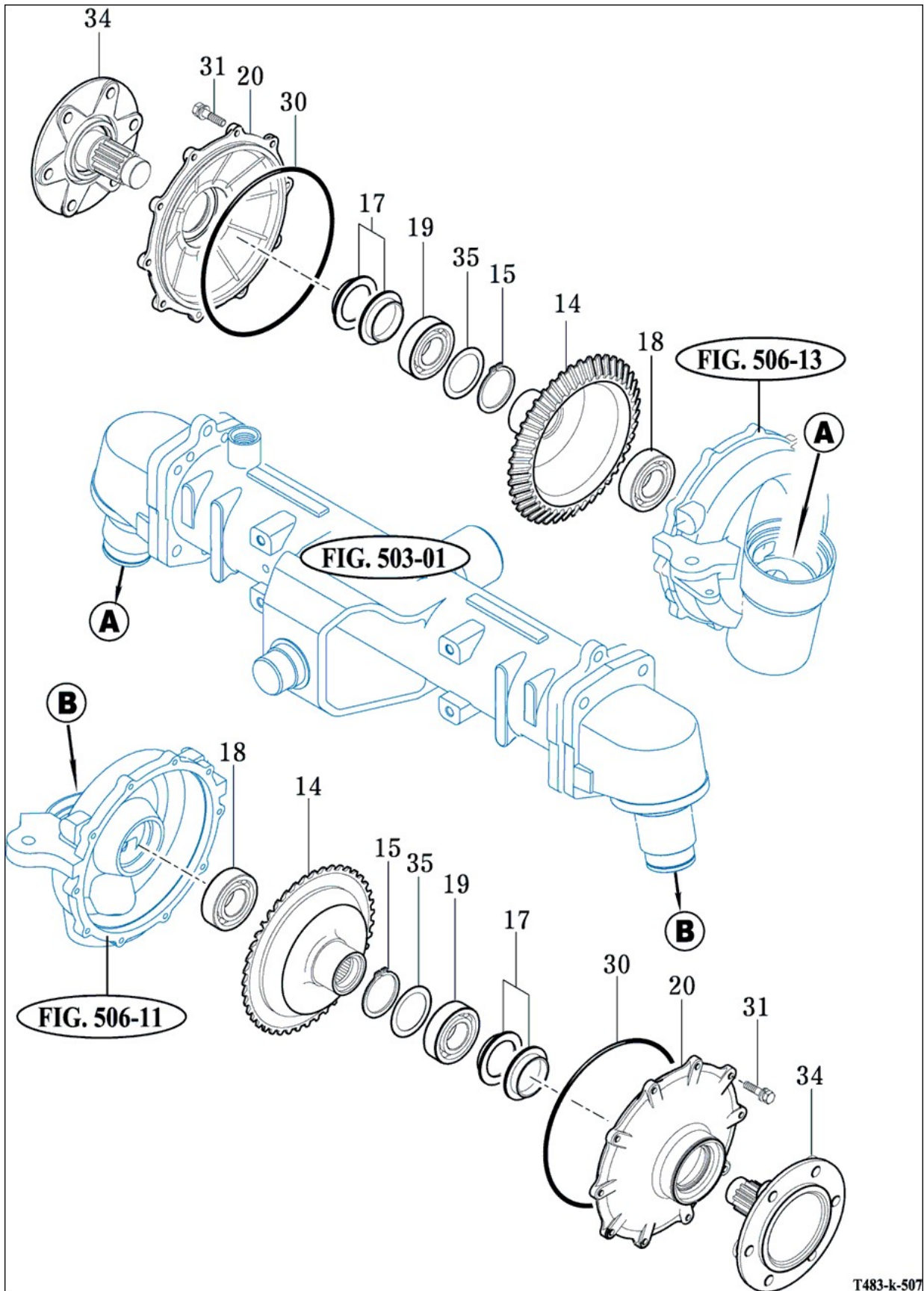
FIG

FRONT GEAR CASE (3)

년/월
Year/Month

TE58

2021-05



T483-k-507

NOTE

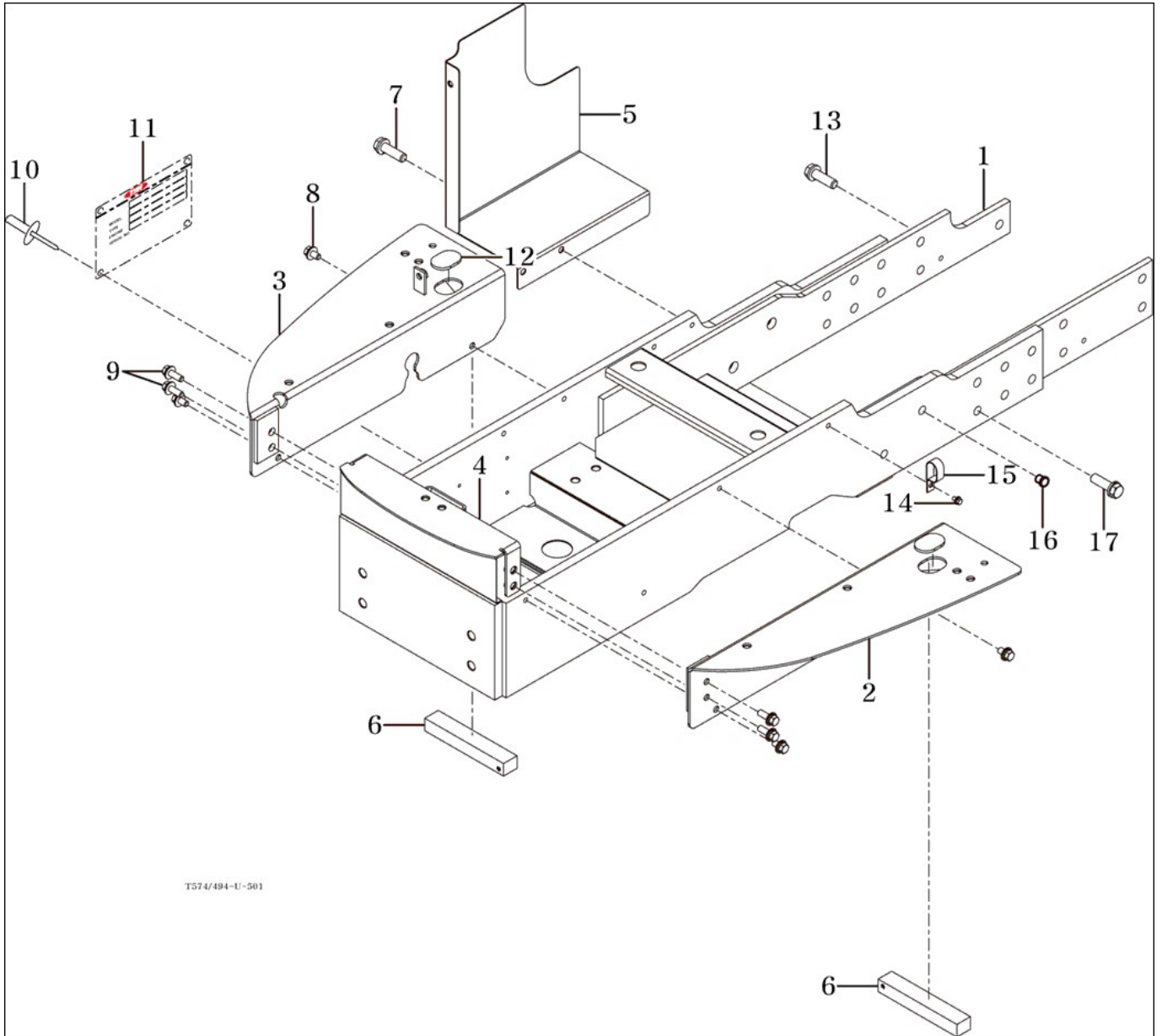
FIG

FRONT AXLE SUPPORT

년/월
Year/Month

TE58

2021-05



NOTE

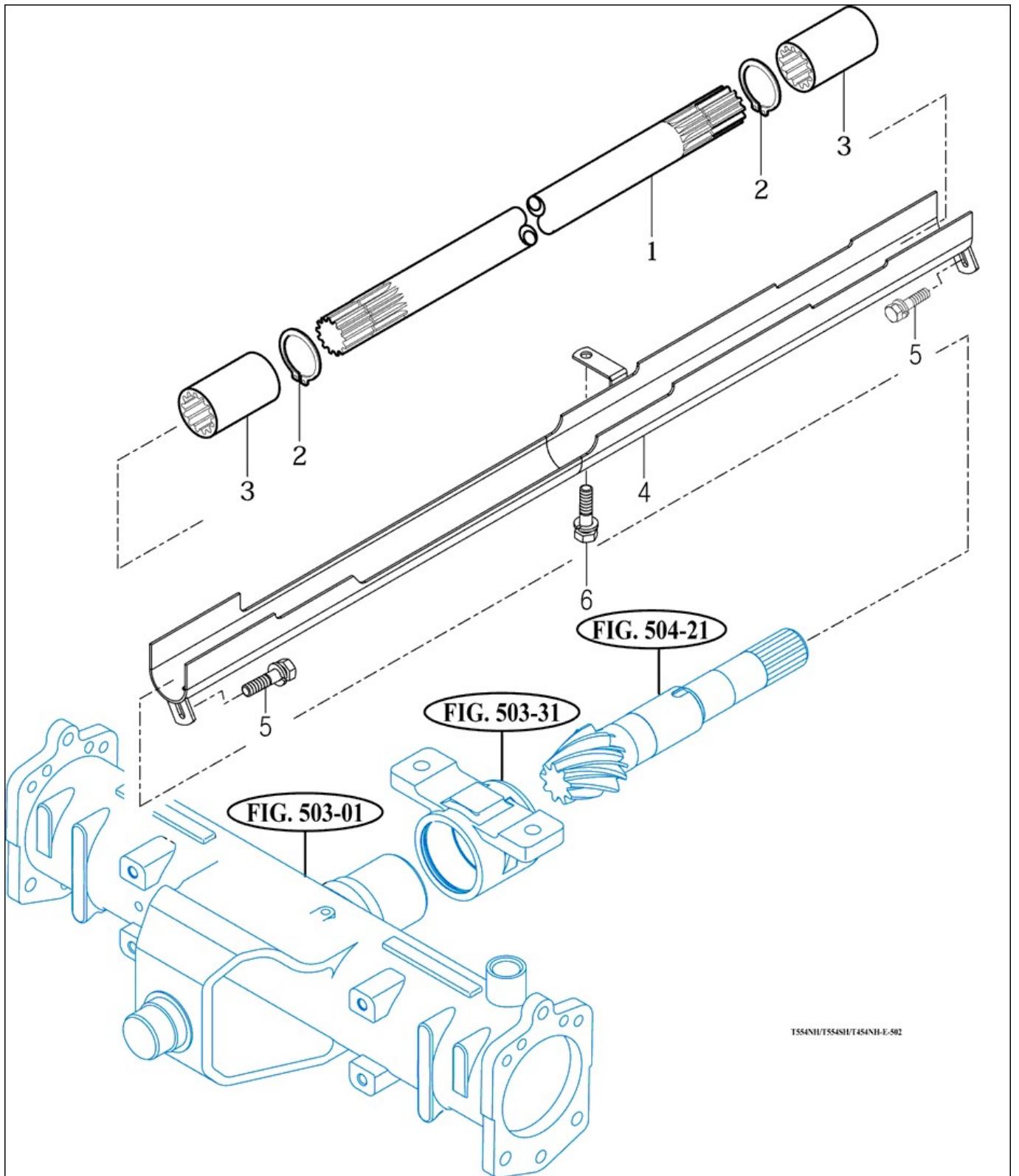
FIG

FRONT DRIVE SHAFT

년/월
Year/Month

TE58

2021-05



T554NH/T554SH/T454NH-E-502

NOTE

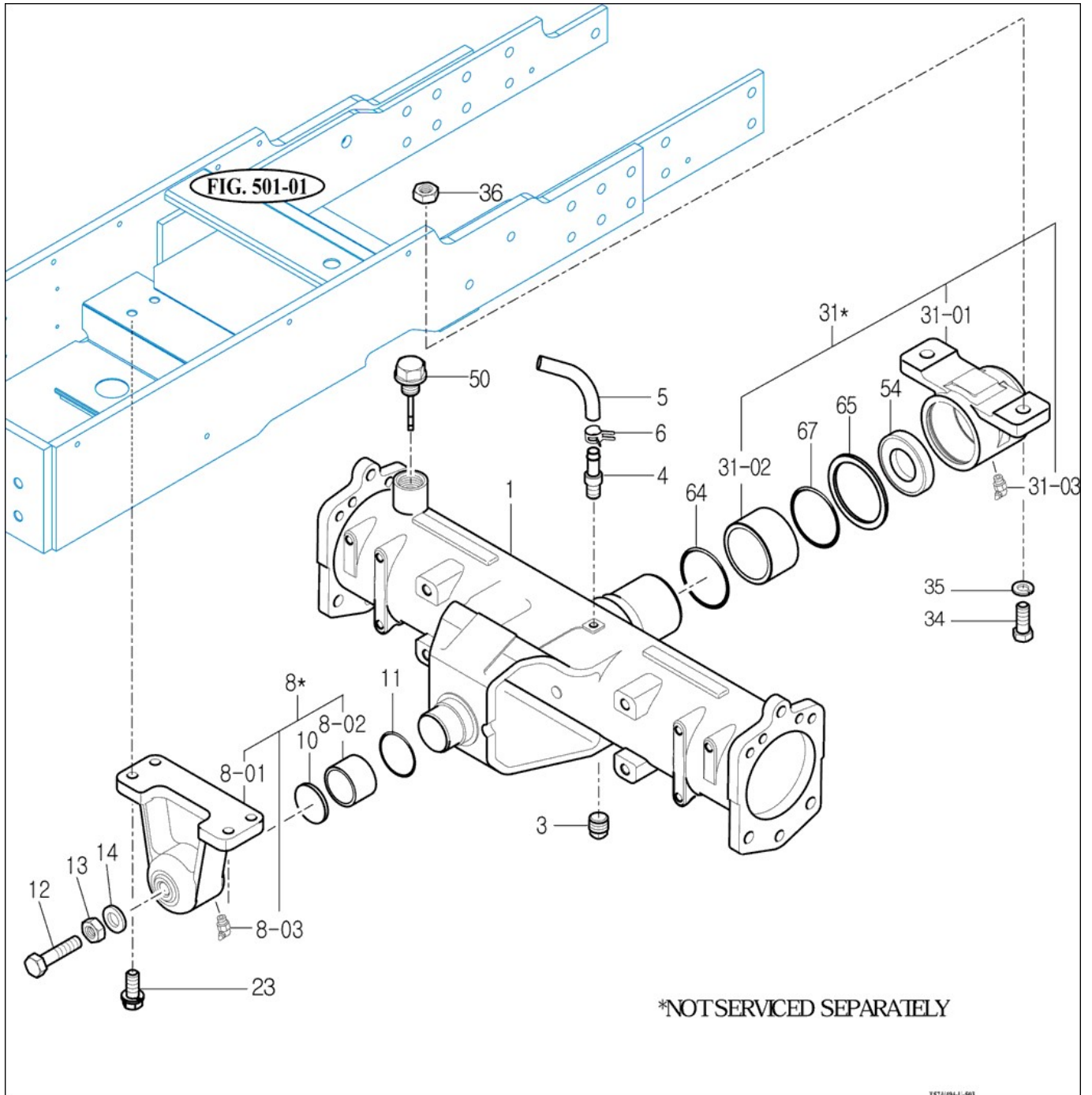
FIG

FRONT AXLE HOUSING

년/월
Year/Month

TE58

2021-05



NOTE

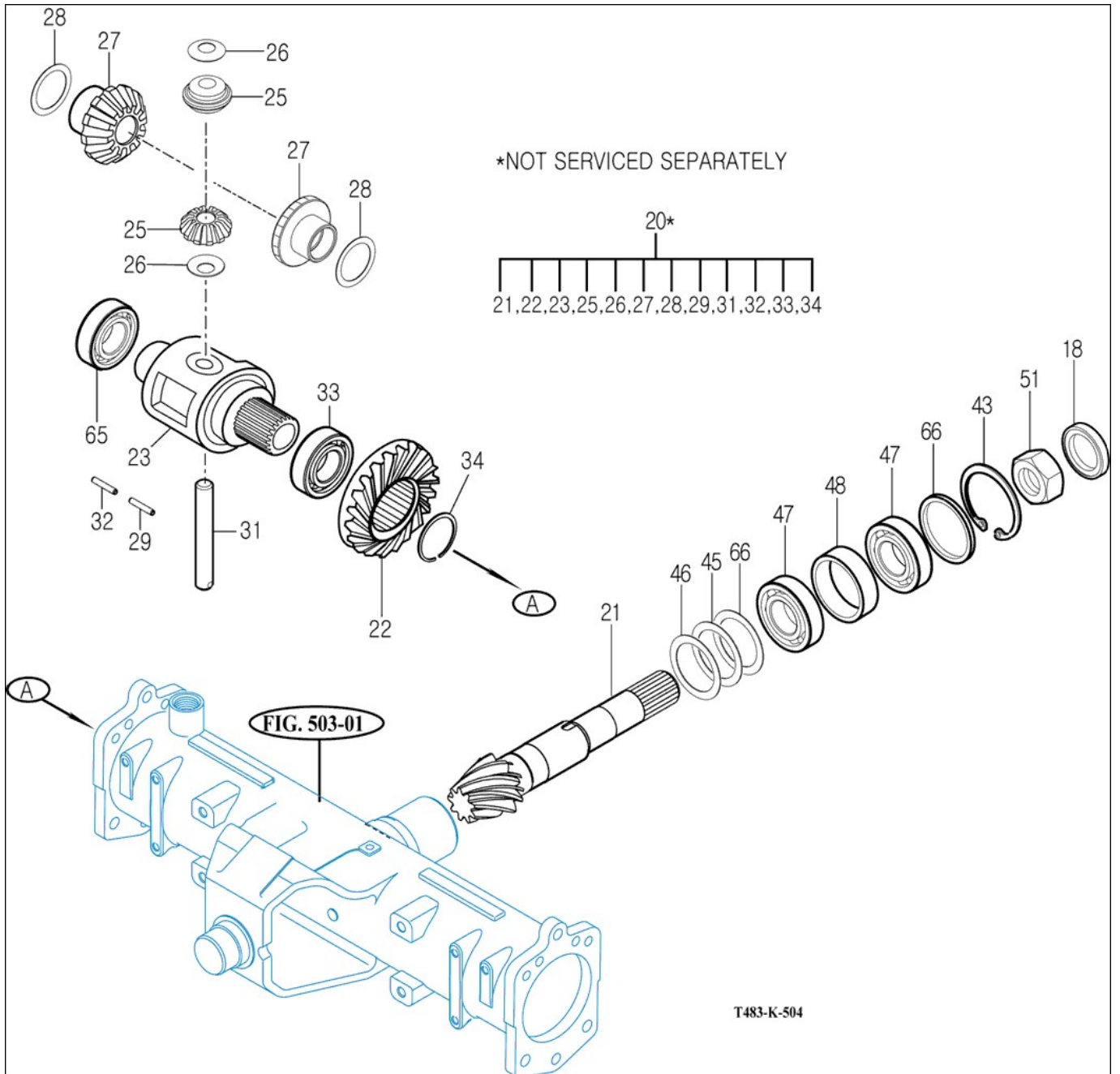
FIG

FRONT DIFFERENTIAL GEARS

년/월
Year/Month

TE58

2021-05



NOTE

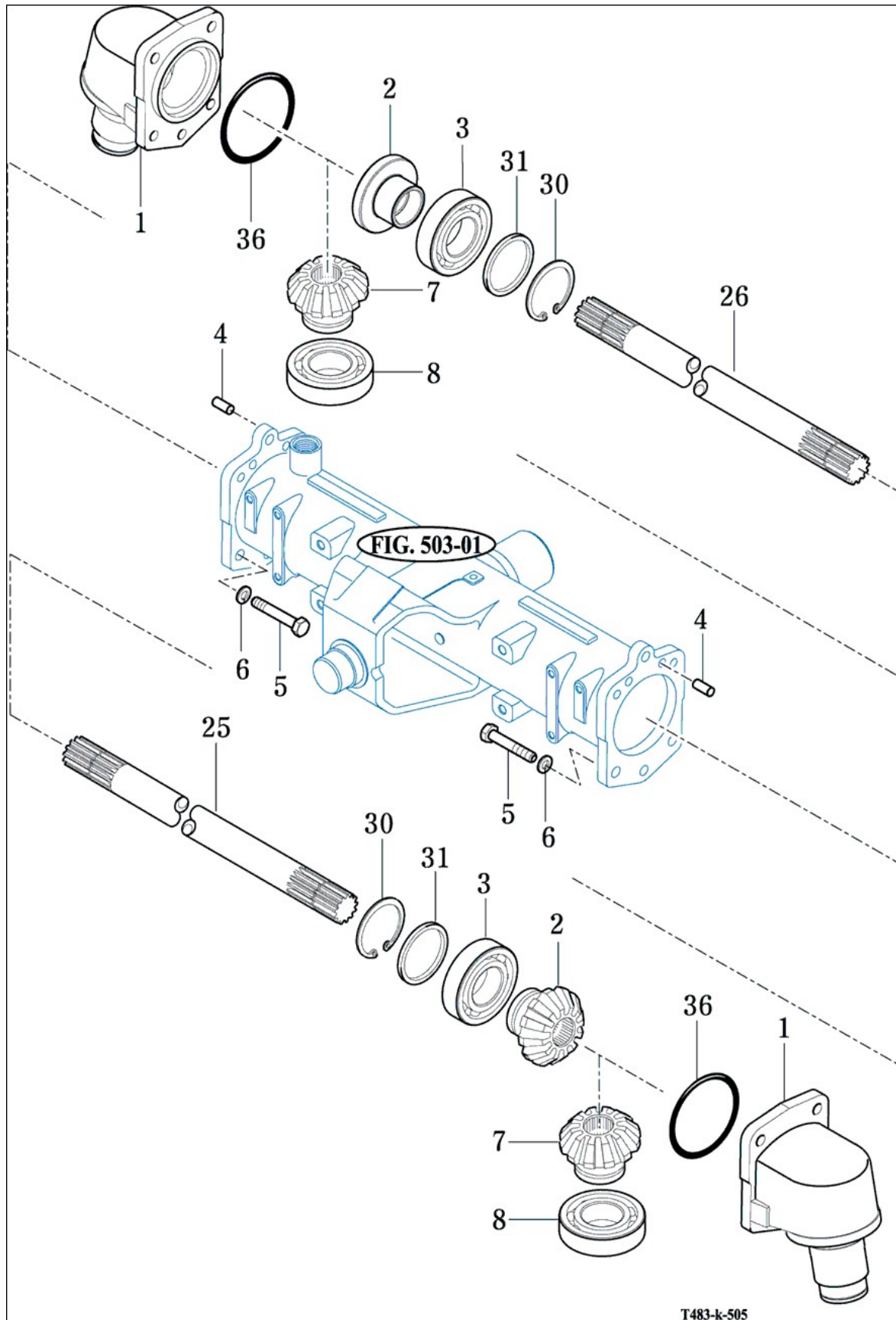
FIG

FRONT GEAR CASE (1)

년/월
Year/Month

TE58

2021-05



T483-k-505

NOTE

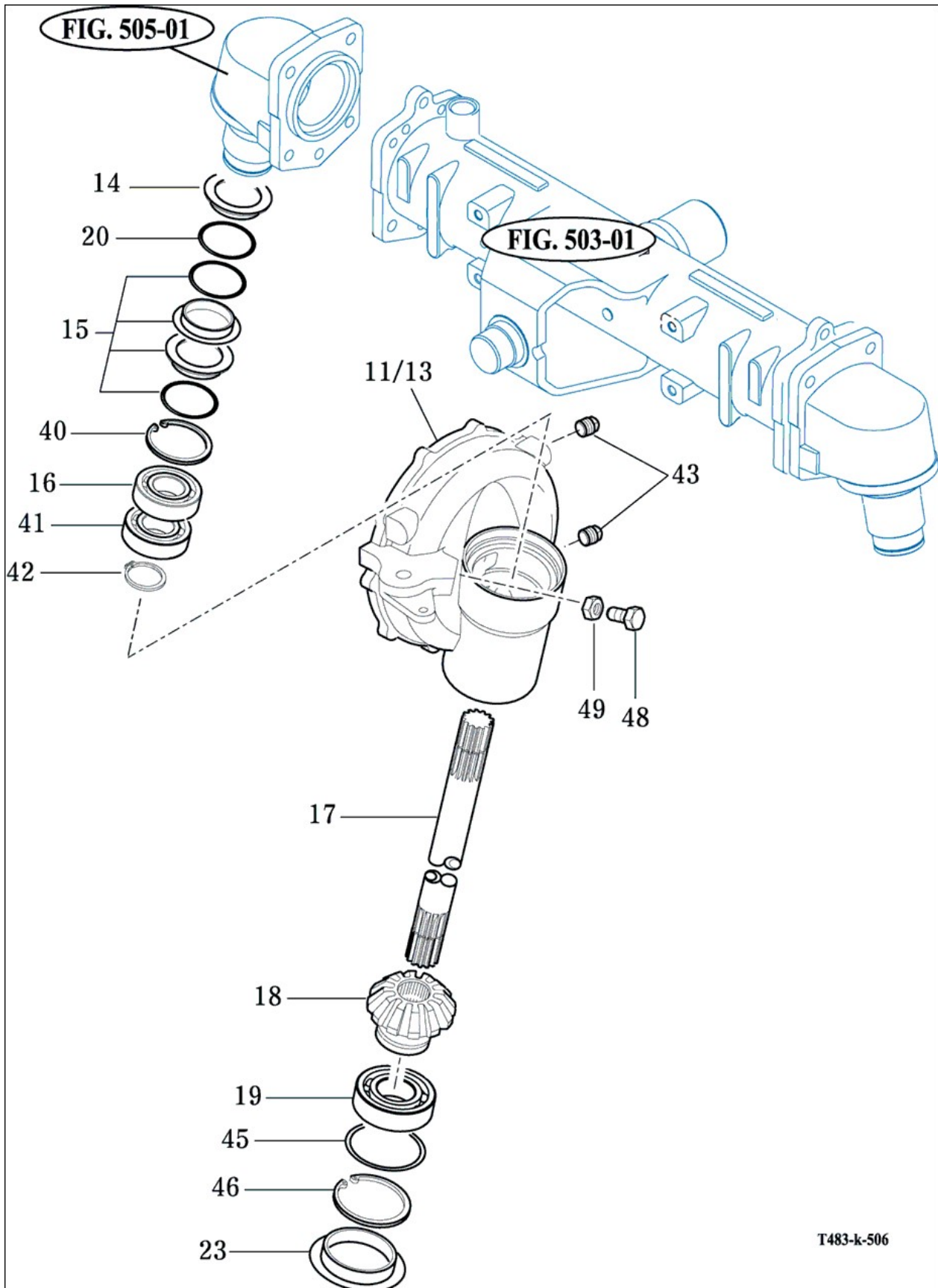
FIG

FRONT GEAR CASE (2)

년/월
Year/Month

TE58

2021-05



T483-k-506

NOTE

6. 유압/3점링크 PART NO. T6

FIG CYLINDER CASE	182
FIG LIFT ARM	184
FIG CYLINDER	186
FIG POSITION LINK	188
FIG CONTROL VALVE	190
FIG DRAFT LINK	192
FIG POSITION & DRAFT LEVER (1)	194
FIG EXTERIOR HYD. VALVE	196
FIG HYDRAULIC PIPE	198
FIG JOYSTICK	200
FIG HITCH & 3-POINT LINK	202
FIG LOWER LINK & LIFT ROD	205
FIG POSITION & DRAFT LEVER (2)	207

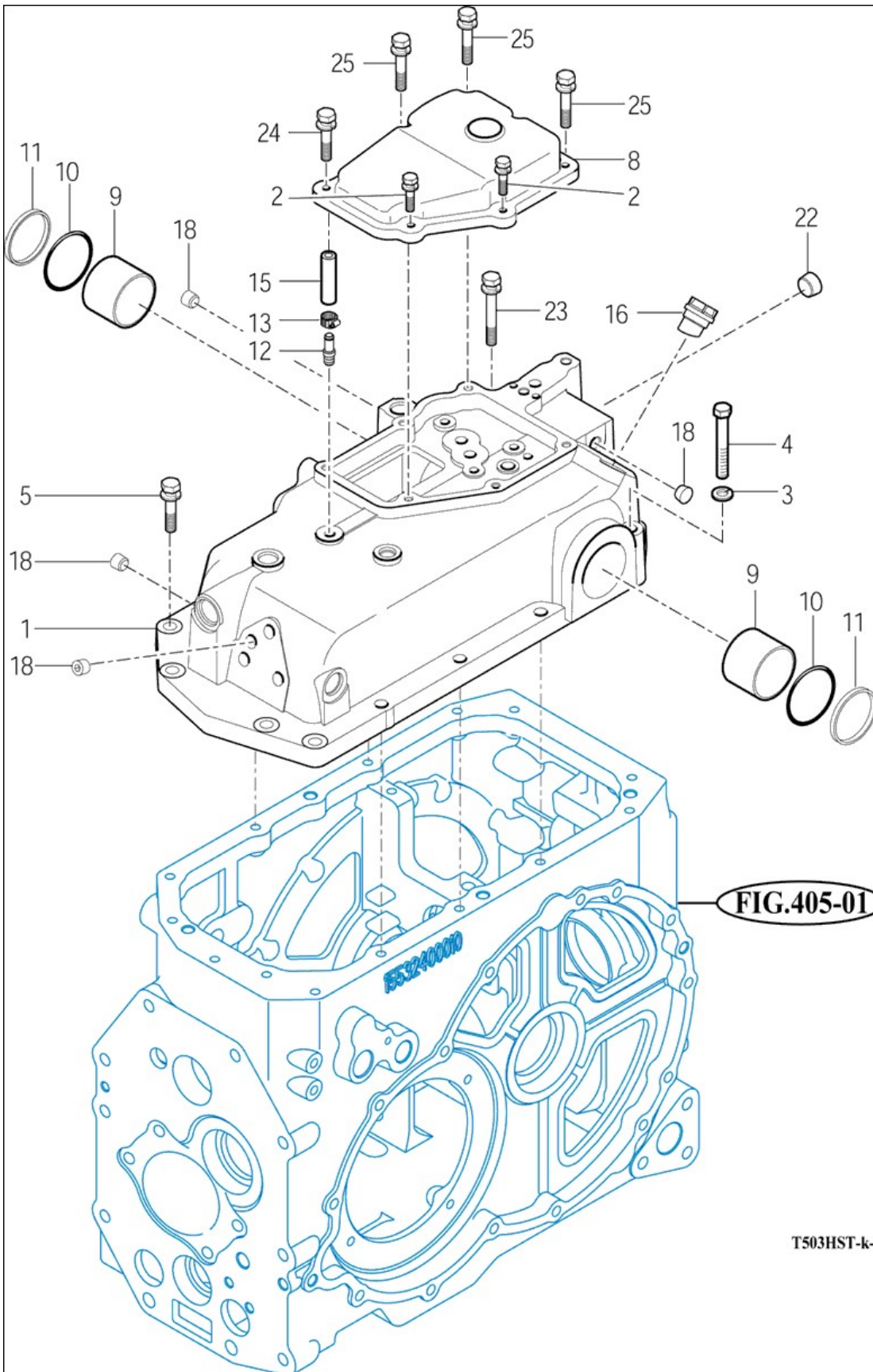
FIG

CYLINDER CASE

년/월
Year/Month

TE58

2021-05



NOTE

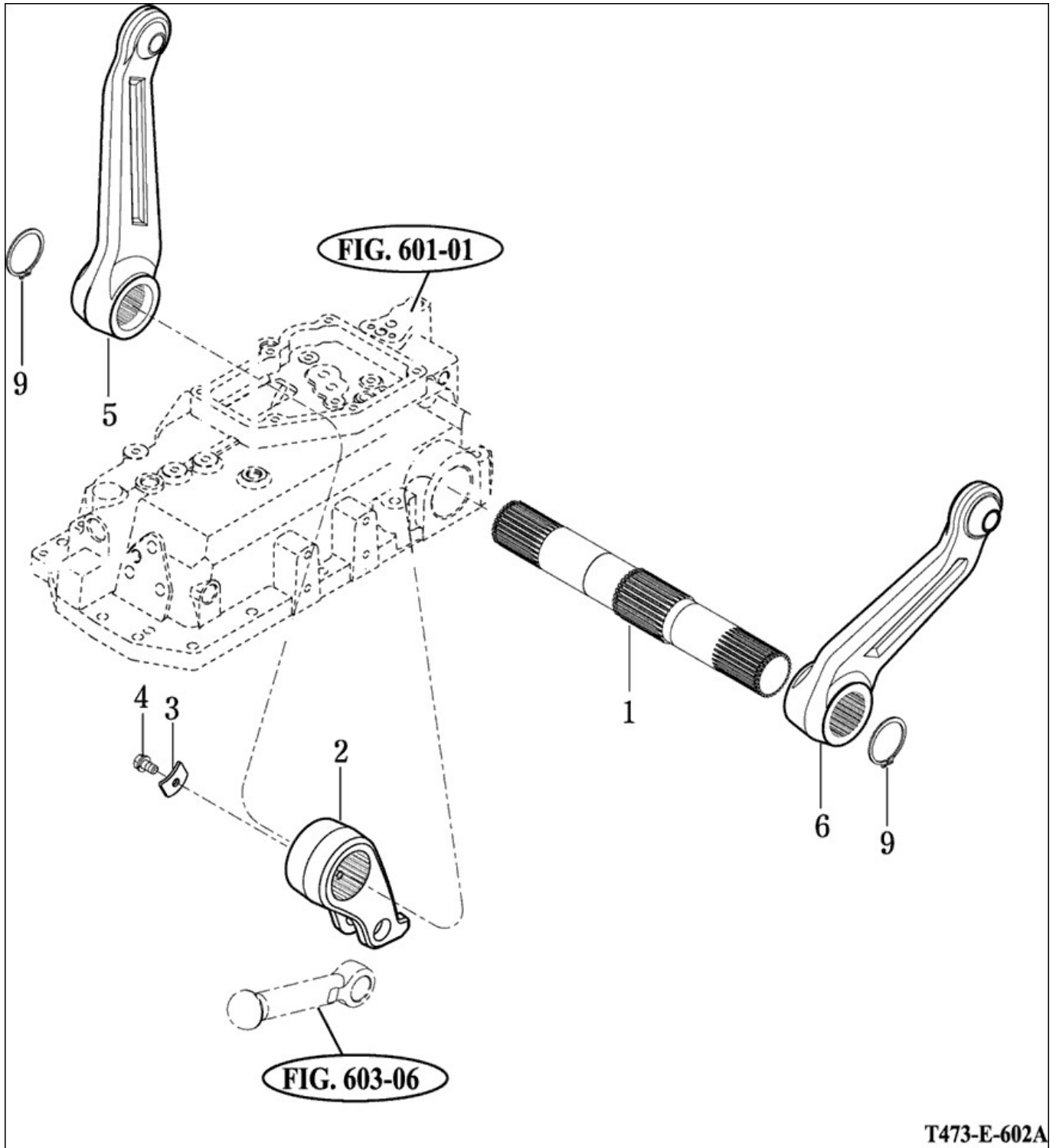
FIG

TE58

LIFT ARM

년/월
Year/Month

2021-05



T473-E-602A

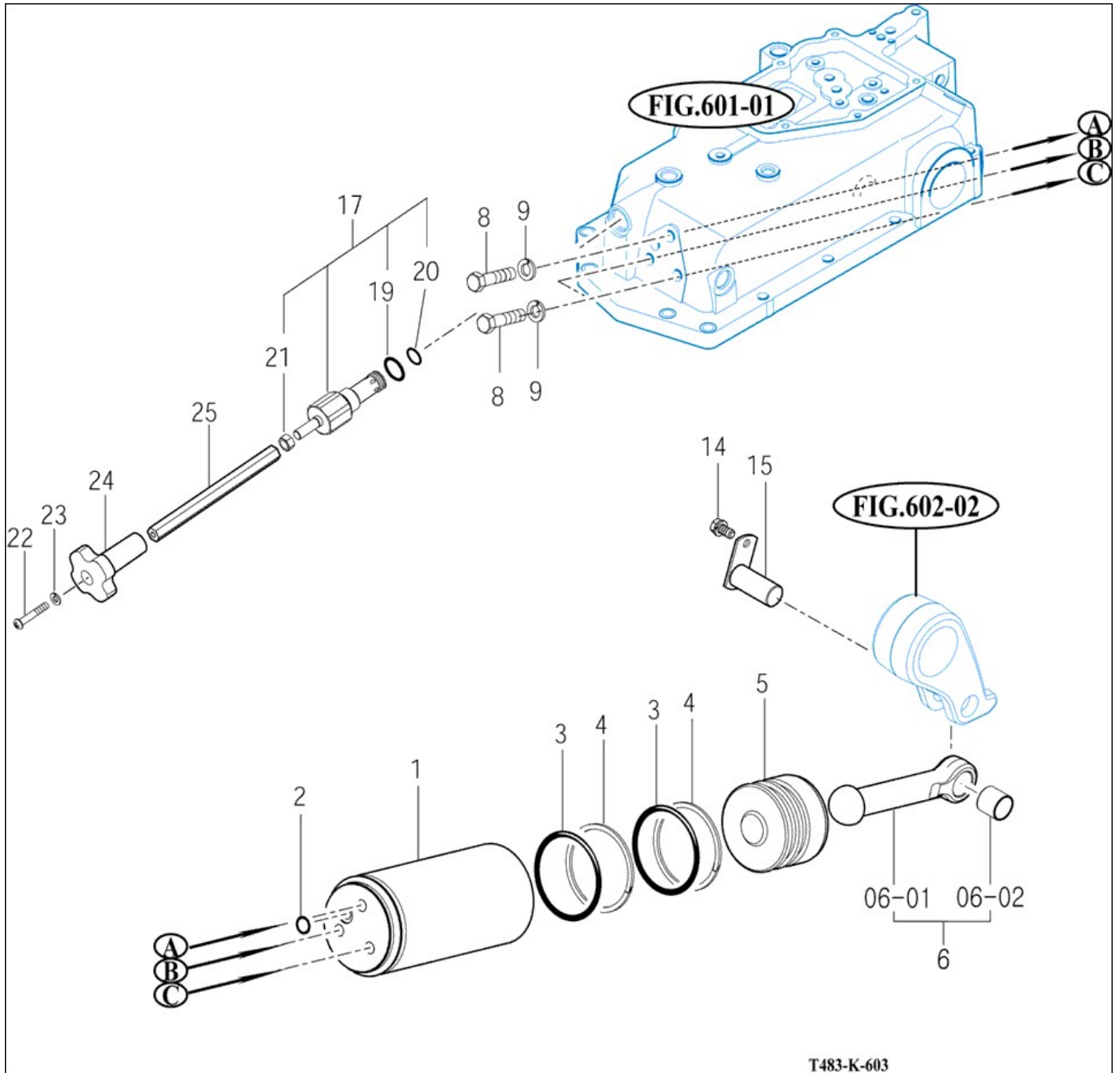
NOTE

FIG
TE58

CYLINDER

년/월
Year/Month

2021-05



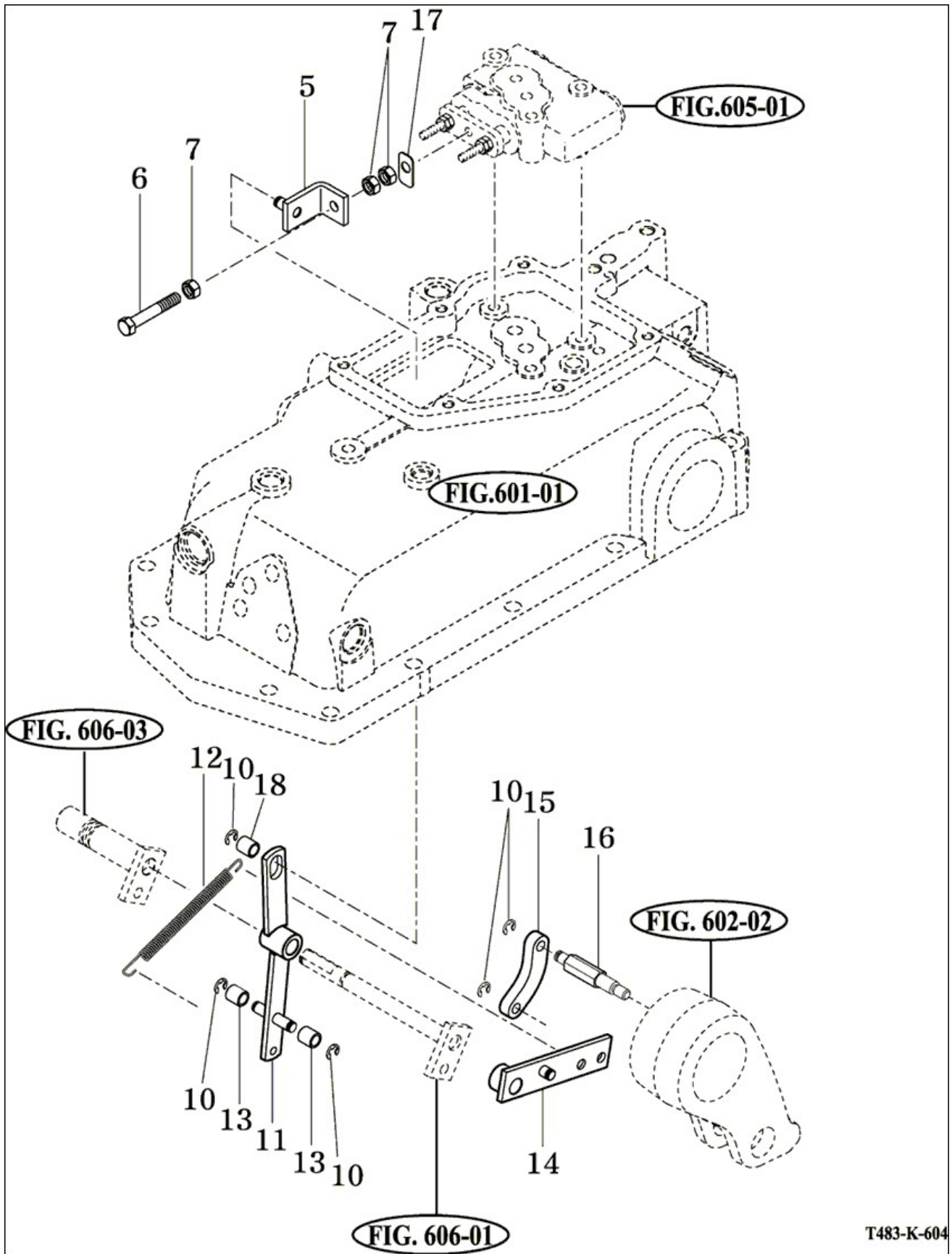
NOTE

FIG
TE58

POSITION LINK

년/월
Year/Month

2021-05



T483-K-604

NOTE

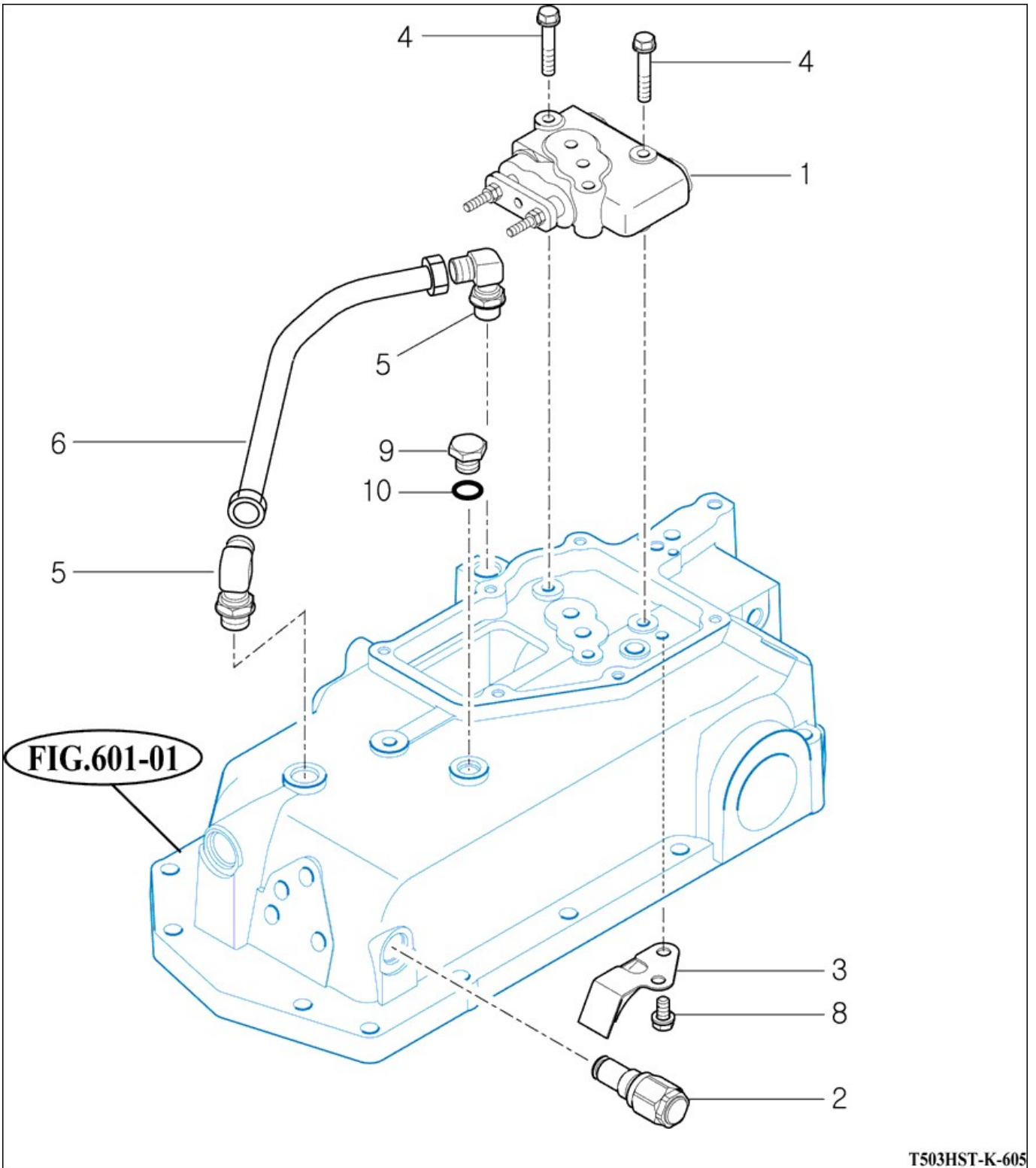
FIG

TE58

CONTROL VALVE

년/월
Year/Month

2021-05



NOTE

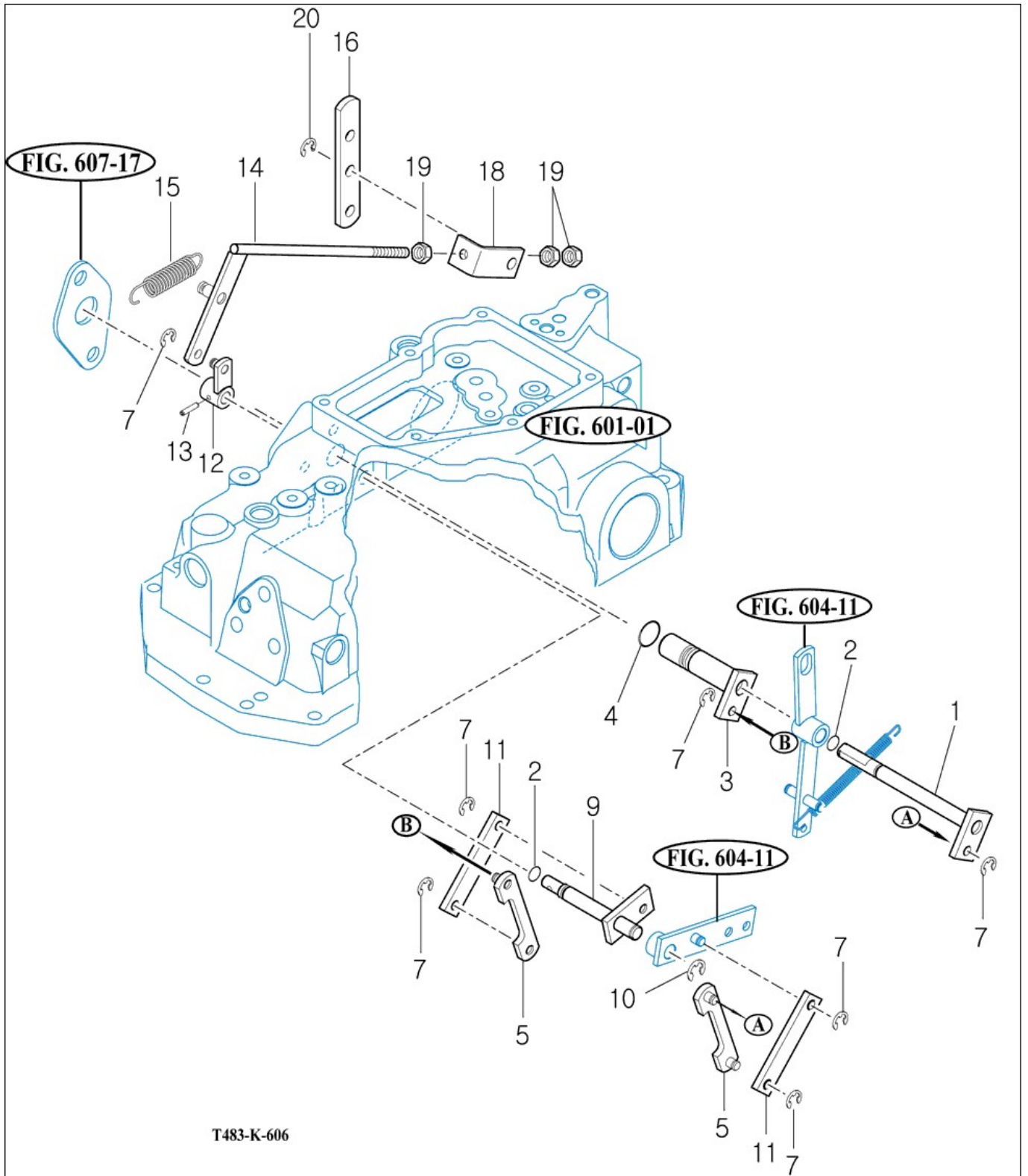
FIG

DRAFT LINK

년/월
Year/Month

TE58

2021-05



NOTE

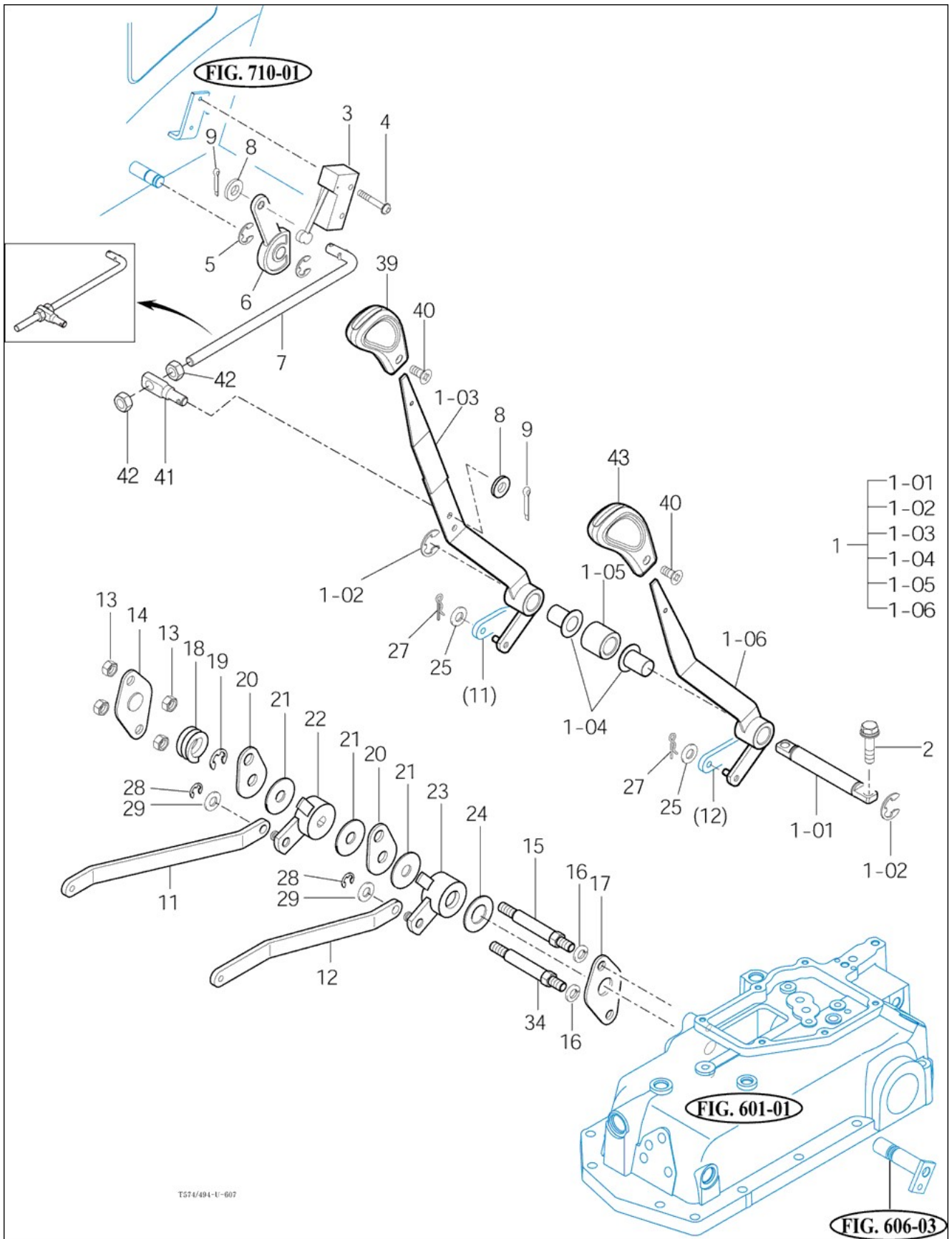
FIG

POSITION & DRAFT LEVER (1)

년/월
Year/Month

TE58

2021-05



NOTE

FIG TE58	POSITION & DRAFT LEVER (1)	년/월 Year/Month
		2021-05

KEY NO	PART NO	DESCRIPTION	SPEC	QTY	REPAIR	EFFECTIVE DATE	REMARKS
	1	13877092100	레버서브, 포지션/드래프트		1		
	1.1	14527092110	샤프트	D=16	1		
	1.2	V7081400150	E형멈춤링	15	2		
	1.3	13877092200GB	레버 COMP 포지션		1		
	1.4	14527092120	부시, 나이론/16X18X27		2		
	1.5	14527092251	칼라(스페이스)		1		
	1.6	13877092300GB	레버 COMP, 드래프트		1		
	2	V2183608020	소형육각볼트보통(SP)	M8X20	2		
	3	16606742301	스위치(리미트)ASSY		1		
	4	V1222604025	심자흡냄비작은나사(SP)	M4X25	2		
	5	V7081400080	E형멈춤링	8	2		
	6	14527090020	캠, 센서		1		
	7	19997090010	로드, 스위치	D=6	1		
	8	V4111600060	평와셔	M6	2		
	9	V5001920020	분할핀	2X20	2		
	11	14525070121	플레이트(포지션)	19X6T	1		
	12	14525070141	플레이트(드래프트)	19X6T	1		
	13	V3043600100	소형육각너트보통2종	M10	4		
	14	17995070140	플레이트(C)	3.2T	1		
	15	17995070150	지지볼트	H14X108.9	1		
	16	V4011600100	스프링와셔	M10	2		
	17	17995070170	플레이트(D)	3.2T	1		
	18	17995070180	스프링		1		
	19	V7081400120	E형멈춤링	12	1		
	20	17995070200	플레이트(A)	3.2T	2		
	21	17995070211	마찰판(소)		3		
	22	14525070221	암(포지션레버)COMP		1		
	23	14525070230	암COMP(드래프트 레버)		1		
	24	17995070241	마찰대(대)	21X40X2T	1		
	25	V4111600060	평와셔	M6	2		
	27	21306010180	헤어핀(6)		2		
	28	V7081400080	E형멈춤링	8	2		
	29	V4111600100	평와셔	M10	2		
	34	17995070340	지지볼트		1		
	39	13877553400	손잡이, 포지션레버		1		
	40	V1122605012	심자흡접시작은나사	M5X12	2		
	41	19997090210	핀, 포지션로드		1		
	42	V3002600060	육각너트보통1종	M6	2		
	43	13877553500	손잡이, 드래프트 레버		1		
NOTE							

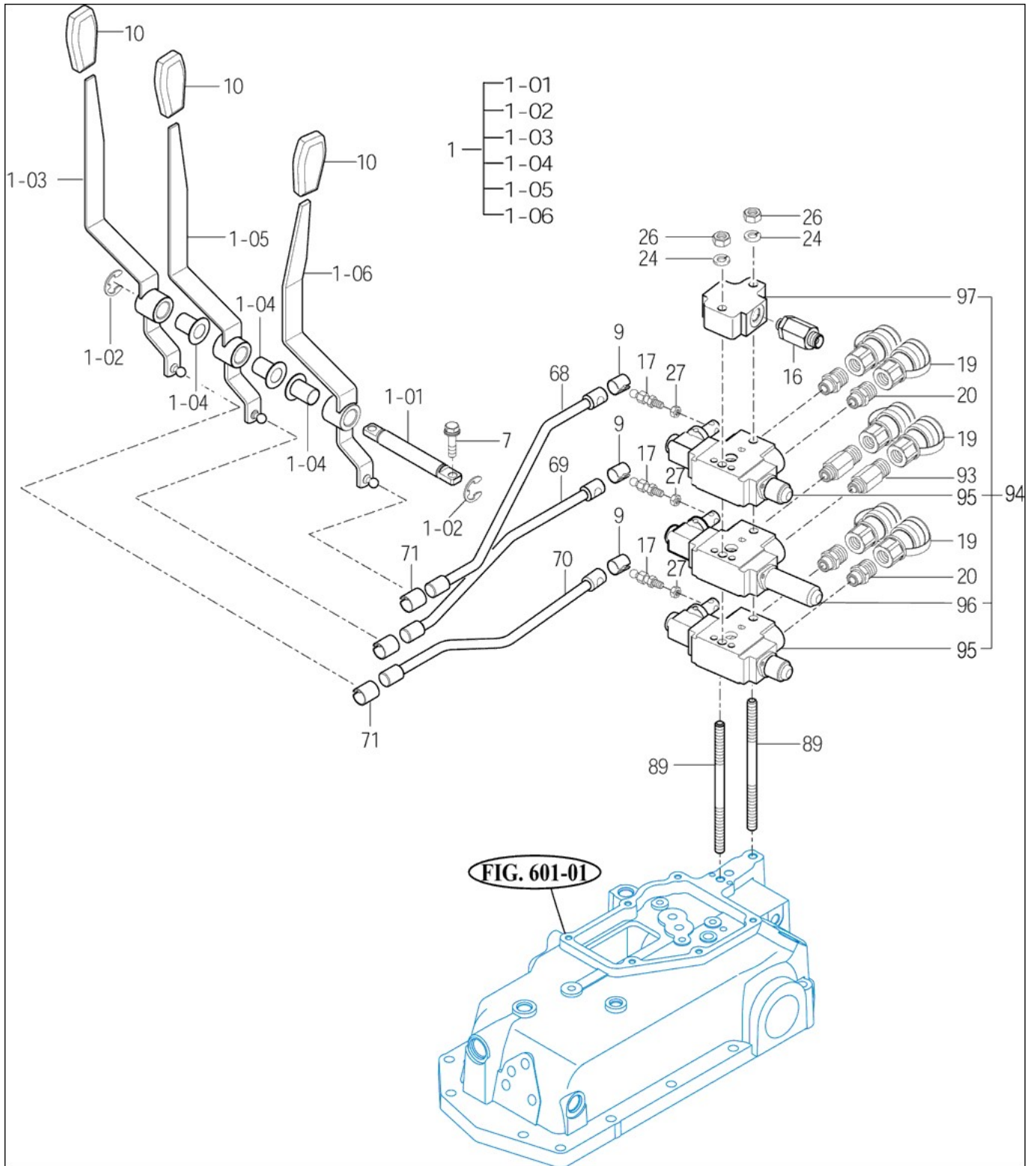
FIG

EXTERIOR HYD. VALVE

년/월
Year/Month

TE58

2021-05



NOTE

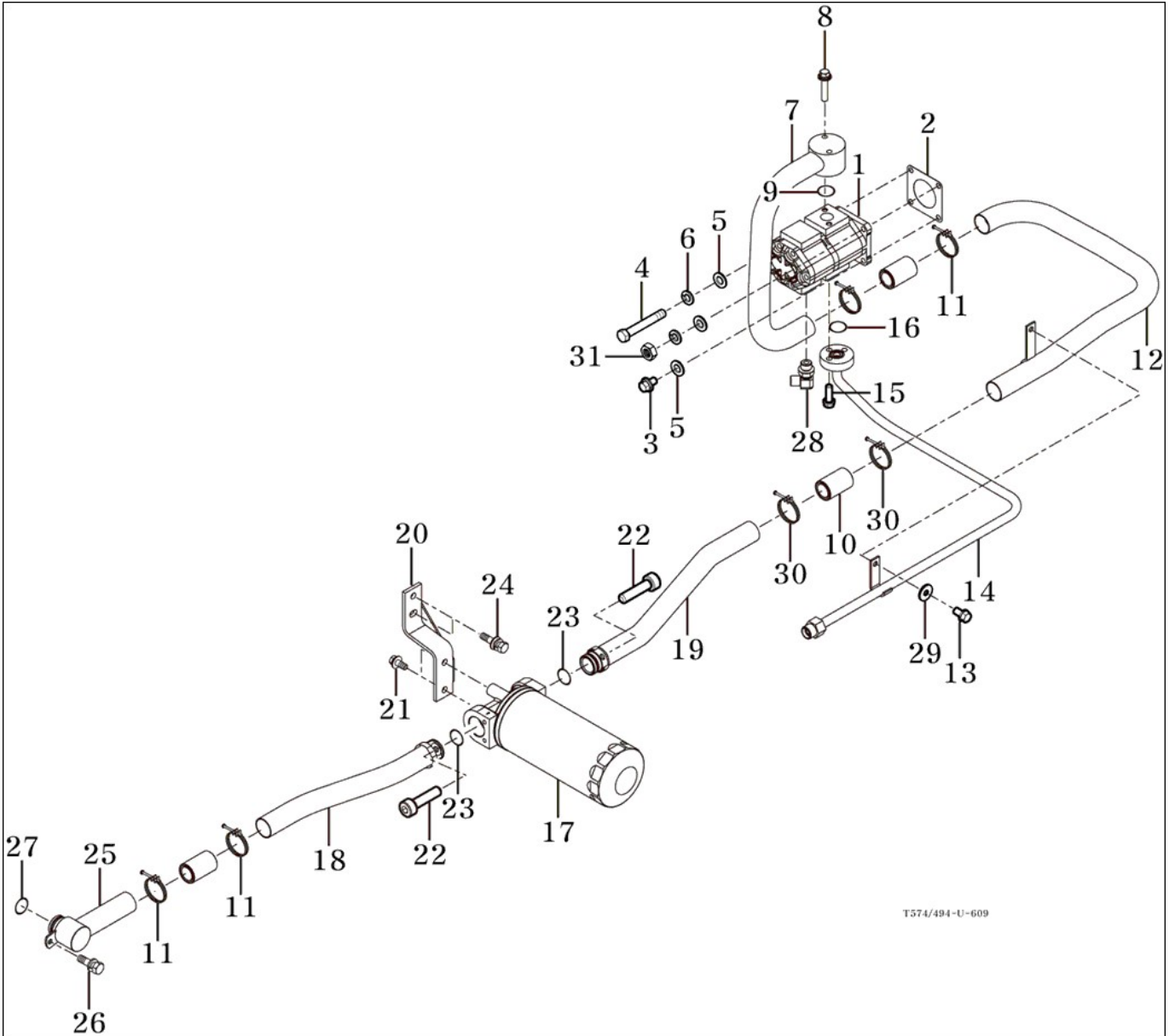
FIG

HYDRAULIC PIPE

년/월
Year/Month

TE58

2021-05



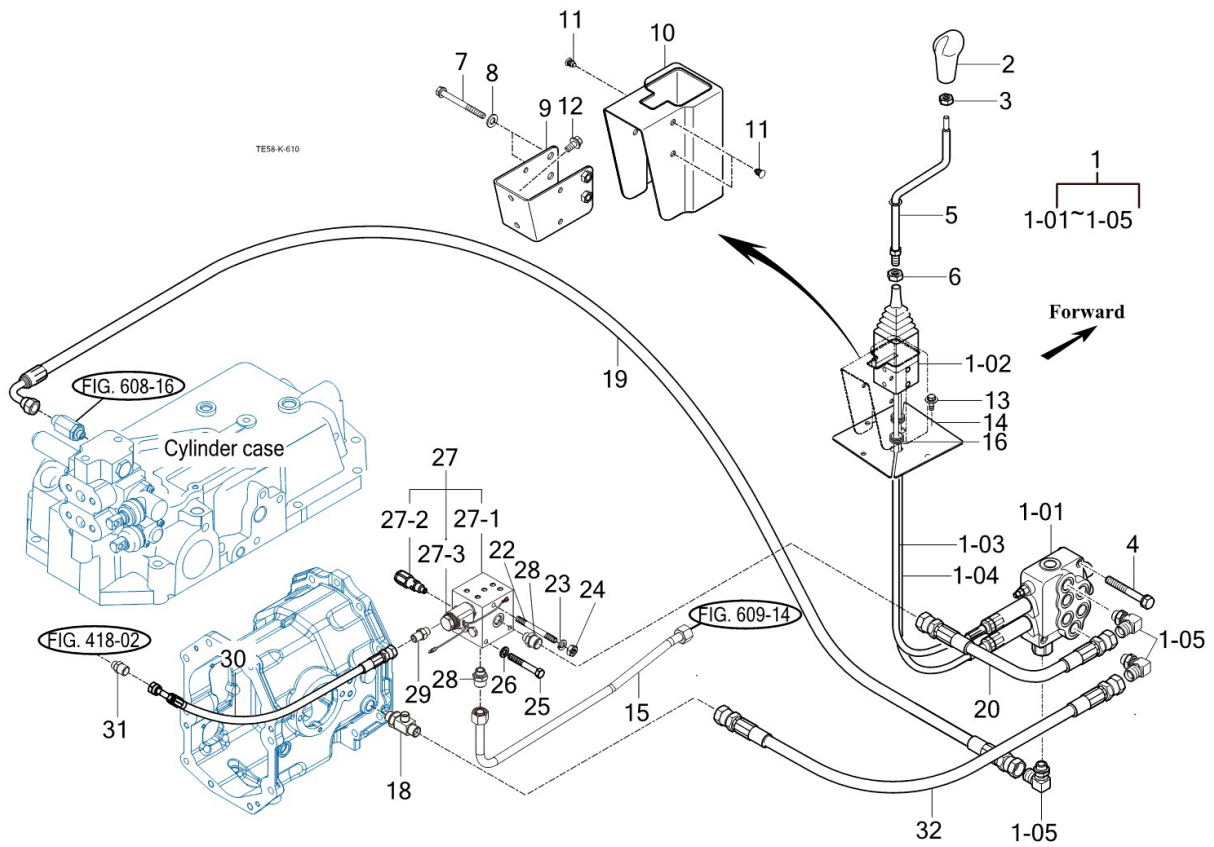
NOTE

FIG
TE58

JOYSTICK

년/월
Year/Month

2021-05



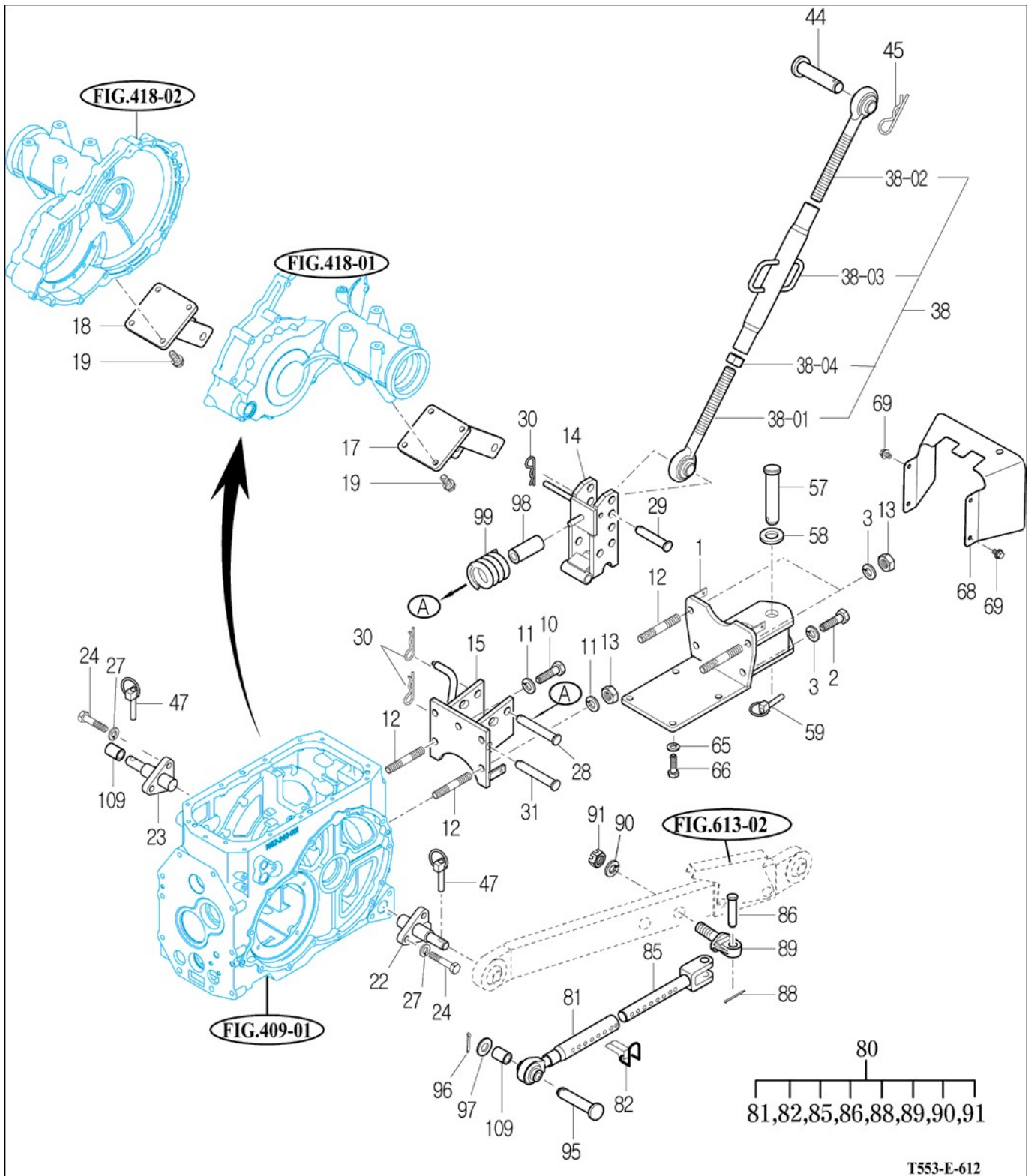
NOTE

FIG
TE58

HITCH & 3-POINT LINK

년/월
Year/Month

2021-05



T553-E-612

NOTE

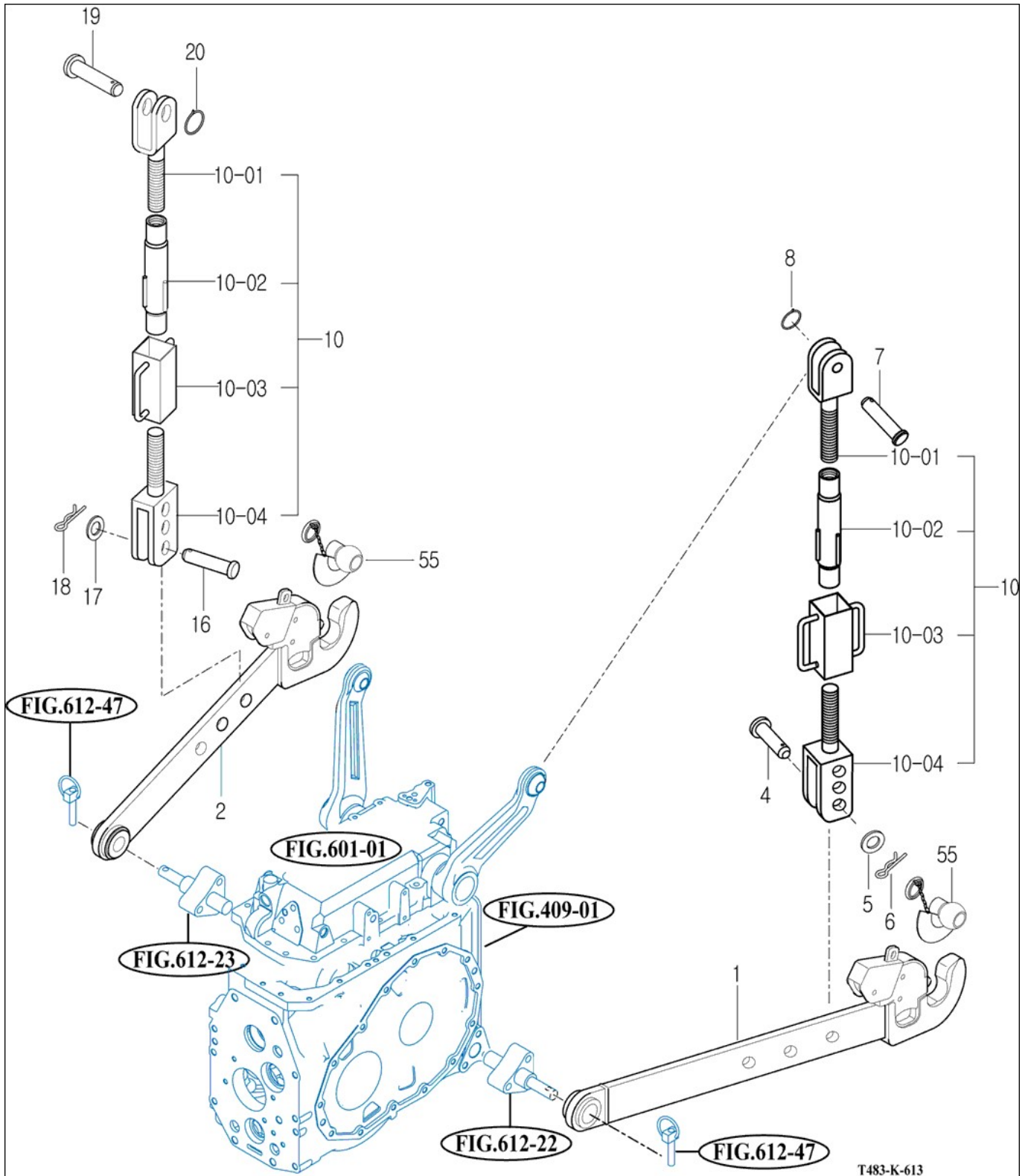
FIG		HITCH & 3-POINT LINK					년/월	
							Year/Month	
TE58		2021-05						
KEY NO	PART NO	DESCRIPTION	SPEC	QTY	REPAIR	EFFECTIVE DATE	REMARKS	
1	14525202001GB	브라켓트COMP	1X1X1	1				
2	V2013616035	소형육각볼트(보통)	M16X35	2				
3	V4011600160	스프링와셔	M16	4				
10	V2013616035	소형육각볼트(보통)	M16X35	3				
11	V4011600160	스프링와셔	M16	5				
12	V2513416035	스터드볼트2종	M16X35	4				
13	V3043600160	소형육각너트보통2종	M16	4				
14	16735222102GB	링크 COMP	1X1X1	1				
15	15185222000GB	브라켓트 COMP		1				
17	14525254100GB	브라켓트(후)COMP		1				
18	14525254100GB	브라켓트(후)COMP		1				
19	V2173612030	소형육각볼트보통(S)	M12X30	8				
22	15685252204	핀(L) COMP		1				
23	15685252801	핀(R) COMP		1				
24	V2013614040	소형육각볼트(보통)	M14X40	6				
27	V4011600140	스프링와셔	M14	6				
28	15645250010	핀(19X122)	D=19	1				
29	15645220020	핀(19X95)	D=19	1				
30	14445140051	헤어핀(19)	D=4.5	3				
31	15645250010	핀(19X122)	D=19	1				
38	14525245501GB	톱링크ASSY		1				
38.1	16505245510	톱링크COMP(RH)	1X1X1	1				
38.2	16505245520	톱링크COMP(LH)	1X1X1	1				
38.3	14555140251	턴버클 조합(톱링크)		1				
38.4	16505245530	육각너트	1X1X1	1				
44	15645220020	핀(19X95)	D=19	1				
45	14445140051	헤어핀(19)	D=4.5	1				
47	14215020020	링크핀		2				
57	15062470042	트레일러핀	D=28	1				
58	15252470010	쿠션고무		1				
59	14215020020	링크핀		1				
65	V4011600140	스프링와셔	M14	4				
66	V2013614035	소형육각볼트(보통)	M14X35	4				
68	13605200012GB	카바(셀드)	1X1X1	1				
69	V2183608016	소형육각볼트보통(SP)	M8X16	4				
79	14135254000GB	체크링크ASSY(LH)		1				
80	14135255000GB	체크체인ASSY(RH)		1				
81	14135254100	로드(앞)		2				
82	17705254200	린치핀	1X1X1	2				
83	17705254300	슬리브조합		2				
85	14135254500	체크링크핀		2				
86	17705254600	핀		2				
87	V4111600180	평와셔	M18	2				
88	17705254700	분할핀		2				
89	17705254400	로드(뒤)		2				
NOTE								

FIG
TE58

LOWER LINK & LIFT ROD

년/월
Year/Month

2021-05



NOTE

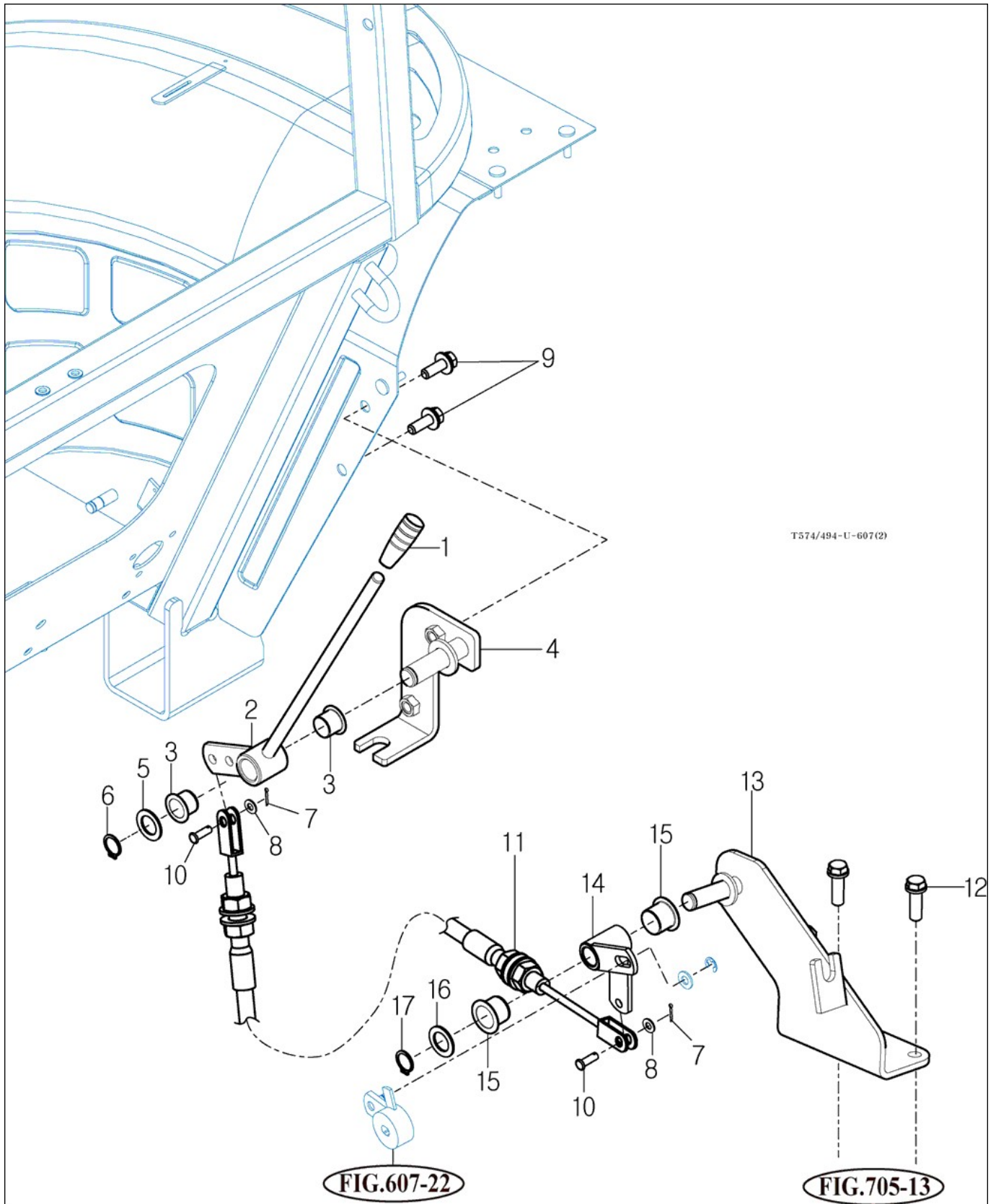
FIG

POSITION & DRAFT LEVER (2)

년/월
Year/Month

TE58

2021-05



NOTE

7. 시트메탈/캐빈 PART NO. T7

FIG EXTENSION COVER	210
FIG LEVER COVER & STEP	212
FIG LEVER COVER & STEP-NON CAB	214
FIG FRONT & REAR MOUNTING	216
FIG SEAT & MAT	218
FIG DOOR	220
FIG FRONT GLASS	223
FIG FRAME & 2POLES-ROPS-NON CAB	225
FIG SIDE GLASS	227
FIG REAR GLASS	229
FIG SUB FENDER & COVER	231
FIG SUB FENDER & COVER-NON CAB	233
FIG MIRROR	235
FIG MIRROR&WORKING LAMP-NON CAB	237
FIG HEATER & AIR-CON	239
FIG HEATER & AIR-CON	241
FIG FENDER COVER	243
FIG ROOF	245
FIG CABIN INTERIOR	247
FIG BONNET (2)	249
FIG BONNET FRAME	251
FIG BONNET (1)	253

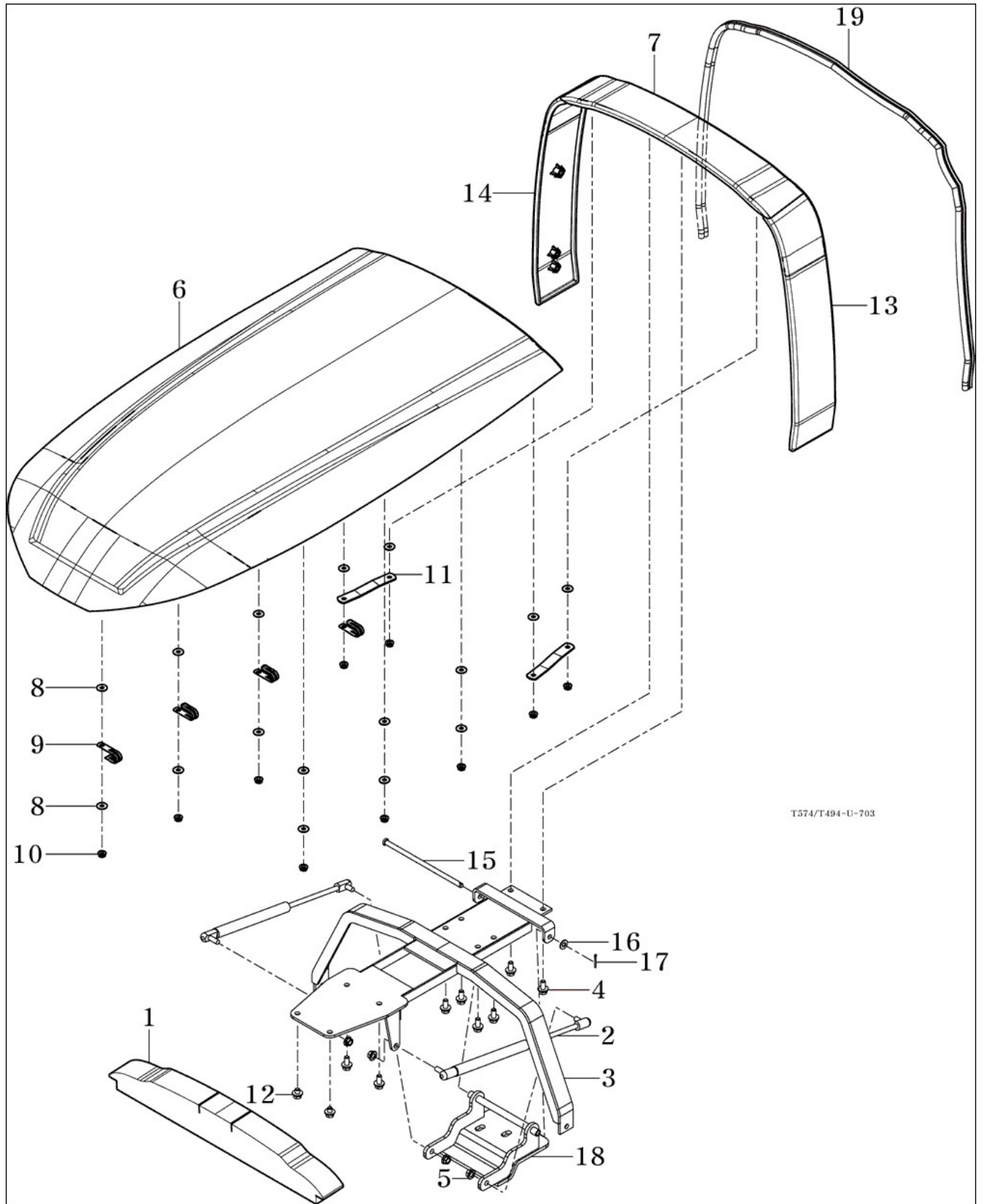
FIG

EXTENSION COVER

년/월
Year/Month

TE58

2021-05



NOTE

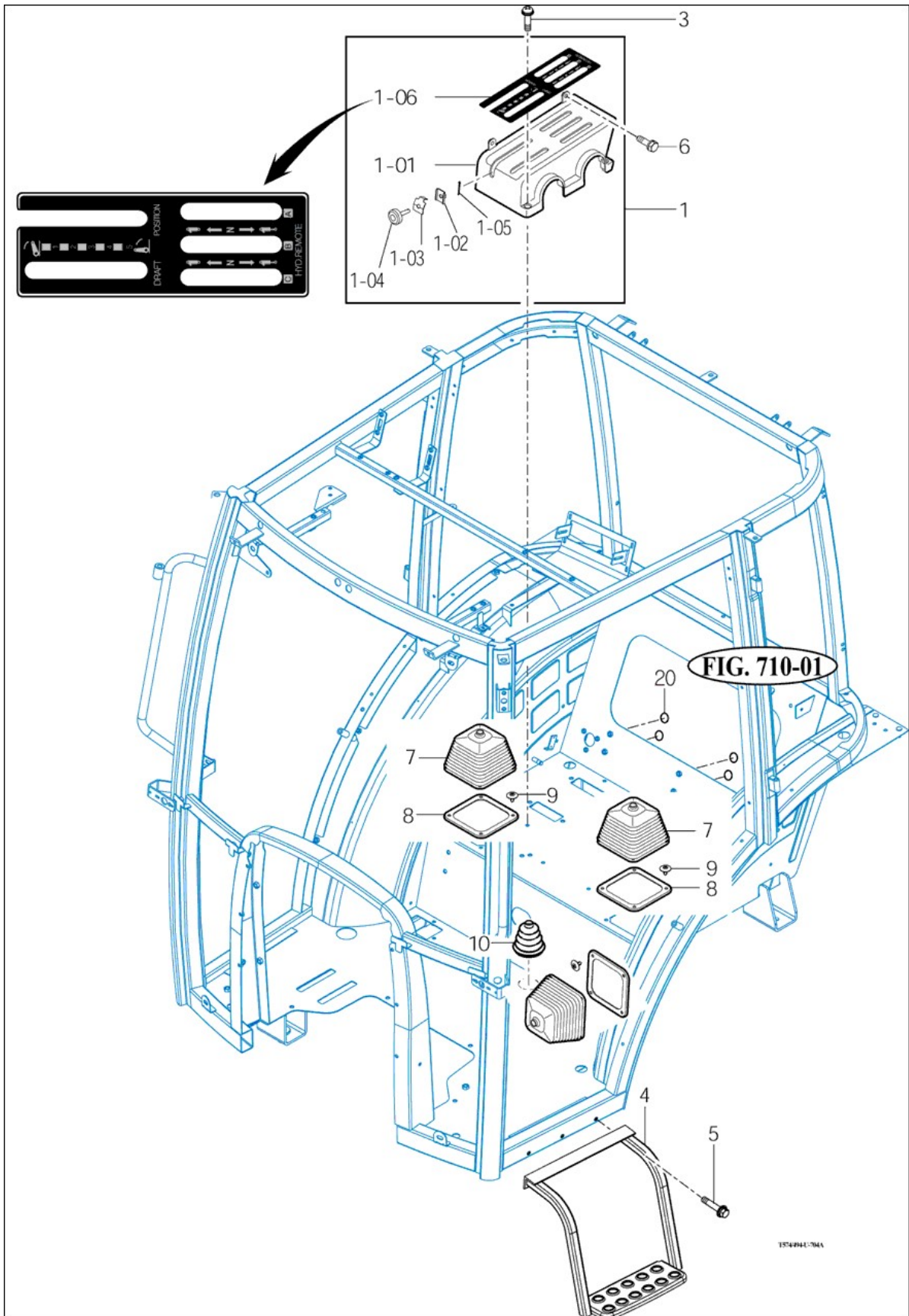
FIG

LEVER COVER & STEP

년/월
Year/Month

TE58

2021-05



NOTE

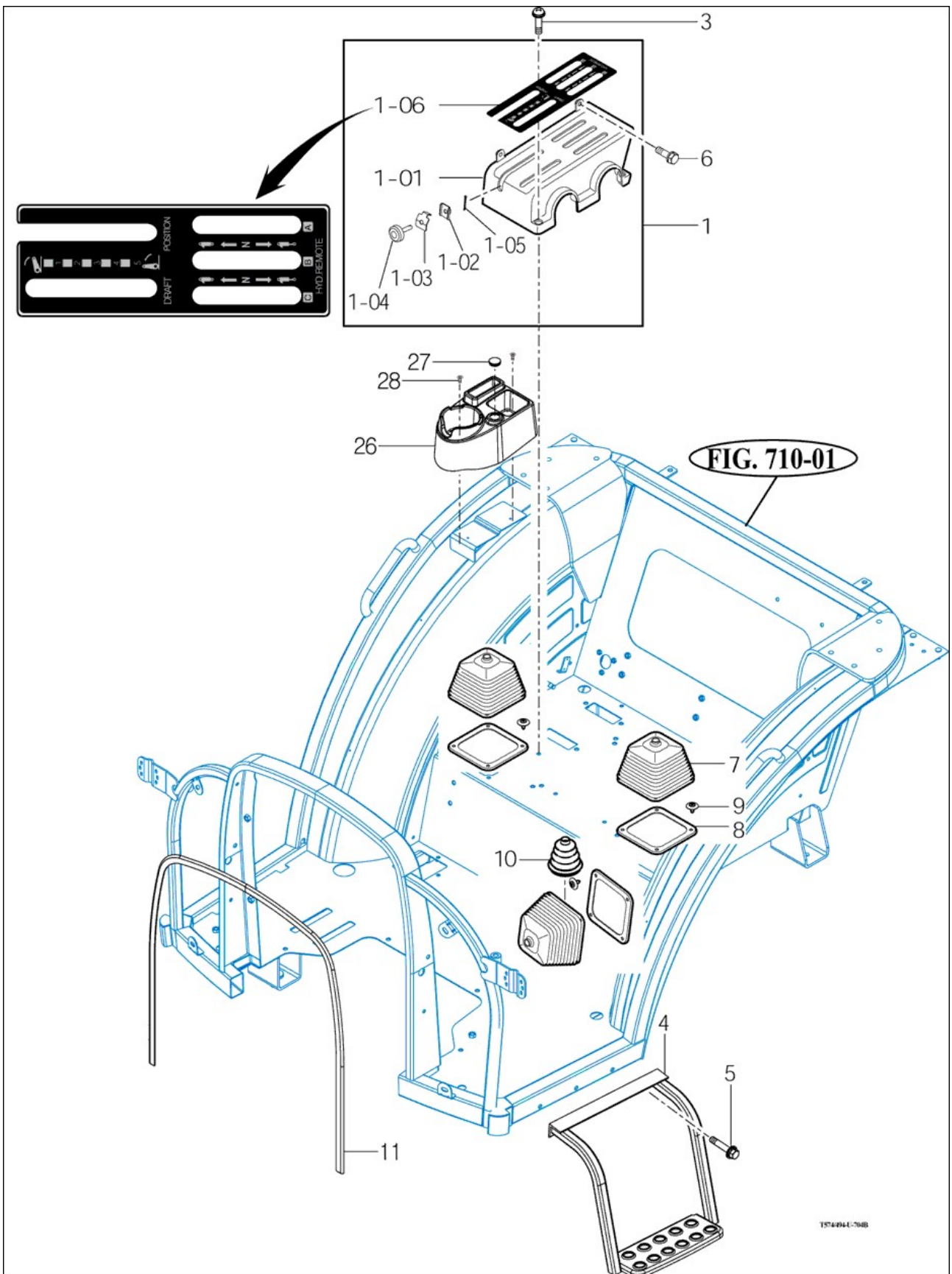
FIG

LEVER COVER & STEP-NON CAB

년/월
Year/Month

TE58

2021-05



NOTE

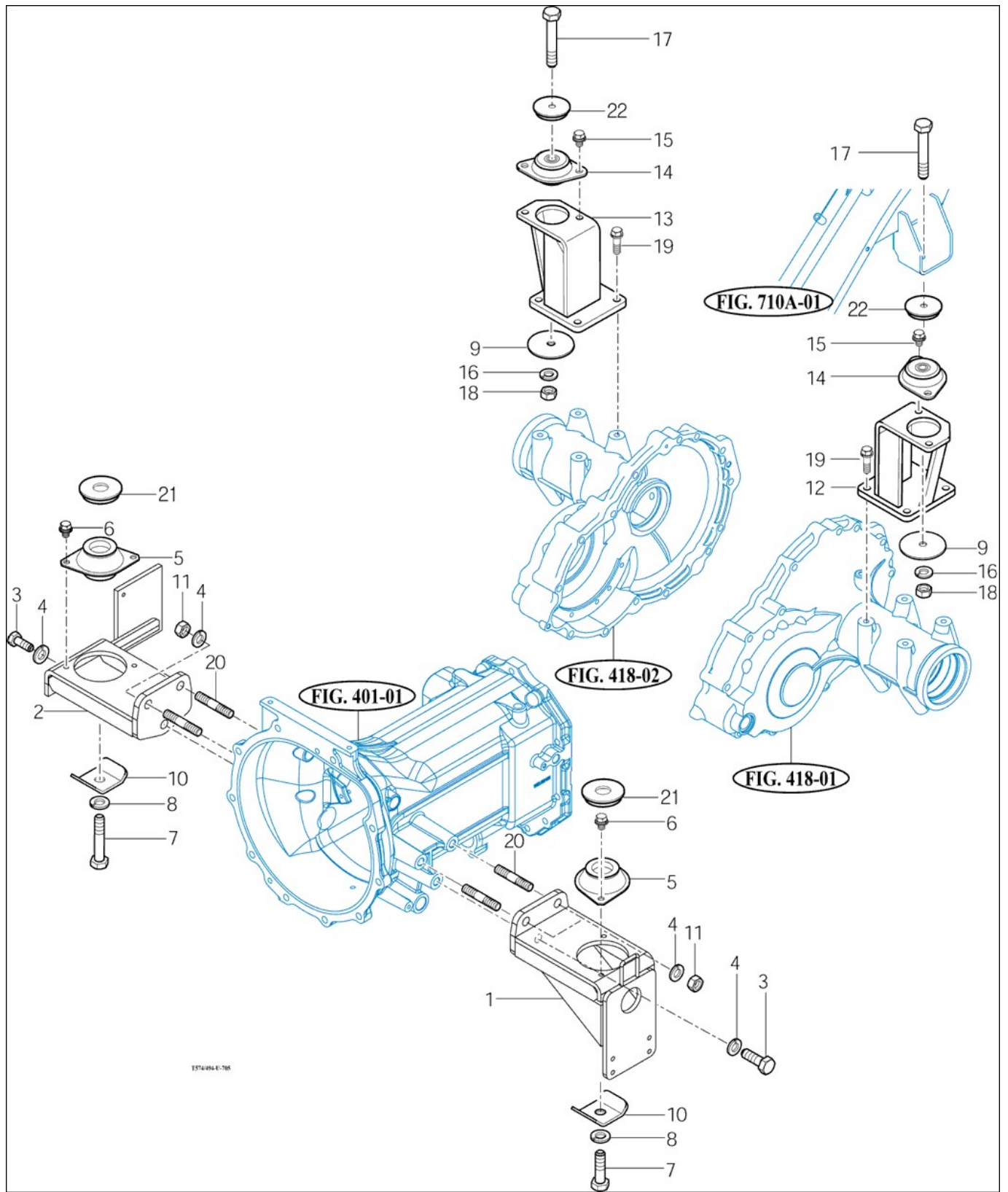
FIG

TE58

FRONT & REAR MOUNTING

년/월
Year/Month

2021-05



NOTE

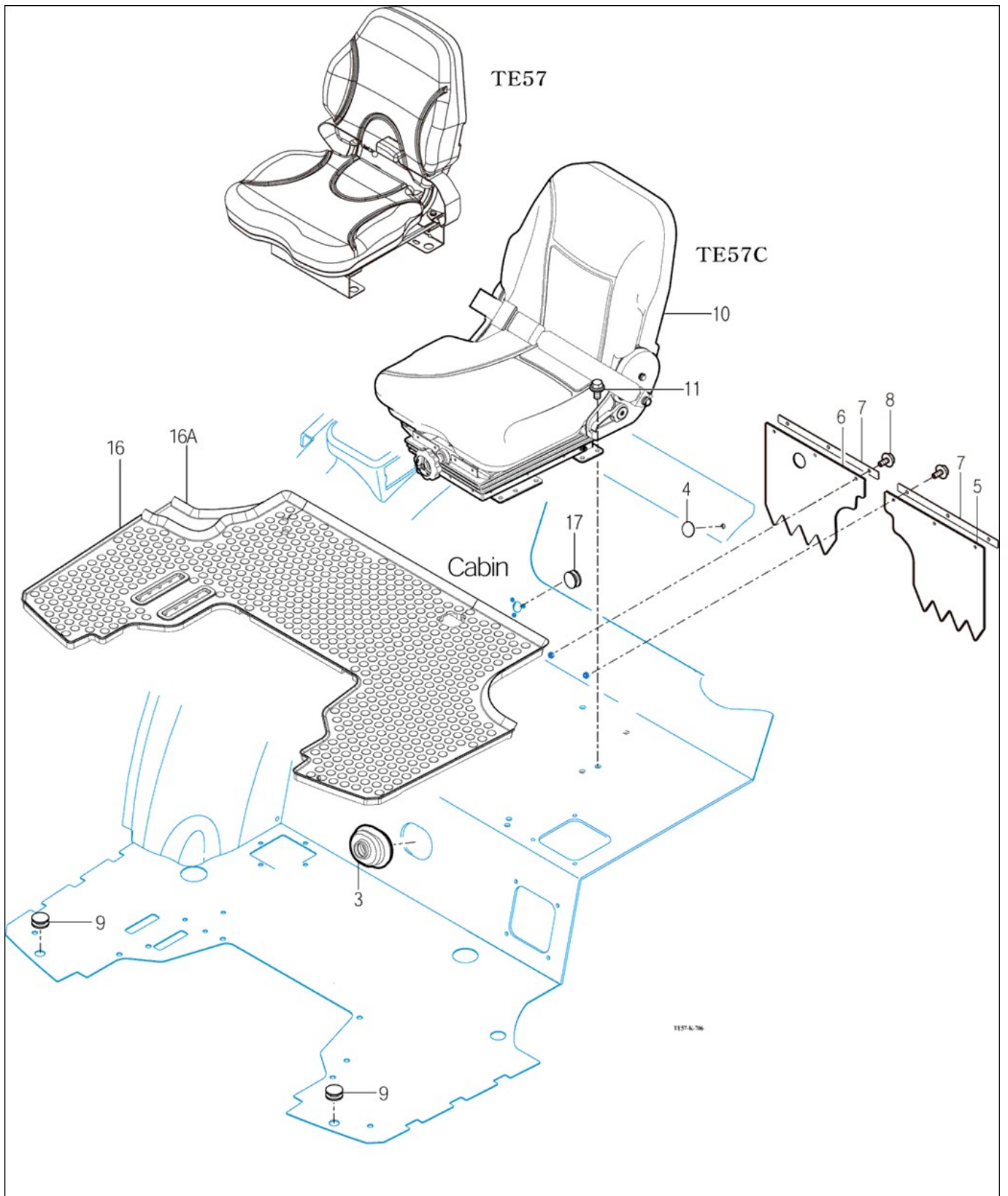
FIG

SEAT & MAT

년/월
Year/Month

TE58

2021-05



NOTE

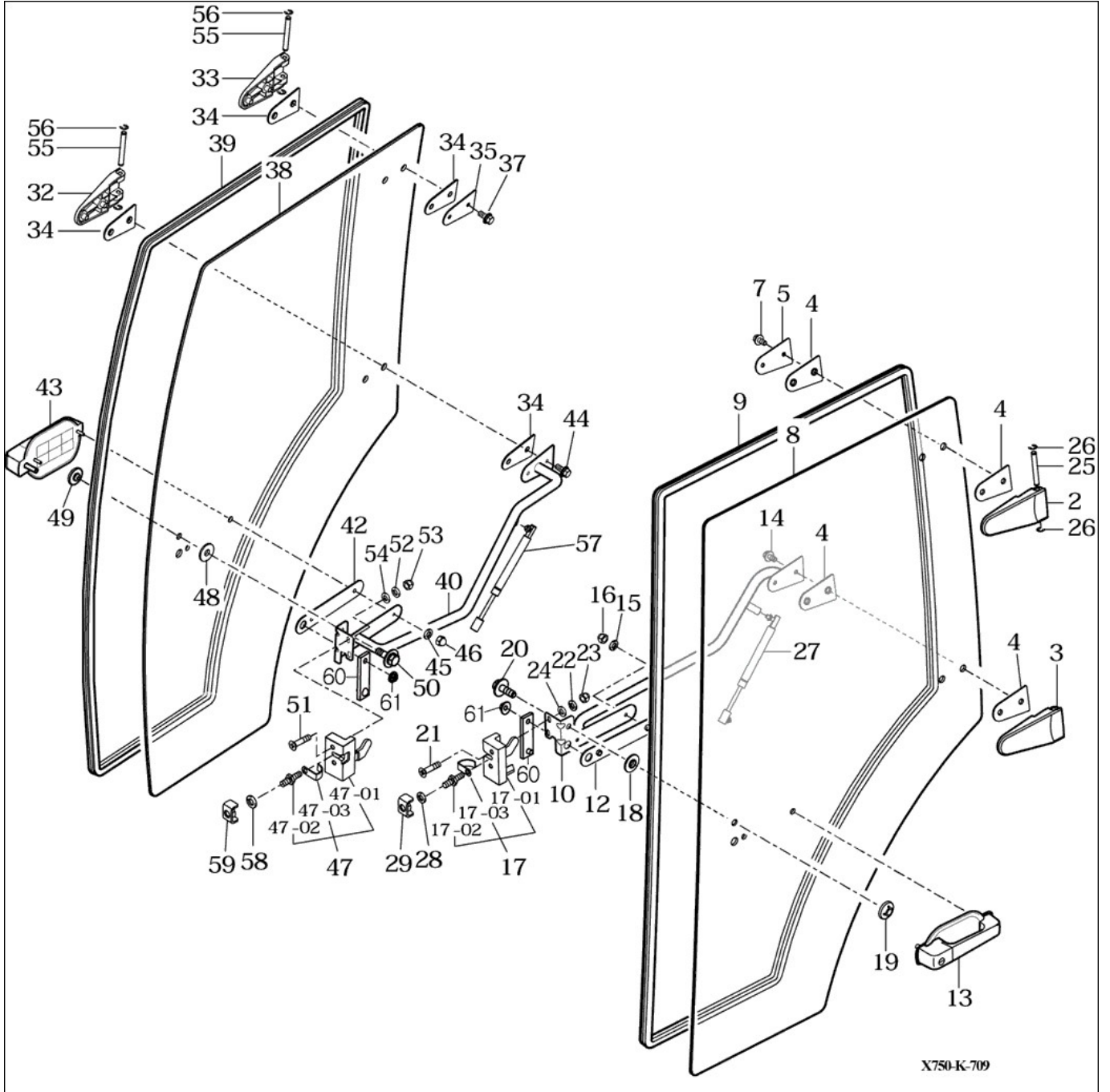
FIG

DOOR

년/월
Year/Month

TE58

2021-05



NOTE

FIG		DOOR					년/월	
							Year/Month	
TE58		2021-05						
KEY NO	PART NO	DESCRIPTION	SPEC	QTY	REPAIR	EFFECTIVE DATE	REMARKS	
2	14527052300	도어힌지조합, 상/LH		1				
3	14527052400	도어힌지조합, 상/RH		1				
4	14527052110	개스킷, 도어힌지		4				
5	14527052120GB	플레이터,도어힌지		1				
7	V2183608020	소형육각볼트보통(SP)	M8X20	2				
8	14527052131	그라스, 도어/LH	6t	1				
9	14527052140	인슐레이터 / 도어		1				
10	14527052500GB	가이드 조합/ LH/도어		1				
12	14527052150	개스킷, 도어손잡이		1				
13	17827052600	손잡이 ASSY, 잠금장치		1				
14	V2183608020	소형육각볼트보통(SP)	M8X20	2				
15	V4011600060	스프링와셔	M6	2				
16	V3402700060	육각캡너트	M6	2				
17	17827052700	라쳇 ASSY, 좌/도어		1				
17.1	17827052710	로크 ASSY, 좌/도어		1				
17.2	14527052720	스트라이크		1				
17.3	14527052730	가이드		1				
18	15817401130	크로메트(13X17X02)		1				
19	14527042500	그라스너트조합		1				
20	V2193606012	육각볼트(SPL)	M6X12	1				
21	V1122608040	십자흡접시작은나사	M8X40	2				
22	V4011600080	스프링와셔	M8	2				
23	V3412700080	소형육각캡너트	M8	2				
24	V4111600080	평와셔		2				
25	14527041110	핀, 도어힌지	D=8	2				
26	V7082400070	E형멈춤링(sus)	7	4				
27	14527301080	멤퍼(도어)ASSY_20kg	20KG	1				
28	V4011600100	스프링와셔	M10	1				
29	14527062500GB	브래킷 조합,도어로크		1				
32	14527052300	도어힌지조합, 상/LH		1				
33	14527052400	도어힌지조합, 상/RH		1				
34	14527052110	개스킷, 도어힌지		4				
35	14527052120GB	플레이터,도어힌지		1				
37	V2183608020	소형육각볼트보통(SP)	M8X20	2				
38	14527053131	그라스, 도어/RH	6t	1				
39	14527052140	인슐레이터 / 도어		1				
40	17827053500GB	가이드 COMP, 우/도어		1				
42	14527052150	개스킷, 도어손잡이		1				
43	17827052600	손잡이 ASSY, 잠금장치		1				
44	V2183608020	소형육각볼트보통(SP)	M8X20	2				
45	V4011600060	스프링와셔	M6	2				
46	V3402700060	육각캡너트	M6	2				
47	17827053700	라쳇 ASSY, 우/도어		1				
47.1	17827053710	로크 ASSY, 우/도어		1				
47.2	14527052720	스트라이크		1				
NOTE								

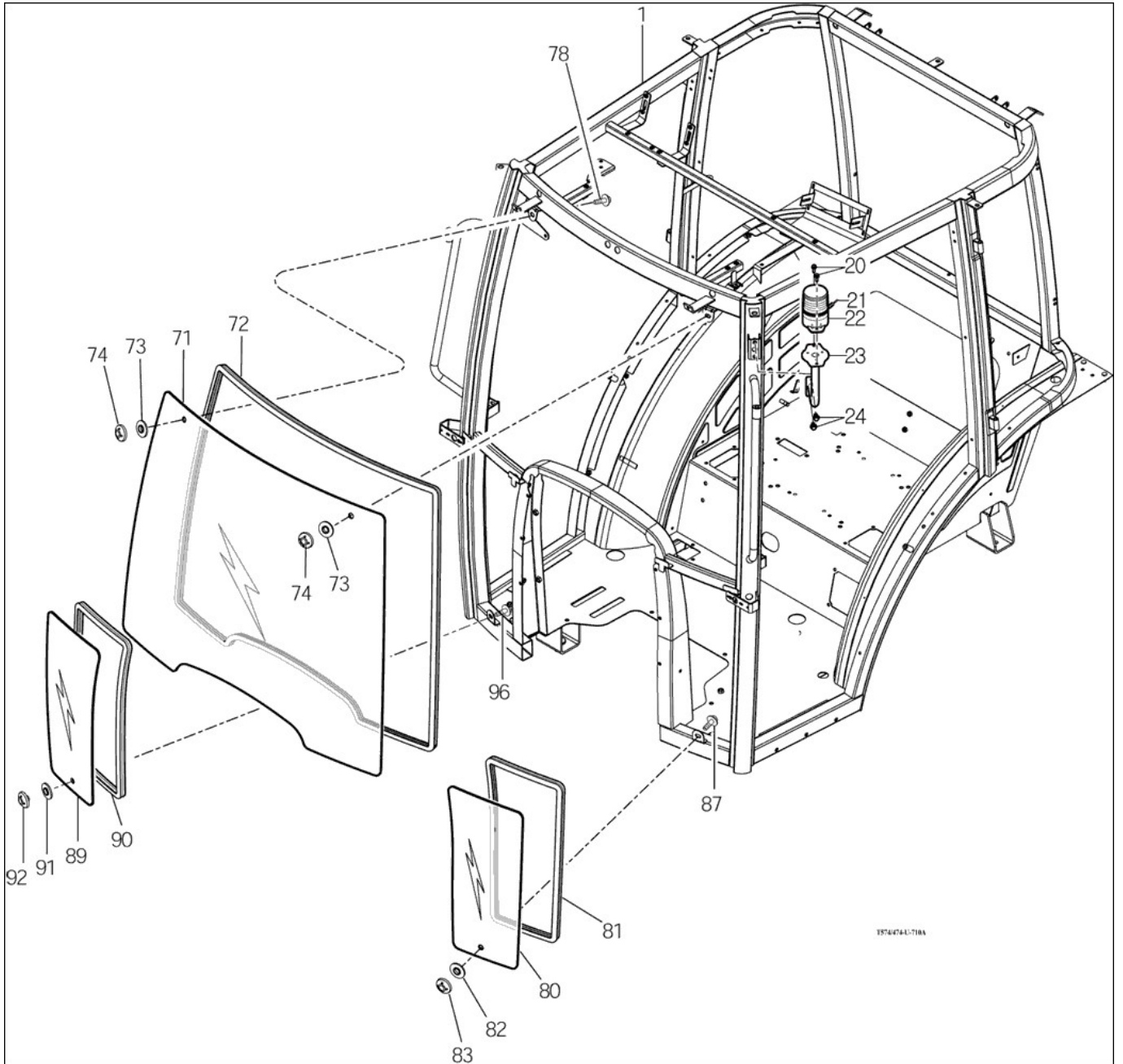
FIG

FRONT GLASS

년/월
Year/Month

TE58

2021-05



NOTE

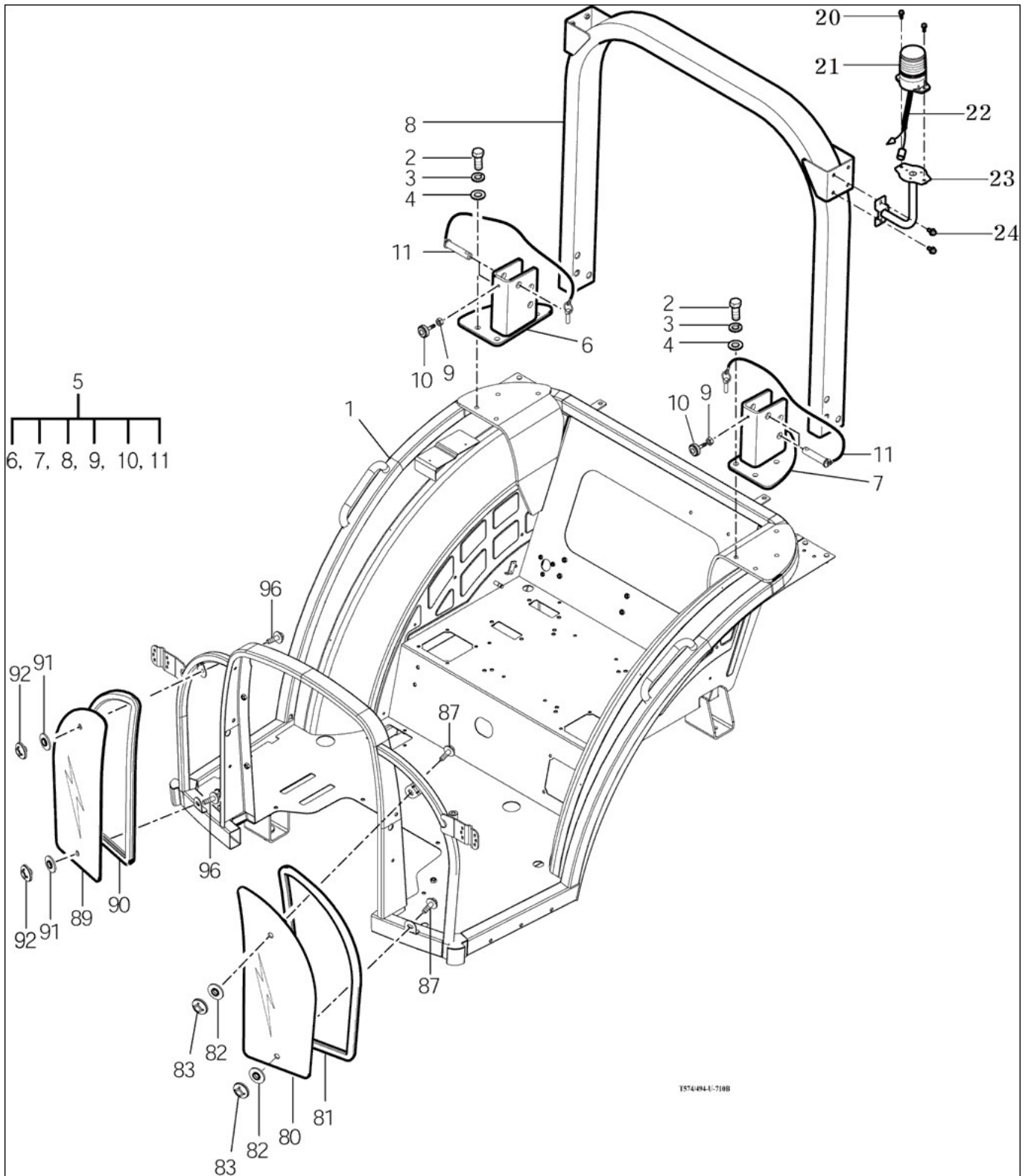
FIG

FRAME & 2POLES-ROPS-NON CAB

년/월
Year/Month

TE58

2021-05



NOTE

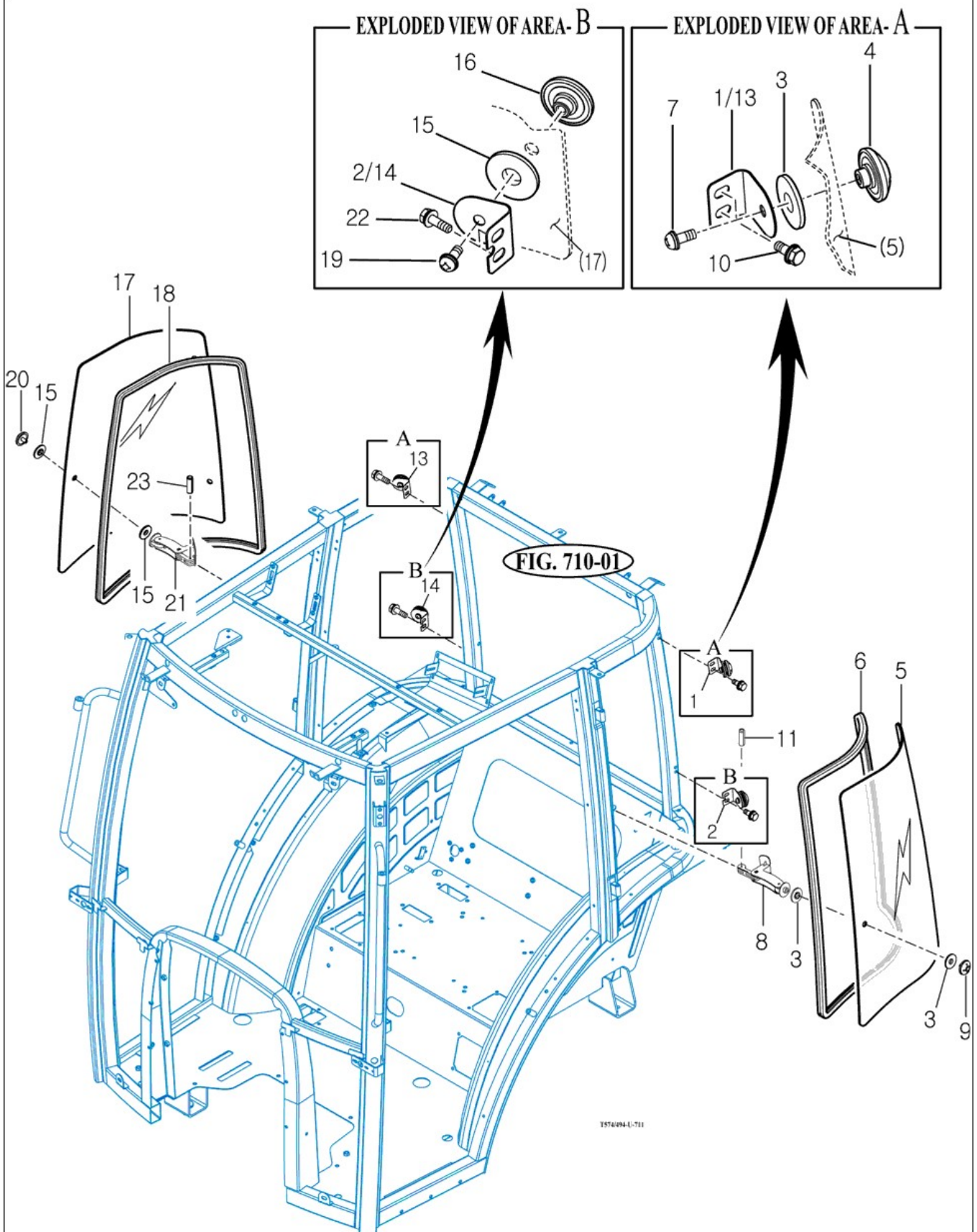
FIG

SIDE GLASS

년/월
Year/Month

TE58

2021-05



NOTE

FIG		SIDE GLASS						년/월
								Year/Month
TE58								2021-05
KEY NO	PART NO	DESCRIPTION	SPEC	QTY	REPAIR	EFFECTIVE DATE	REMARKS	
1	14527032110	플레이트, 사이드힌지/상	T=1.0	1				
2	14527032120	플레이트, 사이드힌지/하	T=1.0	1				
3	15817401130	크로메트(13X17X02)		4				
4	14527042500	그라스너트조합		2				
5	14527032130	그라스, 쪽문/LH	5t	1				
6	14527032140	인슐레이터,그라스/C		1				
7	V2193606012	육각볼트(SPL)	M6X12	2				
8	14527032402	로크ASSY, 원도우/사이드		1				
9	14527032200	볼트조합,그라스		1				
10	V2123606016	육각볼트(SP)	M6X16	4				
11	V5801404015	스프링핀	4X15	1				
13	14527032110	플레이트, 사이드힌지/상	T=1.0	1				
14	14527032120	플레이트, 사이드힌지/하	T=1.0	1				
15	15817401130	크로메트(13X17X02)		4				
16	14527042500	그라스너트조합		2				
17	14527032510	그라스, 쪽문/RH	5t	1				
18	14527032140	인슐레이터,그라스/C		1				
19	V2193606012	육각볼트(SPL)	M6X12	2				
20	14527032200	볼트조합,그라스		1				
21	14527032402	로크ASSY, 원도우/사이드		1				
22	V2123606016	육각볼트(SP)	M6X16	4				
23	V5801404015	스프링핀	4X15	1				
NOTE								

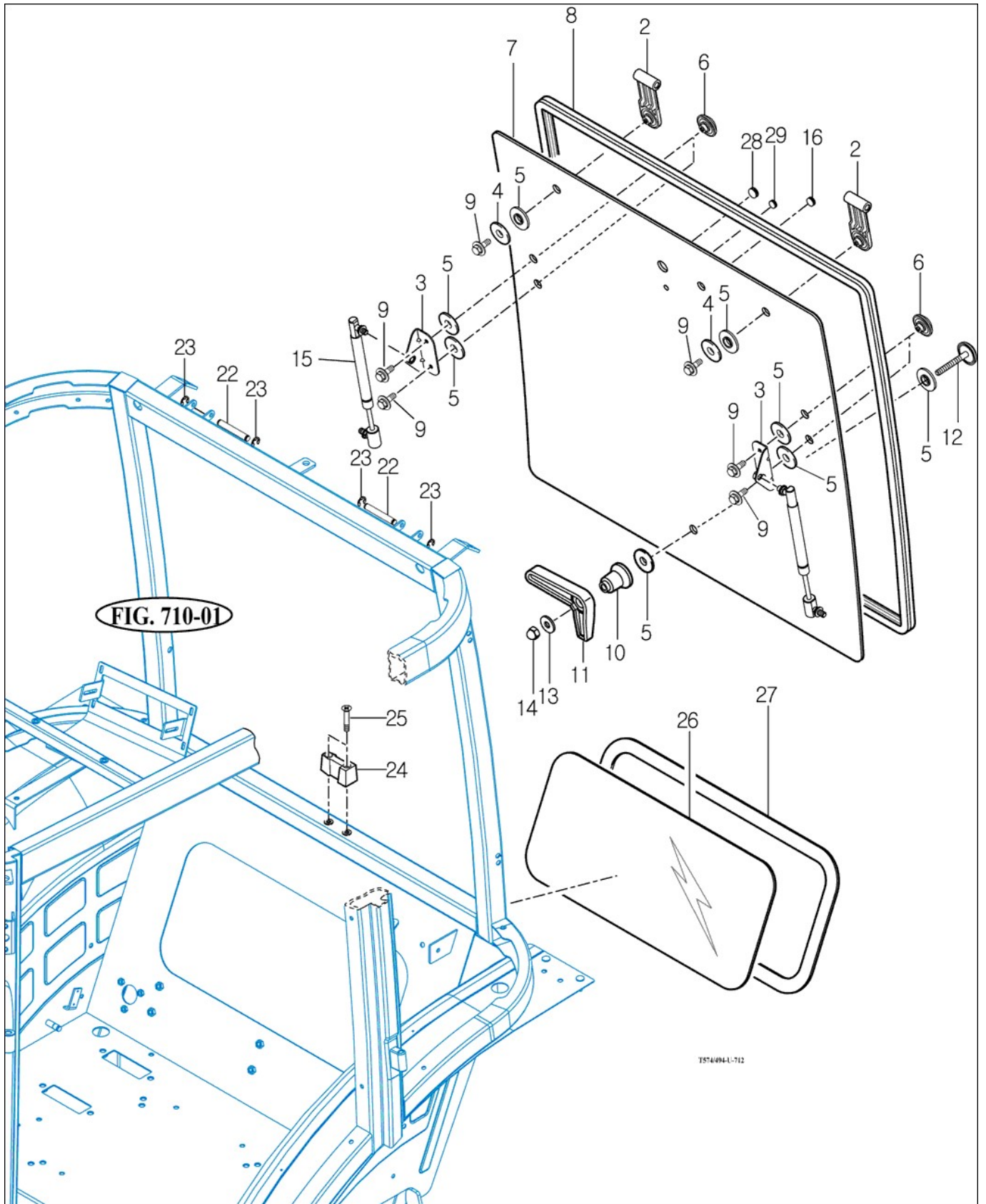
FIG

REAR GLASS

년/월
Year/Month

TE58

2021-05



NOTE

FIG

SUB FENDER & COVER

년/월
Year/Month

TE58

2021-05

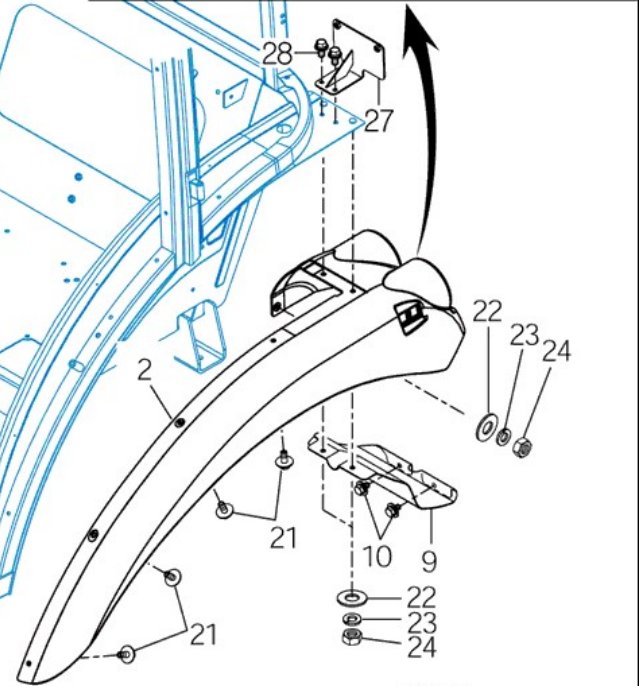
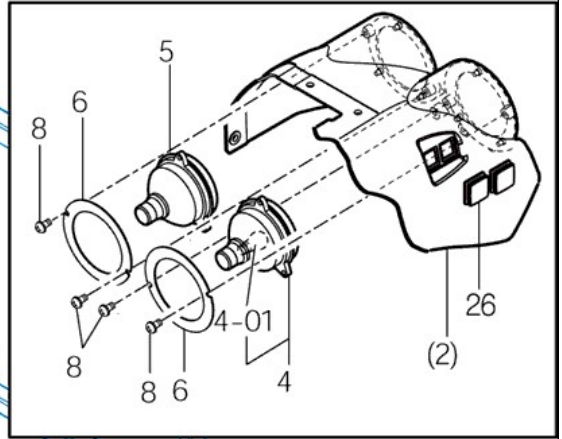
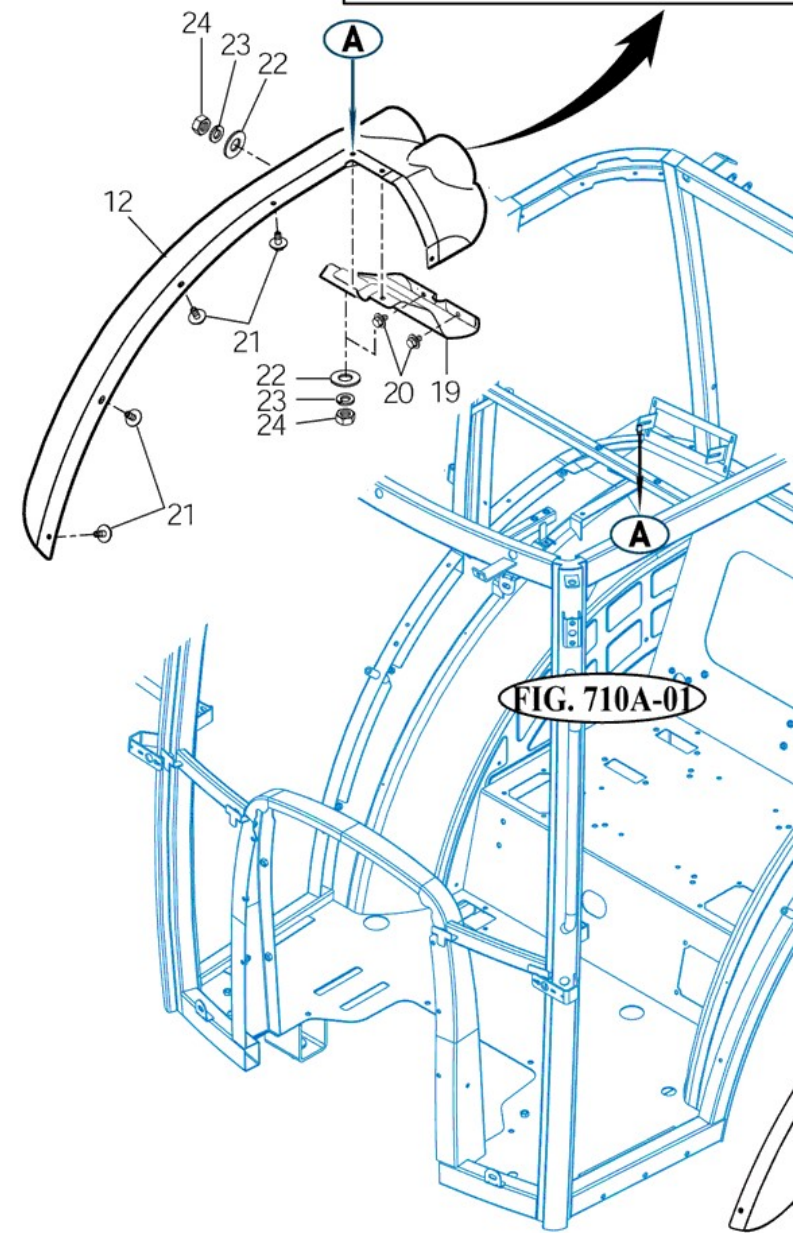
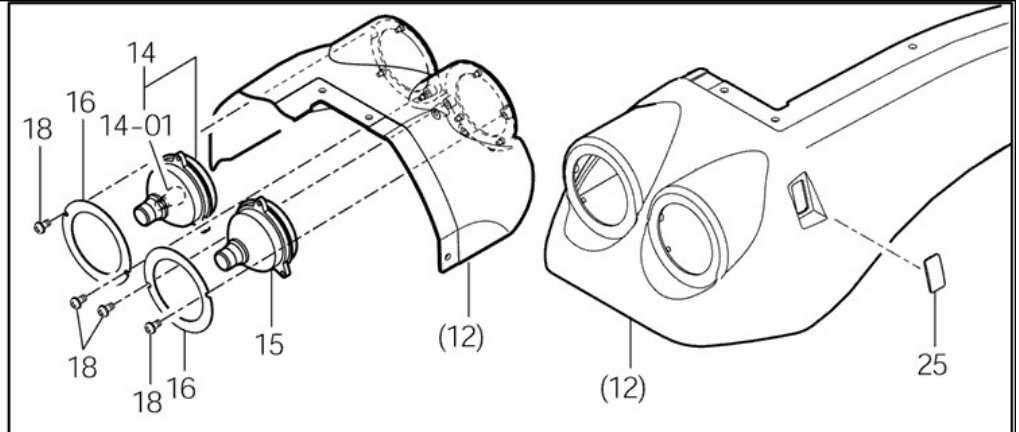
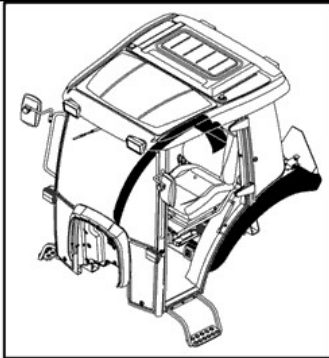


FIG. 710A-01

TST40944-713A

NOTE

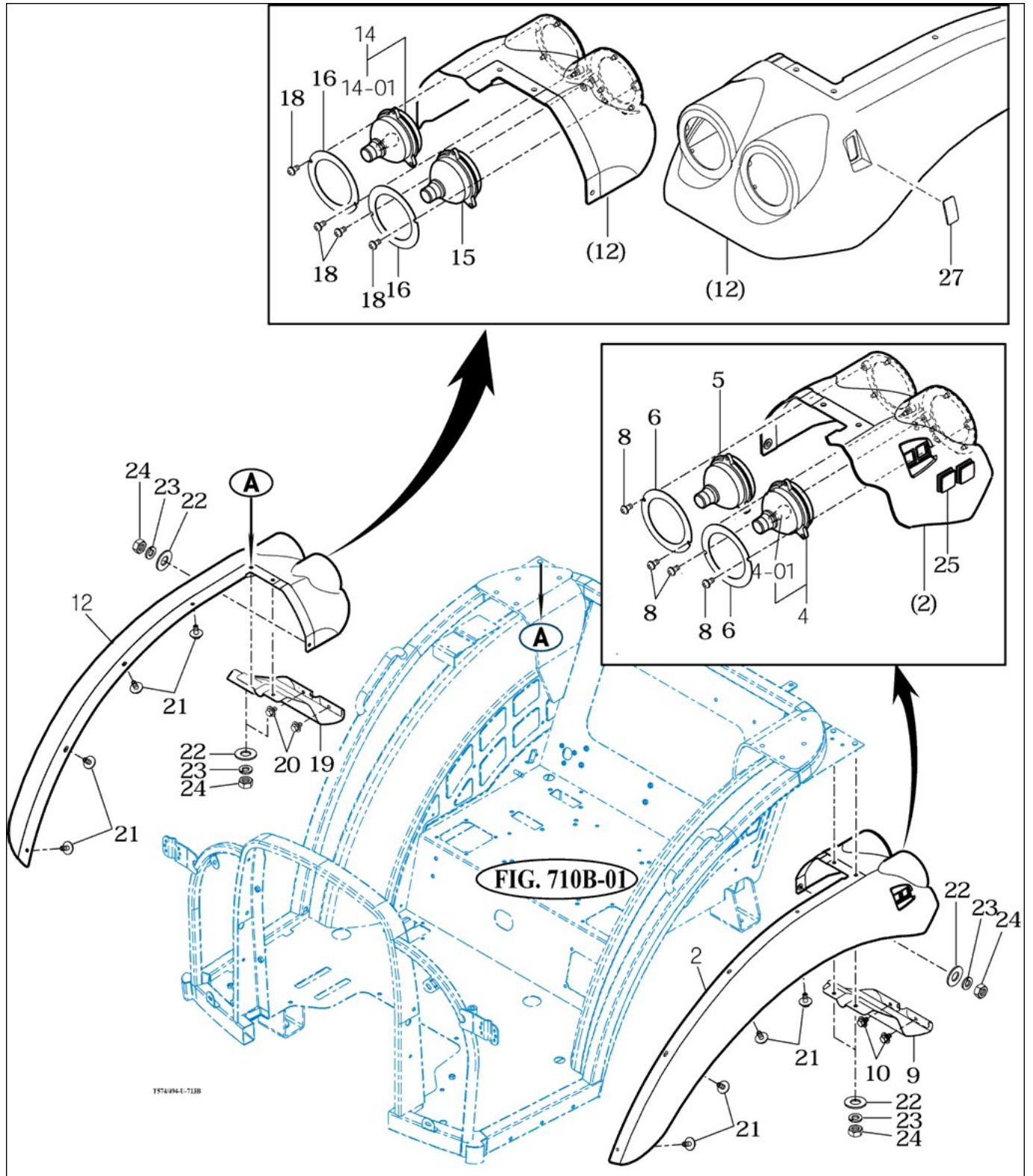
FIG

SUB FENDER & COVER-NON CAB

년/월
Year/Month

TE58

2021-05



NOTE

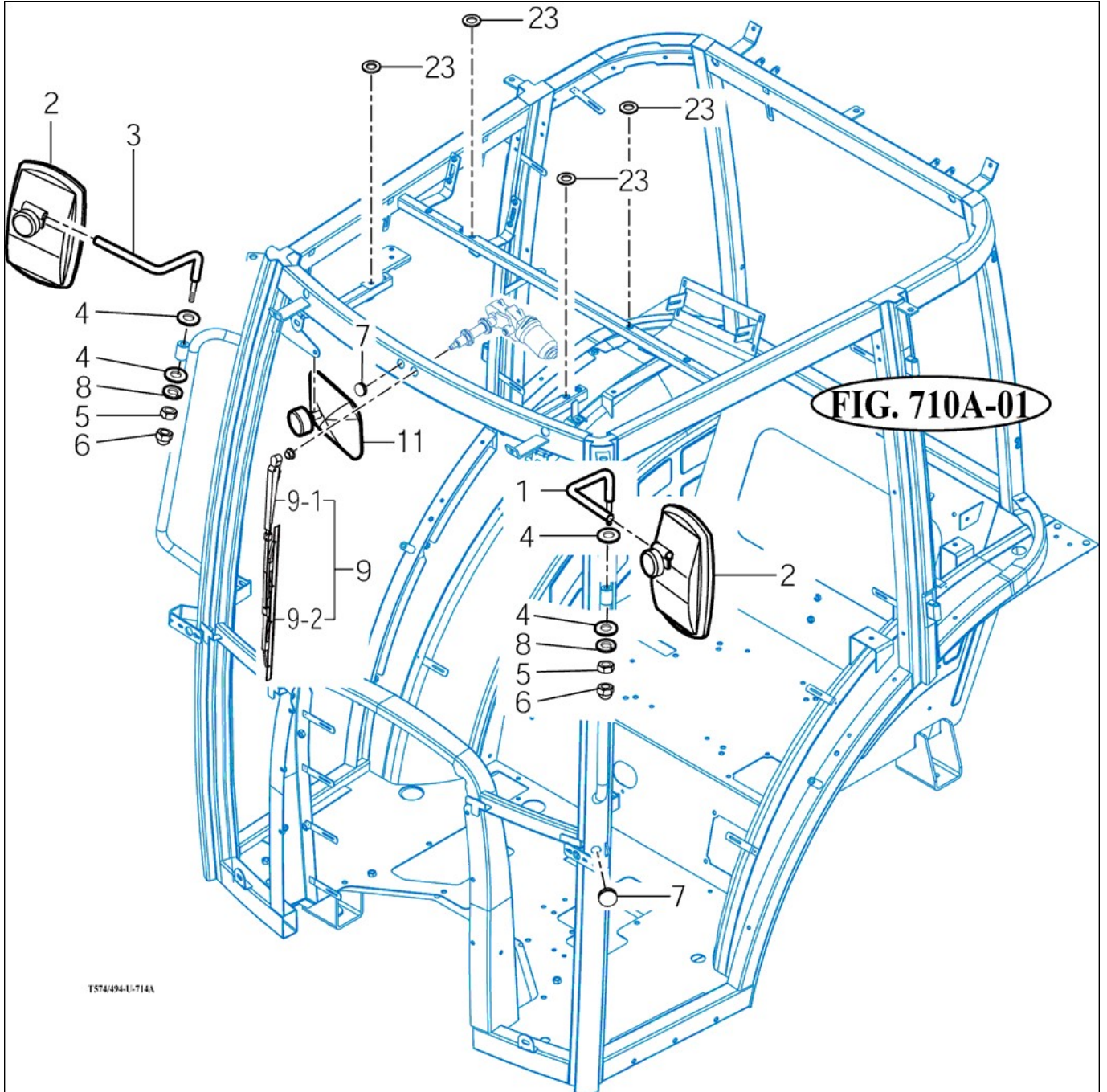
FIG

TE58

MIRROR

년/월
Year/Month

2021-05



NOTE

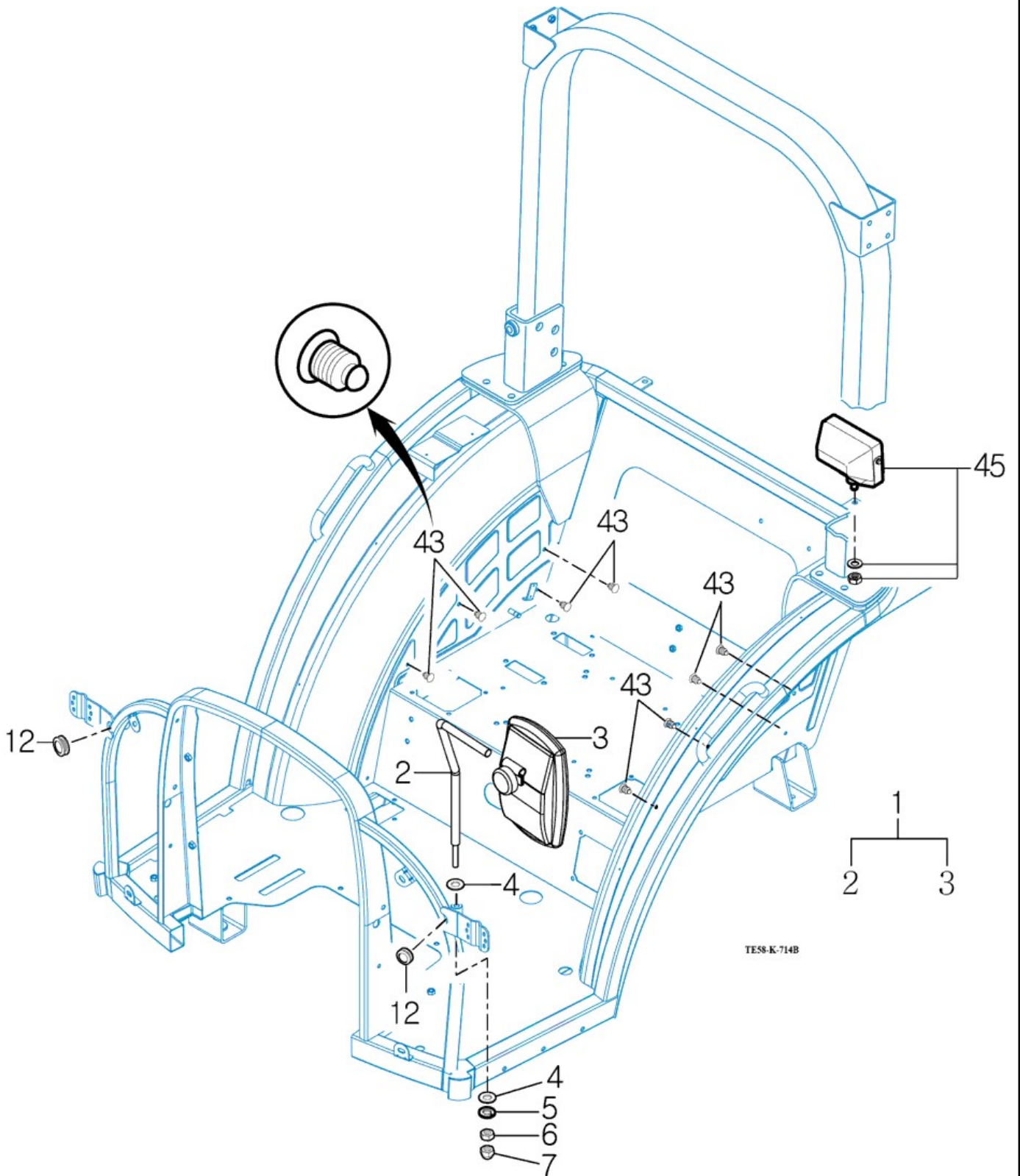
FIG

MIRROR&WORKING LAMP-NON CAB

년/월
Year/Month

TE58

2021-05



TE58-K-714B

NOTE

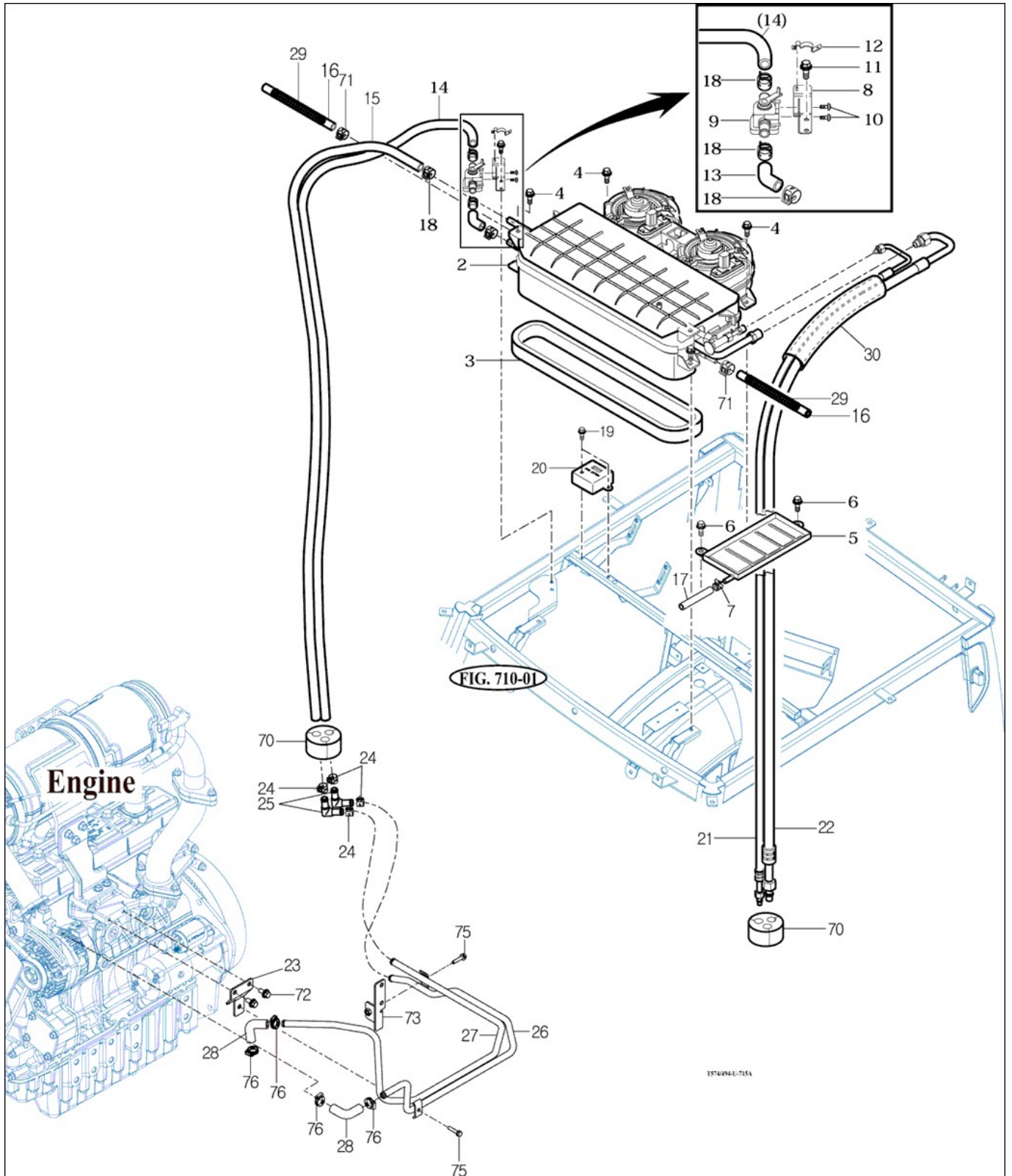
FIG

HEATER & AIR-CON

년/월
Year/Month

TE58

2021-05



NOTE

FIG TE58	HEATER & AIR-CON						년/월 Year/Month
							2021-05

KEY NO	PART NO	DESCRIPTION	SPEC	QTY	REPAIR	EFFECTIVE DATE	REMARKS
2	12427082411	에어컨ASSY		1			
3	14527082420	인슐레이터,덕터		1			
4	V2183608025	소형육각볼트보통(SP)	M8X25	4			
5	14527080051	플레이트,드레인		1			
6	V2183608020	소형육각볼트보통(SP)	M8X20	2			
7	14527081170	호스클램프,148	T=1	1			
8	14527082311	브래킷, 워터밸브	1.6t	1			
9	17688202100	워터밸브ASSY		1			
10	V1902604008	심자흡냄비태핑나사	4X8	2			
11	V2123606016	육각볼트(SP)	M6X16	2			
12	17687025300	케이블클립	T=0.5	1			
13	14527081110	히터 호스, 워터밸브/아웃		1			
14	14527081120	히터호스,인너 / 워터밸브		1			
15	14527081130	히터 호스, 아웃 / 히터코어		1			
16	19027620031	드레인호스(L=2200)		2			
17	14527081140	드레인호스,B		1			
18	14527081160	호스클램프(19.3)	T=1.2	4			
19	V2123606016	육각볼트(SP)	M6X16	2			
20	14527070073	릴레이박스ASSY		1			
21	14527081220	석션호스,NO3		1			
22	14527081210	리퀴드호스,NO4		1			
23	13831512500GB	브래킷 COMP , 고정 (전)		1			
24	14527081160	호스클램프(19.3)	T=1.2	5			
25	17688200050	엘보(90)		2			
26	13831512200GB	파이프 COMP , 히터 OUT		1			
27	13831512100GB	파이파이프 COMP , 히터 IN		1			
28	18711041501	DOSING 호스 엘보		2			
29	14527081881	호스용 스프링		2			
30	16998201771	인슐레이터(석션1)		1			
70	14527081260	막음씨일,파이프		2			
71	12427082530	호스클램프,15.1		2			
72	V2183608020	소형육각볼트보통(SP)		2			
73	13831512600GB	브래킷 COMP , 고정 (후)		1			
75	V2123606030	육각볼트(SP)		2			
76	18027090200	밴드 클램프 20 홍식		4			

NOTE

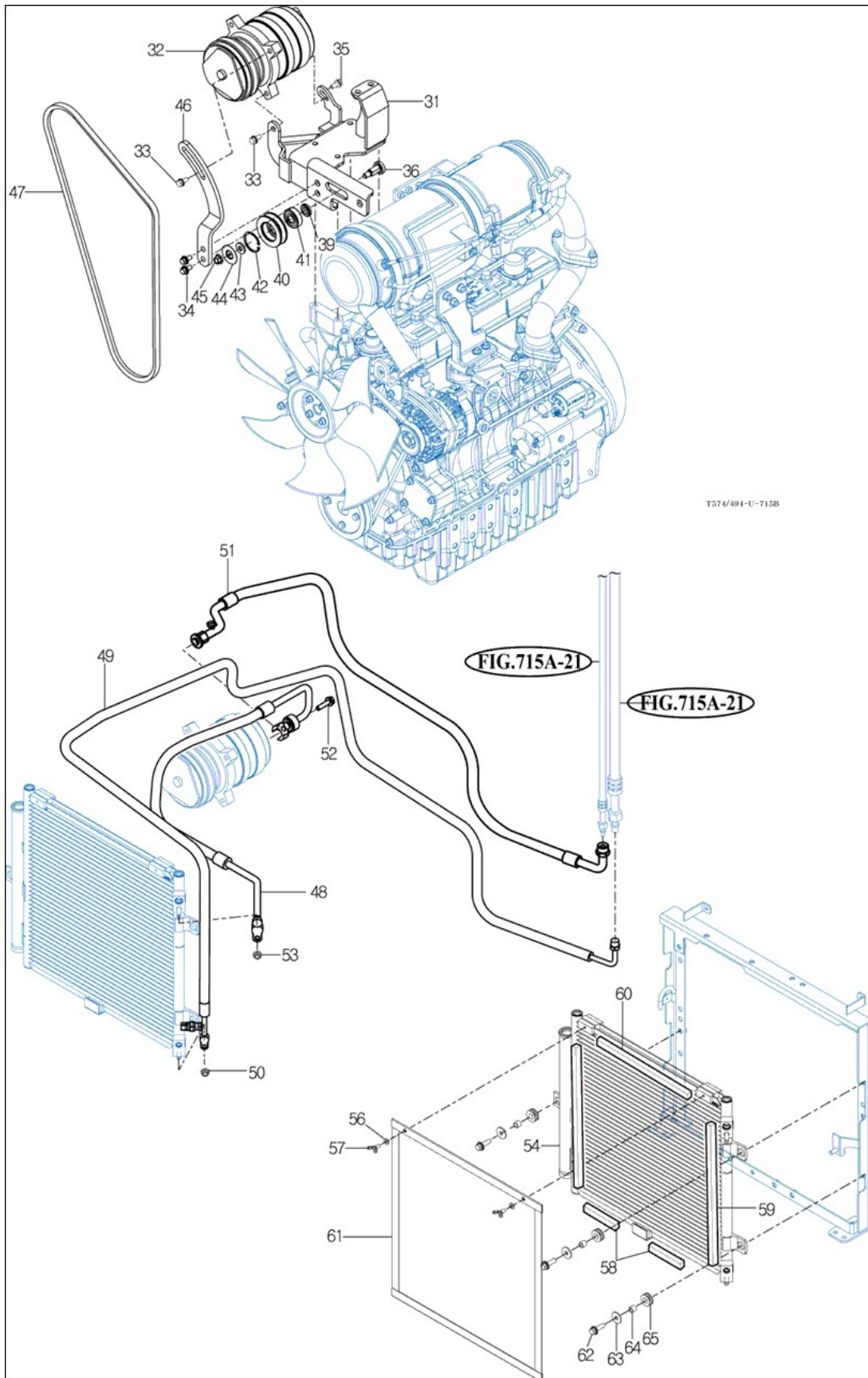
FIG

HEATER & AIR-CON

년/월
Year/Month

TE58

2021-05



NOTE

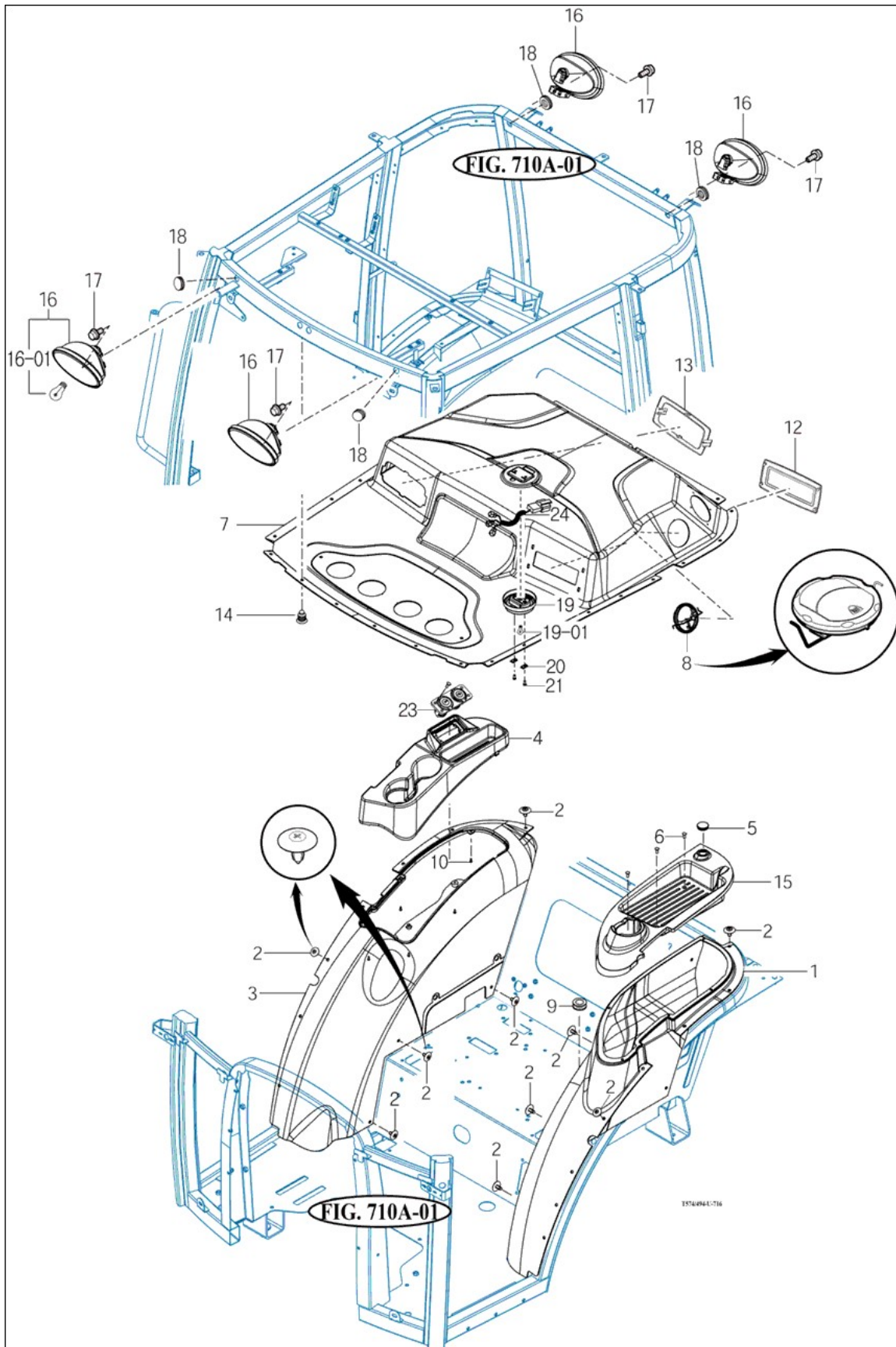
FIG

FENDER COVER

년/월
Year/Month

TE58

2021-05



NOTE

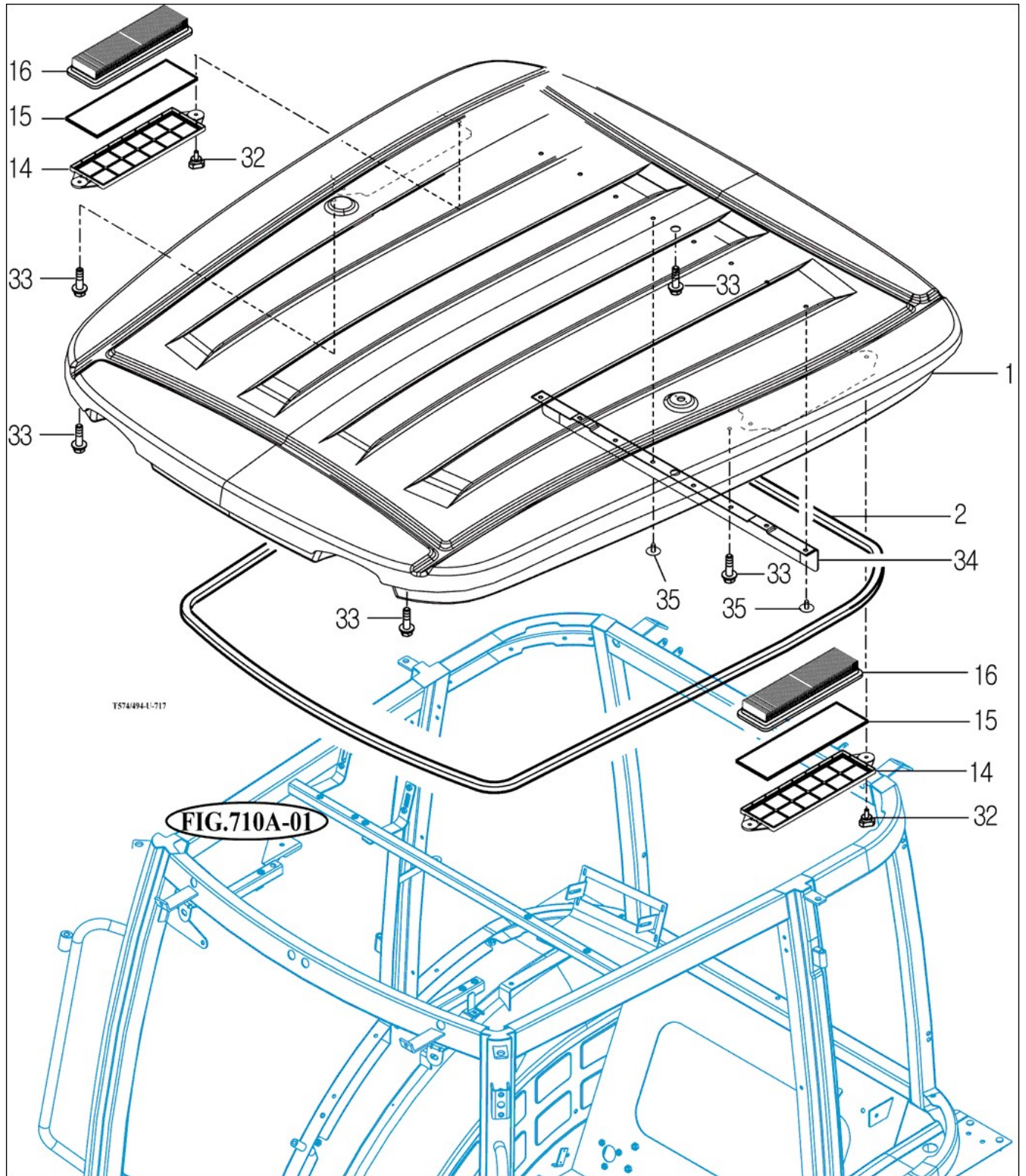
FIG

TE58

ROOF

년/월
Year/Month

2021-05



NOTE

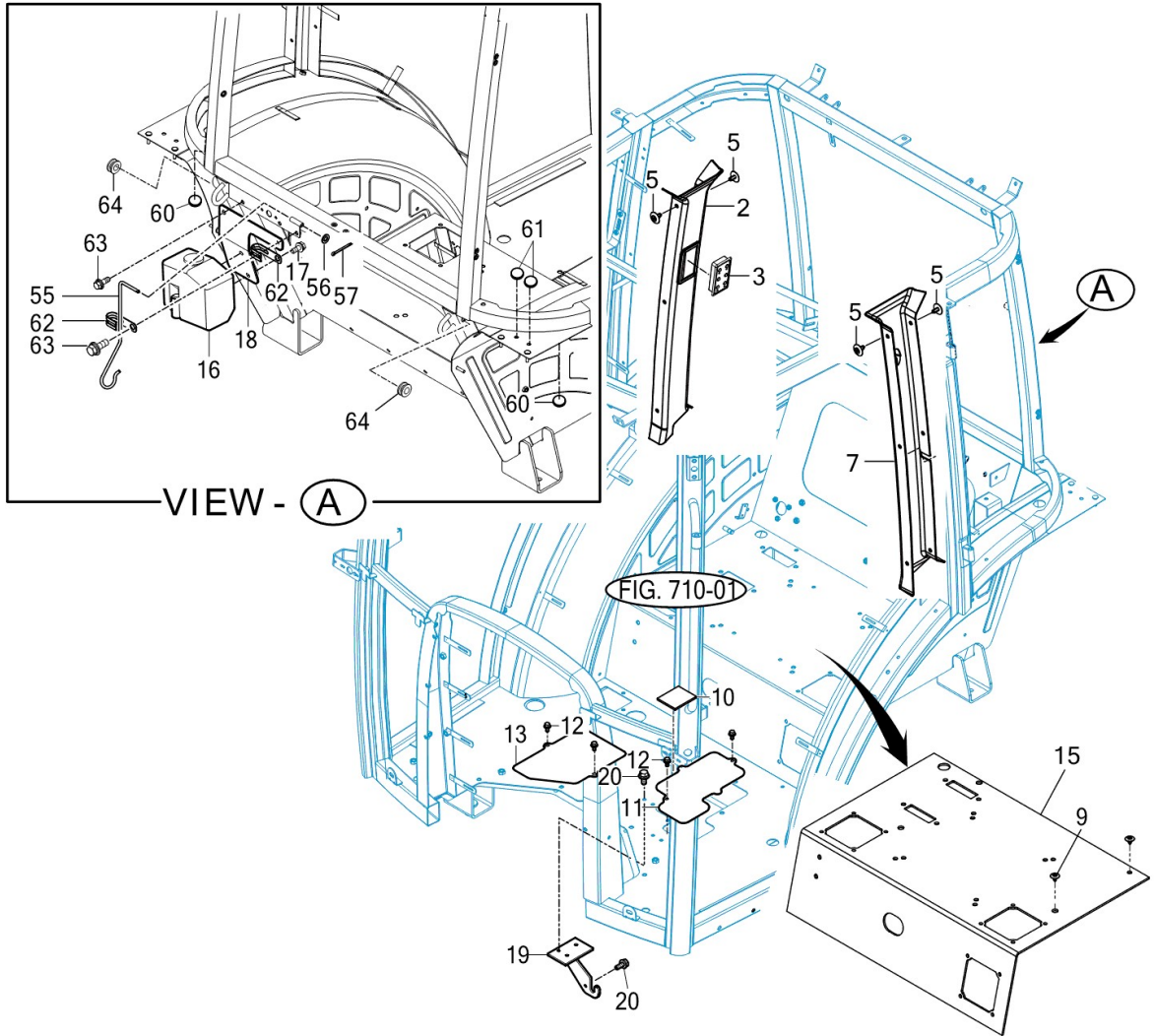
FIG

CABIN INTERIOR

년/월
Year/Month

TE58

2021-05



T574494-U-718

NOTE

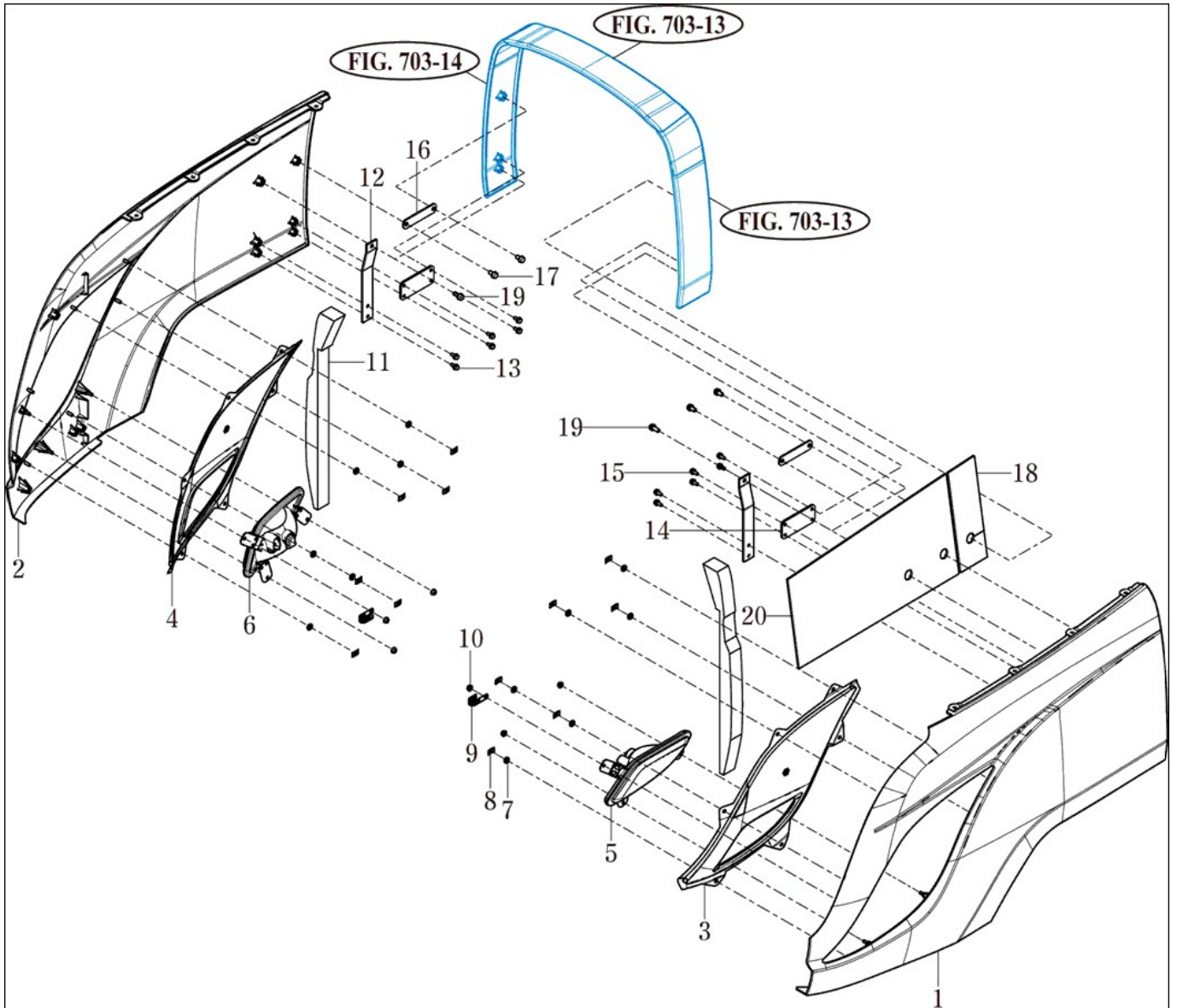
FIG

BONNET (2)

년/월
Year/Month

TE58

2021-05



NOTE

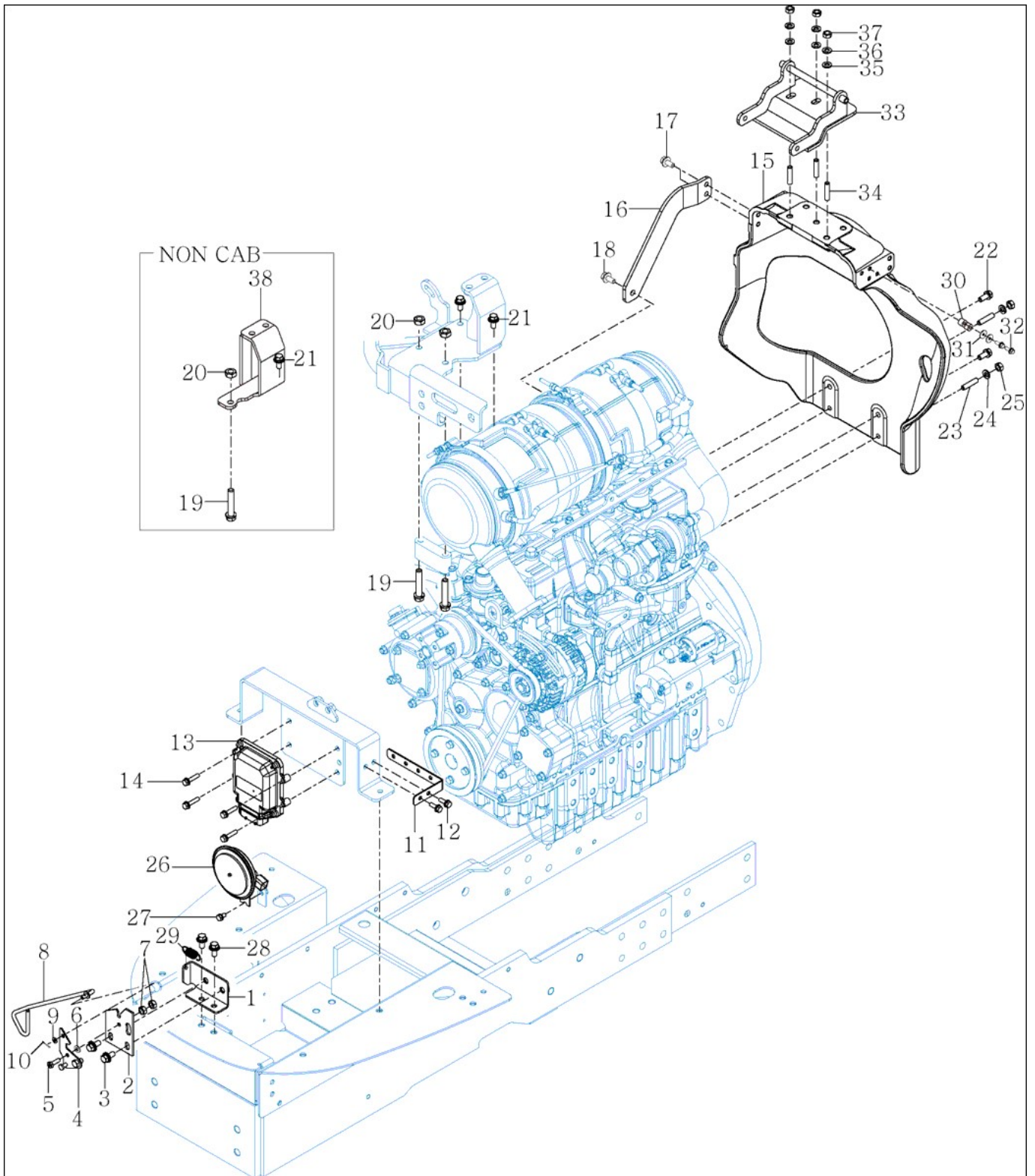
FIG

BONNET FRAME

년/월
Year/Month

TE58

2021-05



NOTE

FIG		BONNET FRAME					년/월 Year/Month	
TE58		2021-05						
KEY NO	PART NO	DESCRIPTION	SPEC	QTY	REPAIR	EFFECTIVE DATE	REMARKS	
1	14136011300GB	후드(잠금/G) COMP		1				
2	11106024210	후드스테이(B)		1				
3	V2183608020	소형육각볼트보통(SP)	M8X20	2				
4	11106024100	스테이(후드 A) COMP		1				
5	V2323606020	십자홀육각볼트(SP)	M6X20	1				
6	V4111600060	평와셔	M6	1				
7	V3013600060	육각너트보통2종	M6	2				
8	14136024300	로드 COMP, OPEN		1				
9	V4111600060	평와셔	M6	1				
10	V5001925020	핀	2.5X20	1				
11	13871613400GB	브래킷, 퓨즈		1				
12	V2183606016	소형육각볼트보통(SP)	M6X16	2				
13	EA00005847B	DPF REGEN 컨트롤러		1				
14	V2123606030	육각볼트(SP)	M6X30	4				
15	13831811100GB	엔진 리어 서포트		1				
16	13871811200GB	지지대		1				
17	V2183608020	소형육각볼트보통(SP)	M8X20	2				
18	V2183608025	소형육각볼트보통(SP)	M8X25	1				
19	V2173610055	소형육각볼트보통(S)	M10X55	2				
19.1	V2173610055	소형육각볼트보통(S)	M10X55	1				
20	V3043600100	소형육각너트보통2종	M10	2				
20.1	V3043600100	소형육각너트보통2종	M10	1				
21	V2183610025	소형육각볼트보통(SP)	M10X25	2				
21.1	V2183610025	소형육각볼트보통(SP)	M10X25	1				
22	V2173608025	소형육각볼트보통(S)	M8X25	2				
23	V2513408025	스터드볼트2종	M8X25	2				
24	V4011600080	스프링와셔	M8	2				
25	V3042600080	소형육각너트보통2종	M8	2				
26	13266212003	흔		1				
27	V2113606012	육각볼트(S)	M6X12	1				
28	V2183608020	소형육각볼트보통(SP)	M8X20	2				
29	11106020010	인장스프링(40)		1				
30	13831811300	스페이서		2				
31	V4111600060	평와셔	M6	2				
32	V2113606040	육각볼트(S)	M6X40	2				
33	13876202800GB	플레이트 COMP, 본넷트 힌지		1				
34	V2514410025	스터드볼트2종	M10X25	3				
35	V4111600100	평와셔	M10	3				
36	V4011600100	스프링와셔	M10	3				
37	V3013600100	육각너트보통2종	M10	3				
38	13801712100GB	스탠드 COMP		1				
NOTE								

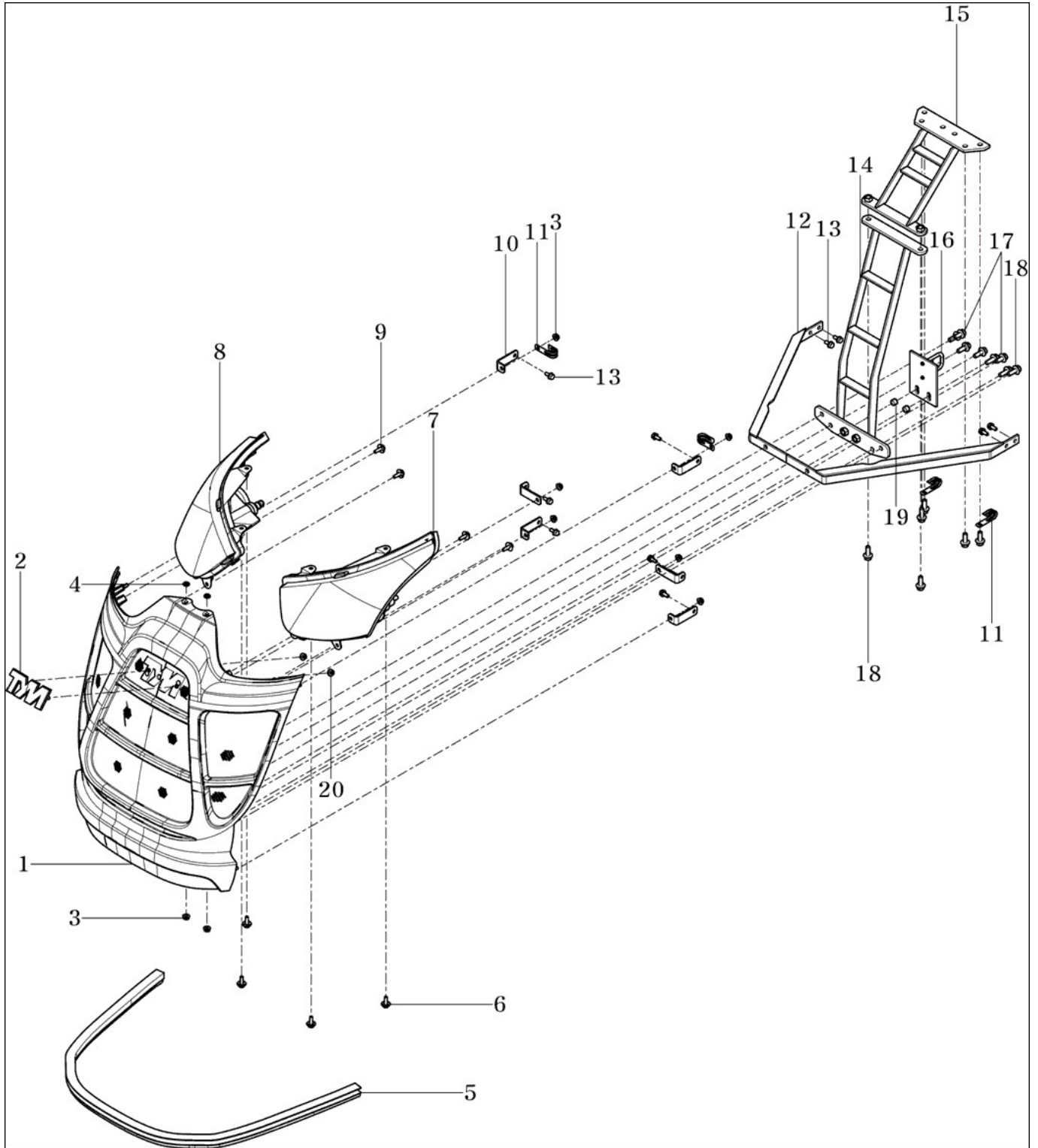
FIG

TE58

BONNET (1)

년/월
Year/Month

2021-05



NOTE

8. 전장 PART NO. T8

FIG BATTERY & MOUNTING	256
FIG HARNESS LAMP	258
FIG INSTRUMENT PANEL	260
FIG ELECTRIC SYSTEM (1)	262
FIG ELECTRIC SYSTEM (2)	264
FIG ELECTRIC SYSTEM (2)-NON CAB	266
FIG ELECTRIC SYSTEM (3)	268

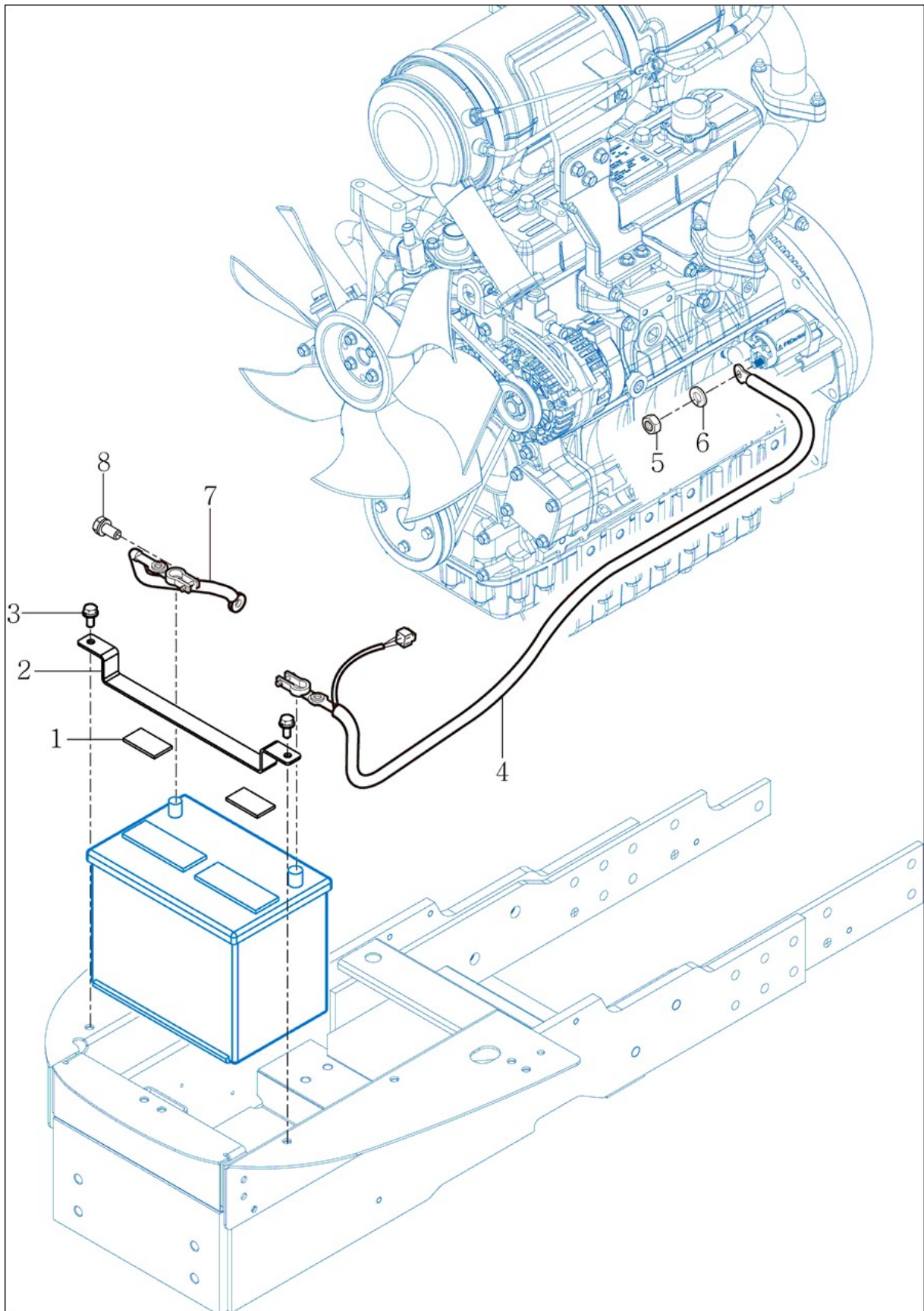
FIG

BATTERY & MOUNTING

년/월
Year/Month

TE58

2021-05



NOTE

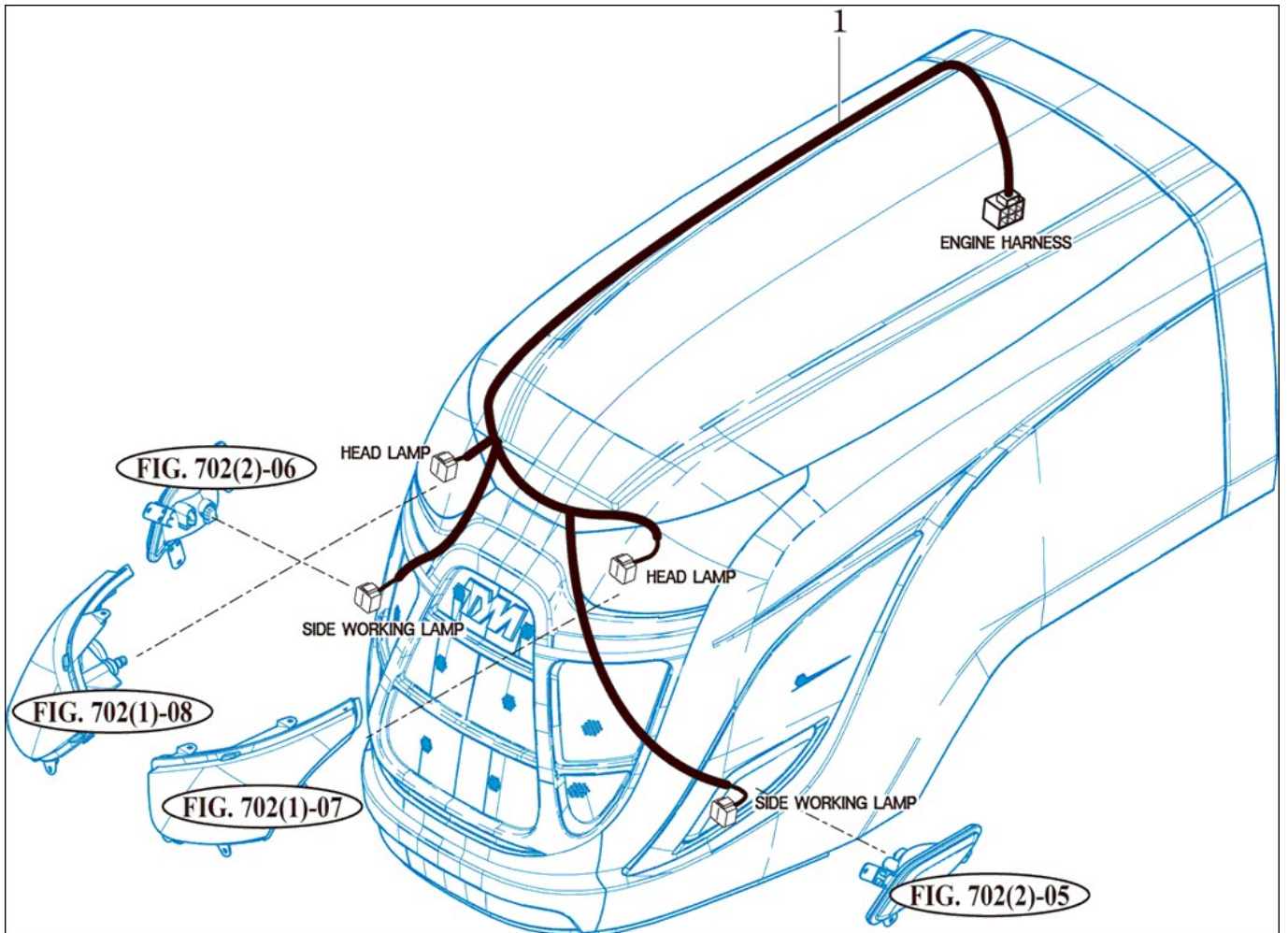
FIG

HARNES LAMP

년/월
Year/Month

TE58

2021-05



NOTE

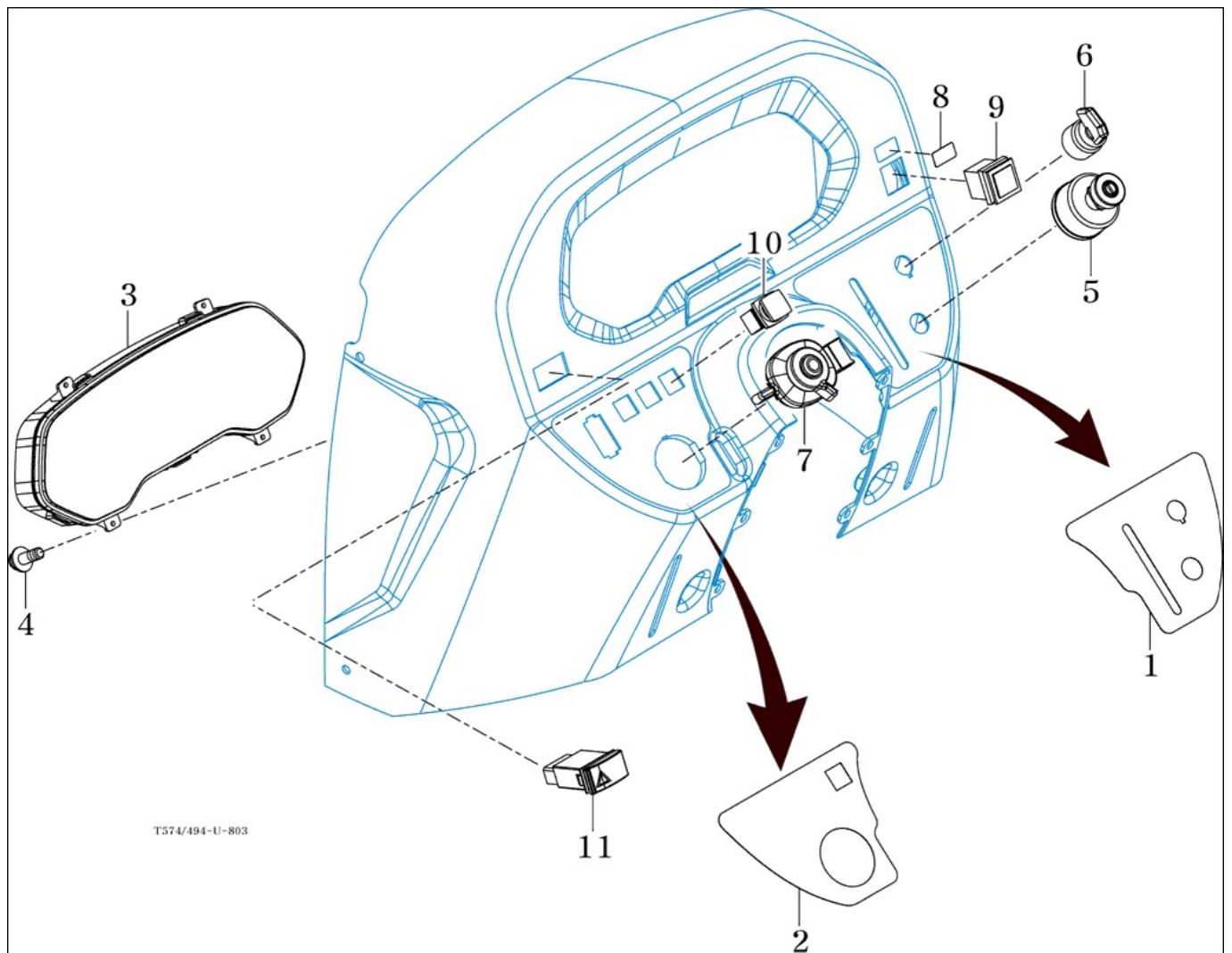
FIG

TE58

INSTRUMENT PANEL

년/월
Year/Month

2021-05



NOTE

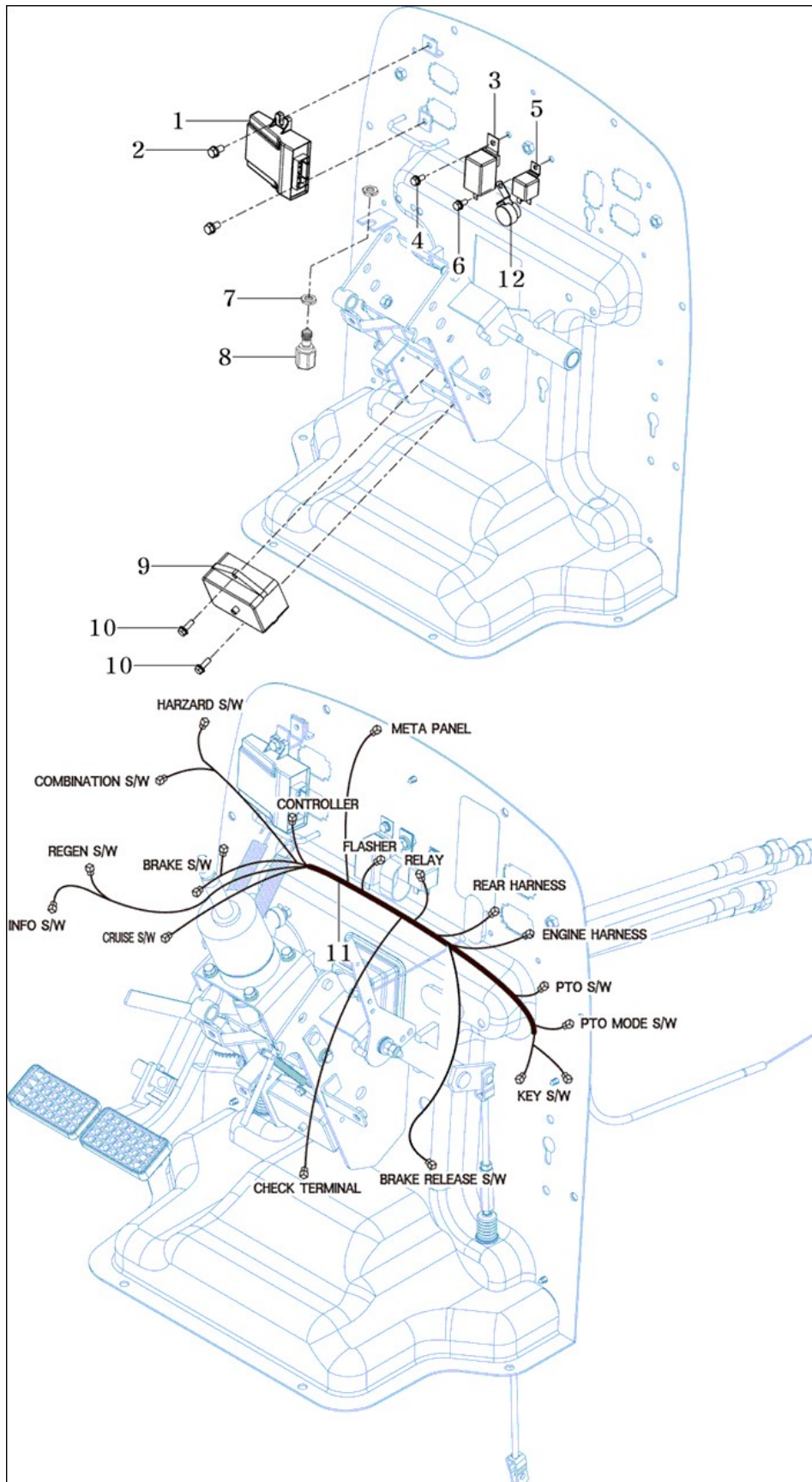
FIG

ELECTRIC SYSTEM (1)

년/월
Year/Month

TE58

2021-05



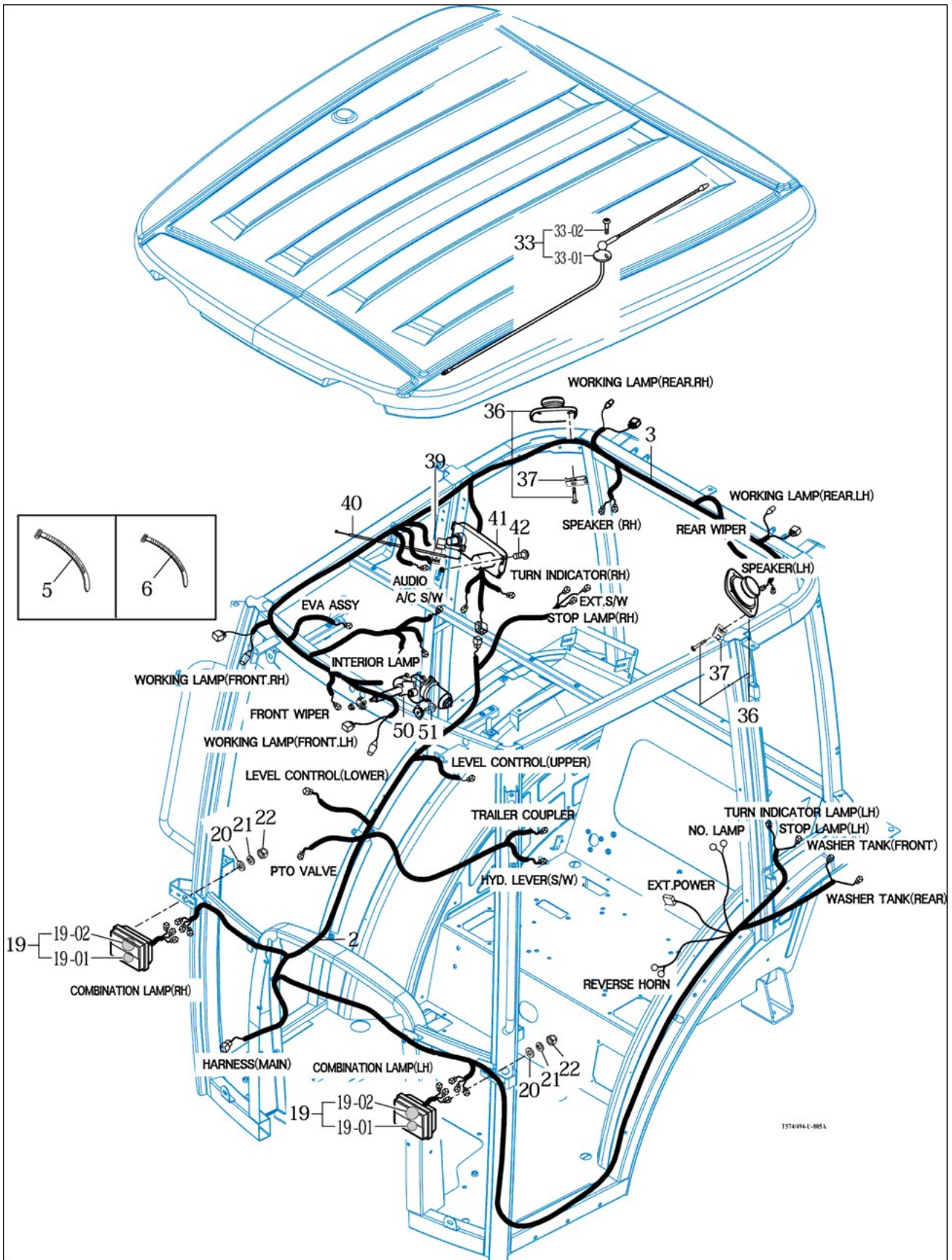
NOTE

FIG
TE58

ELECTRIC SYSTEM (2)

년/월
Year/Month

2021-05



NOTE

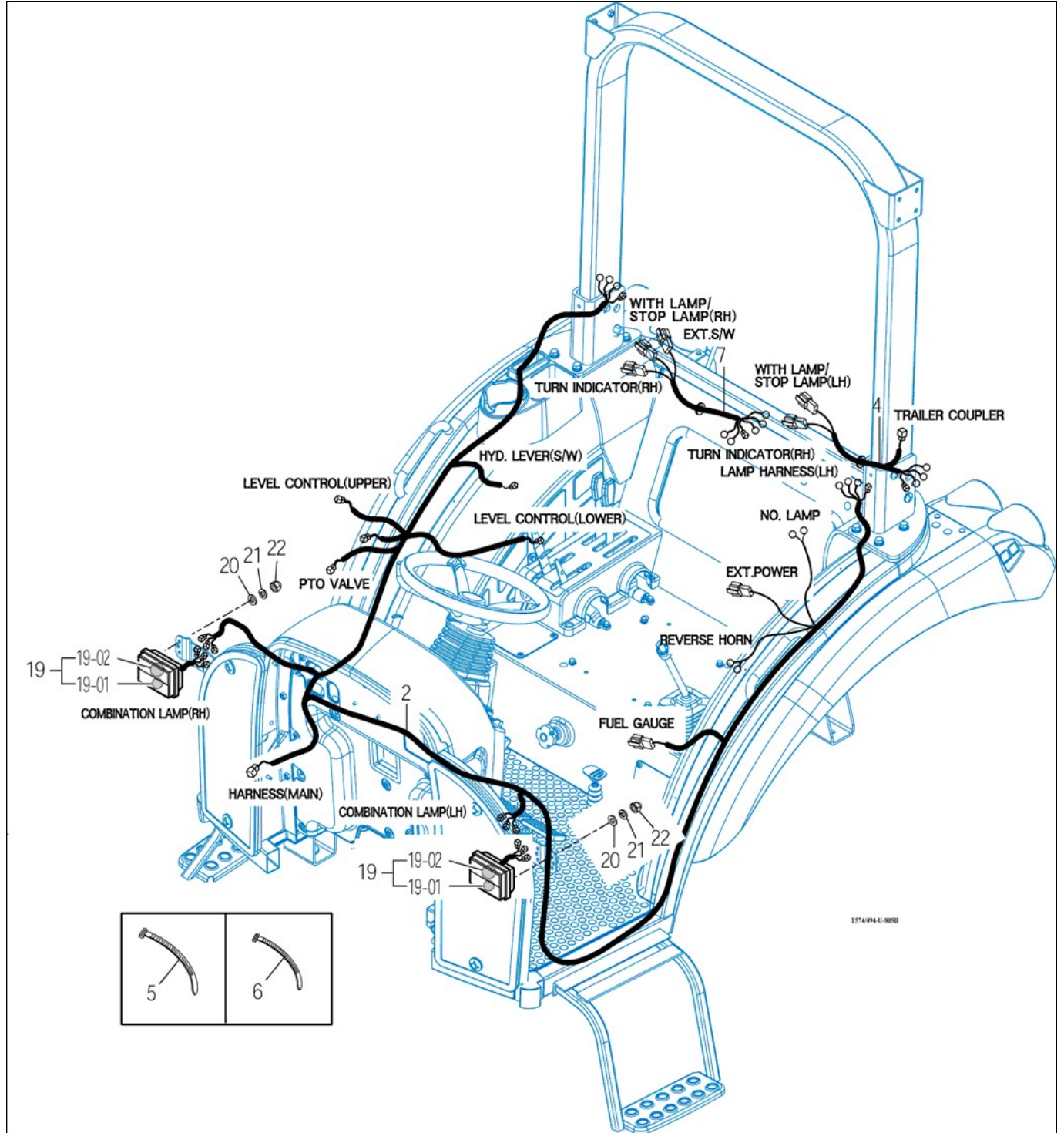
FIG

ELECTRIC SYSTEM (2)-NON CAB

년/월
Year/Month

TE58

2021-05



NOTE

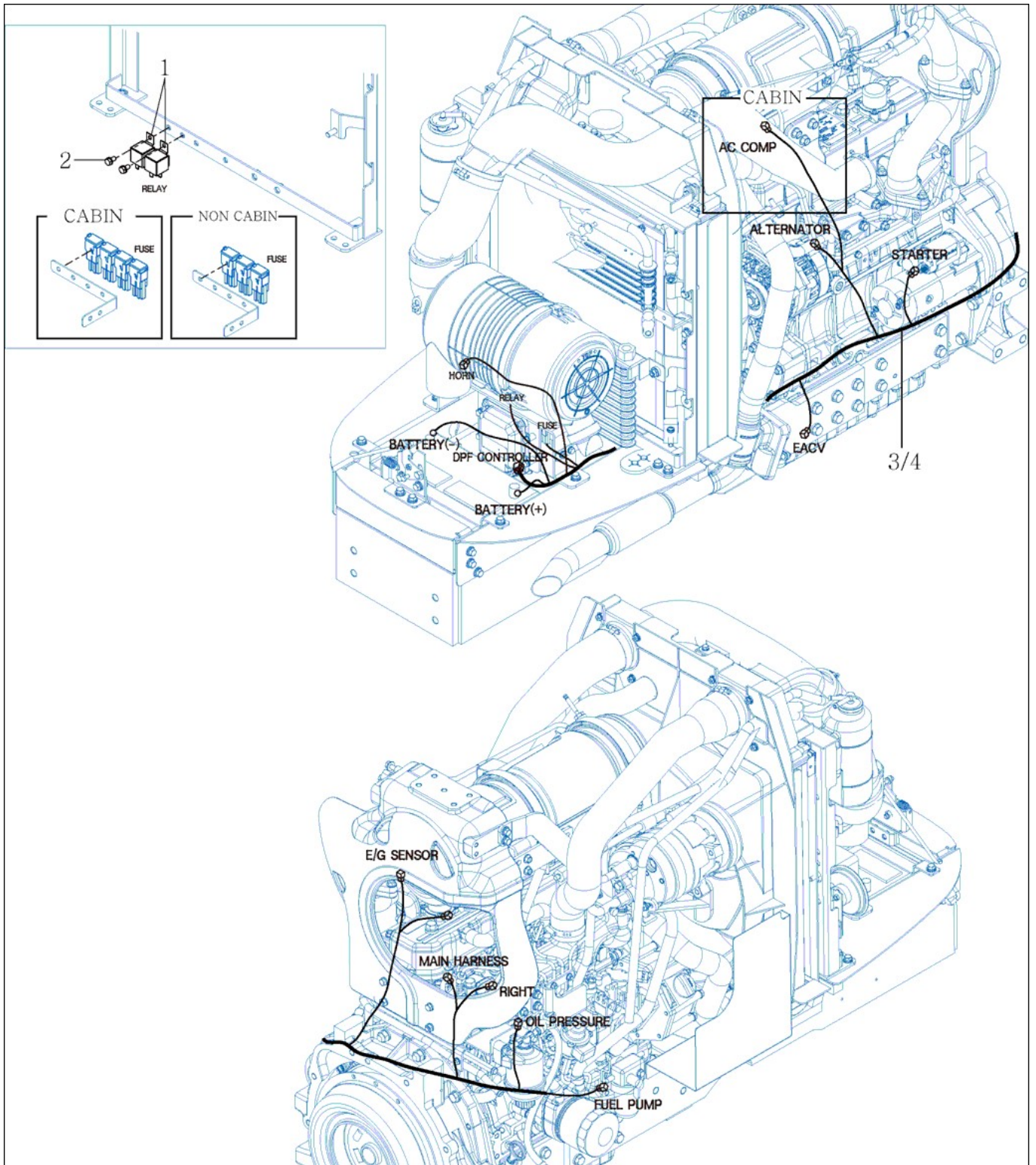
FIG

ELECTRIC SYSTEM (3)

년/월
Year/Month

TE58

2021-05



NOTE

9. 라벨/옵션 PART NO. T9

FIG TOOL & ACCESSORY	271
FIG WEIGHT	273
FIG LABEL	275
FIG LABEL	277

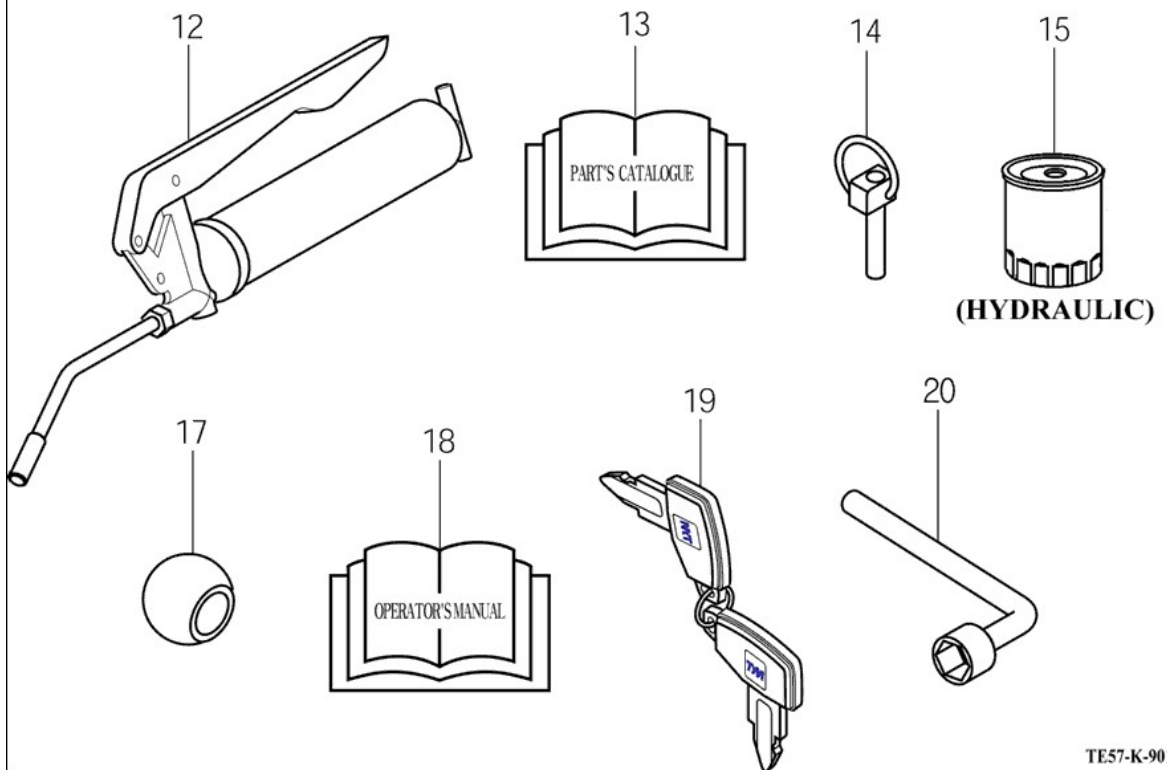
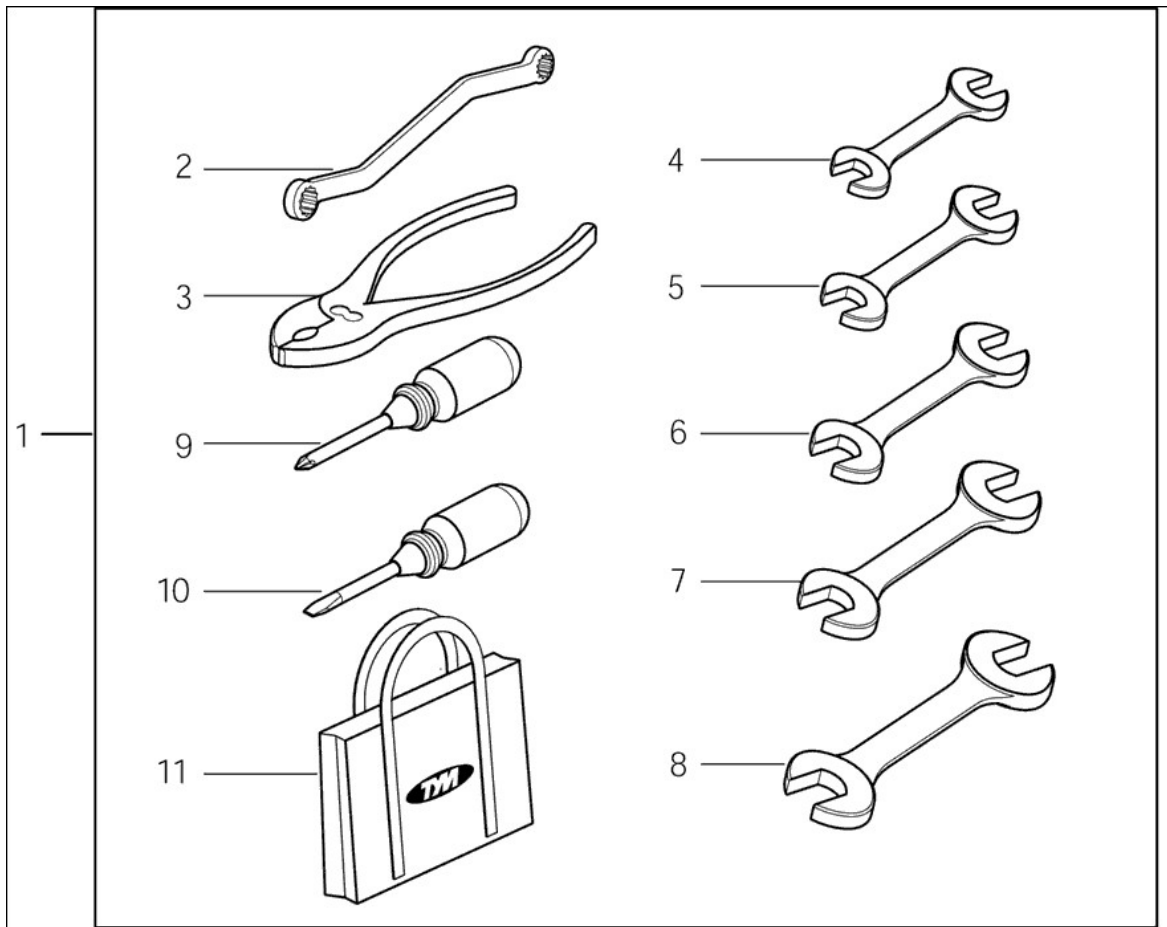
FIG

TOOL & ACCESSORY

년/월
Year/Month

TE58

2021-05



NOTE

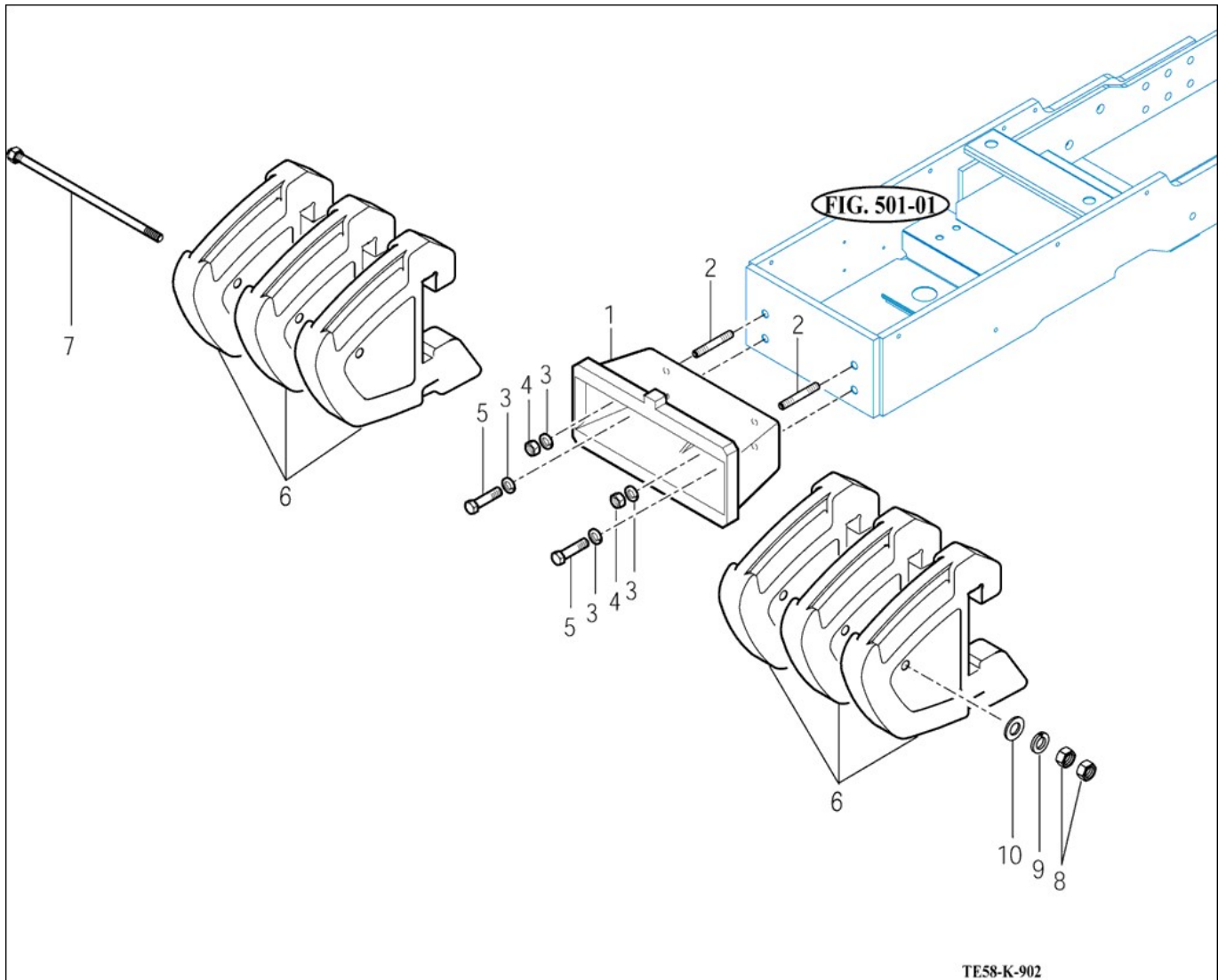
FIG

TE58

WEIGHT

년/월
Year/Month

2021-05



TE58-K-902

NOTE

FIG
TE58

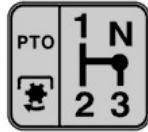
LABEL

년/월
Year/Month
2021-05

ON
4WD
OFF
20



21



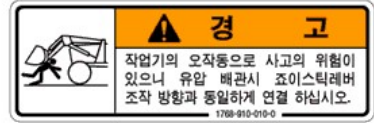
22

연료는 초저유량
경우만 사용하십시오
1788-910-138-0

23



24



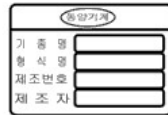
25



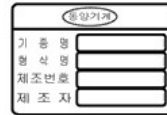
12



19



26



40



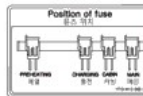
3



11



6



38

내부공기순환,외부공기순환
●그릴을 열면 내부 공기가 순환되고 닫으면 외부 공기가 순환됩니다.
●효과적인 사용을 위하여 히터, 에어컨을 사용할때는 열어주시고, 산산상 공기로 순환과자 할때는 닫아주십시오.

16



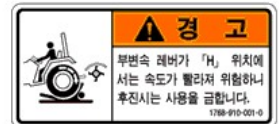
2



35



36



4



5

TE 58

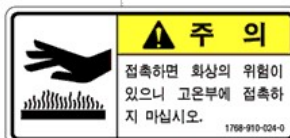
27



37



39



31



15




1





7

NOTE


FIG TE58	LABEL	년/월 Year/Month
		2021-05









17




8




14



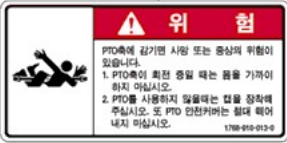
10




13




50



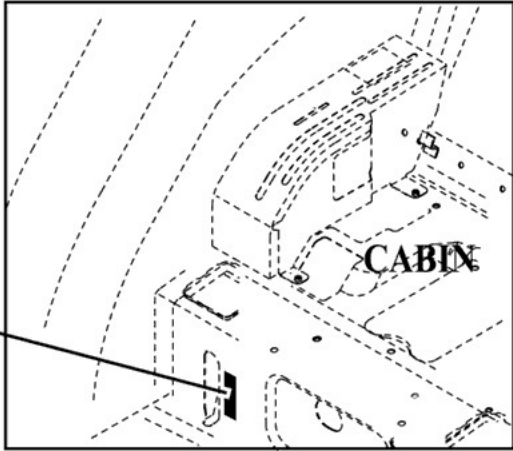
18



11



9



CABIN

NOTE	
------	--

