

T355NCEU

Parts Catalog

목 차

1. 엔진 PART NO. EG

FIG 100 ENGINE	7
FIG 101 CYLINDER HEAD	9
FIG 102 GEAR HOUSING	11
FIG 103 FLYWHEEL HOUSING & OIL SUMP	13
FIG 104 CYLINDER HEAD & BONNET	15
FIG 105 SUCTION MANIFOLD	18
FIG 106 EXHAUST MANIFOLD	20
FIG 107 DIESEL PARTICULATE FILTER(DPF)	22
FIG 108 CAMSHAFT & DRIVING GEAR	24
FIG 109 CRANKSHAFT & PISTON	26
FIG 110 LUB.OIL SYSTEM	28
FIG 111 COOLING WATER SYSTEM	30
FIG 112 FUEL SUPPLY PUMP	32
FIG 113 FUEL INJECTION VALVE	34
FIG 114 FUEL LINE	36
FIG 115 STARTING MOTOR	38
FIG 116 ALTERNATOR	40
FIG 117 ELECTRONIC CONTROL UNIT(ECU)	42
FIG 118 ELECTRIC PARTS	44
FIG 119 ACCESSORY	46

2. 엔진보기품 PART NO. T2

FIG 201 AIR CLEANER	49
FIG 202 RADIATOR	51
FIG 203 MUFFLER	53
FIG 204 FUEL TANK	55
FIG 205 ACCELERATOR	57

3. 클러치/브레이크/스티어링 PART NO. T3

FIG 301 CLUTCH PEDAL	60
----------------------	----

FIG 302 FLYWHEEL & CLUTCH	62
FIG 303 BRAKE PEDAL	64
FIG 304 BRAKE	66
FIG 306 FRONT WHEEL MOUNTING	68
FIG 307 REAR WHEEL MOUNTING	70
FIG 308 STEERING WHEEL	72
FIG 309 STEERING VALVE & TILT	74
FIG 310 STEERING CYLINDER	76
FIG 311 HAND BRAKE LINKAGE	78

4. 트랜스미션 PART NO. T4

FIG 401 TRANSMISSION FRONT CASE	81
FIG 402 INPUT METAL	83
FIG 403 INPUT GEAR	85
FIG 404 4WD DRIVE GEAR	87
FIG 405 MAIN CHANGE GEARS & REVERSE GEARS	89
FIG 406 SUB CHANGE GEARS	91
FIG 407 PINION GEARS	93
FIG 408 P.T.O DRIVE SHAFT	95
FIG 409 P.T.O CHANGE GEARS	97
FIG 410 DIFF LOCK	99
FIG 411 TRANSMISSION REAR CASE	101
FIG 412 REAR AXLE HOUSINGS (1)	103
FIG 413 REAR AXLE HOUSINGS (2)	105
FIG 414 MAIN CHANGE LEVER	107
FIG 415 SUB CHANGE LEVER	109
FIG 416 REVERSE LINK	111
FIG 417 REVERSE CHANGE LEVER	113
FIG 418 4WD CHANGE LEVER	115

5. 프론트 액슬 PART NO. T5

FIG 501 FRONT AXLE BRACKET	118
FIG 502 FRONT DIFF. GEARS & SHAFT	120
FIG 503 FRONT AXLE HOUSING	122
FIG 504 FRONT GEAR CASE (1)	124
FIG 505 FRONT GEAR CASE (2)	126

6. 유압/3점링크 PART NO. T6

FIG 601 GEAR PUMP	129
FIG 602 CYLINDER CASE	131
FIG 603 LIFT ARM	133
FIG 604 CYLINDER	135
FIG 605 POSITION LINK (1)	137
FIG 606 POSITION LINK (2)	139
FIG 607 CONTROL VALVE	141
FIG 608 POSITION LEVER	143
FIG 609 HYDRAULIC PIPE (1)	145
FIG 610 HYDRAULIC PIPE (2)	147
FIG 611 EXTERIOR HYD. VALVE	149
FIG 612 3-POINT LINK	151
FIG 613 HITCH & COVER	154

7. 시트메탈/캐빈 PART NO. T7

FIG 701 HOOD	157
FIG 702 BONNET	159
FIG 704 FENDER & REAR FRAME	162
FIG 705 DASH PANEL	165
FIG 706 FLOOR PANEL	167
FIG 707 SEAT	169
FIG 708 FRONT & REAR MOUNTING	171
FIG 709 ROPS	173

8. 전장 PART NO. T8

FIG 801 BATTERY & MOUNTING	176
FIG 802 LAMP	178
FIG 803 INSTRUMENT PANEL	180
FIG 804 ELECTRIC SYSTEM	182
FIG 805 HARNESS (1)	184
FIG 806 HARNESS (2)	186

9. 라벨/옵션 PART NO. T9

FIG 901 WEIGHT	189
----------------	-----

FIG 902 TOOL & ACCESSORY

191

FIG 903-1 LABEL (1)

193

1. 엔진 PART NO. EG

FIG 100 ENGINE	7
FIG 101 CYLINDER HEAD	9
FIG 102 GEAR HOUSING	11
FIG 103 FLYWHEEL HOUSING & OIL SUMP	13
FIG 104 CYLINDER HEAD & BONNET	15
FIG 105 SUCTION MANIFOLD	18
FIG 106 EXHAUST MANIFOLD	20
FIG 107 DIESEL PARTICULATE FILTER(DPF)	22
FIG 108 CAMSHAFT & DRIVING GEAR	24
FIG 109 CRANKSHAFT & PISTON	26
FIG 110 LUB.OIL SYSTEM	28
FIG 111 COOLING WATER SYSTEM	30
FIG 112 FUEL SUPPLY PUMP	32
FIG 113 FUEL INJECTION VALVE	34
FIG 114 FUEL LINE	36
FIG 115 STARTING MOTOR	38
FIG 116 ALTERNATOR	40
FIG 117 ELECTRONIC CONTROL UNIT(ECU)	42
FIG 118 ELECTRIC PARTS	44
FIG 119 ACCESSORY	46

FIG 100 T355NCEU	ENGINE	년/월 Year/Month
		2022-12
NOTE		

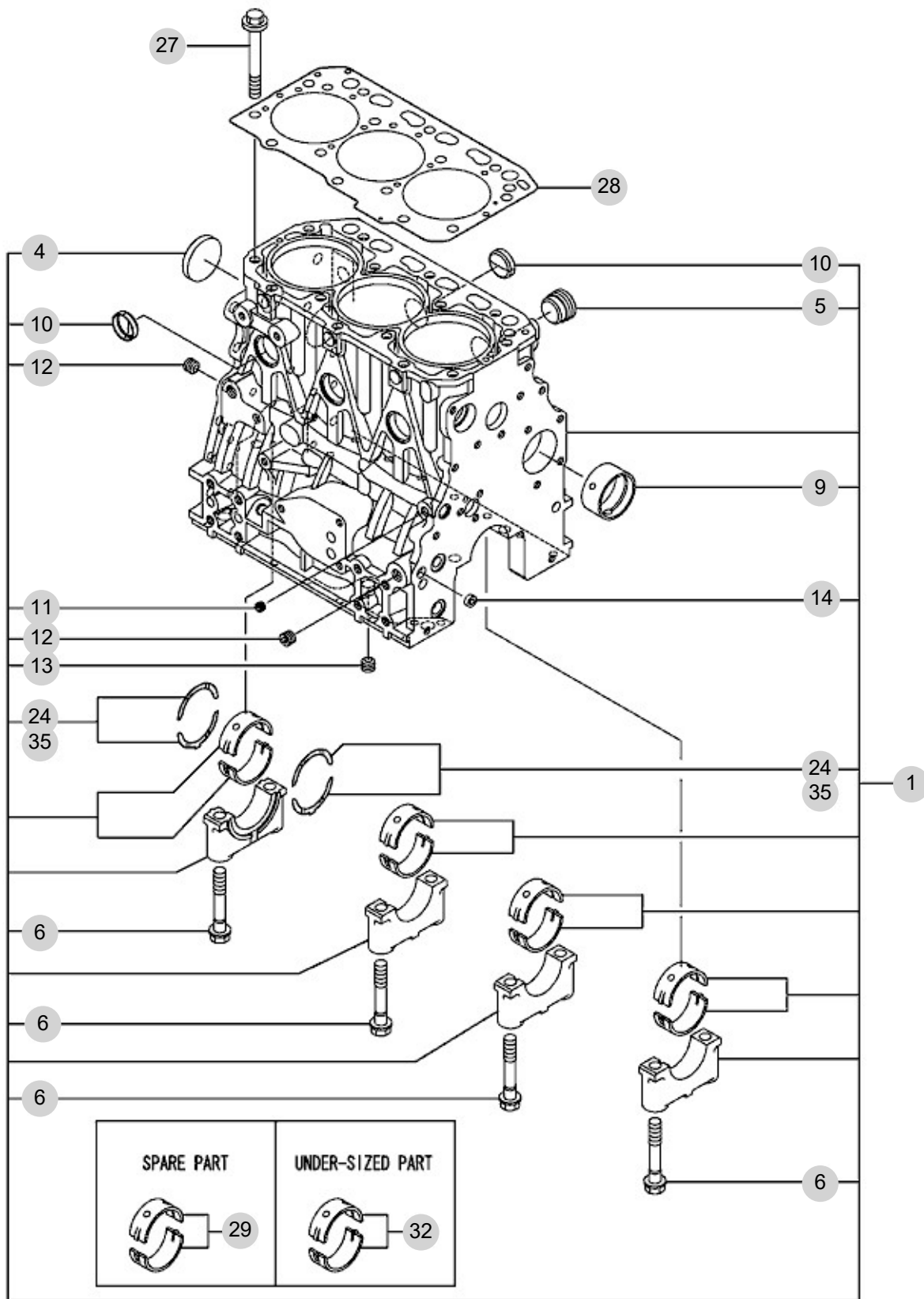
FIG 101

CYLINDER HEAD

년/월
Year/Month

T355NCEU

2022-12



NOTE

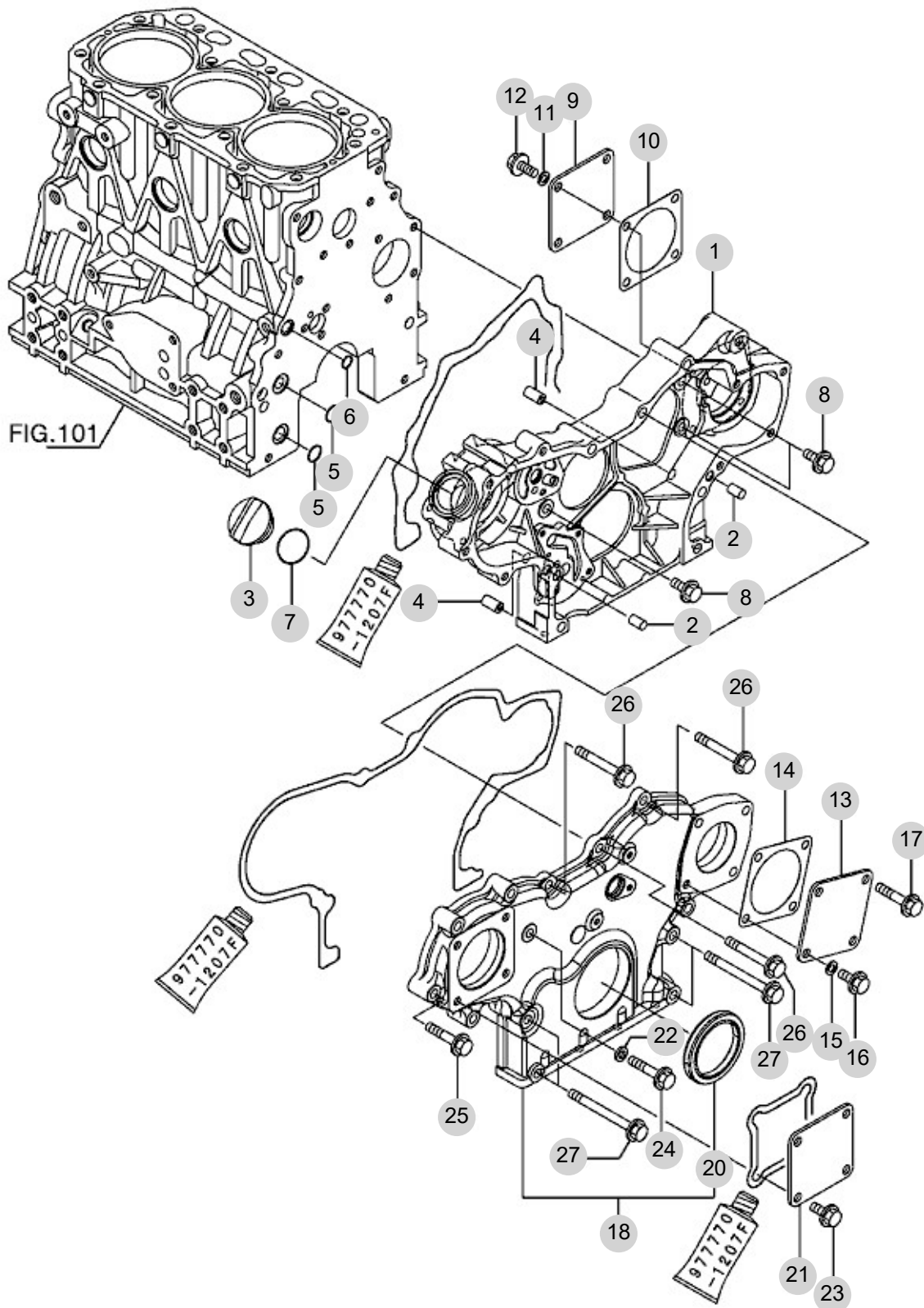
FIG 102

GEAR HOUSING

년/월
Year/Month

T355NCEU

2022-12



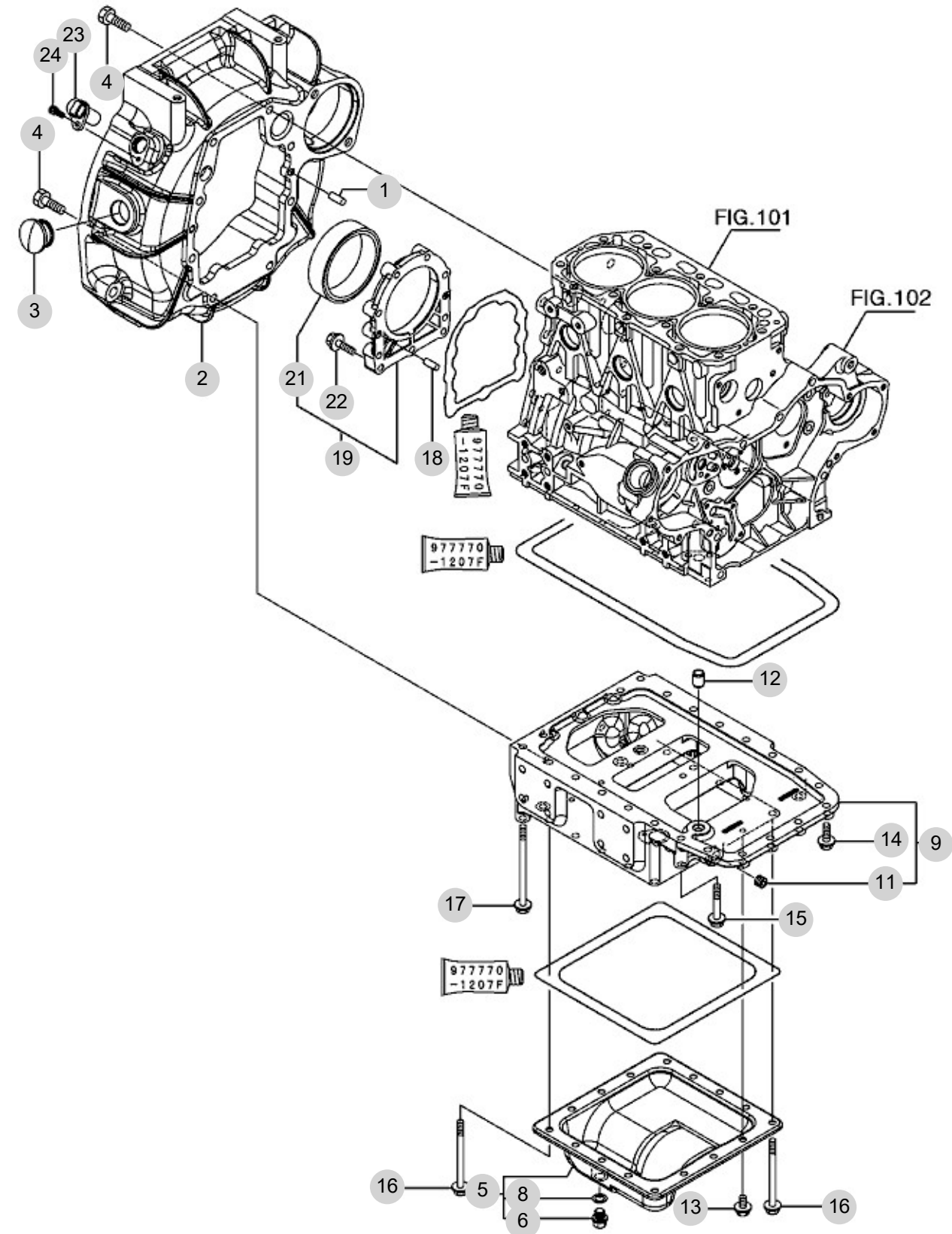
NOTE

FIG 103

FLYWHEEL HOUSING & OIL SUMP

년/월
Year/Month

2022-12



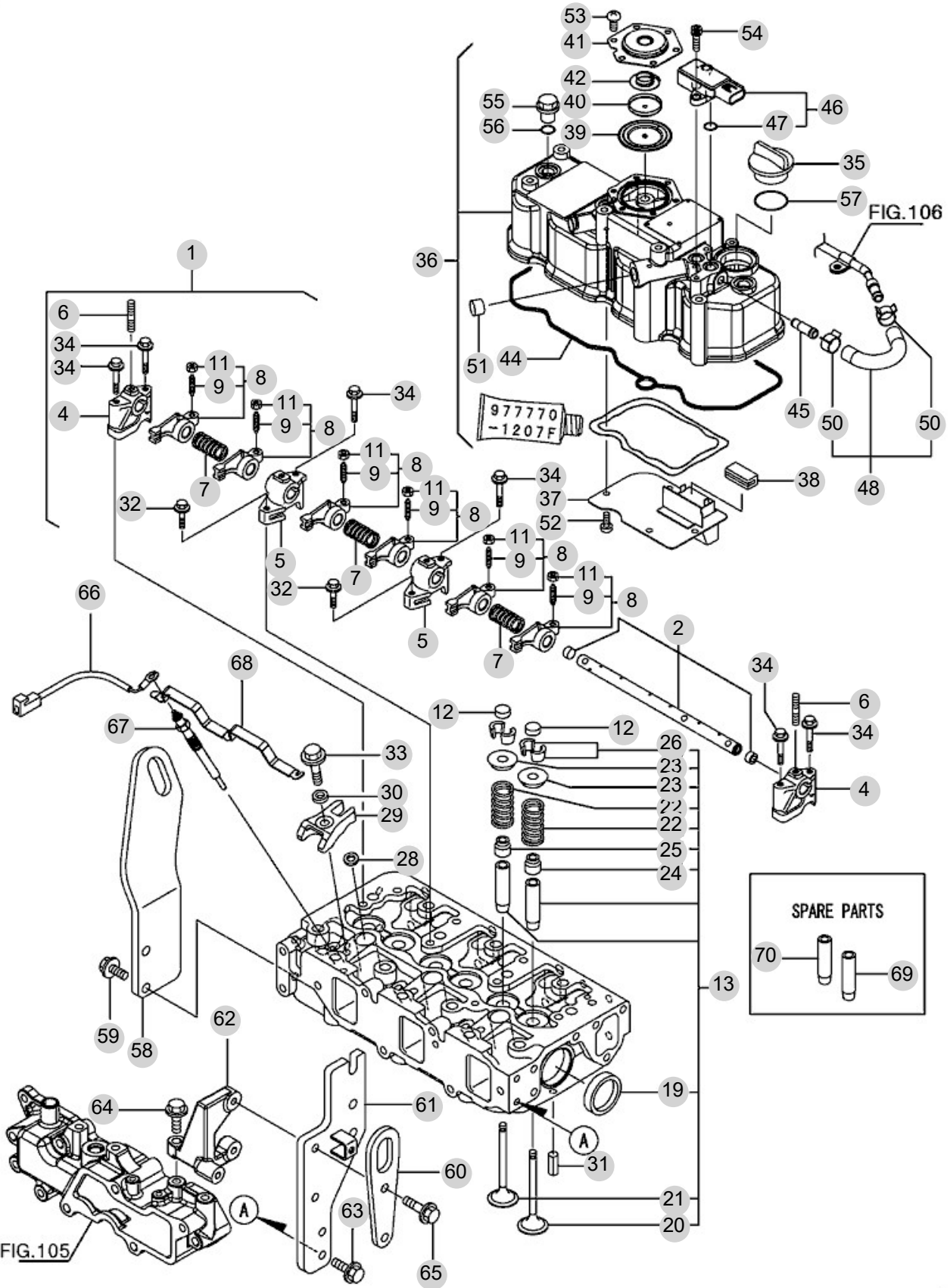
NOTE

FIG 104

CYLINDER HEAD & BONNET

년/월
Year/Month

2022-12



NOTE

FIG 104		CYLINDER HEAD & BONNET					년/월 Year/Month		
							2022-12		
T355NCEU		KEY NO	PART NO	DESCRIPTION	SPEC	QTY	REPAIR	EFFECTIVE DATE	REMARKS
104	1	129004-11241	SHAFT ASSY, ROCKER			1			
104	2	129004-11251	SHAFT, ROCKER ARM			1			
104	4	119802-11260	SUPPORT, ROCKER ARM			2			
104	5	119802-11270	SUPPORT, ROCKER ARM			2			
104	6	119802-11280	STUD			3			
104	7	129150-11280	SPRING			3			
104	8	129004-11650	ARM, ROCKER			6			
104	9	129150-11230	SCREW, VALVE ADJUST			6			
104	11	129150-11750	NUT, M8			6			
104	12	129150-11370	CAP, VALVE			6			
104	13	129A00-11710	HEAD ASSY, CYLINDER			1			
104	19	27241-400000	PLUG, 40			2			
104	20	129005-11100	VALVE, INTAKE			3			
104	21	129100-11112	VALVE, EXHAUST			3			
104	22	129795-11120	SPRING, VALVE			6			
104	23	129795-11180	RETAINER, SPRING			6			
104	24	124460-11340	SEAL, VALVE STEM			3			
104	25	129A00-11340	SEAL, VALVE STEM			3			
104	26	27310-080001	COTTER, 8			6			
104	28	129978-11871	GASKET,INJECTOR			3			
104	29	129A00-11900	RETAINER, INJECTOR			3			
104	30	120270-54410	WASHER, INJECTOR			3			
104	31	22351-060012	스프링핀			2			
104	32	26106-080252	육각플랜지볼트			2			
104	33	26106-080352	육각플랜지볼트			3			
104	34	26106-080502	BOLT, M8X 50 PLATED			6			
104	35	124160-01751	COVER, FILLER			1			
104	36	129A00-11350	BONNET ASSY			1			
104	37	129004-03010	PLATE			1			
104	38	129150-03070	BAFFLE, BREATHER			1			
104	39	123907-03100	DIAPHRAGM			1			
104	40	123907-03110	PLATE			1			
104	41	123907-03120	PLATE, BREATHER			1			
104	42	123907-03140	SPRING, DIAPHRAGM			1			
104	44	129A00-11310	GASKET, BONNET			1			
104	45	129A00-11330	JOINT			1			
104	46	129A00-12703	SENSOR,PRESSURE			1			
104	47	129A00-12780	O-RING,PRES SENSOR			2			
104	48	129A00-13360	HOSE ASSY, PRES EXH			1			
104	50	129A00-13380	CLIP, HOSE 14			2			
104	51	119640-61400	PLUG			1			
104	52	22857-500100	SCREW, 5X10			4			
104	53	22857-500100	SCREW, 5X10			6			
104	54	26450-060162	BOLT, M6X 16			2			
104	55	124160-11360	KNOB			3			
NOTE									

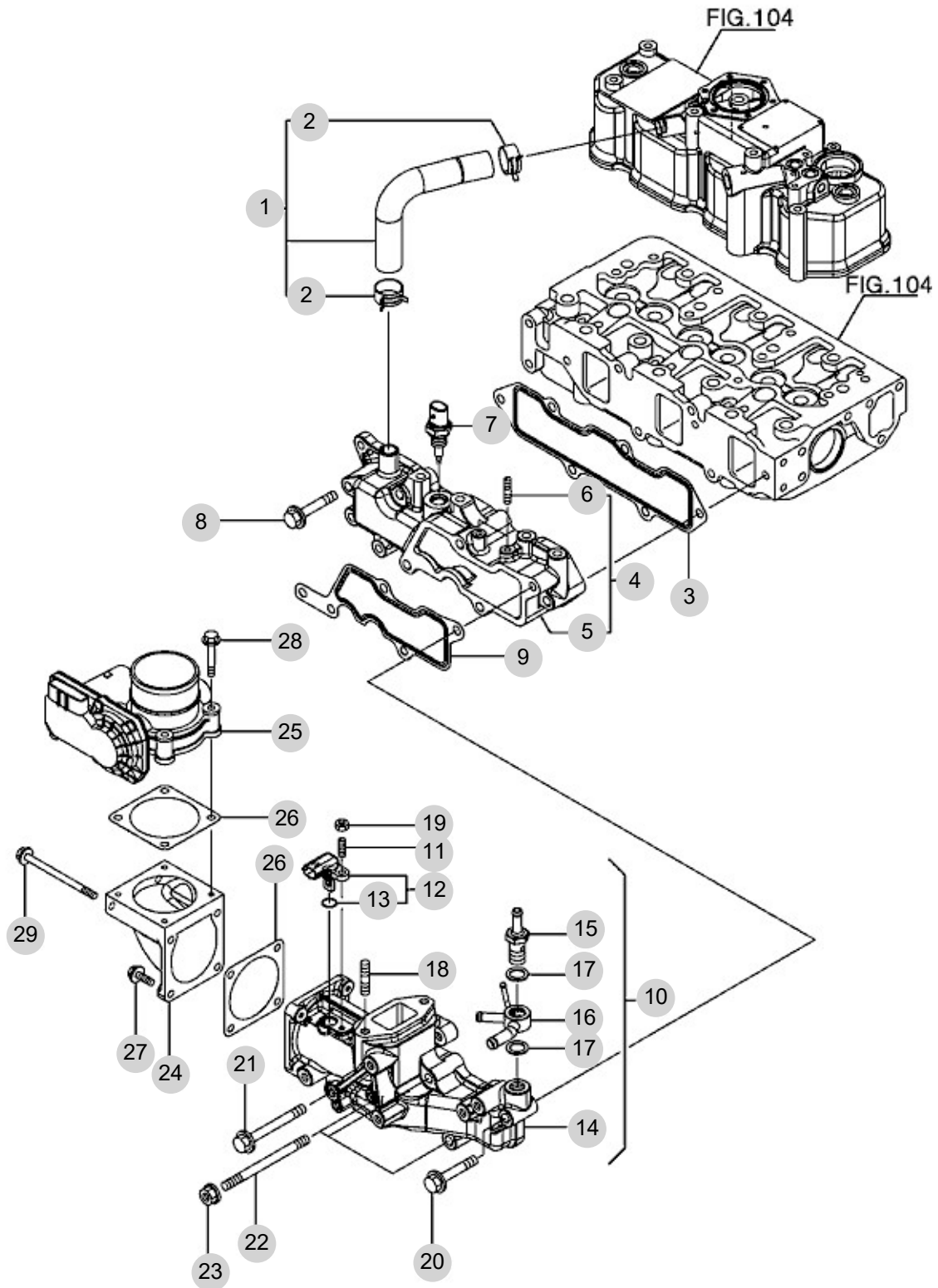
FIG 105

SUCTION MANIFOLD

년/월
Year/Month

2022-12

T355NCEU



NOTE

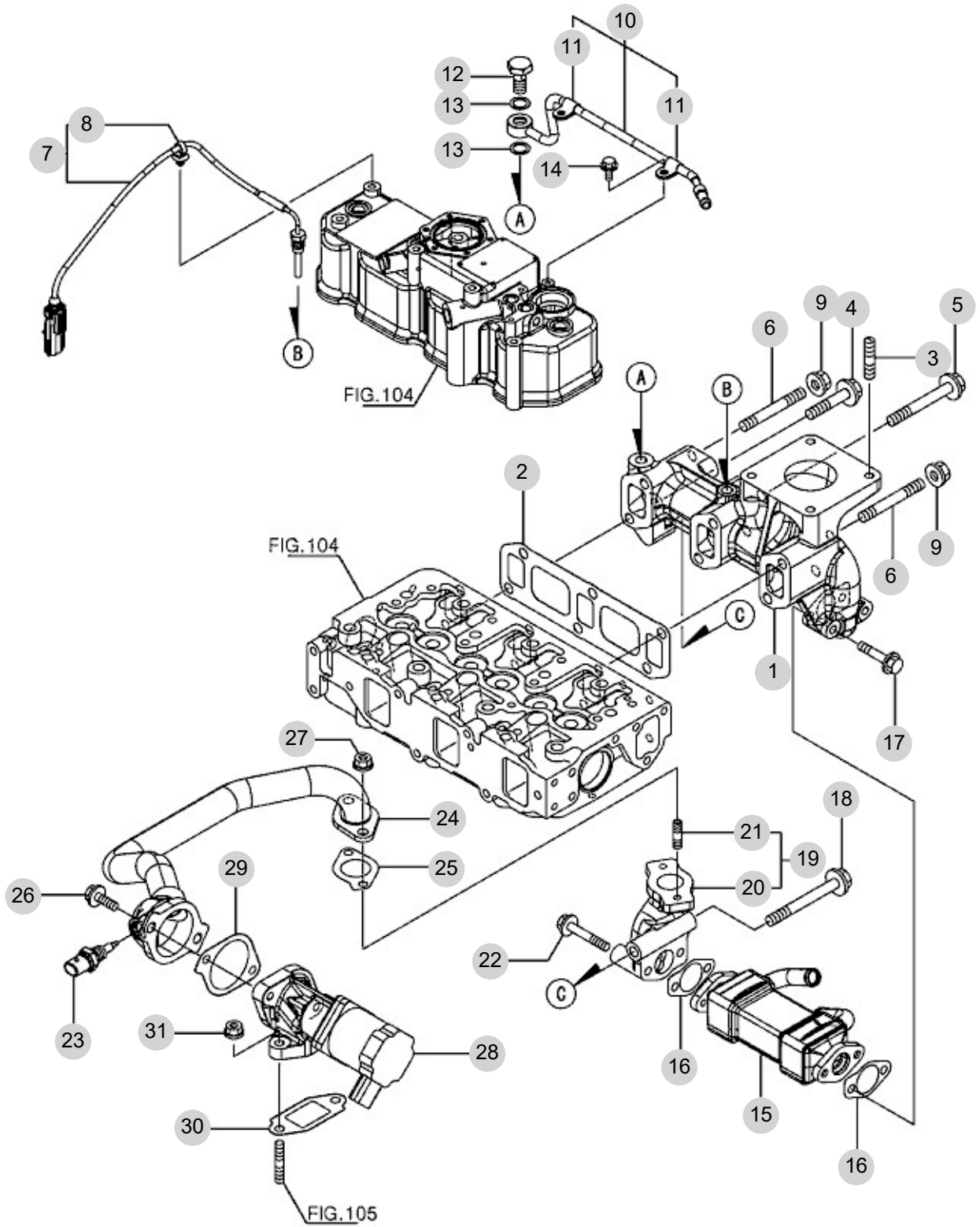
FIG 106

T355NCEU

EXHAUST MANIFOLD

년/월
Year/Month

2022-12



NOTE

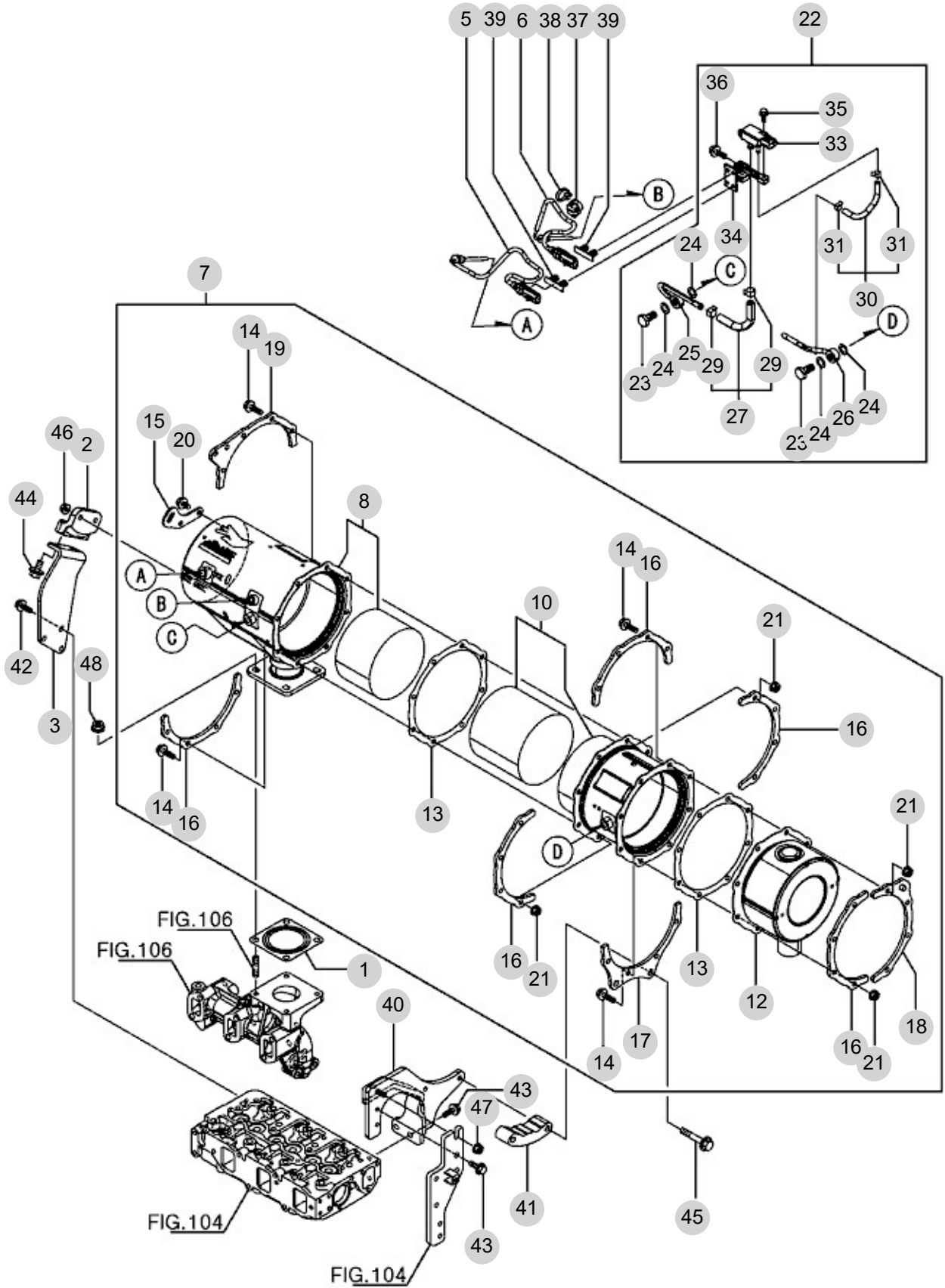
FIG 107

DIESEL PARTICULATE FILTER(DPF)

T355NCEU

년/월
Year/Month

2022-12



NOTE

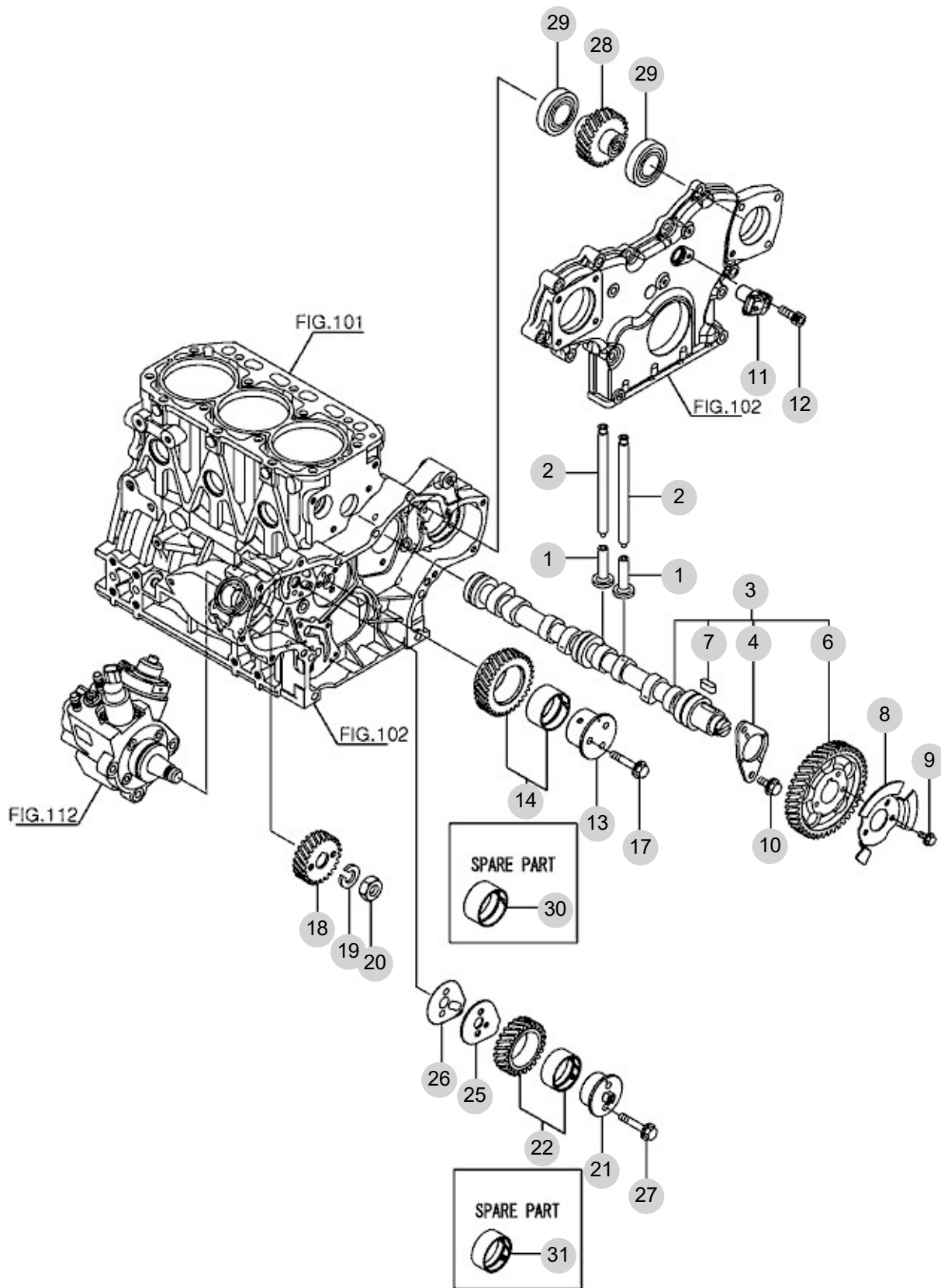
FIG 108

T355NCEU

CAMSHAFT & DRIVING GEAR

년/월
Year/Month

2022-12



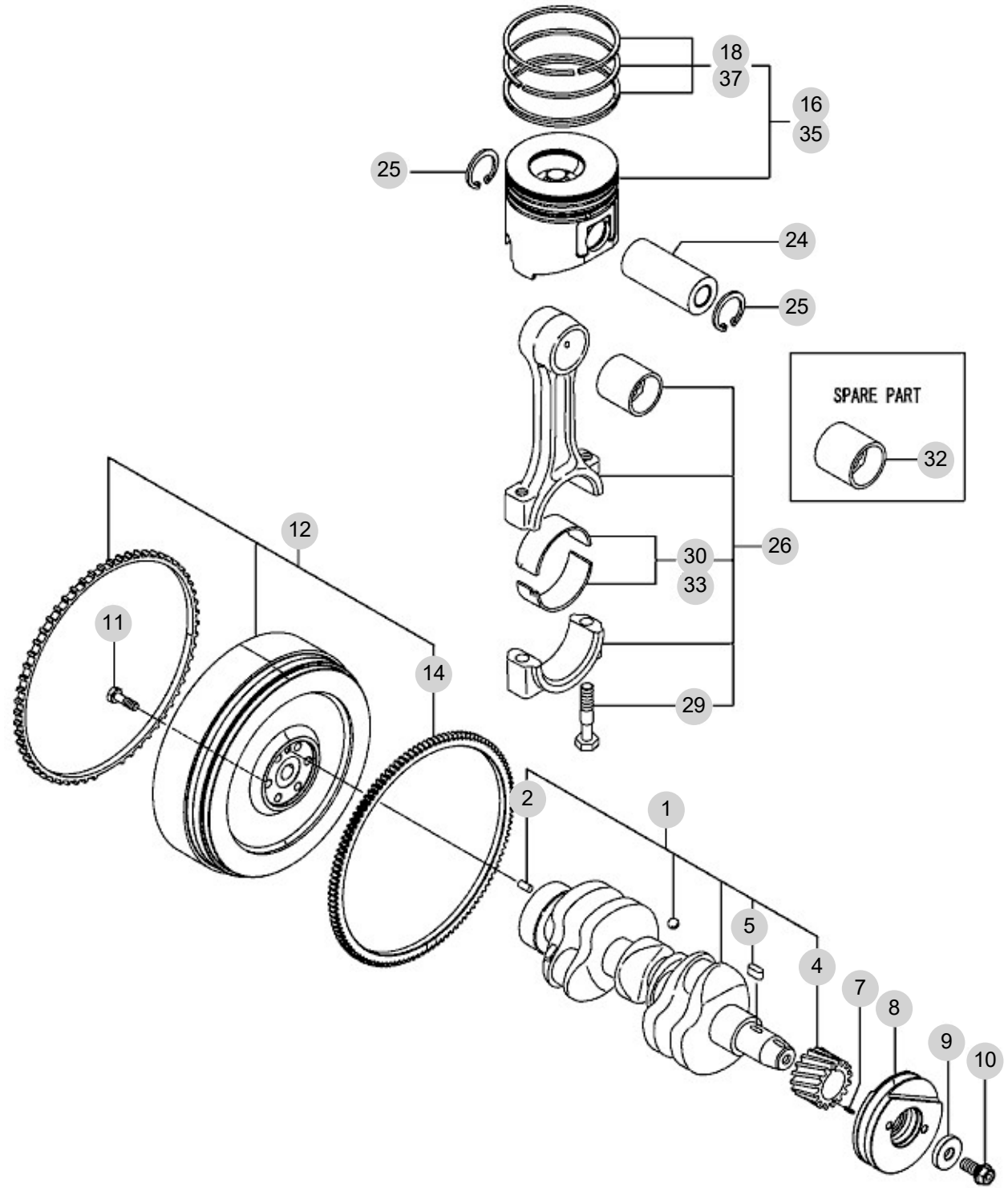
NOTE

FIG 109

CRANKSHAFT & PISTON

년/월
Year/Month

2022-12



NOTE

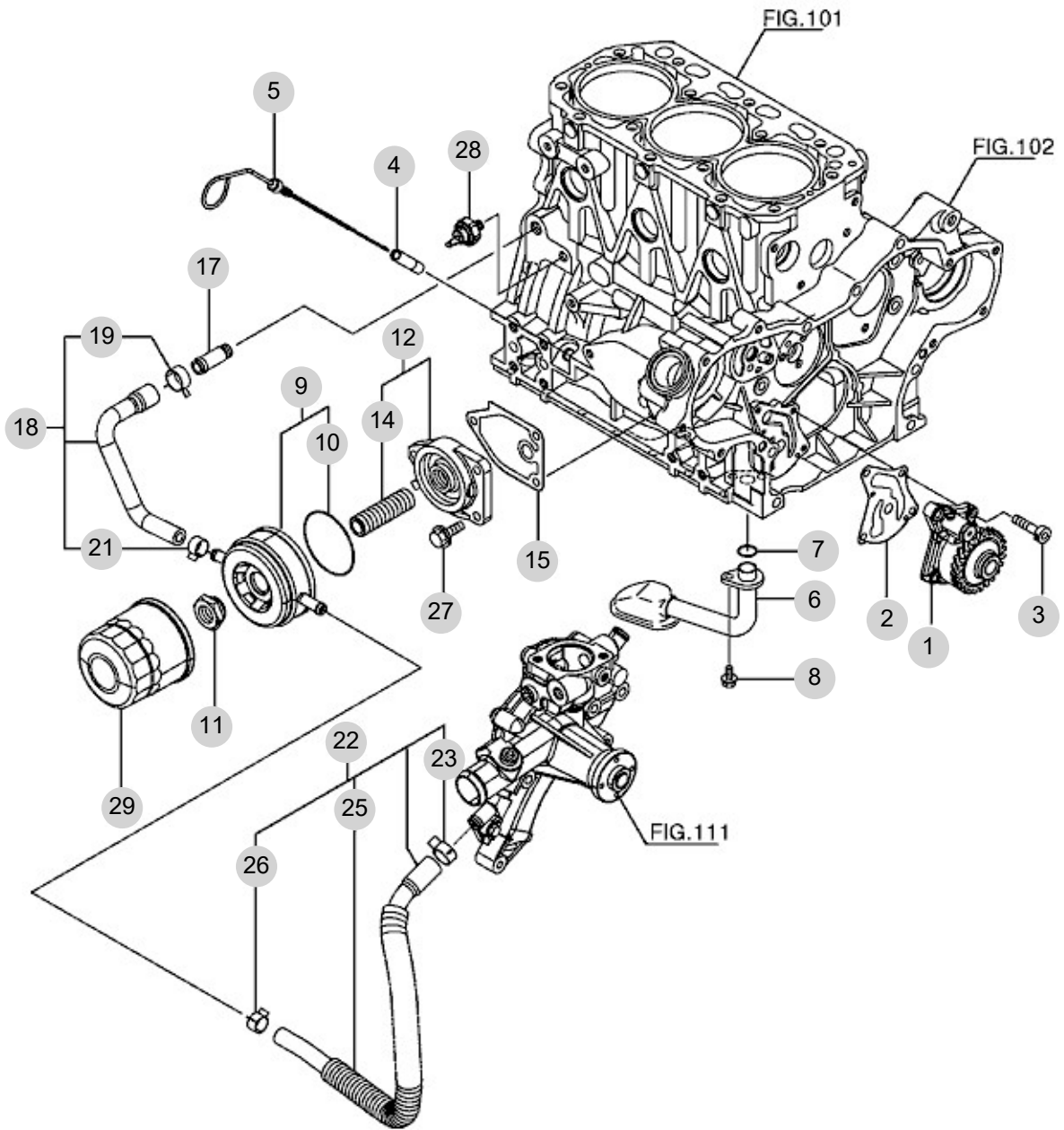
FIG 110

T355NCEU

LUB.OIL SYSTEM

년/월
Year/Month

2022-12



NOTE

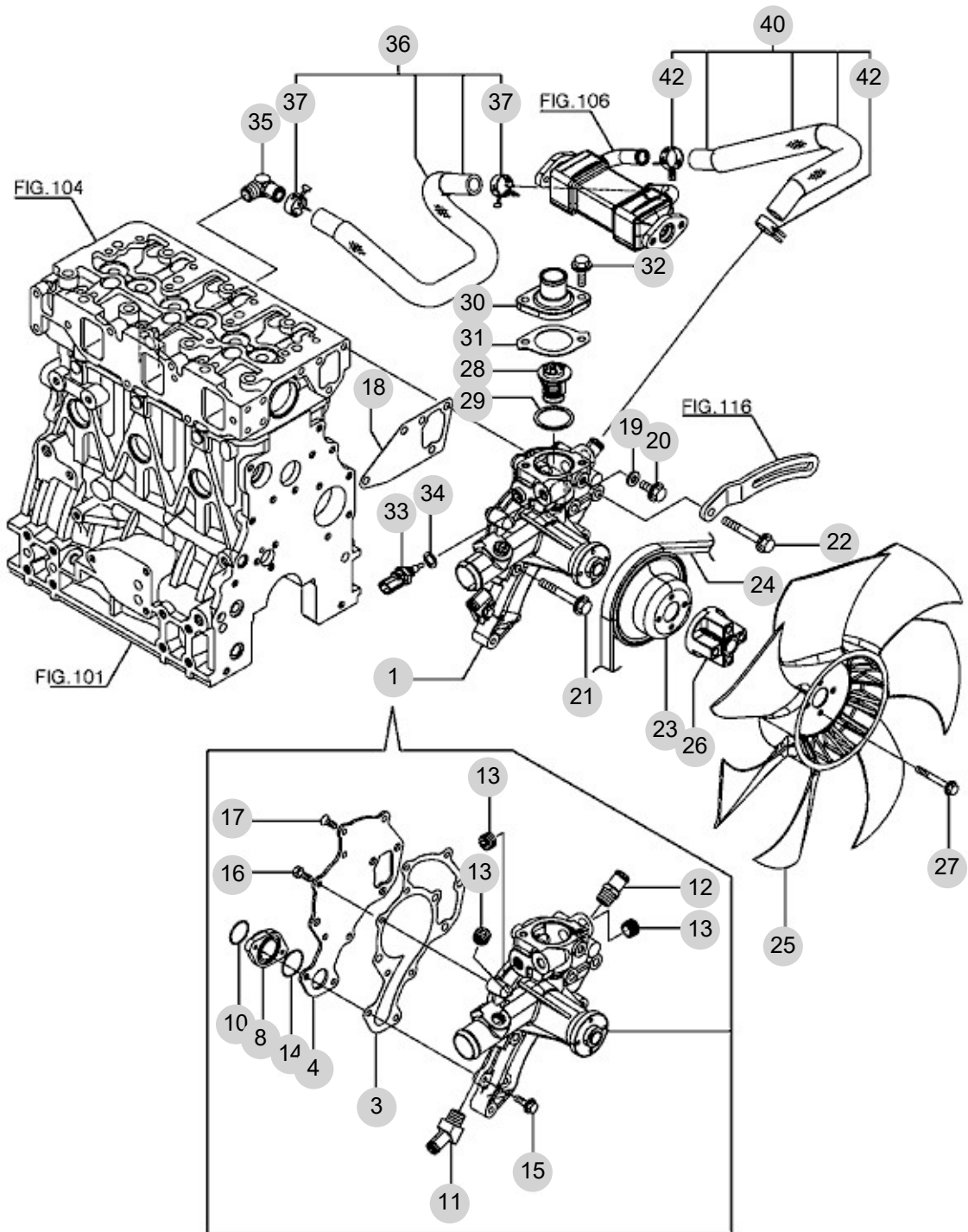
FIG 111

COOLING WATER SYSTEM

년/월
Year/Month

2022-12

T355NCEU



NOTE

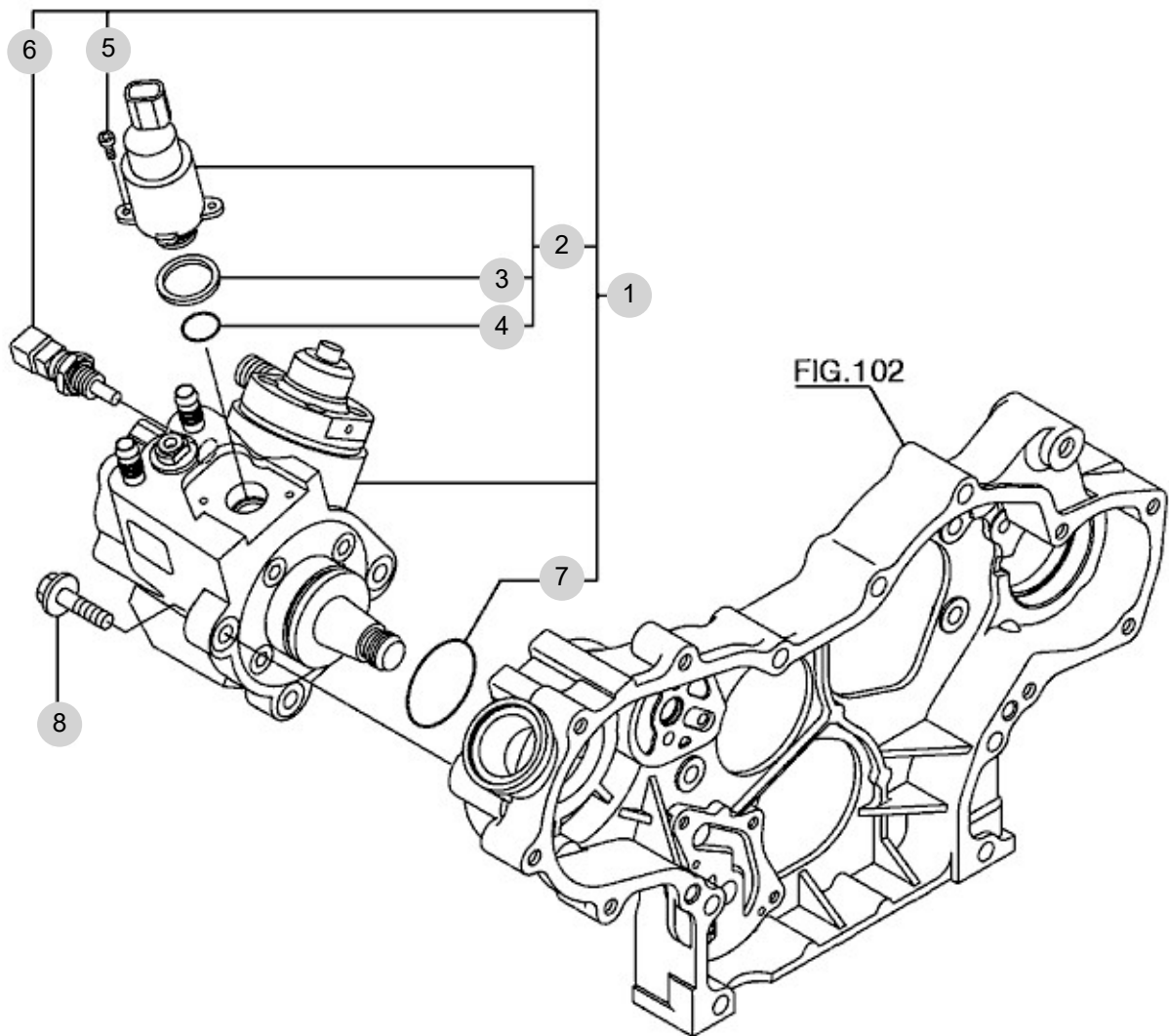
FIG 112

T355NCEU

FUEL SUPPLY PUMP

년/월
Year/Month

2022-12



NOTE

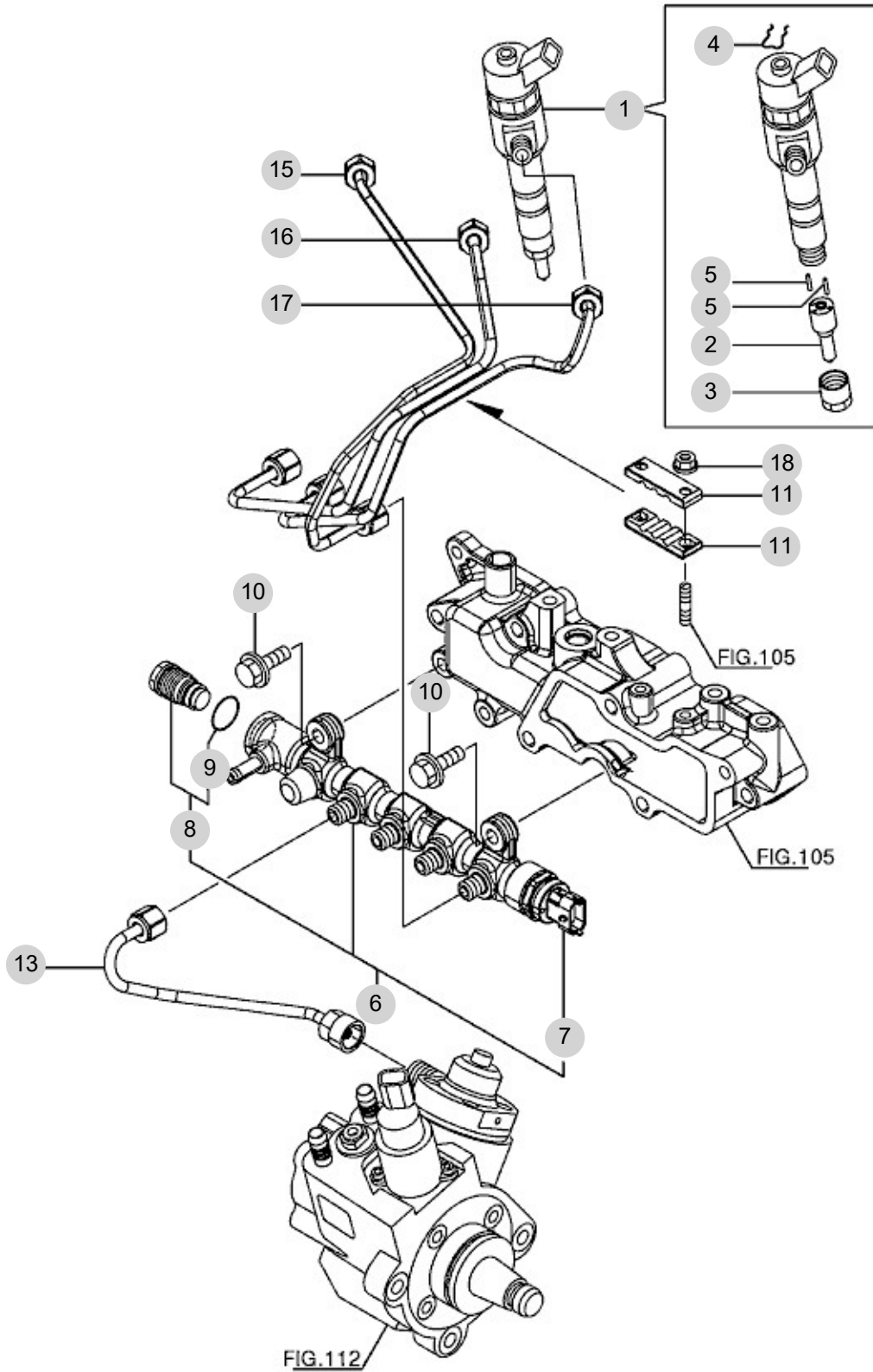
FIG 113

T355NCEU

FUEL INJECTION VALVE

년/월
Year/Month

2022-12



NOTE

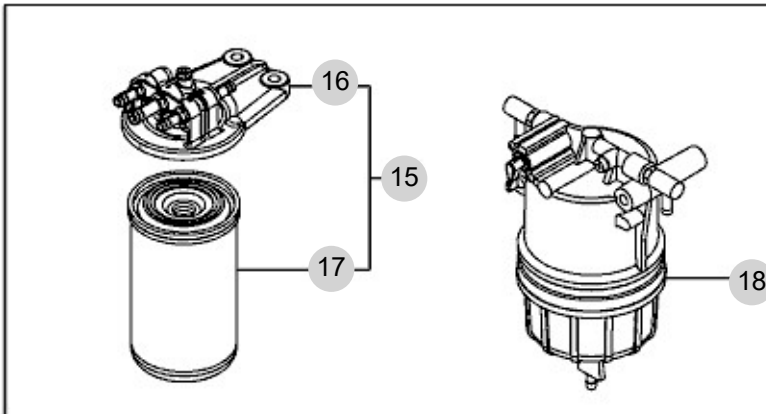
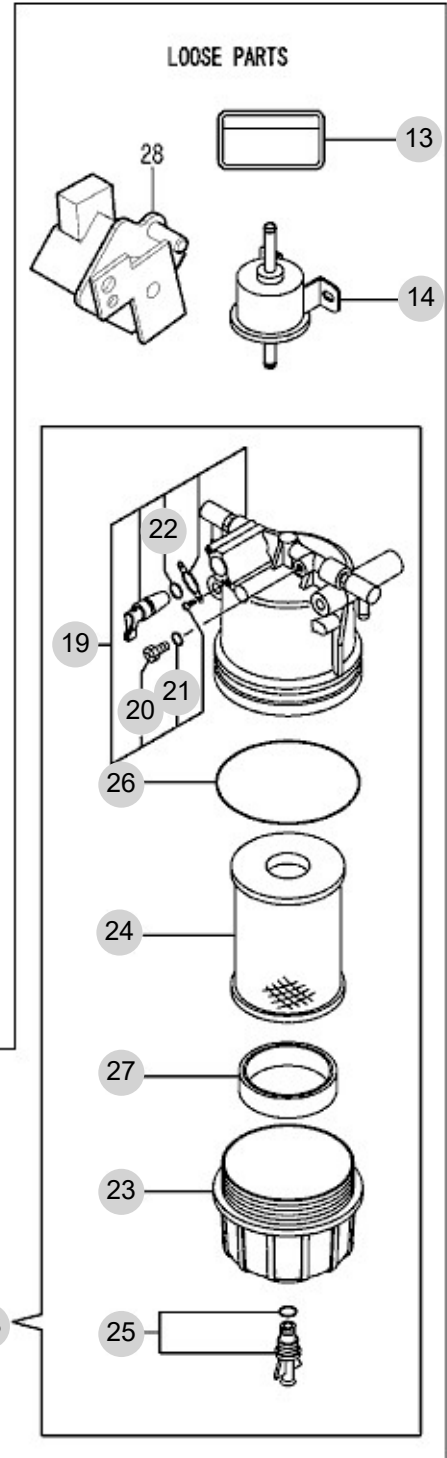
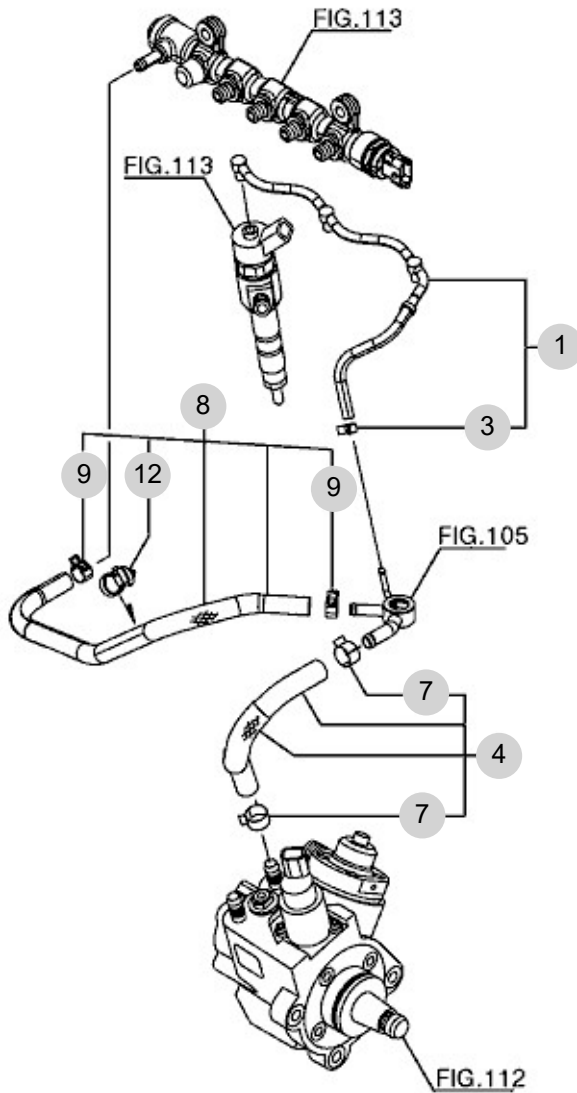
FIG 114

T355NCEU

FUEL LINE

년/월
Year/Month

2022-12



NOTE

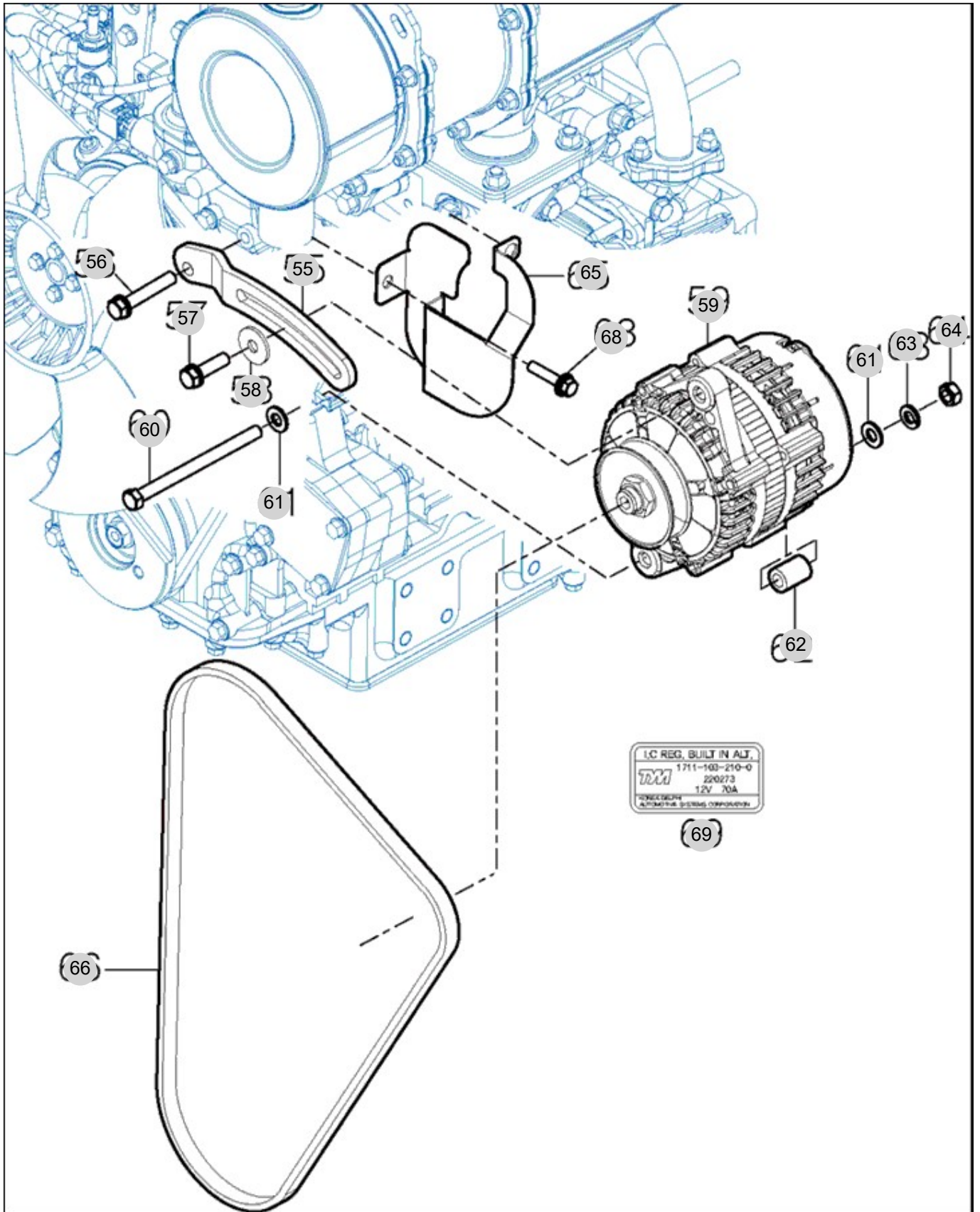
FIG 116

ALTERNATOR

년/월
Year/Month

T355NCEU

2022-12



NOTE

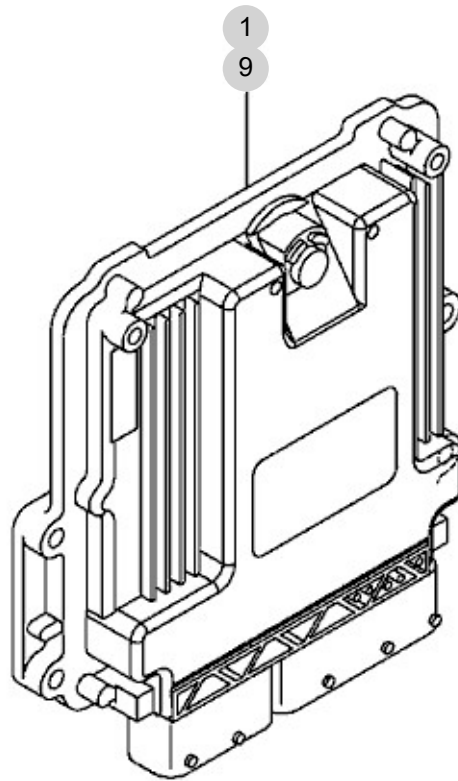
FIG 117

T355NCEU

ELECTRONIC CONTROL UNIT(ECU)

년/월
Year/Month

2022-12



NOTE

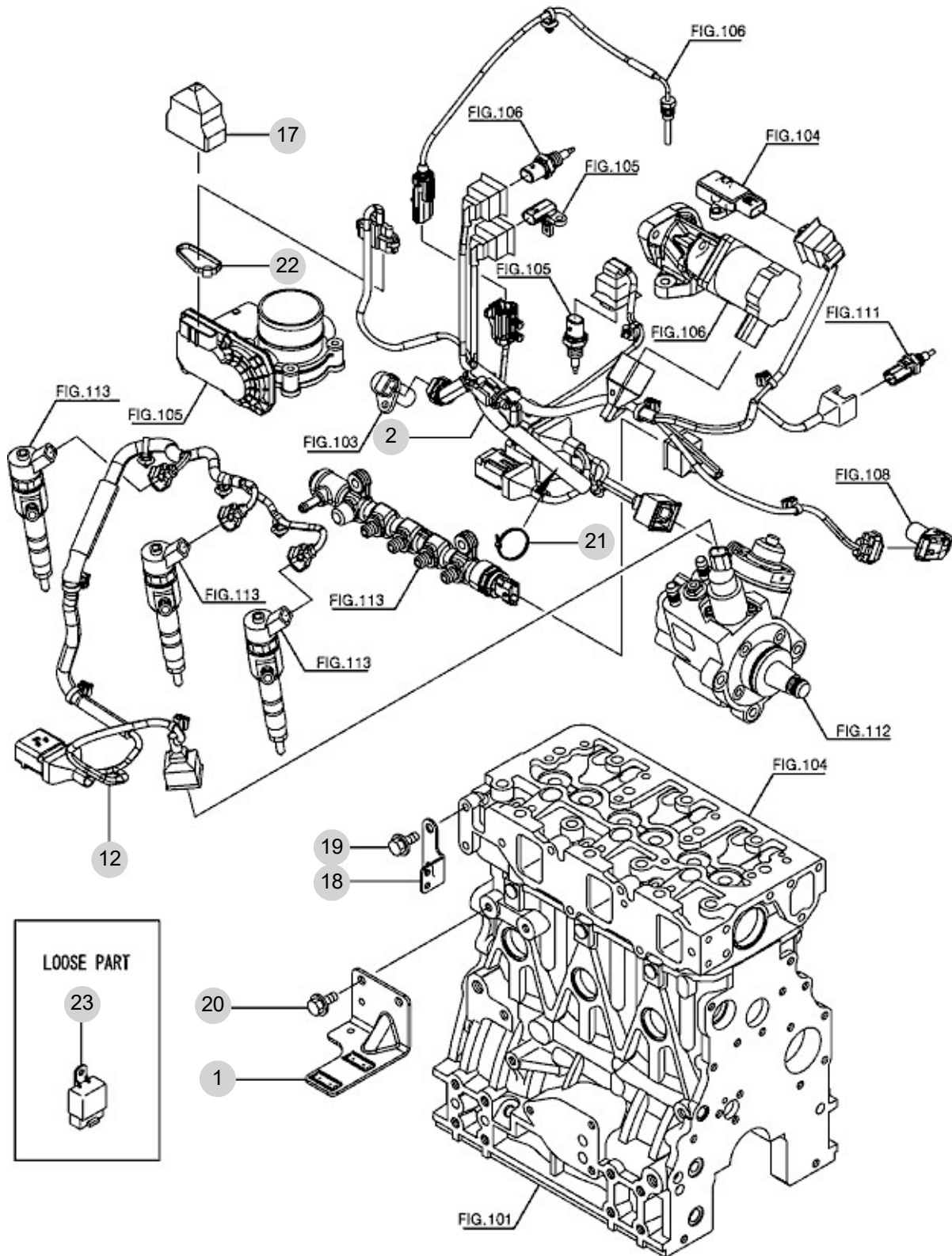
FIG 118

T355NCEU

ELECTRIC PARTS

년/월
Year/Month

2022-12



LOOSE PART

23



NOTE

FIG 119

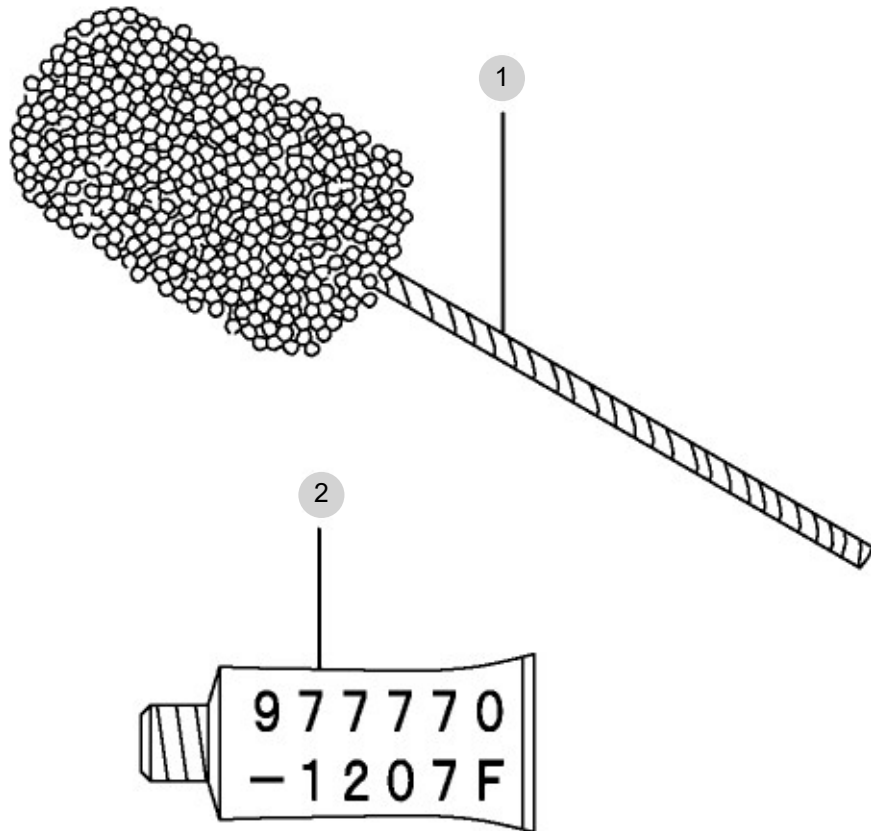
T355NCEU

ACCESSORY

년/월
Year/Month

2022-12

OPTIONAL PARTS



NOTE

2. 엔진보기품 PART NO. T2

FIG 201 AIR CLEANER	49
FIG 202 RADIATOR	51
FIG 203 MUFFLER	53
FIG 204 FUEL TANK	55
FIG 205 ACCELERATOR	57

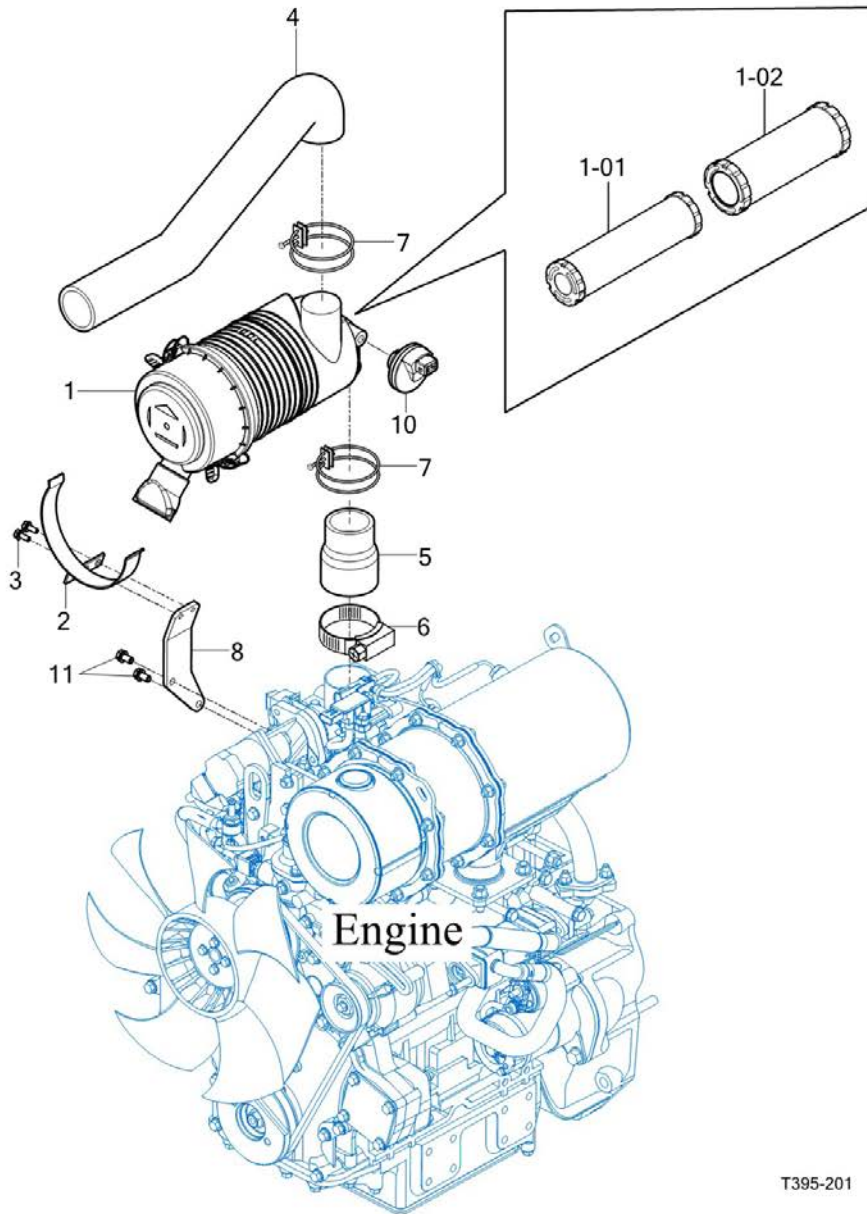
FIG 201

AIR CLEANER

년/월
Year/Month

2022-12

T355NCEU



T395-201

NOTE

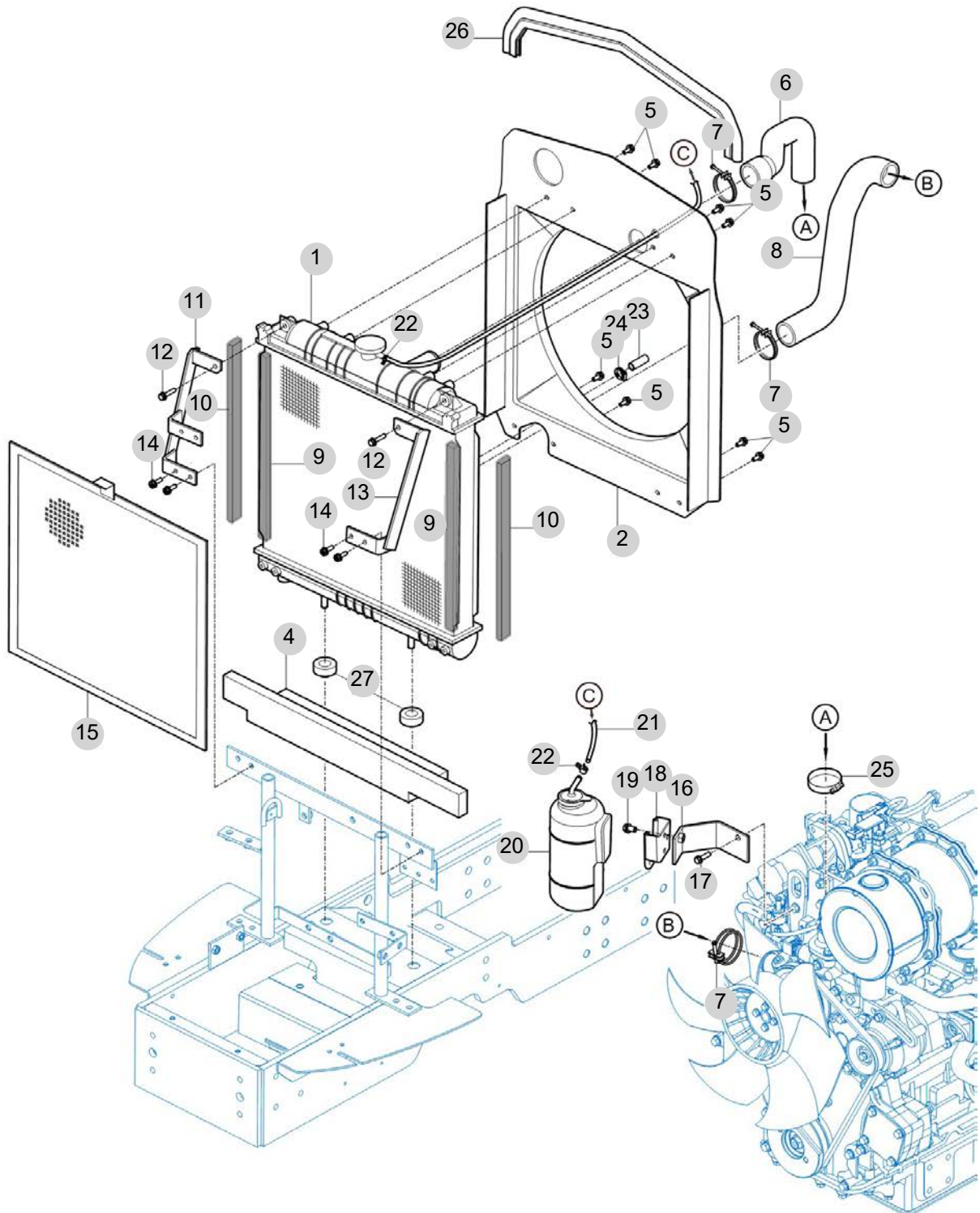
FIG 202

RADIATOR

년/월
Year/Month

2022-12

T355NCEU



NOTE

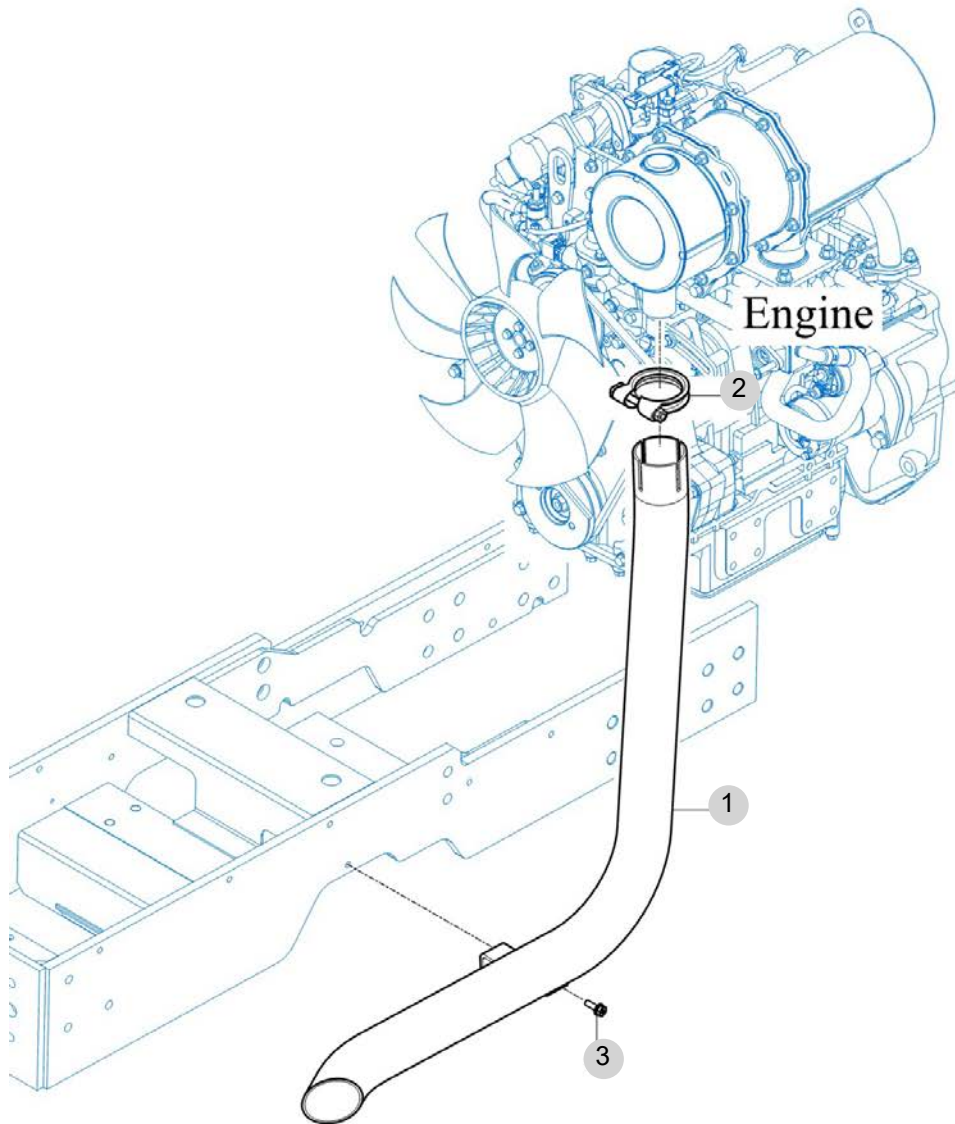
FIG 203

MUFFLER

년/월
Year/Month

T355NCEU

2022-12



NOTE

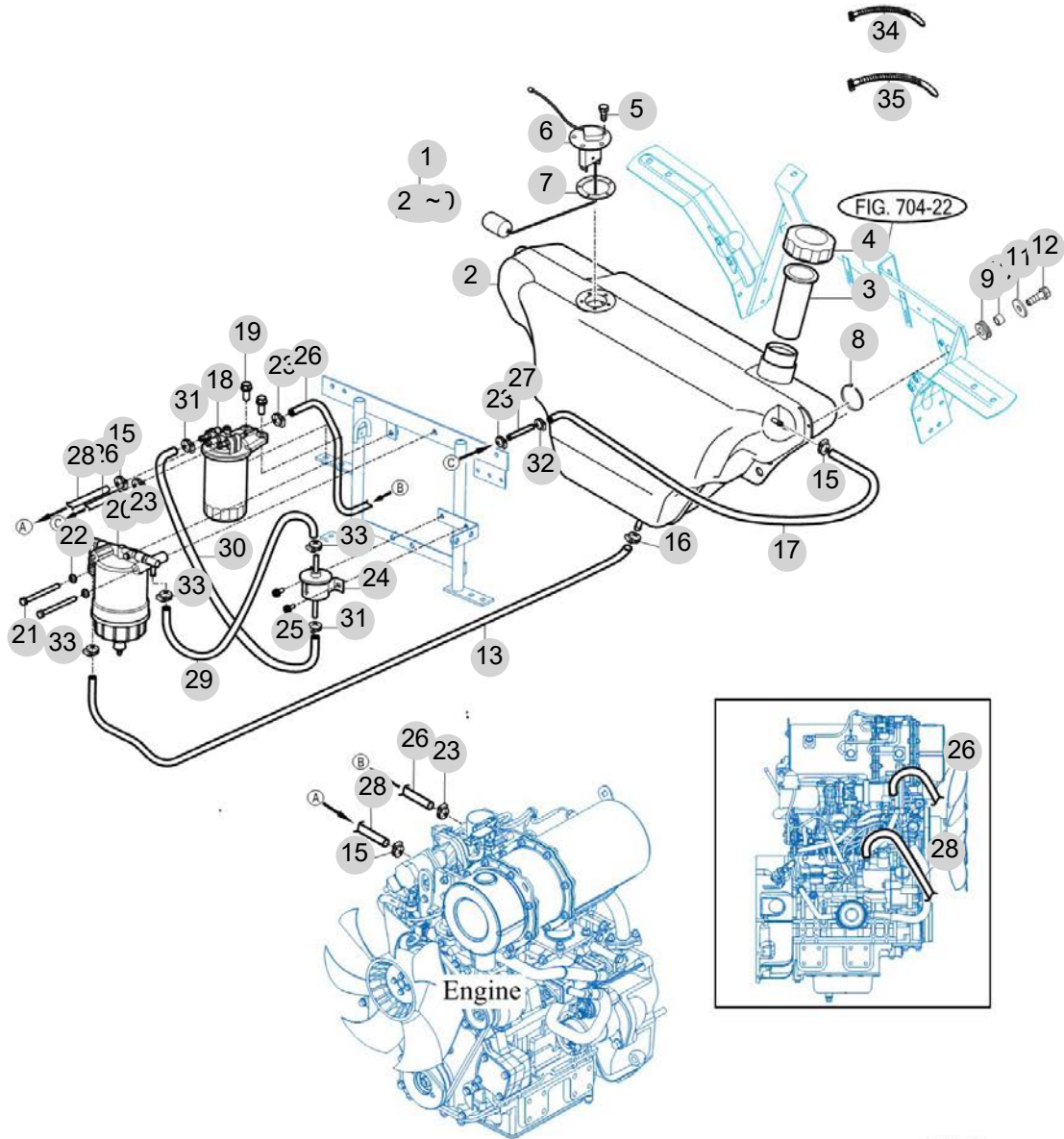
FIG 204

FUEL TANK

년/월
Year/Month

2022-12

T355NCEU



T354-E-204

NOTE

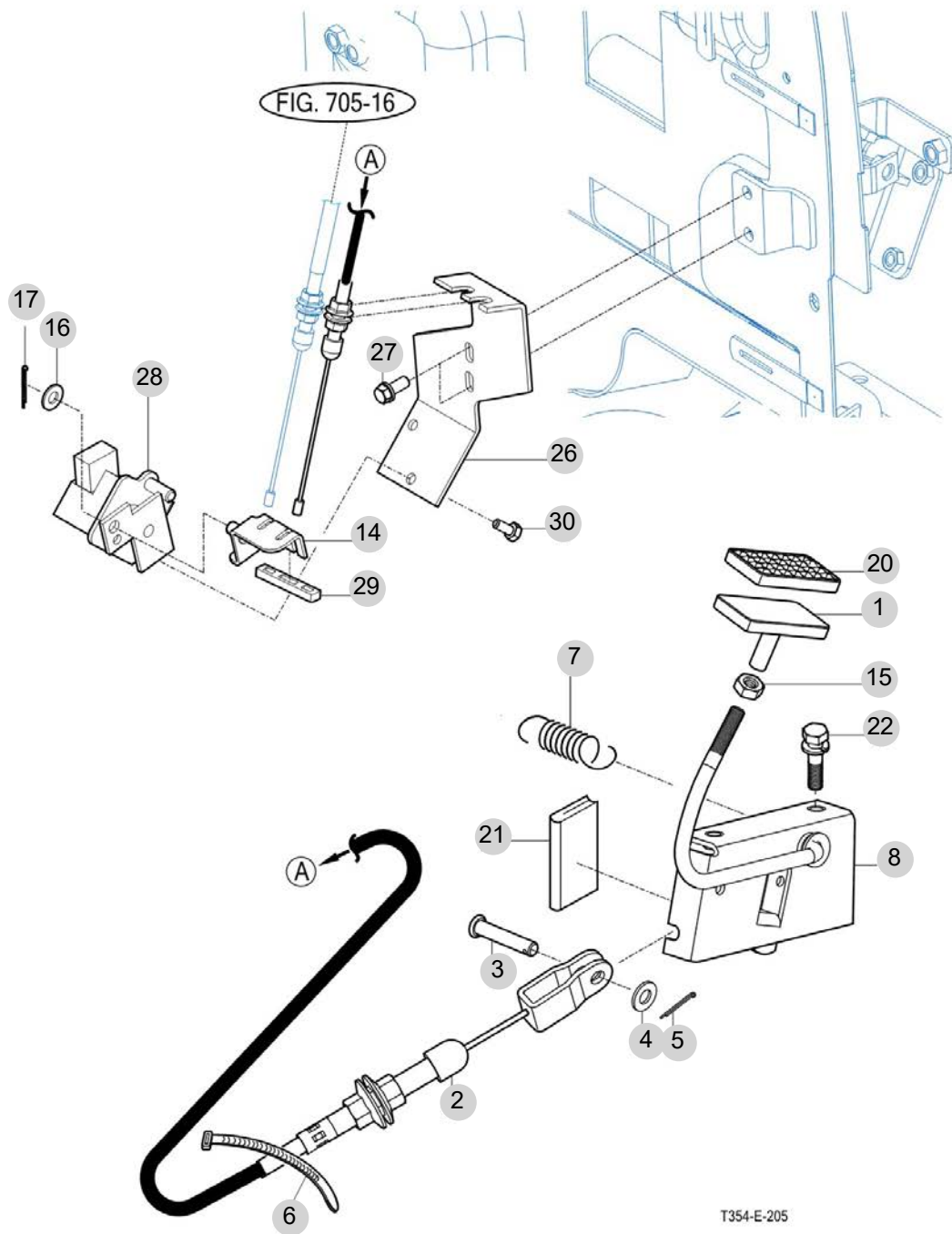
FIG 205

ACCELERATOR

년/월
Year/Month

2022-12

T355NCEU



T354-E-205

NOTE

3. 클러치/브레이크/스티어링 PART NO. T3

FIG 301 CLUTCH PEDAL	60
FIG 302 FLYWHEEL & CLUTCH	62
FIG 303 BRAKE PEDAL	64
FIG 304 BRAKE	66
FIG 306 FRONT WHEEL MOUNTING	68
FIG 307 REAR WHEEL MOUNTING	70
FIG 308 STEERING WHEEL	72
FIG 309 STEERING VALVE & TILT	74
FIG 310 STEERING CYLINDER	76
FIG 311 HAND BRAKE LINKAGE	78

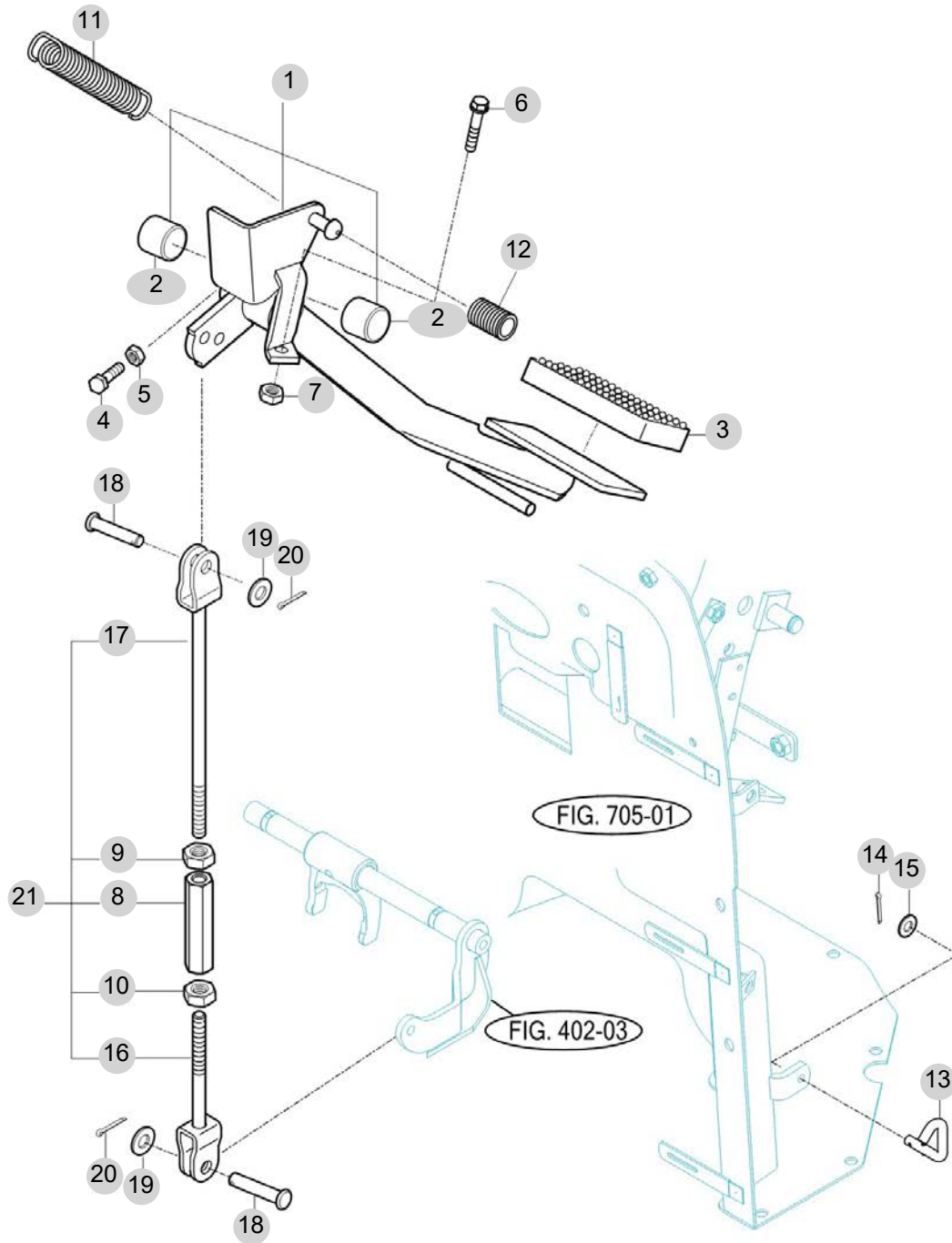
FIG 301

T355NCEU

CLUTCH PEDAL

년/월
Year/Month

2022-12



T303/353NC-E-301

NOTE

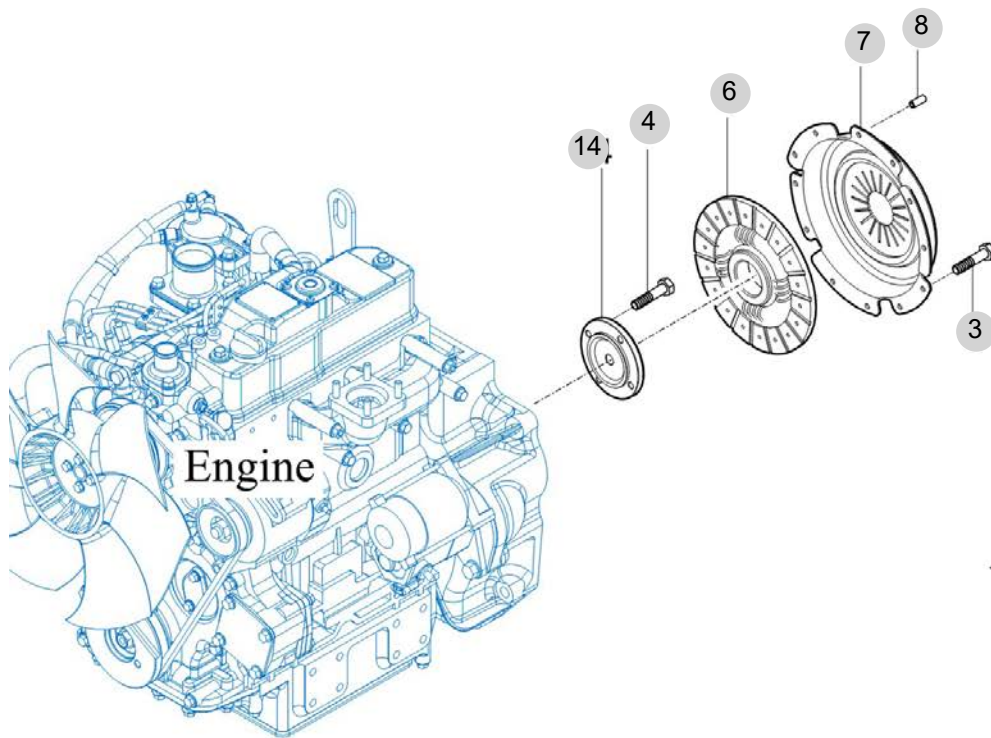
FIG 302

T355NCEU

FLYWHEEL & CLUTCH

년/월
Year/Month

2022-12



T393-E-302

NOTE

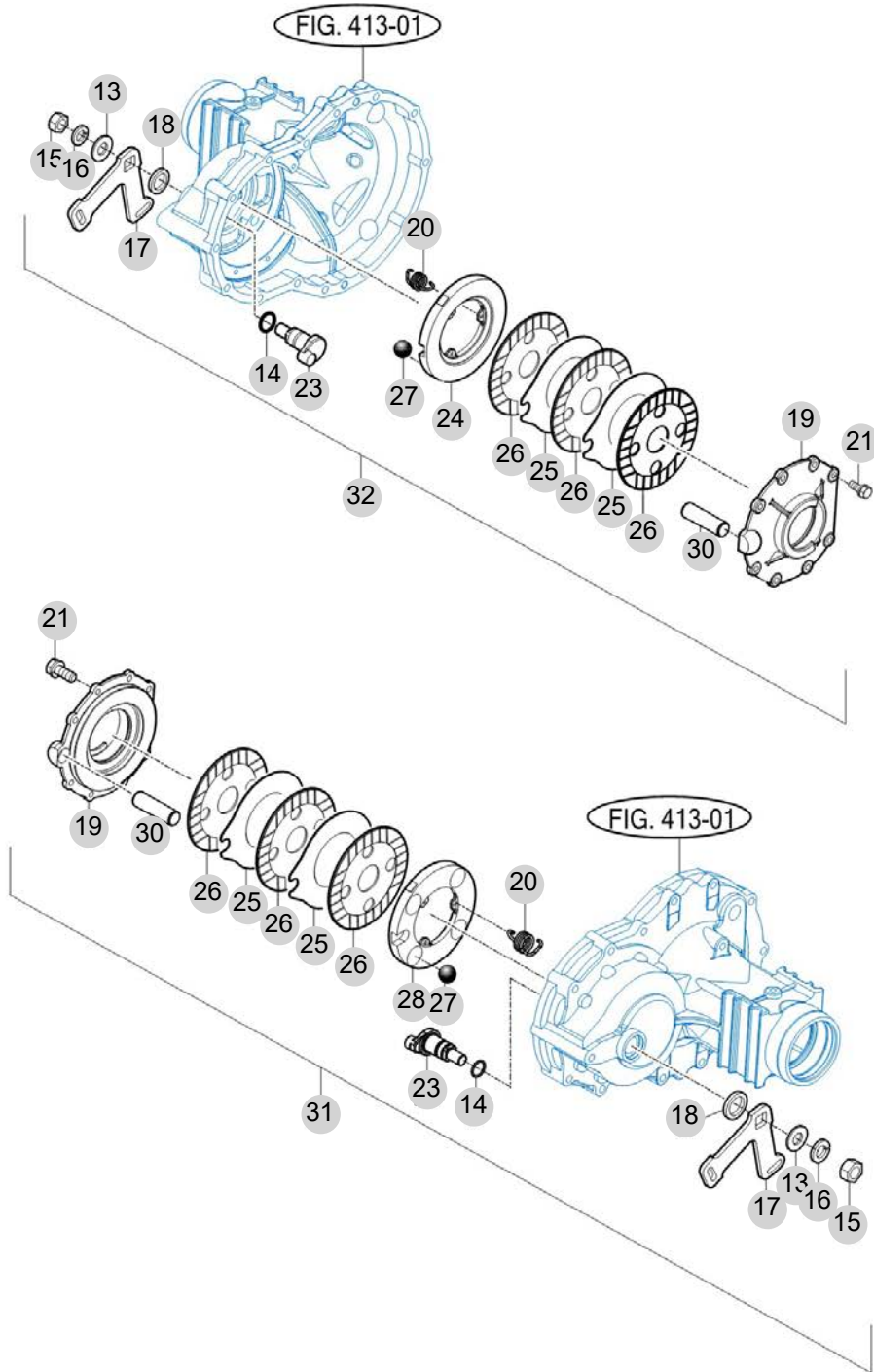
FIG 304

T355NCEU

BRAKE

년/월
Year/Month

2022-12



NOTE

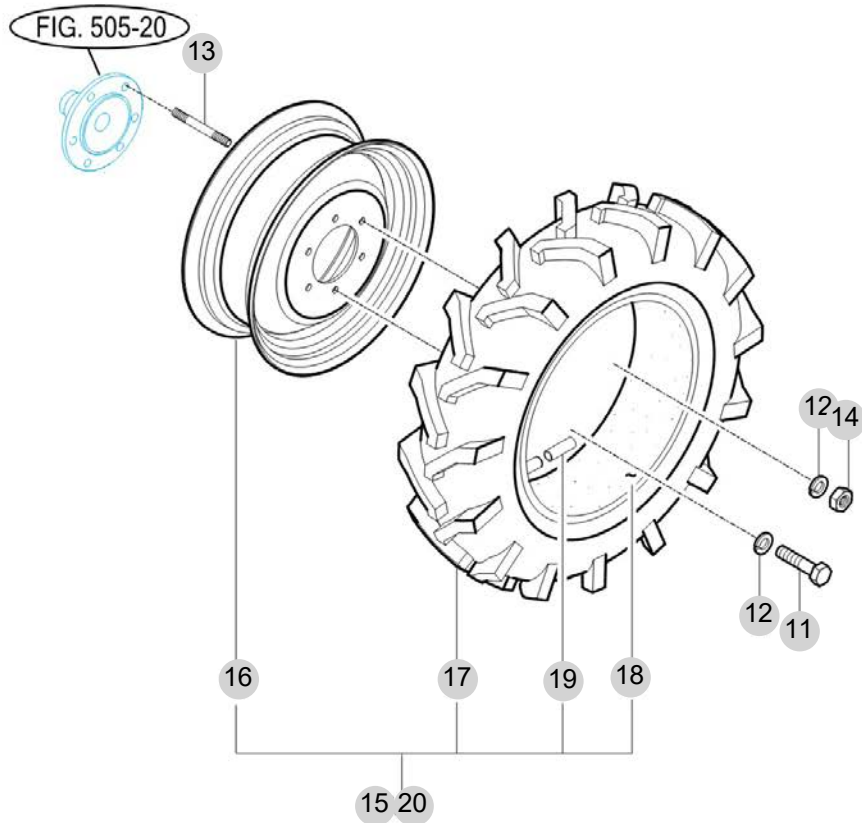
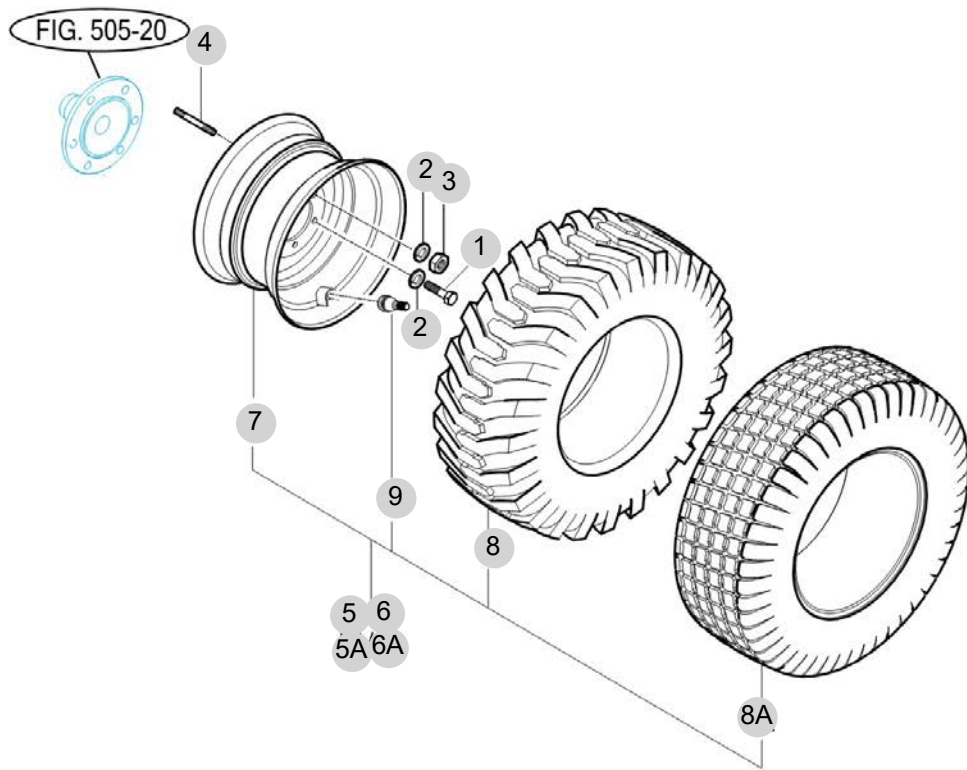
FIG 306

T355NCEU

FRONT WHEEL MOUNTING

년/월
Year/Month

2022-12



T394-E-306

NOTE

FIG 306 T355NCEU		FRONT WHEEL MOUNTING					년/월 Year/Month	
							2022-12	
KEY NO	PART NO	DESCRIPTION	SPEC	QTY	REPAIR	EFFECTIVE DATE	REMARKS	
306	1	V2014616030	소형육각볼트(보통)	M16X30	8			
306	2	V4011600160	스프링와셔	M16	12			
306	3	V3043600160	소형육각너트보통2종	M16	4			
306	4	15603200010	보울트(스타드,M16X30)	M16X30	4			
306	7	14583172200SR	휠림(15X8J) ASSY/R3,R4		2			
306	7	14583172200MS	휠림(15X8J) ASSY/R3,R4		2	B	R3, R4	
306	8	14585172113	타이어(27X10.5-15,8PR,R4)		2	B	R4	
306	8A	13033172111	타이어(27X10.5-15,4PR,R3)		2	B	R3	
306	9	13154179000	타이어 밸브 SUB(413)		2		R3, R4	
306	11	V2014616030	소형육각볼트(보통)	M16X30	8			
306	12	V4011600160	스프링와셔	M16	12			
306	13	15603200010	보울트(스타드,M16X30)	M16X30	4			
306	14	V3043600160	소형육각너트보통2종	M16	4			
306	16	14614172200MS	휠림(W6-16)COMP		2			
306	16	14614172200SR	휠림(W6-16)COMP		1			
306	17	15004172101	타이어(8-16,4PR,R1)		2			
306	18	15004170010	튜브(8-16)		2			
306	19	V9993000010	타이어밸브캡	A Type	2			
NOTE								

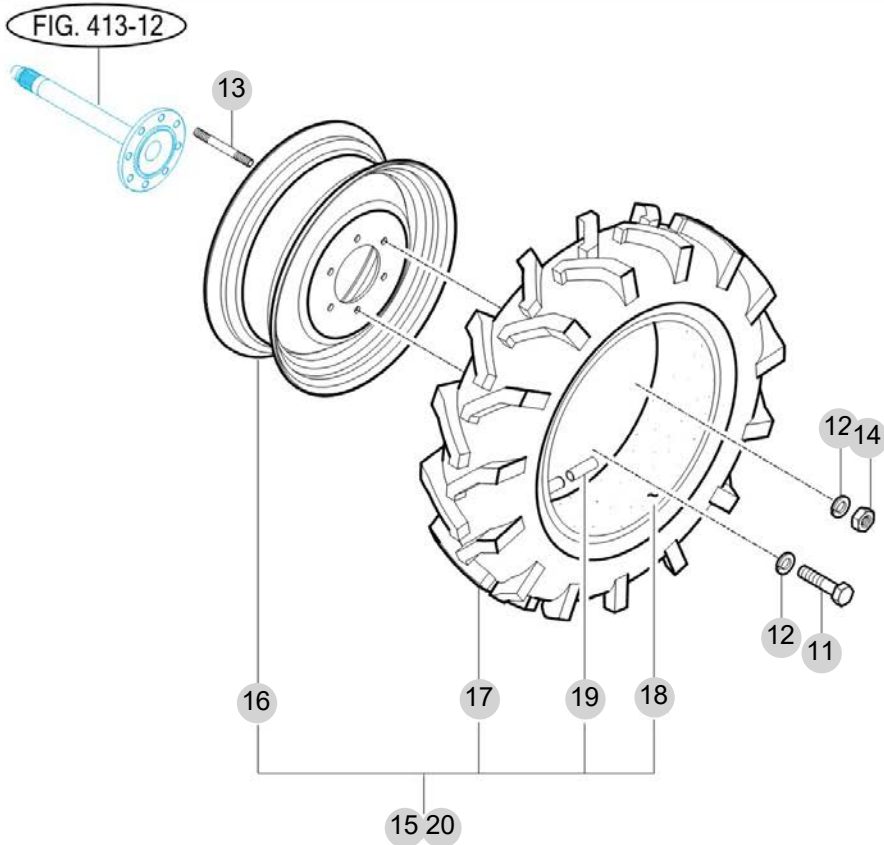
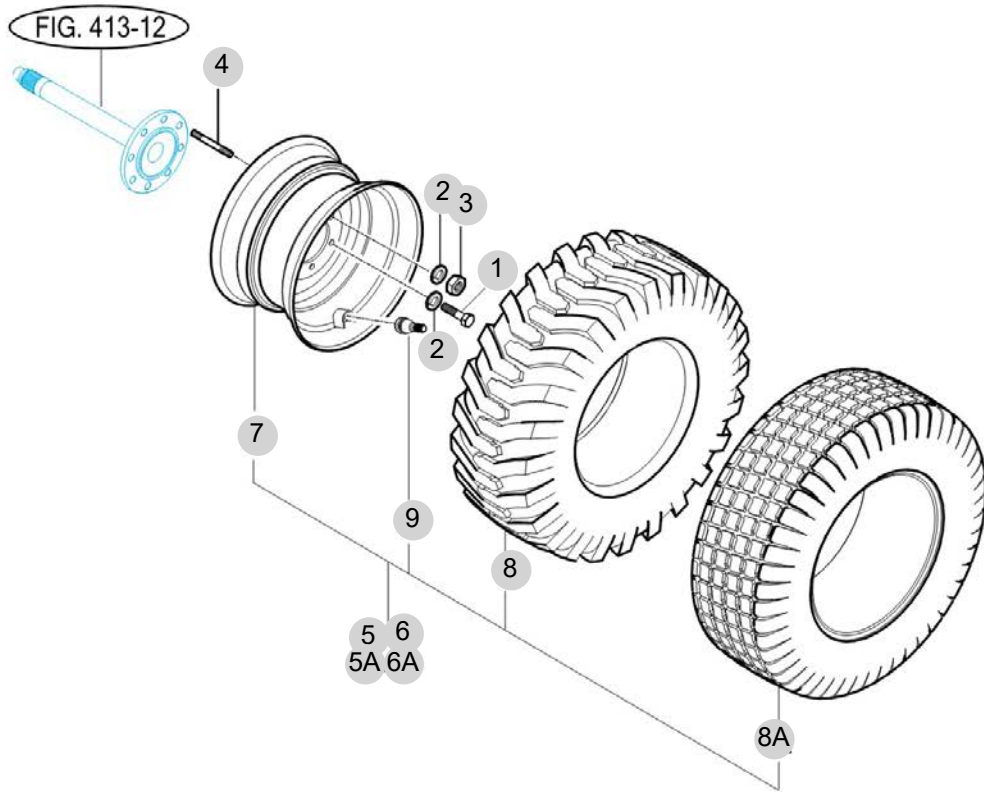
FIG 307

T355NCEU

REAR WHEEL MOUNTING

년/월
Year/Month

2022-12



T394-E-307

NOTE

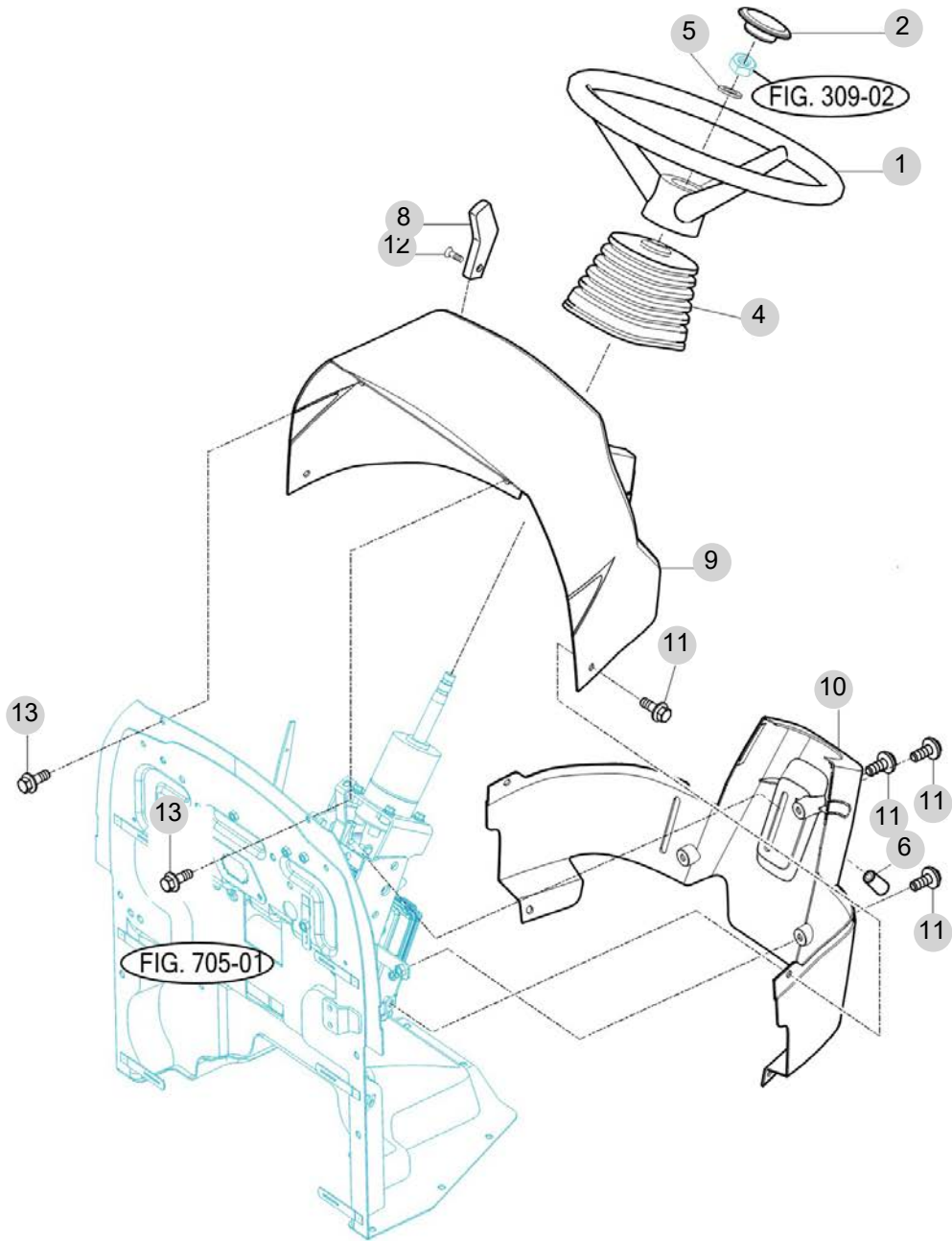
FIG 308

T355NCEU

STEERING WHEEL

년/월
Year/Month

2022-12



T354-E-308

NOTE

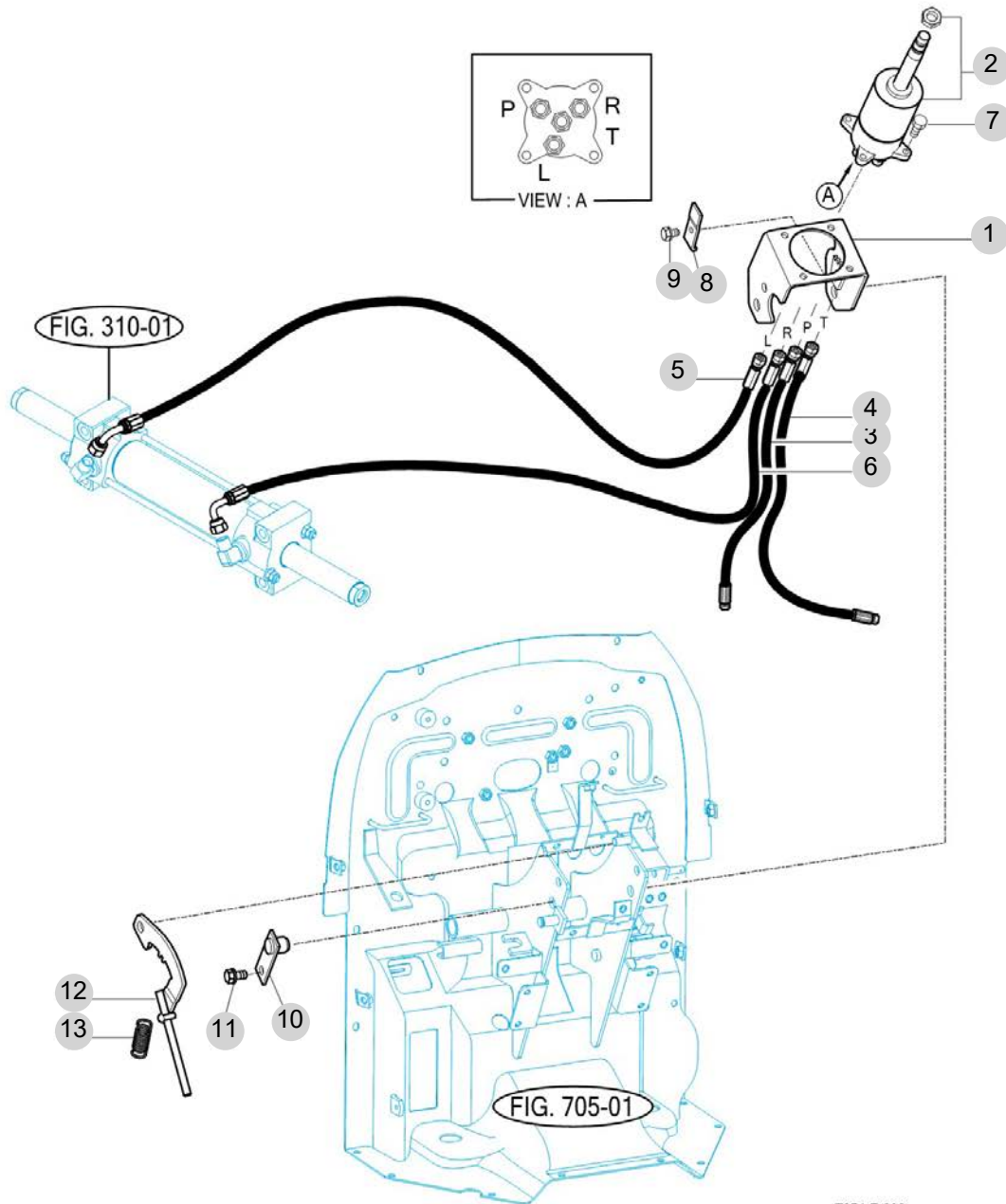
FIG 309

T355NCEU

STEERING VALVE & TILT

년/월
Year/Month

2022-12



NOTE

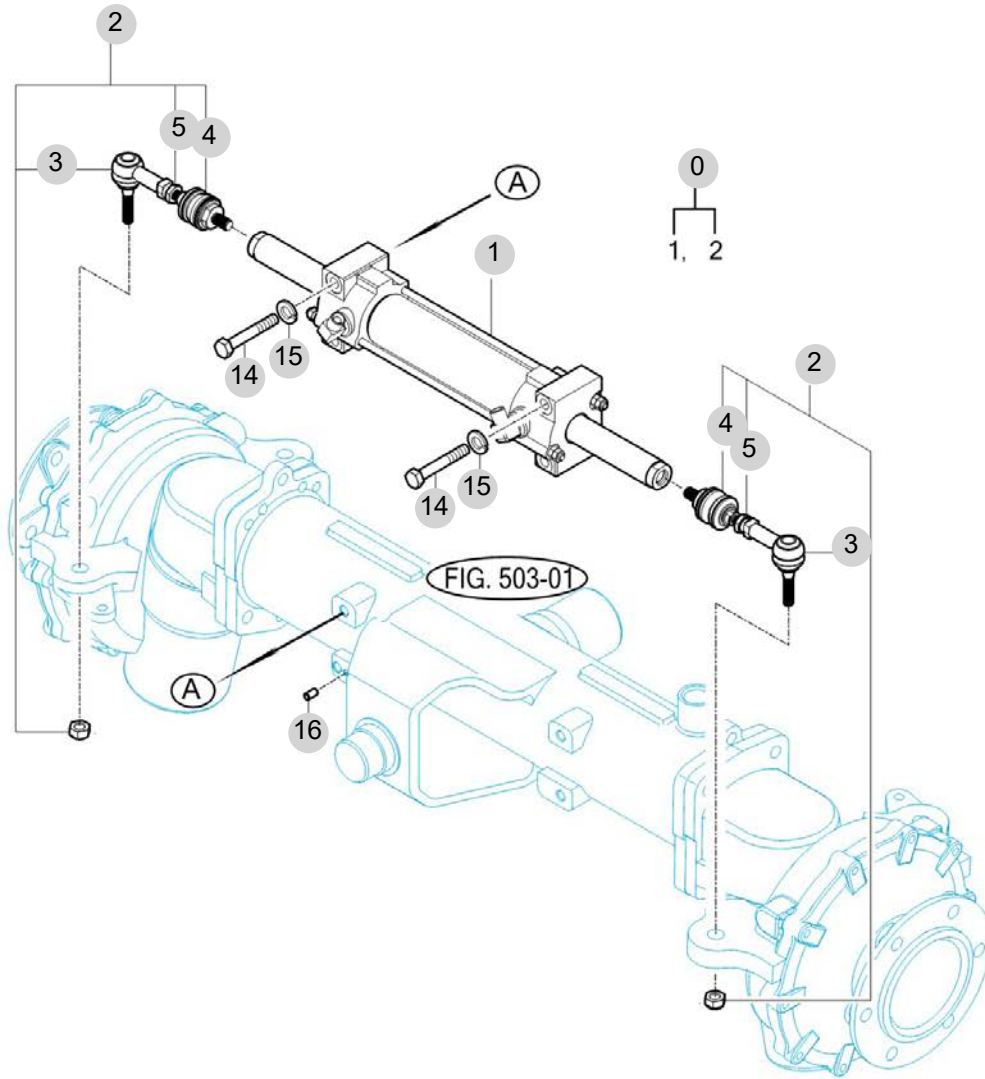
FIG 310

T355NCEU

STEERING CYLINDER

년/월
Year/Month

2022-12



T393NC-E-310

NOTE

FIG 310 T355NCEU		STEERING CYLINDER						년/월 Year/Month
								2022-12
KEY NO	PART NO	DESCRIPTION	SPEC	QTY	REPAIR	EFFECTIVE DATE	REMARKS	
310	0	14944055001	CYLINDER ASSY		1			
310	0	13864075000	실린더 ASSY		1			
310	1	14944053000	실린더조합		1			
310	1	14524070081	실린더 COMP		1			
310	2	16704074103	볼조인트(LH) SET		1			
310	2	16704074104	볼조인트 SET		2			
310	3	16704363202	볼조인트 ASSY		2			
310	4	13154063201	볼 소켓 ASSY		2			
310	5	V3343600160	소형육각너트가는2종	M16	2			
310	14	V2024612085	소형육각볼트(가는)	M12X85	4			
310	15	V4011600120	스프링와셔	M12	4			
310	16	V5201010020	평행핀(A)		1			
NOTE								

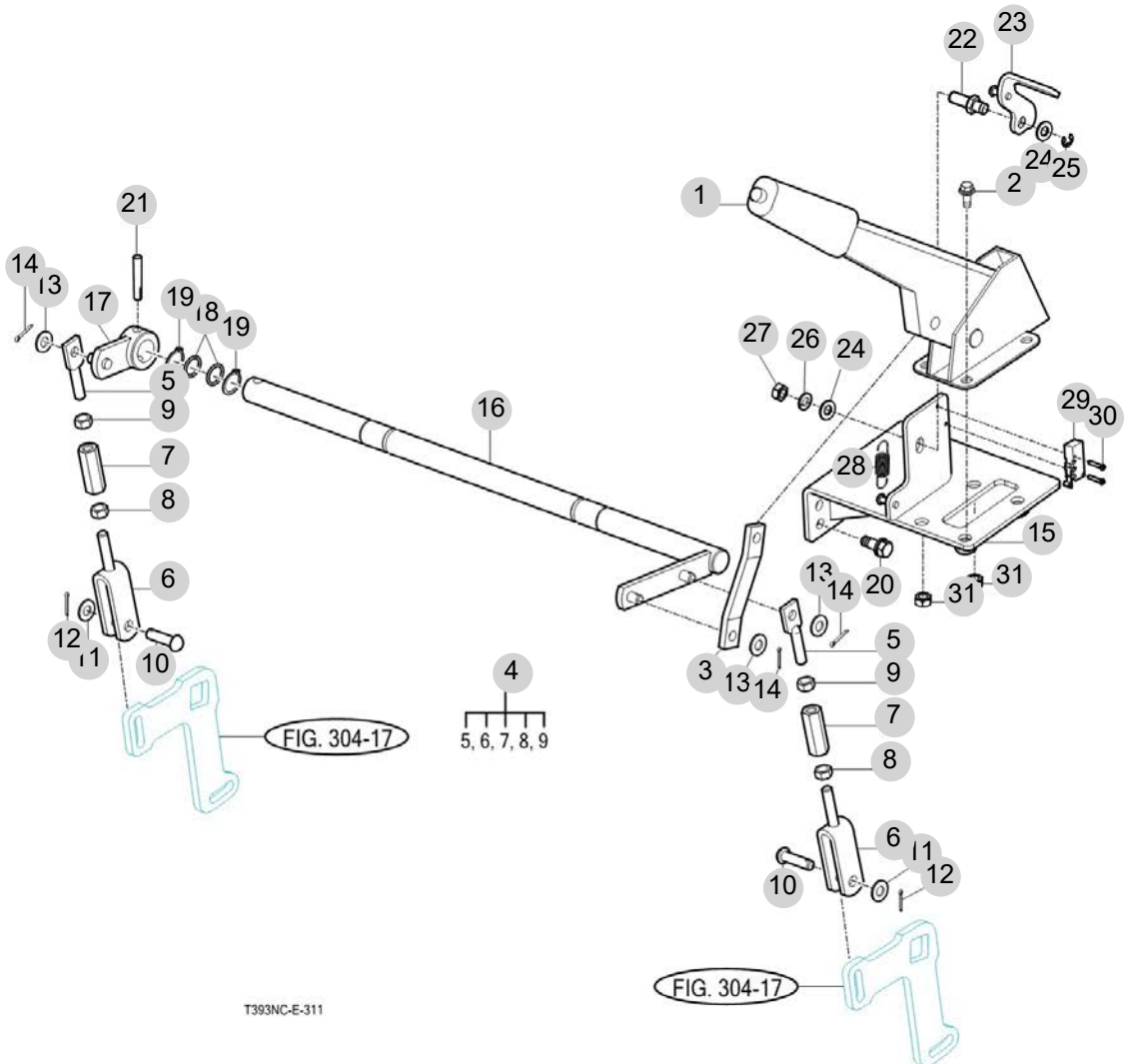
FIG 311

T355NCEU

HAND BRAKE LINKAGE

년/월
Year/Month

2022-12



T393NC-E-311

NOTE

4. 트랜스미션 PART NO. T4

FIG 401 TRANSMISSION FRONT CASE	81
FIG 402 INPUT METAL	83
FIG 403 INPUT GEAR	85
FIG 404 4WD DRIVE GEAR	87
FIG 405 MAIN CHANGE GEARS & REVERSE GEARS	89
FIG 406 SUB CHANGE GEARS	91
FIG 407 PINION GEARS	93
FIG 408 P.T.O DRIVE SHAFT	95
FIG 409 P.T.O CHANGE GEARS	97
FIG 410 DIFF LOCK	99
FIG 411 TRANSMISSION REAR CASE	101
FIG 412 REAR AXLE HOUSINGS (1)	103
FIG 413 REAR AXLE HOUSINGS (2)	105
FIG 414 MAIN CHANGE LEVER	107
FIG 415 SUB CHANGE LEVER	109
FIG 416 REVERSE LINK	111
FIG 417 REVERSE CHANGE LEVER	113
FIG 418 4WD CHANGE LEVER	115

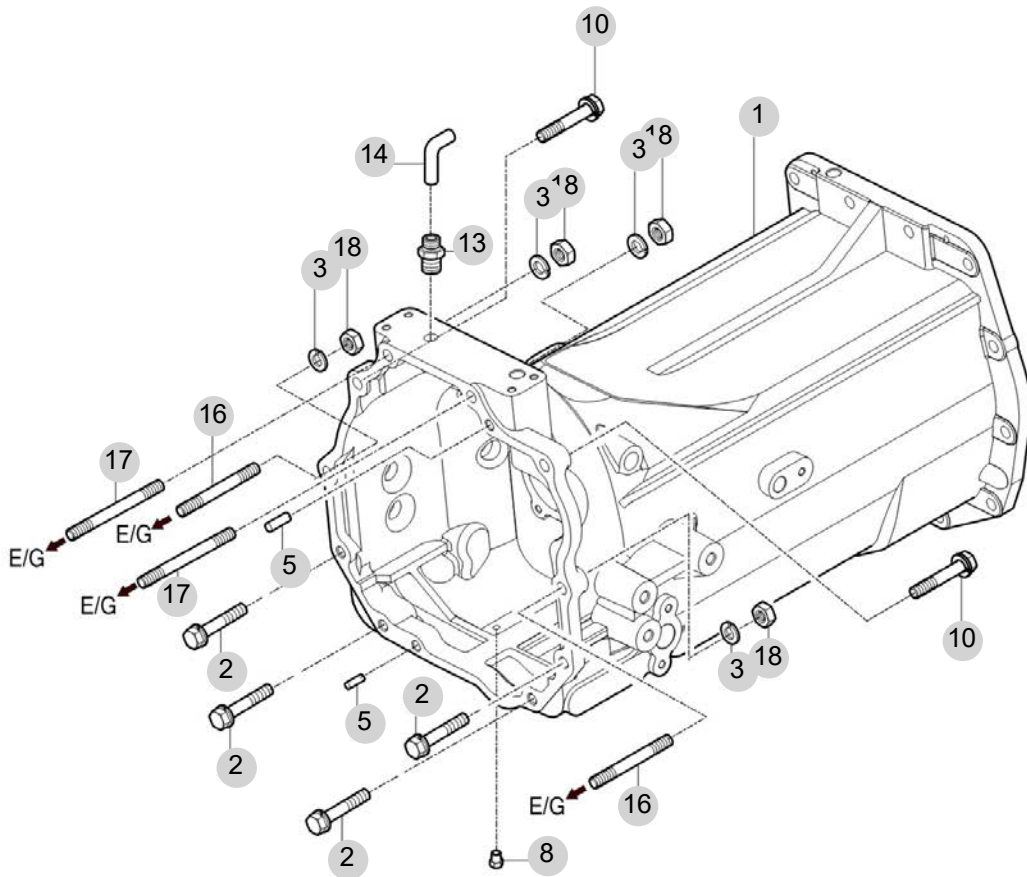
FIG 401

T355NCEU

TRANSMISSION FRONT CASE

년/월
Year/Month

2022-12



T345-E-401

NOTE

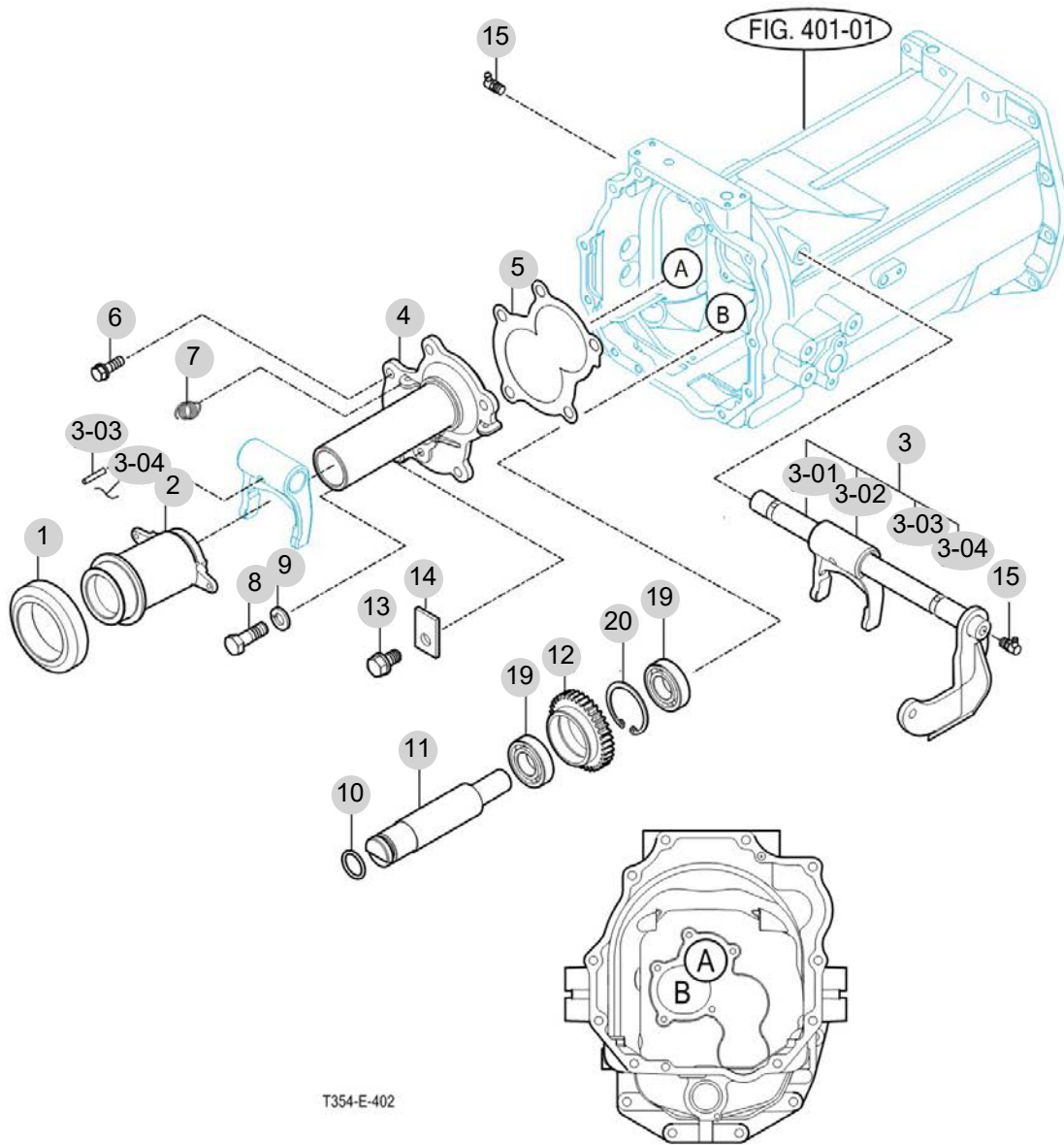
FIG 402

T355NCEU

INPUT METAL

년/월
Year/Month

2022-12



NOTE

FIG 402		INPUT METAL						년/월 Year/Month
T355NCEU								2022-12
KEY NO		PART NO	DESCRIPTION	SPEC	QTY	REPAIR	EFFECTIVE DATE	REMARKS
402	1	14601210050	클러치릴리스볼베어링(RCT5582RU)		1			
402	2	17401210020M	슬리브		1			
402	3	17401302000	바 SET		1			
402	3-01	17401302100	바 COMP		1			
402	3-02	14571302010	포크(릴리스)		1			
402	3-03	16701300010	핀(테이퍼,08X36)		1			
402	3-04	V5901012150	철선	1.2X150	1			
402	4	17401210010M	인풋 메탈		1			
402	5	16701031060	패킹 , 인풋메탈		1			
402	6	14572100030	실볼트(M8X20)		4			
402	6	V2173608020	소형육각볼트보통(S)		4			
402	7	14321200040	텐션스프링(31)		2			
402	8	14151210090	리이머볼트		1			
402	9	V4011600080	스프링와셔	M8	1			
402	10	V7201035022	O링(P)	P22A	1			
402	11	16702121012	후진아이들축		1			
402	12	16702121023	기어(스퍼/24)		1			
402	13	V2173608012	소형육각볼트보통(S)	M8X12	1			
402	14	16702160090	플레이트		1			
402	15	V7631500000	그리스니플(B-PT)	B-PT1/8	2			
402	19	V6041106004	볼베어링(HL1)	6004HL1	2			
402	20	V7051400420	C형멈춤링(구멍용)	42	1			
NOTE								

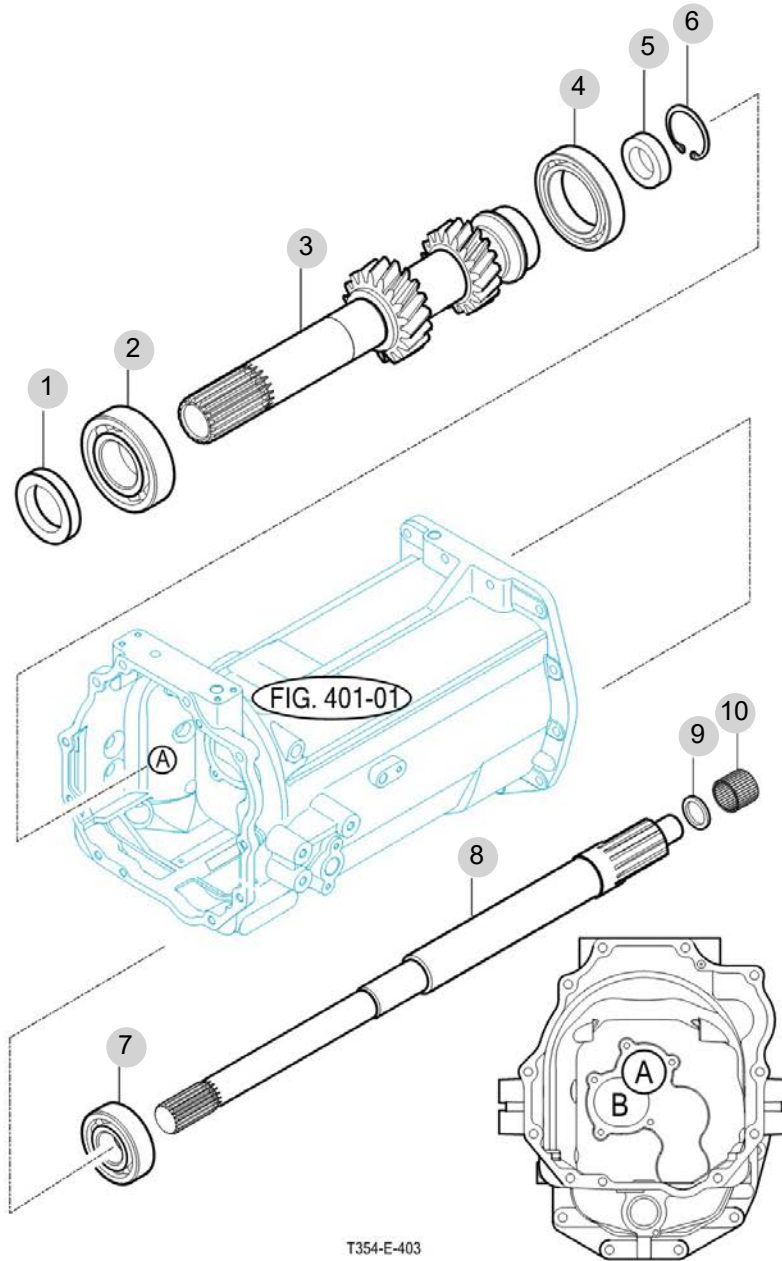
FIG 403

T355NCEU

INPUT GEAR

년/월
Year/Month

2022-12



T354-E-403

NOTE

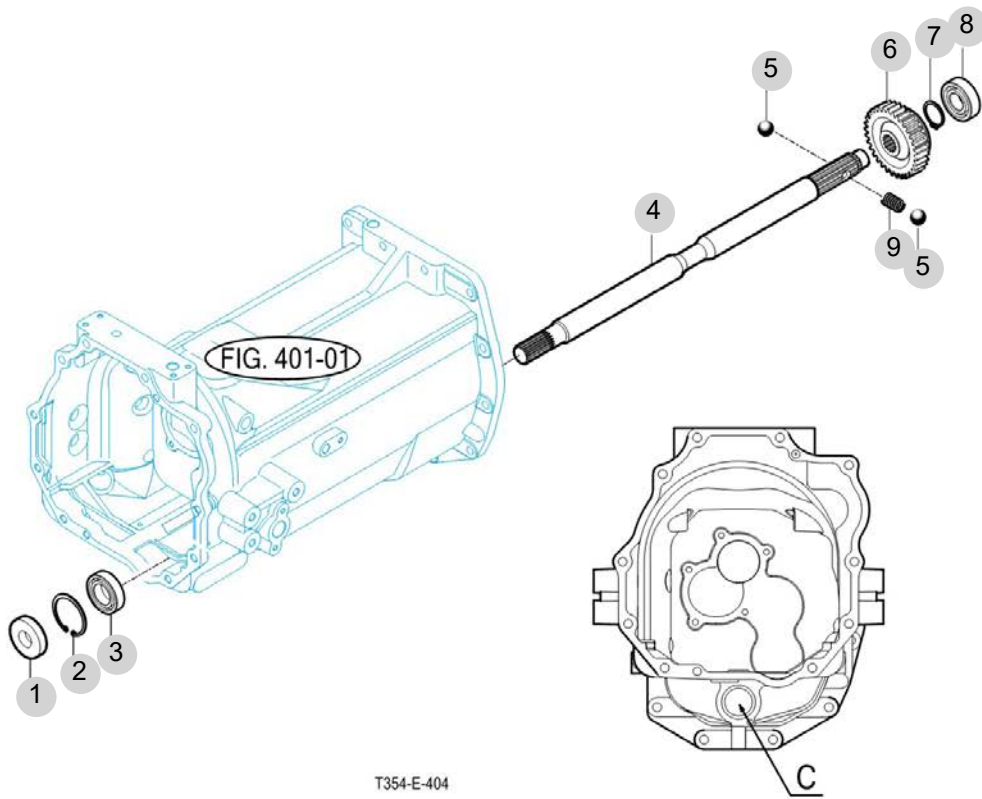
FIG 404

T355NCEU

4WD DRIVE GEAR

년/월
Year/Month

2022-12



NOTE

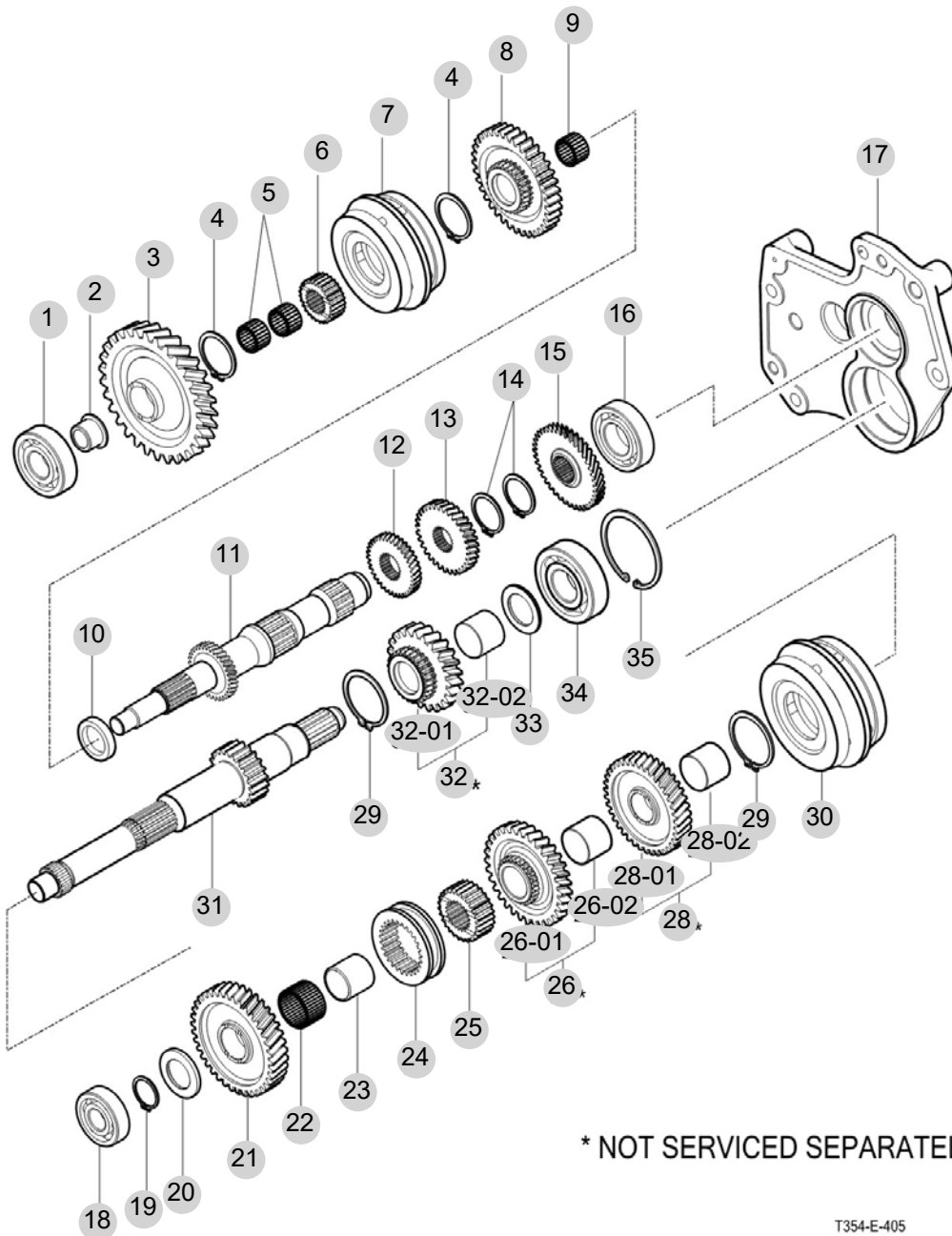
FIG 405

MAIN CHANGE GEARS & REVERSE GEARS

년/월
Year/Month

2022-12

T355NCEU



NOTE

FIG 405		MAIN CHANGE GEARS & REVERSE GEARS					년/월 Year/Month		
							2022-12		
T355NCEU		KEY NO	PART NO	DESCRIPTION	SPEC	QTY	REPAIR	EFFECTIVE DATE	REMARKS
405	1	V6041106305	볼베어링(HL1)	6305HL1	1				
405	2	16702142010	부시(17X25X19)		1				
405	3	16702131021	기어(헬리컬/42)		1				
405	4	V7041400400	C형멈춤링(축용)	40	2				
405	5	V6544202612	니들베어링(케이지)	KT202612	2				
405	6	16702090021	허브(25X51X20)		1				
405	7	14482092100	싱크로나이저ASSY		1				
405	8	16702131032	기어(헬리컬/39)		1				
405	8	16702131033	기어(스퍼/41)		1				
405	9	V6544283313	니들베어링(케이지)	KT283313	1				
405	10	16702130031	와셔(27X39X08)		1				
405	11	16702110012	기어(헬리컬/17)		1				
405	11	16702110013	기어(헬리컬/17)		1				
405	12	14572220050	기어(헬리컬/21)		1				
405	13	14572220060	기어(헬리컬/24)		1				
405	14	V7041400350	C형멈춤링(축용)	35	2				
405	15	14572220020	기어(헬리컬/29)		1				
405	16	V6041106206	볼베어링(HL1)	6206HL1	1				
405	17	16702200201M	베어링 메탈		1				
405	18	V6041106304	볼베어링(HL1)		1				
405	19	V7041400280	C형멈춤링(축용)	28	1				
405	20	16702210021	와셔(28X46X05)		1				
405	21	16702211042	기어(헬리컬/40)		1				
405	22	V6544323723	니들베어링(케이지)	KT323723	1				
405	23	15602080093	부시(28X32X31)		1				
405	24	15602080224	커플링(51X72X18)		1				
405	25	15682090020	허브(28X51X21)		1				
405	26	16702211200	기어조합(헬리컬/36)		1				
405	26-01	16702210070	기어(헬리컬/36)		1				
405	26-02	16702211910	부시(32X34X28)		1				
405	28	16702211500	기어조합(헬리컬/32)		1				
405	28-01	16702210150	기어(헬리컬/32)		1				
405	28-02	16702211910	부시(32X34X28)		1				
405	29	V7041400500	C형멈춤링(축용)	50	2				
405	30	16492092001	싱크로나이저ASSY		1				
405	31	16702211012	주변속축		1				
405	31	16702211013	주변속축		1				
405	31	16702211014	주변속축		1				
405	32	16702211900	기어조합(헬리컬/28)		1				
405	32-01	16702211020	기어(헬리컬/28)		1				
405	32-02	16702211910	부시(32X34X28)		1				
405	33	15642160041	와셔(30X46X03)		1				
405	34	V6001106306	볼베어링	6306	1				
405	35	V7051400720	C형멈춤링(구멍용)	72	1				
NOTE									

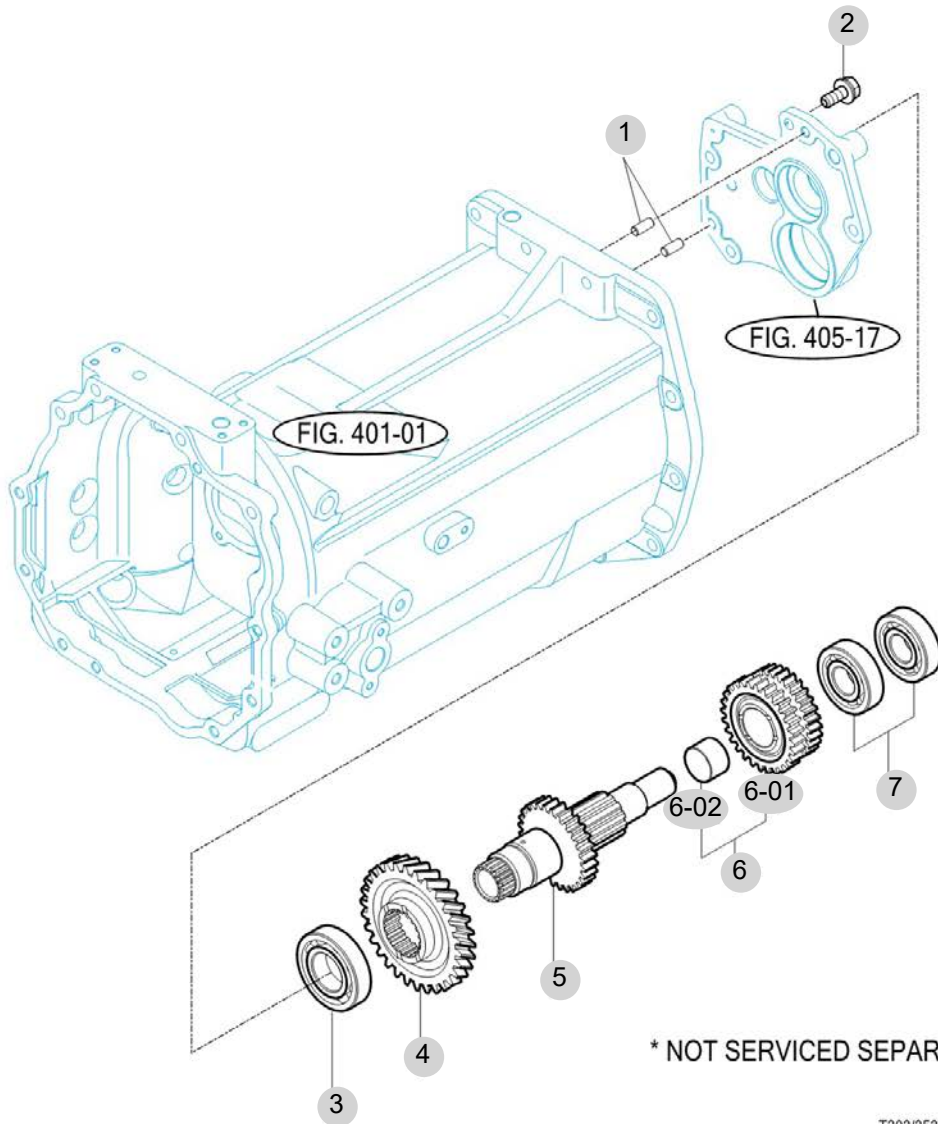
FIG 406

T355NCEU

SUB CHANGE GEARS

년/월
Year/Month

2022-12



T303/353NC-E-406

NOTE

FIG 406 T355NCEU		SUB CHANGE GEARS						년/월 Year/Month
								2022-12
KEY NO	PART NO	DESCRIPTION	SPEC	QTY	REPAIR	EFFECTIVE DATE	REMARKS	
406	1	V5201010022	평행핀(A)	10X22	2			
406	2	V2173612030	소형육각볼트보통(S)	M12X30	4			
406	3	V6001106207	볼베어링	6207	1			
406	4	14572420021	기어(헬리컬/37)		1			
406	5	16702421010	기어(24-11)		1			
406	6	16702611301	기어(스퍼/29-28) ASSY		1			
406	6-01	16702611311	기어(스퍼/29-28)		1			
406	6-02	16702611320	부시(30X32X21)		1			
406	7	V6001106305	볼베어링	6305	2			
NOTE								

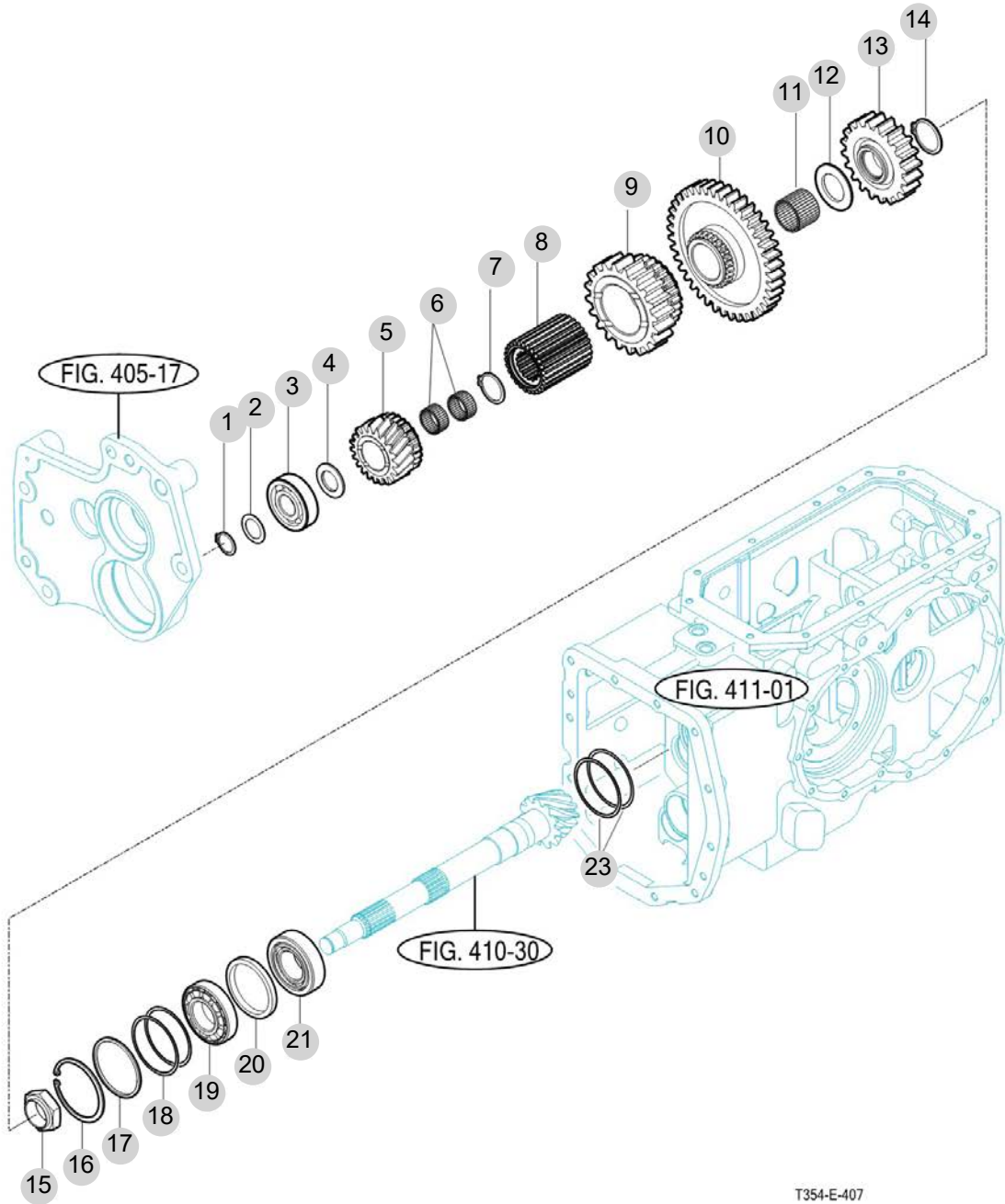
FIG 407

T355NCEU

PINION GEARS

년/월
Year/Month

2022-12



T354-E-407

NOTE

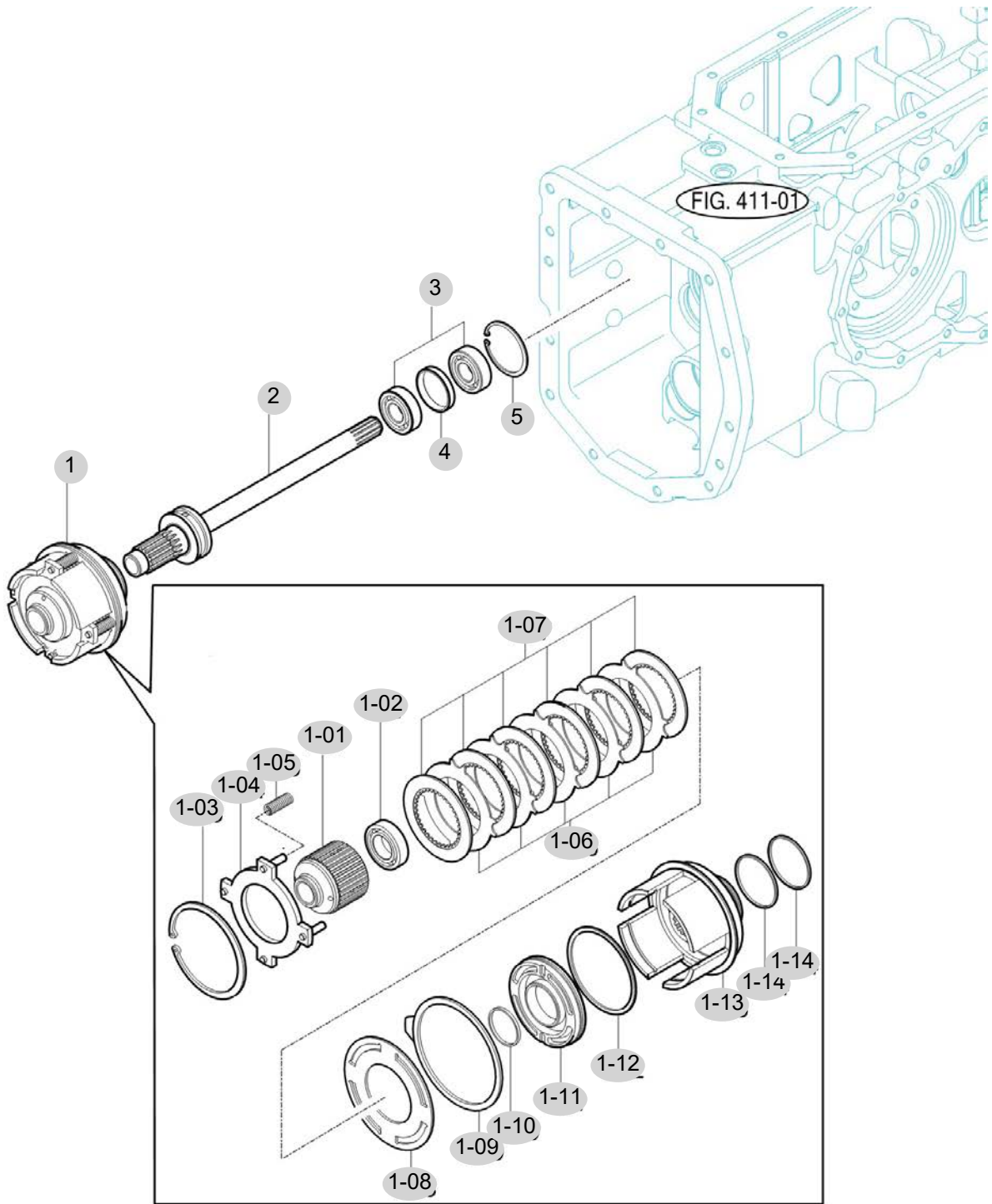
FIG 408

T355NCEU

P.T.O DRIVE SHAFT

년/월
Year/Month

2022-12



T354-E-408

NOTE

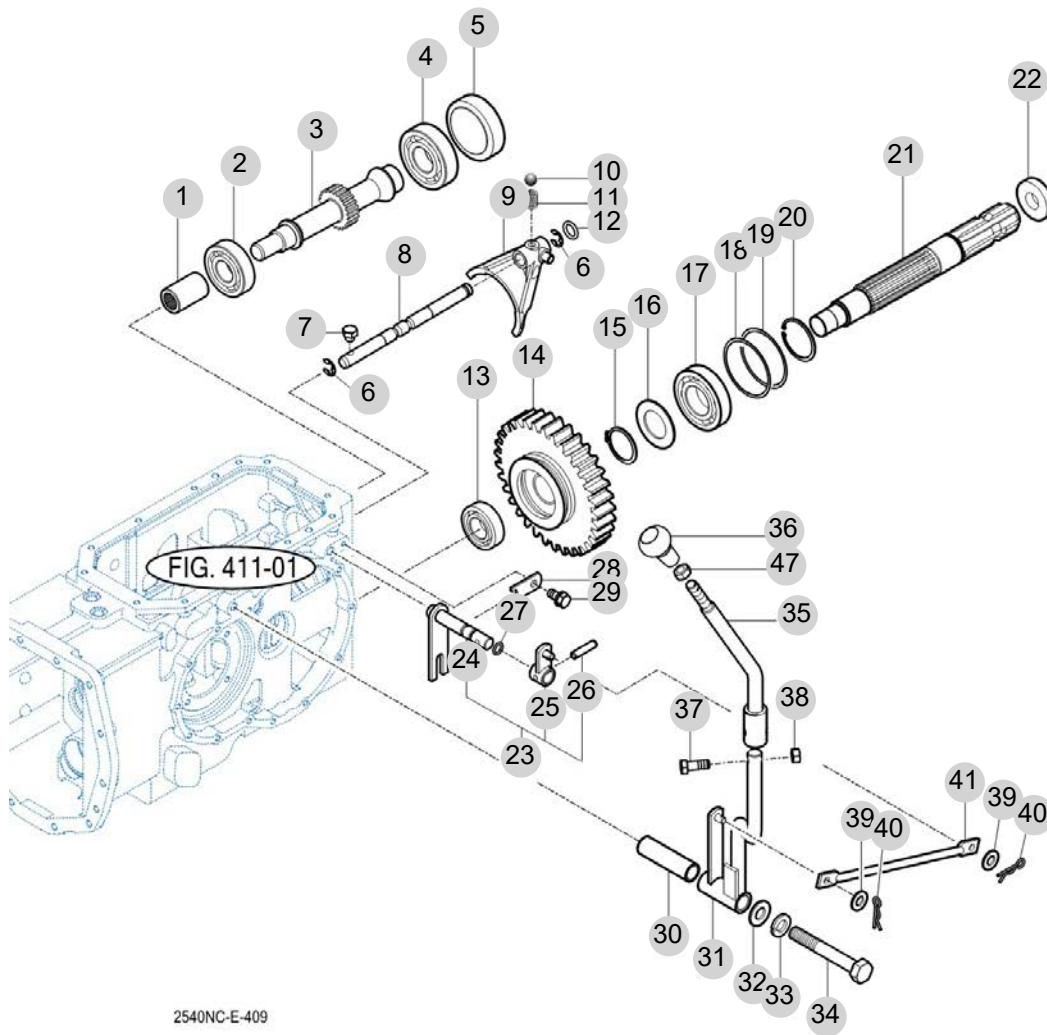
FIG 409

T355NCEU

P.T.O CHANGE GEARS

년/월
Year/Month

2022-12



2540NC-E-409

NOTE

FIG 409 T355NCEU		P.T.O CHANGE GEARS					년/월 Year/Month	
							2022-12	
KEY NO	PART NO	DESCRIPTION	SPEC	QTY	REPAIR	EFFECTIVE DATE	REMARKS	
409	1	14211340190	커플링		1			
409	2	V6001106305	볼베어링	6305	1			
409	3	13212543530	기어 , 스퍼 PTO 11		1			
409	4	V6001106306	볼베어링	6306	1			
409	5	14254330180	캠(72)		1			
409	6	V7081400100	E형멈춤링	Ø10	2			
409	7	15602231610	볼트(셋트/M8X16)		1			
409	8	13212540020	PTO 시프트스태이		1			
409	9	16702540011M	포크(PTO)		1			
409	10	V6802000010	강구	5/16	1			
409	11	13022250030	시프터스프링		1			
409	12	V7201024010	O링(P)	P10	1			
409	13	V6001106205	볼베어링	6205	1			
409	14	13212543500	기어(스퍼/PTO 54)		1			
409	15	V7041400350	C형멈춤링(축용)	Ø35	1			
409	16	14443140041	칼라(35X50X2)		1			
409	17	V6001106207	볼베어링	6207	1			
409	18	79642010080	심(B)		2			
409	19	16322730030	심(0.5)		1			
409	20	V7051400720	C형멈춤링(구멍용)	Ø72	1			
409	21	16703140011	PTO축		1			
409	22	16322732000	씰(오일) ASSY		1			
409	23	16702555102	리어 PTO 후크 SET		1			
409	24	16702542102	리어 PTO 후크 COMP		1			
409	25	16702432201	암(부변속) COMP		1			
409	26	V5801406025	스프링핀	6X25	1			
409	27	V7201024012	O링(P)	P12	1			
409	28	16702230371	플레이트		1			
409	29	V2173608016	소형육각볼트보통(S)	M8X16	1			
409	30	16702440070	허브(13X17X61)		1			
409	31	16702552103	PTO 레버 ,하 COMP		1			
409	32	V4111600120	평와셔	M12	1			
409	33	V4011600120	스프링와셔	M12	1			
409	34	V2013612085	소형육각볼트(보통)	M12X85	1			
409	35	16702552202GB	PTO레버(상)COMP		1			
409	36	16992190102	그립(PTO)		1			
409	36	19682190100	그립(PTO)		1			
409	37	V2013608035	소형육각볼트(보통)		1			
409	38	V3042600080	소형육각너트보통2종	M8	1			
409	39	V4111600080	평와셔	M8	2			
409	40	V5601600008	스냅핀	8	2			
409	41	16702553100	로드(236)		1			
409	47	V3342600100	소형육각너트가는2종		1			
NOTE								

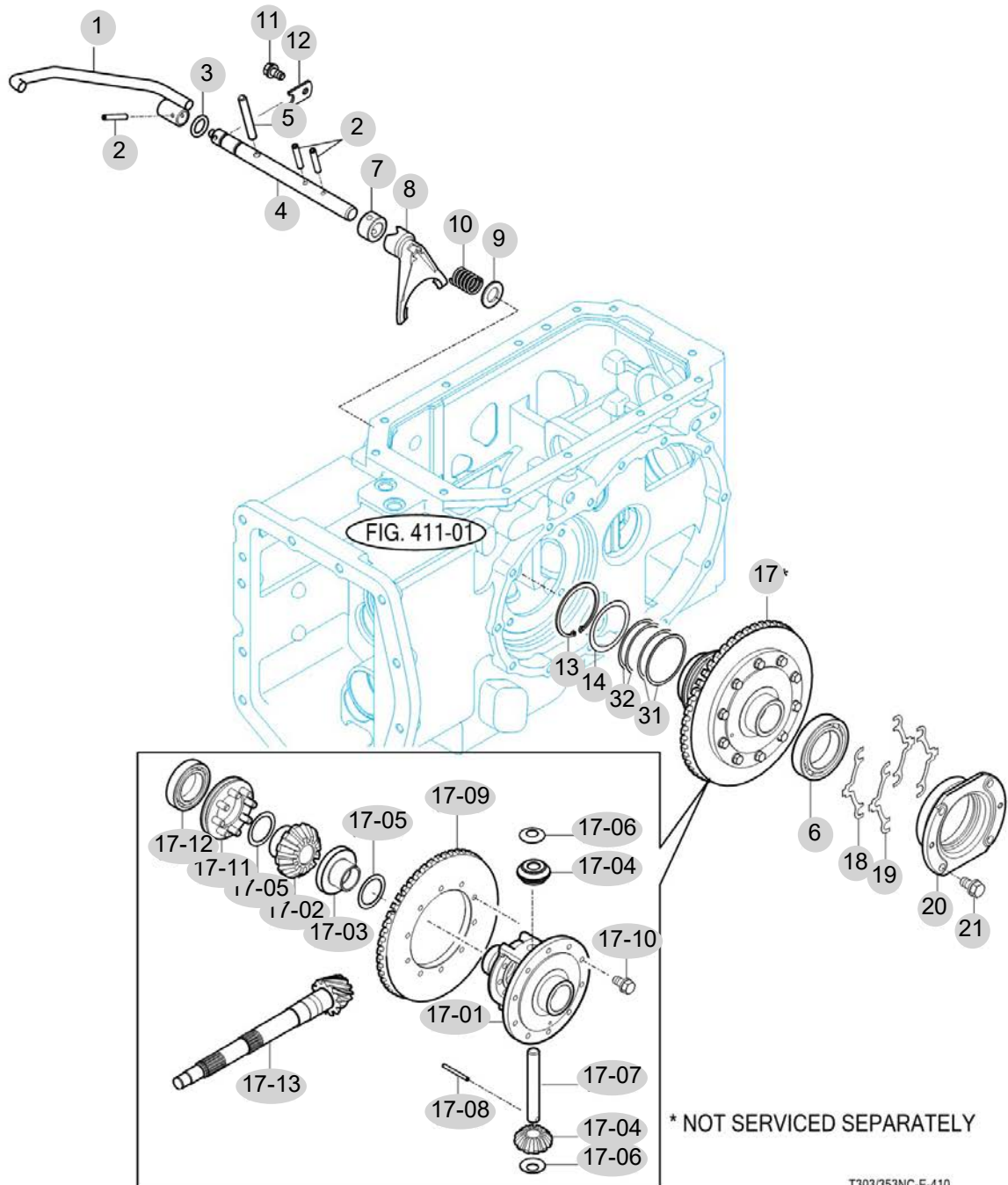
FIG 410

T355NCEU

DIFF LOCK

년/월
Year/Month

2022-12



T303/353NC-E-410

NOTE

FIG 410		DIFF LOCK					년/월 Year/Month	
T355NCEU							2022-12	
KEY NO	PART NO	DESCRIPTION	SPEC	QTY	REPAIR	EFFECTIVE DATE	REMARKS	
410	1	16703192205	디프록페달 COMP		1			
410	2	V5801406032	스프링핀	6X32	3			
410	3	V7201024016	O링(P)	P16	1			
410	4	13003180150	디프록축		1			
410	4	13003180151	디프록축		1			
410	4	13003180152	디프록축		1			
410	5	V5801408060	스프링핀	8X60	1			
410	6	V6041106011	볼베어링(HL)	6011HL1	1			
410	7	16703180161	허브 디프록		1			
410	8	16703180022M	포크(디프록)		1			
410	9	V4111600200	평와셔	M20	1			
410	10	17973030420	스프링		1			
410	11	V2173608016	소형육각볼트보통(S)	M8X16	1			
410	12	16703180191	플레이트		1			
410	13	V7051400750	C형멈춤링(구멍용)		1			
410	14	16703180511	심(O/0.5)		1			
410	15	16703180080	심(LH/0.2)		6			
410	16	16703180090	심(LH/0.1)		2			
410	17	12633000001	리어 차동 장치 ASSY		1			
410	17	12633000002	리어 차동 장치 ASSY		1			
410	17-01	13003180013M	디프케이스		1			
410	17-03	13003180031	베벨기어(18)(LH)		1			
410	17-04	13003180040	디프피니언(10)		2			
410	17-05	16703180521	스라스트와셔		2			
410	17-06	13003180200	피니언스라스트와셔		2			
410	17-07	13003180070	디프피니언축		1			
410	17-08	V5801405036	스프링핀	5X36	1			
410	17-09	16703002020	기어베벨(52T)		1			
410	17-10	V2173608025	소형육각볼트보통(S)	M8X25	10			
410	17-11	13003181202	디프록 클러치 COMP		1			
410	17-12	V6041106009	볼베어링(HL1)	6009HL1	1			
410	17-13	16703002012	드라이브피니언(9T)		1			
410	18	16703180181	심(RH/0.1)		2			
410	19	16703180171	심(RH/0.2)		2			
410	20	16703180052M	디프케이스메탈(R)		1			
410	21	V2173610025	소형육각볼트보통(S)	M10X25	4			
NOTE								

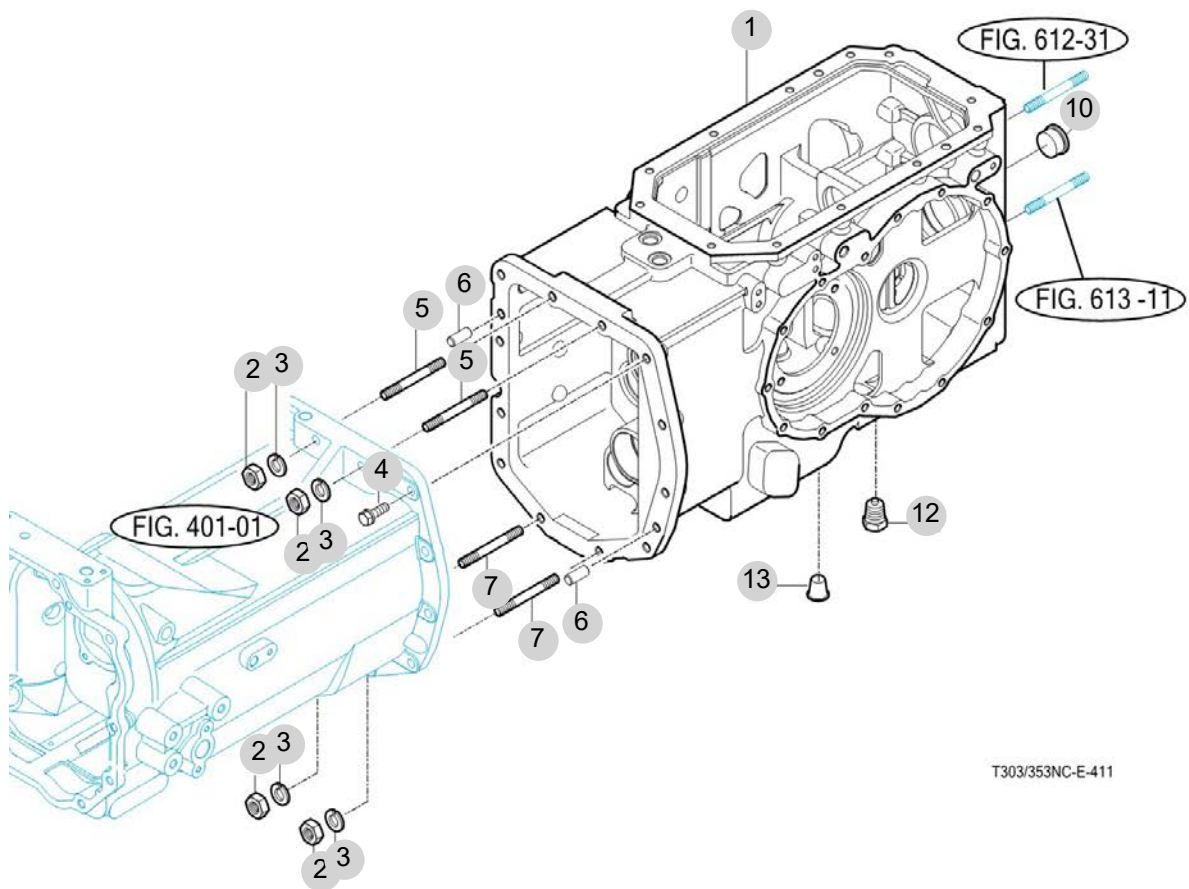
FIG 411

T355NCEU

TRANSMISSION REAR CASE

년/월
Year/Month

2022-12



T303/353NC-E-411

NOTE

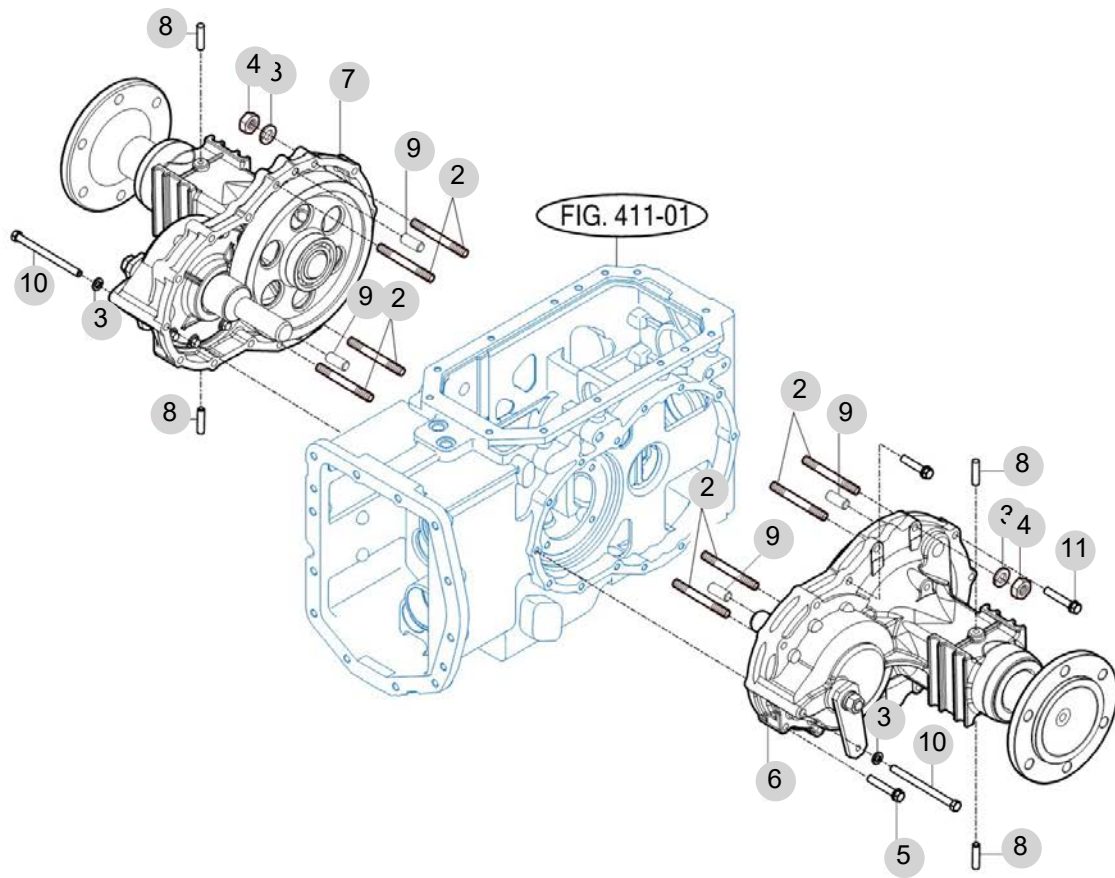
FIG 412

T355NCEU

REAR AXLE HOUSINGS (1)

년/월
Year/Month

2022-12



2545ST-E-412

NOTE

FIG 412		REAR AXLE HOUSINGS (1)						년/월	
								Year/Month	
T355NCEU									
KEY NO	PART NO	DESCRIPTION	SPEC	QTY	REPAIR	EFFECTIVE DATE	REMARKS		
412	2	V2514410050	스터드볼트2종	M10X50	8				
412	3	V4011600100	스프링와셔	M10	10				
412	4	V3043600100	소형육각너트보통2종	M10	8				
412	5	V2173610060	소형육각볼트보통(S)	M10X60	8				
412	6	12523201000	하우징 (액슬/LH) SUB ASSY		1				
412	7	12523202000	하우징 (액슬/RH) SUB ASSY		1				
412	8	V2514410028	스터드볼트2종	M10X28	4				
412	9	V5201010022	평행핀(A)	10X22	4				
412	10	V2013610130	소형육각볼트(보통)	M10X130	2				
412	11	V2174610050	소형육각볼트보통(S)	M10X50	10				
NOTE									

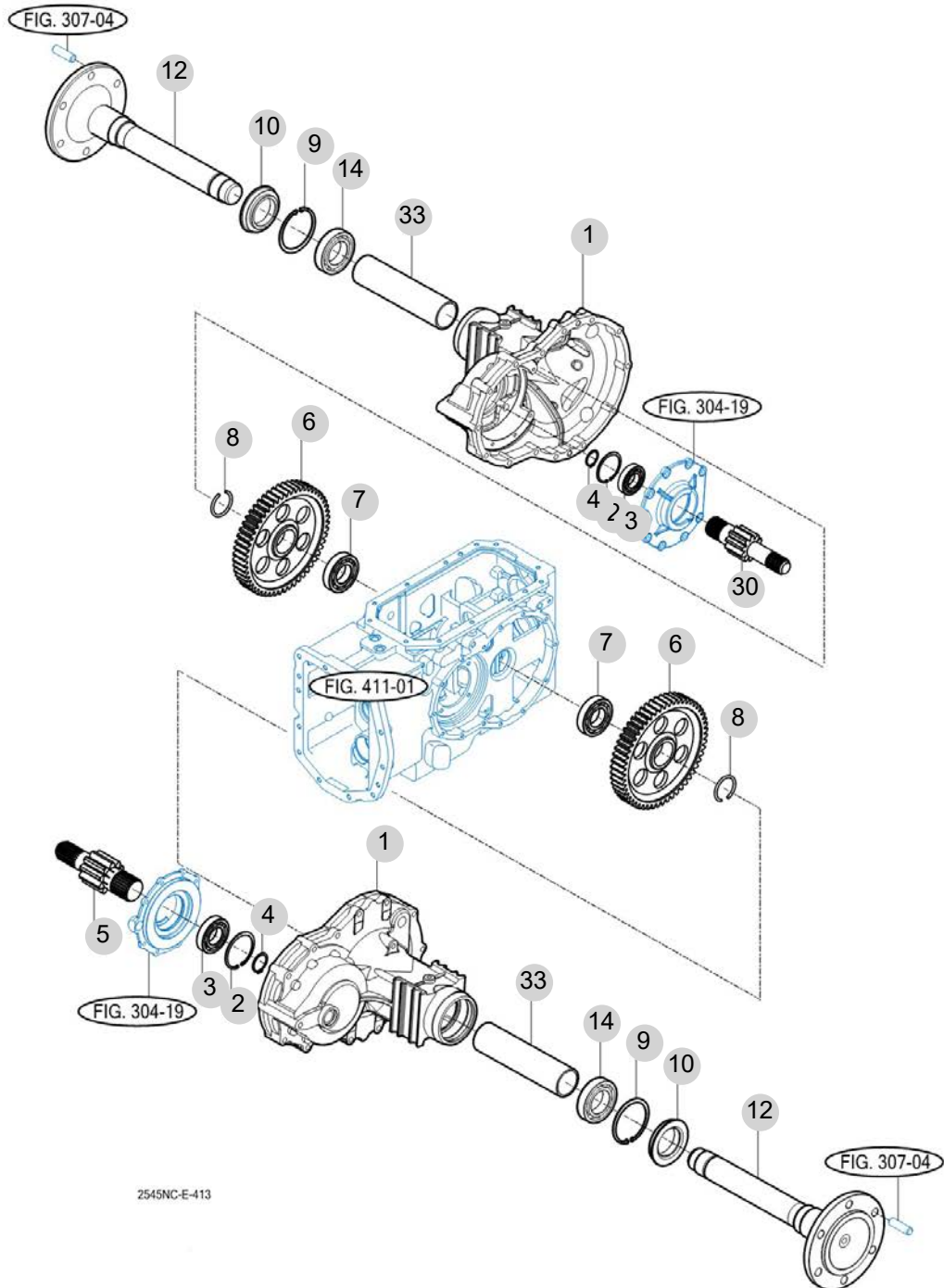
FIG 413

T355NCEU

REAR AXLE HOUSINGS (2)

년/월
Year/Month

2022-12



2545NC-E-413

NOTE

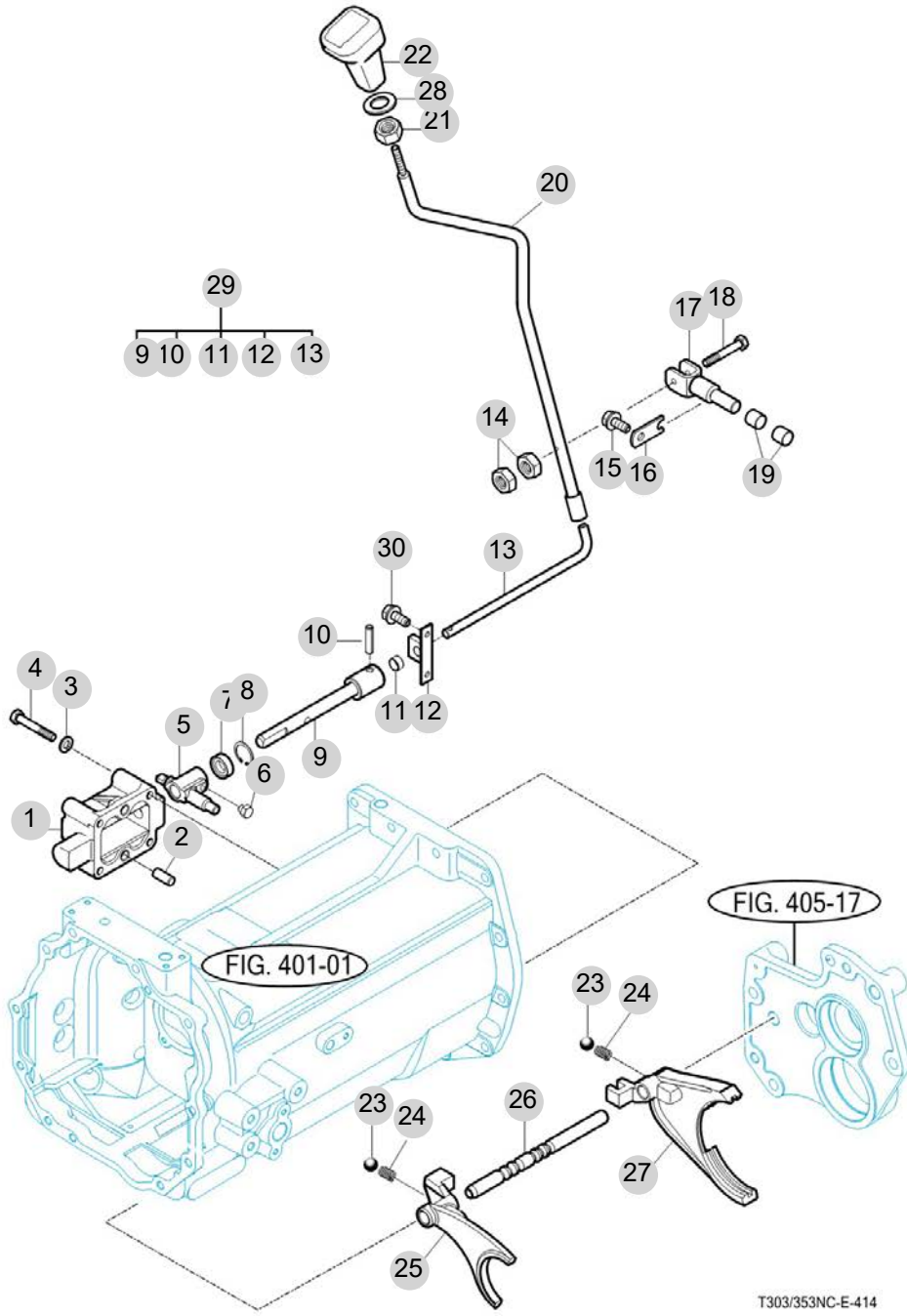
FIG 414

MAIN CHANGE LEVER

년/월
Year/Month

2022-12

T355NCEU



T303/353NC-E-414

NOTE

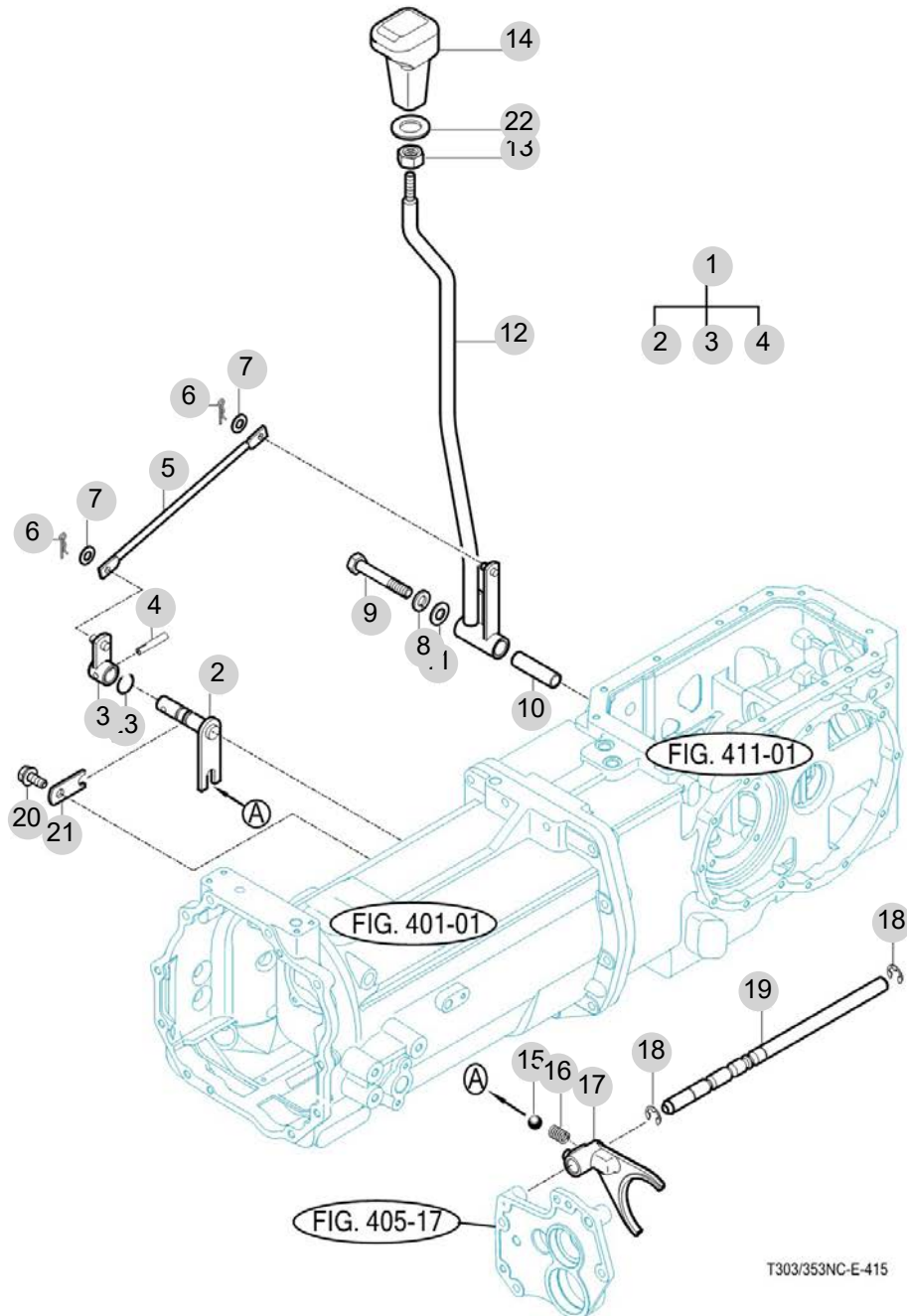
FIG 415

T355NCEU

SUB CHANGE LEVER

년/월
Year/Month

2022-12



T303/353NC-E-415

NOTE

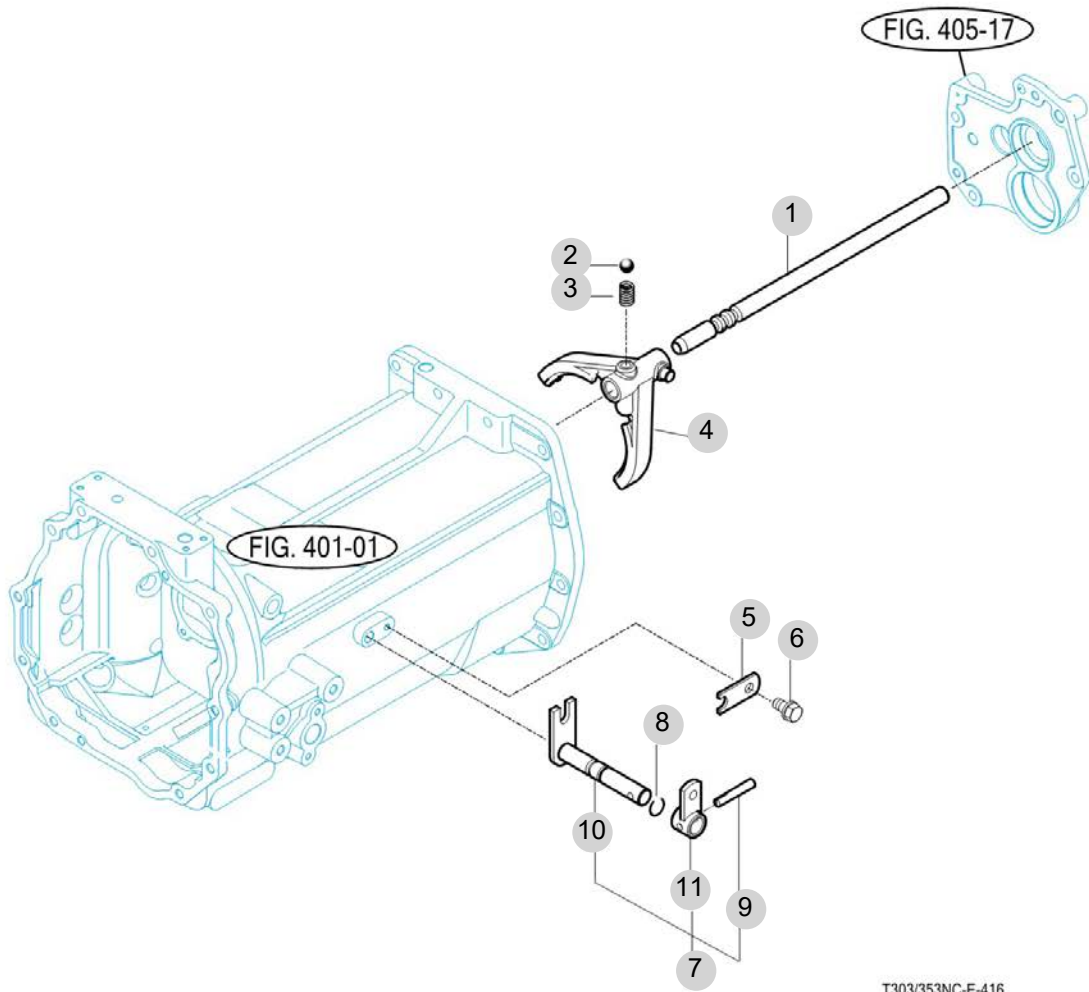
FIG 416

T355NCEU

REVERSE LINK

년/월
Year/Month

2022-12



T303/353NC-E-416

NOTE

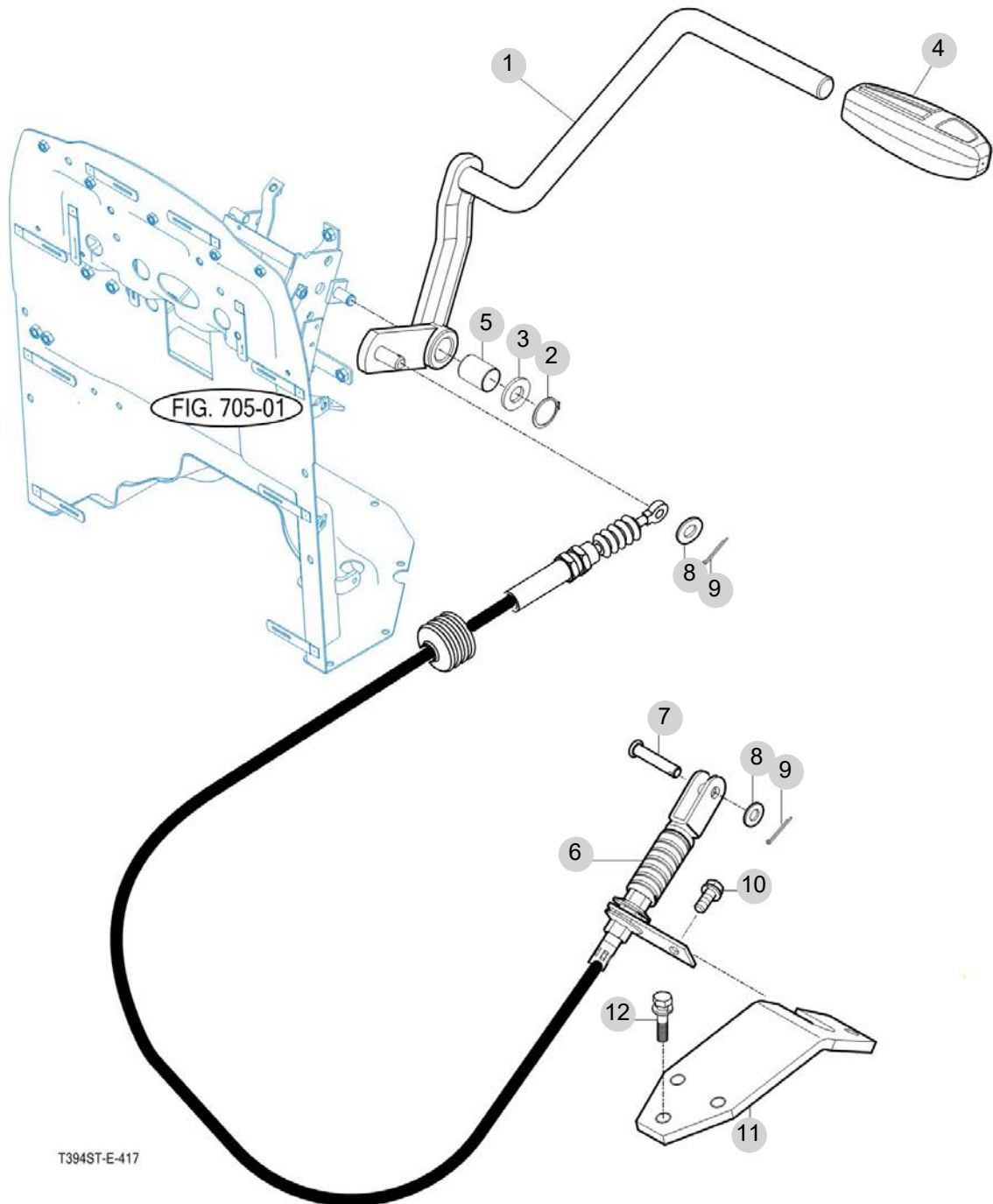
FIG 417

T355NCEU

REVERSE CHANGE LEVER

년/월
Year/Month

2022-12



T394ST-E-417

NOTE

FIG 417 T355NCEU	REVERSE CHANGE LEVER						년/월 Year/Month
							2022-12

KEY NO	PART NO	DESCRIPTION	SPEC	QTY	REPAIR	EFFECTIVE DATE	REMARKS
417	1	12622832000GB 레버(셔틀)COMP		1			
417	2	V7041400140 C형멈춤링(축용)	14	1			
417	3	14276010030 와샤(15X24X2)		2			
417	4	14521170040 그림,리버스		1			
417	5	36461020111 부시(14X16X20)		1			
417	6	12632152000 케이블(리버스)ASSY		1			
417	7	14322420010 핀		1			
417	8	V4111600080 평와셔	M8	1			
417	9	V5001920020 분할핀	2X20	1			
417	10	V2173608016 소형육각볼트보통(S)	M8X16	1			
417	11	16702150014 플레이트, 셔틀		1			
417	12	V2183608016 소형육각볼트보통(SP)	M8X16	3			

NOTE

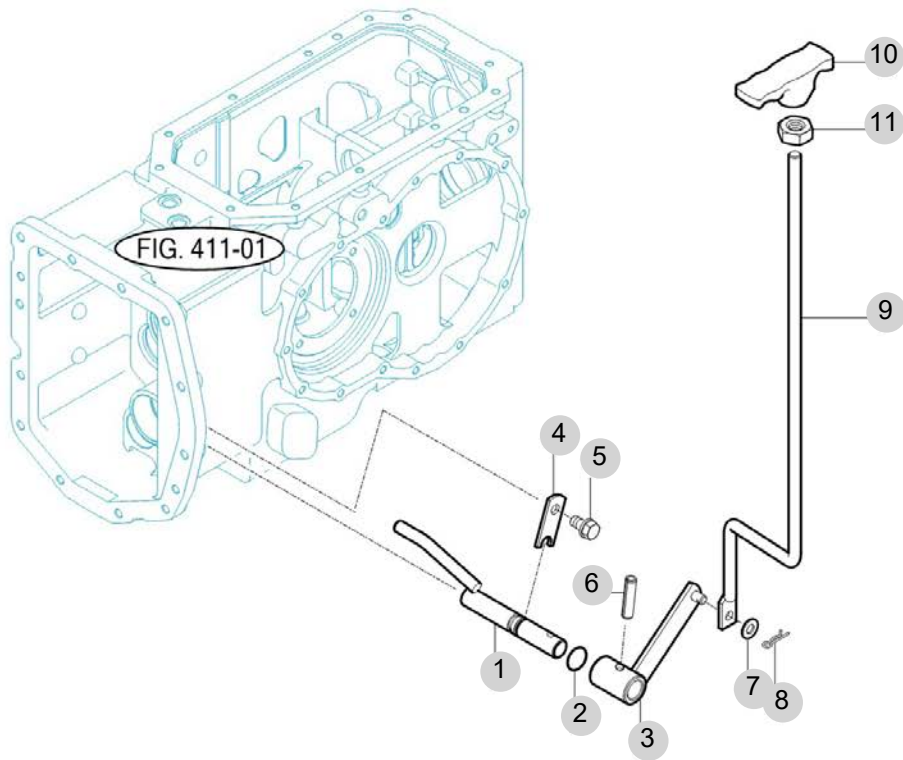
FIG 418

4WD CHANGE LEVER

년/월
Year/Month

T355NCEU

2022-12



T303/353NC-E-418

NOTE

5. 프런트 액슬 PART NO. T5

FIG 501 FRONT AXLE BRACKET	118
FIG 502 FRONT DIFF. GEARS & SHAFT	120
FIG 503 FRONT AXLE HOUSING	122
FIG 504 FRONT GEAR CASE (1)	124
FIG 505 FRONT GEAR CASE (2)	126

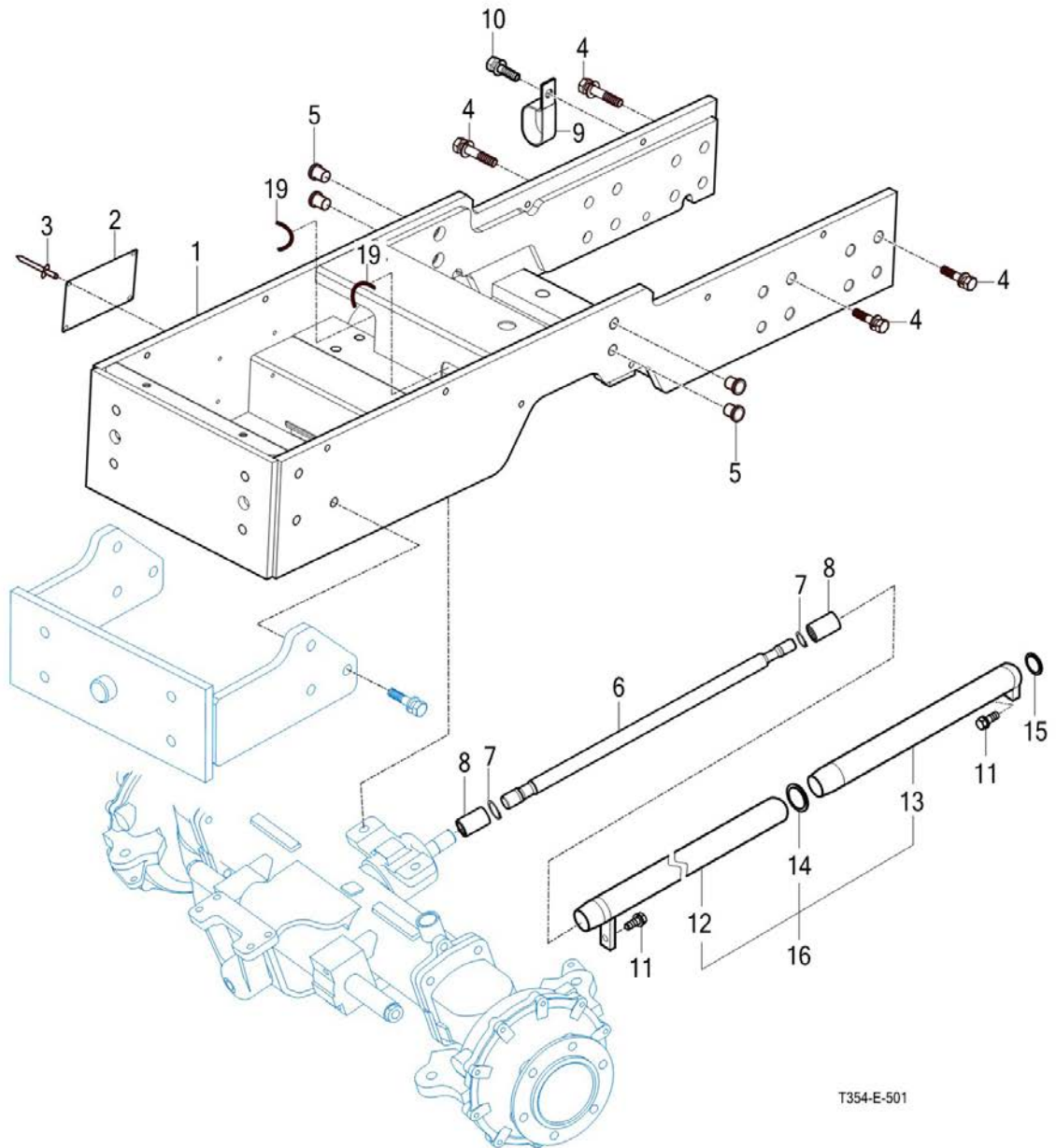
FIG 501

FRONT AXLE BRACKET

년/월
Year/Month

2022-12

T355NCEU



NOTE

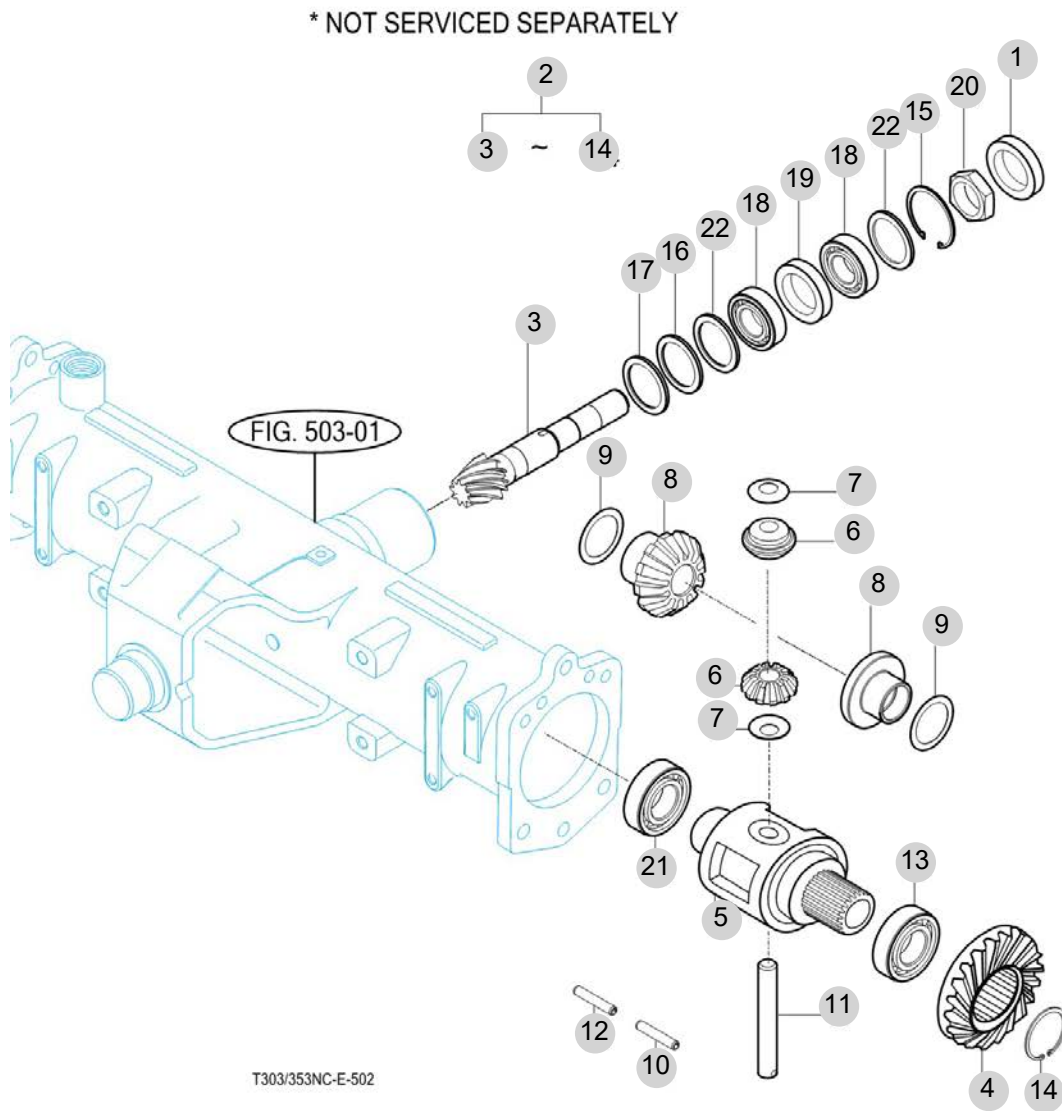
FIG 502

T355NCEU

FRONT DIFF. GEARS & SHAFT

년/월
Year/Month

2022-12



NOTE

FIG 502 T355NCEU		FRONT DIFF. GEARS & SHAFT					년/월 Year/Month	
							2022-12	
KEY NO		PART NO	DESCRIPTION	SPEC	QTY	REPAIR	EFFECTIVE DATE	REMARKS
502	1	V7441256210	오일실(D)	D256210	1			
502	2	16704112001	디فرن셜시스템(완)(전)		1			
502	2	16704112002	디فرن셜시스템(완)(전)		1			
502	2	16704112002	디فرن셜시스템(완)(전)		1			
502	3	16704112011	베벨피니언(8)		1			
502	3	16704112010	베벨피니언(8)		1			
502	4	16704112111	베벨기어(23)		1			
502	4	16704112110	베벨기어(23)		1			
502	5	16704310031	프런트디프레이스		1			
502	6	16704320020	차동피니언(12)		2			
502	7	14273010050	피니언스라스트칼라		2			
502	8	16704310160	차동사이드기어(20)		2			
502	9	16704320050	스러스트와셔		2			
502	10	V5801405025	스프링핀	5X25	1			
502	11	16704110060	차동피니언축		1			
502	12	V5801403025	스프링핀	3X25	1			
502	13	V6001106212	볼베어링	6212	1			
502	14	17994420060	C형멈춤링(축용)		1			
502	15	V7051400620	C형멈춤링(구멍용)	62	1			
502	16	14254310080	심(A)		1			
502	17	14152050160	심(B)		1			
502	18	15024320020	원추로울러베어링		2			
502	19	16704112120	칼라		1			
502	20	14884110090	너트(M30)		1			
502	21	V6001106211	볼베어링	6211	1			
502	22	16704110121	간격심		2			
NOTE								

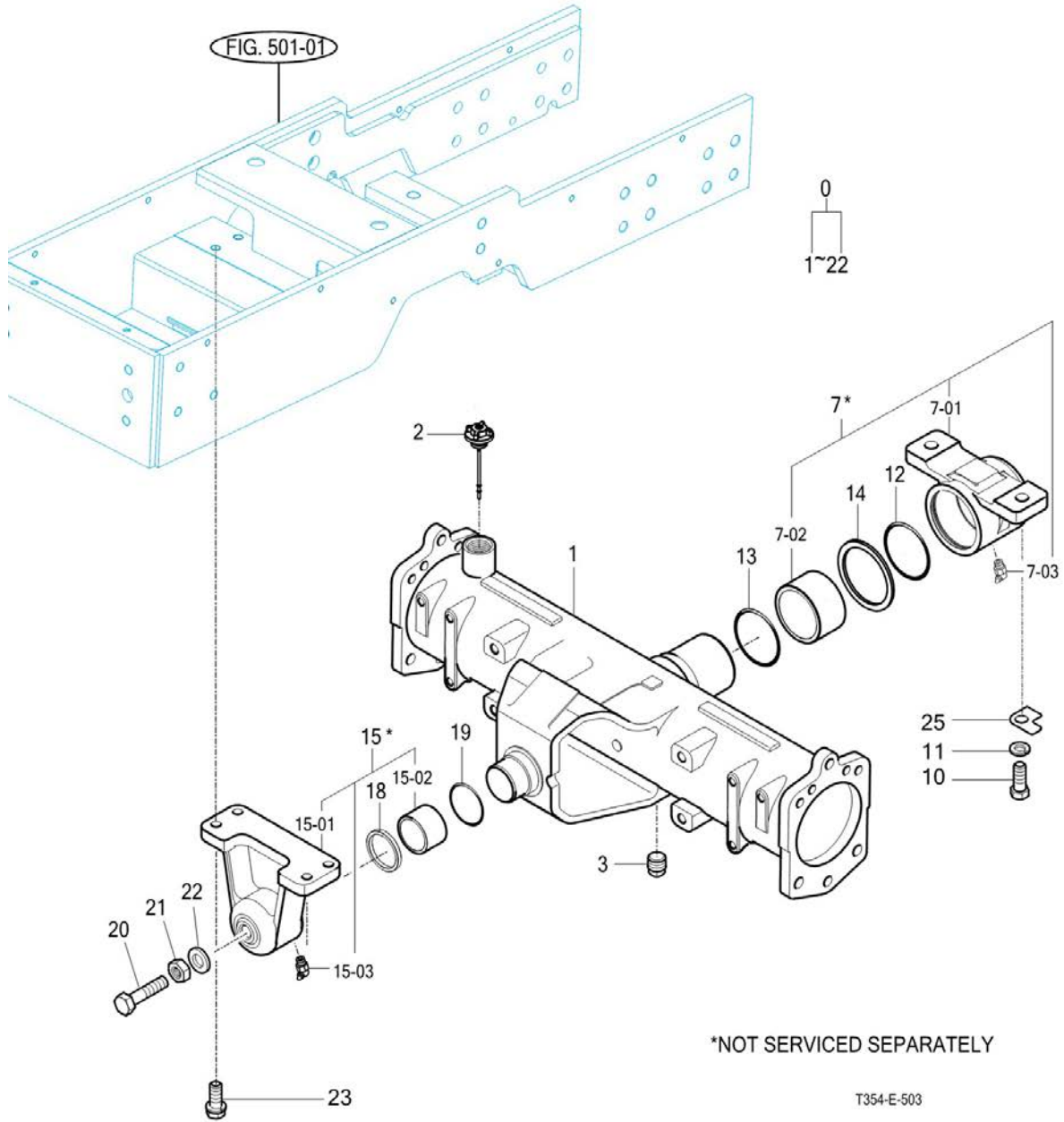
FIG 503

T355NCEU

FRONT AXLE HOUSING

년/월
Year/Month

2022-12



NOTE

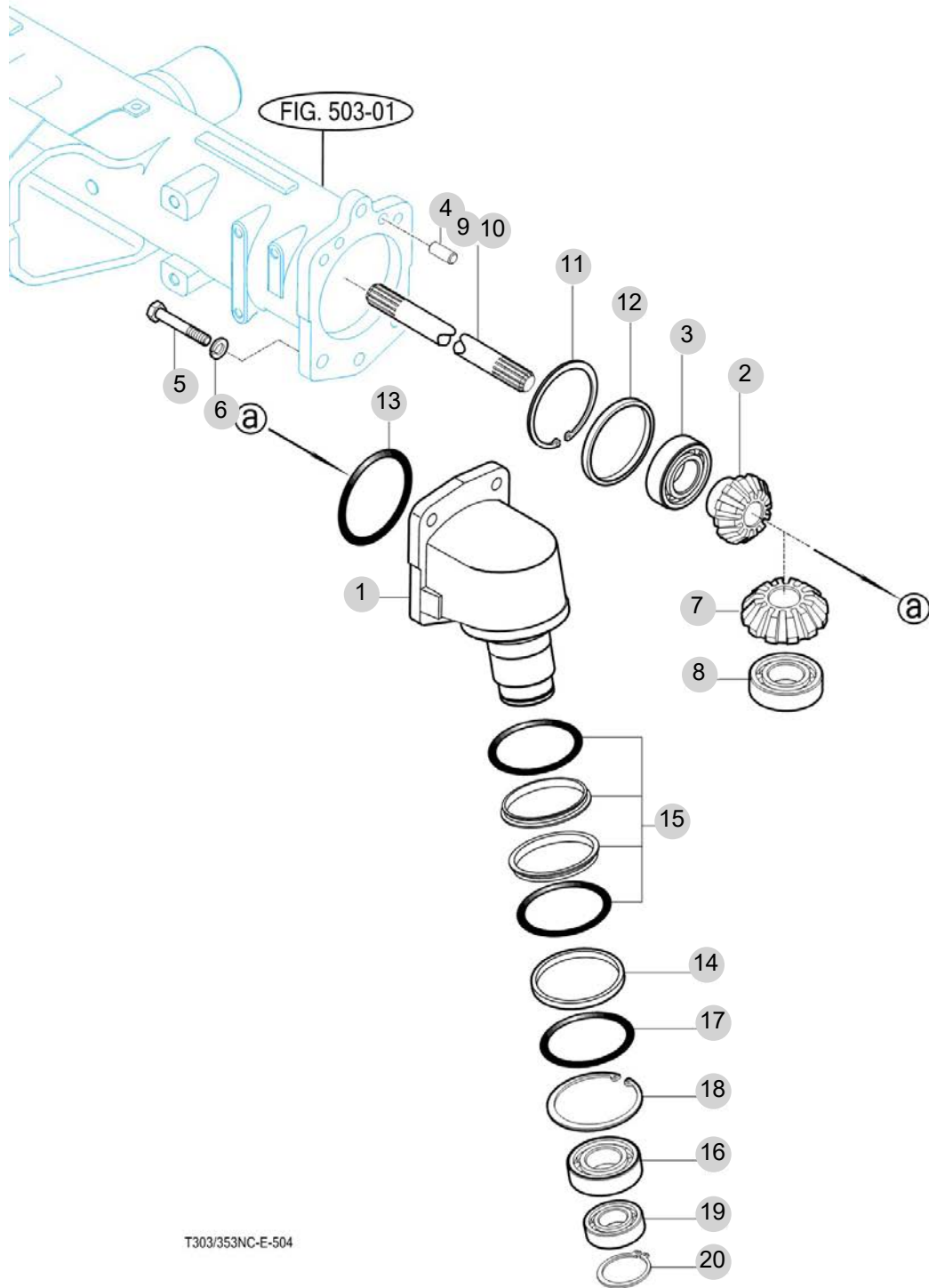
FIG 504

T355NCEU

FRONT GEAR CASE (1)

년/월
Year/Month

2022-12



T303/353NC-E-504

NOTE

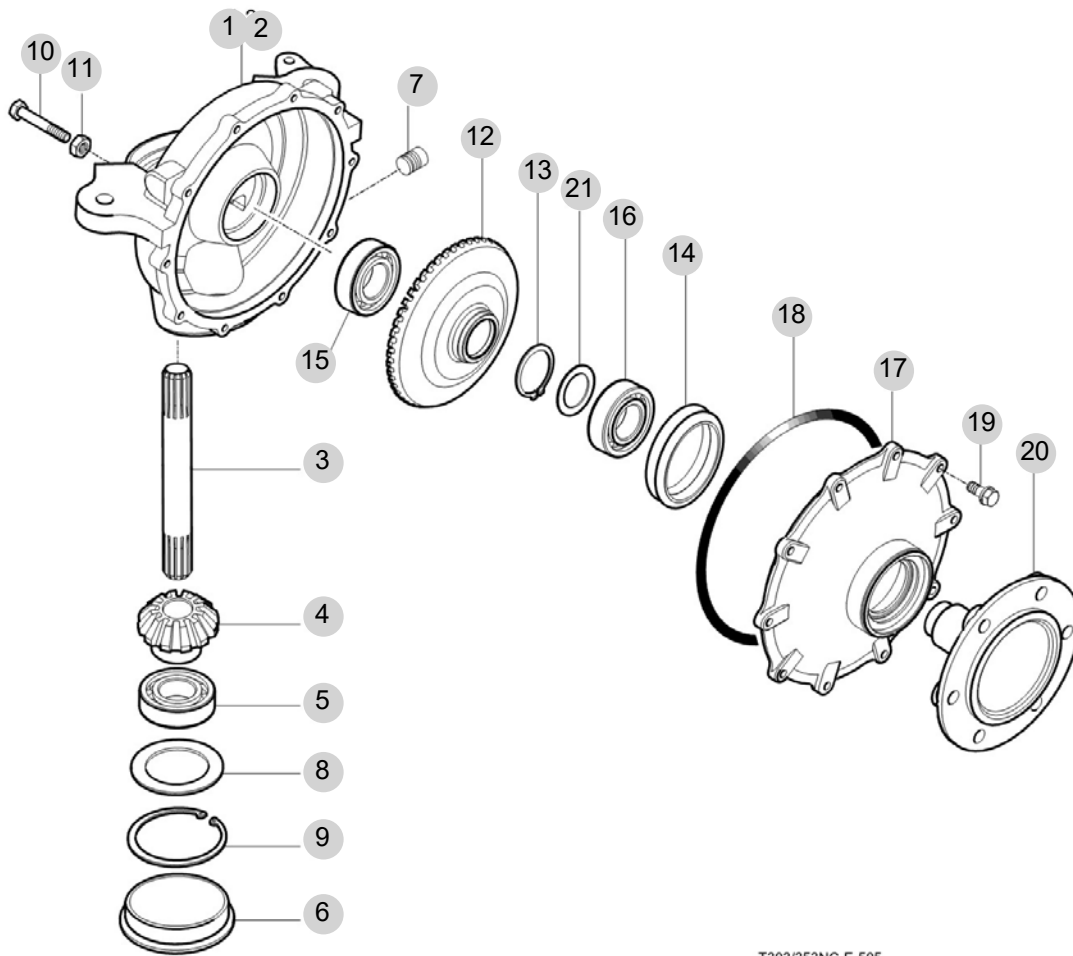
FIG 505

T355NCEU

FRONT GEAR CASE (2)

년/월
Year/Month

2022-12



T303/353NC-E-505

NOTE

6. 유압/3점링크 PART NO. T6

FIG 601 GEAR PUMP	129
FIG 602 CYLINDER CASE	131
FIG 603 LIFT ARM	133
FIG 604 CYLINDER	135
FIG 605 POSITION LINK (1)	137
FIG 606 POSITION LINK (2)	139
FIG 607 CONTROL VALVE	141
FIG 608 POSITION LEVER	143
FIG 609 HYDRAULIC PIPE (1)	145
FIG 610 HYDRAULIC PIPE (2)	147
FIG 611 EXTERIOR HYD. VALVE	149
FIG 612 3-POINT LINK	151
FIG 613 HITCH & COVER	154

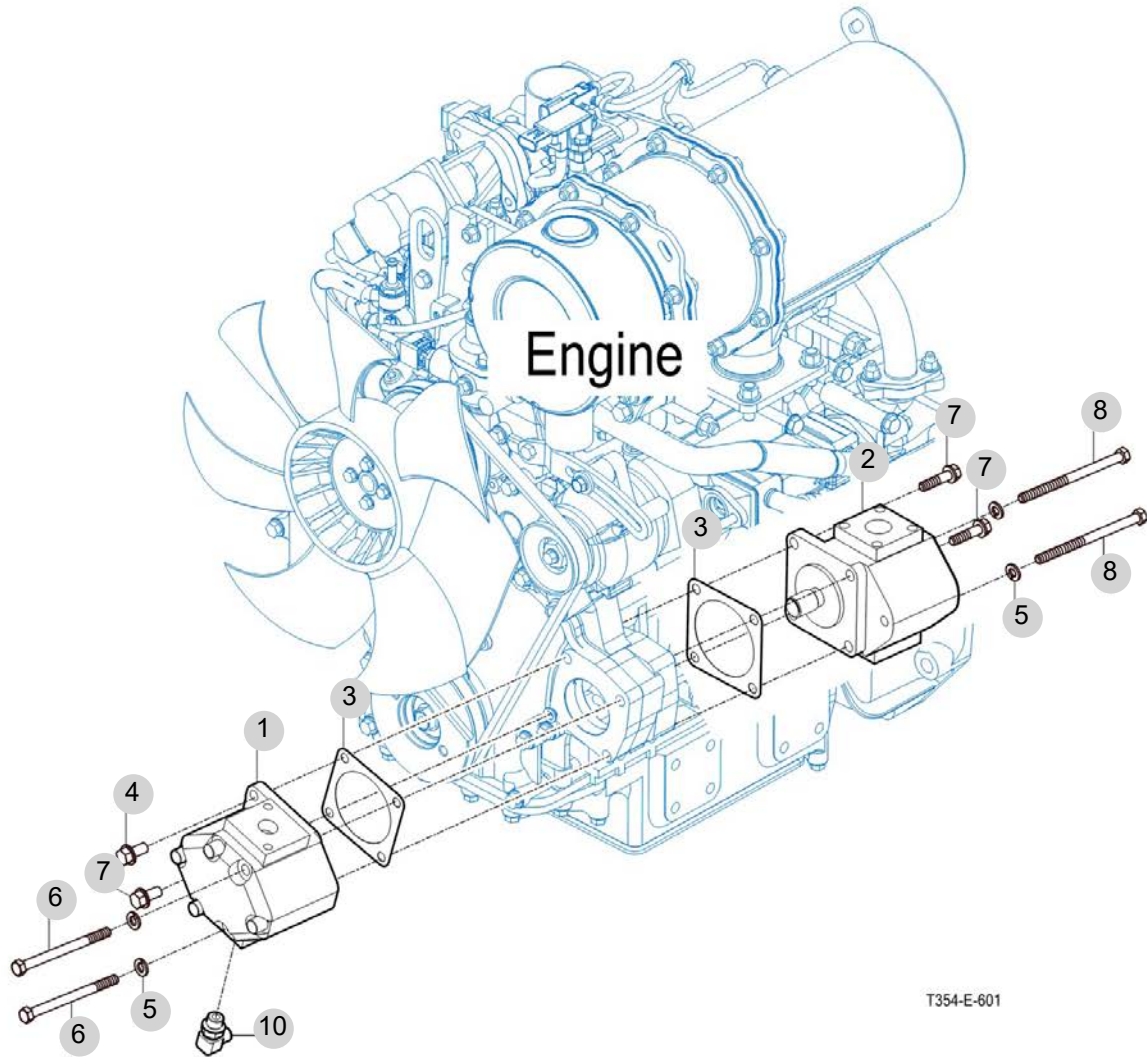
FIG 601

T355NCEU

GEAR PUMP

년/월
Year/Month

2022-12



T354-E-601

NOTE

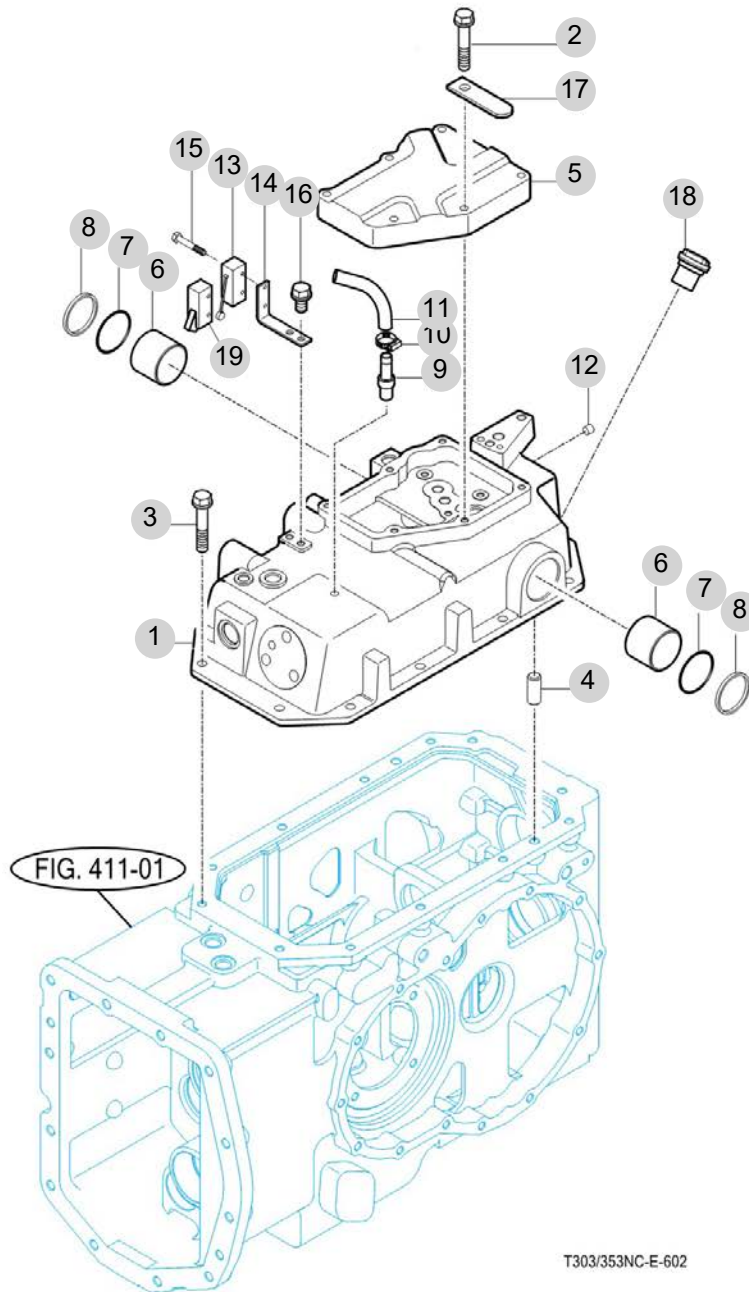
FIG 602

T355NCEU

CYLINDER CASE

년/월
Year/Month

2022-12



NOTE

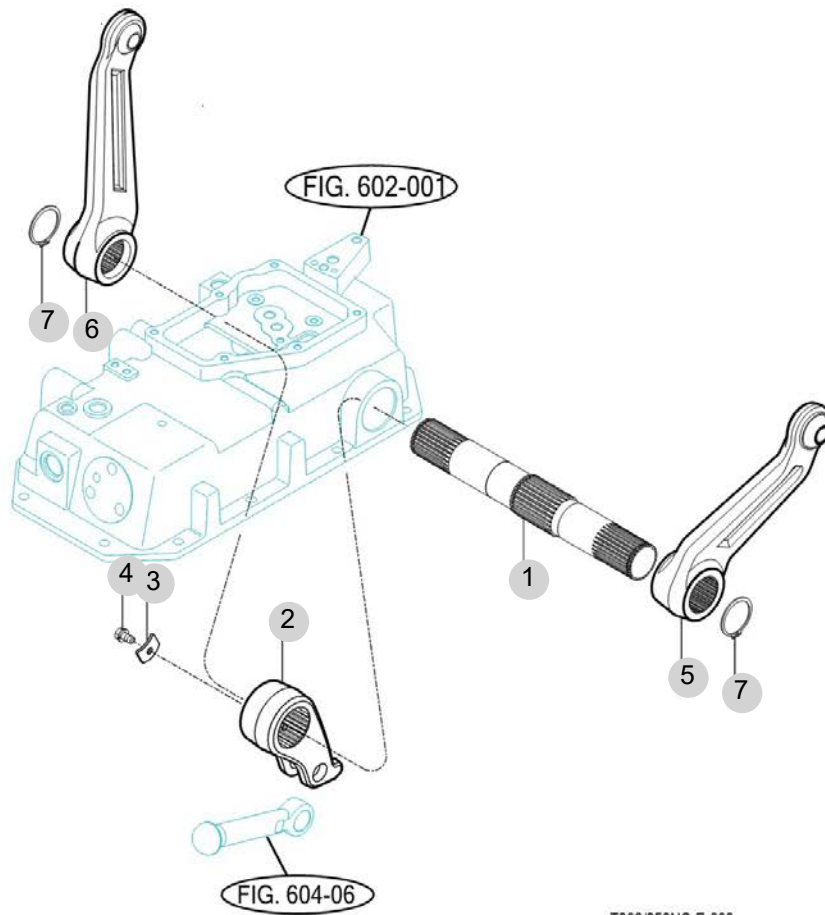
FIG 603

T355NCEU

LIFT ARM

년/월
Year/Month

2022-12



T303/353NC-E-603

NOTE

FIG 603		LIFT ARM						년/월	
								Year/Month	
T355NCEU		2022-12							
KEY NO	PART NO	DESCRIPTION	SPEC	QTY	REPAIR	EFFECTIVE DATE	REMARKS		
603	1	16705020012M	리프트 샤프트				1		
603	2	16705020020M	크랭크(리프트)				1		
603	3	17995020030	고정판				1		
603	4	V2173608016	소형육각볼트보통(S)	M8X16			1		
603	5	16705022100M	암 리프트조합				1		
603	6	16705022100M	암 리프트조합				1		
603	7	V7041400450	C형멈춤링(축용)	45			2		
NOTE									

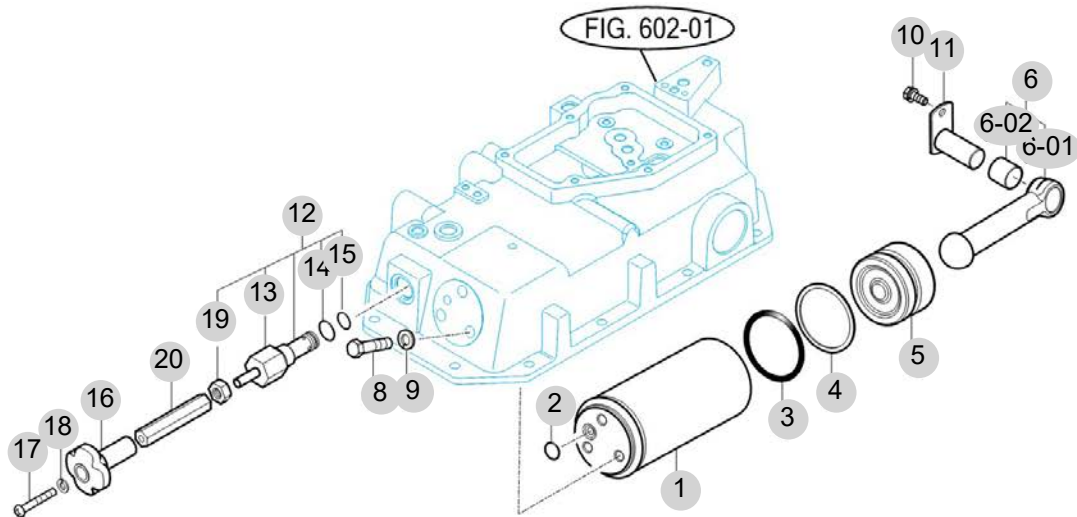
FIG 604

T355NCEU

CYLINDER

년/월
Year/Month

2022-12



T303/353NC-E-604

NOTE

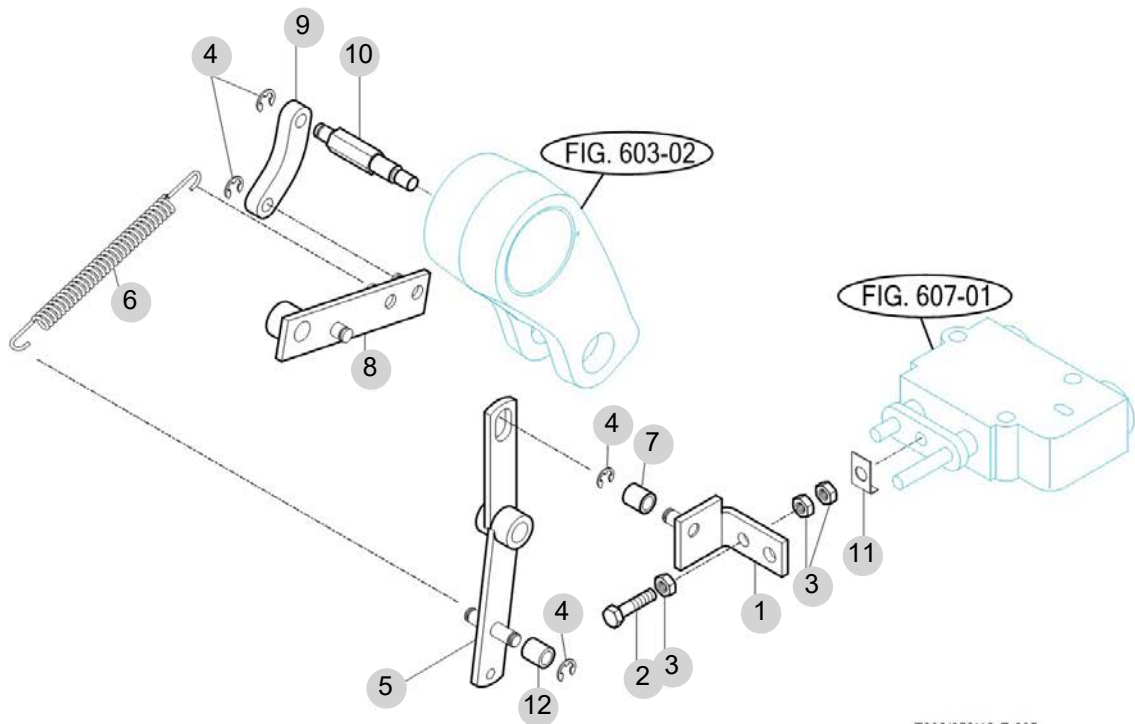
FIG 605

T355NCEU

POSITION LINK (1)

년/월
Year/Month

2022-12



T303/353NC-E-605

NOTE

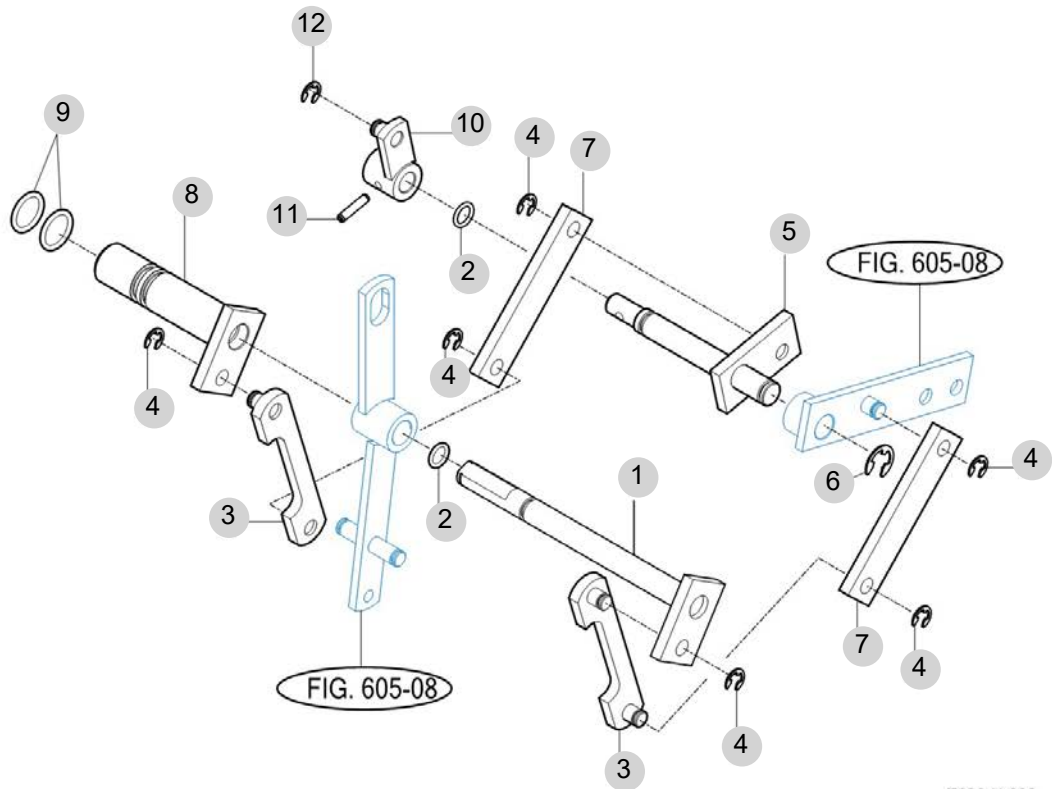
FIG 606

T355NCEU

POSITION LINK (2)

년/월
Year/Month

2022-12



T393-K-606

NOTE

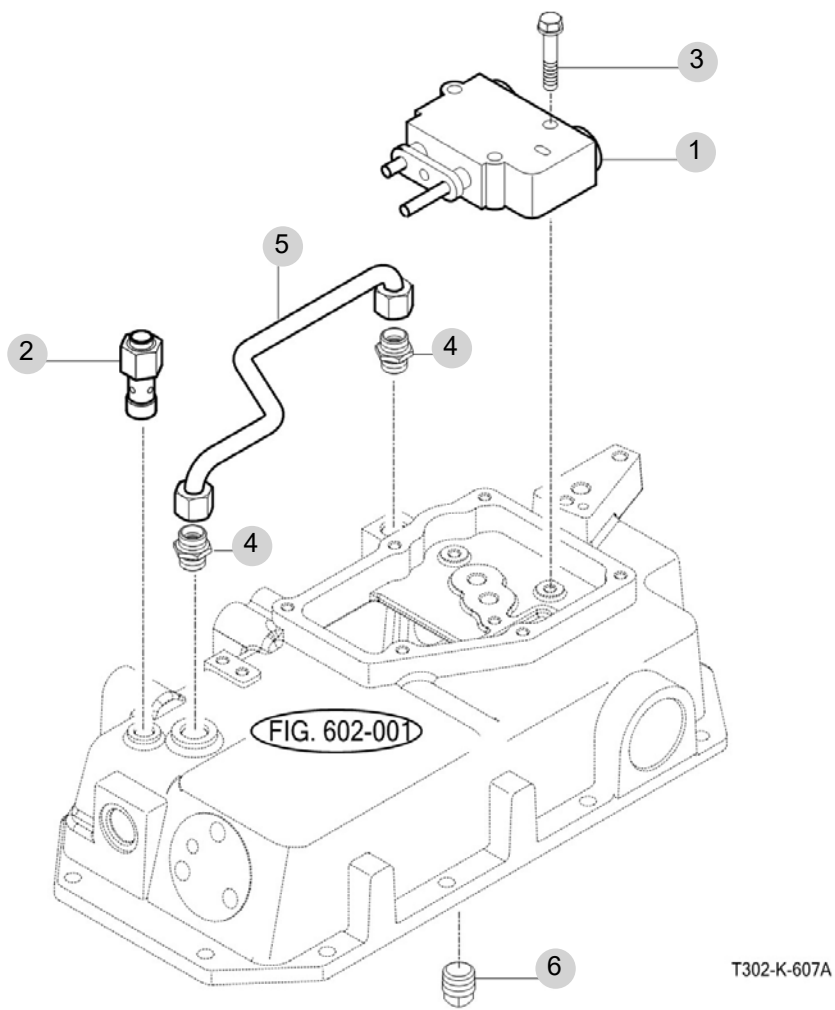
FIG 607

T355NCEU

CONTROL VALVE

년/월
Year/Month

2022-12



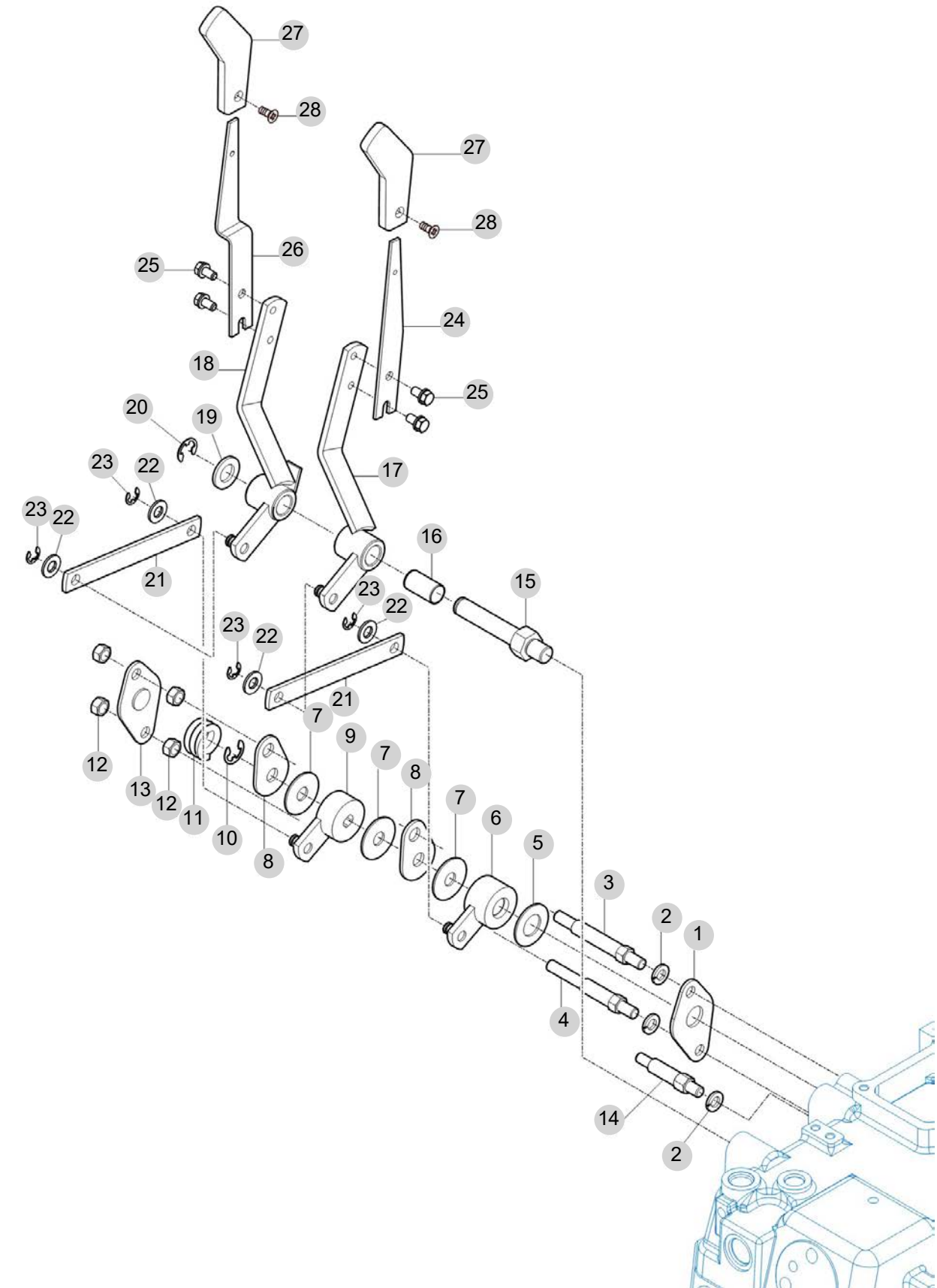
NOTE

FIG 608

POSITION LEVER

년/월
Year/Month

2022-12



NOTE

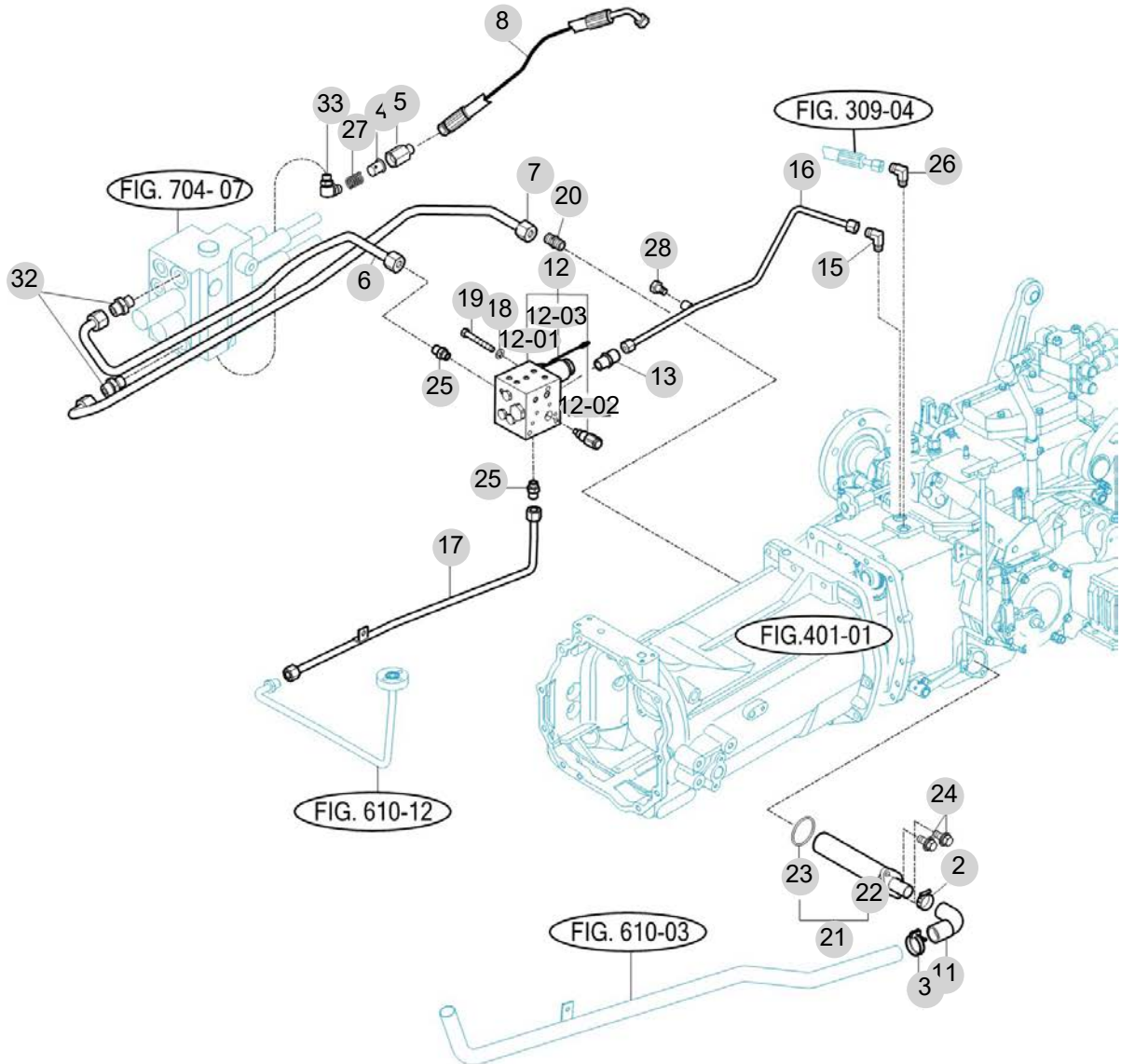
FIG 609

T355NCEU

HYDRAULIC PIPE (1)

년/월
Year/Month

2022-12



T354-E-609

NOTE

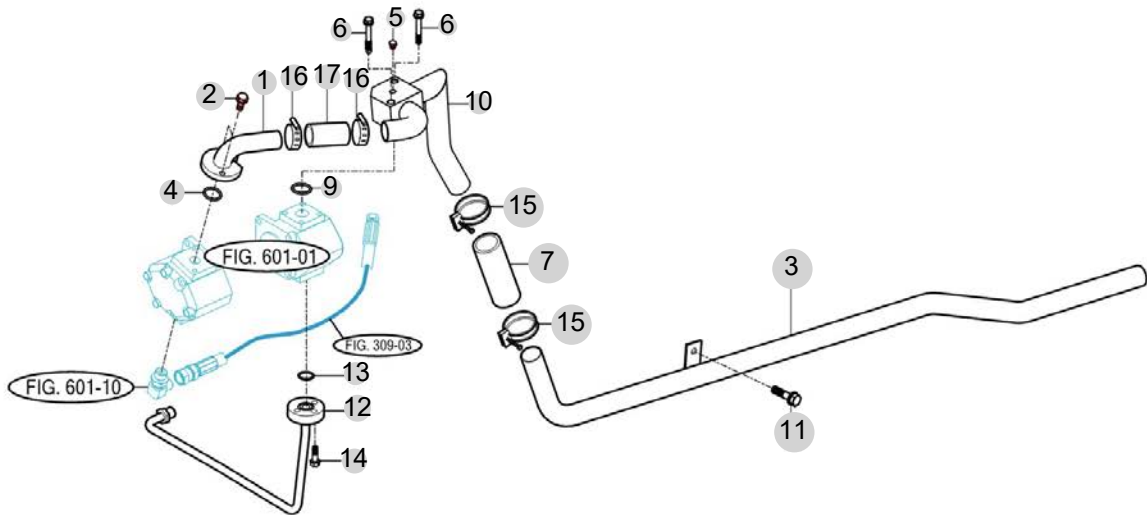
FIG 610

T355NCEU

HYDRAULIC PIPE (2)

년/월
Year/Month

2022-12



T394NC-E-610

NOTE

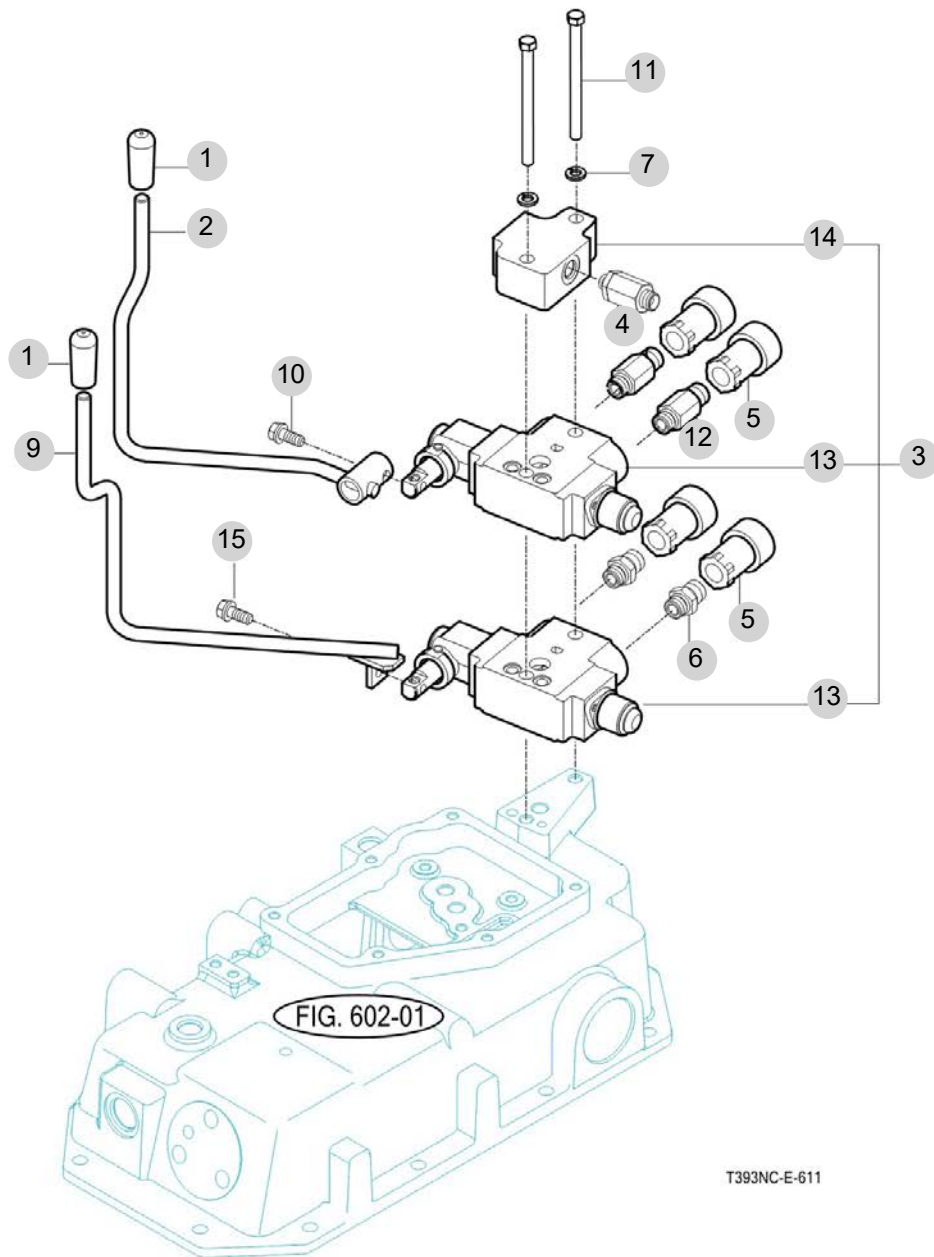
FIG 611

T355NCEU

EXTERIOR HYD. VALVE

년/월
Year/Month

2022-12



T393NC-E-611

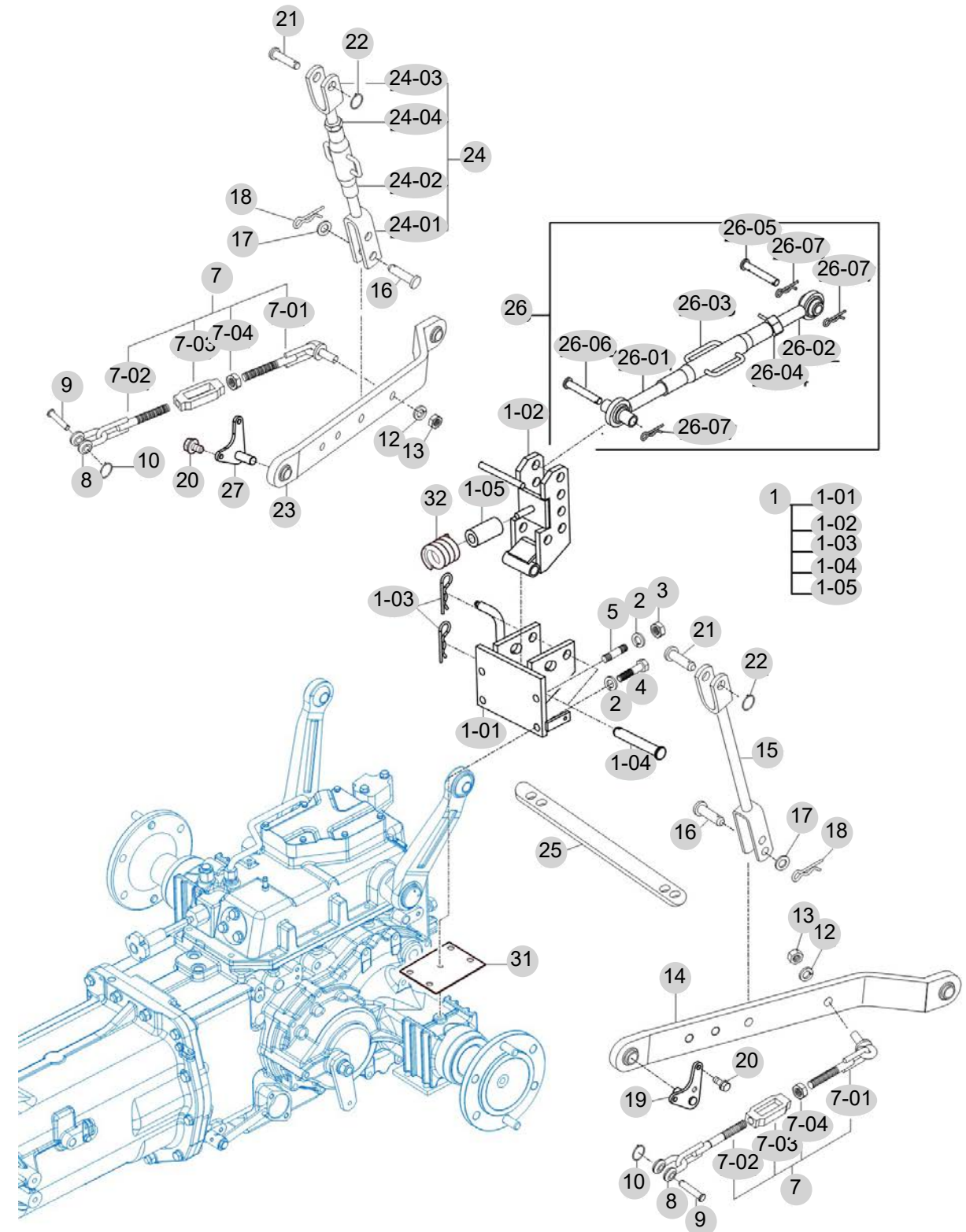
NOTE

FIG 612

3-POINT LINK

년/월
Year/Month

2022-12



T393NC-K-612

NOTE

FIG 612		3-POINT LINK					년/월 Year/Month		
							2022-12		
T355NCEU		KEY NO	PART NO	DESCRIPTION	SPEC	QTY	REPAIR	EFFECTIVE DATE	REMARKS
612	1	13015205000	브래킷 ASSY			1			
612	1-01	13015222000GB	브래킷 COMP			1			
612	1-02	13015222100GB	링크 COMP			1			
612	1-03	14445140051	헤어핀(19)			2			
612	1-04	15645250010	핀(19X122)			2			
612	1-05	17995220990	가이드 고무			1			
612	2	V4011600140	스프링와셔	M14		4			
612	3	V3043600140	소형육각너트보통2종	M14		2			
612	4	V2014614035	소형육각볼트(보통)			2			
612	5	V2514414030	스터드볼트2종	M14X30		2			
612	7	16705142501	체인(체크) 조합			2			
612	7-01	16705244100	체인(체크,LH)COMP			2			
612	7-02	16705142800	체인(체크,RH)COMP			2			
612	7-03	16705142510M	터언버클			2			
612	7-04	V3043600140	소형육각너트보통2종	M14		2			
612	8	16705142520	체크체인 샤클			2			
612	9	79636110030	핀(12X48)			2			
612	10	16735240060	스프링(45)	3X20		2			
612	12	V4011600160	스프링와셔	M16		2			
612	13	V3013600160	육각너트보통2종	M16		2			
612	14	16705142001GB	로어링크(LH)COMP			1			
612	15	16705142400GB	리프트로드(LH) COMP			1			
612	16	79636130050	핀(16X60)			2			
612	17	V4111600160	평와셔	M16		2			
612	18	13059310030	헤어핀(D=2.3)			2			
612	19	12385142200	핀(LH) COMP			2			
612	20	V2173612030	소형육각볼트보통(S)	M12X30		4			
612	21	16705020050	핀(19X69)			2			
612	22	16735240060	스프링(45)			2			
612	23	16705142101GB	로어링크(RH)COMP			1			
612	24	16705145000GB	리프트로드(RH)ASSY			1			
612	24-01	16705145200	포크(하)COMP			1			
612	24-02	16705145100	슬리브 COMP			1			
612	24-03	16705145300	포크(상)COMP			1			
612	24-04	V3023600220	육각너트보통3종			1			
612	25	15605250030	밴드(470)			1			
612	26	16505245501GB	톱링크ASSY			1			
612	26	16505245502GB	톱링크 ASSY			1			
612	26-01	16505245510	톱링크COMP(RH)			1			
612	26-02	16505245520	톱링크COMP(LH)			1			
612	26-03	14555140251	터언버클 조합(톱링크)			1			
612	26-04	16505245530	육각너트			1			
612	26-05	15645220020	핀(19X95)			1			
612	26-06	15645220011	핀(19X86)			1			
612	26-07	14445140051	헤어핀(19)			2			
NOTE									

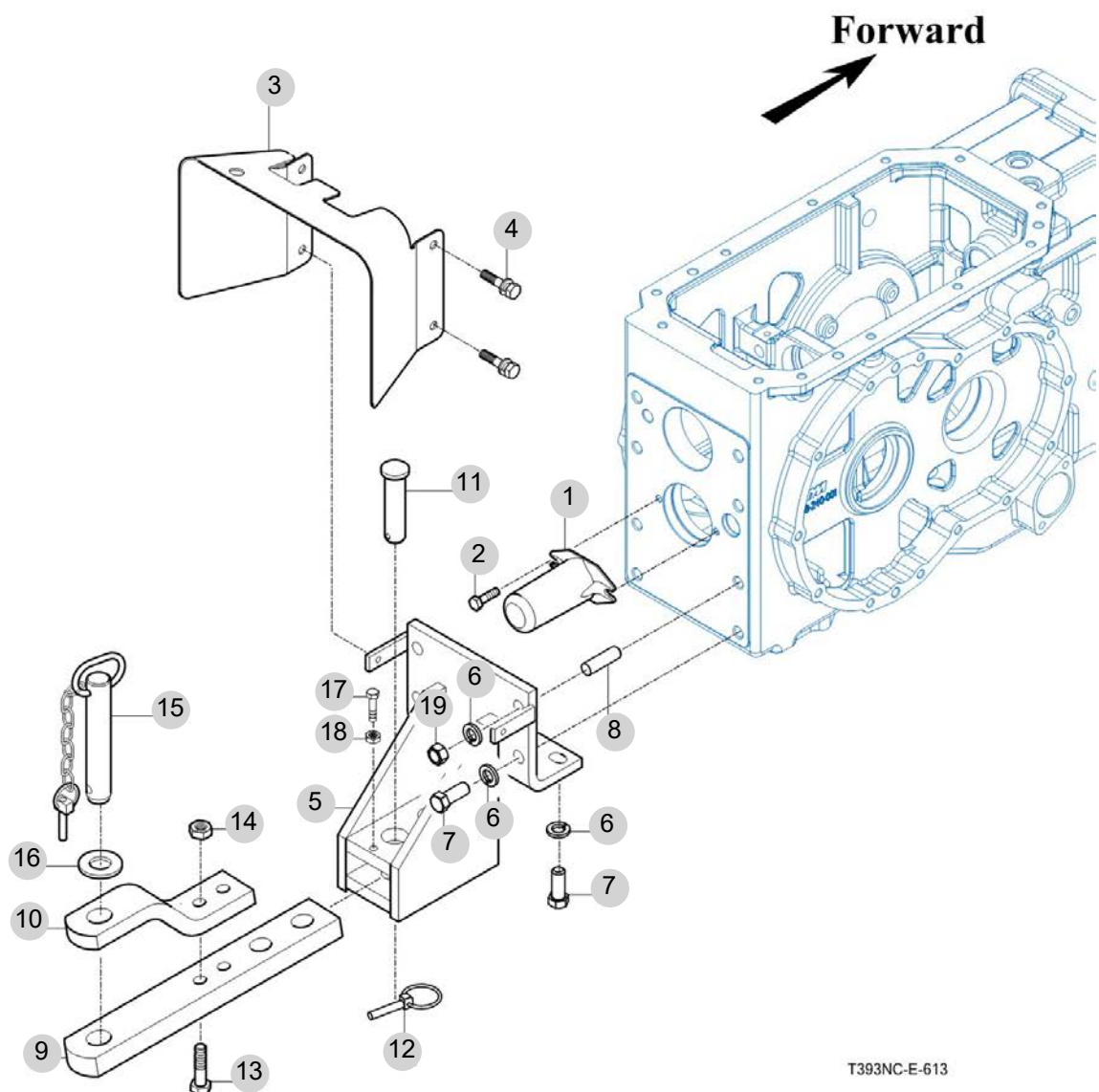
FIG 613

T355NCEU

HITCH & COVER

년/월
Year/Month

2022-12



NOTE

7. 시트메탈/캐빈 PART NO. T7

FIG 701 HOOD	157
FIG 702 BONNET	159
FIG 704 FENDER & REAR FRAME	162
FIG 705 DASH PANEL	165
FIG 706 FLOOR PANEL	167
FIG 707 SEAT	169
FIG 708 FRONT & REAR MOUNTING	171
FIG 709 ROPS	173

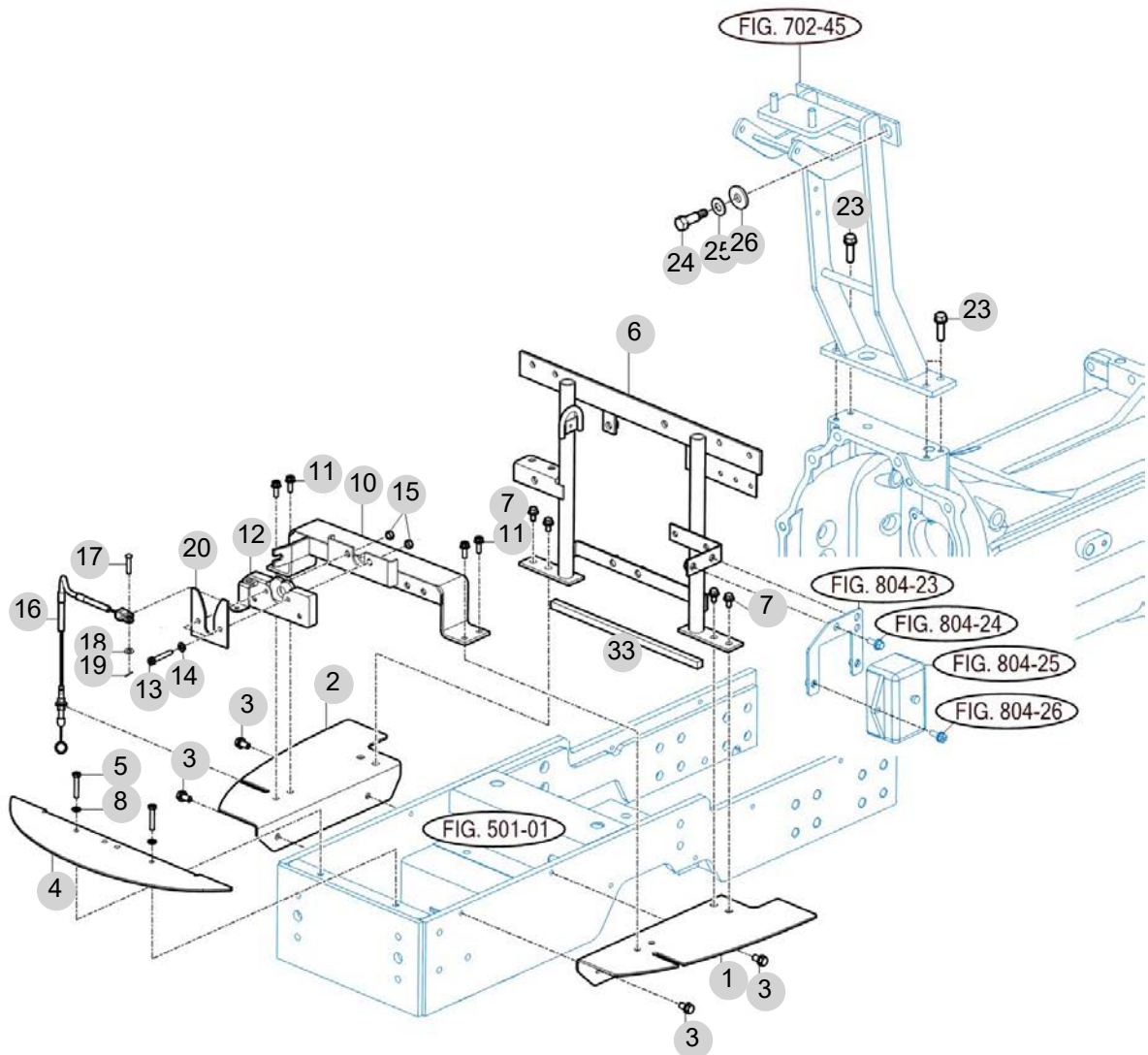
FIG 701

T355NCEU

HOOD

년/월
Year/Month

2022-12



NOTE

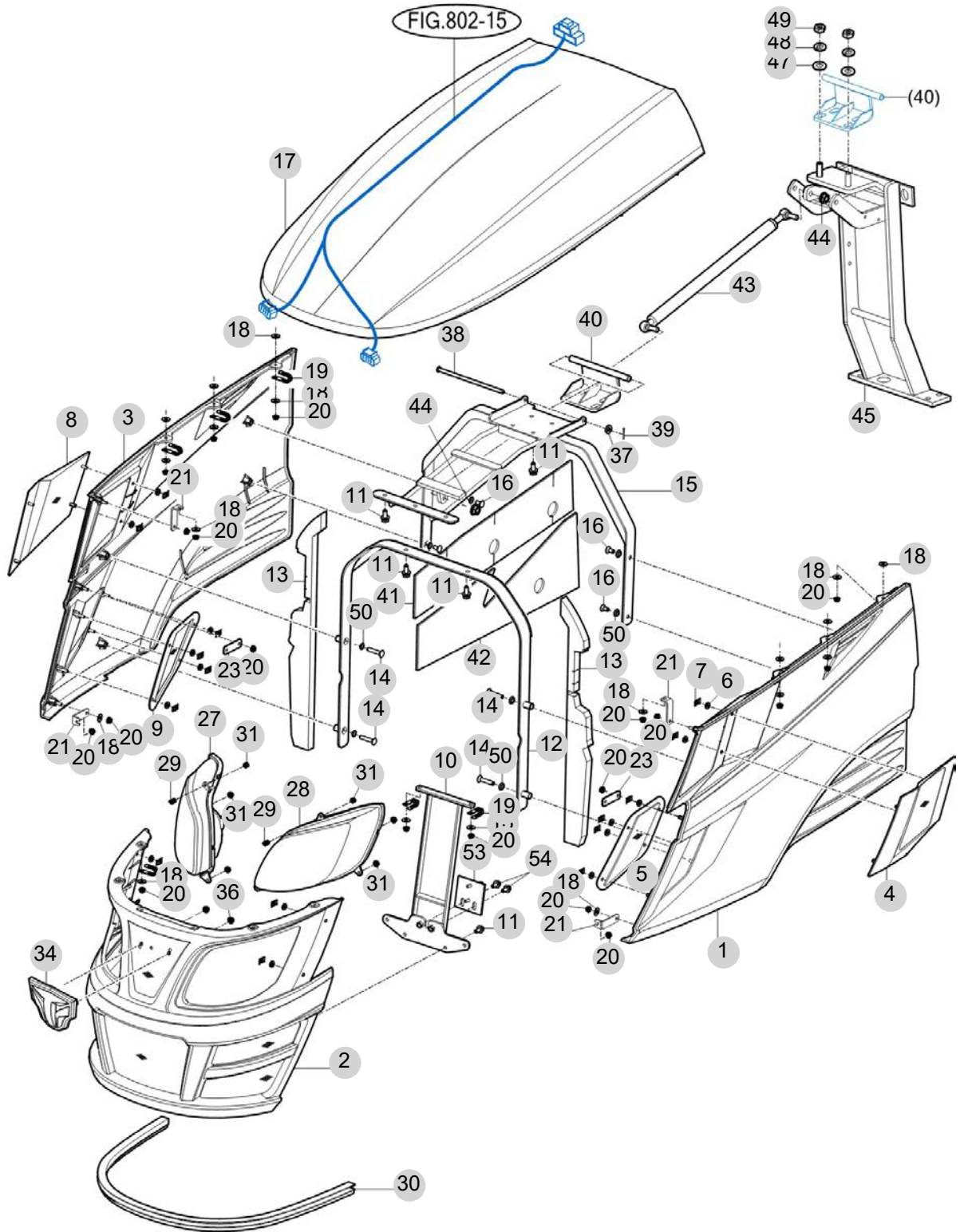
FIG 702

T355NCEU

BONNET

년/월
Year/Month

2022-12



NOTE

FIG 702		BONNET					년/월	
							Year/Month	
T355NCEU		2022-12						
KEY NO	PART NO	DESCRIPTION	SPEC	QTY	REPAIR	EFFECTIVE DATE	REMARKS	
702	1	17406203301SR	사이드 커버 COMP , 좌		1			
702	1	17406203302SR	사이드 커버 COMP , 좌		1			
702	1	17406203303SR	사이드 커버 COMP , 좌		1			
702	2	17406203200GB	그릴 COMP		1			
702	3	17406203401SR	사이드 커버 COMP , 우		1			
702	3	17406203402SR	사이드 커버 COMP , 우		1			
702	3	17406203403SR	사이드 커버 COMP , 우		1			
702	4	17406203500GB	네트 , 상/좌		1			
702	5	17406203600GB	네트 , 하/좌		1			
702	6	14446010150	네트와샤(6X14X3)		16			
702	7	V3501600060	스프링 너트		16			
702	8	17406203700GB	네트 , 상/우		1			
702	9	17406203800GB	네트 , 하/우		1			
702	10	18366202500GB	핀 COMP , 후드락		1			
702	10	17406202500GB	핀 COMP , 후드락		1			
702	11	V2183608020	소형육각볼트보통(SP)		13			
702	12	17406202300GB	후드 프레임 COMP , 전		1			
702	13	17406202430	인슐레이터 , 사이드 전		2			
702	14	V1122608040	십자홈접시작은나사		4			
702	15	17406202700GB	후드 프레임 COMP , 후		1			
702	15	10536202700GB	후드 프레임 COMP , 후		1			
702	15	10536202701GB	후드 프레임 COMP , 후		1			
702	15	10536202702GB	후드 프레임 COMP , 후		1			
702	16	V1122608016	십자홈접시작은나사		4			
702	17	17406203101SR	후드 COMP		1			
702	17	17406203102SR	후드 COMP		1			
702	17	17406203103SR	후드 COMP		1			
702	18	35605033020	와이어인출용와셔		22			
702	19	37371720090	메인하니스 클램프(하)		6			
702	19	13764020030	케이블타이(140)		6			
702	19	36571720090	메인 하니스 클램프		6			
702	20	V3802600060	플랜지볼이육각너트	M6	24			
702	21	17406203010GB	플레이트 , 상/사이드		4			
702	21	17406203011GB	플레이트 , 상/사이드		4			
702	21	17406203010GB	플레이트 , 상/사이드		4			
702	23	17406203020GB	플레이트 , 중/사이드		2			
702	27	17406525001	헤드램프 ASSY , 우		1			
702	27	17406525002	헤드램프 ASSY , 우		1			
702	28	17406524001	헤드램프 ASSY , 좌		1			
702	28	17406524002	헤드램프 ASSY , 좌		1			
702	29	36108010080	중자출구스프링(HC016)		2			
702	30	17406203900	인슐레이터 , 후드		1			
702	31	19027210060	나일론너트(M6)		6			
702	34	19959010011	엠블럼		1			
702	34	17406212000	엠블럼 ASSY , V5		1			
NOTE								

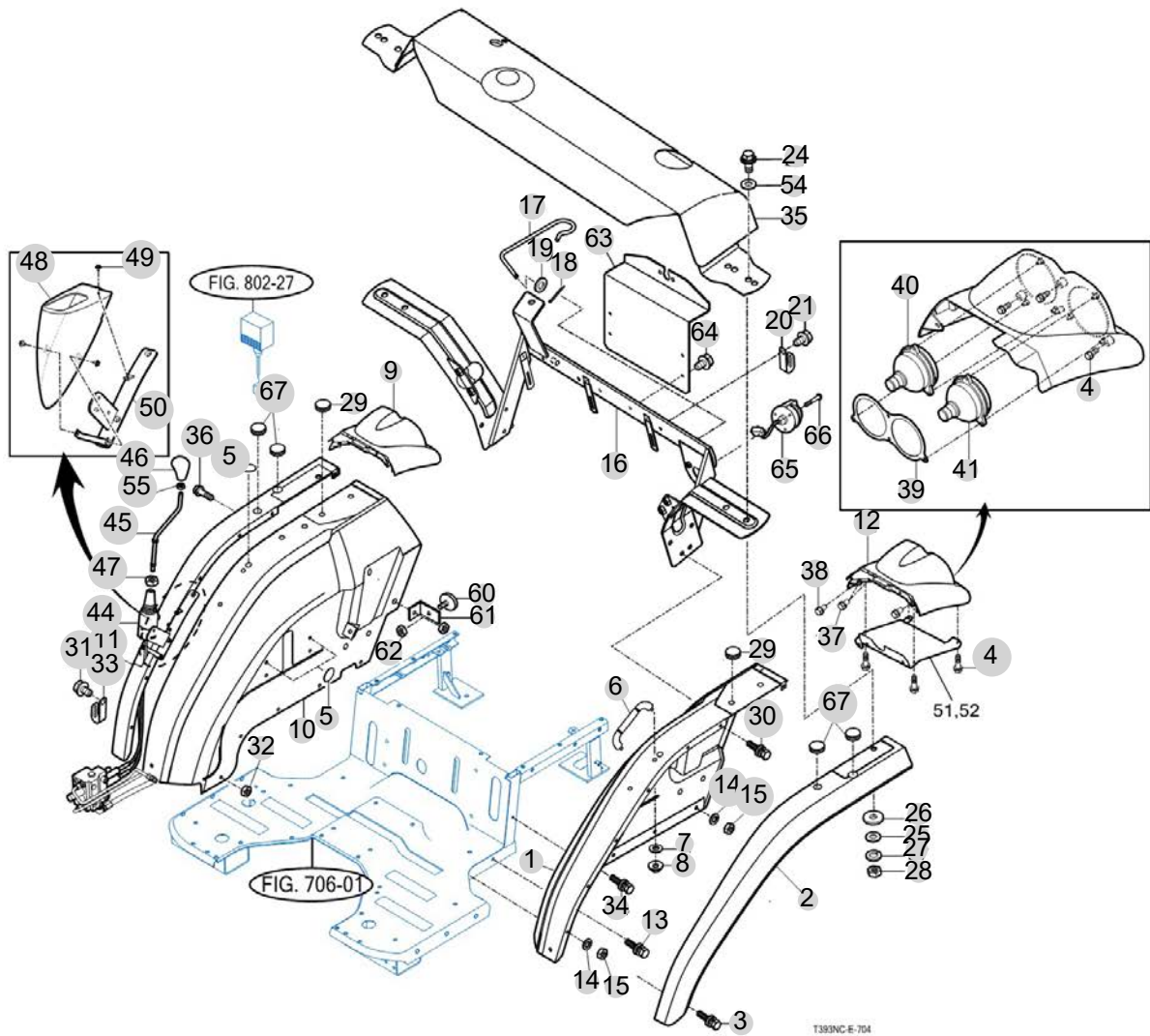
FIG 704

T355NCEU

FENDER & REAR FRAME

년/월
Year/Month

2022-12



NOTE

FIG 704		FENDER & REAR FRAME					년/월 Year/Month		
							2022-12		
T355NCEU		KEY NO	PART NO	DESCRIPTION	SPEC	QTY	REPAIR	EFFECTIVE DATE	REMARKS
704	1	14726063502SR	휀더(LH)COMP			1			
704	2	12656060040SR	훁받이 휀더 (LH)			1			
704	2	12656060041SR	훁받이 휀더 (LH)			1			
704	3	V2193606016	육각볼트(SPL)	M6X16		12			
704	4	V2123606012	육각볼트(SP)	M6X12		14			
704	5	16606070031	캡(9)			10			
704	6	14726071101	손잡이 COMP			1			
704	7	35602010150	결속축와셔	T=2.3		4			
704	8	V3802600080	플랜지볼이육각너트			4			
704	9	13016060030	리어 램프 커버(우)			1			
704	10	14726063602SR	휀더(RH)COMP(PNT)			1			
704	11	10526060020SR	훁받이 휀더 (RH)			1			
704	11	10526060021SR	훁받이 휀더 (RH)			1			
704	12	13016060020	리어램프커버(좌)			1			
704	13	V2183608020	소형육각볼트보통(SP)	M8X20		8			
704	14	V4011600080	스프링와셔	M8		4			
704	15	V3042600080	소형육각너트보통2종	M8		4			
704	16	16707035403SR	리어프레임(연료탱크)COMP			1			
704	17	14885251100	후크(톱링크)			1			
704	18	V4111600060	평와셔	M6		1			
704	19	V5001920015	분할핀	2X15		1			
704	20	14256210040	하니스클램프(9)			1			
704	20	14256210040	하니스클램프(9)			1			
704	21	V2123606012	육각볼트(SP)	M6X12		1			
704	25	V4111600120	평와셔	M12		4			
704	26	36217020030	폴리 와셔			4			
704	27	V4011600120	스프링와셔	M12		4			
704	28	V3043600120	소형육각너트보통2종	M12		4			
704	29	14326510210	고무캡(20)			2			
704	30	V2183608020	소형육각볼트보통(SP)	M8X20		4			
704	31	V2183608020	소형육각볼트보통(SP)	M8X20		1			
704	32	V3042600080	소형육각너트보통2종	M8		1			
704	33	14256210040	하니스클램프(9)			1			
704	33	14256210040	하니스클램프(9)			1			
704	34	V2183608035	소형육각볼트보통(SP)	M8X35		2	C		
704	35	14777036302SR	커버 COMP (연료탱크)			1			
704	35	14777036302DR	커버 COMP(연료탱크)(PNT)			1			
704	35	14777036302SR	커버 COMP (연료탱크)			1			
704	35	14777036303SR	커버 COMP , 연료탱크			1			
704	35	14777036303SR	커버 COMP , 연료탱크			1			
704	36	V2183610020	소형육각볼트보통(SP)	M10X20		2			
704	37	V2323606016	심자훁육각볼트(SP)			6			
704	38	V2193606020	육각볼트(SPL)			2			
704	39	13016061300	리어램프 고정플레이트			2			
704	40	13367023400	스톱램프 ASSY			2			
NOTE									

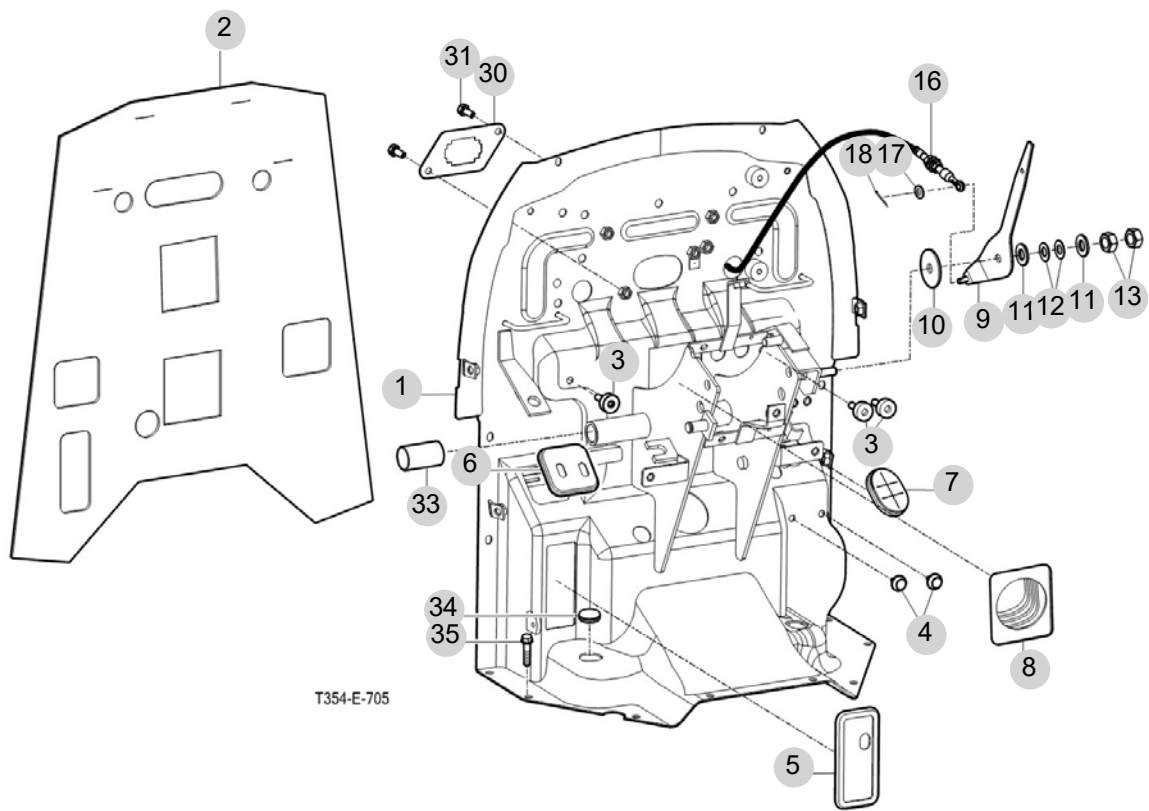
FIG 705

T355NCEU

DASHBOARD

년/월
Year/Month

2022-12



NOTE

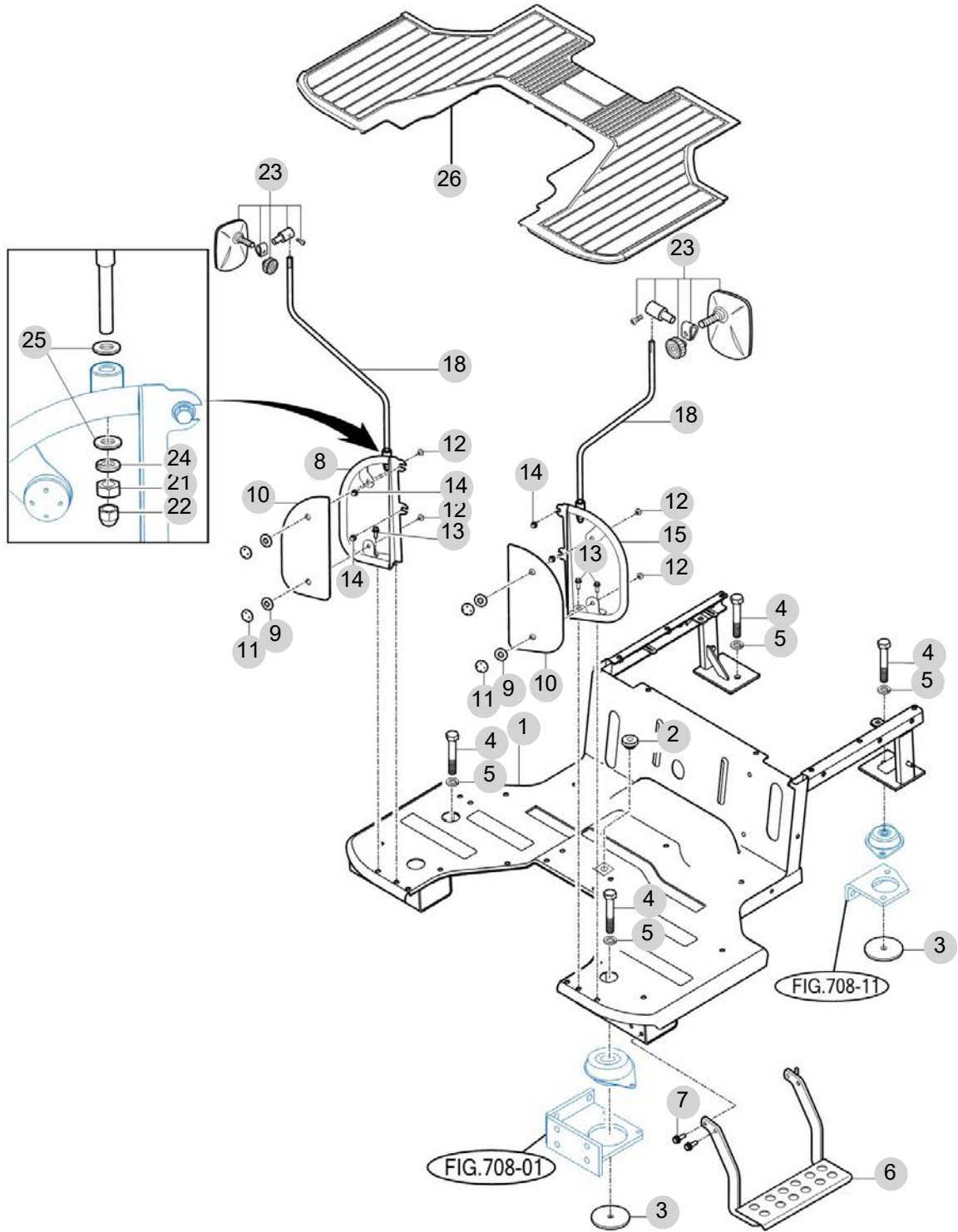
FIG 706

T355NCEU

FLOOR PANEL

년/월
Year/Month

2022-12



T354-E-706

NOTE

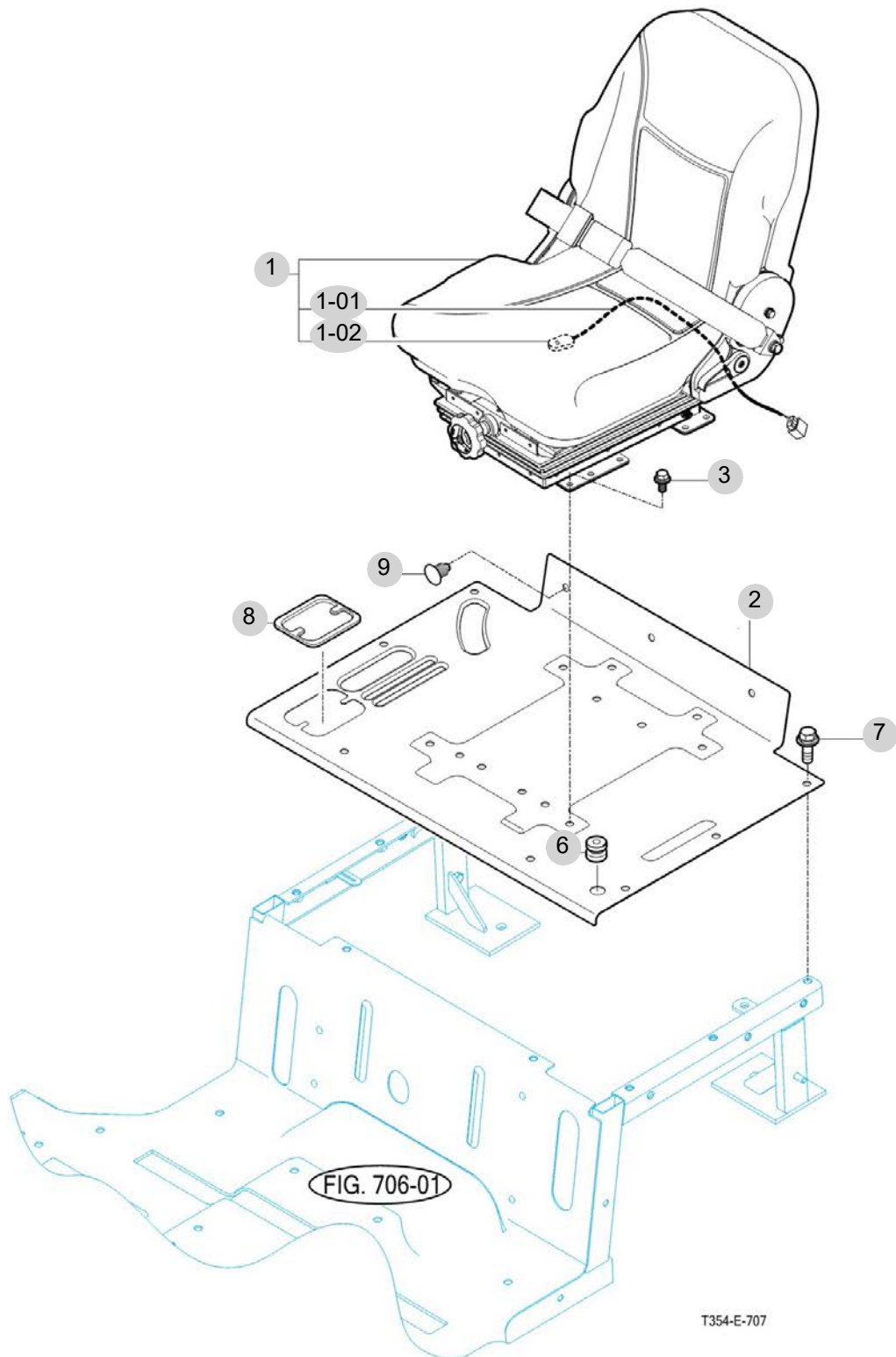
FIG 707

T355NCEU

SEAT

년/월
Year/Month

2022-12



NOTE

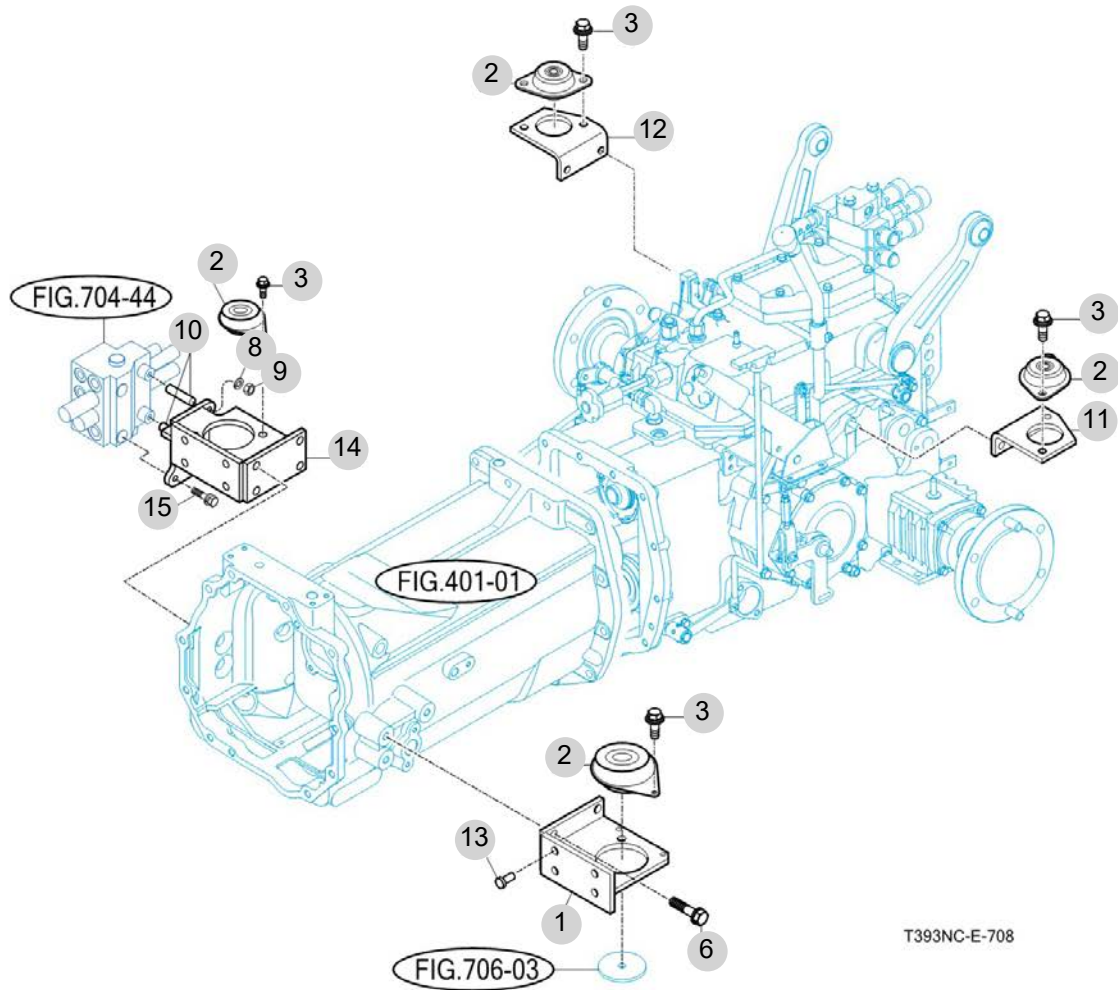
FIG 708

T355NCEU

FRONT & REAR MOUNTING

년/월
Year/Month

2022-12



NOTE

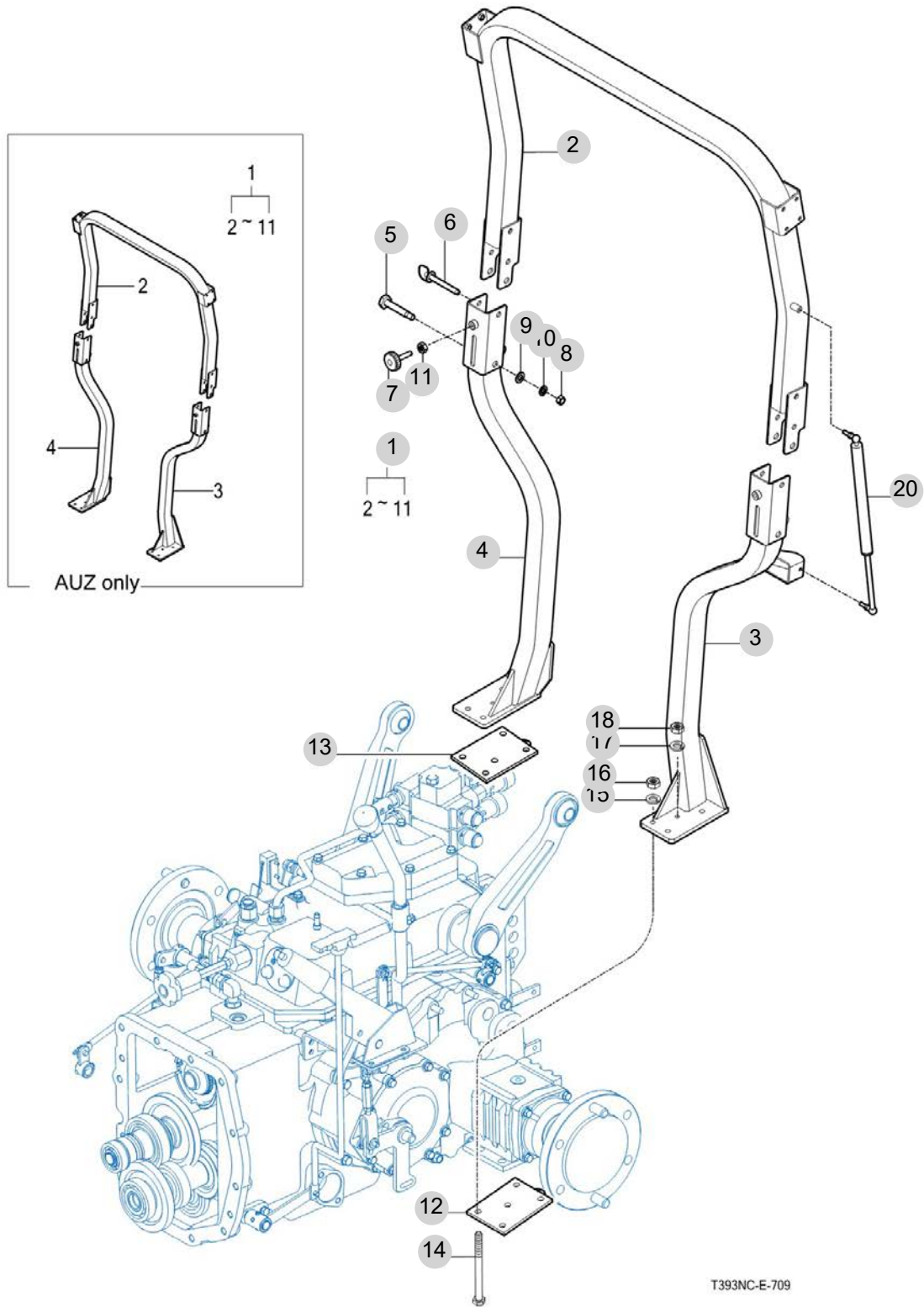
FIG 709

T355NCEU

ROPS

년/월
Year/Month

2022-12



NOTE

8. 전장 PART NO. T8

FIG 801 BATTERY & MOUNTING	176
FIG 802 LAMP	178
FIG 803 INSTRUMENT PANEL	180
FIG 804 ELECTRIC SYSTEM	182
FIG 805 HARNESS (1)	184
FIG 806 HARNESS (2)	186

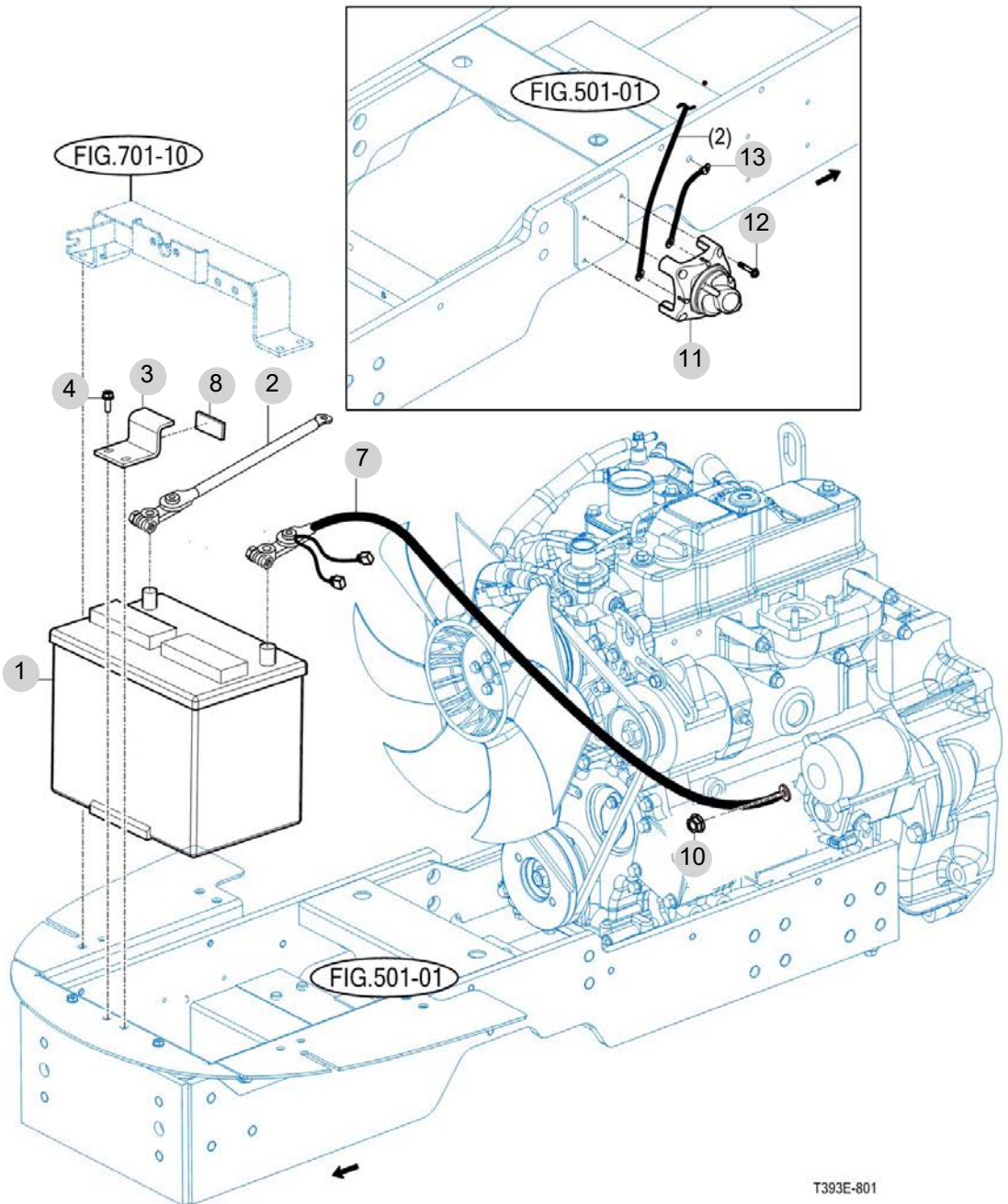
FIG 801

T355NCEU

BATTERY & MOUNTING

년/월
Year/Month

2022-12



NOTE

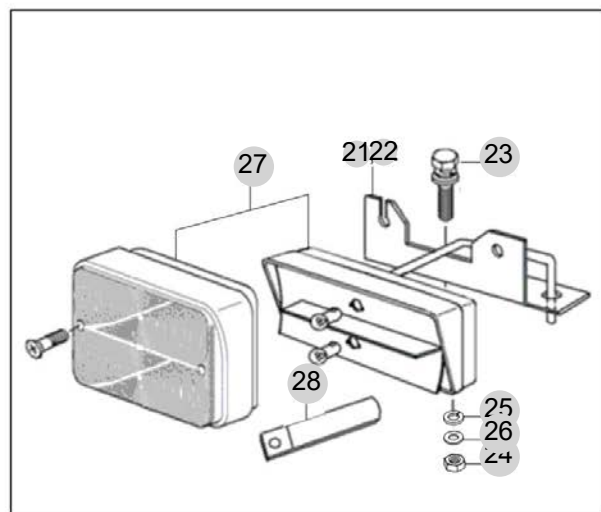
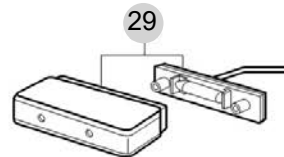
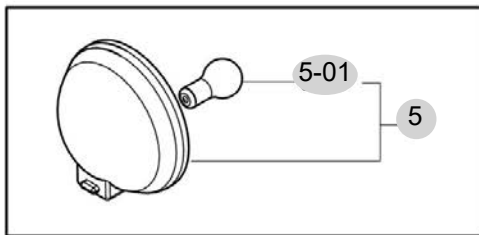
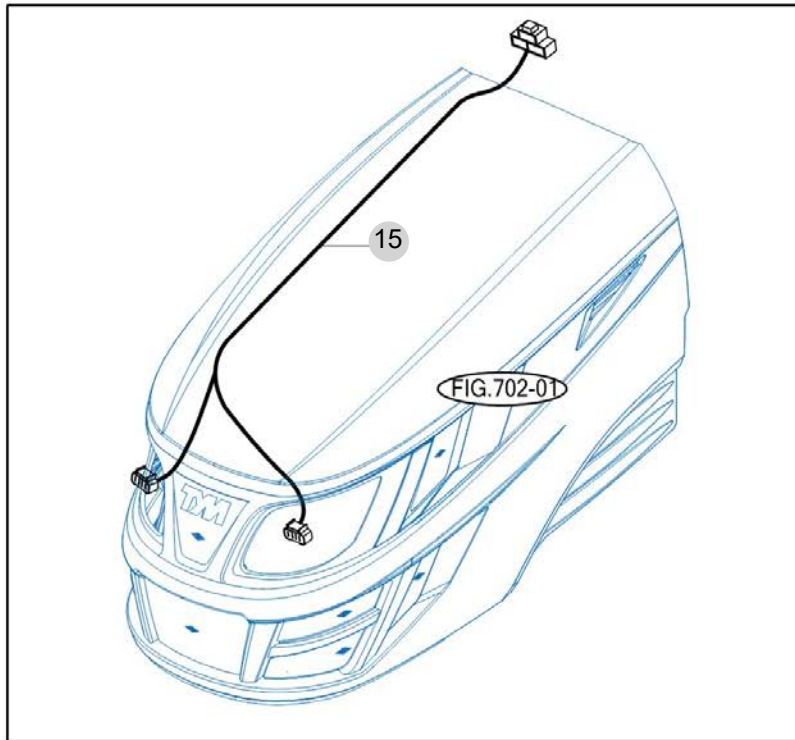
FIG 802

T355NCEU

LAMP

년/월
Year/Month

2022-12



NOTE

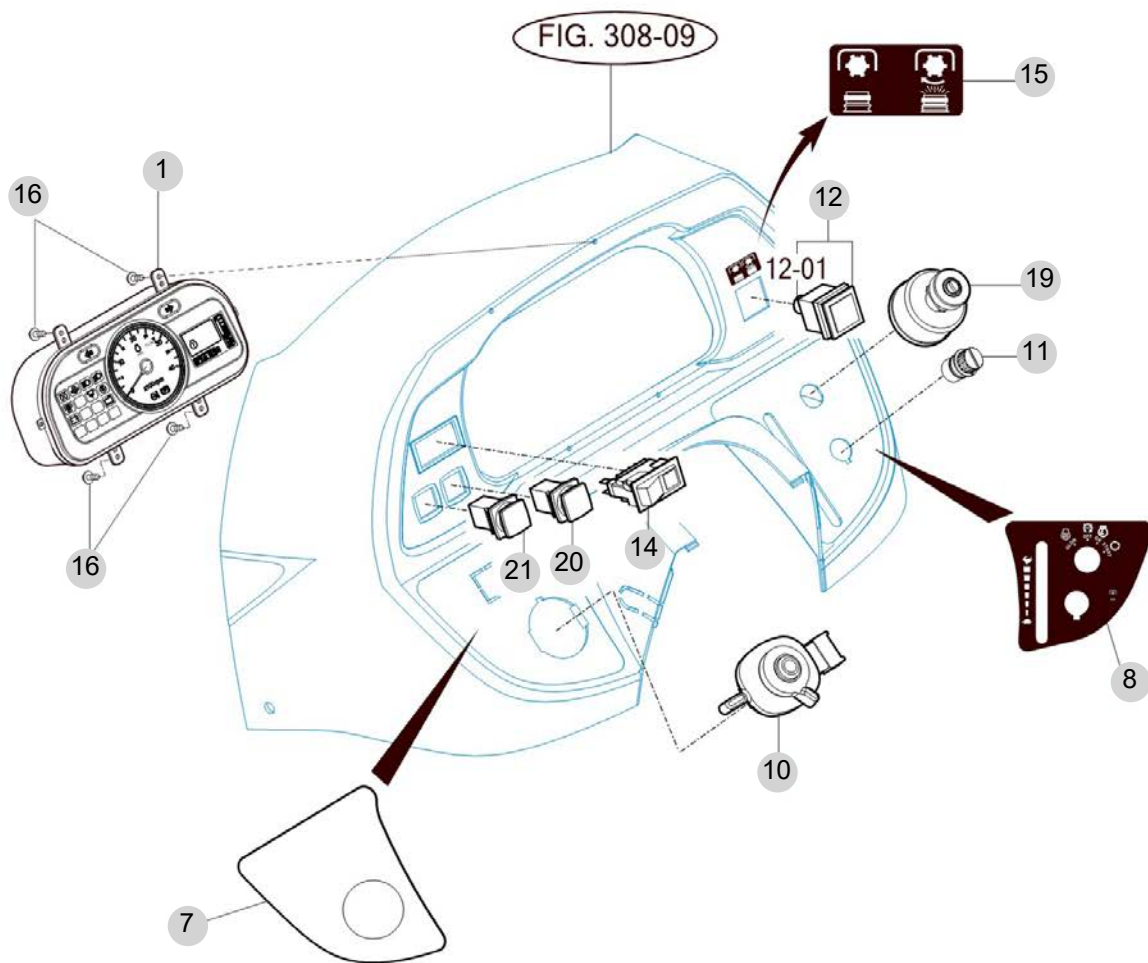
FIG 803

T355NCEU

INSTRUMENT PANEL

년/월
Year/Month

2022-12



T393NC-E-803

NOTE

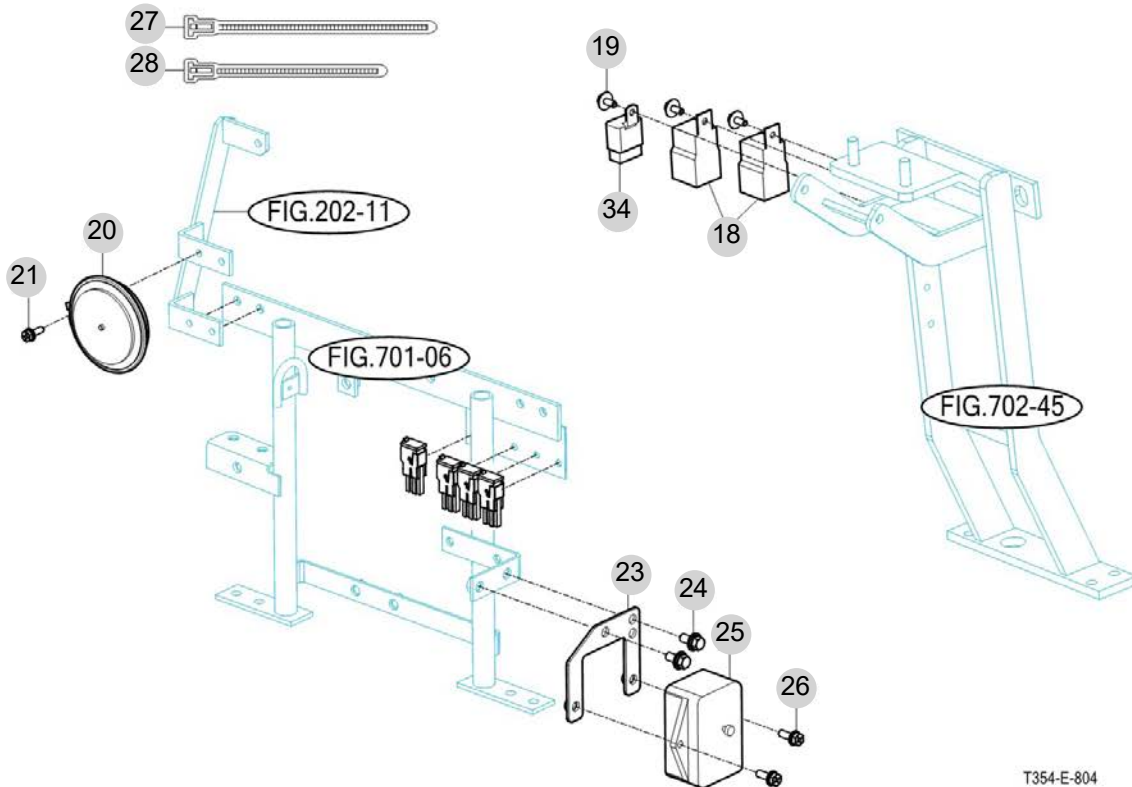
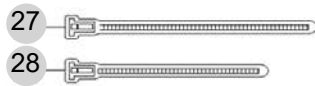
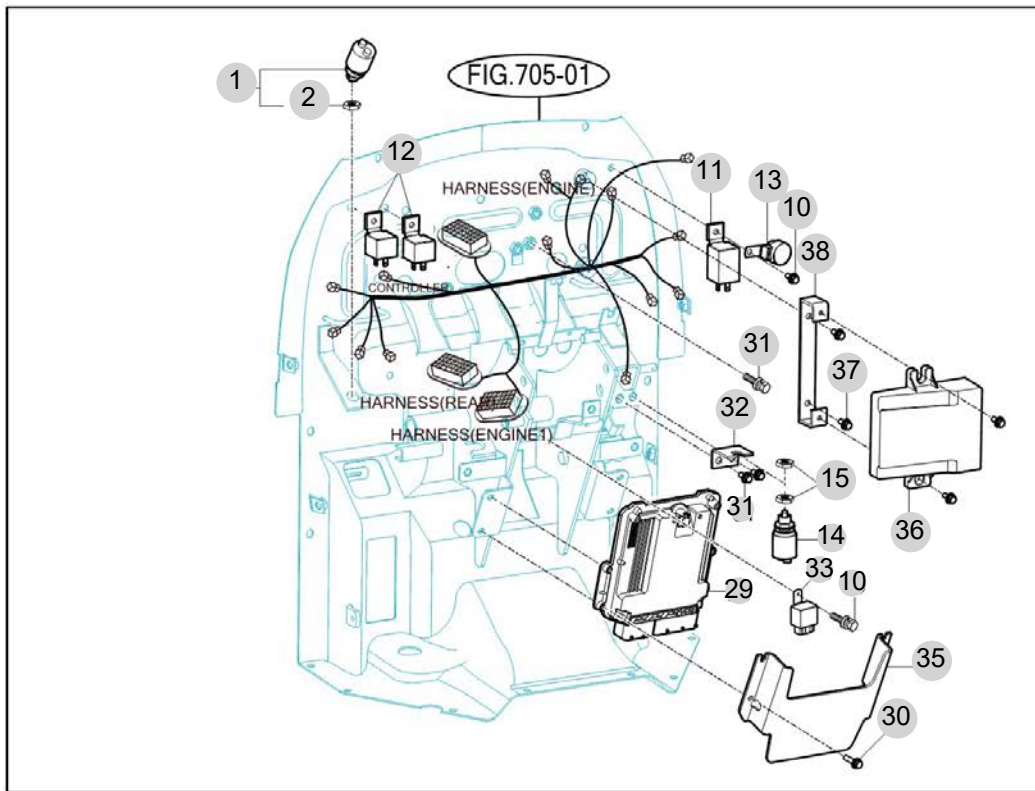
FIG 804

T355NCEU

ELECTRIC SYSTEM

년/월
Year/Month

2022-12



T354-E-804

NOTE

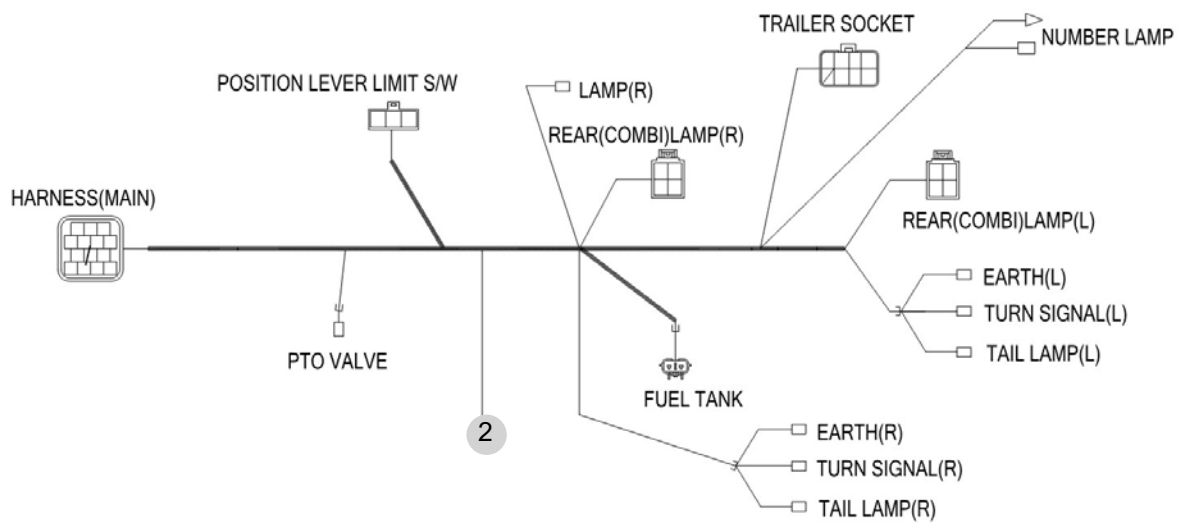
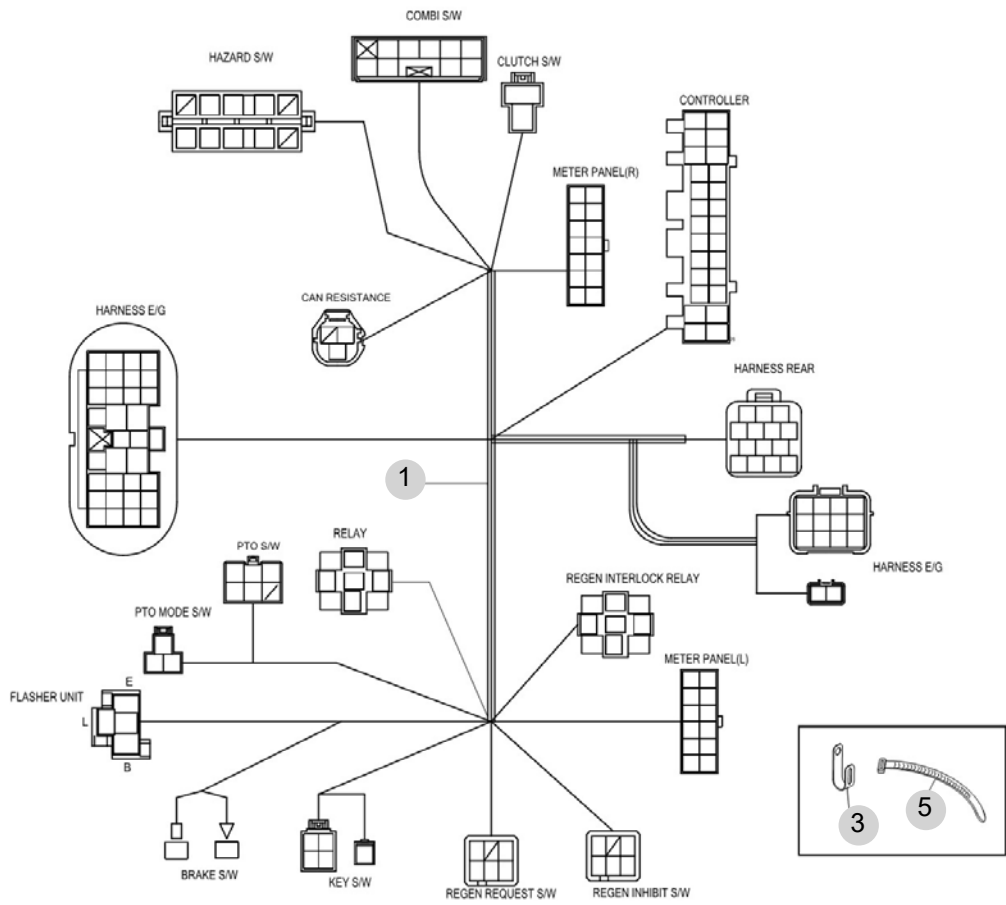
FIG 805

T355NCEU

HARNESS (1)

년/월
Year/Month

2022-12



T354NC-E-805

NOTE

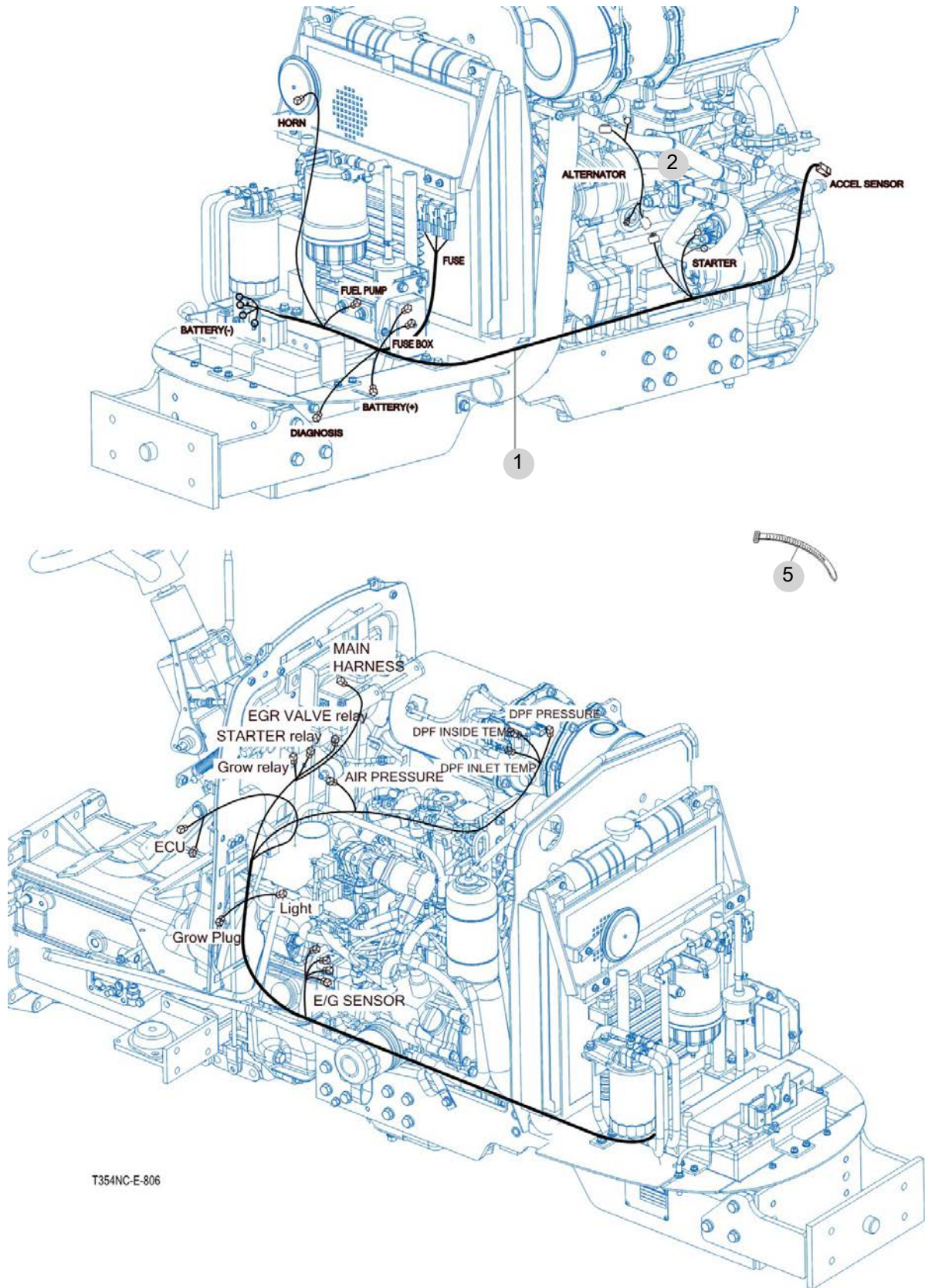
FIG 806

HARNESS (2)

년/월
Year/Month

2022-12

T355NCEU



T354NC-E-806

NOTE

9. 라벨/옵션 PART NO. T9

FIG 901 WEIGHT	189
FIG 902 TOOL & ACCESSORY	191
FIG 903-1 LABEL (1)	193
FIG 903-2 LABEL (2)	195

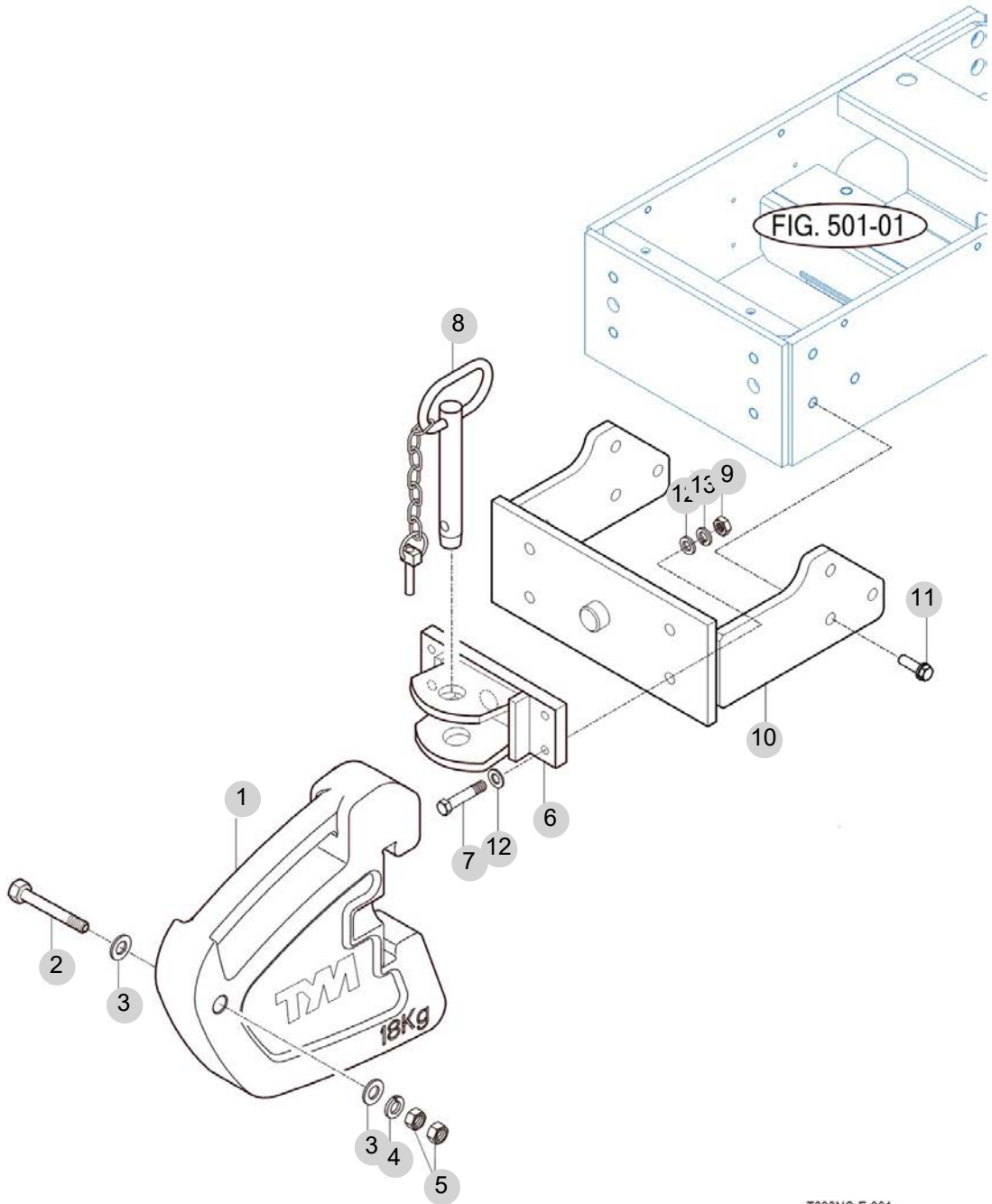
FIG 901

T355NCEU

WEIGHT

년/월
Year/Month

2022-12



T393NC-E-901

NOTE

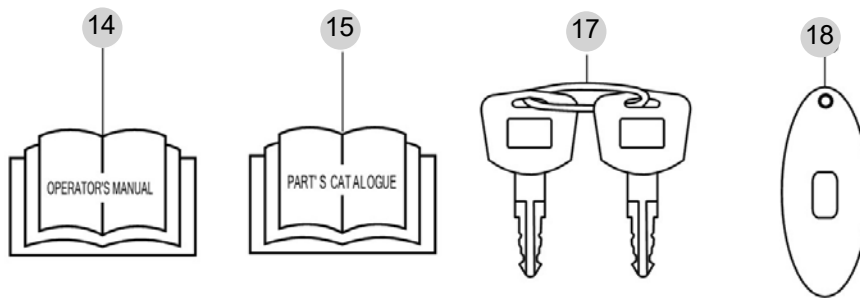
FIG 902

T355NCEU

TOOL & ACCESSORY

년/월
Year/Month

2022-12



T393-E-902

NOTE

FIG 903-1

LABEL (1)

년/월
Year/Month

T355NCEU

2022-12

WARNING
Death or injury may result if this tractor over turns with the ROPS in the folded down position. Operate this tractor with the ROPS folded down only when necessary. Do not wear seat belt if operated with ROPS folded down. 1200-910-002-0

35

DANGER
This Tractor may tip over unexpectedly and quicker than an operator is able to jump free.
1. Never operate a tractor without a proper Roll over Protection Structure (ROPS)
2. Always wear your seat belt when operating this tractor equipped with roll over protection.
3. Never pull from above or from the rear axle.
4. Do not operate the tractor on steep slopes or near drop offs
5. Avoid sharp high speed turns. Serious injury or death may result from tractor upsets. 1200-910-002-0

36

SPEED TABLES

APPLICATION	REAR AXLE PTO RPM	PTO RPM	REAR AXLE PTO MPH	REAR AXLE PTO KPH	REAR AXLE PTO
0	0	0	0	0	0
1	1000	1000	1.0	1.6	1
2	2000	2000	2.0	3.2	2
3	3000	3000	3.0	4.8	3
4	4000	4000	4.0	6.4	4
5	5000	5000	5.0	8.0	5
6	6000	6000	6.0	9.6	6
7	7000	7000	7.0	11.2	7
8	8000	8000	8.0	12.8	8
9	9000	9000	9.0	14.4	9
10	10000	10000	10.0	16.0	10
11	11000	11000	11.0	17.6	11
12	12000	12000	12.0	19.2	12
13	13000	13000	13.0	20.8	13
14	14000	14000	14.0	22.4	14
15	15000	15000	15.0	24.0	15
16	16000	16000	16.0	25.6	16
17	17000	17000	17.0	27.2	17
18	18000	18000	18.0	28.8	18
19	19000	19000	19.0	30.4	19
20	20000	20000	20.0	32.0	20
21	21000	21000	21.0	33.6	21
22	22000	22000	22.0	35.2	22
23	23000	23000	23.0	36.8	23
24	24000	24000	24.0	38.4	24
25	25000	25000	25.0	40.0	25
26	26000	26000	26.0	41.6	26
27	27000	27000	27.0	43.2	27
28	28000	28000	28.0	44.8	28
29	29000	29000	29.0	46.4	29
30	30000	30000	30.0	48.0	30

2

T355
29

TYM
60

DANGER
Do not ride except operator.

13

CAUTION
Do not touch while the system is hot. It cause serious burns. 1200-910-024-0

11

WARNING
Work in ventilated Area. 1200-910-004-0

12

WARNING
Additions, alterations, cracking, damage or corrosion to this structure may adversely affect the performance of the ROPS. 1200-910-004-0

46

WARNING
Always fasten Your seat belt. 1200-910-004-0

15

WARNING
Never use the diff-lock at high speed or on the road as this can cause rollover and injury. 1200-910-004-0

19

WARNING
Do not remove radiator cap while engine is hot. Hot steam will injure you. 1200-910-010-0

8

WARNING
Start engine only from operators seat. If safety start switch is by passed engine can start with transmission in gear. Do not connect or short across terminal on starter solenoid. Attach booster cables as shown on battery decal and operators manual. Starting in gear causing runaway can result in serious injury. 1200-910-004-0

44

WARNING
Push the button to lock position with joystick lever is neutral whenever the implement is not operation. 1200-910-004-0

37

WARNING
Stay clear of raised Boom and bucket. 1200-910-004-0

38

CAUTION
Keep hands and clothing away from rotating fan and belts to prevent serious injury. 1200-910-010-0

7

TONSANMOOSAN CO., LTD.
E13
00073 NS
T : 3.0 tonnes
S : 300kg

48

51

03

50

41

54

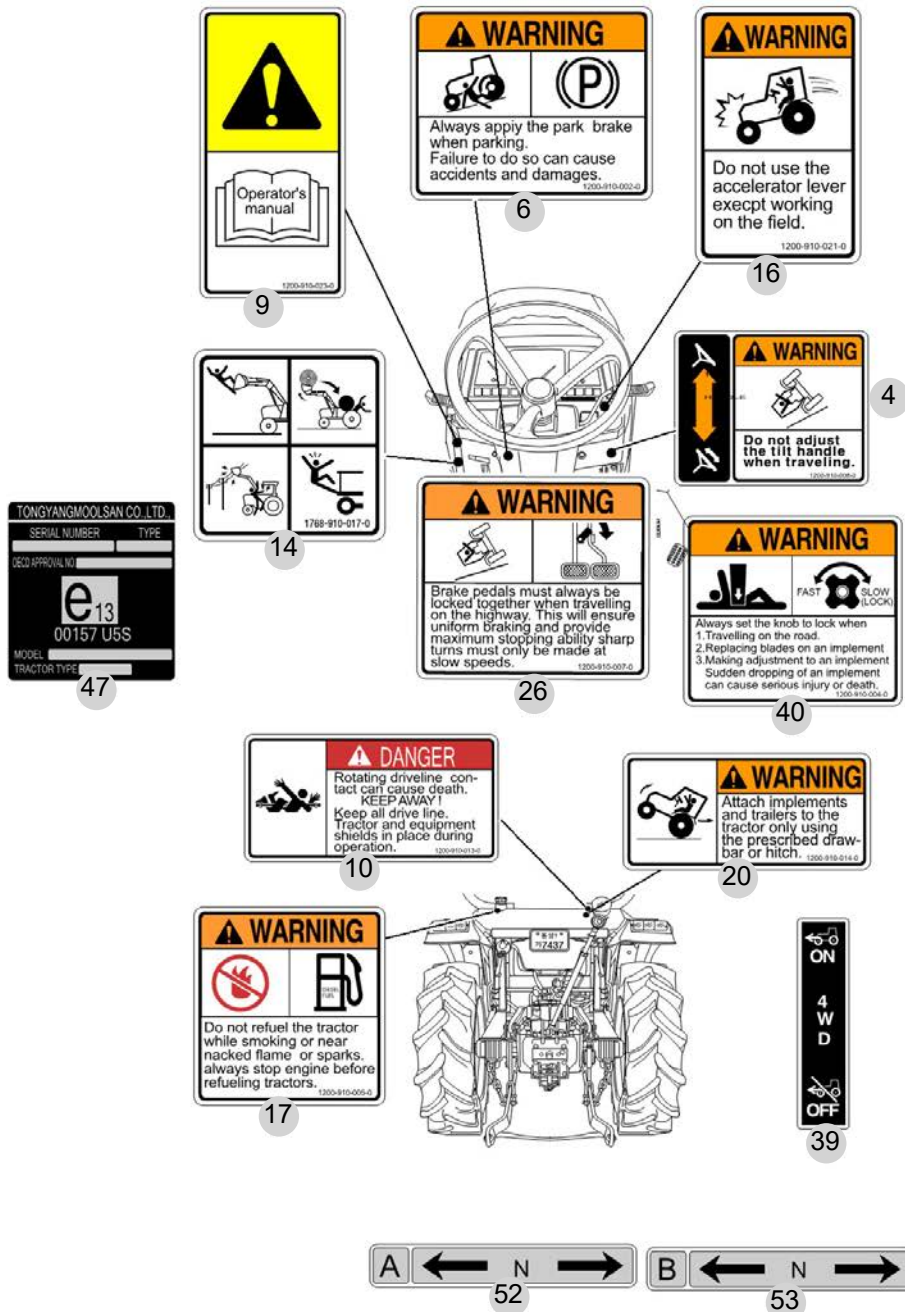
55

56

NOTE

FIG 903-1		LABEL (1)					년/월 Year/Month	
T355NCEU							2022-12	
KEY NO	PART NO	DESCRIPTION	SPEC	QTY	REPAIR	EFFECTIVE DATE	REMARKS	
903-1	2	12339040020	라벨, 취급/차속표		1			
903-1	3	12009040041	유압컨트롤마크		1			
903-1	4	12009100080	라벨, 경고/틸트		1			
903-1	5	12009100240	라벨, 주의/소음기		1			
903-1	6	12009100020	라벨, 경고/파킹		1			
903-1	7	12009100120	라벨, 주의/팬		1			
903-1	8	12009100150	라벨, 경고/라디에이터캡		1			
903-1	9	12009100230	라벨, 주의/취급		2			
903-1	10	12009100130	라벨, 위험/PTO		1			
903-1	11	12009100010	라벨, 경고/부변속		1			
903-1	12	12009100030	라벨, 경고/배기가스		1			
903-1	13	12009100160	라벨, 위험/동승금지		1			
903-1	14	17689100170	라벨, 주의/안전		1			
903-1	15	12009100190	라벨, 경고/안전벨트		1			
903-1	16	12009100210	라벨, 경고/스로틀		1			
903-1	17	12009100050	라벨, 경고/화기염금		1			
903-1	18	17689200050	라벨, 취급/차동고정		1			
903-1	19	12009100060	라벨, 경고/차동고정		1			
903-1	20	12009100140	라벨, 경고/견인		1			
903-1	21	12519020060	라벨(PTO)		1			
903-1	24	15189030060	포트마크(A)		1			
903-1	25	15189030070	포트마크(B)		1			
903-1	26	12009100070	라벨, 경고/브레이크		1			
903-1	27	14979010070	라벨(부변속)		1			
903-1	29	13969010042	마크, /T355		2			
903-1	29	13969010041	마크, T355		2			
903-1	35	12209045020	라벨(ROPS경고)		1			
903-1	36	12209045010	라벨(ROPS위험)		1			
903-1	37	17699100090	라벨, 경고/조이스틱		1			
903-1	38	17699100100	라벨, 경고/조이스틱밸브		1			
903-1	39	12519430040	4WD마크		1			
903-1	40	12009100040	라벨, 경고/스톱밸브		1			
903-1	41	T0019110060	형식명판, 수출/EU		1			
903-1	44	12609040620	경고(스타트)		1			
903-1	46	12209045051	라벨, 경고/개조		1			
903-1	47	13749040690	형식마크(ROPS)		1			
903-1	48	12519040230	드로바명판		1			
903-1	50	12519040190	명판(승강장치/상승) CONTROL ID		1			
903-1	51	12519040200	명판(승강장치/하강) CONTROL ID		1			
903-1	52	12519040920	라벨(보조유압/A)		1			
903-1	53	12519040930	라벨(보조유압/B)		1			
903-1	54	12519100130	라벨, 그리스		1			
903-1	55	12519100140	라벨, 잭포인트		1			
903-1	56	12137025120	라벨, 본넷트 오픈		1			
903-1	60	14119010020	라벨, /TYM 60		2			
NOTE								

T355NCEU



NOTE

FIG 903-2 T355NCEU		LABEL (2)					년/월 Year/Month	
							2022-12	
KEY NO	PART NO	DESCRIPTION	SPEC	QTY	REPAIR	EFFECTIVE DATE	REMARKS	
903-2	2	12339040020	라벨, 취급/차속표		1			
903-2	3	12009040041	유압컨트롤마크		1			
903-2	4	12009100080	라벨, 경고/틸트		1			
903-2	5	12009100240	라벨, 주의/소음기		1			
903-2	6	12009100020	라벨, 경고/파킹		1			
903-2	7	12009100120	라벨, 주의/팬		1			
903-2	8	12009100150	라벨, 경고/라디에이터캡		1			
903-2	9	12009100230	라벨, 주의/취급		2			
903-2	10	12009100130	라벨, 위험/PTO		1			
903-2	11	12009100010	라벨, 경고/부변속		1			
903-2	12	12009100030	라벨, 경고/배기가스		1			
903-2	13	12009100160	라벨, 위험/동승금지		1			
903-2	14	17689100170	라벨, 주의/안전		1			
903-2	15	12009100190	라벨, 경고/안전벨트		1			
903-2	16	12009100210	라벨, 경고/스로틀		1			
903-2	17	12009100050	라벨, 경고/화기염금		1			
903-2	18	17689200050	라벨, 취급/차동고정		1			
903-2	19	12009100060	라벨, 경고/차동고정		1			
903-2	20	12009100140	라벨, 경고/견인		1			
903-2	21	12519020060	라벨(PTO)		1			
903-2	24	15189030060	포트마크(A)		1			
903-2	25	15189030070	포트마크(B)		1			
903-2	26	12009100070	라벨, 경고/브레이크		1			
903-2	27	14979010070	라벨(부변속)		1			
903-2	29	13969010040	마크 오나먼트, T355		2			
903-2	29	13969010041	마크, T355		2			
903-2	29	13969010042	마크, /T355		2			
903-2	35	12209045020	라벨(ROPS경고)		1			
903-2	36	12209045010	라벨(ROPS위험)		1			
903-2	37	17699100090	라벨, 경고/조이스틱		1			
903-2	38	17699100100	라벨, 경고/조이스틱밸브		1			
903-2	39	12519430040	4WD마크		1			
903-2	40	12009100040	라벨, 경고/스톱밸브		1			
903-2	41	15829040220	제조사 식별명판(EU)		1			
903-2	41	T0019110060	형식명판, 수출/EU		1			
903-2	44	12609040620	경고(스타트)		1			
903-2	46	12209045051	라벨, 경고/개조		1			
903-2	47	13749040690	형식마크(ROPS)		1			
903-2	48	12519040230	드로바명판		1			
903-2	50	12519040190	명판(승강장치/상승) CONTROL ID		1			
903-2	51	12519040200	명판(승강장치/하강) CONTROL ID		1			
903-2	52	12519040920	라벨(보조유압/A)		1			
903-2	53	12519040930	라벨(보조유압/B)		1			
903-2	54	12519100130	라벨, 그리스		1			
903-2	55	12519100140	라벨, 잭포인트		1			
NOTE								

