

T474SH

Parts Catalog

목 차

0. TRACTOR KIT PART NO. TK1

FIG 000 TRAILER SOCKET KIT	8
FIG 001 ADAPTER KIT	10
FIG 002 3rd FUNCTION KIT , LOADER	12

1. Engine PART NO. EG

FIG 100 ENGINE	16
FIG 101 CYLINDER BLOCK	18
FIG 102 OILJET ASS'Y OPTION	20
FIG 103 CRANK SHAFT	22
FIG 104 PISTON	24
FIG 105 CYLINDER HEAD	26
FIG 106 ROCKER LEVER	28
FIG 107 HEAD COVER	30
FIG 108 GEAR CASE	32
FIG 109 IDLE GEAR	34
FIG 110 CAM SHAFT	36
FIG 111 OIL PUMP	38
FIG 112 HYD. PUMP DRIVE	40
FIG 113 2ND BALANCE	42
FIG 114 OIL PAN	44
FIG 115 INTAKE MANIFOLD	46
FIG 116 EXHAUST MANIFOLD	48
FIG 117 DPF SUPPORT OPTION	50
FIG 118 TURBOCHARGER PLUMBING OPTION	52
FIG 119 BREATHER	54
FIG 120 FUEL INJECTION PUMP	56
FIG 121 FUEL INJECTION VALVE	58
FIG 122 FUEL PIPE ASS'Y	60
FIG 123 OIL FILTER	62
FIG 124 OIL COOLER	64

FIG 125 OIL GAUGUE	66
FIG 126 OIL FILLER CAP	68
FIG 127 COOLING WATER PUMP	70
FIG 128 CRANK SHAFT PULLEY	72
FIG 129 V-PULLEY	74
FIG 130 COOLING FAN	76
FIG 131 FLYWHEEL HOUSING	78
FIG 132 FLYWHEEL	80
FIG 133 GLOW PLUG ASS'Y OPTION	82
FIG 134 STARTING MOTOR	84
FIG 135 FUEL FILTER BRACKET ASS'Y	86
FIG 136 ALTERNATOR	88
FIG 137 V-BELT	90
FIG 138 FUEL FILTER	92
FIG 139 DPF SUPPORT	94
FIG 140 DATAPLATE	96
FIG 142 DPF ASS'Y	98
FIG 143 LIFT ASS'Y	100
FIG 144 COMP . DRIVE PULLEY ASS'Y OPTION	102
FIG 145 LOOSED PARTS	104

2. Engine Accessories PART NO. T2

FIG 201 AIR CLEANER	107
FIG 202 RADIATOR	109
FIG 203 MUFFLER	111
FIG 204 FUEL TANK & FILTER	113
FIG 205 OIL COOLER	115

3. Clutch/Brake/Steering PART NO. T3

FIG 302 FLYWHEEL & CLUTCH	118
FIG 303 BRAKE PEDAL	120
FIG 304 BRAKE	122
FIG 306 FRONT WHEEL MOUNTING	124
FIG 307 REAR WHEEL MOUNTING	126
FIG 308 STEERING WHEEL	128
FIG 309 STEERING VALVE & PARKING	130

FIG 310 STEERING CYLINDER	132
---------------------------	-----

4. Transmission PART NO. T4

FIG 401 TRANSMISSION FRONT CASE	135
FIG 402 HST	137
FIG 403 MID CASE	139
FIG 404 4WD DRIVE GEAR	141
FIG 405 INPUT GEAR	143
FIG 406 SUB CHANGE GEARS	145
FIG 407 PINION GEARS	147
FIG 408 P.T.O DRIVE SHAFT	149
FIG 409 P.T.O CHANGE GEARS	151
FIG 410 DIFF LOCK	154
FIG 411 TRANSMISSION REAR CASE	156
FIG 412 REAR AXLE HOUSINGS (1)	158
FIG 413 REAR AXLE HOUSINGS (2)	160
FIG 415 SUB CHANGE LEVER	162
FIG 416 FORWARD & REVERSE CONTROL LINKAGE	164
FIG 418 4WD CHANGE LEVER	166

5. Front Axle PART NO. T5

FIG 501 FRONT AXLE BRACKET	169
FIG 502 FRONT DIFF. GEARS & SHAFT	171
FIG 503 FRONT AXLE HOUSING	173
FIG 504 FRONT GEAR CASE (1)	175
FIG 505 FRONT GEAR CASE (2)	177

6. Hydraulic/3P-Link PART NO. T6

FIG 601 GEAR PUMP	180
FIG 602 CYLINDER CASE	182
FIG 603 LIFT ARM	184
FIG 604 CYLINDER	186
FIG 605 POSITION LINK (1)	188
FIG 606 POSITION LINK (2)	190
FIG 607 CONTROL VALVE	192

FIG 608 POSITION LEVER	194
FIG 609 HYDRAULIC PIPE (1)	196
FIG 610 HYDRAULIC PIPE (2)	199
FIG 611 EXTERIOR HYD VALVE	201
FIG 612 3-POINT LINK	203
FIG 613 HITCH & COVER	206
FIG 614 EXTERIOR POSITION LEVER	208

7. Sheet Metal & Cabin PART NO. T7

FIG 701 HOOD FRAME	211
FIG 702 HOOD	214
FIG 703 EXTENSION COVER	217
FIG 705 DASH PANEL	219
FIG 708 FRONT & REAR MOUNTING	221
FIG 709 SEAT & MAT	223
FIG 710 DOOR	225
FIG 711 FRONT GLASS	228
FIG 712 REAR GLASS	230
FIG 713 SUB FENDER & COVER	232
FIG 714 MIRROR	234
FIG 715 HEATER & AIR-CON	236
FIG 716 HEATER & AIR-CON	238
FIG 717 FENDER COVER	240
FIG 718 ROOF	242
FIG 719 CABIN INTERIOR	244

8. Electrical System PART NO. T8

FIG 801 BATTERY & MOUNTING	247
FIG 802 LAMP	249
FIG 803 INSTRUMENT PANEL	251
FIG 804 ELECTRIC SYSTEM	253
FIG 805 HARNESS (1)	255
FIG 806 HARNESS (2)	257

9. Label/Option PART NO. T9

FIG 901 TOOL & ACCESSORY	260
--------------------------	-----

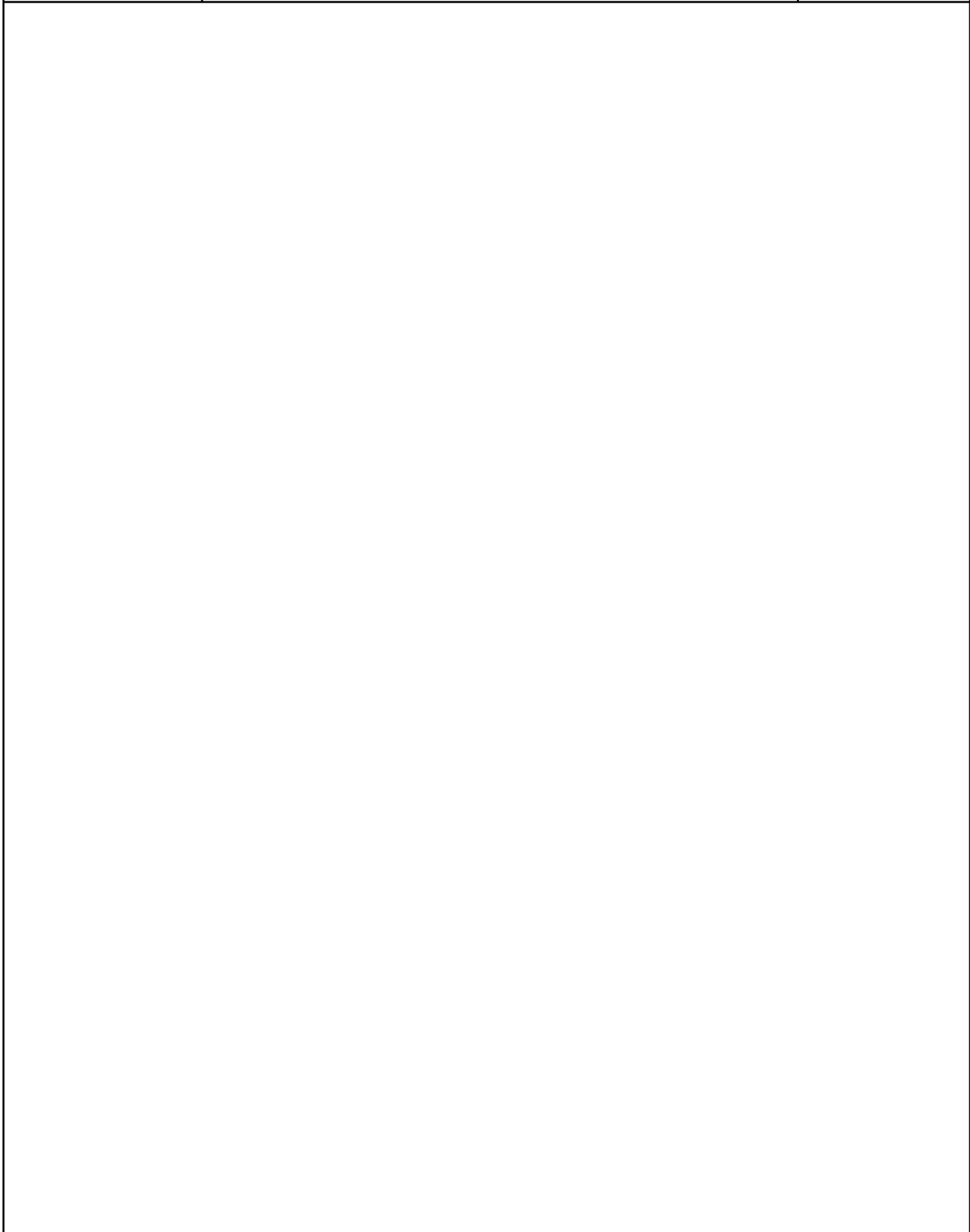
FIG 902 LABEL
FIG 902 LABEL

262
264

0. TRACTOR KIT PART NO. TK1

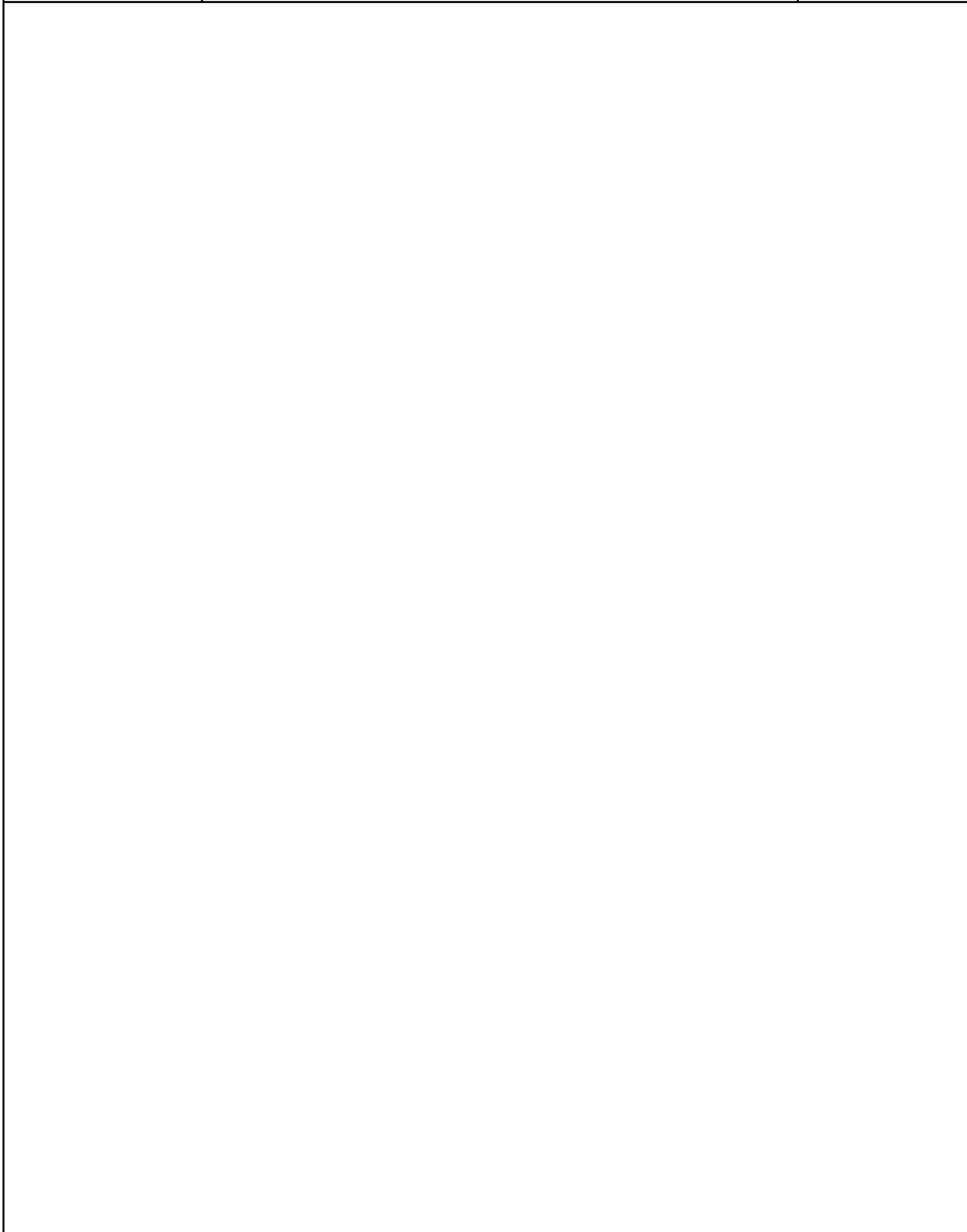
FIG 000 TRAILER SOCKET KIT	8
FIG 001 ADAPTER KIT	10
FIG 002 3rd FUNCTION KIT , LOADER	12

FIG 000 T474SH	TRAILER SOCKET KIT	년/월 Year/Month 2022-12
-------------------	--------------------	------------------------------



NOTE	
------	--

FIG 001 T474SH	ADAPTER KIT	년/월 Year/Month 2022-12
-------------------	-------------	------------------------------



NOTE	
------	--

FIG 002 T474SH	3rd FUNCTION KIT , LOADER	년/월 Year/Month 2022-12
-------------------	---------------------------	------------------------------

--	--

NOTE	
------	--

1. Engine PART NO. EG

FIG 100 ENGINE	16
FIG 101 CYLINDER BLOCK	18
FIG 102 OILJET ASS'Y OPTION	20
FIG 103 CRANK SHAFT	22
FIG 104 PISTON	24
FIG 105 CYLINDER HEAD	26
FIG 106 ROCKER LEVER	28
FIG 107 HEAD COVER	30
FIG 108 GEAR CASE	32
FIG 109 IDLE GEAR	34
FIG 110 CAM SHAFT	36
FIG 111 OIL PUMP	38
FIG 112 HYD. PUMP DRIVE	40
FIG 113 2ND BALANCE	42
FIG 114 OIL PAN	44
FIG 115 INTAKE MANIFOLD	46
FIG 116 EXHAUST MANIFOLD	48
FIG 117 DPF SUPPORT OPTION	50
FIG 118 TURBOCHARGER PLUMBING OPTION	52
FIG 119 BREATHER	54
FIG 120 FUEL INJECTION PUMP	56
FIG 121 FUEL INJECTION VALVE	58
FIG 122 FUEL PIPE ASS'Y	60
FIG 123 OIL FILTER	62
FIG 124 OIL COOLER	64
FIG 125 OIL GAUGUE	66
FIG 126 OIL FILLER CAP	68
FIG 127 COOLING WATER PUMP	70
FIG 128 CRANK SHAFT PULLEY	72
FIG 129 V-PULLEY	74
FIG 130 COOLING FAN	76
FIG 131 FLYWHEEL HOUSING	78
FIG 132 FLYWHEEL	80
FIG 133 GLOW PLUG ASS'Y OPTION	82
FIG 134 STARTING MOTOR	84
FIG 135 FUEL FILTER BRACKET ASS'Y	86
FIG 136 ALTERNATOR	88
FIG 137 V-BELT	90

FIG 138 FUEL FILTER	92
FIG 139 DPF SUPPORT	94
FIG 140 DATAPLATE	96
FIG 142 DPF ASS'Y	98
FIG 143 LIFT ASS'Y	100
FIG 144 COMP . DRIVE PULLEY ASS'Y OPTION	102
FIG 145 LOOSED PARTS	104

FIG 100 T474SH	ENGINE	년/월 Year/Month
		2022-12
NOTE		

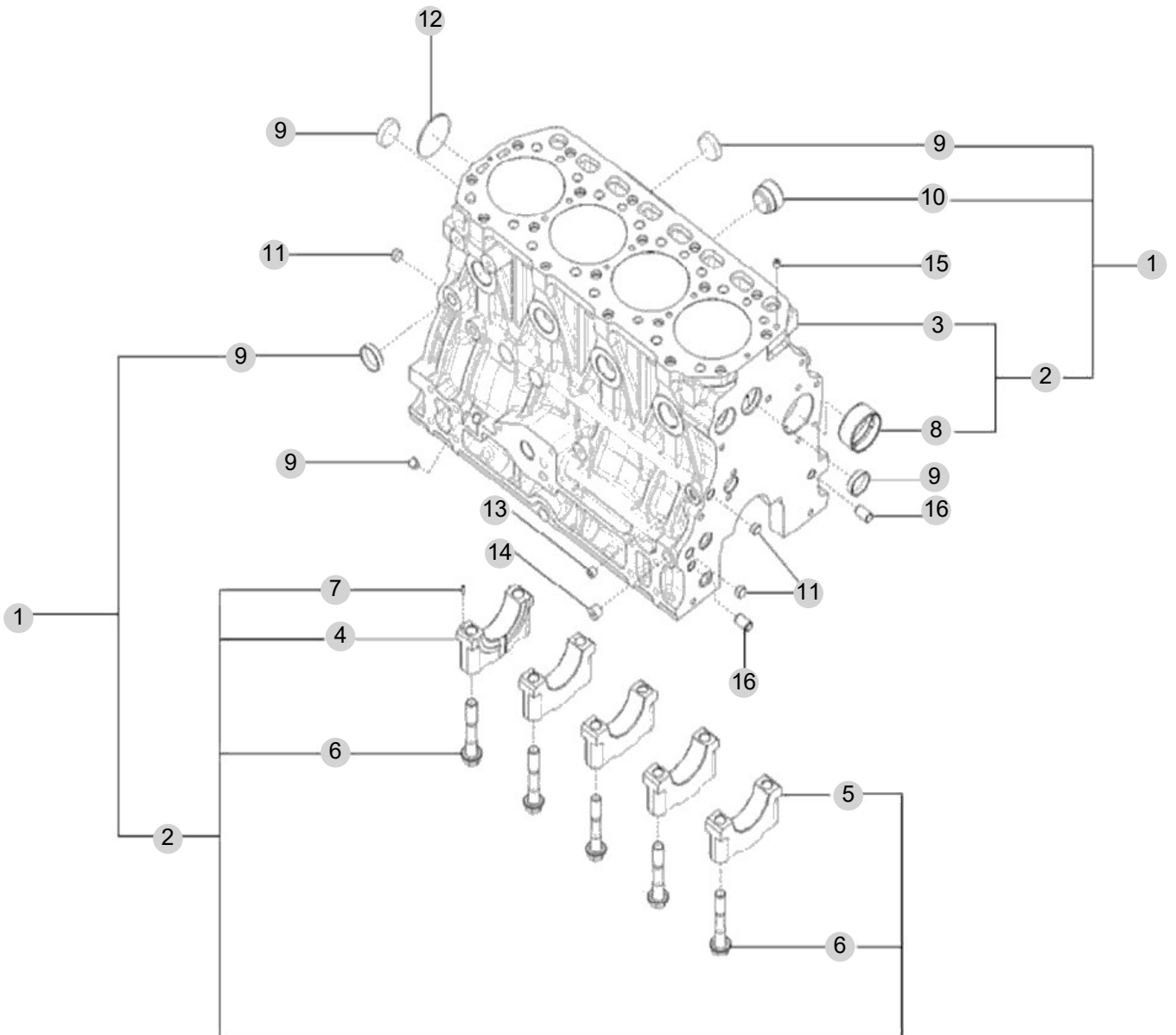
FIG 101

CYLINDER BLOCK

년/월
Year/Month

2022-12

T474SH



NOTE

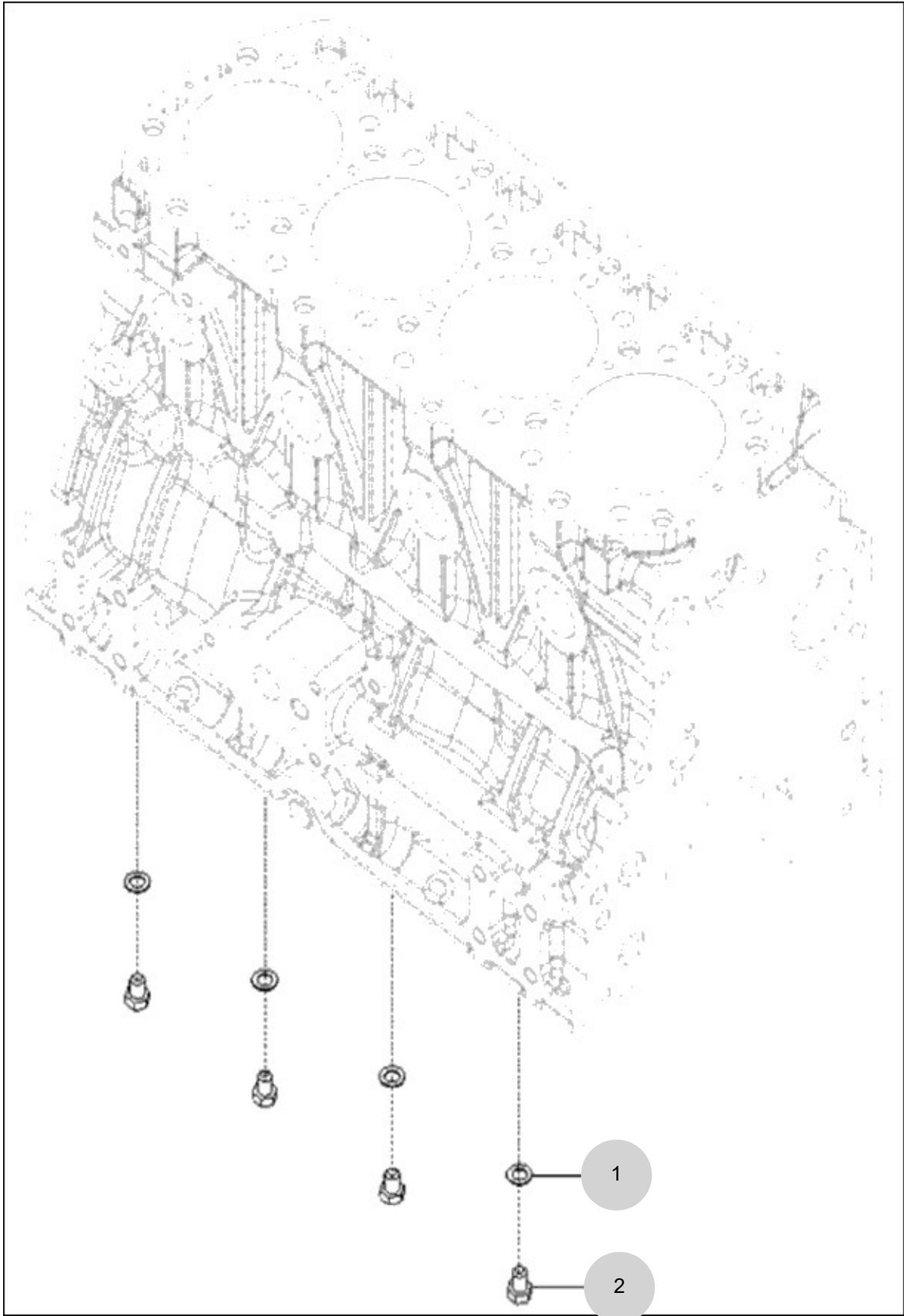
FIG 102

OILJET ASS'Y OPTION

년/월
Year/Month

T474SH

2022-12



NOTE

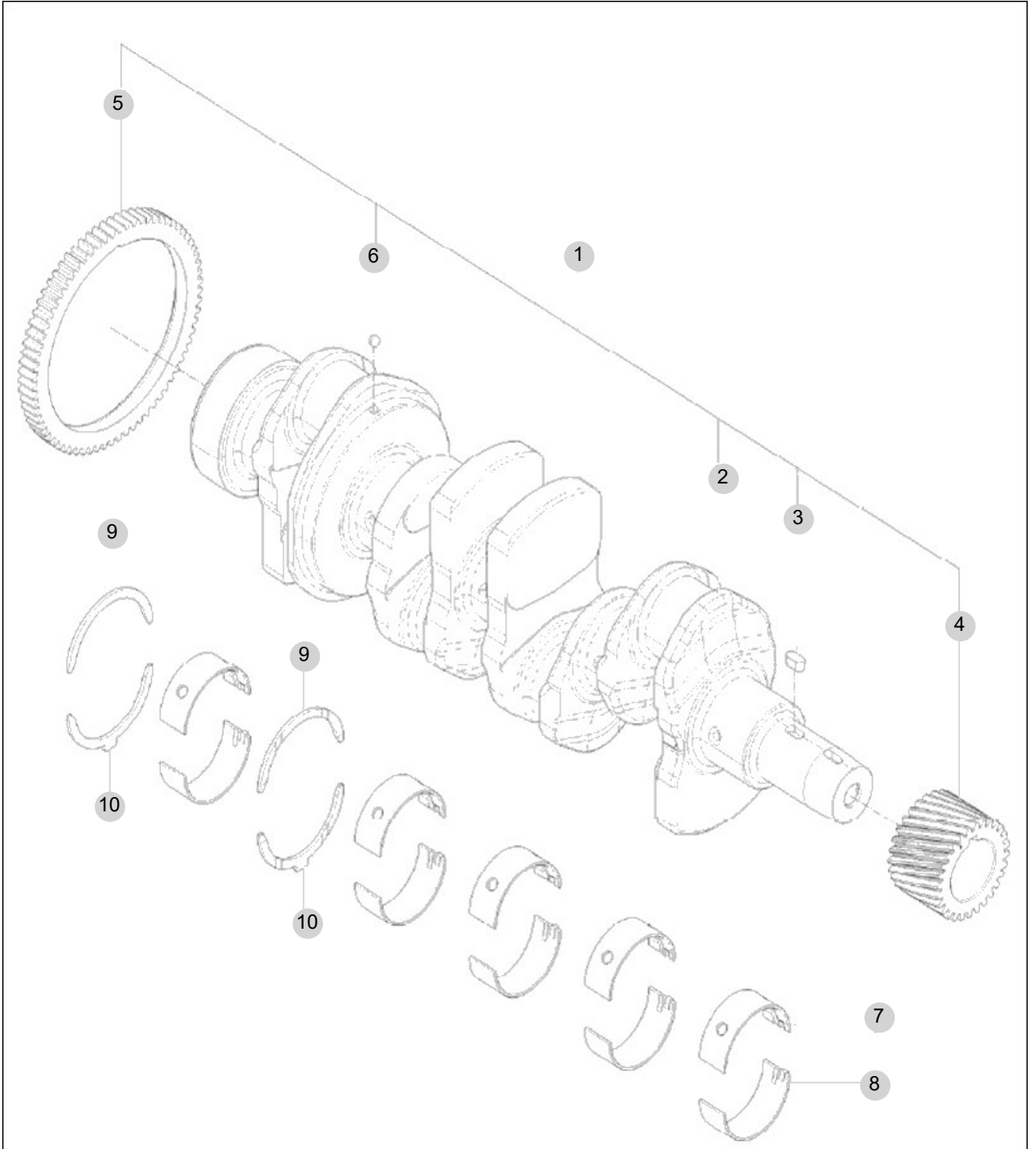
FIG 103

CRANK SHAFT

년/월
Year/Month

2022-12

T474SH



NOTE

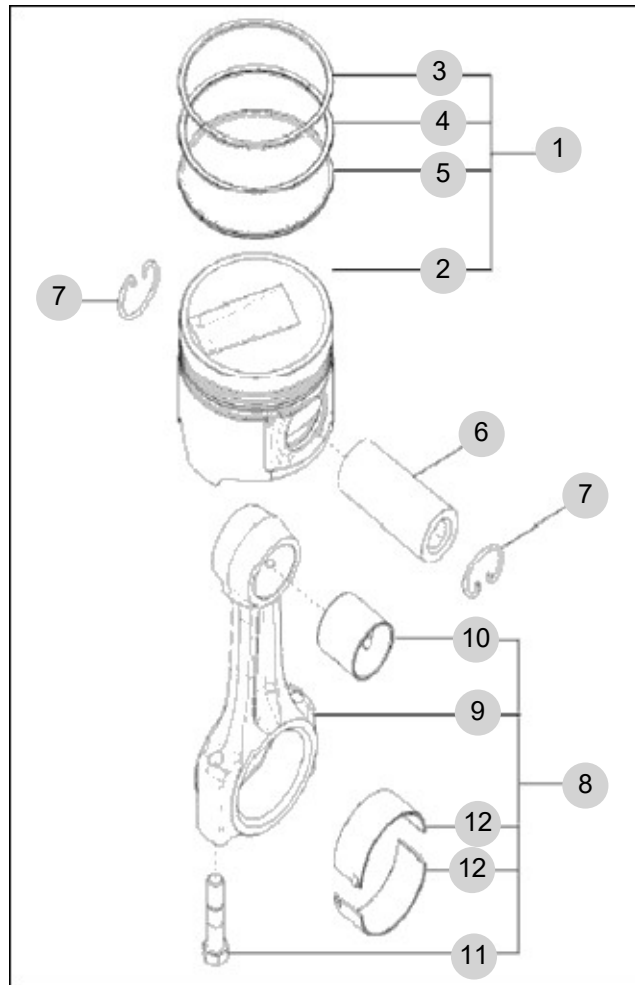
FIG 104

T474SH

PISTON

년/월
Year/Month

2022-12



NOTE

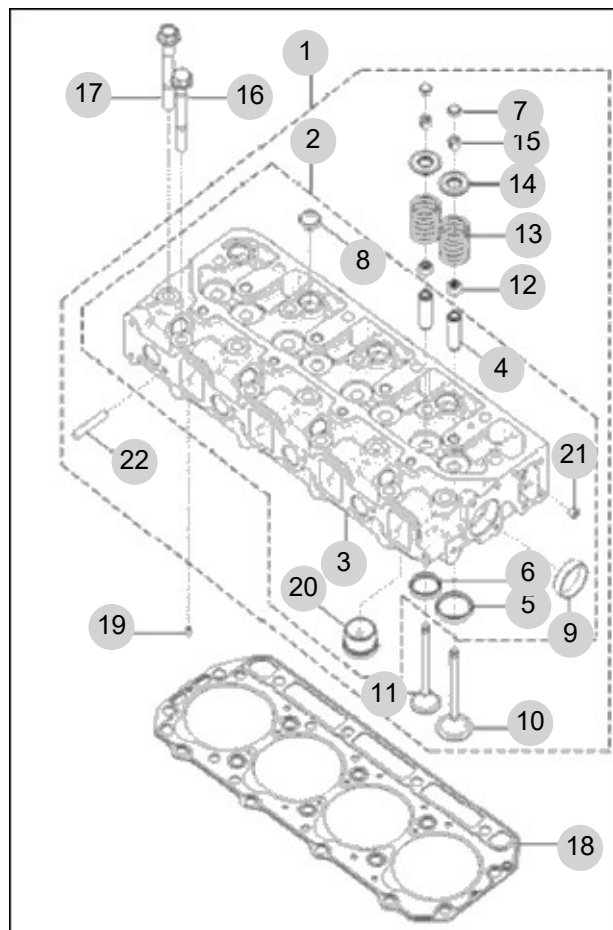
FIG 105

T474SH

CYLINDER HEAD

년/월
Year/Month

2022-12



NOTE

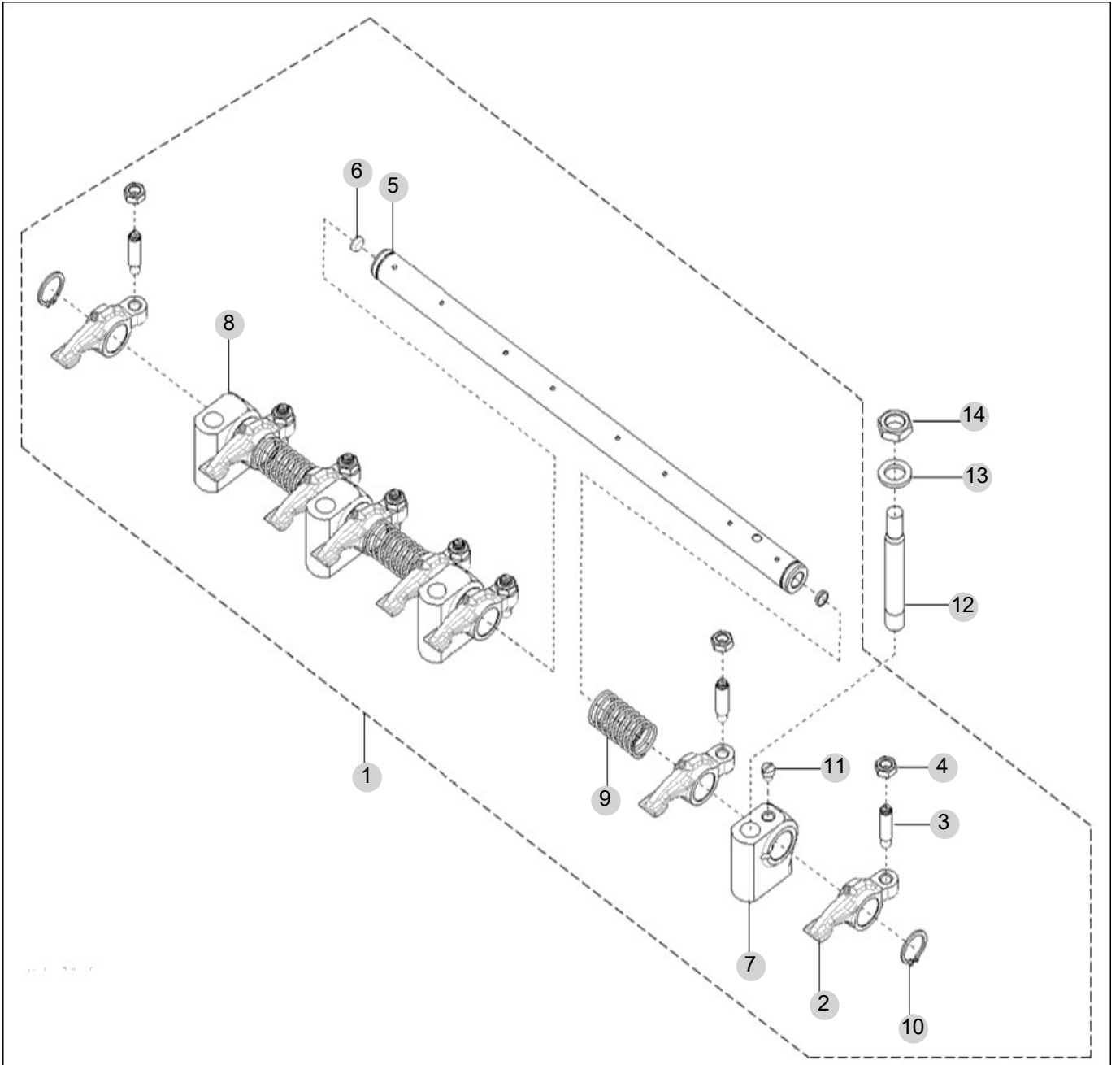
FIG 106

ROCKER LEVER

년/월
Year/Month

2022-12

T474SH



NOTE

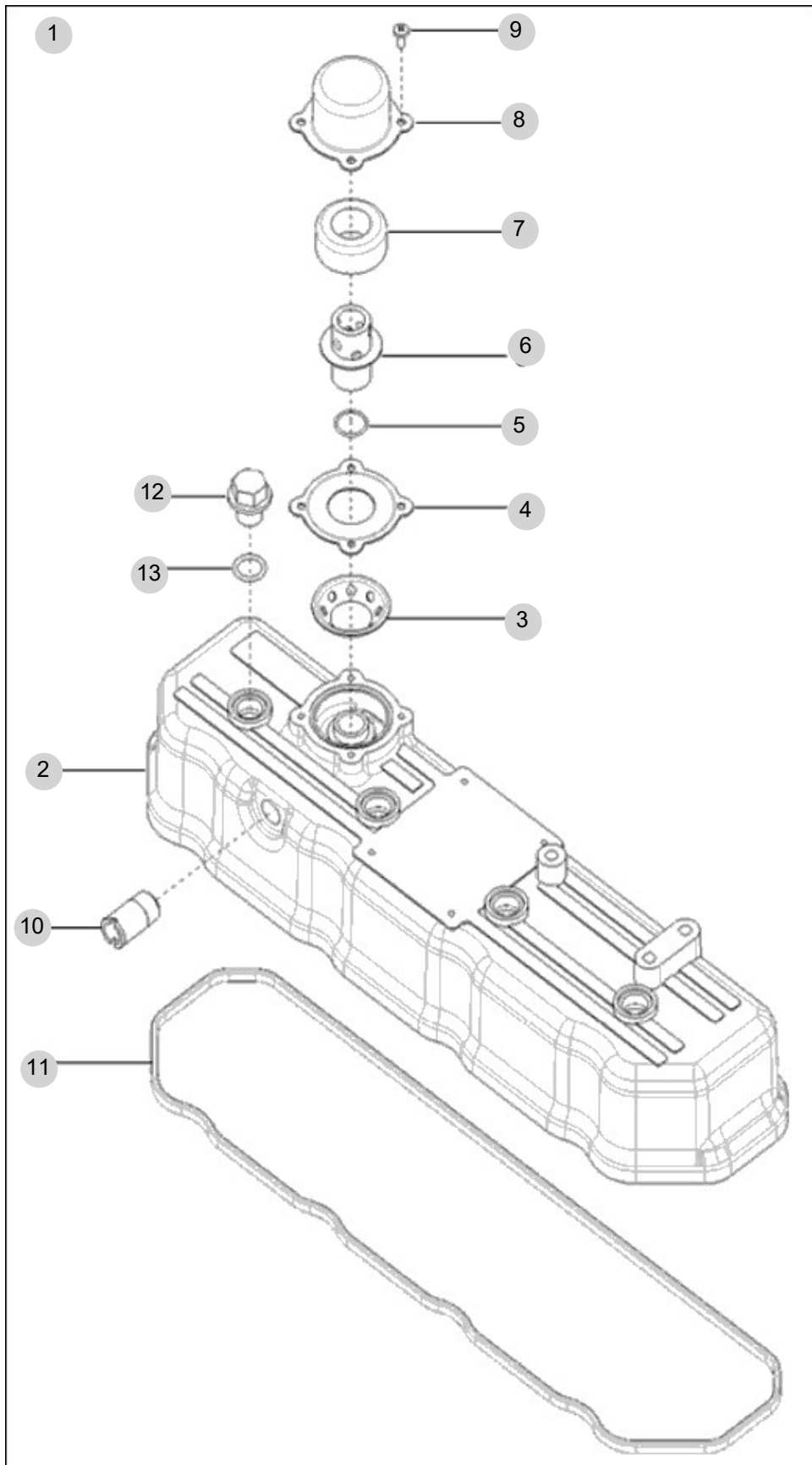
FIG 107

T474SH

HEAD COVER

년/월
Year/Month

2022-12



NOTE

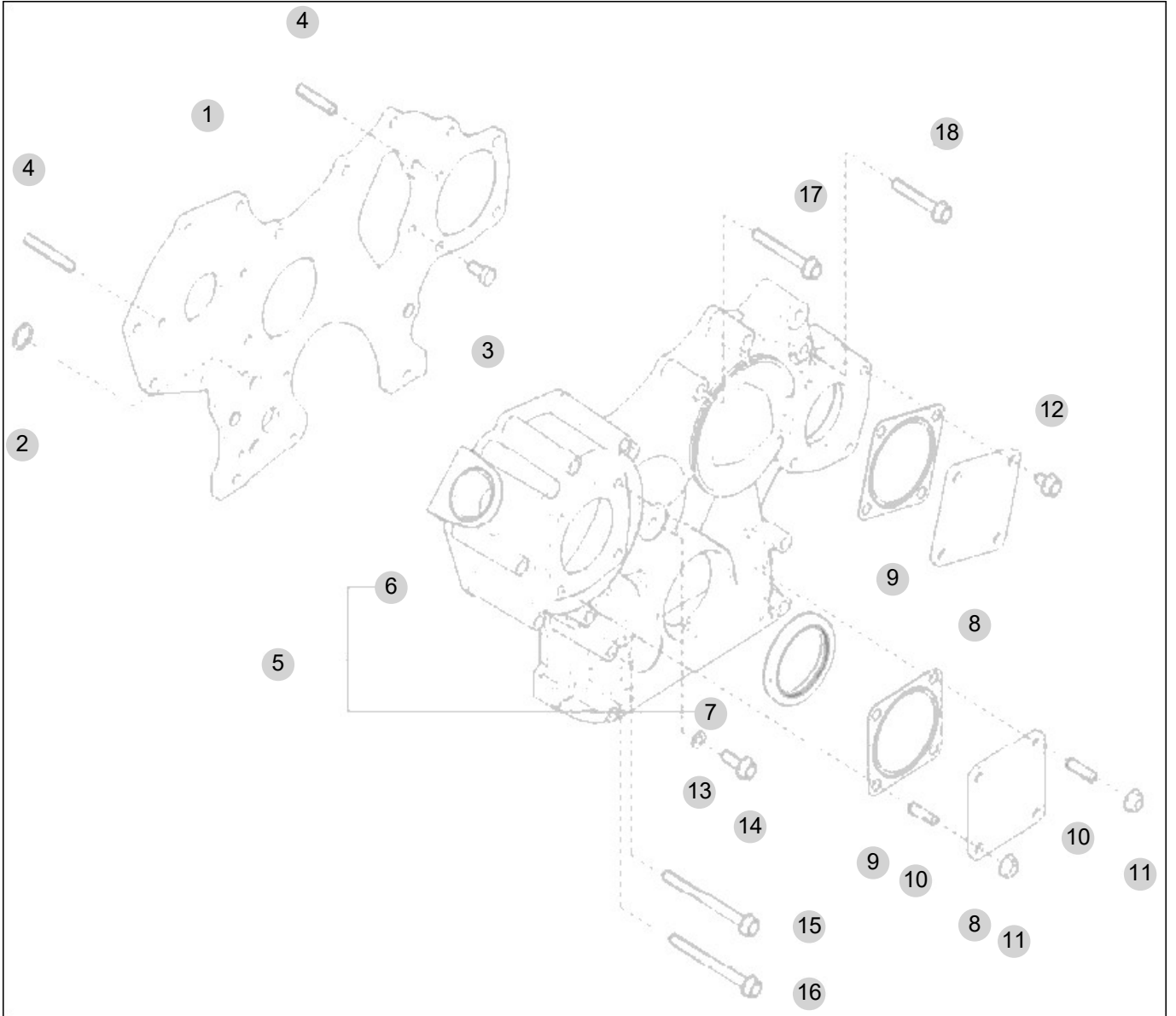
FIG 108

GEAR CASE

년/월
Year/Month

T474SH

2022-12



NOTE

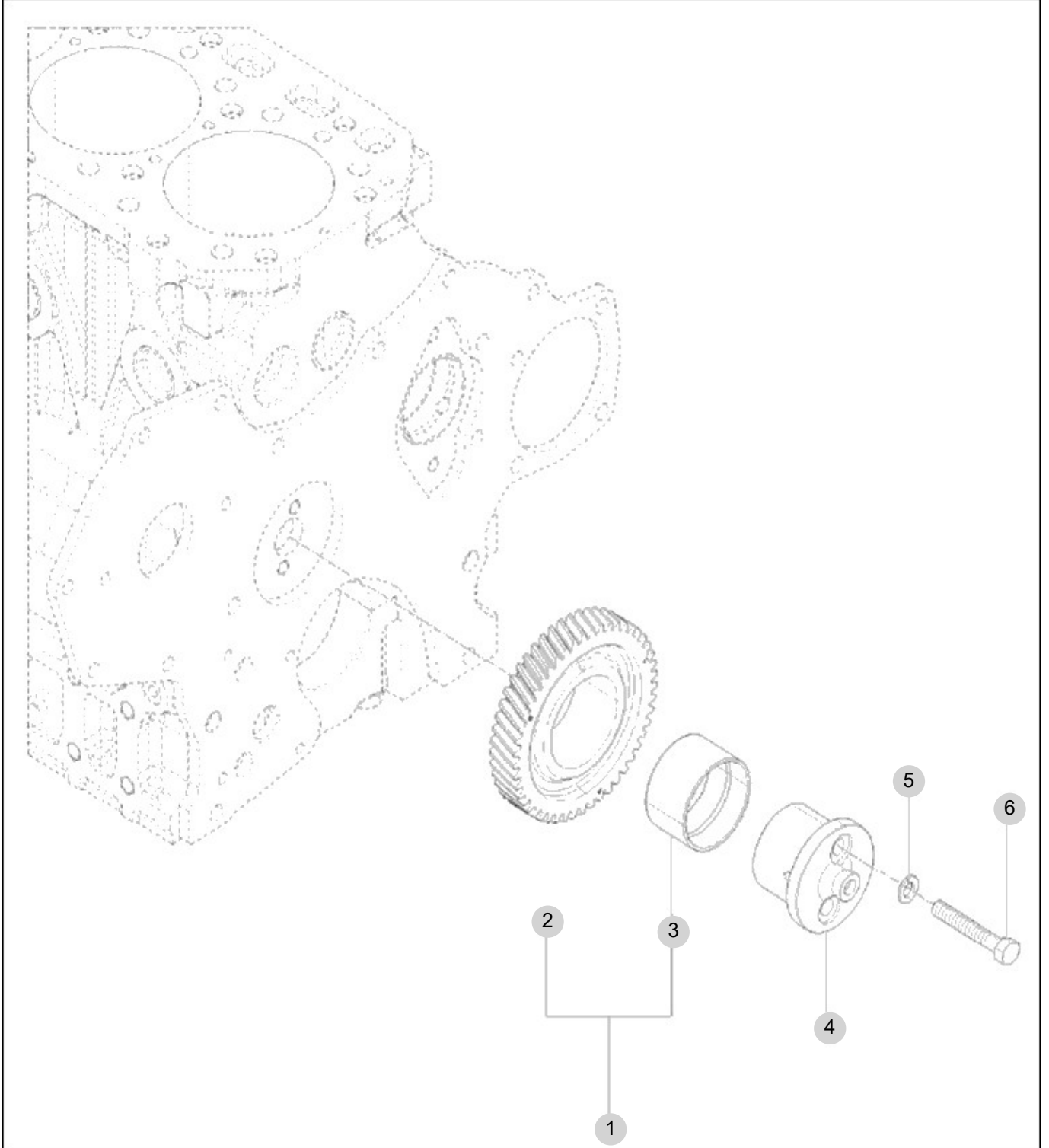
FIG 109

IDLE GEAR

년/월
Year/Month

T474SH

2022-12



NOTE

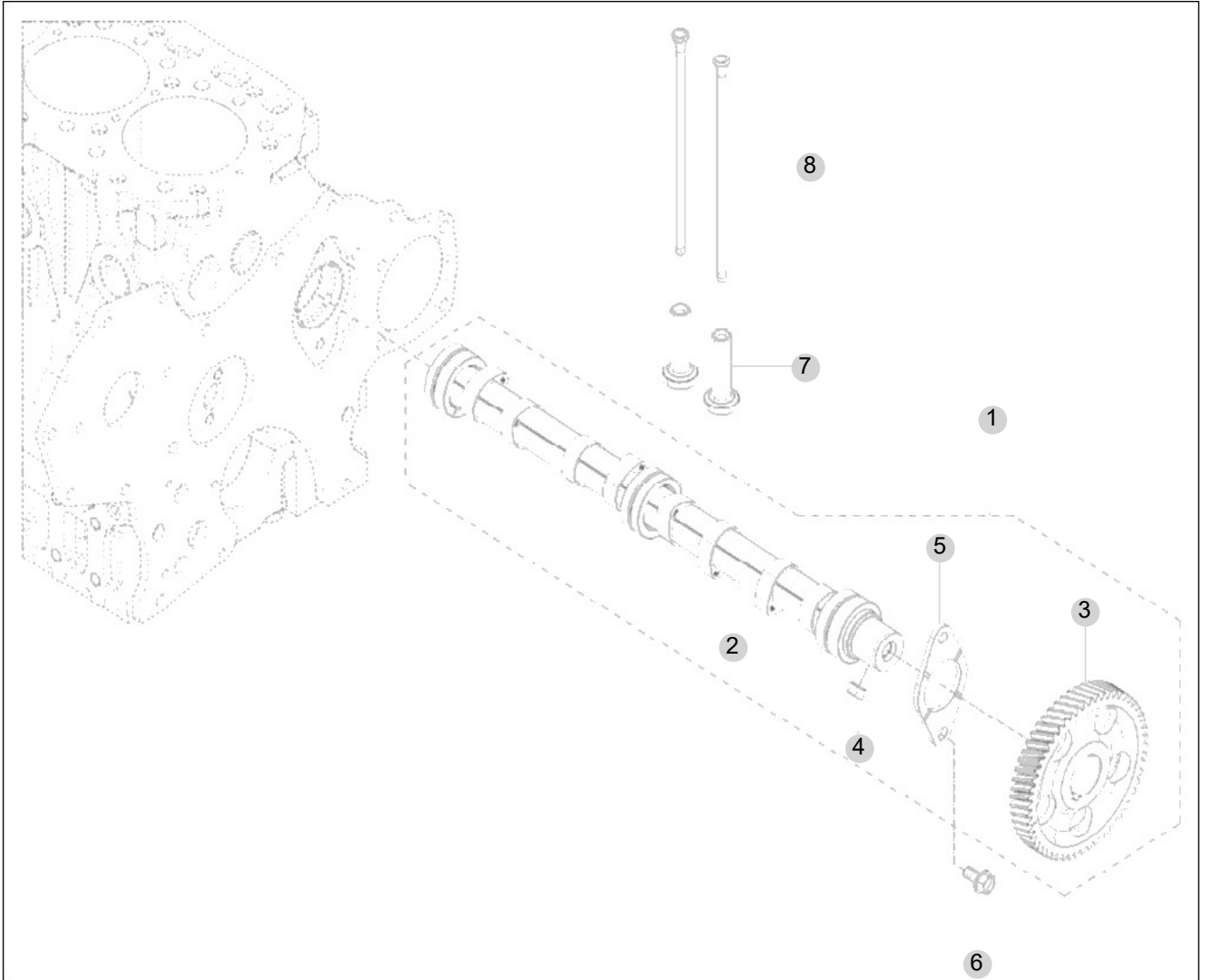
FIG 110

CAM SHAFT

년/월
Year/Month

2022-12

T474SH



NOTE

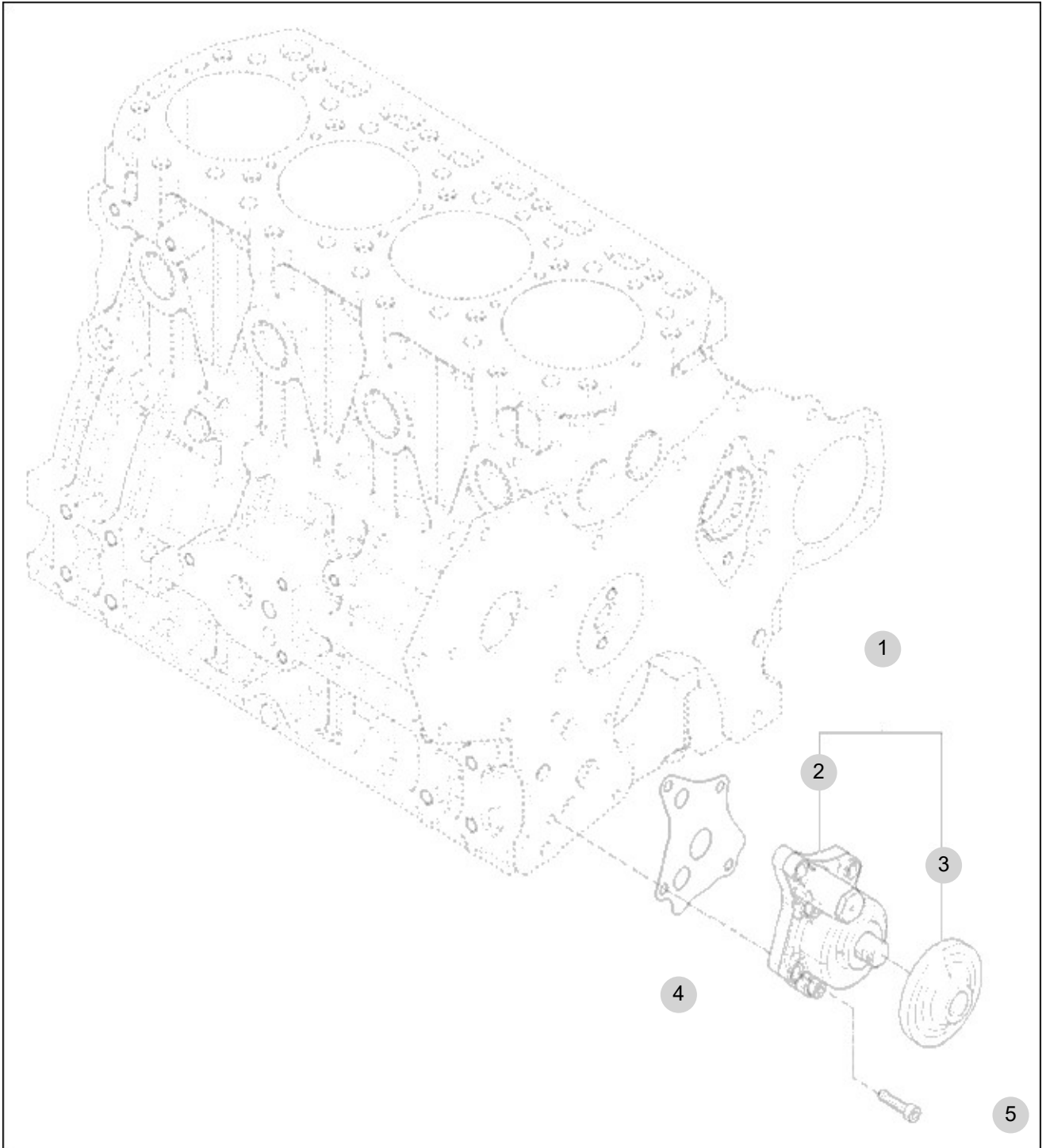
FIG 111

OIL PUMP

년/월
Year/Month

T474SH

2022-12



NOTE

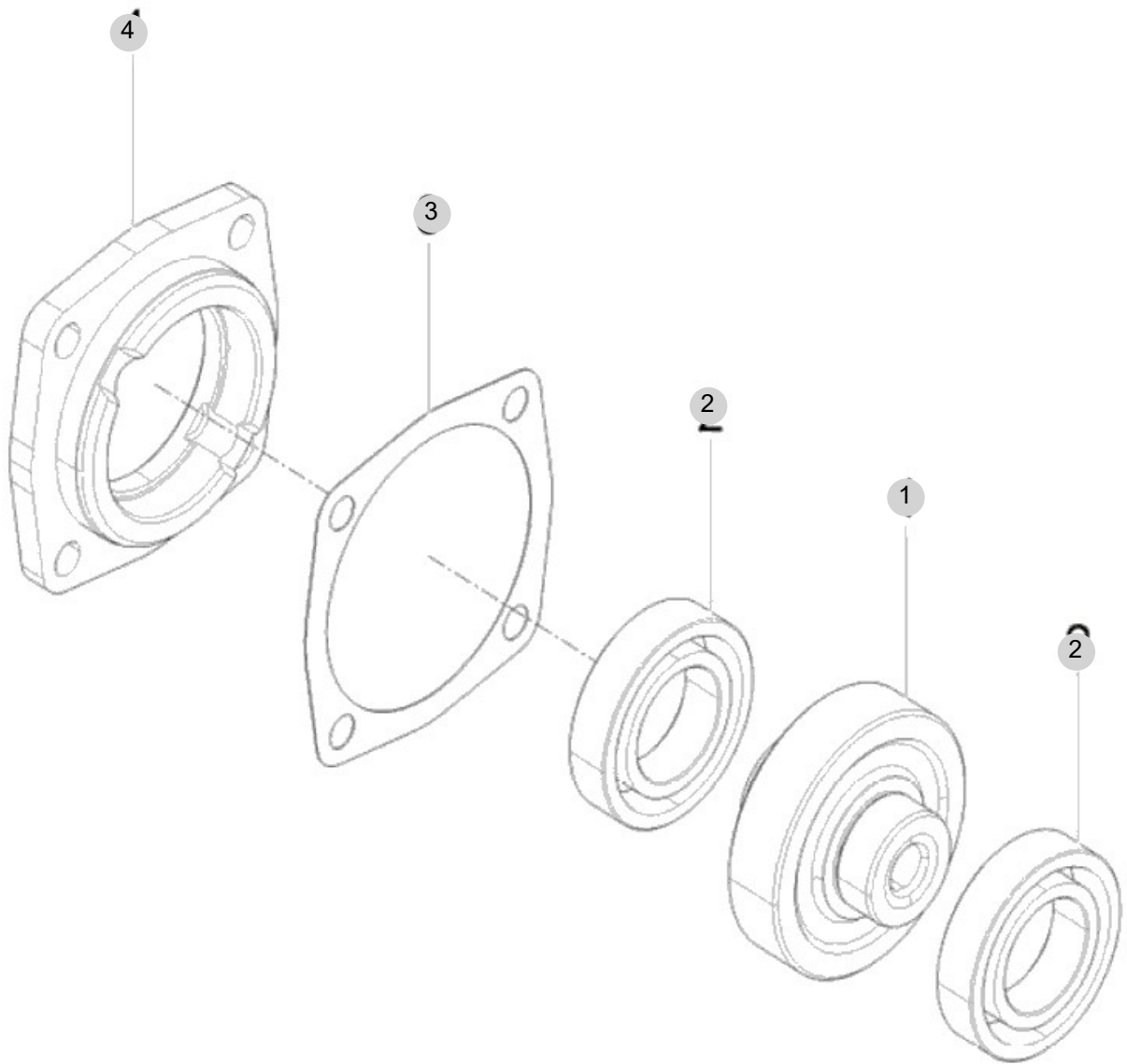
FIG 112

T474SH

HYD. PUMP DRIVE

년/월
Year/Month

2022-12



NOTE

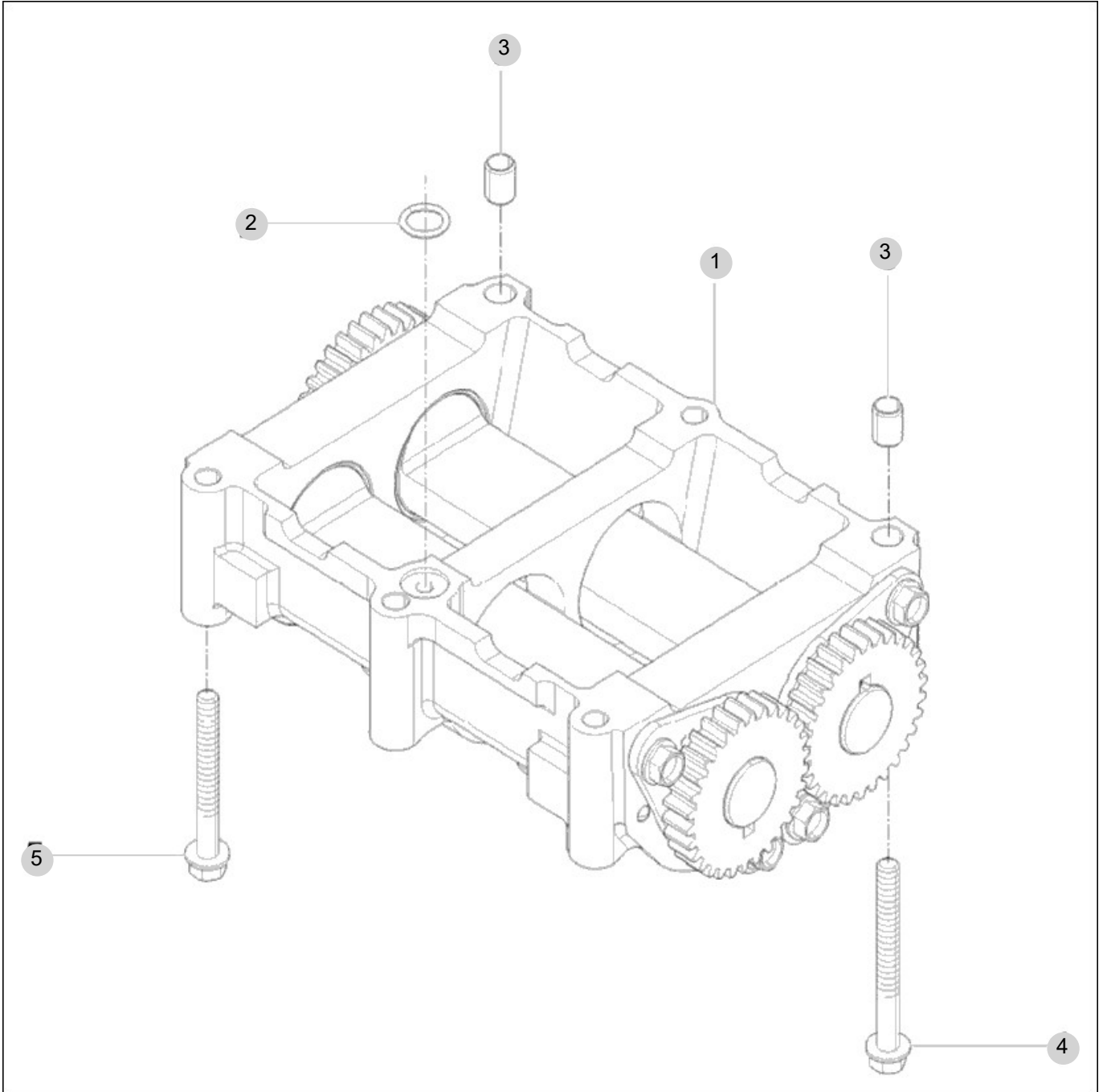
FIG 113

T474SH

2ND BALANCE

년/월
Year/Month

2022-12



NOTE

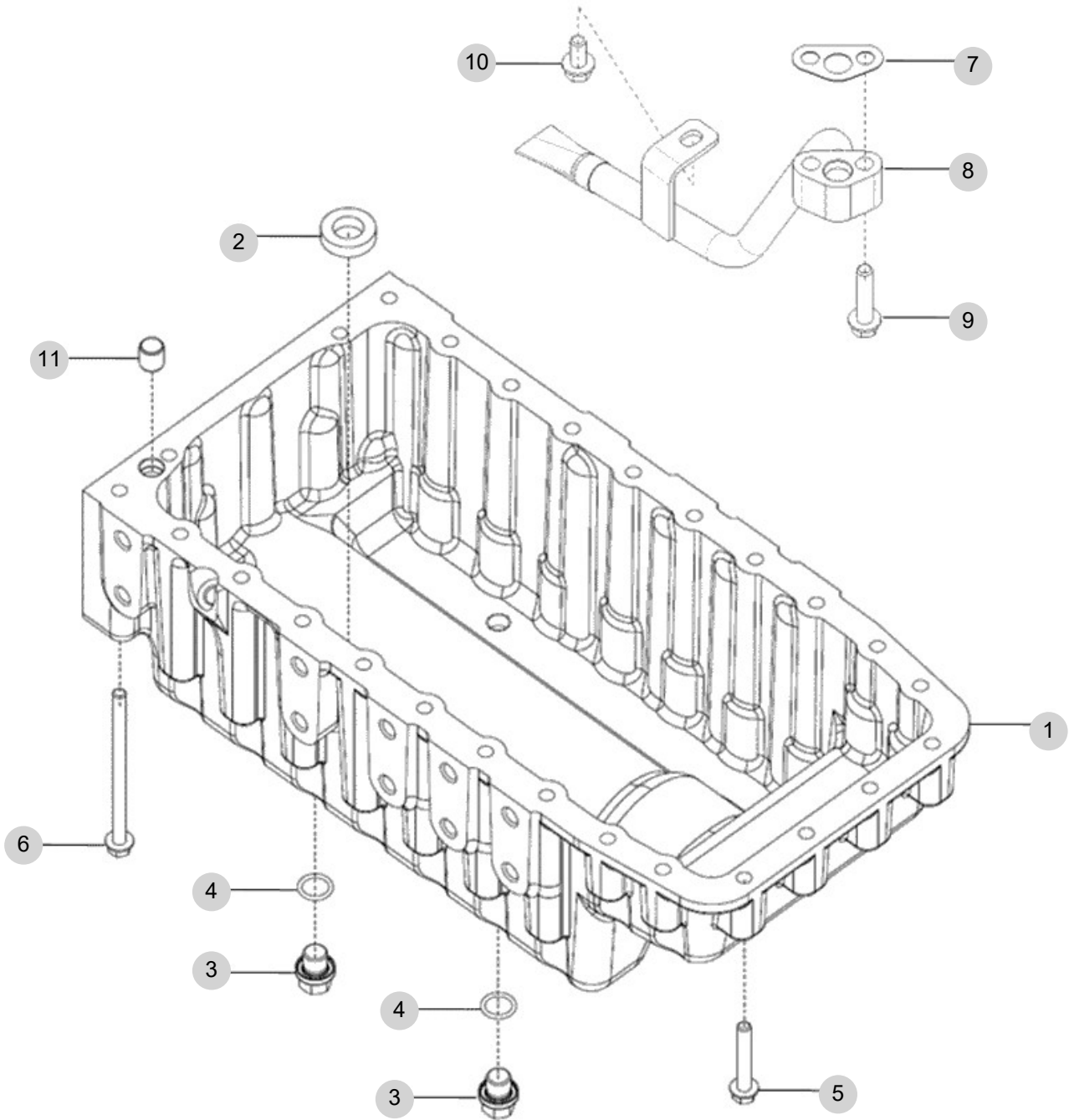
FIG 114

T474SH

OIL PAN

년/월
Year/Month

2022-12



NOTE

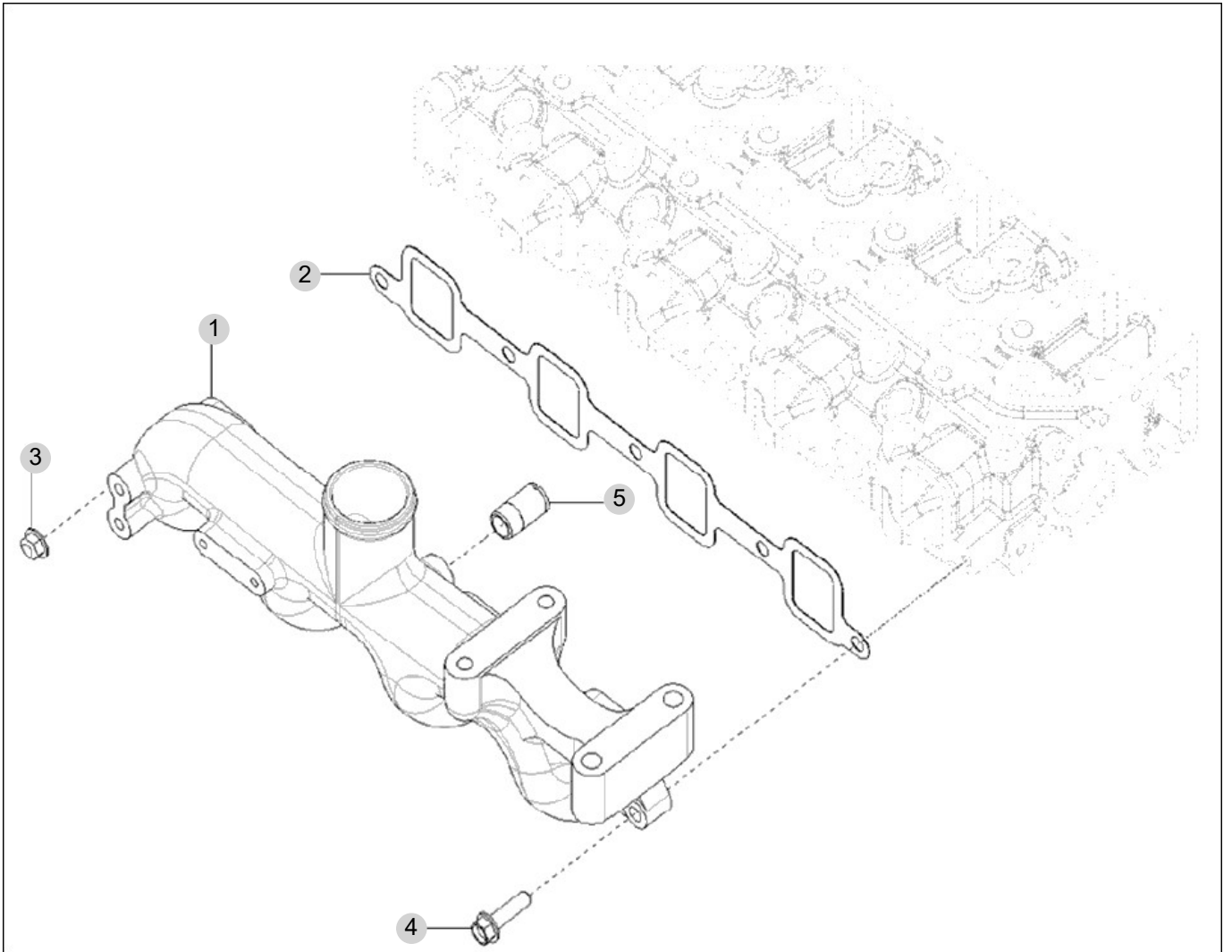
FIG 115

T474SH

INTAKE MANIFOLD

년/월
Year/Month

2022-12



NOTE

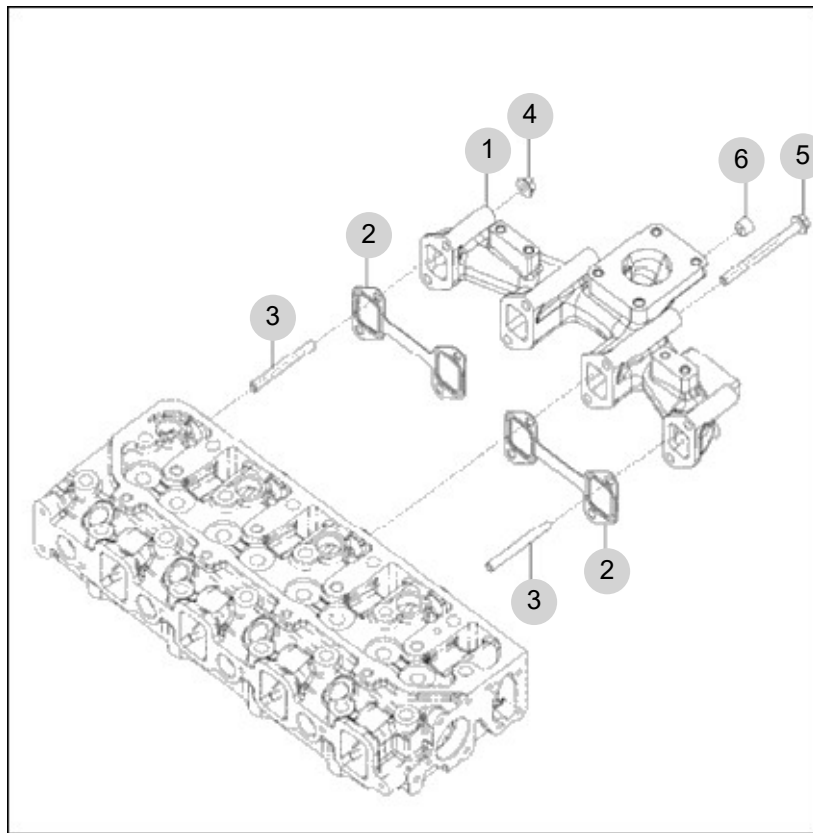
FIG 116

T474SH

EXHAUST MANIFOLD

년/월
Year/Month

2022-12



NOTE

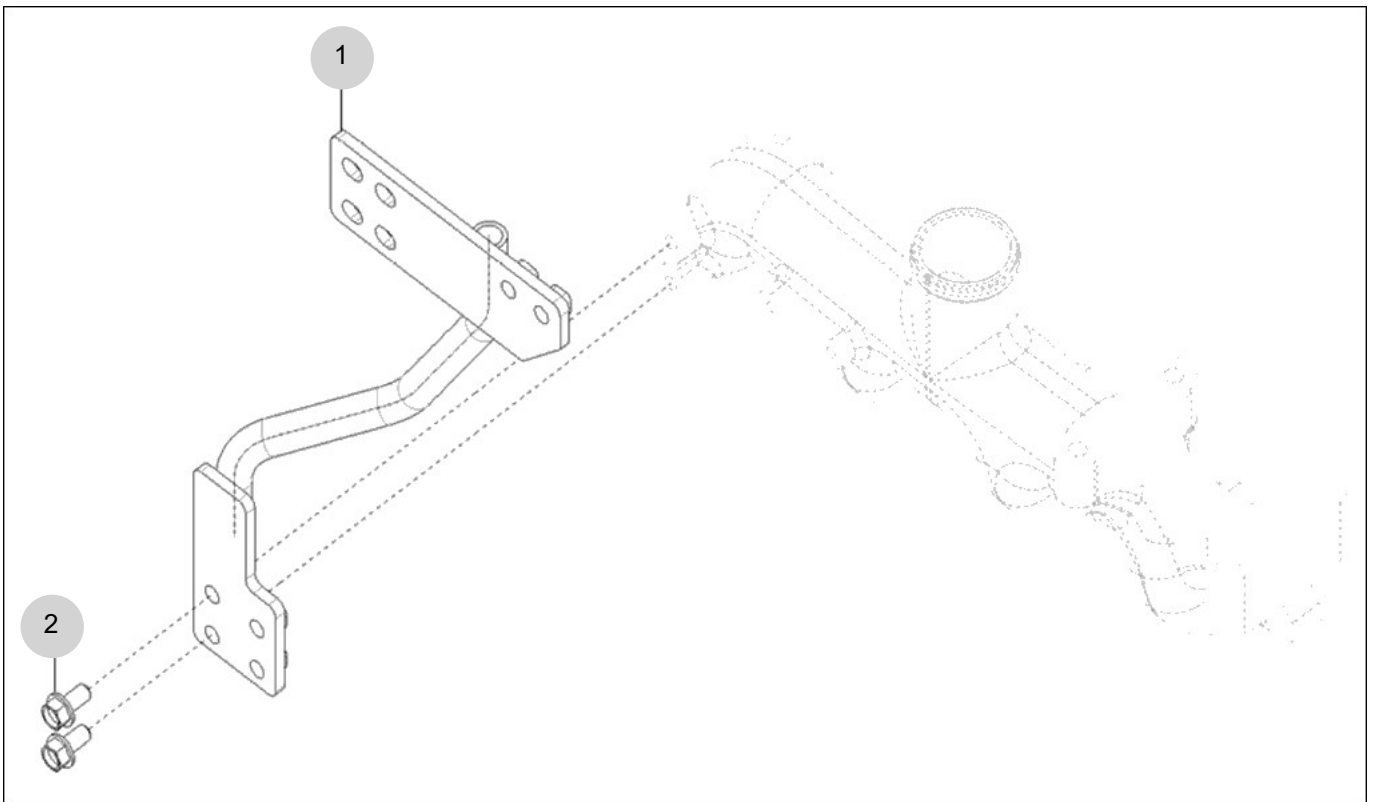
FIG 117

T474SH

DPF SUPPORT OPTION

년/월
Year/Month

2022-12



NOTE

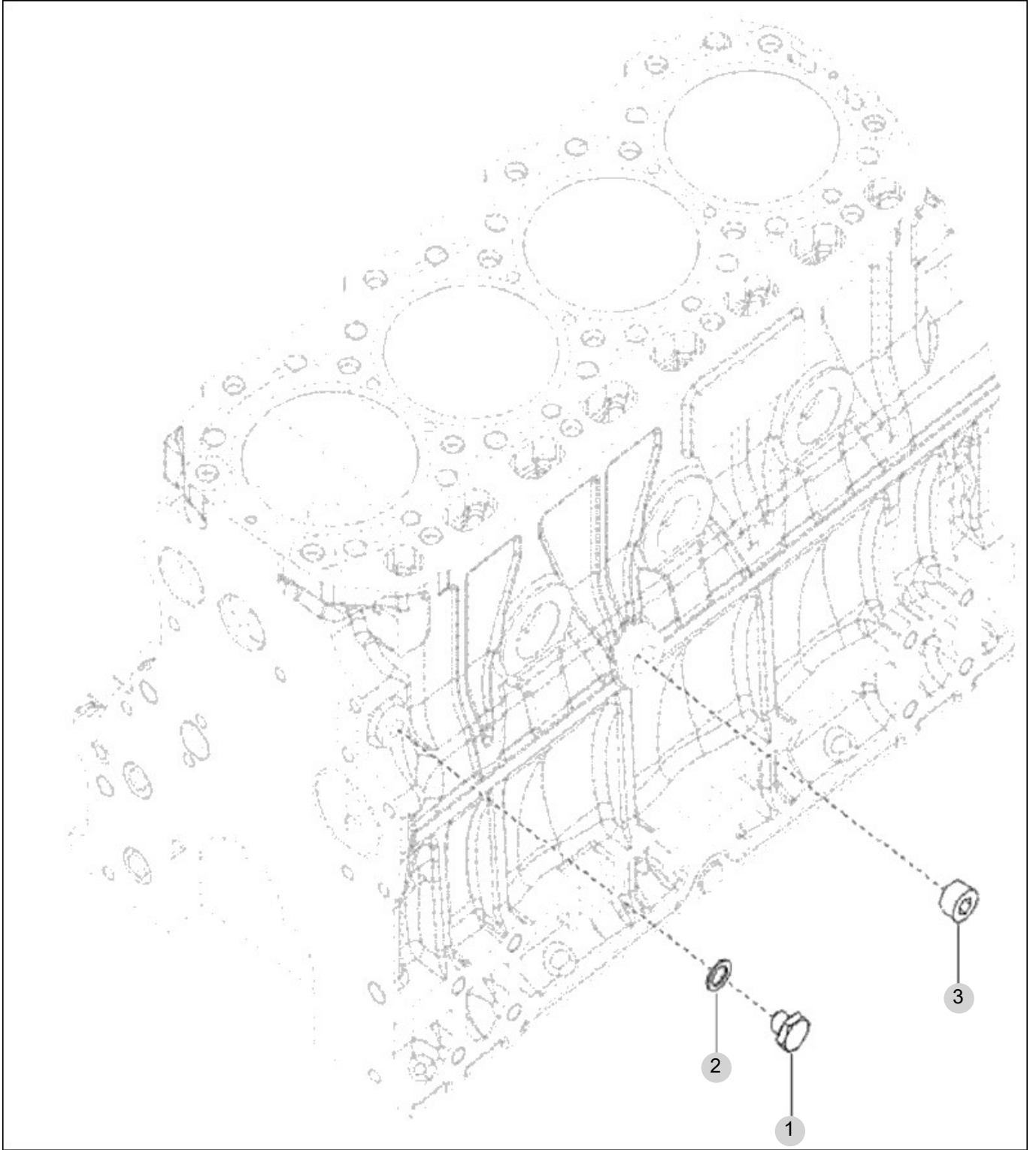
FIG 118

TURBOCHARGER PLUMBING OPTION

년/월
Year/Month

2022-12

T474SH



NOTE

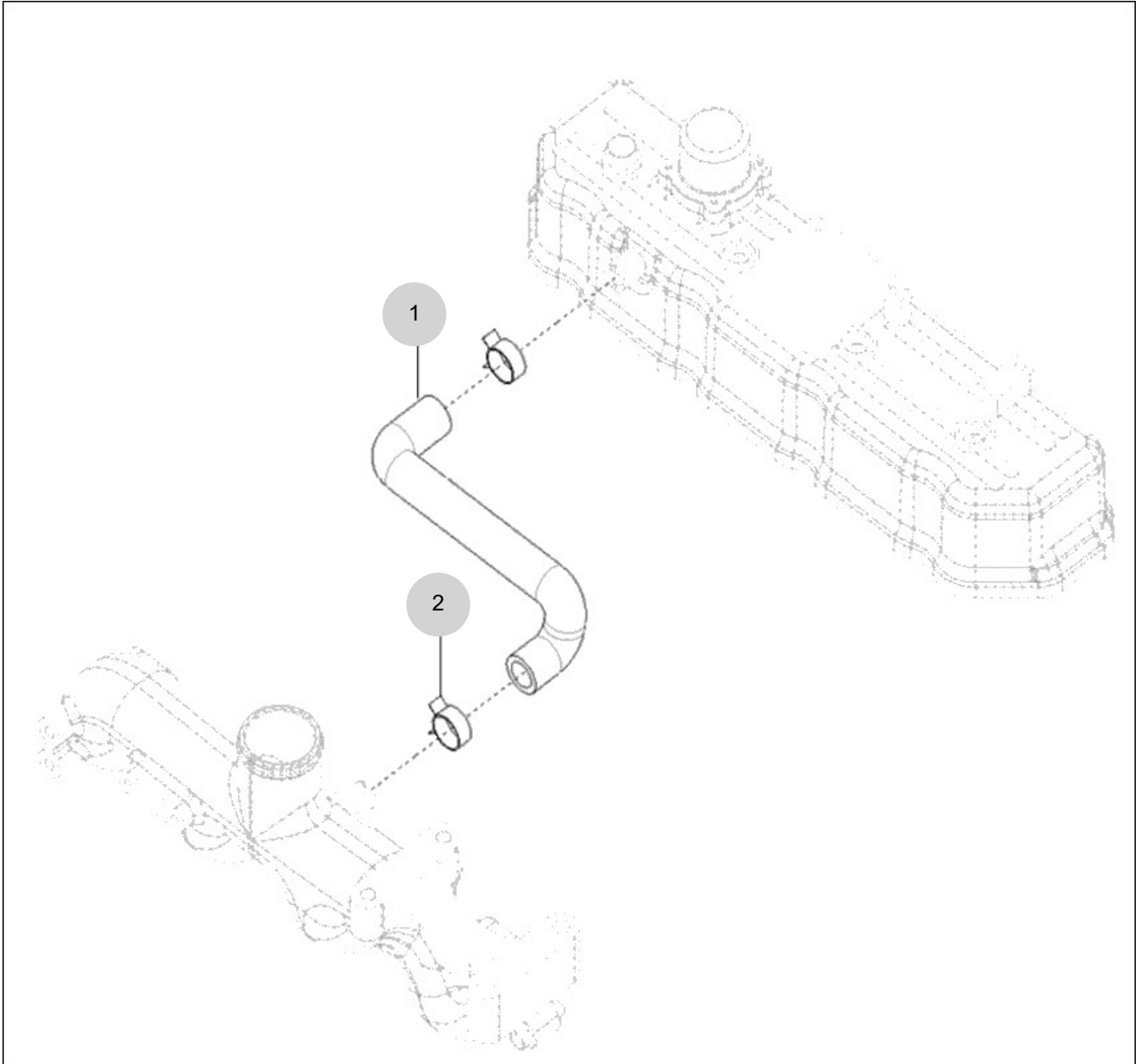
FIG 119

BREATHER

년/월
Year/Month

T474SH

2022-12



NOTE

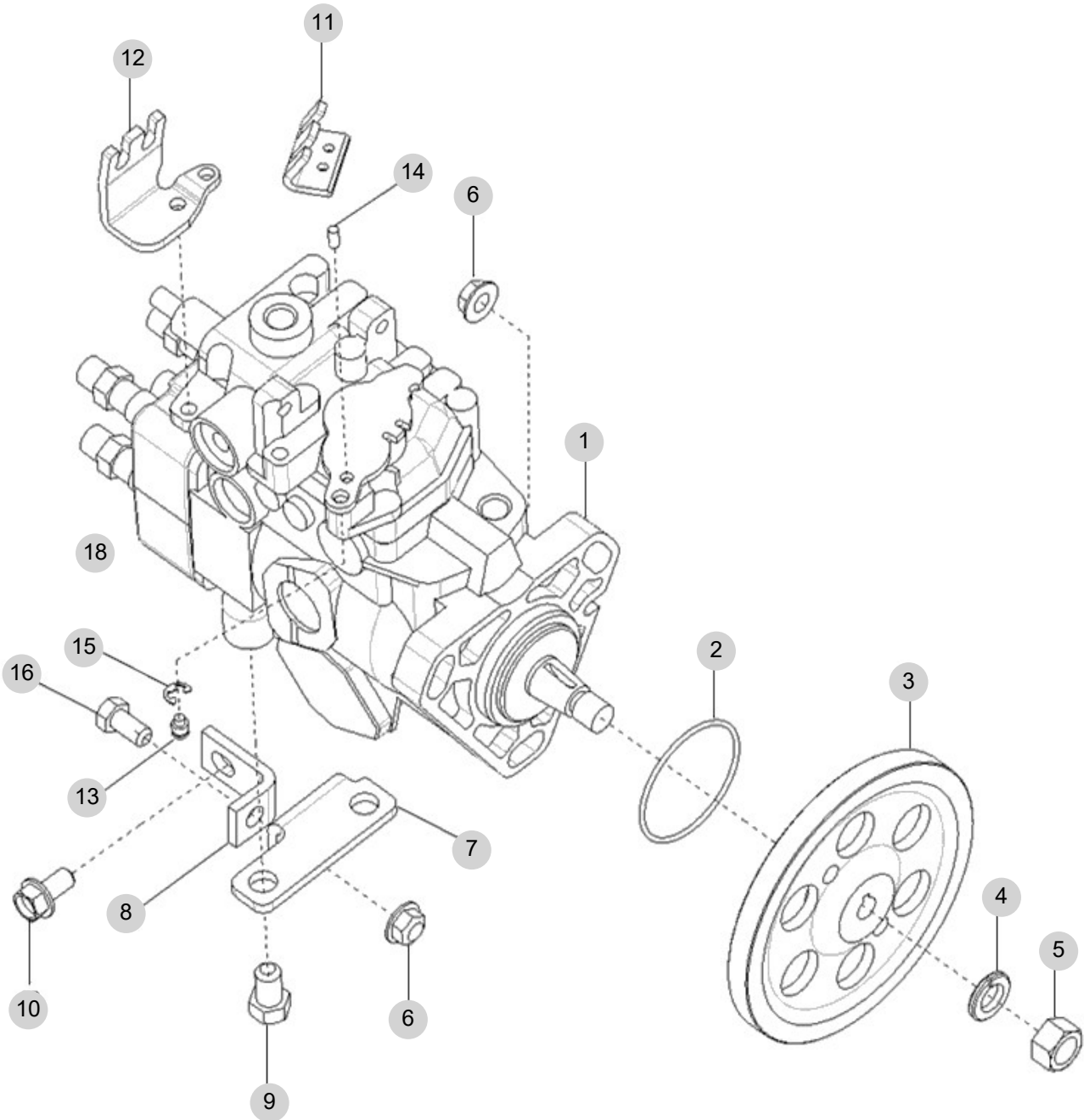
FIG 120

FUEL INJECTION PUMP

년/월
Year/Month

2022-12

T474SH



NOTE

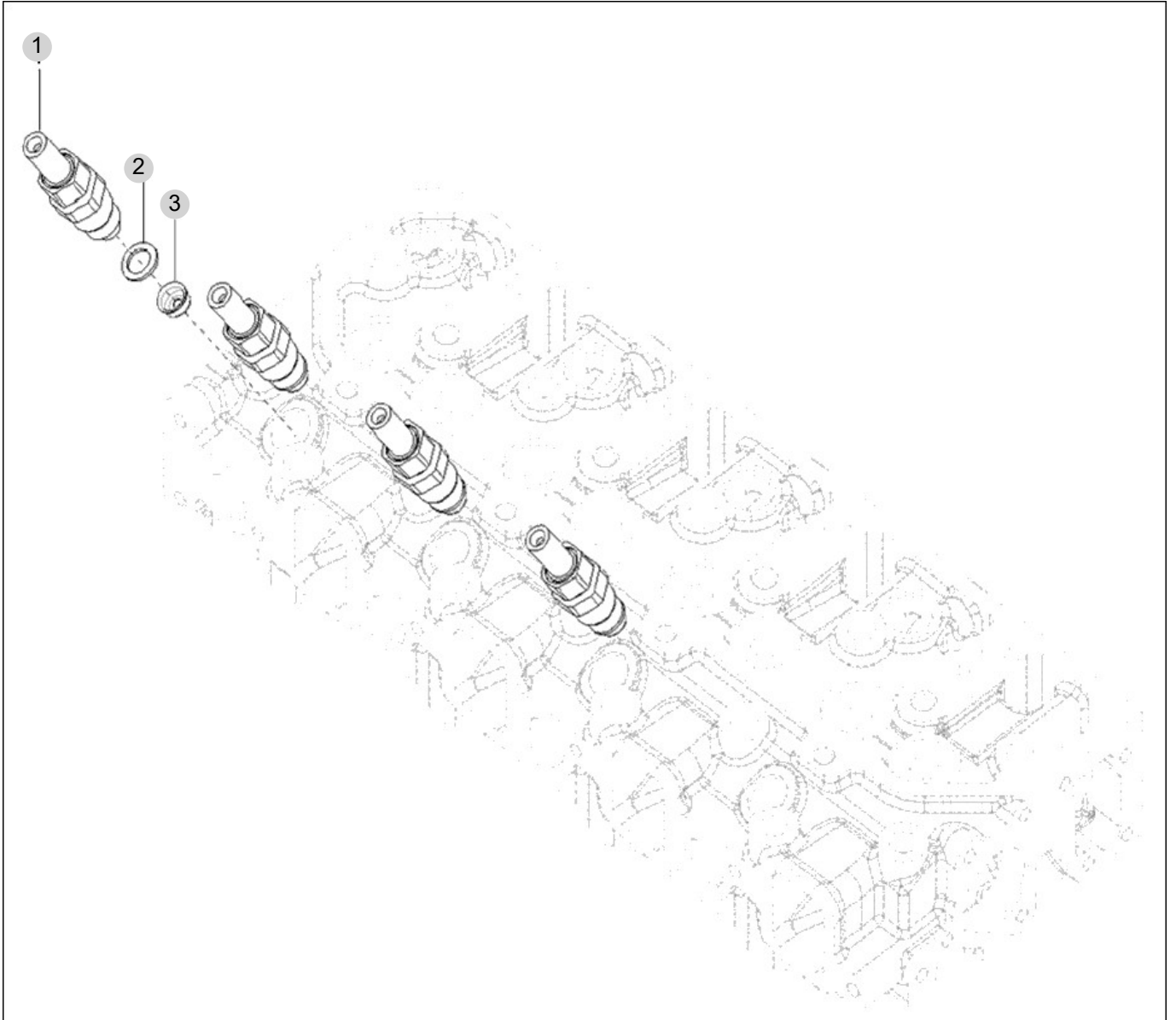
FIG 121

FUEL INJECTION VALVE

년/월
Year/Month

T474SH

2022-12



NOTE

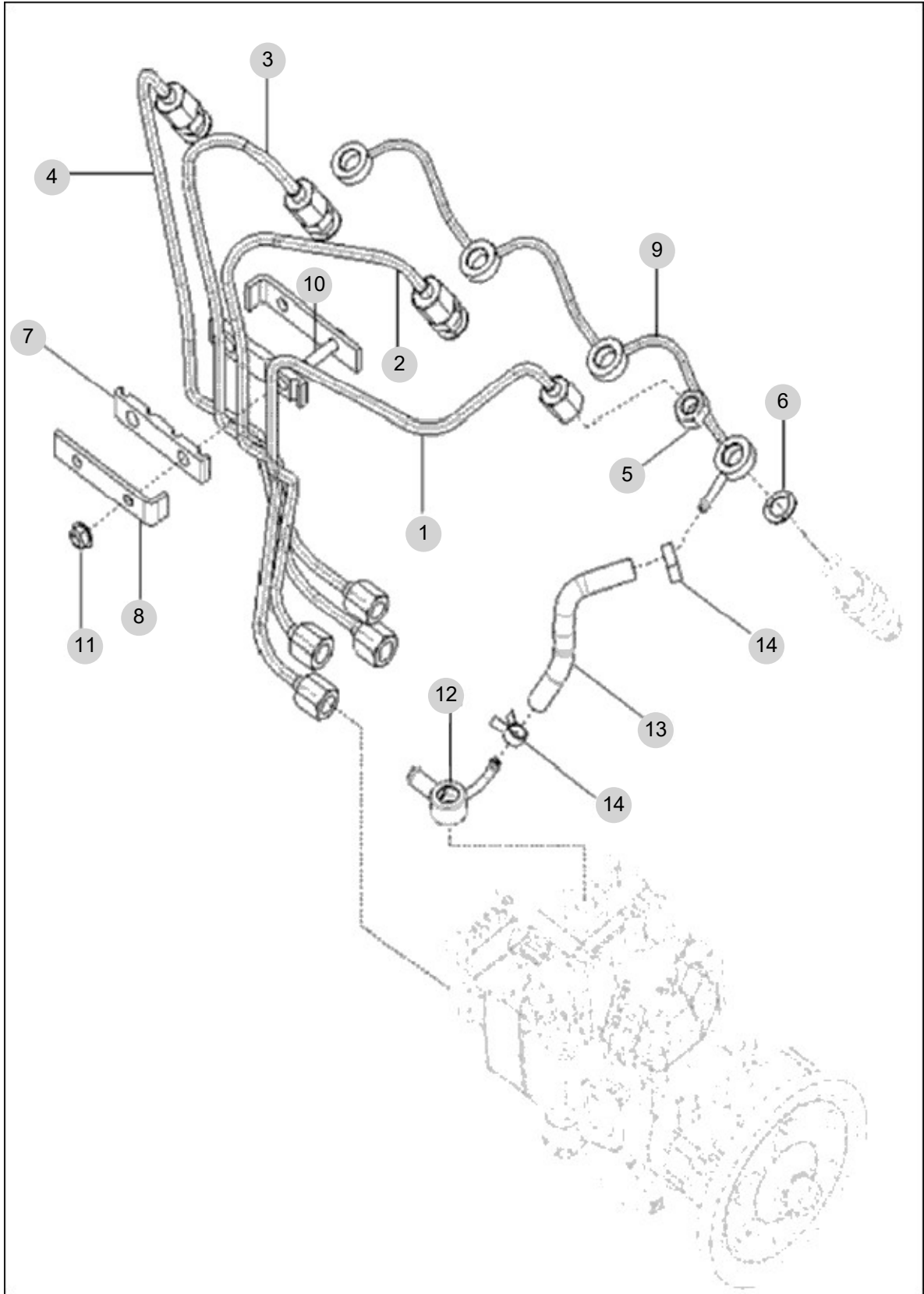
FIG 122

FUEL PIPE ASS'Y

년/월
Year/Month

2022-12

T474SH



NOTE

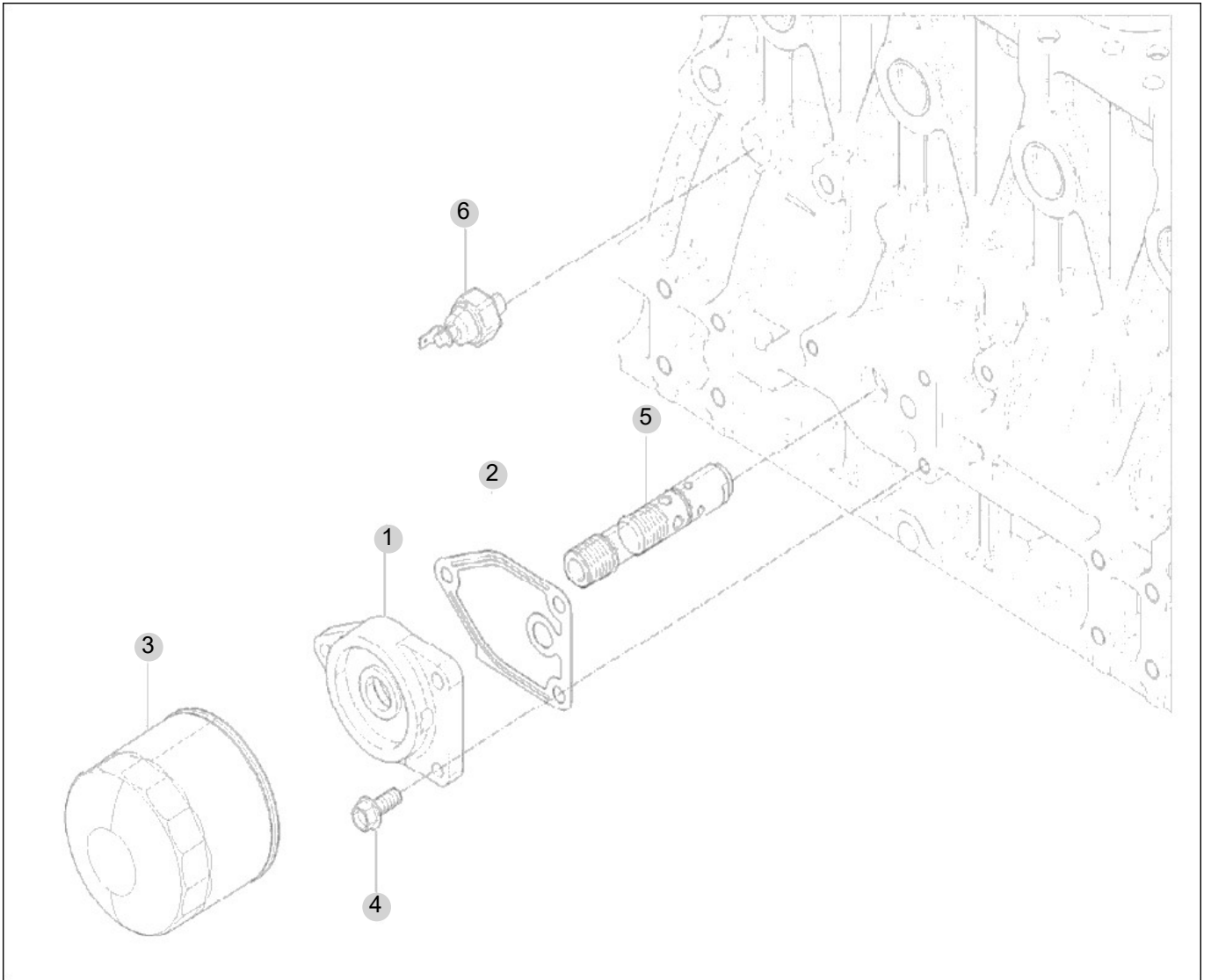
FIG 123

T474SH

OIL FILTER

년/월
Year/Month

2022-12



NOTE

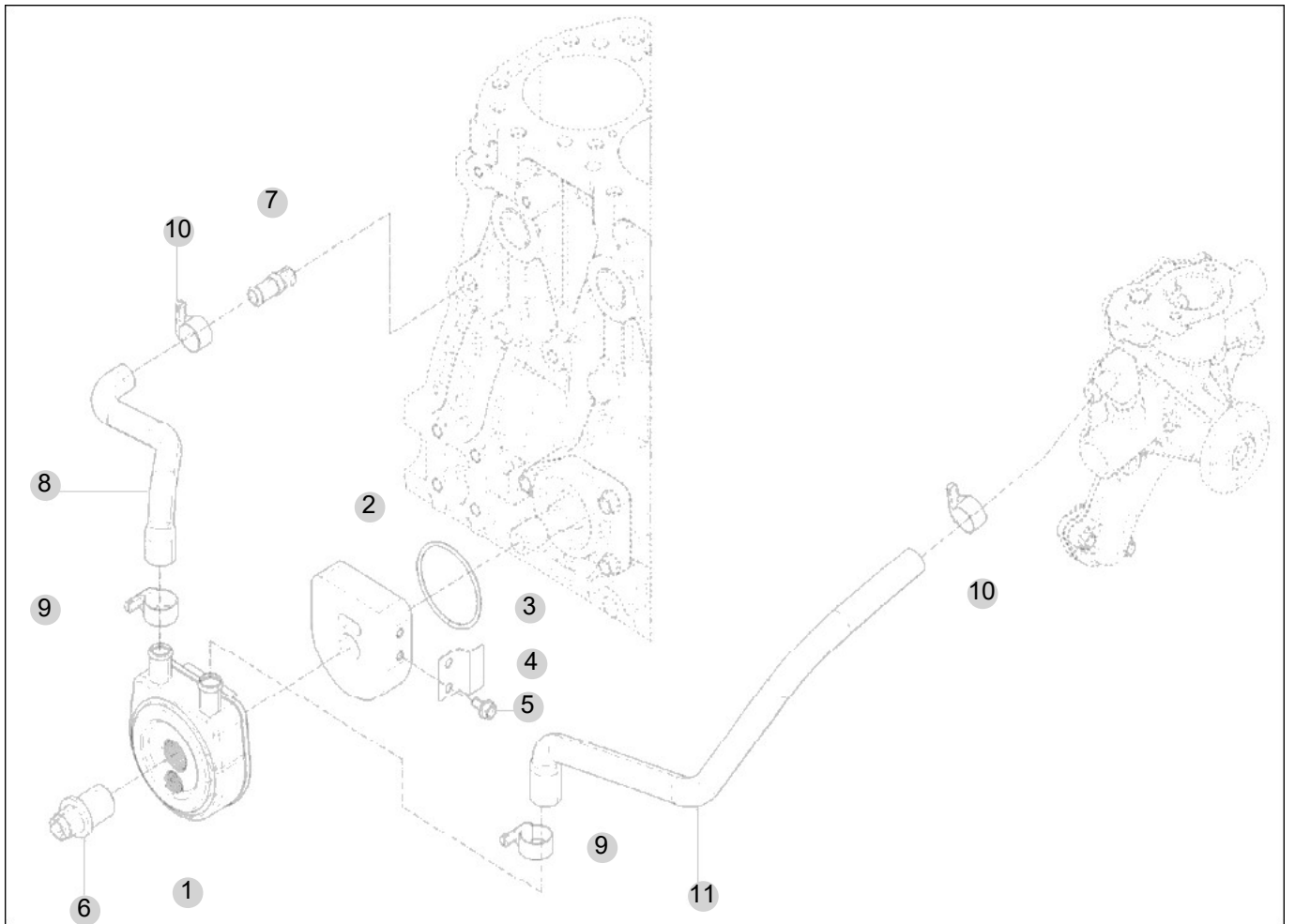
FIG 124

OIL COOLER

년/월
Year/Month

2022-12

T474SH



NOTE

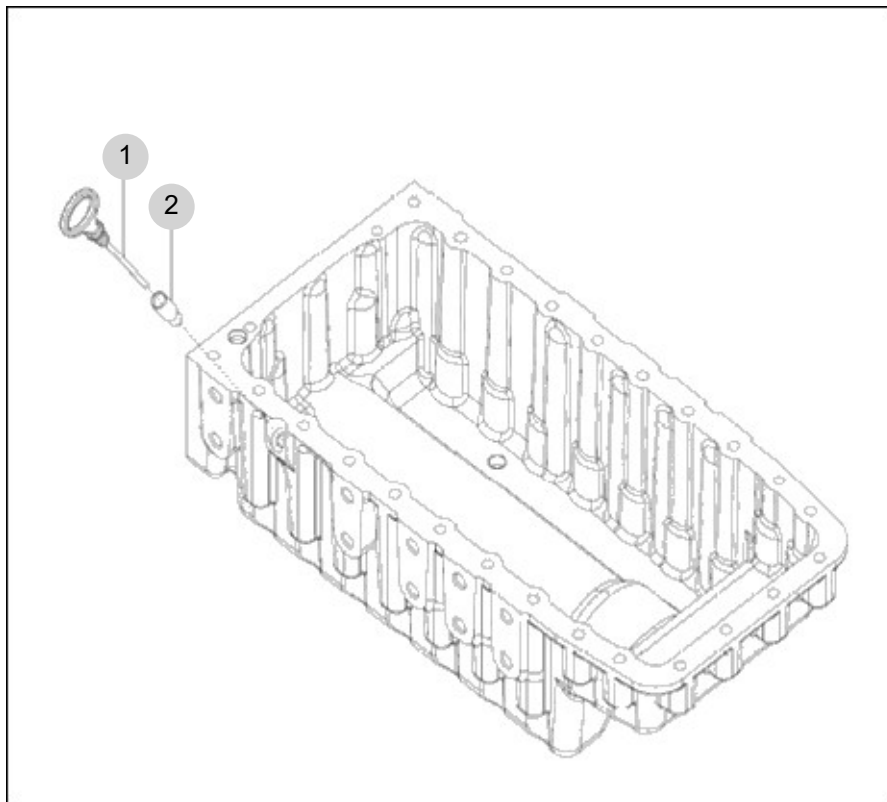
FIG 125

OIL GAUGUE

년/월
Year/Month

T474SH

2022-12



NOTE

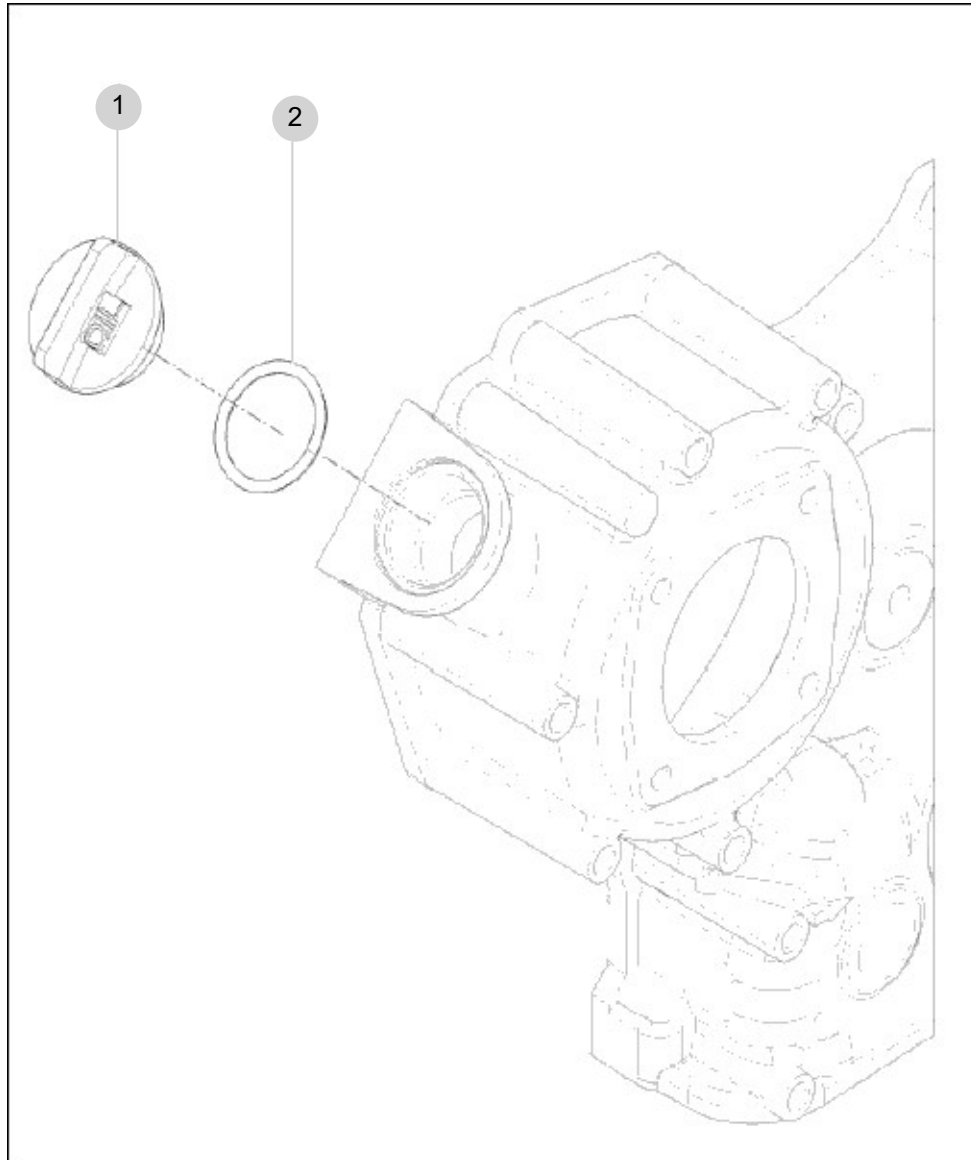
FIG 126

T474SH

OIL FILLER CAP

년/월
Year/Month

2022-12



NOTE

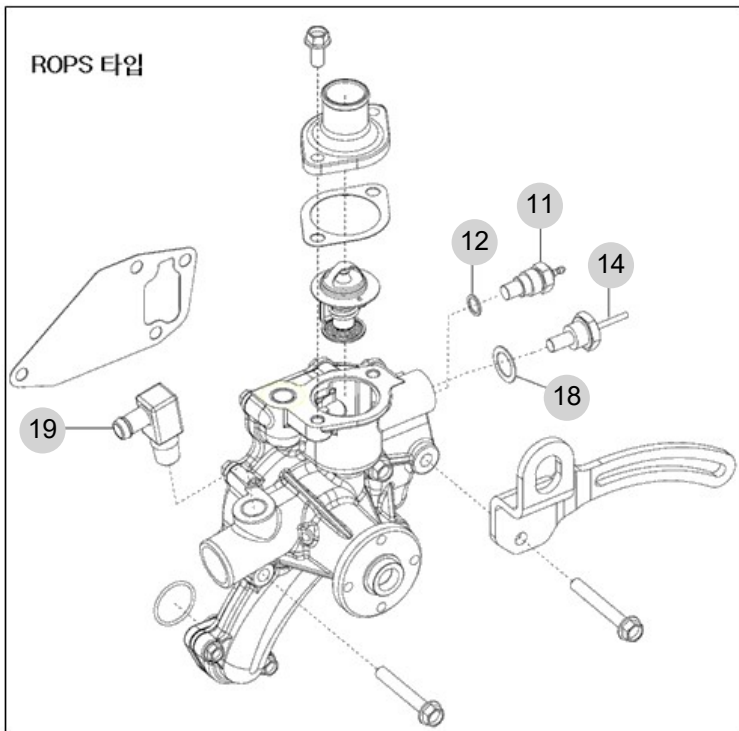
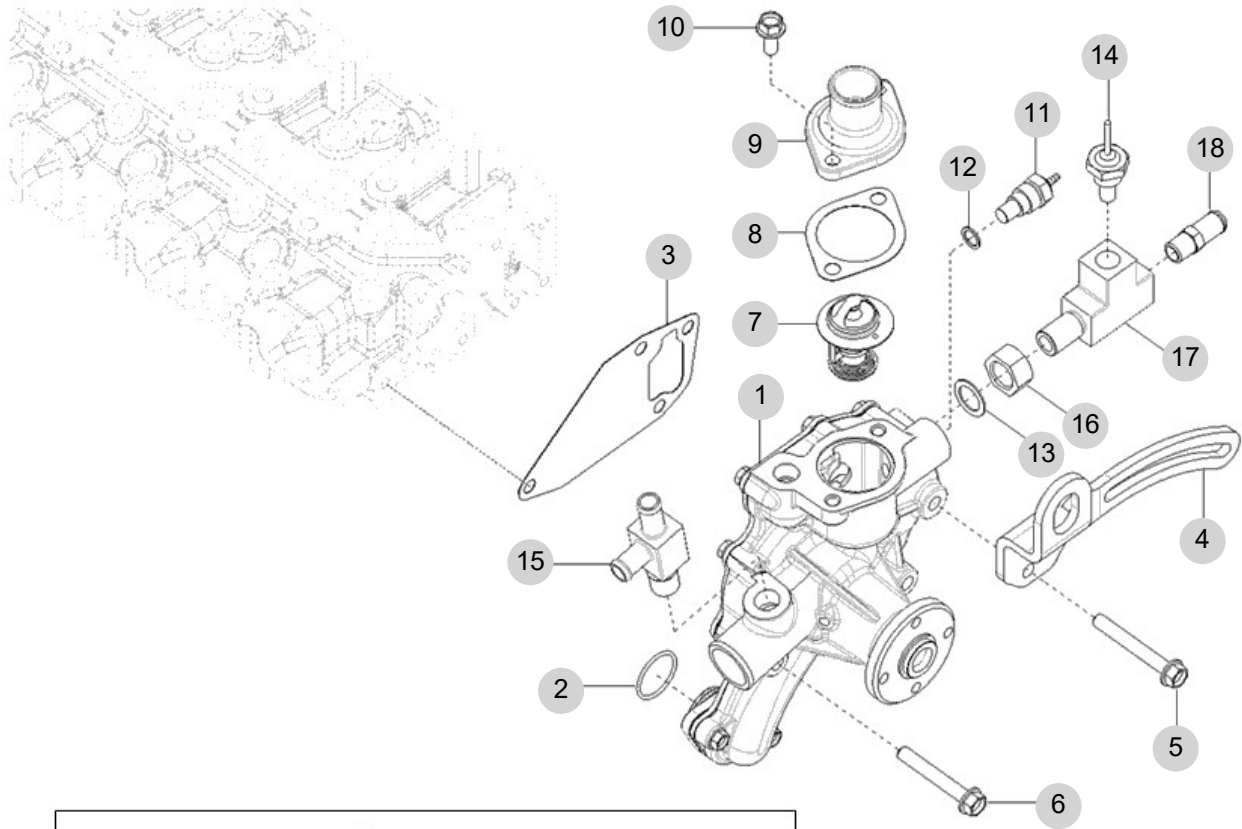
FIG 127

COOLING WATER PUMP

년/월
Year/Month

2022-12

T474SH



NOTE

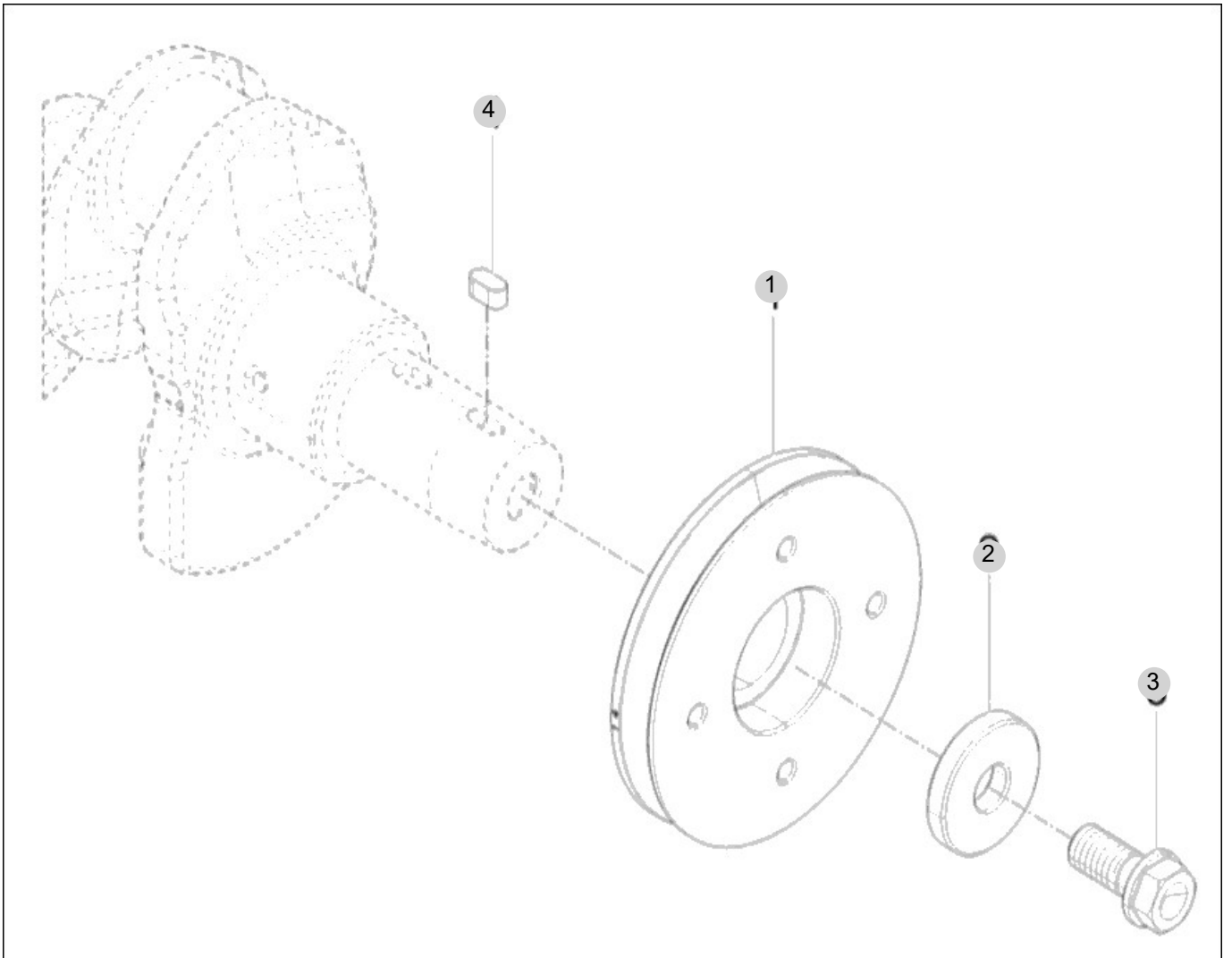
FIG 128

T474SH

CRANK SHAFT PULLEY

년/월
Year/Month

2022-12



NOTE

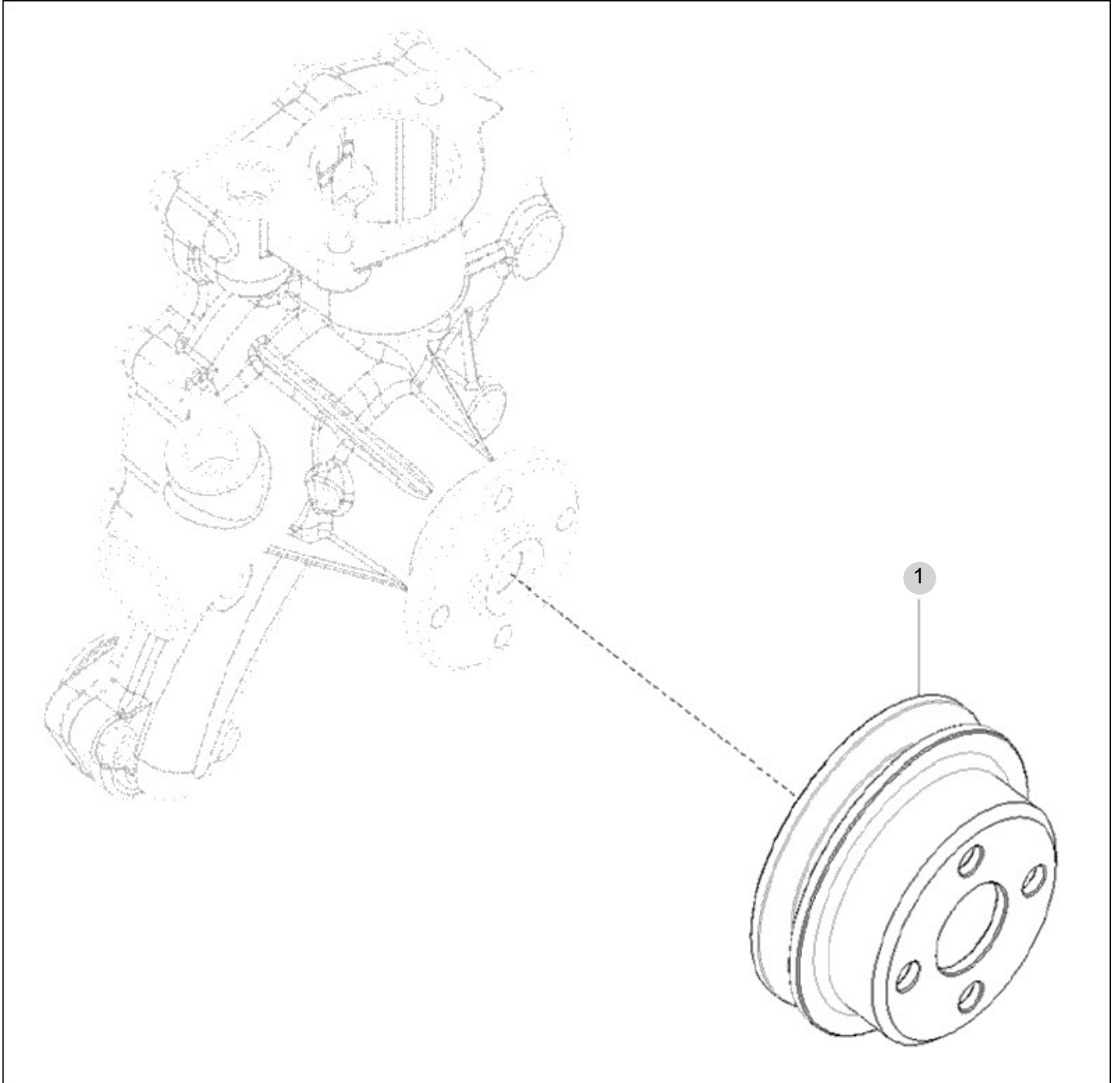
FIG 129

V-PULLEY

년/월
Year/Month

T474SH

2022-12



NOTE

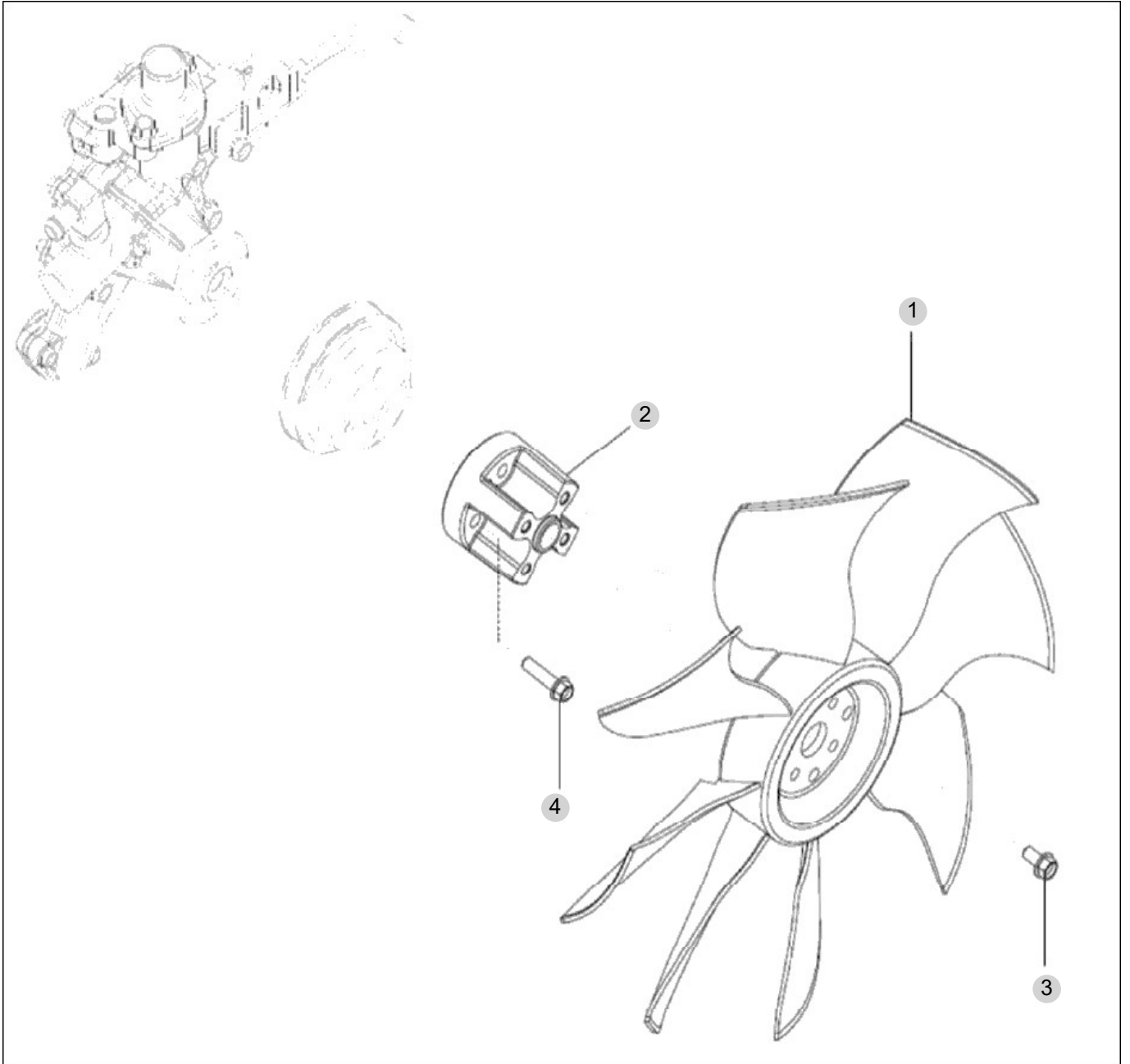
FIG 130

COOLING FAN

년/월
Year/Month

2022-12

T474SH



NOTE

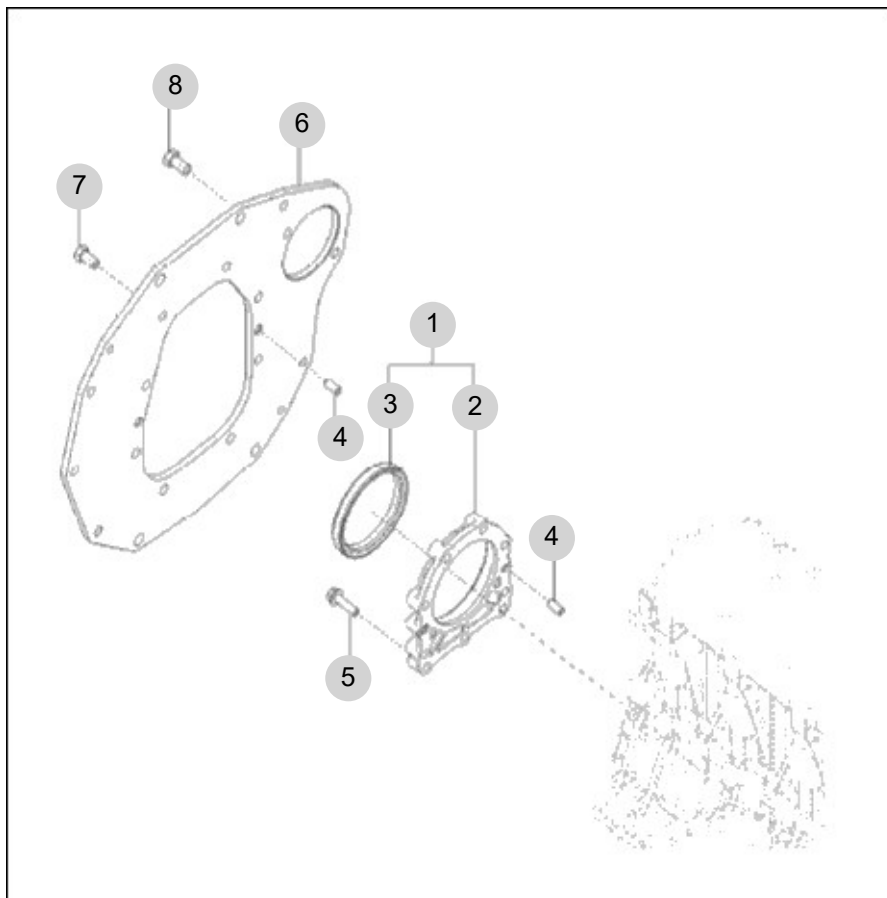
FIG 131

T474SH

FLYWHEEL HOUSING

년/월
Year/Month

2022-12



NOTE

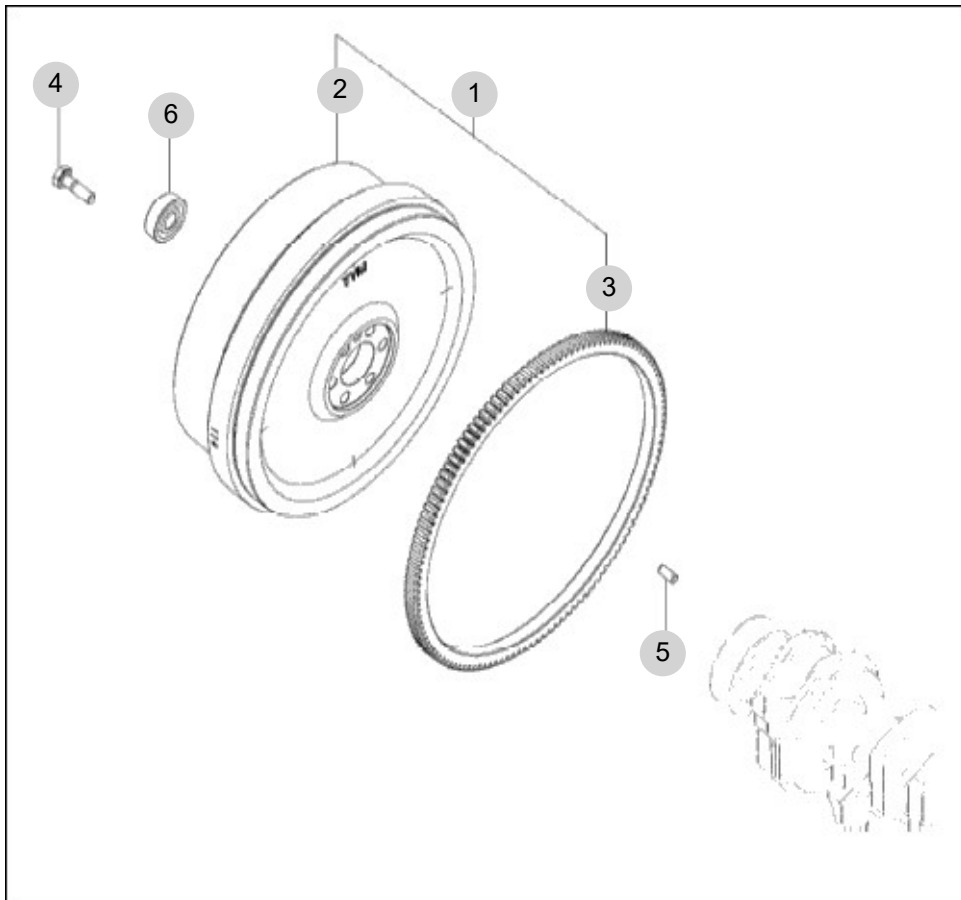
FIG 132

FLYWHEEL

년/월
Year/Month

2022-12

T474SH



NOTE

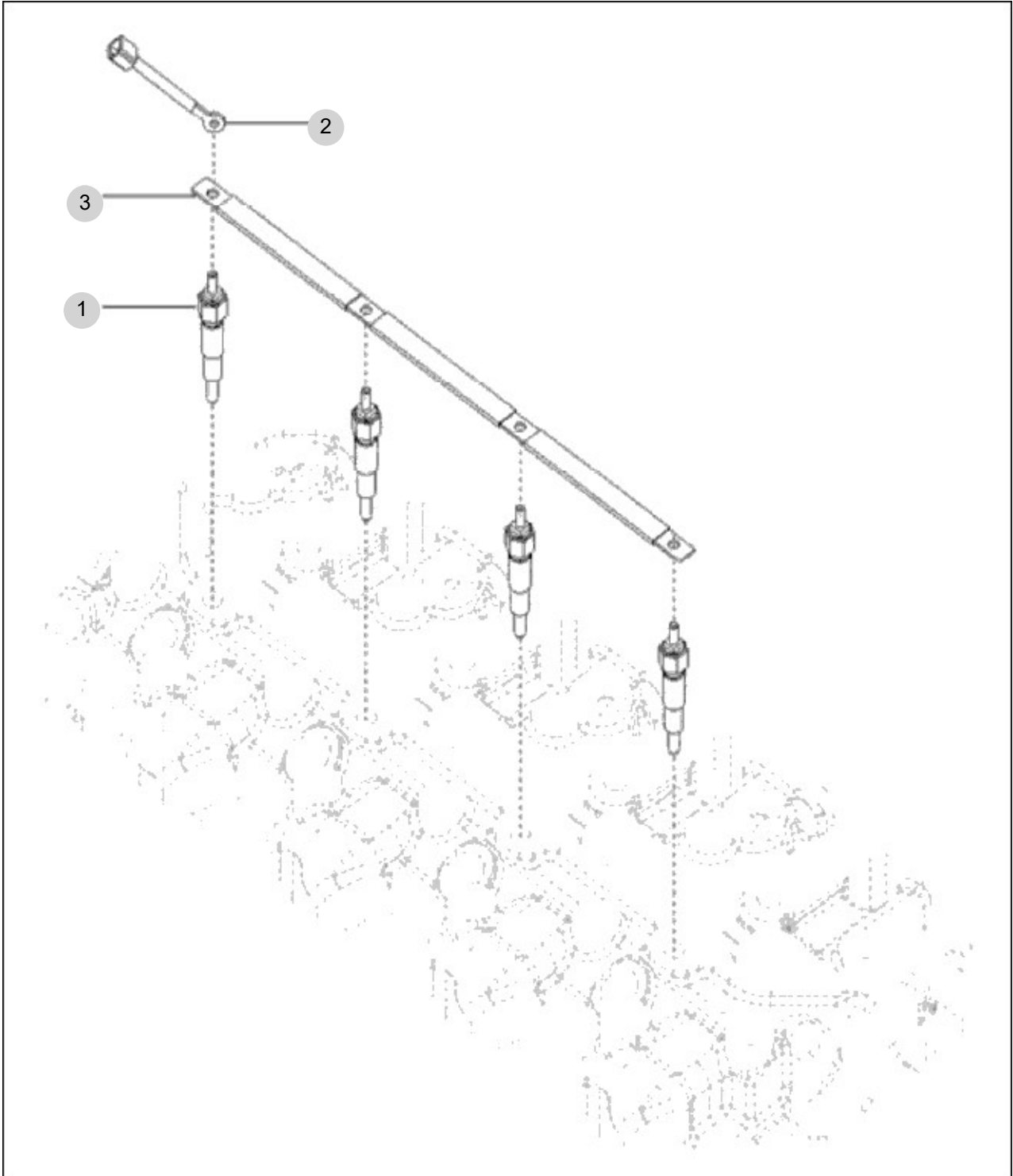
FIG 133

T474SH

GLOW PLUG ASS'Y OPTION

년/월
Year/Month

2022-12



NOTE

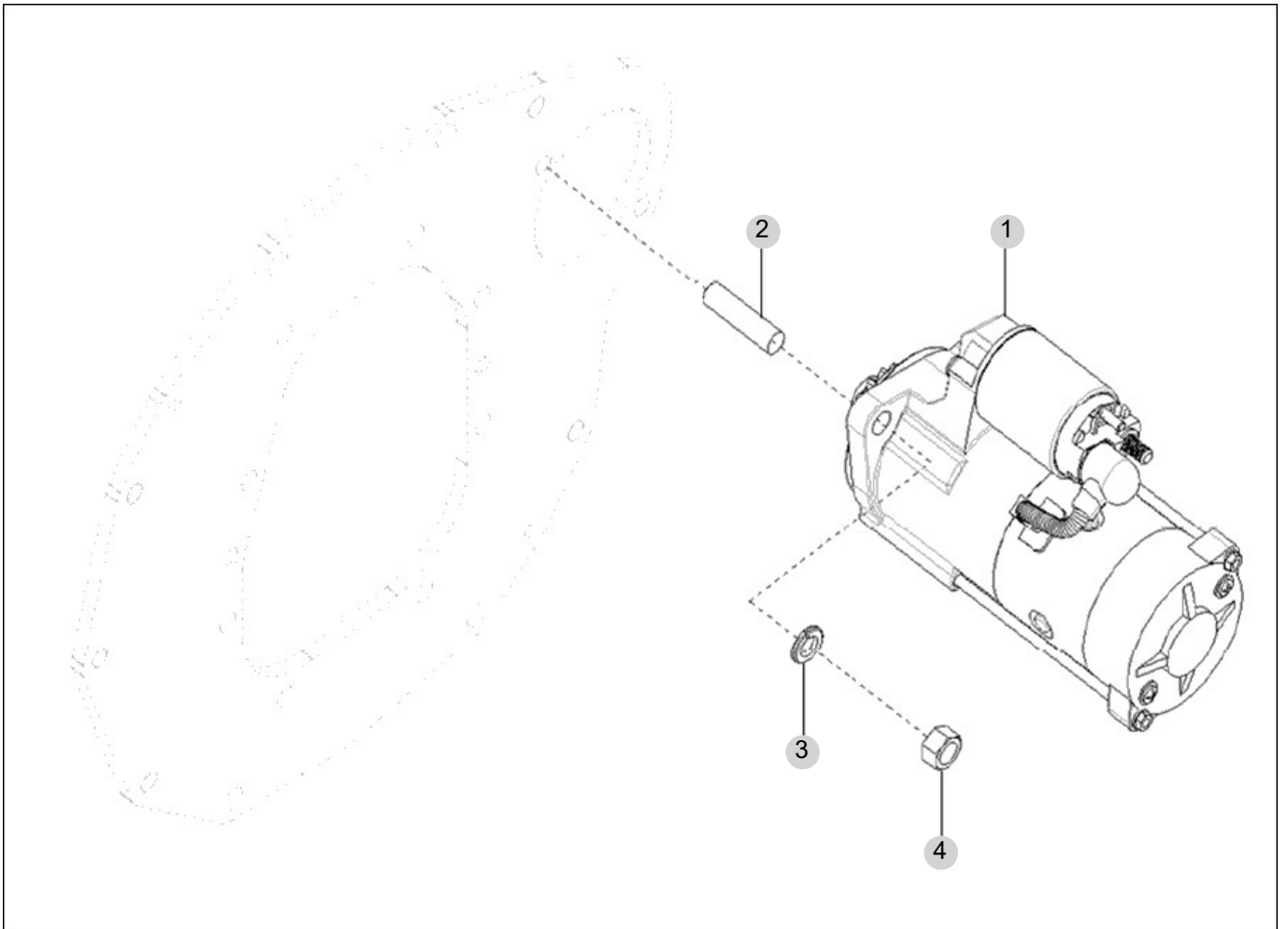
FIG 134

STARTING MOTOR

년/월
Year/Month

2022-12

T474SH



NOTE

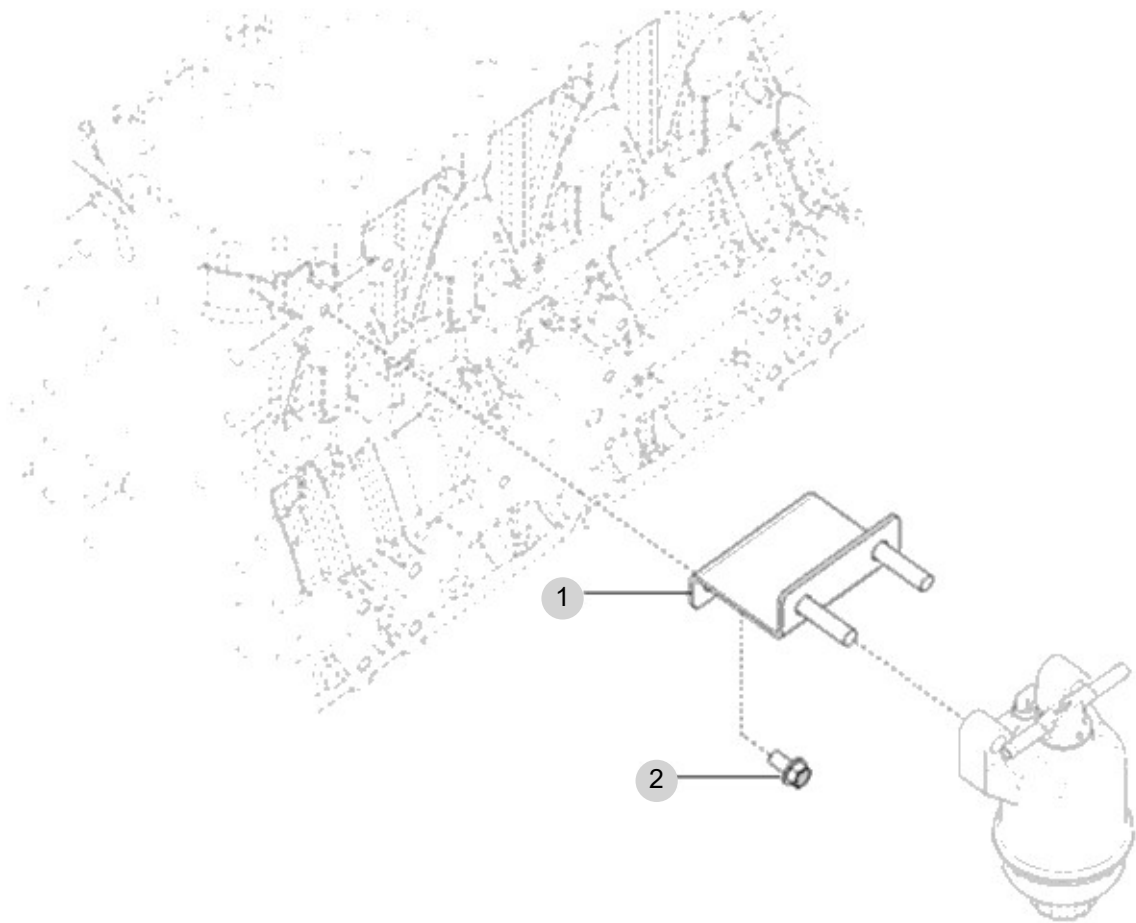
FIG 135

T474SH

FUEL FILTER BRACKET ASS'Y

년/월
Year/Month

2022-12



NOTE

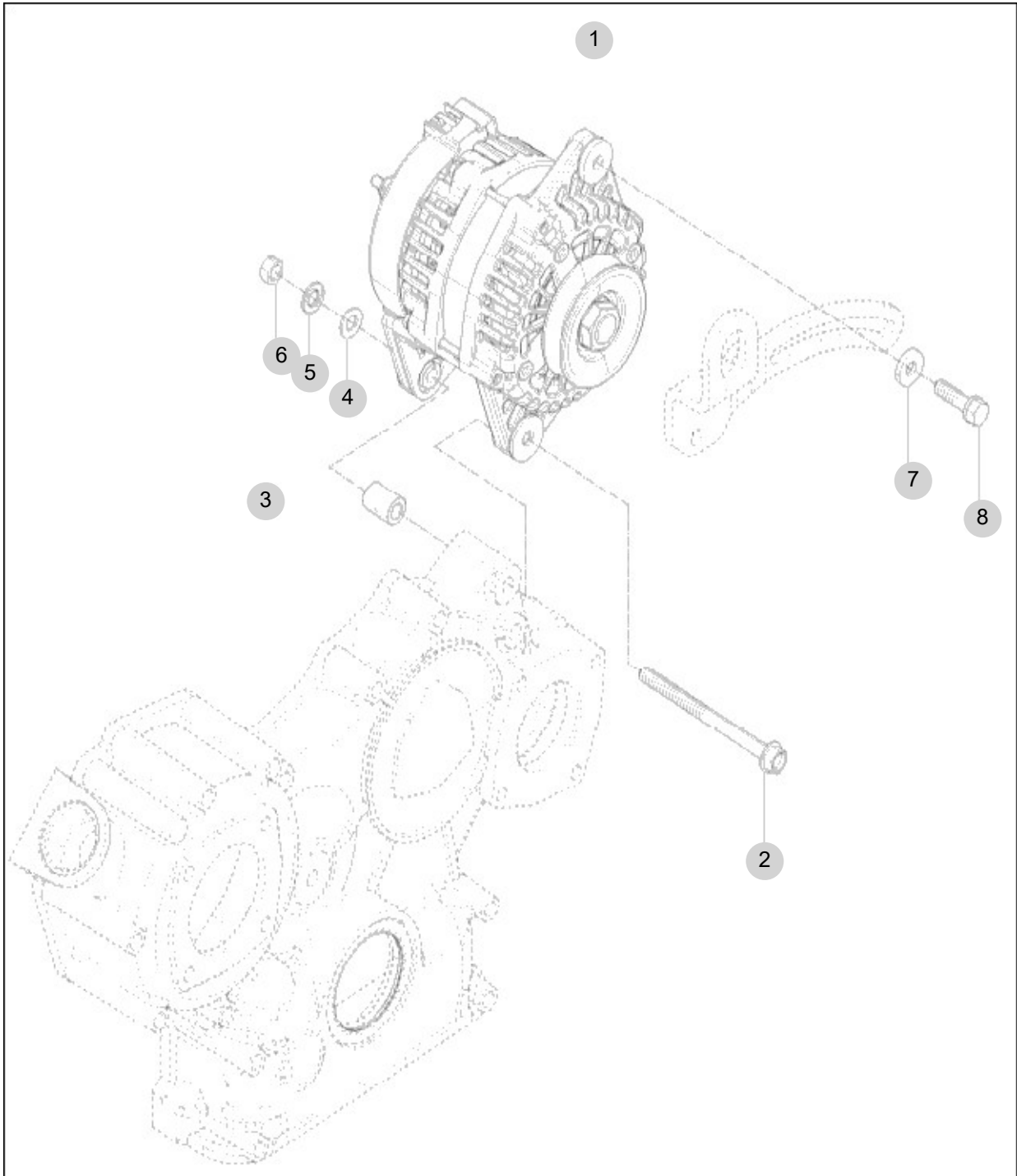
FIG 136

ALTERNATOR

년/월
Year/Month

2022-12

T474SH



NOTE

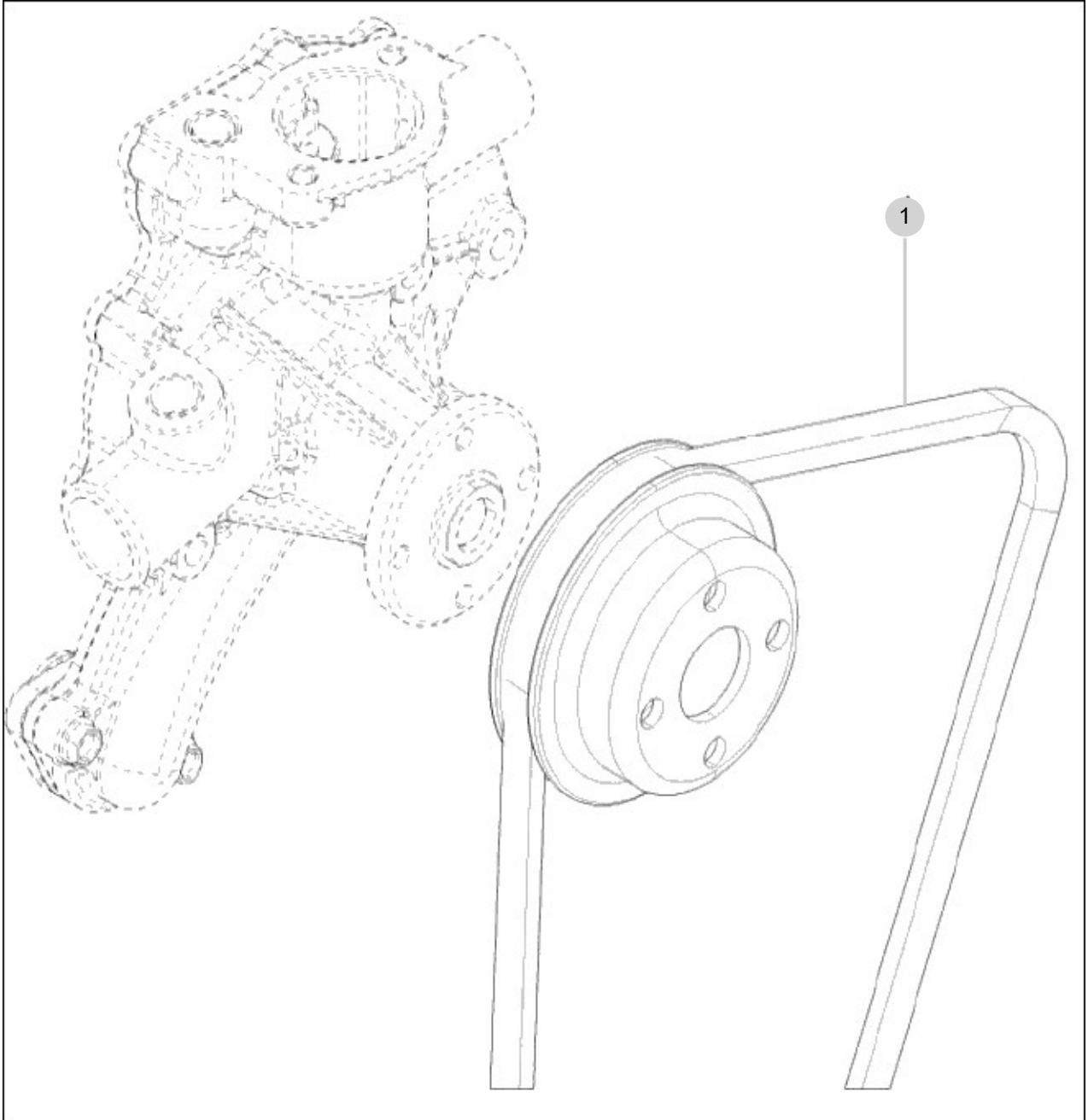
FIG 137

T474SH

V-BELT

년/월
Year/Month

2022-12



NOTE

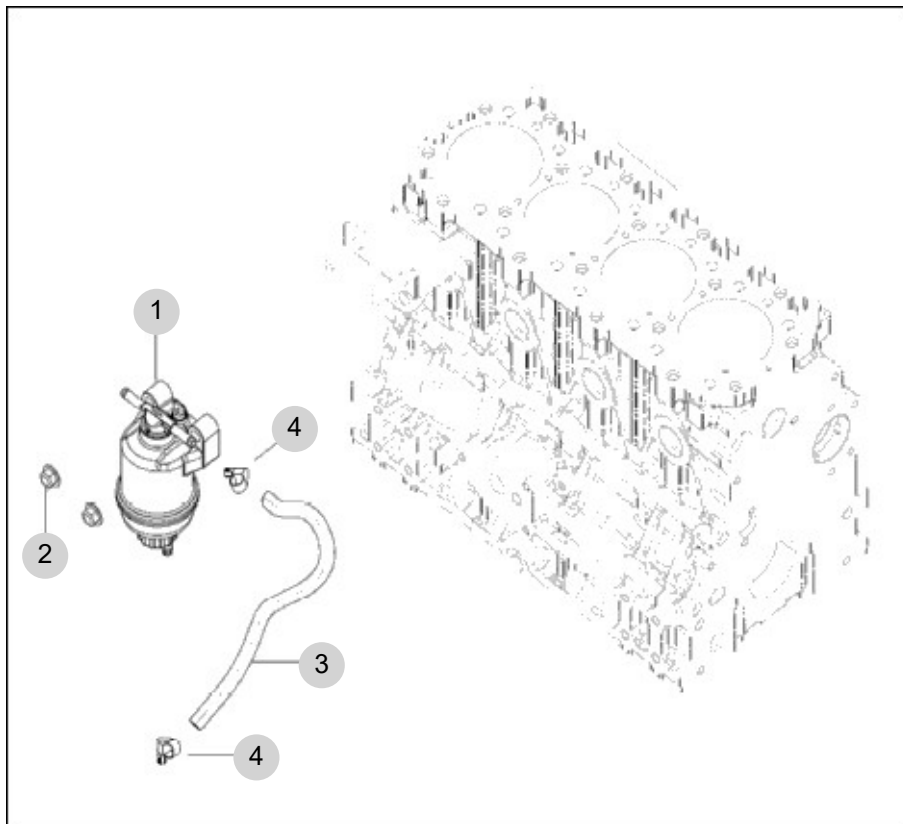
FIG 138

T474SH

FUEL FILTER

년/월
Year/Month

2022-12



NOTE

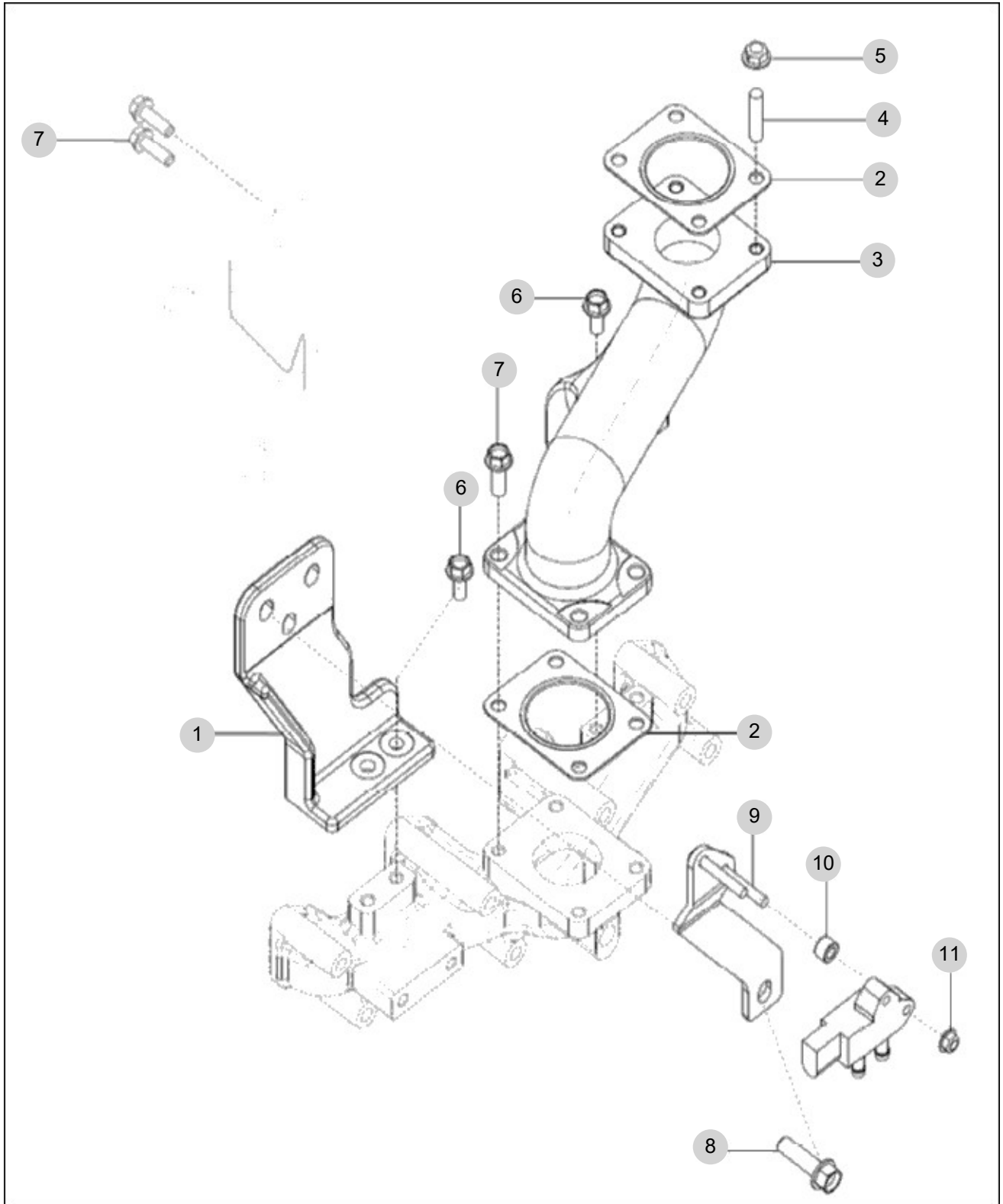
FIG 139

DPF SUPPORT

년/월
Year/Month

T474SH

2022-12



NOTE

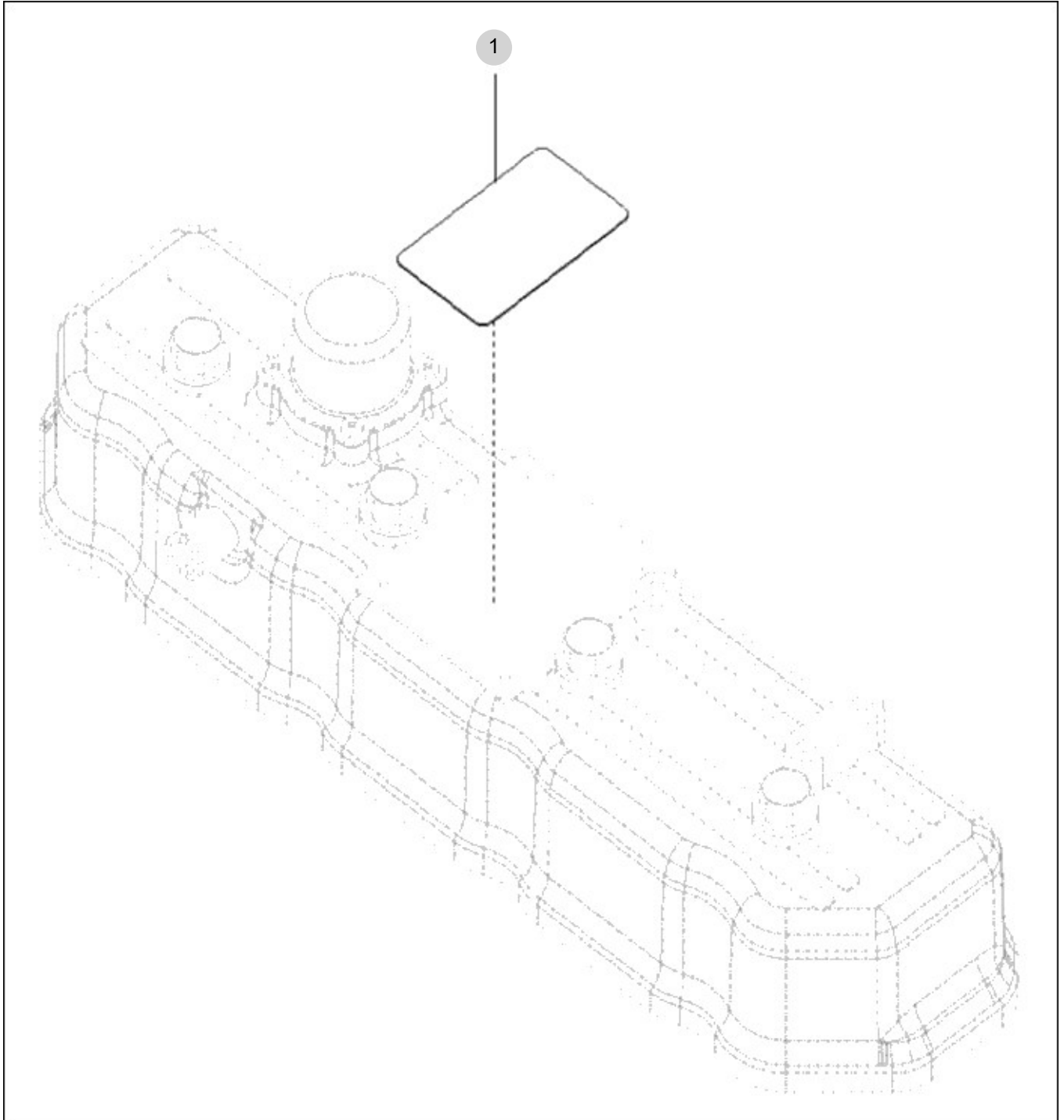
FIG 140

T474SH

DATAPLATE

년/월
Year/Month

2022-12



NOTE

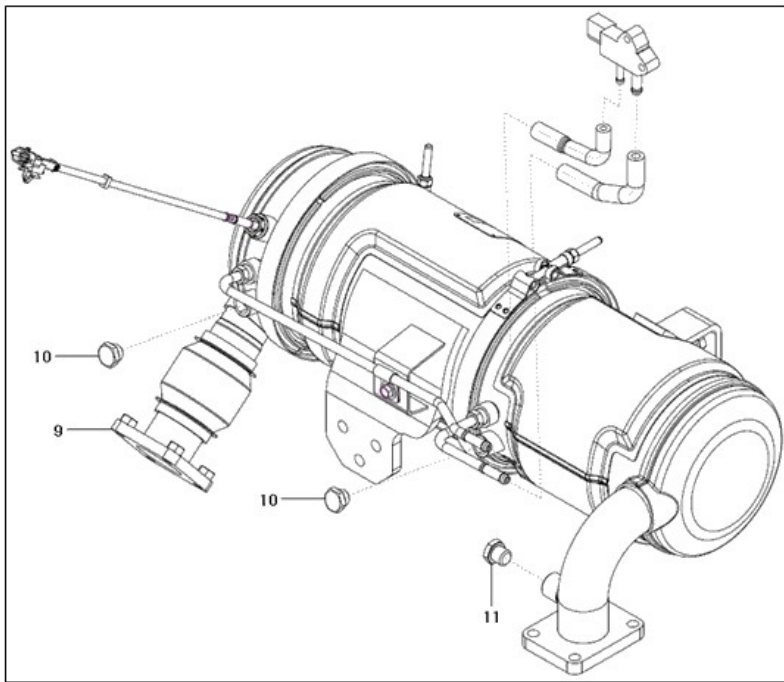
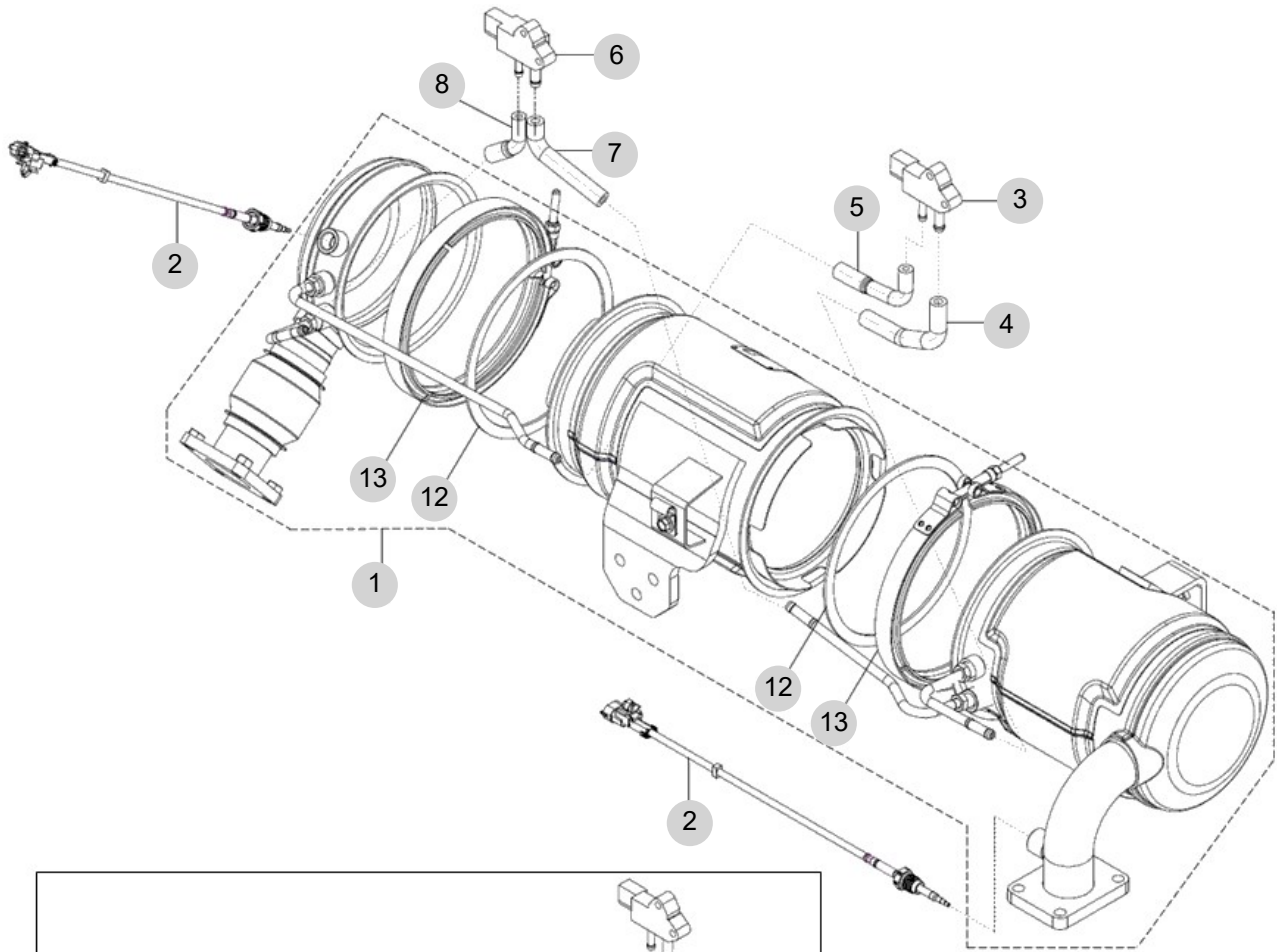
FIG 142

DPF ASS'Y

년/월
Year/Month

2022-12

T474SH



NOTE

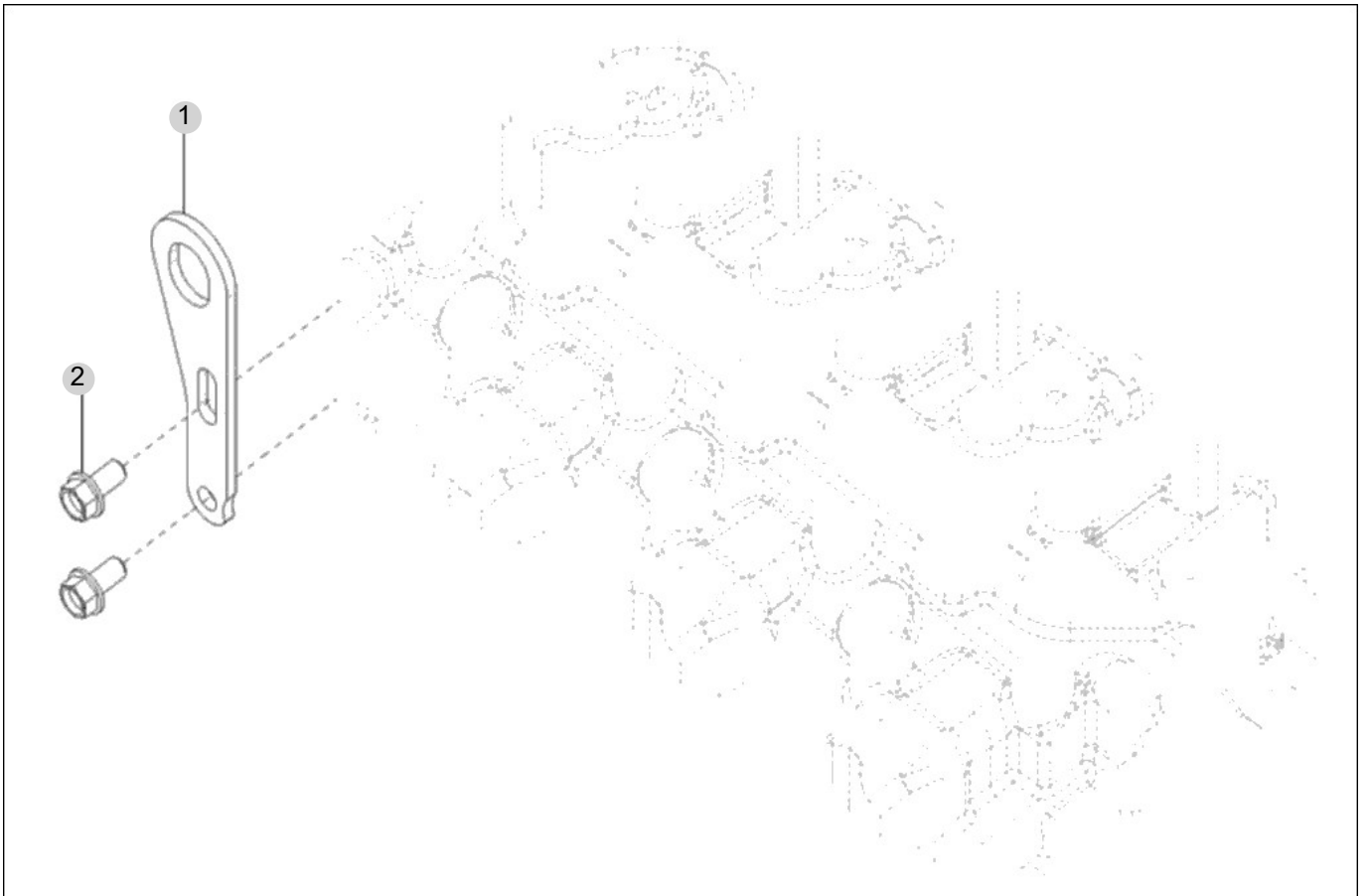
FIG 143

LIFT ASS'Y

년/월
Year/Month

2022-12

T474SH



NOTE

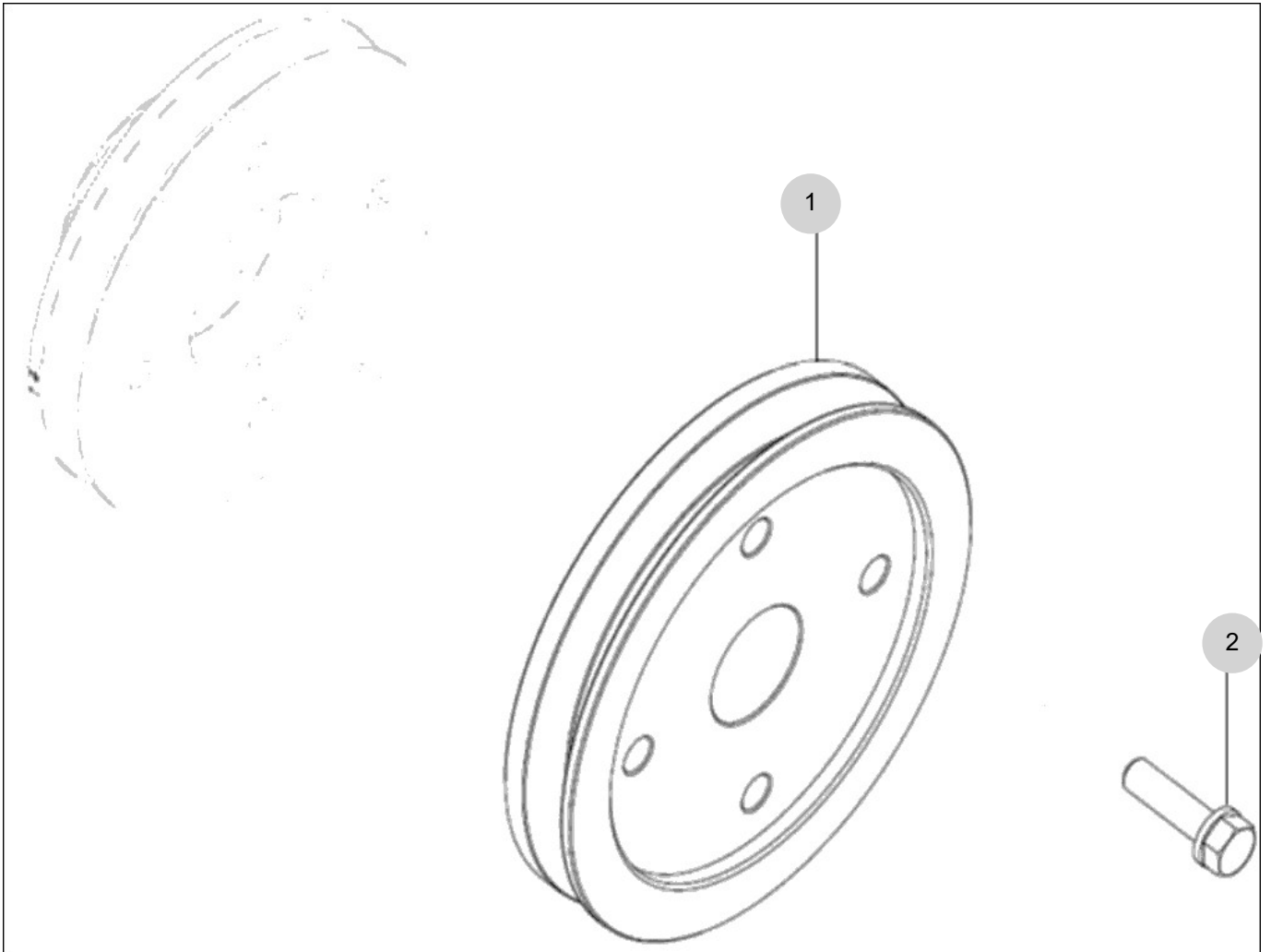
FIG 144

T474SH

COMP . DRIVE PULLEY ASS'Y OPTION

년/월
Year/Month

2022-12



NOTE

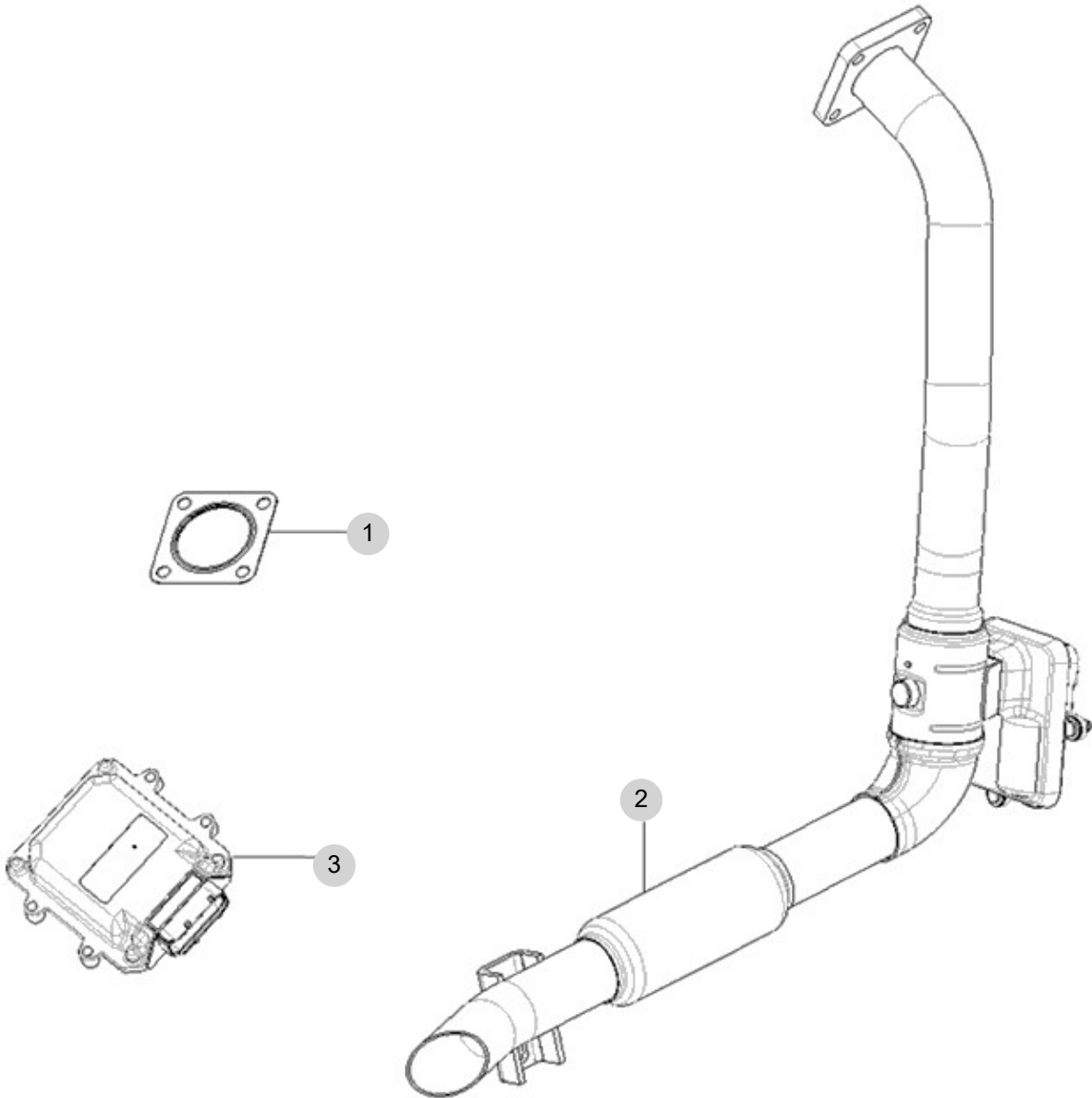
FIG 145

LOOSED PARTS

년/월
Year/Month

T474SH

2022-12



NOTE

2. Engine Accessories PART NO. T2

FIG 201 AIR CLEANER	107
FIG 202 RADIATOR	109
FIG 203 MUFFLER	111
FIG 204 FUEL TANK & FILTER	113
FIG 205 OIL COOLER	115

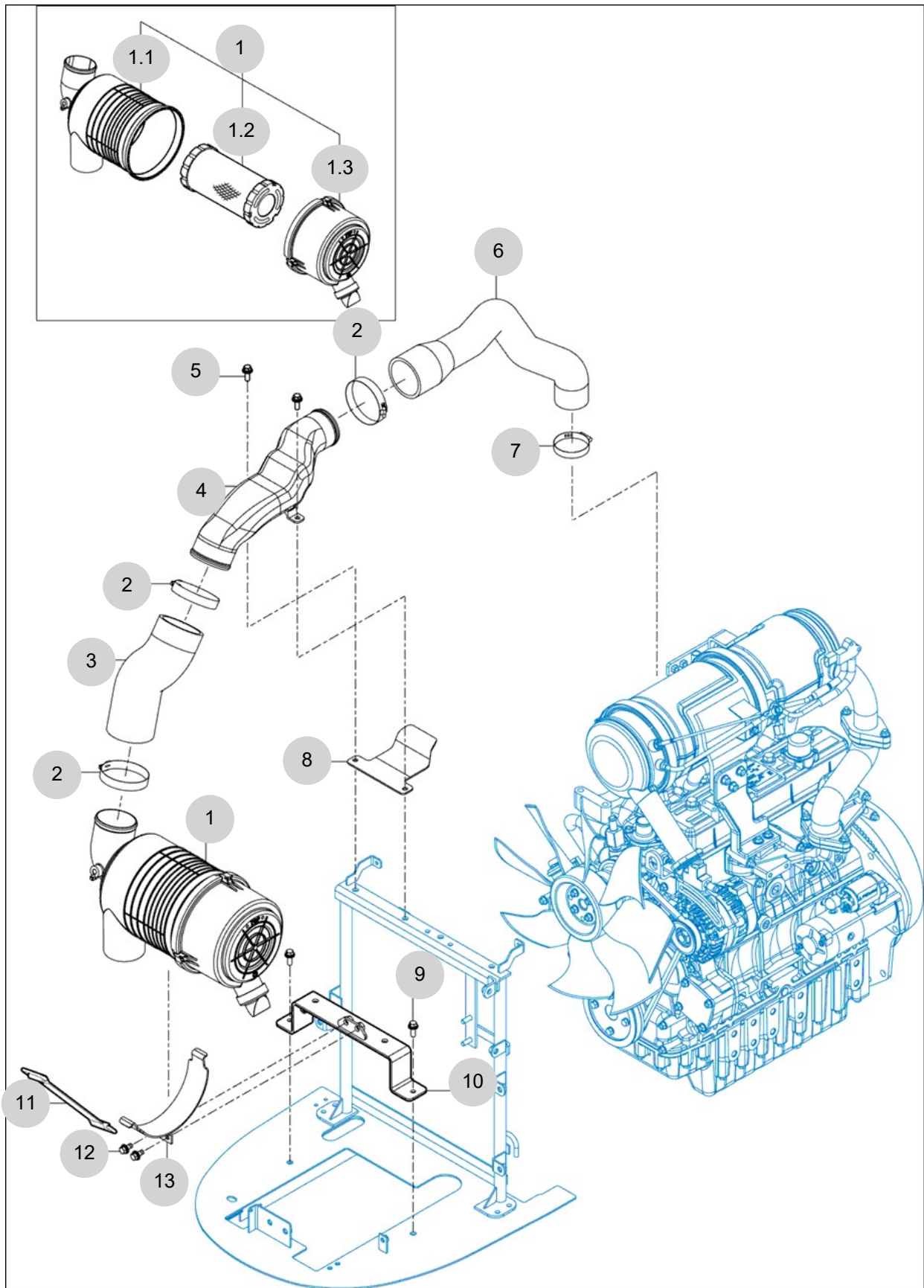
FIG 201

AIR CLEANER

년/월
Year/Month

2022-12

T474SH



NOTE

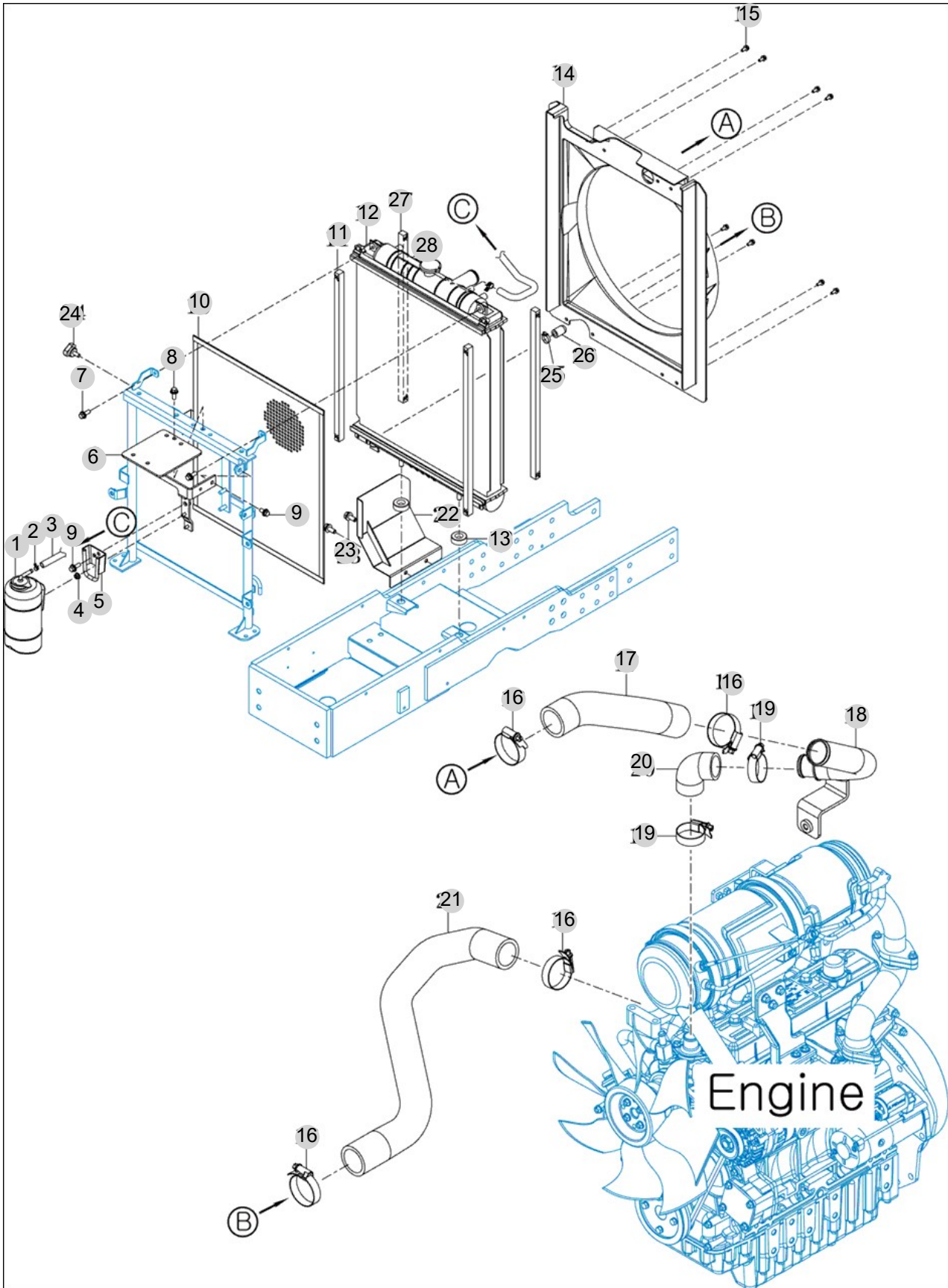
FIG 202

RADIATOR

년/월
Year/Month

2022-12

T474SH



NOTE

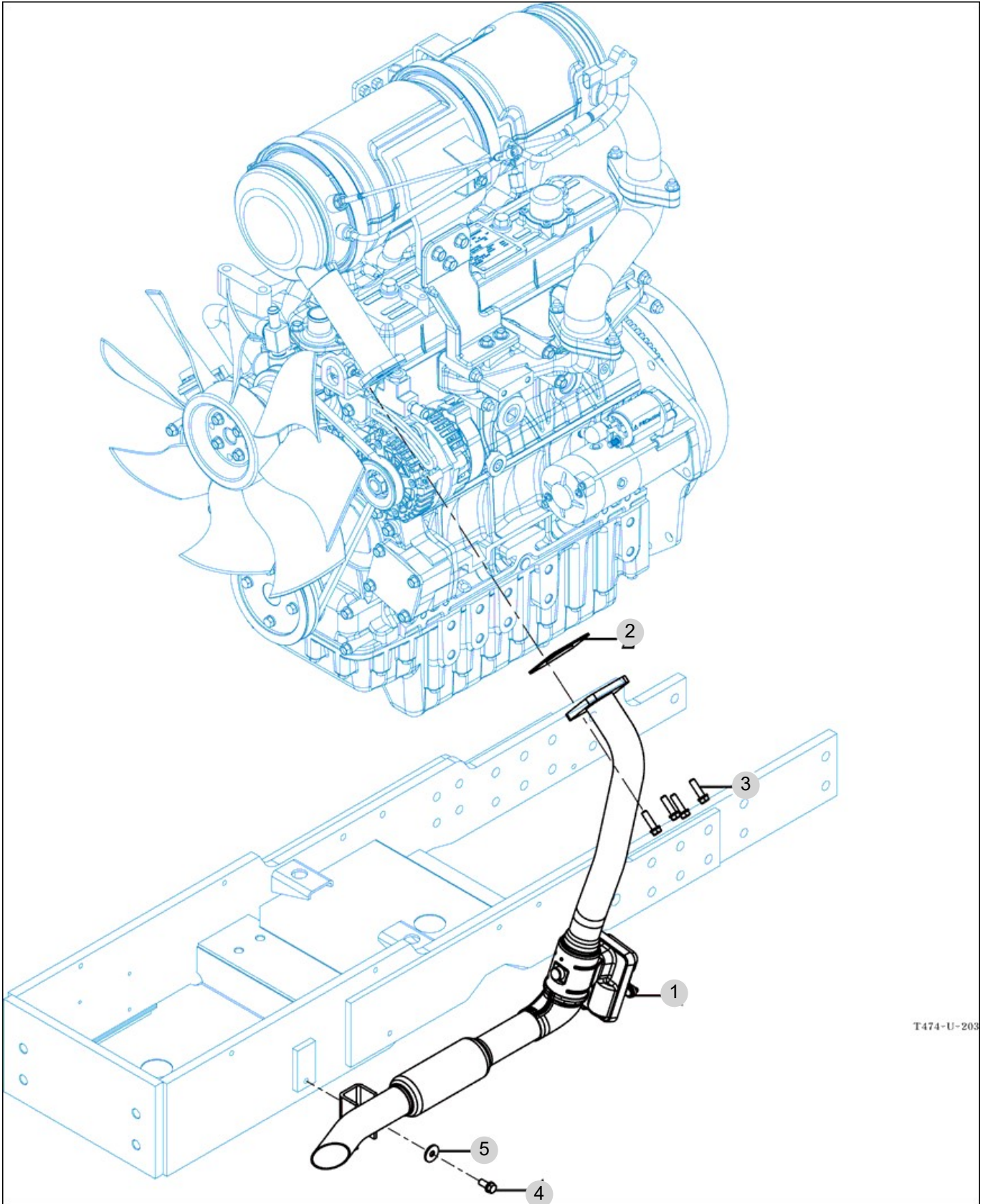
FIG 203

MUFFLER

년/월
Year/Month

2022-12

T474SH



T474-U-203

NOTE

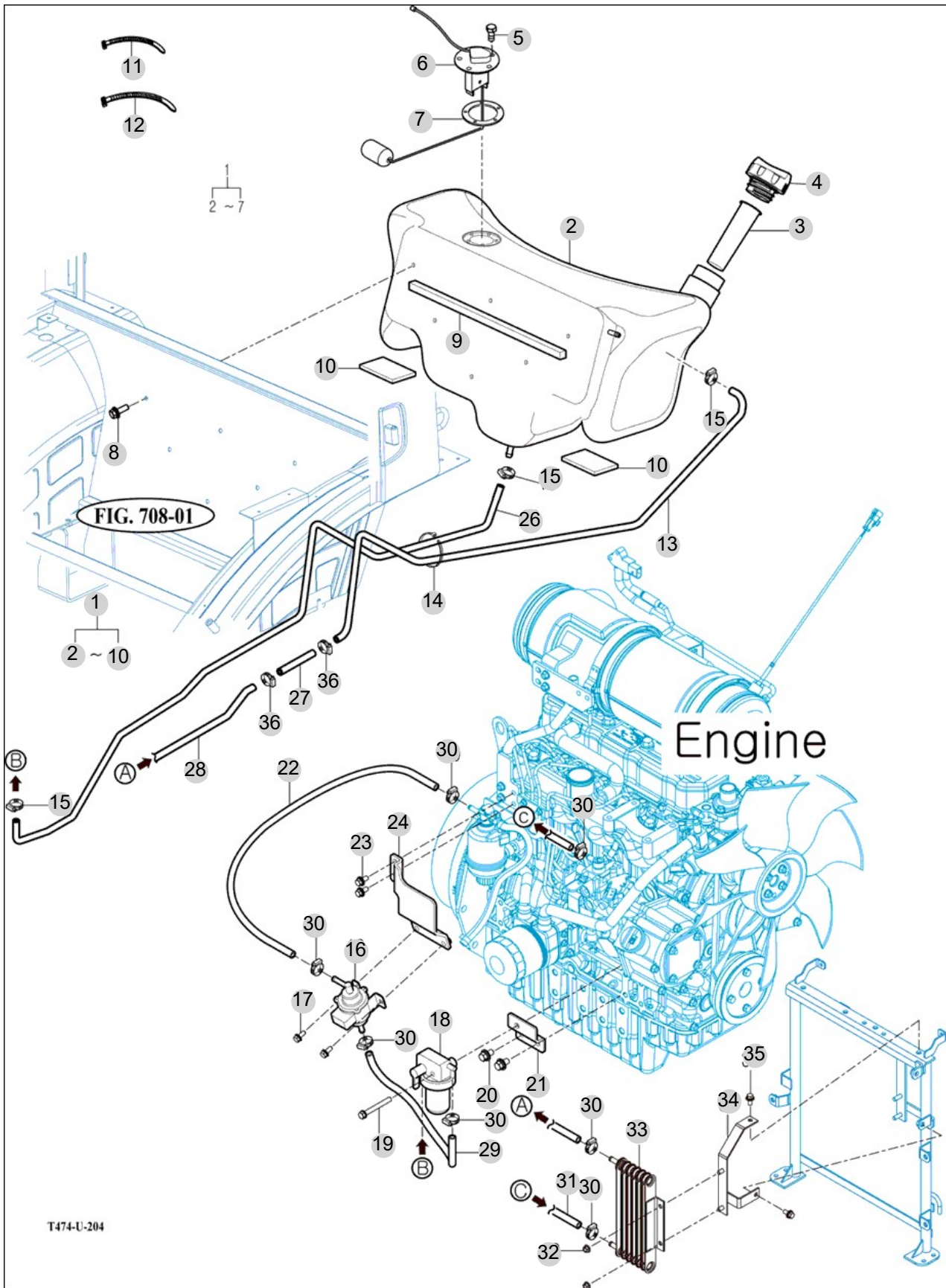
FIG 204

FUEL TANK & FILTER

년/월
Year/Month

2022-12

T474SH



NOTE

FIG 204 T474SH		FUEL TANK & FILTER						년/월 Year/Month	
								2022-12	
KEY NO		PART NO	DESCRIPTION	SPEC	QTY	REPAIR	EFFECTIVE DATE	REMARKS	
204	1	12647075100	TANK SUB ASSY , FUEL		1				
204	1	12647075101	TANK SUB ASSY , FUEL		1				
204	2	12397010130	TANK , FUEL		1				
204	3	12641112130	FILTER		1				
204	4	19143102200	CAP ASSY , FUEL		1				
204	5	V2053605010	BOLT , HEX C/R		5				
204	6	12396642300	GAUGE ASSY , FUEL		1				
204	7	16996210370	PACKING		1				
204	8	V2183608016	BOLT , HEX/SP		6				
204	9	12391042360	SPONGE , FUEL TANK		1				
204	10	12397037030	RUBBER, FUEL TANK		2				
204	11	13424020060	CABLE TIE , 300		5				
204	12	13764020030	CABLE TIE , 140		5				
204	13	12341112231	HOSE , DRAIN/2210		1				
204	14	13764020030	CABLE TIE , 140		3				
204	15	37481850030	BAND CLAMP 18		3				
204	16	16999052300	PUMP ASSY , FUEL PUMP		1				
204	17	V2323606016	BOLT , C/R HEX/SP	M6X16	2				
204	18	15721022100	SEPARATOR , FUEL WATER		1				
204	19	V2173608070	BOLT , HEX/S	M8X70	1				
204	20	V2183610020	BOLT , HEX/SP	M10X20	2				
204	21	13831412600GB	BRACKET COMP , FILTER		1				
204	22	13831410010	FUEL HOSE E400		1				
204	23	V2183608025	BOLT , HEX/SP	M8X25	2				
204	24	13831412700GB	BRACKET COMP , FEED PUMP		1				
204	26	13811113100	HOSE ASSY , FUEL/FILTER		1				
204	27	17401117300	HOSE, JOINT		1				
204	28	13831113200	FUEL HOSE , RETURN		1				
204	29	13831410020	FUEL HOSE 430		1				
204	30	18027090160	BAND CLAMP 16 EMBO TYPE		7				
204	31	13831410030	FUEL HOSE 1400		1				
204	32	V3802600080	NUT , HEX FLANGE		2				
204	33	18501044100	COOLER COMP, FUEL	M8	1				
204	34	13831412100GB	BRACKET COMP , FUEL COOLER		1				
204	35	V2183608020	BOLT , HEX/SP	M8X20	2				
204	36	18027090160	BAND CLAMP 16 EMBO TYPE		2				
NOTE									

FIG 205

T474SH

OIL COOLER

년/월
Year/Month

2022-12

FIG. 701-01

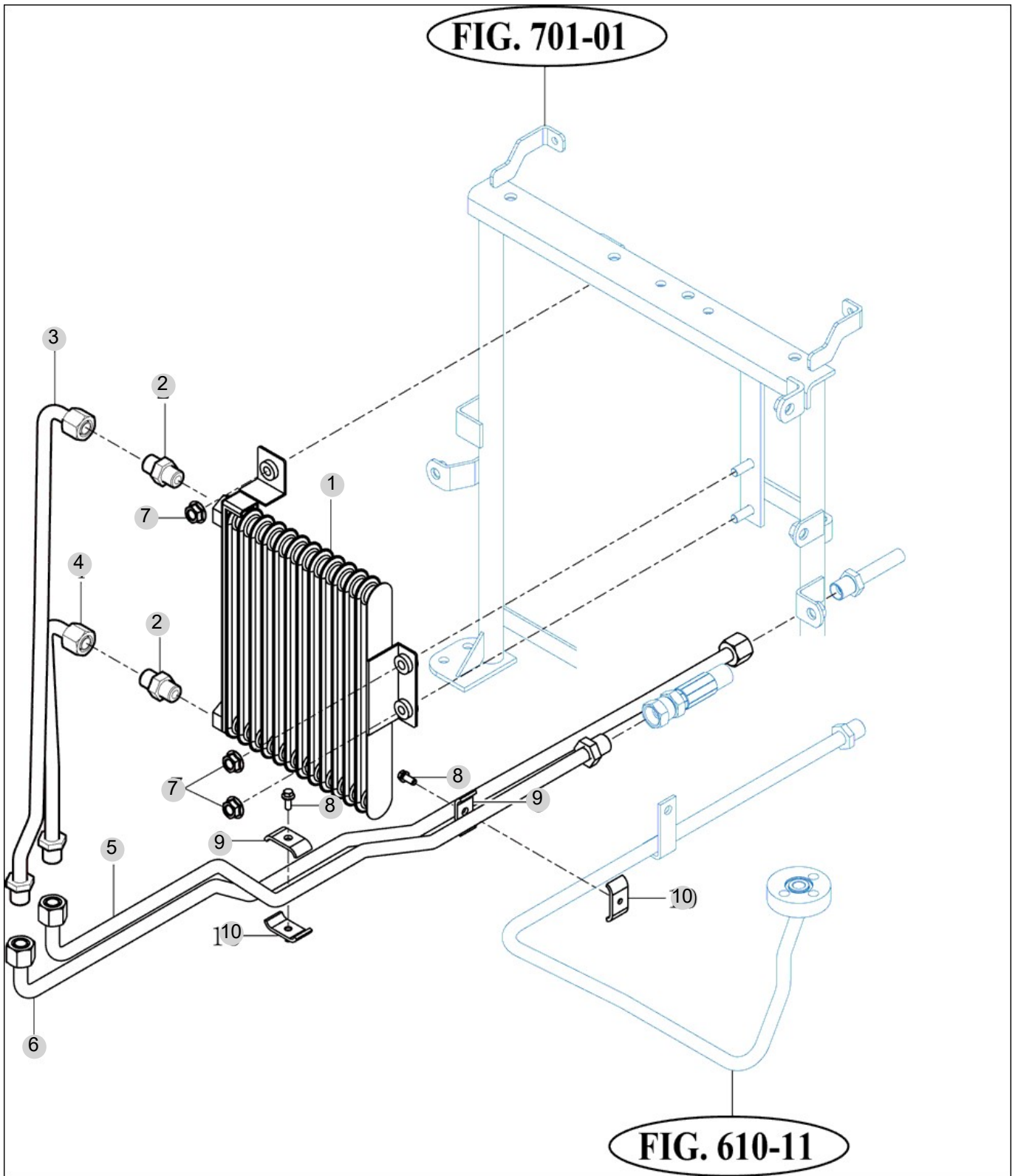


FIG. 610-11

NOTE

3. Clutch/Brake/Steering PART NO. T3

FIG 302 FLYWHEEL & CLUTCH	118
FIG 303 BRAKE PEDAL	120
FIG 304 BRAKE	122
FIG 306 FRONT WHEEL MOUNTING	124
FIG 307 REAR WHEEL MOUNTING	126
FIG 308 STEERING WHEEL	128
FIG 309 STEERING VALVE & PARKING	130
FIG 310 STEERING CYLINDER	132

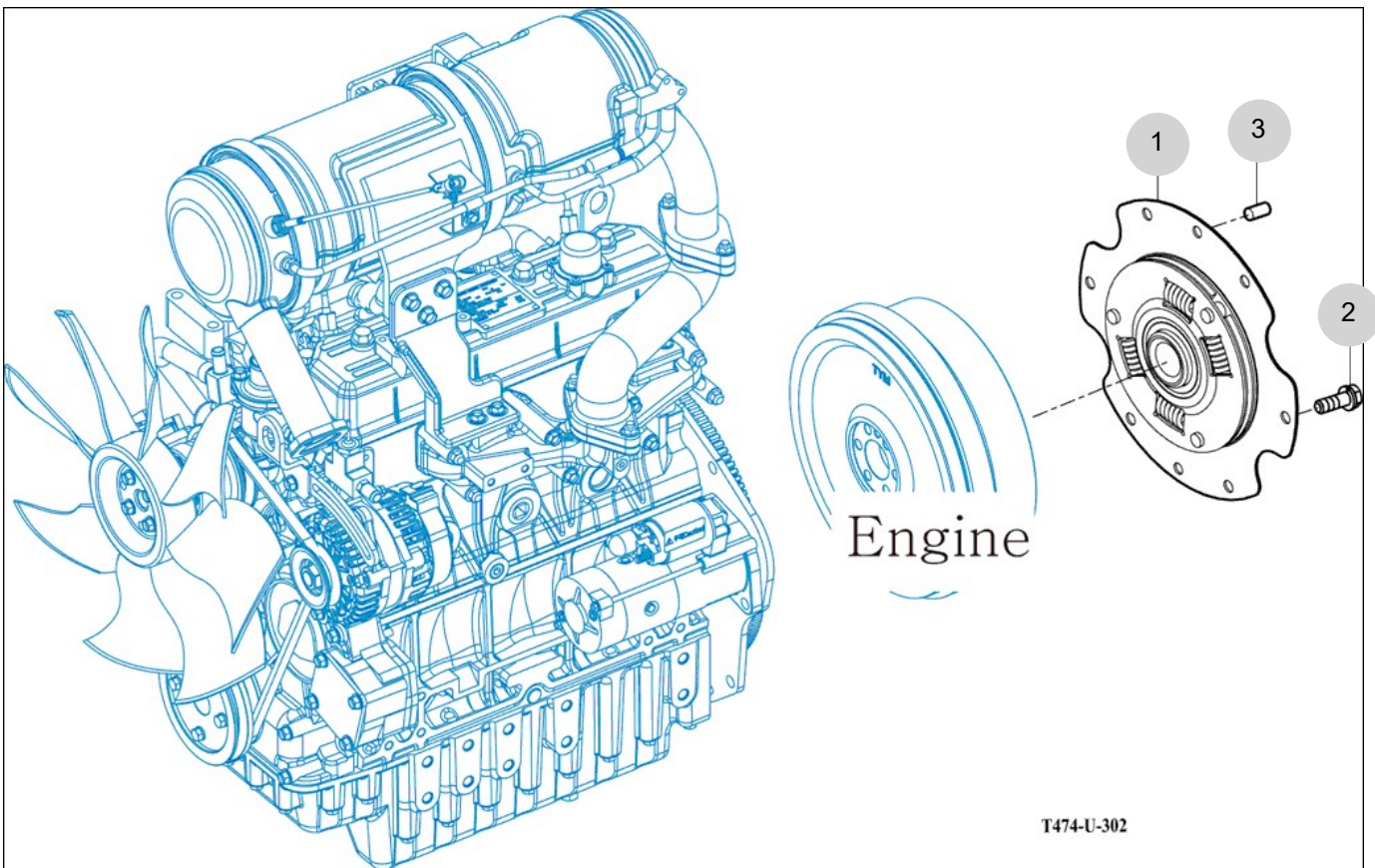
FIG 302

FLYWHEEL & CLUTCH

년/월
Year/Month

T474SH

2022-12



NOTE

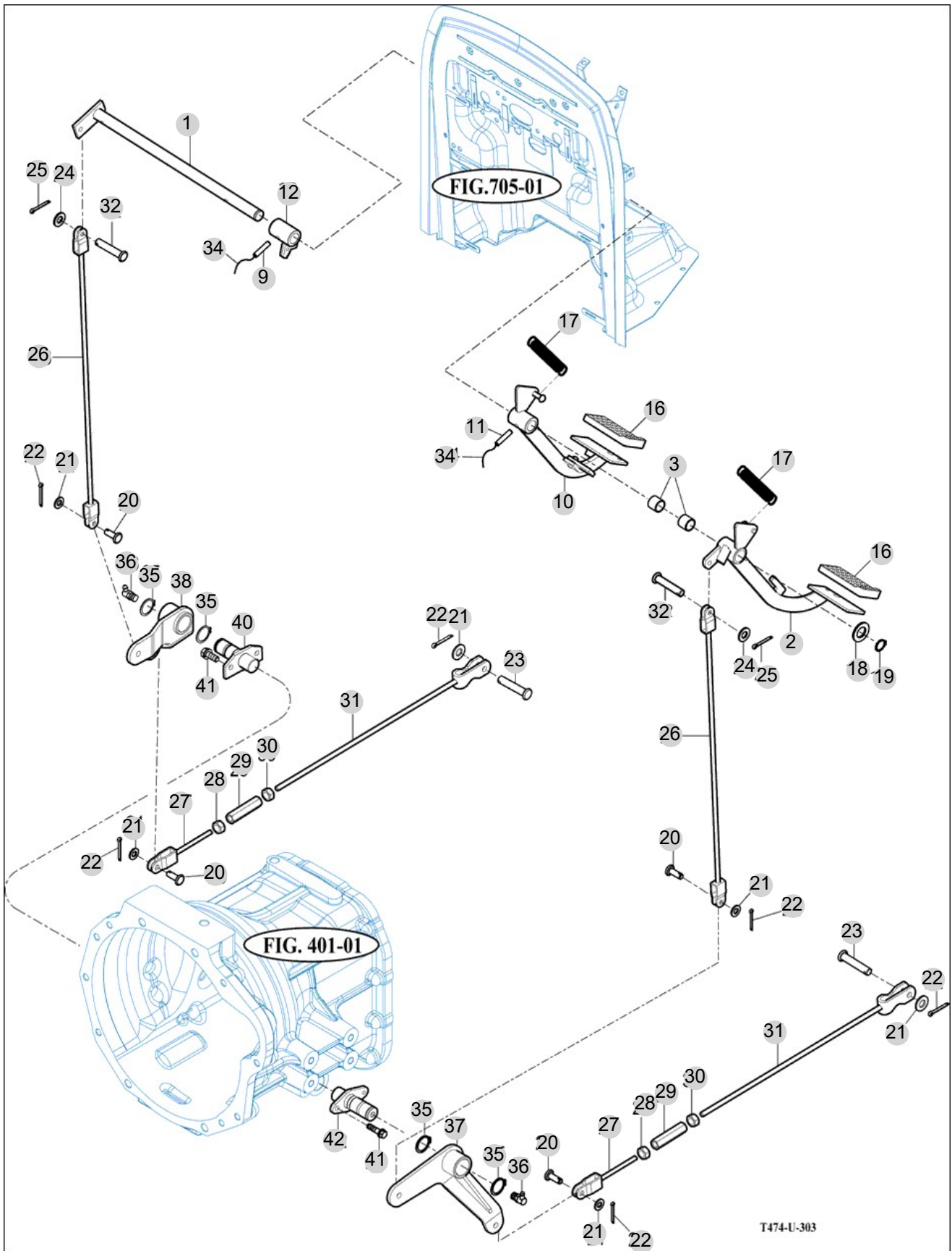
FIG 303

BRAKE PEDAL

년/월
Year/Month

T474SH

2022-12



T474-U-303

NOTE

FIG 303		BRAKE PEDAL						년/월	REMARKS
								Year/Month	
T474SH		2022-12							
KEY NO		PART NO	DESCRIPTION	SPEC	QTY	REPAIR	EFFECTIVE DATE		
303	1	12383292100GB	ARM COMP , BRAKE		1				
303	2	12383292200GB	PEDAL COMP , LH BRAKE		1				
303	2	12383292201GB	PEDAL COMP , LH BRAKE		1				
303	2	12383292202GB	PEDAL COMP , LH BRAKE		1				
303	3	35017030080	BUSH , DU20X23X20		2				
303	9	V5801405036	PIN , SPRING	5X36	2				
303	10	12383292300GB	PEDAL COMP , RH BRAKE		1				
303	10	12383292301GB	PEDAL COMP , RH BRAKE		1				
303	10	12383292302GB	PEDAL COMP , RH BRAKE		1				
303	11	V5801408036	PIN , SPRING	8X36	2				
303	12	12383293100	ARM COMP , PARKING		1				
303	16	15241220010	PAD	1X1X1	3				
303	17	14041200081	SPRING , CLUTCH RETURN	HL2000공용	3				
303	18	V4111600200	WASHER , PLAIN	M20	1				
303	19	V7041400200	C-RING , SHAFT	20	1				
303	20	14322420010	PIN	D=8	4				
303	21	V4111600080	WASHER , PLAIN	M8	6				
303	22	V5001920020	PIN , SPLIT	2X20	6				
303	23	14043120060	PIN , YOKE	D=8	2				
303	24	V4111600080	WASHER , PLAIN	M8	2				
303	25	V5001930020	PIN , SPLIT	3X20	2				
303	26	16703292501	ROD COMP , HOOK 504	1X1X1	2				
303	26	16703292501GB	ROD COMP , HOOK 504		2				
303	27	12383282201	ROD COMP , FR		2				
303	28	V3043600080	NUT , HEX/2	M8	2				
303	29	16601220020	TURNBUCKLE , M8 L60		2				
303	30	15601320073	NUT , HEX LH	"2종,M8"	2				
303	31	12383282301	ROD COMP , REAR		2				
303	32	14322420010	PIN	D=8	2				
303	34	V5901010150	WIRE , STEEL	1.0X150	2				
303	35	V7041400250	C-RING , SHAFT	25	4				
303	36	V7631500000	NIPPLE , GREASE/B-PT	B-PT1/8	2				
303	37	12623283300GB	ARM COMP , LH BRAKE		1				
303	38	12623283400GB	ARM COMP , RH BRAKE		1				
303	40	14573283101	PIN COMP , 87		1				
303	41	V2173608020	BOLT , HEX/S	M8X20	2				
303	42	13833283100	PIN COMP		1				
NOTE									

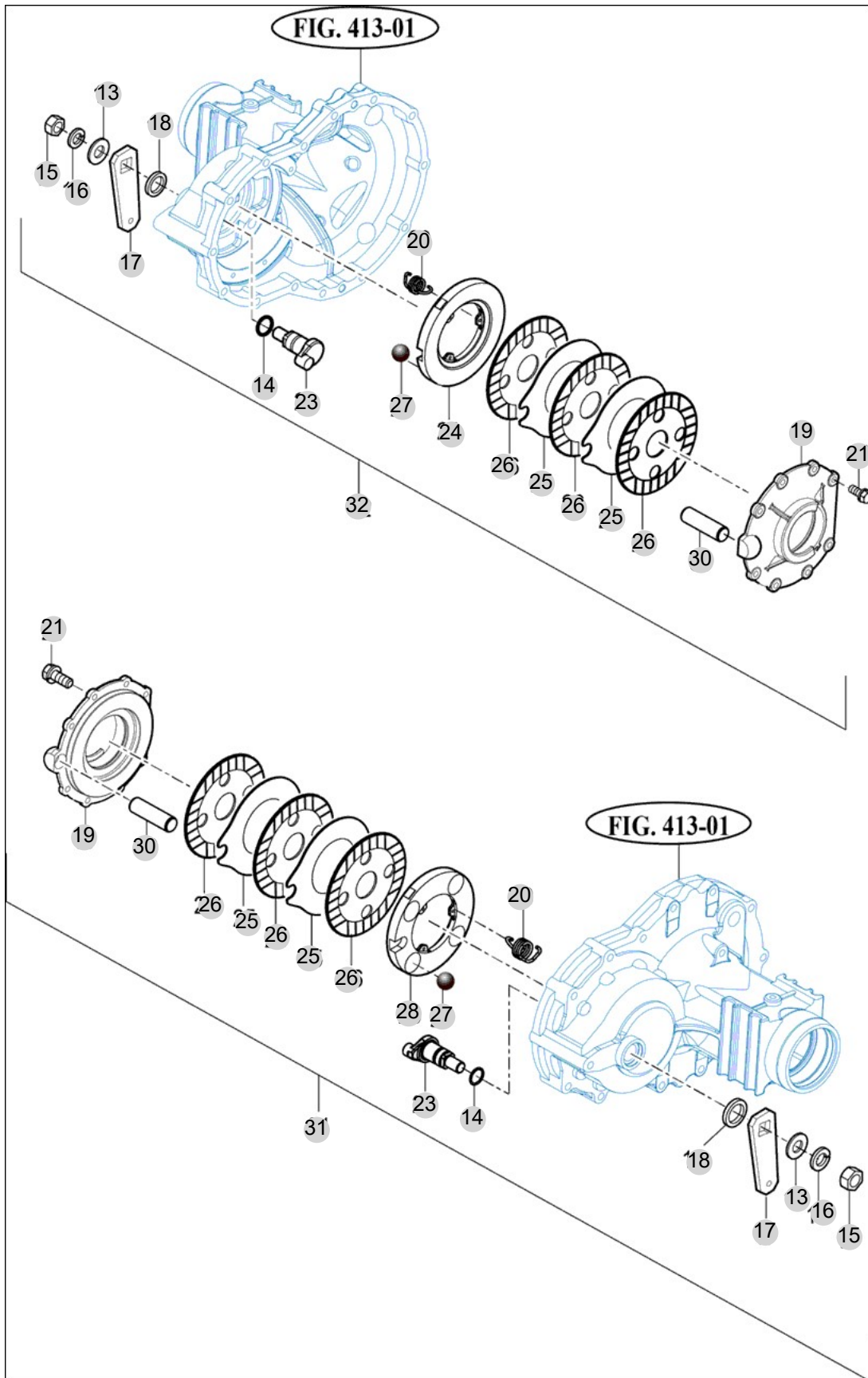
FIG 304

BRAKE

년/월
Year/Month

2022-12

T474SH



NOTE

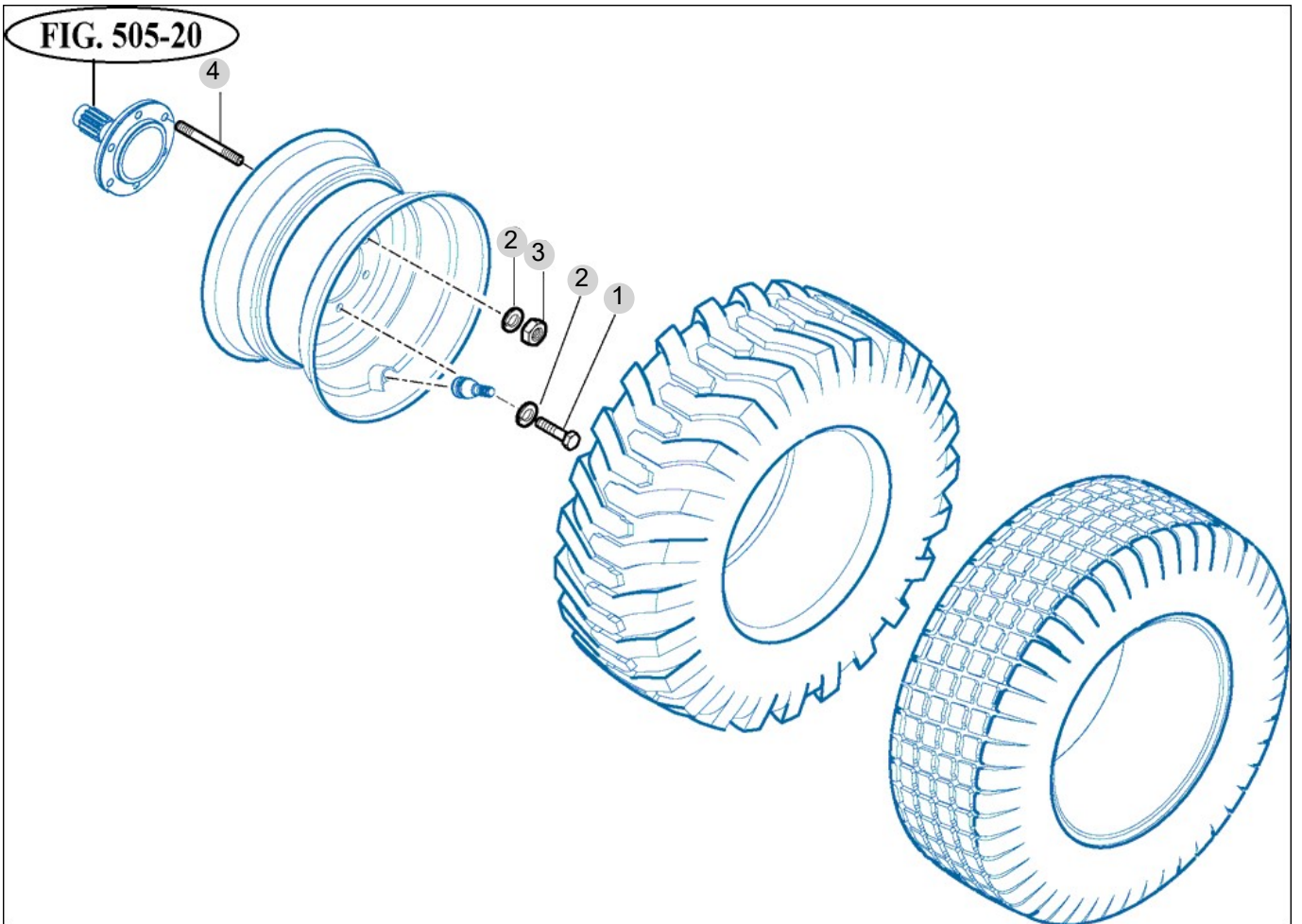
FIG 306

FRONT WHEEL MOUNTING

년/월
Year/Month

T474SH

2022-12



NOTE

FIG 306		FRONT WHEEL MOUNTING					년/월 Year/Month
T474SH							2022-12
KEY NO	PART NO	DESCRIPTION	SPEC	QTY	REPAIR	EFFECTIVE DATE	REMARKS
306	1	V2014616030	BOLT , HEX	M16X30	8		
306	2	V4011600160	WASHER , SPRING	M16	12		
306	3	V3043600160	NUT , HEX/2	M16	4		
306	4	15603200010	BOLT , STUD M16X30	D=16	4		
NOTE							

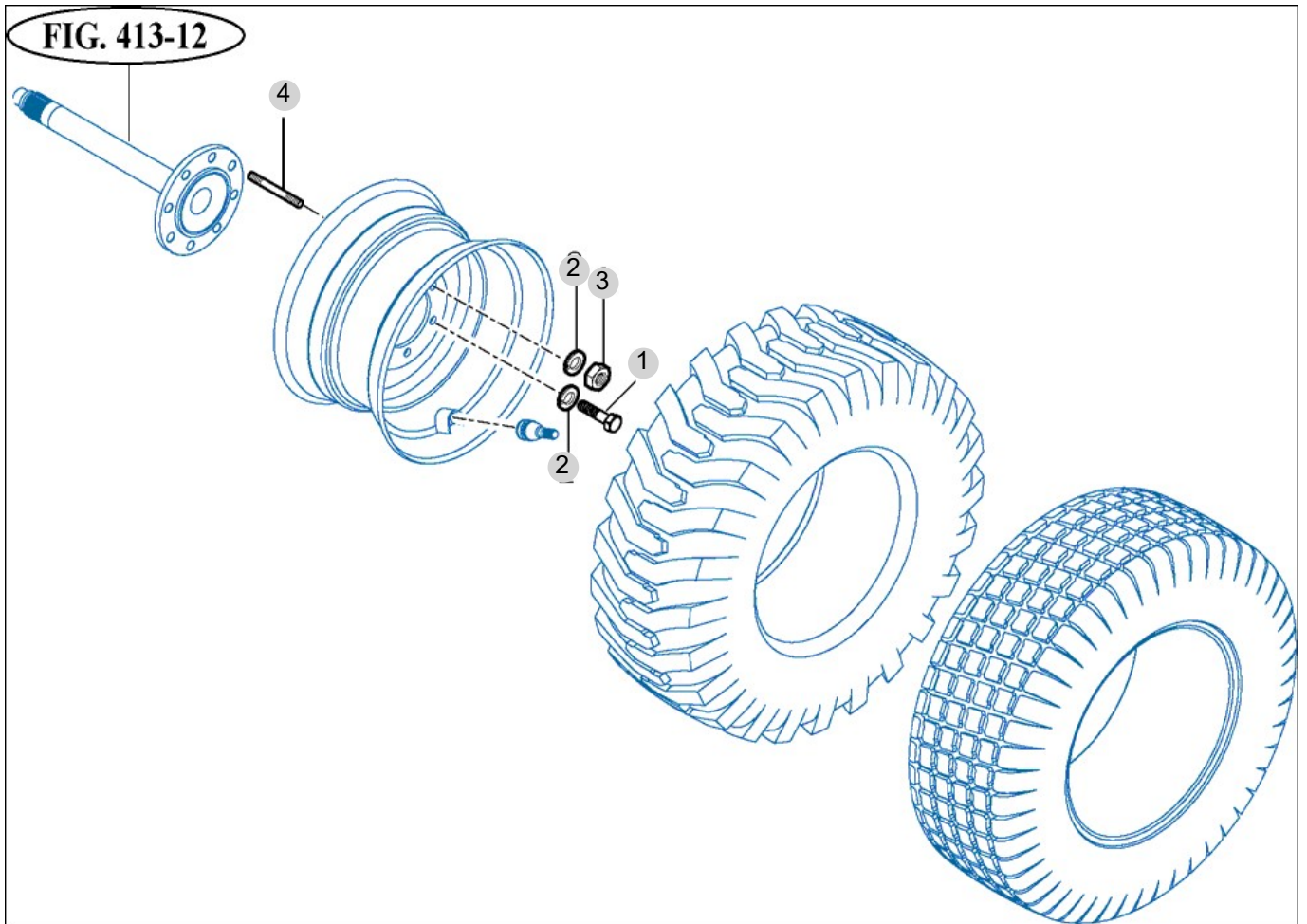
FIG 307

T474SH

REAR WHEEL MOUNTING

년/월
Year/Month

2022-12



NOTE

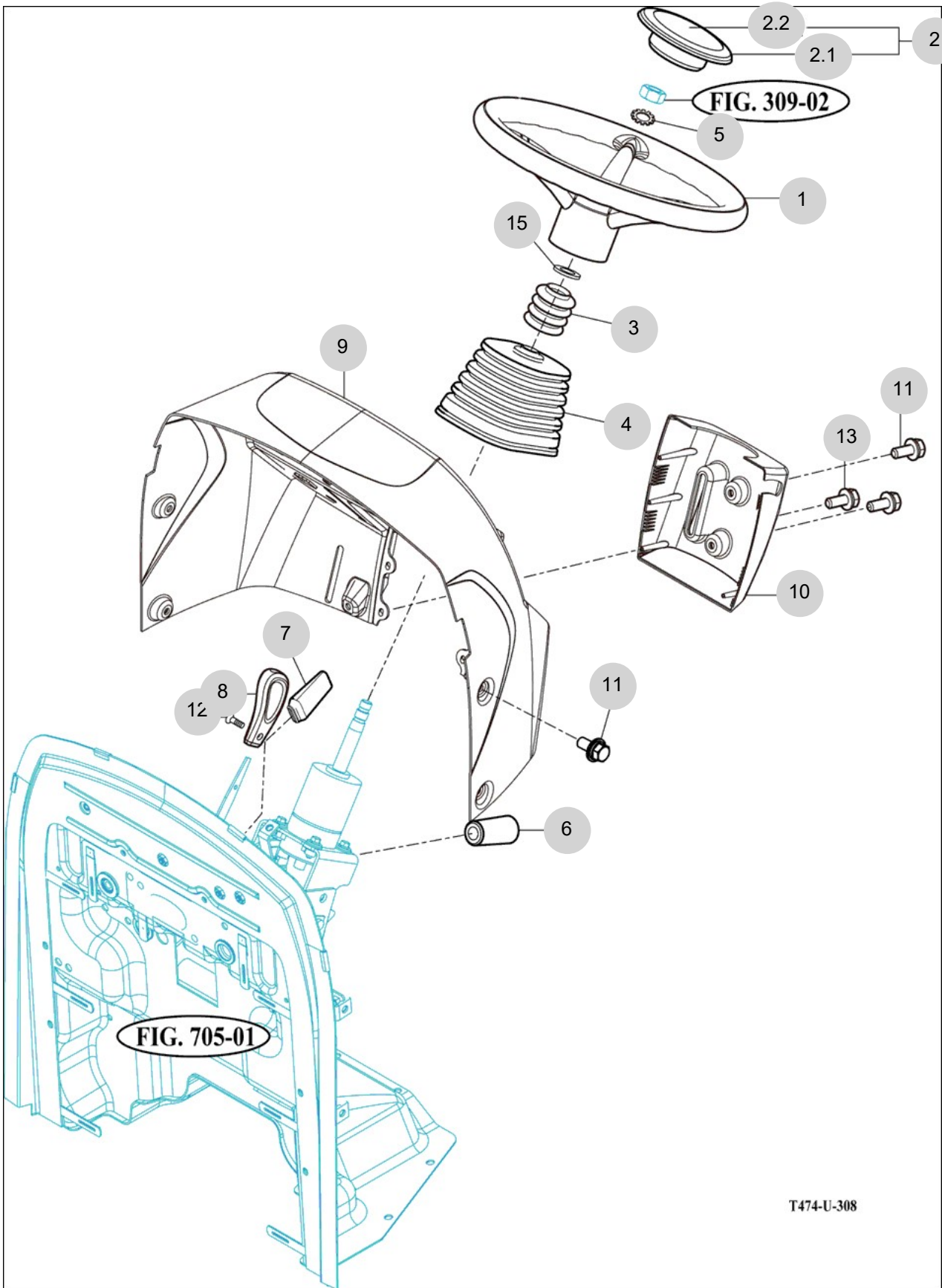
FIG 308

T474SH

STEERING WHEEL

년/월
Year/Month

2022-12



T474-U-308

NOTE

FIG 309

STEERING VALVE & PARKING

년/월
Year/Month

2022-12

T474SH

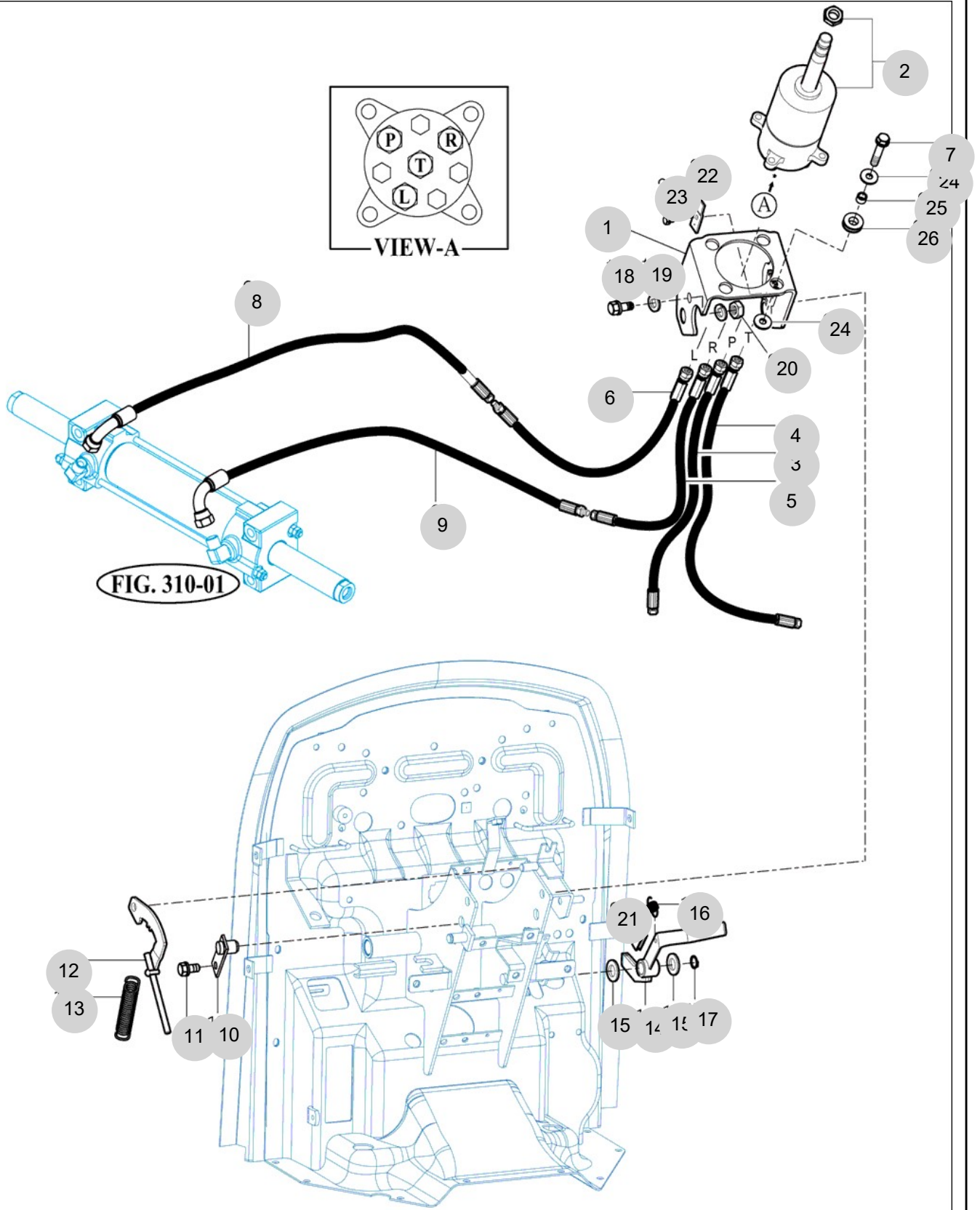


FIG. 310-01

T474-U-309

NOTE

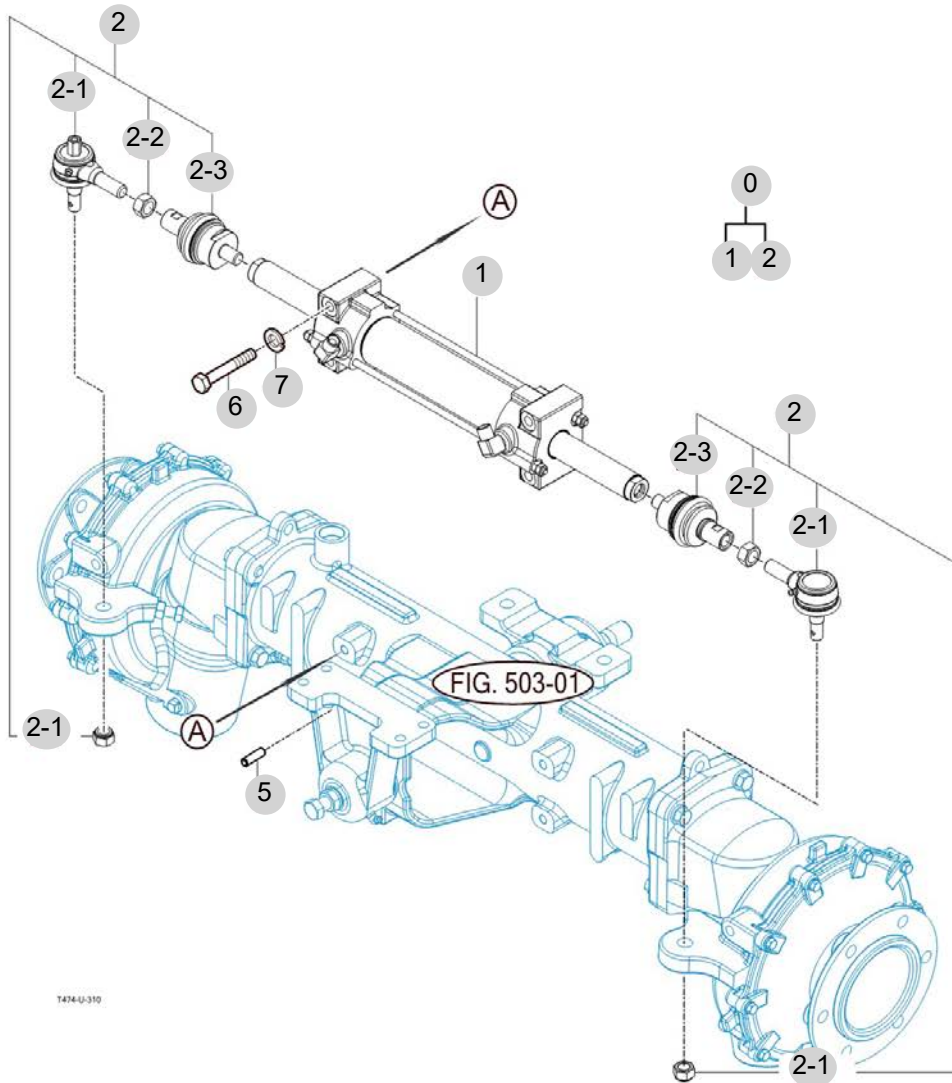
FIG 310

T474SH

STEERING CYLINDER

년/월
Year/Month

2022-12



NOTE

4. Transmission PART NO. T4

FIG 401 TRANSMISSION FRONT CASE	135
FIG 402 HST	137
FIG 403 MID CASE	139
FIG 404 4WD DRIVE GEAR	141
FIG 405 INPUT GEAR	143
FIG 406 SUB CHANGE GEARS	145
FIG 407 PINION GEARS	147
FIG 408 P.T.O DRIVE SHAFT	149
FIG 409 P.T.O CHANGE GEARS	151
FIG 410 DIFF LOCK	154
FIG 411 TRANSMISSION REAR CASE	156
FIG 412 REAR AXLE HOUSINGS (1)	158
FIG 413 REAR AXLE HOUSINGS (2)	160
FIG 415 SUB CHANGE LEVER	162
FIG 416 FORWARD & REVERSE CONTROL LINKAGE	164
FIG 418 4WD CHANGE LEVER	166

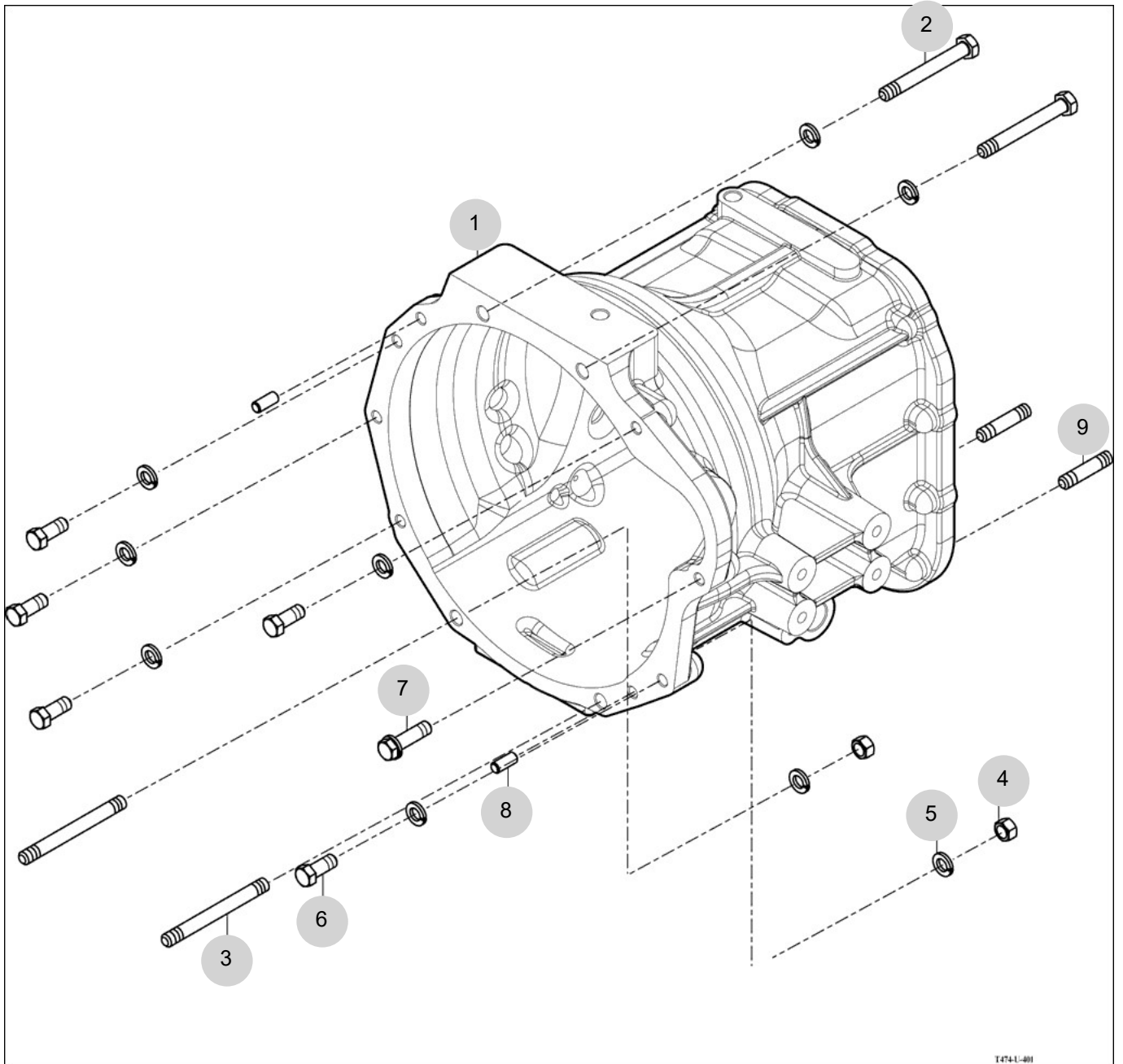
FIG 401

TRANSMISSION FRONT CASE

년/월
Year/Month

2022-12

T474SH



T474-L-001

NOTE

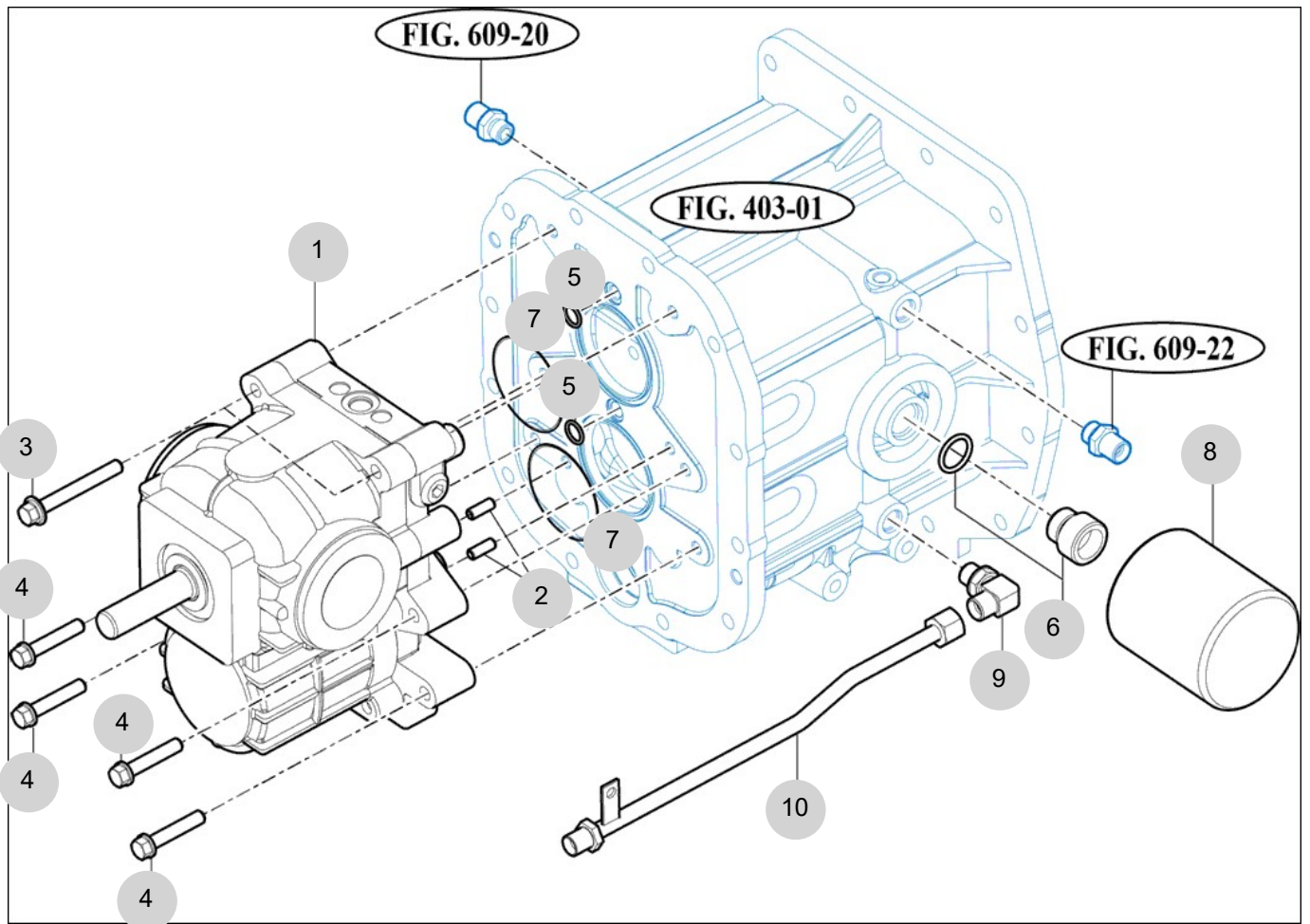
FIG 402

T474SH

HST

년/월
Year/Month

2022-12



NOTE

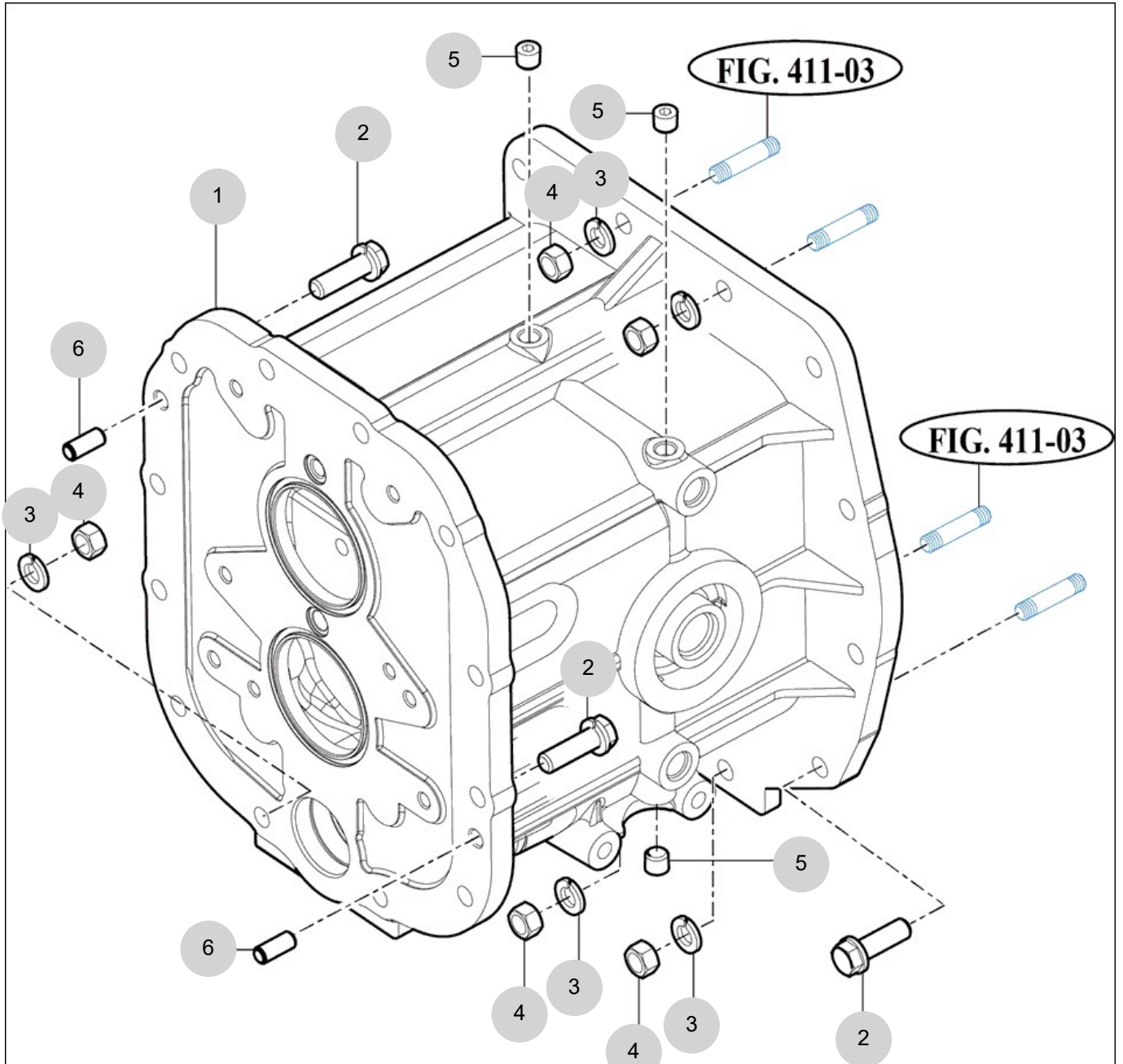
FIG 403

T474SH

MID CASE

년/월
Year/Month

2022-12



NOTE

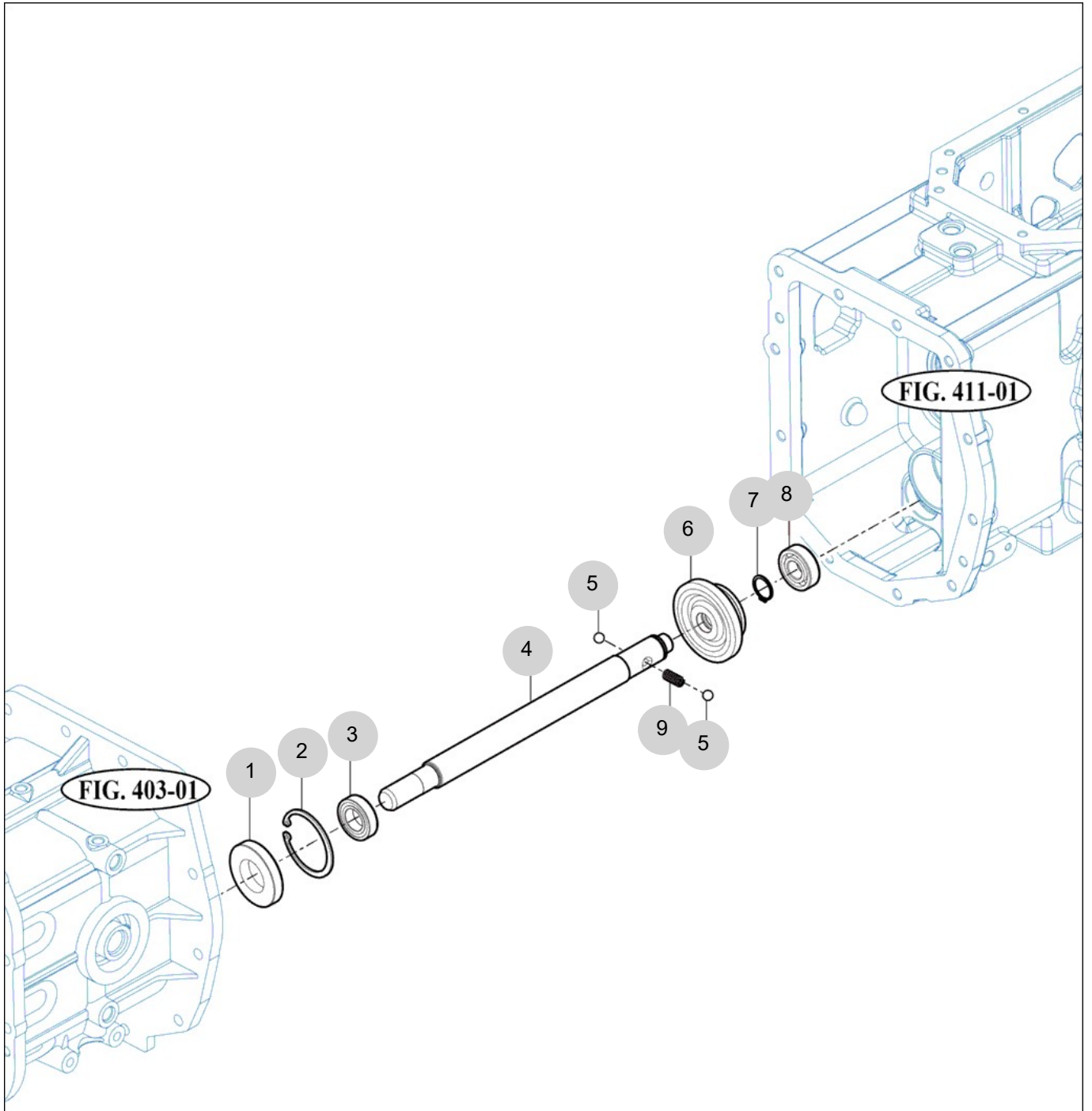
FIG 404

T474SH

4WD DRIVE GEAR

년/월
Year/Month

2022-12



NOTE

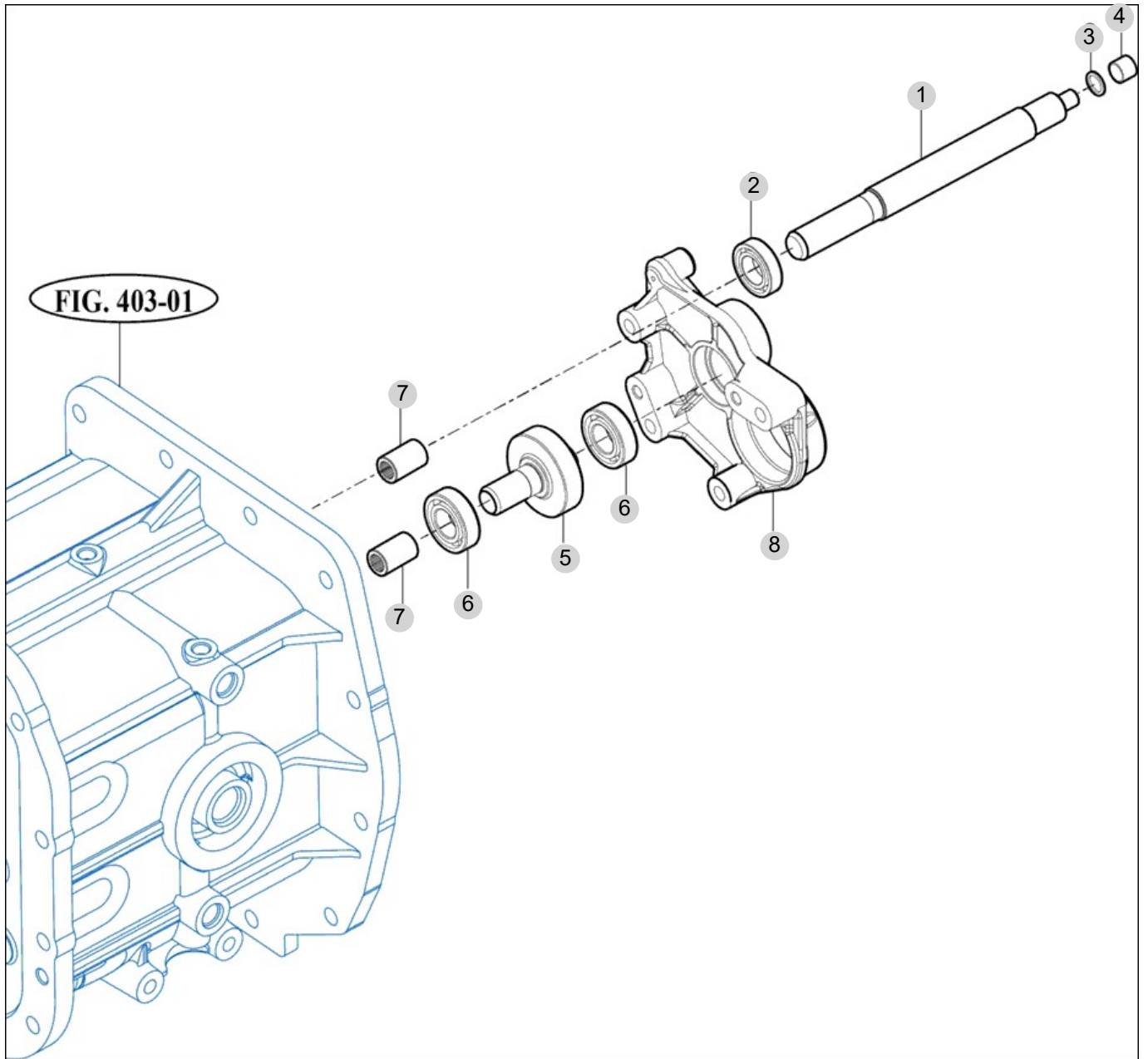
FIG 405

T474SH

INPUT GEAR

년/월
Year/Month

2022-12



NOTE

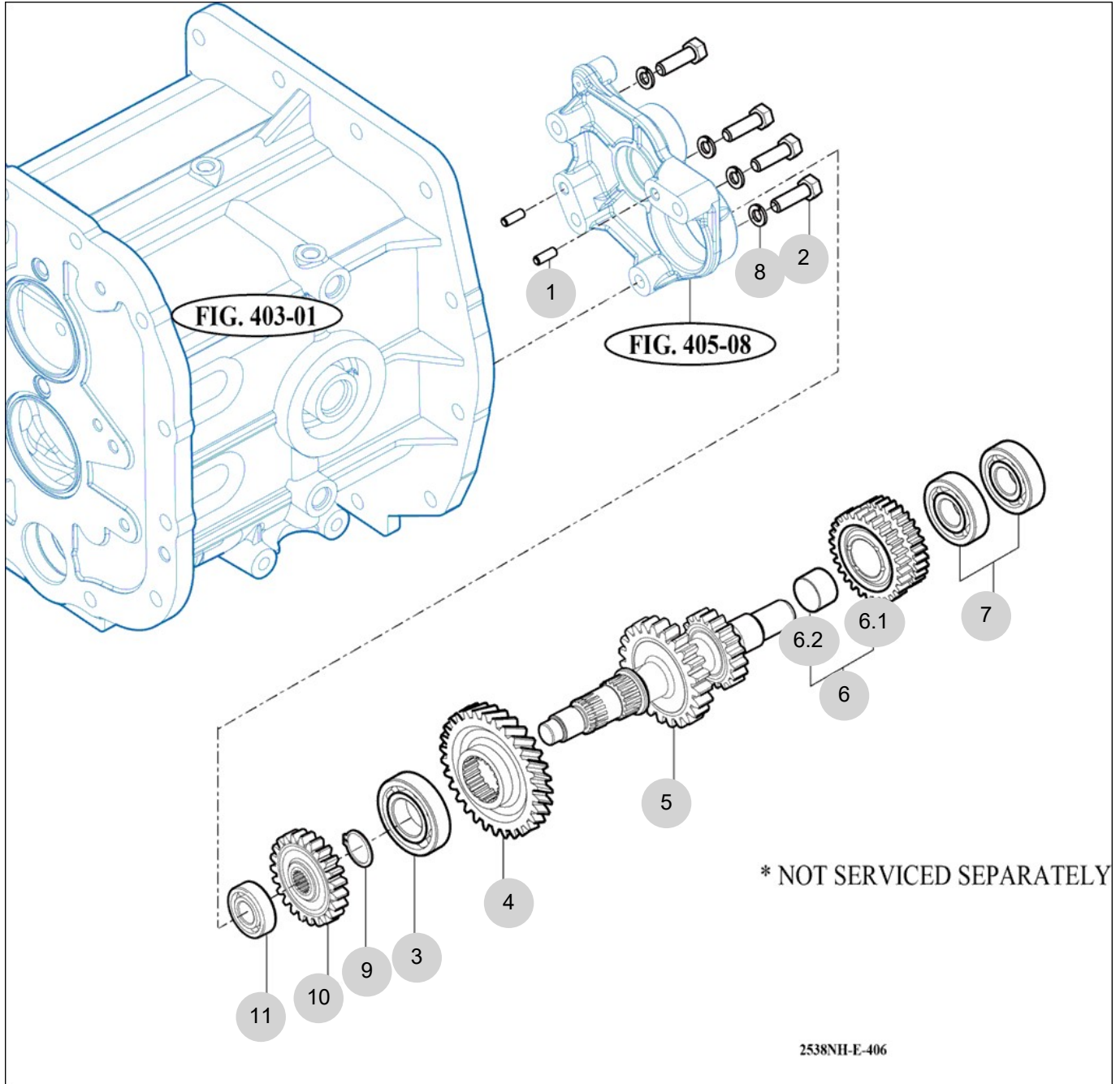
FIG 406

T474SH

SUB CHANGE GEARS

년/월
Year/Month

2022-12



NOTE

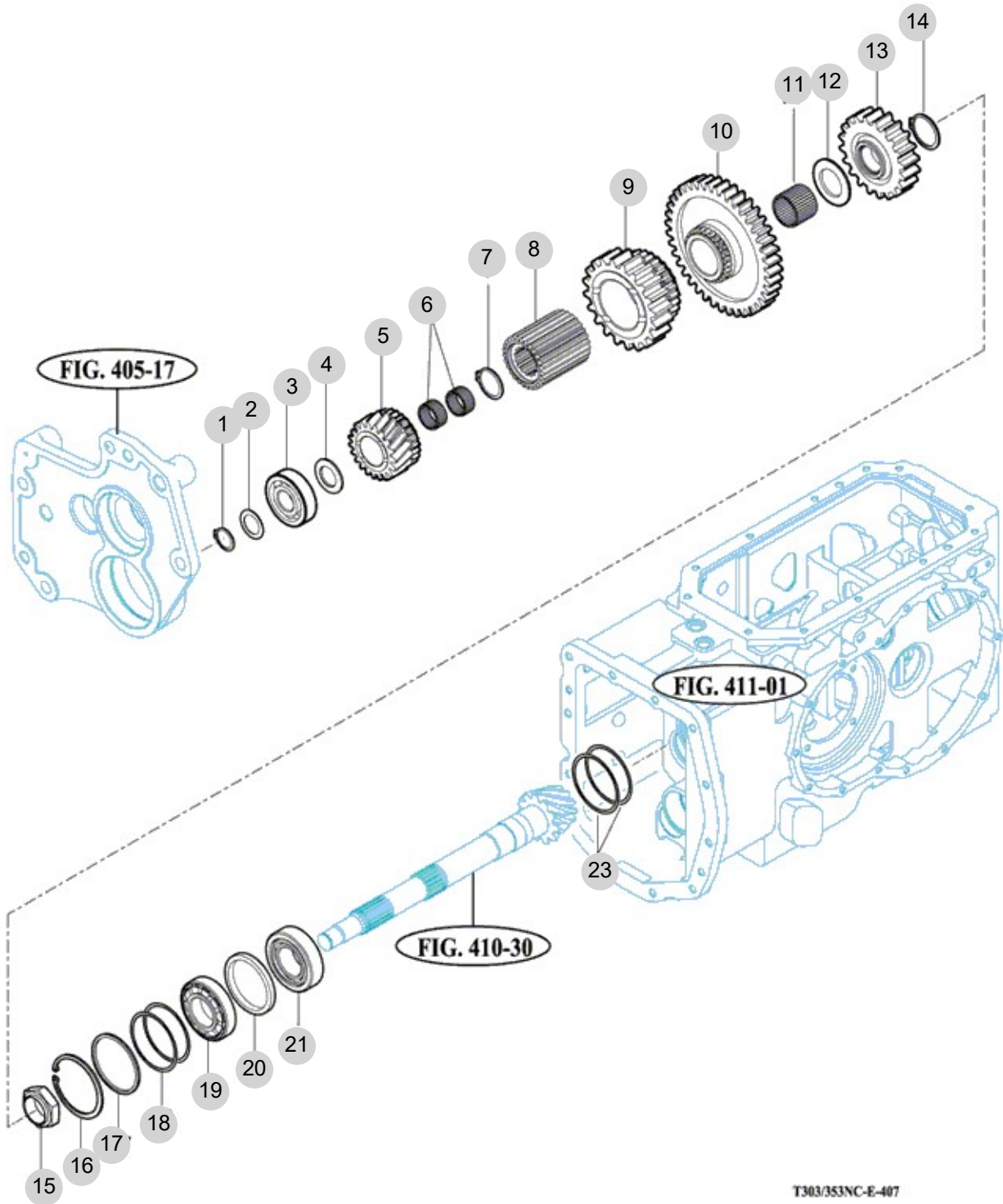
FIG 407

T474SH

PINION GEARS

년/월
Year/Month

2022-12



T303/353NC-E-407

NOTE

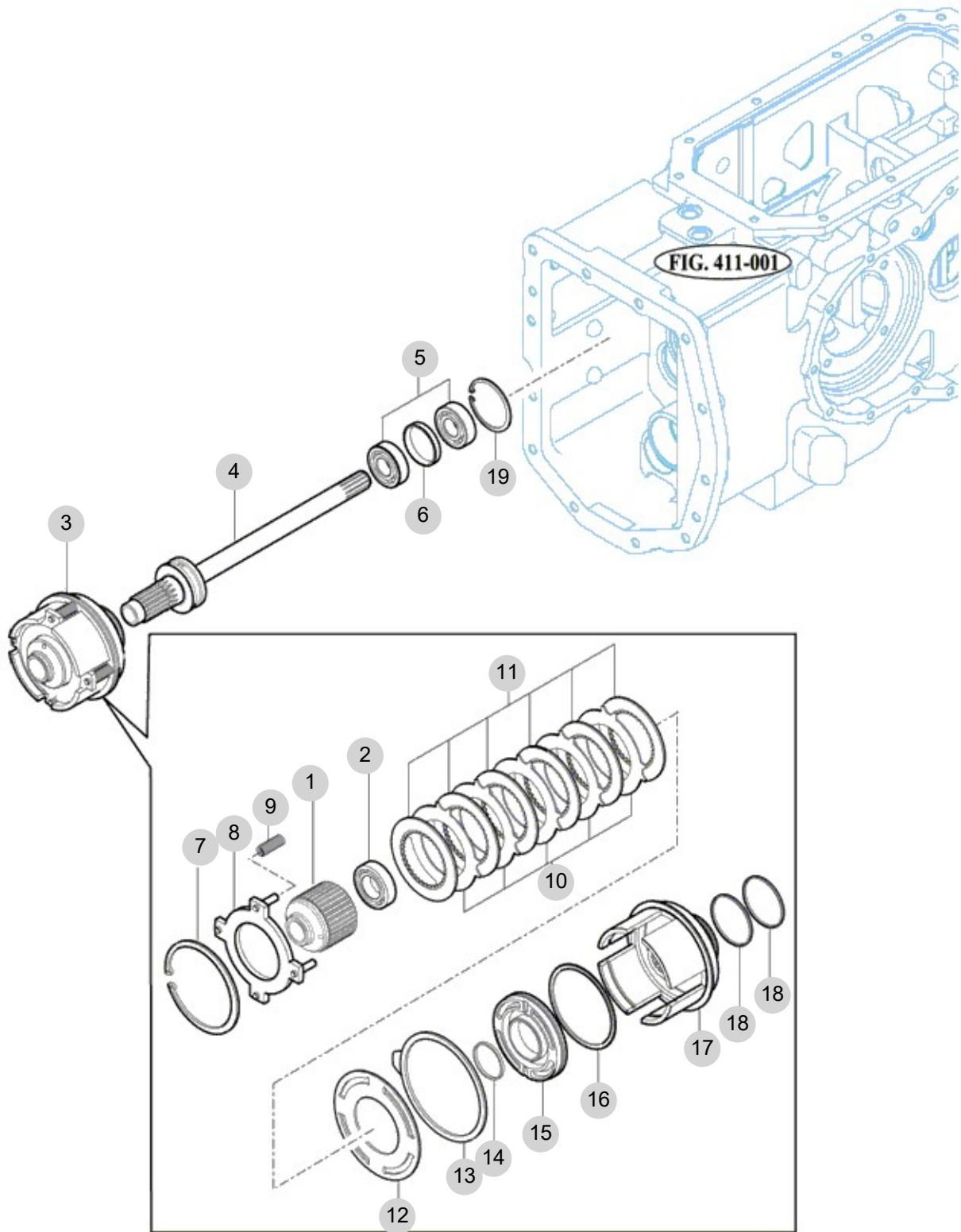
FIG 408

T474SH

P.T.O DRIVE SHAFT

년/월
Year/Month

2022-12



T303353NC-E-408

NOTE

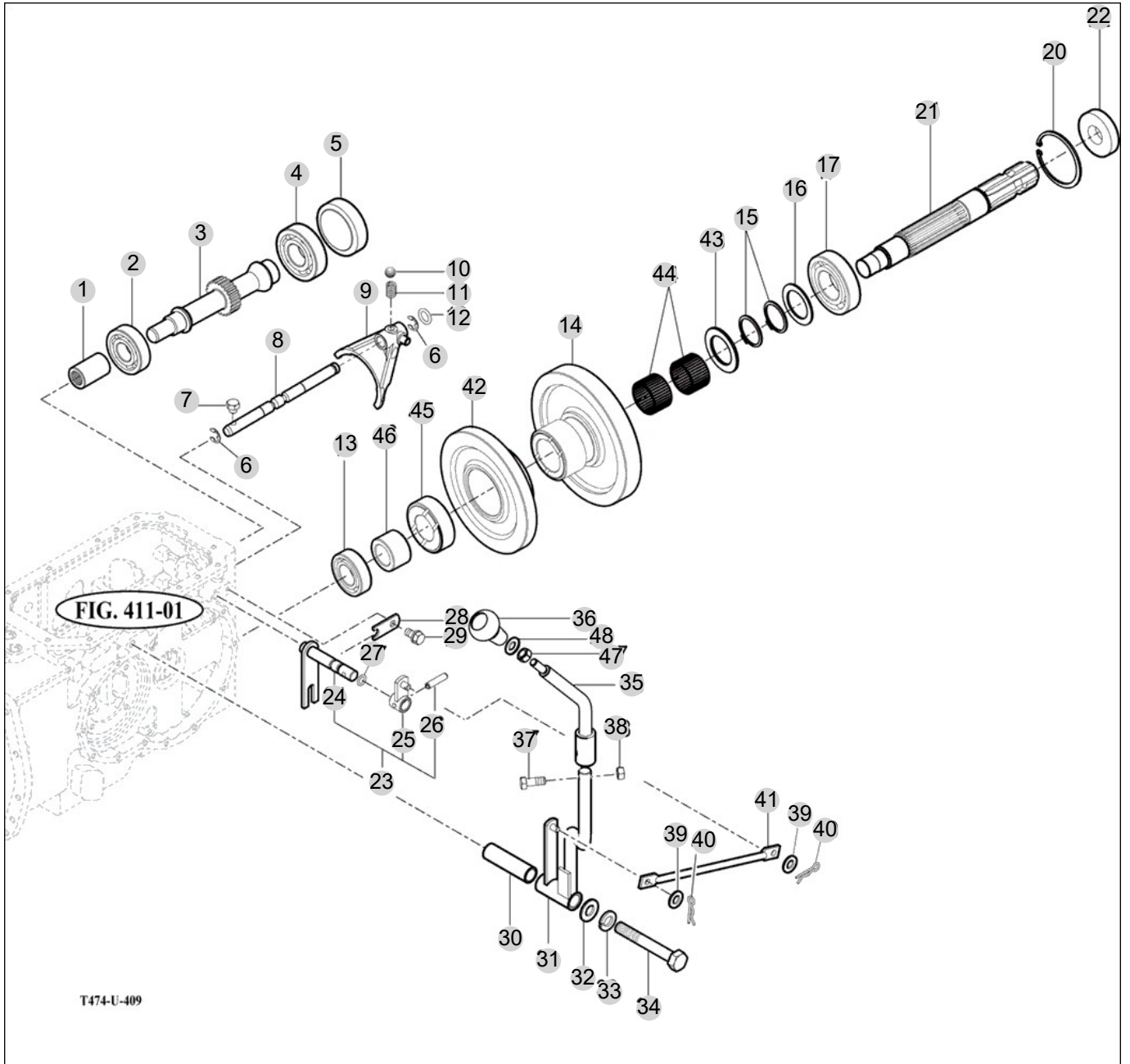
FIG 409

T474SH

P.T.O CHANGE GEARS

년/월
Year/Month

2022-12



NOTE

FIG 409		P.T.O CHANGE GEARS					년/월 Year/Month		
							2022-12		
T474SH		KEY NO	PART NO	DESCRIPTION	SPEC	QTY	REPAIR	EFFECTIVE DATE	REMARKS
409	1	14211340190	COUPLING	22X51	1				
409	2	V6001106305	BEARING , BALL	6305	1				
409	3	12382543530	SHAFT , PTO COUNT		1				
409	4	V6001106306	BEARING , BALL	6306	1				
409	5	14254330180	CAP , 72		1				
409	6	V7081400100	E-RING	10	2				
409	7	15602231610	BOLT , SET M8X16	M8X16	1				
409	8	12382540020	STAY , PTO		1				
409	9	16702540011M	FORK , PTO	1X1X1	1				
409	10	V6802000010	BALL , STEEL	5/16	1				
409	11	13022250030	SPRING , SHIFTER	D=1.4	1				
409	12	V7201024010	O-RING , P	P10	1				
409	13	V6001106205	BEARING , BALL	6205	1				
409	14	12382530020	GEAR , PTO 53T		1				
409	15	V7041400350	C-RING , SHAFT	35	2				
409	16	14443140041	COLLAR , 35X50X2	T=2	1				
409	17	V6001106207	BEARING , BALL	6207	1				
409	20	V7051400720	C-RING , HOLE	72	1				
409	21	12382530010	SHAFT , PTO		1				
409	22	16322732000	SEAL ASSY , OIL		1				
409	23	16702555102	HOOK SET , RR PTO	1X1X1	1				
409	24	16702542102	HOOK COMP , RR PTO	1X1X1	1				
409	25	16702432201	ARM COMP , RANGE	1X1X1	1				
409	26	V5801406025	PIN , SPRING	6X25	1				
409	27	V7201024012	O-RING , P	P12	1				
409	28	16702230371	PLATE	T=3	1				
409	29	V2173608016	BOLT , HEX/S	M8X16	1				
409	30	16702440070	HUB(13*17*61)	17.3*2.35	1				
409	31	16702552103	LEVER COMP , PTO/DOWN	1X1X1	1				
409	32	V4111600120	WASHER , PLAIN	M12	1				
409	33	V4011600120	WASHER , SPRING	M12	1				
409	34	V2013612085	BOLT , HEX	M12X85	1				
409	35	13832552200GB	LEVER COMP ,PTO/UPPER		1				
409	36	16992190102	GRIP , PTO		1				
409	36	19682190100	GRIP , PTO		1				
409	37	V2013608035	BOLT , HEX	M8X35	1				
409	38	V3042600080	NUT , HEX/2	M8	1				
409	39	V4111600080	WASHER , PLAIN	M8	2				
409	40	V5601600008	PIN , SNAP	8	2				
409	41	16702553100	ROD , 236	D=9	1				
409	42	12382530030	GEAR , SPUR 41T		1				
409	43	15642730082	WASHER , 35X55X3	D=55	1				
409	44	V6544354026	BEARING , NEEDLE CAGED	KT354026	2				
409	45	15642730052	HUB , 35X62X20		1				
409	46	12382530040	WASHER , 25X40X26	D=40	1				
NOTE									

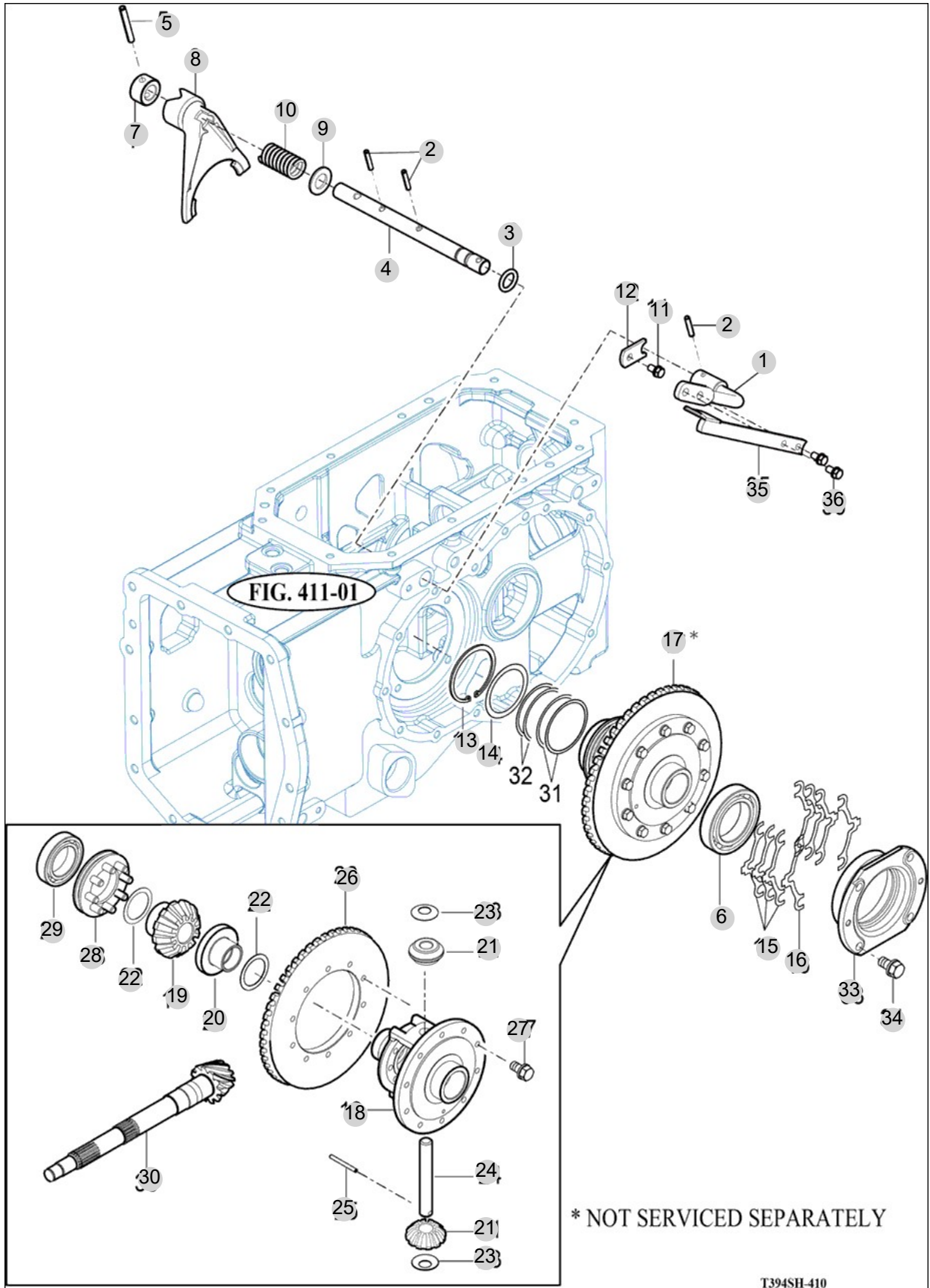
FIG 410

DIFF LOCK

년/월
Year/Month

T474SH

2022-12



T394SH-410

NOTE

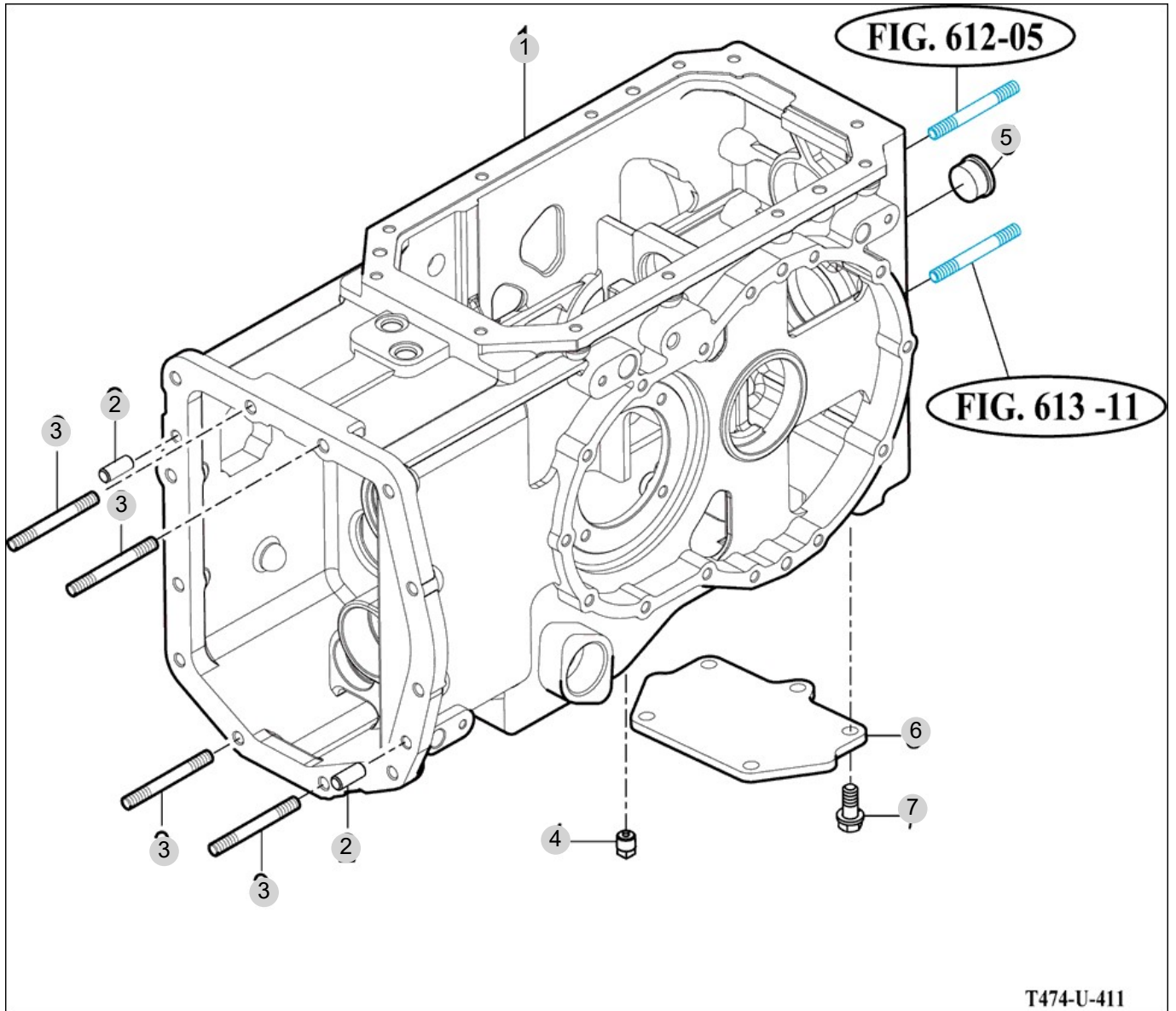
FIG 411

T474SH

TRANSMISSION REAR CASE

년/월
Year/Month

2022-12



NOTE

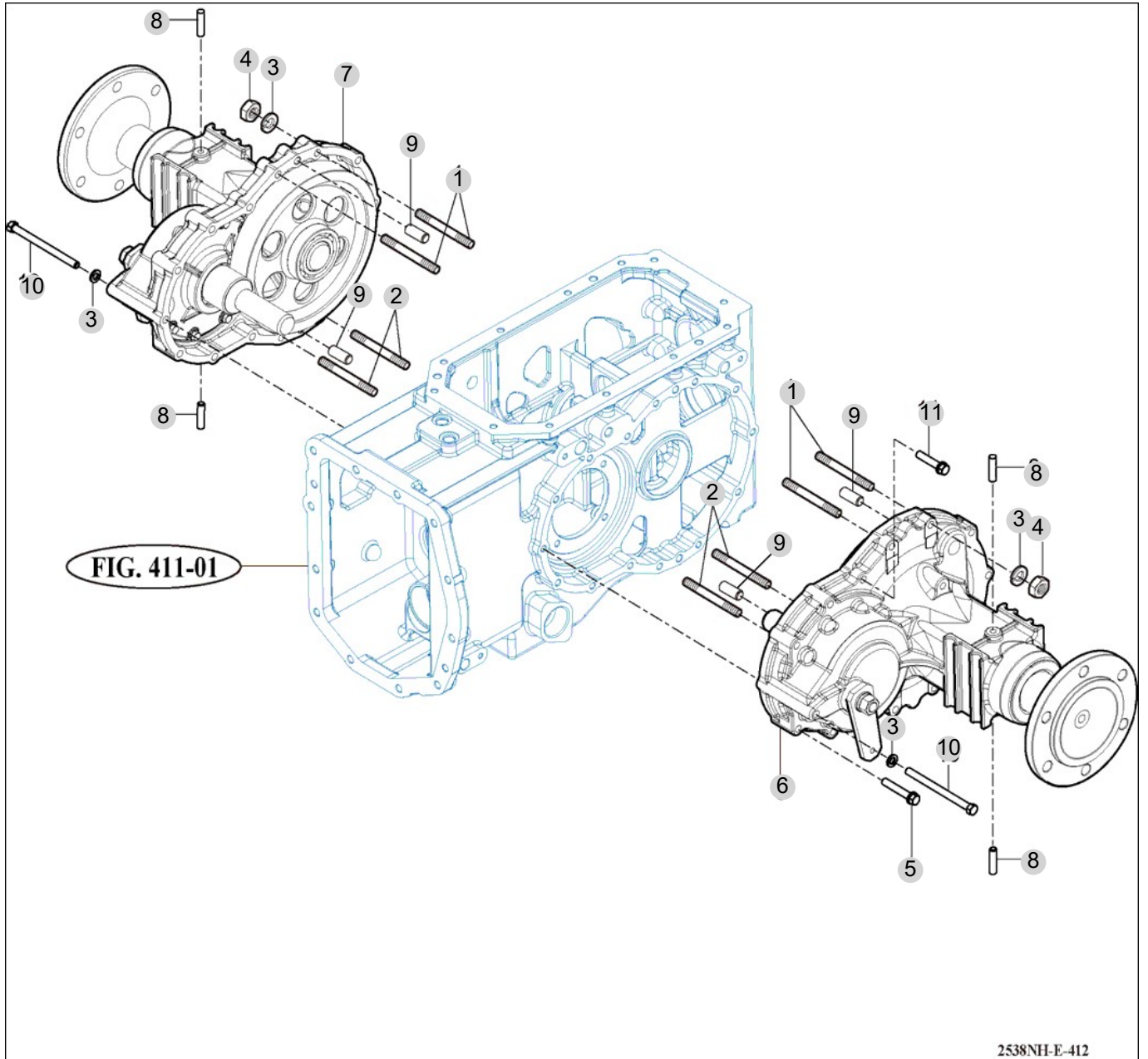
FIG 412

T474SH

REAR AXLE HOUSINGS (1)

년/월
Year/Month

2022-12



NOTE

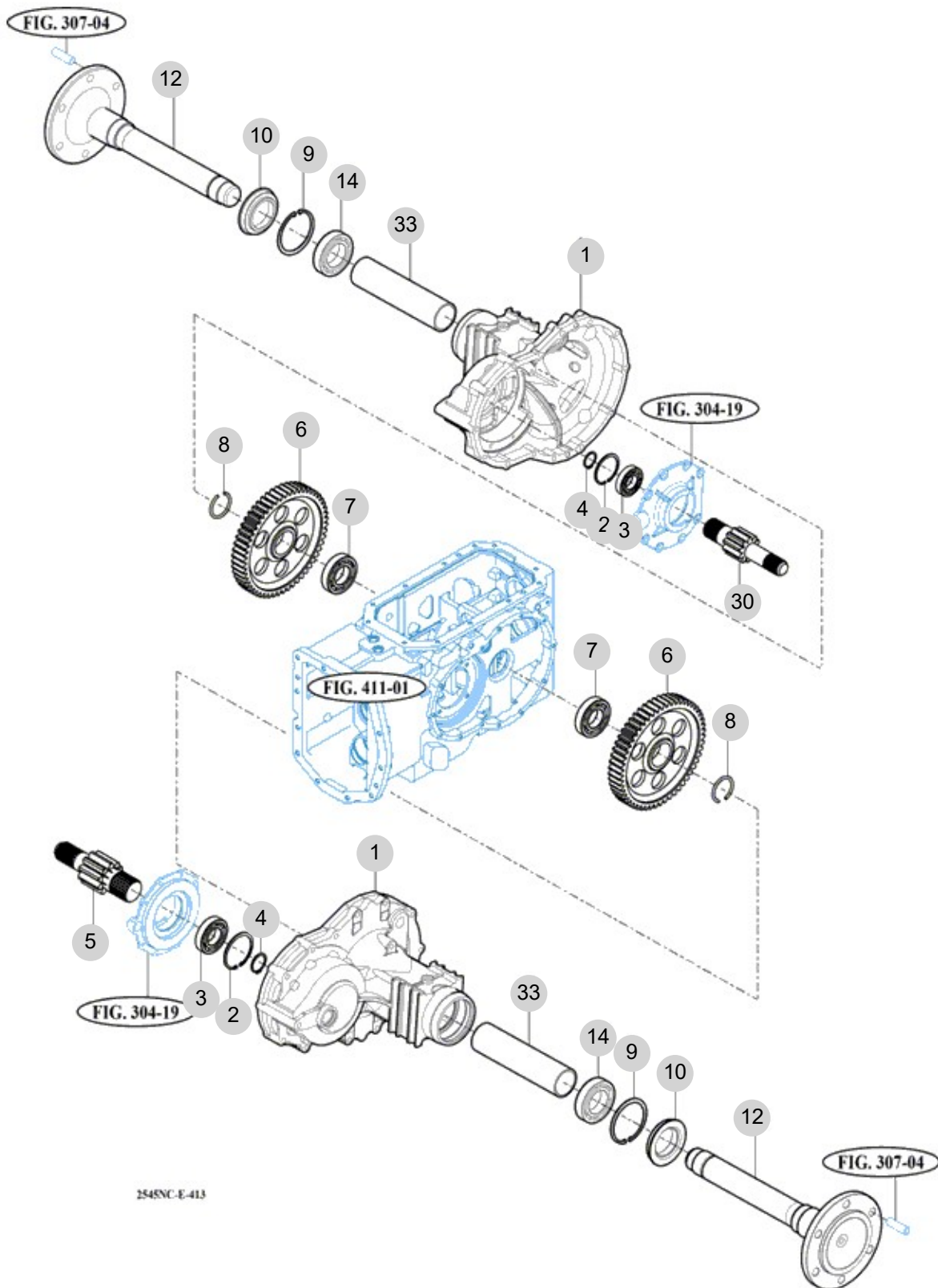
FIG 413

T474SH

REAR AXLE HOUSINGS (2)

년/월
Year/Month

2022-12



2545NC-E-413

NOTE

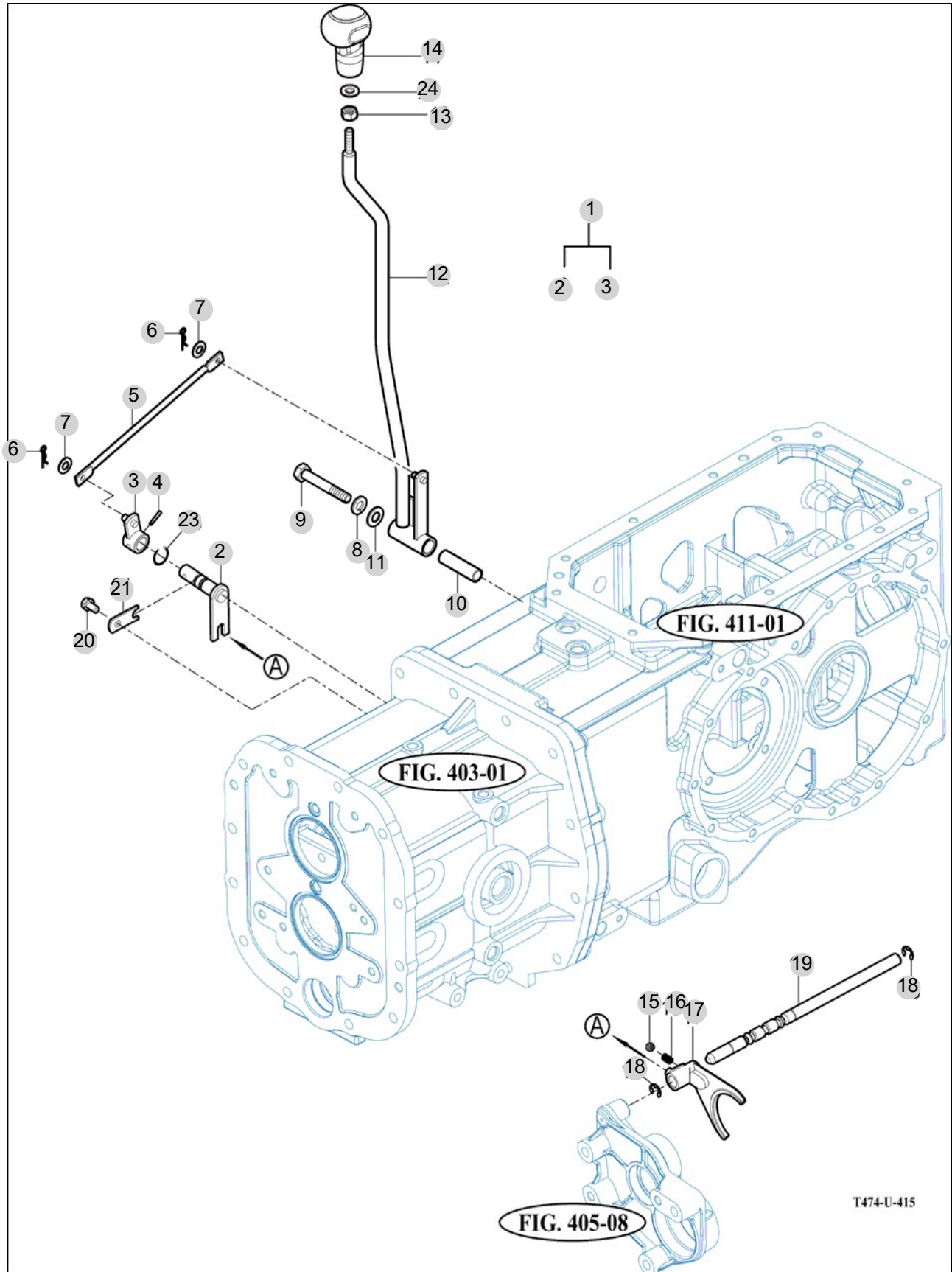
FIG 415

SUB CHANGE LEVER

년/월
Year/Month

2022-12

T474SH



NOTE

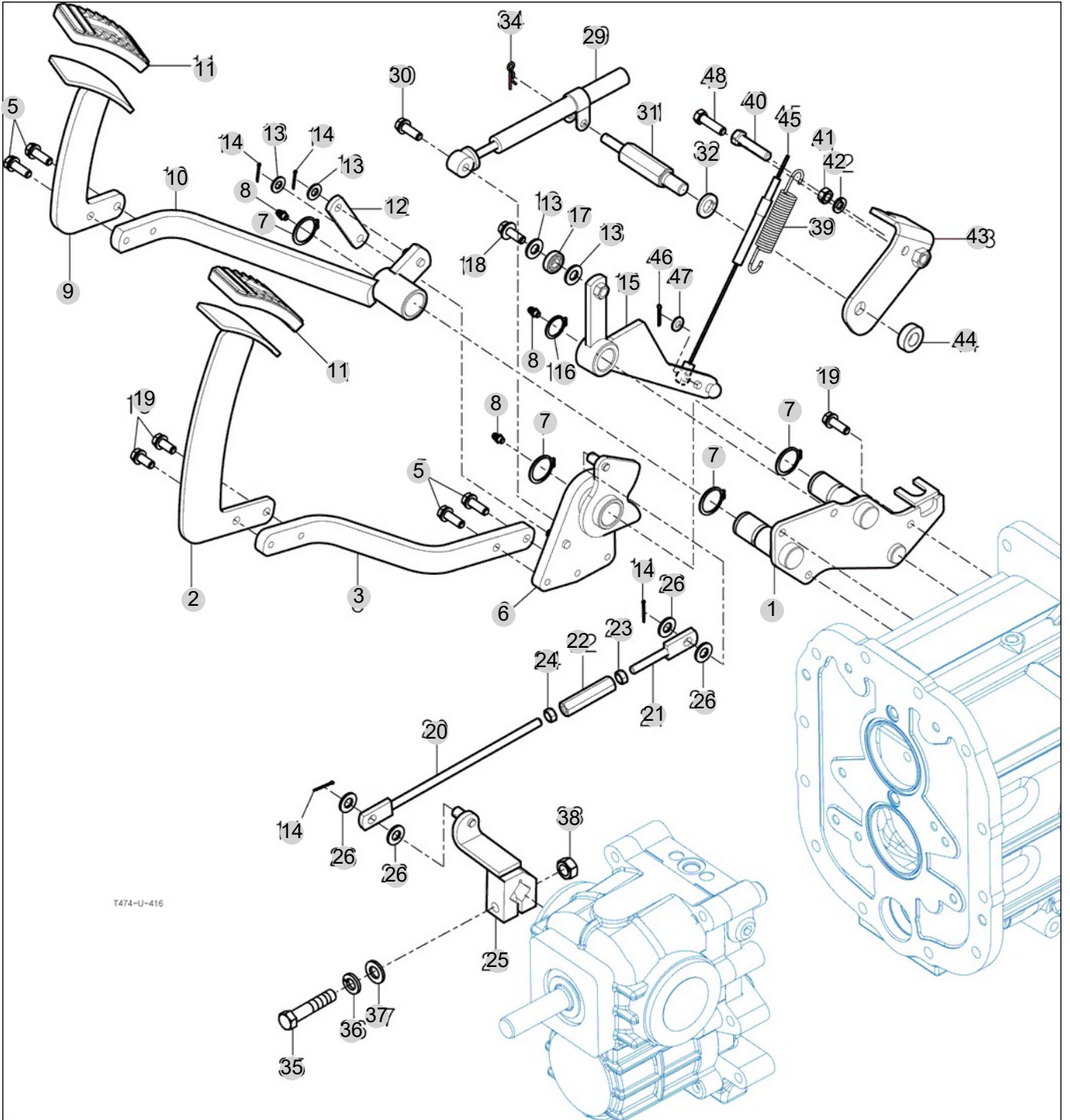
FIG 416

FORWARD & REVERSE CONTROL LINKAGE

년/월
Year/Month

2022-12

T474SH



NOTE

FIG 416		FORWARD & REVERSE CONTROL LINKAGE					년/월 Year/Month		
							2022-12		
T474SH		KEY NO	PART NO	DESCRIPTION	SPEC	QTY	REPAIR	EFFECTIVE DATE	REMARKS
416	1	12382313201	BRACKET COMP, HST PEDAL			1			
416	2	14722312703GB	PEDAL COMP , FORWARD	1X1X1		1			
416	3	14722310052	PLATE , FORWARD	25X9		1			
416	5	V2173608025	BOLT , HEX/S	M8X25		4			
416	6	12382312300	ARM COMP , FORWARD			1			
416	7	V7041400250	C-RING , SHAFT	25		4			
416	8	V7601500000	NIPPLE , GREASE/A-M6F			3			
416	9	14722312802GB	PEDAL COMP , REVERSE	1X1X1		1			
416	10	14722312603	ARM COMP	1X1X1		1			
416	11	14722312730	PAD	1X1X1		2			
416	12	14722310023	PLATE , REVERSE	19X6		1			
416	13	V4111600080	WASHER , PLAIN	M8		4			
416	14	V5001920020	PIN , SPLIT	2X20		4			
416	15	13832312501	ARM COMP , CAM FOLLOWER			1			
416	16	V7041400200	C-RING , SHAFT	20		1			
416	17	14722310060	BEARING , BALL			1			
416	18	V2013608035	BOLT , HEX	M8X35		1			
416	19	V2173608025	BOLT , HEX/S	M8X25		6			
416	20	12382325100	ROD COMP , LH			1			
416	21	11102325200	ROD COMP , RH			1			
416	22	16601220020	TURNBUCKLE , M8 L60			1			
416	23	V3042600080	NUT , HEX/2	M8		1			
416	24	15601320073	NUT , HEX LH	"2종,M8"		1			
416	25	12382312101	BRACKET COMP , HOLDER			1			
416	26	V4111600100	WASHER , PLAIN	M10		4			
416	29	14722312401	DAMPER , OIL	1X1X1		1			
416	30	V2183608035	BOLT , HEX/SP	M8X35		1			
416	31	10532310090	PIN , OIL DAMPER			1			
416	32	V4011600120	WASHER , SPRING	M12		1			
416	34	V5601600008	PIN , SNAP	8		1			
416	35	V2173610055	BOLT , HEX/S	M10X55		1			
416	36	V4011600100	WASHER , SPRING	M10		1			
416	37	V4111600100	WASHER , PLAIN	M10		1			
416	38	V3043600100	NUT , HEX/2	M10		1			
416	39	14722310033	SPRING , RETURN	D=2.4		1			
416	40	V2013608035	BOLT , HEX	M8X35		1			
416	41	V3042600080	NUT , HEX/2	M8		1			
416	42	V4011600080	WASHER , SPRING	M8		1			
416	43	13831163801	BRACKET , P			1			
416	44	10532310080	COLLAR , 12X24X8			1			
416	45	13831162700	CABLE ASSY , H THROTTLE 1100			1			
416	46	V5001920015	PIN , SPLIT	2X15		1			
416	47	V4111600060	WASHER , PLAIN	M6		1			
416	48	V2173608020	BOLT , HEX/S	M8X20		1			
NOTE									

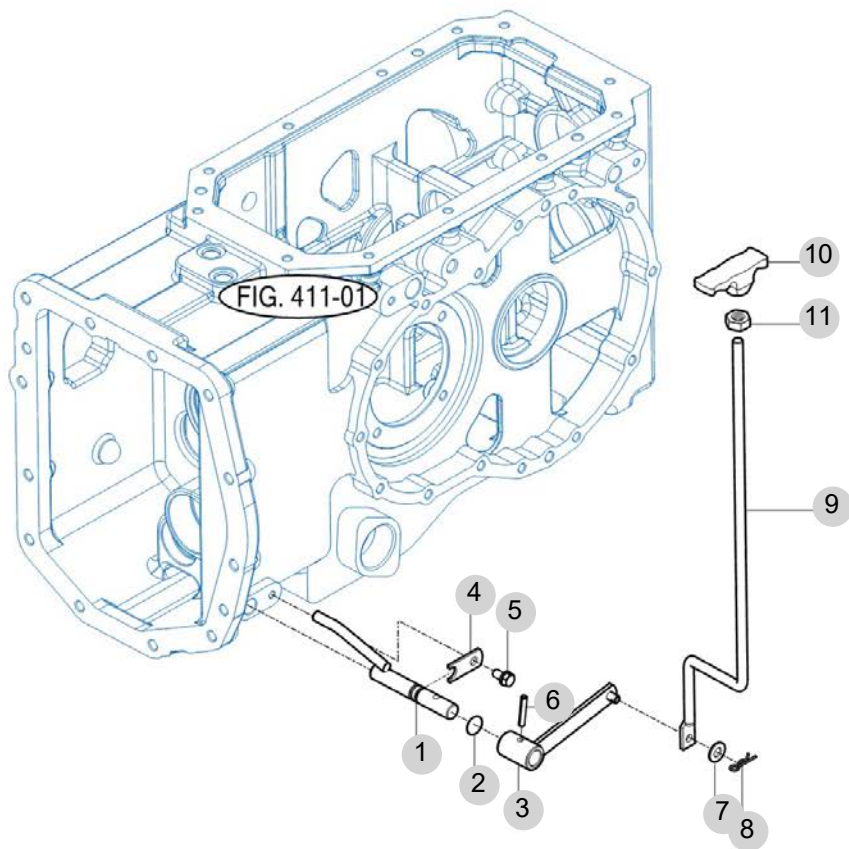
FIG 418

4WD CHANGE LEVER

년/월
Year/Month

T474SH

2022-12



2538NH-K-418

NOTE

5. Front Axle PART NO. T5

FIG 501 FRONT AXLE BRACKET	169
FIG 502 FRONT DIFF. GEARS & SHAFT	171
FIG 503 FRONT AXLE HOUSING	173
FIG 504 FRONT GEAR CASE (1)	175
FIG 505 FRONT GEAR CASE (2)	177

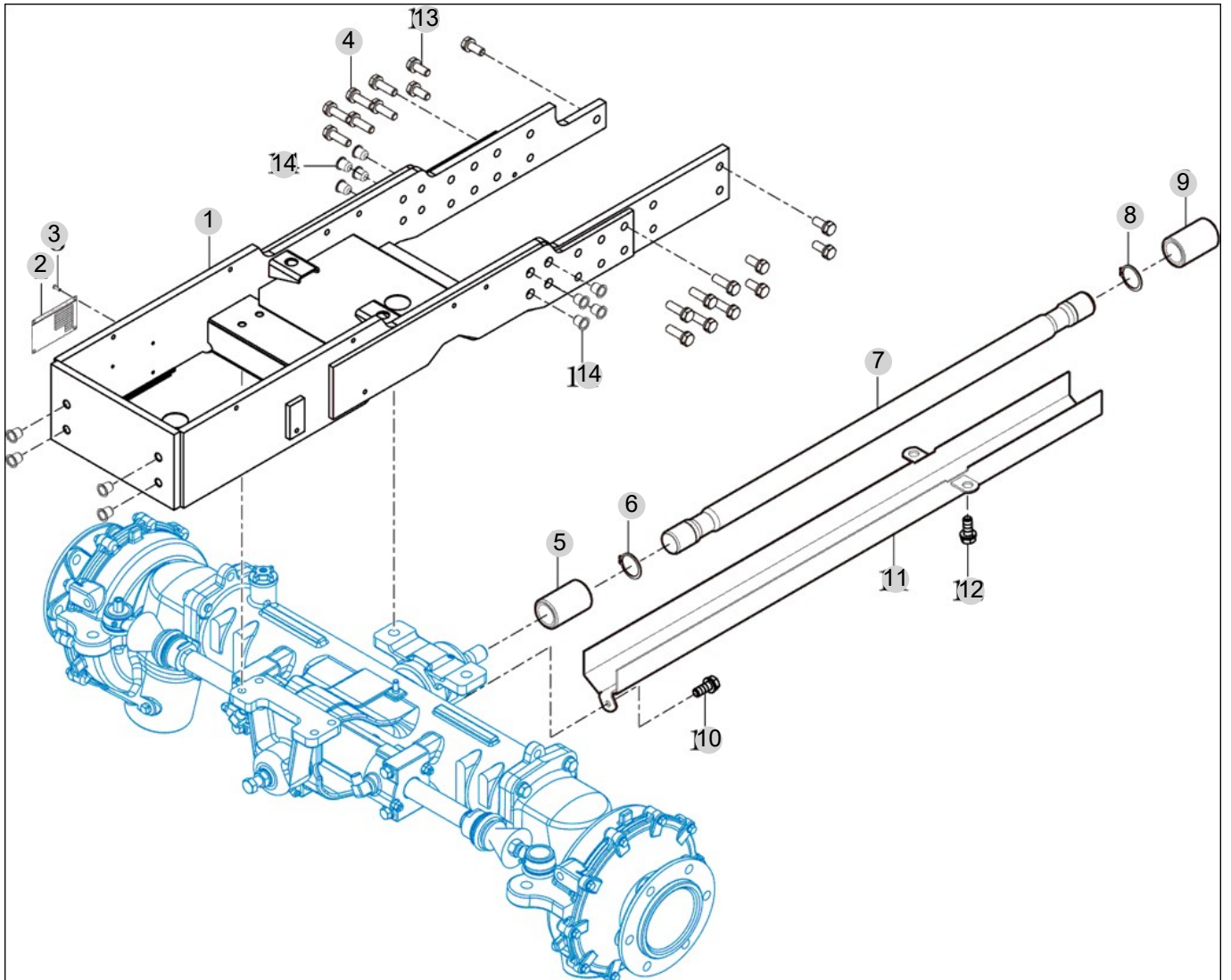
FIG 501

FRONT AXLE BRACKET

년/월
Year/Month

2022-12

T474SH



NOTE

FIG 502

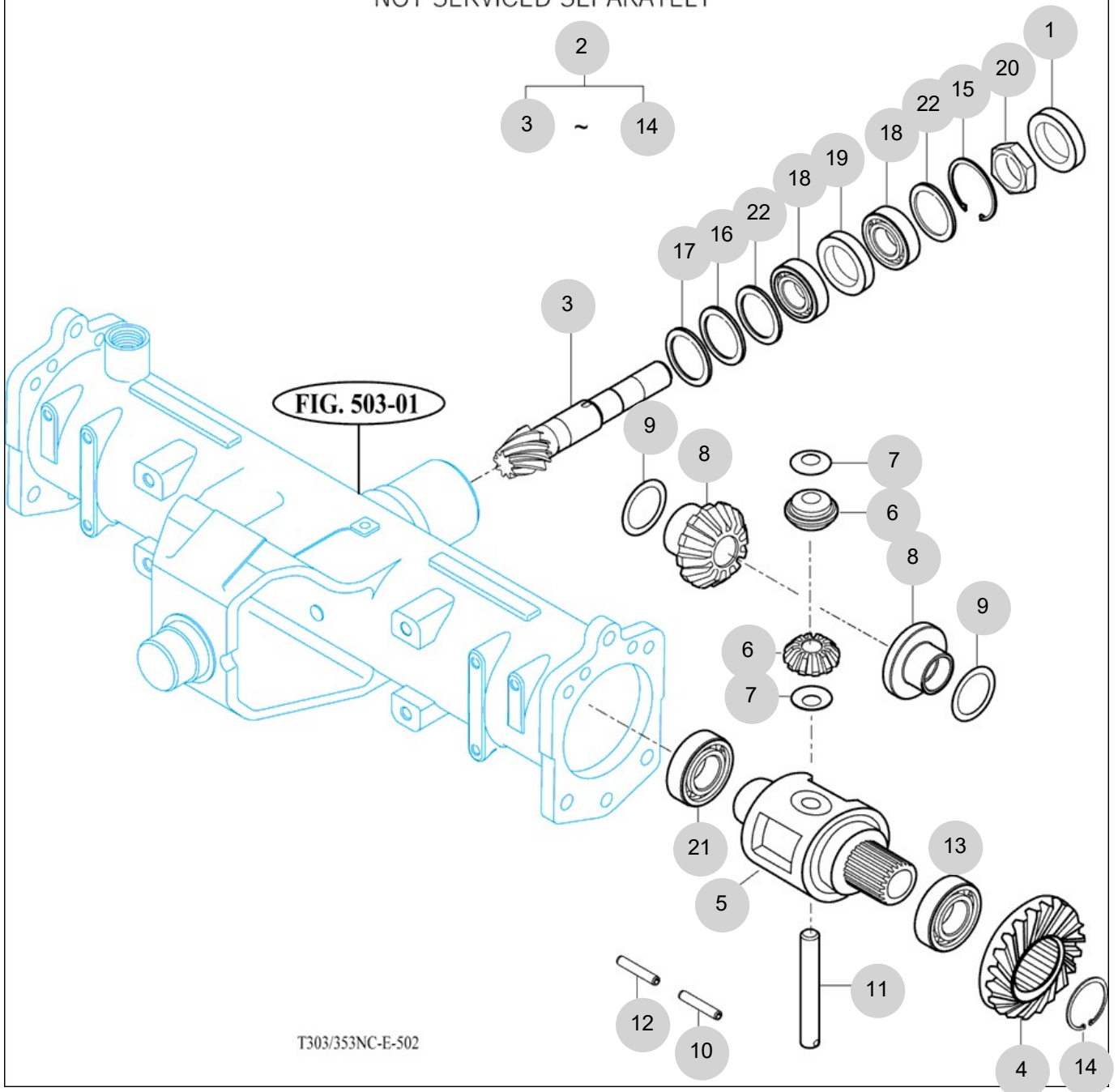
T474SH

FRONT DIFF. GEARS & SHAFT

년/월
Year/Month

2022-12

* NOT SERVICED SEPARATELY



NOTE

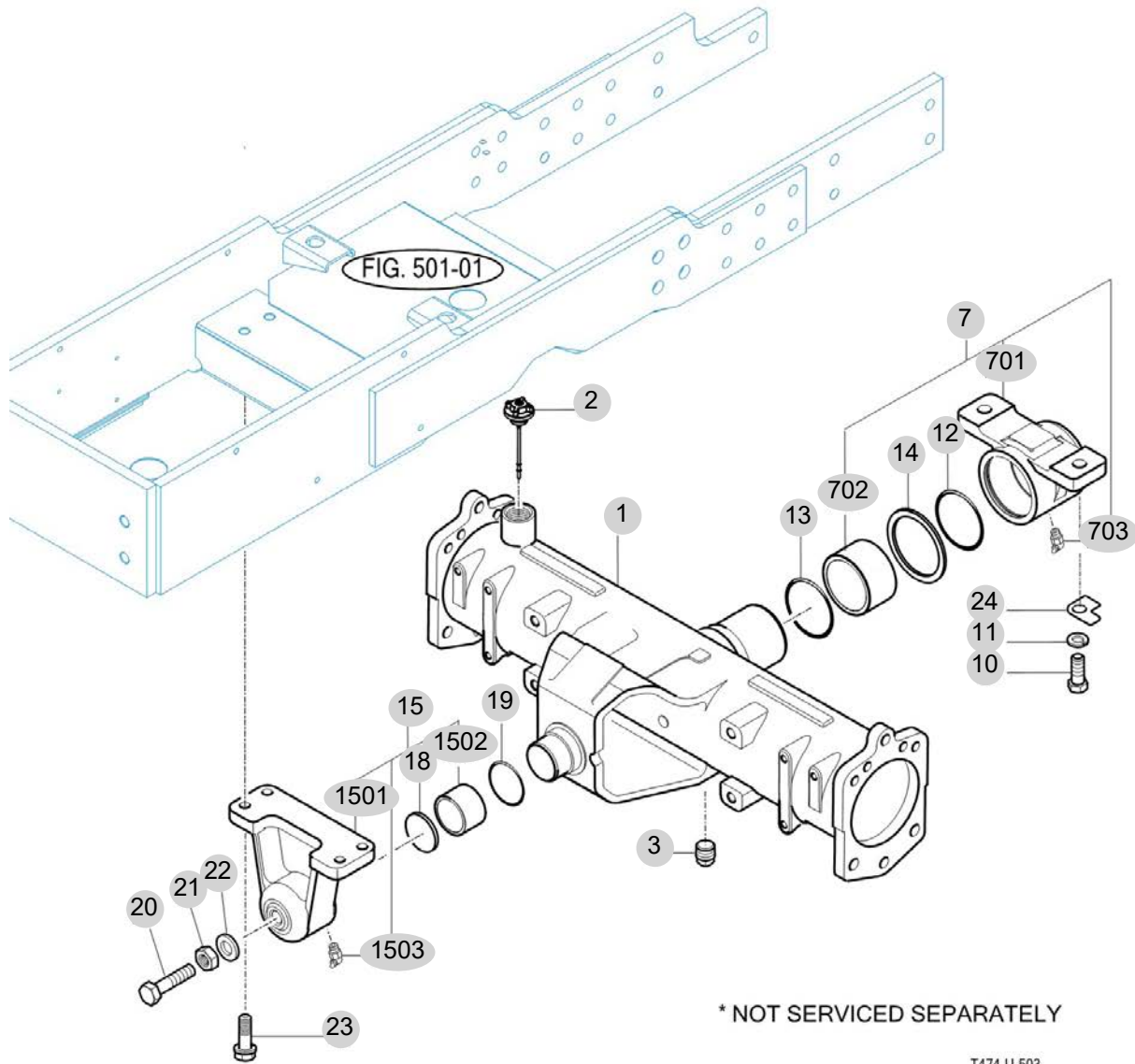
FIG 503

FRONT AXLE HOUSING

년/월
Year/Month

T474SH

2022-12



T474-U-503

NOTE

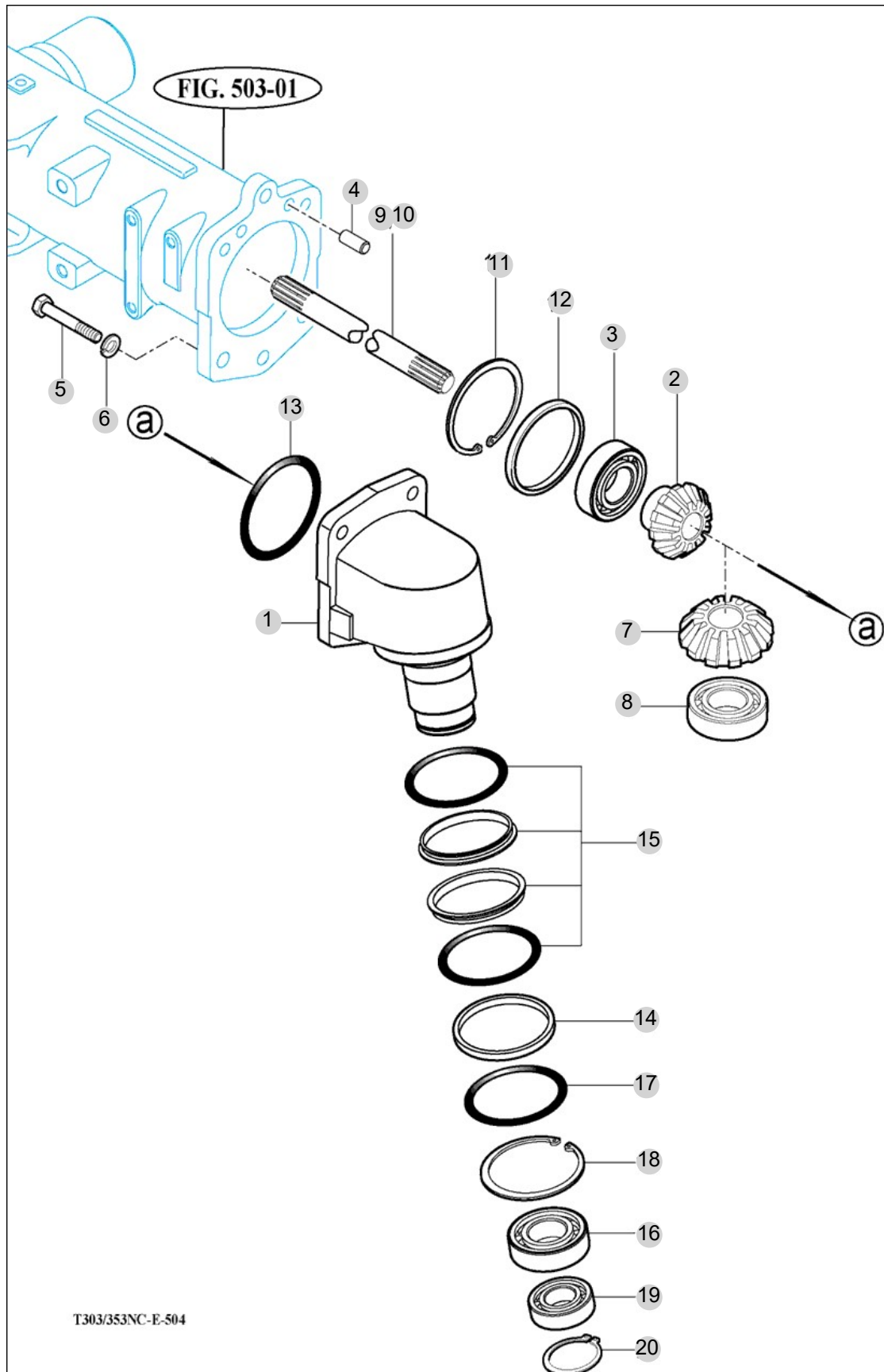
FIG 504

T474SH

FRONT GEAR CASE (1)

년/월
Year/Month

2022-12



NOTE

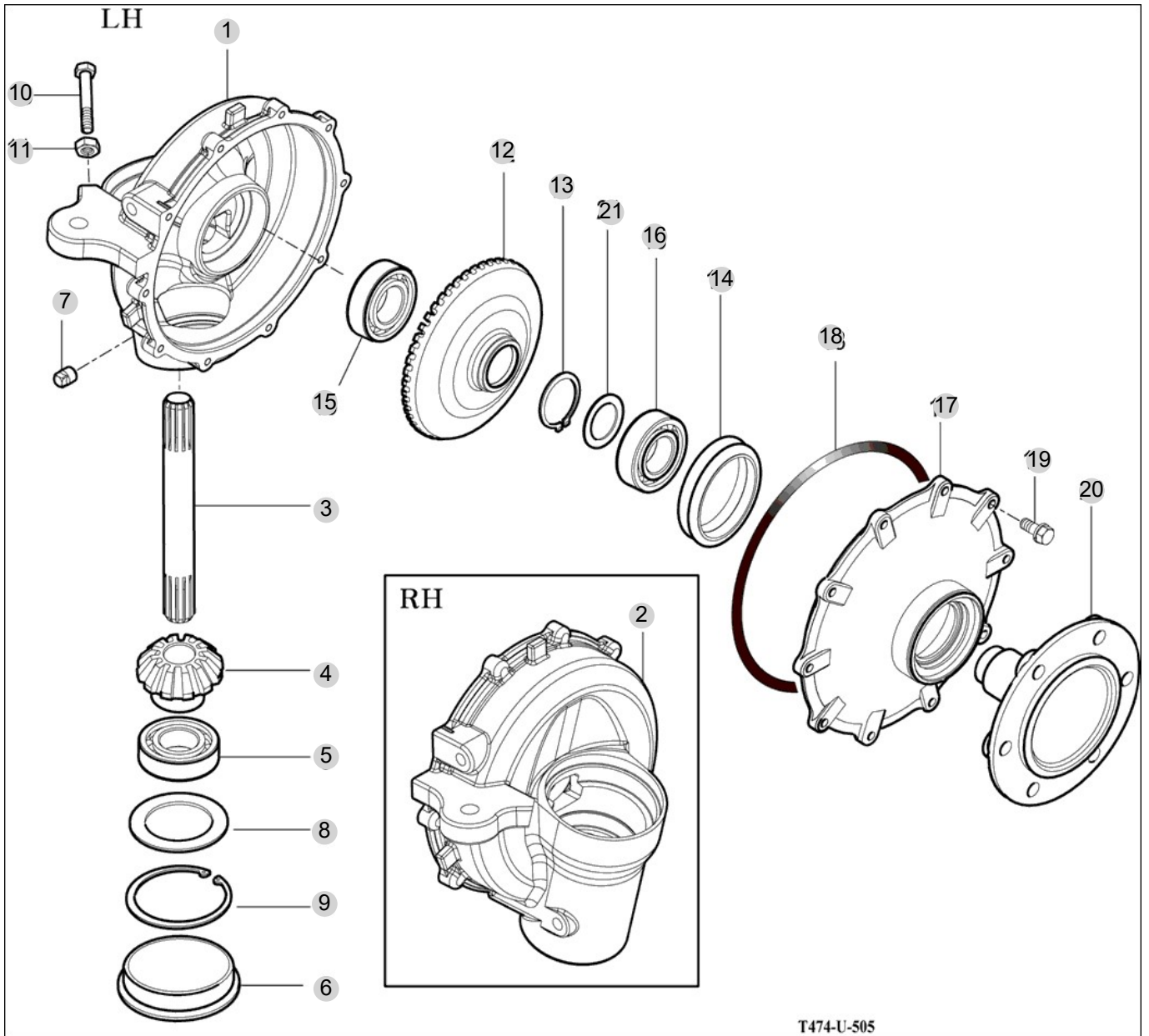
FIG 505

T474SH

FRONT GEAR CASE (2)

년/월
Year/Month

2022-12



NOTE

6. Hydraulic/3P-Link PART NO. T6

FIG 601 GEAR PUMP	180
FIG 602 CYLINDER CASE	182
FIG 603 LIFT ARM	184
FIG 604 CYLINDER	186
FIG 605 POSITION LINK (1)	188
FIG 606 POSITION LINK (2)	190
FIG 607 CONTROL VALVE	192
FIG 608 POSITION LEVER	194
FIG 609 HYDRAULIC PIPE (1)	196
FIG 610 HYDRAULIC PIPE (2)	199
FIG 611 EXTERIOR HYD VALVE	201
FIG 612 3-POINT LINK	203
FIG 613 HITCH & COVER	206
FIG 614 EXTERIOR POSITION LEVER	208

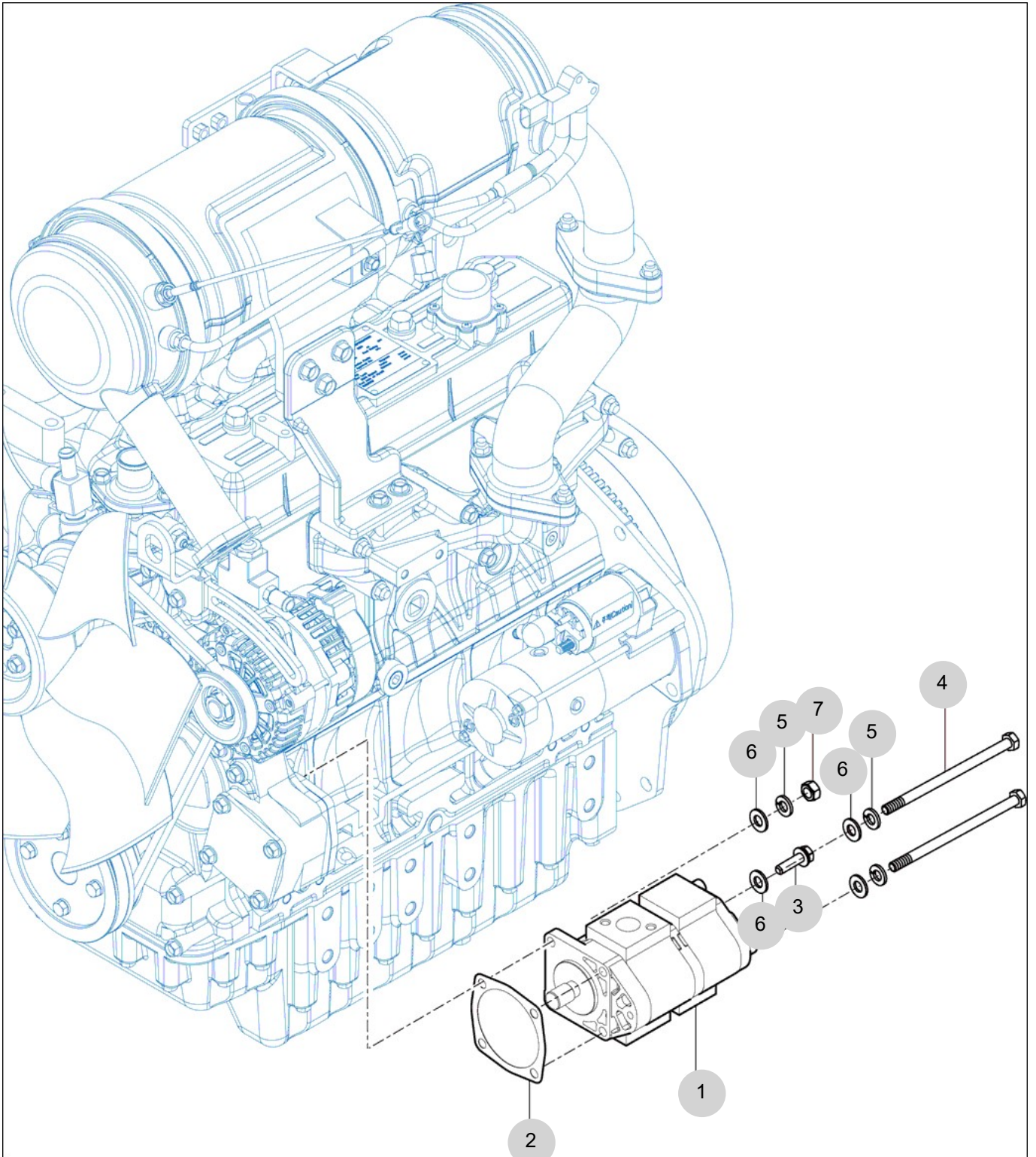
FIG 601

GEAR PUMP

년/월
Year/Month

2022-12

T474SH



NOTE

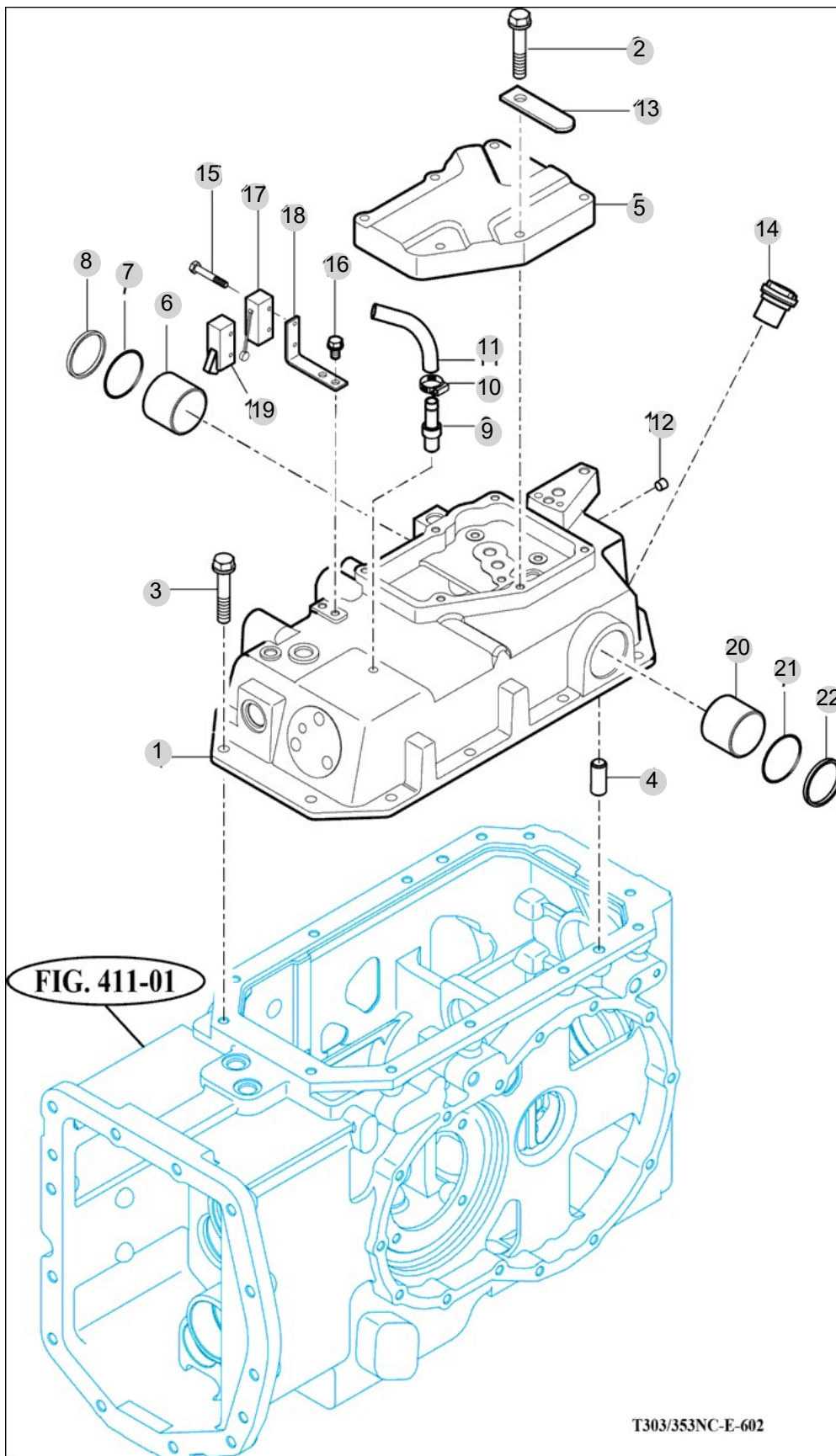
FIG 602

CYLINDER CASE

년/월
Year/Month

2022-12

T474SH



NOTE

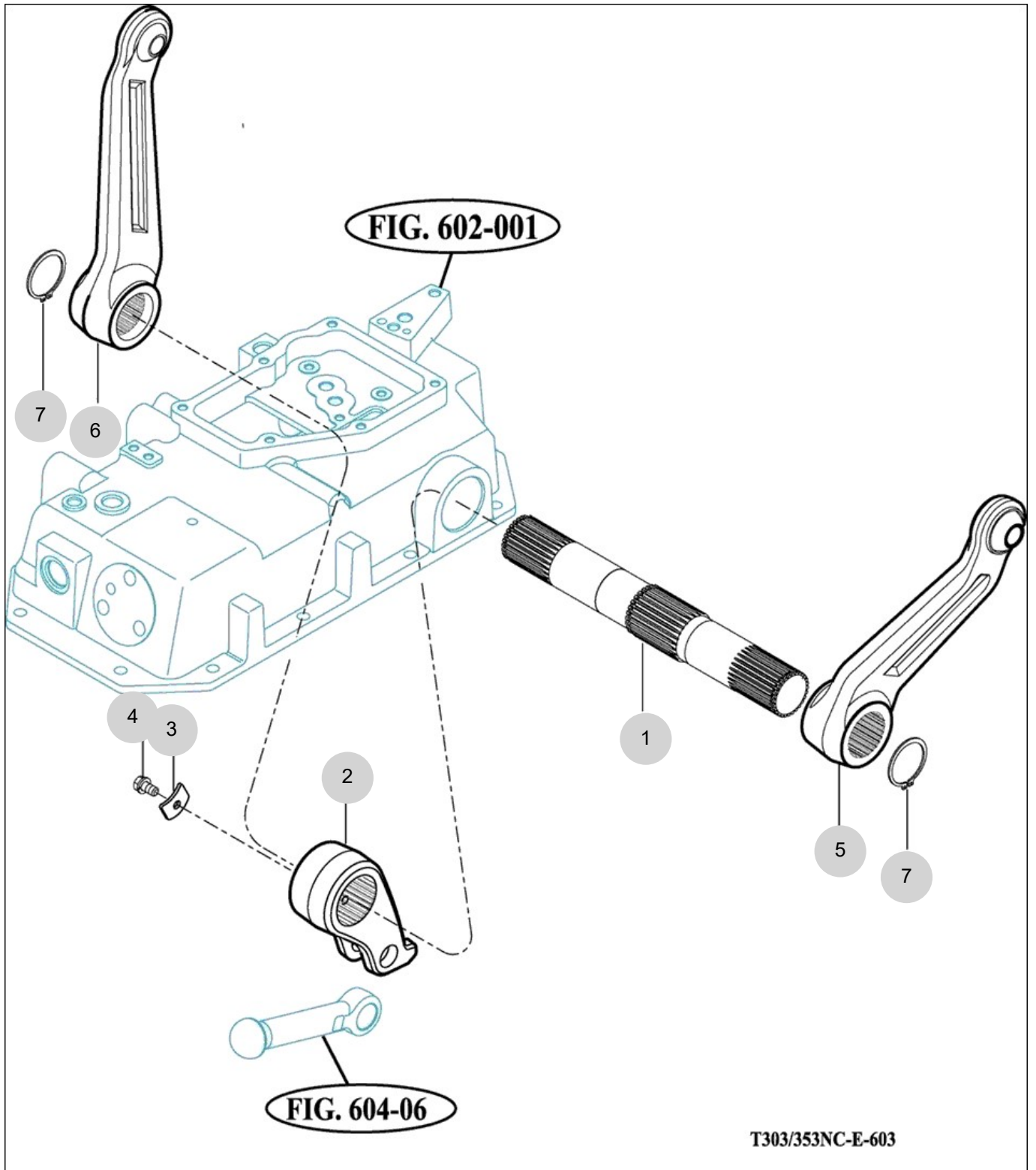
FIG 603

T474SH

LIFT ARM

년/월
Year/Month

2022-12



NOTE

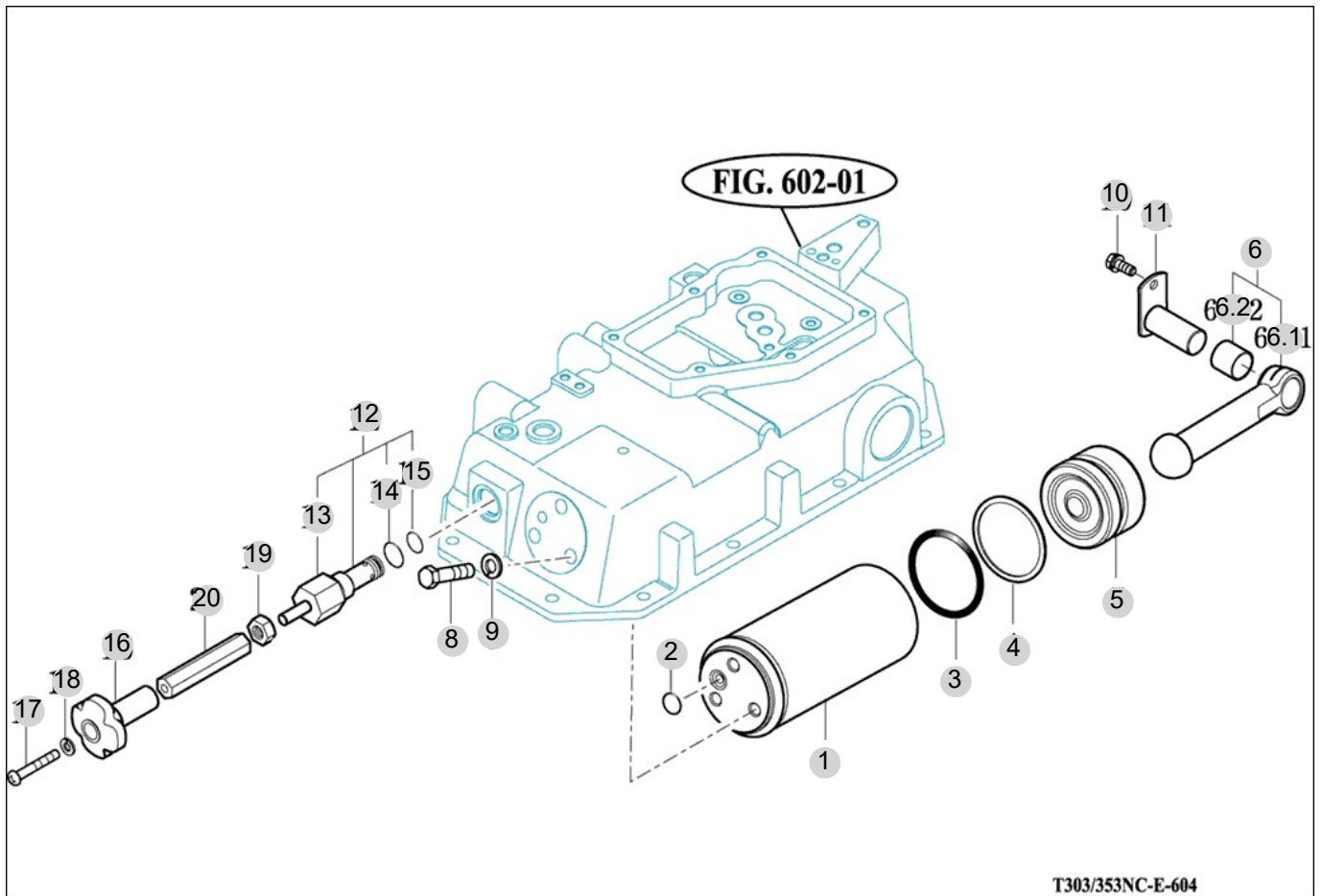
FIG 604

T474SH

CYLINDER

년/월
Year/Month

2022-12



NOTE

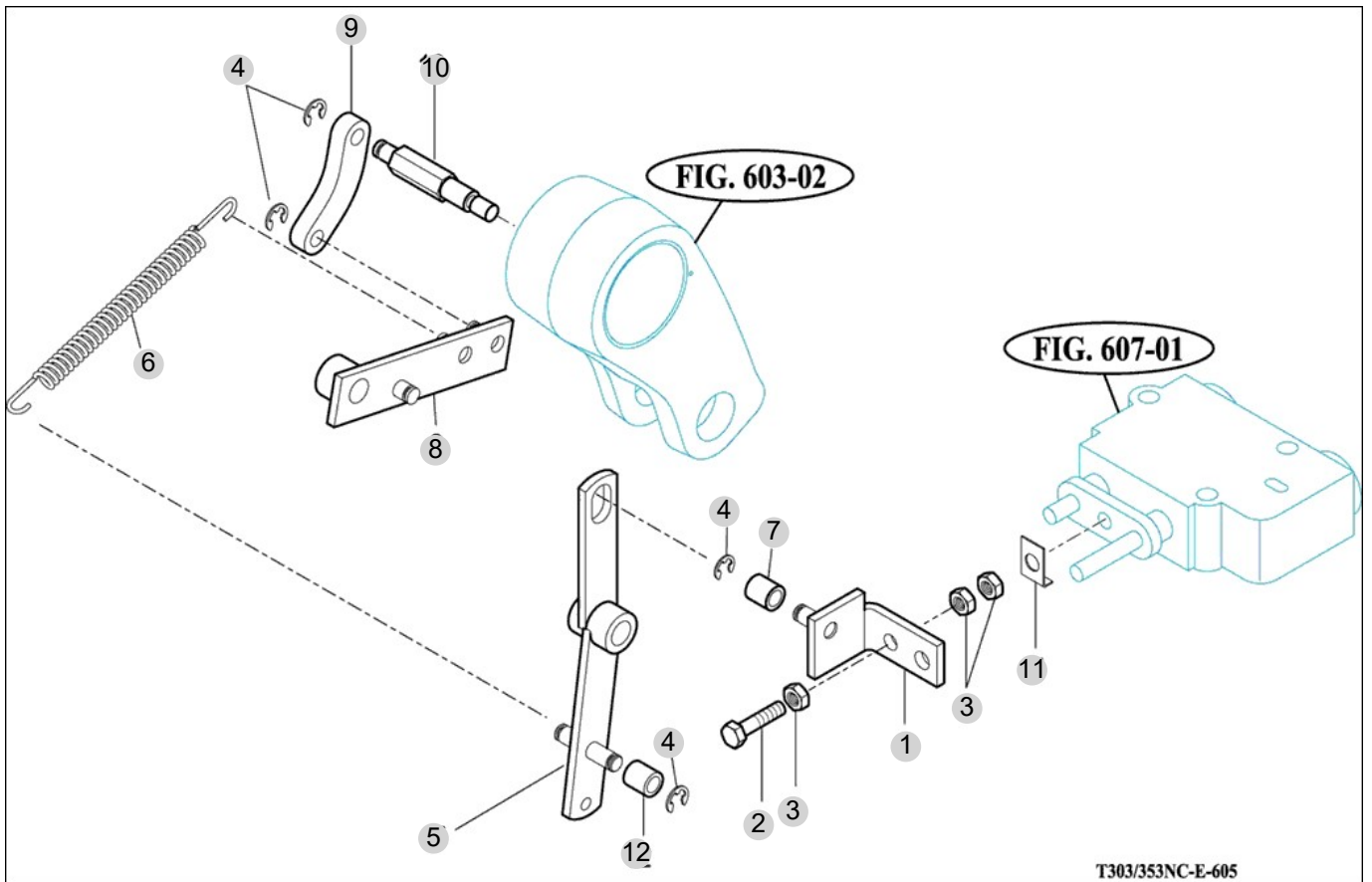
FIG 605

T474SH

POSITION LINK (1)

년/월
Year/Month

2022-12



T303/353NC-E-605

NOTE

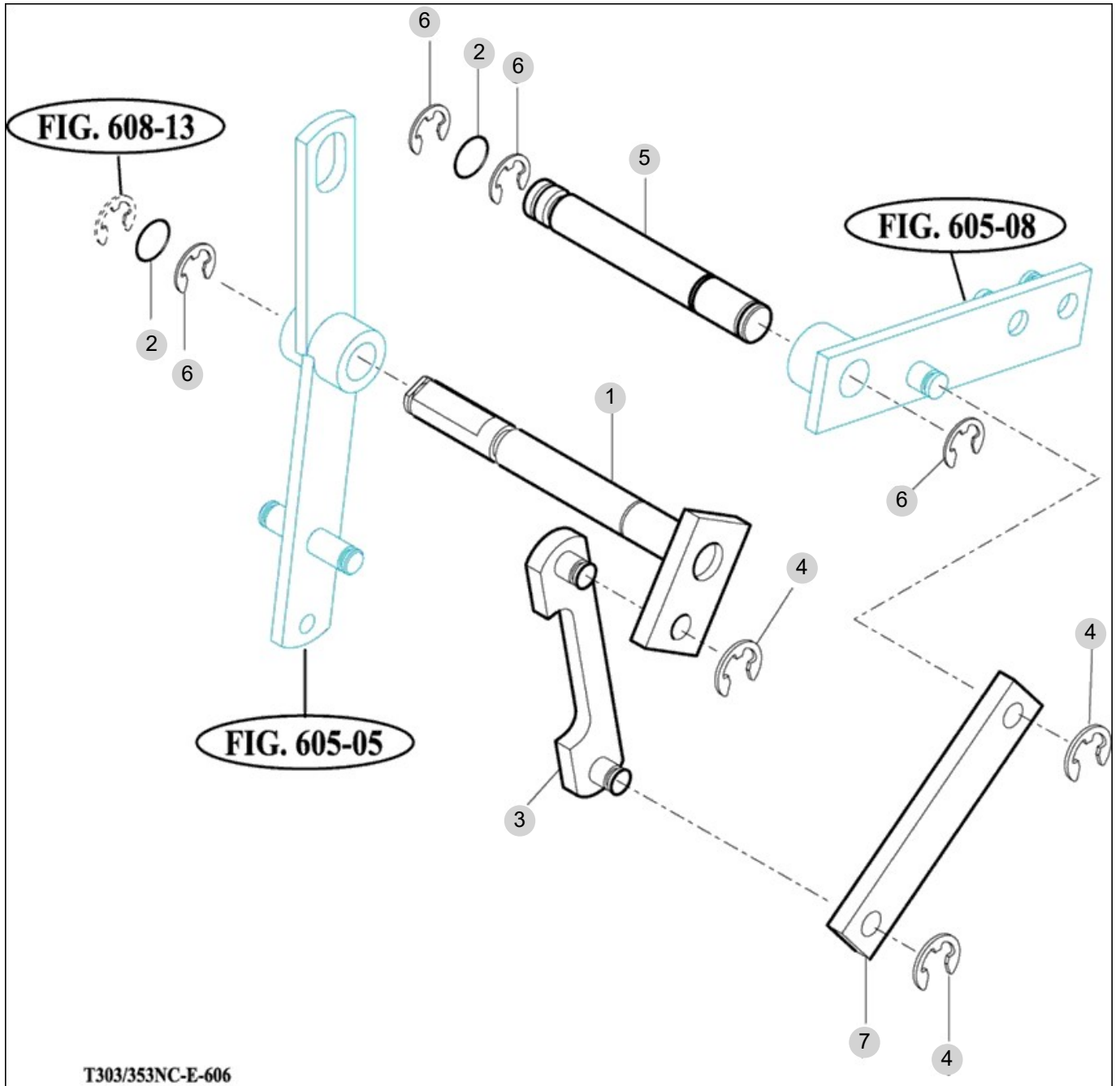
FIG 606

T474SH

POSITION LINK (2)

년/월
Year/Month

2022-12



NOTE

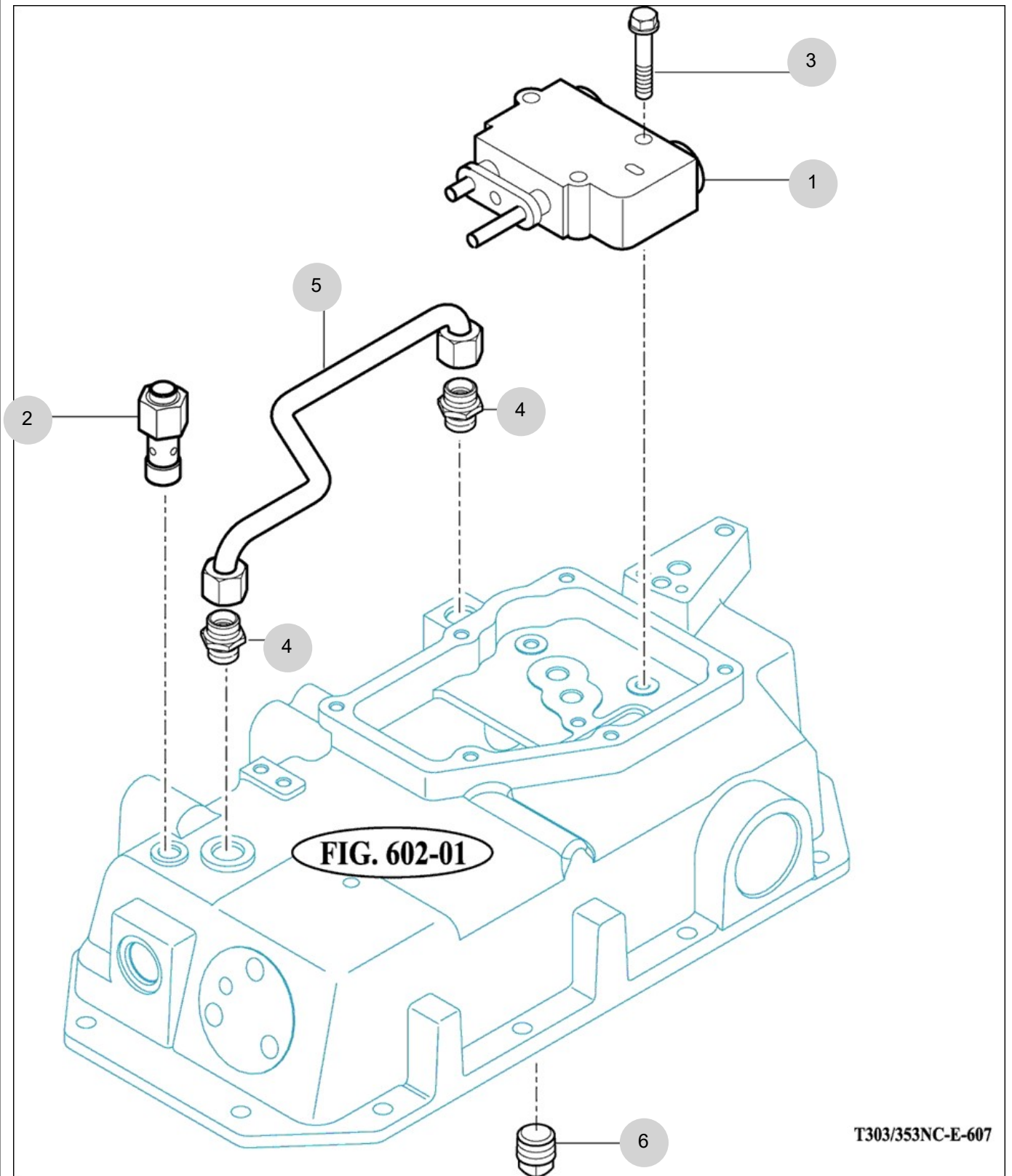
FIG 607

CONTROL VALVE

년/월
Year/Month

T474SH

2022-12



NOTE

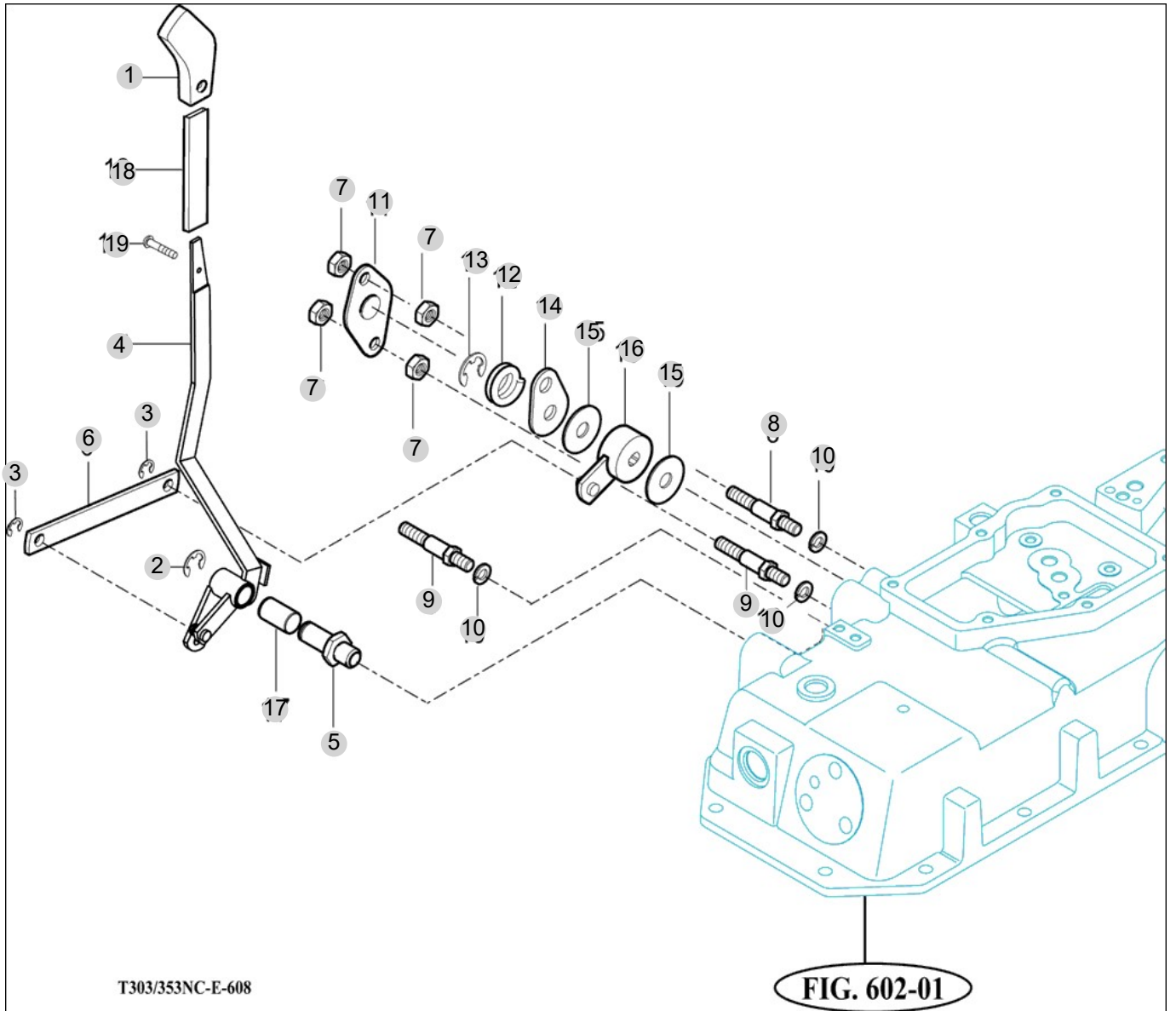
FIG 608

T474SH

POSITION LEVER

년/월
Year/Month

2022-12



NOTE

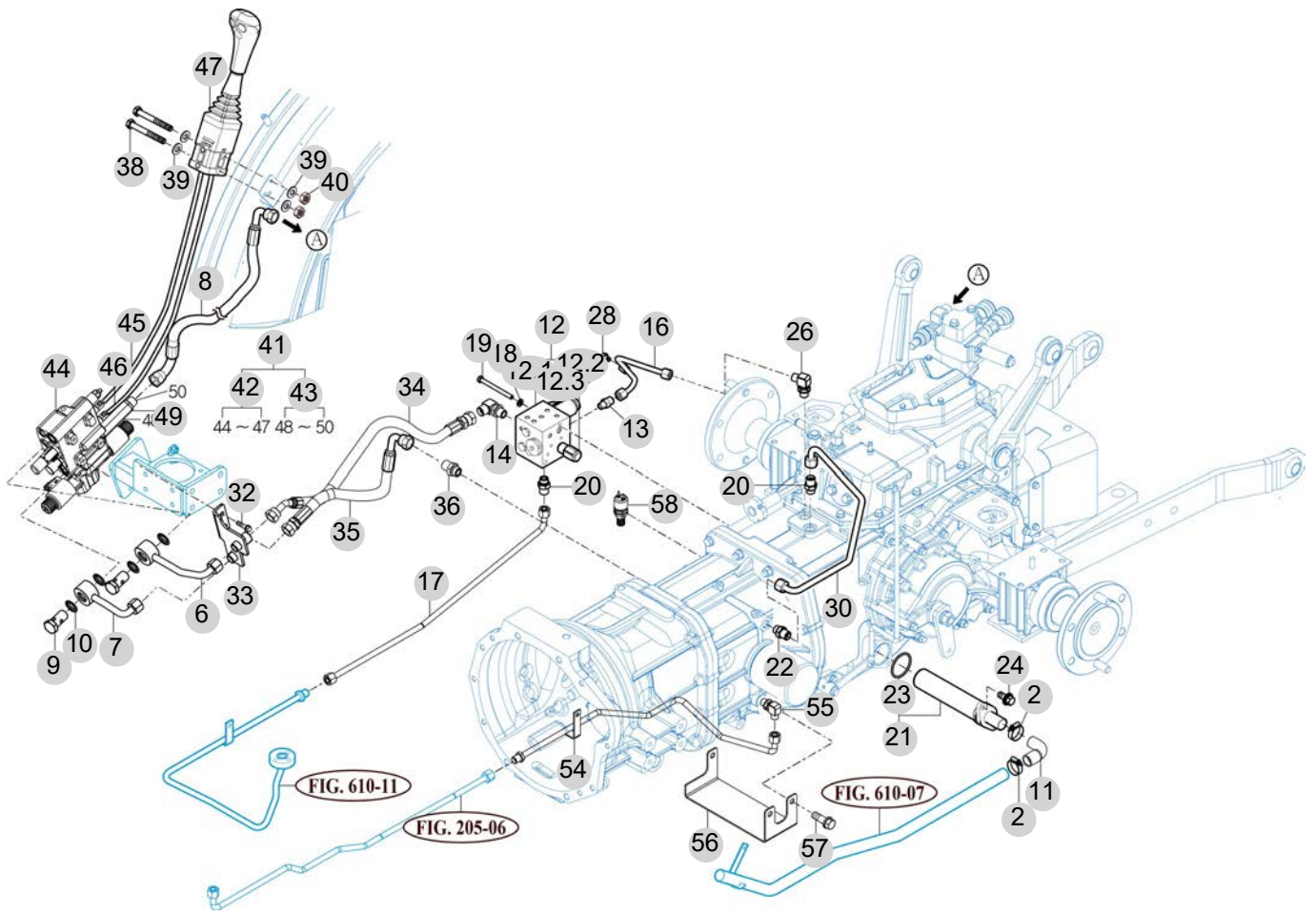
FIG 609

T474SH

HYDRAULIC PIPE (1)

년/월
Year/Month

2022-12



NOTE

FIG 609		HYDRAULIC PIPE (1)					년/월 Year/Month		
							2022-12		
T474SH		KEY NO	PART NO	DESCRIPTION	SPEC	QTY	REPAIR	EFFECTIVE DATE	REMARKS
609	2	18027090400	BAND CLAMP 40 EMBO TYPE			2			
609	6	13835412101GB	PIPE COMP , LOADER P			1			
609	7	13835412201GB	PIPE COMP , LOADER T			1			
609	8	13835152330	HOSE ASSY , HYD 1400			1			
609	9	19555410080	BOLT , EYE JOINT(PF1/2)			2			
609	10	19555410060	WASHER , GASKET PF1/2			4			
609	11	17405100011	HOSE			1			
609	12	14835182001	VALVE ASSY , PTO			1			
609	12.1	14725182101	VALVE , PTO			1			
609	12.2	15640090001	VALVE ASSY , RELIEF	PVR1-005-020		1			
609	12.3	14725182210	SOLENOID COIL	1X1X1		1			
609	13	14444080062	CONNECTOR			1			
609	14	17407362300	ELBOW , PF3/8 PF1/2	"PF3/8,PF1/2"		1			
609	16	12385204200	PIPE COMP , PTO			1			
609	17	12385204701	PIPE COMP , DELIVERY			1			
609	18	V4011600080	WASHER , SPRING	M8		3			
609	19	V2013608090	BOLT , HEX	M8X90		3			
609	20	16995304000	UNION , O-RING	D25X25X36		2			
609	21	16705105000	FILTER ASSY , SUCTION	D51X92X265		1			
609	22	12385304000	UNION(M18 , PF3/8, 0.6 orifice)			1			
609	23	V7211031045	O-RING , G	G45		1			
609	24	V2183610025	BOLT , HEX/SP	M10X25		2			
609	26	16705100100	ELBOW UNIT , PF 3/8XM16	PF3/8XM16		1			
609	28	13267060022	PLUG , DRAIN	육각 B=12		1			
609	30	12385204300	PIPE COMP , PTO CLUTCH			1			
609	32	V2173608016	BOLT , HEX/S	M8X16		2			
609	33	13835413101GB	BRACKET COMP , LOADER			1			
609	34	17685162201	HOSE ASSY , HYD 550			1			
609	34	12644072600	HOSE ASSY , HYD 600			1			
609	35	15895413200	HOSE ASSY , HYD 380			1			
609	35	13835152200	HOSE ASSY , HYD 330			1			
609	35	13835152201	HOSE ASSY , HYD 420			1			
609	36	17407362300	ELBOW , PF3/8 PF1/2			1			
609	36	17995161130	UNION , PF3/8 PF1/2			1			
609	38	V2173608085	BOLT , HEX/S	M8X85		2			
609	39	V4111600080	WASHER , PLAIN	M8		4			
609	40	V3042600080	NUT , HEX/2	M8		2			
609	41	13837753000	VALVE SUB , LOADER			1			
609	42	13837752000	VALVE JOYSTIC ASSY , LOADER			1			
609	43	13835163000	FILTER ASSY , LINE			1			
609	44	13877752100	LOADER VALVE ASSY			1			
609	45	13837752300	JOYSTIC CABLE ASSY(660)			1			
609	46	13837752400	JOYSTIC CABLE ASSY(680)			1			
609	47	13837752200	JOYSTICK LEVER SUB			1			
609	49	V7201135024	O RING .P	P24		1			
NOTE									

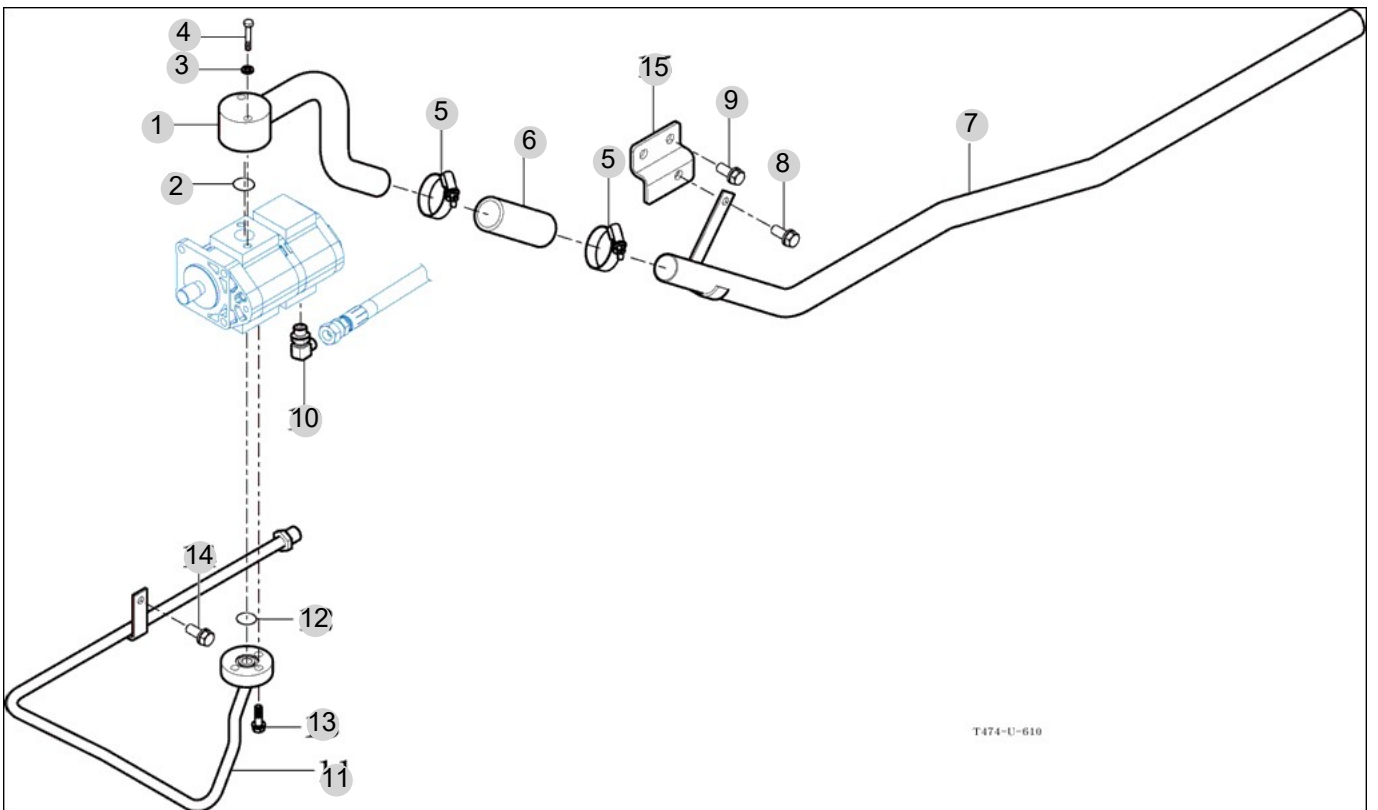
FIG 610

T474SH

HYDRAULIC PIPE (2)

년/월
Year/Month

2022-12



T474-U-610

NOTE

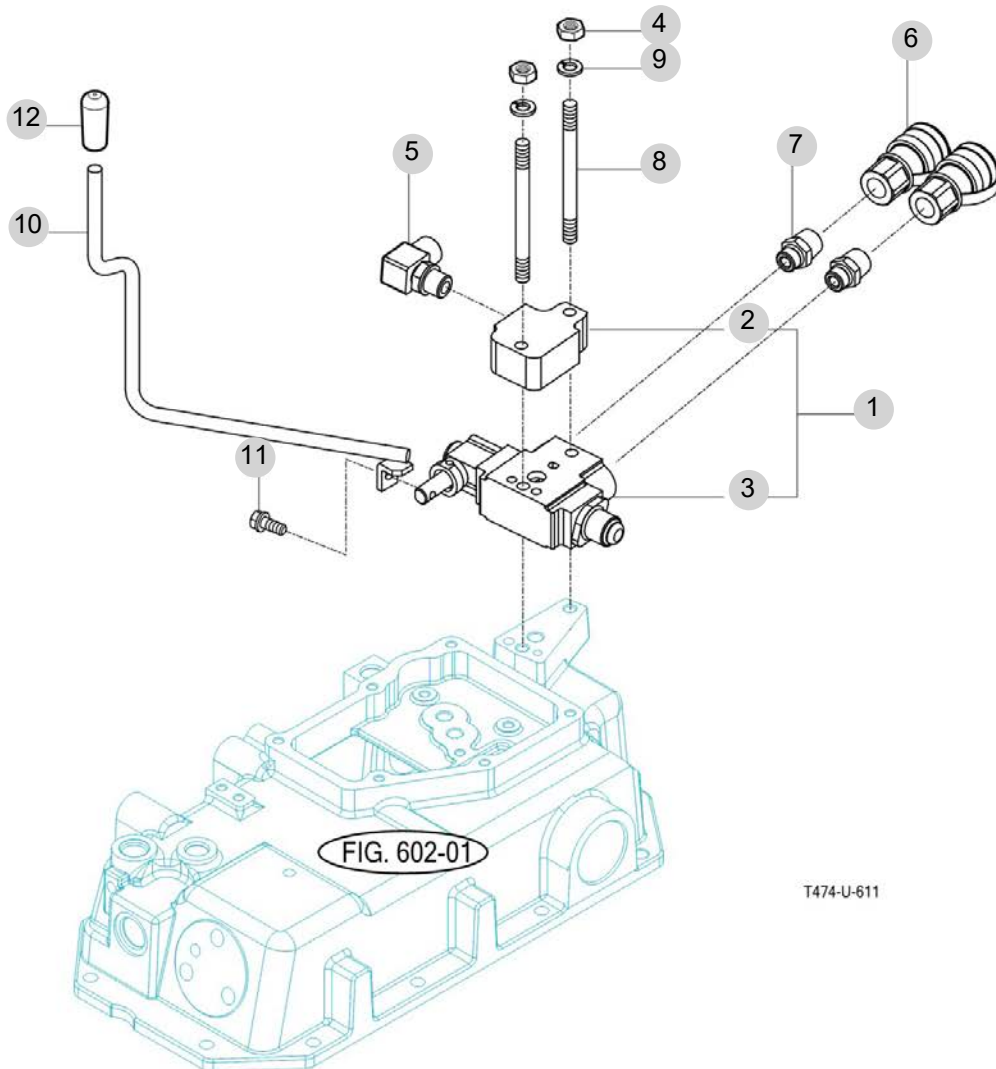
FIG 611

T474SH

EXTERIOR HYD VALVE

년/월
Year/Month

2022-12



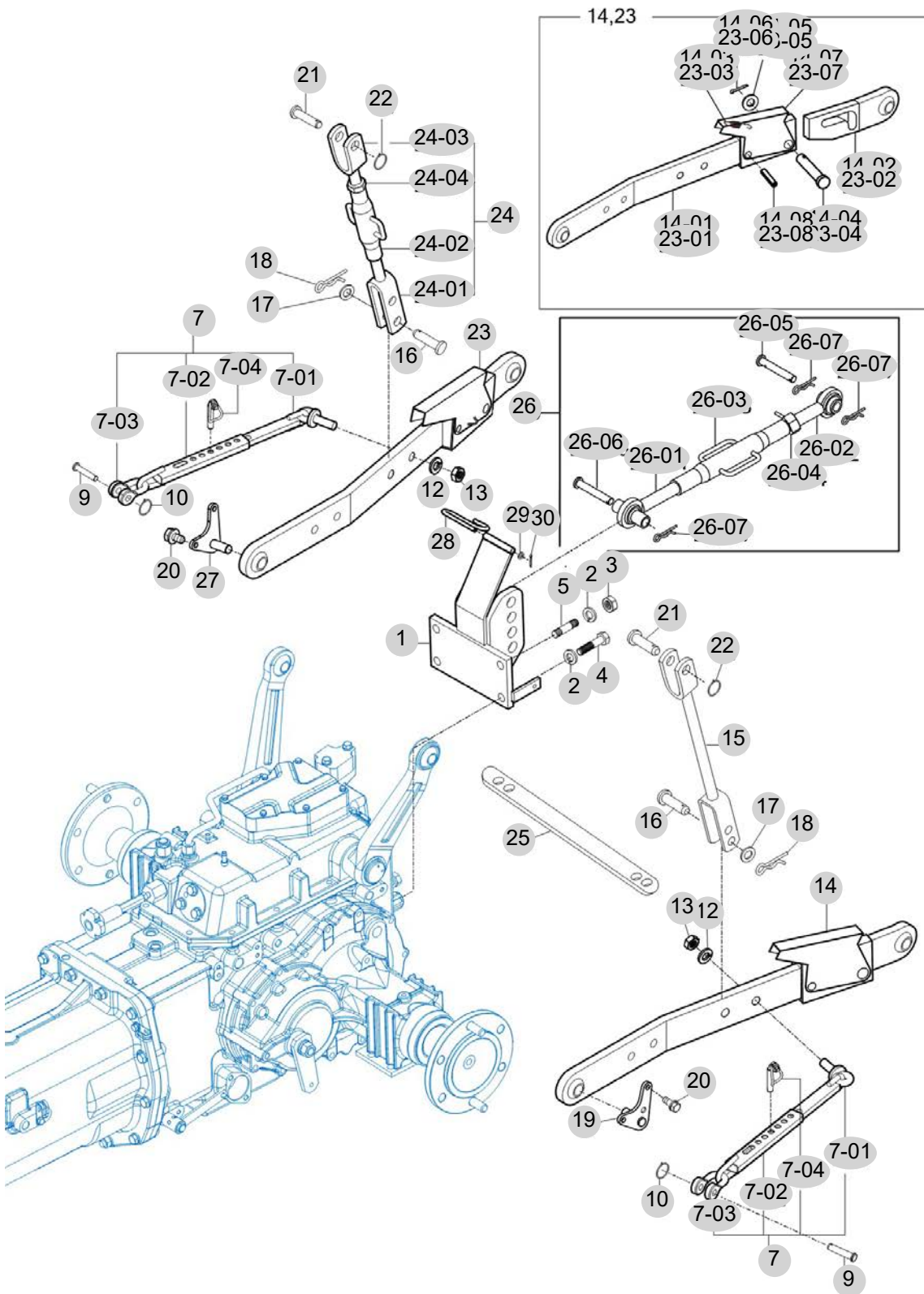
NOTE

FIG 612

3-POINT LINK

년/월
Year/Month

2022-12



NOTE

FIG 612		3-POINT LINK					년/월 Year/Month		
							2022-12		
T474SH		KEY NO	PART NO	DESCRIPTION	SPEC	QTY	REPAIR	EFFECTIVE DATE	REMARKS
612	1	12393172000GB	BRACKET COMP , TOP LINK			1			
612	2	V4011600140	WASHER , SPRING	M14		4			
612	3	V3043600140	NUT , HEX/2	M14		2			
612	4	V2014614035	BOLT , HEX			2			
612	5	V2514414030	BOLT , STUD/2	M14X30		2			
612	7	10525142500	CHAIN ASSY , CHECK			2			
612	9	79636110030	PIN , 12X48			2			
612	10	16735240060	Spring			2			
612	12	V4011600160	WASHER , SPRING	M16		2			
612	13	V3013600160	NUT , HEX/2	M16		2			
612	14	10525262300GB	LINK ASSY , LH LOWER			1			
612	14	10525262301GB	LOWER LINK ASSY , LH			1			
612	15	10525243000GB	ROD ASSY , LIFT			1			
612	16	15605260014	PIN , 16X51			2			
612	17	V4111600160	WASHER , PLAIN	M16		2			
612	18	V5601600160	PIN , SNAP			2			
612	19	12385142200	PIN COMP , LH			2			
612	20	V2173612030	BOLT , HEX/S	M12X30		4			
612	21	16735243500	PIN			2			
612	22	16735240060	Spring			2			
612	23	10525262200GB	LINK ASSY , RH LOWER			1			
612	23	10525262201GB	LOWER LINK ASSY , RH			1			
612	24	10525244000GB	ROD ASSY , RH LIFT			1			
612	25	15605250030	BAND , 470			1			
612	26	16505245501GB	LINK ASSY , TOP LINK			1			
612	26	16505245502GB	TOP LINK ASSY			1			
612	27	12385142300	PIN COMP , RH			1			
612	28	12396251100	HOOK , TOP LINK			1			
612	29	V4111600160	WASHER , PLAIN			1			
612	30	V5001920020	PIN , SPLIT			1			
612	7-01	10525142520	BAR COMP, CHECK			2			
612	7-02	10525142510	SOCKET COMP , CHECK			2			
612	7-03	16705142520	SHACKLE , CHECK CHAIN			2			
612	7-04	17705254200	PIN	M14		2			
612	14-01	10525262310	LINK SUB, LOWER LH/FR			1			
612	14-02	10525262320	LINK SUB , LOWER LH/RR			1			
612	14-03	15155262330	SPRING , EXTENSION			1			
612	14-04	15155262340	PIN , 22X56			1			
612	14-05	V4111600220	WASHER , PLAIN	M22		1			
612	14-06	V5001940035	PIN , SPLIT	4X35		1			
612	14-07	15155262350	GRIP			1			
612	14-08	15155262360	PIN , SPRING			1			
612	23-01	10525262210	LINK SUB, LOWER RH/FR			1			
612	23-02	10525262220	LINK SUB , LOWER RH/RR			1			
612	23-03	15155262330	SPRING , EXTENSION			1			
NOTE									

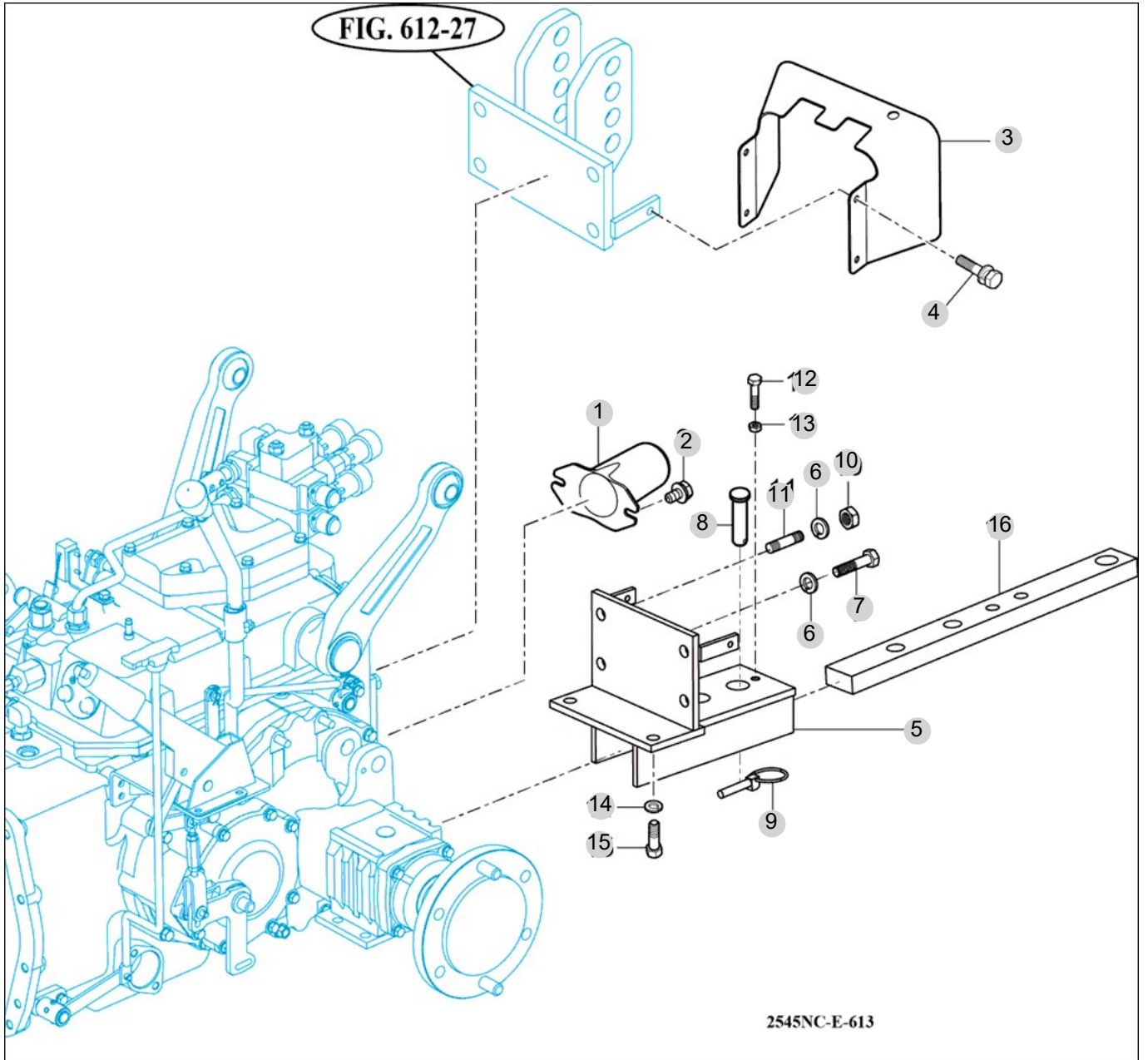
FIG 613

HITCH & COVER

년/월
Year/Month

2022-12

T474SH



NOTE

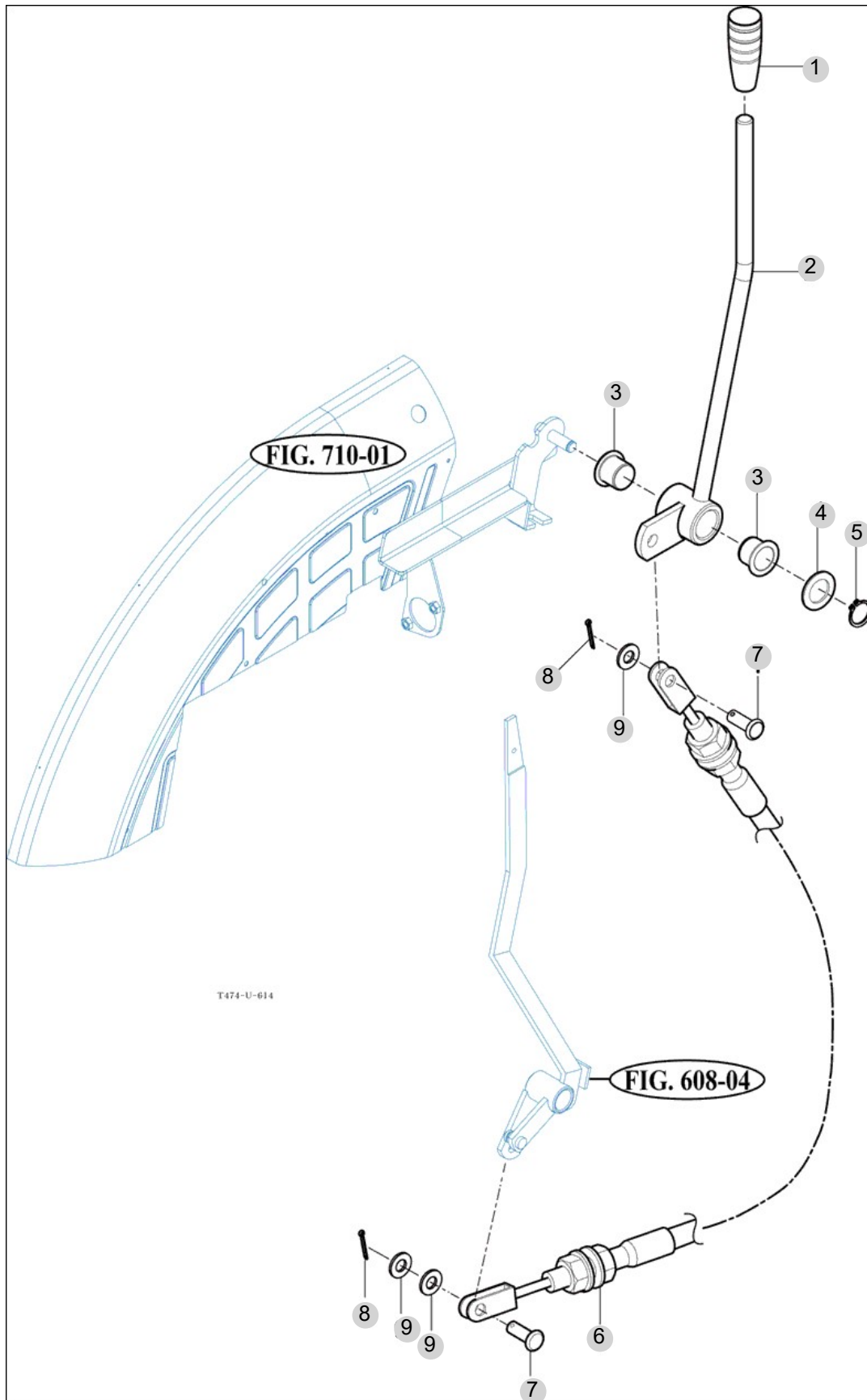
FIG 614

T474SH

EXTERIOR POSITION LEVER

년/월
Year/Month

2022-12



NOTE

7. Sheet Metal & Cabin PART NO. T7

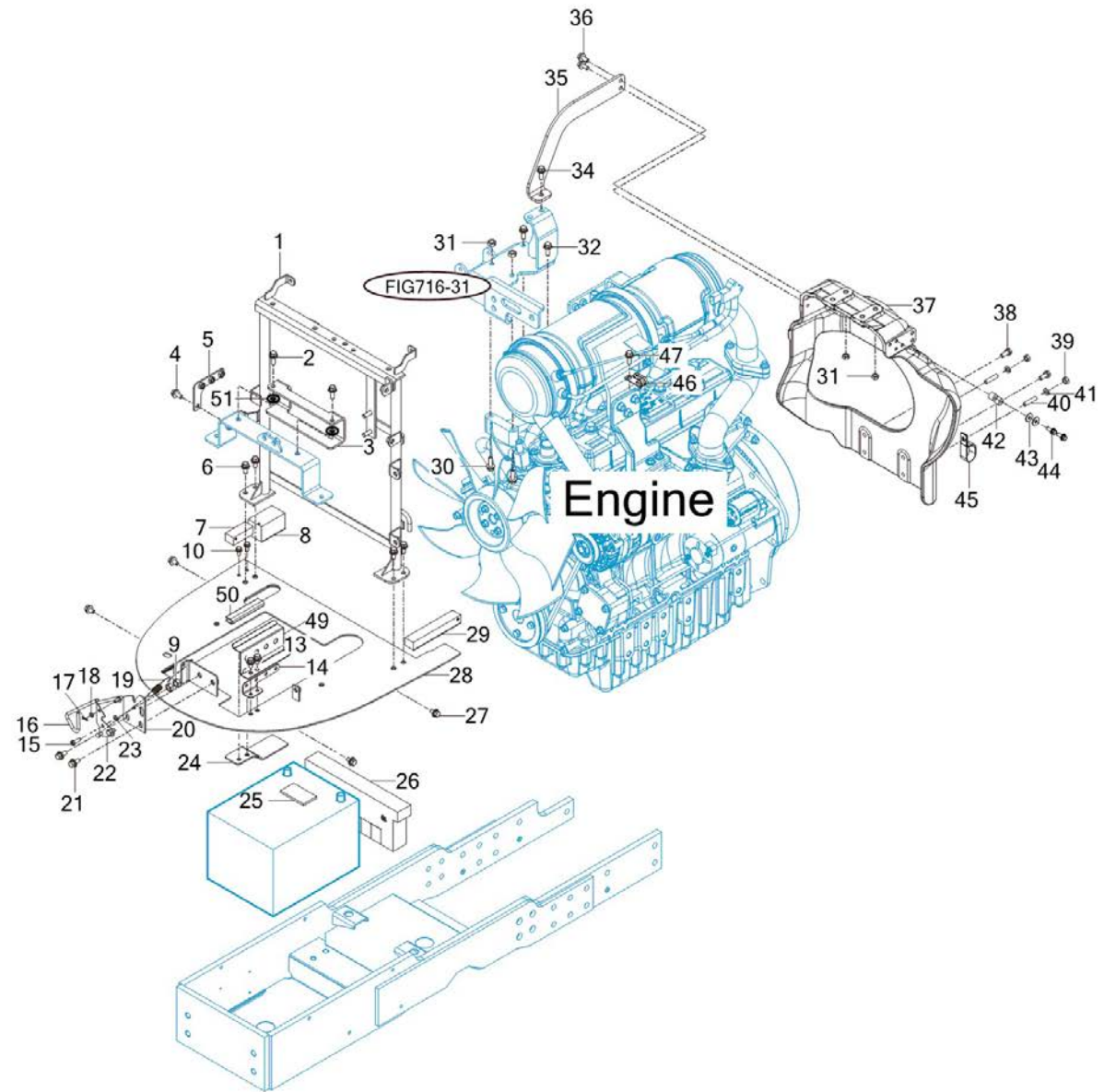
FIG 701 HOOD FRAME	211
FIG 702 HOOD	214
FIG 703 EXTENSION COVER	217
FIG 705 DASHPANEL	219
FIG 708 FRONT & REAR MOUNTING	221
FIG 709 SEAT & MAT	223
FIG 710 DOOR	225
FIG 711 FRONT GLASS	228
FIG 712 REAR GLASS	230
FIG 713 SUB FENDER & COVER	232
FIG 714 MIRROR	234
FIG 715 HEATER & AIR-CON	236
FIG 716 HEATER & AIR-CON	238
FIG 717 FENDER COVER	240
FIG 718 ROOF	242
FIG 719 CABIN INTERIOR	244

FIG 701

HOOD FRAME

년/월
Year/Month

2022-12



NOTE

FIG 701		HOOD FRAME					년/월	
							Year/Month	
T474SH		2022-12						
KEY NO	PART NO	DESCRIPTION	SPEC	QTY	REPAIR	EFFECTIVE DATE	REMARKS	
701	1	13831031100GB	FRAME COMP , FRONT		1			
701	2	V2183608020	BOLT , HEX/SP	M8X20	2			
701	2	V2183608030	BOLT , HEX/SP	M8X30	2			
701	3	13831811400GB	BRACKET , BATTERY FIX		1			
701	4	V2183608020	BOLT , HEX/SP	M8X20	1			
701	5	13831613200GB	BRACKET COMP , RELAY		1			
701	6	V2183608020	BOLT , HEX/SP	M8X20	4			
701	7	13831030700	INSULATOR , B		1			
701	8	13831030800	INSULATOR , C		1			
701	9	V3013600060	NUT .HEX NORMAL /2	M6	2			
701	10	V2123606016	BOLT , HEX /SP	M6X16	2			
701	13	V2183606016	BOLT , HEX/SP	M6X16	2			
701	14	13831613400GB	BRACKET , FUSE		1			
701	15	V2323606020	BOLT , C/R HEX/SP		1			
701	16	18366024300	ROD COMP, OPEN		1			
701	17	V5001925020	PIN D2.5x20		1			
701	18	V4111600060	WASHER , PLAIN	M6	1			
701	19	14143120020	SPRING , TENSION 53		1			
701	19	11106020010	SPRING , TENSION 40		1			
701	20	11106024210	STAY , HOOD B		1			
701	21	V2183608020	BOLT , HEX/SP	M8X20	2			
701	22	11106024100	STAY COMP , HOOD A		1			
701	23	V4111600060	WASHER , PLAIN	M6	1			
701	24	13831052200GB	BRACKET COMP , COVER		1			
701	25	13151112011	INSULATOR , 40X70		1			
701	26	13831030500	INSULATE , GRILL PLATE		1			
701	27	V2183608016	BOLT , HEX/SP	M8X16	4			
701	28	13831052101GB	PLATE COMP , GRILL		1			
701	29	13831030600	INSULATOR , A		1			
701	30	V2173610055	BOLT , HEX/S	M10X55	2			
701	31	V3042600100	NUT , HEX/2	M10	4			
701	32	V2183610025	BOLT , HEX/SP	M10X25	2			
701	34	V2183608025	BOLT , HEX/SP	M8X25	1			
701	35	13831811200GB	STRUT BAR		1			
701	36	V2183608020	BOLT , HEX/SP	M8X20	2			
701	37	13831811100GB	E/G REAR SUPPORTER		1			
701	38	V2173608025	BOLT , HEX/S	M8X25	2			
701	39	V3042600080	NUT , HEX/2	M8	2			
701	40	V2513408025	BOLT , STUD/2		2			
701	41	V4011600080	WASHER , SPRING	M8	2			
701	42	13831811300	SPACER		2			
701	43	V4111600060	WASHER , PLAIN	M6	2			
701	44	V2113606040	BOLT , HEX /S	M6X40	2			
701	45	14441010161	CLAMP , RADIATOR HOSE		1			
701	46	14256210040	CLAMP , 9		1			
NOTE								

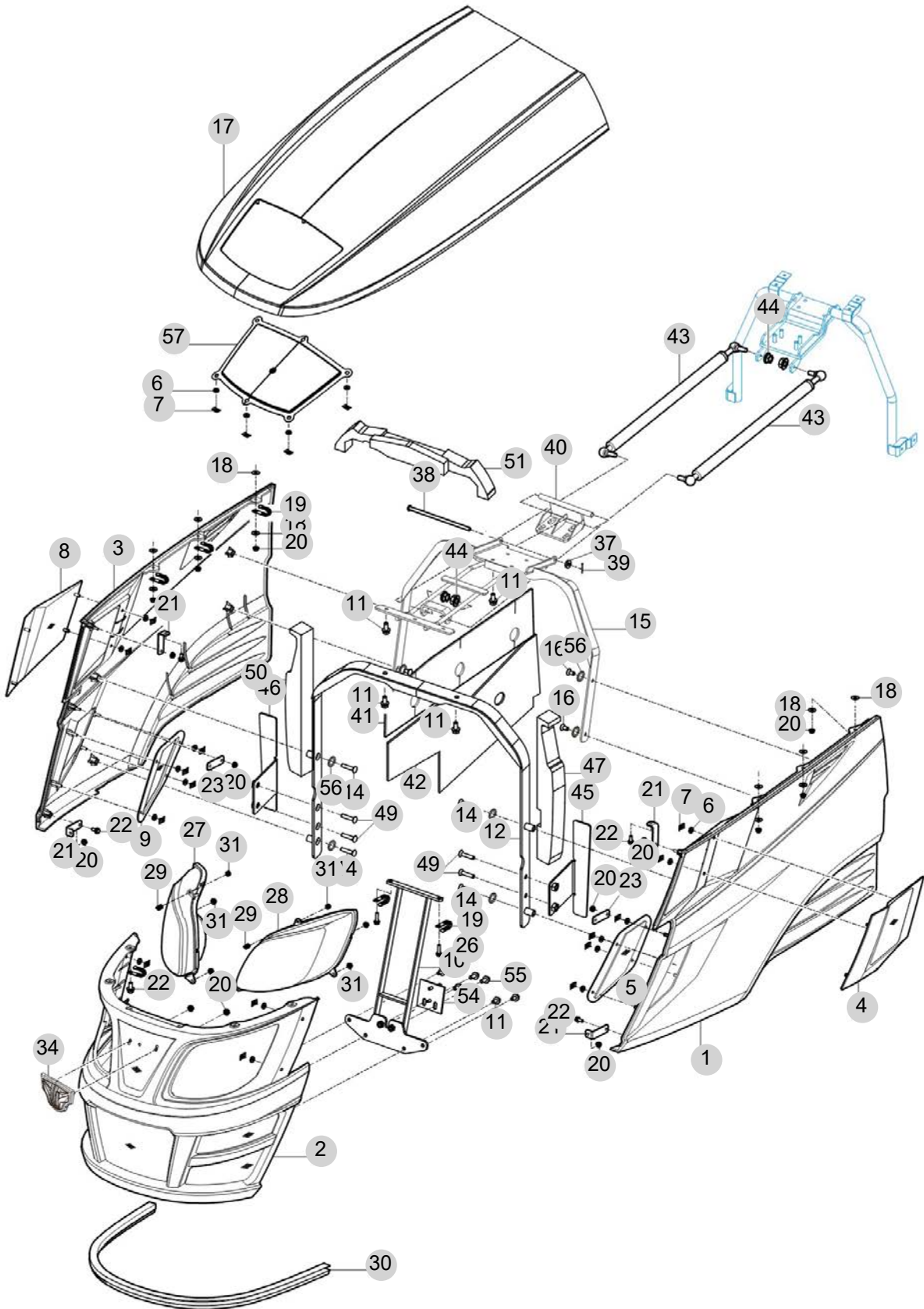
FIG 702

HOOD

년/월
Year/Month

2022-12

T474SH



NOTE

FIG 702		HOOD						년/월 Year/Month	
								2022-12	
T474SH		KEY NO	PART NO	DESCRIPTION	SPEC	QTY	REPAIR	EFFECTIVE DATE	REMARKS
702	1	17406203301SR	COVER COMP , SIDE/LH			1			
702	1	17406203302SR	COVER COMP , SIDE/LH			1			
702	1	17406203303SR	COVER COMP , SIDE/LH			1			
702	2	17406203200GB	GRILLE COMP			1			
702	2	17406203201GB	GRILLE COMP			1			
702	3	17406203401SR	COVER COMP , SIDE/RH			1			
702	3	17406203402SR	COVER COMP , SIDE/RH			1			
702	3	17406203403SR	COVER COMP , SIDE/RH			1			
702	4	17406203500GB	NET , UPR/LH			1			
702	5	17406203600GB	NET , LOW/LH			1			
702	6	14446010150	WASHER , NET			22			
702	7	V3501600060	NUT , PUSH-ON SPRING			22			
702	8	17406203700GB	NET , UPR/RH			1			
702	9	17406203800GB	NET , LOW/RH			1			
702	10	18366202500GB	PIN COMP , HOOD LOCK			1			
702	11	V2183608020	BOLT , HEX/SP	M8X20		13			
702	12	13836202300GB	FRAME COMP , FR			1			
702	14	V1122608040	SCREW , C/R FLAT			4			
702	15	17406202700GB	FRAME COMP , HOOD/RR			1			
702	15	13836202700GB	FRAME COMP , HOOD/RR			1			
702	15	13836202701GB	FRAME COMP , HOOD/RR			1			
702	16	V1122608016	SCREW , C/R FLAT			4			
702	17	13836213100SR	HOOD COMP			1			
702	17	13836213101SR	HOOD COMP			1			
702	17	13836213102SR	HOOD COMP			1			
702	18	35605033020	WASHER , WIRE WITHDRAWAL			12			
702	19	37371720090	CLAMP , W/HARNES			6			
702	20	V3802600060	NUT , HEX FLANGE			16			
702	21	17406203010GB	PLATE , UPR/SIDE			4			
702	21	17406203011GB	PLATE , UPR/SIDE			4			
702	21	17406203010GB	PLATE , UPR/SIDE			4			
702	22	V2123606016	BOLT , HEX /SP	M6X16		8			
702	23	17406203020GB	PLATE , MID/SIDE			2			
702	26	V2123606025	BOLT , HEX /SP	M6X25		2			
702	27	17406525001	HEAD LAMP ASSY , RH			1			
702	27	17406525002	HEAD LAMP ASSY , RH			1			
702	28	17406524001	HEAD LAMP ASSY , LH			1			
702	28	17406524002	HEAD LAMP ASSY , LH			1			
702	29	36108010080	SPRING , ENTRANCE FOR SEED(HC016)			2			
702	30	17406203900	INSULATOR , HOOD			1			
702	31	19027210060	NUT , NYLON , M6			6			
702	34	19959010010	EMBLEM			1			
702	34	19959010011	EMBLEM			1			
702	34	17406212000	EMBLEM ASSY , V5			1			
702	35	V4111600060	WASHER , PLAIN	M6		2			
NOTE									

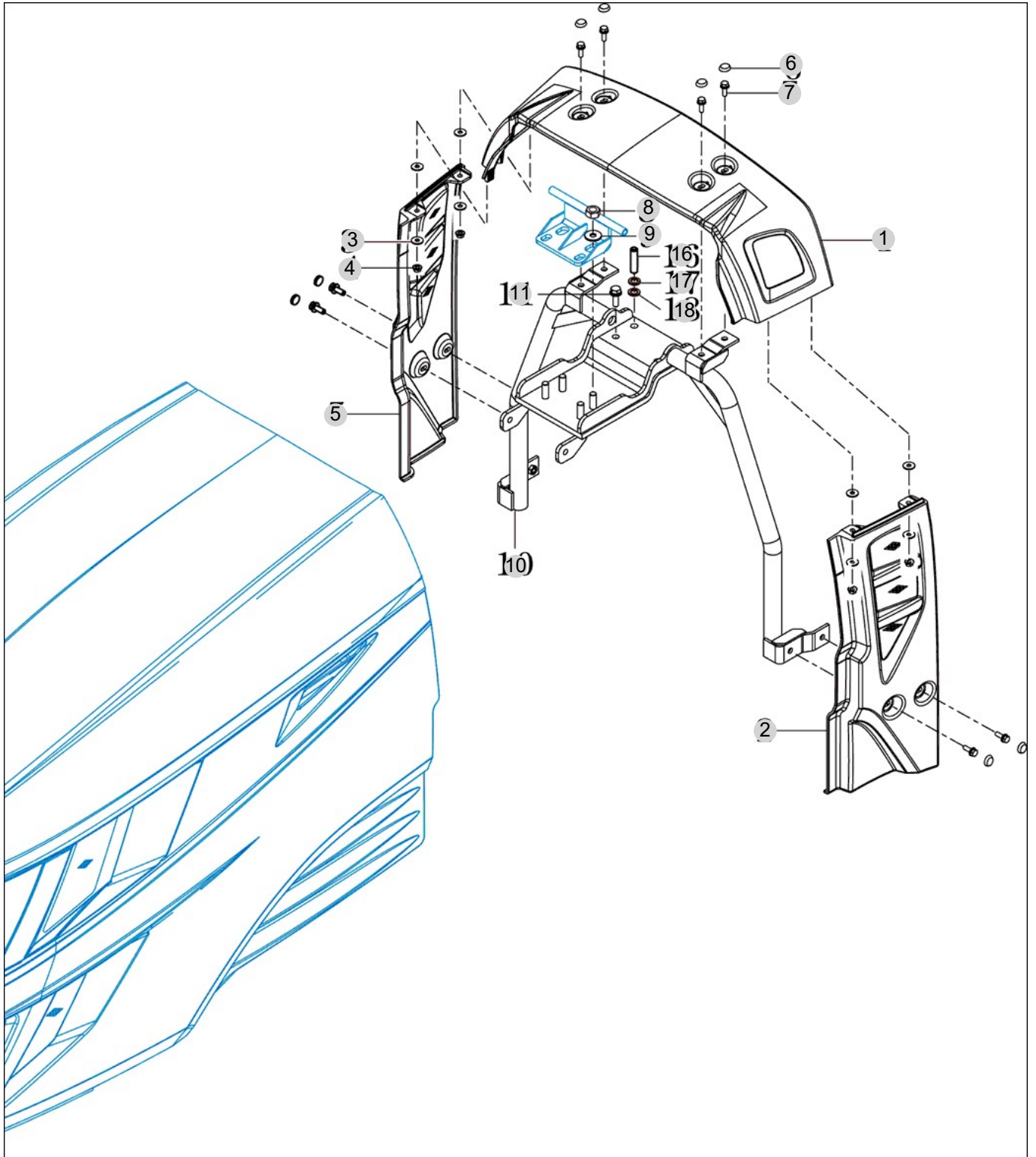
FIG 703

EXTENSION COVER

년/월
Year/Month

2022-12

T474SH



NOTE

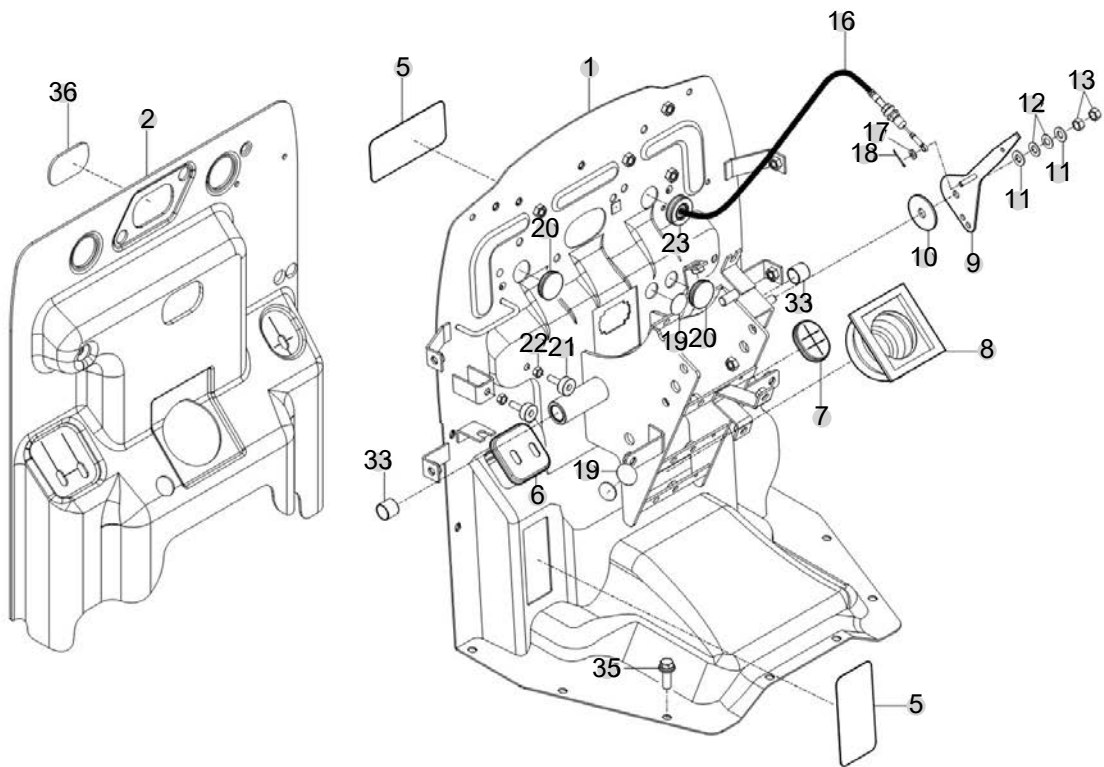
FIG 705

DASHBOARD

년/월
Year/Month

T474SH

2022-12



NOTE

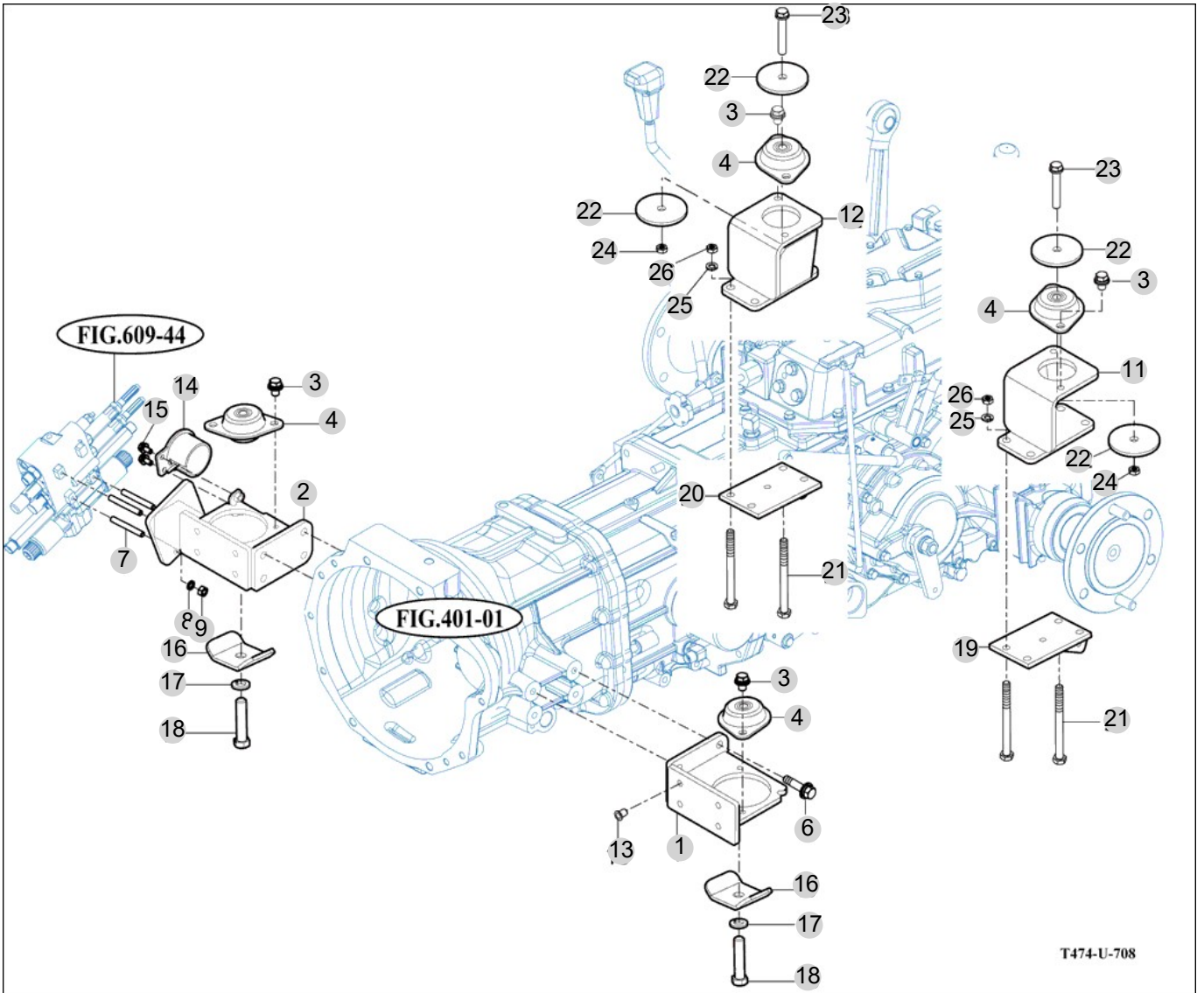
FIG 708

T474SH

FRONT & REAR MOUNTING

년/월
Year/Month

2022-12



NOTE

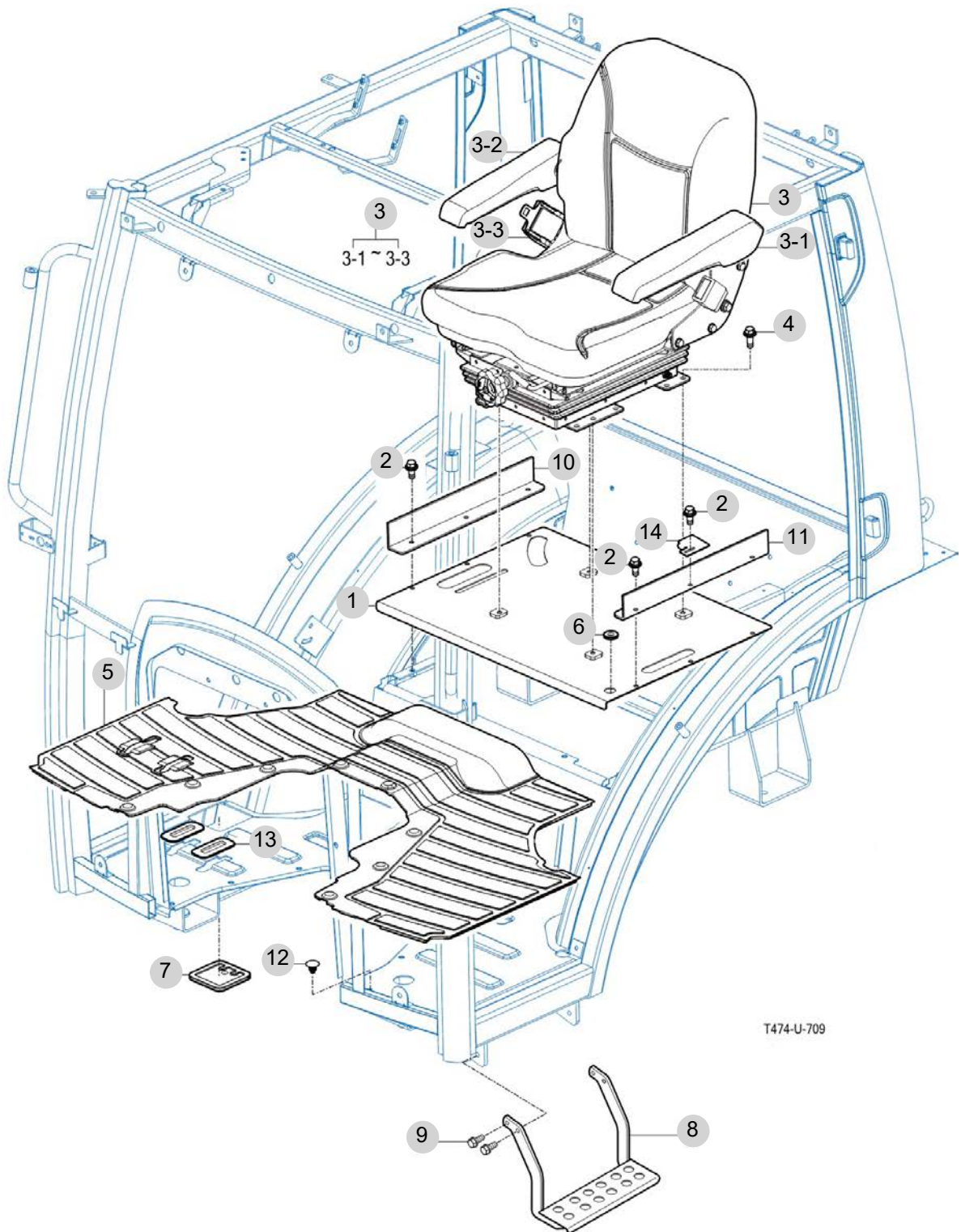
FIG 709

SEAT & MAT

년/월
Year/Month

2022-12

T474SH



NOTE

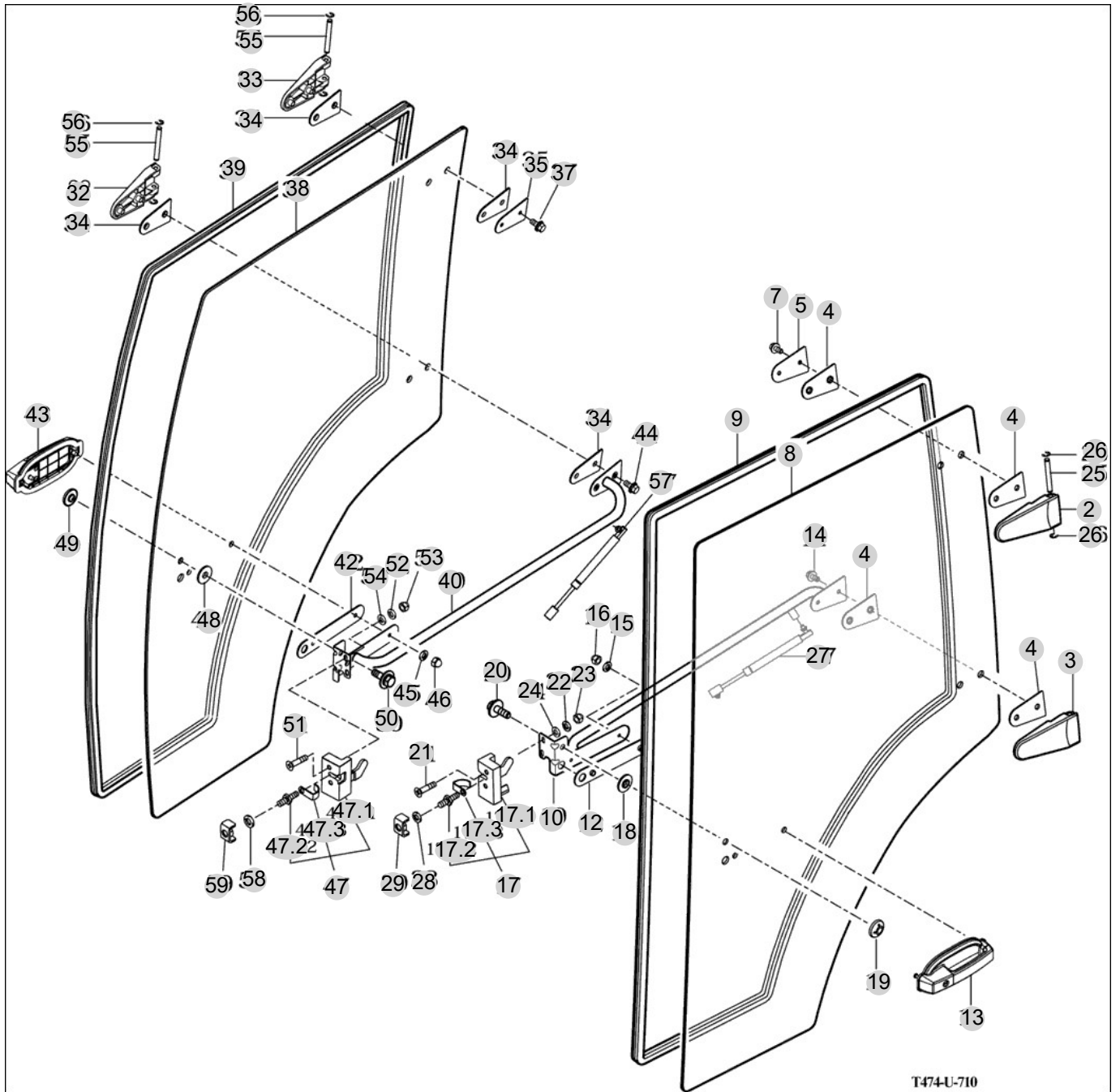
FIG 710

DOOR

년/월
Year/Month

T474SH

2022-12



NOTE

FIG 710		DOOR					년/월 Year/Month		
							2022-12		
T474SH		KEY NO	PART NO	DESCRIPTION	SPEC	QTY	REPAIR	EFFECTIVE DATE	REMARKS
710	2	14527052300	HINGE COMP , UPR/LH			1			
710	3	14527052400	HINGE COMP , UPR/RH			1			
710	4	14527052110	GASKET , DOOR HINGE			4			
710	5	14527052120GB	PLATE , DOOR HINGE			1			
710	7	V2183608020	BOLT , HEX/SP	M8X20		2			
710	8	12397052210	GLASS , LH/ DOOR	6t		1			
710	9	12397042200	INSULATOR , DOOR			1			
710	10	12397022500GB	GUIDE COMP , LH/ DOOR			1			
710	12	14527052150	GASKET,DOOR GRIP			1			
710	13	17827052600	GRIP ASSY, LOCK/HANDLE			1			
710	14	V2183608020	BOLT , HEX/SP	M8X20		2			
710	15	V4011600060	WASHER , SPRING	M6		2			
710	16	V3402700060	NUT , HEX CAP	M6		2			
710	17	17827052700	LATCH SET , LH/DOOR			1			
710	17.1	17827052710	LOCK ASSY, LH/DOOR			1			
710	17.2	14527052720	STRIKER			1			
710	17.3	14527052730	GUARD			1			
710	18	15817401130	GROMMET , 13X17X02			1			
710	19	14527042500	NUT COMP , GLASS			1			
710	20	V2193606012	BOLT , HEX/SPL	M6X12		1			
710	21	V1122608040	SCREW , C/R FLAT	M8X40		2			
710	22	V4011600080	WASHER , SPRING	M8		2			
710	23	V3412700080	NUT , SMALL CAP	M8		2			
710	24	V4111600080	WASHER , PLAIN			2			
710	25	14527041110	PIN, HINGE DOOR	D=8		2			
710	26	V7082400070	E-RING	7		4			
710	27	14527301080	DAMPER ASSY , DOOR	20KG		1			
710	28	V4011600100	WASHER , SPRING	M10		1			
710	29	14527062500GB	BRACKET COMP , DOOR LOCK			1			
710	32	14527052300	HINGE COMP , UPR/LH			1			
710	33	14527052400	HINGE COMP , UPR/RH			1			
710	34	14527052110	GASKET , DOOR HINGE			4			
710	35	14527052120GB	PLATE , DOOR HINGE			1			
710	37	V2183608020	BOLT , HEX/SP	M8X20		2			
710	38	12397052110	GLASS , RH/DOOR	6t		1			
710	39	12397042200	INSULATOR , DOOR			1			
710	40	12397024000GB	GUIDE COMP , RH/DOOR			1			
710	42	14527052150	GASKET,DOOR GRIP			1			
710	43	17827052600	GRIP ASSY, LOCK/HANDLE			1			
710	44	V2183608020	BOLT , HEX/SP	M8X20		2			
710	45	V4011600060	WASHER , SPRING	M6		2			
710	46	V3402700060	NUT , HEX CAP	M6		2			
710	47	17827053700	LATCH SET , RH/DOOR			1			
710	47.1	17827053710	LOCK ASSY , RH/DOOR			1			
710	47.2	14527052720	STRIKER			1			
NOTE									

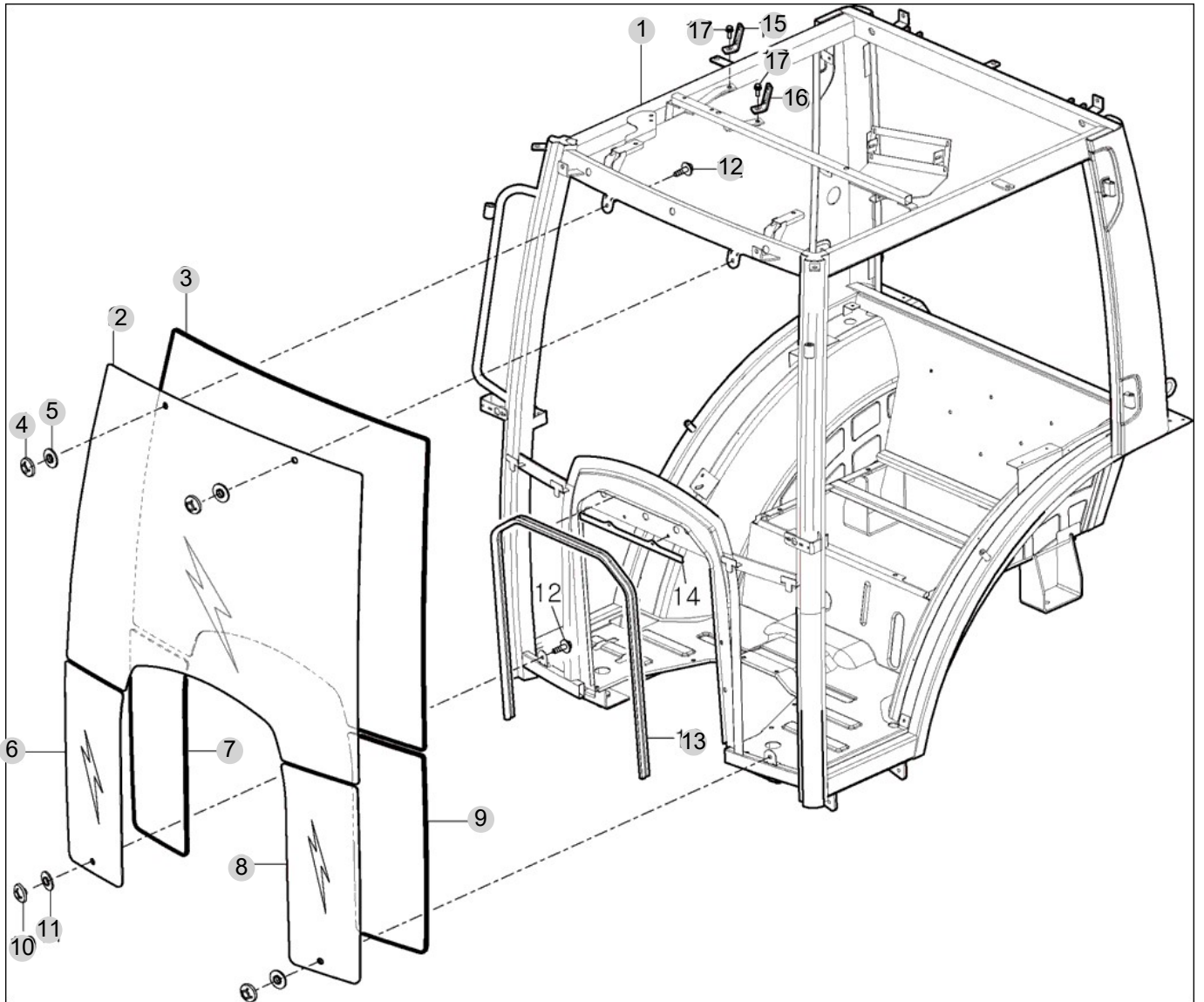
FIG 711

T474SH

FRONT GLASS

년/월
Year/Month

2022-12



NOTE

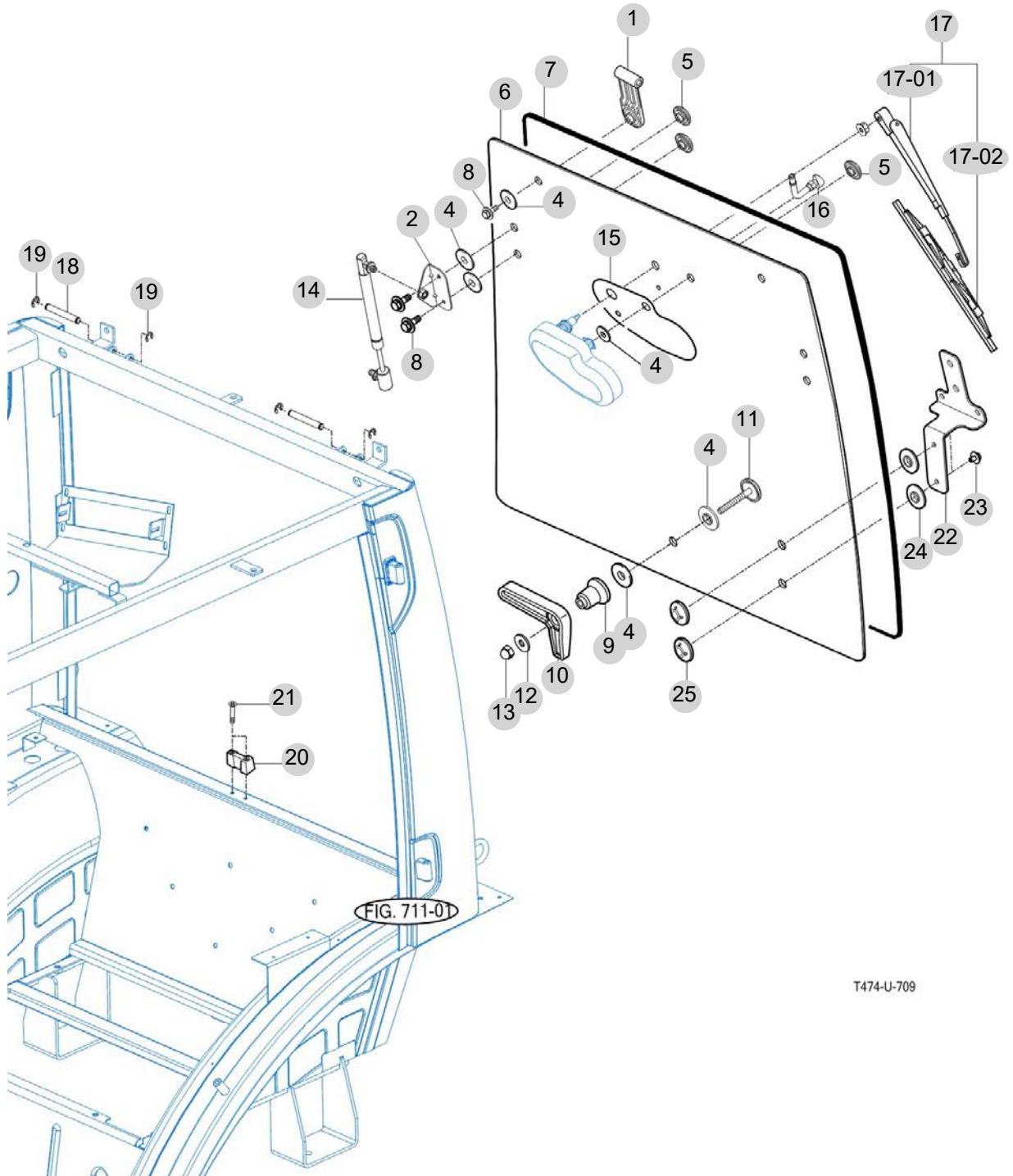
FIG 712

REAR GLASS

년/월
Year/Month

2022-12

T474SH



T474-U-709

NOTE

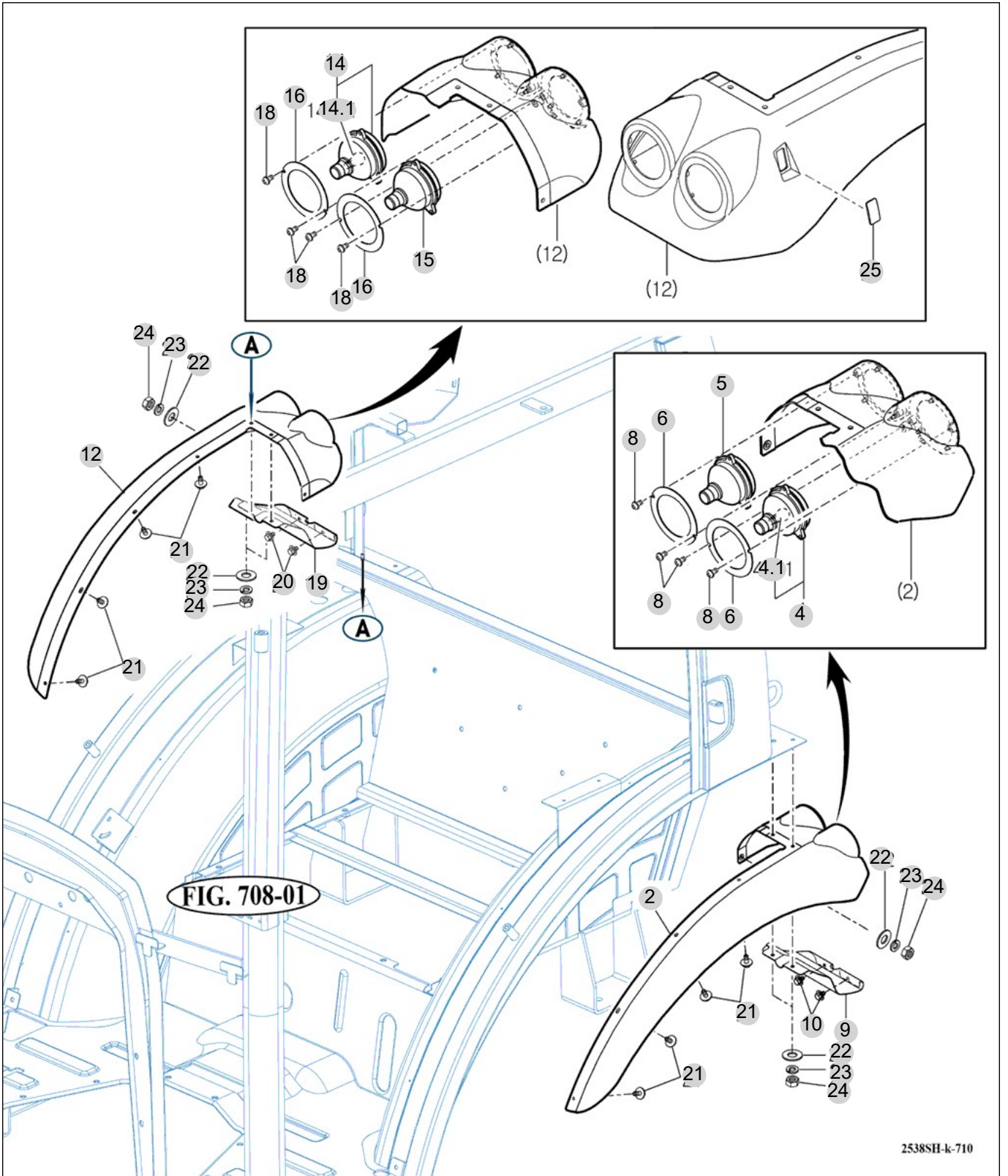
FIG 713

SUB FENDER & COVER

년/월
Year/Month

2022-12

T474SH



NOTE

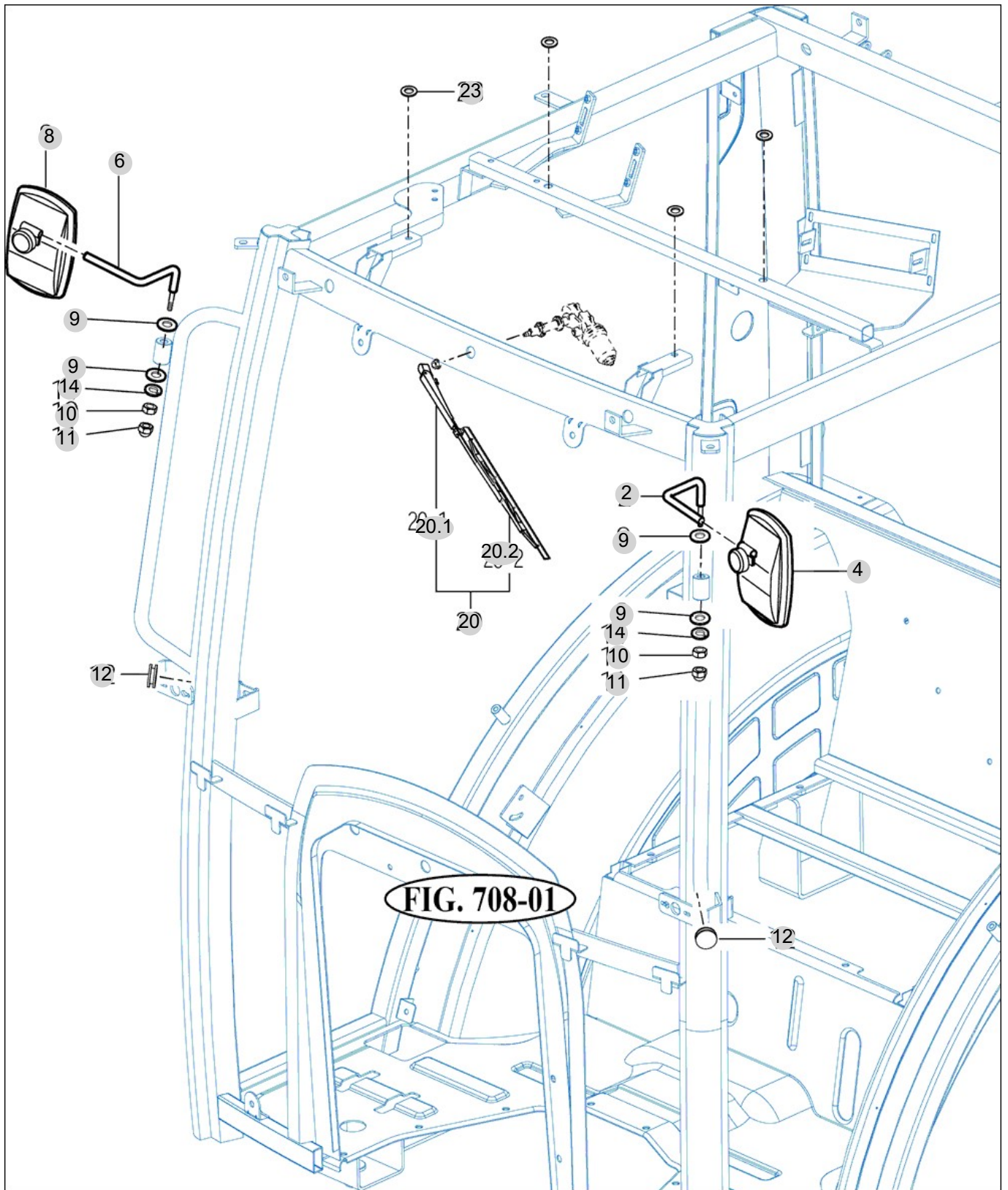
FIG 714

MIRROR

년/월
Year/Month

2022-12

T474SH



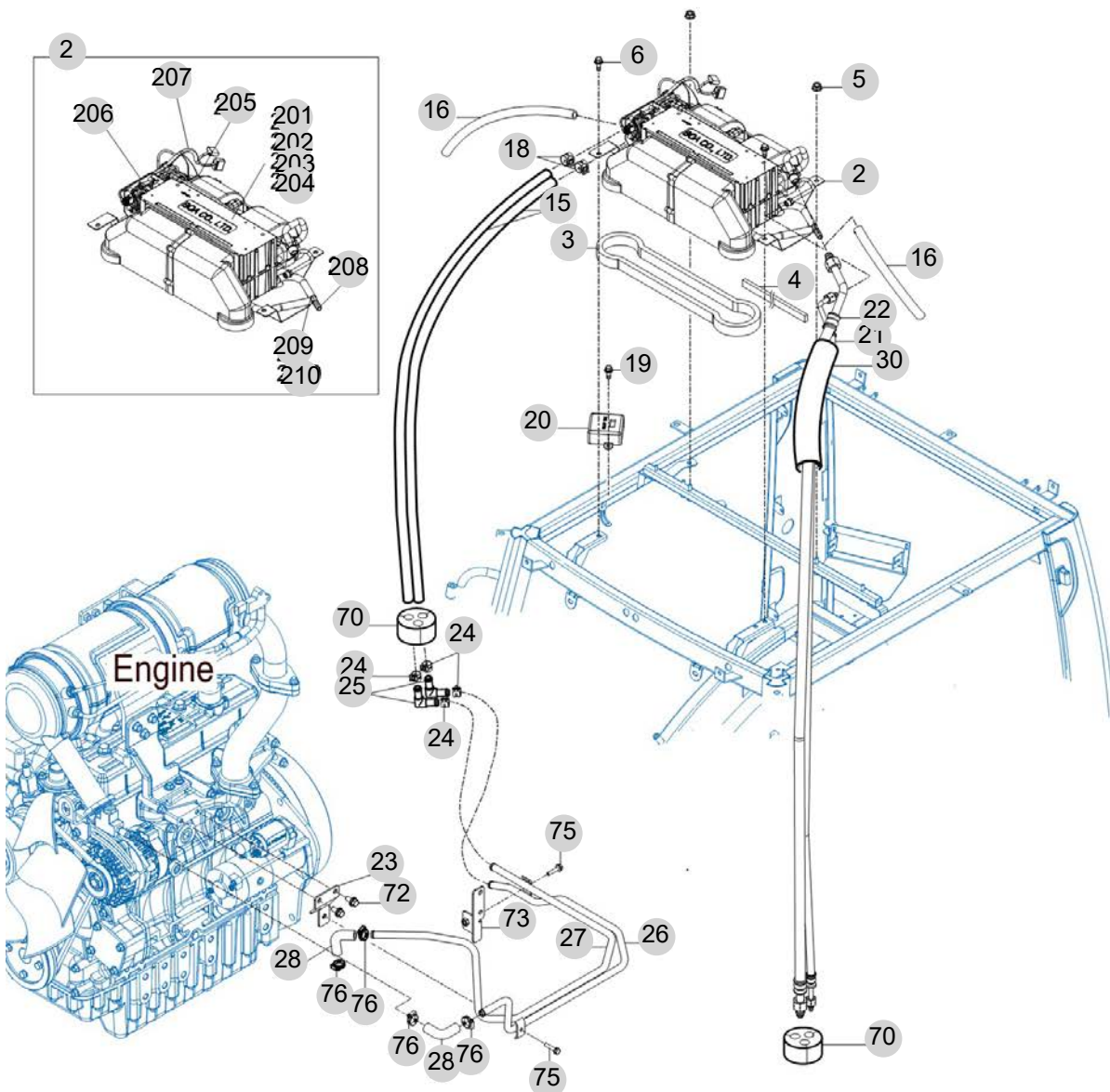
NOTE

FIG 715

HEATER & AIR-CON

년/월
Year/Month

2022-12



NOTE

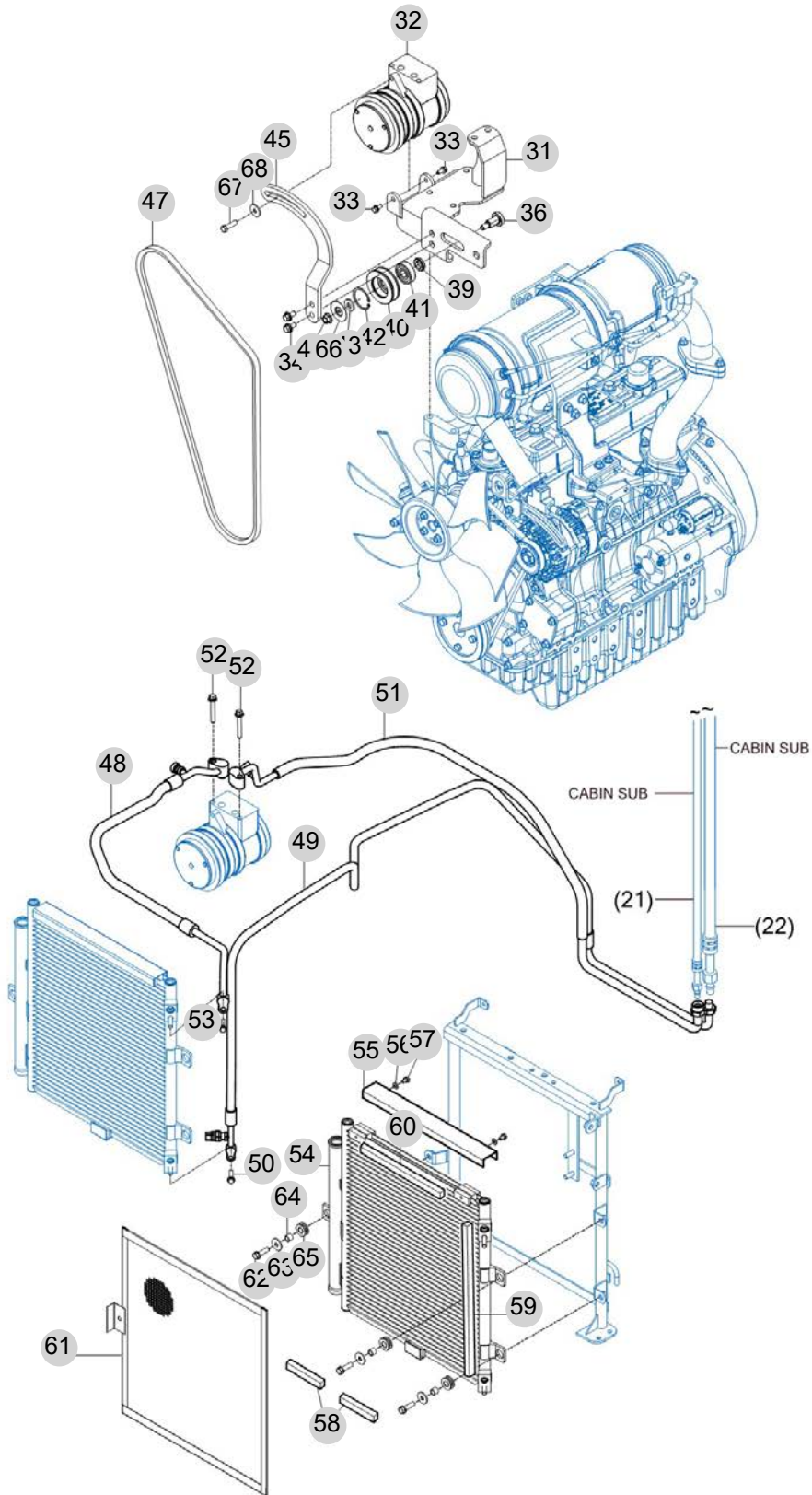
FIG 716

HEATER & AIR-CON

년/월
Year/Month

2022-12

T474SH



2538SH-K-712

NOTE

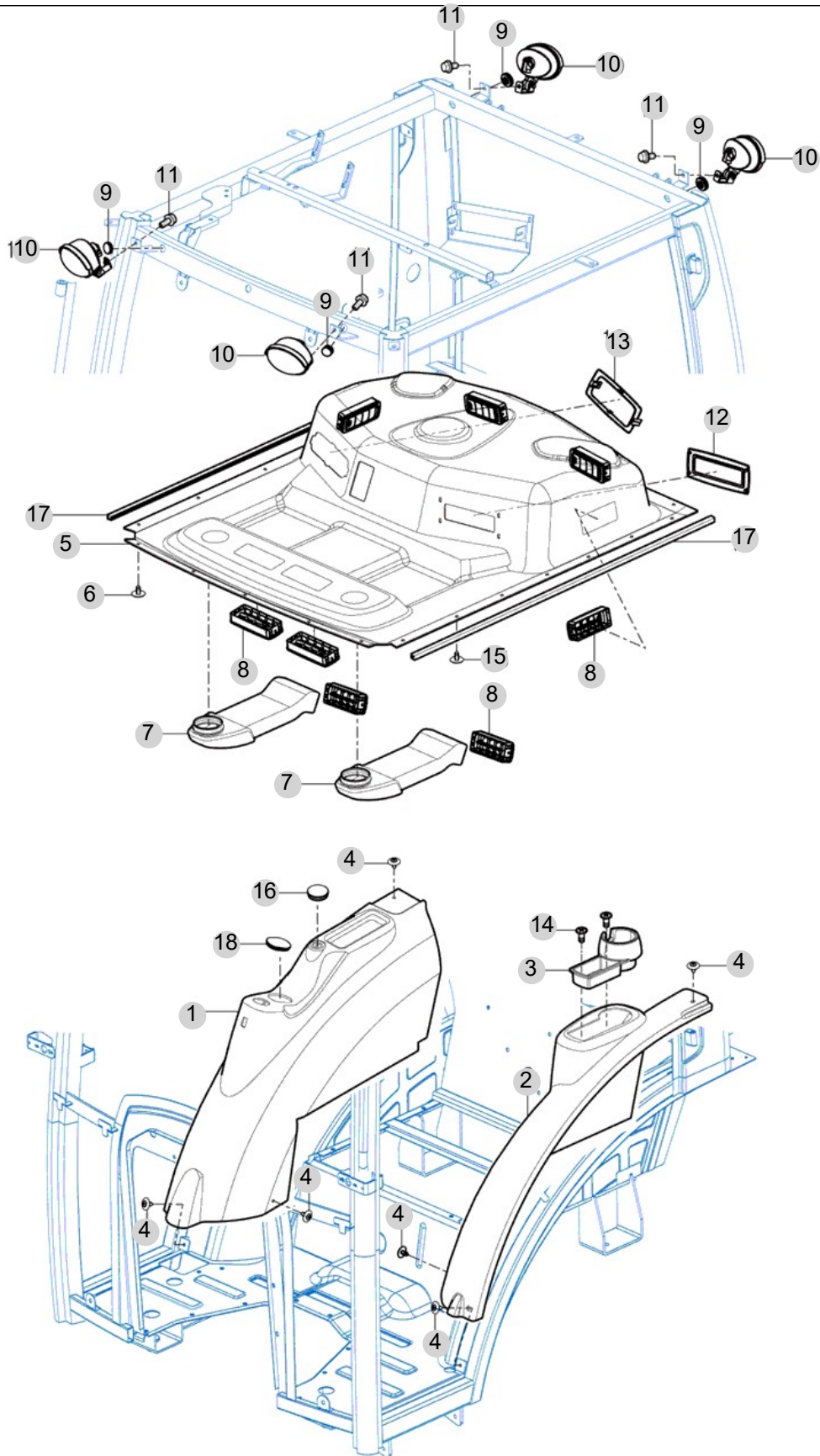
FIG 717

FENDER COVER

년/월
Year/Month

2022-12

T474SH



NOTE

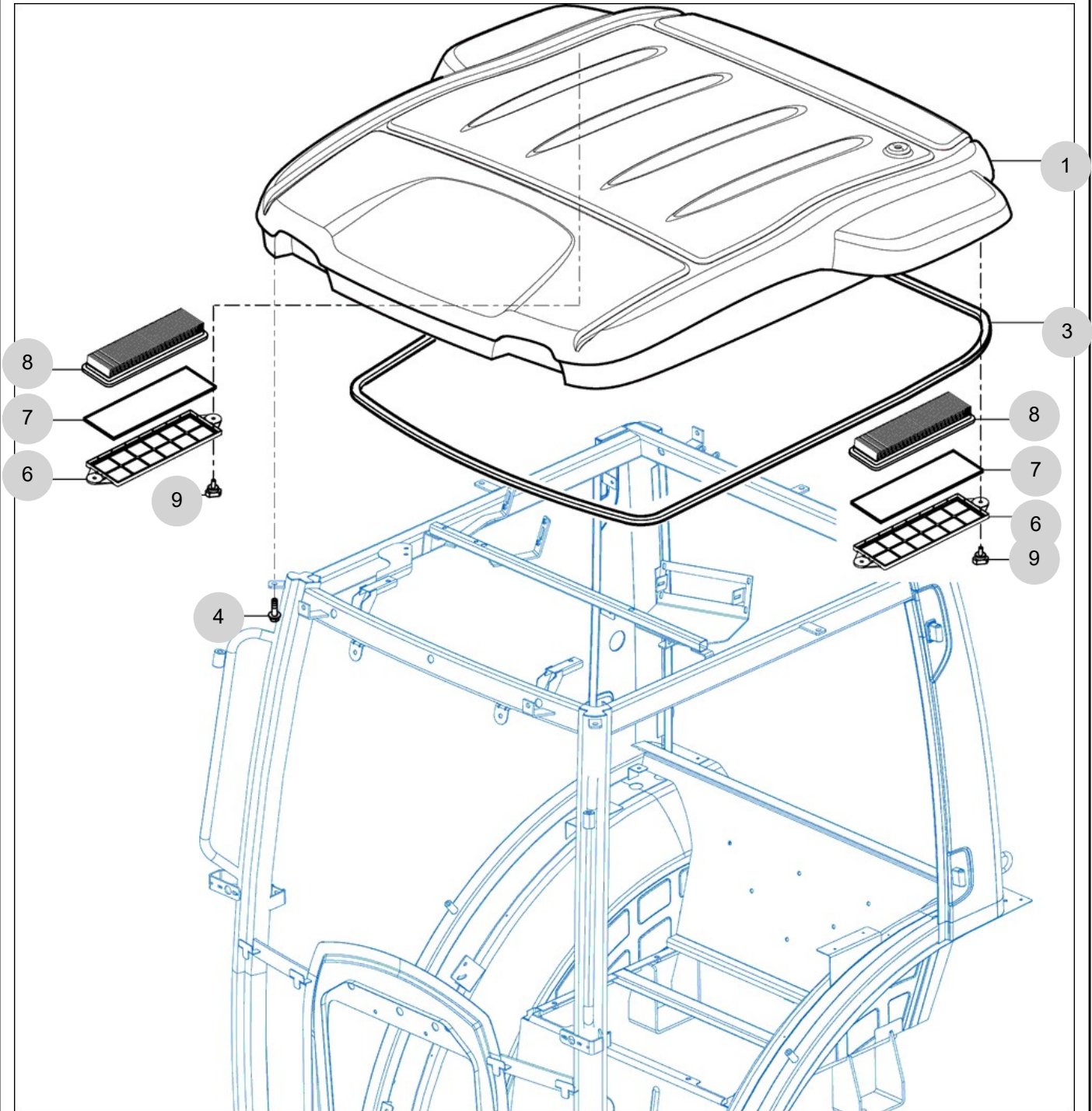
FIG 718

T474SH

ROOF

년/월
Year/Month

2022-12



NOTE

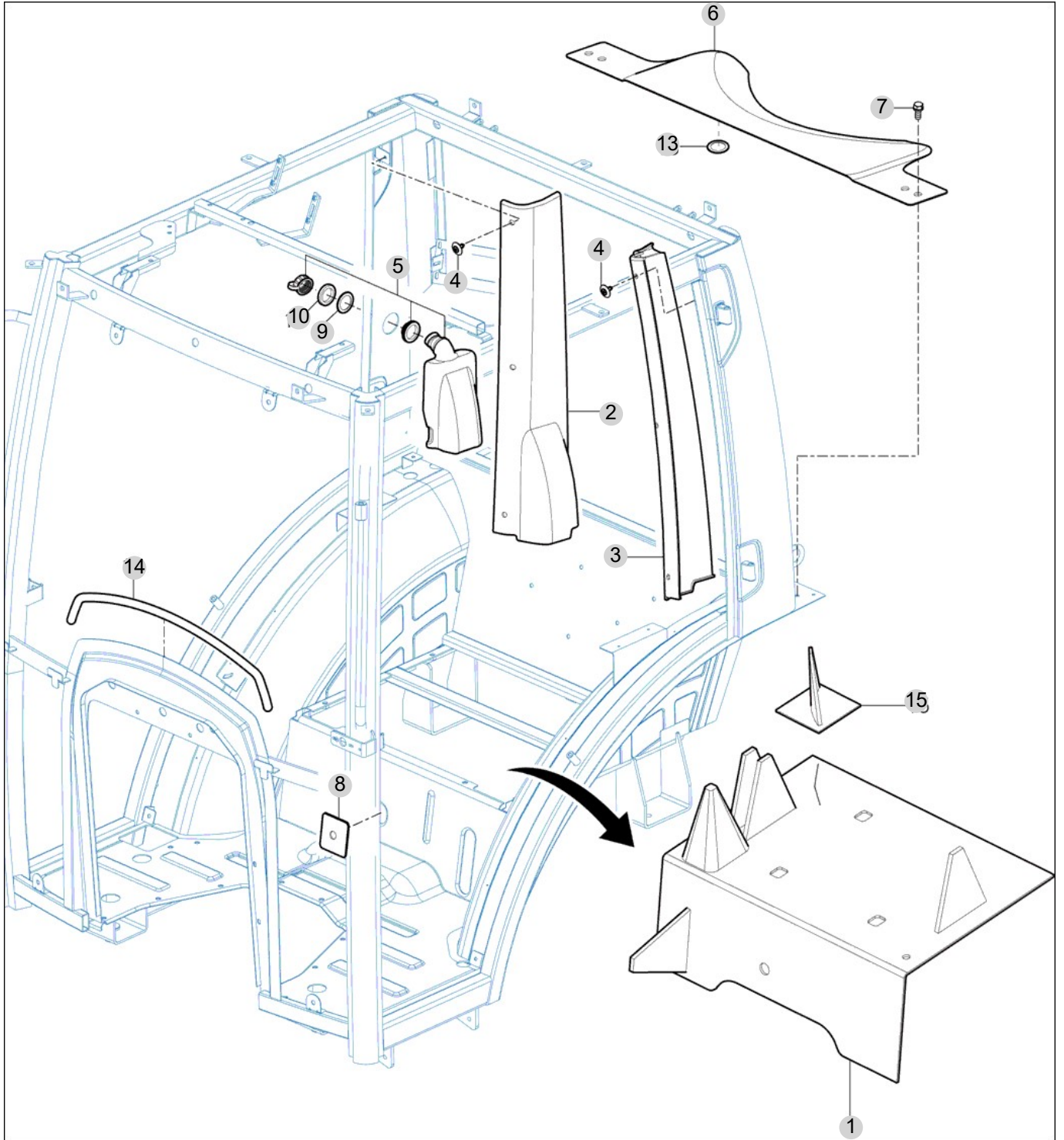
FIG 719

CABIN INTERIOR

년/월
Year/Month

T474SH

2022-12



NOTE

8. Electrical System PART NO. T8

FIG 801 BATTERY & MOUNTING	247
FIG 802 LAMP	249
FIG 803 INSTRUMENT PANEL	251
FIG 804 ELECTRIC SYSTEM	253
FIG 805 HARNESS (1)	255
FIG 806 HARNESS (2)	257

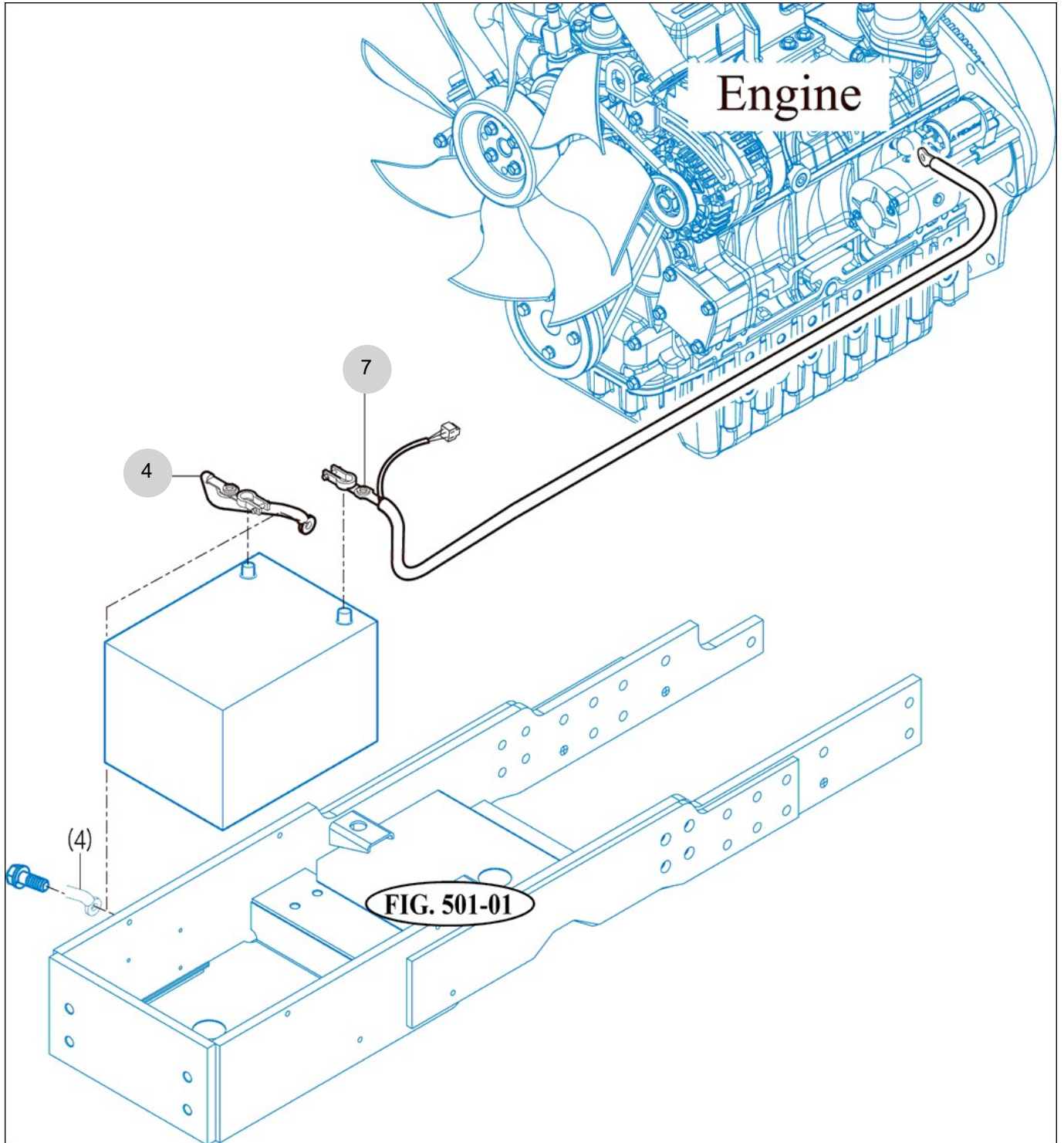
FIG 801

T474SH

BATTERY & MOUNTING

년/월
Year/Month

2022-12



NOTE

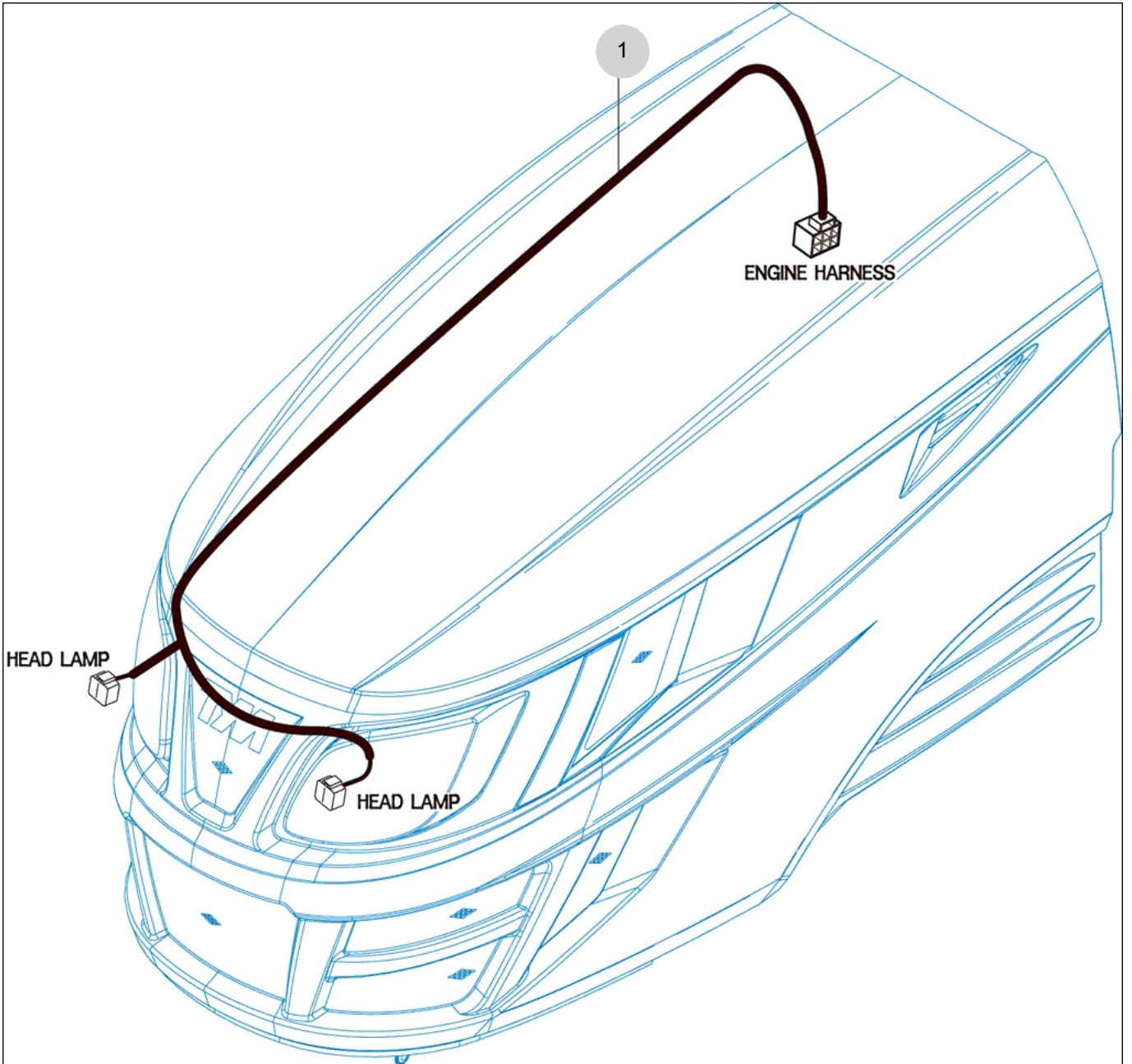
FIG 802

LAMP

년/월
Year/Month

T474SH

2022-12



NOTE

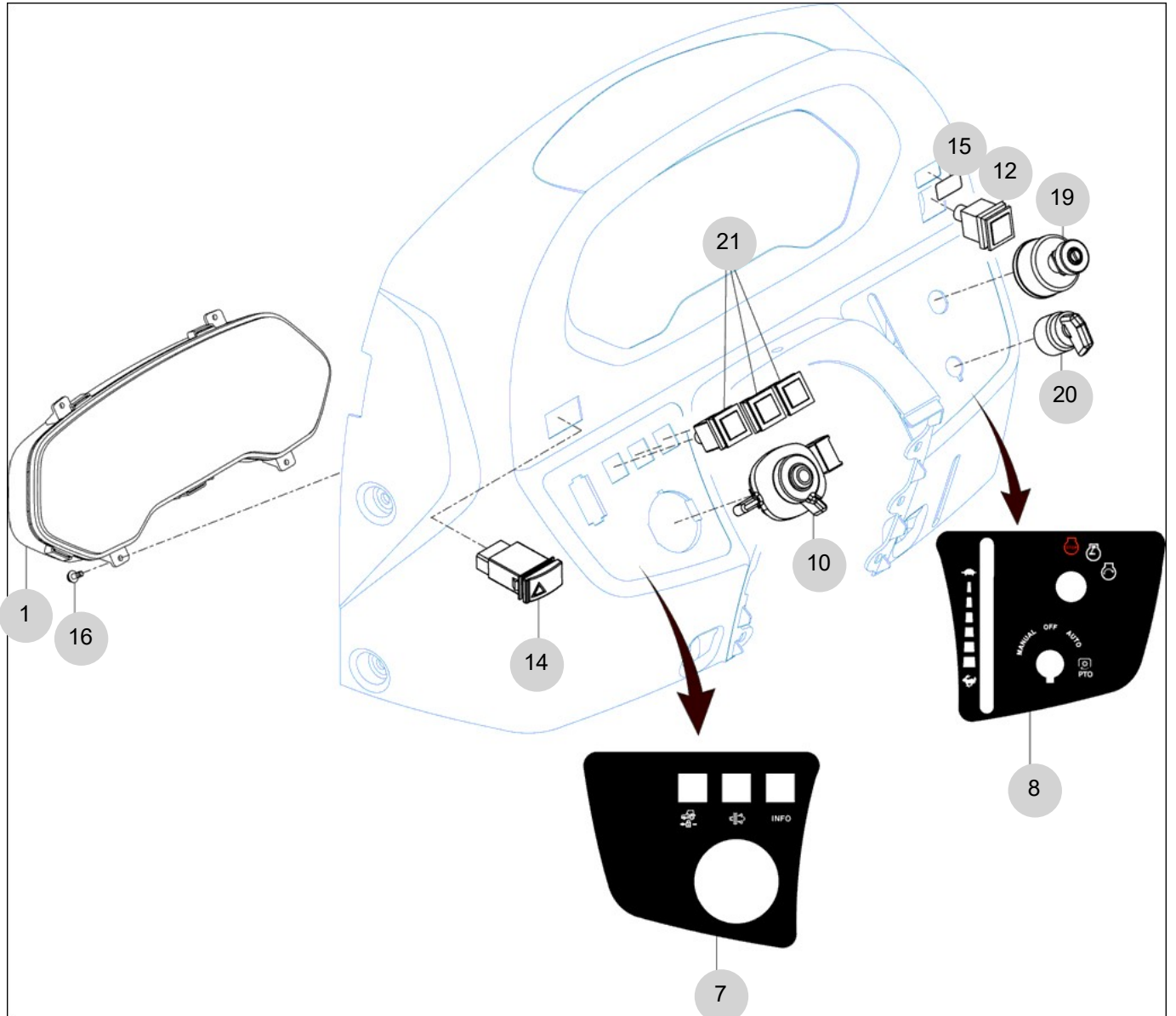
FIG 803

INSTRUMENT PANEL

년/월
Year/Month

T474SH

2022-12



NOTE

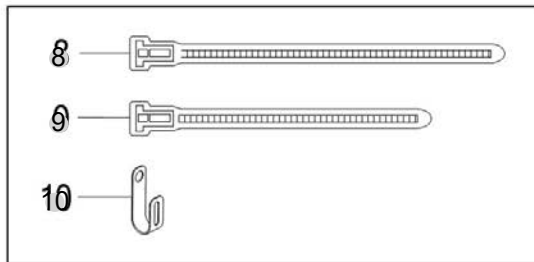
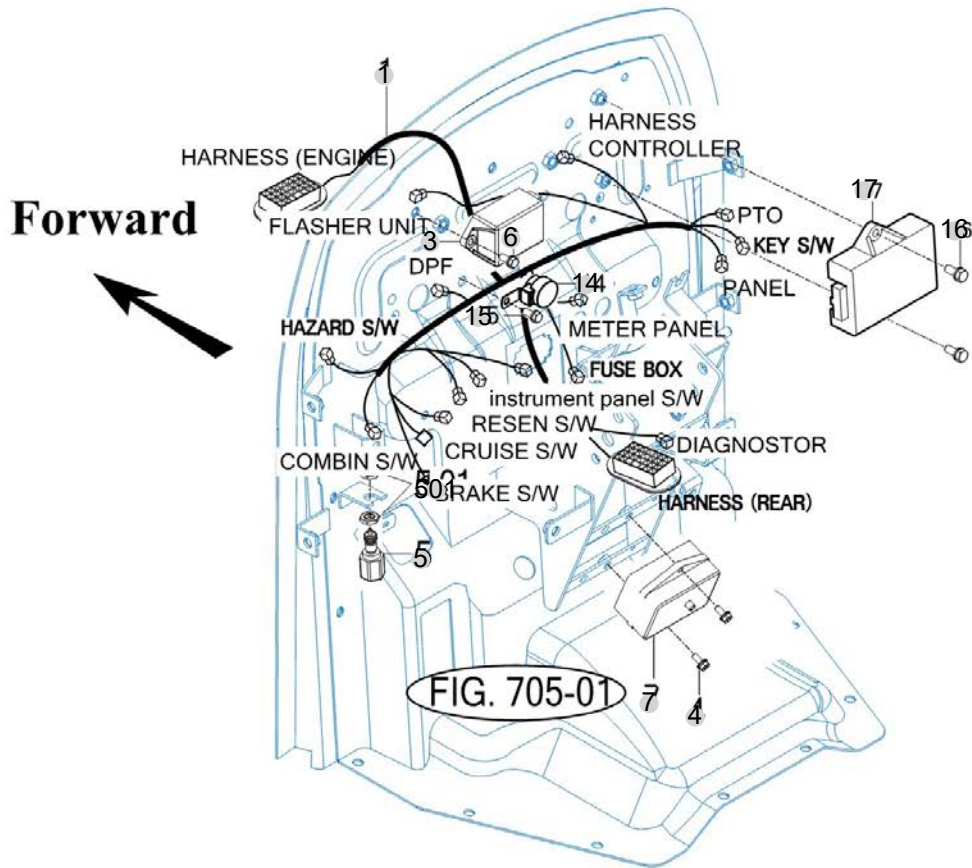
FIG 804

T474SH

ELECTRIC SYSTEM

년/월
Year/Month

2022-12



T474-U-804

NOTE

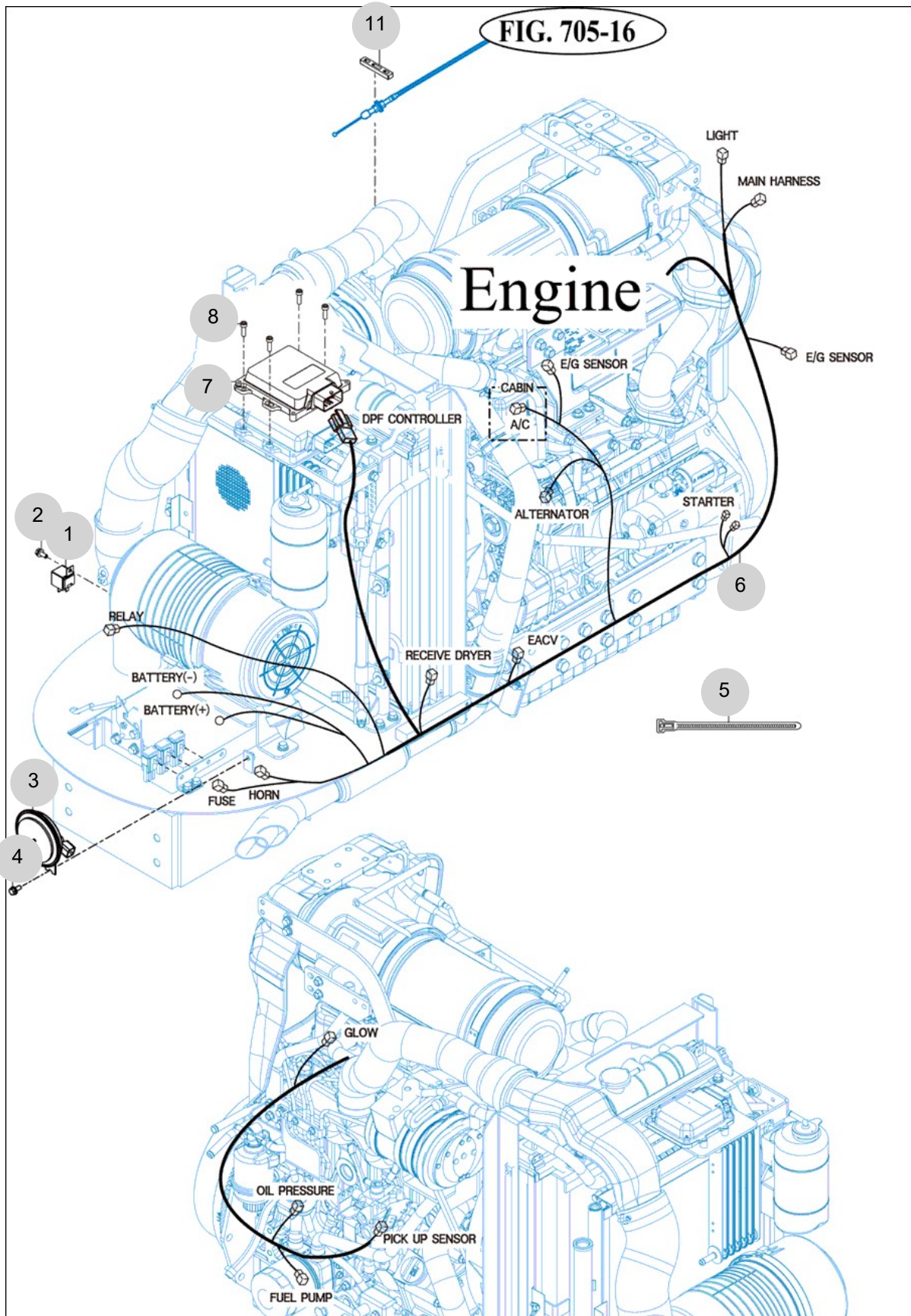
FIG 805

HARNESS (1)

년/월
Year/Month

2022-12

T474SH



NOTE

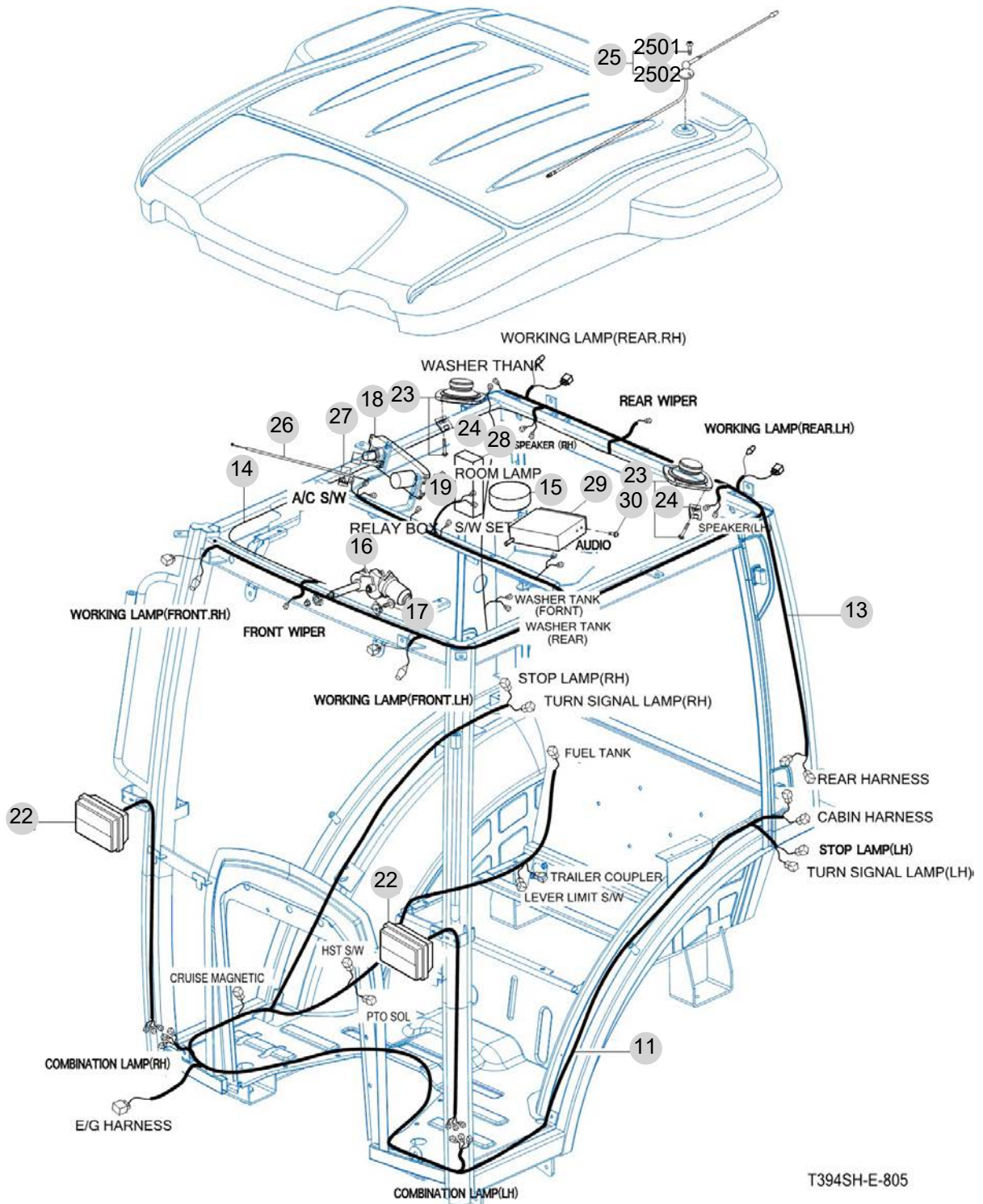
FIG 806

HARNESS (2)

년/월
Year/Month

T474SH

2022-12



NOTE

9. Label/Option PART NO. T9

FIG 901 TOOL & ACCESSORY	260
FIG 902 LABEL	262
FIG 902 LABEL	264
FIG 903 OPTION	266

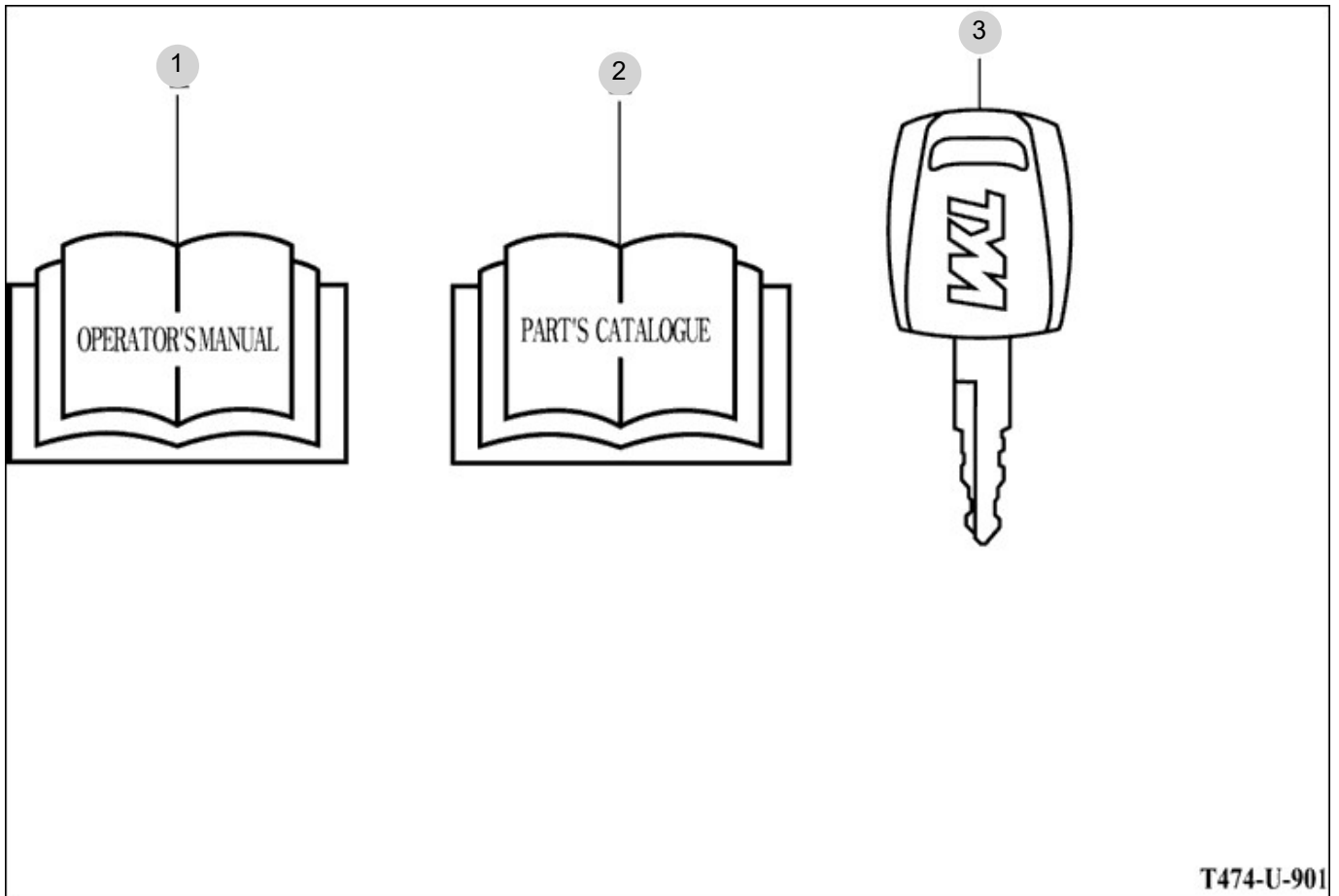
FIG 901

T474SH

TOOL & ACCESSORY

년/월
Year/Month

2022-12



T474-U-901

NOTE

FIG 902

LABEL

년/월
Year/Month

T474SH

2022-12



23



27



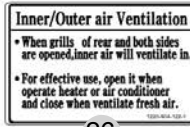
11



12



24



26



40



15



10



51



54

T474

34



16



2



29



20



21



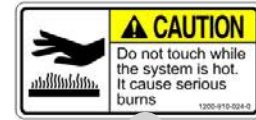
7



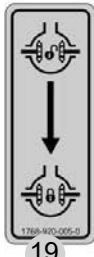
13



6



5



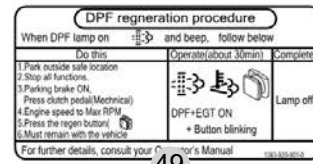
19



25



47



49

NOTE

FIG 902

LABEL

년/월
Year/Month

T474SH

2022-12

3 **WARNING**
Always apply the park brake when parking. Failure to do so can cause accidents and damages.
1200-910-002-0

8 **Operator's manual**
1200-910-023-0

14 **WARNING**
Do not use the accelerator lever except working on the field.
1200-910-021-0

28 ON
4
W
D
OFF

39 EPA REGULATION
USE ULTRA LOW SULFUR FUEL ONLY

32 **WARNING**
• Start engine only from operators seat. If safety start switch is bypassed engine can start with transmission in gear.
• Do not connect or short across terminal on starter solenoid.
• Attach booster cables as shown on battery decal and operators manual.
Starting in gear causing runaway can result in serious injury.

33 **WARNING**
Always set the knob to lock when:
1. Travelling on the road.
2. Replacing blades on an implement
3. Making adjustment to an implement
Sudden dropping of an implement can cause serious injury or death.
1200-910-004-0

38 **DANGER**
Start only from seat in park or neutral.
Starting in gear kills.

37 **WARNING**
Do not adjust the tilt handle when traveling.
1200-910-008-0

4 **WARNING**
Brake pedals must always be locked together when travelling on the highway. This will ensure uniform braking and provide maximum stopping ability sharp turns must only be made at slow speeds.
1200-910-007-0

18 1768-910-017-0

48 A ← N →

17 **WARNING**
Attach implements and trailers to the tractor only using the prescribed drawbar or hitch.
1200-910-014-0

9 **DANGER**
Rotating driveline contact can cause death. KEEP AWAY!
Keep all drive line, Tractor and equipment shields in place during operation.
1200-910-013-0

44 HST

50

NOTE

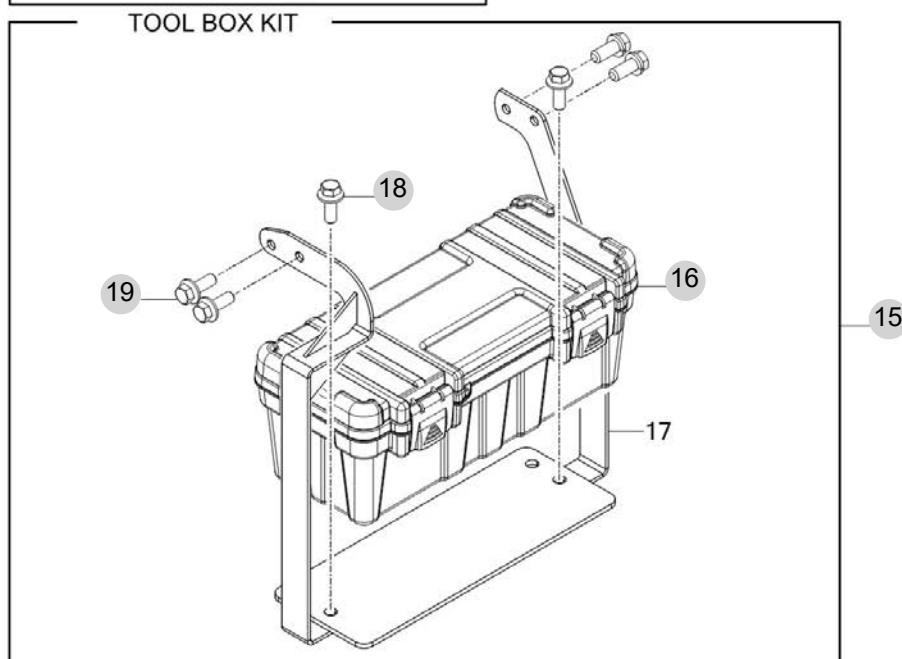
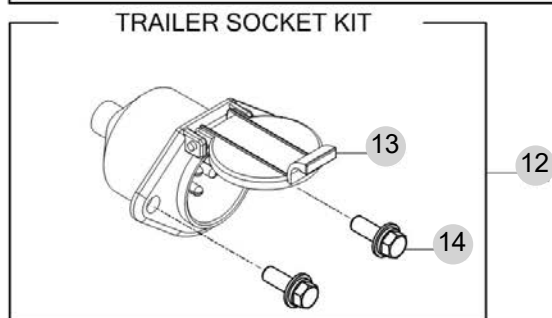
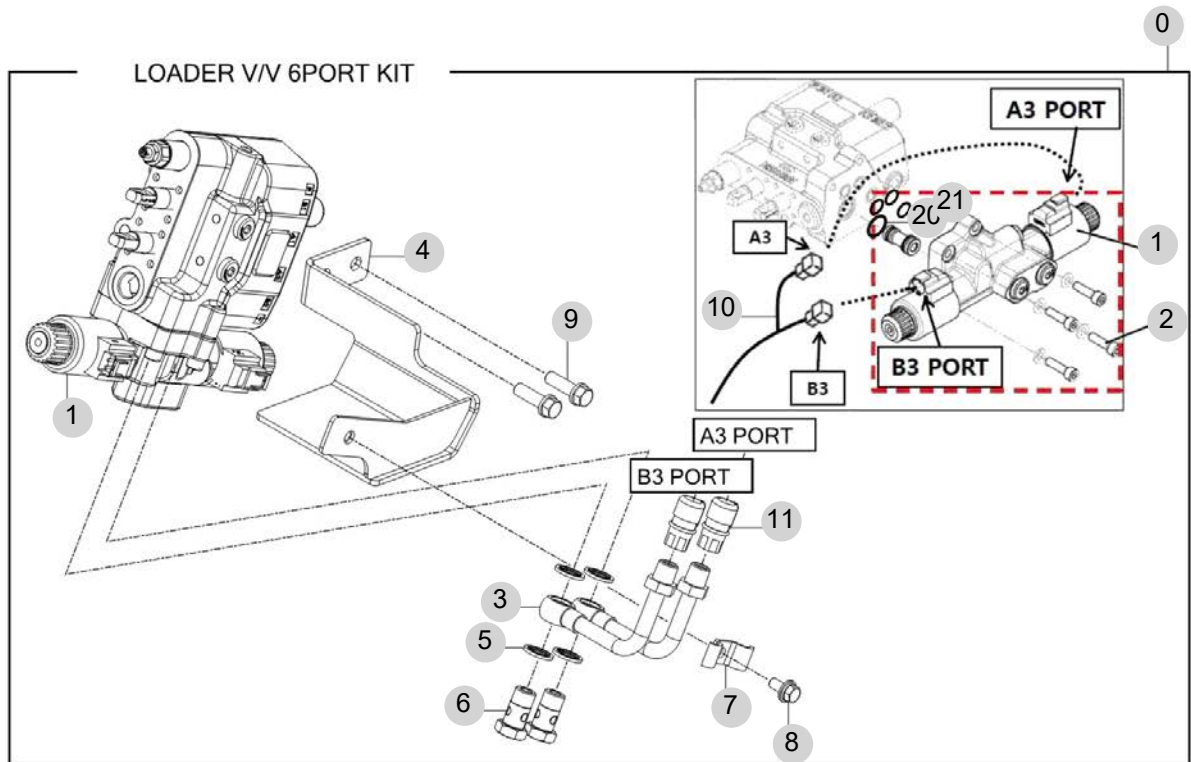
FIG 903

OPTION

년/월
Year/Month

2022-12

T474SH



NOTE

