

T494NH-B

Parts Catalog

목 차

0. TRACTOR KIT PART NO. TK1

FIG 000 TRAILER SOCKET KIT	7
FIG 001 ADAPTER KIT	9

1. Engine PART NO. EG

FIG 100 ENGINE	13
FIG 101 CYLINDER BLOCK	15
FIG 102B OILJET ASS'Y OPTION(T494)	17
FIG 103 CRANK SHAFT	19
FIG 104 PISTON	21
FIG 105 CYLINDER HEAD	23
FIG 106 ROCKER LEVER	25
FIG 107 HEAD COVER	27
FIG 108 GEAR CASE	29
FIG 109 IDLE GEAR	31
FIG 110 CAM SHAFT	33
FIG 111 OIL PUMP	35
FIG 112 HYD. PUMP DRIVE	37
FIG 113 2ND BALANCE	39
FIG 114 OIL PAN	41
FIG 115B INTAKE MANIFOLD(T494)	43
FIG 116B EXHAUST MANIFOLD(T494)	45
FIG 117B TURBOCHARGER ASS'Y(T494)	47
FIG 118B TURBOCHARGER PLUMBING OPTION(T494)	49
FIG 119B BREATHER(T494)	51
FIG 120 FUEL INJECTION PUMP	53
FIG 121 FUEL INJECTION VALVE	55
FIG 122 FUEL PIPE ASS'Y	57
FIG 123 OIL FILTER	59
FIG 124 OIL COOLER	61
FIG 125 OIL GAUGUE	63

FIG 126 OIL FILLER CAP	65
FIG 127 COOLING WATER PUMP	67
FIG 128 CRANK SHAFT PULLEY	69
FIG 129 V-PULLEY	71
FIG 130 COOLING FAN	73
FIG 131 FLYWHEEL HOUSING	75
FIG 132 FLYWHEEL	77
FIG 133 GLOW PLUG ASS'Y OPTION	79
FIG 134 STARTING MOTOR	81
FIG 135 FUEL FILTER BRACKET ASS'Y	83
FIG 136 ALTERNATOR	85
FIG 137 V-BELT	87
FIG 138 FUEL FILTER	89
FIG 139B DPF SUPPORT (T494)	91
FIG 140 DATAPLATE	93
FIG 142B DPF ASS'Y (T494)	95
FIG 143 LIFT ASS'Y	97
FIG 144 COMP . DRIVE PULLEY ASS'Y OPTION	99
FIG 147 LOOSED PARTS	101

2. Engine Accessories PART NO. T2

FIG 201B AIR CLEANER (T494)	104
FIG 202 RADIATOR	106
FIG 203 MUFFLER	108
FIG 204 FUEL HOSE & FILTER	110
FIG 205 FUEL TANK	112
FIG 206 ACCELERATOR	114
FIG 207 OIL COOLER	116

3. Clutch/Brake/Steering PART NO. T3

FIG 301 FLYWHEEL HOUSING	119
FIG 302 CLUTCH PEDAL	121
FIG 303 BRAKE	123
FIG 304 BRAKE PEDAL & LINK	125
FIG 305 FRONT WHEEL	127
FIG 306 REAR WHEEL	129

FIG 307 POWER STEERING WHEEL	131
FIG 308 POWER STEERING VALVE	133
FIG 309 POWER STEERING CYLINDER	135
FIG 310 HST CONTROL LINK	137

4. Transmission PART NO. T4

FIG 401 TRANSMISSION FRONT CASE	141
FIG 402 HST	143
FIG 403 MID TRANSMISSION CASE	145
FIG 404 TRANSFER GEAR SET	147
FIG 405 TRANSMISSION REAR CASE	149
FIG 406 SUB CHANGE GEARS	151
FIG 407 SUB CHANGE SHIFTER	153
FIG 408 DRIVE GEARS	155
FIG 409 4WD CHANGE LEVER	157
FIG 410 P.T.O DRIVE SHAFT	159
FIG 411 P.T.O CHANGE GEARS	161
FIG 412 REAR DIFFERENTIAL GEARS	163
FIG 413 REAR AXLE HOUSING	166

5. Front Axle PART NO. T5

FIG 501 FRONT AXLE SUPPORT	169
FIG 502 FRONT DRIVE SHAFT	171
FIG 503 FRONT AXLE HOUSING	173
FIG 504 FRONT DIFFERENTIAL GEARS	175
FIG 505 FRONT GEAR CASE (1)	177
FIG 506 FRONT GEAR CASE (2)	179
FIG 507 FRONT GEAR CASE (3)	181

6. Hydraulic/3P-Link PART NO. T6

FIG 601 CYLINDER CASE	184
FIG 602 LIFT ARM	186
FIG 603 CYLINDER	188
FIG 604 POSITION LINK	190
FIG 605 CONTROL VALVE	192

FIG 606 DRAFT LINK	194
FIG 607 POSITION & DRAFT LEVER	196
FIG 607-2 POSITION & DRAFT LEVER(2)	198
FIG 608 EXTERIOR HYD. VALVE	200
FIG 609 HYDRAULIC PIPE	202
FIG 610 JOYSTICK	204
FIG 612 HITCH & 3-POINT LINK	206
FIG 613 LOWER LINK & LIFT ROD	209

7. Sheet Metal & Cabin PART NO. T7

FIG 701 BONNET FRAME	212
FIG 702 BONNET (1)	214
FIG 702-2 BONNET (2)	216
FIG 703 EXTENSION COVER	218
FIG 704-2 LEVER COVER & STEP-NON CAB	220
FIG 705 FRONT & REAR MOUNTING	222
FIG 706 SEAT & MAT	224
FIG 710-2 FRAME & 2POLES-ROPS-NON CAB	226
FIG 713-2 SUB FENDER & COVER-NON CAB	228
FIG 714-2 MIRROR&WORKING LAMP-NON CAB	230

8. Electrical System PART NO. T8

FIG 801 BATTERY & MOUNTING	233
FIG 802 HARNESS LAMP	235
FIG 803 INSTRUMENT PANEL	237
FIG 804 ELECTRIC SYSTEM (1)	239
FIG 805-2 ELECTRIC SYSTEM (2)-NON CAB	241
FIG 806 ELECTRIC SYSTEM (3)	243

9. Label/Option PART NO. T9

FIG 901 TOOL & ACCESSORY	246
FIG 902 LABEL	248
FIG 902-2 LABEL	250

0. TRACTOR KIT PART NO. TK1

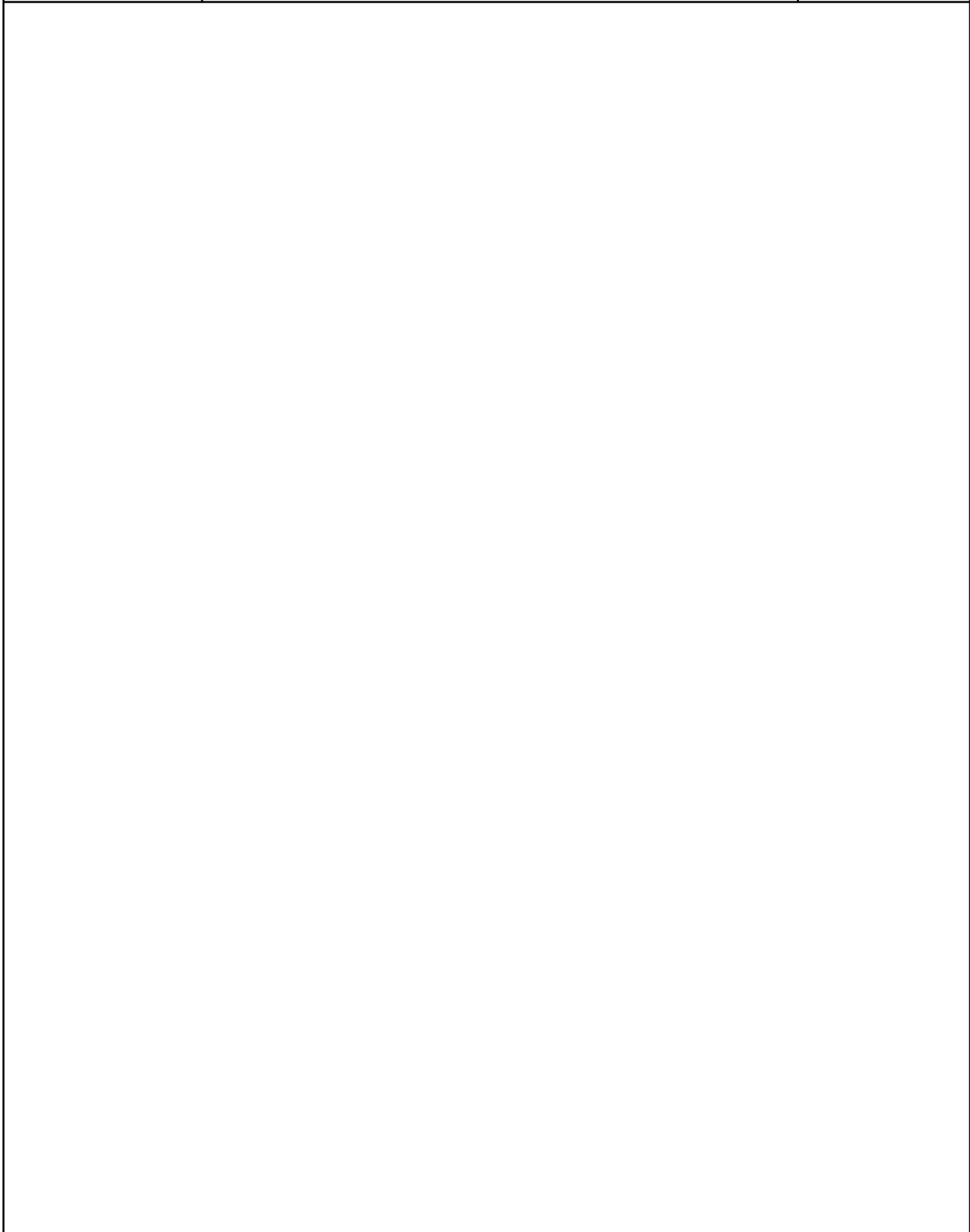
FIG 000 TRAILER SOCKET KIT

7

FIG 001 ADAPTER KIT

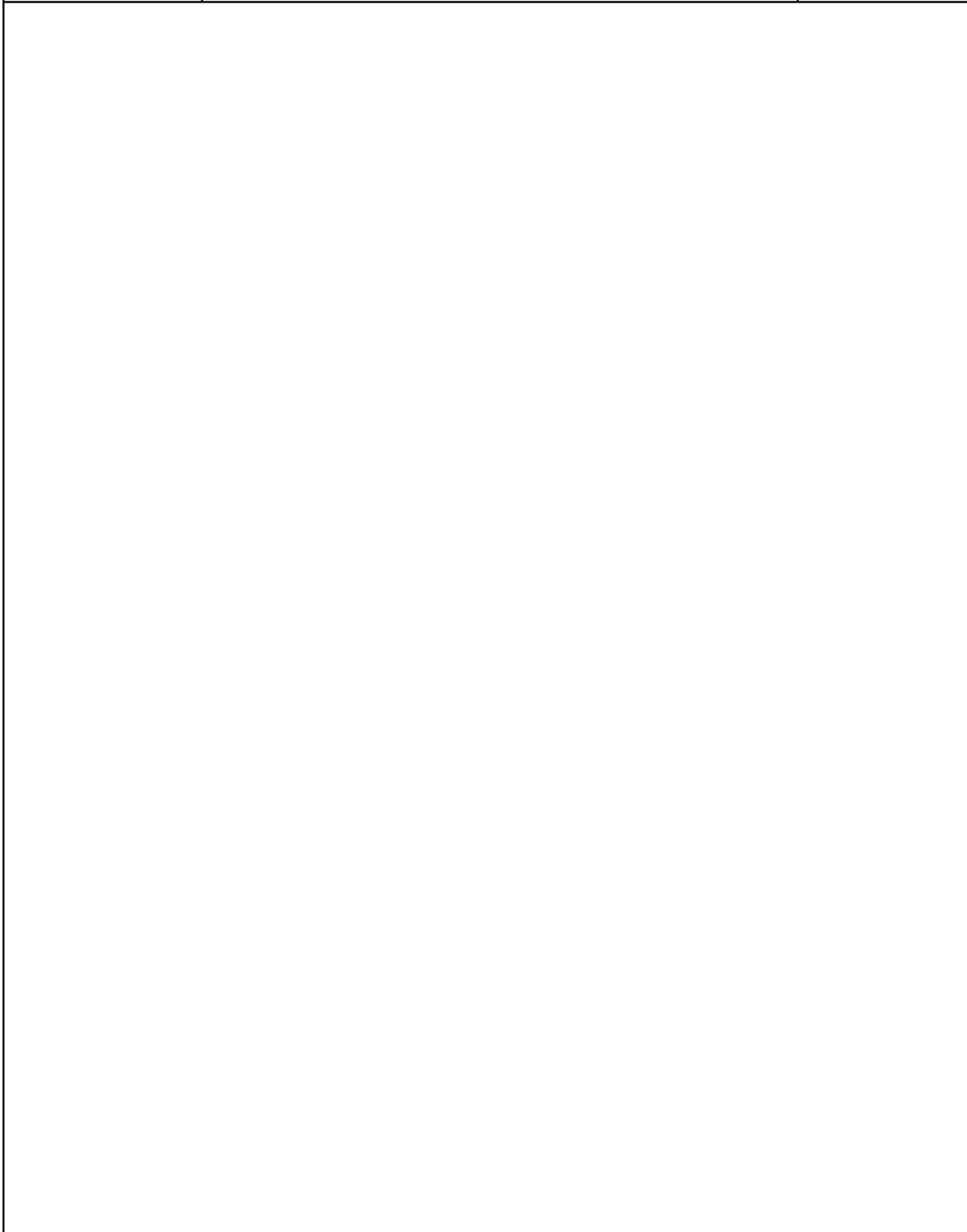
9

FIG 000 T494NH-B	TRAILER SOCKET KIT	년/월 Year/Month 2022-12
---------------------	--------------------	------------------------------



NOTE	
------	--

FIG 001 T494NH-B	ADAPTER KIT	년/월 Year/Month 2022-12
---------------------	-------------	------------------------------



NOTE	
------	--

1. Engine PART NO. EG

FIG 100 ENGINE	13
FIG 101 CYLINDER BLOCK	15
FIG 102B OILJET ASS'Y OPTION(T494)	17
FIG 103 CRANK SHAFT	19
FIG 104 PISTON	21
FIG 105 CYLINDER HEAD	23
FIG 106 ROCKER LEVER	25
FIG 107 HEAD COVER	27
FIG 108 GEAR CASE	29
FIG 109 IDLE GEAR	31
FIG 110 CAM SHAFT	33
FIG 111 OIL PUMP	35
FIG 112 HYD. PUMP DRIVE	37
FIG 113 2ND BALANCE	39
FIG 114 OIL PAN	41
FIG 115B INTAKE MANIFOLD(T494)	43
FIG 116B EXHAUST MANIFOLD(T494)	45
FIG 117B TURBOCHARGER ASS'Y(T494)	47
FIG 118B TURBOCHARGER PLUMBING OPTION(T494)	49
FIG 119B BREATHER(T494)	51
FIG 120 FUEL INJECTION PUMP	53
FIG 121 FUEL INJECTION VALVE	55
FIG 122 FUEL PIPE ASS'Y	57
FIG 123 OIL FILTER	59
FIG 124 OIL COOLER	61
FIG 125 OIL GAUGUE	63
FIG 126 OIL FILLER CAP	65
FIG 127 COOLING WATER PUMP	67
FIG 128 CRANK SHAFT PULLEY	69
FIG 129 V-PULLEY	71
FIG 130 COOLING FAN	73
FIG 131 FLYWHEEL HOUSING	75
FIG 132 FLYWHEEL	77
FIG 133 GLOW PLUG ASS'Y OPTION	79
FIG 134 STARTING MOTOR	81
FIG 135 FUEL FILTER BRACKET ASS'Y	83
FIG 136 ALTERNATOR	85
FIG 137 V-BELT	87

FIG 138 FUEL FILTER	89
FIG 139B DPF SUPPORT (T494)	91
FIG 140 DATAPLATE	93
FIG 142B DPF ASS'Y (T494)	95
FIG 143 LIFT ASS'Y	97
FIG 144 COMP . DRIVE PULLEY ASS'Y OPTION	99
FIG 147 LOOSED PARTS	101

FIG 100 T494NH-B	ENGINE	년/월 Year/Month
		2022-12
NOTE		

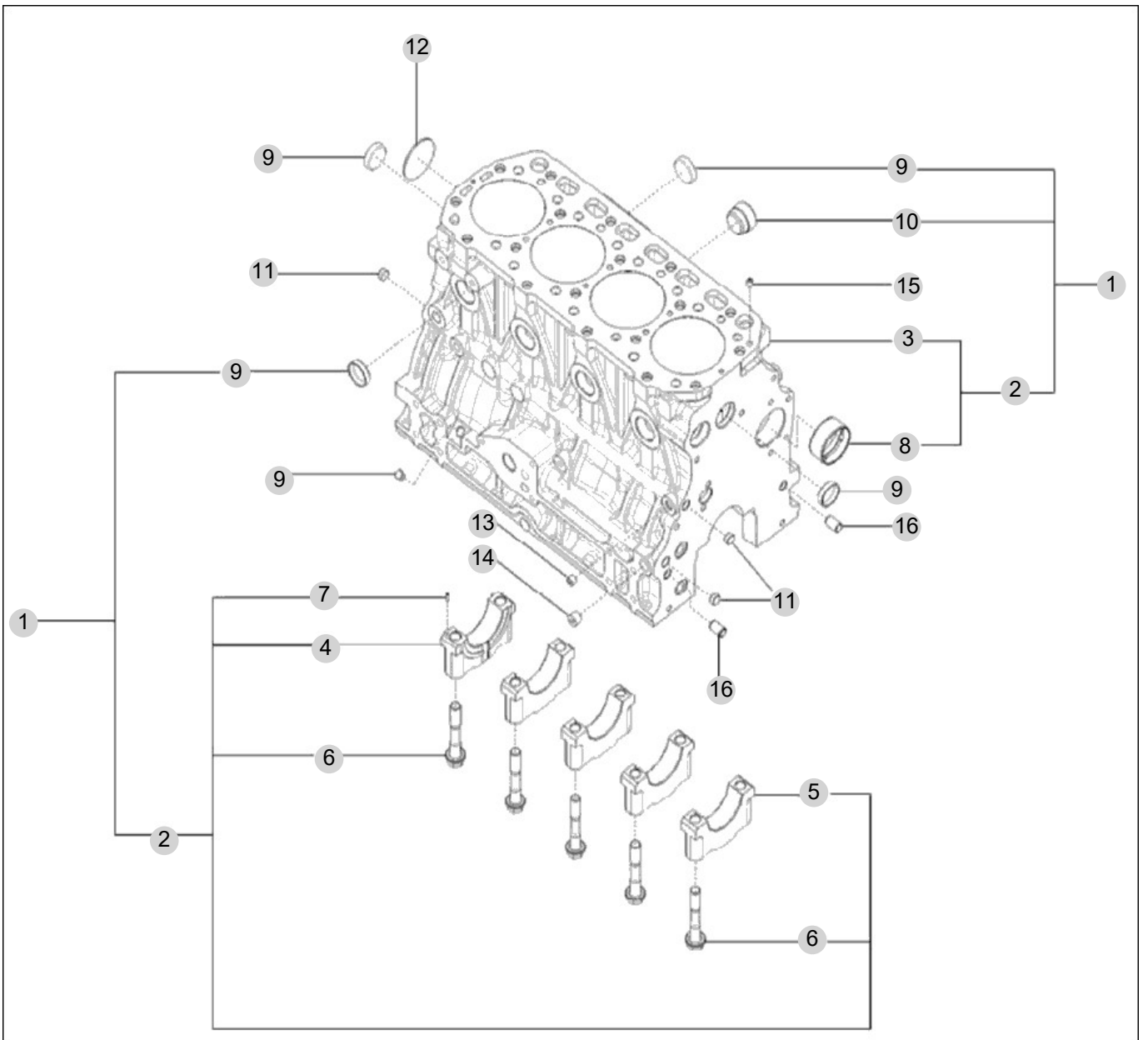
FIG 101

CYLINDER BLOCK

년/월
Year/Month

2022-12

T494NH-B



NOTE

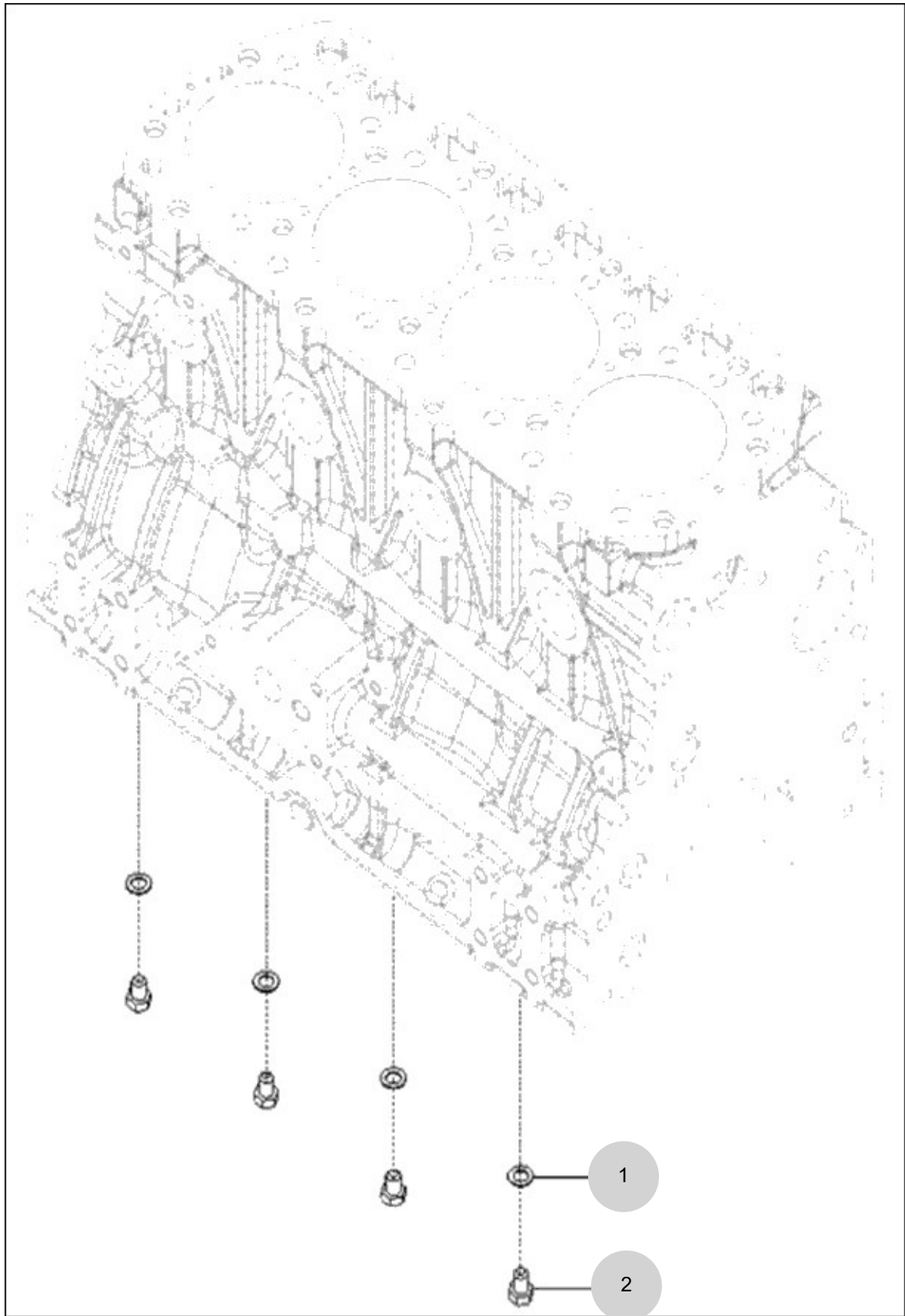
FIG 102B

OILJET ASS'Y OPTION(T494)

년/월
Year/Month

2022-12

T494NH-B



NOTE

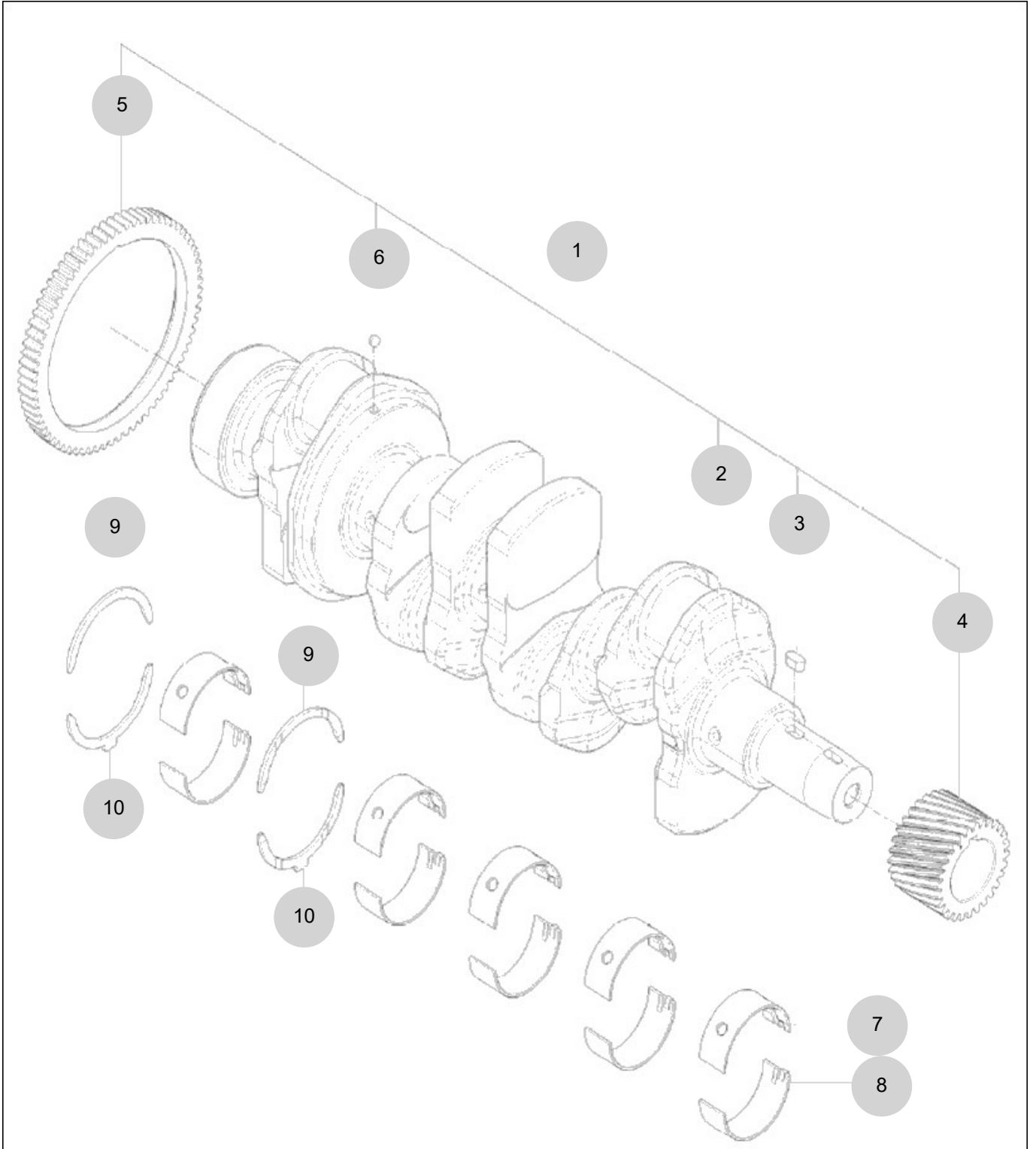
FIG 103

CRANK SHAFT

년/월
Year/Month

2022-12

T494NH-B



NOTE

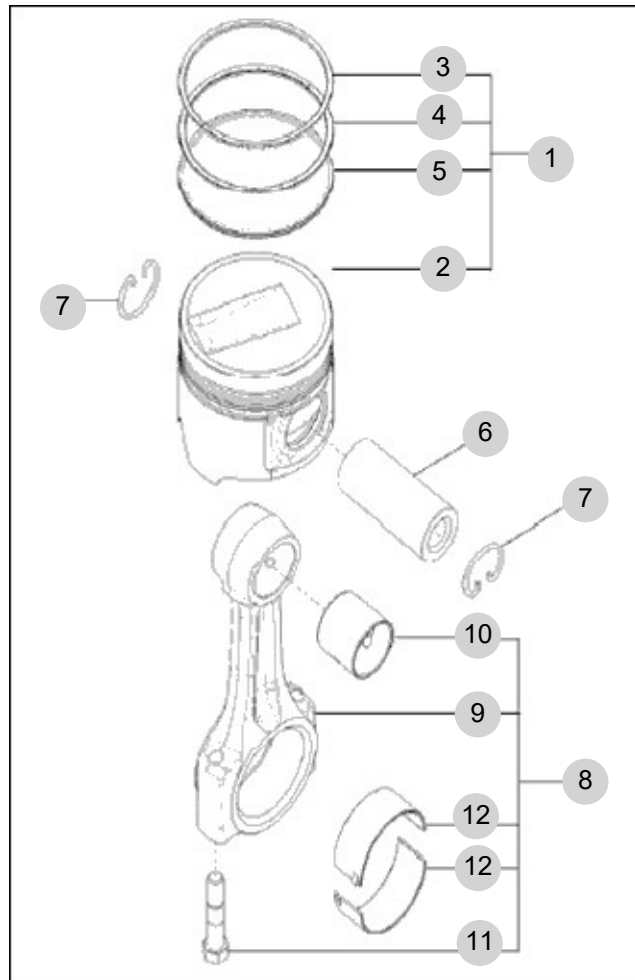
FIG 104

T494NH-B

PISTON

년/월
Year/Month

2022-12



NOTE

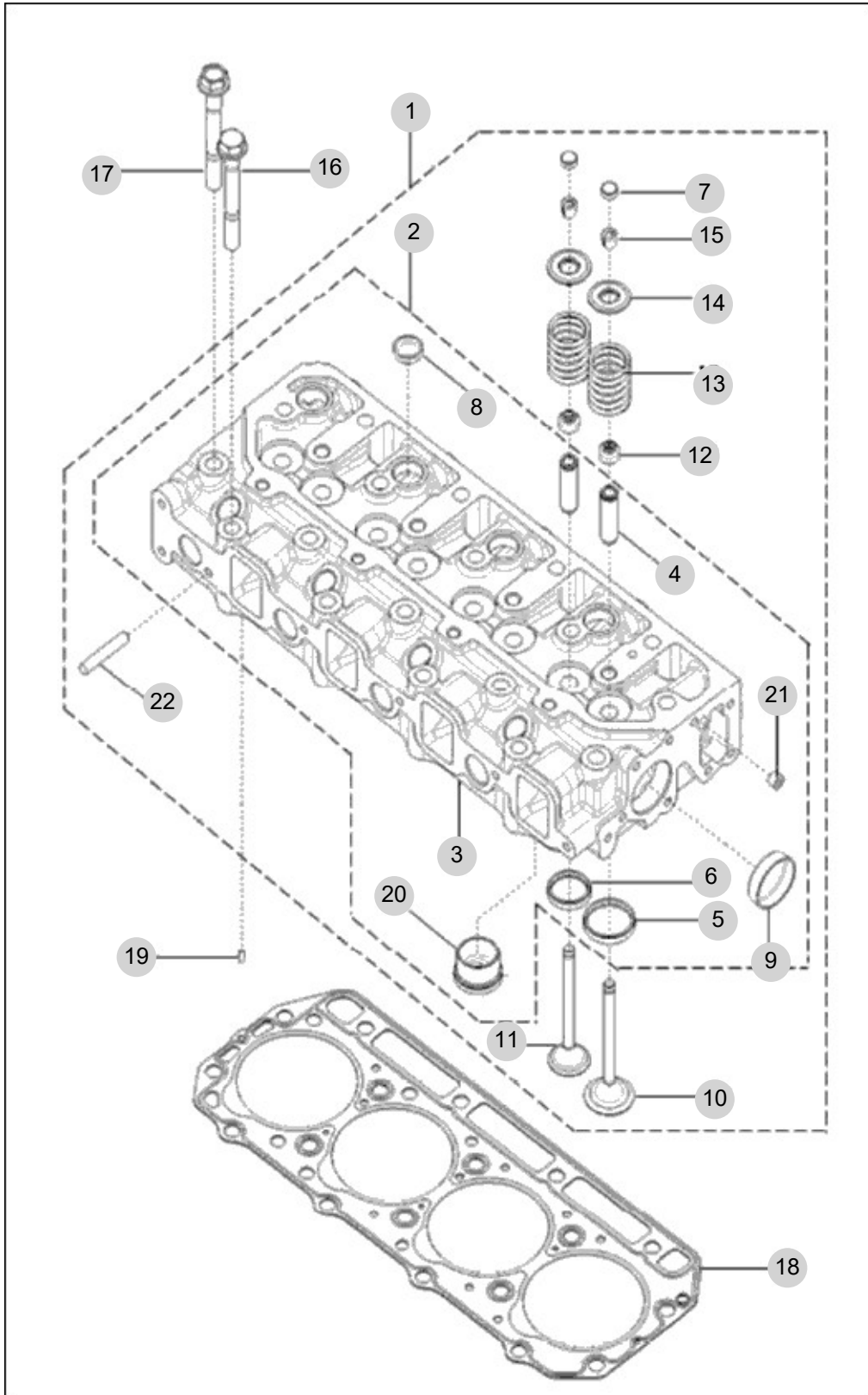
FIG 105

CYLINDER HEAD

년/월
Year/Month

T494NH-B

2022-12



NOTE

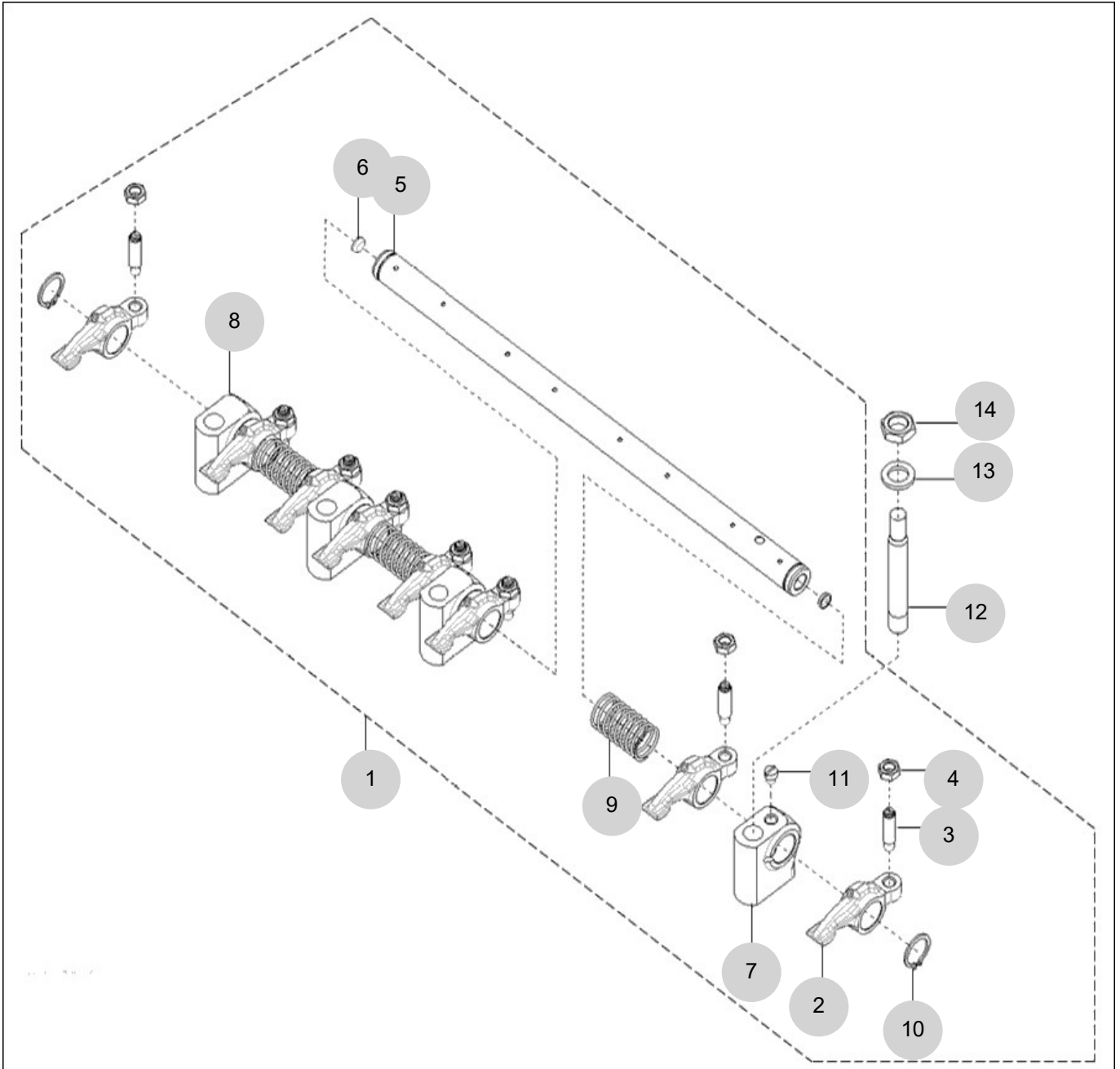
FIG 106

T494NH-B

ROCKER LEVER

년/월
Year/Month

2022-12



NOTE

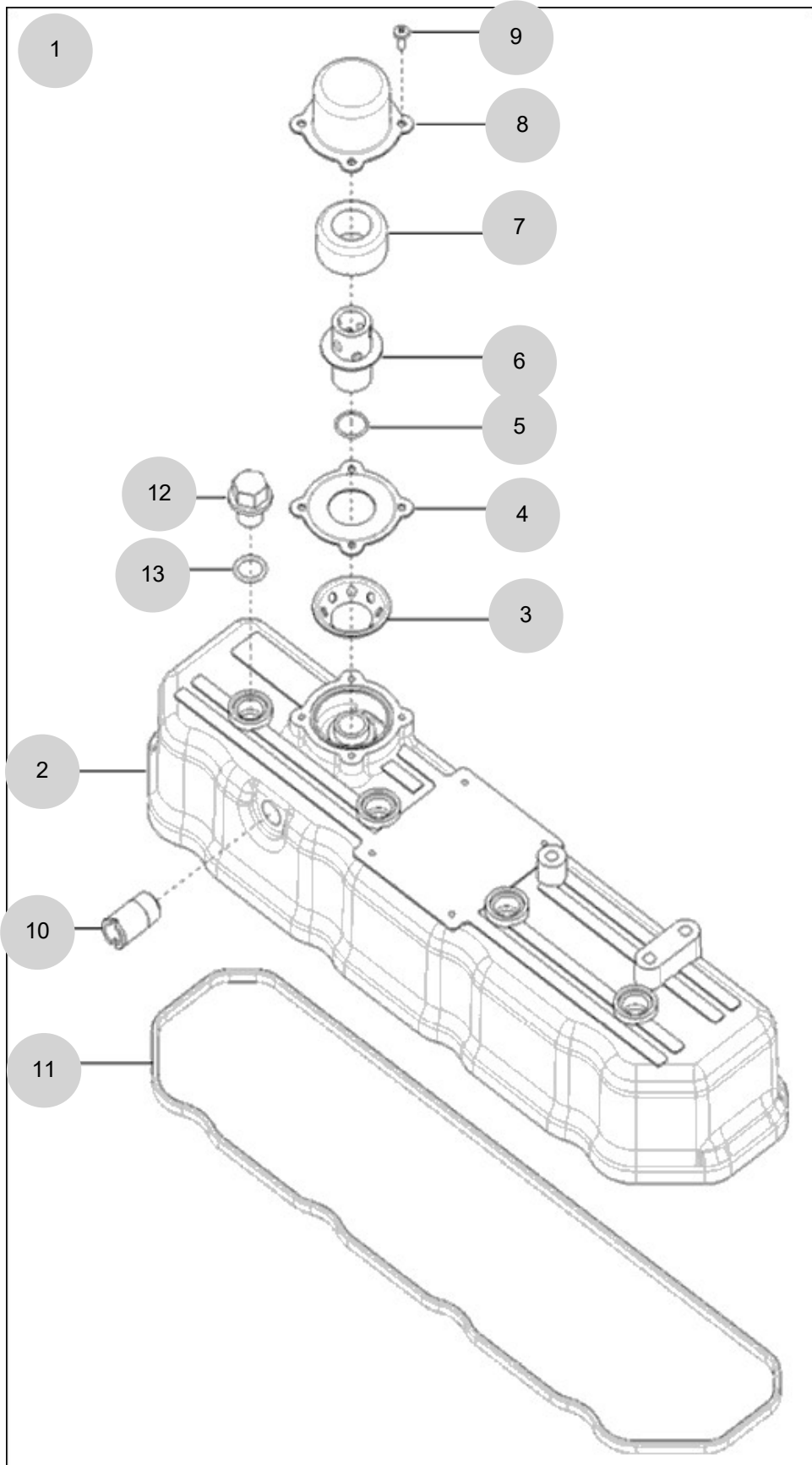
FIG 107

T494NH-B

HEAD COVER

년/월
Year/Month

2022-12



NOTE

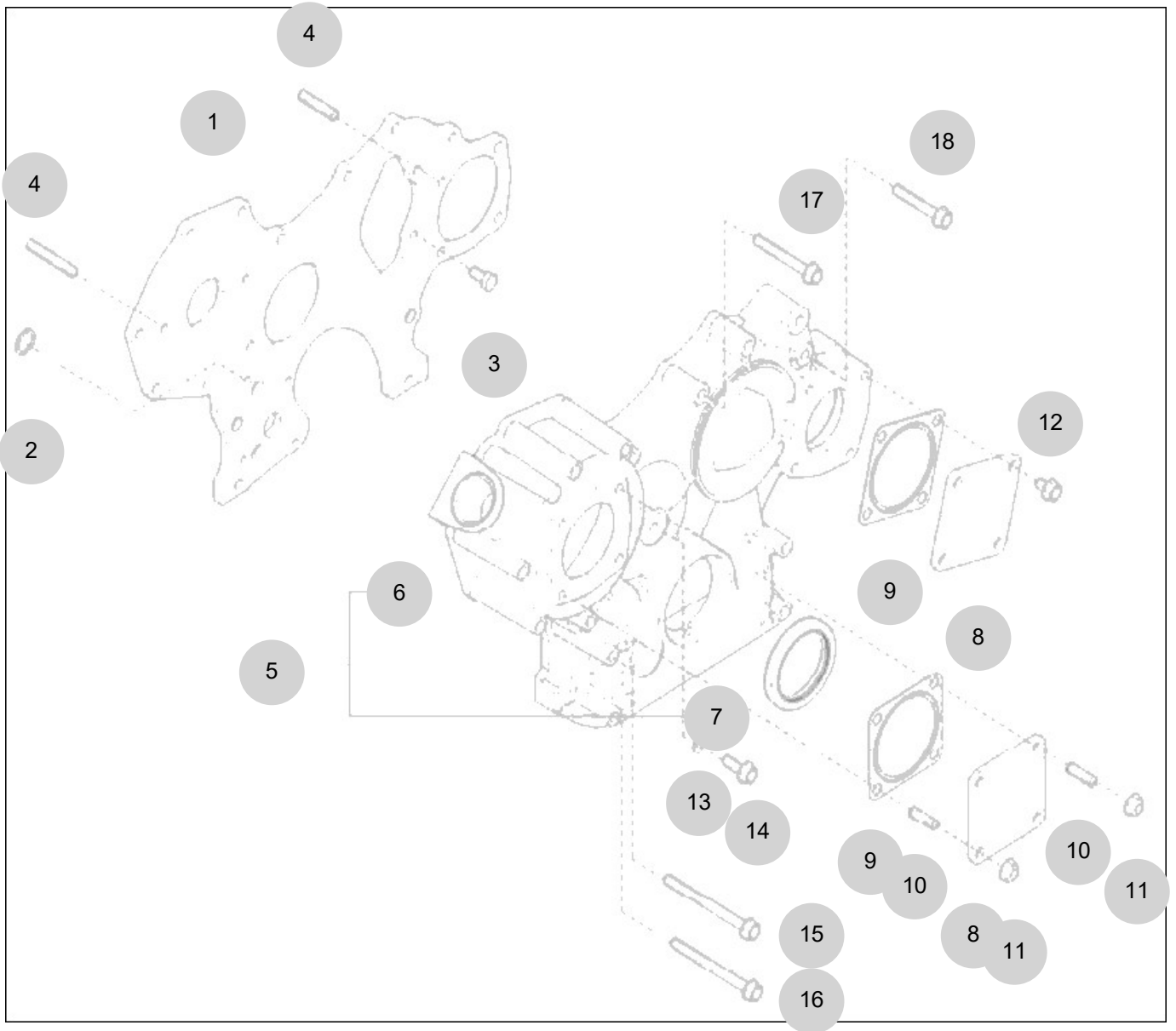
FIG 108

T494NH-B

GEAR CASE

년/월
Year/Month

2022-12



NOTE

FIG 108 T494NH-B		GEAR CASE					년/월 Year/Month	
							2022-12	
KEY NO	PART NO	DESCRIPTION	SPEC	QTY	REPAIR	EFFECTIVE DATE	REMARKS	
108	1	HRA020010DE	FLANGE(GEAR CASE)	1				
108	1	HRA020010DD	FLANGE(GEAR CASE)	1				
108	2	24311-000160	SEAL, O-RING	2				
108	3	26116-080162	HEX. BOLT	3				
108	4	HM02380000A	STUD BOLT	4				
108	5	EA00000527C	GEAR CASE ASS'Y	1				
108	6	EA00000413E	GEAR CASE	1				
108	7	HRC0200402B	OIL SEAL(G)	1				
108	8	HC01230000C	COVER	2				
108	9	HA02110000B	PACKING	2				
108	10	26216-080162	STUD BOLT	4				
108	11	26367-080002	FLANGE BOLT	4				
108	12	26106-080162	BOLT, M8X 16 PLATED	4				
108	13	23414-080000	PACKING	1				
108	14	26106-080222	HEX. FLANGE BOLT	1				
108	15	26106-080902	HEX. FLANGE BOLT	2				
108	16	26106-080852	BOLT	7				
108	17	26106-080602	HEX. FLANGE BOLT	3				
108	18	26106-080502	HEX. FLANGE BOLT	1				
NOTE								

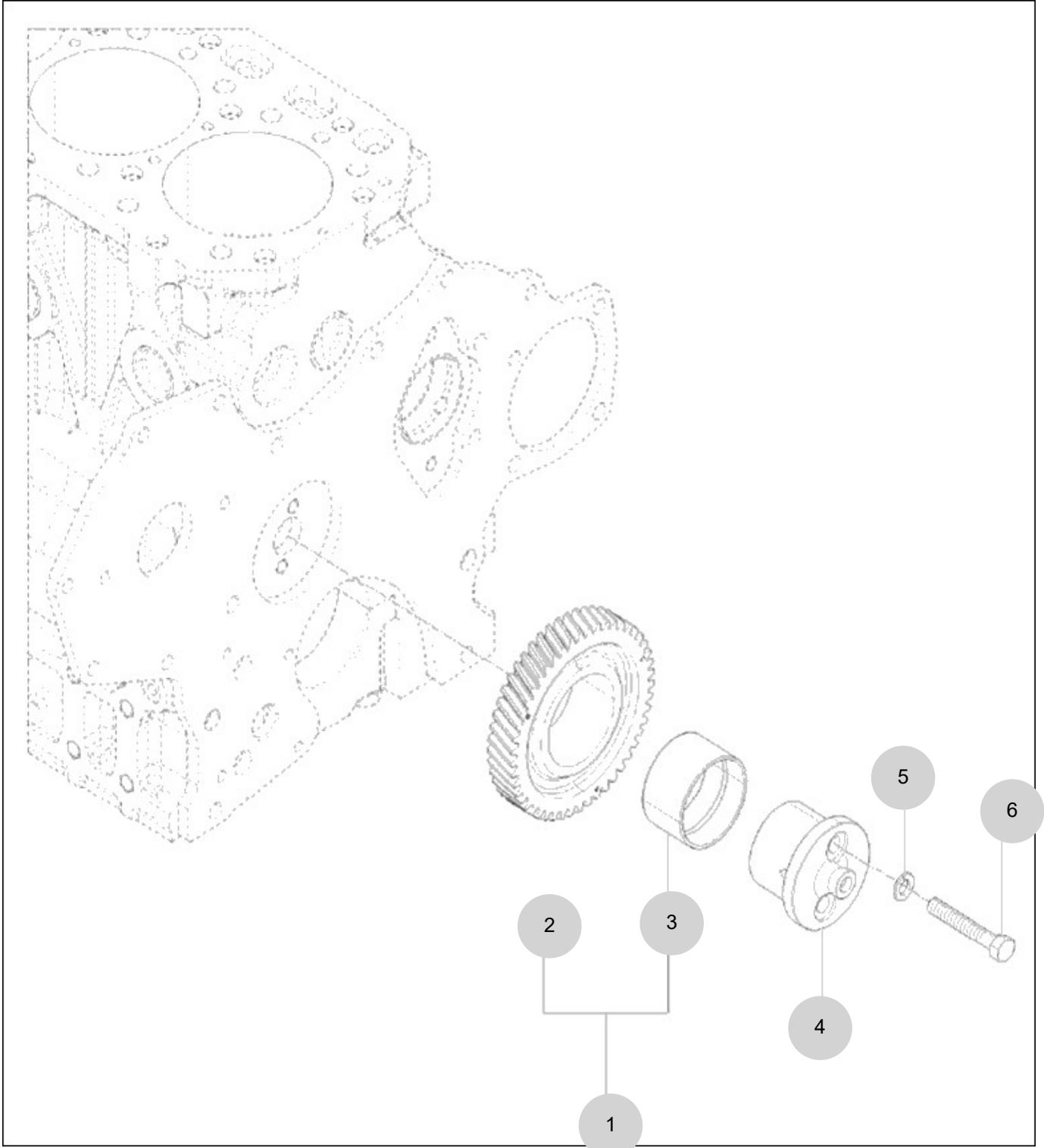
FIG 109

IDLE GEAR

년/월
Year/Month

T494NH-B

2022-12



NOTE

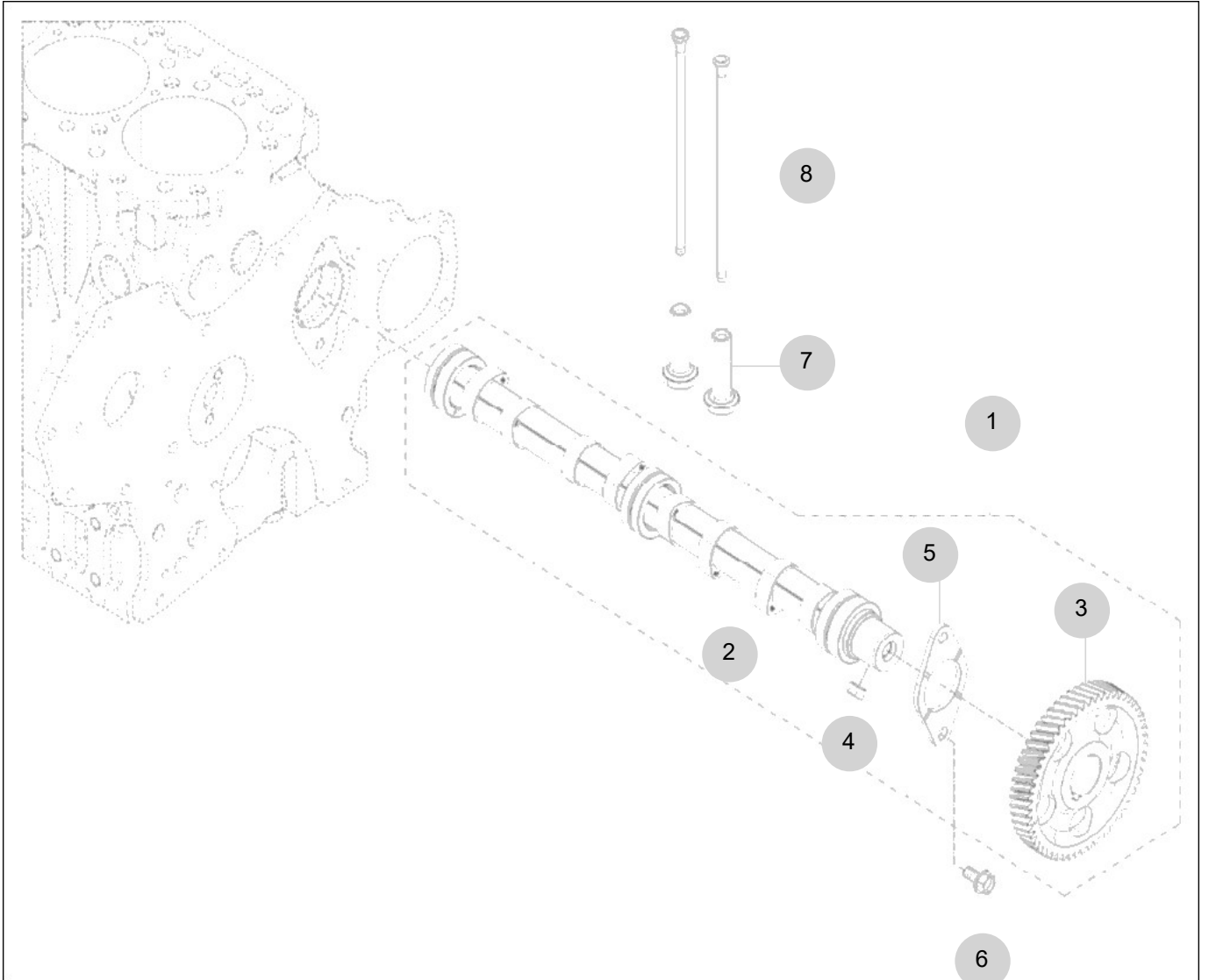
FIG 110

CAM SHAFT

년/월
Year/Month

T494NH-B

2022-12



NOTE

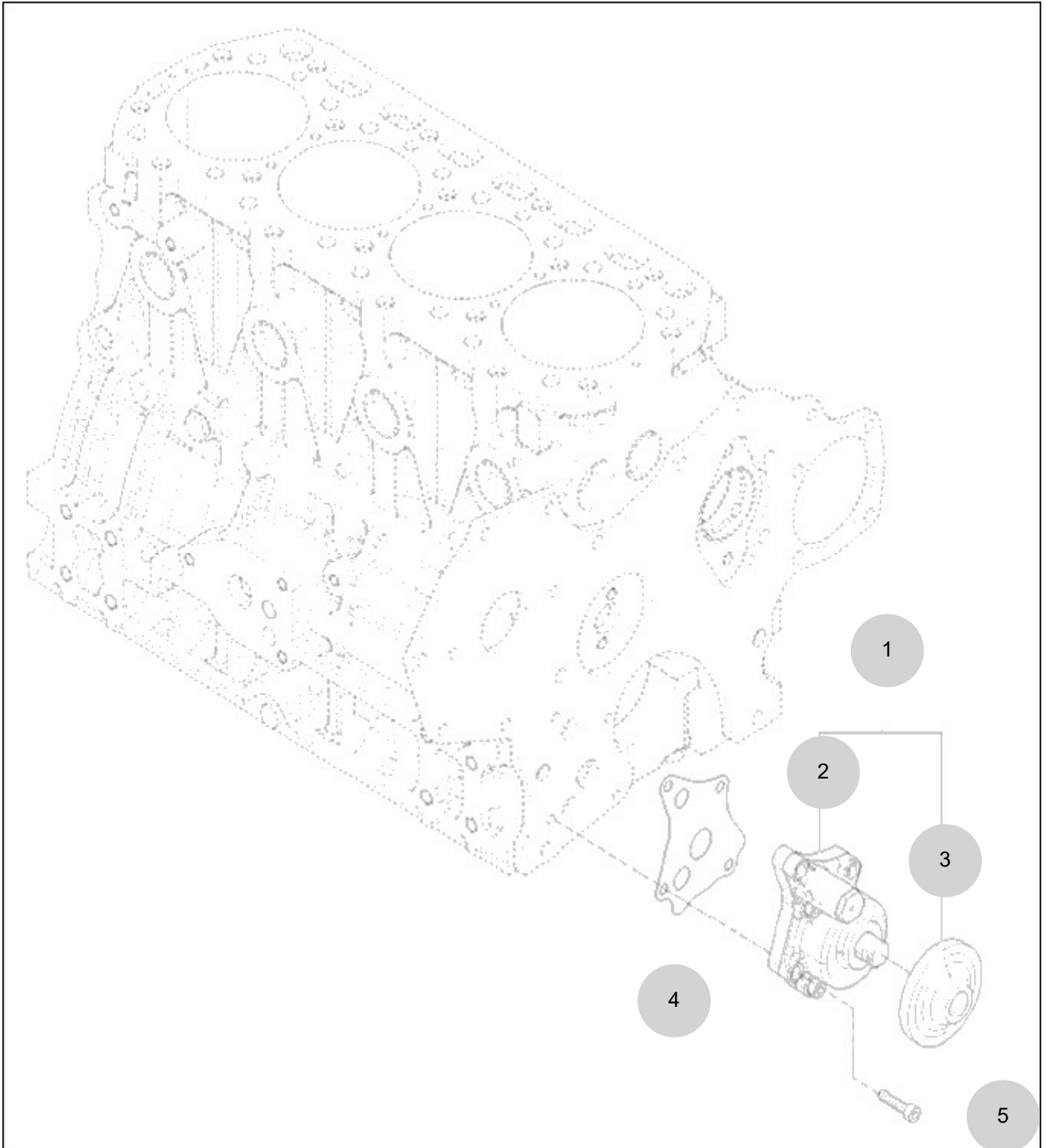
FIG 111

OIL PUMP

년/월
Year/Month

T494NH-B

2022-12



NOTE

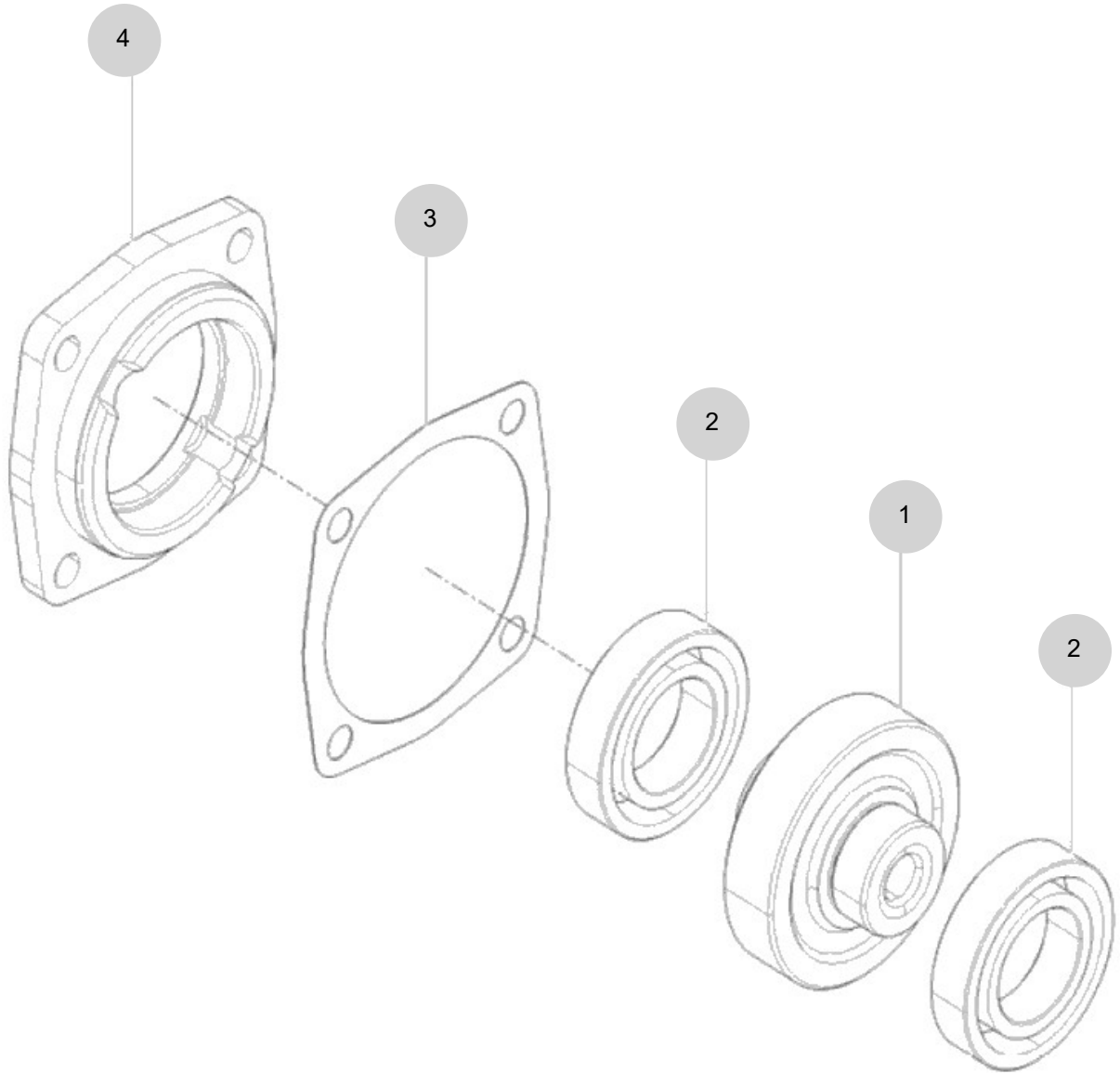
FIG 112

T494NH-B

HYD. PUMP DRIVE

년/월
Year/Month

2022-12



NOTE

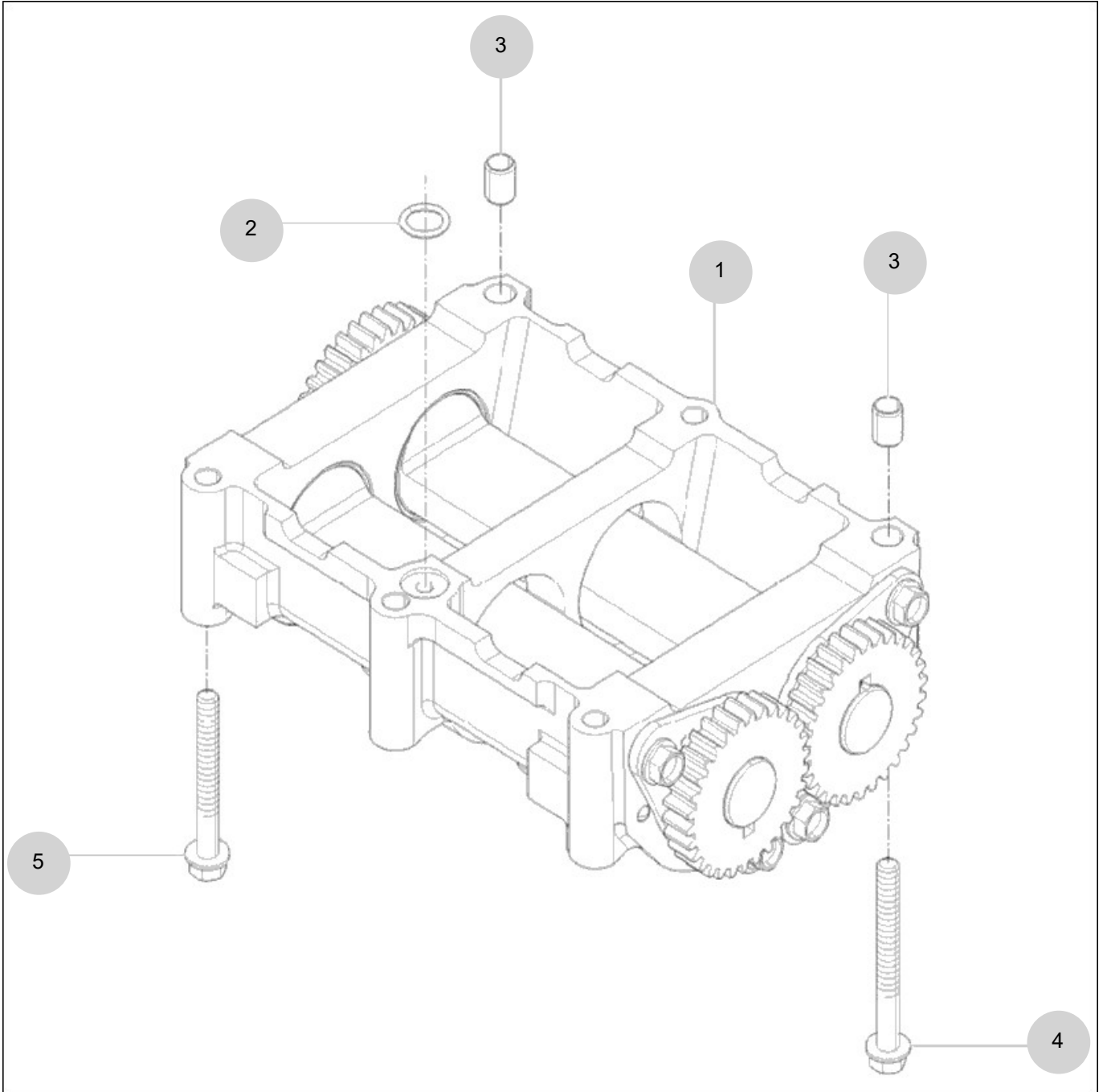
FIG 113

2ND BALANCE

년/월
Year/Month

T494NH-B

2022-12



NOTE

FIG 113 T494NH-B	2ND BALANCE	년/월 Year/Month
		2022-12

KEY NO	PART NO	DESCRIPTION	SPEC	QTY	REPAIR	EFFECTIVE DATE	REMARKS
113	1	HRA1000100A		1			
113	2	24311-000140		1			
113	3	HRA1000700A		2			
113	4	26106-080752		2			
113	5	26106-080652		4			
NOTE							

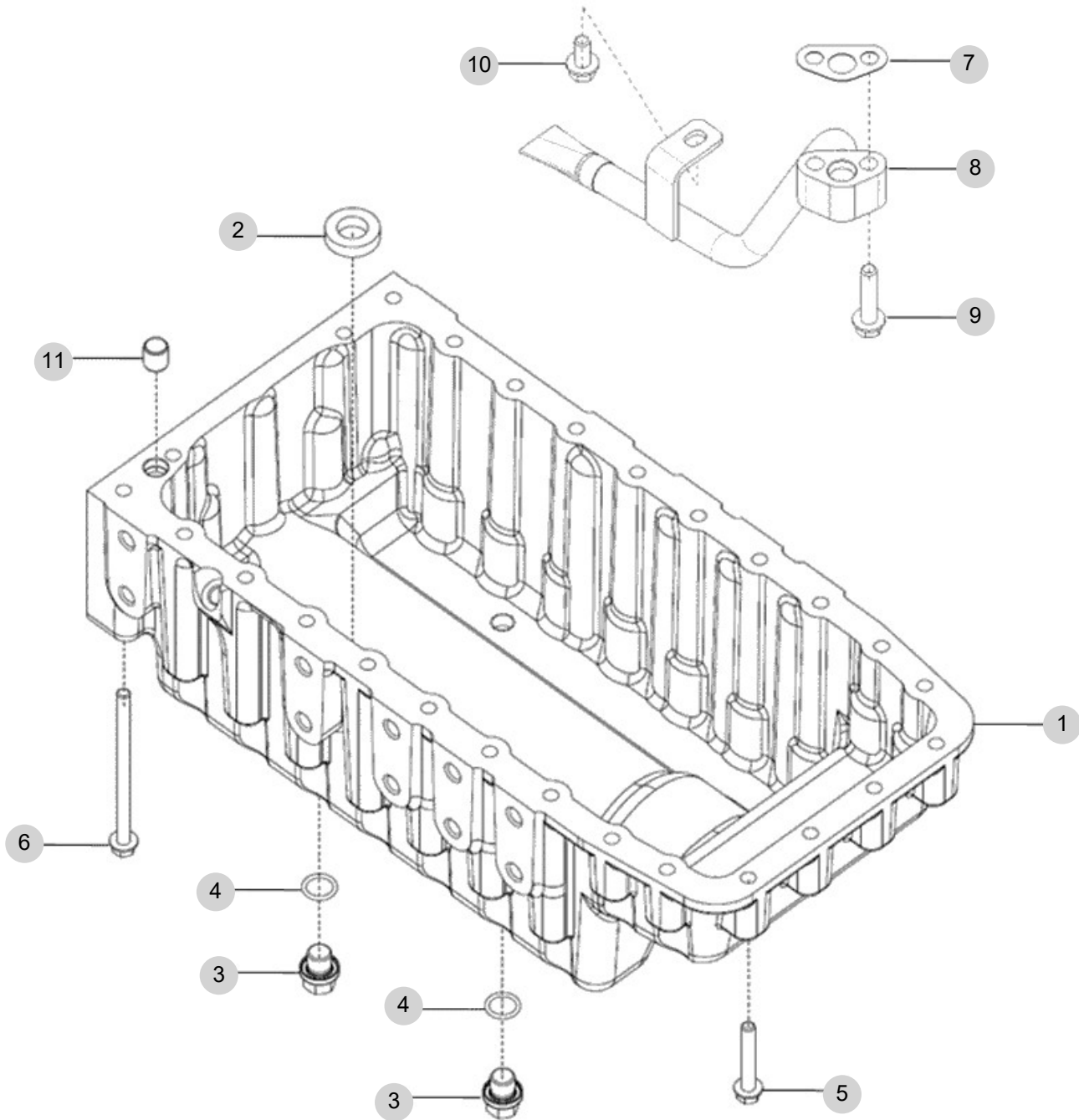
FIG 114

T494NH-B

OIL PAN

년/월
Year/Month

2022-12



NOTE

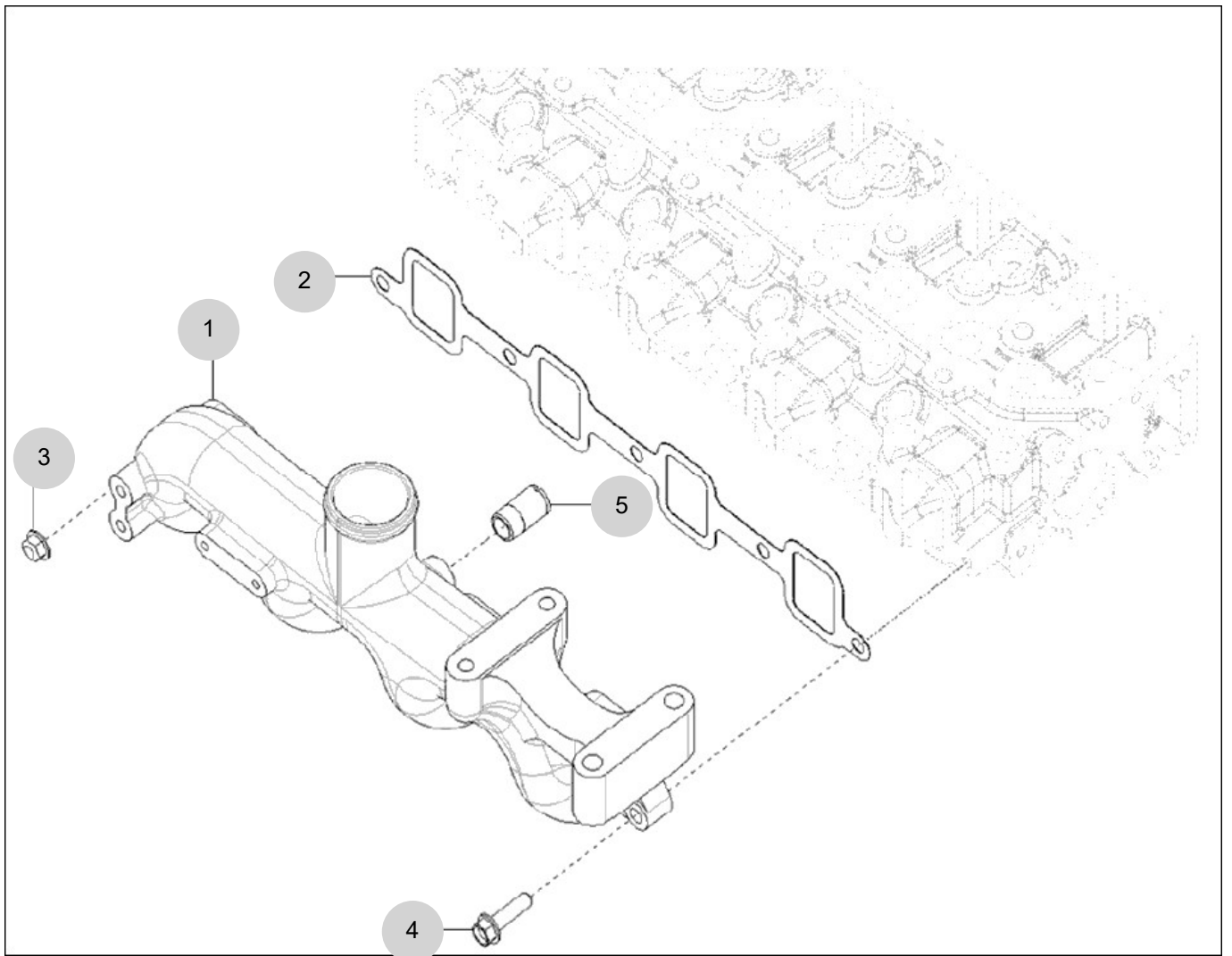
FIG 115B

INTAKE MANIFOLD(T494)

년/월
Year/Month

T494NH-B

2022-12



NOTE

FIG 115B T494NH-B	INTAKE MANIFOLD(T494)	년/월 Year/Month
		2022-12

KEY NO	PART NO	DESCRIPTION	SPEC	QTY	REPAIR	EFFECTIVE DATE	REMARKS
115B	1	HRC7000900A	INTAKE MANIFOLD	1			
115B	2	HRA0500200A	GASKET(INTAKE MANIFOLD)	1			
115B	2	HRA0500200B	INTAKE MANIFOLD	1			
115B	3	26367-080002	FLANGE BOLT	1			
115B	4	26106-080302	FLANGE BOLT	4			
115B	5	HRA0404000A	TUBE, BREATHER	1			
NOTE							

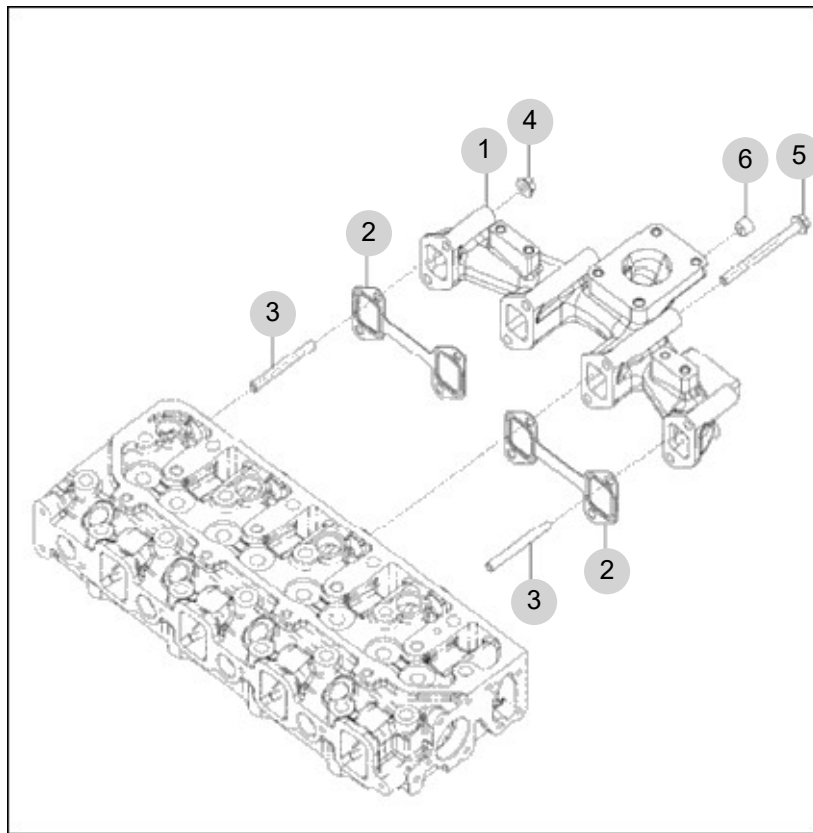
FIG 116B

T494NH-B

EXHAUST MANIFOLD(T494)

년/월
Year/Month

2022-12



NOTE

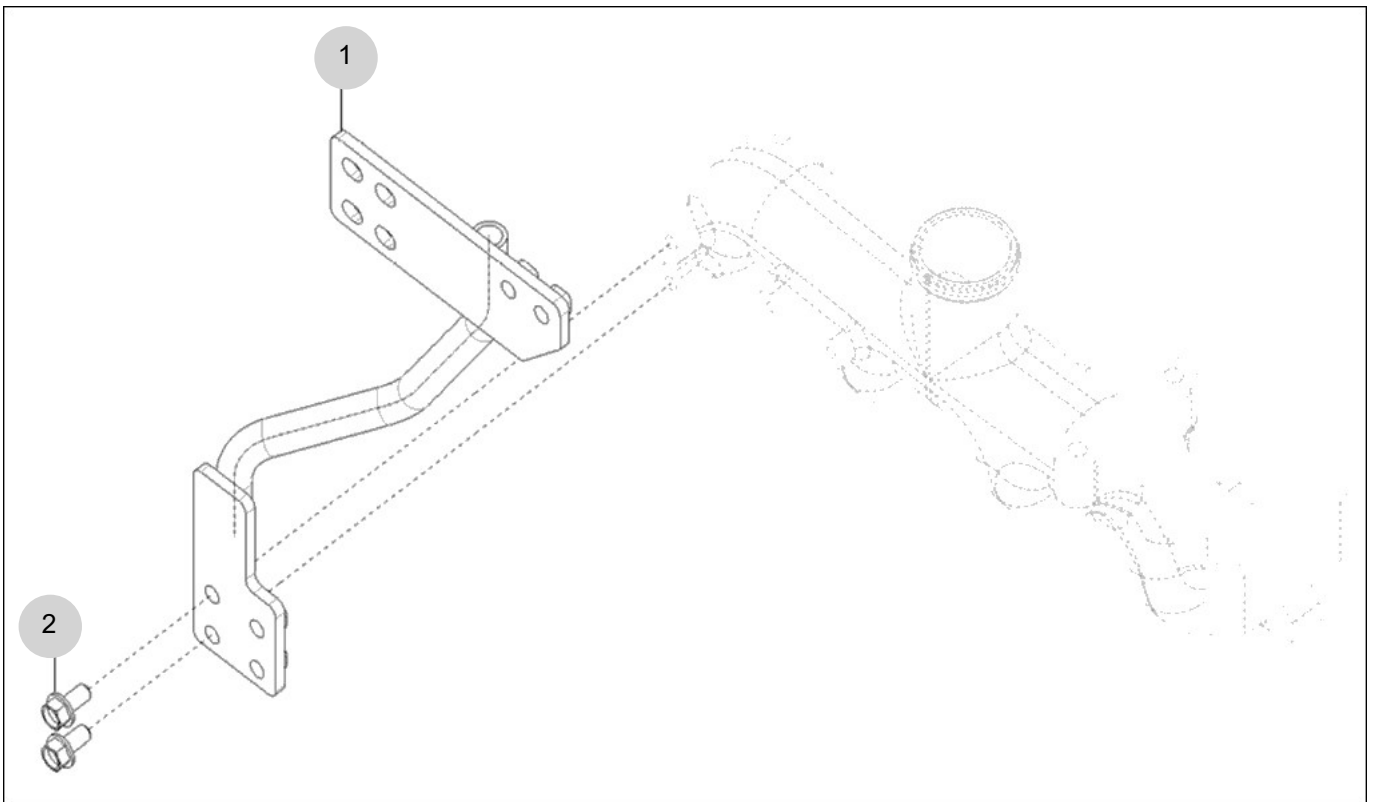
FIG 117B

TURBOCHARGER ASS'Y(T494)

년/월
Year/Month

T494NH-B

2022-12



NOTE

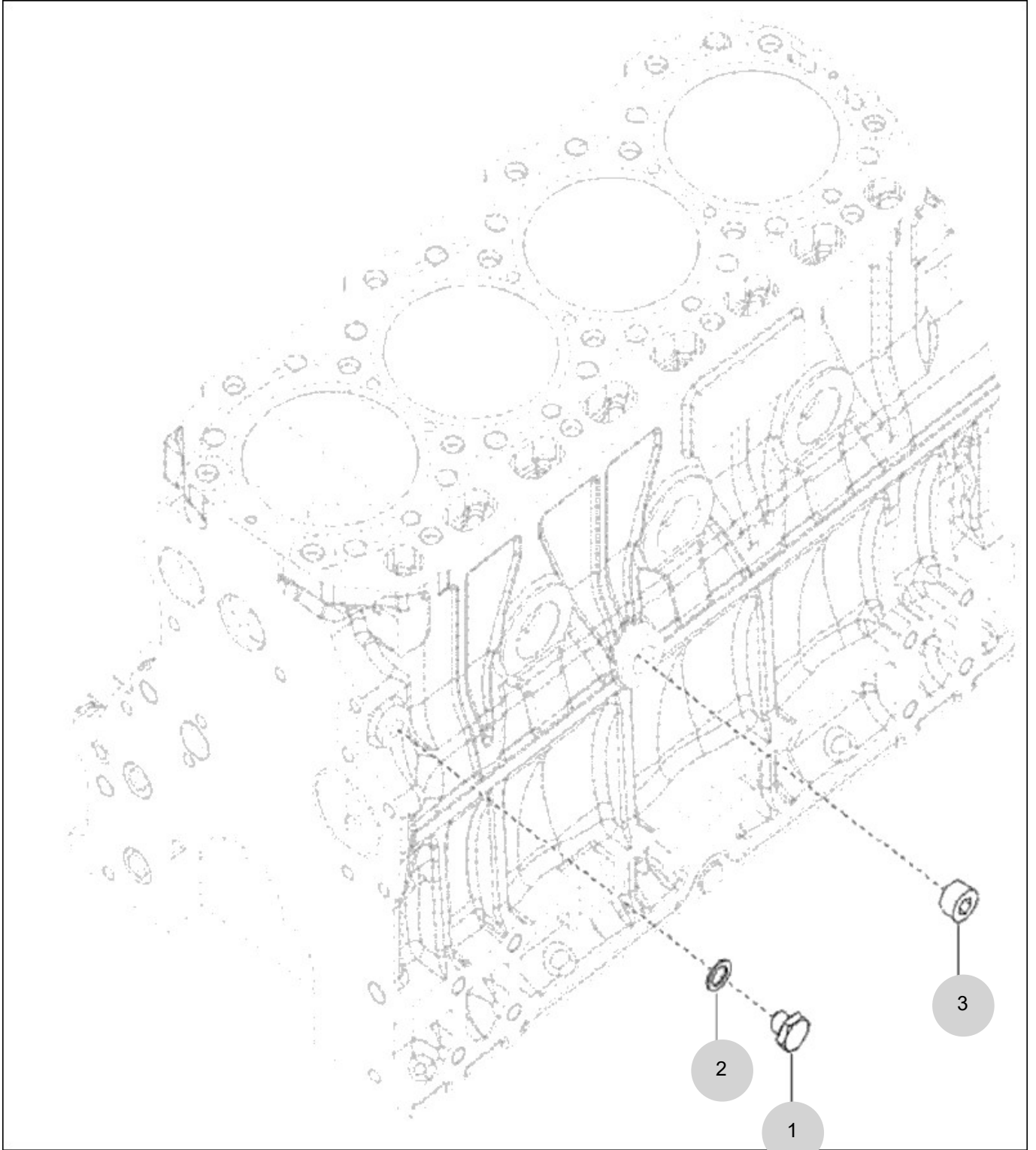
FIG 118B

TURBOCHARGER PLUMBING OPTION(T494)

년/월
Year/Month

2022-12

T494NH-B



NOTE

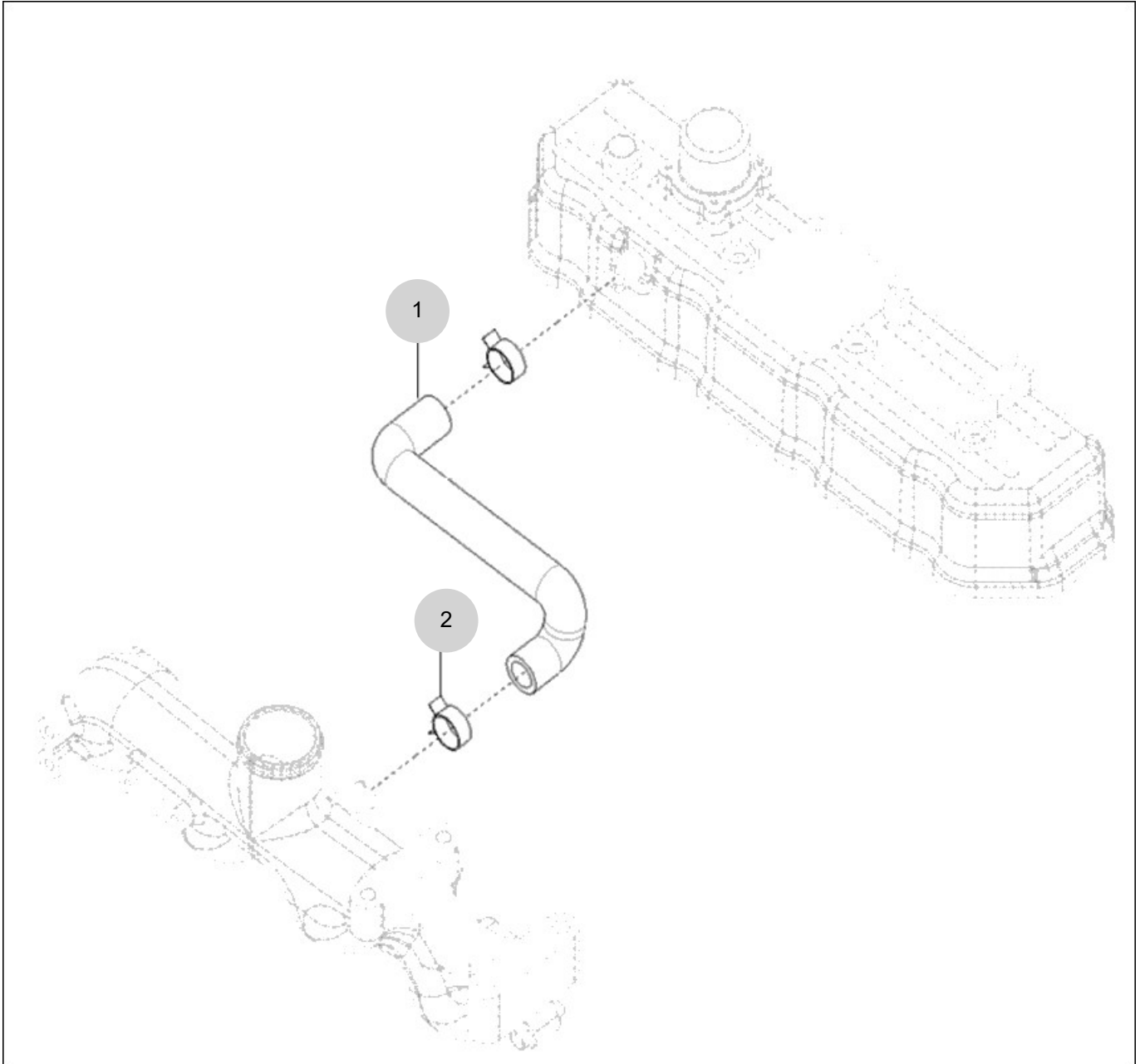
FIG 119B

T494NH-B

BREATHER(T494)

년/월
Year/Month

2022-12



NOTE

FIG 119B T494NH-B		BREATHHER(T494)					년/월 Year/Month	REMARKS
							2022-12	
KEY NO		PART NO	DESCRIPTION	SPEC	QTY	REPAIR	EFFECTIVE DATE	
119B	1	HRA0404100D	HOSE, PLAIN		1			
119B	2	23080-021000	CLAMP, V BAND		2			
NOTE								

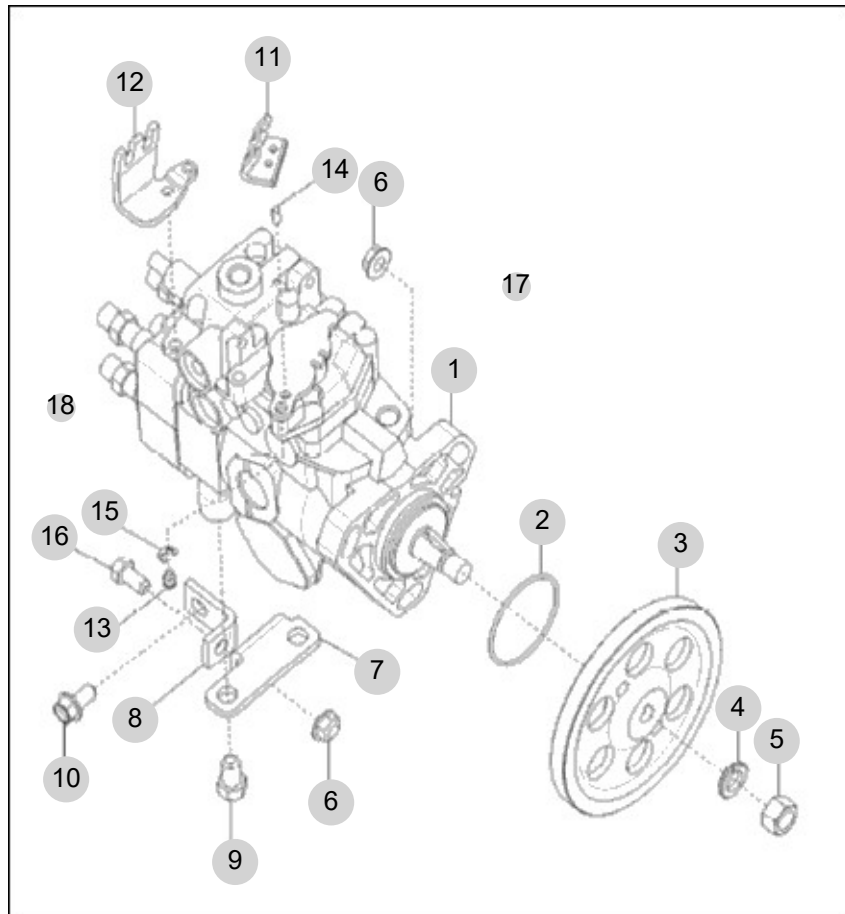
FIG 120

T494NH-B

FUEL INJECTION PUMP

년/월
Year/Month

2022-12



NOTE

FIG 120		FUEL INJECTION PUMP						년/월	
								Year/Month	
T494NH-B								2022-12	
KEY NO	PART NO	DESCRIPTION	SPEC	QTY	REPAIR	EFFECTIVE DATE	REMARKS		
120	1	EA00000786B	FUEL INJECTION PUMP			1			
120	2	24341-000500	O-RING			1			
120	3	HRA070080DC	GEAR, FUEL INJECTION PUMP			1			
120	4	22217-120000	WASHER			1			
120	5	26716-120002	HEX. NUT			1			
120	6	26367-080002	FLANGE BOLT			4			
120	7	HRA130020DB	SUPPORT BRACKET(A), PUMP			1			
120	8	HRA130030DB	SUPPORT BRACKET(B), PUMP			1			
120	9	26116-100162	HEX. BOLT			2			
120	10	26106-080162	BOLT, M8X 16 PLATED			1			
120	11	EA00002102B	ADJUST BRACKET(ACCEL LEVER)			1			
120	12	EA00004263B	SUPPORT(ACCEL LEVER)			1			
120	13	HRA1300702A	PIN			1			
120	14	EA00002103A	PIN			1			
120	15	22272-000050	E-TYPE RETAINING RING			1			
120	16	26116-080162	SCREW, HEXAGON HEAD CAP			1			
120	17	HRU0170210A9	VALVE FUEL STOP			1			
120	18	EA00003768A	pick up sensor			1			
NOTE									

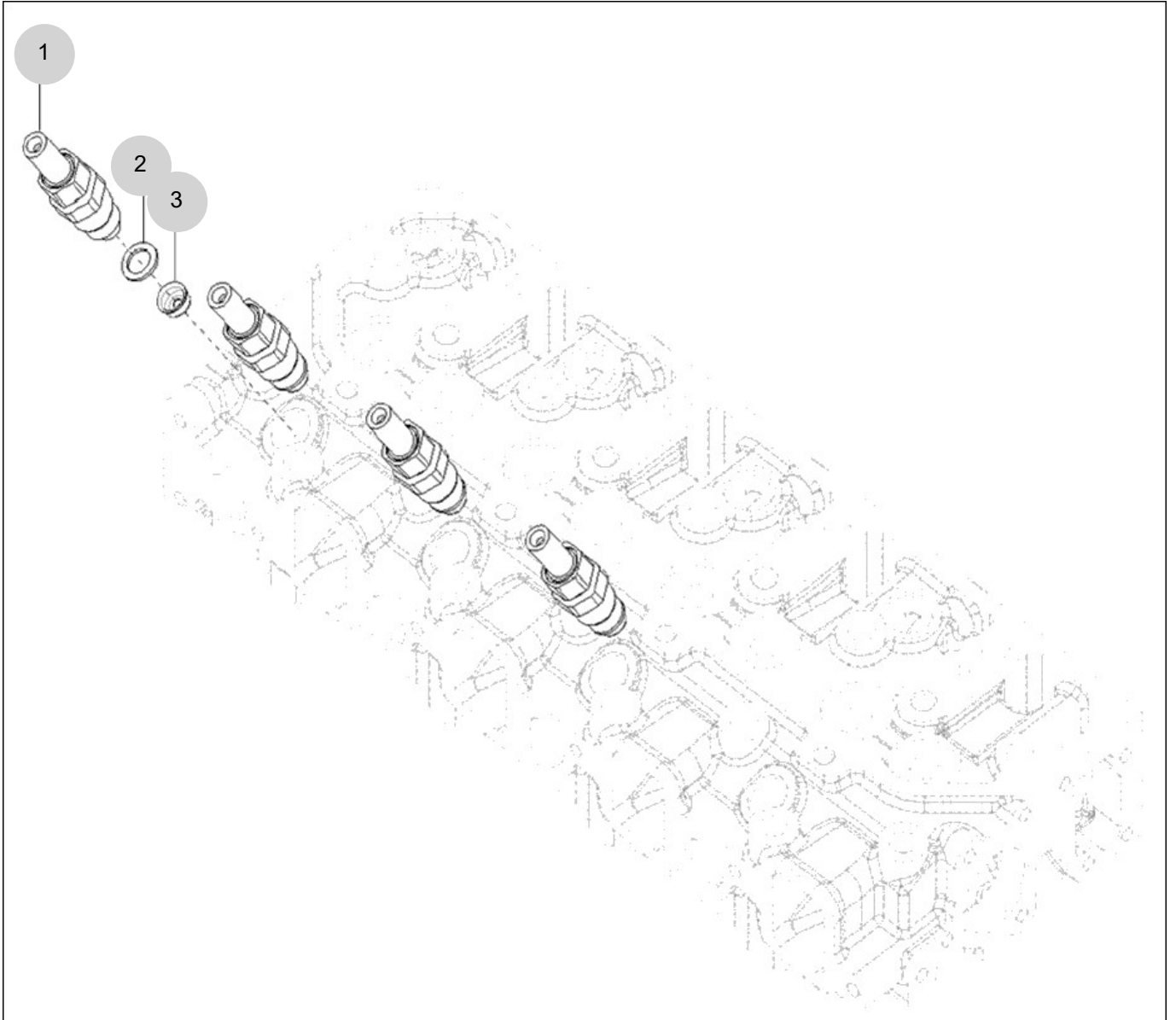
FIG 121

T494NH-B

FUEL INJECTION VALVE

년/월
Year/Month

2022-12



NOTE

FIG 121 T494NH-B		FUEL INJECTION VALVE						년/월 Year/Month	
								2022-12	
KEY NO	PART NO	DESCRIPTION	SPEC	QTY	REPAIR	EFFECTIVE DATE	REMARKS		
121	1	EA00000642B	COMP, INJECTOR	4					
121	1	EA00000642A	COMP, INJECTOR((EA00000642B로 주문 변경)	4					
121	2	HRA0404900A	SEAL, INJECTOR	4					
121	3	HRA0405000A	SPACER	4					
NOTE									

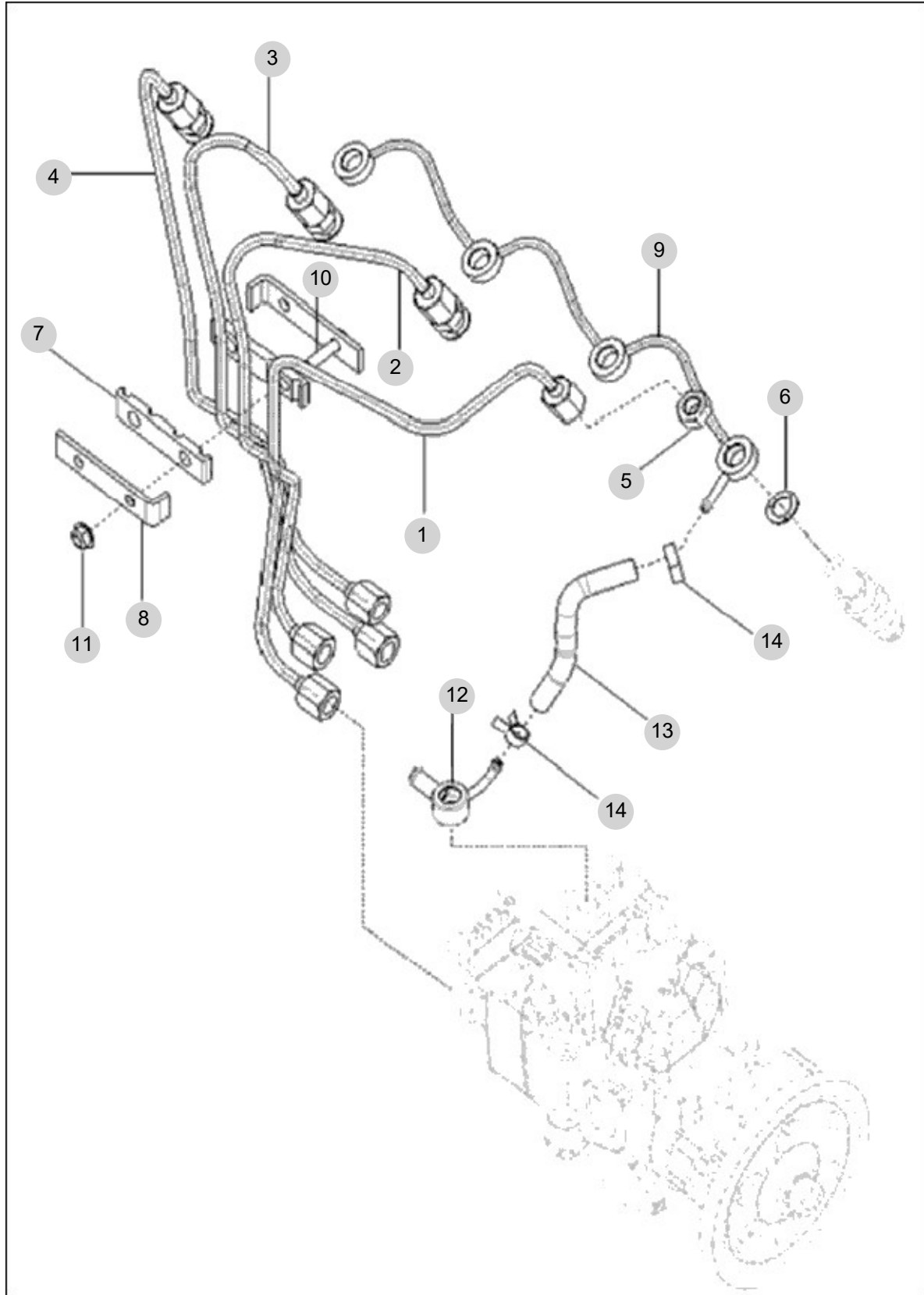
FIG 122

FUEL PIPE ASS'Y

년/월
Year/Month

2022-12

T494NH-B



NOTE

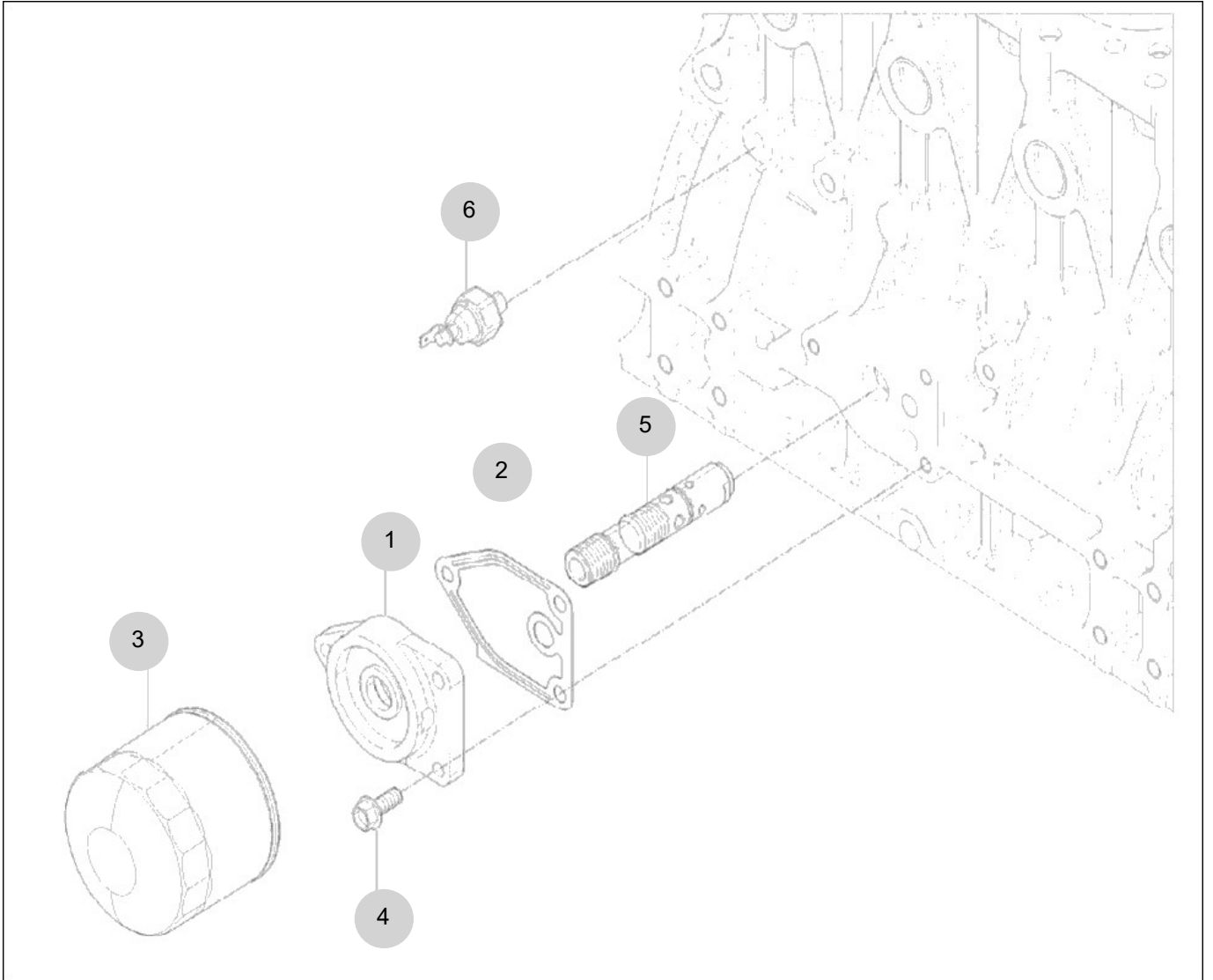
FIG 123

T494NH-B

OIL FILTER

년/월
Year/Month

2022-12



NOTE

FIG 123 T494NH-B		OIL FILTER					년/월 Year/Month	
							2022-12	
KEY NO	PART NO	DESCRIPTION	SPEC	QTY	REPAIR	EFFECTIVE DATE	REMARKS	
123	1	HRA1100900B	BRACKET, OIL FILTER			1		
123	2	HRA1101000B	PACKING(OIL FILTER)			1		
123	2	HRA1101000A	PACKING(OIL FILTER)			1		
123	3	EA00004647A	FILTER , ENGINE OIL			1		
123	4	26106-080202	HEX. FLANGE BOLT	8X20		3		
123	5	EA00002852A	PRESS CONTROL VALVE ASSY			1		
123	6	HA09250000A	SWITCH , OIL PRESSURE	1X1X1		1		
NOTE								

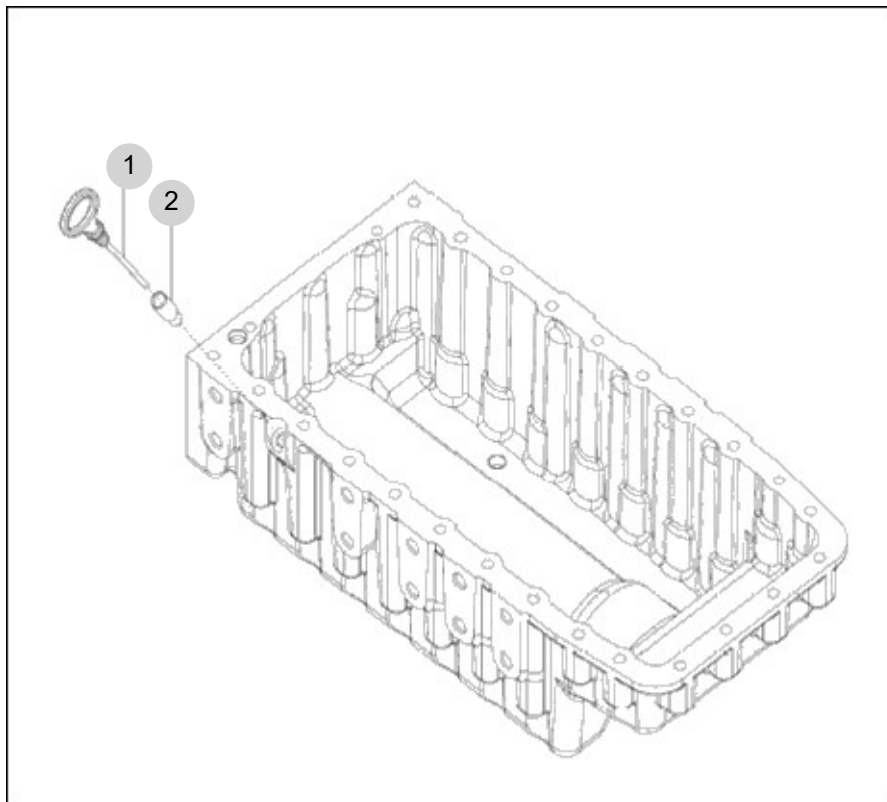
FIG 125

OIL GAUGUE

년/월
Year/Month

T494NH-B

2022-12



NOTE

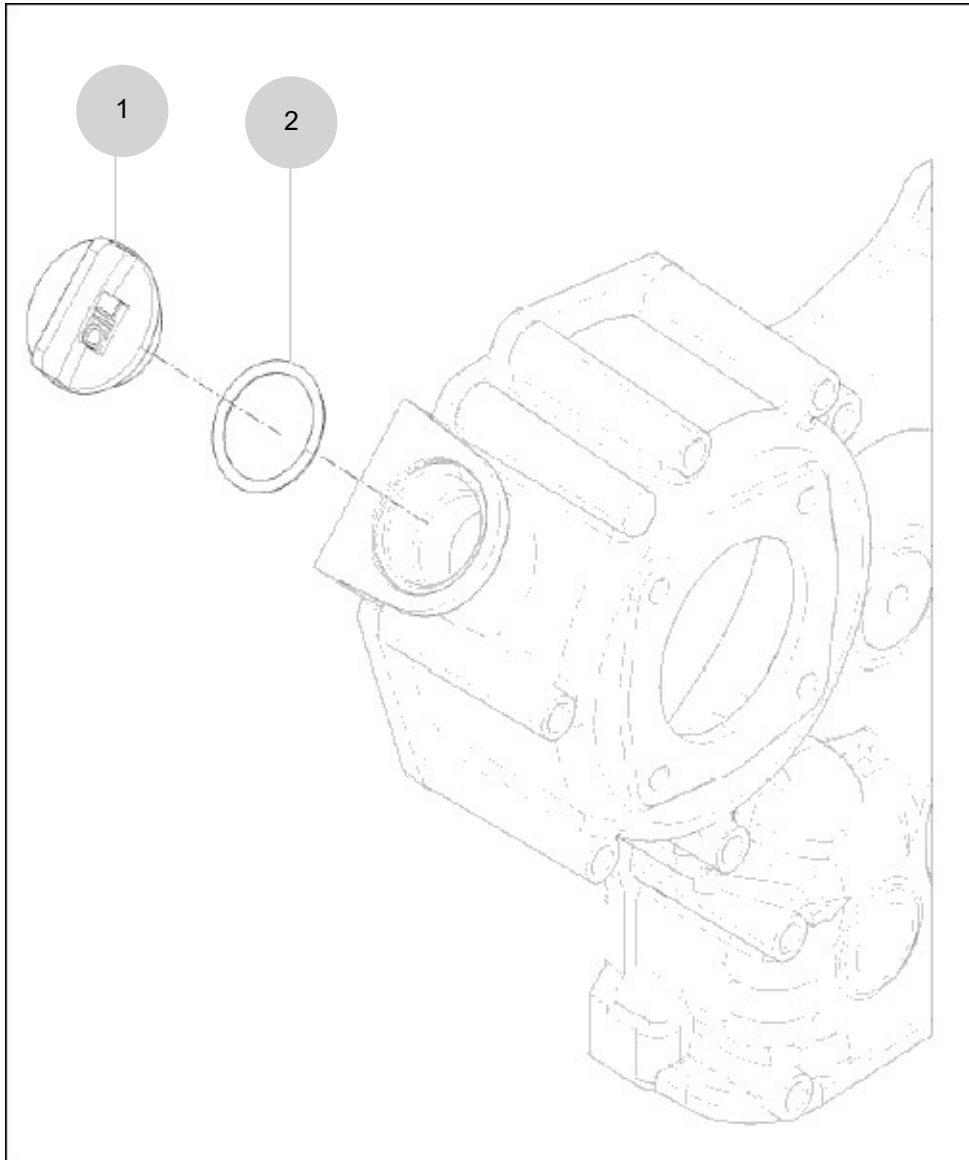
FIG 126

T494NH-B

OIL FILLER CAP

년/월
Year/Month

2022-12



NOTE

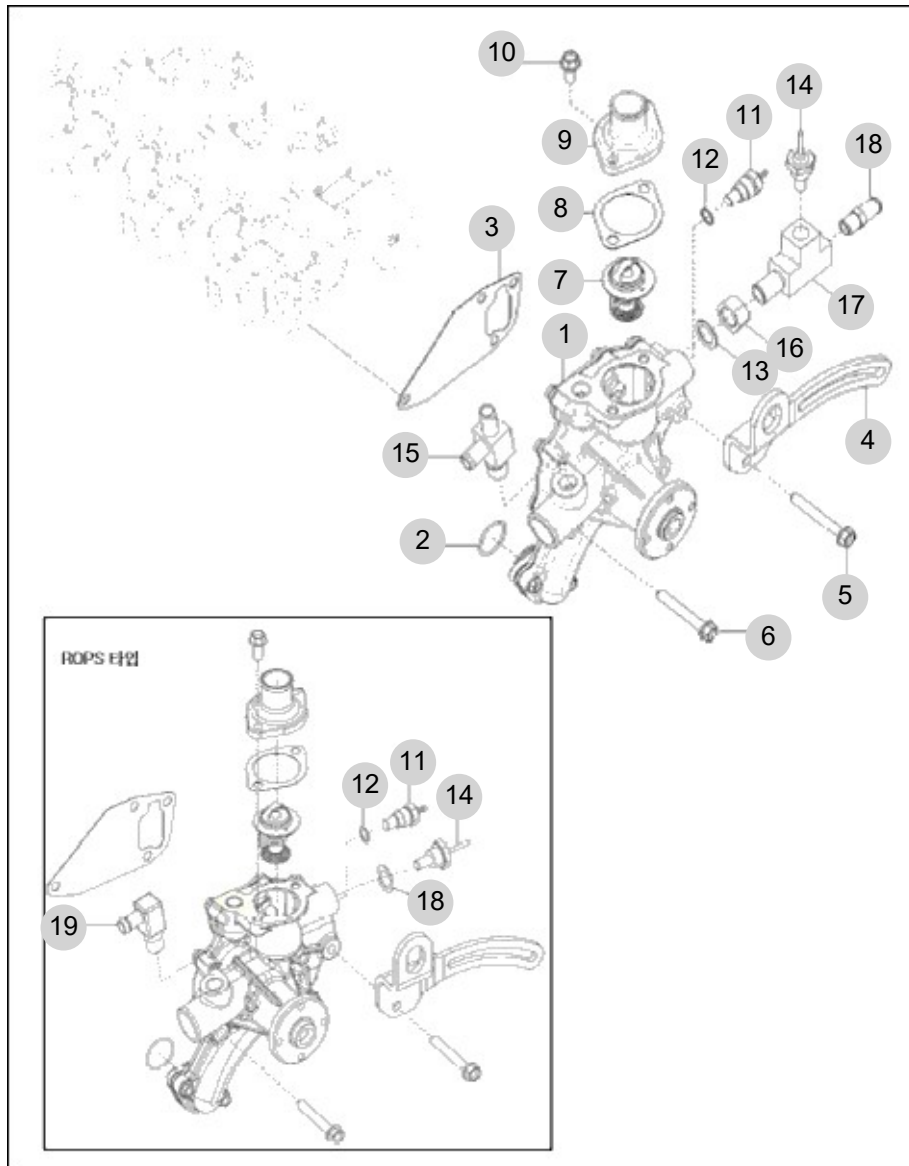
FIG 127

COOLING WATER PUMP

년/월
Year/Month

2022-12

T494NH-B



NOTE

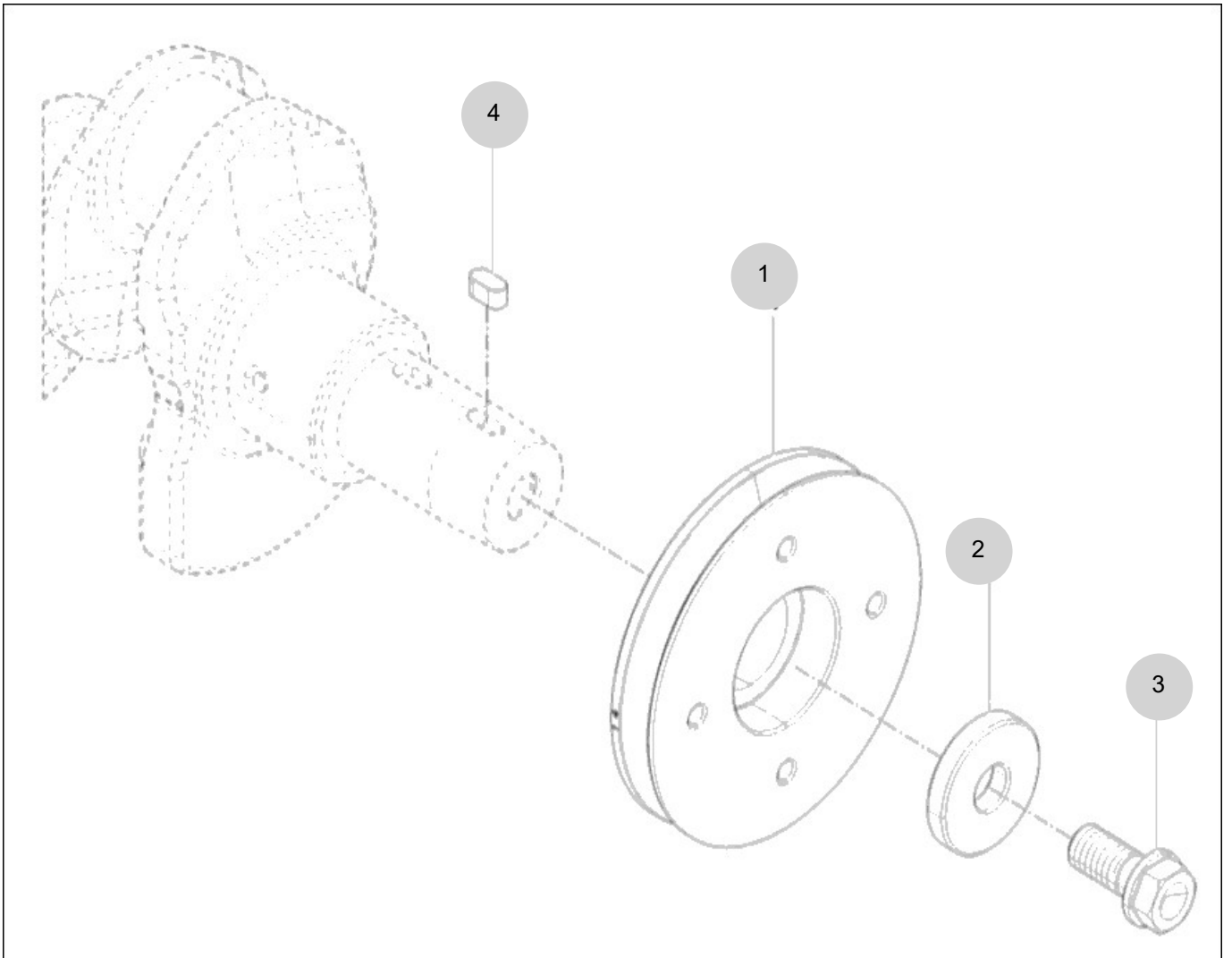
FIG 128

T494NH-B

CRANK SHAFT PULLEY

년/월
Year/Month

2022-12



NOTE

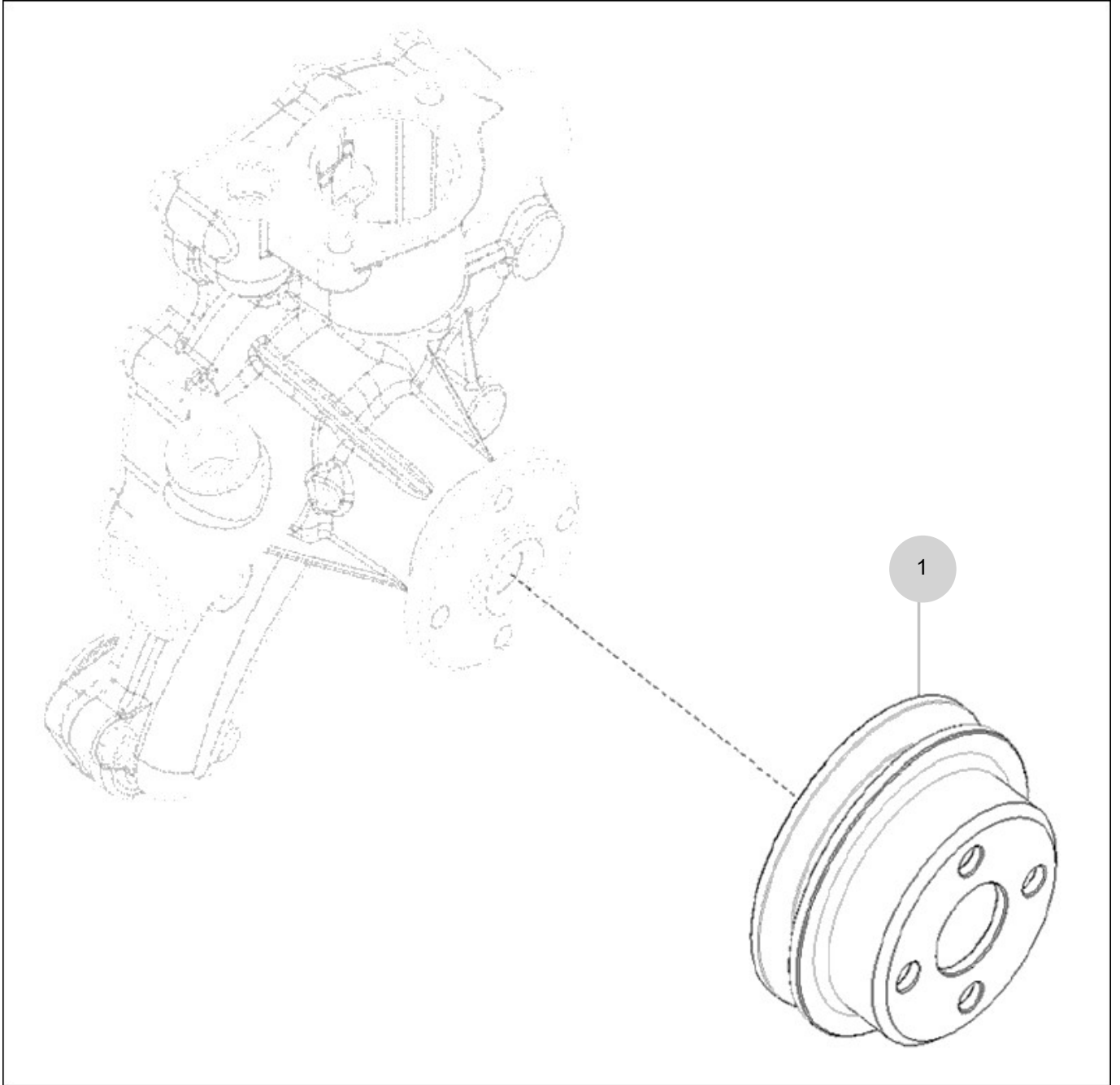
FIG 129

V-PULLEY

년/월
Year/Month

T494NH-B

2022-12



NOTE

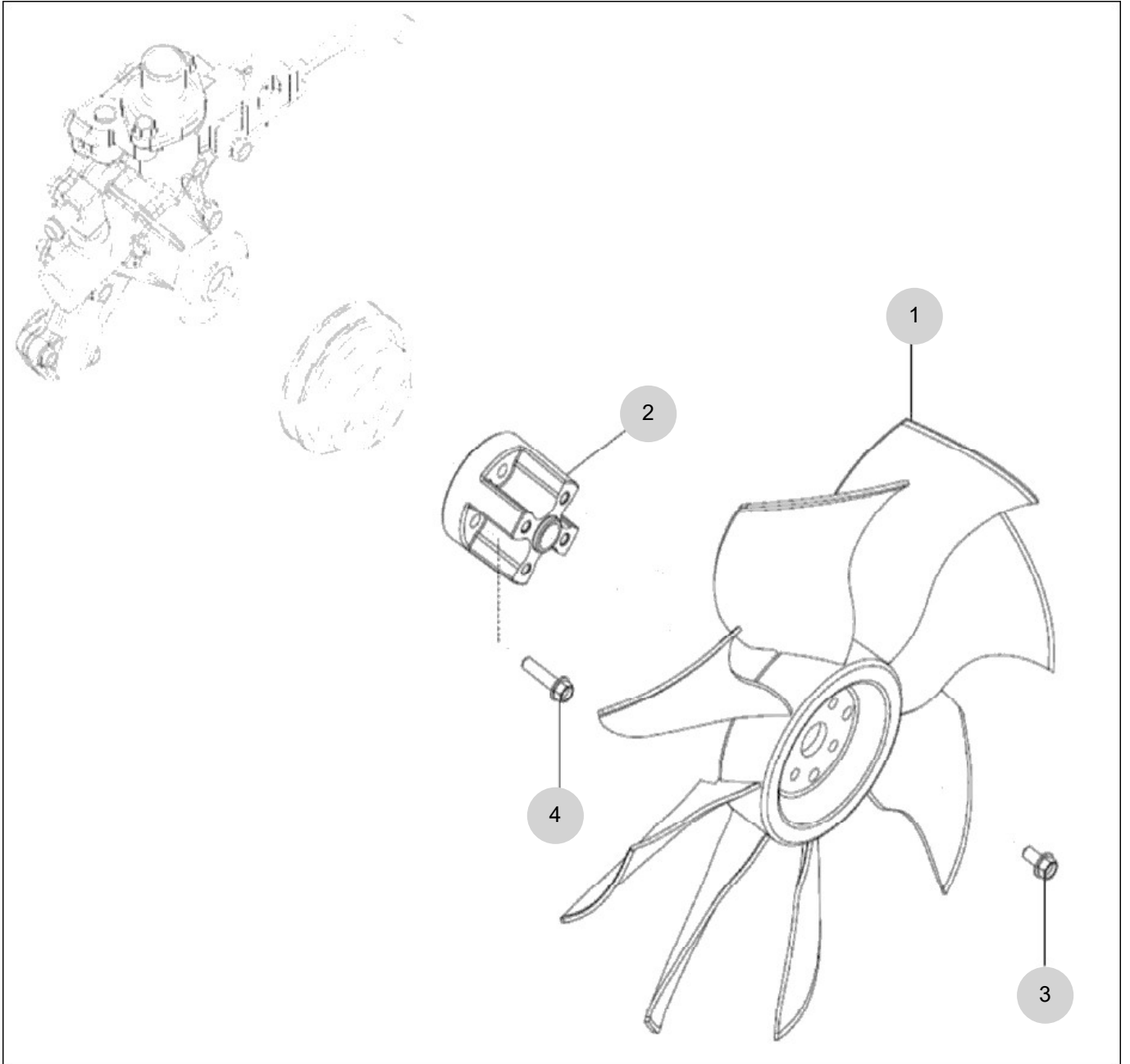
FIG 130

T494NH-B

COOLING FAN

년/월
Year/Month

2022-12



NOTE

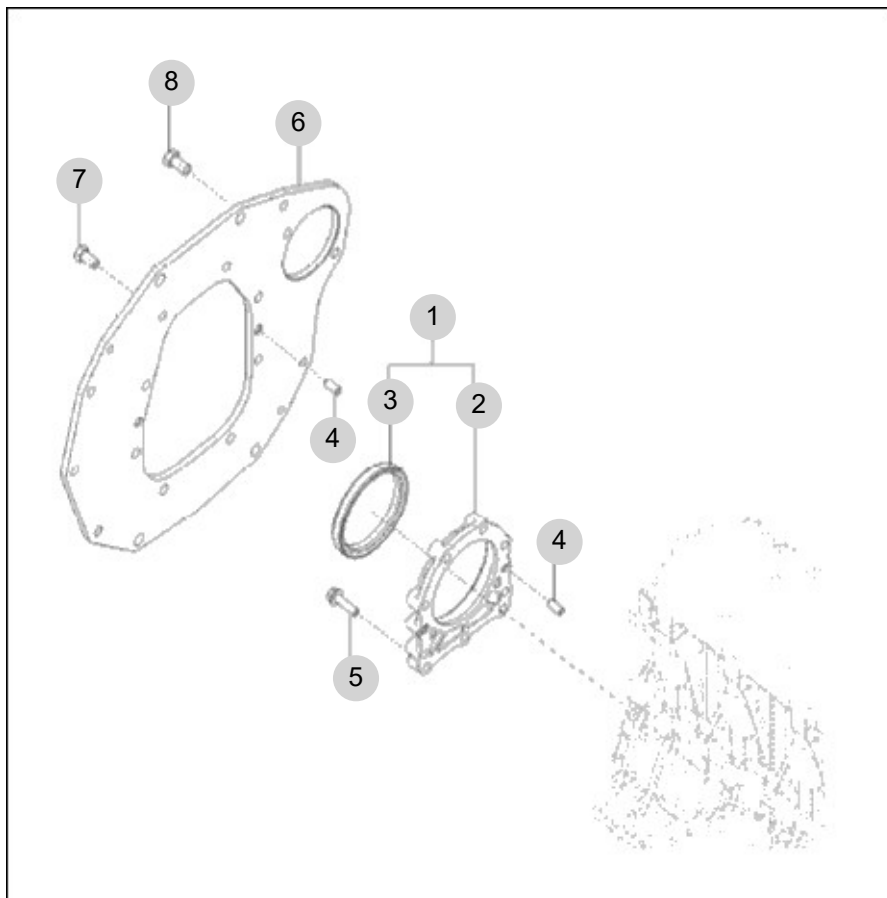
FIG 131

T494NH-B

FLYWHEEL HOUSING

년/월
Year/Month

2022-12



NOTE

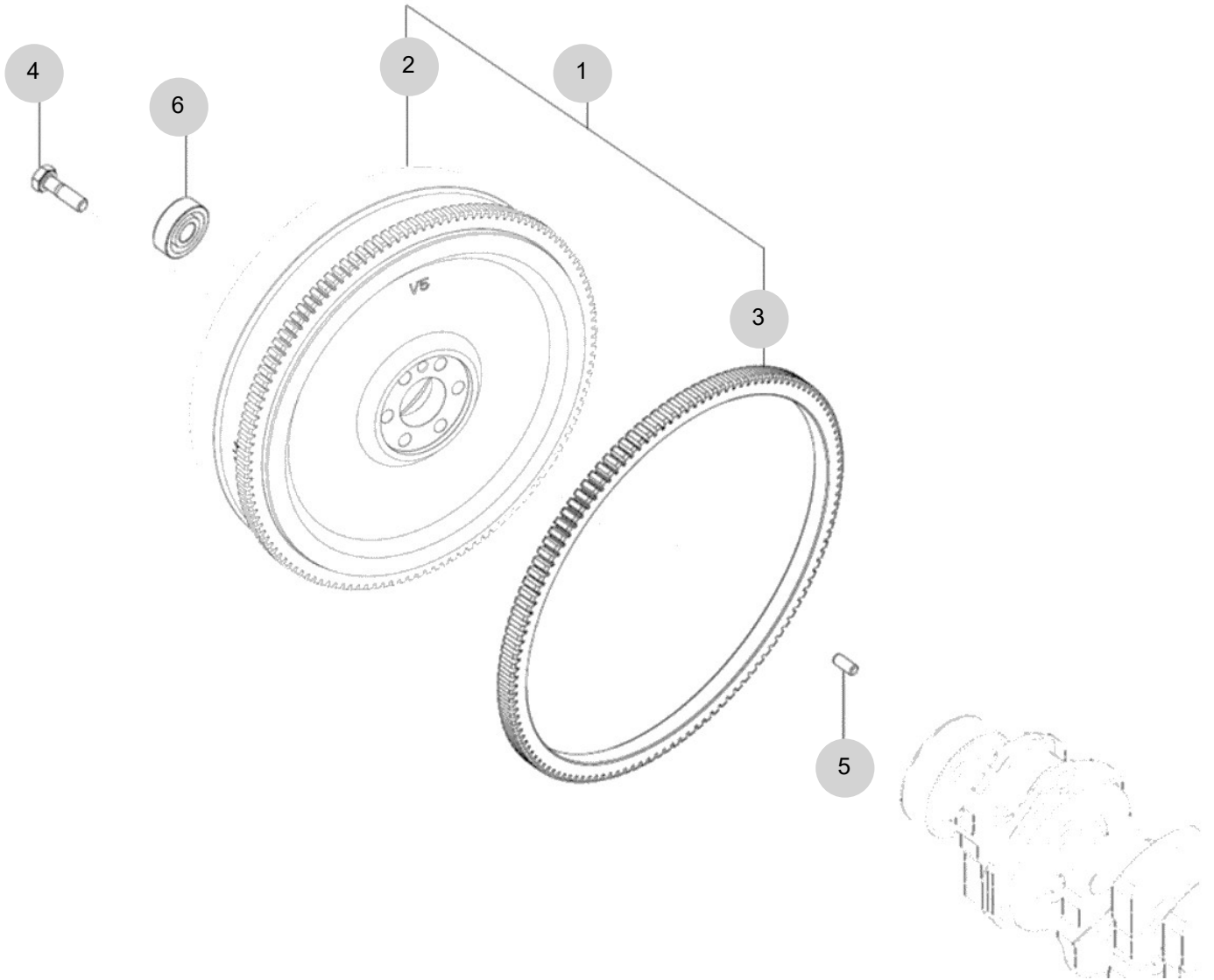
FIG 132

T494NH-B

FLYWHEEL

년/월
Year/Month

2022-12



NOTE

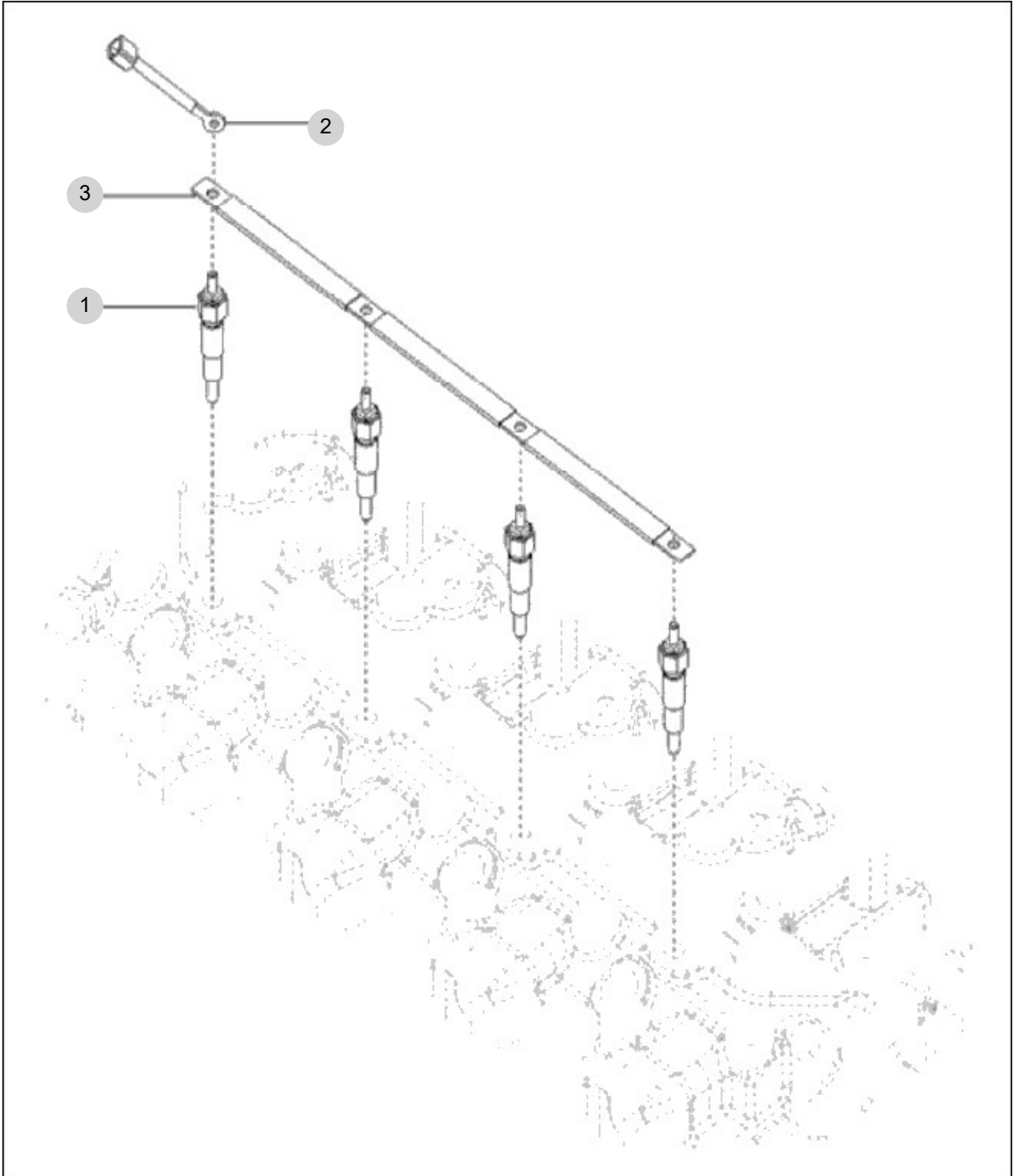
FIG 133

T494NH-B

GLOW PLUG ASS'Y OPTION

년/월
Year/Month

2022-12



NOTE

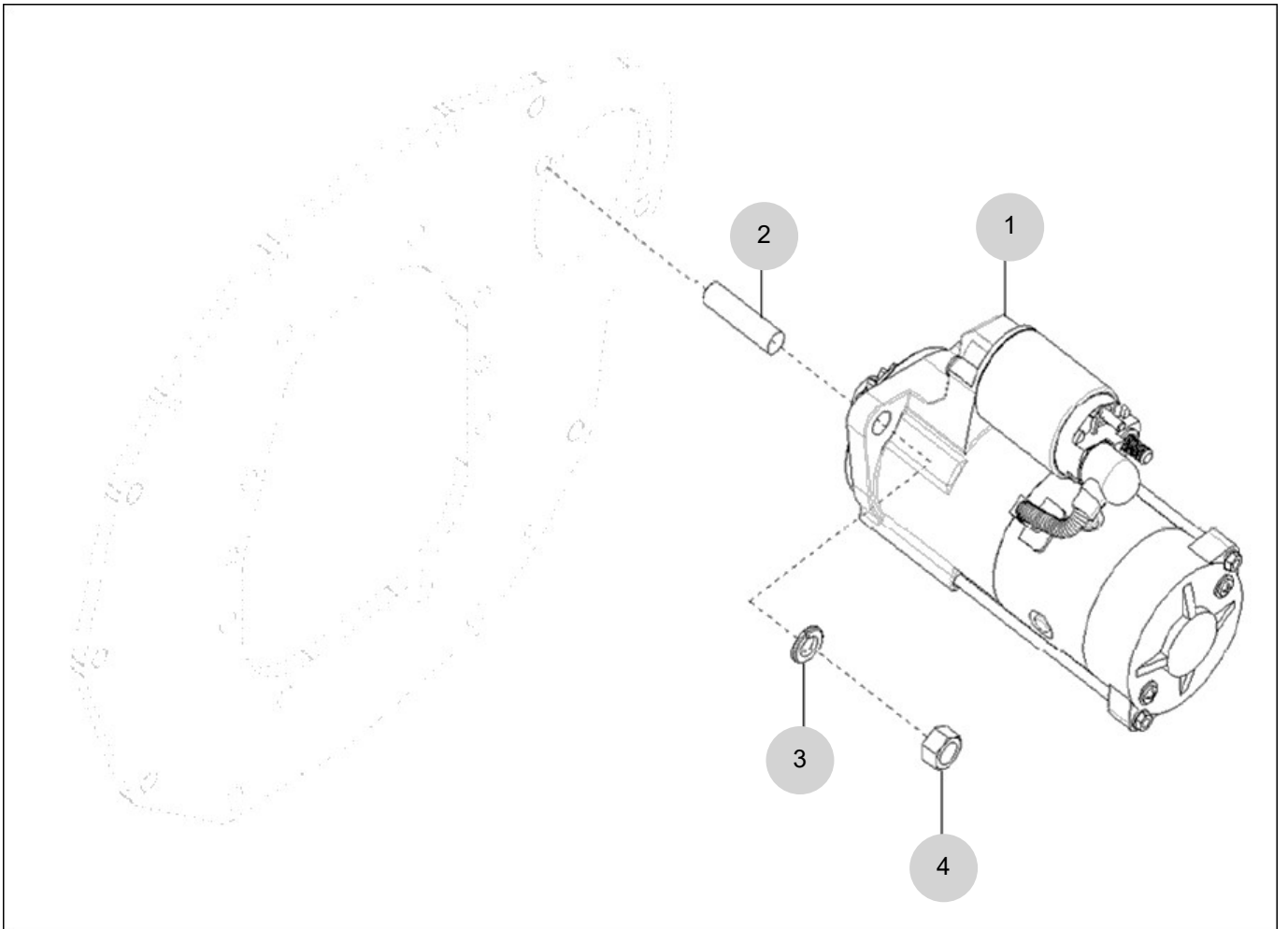
FIG 134

STARTING MOTOR

년/월
Year/Month

T494NH-B

2022-12



NOTE

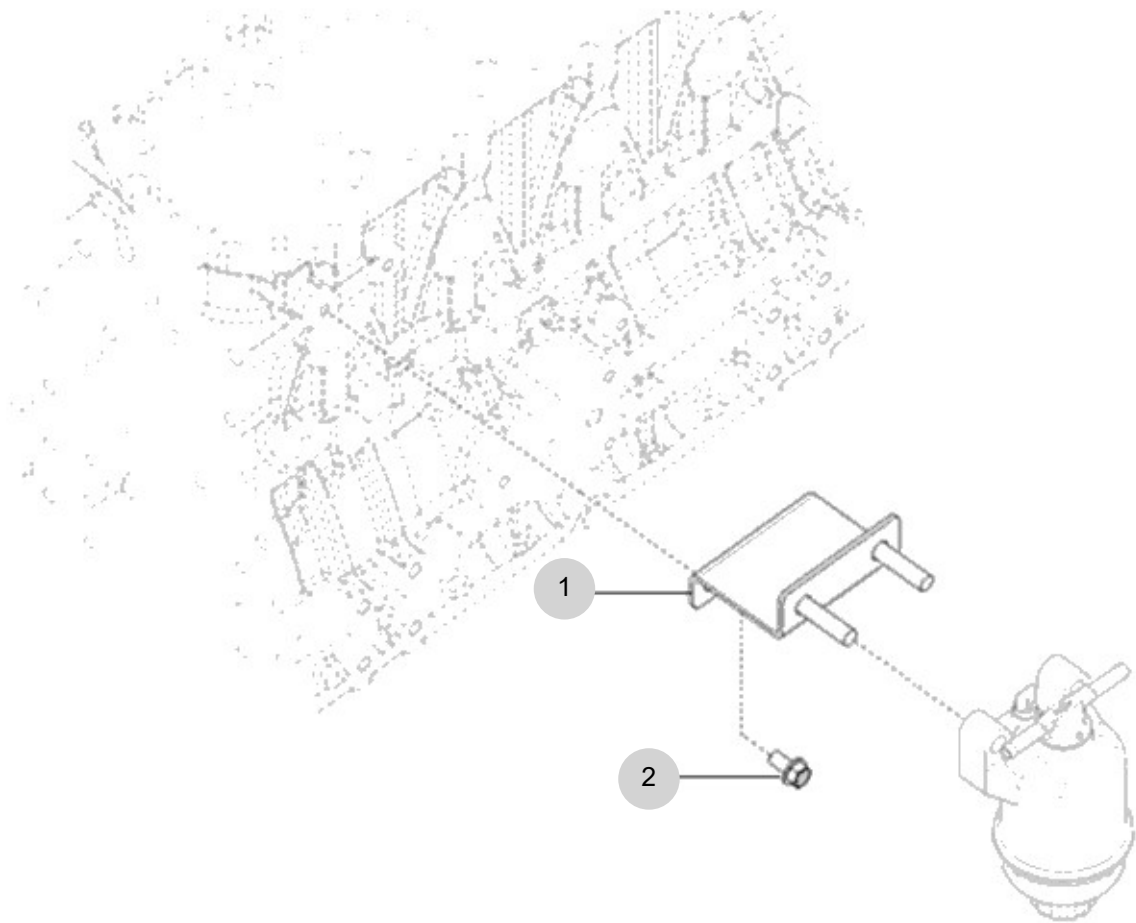
FIG 135

T494NH-B

FUEL FILTER BRACKET ASS'Y

년/월
Year/Month

2022-12



NOTE

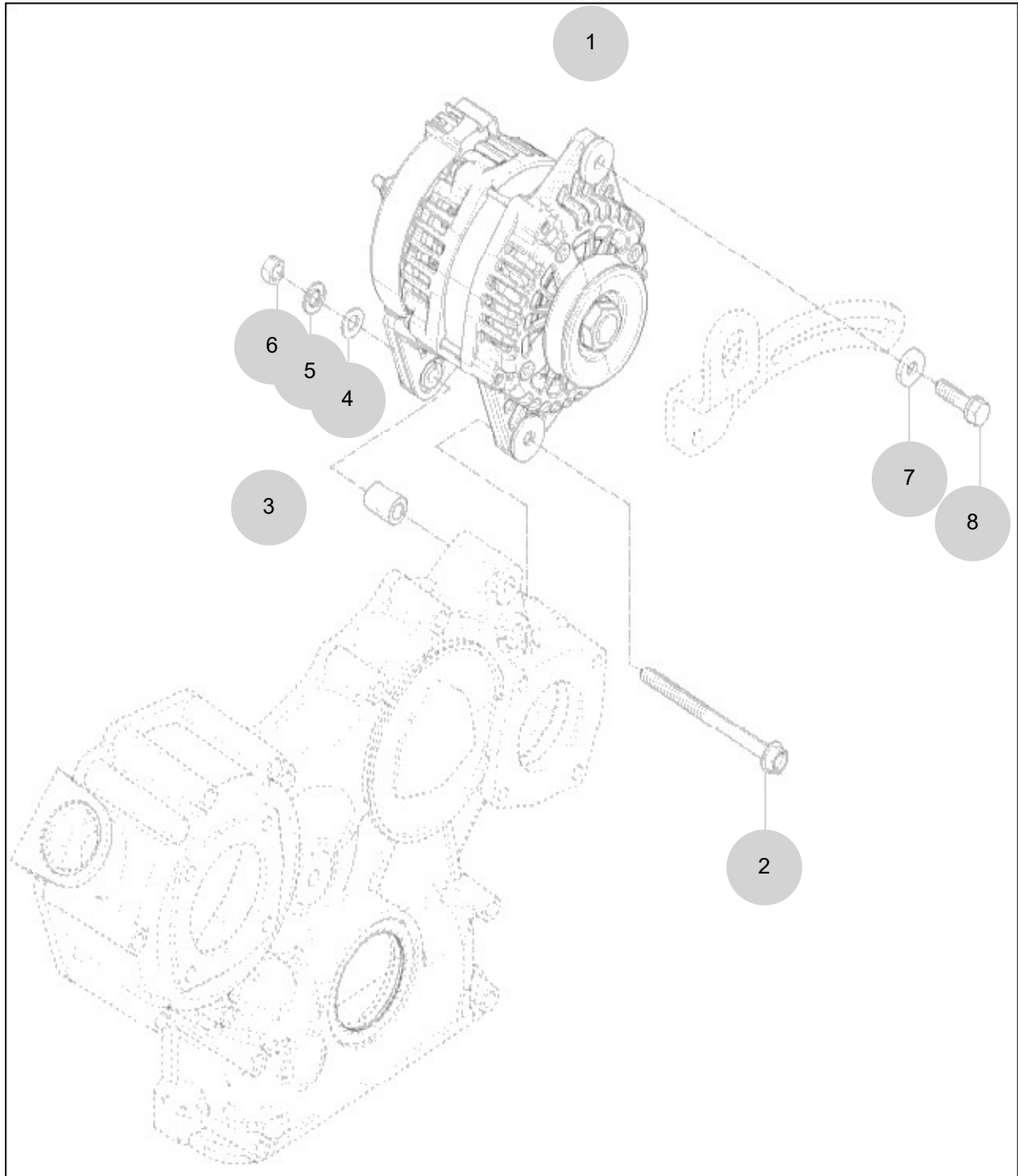
FIG 136

ALTERNATOR

년/월
Year/Month

T494NH-B

2022-12



NOTE

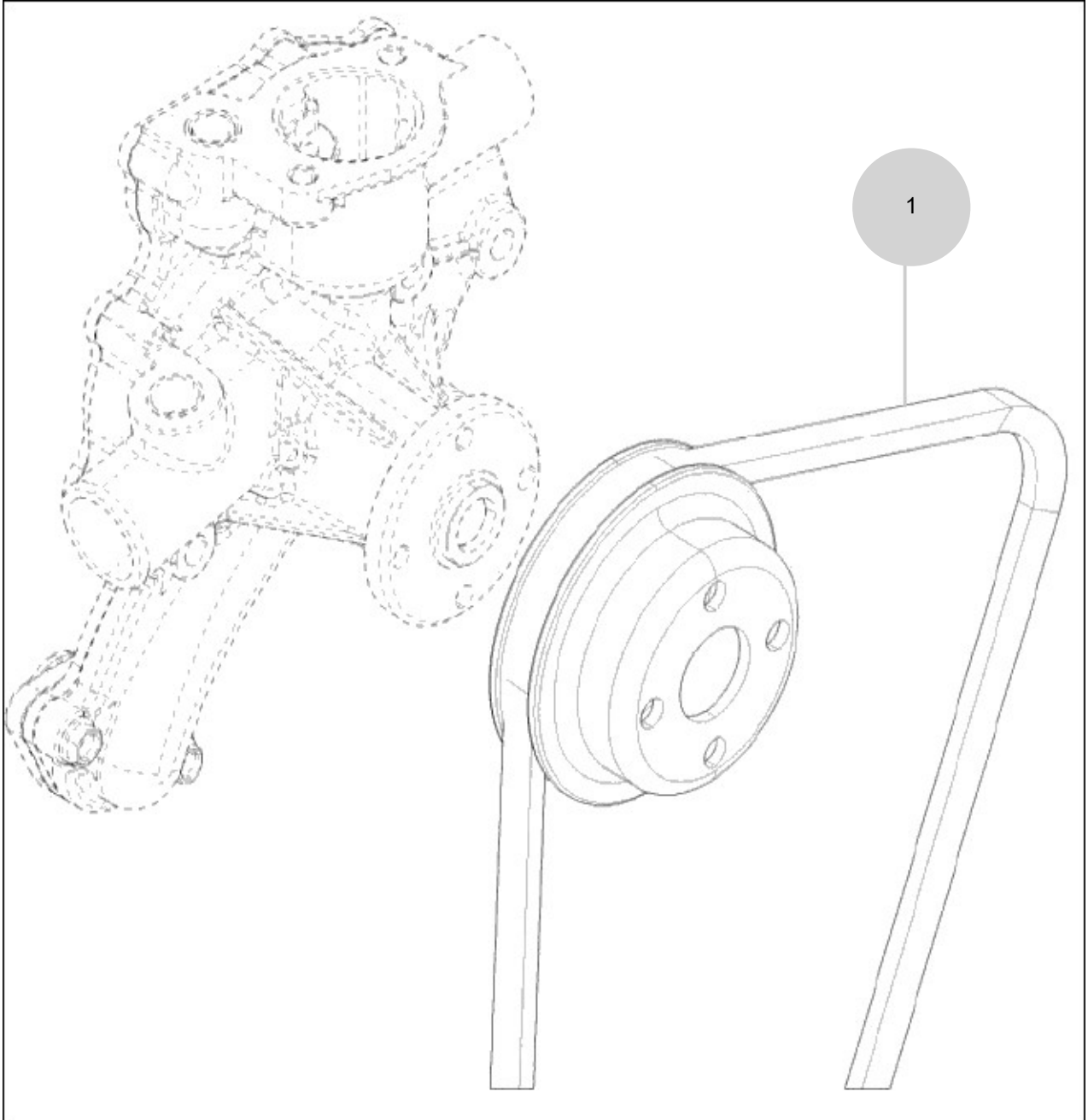
FIG 137

T494NH-B

V-BELT

년/월
Year/Month

2022-12



NOTE

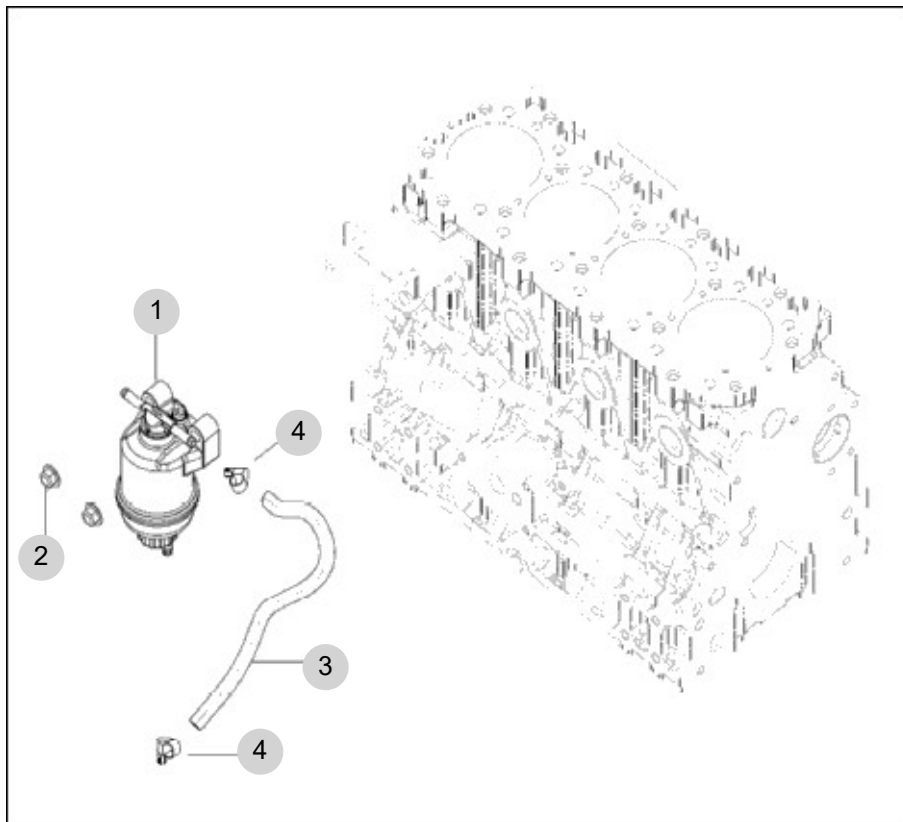
FIG 138

T494NH-B

FUEL FILTER

년/월
Year/Month

2022-12



NOTE

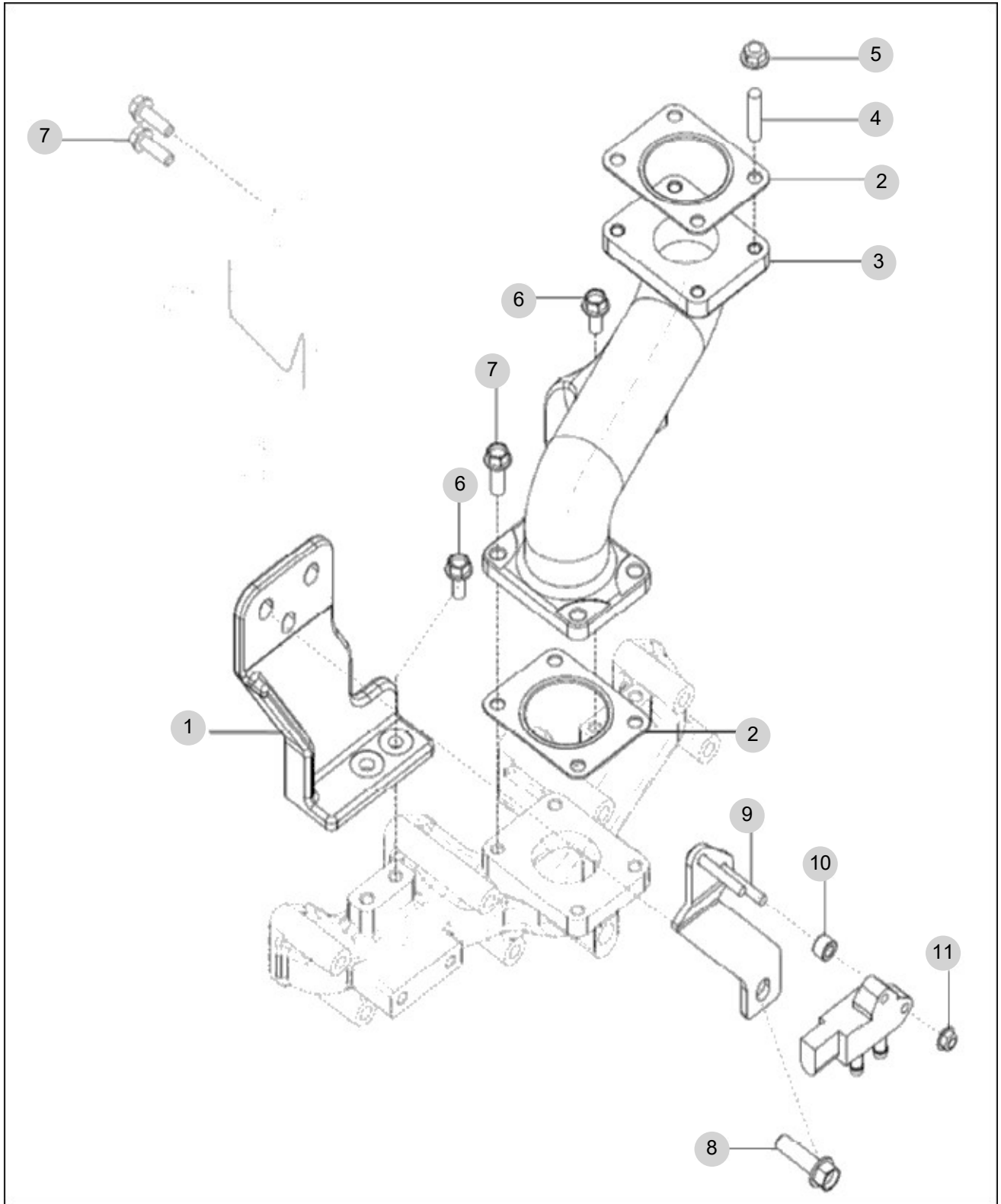
FIG 139B

DPF SUPPORT (T494)

년/월
Year/Month

T494NH-B

2022-12



NOTE

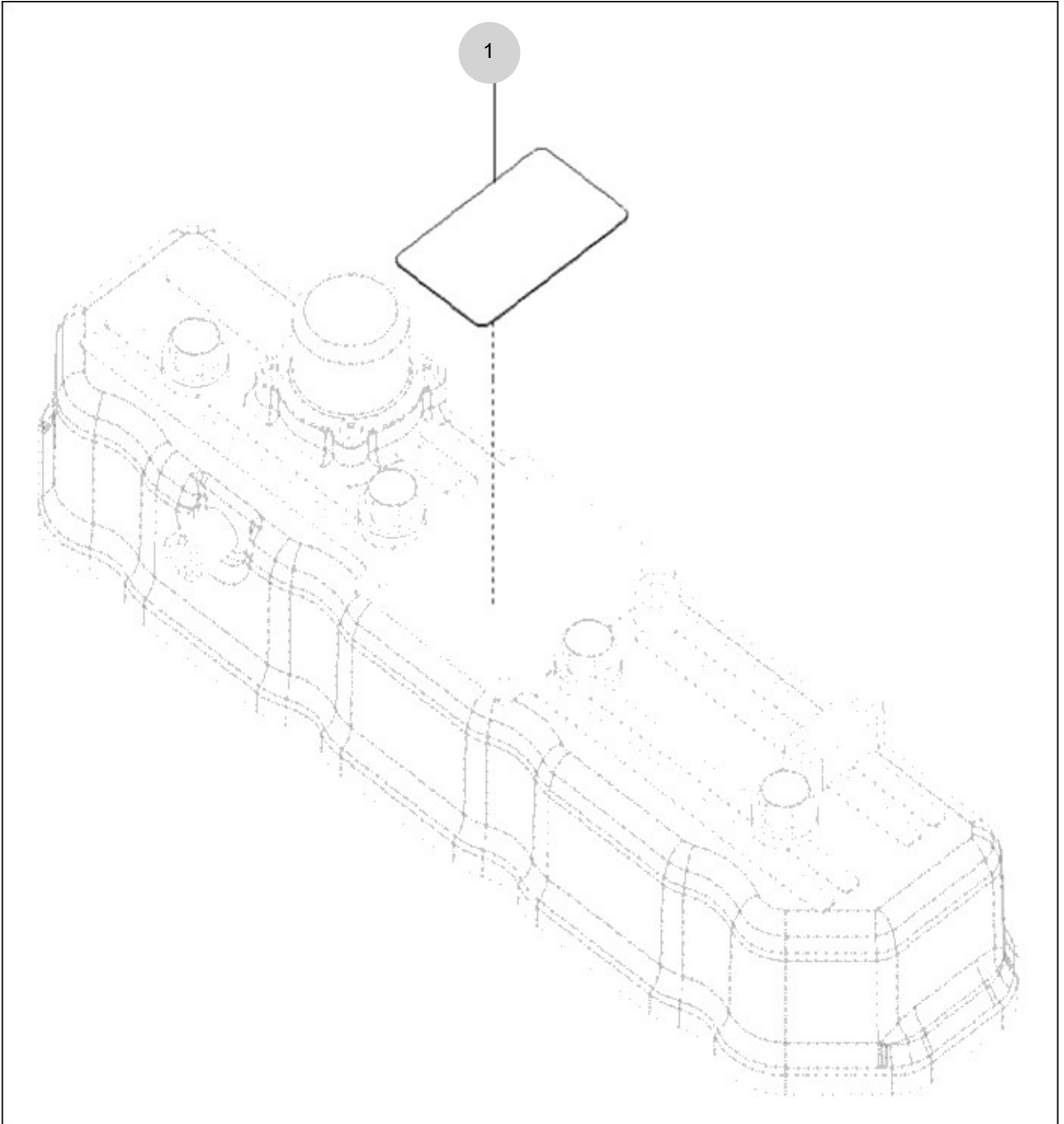
FIG 140

T494NH-B

DATAPLATE

년/월
Year/Month

2022-12



NOTE

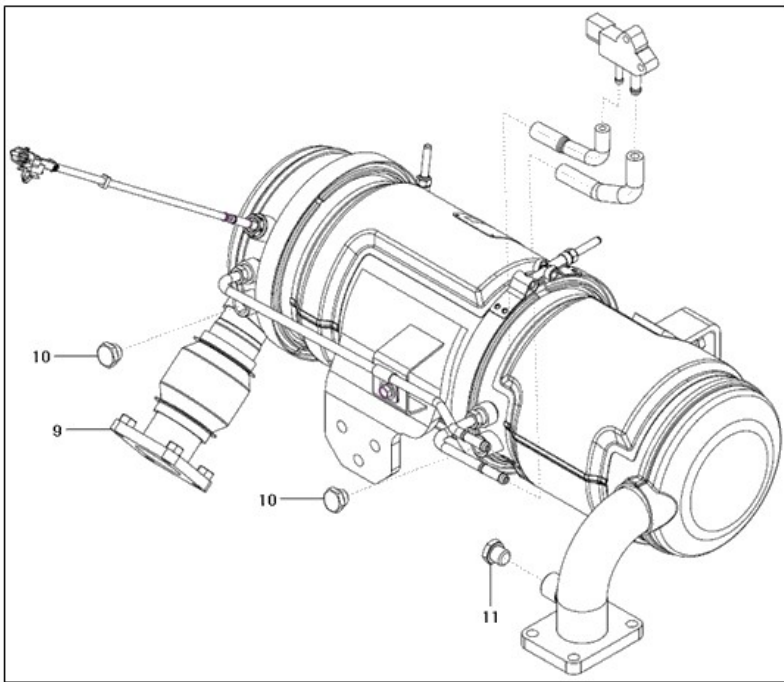
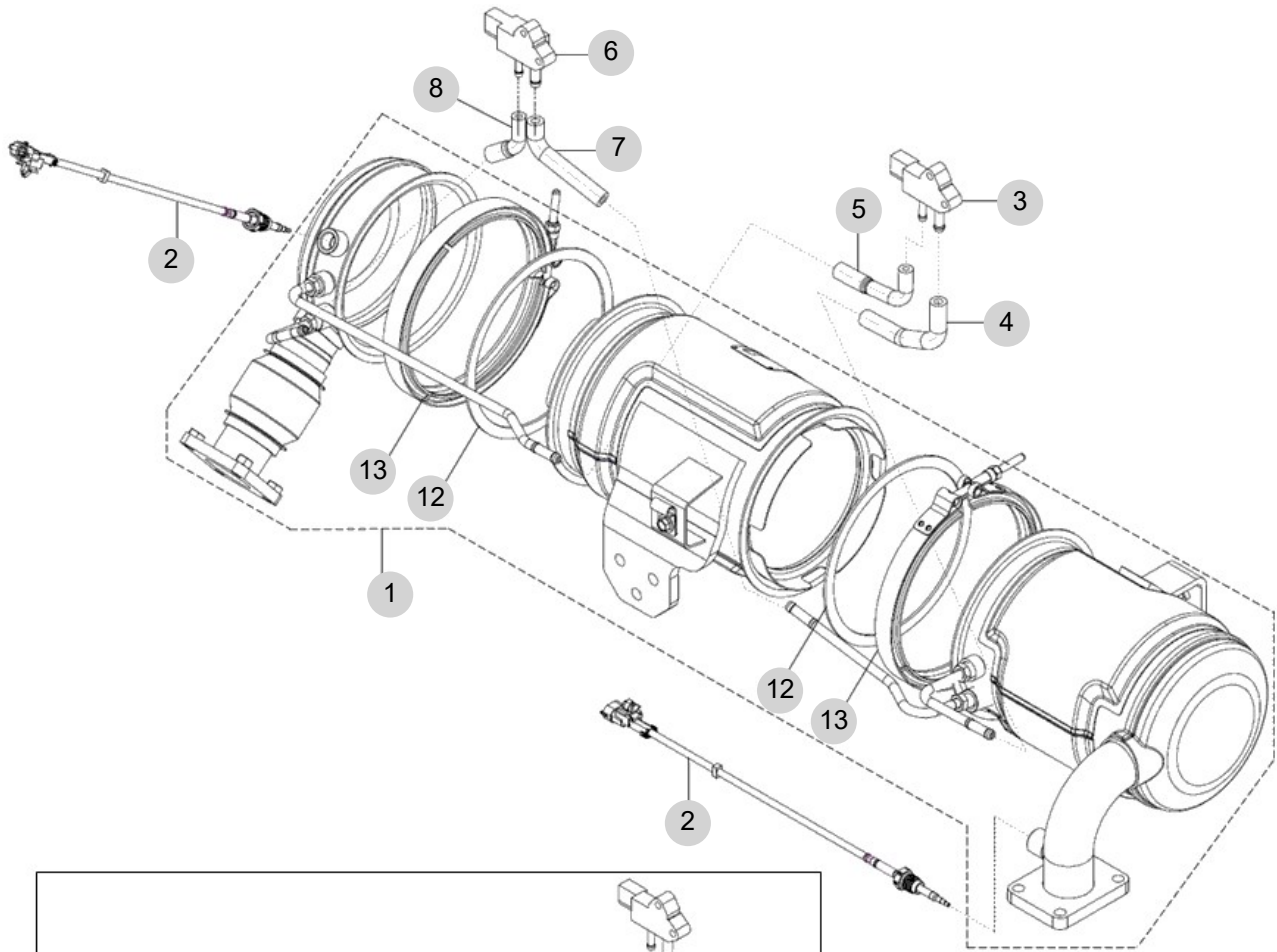
FIG 142B

DPF ASS'Y (T494)

년/월
Year/Month

2022-12

T494NH-B



NOTE

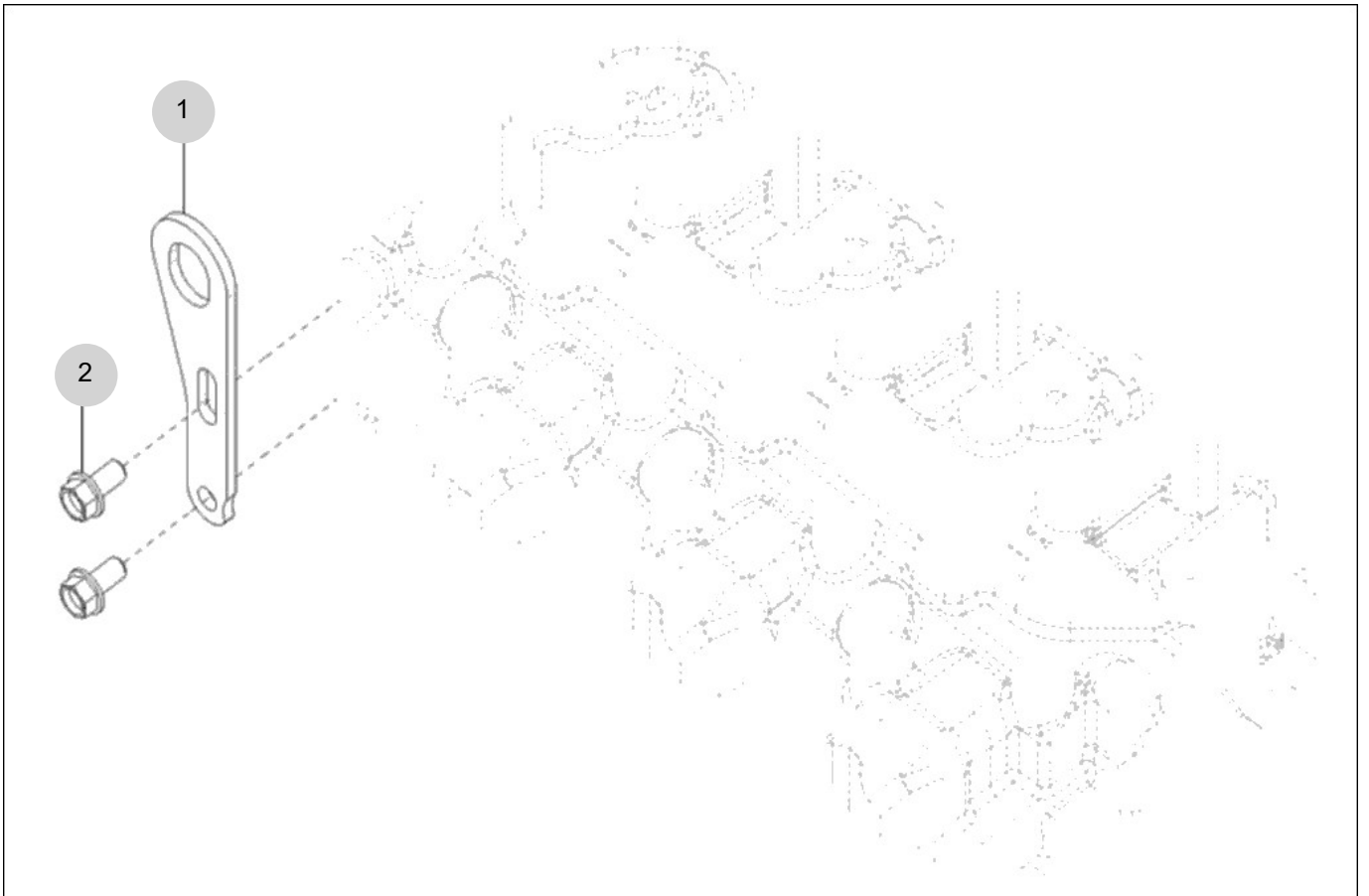
FIG 143

T494NH-B

LIFT ASS'Y

년/월
Year/Month

2022-12



NOTE

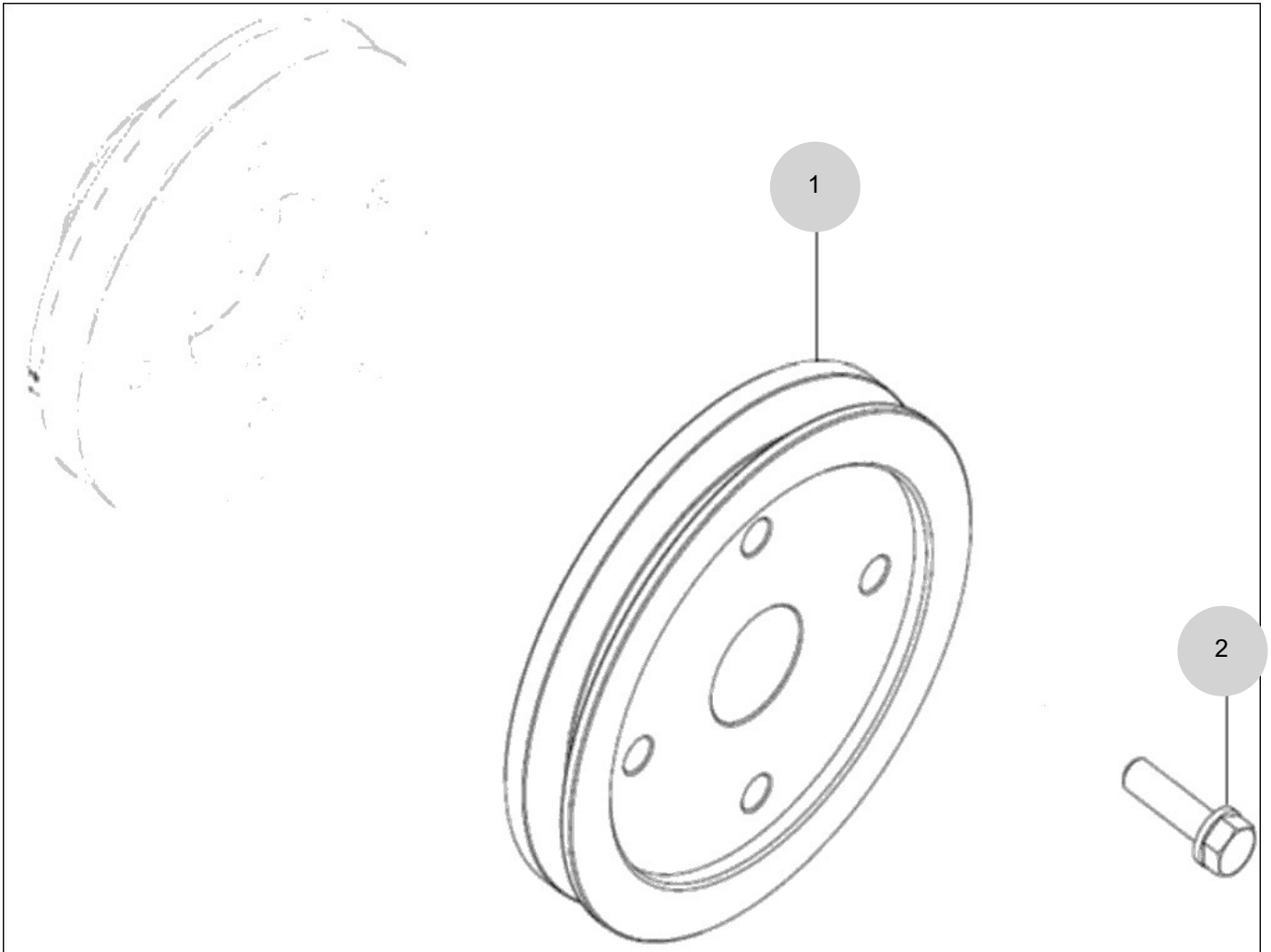
FIG 144

COMP . DRIVE PULLEY ASS'Y OPTION

년/월
Year/Month

T494NH-B

2022-12



NOTE

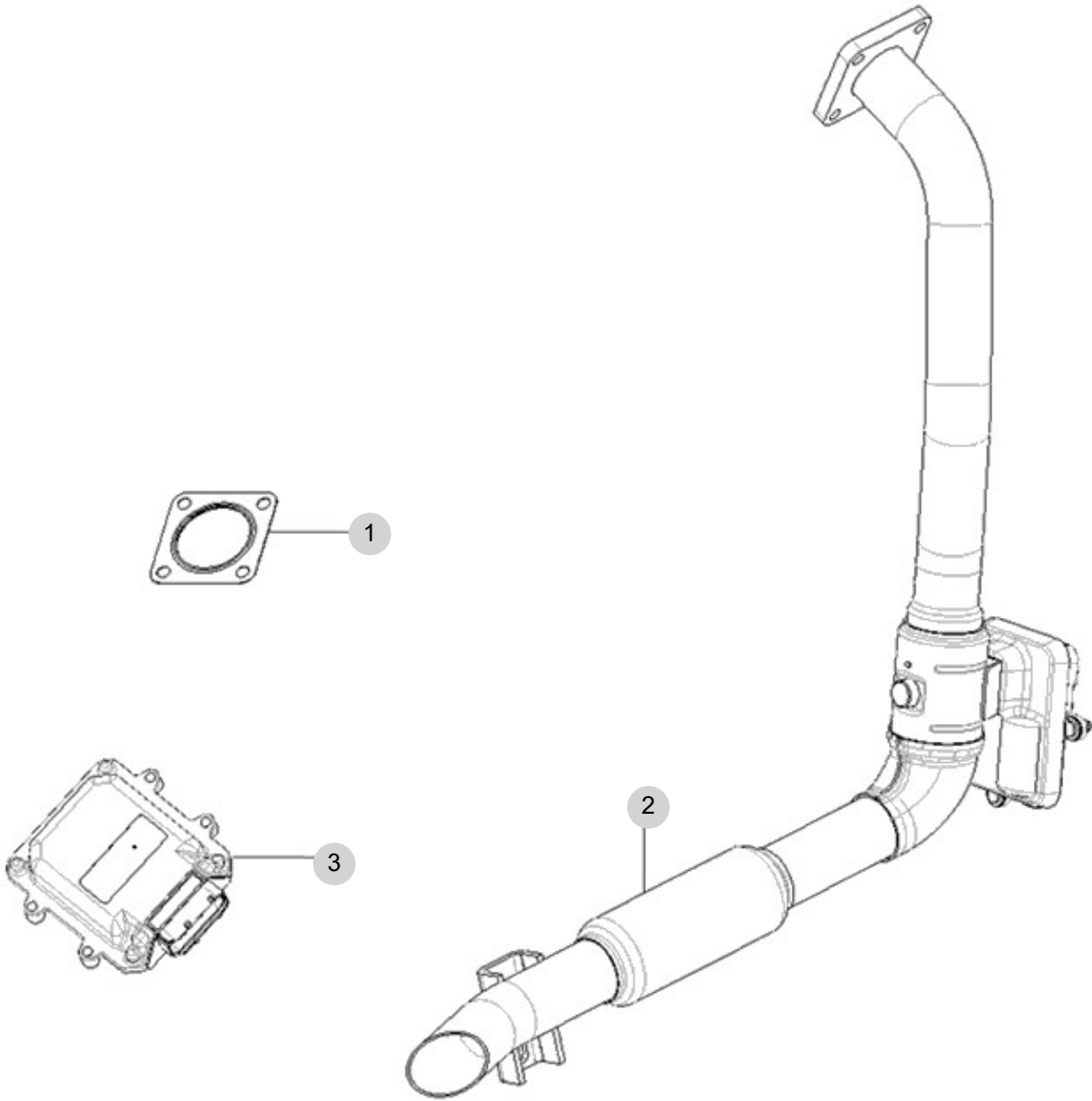
FIG 147

T494NH-B

LOOSED PARTS

년/월
Year/Month

2022-12



NOTE

2. Engine Accessories PART NO. T2

FIG 201B AIR CLEANER (T494)	104
FIG 202 RADIATOR	106
FIG 203 MUFFLER	108
FIG 204 FUEL HOSE & FILTER	110
FIG 205 FUEL TANK	112
FIG 206 ACCELERATOR	114
FIG 207 OIL COOLER	116

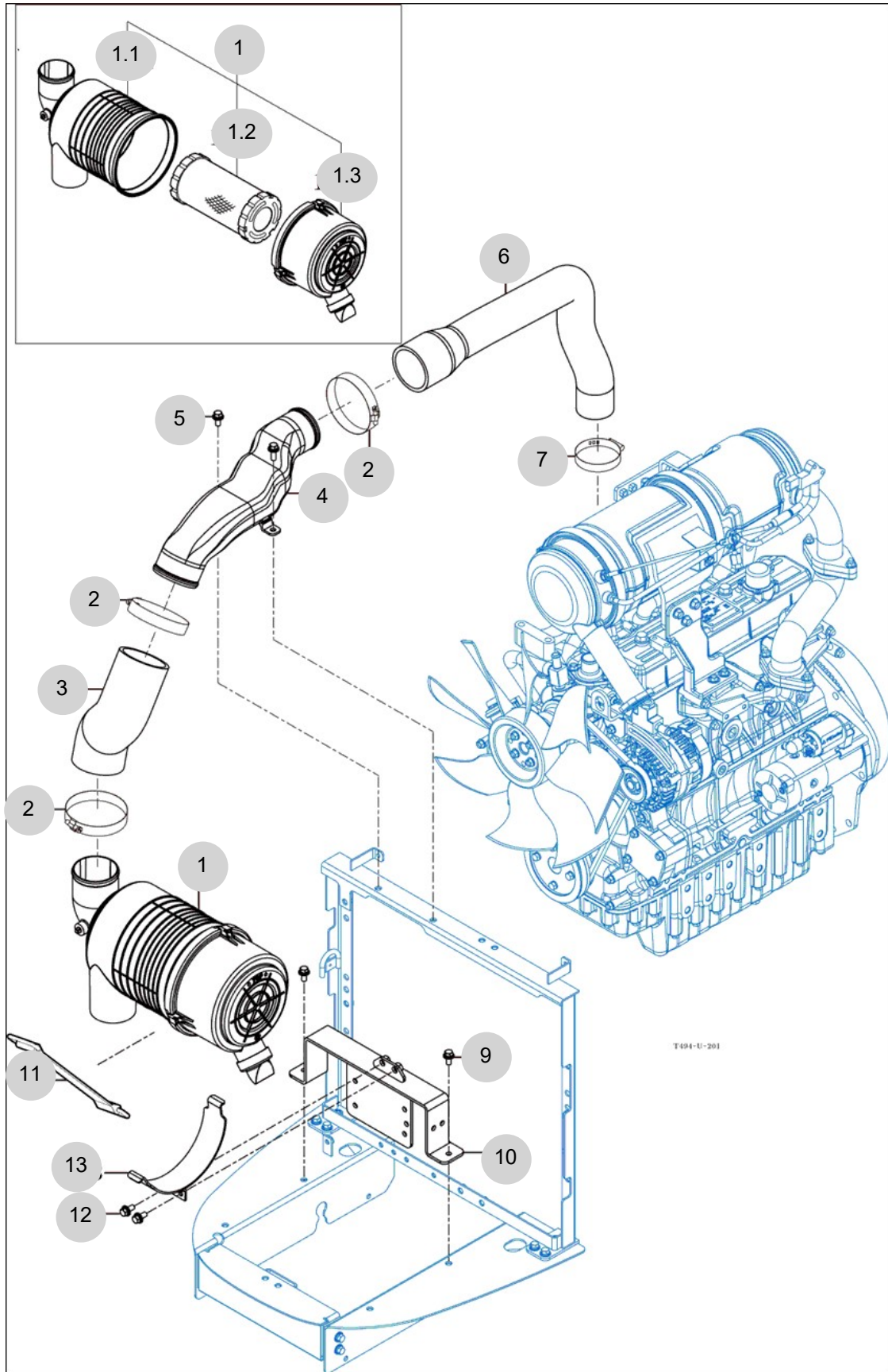
FIG 201B

AIR CLEANER (T494)

년/월
Year/Month

2022-12

T494NH-B



NOTE

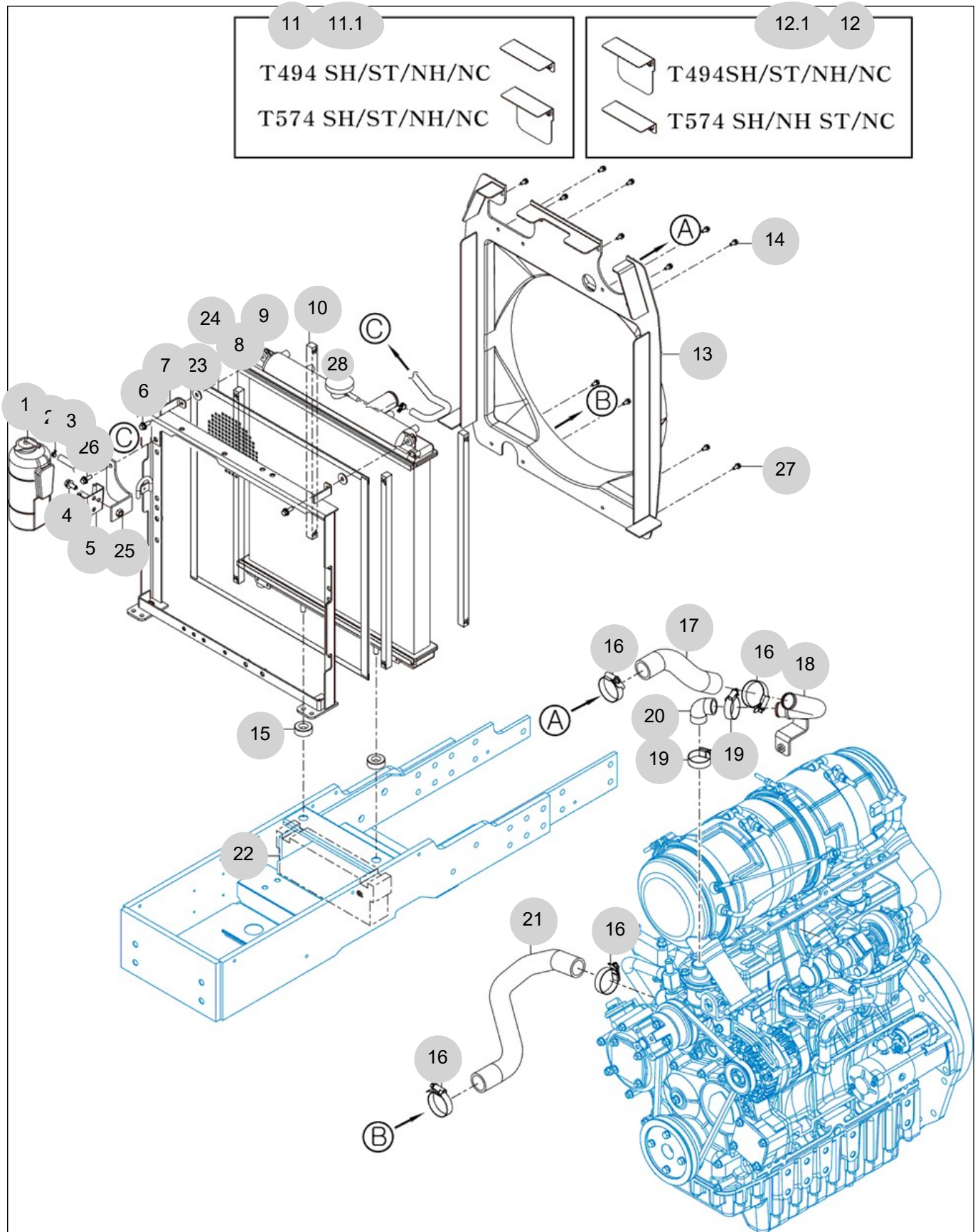
FIG 202

RADIATOR

년/월
Year/Month

2022-12

T494NH-B



NOTE

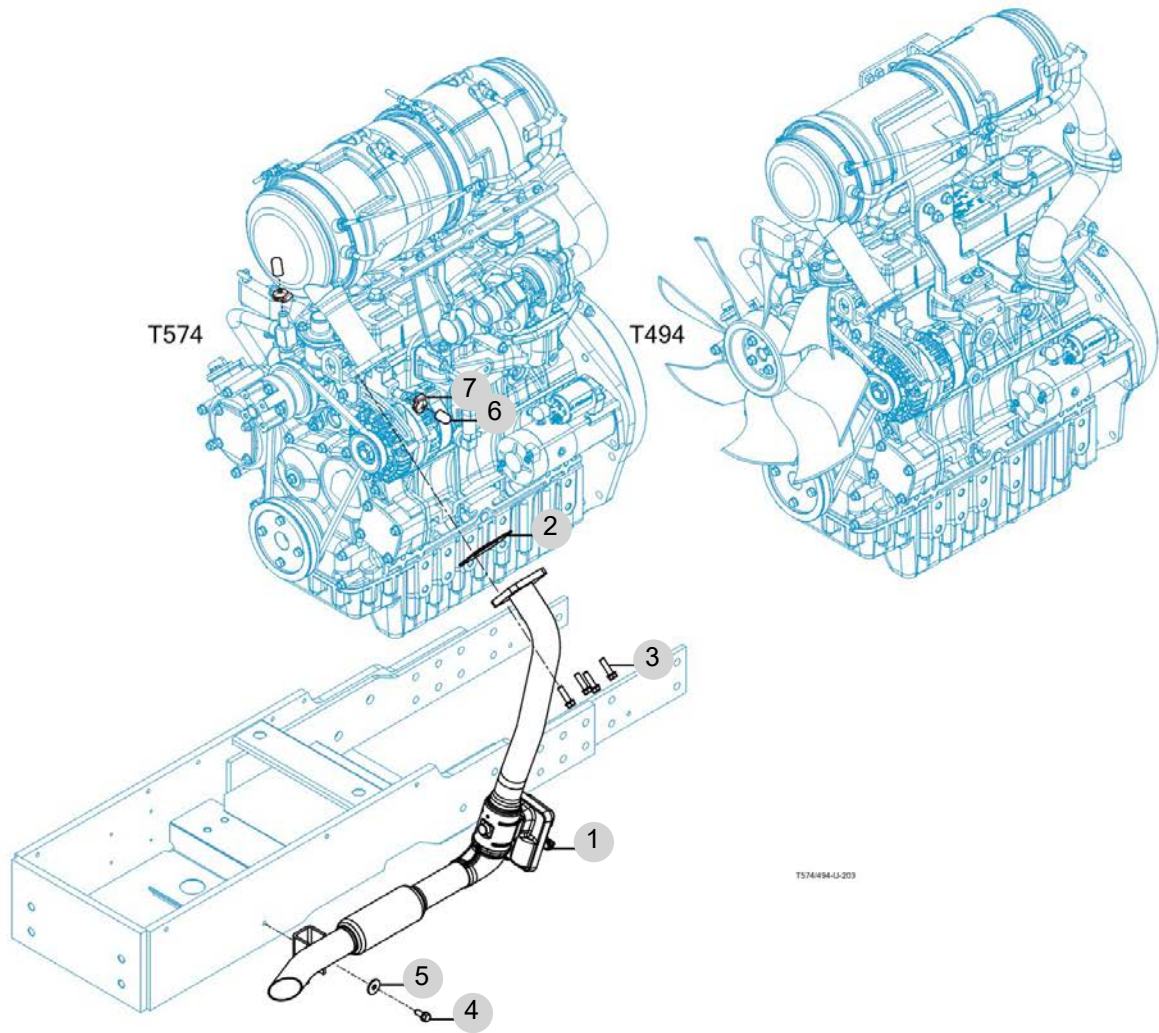
FIG 203

MUFFLER

년/월
Year/Month

T494NH-B

2022-12



NOTE

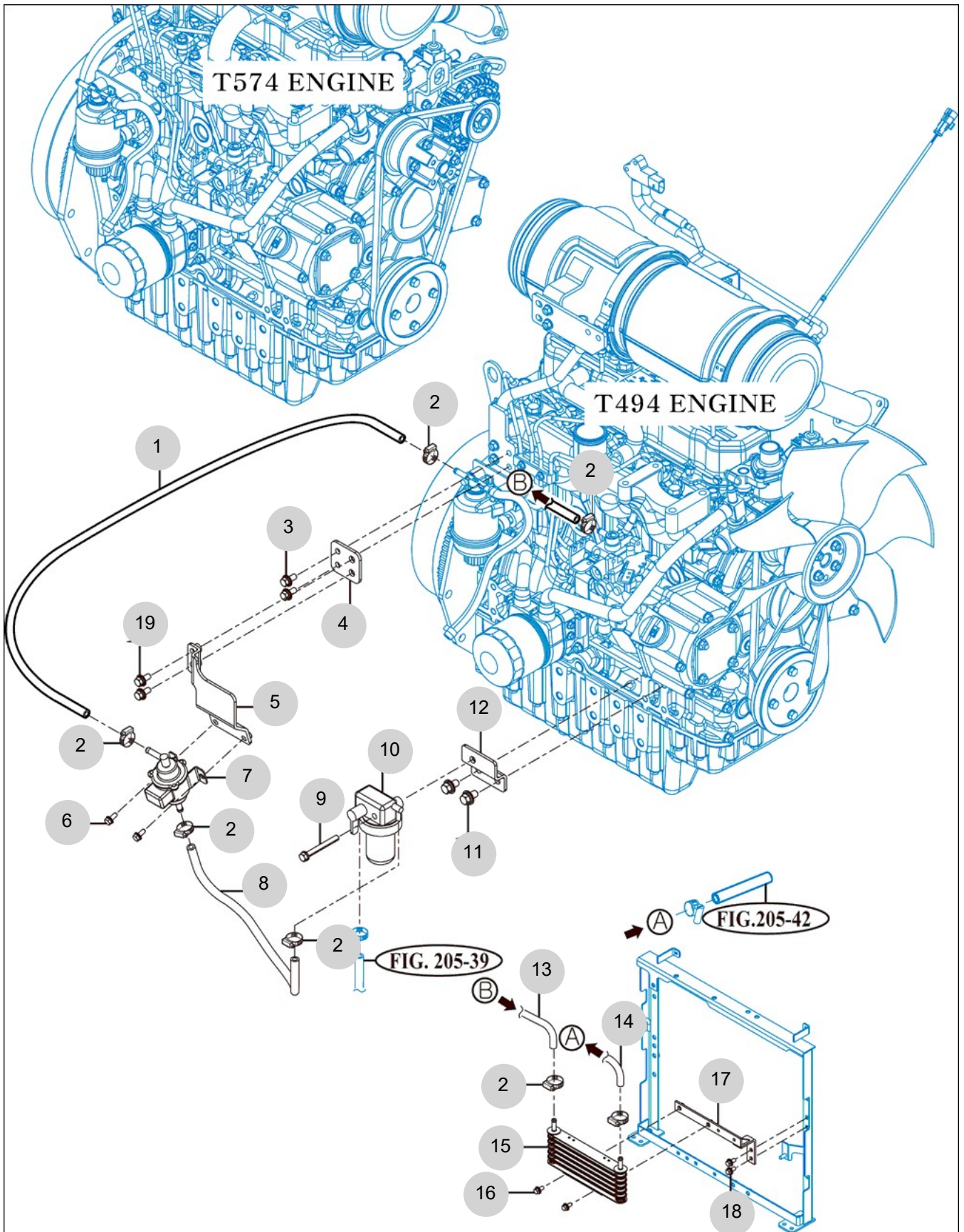
FIG 204

FUEL HOSE & FILTER

년/월
Year/Month

T494NH-B

2022-12



NOTE

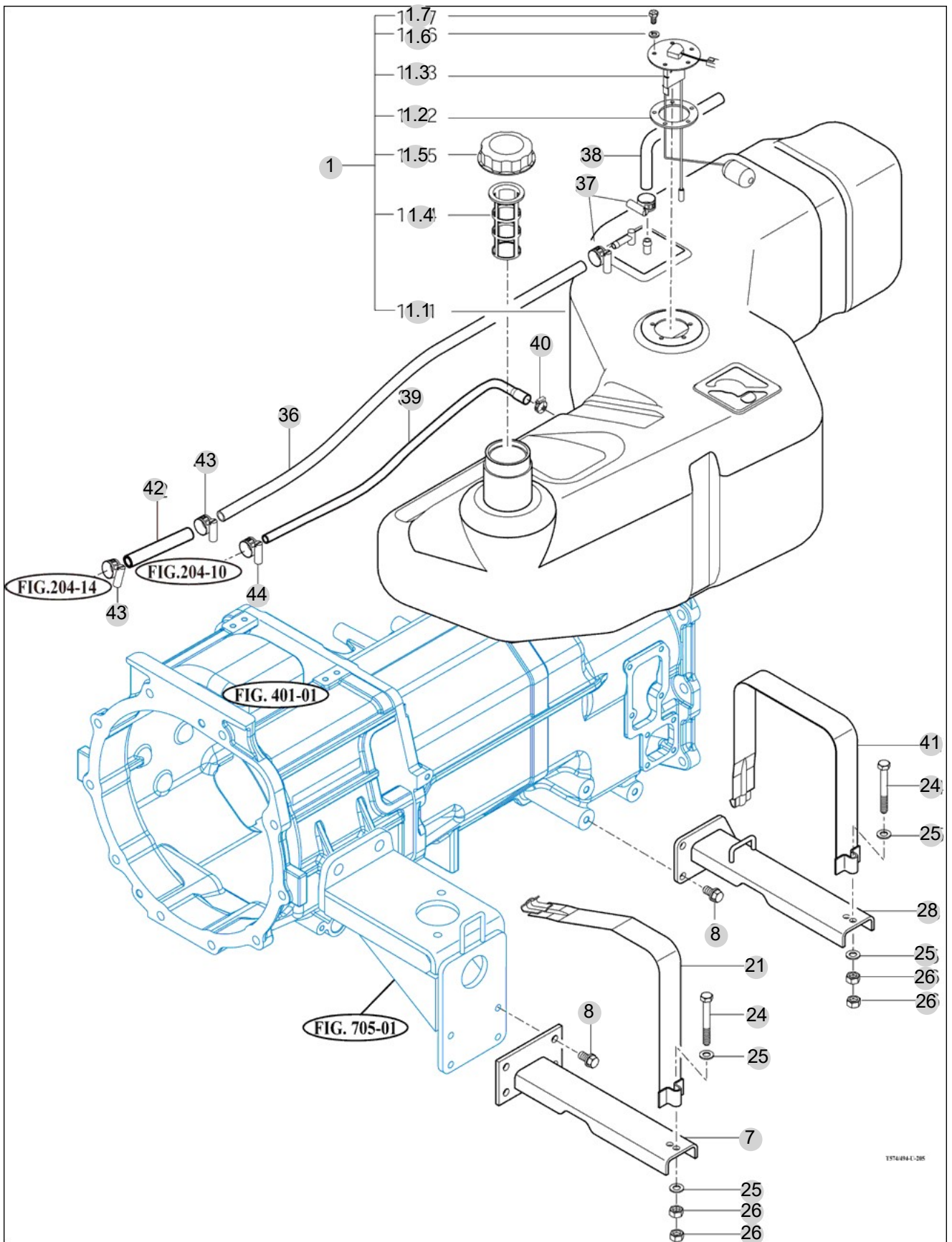
FIG 205

T494NH-B

FUEL TANK

년/월
Year/Month

2022-12



NOTE

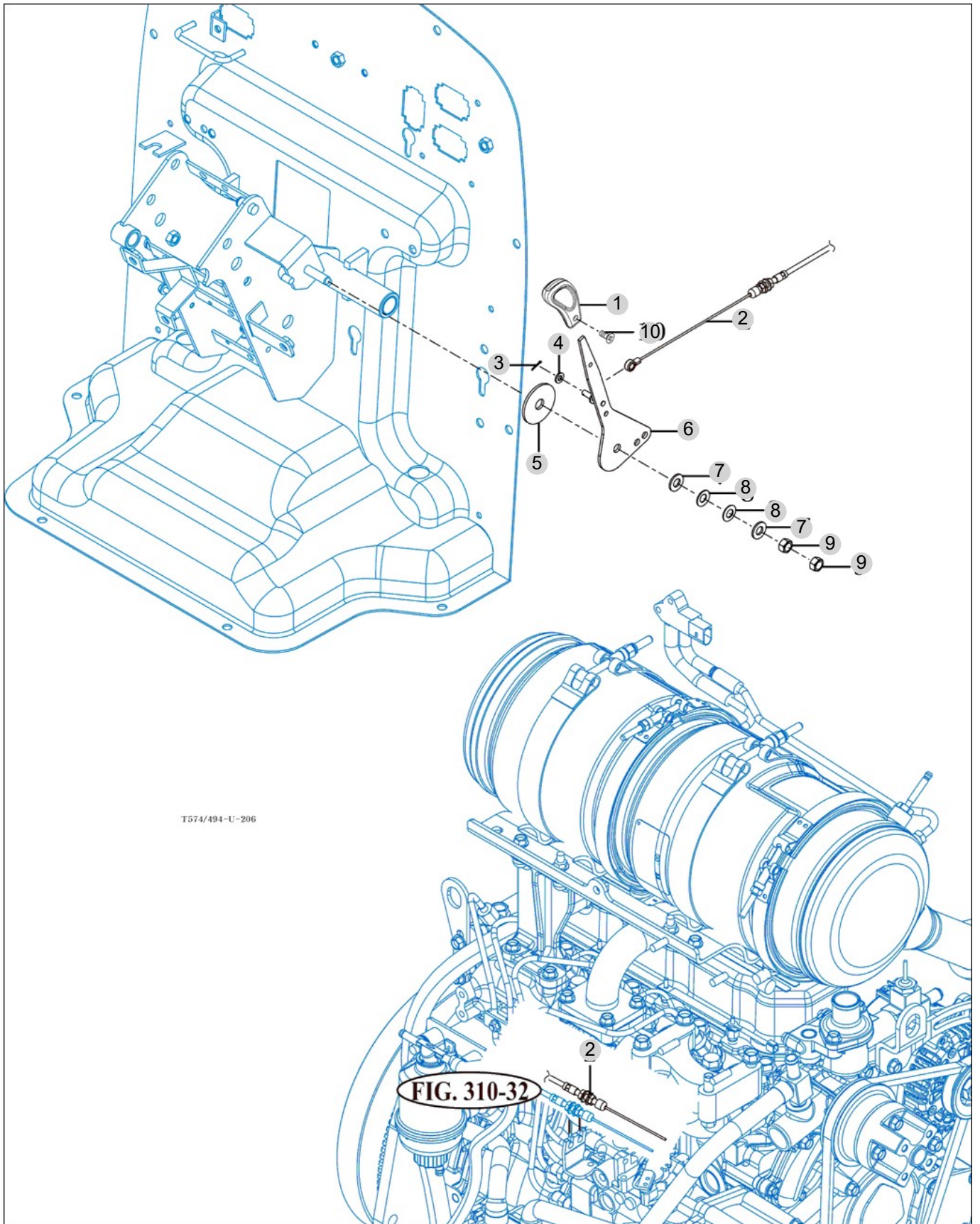
FIG 206

ACCELERATOR

년/월
Year/Month

T494NH-B

2022-12



NOTE

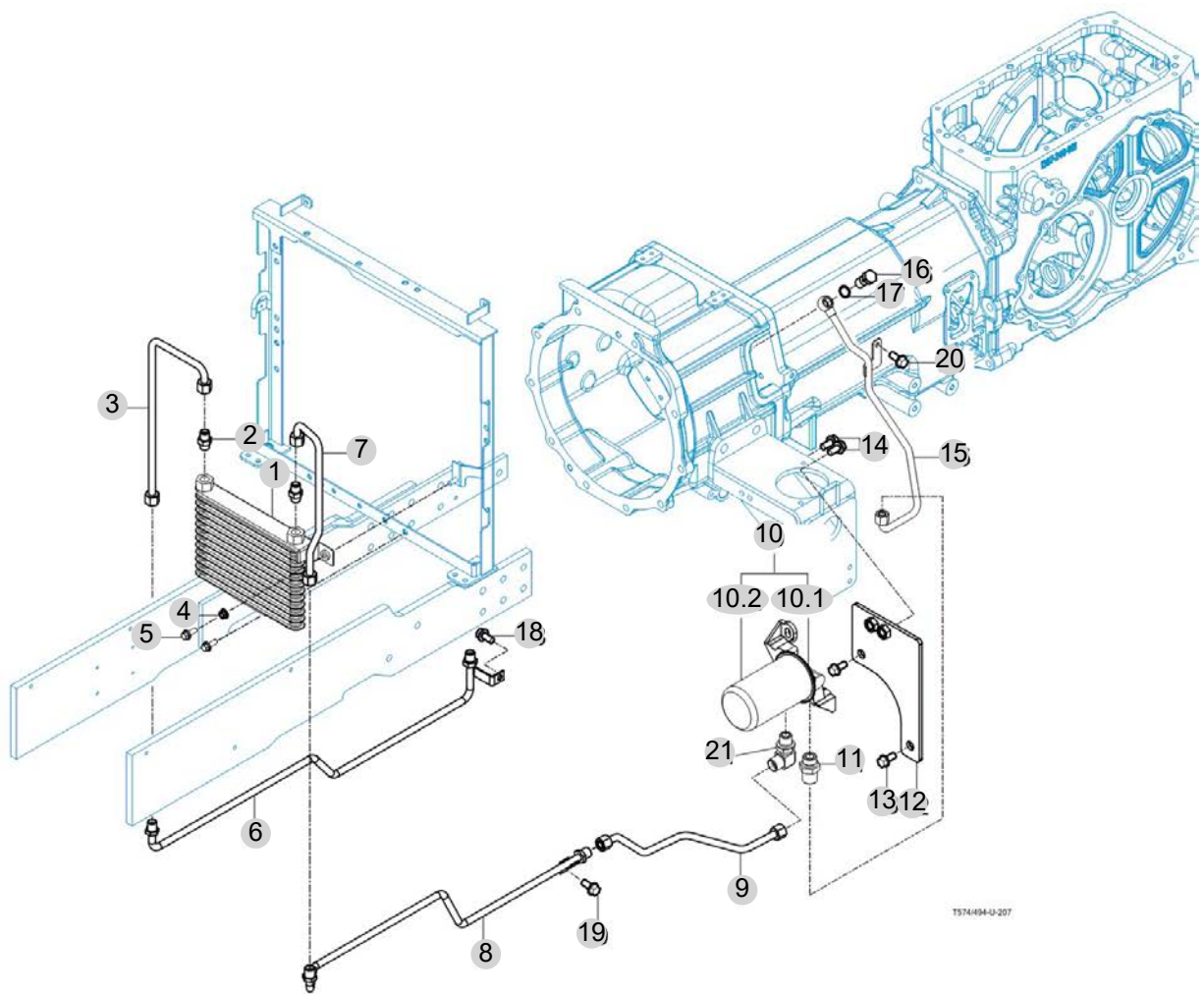
FIG 207

OIL COOLER

년/월
Year/Month

T494NH-B

2022-12



NOTE

FIG 207 T494NH-B	OIL COOLER	년/월 Year/Month
		2022-12

KEY NO	PART NO	DESCRIPTION	SPEC	QTY	REPAIR	EFFECTIVE DATE	REMARKS
207	1	14721062003	COOLER COMP , OIL	300X230X41	1		
207	2	14721062300	UNION UNIT , OIL COOLER	육 각B=22	2		
207	3	13875402200GB	PIPE COMP , COOLER IN FR		1		
207	4	V3802600080	NUT , HEX FLANGE	M8	1		
207	5	V2183608025	BOLT , HEX/SP	M8X25	2		
207	6	13875402100GB	PIPE COMP , COOLER IN RR		1		
207	7	13875402301GB	PIPE COMP , COOLER OUT FR		1		
207	8	13875402401GB	PIPE COMP , COOLER OUT MID		1		
207	9	13875402500GB	PIPE COMP , COOLER OUT RR		1		
207	9	13875402501GB	PIPE COMP , OUT /COOLER RR		1		
207	10	15535152000	FILTER ASSY , HST	1X1X1	1		
207	10	19265154100	FILTER SUB , LINE		1		
207	10.1	35543542410	FILTER HEAD	1X1X1	1		
207	10.1	19265154120	HEAD , FILTER		1		
207	10.2	15532302100	FILTER COMP , HST		1		
207	10.2	19265154110	FILTER COMP , HST		1		
207	11	15535152401	UNION(P T1, M18)	1X1X1	2		
207	11	16995304000	UNION , O-RING		1		
207	12	15535153100GB	BRACKET COMP , FILTER	1X1X1	1		
207	12	17465154400GB	BRACKET COMP , FILTER		1		
207	13	V2173608020	BOLT , HEX/S	M8X20	2		
207	13	V2183608025	BOLT , HEX/SP		2		
207	14	V2173608030	BOLT , HEX/S	M8X30	4		
207	14	V2173608030	BOLT , HEX/S		2		
207	15	13875403100	PIPE COMP , HST IN		1		
207	15	13875403102	PIPE COMP , IN HST		1		
207	15	13875403101	PIPE COMP , HST IN		1		
207	15	13875403102	PIPE COMP , IN HST		1		
207	16	19405182831	BOLT , EYE JOINT(PF3/8)		1		
207	16	19405182830	BOLT , EYE JOINT(PF3/8)		1		
207	16	19405182832	BOLT , EYE JOINT(PF3/8)		1		
207	17	19405182840	WASHER , GASKET PF3/8		1		
207	17	19405160050	BONDED SEAL , PF3/8		2		
207	18	V2173610020	BOLT , HEX/S	M10X20	1		
207	19	V2173608016	BOLT , HEX/S	M8X16	1		
207	20	V2173608016	BOLT , HEX/S	M8X16	1		
207	21	14725100100	ELBOW , PF3/8 M18		1		

NOTE

3. Clutch/Brake/Steering PART NO. T3

FIG 301 FLYWHEEL HOUSING	119
FIG 302 CLUTCH PEDAL	121
FIG 303 BRAKE	123
FIG 304 BRAKE PEDAL & LINK	125
FIG 305 FRONT WHEEL	127
FIG 306 REAR WHEEL	129
FIG 307 POWER STEERING WHEEL	131
FIG 308 POWER STEERING VALVE	133
FIG 309 POWER STEERING CYLINDER	135
FIG 310 HST CONTROL LINK	137

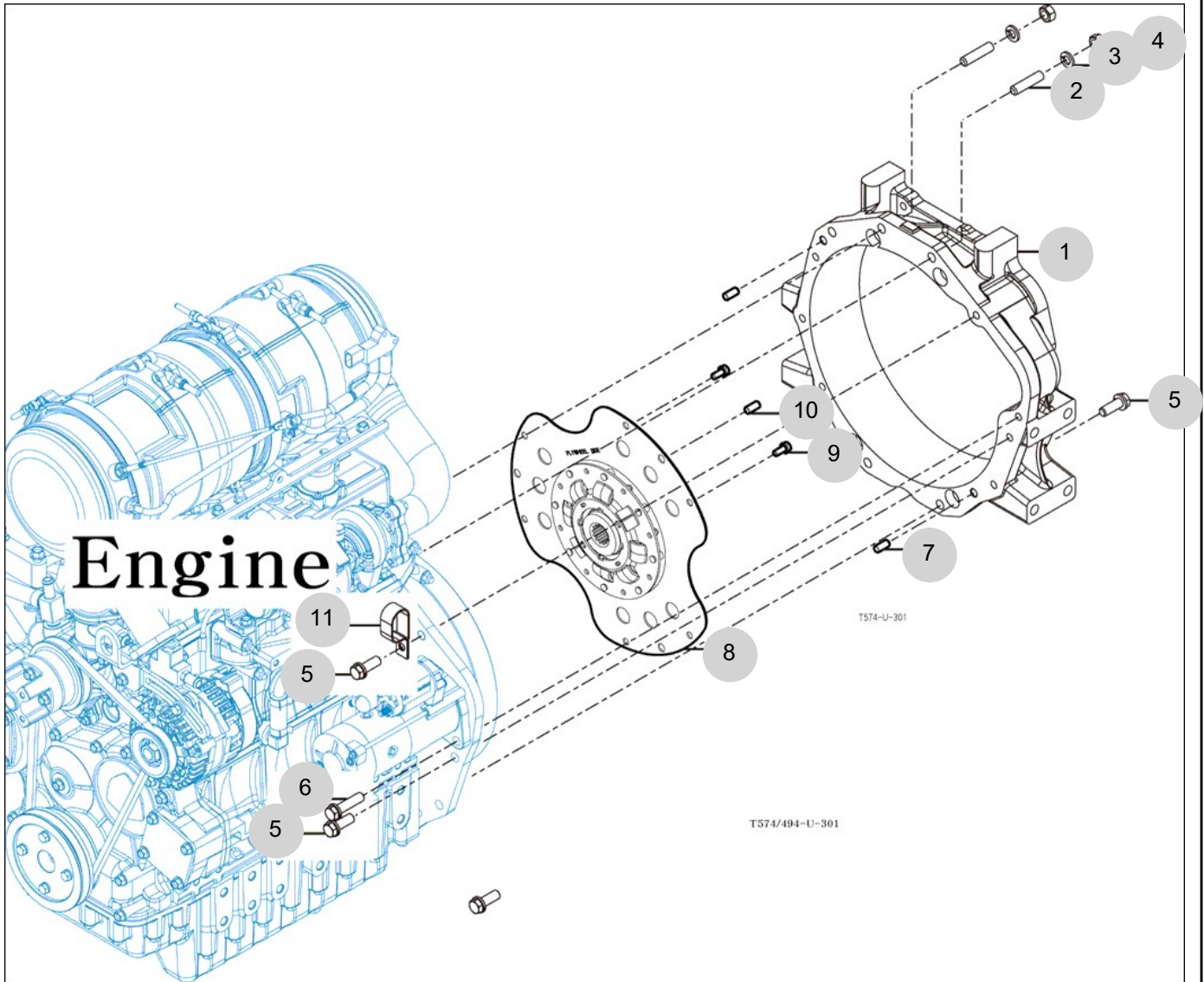
FIG 301

FLYWHEEL HOUSING

년/월
Year/Month

T494NH-B

2022-12



NOTE

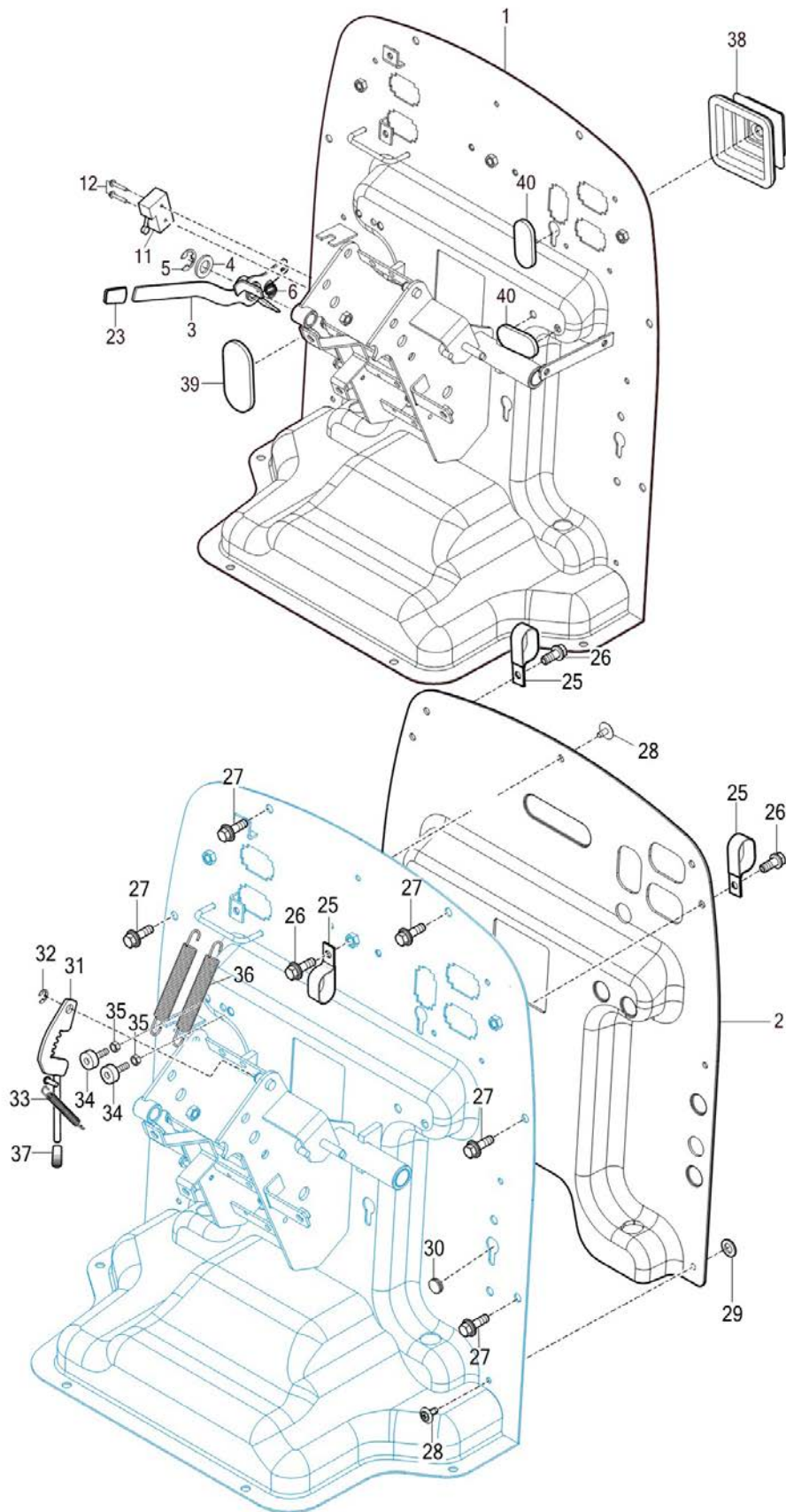
FIG 302

CLUTCH PEDAL

년/월
Year/Month

2022-12

T494NH-B



NOTE

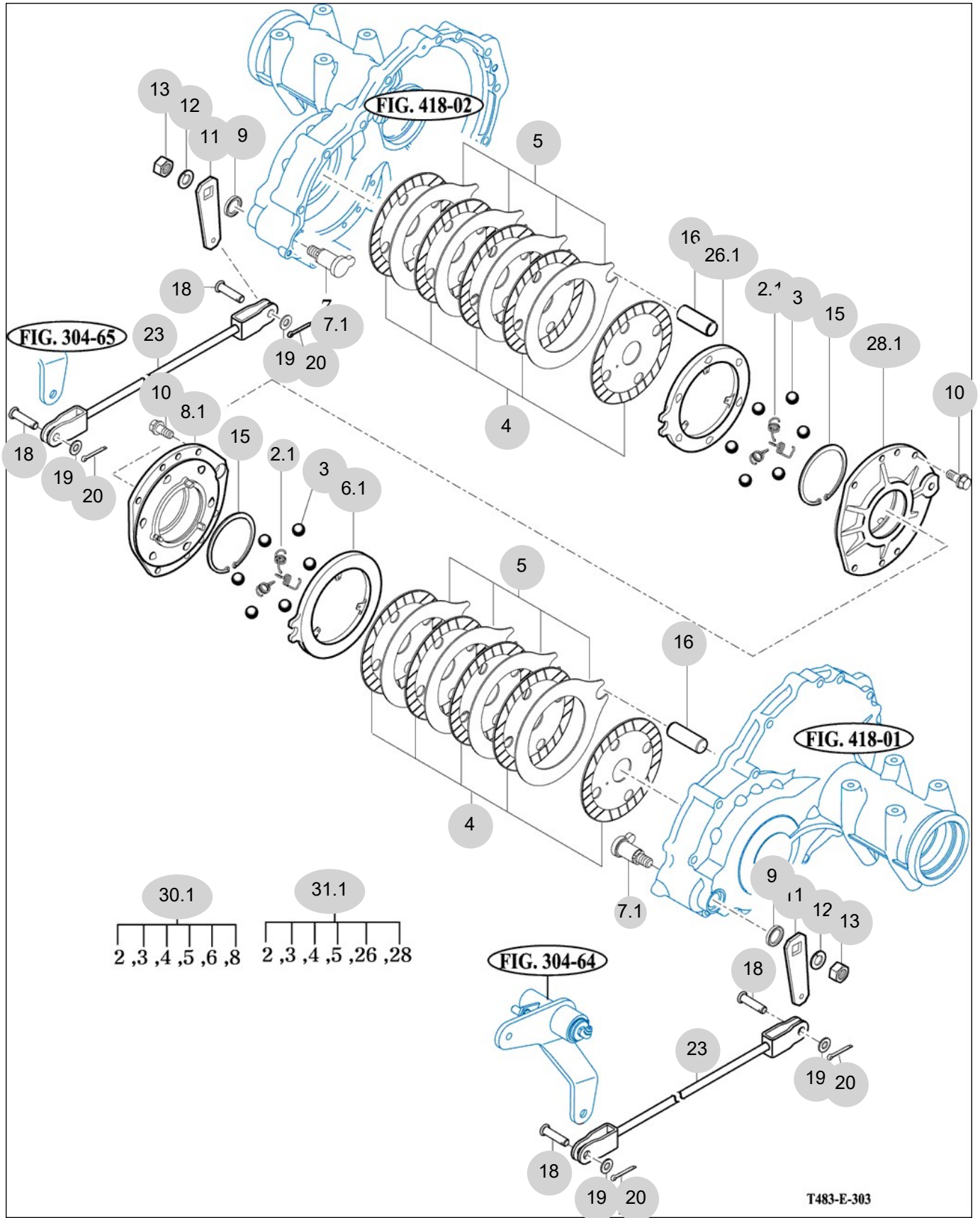
FIG 303

BRAKE

년/월
Year/Month

T494NH-B

2022-12



NOTE

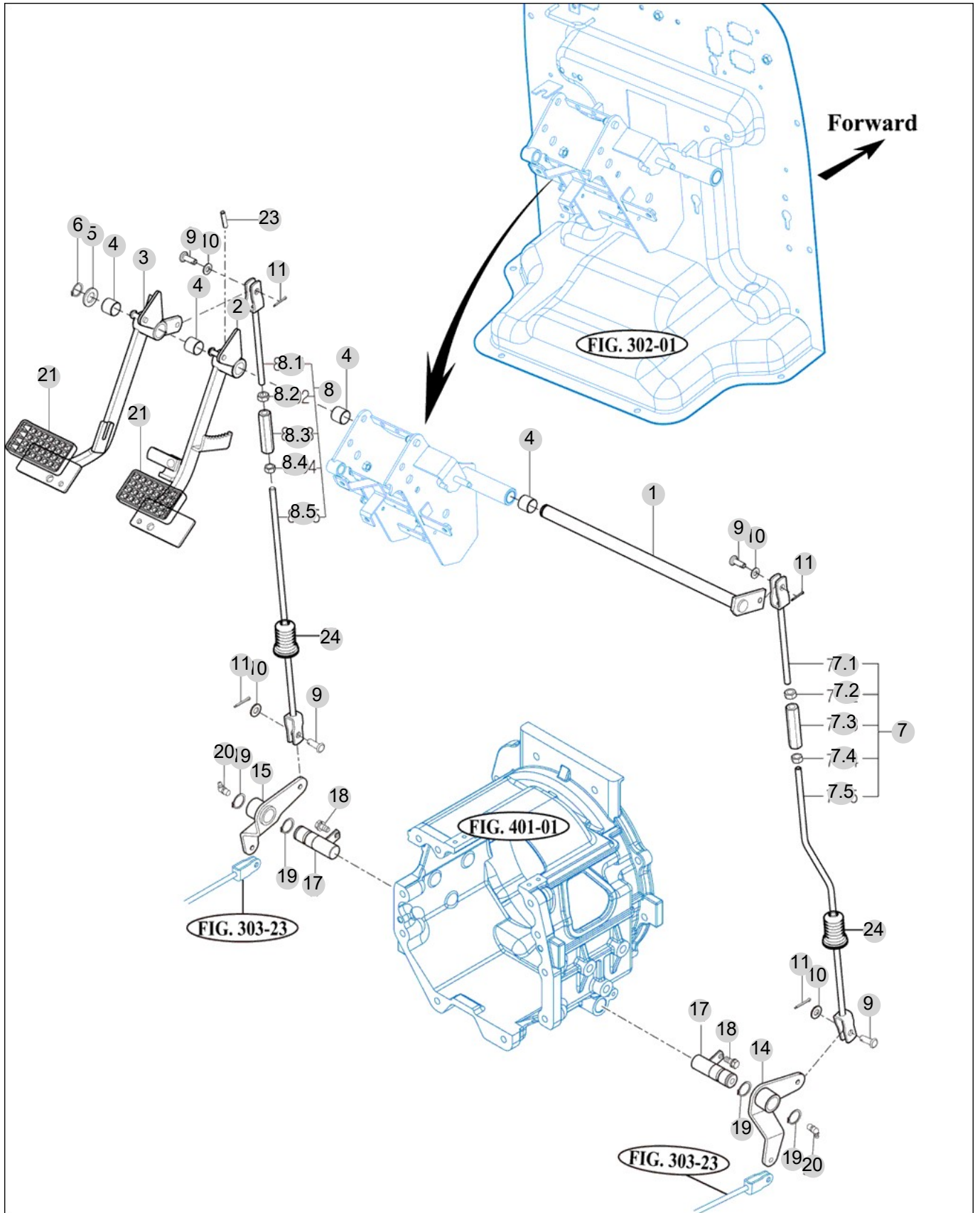
FIG 304

BRAKE PEDAL & LINK

년/월
Year/Month

2022-12

T494NH-B



NOTE

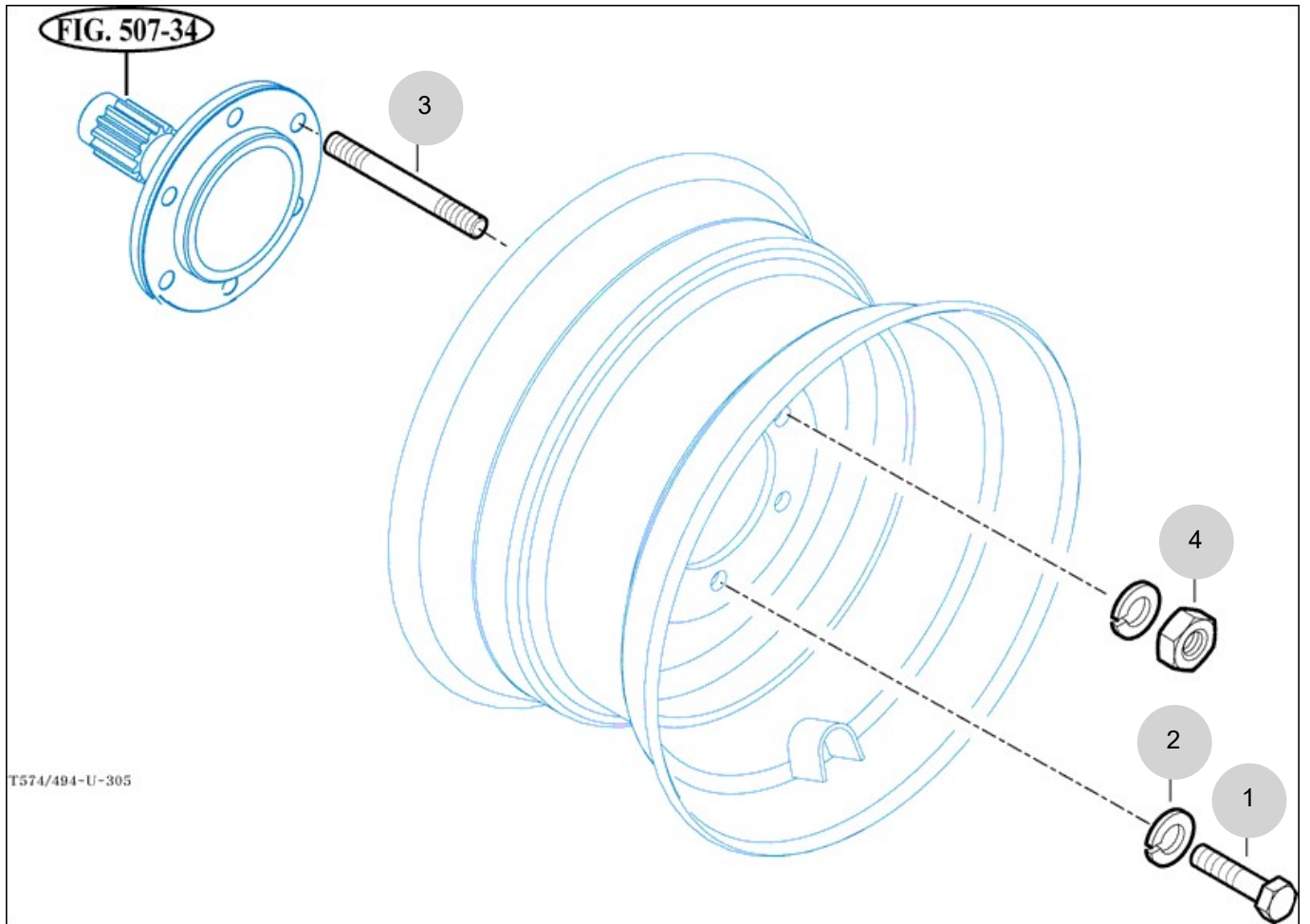
FIG 305

T494NH-B

FRONT WHEEL

년/월
Year/Month

2022-12



T574/494-U-305

NOTE

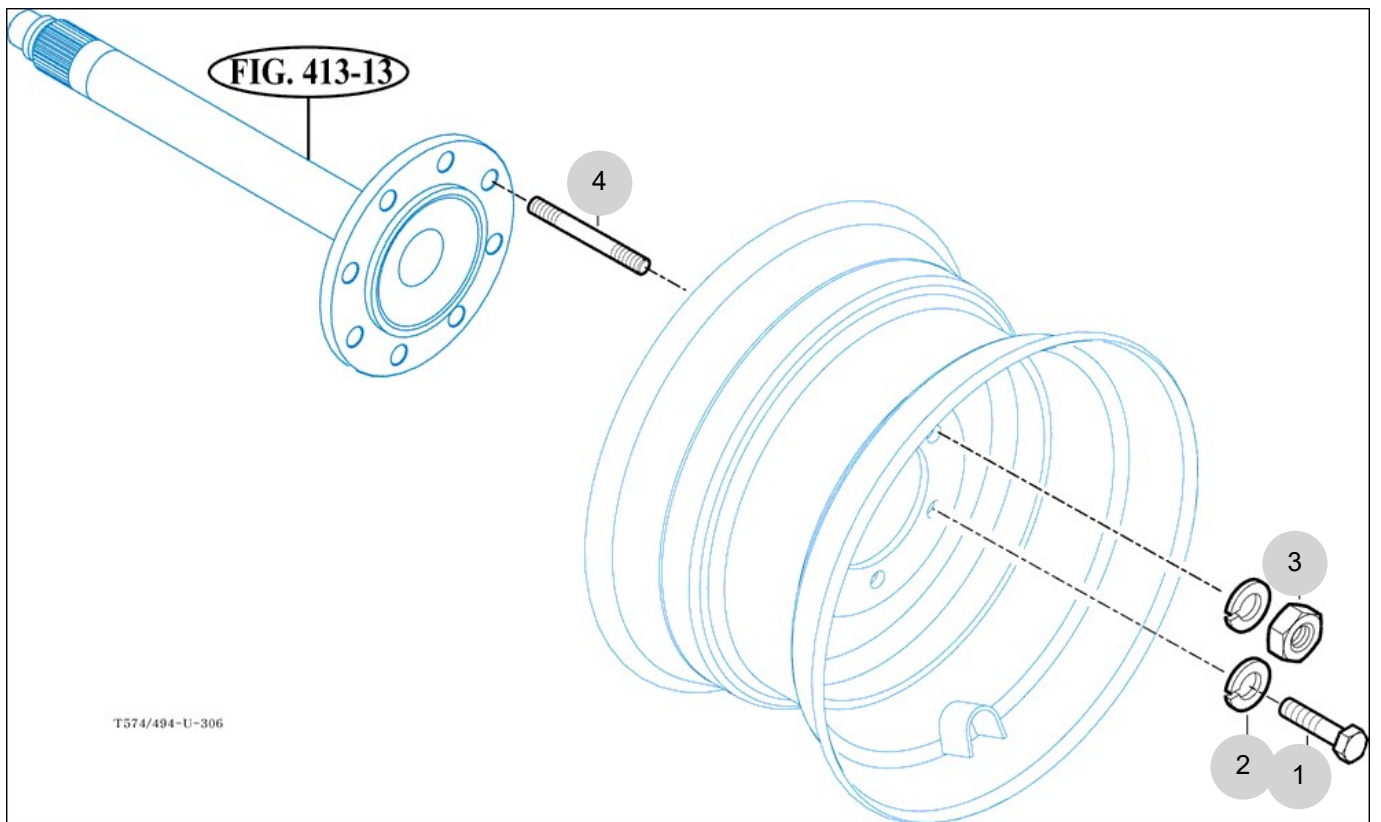
FIG 306

T494NH-B

REAR WHEEL

년/월
Year/Month

2022-12



NOTE

FIG 306		REAR WHEEL						년/월 Year/Month
T494NH-B								2022-12
KEY NO	PART NO	DESCRIPTION	SPEC	QTY	REPAIR	EFFECTIVE DATE	REMARKS	
306	1	V2014616030	BOLT , HEX	M16X30	8			
306	2	V4011600160	WASHER , SPRING	M16	12			
306	3	V3043600160	NUT , HEX/2	M16	4			
306	4	15603200010	BOLT , STUD M16X30		4			
NOTE								

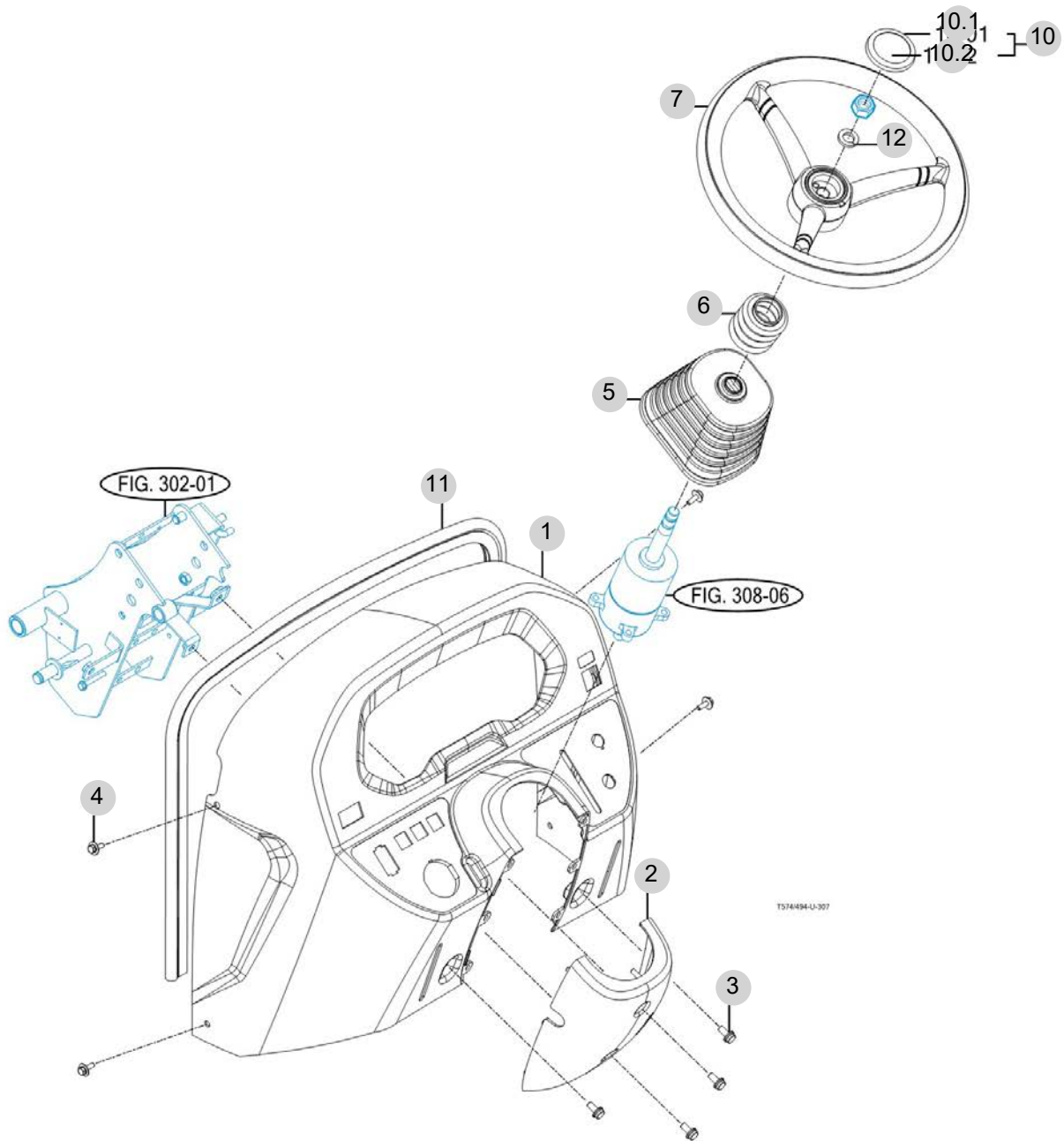
FIG 307

T494NH-B

POWER STEERING WHEEL

년/월
Year/Month

2022-12



NOTE

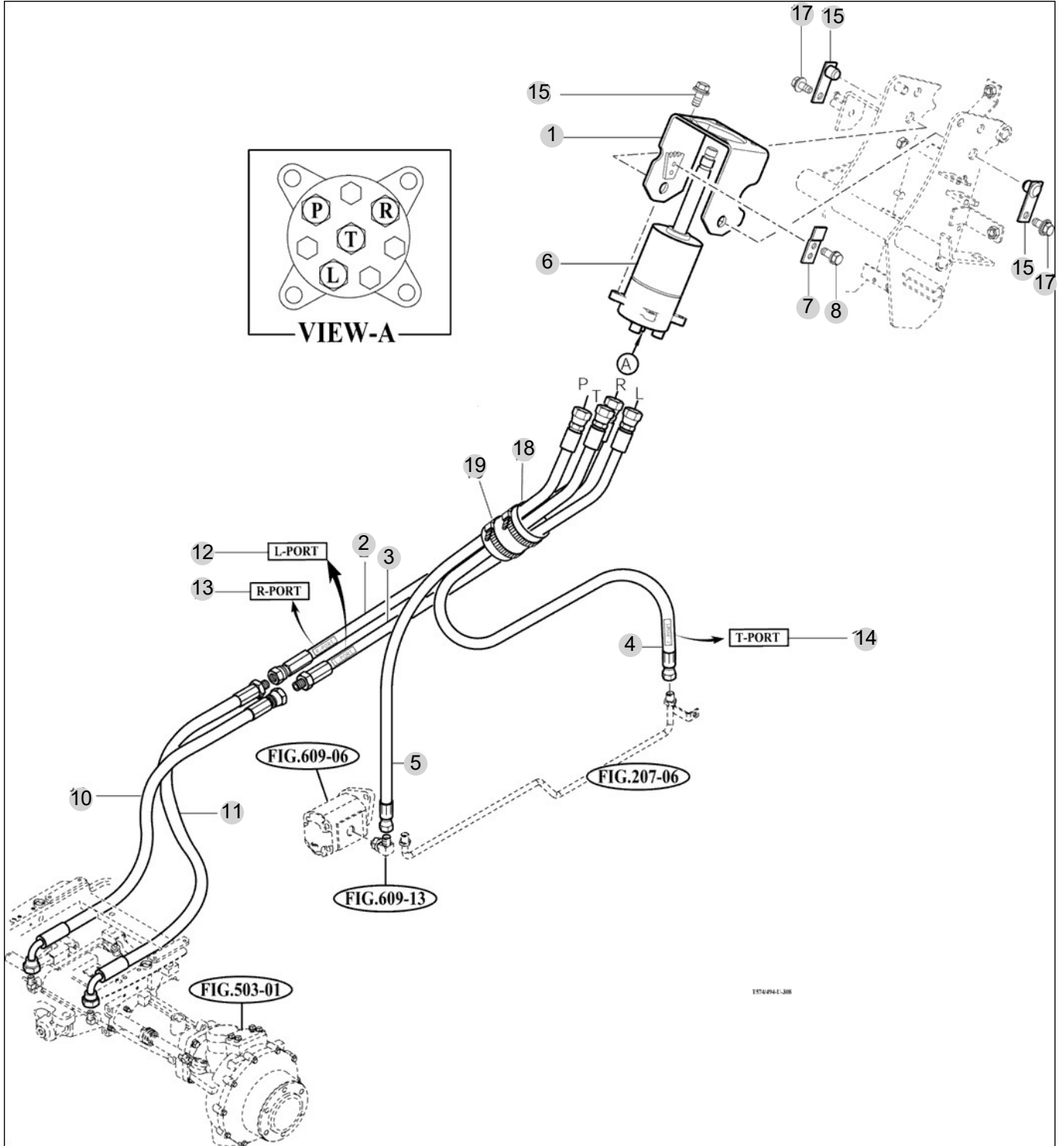
FIG 308

POWER STEERING VALVE

년/월
Year/Month

T494NH-B

2022-12



NOTE

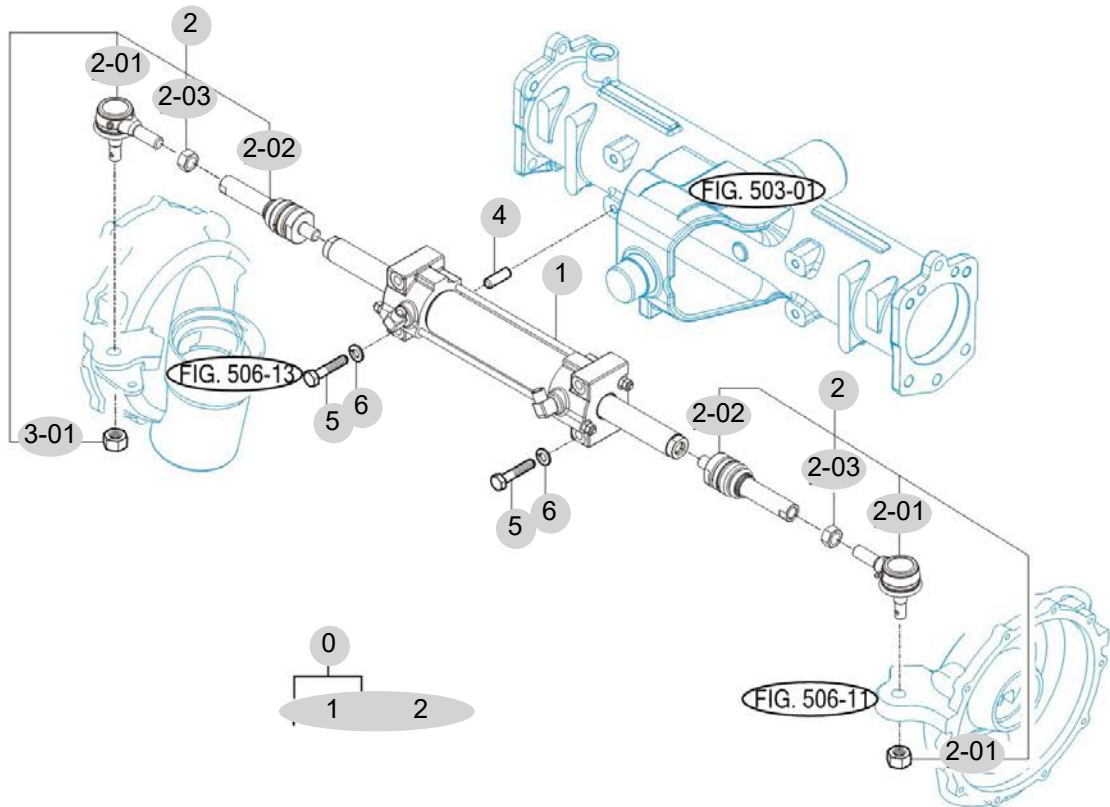
FIG 309

T494NH-B

POWER STEERING CYLINDER

년/월
Year/Month

2022-12



T55551/T494NH-E-309

NOTE

FIG 309 T494NH-B		POWER STEERING CYLINDER						년/월 Year/Month	
								2022-12	
KEY NO	PART NO	DESCRIPTION	SPEC	QTY	REPAIR	EFFECTIVE DATE	REMARKS		
309	0	13874072000	CYLINDER ASSY						
309	1	13874072100	CYLINDER COMP						
309	2	13874074100	JOINT SET , BALL						
309	2-01	10014362004	BALL JOINT ASSY						
309	2-02	13874363200	JOINT ASSY , BALL						
309	2-03	V3343600160	NUT , HEX FINE/2						
309	4	V5201010020	PIN , PARALLEL/A	10X20					
309	5	V2024612075	BOLT , HEX FINE	M12X75					
309	6	V4011600120	WASHER , SPRING	M12					
NOTE									

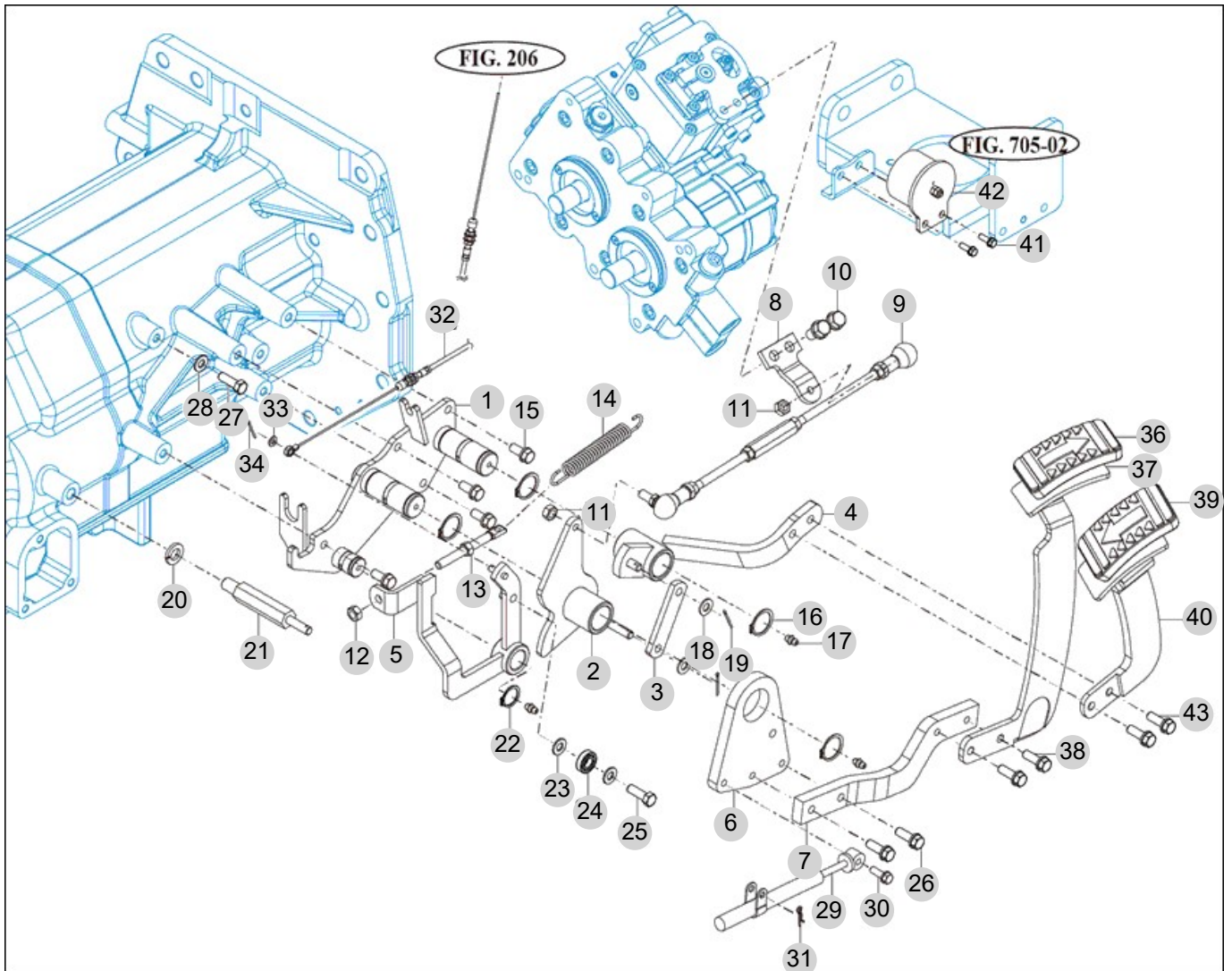
FIG 310

T494NH-B

HST CONTROL LINK

년/월
Year/Month

2022-12



NOTE

FIG 310		HST CONTROL LINK					년/월	
							Year/Month	
T494NH-B		2022-12						
KEY NO	PART NO	DESCRIPTION	SPEC	QTY	REPAIR	EFFECTIVE DATE	REMARKS	
310	1	13872313200	BRACKET COMP, HST PEDAL		1			
310	2	13872312300	ARM COMP, FORWARD		1			
310	3	14722310023	PLATE , REVERSE	19X6	1			
310	4	13872312600	ARM COMP, REVERSE		1			
310	5	13872312501	ARM COMP, CAM FOLLOWER		1			
310	6	13872312330	PLATE, CONTROL		1			
310	7	13872310050	PLATE, FORWARD		1			
310	8	13872312111	ARM PLATE, HST		1			
310	8	13872312110	ARM PLATE, HST		1			
310	8	13872312112	ARM PLATE, HST		1			
310	9	13872325001	ROD ASSY, HST		1			
310	9	13872325000	ROD ASSY, HST		1			
310	9	13872325002	ROD ASSY, HST		1			
310	10	V2143610020	BOLT , HEX FINE /S	M10X20	2			
310	11	V3013600080	NUT .HEX NORMAL /2	M8	2			
310	12	V3043600080	NUT , HEX/2	M8	1			
310	13	34522150080	ROD , CHAIN(TENSION)(82)	D=8	1			
310	14	14722310033	SPRING , RETURN	D=2.4	1			
310	15	V2173608020	BOLT , HEX/S	M8X20	4			
310	16	V7041400250	C-RING , SHAFT	25	4			
310	17	V7601500000	NIPPLE , GREASE/A-M6F		3			
310	18	V4111600080	WASHER , PLAIN	M8	2			
310	19	V5001920020	PIN , SPLIT	2X20	2			
310	20	V4011600120	WASHER , SPRING	M12	1			
310	21	14722310041	PIN , OIL DAMPER	B=17	1			
310	22	V7041400200	C-RING , SHAFT	20	1			
310	23	V4111600080	WASHER , PLAIN	M8	2			
310	24	14722310060	BEARING , BALL		1			
310	25	V2013608025	BOLT , HEX	M8X25	1			
310	26	V2173608025	BOLT , HEX/S	M8X25	2			
310	27	V2013608045	BOLT , HEX	M8X45	1			
310	28	V3042600080	NUT , HEX/2	M8	1			
310	29	14722312401	DAMPER , OIL	1X1X1	1			
310	30	V2183608030	BOLT , HEX/SP	M8X30	1			
310	31	V5601600008	PIN , SNAP	8	1			
310	32	13871162700	CABLE ASSY, AUTO THROTTLE		1			
310	33	V4111600060	WASHER , PLAIN	M6	1			
310	34	V5001920015	PIN , SPLIT	2X15	1			
310	36	14722312730	PAD	1X1X1	1			
310	37	13872312700GB	PEDAL COMP, FORWARD		1			
310	38	V2173608020	BOLT , HEX/S	M8X20	2			
310	39	14722312730	PAD	1X1X1	1			
310	40	13872312800GB	PEDAL COMP, REVERSE		1			
310	40	13872312801GB	PEDAL COMP, REVERSE		1			
310	41	V2173608020	BOLT , HEX/S	M8X20	2			
NOTE								

4. Transmission PART NO. T4

FIG 401 TRANSMISSION FRONT CASE	141
FIG 402 HST	143
FIG 403 MID TRANSMISSION CASE	145
FIG 404 TRANSTER GEAR SET	147
FIG 405 TRANSMISSION REAR CASE	149
FIG 406 SUB CHANGE GEARS	151
FIG 407 SUB CHANGE SHIFTER	153
FIG 408 DRIVE GEARS	155
FIG 409 4WD CHANGE LEVER	157
FIG 410 P.T.O DRIVE SHAFT	159
FIG 411 P.T.O CHANGE GEARS	161
FIG 412 REAR DIFFERENTIAL GEARS	163
FIG 413 REAR AXLE HOUSING	166

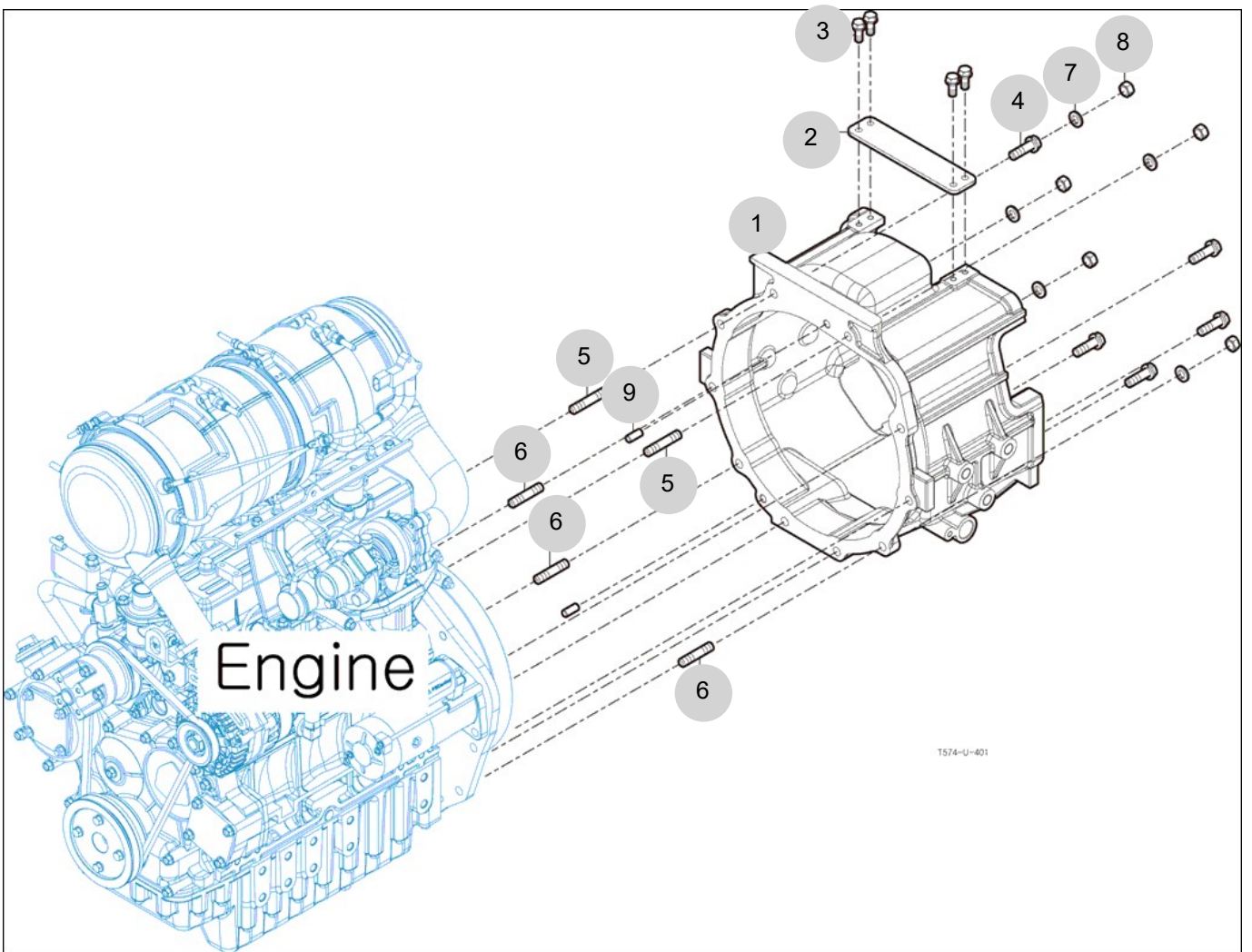
FIG 401

T494NH-B

TRANSMISSION FRONT CASE

년/월
Year/Month

2022-12



NOTE

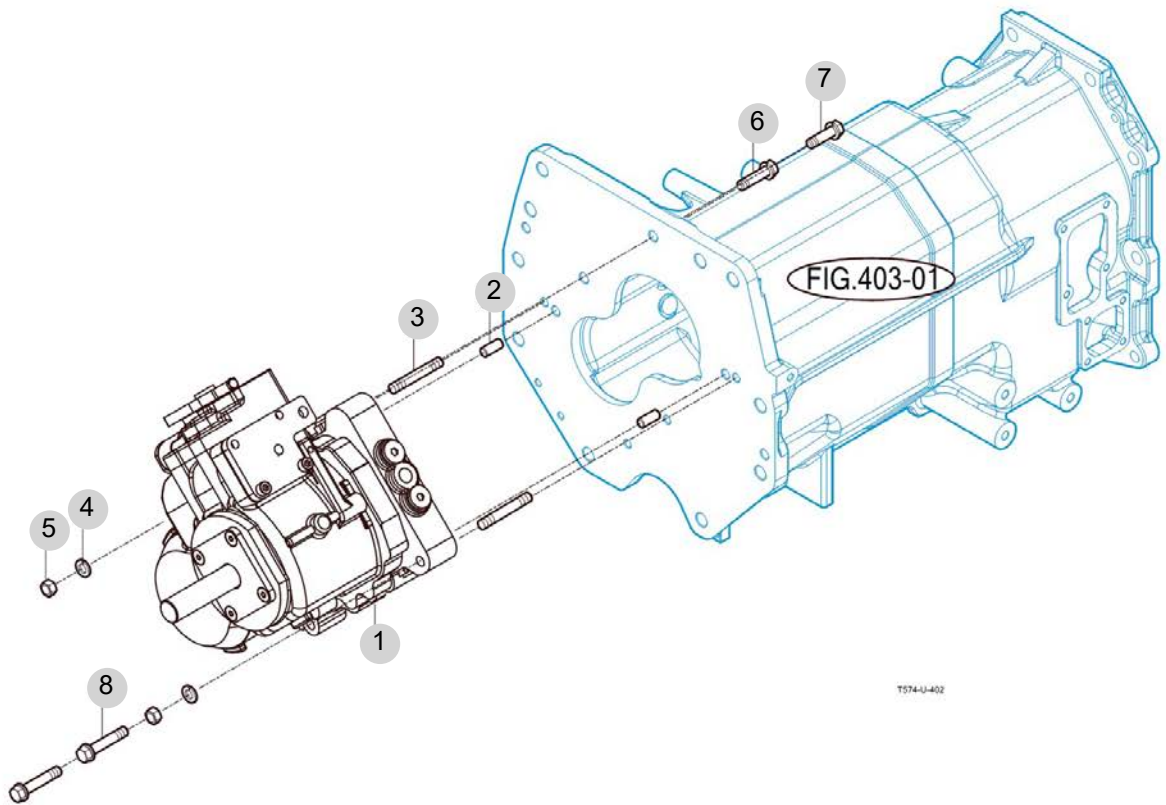
FIG 402

T494NH-B

HST

년/월
Year/Month

2022-12



T574-U-402

NOTE

FIG 402		HST						년/월 Year/Month	
								2022-12	
T494NH-B									
KEY NO		PART NO	DESCRIPTION	SPEC	QTY	REPAIR	EFFECTIVE DATE	REMARKS	
402	1	13872302000	HST ASSY		1				
402	1	13872302001	HST ASSY		1				
402	1	13872302002	HST ASSY		1				
402	2	V5201010022	PIN , PARALLEL/A	10X22	2				
402	3	V2513410055	BOLT , STUD/2	M10X55	2				
402	4	V4011600100	WASHER , SPRING	M10	2				
402	5	V3043600100	NUT , HEX/2	M10	2				
402	6	V2173610040	BOLT , HEX/S	M10X40	1				
402	7	V2173610035	BOLT , HEX/S	M10X35	1				
402	8	V2173610055	BOLT , HEX/S	M10X55	2				
NOTE									

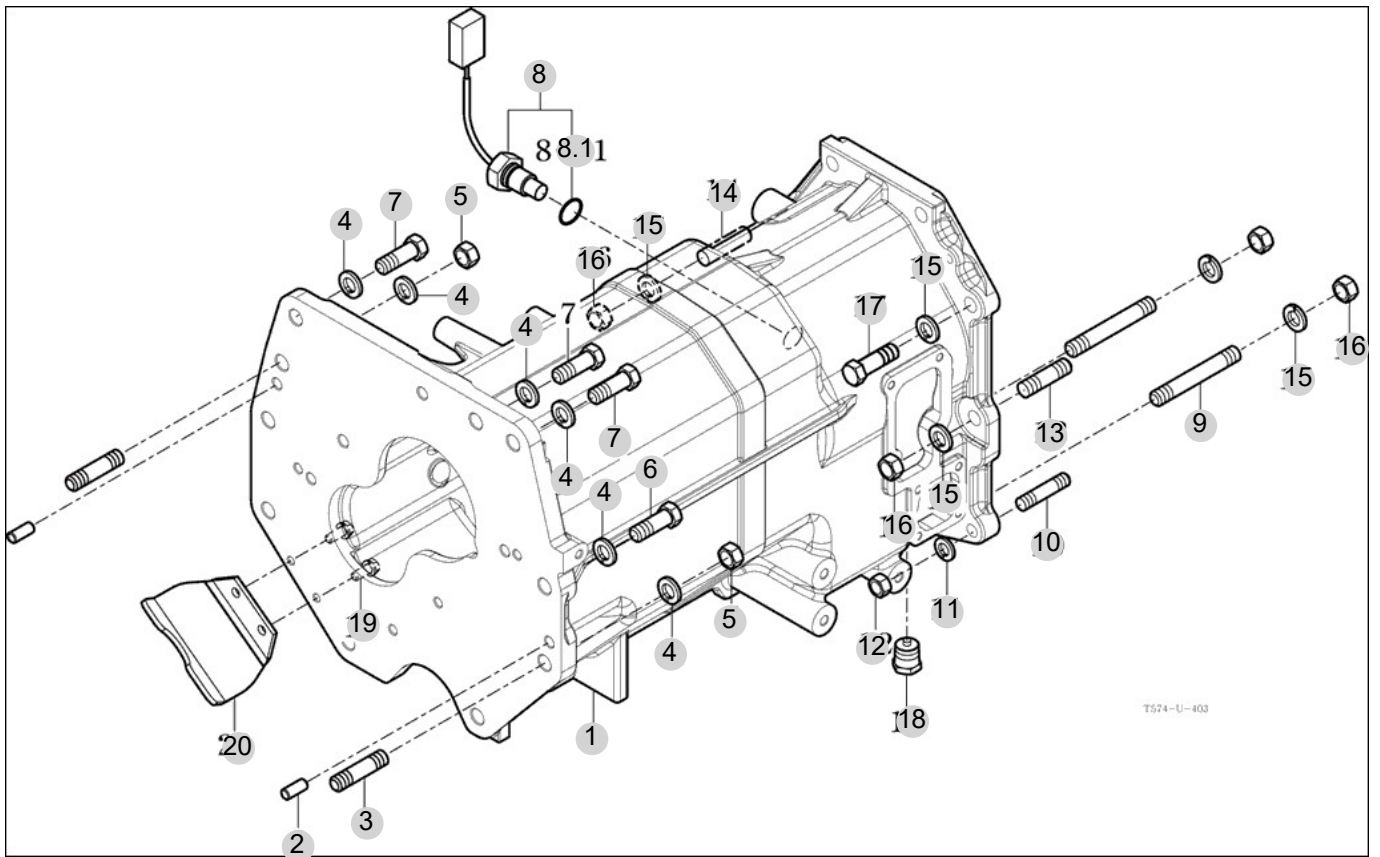
FIG 403

MID TRANSMISSION CASE

년/월
Year/Month

T494NH-B

2022-12



NOTE

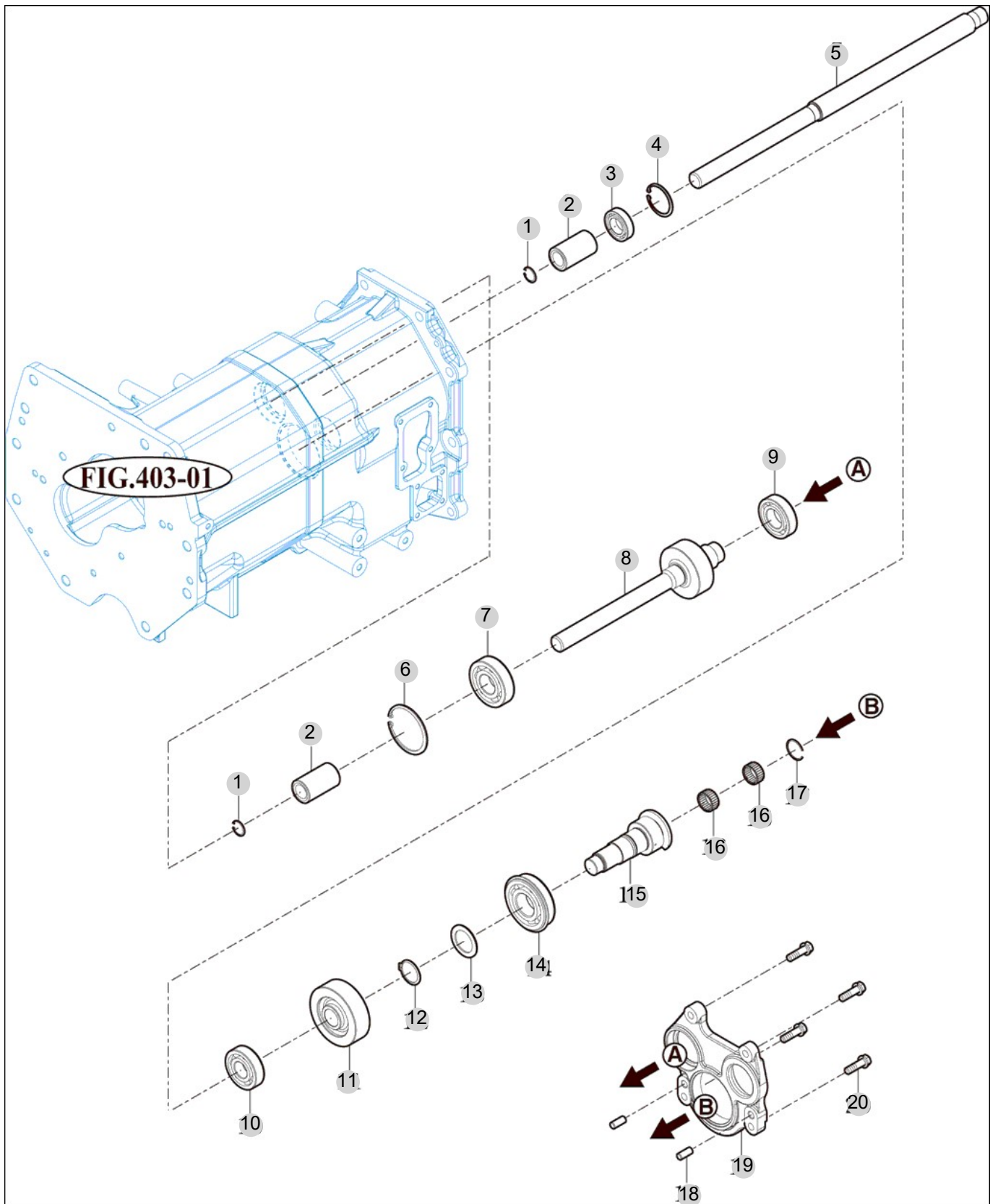
FIG 404

TRANSFER GEAR SET

년/월
Year/Month

T494NH-B

2022-12



NOTE

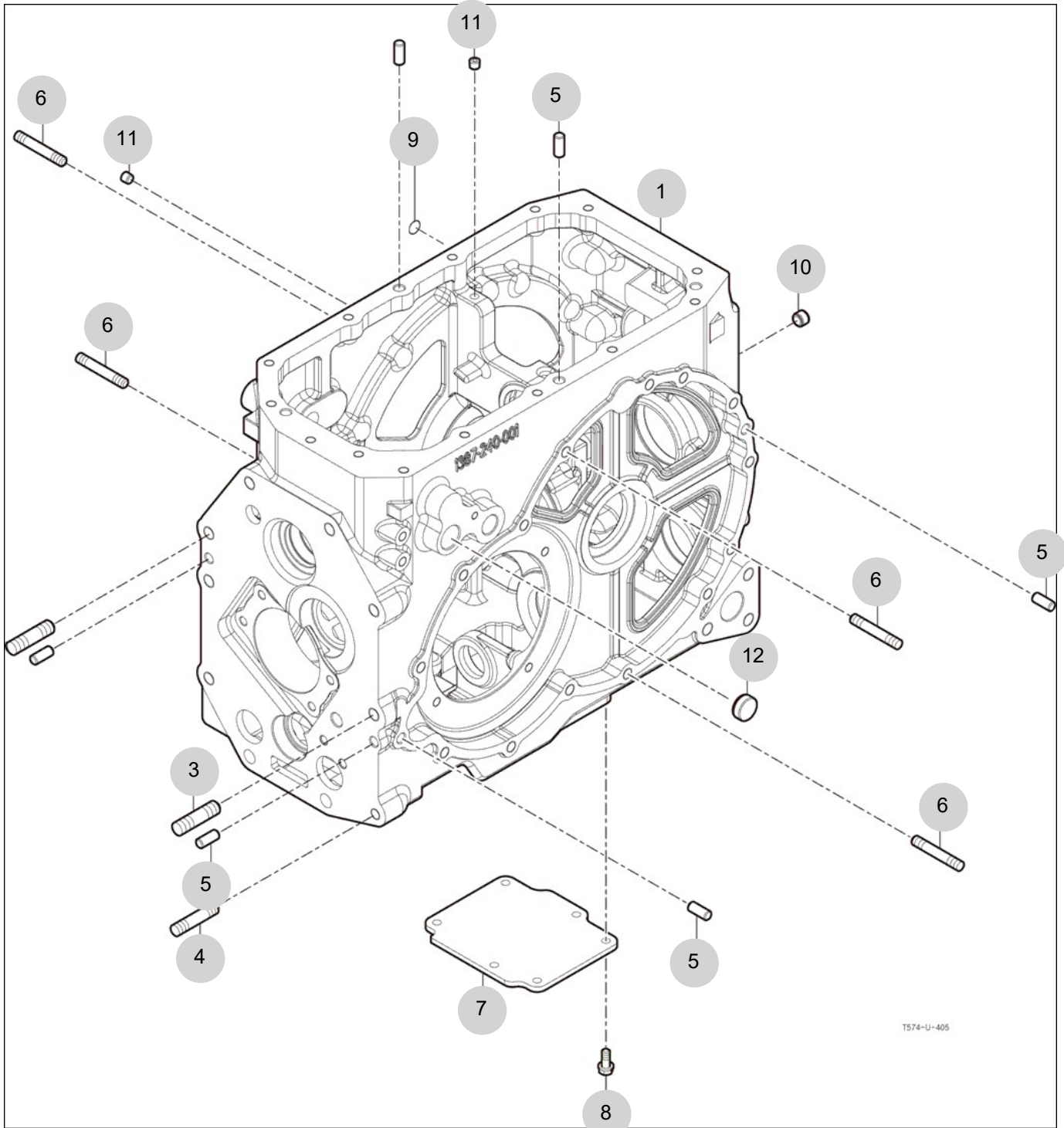
FIG 405

TRANSMISSION REAR CASE

년/월
Year/Month

2022-12

T494NH-B



NOTE

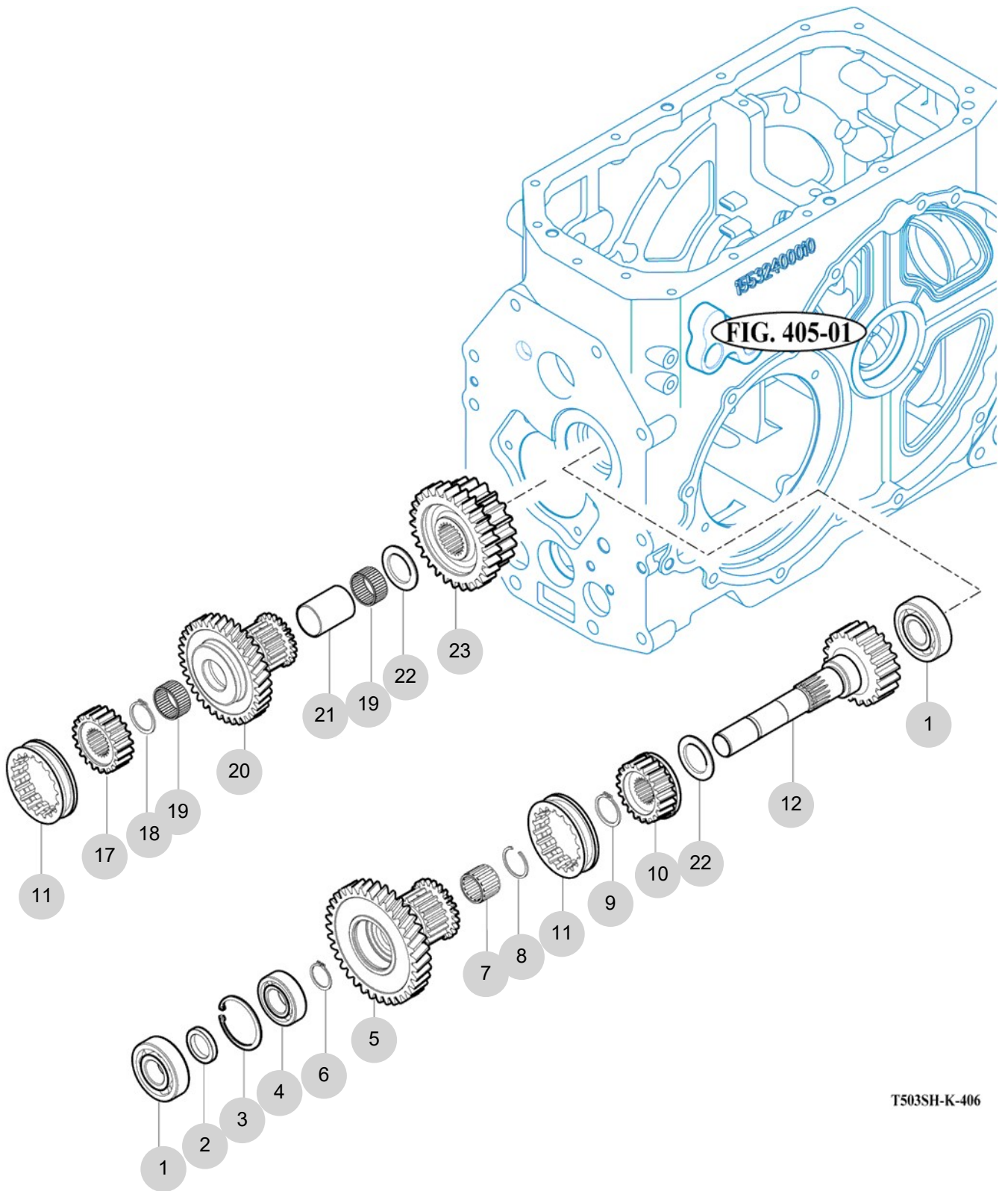
FIG 406

T494NH-B

SUB CHANGE GEARS

년/월
Year/Month

2022-12



T503SH-K-406

NOTE

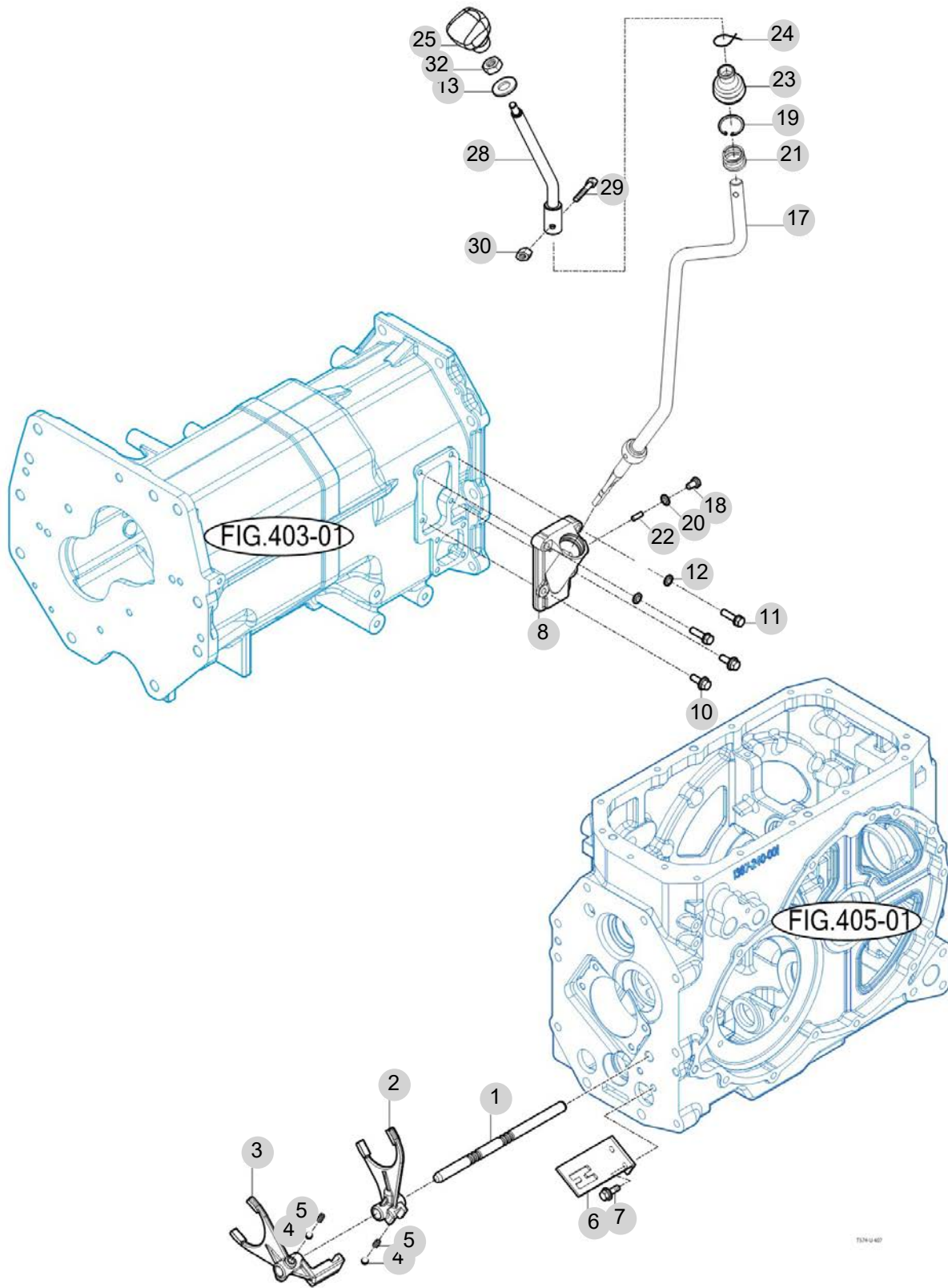
FIG 407

SUB CHANGE SHIFTER

년/월
Year/Month

T494NH-B

2022-12



NOTE

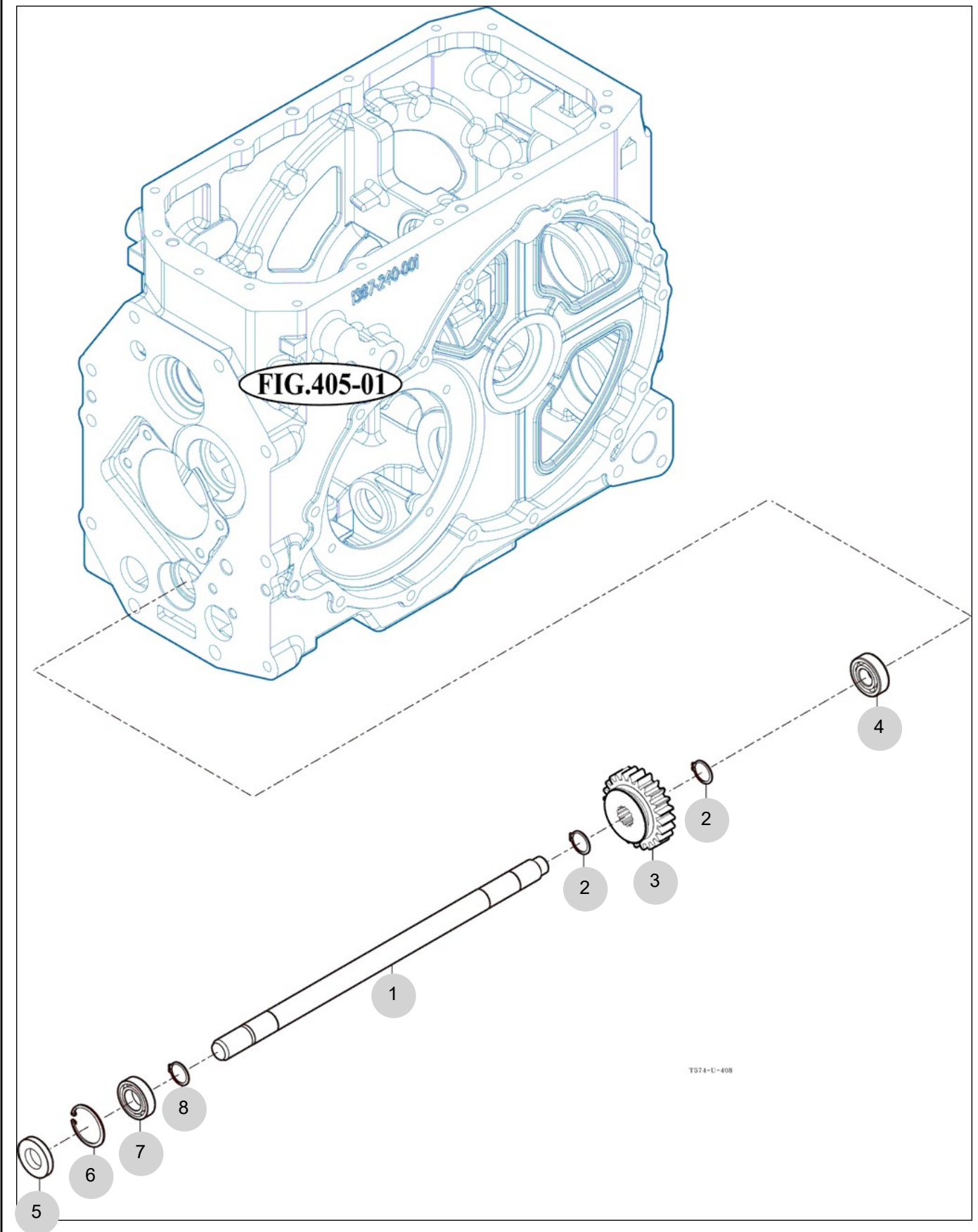
FIG 408

DRIVE GEARS

년/월
Year/Month

T494NH-B

2022-12



NOTE

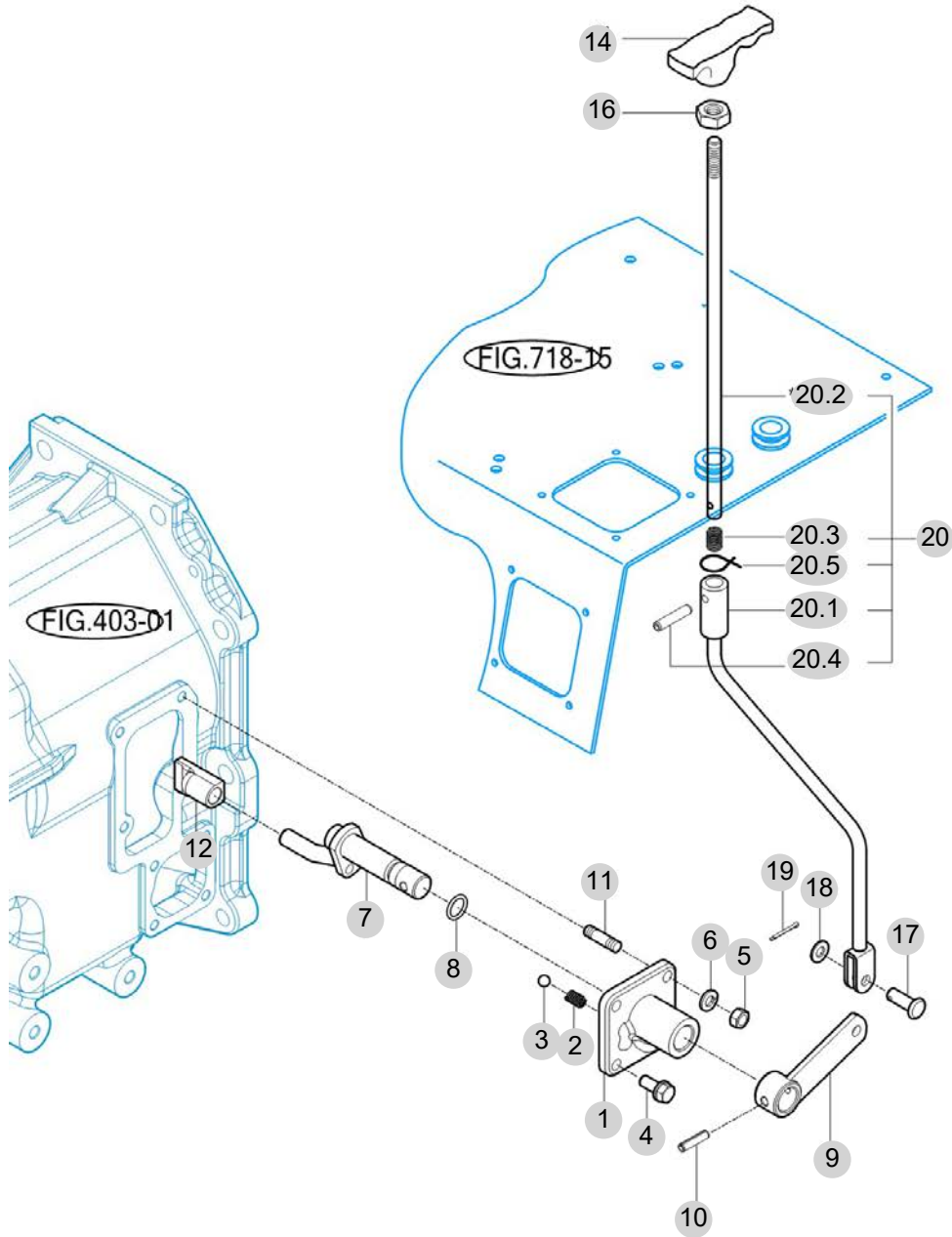
FIG 409

T494NH-B

4WD CHANGE LEVER

년/월
Year/Month

2022-12



*NOT SERVICED SEPARATELY

T574-U-409

NOTE

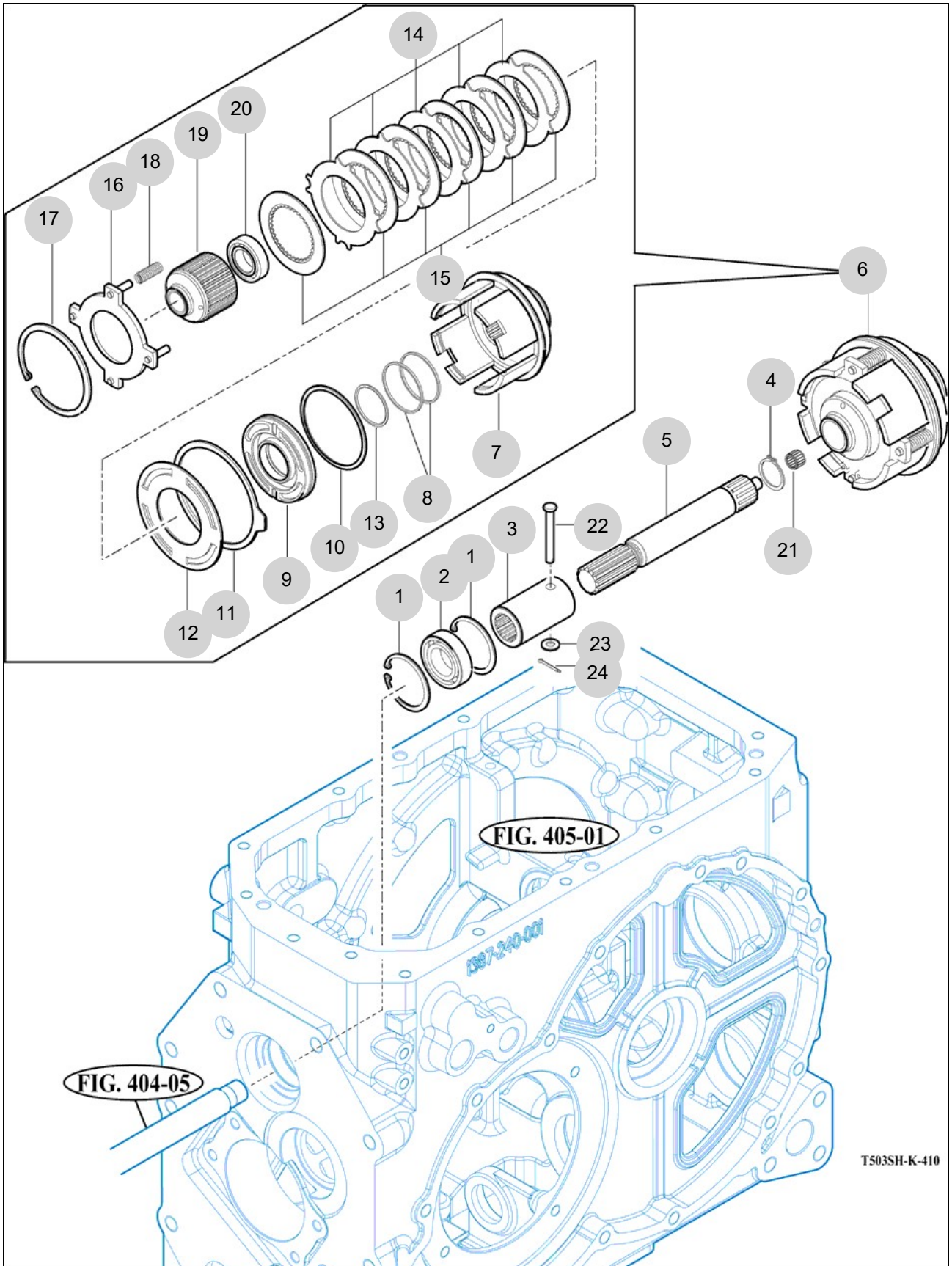
FIG 410

P.T.O DRIVE SHAFT

년/월
Year/Month

T494NH-B

2022-12



NOTE

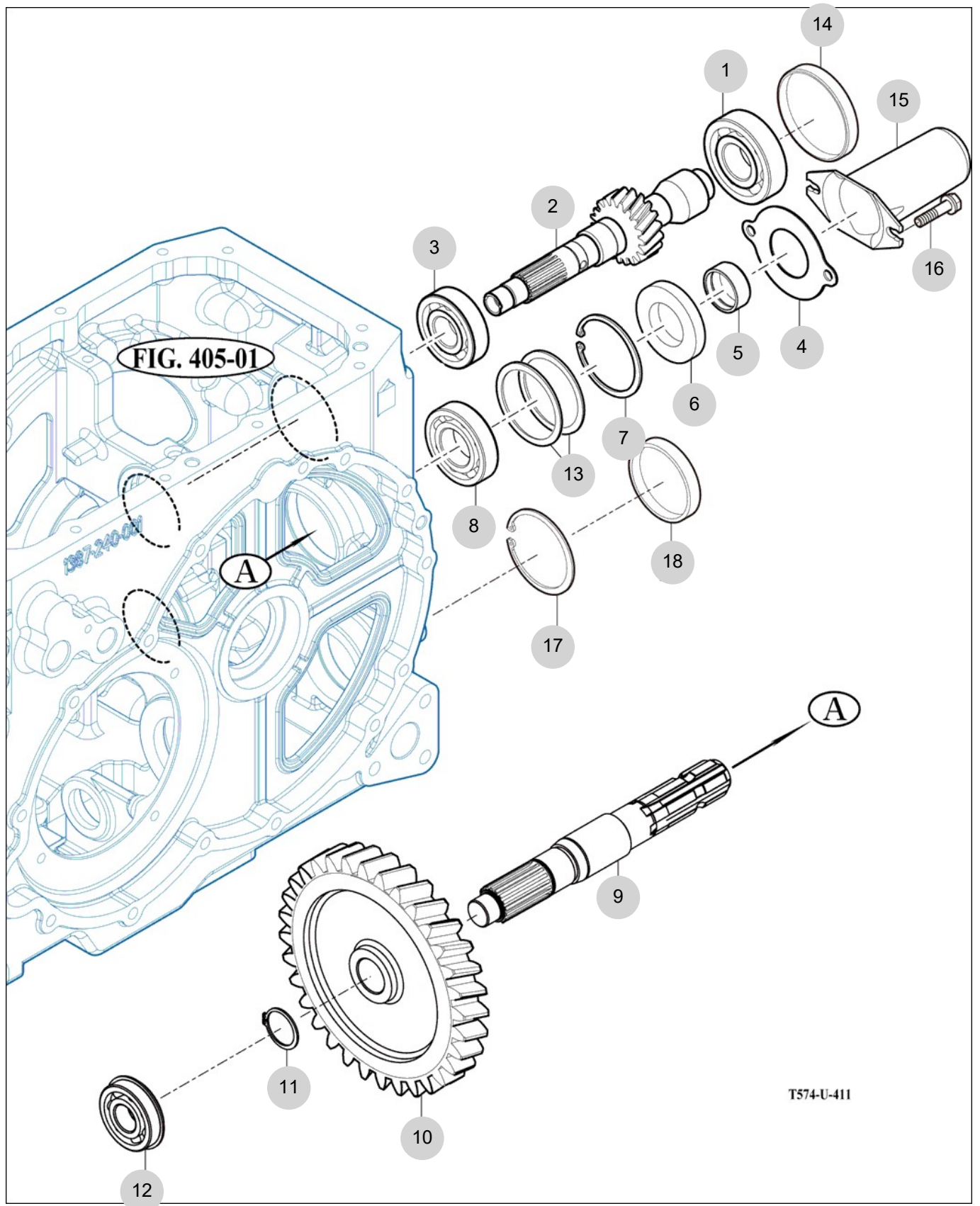
FIG 411

T494NH-B

P.T.O CHANGE GEARS

년/월
Year/Month

2022-12



NOTE

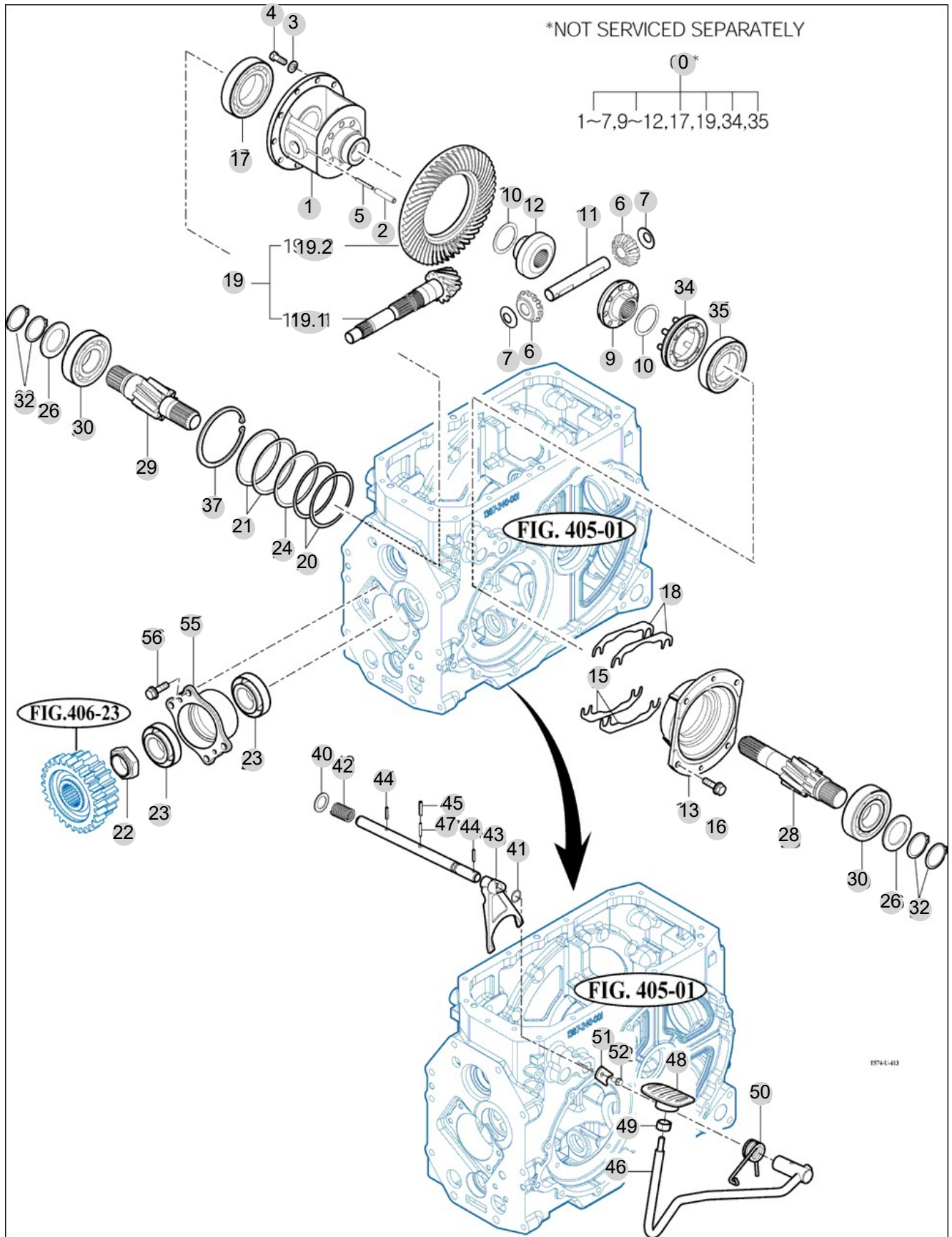
FIG 412

REAR DIFFERENTIAL GEARS

년/월
Year/Month

2022-12

T494NH-B



1574-U-413

NOTE

FIG 412		REAR DIFFERENTIAL GEARS					년/월 Year/Month		
							2022-12		
T494NH-B		KEY NO	PART NO	DESCRIPTION	SPEC	QTY	REPAIR	EFFECTIVE DATE	REMARKS
412	0	14523031001	DIFF ASSY, RR 47PS			1			
412	1	14523030010M	CASE , DIFF			1			
412	2	V5801408040	PIN , SPRING	8X50		1			
412	3	V4011600100	WASHER , SPRING	M10		10			
412	4	V2024610025	BOLT , HEX FINE	M10X25		10			
412	5	V5801405036	PIN , SPRING	5X36		1			
412	6	14523180041	PINION , DIFF	1X1X1		2			
412	7	14523030080	COLLAR , PINION	T=1.0		2			
412	9	14523180061	PINION , BEVEL 16T LH	1X1X1		1			
412	10	14523030100	WASHER , THRUST	D=52.5		2			
412	11	14523030110	SHAFT , DIFF PINION	D=23		1			
412	12	14523180031	PINION , BEVEL 16T RH	1X1X1		1			
412	13	14523030131M	METAL , DIFF CASE LH			1			
412	15	14523010090	SHIM , B	T=0.2		4			
412	16	V2173610025	BOLT , HEX/S	M10X25		4			
412	17	V6001106212	BEARING , BALL	6212		1			
412	18	14523010080	SHIM , A	T=0.1		2			
412	19	14523022100	GEAR SET , 10-41T			1			
412	19.1	14523022111	PINION , BEVEL			1			
412	19.2	14523022120	GEAR , SPIRAL BEVEL			1			
412	20	14523010050	SHIM , 0.1	T=0.1		1			
412	22	15533030020	NUT , M40 P1,5	육각B=55		1			
412	23	V6321132208	BEARING , TAPER-ROLLER	32208CR		2			
412	24	14523010100	SHIM , 0.2	T=0.2		2			
412	26	15133060030	COLLAR , THRUST 45X68X4			2			
412	28	14523060010	PINION , LH HERICAL11T			1			
412	29	14523060020	PINION , RH HERICAL11T			1			
412	30	V6001106309	BEARING , BALL	6309		2			
412	32	V7041400450	C-RING , SHAFT	45		4			
412	34	14523033400	SLEEVE COMP			1			
412	35	V6001106211	BEARING , BALL	6211		1			
412	37	V7051401100	C-RING , HOLE	110		1			
412	39	15533193010	SHAFT , DIFF LOCK	D=20		1			
412	40	V4111600200	WASHER , PLAIN	M20		1			
412	41	V7201024016	O-RING , P	P16		1			
412	42	17973030420	SPRING	(D=3.6) X22.5X74.5		1			
412	43	14523190011M	FORK , DIFF LOCK			1			
412	44	V5801406032	PIN , SPRING	6X32		2			
412	45	V5801408036	PIN , SPRING	8X36		1			
412	46	15533193100	PEDAL COMP , DIFF LOCK			1			
412	47	V5801405036	PIN , SPRING	5X36		1			
412	48	14521220120	PEDAL COMP,ACCEL	1X1X1		1			
412	49	V3342600100	NUT , HEX FINE/2	M10		1			
412	50	15533190020	SPRING , DIFF PEDAL			1			
412	50	15533190021	SPRING , DIFF PEDAL	D=5.5		1			
NOTE									

FIG 412 T494NH-B	REAR DIFFERENTIAL GEARS						년/월 Year/Month
							2022-12

KEY NO	PART NO	DESCRIPTION	SPEC	QTY	REPAIR	EFFECTIVE DATE	REMARKS
412	51	16703180191	PLATE , STOP	25X4.5T	1		
412	52	V2173608016	BOLT , HEX/S	M8X16	1		
412	55	14523020040M	METAL , PINION		1		
412	56	14523010031	SHIM , 0.2		4		
412	56	V2173610025	BOLT , HEX/S	M10X25	4		
NOTE							

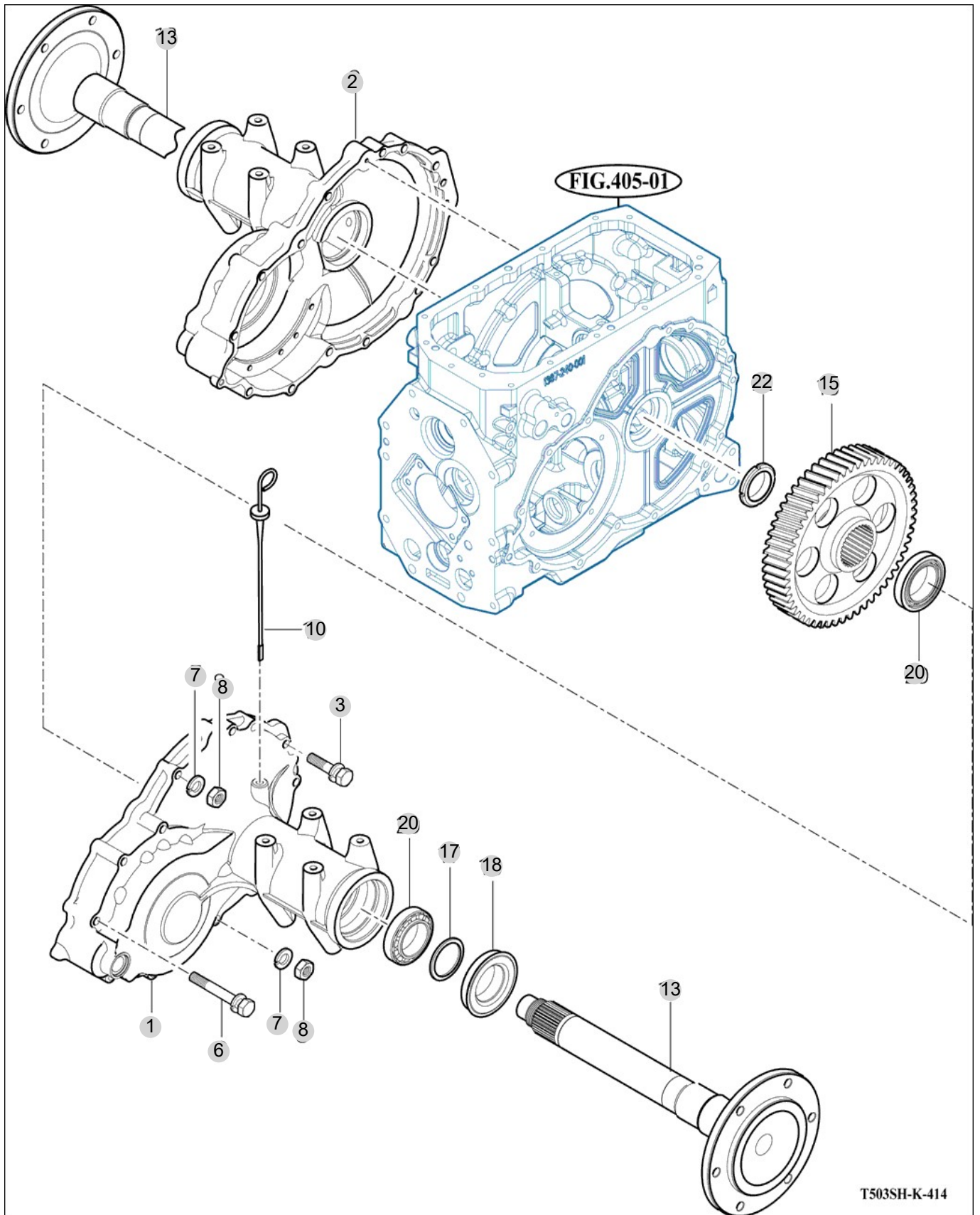
FIG 413

REAR AXLE HOUSING

년/월
Year/Month

T494NH-B

2022-12



T503SH-K-414

NOTE

5. Front Axle PART NO. T5

FIG 501 FRONT AXLE SUPPORT	169
FIG 502 FRONT DRIVE SHAFT	171
FIG 503 FRONT AXLE HOUSING	173
FIG 504 FRONT DIFFERENTIAL GEARS	175
FIG 505 FRONT GEAR CASE (1)	177
FIG 506 FRONT GEAR CASE (2)	179
FIG 507 FRONT GEAR CASE (3)	181

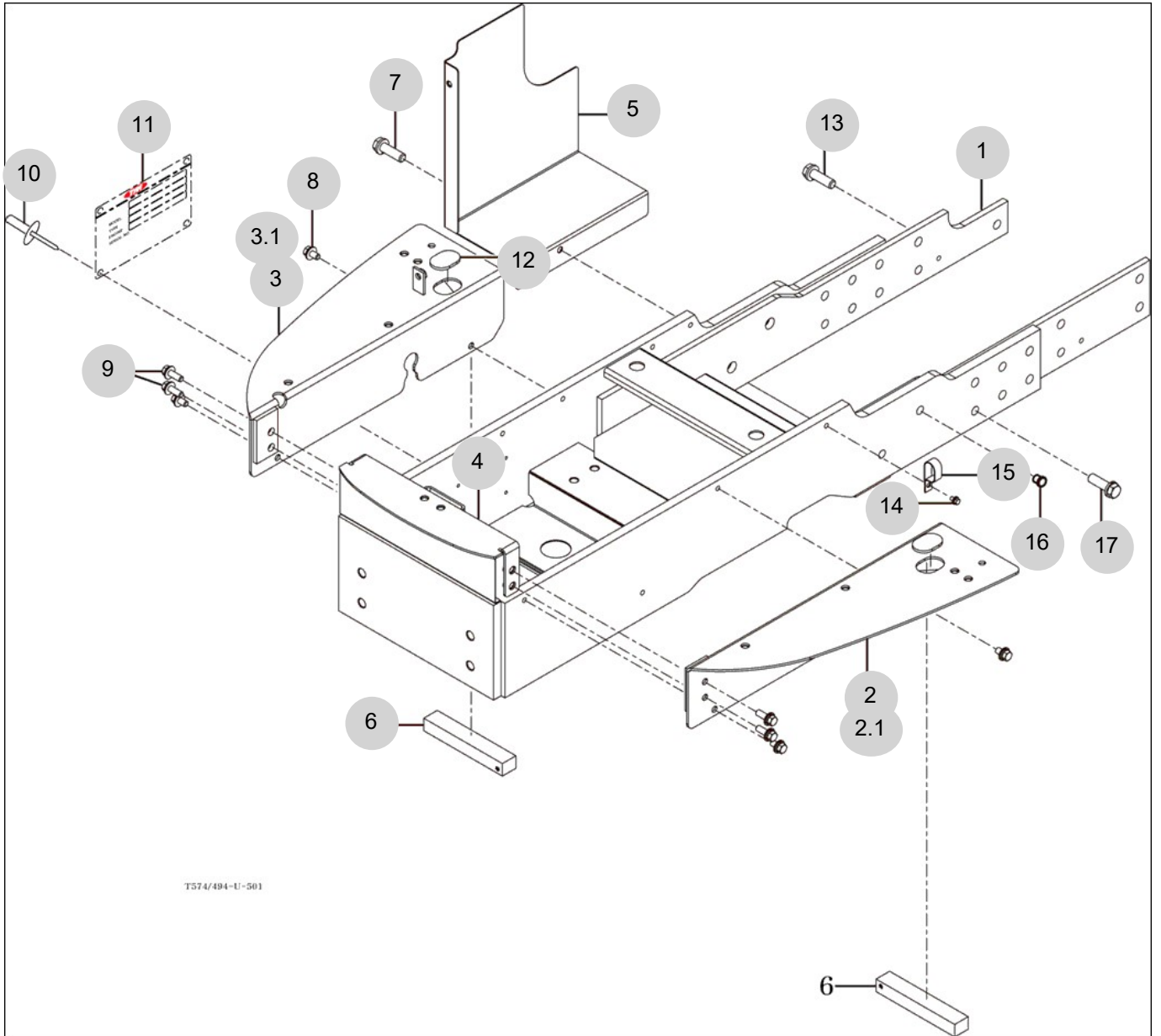
FIG 501

T494NH-B

FRONT AXLE SUPPORT

년/월
Year/Month

2022-12



NOTE

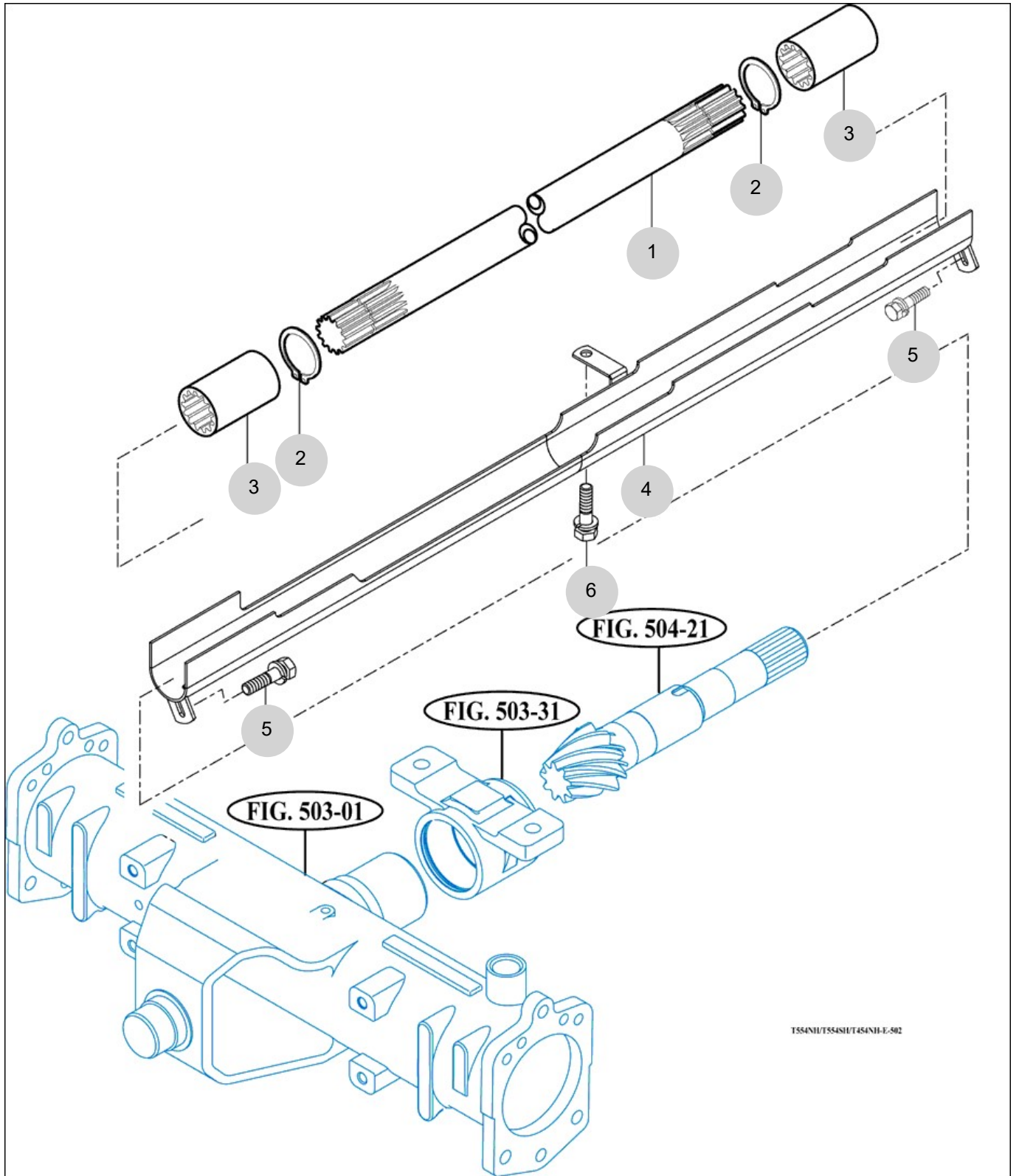
FIG 502

T494NH-B

FRONT DRIVE SHAFT

년/월
Year/Month

2022-12



T554NH/T554SH/T454NH-E-502

NOTE

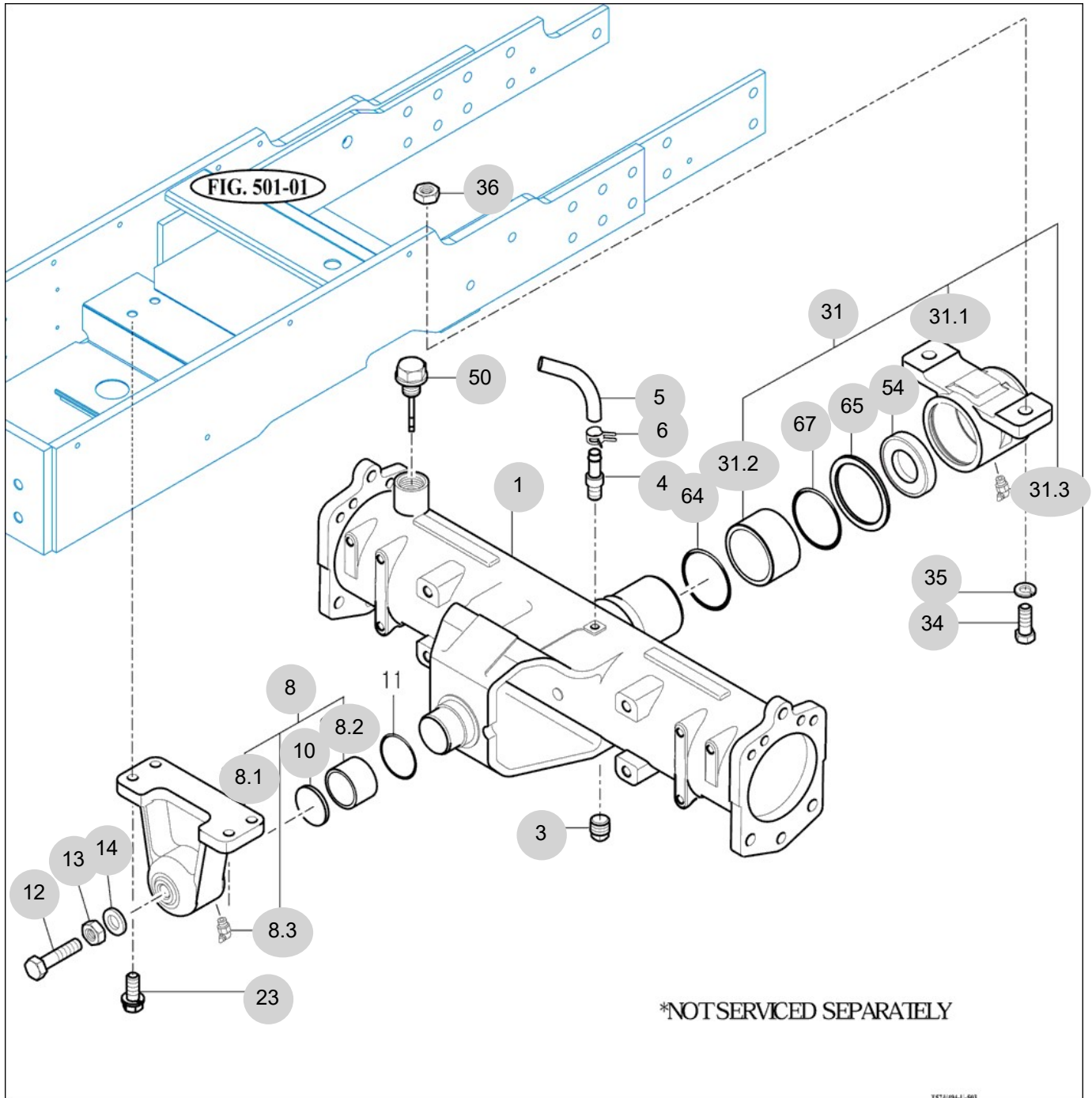
FIG 503

T494NH-B

FRONT AXLE HOUSING

년/월
Year/Month

2022-12



NOTE

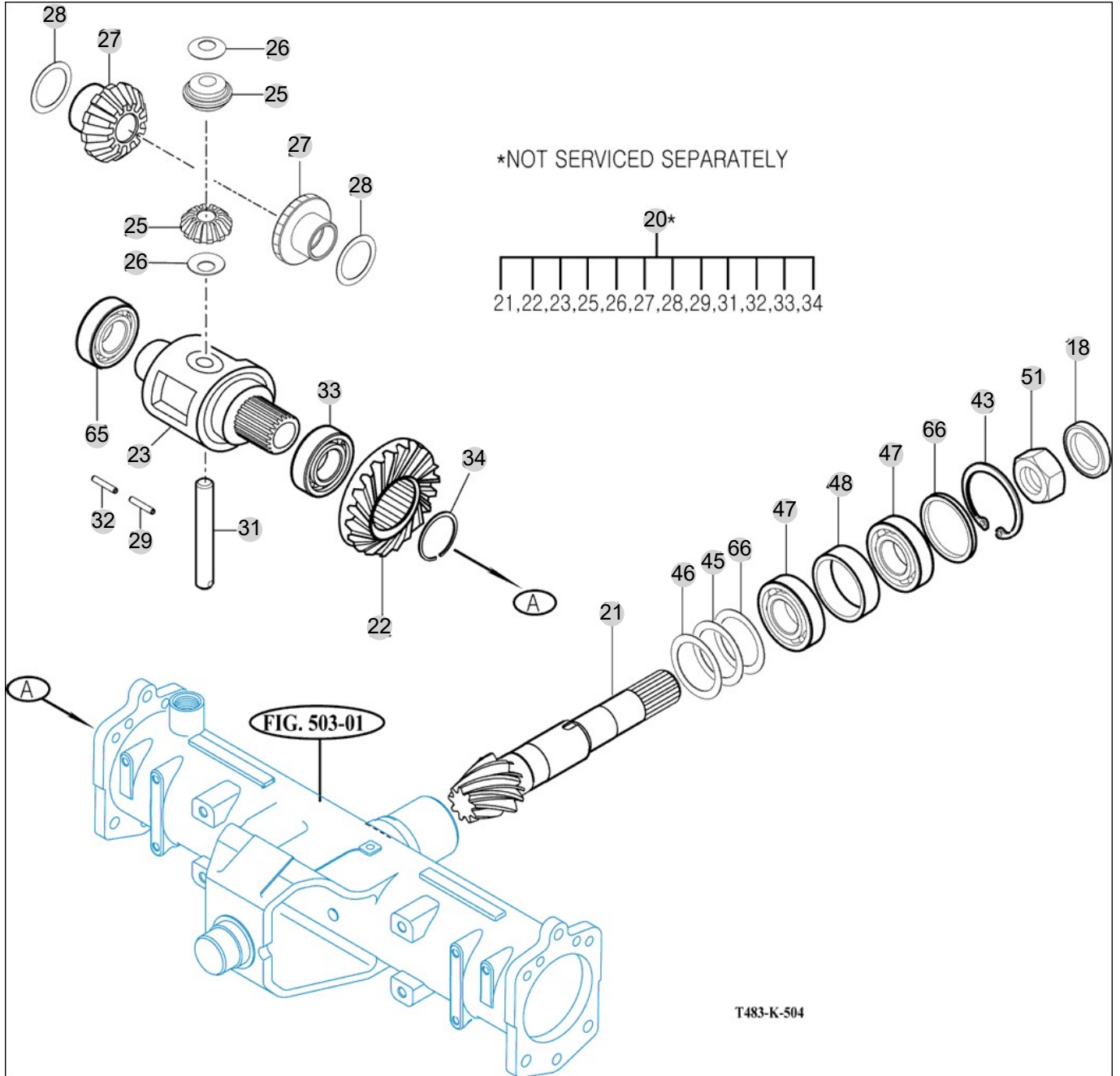
FIG 504

FRONT DIFFERENTIAL GEARS

년/월
Year/Month

2022-12

T494NH-B



NOTE

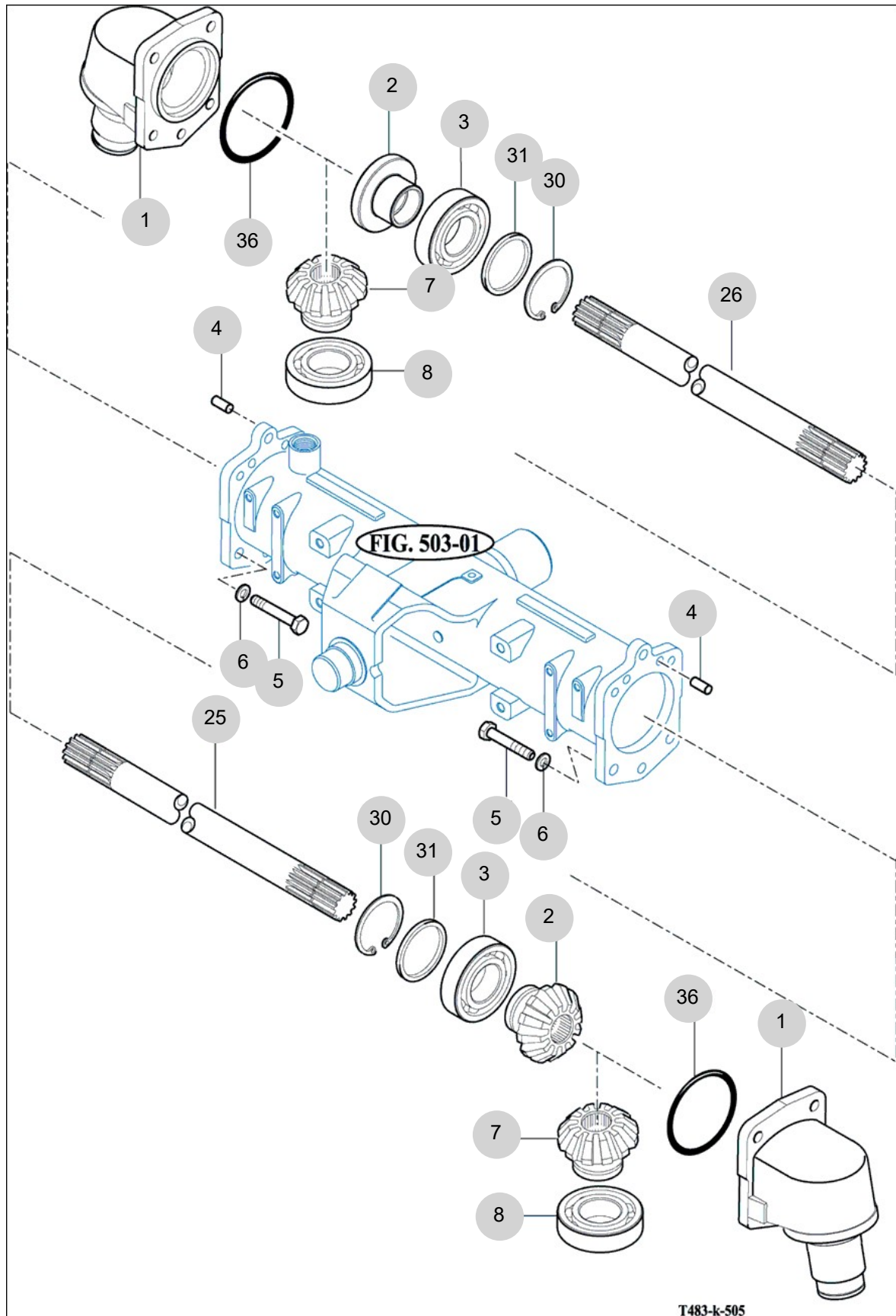
FIG 505

T494NH-B

FRONT GEAR CASE (1)

년/월
Year/Month

2022-12



T483-k-505

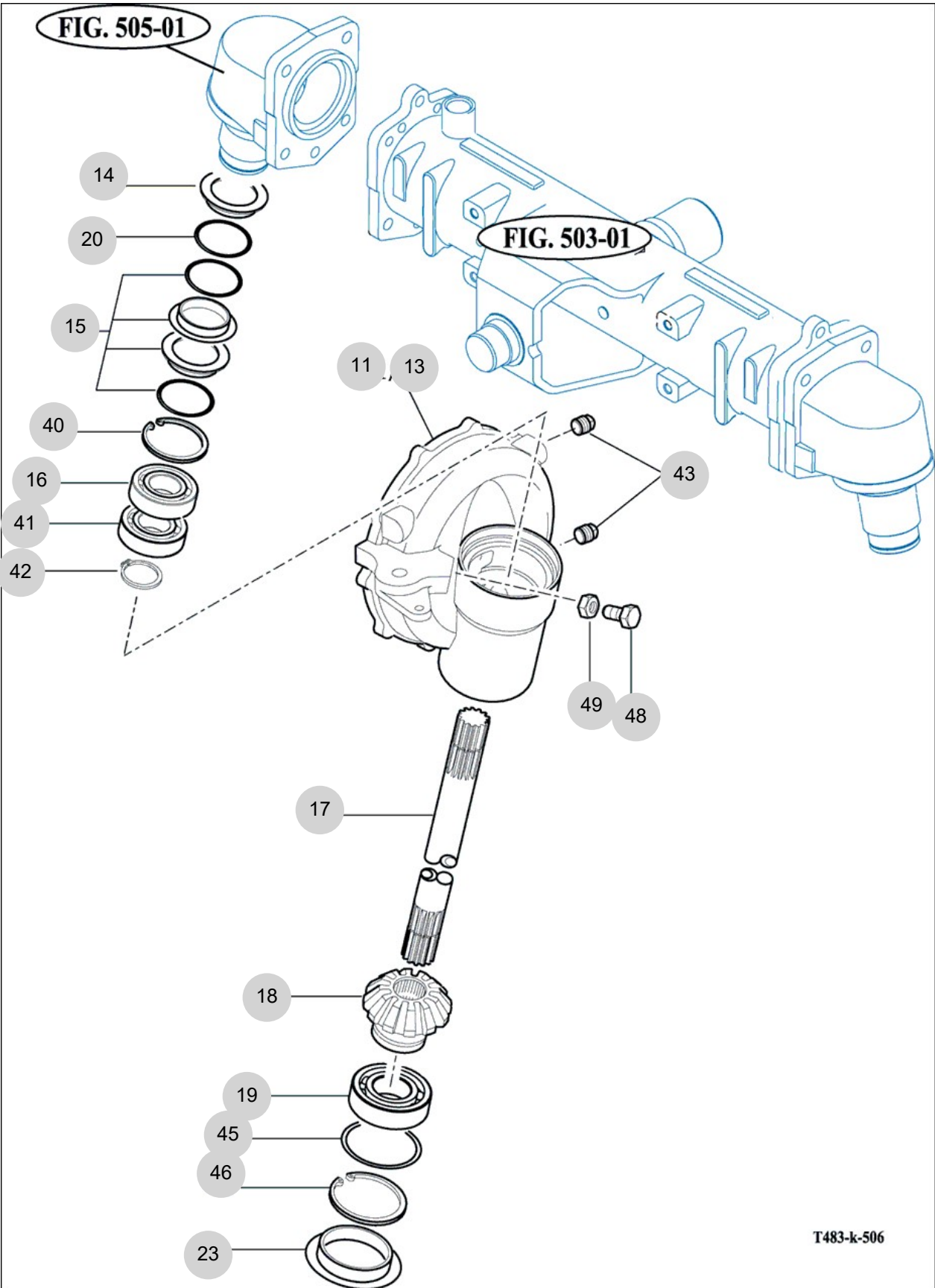
NOTE

FIG 506

FRONT GEAR CASE (2)

년/월
Year/Month

2022-12



T483-k-506

NOTE

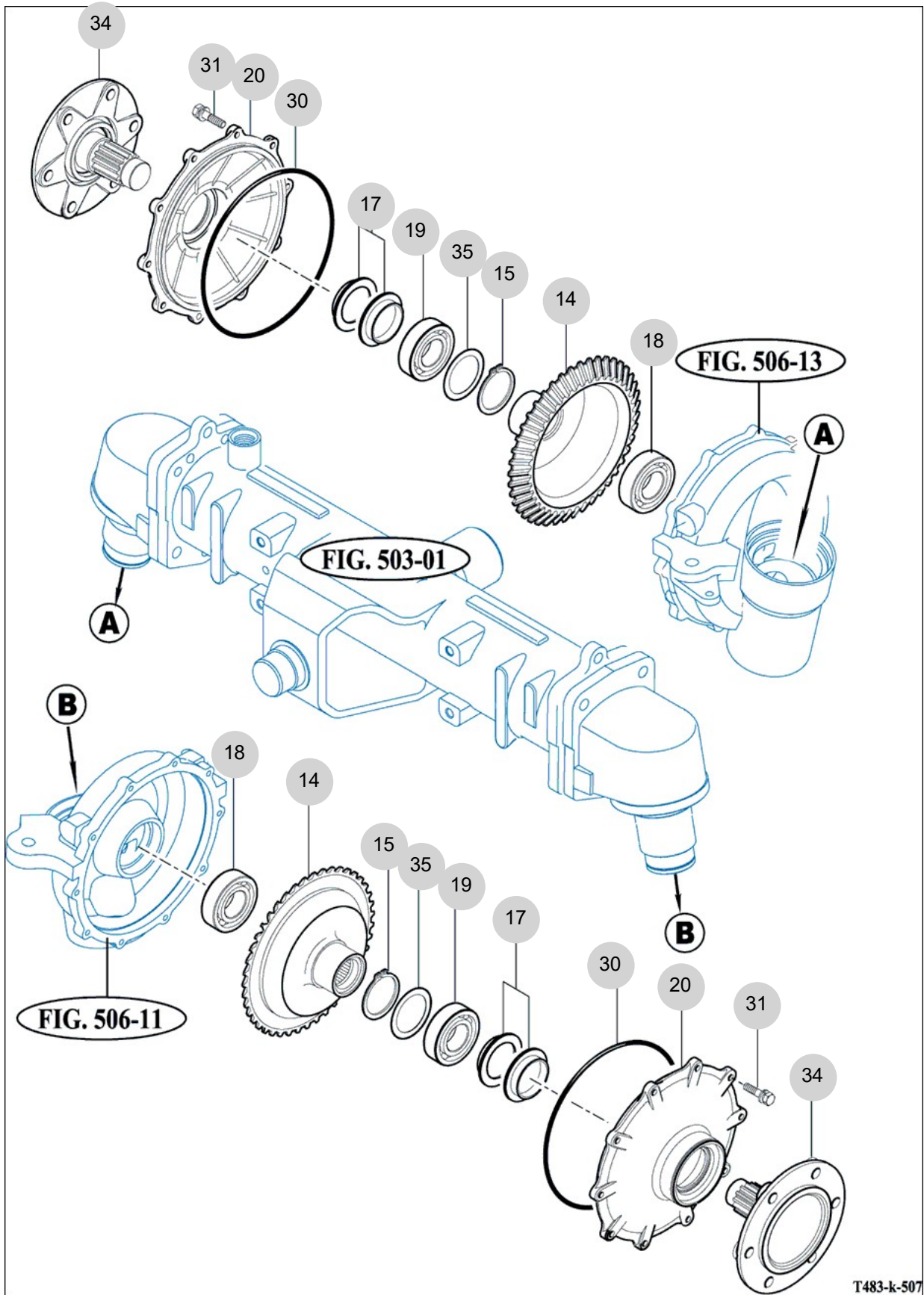
FIG 507

FRONT GEAR CASE (3)

년/월
Year/Month

T494NH-B

2022-12



NOTE

FIG 507		FRONT GEAR CASE (3)						년/월	
								Year/Month	
T494NH-B								2022-12	
KEY NO	PART NO	DESCRIPTION	SPEC	QTY	REPAIR	EFFECTIVE DATE	REMARKS		
507	14	16734340081	GEAR , BEVEL 38T		2				
507	14	16734340080	GEAR , BEVEL 38T		2				
507	15	17994420060	SNAP RING , C TYPE	50	2				
507	15	V7041400500	C-RING , SHAFT	50	2				
507	17	16004340040	SEAL	1X1X1	2				
507	18	V6041106308	BEARING , BALL/HL1	6308HL1	2				
507	19	V6041106210	BEARING , BALL/HL1	6210HL1	2				
507	20	16704340130M	COVER , WHEEL SHAFT		2				
507	30	16704340150	O RING		2				
507	31	V2173608025	BOLT , HEX/S	M8X25	20				
507	34	16704340070	SHAFT , WHEEL		2				
507	35	16709510081	WASHER , 50X67X2		2				
507	35	16709510080	WASHER , 50X60X2		2				
NOTE									

6. Hydraulic/3P-Link PART NO. T6

FIG 601 CYLINDER CASE	184
FIG 602 LIFT ARM	186
FIG 603 CYLINDER	188
FIG 604 POSITION LINK	190
FIG 605 CONTROL VALVE	192
FIG 606 DRAFT LINK	194
FIG 607 POSITION & DRAFT LEVER	196
FIG 607-2 POSITION & DRAFT LEVER(2)	198
FIG 608 EXTERIOR HYD. VALVE	200
FIG 609 HYDRAULIC PIPE	202
FIG 610 JOYSTICK	204
FIG 612 HITCH & 3-POINT LINK	206
FIG 613 LOWER LINK & LIFT ROD	209

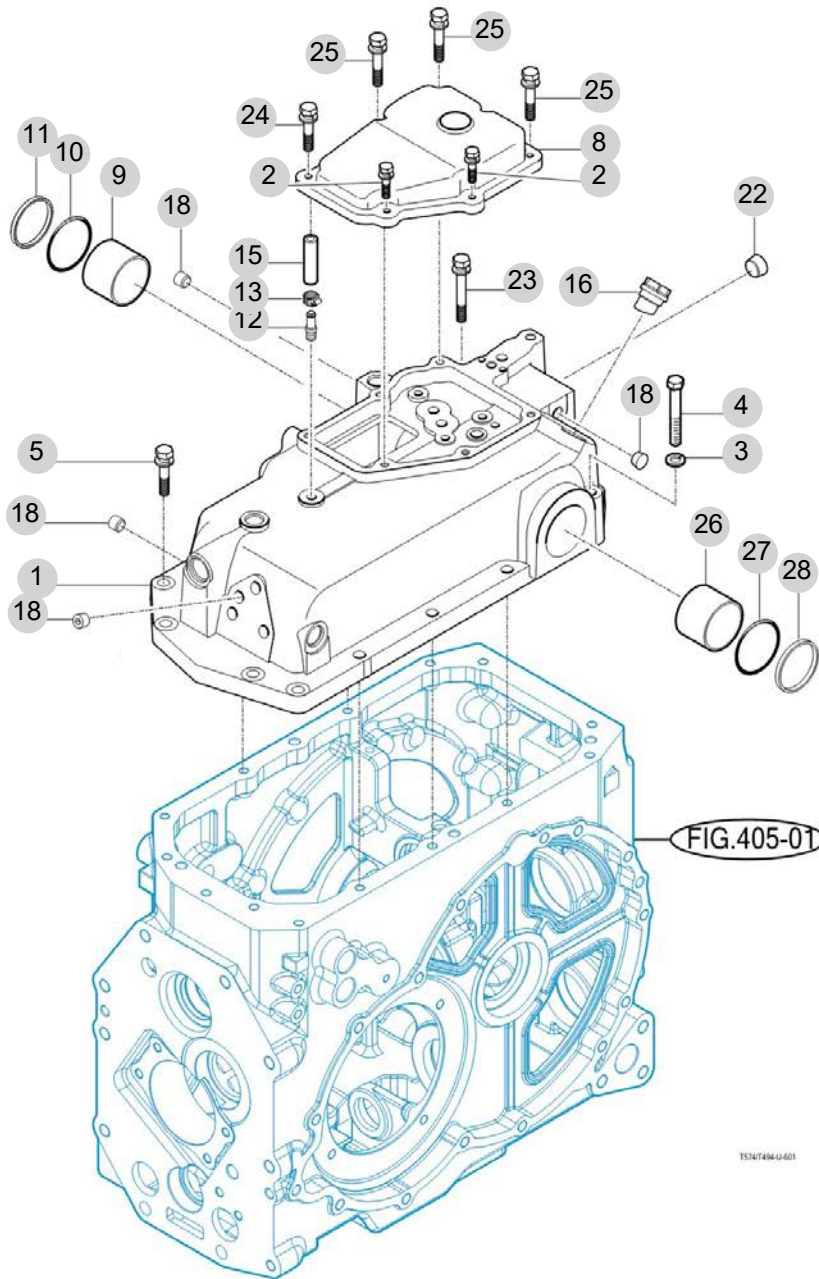
FIG 601

T494NH-B

CYLINDER CASE

년/월
Year/Month

2022-12



NOTE

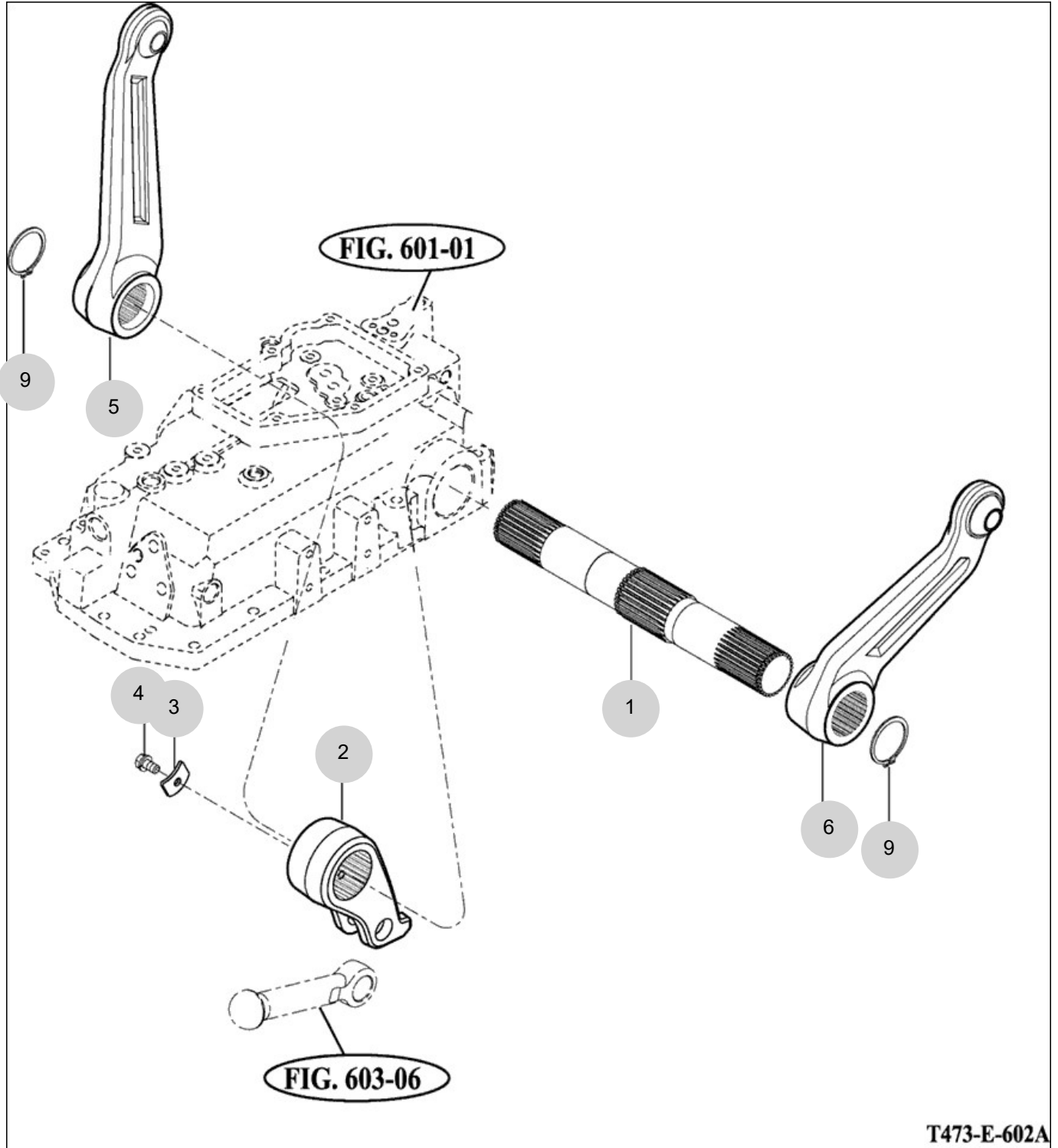
FIG 602

T494NH-B

LIFT ARM

년/월
Year/Month

2022-12



NOTE

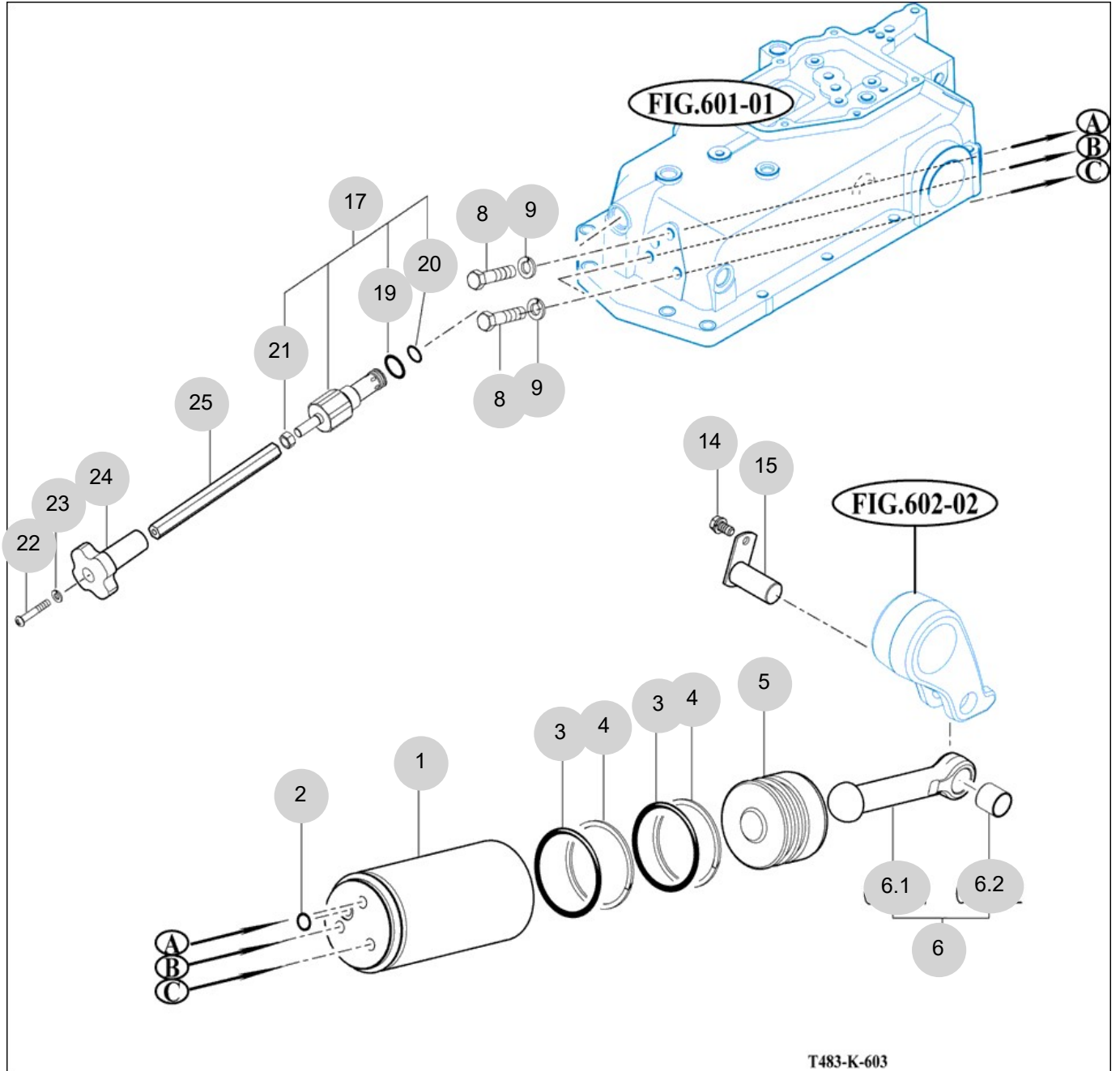
FIG 603

T494NH-B

CYLINDER

년/월
Year/Month

2022-12



NOTE

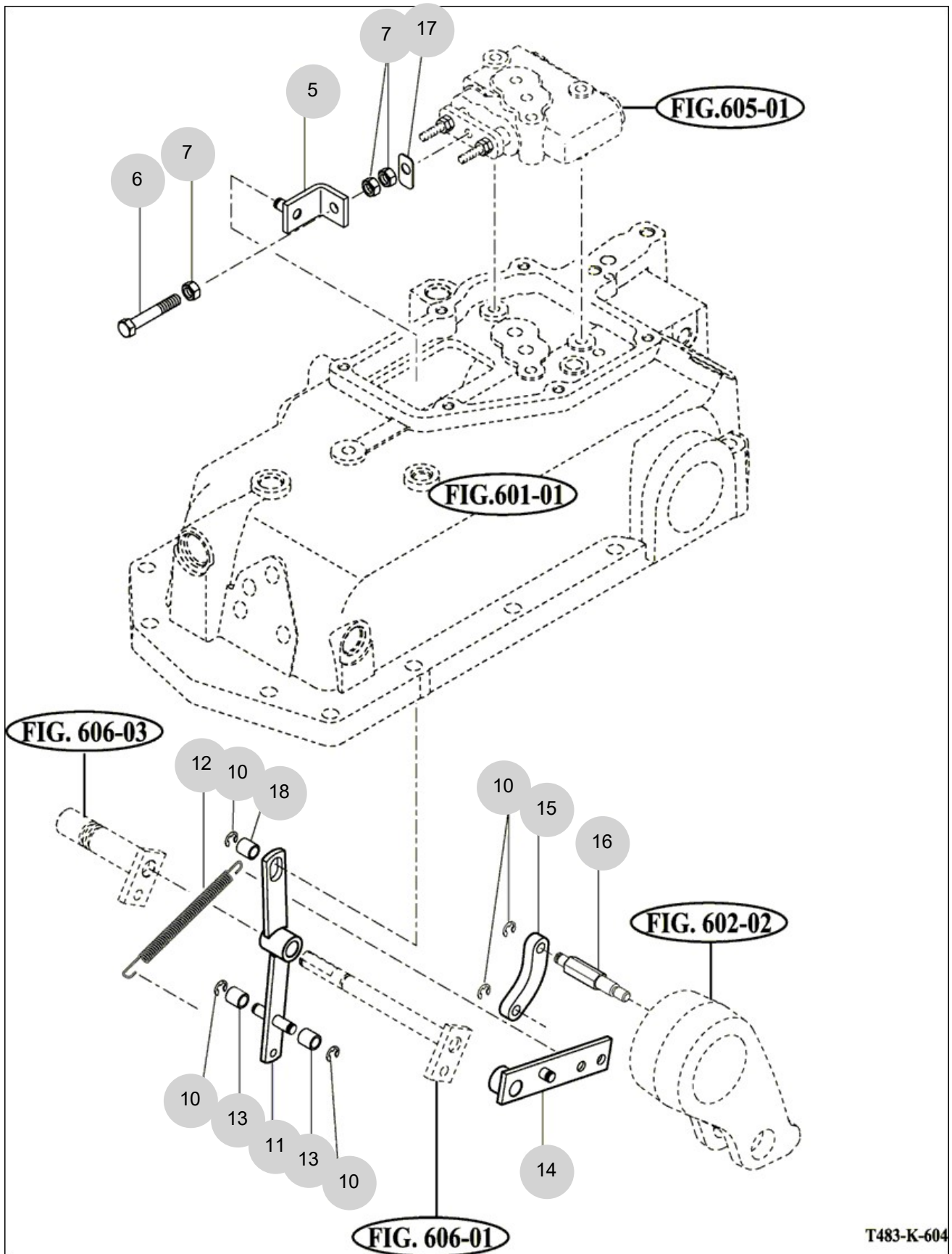
FIG 604

POSITION LINK

년/월
Year/Month

T494NH-B

2022-12



T483-K-604

NOTE

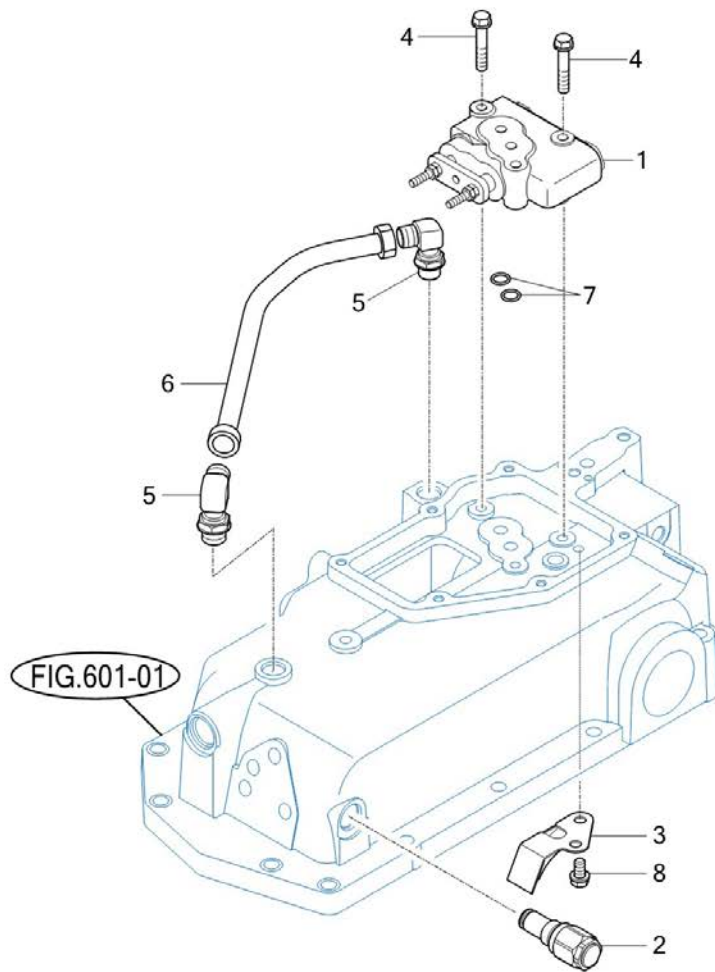
FIG 605

T494NH-B

CONTROL VALVE

년/월
Year/Month

2022-12



T374-U-605

NOTE

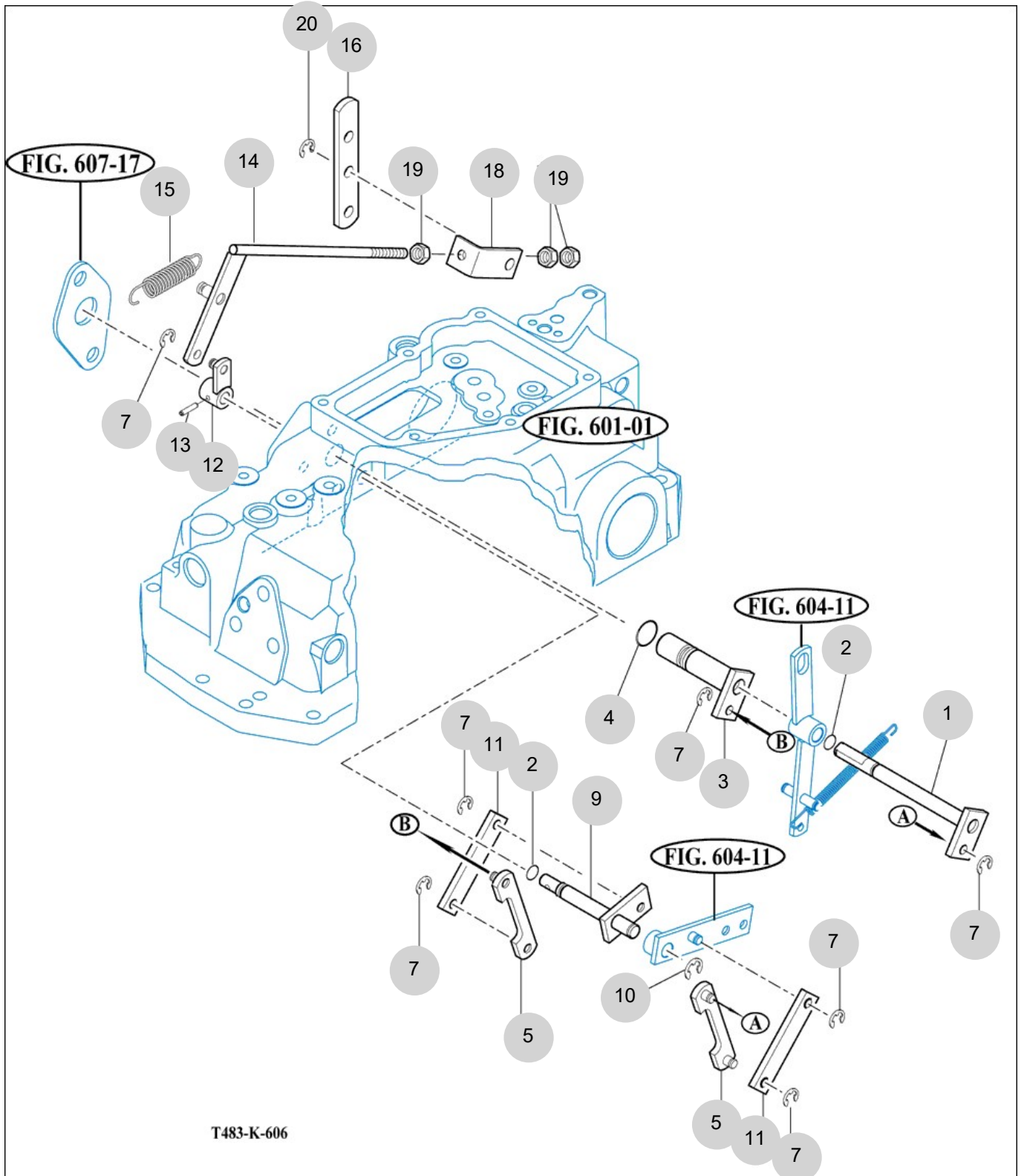
FIG 606

T494NH-B

DRAFT LINK

년/월
Year/Month

2022-12



NOTE

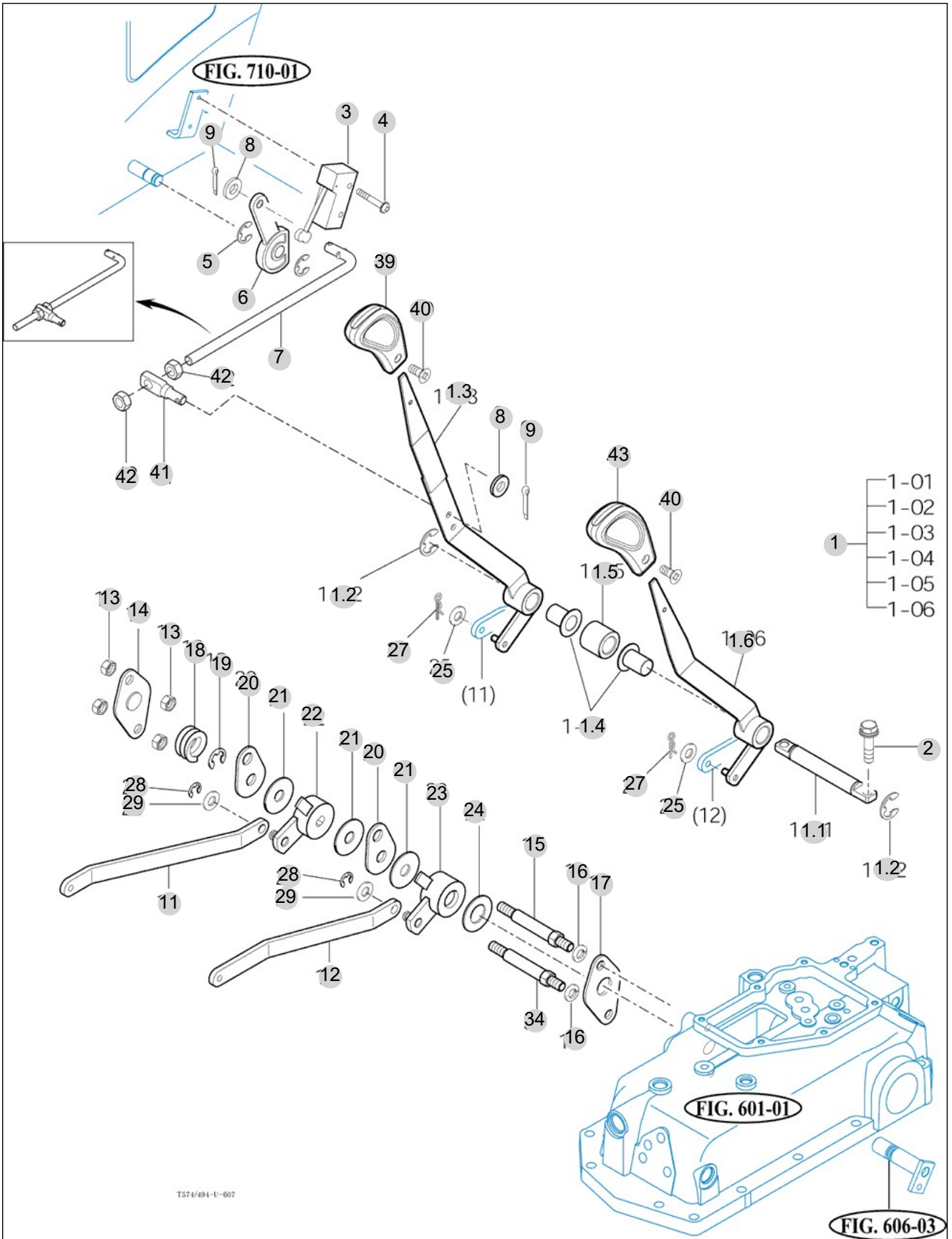
FIG 607

POSITION & DRAFT LEVER

년/월
Year/Month

2022-12

T494NH-B



T574/494-U-607

FIG. 601-01

FIG. 606-03

NOTE

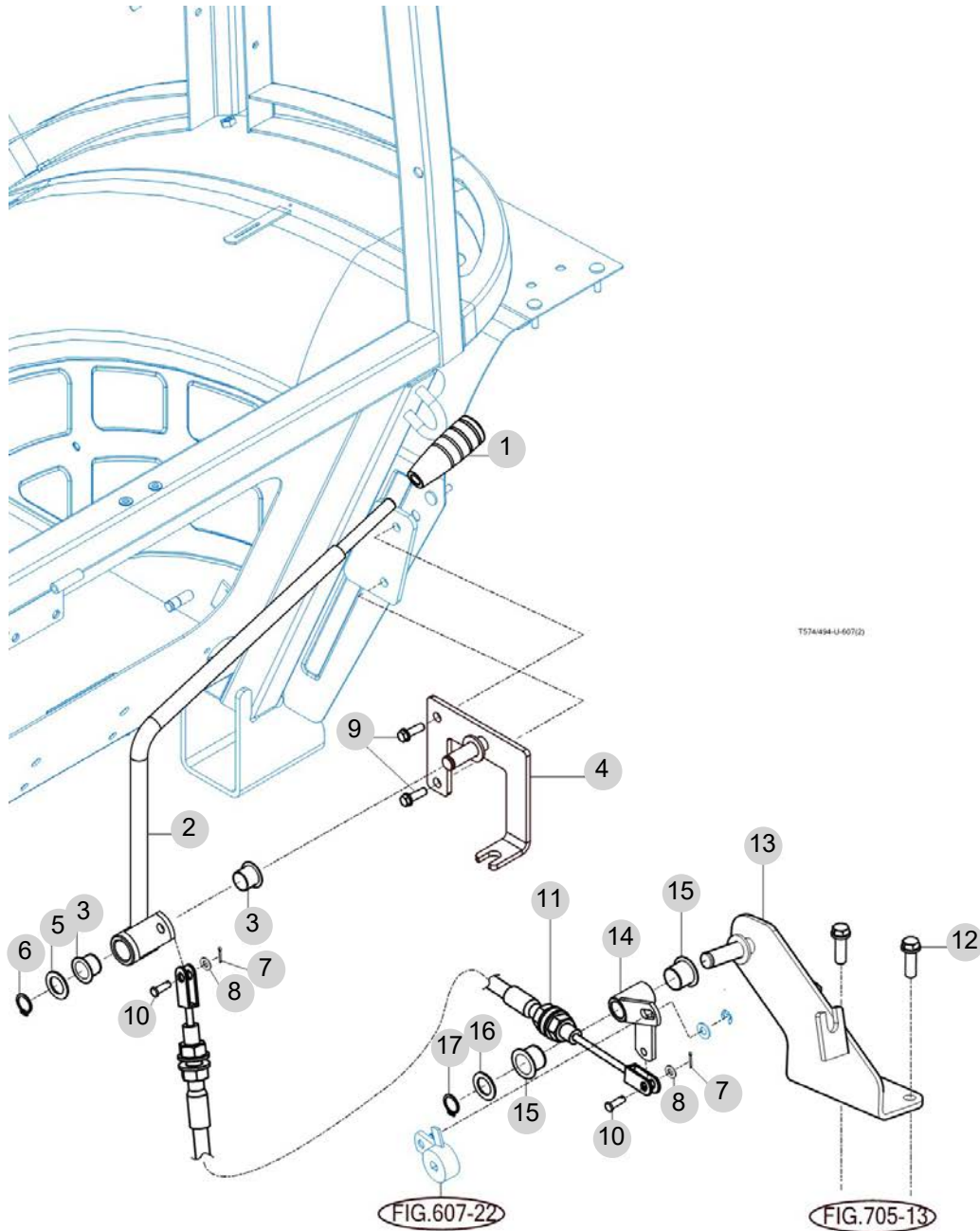
FIG 607-2

POSITION & DRAFT LEVER(2)

년/월
Year/Month

T494NH-B

2022-12



NOTE

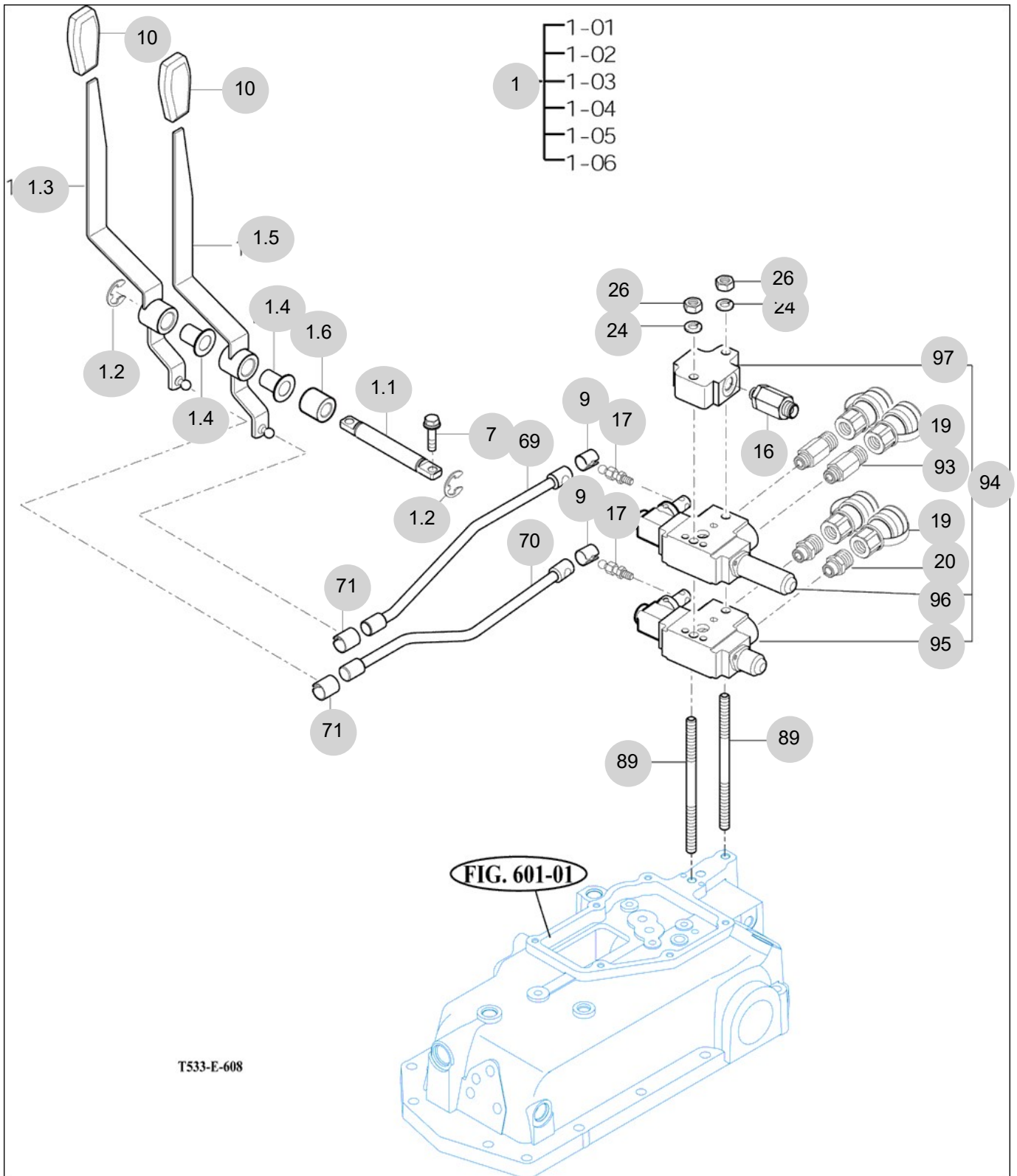
FIG 608

EXTERIOR HYD. VALVE

년/월
Year/Month

2022-12

T494NH-B



NOTE

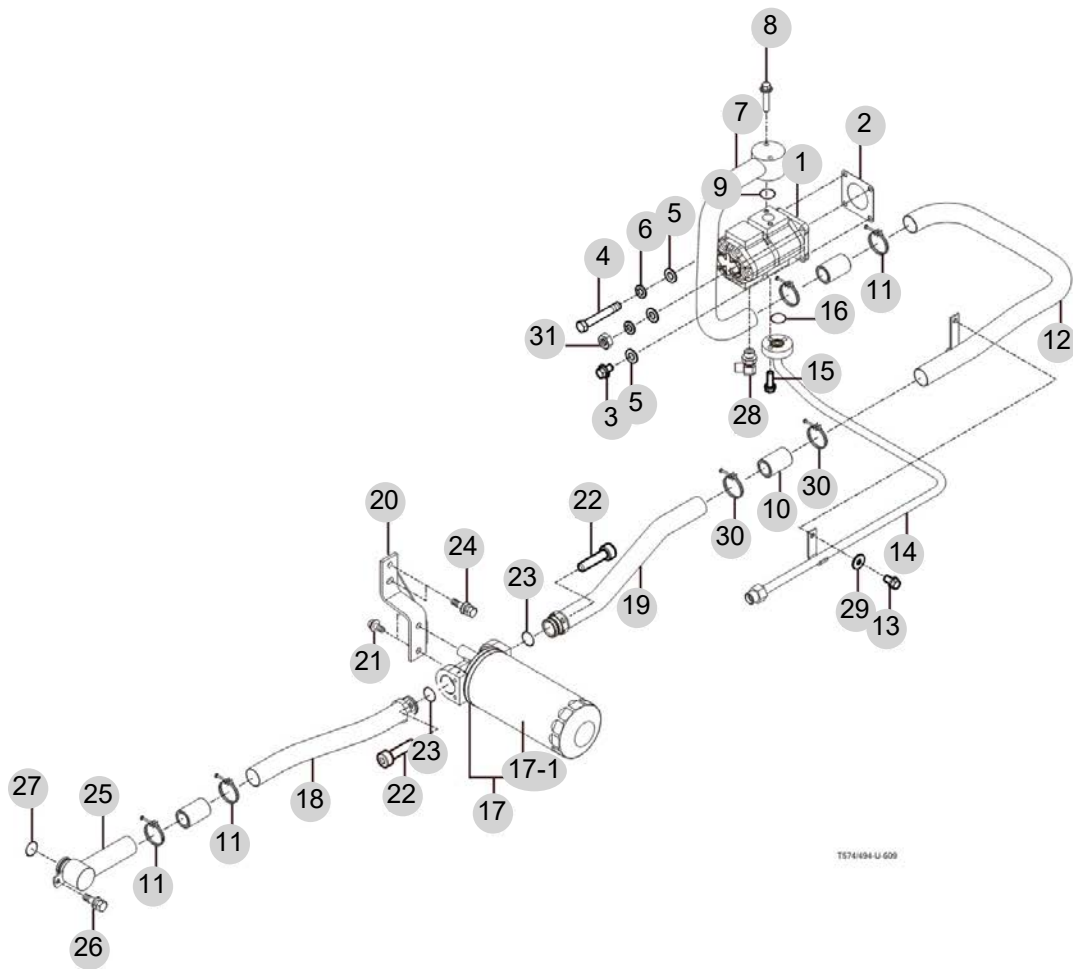
FIG 609

HYDRAULIC PIPE

년/월
Year/Month

2022-12

T494NH-B



NOTE

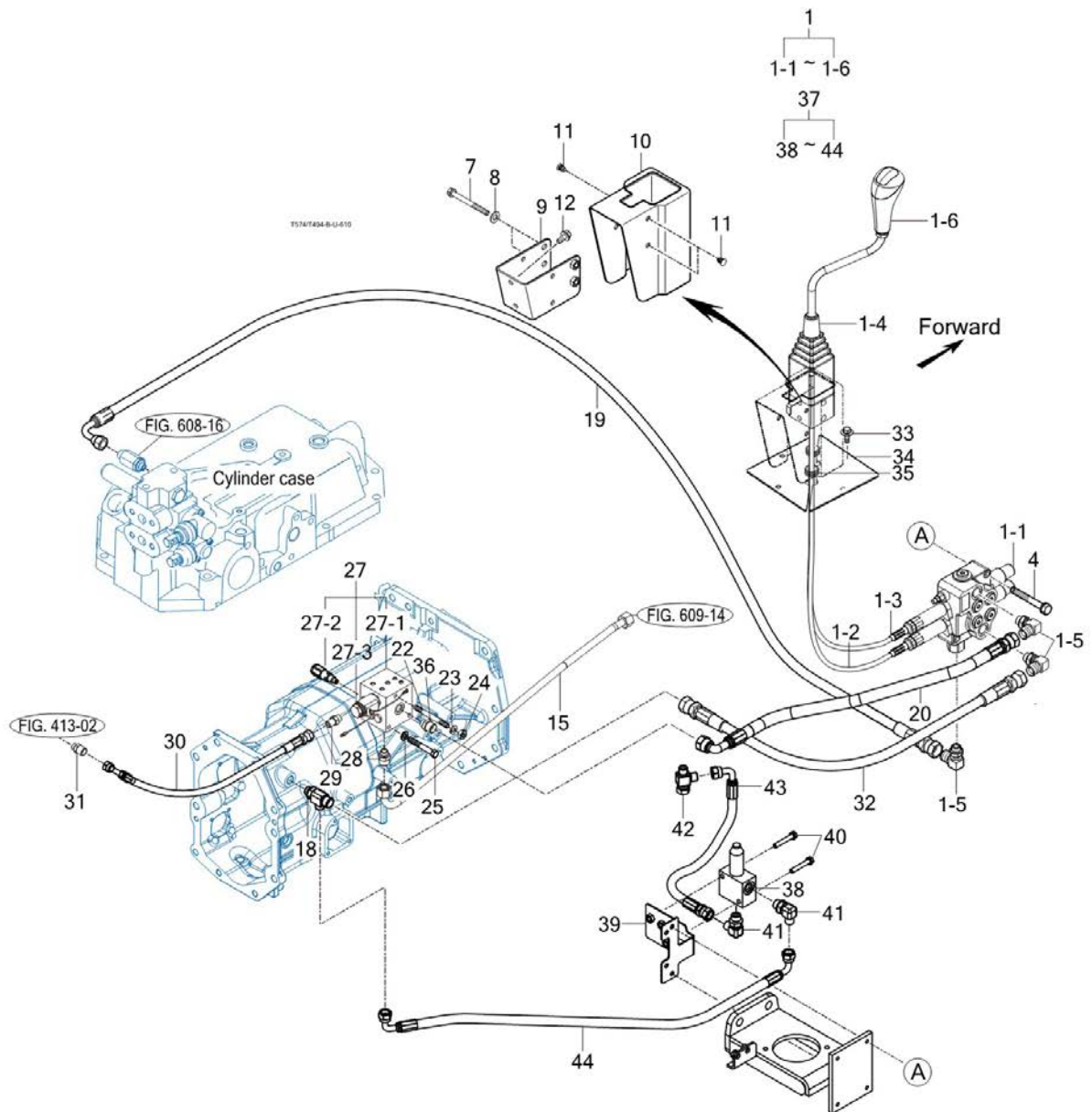
FIG 610

JOYSTICK

년/월
Year/Month

2022-12

T494NH-B



NOTE

FIG 610		JOYSTICK					년/월 Year/Month	
T494NH-B							2022-12	
KEY NO		PART NO	DESCRIPTION	SPEC	QTY	REPAIR	EFFECTIVE DATE	REMARKS
610	1	13875252100	LOADER VALVE SUB		1			
610	1-1	17335162511	VALVE ASSY , LOADER(DUKIN)		1			
610	1-2	13875183300	CABLE ASSY(760)		1			
610	1-3	13955183401	CABLE ASSY(780)		1			
610	1-4	14527103610	BOOTS , JOYSTICK VALVE		1			
610	1-5	17407362300	ELBOW , PF3/8 PF1/2		3			
610	1-6	13857103910	LEVER ASSY , JOYSTICK		1			
610	4	V2173608060	BOLT , HEX/S	M8X60	3			
610	7	V2173608085	BOLT , HEX/S	M8X85	2			
610	8	V4111600080	WASHER , PLAIN	M8	2			
610	9	14527103100GB	BRACKET , JOYSTICK		1			
610	10	14527100010	COVER , JOYSTICK T483		1			
610	11	15276040020	CLIP , TRIM		3			
610	12	V2183608020	BOLT , HEX/SP	M8X20	2			
610	15	13875102201GB	PIPE COMP , MAIN RR		1			
610	18	17995161130	UNION , PF3/8 PF1/2		1			
610	19	17995152330	HOSE ASSY , HYD 1600		1			
610	20	13875253100	HOSE ASSY , HYD 650		1			
610	22	V2513408090	BOLT , STUD/2	8X90	1			
610	23	V4011600080	WASHER , SPRING	M8	1			
610	24	V3042600080	NUT , HEX/2	M8	1			
610	25	V2013608090	BOLT , HEX	M8X90	2			
610	26	V4011600080	WASHER , SPRING	M8	1			
610	27	13875182000	VALVE ASSY , PTO		1			
610	27-1	14725182100	VALVE , PTO		1			
610	27-2	16490110001	VALVE ASSY , RELIEF		1			
610	27-3	14725182210	SOLENOID COIL		1			
610	28	14135160010	UNION, PF3/8 M22		1			
610	29	37681850141	ADAPTER , STRAIGHT		1			
610	30	18717562060	HOSE ASSY , HYD 520		1			
610	31	17971850140	ADAPTER , STRAIGHT PF1/4		1			
610	32	13875253200	HOSE ASSY , HYD 930		1			
610	33	V2193606016	BOLT , HEX/SPL	M6X16	4			
610	34	17685161810GB	PLATE , SEAL		2			
610	35	14526300530	INSULATOR . JOYSTICK		2			
610	36	17995161130	UNION , PF3/8 PF1/2		1			
610	37	13895410000	RELIEF VLV SET		1			
610	38	12285113000	VALVE ASSY . RELIEF		1			
610	39	13871064100GB	BRACKET COMP , RELIEF VLV		1			
610	40	V2173608050	BOLT . HEX/S	M8X50	2			
610	41	36313530021	ADAPTER , HIGH-PRESSURE		2			
610	42	12283005040	CONNECTOR T , PF3/8-PF3/8		1			
610	43	12284073400	HOSE ASSY , HYD 500		1			
610	44	18384070020	HOSE ASSY , HYD 900		1			
NOTE								

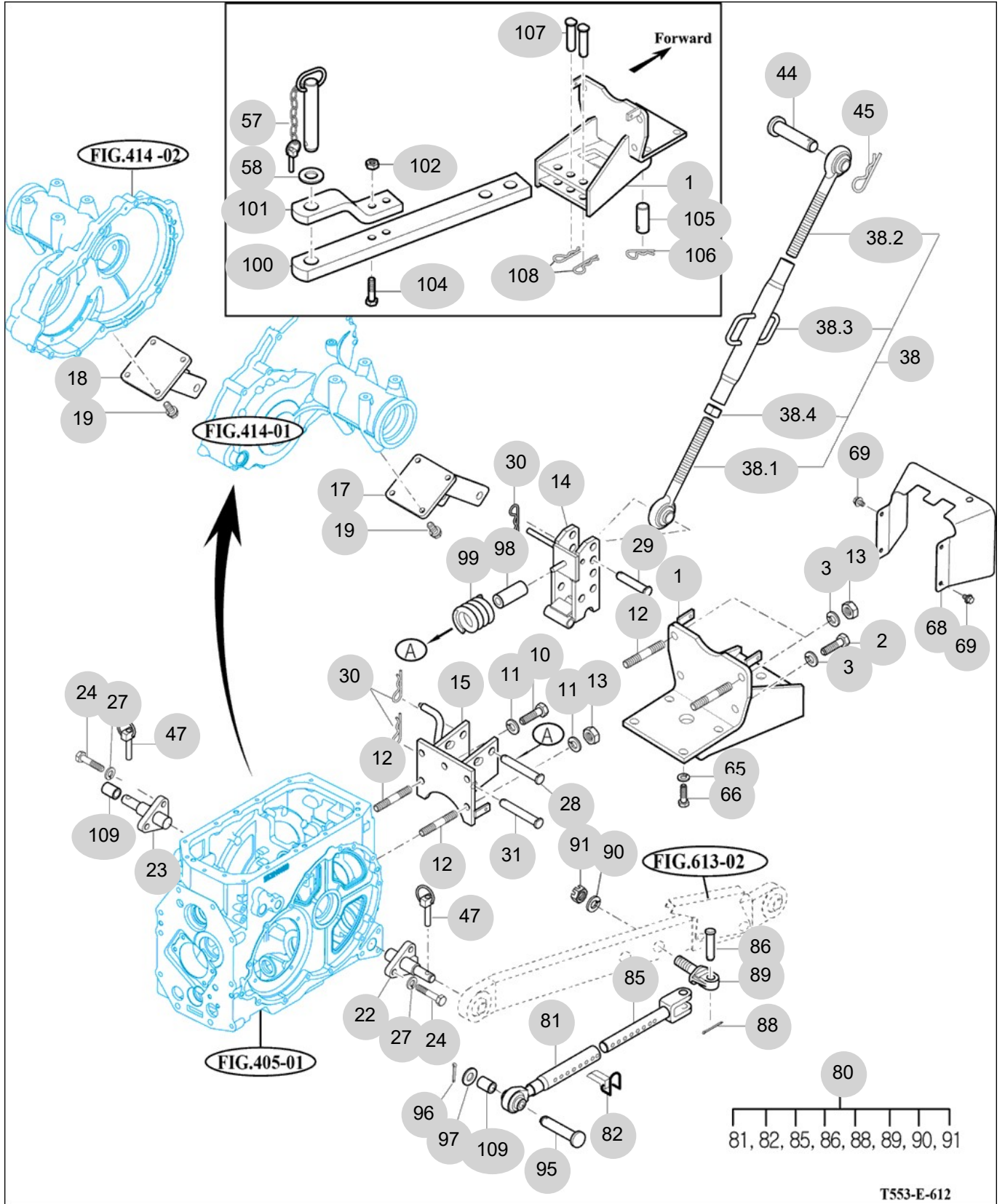
FIG 612

HITCH & 3-POINT LINK

년/월
Year/Month

2022-12

T494NH-B



T553-E-612

NOTE

FIG 612		HITCH & 3-POINT LINK					년/월 Year/Month		
							2022-12		
T494NH-B		KEY NO	PART NO	DESCRIPTION	SPEC	QTY	REPAIR	EFFECTIVE DATE	REMARKS
612	1	15535202001GB	BRACKET COMP, SWING DRAWBAR			1			
612	1	15535202002GB	BRACKET COMP, SWING DRAWBAR			1			
612	1	15535202003GB	BRACKET COMP, SWING DRAWBAR			1			
612	2	V2013616035	BOLT, HEX	M16X35		2			
612	3	V4011600160	WASHER, SPRING	M16		4			
612	10	V2013616035	BOLT, HEX	M16X35		3			
612	11	V4011600160	WASHER, SPRING	M16		5			
612	12	V2513416035	BOLT, STUD/2	M16X35		4			
612	13	V3043600160	NUT, HEX/2	M16		4			
612	14	16735222102GB	LINK COMP	1X1X1		1			
612	15	15185222000GB	BRACKET COMP			1			
612	17	14525254100GB	BRACKET COMP, RR			1			
612	18	14525254100GB	BRACKET COMP, RR			1			
612	19	V2173612030	BOLT, HEX/S	M12X30		8			
612	22	15685252204	PIN COMP, LH			1			
612	23	15685252801	PIN COMP, RH			1			
612	24	V2013614040	BOLT, HEX	M14X40		6			
612	27	V4011600140	WASHER, SPRING	M14		6			
612	28	15645250010	PIN, 19X122	D=19		1			
612	29	15645220020	PIN, 19X95	D=19		1			
612	30	14445140051	PIN, 19	D=4.5		3			
612	31	15645250010	PIN, 19X122	D=19		1			
612	38	16505245501GB	LINK ASSY, TOP LINK			1			
612	38	16505245502GB	TOP LINK ASSY			1			
612	44	15645220011	PIN, 19X86	D=19		1			
612	45	14445140051	PIN, 19	D=4.5		1			
612	47	14215020020	PIN, LINK			2			
612	57	S0973063031	PIN ASSY	1X1X1		1			
612	58	15252470010	RUBBER, CUSHION			1			
612	65	V4011600140	WASHER, SPRING	M14		4			
612	66	V2013614035	BOLT, HEX	M14X35		4			
612	68	13605200012GB	COVER, SHIELD	1X1X1		1			
612	69	V2183608016	BOLT, HEX/SP	M8X16		4			
612	80	15155253000GB	LINK ASSY, ADJUSTER	570*60*50		2			
612	81	15155253100	ROD SUB, FR	44*320*60		2			
612	82	17705254200	PIN	1X1X1		2			
612	85	15155253300	ROD SUB, REAR	340*50*50		2			
612	86	15155253400	PIN, ø20X59	ø20X59		2			
612	88	V5001940035	PIN, SPLIT	4X35		2			
612	89	15155253500	EYEBOLT	66*60*40		2			
612	90	V4111600220	WASHER, PLAIN	M22		2			
612	91	V3343600220	NUT, HEX FINE/2	M22		2			
612	95	15645220020	PIN, 19X95	D=19		2			
612	96	V5001950035	PIN, SPLIT	5X35		2			
612	96	14445140051	PIN, 19			2			
NOTE									

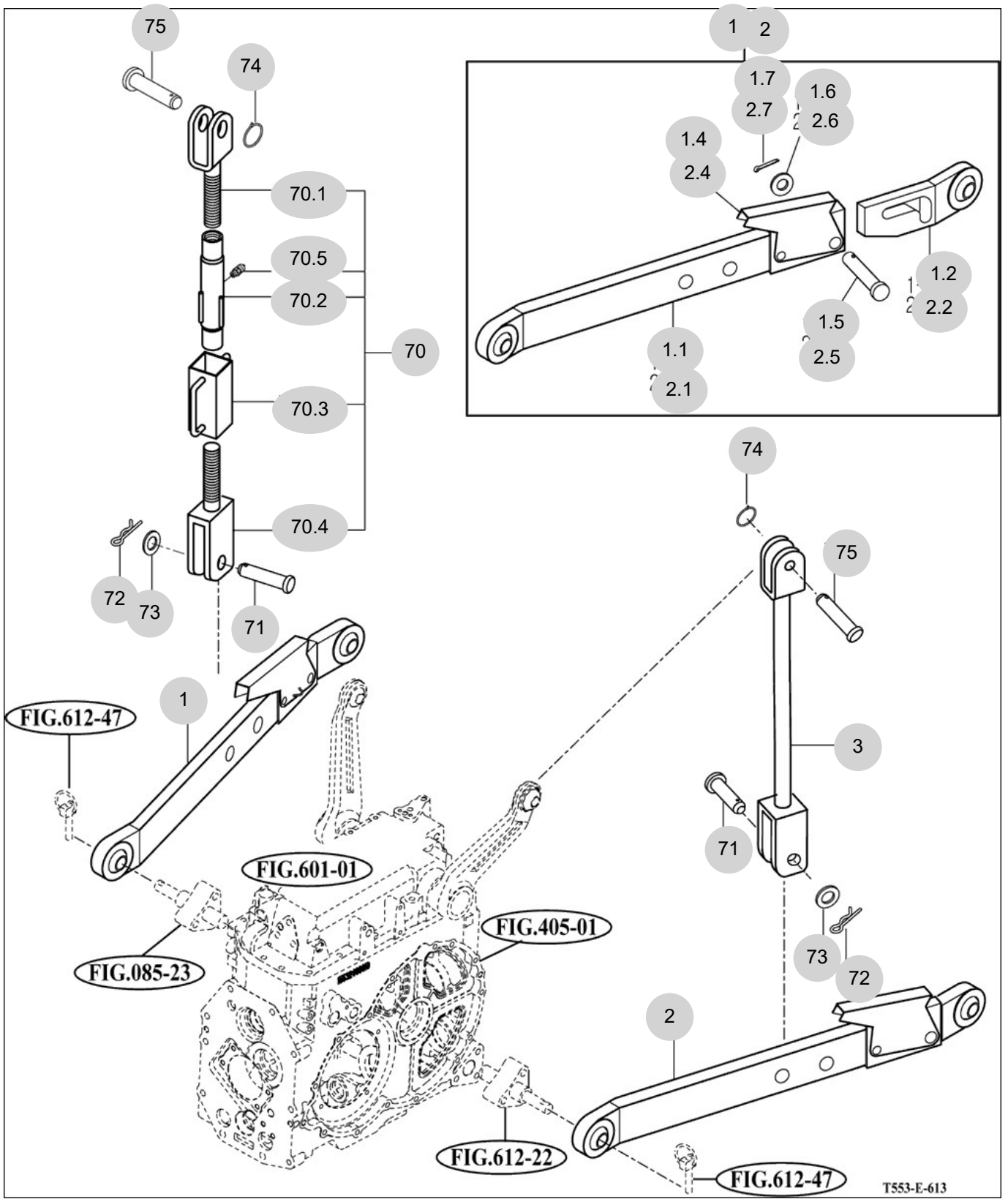
FIG 613

LOWER LINK & LIFT ROD

년/월
Year/Month

2022-12

T494NH-B



T553-E-613

NOTE

7. Sheet Metal & Cabin PART NO. T7

FIG 701 BONNET FRAME	212
FIG 702 BONNET (1)	214
FIG 702-2 BONNET (2)	216
FIG 703 EXTENSION COVER	218
FIG 704-2 LEVER COVER & STEP-NON CAB	220
FIG 705 FRONT & REAR MOUNTING	222
FIG 706 SEAT & MAT	224
FIG 710-2 FRAME & 2POLES-ROPS-NON CAB	226
FIG 713-2 SUB FENDER & COVER-NON CAB	228
FIG 714-2 MIRROR&WORKING LAMP-NON CAB	230

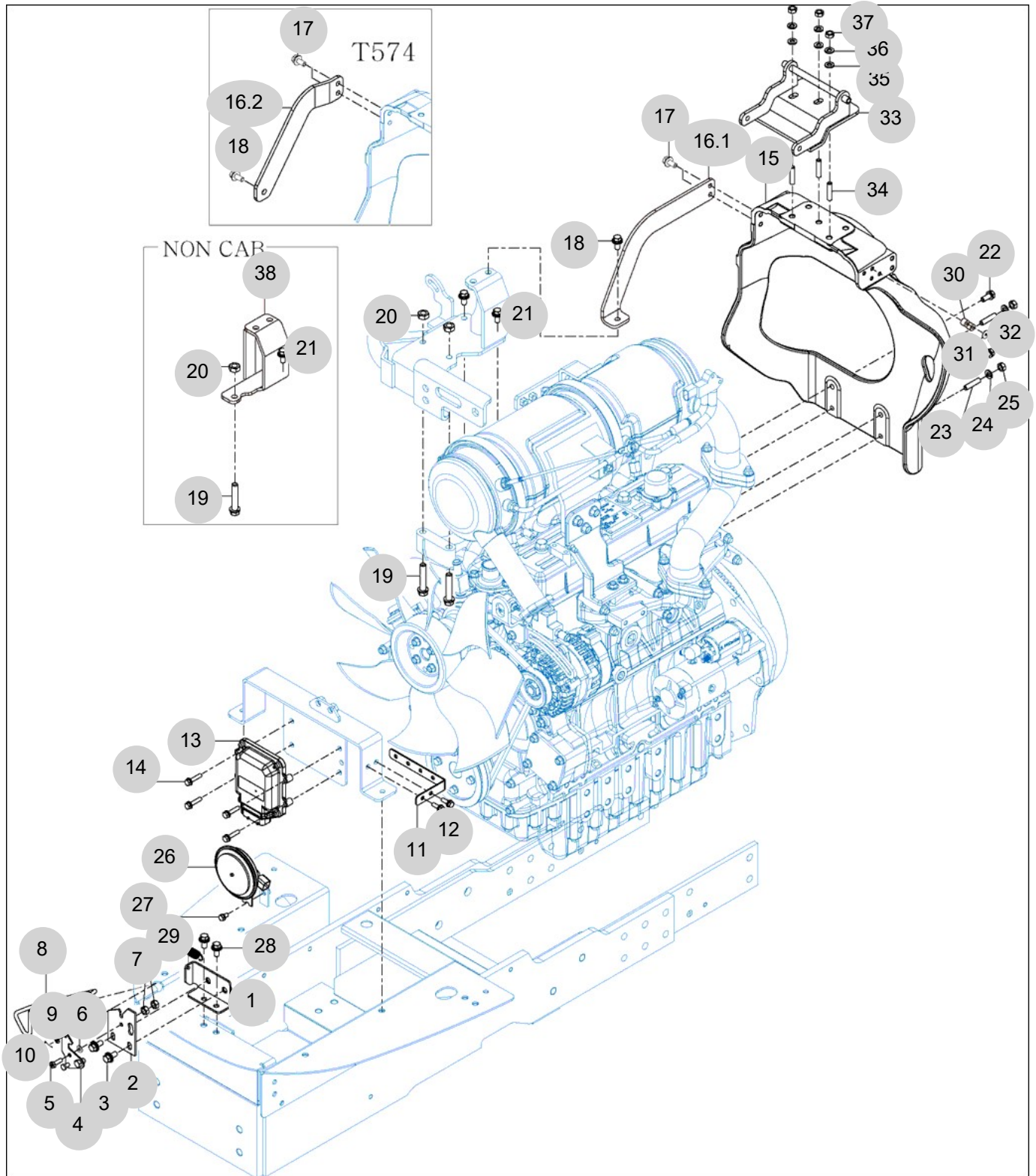
FIG 701

BONNET FRAME

년/월
Year/Month

T494NH-B

2022-12



NOTE

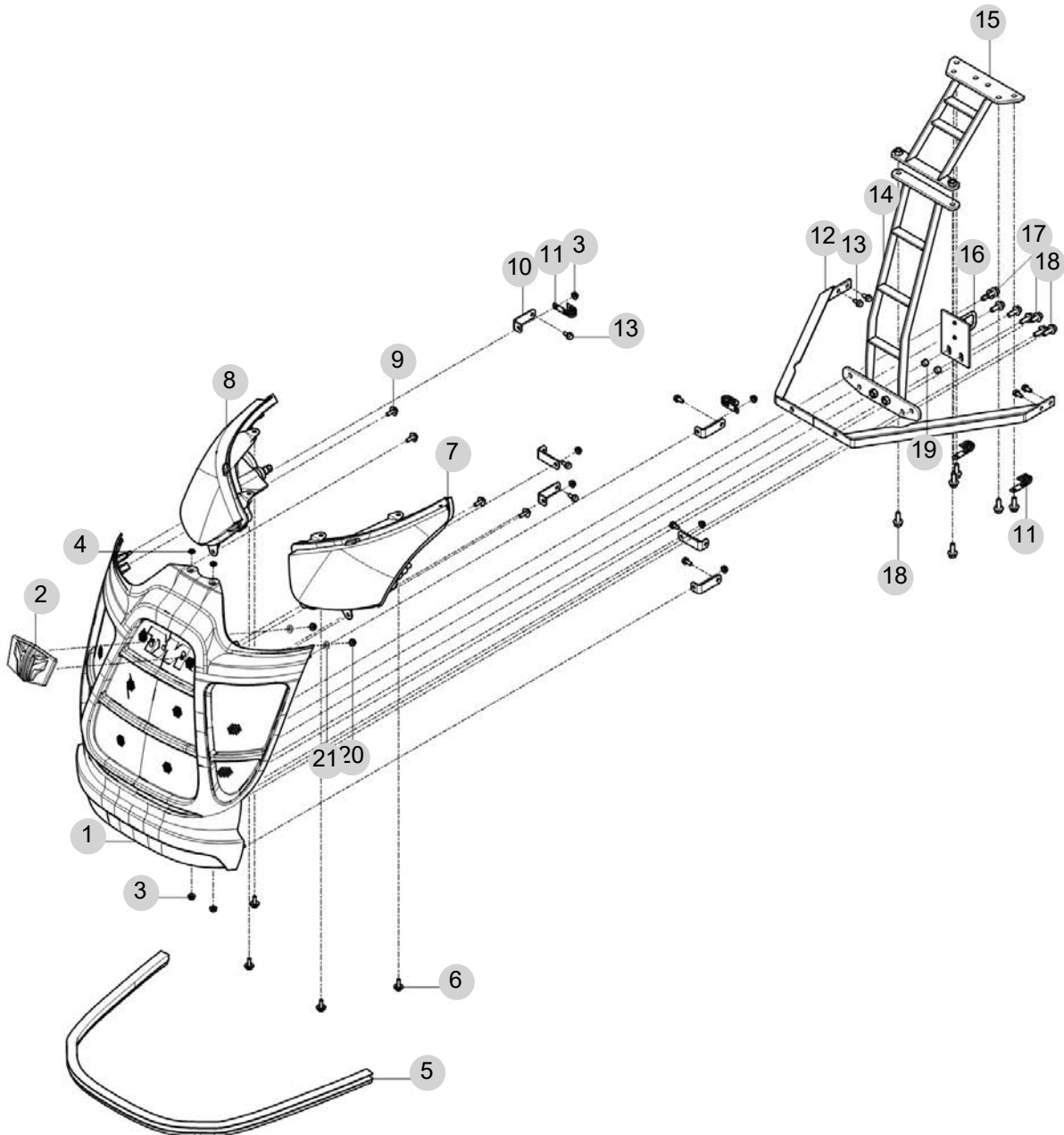
FIG 702

T494NH-B

BONNET (1)

년/월
Year/Month

2022-12



NOTE

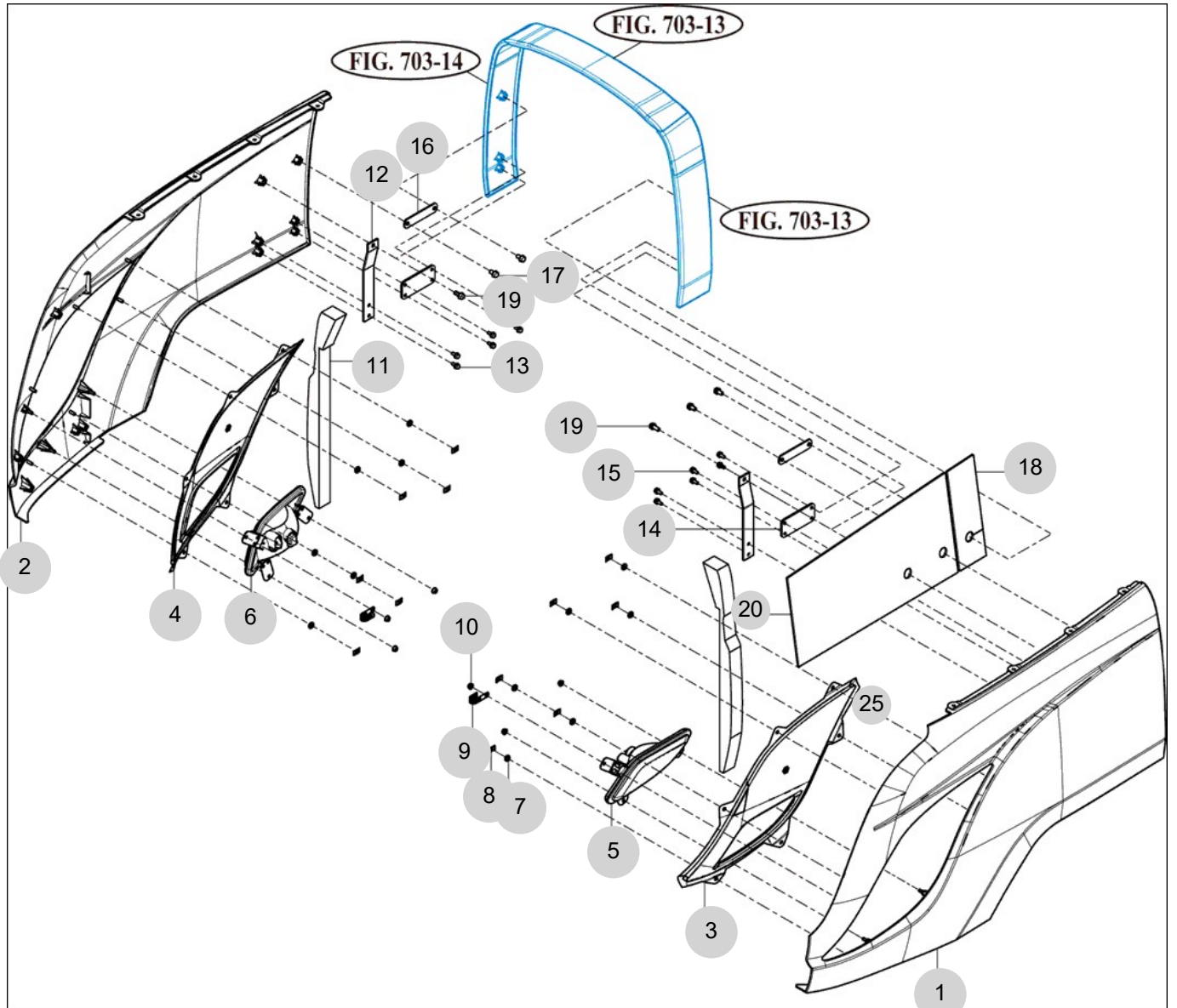
FIG 702-2

T494NH-B

BONNET (2)

년/월
Year/Month

2022-12



NOTE

FIG 702-2 T494NH-B		BONNET (2)					년/월 Year/Month	REMARKS	
							2022-12		
KEY NO	PART NO	DESCRIPTION	SPEC	QTY	REPAIR	EFFECTIVE DATE			
702-2	1	14136206201SR	PANEL COMP , LH/SI				1		
702-2	2	14136206501SR	PANEL COMP , RH/SI				1		
702-2	3	14136206300GB	GRILLE , LH				1		
702-2	4	14136206600GB	GRILLE , RH				1		
702-2	5	14136207400	LAMP ASSY, LH WORING				1		
702-2	6	14136207700	LAMP ASSY, RH WORING				1		
702-2	7	14446010150	WASHER , NET				12		
702-2	8	V3501600060	NUT, PUSH-ON SPRING				12		
702-2	9	37371720090	CLAMP , W/HARNES				2		
702-2	10	V3802600060	NUT , HEX FLANGE				6		
702-2	11	13876200080	INSULATOR , SIDE				2		
702-2	12	14136207200GB	BRACKET, RR/HOOD				2		
702-2	13	V2123606016	BOLT , HEX /SP	M6X16			4		
702-2	14	14186208500GB	BRACKET, LOW/EXTEND HOOD				2		
702-2	15	V2123606016	BOLT , HEX /SP	M6X16			8		
702-2	16	14186208700GB	BRACKET, CTR/EXTEND HOOD				2		
702-2	17	V2173608016	BOLT , HEX/S	M8X16			4		
702-2	18	14186208600	INSULATOR, EXTEND				1		
702-2	19	V2173608020	BOLT , HEX/S	M8X20			2		
702-2	20	14136206900	INSULATOR, HOOD(PROTECT HEAT)				1		
NOTE									

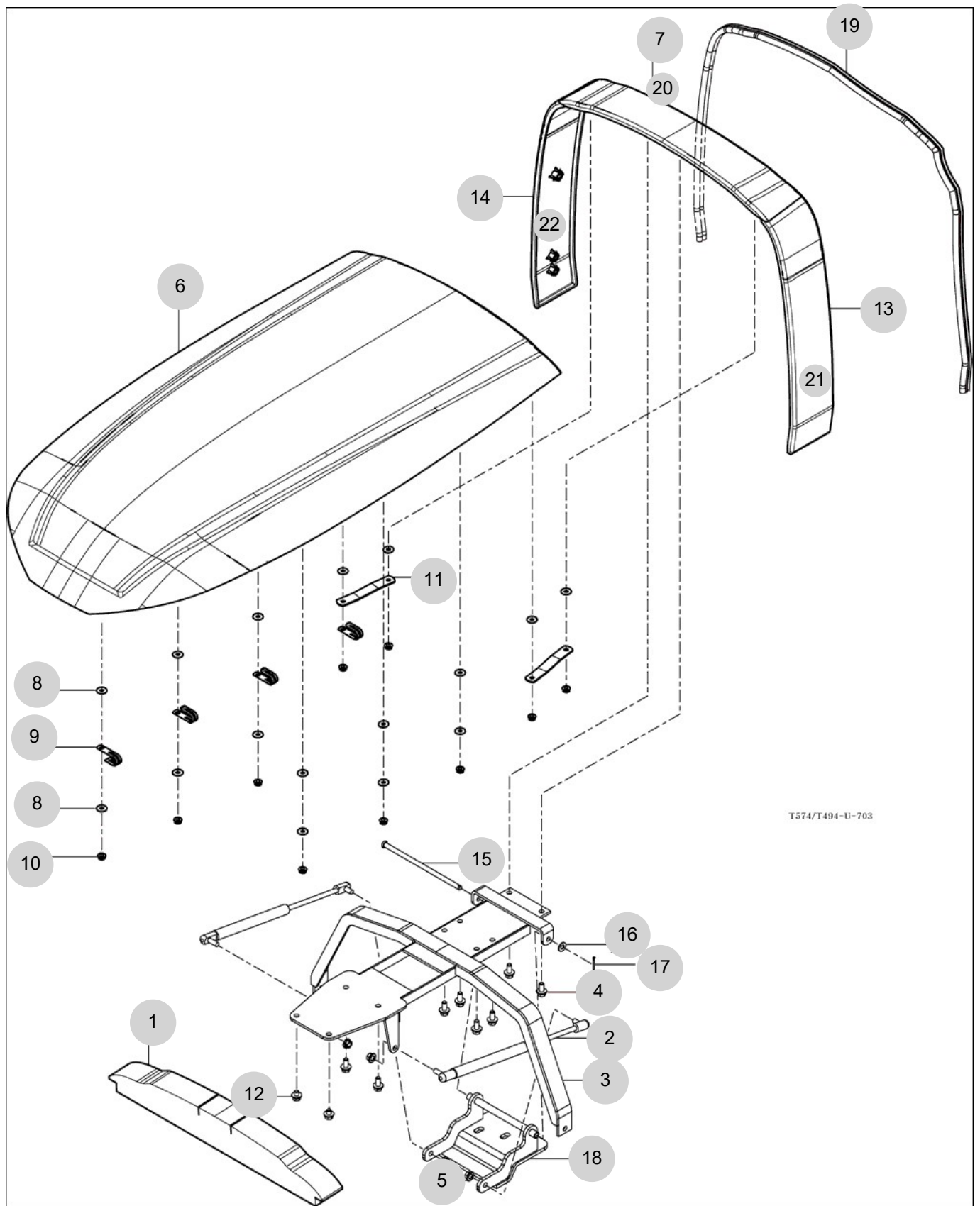
FIG 703

EXTENSION COVER

년/월
Year/Month

2022-12

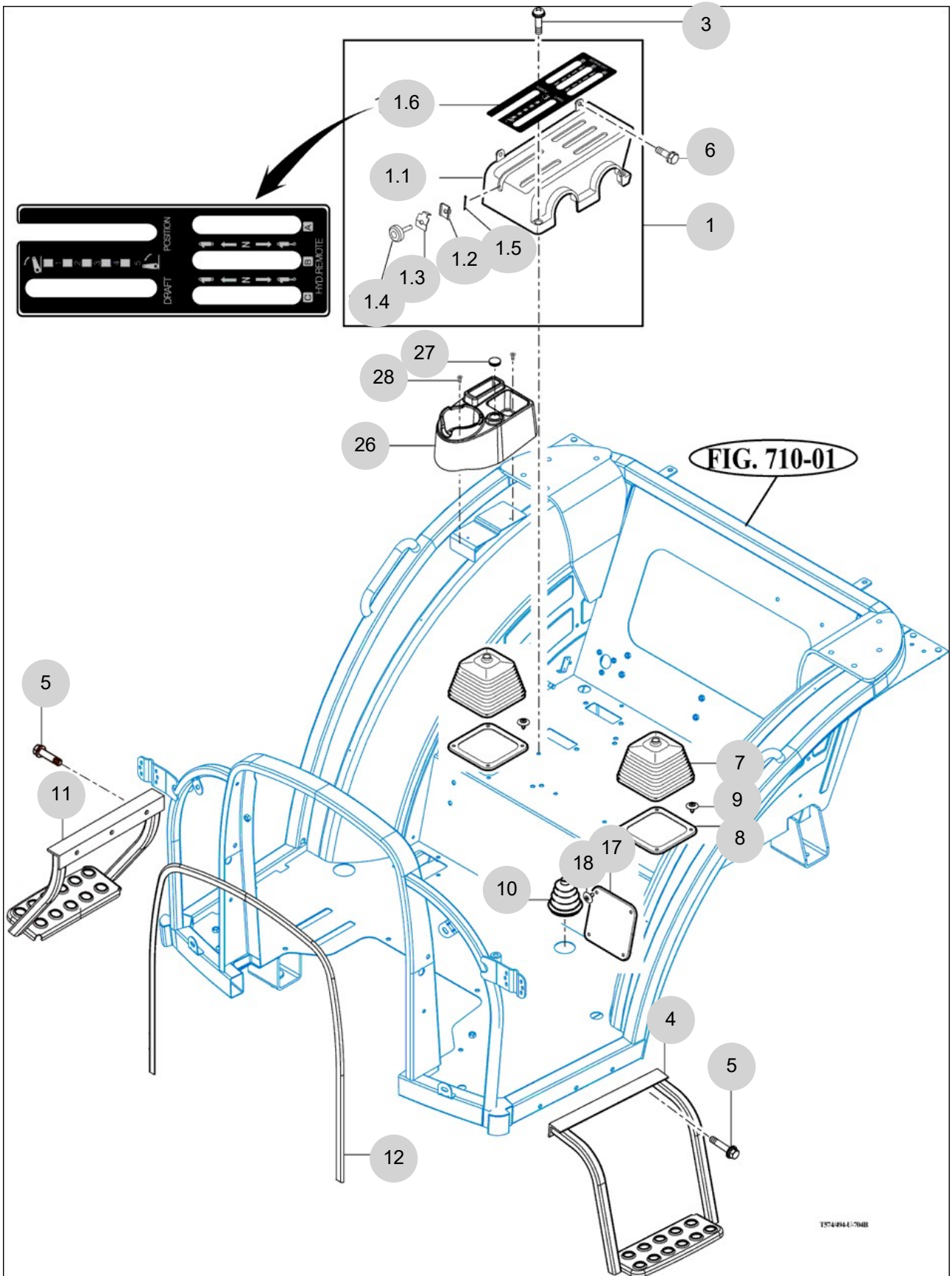
T494NH-B



T574/T494-U-703

NOTE

FIG 703		EXTENSION COVER					년/월 Year/Month	
T494NH-B								2022-12
KEY NO	PART NO	DESCRIPTION	SPEC	QTY	REPAIR	EFFECTIVE DATE	REMARKS	
703	1	14186015500	INSULATOR, HOOD					
703	2	14137022201	GAS SPRING, HOOD					
703	3	13876054700GB	FRAME COMP , HOOD HINGE					
703	4	V2183608020	BOLT , HEX/SP	M8X20				
703	5	V3802600080	NUT , HEX FLANGE	M8				
703	6	14136206100SR	HOOD COMP					
703	8	35605033020	WASHER , WIRE WITHDRAWAL	T=1.6				
703	9	37371720090	CLAMP , W/HARNESS					
703	10	V3802600060	NUT , HEX FLANGE	M6				
703	11	14186208400GB	BRACKET, UPR/EXTEND HOOD					
703	12	V2183608012	BOLT , HEX/SP	M8X12				
703	15	13016202060	PIN , HOOD	D=10				
703	16	V4111600080	WASHER , PLAIN	M8				
703	17	V5001925020	PIN D2.5x20	2.5X20				
703	18	13876202800GB	PLATE COMP , BONNET HINGE					
703	20	15306208101SR	HOOD COMP , UPR/EXTEND					
703	21	15306208200SR	HOOD COMP , LH/EXTEND					
703	22	15306208300SR	HOOD COMP , RH/EXTEND					
NOTE								



T5749441-704B

NOTE

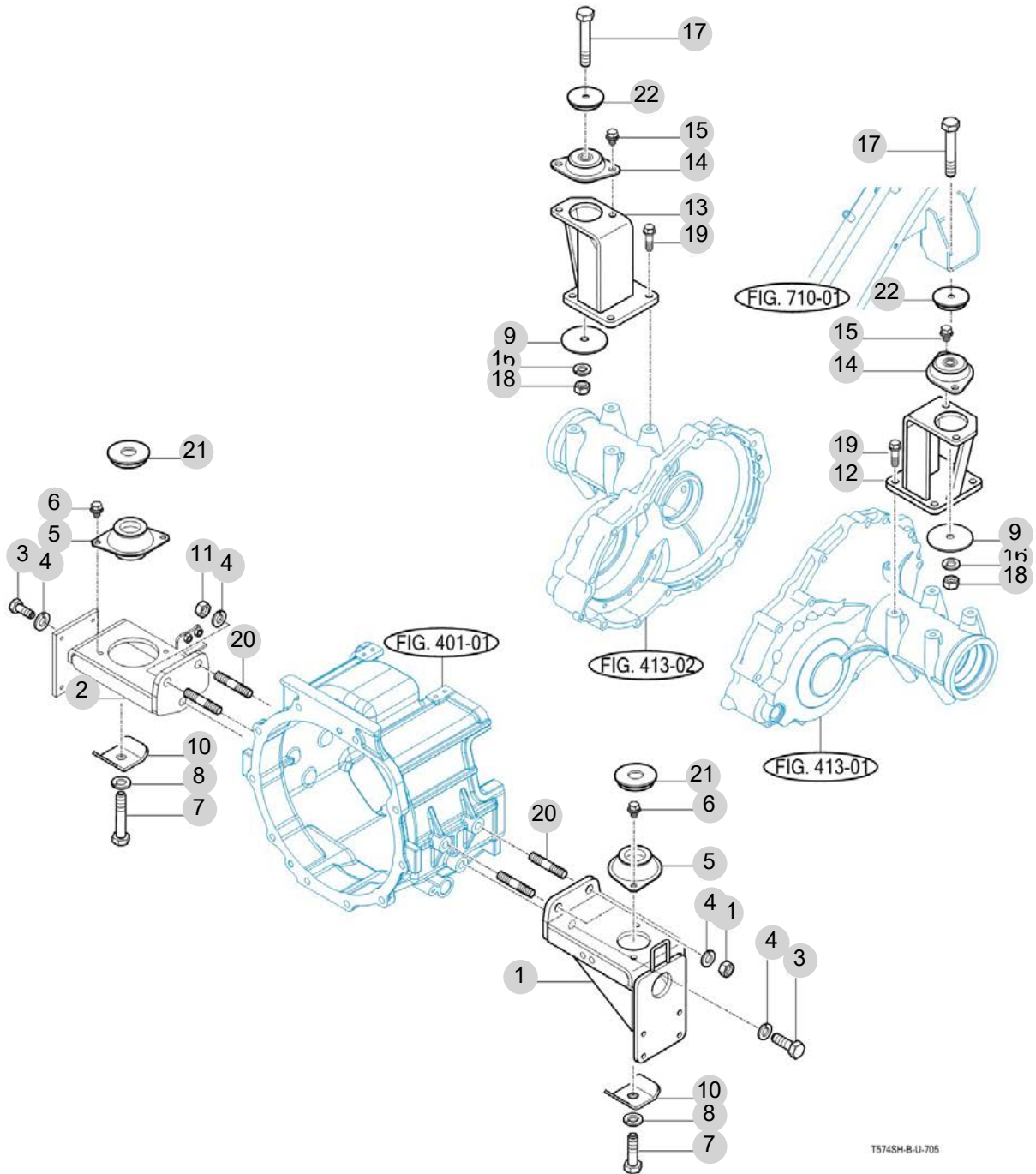
FIG 705

T494NH-B

FRONT & REAR MOUNTING

년/월
Year/Month

2022-12



T574SH-B-U-705

NOTE

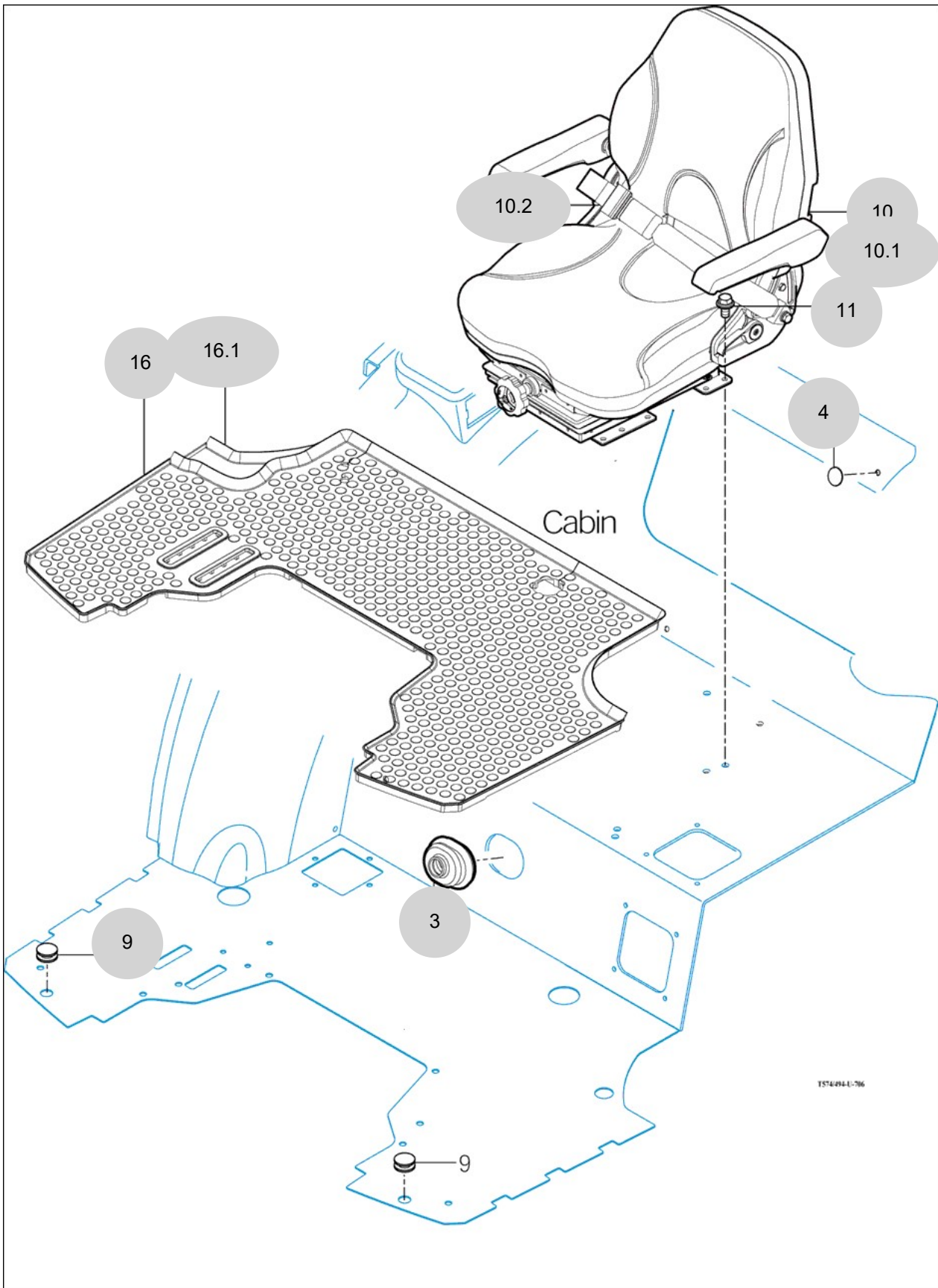
FIG 706

SEAT & MAT

년/월
Year/Month

T494NH-B

2022-12



157494-L-706

NOTE

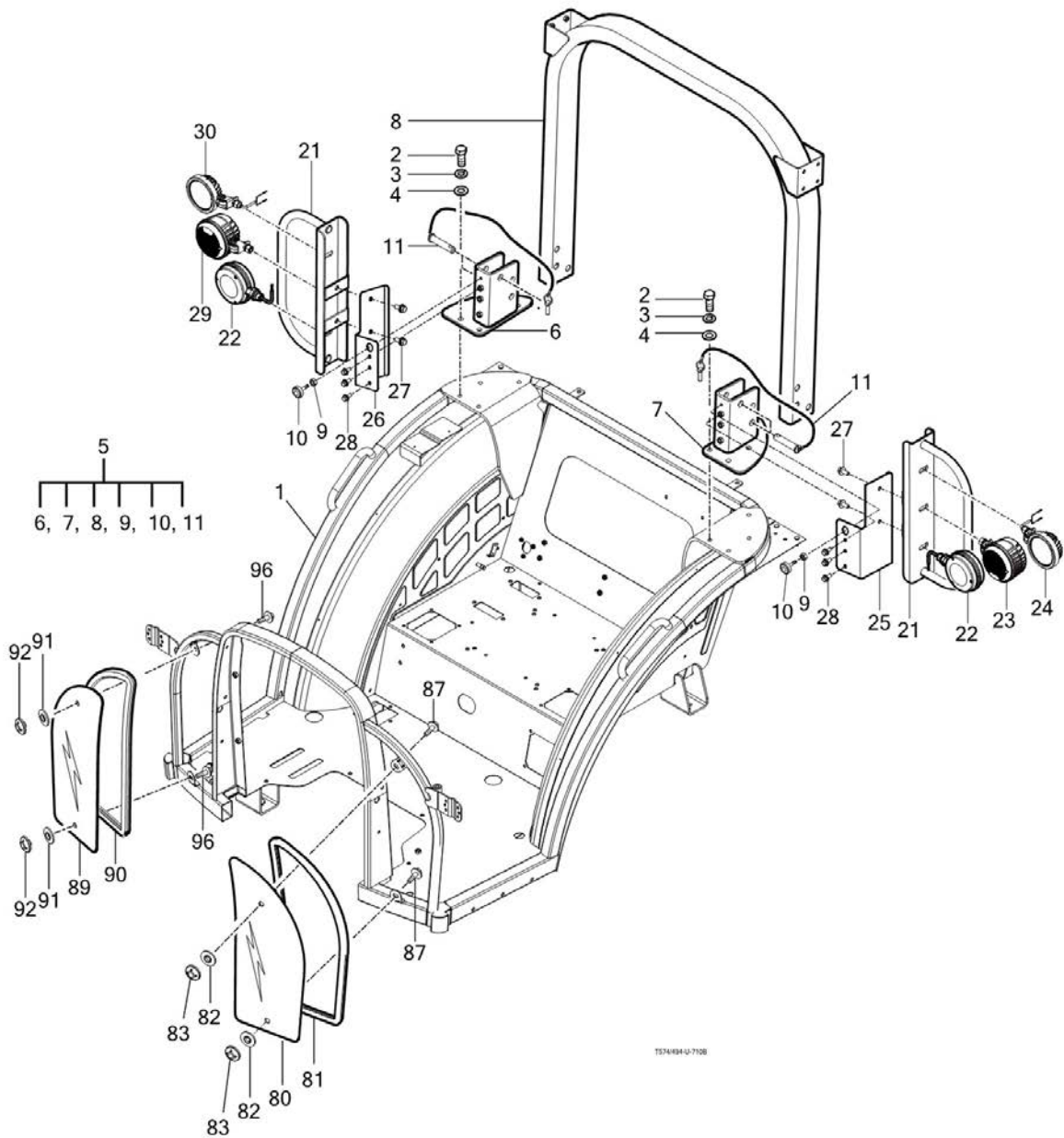
FIG 710-2

FRAME & 2POLES-ROPS-NON CAB

년/월
Year/Month

2022-12

T494NH-B



T3741084-01-7102

NOTE

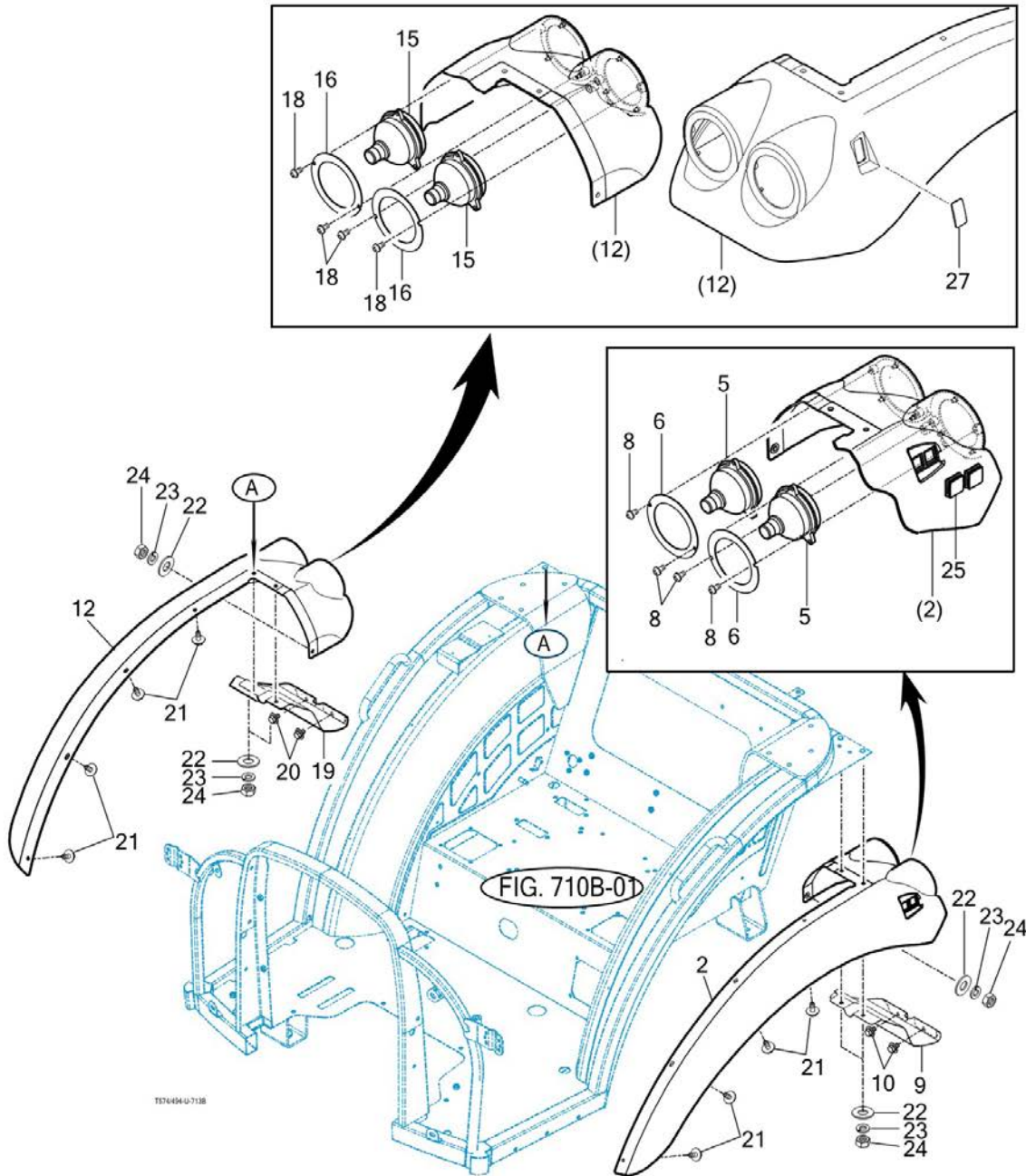
FIG 713-2

SUB FENDER & COVER-NON CAB

년/월
Year/Month

2022-12

T494NH-B



NOTE

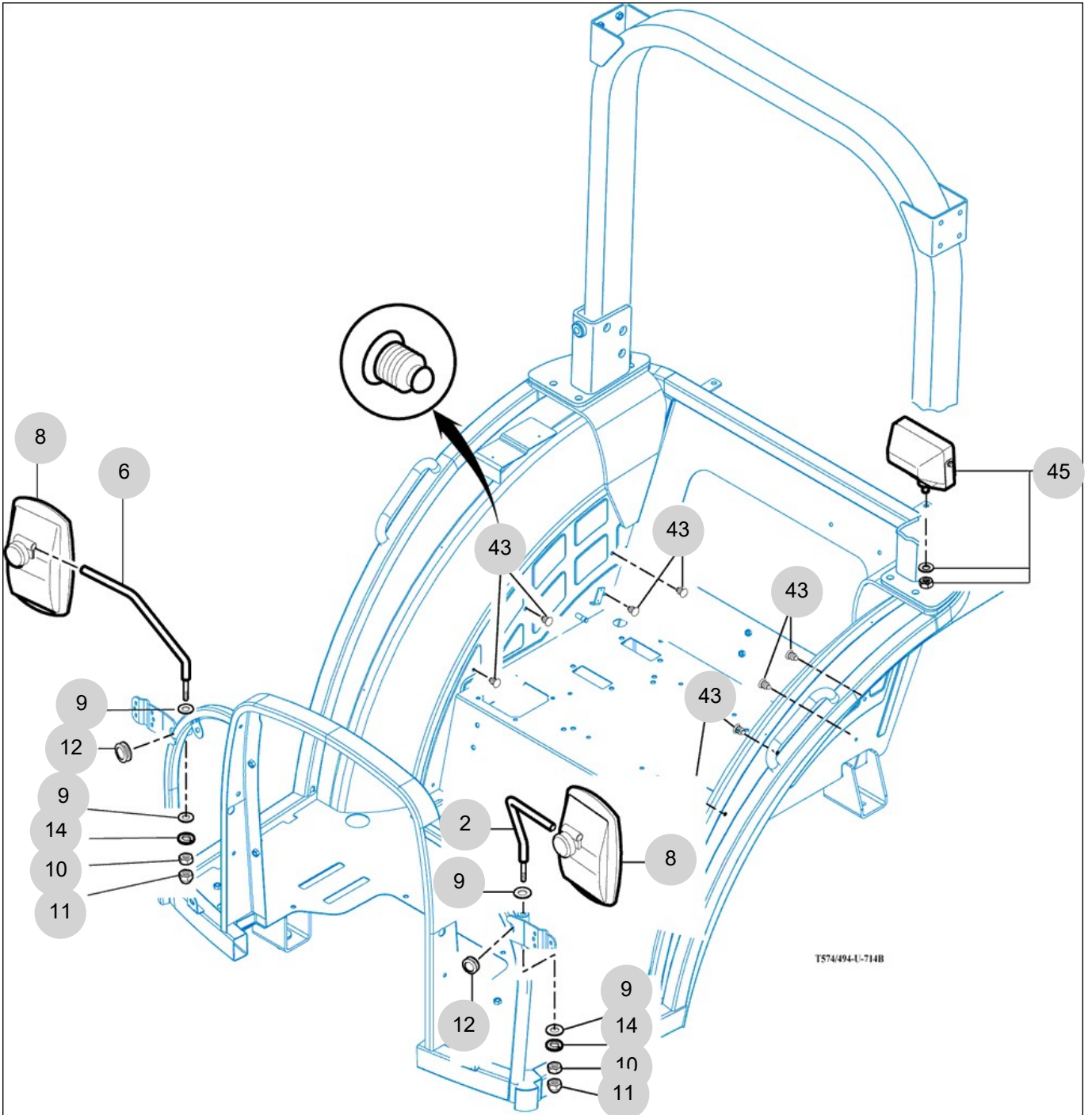
FIG 714-2

MIRROR&WORKING LAMP-NON CAB

년/월
Year/Month

2022-12

T494NH-B



NOTE

8. Electrical System PART NO. T8

FIG 801 BATTERY & MOUNTING	233
FIG 802 HARNESS LAMP	235
FIG 803 INSTRUMENT PANEL	237
FIG 804 ELECTRIC SYSTEM (1)	239
FIG 805-2 ELECTRIC SYSTEM (2)-NON CAB	241
FIG 806 ELECTRIC SYSTEM (3)	243

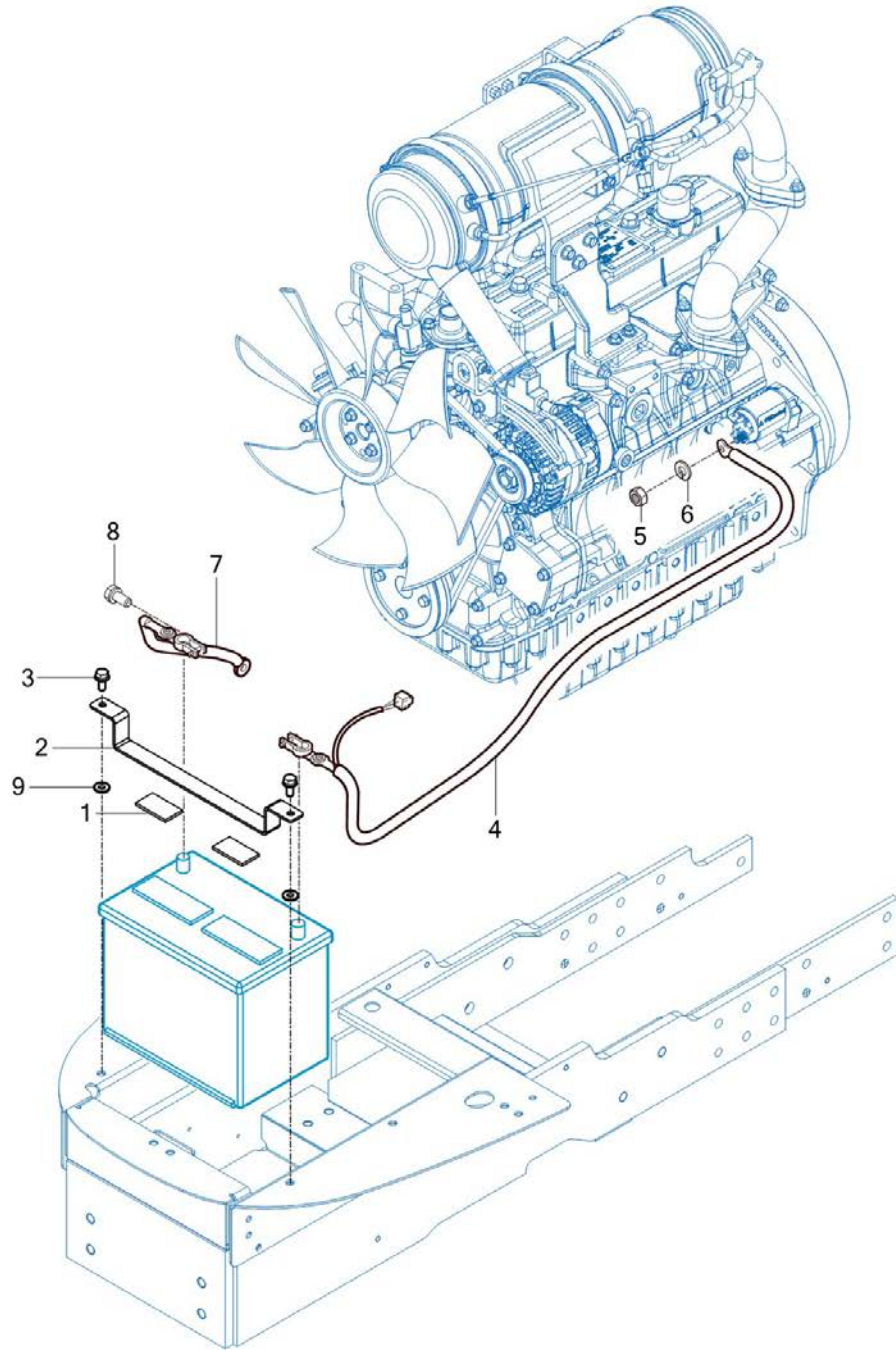
FIG 801

T494NH-B

BATTERY & MOUNTING

년/월
Year/Month

2022-12



NOTE

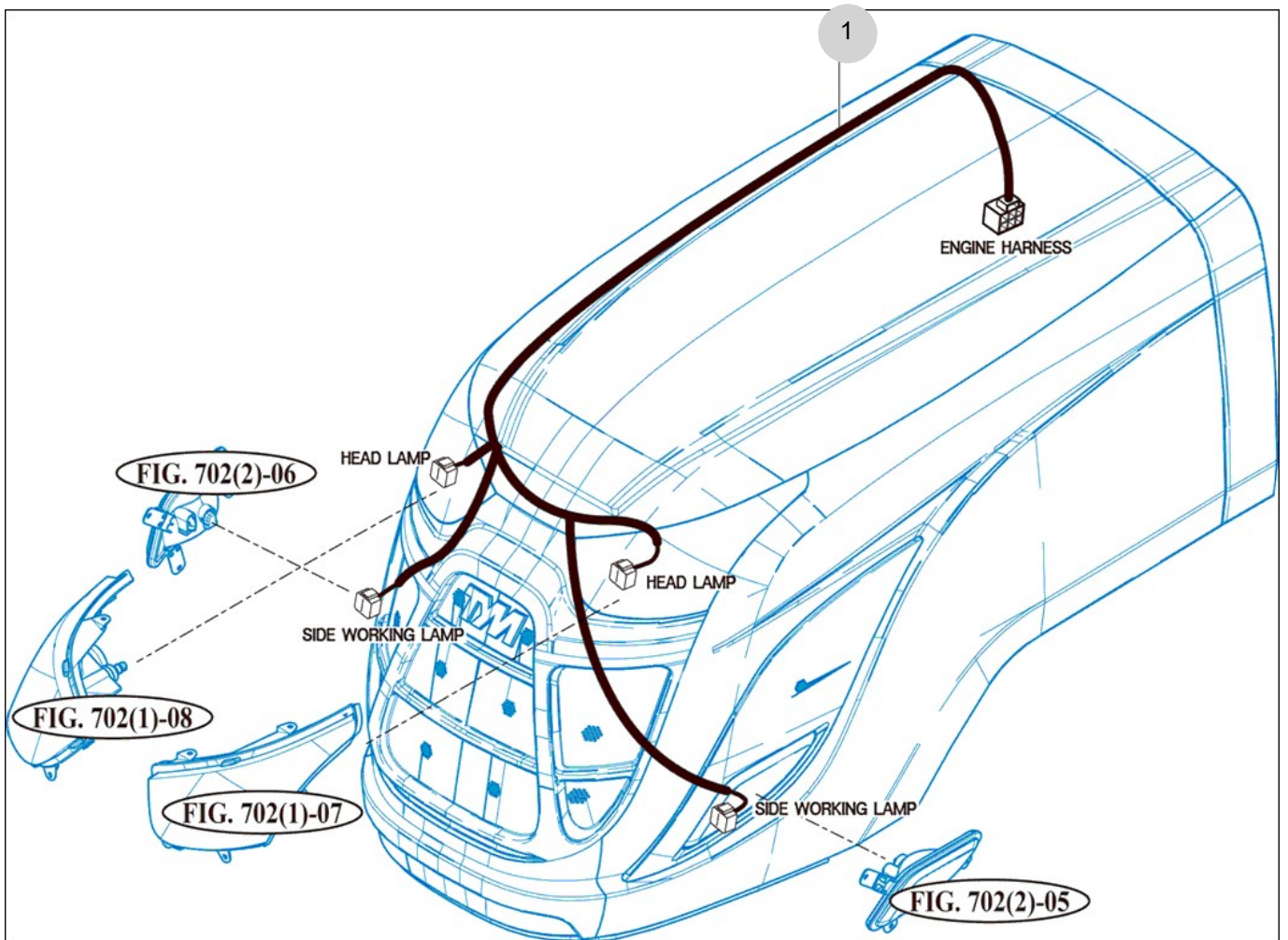
FIG 802

T494NH-B

HARNESS LAMP

년/월
Year/Month

2022-12



NOTE

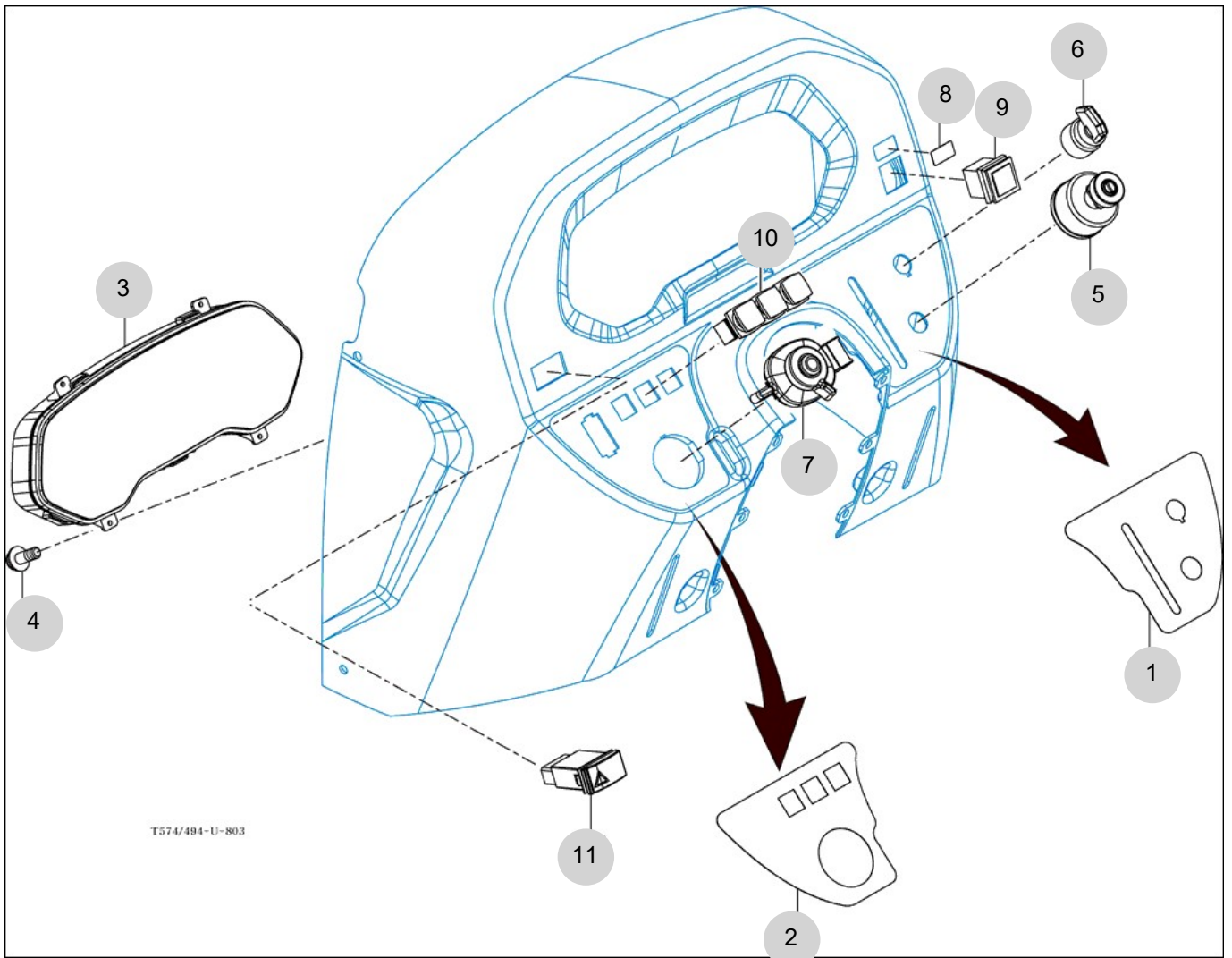
FIG 803

INSTRUMENT PANEL

년/월
Year/Month

T494NH-B

2022-12



NOTE

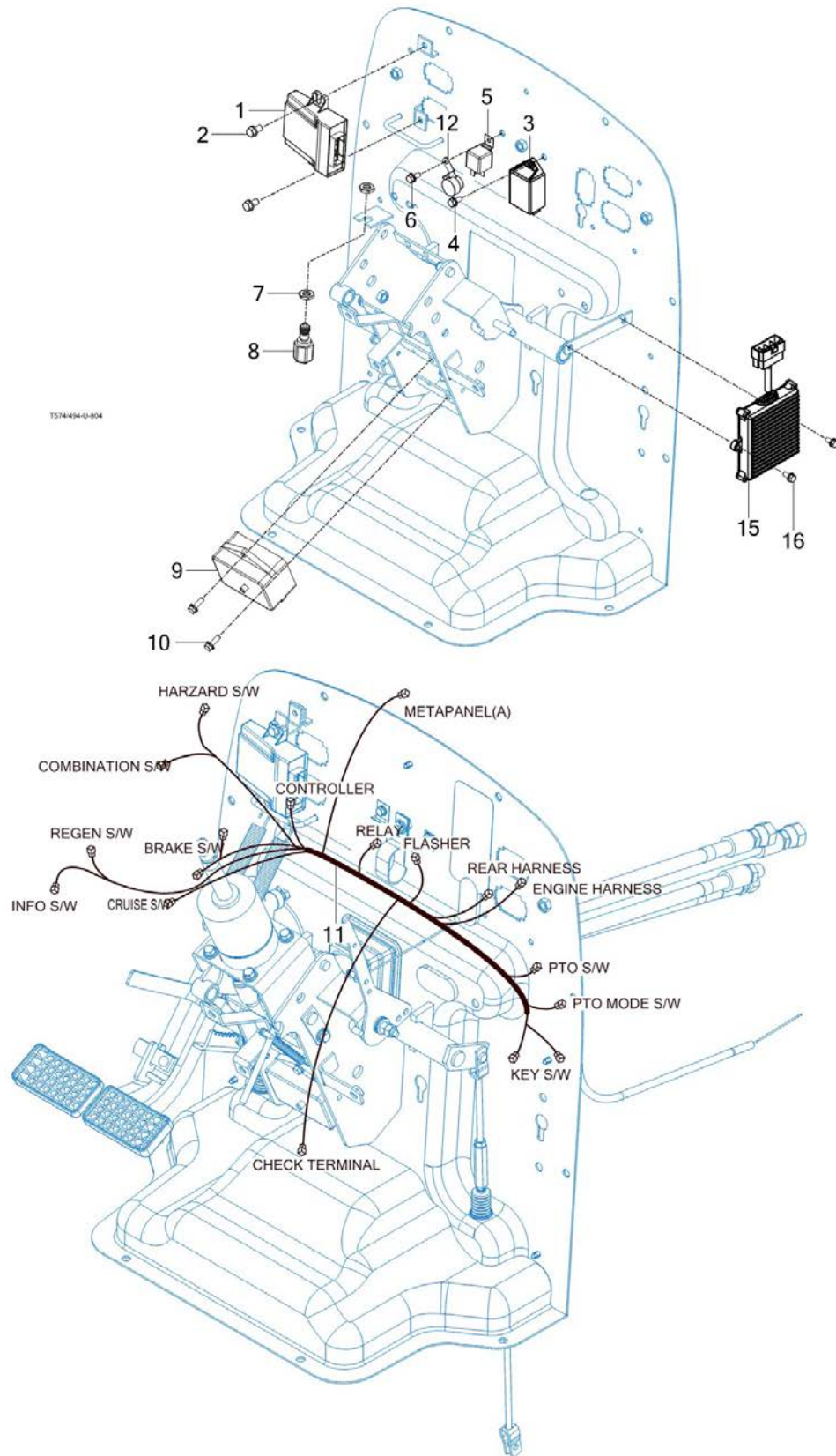
FIG 804

T494NH-B

ELECTRIC SYSTEM (1)

년/월
Year/Month

2022-12



NOTE

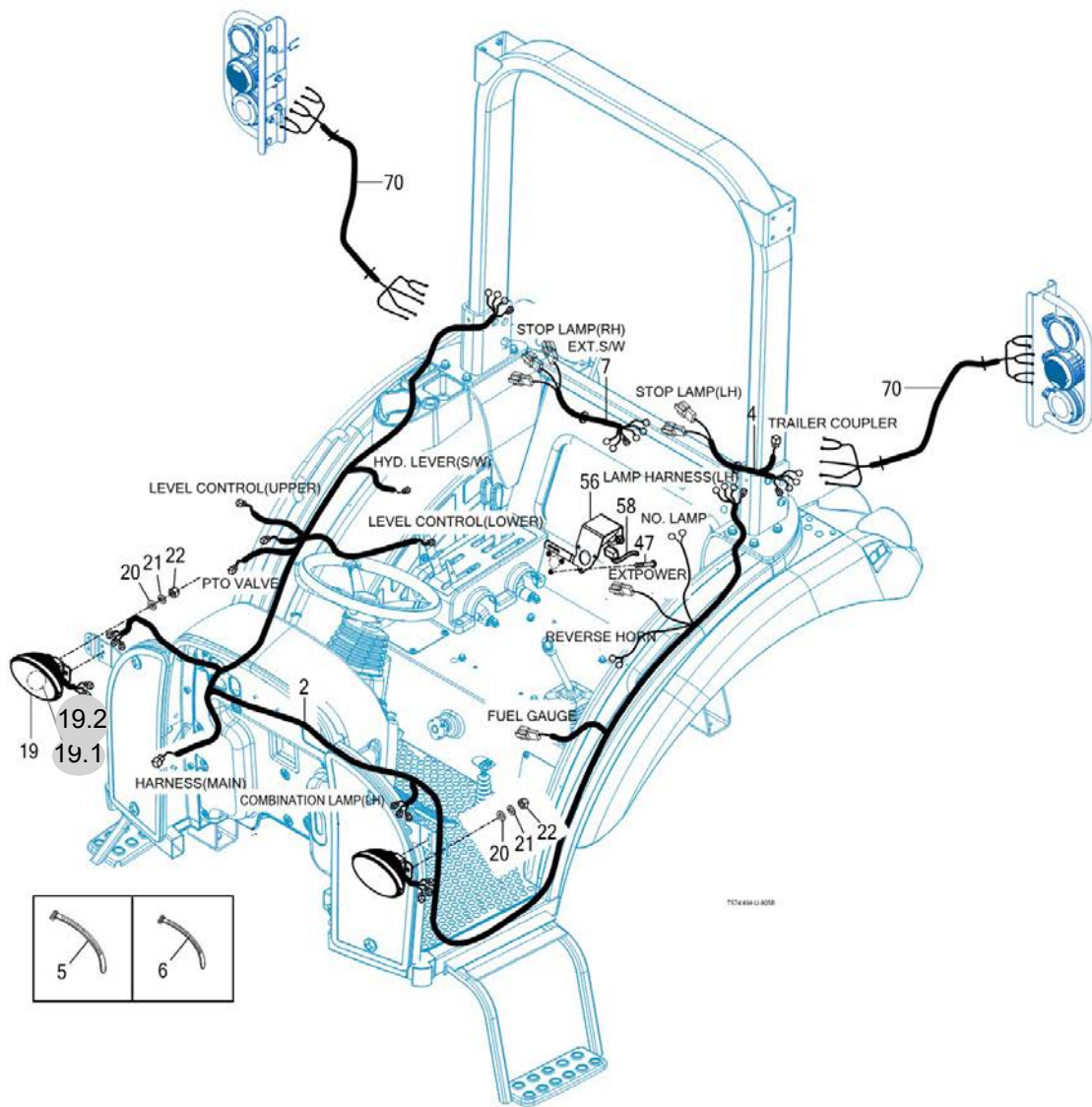
FIG 805-2

ELECTRIC SYSTEM (2)-NON CAB

년/월
Year/Month

T494NH-B

2022-12



NOTE

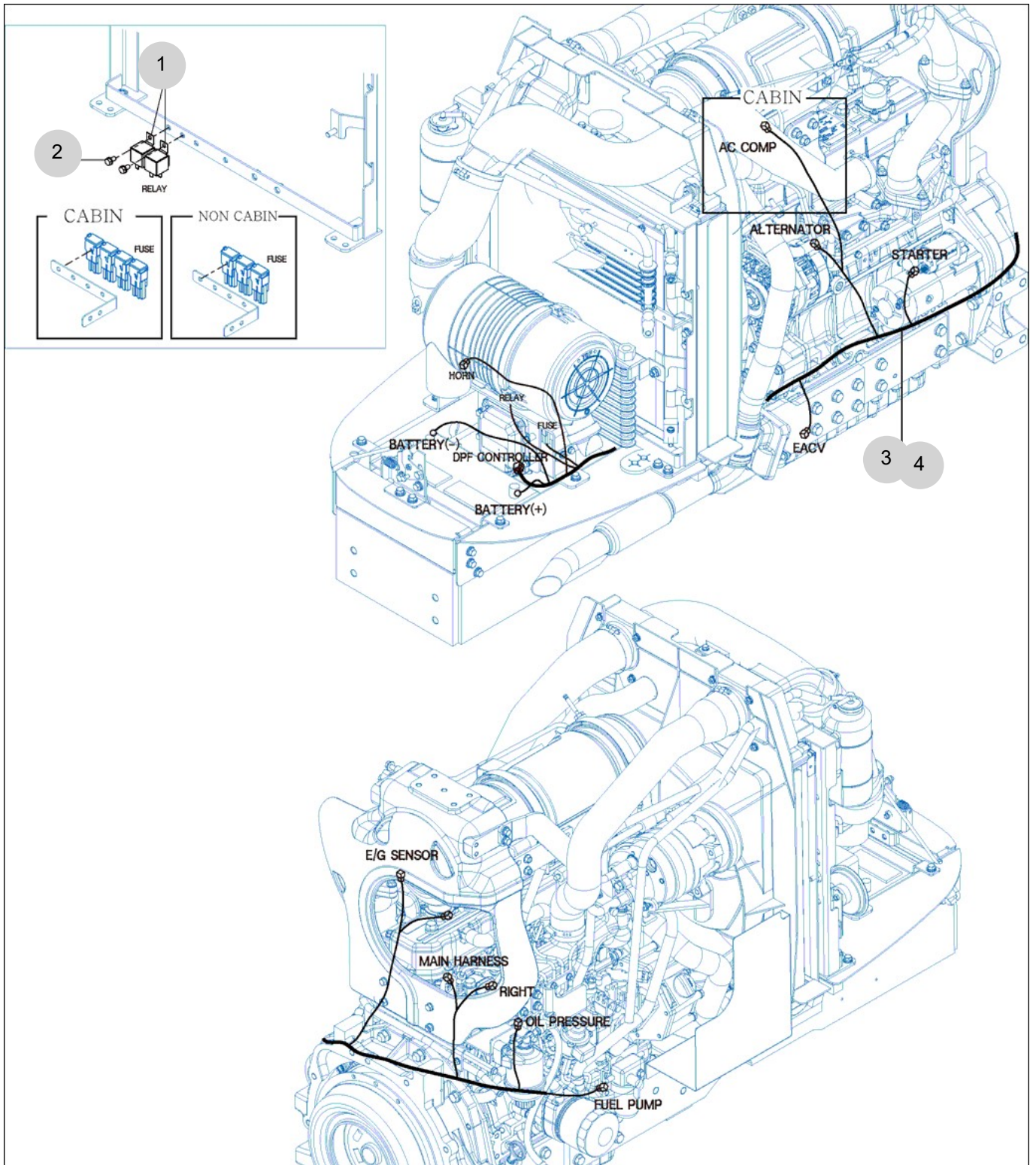
FIG 806

ELECTRIC SYSTEM (3)

년/월
Year/Month

T494NH-B

2022-12



NOTE

9. Label/Option PART NO. T9

FIG 901 TOOL & ACCESSORY	246
FIG 902 LABEL	248
FIG 902-2 LABEL	250
FIG 903 OPTION	252

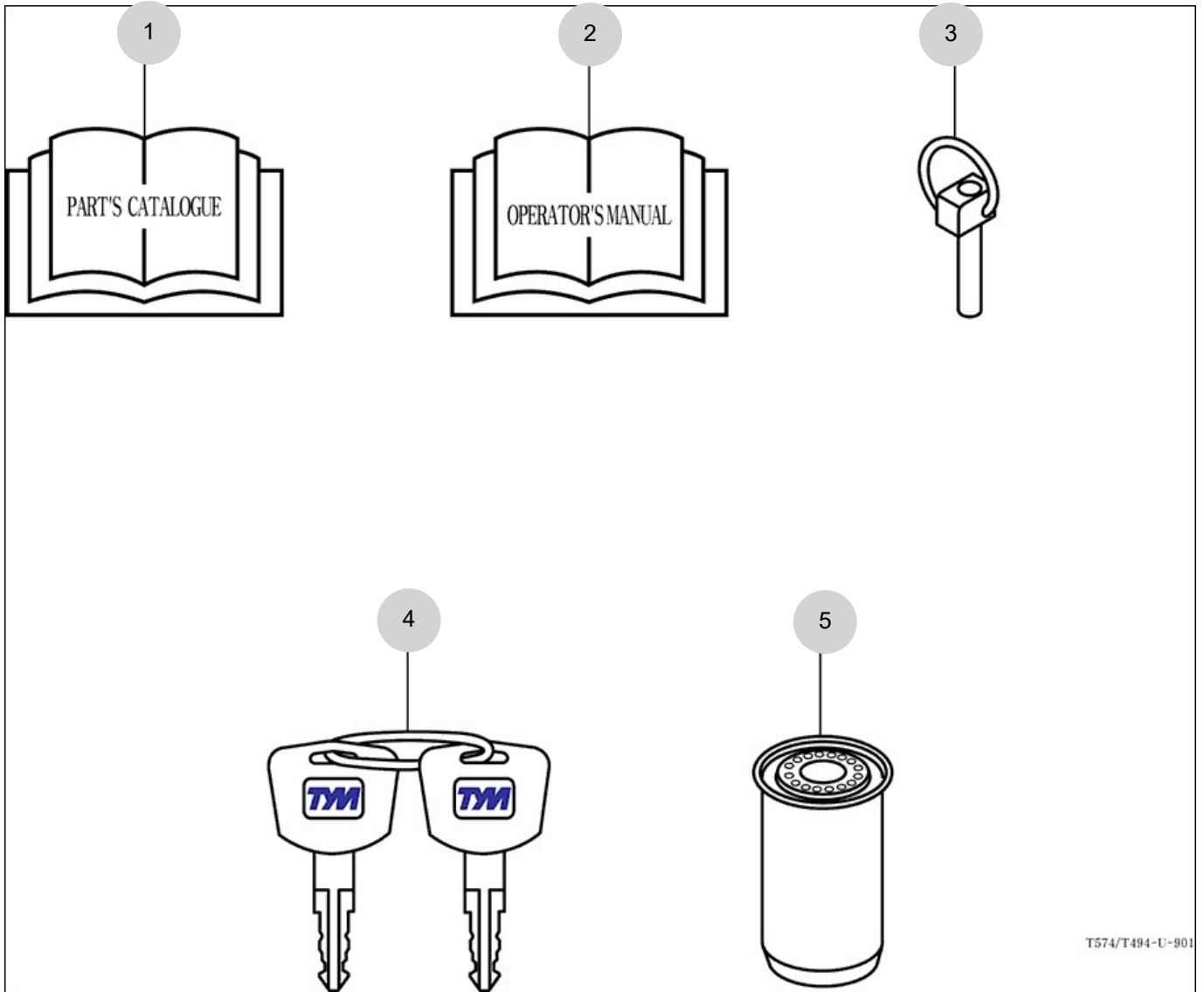
FIG 901

T494NH-B

TOOL & ACCESSORY

년/월
Year/Month

2022-12



NOTE

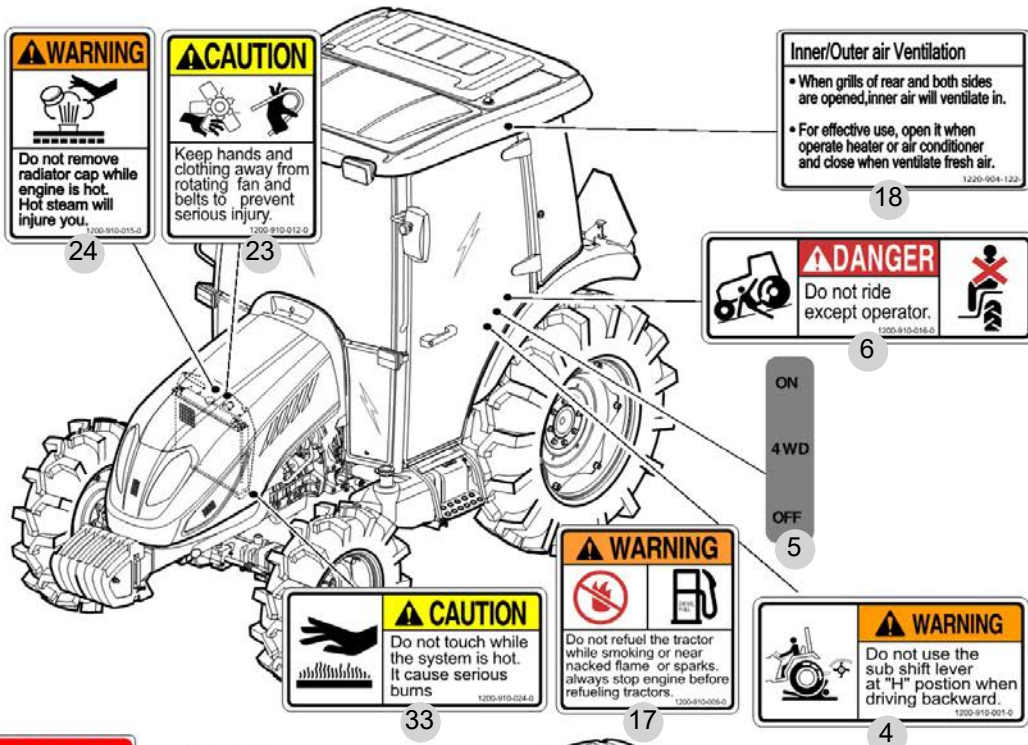
FIG 902

LABEL

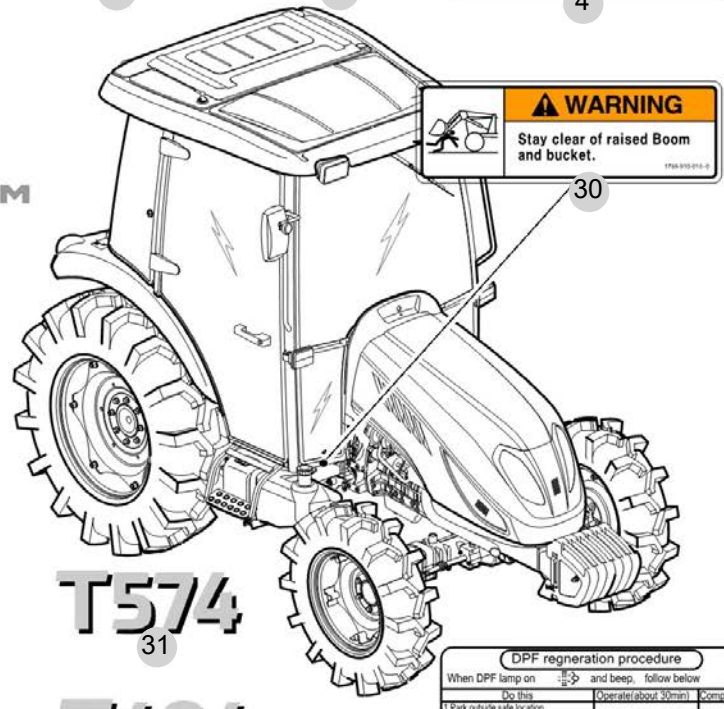
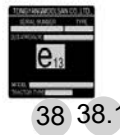
년/월
Year/Month

T494NH-B

2022-12



DANGER
This Tractor may tip over unexpectedly and quicker than an operator is able to jump free.
1. Never operate a tractor without a proper Roll Over Protection Structure (ROPS)
2. Always wear your seat belt when operating this tractor equipped with roll over protection.
3. Never pull from above or from the rear axle.
4. Do not operate the tractor on steep slopes or near drop offs.
5. Avoid sharp high speed turns.
Serious injury or death may result from tractor upsets.
39



WARNING
Additions, alterations, cracking, damage or corrosion to this structure may adversely affect the performance of the ROPS.
40

WARNING
Death or injury may result if this tractor over turns with the ROPS in the folded down position. Operate this tractor with the ROPS folded down only when necessary. Do not wear seat belt if operated with ROPS folded down. 1220-904-102-0
41

DPF regeneration procedure

When DPF lamp on	Do this	Operate (about 30min)	Complete
1 Park outside safe location	2 Stop all functions.	3 Parking brake ON.	DPF+EGT ON + Button blinking Lamp off
4 Press clutch pedal (Mechanical)	5 Engine speed to Max RPM	6 Press the regen button	
6 Must remain with the vehicle			

For further details, consult your Owner's Manual. 1200-910-001-0
49

NOTE

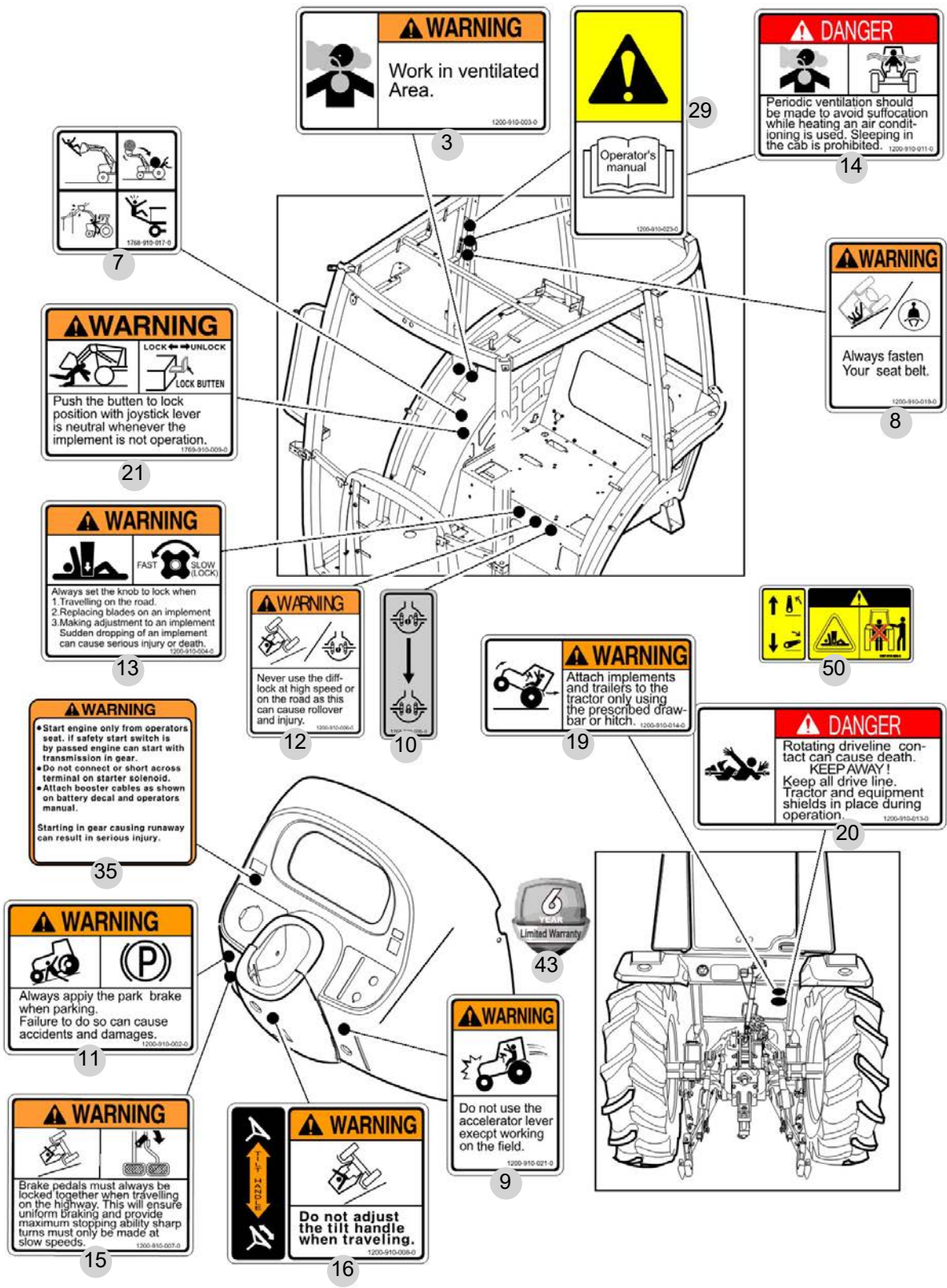
FIG 902-2

LABEL

년/월
Year/Month

T494NH-B

2022-12



NOTE

FIG 903

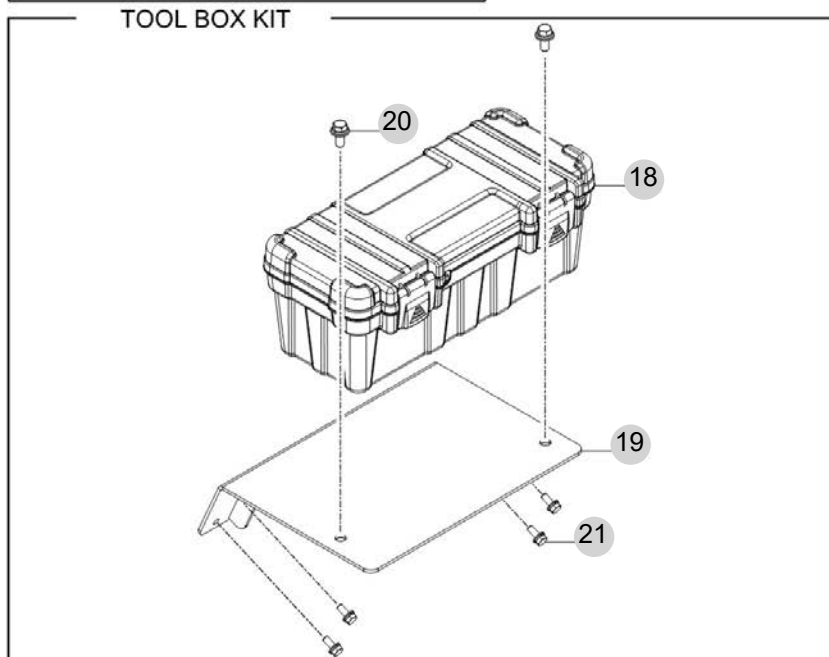
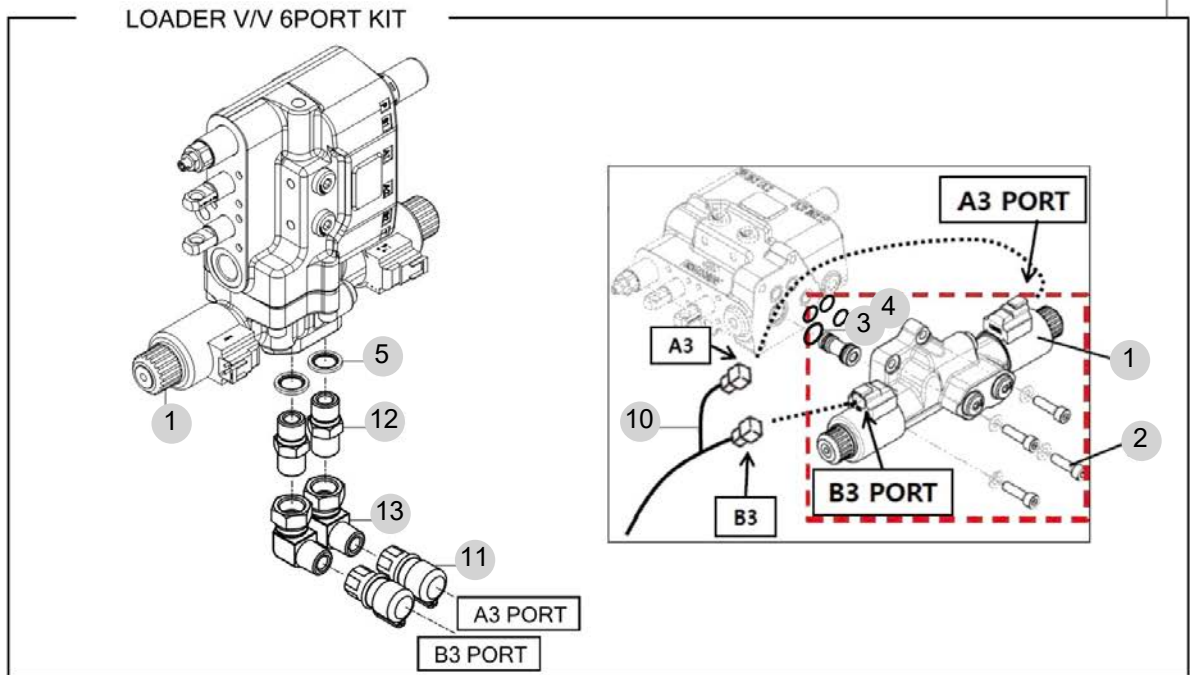
OPTION

년/월
Year/Month

T494NH-B

2022-12

0



NOTE

