

T474ST-B

Parts Catalog

목 차

0. TRACTOR KIT PART NO. TK1

FIG 000 TRAILER SOCKET KIT 8

1. Engine PART NO. EG

FIG 100 ENGINE	12
FIG 101 CYLINDER BLOCK	14
FIG 102 OILJET ASS'Y OPTION	16
FIG 103 CRANK SHAFT	18
FIG 104 PISTON	20
FIG 105 CYLINDER HEAD	22
FIG 106 ROCKER LEVER	24
FIG 107 HEAD COVER	26
FIG 108 GEAR CASE	28
FIG 109 IDLE GEAR	30
FIG 110 CAM SHAFT	32
FIG 111 OIL PUMP	34
FIG 112 HYD. PUMP DRIVE	36
FIG 113 2ND BALANCE	38
FIG 114 OIL PAN	40
FIG 115 INTAKE MANIFOLD	42
FIG 116 EXHAUST MANIFOLD	44
FIG 117 DPF SUPPORT OPTION	46
FIG 118 TURBOCHARGER PLUMBING OPTION	48
FIG 119 BREATHER	50
FIG 120 FUEL INJECTION PUMP	52
FIG 121 FUEL INJECTION VALVE	54
FIG 122 FUEL PIPE ASS'Y	56
FIG 123 OIL FILTER	58
FIG 124 OIL COOLER	60
FIG 125 OIL GAUGUE	62
FIG 126 OIL FILLER CAP	64

FIG 127 COOLING WATER PUMP	66
FIG 128 CRANK SHAFT PULLEY	68
FIG 129 V-PULLEY	70
FIG 130 COOLING FAN	72
FIG 131 FLYWHEEL HOUSING	74
FIG 132 FLYWHEEL	76
FIG 133 GLOW PLUG ASS'Y OPTION	78
FIG 134 STARTING MOTOR	80
FIG 135 FUEL FILTER BRACKET ASS'Y	82
FIG 136 ALTERNATOR	84
FIG 137 V-BELT	86
FIG 138 FUEL FILTER	88
FIG 139 DPF SUPPORT	90
FIG 140 DATAPLATE	92
FIG 142 DPF ASS'Y	94
FIG 143 LIFT ASS'Y	96
FIG 144 COMP . DRIVE PULLEY ASS'Y OPTION	98
FIG 145 LOOSED PARTS	100

2. Engine Accessories PART NO. T2

FIG 201 AIR CLEANER	103
FIG 202 RADIATOR	105
FIG 203 MUFFLER	107
FIG 204 FUEL TANK & FILTER	109
FIG 205 ACCELERATOR	111

3. Clutch/Brake/Steering PART NO. T3

FIG 301 CLUTCH PEDAL	114
FIG 302 FLYWHEEL & CLUTCH	116
FIG 303 BRAKE PEDAL	118
FIG 304 BRAKE	120
FIG 306 FRONT WHEEL MOUNTING	122
FIG 307 REAR WHEEL MOUNTING	124
FIG 308 STEERING WHEEL	126
FIG 309 STEERING VALVE & PARKING	128
FIG 310 STEERING CYLINDER	130

4. Transmission PART NO. T4

FIG 401 TRANSMISSION FRONT CASE	133
FIG 402 INPUT METAL	135
FIG 403 INPUT GEAR	137
FIG 404 4WD DRIVE GEAR	139
FIG 405 MAIN CHANGE GEARS & REVERSE GEARS	141
FIG 406 SUB CHANGE GEARS	143
FIG 407 PINION GEARS	145
FIG 408 P.T.O DRIVE SHAFT	147
FIG 409 P.T.O CHANGE GEARS	149
FIG 410 DIFF LOCK	151
FIG 411 TRANSMISSION REAR CASE	153
FIG 412 REAR AXLE HOUSINGS (1)	155
FIG 413 REAR AXLE HOUSINGS (2)	157
FIG 414 MAIN CHANGE LEVER	159
FIG 415 SUB CHANGE LEVER	161
FIG 416 REVERSE LINK	163
FIG 417 REVERSE CHANGE LEVER	165
FIG 418 4WD CHANGE LEVER	167

5. Front Axle PART NO. T5

FIG 501 FRONT AXLE BRACKET	170
FIG 502 FRONT DIFF. GEARS & SHAFT	172
FIG 503 FRONT AXLE HOUSING	174
FIG 504 FRONT GEAR CASE (1)	176
FIG 505 FRONT GEAR CASE (2)	178

6. Hydraulic/3P-Link PART NO. T6

FIG 601 GEAR PUMP	181
FIG 602 CYLINDER CASE	183
FIG 603 LIFT ARM	185
FIG 604 CYLINDER	187
FIG 605 POSITION LINK (1)	189
FIG 606 POSITION LINK (2)	191

FIG 607 CONTROL VALVE	193
FIG 608 POSITION LEVER	195
FIG 609 HYDRAULIC PIPE (1)[SAP 가져오기]에서 생성함.	197
FIG 609 HYDRAULIC PIPE (1)	199
FIG 610 HYDRAULIC PIPE (2)	201
FIG 611 EXTERIOR HYD VALVE	203
FIG 612 3-POINT LINK	205
FIG 613 HITCH & COVER	208
FIG 614 EXTERIOR POSITION LEVER	210

7. Sheet Metal & Cabin PART NO. T7

FIG 701 HOOD FRAME	213
FIG 702 HOOD	216
FIG 703 EXTENSION COVER	219
FIG 705 DASH PANEL	221
FIG 708 FRONT & REAR MOUNTING[SAP 가져오기]에서 생성함.	223
FIG 708 FRONT & REAR MOUNTING	225
FIG 709 SEAT & MAT	227
FIG 710 DOOR	229
FIG 711 FRONT GLASS	232
FIG 712 REAR GLASS	234
FIG 713 SUB FENDER & COVER	236
FIG 714 MIRROR	238
FIG 715 HEATER & AIR-CON	240
FIG 716 HEATER & AIR-CON	242
FIG 717 FENDER COVER	244
FIG 718 ROOF	246
FIG 719 CABIN INTERIOR	248

8. Electrical System PART NO. T8

FIG 801 BATTERY & MOUNTING	251
FIG 802 LAMP	253
FIG 803 INSTRUMENT PANEL	255
FIG 804 ELECTRIC SYSTEM	257
FIG 805 HARNESS (1)	259
FIG 806 HARNESS (2)	261

9. Label/Option PART NO. T9

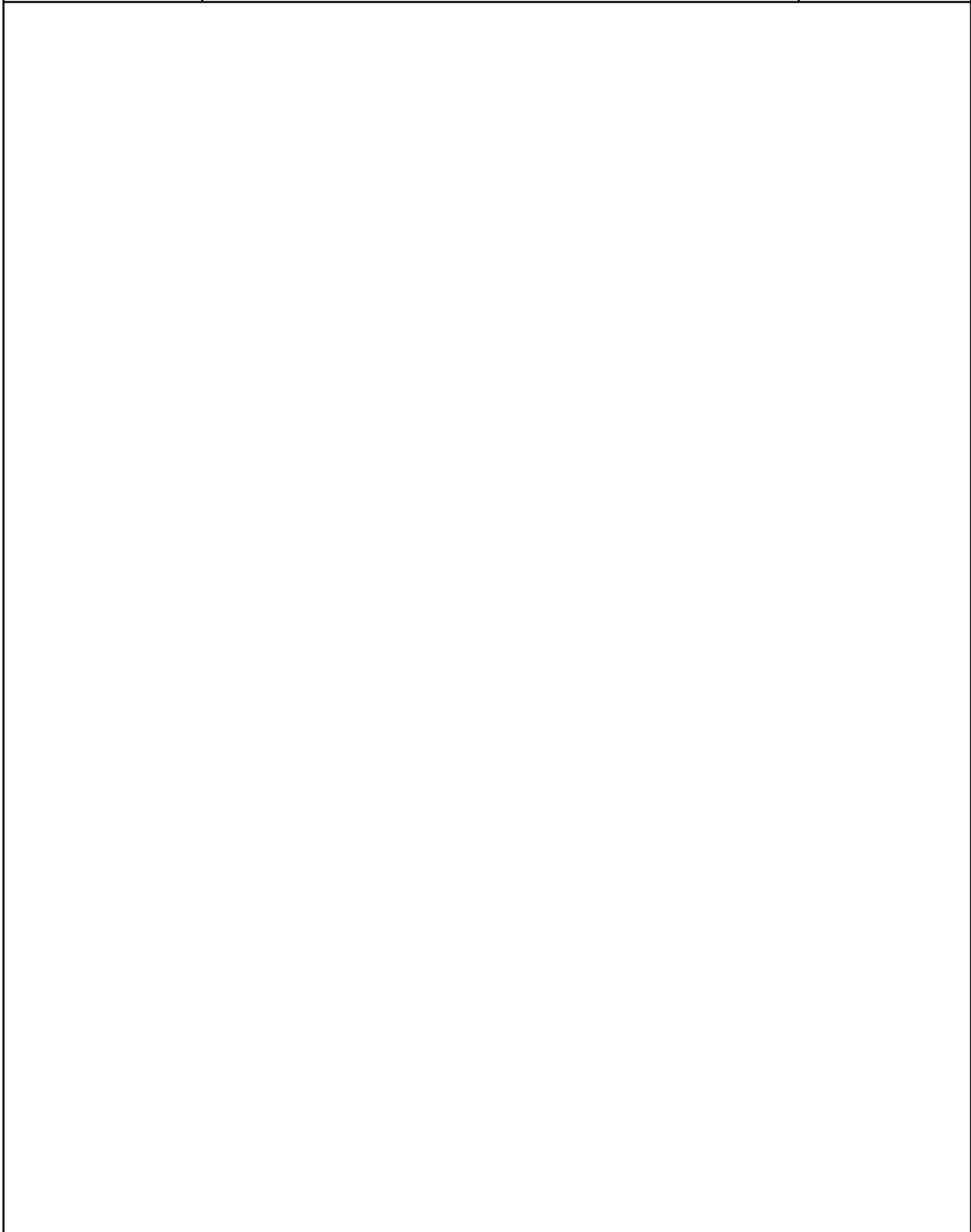
FIG 901 TOOL & ACCESSORY	264
FIG 902 LABEL	266
FIG 902 LABEL	268

0. TRACTOR KIT PART NO. TK1

FIG 000 TRAILER SOCKET KIT

8

FIG 000 T474ST-B	TRAILER SOCKET KIT	년/월 Year/Month 2022-12
---------------------	--------------------	------------------------------



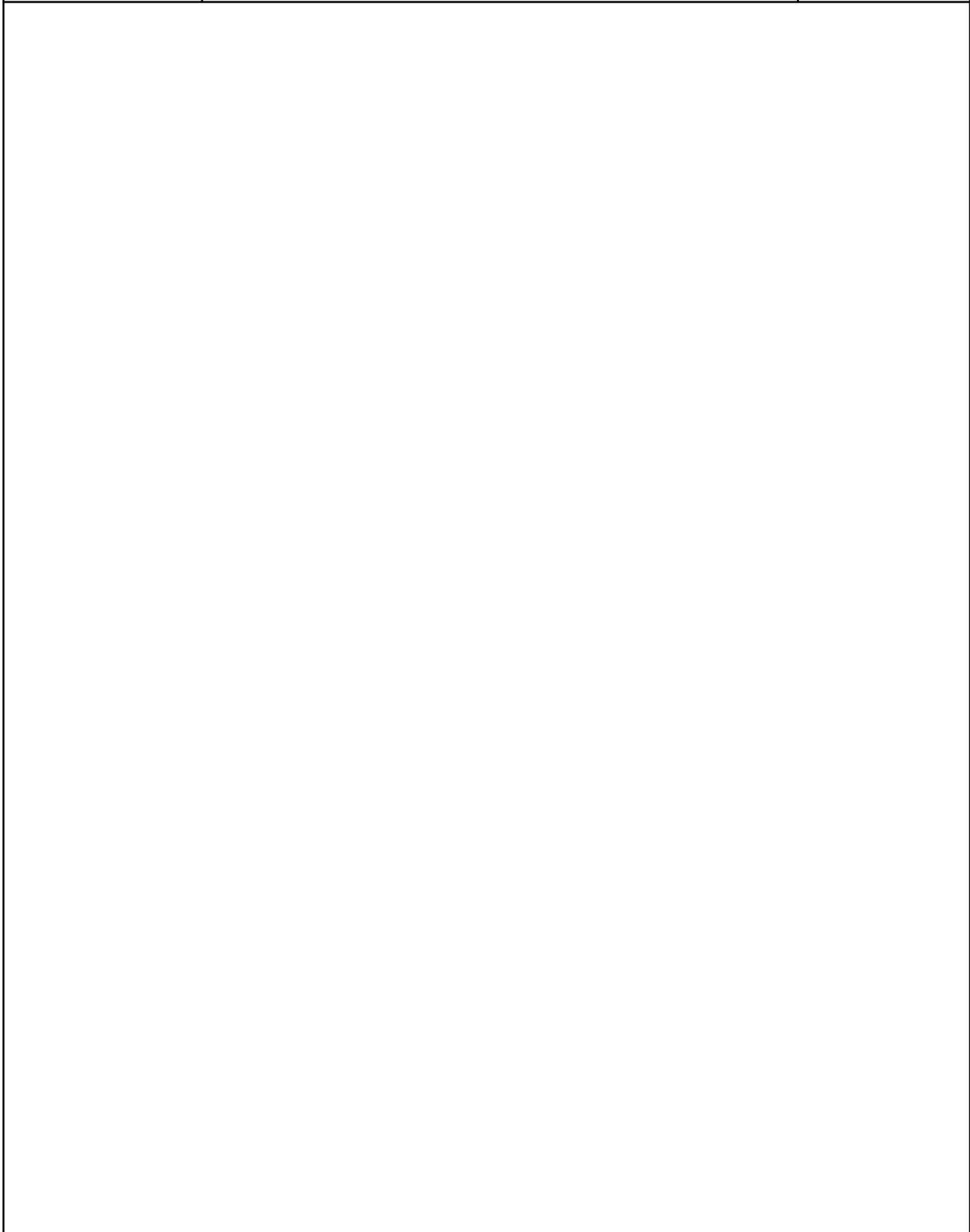
NOTE	
------	--

1. Engine PART NO. EG

FIG 100 ENGINE	12
FIG 101 CYLINDER BLOCK	14
FIG 102 OILJET ASS'Y OPTION	16
FIG 103 CRANK SHAFT	18
FIG 104 PISTON	20
FIG 105 CYLINDER HEAD	22
FIG 106 ROCKER LEVER	24
FIG 107 HEAD COVER	26
FIG 108 GEAR CASE	28
FIG 109 IDLE GEAR	30
FIG 110 CAM SHAFT	32
FIG 111 OIL PUMP	34
FIG 112 HYD. PUMP DRIVE	36
FIG 113 2ND BALANCE	38
FIG 114 OIL PAN	40
FIG 115 INTAKE MANIFOLD	42
FIG 116 EXHAUST MANIFOLD	44
FIG 117 DPF SUPPORT OPTION	46
FIG 118 TURBOCHARGER PLUMBING OPTION	48
FIG 119 BREATHER	50
FIG 120 FUEL INJECTION PUMP	52
FIG 121 FUEL INJECTION VALVE	54
FIG 122 FUEL PIPE ASS'Y	56
FIG 123 OIL FILTER	58
FIG 124 OIL COOLER	60
FIG 125 OIL GAUGUE	62
FIG 126 OIL FILLER CAP	64
FIG 127 COOLING WATER PUMP	66
FIG 128 CRANK SHAFT PULLEY	68
FIG 129 V-PULLEY	70
FIG 130 COOLING FAN	72
FIG 131 FLYWHEEL HOUSING	74
FIG 132 FLYWHEEL	76
FIG 133 GLOW PLUG ASS'Y OPTION	78
FIG 134 STARTING MOTOR	80
FIG 135 FUEL FILTER BRACKET ASS'Y	82
FIG 136 ALTERNATOR	84
FIG 137 V-BELT	86

FIG 138 FUEL FILTER	88
FIG 139 DPF SUPPORT	90
FIG 140 DATAPLATE	92
FIG 142 DPF ASS'Y	94
FIG 143 LIFT ASS'Y	96
FIG 144 COMP . DRIVE PULLEY ASS'Y OPTION	98
FIG 145 LOOSED PARTS	100

FIG 100 T474ST-B	ENGINE	년/월 Year/Month 2022-12
---------------------	--------	------------------------------



NOTE	
------	--

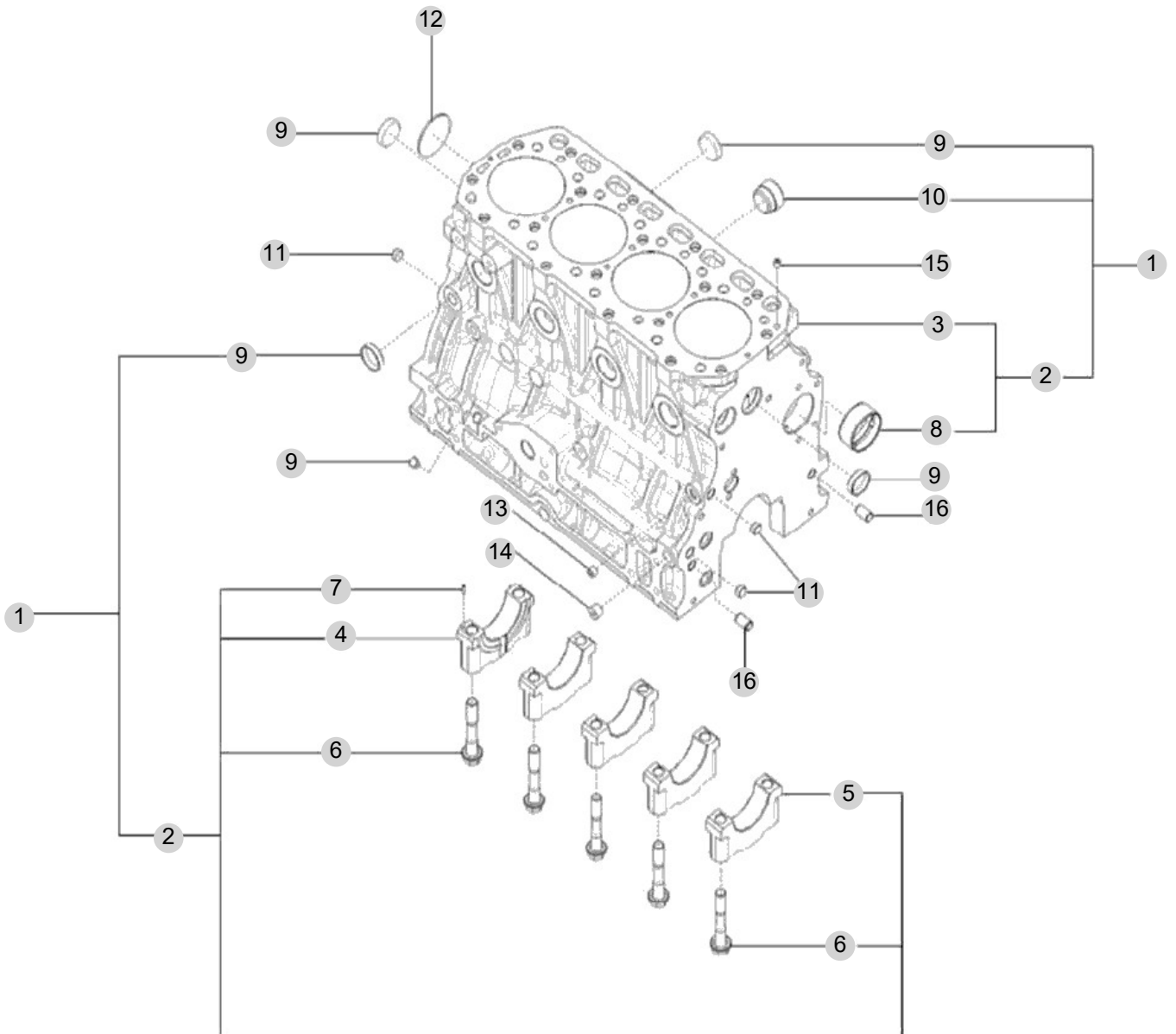
FIG 101

T474ST-B

CYLINDER BLOCK

년/월
Year/Month

2022-12



NOTE

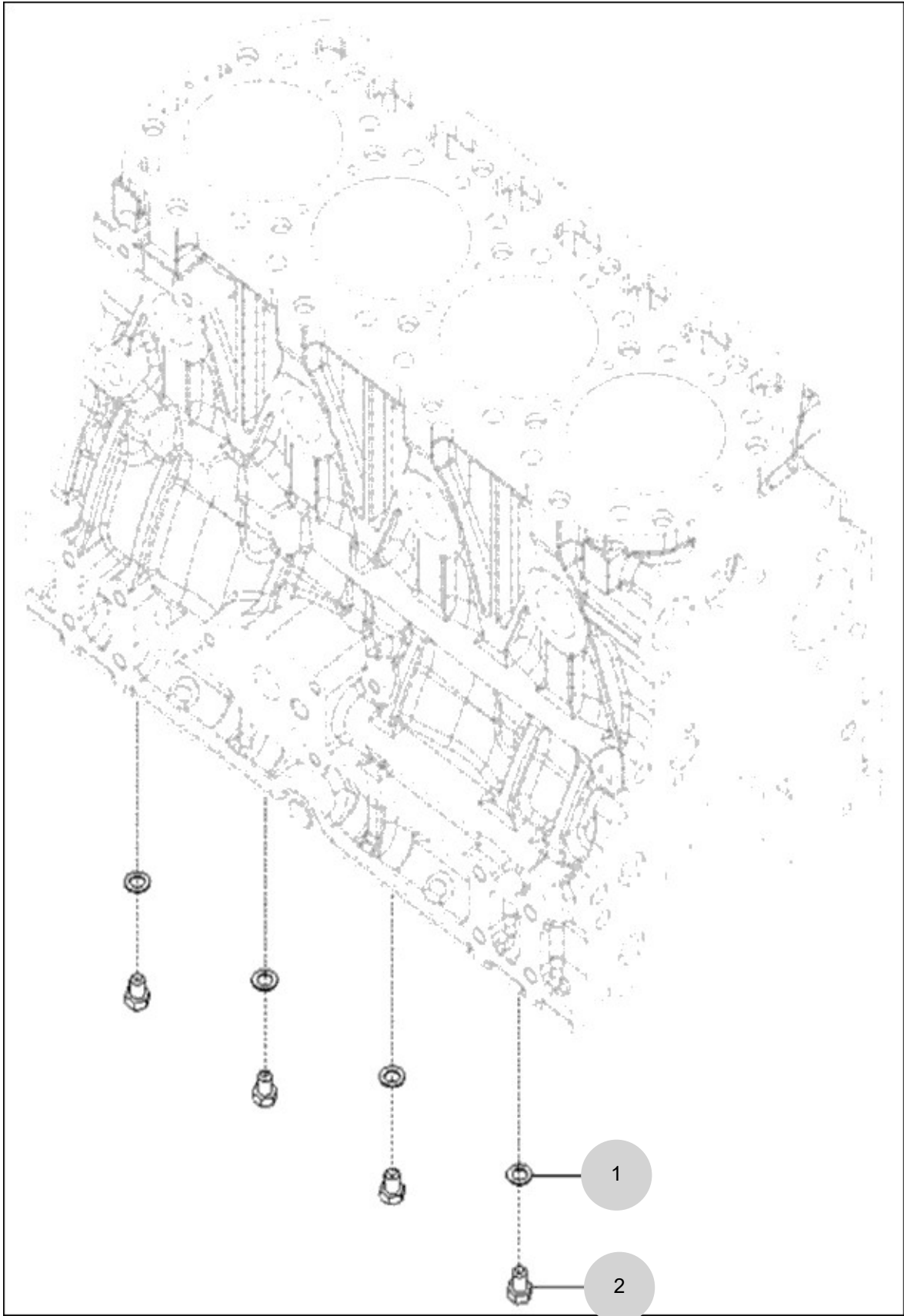
FIG 102

OILJET ASS'Y OPTION

년/월
Year/Month

T474ST-B

2022-12



NOTE

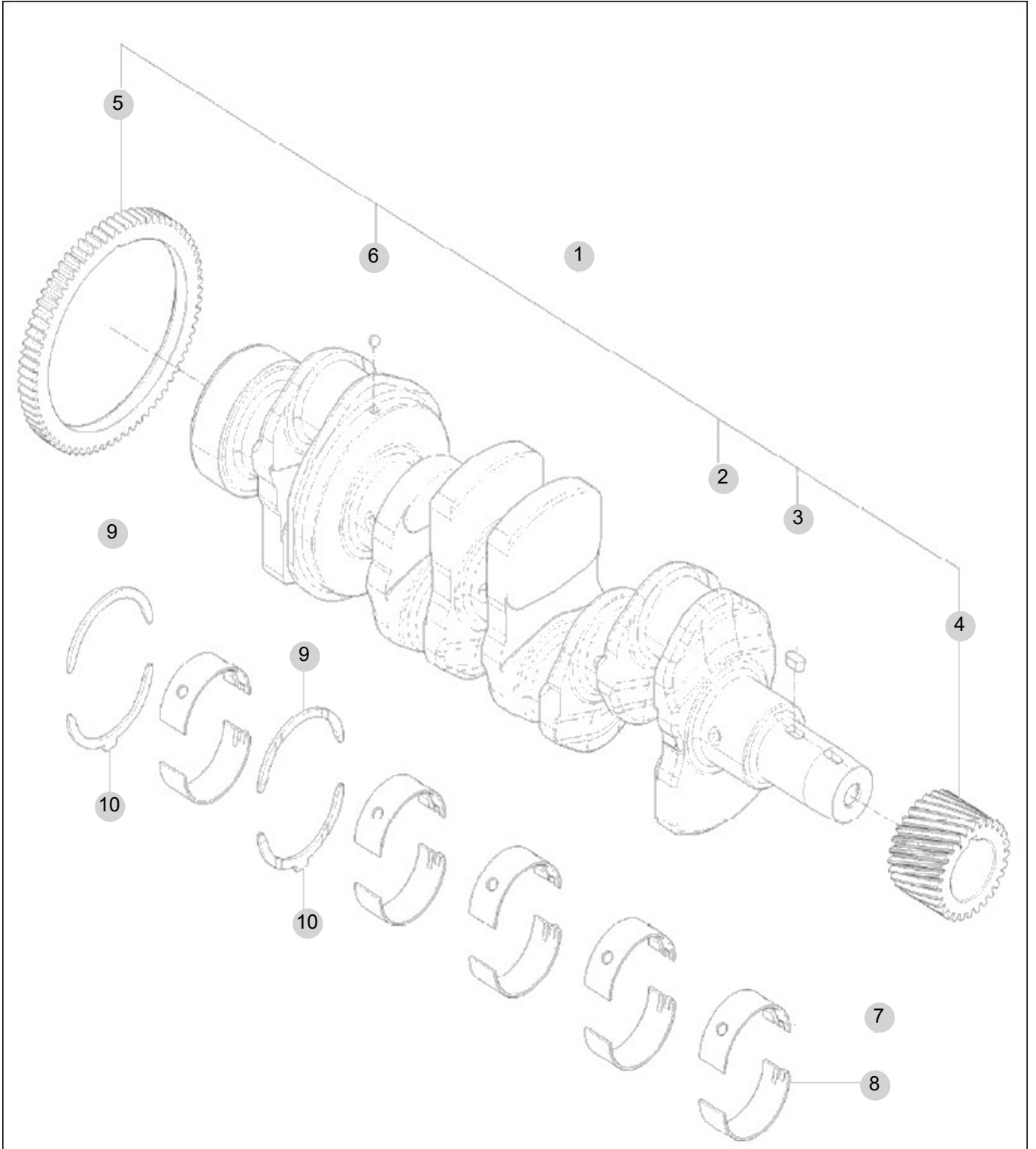
FIG 103

T474ST-B

CRANK SHAFT

년/월
Year/Month

2022-12



NOTE

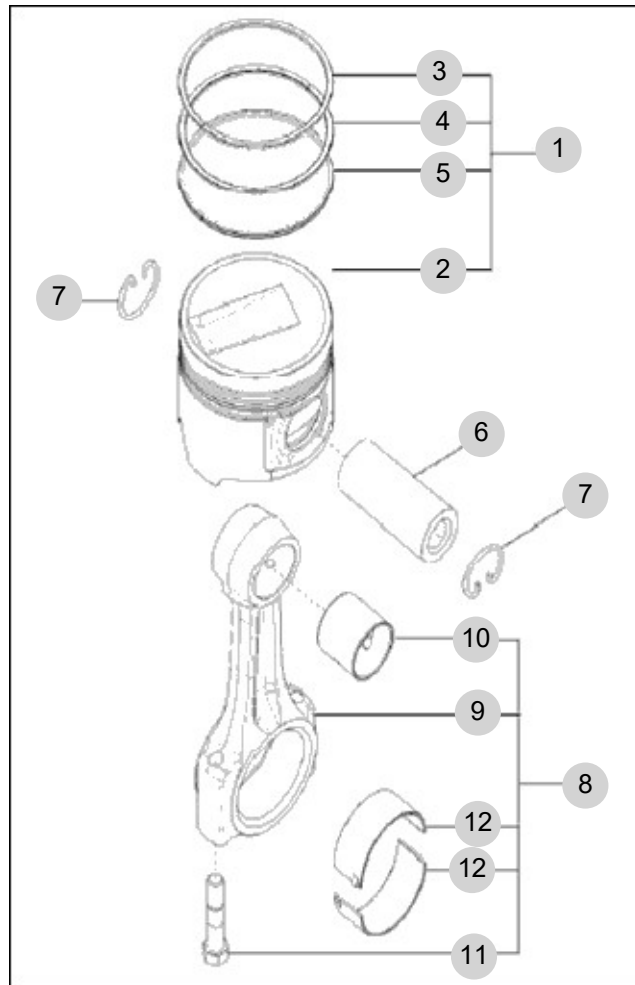
FIG 104

T474ST-B

PISTON

년/월
Year/Month

2022-12



NOTE

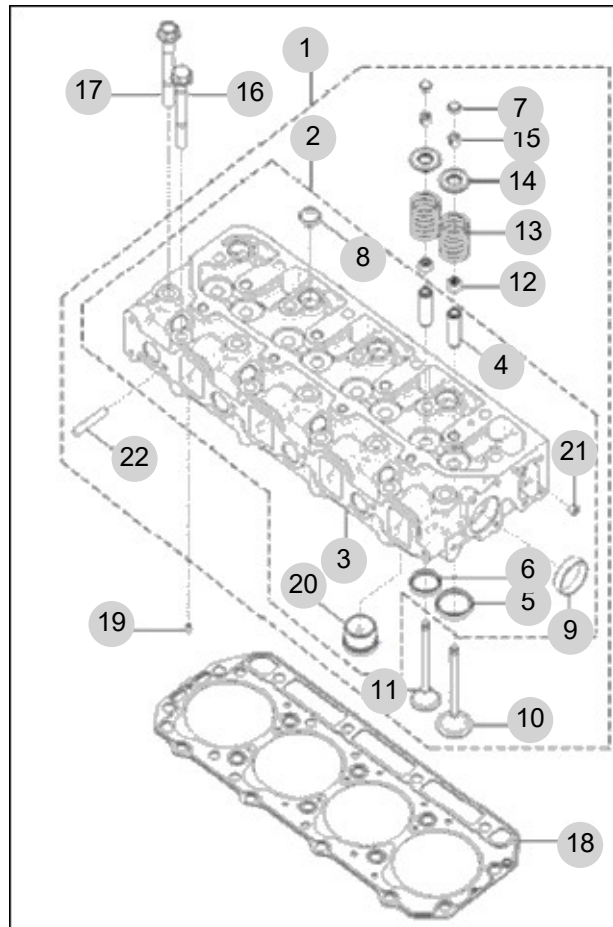
FIG 105

CYLINDER HEAD

년/월
Year/Month

2022-12

T474ST-B



NOTE

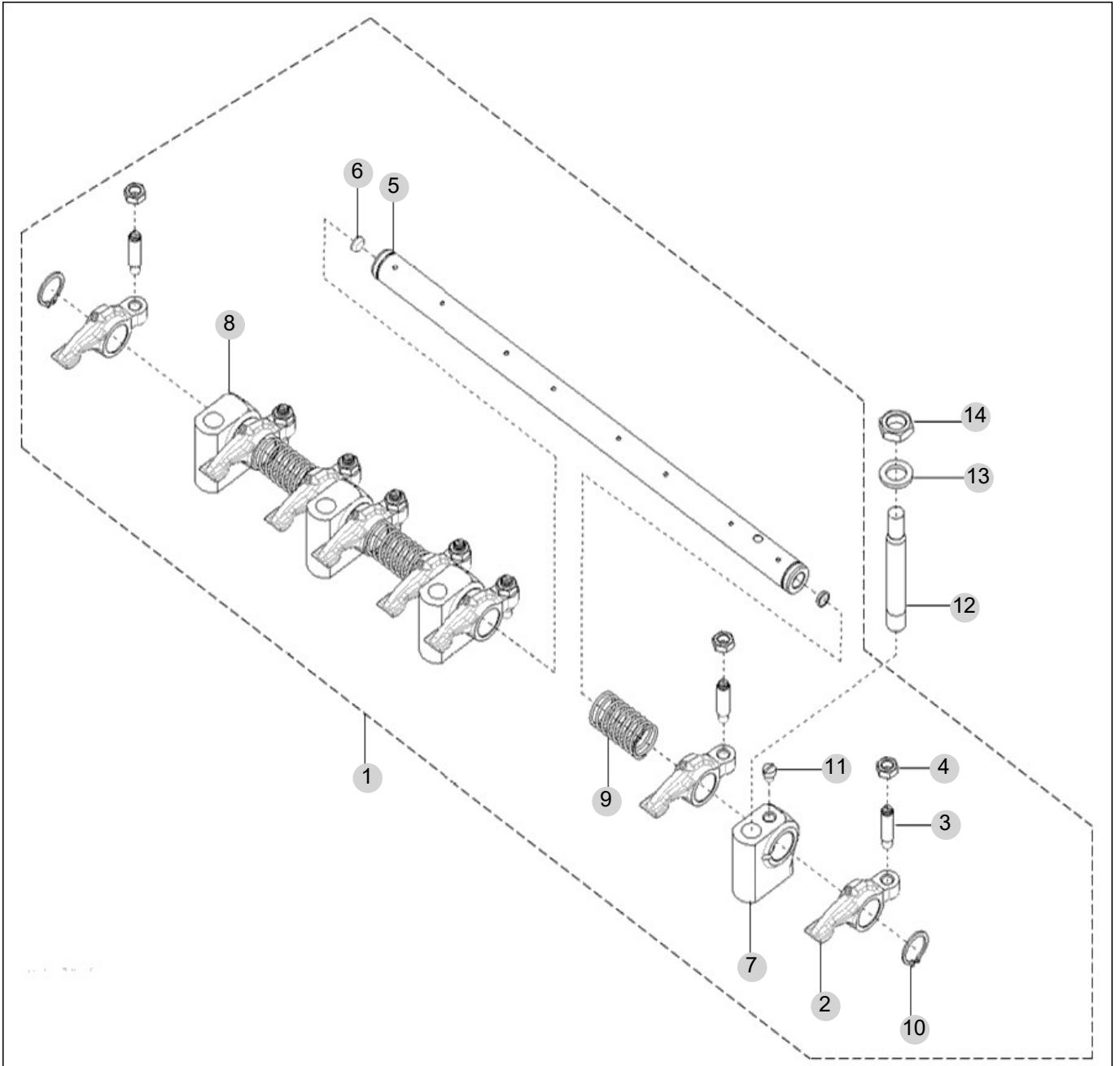
FIG 106

T474ST-B

ROCKER LEVER

년/월
Year/Month

2022-12



NOTE

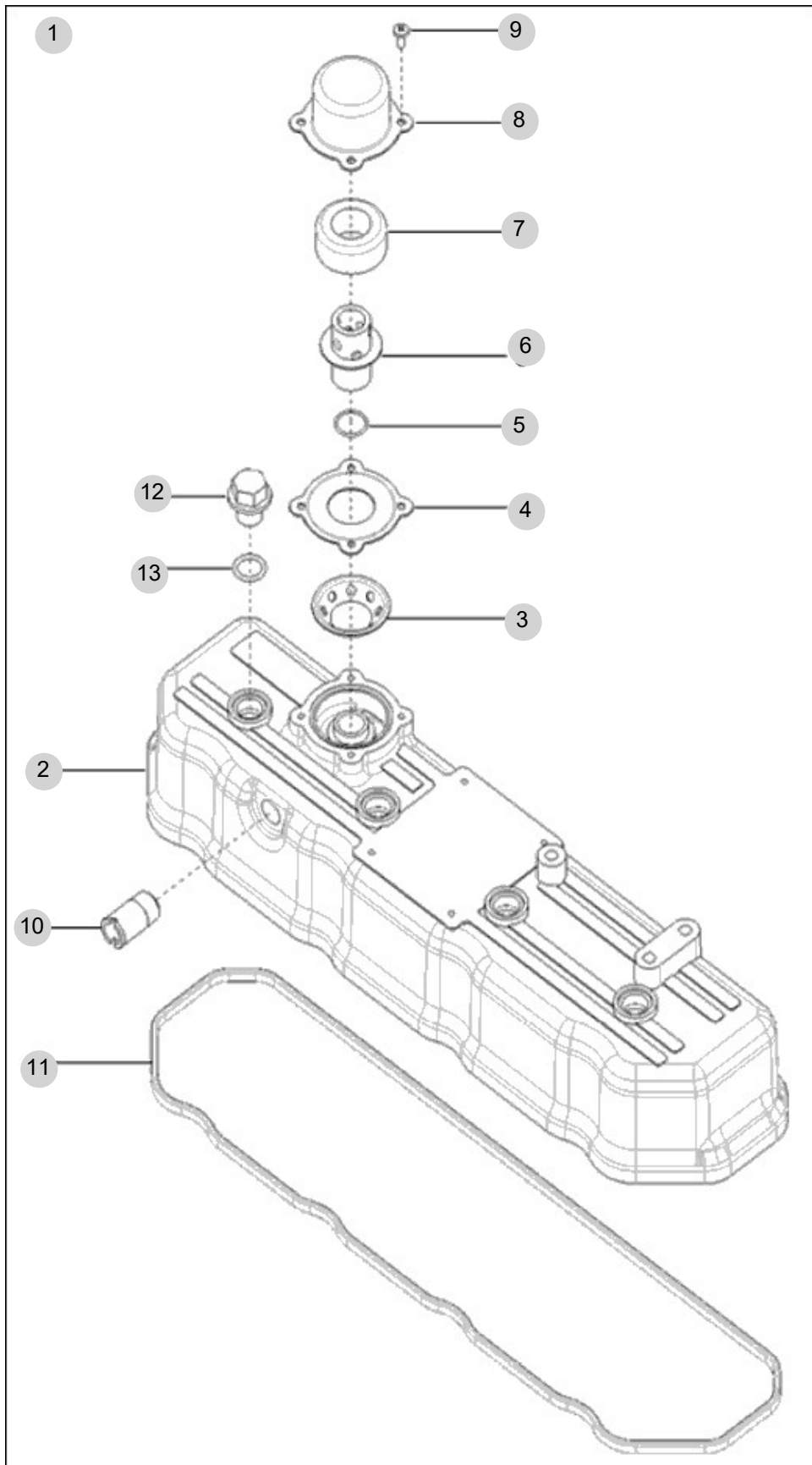
FIG 107

T474ST-B

HEAD COVER

년/월
Year/Month

2022-12



NOTE

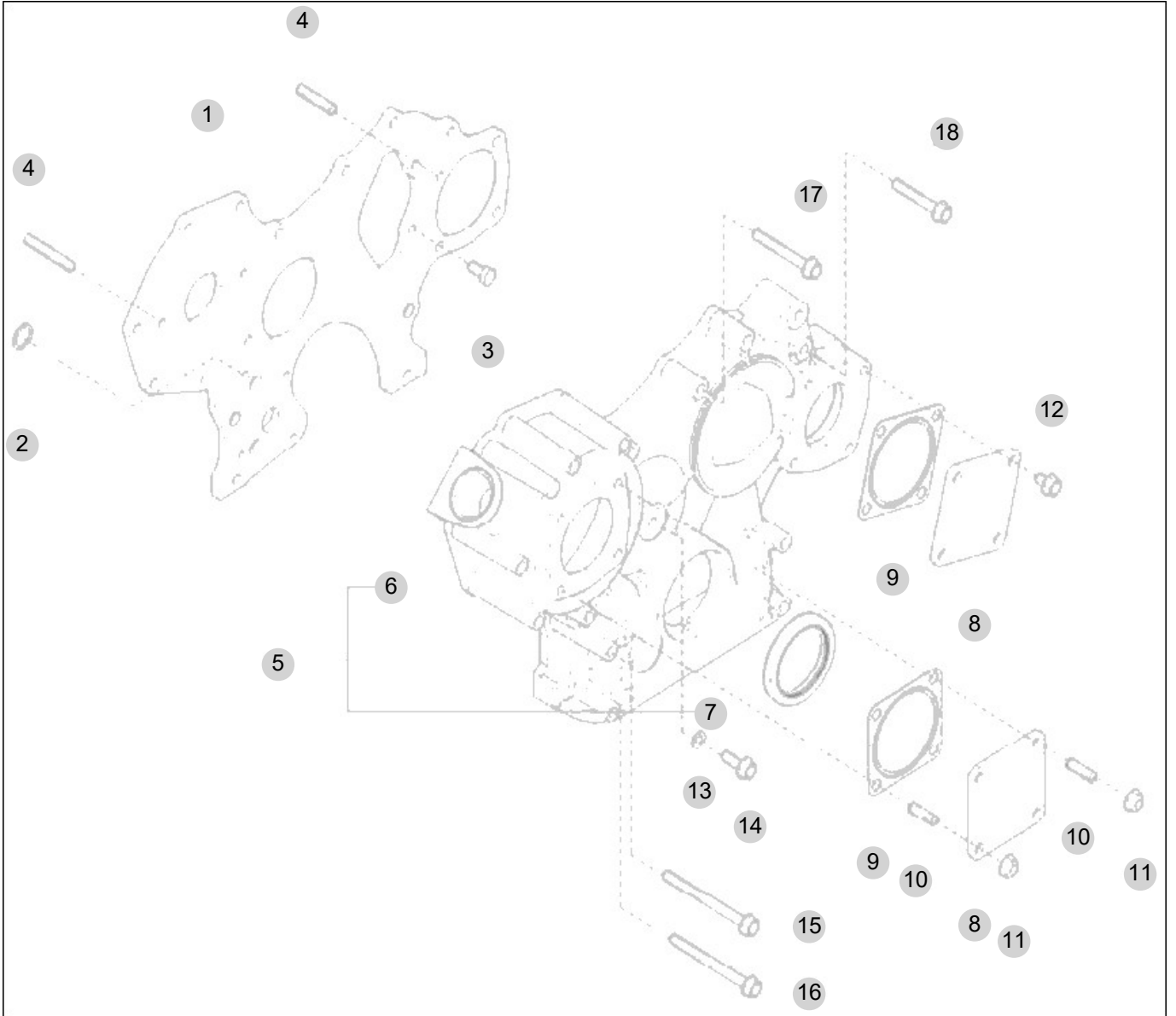
FIG 108

T474ST-B

GEAR CASE

년/월
Year/Month

2022-12



NOTE

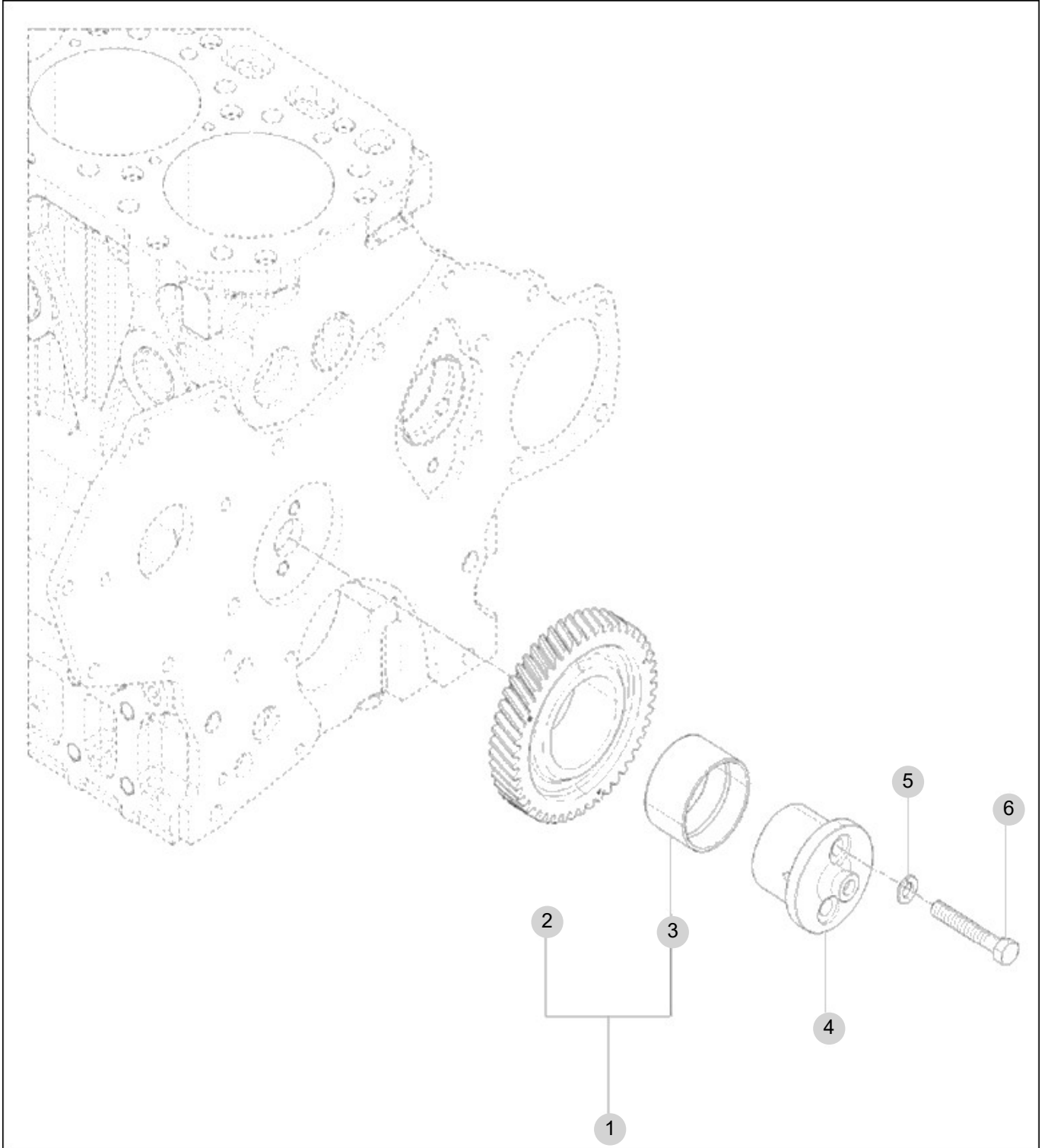
FIG 109

IDLE GEAR

년/월
Year/Month

T474ST-B

2022-12



NOTE

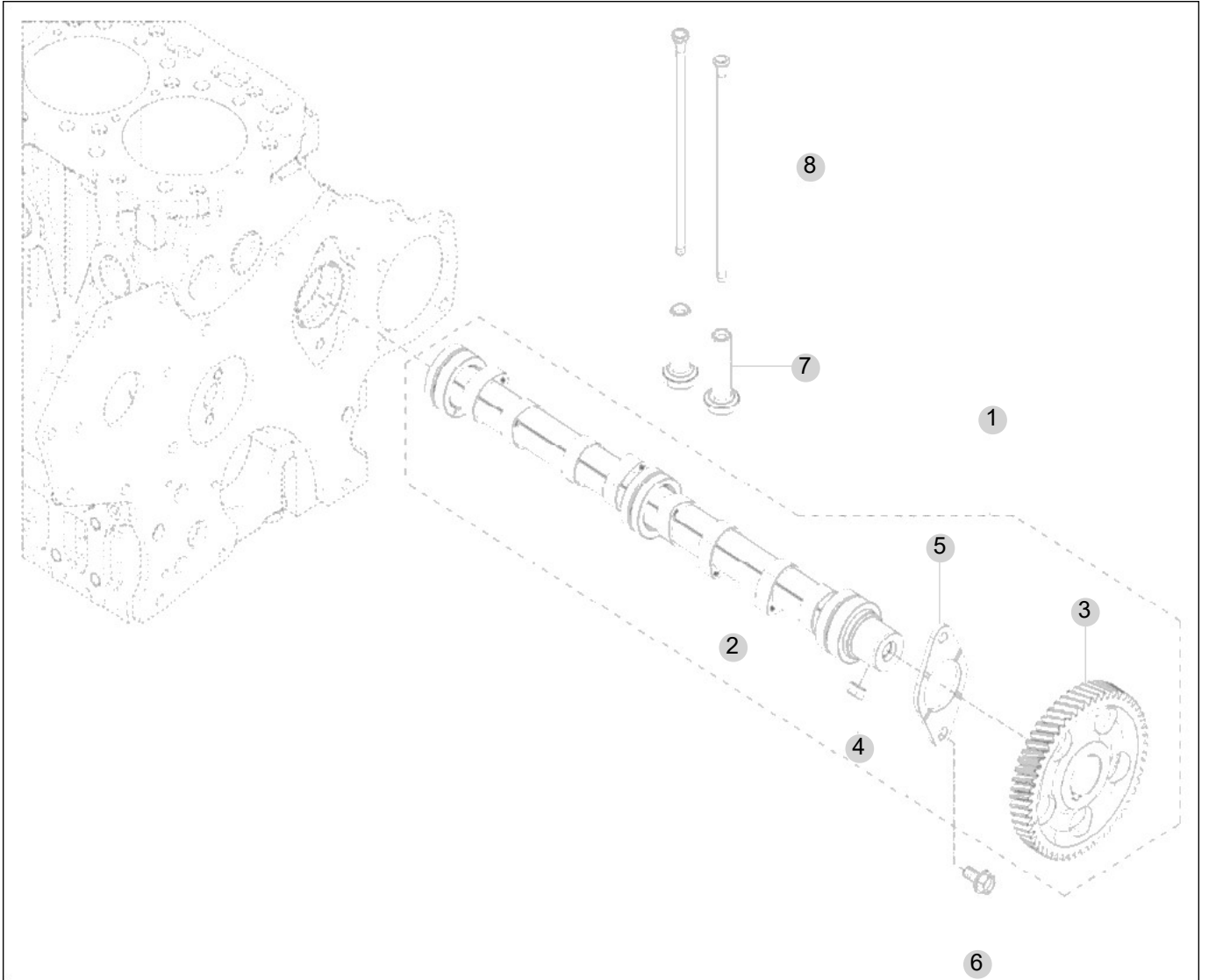
FIG 110

CAM SHAFT

년/월
Year/Month

T474ST-B

2022-12



NOTE

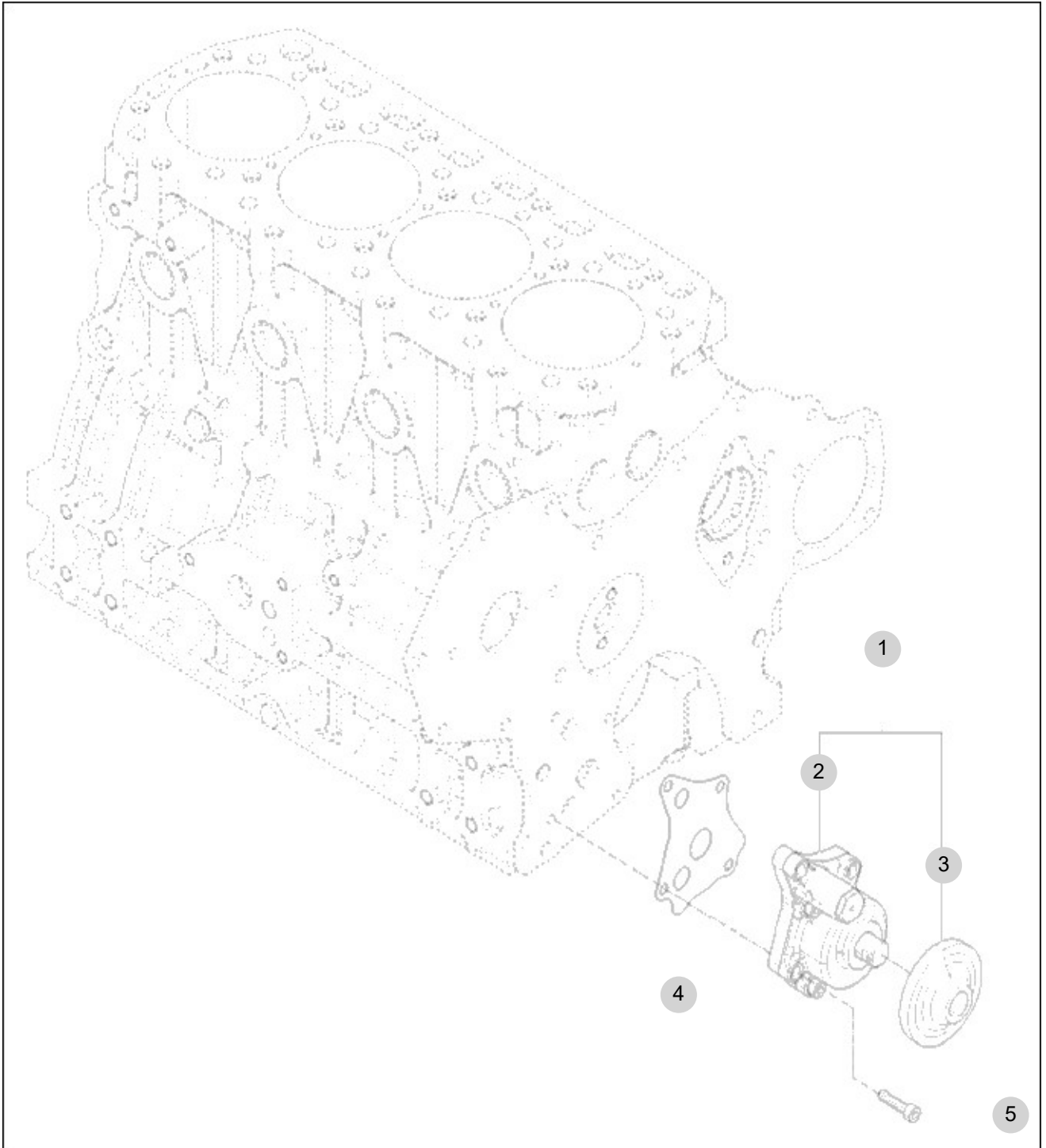
FIG 111

OIL PUMP

년/월
Year/Month

T474ST-B

2022-12



NOTE

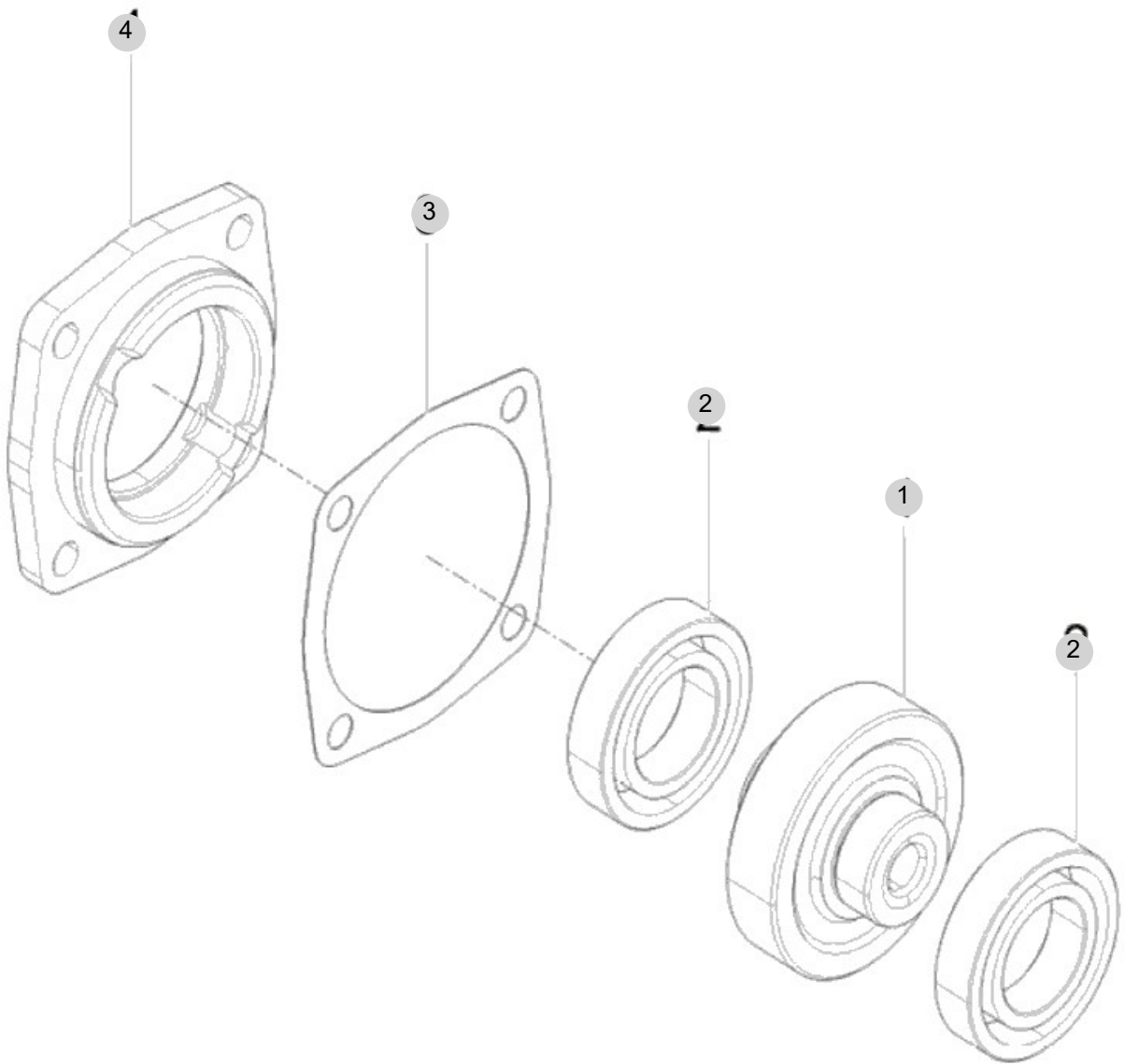
FIG 112

T474ST-B

HYD. PUMP DRIVE

년/월
Year/Month

2022-12



NOTE

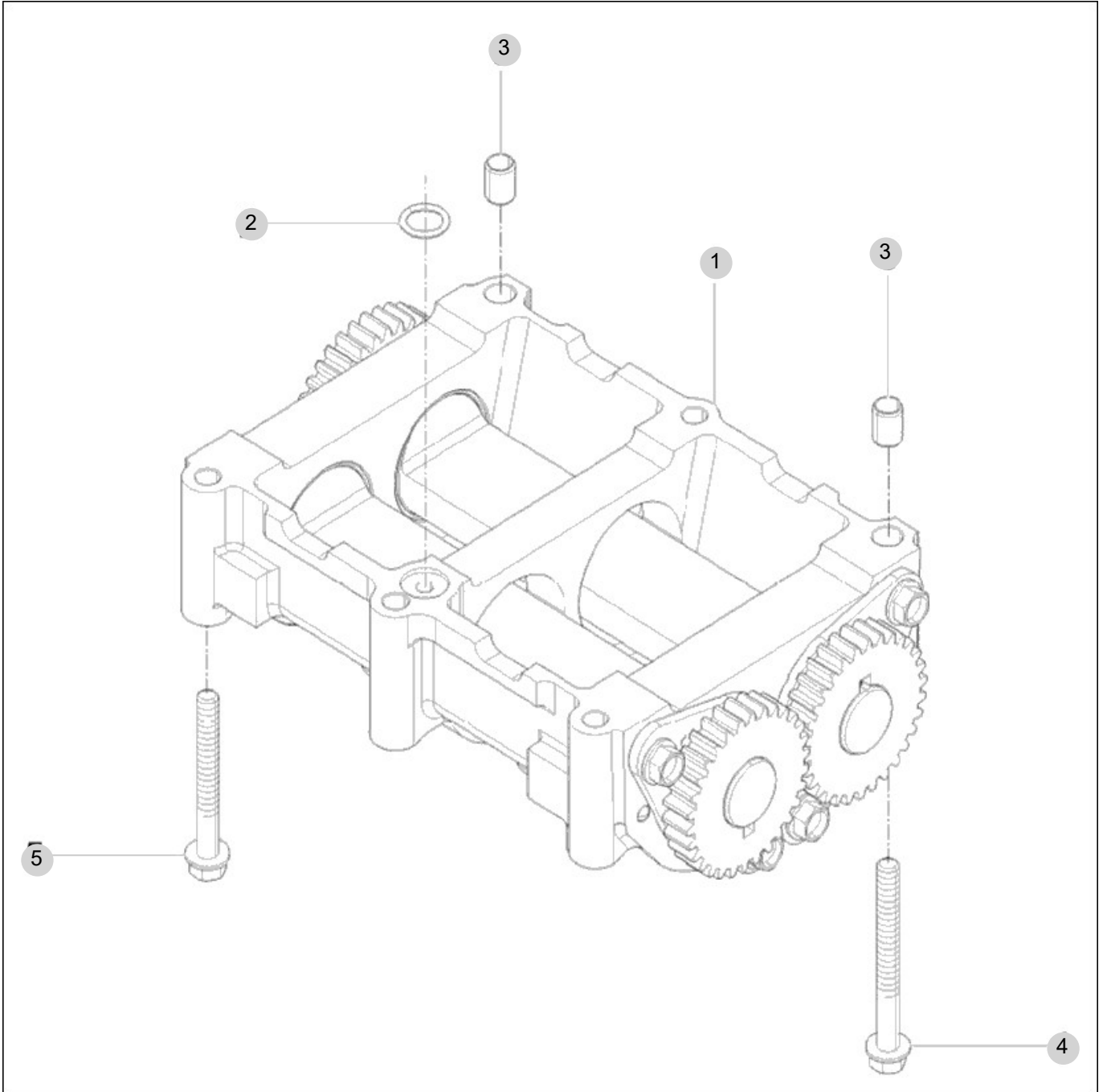
FIG 113

T474ST-B

2ND BALANCE

년/월
Year/Month

2022-12



NOTE

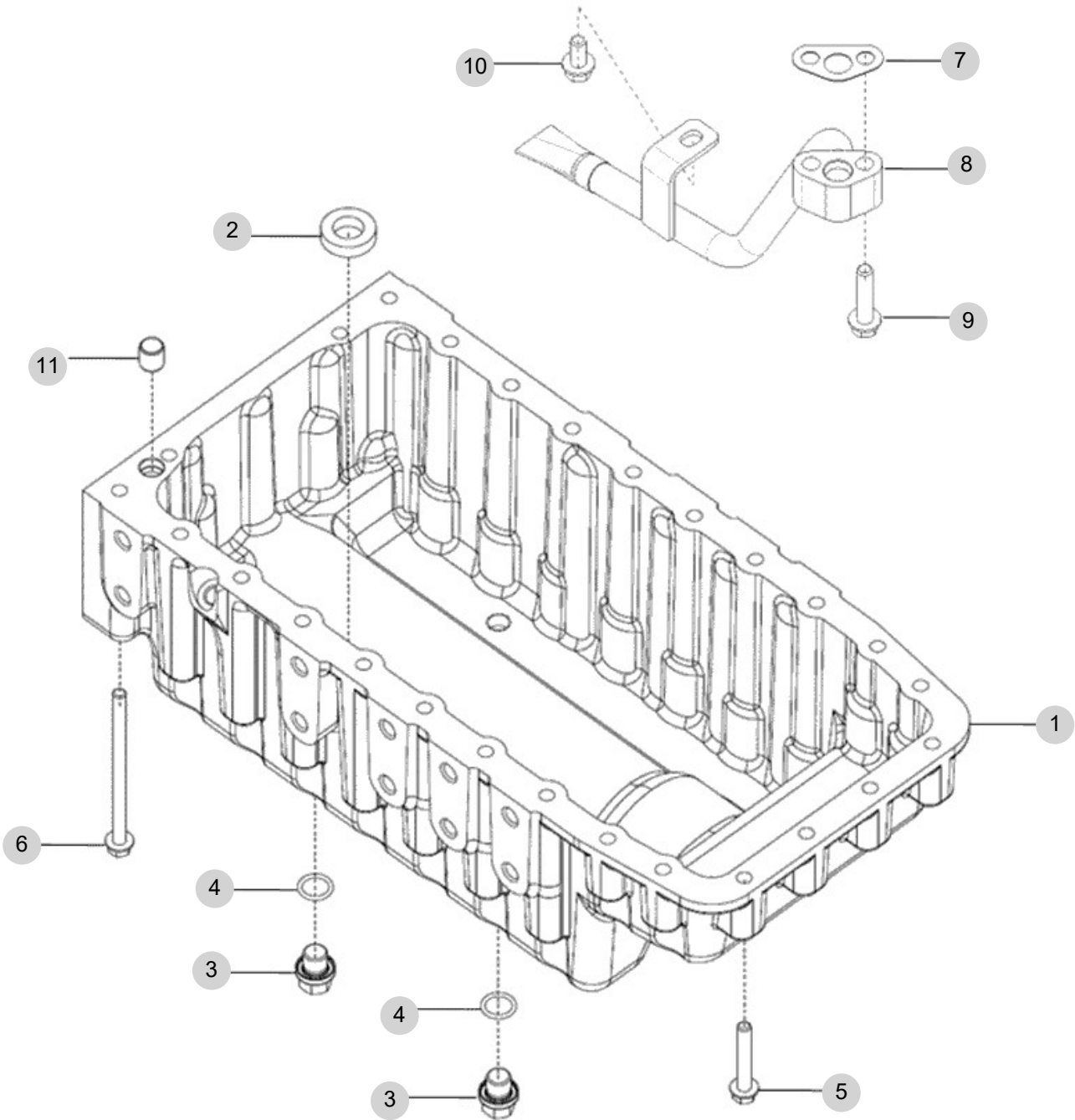
FIG 114

T474ST-B

OIL PAN

년/월
Year/Month

2022-12



NOTE

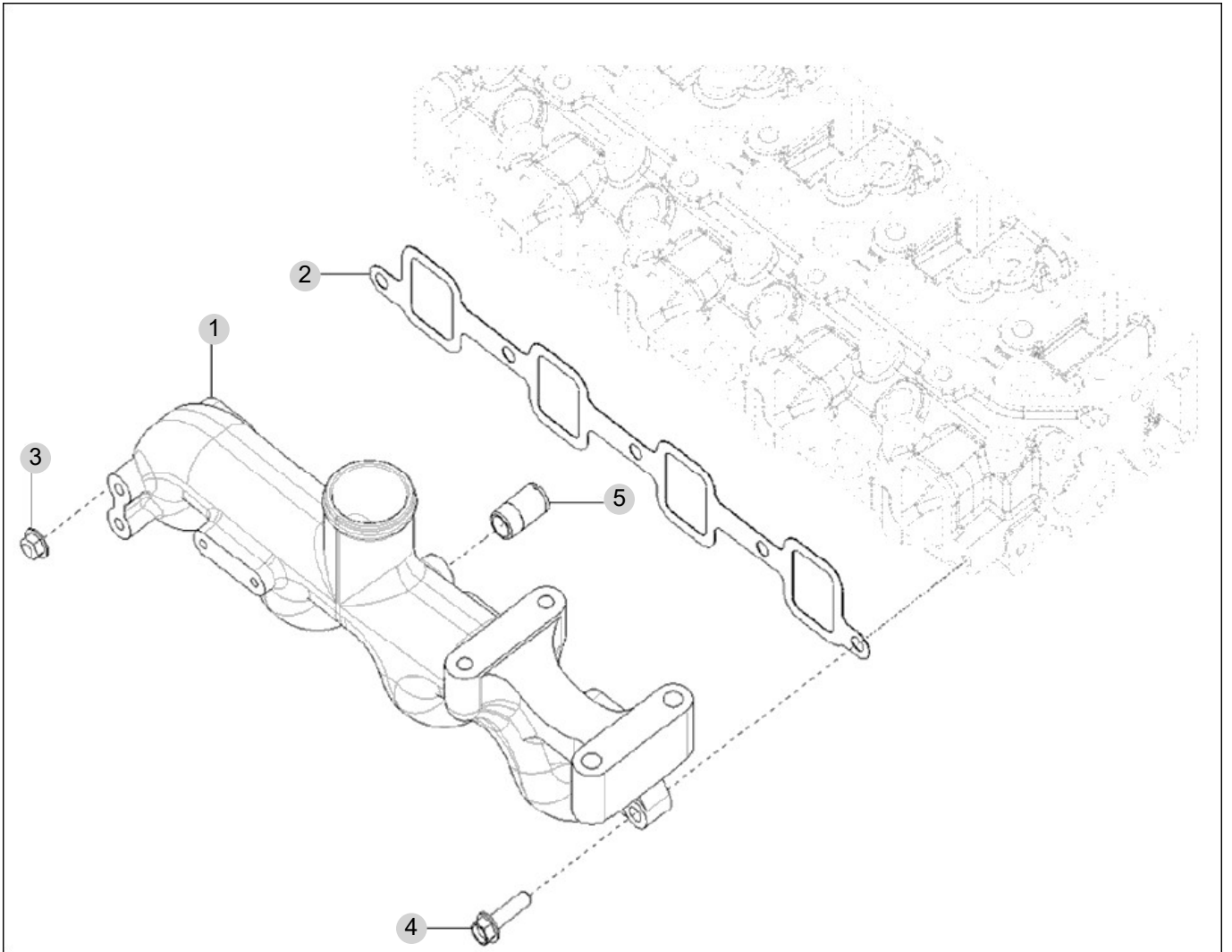
FIG 115

T474ST-B

INTAKE MANIFOLD

년/월
Year/Month

2022-12



NOTE

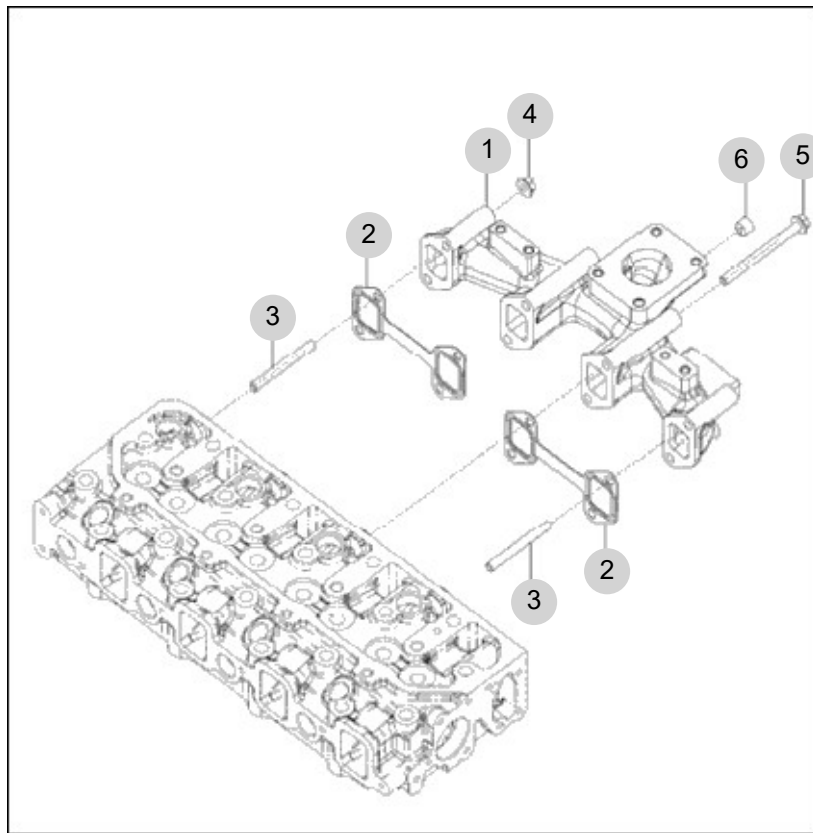
FIG 116

T474ST-B

EXHAUST MANIFOLD

년/월
Year/Month

2022-12



NOTE

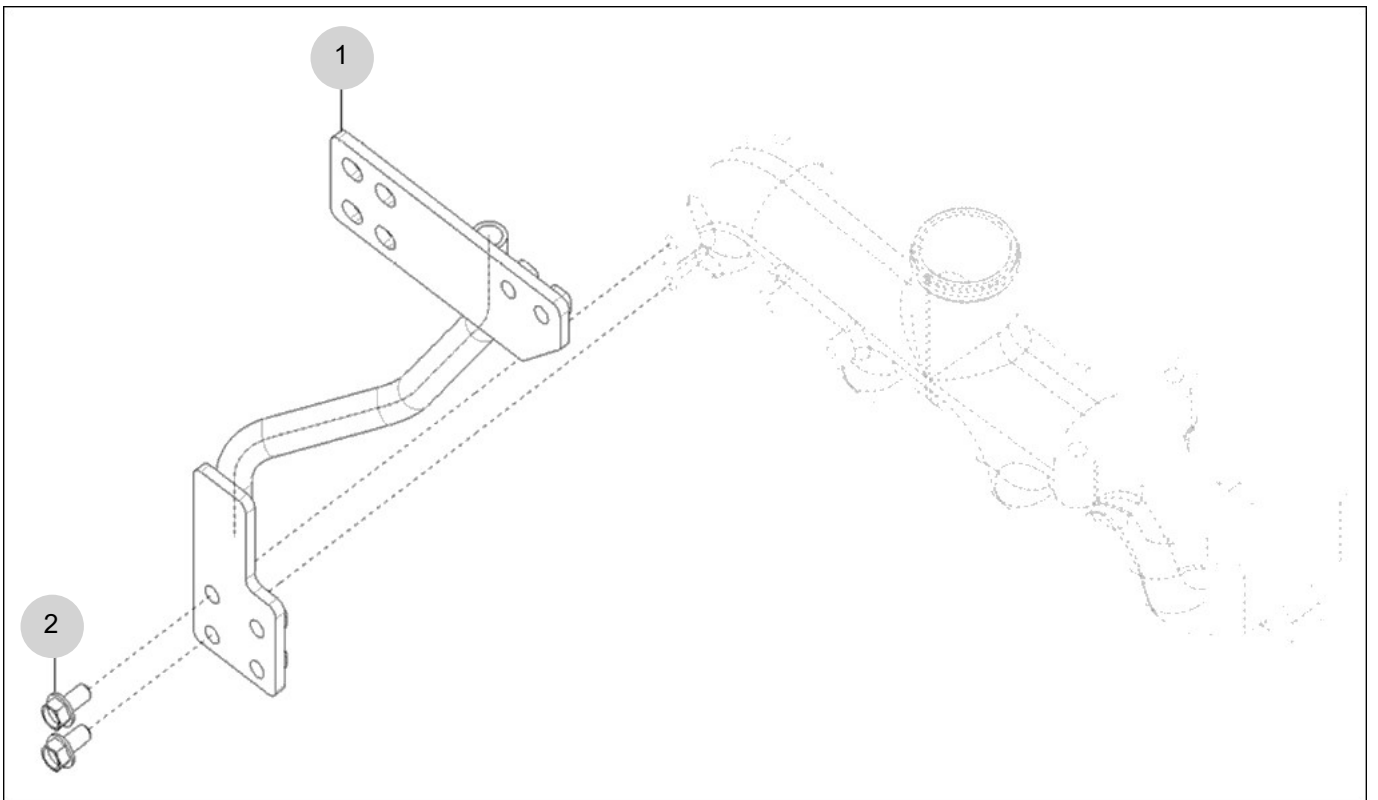
FIG 117

T474ST-B

DPF SUPPORT OPTION

년/월
Year/Month

2022-12



NOTE

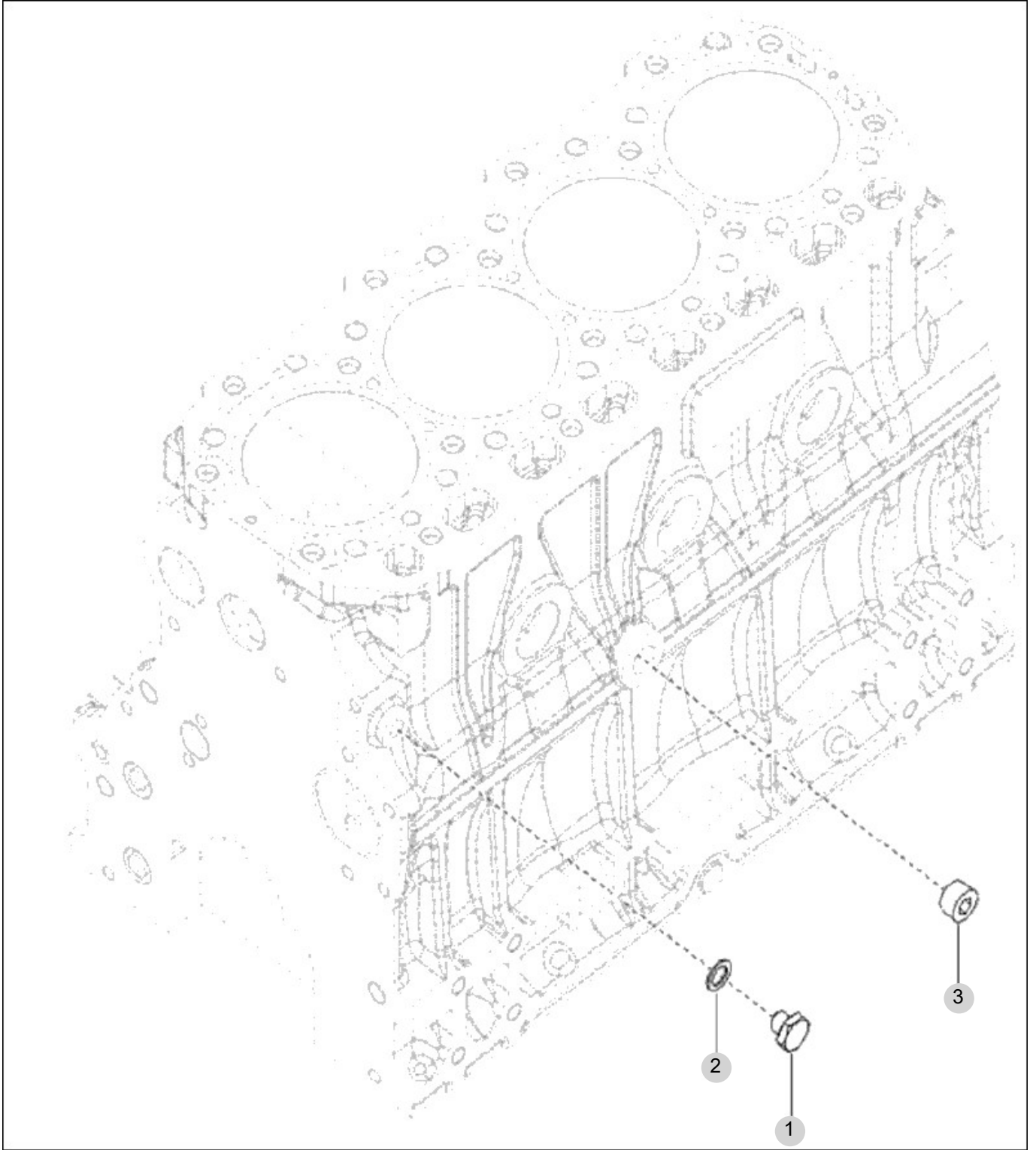
FIG 118

TURBOCHARGER PLUMBING OPTION

년/월
Year/Month

T474ST-B

2022-12



NOTE

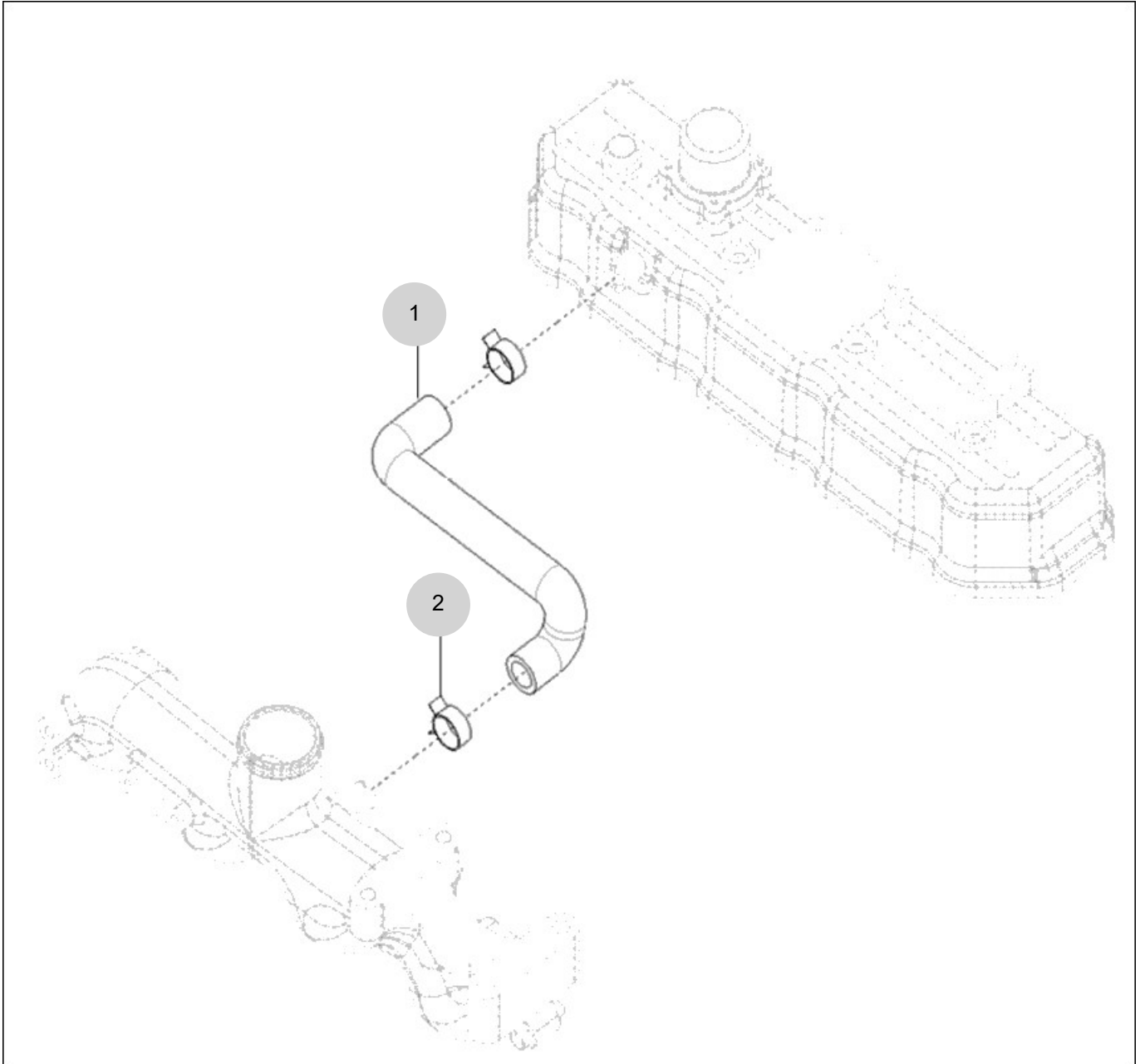
FIG 119

T474ST-B

BREATHER

년/월
Year/Month

2022-12



NOTE

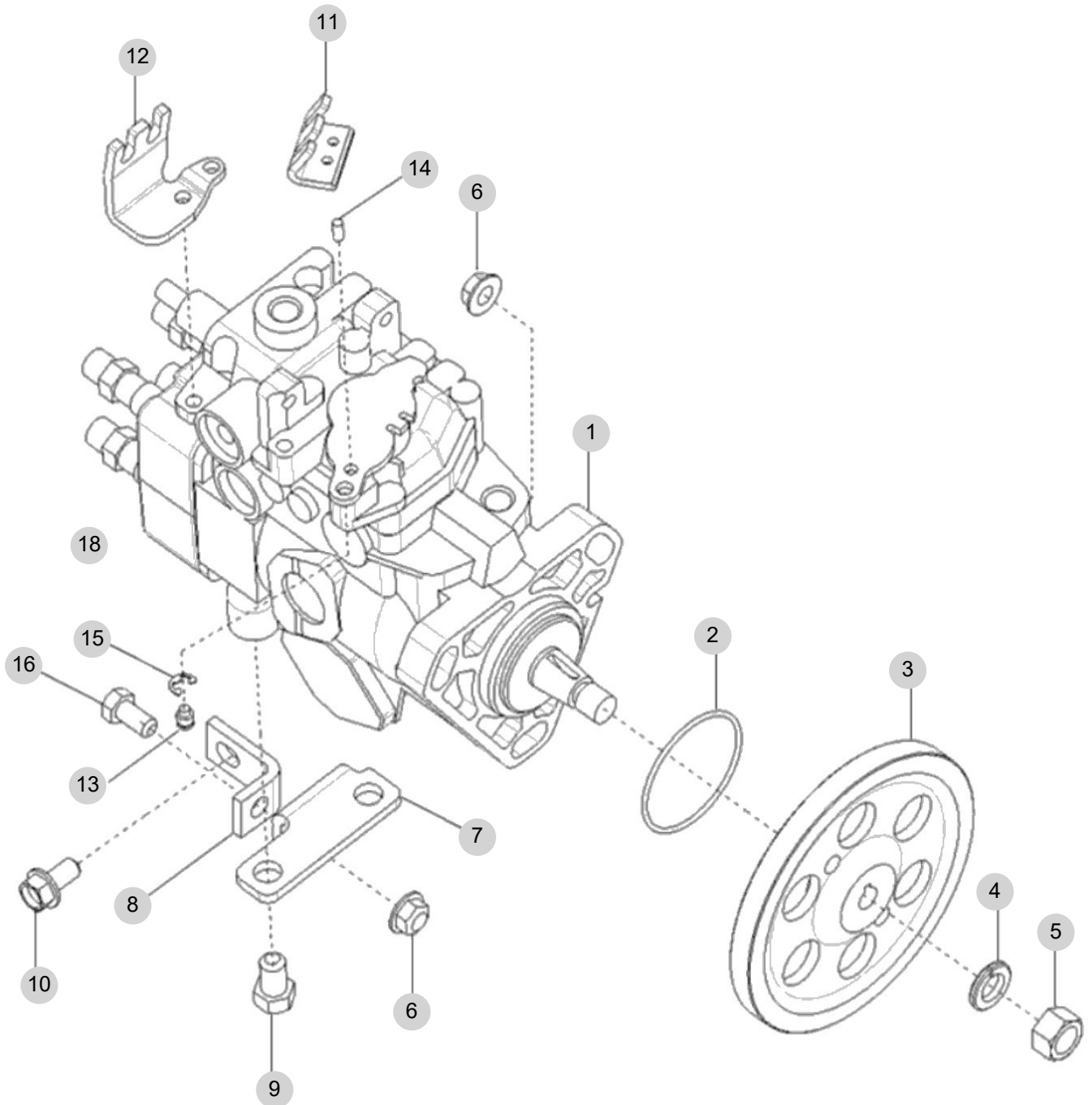
FIG 120

FUEL INJECTION PUMP

년/월
Year/Month

T474ST-B

2022-12



NOTE

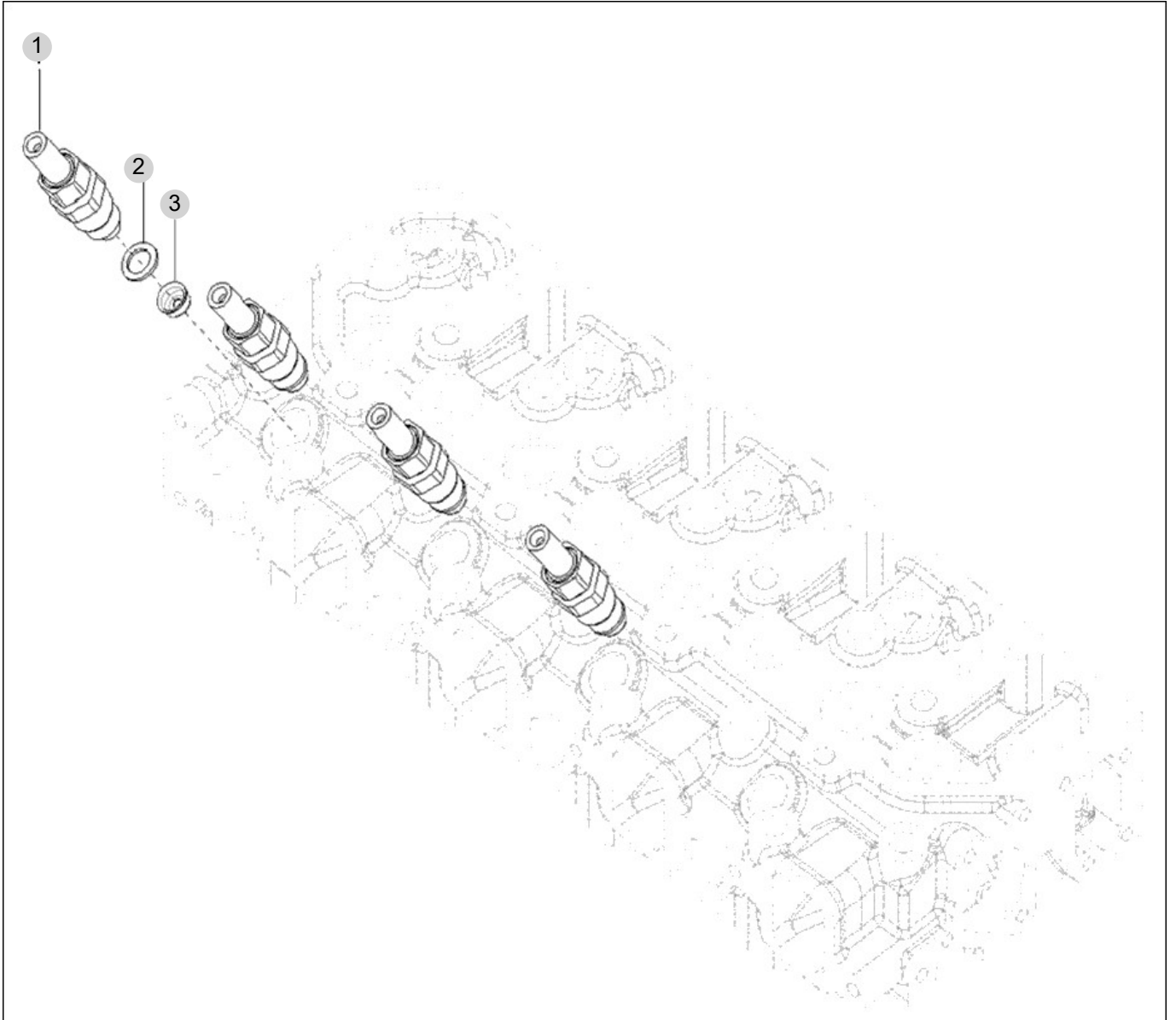
FIG 121

FUEL INJECTION VALVE

년/월
Year/Month

T474ST-B

2022-12



NOTE

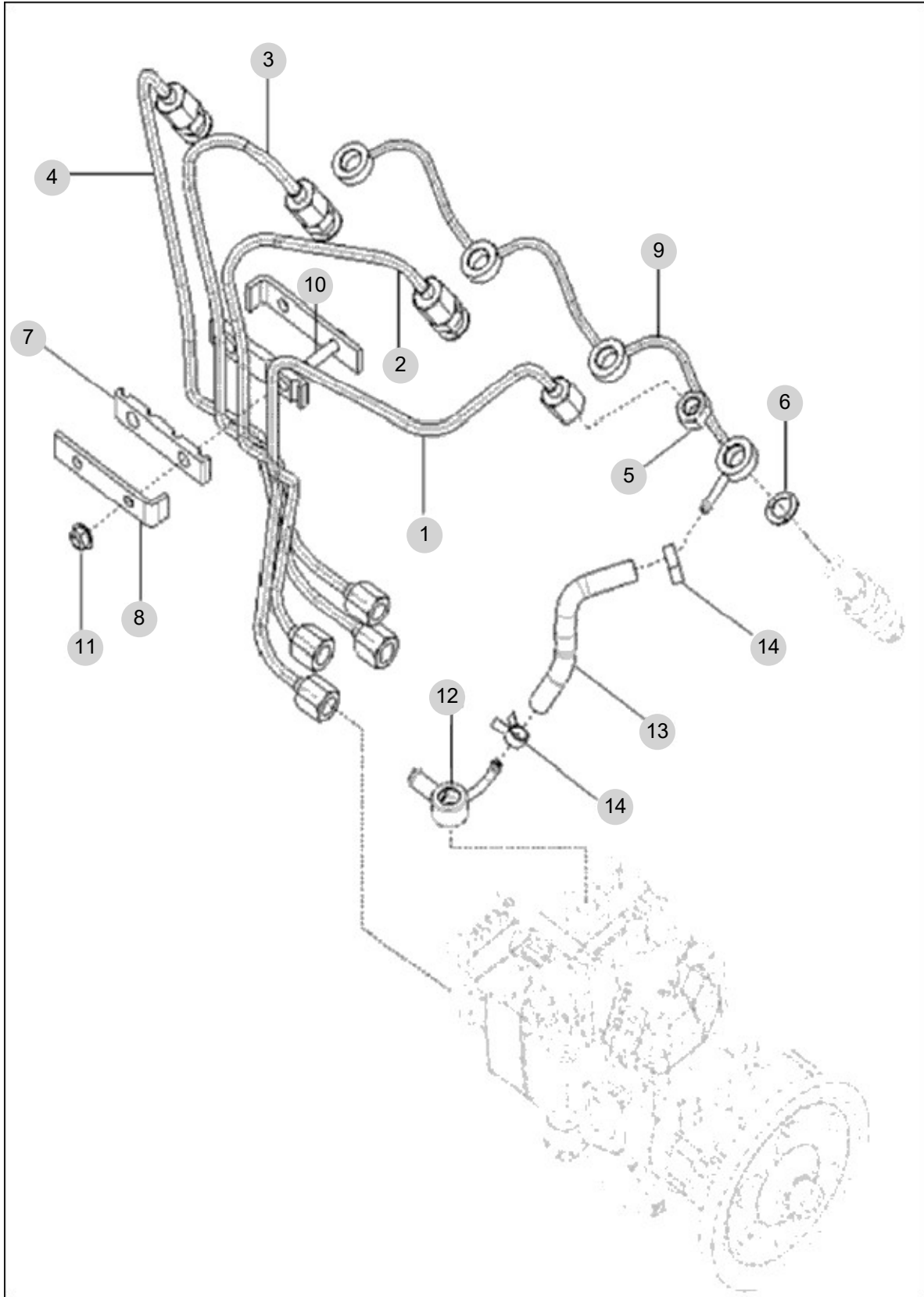
FIG 122

FUEL PIPE ASS'Y

년/월
Year/Month

T474ST-B

2022-12



NOTE

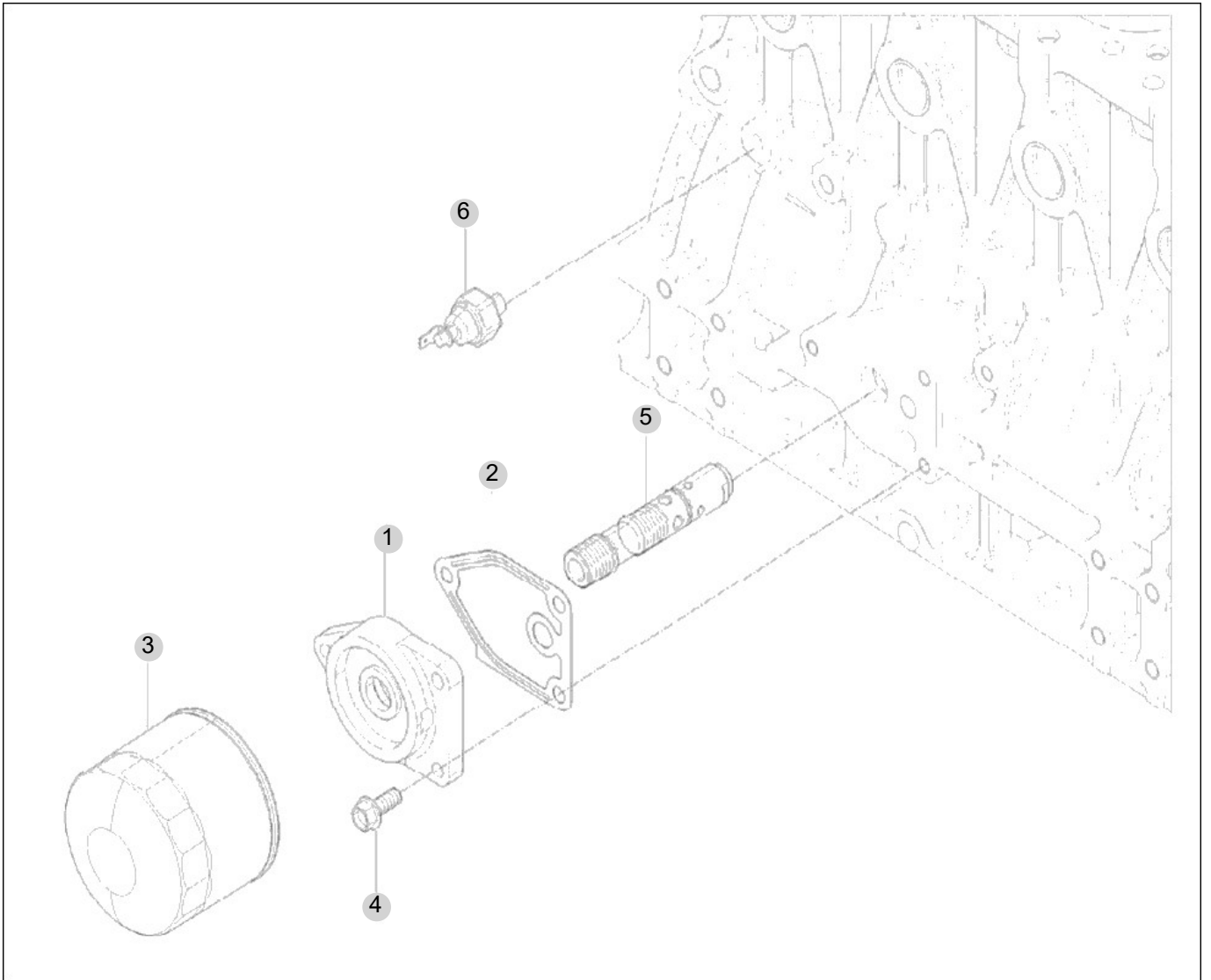
FIG 123

T474ST-B

OIL FILTER

년/월
Year/Month

2022-12



NOTE

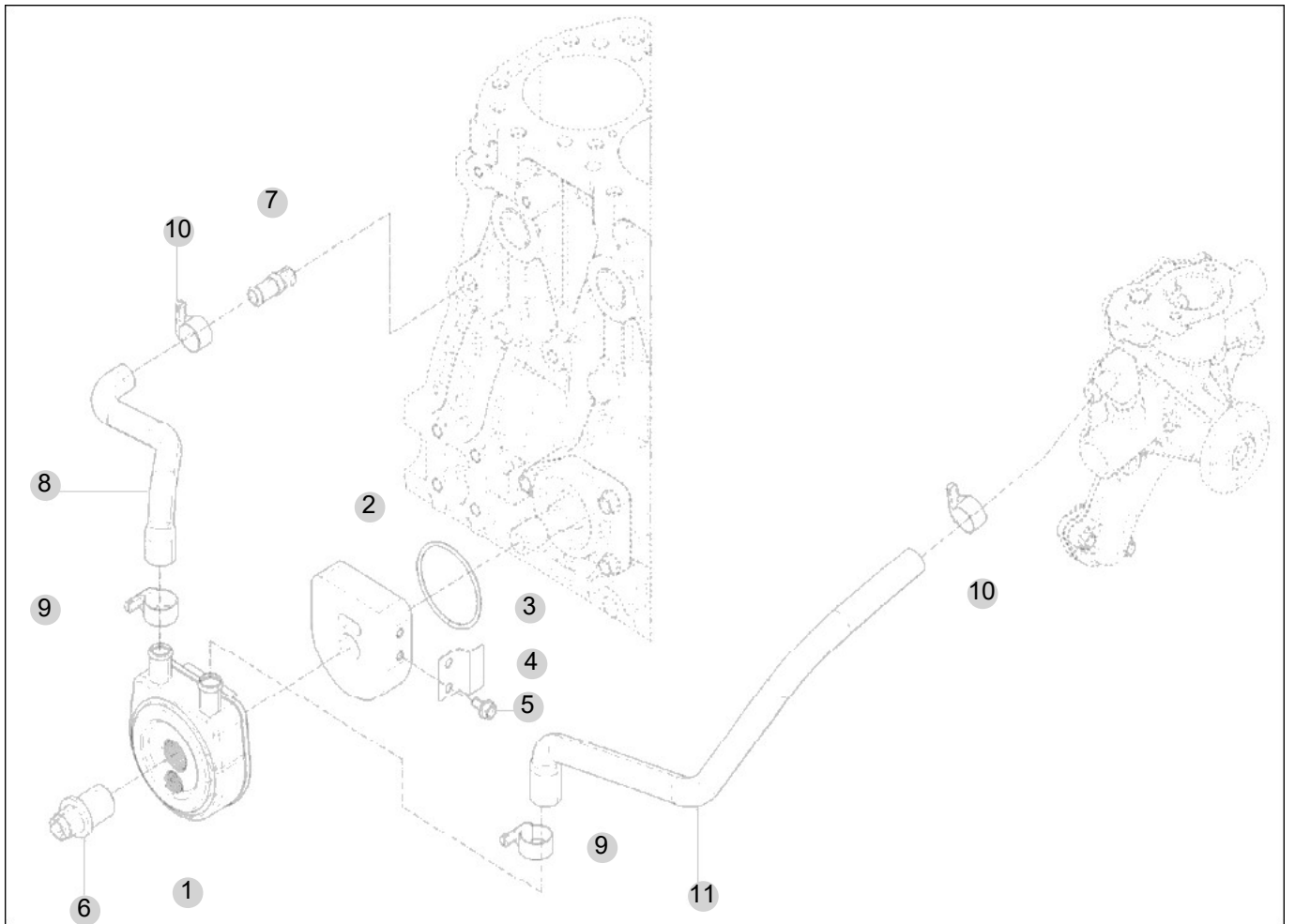
FIG 124

OIL COOLER

년/월
Year/Month

T474ST-B

2022-12



NOTE

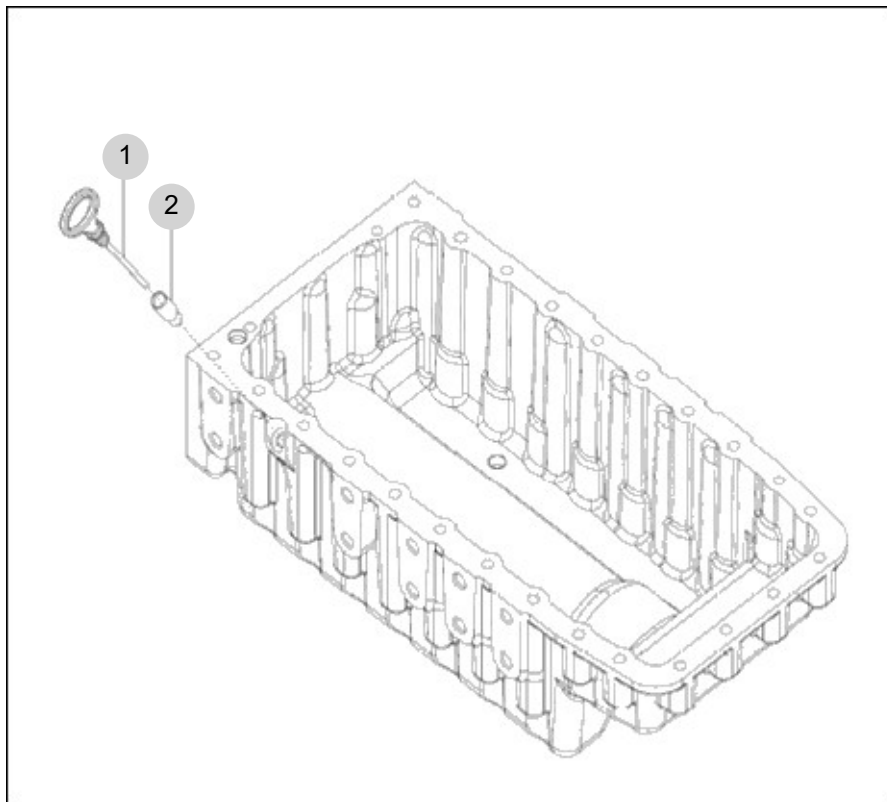
FIG 125

OIL GAUGUE

년/월
Year/Month

T474ST-B

2022-12



NOTE

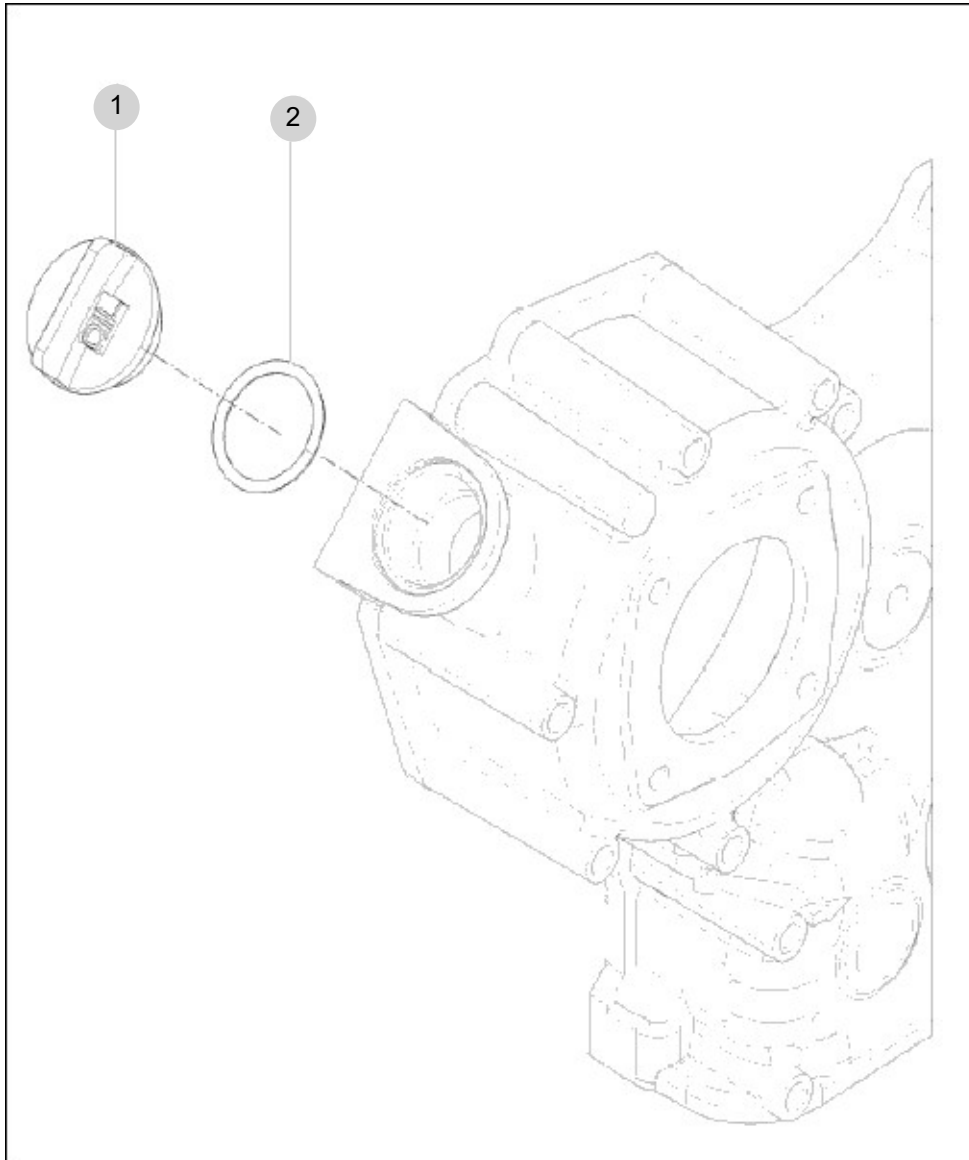
FIG 126

T474ST-B

OIL FILLER CAP

년/월
Year/Month

2022-12



NOTE

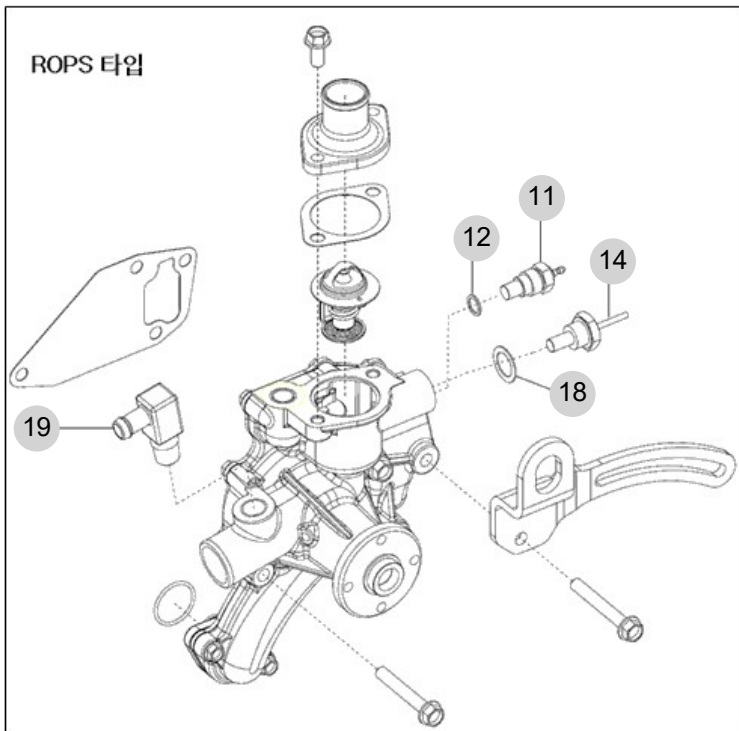
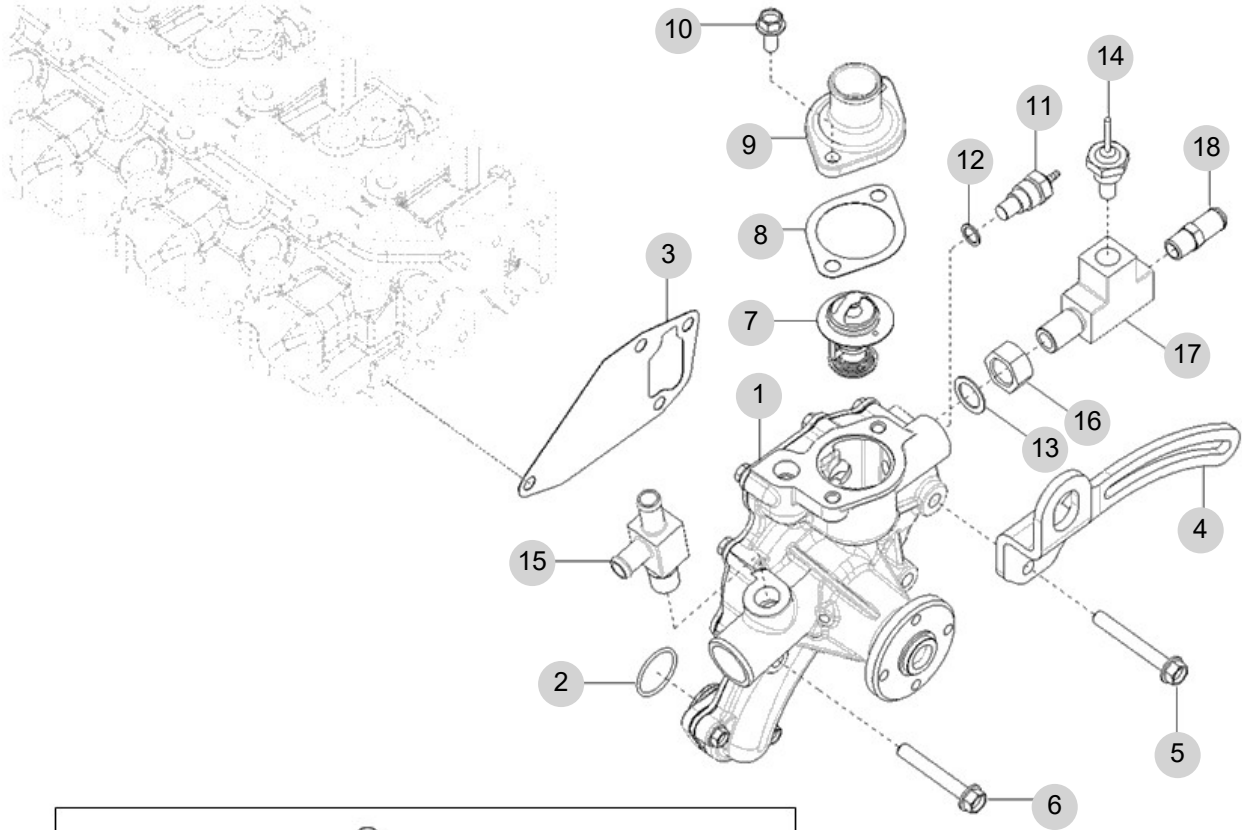
FIG 127

COOLING WATER PUMP

년/월
Year/Month

2022-12

T474ST-B



NOTE

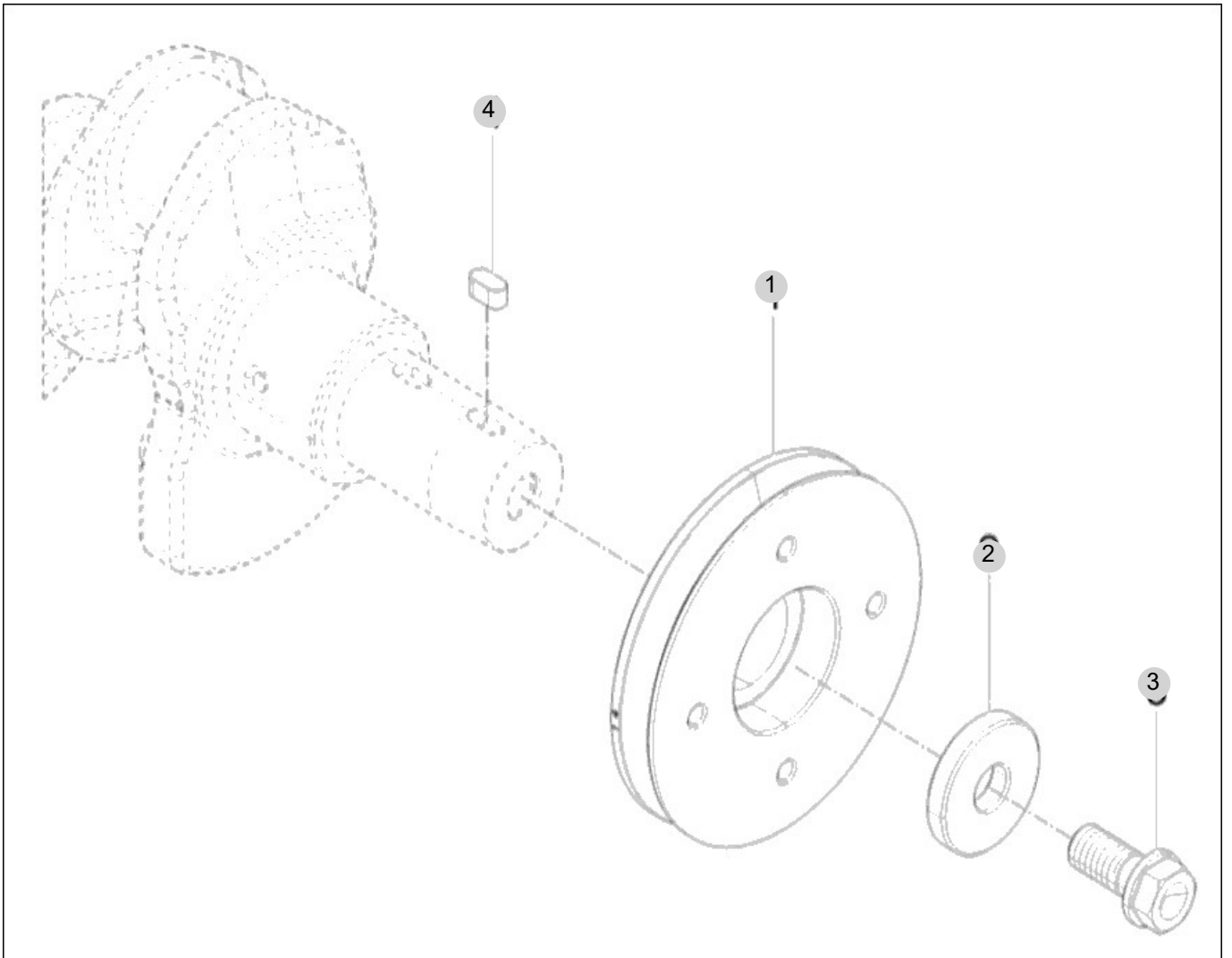
FIG 128

T474ST-B

CRANK SHAFT PULLEY

년/월
Year/Month

2022-12



NOTE

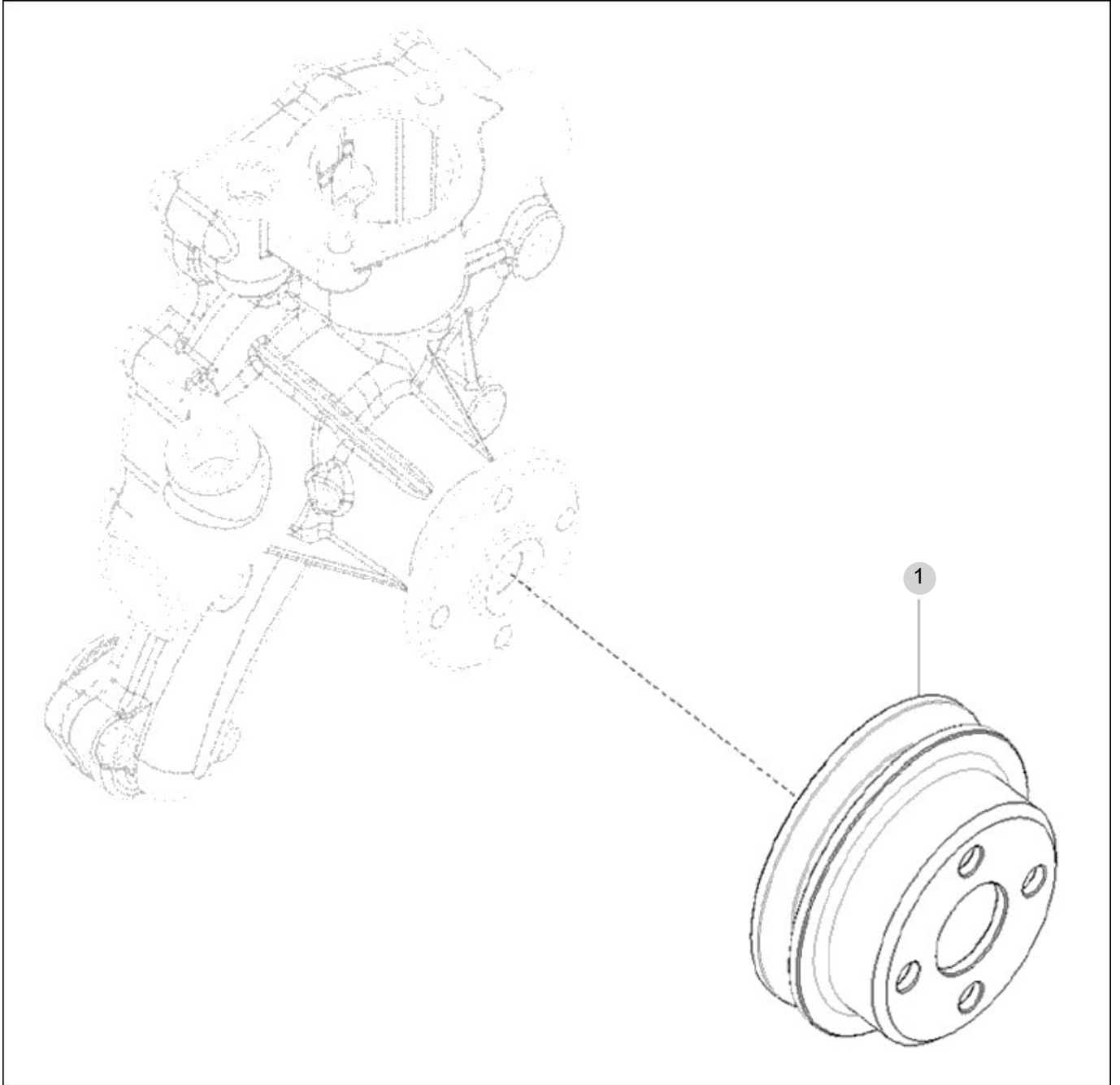
FIG 129

V-PULLEY

년/월
Year/Month

T474ST-B

2022-12



NOTE

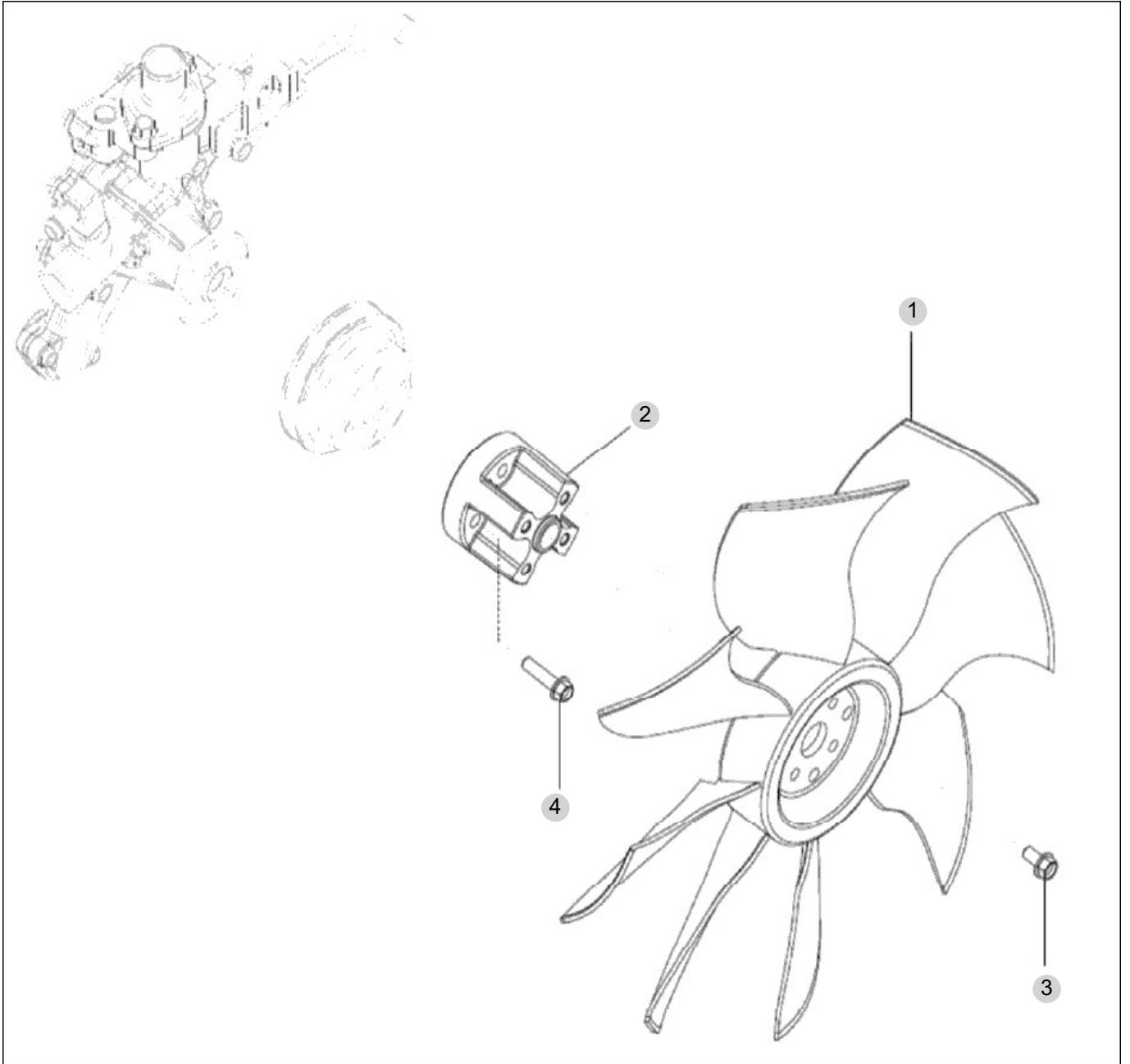
FIG 130

COOLING FAN

년/월
Year/Month

T474ST-B

2022-12



NOTE

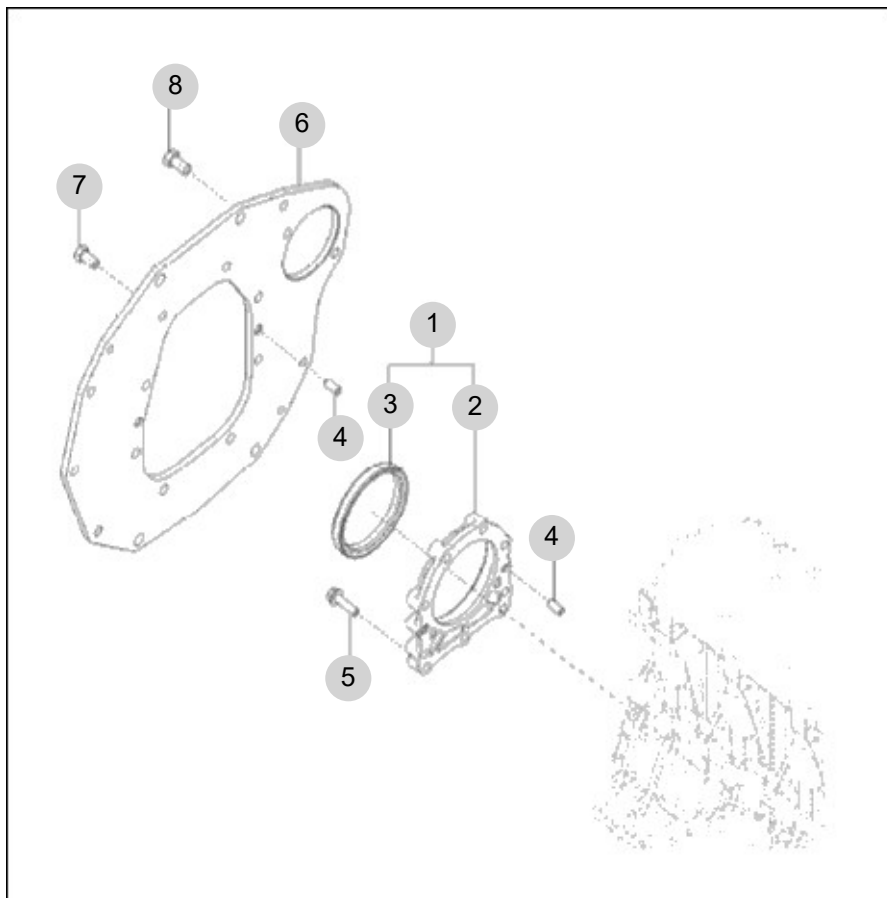
FIG 131

T474ST-B

FLYWHEEL HOUSING

년/월
Year/Month

2022-12



NOTE

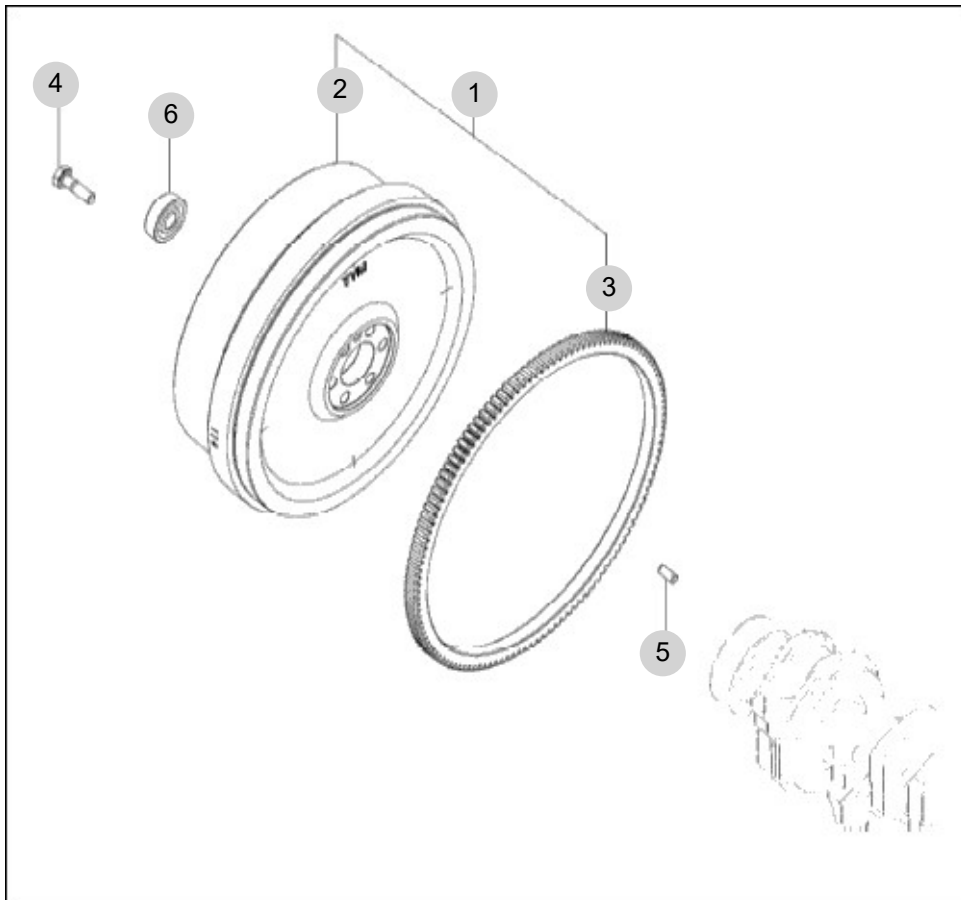
FIG 132

T474ST-B

FLYWHEEL

년/월
Year/Month

2022-12



NOTE

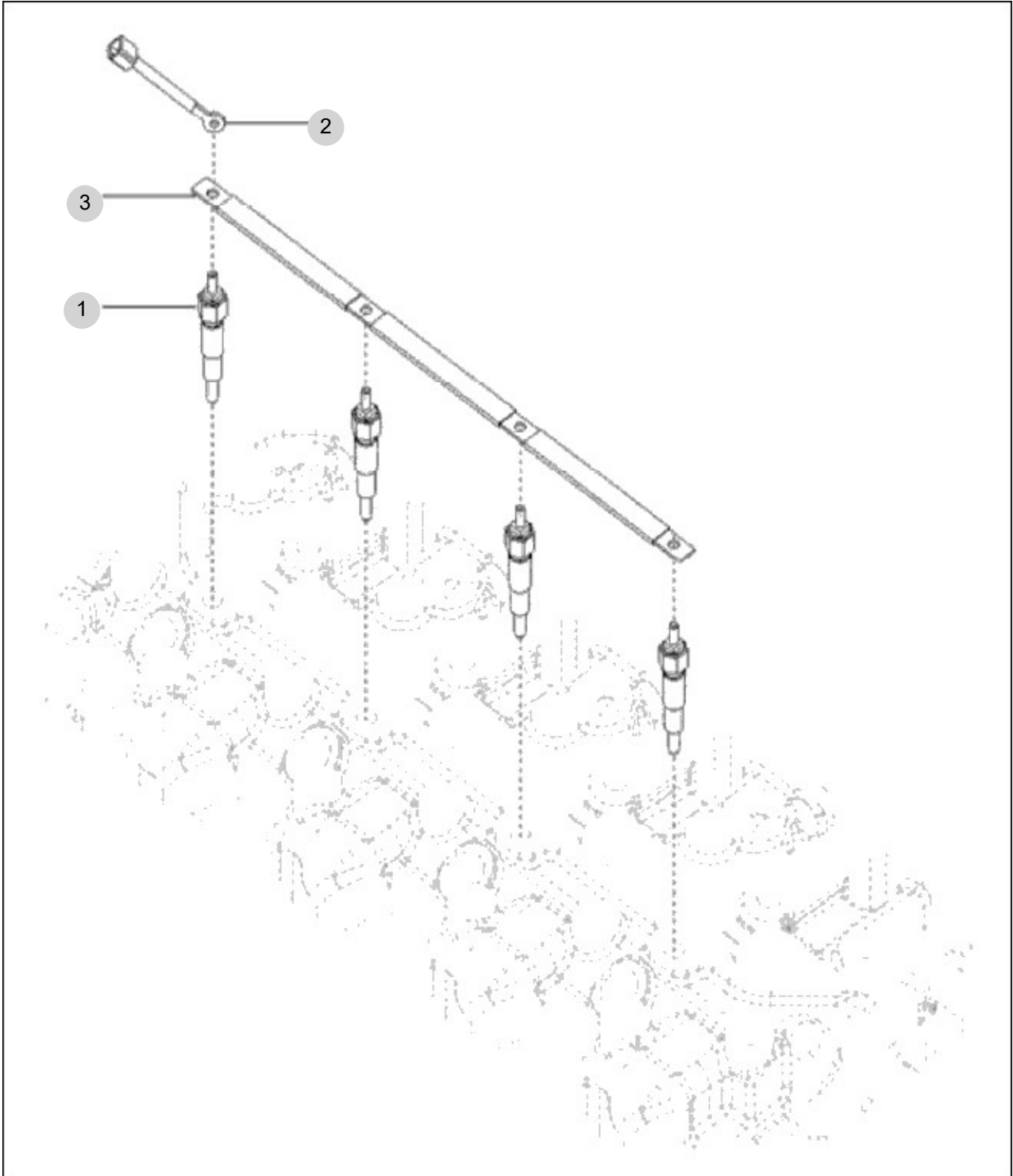
FIG 133

T474ST-B

GLOW PLUG ASS'Y OPTION

년/월
Year/Month

2022-12



NOTE

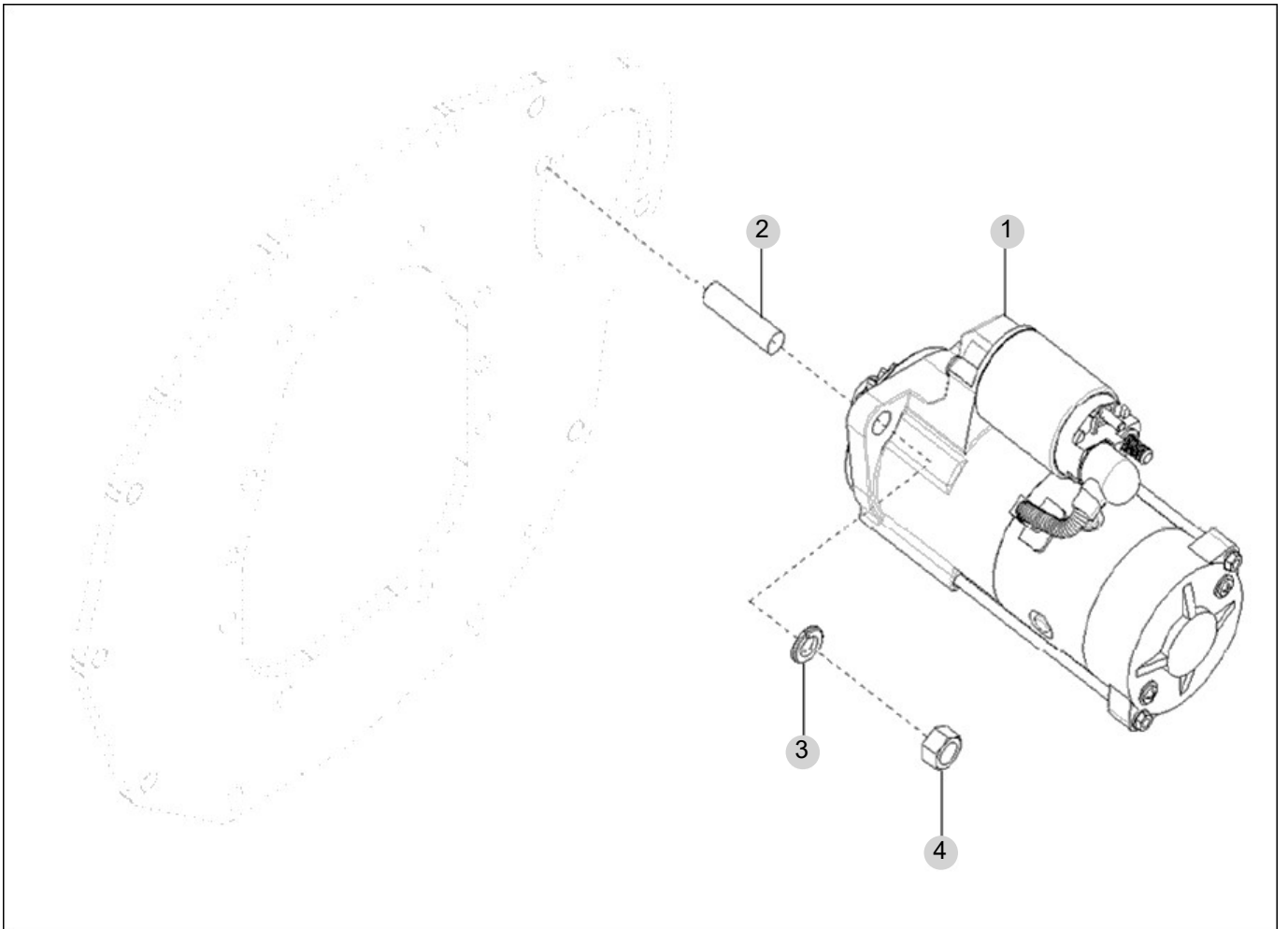
FIG 134

T474ST-B

STARTING MOTOR

년/월
Year/Month

2022-12



NOTE

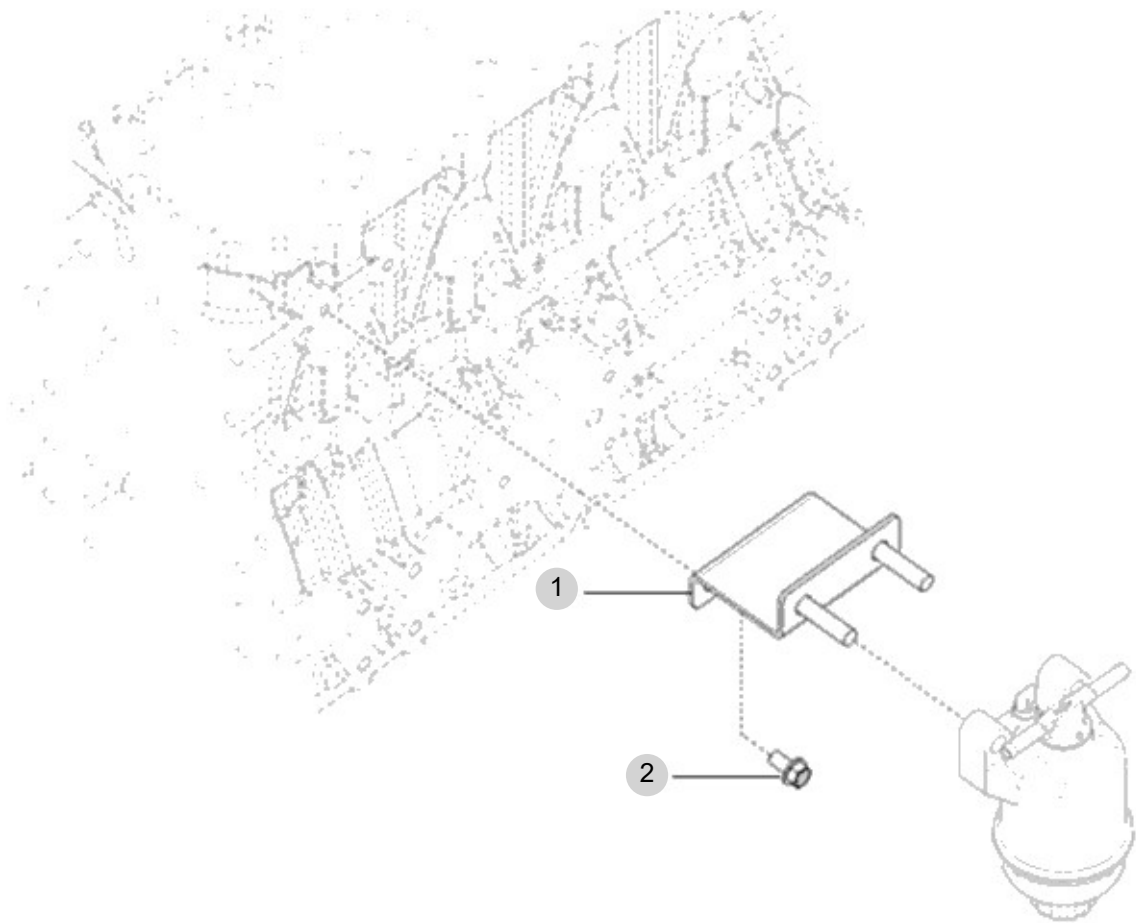
FIG 135

T474ST-B

FUEL FILTER BRACKET ASS'Y

년/월
Year/Month

2022-12



NOTE

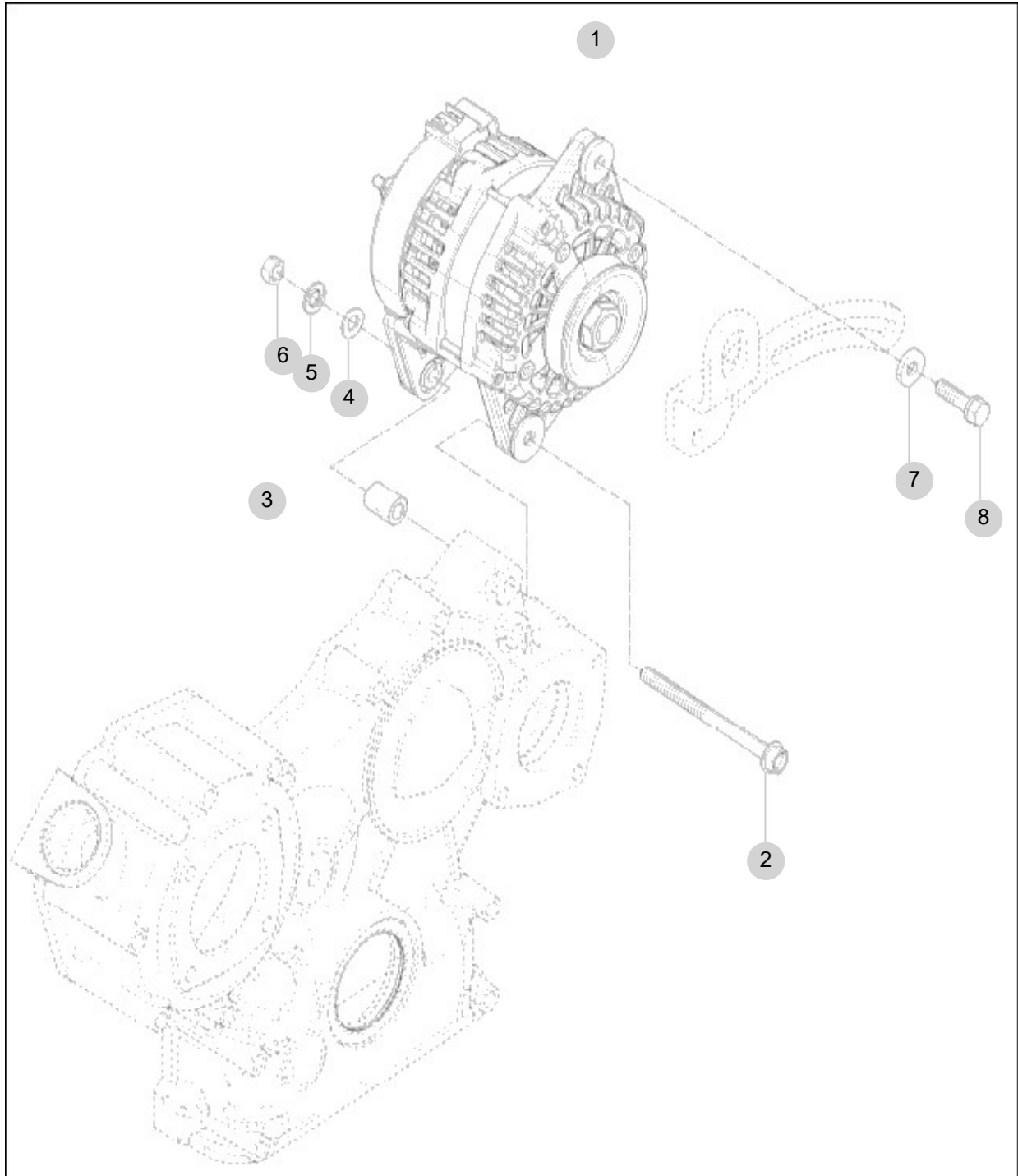
FIG 136

T474ST-B

ALTERNATOR

년/월
Year/Month

2022-12



NOTE

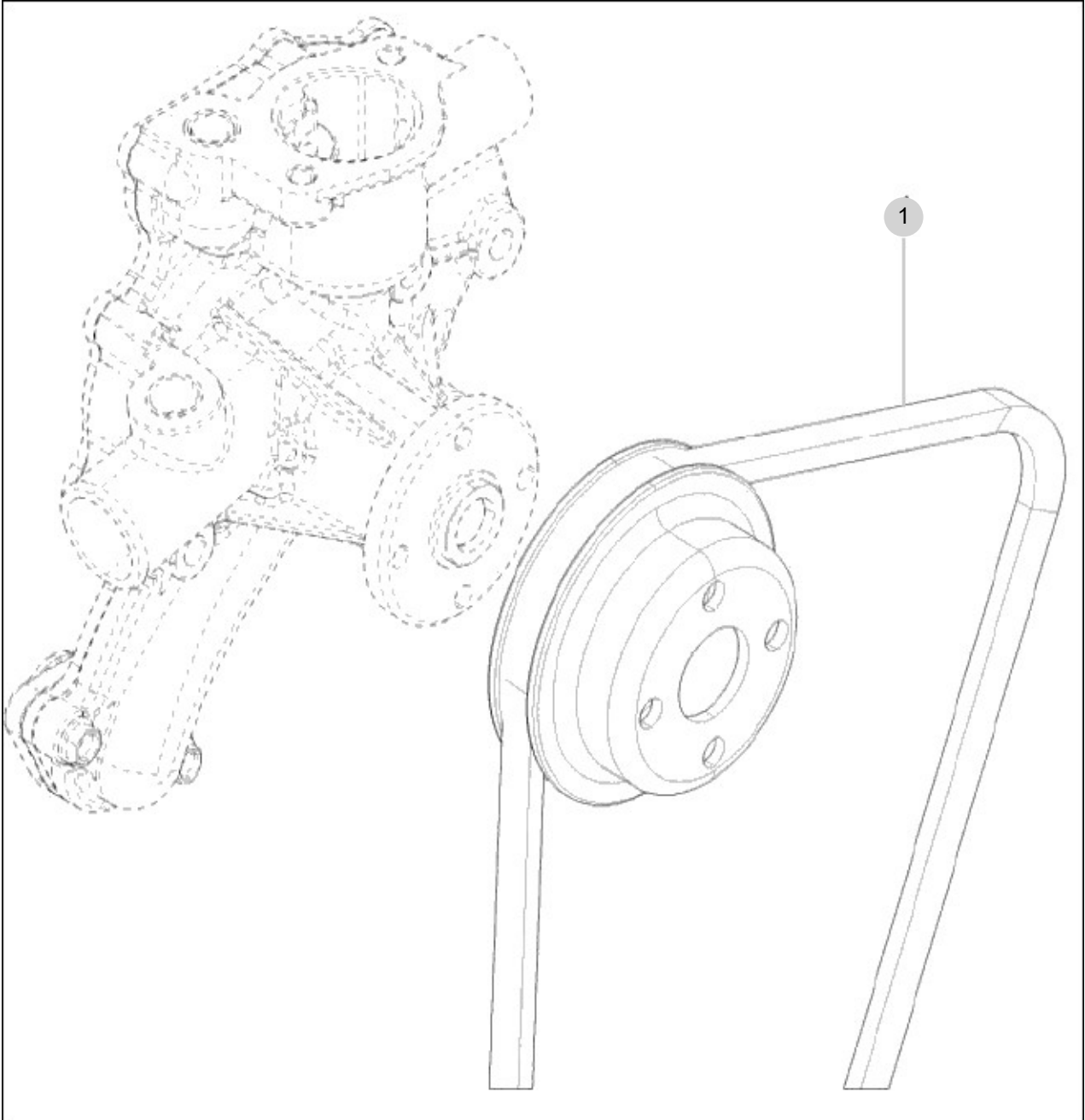
FIG 137

T474ST-B

V-BELT

년/월
Year/Month

2022-12



NOTE

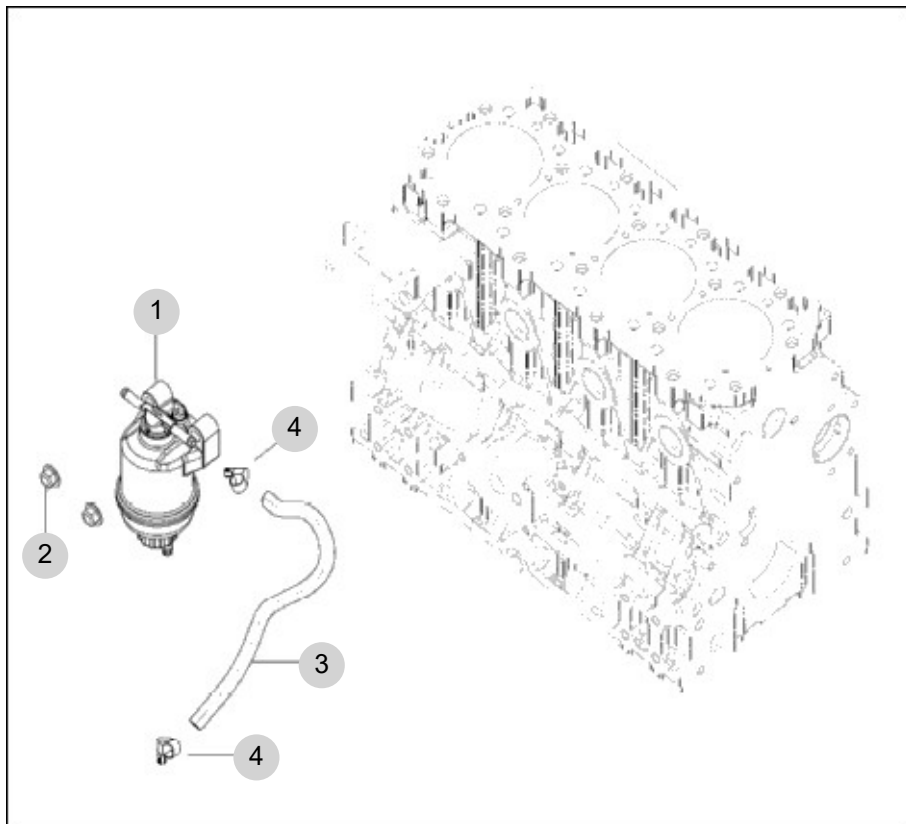
FIG 138

T474ST-B

FUEL FILTER

년/월
Year/Month

2022-12



NOTE

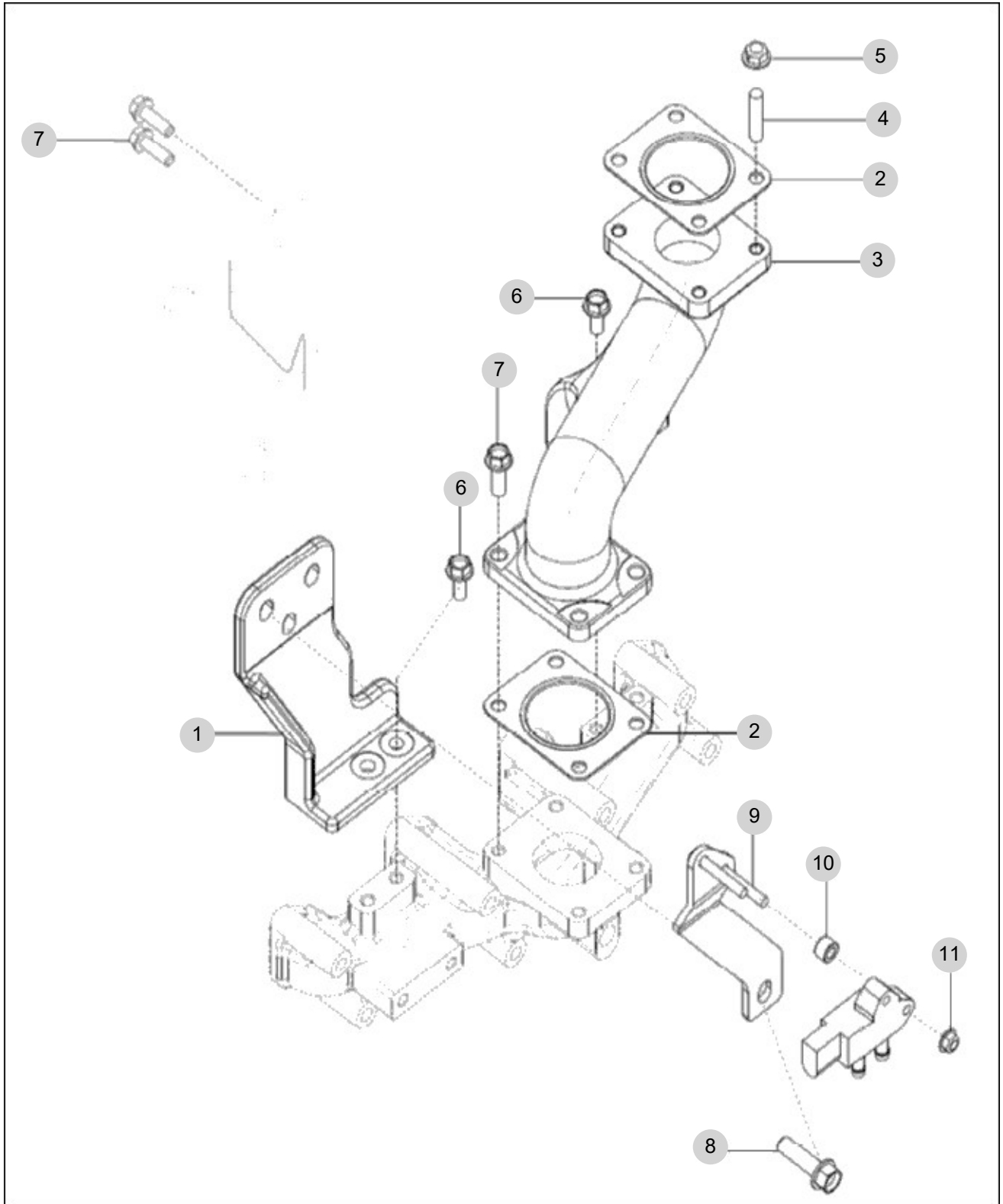
FIG 139

DPF SUPPORT

년/월
Year/Month

T474ST-B

2022-12



NOTE

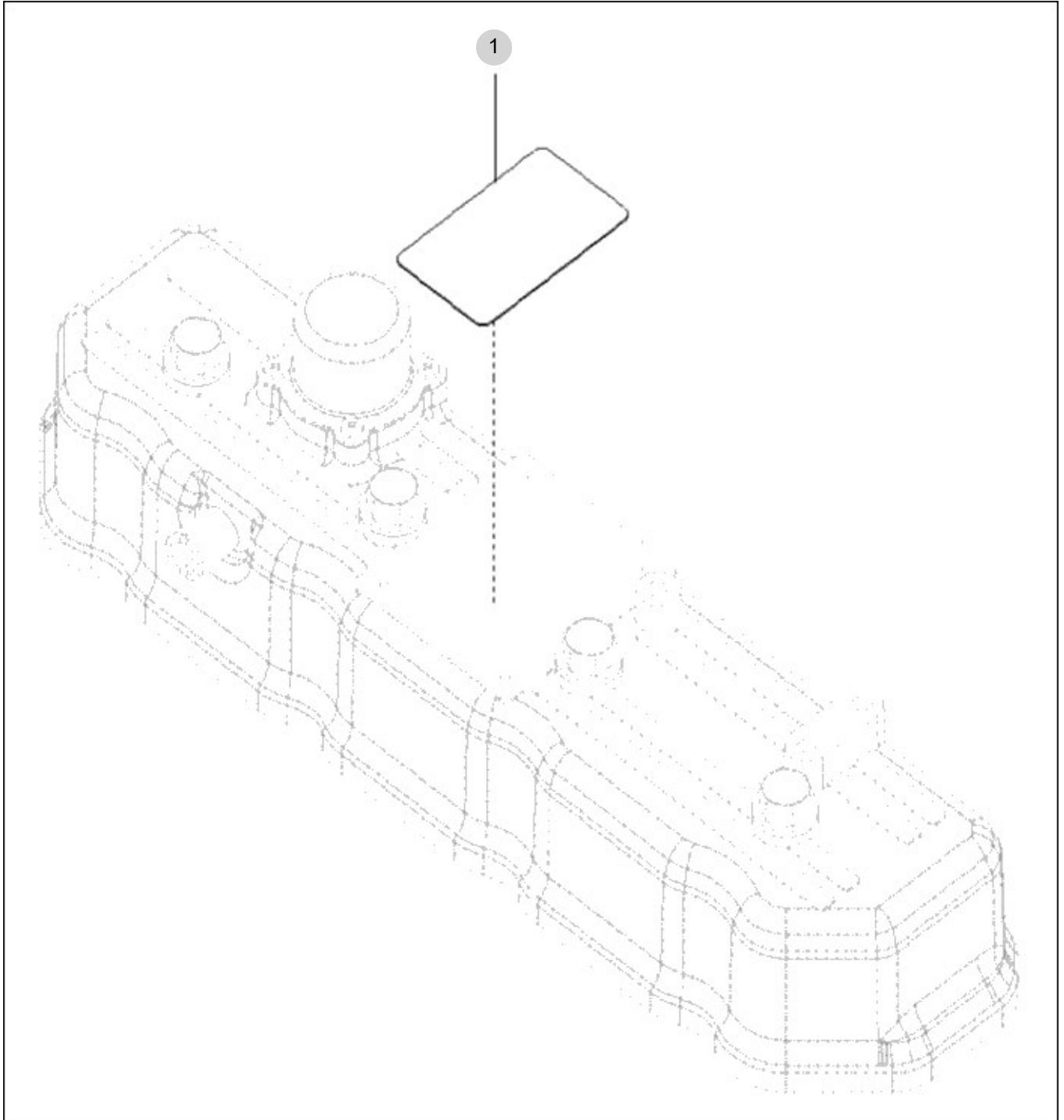
FIG 140

T474ST-B

DATAPLATE

년/월
Year/Month

2022-12



NOTE

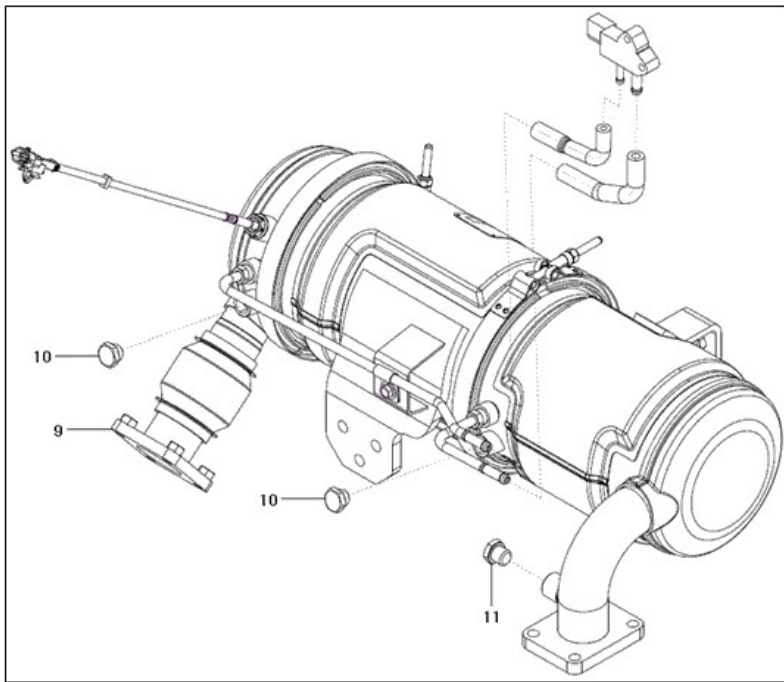
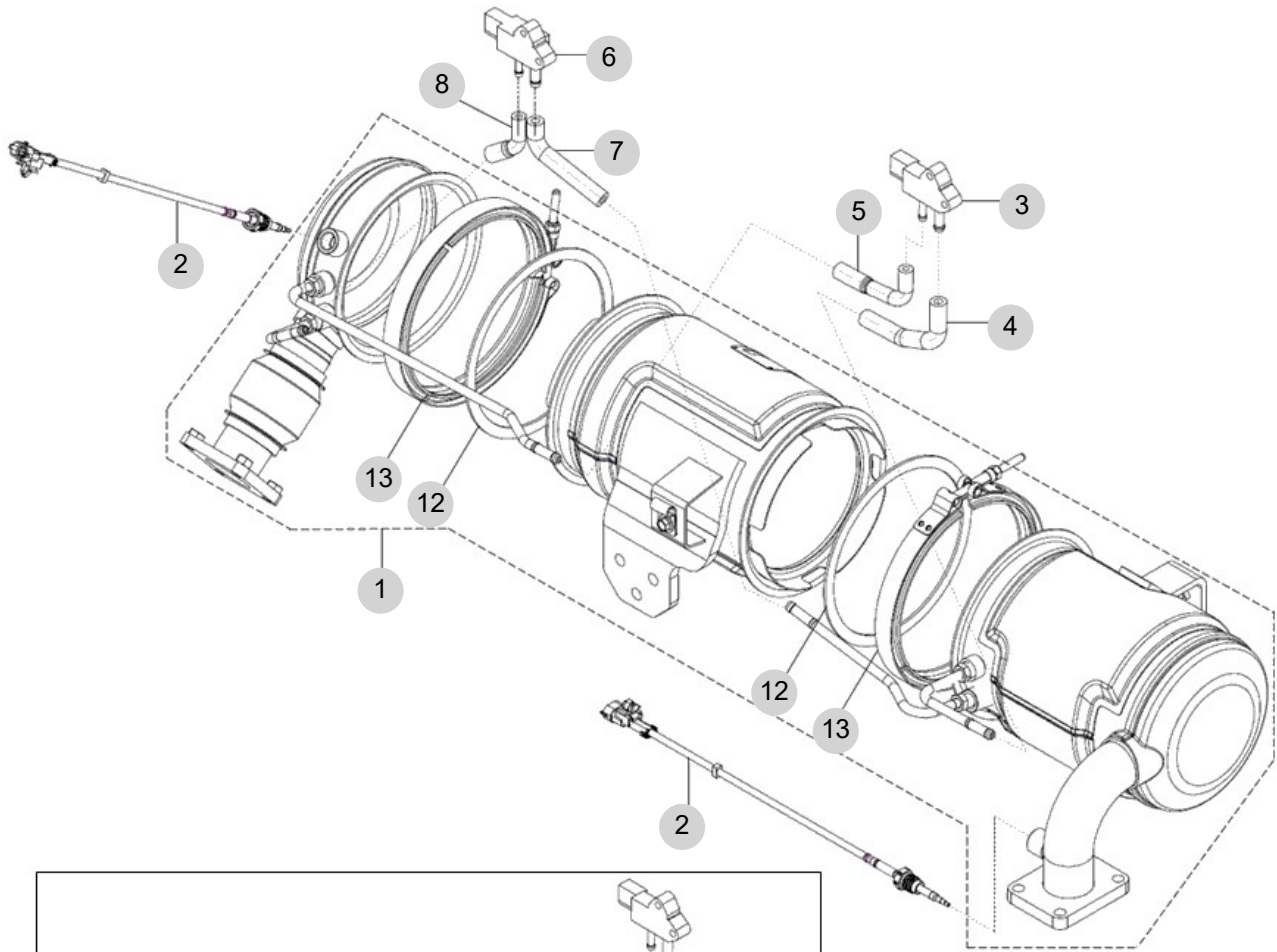
FIG 142

T474ST-B

DPF ASS'Y

년/월
Year/Month

2022-12



NOTE

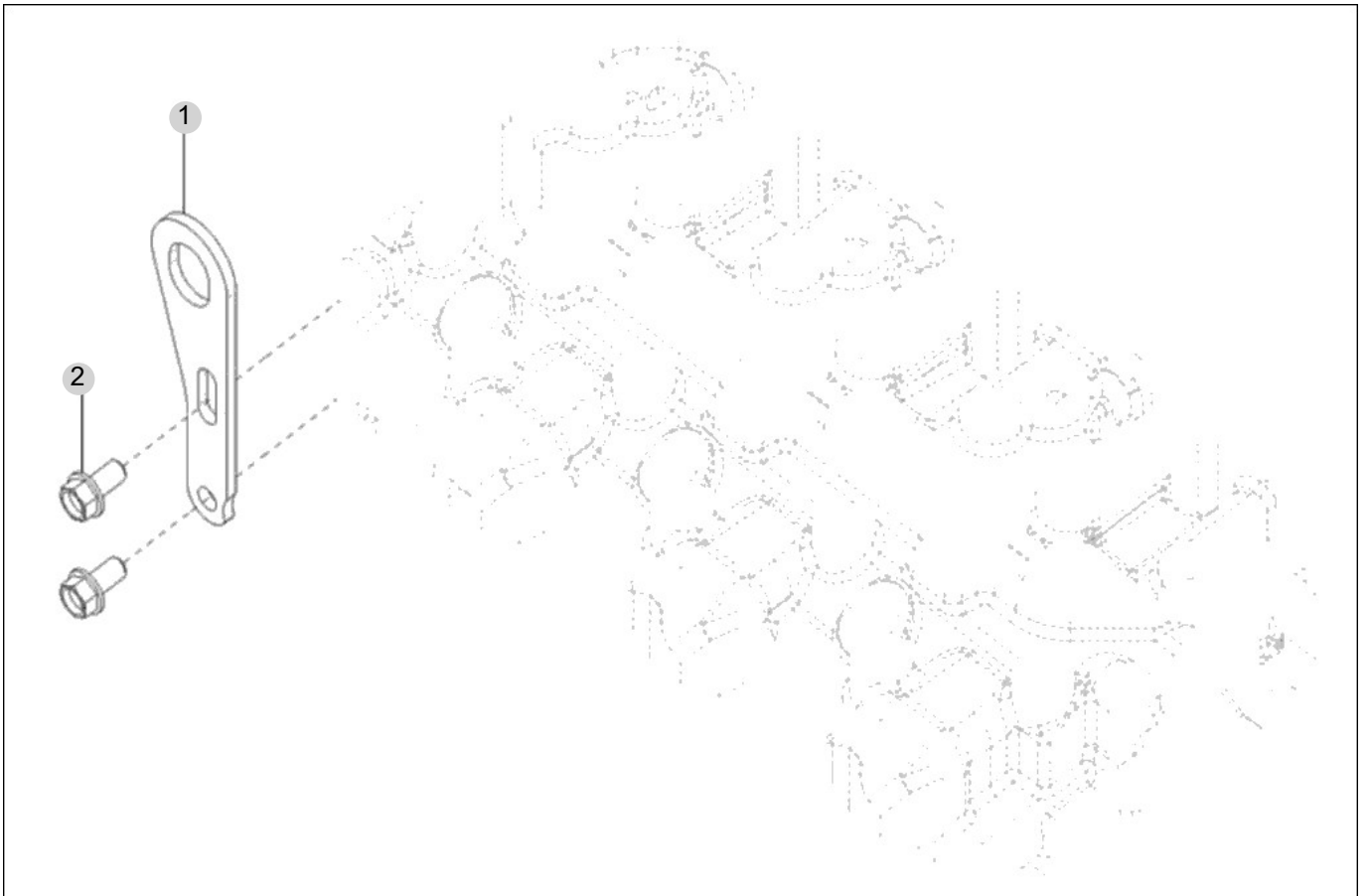
FIG 143

LIFT ASS'Y

년/월
Year/Month

T474ST-B

2022-12



NOTE

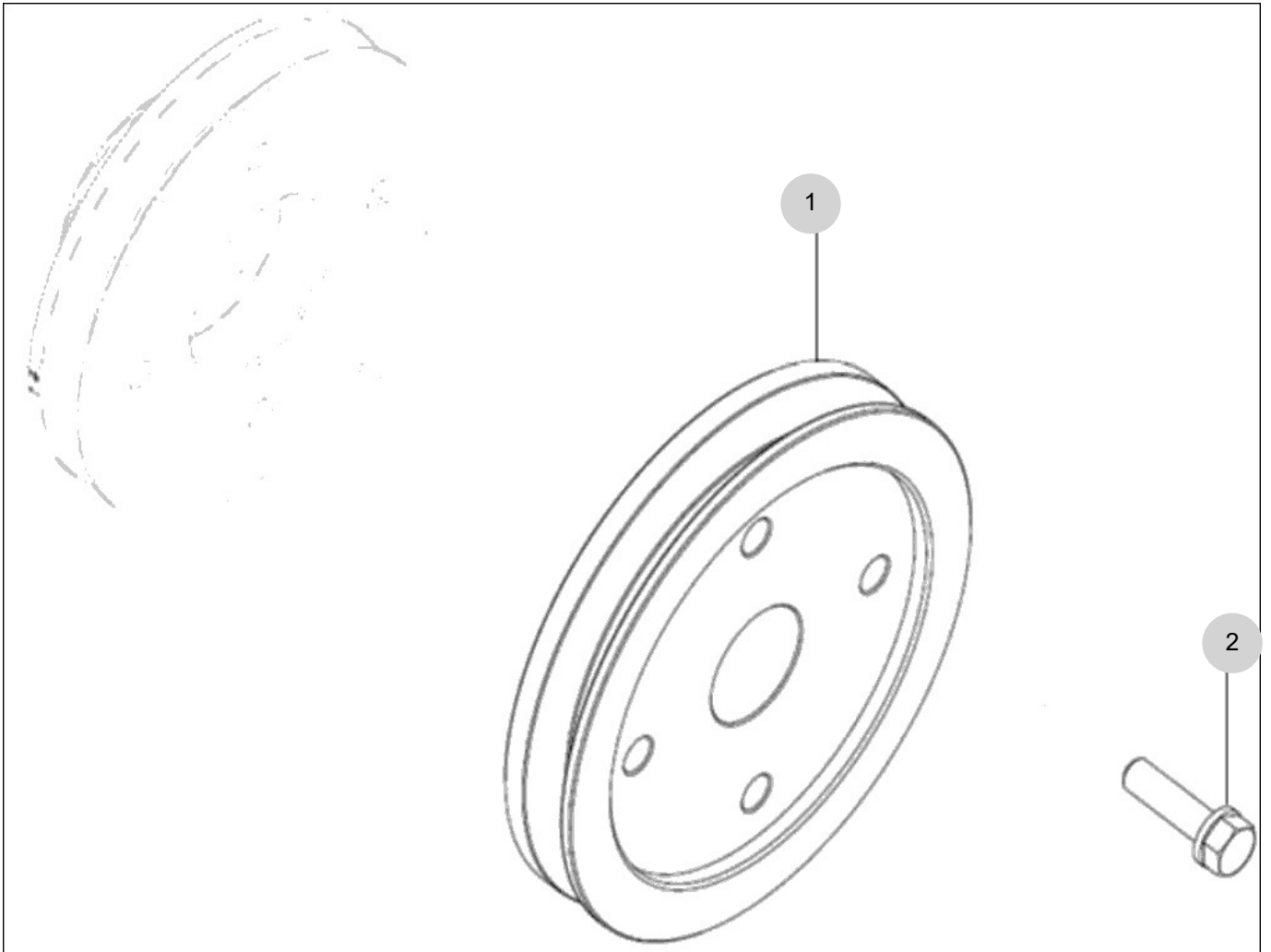
FIG 144

COMP . DRIVE PULLEY ASS'Y OPTION

년/월
Year/Month

T474ST-B

2022-12



NOTE

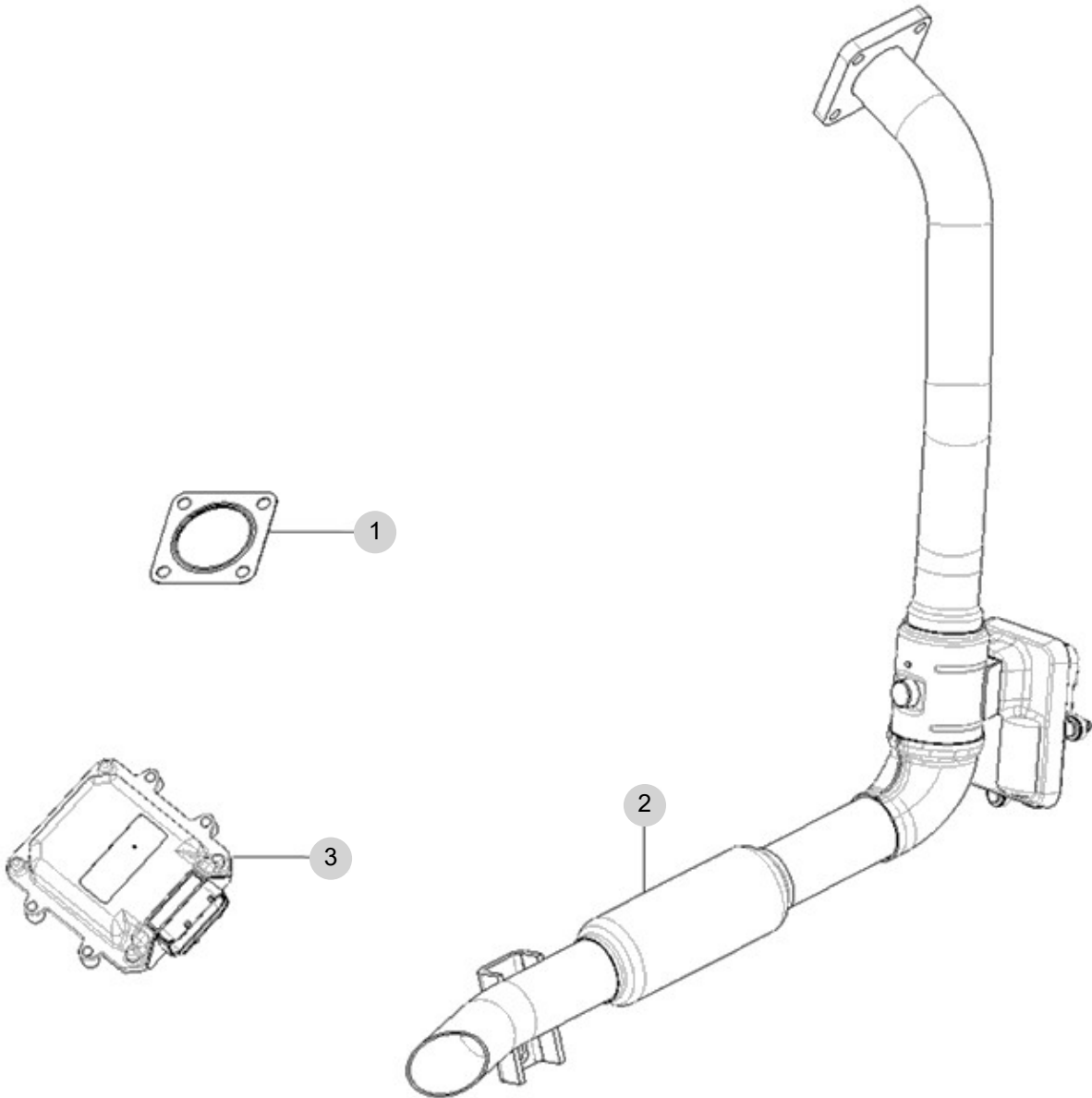
FIG 145

T474ST-B

LOOSED PARTS

년/월
Year/Month

2022-12



NOTE

2. Engine Accessories PART NO. T2

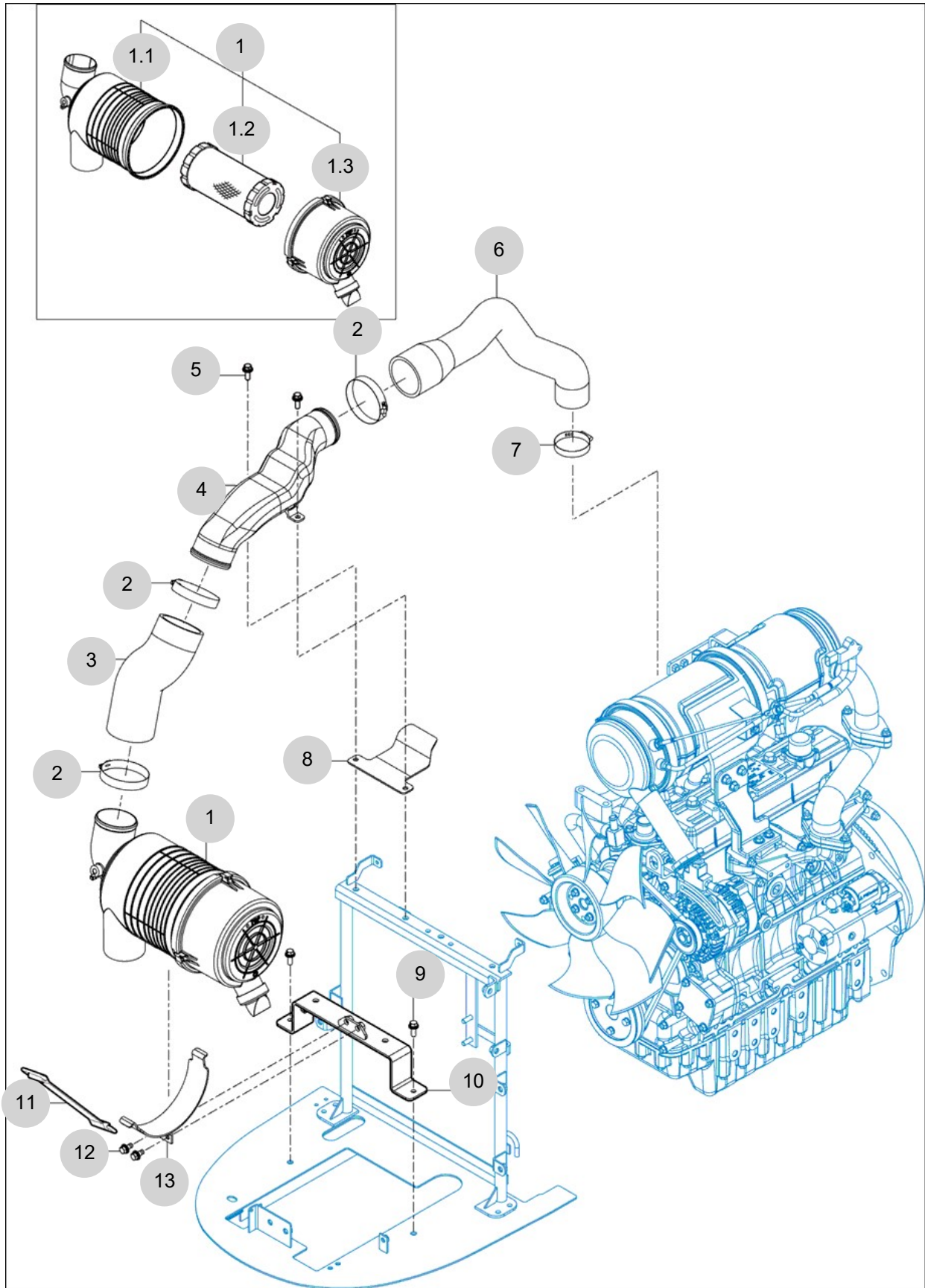
FIG 201 AIR CLEANER	103
FIG 202 RADIATOR	105
FIG 203 MUFFLER	107
FIG 204 FUEL TANK & FILTER	109
FIG 205 ACCELERATOR	111

FIG 201

AIR CLEANER

년/월
Year/Month

2022-12



NOTE

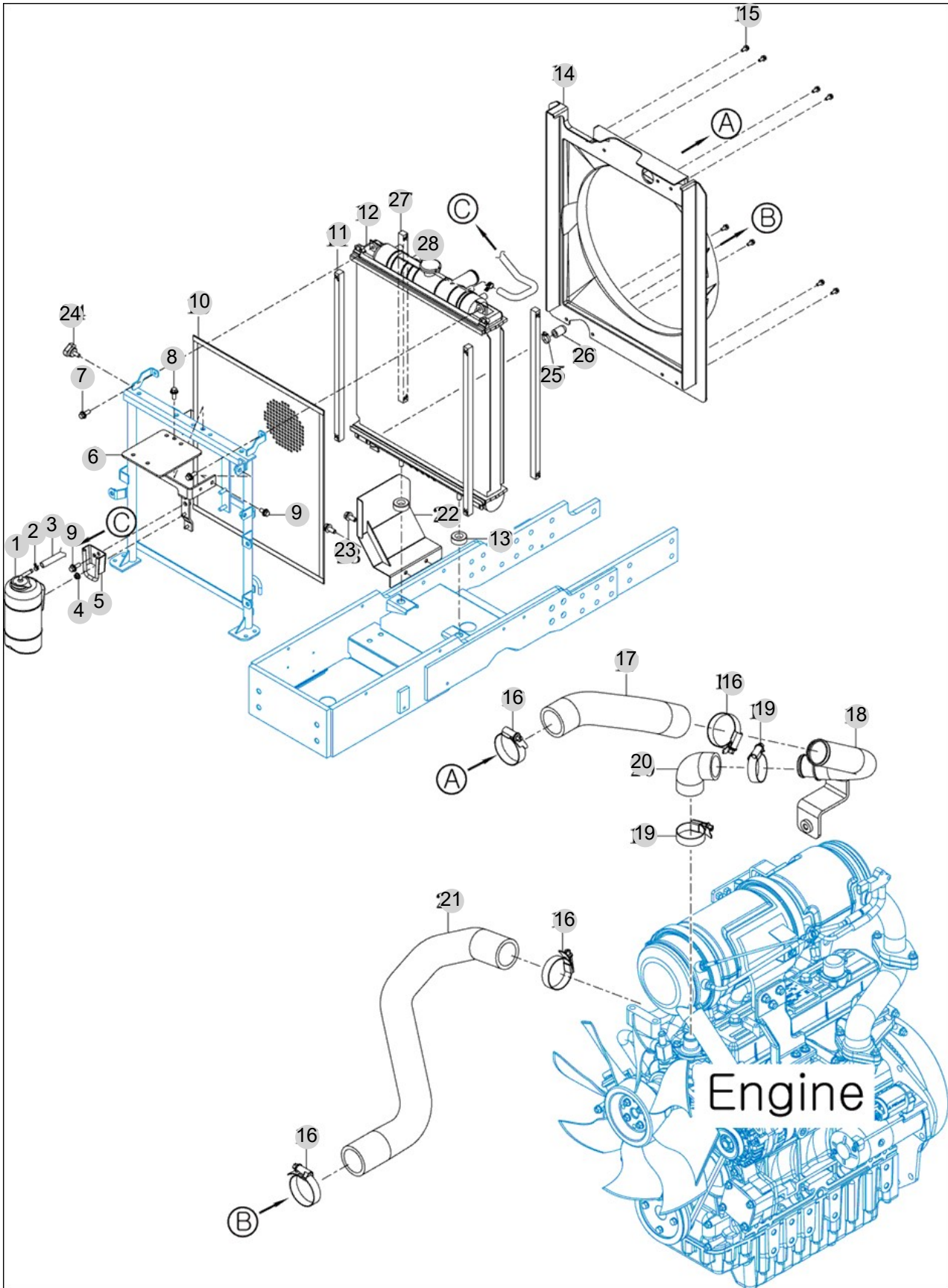
FIG 202

RADIATOR

년/월
Year/Month

2022-12

T474ST-B



NOTE

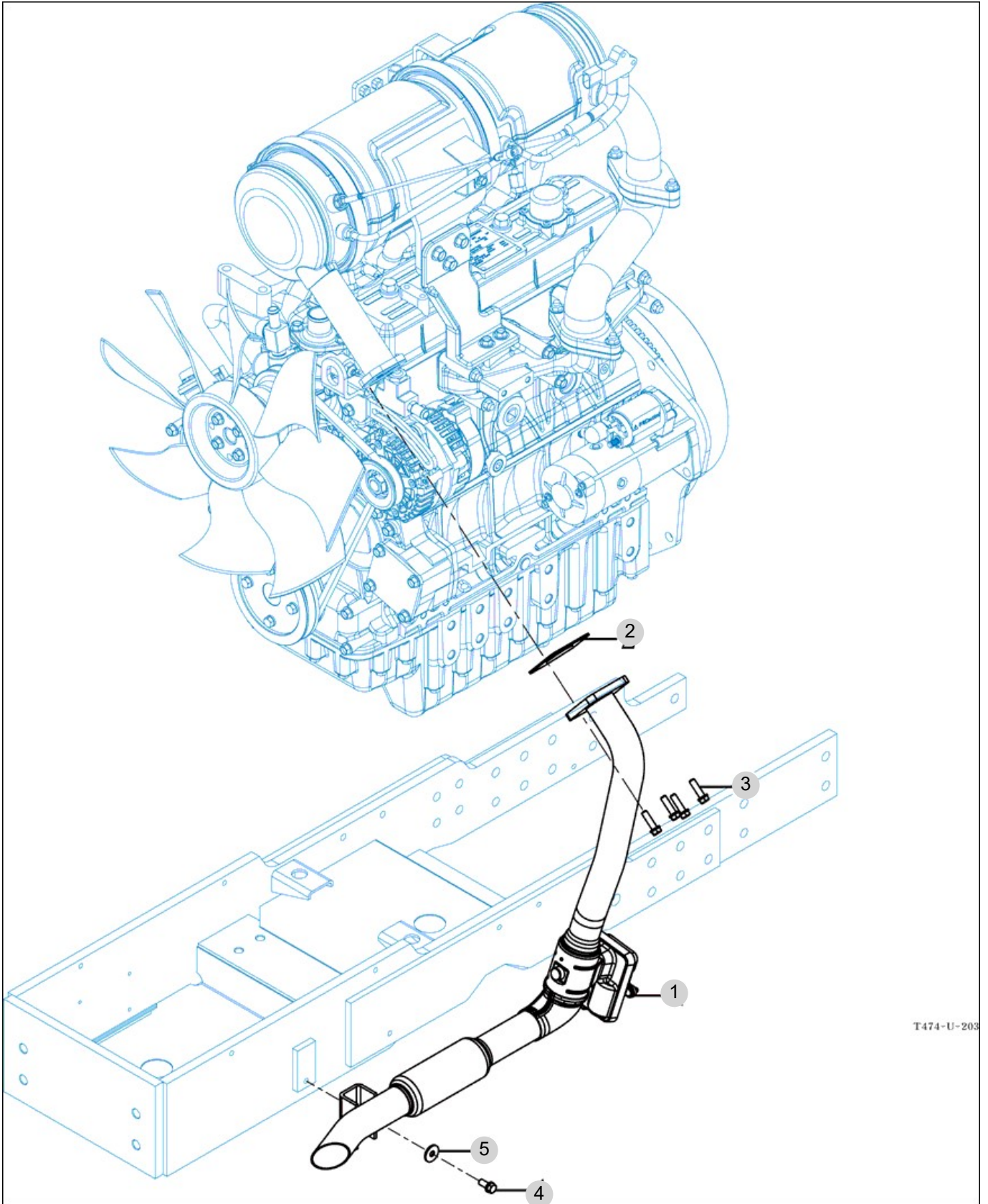
FIG 203

MUFFLER

년/월
Year/Month

T474ST-B

2022-12



T474-U-203

NOTE

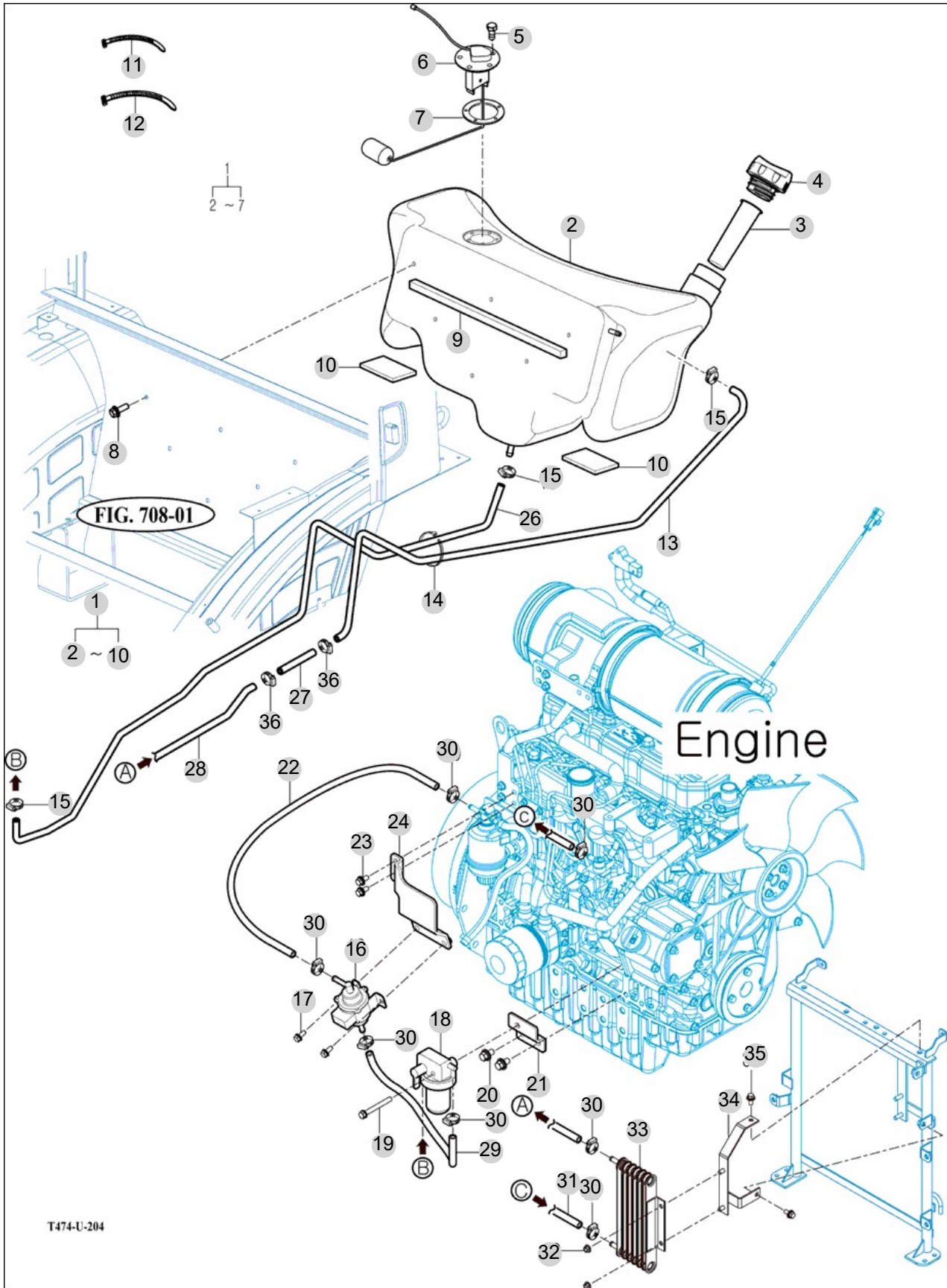
FIG 204

FUEL TANK & FILTER

년/월
Year/Month

2022-12

T474ST-B



NOTE

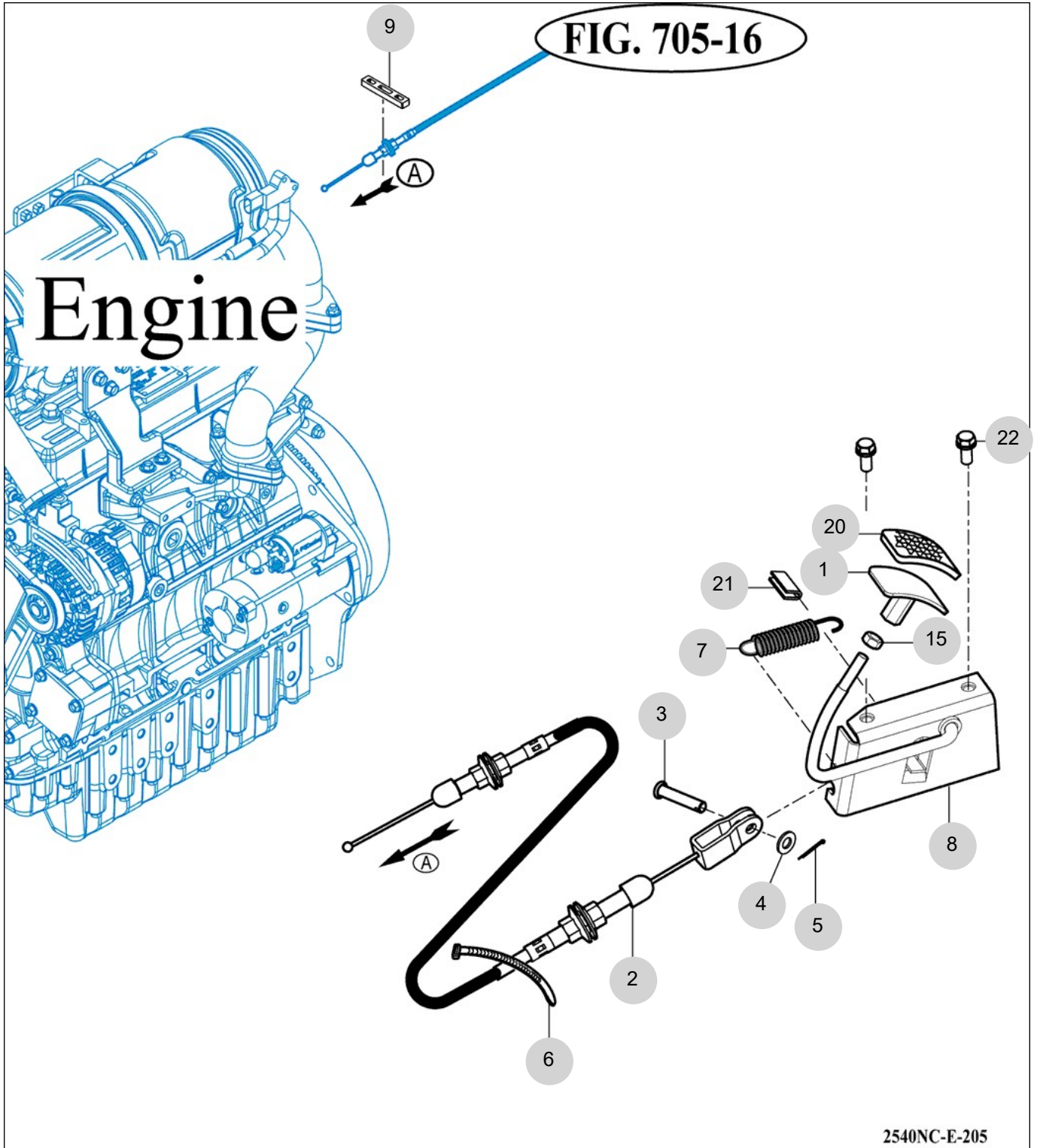
FIG 205

ACCELERATOR

년/월
Year/Month

T474ST-B

2022-12



2540NC-E-205

NOTE

3. Clutch/Brake/Steering PART NO. T3

FIG 301 CLUTCH PEDAL	114
FIG 302 FLYWHEEL & CLUTCH	116
FIG 303 BRAKE PEDAL	118
FIG 304 BRAKE	120
FIG 306 FRONT WHEEL MOUNTING	122
FIG 307 REAR WHEEL MOUNTING	124
FIG 308 STEERING WHEEL	126
FIG 309 STEERING VALVE & PARKING	128
FIG 310 STEERING CYLINDER	130

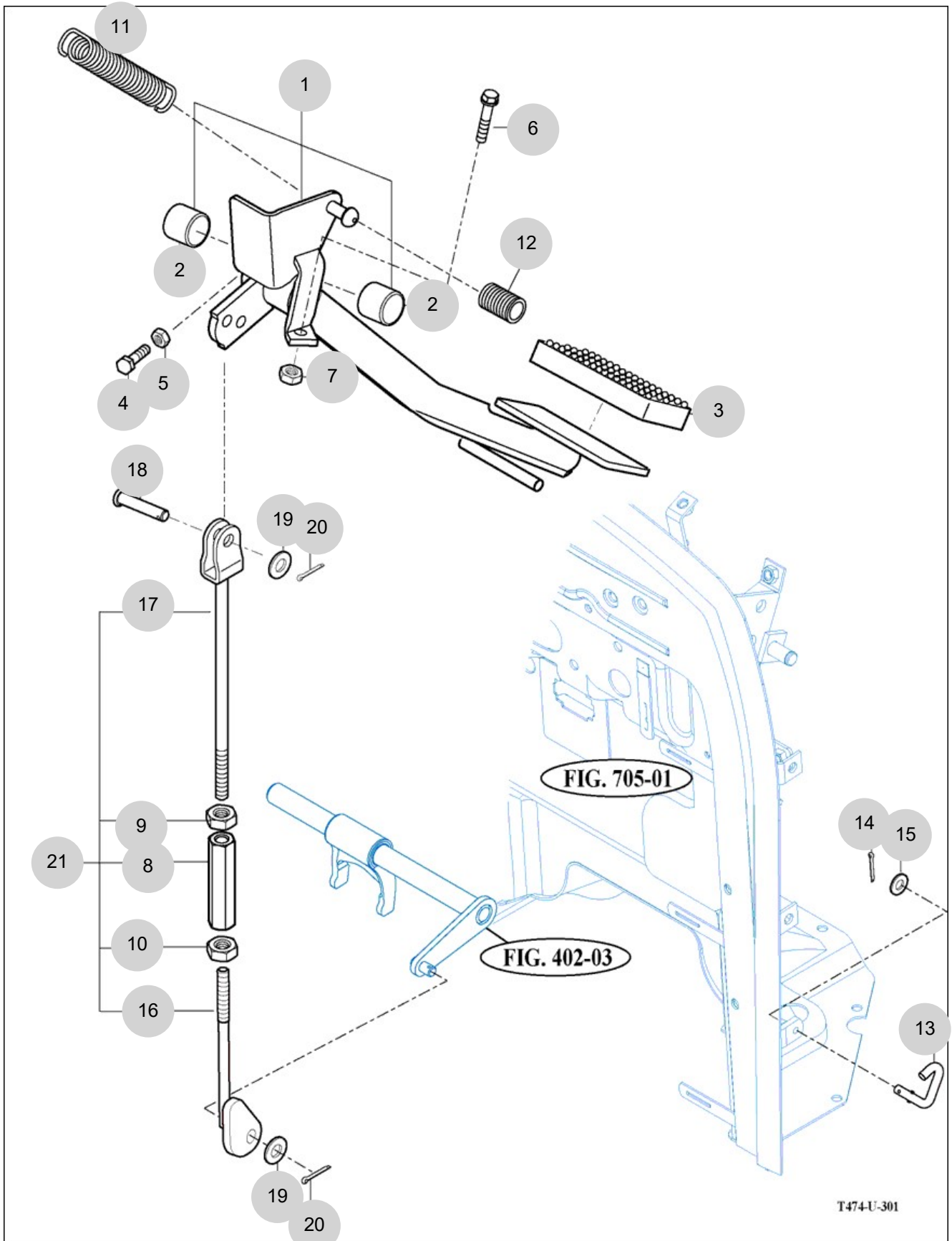
FIG 301

T474ST-B

CLUTCH PEDAL

년/월
Year/Month

2022-12



T474-U-301

NOTE

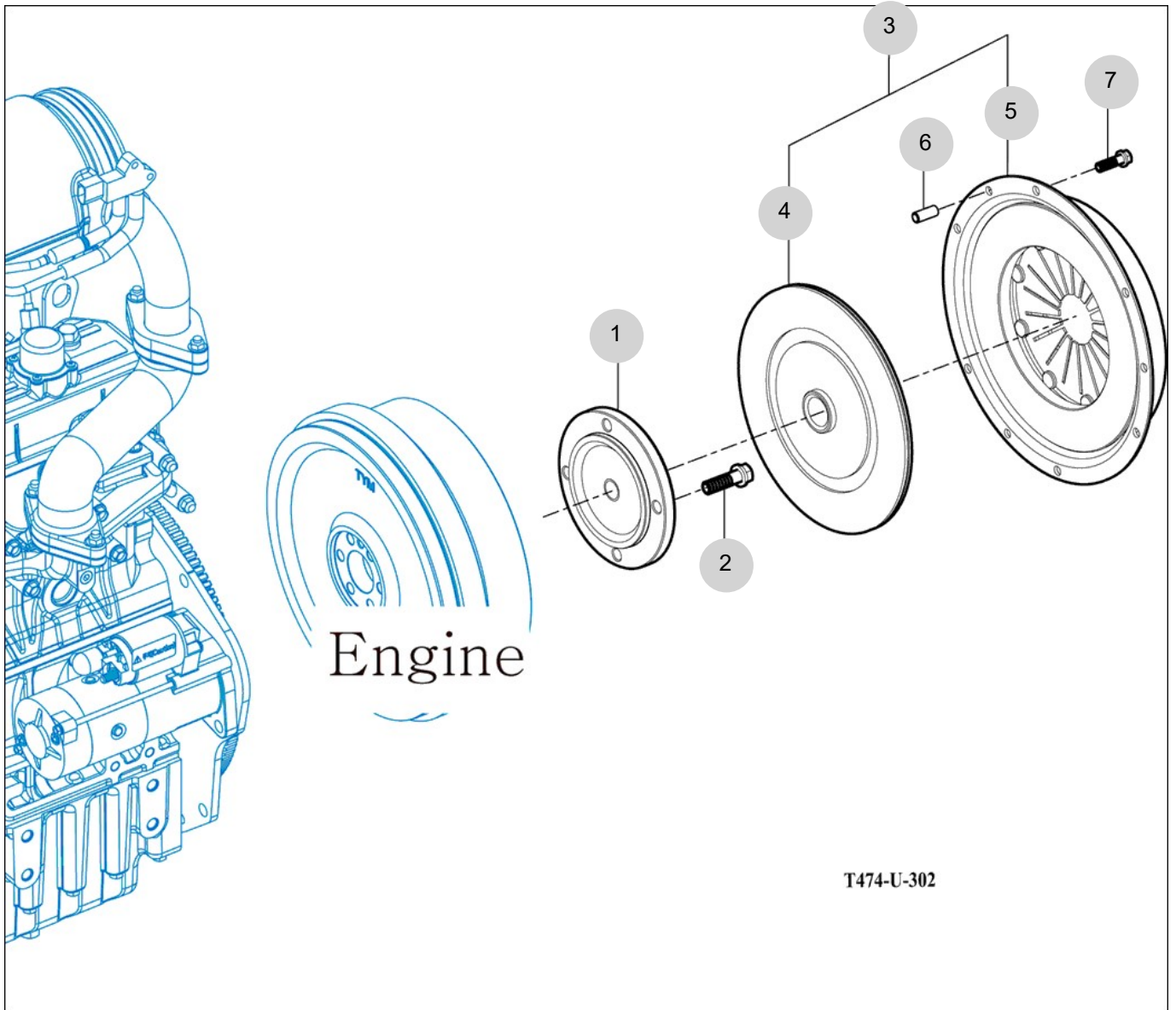
FIG 302

FLYWHEEL & CLUTCH

년/월
Year/Month

T474ST-B

2022-12



NOTE

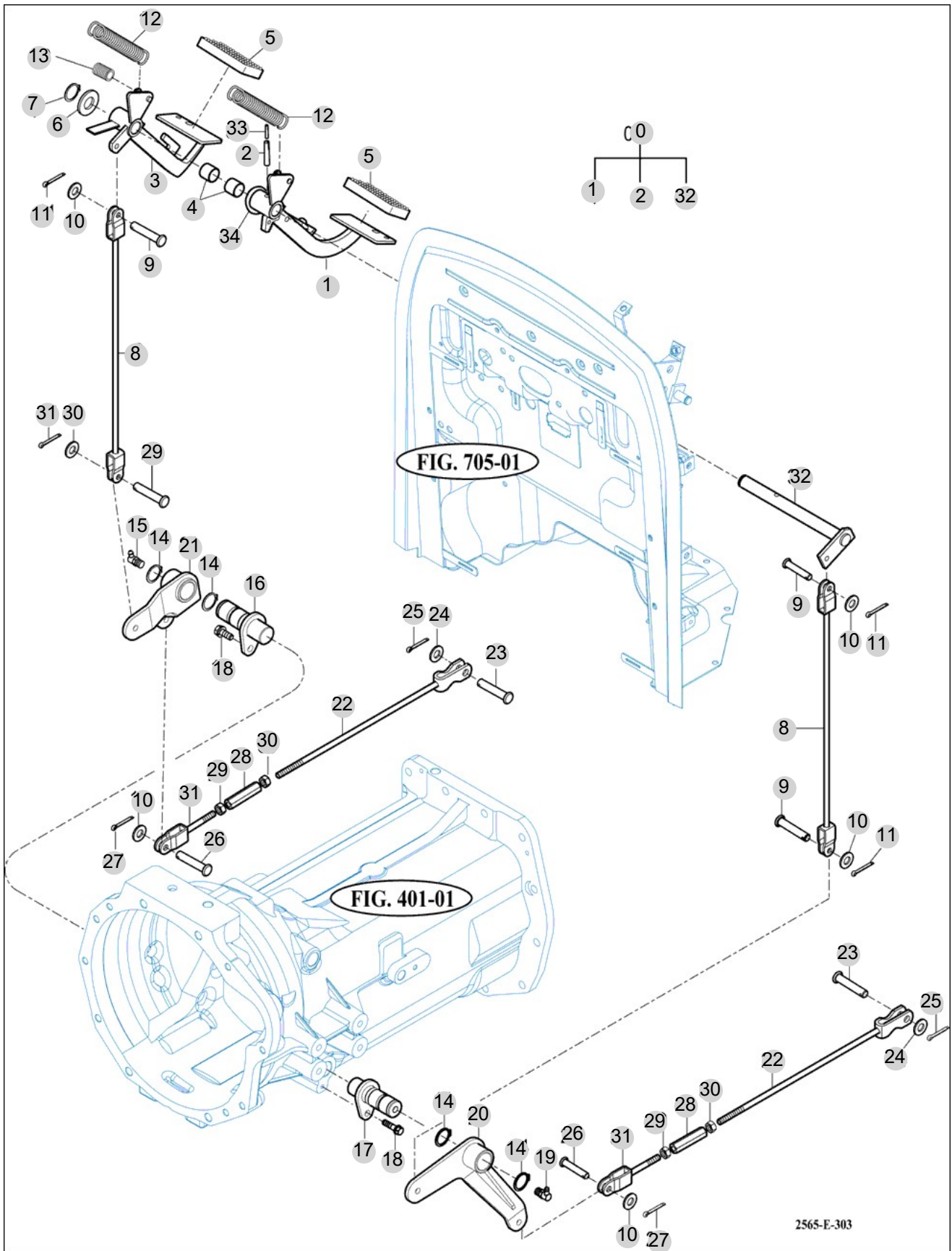
FIG 303

BRAKE PEDAL

년/월
Year/Month

2022-12

T474ST-B



NOTE

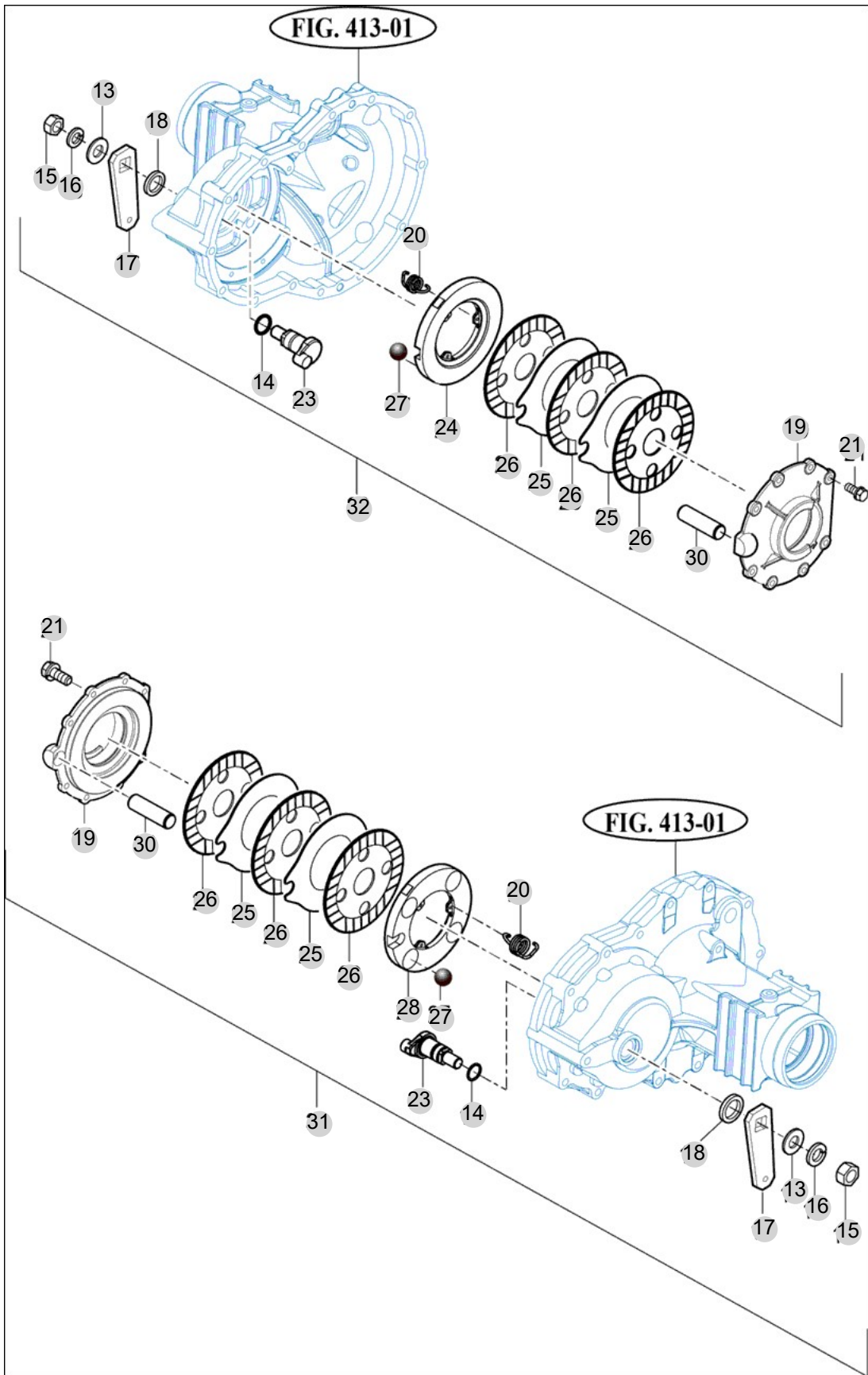
FIG 304

T474ST-B

BRAKE

년/월
Year/Month

2022-12



NOTE

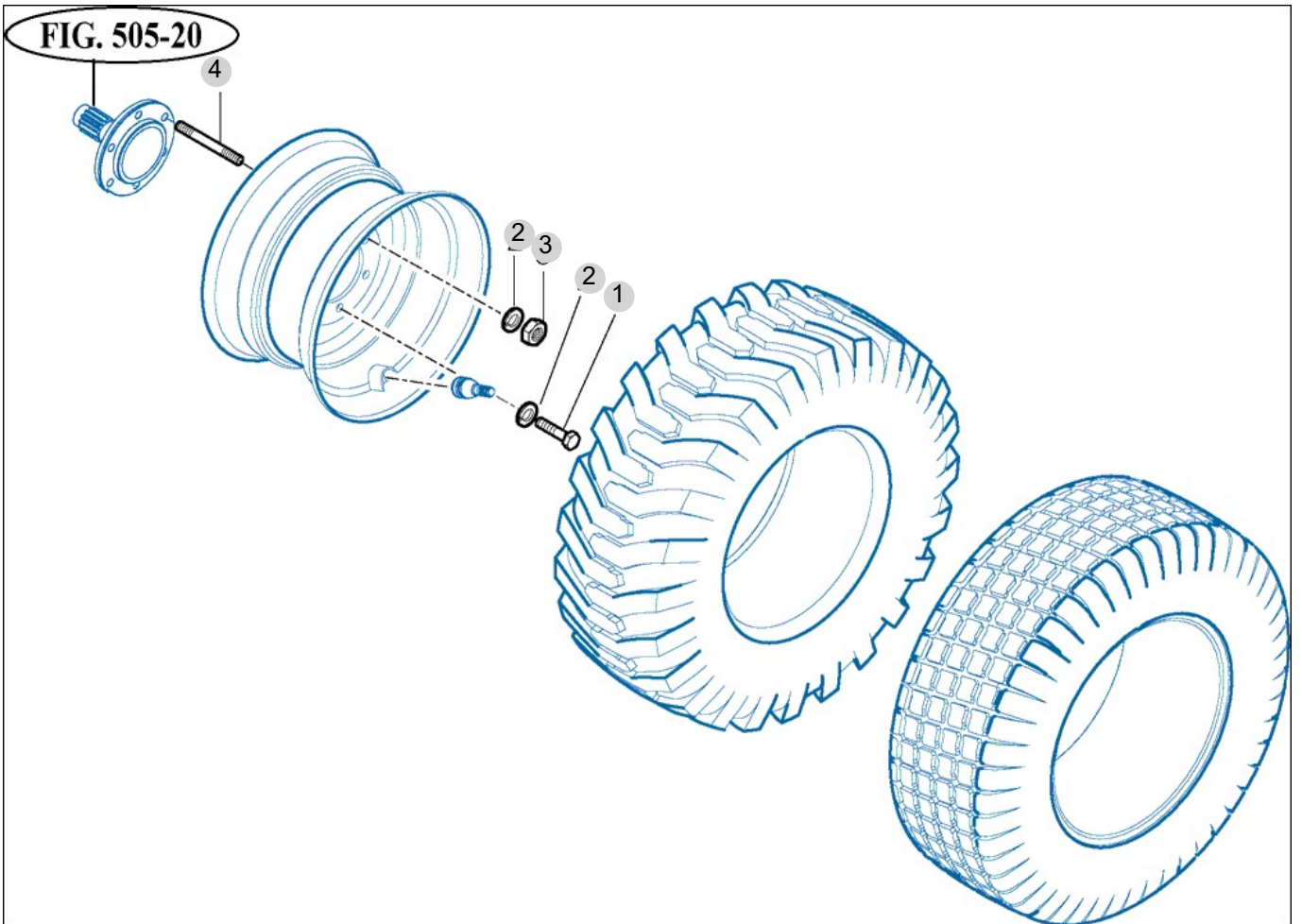
FIG 306

T474ST-B

FRONT WHEEL MOUNTING

년/월
Year/Month

2022-12



NOTE

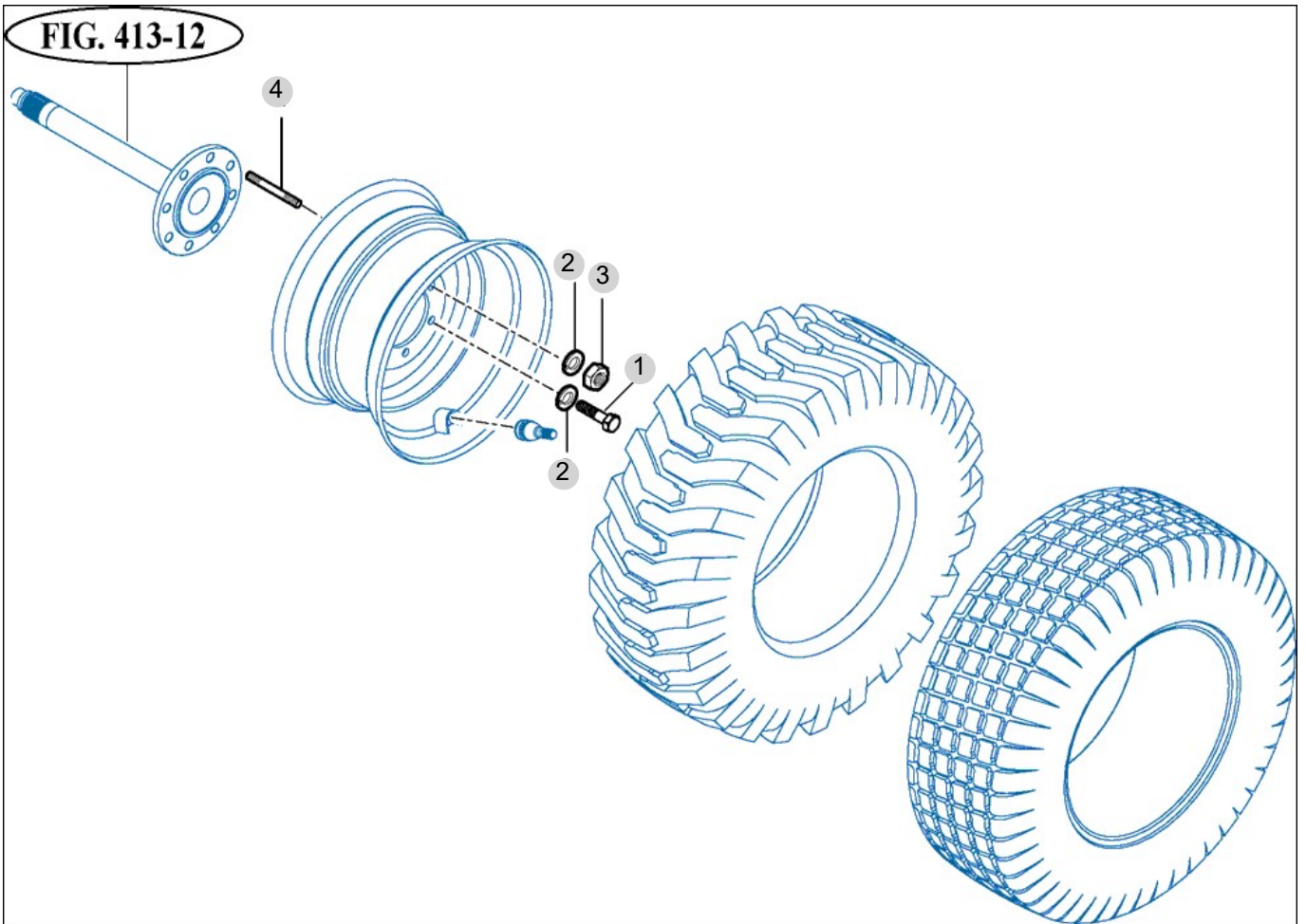
FIG 307

T474ST-B

REAR WHEEL MOUNTING

년/월
Year/Month

2022-12



NOTE

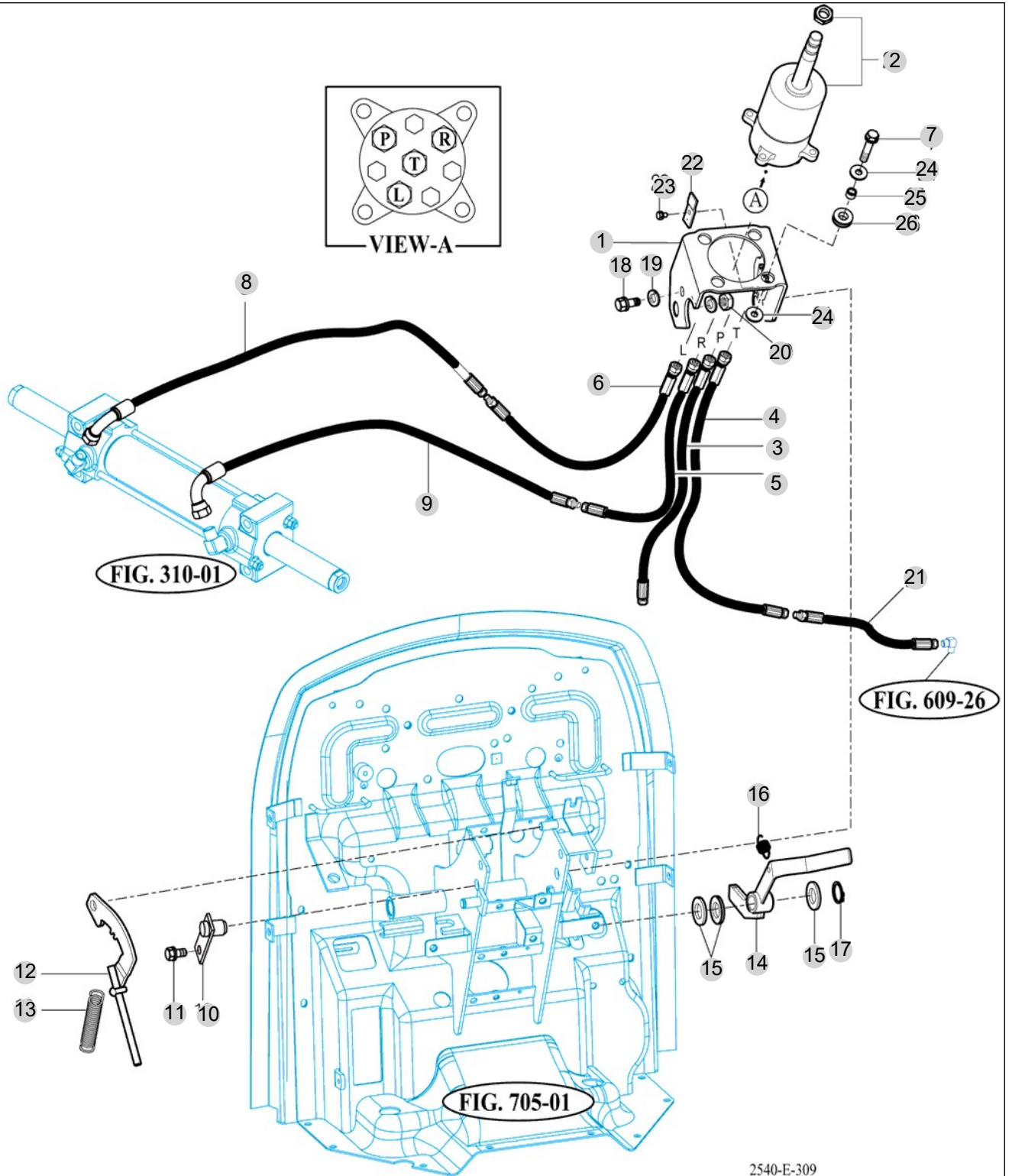
FIG 309

STEERING VALVE & PARKING

년/월
Year/Month

T474ST-B

2022-12



2540-E-309

NOTE

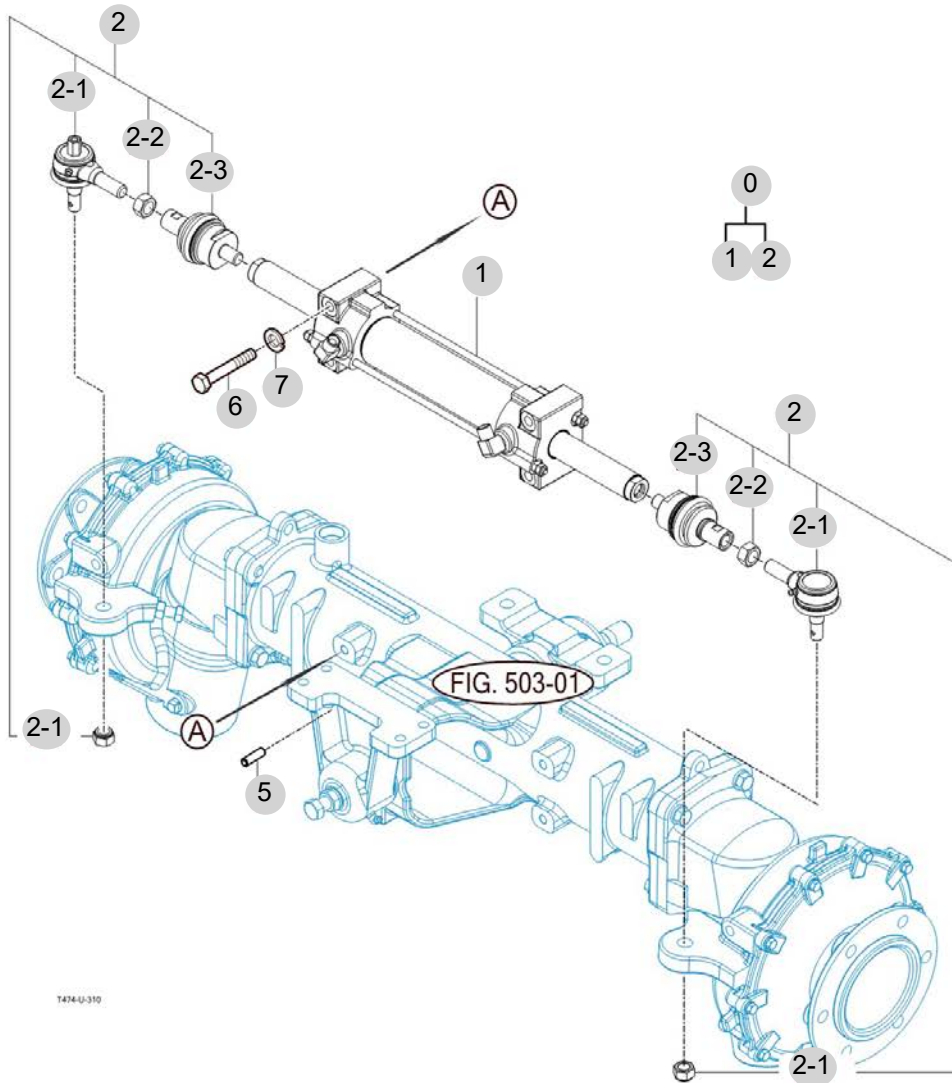
FIG 310

T474ST-B

STEERING CYLINDER

년/월
Year/Month

2022-12



T474U-310

NOTE

4. Transmission PART NO. T4

FIG 401 TRANSMISSION FRONT CASE	133
FIG 402 INPUT METAL	135
FIG 403 INPUT GEAR	137
FIG 404 4WD DRIVE GEAR	139
FIG 405 MAIN CHANGE GEARS & REVERSE GEARS	141
FIG 406 SUB CHANGE GEARS	143
FIG 407 PINION GEARS	145
FIG 408 P.T.O DRIVE SHAFT	147
FIG 409 P.T.O CHANGE GEARS	149
FIG 410 DIFF LOCK	151
FIG 411 TRANSMISSION REAR CASE	153
FIG 412 REAR AXLE HOUSINGS (1)	155
FIG 413 REAR AXLE HOUSINGS (2)	157
FIG 414 MAIN CHANGE LEVER	159
FIG 415 SUB CHANGE LEVER	161
FIG 416 REVERSE LINK	163
FIG 417 REVERSE CHANGE LEVER	165
FIG 418 4WD CHANGE LEVER	167

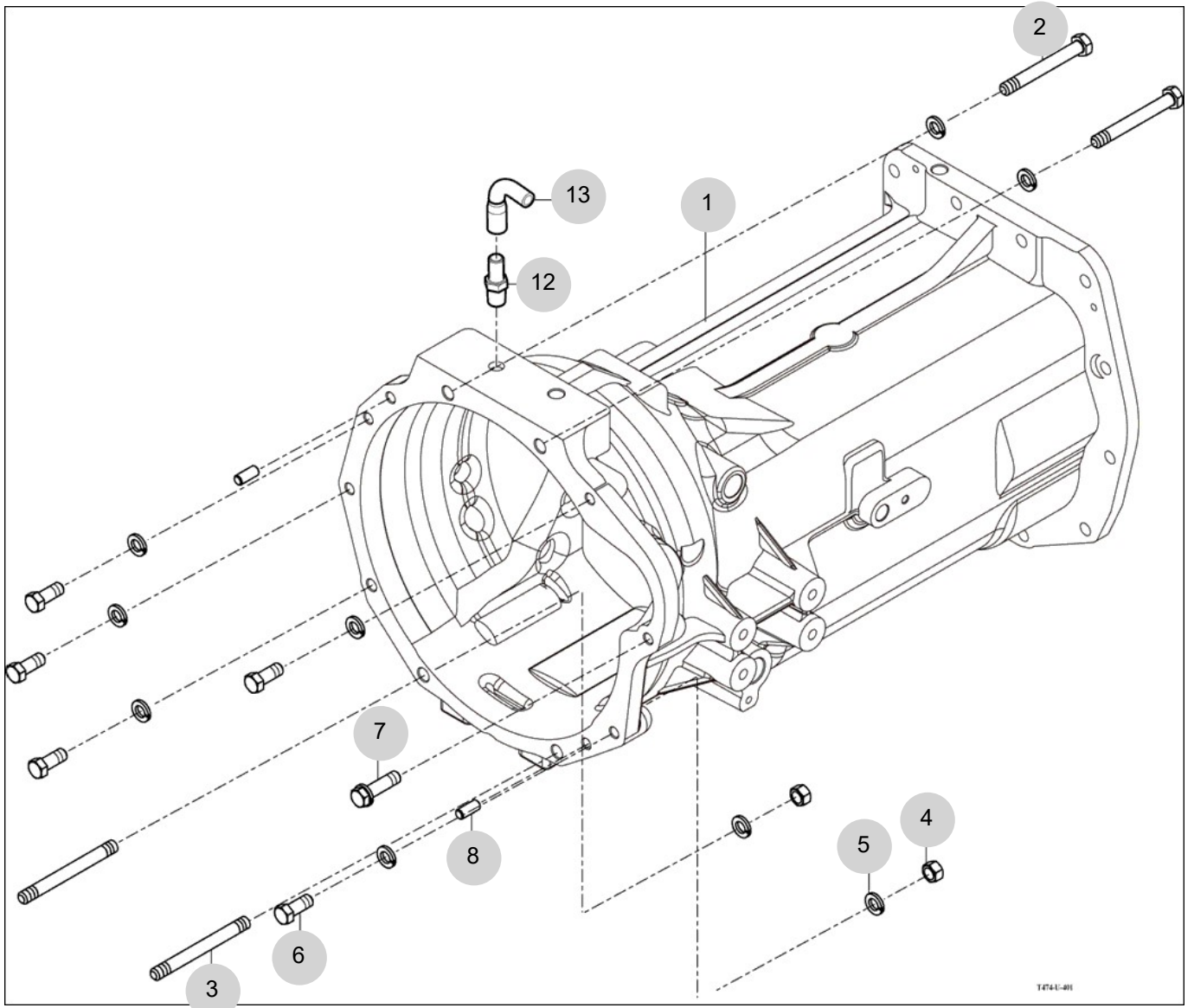
FIG 401

TRANSMISSION FRONT CASE

년/월
Year/Month

2022-12

T474ST-B



NOTE

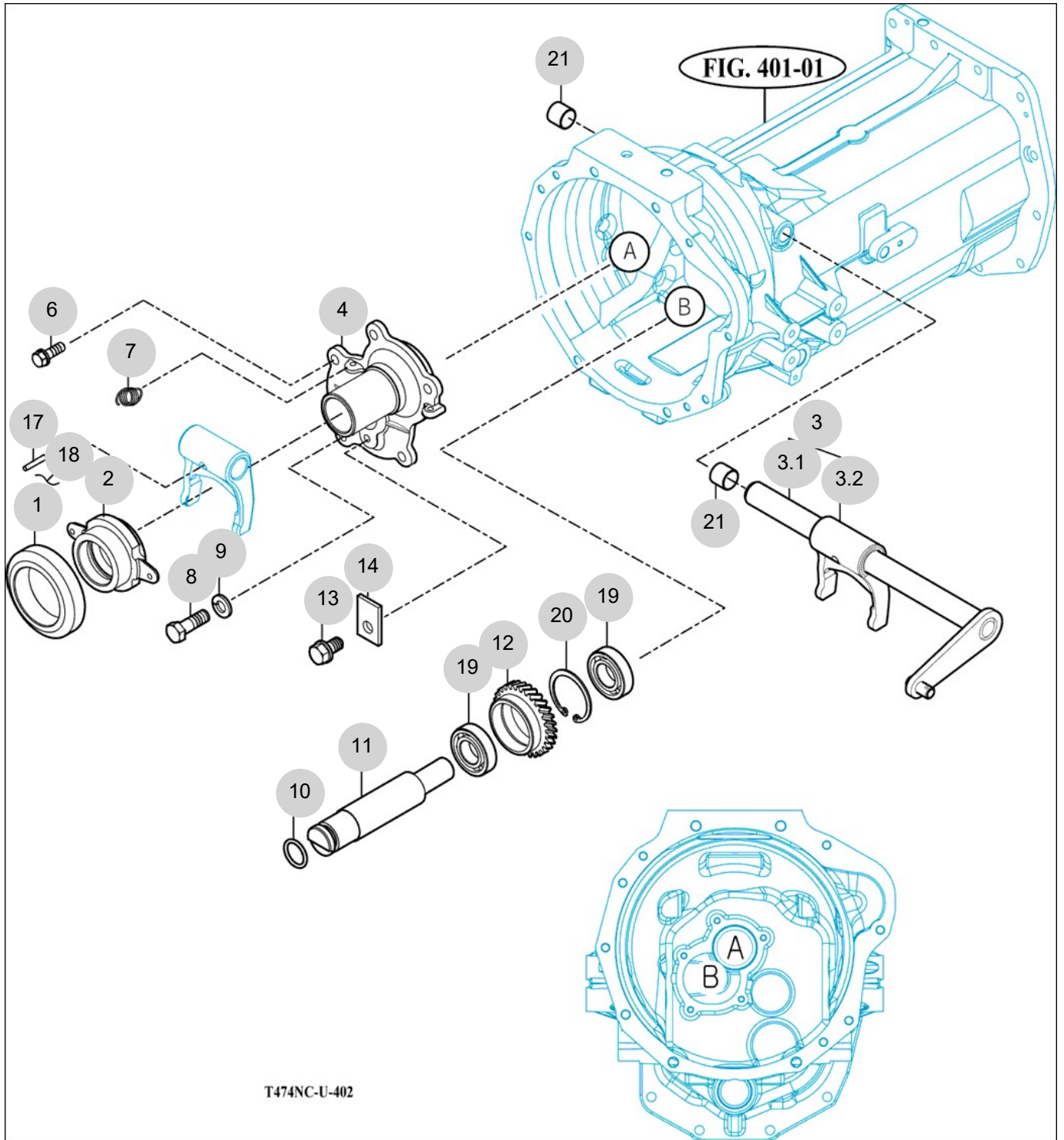
FIG 402

T474ST-B

INPUT METAL

년/월
Year/Month

2022-12



NOTE

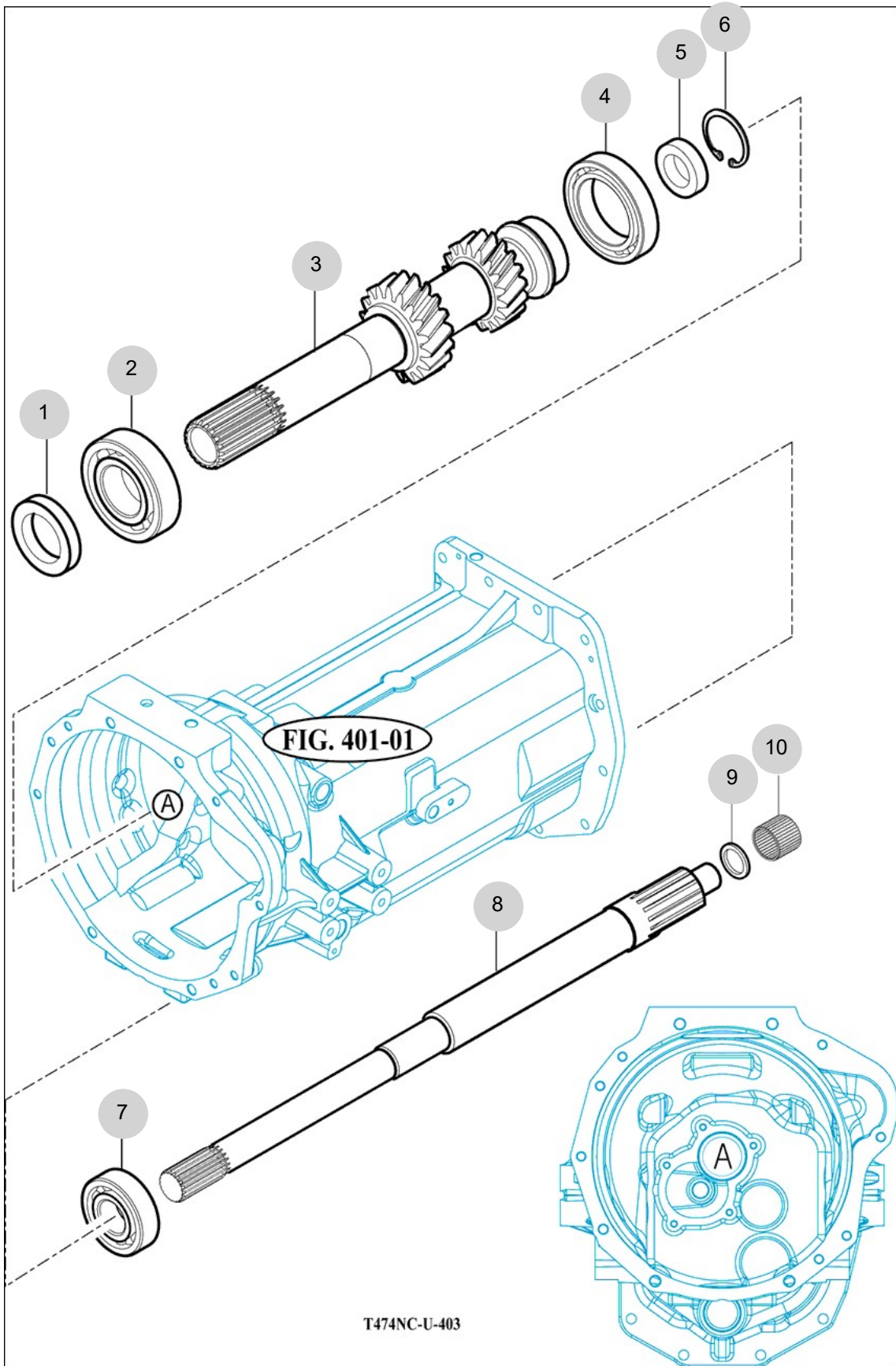
FIG 403

INPUT GEAR

년/월
Year/Month

2022-12

T474ST-B



NOTE

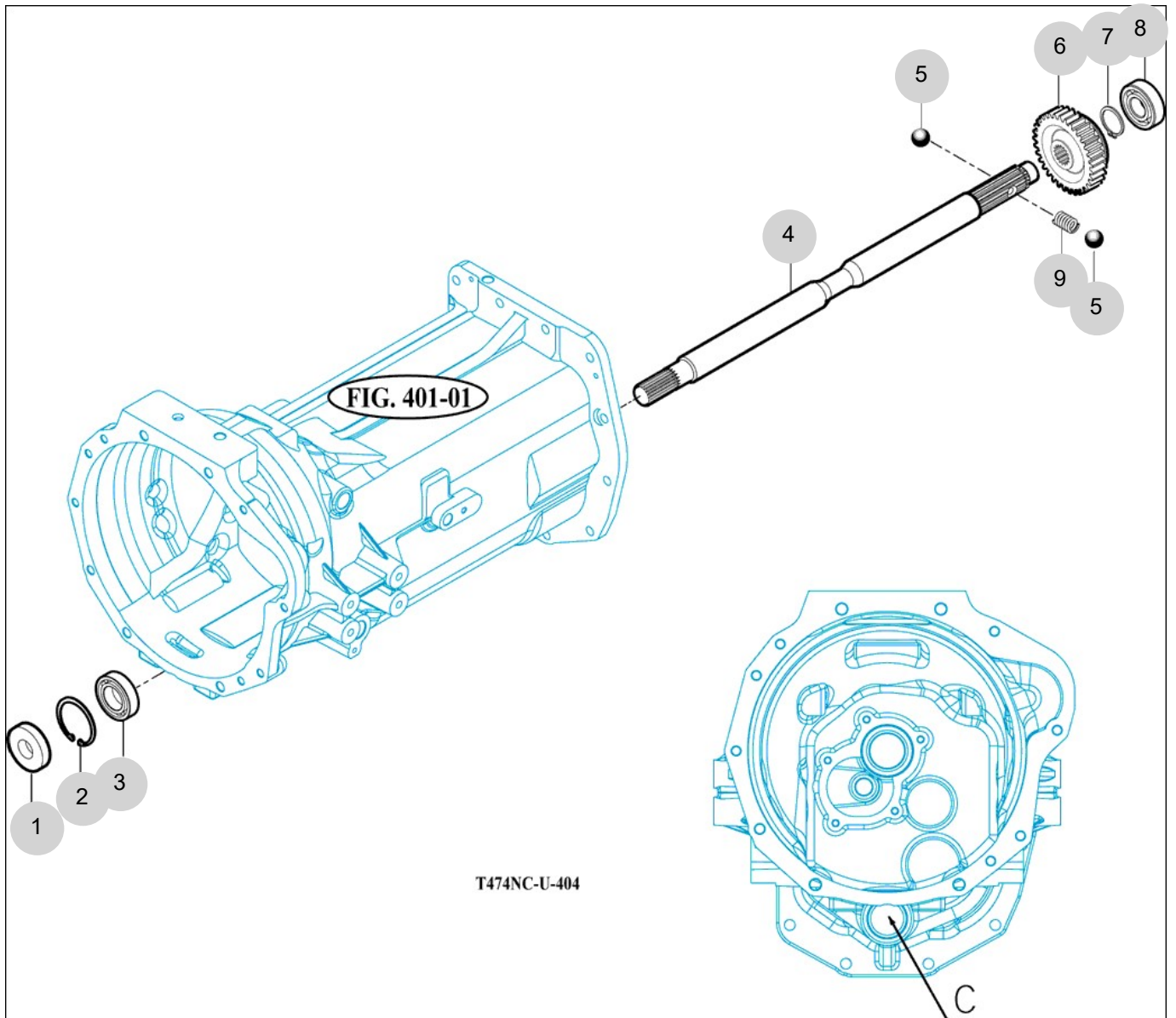
FIG 404

4WD DRIVE GEAR

년/월
Year/Month

T474ST-B

2022-12



NOTE

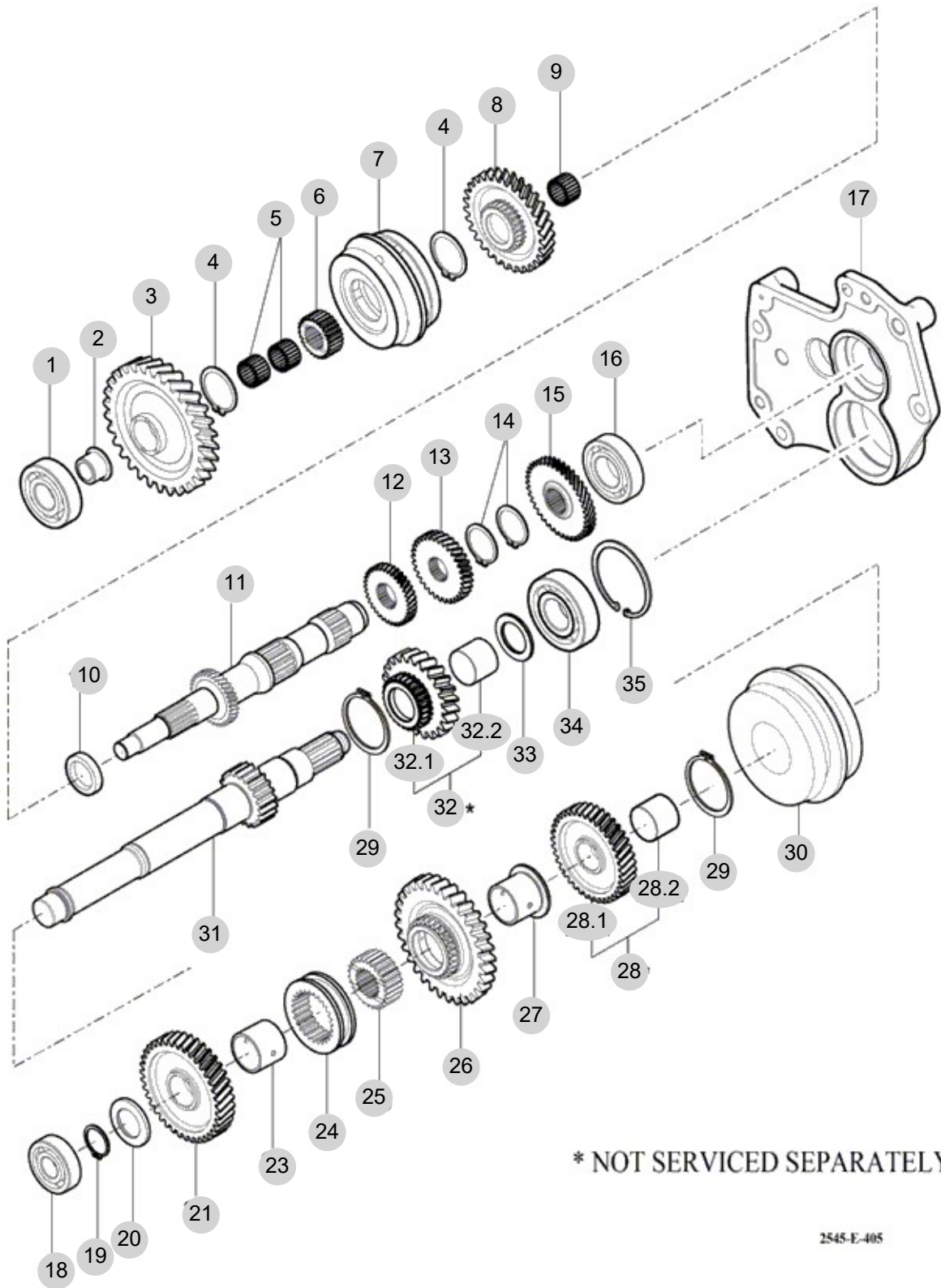
FIG 405

MAIN CHANGE GEARS & REVERSE GEARS

년/월
Year/Month

2022-12

T474ST-B



* NOT SERVICED SEPARATELY

2545-E-405

NOTE

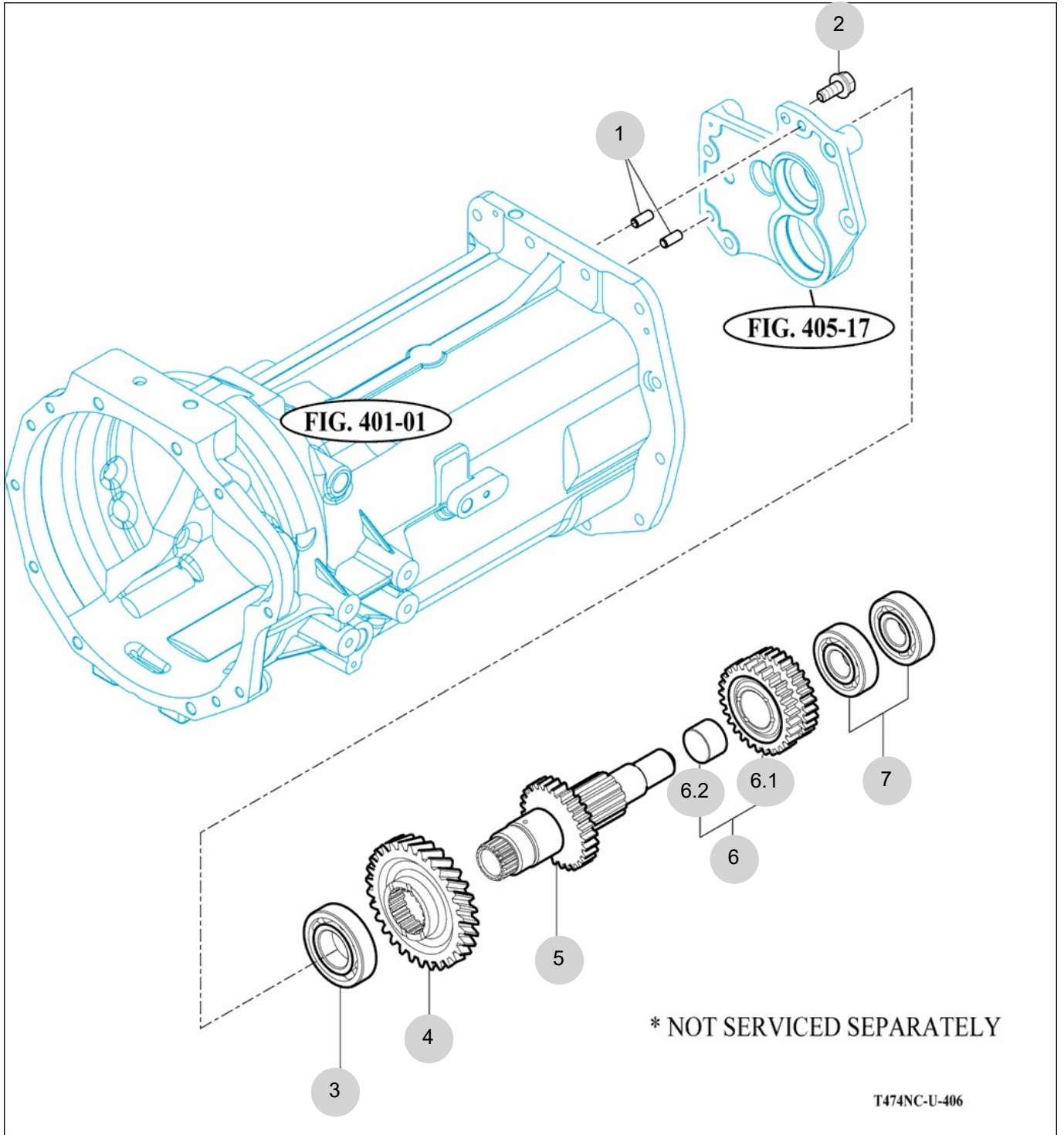
FIG 406

T474ST-B

SUB CHANGE GEARS

년/월
Year/Month

2022-12



NOTE

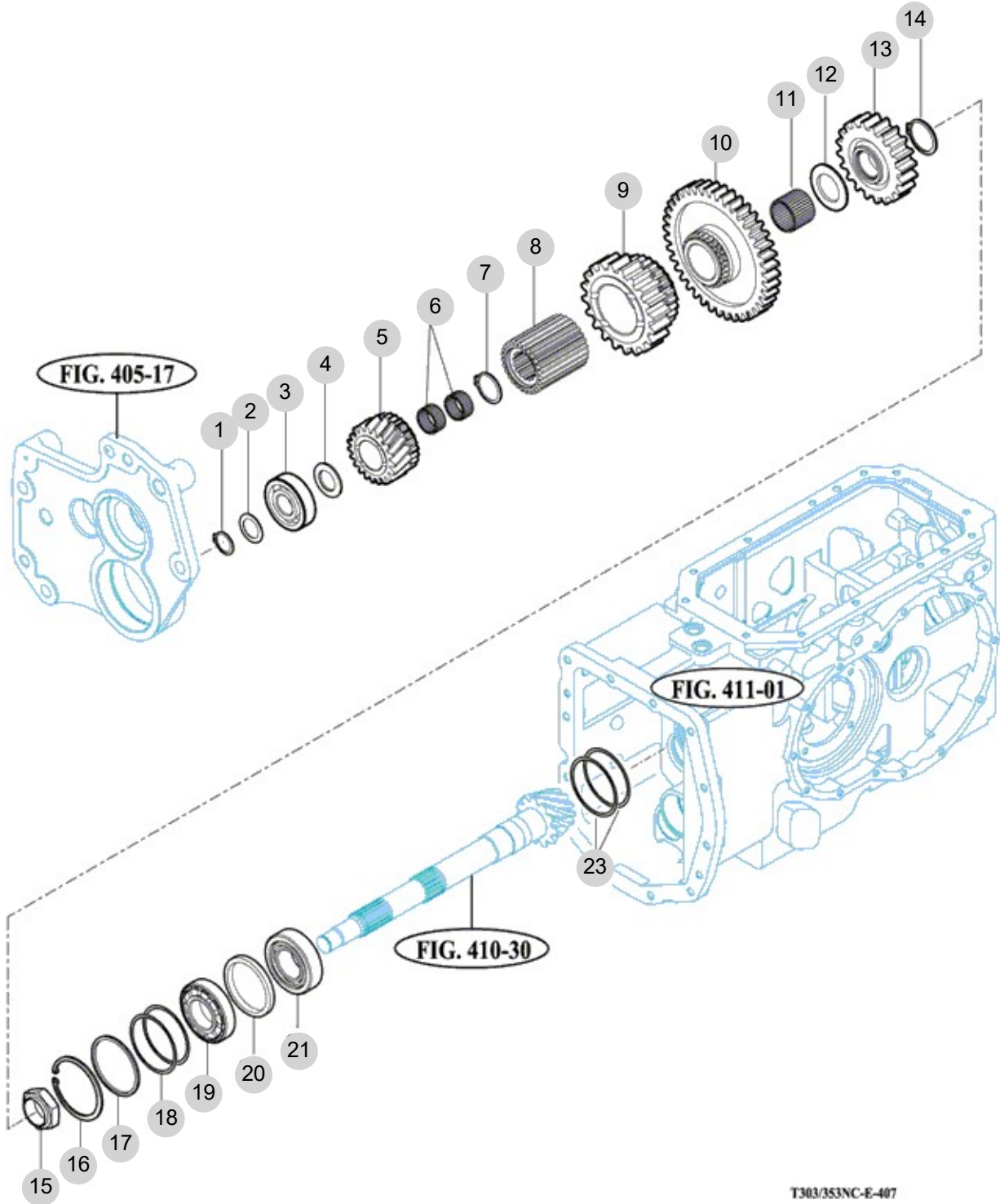
FIG 407

T474ST-B

PINION GEARS

년/월
Year/Month

2022-12



T303/353NC-E-407

NOTE

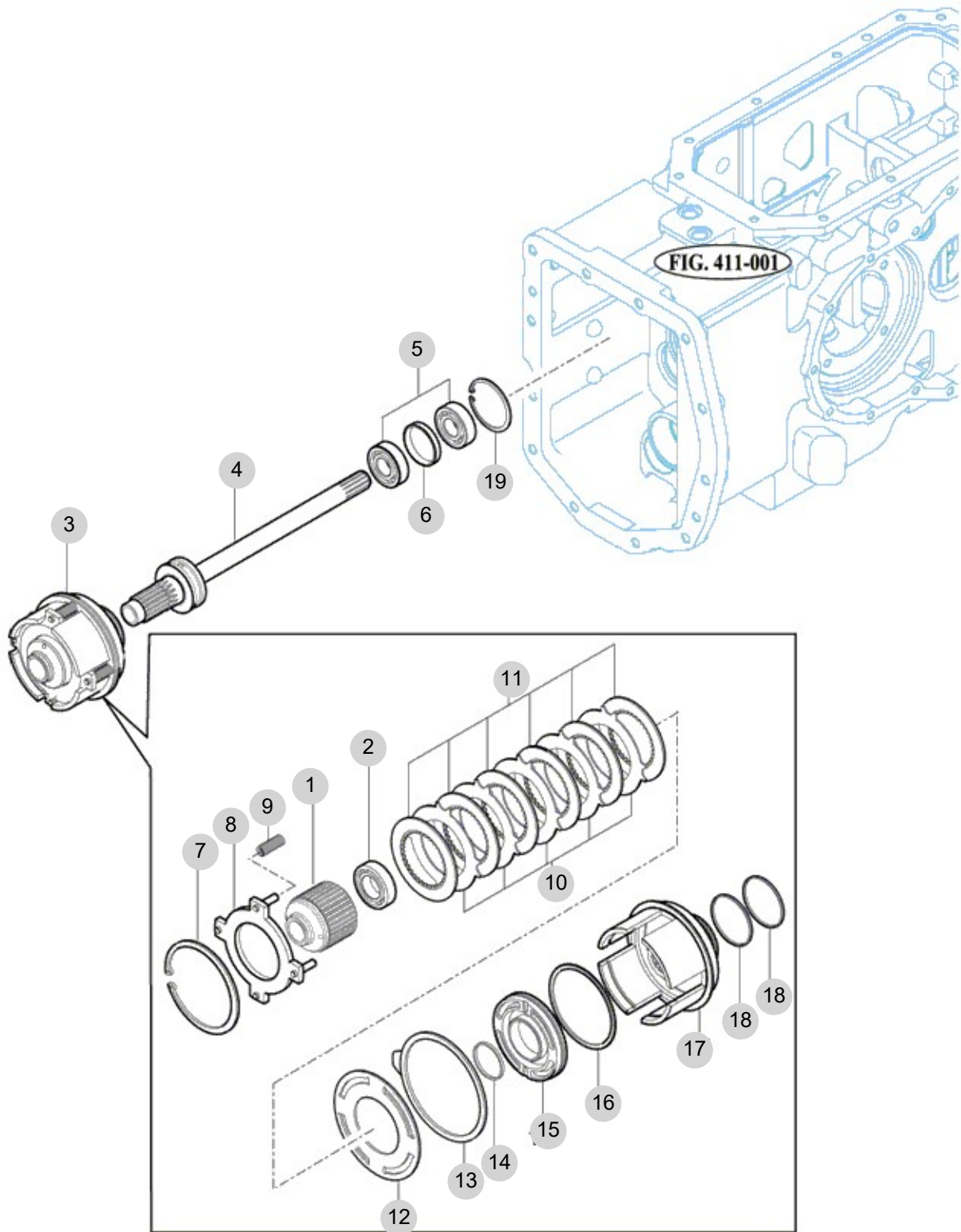
FIG 408

T474ST-B

P.T.O DRIVE SHAFT

년/월
Year/Month

2022-12



NOTE

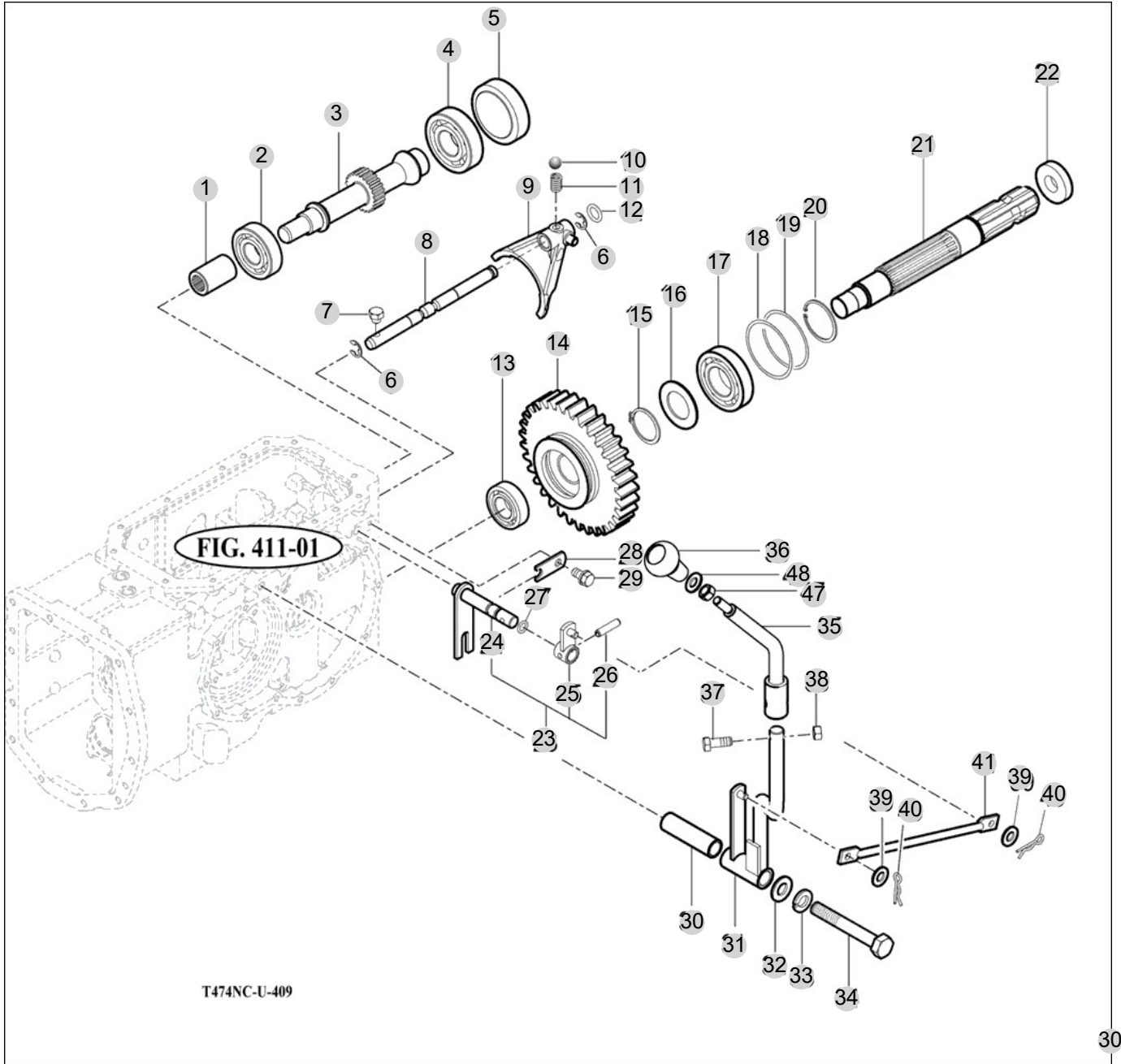
FIG 409

T474ST-B

P.T.O CHANGE GEARS

년/월
Year/Month

2022-12



NOTE

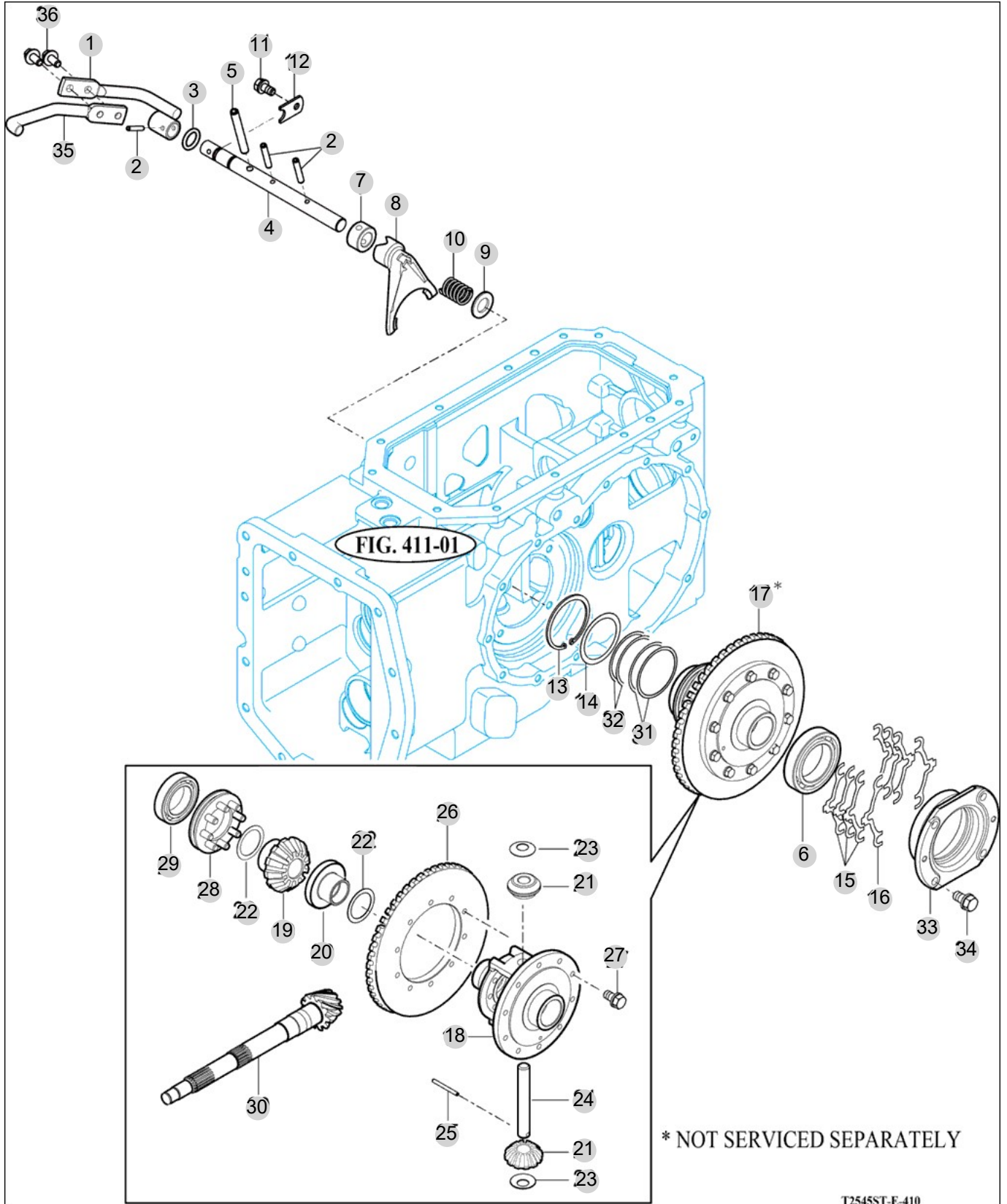
FIG 410

DIFF LOCK

년/월
Year/Month

T474ST-B

2022-12



NOTE

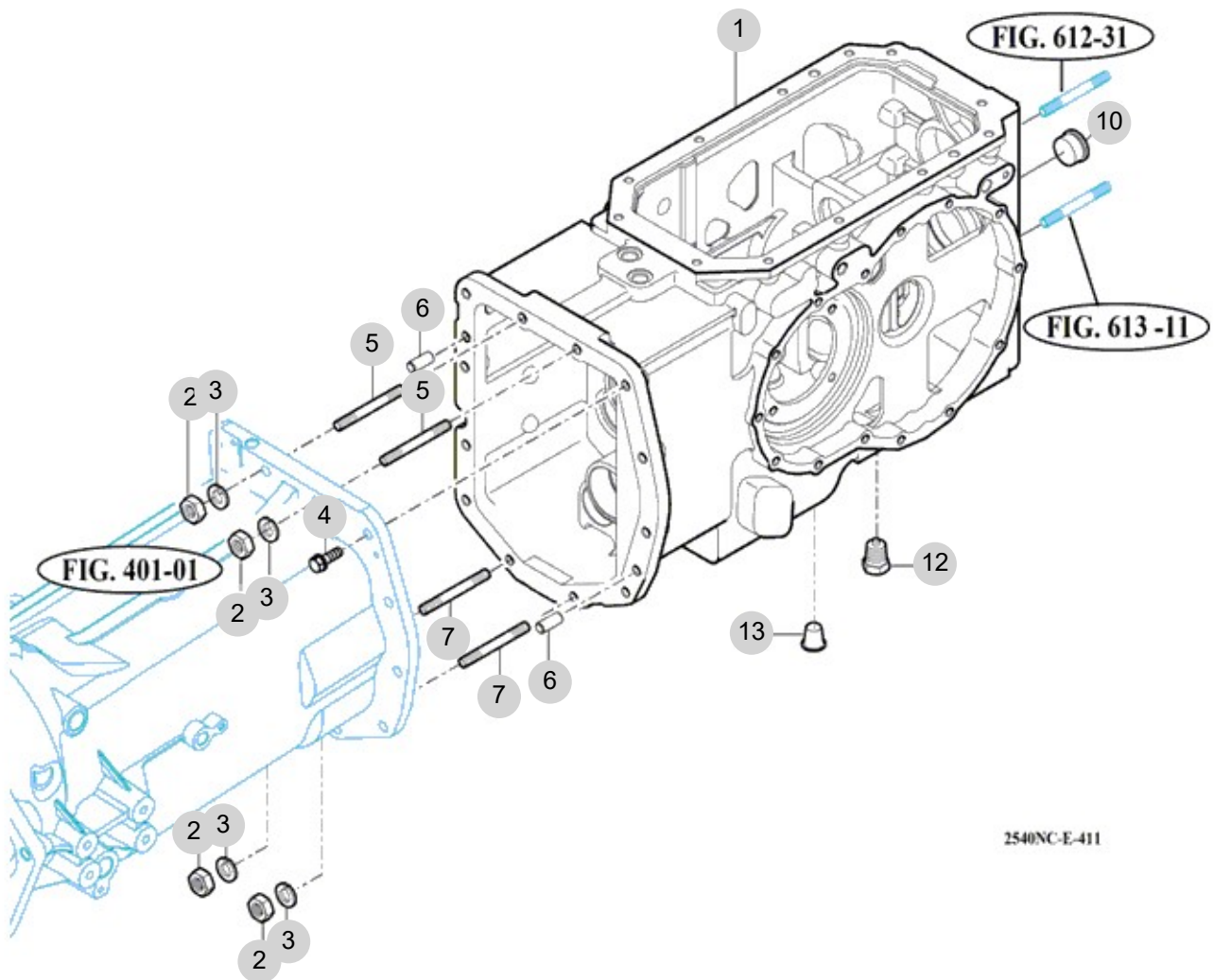
FIG 411

T474ST-B

TRANSMISSION REAR CASE

년/월
Year/Month

2022-12



2540NC-E-411

NOTE

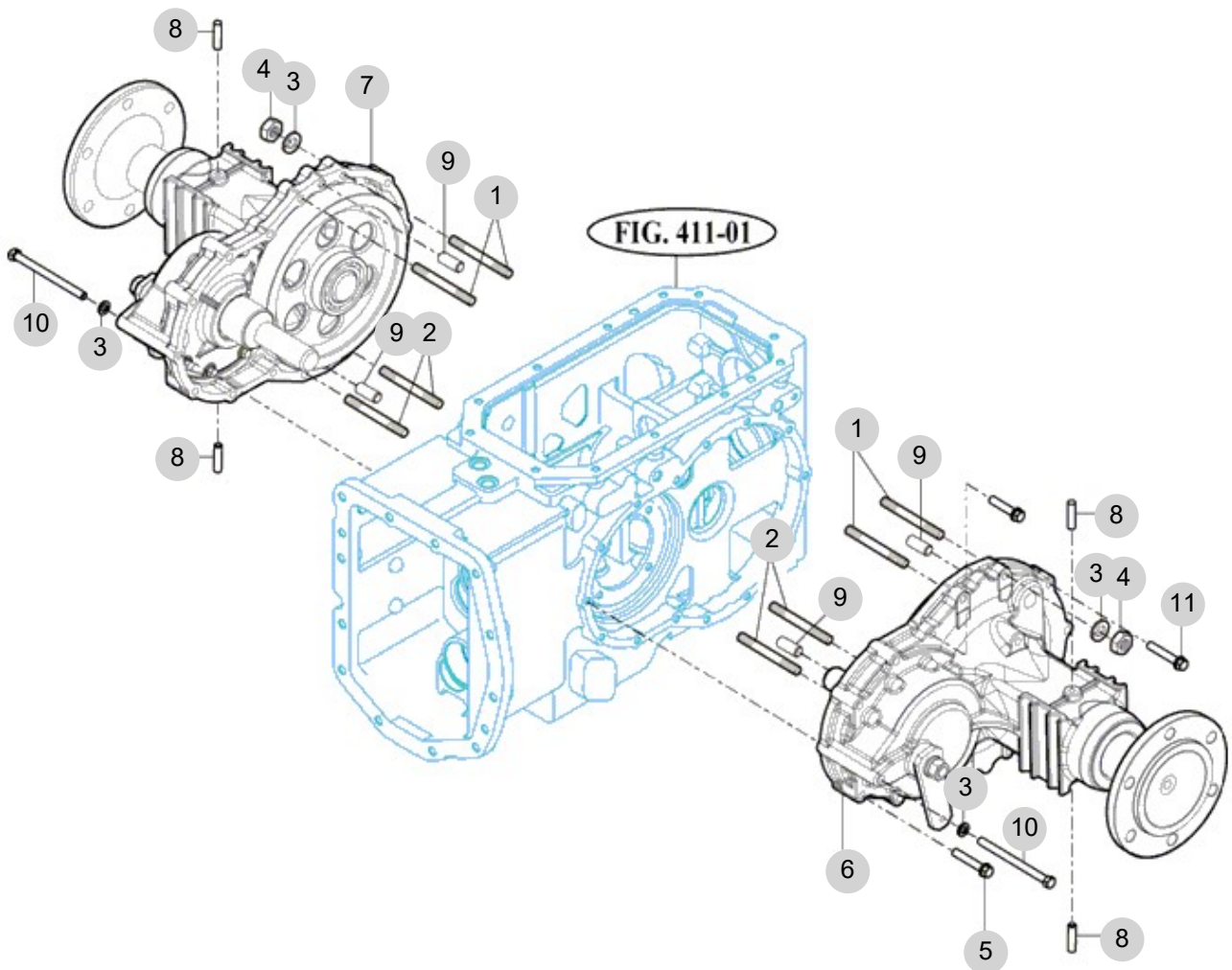
FIG 412

T474ST-B

REAR AXLE HOUSINGS (1)

년/월
Year/Month

2022-12



NOTE

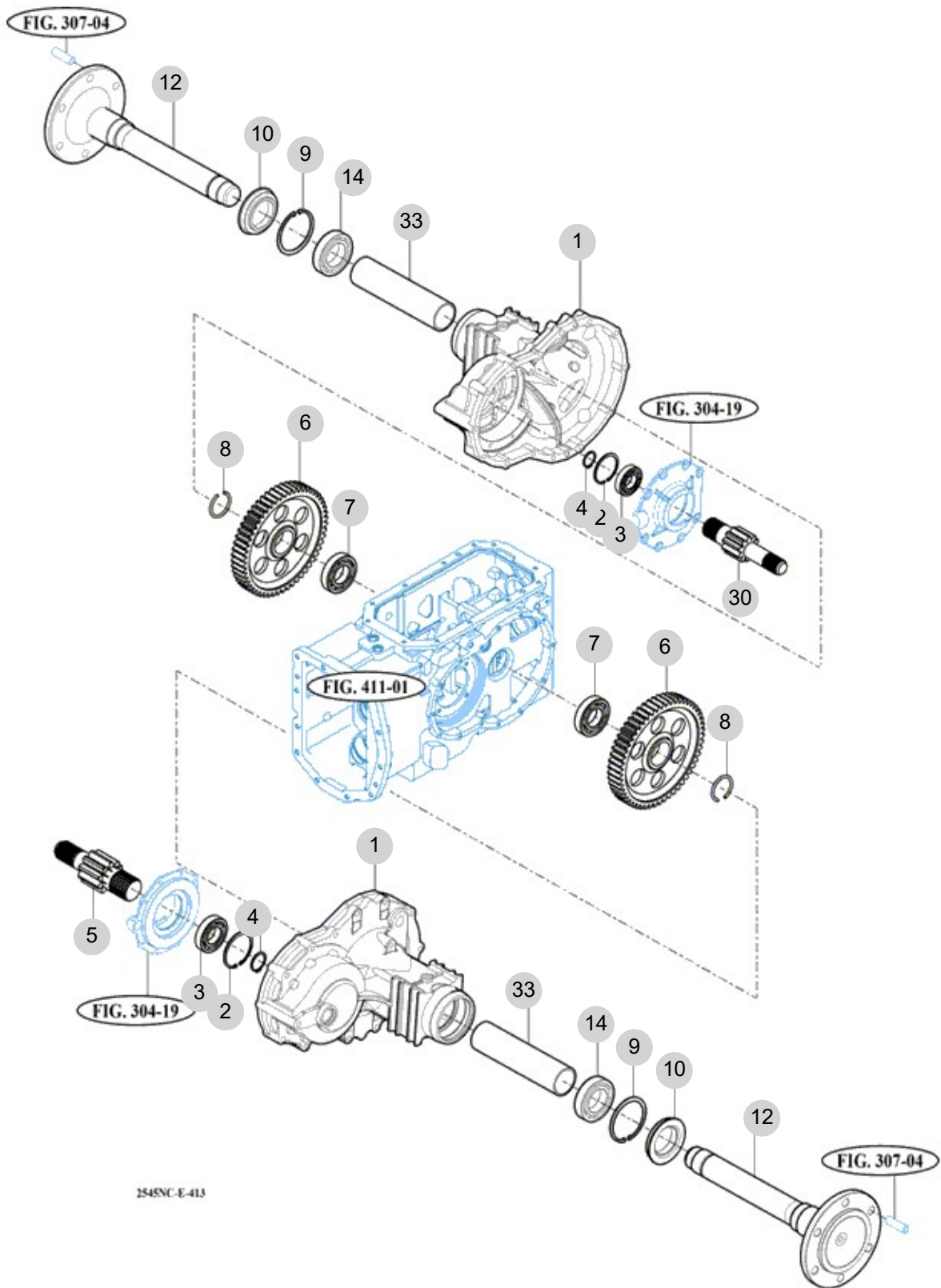
FIG 413

T474ST-B

REAR AXLE HOUSINGS (2)

년/월
Year/Month

2022-12



2545NC-E-413

NOTE

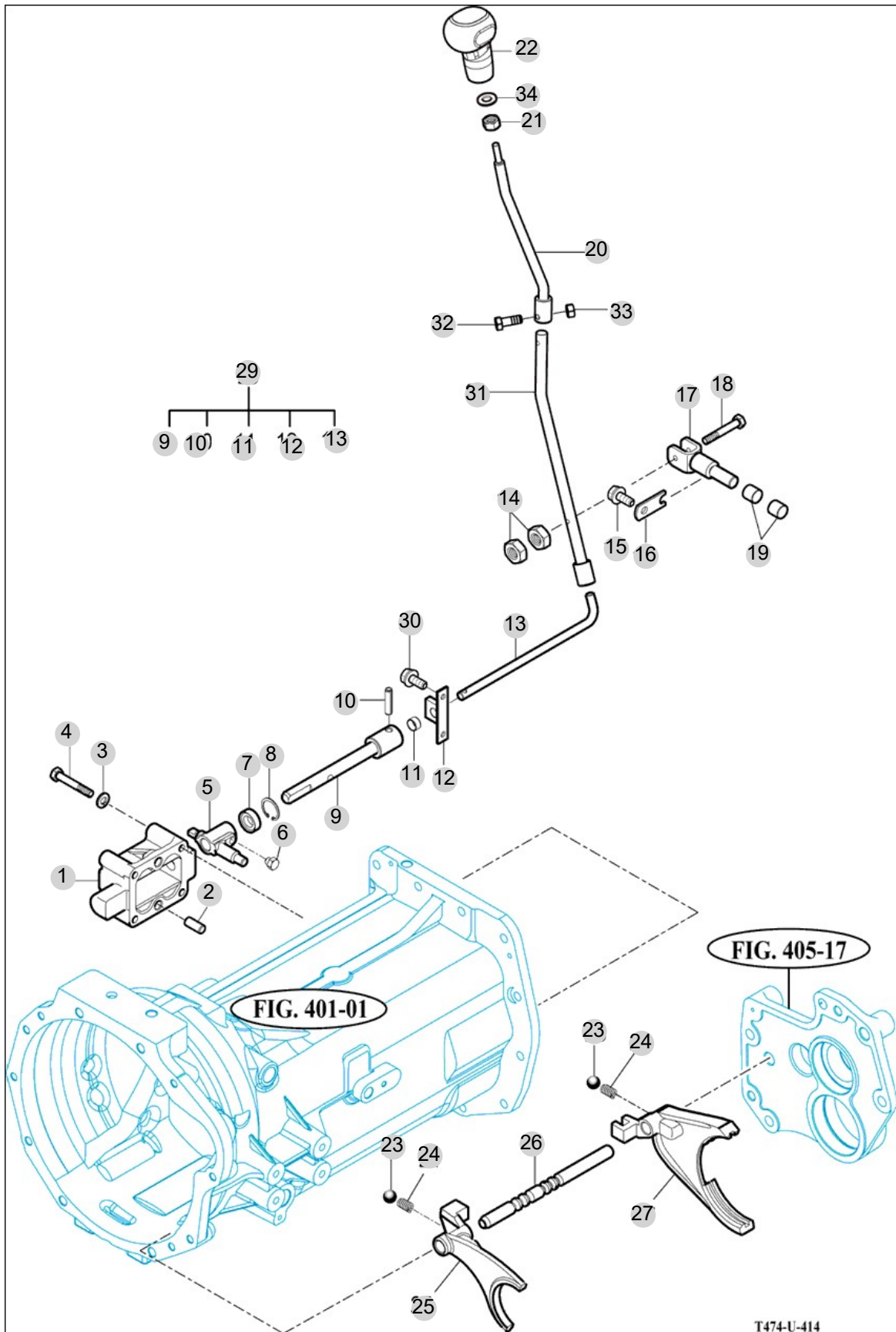
FIG 414

MAIN CHANGE LEVER

년/월
Year/Month

T474ST-B

2022-12



NOTE

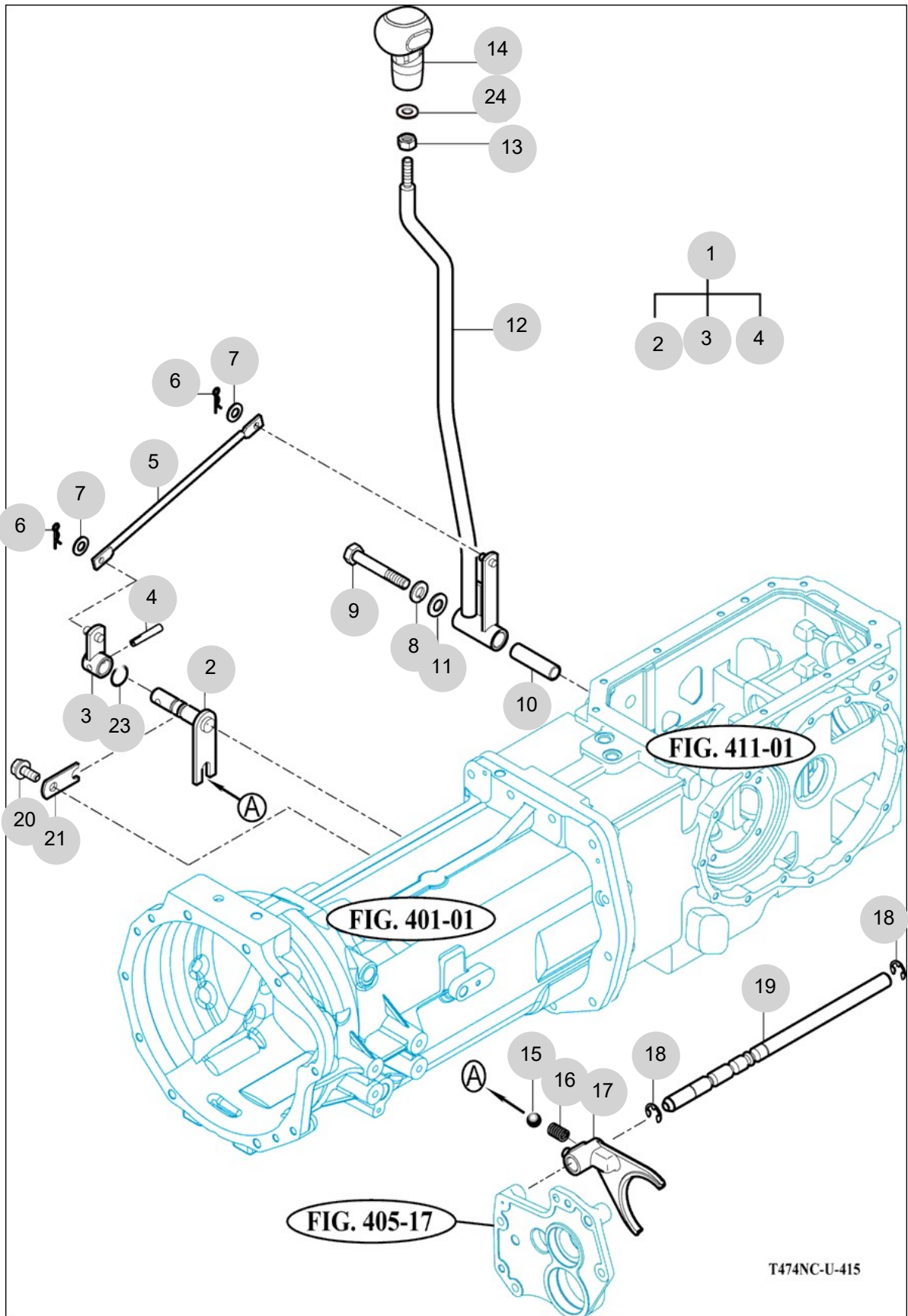
FIG 415

T474ST-B

SUB CHANGE LEVER

년/월
Year/Month

2022-12



NOTE

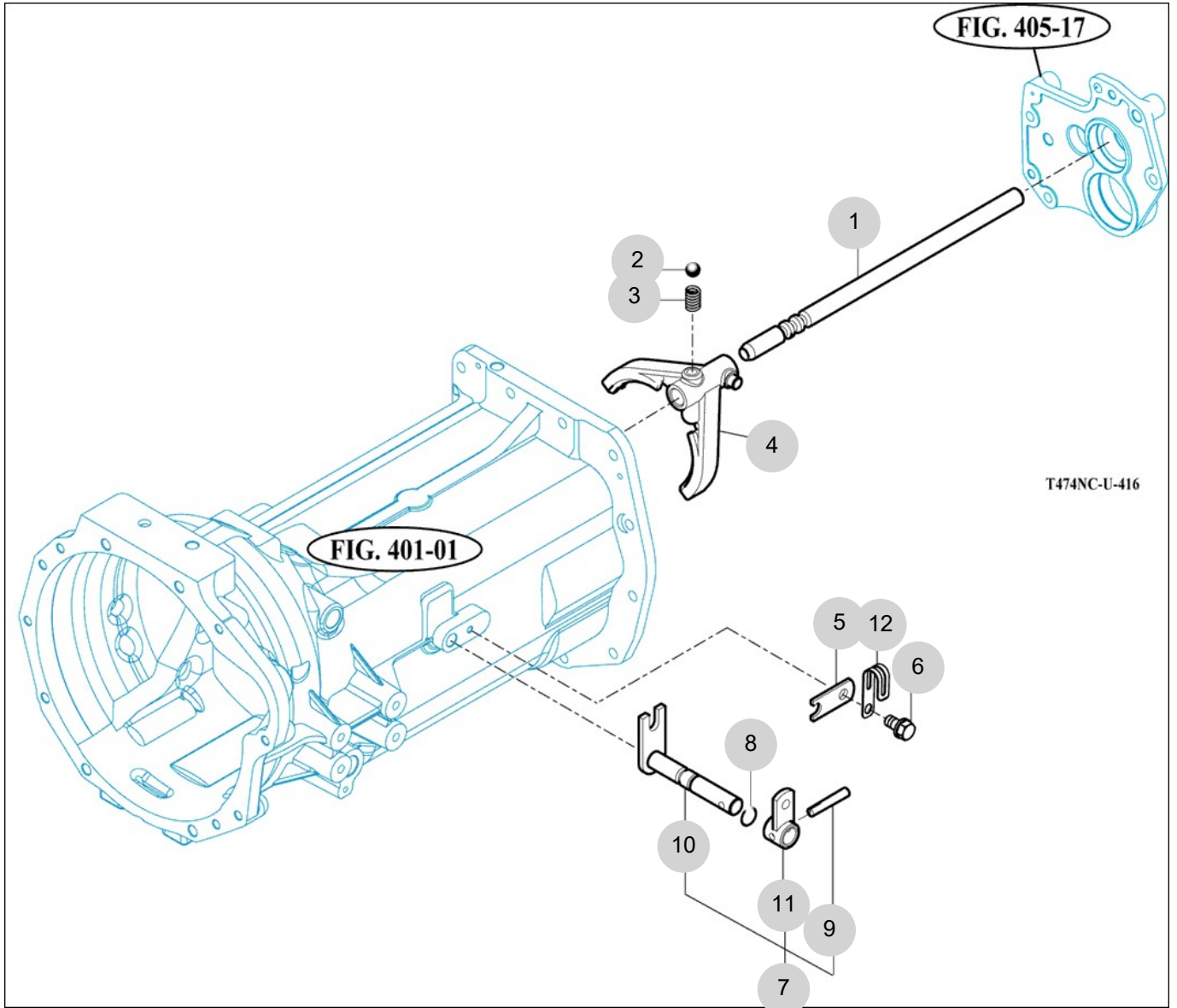
FIG 416

REVERSE LINK

년/월
Year/Month

T474ST-B

2022-12



T474NC-U-416

NOTE

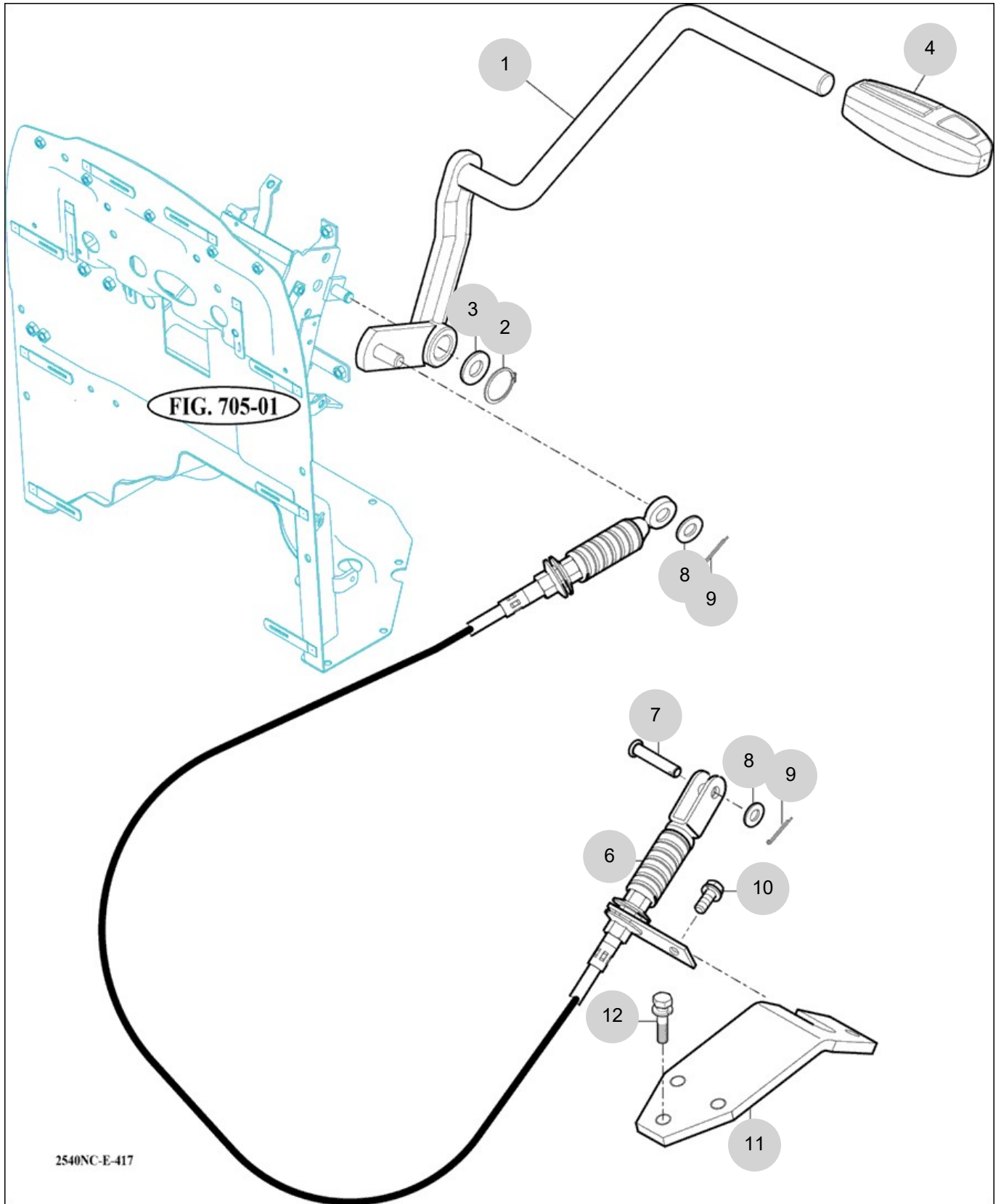
FIG 417

REVERSE CHANGE LEVER

년/월
Year/Month

T474ST-B

2022-12



2540NC-E-417

NOTE

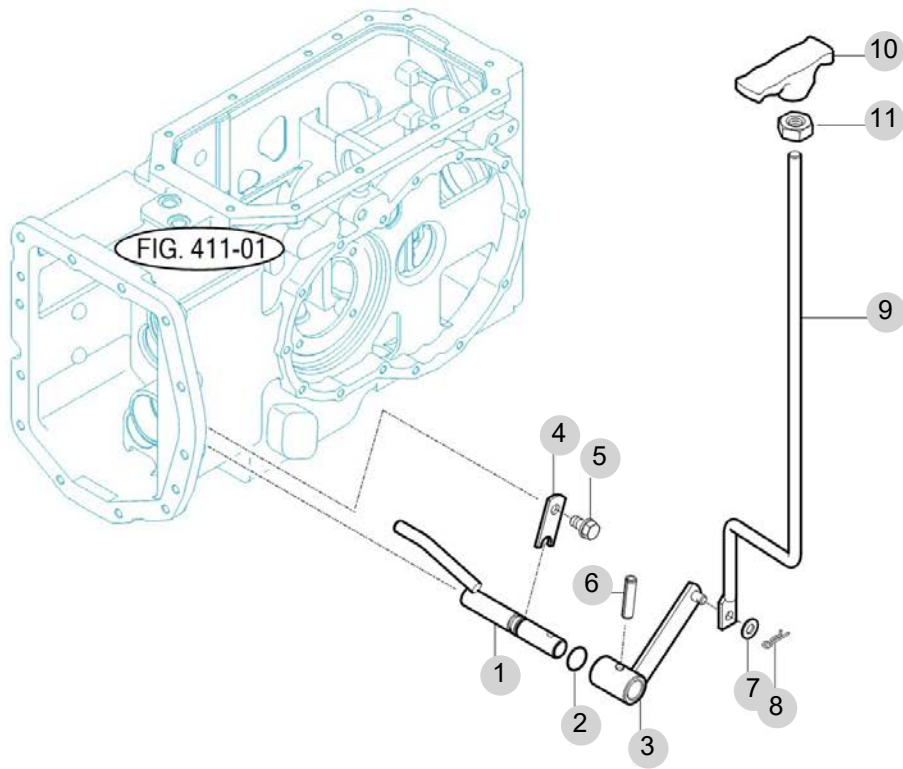
FIG 418

4WD CHANGE LEVER

년/월
Year/Month

T474ST-B

2022-12



T303/353NC-E-418

NOTE

5. Front Axle PART NO. T5

FIG 501 FRONT AXLE BRACKET	170
FIG 502 FRONT DIFF. GEARS & SHAFT	172
FIG 503 FRONT AXLE HOUSING	174
FIG 504 FRONT GEAR CASE (1)	176
FIG 505 FRONT GEAR CASE (2)	178

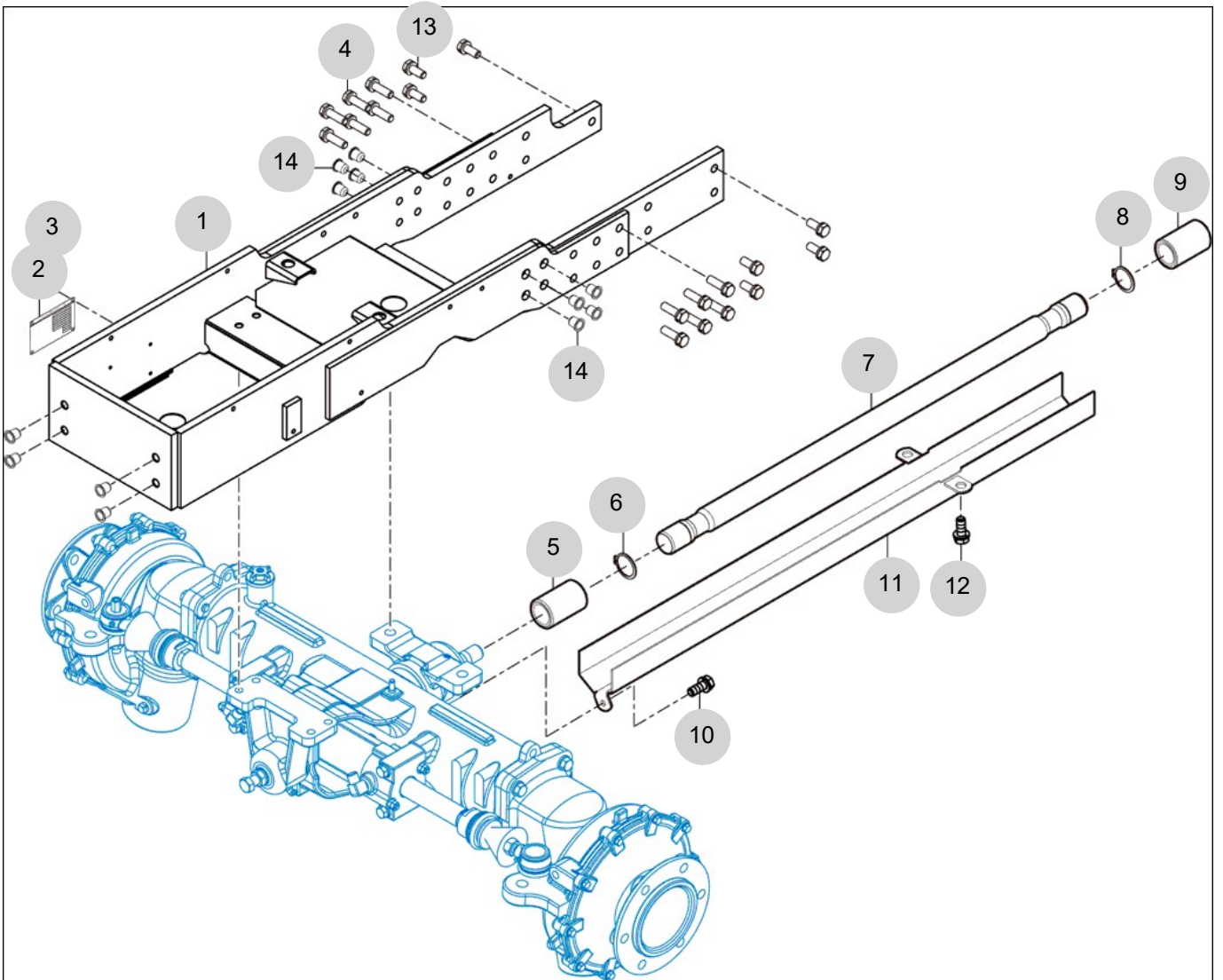
FIG 501

FRONT AXLE BRACKET

년/월
Year/Month

2022-12

T474ST-B



NOTE

FIG 502

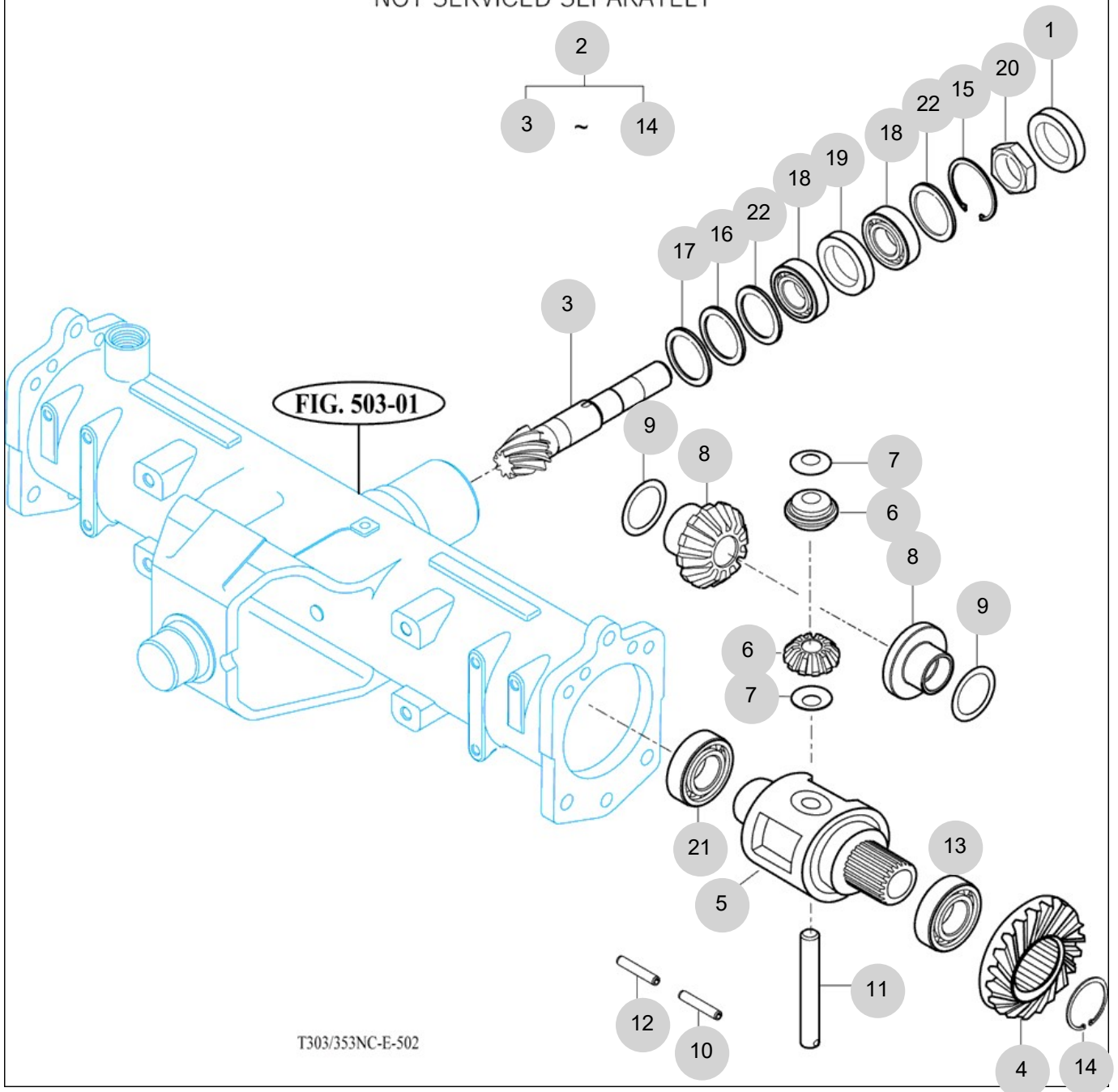
T474ST-B

FRONT DIFF. GEARS & SHAFT

년/월
Year/Month

2022-12

* NOT SERVICED SEPARATELY



NOTE

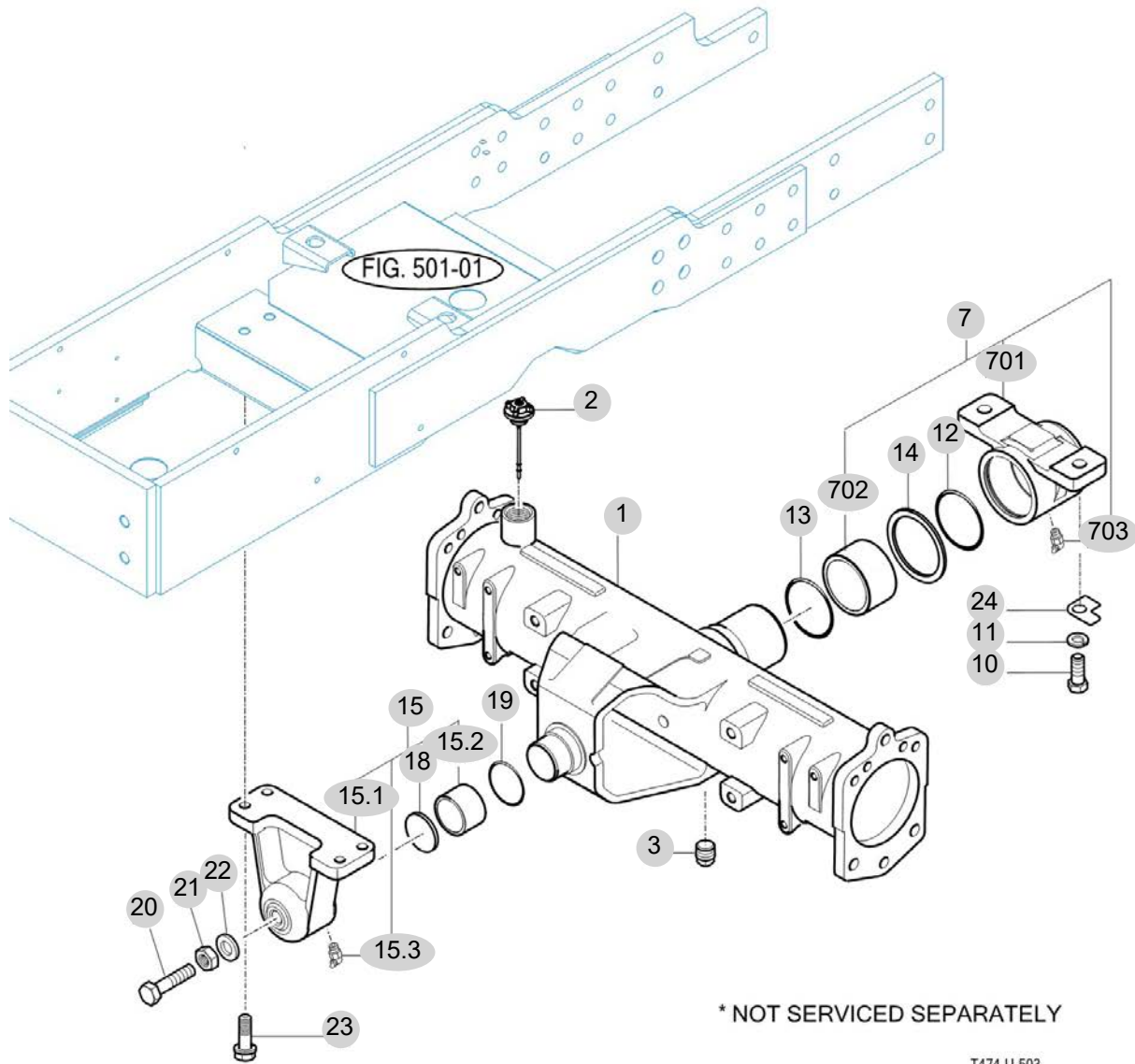
FIG 503

T474ST-B

FRONT AXLE HOUSING

년/월
Year/Month

2022-12



T474-U-503

NOTE

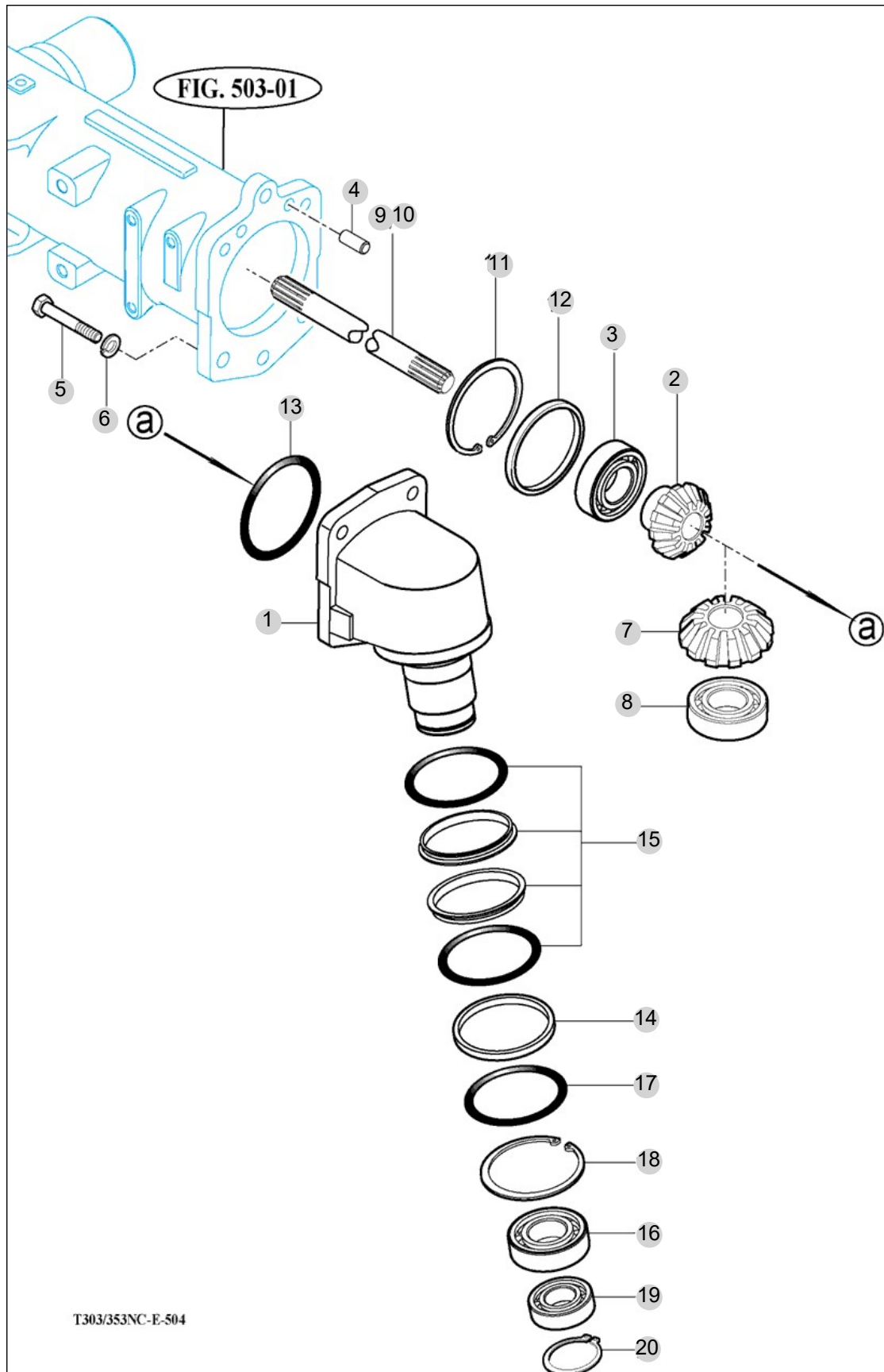
FIG 504

T474ST-B

FRONT GEAR CASE (1)

년/월
Year/Month

2022-12



T303/353NC-E-504

NOTE

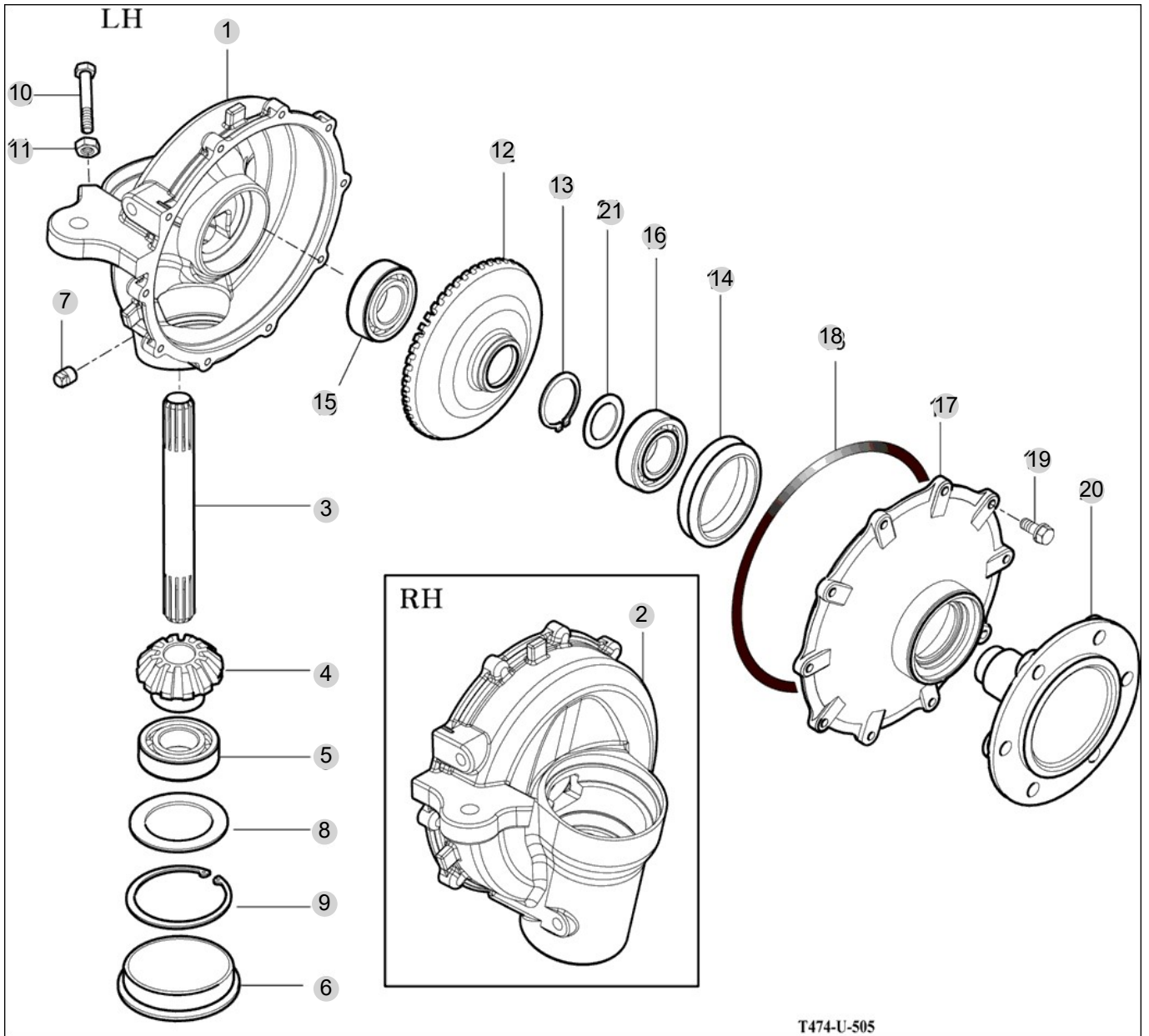
FIG 505

T474ST-B

FRONT GEAR CASE (2)

년/월
Year/Month

2022-12



NOTE

6. Hydraulic/3P-Link PART NO. T6

FIG 601 GEAR PUMP	181
FIG 602 CYLINDER CASE	183
FIG 603 LIFT ARM	185
FIG 604 CYLINDER	187
FIG 605 POSITION LINK (1)	189
FIG 606 POSITION LINK (2)	191
FIG 607 CONTROL VALVE	193
FIG 608 POSITION LEVER	195
FIG 609 HYDRAULIC PIPE (1)[SAP 가져오기]에서 생성함.	197
FIG 609 HYDRAULIC PIPE (1)	199
FIG 610 HYDRAULIC PIPE (2)	201
FIG 611 EXTERIOR HYD VALVE	203
FIG 612 3-POINT LINK	205
FIG 613 HITCH & COVER	208
FIG 614 EXTERIOR POSITION LEVER	210

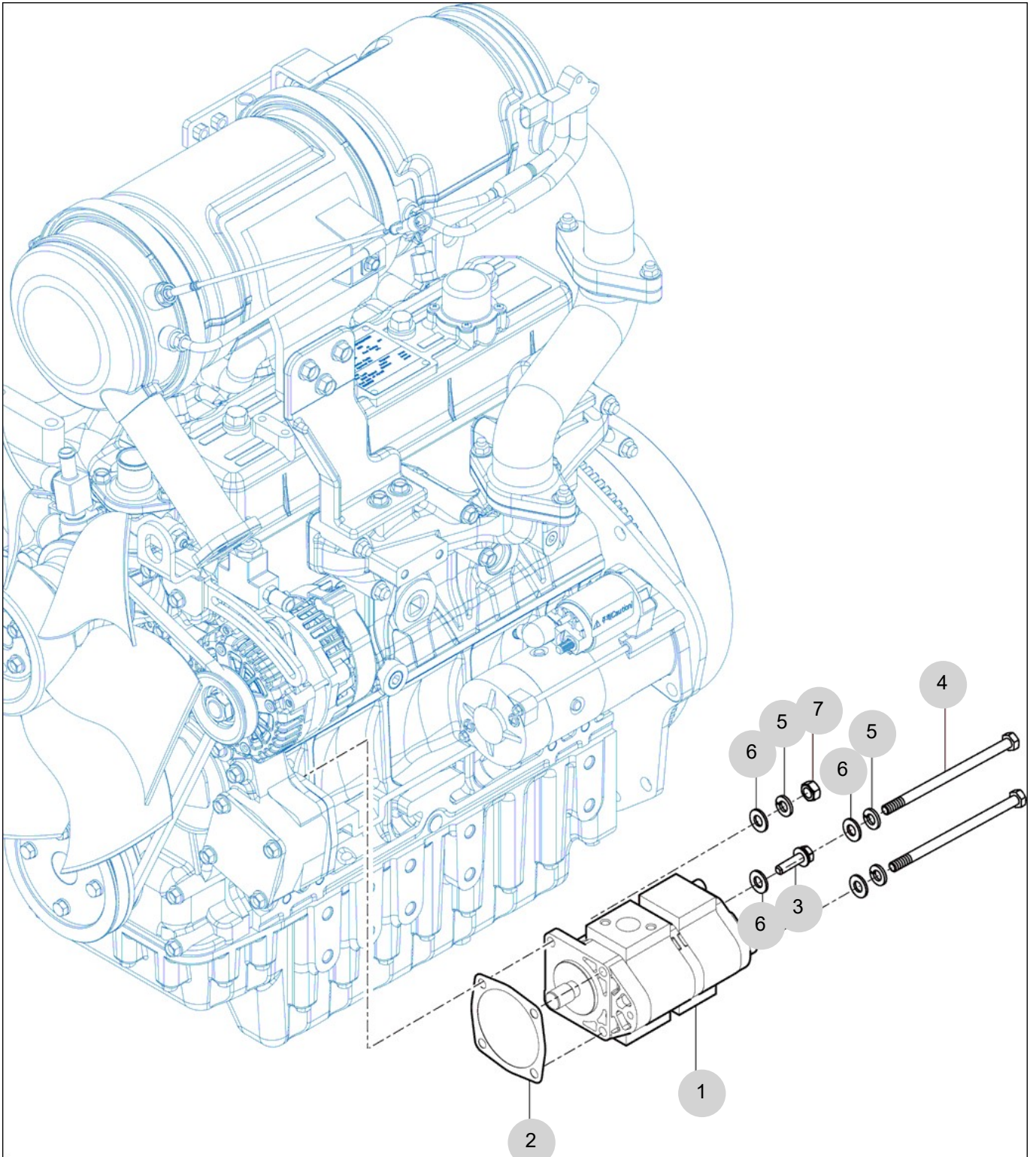
FIG 601

GEAR PUMP

년/월
Year/Month

T474ST-B

2022-12



NOTE

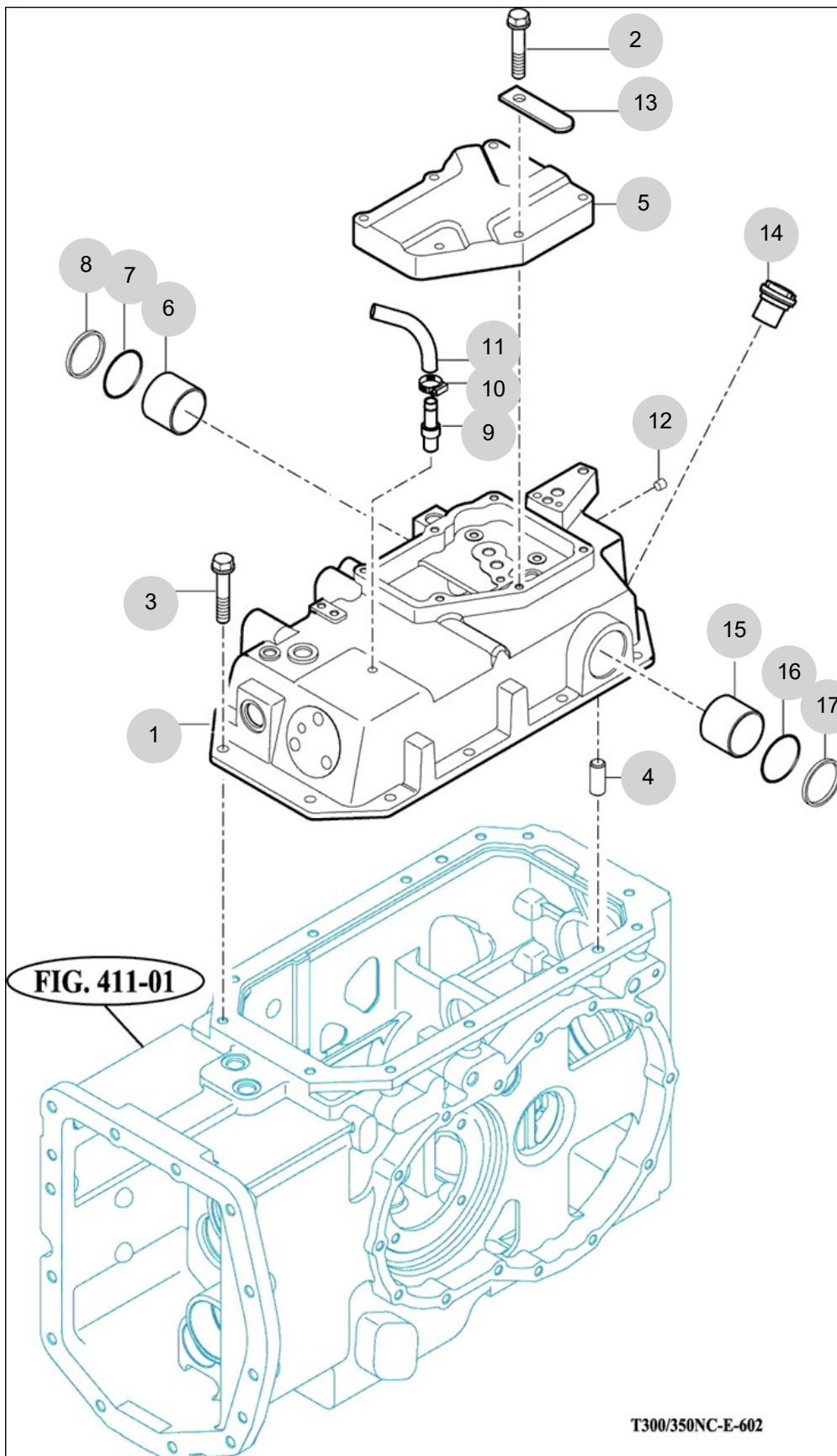
FIG 602

CYLINDER CASE

년/월
Year/Month

T474ST-B

2022-12



NOTE

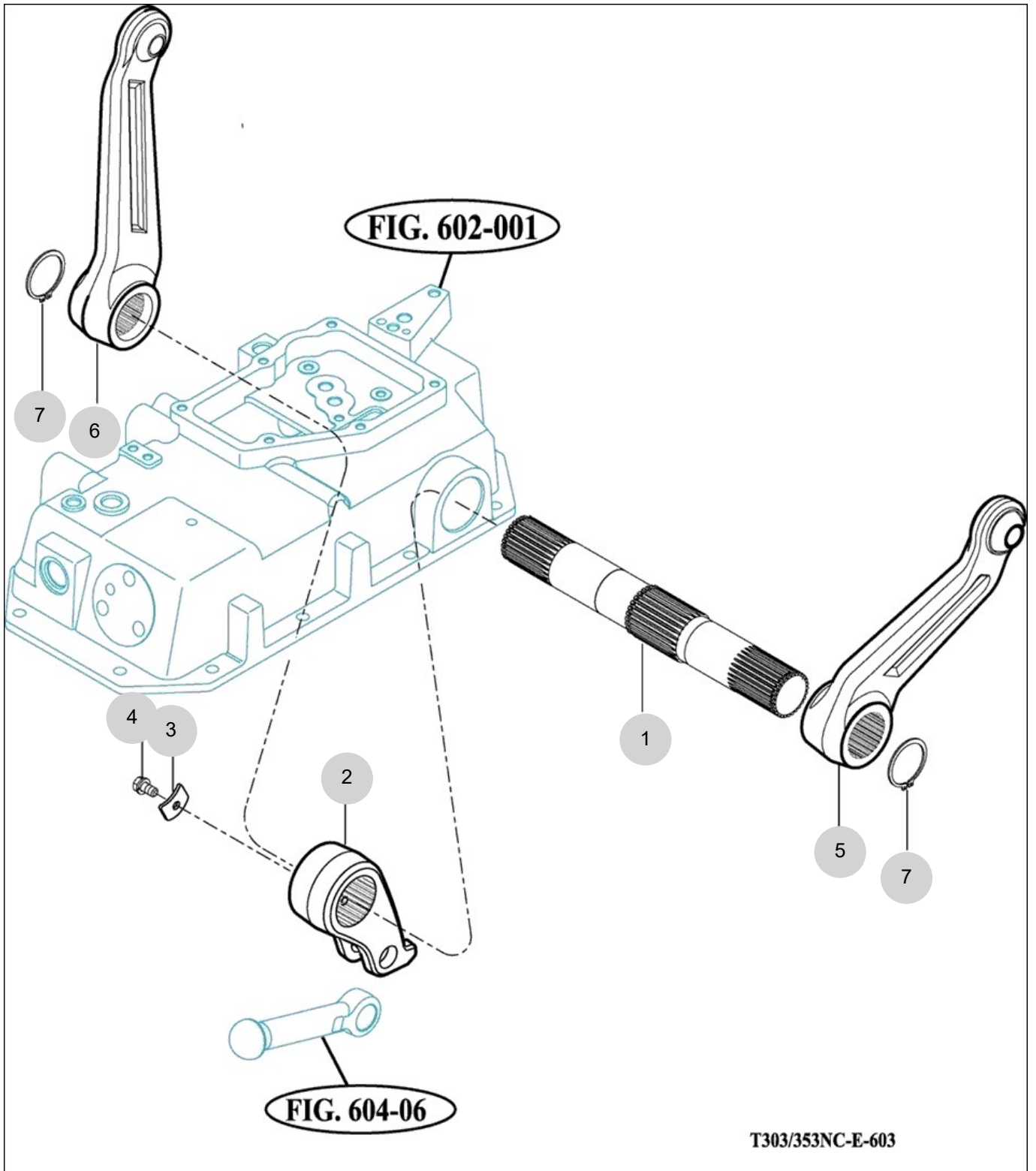
FIG 603

T474ST-B

LIFT ARM

년/월
Year/Month

2022-12



NOTE

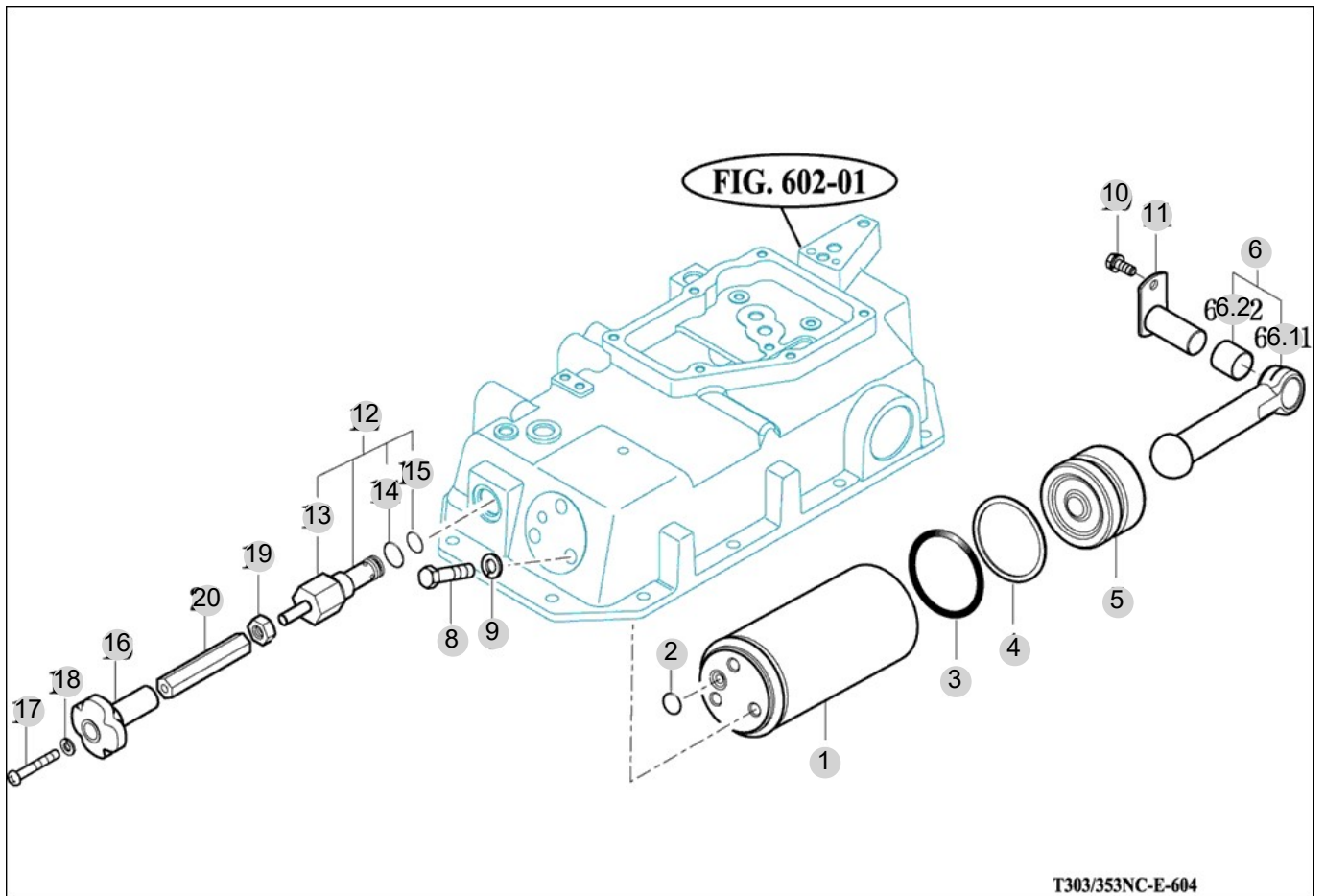
FIG 604

T474ST-B

CYLINDER

년/월
Year/Month

2022-12



NOTE

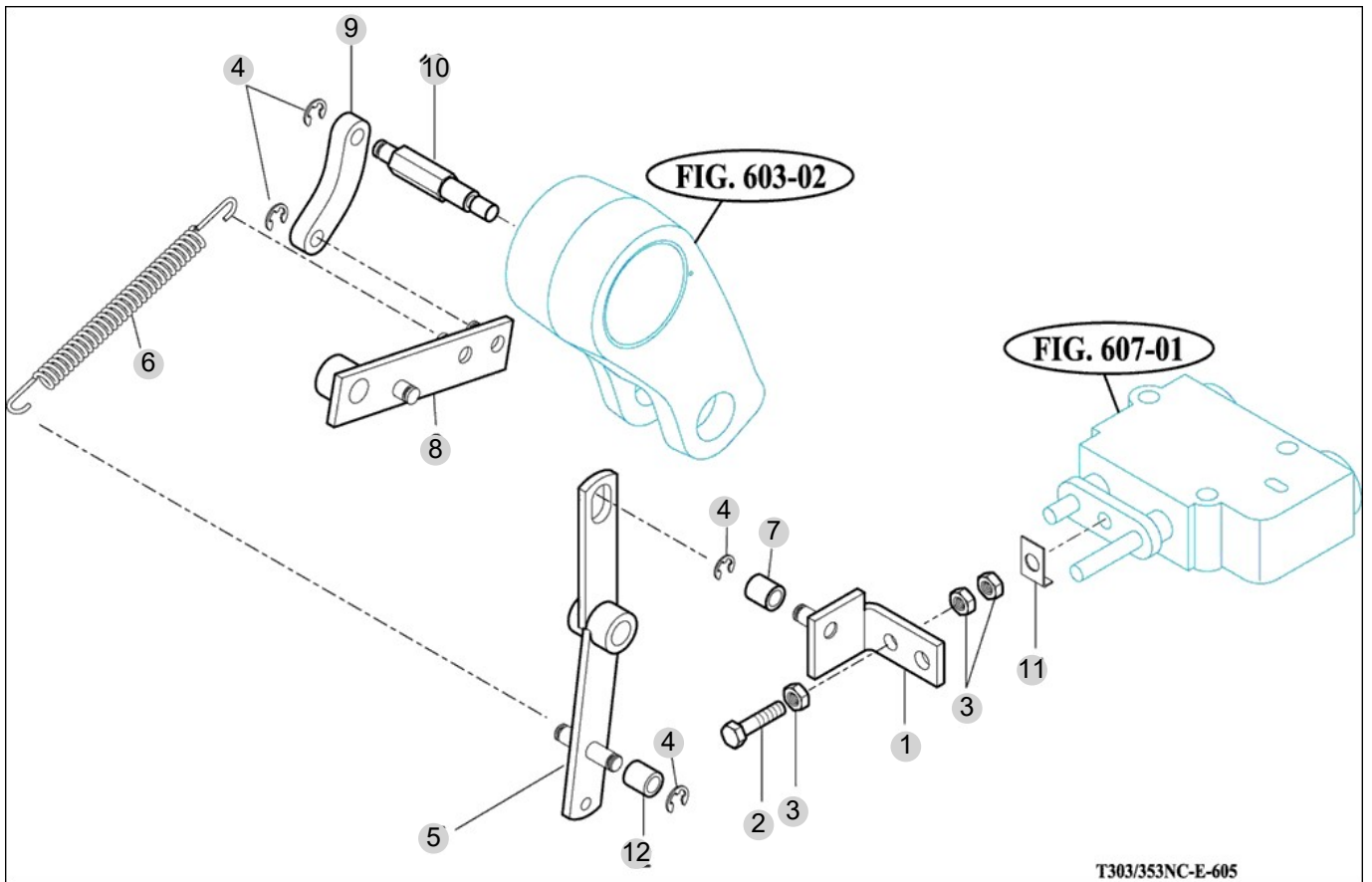
FIG 605

T474ST-B

POSITION LINK (1)

년/월
Year/Month

2022-12



T303/353NC-E-605

NOTE

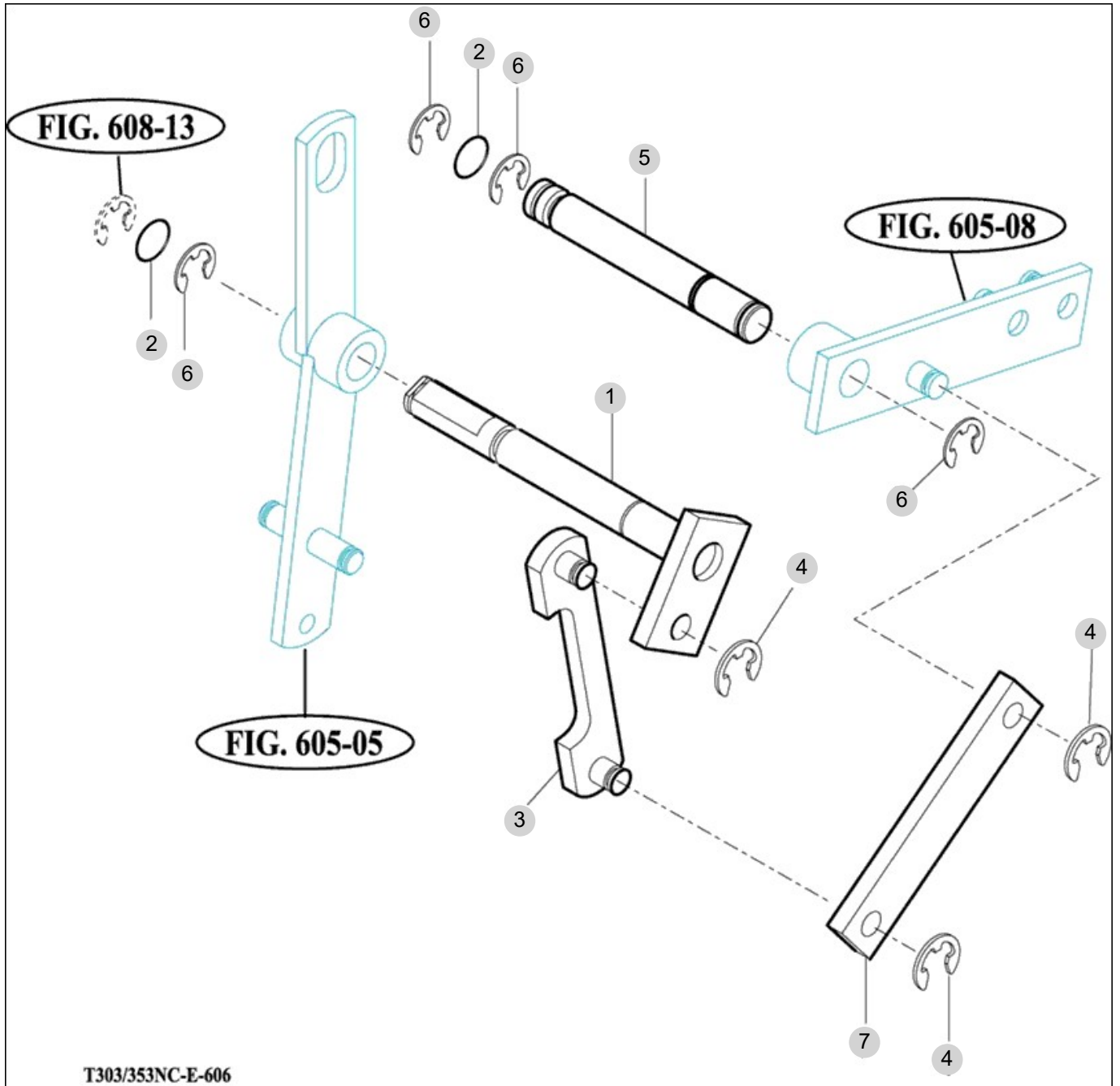
FIG 606

T474ST-B

POSITION LINK (2)

년/월
Year/Month

2022-12



NOTE

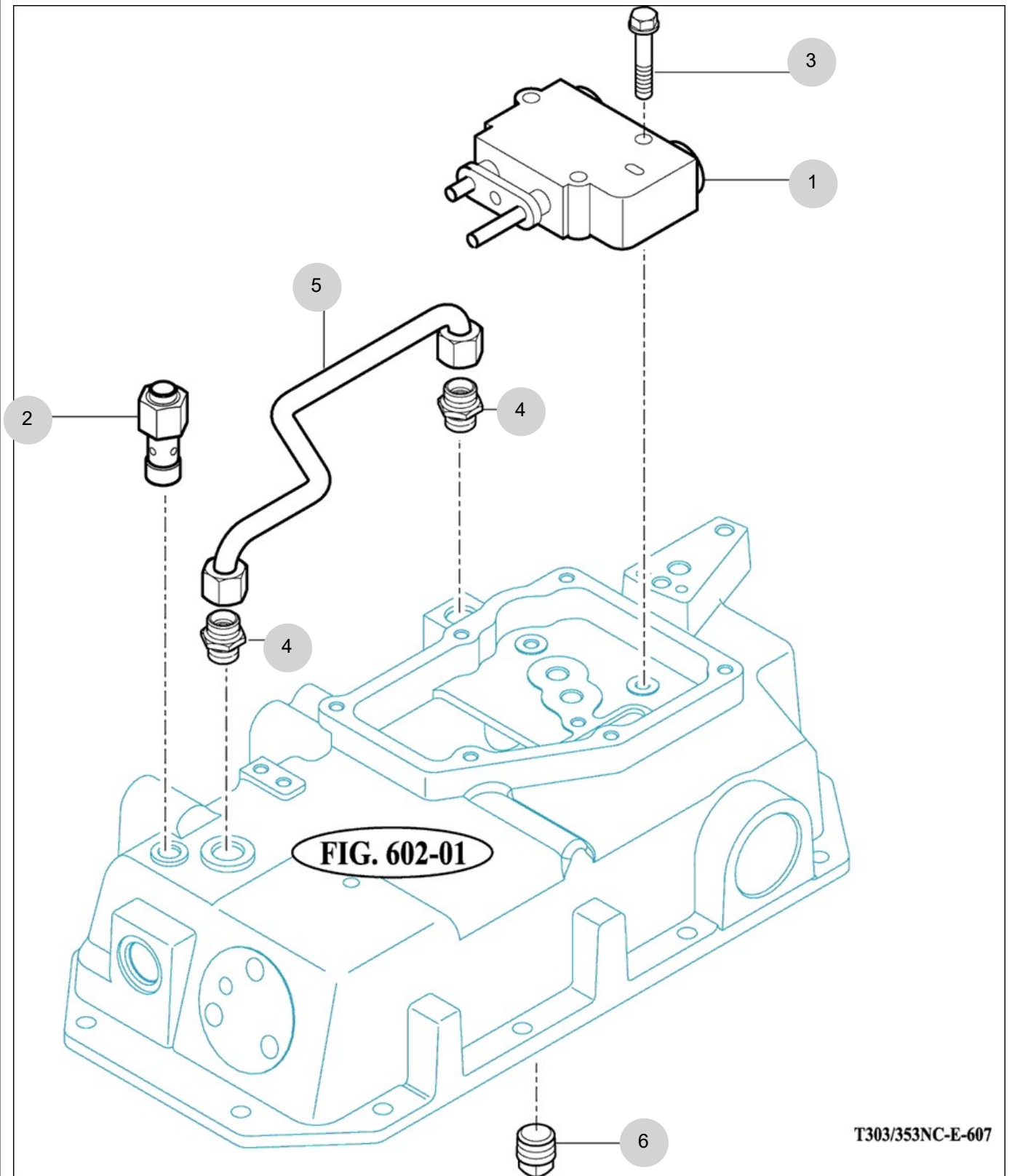
FIG 607

T474ST-B

CONTROL VALVE

년/월
Year/Month

2022-12



NOTE

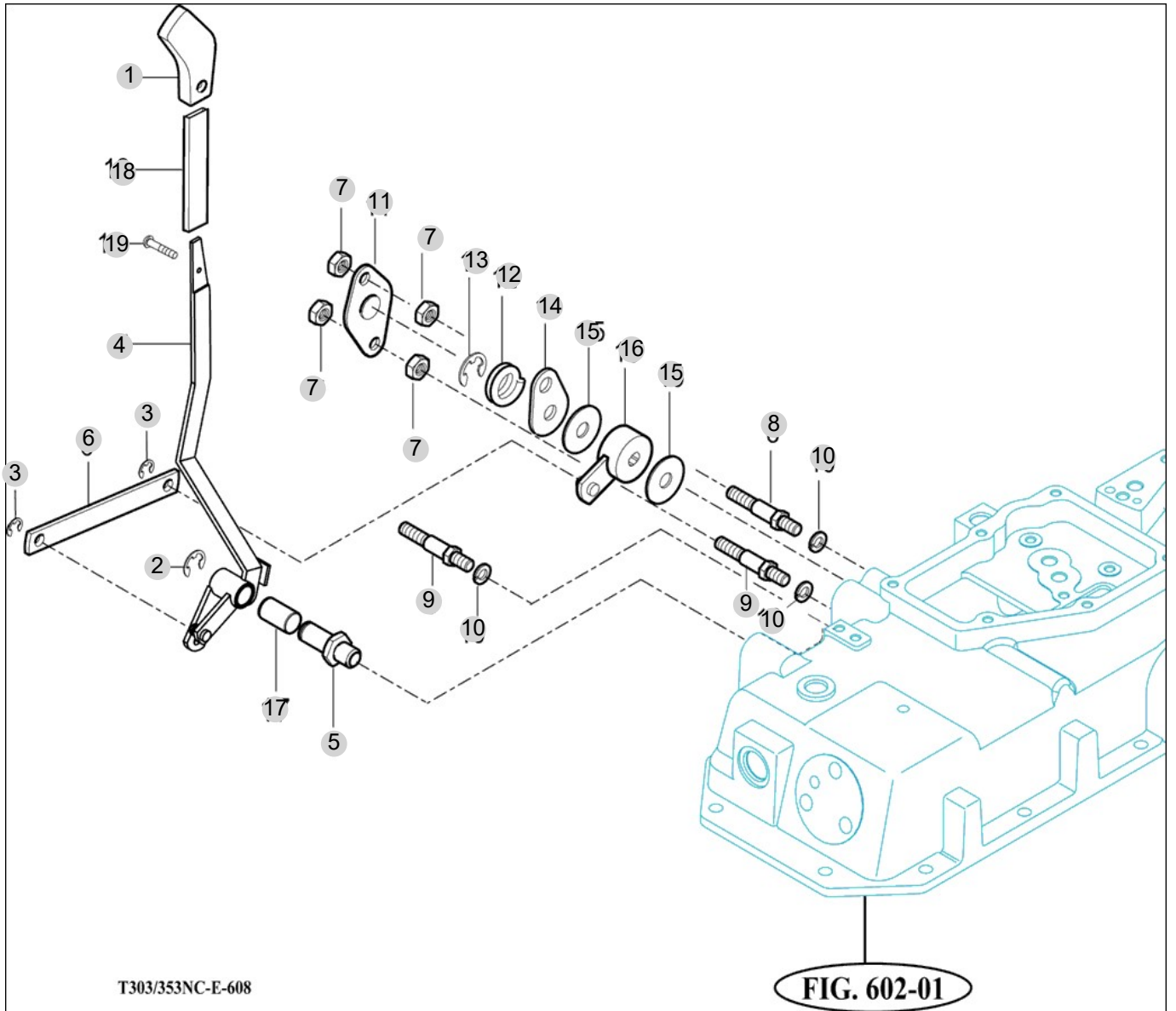
FIG 608

T474ST-B

POSITION LEVER

년/월
Year/Month

2022-12



NOTE

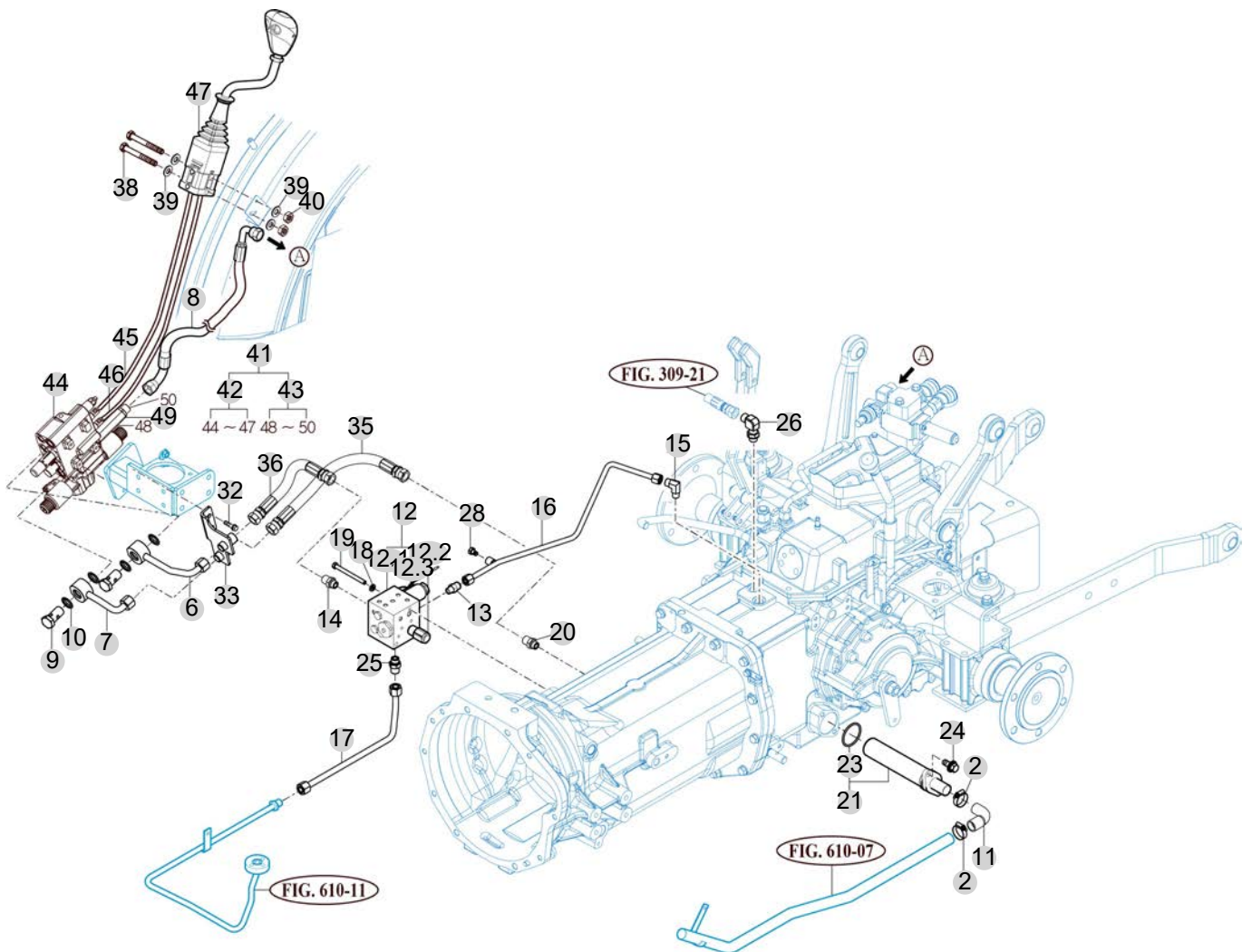
FIG 609

T474ST-B

HYDRAULIC PIPE (1)[SAP 가져오기]에서 생성
함.

년/월
Year/Month

2022-12



NOTE

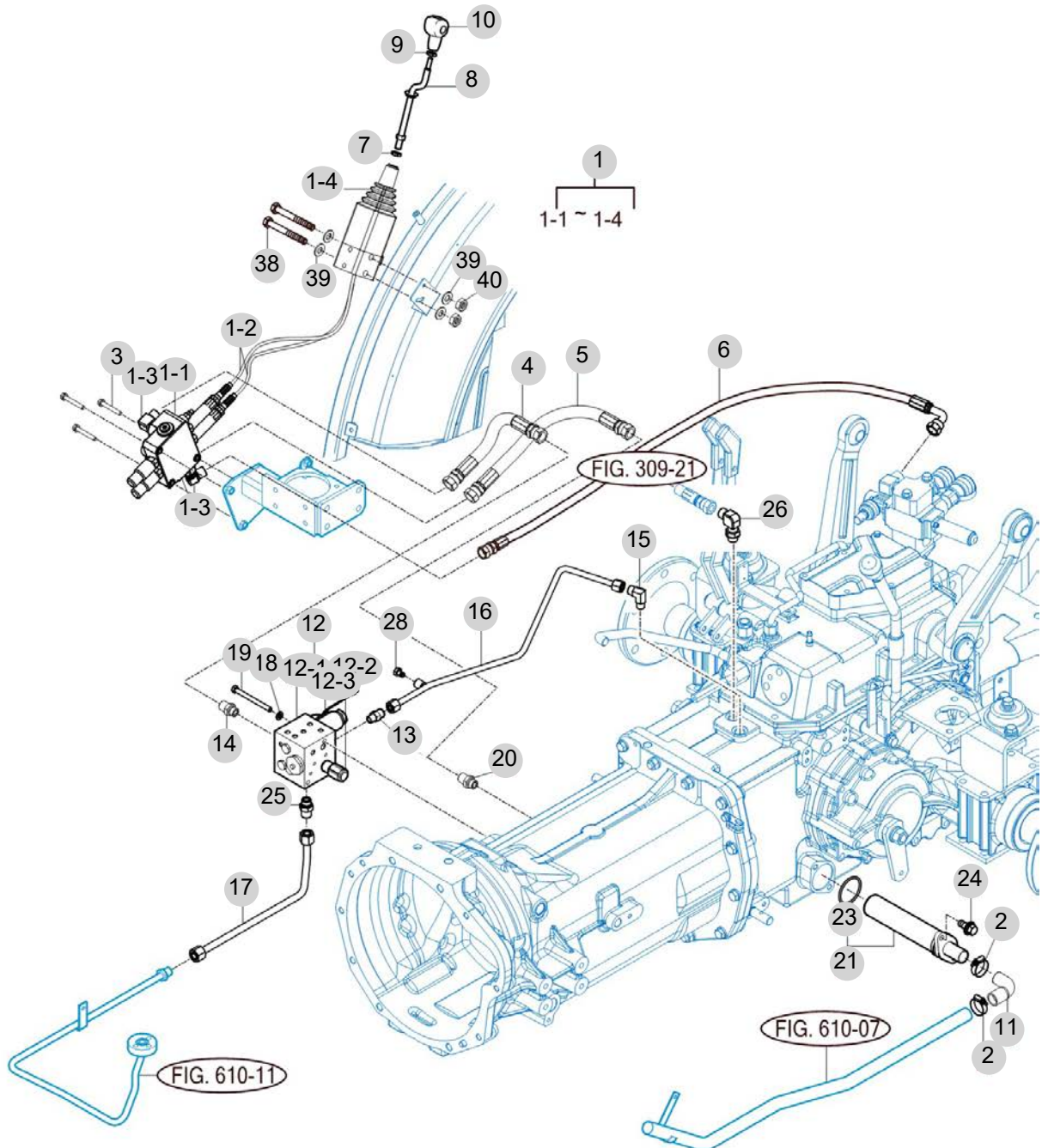
FIG 609

HYDRAULIC PIPE (1)

년/월
Year/Month

2022-12

T474ST-B



NOTE

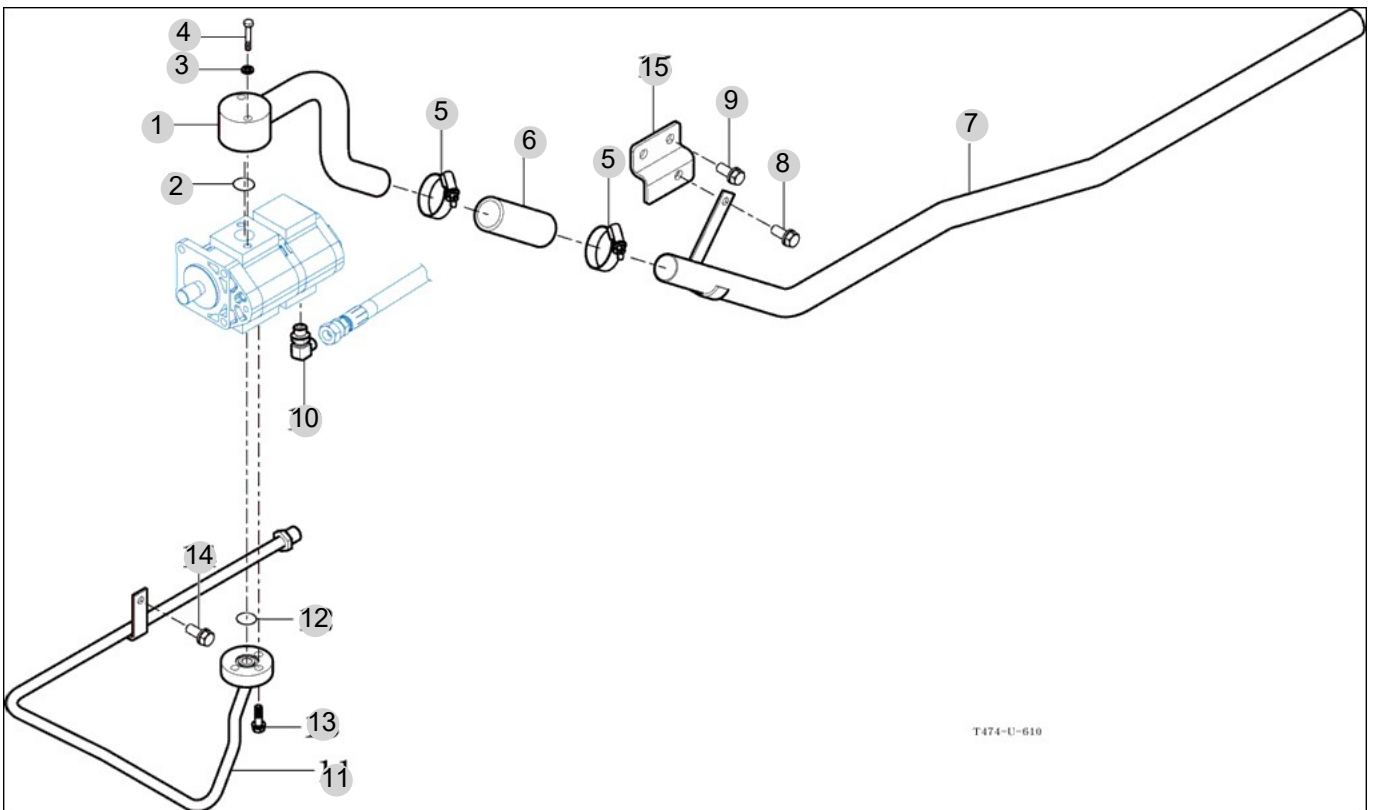
FIG 610

HYDRAULIC PIPE (2)

년/월
Year/Month

2022-12

T474ST-B



T474-U-610

NOTE

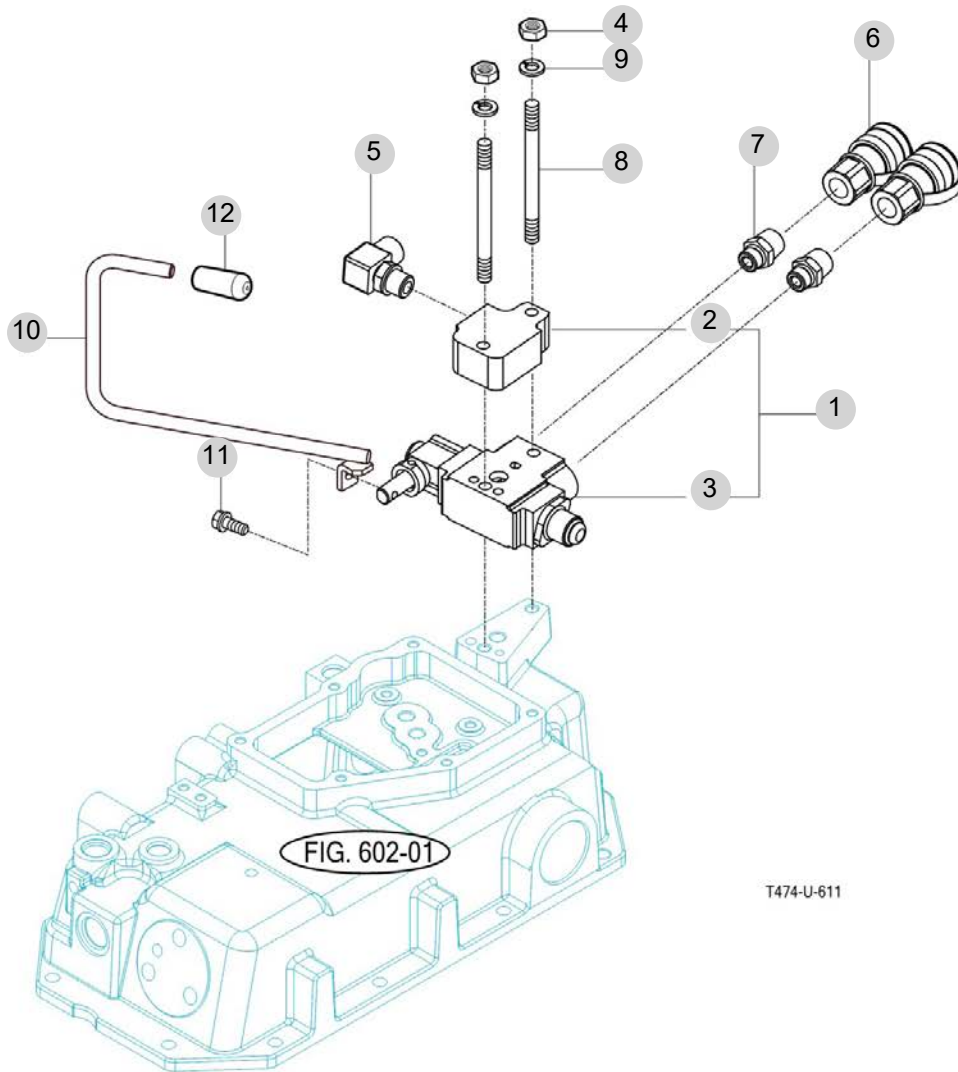
FIG 611

T474ST-B

EXTERIOR HYD VALVE

년/월
Year/Month

2022-12



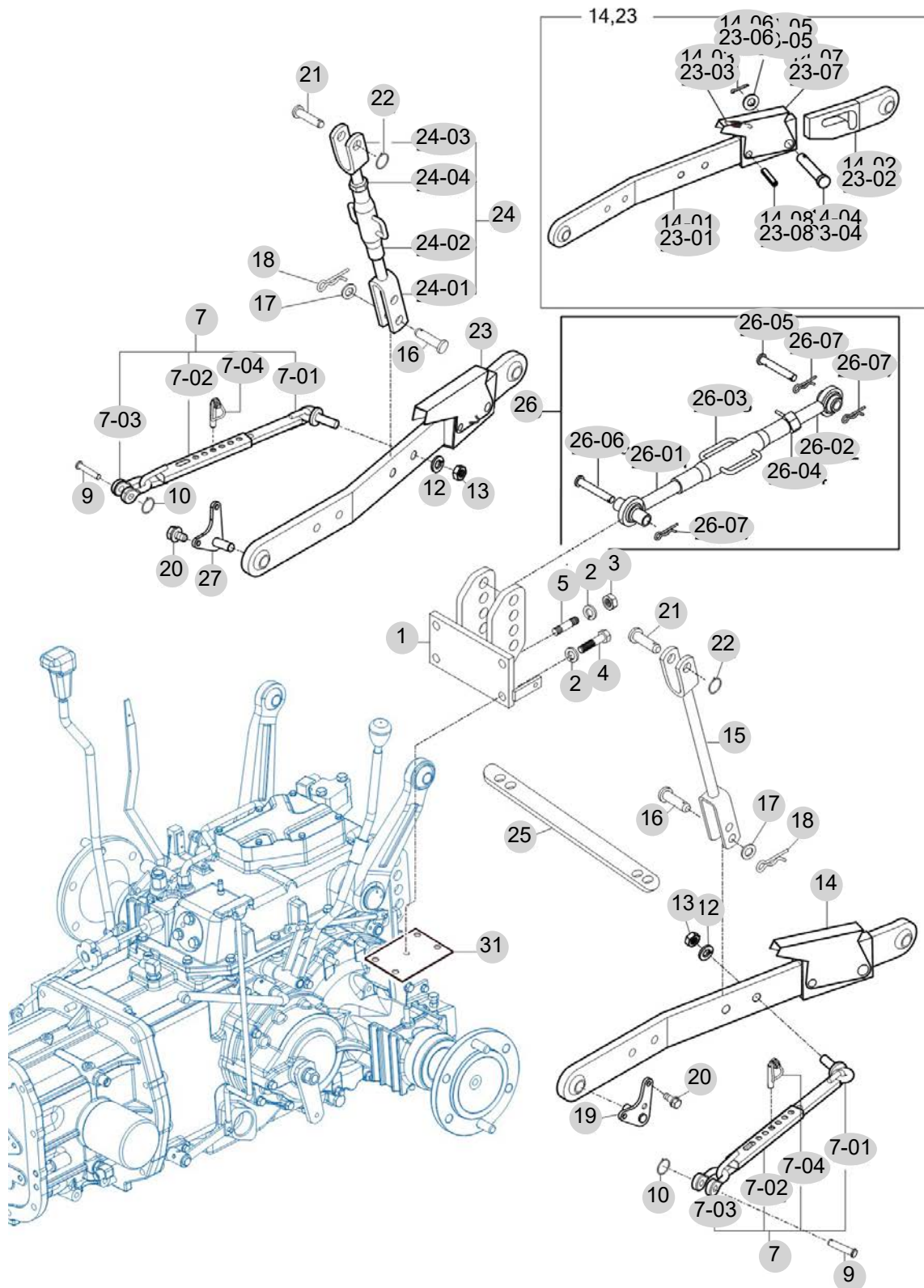
NOTE

FIG 612

3-POINT LINK

년/월
Year/Month

2022-12



NOTE

FIG 612		3-POINT LINK					년/월 Year/Month		
							2022-12		
T474ST-B		KEY NO	PART NO	DESCRIPTION	SPEC	QTY	REPAIR	EFFECTIVE DATE	REMARKS
612	1	12393172000GB	BRACKET COMP , TOP LINK			1			
612	2	V4011600140	WASHER , SPRING	M14		4			
612	3	V3043600140	NUT , HEX/2	M14		2			
612	4	V2014614035	BOLT , HEX			2			
612	5	V2514414030	BOLT , STUD/2	M14X30		2			
612	7	10525142500	CHAIN ASSY , CHECK			2			
612	7-01	10525142520	BAR COMP , CHECK			2			
612	7-02	10525142510	SOCKET COMP , CHECK			2			
612	7-03	16705142520	SHACKLE , CHECK CHAIN			2			
612	7-04	17705254200	PIN	M14		2			
612	9	79636110030	PIN , 12X48			2			
612	10	16735240060	Spring			2			
612	12	V4011600160	WASHER , SPRING	M16		2			
612	13	V3013600160	NUT , HEX/2	M16		2			
612	14	10525262300GB	LINK ASSY , LH LOWER			1			
612	14	10525262301GB	LOWER LINK ASSY , LH			1			
612	14-01	10525262310	LINK SUB , LOWER LH/FR			1			
612	14-02	10525262320	LINK SUB , LOWER LH/RR			1			
612	14-03	15155262330	SPRING , EXTENSION			1			
612	14-04	15155262340	PIN , 22X56			1			
612	14-05	V4111600220	WASHER , PLAIN	M22		1			
612	14-06	V5001940035	PIN , SPLIT	4X35		1			
612	14-07	15155262350	GRIP			1			
612	14-08	15155262360	PIN , SPRING			1			
612	15	10525243000GB	ROD ASSY , LIFT			1			
612	16	15605260014	PIN , 16X51			2			
612	17	V4111600160	WASHER , PLAIN	M16		2			
612	18	V5601600160	PIN , SNAP			2			
612	19	12385142200	PIN COMP , LH			2			
612	20	V2173612030	BOLT , HEX/S	M12X30		4			
612	21	16735243500	PIN			2			
612	22	16735240060	Spring			2			
612	23	10525262200GB	LINK ASSY , RH LOWER			1			
612	23	10525262201GB	LOWER LINK ASSY , RH			1			
612	23-01	10525262210	LINK SUB , LOWER RH/FR			1			
612	23-02	10525262220	LINK SUB , LOWER RH/RR			1			
612	23-03	15155262330	SPRING , EXTENSION			1			
612	23-04	15155262340	PIN , 22X56			1			
612	23-05	V4111600220	WASHER , PLAIN	M22		1			
612	23-06	V5001940035	PIN , SPLIT	4X35		1			
612	23-07	15155262350	GRIP			1			
612	23-08	15155262360	PIN , SPRING			1			
612	24	10525244000GB	ROD ASSY , RH LIFT			1			
612	24-04	V3023600220	NUT , HEX/3			1			
612	24-01	10525145200	FORK COMP , LOW			1			
NOTE									

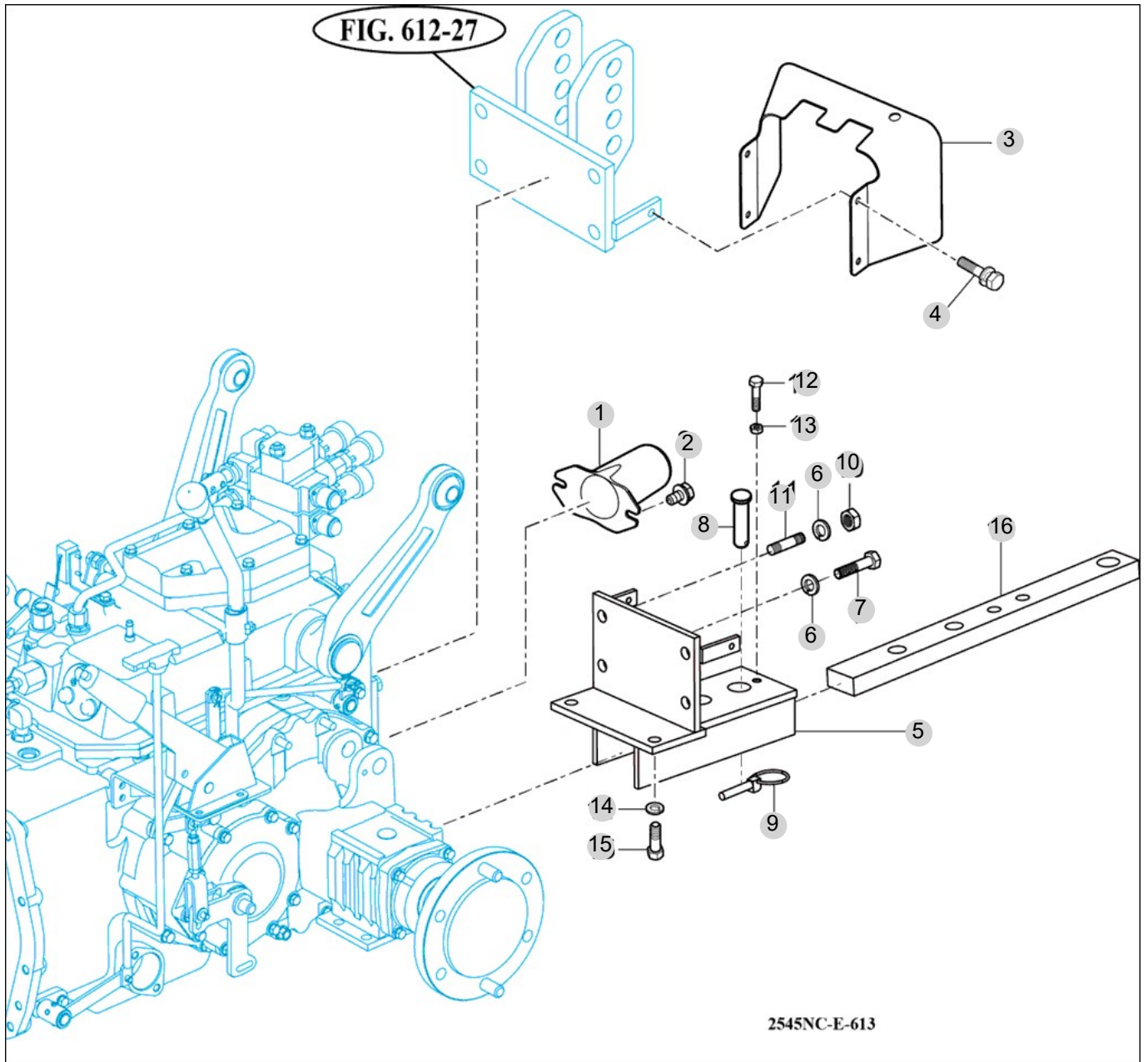
FIG 613

HITCH & COVER

년/월
Year/Month

T474ST-B

2022-12



NOTE

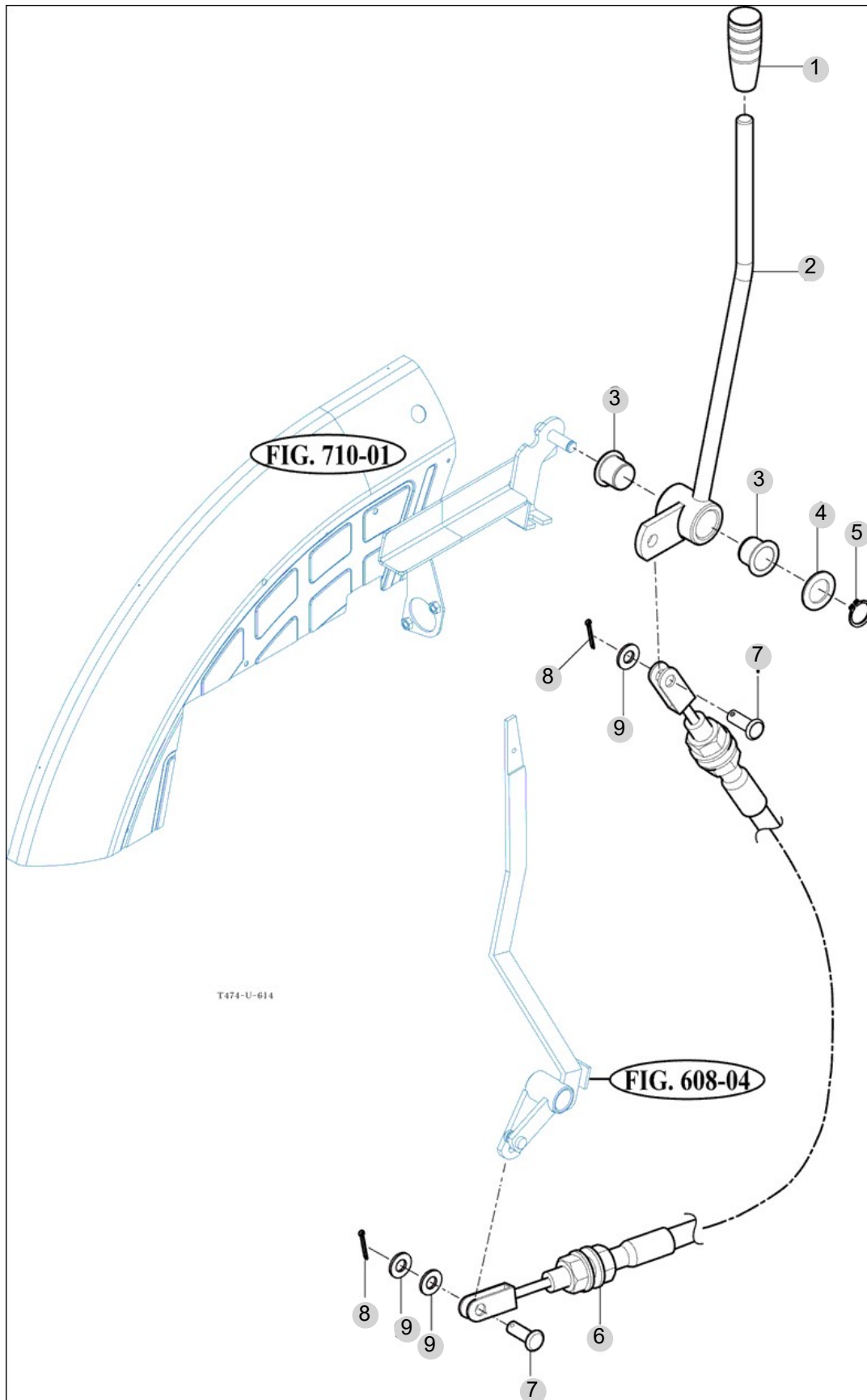
FIG 614

EXTERIOR POSITION LEVER

년/월
Year/Month

T474ST-B

2022-12



NOTE

7. Sheet Metal & Cabin PART NO. T7

FIG 701 HOOD FRAME	213
FIG 702 HOOD	216
FIG 703 EXTENSION COVER	219
FIG 705 DASH PANEL	221
FIG 708 FRONT & REAR MOUNTING[SAP 가져오기]에서 생성함.	223
FIG 708 FRONT & REAR MOUNTING	225
FIG 709 SEAT & MAT	227
FIG 710 DOOR	229
FIG 711 FRONT GLASS	232
FIG 712 REAR GLASS	234
FIG 713 SUB FENDER & COVER	236
FIG 714 MIRROR	238
FIG 715 HEATER & AIR-CON	240
FIG 716 HEATER & AIR-CON	242
FIG 717 FENDER COVER	244
FIG 718 ROOF	246
FIG 719 CABIN INTERIOR	248

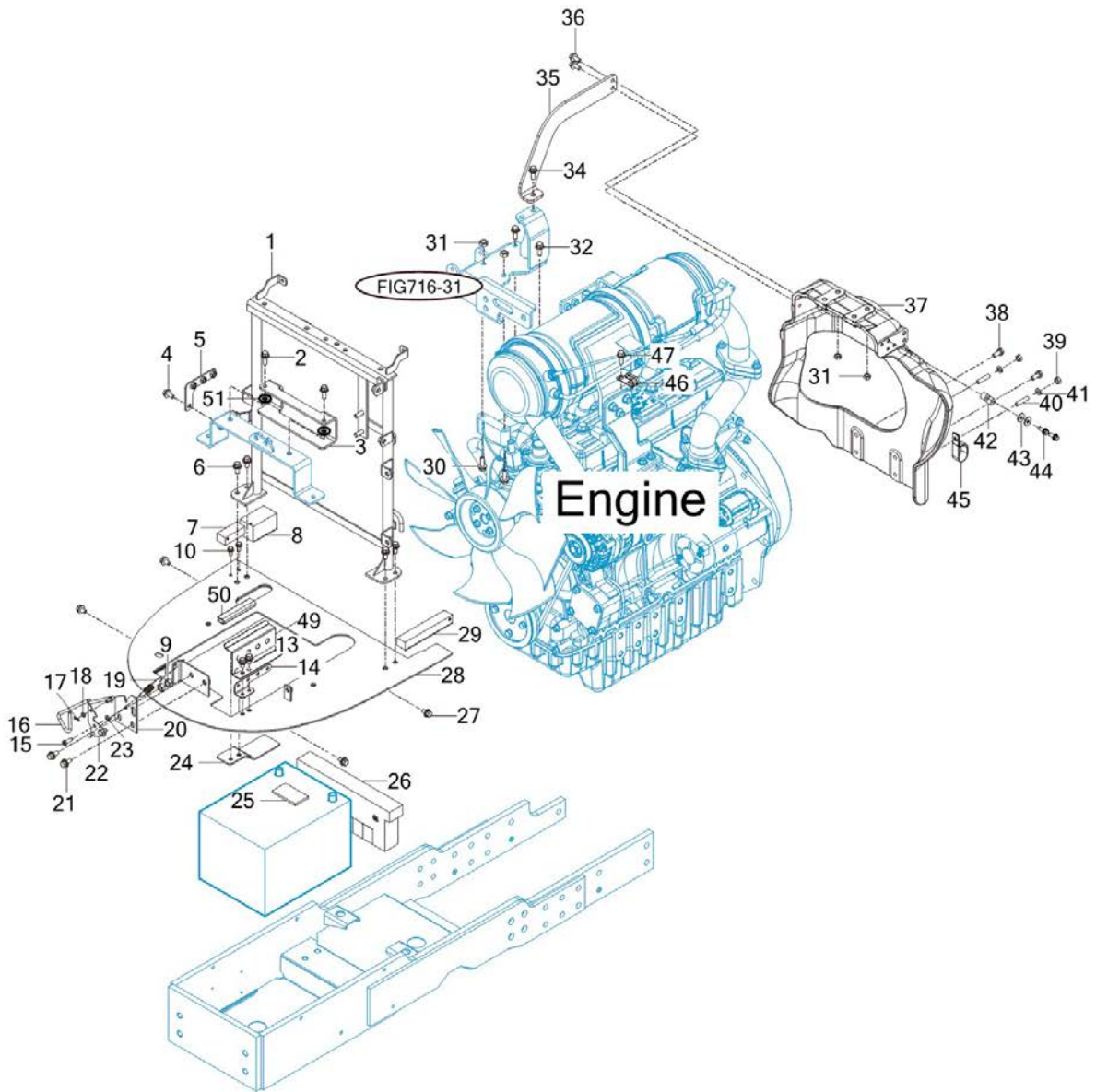
FIG 701

HOOD FRAME

년/월
Year/Month

T474ST-B

2022-12



NOTE

FIG 701		HOOD FRAME					년/월	
							Year/Month	
T474ST-B		2022-12						
KEY NO	PART NO	DESCRIPTION	SPEC	QTY	REPAIR	EFFECTIVE DATE	REMARKS	
701	1	13831031100GB	FRAME COMP , FRONT			1		
701	2	V2183608020	BOLT , HEX/SP	M8X20		2		
701	2	V2183608030	BOLT , HEX/SP	M8X30		2		
701	3	13831811400GB	BRACKET , BATTERY FIX			1		
701	4	V2183608020	BOLT , HEX/SP	M8X20		1		
701	5	13831613200GB	BRACKET COMP , RELAY			1		
701	6	V2183608020	BOLT , HEX/SP	M8X20		4		
701	7	13831030700	INSULATOR , B			1		
701	8	13831030800	INSULATOR , C			1		
701	9	V3013600060	NUT .HEX NORMAL /2	M6		2		
701	10	V2123606016	BOLT , HEX /SP	M6X16		2		
701	13	V2183606016	BOLT , HEX/SP	M6X16		2		
701	14	13831613400GB	BRACKET , FUSE			1		
701	15	V2323606020	BOLT , C/R HEX/SP	M6X20		1		
701	16	18366024300	ROD COMP, OPEN			1		
701	17	V5001925020	PIN D2.5x20	2.5X20		1		
701	18	V4111600060	WASHER , PLAIN	M6		1		
701	19	14143120020	SPRING , TENSION 53	D=1.2		1		
701	19	11106020010	SPRING , TENSION 40			1		
701	20	11106024210	STAY , HOOD B			1		
701	21	V2183608020	BOLT , HEX/SP	M8X20		2		
701	22	11106024100	STAY COMP , HOOD A			1		
701	23	V4111600060	WASHER , PLAIN	M6		1		
701	24	13831052200GB	BRACKET COMP , COVER			1		
701	25	13151112011	INSULATOR , 40X70	T=5		1		
701	26	13831030500	INSULATE , GRILL PLATE			1		
701	27	V2183608016	BOLT , HEX/SP	M8X16		4		
701	28	13831052101GB	PLATE COMP , GRILL			1		
701	29	13831030600	INSULATOR , A			1		
701	30	V2173610055	BOLT , HEX/S	M10X55		2		
701	31	V3042600100	NUT , HEX/2	M10		4		
701	32	V2183610025	BOLT , HEX/SP	M10X25		2		
701	34	V2183608025	BOLT , HEX/SP	M8X25		1		
701	35	13831811200GB	STRUT BAR			1		
701	36	V2183608020	BOLT , HEX/SP	M8X20		2		
701	37	13831811100GB	E/G REAR SUPPORTER			1		
701	38	V2173608025	BOLT , HEX/S	M8X25		2		
701	39	V3042600080	NUT , HEX/2	M8		2		
701	40	V2513408025	BOLT , STUD/2	M8X25		2		
701	41	V4011600080	WASHER , SPRING	M8		2		
701	42	13831811300	SPACER			2		
701	43	V4111600060	WASHER , PLAIN	M6		2		
701	44	V2113606040	BOLT , HEX /S	M6X40		2		
701	45	14441010161	CLAMP , RADIATOR HOSE	1X1X1		1		
701	46	14256210040	CLAMP , 9			1		
NOTE								

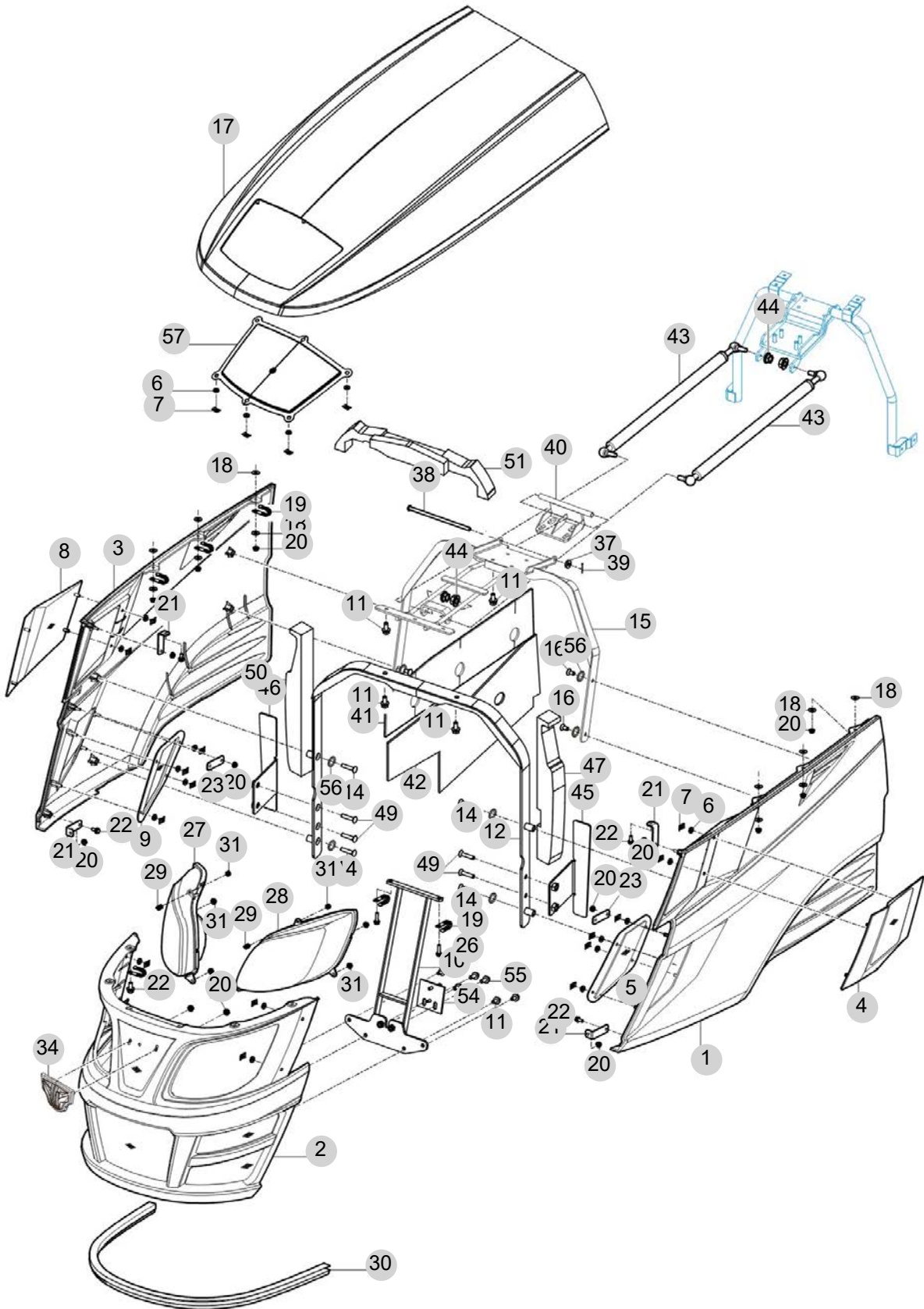
FIG 702

HOOD

년/월
Year/Month

2022-12

T474ST-B



NOTE

FIG 702		HOOD					년/월 Year/Month		
							2022-12		
T474ST-B		KEY NO	PART NO	DESCRIPTION	SPEC	QTY	REPAIR	EFFECTIVE DATE	REMARKS
702	1	17406203301SR	COVER COMP , SIDE/LH			1			
702	1	17406203302SR	COVER COMP , SIDE/LH			1			
702	1	17406203303SR	COVER COMP , SIDE/LH			1			
702	2	17406203200GB	GRILLE COMP			1			
702	2	17406203201GB	GRILLE COMP			1			
702	3	17406203401SR	COVER COMP , SIDE/RH			1			
702	3	17406203402SR	COVER COMP , SIDE/RH			1			
702	3	17406203403SR	COVER COMP , SIDE/RH			1			
702	4	17406203500GB	NET , UPR/LH			1			
702	5	17406203600GB	NET , LOW/LH			1			
702	6	14446010150	WASHER , NET			22			
702	7	V3501600060	NUT, PUSH-ON SPRING	M6		22			
702	8	17406203700GB	NET , UPR/RH			1			
702	9	17406203800GB	NET , LOW/RH			1			
702	10	18366202500GB	PIN COMP , HOOD LOCK			1			
702	11	V2183608020	BOLT , HEX/SP	M8X20		13			
702	12	13836202300GB	FRAME COMP , FR			1			
702	14	V1122608040	SCREW , C/R FLAT	M8X40		4			
702	15	17406202700GB	FRAME COMP , HOOD/RR			1			
702	15	13836202700GB	FRAME COMP , HOOD/RR			1			
702	15	13836202701GB	FRAME COMP , HOOD/RR			1			
702	16	V1122608016	SCREW , C/R FLAT	M8X16		4			
702	17	13836213100SR	HOOD COMP			1			
702	17	13836213101SR	HOOD COMP			1			
702	17	13836213102SR	HOOD COMP			1			
702	18	35605033020	WASHER , WIRE WITHDRAWAL	T=1.6		12			
702	19	37371720090	CLAMP , W/HARNES			6			
702	20	V3802600060	NUT , HEX FLANGE	M6		16			
702	21	17406203010GB	PLATE , UPR/SIDE			4			
702	21	17406203011GB	PLATE , UPR/SIDE			4			
702	21	17406203010GB	PLATE , UPR/SIDE			4			
702	22	V2123606016	BOLT , HEX /SP	M6X16		8			
702	23	17406203020GB	PLATE , MID/SIDE			2			
702	26	V2123606025	BOLT , HEX /SP	M6X25		2			
702	27	17406525001	HEAD LAMP ASSY , RH			1			
702	27	17406525002	HEAD LAMP ASSY , RH			1			
702	28	17406524001	HEAD LAMP ASSY , LH			1			
702	28	17406524002	HEAD LAMP ASSY , LH			1			
702	29	36108010080	SPRING , ENTRANCE FOR SEED(HC016)	D=1.6		2			
702	30	17406203900	INSULATOR , HOOD			1			
702	31	19027210060	NUT , NYLON , M6	M6XP1		6			
702	34	19959010010	EMBLEM	1X1X1		1			
702	34	19959010011	EMBLEM			1			
702	34	17406212000	EMBLEM ASSY , V5			1			
702	35	V4111600060	WASHER , PLAIN	M6		2			
NOTE									

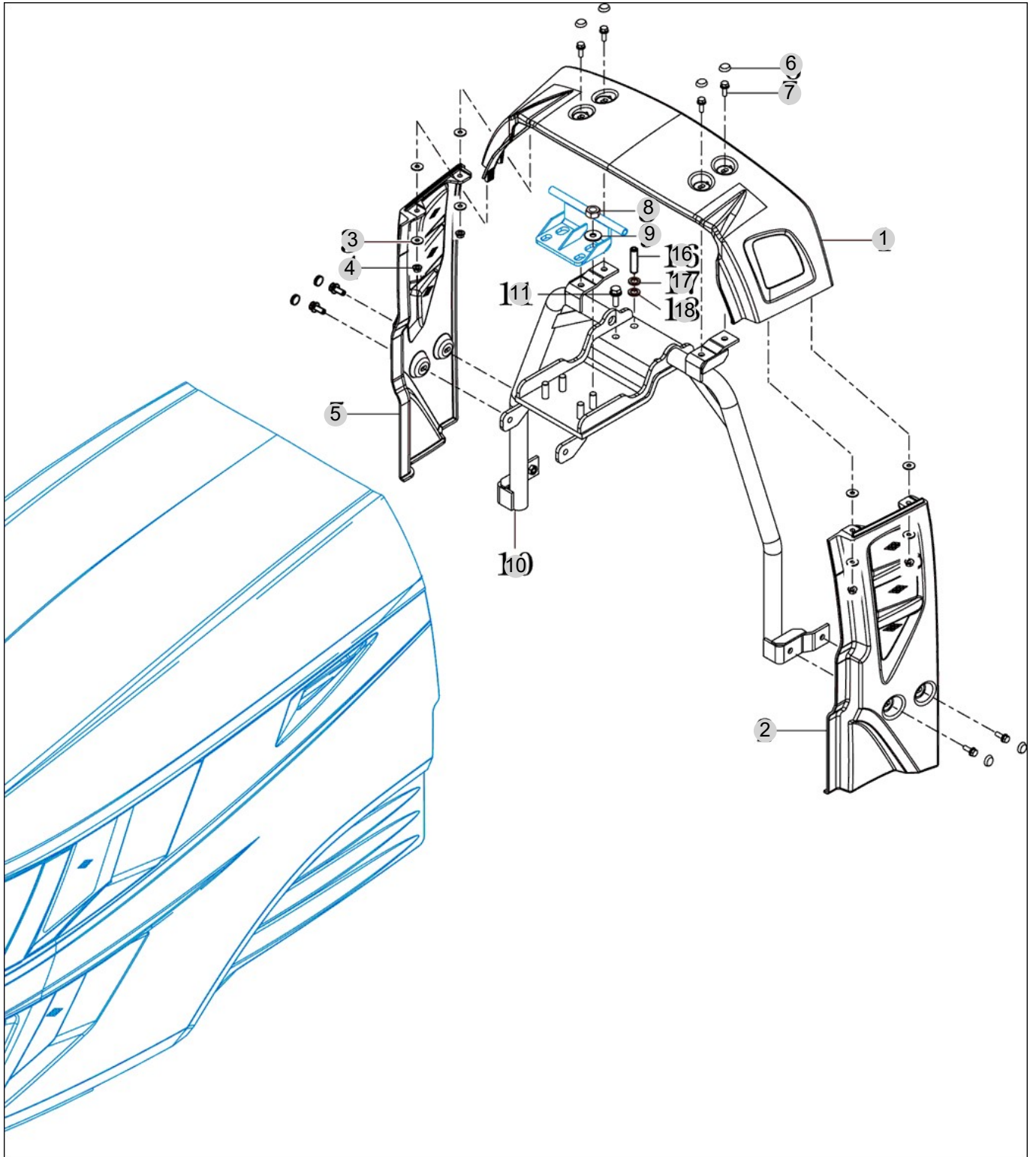
FIG 703

EXTENSION COVER

년/월
Year/Month

2022-12

T474ST-B



NOTE

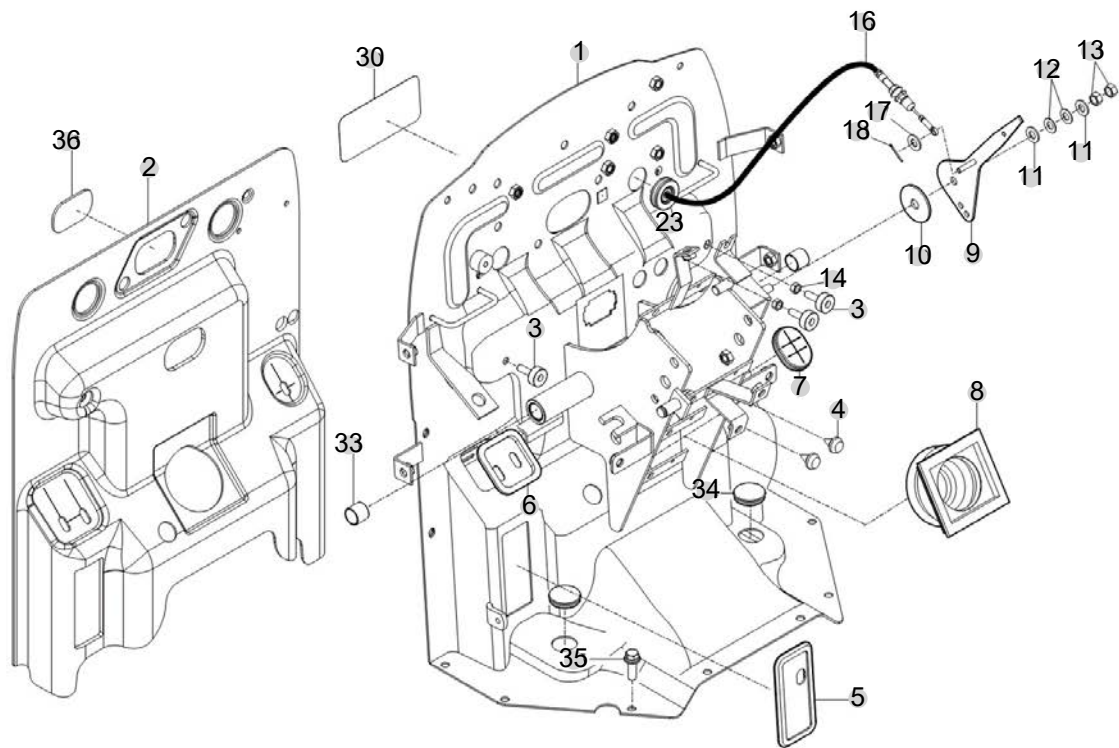
FIG 705

T474ST-B

DASHBOARD

년/월
Year/Month

2022-12



NOTE

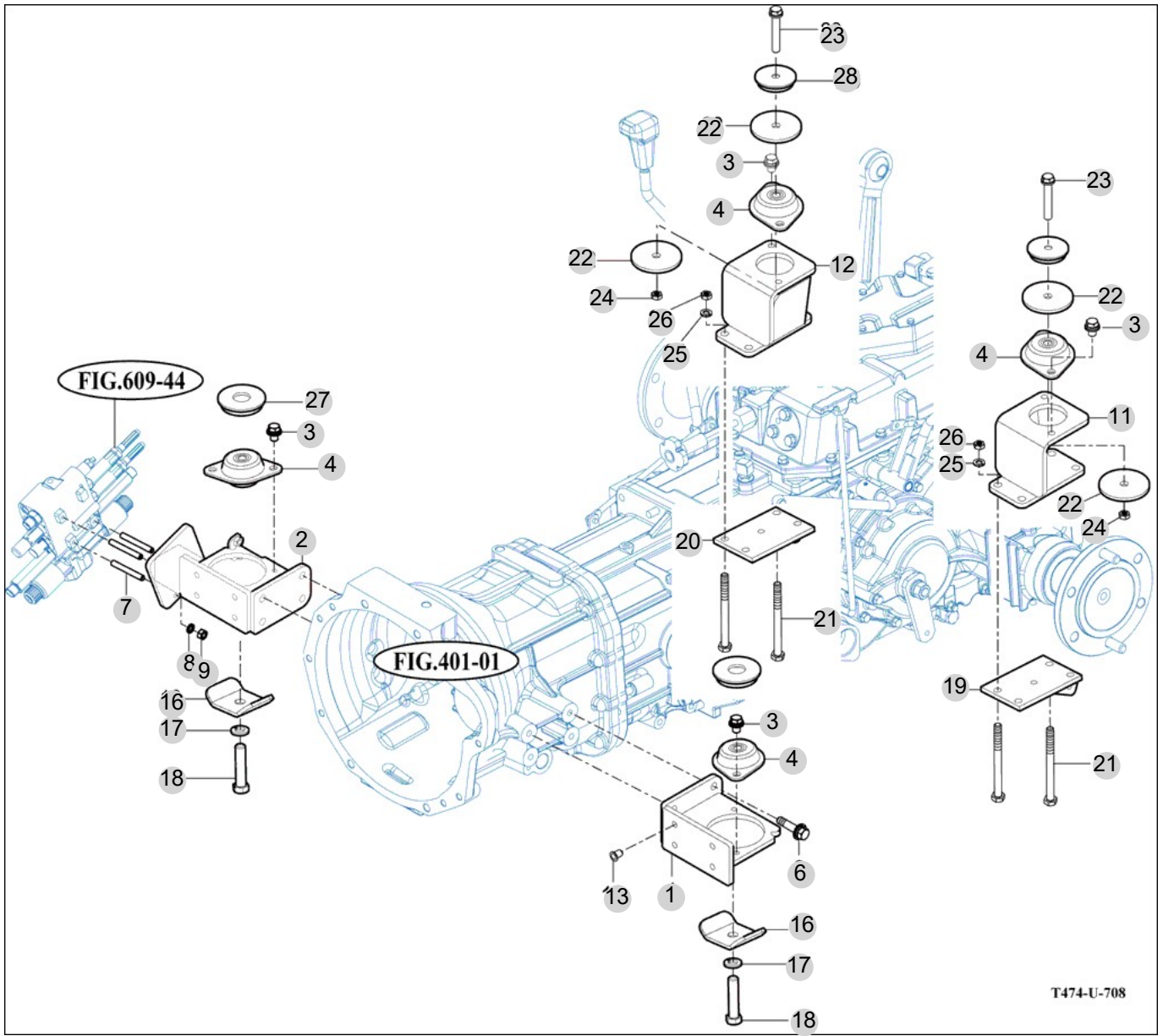
FIG 708

T474ST-B

FRONT & REAR MOUNTING[SAP 가져오기]에서 생성함.

년/월
Year/Month

2022-12



T474-U-708

NOTE

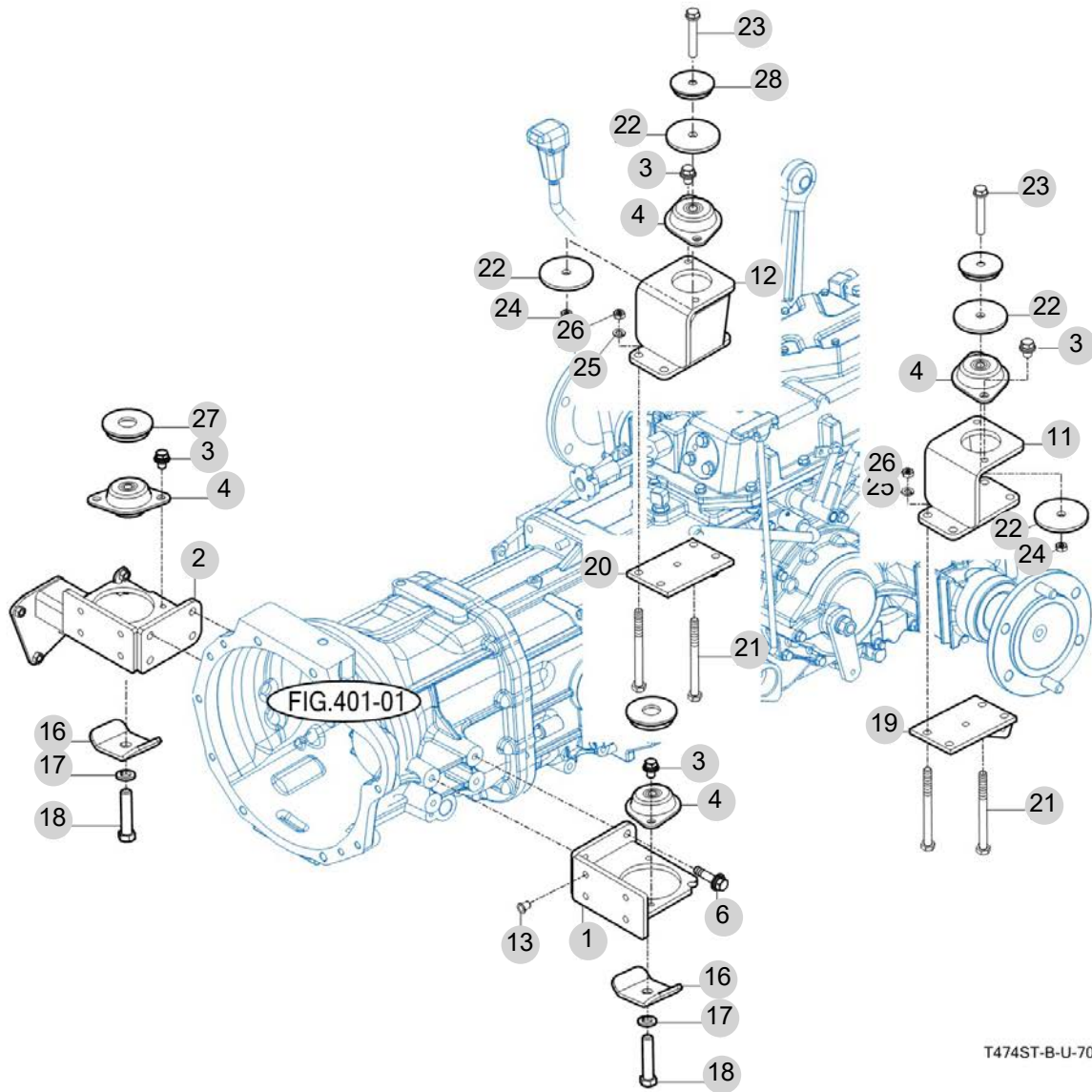
FIG 708

T474ST-B

FRONT & REAR MOUNTING

년/월
Year/Month

2022-12



T474ST-B-U-708

NOTE

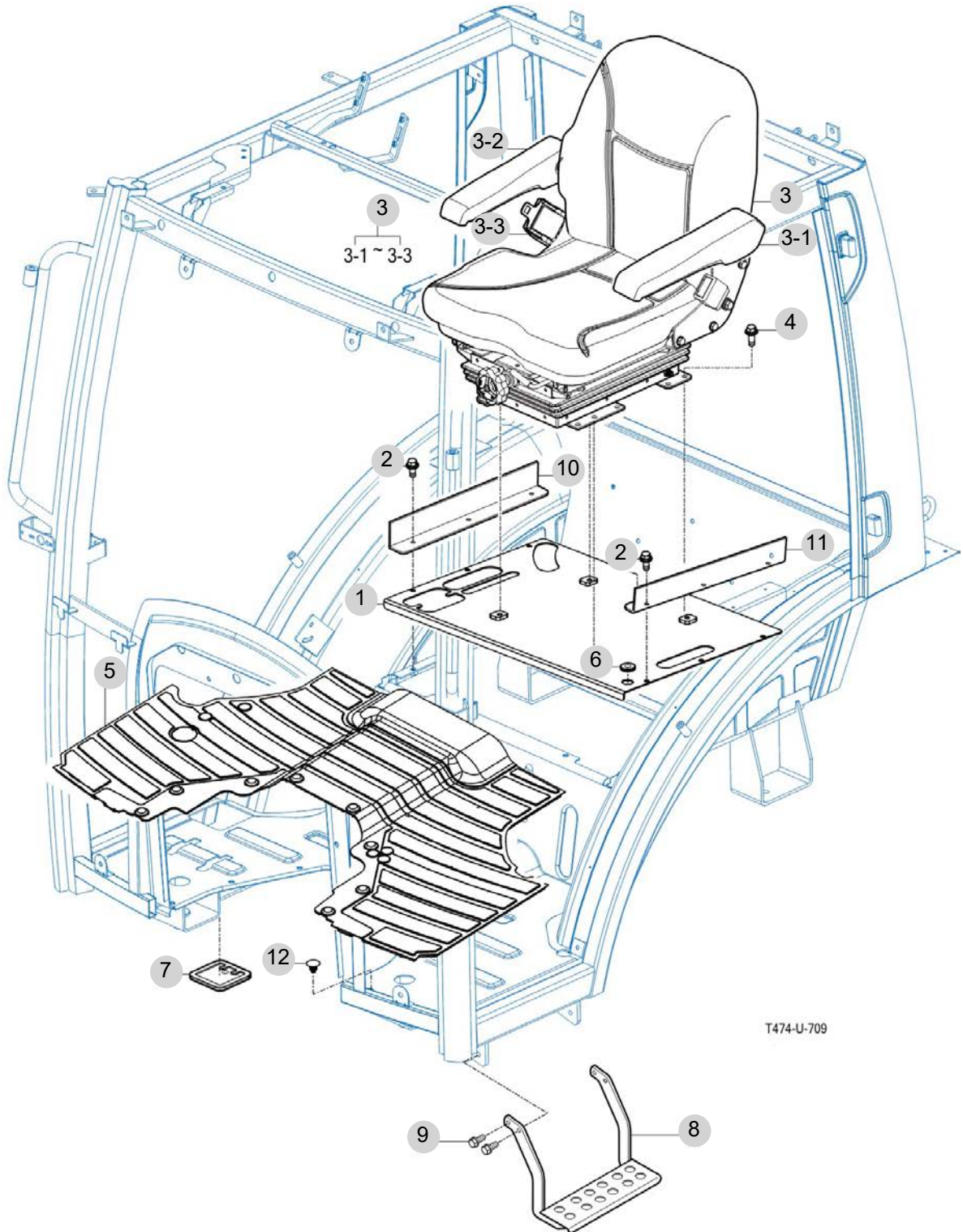
FIG 709

SEAT & MAT

년/월
Year/Month

2022-12

T474ST-B



NOTE

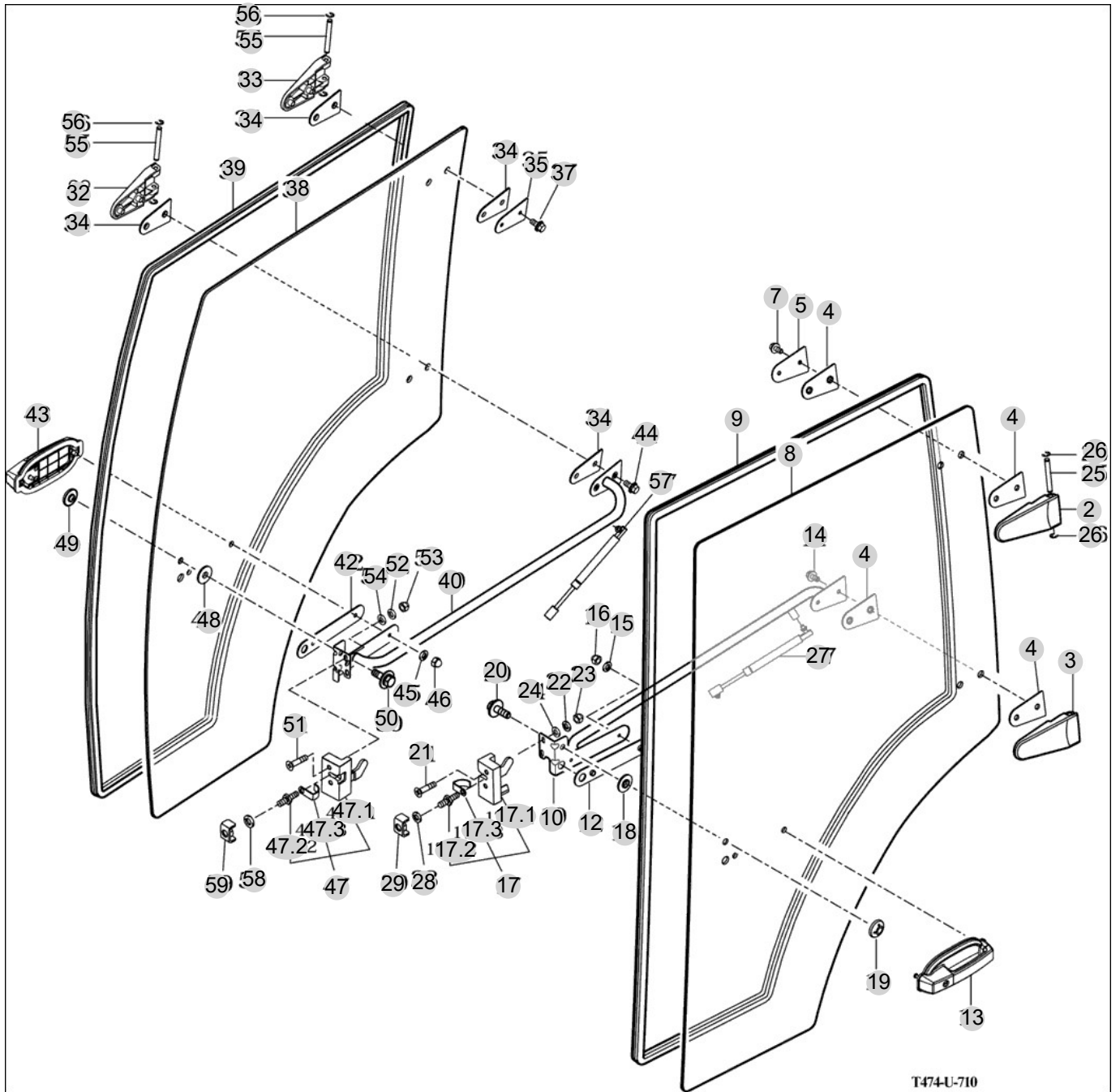
FIG 710

T474ST-B

DOOR

년/월
Year/Month

2022-12



NOTE

FIG 710		DOOR					년/월	
							Year/Month	
T474ST-B		2022-12						
KEY NO	PART NO	DESCRIPTION	SPEC	QTY	REPAIR	EFFECTIVE DATE	REMARKS	
710	2	14527052300	HINGE COMP , UPR/LH	1X1X1	1			
710	3	14527052400	HINGE COMP , UPR/RH	1X1X1	1			
710	4	14527052110	GASKET , DOOR HINGE	1X1X1	4			
710	5	14527052120GB	PLATE , DOOR HINGE	1X1X1	1			
710	7	V2183608020	BOLT , HEX/SP	M8X20	2			
710	8	12397052210	GLASS , LH/ DOOR	6t	1			
710	9	12397042200	INSULATOR , DOOR		1			
710	10	12397022500GB	GUIDE COMP , LH/ DOOR		1			
710	12	14527052150	GASKET,DOOR GRIP	1X1X1	1			
710	13	17827052600	GRIP ASSY, LOCK/HANDLE		1			
710	14	V2183608020	BOLT , HEX/SP	M8X20	2			
710	15	V4011600060	WASHER , SPRING	M6	2			
710	16	V3402700060	NUT , HEX CAP	M6	2			
710	17	17827052700	LATCH SET , LH/DOOR		1			
710	17.1	17827052710	LOCK ASSY, LH/DOOR		1			
710	17.2	14527052720	STRIKER	1X1X1	1			
710	17.3	14527052730	GUARD	1X1X1	1			
710	18	15817401130	GROMMET , 13X17X02		1			
710	19	14527042500	NUT COMP , GLASS	1X1X1	1			
710	20	V2193606012	BOLT , HEX/SPL	M6X12	1			
710	21	V1122608040	SCREW , C/R FLAT	M8X40	2			
710	22	V4011600080	WASHER , SPRING	M8	2			
710	23	V3412700080	NUT , SMALL CAP	M8	2			
710	24	V4111600080	WASHER , PLAIN	M8	2			
710	25	14527041110	PIN, HINGE DOOR	D=8	2			
710	26	V7082400070	E-RING	7	4			
710	27	14527301080	DAMPER ASSY , DOOR	1X1X1	1			
710	28	V4011600100	WASHER , SPRING	M10	1			
710	29	14527062500GB	BRACKET COMP , DOOR LOCK	1X1X1	1			
710	32	14527052300	HINGE COMP , UPR/LH	1X1X1	1			
710	33	14527052400	HINGE COMP , UPR/RH	1X1X1	1			
710	34	14527052110	GASKET , DOOR HINGE	1X1X1	4			
710	35	14527052120GB	PLATE , DOOR HINGE	1X1X1	1			
710	37	V2183608020	BOLT , HEX/SP	M8X20	2			
710	38	12397052110	GLASS , RH/DOOR	6t	1			
710	39	12397042200	INSULATOR , DOOR		1			
710	40	12397024000GB	GUIDE COMP , RH/DOOR		1			
710	42	14527052150	GASKET,DOOR GRIP	1X1X1	1			
710	43	17827052600	GRIP ASSY, LOCK/HANDLE		1			
710	44	V2183608020	BOLT , HEX/SP	M8X20	2			
710	45	V4011600060	WASHER , SPRING	M6	2			
710	46	V3402700060	NUT , HEX CAP	M6	2			
710	47	17827053700	LATCH SET , RH/DOOR		1			
710	47.1	17827053710	LOCK ASSY , RH/DOOR		1			
710	47.2	14527052720	STRIKER	1X1X1	1			
NOTE								

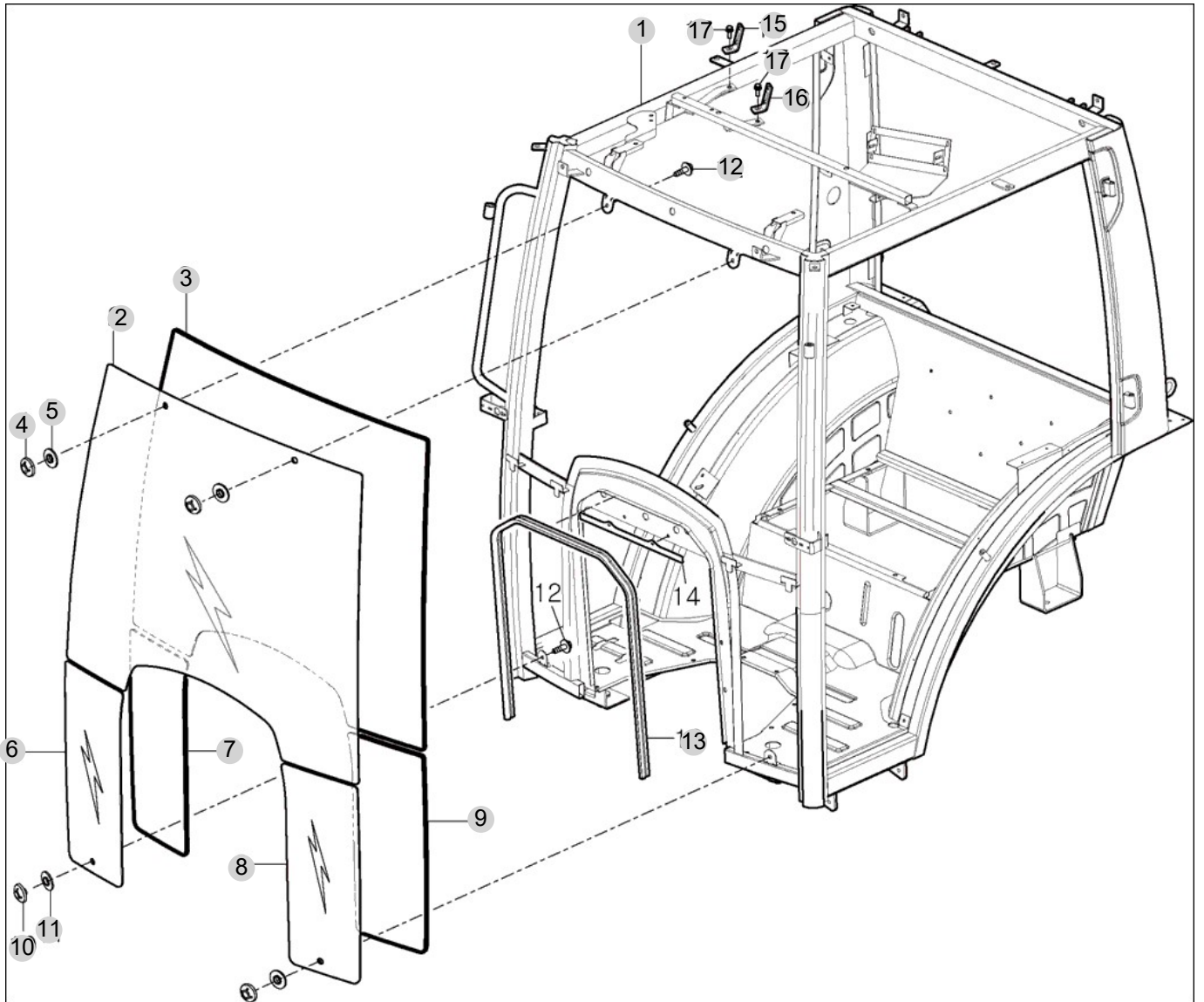
FIG 711

T474ST-B

FRONT GLASS

년/월
Year/Month

2022-12



NOTE

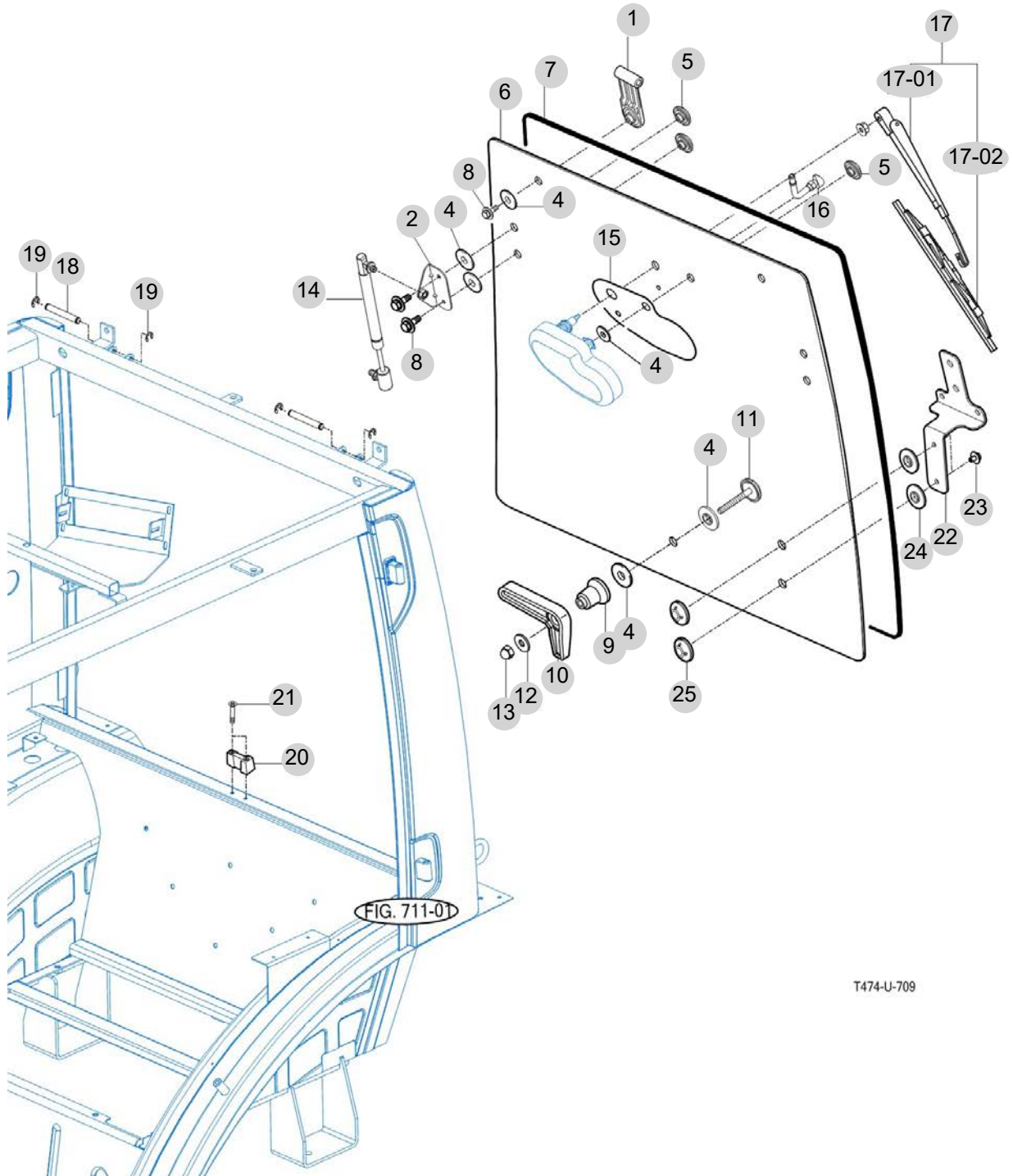
FIG 712

T474ST-B

REAR GLASS

년/월
Year/Month

2022-12



T474-U-709

NOTE

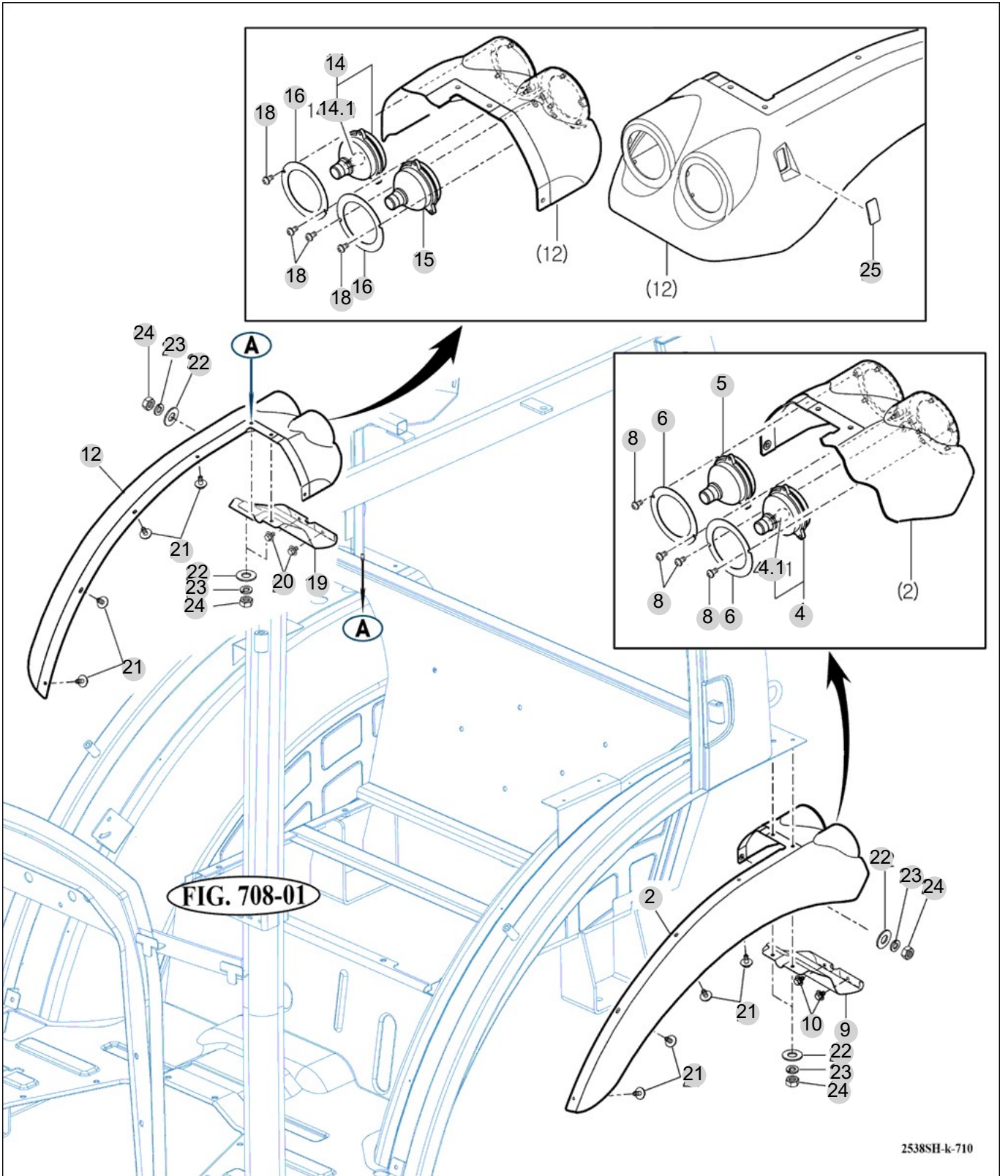
FIG 713

SUB FENDER & COVER

년/월
Year/Month

T474ST-B

2022-12



NOTE

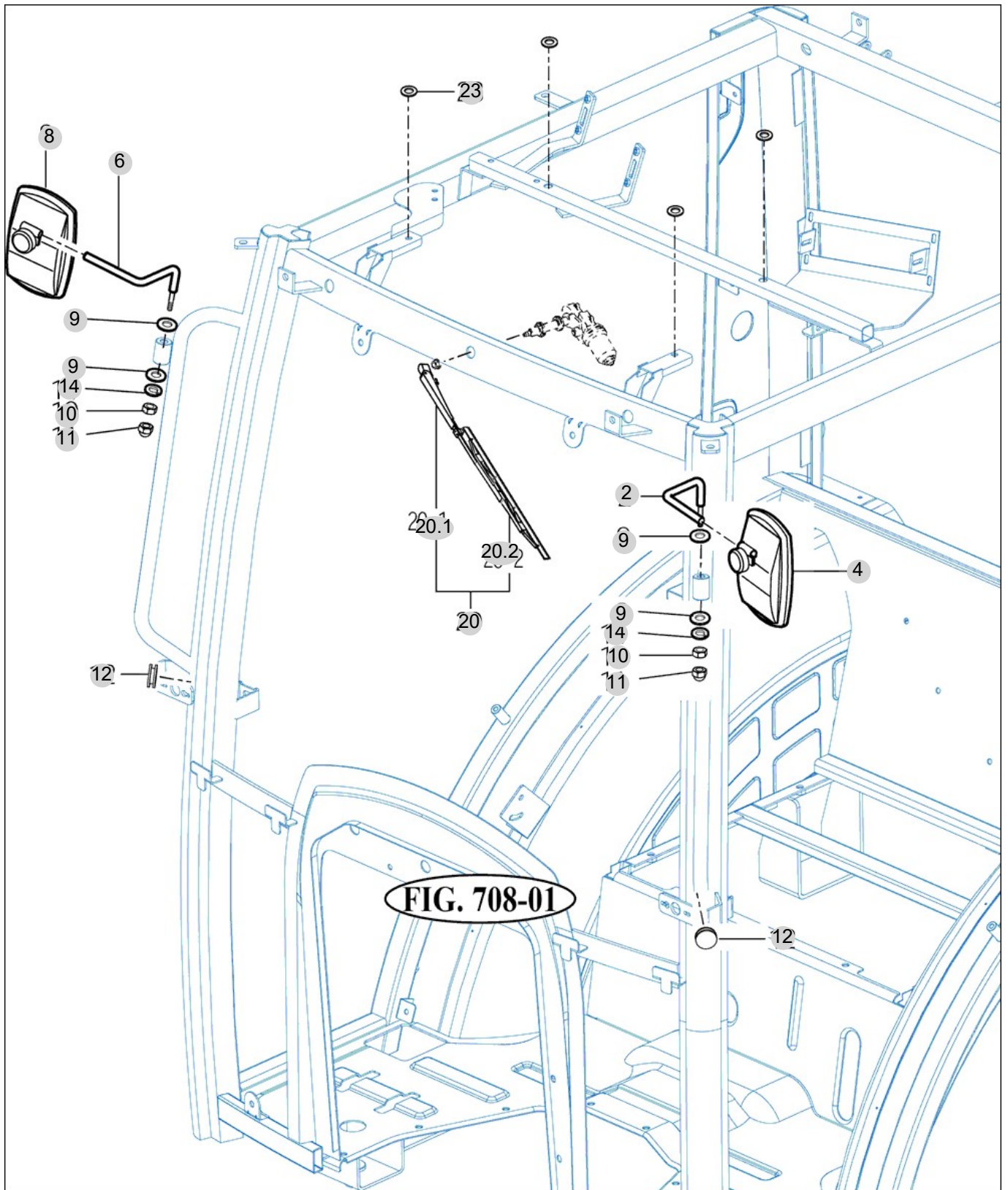
FIG 714

T474ST-B

MIRROR

년/월
Year/Month

2022-12



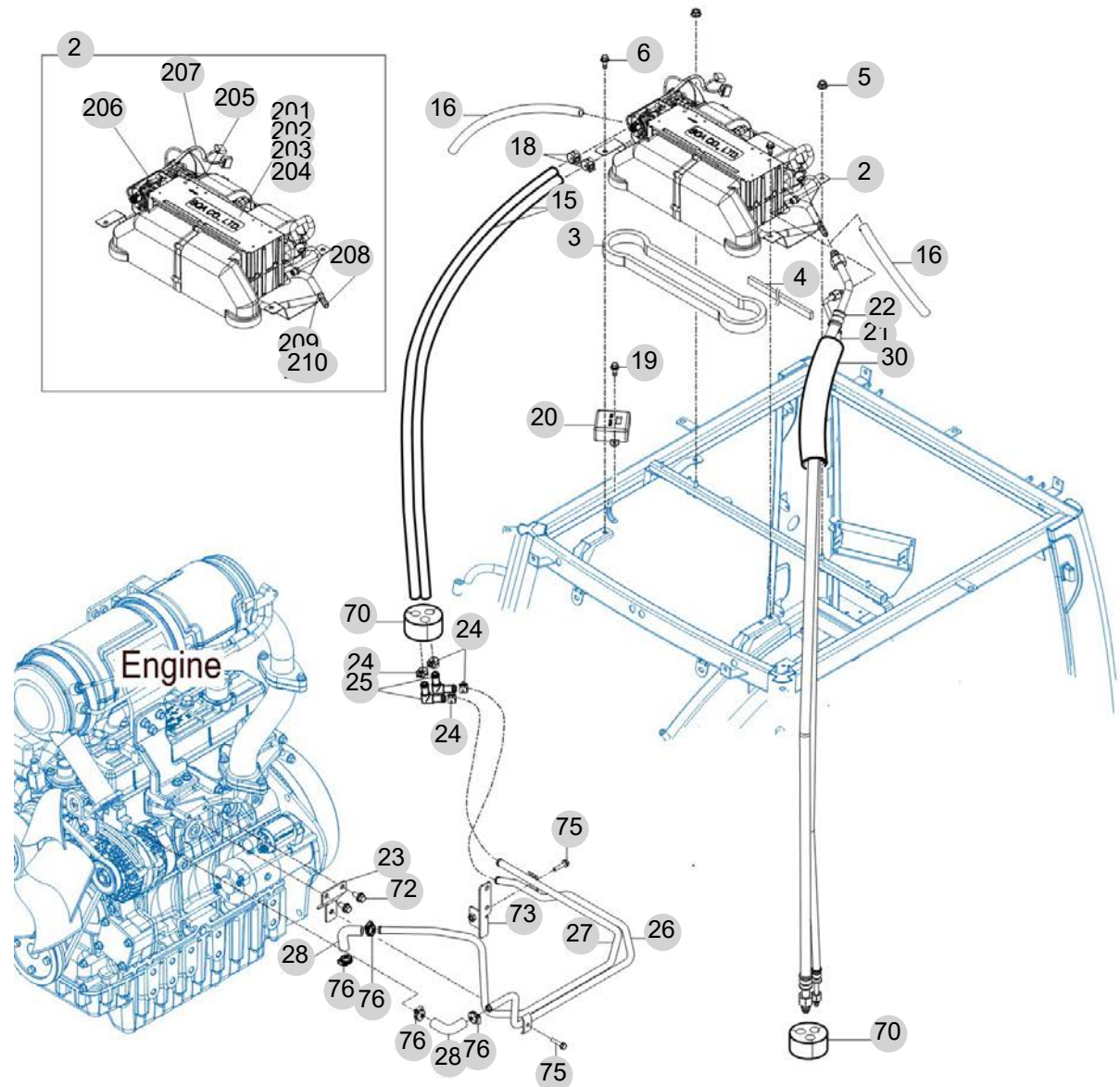
NOTE

FIG 715

HEATER & AIR-CON

년/월
Year/Month

2022-12



NOTE

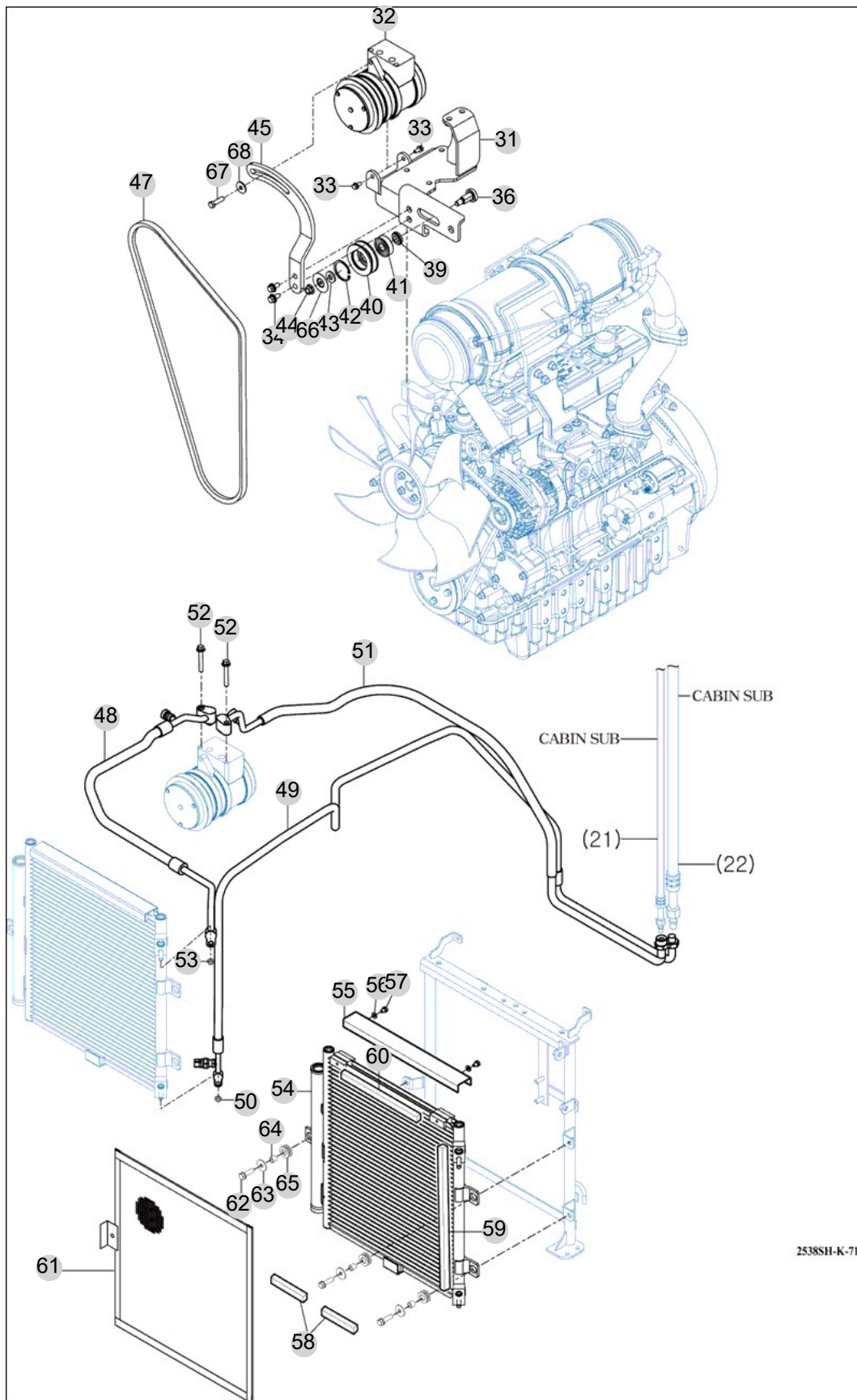
FIG 716

HEATER & AIR-CON

년/월
Year/Month

2022-12

T474ST-B



2538SH-K-712

NOTE

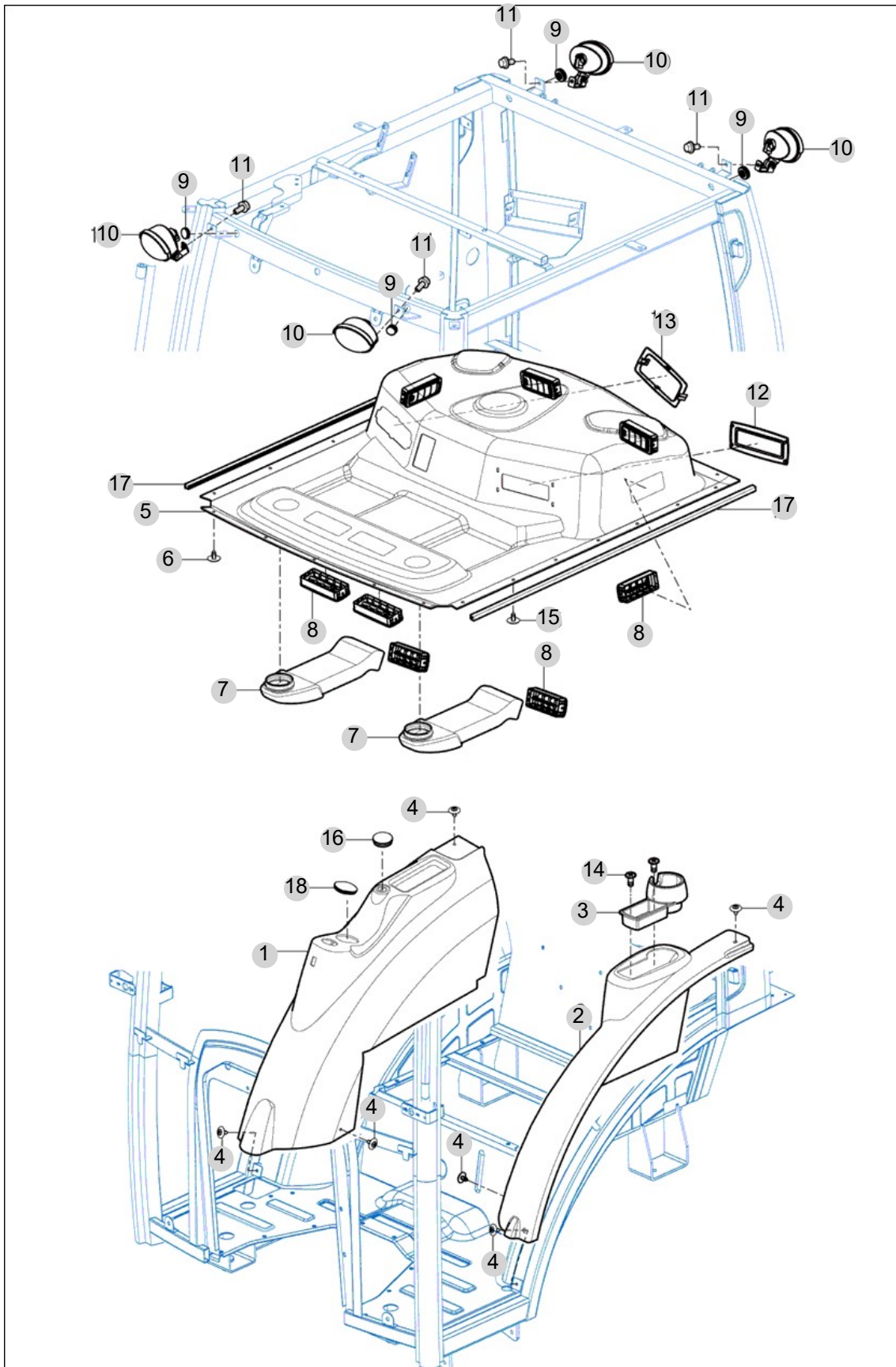
FIG 717

FENDER COVER

년/월
Year/Month

2022-12

T474ST-B



NOTE

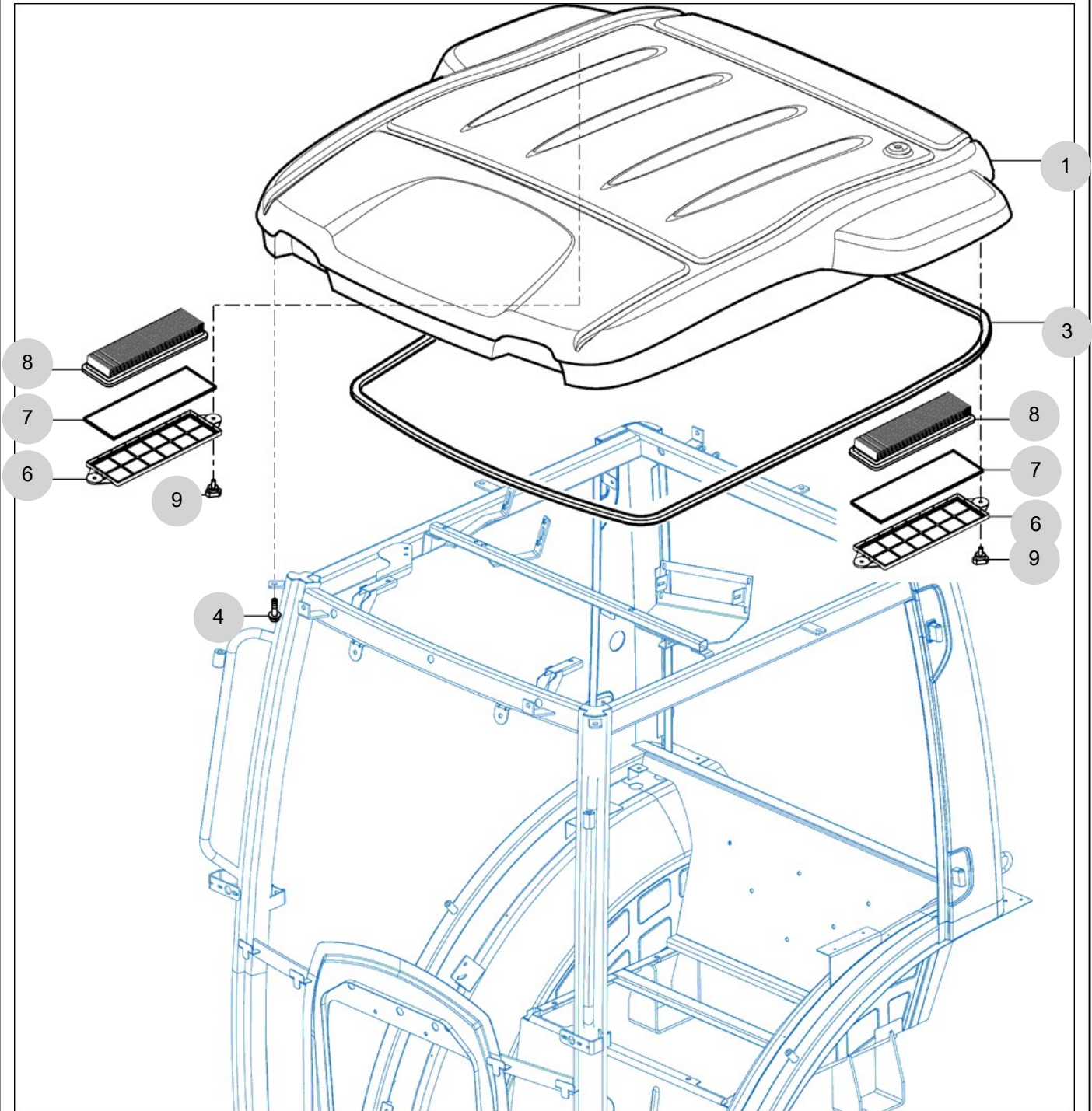
FIG 718

T474ST-B

ROOF

년/월
Year/Month

2022-12



NOTE

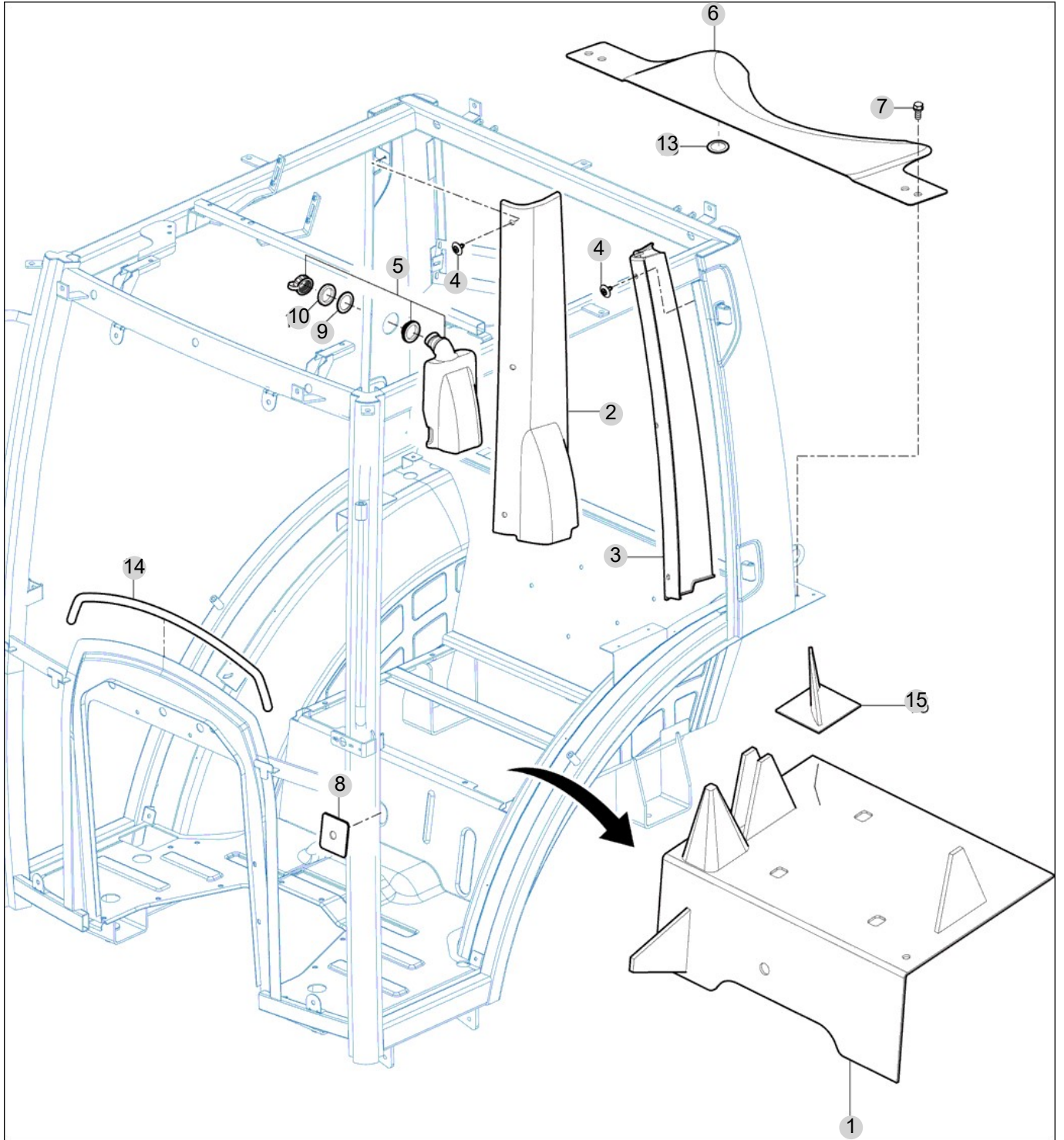
FIG 719

CABIN INTERIOR

년/월
Year/Month

T474ST-B

2022-12



NOTE

8. Electrical System PART NO. T8

FIG 801 BATTERY & MOUNTING	251
FIG 802 LAMP	253
FIG 803 INSTRUMENT PANEL	255
FIG 804 ELECTRIC SYSTEM	257
FIG 805 HARNESS (1)	259
FIG 806 HARNESS (2)	261

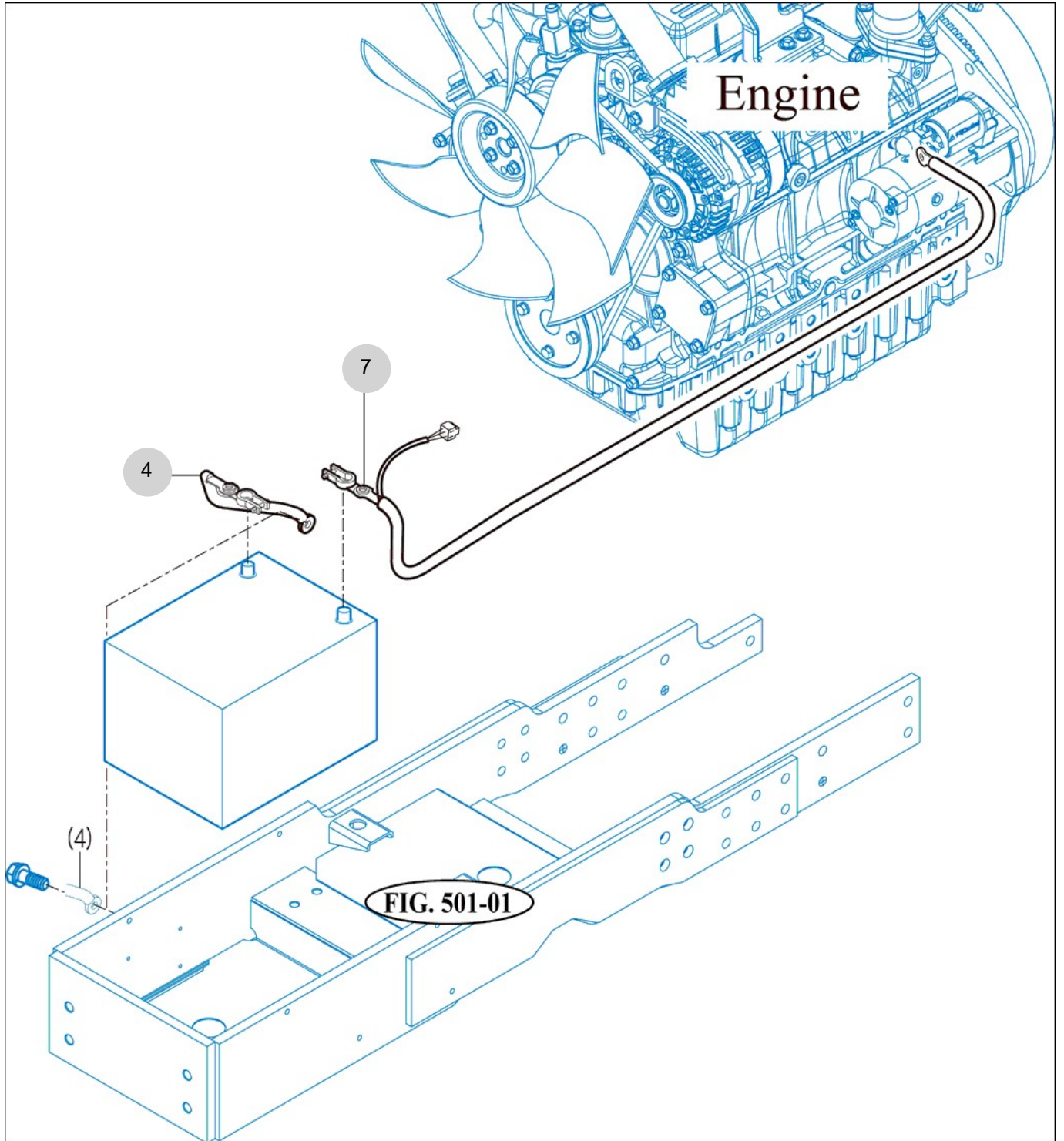
FIG 801

T474ST-B

BATTERY & MOUNTING

년/월
Year/Month

2022-12



NOTE

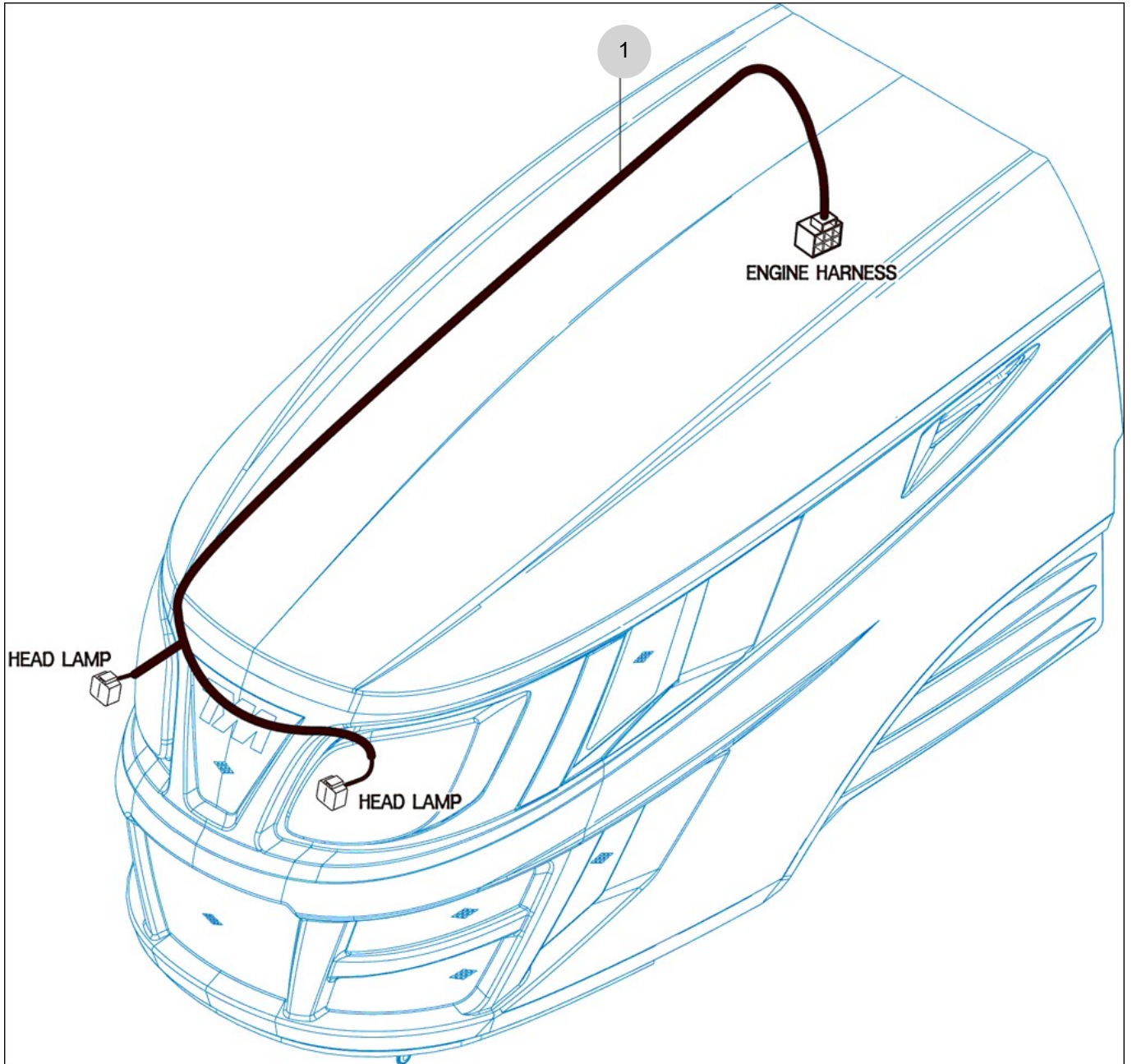
FIG 802

LAMP

년/월
Year/Month

T474ST-B

2022-12



NOTE

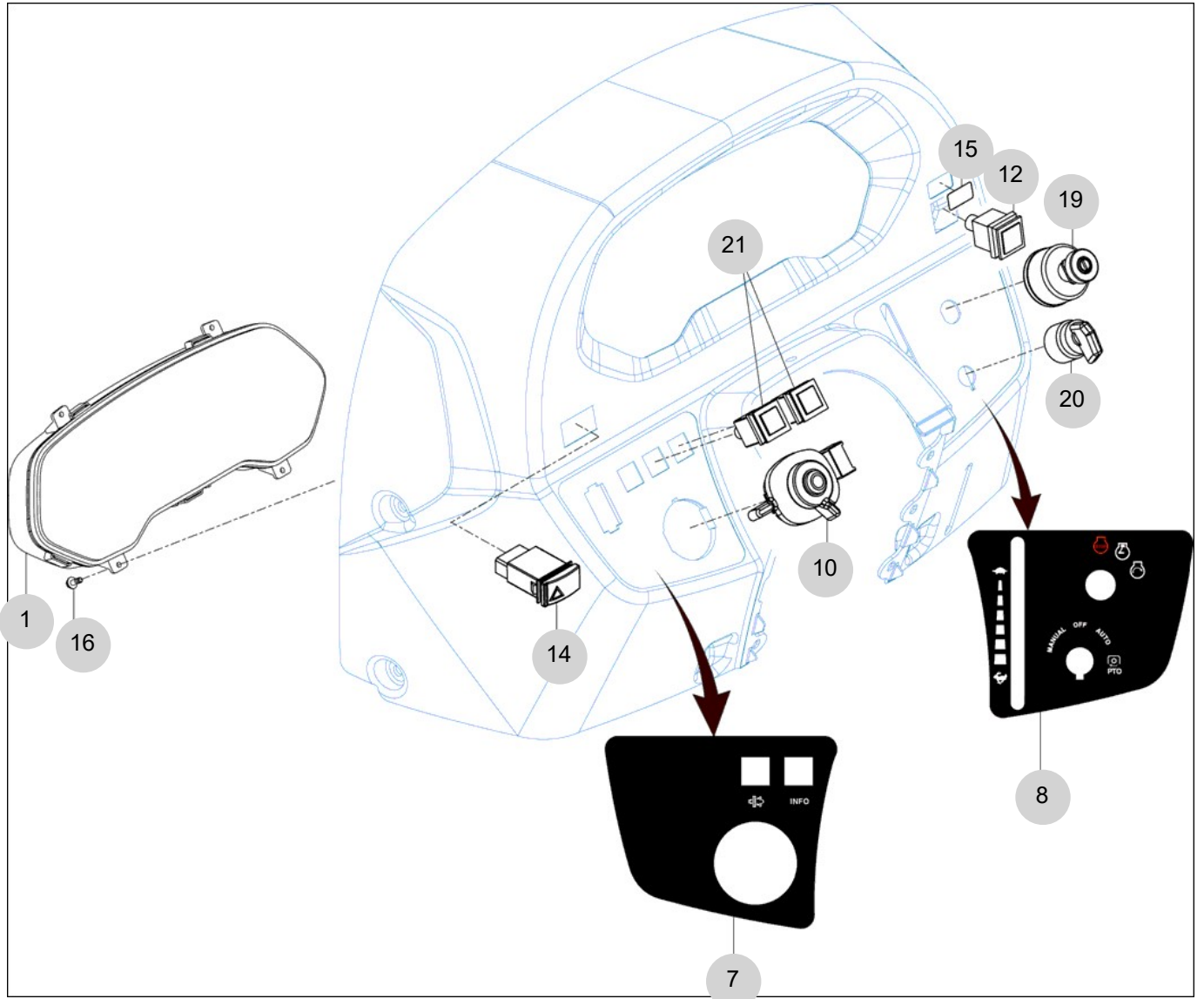
FIG 803

INSTRUMENT PANEL

년/월
Year/Month

T474ST-B

2022-12



NOTE

FIG 804

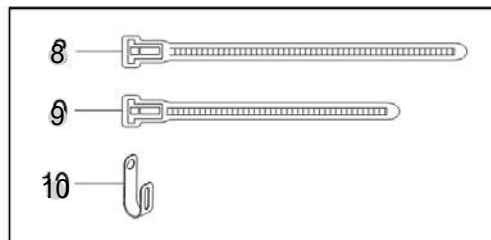
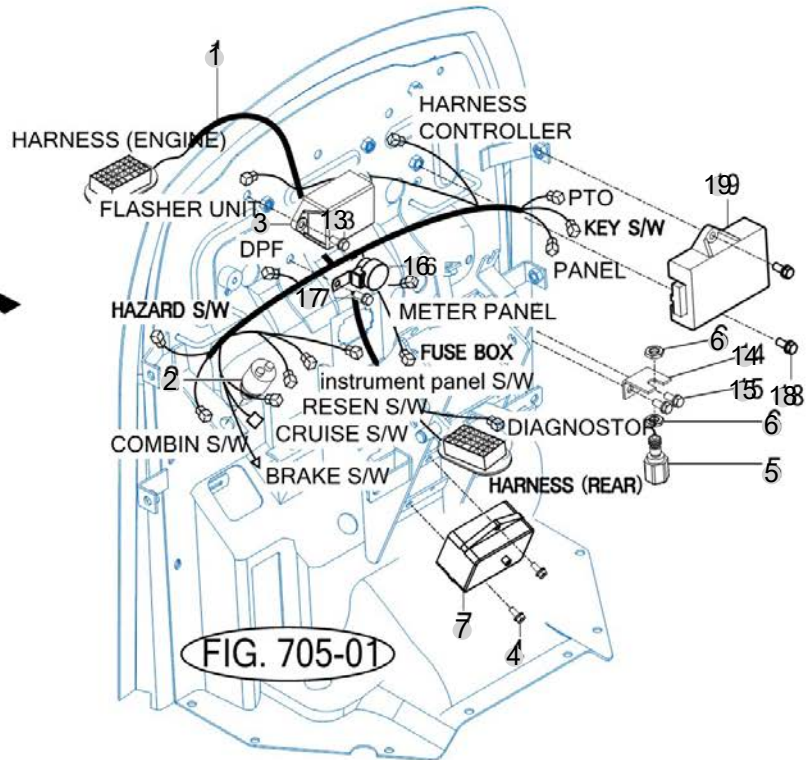
T474ST-B

ELECTRIC SYSTEM

년/월
Year/Month

2022-12

Forward



T474J-804

NOTE

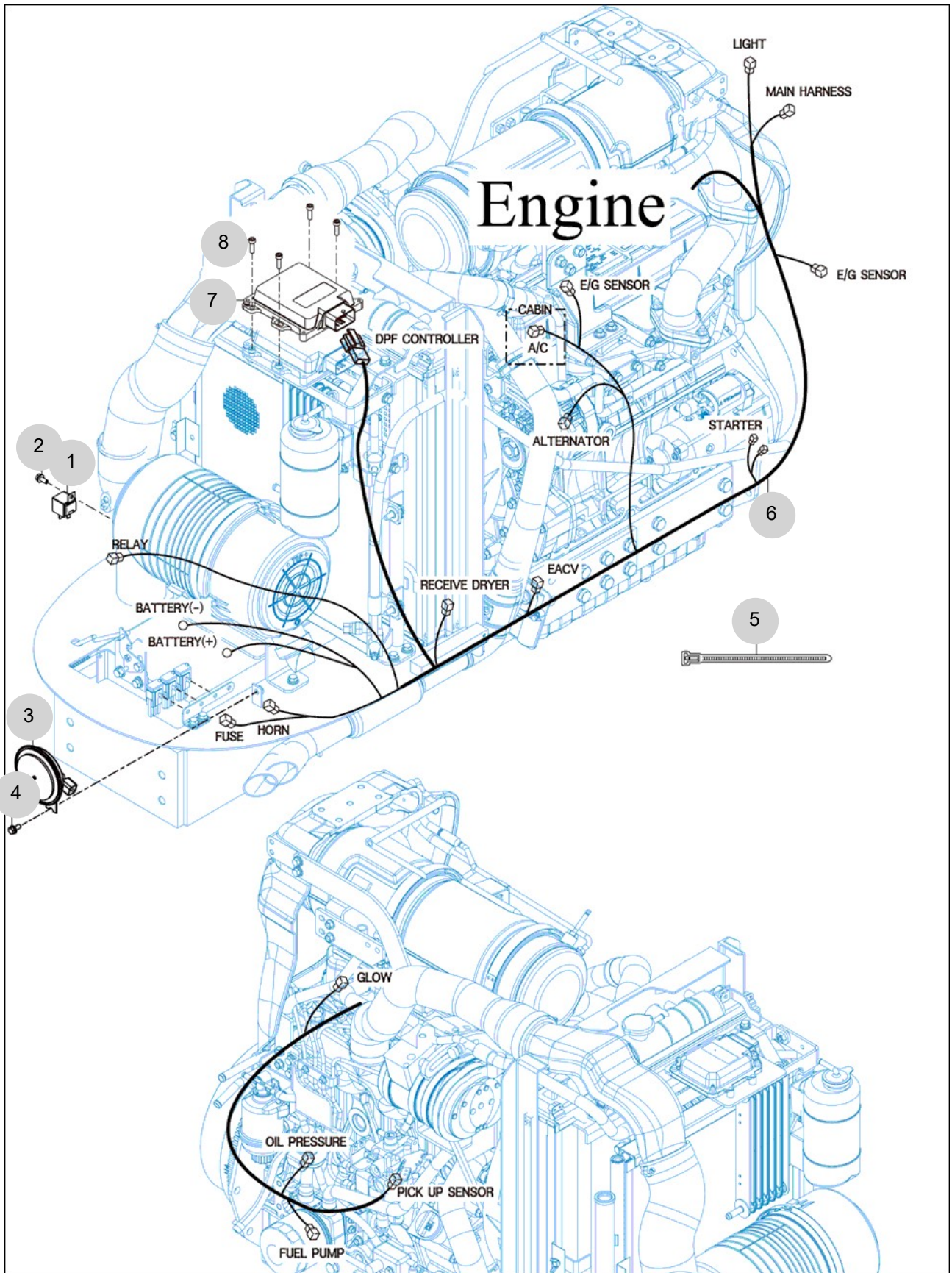
FIG 805

HARNESS (1)

년/월
Year/Month

2022-12

T474ST-B



NOTE

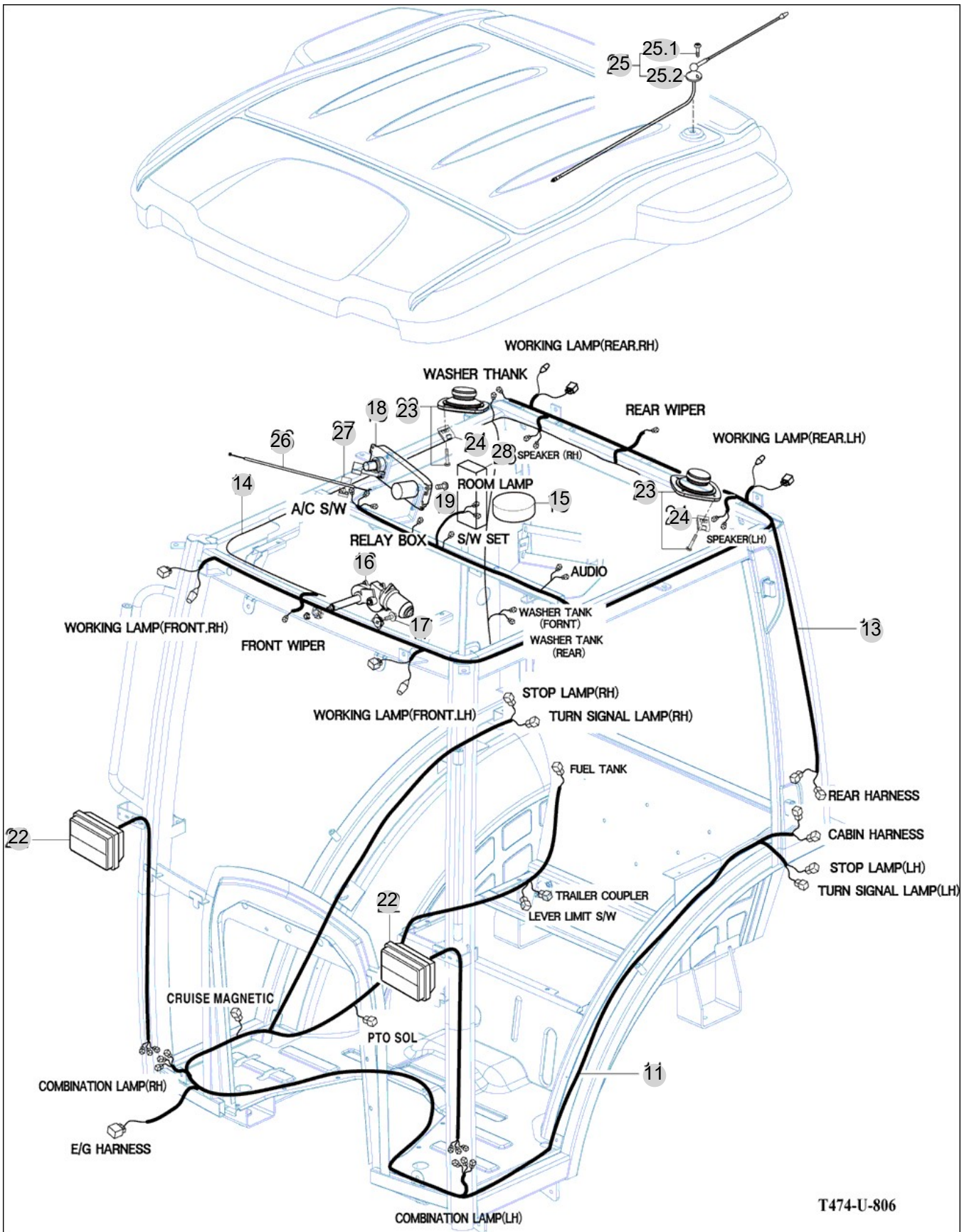
FIG 806

HARNESS (2)

년/월
Year/Month

T474ST-B

2022-12



T474-U-806

NOTE

9. Label/Option PART NO. T9

FIG 901 TOOL & ACCESSORY	264
FIG 902 LABEL	266
FIG 902 LABEL	268
FIG 903 OPTION	270

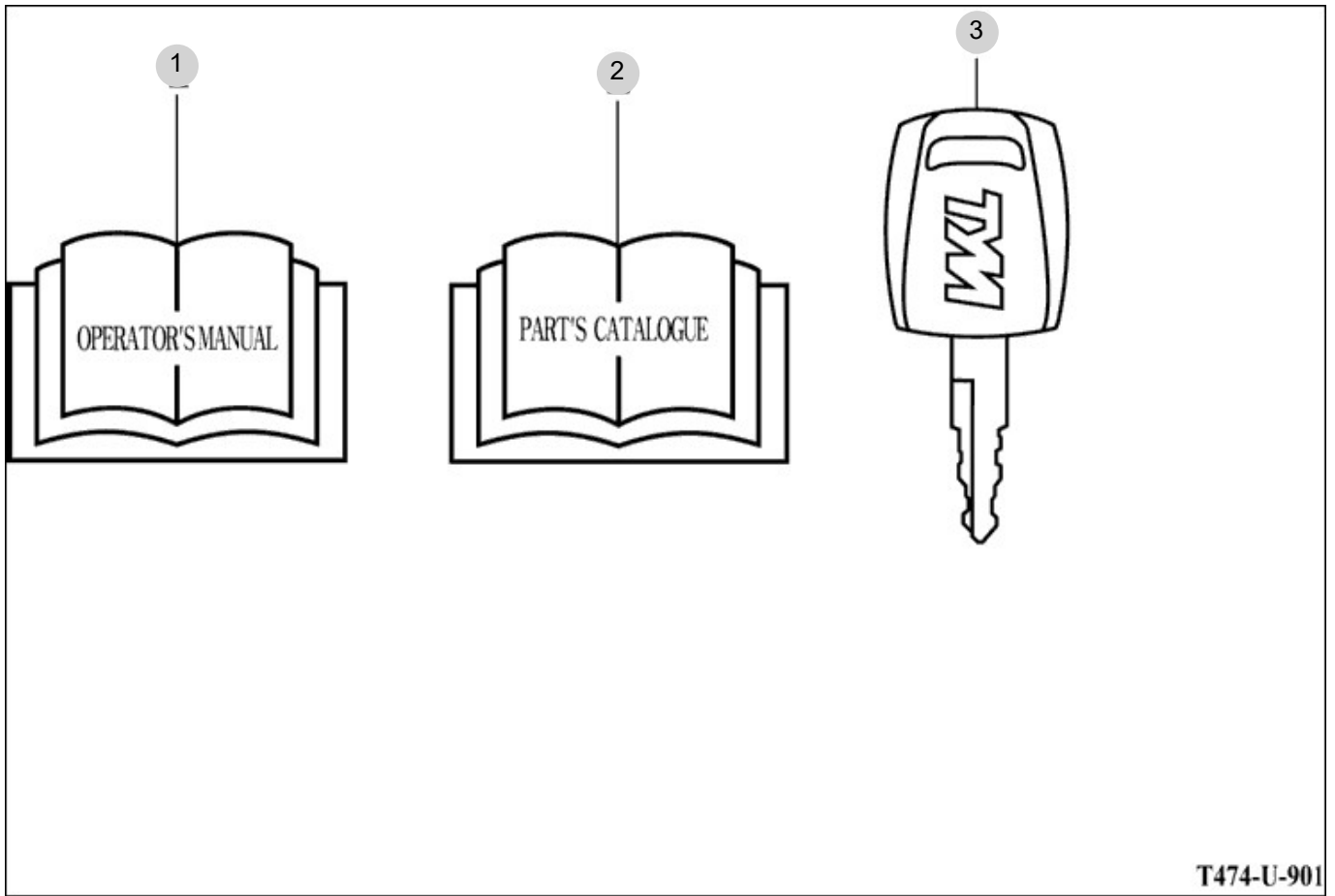
FIG 901

T474ST-B

TOOL & ACCESSORY

년/월
Year/Month

2022-12



T474-U-901

NOTE

FIG 902

LABEL

년/월
Year/Month

T474ST-B

2022-12

WARNING
Always apply the park brake when parking. Failure to do so can cause accidents and damages.
1200-910-002-0

WARNING
Do not use the accelerator lever except working on the field.
1200-910-021-0

ON
4
W
D
OFF

EPA REGULATION
USE ULTRA LOW SULFUR FUEL ONLY

Operator's manual
1200-910-023-0

WARNING
Start engine only from operators seat. If safety start switch is by passed engine can start with transmission in gear.
Do not connect or short across terminal on starter solenoid.
Attach booster cables as shown on battery decal and operators manual.
Starting in gear causing runaway can result in serious injury.

WARNING
Always set the knob to lock when:
1. Travelling on the road.
2. Replacing blades on an implement
3. Making adjustment to an implement
Sudden dropping of an implement can cause serious injury or death.
1200-910-004-0

DANGER
Start only from seat in park or neutral
Starting in gear kills

WARNING
Do not adjust the tilt handle when traveling.

WARNING
Brake pedals must always be locked together when travelling on the highway. This will ensure uniform braking and provide maximum stopping ability sharp turns must only be made at slow speeds.

WARNING
Attach implements and trailers to the tractor only using the prescribed drawbar or hitch.

DANGER
Rotating driveline contact can cause death. KEEP AWAY!
Keep all drive line. Tractor and equipment shields in place during operation.

SPEED TABLES

APPLICATION	TRENCHER FLANKER	ROTA- TOR	PLUG- GING	WIND- ING	PLUM	DRIVE				
SPEED (km/h)	0	1	2	3	4	5	10	15	20	23
E/G: 2800rpm										E/G MAX RPM
MAIN SHFT	1	2	3	4	1	2	3	4		
SUB SHFT	L	M	H							

* The proper driving speed and PTO RPM depend on the size of works, lines and ground condition. For your safety, operate the tractor at the suitable speed.

WARNING
Attach implements and trailers to the tractor only using the prescribed drawbar or hitch.

DANGER
Rotating driveline contact can cause death. KEEP AWAY!
Keep all drive line. Tractor and equipment shields in place during operation.

NOTE

FIG 902		LABEL					년/월 Year/Month	
							2022-12	
T474ST-B								
KEY NO	PART NO	DESCRIPTION	SPEC	QTY	REPAIR	EFFECTIVE DATE	REMARKS	
902	2	12009040041	LABEL , HYDRAULIC CONTROL		1			
902	3	12009100020	LABEL , WARNING PARKING	1X1X1	1			
902	4	12009100070	LABEL , WARNING BRAKE	1X1X1	1			
902	5	12009100240	LABEL , CAUTION MUFFLER	1X1X1	1			
902	6	12009100120	LABEL , CAUTION FAN	1X1X1	1			
902	7	12009100150	LABEL , WARNING RADIATOR	1X1X1	1			
902	8	12009100230	LABEL , CAUTION OPERATION	T=0.05	1			
902	9	12009100130	LABEL , DANGER PTO	1X1X1	1			
902	10	12009100010	LABEL , WARNING SUB SHIFTER	1X1X1	1			
902	11	12009100030	LABEL , WARNING EXHAUST	1X1X1	1			
902	12	12009100160	LABEL , DANGER RIDING	1X1X1	1			
902	13	12009100190	LABEL , WARNING BELT	1X1X1	1			
902	14	12009100210	LABEL , WARNING THROTTLE	1X1X1	1			
902	15	12009100050	LABEL , WARNING FIRE	1X1X1	1			
902	16	12009100060	LABEL , WARNING DIFF	1X1X1	1			
902	17	12009100140	LABEL , WARNING DRAW	1X1X1	1			
902	18	17689100170	LABEL , CAUTION SAFETY		1			
902	19	17689200050	LABEL , DIFF		1			
902	20	13219020060	LABEL , PTO	1X1X1	1			
902	21	14979010070	LABEL , SHIFT	T=0.05	1			
902	22	13019041130	LABEL , TYM(35)	1X1X1	2			
902	23	12009100111	LABEL , DANGER AIR CONDITIONER		1			
902	24	17699100100	LABEL , WARNING JOYSTICK		1			
902	25	17699100090	LABEL , WARNING JOYSTICK	1X1X1	1			
902	26	12209041222	LABEL , VENTILATION		1			
902	27	12399042110	LABEL , WASHER FLUID		1			
902	28	12009430041	LABEL . 4WD		1			
902	29	14726400010	SEAL , HANDBRAKE	T=0.25	1			
902	32	12609040620	LABEL , STARTING WARNING	T=0.05	1			
902	33	12009100040	LABEL , WARNING STOP VALVE	1X1X1	1			
902	34	13839040040	LABEL , MODEL NAME(T474)		2			
902	34	13839040041	MARK , T474		2			
902	34	13839040042	MARK , /T474		2			
902	37	12009100080	LABEL , WARNING TILTING	1X1X1	1			
902	38	14729020110	LABEL , DANGER	1X1X1	1			
902	39	18711201100	LABEL , ULTRA LOW SULFUR		1			
902	40	13379100150	6YEAR WARRANTY LABEL		1			
902	44	13829040030	LABEL , SPEED		2			
902	47	12529045040	LABEL , CABIN		1			
902	48	12519040920	LABEL . A		1			
902	49	13839209010	LABEL , OPERATION/DPF REGEN SWITCH		1			
902	50	13839100220	LABEL , WARNING EXT POSITION LEVER		1			
NOTE								

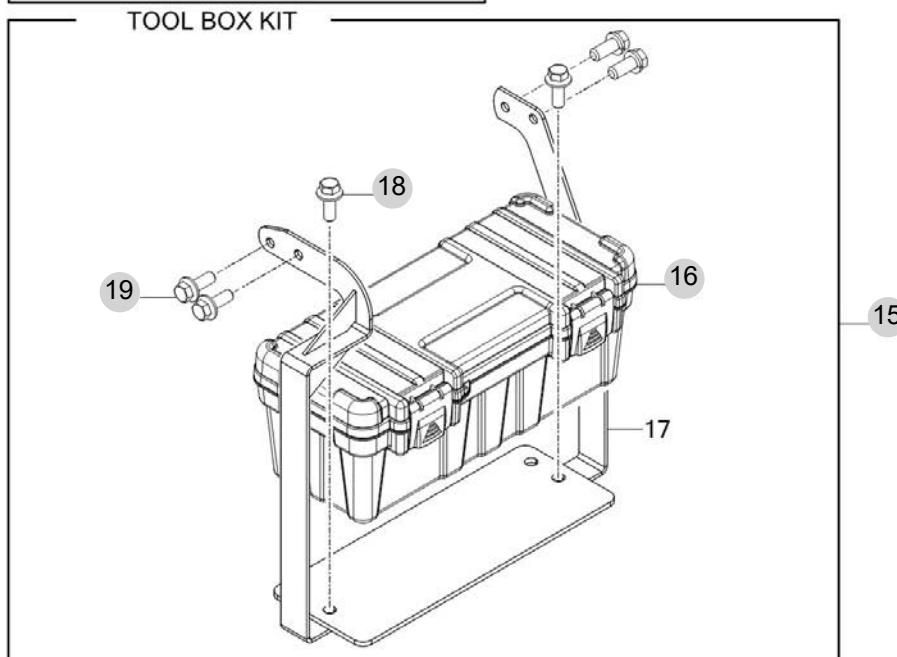
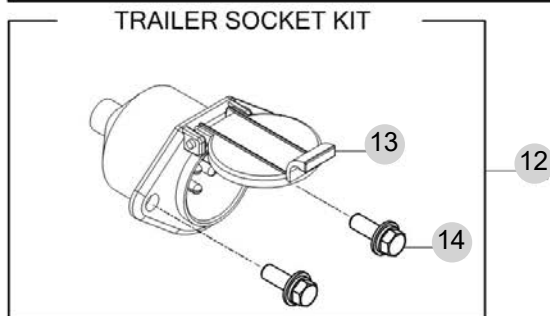
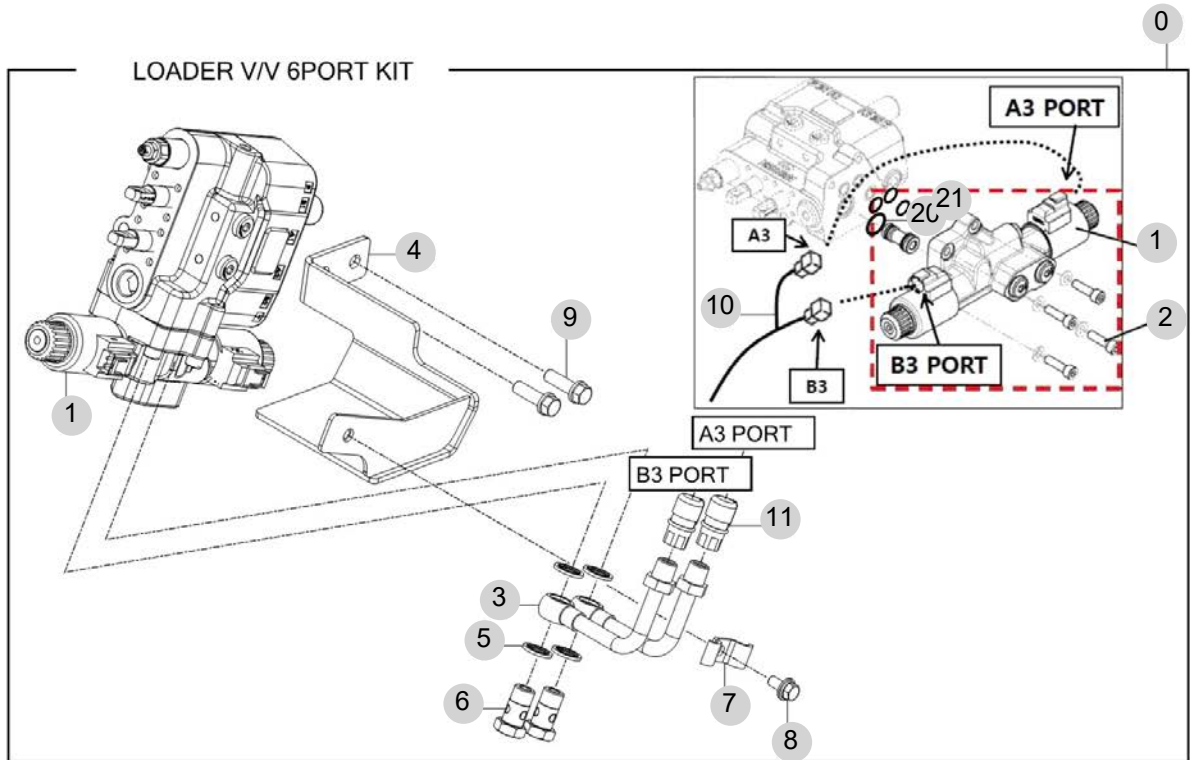
FIG 903

OPTION

년/월
Year/Month

T474ST-B

2022-12



NOTE

