

T494SH

Parts Catalog

목 차

0. TRACTOR KIT PART NO. TK1

FIG 000 TRAILER SOCKET KIT	8
FIG 001 ADAPTER KIT	10

1. Engine PART NO. EG

FIG 100 ENGINE	14
FIG 101 CYLINDER BLOCK	16
FIG 102B OILJET ASS'Y OPTION(T494)	18
FIG 103 CRANK SHAFT	20
FIG 104 PISTON	22
FIG 105 CYLINDER HEAD	24
FIG 106 ROCKER LEVER	26
FIG 107 HEAD COVER	28
FIG 108 GEAR CASE	30
FIG 109 IDLE GEAR	32
FIG 110 CAM SHAFT	34
FIG 111 OIL PUMP	36
FIG 112 HYD. PUMP DRIVE	38
FIG 113 2ND BALANCE	40
FIG 114 OIL PAN	42
FIG 115B INTAKE MANIFOLD(T494)	44
FIG 116B EXHAUST MANIFOLD(T494)	46
FIG 117B TURBOCHARGER ASS'Y(T494)	48
FIG 118B TURBOCHARGER PLUMBING OPTION(T494)	50
FIG 119B BREATHER(T494)	52
FIG 120 FUEL INJECTION PUMP	54
FIG 121 FUEL INJECTION VALVE	56
FIG 122 FUEL PIPE ASS'Y	58
FIG 123 OIL FILTER	60
FIG 124 OIL COOLER	62
FIG 125 OIL GAUGUE	64

FIG 126 OIL FILLER CAP	66
FIG 127 COOLING WATER PUMP	68
FIG 128 CRANK SHAFT PULLEY	70
FIG 129 V-PULLEY	72
FIG 130 COOLING FAN	74
FIG 131 FLYWHEEL HOUSING	76
FIG 132 FLYWHEEL	78
FIG 133 GLOW PLUG ASS'Y OPTION	80
FIG 134 STARTING MOTOR	82
FIG 135 FUEL FILTER BRACKET ASS'Y	84
FIG 136 ALTERNATOR	86
FIG 137 V-BELT	88
FIG 138 FUEL FILTER	90
FIG 139B DPF SUPPORT (T494)	92
FIG 140 DATAPLATE	94
FIG 142B DPF ASS'Y (T494)	96
FIG 143 LIFT ASS'Y	98
FIG 144 COMP . DRIVE PULLEY ASS'Y OPTION	100
FIG 147 LOOSED PARTS	102

2. Engine Accessories PART NO. T2

FIG 201B AIR CLEANER (T494)	105
FIG 202 RADIATOR	107
FIG 203 MUFFLER	109
FIG 204 FUEL HOSE & FILTER	111
FIG 205 FUEL TANK	113
FIG 206 ACCELERATOR	115
FIG 207 OIL COOLER	117

3. Clutch/Brake/Steering PART NO. T3

FIG 301 FLYWHEEL HOUSING	120
FIG 302 CLUTCH PEDAL	122
FIG 303 BRAKE	124
FIG 304 BRAKE PEDAL & LINK	126
FIG 305 FRONT WHEEL	128
FIG 306 REAR WHEEL	130

FIG 307 POWER STEERING WHEEL	132
FIG 308 POWER STEERING VALVE	134
FIG 309 POWER STEERING CYLINDER	136
FIG 310 HST CONTROL LINK	138

4. Transmission PART NO. T4

FIG 401 TRANSMISSION FRONT CASE	142
FIG 402 HST	144
FIG 403 MID TRANSMISSION CASE	146
FIG 404 TRANSFER GEAR SET	148
FIG 405 TRANSMISSION REAR CASE	150
FIG 406 SUB CHANGE GEARS	152
FIG 407 SUB CHANGE SHIFTER	154
FIG 408 DRIVE GEARS	156
FIG 409 4WD CHANGE LEVER	158
FIG 410 P.T.O DRIVE SHAFT	160
FIG 411 P.T.O CHANGE GEARS	162
FIG 412 REAR DIFFERENTIAL GEARS	164
FIG 413 REAR AXLE HOUSING	167

5. Front Axle PART NO. T5

FIG 501 FRONT AXLE SUPPORT	170
FIG 502 FRONT DRIVE SHAFT	172
FIG 503 FRONT AXLE HOUSING	174
FIG 504 FRONT DIFFERENTIAL GEARS	176
FIG 505 FRONT GEAR CASE (1)	178
FIG 506 FRONT GEAR CASE (2)	180
FIG 507 FRONT GEAR CASE (3)	182

6. Hydraulic/3P-Link PART NO. T6

FIG 601 CYLINDER CASE	185
FIG 602 LIFT ARM	187
FIG 603 CYLINDER	189
FIG 604 POSITION LINK	191
FIG 605 CONTROL VALVE	193

FIG 606 DRAFT LINK	195
FIG 607 POSITION & DRAFT LEVER	197
FIG 607-2 POSITION & DRAFT LEVER(2)	199
FIG 608 EXTERIOR HYD. VALVE	201
FIG 609 HYDRAULIC PIPE	203
FIG 610 JOYSTICK	205
FIG 612 HITCH & 3-POINT LINK	208
FIG 613 LOWER LINK & LIFT ROD	211

7. Sheet Metal & Cabin PART NO. T7

FIG 701 BONNET FRAME	214
FIG 702 BONNET (1)	216
FIG 702-2 BONNET (2)	218
FIG 703 EXTENSION COVER	220
FIG 704 LEVER COVER & STEP	222
FIG 705 FRONT & REAR MOUNTING	224
FIG 706 SEAT & MAT	226
FIG 709 DOOR	228
FIG 710 FRONT GLASS	231
FIG 711 SIDE GLASS	233
FIG 712 REAR GLASS	235
FIG 713 SUB FENDER & COVER	237
FIG 714 MIRROR	239
FIG 715 HEATER & AIR-CON	241
FIG 715-2 HEATER & AIR-CON	243
FIG 716 FENDER COVER	245
FIG 717 ROOF	247
FIG 718 CABIN INTERIOR	249

8. Electrical System PART NO. T8

FIG 801 BATTERY & MOUNTING	252
FIG 802 HARNESS LAMP	254
FIG 803 INSTRUMENT PANEL	256
FIG 804 ELECTRIC SYSTEM (1)	258
FIG 805 ELECTRIC SYSTEM (2)	260
FIG 806 ELECTRIC SYSTEM (3)	262

9. Label/Option PART NO. T9

FIG 901 TOOL & ACCESSORY	265
FIG 902 LABEL	267
FIG 902-2 LABEL	269

0. TRACTOR KIT PART NO. TK1

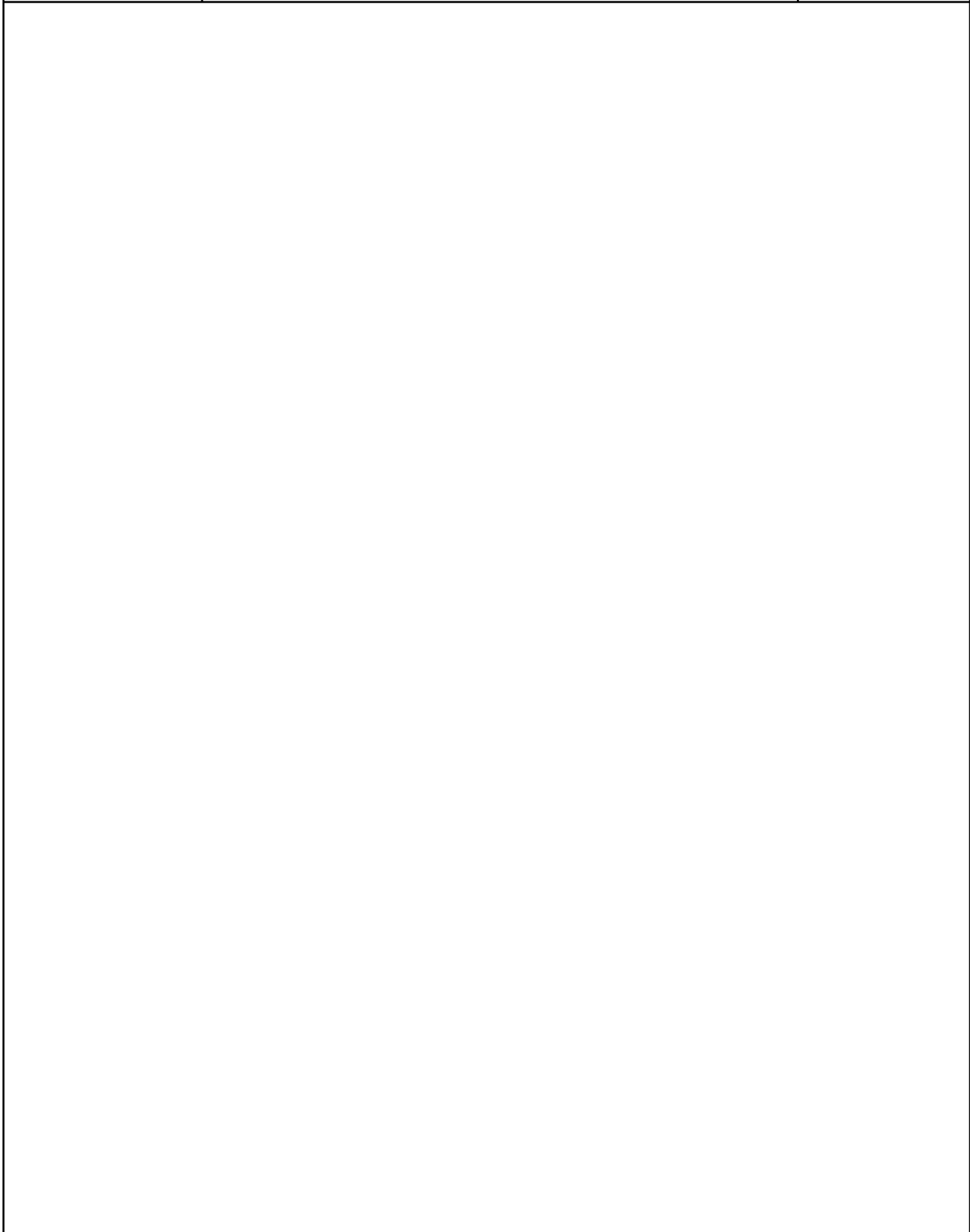
FIG 000 TRAILER SOCKET KIT

8

FIG 001 ADAPTER KIT

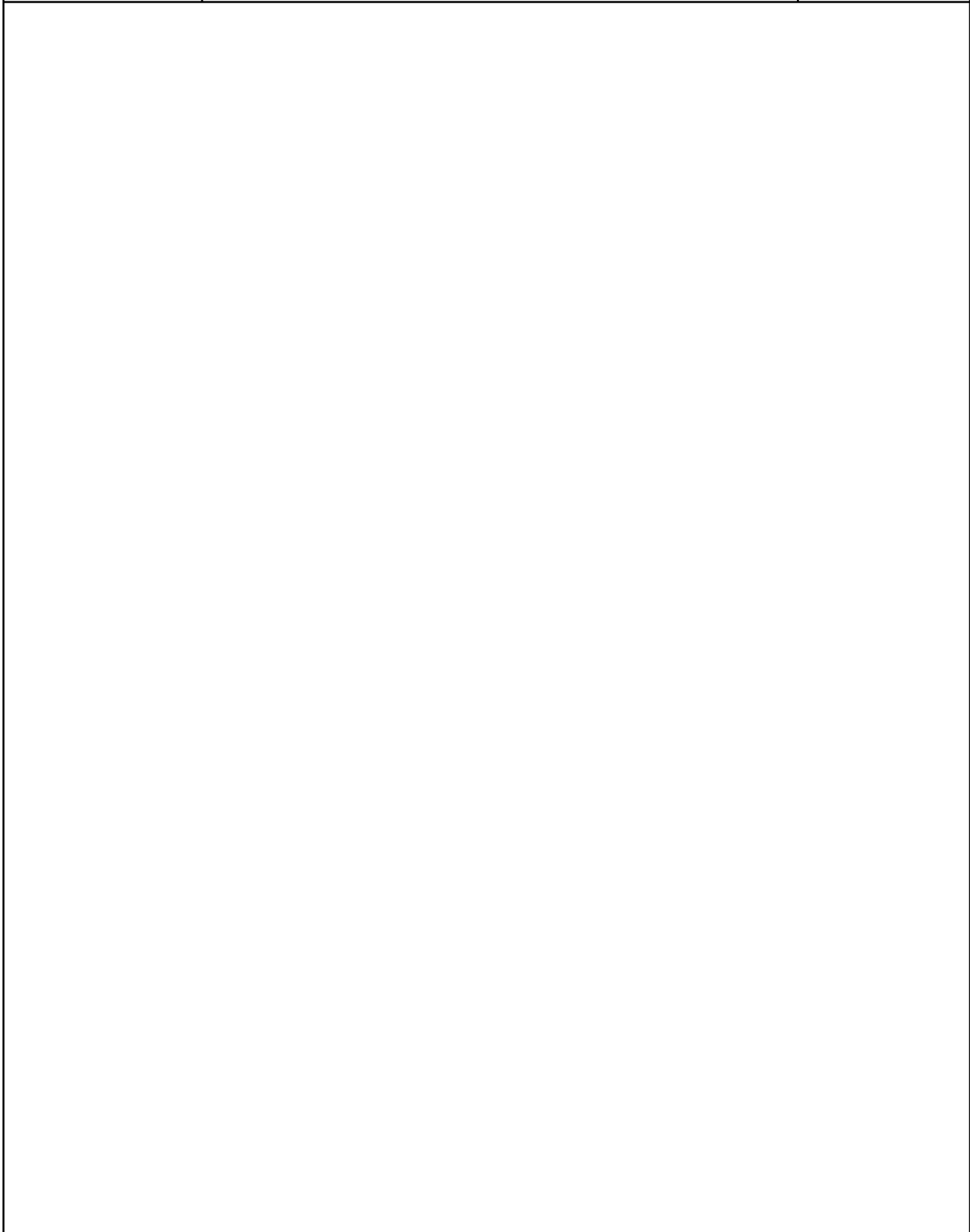
10

FIG 000 T494SH	TRAILER SOCKET KIT	년/월 Year/Month 2022-12
-------------------	--------------------	------------------------------



NOTE	
------	--

FIG 001 T494SH	ADAPTER KIT	년/월 Year/Month 2022-12
-------------------	-------------	------------------------------



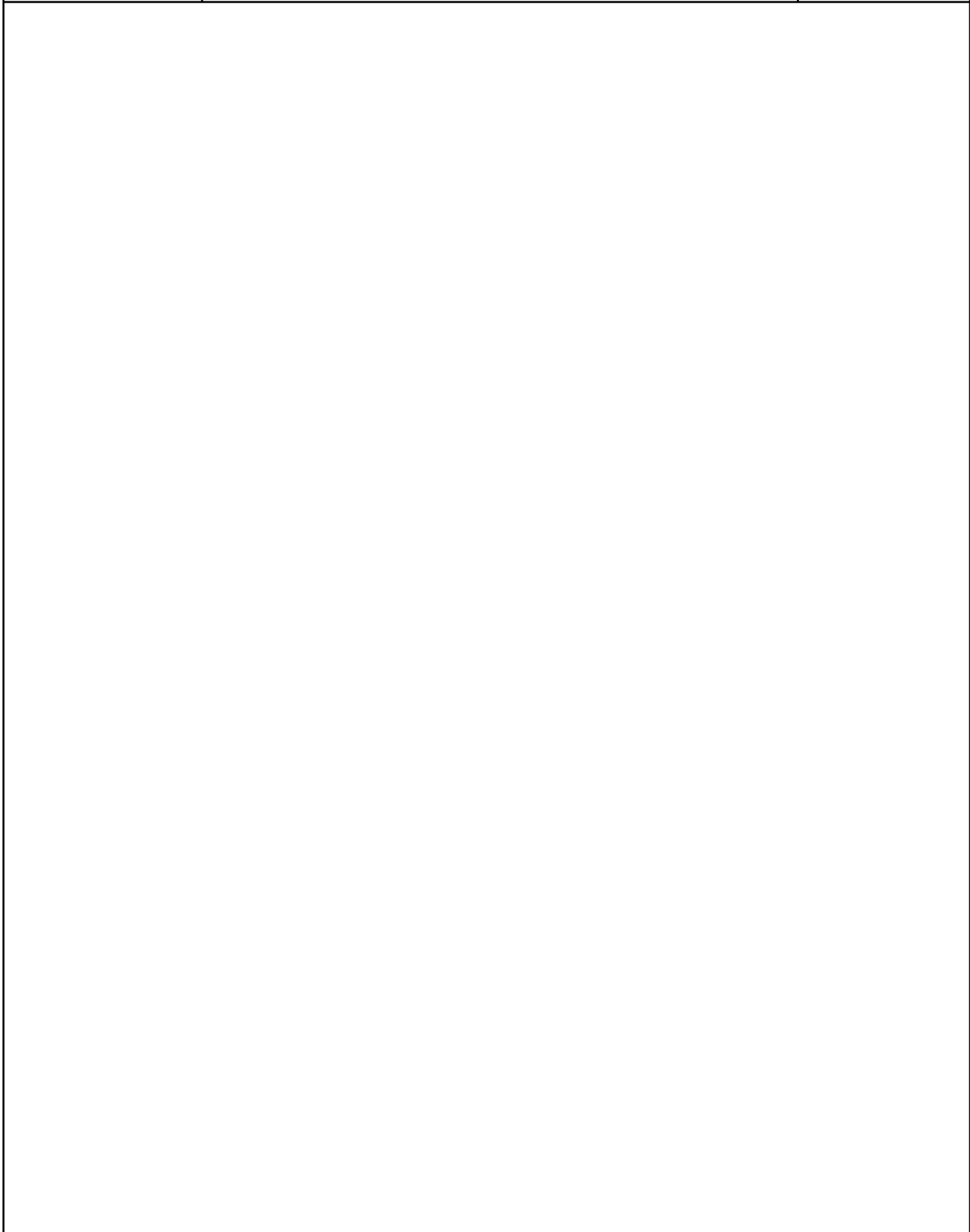
NOTE	
------	--

1. Engine PART NO. EG

FIG 100 ENGINE	14
FIG 101 CYLINDER BLOCK	16
FIG 102B OILJET ASS'Y OPTION(T494)	18
FIG 103 CRANK SHAFT	20
FIG 104 PISTON	22
FIG 105 CYLINDER HEAD	24
FIG 106 ROCKER LEVER	26
FIG 107 HEAD COVER	28
FIG 108 GEAR CASE	30
FIG 109 IDLE GEAR	32
FIG 110 CAM SHAFT	34
FIG 111 OIL PUMP	36
FIG 112 HYD. PUMP DRIVE	38
FIG 113 2ND BALANCE	40
FIG 114 OIL PAN	42
FIG 115B INTAKE MANIFOLD(T494)	44
FIG 116B EXHAUST MANIFOLD(T494)	46
FIG 117B TURBOCHARGER ASS'Y(T494)	48
FIG 118B TURBOCHARGER PLUMBING OPTION(T494)	50
FIG 119B BREATHER(T494)	52
FIG 120 FUEL INJECTION PUMP	54
FIG 121 FUEL INJECTION VALVE	56
FIG 122 FUEL PIPE ASS'Y	58
FIG 123 OIL FILTER	60
FIG 124 OIL COOLER	62
FIG 125 OIL GAUGUE	64
FIG 126 OIL FILLER CAP	66
FIG 127 COOLING WATER PUMP	68
FIG 128 CRANK SHAFT PULLEY	70
FIG 129 V-PULLEY	72
FIG 130 COOLING FAN	74
FIG 131 FLYWHEEL HOUSING	76
FIG 132 FLYWHEEL	78
FIG 133 GLOW PLUG ASS'Y OPTION	80
FIG 134 STARTING MOTOR	82
FIG 135 FUEL FILTER BRACKET ASS'Y	84
FIG 136 ALTERNATOR	86
FIG 137 V-BELT	88

FIG 138 FUEL FILTER	90
FIG 139B DPF SUPPORT (T494)	92
FIG 140 DATAPLATE	94
FIG 142B DPF ASS'Y (T494)	96
FIG 143 LIFT ASS'Y	98
FIG 144 COMP . DRIVE PULLEY ASS'Y OPTION	100
FIG 147 LOOSED PARTS	102

FIG 100 T494SH	ENGINE	년/월 Year/Month 2022-12
-------------------	--------	------------------------------



NOTE	
------	--

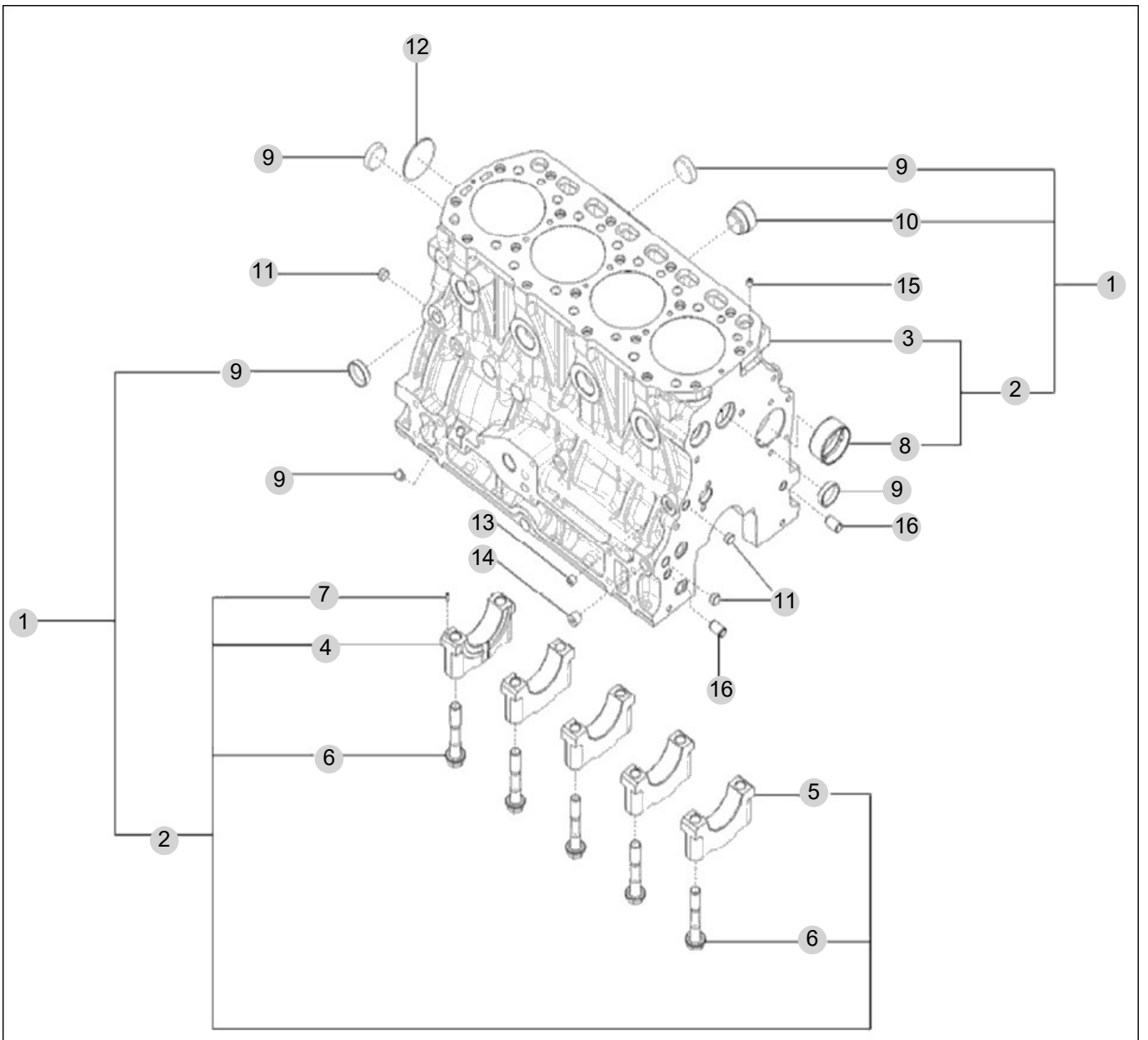
FIG 101

CYLINDER BLOCK

년/월
Year/Month

2022-12

T494SH



NOTE

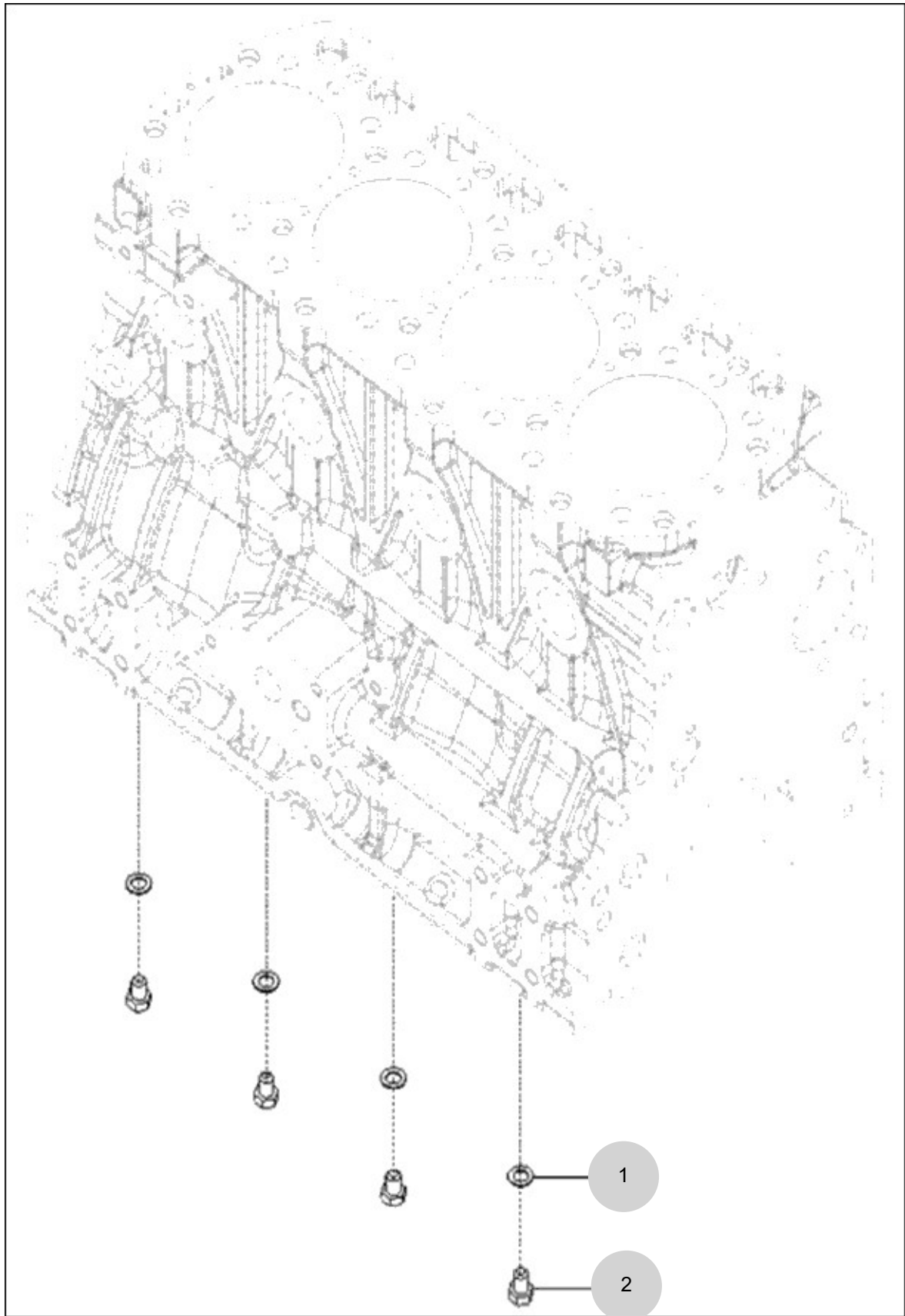
FIG 102B

OILJET ASS'Y OPTION(T494)

년/월
Year/Month

2022-12

T494SH



NOTE

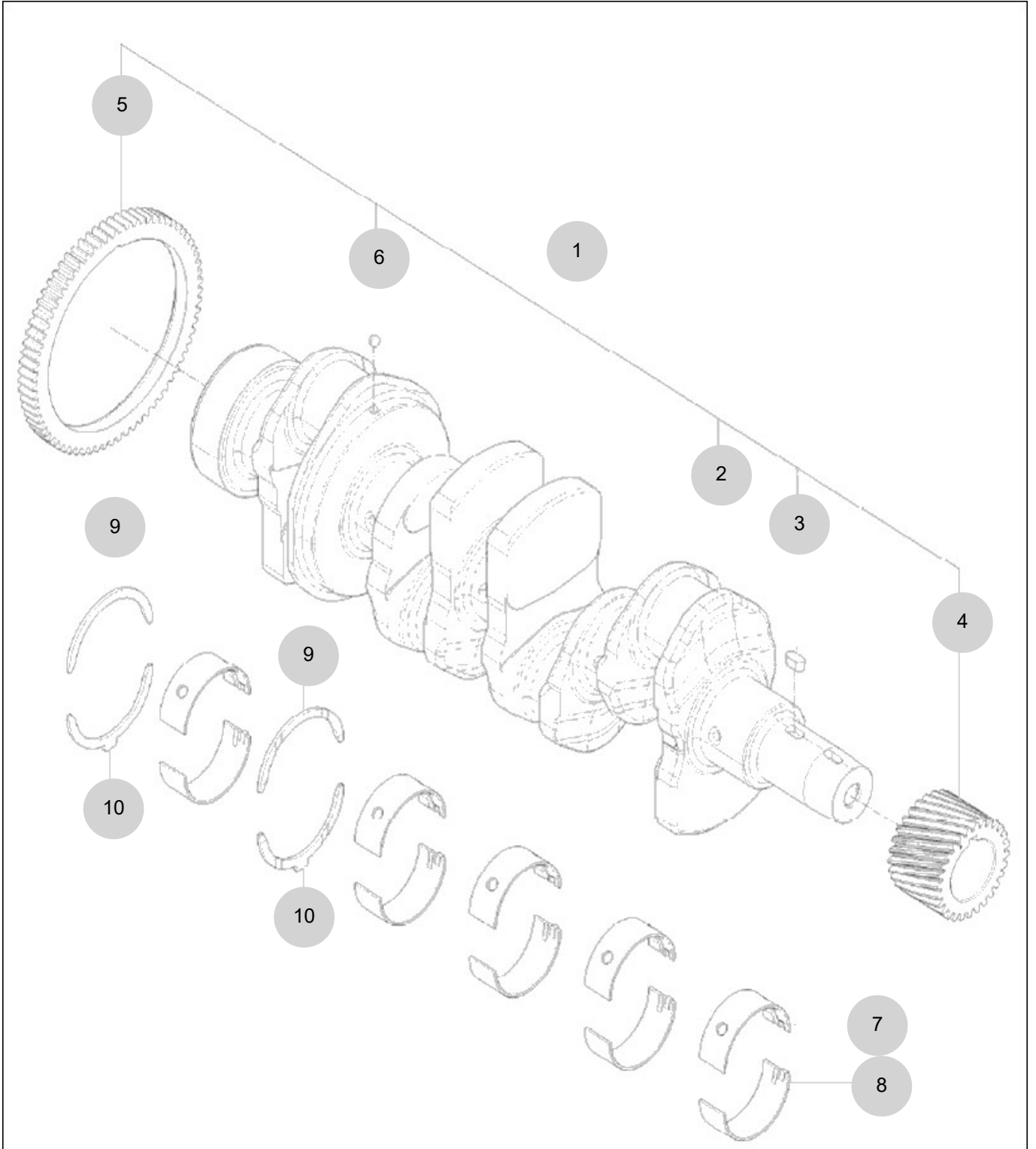
FIG 103

CRANK SHAFT

년/월
Year/Month

2022-12

T494SH



NOTE

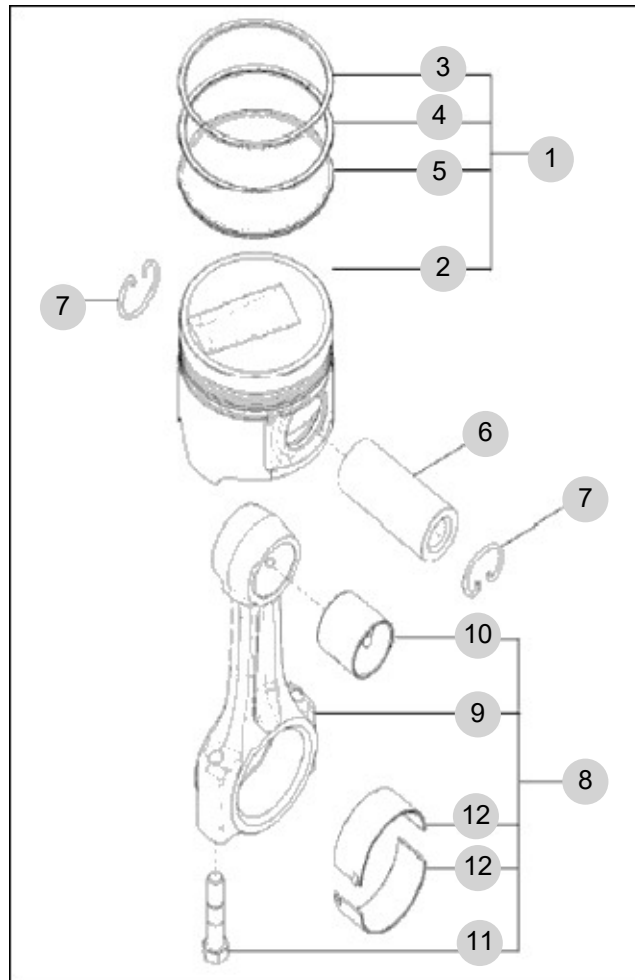
FIG 104

T494SH

PISTON

년/월
Year/Month

2022-12



NOTE

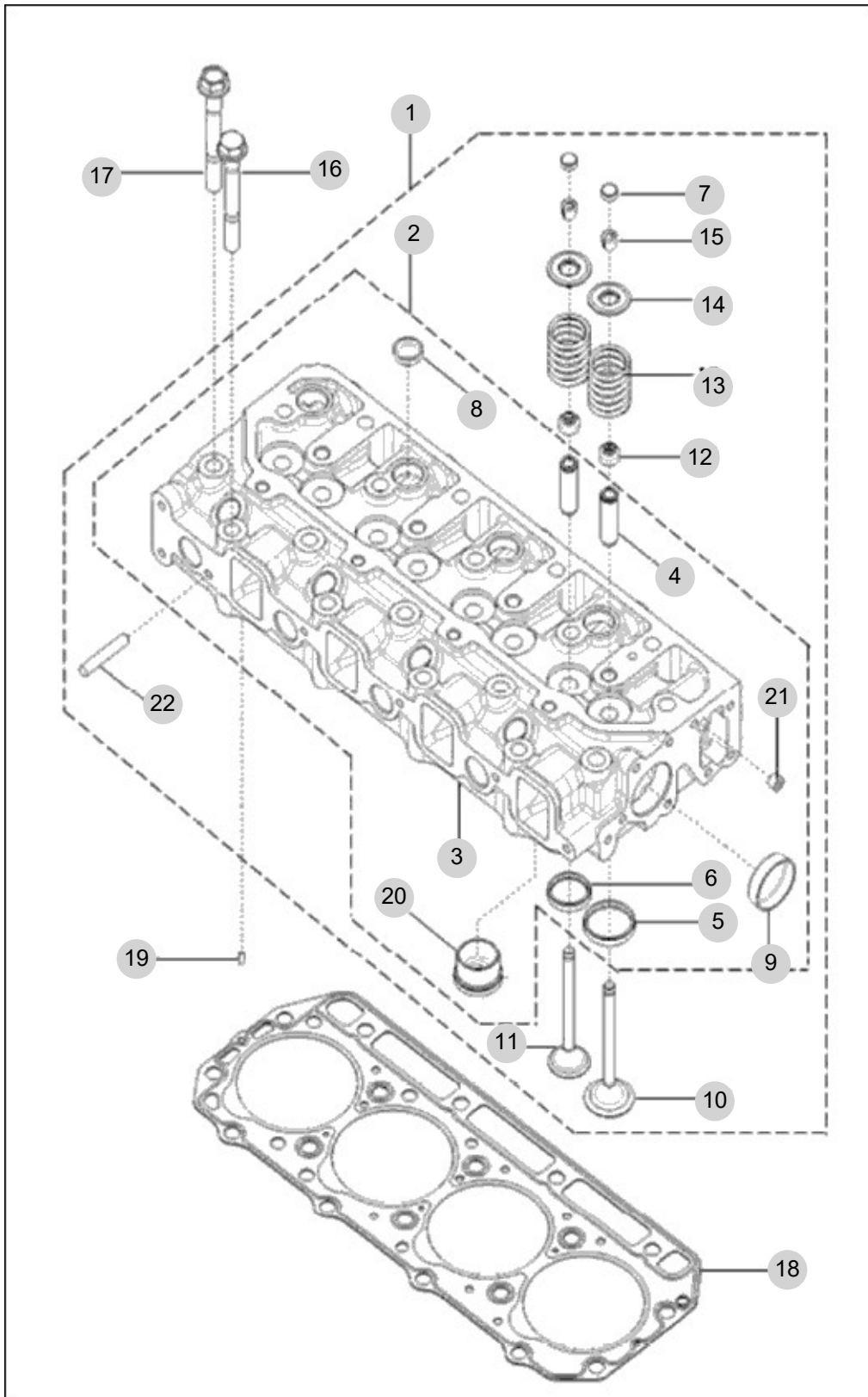
FIG 105

CYLINDER HEAD

년/월
Year/Month

2022-12

T494SH



NOTE

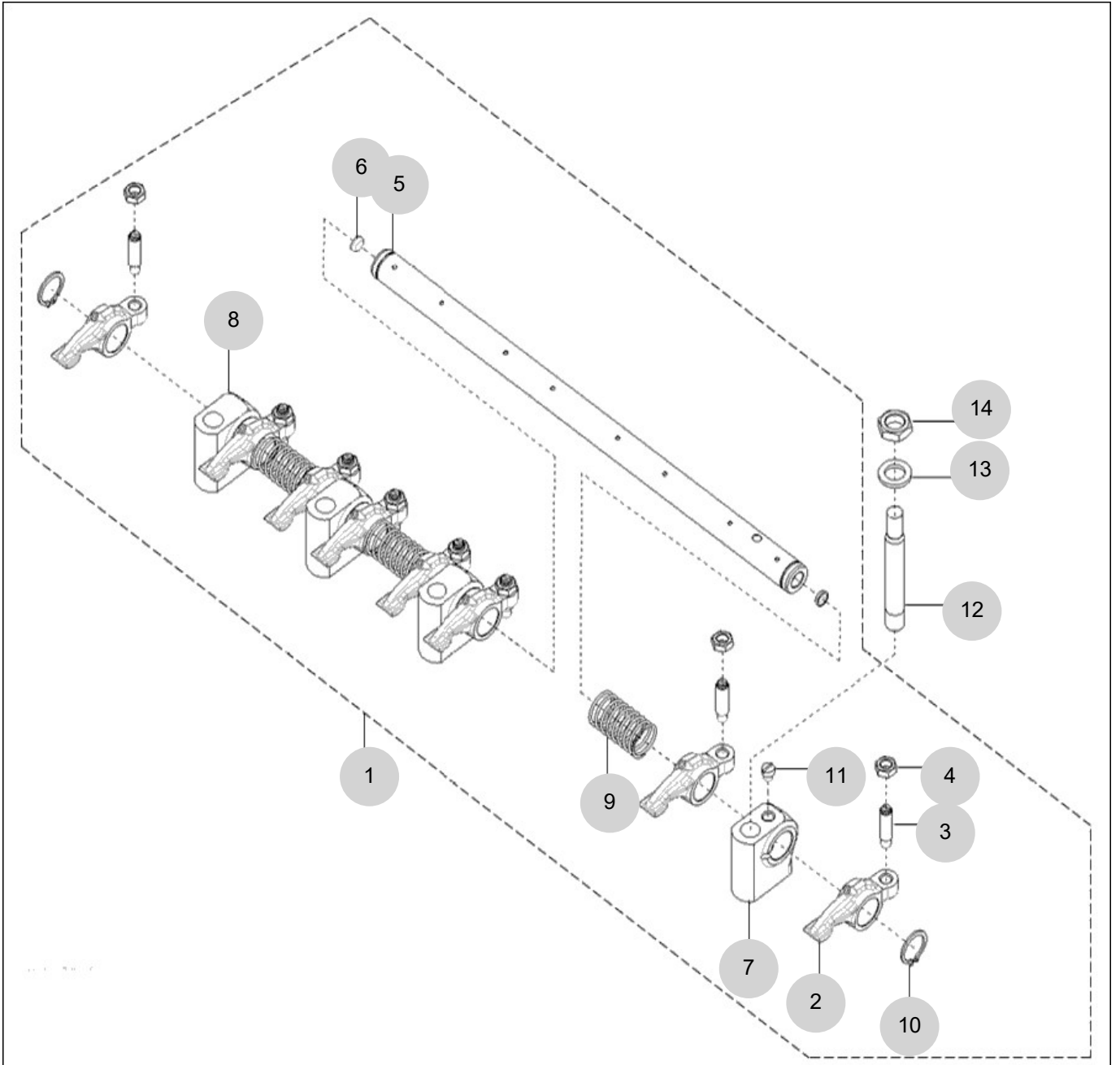
FIG 106

T494SH

ROCKER LEVER

년/월
Year/Month

2022-12



NOTE

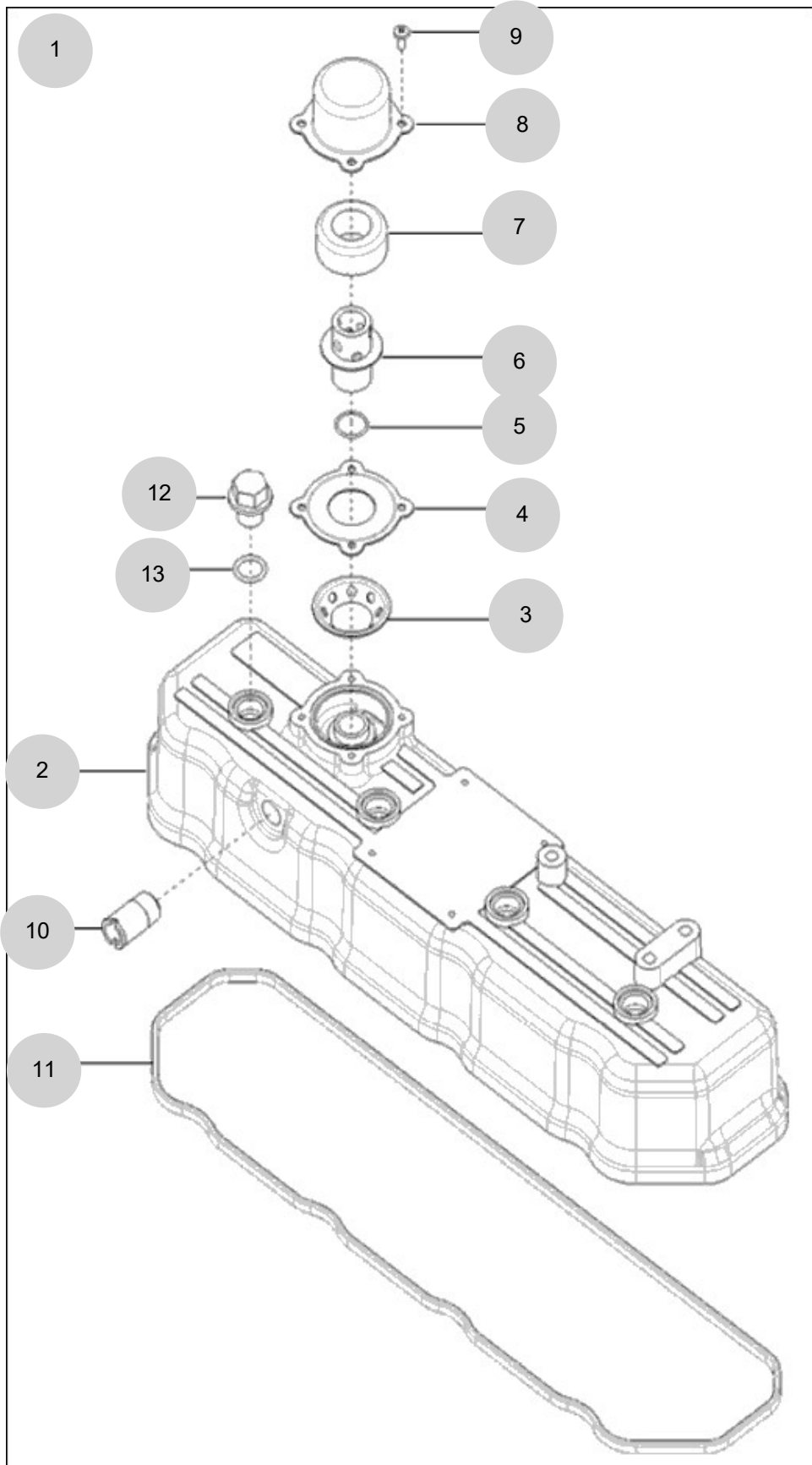
FIG 107

T494SH

HEAD COVER

년/월
Year/Month

2022-12



NOTE

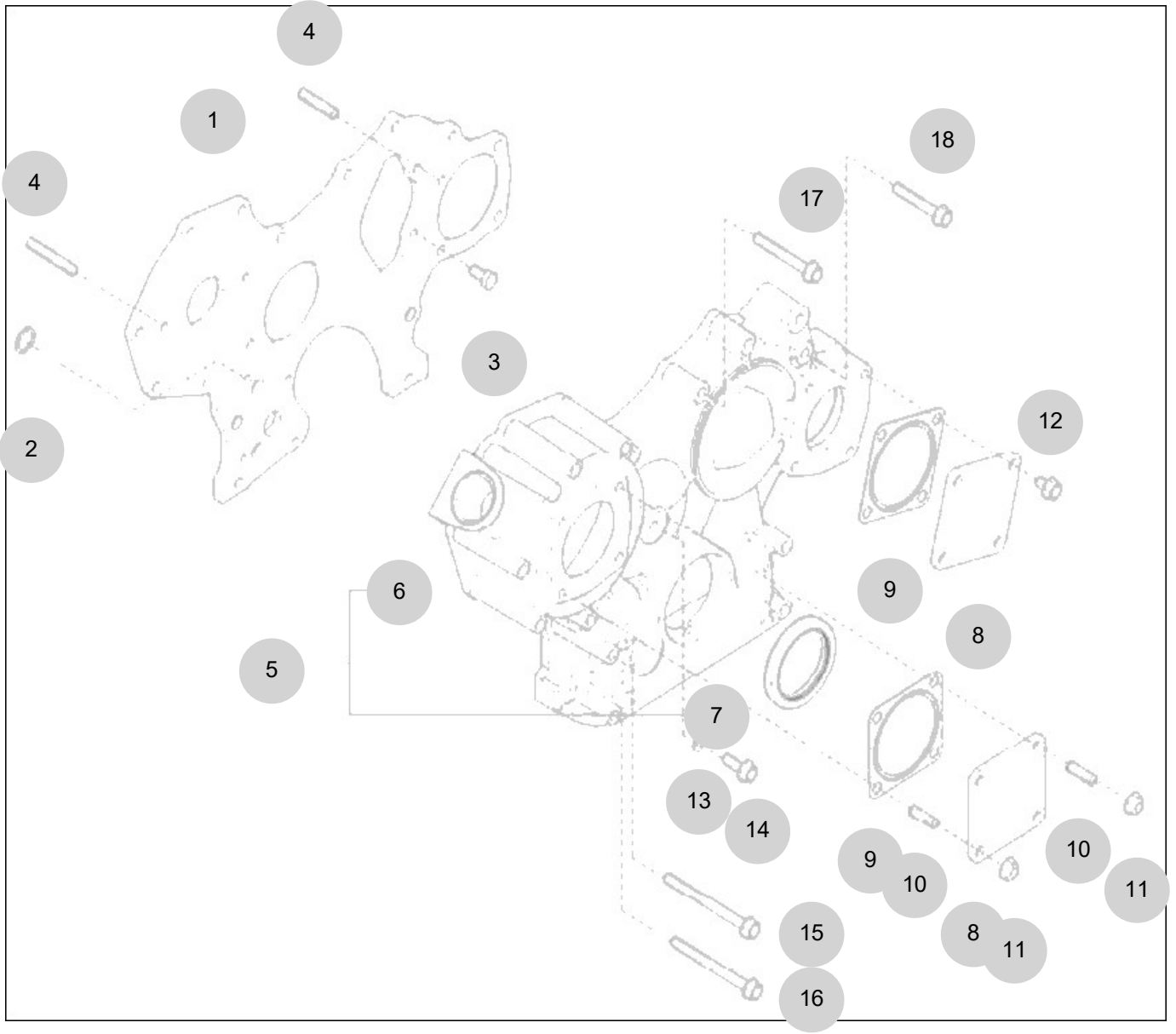
FIG 108

GEAR CASE

년/월
Year/Month

T494SH

2022-12



NOTE

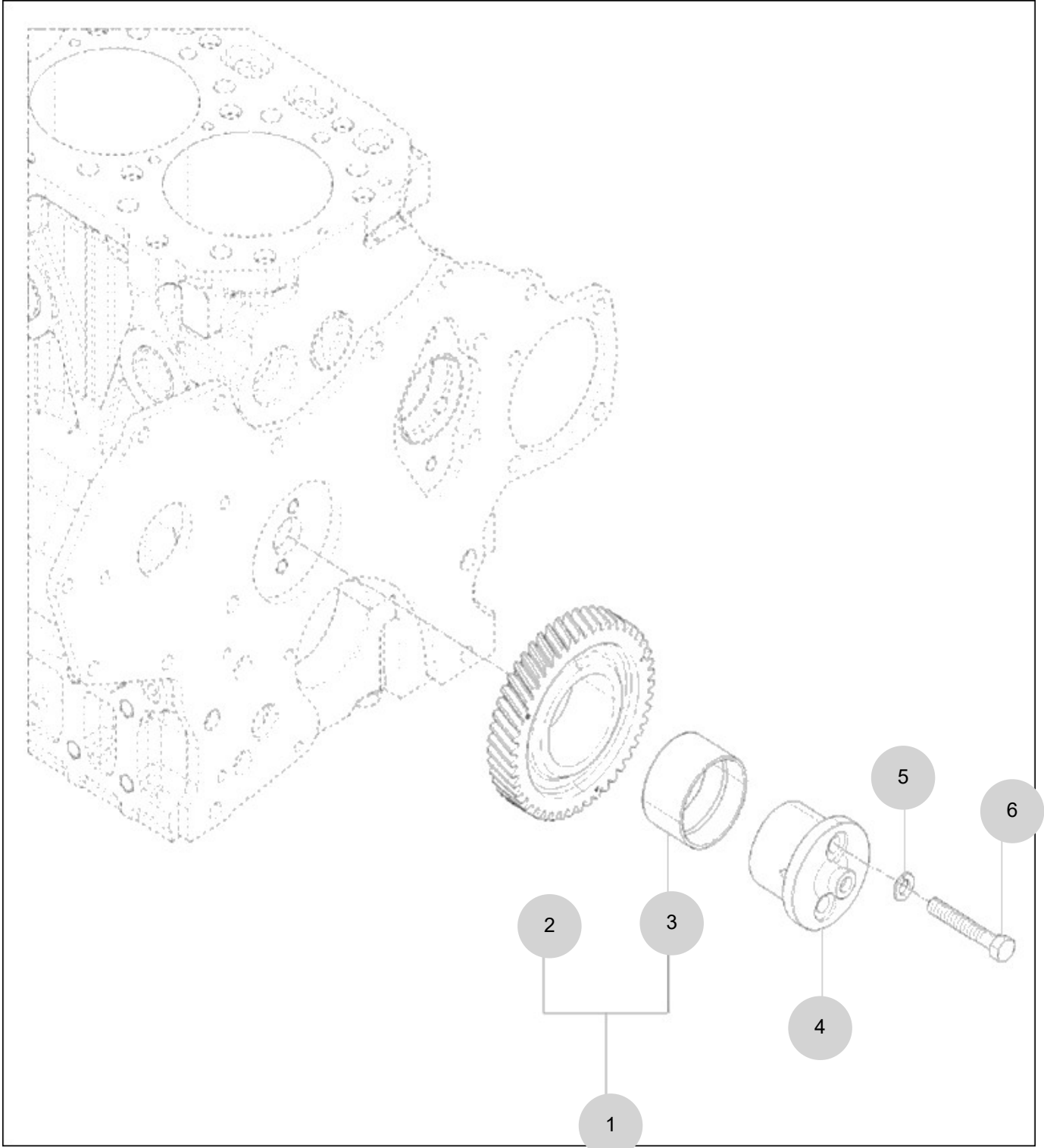
FIG 109

T494SH

IDLE GEAR

년/월
Year/Month

2022-12



NOTE

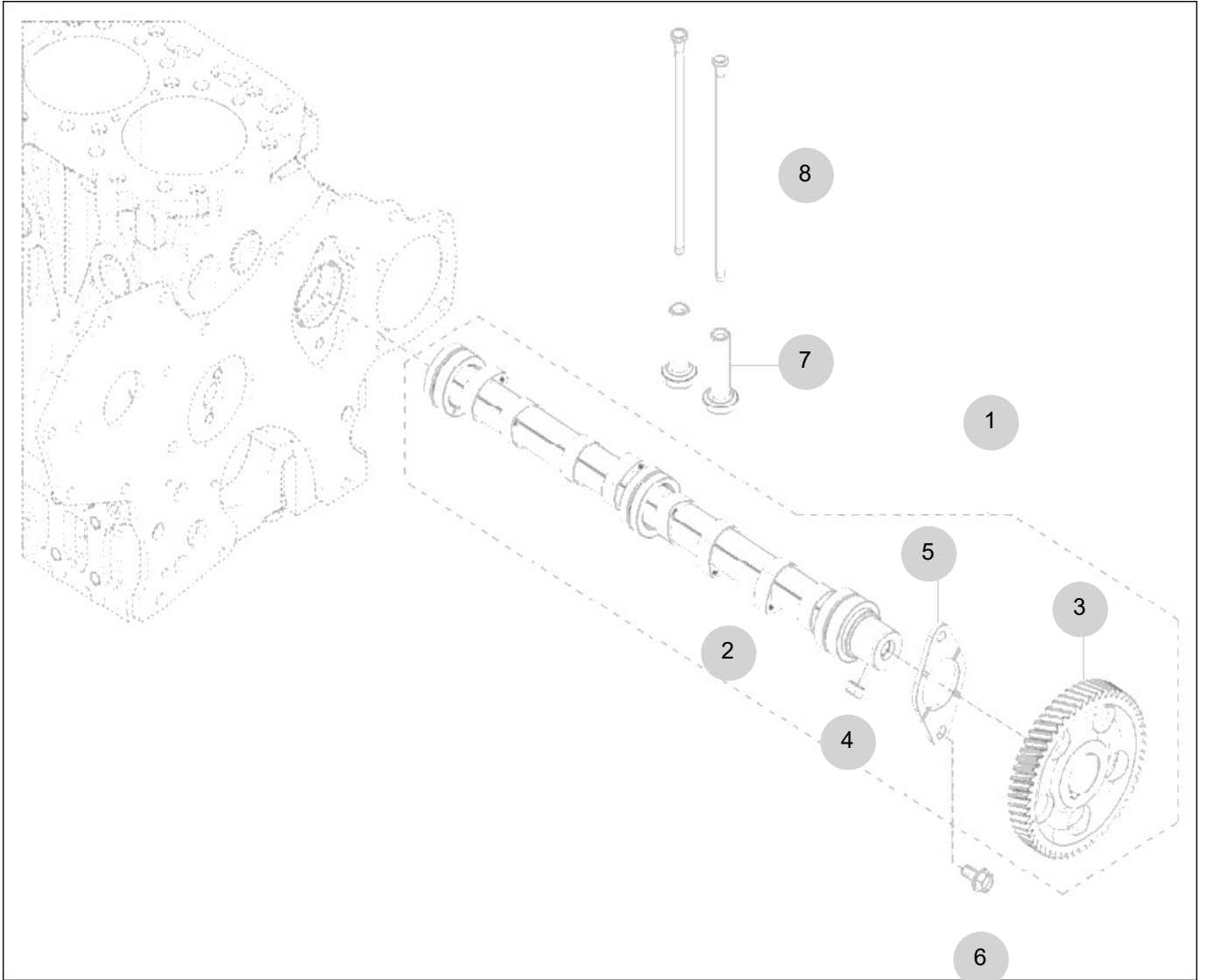
FIG 110

T494SH

CAM SHAFT

년/월
Year/Month

2022-12



NOTE

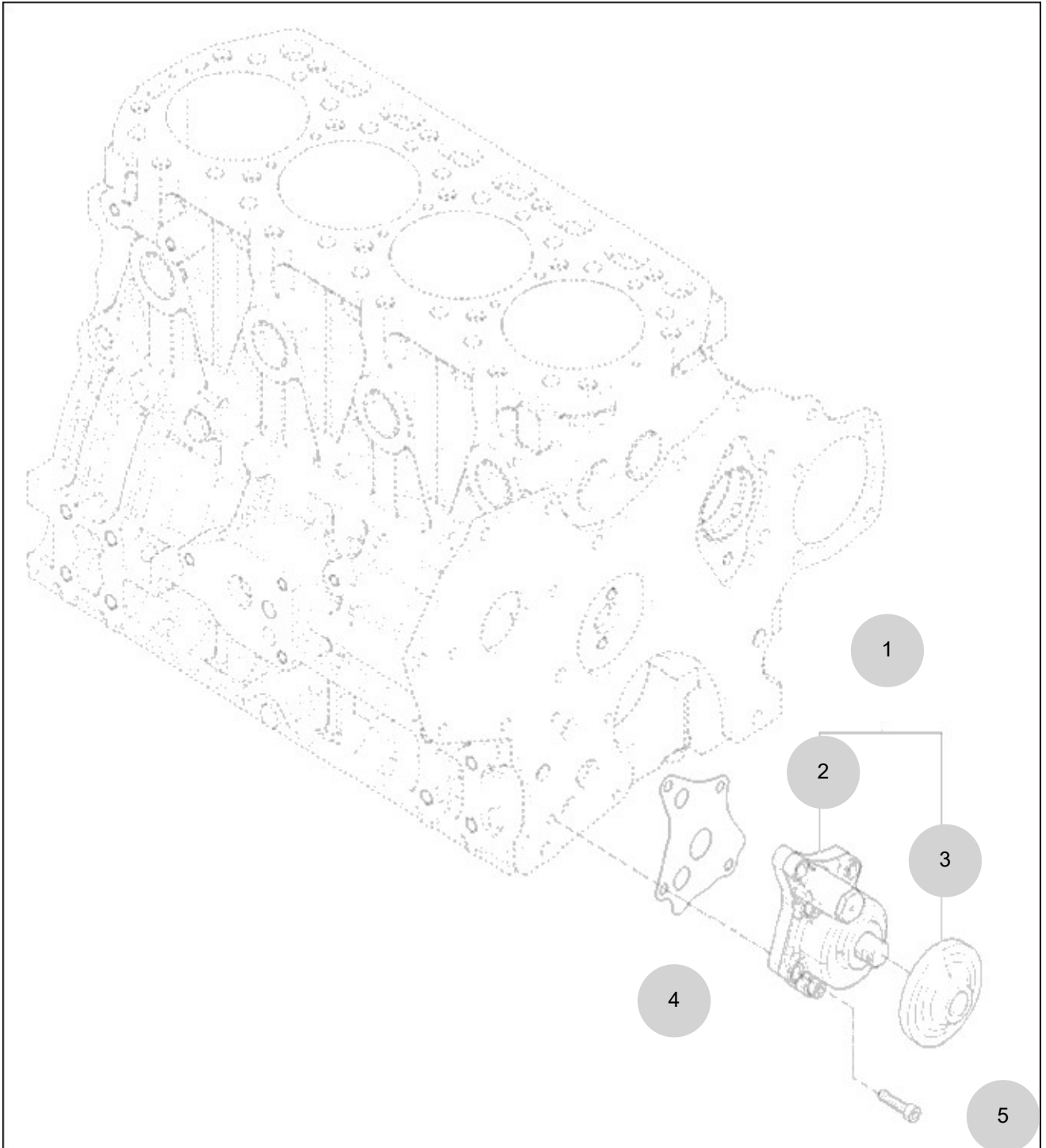
FIG 111

OIL PUMP

년/월
Year/Month

T494SH

2022-12



NOTE

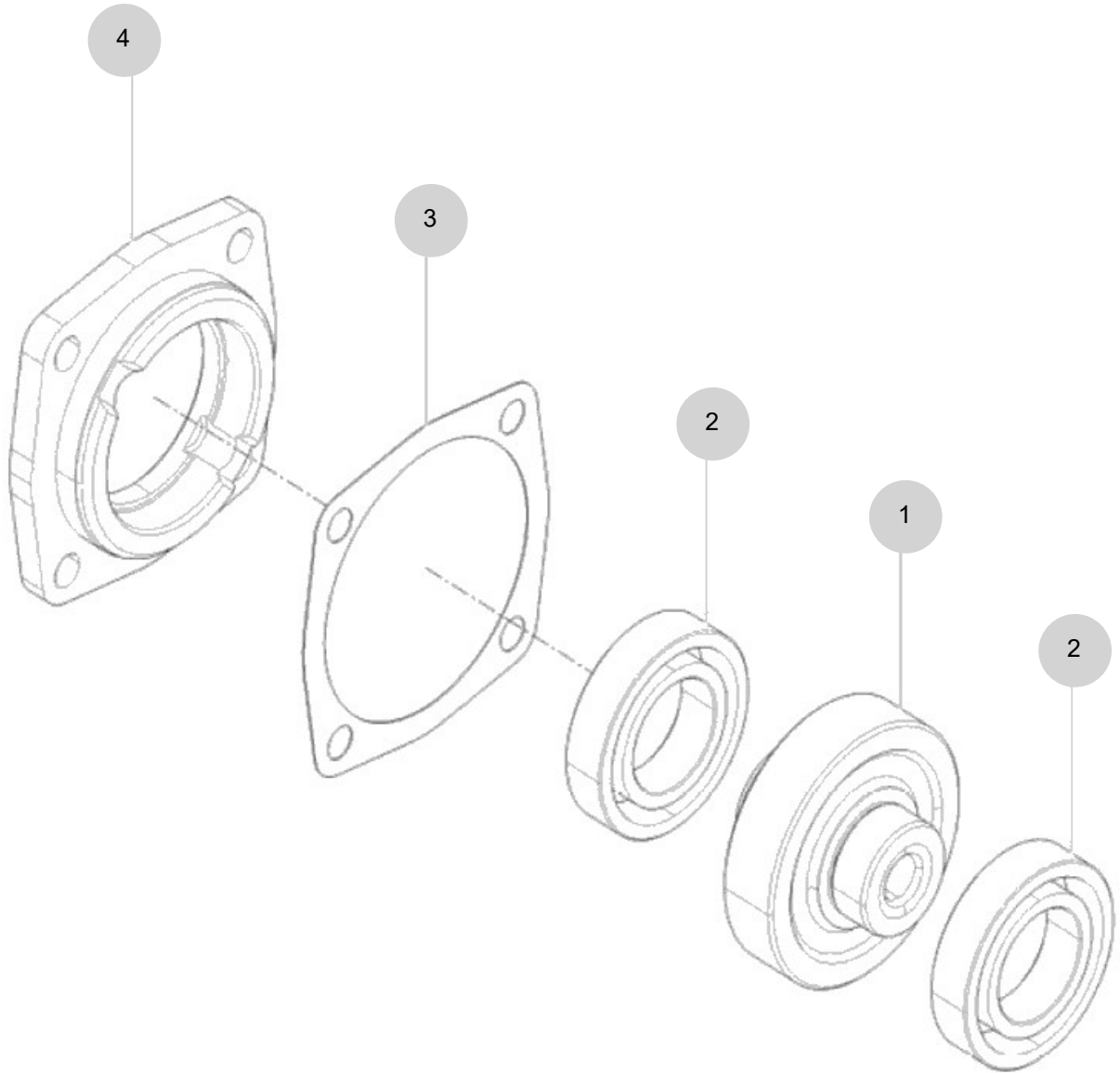
FIG 112

HYD. PUMP DRIVE

년/월
Year/Month

T494SH

2022-12



NOTE

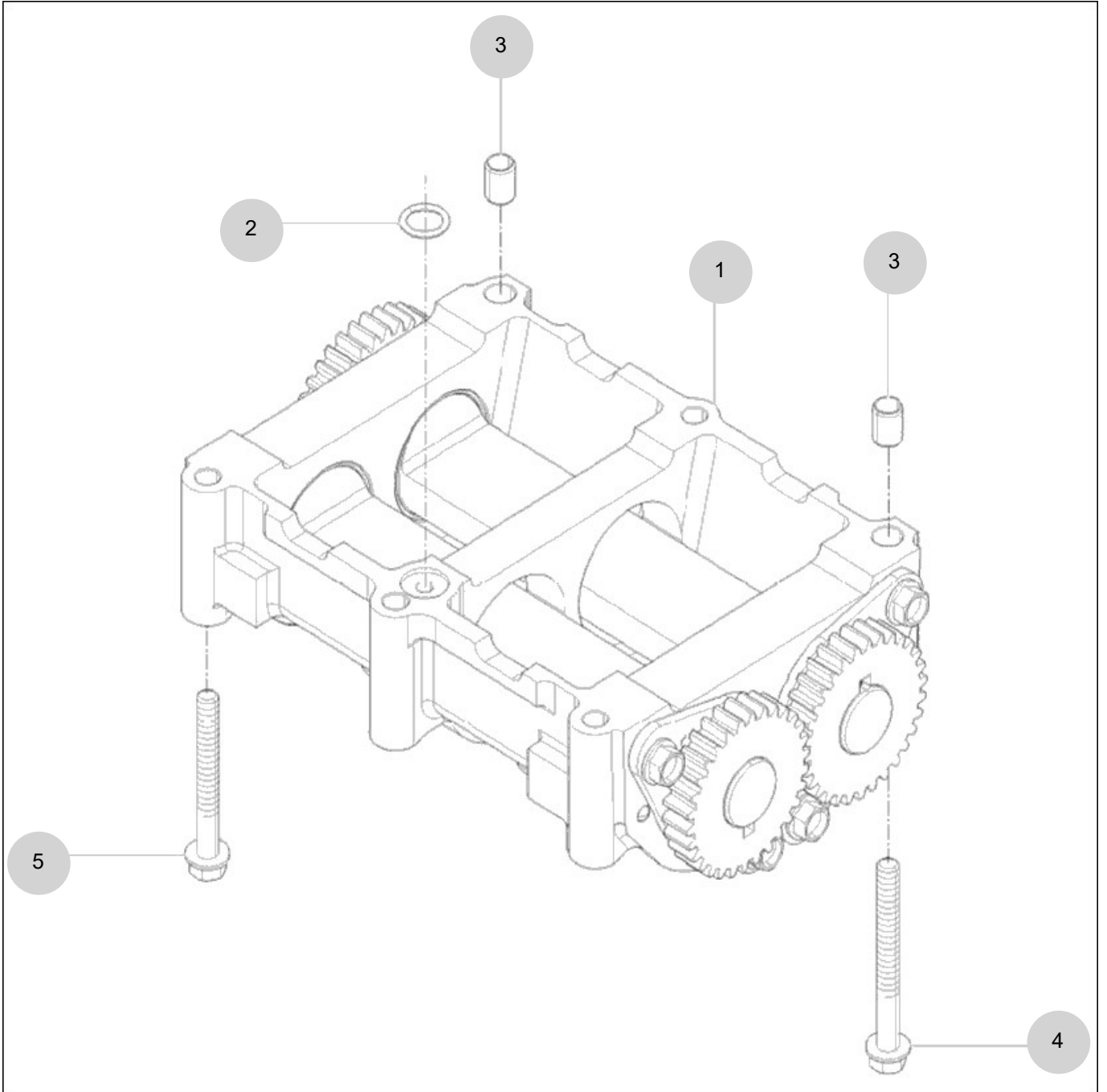
FIG 113

2ND BALANCE

년/월
Year/Month

2022-12

T494SH



NOTE

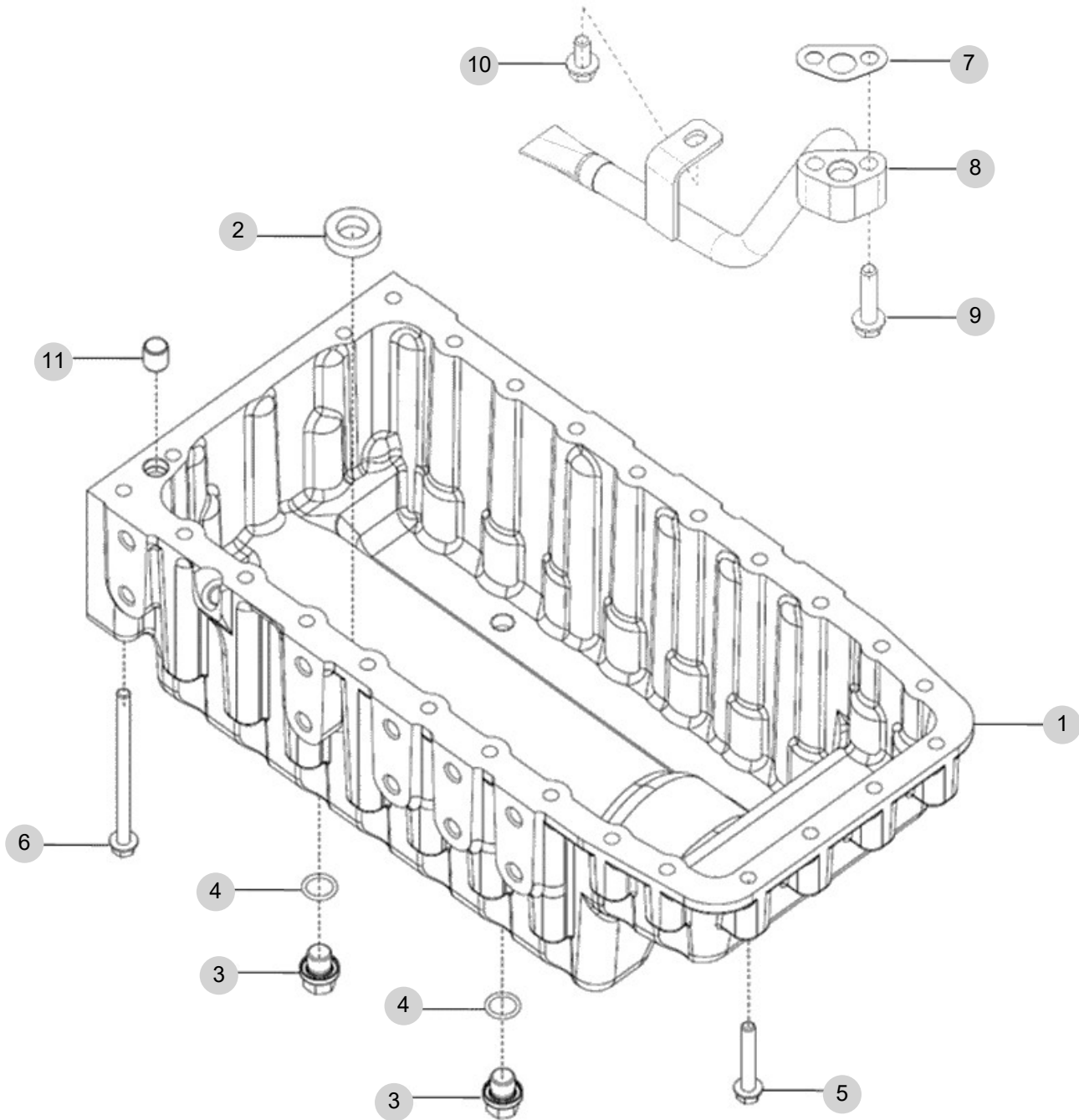
FIG 114

T494SH

OIL PAN

년/월
Year/Month

2022-12



NOTE

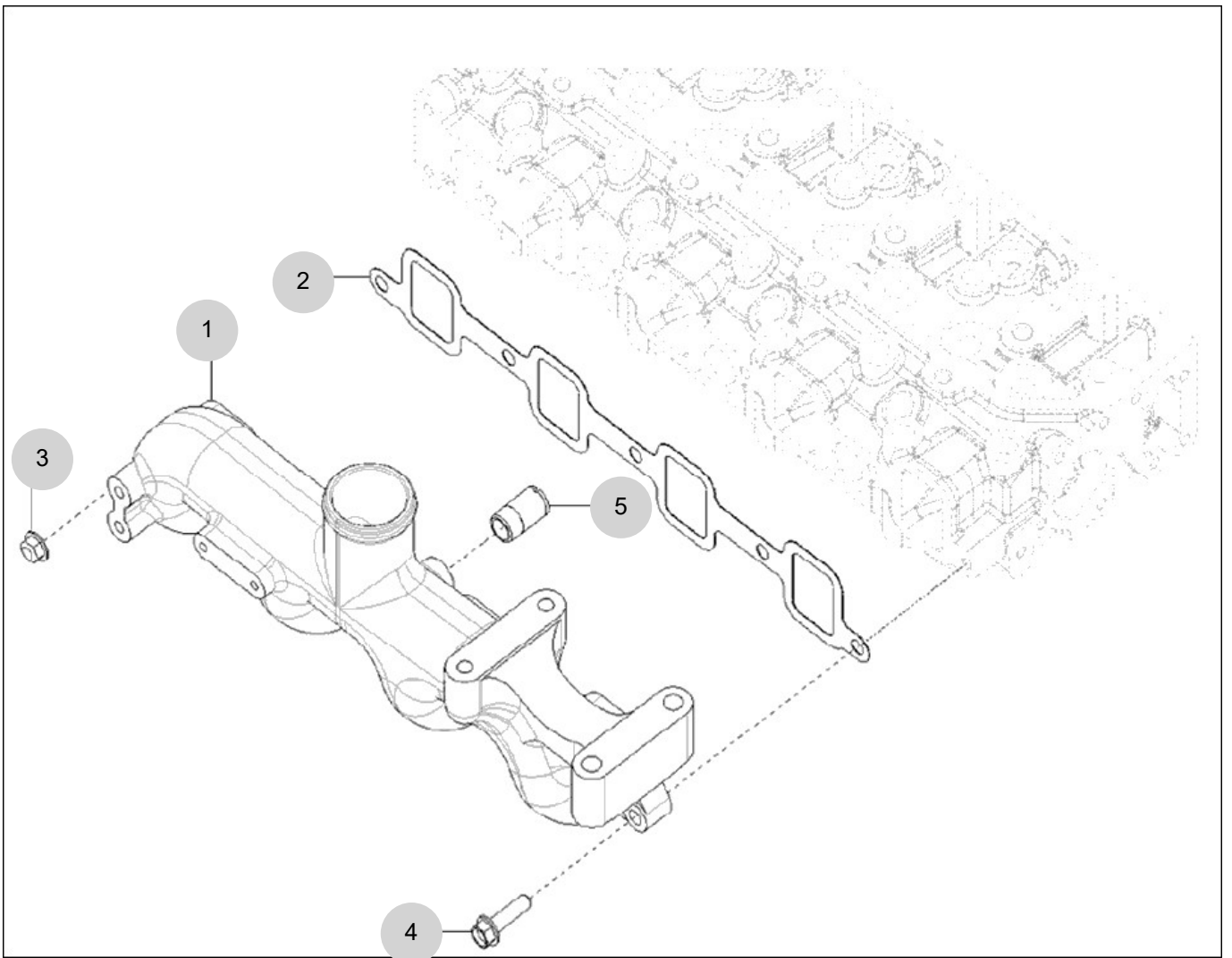
FIG 115B

T494SH

INTAKE MANIFOLD(T494)

년/월
Year/Month

2022-12



NOTE

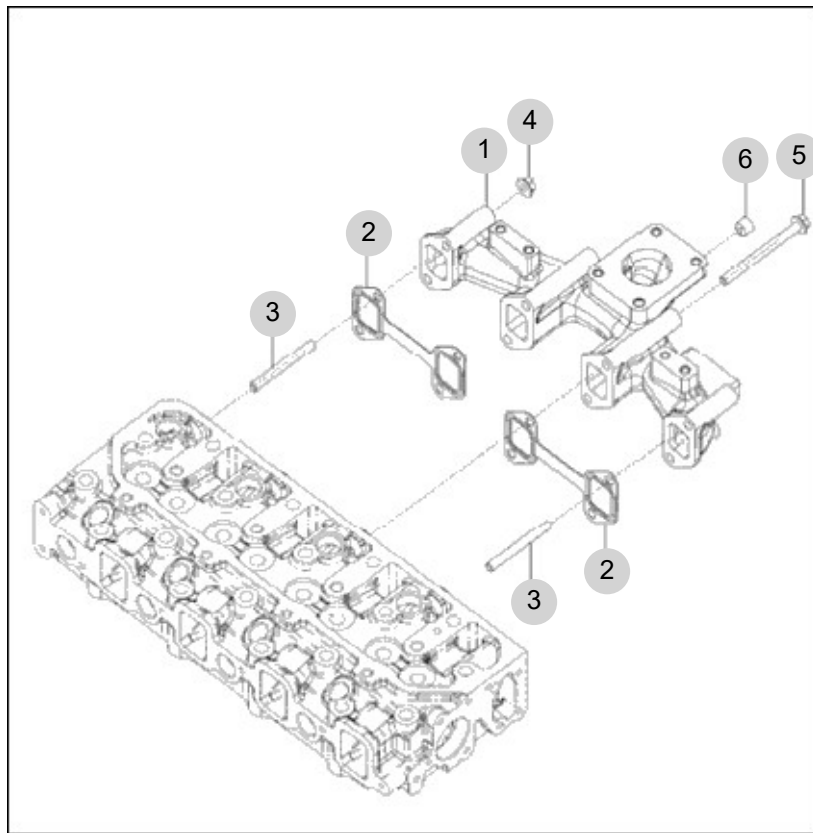
FIG 116B

T494SH

EXHAUST MANIFOLD(T494)

년/월
Year/Month

2022-12



NOTE

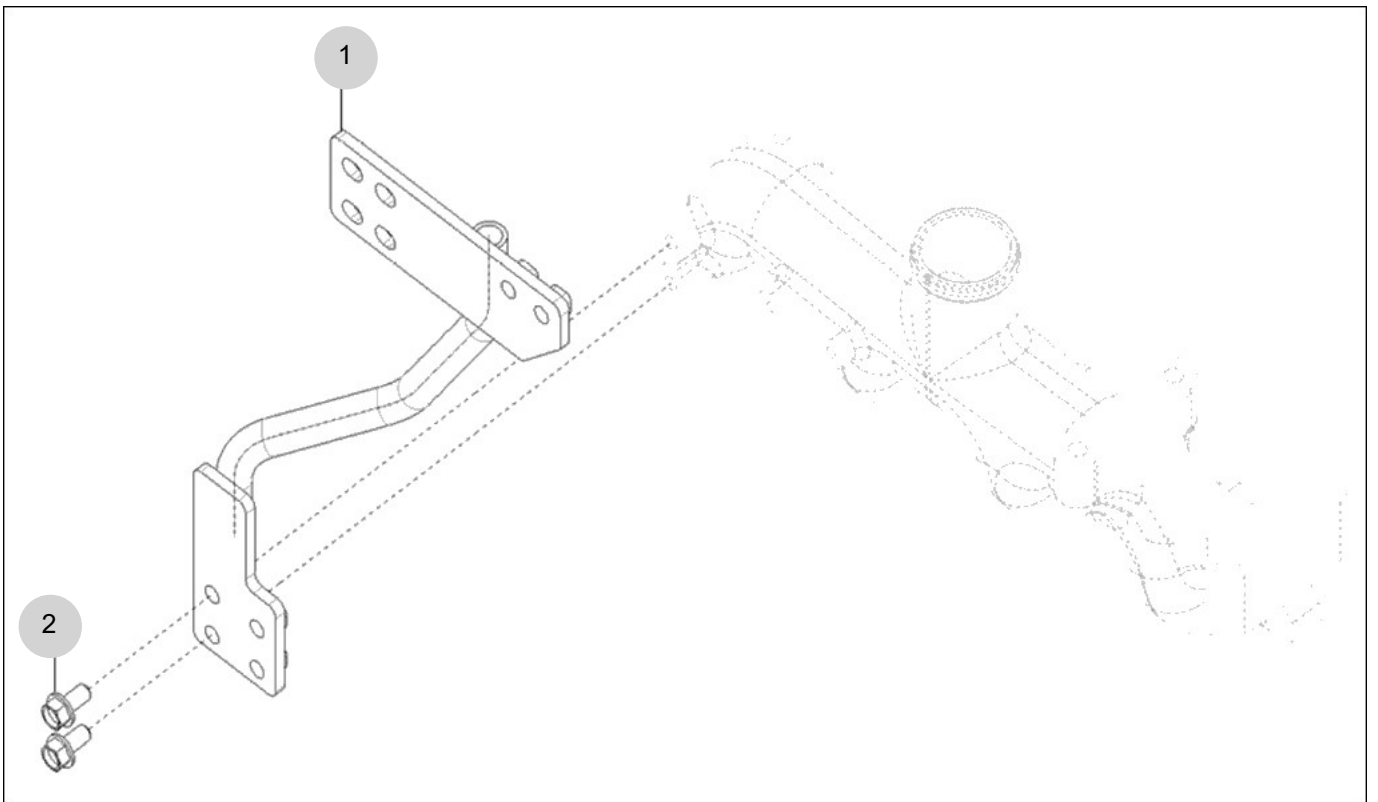
FIG 117B

TURBOCHARGER ASS'Y(T494)

년/월
Year/Month

2022-12

T494SH



NOTE

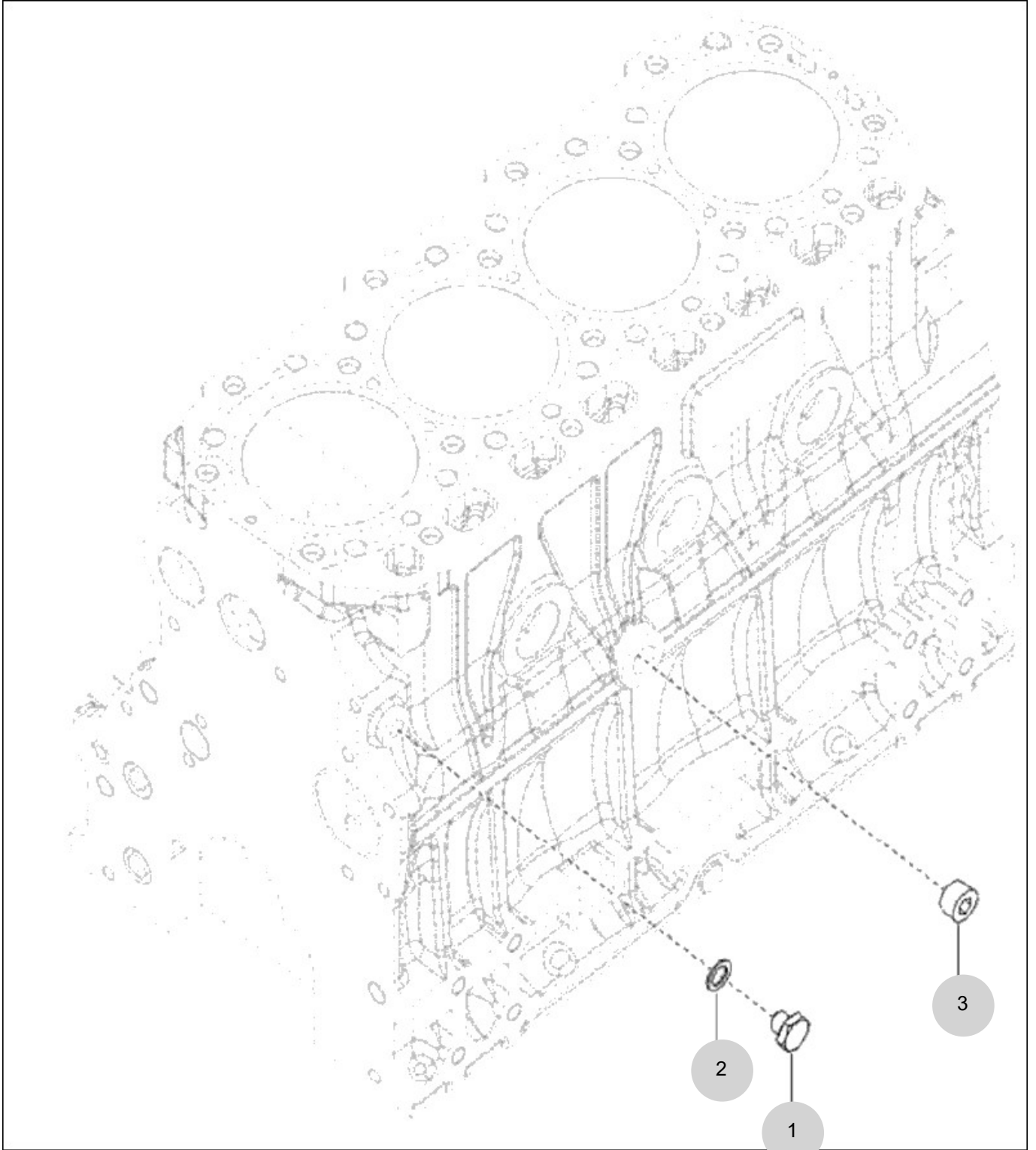
FIG 118B

TURBOCHARGER PLUMBING OPTION(T494)

년/월
Year/Month

2022-12

T494SH



NOTE

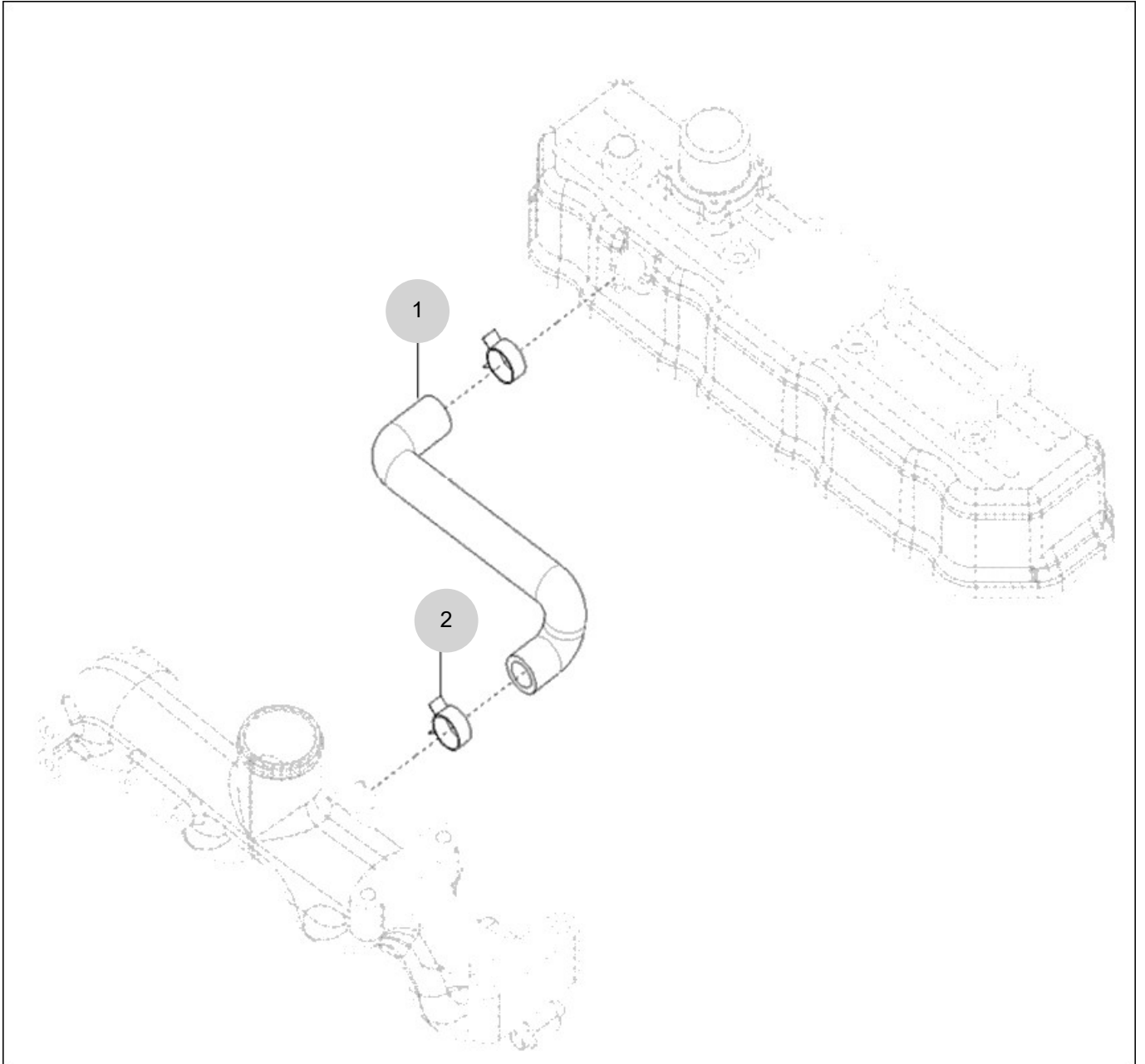
FIG 119B

BREATHER(T494)

년/월
Year/Month

T494SH

2022-12



NOTE

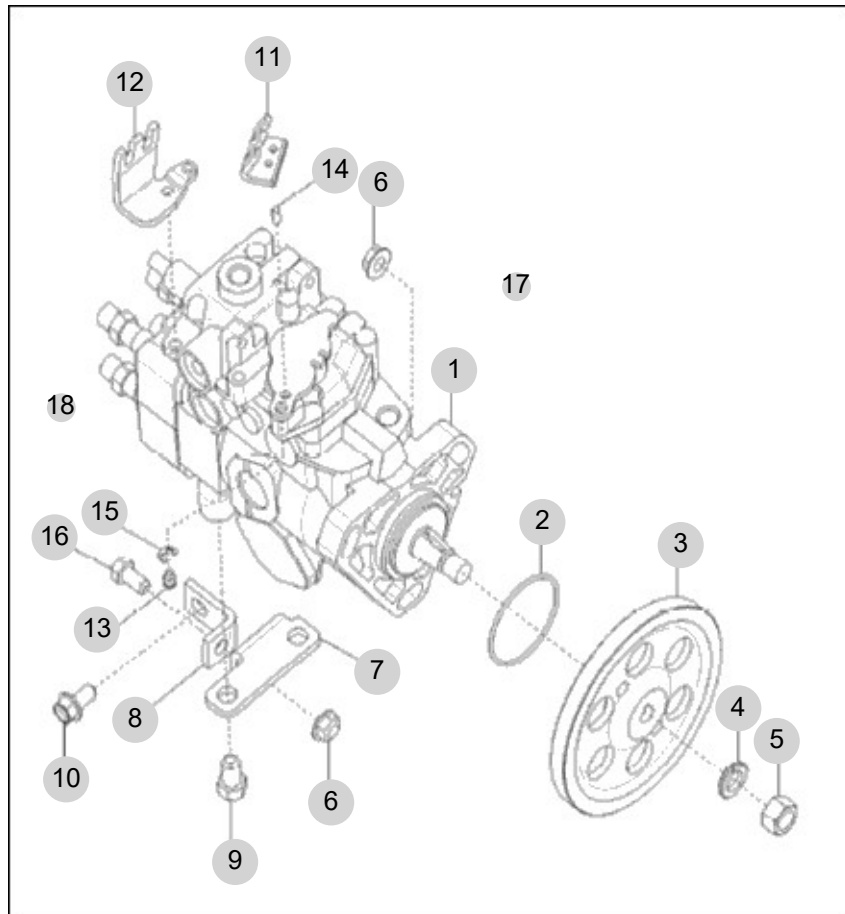
FIG 120

T494SH

FUEL INJECTION PUMP

년/월
Year/Month

2022-12



NOTE

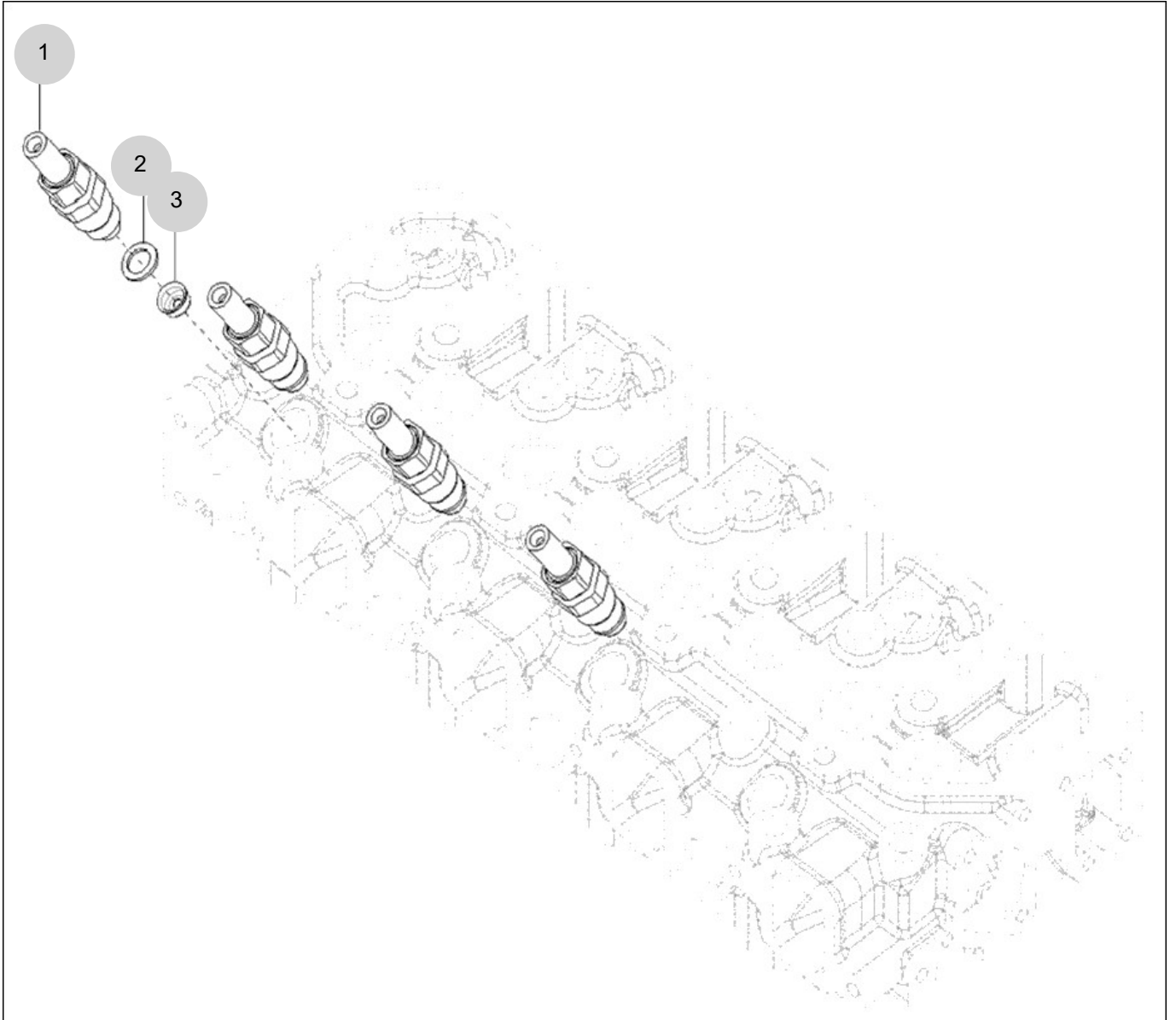
FIG 121

T494SH

FUEL INJECTION VALVE

년/월
Year/Month

2022-12



NOTE

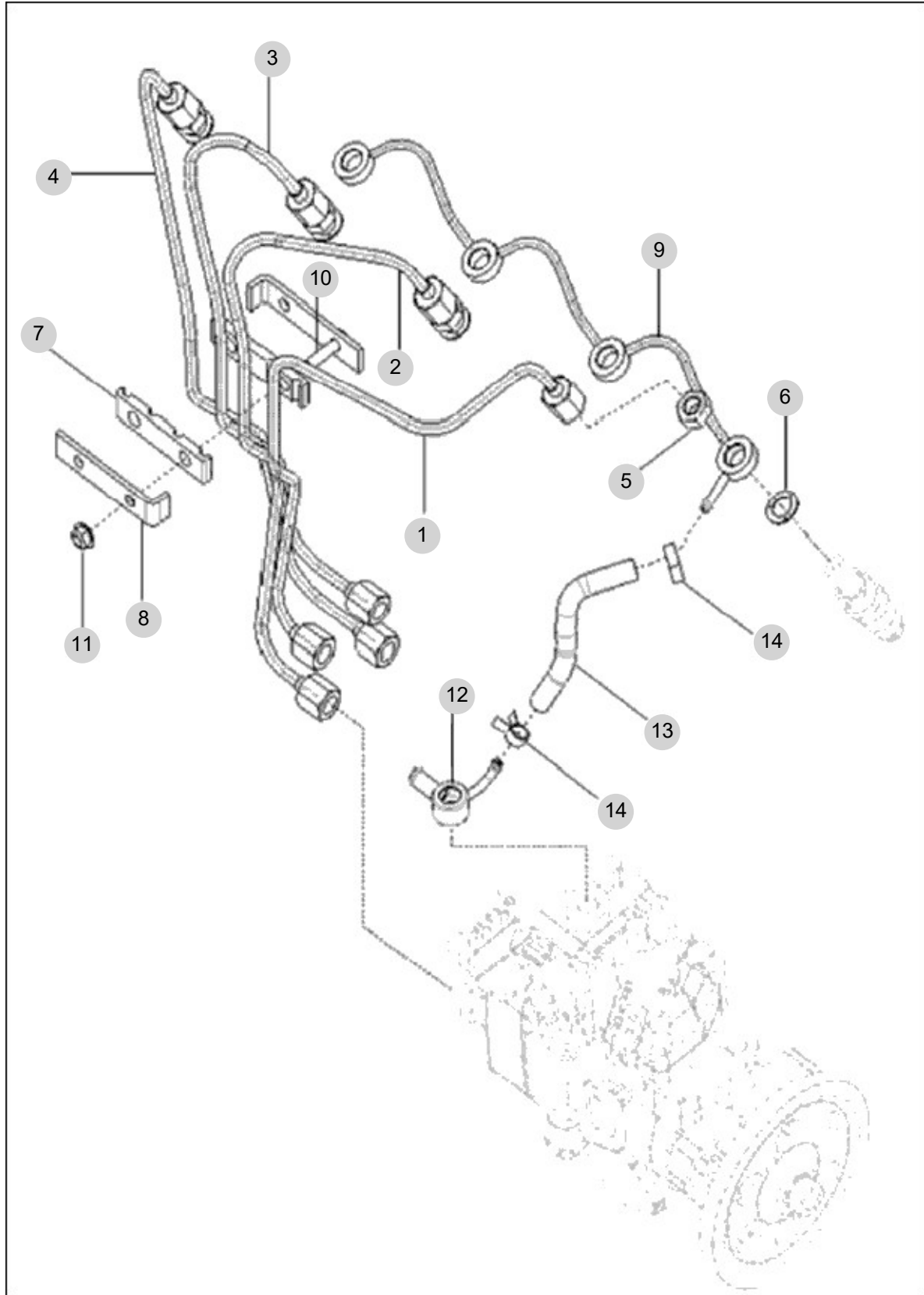
FIG 122

FUEL PIPE ASS'Y

년/월
Year/Month

2022-12

T494SH



NOTE

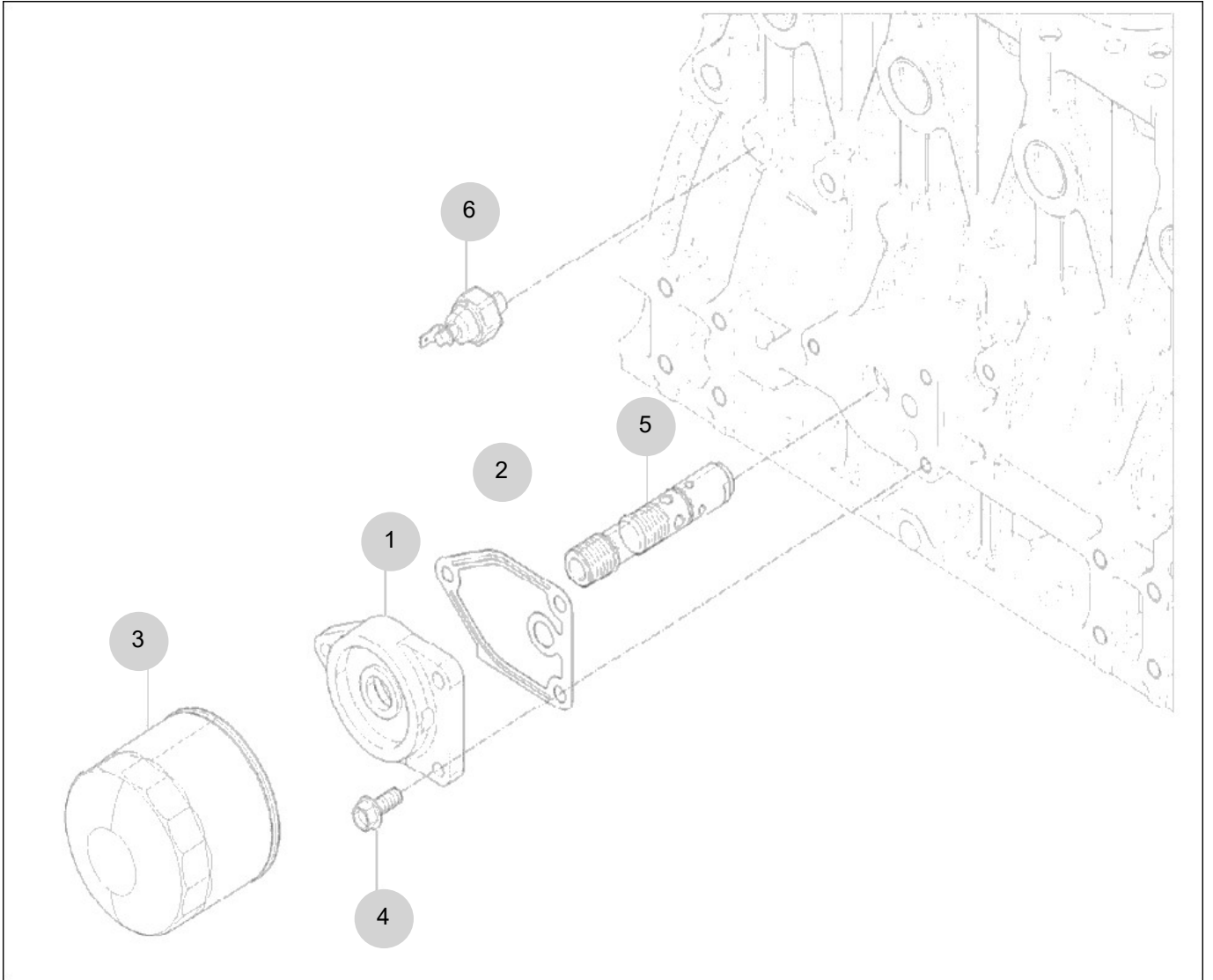
FIG 123

T494SH

OIL FILTER

년/월
Year/Month

2022-12



NOTE

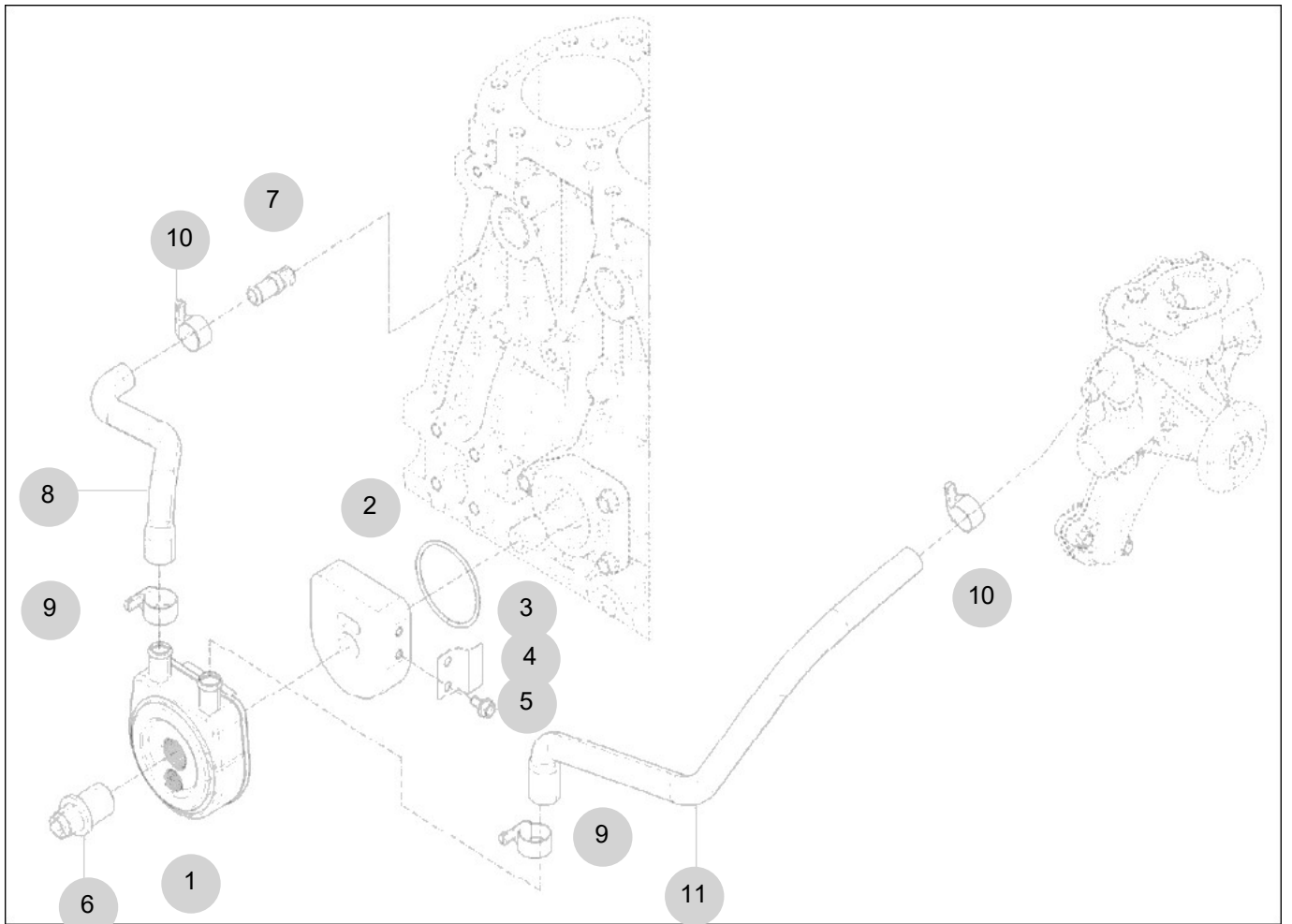
FIG 124

OIL COOLER

년/월
Year/Month

T494SH

2022-12



NOTE

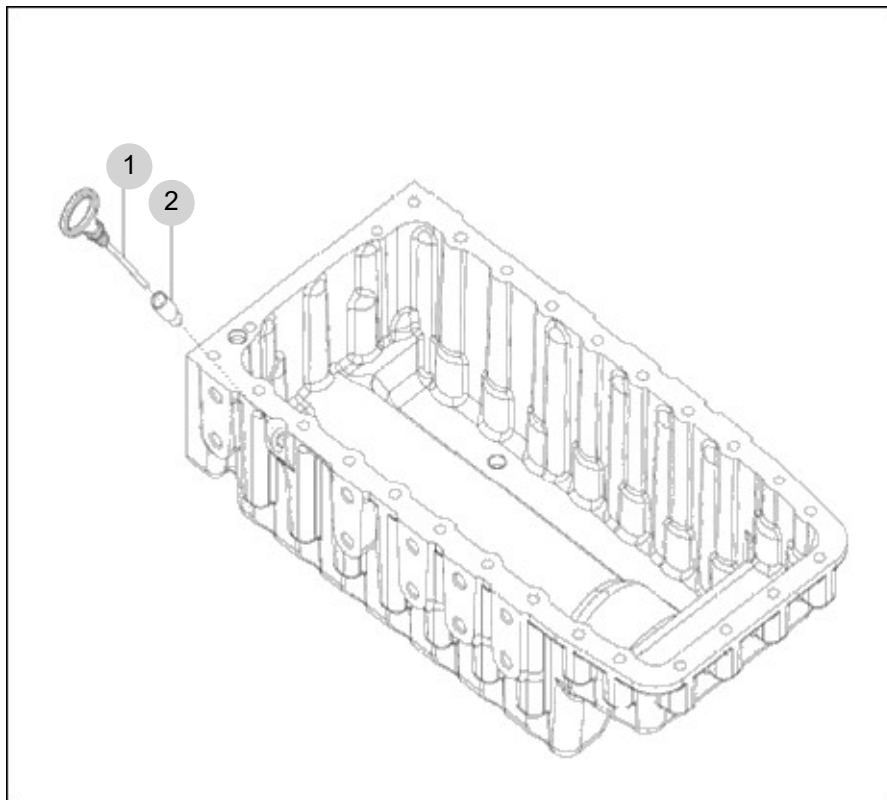
FIG 125

OIL GAUGUE

년/월
Year/Month

T494SH

2022-12



NOTE

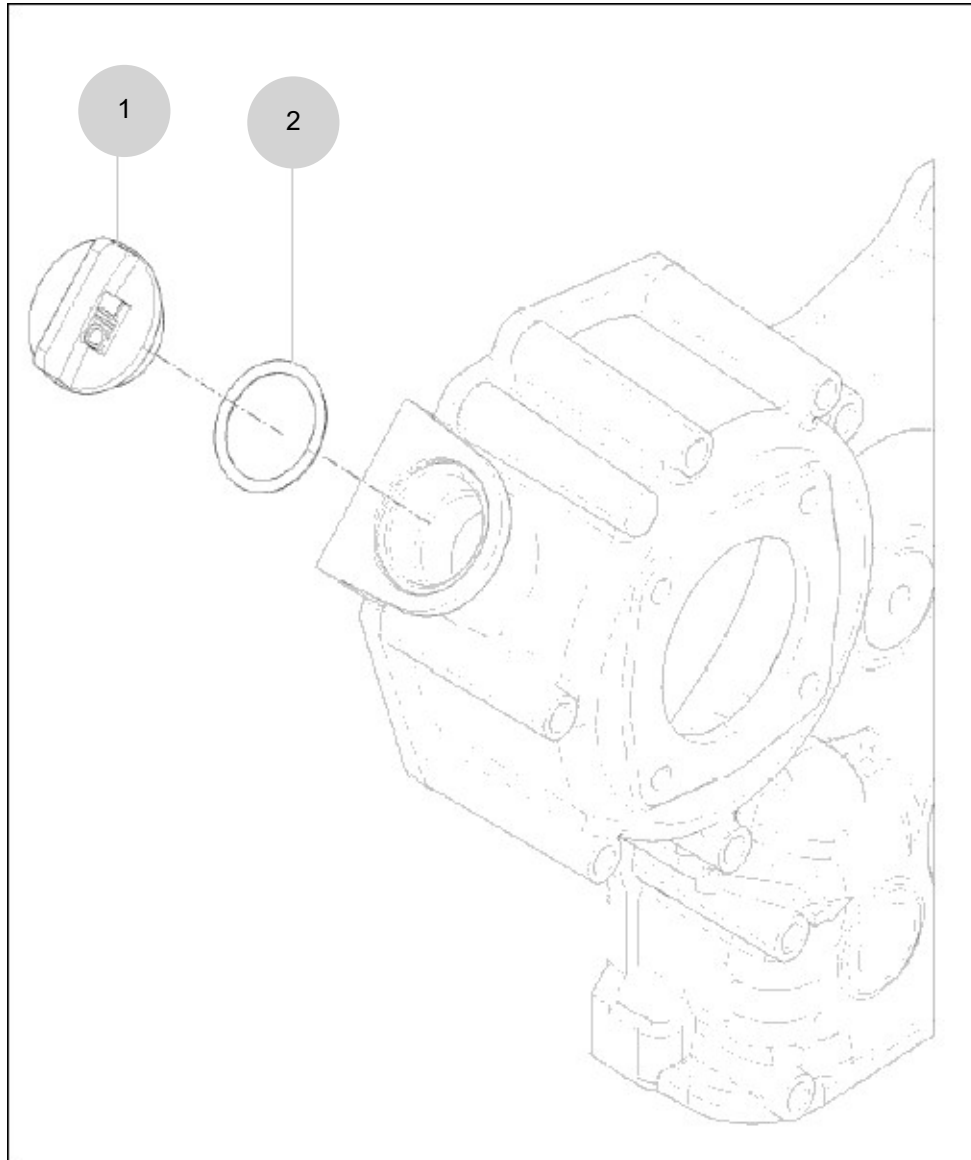
FIG 126

T494SH

OIL FILLER CAP

년/월
Year/Month

2022-12



NOTE

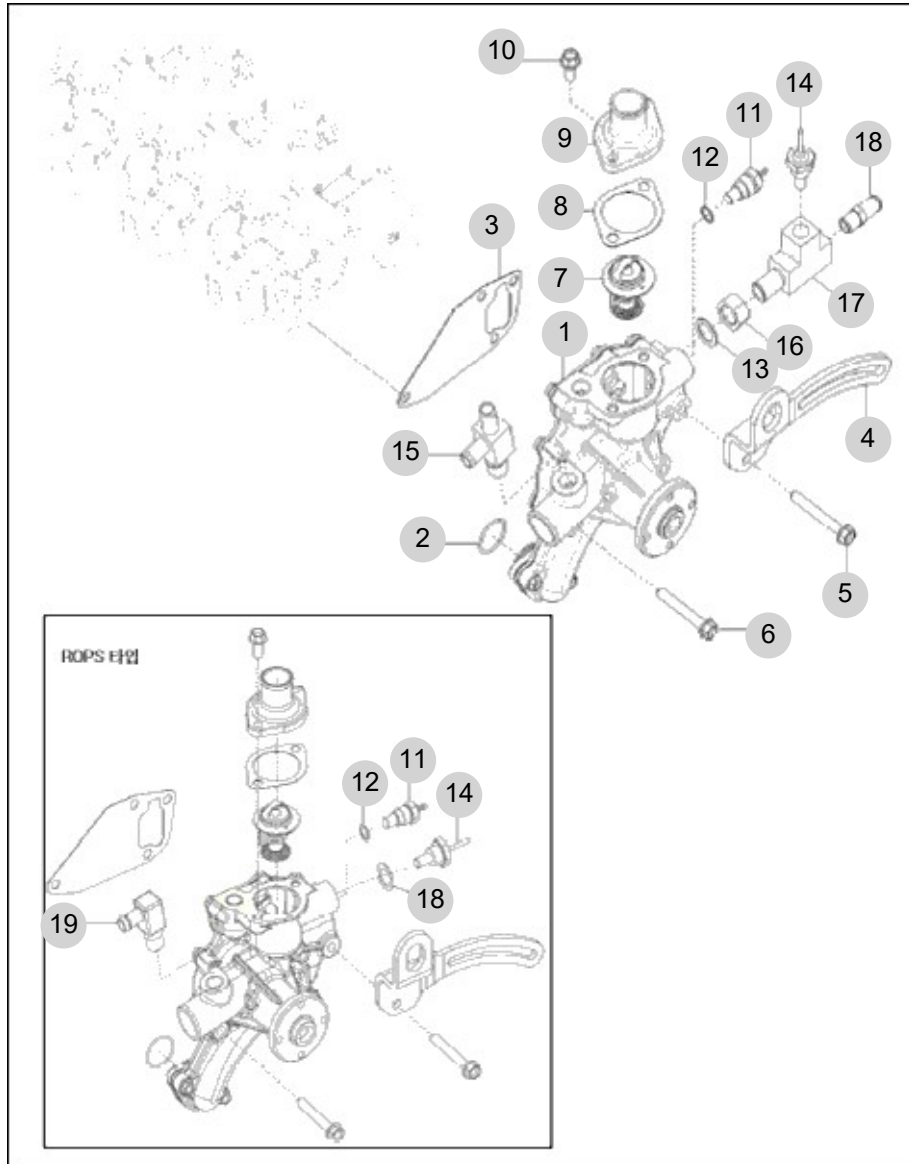
FIG 127

COOLING WATER PUMP

년/월
Year/Month

2022-12

T494SH



NOTE

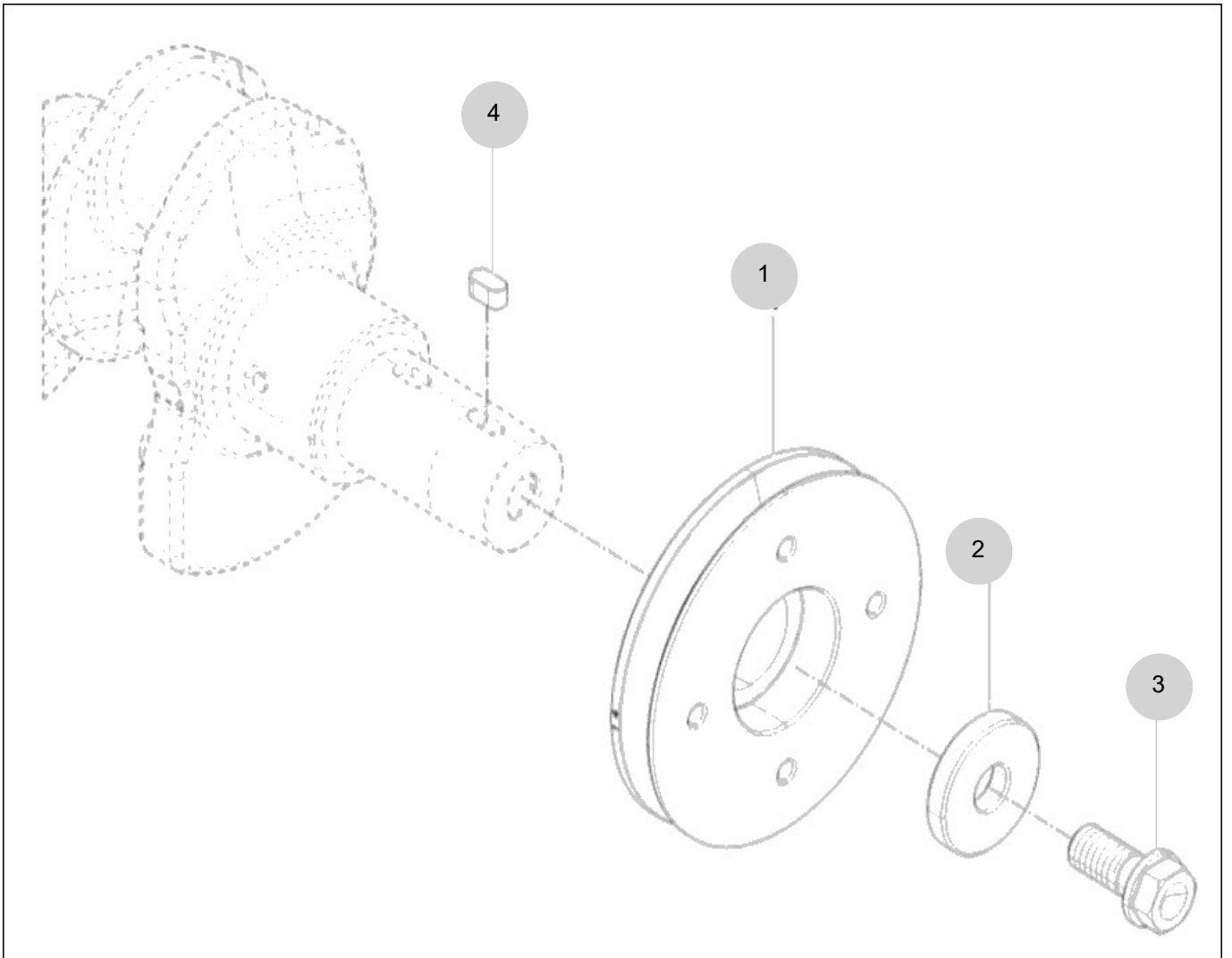
FIG 128

T494SH

CRANK SHAFT PULLEY

년/월
Year/Month

2022-12



NOTE

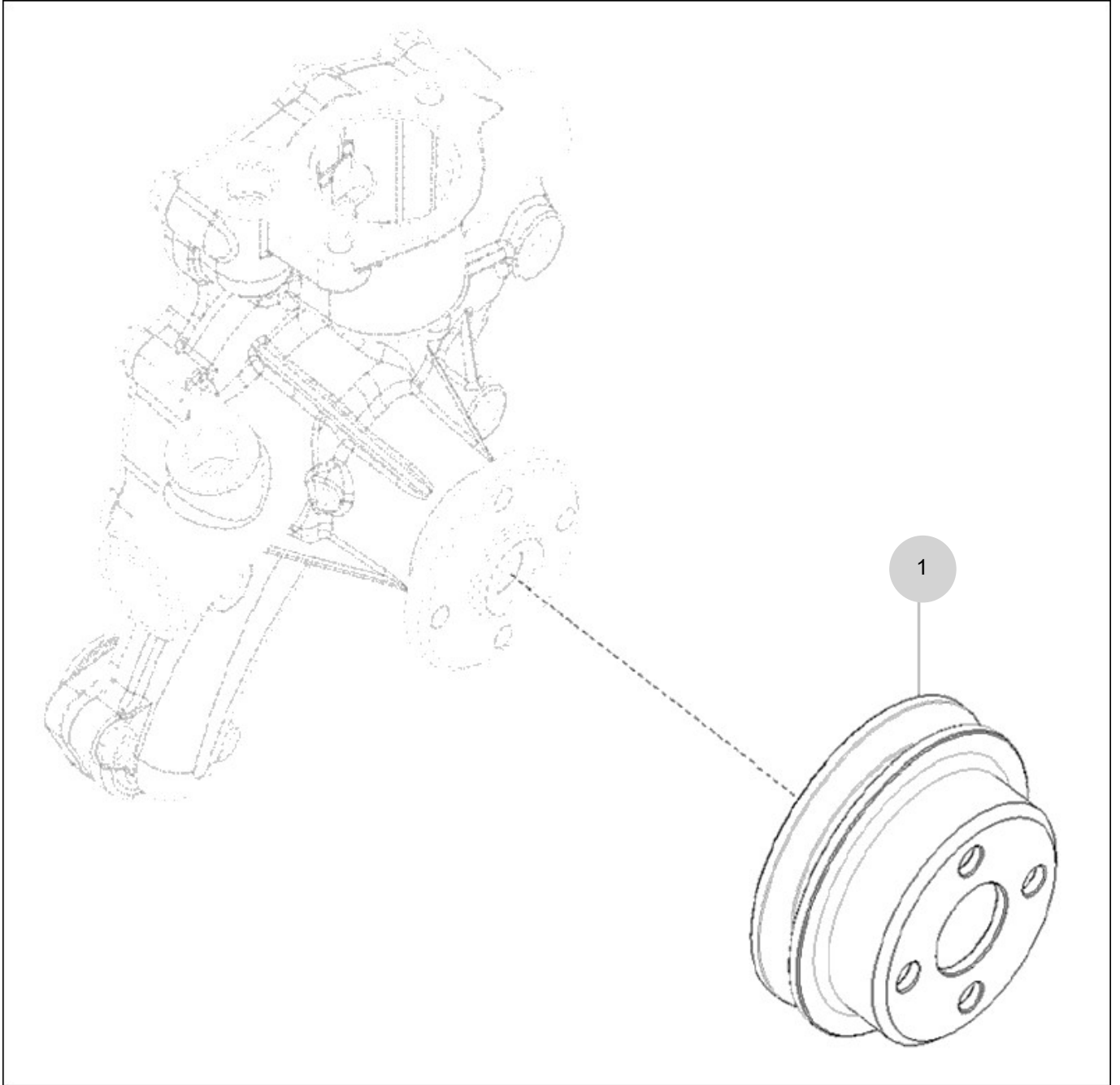
FIG 129

V-PULLEY

년/월
Year/Month

2022-12

T494SH



NOTE

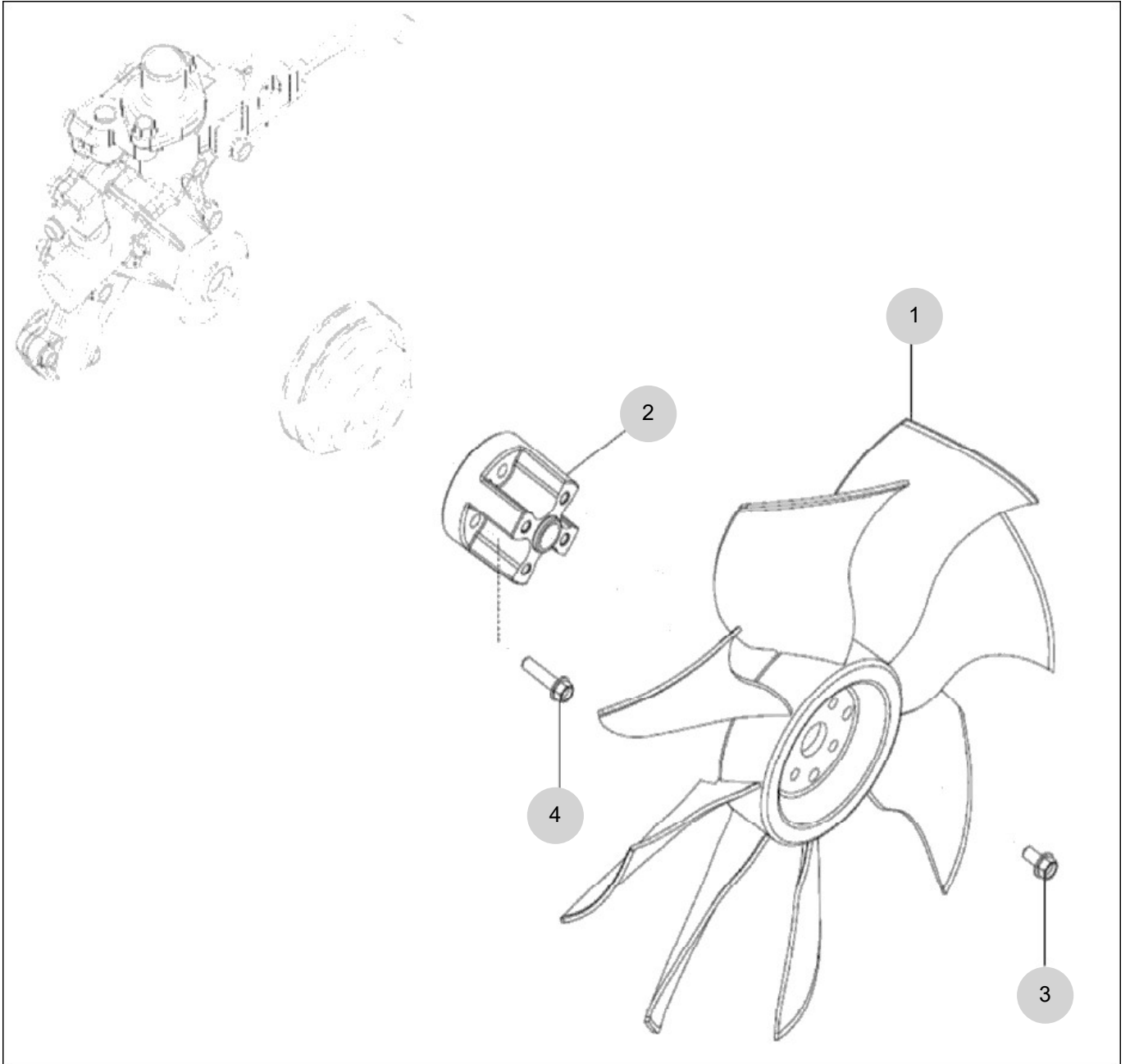
FIG 130

COOLING FAN

년/월
Year/Month

2022-12

T494SH



NOTE

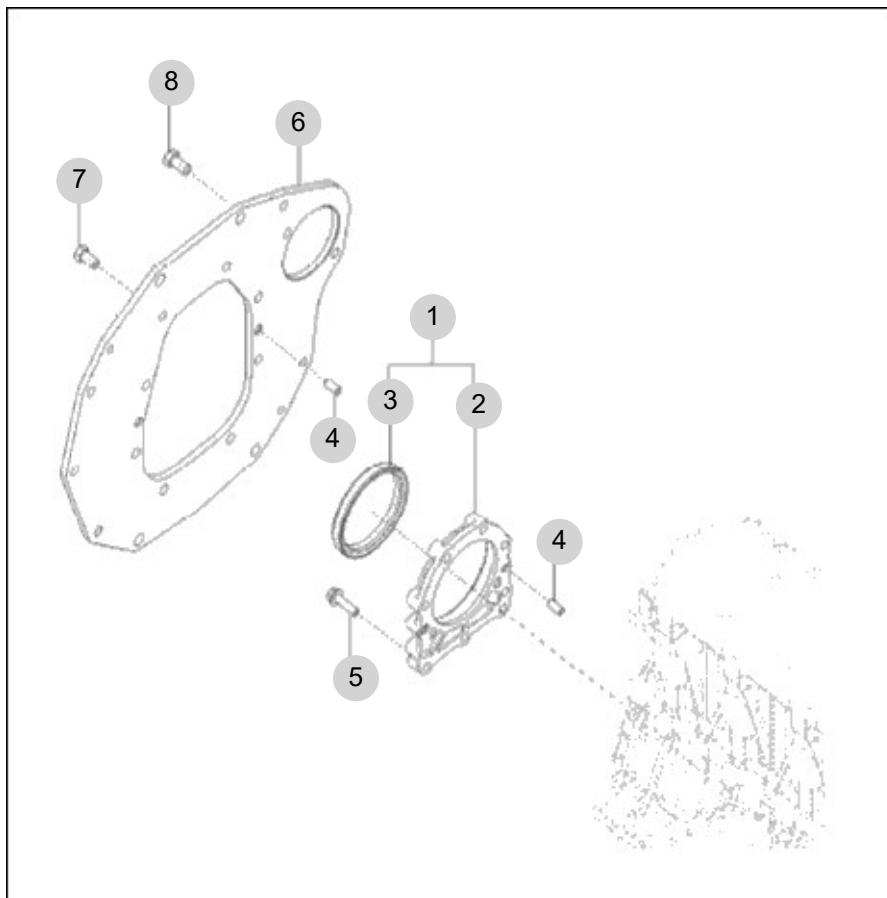
FIG 131

T494SH

FLYWHEEL HOUSING

년/월
Year/Month

2022-12



NOTE

FIG 131 T494SH		FLYWHEEL HOUSING					년/월 Year/Month	
							2022-12	
KEY NO	PART NO	DESCRIPTION	SPEC	QTY	REPAIR	EFFECTIVE DATE	REMARKS	
131	1	HRC0300800A	OIL SEAL HOUSING ASSY(HRA0301401B2 단품으로 주문변경)			1		
131	2	HRA0301401B	HOUSING, OIL SEAL			1		
131	3	HRC0300802A	OIL SEAL(F)			1		
131	4	22312-080160	PIN, DOWEL			4		
131	5	26106-080302	FLANGE BOLT			9		
131	6	EA00005602A	MOUNTING FLANGE			1		
131	7	26116-100202	HEX. BOLT			8		
131	8	26116-120302	HEX. BOLT			4		
NOTE								

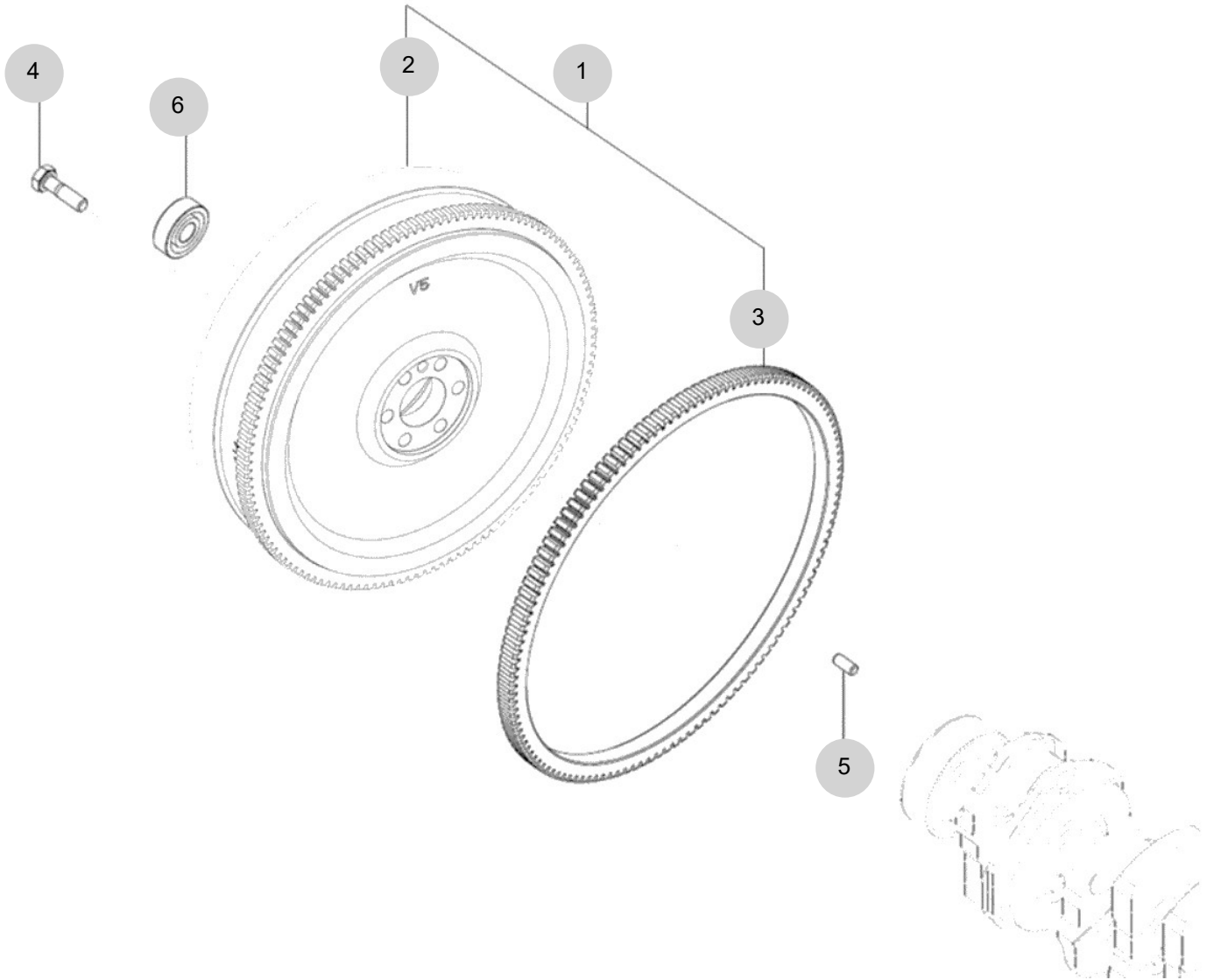
FIG 132

T494SH

FLYWHEEL

년/월
Year/Month

2022-12



NOTE

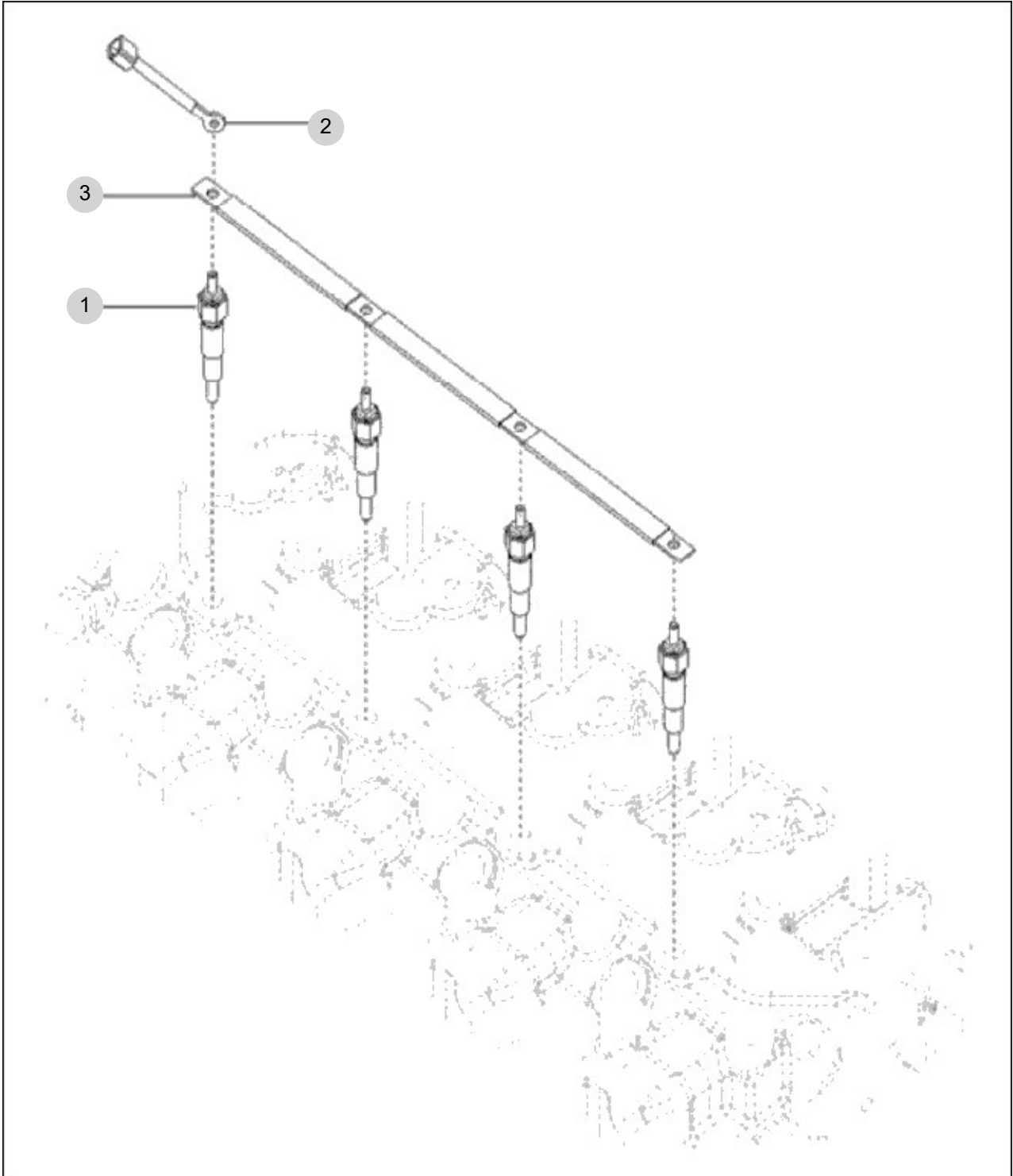
FIG 133

T494SH

GLOW PLUG ASS'Y OPTION

년/월
Year/Month

2022-12



NOTE

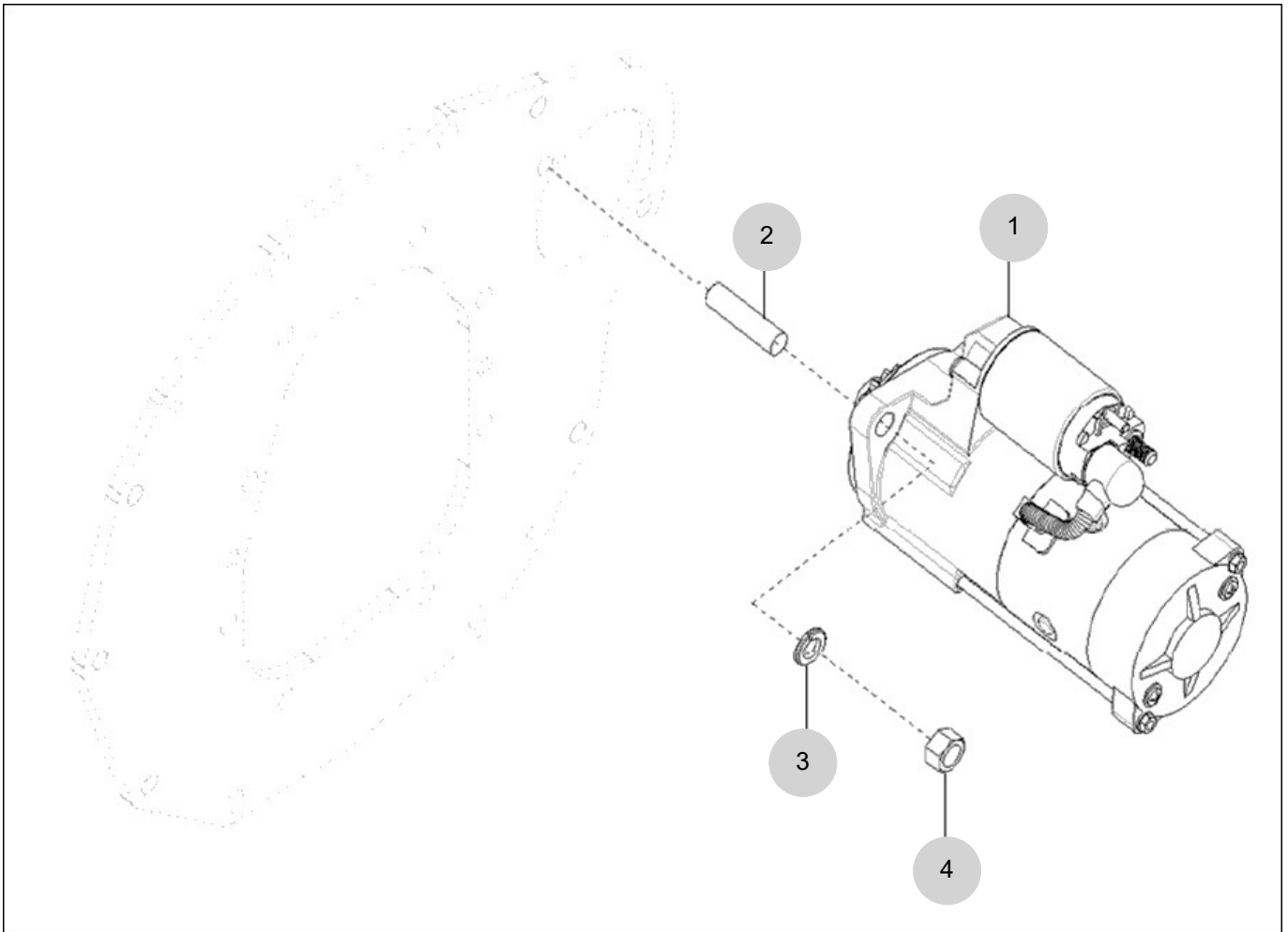
FIG 134

T494SH

STARTING MOTOR

년/월
Year/Month

2022-12



NOTE

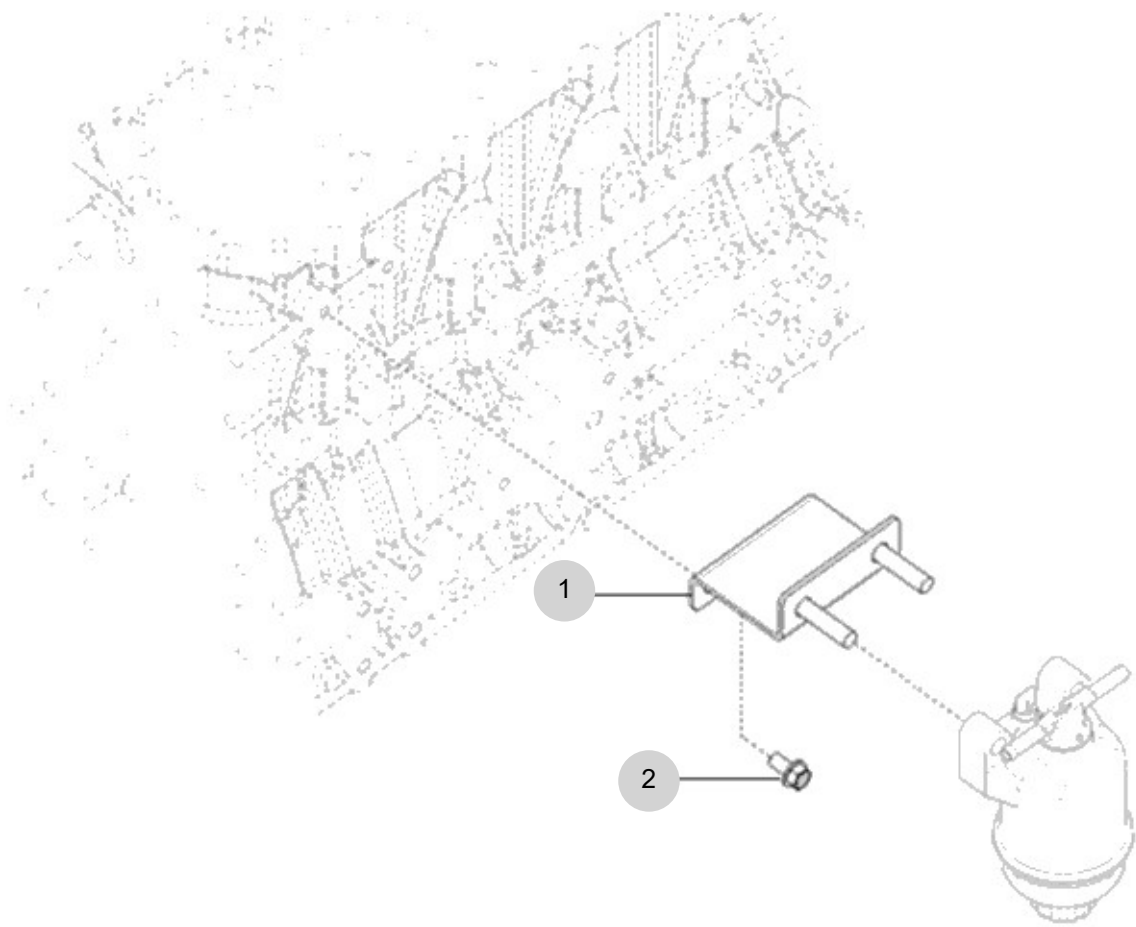
FIG 135

T494SH

FUEL FILTER BRACKET ASS'Y

년/월
Year/Month

2022-12



NOTE

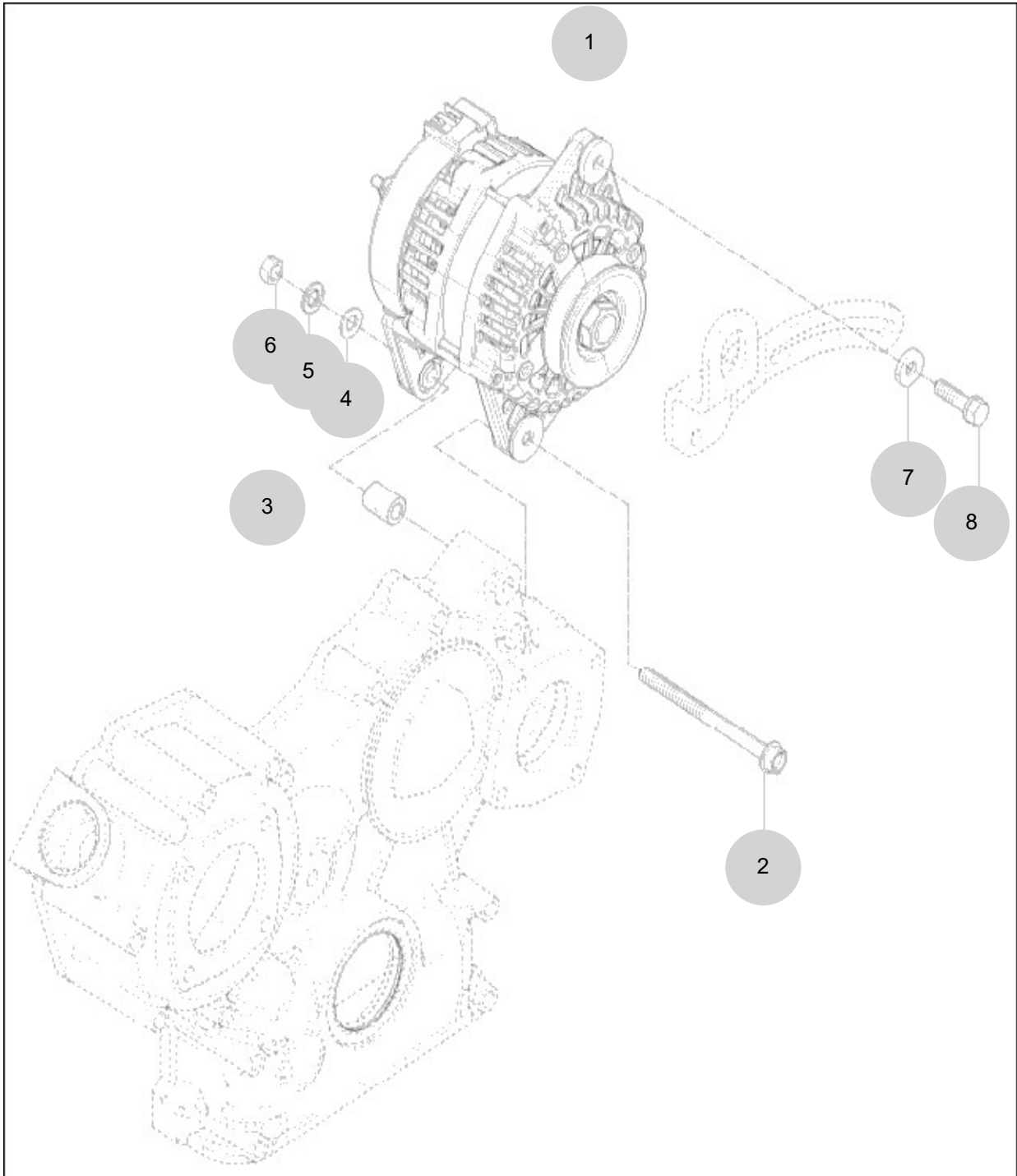
FIG 136

ALTERNATOR

년/월
Year/Month

T494SH

2022-12



NOTE

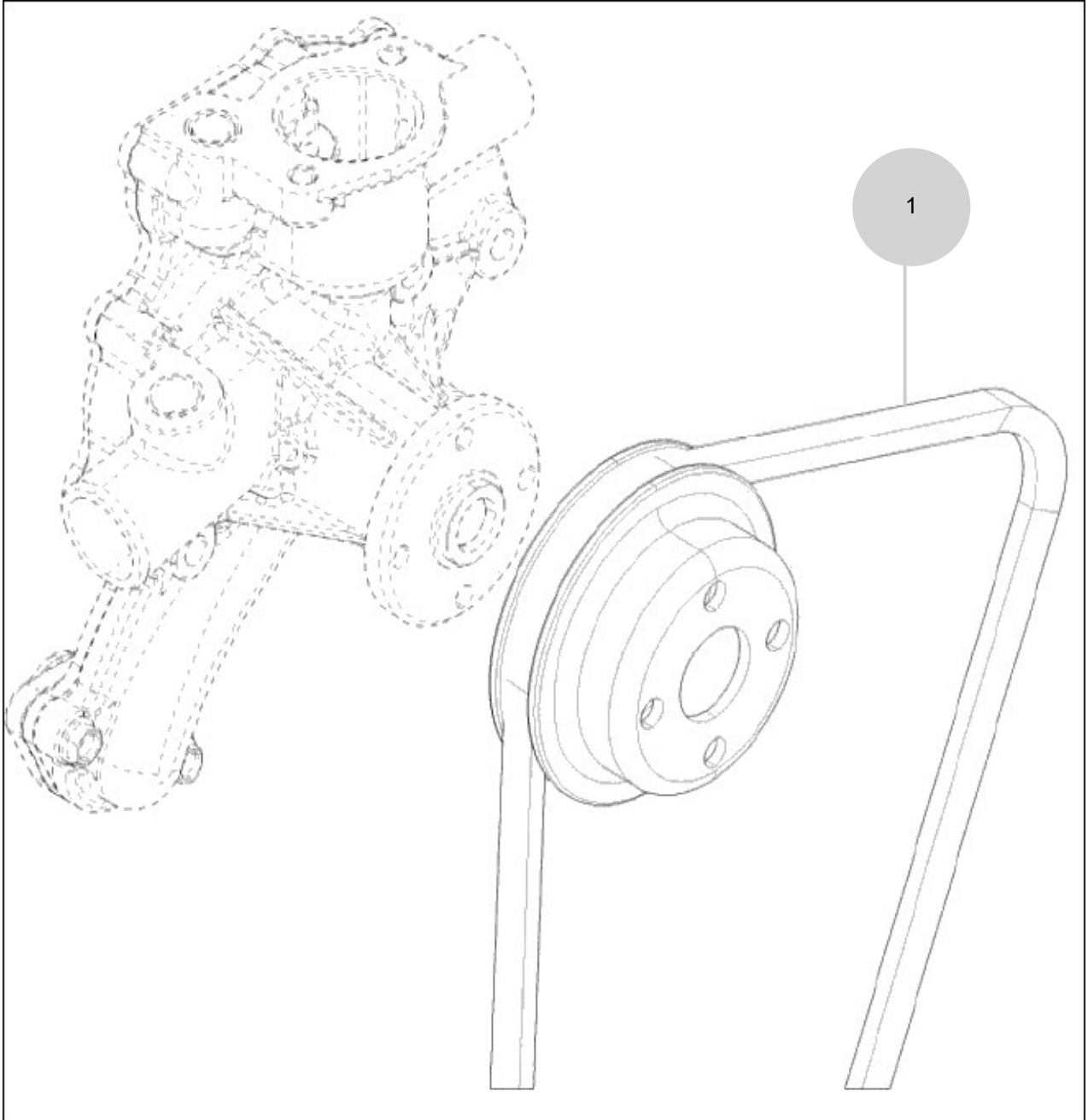
FIG 137

T494SH

V-BELT

년/월
Year/Month

2022-12



NOTE

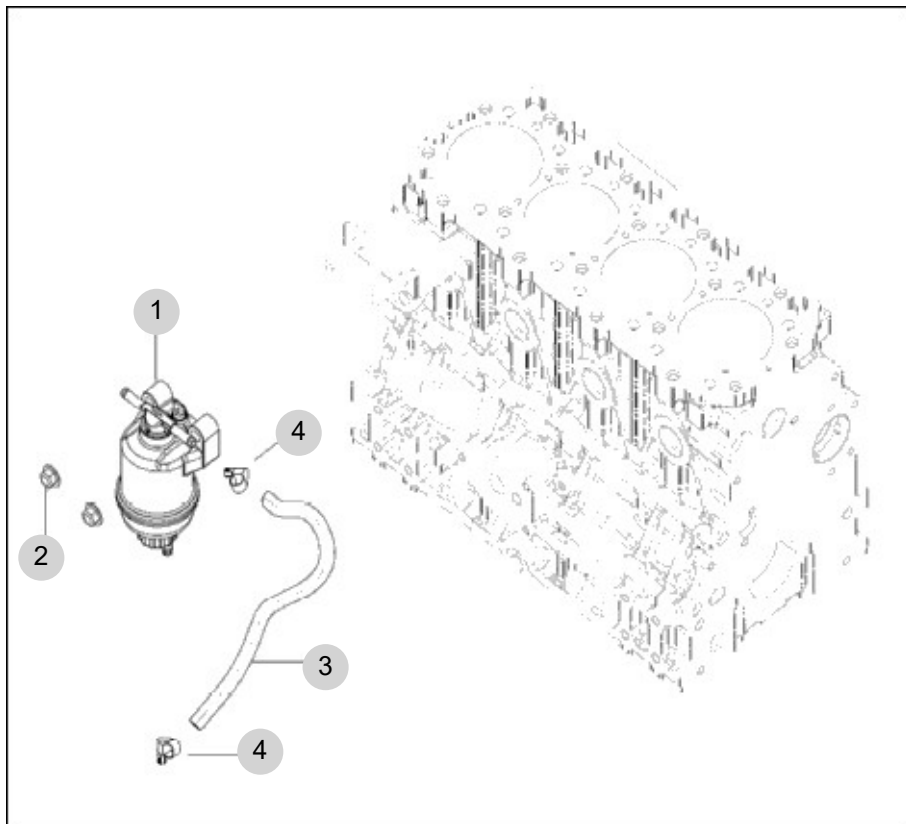
FIG 138

T494SH

FUEL FILTER

년/월
Year/Month

2022-12



NOTE

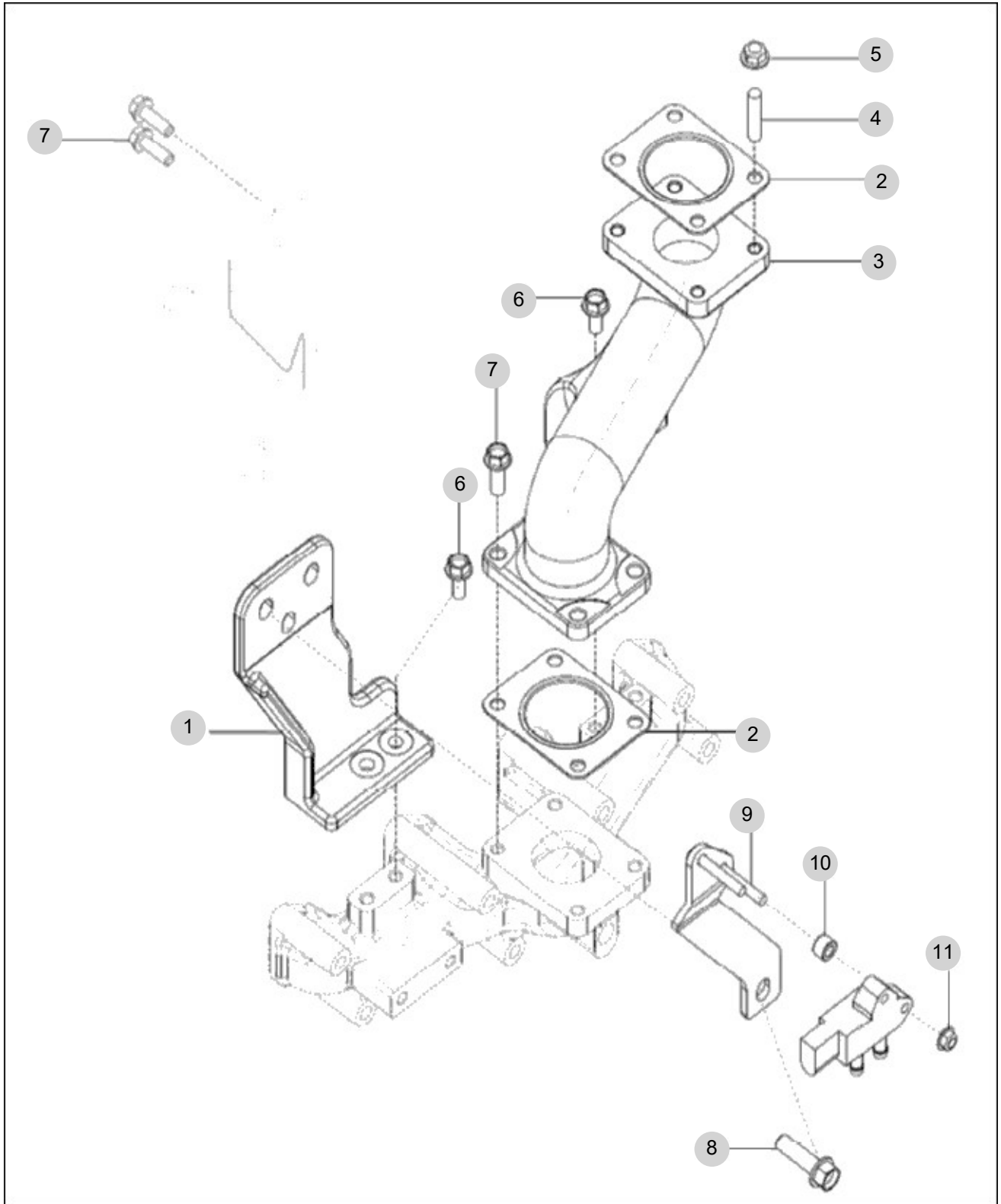
FIG 139B

DPF SUPPORT (T494)

년/월
Year/Month

T494SH

2022-12



NOTE

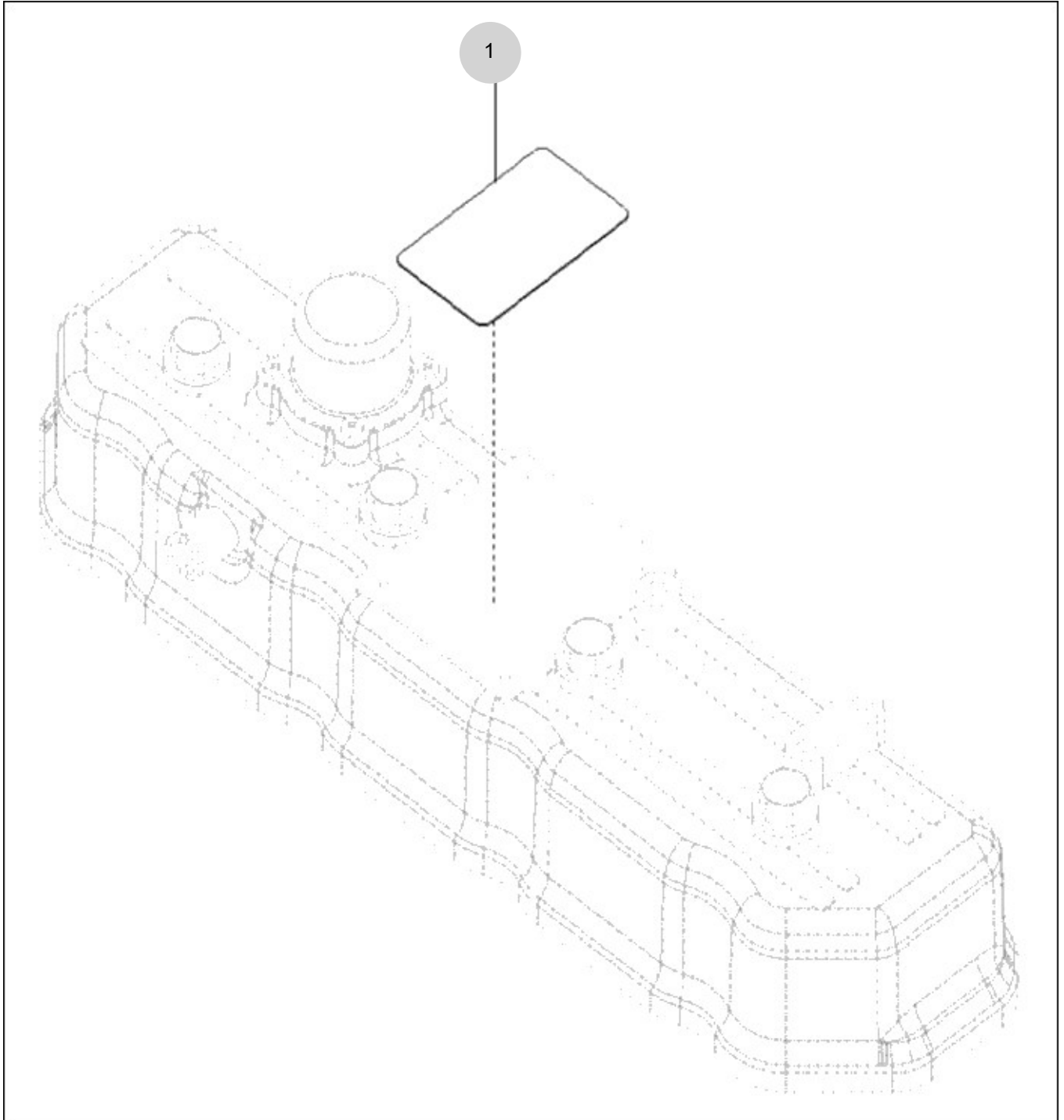
FIG 140

T494SH

DATAPLATE

년/월
Year/Month

2022-12



NOTE

FIG 140 T494SH		DATAPLATE					년/월 Year/Month	
							2022-12	
KEY NO	PART NO	DESCRIPTION	SPEC	QTY	REPAIR	EFFECTIVE DATE	REMARKS	
140	1	EA00003976B	DATAPLATE	1				
140	1	EA00003476C	DATAPLATE	1				
NOTE								

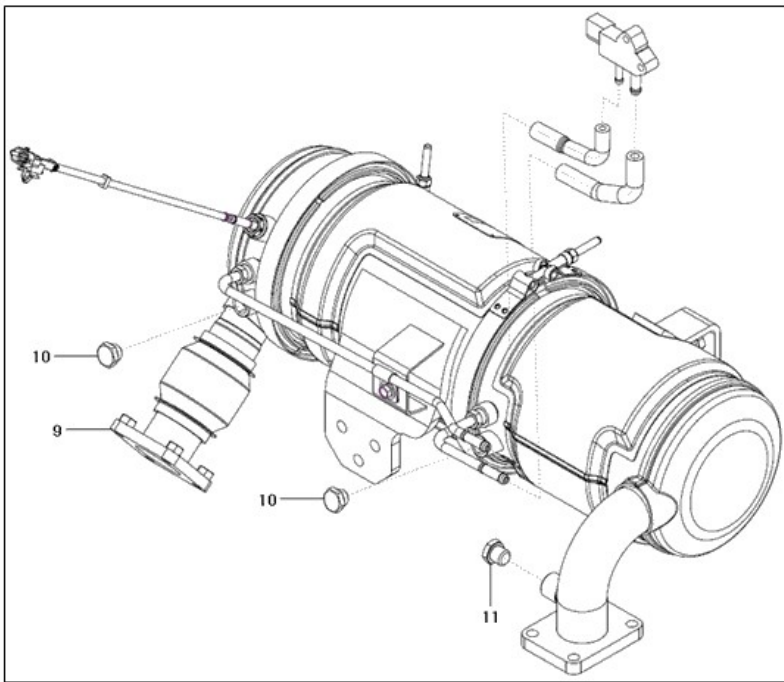
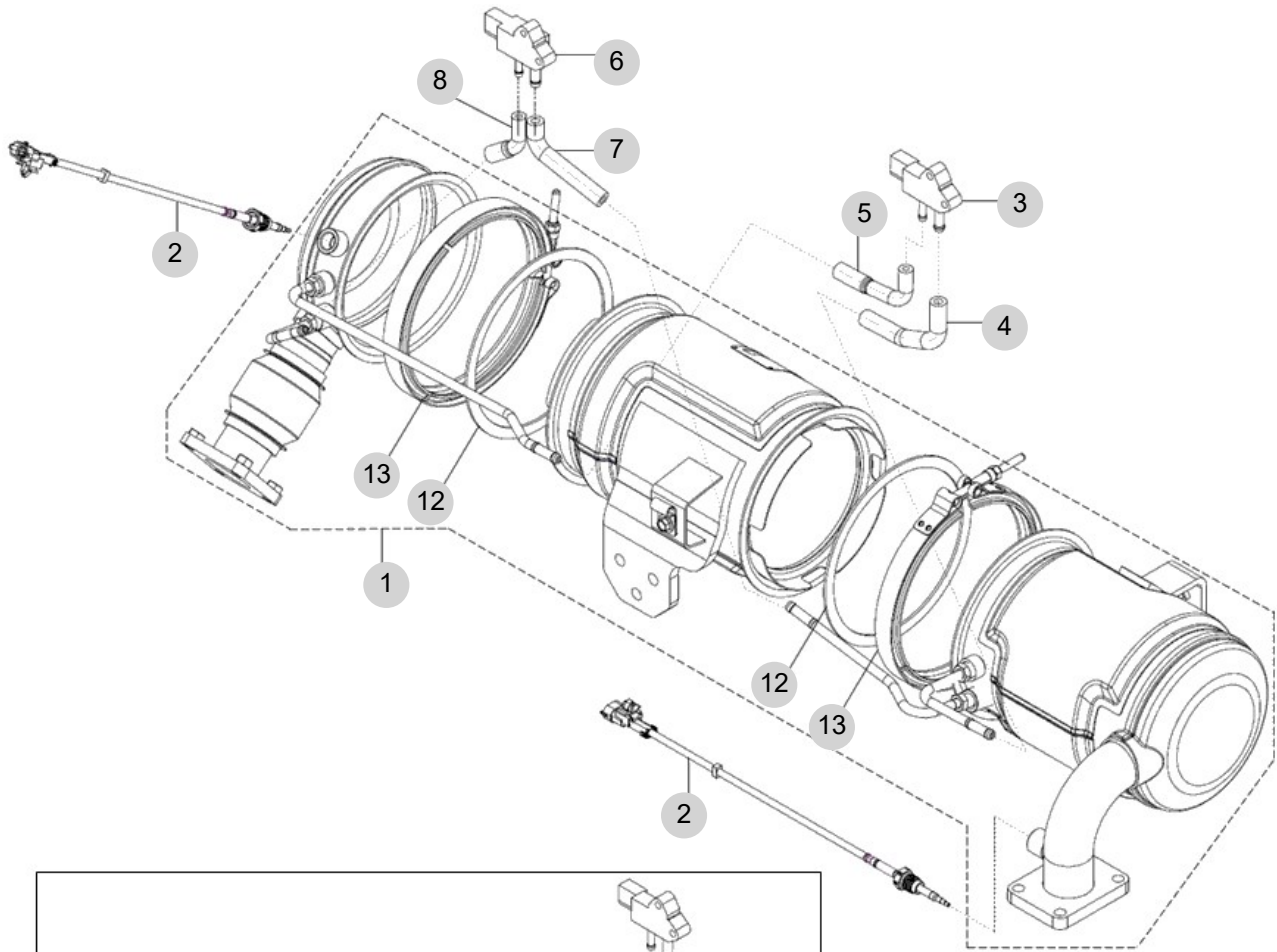
FIG 142B

DPF ASS'Y (T494)

년/월
Year/Month

2022-12

T494SH



NOTE

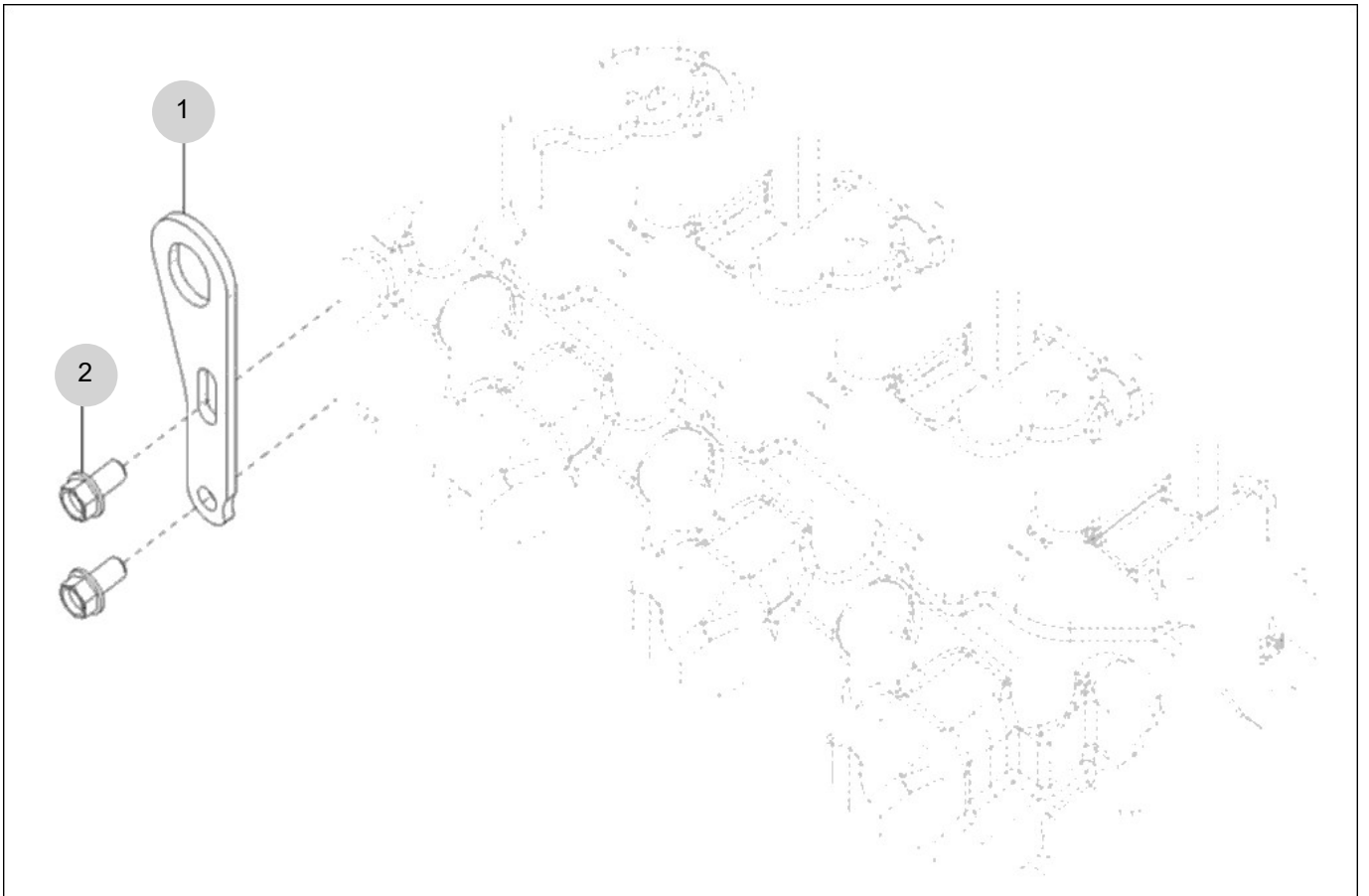
FIG 143

T494SH

LIFT ASS'Y

년/월
Year/Month

2022-12



NOTE

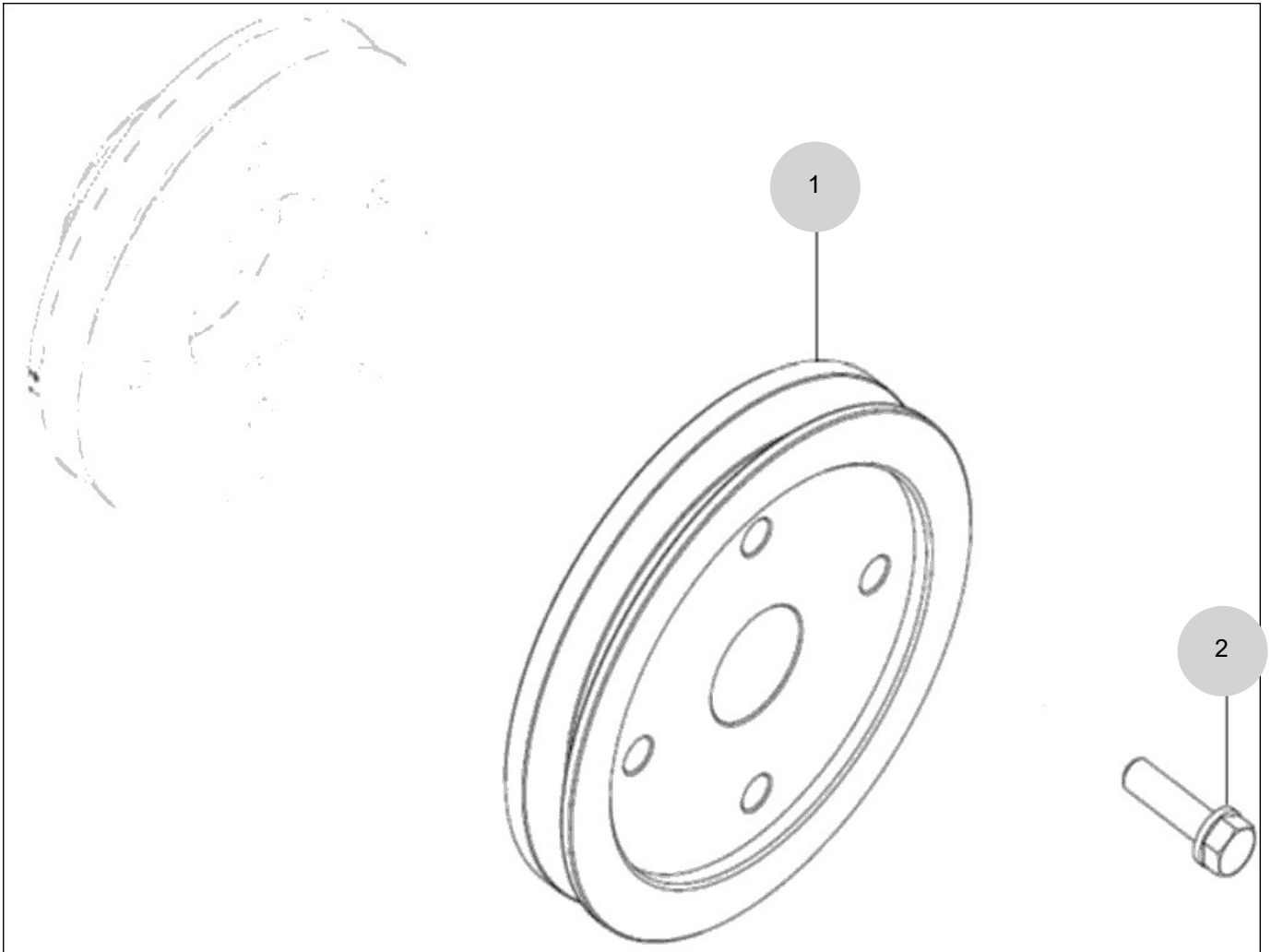
FIG 144

COMP . DRIVE PULLEY ASS'Y OPTION

년/월
Year/Month

T494SH

2022-12



NOTE

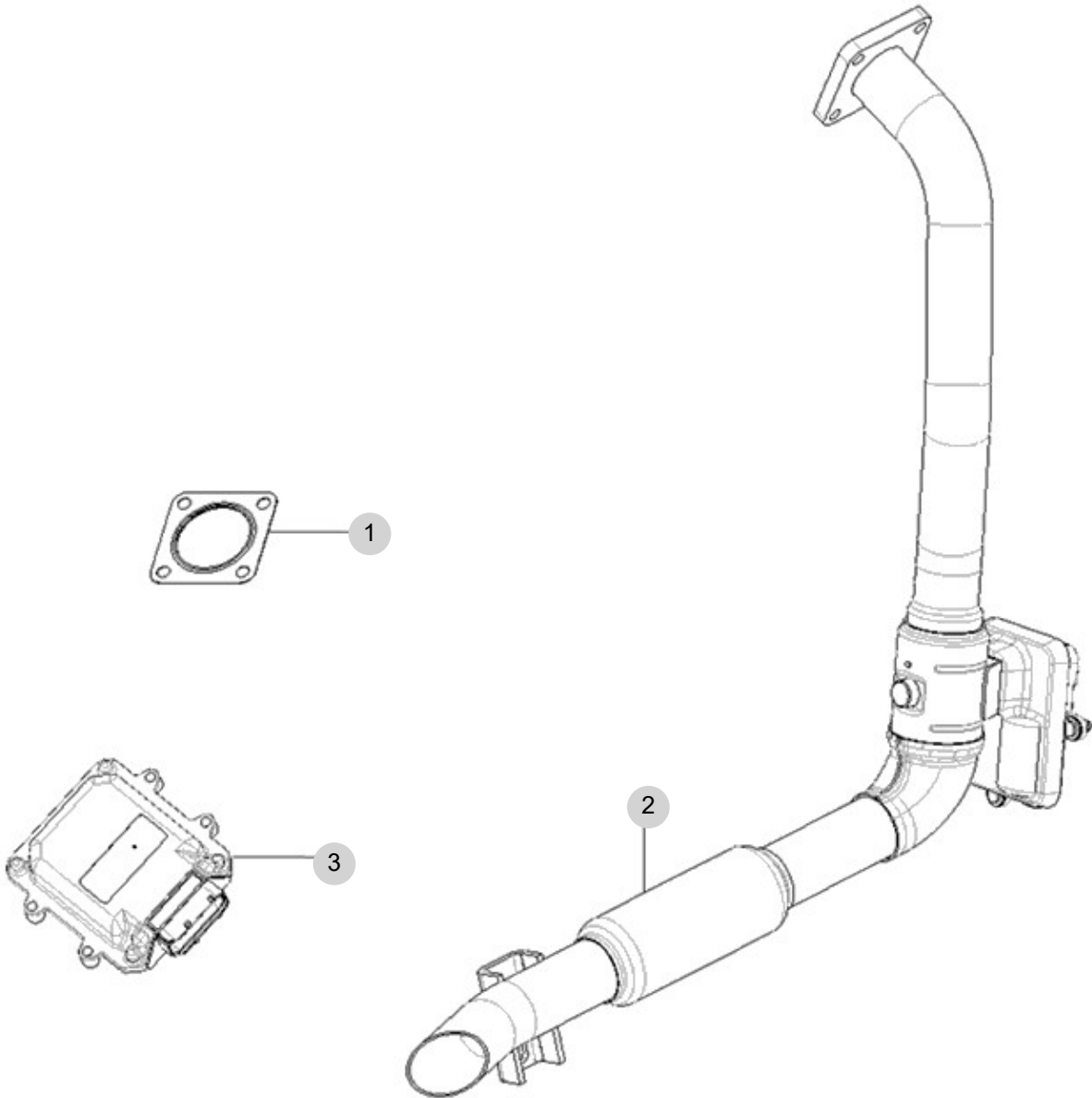
FIG 147

T494SH

LOOSED PARTS

년/월
Year/Month

2022-12



NOTE

FIG 147 T494SH	LOOSED PARTS					년/월 Year/Month	
						2022-12	

KEY NO		PART NO	DESCRIPTION	SPEC	QTY	REPAIR	EFFECTIVE DATE	REMARKS
147	1	EA00004235A	GASKET		1			
147	2	EA00005797C	VALVE ASS'Y, ELECTRONIC		1			
147	3	EA00005847B	DPF REGEN CONTROLLER		1			
NOTE								

2. Engine Accessories PART NO. T2

FIG 201B AIR CLEANER (T494)	105
FIG 202 RADIATOR	107
FIG 203 MUFFLER	109
FIG 204 FUEL HOSE & FILTER	111
FIG 205 FUEL TANK	113
FIG 206 ACCELERATOR	115
FIG 207 OIL COOLER	117

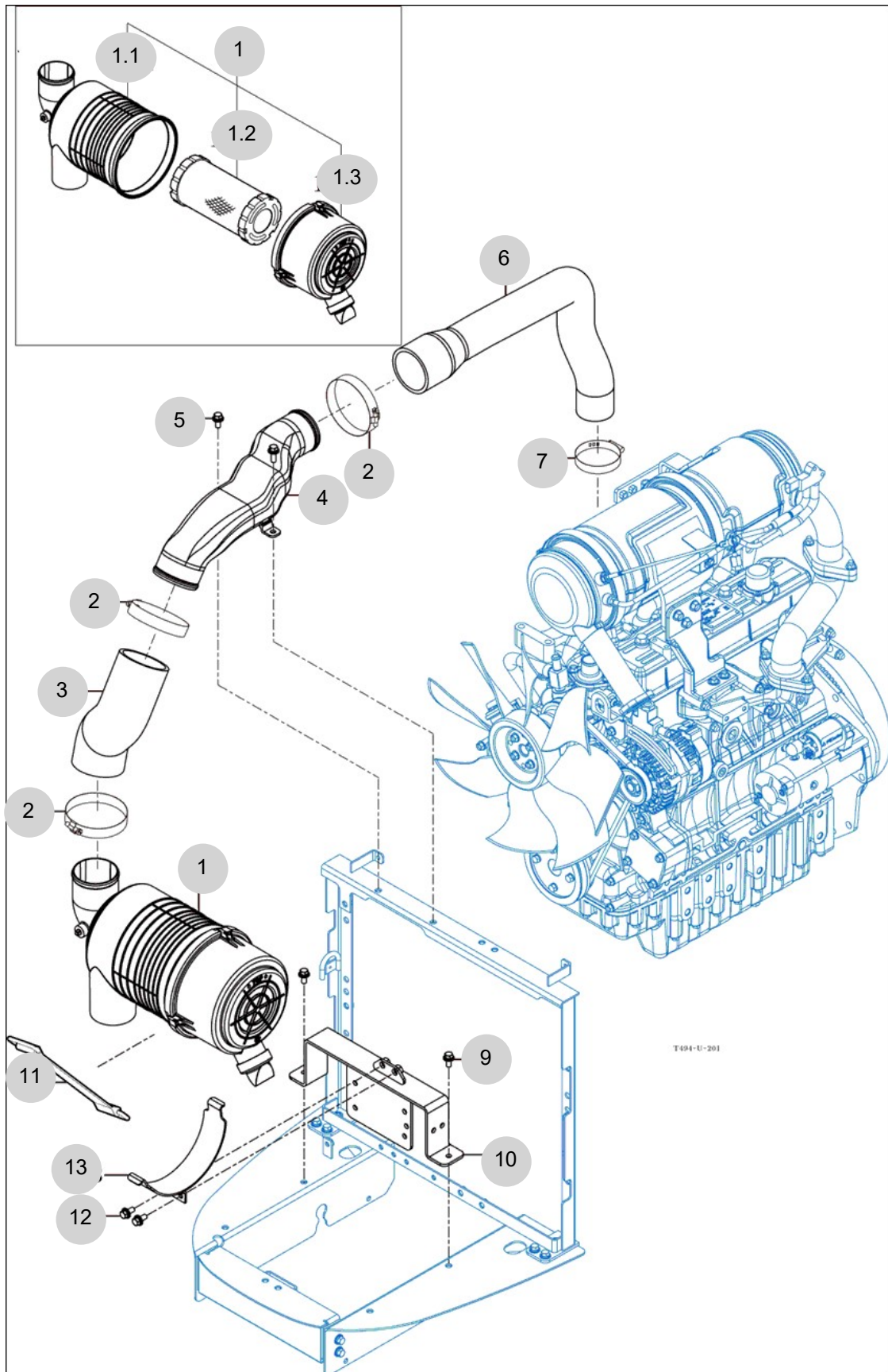
FIG 201B

AIR CLEANER (T494)

년/월
Year/Month

2022-12

T494SH



NOTE

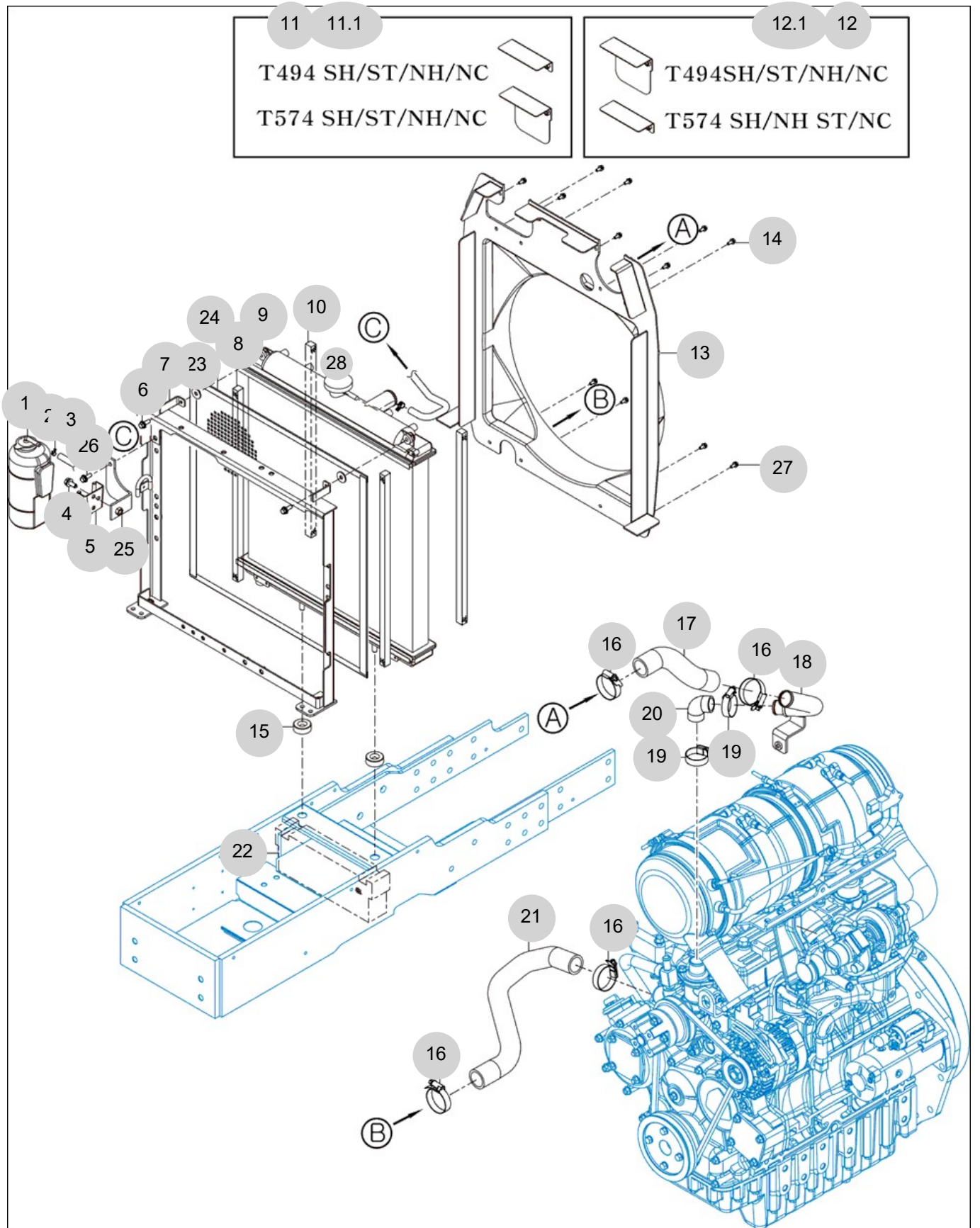
FIG 202

RADIATOR

년/월
Year/Month

2022-12

T494SH



NOTE

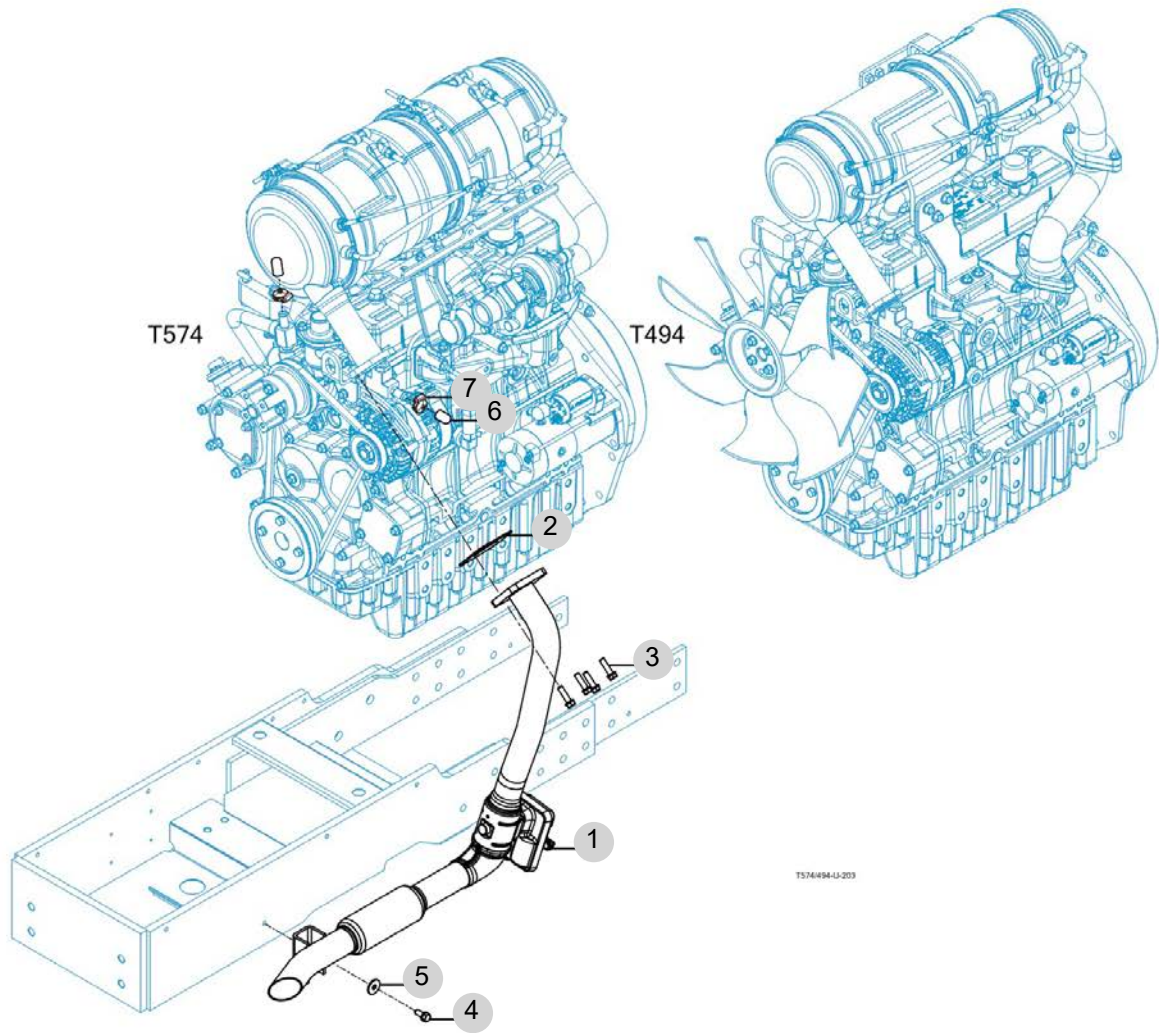
FIG 203

MUFFLER

년/월
Year/Month

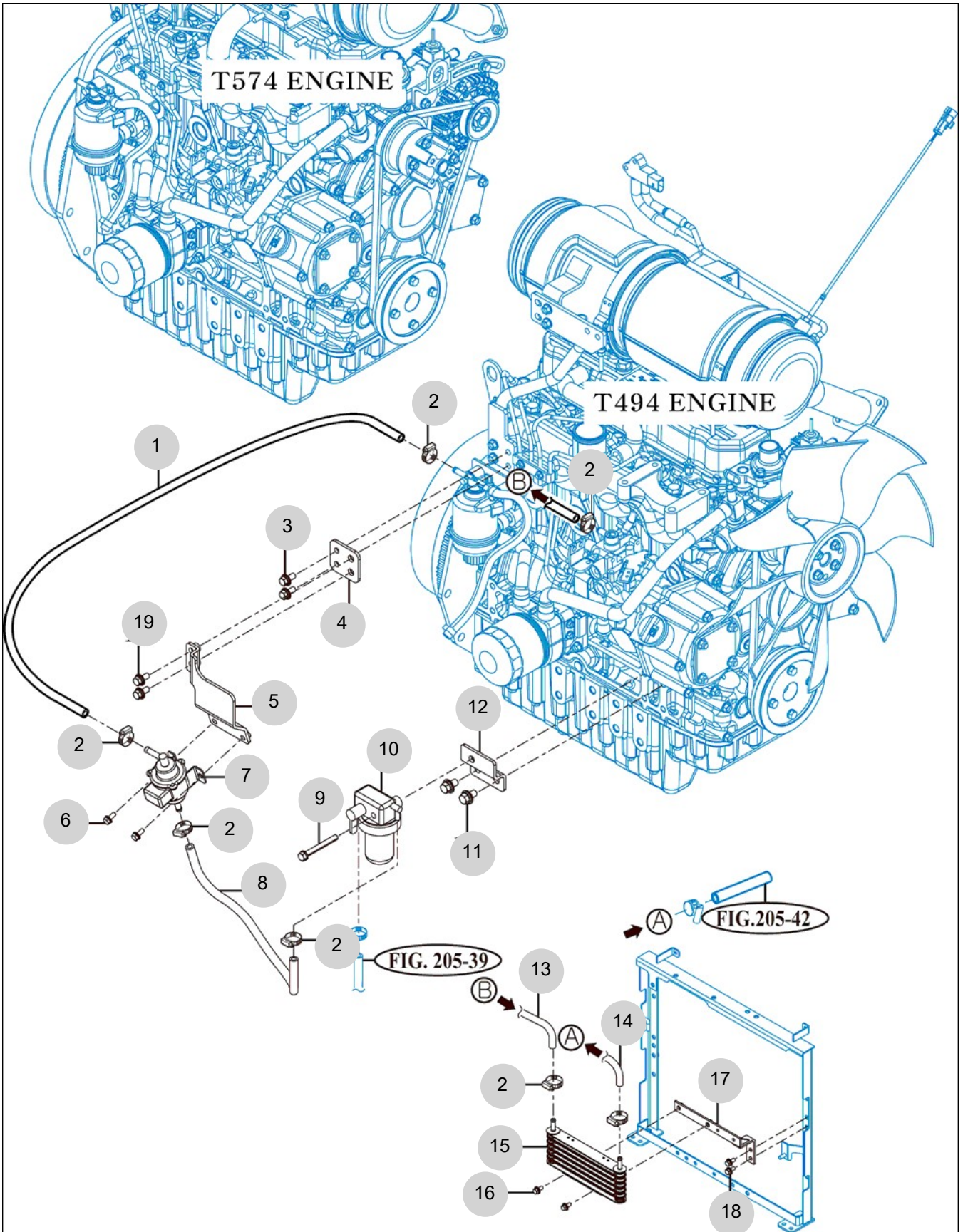
2022-12

T494SH



NOTE

T494SH



NOTE

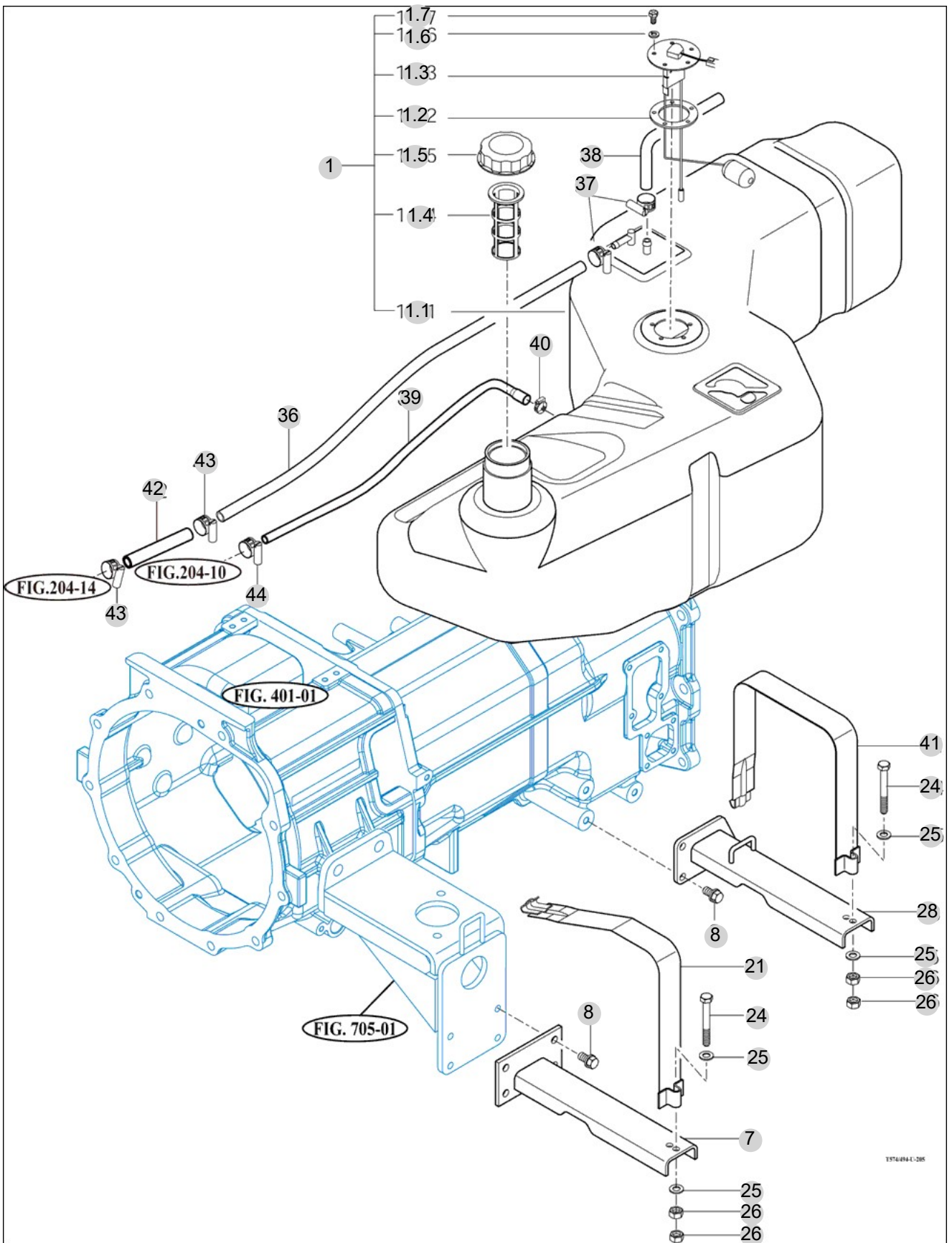
FIG 205

T494SH

FUEL TANK

년/월
Year/Month

2022-12



1574-094-L-205

NOTE

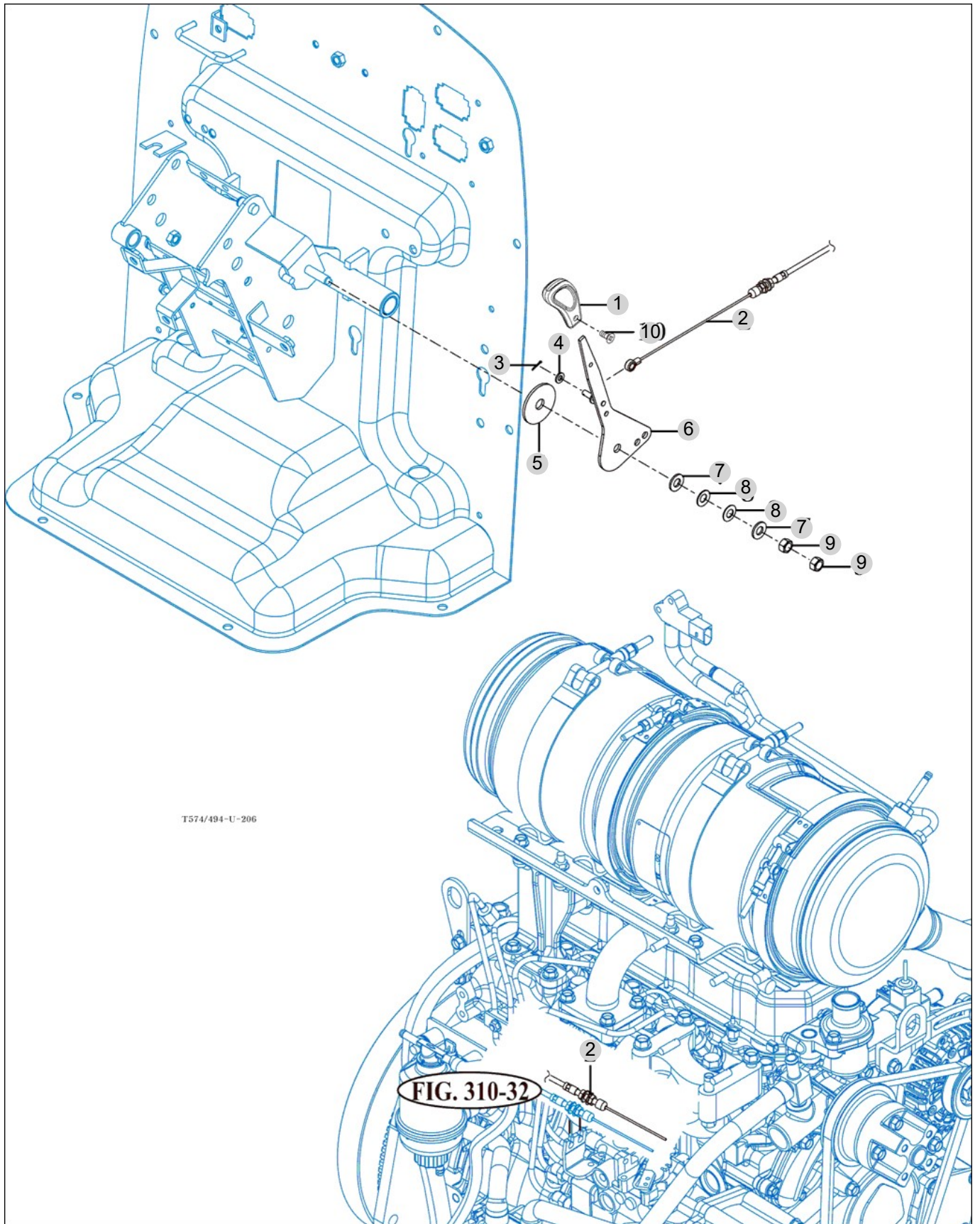
FIG 206

ACCELERATOR

년/월
Year/Month

T494SH

2022-12



T574/494-U-206

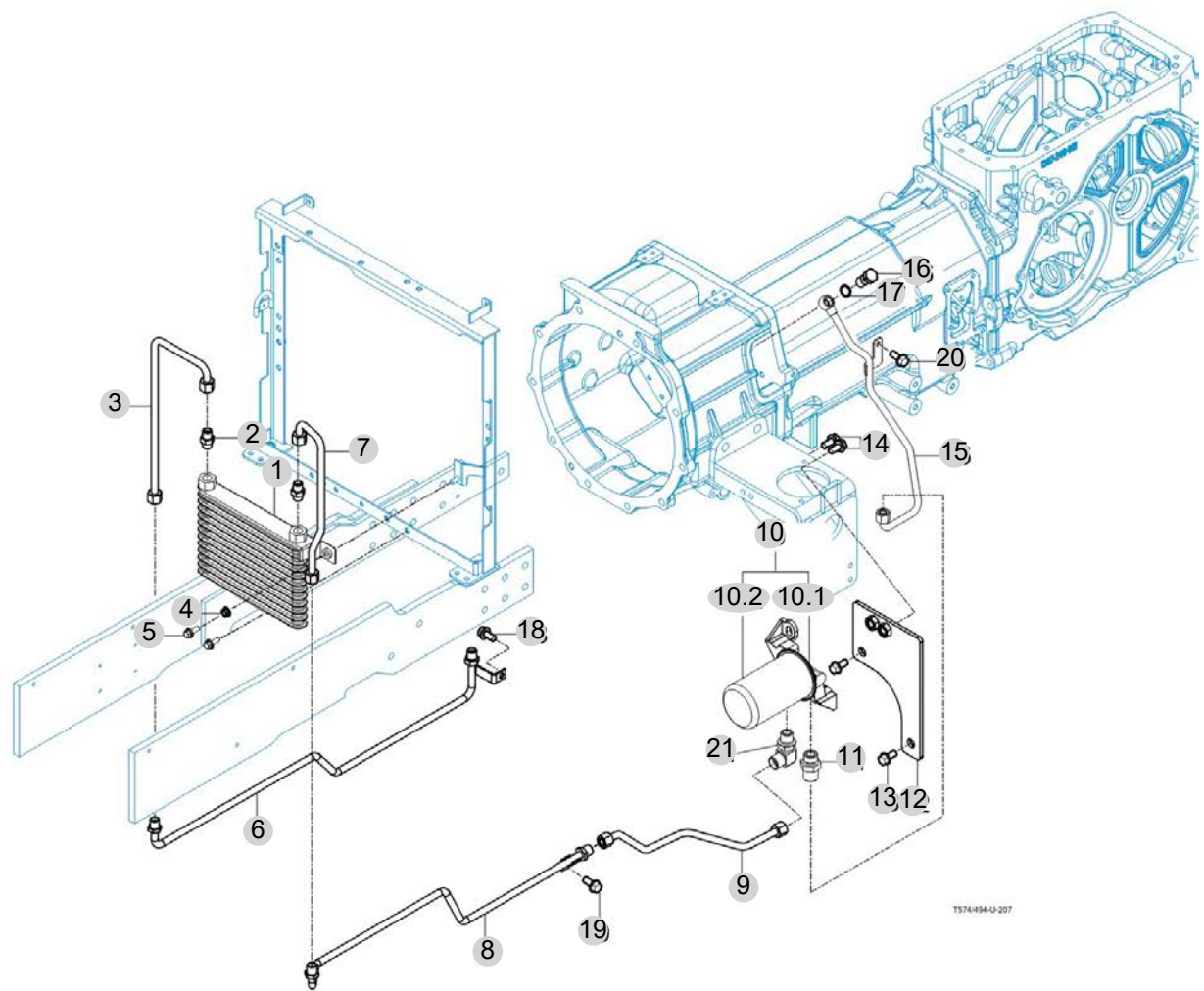
NOTE

FIG 207

OIL COOLER

년/월
Year/Month

2022-12



NOTE

3. Clutch/Brake/Steering PART NO. T3

FIG 301 FLYWHEEL HOUSING	120
FIG 302 CLUTCH PEDAL	122
FIG 303 BRAKE	124
FIG 304 BRAKE PEDAL & LINK	126
FIG 305 FRONT WHEEL	128
FIG 306 REAR WHEEL	130
FIG 307 POWER STEERING WHEEL	132
FIG 308 POWER STEERING VALVE	134
FIG 309 POWER STEERING CYLINDER	136
FIG 310 HST CONTROL LINK	138

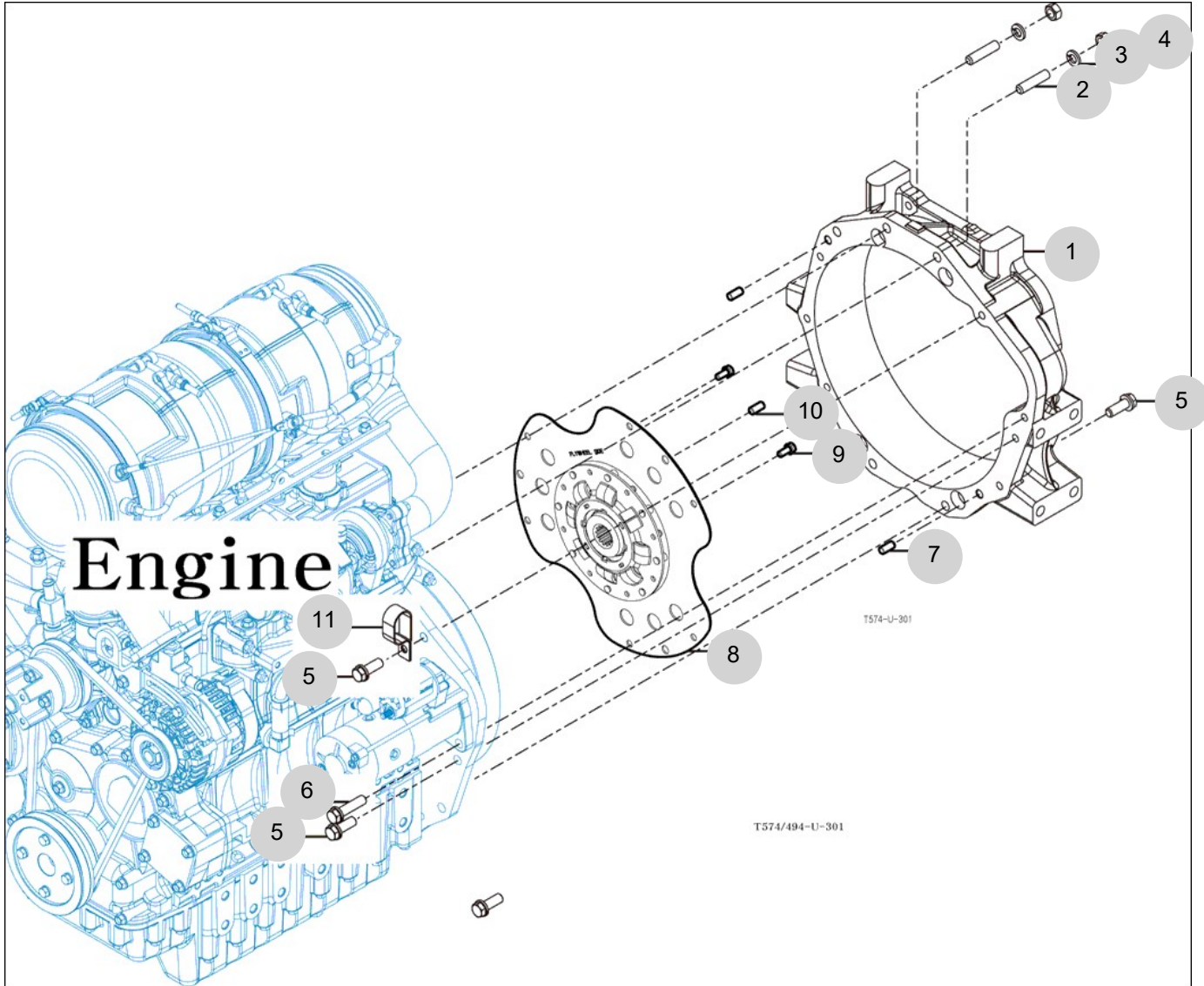
FIG 301

FLYWHEEL HOUSING

년/월
Year/Month

T494SH

2022-12



NOTE

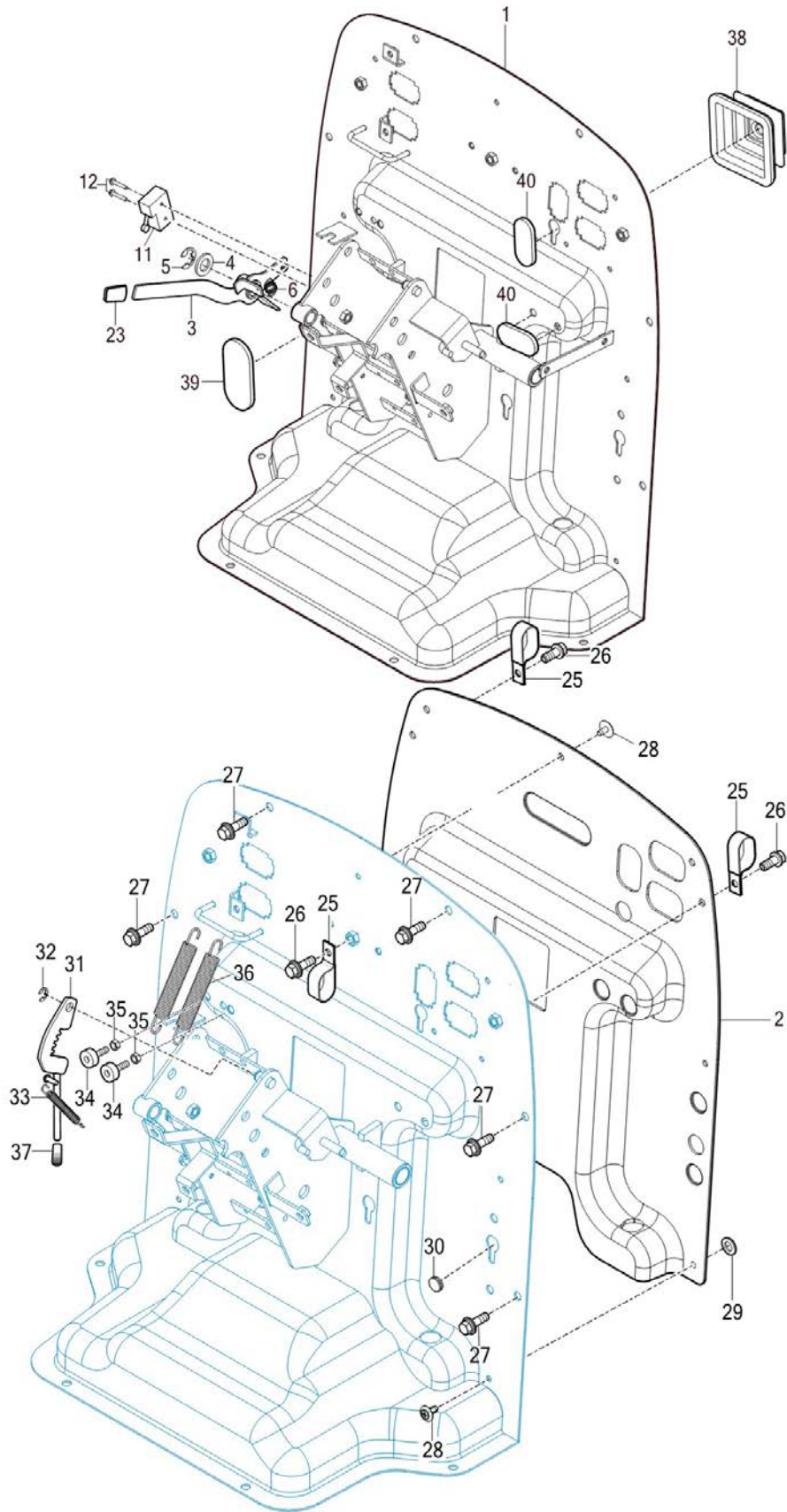
FIG 302

CLUTCH PEDAL

년/월
Year/Month

2022-12

T494SH



NOTE

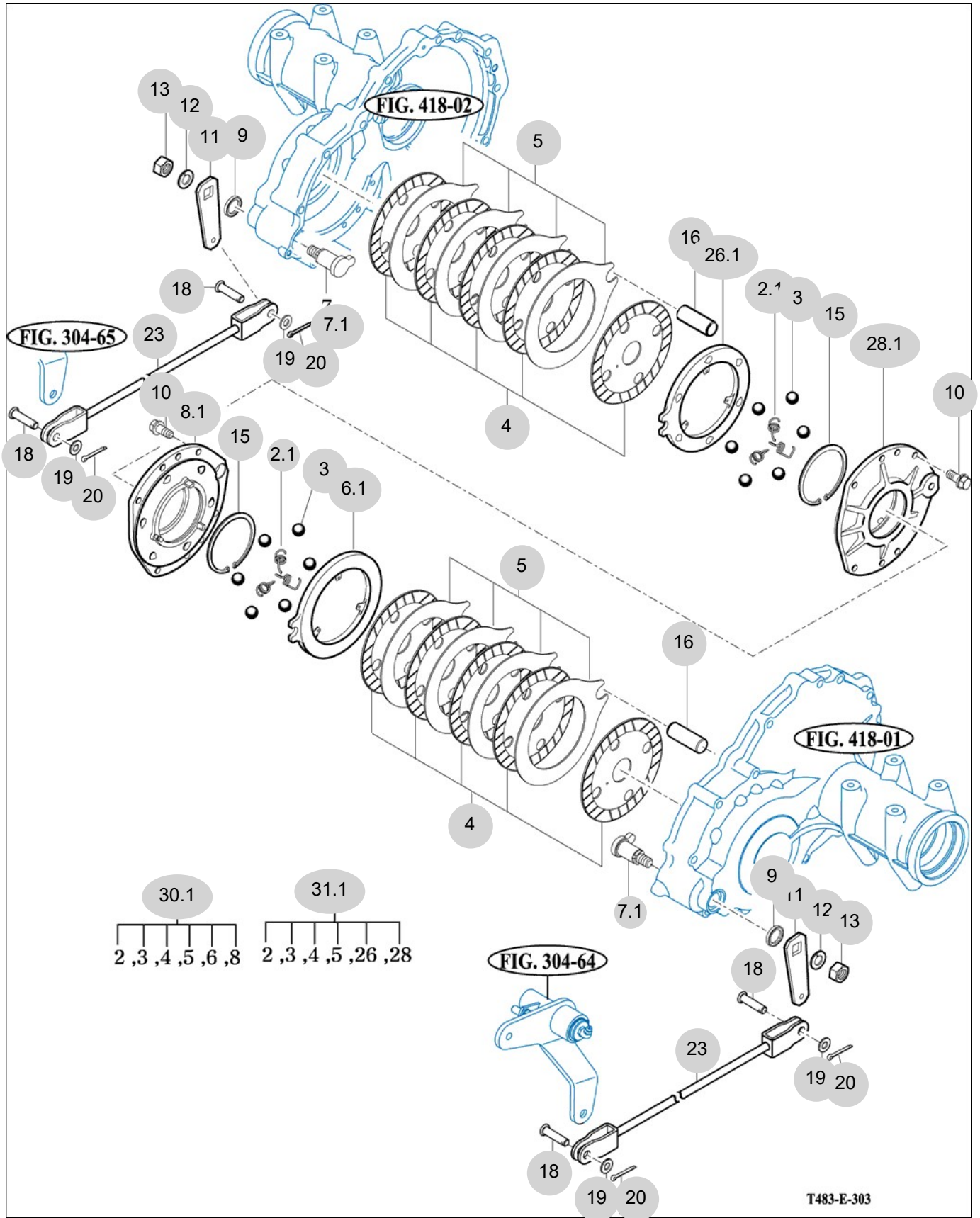
FIG 303

BRAKE

년/월
Year/Month

T494SH

2022-12



NOTE

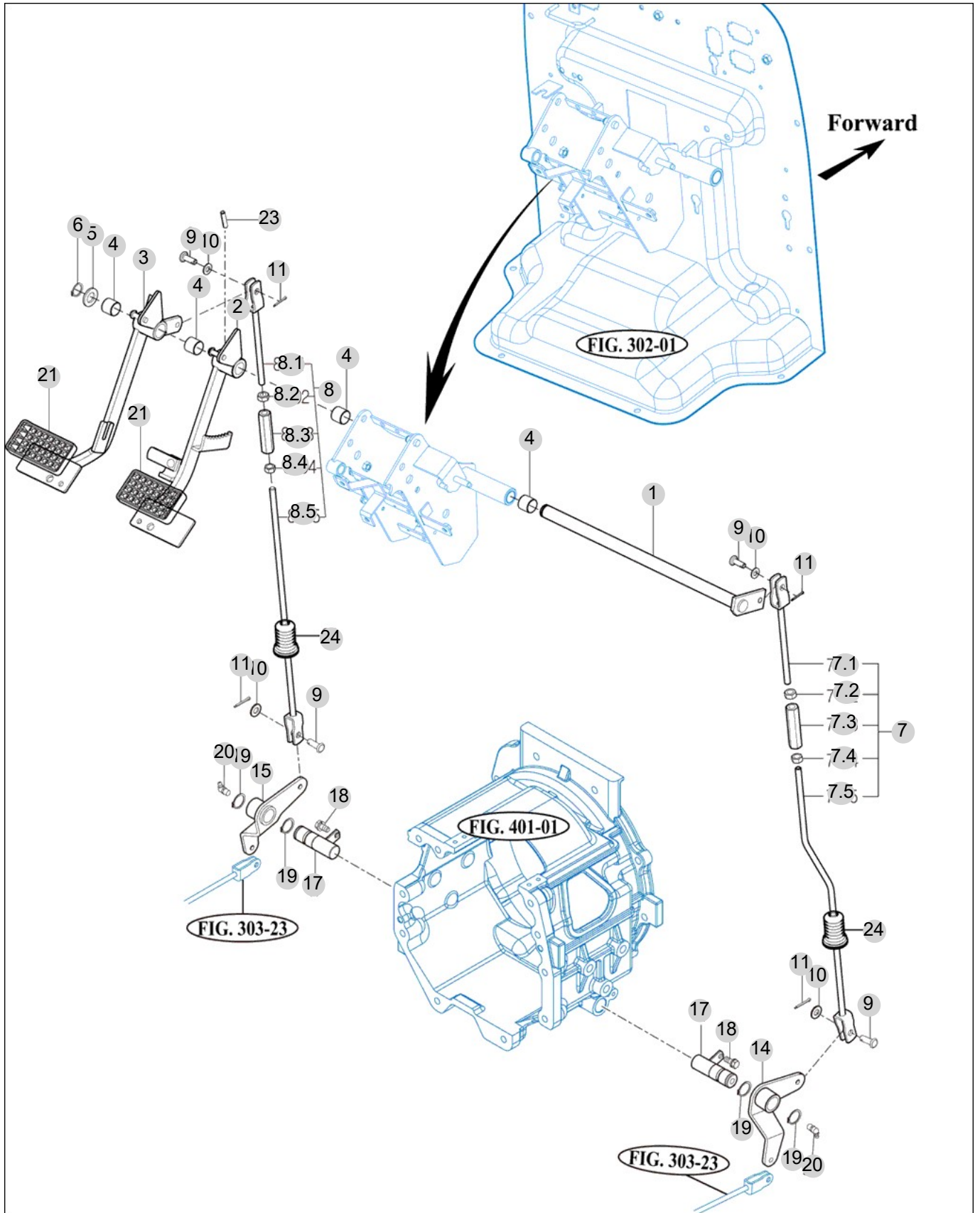
FIG 304

T494SH

BRAKE PEDAL & LINK

년/월
Year/Month

2022-12



NOTE

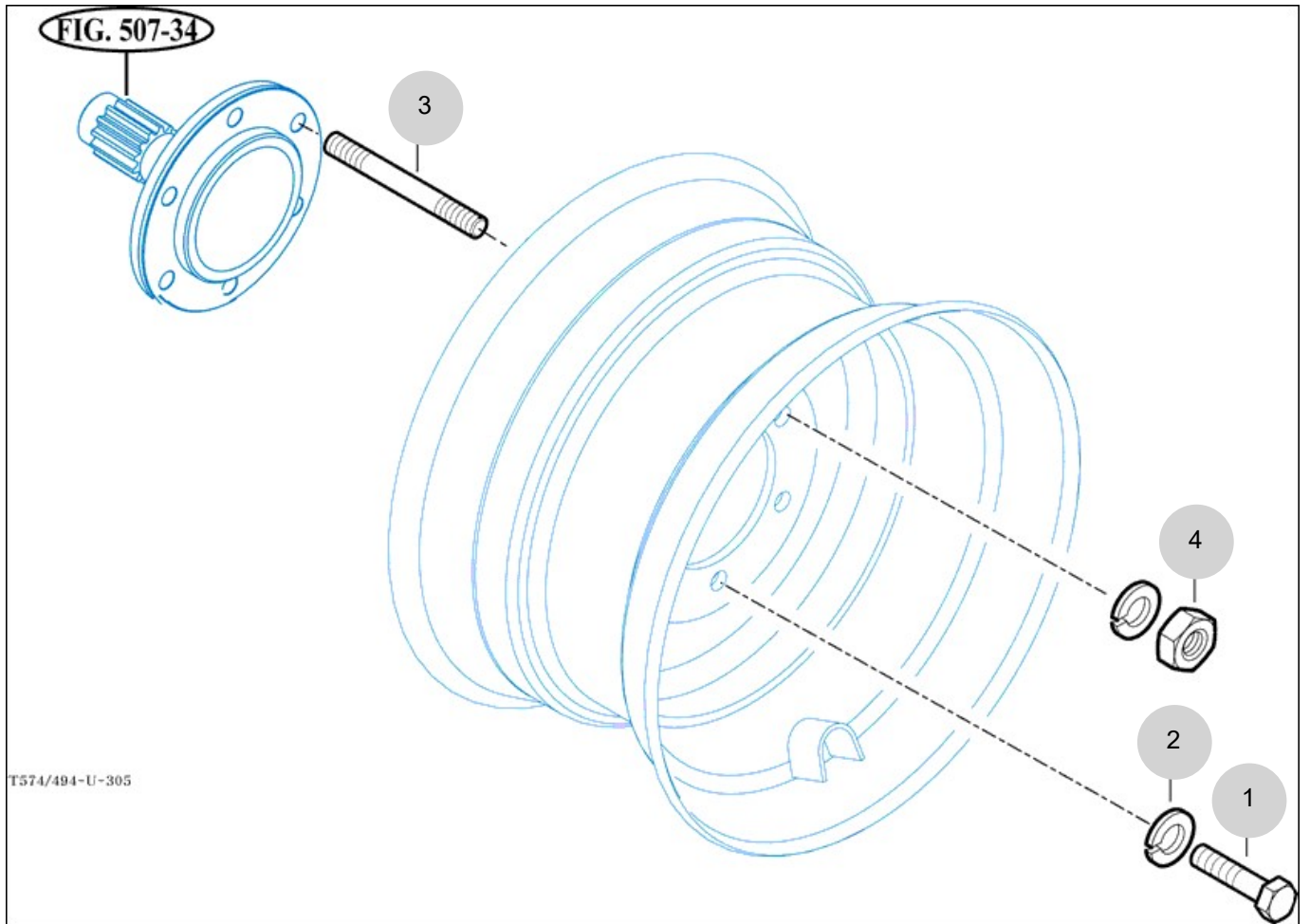
FIG 305

T494SH

FRONT WHEEL

년/월
Year/Month

2022-12



T574/494-U-305

NOTE

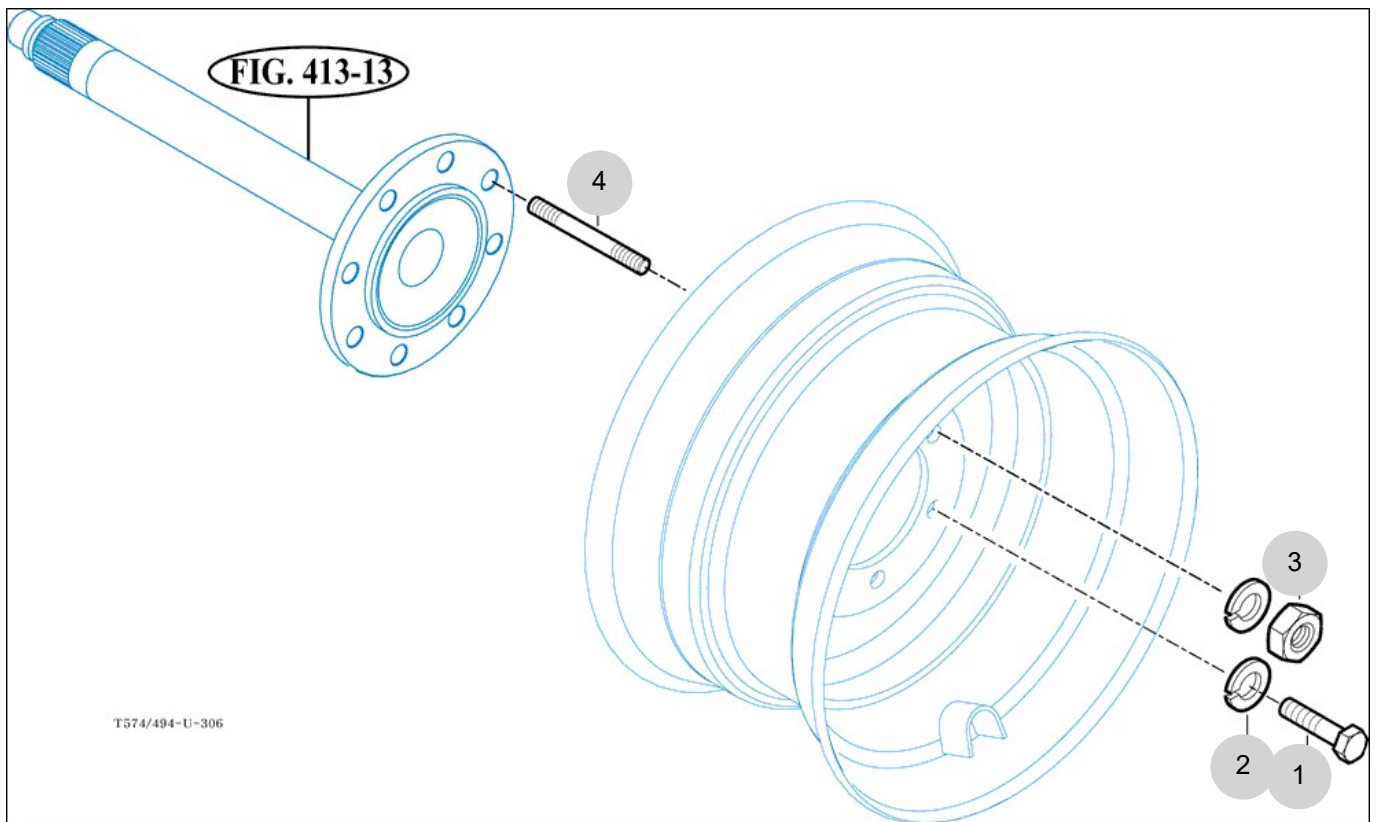
FIG 306

T494SH

REAR WHEEL

년/월
Year/Month

2022-12



NOTE

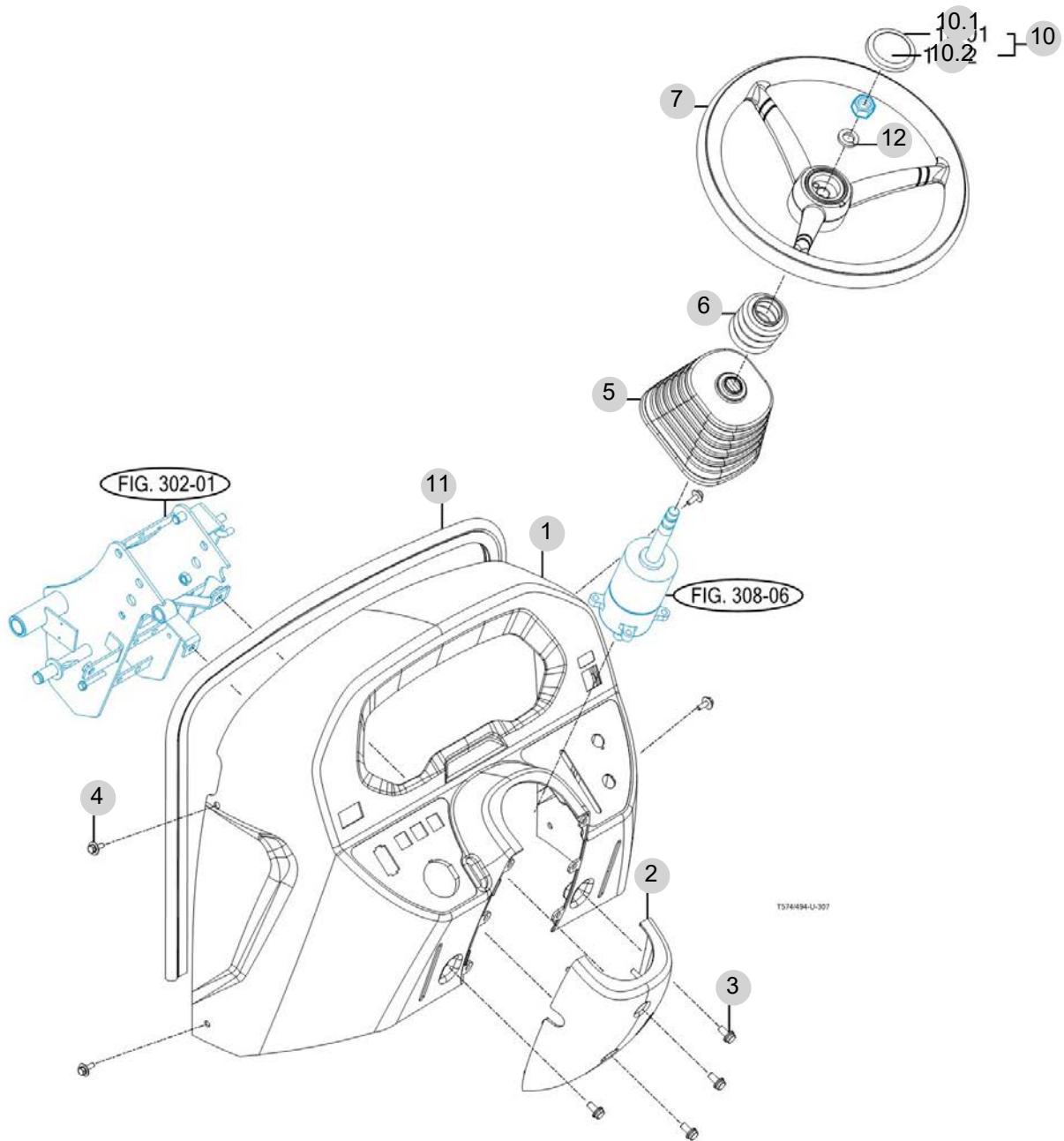
FIG 307

T494SH

POWER STEERING WHEEL

년/월
Year/Month

2022-12



NOTE

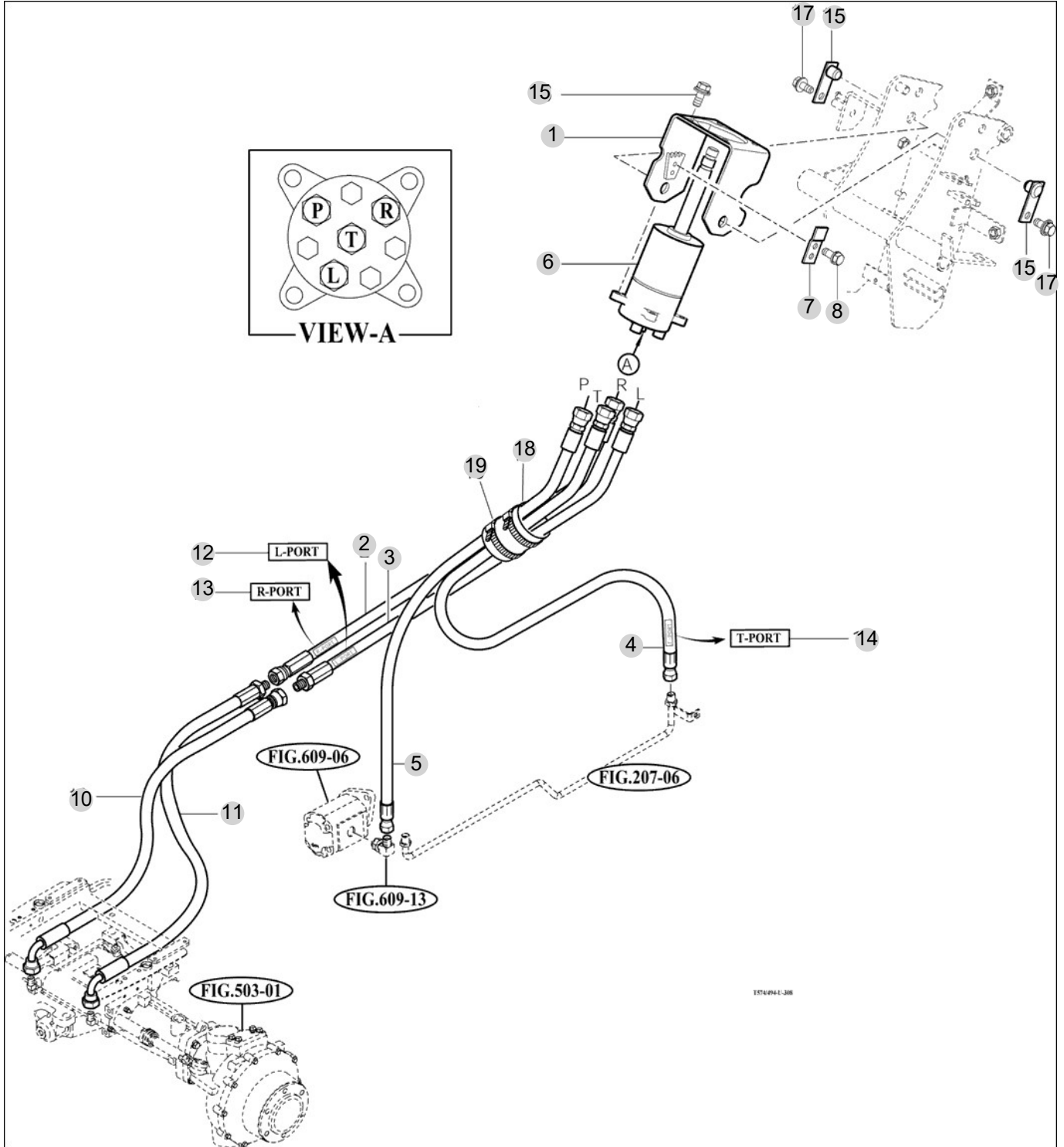
FIG 308

T494SH

POWER STEERING VALVE

년/월
Year/Month

2022-12



NOTE

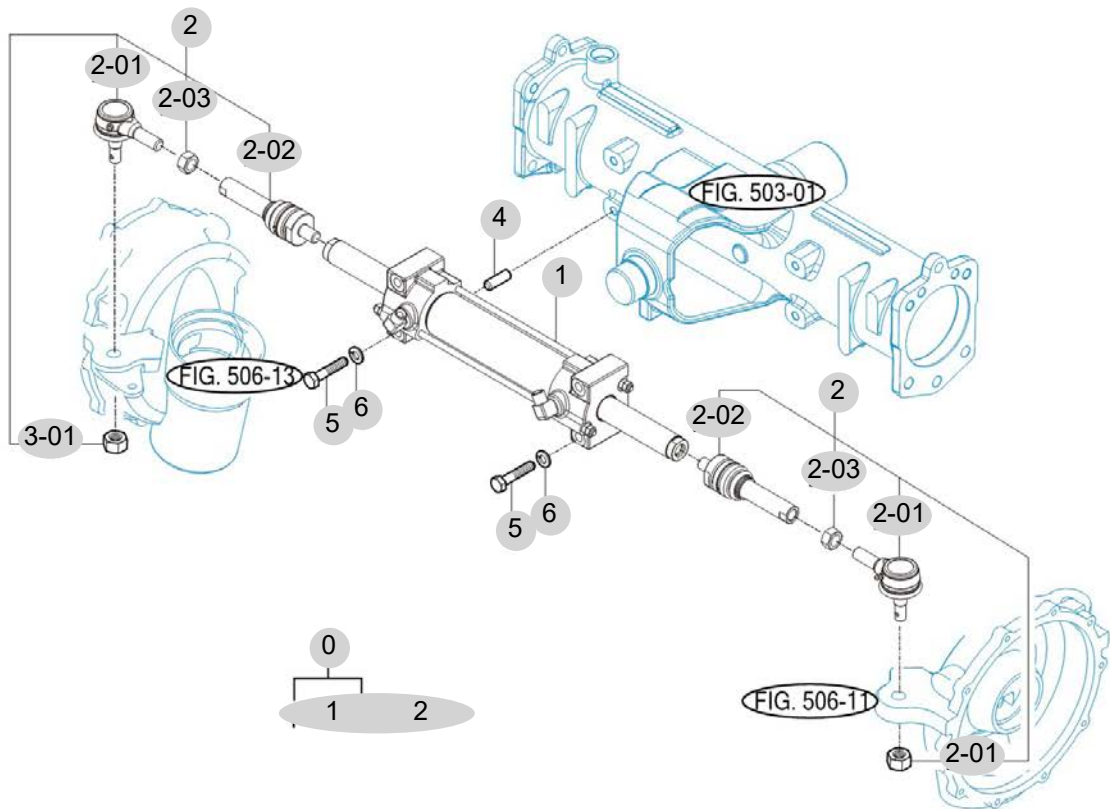
FIG 309

T494SH

POWER STEERING CYLINDER

년/월
Year/Month

2022-12



T55551/T494SH-E-309

NOTE

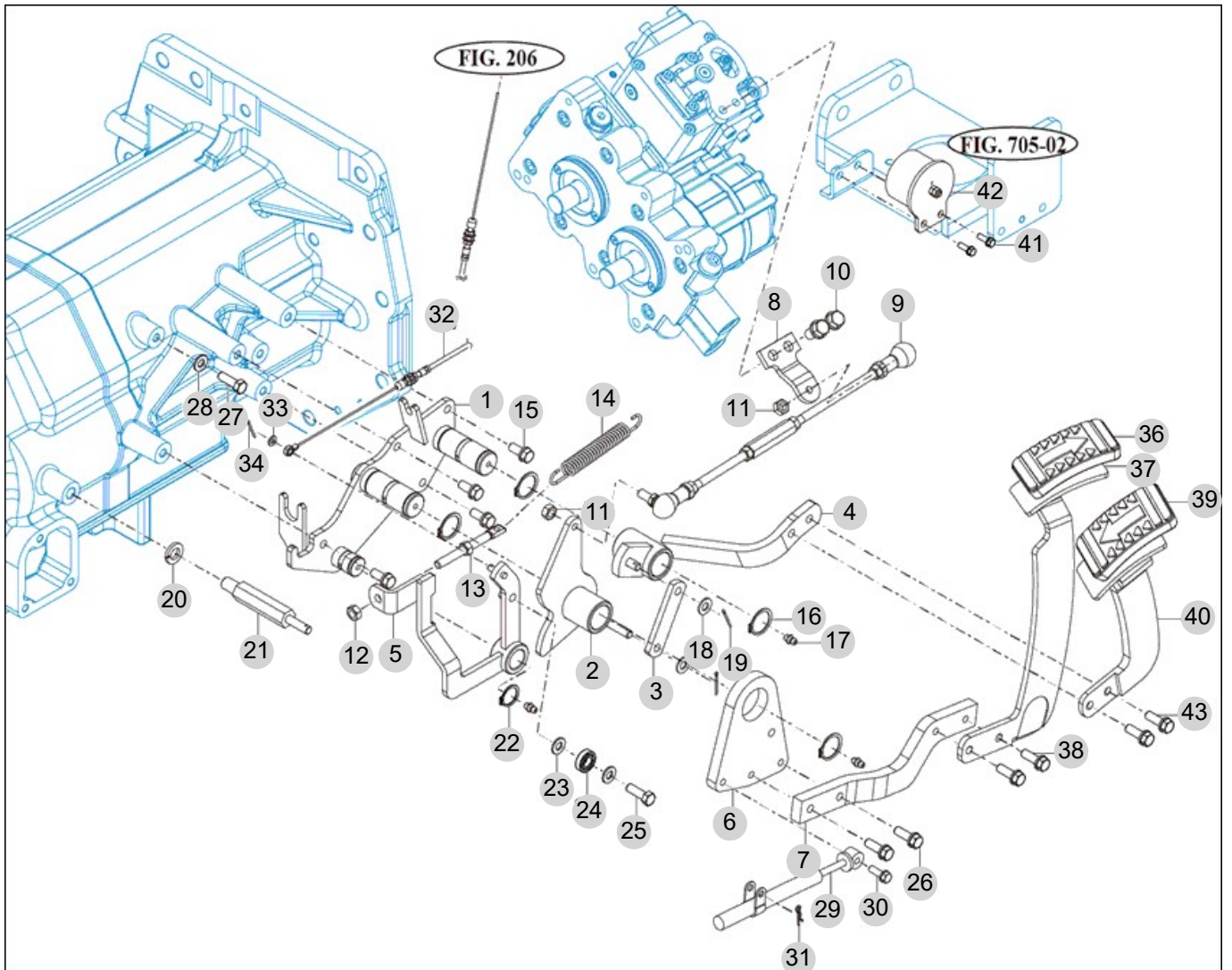
FIG 310

T494SH

HST CONTROL LINK

년/월
Year/Month

2022-12



NOTE

FIG 310		HST CONTROL LINK					년/월 Year/Month		
							2022-12		
T494SH		KEY NO	PART NO	DESCRIPTION	SPEC	QTY	REPAIR	EFFECTIVE DATE	REMARKS
310	1	13872313200	BRACKET COMP, HST PEDAL			1			
310	2	13872312300	ARM COMP, FORWARD			1			
310	3	14722310023	PLATE , REVERSE	19X6		1			
310	4	13872312600	ARM COMP, REVERSE			1			
310	5	13872312501	ARM COMP, CAM FOLLOWER			1			
310	6	13872312330	PLATE, CONTROL			1			
310	7	13872310050	PLATE, FORWARD			1			
310	8	13872312110	ARM PLATE, HST			1			
310	8	13872312112	ARM PLATE, HST			1			
310	9	13872325000	ROD ASSY, HST			1			
310	9	13872325002	ROD ASSY, HST			1			
310	10	V2143610020	BOLT , HEX FINE /S	M10X20		2			
310	11	V3013600080	NUT .HEX NORMAL /2	M8		2			
310	12	V3043600080	NUT , HEX/2	M8		1			
310	13	34522150080	ROD , CHAIN(TENSION)(82)	D=8		1			
310	14	14722310033	SPRING , RETURN	D=2.4		1			
310	15	V2173608020	BOLT , HEX/S	M8X20		4			
310	16	V7041400250	C-RING , SHAFT	25		4			
310	17	V7601500000	NIPPLE , GREASE/A-M6F			3			
310	18	V4111600080	WASHER , PLAIN	M8		2			
310	19	V5001920020	PIN , SPLIT	2X20		2			
310	20	V4011600120	WASHER , SPRING	M12		1			
310	21	14722310041	PIN , OIL DAMPER	B=17		1			
310	22	V7041400200	C-RING , SHAFT	20		1			
310	23	V4111600080	WASHER , PLAIN	M8		2			
310	24	14722310060	BEARING , BALL			1			
310	25	V2013608025	BOLT , HEX	M8X25		1			
310	26	V2173608025	BOLT , HEX/S	M8X25		2			
310	27	V2013608045	BOLT , HEX	M8X45		1			
310	28	V3042600080	NUT , HEX/2	M8		1			
310	29	14722312401	DAMPER , OIL	1X1X1		1			
310	30	V2183608030	BOLT , HEX/SP	M8X30		1			
310	31	V5601600008	PIN , SNAP	8		1			
310	32	13871162700	CABLE ASSY, AUTO THROTTLE			1			
310	33	V4111600060	WASHER , PLAIN	M6		1			
310	34	V5001920015	PIN , SPLIT	2X15		1			
310	36	14722312730	PAD	1X1X1		1			
310	37	13872312700GB	PEDAL COMP, FORWARD			1			
310	38	V2173608020	BOLT , HEX/S	M8X20		2			
310	39	14722312730	PAD	1X1X1		1			
310	40	13872312800GB	PEDAL COMP, REVERSE			1			
310	40	13872312801GB	PEDAL COMP, REVERSE			1			
310	41	V2173608020	BOLT , HEX/S	M8X20		2			
310	42	12382323000	MAGNETIC ASSY , CRUISE			1			
310	42	12382323001	MAGNETIC ASSY , CRUISE			1			
NOTE									

4. Transmission PART NO. T4

FIG 401 TRANSMISSION FRONT CASE	142
FIG 402 HST	144
FIG 403 MID TRANSMISSION CASE	146
FIG 404 TRANSTER GEAR SET	148
FIG 405 TRANSMISSION REAR CASE	150
FIG 406 SUB CHANGE GEARS	152
FIG 407 SUB CHANGE SHIFTER	154
FIG 408 DRIVE GEARS	156
FIG 409 4WD CHANGE LEVER	158
FIG 410 P.T.O DRIVE SHAFT	160
FIG 411 P.T.O CHANGE GEARS	162
FIG 412 REAR DIFFERENTIAL GEARS	164
FIG 413 REAR AXLE HOUSING	167

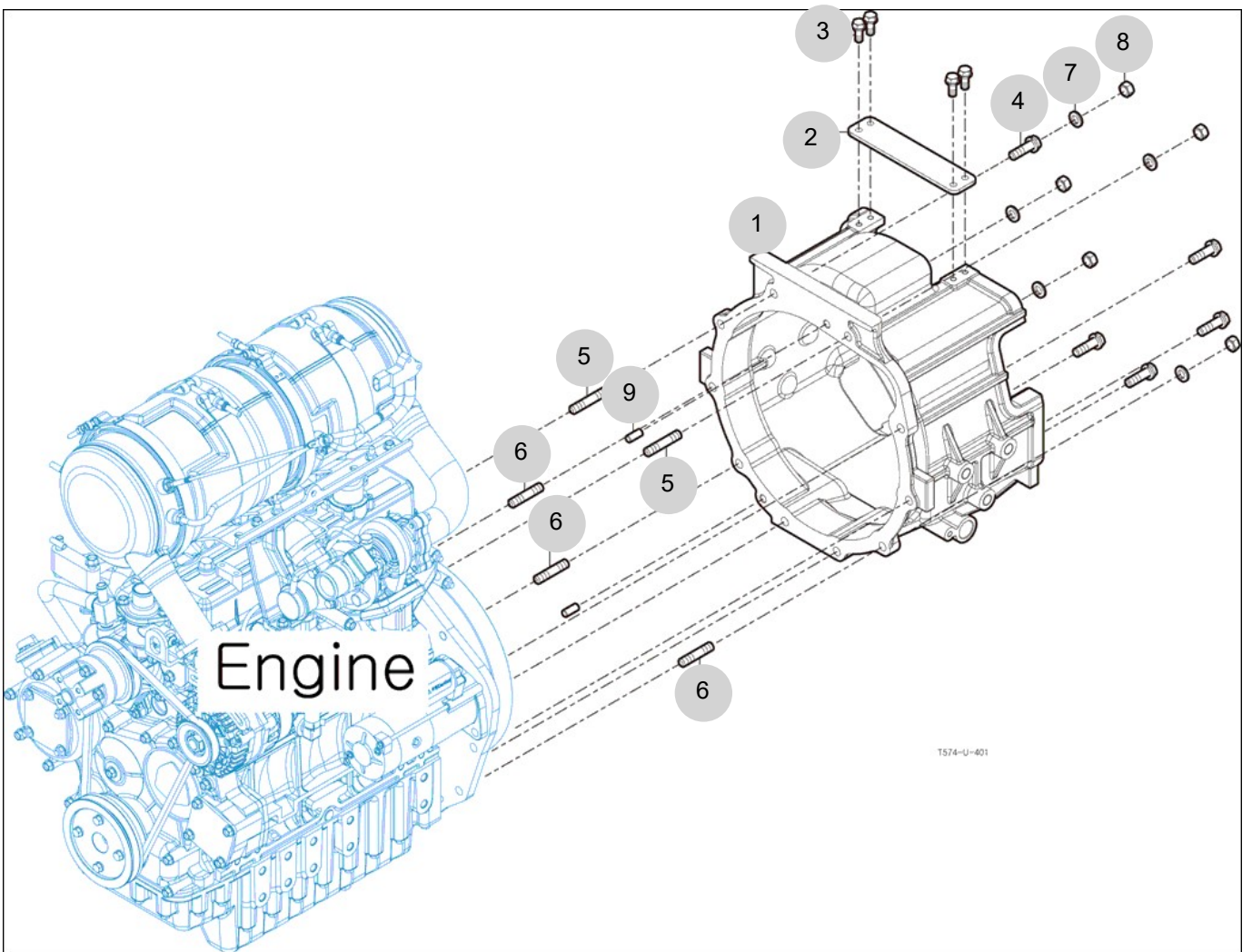
FIG 401

T494SH

TRANSMISSION FRONT CASE

년/월
Year/Month

2022-12



NOTE

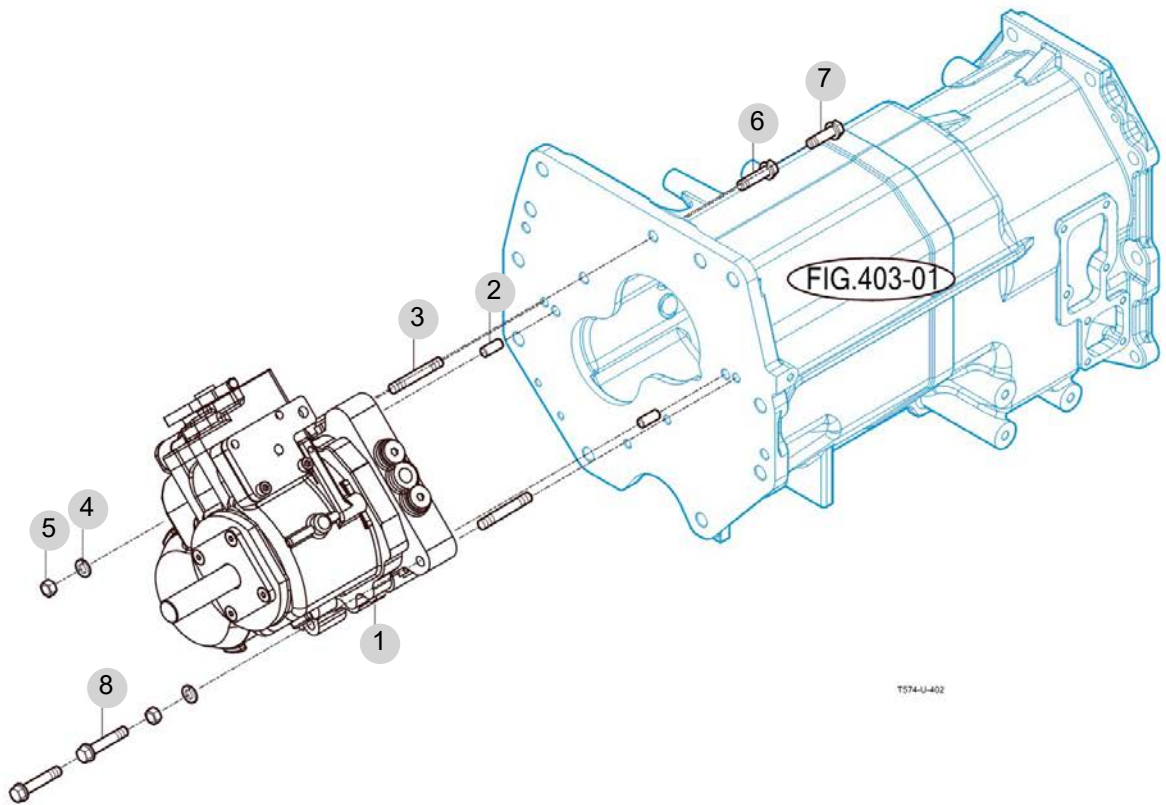
FIG 402

T494SH

HST

년/월
Year/Month

2022-12



T574-U-402

NOTE

FIG 402		HST						년/월	REMARKS
								Year/Month	
T494SH		2022-12							
KEY NO	PART NO	DESCRIPTION	SPEC	QTY	REPAIR	EFFECTIVE DATE	REMARKS		
402	1	13872302000	HST ASSY				1		
402	2	V5201010022	PIN , PARALLEL/A	10X22			2		
402	3	V2513410055	BOLT , STUD/2	M10X55			2		
402	4	V4011600100	WASHER , SPRING	M10			2		
402	5	V3043600100	NUT , HEX/2	M10			2		
402	6	V2173610040	BOLT , HEX/S	M10X40			1		
402	7	V2173610035	BOLT , HEX/S	M10X35			1		
402	8	V2173610055	BOLT , HEX/S	M10X55			2		
NOTE									

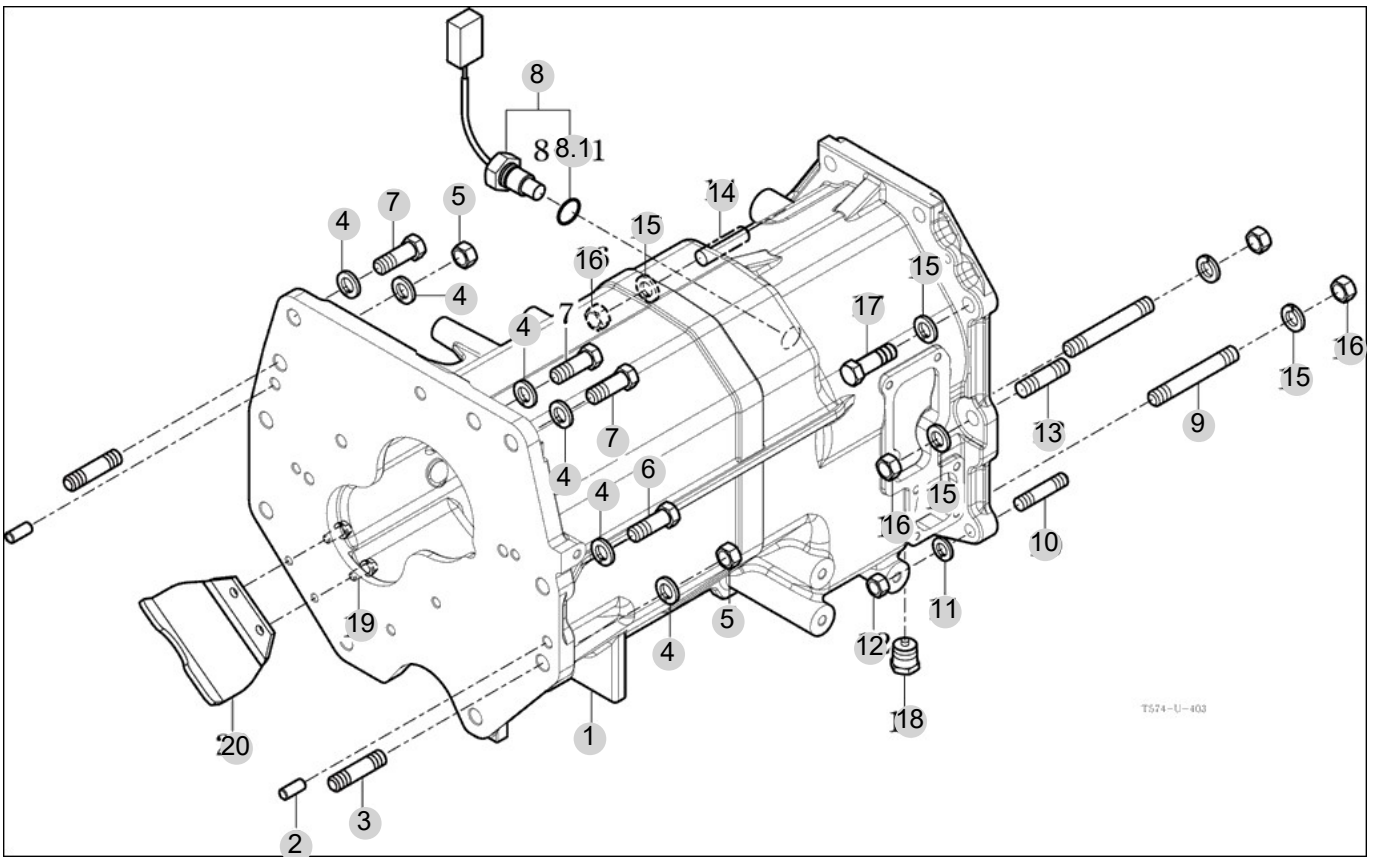
FIG 403

MID TRANSMISSION CASE

년/월
Year/Month

T494SH

2022-12



NOTE

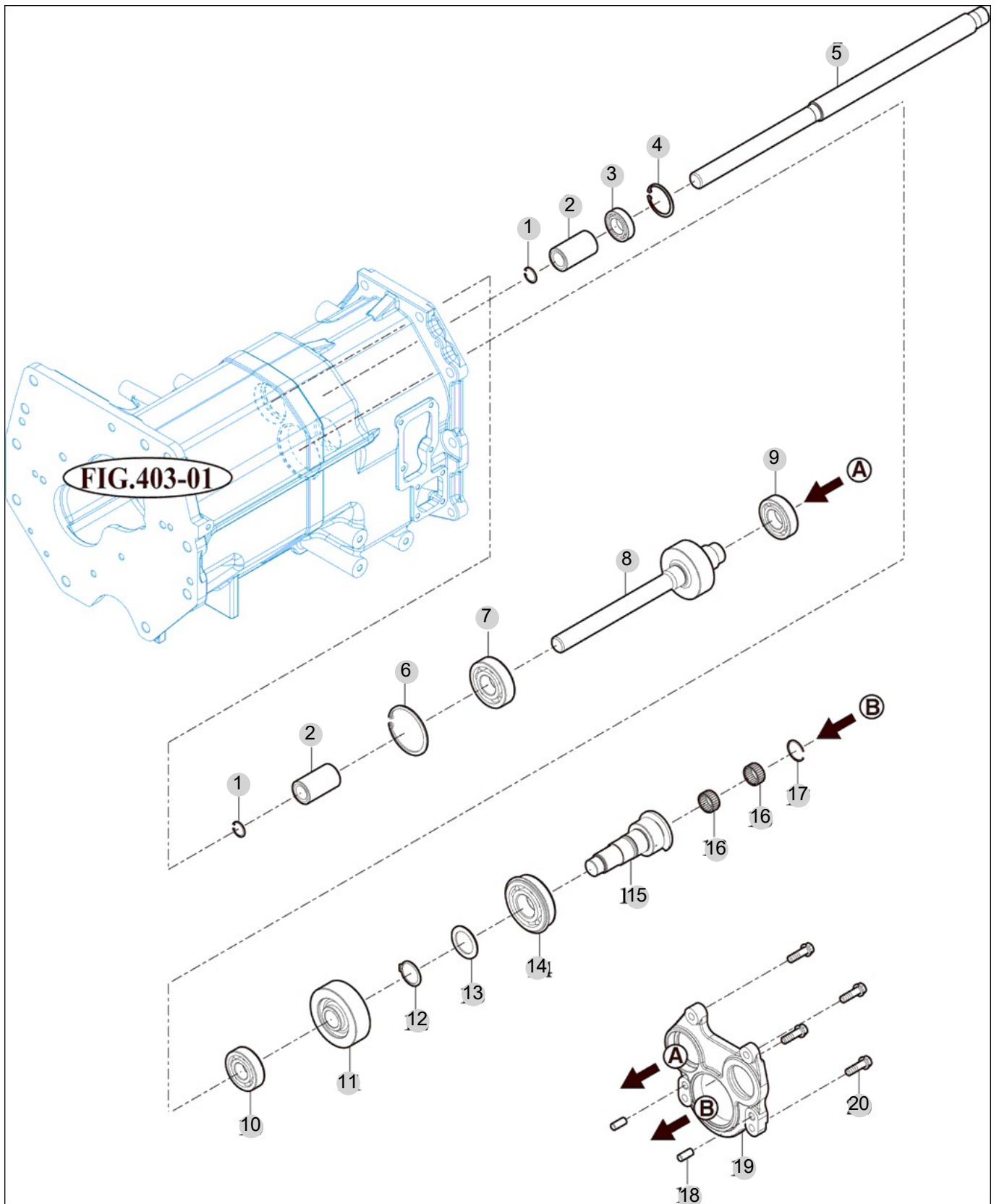
FIG 404

TRANSFER GEAR SET

년/월
Year/Month

T494SH

2022-12



NOTE

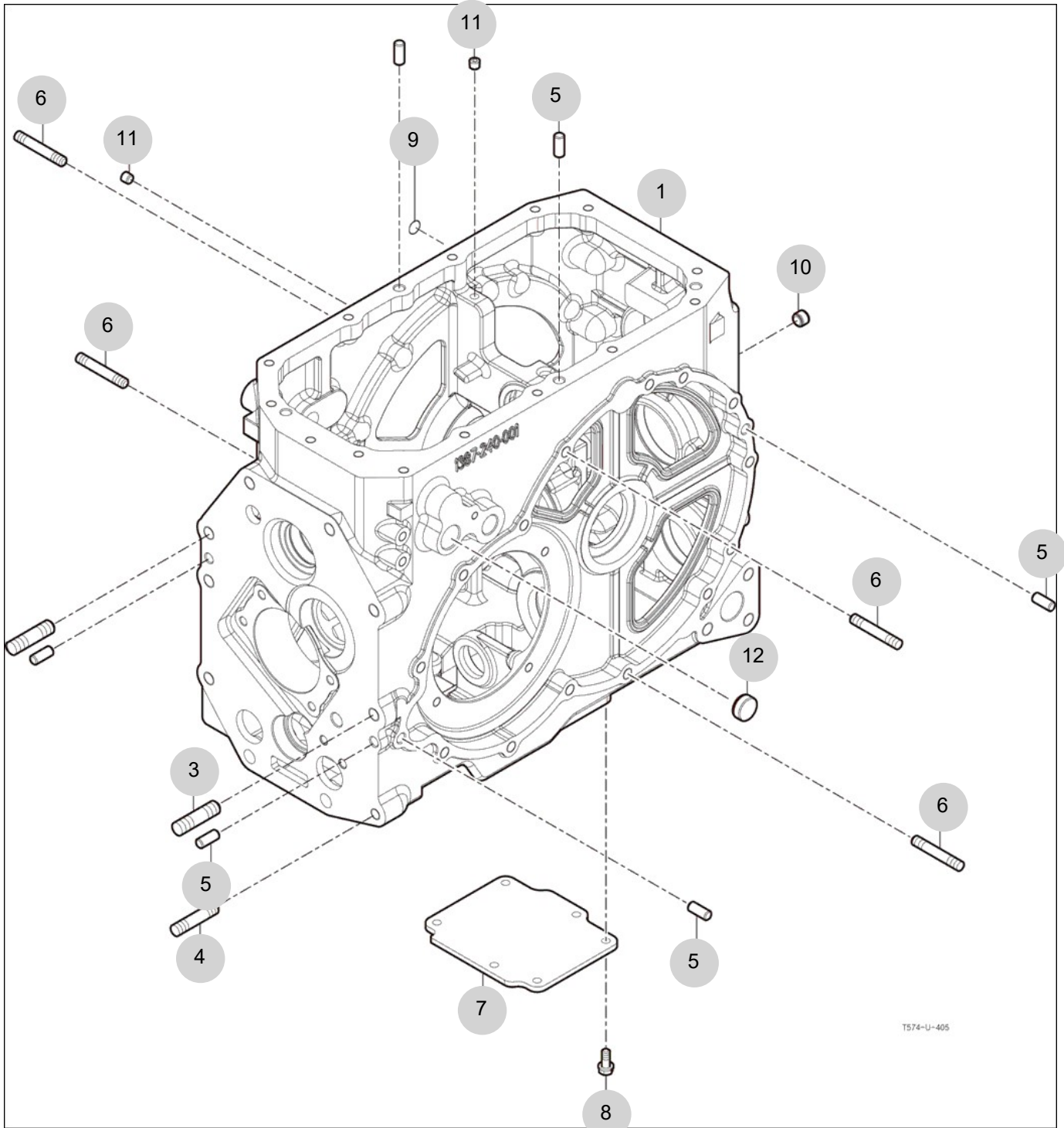
FIG 405

TRANSMISSION REAR CASE

년/월
Year/Month

2022-12

T494SH



T574-U-405

NOTE

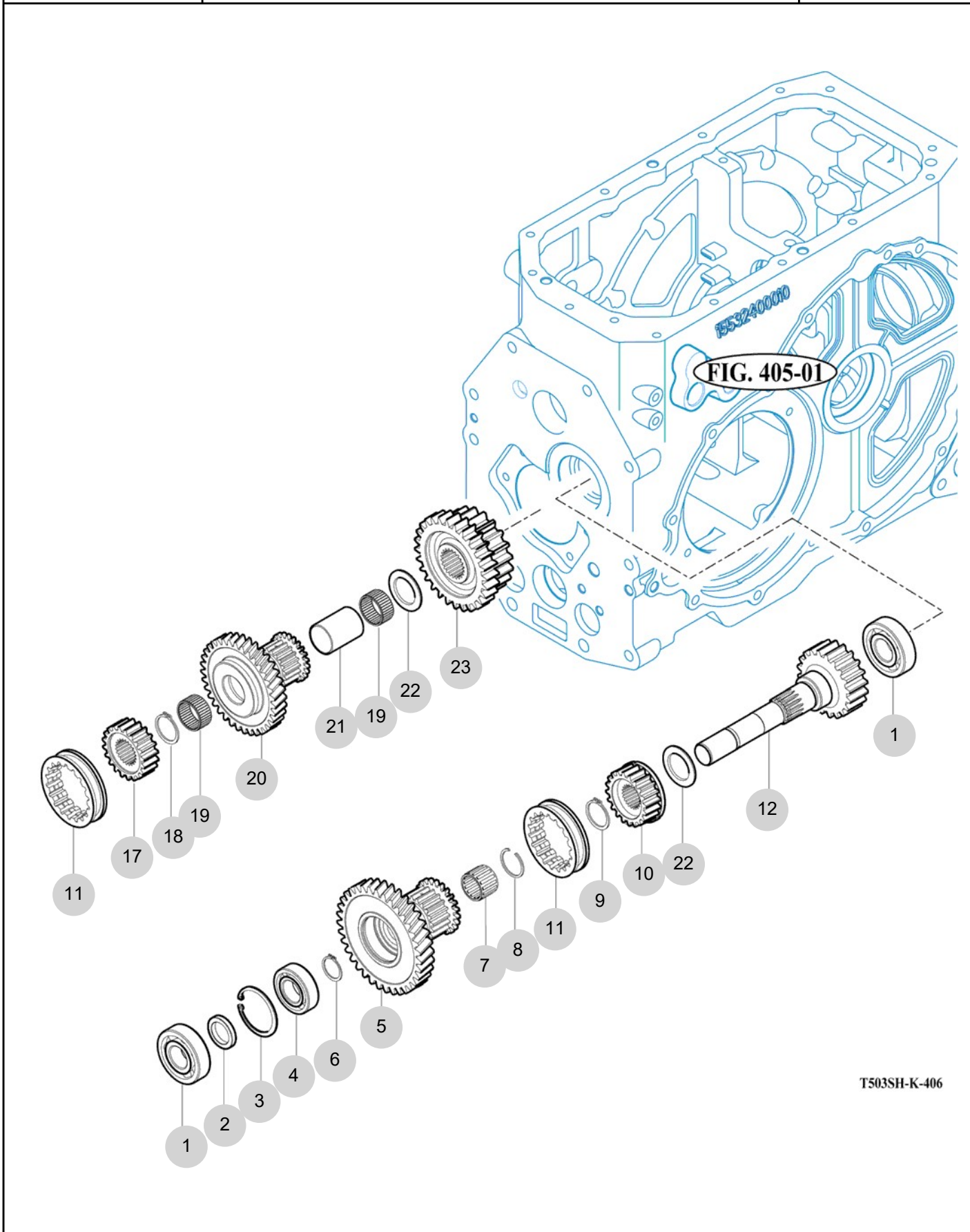
FIG 406

SUB CHANGE GEARS

년/월
Year/Month

2022-12

T494SH



T503SH-K-406

NOTE

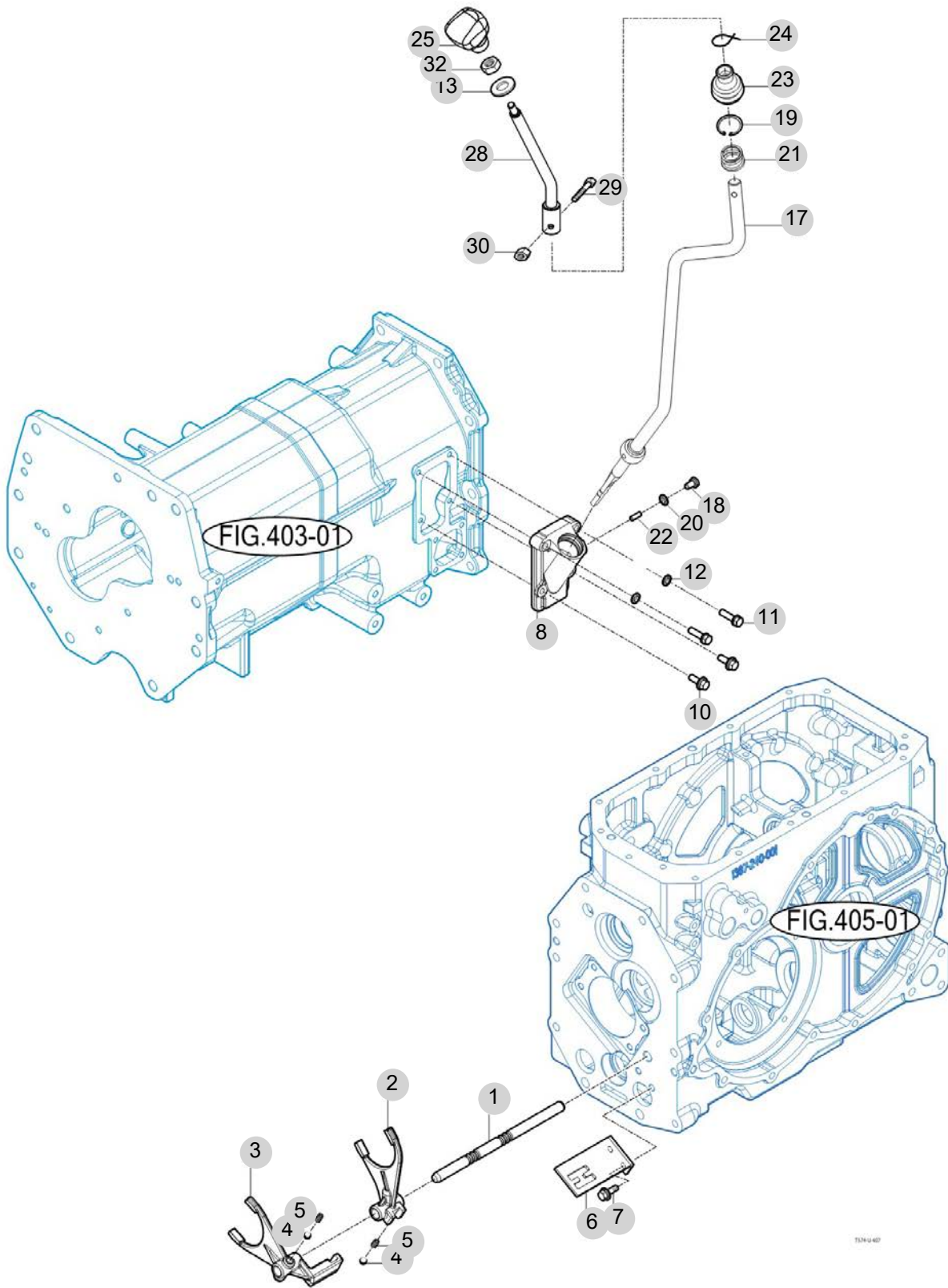
FIG 407

SUB CHANGE SHIFTER

년/월
Year/Month

2022-12

T494SH



NOTE

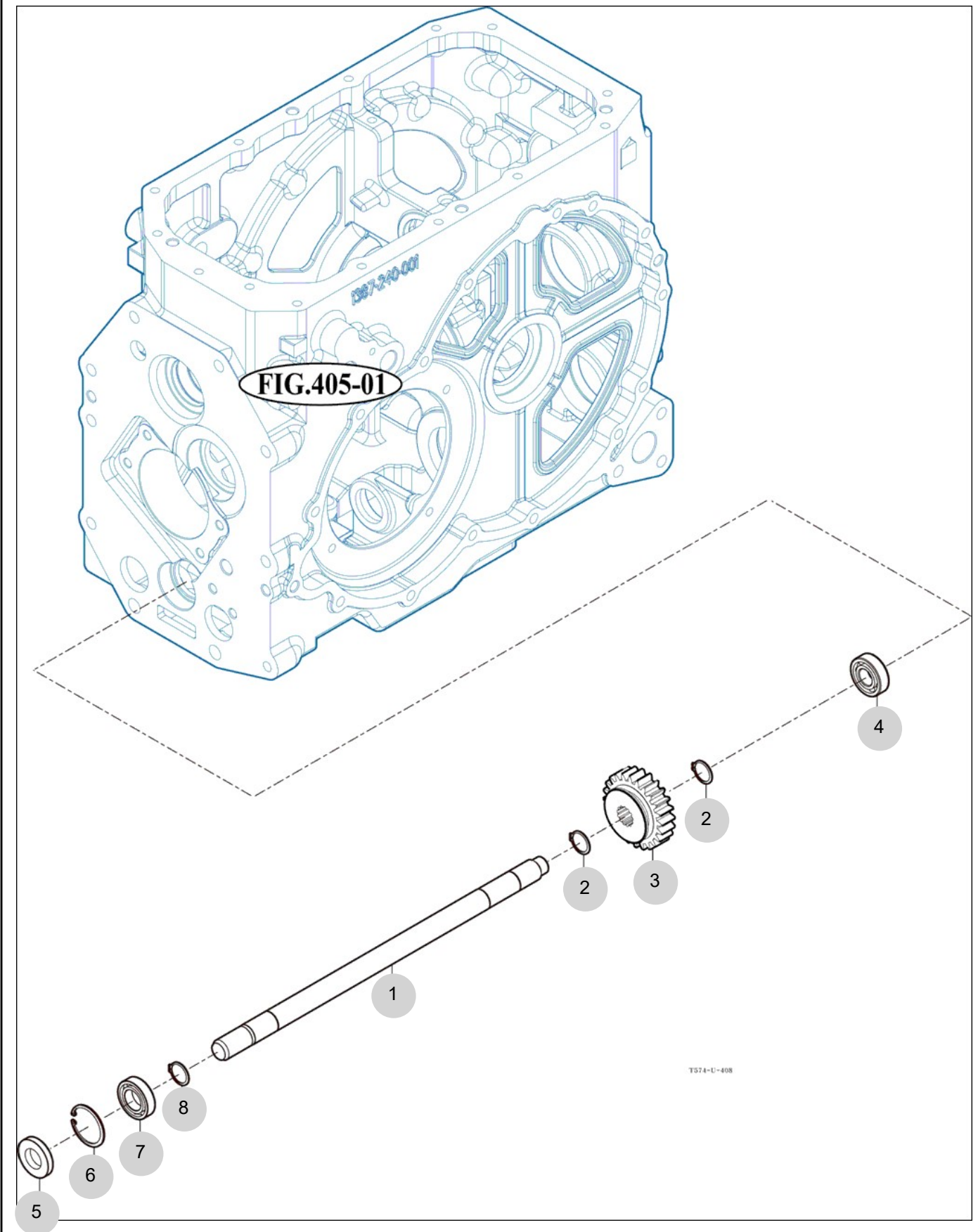
FIG 408

DRIVE GEARS

년/월
Year/Month

T494SH

2022-12



NOTE

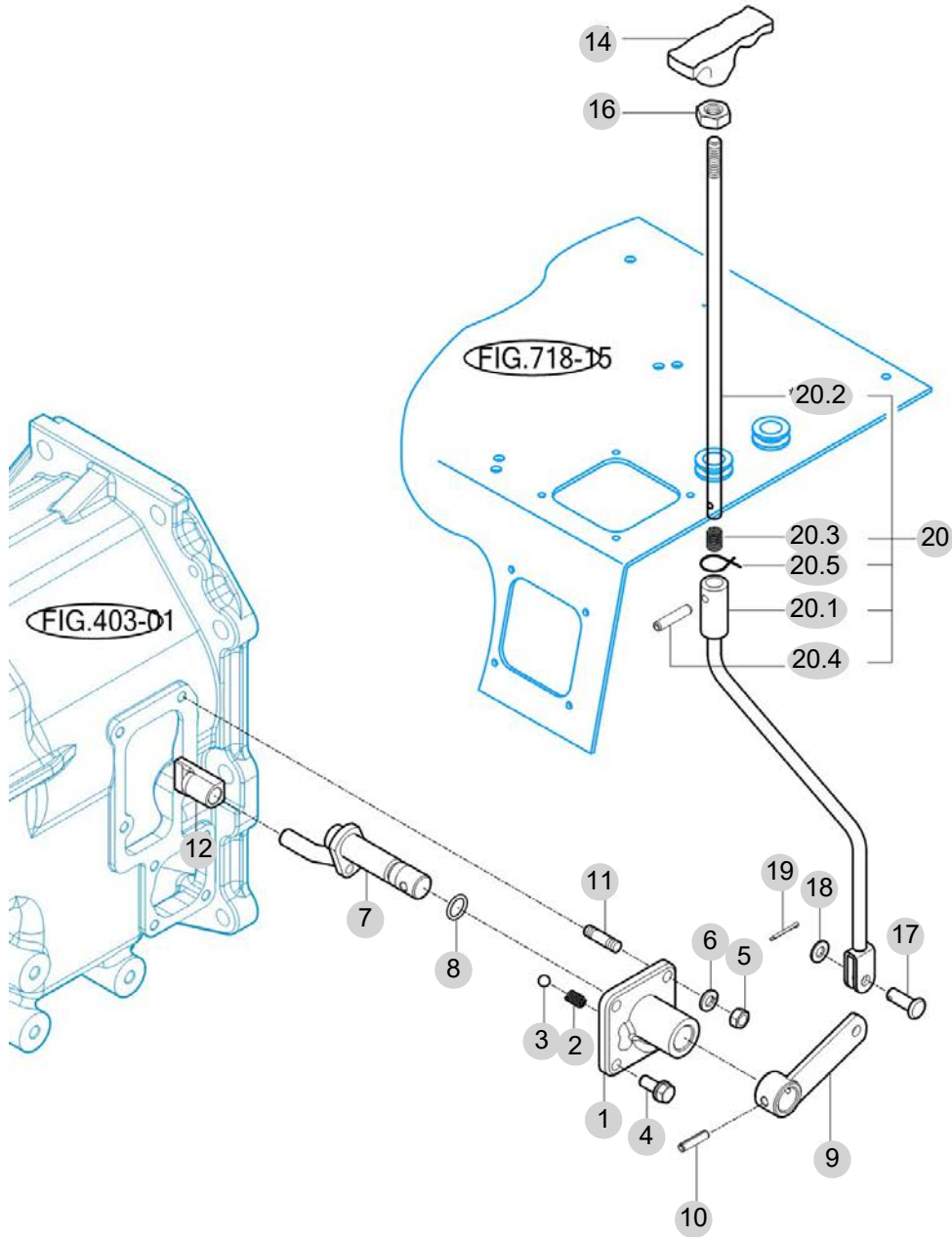
FIG 409

T494SH

4WD CHANGE LEVER

년/월
Year/Month

2022-12



*NOT SERVICED SEPARATELY

T574-U-409

NOTE

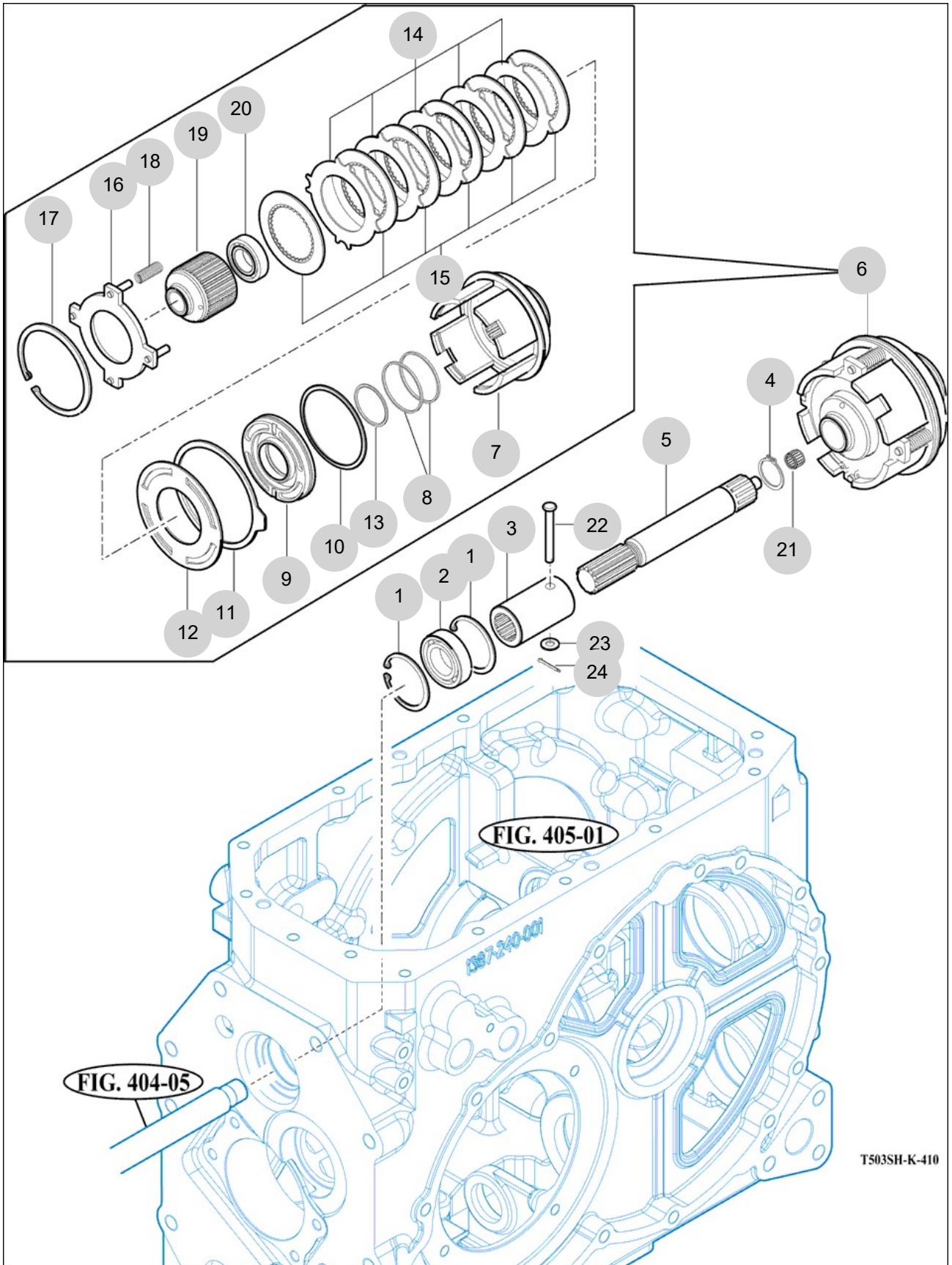
FIG 410

P.T.O DRIVE SHAFT

년/월
Year/Month

T494SH

2022-12



NOTE

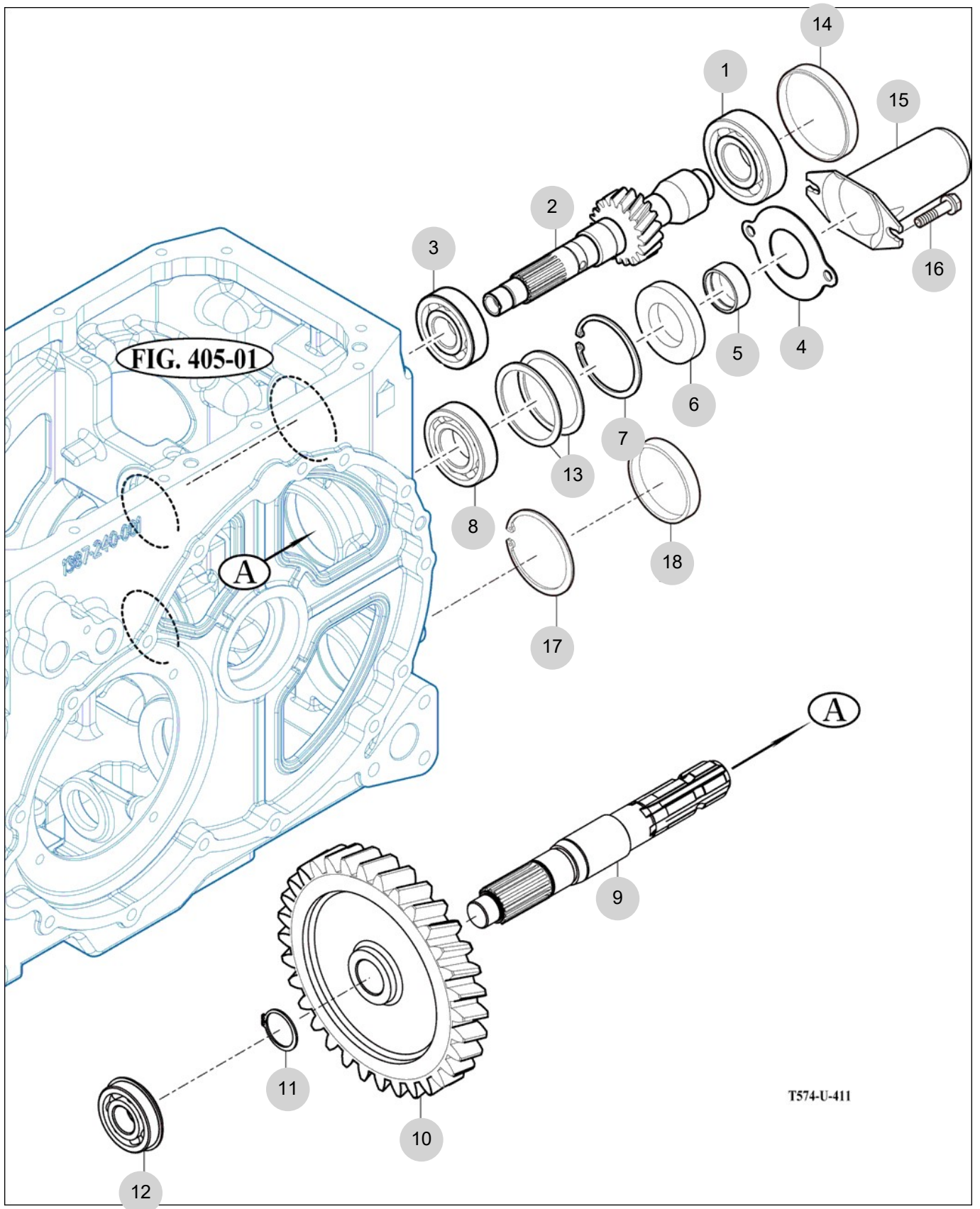
FIG 411

T494SH

P.T.O CHANGE GEARS

년/월
Year/Month

2022-12



NOTE

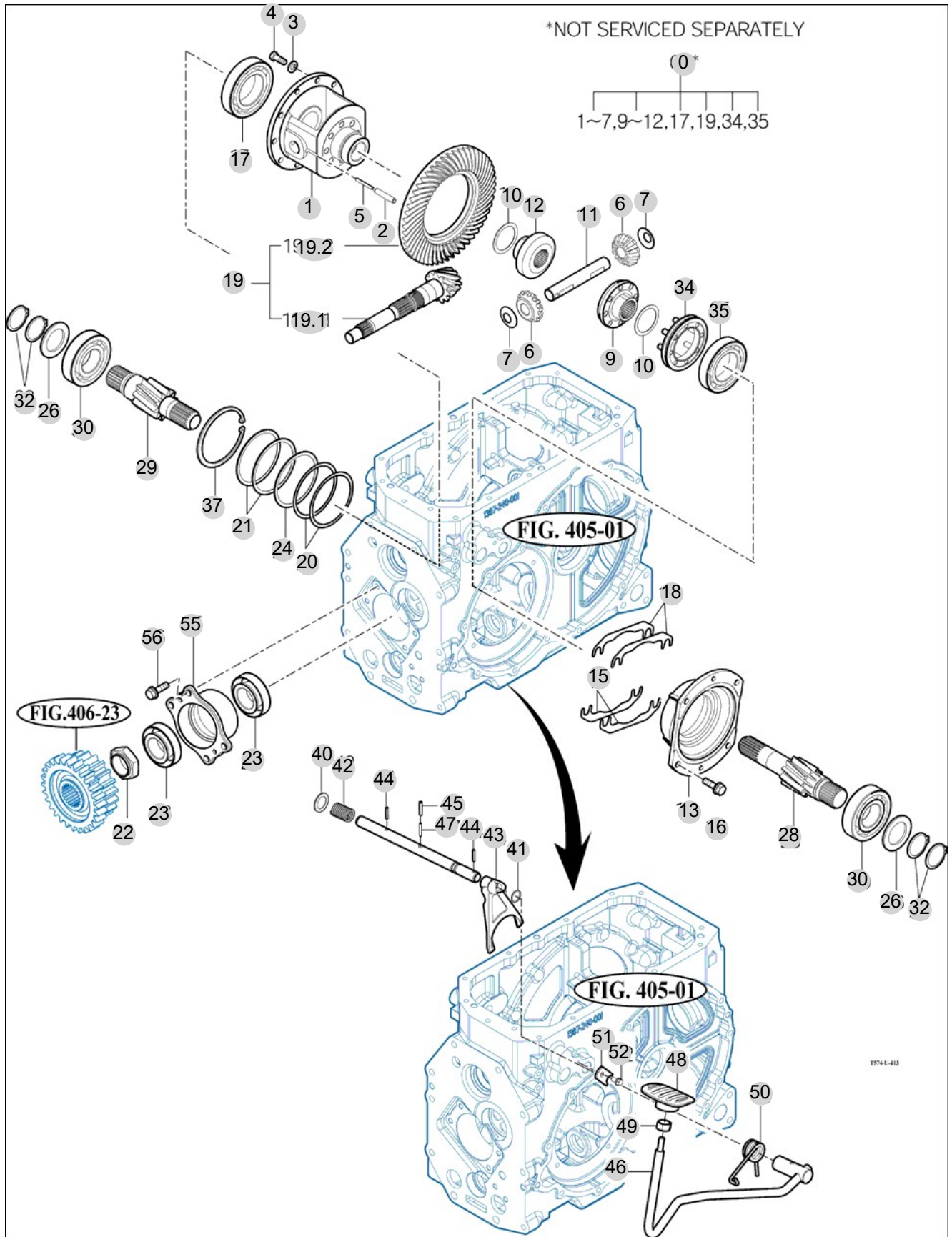
FIG 412

REAR DIFFERENTIAL GEARS

년/월
Year/Month

2022-12

T494SH



NOTE

FIG 412		REAR DIFFERENTIAL GEARS					년/월 Year/Month		
							2022-12		
T494SH		KEY NO	PART NO	DESCRIPTION	SPEC	QTY	REPAIR	EFFECTIVE DATE	REMARKS
412	0	14523031001	DIFF ASSY, RR 47PS			1			
412	1	14523030010M	CASE , DIFF			1			
412	2	V5801408040	PIN , SPRING	8X50		1			
412	3	V4011600100	WASHER , SPRING	M10		10			
412	4	V2024610025	BOLT , HEX FINE	M10X25		10			
412	5	V5801405036	PIN , SPRING	5X36		1			
412	6	14523180041	PINION , DIFF	1X1X1		2			
412	7	14523030080	COLLAR , PINION	T=1.0		2			
412	9	14523180061	PINION , BEVEL 16T LH	1X1X1		1			
412	10	14523030100	WASHER , THRUST	D=52.5		2			
412	11	14523030110	SHAFT , DIFF PINION	D=23		1			
412	12	14523180031	PINION , BEVEL 16T RH	1X1X1		1			
412	13	14523030131M	METAL , DIFF CASE LH			1			
412	15	14523010090	SHIM , B	T=0.2		4			
412	16	V2173610025	BOLT , HEX/S	M10X25		4			
412	17	V6001106212	BEARING , BALL	6212		1			
412	18	14523010080	SHIM , A	T=0.1		2			
412	19	14523022100	GEAR SET , 10-41T			1			
412	19.1	14523022111	PINION , BEVEL			1			
412	19.2	14523022120	GEAR , SPIRAL BEVEL			1			
412	20	14523010050	SHIM , 0.1	T=0.1		1			
412	22	15533030020	NUT , M40 P1,5	육각B=55		1			
412	23	V6321132208	BEARING , TAPER-ROLLER	32208CR		2			
412	24	14523010100	SHIM , 0.2	T=0.2		2			
412	26	15133060030	COLLAR , THRUST 45X68X4			2			
412	28	14523060010	PINION , LH HERICAL11T			1			
412	29	14523060020	PINION , RH HERICAL11T			1			
412	30	V6001106309	BEARING , BALL	6309		2			
412	32	V7041400450	C-RING , SHAFT	45		4			
412	34	14523033400	SLEEVE COMP			1			
412	35	V6001106211	BEARING , BALL	6211		1			
412	37	V7051401100	C-RING , HOLE	110		1			
412	39	15533193010	SHAFT , DIFF LOCK	D=20		1			
412	40	V4111600200	WASHER , PLAIN	M20		1			
412	41	V7201024016	O-RING , P	P16		1			
412	42	17973030420	SPRING	(D=3.6) X22.5X74.5		1			
412	43	14523190011M	FORK , DIFF LOCK			1			
412	44	V5801406032	PIN , SPRING	6X32		2			
412	45	V5801408036	PIN , SPRING	8X36		1			
412	46	15533193100	PEDAL COMP , DIFF LOCK			1			
412	47	V5801405036	PIN , SPRING	5X36		1			
412	48	14521220120	PEDAL COMP,ACCEL	1X1X1		1			
412	49	V3342600100	NUT , HEX FINE/2	M10		1			
412	50	15533190020	SPRING , DIFF PEDAL			1			
412	50	15533190021	SPRING , DIFF PEDAL	D=5.5		1			
NOTE									

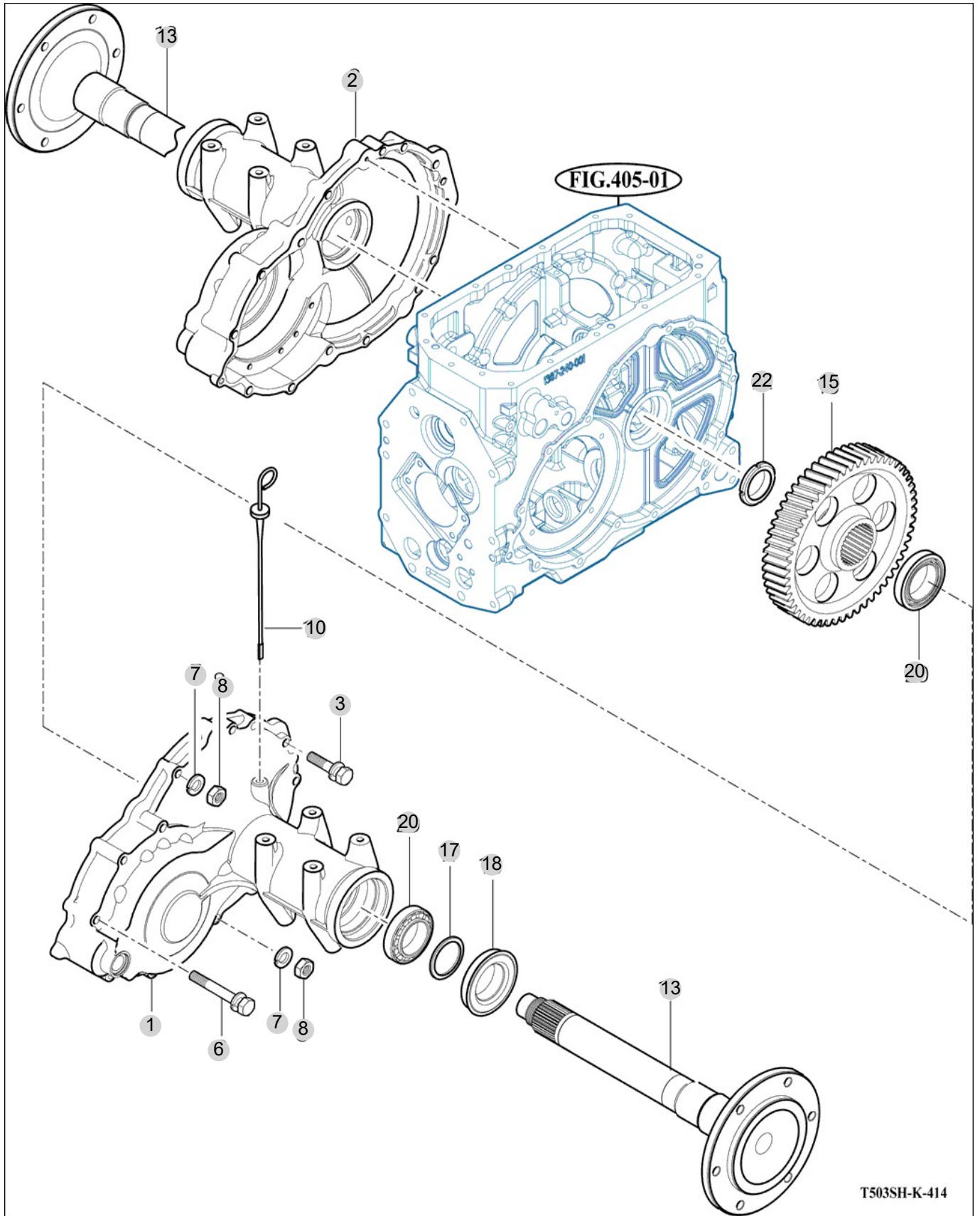
FIG 413

REAR AXLE HOUSING

년/월
Year/Month

2022-12

T494SH



T503SH-K-414

NOTE

5. Front Axle PART NO. T5

FIG 501 FRONT AXLE SUPPORT	170
FIG 502 FRONT DRIVE SHAFT	172
FIG 503 FRONT AXLE HOUSING	174
FIG 504 FRONT DIFFERENTIAL GEARS	176
FIG 505 FRONT GEAR CASE (1)	178
FIG 506 FRONT GEAR CASE (2)	180
FIG 507 FRONT GEAR CASE (3)	182

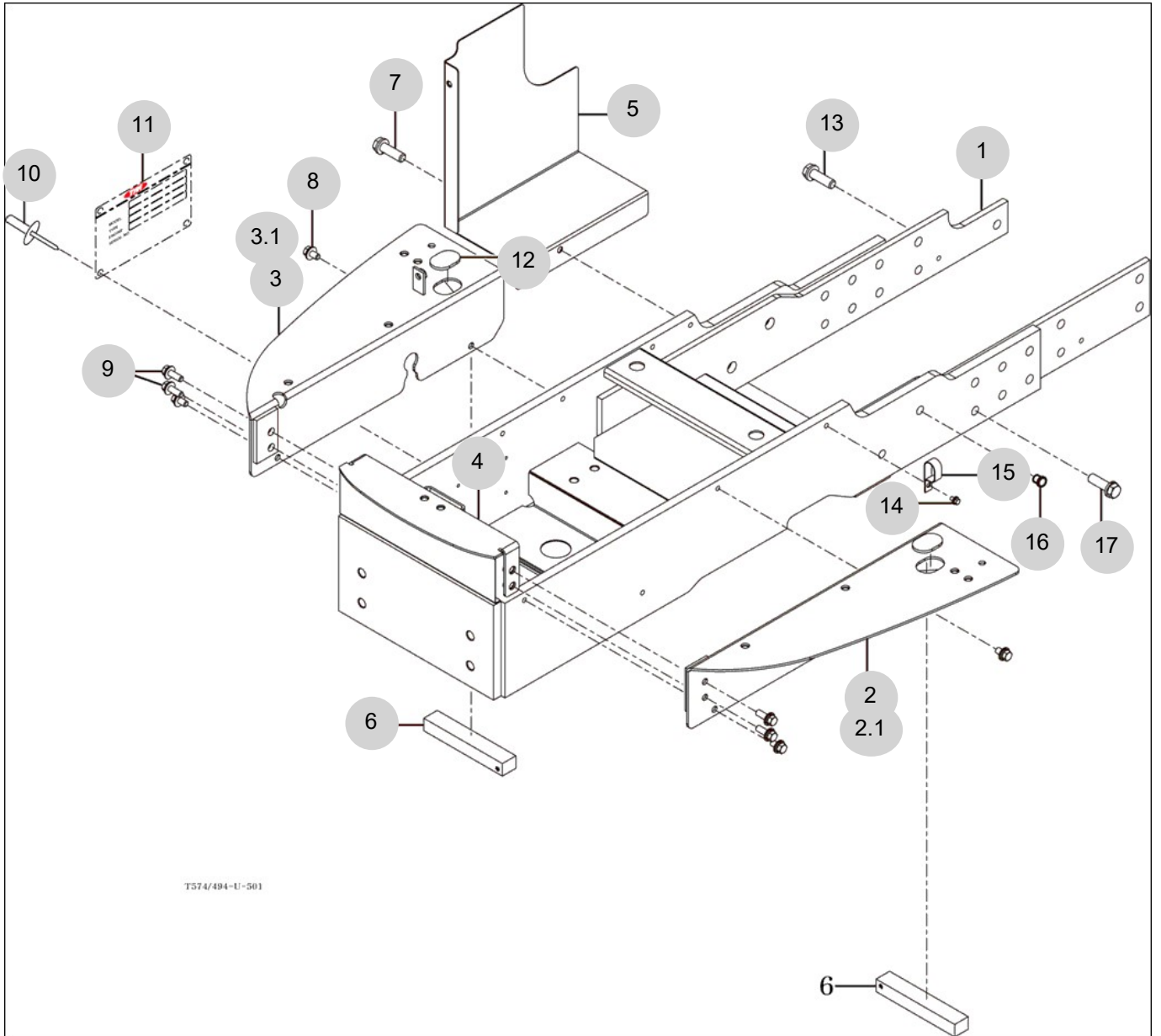
FIG 501

T494SH

FRONT AXLE SUPPORT

년/월
Year/Month

2022-12



NOTE

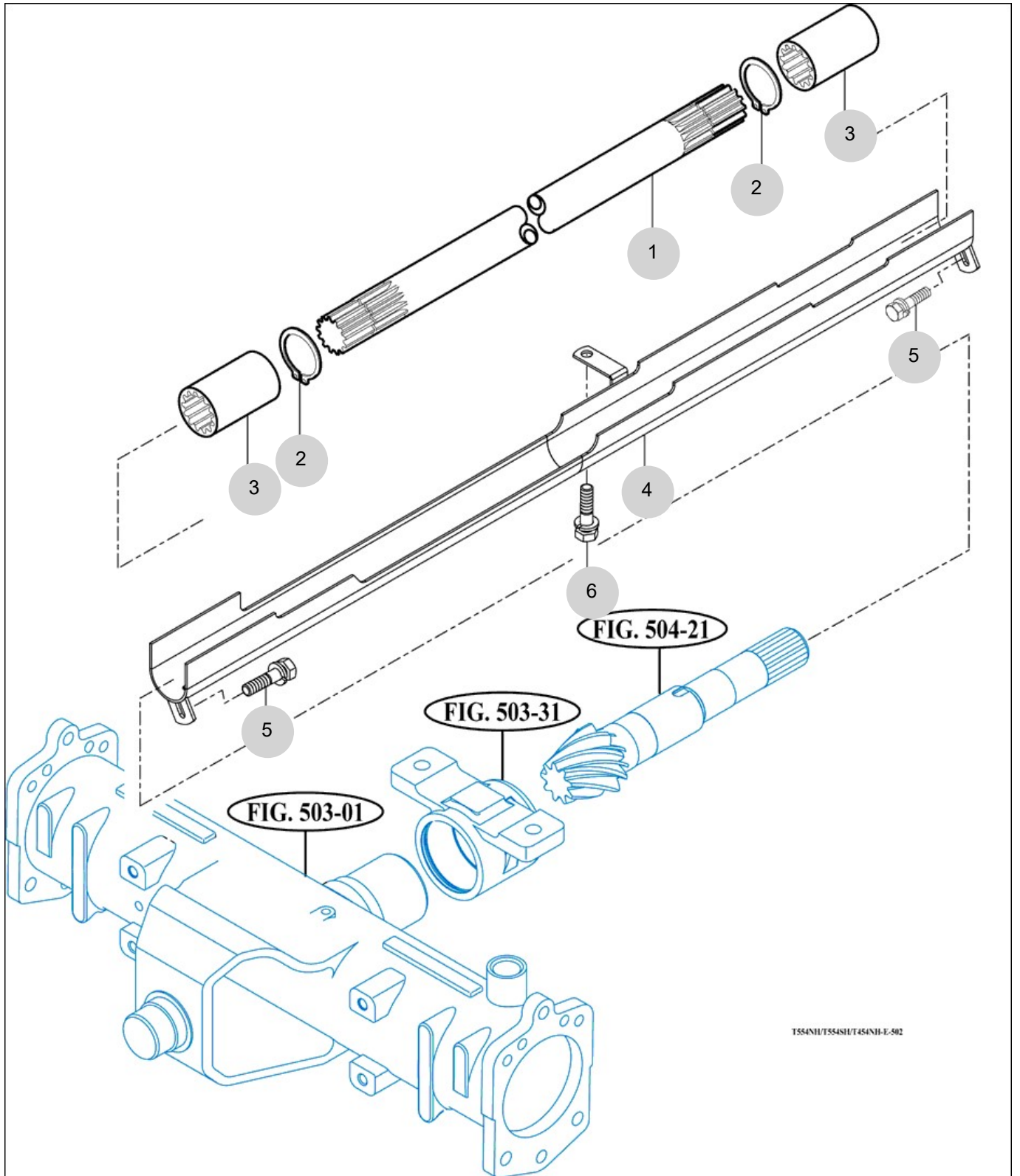
FIG 502

T494SH

FRONT DRIVE SHAFT

년/월
Year/Month

2022-12



T554NH/T554SH/T454NH-E-502

NOTE

FIG 502		FRONT DRIVE SHAFT					년/월	REMARKS
							Year/Month	
T494SH		2022-12						
KEY NO	PART NO	DESCRIPTION	SPEC	QTY	REPAIR	EFFECTIVE DATE		
502	1	18994310010	SHAFT					
502	2	V7041400250	C-RING , SHAFT	25				
502	3	14251320150	COUPLING					
502	4	17484312001GB	COVER COMP , 4WD					
502	5	V2113606010	BOLT , HEX /S	M6X10				
502	6	V2183608012	BOLT , HEX/SP	M8X12				
NOTE								

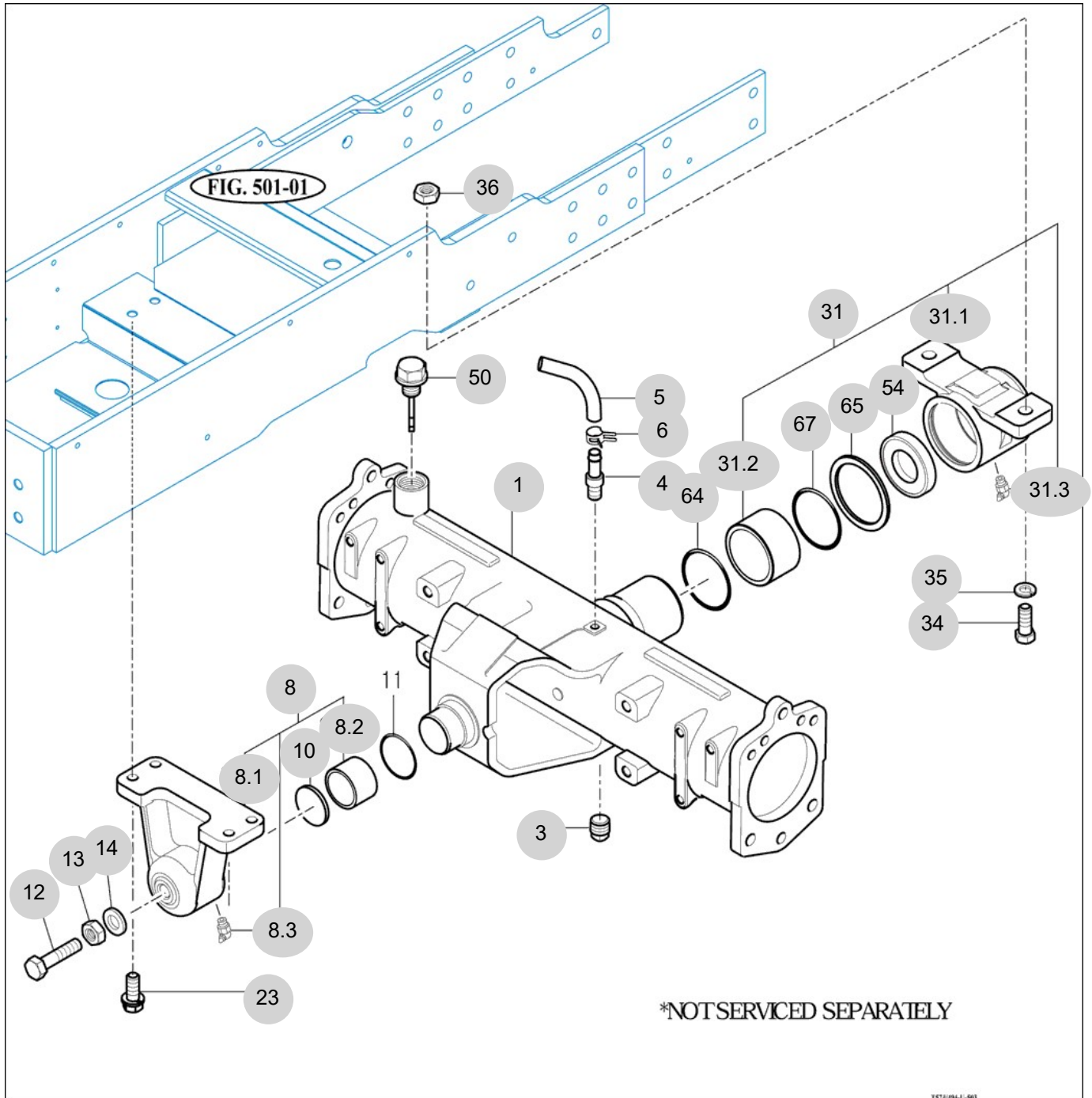
FIG 503

FRONT AXLE HOUSING

년/월
Year/Month

T494SH

2022-12



NOTE

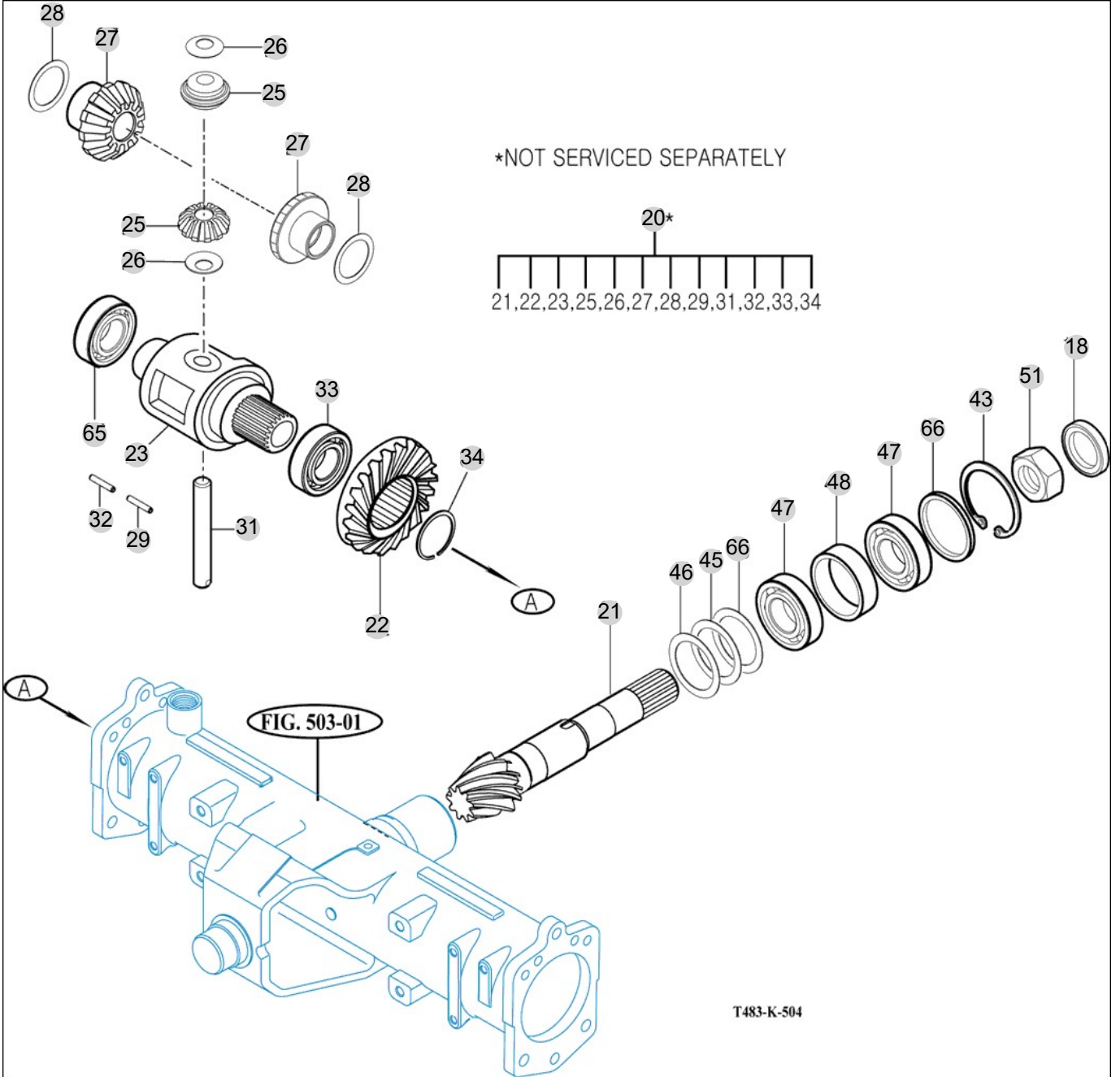
FIG 504

FRONT DIFFERENTIAL GEARS

년/월
Year/Month

2022-12

T494SH



NOTE

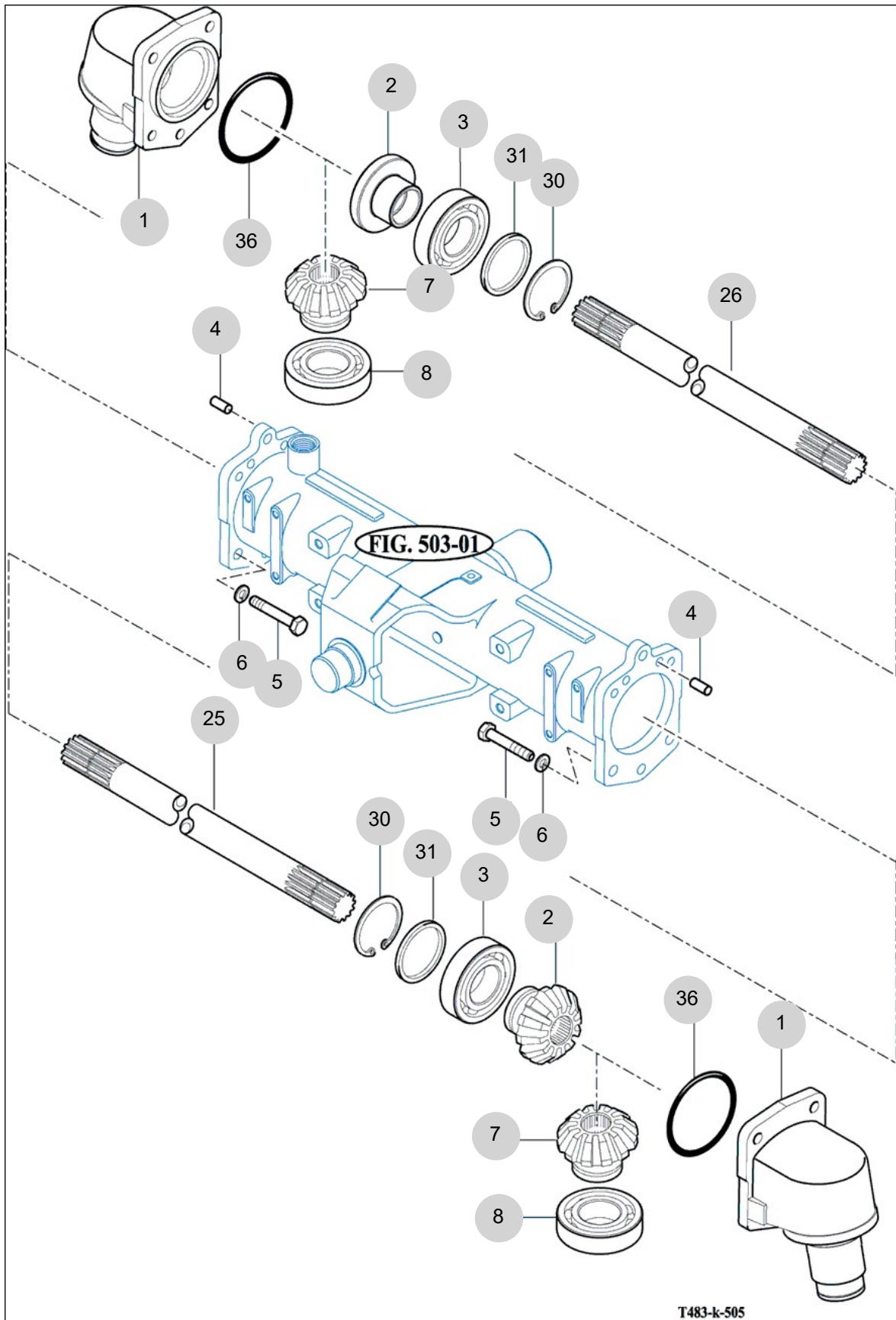
FIG 505

T494SH

FRONT GEAR CASE (1)

년/월
Year/Month

2022-12



T483-k-505

NOTE

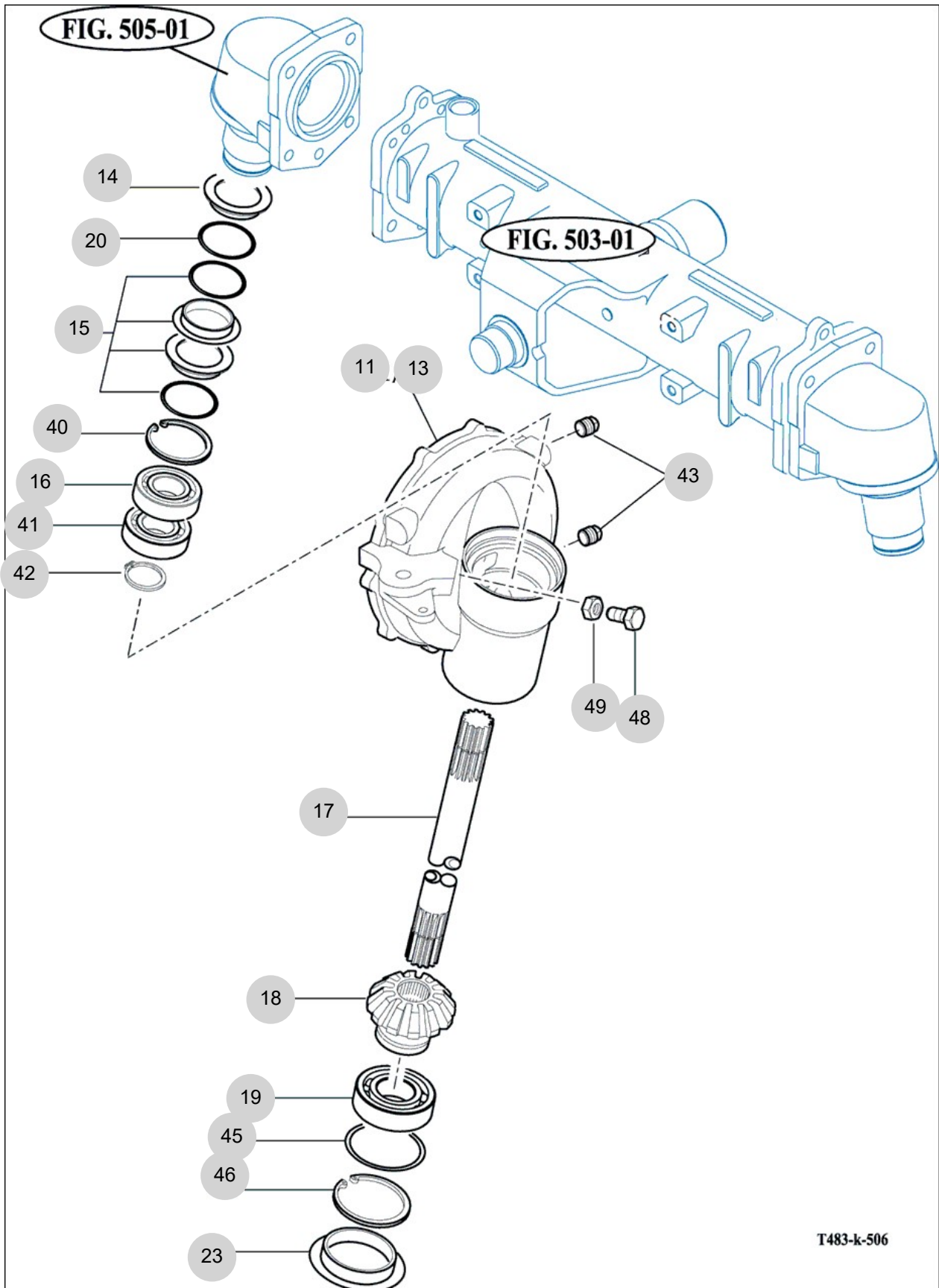
FIG 506

FRONT GEAR CASE (2)

년/월
Year/Month

2022-12

T494SH



T483-k-506

NOTE

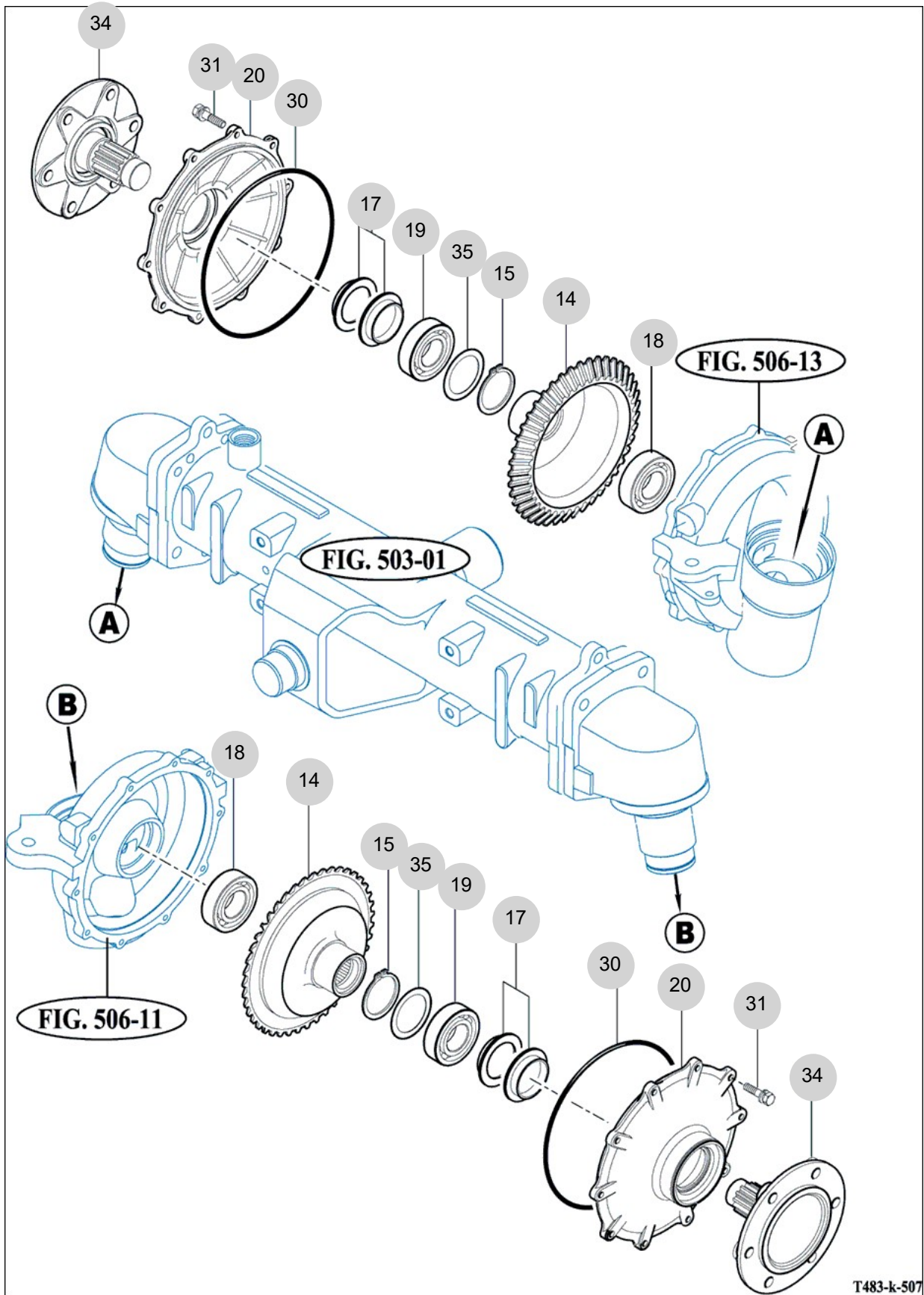
FIG 507

T494SH

FRONT GEAR CASE (3)

년/월
Year/Month

2022-12



NOTE

6. Hydraulic/3P-Link PART NO. T6

FIG 601 CYLINDER CASE	185
FIG 602 LIFT ARM	187
FIG 603 CYLINDER	189
FIG 604 POSITION LINK	191
FIG 605 CONTROL VALVE	193
FIG 606 DRAFT LINK	195
FIG 607 POSITION & DRAFT LEVER	197
FIG 607-2 POSITION & DRAFT LEVER(2)	199
FIG 608 EXTERIOR HYD. VALVE	201
FIG 609 HYDRAULIC PIPE	203
FIG 610 JOYSTICK	205
FIG 612 HITCH & 3-POINT LINK	208
FIG 613 LOWER LINK & LIFT ROD	211

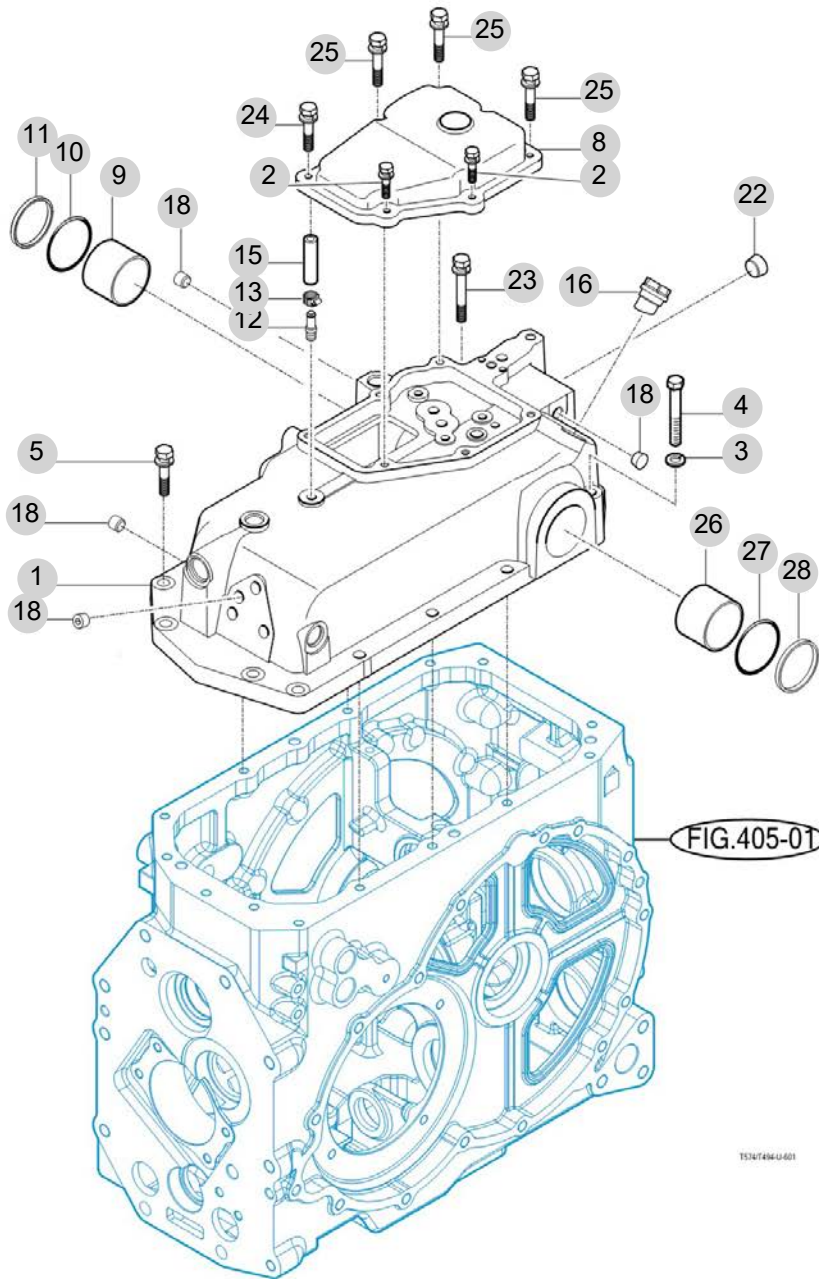
FIG 601

T494SH

CYLINDER CASE

년/월
Year/Month

2022-12



NOTE

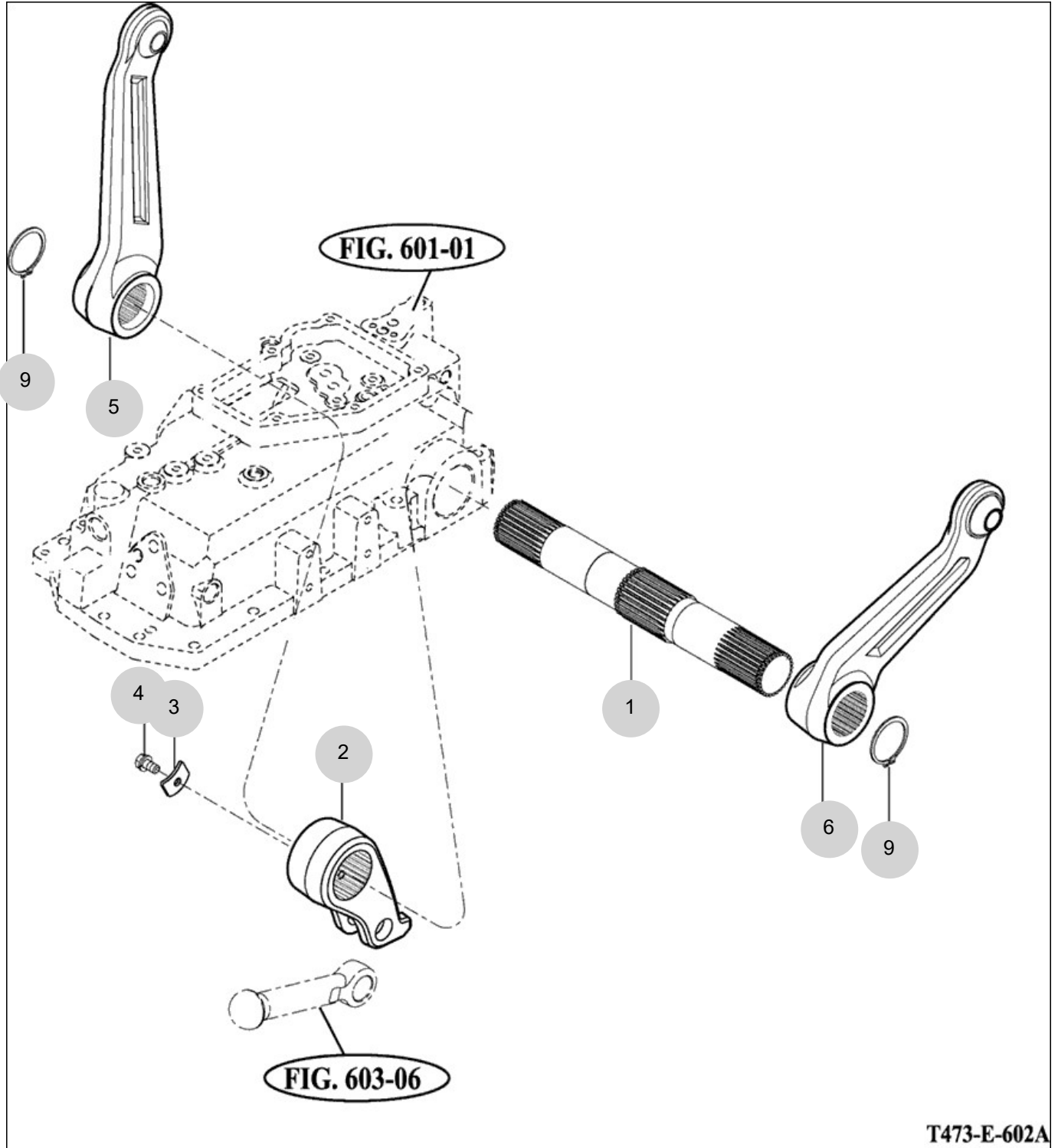
FIG 602

T494SH

LIFT ARM

년/월
Year/Month

2022-12



T473-E-602A

NOTE

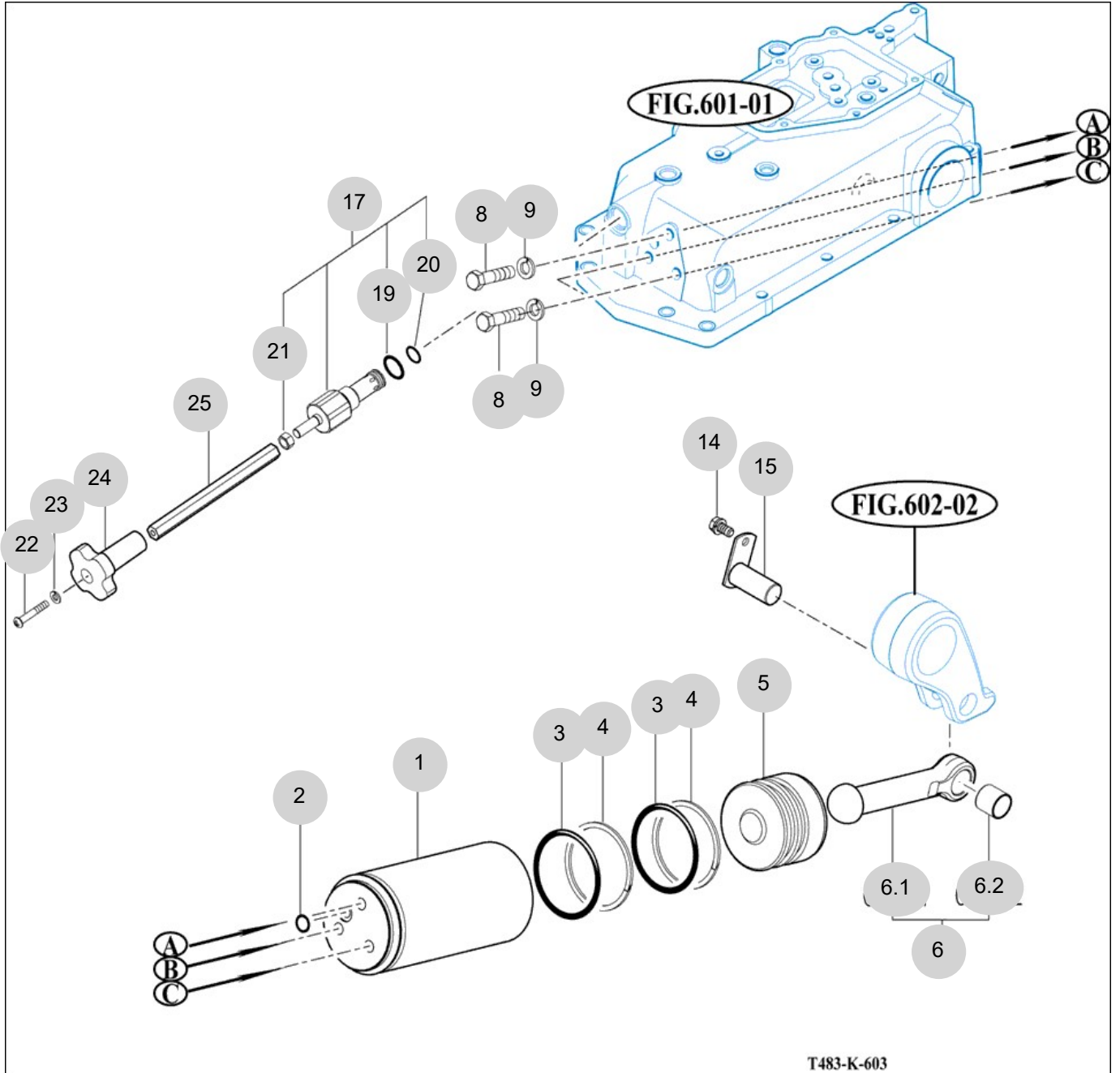
FIG 603

T494SH

CYLINDER

년/월
Year/Month

2022-12



NOTE

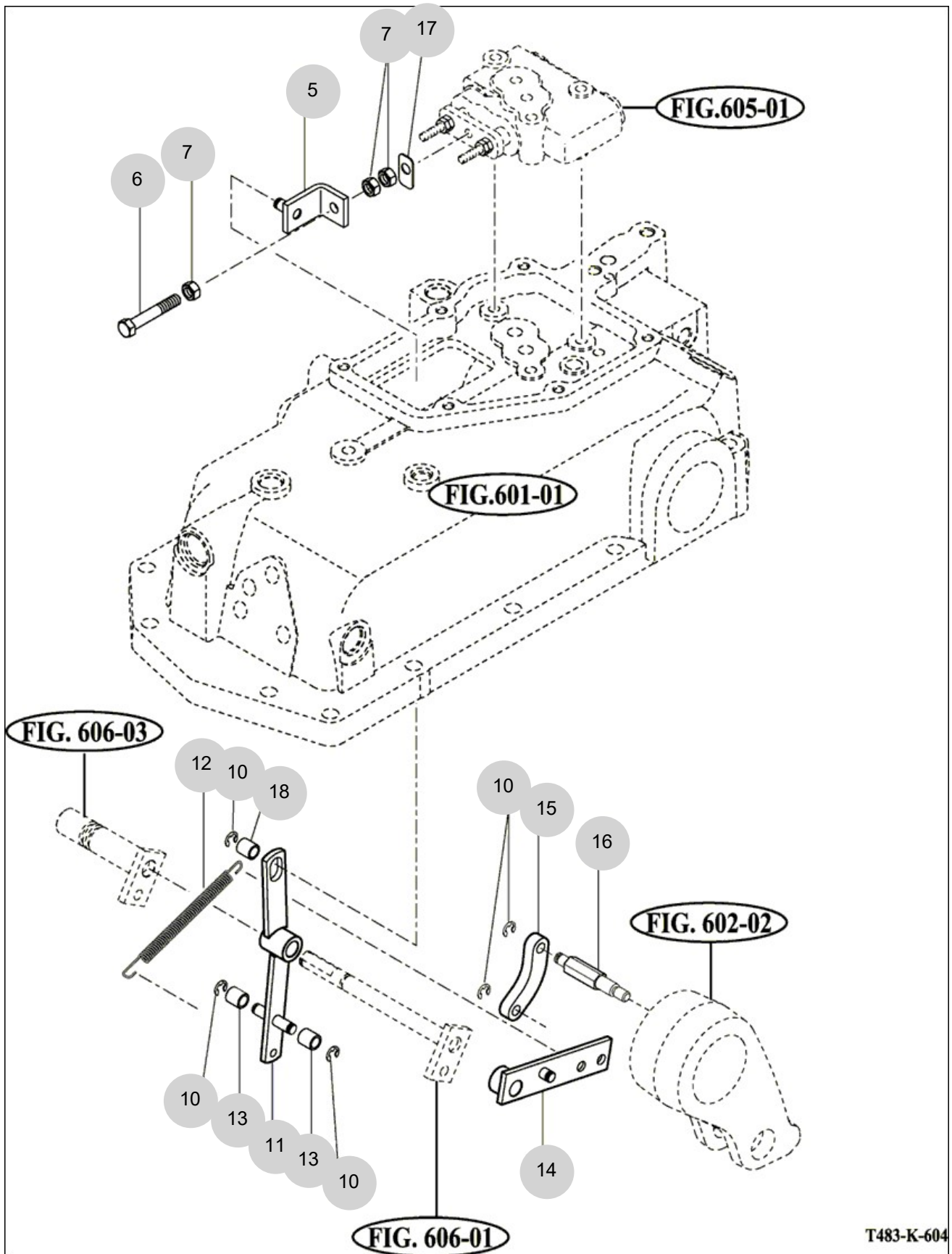
FIG 604

POSITION LINK

년/월
Year/Month

T494SH

2022-12



T483-K-604

NOTE

FIG 604 T494SH		POSITION LINK					년/월 Year/Month	
							2022-12	
KEY NO	PART NO	DESCRIPTION	SPEC	QTY	REPAIR	EFFECTIVE DATE	REMARKS	
604	5	17995040011	CLEVIS COMP					
604	6	V2013608050	BOLT , HEX	M8X50				
604	7	V3043600080	NUT , HEX/2	M8				
604	10	V7081400060	E-RING	6				
604	11	17995041100	LINK COMP , VALVE					
604	12	17995040121	SPRING					
604	13	17995040130	ROLLER					
604	14	17995041400	ARM , COMP , LINK					
604	15	17995040150	LINK , CRANK LIFT					
604	16	17995040160	PIN , LINK					
604	17	17995040170	WASHER , LOCK					
604	18	17995040131	ROLLER					
NOTE								

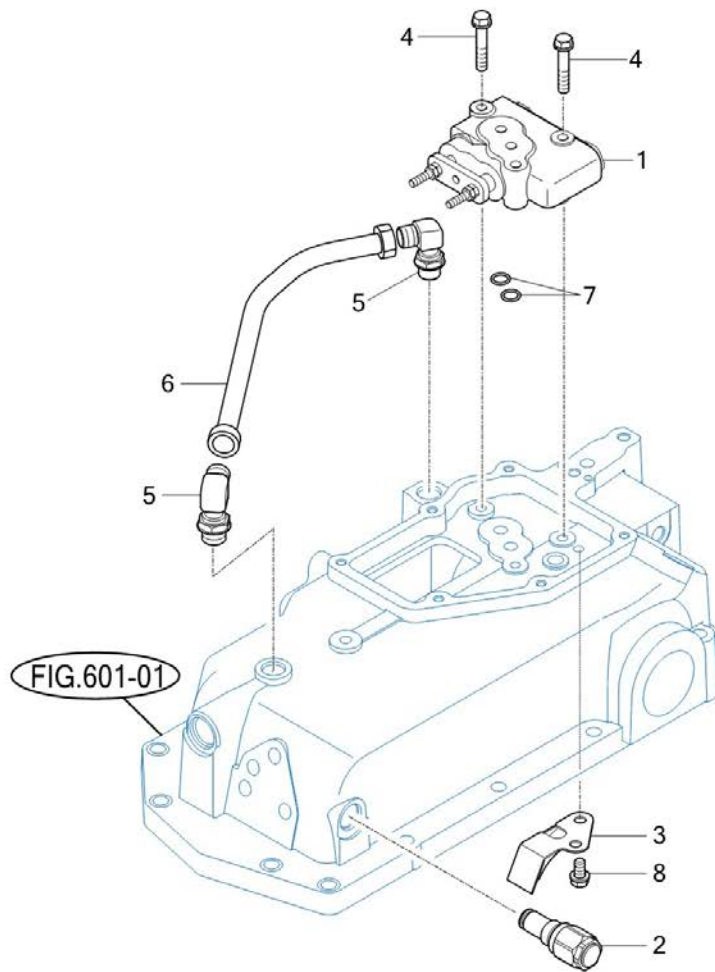
FIG 605

T494SH

CONTROL VALVE

년/월
Year/Month

2022-12



T374-U-605

NOTE

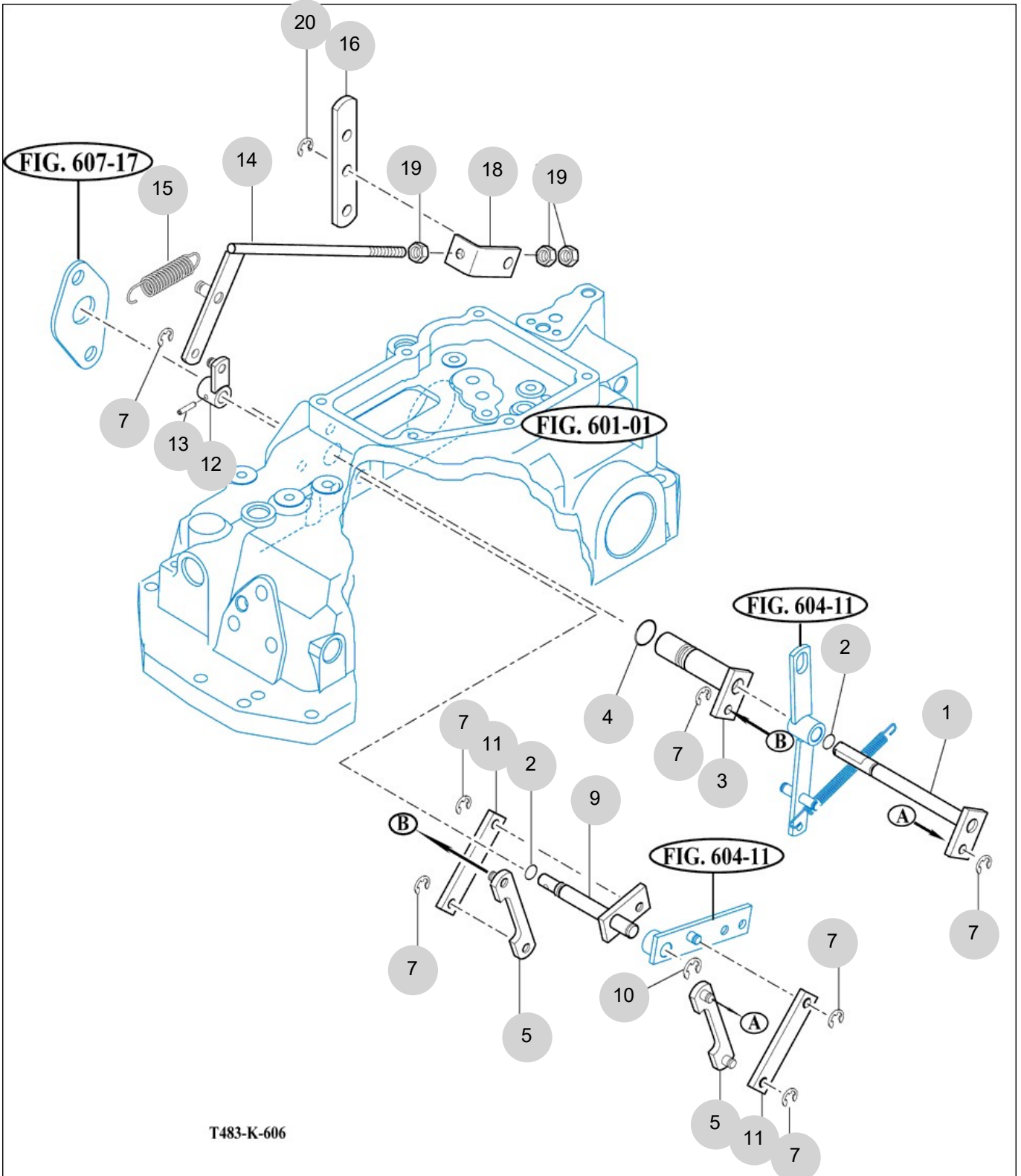
FIG 606

DRAFT LINK

년/월
Year/Month

T494SH

2022-12



NOTE

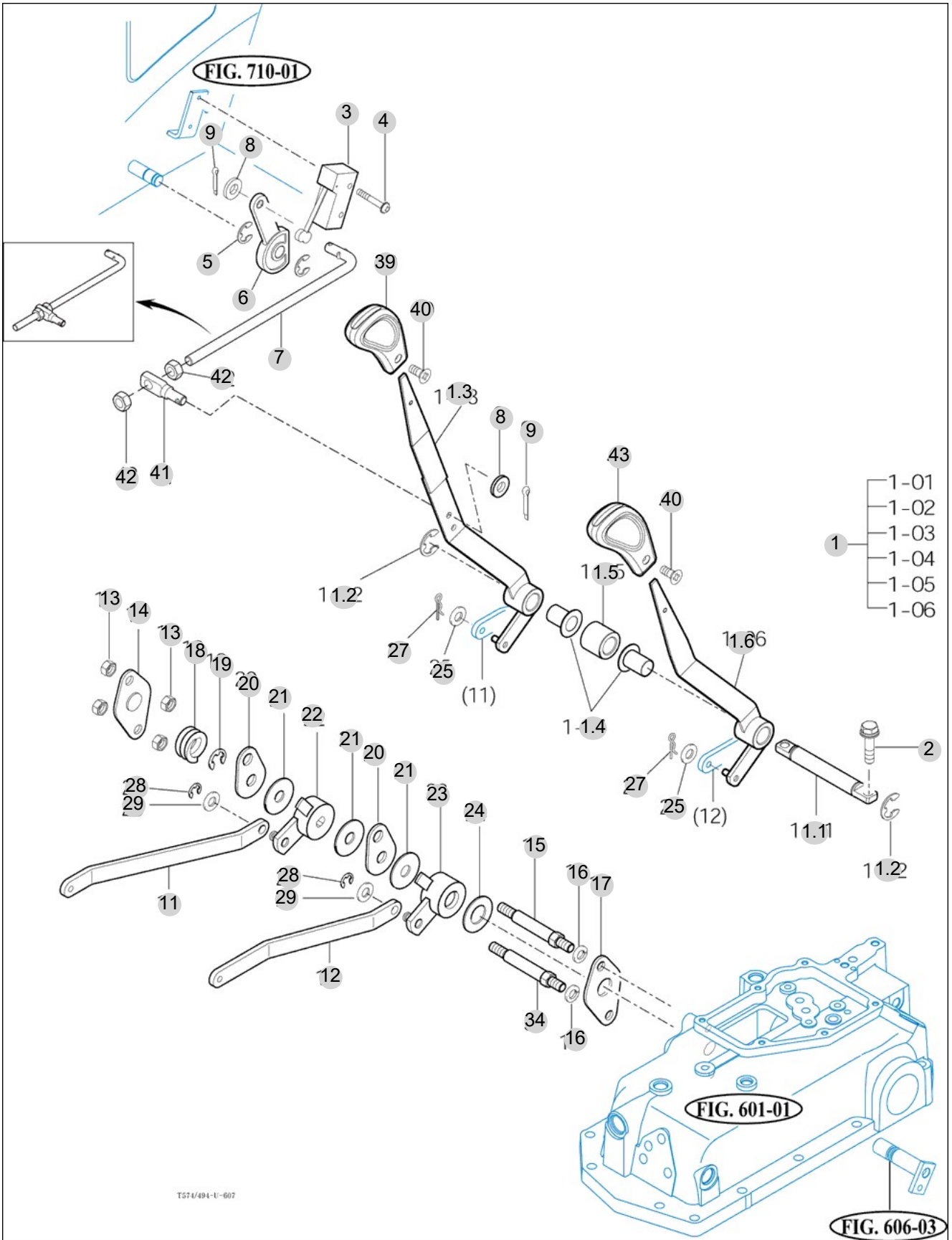
FIG 607

POSITION & DRAFT LEVER

년/월
Year/Month

2022-12

T494SH



T574/494-U-607

NOTE

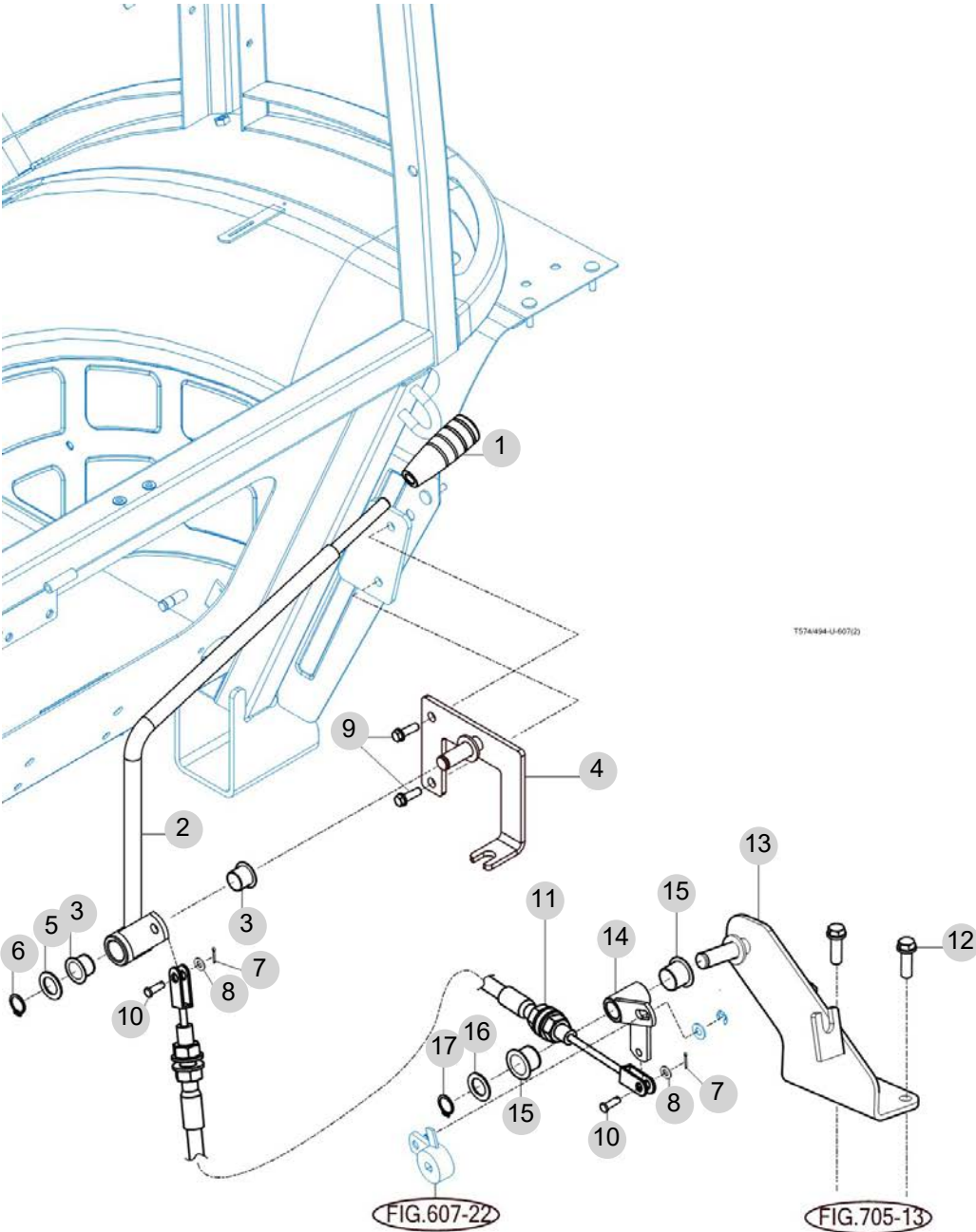
FIG 607 T494SH		POSITION & DRAFT LEVER						년/월 Year/Month	
								2022-12	
KEY NO	PART NO	DESCRIPTION	SPEC	QTY	REPAIR	EFFECTIVE DATE	REMARKS		
607	1	13877092100	REVER SUB, POSITION/DRAFT		1				
607	1.1	14527092110	SHAFT	D=16	1				
607	1.2	V7081400150	E-RING	15	2				
607	1.3	13877092200GB	LEVER COMP, POSITION		1				
607	1.4	14527092120	BUSH, NYLON/16X18X27	1X1X1	2				
607	1.5	14527092251	COLLER , SPACE	D=30	1				
607	1.6	13877092300GB	LEVER COMP, DRAFT		1				
607	2	V2183608020	BOLT , HEX/SP	M8X20	2				
607	3	16606742301	SWITCH ASSY . LIMIT		1				
607	4	V1222604025	SCREW , C/R PAN/SP	M4X25	2				
607	5	V7081400080	E-RING	8	2				
607	6	14527090020	CAM , SENSER	1X1X1	1				
607	7	19997090010	ROD,SWITCH	6*150*28	1				
607	8	V4111600060	WASHER , PLAIN	M6	2				
607	9	V5001920020	PIN , SPLIT	2X20	2				
607	11	14525070121	PLATE , POSITION	19X6T	1				
607	12	14525070141	PLATE , DRAFTER	19X6T	1				
607	13	V3043600100	NUT , HEX/2	M10	4				
607	14	17995070140	PLATE , C	3.2T	1				
607	15	17995070150	BOLT , SUPPORT	H14X108.9	1				
607	16	V4011600100	WASHER , SPRING	M10	2				
607	17	17995070170	PLATE , D	3.2TX90X50	1				
607	18	17995070180	SPRING	33X23	1				
607	19	V7081400120	E-RING	12	1				
607	20	17995070200	PLATE , A	3.2TX40X62	2				
607	21	17995070211	PLATE , FRICTION	13X40X2T	3				
607	21	13835070210	PLATE , FRICTION		3				
607	22	14525070221	ARM COMP , POSITION	1X1X1	1				
607	23	14525070230	ARM COMP , DRAFT LEVER		1				
607	24	17995070241	PLATE , FRICTION	21*40*2T	1				
607	24	13835070220	PLATE , FRICTION		1				
607	25	V4111600060	WASHER , PLAIN	M6	2				
607	27	21306010180	PIN , SNAP/6	D=1.2	2				
607	28	V7081400080	E-RING	8	2				
607	29	V4111600100	WASHER , PLAIN	M10	2				
607	34	17995070340	BOLT , SUPPORT		1				
607	39	13877553400	GRIP , POSITION LEVER		1				
607	40	V1122605012	SCREW , C/R FLAT	M5X12	2				
607	41	19997090210	PIN , POSITION ROD	10.6*32*8	1				
607	42	V3002600060	NUT , HEX/1	M6	2				
607	43	13877553500	GRIP , DRAFT LEVER		1				
NOTE									

FIG 607-2

POSITION & DRAFT LEVER(2)

년/월
Year/Month

2022-12



NOTE

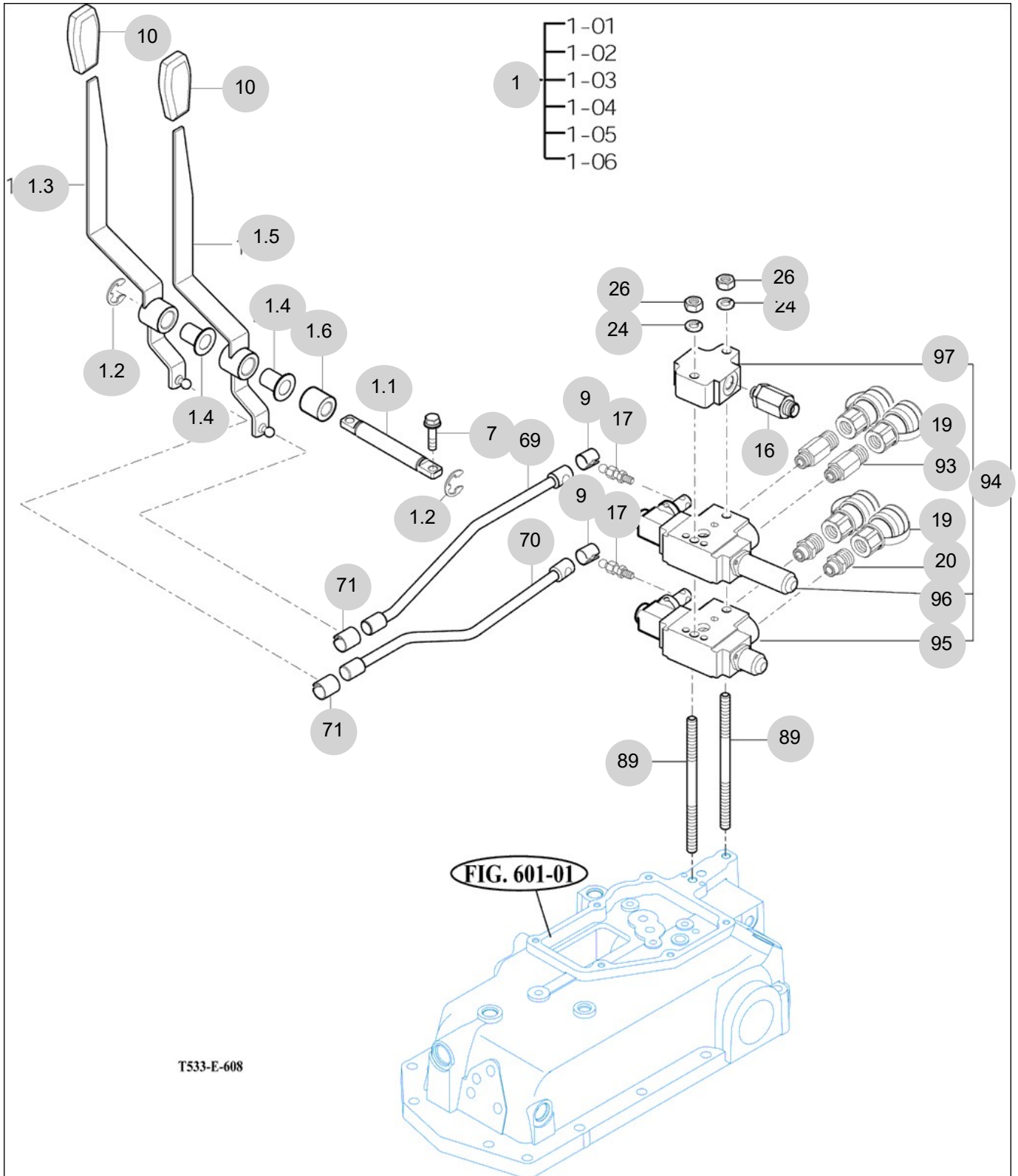
FIG 608

T494SH

EXTERIOR HYD. VALVE

년/월
Year/Month

2022-12



NOTE

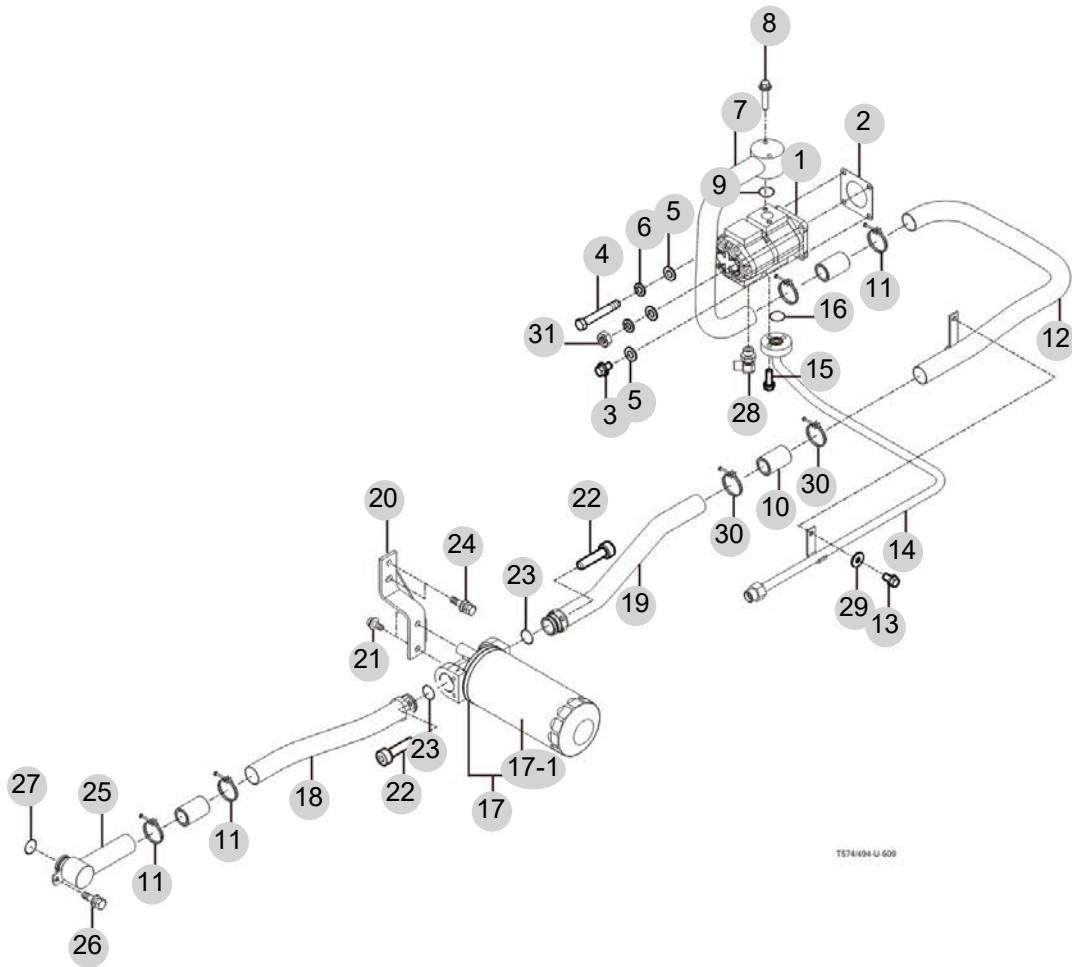
FIG 609

HYDRAULIC PIPE

년/월
Year/Month

2022-12

T494SH



T574694 U 609

NOTE

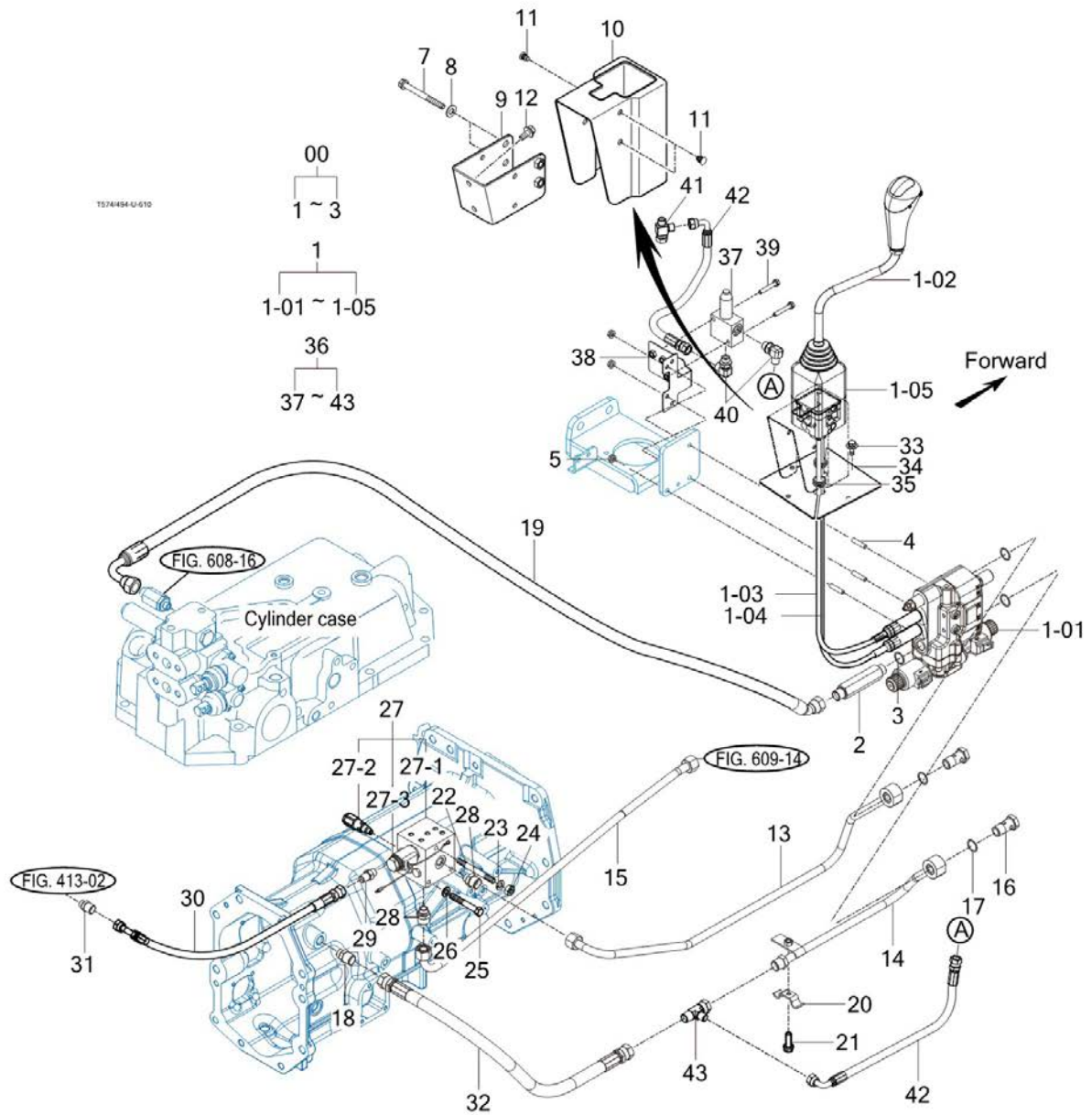
FIG 610

JOYSTICK

년/월
Year/Month

2022-12

T494SH



NOTE

FIG 610		JOYSTICK					년/월	
							Year/Month	
T494SH		2022-12						
KEY NO	PART NO	DESCRIPTION	SPEC	QTY	REPAIR	EFFECTIVE DATE	REMARKS	
610	0	13877753000	LOADER VALVE SUB		1			
610	1	13877752000	JOYSTIC ASSY , LOADER VALVE		1			
610	1.1	13877752100	LOADER VALVE ASSY		1			
610	1.2	13877752200	JOYSTIC LEVER ASSY		1			
610	1.3	13877752300	JOYSTIC CABLE ASSY ,UPR(720)		1			
610	1.4	13877752400	JOYSTIC CABLE ASSY ,LOW(770)		1			
610	1.5	13877752500	BOOT ASSY		1			
610	2	13805410050	UNION , PF1/2-130		1			
610	3	19557753010	BONDED SEAL , PF1/2		1			
610	4	V2513408025	BOLT , STUD/2	M8X25	3			
610	5	V3802600080	NUT , HEX FLANGE	M8	3			
610	7	V2173608085	BOLT , HEX/S	M8X85	2			
610	8	V4111600080	WASHER , PLAIN	M8	2			
610	9	14527103100GB	BRACKET , JOYSTICK	T=3.2	1			
610	10	14527100010	COVER , JOYSTICK T483	T=2.5	1			
610	11	15276040020	CLIP , TRIM	1X1X1	3			
610	12	V2183608020	BOLT , HEX/SP	M8X20	2			
610	13	13875412100GB	PIPE COMP , LOADER P		1			
610	13	13875412101GB	PIPE COMP , LOADER P		1			
610	14	13875412200GB	PIPE COMP , LOADER T		1			
610	14	13875412201GB	PIPE COMP , LOADER T		1			
610	15	13875102201GB	PIPE COMP , MAIN RR		1			
610	16	13875410082	BOLT , EYE JOINT(PF1/2)		2			
610	16	13875410081	BOLT , EYE JOINT(PF1/2)		2			
610	16	13875410080	BOLT , EYE JOINT(PF1/2)		2			
610	17	19557753010	BONDED SEAL , PF1/2		4			
610	17	19555410060	WASHER , GASKET PF1/2		4			
610	18	17995161130	UNION , PF3/8 PF1/2		1			
610	19	13875202300	HOSE ASSY , HYD 1550		1			
610	20	18715404700	CLIP		1			
610	21	V2173608016	BOLT , HEX/S	M8X16	1			
610	22	V2513408090	BOLT , STUD/2	M8X90	1			
610	23	V4011600080	WASHER , SPRING	M8	1			
610	24	V3042600080	NUT , HEX/2	M8	1			
610	25	V2013608090	BOLT , HEX	M8X90	2			
610	26	V4011600080	WASHER , SPRING	M8	1			
610	27	13875182000	VALVE ASSY , PTO		1			
610	27	17975182001	VALVE ASSY , PTO		1			
610	27-1	14725182100	VALVE , PTO		1			
610	27-2	16490110001	VALVE ASSY , RELIEF		1			
610	27-3	14725182210	SOLENOID COIL		1			
610	28	14135160010	UNION, PF3/8 M22		2			
610	29	37681850141	ADAPTER , STRAIGHT		1			
610	30	18717562060	HOSE ASSY , HYD 520		1			
610	31	17971850140	ADAPTER , STRAIGHT PF1/4	1X1X1	1			
NOTE								

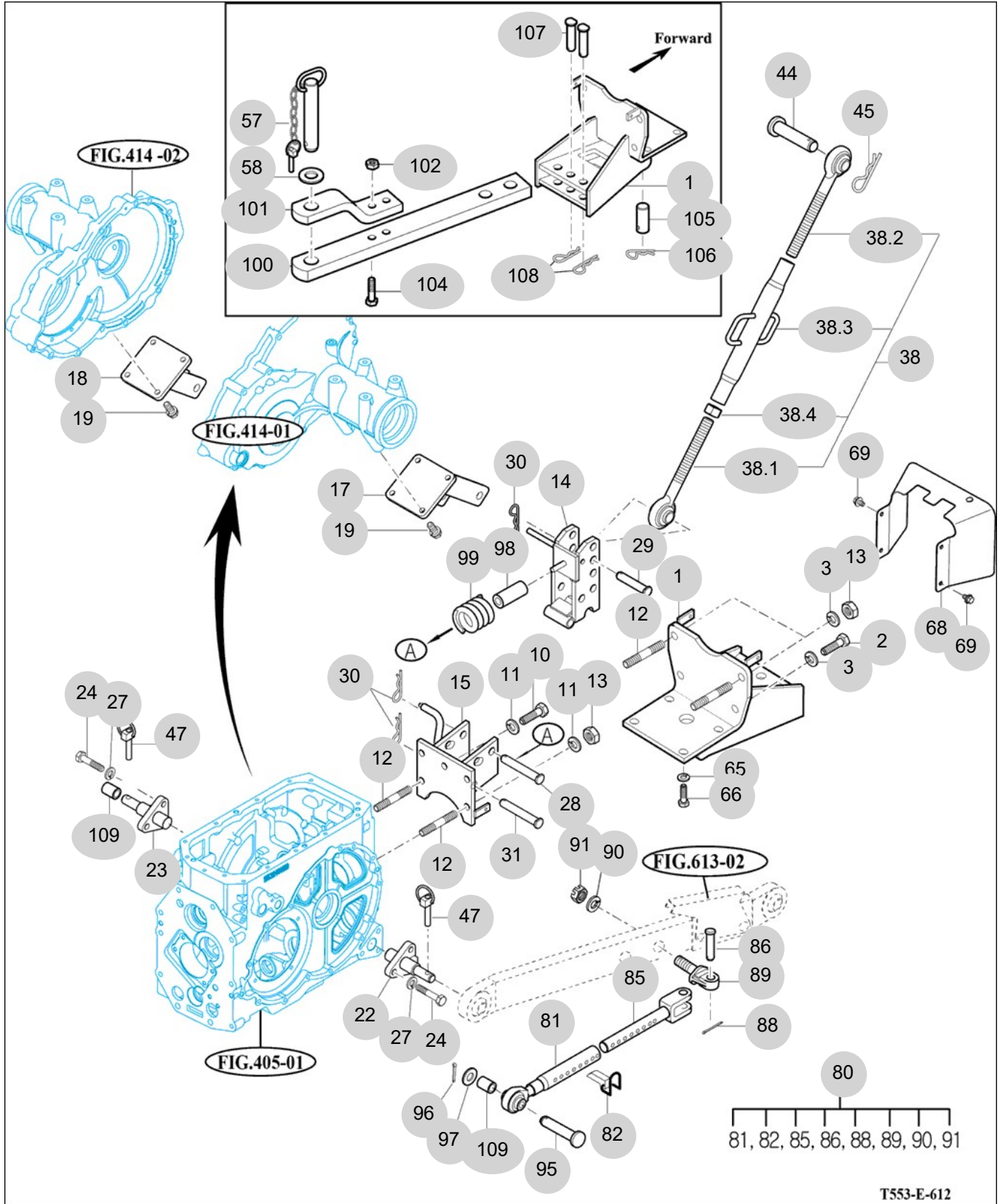
FIG 612

HITCH & 3-POINT LINK

년/월
Year/Month

2022-12

T494SH



T553-E-612

NOTE

FIG 612		HITCH & 3-POINT LINK						년/월 Year/Month	
								2022-12	
T494SH		KEY NO	PART NO	DESCRIPTION	SPEC	QTY	REPAIR	EFFECTIVE DATE	REMARKS
612	1	15535202001GB	BRACKET COMP, SWING DRAWBAR			1			
612	1	15535202002GB	BRACKET COMP, SWING DRAWBAR			1			
612	1	15535202003GB	BRACKET COMP, SWING DRAWBAR			1			
612	2	V2013616035	BOLT, HEX	M16X35		2			
612	3	V4011600160	WASHER, SPRING	M16		4			
612	10	V2013616035	BOLT, HEX	M16X35		3			
612	11	V4011600160	WASHER, SPRING	M16		5			
612	12	V2513416035	BOLT, STUD/2	M16X35		4			
612	13	V3043600160	NUT, HEX/2	M16		4			
612	14	16735222102GB	LINK COMP	1X1X1		1			
612	15	15185222000GB	BRACKET COMP			1			
612	17	14525254100GB	BRACKET COMP, RR			1			
612	18	14525254100GB	BRACKET COMP, RR			1			
612	19	V2173612030	BOLT, HEX/S	M12X30		8			
612	22	15685252204	PIN COMP, LH			1			
612	23	15685252801	PIN COMP, RH			1			
612	24	V2013614040	BOLT, HEX	M14X40		6			
612	27	V4011600140	WASHER, SPRING	M14		6			
612	28	15645250010	PIN, 19X122	D=19		1			
612	29	15645220020	PIN, 19X95	D=19		1			
612	30	14445140051	PIN, 19	D=4.5		3			
612	31	15645250010	PIN, 19X122	D=19		1			
612	38	16505245501GB	LINK ASSY, TOP LINK			1			
612	38	16505245502GB	TOP LINK ASSY			1			
612	44	15645220011	PIN, 19X86	D=19		1			
612	45	14445140051	PIN, 19	D=4.5		1			
612	47	14215020020	PIN, LINK			2			
612	57	S0973063031	PIN ASSY	1X1X1		1			
612	58	15252470010	RUBBER, CUSHION			1			
612	65	V4011600140	WASHER, SPRING	M14		4			
612	66	V2013614035	BOLT, HEX	M14X35		4			
612	68	13605200012GB	COVER, SHIELD	1X1X1		1			
612	69	V2183608016	BOLT, HEX/SP	M8X16		4			
612	80	15155253000GB	LINK ASSY, ADJUSTER	570*60*50		2			
612	81	15155253100	ROD SUB, FR	44*320*60		2			
612	82	17705254200	PIN	1X1X1		2			
612	85	15155253300	ROD SUB, REAR	340*50*50		2			
612	86	15155253400	PIN, ø20X59	ø20X59		2			
612	88	V5001940035	PIN, SPLIT	4X35		2			
612	89	15155253500	EYEBOLT	66*60*40		2			
612	90	V4111600220	WASHER, PLAIN	M22		2			
612	91	V3343600220	NUT, HEX FINE/2	M22		2			
612	95	15645220020	PIN, 19X95	D=19		2			
612	96	V5001950035	PIN, SPLIT	5X35		2			
612	96	14445140051	PIN, 19			2			
NOTE									

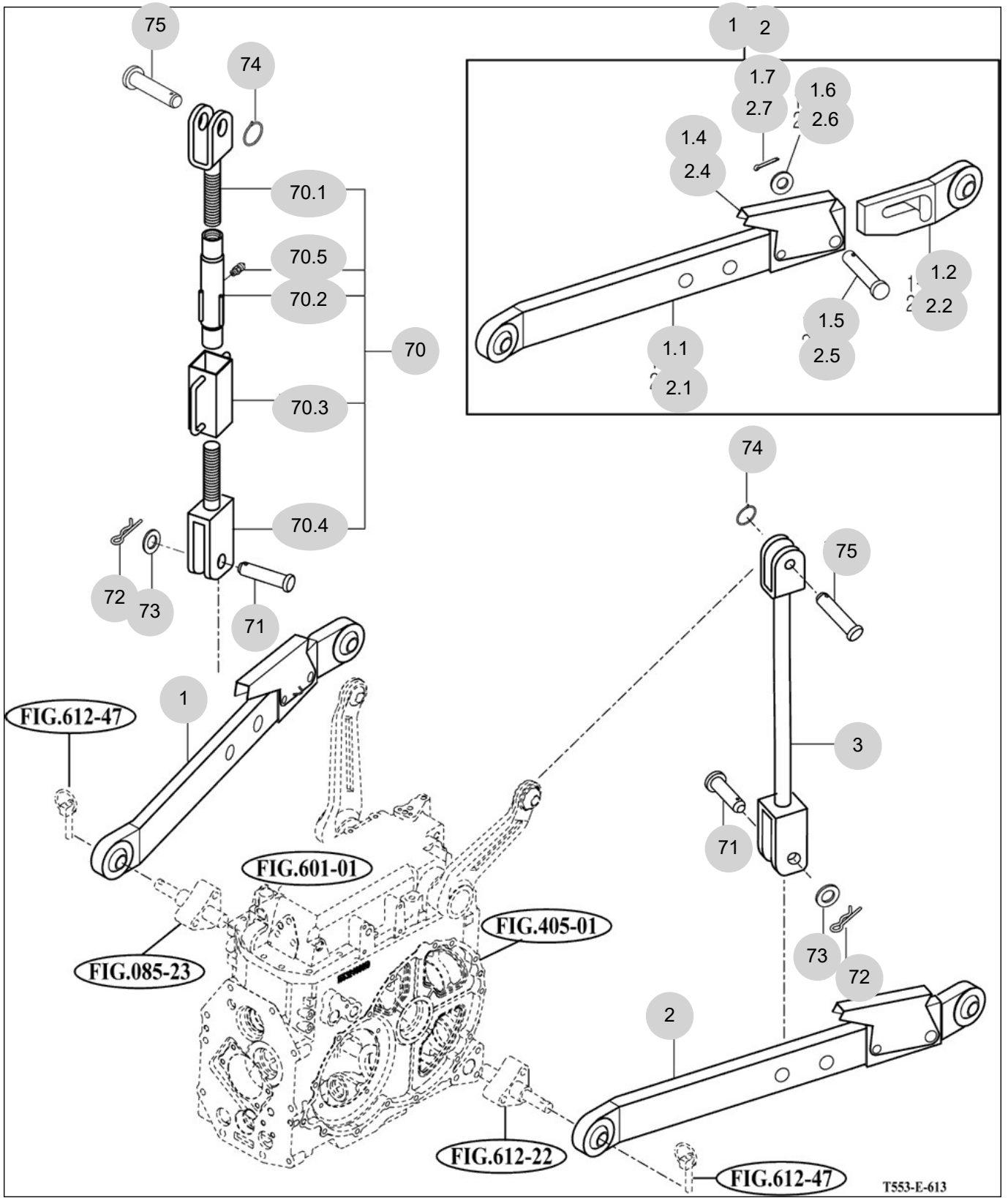
FIG 613

LOWER LINK & LIFT ROD

년/월
Year/Month

2022-12

T494SH



NOTE

7. Sheet Metal & Cabin PART NO. T7

FIG 701 BONNET FRAME	214
FIG 702 BONNET (1)	216
FIG 702-2 BONNET (2)	218
FIG 703 EXTENSION COVER	220
FIG 704 LEVER COVER & STEP	222
FIG 705 FRONT & REAR MOUNTING	224
FIG 706 SEAT & MAT	226
FIG 709 DOOR	228
FIG 710 FRONT GLASS	231
FIG 711 SIDE GLASS	233
FIG 712 REAR GLASS	235
FIG 713 SUB FENDER & COVER	237
FIG 714 MIRROR	239
FIG 715 HEATER & AIR-CON	241
FIG 715-2 HEATER & AIR-CON	243
FIG 716 FENDER COVER	245
FIG 717 ROOF	247
FIG 718 CABIN INTERIOR	249

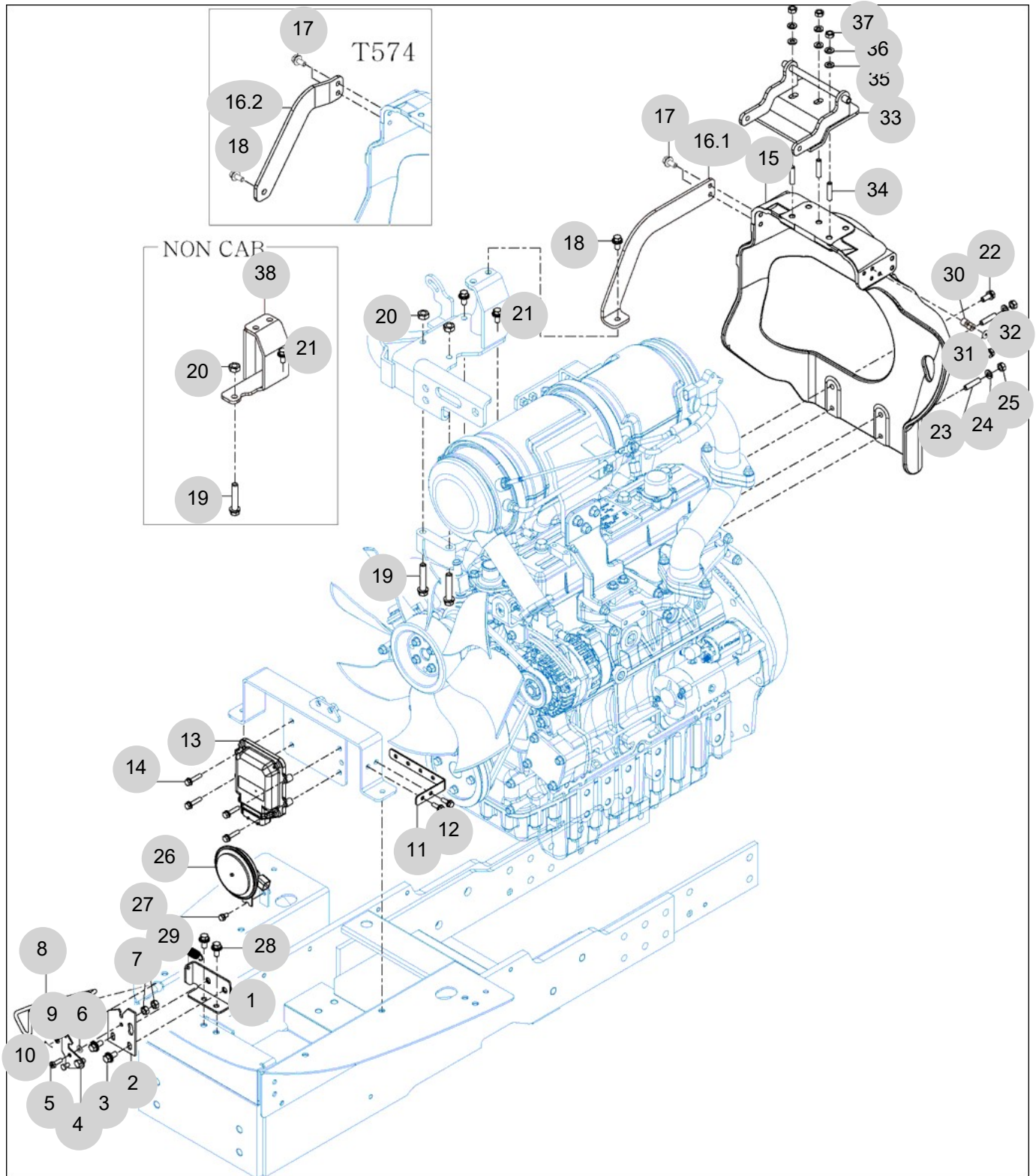
FIG 701

BONNET FRAME

년/월
Year/Month

2022-12

T494SH



NOTE

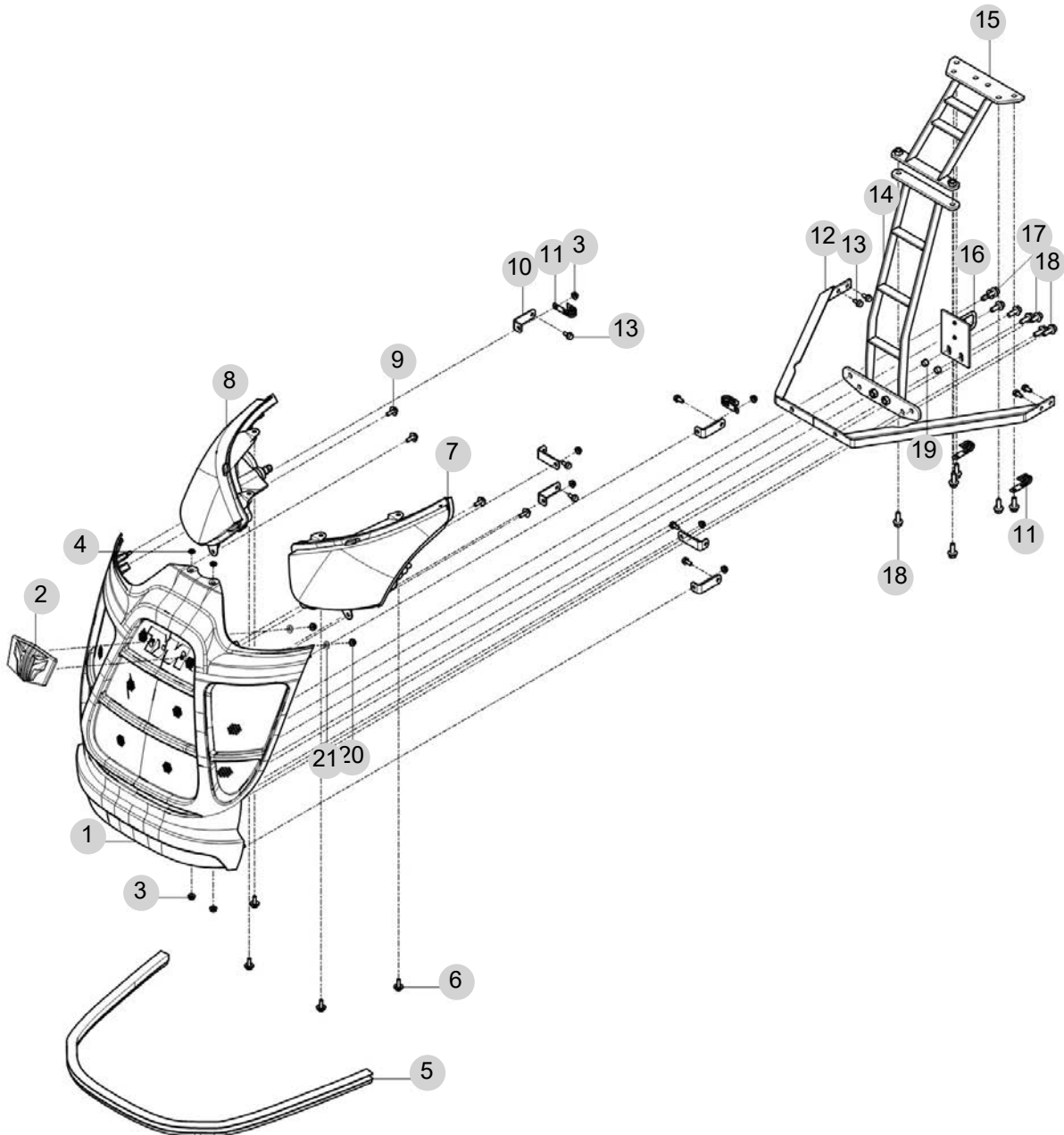
FIG 702

T494SH

BONNET (1)

년/월
Year/Month

2022-12



NOTE

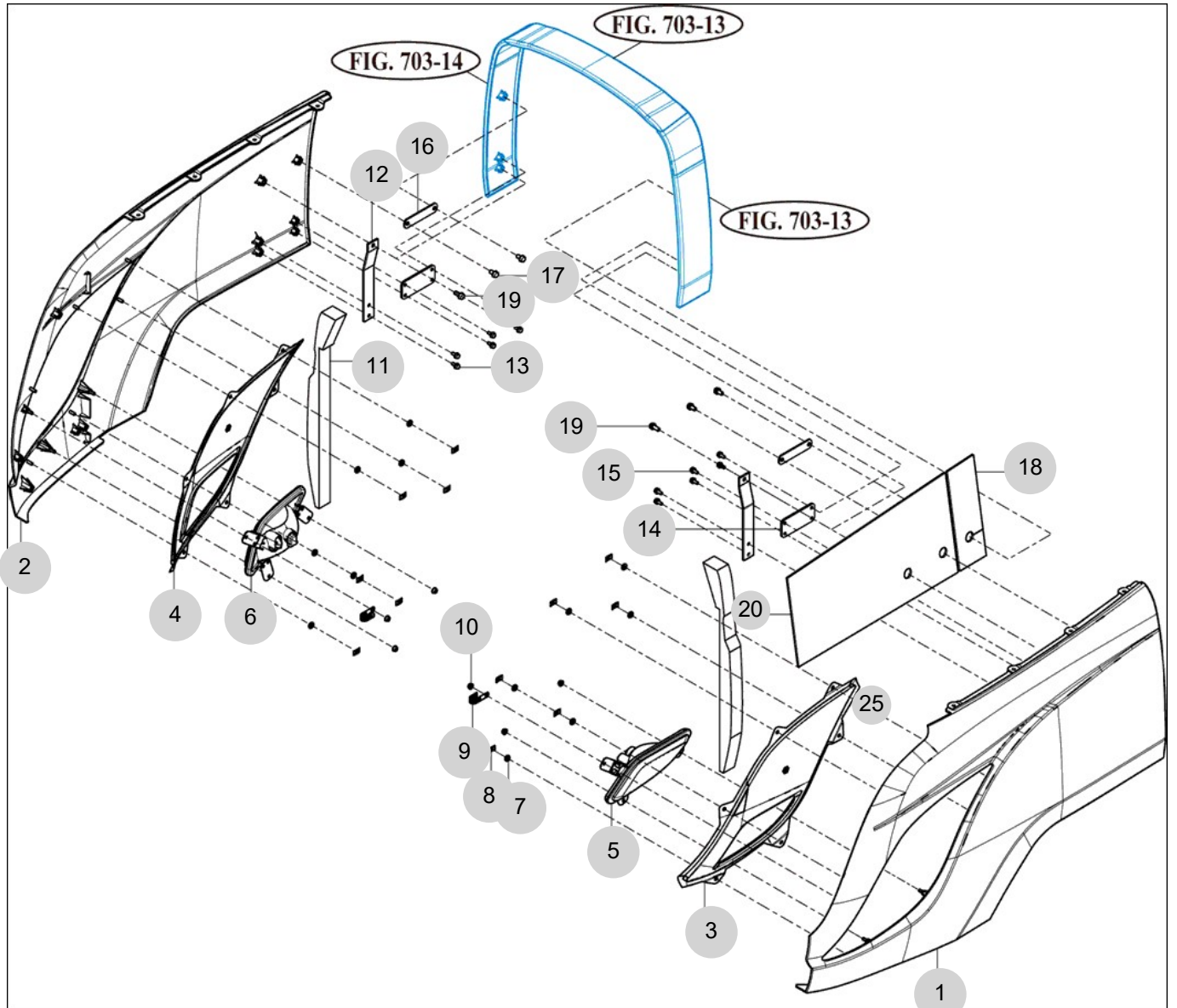
FIG 702-2

T494SH

BONNET (2)

년/월
Year/Month

2022-12



NOTE

FIG 702-2 T494SH		BONNET (2)						년/월 Year/Month	
								2022-12	
KEY NO	PART NO	DESCRIPTION	SPEC	QTY	REPAIR	EFFECTIVE DATE	REMARKS		
702-2	1	14136206201SR	PANEL COMP , LH/SI		1				
702-2	2	14136206501SR	PANEL COMP , RH/SI		1				
702-2	3	14136206300GB	GRILLE , LH		1				
702-2	4	14136206600GB	GRILLE , RH		1				
702-2	5	14136207400	LAMP ASSY, LH WORING		1				
702-2	6	14136207700	LAMP ASSY, RH WORING		1				
702-2	7	14446010150	WASHER , NET		12				
702-2	8	V3501600060	NUT, PUSH-ON SPRING		12				
702-2	9	37371720090	CLAMP , W/HARNES		2				
702-2	10	V3802600060	NUT , HEX FLANGE		6				
702-2	11	13876200080	INSULATOR , SIDE		2				
702-2	12	14136207200GB	BRACKET, RR/HOOD		2				
702-2	13	V2123606016	BOLT , HEX /SP	M6X16	4				
702-2	14	14186208500GB	BRACKET, LOW/EXTEND HOOD		2				
702-2	15	V2123606016	BOLT , HEX /SP	M6X16	8				
702-2	16	14186208700GB	BRACKET, CTR/EXTEND HOOD		2				
702-2	17	V2173608016	BOLT , HEX/S	M8X16	4				
702-2	18	14186208600	INSULATOR, EXTEND		1				
702-2	19	V2173608020	BOLT , HEX/S	M8X20	2				
702-2	20	14136206900	INSULATOR, HOOD(PROTECT HEAT)		1				
NOTE									

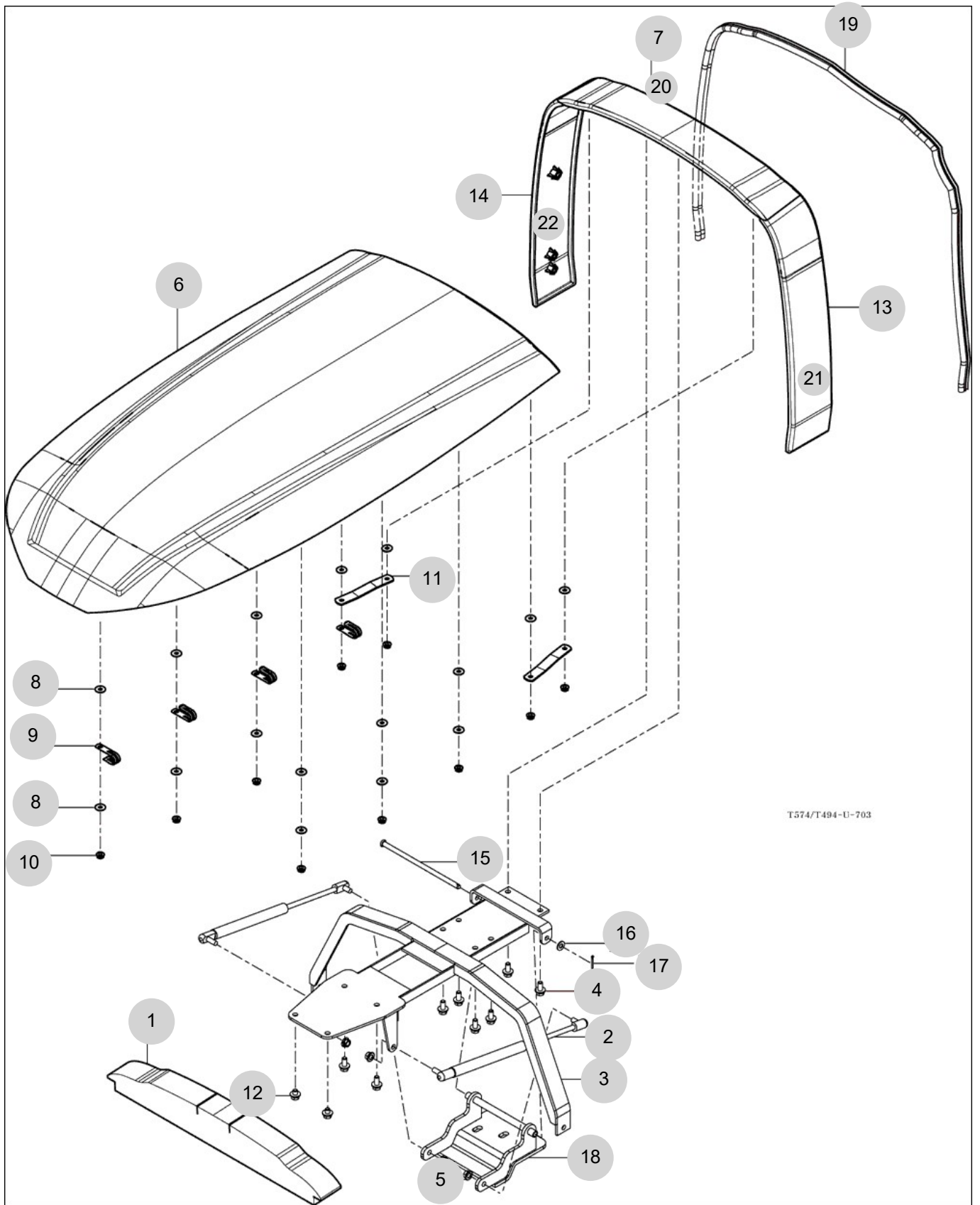
FIG 703

EXTENSION COVER

년/월
Year/Month

2022-12

T494SH



T574/T494-U-703

NOTE

FIG 703 T494SH	EXTENSION COVER						년/월 Year/Month	
							2022-12	

KEY NO	PART NO	DESCRIPTION	SPEC	QTY	REPAIR	EFFECTIVE DATE	REMARKS
703	1	14186015500	INSULATOR, HOOD		1		
703	2	14137022201	GAS SPRING, HOOD		2		
703	3	13876054700GB	FRAME COMP , HOOD HINGE		1		
703	4	V2183608020	BOLT , HEX/SP	M8X20	6		
703	5	V3802600080	NUT , HEX FLANGE	M8	4		
703	6	14136206100SR	HOOD COMP		1		
703	7	14186208100SR	HOOD COMP, UPR/EXTEND		1		
703	8	35605033020	WASHER , WIRE WITHDRAWAL	T=1.6	16		
703	9	37371720090	CLAMP , W/HARNESS		4		
703	10	V3802600060	NUT , HEX FLANGE	M6	10		
703	11	14186208400GB	BRACKET, UPR/EXTEND HOOD		2		
703	12	V2183608012	BOLT , HEX/SP	M8X12	2		
703	13	14186208200SR	HOOD COMP, LH/EXTEND		1		
703	14	14186208300SR	HOOD COMP, RH/EXTEND		1		
703	15	13016202060	PIN , HOOD	D=10	1		
703	16	V4111600080	WASHER , PLAIN	M8	1		
703	17	V5001925020	PIN D2.5x20	2.5X20	1		
703	18	13876202800GB	PLATE COMP , BONNET HINGE		1		
703	19	14186200010	INSULATOR , RR/HOOD		1		

NOTE

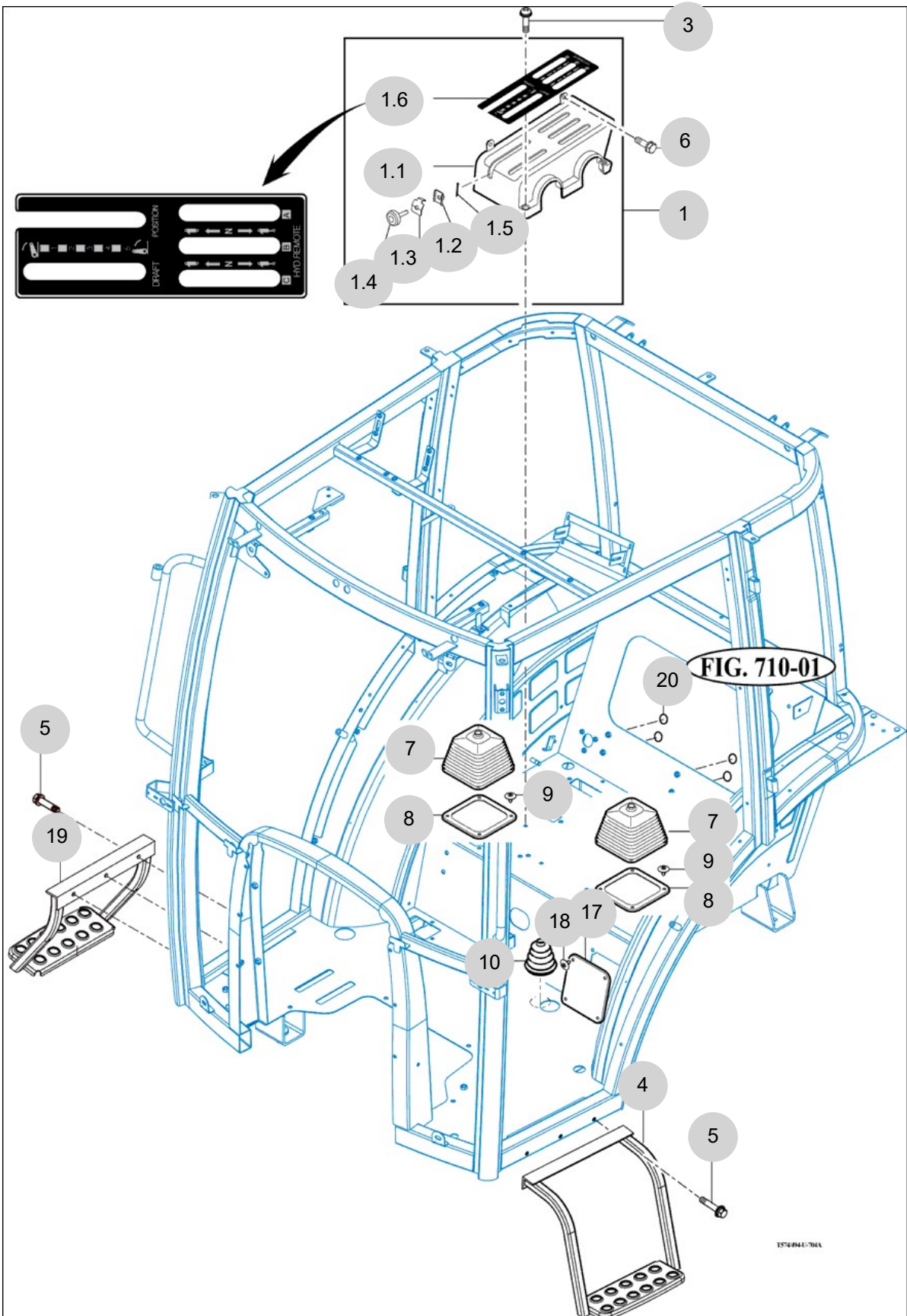
FIG 704

LEVER COVER & STEP

년/월
Year/Month

2022-12

T494SH



NOTE

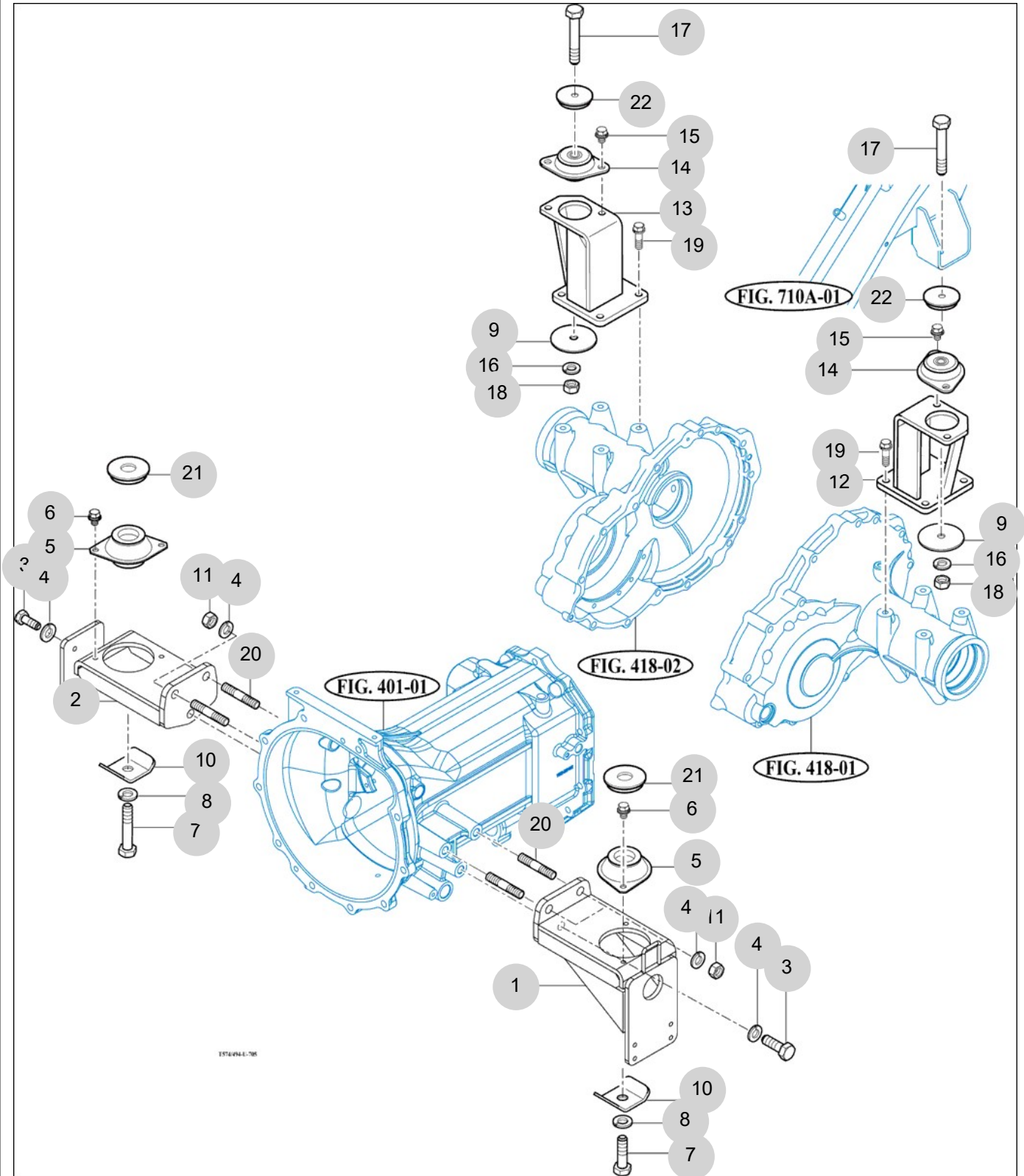
FIG 705

T494SH

FRONT & REAR MOUNTING

년/월
Year/Month

2022-12



NOTE

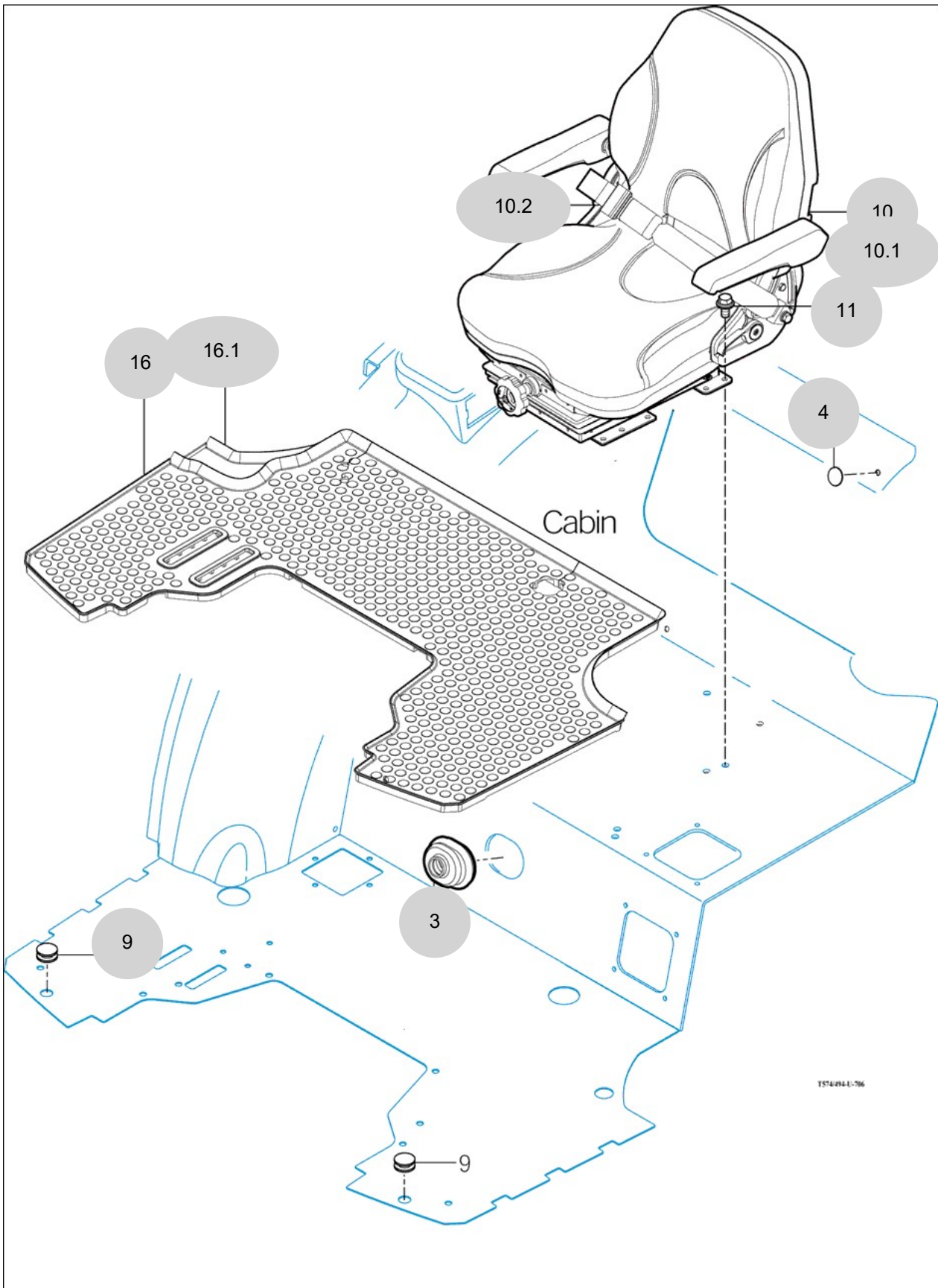
FIG 706

SEAT & MAT

년/월
Year/Month

T494SH

2022-12



NOTE

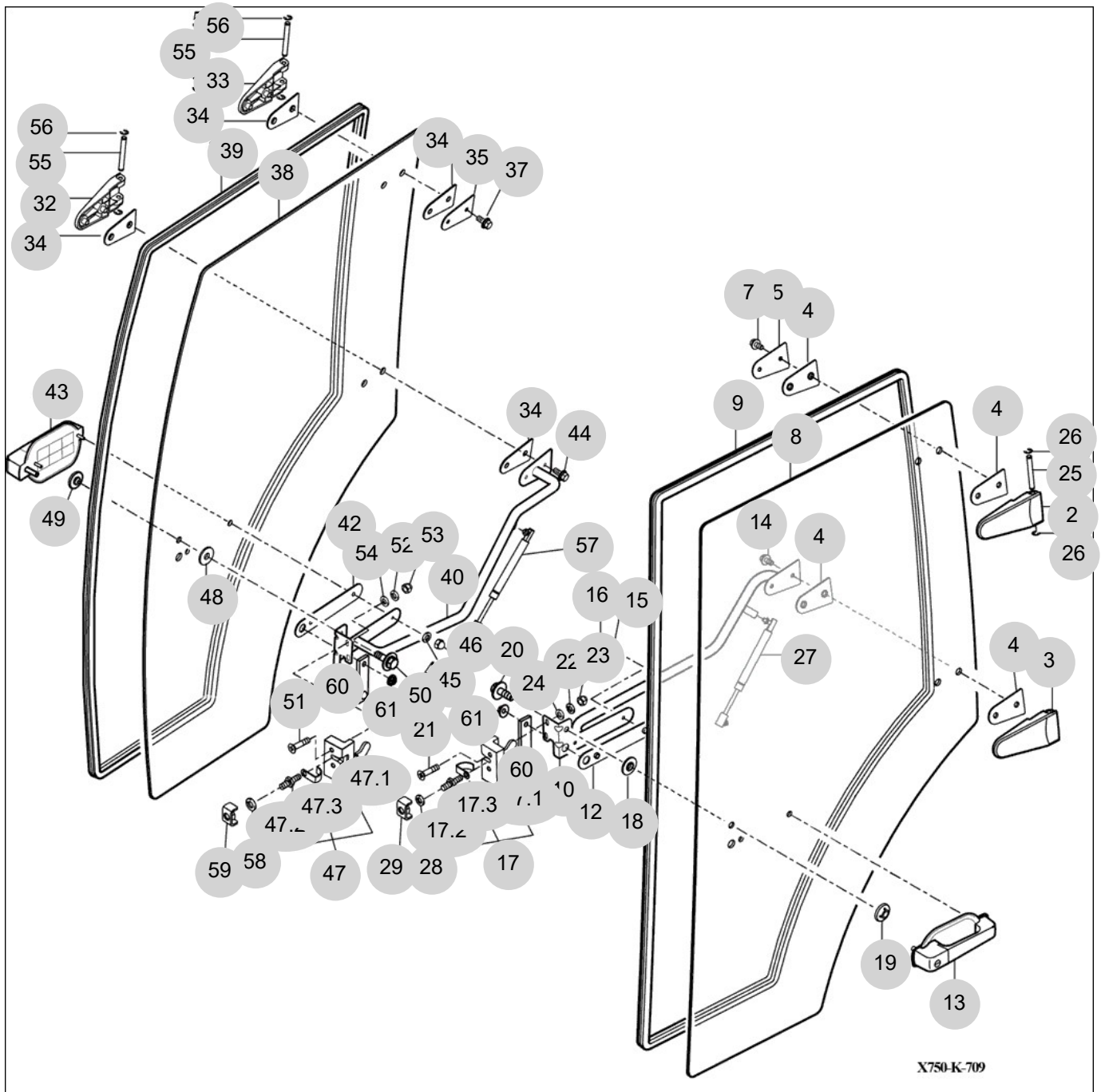
FIG 709

DOOR

년/월
Year/Month

T494SH

2022-12



NOTE

FIG 709		DOOR					년/월 Year/Month		
							2022-12		
T494SH		KEY NO	PART NO	DESCRIPTION	SPEC	QTY	REPAIR	EFFECTIVE DATE	REMARKS
709	2	14527052300	HINGE COMP , UPR/LH			1			
709	3	14527052400	HINGE COMP , UPR/RH			1			
709	4	14527052110	GASKET , DOOR HINGE			4			
709	5	14527052120GB	PLATE , DOOR HINGE			1			
709	7	V2183608020	BOLT , HEX/SP	M8X20		2			
709	8	14527052131	GLASS , LH/ DOOR	6t		1			
709	9	14527052140	INSULATOR/DOOR			1			
709	10	14527052500GB	GUIDE COMP ,LH/ DOOR			1			
709	12	14527052150	GASKET,DOOR GRIP			1			
709	13	17827052600	GRIP ASSY, LOCK/HANDLE			1			
709	14	V2183608020	BOLT , HEX/SP	M8X20		2			
709	15	V4011600060	WASHER , SPRING	M6		2			
709	16	V3402700060	NUT , HEX CAP	M6		2			
709	17	17827052700	LATCH SET , LH/DOOR			1			
709	17.1	17827052710	LOCK ASSY, LH/DOOR			1			
709	17.2	14527052720	STRIKER			1			
709	17.3	14527052730	GUARD			1			
709	18	15817401130	GROMMET , 13X17X02			1			
709	19	14527042500	NUT COMP , GLASS			1			
709	20	V2193606012	BOLT , HEX/SPL	M6X12		1			
709	21	V1122608040	SCREW , C/R FLAT	M8X40		2			
709	22	V4011600080	WASHER , SPRING	M8		2			
709	23	V3412700080	NUT , SMALL CAP	M8		2			
709	24	V4111600080	WASHER , PLAIN			2			
709	25	14527041110	PIN, HINGE DOOR	D=8		2			
709	26	V7082400070	E-RING	7		4			
709	27	14527301080	DAMPER ASSY , DOOR	20KG		1			
709	28	V4011600100	WASHER , SPRING	M10		1			
709	29	14527062500GB	BRACKET COMP , DOOR LOCK			1			
709	32	14527052300	HINGE COMP , UPR/LH			1			
709	33	14527052400	HINGE COMP , UPR/RH			1			
709	34	14527052110	GASKET , DOOR HINGE			4			
709	35	14527052120GB	PLATE , DOOR HINGE			1			
709	37	V2183608020	BOLT , HEX/SP	M8X20		2			
709	38	14527053131	GLASS , RH/ DOOR	6t		1			
709	39	14527052140	INSULATOR/DOOR			1			
709	40	17827053500GB	GUIDE COMP , RH/DOOR			1			
709	42	14527052150	GASKET,DOOR GRIP			1			
709	43	17827052600	GRIP ASSY, LOCK/HANDLE			1			
709	44	V2183608020	BOLT , HEX/SP	M8X20		2			
709	45	V4011600060	WASHER , SPRING	M6		2			
709	46	V3402700060	NUT , HEX CAP	M6		2			
709	47	17827053700	LATCH SET , RH/DOOR			1			
709	47.1	17827053710	LOCK ASSY , RH/DOOR			1			
709	47.2	14527052720	STRIKER			1			
NOTE									

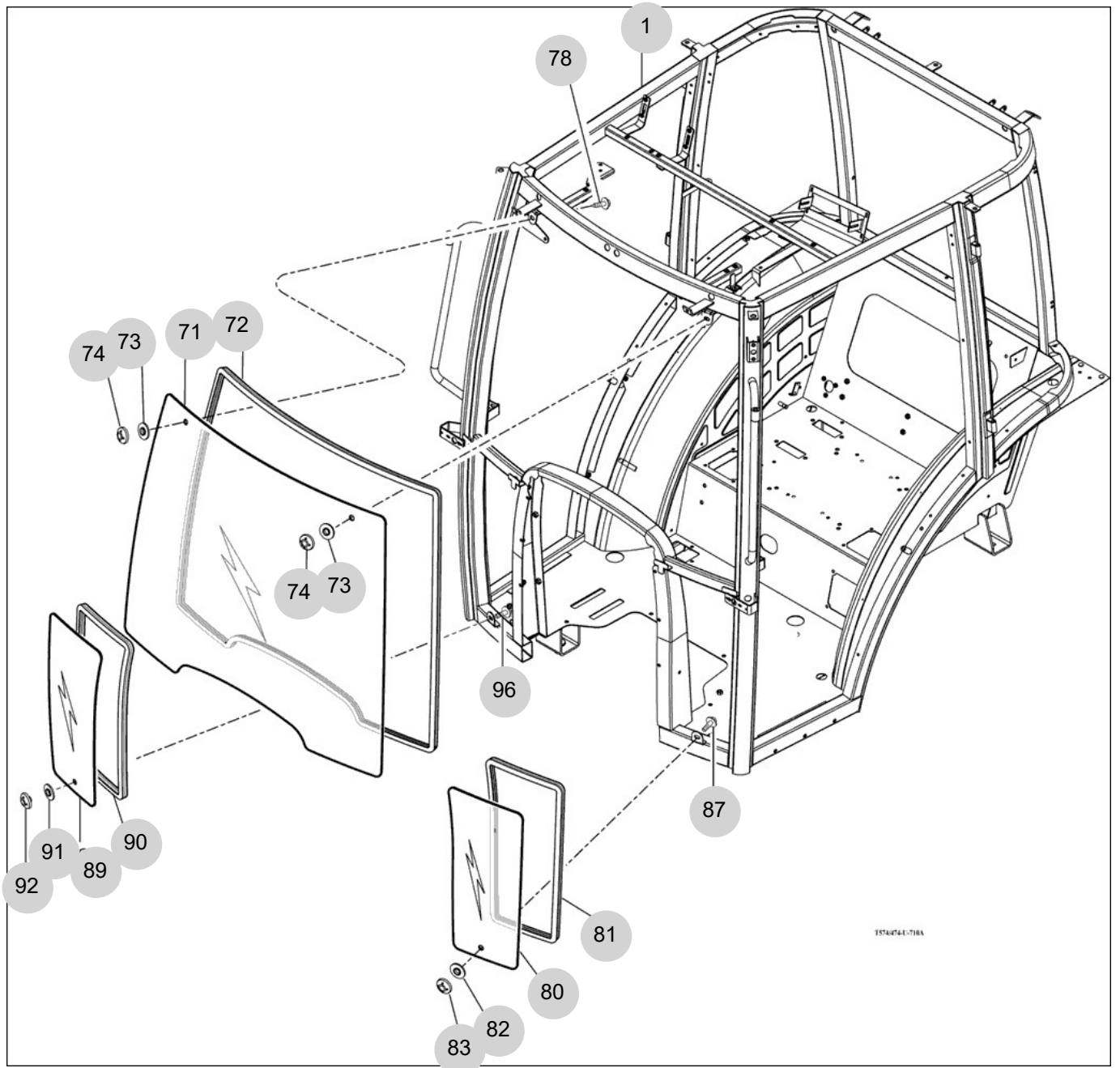
FIG 710

T494SH

FRONT GLASS

년/월
Year/Month

2022-12



NOTE

FIG 710		FRONT GLASS					년/월	
							Year/Month	
T494SH							2022-12	
KEY NO	PART NO	DESCRIPTION	SPEC	QTY	REPAIR	EFFECTIVE DATE	REMARKS	
710	1	13877012100GB	FRAME COMP , CABIN/T574HST		1			
710	1	13877012101GB	FRAME COMP , CABIN/T574HST		1			
710	71	14527022110	GLASS , FR/UPR	5t	1			
710	72	14527022120	INSULATOR, GLASS/UPR		1			
710	73	15817401130	GROMMET , 13X17X02		2			
710	74	14527042500	NUT COMP , GLASS		2			
710	78	V2193606012	BOLT , HEX/SPL	M6X12	2			
710	80	14527022310	GLASS ,FR/LOW/LH	5t	1			
710	81	14527022320	INSULATOR , FR/LOW		1			
710	82	15817401130	GROMMET , 13X17X02		1			
710	83	14527042500	NUT COMP , GLASS		1			
710	87	V2193606012	BOLT , HEX/SPL	M6X12	1			
710	89	14527022410	GLASS ,FR/LOW/RH	5t	1			
710	90	14527022320	INSULATOR , FR/LOW		1			
710	91	15817401130	GROMMET , 13X17X02		1			
710	92	14527042500	NUT COMP , GLASS		1			
710	96	V2193606012	BOLT , HEX/SPL	M6X12	1			
NOTE								

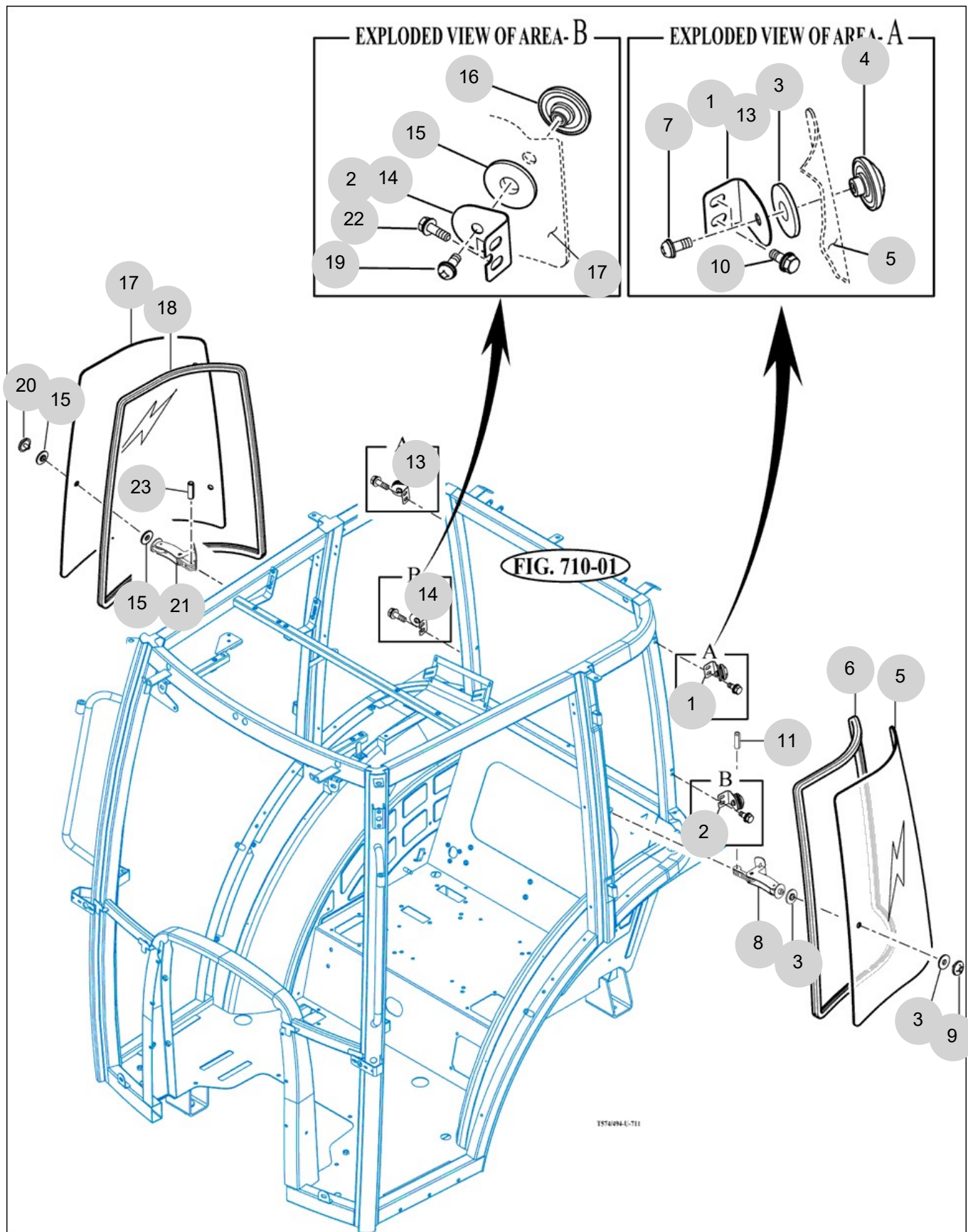
FIG 711

SIDE GLASS

T494SH

년/월
Year/Month

2022-12



NOTE

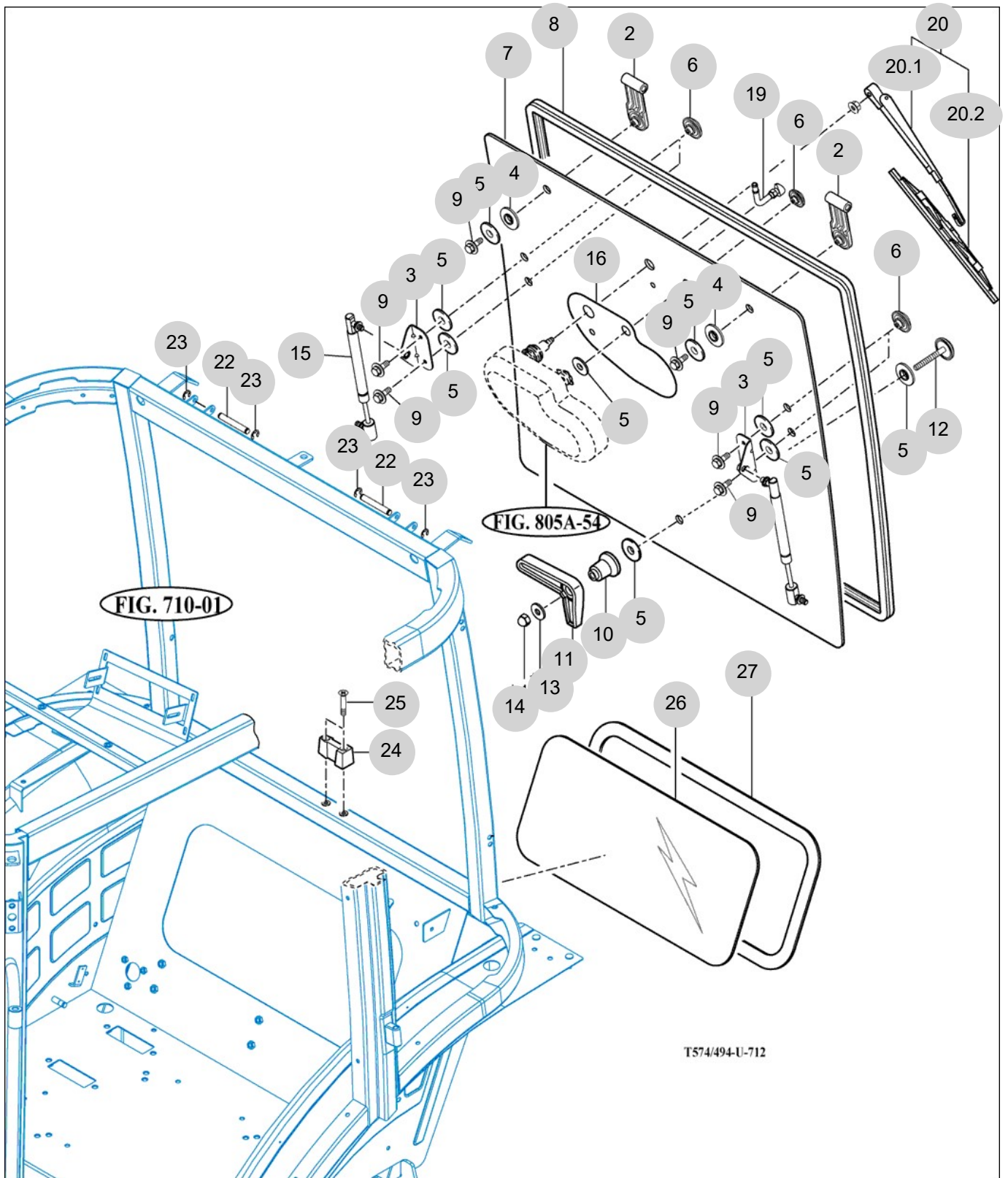
FIG 712

REAR GLASS

년/월
Year/Month

2022-12

T494SH



NOTE

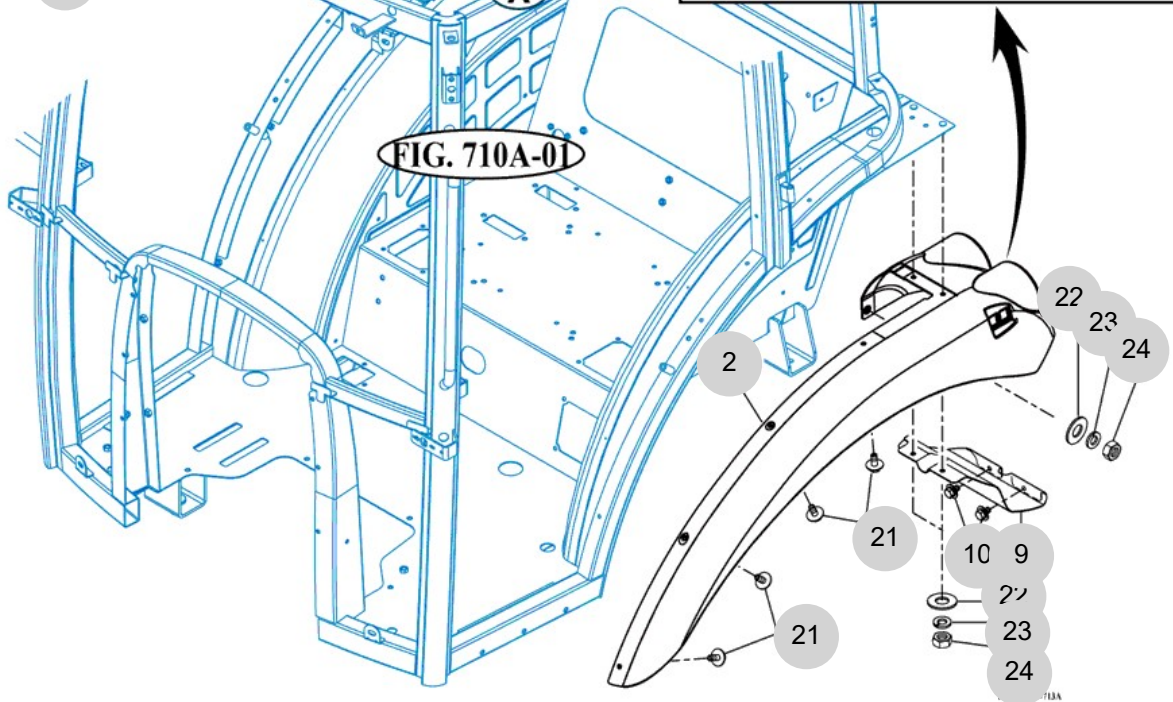
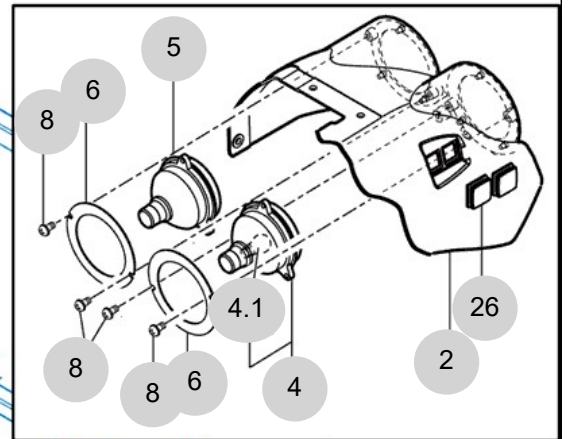
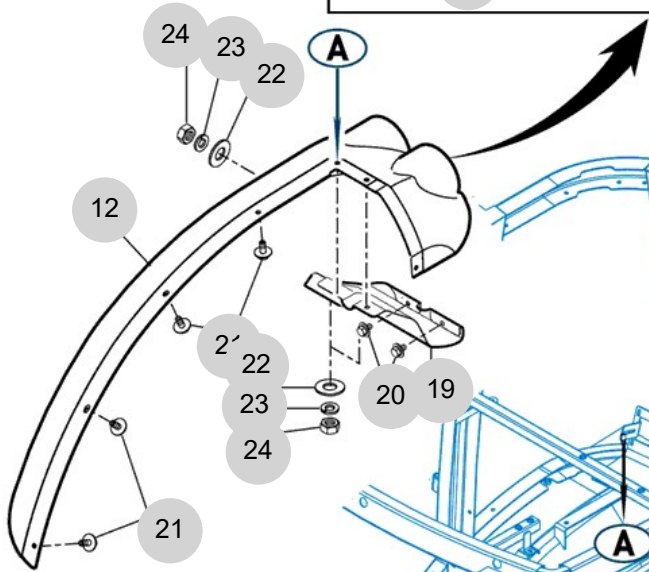
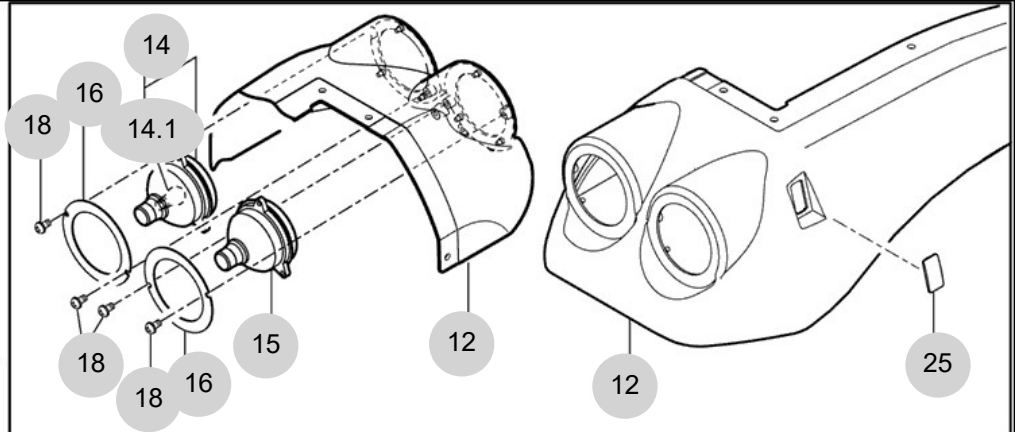
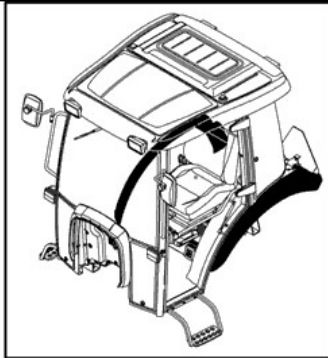
FIG 713

SUB FENDER & COVER

년/월
Year/Month

2022-12

T494SH



NOTE

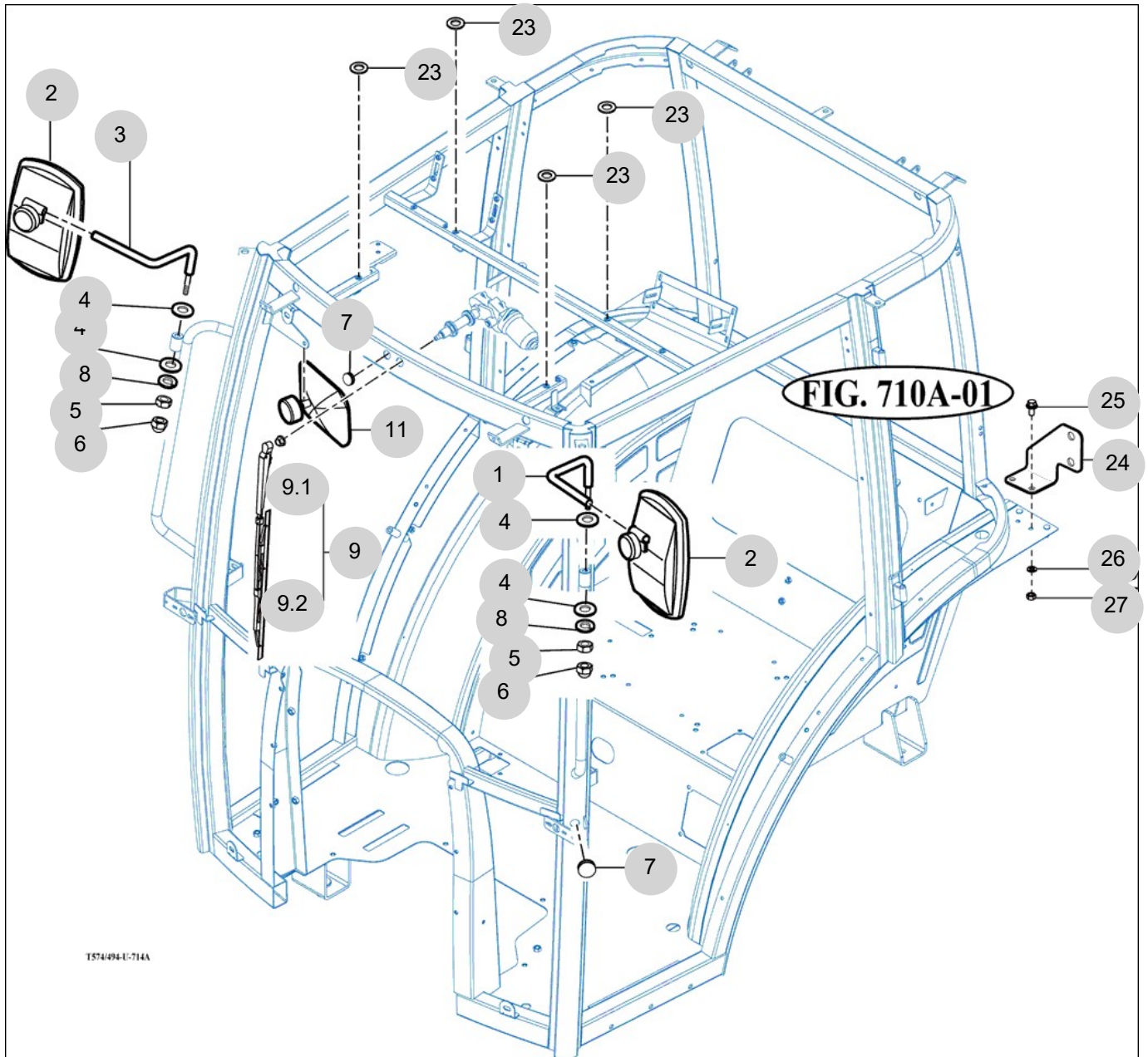
FIG 714

T494SH

MIRROR

년/월
Year/Month

2022-12



T574494-U-714A

NOTE

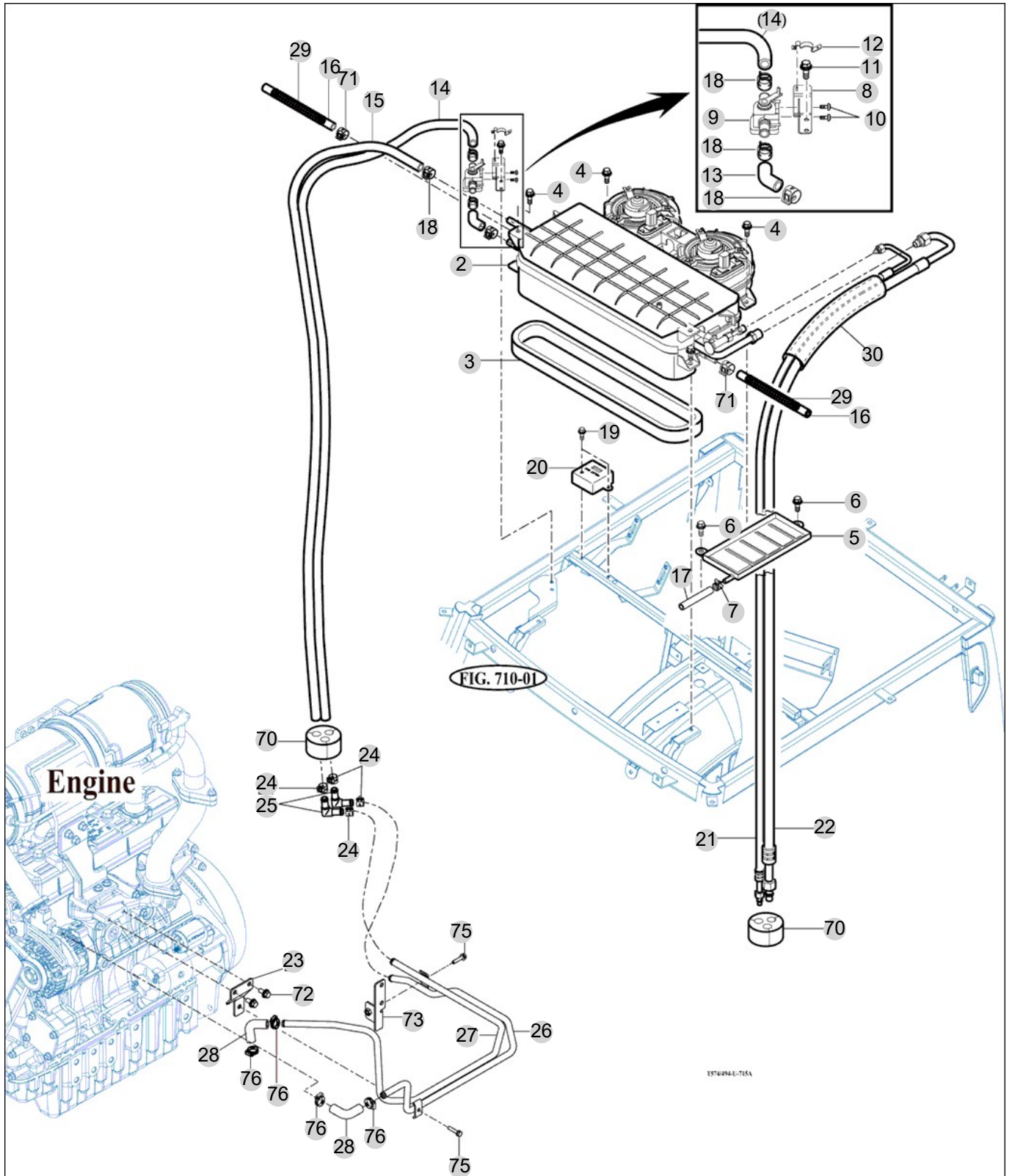
FIG 715

HEATER & AIR-CON

년/월
Year/Month

2022-12

T494SH



NOTE

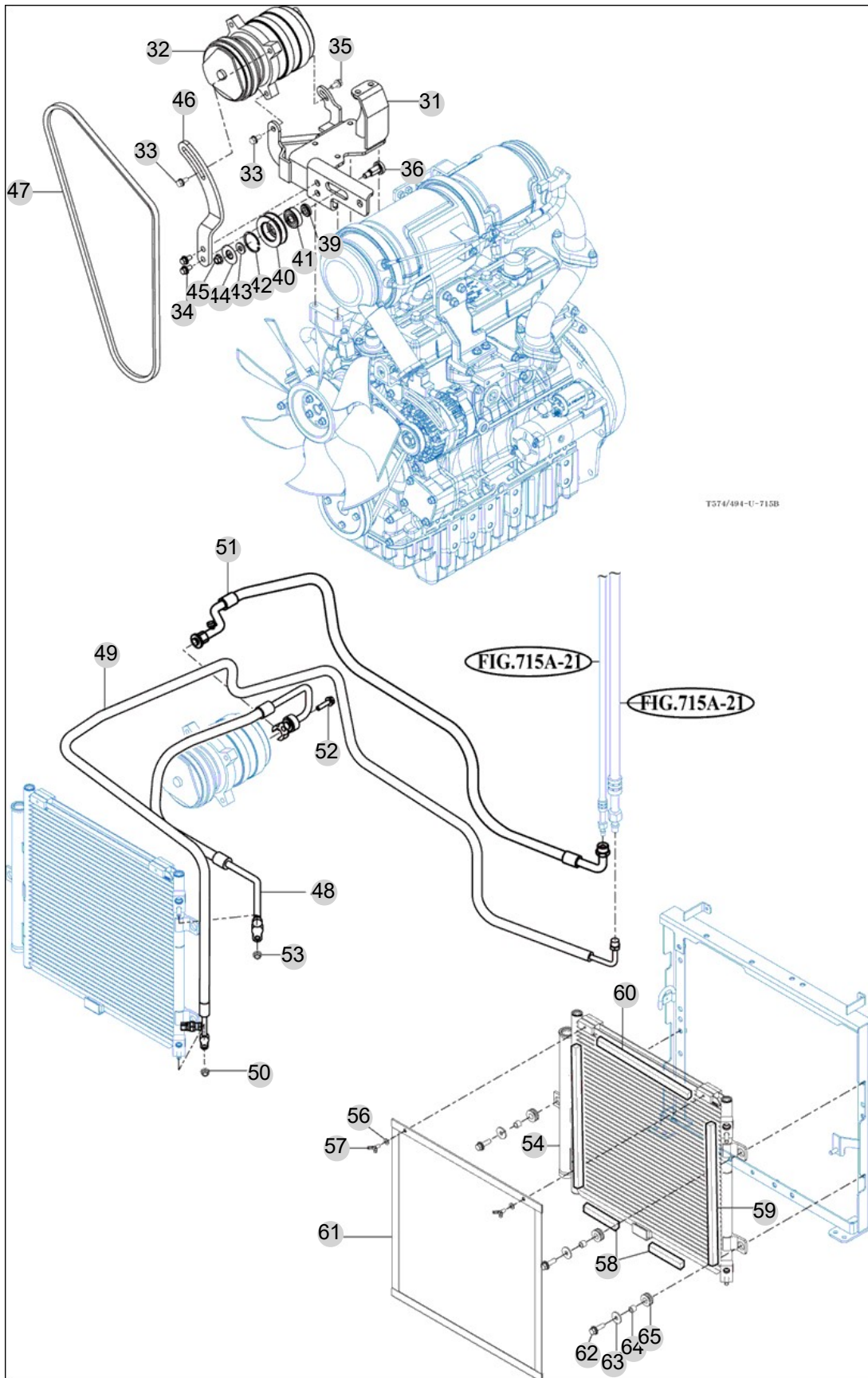
FIG 715-2

HEATER & AIR-CON

년/월
Year/Month

2022-12

T494SH



NOTE

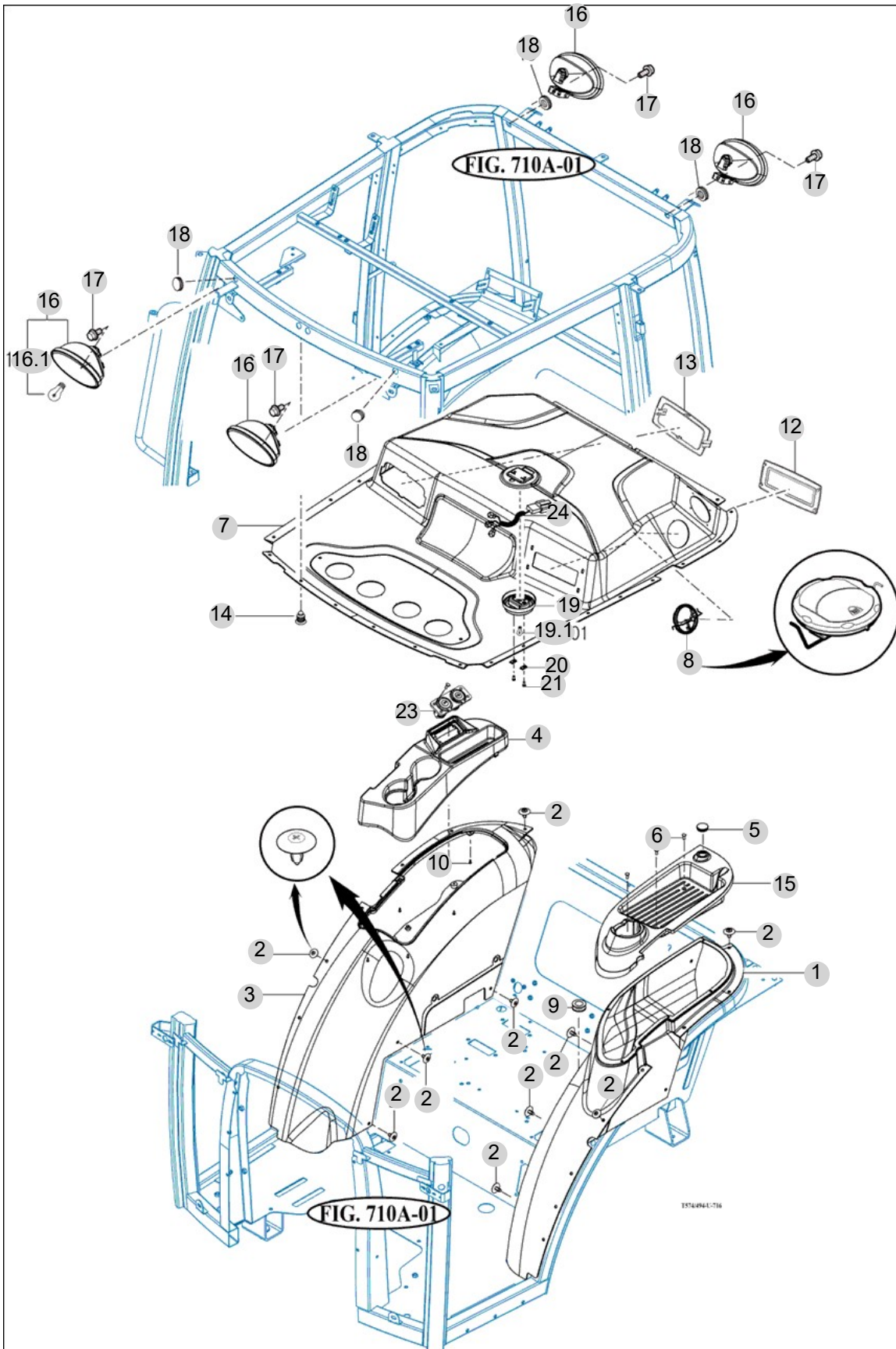
FIG 716

FENDER COVER

년/월
Year/Month

2022-12

T494SH



NOTE

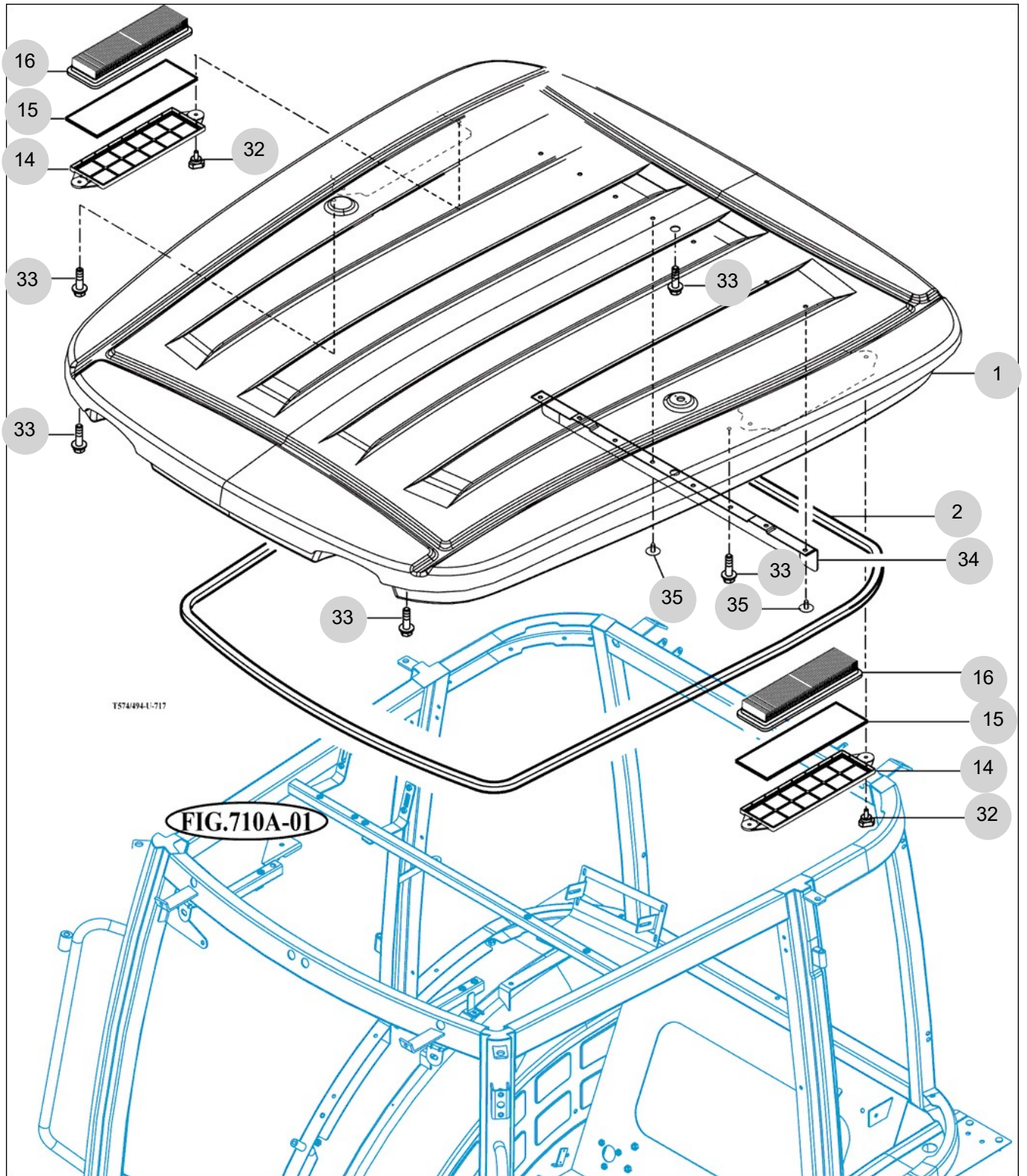
FIG 717

T494SH

ROOF

년/월
Year/Month

2022-12



NOTE

FIG 717 T494SH		ROOF					년/월 Year/Month	
							2022-12	
KEY NO	PART NO	DESCRIPTION	SPEC	QTY	REPAIR	EFFECTIVE DATE	REMARKS	
717	1	13877072200	ROOF COMP					
717	2	14527072110	INSULATOR,ROOF					
717	14	14527072411	COVER, AIR FILTER					
717	15	14527072420	FILTER , AIRCON / MESH					
717	16	14527072500	FILTER , AIR /MAIN					
717	32	21575070110	BOLT , GRIP(M6)	M6X14				
717	33	V2183608025	BOLT , HEX/SP	M8X20				
717	34	14527072150	COVER, REAR GLASS					
717	35	17686040020	RIVET SET , black					
NOTE								

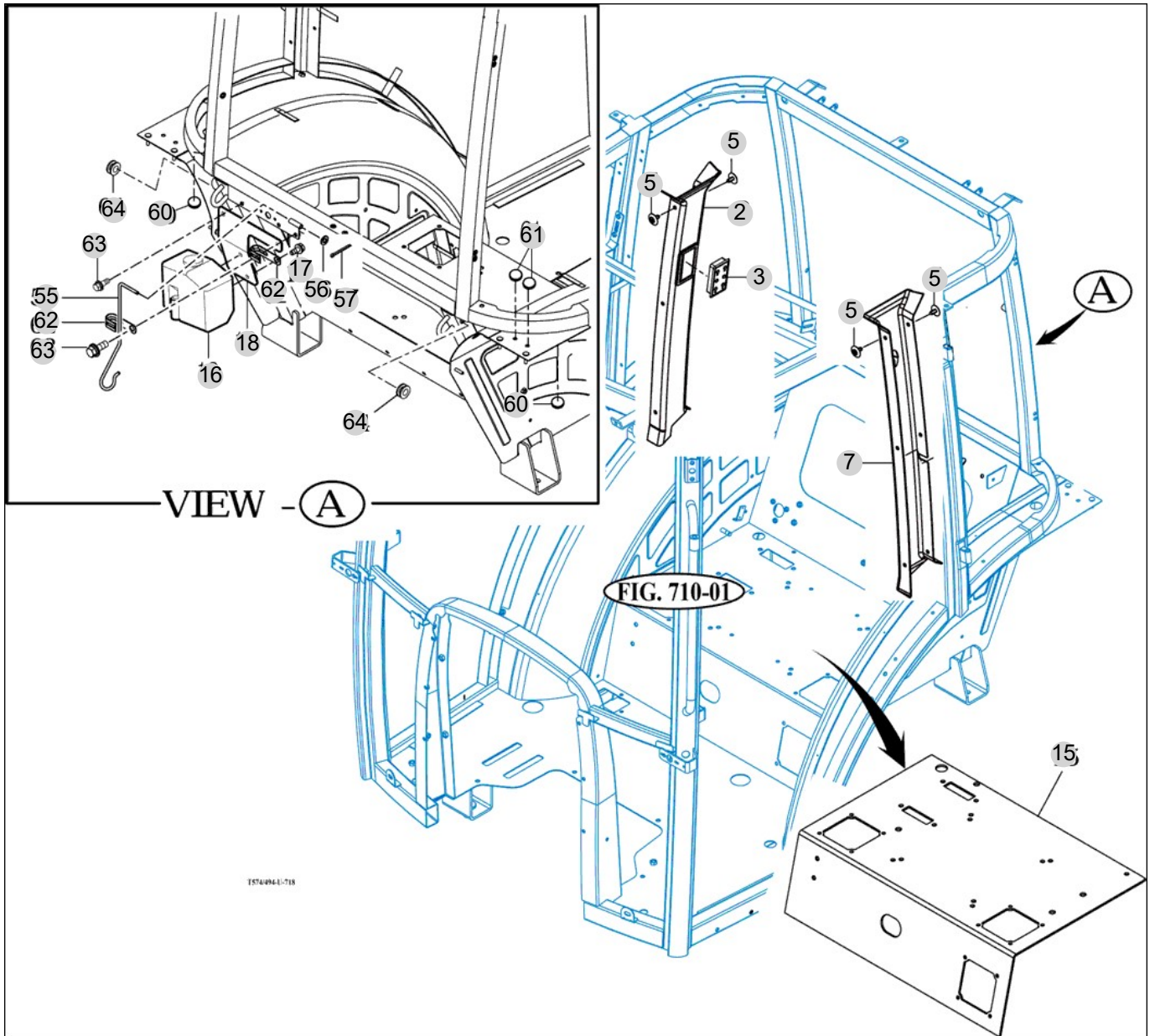
FIG 718

CABIN INTERIOR

년/월
Year/Month

T494SH

2022-12



NOTE

8. Electrical System PART NO. T8

FIG 801 BATTERY & MOUNTING	252
FIG 802 HARNESS LAMP	254
FIG 803 INSTRUMENT PANEL	256
FIG 804 ELECTRIC SYSTEM (1)	258
FIG 805 ELECTRIC SYSTEM (2)	260
FIG 806 ELECTRIC SYSTEM (3)	262

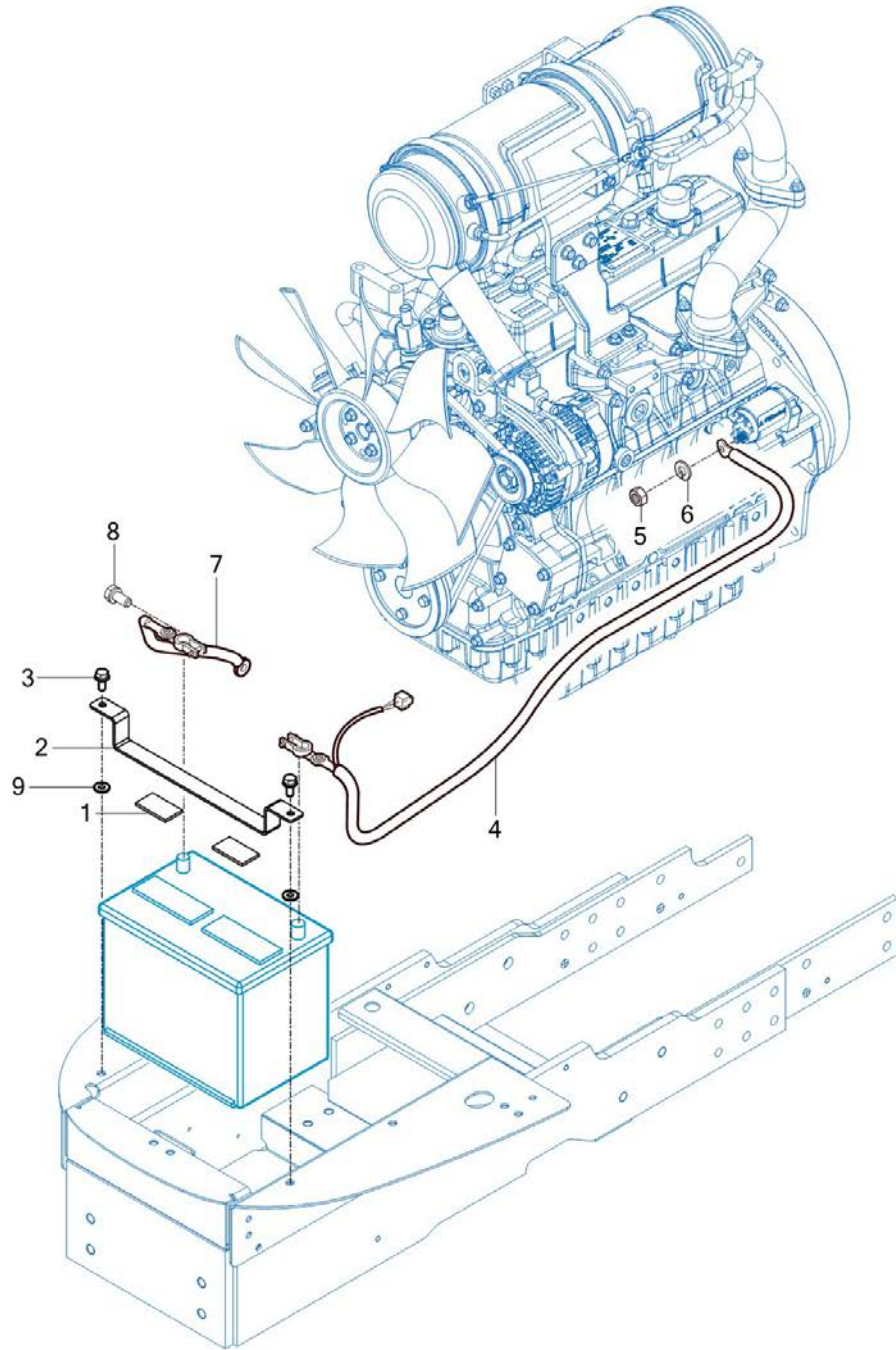
FIG 801

T494SH

BATTERY & MOUNTING

년/월
Year/Month

2022-12



NOTE

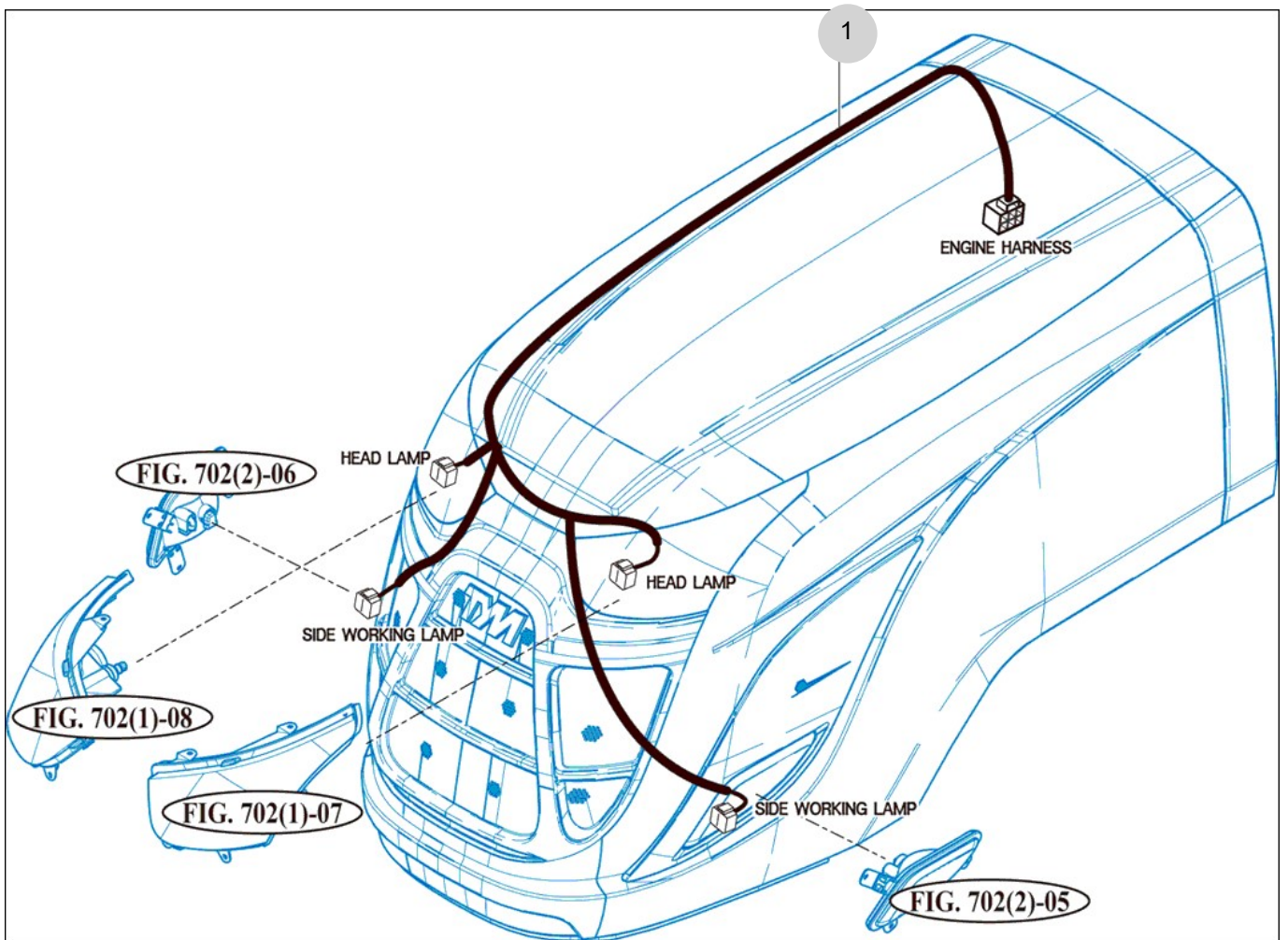
FIG 802

T494SH

HARNESS LAMP

년/월
Year/Month

2022-12



NOTE

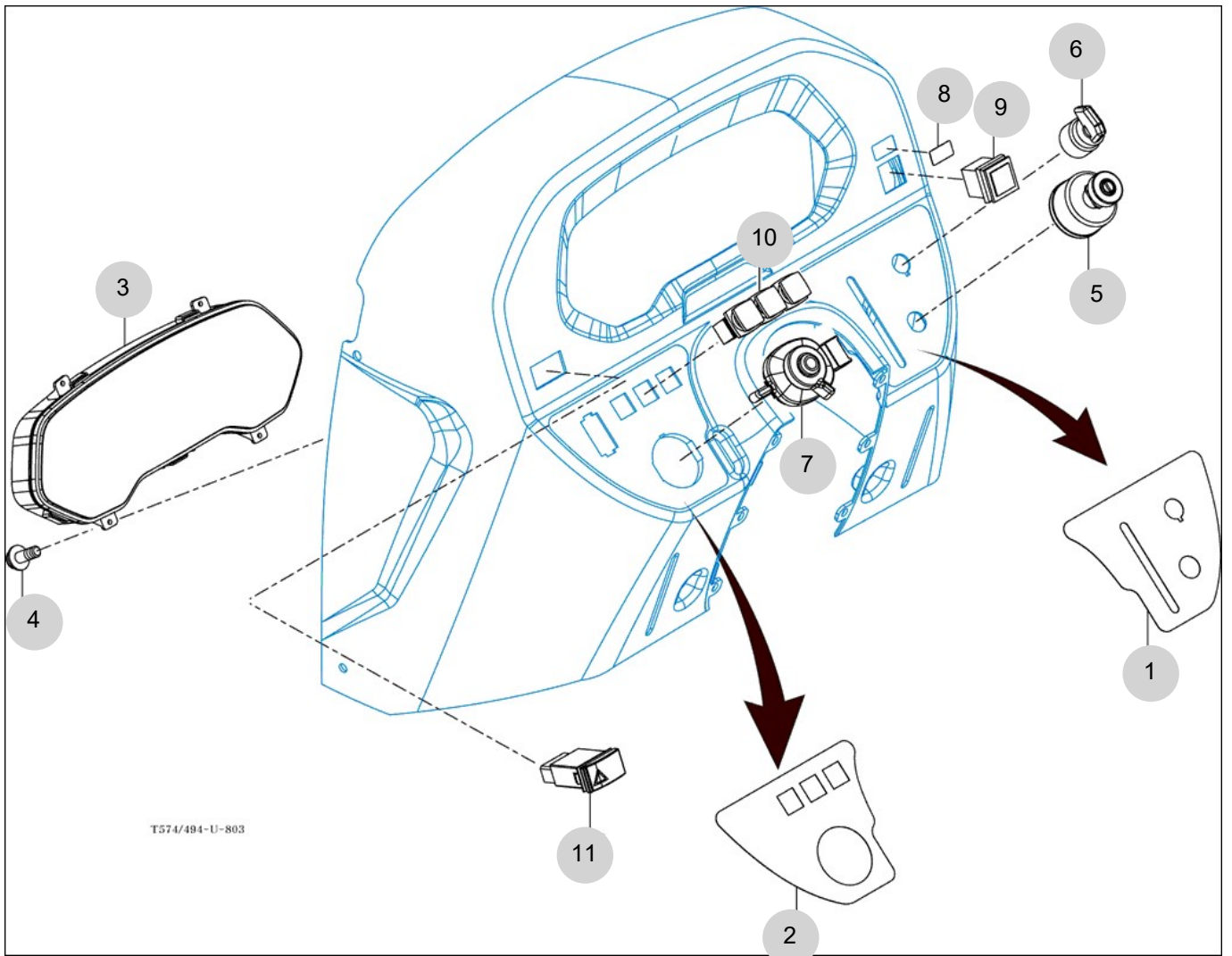
FIG 803

INSTRUMENT PANEL

년/월
Year/Month

T494SH

2022-12



NOTE

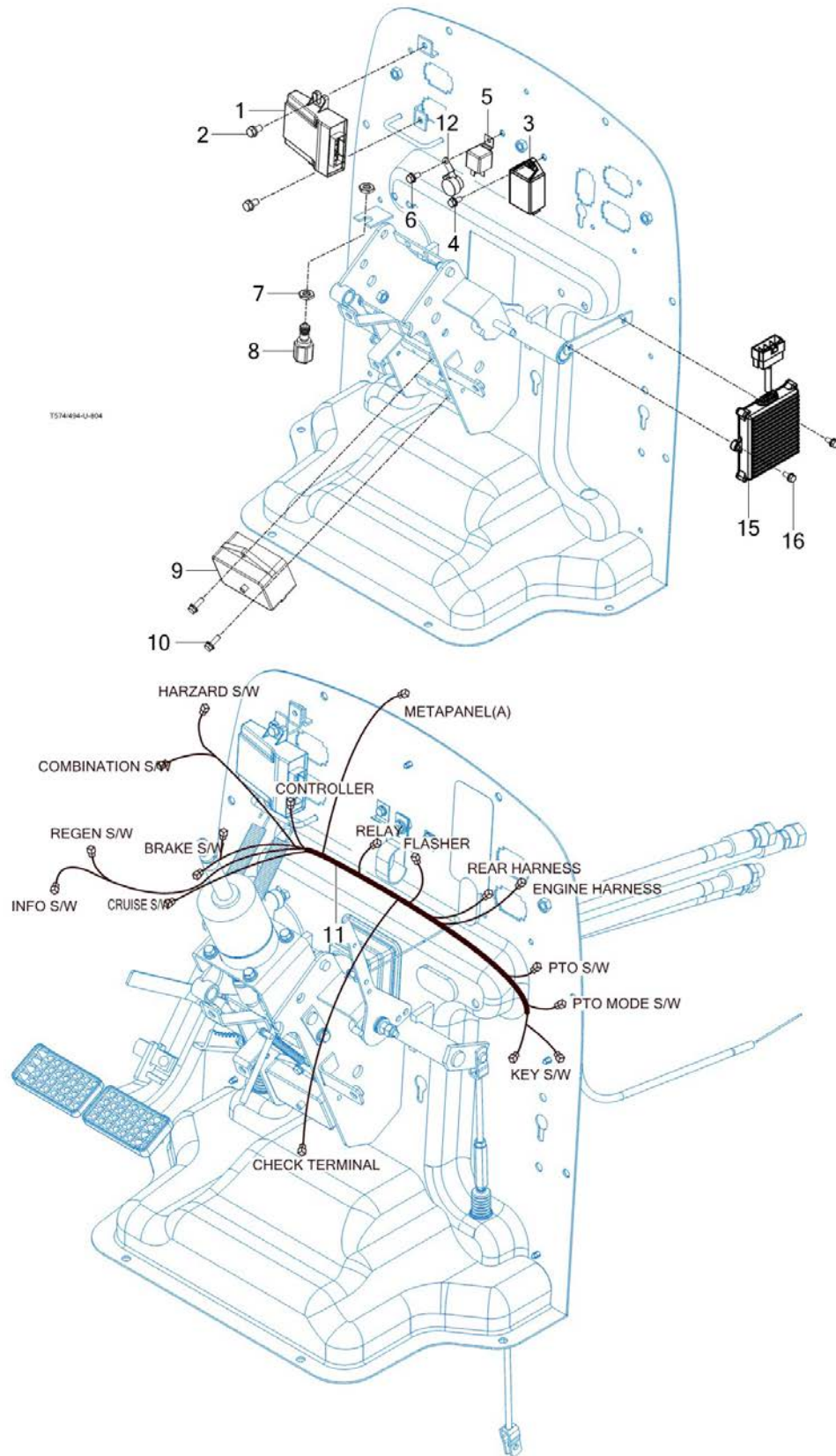
FIG 804

T494SH

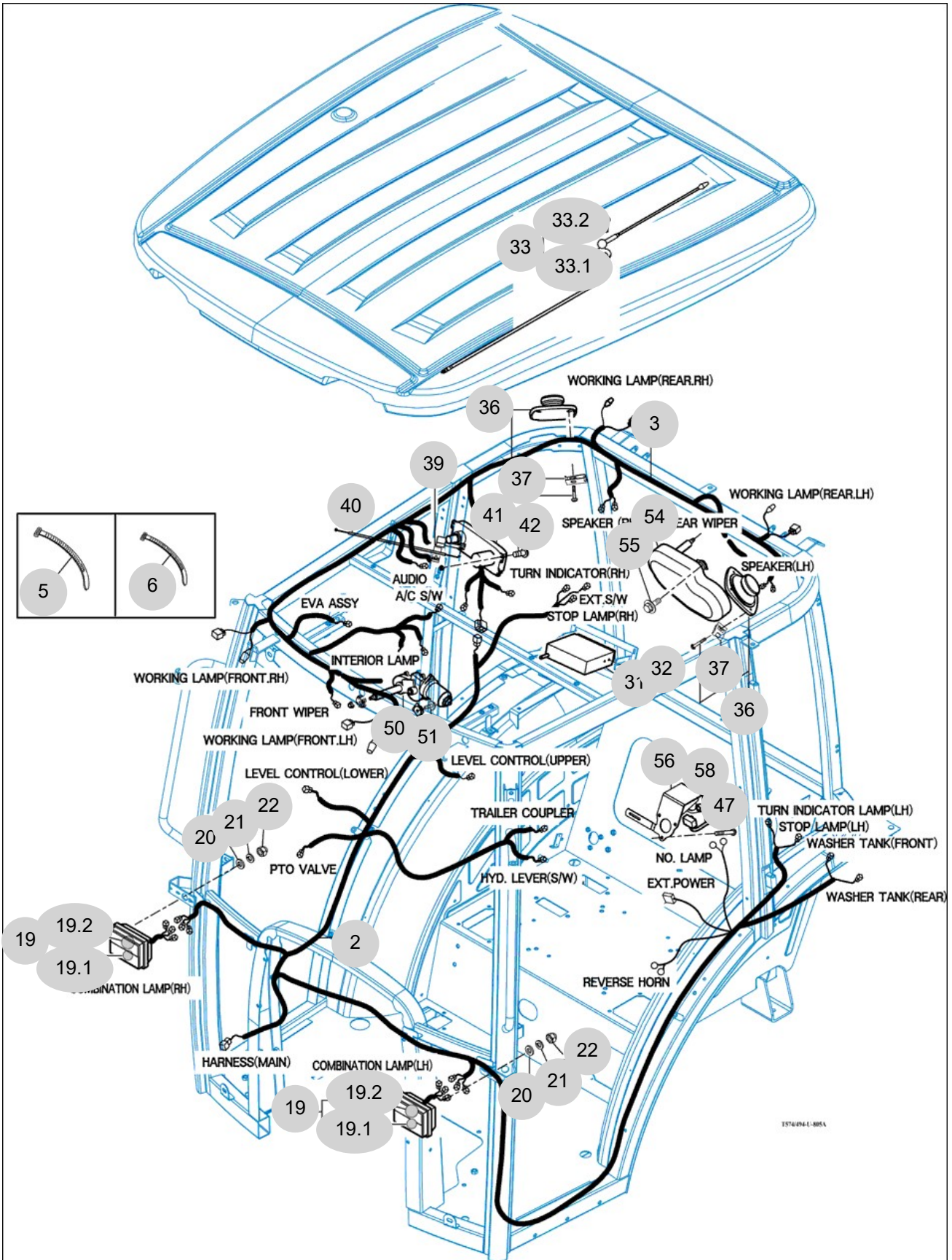
ELECTRIC SYSTEM (1)

년/월
Year/Month

2022-12



NOTE



TST494L-0854

NOTE

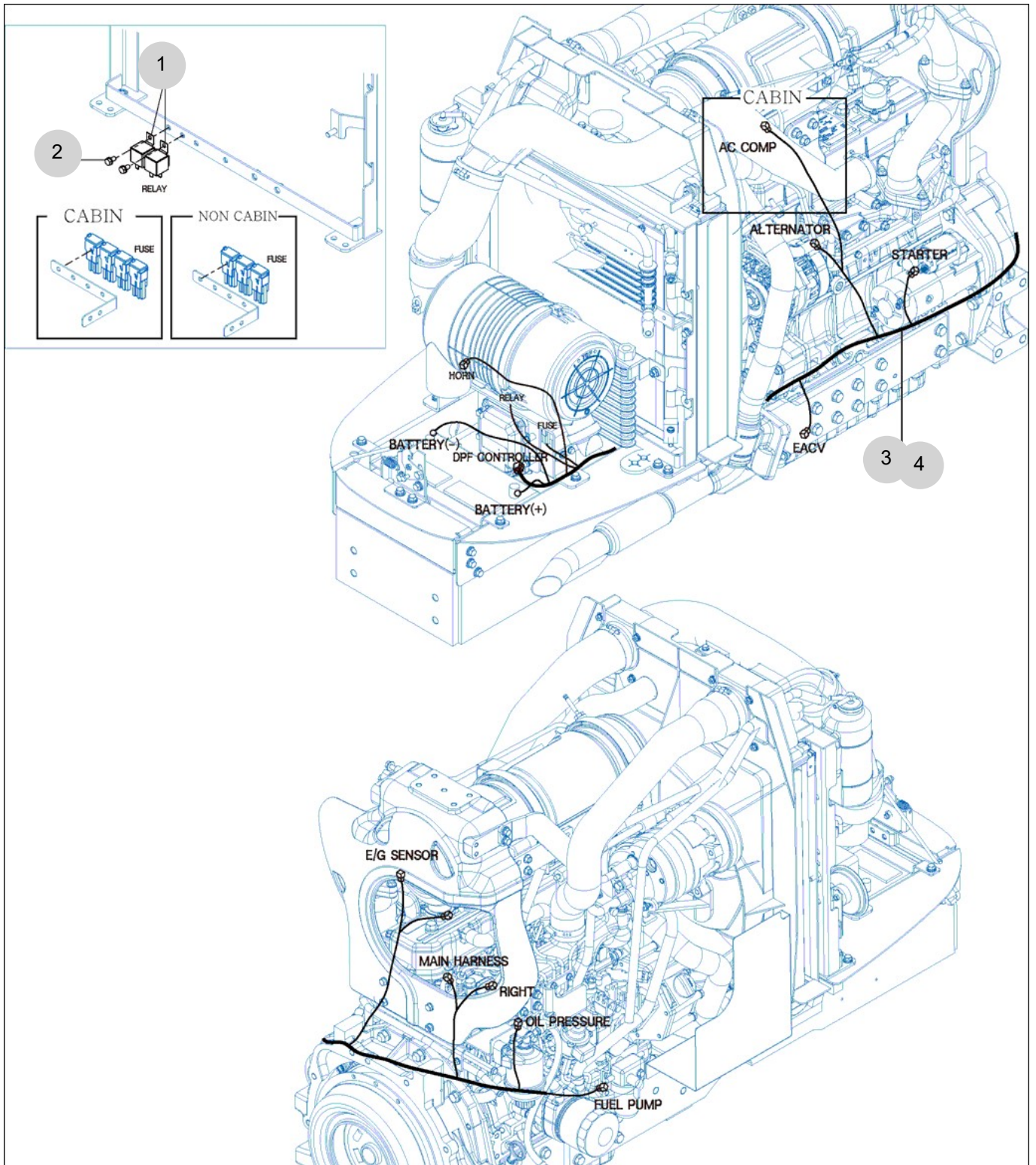
FIG 806

ELECTRIC SYSTEM (3)

년/월
Year/Month

T494SH

2022-12



NOTE

9. Label/Option PART NO. T9

FIG 901 TOOL & ACCESSORY	265
FIG 902 LABEL	267
FIG 902-2 LABEL	269
FIG 903 OPTION	271

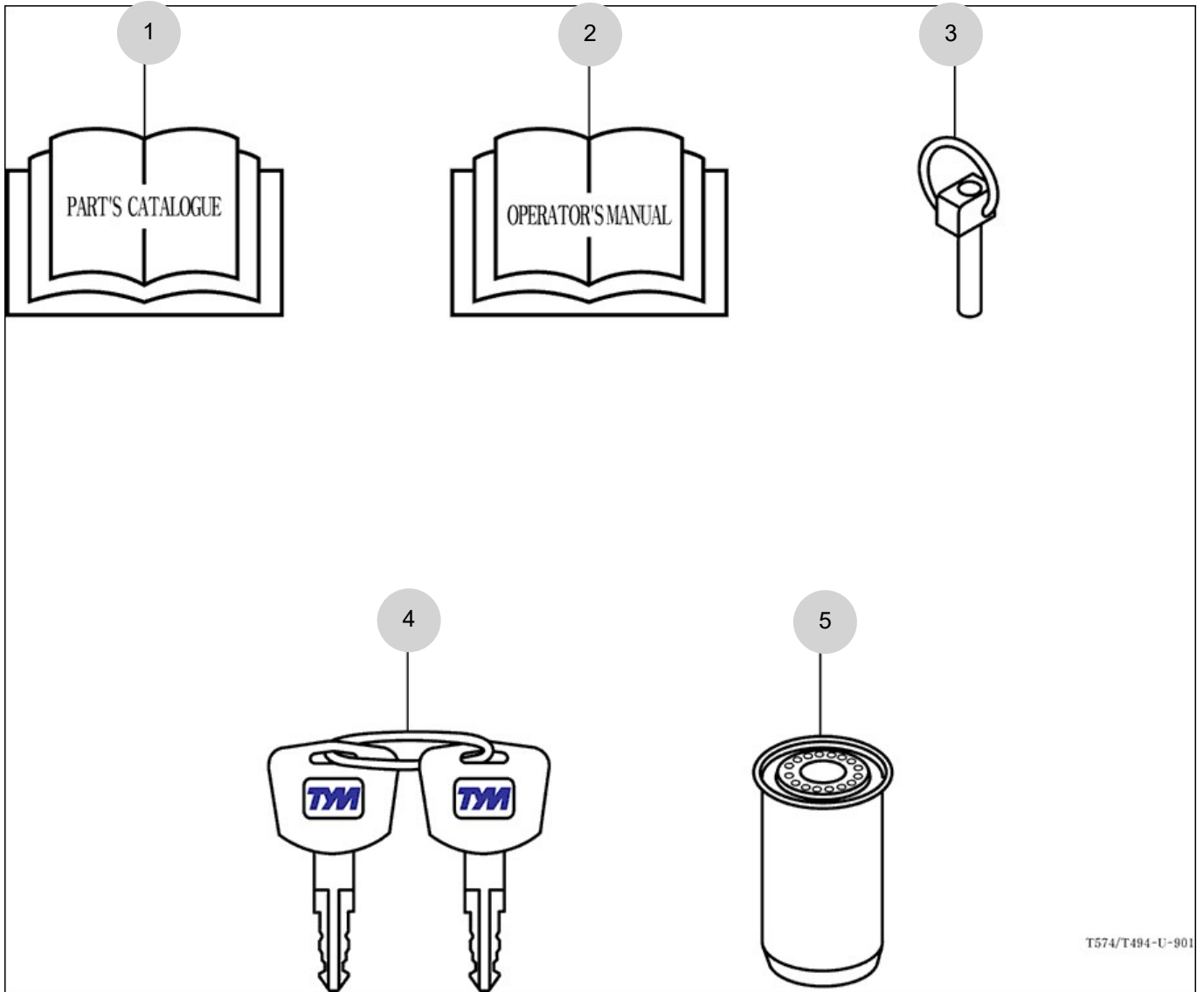
FIG 901

T494SH

TOOL & ACCESSORY

년/월
Year/Month

2022-12



NOTE

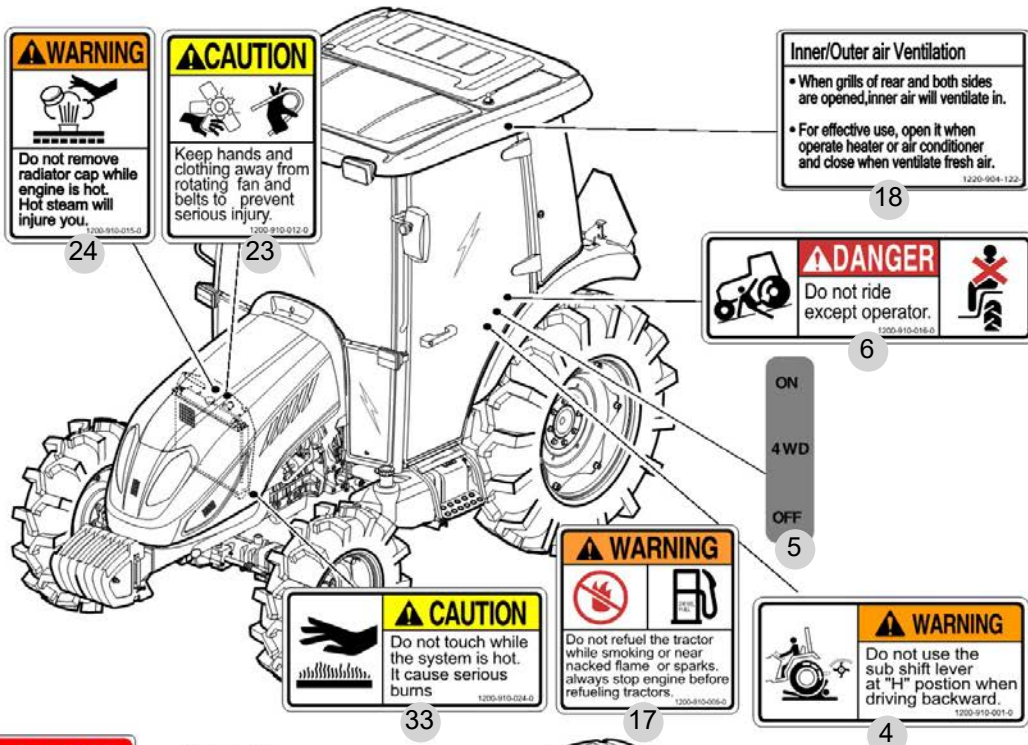
FIG 902

LABEL

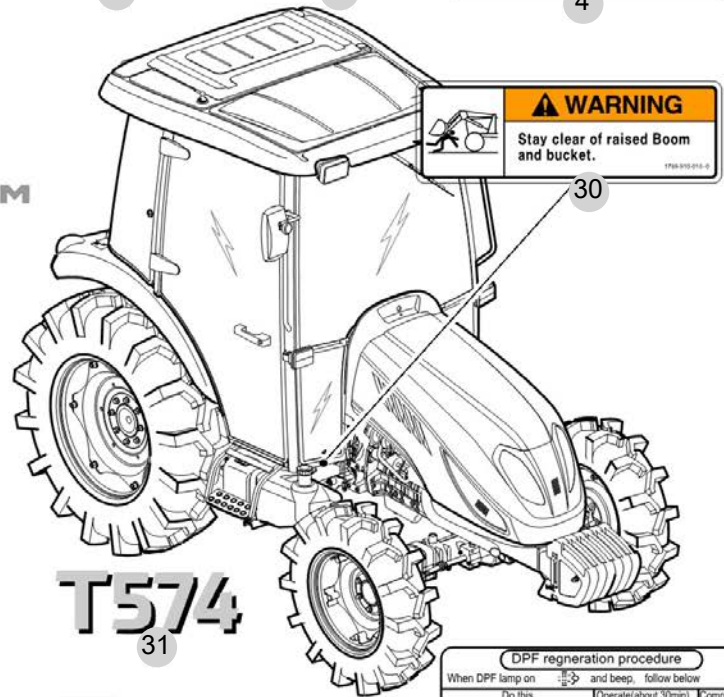
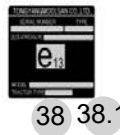
년/월
Year/Month

T494SH

2022-12



DANGER
This Tractor may tip over unexpectedly and quicker than an operator is able to jump free.
1. Never operate a tractor without a proper Roll Over Protection Structure (ROPS)
2. Always wear your seat belt when operating this tractor equipped with roll over protection.
3. Never pull from above or from the rear axle.
4. Do not operate the tractor on steep slopes or near drop offs.
5. Avoid sharp high speed turns.
Serious injury or death may result from tractor upsets. 1200-910-001-0



WARNING
Additions, alterations, cracking, damage or corrosion to this structure may adversely affect the performance of the ROPS. 1200-910-001-0

WARNING
Death or injury may result if this tractor over turns with the ROPS in the folded down position. Operate this tractor with the ROPS folded down only when necessary. Do not wear seat belt if operated with ROPS folded down. 1220-904-102-0

DPF regeneration procedure

When DPF lamp on	Do this	Operate (about 30min)	Complete
1 Park outside safe location	2 Stop all functions.	3 Parking brake ON.	DPF + EGT ON + Button blinking Lamp off
4 Press clutch pedal (Mechanical)	5 Engine speed to Max RPM	6 Press the regen button	
6 Must remain with the vehicle			

For further details, consult your Owner's Manual. 1200-910-001-0

NOTE

FIG 902		LABEL						년/월
								Year/Month
T494SH								2022-12
KEY NO	PART NO	DESCRIPTION		SPEC	QTY	REPAIR	EFFECTIVE DATE	REMARKS
902	4	12009100010	LABEL , WARNING SUB SHIFTER		1X1X1	1		
902	5	17979040130	LABEL , 4WD		T=0.05	1		
902	6	12009100160	LABEL , DANGER RIDING		1X1X1	1		
902	17	12009100050	LABEL , WARNING FIRE		1X1X1	1		
902	18	12209041222	LABEL , VENTILATION			1		
902	23	12009100120	LABEL , CAUTION FAN		1X1X1	2		
902	24	12009100150	LABEL , WARNING RADIATOR		1X1X1	1		
902	30	17699100100	LABEL , WARNING JOYSTICK			1		
902	31.1	13919010042	MARK , /T494			2		
902	33	12009100240	LABEL , CAUTION MUFFLER		1X1X1	1		
902	38	15599045041	LABEL , CABIN			1		
902	45	19029010070	LABEL , SEAL		T=0.05	3		
902	49	13839209010	LABEL , OPERATION/DPF REGEN SWITCH			1		
902	51	14119010020	LABEL , /TYM 60			2		
NOTE								

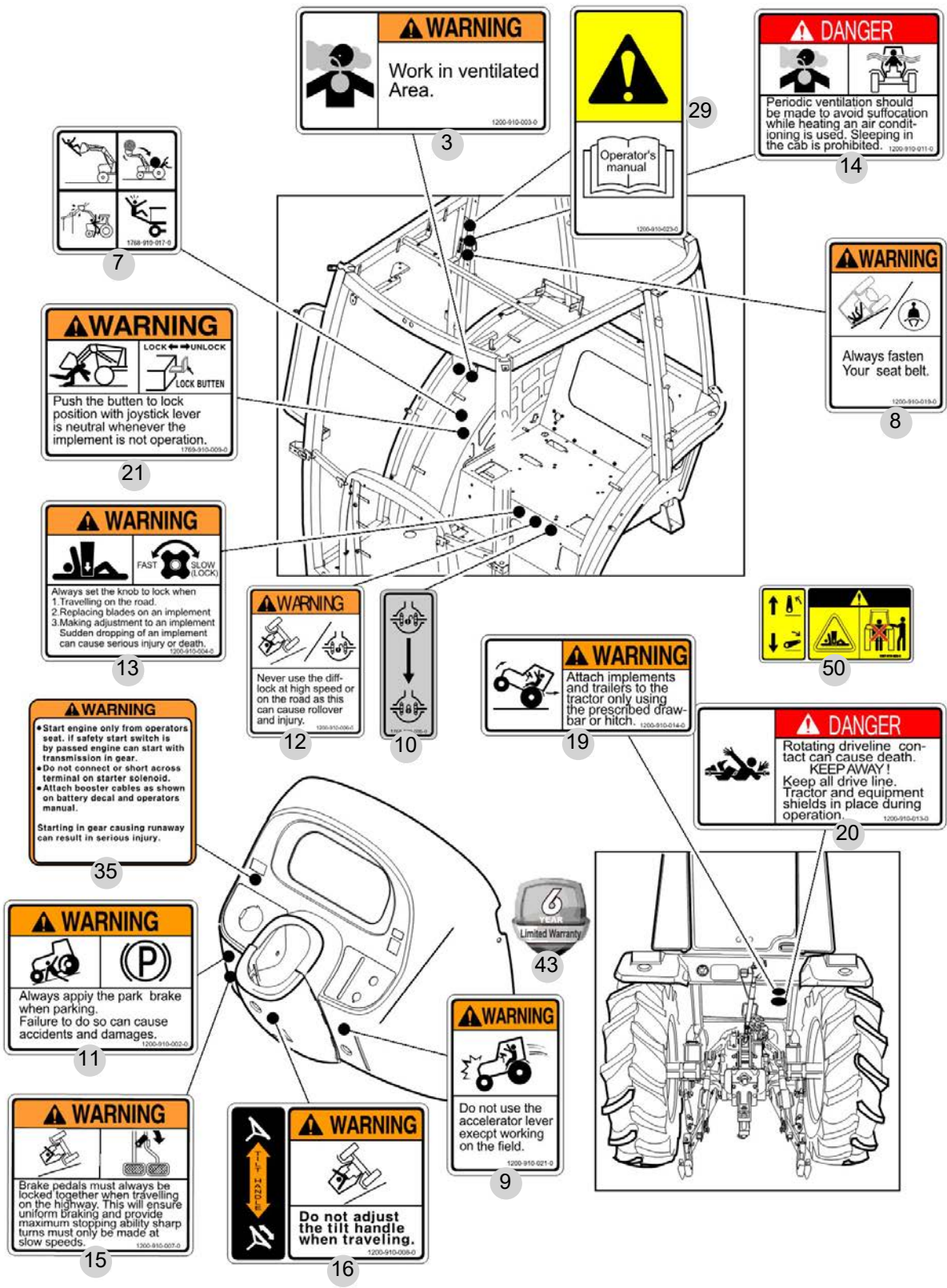
FIG 902-2

LABEL

년/월
Year/Month

T494SH

2022-12



NOTE

FIG 903

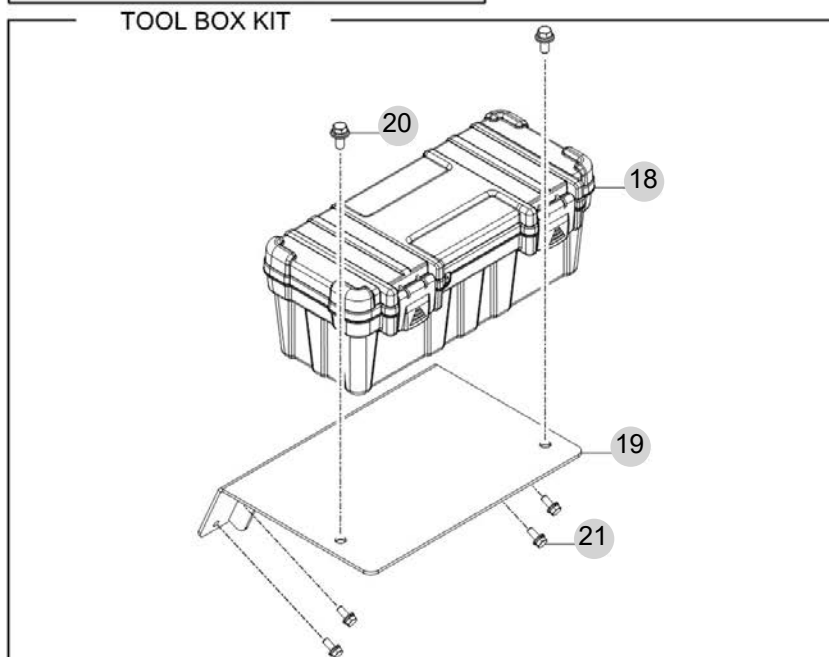
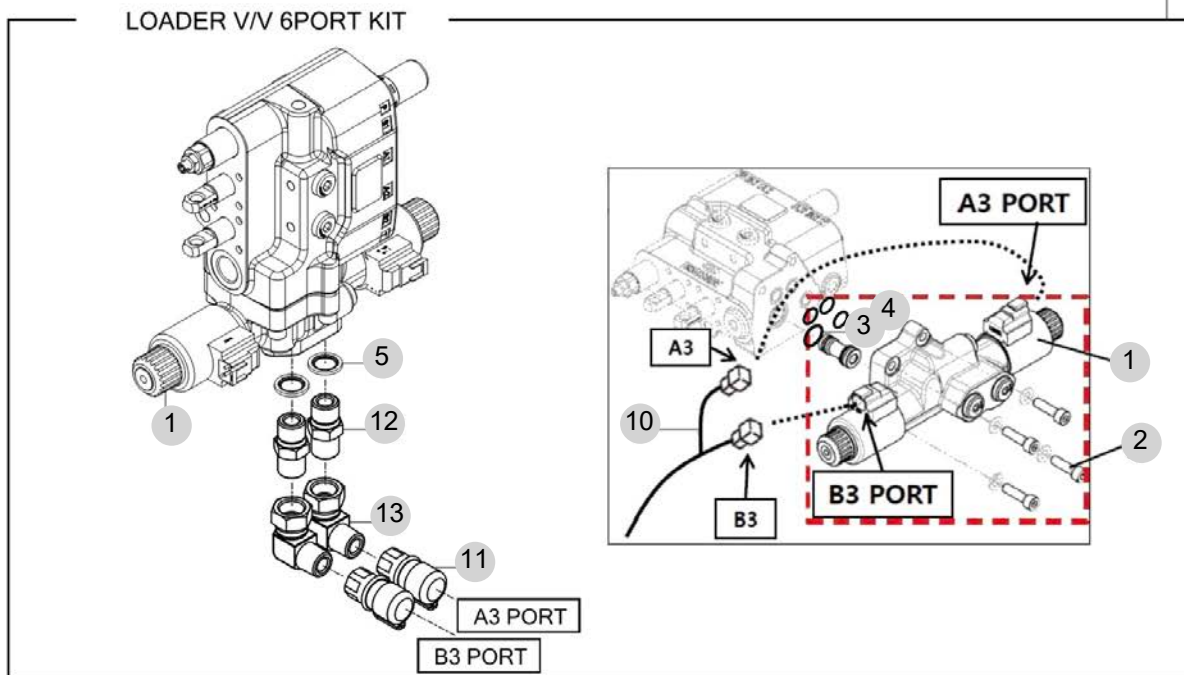
OPTION

년/월
Year/Month

2022-12

T494SH

0



NOTE

