

3620R(AC02103) TRACTOR

Parts Catalogue



CONTENTS

GROUP NO	GROUP NAME	PAGE
G. ENGINE		
A01_004	CYLINDER BLOCK	6
A02_005	DRIVE PULLY	8
A03_002	CRANK SHAFT PULLEY	10
A04_004	GLOW PLUG ASS'Y OPTION	12
A05_003	CRANK SHAFT ASS'Y OPTION	14
A06_002	BREATHER OPTION	16
A07_002	CAMSHAFT	18
A08_003	ALTERNATOR	20
A09_003	COOLING WATER PUMP	22
A10_003	COOLING FAN SPACER	24
A11_005	INJECTOR	26
A12_006	FUEL INJECTON	28
A13_002	PLUMBING, FUEL	30
A14_001	FUEL FILTER BRACKET	32
A16_018	FUEL FILTER ASS'Y OPTION	34
A17_005	INTAKE MANIFOLD ASS'Y OPTION	36
A18_005	FLYWHEEL	38
A19_005	FLYWHEEL HOUSING	40
A20_007	HEAD, CYLINDER	42
A21_002	HEAD COVER	44
A23_003	TURBOCHARGER SUPPORT ASS'Y OPTION	46
A26_001	COOLER, ENGINE OIL	48
A27_004	OIL PAN ASS'Y OPTION	50
A28_001	PUMP, LUBRICATING OIL	52
A29_005	FILTER, LUBRICATING OIL	54
A30_003	FRONT GEAR ACCESSORY DRIVE	56
A31_003	PISTON	58
A32_002	LEVER, LOCKER	60
A33_006	EXHAUST MANIFOLD	62
A35_002	IDLE GEAR	64
A36_002	COVER, FRONT GEAR	66
A38_004	GAUGE, OIL LEVEL	68
A39_001	OIL FILLER CAP	70
A40_003	LIFT ASS'Y OPTION	72

CONTENTS

GROUP NO	GROUP NAME	PAGE
G. ENGINE		
A42_003	MOTER, STARTIONS	74
A43_001	DPF SUPPORT OPTION	76
A44_003	DPF MOUNTING OPTION	78
A45_012	DPF	80
A48_006	V-BELT	82
B. ENGINE ACCESSORIES		
B01010	FUEL TANK	84
B02020	RADIATOR	87
B03010	AIR CLEANER	89
B05011	LEVER ACCELERATOR	91
C. CLUTCH, BREAK, LEVER		
C01010	CLUTCH DISC & COVER	93
C01020	CLUTCH RELEASE	95
C01030	CLUTCH PEDAL	97
C02010	BRAKE PEDAL	99
C02031	BRAKE ROD/LH	101
C02032	BRAKE ROD/RH	103
C02060	BRAKE LEVER	105
C04000	LEVER	107
C04010	SHUTTLE LEVER	109
C04031	LEVER, MAIN SHIFT	111
D. HYDRAULIC		
D01010	HYD PUMP	113
D01040	HYDRAULIC FILTER	115
D01041	HYDRAULIC FILTER-LINE	117
D02010	STEERING WHEEL	119
D02030	PST HOSE	121
D02040	P.S.T CYLINDER	123
D03030	FRONT SCV	125
D03040	JOYSTICK	127
E. FRONT AXLE		
E01010	FRONT AXLE CASE	129
E01014	FRONT AXLE CASE / HOLDER	131
E01030	GEAR CASE, FRONT AXLE	133

CONTENTS

GROUP NO	GROUP NAME	PAGE
E. FRONT AXLE		
E01071	FRONT 1ST SHAFT	136
E01080	TIE ROD	138
F. TRANSMISSION		
F01010	CLUTCH HOUSING	140
F01020	TRANSMISSION CASE	142
F01030	HOUSING, REAR AXLE	145
F01040	REAR AXLE CASE	147
F01060	PTO COVER	149
F02060	REVERSE IDLE SHAFT	151
F03010	MAIN SHIFT DRIVE SHAFT	153
F03020	MAIN SHIFT DRIVEN SHAFT	155
F03040	RANGE SHIFT DRIVE SHAFT	157
F03050	RANGE SHIFT DRIVEN SHAFT	159
F04010	FRONT WHEEL DRIVE SHAFT	161
F04030	FRONT WHEEL DRIVE IDLE SHAFT	163
F05020	REAR DIFFERENTIAL	165
F06030	BRAKE	168
F06031	SUPPORT, BRAKE	170
F07000	GEAR,IND PTO SPEED CHANGE	172
F07030	PTO DRIVE SHAFT	175
F07050	PTO VALVE	177
F07070	PTO SHAFT	179
F08022	RANGE SHIFT FORK	181
F10010	CASE, HYD CYLINDER	183
F10020	LIFT ARM	185
F10030	SAFTY VALVE	187
F10040	STOP VALVE	189
F10061	DRAFT/POSITION CONTROL LEVER	191
F10070	SHAFT, CONTROL LEVER	193
F10100	BRACKET, TOP LINK	195
F10120	REAR SCV	197
F11020	RANGE SHIFT LEVER	200
F11030	PTO SHIFT GEAR LEVER	202
F11080	4WD LEVER	204

CONTENTS

GROUP NO	GROUP NAME	PAGE
G. SHEET METAL, CABIN		
G01020	BONNET	206
G01060	FIXED BRACKET, BONNET	209
G01080	FRONT ALXE BRACKET	211
G01100	PROPELLER SHAFT	213
G04020	DASH BOARD	215
G04060	FOOT REST ASS'Y	217
G04070	DRIVER'S SEAT	219
G04090	FENDER	221
G04120	ROPS	223
G05020	TOP LINK	225
G05030	LOWER LINK	227
G05050	LIFT LINK/LH,RH	229
G05070	DRAWBAR	231
G05090	PTO COVER	233
H. ELECTRICALS, HARNESS		
H01030	BATTERY	235
H02022	COMBINATION LAMP / RR	237
H03030	HARNESS	239
H04030	METER ASS'Y	241
H04050	SWITCH / DASHBOARD	243
H04090	HORN	245
I. WEIGHT, TOOLS, TIRE		
I03021	LABEL, ROPS/LH	247
I03022	LABEL, ROPS/RH	249

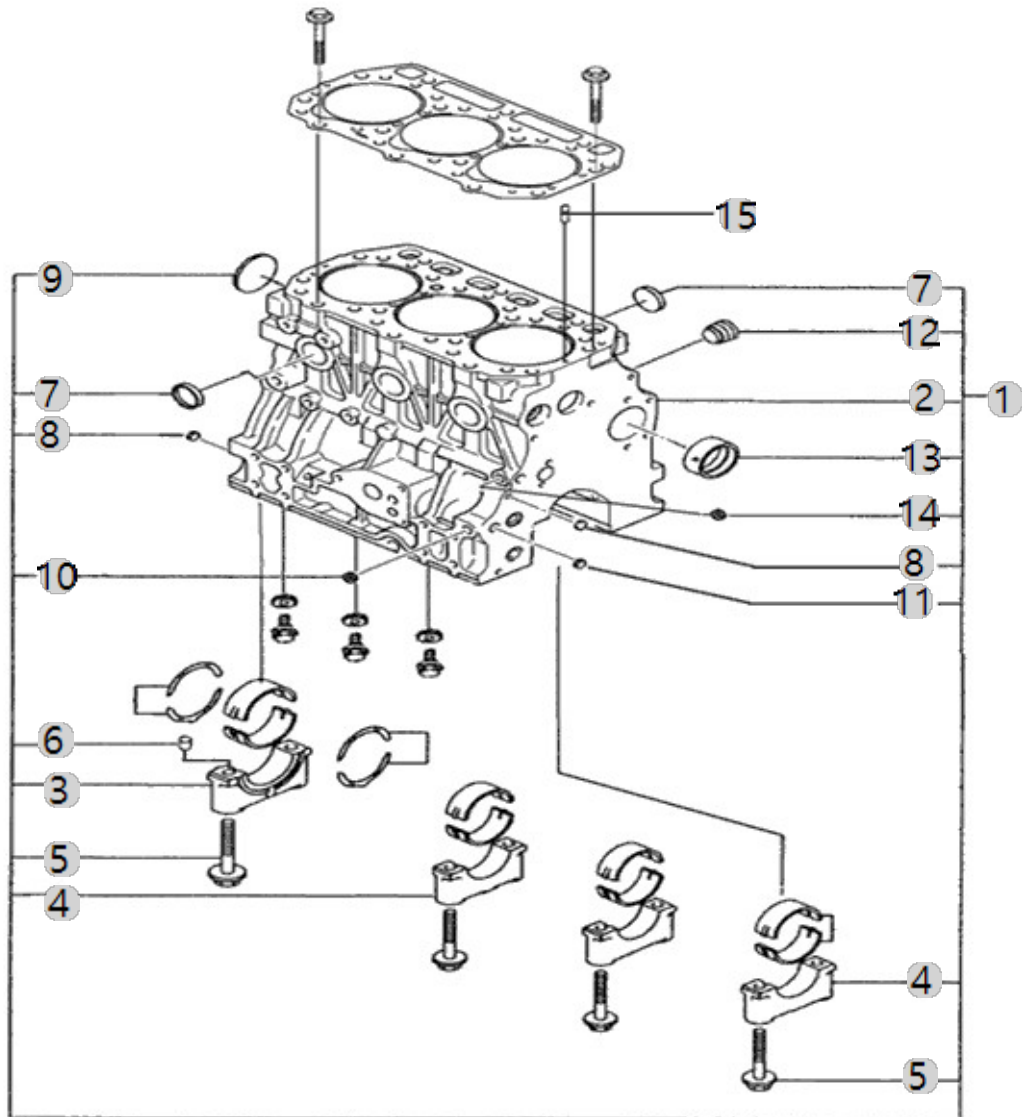
A01_004

A1700N2-UTR_4
(AB00132)

CYLINDER BLOCK

Year/Month

2022-12-15



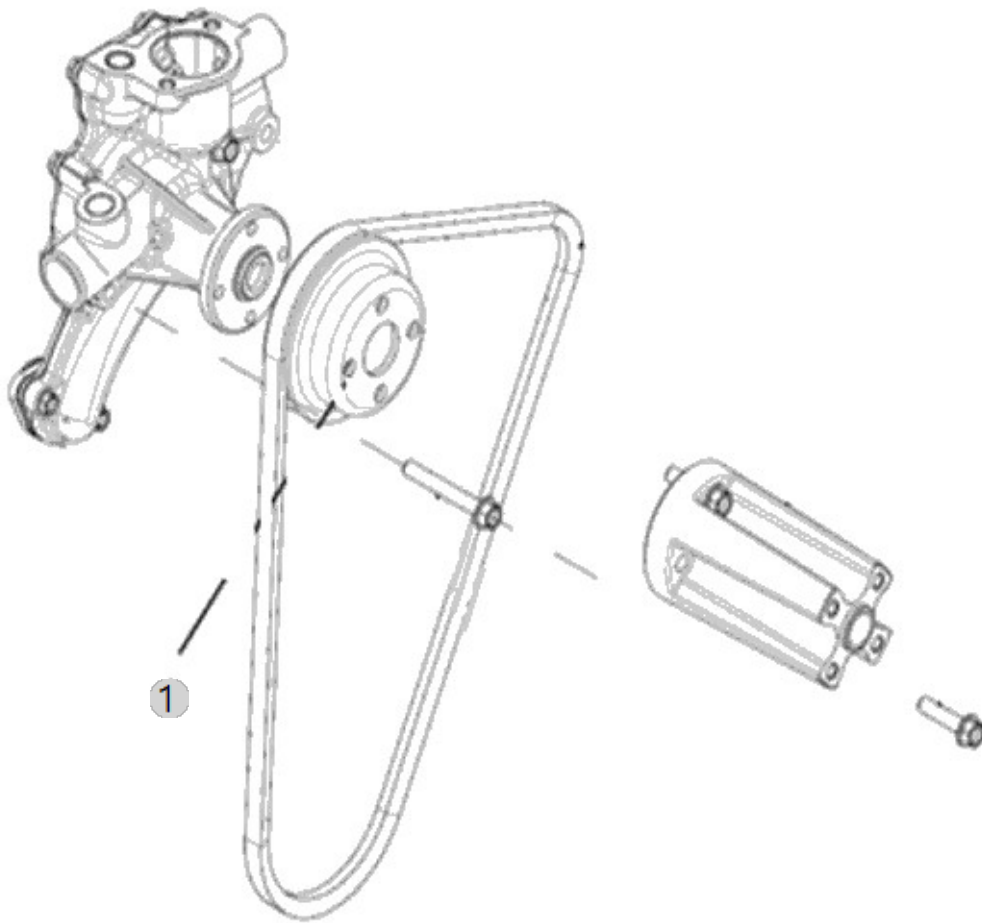
A02_005

A1700N2-UTR_4
(AB00132)

DRIVE PULLEY

Year/Month

2022-12-15



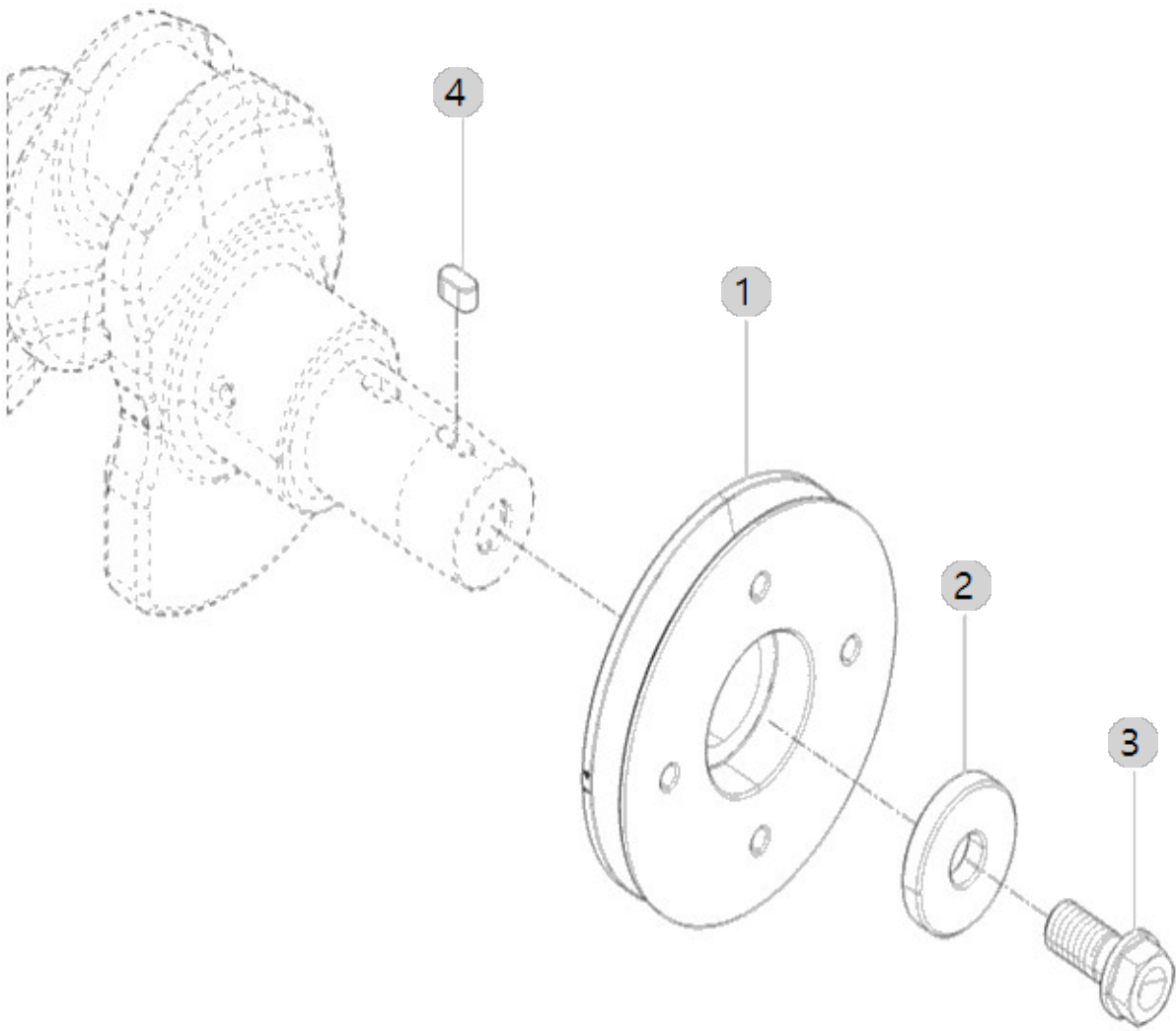
A03_002

A1700N2-UTR_4
(AB00132)

CRANK SHAFT PULLEY

Year/Month

2022-12-15



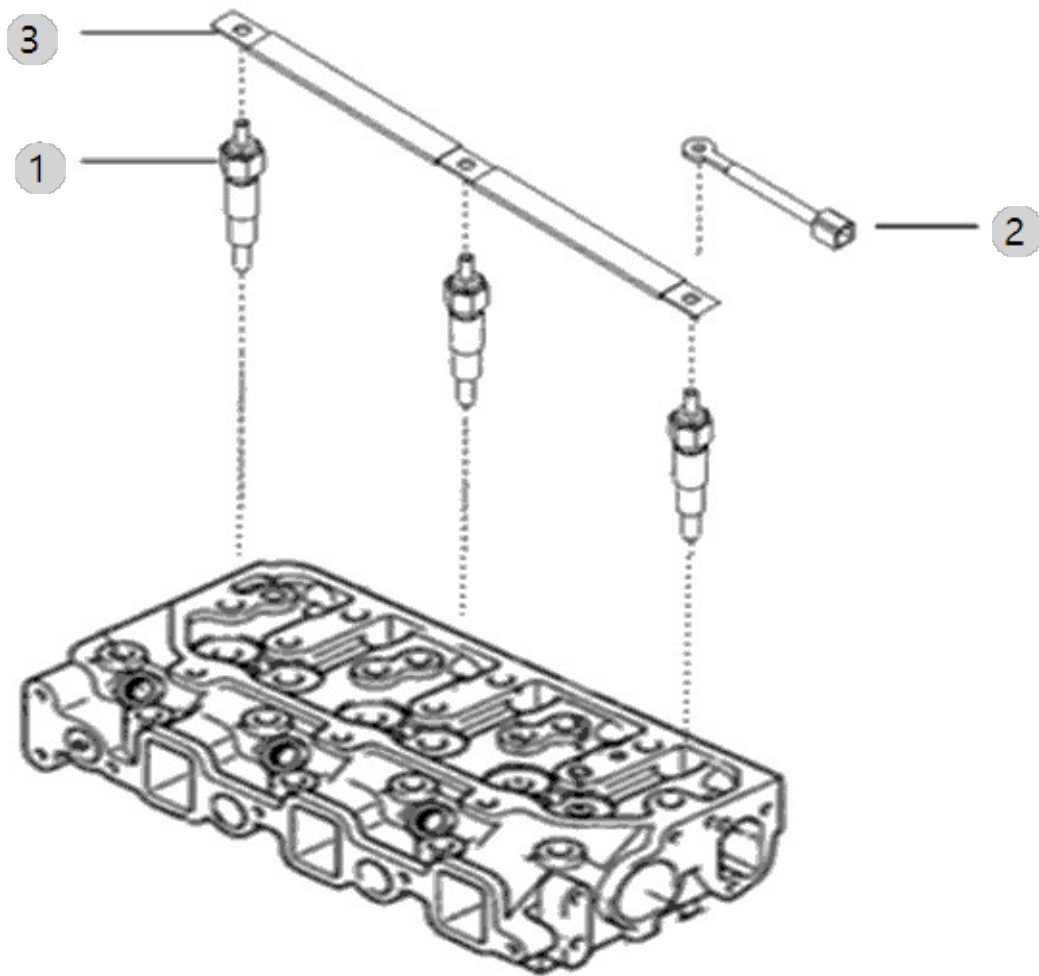
A04_004

A1700N2-UTR_4
(AB00132)

GLOW PLUG ASS'Y OPTION

Year/Month

2022-12-15



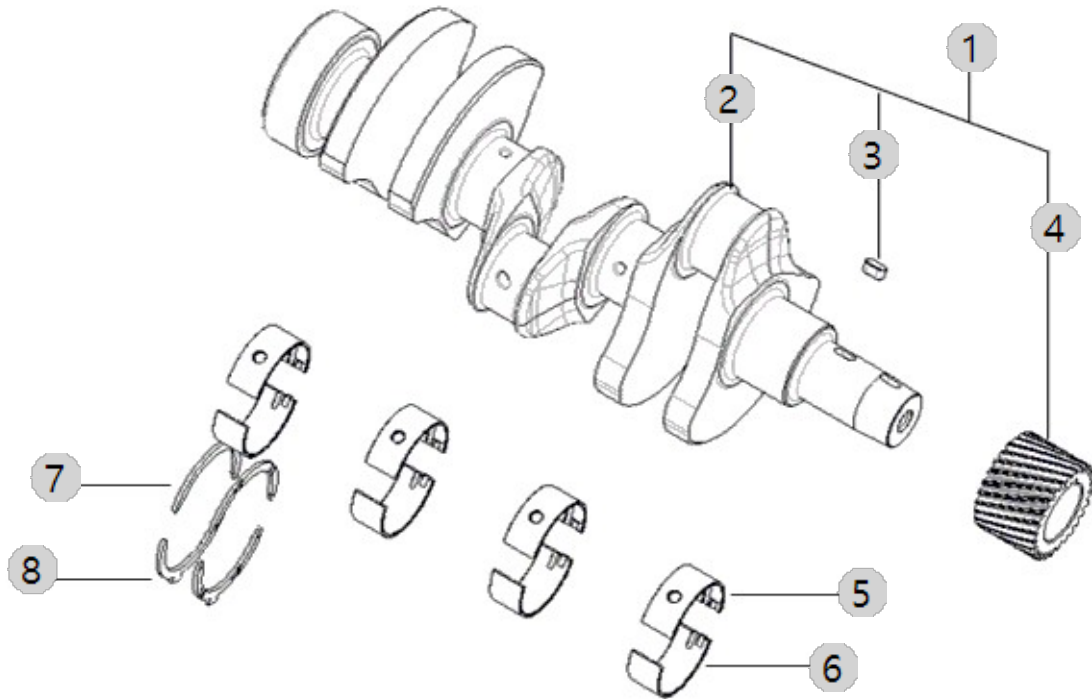
A05_003

A1700N2-UTR_4
(AB00132)

CRANK SHAFT ASS'Y OPTION

Year/Month

2022-12-15



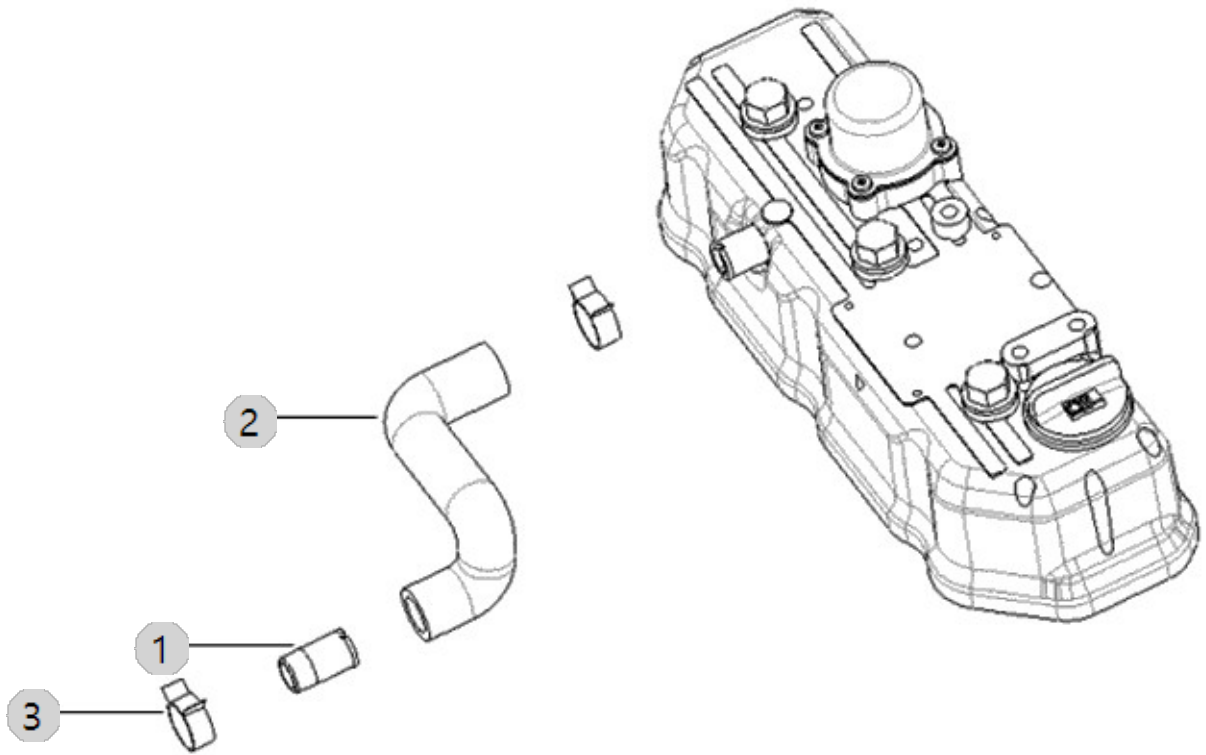
A06_002

A1700N2-UTR_4
(AB00132)

BREATHER OPTION

Year/Month

2022-12-15



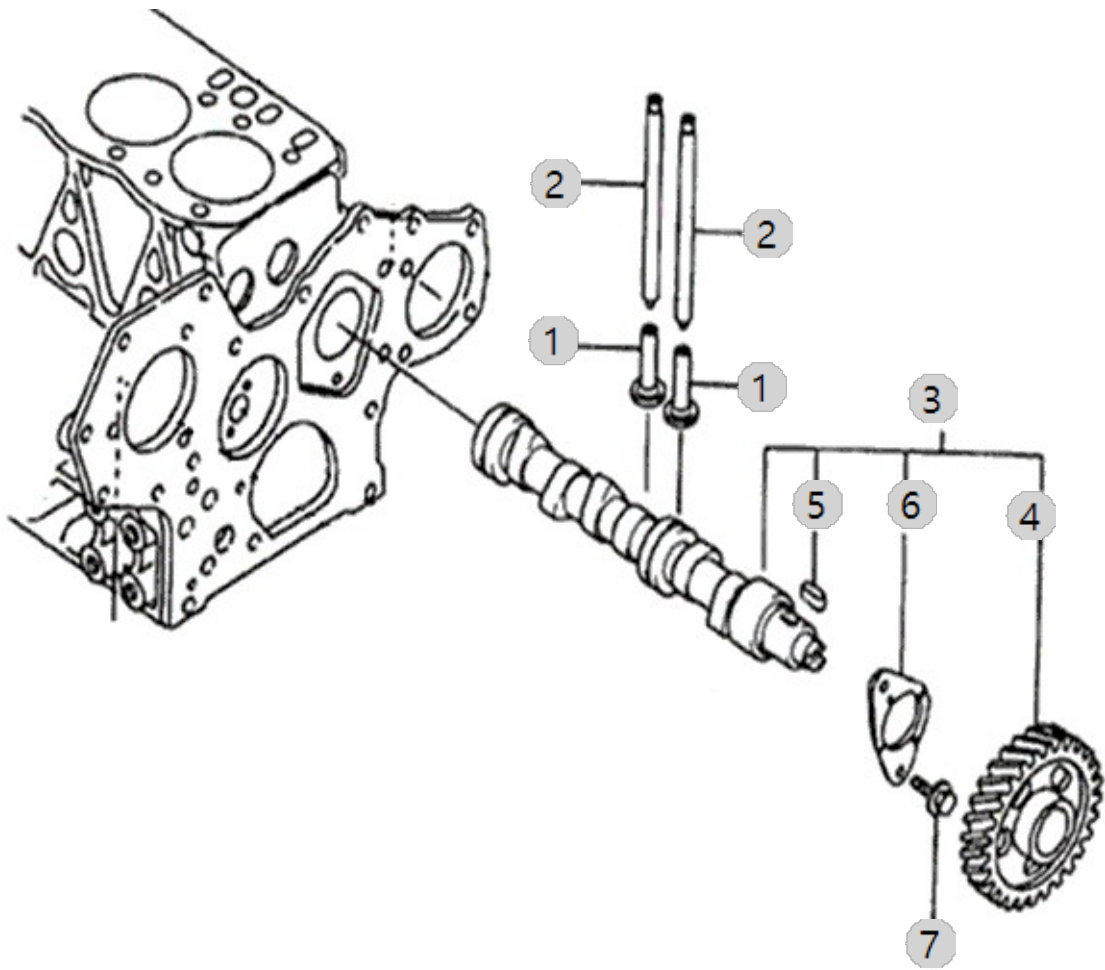
A07_002

A1700N2-UTR_4
(AB00132)

CAMSHAFT

Year/Month

2022-12-15



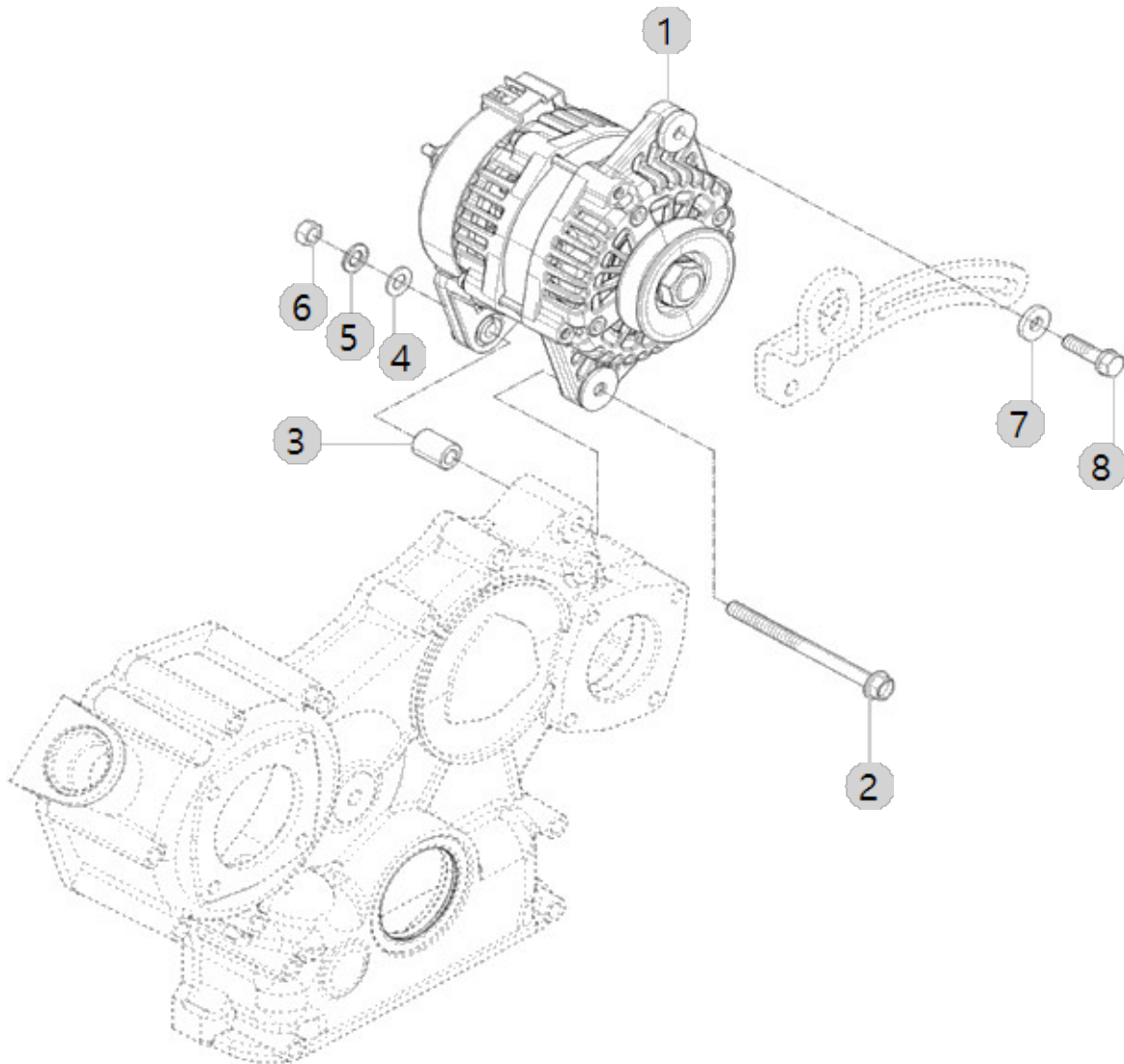
A08_003

A1700N2-UTR_4
(AB00132)

ALTERNATOR

Year/Month

2022-12-15



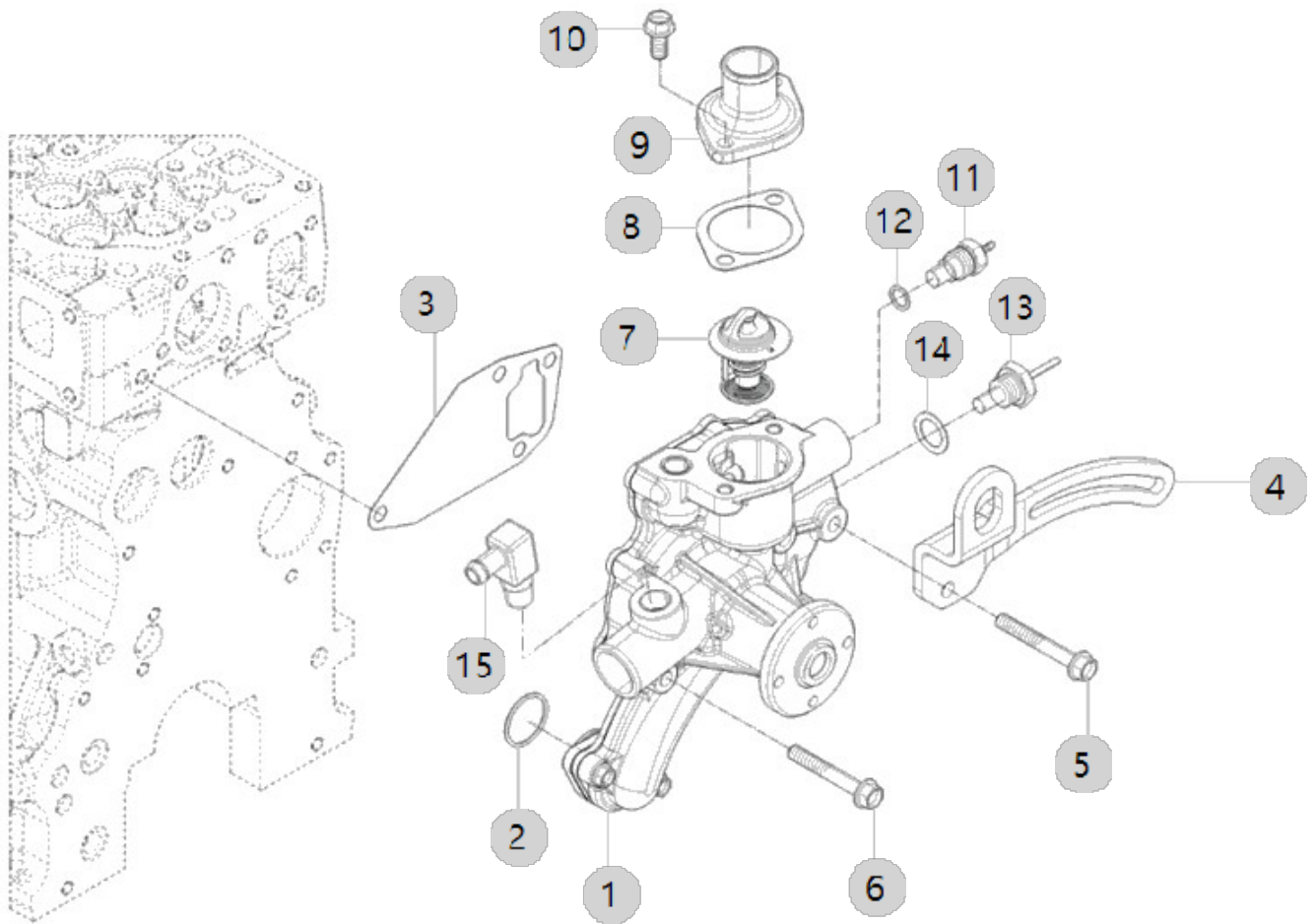
A09_003

A1700N2-UTR_4
(AB00132)

COOLING WATER PUMP

Year/Month

2022-12-15



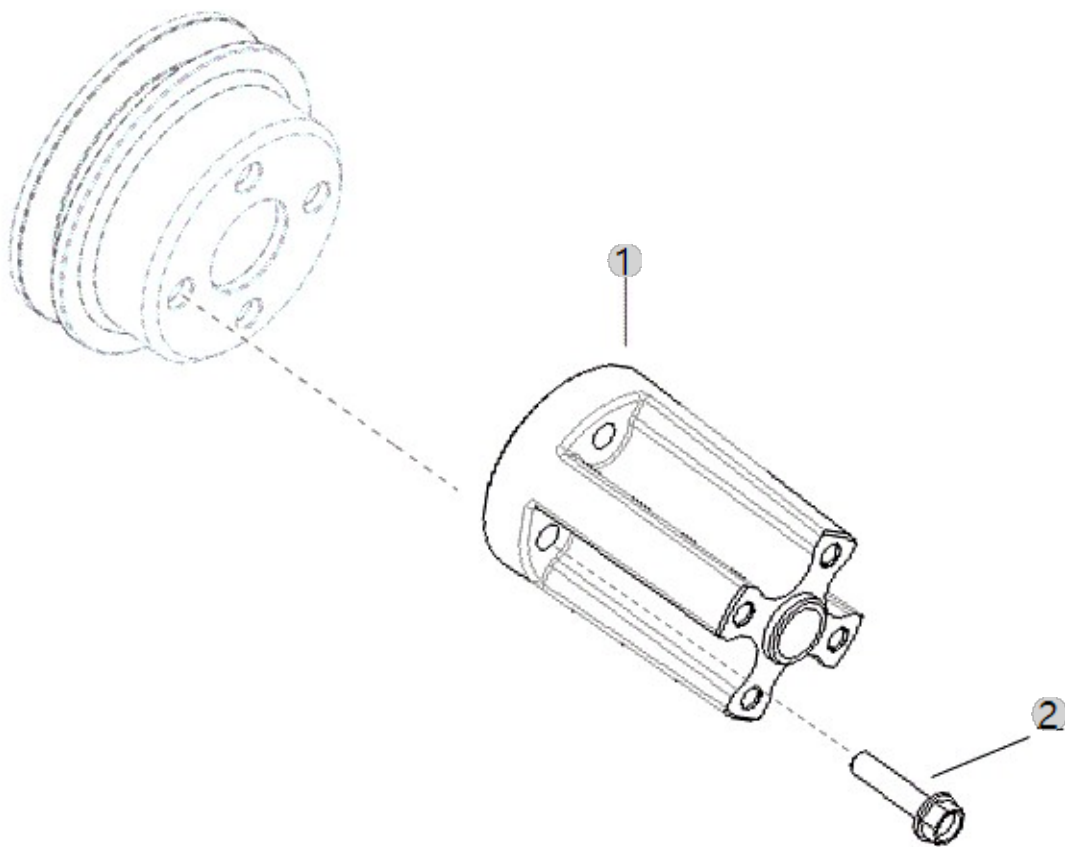
A10_003

A1700N2-UTR_4
(AB00132)

COOLING FAN SPACER

Year/Month

2022-12-15



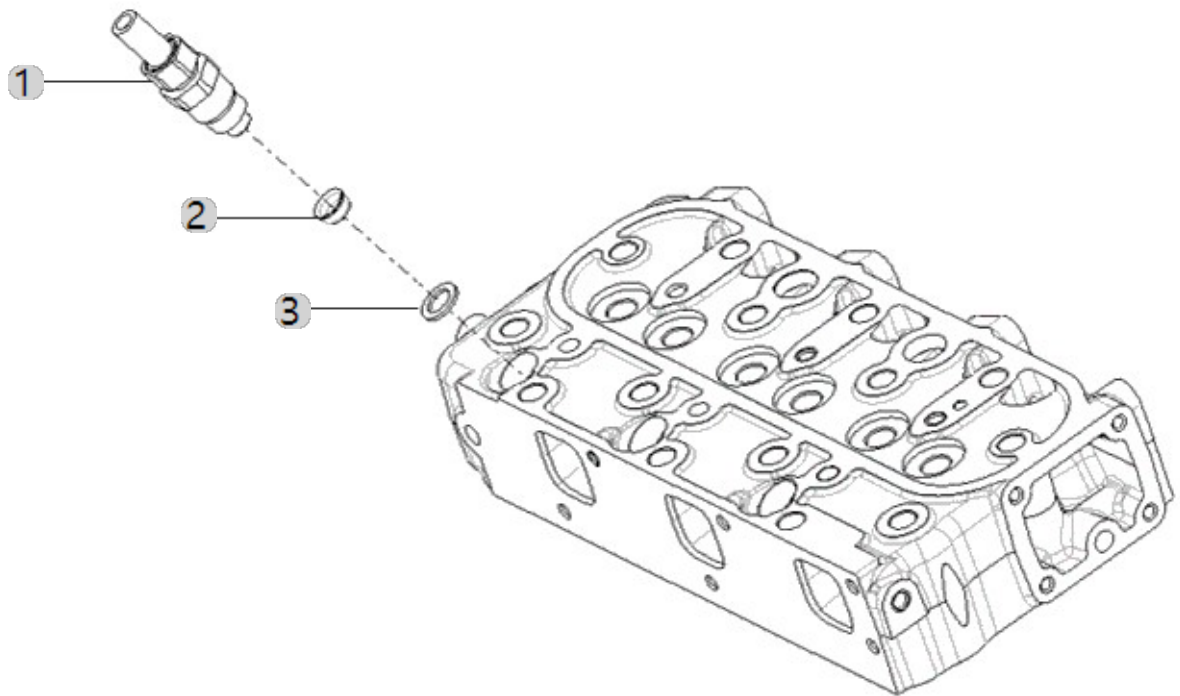
A11_005

A1700N2-UTR_4
(AB00132)

INJECTOR

Year/Month

2022-12-15



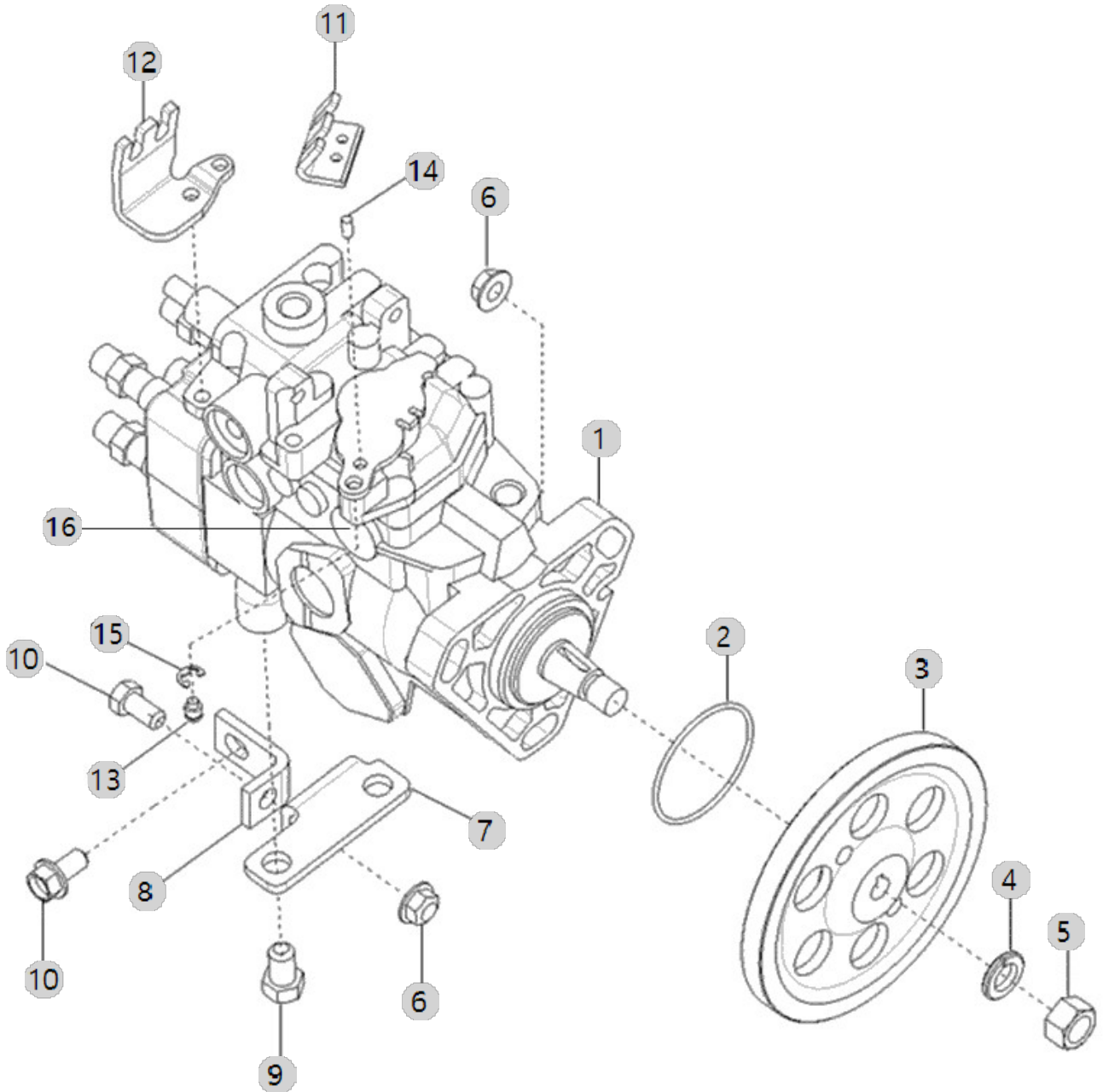
A12_006

A1700N2-UTR_4
(AB00132)

FUEL INJECTOR

Year/Month

2022-12-15



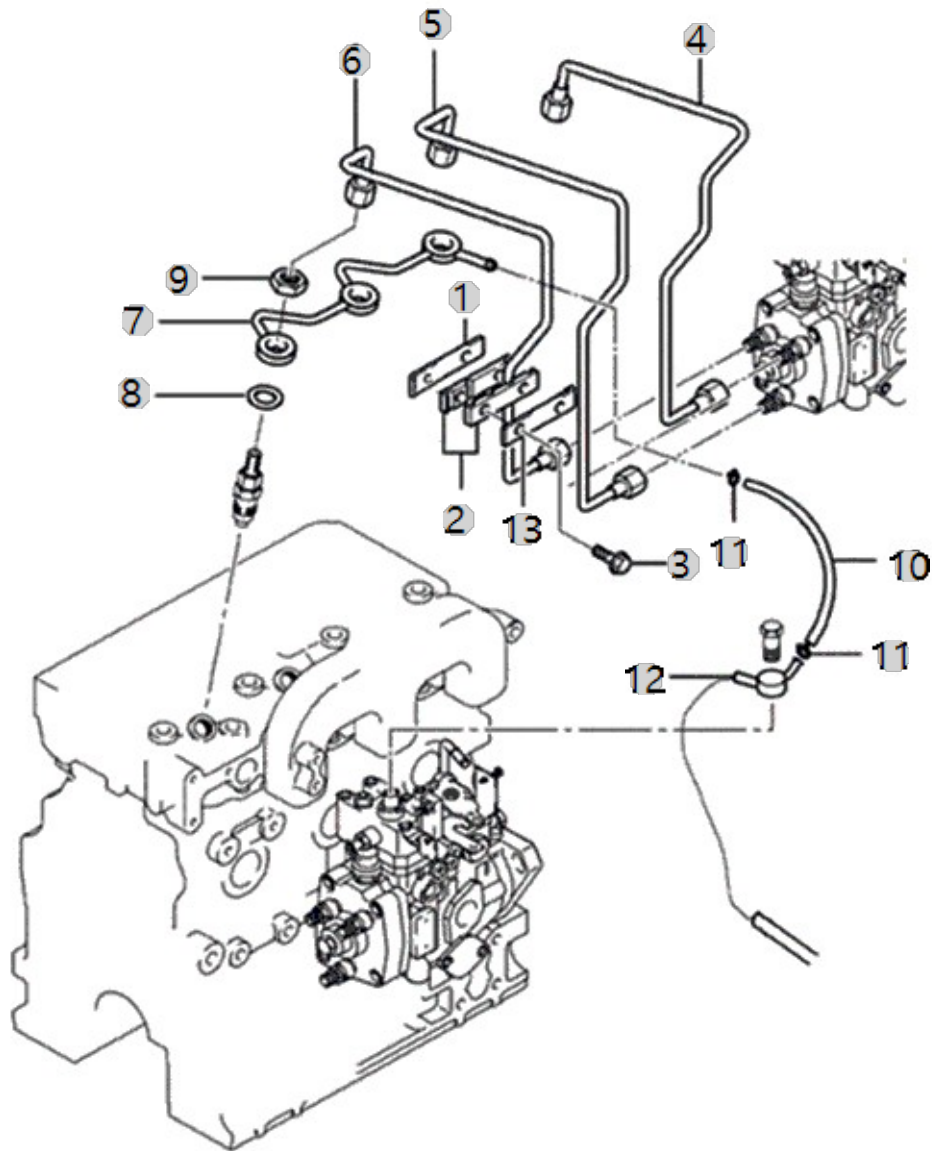
A13_002

A1700N2-UTR_4
(AB00132)

PLUMBING, FUEL

Year/Month

2022-12-15



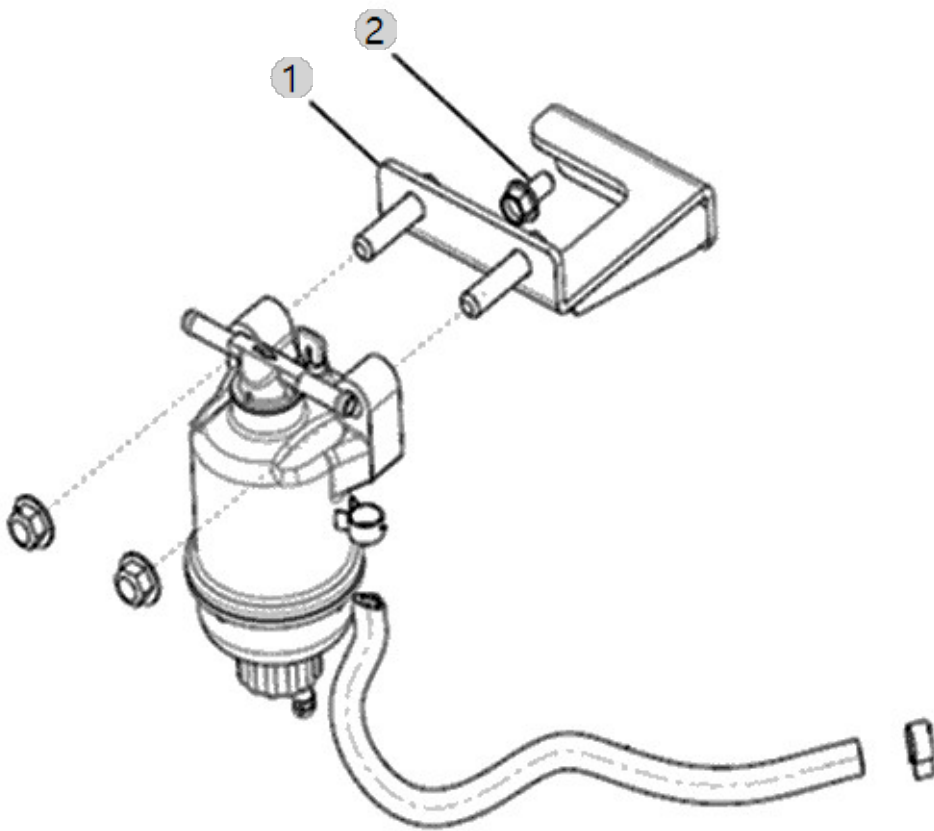
A14_001

A1700N2-UTR_4
(AB00132)

FUEL FILTER BRACKET

Year/Month

2022-12-15



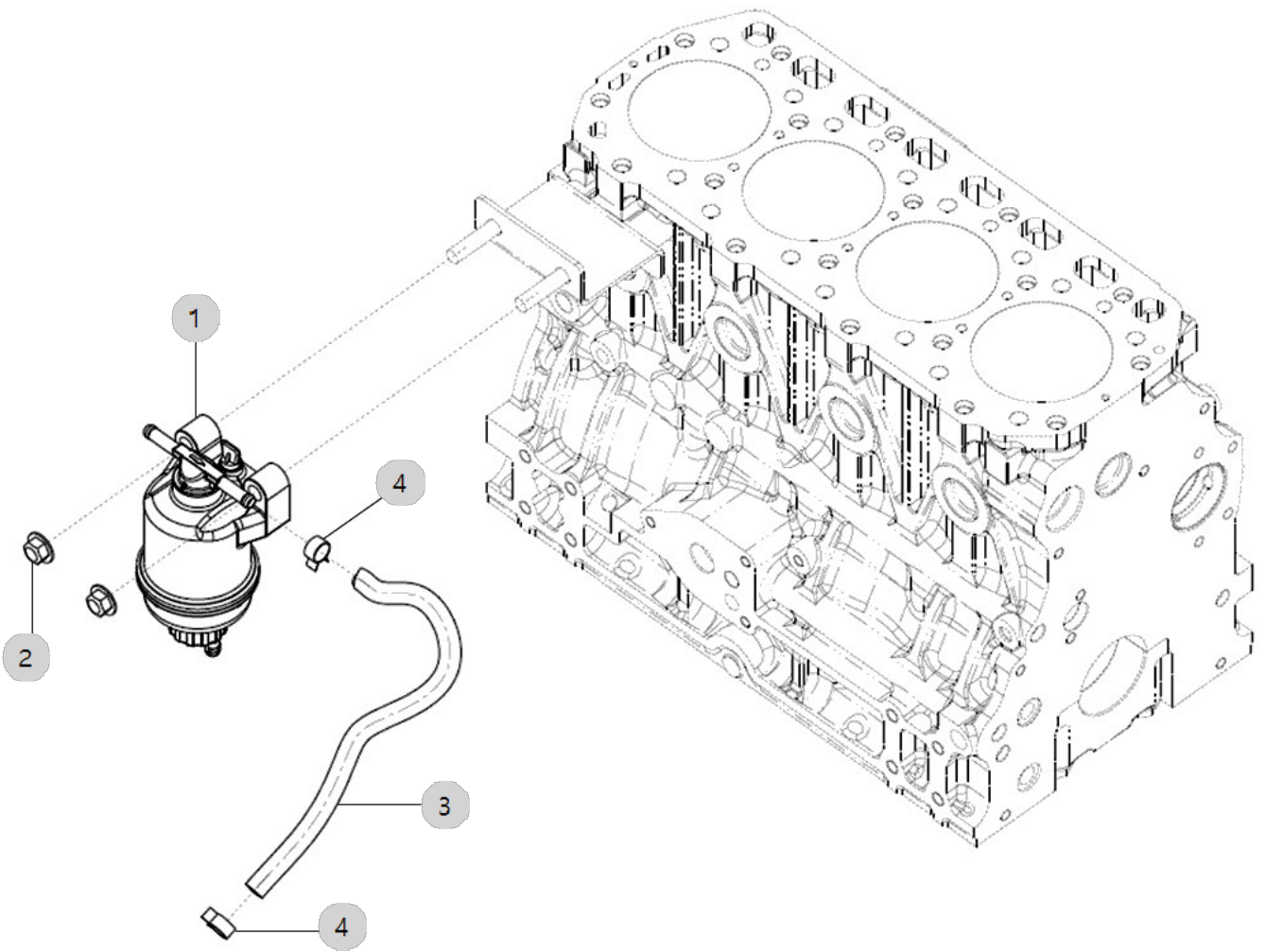
A16_018

A1700N2-UTR_4
(AB00132)

FUEL FILTER ASS'Y OPTION

Year/Month

2022-12-15



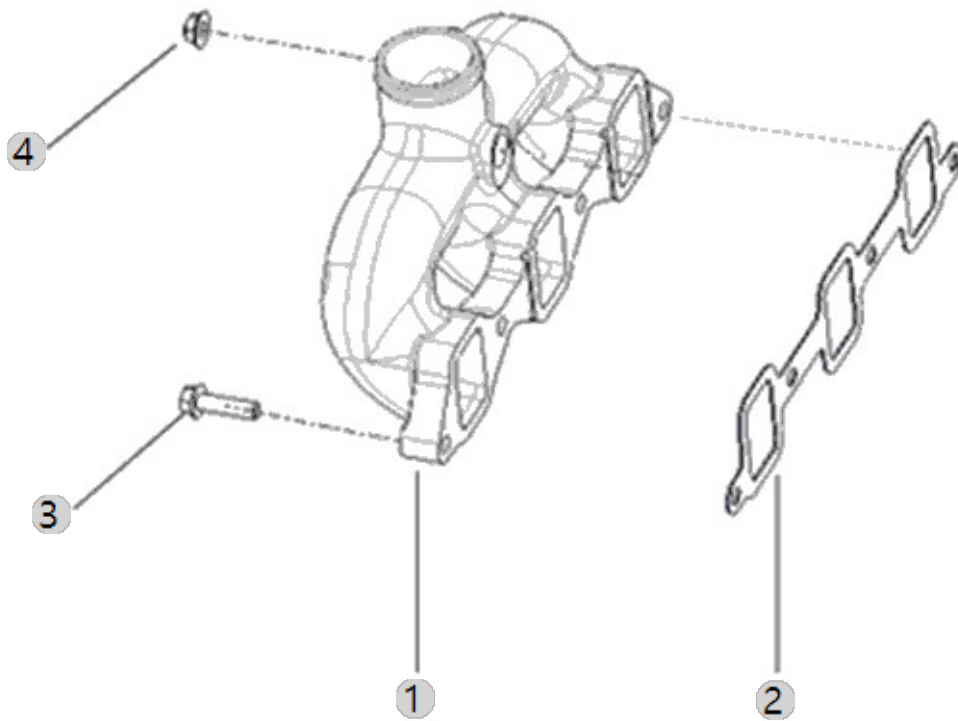
A17_005

A1700N2-UTR_4
(AB00132)

INTAKE MANIFOLD ASS'Y OPTION

Year/Month

2022-12-15



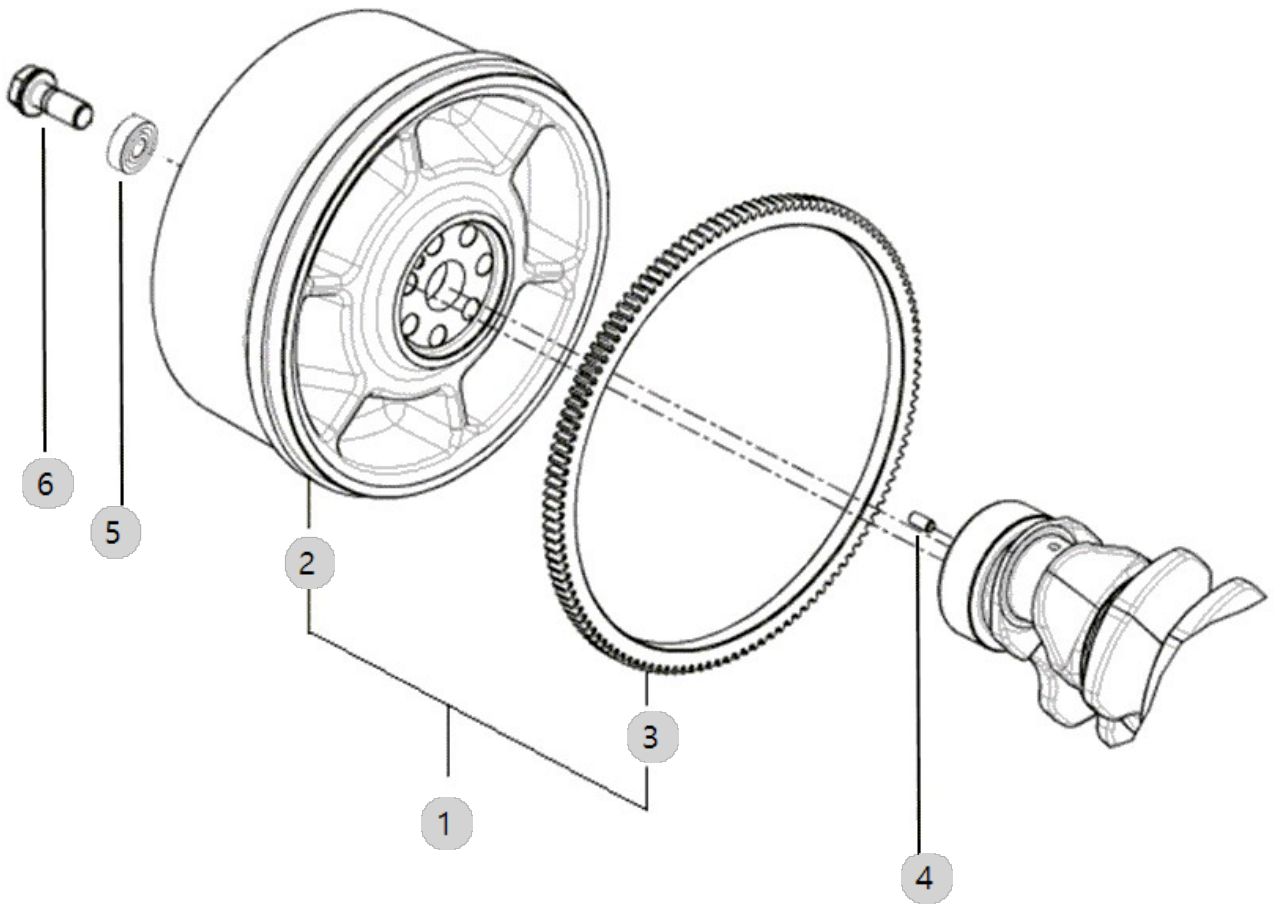
A18_005

A1700N2-UTR_4
(AB00132)

FLYWHEEL

Year/Month

2022-12-15



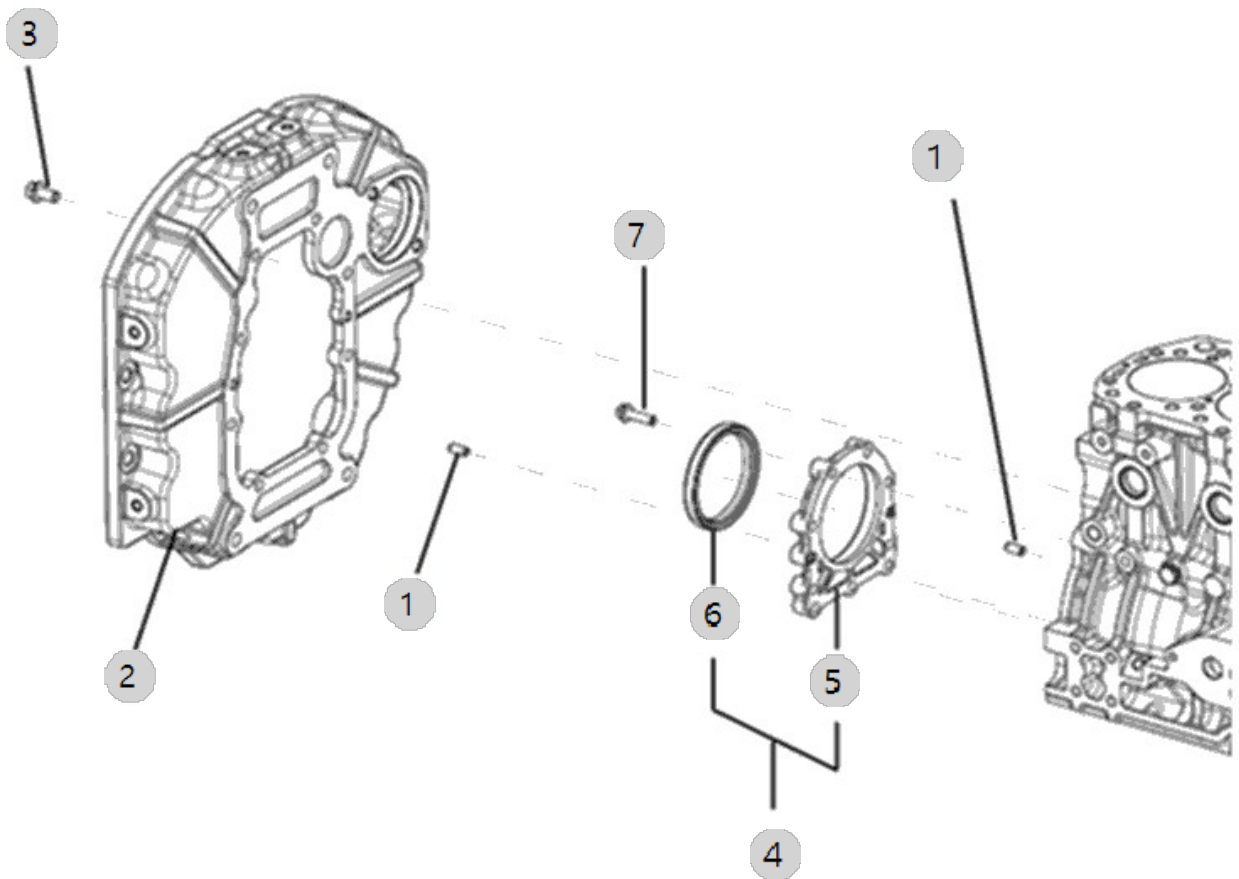
A19_005

A1700N2-UTR_4
(AB00132)

FLYWHEEL HOUSING

Year/Month

2022-12-15



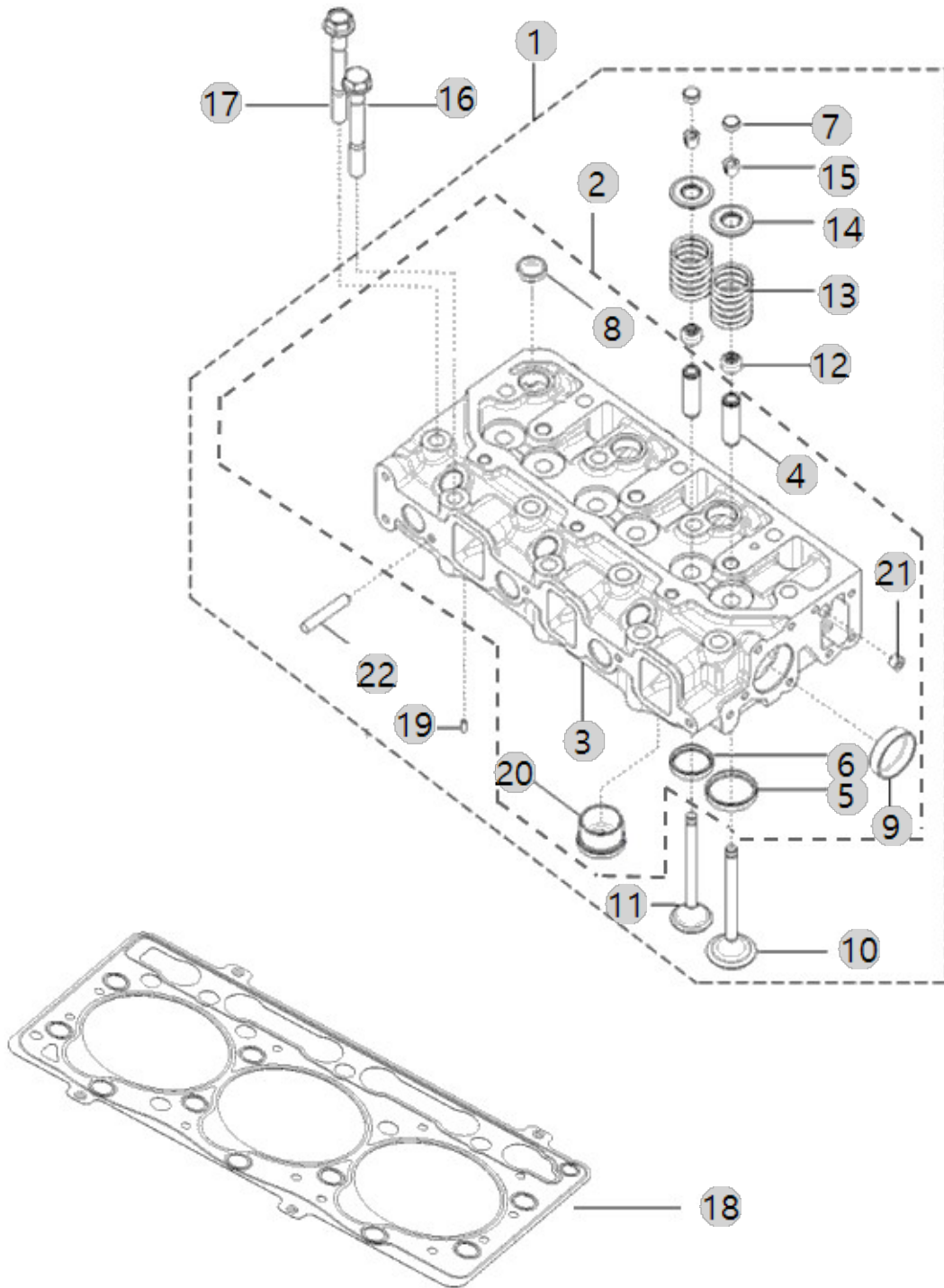
A20_007

A1700N2-UTR_4
(AB00132)

HEAD, CYLINDER

Year/Month

2022-12-15



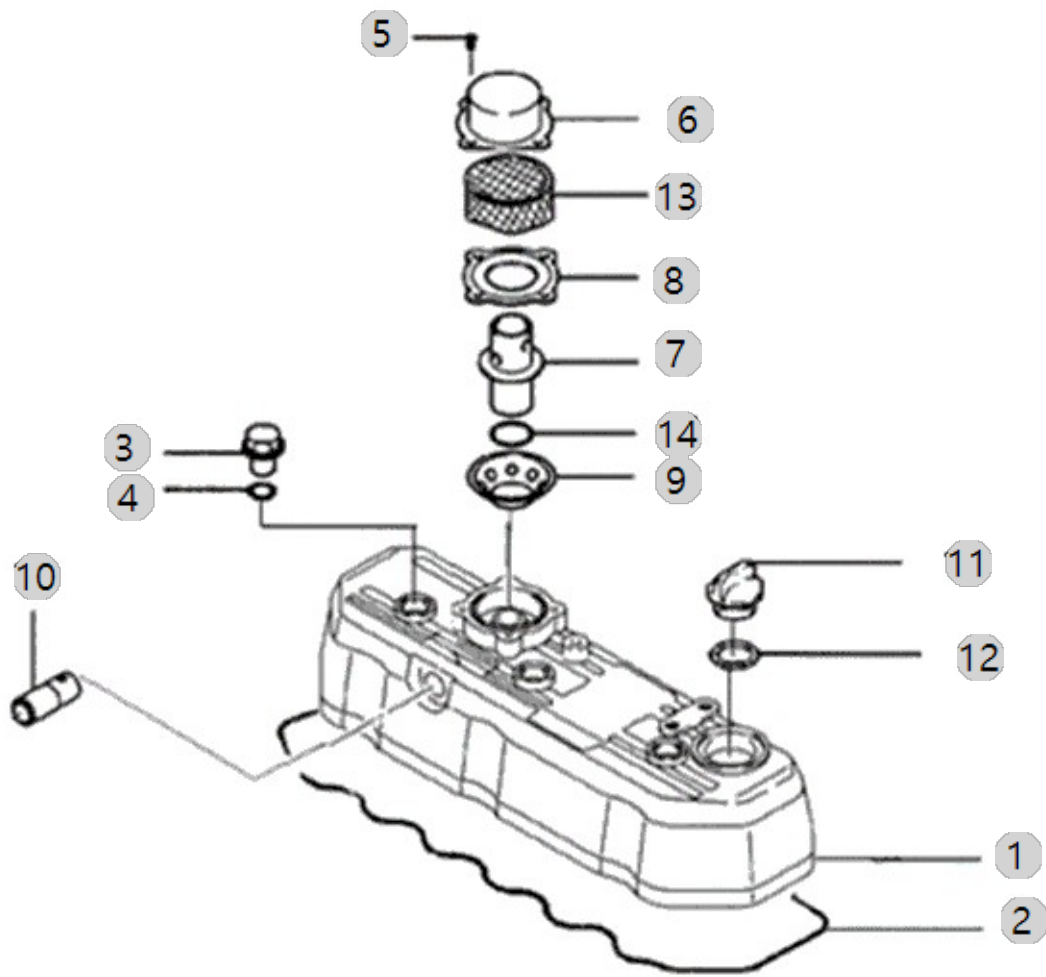
A21_002

A1700N2-UTR_4
(AB00132)

HEAD COVER

Year/Month

2022-12-15



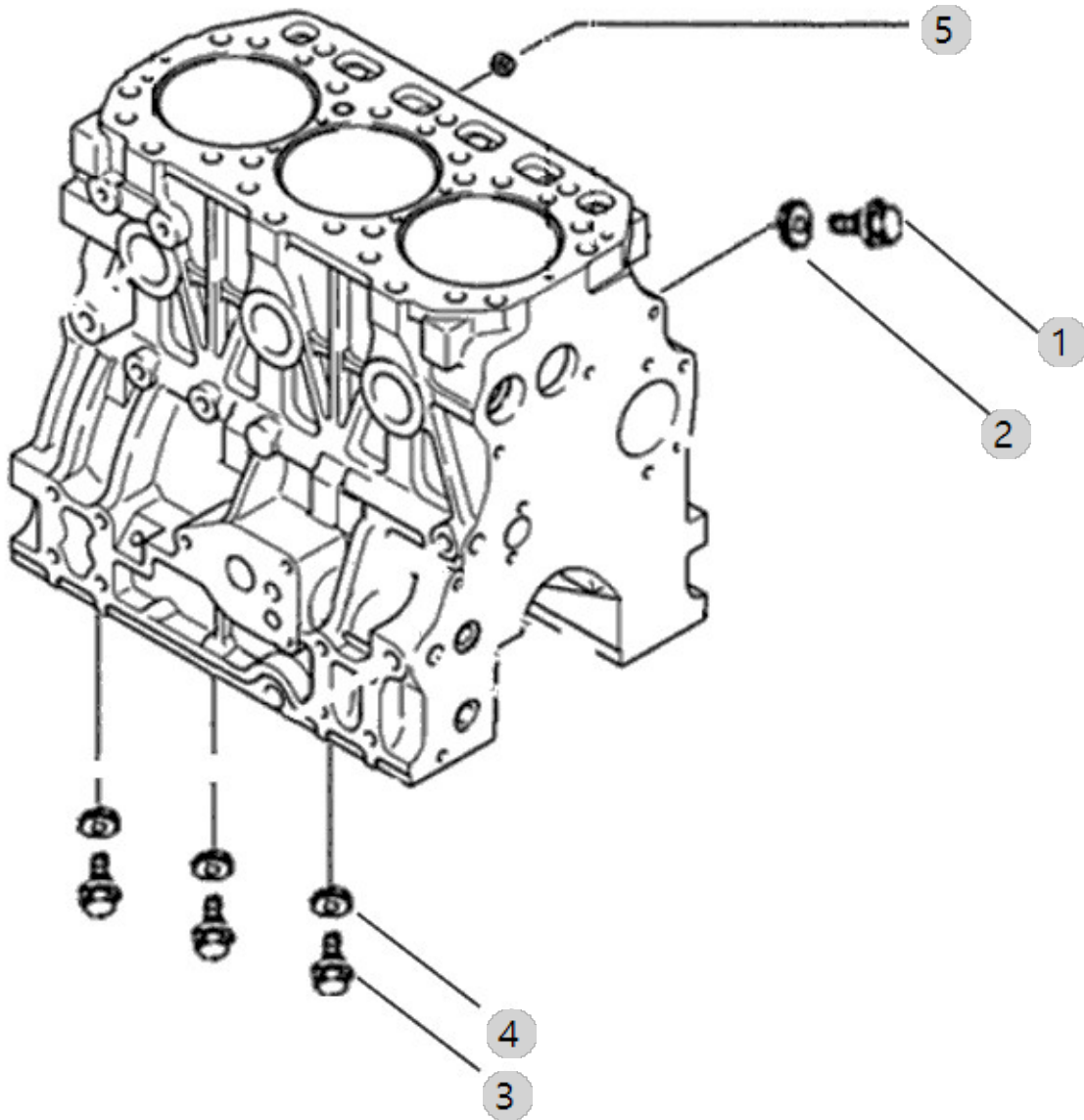
A23_003

A1700N2-UTR_4
(AB00132)

TURBOCHARGER SUPPORT ASS'Y OPTION

Year/Month

2022-12-15



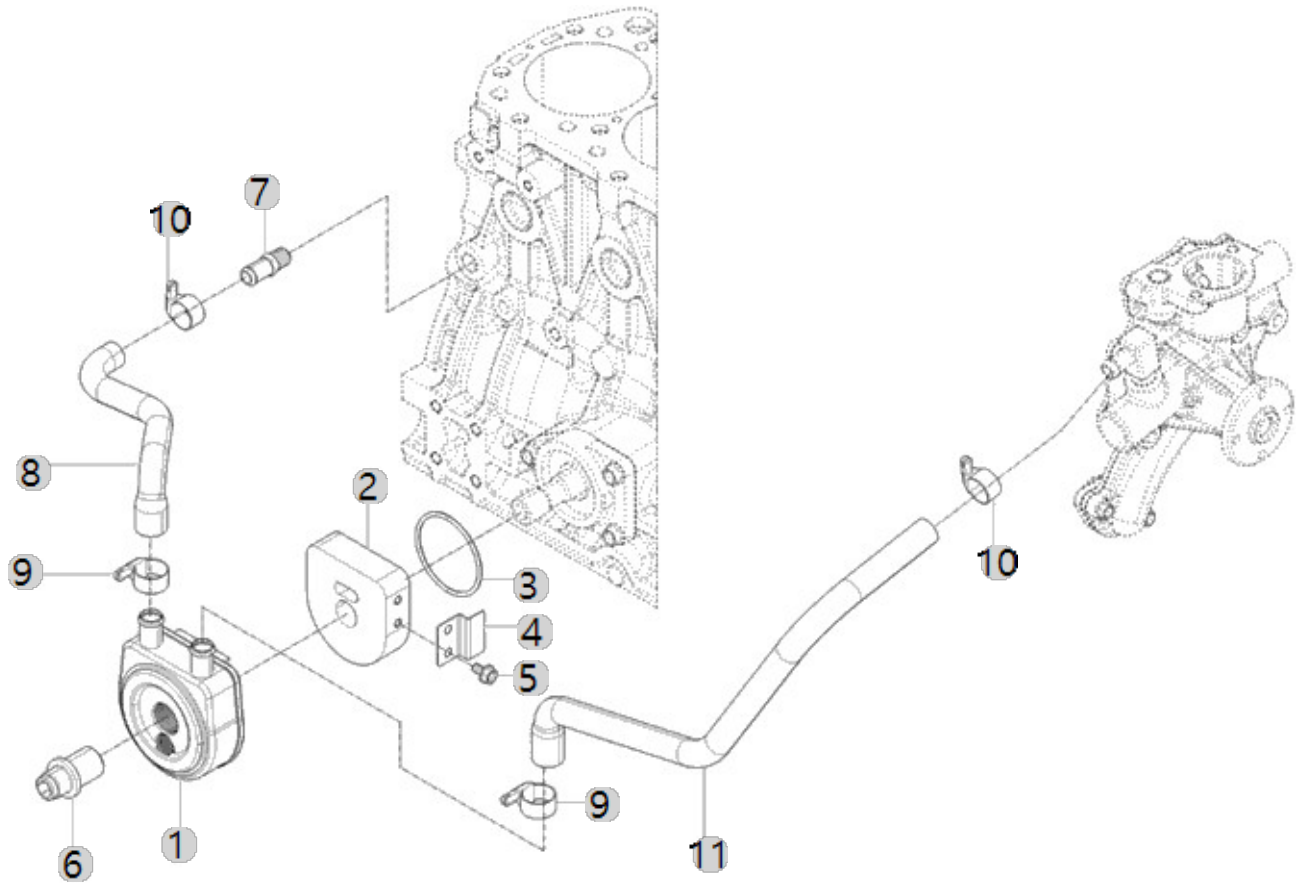
A26_001

A1700N2-UTR_4
(AB00132)

COOLER, ENGINE OIL

Year/Month

2022-12-15



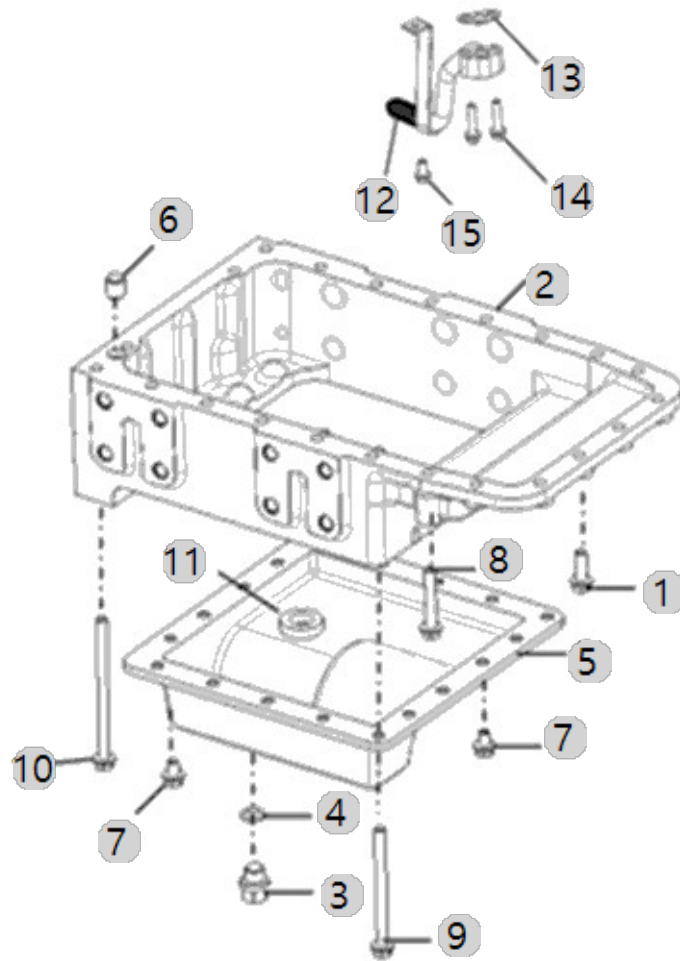
A27_004

A1700N2-UTR_4
(AB00132)

OIL PAN ASS'Y OPTION

Year/Month

2022-12-15



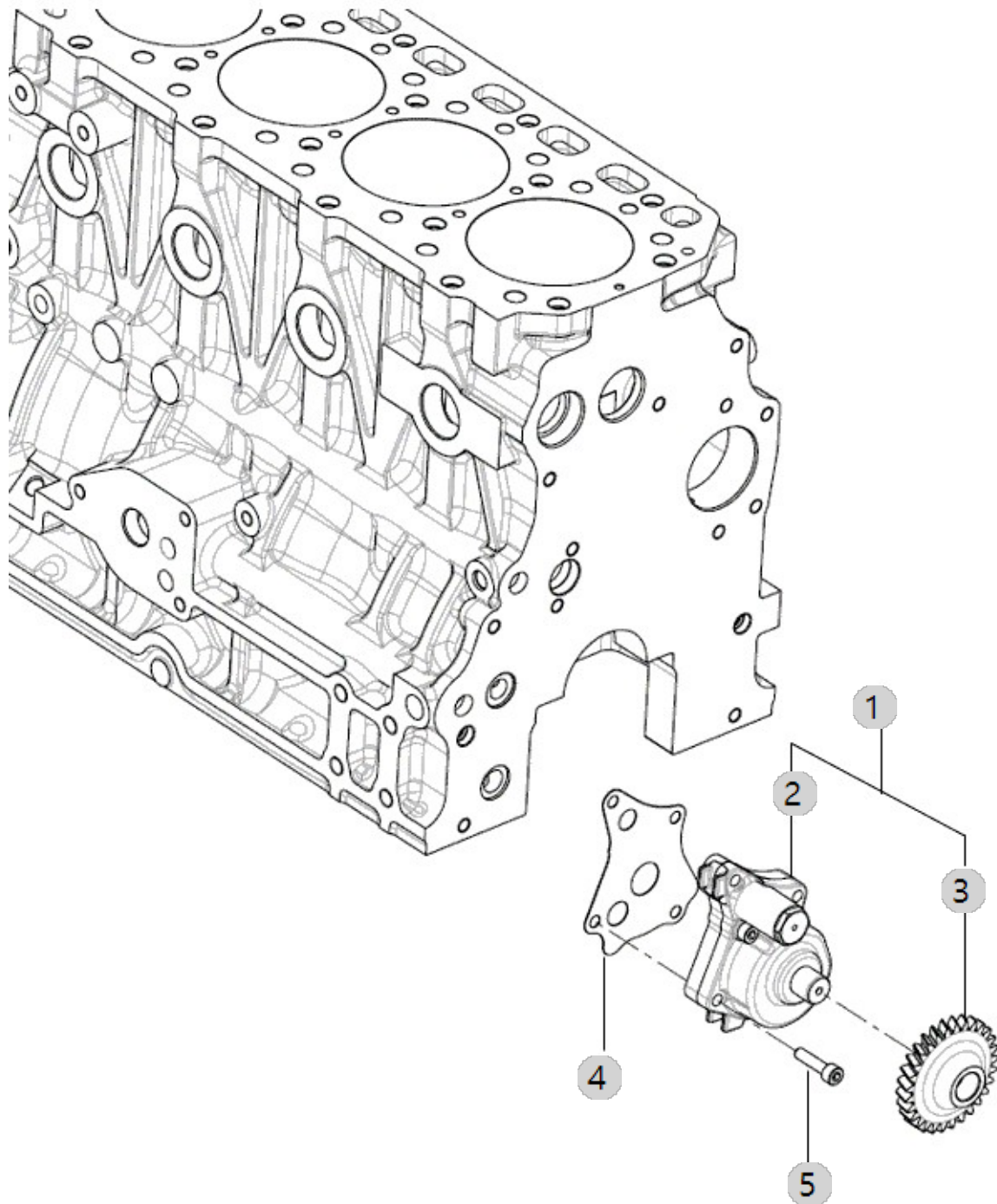
A28_001

A1700N2-UTR_4
(AB00132)

PUMP, LUBRICATING OIL

Year/Month

2022-12-15



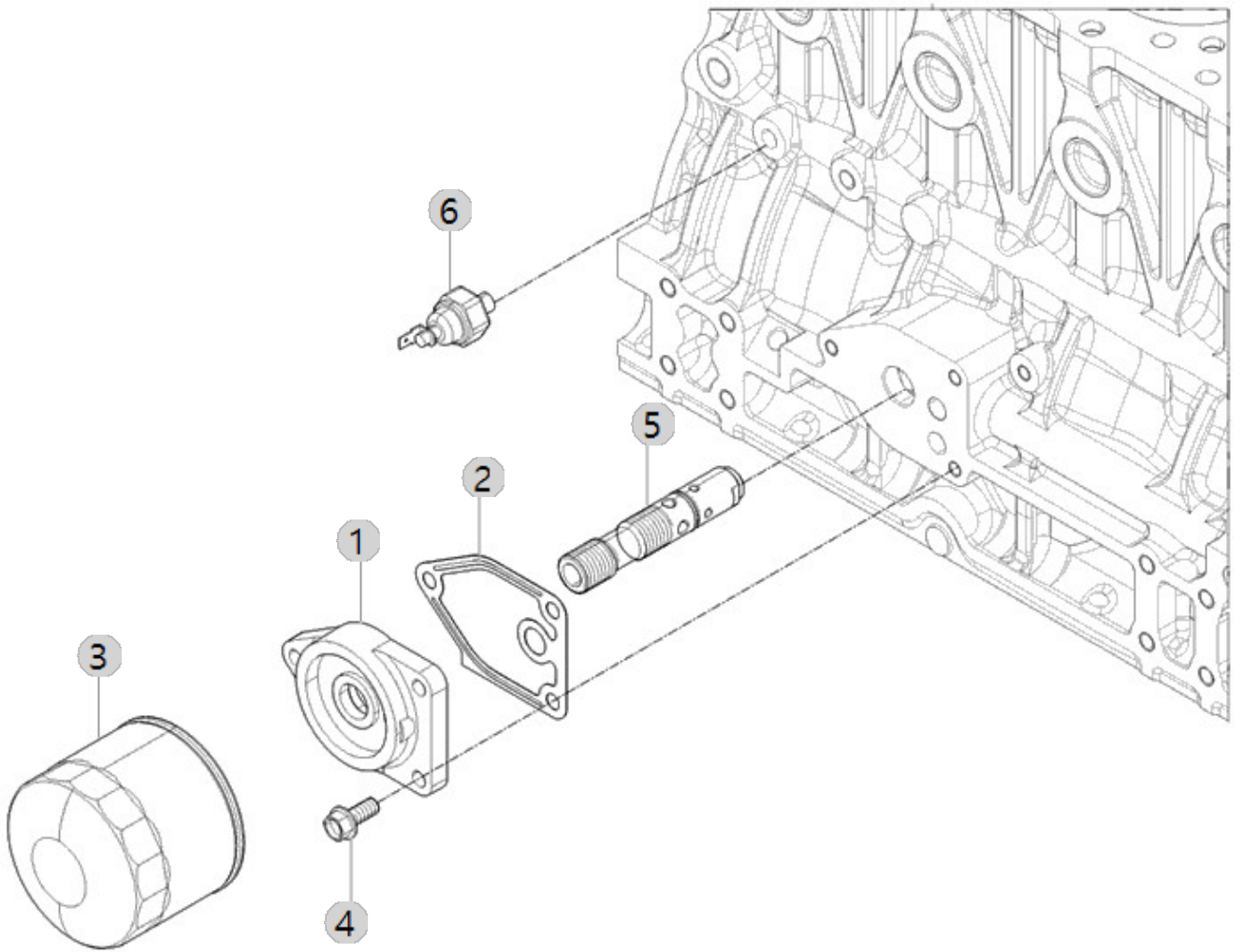
A29_005

A1700N2-UTR_4
(AB00132)

FILTER, LUBRICATING OIL

Year/Month

2022-12-15



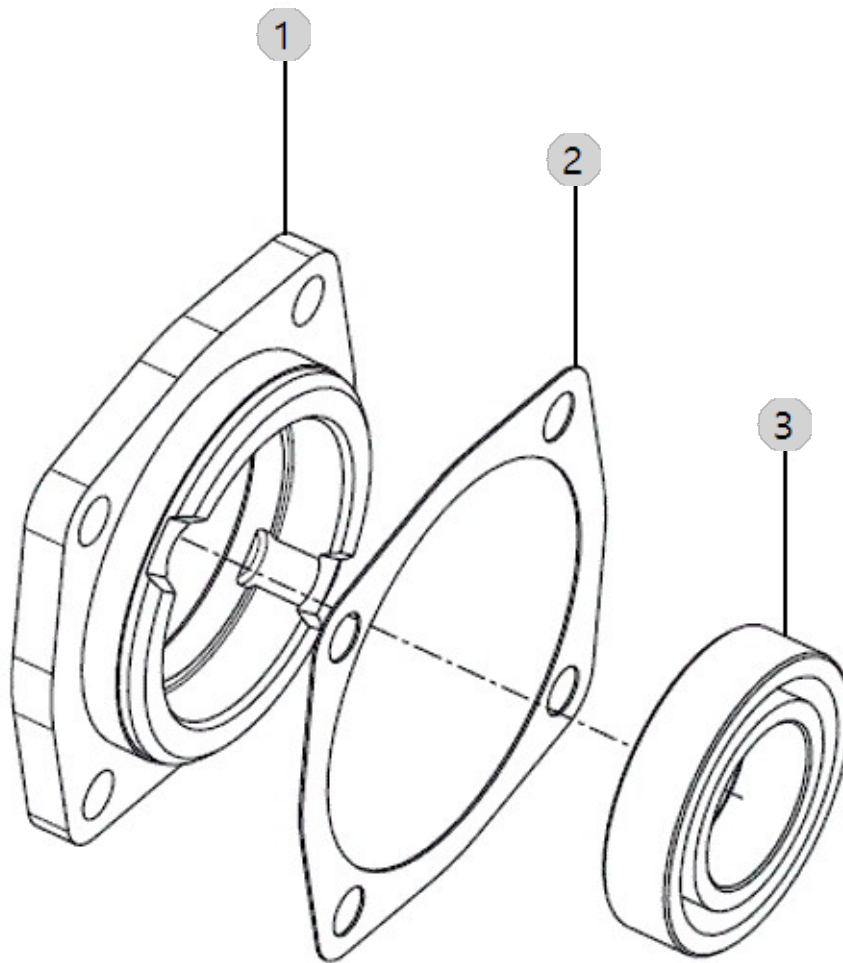
A30_003

A1700N2-UTR_4
(AB00132)

FRONT GEAR ACCESSORY DRIVE

Year/Month

2022-12-15



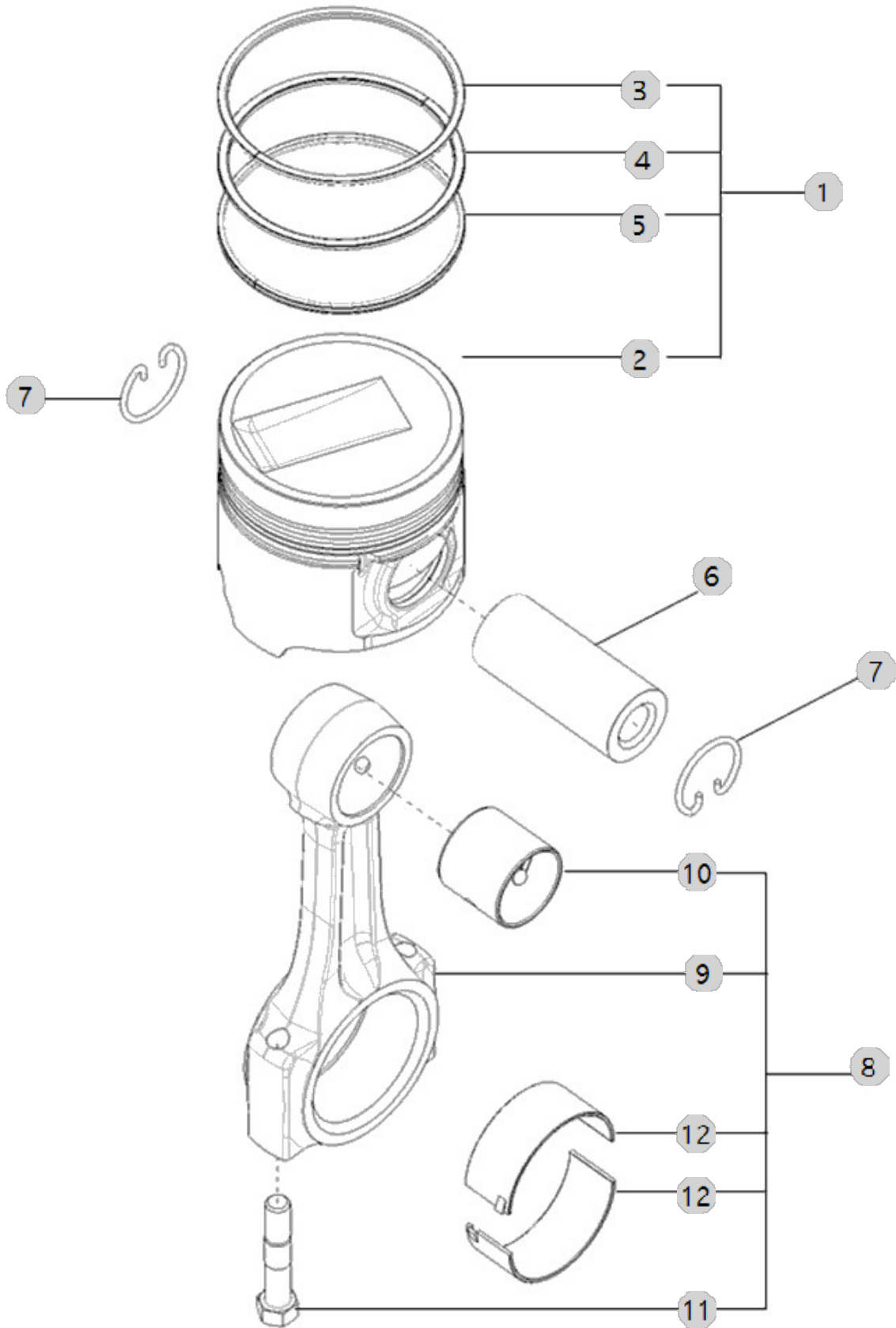
A31_003

A1700N2-UTR_4
(AB00132)

PISTON

Year/Month

2022-12-15



<p>A31_003</p> <p>A1700N2-UTR_4 (AB00132)</p>	<p>PISTON</p>	<p>Year/Month</p>
		<p>2022-12-15</p>

순번 (NO)	부품번호 (PART NO)	품 명 (PART NAME)	품 명 (PART NAME)	수량 (QTY)	규격 (SPEC)	비고 (REMARK)
1	HRA0801300A9	피스톤조합	PISTON ASS'Y	3		
2	HRA0801301C1	피스톤A2300(T),A1700	PISTON,ENGINE A2300(T),A1700	3		
2	HRA0801301B1	피스톤 A2300(T),A1700	PISTON,ENGINE	3		
3	HRA0801303A4	401,A172322,피스톤링(1ST)	RING,1STCOMPRESSIONPISTON	3		
4	HRA0801304B4	739,A172322,피스톤링(2ND)	RING,2NDCOMPRESSIONPISTON	3		
5	HRA0801305B4	740,A172322,피스톤링(OIL)	RING,OILPISTON	3		
6	HK27150000D4	피스톤핀	PIN,PISTON	3		
6	HK27150000C4	피스톤핀	PIN,PISTON	3		
7	HA08070000A4	468,ALL,멈춤링	RING,RETAINING	6		
8	HRA0801600C9	커넥팅로드조합	ROD,ENGINE CONNECTING	3		
8	HRA0801600B9	커넥팅로드조합	ROD,ENGINE CONNECTING	3		
9	HRA0801601C2	커넥팅로드	ROD,ENGINE CONNECTING	3		
9	HRA0801601B2	커넥팅로드	ROD,ENGINE CONNECTING	3		
10	HRA0801603B4	부시(피스톤핀)	BUSHING	3		
10	HRA0801603A4	409,ALL, 부시(피스톤핀)	BUSHING	3		
11	HRA0801602A4	408,ALL,볼트(커넥팅로드)	SCREW,HEXAGONHEADCAP	6		
12	HRA0801700A3	커넥팅로드 베어링	CONNECTING ROD BEARING	6		

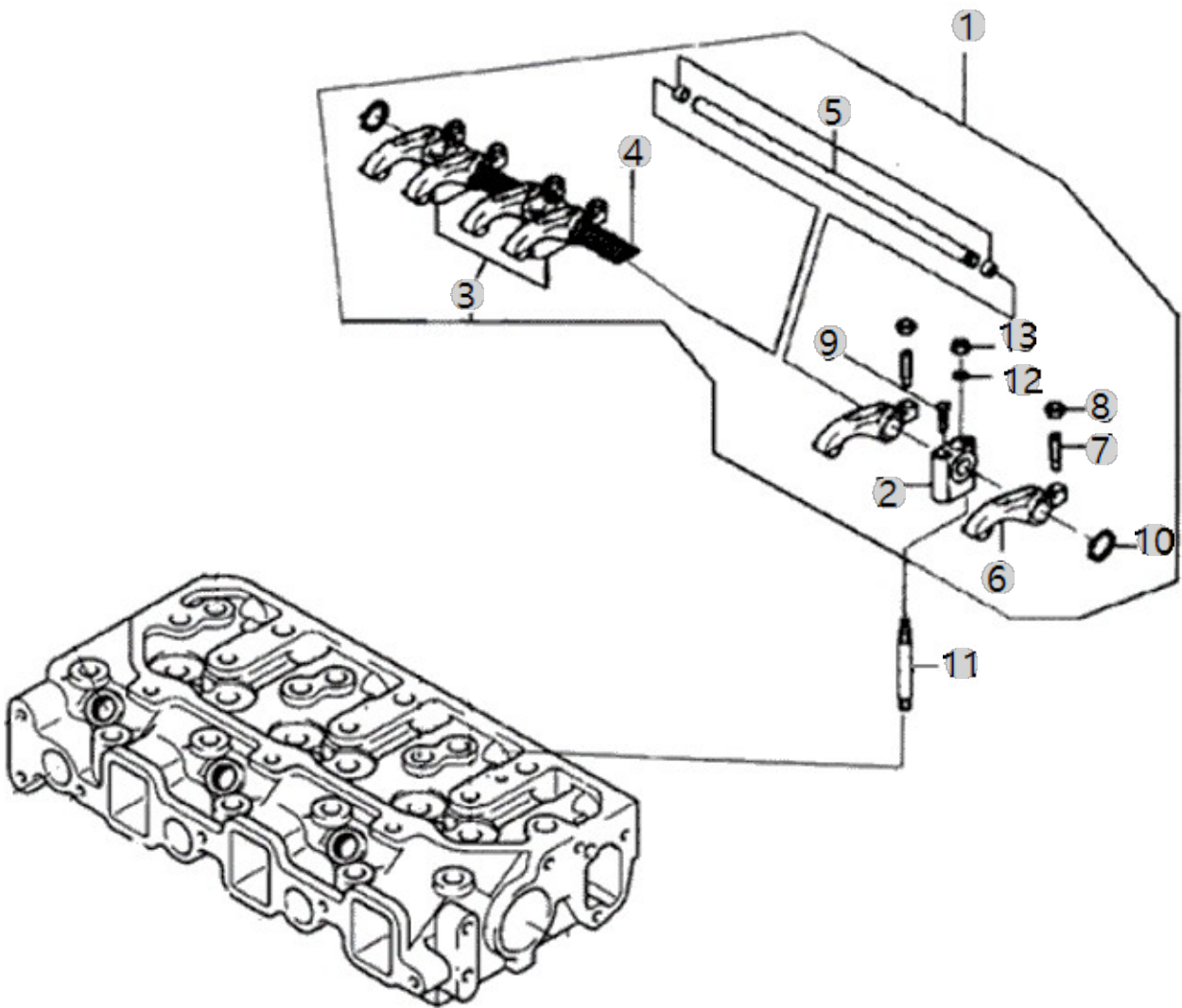
A32_002

A1700N2-UTR_4
(AB00132)

LEVER, LOCKER

Year/Month

2022-12-15



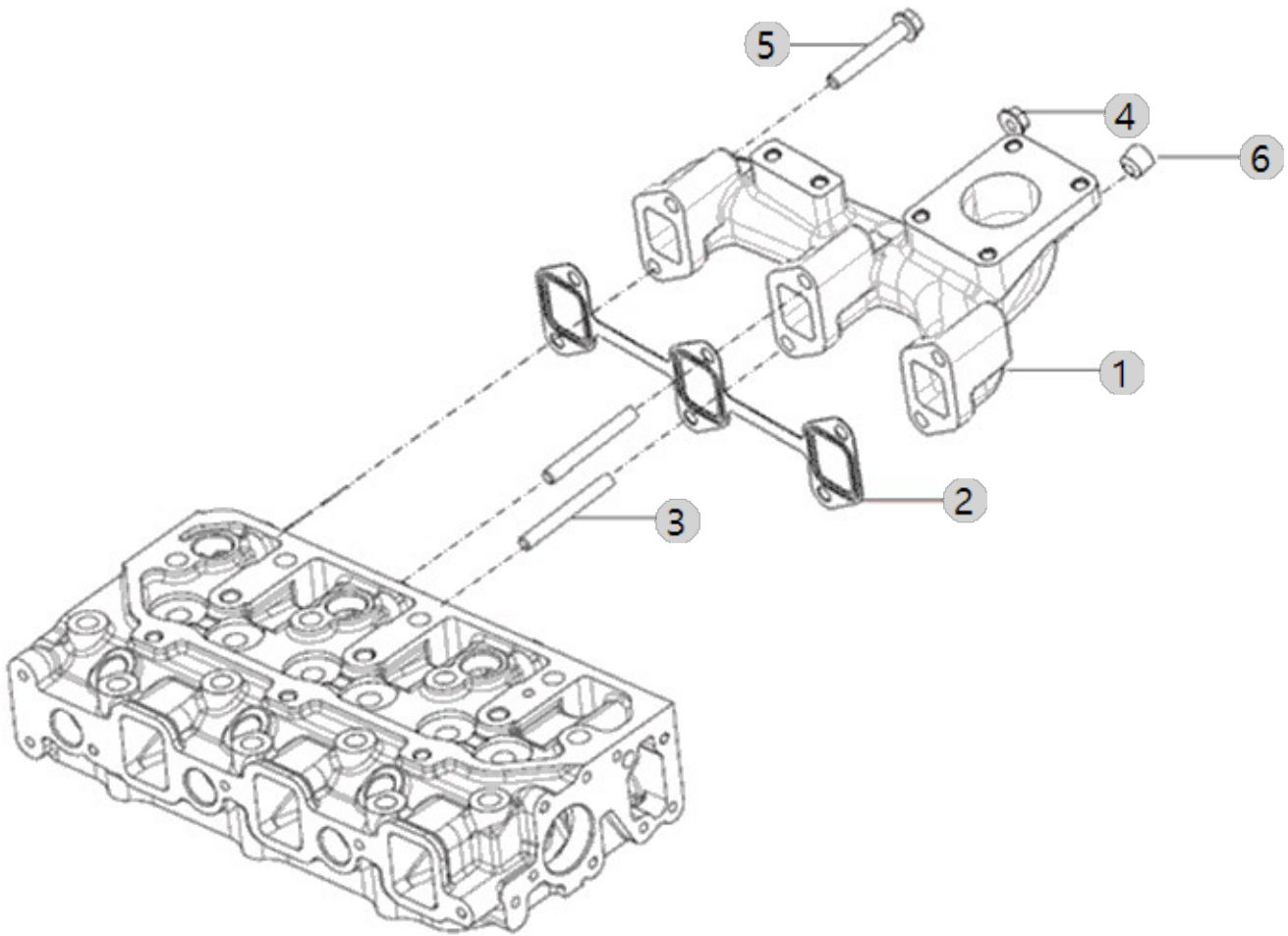
A33_006

A1700N2-UTR_4
(AB00132)

EXHAUST MANIFOLD

Year/Month

2022-12-15



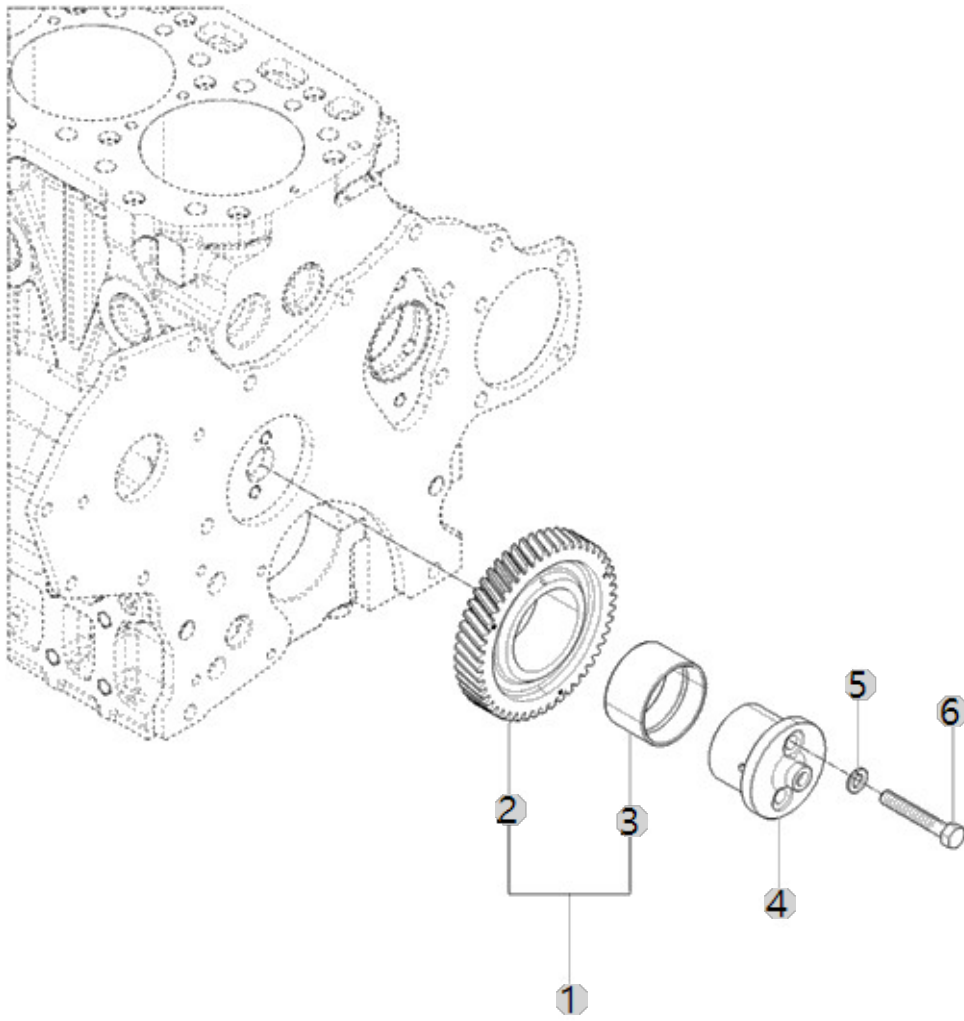
A35_002

A1700N2-UTR_4
(AB00132)

IDLE GEAR

Year/Month

2022-12-15



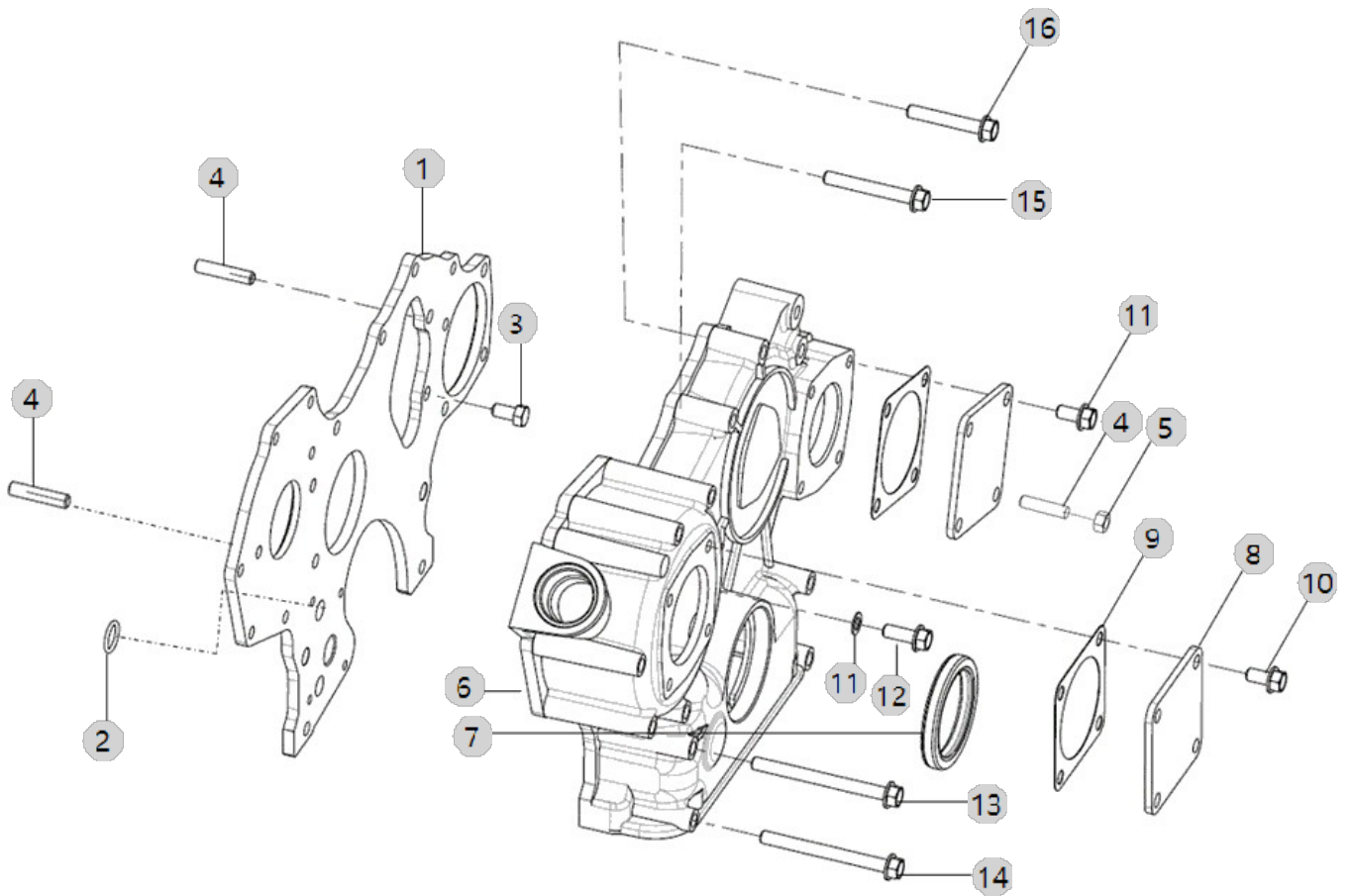
A36_002

A1700N2-UTR_4
(AB00132)

COVER, FRONT GEAR

Year/Month

2022-12-15



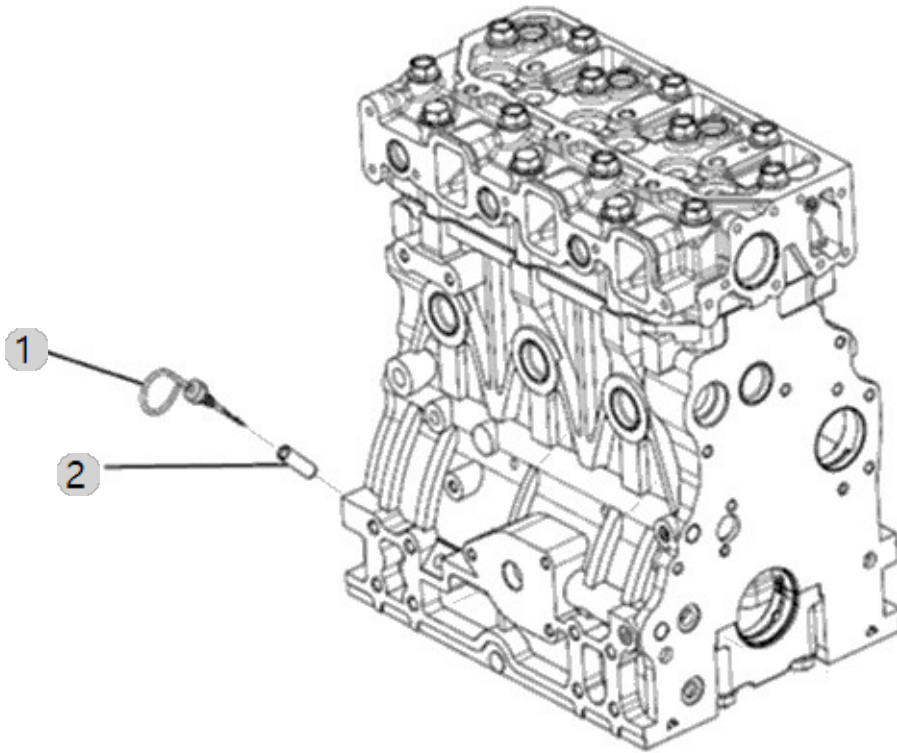
A38_004

A1700N2-UTR_4
(AB00132)

GAUGE, OIL LEVEL

Year/Month

2022-12-15



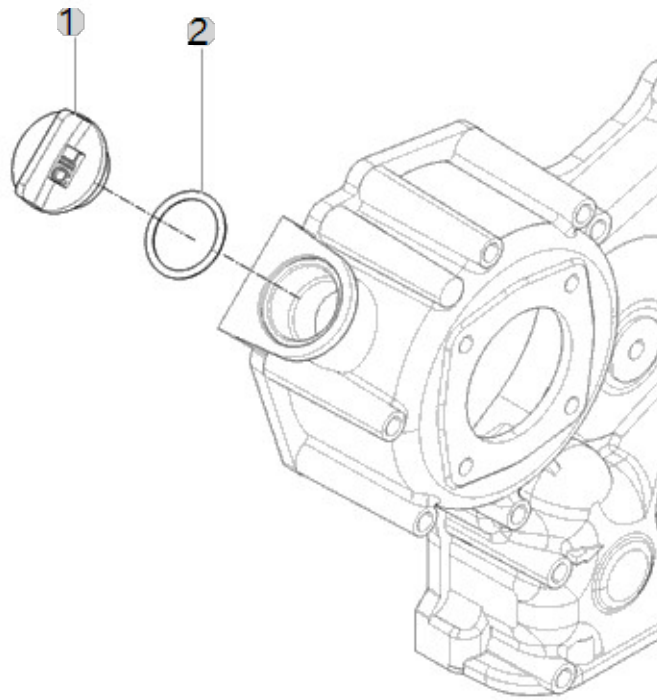
A39_001

A1700N2-UTR_4
(AB00132)

OIL FILLER CAP

Year/Month

2022-12-15



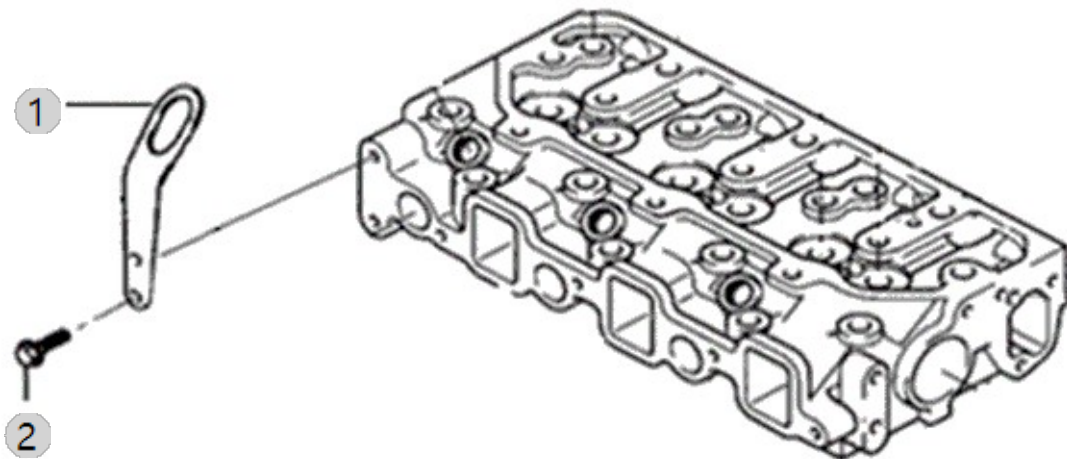
A40_003

A1700N2-UTR_4
(AB00132)

LIFT ASS'Y OPTION

Year/Month

2022-12-15



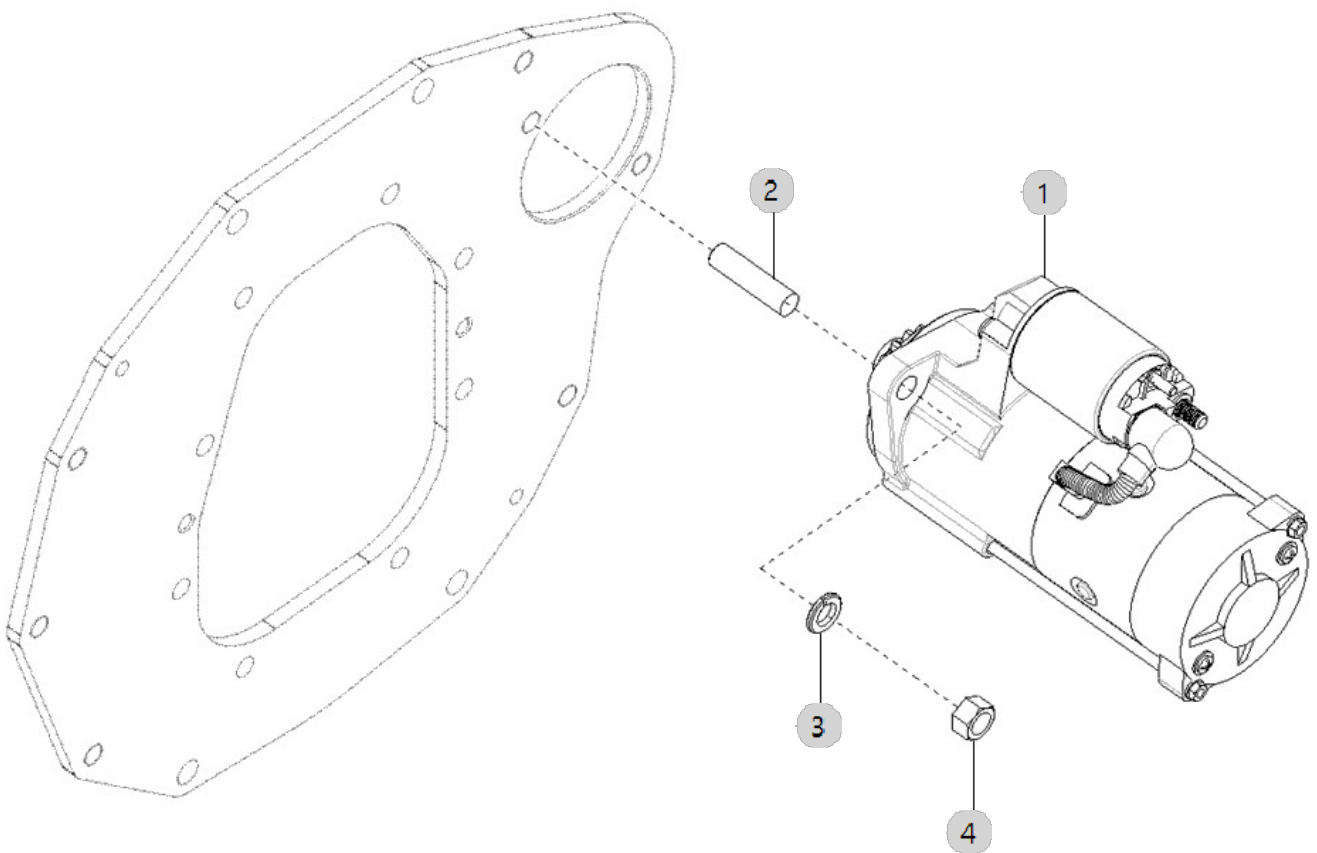
A42_003

A1700N2-UTR_4
(AB00132)

MOTER, STARTIONS

Year/Month

2022-12-15



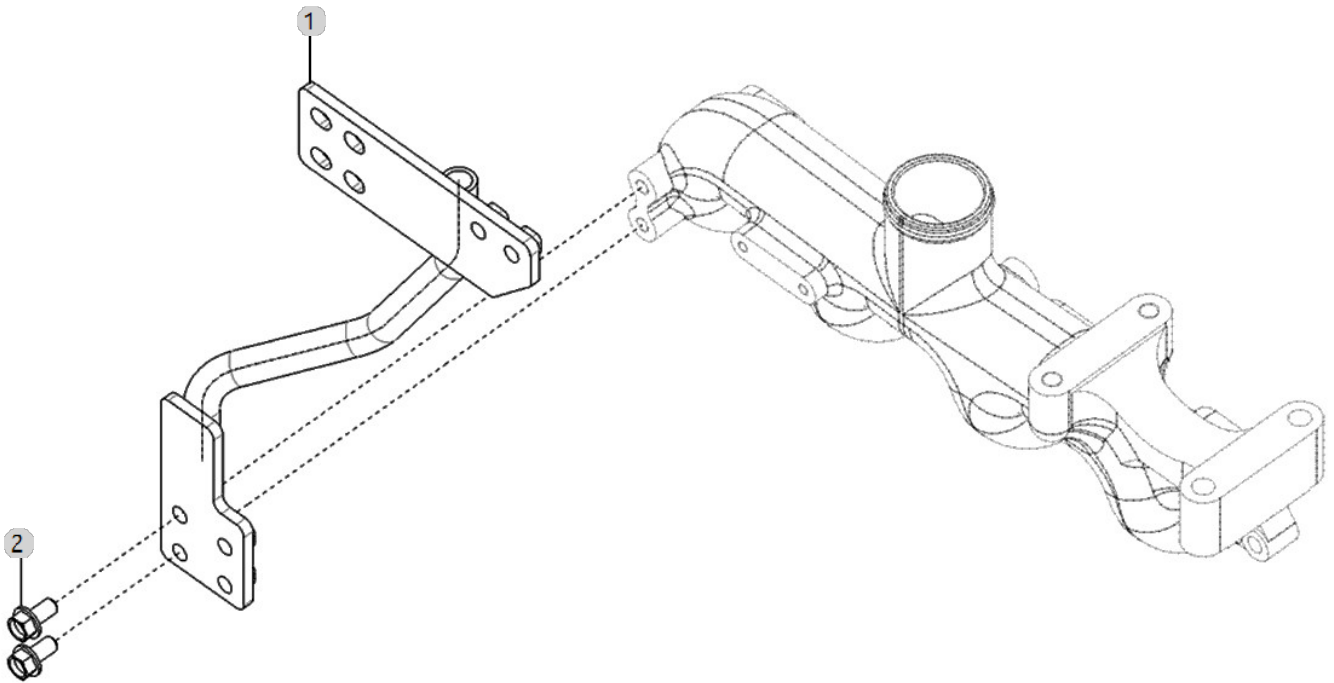
A43_001

A1700N2-UTR_4
(AB00132)

DPF SUPPORT OPTION

Year/Month

2022-12-15



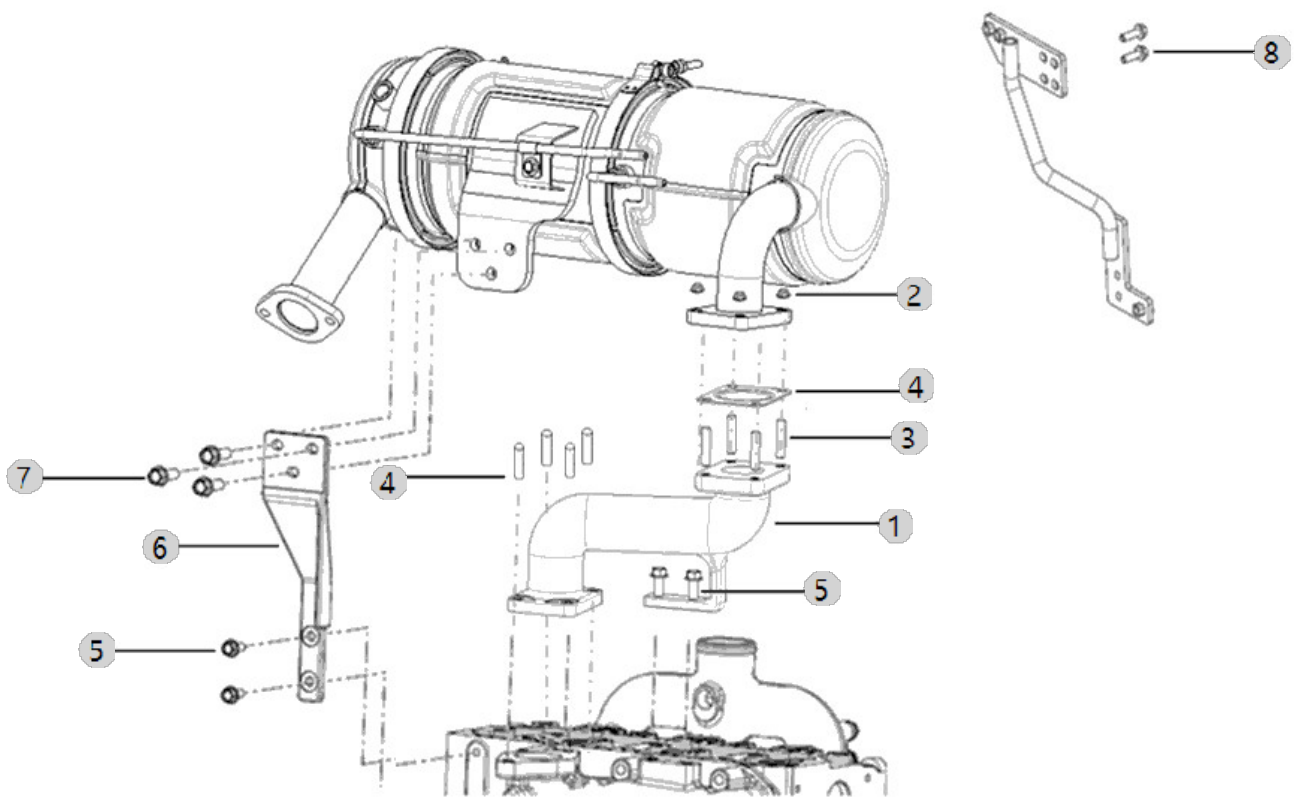
A44_003

A1700N2-UTR_4
(AB00132)

DPF MOUNTING OPTION

Year/Month

2022-12-15



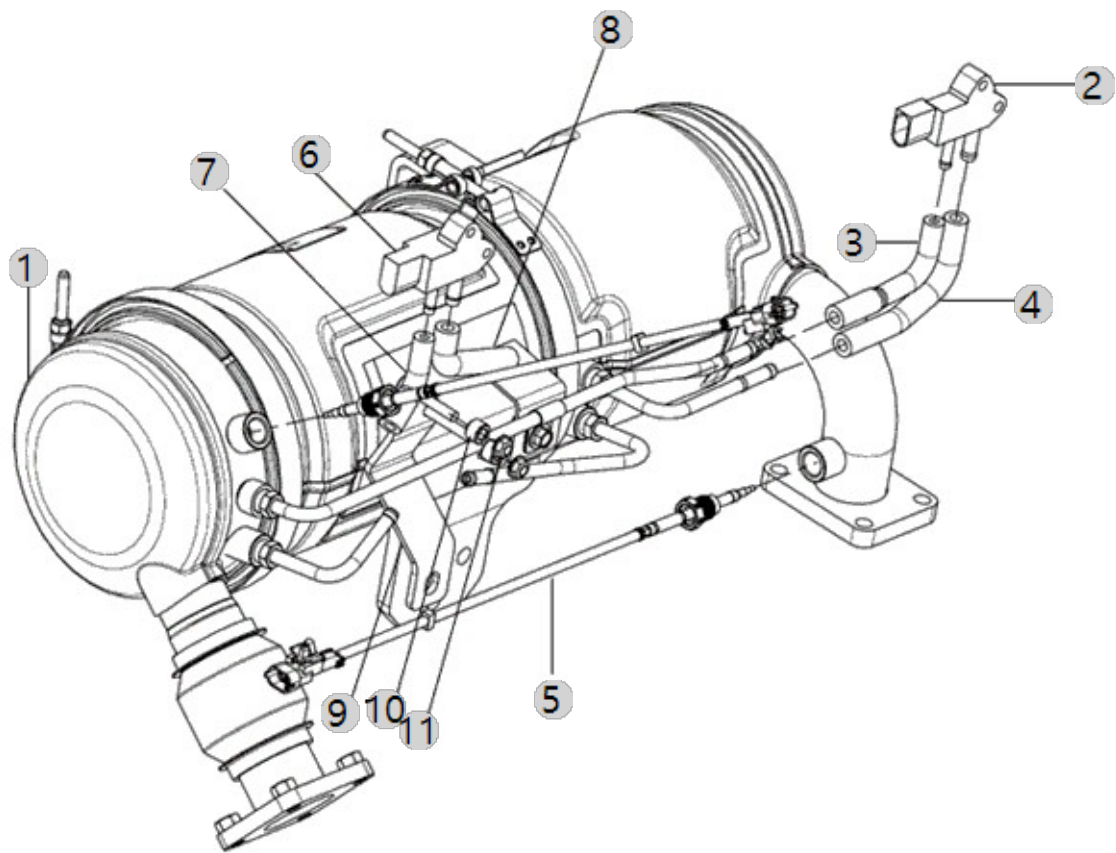
A45_012

A1700N2-UTR_4
(AB00132)

DPF

Year/Month

2022-12-15



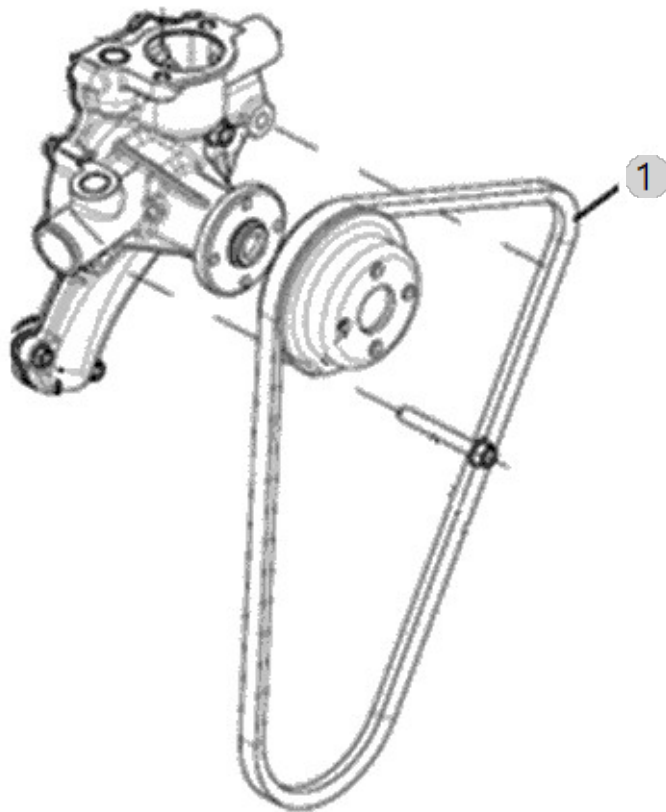
A48_006

A1700N2-UTR_4
(AB00132)

V-BELT

Year/Month

2022-12-15



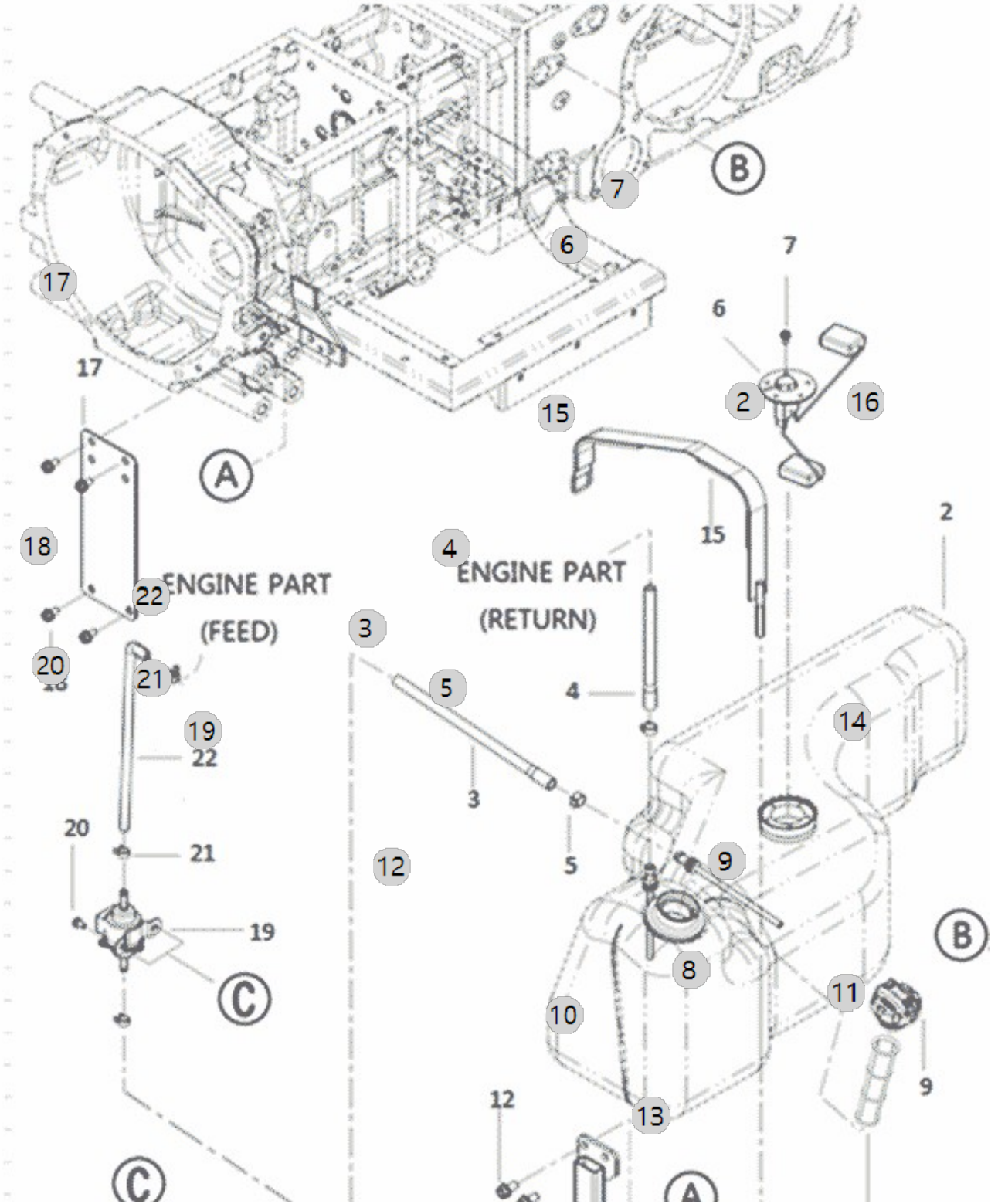
B01010

3620R(AC02103)

FUEL TANK

Year/Month

2022-12-15



B01010 3620R(AC02103)		FUEL TANK				Year/Month 2022-12-15
순번 (NO)	부품번호 (PART NO)	품명 (PART NAME)	품명 (PART NAME)	수량 (QTY)	규격 (SPEC)	비고 (REMARK)
1	TA00037917B	연료탱크 총조합	FUEL TANK ASSY	1		
1	TA00037917C	연료탱크 총조합	FUEL TANK ASSY	1		
2	TA00035291C	연료탱크조합	FUEL TANK ASSY	1		
2	TA00035291B	연료탱크조합	FUEL TANK ASSY	1		
2	TA00035291D	연료탱크조합	FUEL TANK ASSY	1		
3	TA00036178B	연료호스(850)조합	FUEL LINE(1000)	1		
3	TA00036178C	연료호스(850)조합	FUEL LINE(1000)	1		
4	TA00036175C	연료호스(1100)조합	FUEL LINE(1100)	1		
4	TA00036175B	연료호스(1100)조합	FUEL LINE(1100)	1		
5	23080-015000	호스클램프	Clamp, Hose (Φ15)	2	D15	
6	HA00000855A	연료센서(EXCELLENT)	FUEL SENSOR	1		
7	26106-050142	육각플랜지볼트	HEX FLANGE BOLT (5-14)	5		
8	TA00056576A	연료여과망	FUEL TANK STRAINER	1		
9	TA00037880A	주유구 캡	FUEL CAP	1		
10	TA00035817F	연료탱크전방서포트	FUEL TANK SUPPORT ASSY	1		
10	TA00035817I	연료탱크전방서포트	FUEL TANK SUPPORT ASSY	1		
10	TA00035817C	연료탱크전방서포트	TANK SUPPORT ASSY	1		
10	TA00035817E	연료탱크전방서포트	TANK SUPPORT, FRONT	1		
10	TA00035817G	연료탱크전방서포트	FUEL TANK SUPPORT ASSY	1		
10	TA00035817D	연료탱크전방서포트	TANK SUPPORT ASSY	1		
11	TA00054743C	연료탱크후방서포트(4단)	FUEL TANK REAR SUPPORT	1		
11	TA00054743A	연료탱크후방서포트(4단)	FUEL TANK REAR SUPPORT	1		
12	26106-100202	육각플랜지볼트	HEX BOLT, (10-20)	6	M10XP1.5X20	
13	26367-100002	263,ALL,고정너트(우나사)	NUT,HEXAGONFLANGE	2	M10X1025	
14	26106-080252	육각플랜지볼트	SCREW,HEXFLANGEHEADCAP	1	M8XP1.25X25	
15	TA00035957D	전방밴드조합	FRONT BAND ASSY	1		
15	TA00035957G	전방밴드조합	FRONT BAND ASSY	1		
15	TA00035957C	전방밴드조합	FRONT BAND ASSY	1		
15	TA00035957E	전방밴드조합	FRONT BAND ASSY	1		
15	TA00035957B	전방밴드조합	FRONT BAND ASSY	1		
16	TA00035974D	후방밴드조합	FUEL TANK BAND, REAR	1		
16	TA00035974F	후방밴드조합	BAND REAR ASSY	1		
16	TA00035974C	후방밴드조합	BAND REAR ASSY	1		
16	TA00035974E	후방밴드조합	BAND REAR ASSY	1		
16	TA00035974H	후방밴드조합	BAND REAR ASSY	1		
16	TA00035974B	후방밴드조합	BAND REAR ASSY	1		
17	TA00035811C	연료탱크 커버	COVER	1		
17	TA00035811B	연료탱크 커버	COVER	1		
17	TA00035811D	연료탱크 커버	FUEL TANK COVER	1		
18	26106-080162	플랜지볼트 8X16	SCREW,HEXFLANGEHEADCAP	4	M8XP1.25X16	
19	HF20190000A2	피드펌프	PUMP ASSY, FUEL FEED	1		
20	26106-060122	육각플랜지볼트	HEX BOLT (6-12)	2	M6XP1.0X12	
21	23080-013000	호스 클립	Clamp, Hose (Φ13)	2	D13	
22	TA00055012C	연료호스(PF)	HOSE, FUEL	1		
22	TA00055012B	연료호스(PF)	HOSE, FUEL	1		

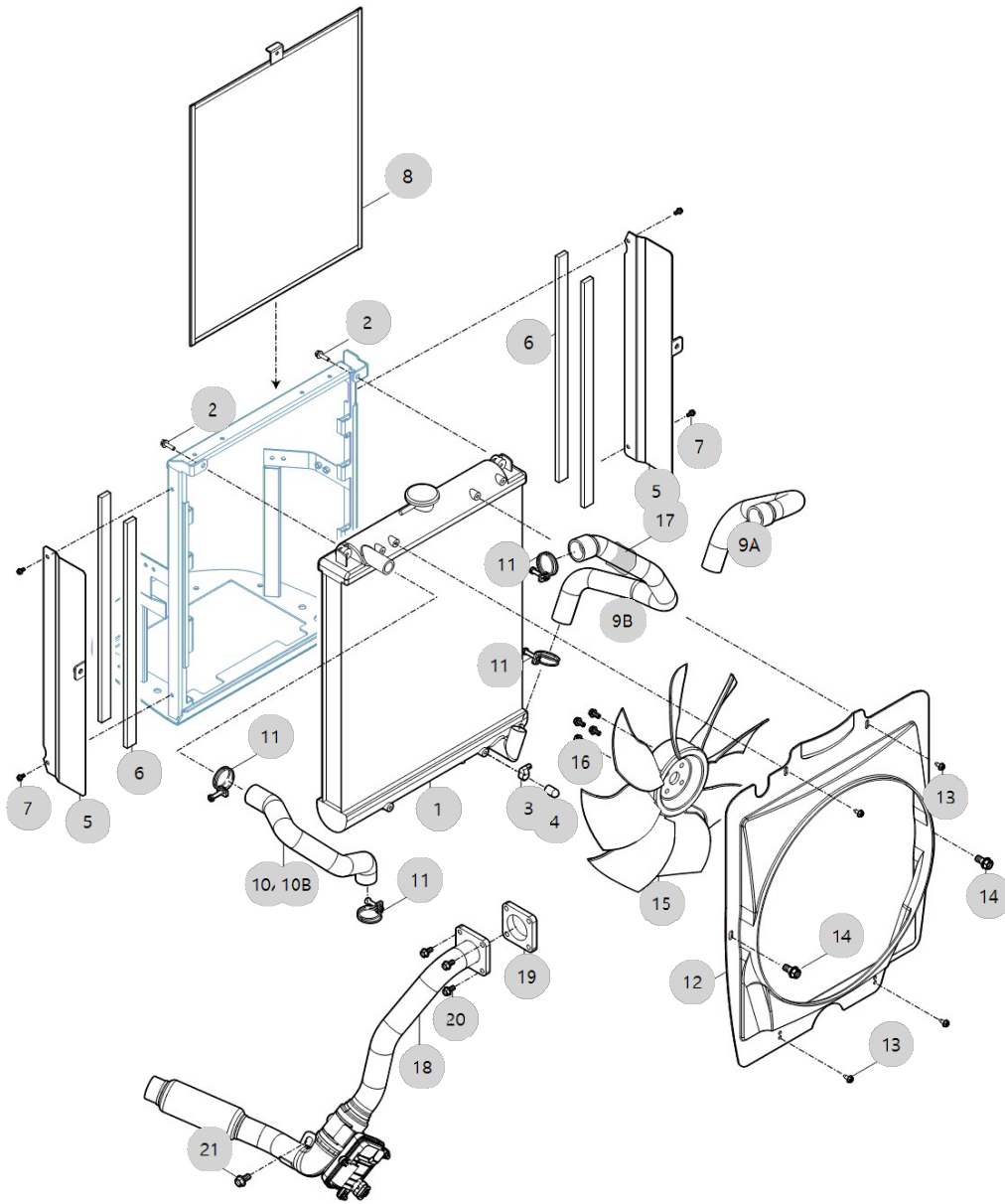
B02020

3620R(AC02103)

RADIATOR

Year/Month

2022-12-15



B02020 3620R(AC02103)	RADIATOR	Year/Month
		2022-12-15

순번 (NO)	부품번호 (PART NO)	품명 (PART NAME)	품명 (PART NAME)	수량 (QTY)	규격 (SPEC)	비고 (REMARK)
1	EA00003972A	라디에이터(3.5mm피치)	RADIATOR	1		
2	26014-060252	와셔조립육각볼트(+SW,PW)	Bolt, Hexa (6-25)	2	M06X1.00X02	
3	23000-016000	호스클립	Clip, Hose (Φ16)	1	D16	
4	HRC1201200A4	오일쿨러캡	CAP,COOLER	1		
5	TA00049446B	라디에이터브래킷 조합	BRACKET ASS'Y, RADIATOR	2		
5	TA00049446A	라디에이터브래킷 조합	BRACKET ASS'Y, RADIATOR	2		
6	TA00036707A	시일(RD)	SEAL(RD)	4		
7	26106-060162	육각플랜지 볼트	HEXFLANGE BOLT	4	M6XP1.0X16	
8	TA00024833B	방진망	NET	1		
8	TA00024833C	방진망 조합	DUSTPROOF NET ASS'Y	1		
9A	TA00025927B	냉각수 호스 B	HOSE IN COOLING	1		
9B	TA00025609C	냉각수 호스 (B)	HOSE IN COOLING	1		
10A	TA00063508B	냉각수 호스A	COOLANT HOSE A	1		
10A	TA00063508A	냉각수 호스A	COOLANT HOSE A	1		
10B	TA00060727A	냉각수 호스A	COOLING WATER HOSE A	1		
11	23010-038000	호스밴드	HOSEBAND	4	D38	
12	TA00032760F	슈라우드	SHROUD	1		
13	HRA1203200A4	태핑나사	TAPPINGSCREW	4		
14	26106-080162	플랜지볼트8X16	SCREW,HEXFLANGEHEADCAP	2	M8XP1.25X16	
15	TA00034662A	냉각팬, DynaQ (d=400mm)	COOLING FAN (D400)	1		
16	26106-080162	플랜지볼트8X16	SCREW,HEXFLANGEHEADCAP	4	M8XP1.25X16	
17	TA00036163C	냉각수 호스A 방열판	GUIDE(L),FOOT REST	3		
18	EA00005796B	전자식배기밸브ASS'Y(20(S))	ELECTRONIC EXHAUST VALVE ASS'Y	1		
18	EA00005796A	전자식 배기밸브 ASS'Y(20(S))	ELECTRONIC EXHAUST VALVE ASS'Y	1		
18	EA00005796C	전자식배기밸브ASS'Y(20(S))	ELECTRONIC EXHAUST VALVE ASS'Y	1		
19	EA00004235A	가스켓(TC_IN)	GASKET(TC_IN)	1		
20	26106-080252	육각플랜지볼트	SCREW,HEXFLANGEHEADCAP	4	M8XP1.25X25	
21	26106-080122	육각플랜지볼트	Bolt, Hexa (8-12)	1	M8XP1.25X12	

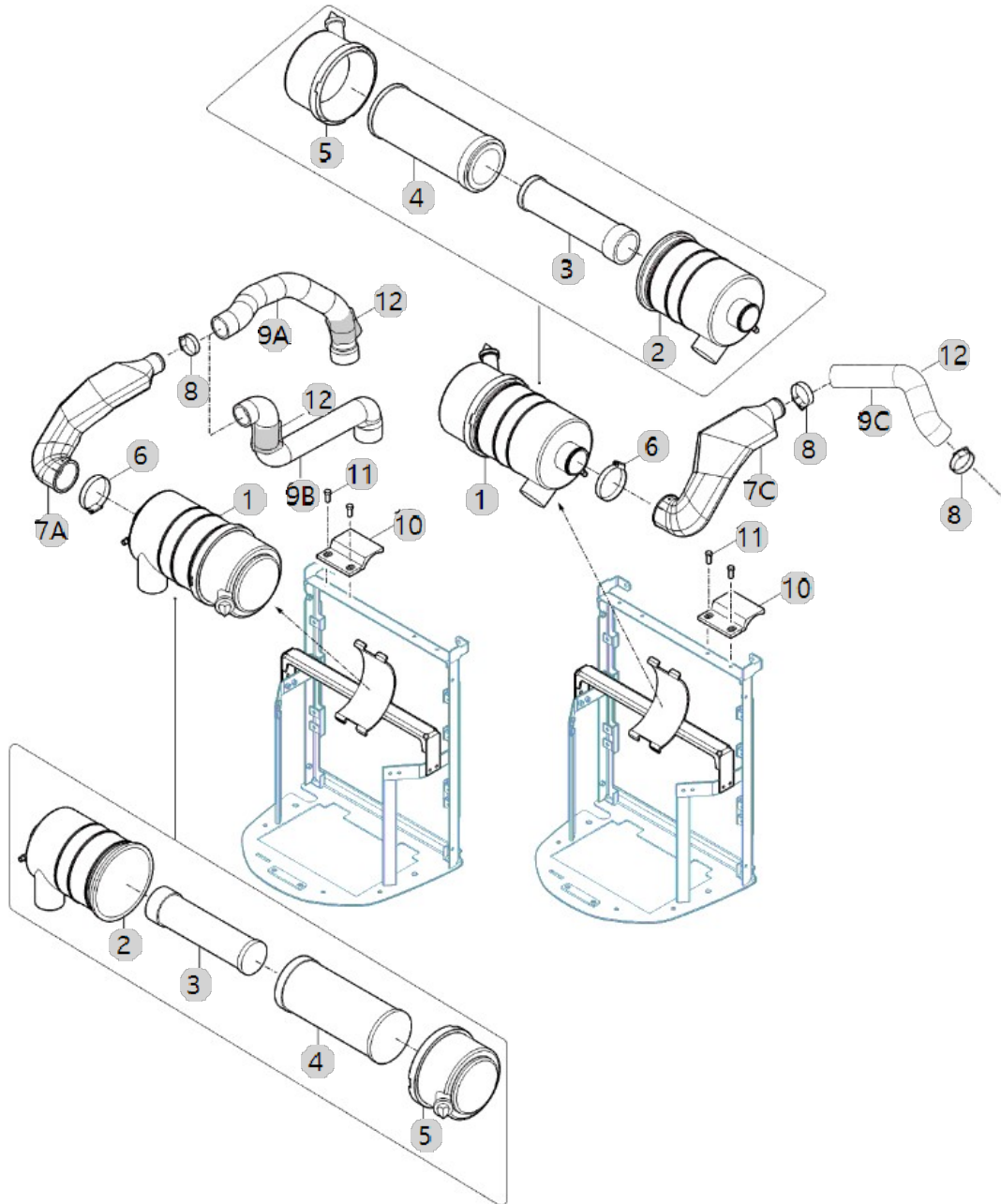
B03010

3620R(AC02103)

AIR CLEANER

Year/Month

2022-12-15



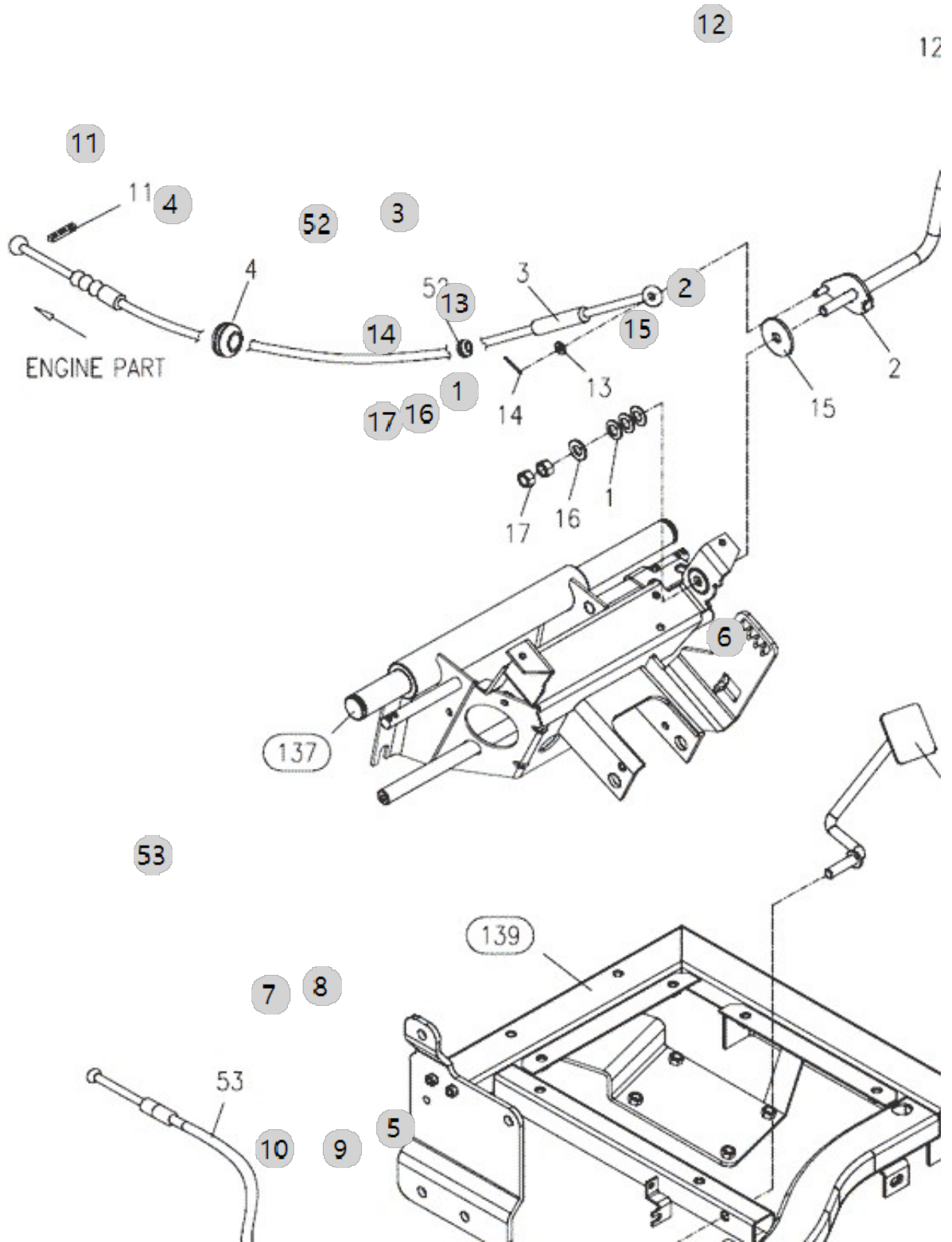
B05011

3620R(AC02103)

LEVER ACCELERATOR

Year/Month

2022-12-15



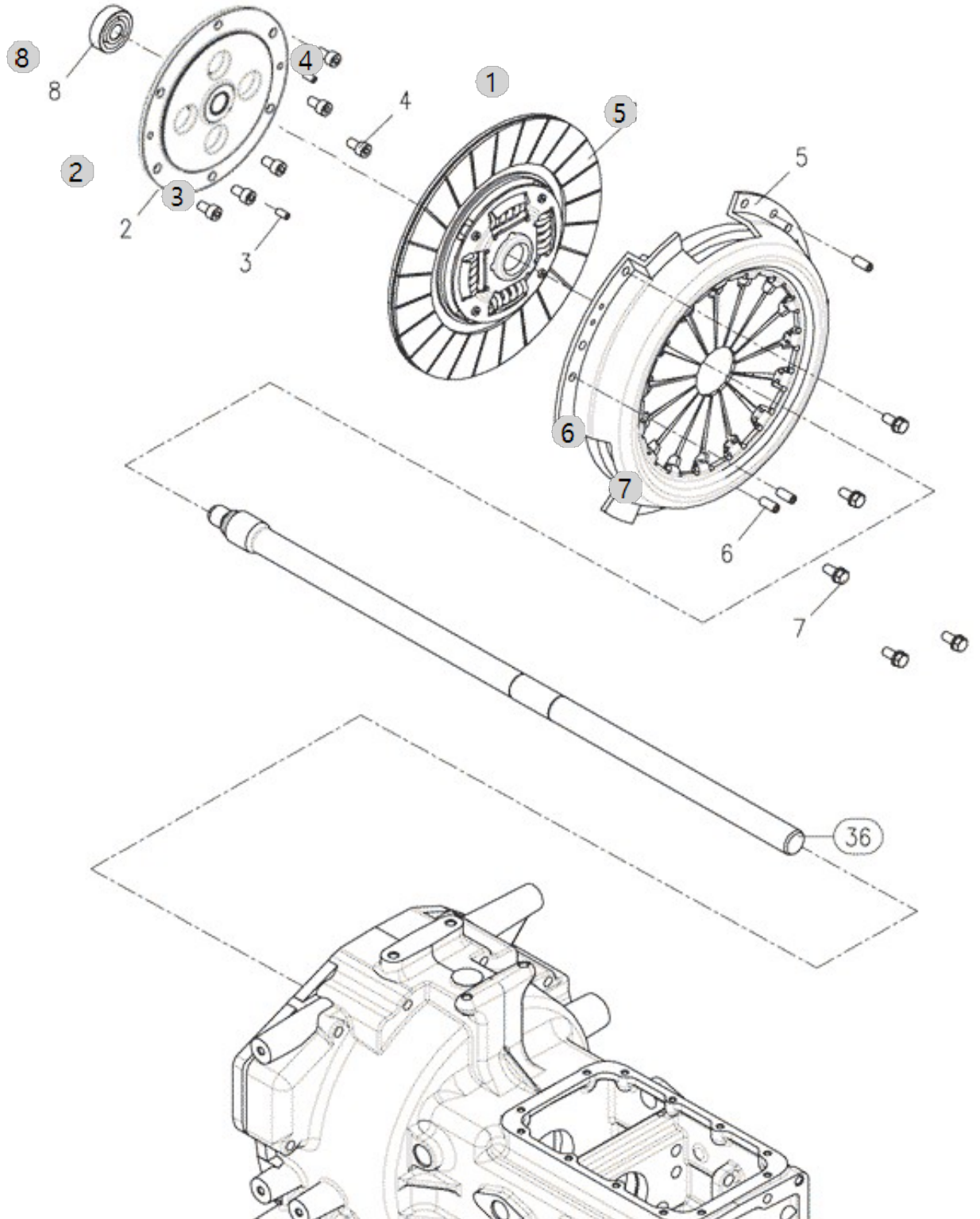
C01010

3620R(AC02103)

CLUTCH DISC & COVER

Year/Month

2022-12-15



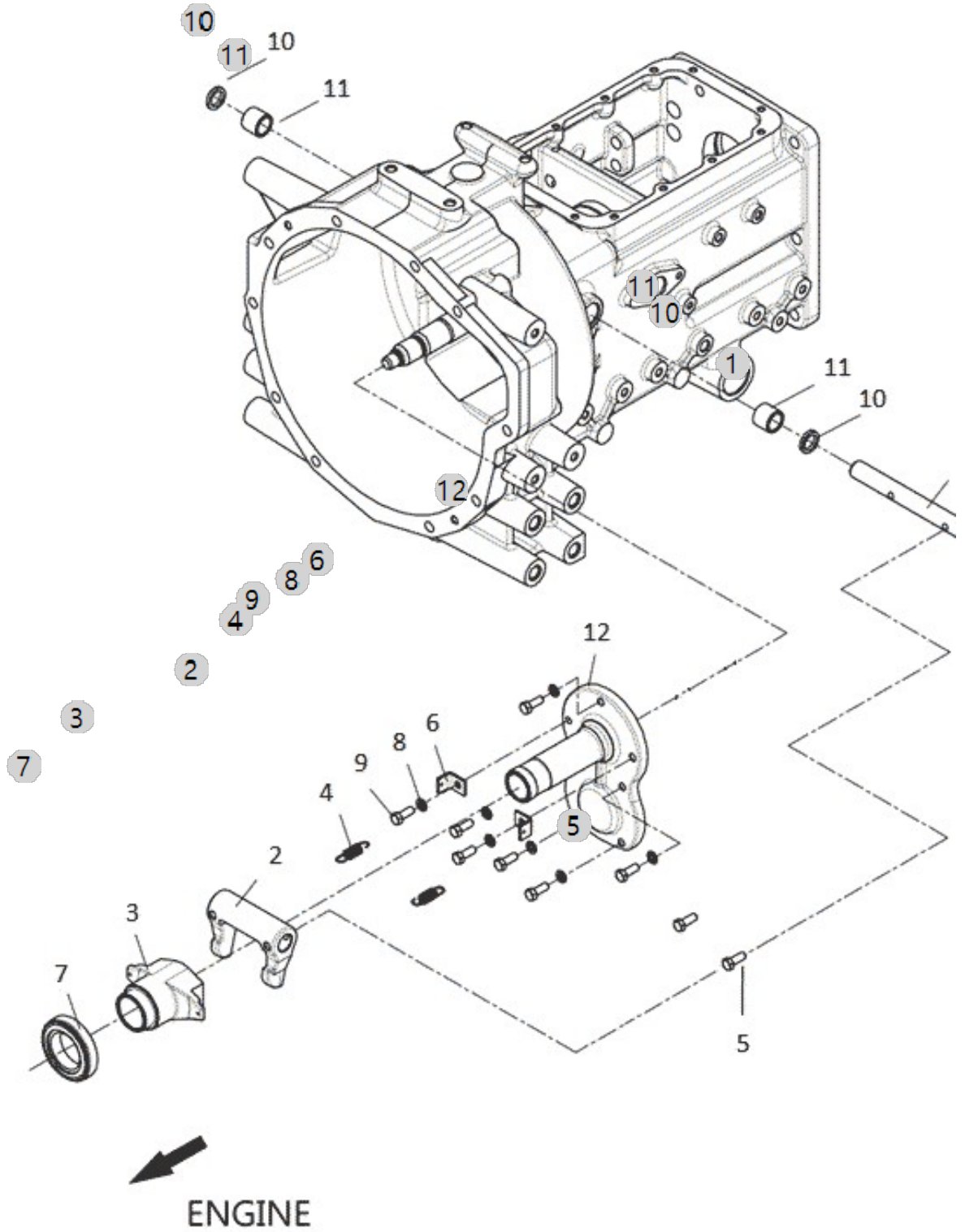
C01020

3620R(AC02103)

CLUTCH RELEASE

Year/Month

2022-12-15



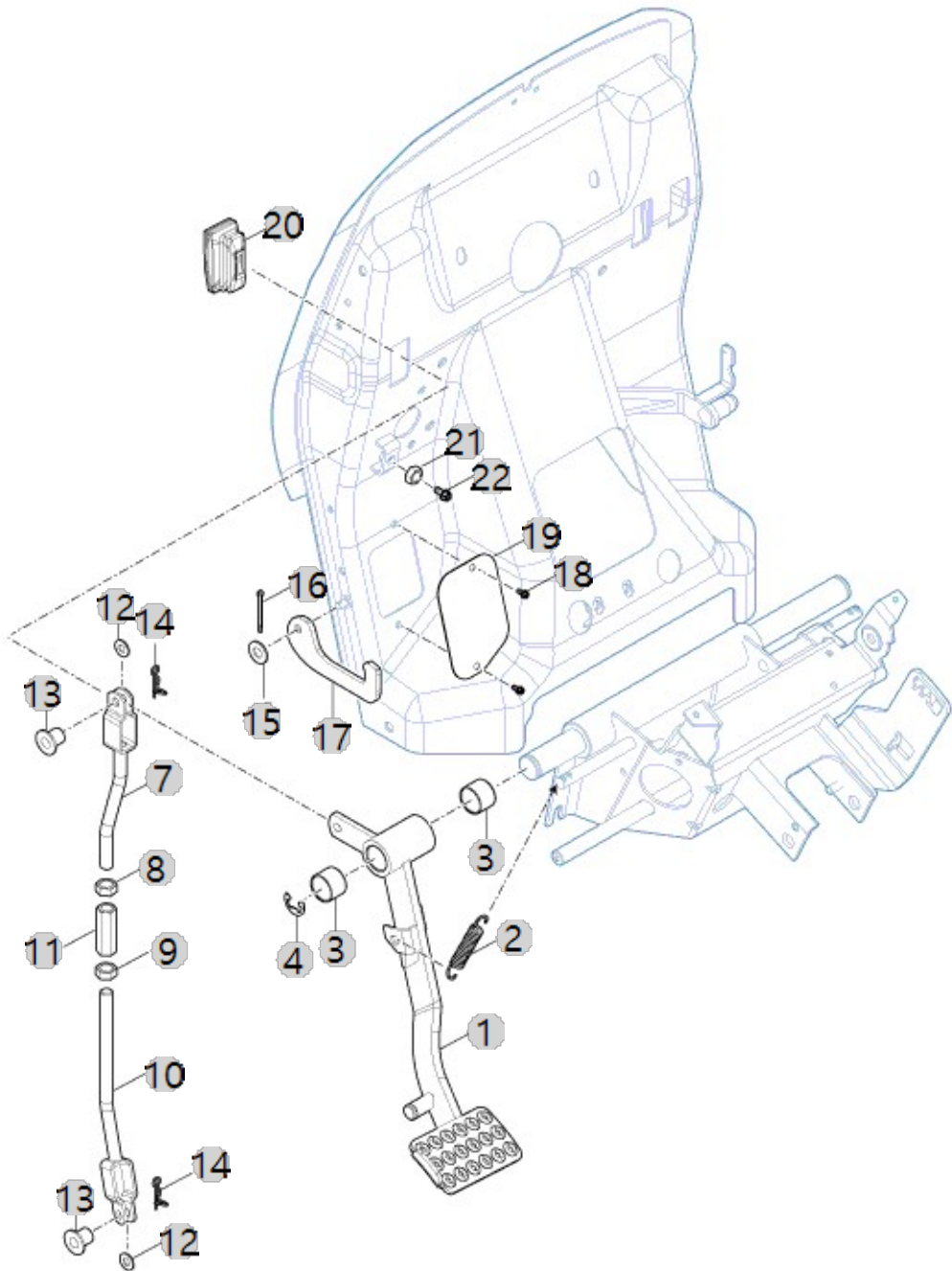
C01030

3620R(AC02103)

CLUTCH PEDAL

Year/Month

2022-12-15



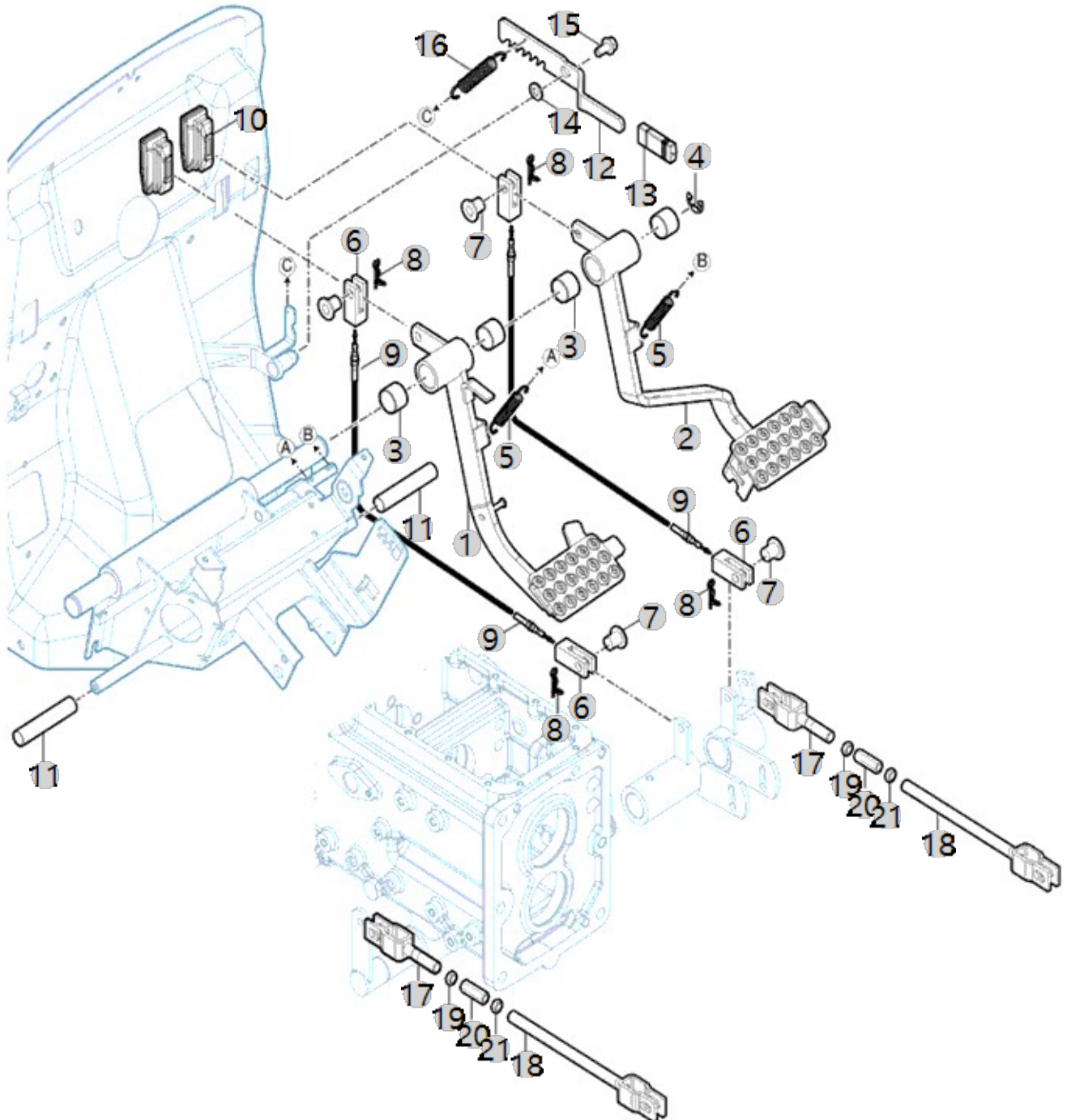
C02010

BRAKE PEDAL

Year/Month

3620R(AC02103)

2022-12-15



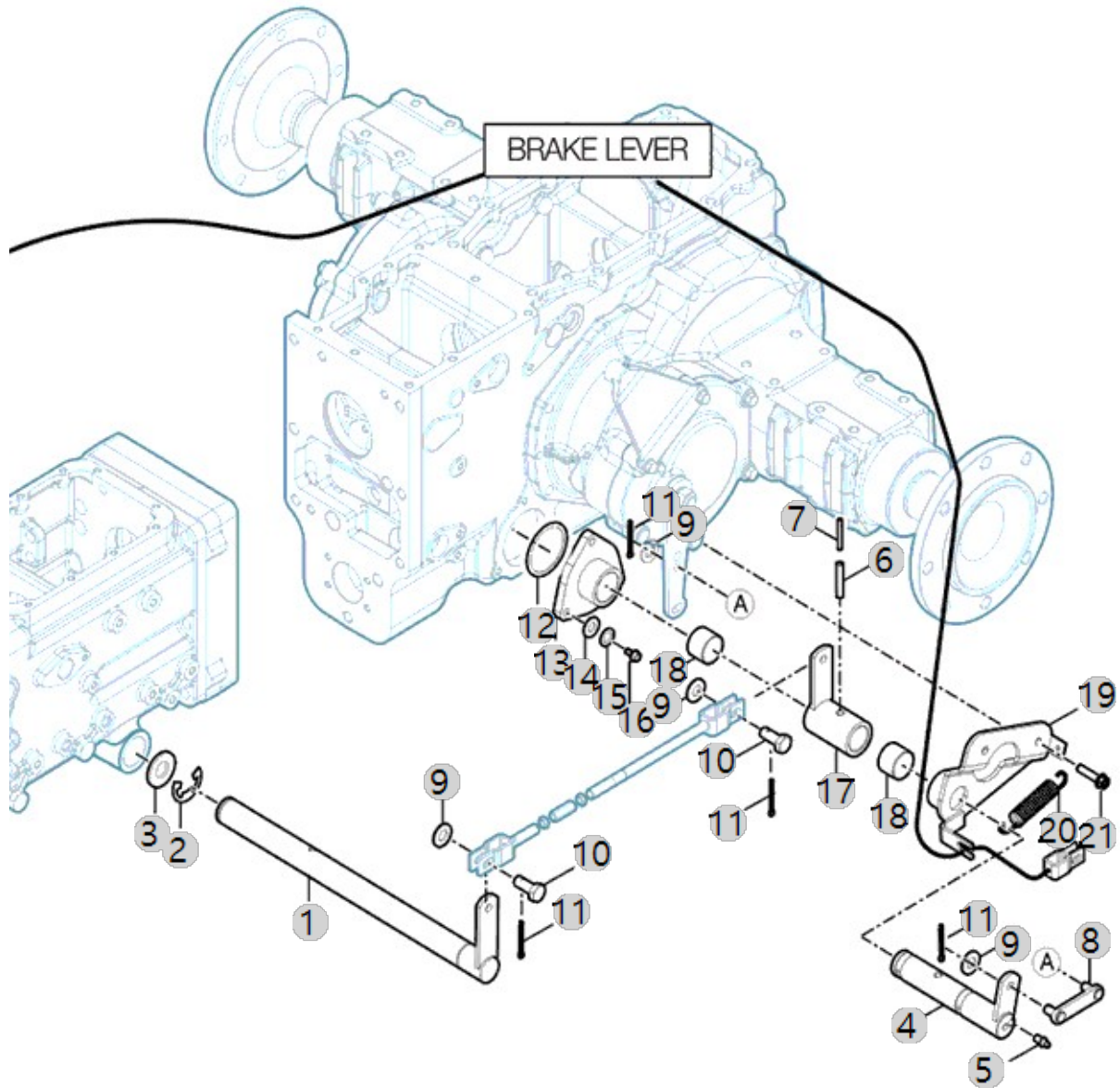
C02031

Year/Month

3620R(AC02103)

BRAKE ROD/LH

2022-12-15



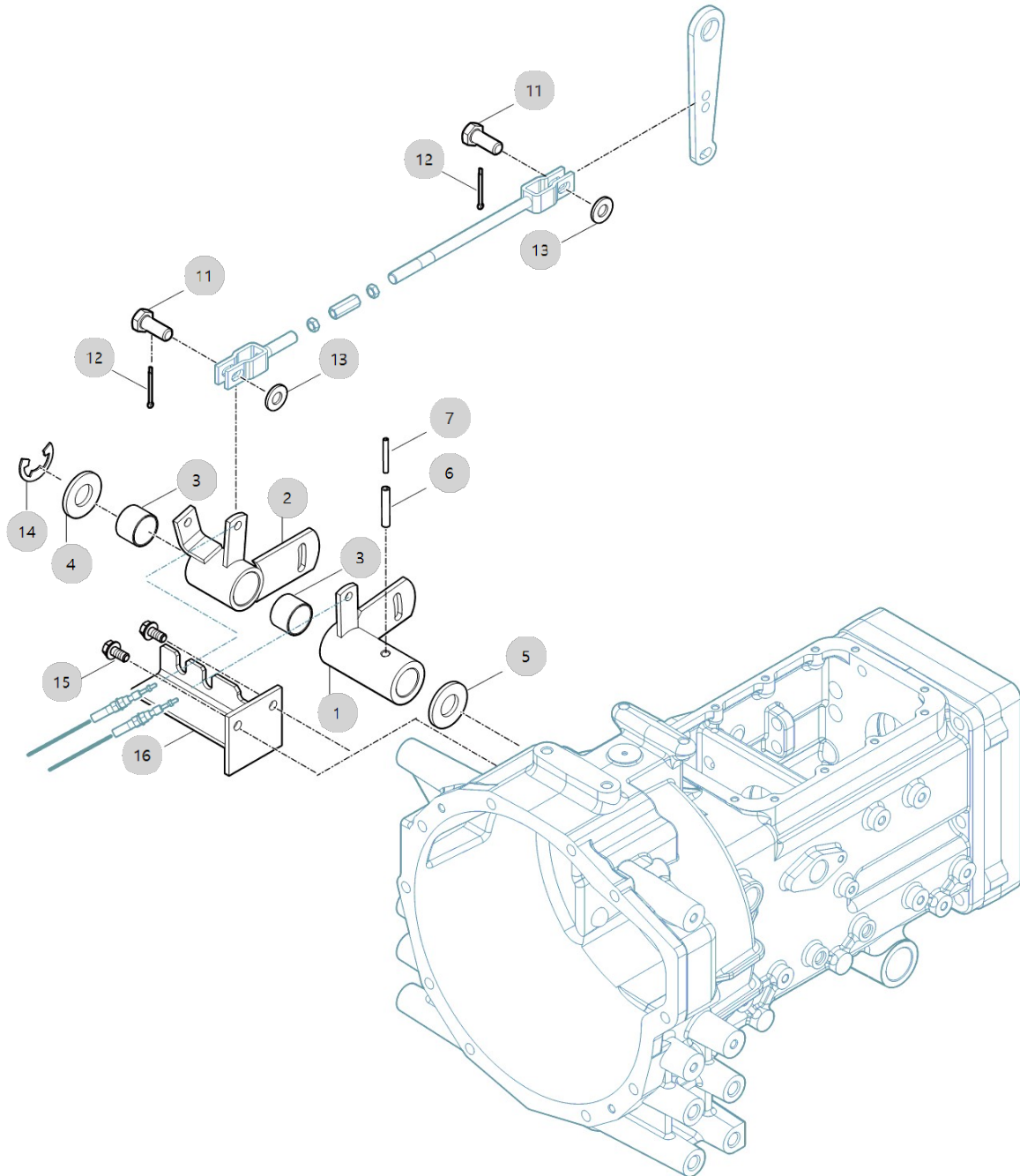
C02032

3620R(AC02103)

BRAKE ROD/RH

Year/Month

2022-12-15



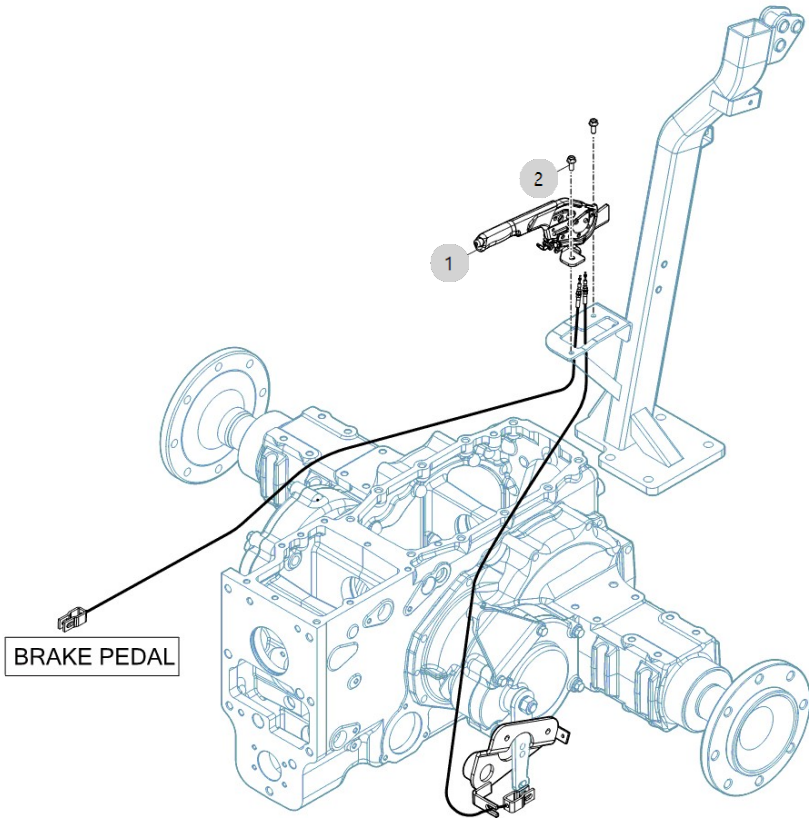
C02060

3620R(AC02103)

BRAKE LEVER

Year/Month

2022-12-15



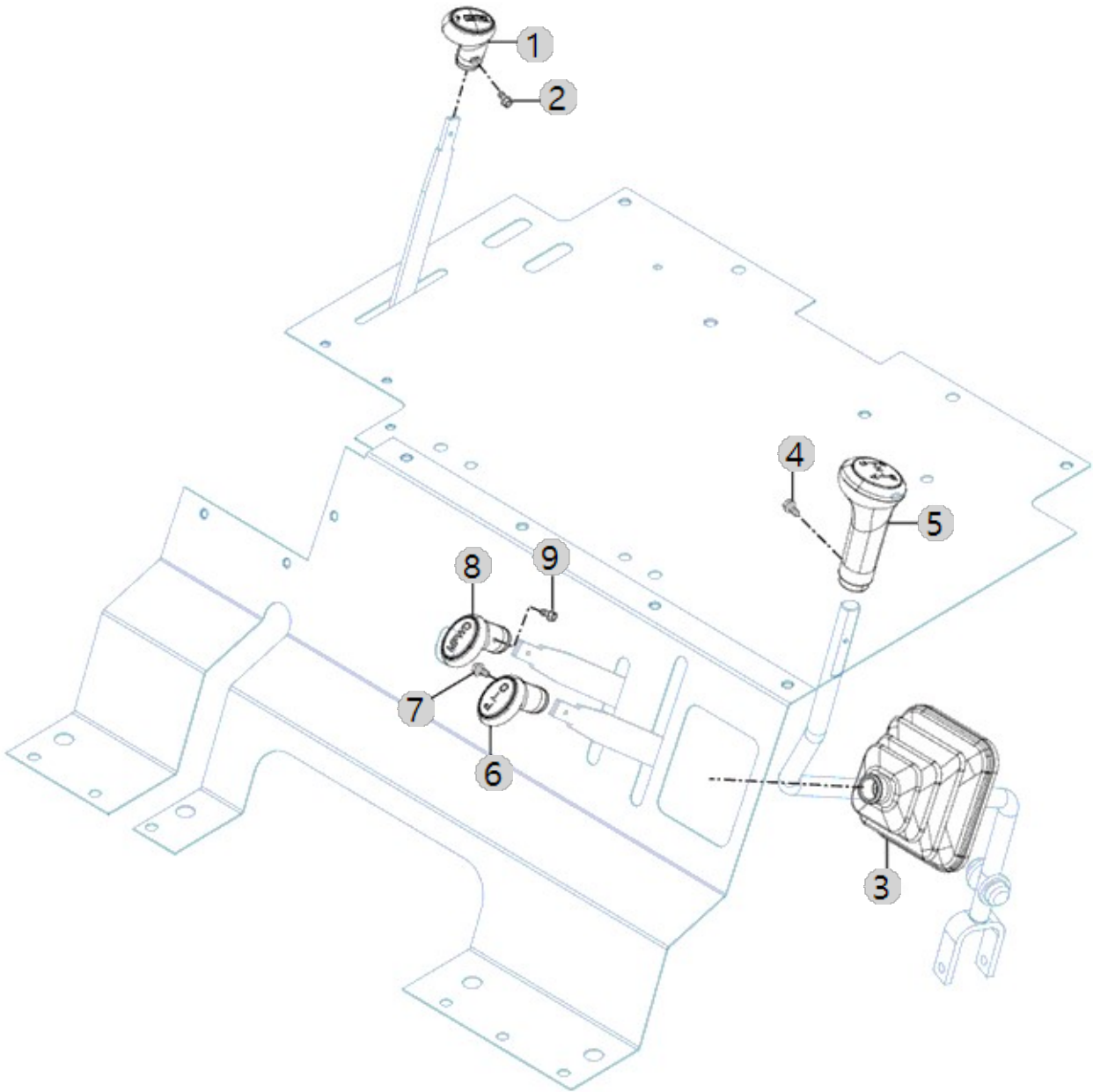
C04000

Year/Month

3620R(AC02103)

LEVER

2022-12-15



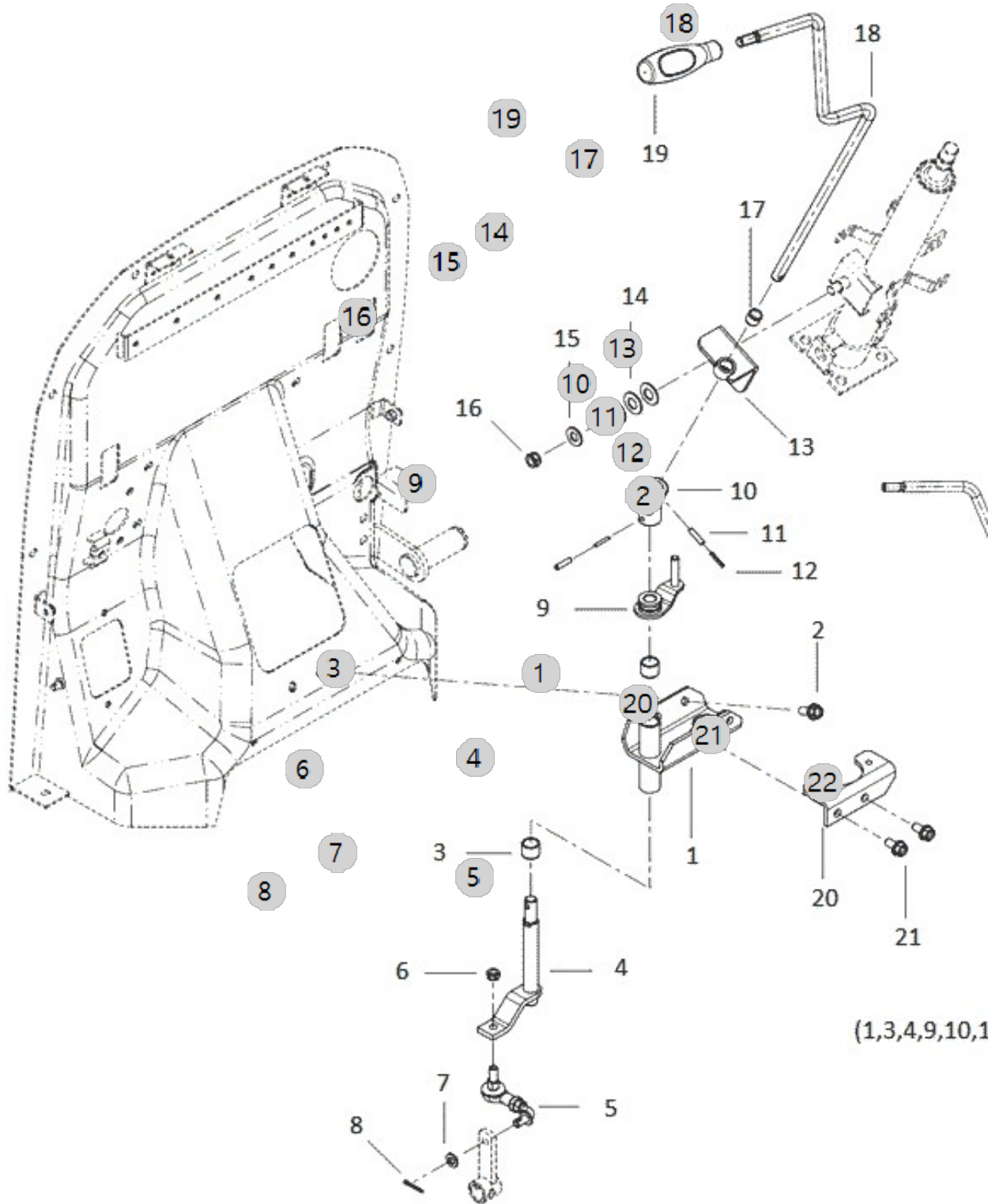
C04010

Year/Month

3620R(AC02103)

SHUTTLE LEVER

2022-12-15



(1,3,4,9,10,11)

C04010 3620R(AC02103)	SHUTTLE LEVER				Year/Month
					2022-12-15

순번 (NO)	부품번호 (PART NO)	품명 (PART NAME)	품명 (PART NAME)	수량 (QTY)	규격 (SPEC)	비고 (REMARK)
1	TA00017490B	리버서축 브래킷	BRACKET REVERSER SHAFT	1		
1	TA00017490D	리버서축 브래킷	BRACKET REVERSER SHAFT	1		
1	TA00017490C	리버서축 브래킷	BRACKET REVERSER SHAFT	1		
2	26106-080202	육각플랜지볼트	SQR FLANGE BOLT	2	M8XP1.25X20	
3	24550-016150	드라이부시	DRYBUSH	2		
4	TA00017487C	리버서축	SHAFT REVERSER	1		
4	TA00017487E	리버서축	SHAFT REVERSER	1		
4	TA00017487B	리버서축	SHAFT REVERSER	1		
4	TA00017487D	리버서축	SHAFT REVERSER	1		
5	TA00002832B	로드조합(F-R)	ROD ASS'Y(F-R)	1		
6	26347-080002	U너트	Unut	1	M8XP1.25	
7	22117-080000	평와셔(소형)	WASHER, PLAIN (Φ 08)	1	M8	
8	22417-250200	가름핀2.5X20	PIN, COTTER (2-20)	1	D2.5X20	
9	TA00017493B	조인트암 조합	JOINT ARM ASS'Y	1		
9	TA00017493A	조인트암 조합	JOINT ARM ASS'Y	1		
10	TC94020301A9	조인트	JOINT	1		
10	TA00060731A	조인트조합	JOINT ASS'Y	1		
11	22351-050020	스프링핀5X20	PIN, SPRING (5-20)	2	D5X20	
12	22351-030020	스프링핀3X20	PIN, SPRING (3X20)	2	D3X20	
13	TA00047045B	브래킷조합(셔틀레버)	BRACKET ASSY	1		
13	TA00047045A	브래킷조합(셔틀레버)	BRACKET ASSY	1		
14	TC94060000A4	접시스프링12	PRING12	3		
15	22137-100000	평와셔 10	WASHER, PLAIN (Φ 10)	1	M10	
16	26347-100002	육각U너트	U-NUT	1	M10XP1.5	
17	24550-012120	드라이부시12X12	DRYBUSH12X12	1		
18	TA00047186B	셔틀레버(25series)	LEVER, SHUTTLE	1		
18	TA00047186D	셔틀레버(25series)	LEVER, SHUTTLE	1		
18	TA00047186C	셔틀레버(25series)	LEVER, SHUTTLE	1		
19	TA00056013A	셔틀 노브 조합(복미)	KNOB (LEVER SHUTTLE)	1		
20	TA00017502A	스위치취부판조합	SW BRACKET ASS'Y	1		
21	26106-080162	플랜지볼트8X16	SCREW,HEXFLANGEHEADCAP	2	M8XP1.25X16	
22	TA00047637B	리버스레버조합(캐빈/25)	REVERSE RLEVER ASSY (CABIN)	1		
22	TA00047637D	리버스레버조합(캐빈/25)	REVERSE RLEVER ASSY (CABIN)	1		
22	TA00047637C	리버스레버조합(캐빈/25)	REVERSE RLEVER ASSY (CABIN)	1		

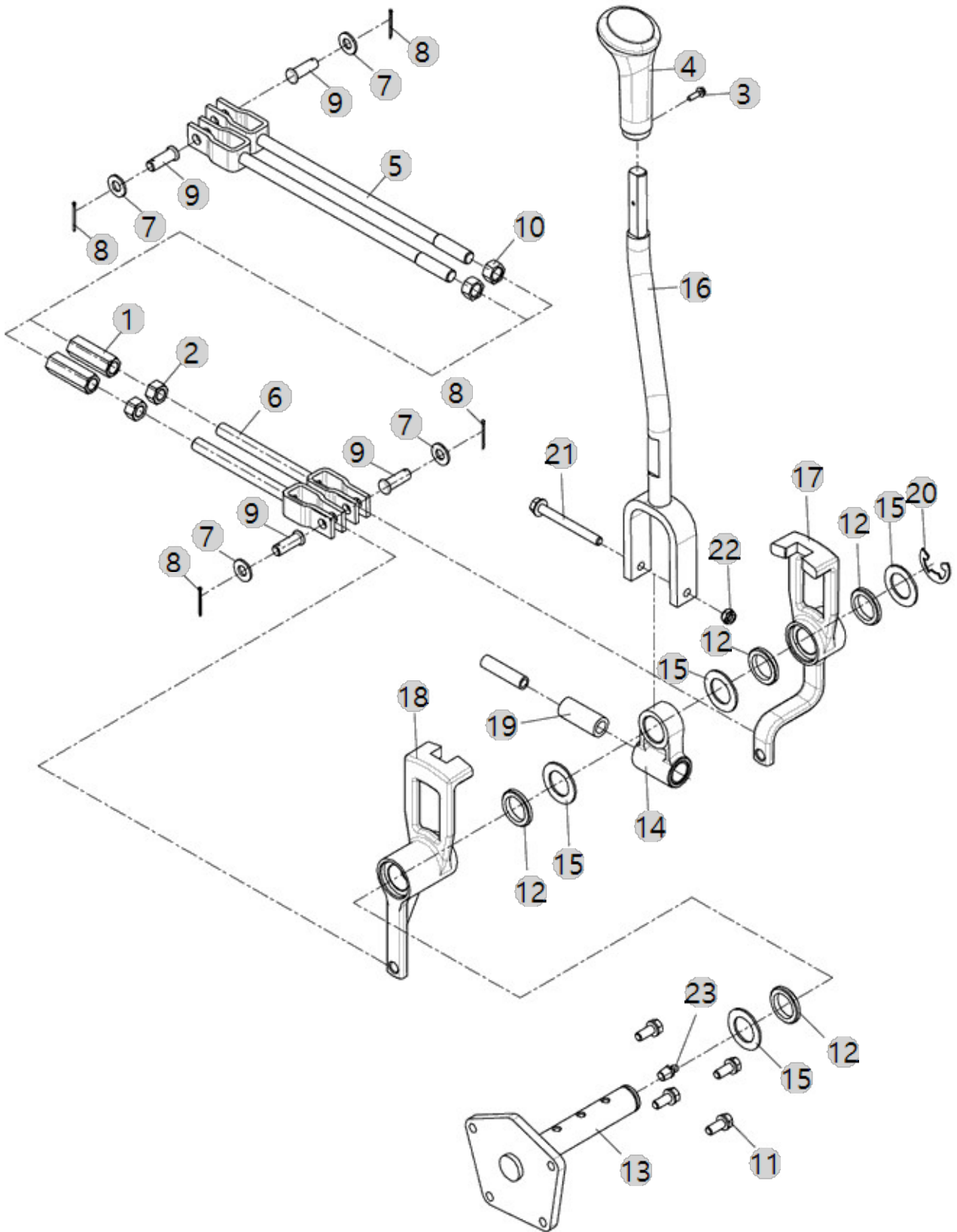
C04031

3620R(AC02103)

LEVER, MAIN SHIFT

Year/Month

2022-12-15



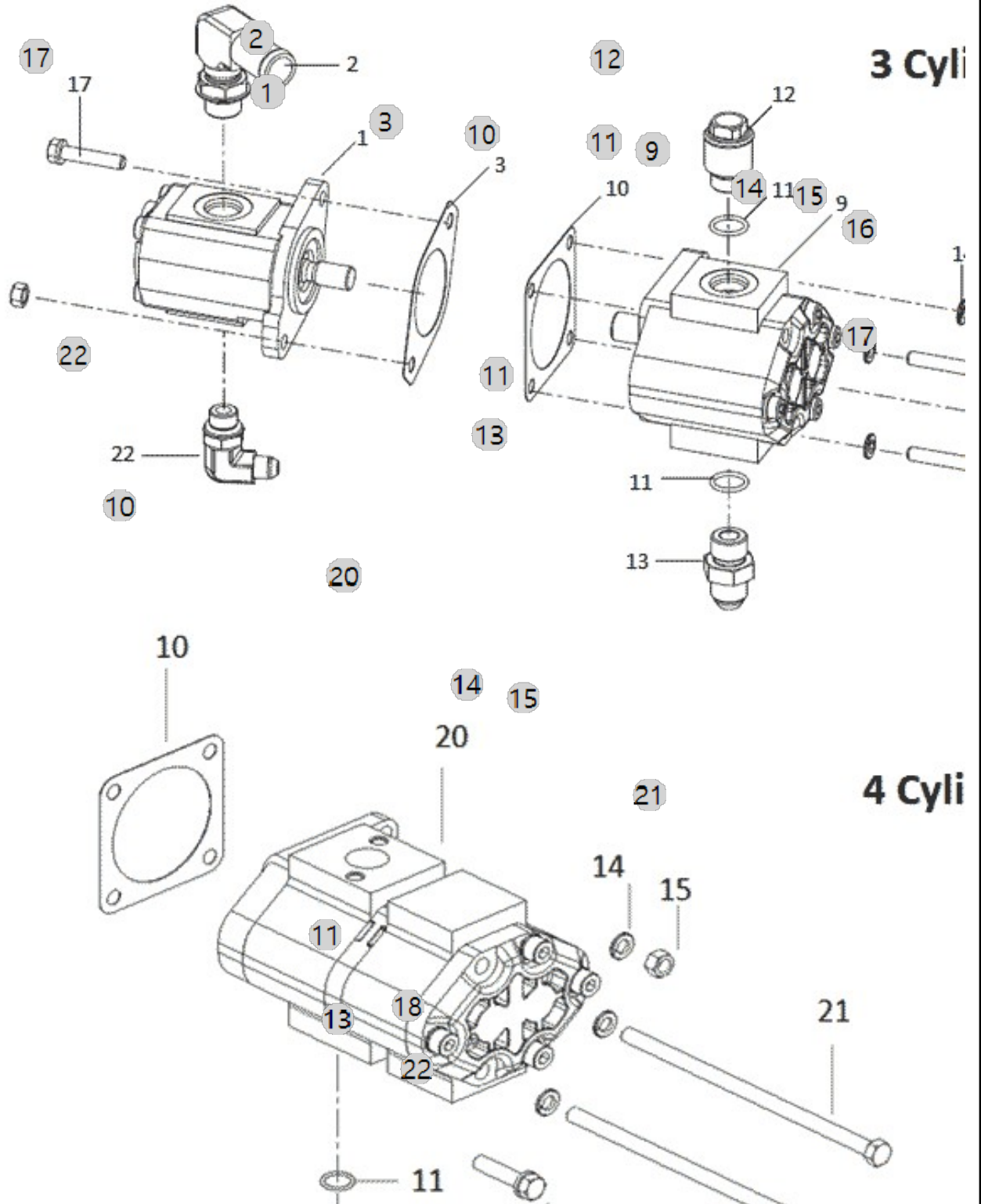
D01010

3620R(AC02103)

HYD PUMP

Year/Month

2022-12-15



D01010 3620R(AC02103)		HYD PUMP				Year/Month 2022-12-15
순번 (NO)	부품번호 (PART NO)	품명 (PART NAME)	품명 (PART NAME)	수량 (QTY)	규격 (SPEC)	비고 (REMARK)
1	TA00039797A	유압펌프(7cc)	HYD PUMP	1		
2	TRC9140000A3	자리부착 엘보 1/2-22	ELBOW	1		
3	TZG1700000A4	패킹	PACKING	1		
9	TA00001404A	유압 펌프 13cc	HYD PUMP 13CC	1		
10	HH02080000A4	패킹(유압펌프)	PACKING,HYD.PUMP	1	T0.5	
11	24311-000180	O-RING(P18)	O-RING, DYNAMIC (Φ18)	2	P18	
12	TCC9040000B4	조인트 M22	JOINT M22	1		
13	CVE4020000B4	니플1/2	NIPPLE 1/2	1		
14	22217-080000	스프링와셔8	WASHER, SPRING (Φ 08)	5	M8	
14	22217-080000	스프링와셔8	WASHER, SPRING (Φ 08)	3	M8	
15	26716-080002	육각너트	NUT,HEX (D8)	2	M8xP1.25	
16	26116-081152	육각볼트	HEX BOLT	2	M8X1.25X115	
16	26116-081202	볼트	SCREW,HEXAGONHEADCAP	2		
17	26013-080352	와셔조립육각볼트(+SW)	SCREW,CAPTIVEWASHERCAP	2	M08X1.25X03	
17	26013-080402	와셔조립육각볼트	Bolt, Hexa (8-40)	1	M8X1.25X40	
18	26013-080402	와셔조립육각볼트	Bolt, Hexa (8-40)	1	M8X1.25X40	
18	26013-080402	와셔조립육각볼트	Bolt, Hexa (8-40)	1	M8X1.25X40	
20	TA00059244A	유압 펌프(16cc x 7.2cc)	HYDRAULIC PUMP	1		
21	FL99120000C4	와셔조립육각볼트(M8x180)	BOLT	2	M8XP1.25X17	
21	NT99020000B4	육각볼트M8X174	BOLTFORTENDEMNUMP	2	M8X1.25X174	
21	NT99020000A4	육각볼트M8x174	BOLTFORTENDEMNUMP	2	M8x1.25x174	
22	NT34620000B4	엘보우PF1/4-3/8	ELBOW	1		

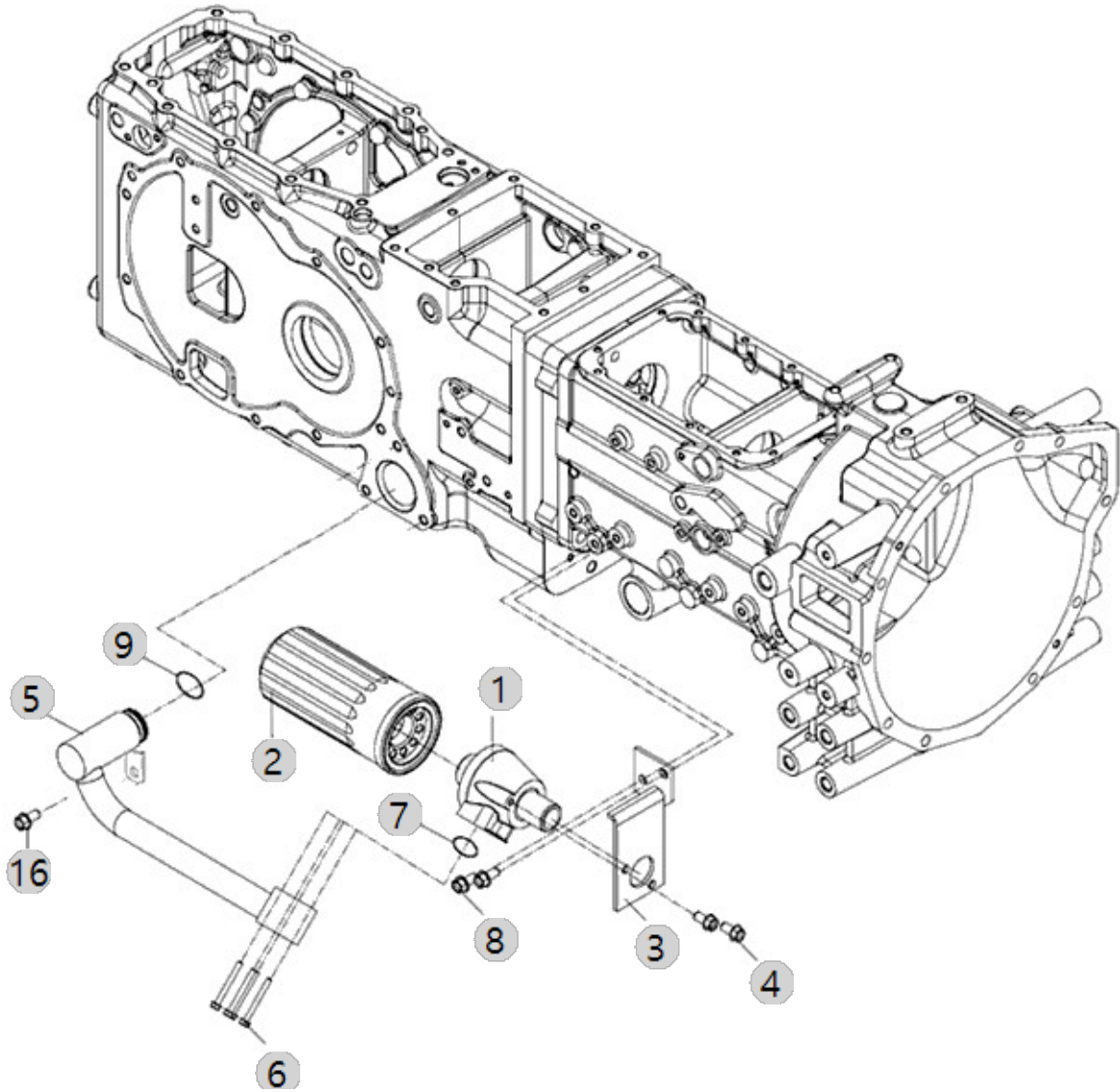
D01040

Year/Month

3620R(AC02103)

HYDRAULIC FILTER

2022-12-15



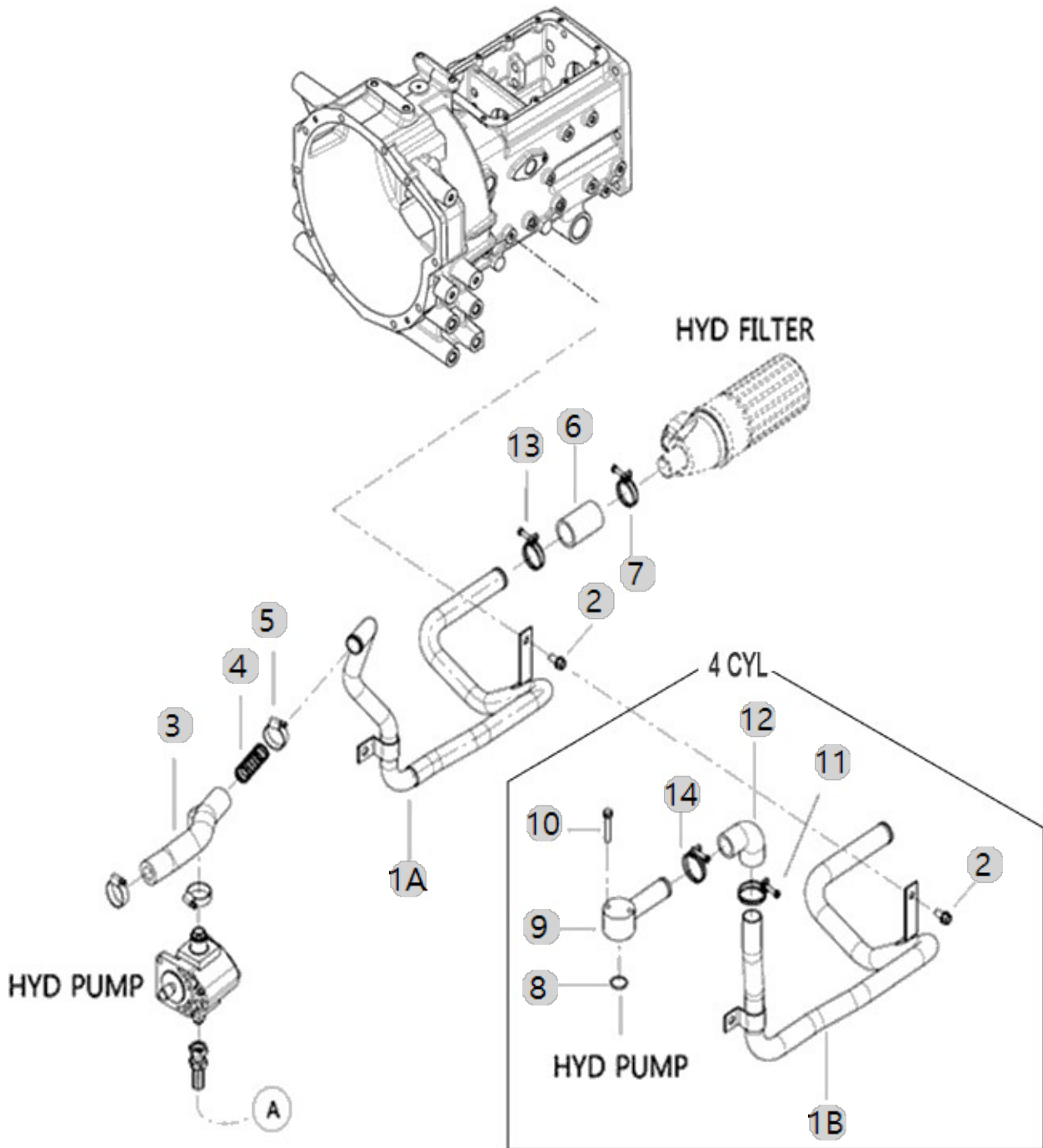
D01041

3620R(AC02103)

HYDRAULIC FILTER-LINE

Year/Month

2022-12-15



D01041 3620R(AC02103)	HYDRAULIC FILTER-LINE				Year/Month
					2022-12-15

순번 (NO)	부품번호 (PART NO)	품명 (PART NAME)	품명 (PART NAME)	수량 (QTY)	규격 (SPEC)	비고 (REMARK)
1	TA00058615A	저압파이프조합	PIPE ASSY	1		
1	TA00046497B	저압파이프조합(3기통)20R	LOW PRESSURE PIPE ASSY	1		
1B	TA00058615B	저압파이프조합	LOW PRESSURE PIPEASSY	1		
2	26106-100202	육각플랜지볼트	HEX BOLT, (10-20)	1	M10XP1.5X20	
3	TA00039695B	저압고무호스	RUBBER HOSE	1		
4	TTB4360000A4	스프링A	SPRINGA	1		
5	23000-0410000	호스클립	HOSE CLAMP	3		
6	TA00017333A	저압호스	HOSE, LOW PRESSURE	1	-	
6	TA00040493C	저압호스	HOSE	1		
7	23010-044000	호스밴드	HOSEBAND	1	D44	
8	24341-000260	O링(S형)	O-RING, FIX (φ26)	1	1AS26.0	
9	NTB4490000A4	저압플랜지조합	FLANGE,LOWPRESSUREPIPE	1		
10	26013-080502	와셔조립육각볼트(+SW)	Bolt, Hexa (8-50)	1	M8XP1.25X05	
11	23010-044000	호스밴드	HOSEBAND	1	D44	
12	TA00017334A	저압호스 C	HOSE C	1		
13	TA00045083A	호스밴드	HOSE BAND	1		
13	TA00045083B	호스밴드	HOSE BAND	2		
14	23010-040000	호스밴드40	HOSEBAND	1	D40	

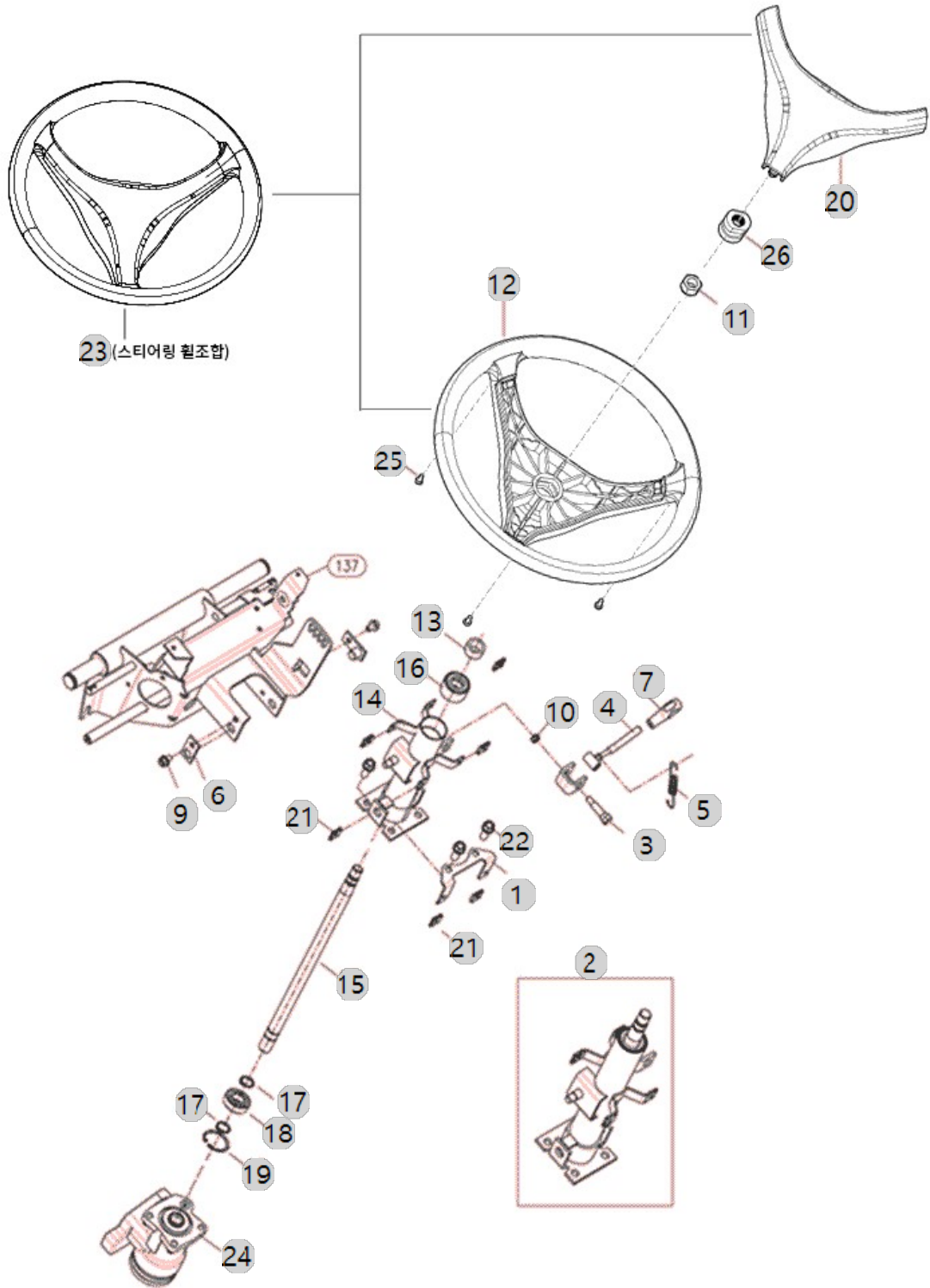
D02010

3620R(AC02103)

STEERING WHEEL

Year/Month

2022-12-15



D02010 3620R(AC02103)		STEERING WHEEL				Year/Month 2022-12-15
순번 (NO)	부품번호 (PART NO)	품명 (PART NAME)	품명 (PART NAME)	수량 (QTY)	규격 (SPEC)	비고 (REMARK)
1	TC65010000B4	브래킷(컬럼커버R)	BRACKET(COLUMCOVERR)	1	2.3T	
2	TA00058976D	컬럼조합	COLUMN ASS'Y	1		
2	TA00058976C	컬럼조합	COLUMN ASS'Y	1		
2	TA00058976E	컬럼조합	COLUMN ASS'Y	1		
2	TA00058976B	컬럼조합	COLUMN ASS'Y	1		
3	TC65030000B4	틸트레버핀	TILTLEVERPIN	1		
4	TC65040000B4	틸트레버	TILTLEVER	1	NONE	
5	TC65050000A4	틸트스프링	TILTSPRING	1		
6	TC65060000B4	틸트핀조합	TILTPINASS'Y	2		
7	TA00015785A	스탠드 손잡이	LEVER, STAND	1		
9	26106-080122	육각플랜지볼트	Bolt, Hexa (8-12)	2	M8XP1.25X12	
10	26347-080002	U너트	Unut	1	M8XP1.25	
11	TA00048436B	U너트(M16XP1.5)	U-NUT	1		
12	TA00048049B	스티어링 휠	STEERING WHEEL	1		
13	TC65130000A4	커버(축)	COVER,SHAFT	1		
14	NT0141A100C2	스티어링컬럼	STEERING COLUMN	1		
14	NT0141A100B2	스티어링컬럼	STEERINGCOLUMN	1		
14	NT0141A100D2	스티어링컬럼	STEERING COLUMN	1		
15	TA00054109B	스티어링축(수출)	SHAFT, STEERING	1		
15	TA00054109C	스티어링축(수출)	SHAFT, STEERING	1		
16	TC65020400A9	컬럼부츠	COLUMNBUSH	1		
17	22242-000200	축용스냅링20	SNAP RING, SHAFT (Φ 20)	2	D20(축용)	
18	TA00060975A	캡 로올러	CAP ROLLER	1		
19	22252-000450	구멍용스냅링45	RING, CIRCLIP (Φ 45)	1	D45	
20	TA00048050B	커버	COVER	1		
21	26136-100252	육각플랜지볼트(세목)	SCREW, HEX FLANGE HEAD CAP	3	M10X25	
22	TA00048048C	스티어링 휠조합	STEERING WHEEL ASS'Y	1		
22	TA00048048B	스티어링 휠조합	STEERING WHEEL ASS'Y	1		
23	NT33010000D3	PST 밸브	P.S.TVALVE	1	NONE	
23	NT33010000B3	pst 밸브	P.S.TVALVE	1	NONE	
24	TTD7110000C4	스피드 너트 5008	SPEED NUT NS5008	6	0.7T	
24	TTD7110000B4	스피드 너트 5008	SPEED NUT NS5008	6	0.7T	
25	22587-480124	냄비머리태핑나사	TAPPING SCREW	3	4.8X12	
26	TA00001598A	인서트너트	NUT	1	M8XP1.25	

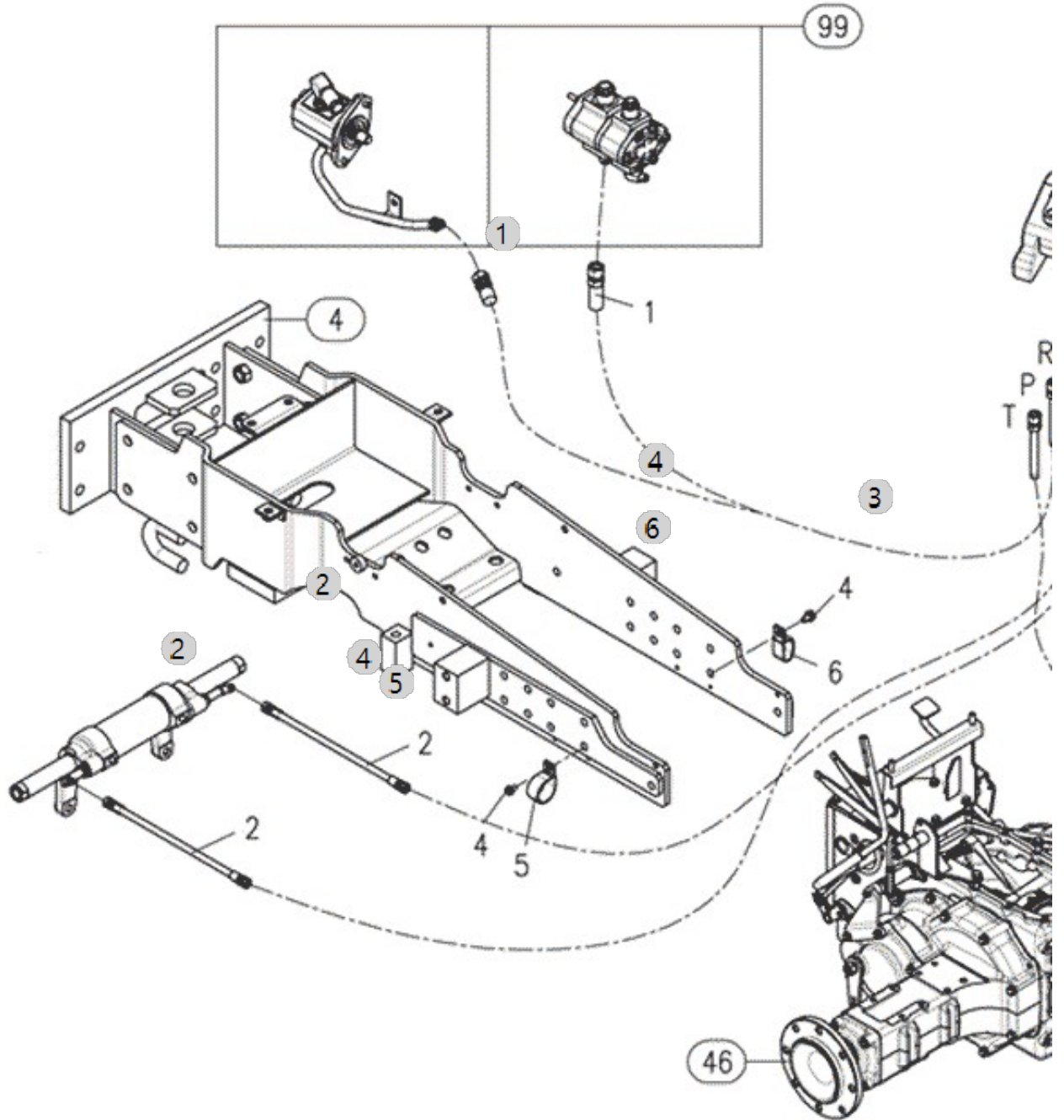
D02030

3620R(AC02103)

PST HOSE

Year/Month

2022-12-15



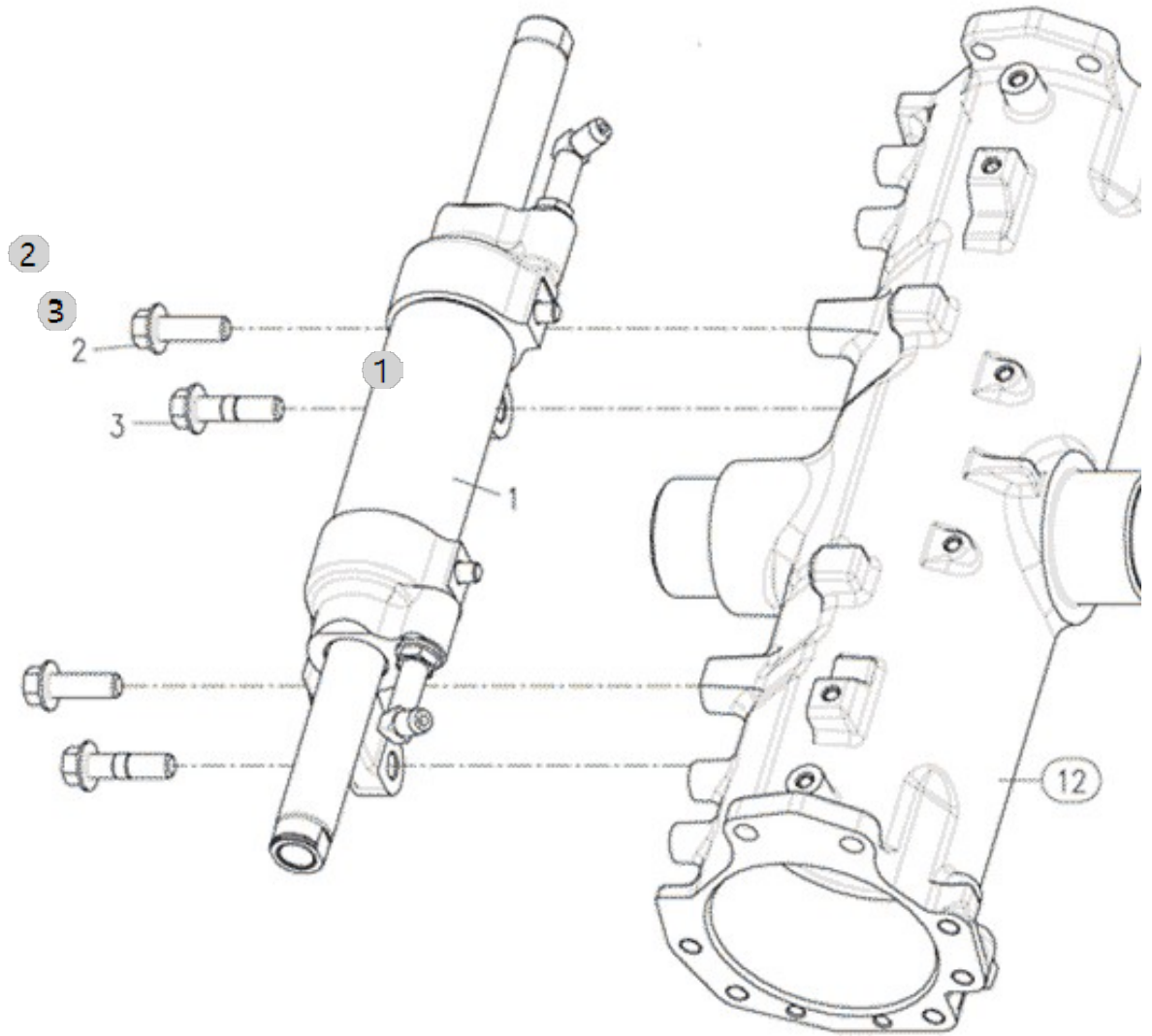
D02040

3620R(AC02103)

P.S.T CYLINDER

Year/Month

2022-12-15



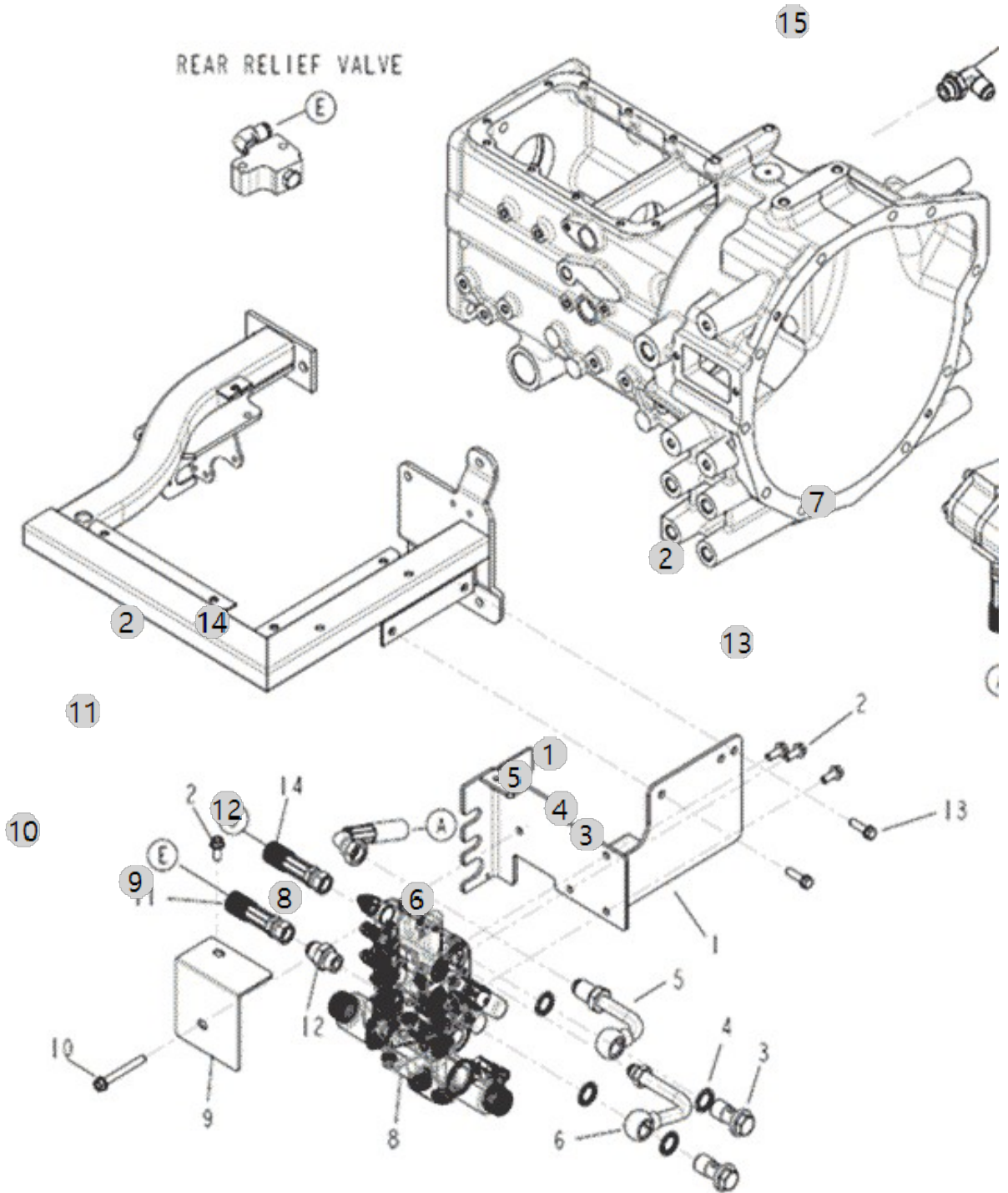
D03030

3620R(AC02103)

FRONT SCV

Year/Month

2022-12-15



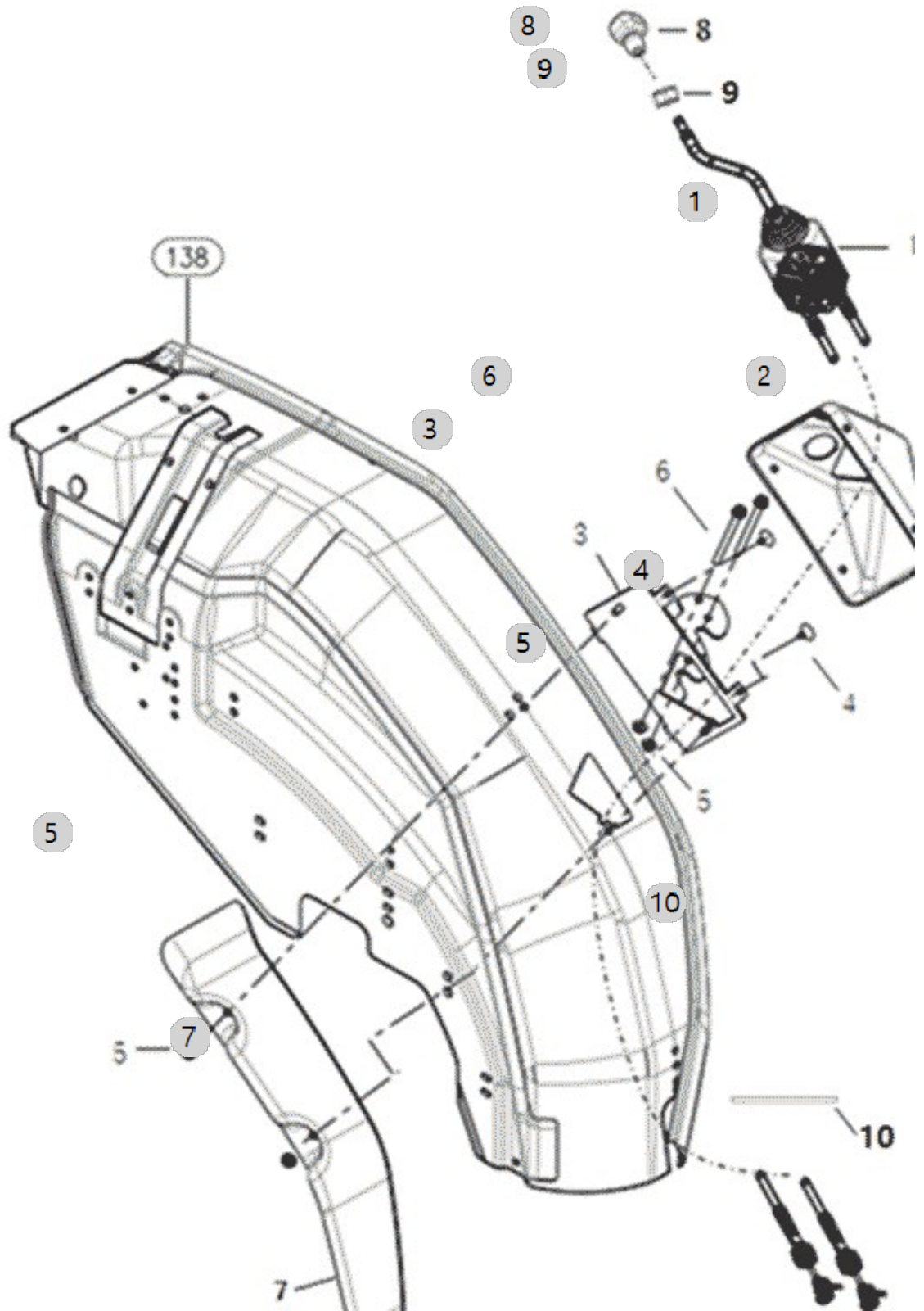
D03040

3620R(AC02103)

JOYSTICK

Year/Month

2022-12-15



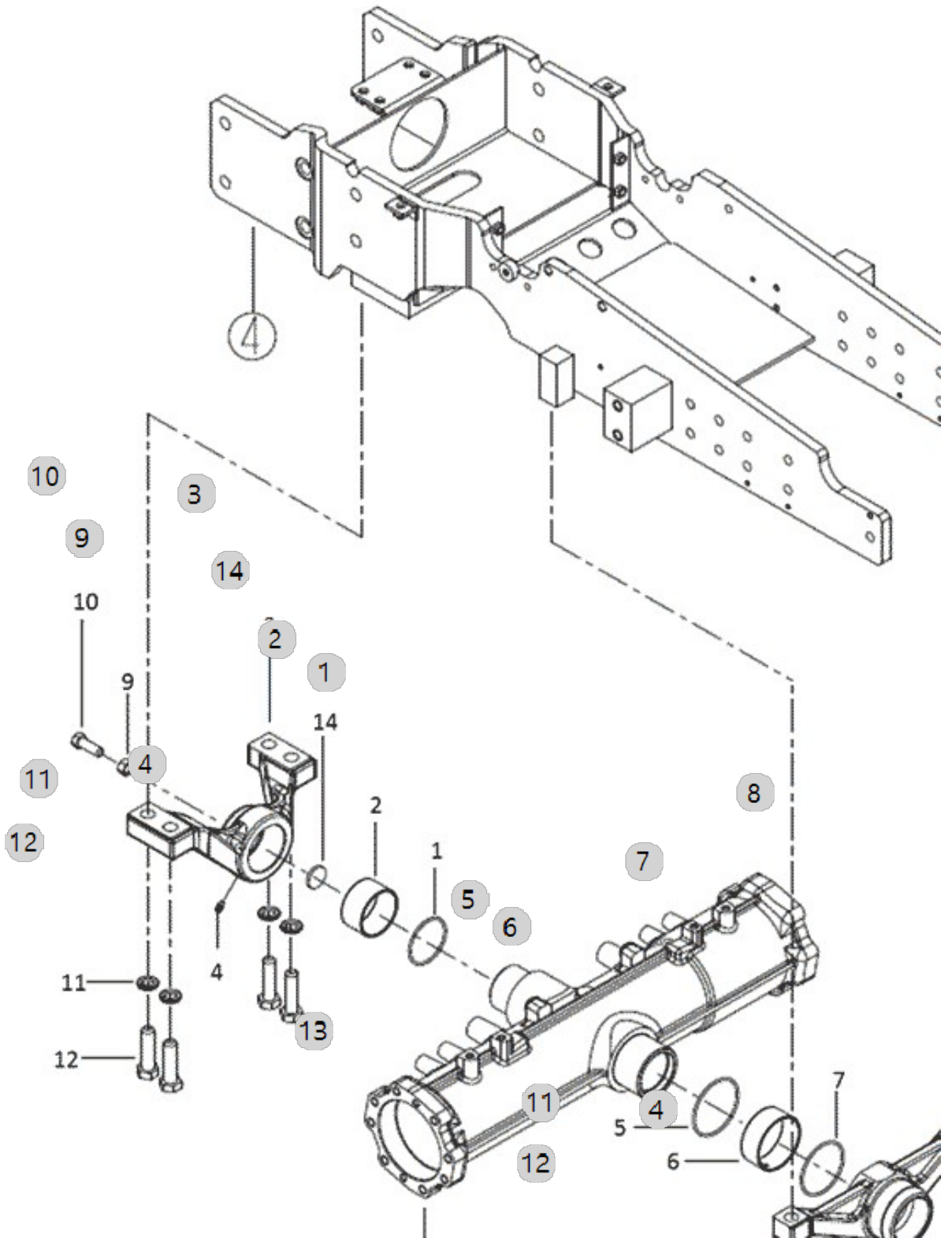
E01010

3620R(AC02103)

FRONT AXLE CASE

Year/Month

2022-12-15



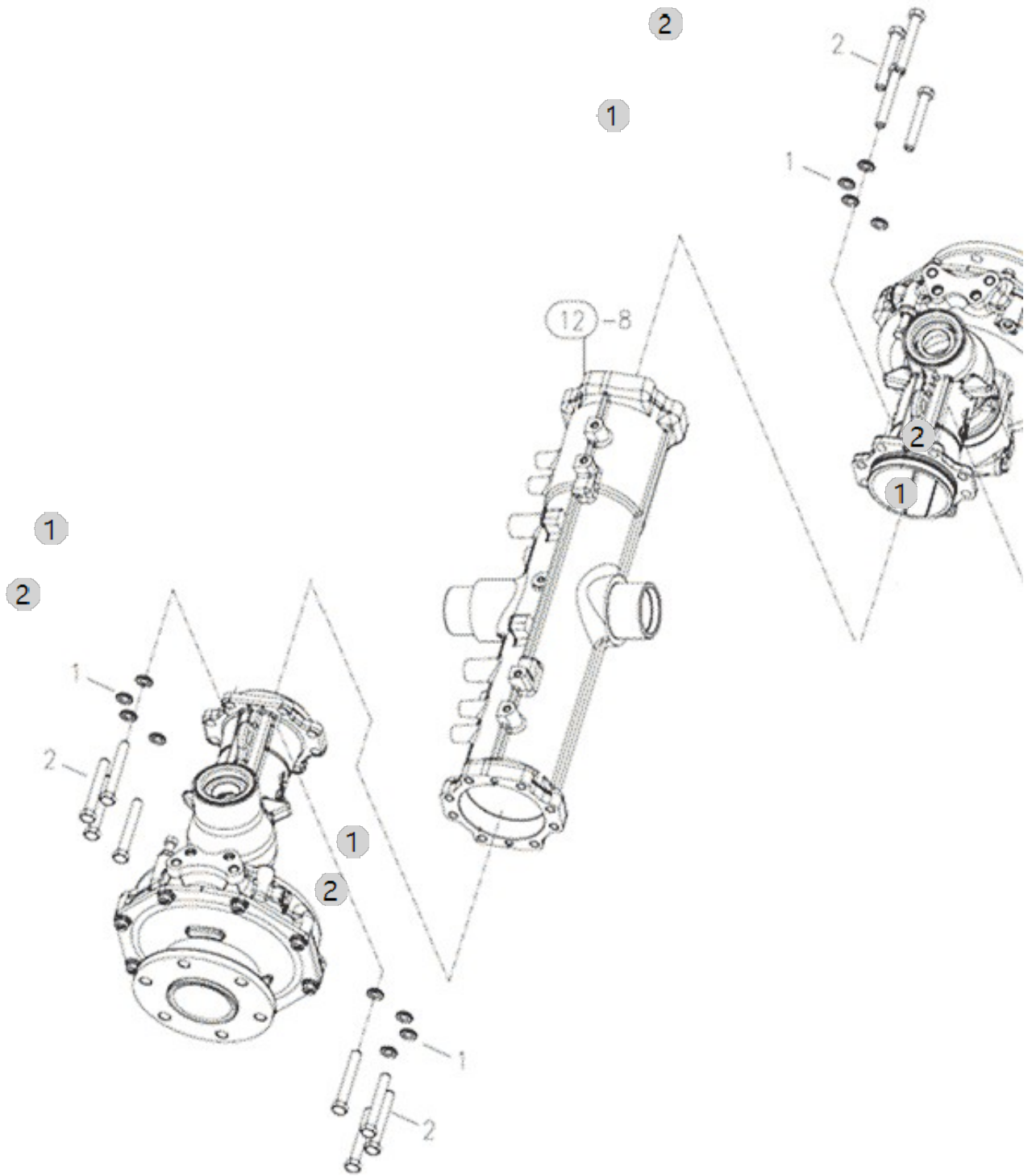
E01014

3620R(AC02103)

FRONT AXLE CASE / HOLDER

Year/Month

2022-12-15



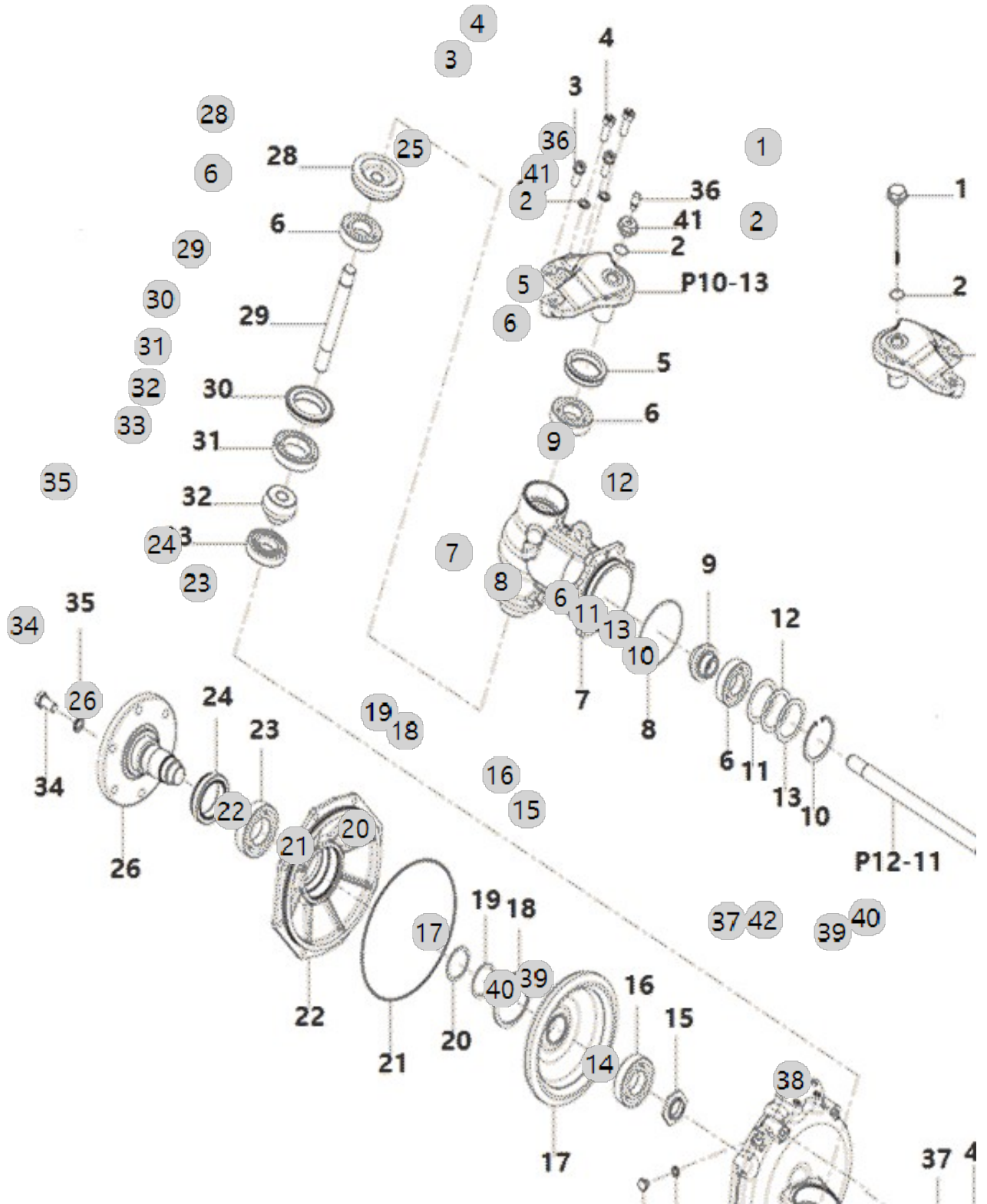
E01030

Year/Month

3620R(AC02103)

GEAR CASE, FRONT AXLE

2022-12-15



E01030 3620R(AC02103)		GEAR CASE, FRONT AXLE				Year/Month 2022-12-15
순번 (NO)	부품번호 (PART NO)	품명 (PART NAME)	품명 (PART NAME)	수량 (QTY)	규격 (SPEC)	비고 (REMARK)
1	TA00033805A	검유봉	OIL GUAGE	1		
2	24311-000220	O-RING1AP-22.0	O-RING, DYNAMIC (Φ22)	2	1A P22.0	
3	TA00033468C	와셔조립육각볼트	BOLT W/ WASHER	4		
3	TA00033468B	와셔조립육각볼트	BOLT W/ WASHER	4		
4	TA00033475B	리머볼트	SPACER	4		
5	FE78010000B	오일실 (특수) 55x72x13.5	OIL SEAL (55X72X13.5)	2	55X72X13.5	
6	24101-062074	볼베어링6207	BALL BEARING (#6207)	6	#6207	
7	TA00048728A	프런트기어케이스(20)	CASE, FRONT GEAR	2		
8	24321-001050	O-링	O-RING	2		
9	TA00033461A	전1축피니언9T	PINION, FRONT 1ST SHAFT	2		
9	TA00033461B	전1축피니언9T	PINION, FRONT 1ST SHAFT	2		
10	22252-000720	구멍용스냅링72	RING, CIRCLIP (Φ 72)	2	D72	
11	TA00033489A	심 0.2T	SHIM 0.2T	2		
12	TA00033488A	심 0.3T	SHIM 0.3T	2		
13	TA00033487A	심 0.5T	SHIM 0.5T	2		
14	TA00033458C	프런트기어박스	GEAR BOX, FRONT	2		
14	TA00033458B	프런트기어박스	GEAR BOX, FRONT	2		
15	TA00033481A	로크너트	LOCK NUT	2		
16	24101-062084	볼베어링6208	Bearing, Ball (#6208)	2	#6208	
17	TA00033474A	베벨기어 49T	GEAR, BEVEL 49T	2		
18	22252-000850	써클립85H	RING, CIRCLIP (Φ 85)	2		
19	TA00033486A	심 0.2T	SHIM 0.2T	1		
20	TA00033485A	심 0.5T	SHIM 0.5T	1		
21	TA00033939A	O링	O RING	2		
22	TA00033459C	프런트베어링케이스	BEARING CASE, FRONT	2		
22	TA00033459B	프런트베어링케이스	BEARING CASE, FRONT	1		
23	24101-062094	볼베어링6209	BALL BEARING (#6209)	2	#6209	
24	TA00041352A	오일실	OILSEAL (AO26 TYPE)	2		
25	22217-120000	스프링와셔	WASHER, SPRING (Φ 12)	2	M12	
26	TA00033460E	프런트스핀들	SPINDLE, FRONT	2		
26	TA00033460B	프런트스핀들	SPINDLE, FRONT	2		
26	TA00033460D	프런트스핀들	SPINDLE, FRONT	2		
26	TA00033460D	프런트스핀들	SPINDLE, FRONT	2		
27	TA00033469B	와셔조립육각볼트	BOLT W/ WASHER	16		
28	TA00033463A	전2축기어	FRONT 2ND AXLE LH	2		
29	TA00033464A	전2축	FRONT 2ND SHAFT	2		
30	TC60110000A3	오일실(AJ)	SEAL, OIL	2		
31	24101-060104	볼베어링6010	Bearing, Ball (#6010)	2	#6010	
32	TA00033473A	베벨기어 11T	GEAR, BEVEL 11T	2		
33	TT63050000A4	베어링TMB207	BEARING	2	TMB207	
34	TD23120000B4	프런트 허브 볼트(M14X28)	BOLT	12	M14XP1.5	
35	22217-140000	스프링와셔14	WASHER, SPRING (Φ 14)	12	M14	
36	TA00049842A	에어브리더(STEEL)	AIR BREATHER	1		
36	TA00049842B	에어브리더(STEEL)	AIR BREATHER	1		
37	TA00058614A	스톱퍼(35.5)	STOPPER(35.5)	2		

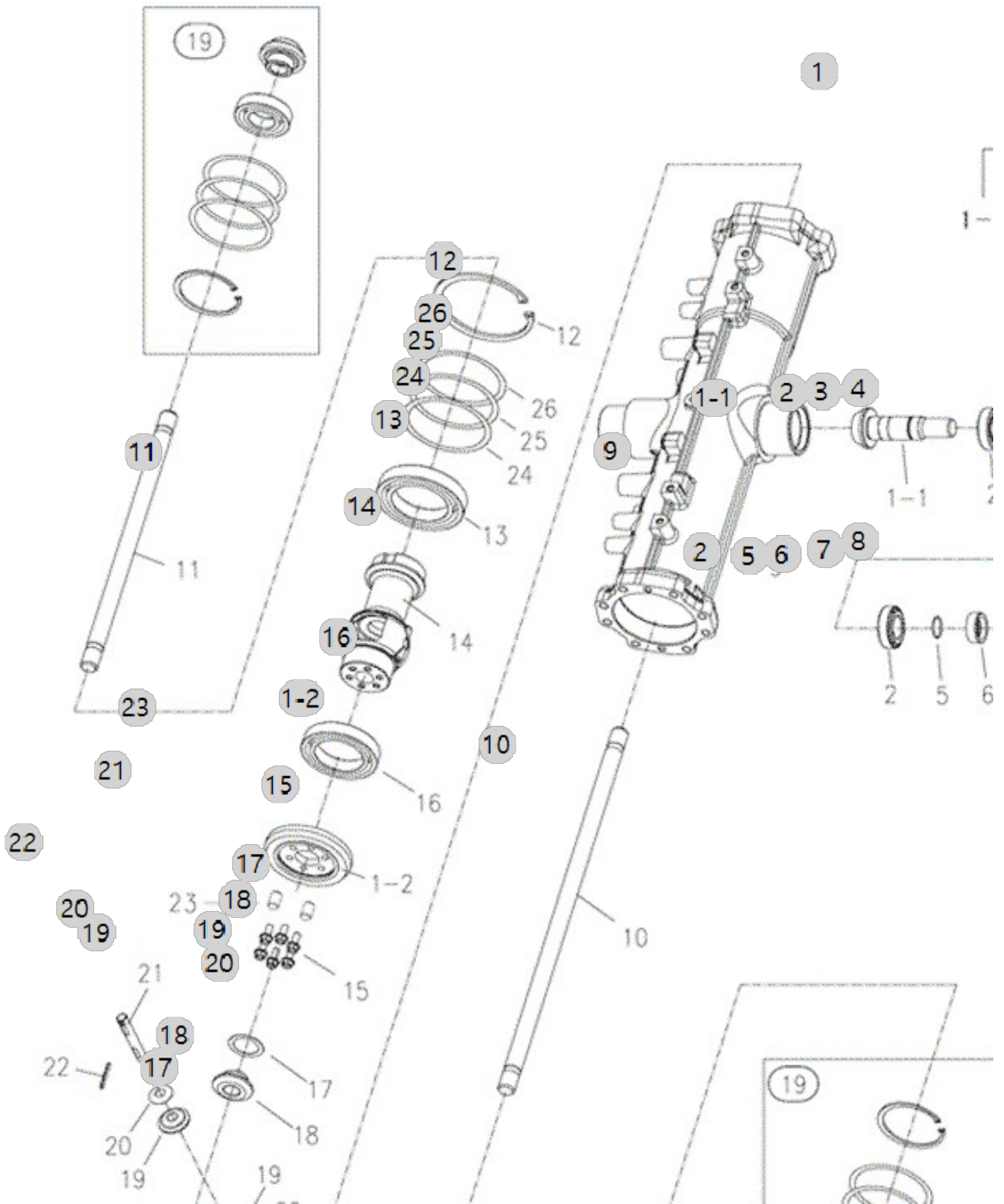
E01071

Year/Month

3620R(AC02103)

FRONT 1ST SHAFT

2022-12-15



E01071 3620R(AC02103)	FRONT 1ST SHAFT				Year/Month
					2022-12-15

순번 (NO)	부품번호 (PART NO)	품 명 (PART NAME)	품 명 (PART NAME)	수량 (QTY)	규격 (SPEC)	비고 (REMARK)
1	TA00033454B	링기어조합	RING GEAR ASSY	1		
1	TA00033454C	링기어조합	RING GEAR ASSY	1		
1-1	TA00033455B	카운터축	COUNT SHAFT	1		
1-2	TA00033456C	링기어	RING GEAR	1		
1-2	TA00033456B	링기어	RING GEAR	1		
2	24141-320060	테이퍼롤러베어링320060	BEARING, ROLLER (#32-00-60)	2	32006	
3	22252-000550	구멍용스냅링(C형)	RING, CIRCLIP (Φ 55)	1	D55	
4	TA00033478A	간격판	PLATE	1		
5	24311-000300	O링(P형)	O RING(P TYPE)	1	P30	
6	TA00033471A	부시	BUSH	1		
7	24421-405508	오일실TC405508	OIL SEAL	1		
8	TA00033472A	너트	NUT	1		
9	TA00048800A	전차축케이스	CASE, FRONT AXLE	1		
9	TA00033449A	전차축케이스	CASE, FRONT AXLE	1		
10	TA00033827A	전1축LH_20h	1ST SHAFT	1		
10	TA00033466A	전1축LH	FRONT 1ST AXLE LH	1		
11	TA00033828A	전1축RH_20h	1ST SHAFT	1		
11	TA00033462A	전1축RH	FRONT 1ST SHAFT RH	1		
12	22252-001100	구멍용스냅링	RING, CIRCLIP (Φ110)	2	D110	
13	24101-060144	볼베어링6014	BALL BEARING (#6014)	1	#6014	
14	TA00033451C	차동케이스	DIFF. CASE	1		
14	TA00033451B	차동케이스	DIFF. CASE	1		
15	TA00054318B	볼트(M8X1.0)	BOLT	6		
16	24101-060134	볼베어링6013	BALL BEARING (#6013)	2		
17	TC57120000A4	차동사이드기어라이너	LINER, DIFFERENTIAL GEAR	2		
18	TC57090000A4	차동사이드기어14	GEAR, DIFFERENTIAL 14	2		
19	TC57100000A4	차동피니언기어10	DIFFERENTIAL PINION GEAR 10	2		
20	TC57130000A4	차동피니언라이너	LINER, DIFFERENTIAL PINION	2		
21	TC57110000B4	차동피니언축	SHAFT, PINION	1		
22	22351-040040	스프링핀	PIN, SPRING (4-04)	1	D4X40	
23	22312-080140	평행핀	PIN, DOWEL (8-14)	2	D8X14	
24	TA00033482A	심 0.5T	SHIM 0.5T	1		
25	TA00033483A	심 0.3T	SHIM 0.3T	1		
26	TA00033484A	심 0.2T	SHIM 0.2T	1		

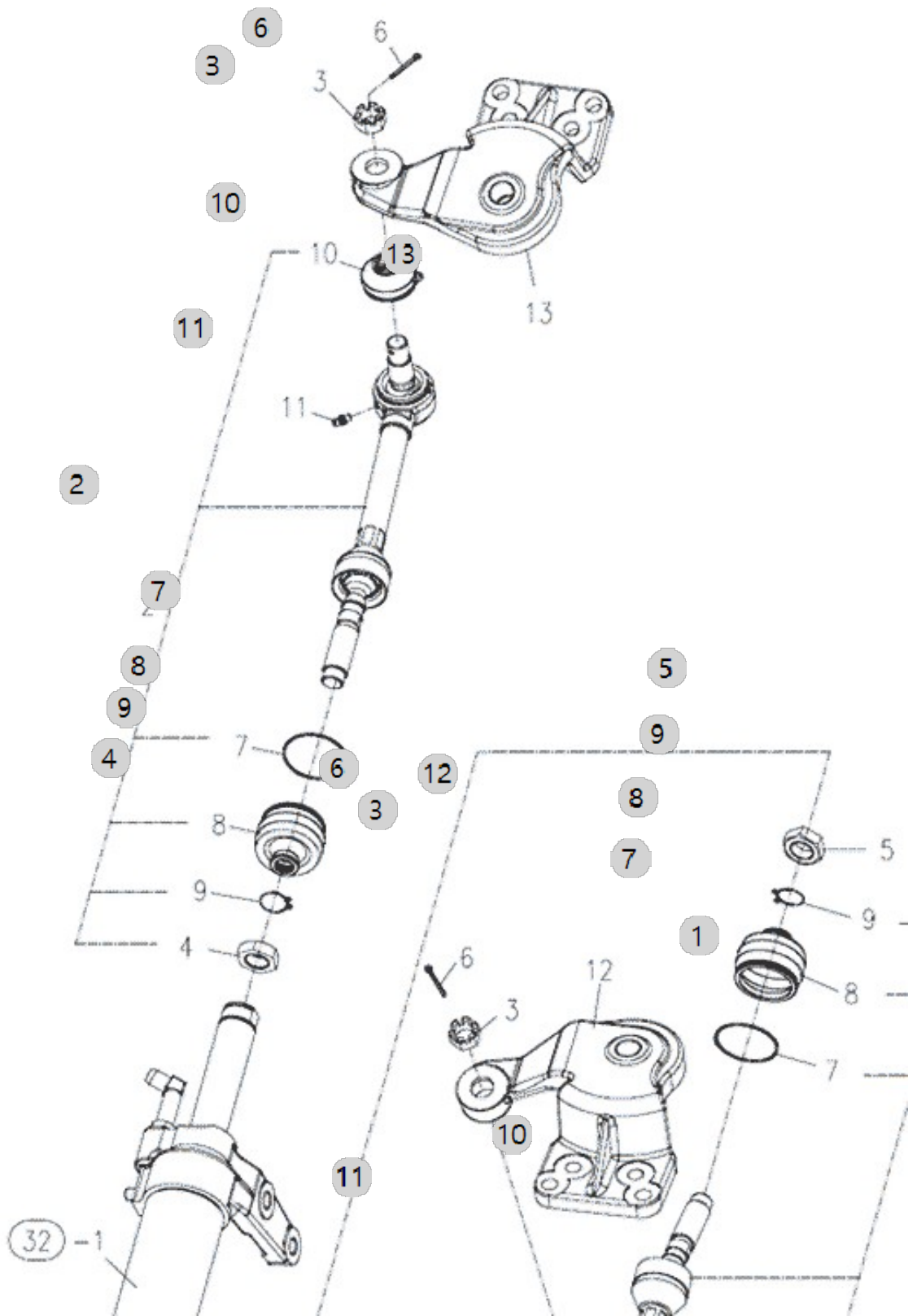
E01080

3620R(AC02103)

TIE ROD

Year/Month

2022-12-15



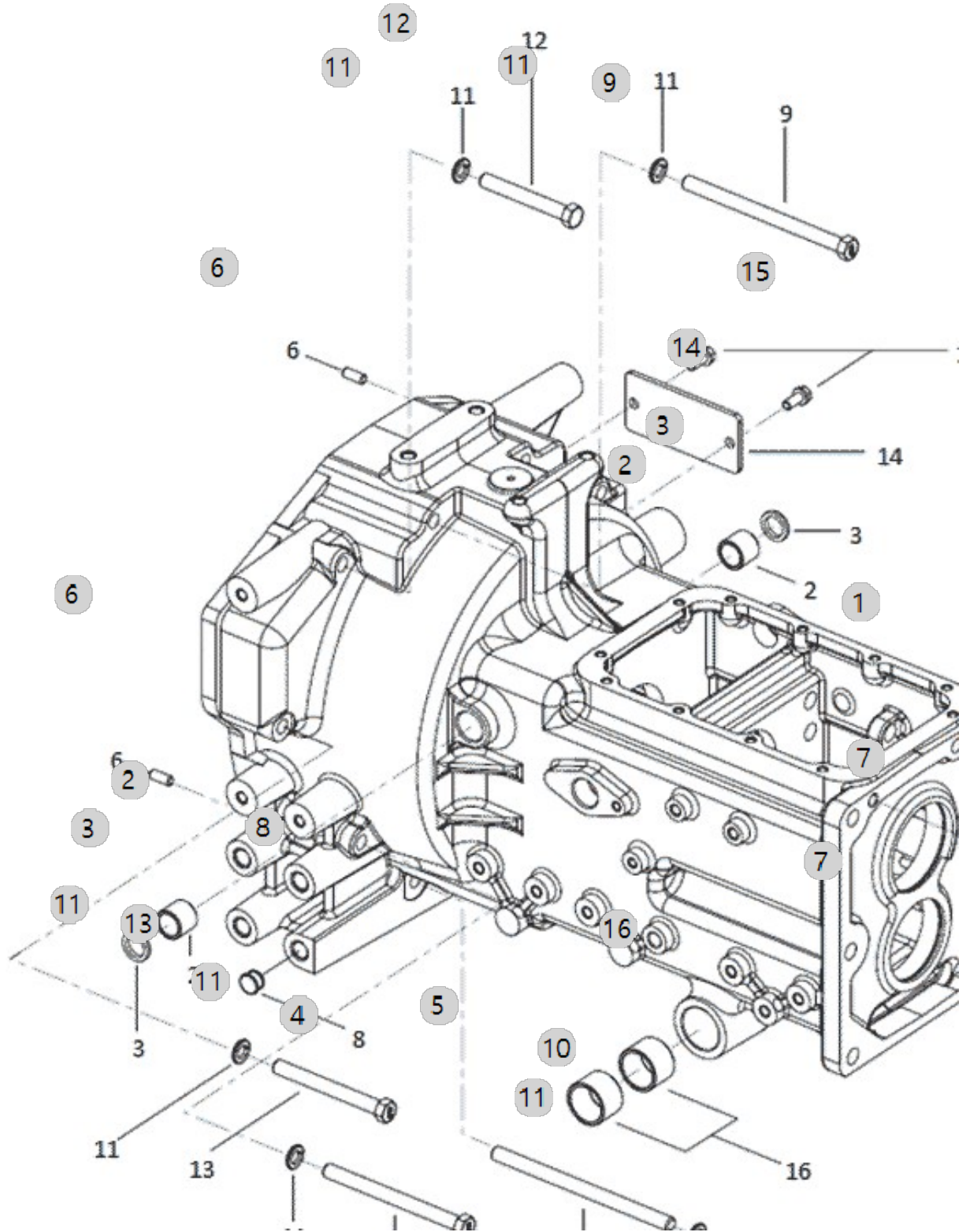
F01010

20R TM(US)_RANGE 4
(AC01714)

CLUTCH HOUSING

Year/Month

2022-12-15



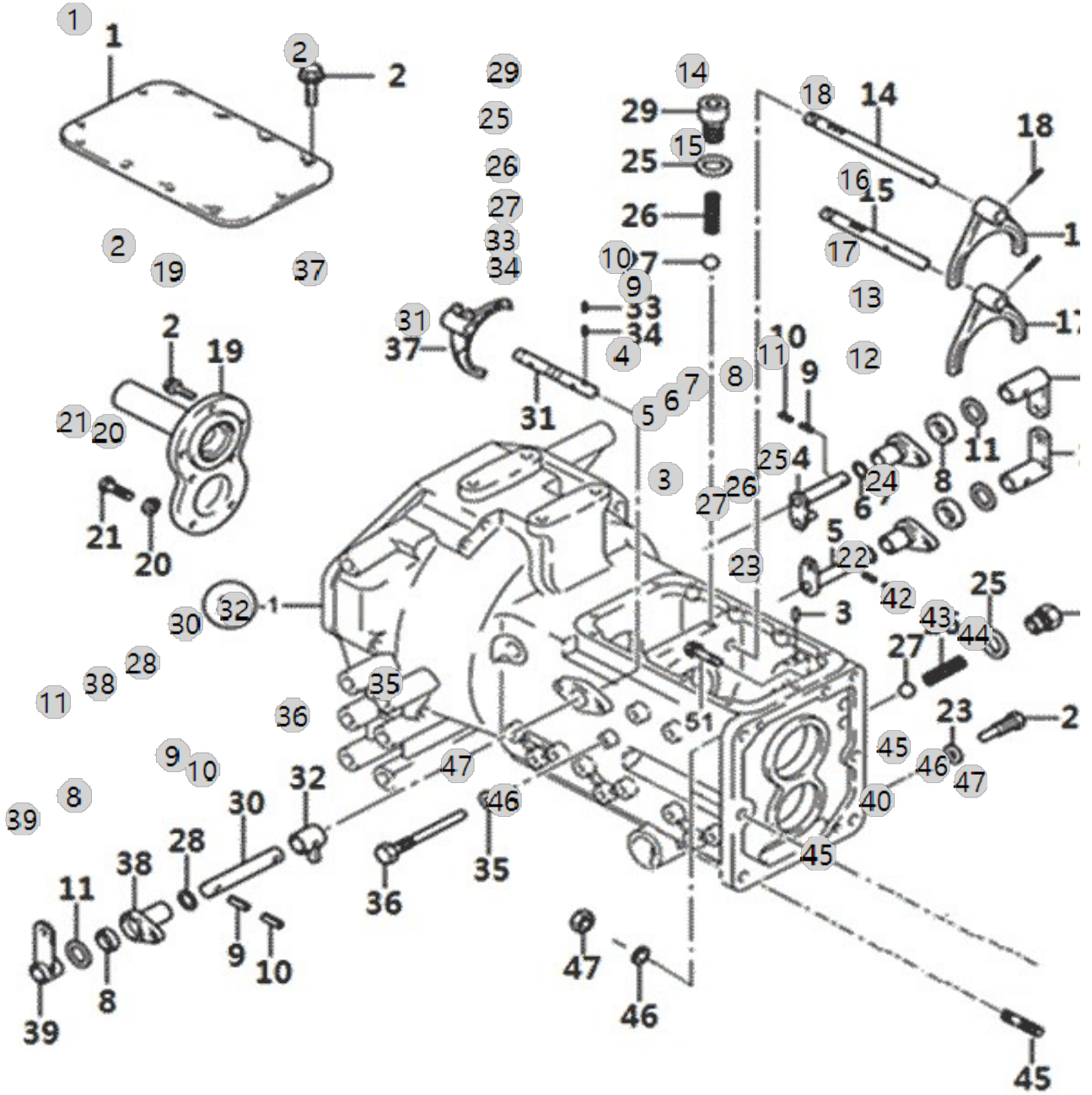
F01020

20R TM(US)_RANGE 4
(AC01714)

TRANSMISSION CASE

Year/Month

2022-12-15



F01020 20R TM(US)_RANGE 4 (AC01714)		TRANSMISSION CASE				Year/Month 2022-12-15
순번 (NO)	부품번호 (PART NO)	품명 (PART NAME)	품명 (PART NAME)	수량 (QTY)	규격 (SPEC)	비고 (REMARK)
1	NT41010000C3	미션상커버	UPPERCOVER,T/M	1	9.0T	
2	26013-080252	와셔조립육각볼트(+SW)	Bolt, Hexa (8-25)	19	M8XP1.25X25	
3	TN41070000A4	더블기어방지핀	PIN	1		
4	NT41080000A4	주변속시프트레버(3-4)	LEVER3-4	1		
4	NT41080000B4	주변속시프트레버(3-4)	MAIN SHIFTER LEVER-4	1		
5	NT41600000A4	주변속시프트레버(1-2)	LEVER[1ST-2ND],MAINSHIFT	1		
5	NT41600000B4	주변속시프트레버(1-2)	LEVER(1ST-2ND),MAIN SHIFT	1		
6	24311-000210	361,A22,O-RING1AP-21.0	O-RING, DYNAMIC (Φ21)	3	P21	
7	TN41100000A4	주변속시프트홀더	HOLDERMAINSHIFT	2		
8	24421-173007	오일실TC173007	Seal, Oil (#17-30-07)	3	TC17X30X7	
9	22351-080028	스프링핀8X28	PIN, SPRING (8-28)	2	D8X28	
10	22351-050028	스프링핀5X28	PIN, SPRING (5-02)	2	D5X28	
11	TT65120000A4	칼라B	COLLARB	3	T2.3X45X45	
12	NT41130000B4	주변속아암3-4단	ARM(3-4), MAIN SHIFT	1		
12	NT41130000C4	주변속아암3-4단	ARM(3-4), MAIN SHIFT	1		
13	NT41140000A4	주변속아암(1-2)	ARM(1-2),MAINSHIFT	1		
13	NT41140000B4	주변속아암(1-2)	ARM(1-2),MAINSHIFT	1		
14	NT41150000A3	주변속3-4단포크축	FORKSHAFT[3-4],MAINSHIFT	1	D15	
15	NT41160000A3	주변속1-2단포크축	FORKSHAFT(1-2),MAINSHIFT	1	D15	
16	TN41170000C3	주변속포오크(1-2)	FORK1ST~2ND,MAINSHIFT	1		
16	TN41170000D3	주변속포오크(1-2)	FORK1ST~2ND,MAINSHIFT	1		
17	TN41180000D3	주변속포오크(3-4)	FORK3-4MAINSHAFT	1		
17	TN41180000C3	주변속포오크(3-4)	FORK3-4MAINSHAFT	1		
18	22351-060030	스프링핀	PIN, SPRING (6-30)	2		
19	NT41580000A2	주축오일실케이스_4기통	oil seal case	1		
19	NT41580000C2	주축오일실케이스_4기통	OIL SEAL CASE	1		
19	NT41580000B2	주축오일실케이스_4기통	OIL SEAL CASE	1		
20	22217-080000	스프링와셔8	WASHER, SPRING (Φ 08)	5	M8	
21	26116-080222	볼트7T(8X22)	BOLT7T(8X22)	5	M8X1.25X22	
22	TN41250000B4	단붙이고정볼트	FIXINGBOLT	1		
23	23414-100000	429,A202322,패킹10	PLAIN WASHER (D10)	1	M10	
24	NT41270000B4	캡 볼트	CAPBOLT	1		
25	23414-160000	동패킹	WASHER,SEALING	2	M16	
26	TT42020000A4	스프링	SPRING	3		
27	24190-100001	강구5/16	Ball, Steel (5/16)	3	5/16"	
28	24311-000110	O-링 495-11	O-RING, DYNAMIC (Φ11)	1	P11	
29	23871-010000	테이퍼플러그	PLUG	1	PT1/8	
30	NT41350000A4	축(셔틀체인지)	SHAFT, SHUTTLE CHANGE	1		
30	NT41350000B4	축(셔틀체인지)	SHAFTSHUTTLECHANGE	1	D17	
31	TN41360000A3	셔틀시프터포오크축	SHAFTSH.FORK	1	D15X127	
32	NT41380000A4	셔틀샙프트레버	LEVERSHUTTLESHAFT	1		
32	NT41380000B4	셔틀시프트레버	LEVER SHUTTLE SHAFT	1		
33	22351-060025	SPRINGPIN6X25	PIN, SPRING (6-25)	2	D6X25	
34	22351-080028	스프링핀8X28	PIN, SPRING (8-28)	1	D8X28	
35	23414-080000	320,ALL,패킹8	WASHER, PLAIN (Φ8)	1	M8	

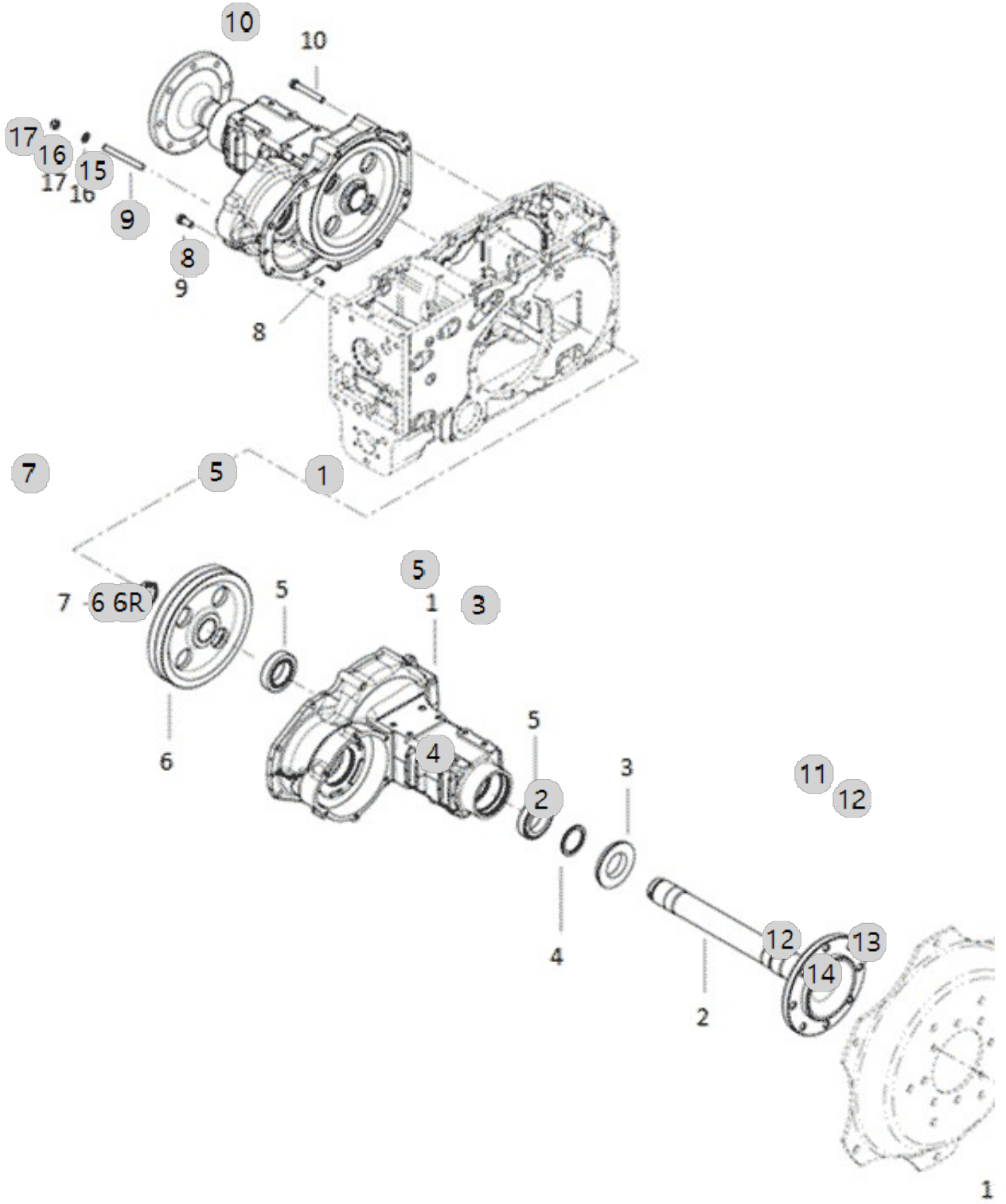
F01030

20R TM(US)_RANGE 4
(AC01714)

HOUSING, REAR AXLE

Year/Month

2022-12-15



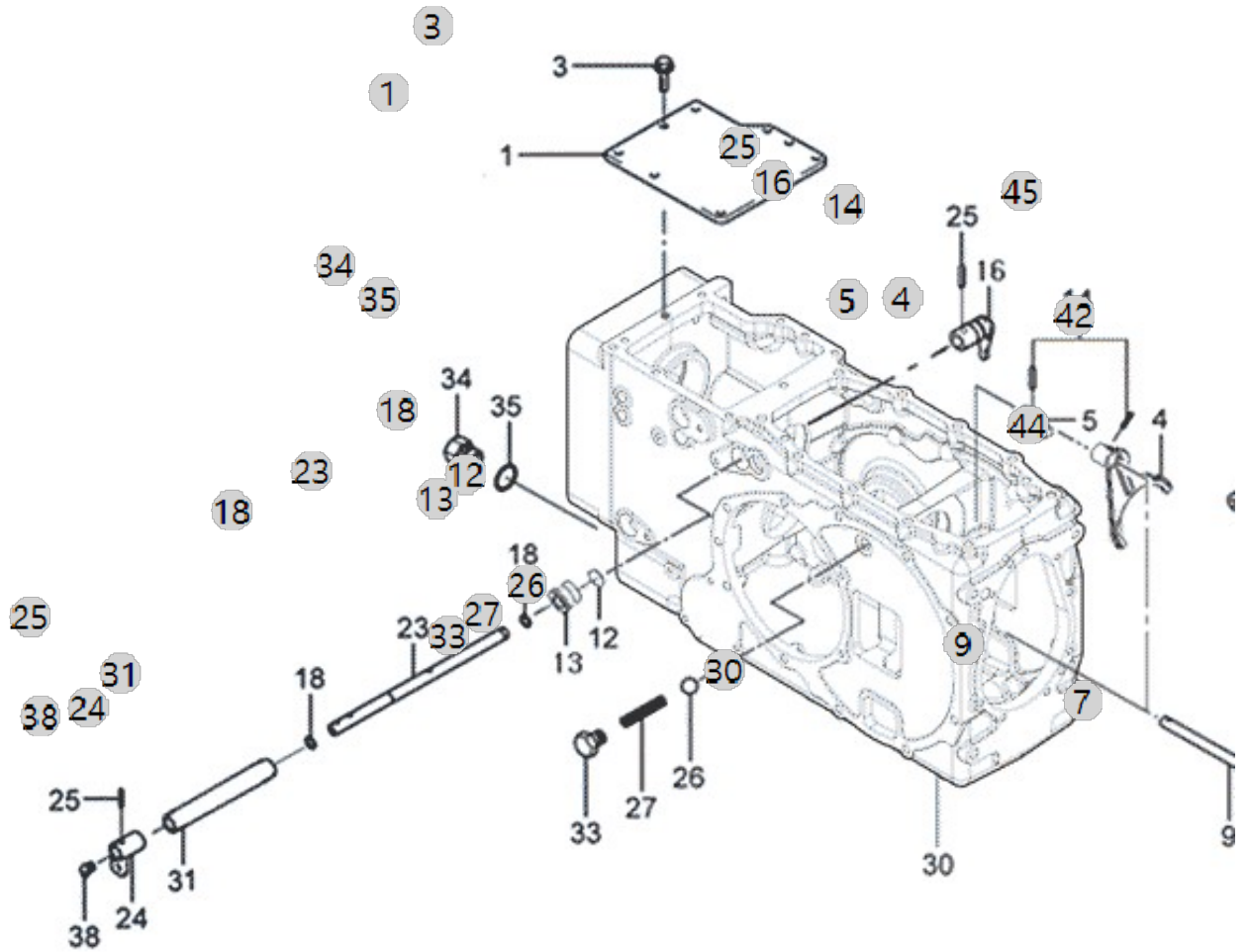
F01040

20R TM(US)_RANGE 4
(AC01714)

REAR AXLE CASE

Year/Month

2022-12-15



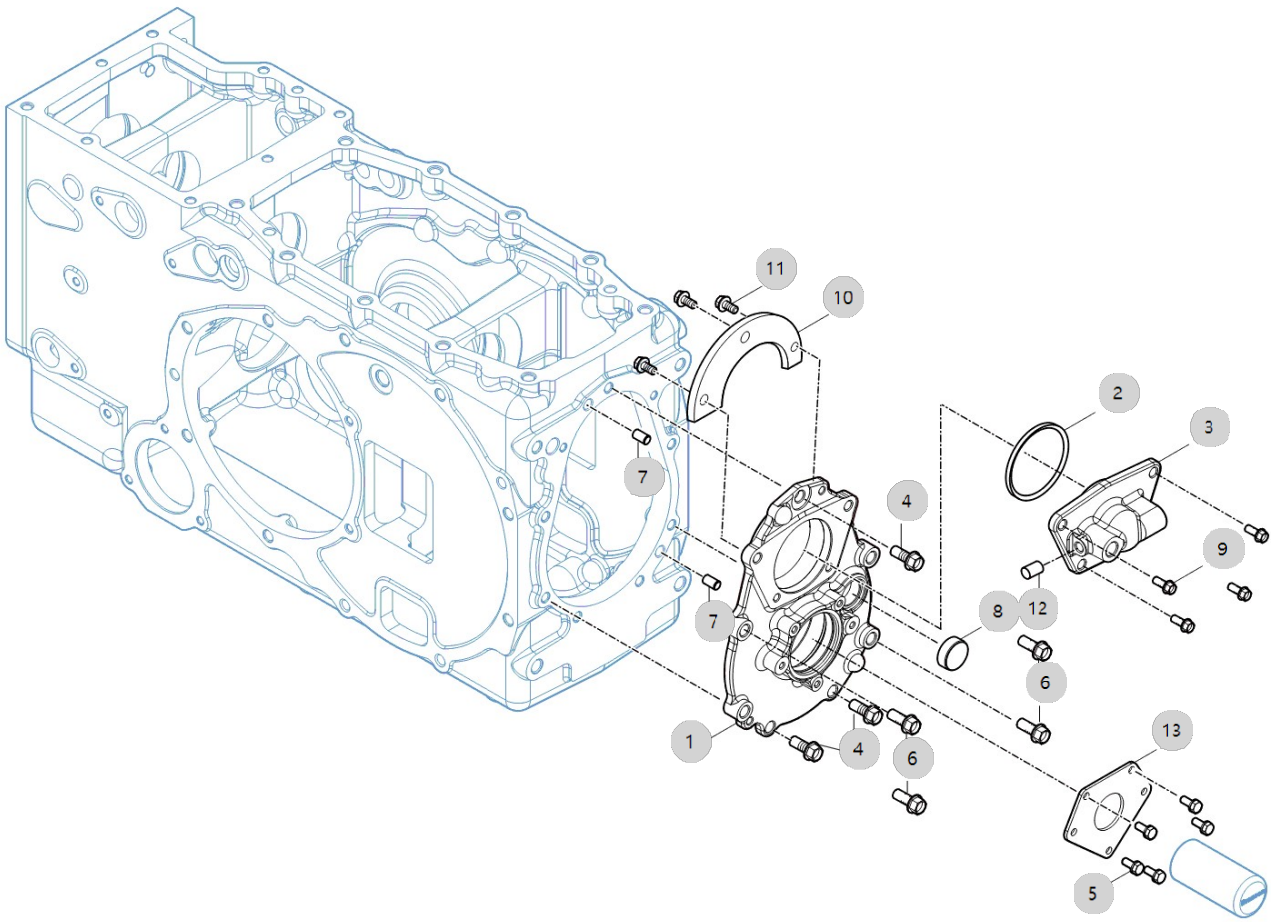
F01060

20R TM(US)_RANGE 4
(AC01714)

PTO COVER

Year/Month

2022-12-15



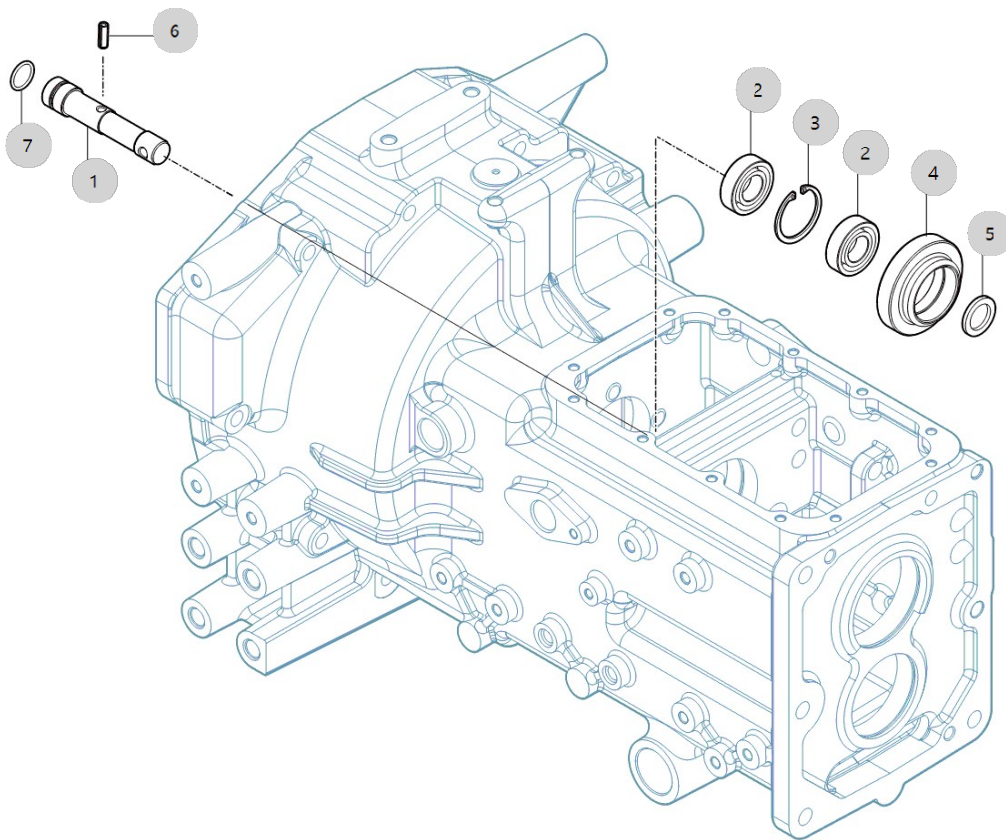
F02060

20R TM(US)_RANGE 4
(AC01714)

REVERSE IDLE SHAFT

Year/Month

2022-12-15



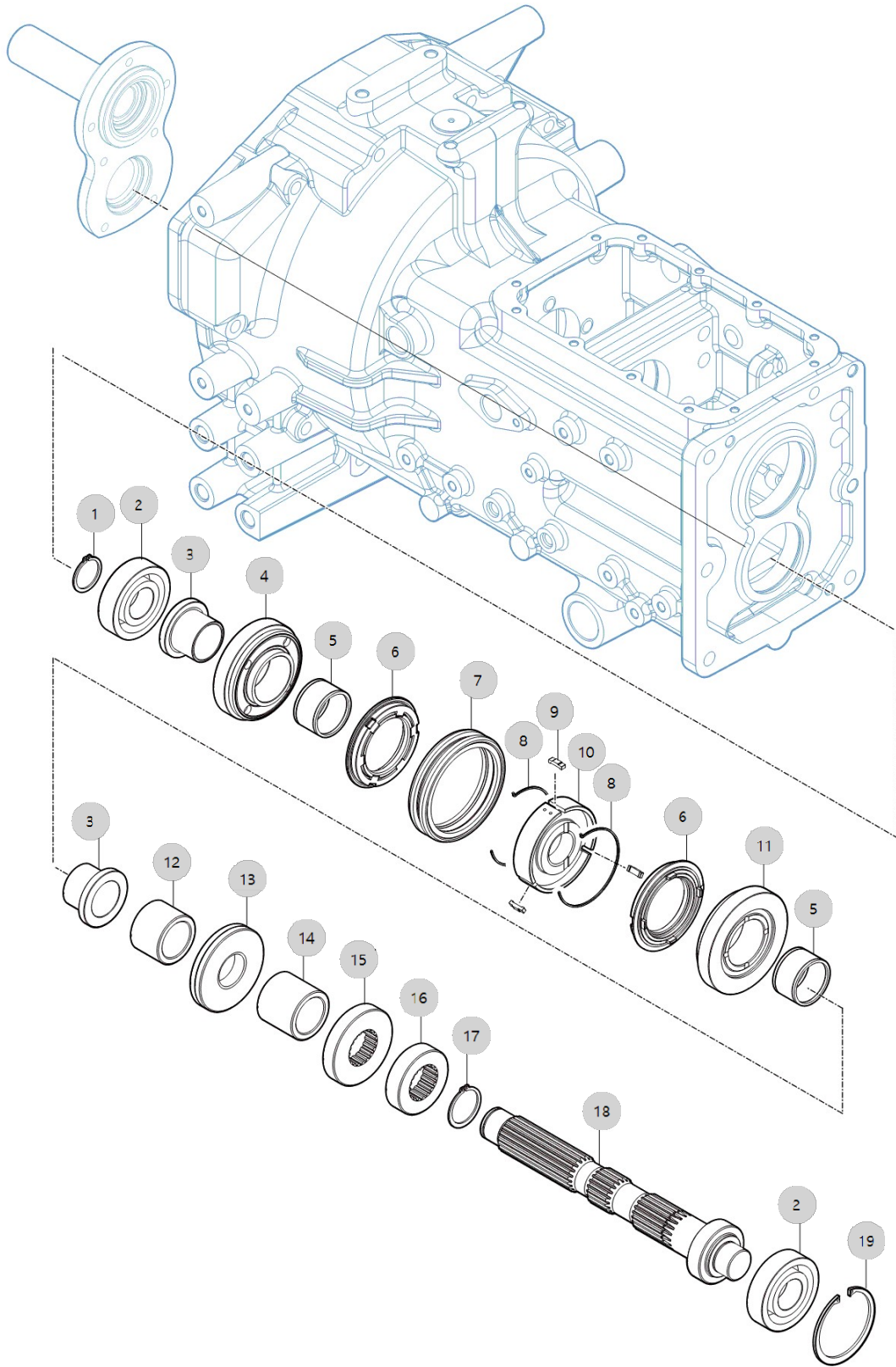
F03010

20R TM(US)_RANGE 4
(AC01714)

MAIN SHIFT DRIVE SHAFT

Year/Month

2022-12-15



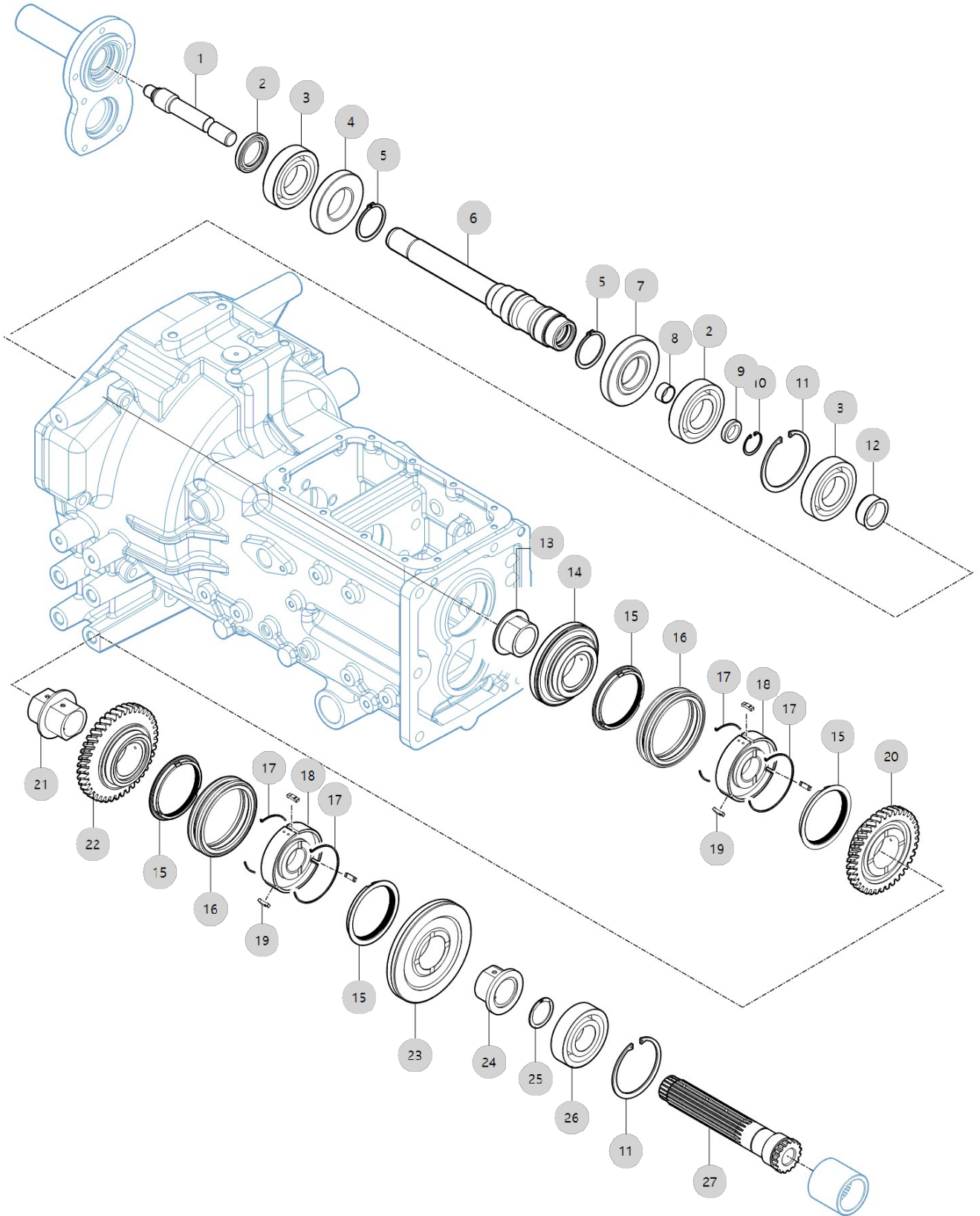
F03020

20R TM(US)_RANGE 4
(AC01714)

MAIN SHIFT DRIVEN SHAFT

Year/Month

2022-12-15



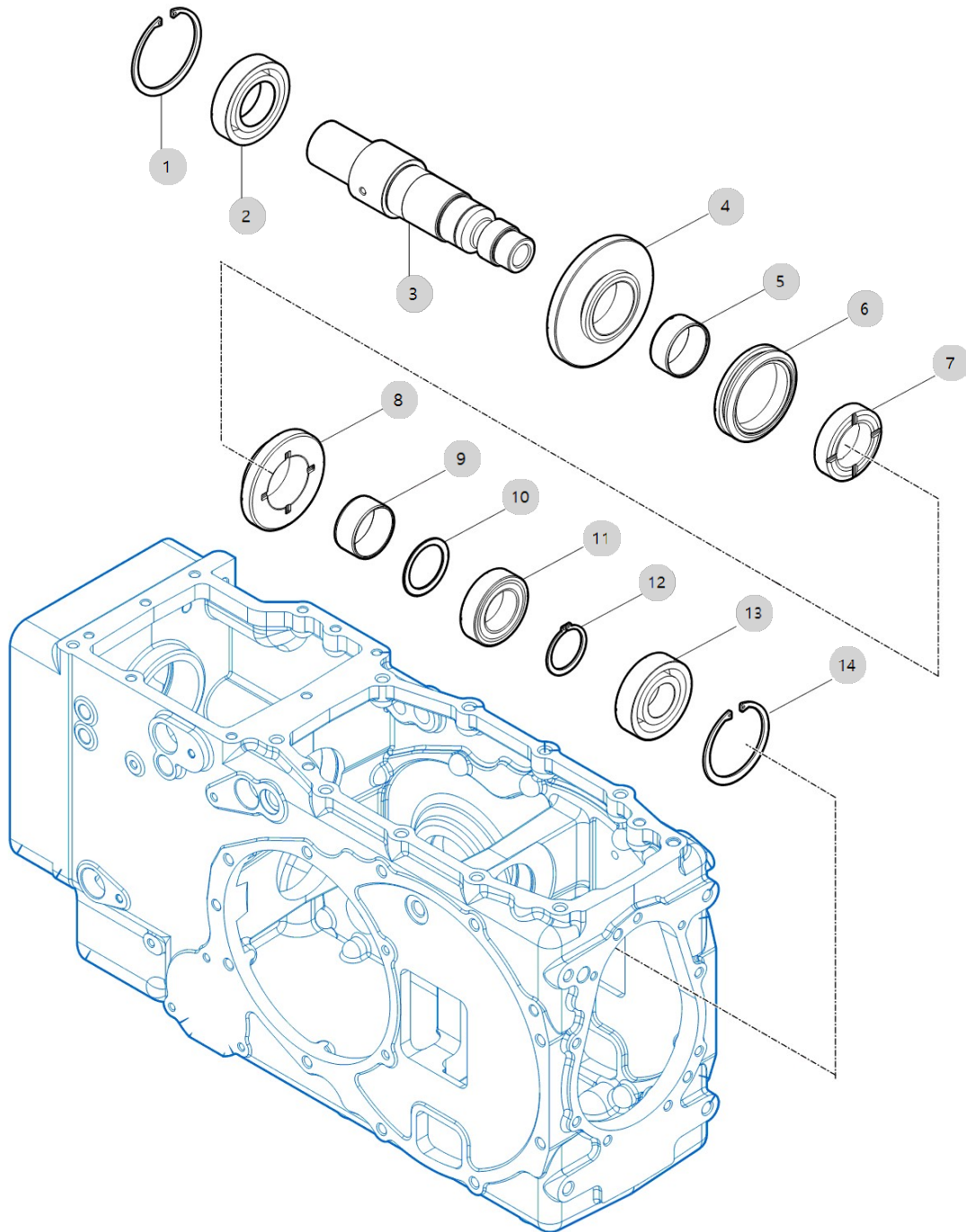
F03040

20R TM(US)_RANGE 4
(AC01714)

RANGE SHIFT DRIVE SHAFT

Year/Month

2022-12-15



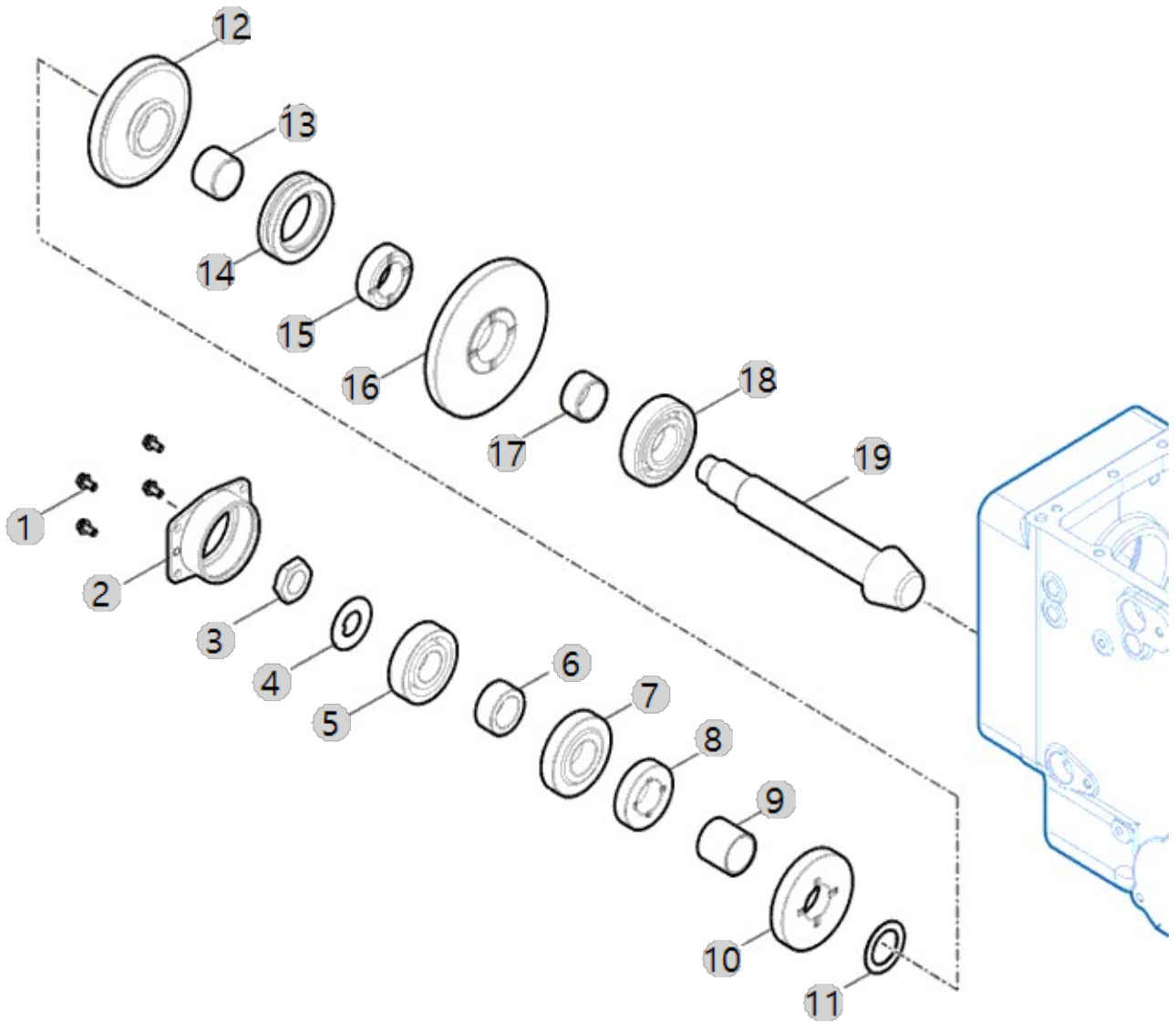
F03050

20R TM(US)_RANGE 4
(AC01714)

RANGE SHIFT DRIVEN SHAFT

Year/Month

2022-12-15



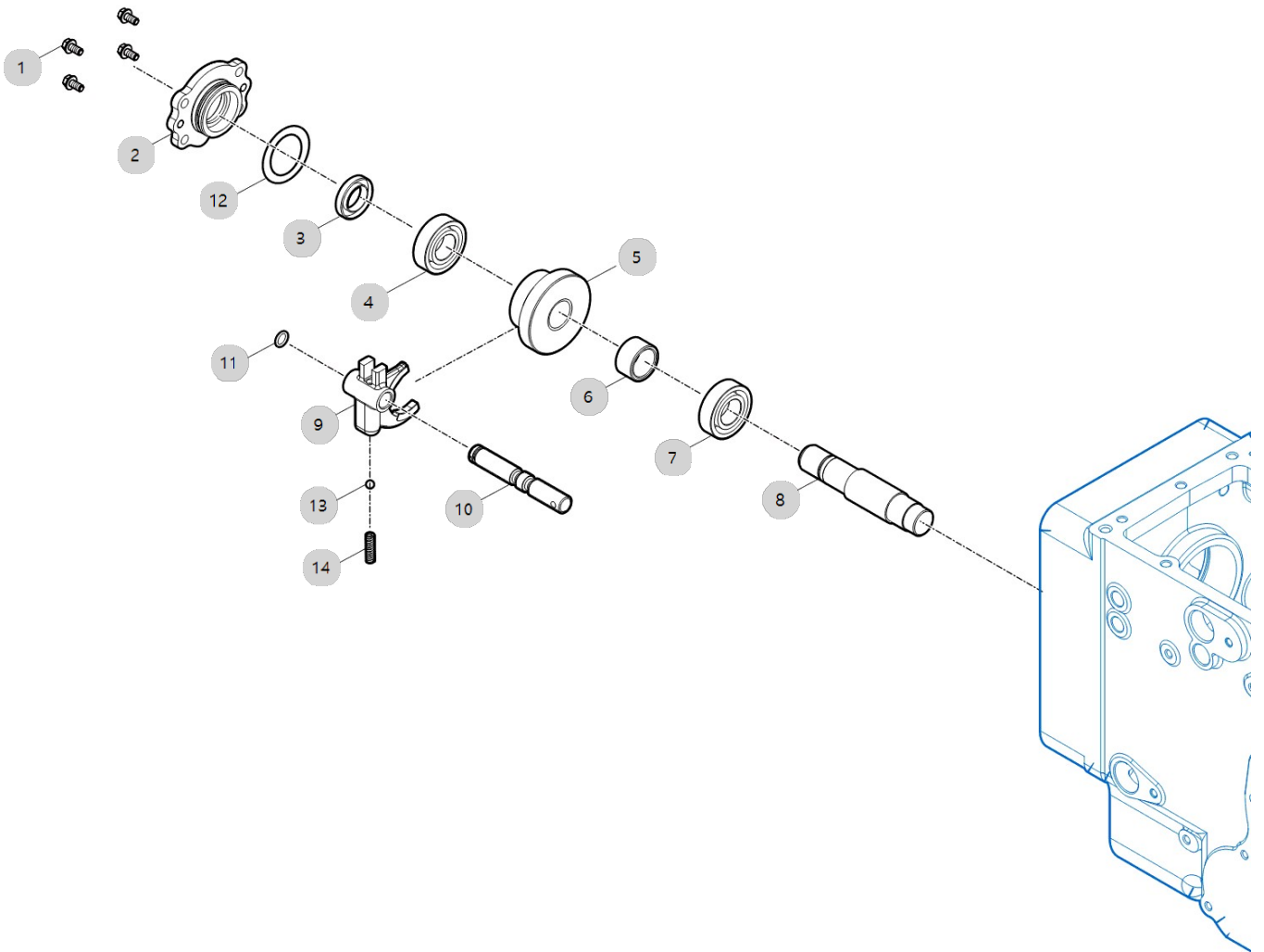
F04010

20R TM(US)_RANGE 4
(AC01714)

FRONT WHEEL DRIVE SHAFT

Year/Month

2022-12-15



F04010 20R TM(US)_RANGE 4 (AC01714)		FRONT WHEEL DRIVE SHAFT				Year/Month
						2022-12-15
순번 (NO)	부품번호 (PART NO)	품 명 (PART NAME)	품 명 (PART NAME)	수량 (QTY)	규격 (SPEC)	비고 (REMARK)
1	26013-080202	와셔조립육각볼트(+SW)	Bolt, Hexa (8-20)	4	M8XP1.25X20	
2	TN43350000B3	오일시일케이스	CASEOILSEAL	1		
3	24421-254008	오일실TC254008(E810,86-13)	Seal, Oil (#25-40-08)	1	TC25X40X8	
4	24101-062054	볼베어링6205	Bearing, Ball (#6205)	1	#6205UU	
5	TA00054530A	전륜피동기어	4WD_DRIVEN_GEAR	1		
6	TA00054914A	칼라(전륜구동축)	COLLOR	1		
7	24101-062054	볼베어링6205	Bearing, Ball (#6205)	1	#6205UU	DEL.20220323
8	TA00054915A	전륜구동축	4WD DRIVE SHAFT	1		
9	TA00054972A	전륜포크	4WD FORK	1		
9	TA00054972B	전륜포크	4WD FORK	1		
10	TA00054916A	전륜포크축	4WD FORK SHAFT	1		
11	24311-000110	O-링 495-11	O-RING, DYNAMIC (Φ11)	1	P11	
12	TN43360000A4	O-링(G형)	O-RING	1	45G	
13	24190-100001	강구5/16	Ball, Steel (5/16)	1	5/16"	
14	TA00048409A	포크 스프링	SPRING, FORK	1		
14	TA00048409B	포크 스프링	SPRING, FORK	1		

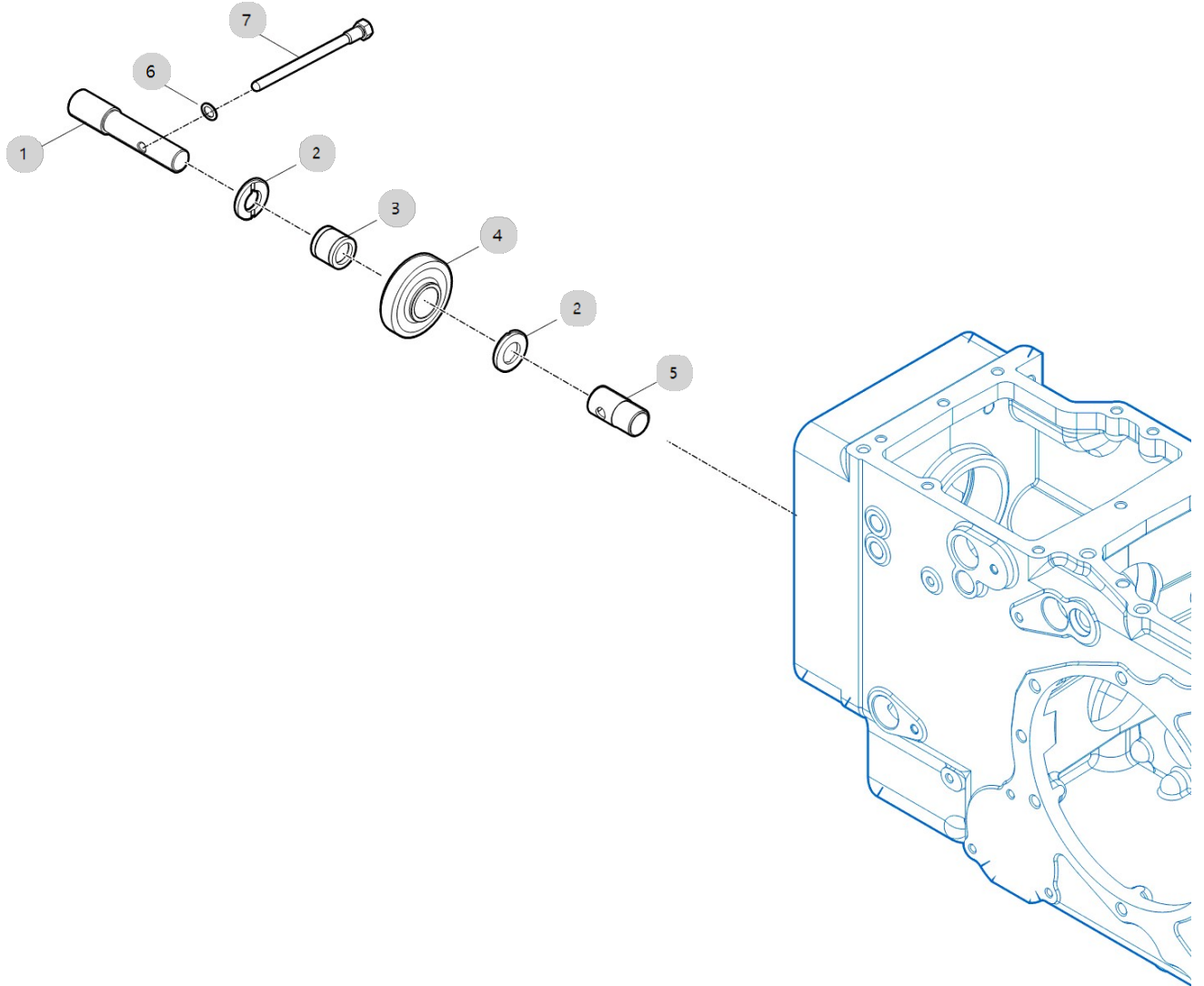
F04030

20R TM(US)_RANGE 4
(AC01714)

FRONT WHEEL DRIVE IDLE SHAFT

Year/Month

2022-12-15



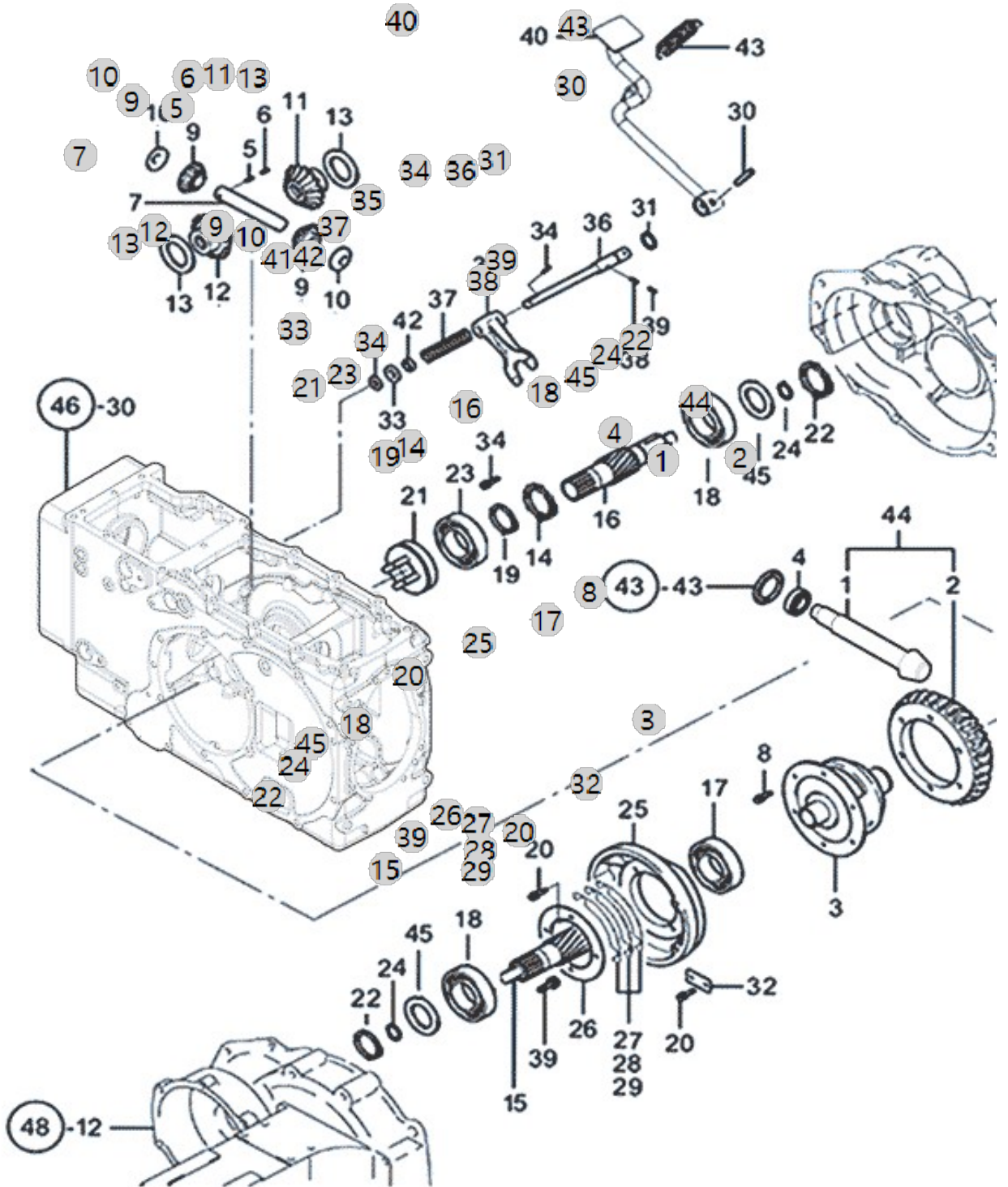
F05020

20R TM(US)_RANGE 4
(AC01714)

REAR DIFFERENTIAL

Year/Month

2022-12-15



F05020 20R TM(US)_RANGE 4 (AC01714)		REAR DIFFERENTIAL				Year/Month 2022-12-15
순번 (NO)	부품번호 (PART NO)	품명 (PART NAME)	품명 (PART NAME)	수량 (QTY)	규격 (SPEC)	비고 (REMARK)
1	TA00054487B	카운터축	COUNTER SHAFT	1		
1	TA00054487C	카운터축	COUNTER SHAFT	1		
2	TN49520000D2	링기어	RINGGEAR	1		
3	TN49030000E2	차동케이스	CASE,DIFFERENTIAL	1		
4	TT78020000A3	베어링NJ307R	BEARINGNJ307R	1	NJ307R	DEL.20220323
5	22312-060360	평행핀	PIN, DOWEL (6-36)	1	D6X36	
6	22351-060032	스프링핀	PIN, SPRING (6-32)	1	D6X32	
7	TF64080000A4	피니언축	PINIONSHAFT	1		
8	TF64090000A4	볼트	BOLT	6	M10X1.25X25	
8	TF64090000B4	볼트	BOLT	6		
9	TF64100000B3	차동피니언	PINION	2		
10	TF64110000A4	피니언라이너	PINIONLINER	2	T1.0	
11	TF64120000A3	차동사이드기어(A)	DIFF.SIDEGEAR(A)	1		
12	TF64130000A3	차동사이드기어(B)	DIFF.SIDEGEAR(B)	1		
13	TF64140000B4	사이드기어라이너	SIDEGEARLINER	2		
14	22252-000800	구멍용스냅링80	RING, CIRCLIP (Φ 80)	1	D80	
15	TA00032603C	파이널 기어(좌)	FINAL PINION(L)	1		
15	TA00032603B	파이널 기어(좌)	FINAL PINION(L)	1		
15	TA00032603D	파이널 기어(좌)	FINAL PINION(L)	1		
15	TA00032603E	파이널 피니언(좌)	FINAL PINION(L)	1		
16	TA00032596D	파이널 피니언(우)	FINAL PINION(R)	1		
16	TA00032596C	파이널 피니언(우)	FINAL PINION(R)	1		
16	TA00032596B	파이널 피니언(우)	FINAL PINION(R)	1		
16	TA00032596E	파이널 피니언(우)	FINAL PINION(R)	1		
17	24101-062114	볼베어링6211	Bearing, Ball (#6211)	1	#6211	
18	TF64190000A4	베어링6308HL1	BALL BEARING (#6308HL1) -> TF64190000A3	2	NJ307R	DEL.20220323
19	22242-000500	축용스냅링50	SNAP RING, SHAFT (Φ50)	1	D50	
20	26013-080202	와셔조립육각볼트(+SW)	Bolt, Hexa (8-20)	4	M8XP1.25X20	
21	TF64250000B3	데프록스러스트	THRUST, DIFF-LOCK ASSY	1		
22	22252-000900	구멍용스냅링90	RING, CIRCLIP (Φ 90)	2	D90	
23	24101-060104	볼베어링6010	Bearing, Ball (#6010)	1	#6010	
24	22242-000400	축용스냅링40	SNAP RING, SHAFT (Φ 40)	2	D40	
25	TN49550000B2	캐리어	CARRIOR	1		
26	TN49590000A4	리테이너	RETAINER	1		
27	TZ49560000A4	심A(0.5)	SHIMA	3		
28	TZ49570000A4	심B(0.3)	SHIMB	3		
29	TZ49580000A4	심C(0.1)	SHIMC	2		
30	22351-080032	스프링핀	PIN, SPRING (8-32)	2	D8X32	
31	24311-000160	O-링 P 16	O-RING, DYNAMIC (Φ16)	1	P16	
32	TB32360000A4	리테이너	RETAINER	2	T4.5X25X50	
33	TN49380000A4	와셔	WASHER	1	T4.2X30X30	
34	26013-080202	와셔조립육각볼트(+SW)	Bolt, Hexa (8-20)	10	M8XP1.25X20	
35	TN49400000B2	차동포크	FORKDIFFERENTIALLOCK	1		
36	TN49410000B3	포크축	SHAFT,DIFFLOCKFORK	1		
36	TN49410000C3	포크축	FORK SHAFT	1		

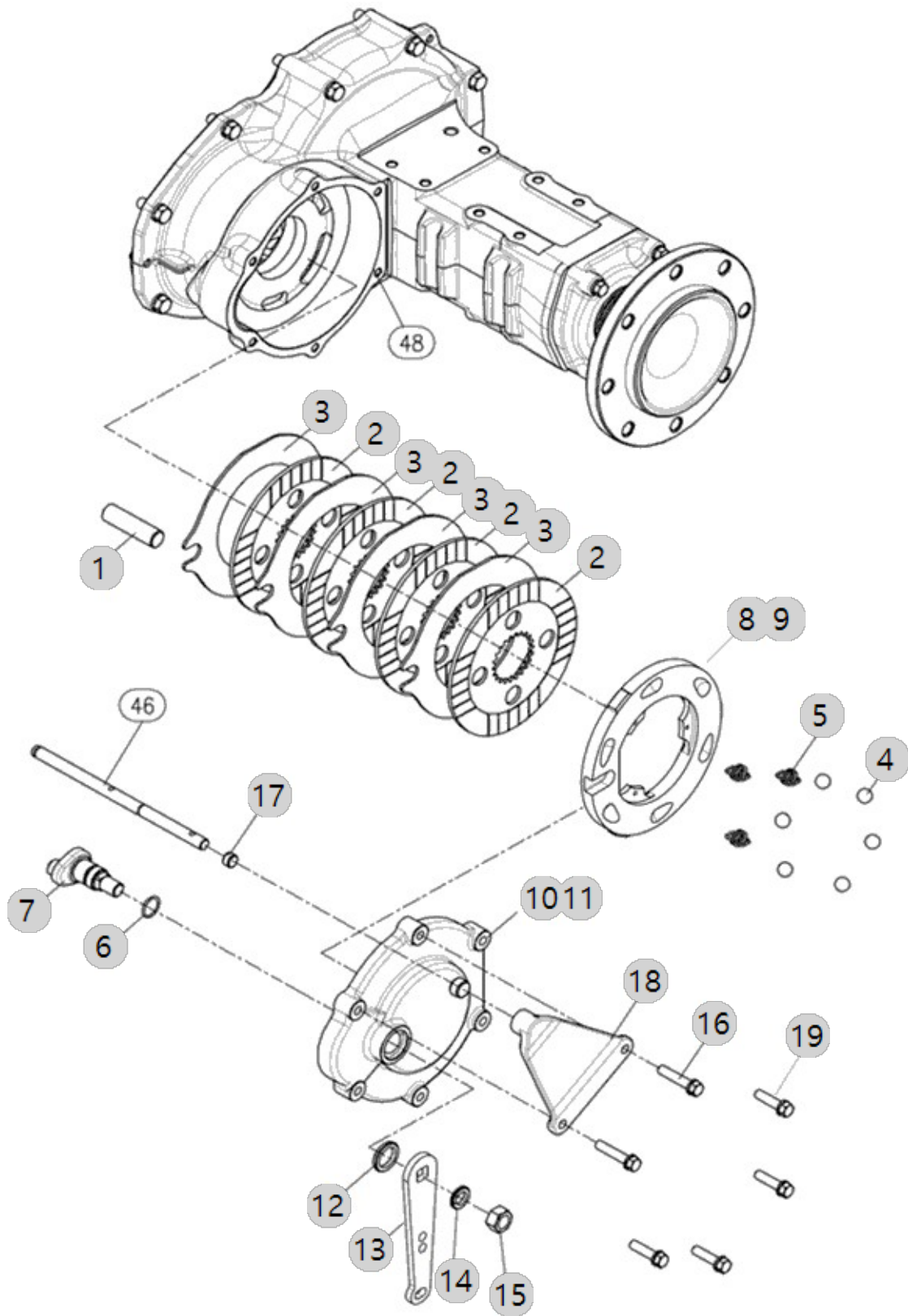
F06030

20R TM(US)_RANGE 4
(AC01714)

BRAKE

Year/Month

2022-12-15



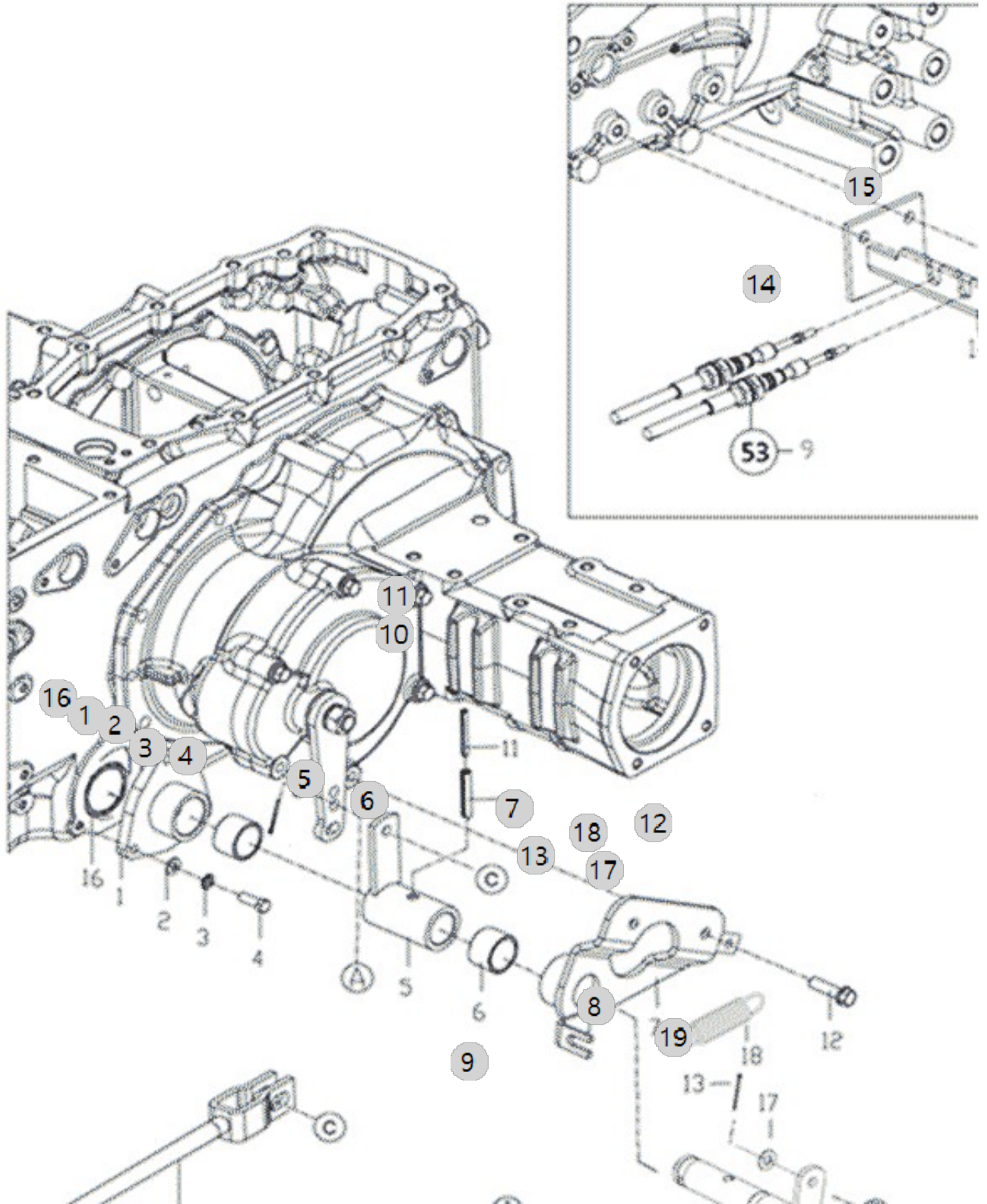
F06031

20R TM(US)_RANGE 4
(AC01714)

SUPPORT, BRAKE

Year/Month

2022-12-15



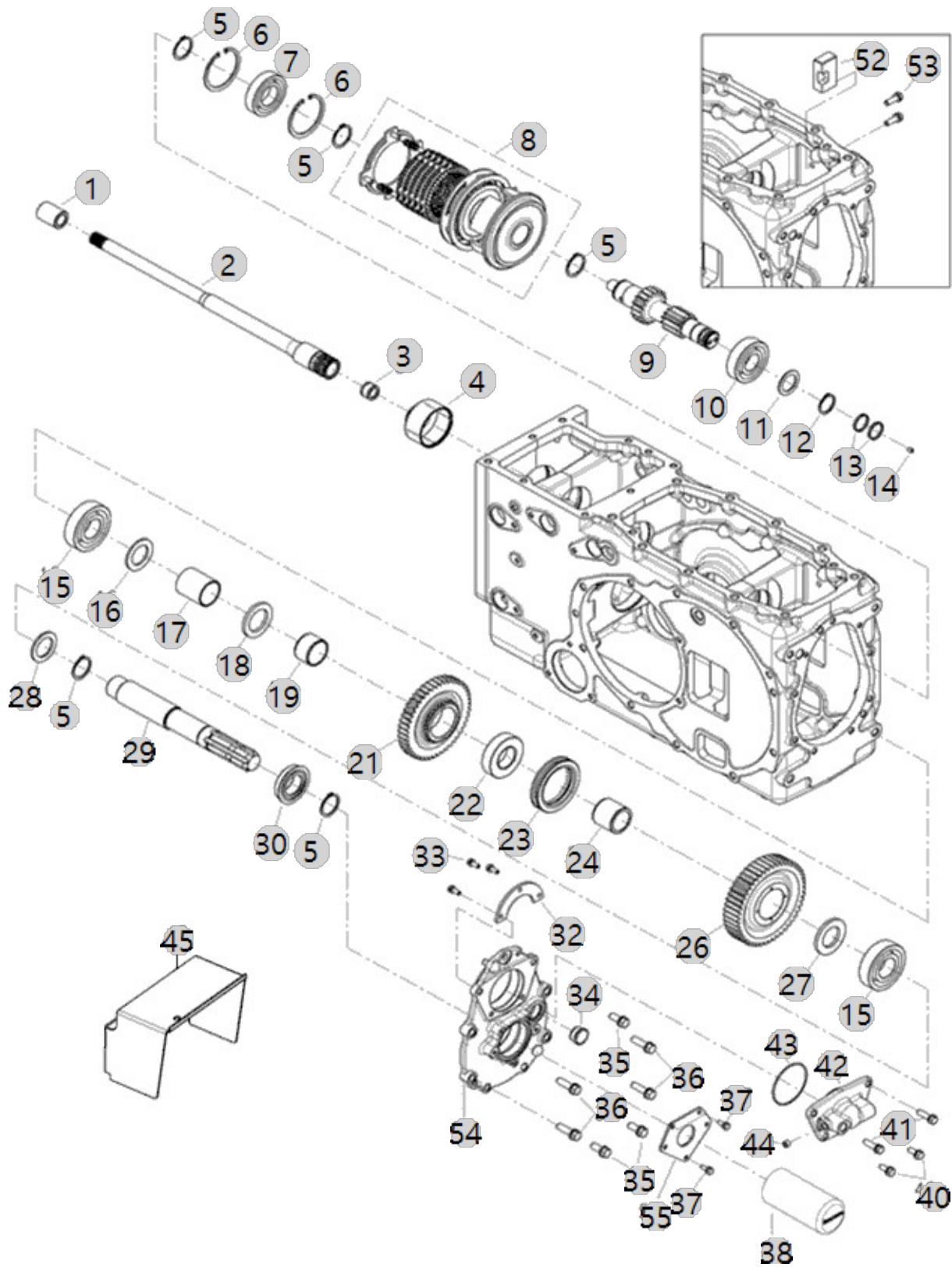
F07000

20R TM(US)_RANGE 4
(AC01714)

GEAR,IND PTO SPEED CHANGE

Year/Month

2022-12-15



F07000 20R TM(US)_RANGE 4 (AC01714)		GEAR,IND PTO SPEED CHANGE				Year/Month 2022-12-15
순번 (NO)	부품번호 (PART NO)	품명 (PART NAME)	품명 (PART NAME)	수량 (QTY)	규격 (SPEC)	비고 (REMARK)
1	TN4520000A4	조인트	JOINT	1		
2	TZ4522000C3	PTO연결축	SHAFT, PTO CONNECTION	1		
3	24161-182417	니들베어링	Bearing, Needle (#18-24-17)	1	KT182417	
4	NT4548000A3	PTO커플링	PTO COUPLING	1		
5	22242-000350	축용스냅링35	SNAP RING, SHAFT (Φ 35)	5	D35	
6	22252-000720	구멍용스냅링72	RING, CIRCLIP (Φ 72)	2	D72	
7	24101-062074	볼베어링6207	BALL BEARING (#6207)	1	#6207	
8	TA00026514D	PTO클러치팩	PTO CLUTCH PACK	1		
9	NT4592000A2	PTO변속축	SHAFT, PTO SHIFT	1		
10	24101-063064	볼베어링6306	Bearing, Ball (#6306)	1	#6306	
11	TN4552000A4	칼라	COLLAR	1		
12	22242-000300	축용스냅링30	SNAP RING, SHAFT (Φ 30)	1	D30	
13	TT6407000B4	시일링	SEAL RING	2	26X30X3	
14	TT6408000A4	멈춤나사 M7X1	RETAININGSCREWM7X1	1	M7XP1.0	
15	24101-063074	볼베어링6307	Bearing, Ball (#6307)	2	#6307	
16	NT4567000B4	스러스트와셔	THRUST WASHER	1	3.0T	
17	NT4568000B4	스페이서	SPACER	1	D45XT2.6	
18	NT4544000B4	칼라	COLLAR	1		
19	TA00033210A	니들부시D	NEEDLE BUSH D	2		
20	TA00033211A	PTO기어46T	GEAR 46T, PTO	1		
21	TZ4510000A3	PTO허브	HUB,P.T.O	2		
22	TZ4511000B4	PTO슬리브	SLEEVE,P.T.O	2		
23	TA00033209A	니들부시B	NEEDLE BUSH B	1		
24	TA00033212A	PTO기어49T	GEAR 49T, PTO	1		
25	TZ4514000A4	칼라	COLLAR	1		
26	TN4512000A4	와셔	WASHER	1	T3.0X60X60	
27	NT4513000B3	PTO축	shaft, PTO	1		
28	TT6204000A3	PTO 오일실 QLF35X60X19	PTO OIL SEAL QLF35X60X19	1	35X60X19	
29	NT4564000A4	베어링커버	Bearing Cover	1		
30	26013-060162	와셔조립육각볼트(+SW)	Bolt, Hexa (6-16)	3	M6XP1.0X16	
31	TCA813000A4	검유창	SIGHTGLASS -> NT4569000A4	1		
32	26013-100252	와셔조립육각볼트(+SW)	SCREW, CAPTIVE WASHER CAP	3	M10X1.50X02	
33	26013-100352	볼트	Bolt, Hexa (10-35)	4		
34	26013-060162	와셔조립육각볼트(+SW)	Bolt, Hexa (6-16)	3	M6XP1.0X16	
35	TA00046868A	PTO축커버	COVER, PTO	1		
36	26013-080202	와셔조립육각볼트(+SW)	Bolt, Hexa (8-20)	2	M8XP1.25X20	
37	26013-080302	와셔조립육각볼트(+SW)	HEX BOLT W/WASHER	2	M8XP1.25X30	
38	NT4562000A3	실케이스	SEAL CASE	1		
39	24341-000700	O링(70-S)	O-RING, FIX (Φ70)	1	1A S70.0	
40	23871-010000	테이퍼플러그	PLUG	1	PT1/8	
41	TA00062857A	PTO커버	COVER, PTO	1		
41	TA00062857B	PTO커버	COVER, PTO	1		
42	NT4598000A4	브레이크잡이	BRAKE HOLDER	1		
43	26013-080252	와셔조립육각볼트(+SW)	Bolt, Hexa (8-25)	2	M8XP1.25X25	
44	NT4551000B1	PTO축하우징	HOUSING, PTO SHAFT	1		

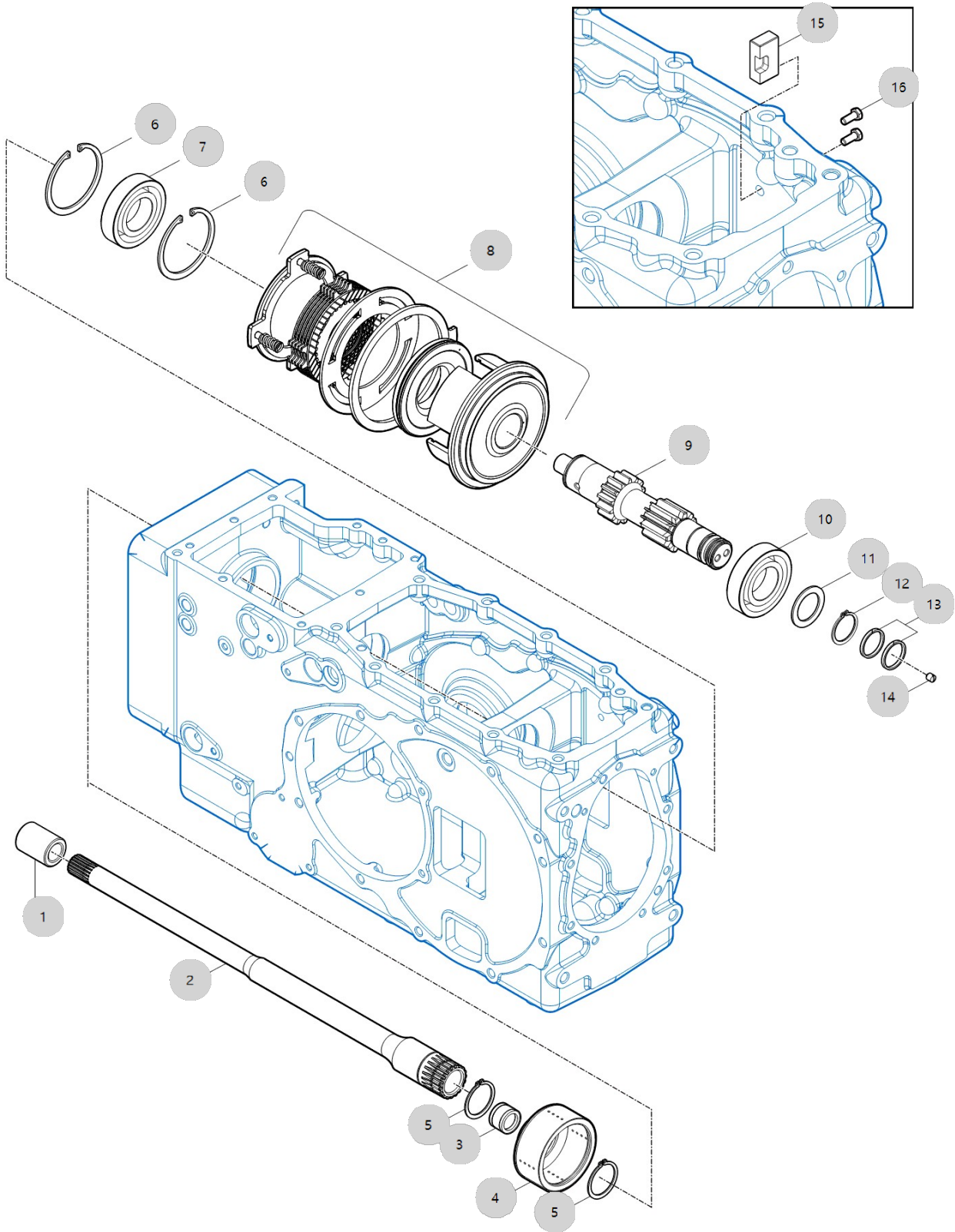
F07030

20R TM(US)_RANGE 4
(AC01714)

PTO DRIVE SHAFT

Year/Month

2022-12-15



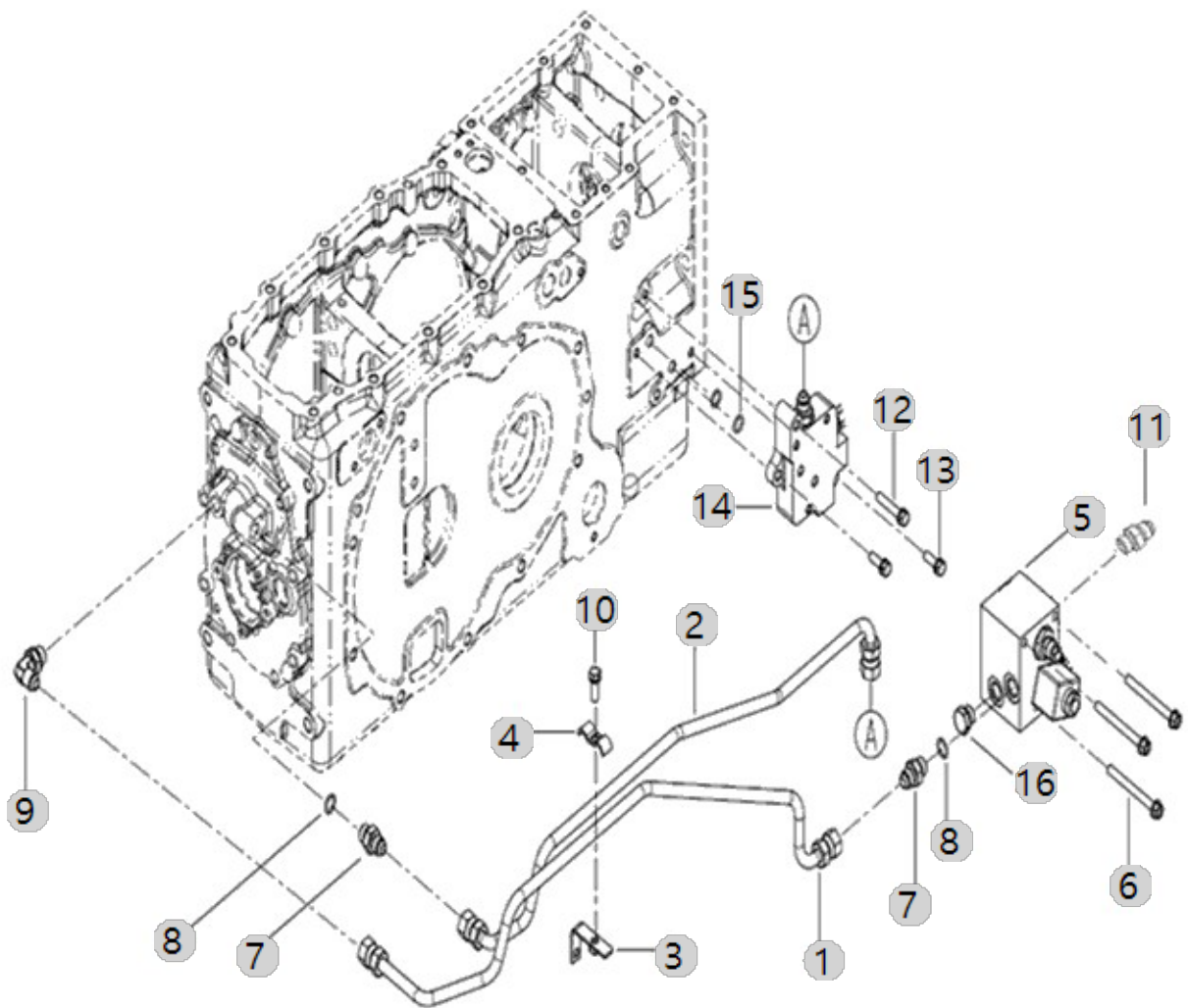
F07050

20R TM(US)_RANGE 4
(AC01714)

PTO VALVE

Year/Month

2022-12-15



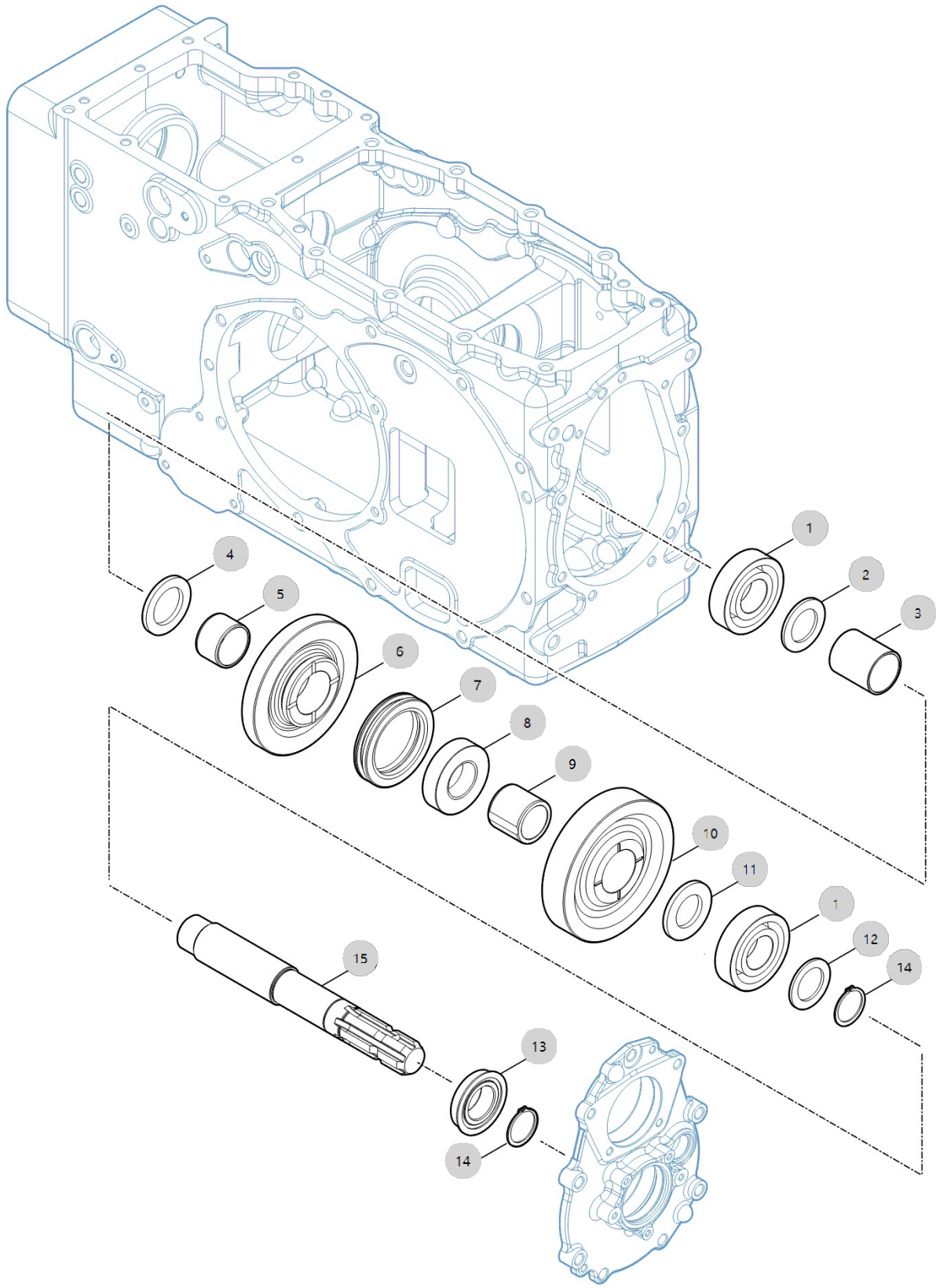
F07070

20R TM(US)_RANGE 4
(AC01714)

PTO SHAFT

Year/Month

2022-12-15



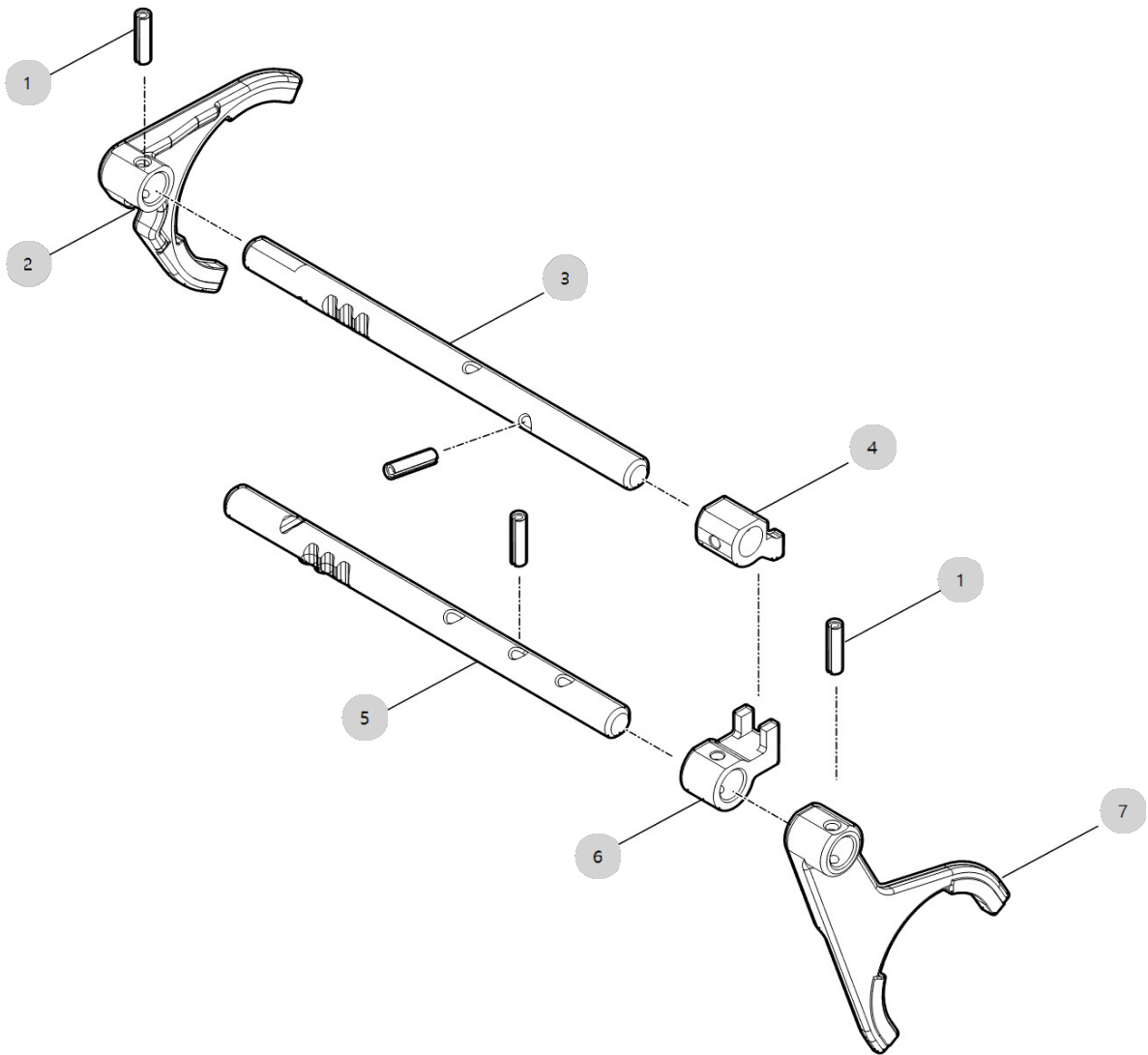
F08022

20R TM(US)_RANGE 4
(AC01714)

RANGE SHIFT FORK

Year/Month

2022-12-15



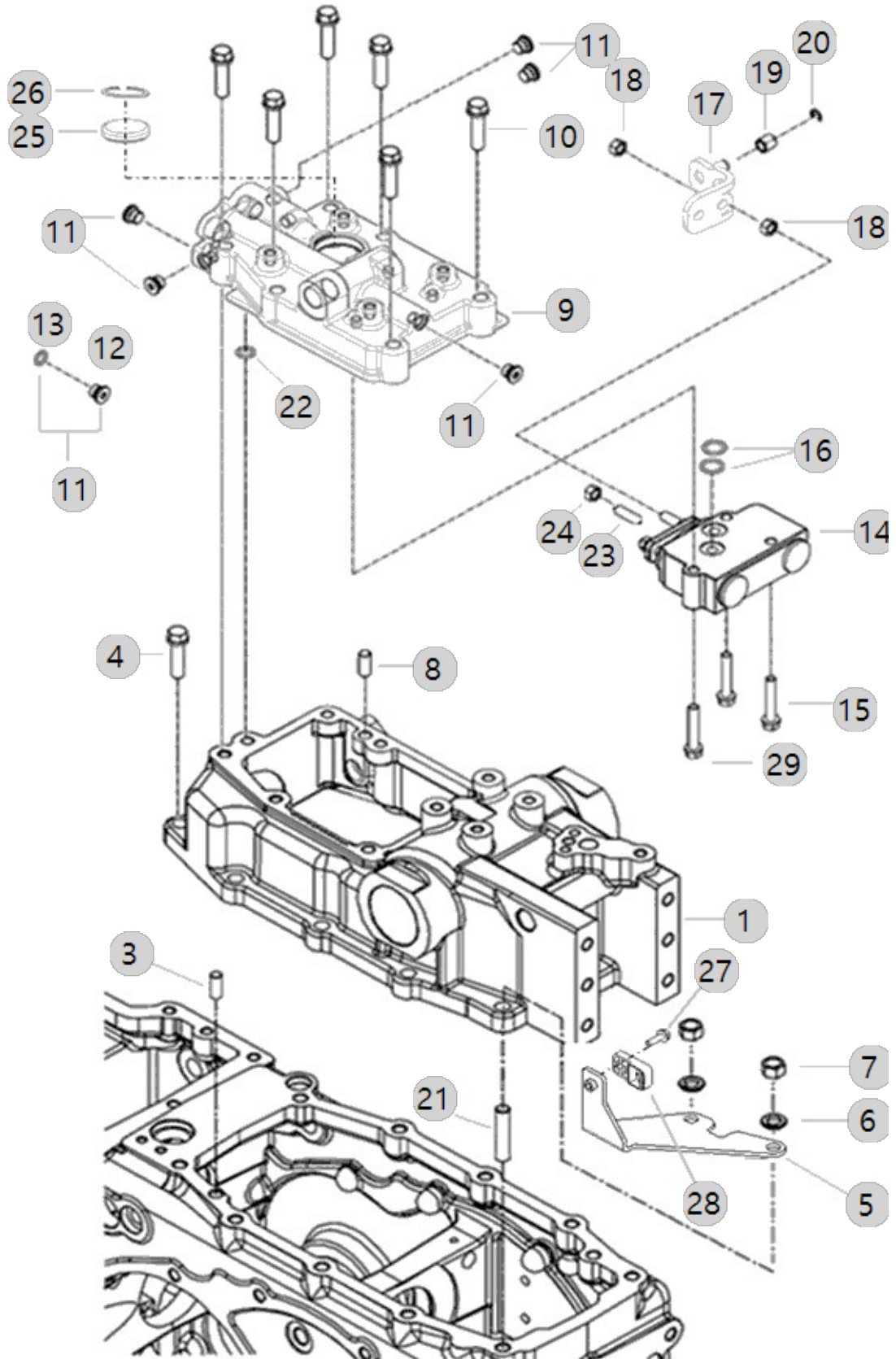
F10010

20R TM(US)_RANGE 4
(AC01714)

CASE, HYD CYLINDER

Year/Month

2022-12-15



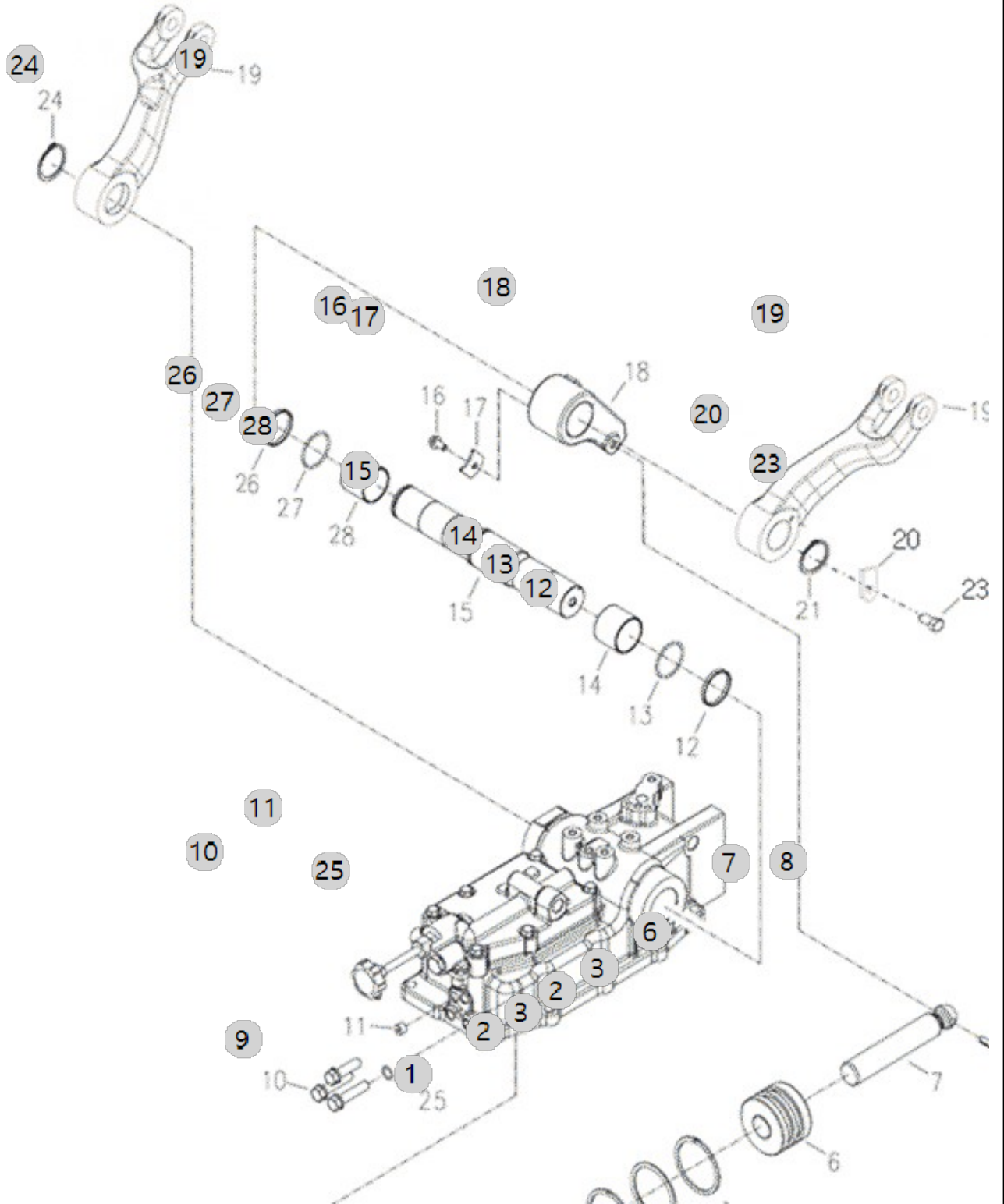
F10020

20R TM(US)_RANGE 4
(AC01714)

LIFT ARM

Year/Month

2022-12-15



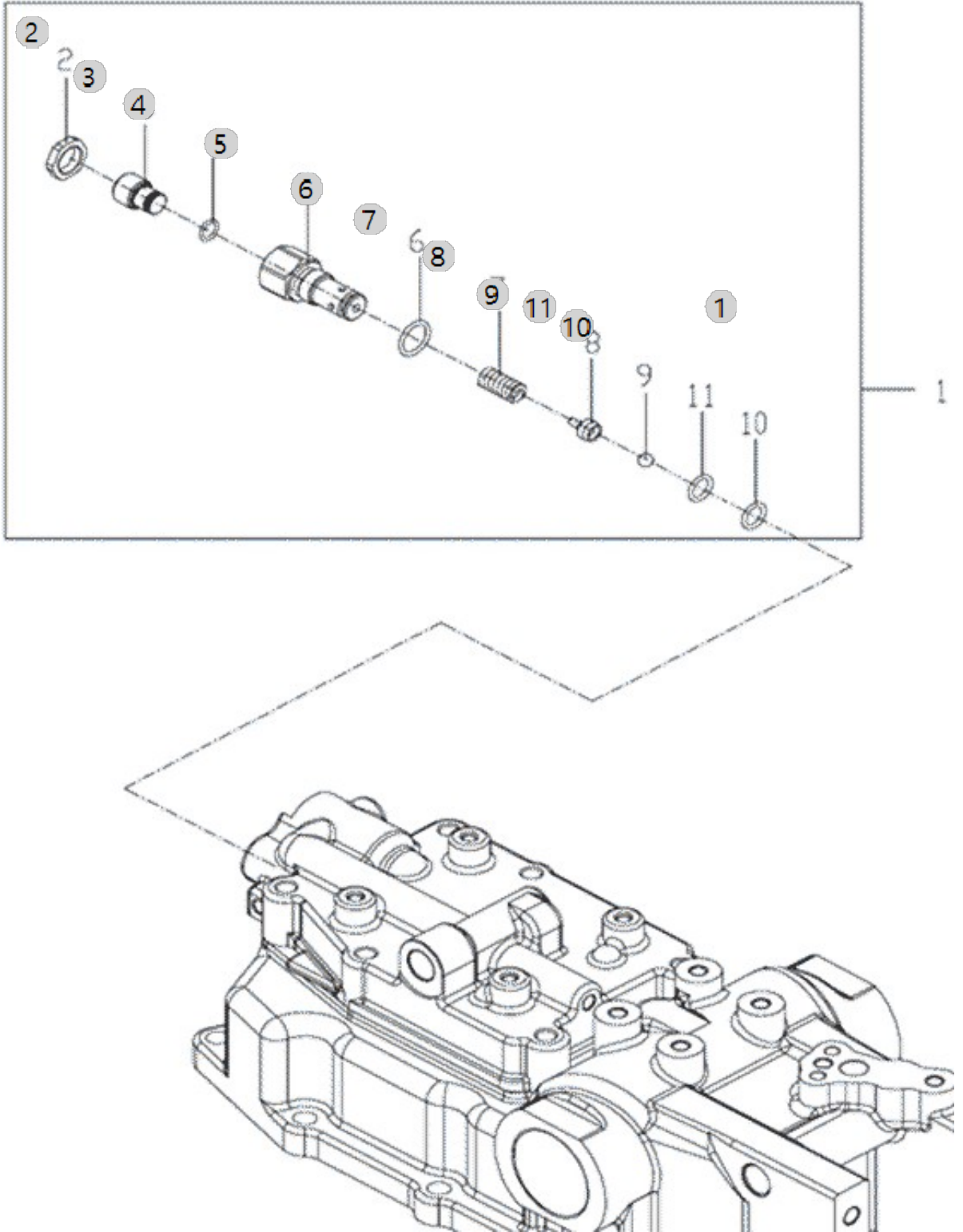
F10030

20R TM(US)_RANGE 4
(AC01714)

SAFTY VALVE

Year/Month

2022-12-15



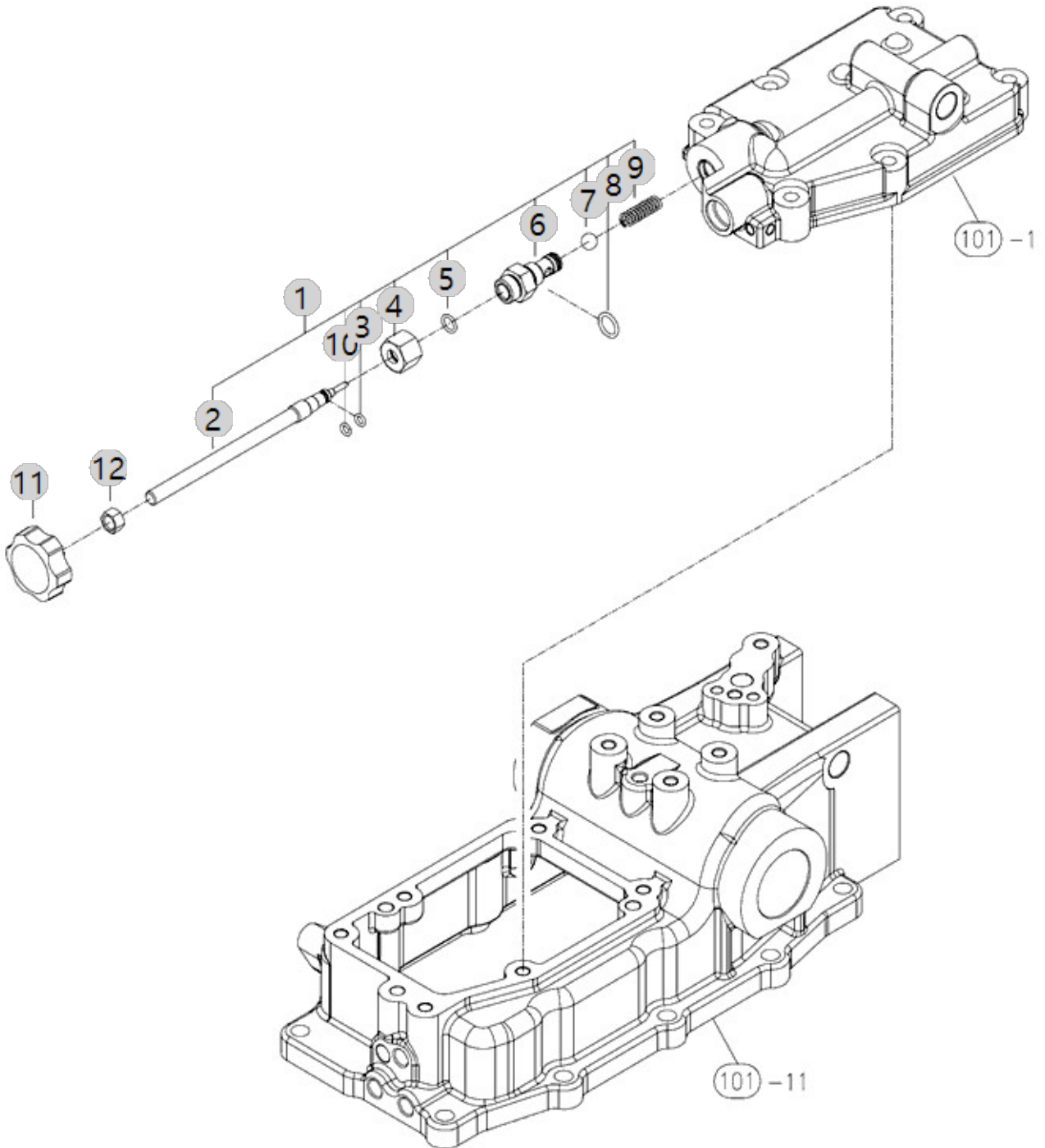
F10040

20R TM(US)_RANGE 4
(AC01714)

STOP VALVE

Year/Month

2022-12-15



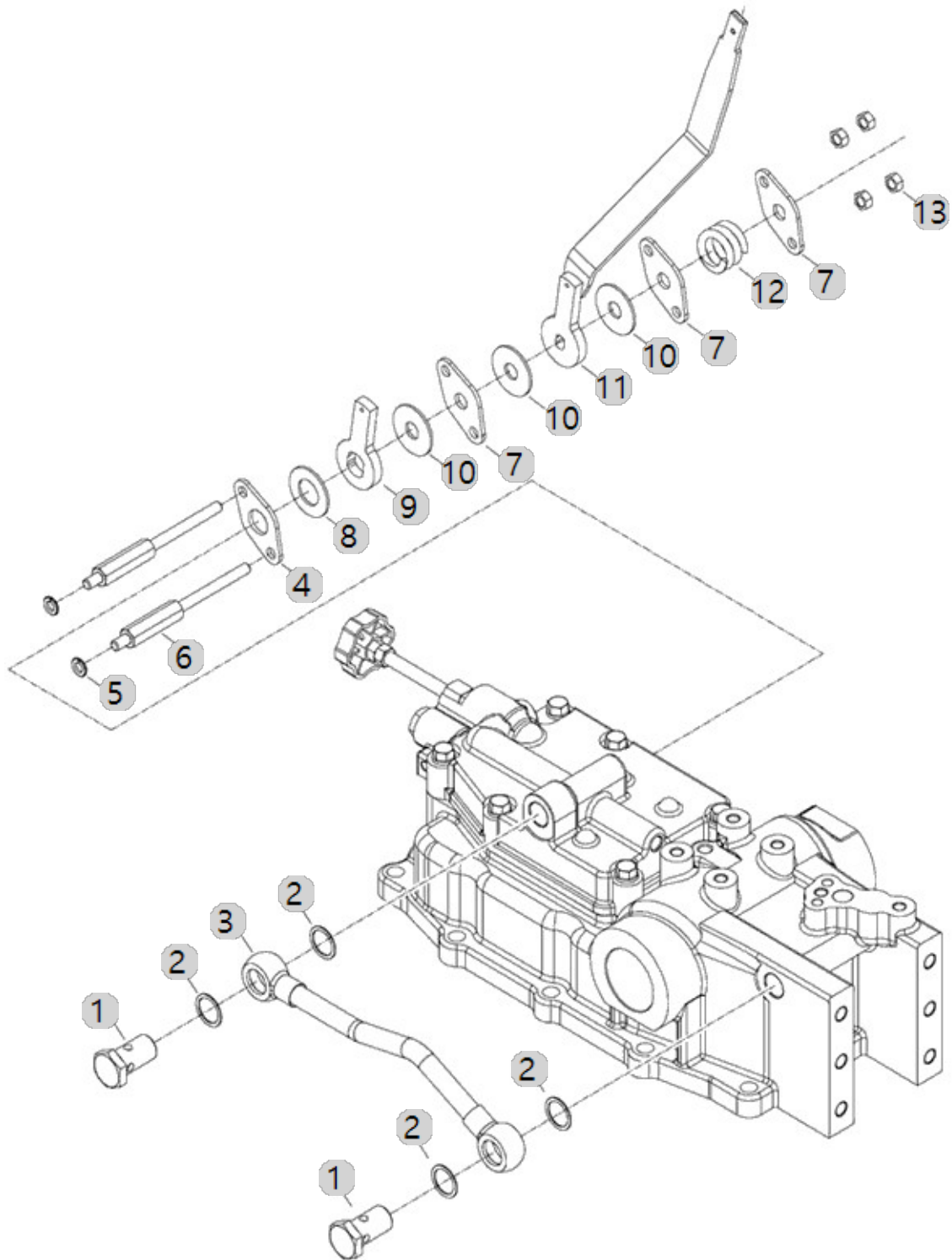
F10061

20R TM(US)_RANGE 4
(AC01714)

DRAFT/POSITION CONTROL LEVER

Year/Month

2022-12-15



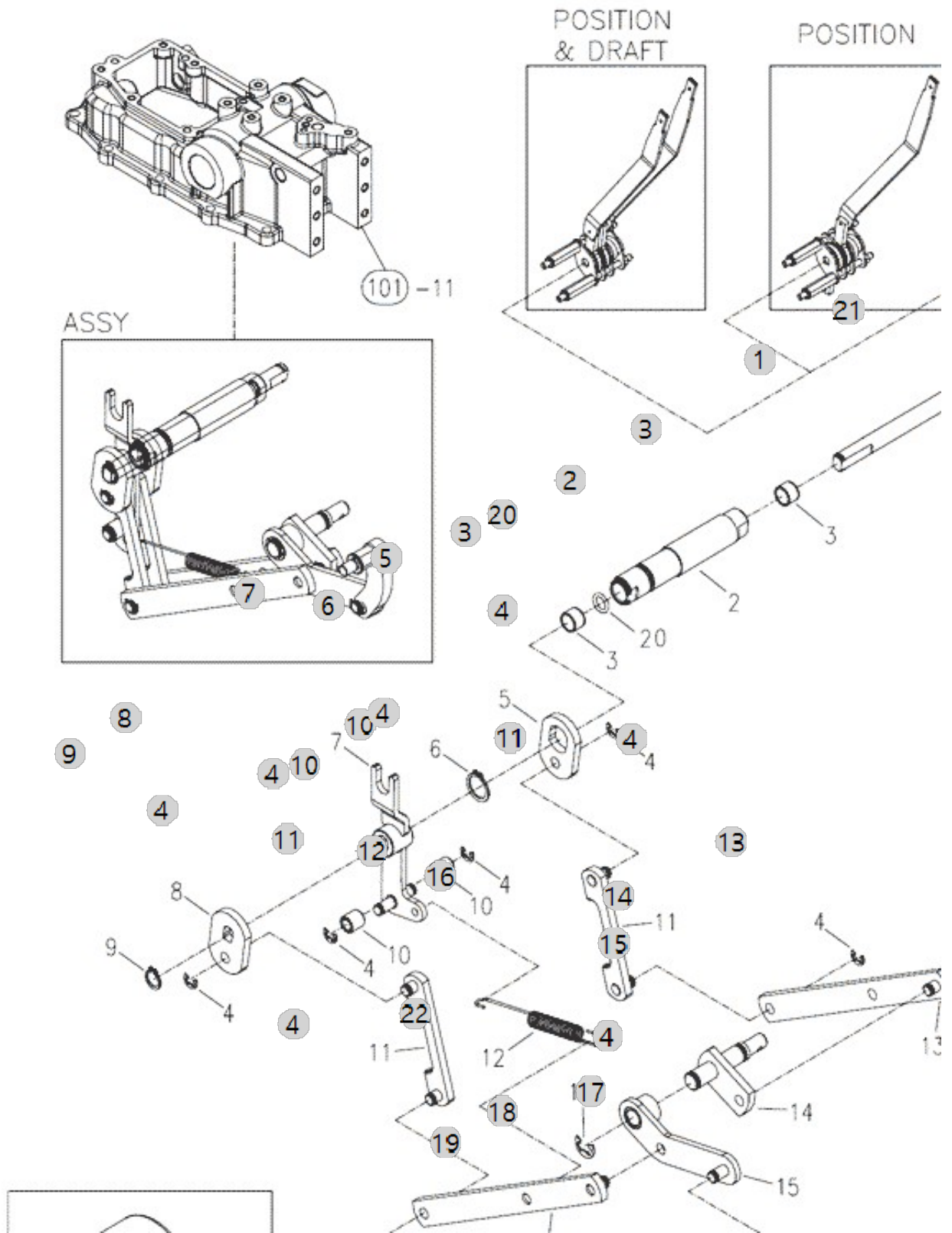
F10070

20R TM(US)_RANGE 4
(AC01714)

SHAFT, CONTROL LEVER

Year/Month

2022-12-15



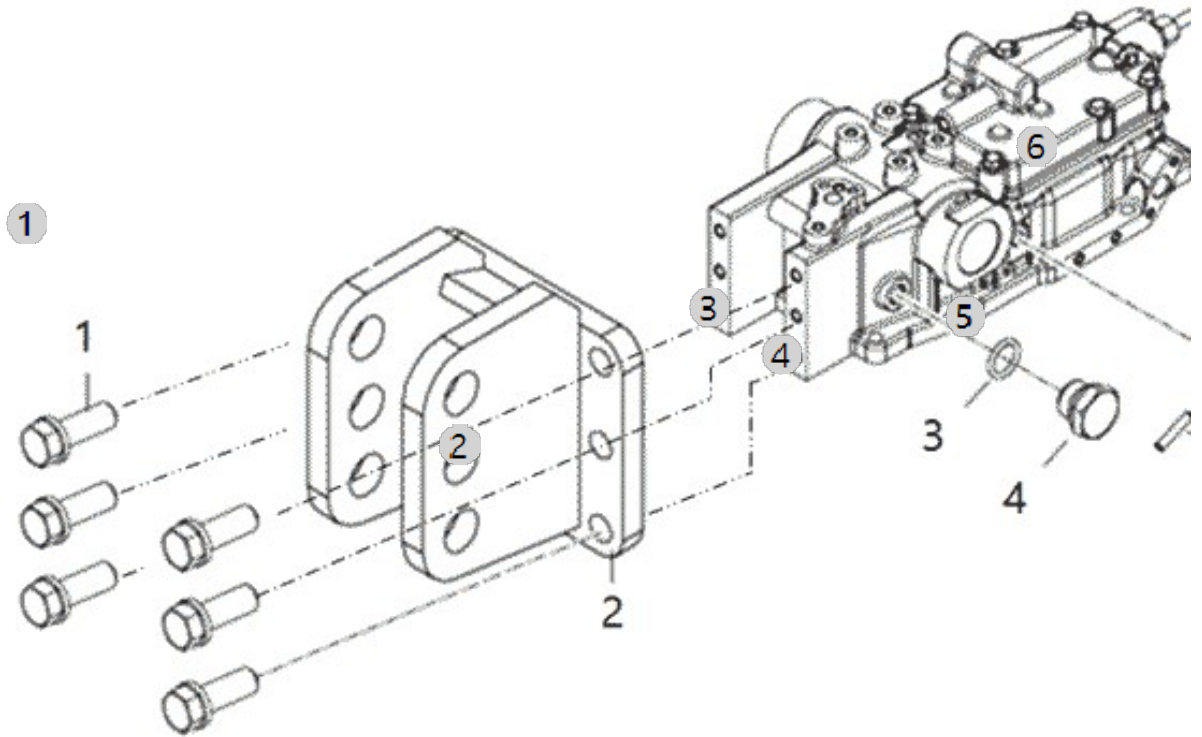
F10100

20R TM(US)_RANGE 4
(AC01714)

BRACKET, TOP LINK

Year/Month

2022-12-15



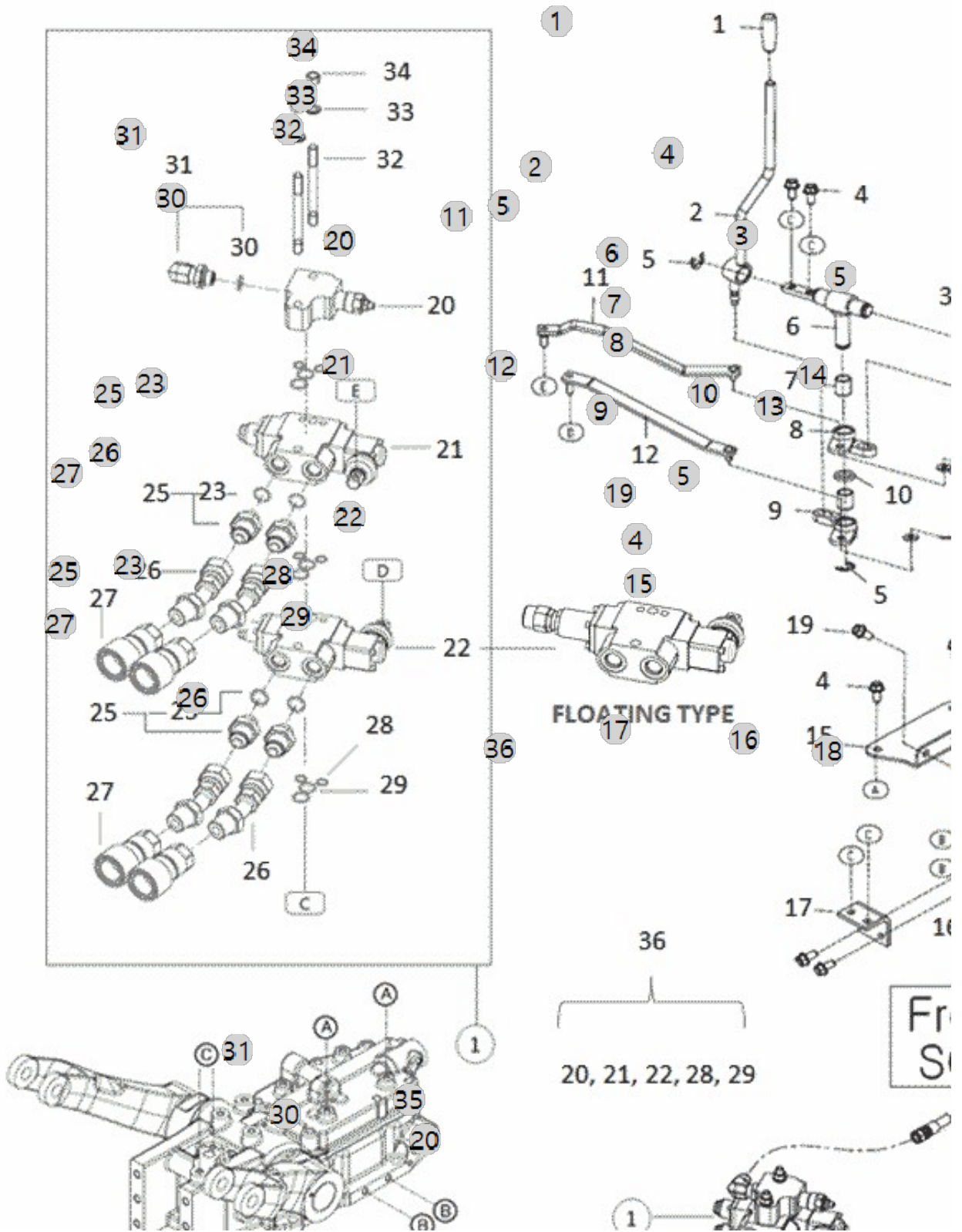
F10120

20R TM(US)_RANGE 4
(AC01714)

REAR SCV

Year/Month

2022-12-15



F10120		REAR SCV				Year/Month
20R TM(US)_RANGE 4 (AC01714)						2022-12-15
순번 (NO)	부품번호 (PART NO)	품명 (PART NAME)	품명 (PART NAME)	수량 (QTY)	규격 (SPEC)	비고 (REMARK)
1	VD05460000A4	손잡이(흑)	LEVER(BLACK)	2		
2	TA00034047B	레버 A 조합	LEVER A ASS'Y	1		
2	TA00034047C	레버 A 조합	LEVER A ASS'Y	1		
3	TA00034049C	레버 B 조합	LEVER B ASS'Y	1		
3	TA00034049B	레버 B 조합	LEVER B ASS'Y	1		
4	26106-080162	플랜지볼트8X16	SCREW,HEXFLANGEHEADCAP	6	M8XP1.25X16	
5	22272-000120	E형스냅링12	RING, CIRCLIP (Φ 12)	3	D12	
6	TA00034042B	축 조합	SHAFT ASS'Y	1		
6	TA00034042D	축 조합	SHAFT ASS'Y	1		
6	TA00034042C	축 조합	SHAFT ASS'Y	1		
7	24550-016200	드라이부시16X20	DRY BUSH 16X20	4		
8	TA00036430B	보스 A 조합 PTO 3단	BOSS B ASS'Y PTO 3SD	1		
9	TA00036429B	보스 B 조합 PTO 3단	BOSS B ASS'Y PTO 3SD	1		
10	TA00034062A	플레이트	PLATE	1		
11	TA00036297B	링크 2 조합	LINK ASSY 2	1		
11	TA00036297C	링크 2 조합	LINK ASSY 2	1		
12	TA00034019B	링크1조합	LINK 1 ASS'Y	1		
13	22137-080000	와셔8	WASHER, PLAIN (Φ 08)	4	M8	
14	22417-200200	할핀	PIN , COTTER (2-20)	4	D1.8	
15	TA00036443C	브래킷	BRACKET	1		
16	TA00036941B	SCV 고정 레버 브래킷 조합	HOLDING BRACKET, SCV LEVER	1		
17	TA00036949B	고정브라켓	BRACKET	1		
18	26106-100162	플랜지볼트M10X16	SCREW,HEXFLANGEHEADCAP	2	M10XP1.5X16	
19	26106-080182	444,ALL,플랜지볼트	SCREW,HEXFLANGEHEADCAP	4		
20	TA00033977B	컨트롤 릴리프	COVER RELIEF	1		
20	TA00033977C	컨트롤 릴리프	COVER RELIEF	1		
21	TA00037393A	SCV2(D)	SCV2(D)	1		
22	TA00028226A	SCV 1	REAR SCV 1	1		
22	TA00028226C	SCV 1	SCV 1	1		
22	TA00028226B	SCV 1	SCV	1		
22	TA00048561C	SCV(FLOATING)	SCV(FLOATING)	1		
22	TA00048561B	SCV(FLOATING)	SCV(FLOATING)	1		
22	TA00048561A	SCV(FLOATING)	SCV(FLOATING)	1		
23	24311-000160	O-링 P 16	O-RING, DYNAMIC (Φ16)	4	P16	
25	TA00042245B	아댑터(PF1/2)	ADAPTER	2		
25	TA00042245C	아댑터(PF1/2)	ADAPTER	2		
26	TA00042242C	SCV연결파이프(K3)	PIPE, SCV	2		
26	TA00042242B	SCV연결파이프(K3)	PIPE, SCV	2		
26	TA00042242D	SCV연결파이프(K3)	SCV EXTENSION PIPE(K3)	2		
27	FBA3150000A4	조인트(1/2")	ARM, JOINT(1/2") -> FBA3150000A3	2		
27	FBA3150000B3	조인트암(1/2")	"ARM, JOINT(1/2")"	2		
28	24311-000100	O-링1AP10.0	O-RING, DYNAMIC (Φ10)	4	P10	
29	24311-000160	O-링 P 16	O-RING, DYNAMIC (Φ16)	4	P16	
30	24311-000140	441,ALL,O-RINGP-14	O-RING, DYNAMIC (Φ14)	1	P14	
31	TA00035078A	90도 엘보 (PF3/8-1/2)	ELBOW	1		

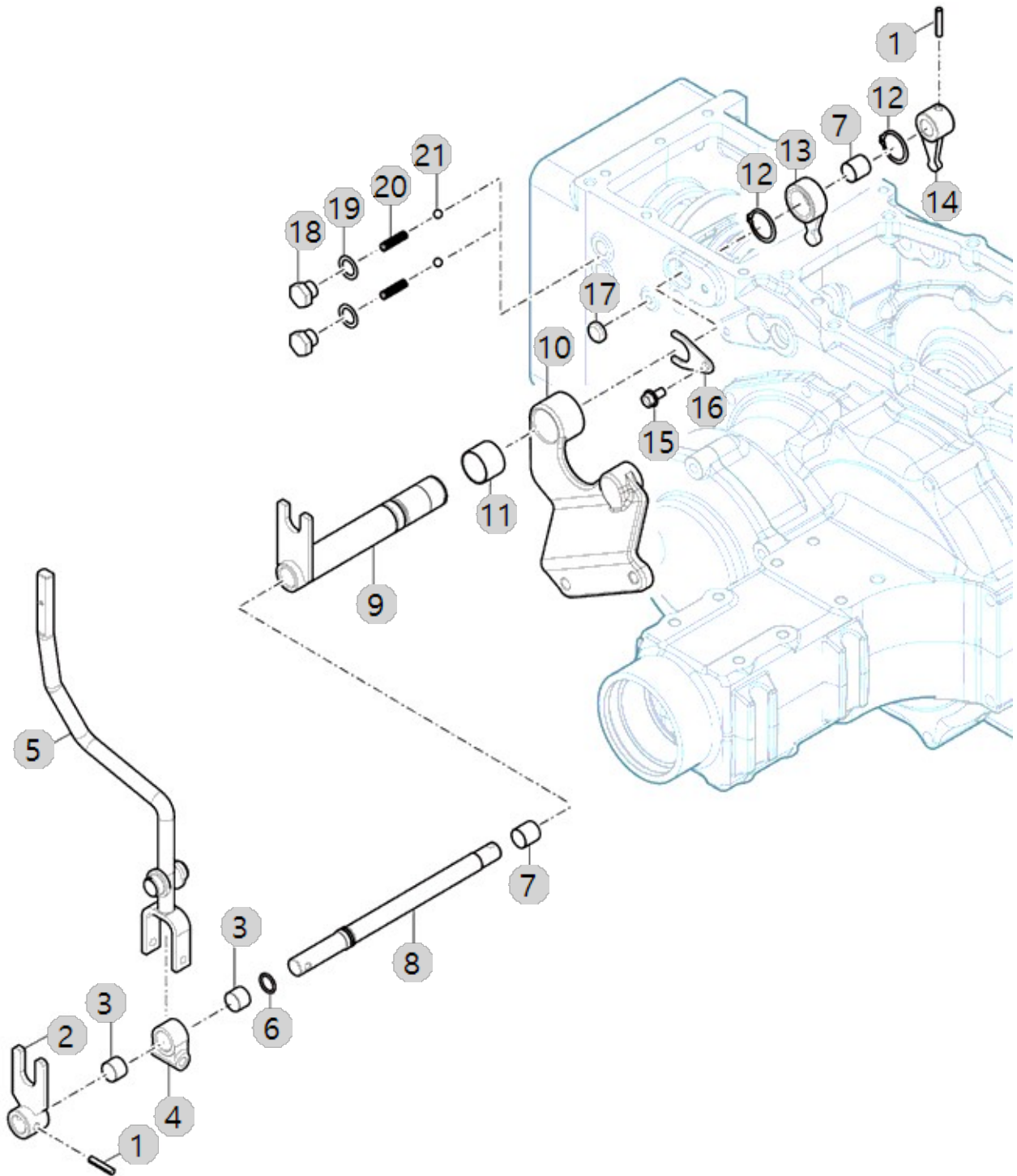
F11020

20R TM(US)_RANGE 4
(AC01714)

RANGE SHIFT LEVER

Year/Month

2022-12-15



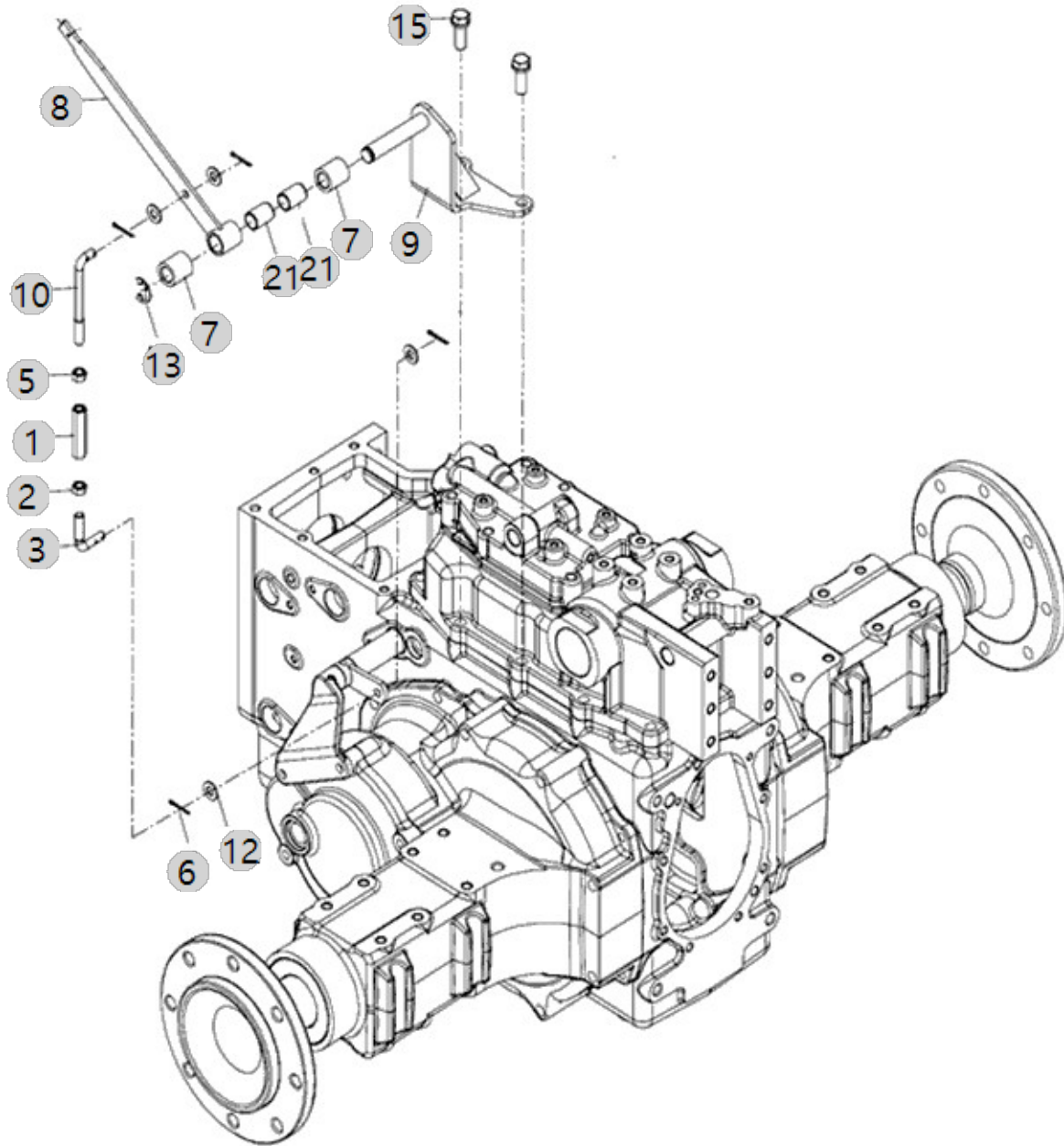
F11030

20R TM(US)_RANGE 4
(AC01714)

PTO SHIFT GEAR LEVER

Year/Month

2022-12-15



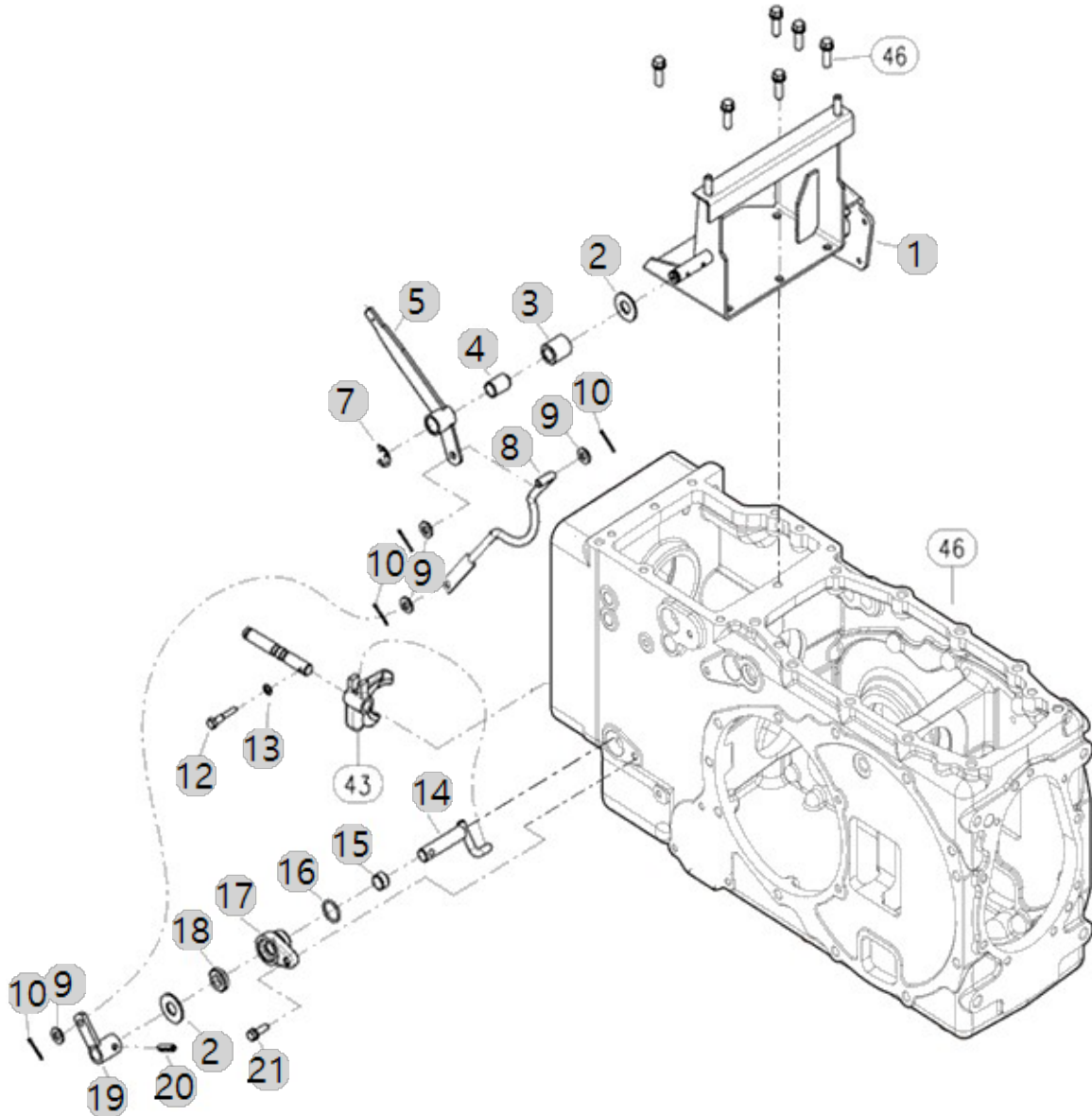
F11080

20R TM(US)_RANGE 4
(AC01714)

4WD LEVER

Year/Month

2022-12-15



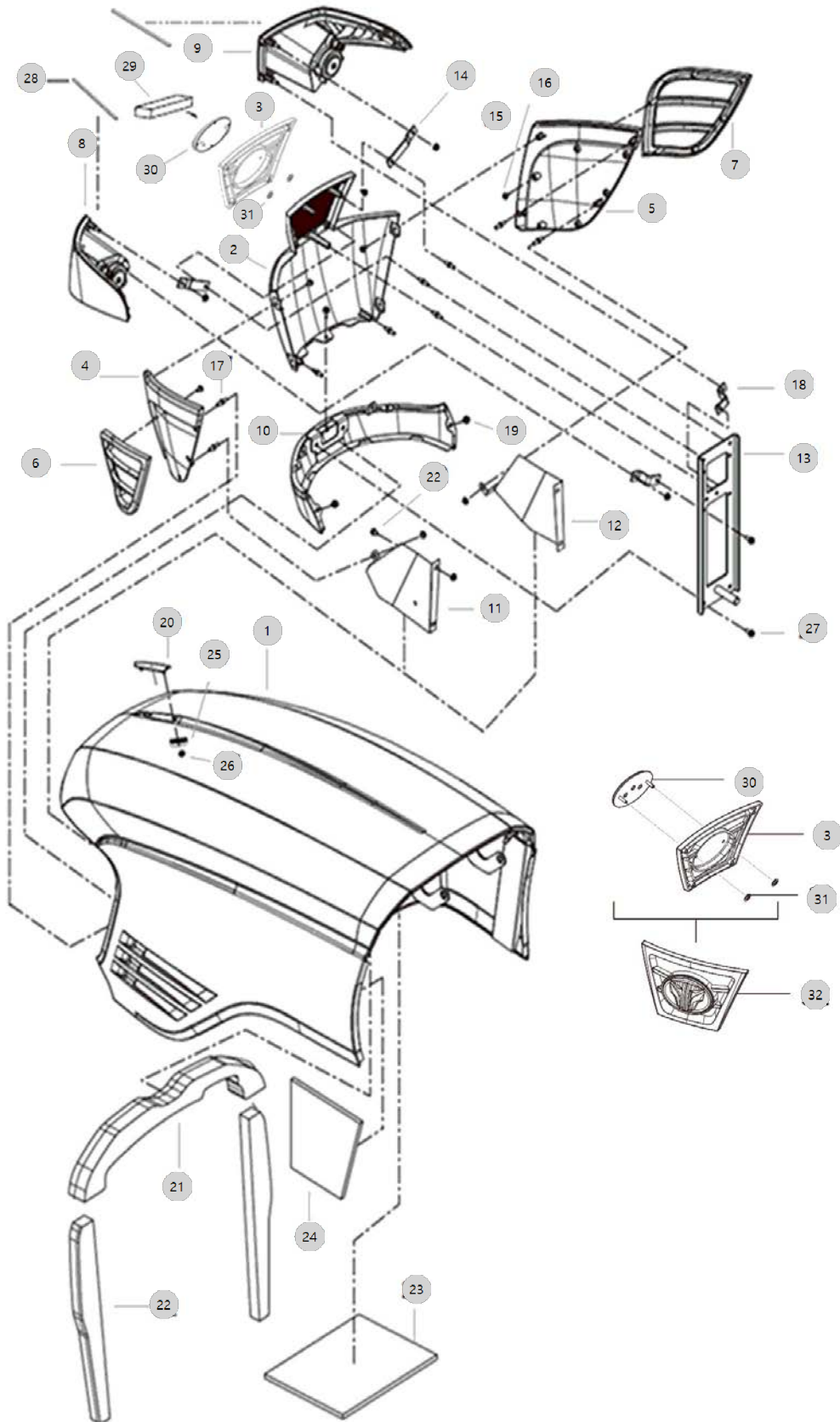
G01020

3620R(AC02103)

BONNET

Year/Month

2022-12-15



G01020 3620R(AC02103)		BONNET				Year/Month 2022-12-15
순번 (NO)	부품번호 (PART NO)	품명 (PART NAME)	품명 (PART NAME)	수량 (QTY)	규격 (SPEC)	비고 (REMARK)
1	TA00072438A	본넷 프레임 조합	BONNET FRAME ASSY	1		
2	TA00042482C	프런트마스킹(전)	FRONT MASK, MIDDLE	1		
2	TA00042482B	프런트마스킹(전)	FRONT MASK, MIDDLE	1		
3	TA00052249A	프런트 마스크 그릴(전)	GRILL, FRONT MASK	1		
3	TA00052249B	프런트 마스크 그릴(전)	GRILL, FRONT MASK	1		
4	TA00042483B	프런트마스킹(좌)	FRONT MASK, LH	1		
5	TA00042485B	프런트마스킹(우)	FRONT MASK, RH	1		
6	TA00042484B	프런트마스킹 그릴(좌)	FRONT MASK GRIL, LH	1		
6	TA00042484C	프런트마스킹 그릴(좌)	FRONT MASK GRIL, LH	1		
7	TA00042486C	프런트마스킹 그릴(우)	FRONT MASK GRIL, RH	1		
7	TA00042486B	프런트마스킹 그릴(우)	FRONT MASK GRIL, RH	1		
8	HA00001143C	전조등조합L	HEAD LAMP(L)	1		
8	HA00001143E	전조등조합L	HEAD LAMP(L)	1		
8	HA00001143B	전조등조합L	HEAD LAMP(L)	1		
8	HA00001143D	전조등조합L	HEAD LAMP(L)	1		
9	HA00001144B	전조등조합R	HEAD LAMP(R)	1		
9	HA00001144D	전조등조합R	HEAD LAMP(R)	1		
9	HA00001144C	전조등조합R	HEAD LAMP(R)	1		
9	HA00001144E	전조등조합R	HEAD LAMP(R)	1		
10	TA00072395A	후드(하)조합	HOOD(UNDER) ASSY	1		
11	TA00045591A	타공망조합(좌)	WIRE NETTING ASSY(L)	1		
11	TA00045591B	타공망조합(좌)	WIRE NETTING ASSY(L)	1		
12	TA00045592B	타공망조합(우)	WIRE NETTING ASSY(R)	1		
12	TA00045592A	타공망조합(우)	WIRE NETTING ASSY(R)	1		
13	TA00042503F	지지브래킷조합	BRACKET ASSY, SUPPORT	1		
13	TA00042503C	지지브래킷조합	BRACKET ASSY, SUPPORT	1		
13	TA00042503E	지지브래킷조합	BRACKET ASSY, SUPPORT	1		
13	TA00042503B	지지브래킷조합	BRACKET ASSY, SUPPORT	1		
13	TA00042503D	지지브래킷조합	BRACKET ASSY, SUPPORT	1		
14	TA00044134A	램프 고정 브래킷 A	LAMP BRACKET A	2		
15	26367-060002	플랜지너트	Nut, Hexa (Φ6)	21	M6XP1.0	
16	22587-480124	냄비머리태핑나사	TAPPING SCREW	20	4.8X12	
17	TA00001332B	인서트볼트 M6	INSERT BOLT(M6)	17	M6	
17	TA00001332A	인서트볼트 M6	INSERT BOLT(M6)	17	M6	
18	TA00044136A	램프 고정 브래킷 B	LAMP BRACKET B	2		
19	26106-060162	육각플랜지 볼트	HEXFLANGE BOLT	11	M6XP1.0X16	
20	TA00020285A	엠블렘	EMBLEM	1		
21	TA00036482B	스폰지	SEAL	1		
22	TA00044322A	본넷 실(SIDE)	SEAL, BONNET	2		
23	TA00020835A	방열판(하)	HEAT INSULATOR, HOOD	1		
24	TA00020834A	방열판(상)	HEAT INSULATOR, HOOD	1		
25	TTD6440000A4	쿠션고무	CUSHION, RUBBER	2		
26	TB41290000B4	평너트	NUT	2	0.4T	
26	TB41290000A4	평너트	NUT	2	0.4TX12X22	
26	TB41290000D4	평너트	NUT	2	0.4T	

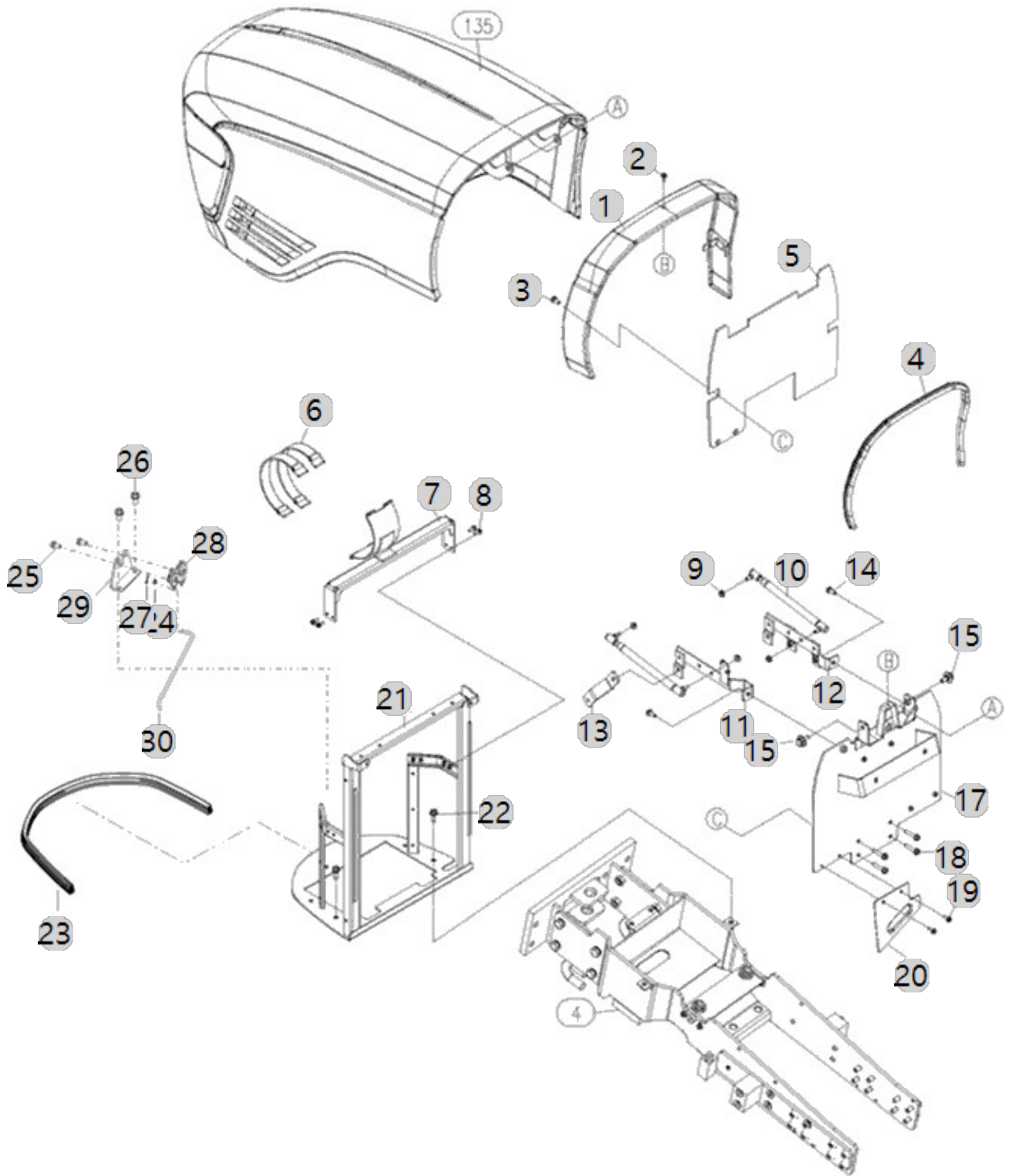
G01060

FIXED BRACKET, BONNET

Year/Month

3620R(AC02103)

2022-12-15



G01060 3620R(AC02103)		FIXED BRACKET, BONNET				Year/Month 2022-12-15
순번 (NO)	부품번호 (PART NO)	품명 (PART NAME)	품명 (PART NAME)	수량 (QTY)	규격 (SPEC)	비고 (REMARK)
1	TA00072439A	연장판 조합	EXTENSION COVER ASSY	1		
2	26106-060142	육각플랜지볼트	BOLT	2	M6X1.0X14	
3	26106-080162	플랜지볼트8X16	SCREW,HEXFLANGEHEADCAP	4	M8XP1.25X16	
4	TA00033052A	방풍판 스트립(갈매기)	STRIP	1		
5	TA00023917B	막이판 스폰지	SPONGE	1	T5.0	
6	TZD6890000A4	에어클리너취부밴드	BAND,AIRCLEANERHOLDING	2		
6	TZD6890000B4	에어클리너 취부 밴드	BAND, AIR CLEANER	2		
7	TA00025580C	에어 클리너 브래킷 조합	BRACKET AIR-CLEANER ASSY	1	-	
7	TA00025580E	에어 클리너 브래킷 조합	BRACKET AIR-CLEANER ASSY	1	-	
7A	TA00025580D	에어 클리너 브래킷 조합	BRACKET AIR-CLEANER ASSY	1	-	
7	TA00034921B	에어 크리너 브래킷 조합	BRACKET, AIR-CLEANER	1		
7	TA00034921D	에어 크리너 브래킷 조합	BRACKET, AIR-CLEANER	1		
8	26106-060122	육각플랜지볼트	HEX BOLT (6-12)	4	M6XP1.0X12	
9	26367-080002	259, 육각플랜지너트	HEX FLANGE NUT (Φ8)	4	M8XP1.25	
10	TA00023455B	가스 스프링	GAS SPRING	2	NONE	
11	TA00034874D	브래킷 조합 (좌)	BRACKET A	1		
11	TA00034874C	브래킷 조합 (좌)	BRACKET A	1		
12	TA00034873D	브래킷 조합	BRACKET ASSY	1		
12	TA00034873C	브래킷 조합	BRACKET ASSY	1		
13	TA00035176B	연결 브래킷	BRACKET	1		
13	TA00035176A	연결 브래킷	BRACKET	1		
14	26106-080182	444,ALL,플랜지볼트	SCREW,HEXFLANGEHEADCAP	2		
15	TA00022981B	본네트취부볼트	BONNET BOLT	2	M10XP1.5	
16	TA00025920A	브래킷	BRACKET	1		
17	TA00029767D	본네트 지지대 조합	BONNET SUPPORT ASM	1		
17	TA00029767C	본네트 지지대 조합	BONNET SUPPORT ASM	1		
18	26106-080402	451,ALL,플랜지볼트	SCREW,HEXFLANGEHEADCAP	4		
18	26106-080202	육각플랜지볼트	SQR FLANGE BOLT	4	M8XP1.25X20	
19	26106-060162	육각플랜지 볼트	HEXFLANGEBOLT	10	M6XP1.0X16	
20	TA00025502C	플레이트	PLATE	1	1.6T	
20	TA00025502B	플레이트	PLATE	1	1.6T	
21	TA00046742E	그릴프레임조합(DynaQ)	GRILL FRAME ASSY(DYNAQ)	1		
21	TA00046742C	그릴프레임조합(DynaQ)	GRILL FRAME ASSY	1		
22	26106-100202	육각플랜지볼트	HEX BOLT, (10-20)	4	M10XP1.5X20	
23	TA00038101A	스트립	STRIP	1	A	
24	22137-060000	평와셔	WASHER , PLAIN	1	M6	
25	26106-080162	플랜지볼트8X16	SCREW,HEXFLANGEHEADCAP	2	M8XP1.25X16	
26	26106-100202	육각플랜지볼트	HEX BOLT, (10-20)	2	M10XP1.5X20	
27	RR47070000C4	빠짐방지 스펙핀 6	PIN 6, COME-OFF SNAP	1	D1.2	
28	TA00053140A	래치조합	LATCH ASSY	1		
29	TA00053544A	래치브라켓	LATCH BRACKET	1		
29	TA00053544B	래치브라켓	LATCH BRACKET	1		
30	TA00058562B	로드	ROD	1		
30	TA00058562A	로드	LOAD	1		

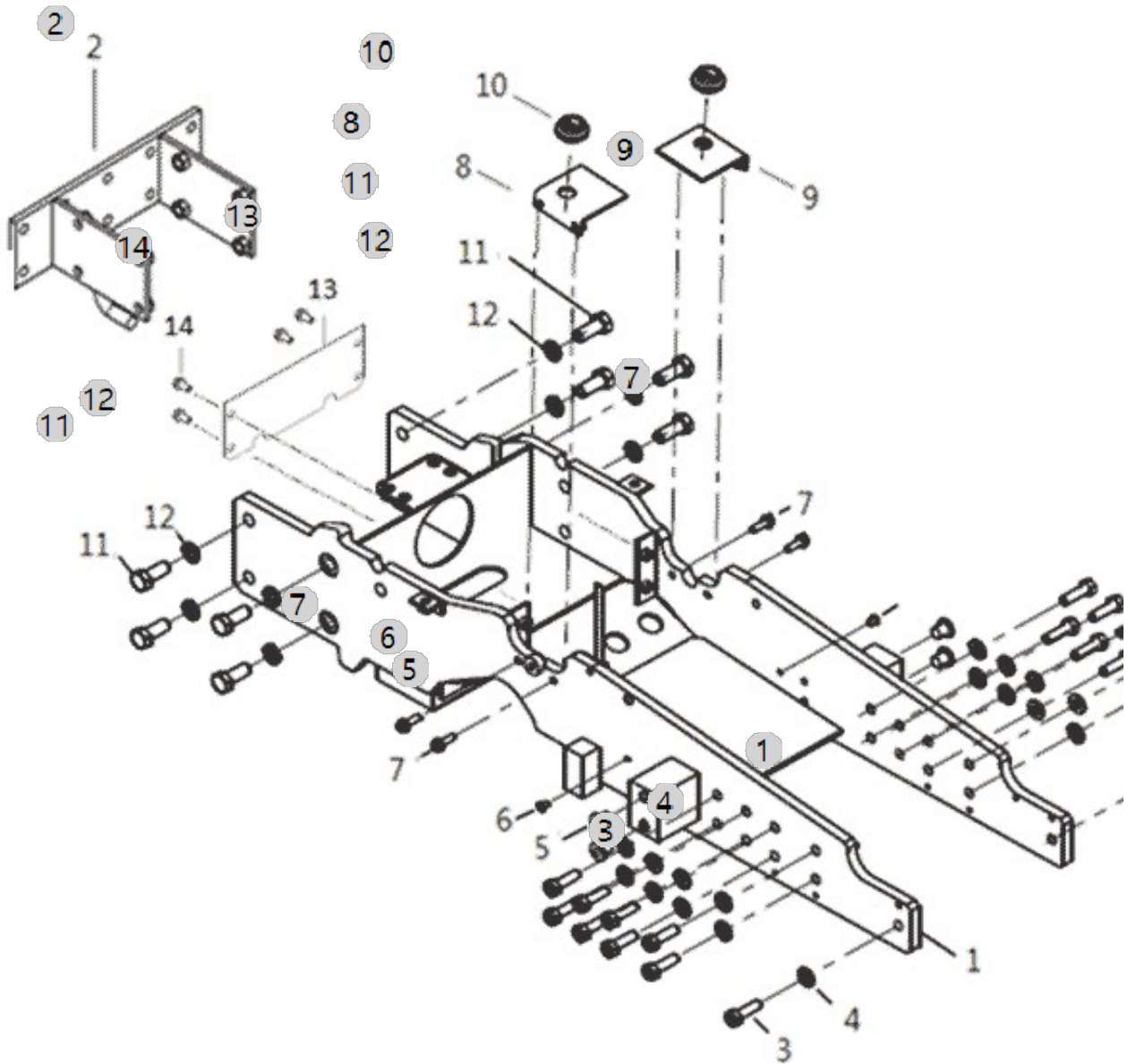
G01080

3620R(AC02103)

FRONT ALXE BRACKET

Year/Month

2022-12-15



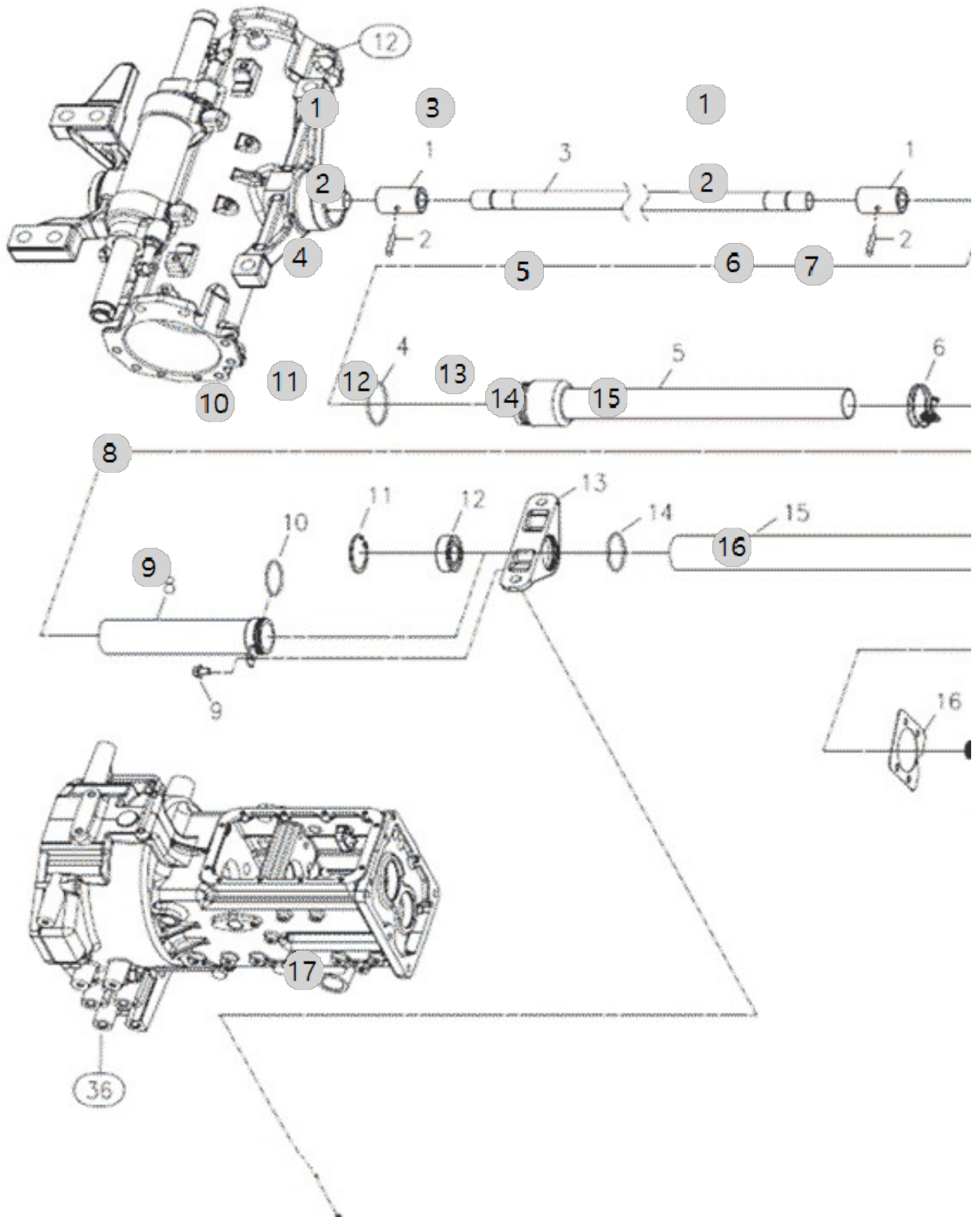
G01100

3620R(AC02103)

PROPELLER SHAFT

Year/Month

2022-12-15



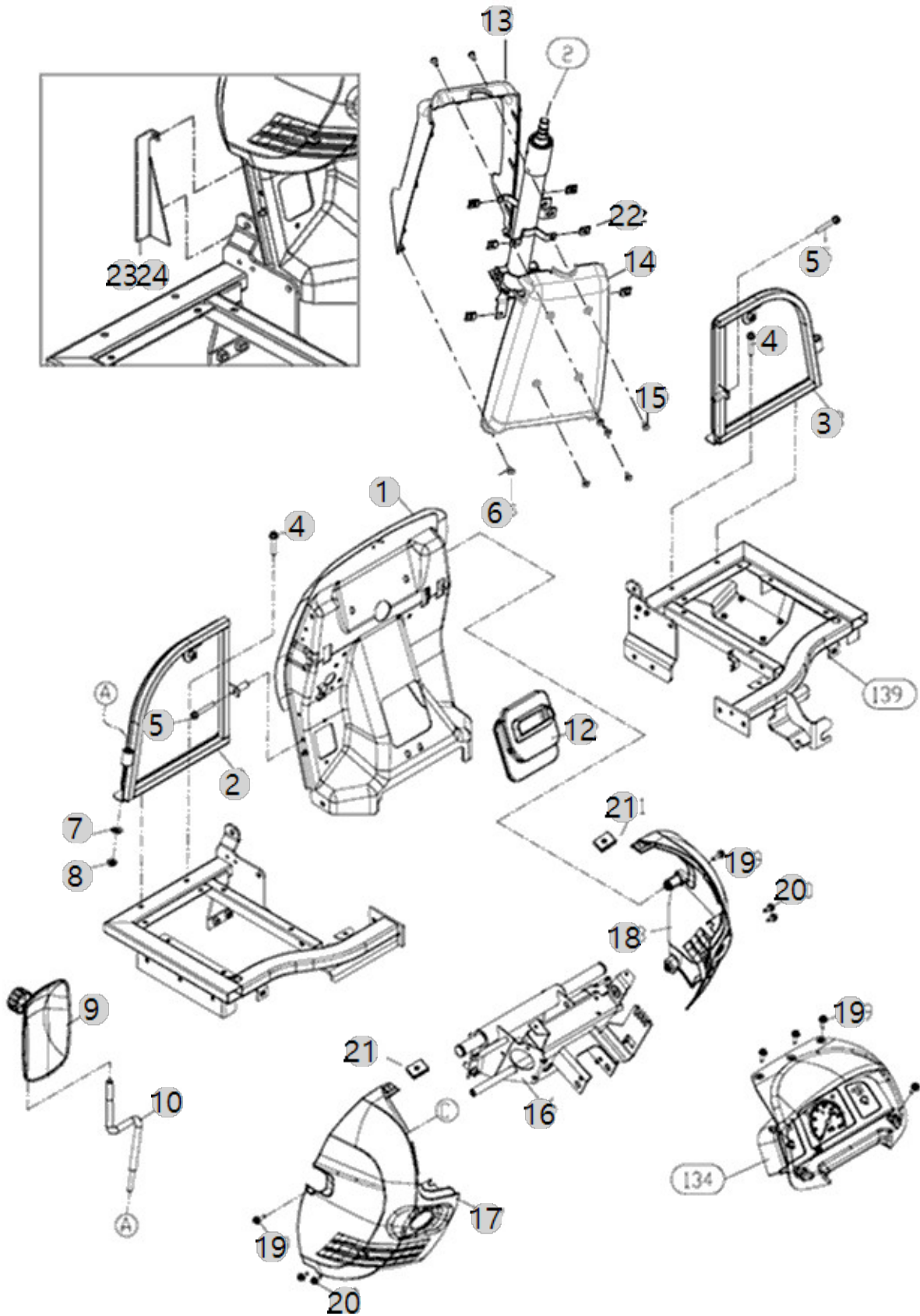
G04020

3620R(AC02103)

DASH BOARD

Year/Month

2022-12-15



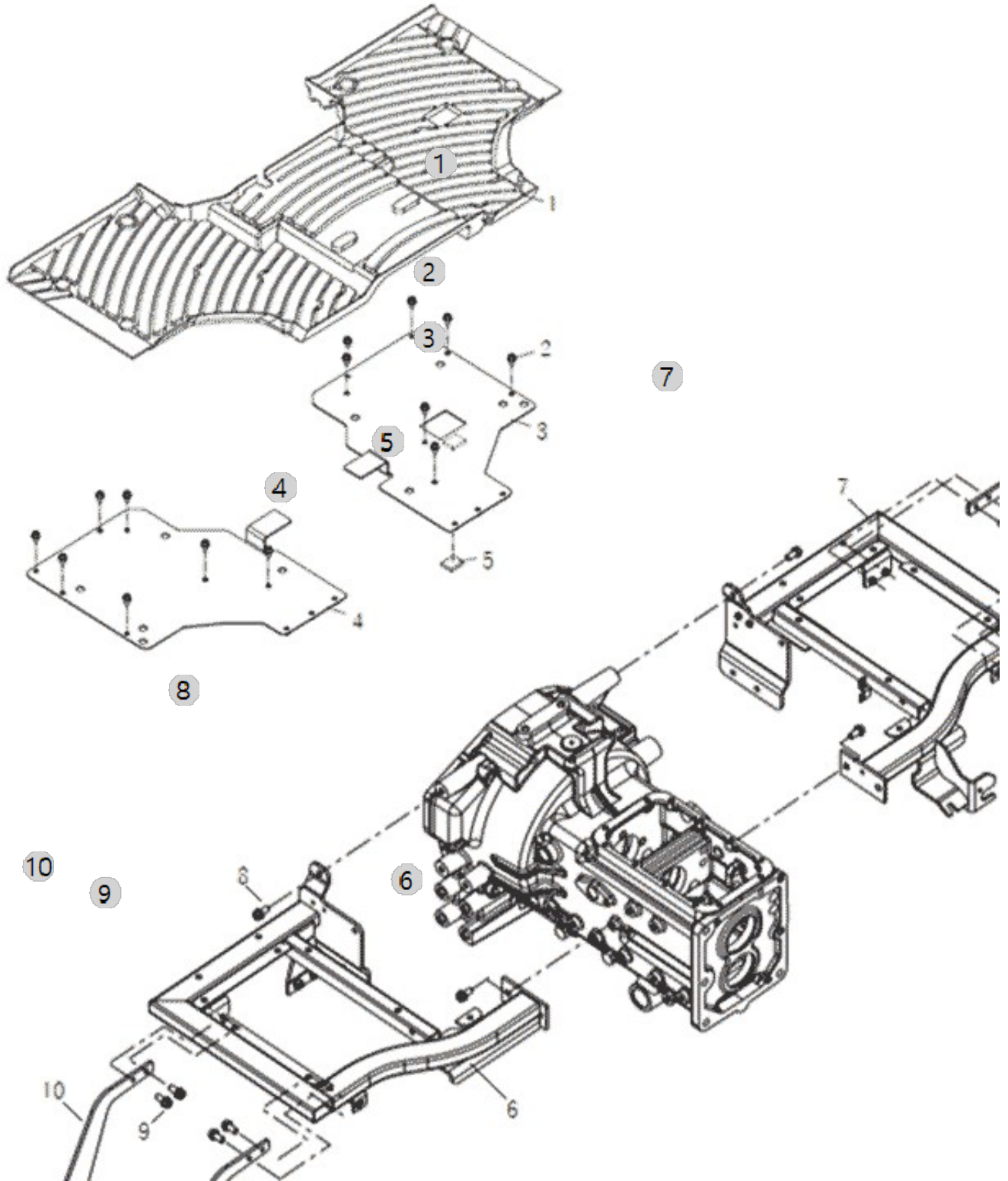
G04060

3620R(AC02103)

FOOT REST ASS'Y

Year/Month

2022-12-15



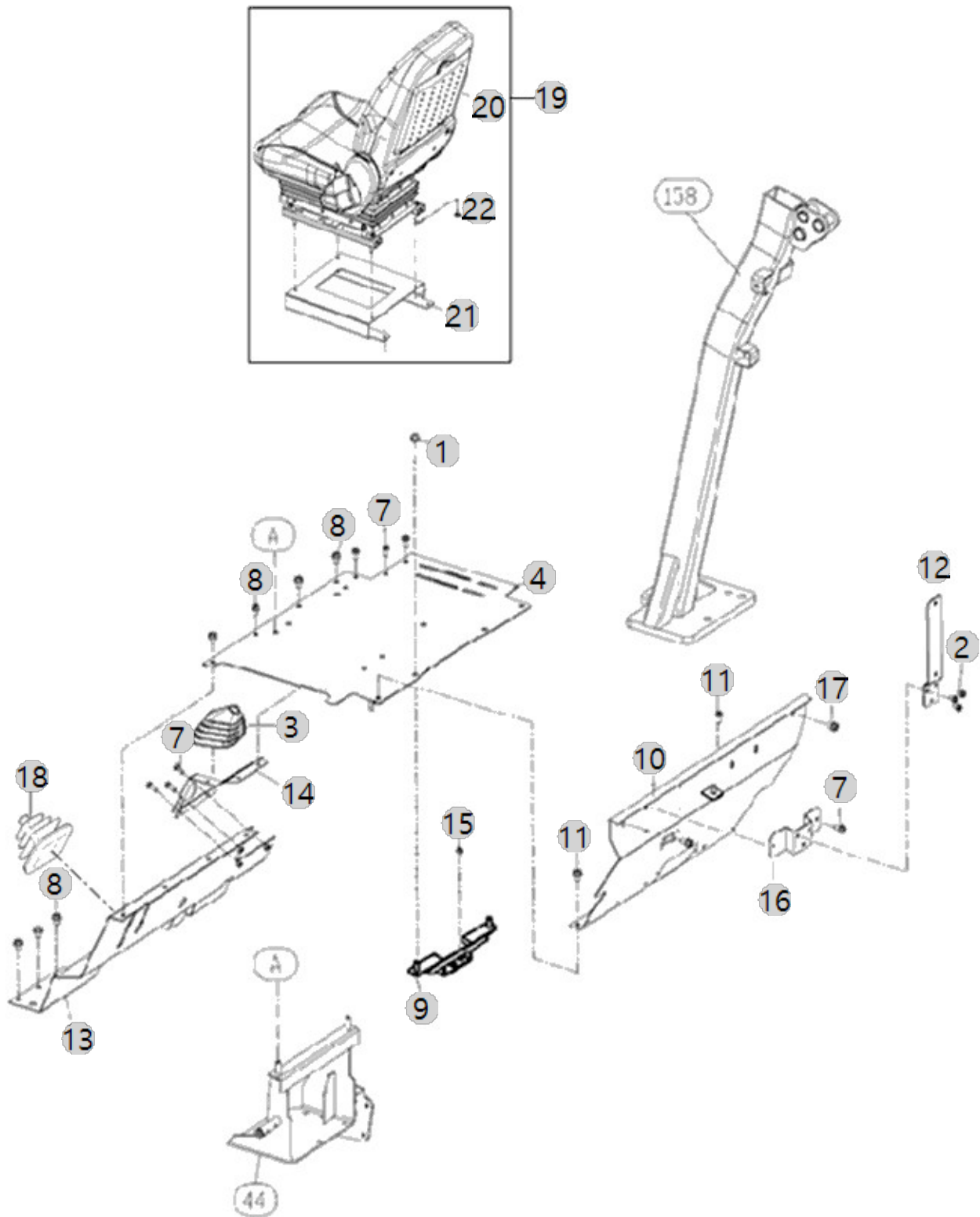
G04070

3620R(AC02103)

DRIVER'S SEAT

Year/Month

2022-12-15



G04070 3620R(AC02103)		DRIVER'S SEAT				Year/Month 2022-12-15
순번 (NO)	부품번호 (PART NO)	품명 (PART NAME)	품명 (PART NAME)	수량 (QTY)	규격 (SPEC)	비고 (REMARK)
1	26367-100002	263,ALL,고정너트(우나사)	NUT,HEXAGONFLANGE	4	M10X1025	
2	26106-060122	육각플랜지볼트	HEX BOLT (6-12)	3	M6XP1.0X12	
3	NTE0140000A2	주변속부츠	BOOTS,MAINSHIFT	1		
4	TA00062404C	의자프레임커버	SEAT FRAME	1		
4	TA00062404B	의자프레임커버	SEAT FRAME	1		
7	26106-060162	육각플랜지 볼트	HEXFLANGEBOLT	10	M6XP1.0X16	
8	26106-080122	육각플랜지볼트	Bolt, Hexa (8-12)	10	M8XP1.25X12	
9	TA00034064C	브래킷 조합	BRACKET ASS'Y	1		
9	TA00034064D	브래킷 조합	BRACKET ASS'Y	1		
10	TA00034752E	후면커버 조합	COVER ASS'Y, REAR	1		
10	TA00034752D	후면커버 조합	COVER ASS'Y,REAR	1		
11	26106-080162	플랜지볼트8X16	SCREW,HEXFLANGEHEADCAP	2	M8XP1.25X16	
12	TA00042423A	SMV 브래킷조합	SMV BRACKET ASS'Y	1		
12	TA00042423B	SMV 브래킷조합	SMV BRACKET ASS'Y	1		
13	TA00054739A	먼지커버조합(부변속4단)	COVER ASSY	1		
13	TA00054739C	먼지커버조합(부변속4단)	DUST COVER ASS'Y	1		
14	TA00002820C	주변속 레버 가이드	LEVER GUIDE,MAIN SHIFT	1	-	
14	TA00002820B	주변속 레버 가이드	LEVER GUIDE,MAIN SHIFT	1	-	
15	26106-100162	플랜지볼트M10X16	SCREW,HEXFLANGEHEADCAP	2	M10XP1.5X16	
16	TA00037445A	SMV 보조 브래킷조합	ASS'Y : SMV SUB BRACKET	1		
16	TA00037445B	SMV 보조 브래킷조합	SMV SUB BRACKET ASS'Y	1		
17	26106-080352	육각플랜지볼트	SCREW,HEXFLANGEHEADCAP	2	M8XP1.25X35	
18	TA00054749A	부변속부츠	SUB SHIFT BOOTS	1		
19	TA00072855A	시트조합_TYM_ROPS(US)	SEAT_ASSY	1		
19	TA00063121B	시트조합_ROPS	SEAT ASS'Y_ROPS	1		
20	TA00028164D	시트 조합	SEAT ASSY, 20C	1		
20	TA00072853A	시트_TYM(W08)	SEAT	1		
21	TA00041888C	시트브래킷(유럽)	SEAT_BRAKET(EU)	1		
21	TA00041888B	시트브래킷(유럽)	SEAT_BRAKET(EU)	1		
22	26367-080002	259, 육각플랜지너트	HEX FLANGE NUT (Φ8)	4	M8XP1.25	

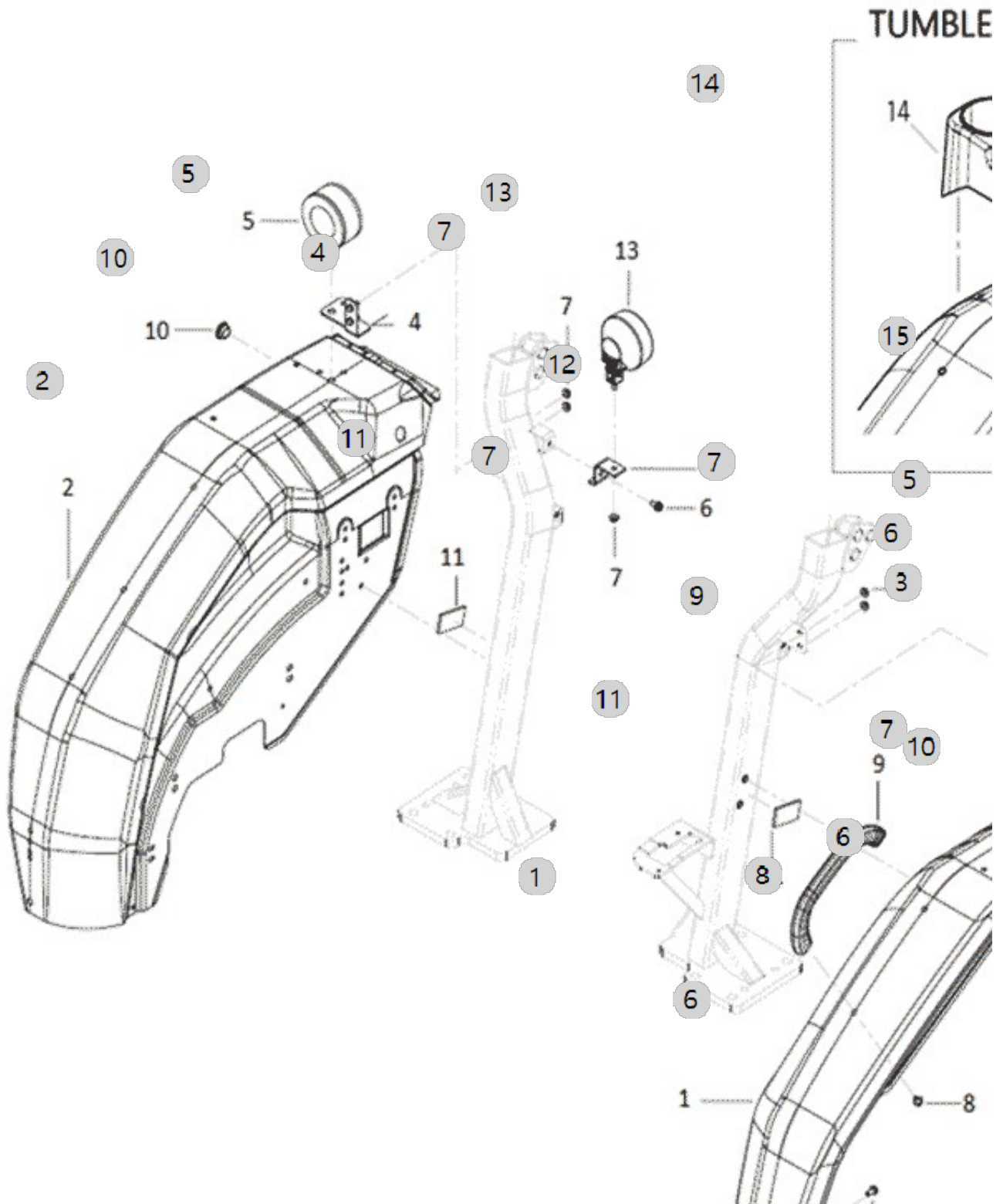
G04090

3620R(AC02103)

FENDER

Year/Month

2022-12-15



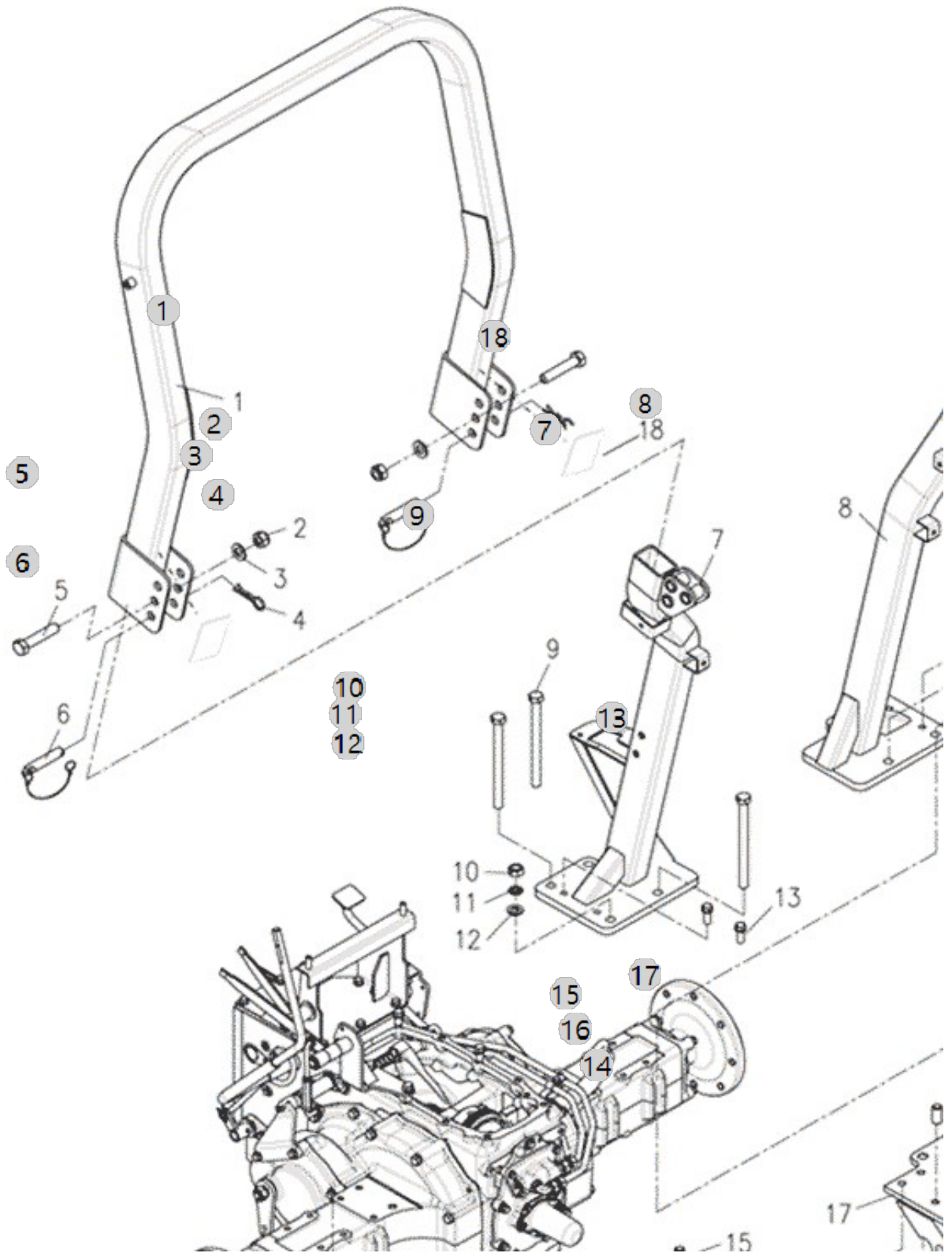
G04120

3620R(AC02103)

ROPS

Year/Month

2022-12-15



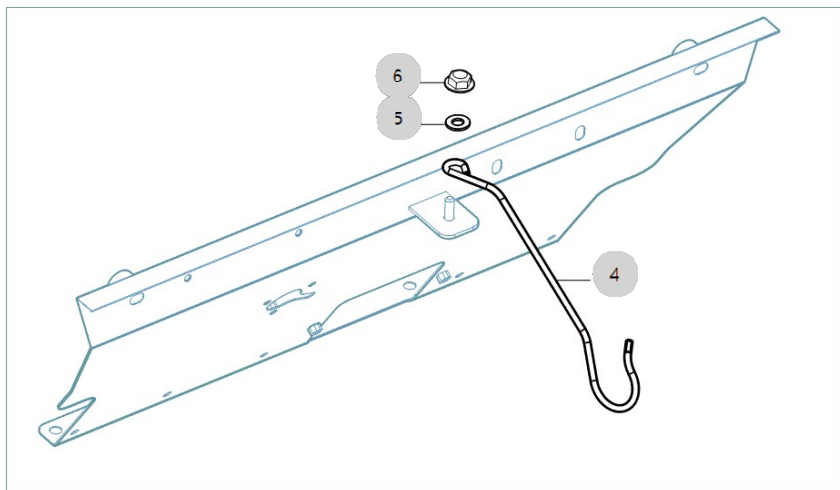
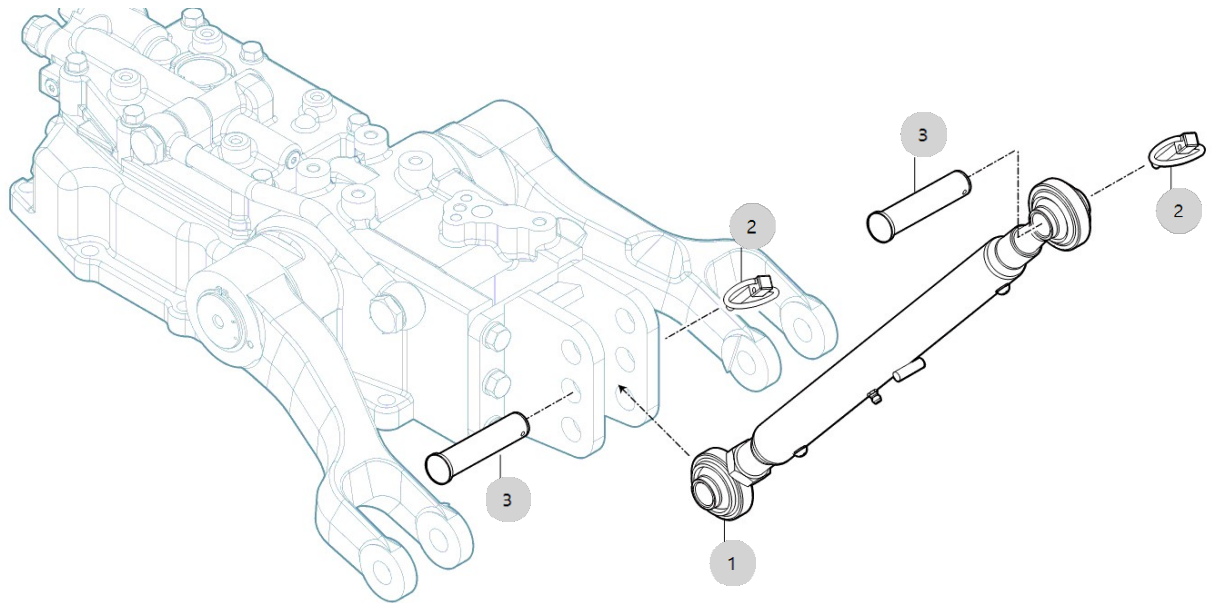
G05020

Year/Month

3620R(AC02103)

TOP LINK

2022-12-15



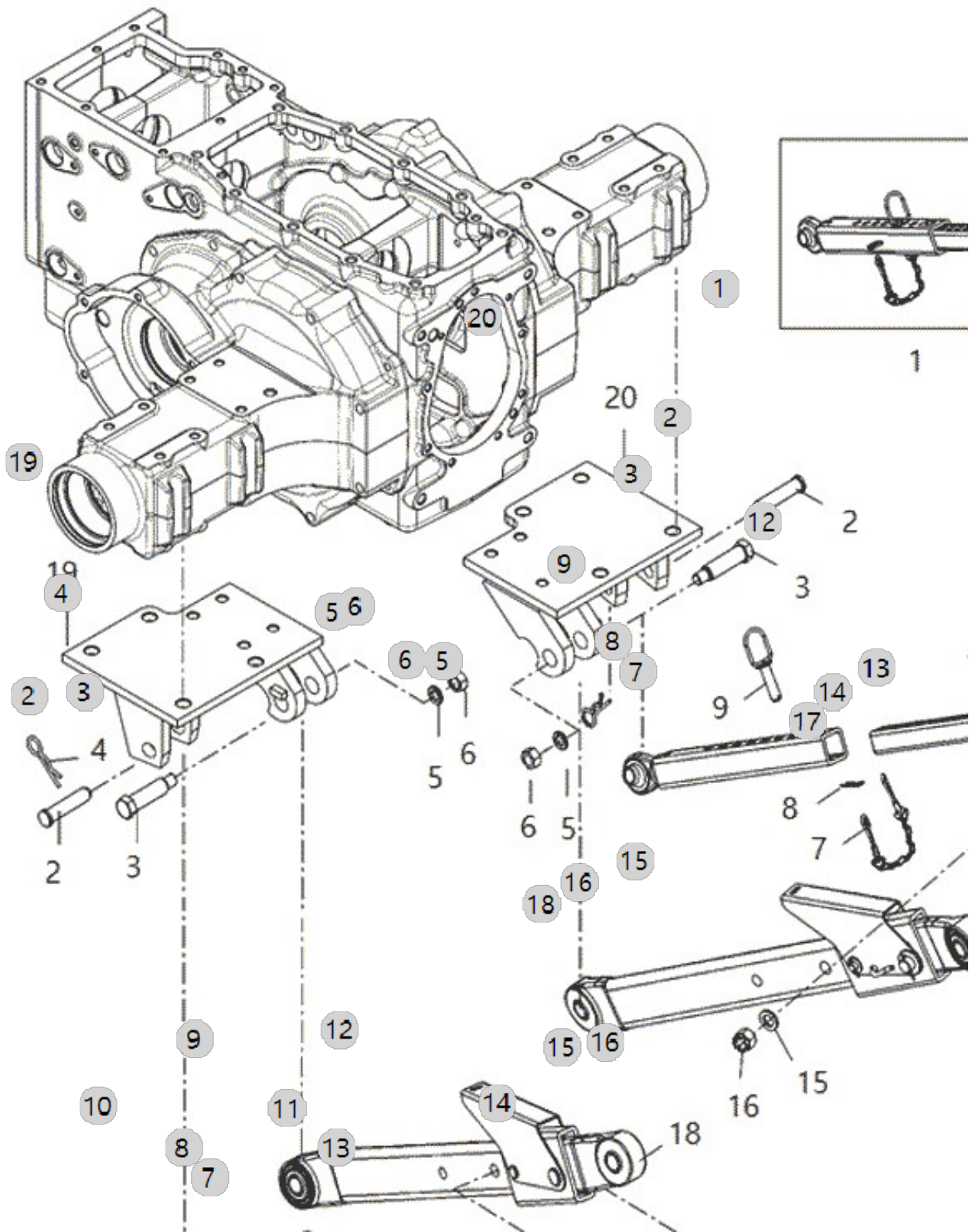
G05030

3620R(AC02103)

LOWER LINK

Year/Month

2022-12-15



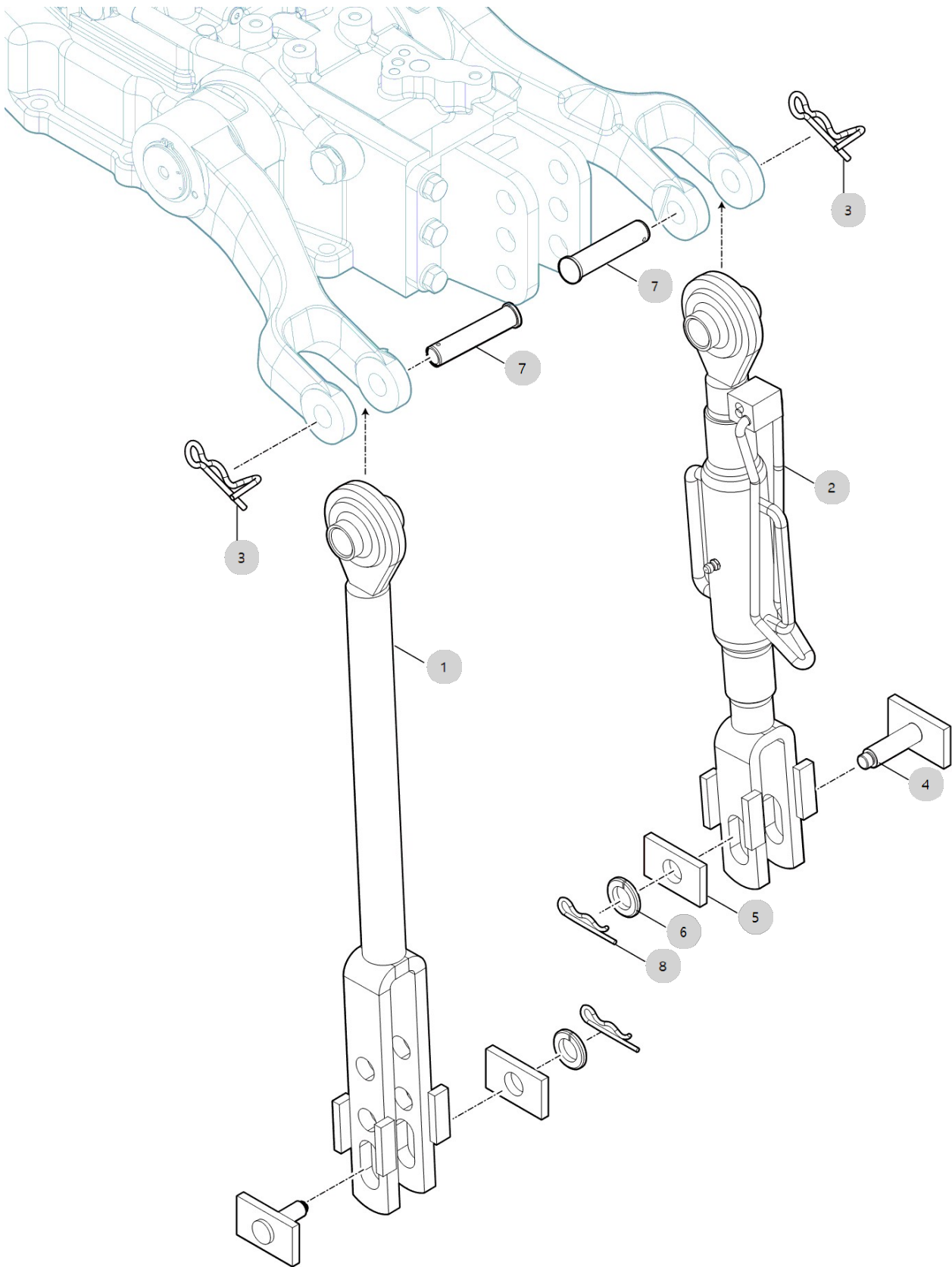
G05050

3620R(AC02103)

LIFT LINK/LH,RH

Year/Month

2022-12-15



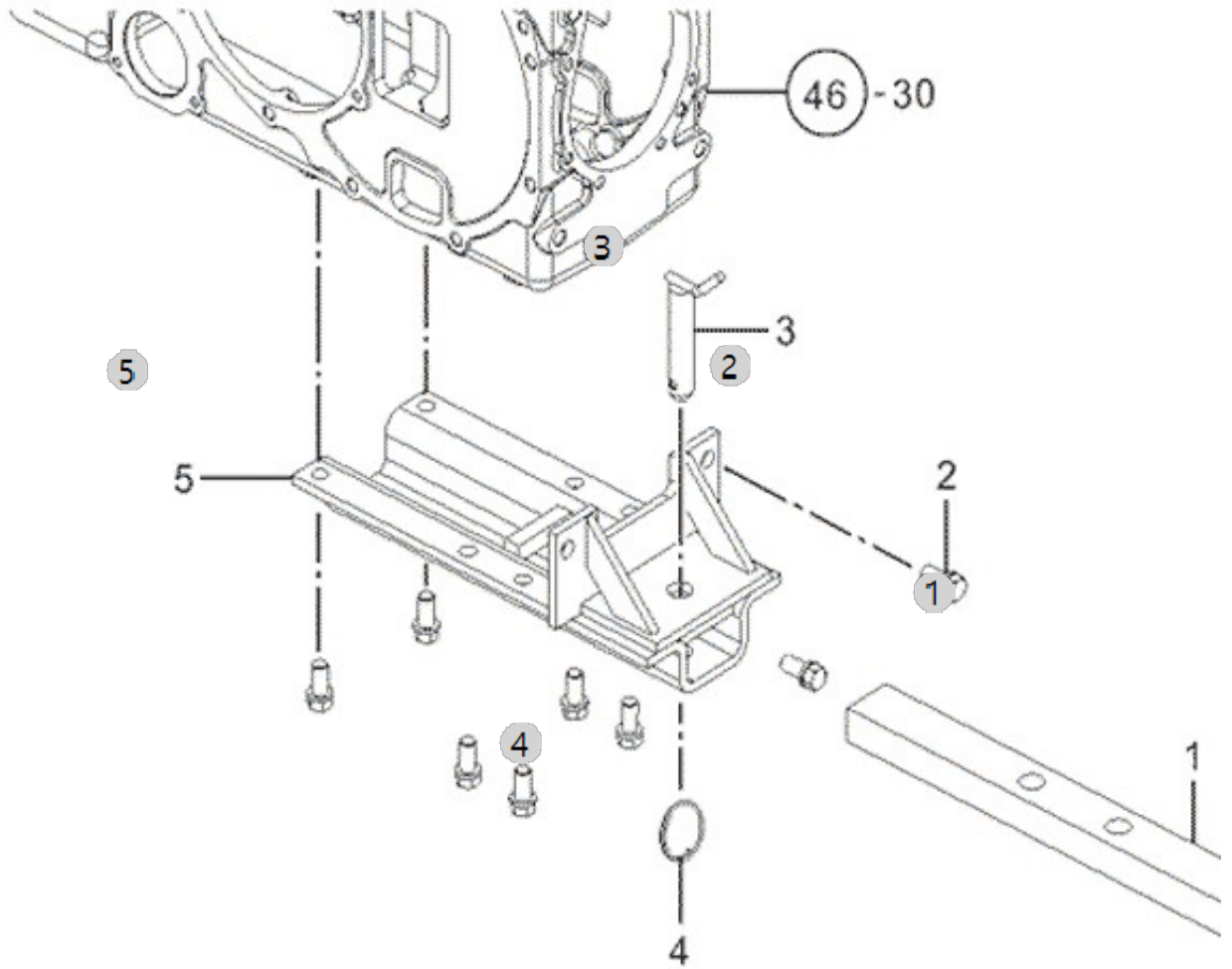
G05070

3620R(AC02103)

DRAWBAR

Year/Month

2022-12-15



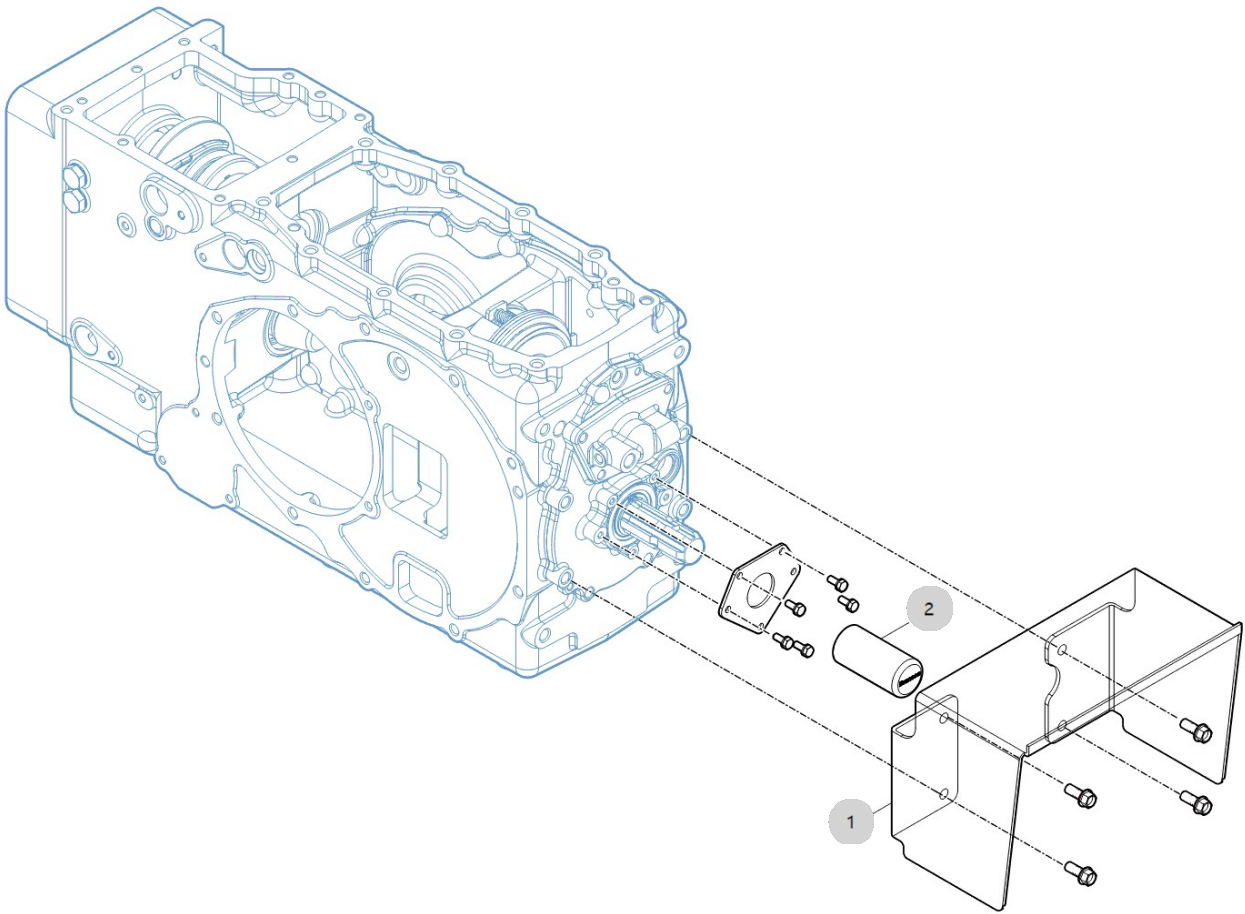
G05090

3620R(AC02103)

PTO COVER

Year/Month

2022-12-15



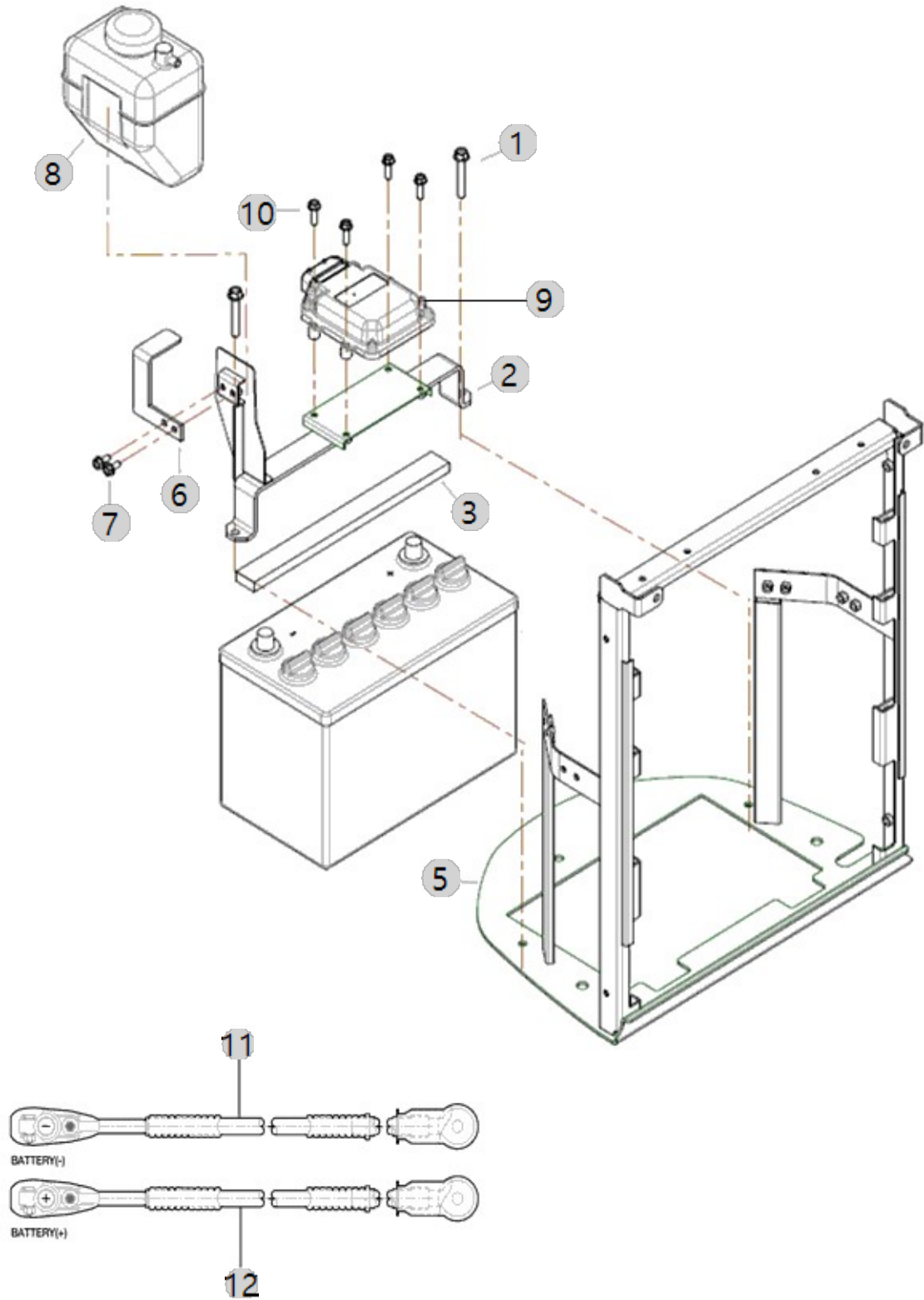
H01030

3620R(AC02103)

BATTERY

Year/Month

2022-12-15



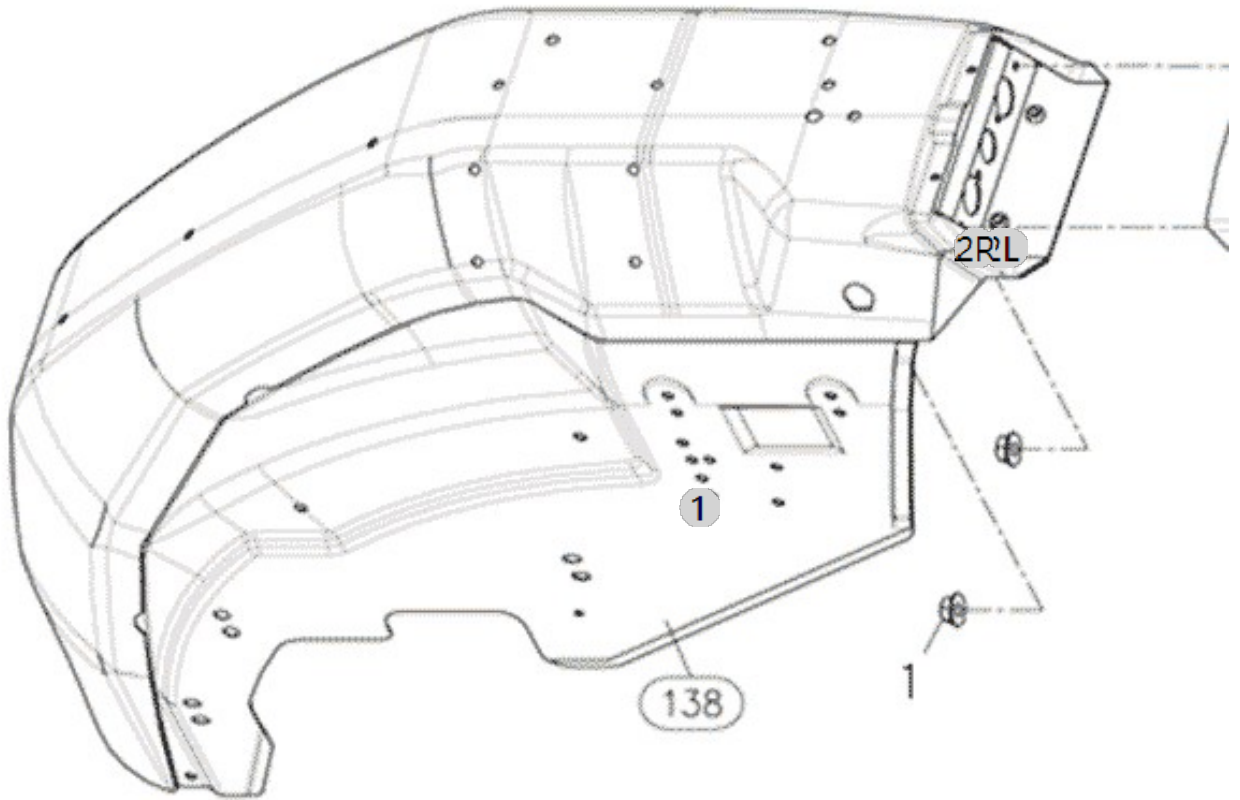
H02022

3620R(AC02103)

COMBINATION LAMP / RR

Year/Month

2022-12-15



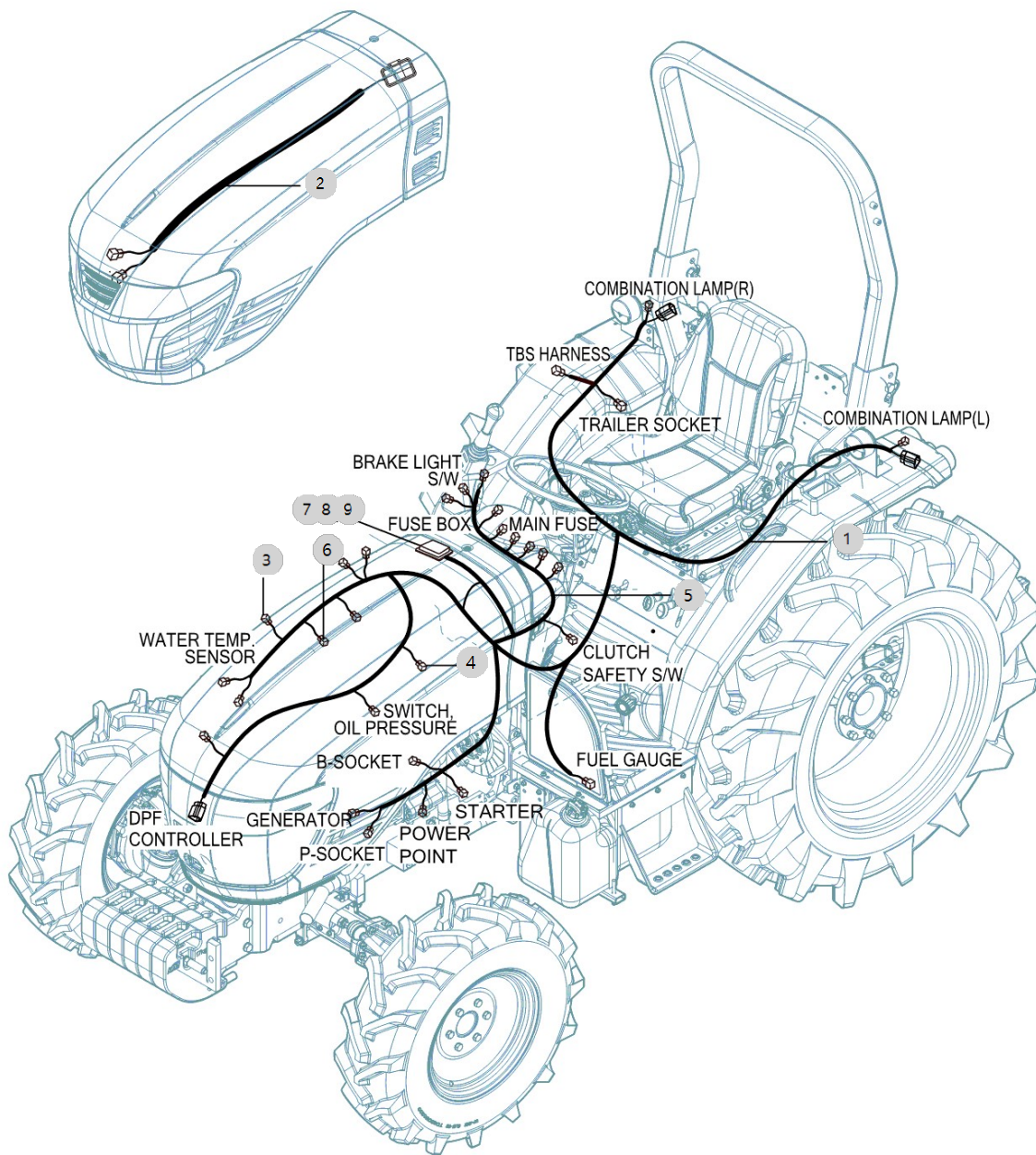
H03030

3620R(AC02103)

HARNESS

Year/Month

2022-12-15



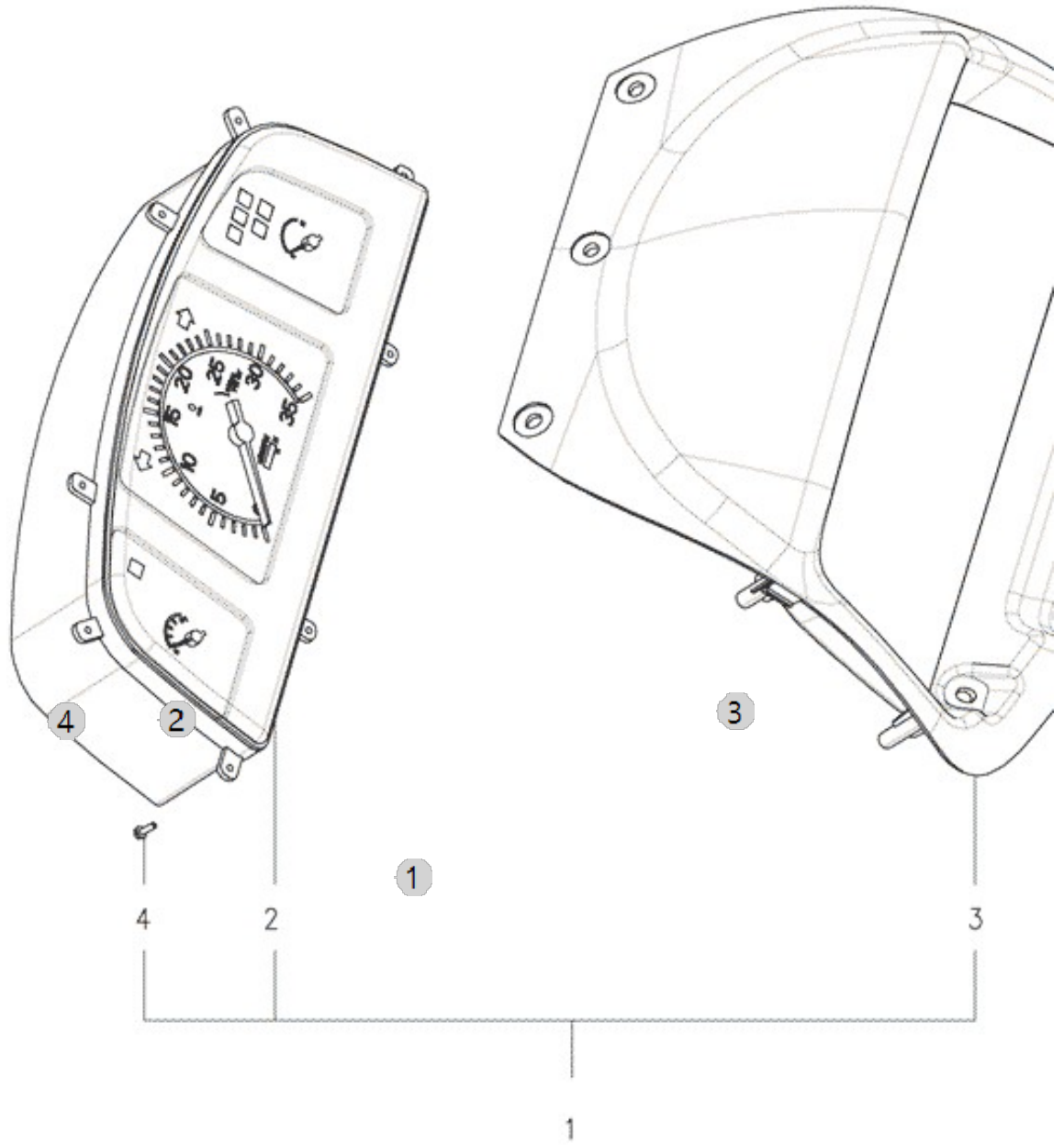
H04030

3620R(AC02103)

METER ASS'Y

Year/Month

2022-12-15



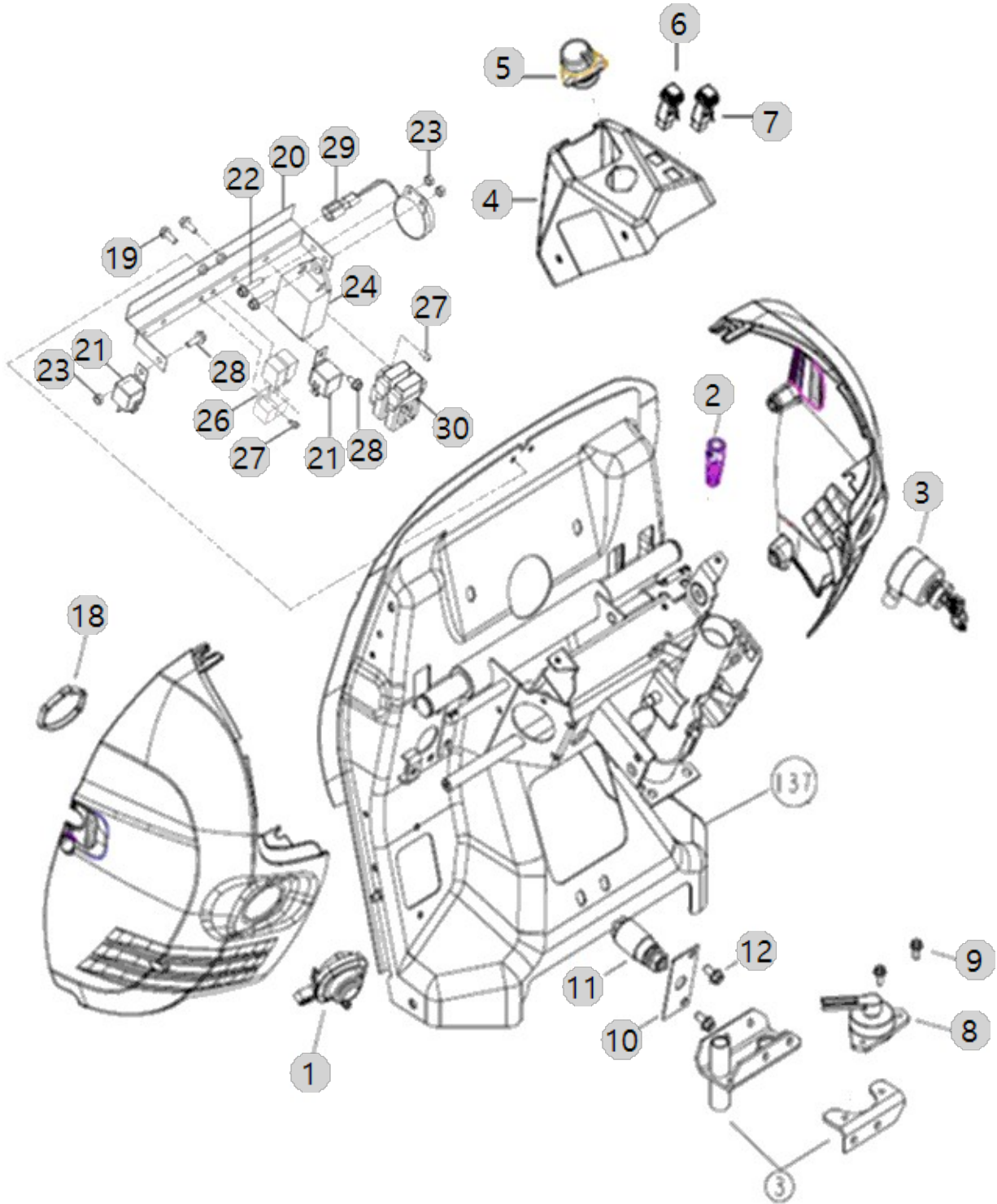
H04050

3620R(AC02103)

SWITCH / DASHBOARD

Year/Month

2022-12-15



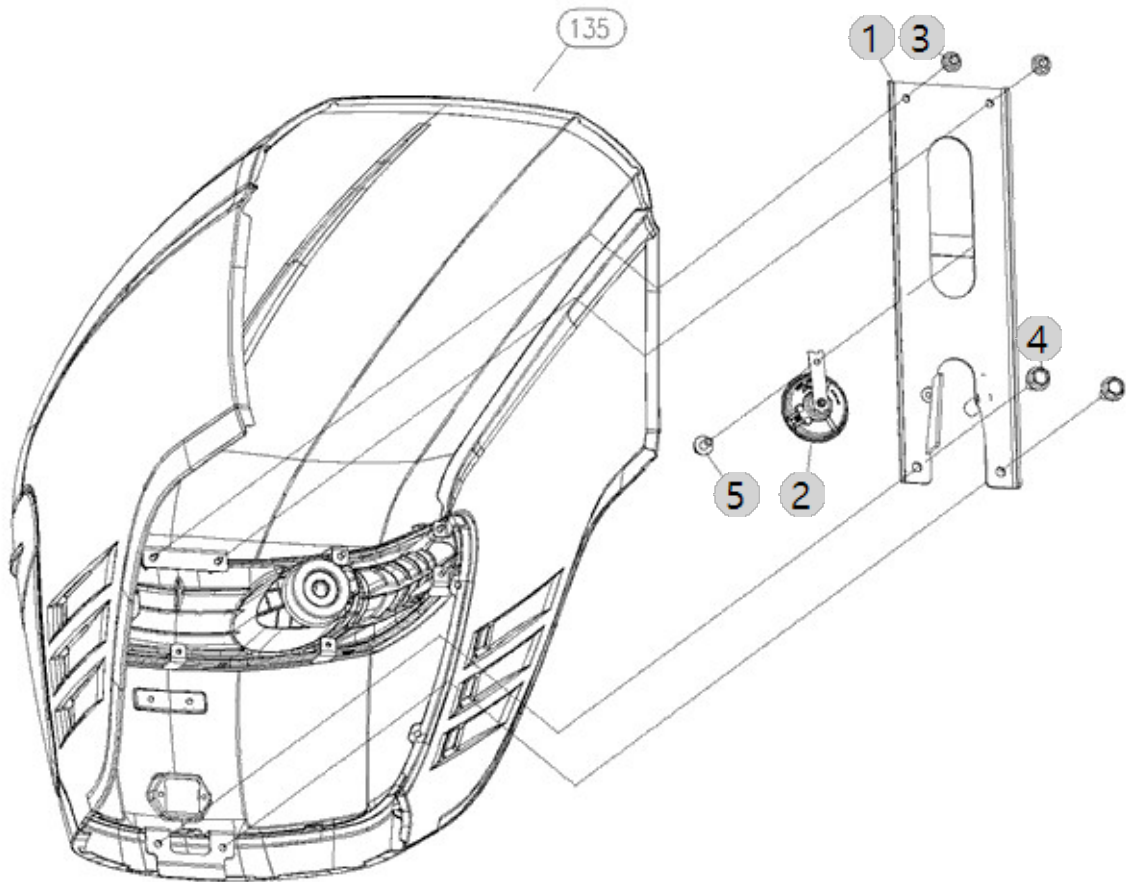
H04090

3620R(AC02103)

HORN

Year/Month

2022-12-15



103021

Year/Month

3620R(AC02103)

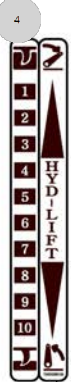
LABEL, ROPS/LH

2022-12-15

3620R
4820R
5520R

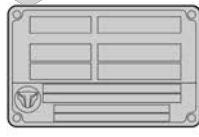


WARNING
Set loader joystick safety lock during no use.



WARNING
TO AVOID PERSONAL INJURY OR DEATH FROM ROLL-OVER:
1. BRANDON recommends the use of a Roll-Over Protection Structure(ROPS) and seat belt in almost all applications.
2. Remove the ROPS only when it substantially interferes with operation or itself presents a safety risk. (Examples include work in orchards and vineyards.) ALWAYS REINSTALL IT BEFORE USING THE TRACTOR IN OTHER APPLICATIONS.
3. Never use just the seat belt as just the ROPS. They must be used together. For further details, consult your Operator's Manual or your local dealer.
TZE11900002

WARNING
BEFORE DISMOUNTING TRACTOR:
1. PARK ON LEVEL GROUND WHENEVER POSSIBLE. If parking on a gradient, position tractor at right angles to the slope.
2. ALWAYS SET PARKING BRAKE. Leaving transmission in gear with the engine stopped will not prevent tractor from rolling.
3. LOWER ALL IMPLEMENTS TO THE GROUND. Failure to comply to this warning may allow the wheels to slip, and could cause injury or death.
4. LOCK SHUTTLE SHIFT LEVER IN NEUTRAL POSITION AND STOP THE ENGINE.
TZE11900003



CAUTION
TZE1190000C4

WARNING

CAUTION
DIESEL ONLY TZE4190000C4

DANGER
Start only from seat in park or neutral. Starting in gear kits. TZE1190000B4

12

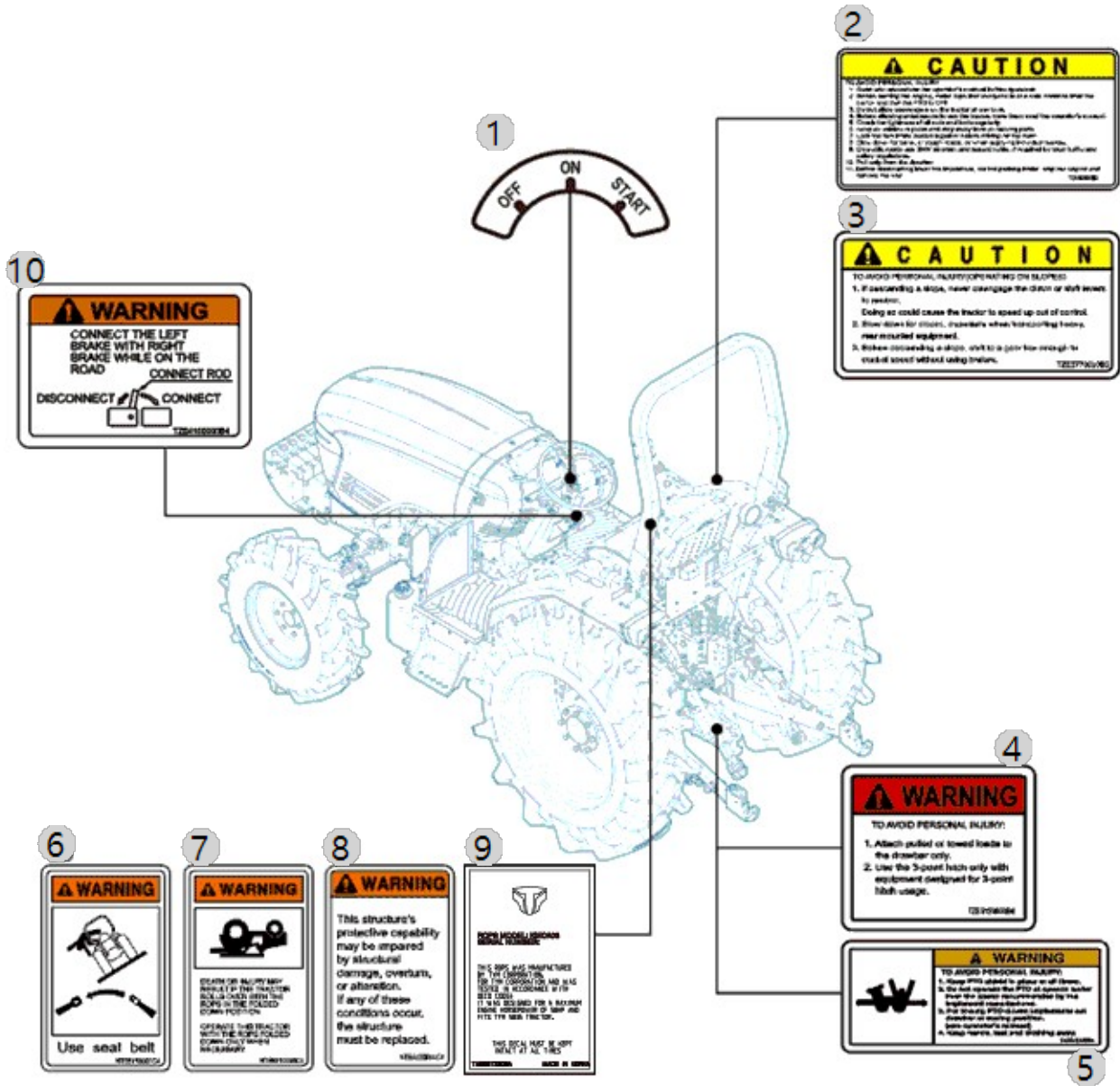
103022

Year/Month

3620R(AC02103)

LABEL, ROPS/RH

2022-12-15



CAUTION

TO AVOID PERSONAL INJURY:

1. Do not allow anyone else to operate a tractor with the PTO engaged.
2. Always wear the safety seat belt when the tractor is in motion.
3. Always use proper tie-off technique when the tractor is in motion.
4. Do not touch the PTO safety switch when the tractor is in motion.
5. Do not touch the PTO safety switch when the tractor is in motion.
6. Do not touch the PTO safety switch when the tractor is in motion.
7. Do not touch the PTO safety switch when the tractor is in motion.
8. Do not touch the PTO safety switch when the tractor is in motion.
9. Do not touch the PTO safety switch when the tractor is in motion.
10. Do not touch the PTO safety switch when the tractor is in motion.

CAUTION

TO AVOID PERSONAL INJURY/OPERATING ON SLOPES:

1. If ascending a slope, never change the clutch or shift levers to reverse.
2. Do not allow the tractor to speed up out of control.
3. Slow down for curves, crests, or when transiting holes, ruts, or uneven terrain.
4. When descending a slope, shift to a gear low enough to start a second gear without using the brakes.

WARNING

CONNECT THE LEFT BRAKE WITH RIGHT BRAKE WHILE ON THE ROAD

DISCONNECT / CONNECT

WARNING

TO AVOID PERSONAL INJURY:

1. Attach pulley or towed loads to the drawbar only.
2. Use the 3-point hitch only with equipment designed for 3-point hitch usage.

WARNING

TO AVOID PERSONAL INJURY:

1. Keep PTO shield to ground at all times.
2. Do not operate the PTO at speeds higher than the speed recommended by the implement manufacturer.
3. Do not touch PTO safety switch when the tractor is in motion.
4. Keep hands, feet and clothing away from PTO.

WARNING

Use seat belt

WARNING

DEATH OR INJURY MAY RESULT IF THE TRACTOR IS LAID ON ITS SIDE OR ROLLOVER OCCURS. ALWAYS WEAR YOUR SEAT BELT.

WARNING

This structure's protective capability may be impaired by structural damage, overturn, or alteration. If any of these conditions occur, the structure must be replaced.

ROPS MODEL NUMBER

THIS ROPS WAS MANUFACTURED BY THE MANUFACTURER OF THE TRACTOR AND IS NOT TO BE REPLACED WITH ANY OTHER ROPS. IT IS REQUIRED FOR A MAXIMUM SEAT BELT PROTECTION. THIS ROPS MUST BE USED WITH ALL THIS TRACTOR.

