

T575NHEU1

Parts Catalog

# 목 차

---

---

## 1. 엔진 PART NO. EG

FIG 100 ENGINE	9
FIG 101 CYLINDER BLOCK	11
FIG 102A OILJET ASS'Y OPTION(T574)	13
FIG 102B OILJET ASS'Y OPTION(T494)	15
FIG 103 CRANK SHAFT	17
FIG 104 PISTON	19
FIG 105 CYLINDER HEAD	21
FIG 106 ROCKER LEVER	23
FIG 107 HEAD COVER	25
FIG 108 GEAR CASE	27
FIG 109 IDLE GEAR	29
FIG 110 CAM SHAFT	31
FIG 111 OIL PUMP	33
FIG 112 HYD. PUMP DRIVE	35
FIG 113 2ND BALANCE	37
FIG 114 OIL PAN	39
FIG 115A INTAKE MANIFOLD(T574)	41
FIG 116A EXHAUST MANIFOLD(T574)	43
FIG 117A TURBOCHARGER ASS'Y(T574)	45
FIG 118A TURBOCHARGER PLUMBING OPTION(T574)	47
FIG 119A BREATHER(T574)	49
FIG 119B BREATHER(T494)	51
FIG 120 FUEL INJECTION PUMP	53
FIG 121 FUEL INJECTION VALVE	55
FIG 122 FUEL PIPE ASS'Y	57
FIG 123 OIL FILTER	59
FIG 124 OIL COOLER	61
FIG 125 OIL GAUGUE	63
FIG 126 OIL FILLER CAP	65
FIG 127 COOLING WATER PUMP	67
FIG 128 CRANK SHAFT PULLEY	69

FIG 129 V-PULLEY	71
FIG 130 COOLING FAN	73
FIG 131 FLYWHEEL HOUSING	75
FIG 132 FLYWHEEL	77
FIG 133 GLOW PLUG ASS'Y OPTION	79
FIG 134 STARTING MOTOR	81
FIG 135 FUEL FILTER BRACKET ASS'Y	83
FIG 136 ALTERNATOR	85
FIG 137 V-BELT	87
FIG 138 FUEL FILTER	89
FIG 139A DPF SUPPORT (T574)	91
FIG 139B DPF SUPPORT (T494)	93
FIG 140 DATAPLATE	95
FIG 142A DPF ASS'Y (T574)	97
FIG 142B DPF ASS'Y (T494)	99
FIG 143 LIFT ASS'Y	101
FIG 144 COMP . DRIVE PULLEY ASS'Y OPTION	103
FIG 145 INTAKE PIPE	105
FIG 146 CCV ASS'Y	107
FIG 147 LOOSED PARTS	109

## 2. 엔진보기품 PART NO. T2

FIG 201A AIR CLEANER(T575)	112
FIG 202 RADIATOR	114
FIG 203 MUFFLER	116
FIG 204 FUEL HOSE & FILTER	118
FIG 205 FUEL TANK	120
FIG 206 ACCELERATOR	122
FIG 207 OIL COOLER	124

## 3. 클러치/브레이크/스티어링 PART NO. T3

FIG 301 FLYWHEEL HOUSING	127
FIG 302 CLUTCH PEDAL	129
FIG 303 BRAKE	131
FIG 304 BRAKE PEDAL & LINK	133
FIG 305A FRONT WHEEL	135

FIG 305A REAR WHEEL	137
FIG 305B FRONT WHEEL (R4 OPTION)	139
FIG 305B REAR WHEEL (R4 OPTION)	141
FIG 307 POWER STEERING WHEEL	143
FIG 308 POWER STEERING VALVE	145
FIG 309 POWER STEERING CYLINDER	147
FIG 310 HST CONTROL LINK	149

#### 4. 트랜스미션 PART NO. T4

FIG 401 TRANSMISSION FRONT CASE	153
FIG 402 HST	155
FIG 403 MID TRANSMISSION CASE	157
FIG 404 TRANSTER GEAR SET	159
FIG 405 TRANSMISSION REAR CASE	161
FIG 406 SUB CHANGE GEARS	163
FIG 407 SUB CHANGE SHIFTER	165
FIG 408 DRIVE GEARS	167
FIG 409 4WD CHANGE LEVER	169
FIG 410 P.T.O DRIVE SHAFT	171
FIG 411 P.T.O CHANGE GEARS	173
FIG 412 P.T.O CHANGE LEVER	175
FIG 413 4WD CHANGE LEVER	178

#### 5. 프런트 액슬 PART NO. T5

FIG 501 FRONT AXLE SUPPORT	181
FIG 502 FRONT DRIVE SHAFT	183
FIG 503 FRONT AXLE HOUSING	185
FIG 504 FRONT DIFFERENTIAL GEARS	187
FIG 505 FRONT GEAR CASE (1)	189
FIG 506 FRONT GEAR CASE (2)	191
FIG 507 FRONT GEAR CASE (3)	193

#### 6. 유압/3점 링크 PART NO. T6

FIG 601 CYLINDER CASE	196
FIG 602 LIFT ARM	198

FIG 603 CYLINDER	200
FIG 604 POSITION LINK	202
FIG 605 CONTROL VALVE	204
FIG 606 DRAFT LINK	206
FIG 607 POSITION & DRAFT LEVER (1)	208
FIG 607-2 POSITION & DRAFT LEVER (2)[SAP 가져오기]에서 생성함.	210
FIG 608 EXTERIOR HYD.VALVE	212
FIG 609 HYDRAULIC PIPE	214
FIG 610 JOYSTICK	216
FIG 612 HITCH & 3-POINT LINK	219
FIG 613 LOWER LINK & LIFT ROD	222

## 7. 시트메탈/캐빈 PART NO. T7

FIG 701 BONNET FRAME	225
FIG 702A BONNET (1)	227
FIG 702B BONNET (2)	229
FIG 703 EXTENSION COVER	231
FIG 704B LEVER COVER & STEP-Non CAB	233
FIG 705 FRONT & REAR MOUNTING	235
FIG 706 SEAT & MAT	237
FIG 710B FRAME&2POLES ROPS-Non CAB	239
FIG 713B SUB FENDER&COVER-Non CAB	241
FIG 714B MIRROR&WORKING LAMP-Non CAB	243

## 8. 전장 PART NO. T8

FIG 801 BATTERY MOUNTING	246
FIG 802 HARNESS LAMP	248
FIG 803 INSTRUMENT PANEL	250
FIG 804 ELECTRIC SYSTEM (1)	252
FIG 805B ELECTRIC SYSTEM (2)-Non CAB	254
FIG 806 ELECTRIC SYSTEM (3)	256

## 9. 라벨/옵션 PART NO. T9

FIG 901 TOOL & ACCESSORY	259
FIG 902 WEIGHT	261



## 1. 엔진 PART NO. EG

FIG 100 ENGINE	9
FIG 101 CYLINDER BLOCK	11
FIG 102A OILJET ASS'Y OPTION(T574)	13
FIG 102B OILJET ASS'Y OPTION(T494)	15
FIG 103 CRANK SHAFT	17
FIG 104 PISTON	19
FIG 105 CYLINDER HEAD	21
FIG 106 ROCKER LEVER	23
FIG 107 HEAD COVER	25
FIG 108 GEAR CASE	27
FIG 109 IDLE GEAR	29
FIG 110 CAM SHAFT	31
FIG 111 OIL PUMP	33
FIG 112 HYD. PUMP DRIVE	35
FIG 113 2ND BALANCE	37
FIG 114 OIL PAN	39
FIG 115A INTAKE MANIFOLD(T574)	41
FIG 116A EXHAUST MANIFOLD(T574)	43
FIG 117A TURBOCHARGER ASS'Y(T574)	45
FIG 118A TURBOCHARGER PLUMBING OPTION(T574)	47
FIG 119A BREATHER(T574)	49
FIG 119B BREATHER(T494)	51
FIG 120 FUEL INJECTION PUMP	53
FIG 121 FUEL INJECTION VALVE	55
FIG 122 FUEL PIPE ASS'Y	57
FIG 123 OIL FILTER	59
FIG 124 OIL COOLER	61
FIG 125 OIL GAUGUE	63
FIG 126 OIL FILLER CAP	65
FIG 127 COOLING WATER PUMP	67
FIG 128 CRANK SHAFT PULLEY	69
FIG 129 V-PULLEY	71
FIG 130 COOLING FAN	73
FIG 131 FLYWHEEL HOUSING	75
FIG 132 FLYWHEEL	77
FIG 133 GLOW PLUG ASS'Y OPTION	79
FIG 134 STARTING MOTOR	81
FIG 135 FUEL FILTER BRACKET ASS'Y	83

FIG 136 ALTERNATOR	85
FIG 137 V-BELT	87
FIG 138 FUEL FILTER	89
FIG 139A DPF SUPPORT (T574)	91
FIG 139B DPF SUPPORT (T494)	93
FIG 140 DATAPLATE	95
FIG 142A DPF ASS'Y (T574)	97
FIG 142B DPF ASS'Y (T494)	99
FIG 143 LIFT ASS'Y	101
FIG 144 COMP . DRIVE PULLEY ASS'Y OPTION	103
FIG 145 INTAKE PIPE	105
FIG 146 CCV ASS'Y	107
FIG 147 LOOSED PARTS	109



FIG 100 T575NHEU1	ENGINE	년/월 Year/Month
		2022-12
NOTE		



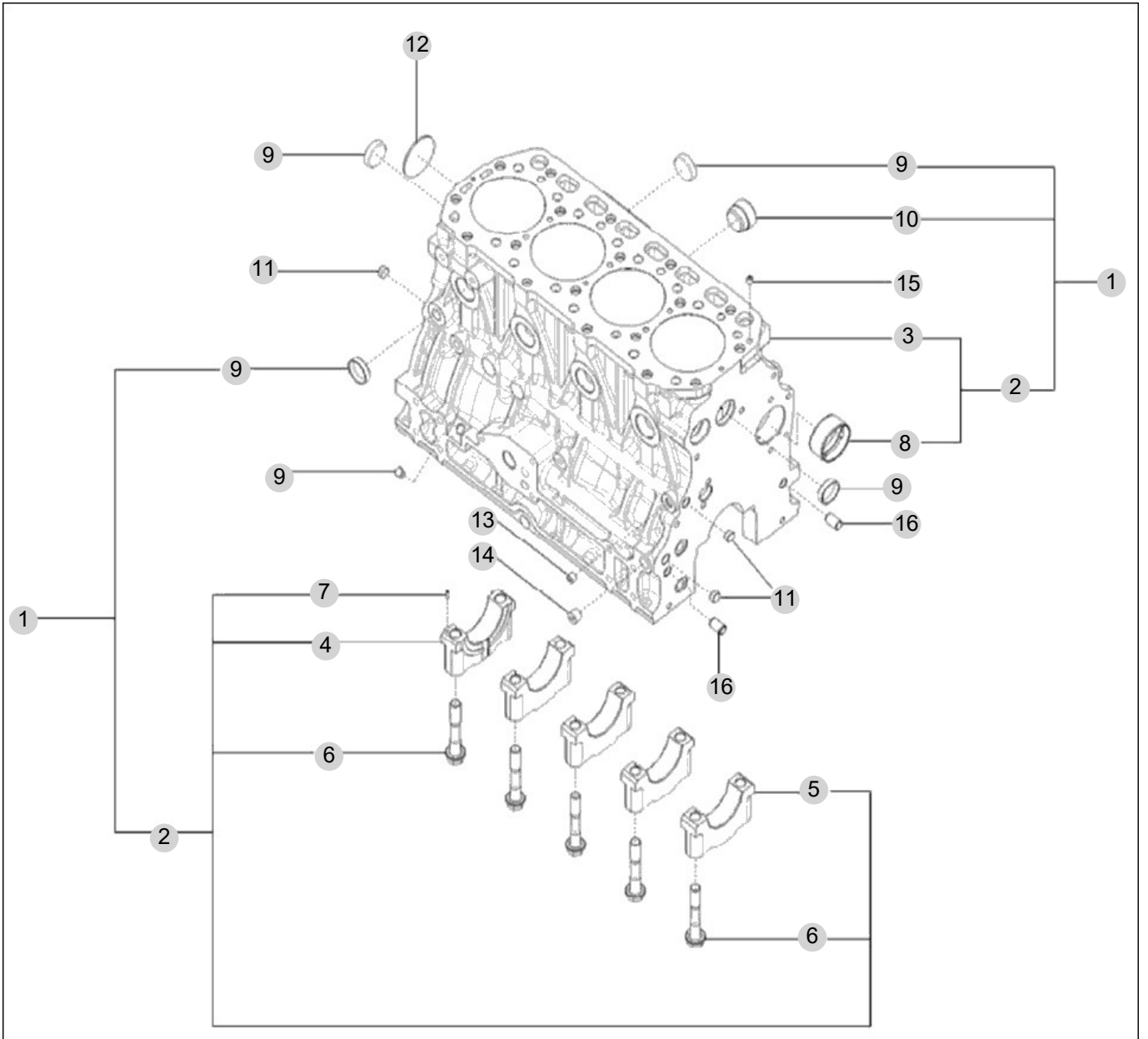
FIG 101

CYLINDER BLOCK

년/월  
Year/Month

2022-12

T575NHEU1



NOTE



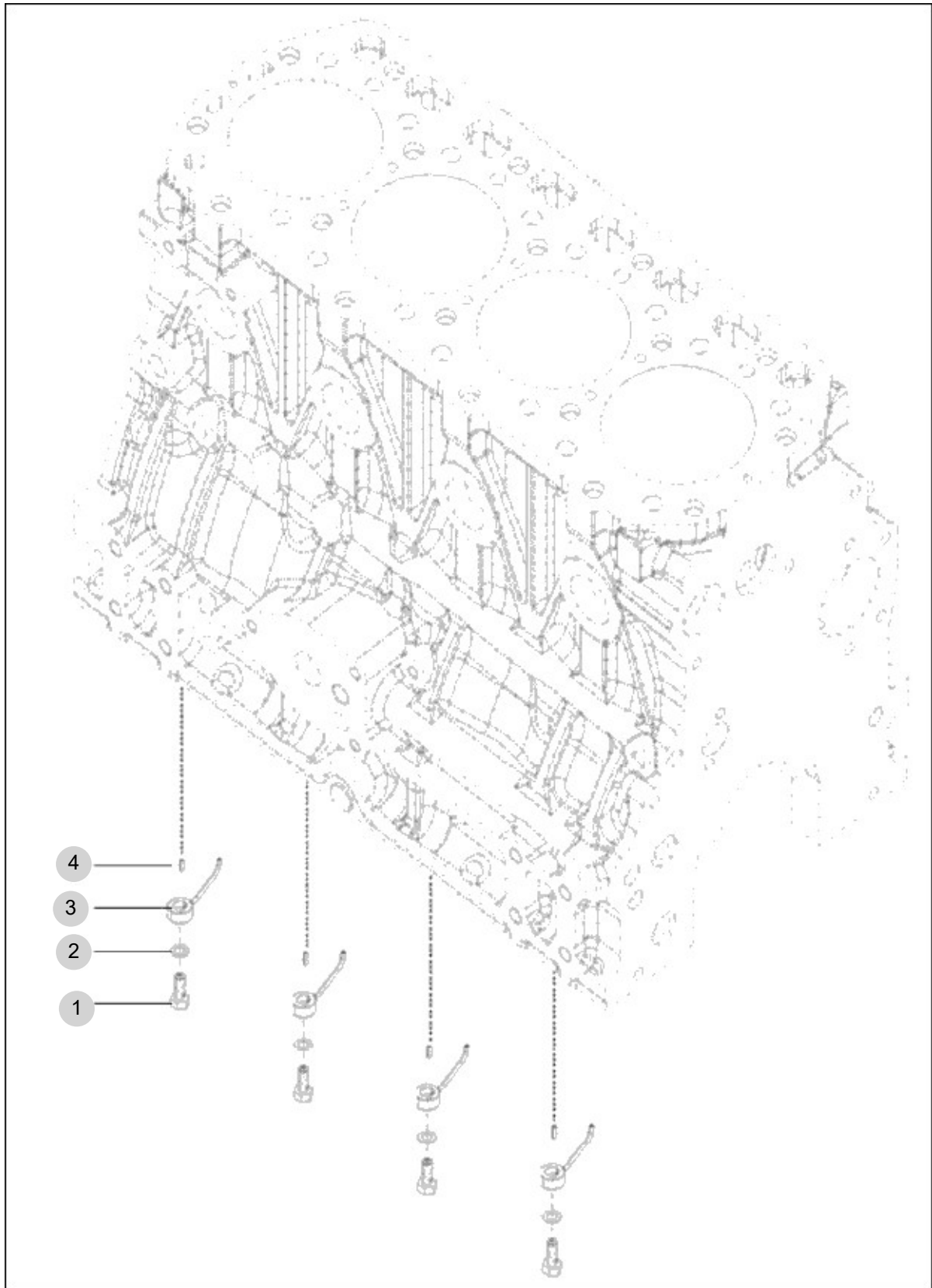
FIG 102A

OILJET ASS'Y OPTION(T574)

년/월  
Year/Month

2022-12

T575NHEU1



NOTE



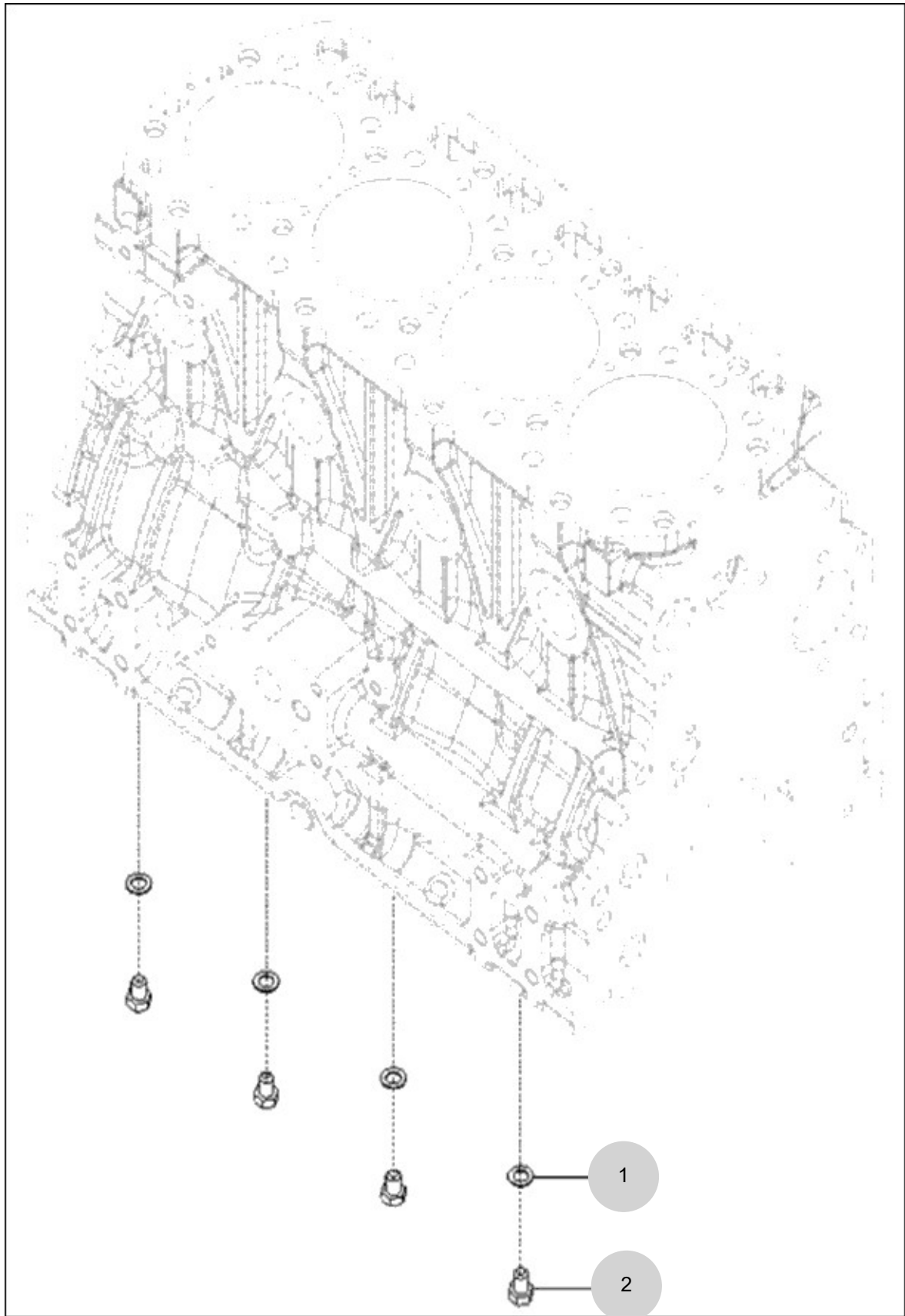
FIG 102B

OILJET ASS'Y OPTION(T494)

년/월  
Year/Month

2022-12

T575NHEU1



NOTE





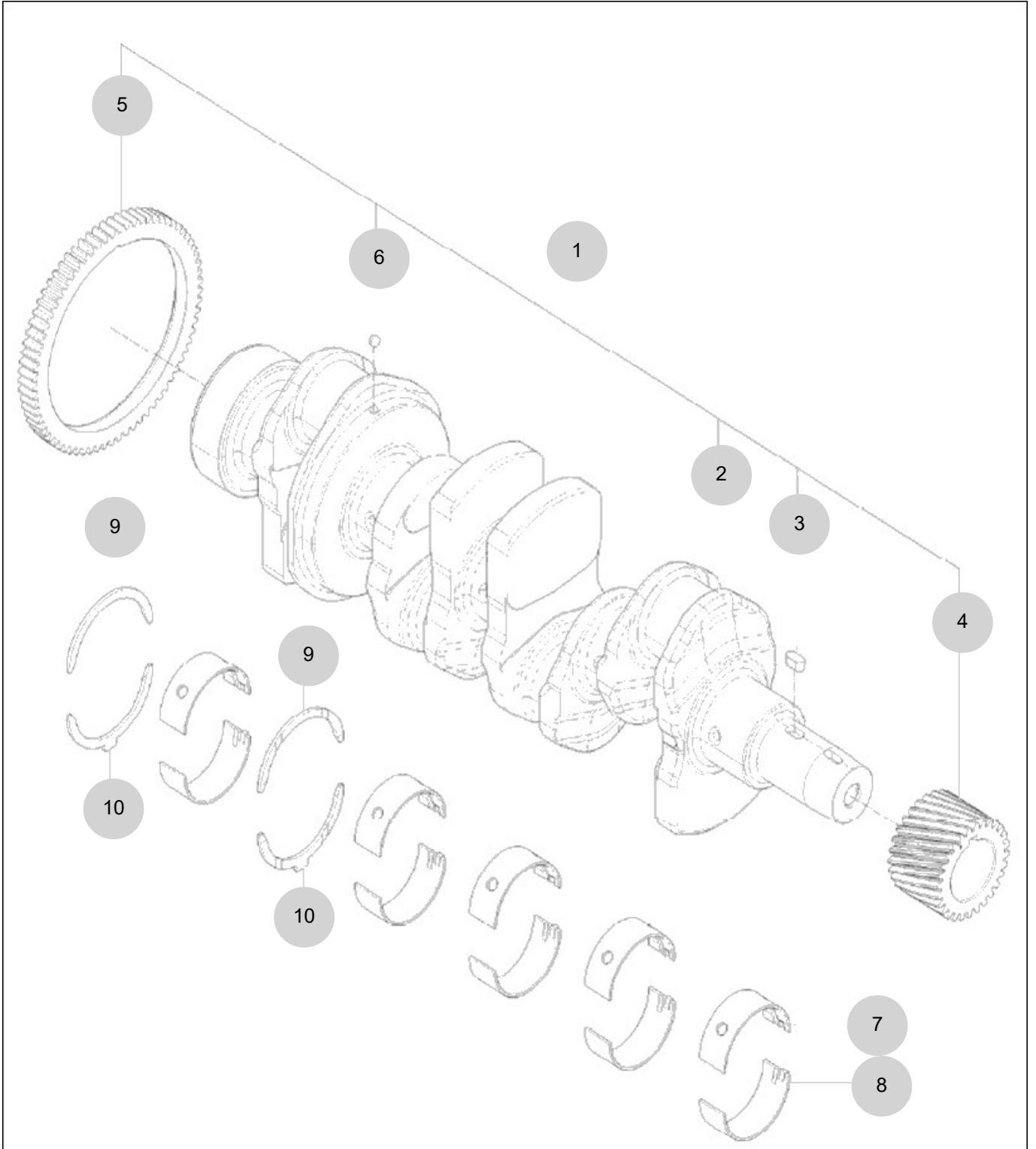
FIG 103

CRANK SHAFT

년/월  
Year/Month

2022-12

T575NHEU1



NOTE



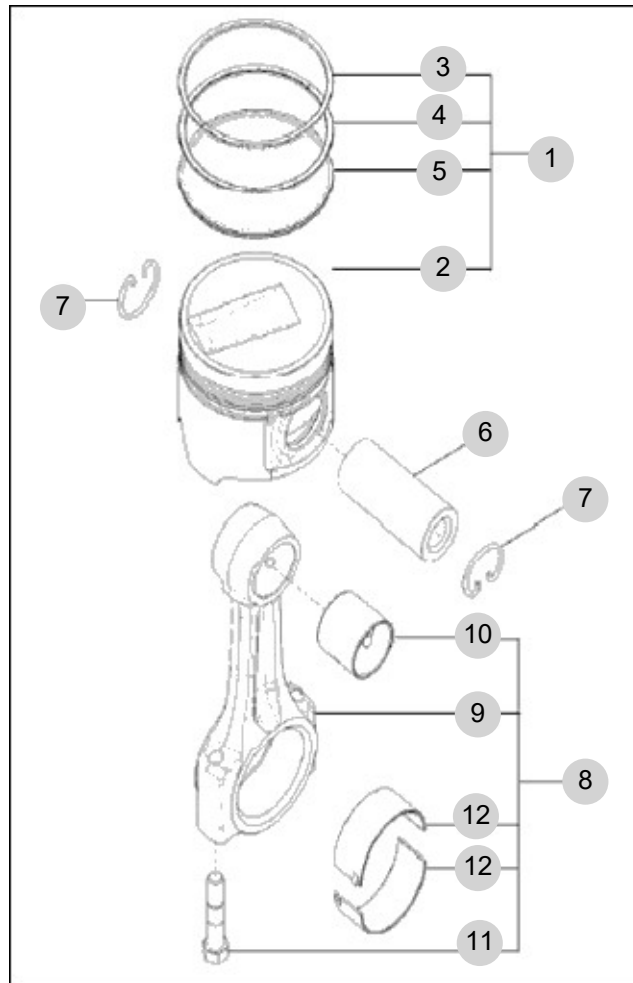
FIG 104

PISTON

년/월  
Year/Month

2022-12

T575NHEU1



NOTE



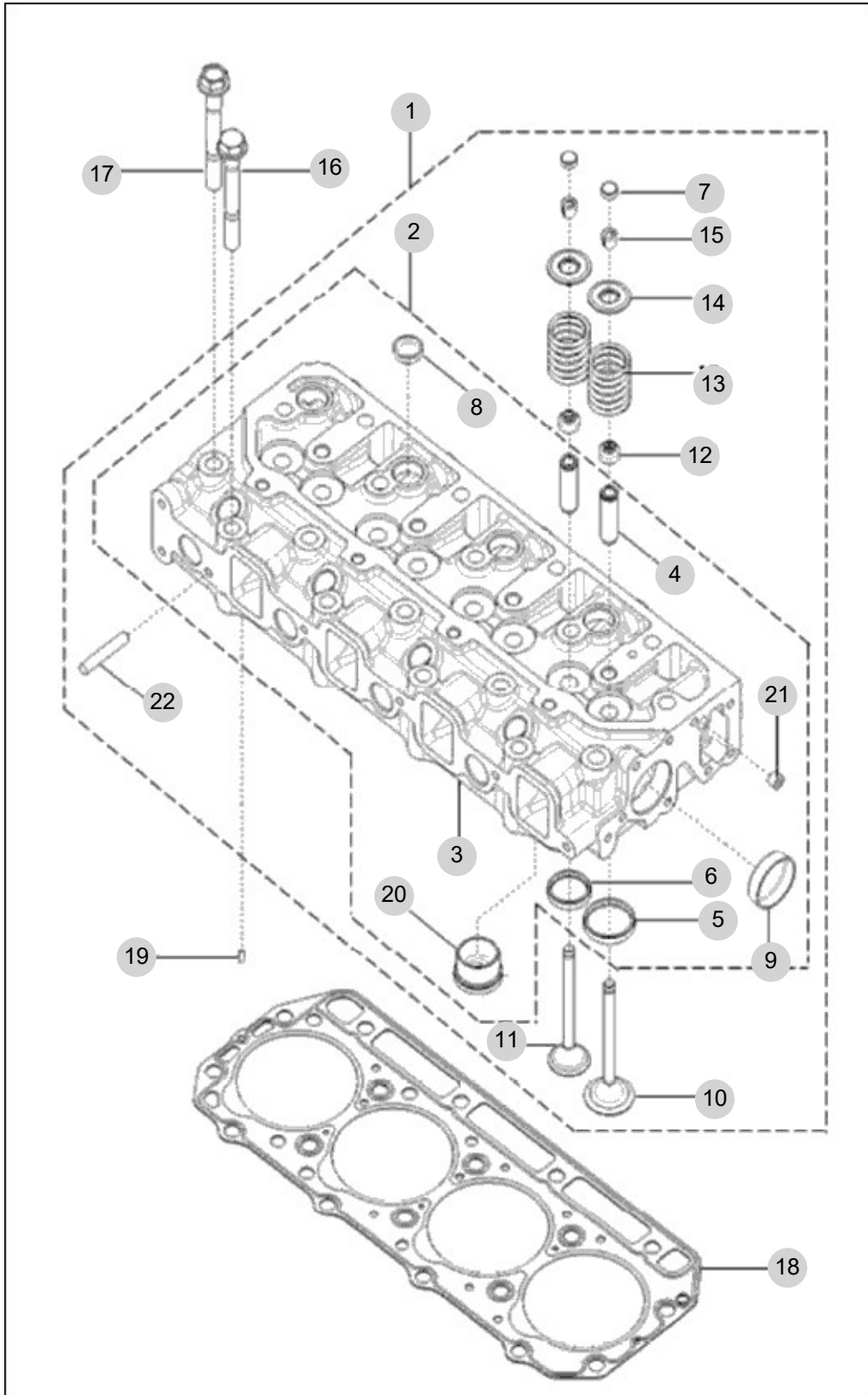
FIG 105

CYLINDER HEAD

년/월  
Year/Month

2022-12

T575NHEU1



NOTE



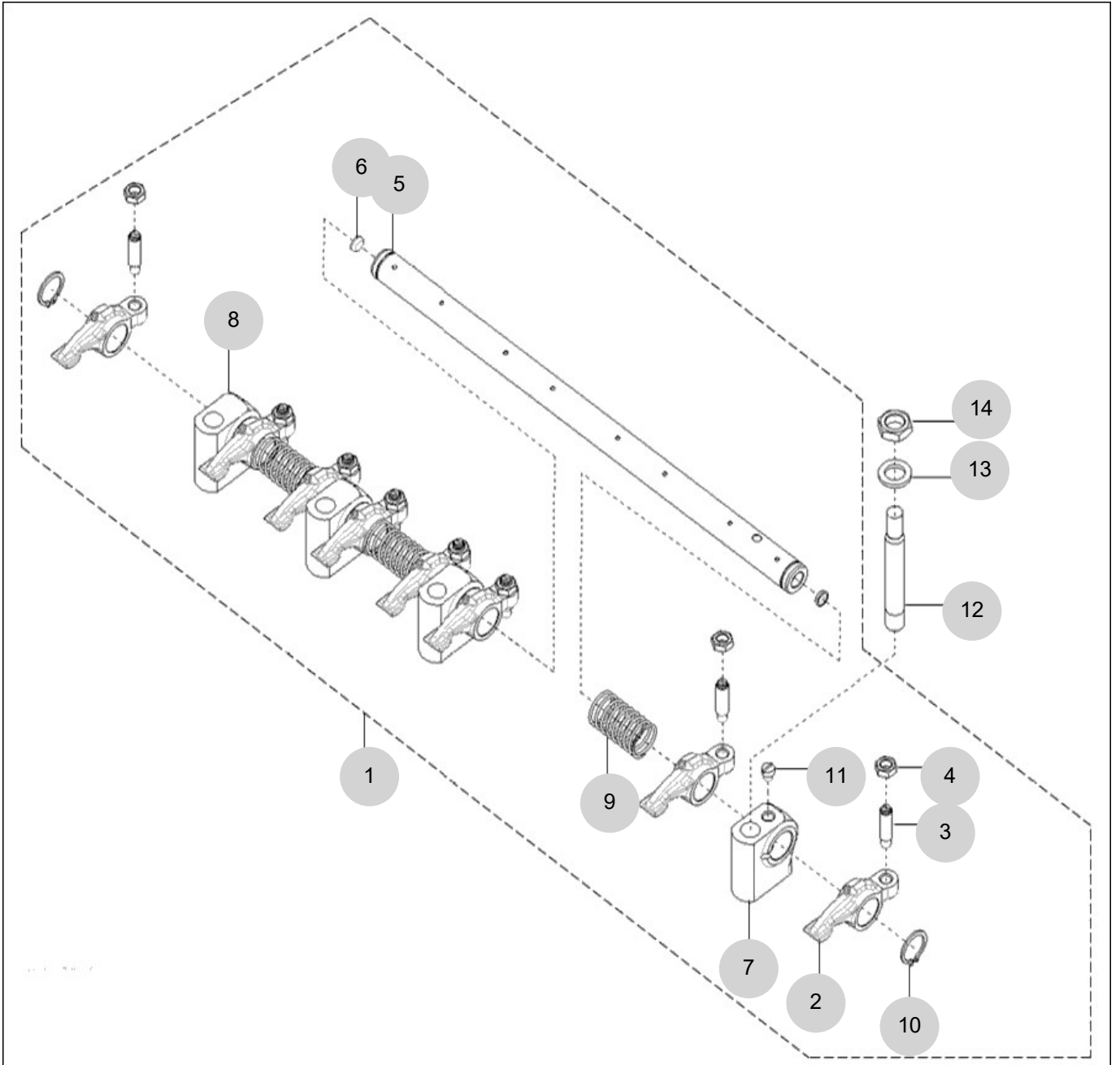
FIG 106

ROCKER LEVER

년/월  
Year/Month

2022-12

T575NHEU1



NOTE





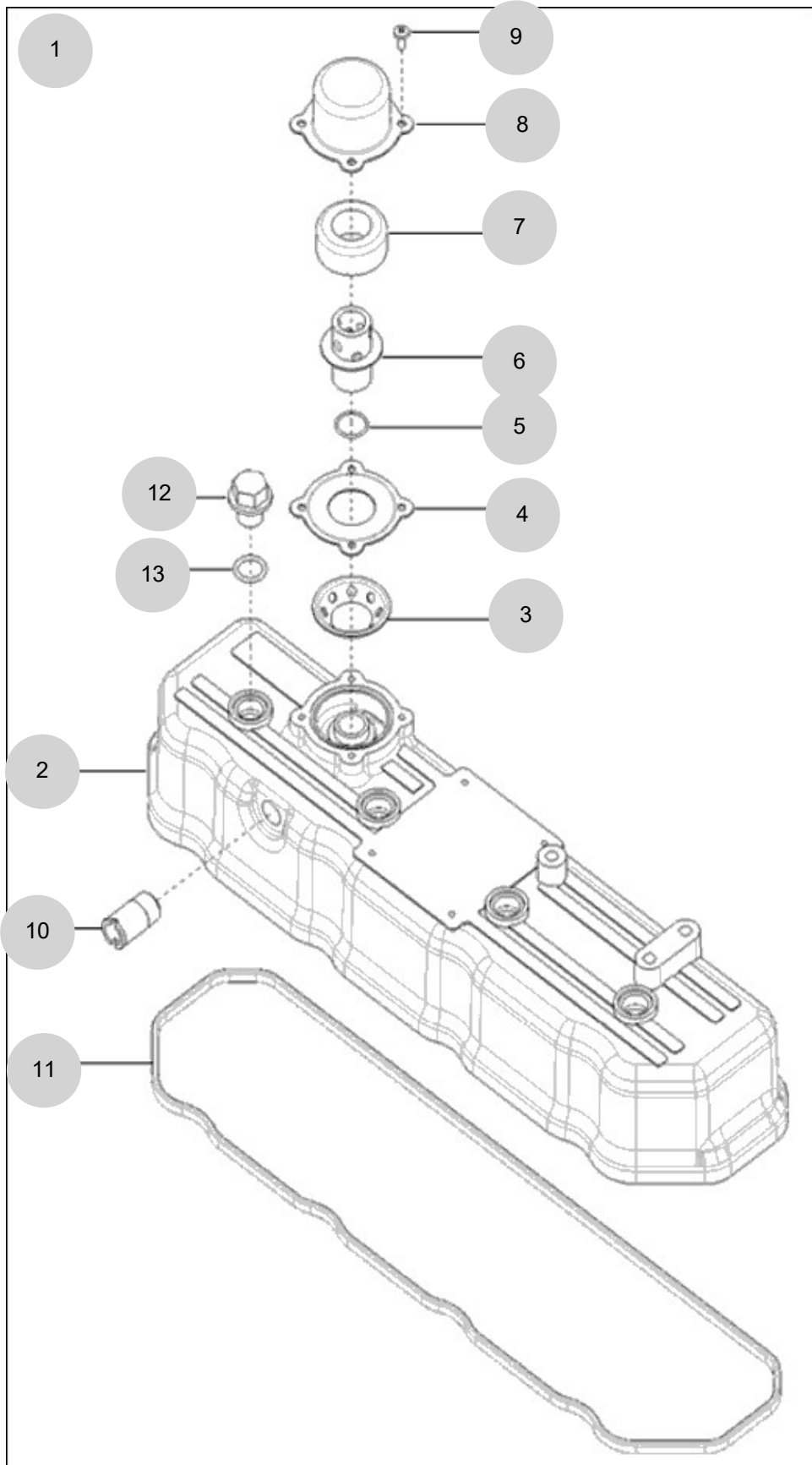
FIG 107

HEAD COVER

년/월  
Year/Month

2022-12

T575NHEU1



NOTE



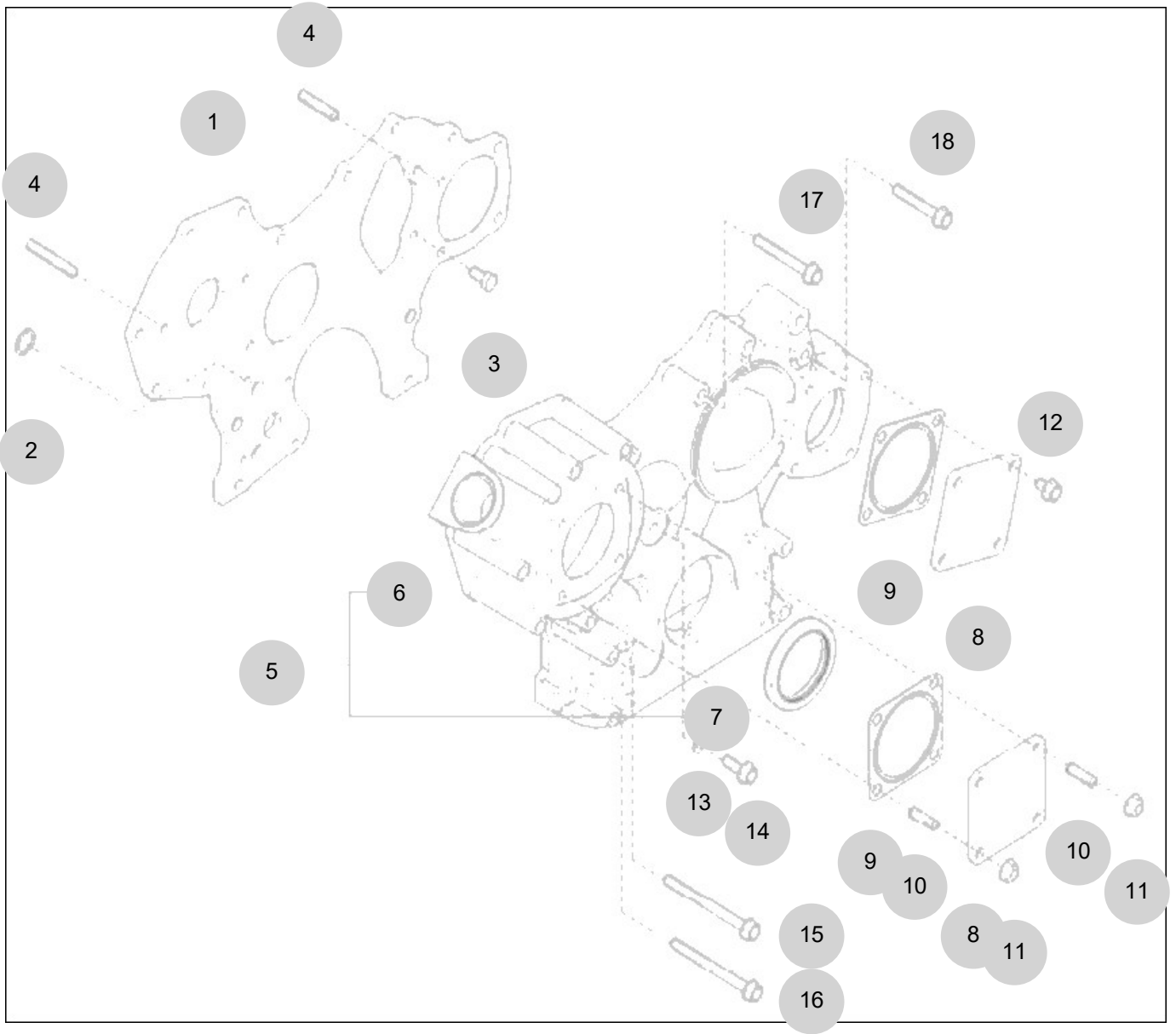
FIG 108

GEAR CASE

년/월  
Year/Month

2022-12

T575NHEU1



NOTE



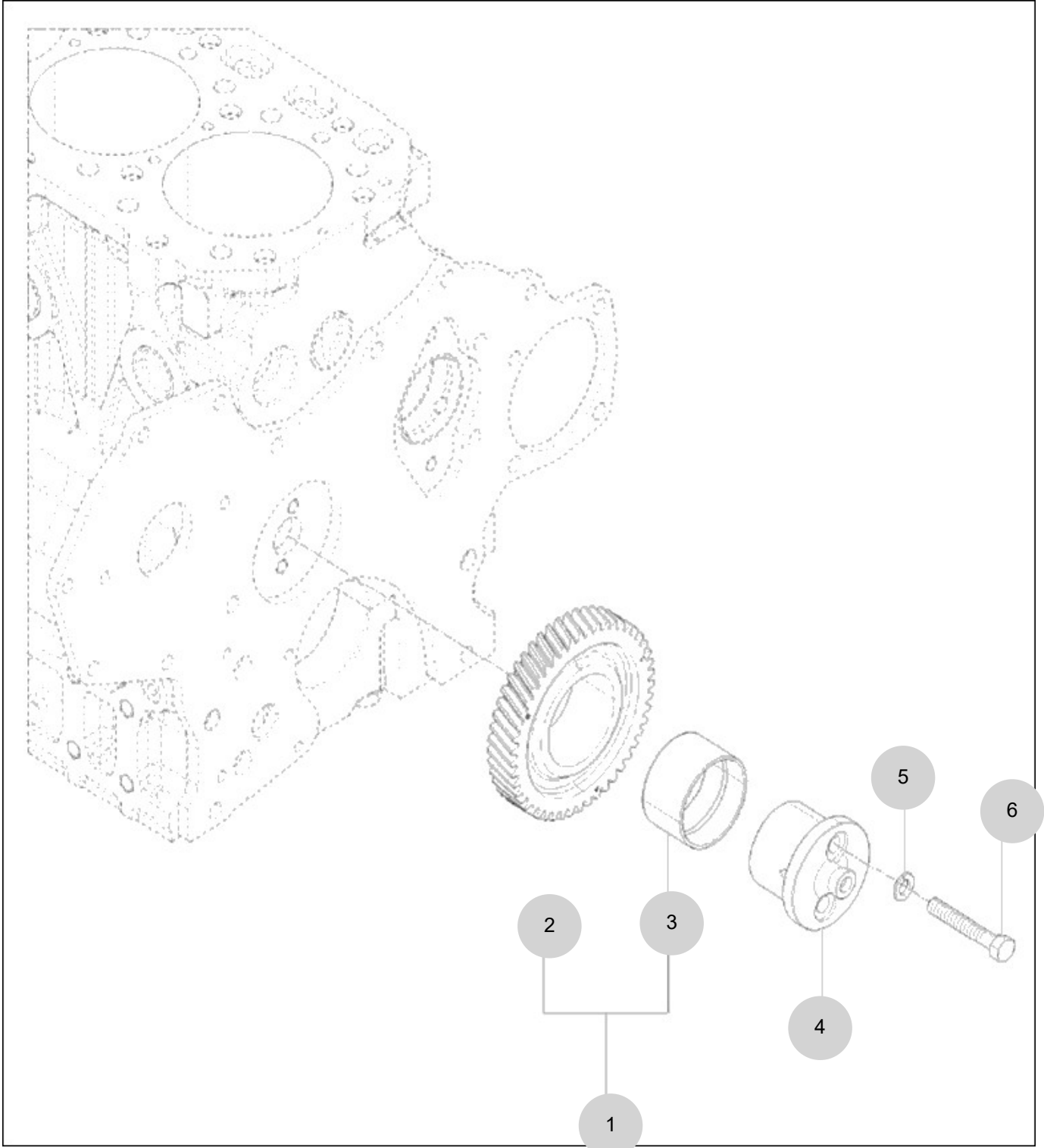
FIG 109

IDLE GEAR

년/월  
Year/Month

T575NHEU1

2022-12



NOTE



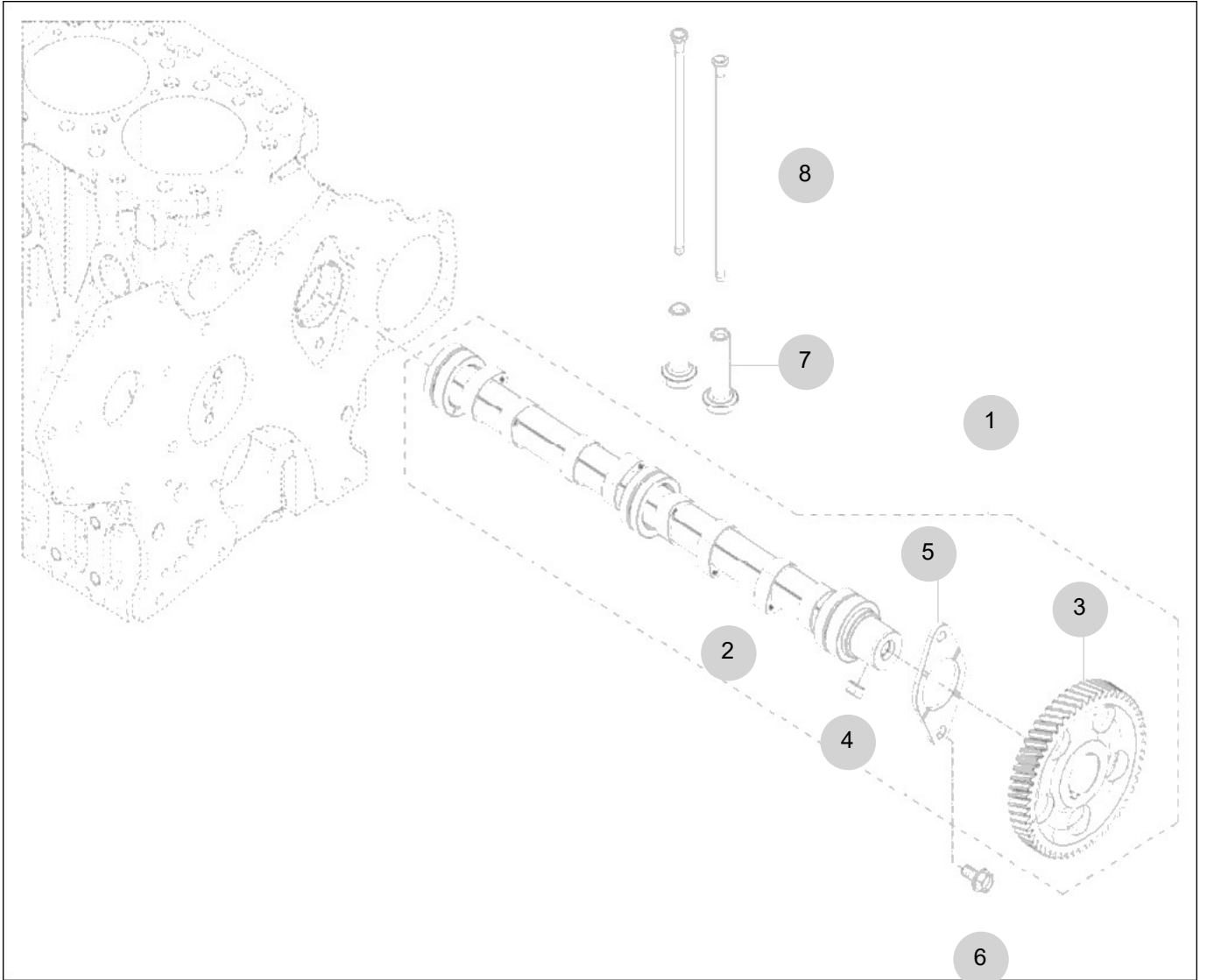
FIG 110

CAM SHAFT

년/월  
Year/Month

2022-12

T575NHEU1



NOTE





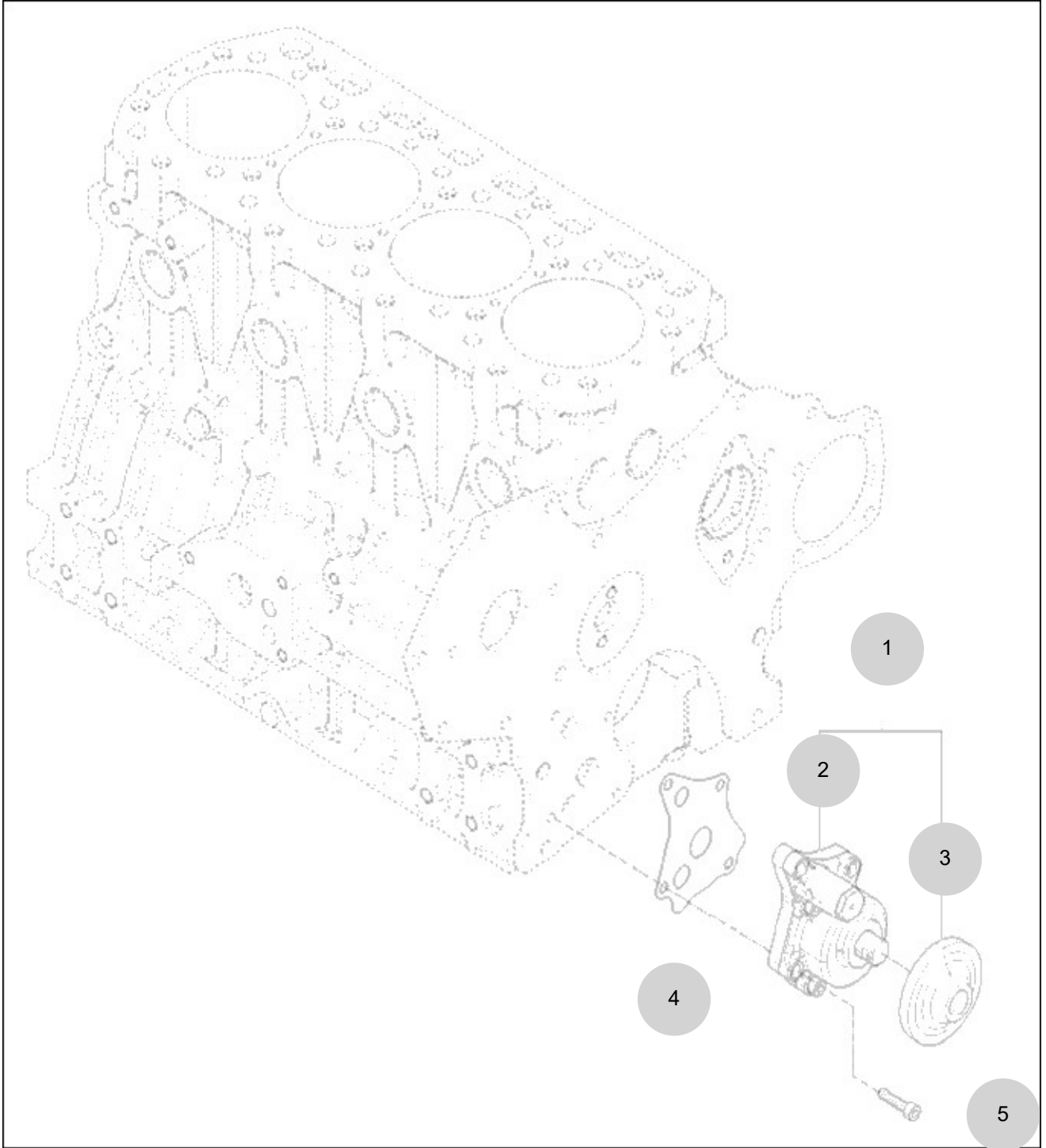
FIG 111

OIL PUMP

년/월  
Year/Month

2022-12

T575NHEU1



NOTE



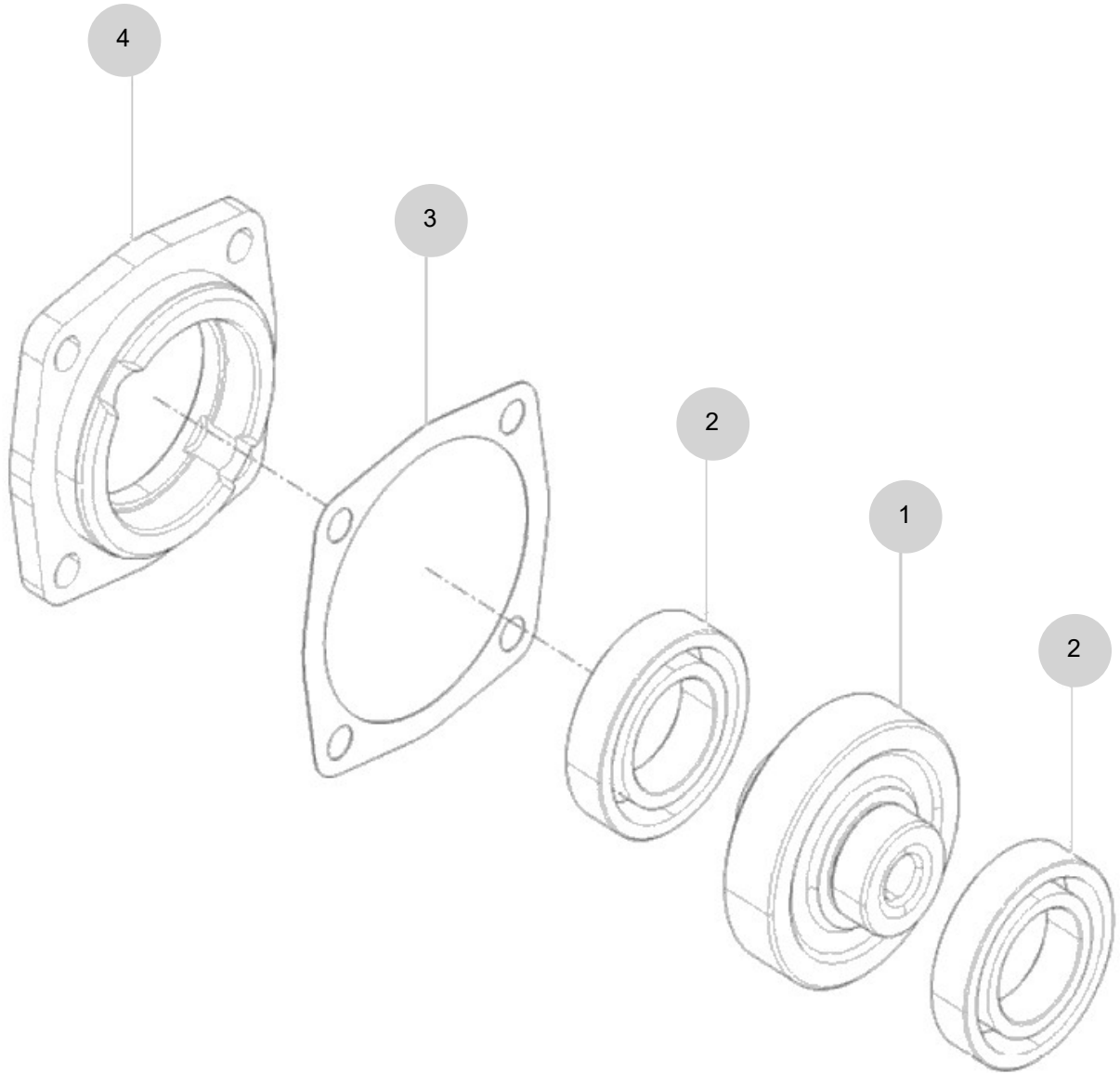
FIG 112

HYD. PUMP DRIVE

년/월  
Year/Month

2022-12

T575NHEU1



NOTE



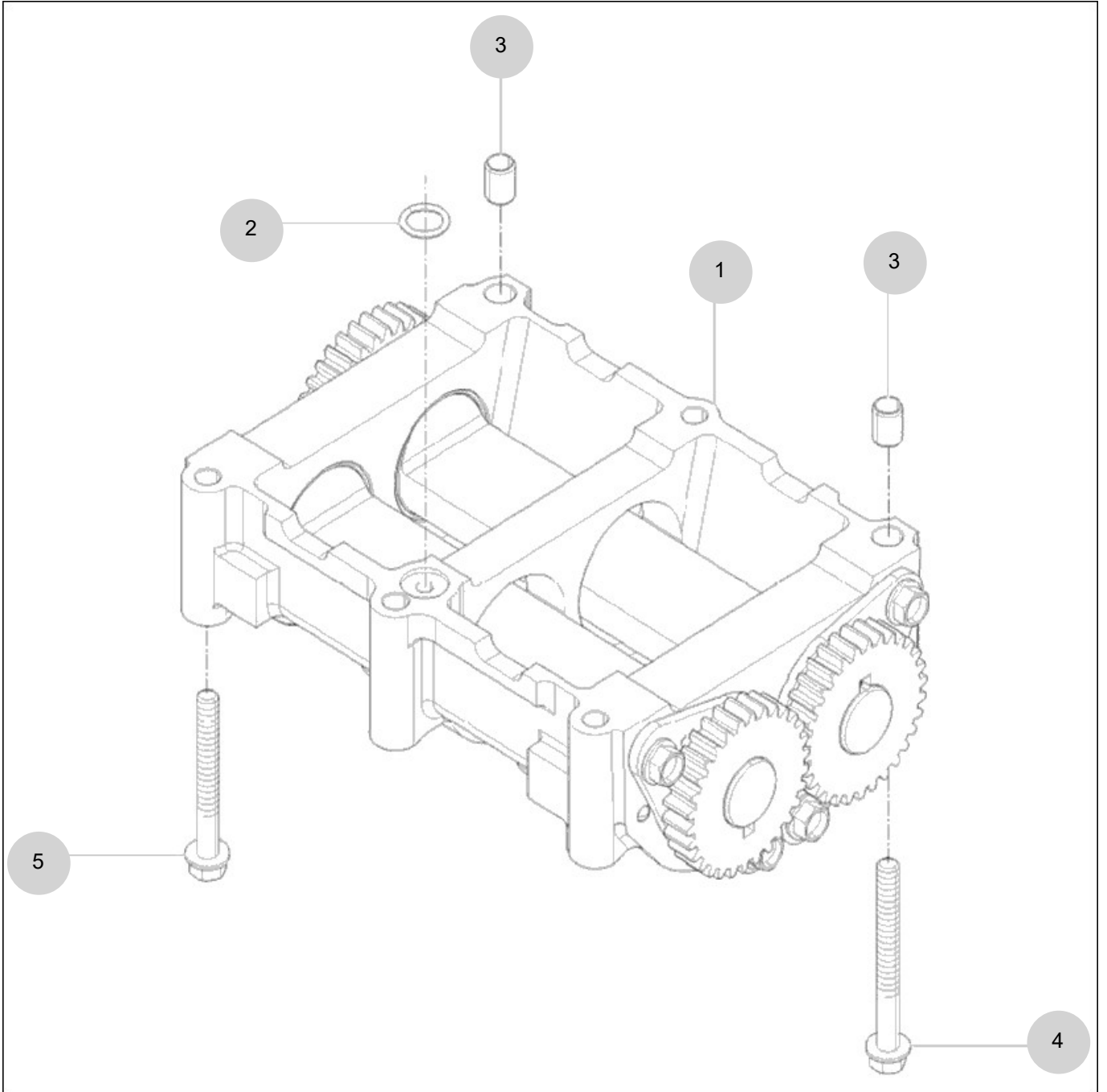
FIG 113

2ND BALANCE

년/월  
Year/Month

2022-12

T575NHEU1



NOTE



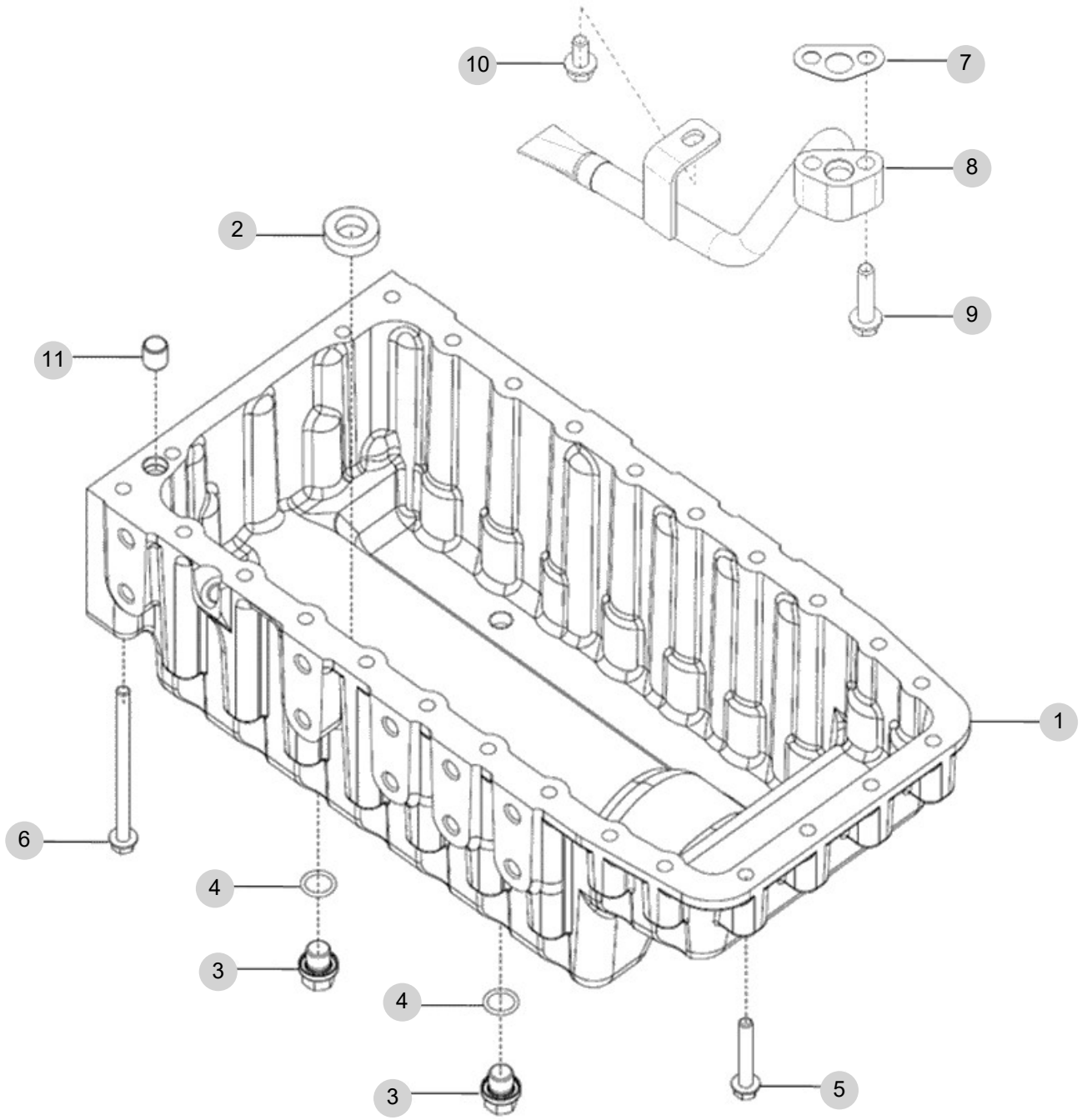
FIG 114

OIL PAN

년/월  
Year/Month

2022-12

T575NHEU1



NOTE





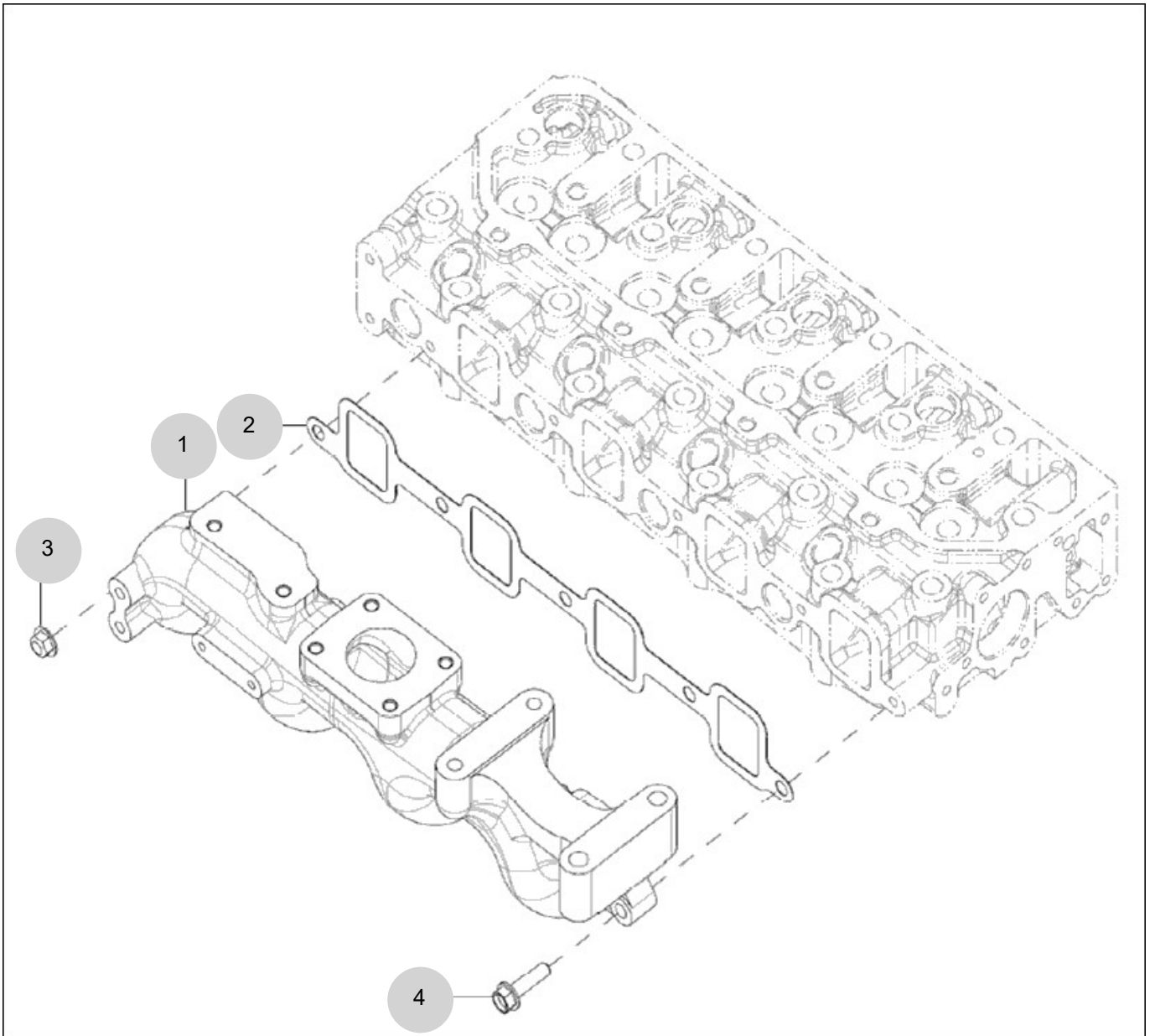
FIG 115A

INTAKE MANIFOLD(T574)

년/월  
Year/Month

2022-12

T575NHEU1



NOTE



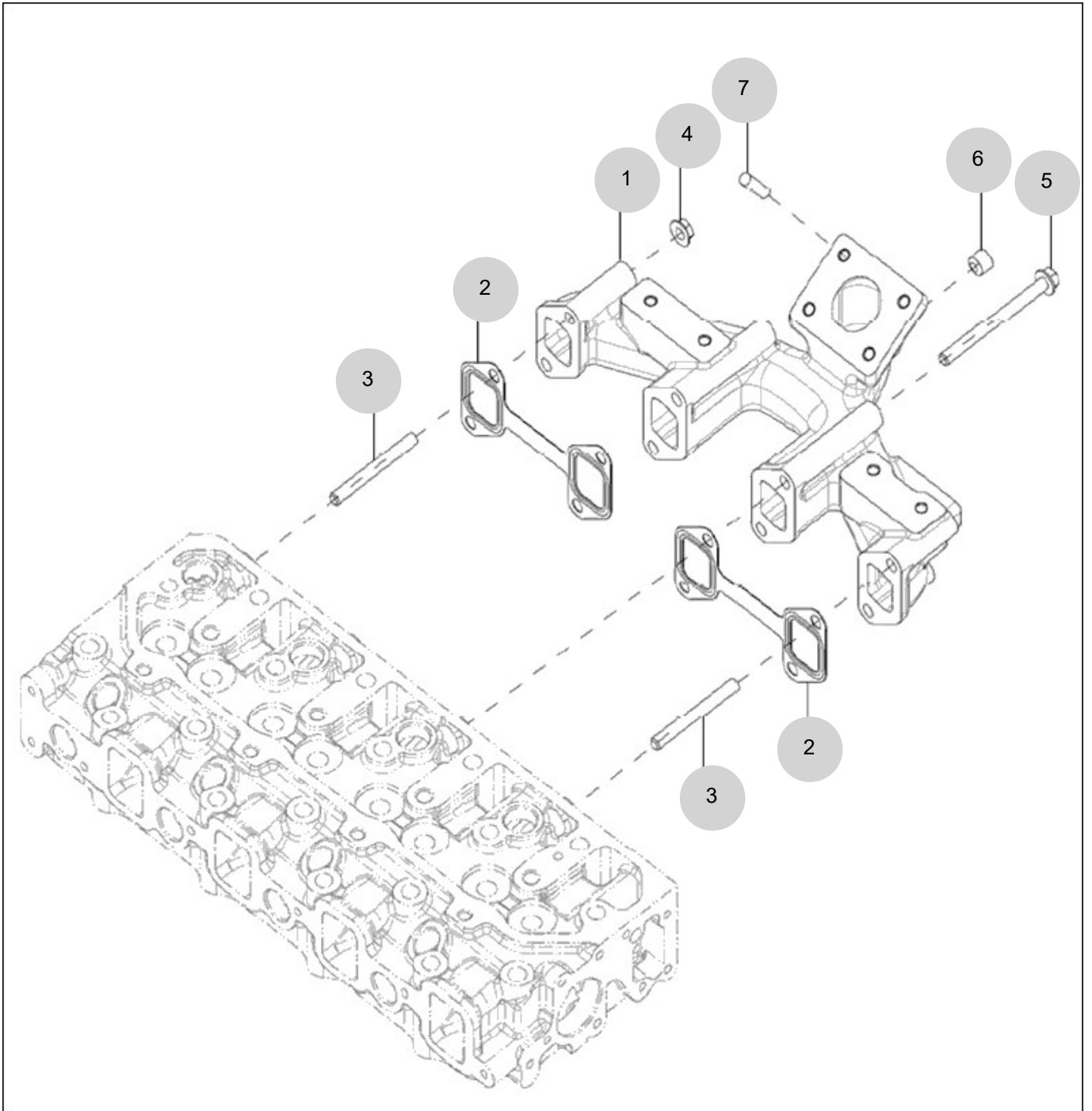
FIG 116A

EXHAUST MANIFOLD(T574)

년/월  
Year/Month

2022-12

T575NHEU1



NOTE



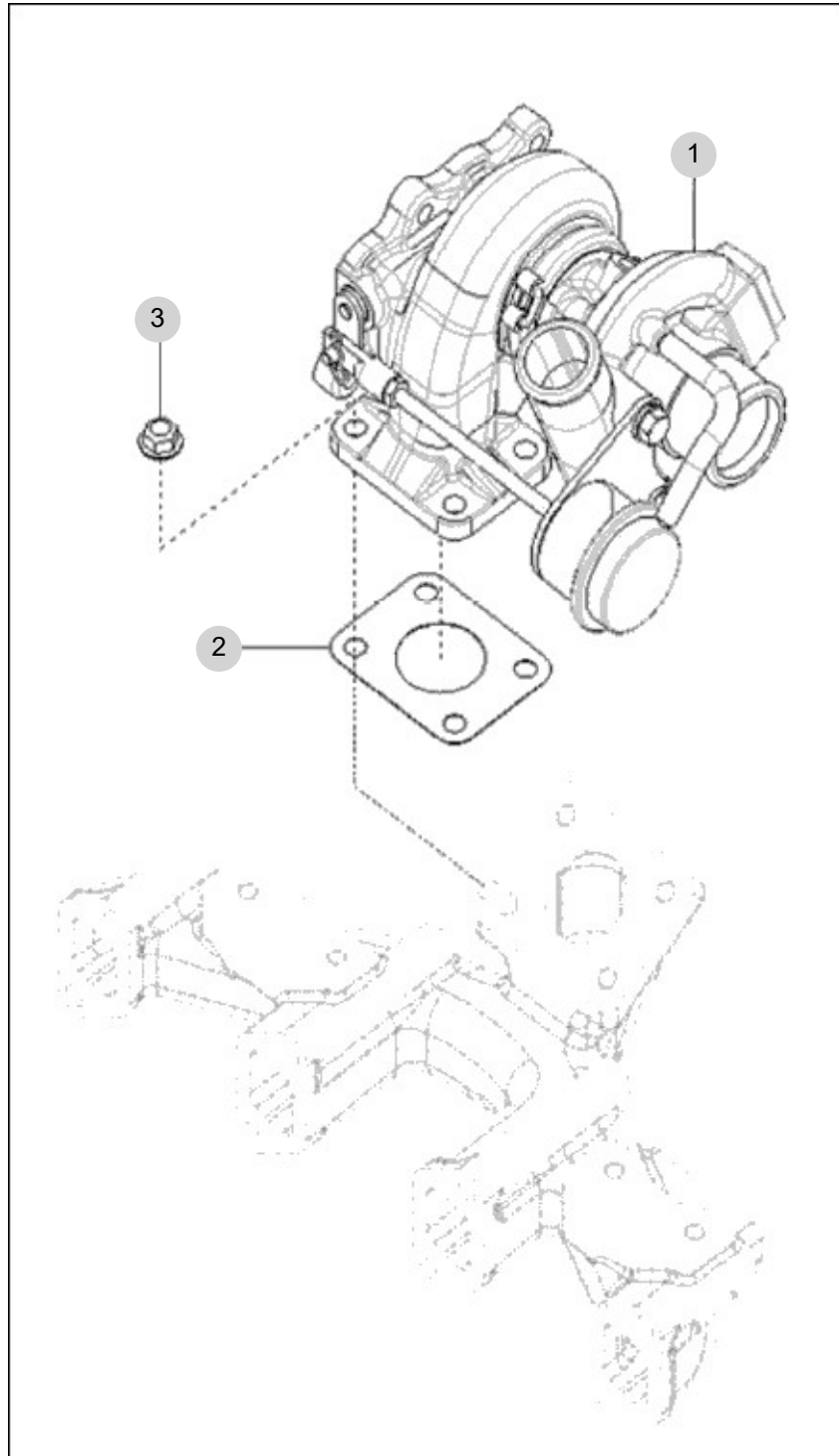
FIG 117A

T575NHEU1

TURBOCHARGER ASS'Y(T574)

년/월  
Year/Month

2022-12



NOTE



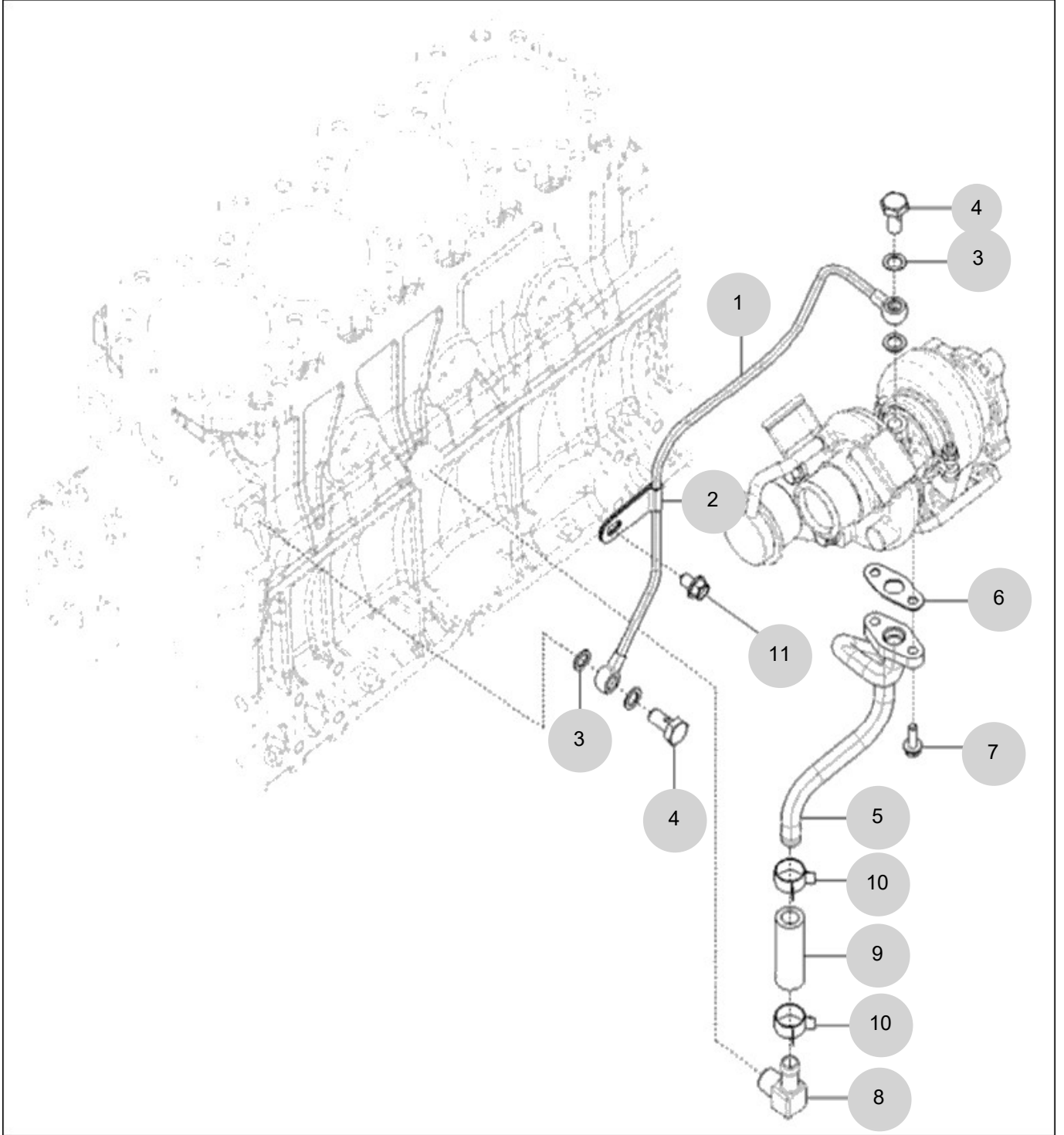
FIG 118A

TURBOCHARGER PLUMBING OPTION(T574)

년/월  
Year/Month

2022-12

T575NHEU1



NOTE





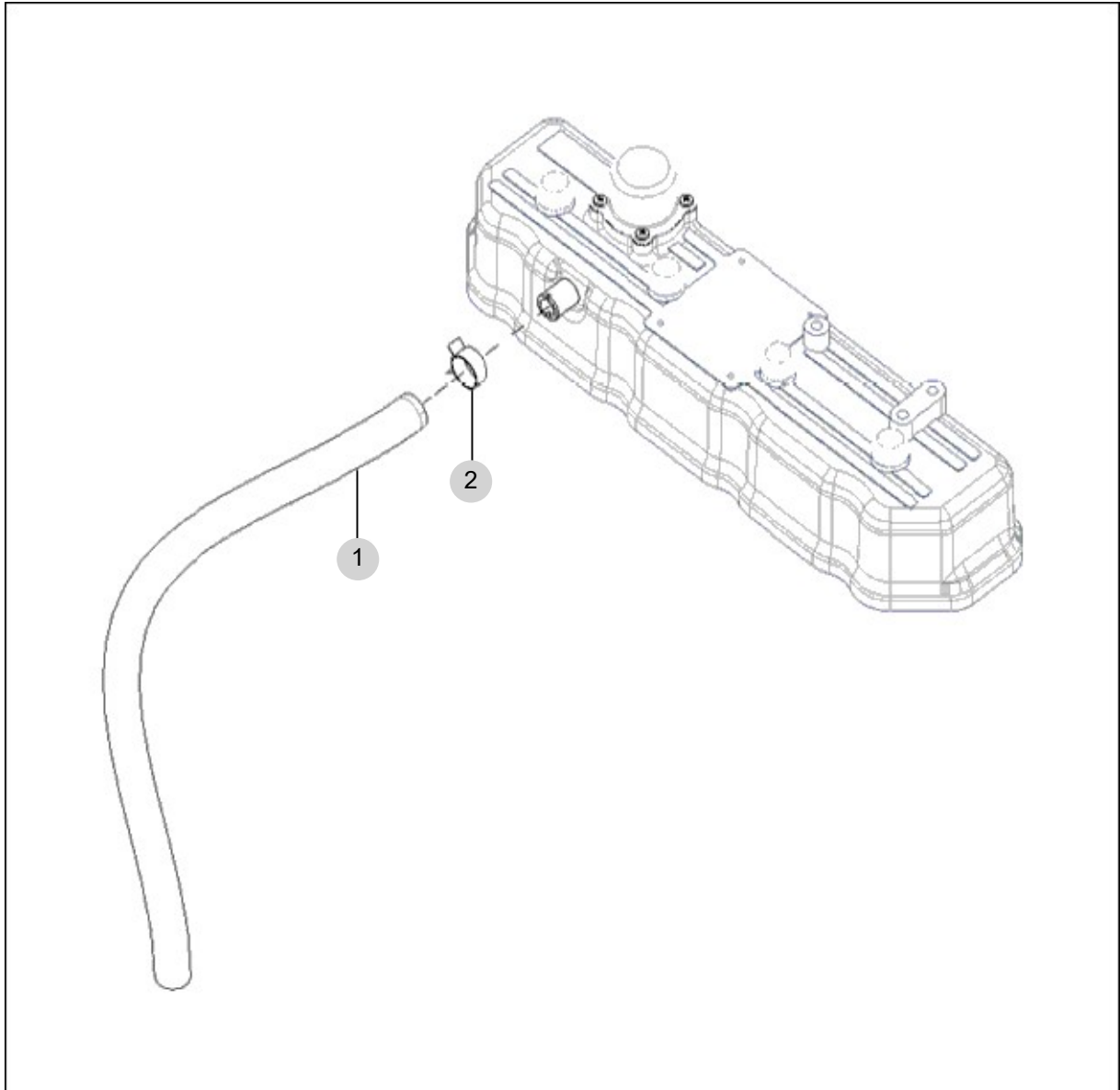
FIG 119A

BREATHER(T574)

년/월  
Year/Month

2022-12

T575NHEU1



NOTE



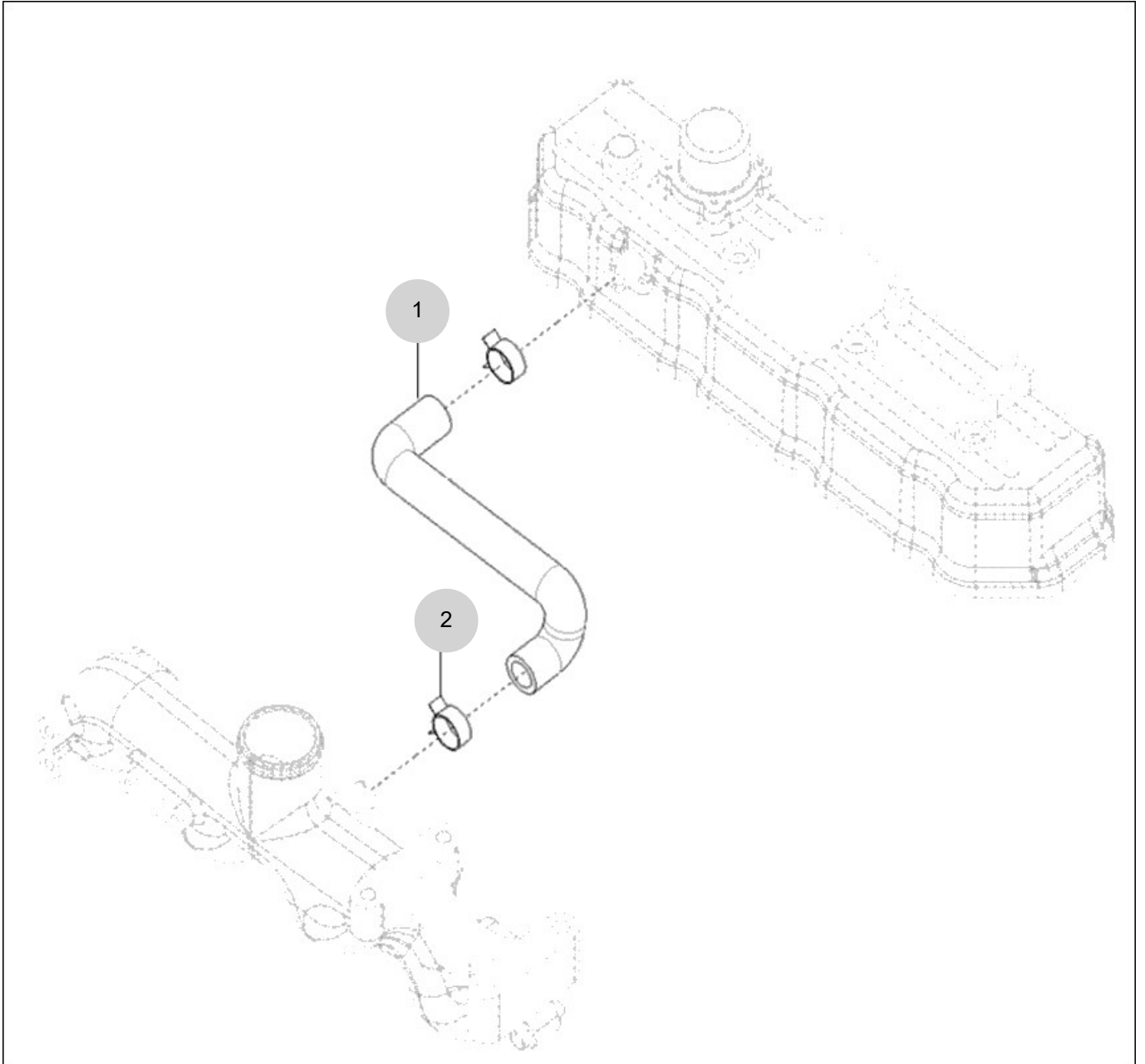
FIG 119B

T575NHEU1

BREATHER(T494)

년/월  
Year/Month

2022-12



NOTE

FIG 119B		BREATHER(T494)					년/월 Year/Month	
T575NHEU1		2022-12						
KEY NO		PART NO	DESCRIPTION	SPEC	QTY	REPAIR	EFFECTIVE DATE	REMARKS
119B	1	HRA0404100D	HOSE, PLAIN		1			
119B	2	23080-021000	CLAMP, V BAND		2			
NOTE								

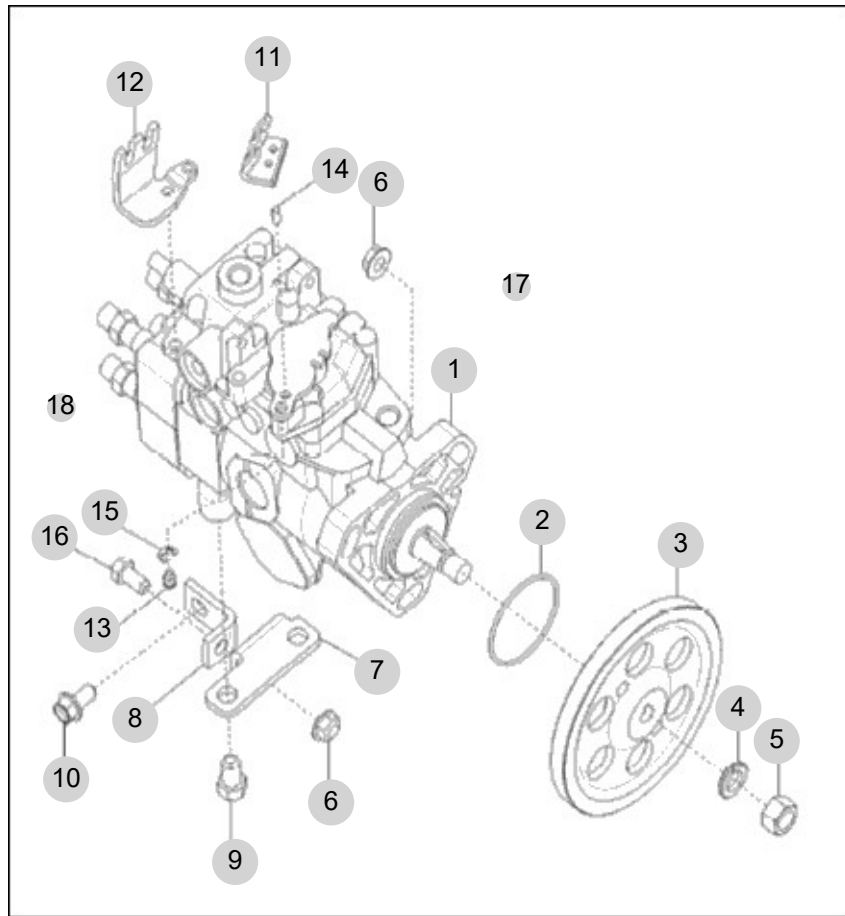
FIG 120

FUEL INJECTION PUMP

년/월  
Year/Month

2022-12

T575NHEU1



NOTE



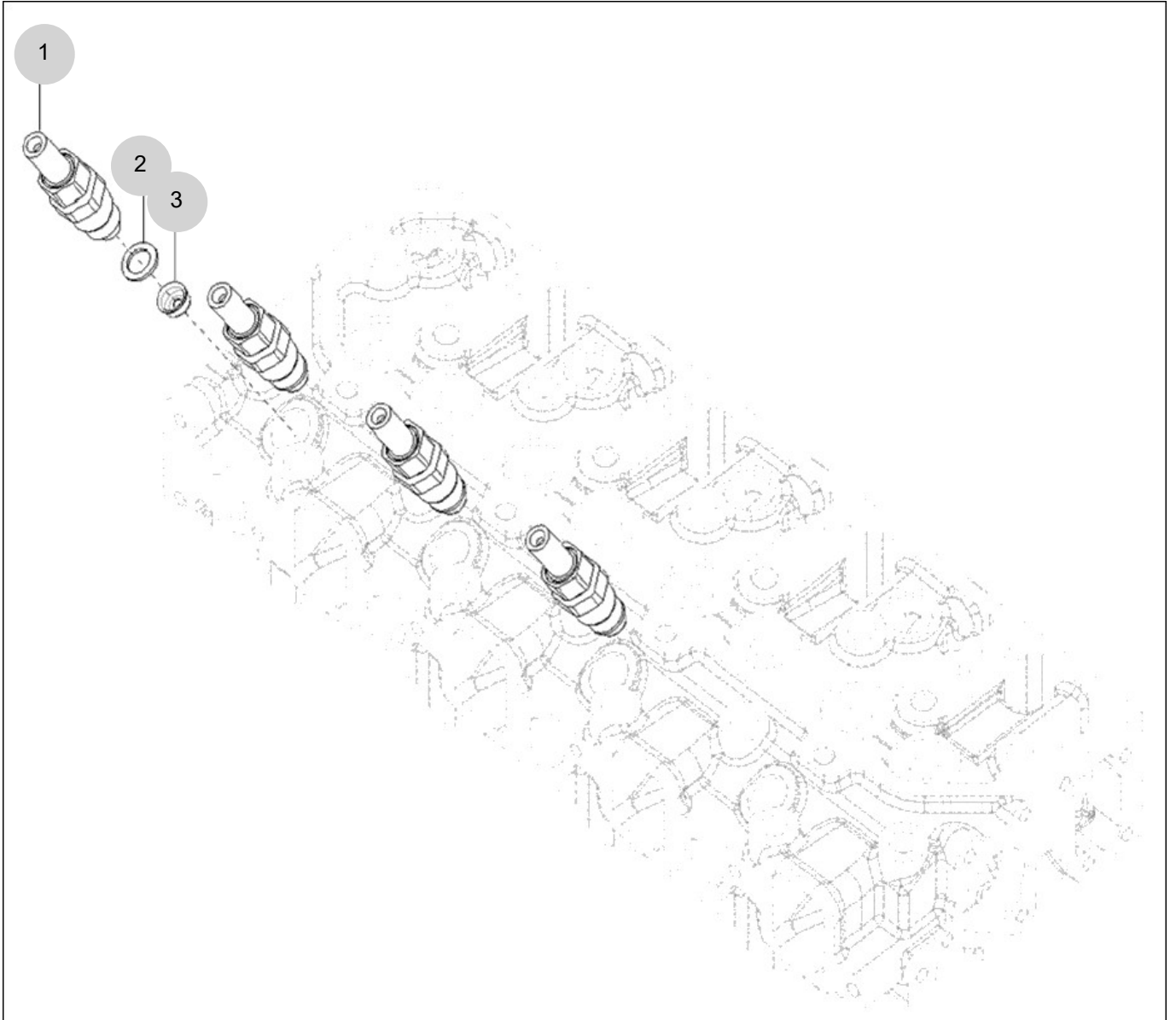
FIG 121

FUEL INJECTION VALVE

년/월  
Year/Month

2022-12

T575NHEU1



NOTE





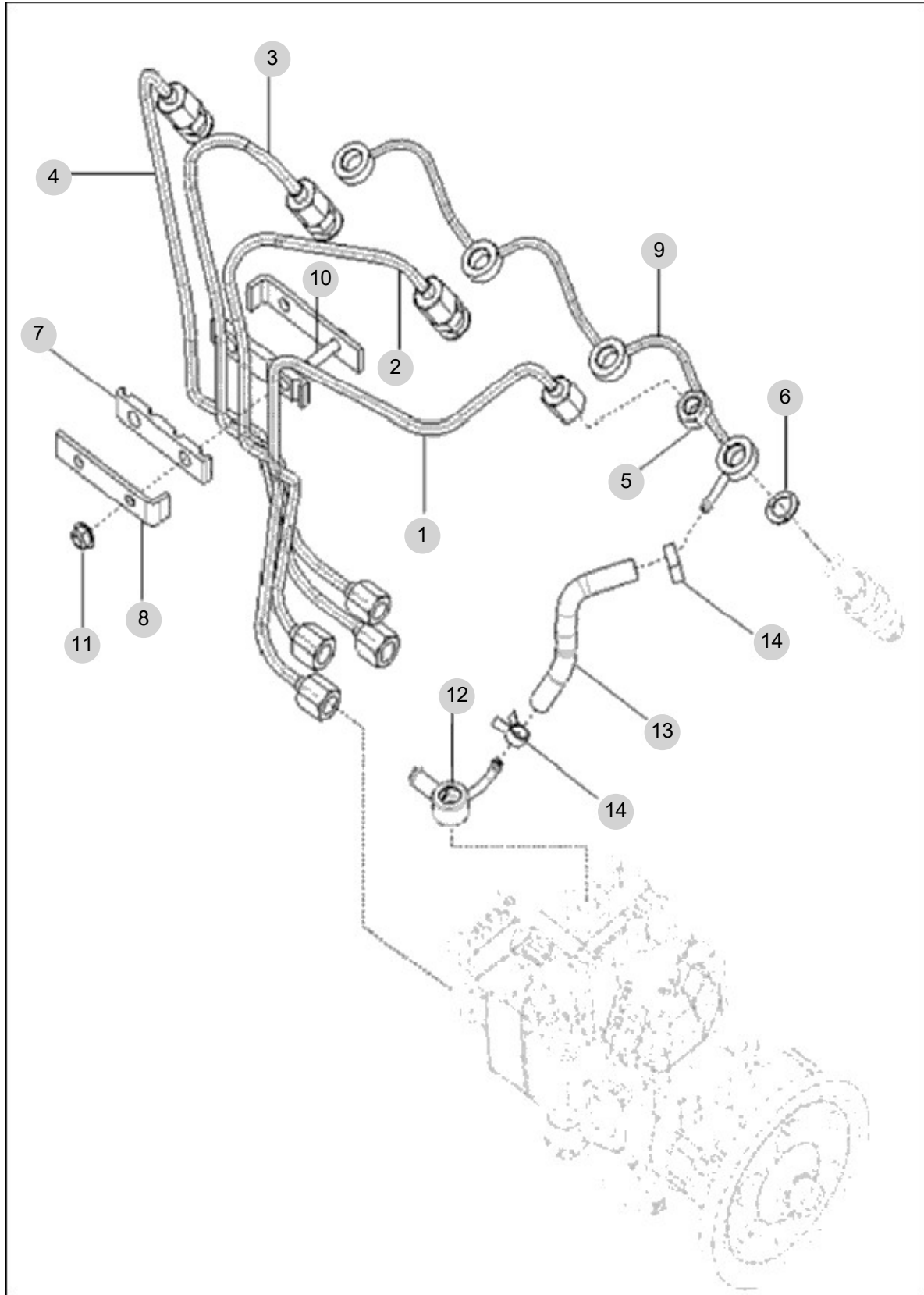
FIG 122

FUEL PIPE ASS'Y

년/월  
Year/Month

2022-12

T575NHEU1



NOTE



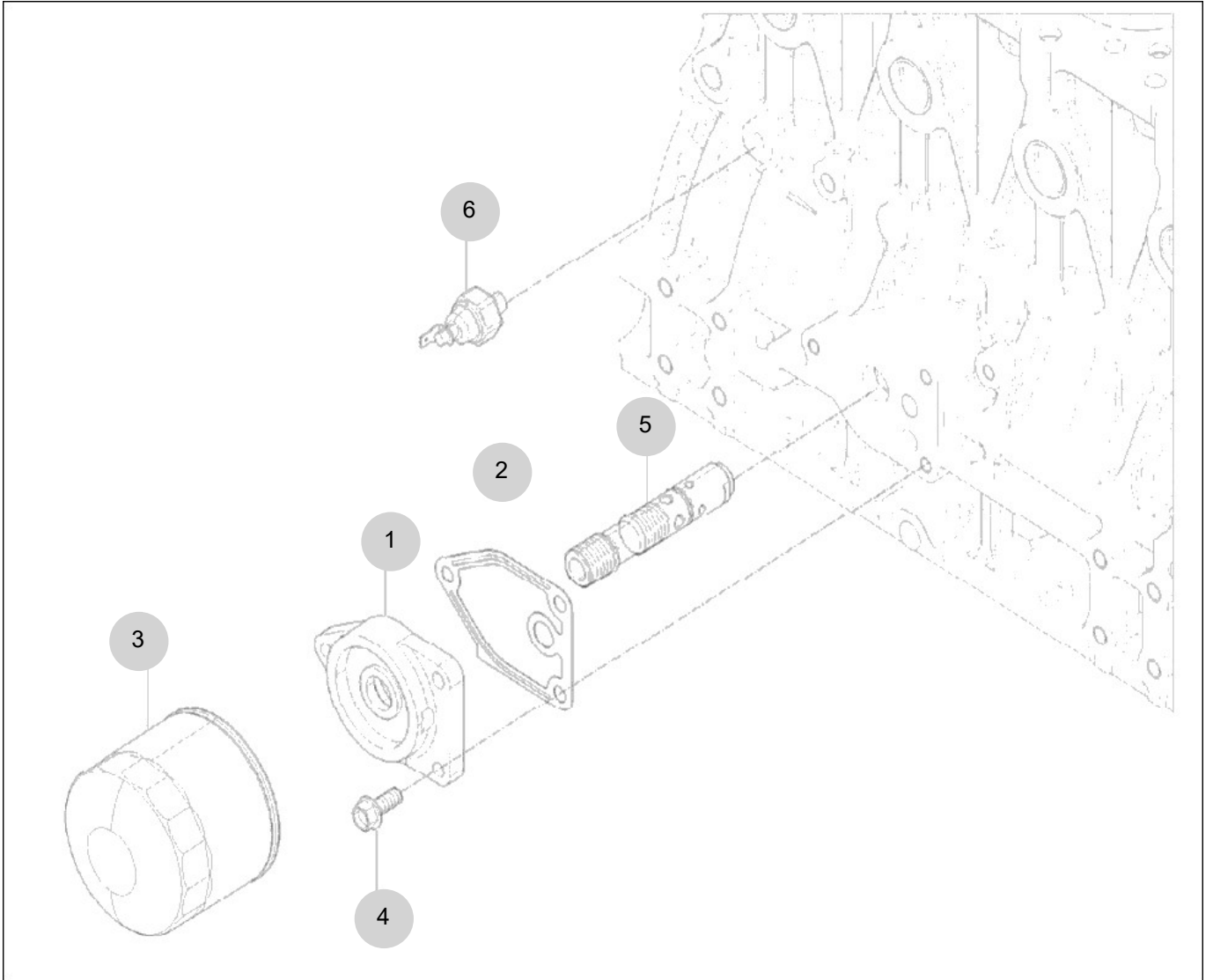
FIG 123

OIL FILTER

년/월  
Year/Month

2022-12

T575NHEU1



NOTE

<b>FIG 123</b> T575NHEU1	<b>OIL FILTER</b>	년/월 Year/Month  2022-12
-----------------------------	-------------------	----------------------------------

KEY NO	PART NO	DESCRIPTION	SPEC	QTY	REPAIR	EFFECTIVE DATE	REMARKS
123	1	HRA1100900B	오일휠터브래킷	1			
123	2	HRA1101000B	패킹(오일필터)	1			
123	2	HRA1101000A	PACKING(OIL FILTER)	1			
123	3	EA00004647A	FILTER , ENGINE OIL	1			
123	4	26106-080202	HEX. FLANGE BOLT	3			
			8X20				
123	5	EA00002852A	압력조절밸브조합	1			
123	6	HA09250000A	오일압력스위치	1			
			1X1X1				

**NOTE**

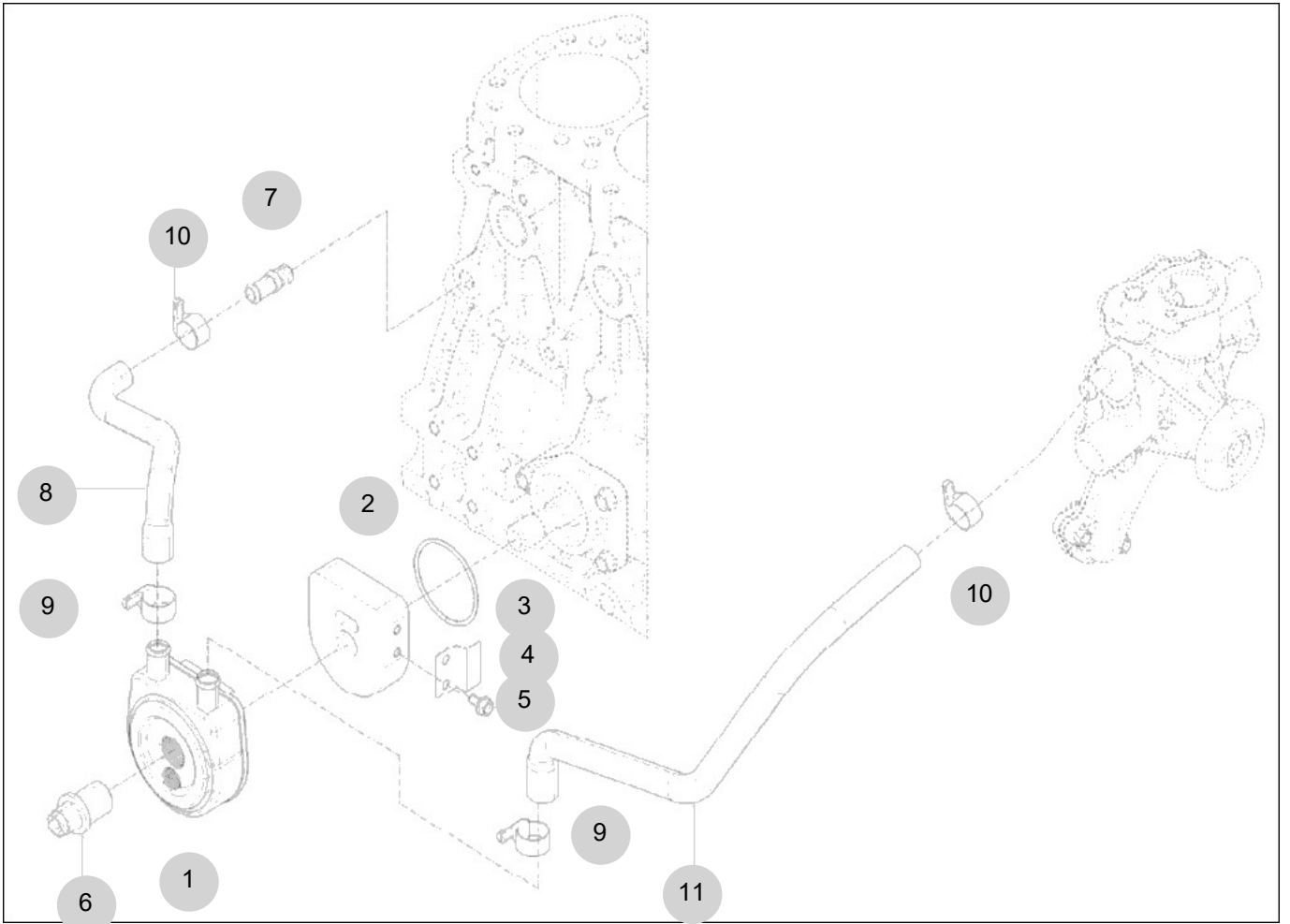
FIG 124

OIL COOLER

년/월  
Year/Month

2022-12

T575NHEU1



NOTE



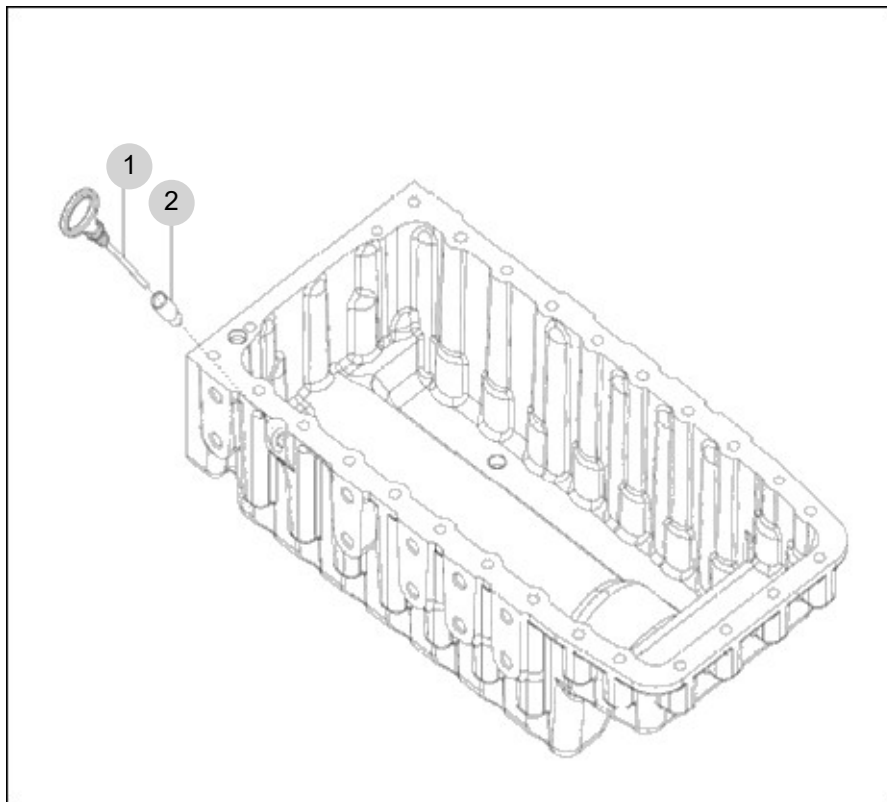
FIG 125

OIL GAUGUE

년/월  
Year/Month

2022-12

T575NHEU1



NOTE





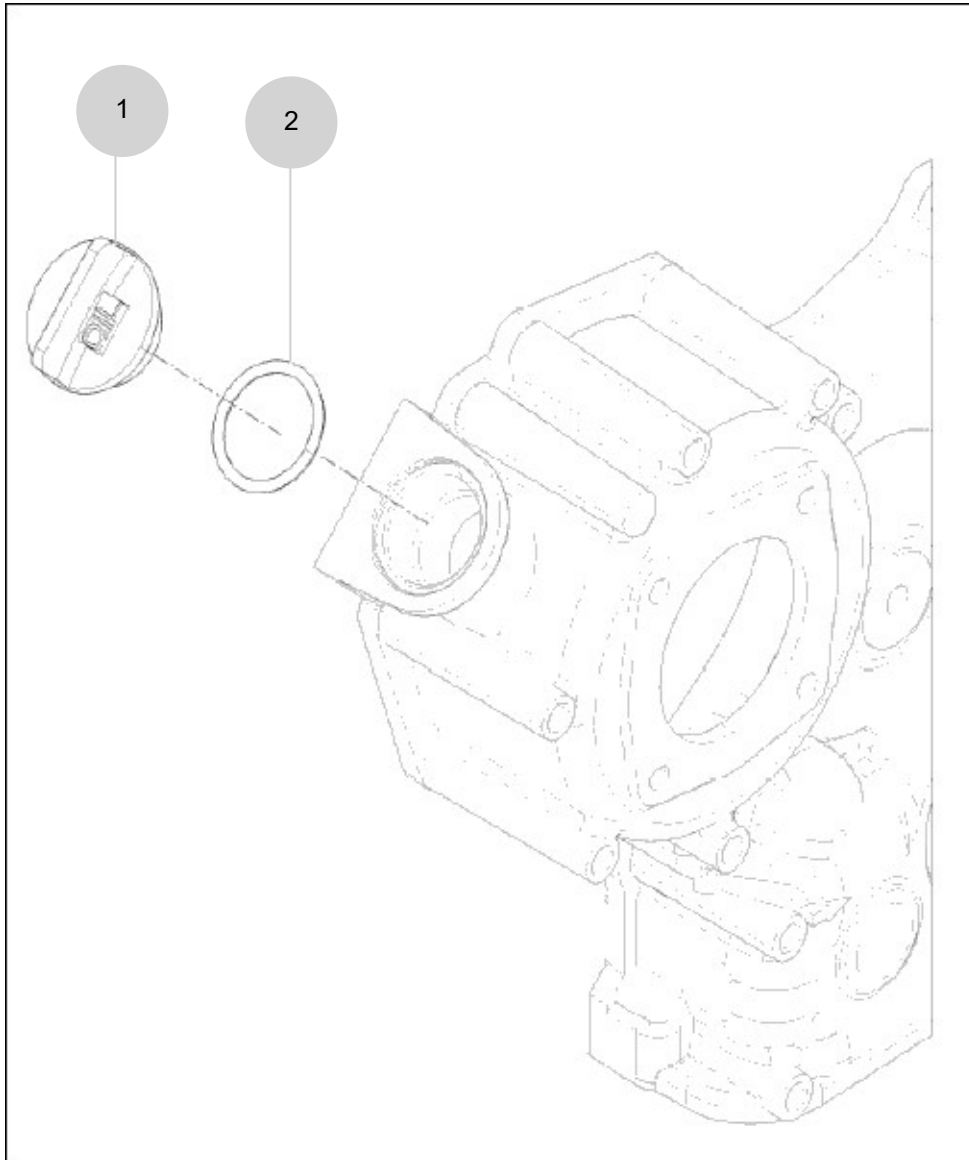
FIG 126

OIL FILLER CAP

년/월  
Year/Month

2022-12

T575NHEU1



NOTE



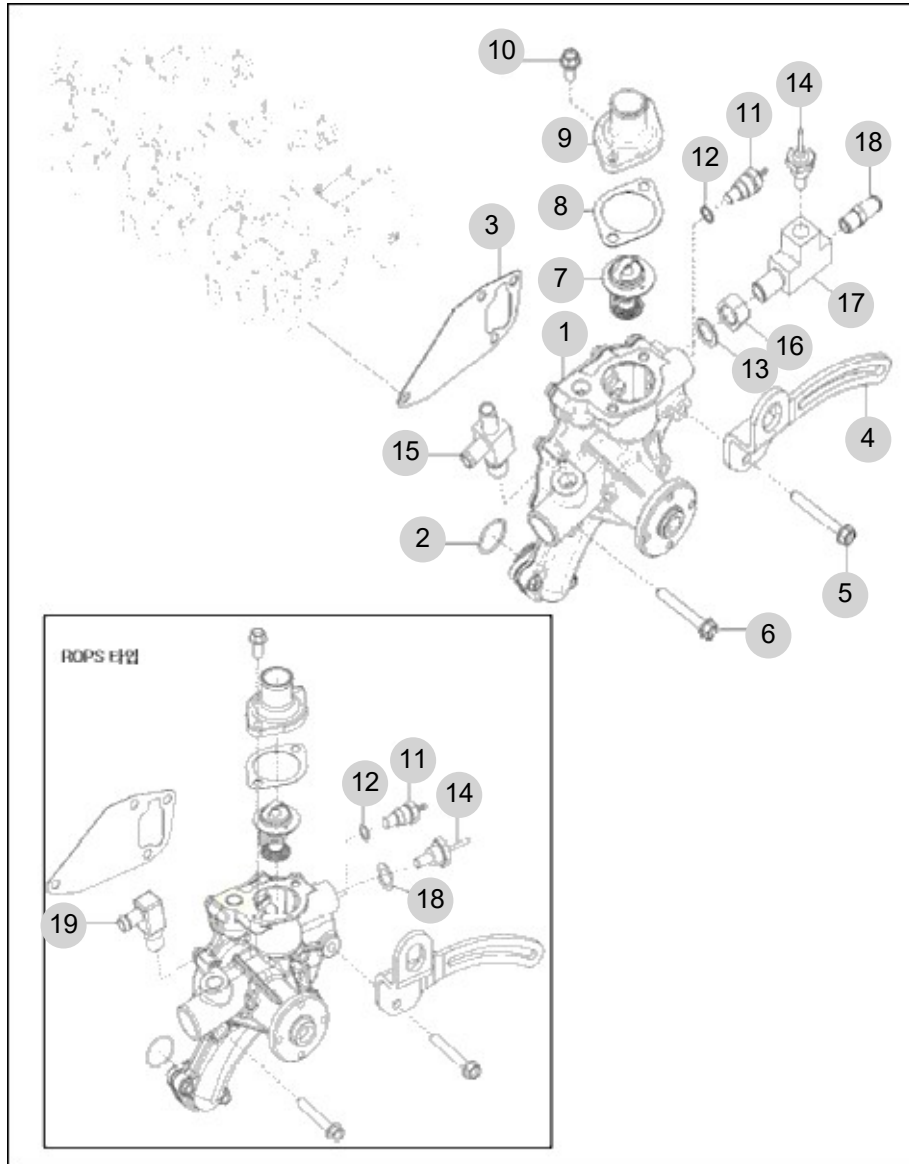
FIG 127

COOLING WATER PUMP

년/월  
Year/Month

2022-12

T575NHEU1



NOTE



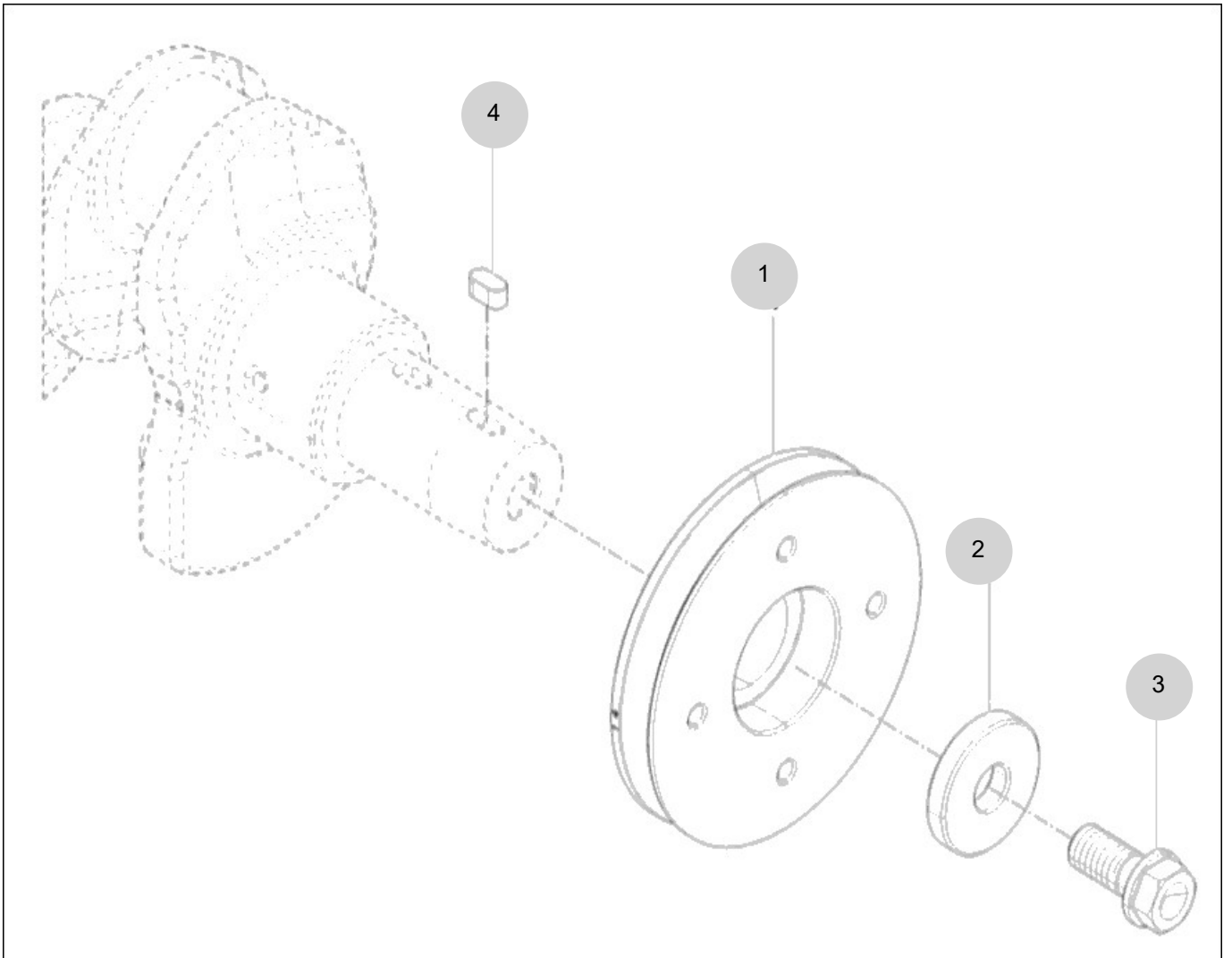
FIG 128

CRANK SHAFT PULLEY

년/월  
Year/Month

2022-12

T575NHEU1



NOTE



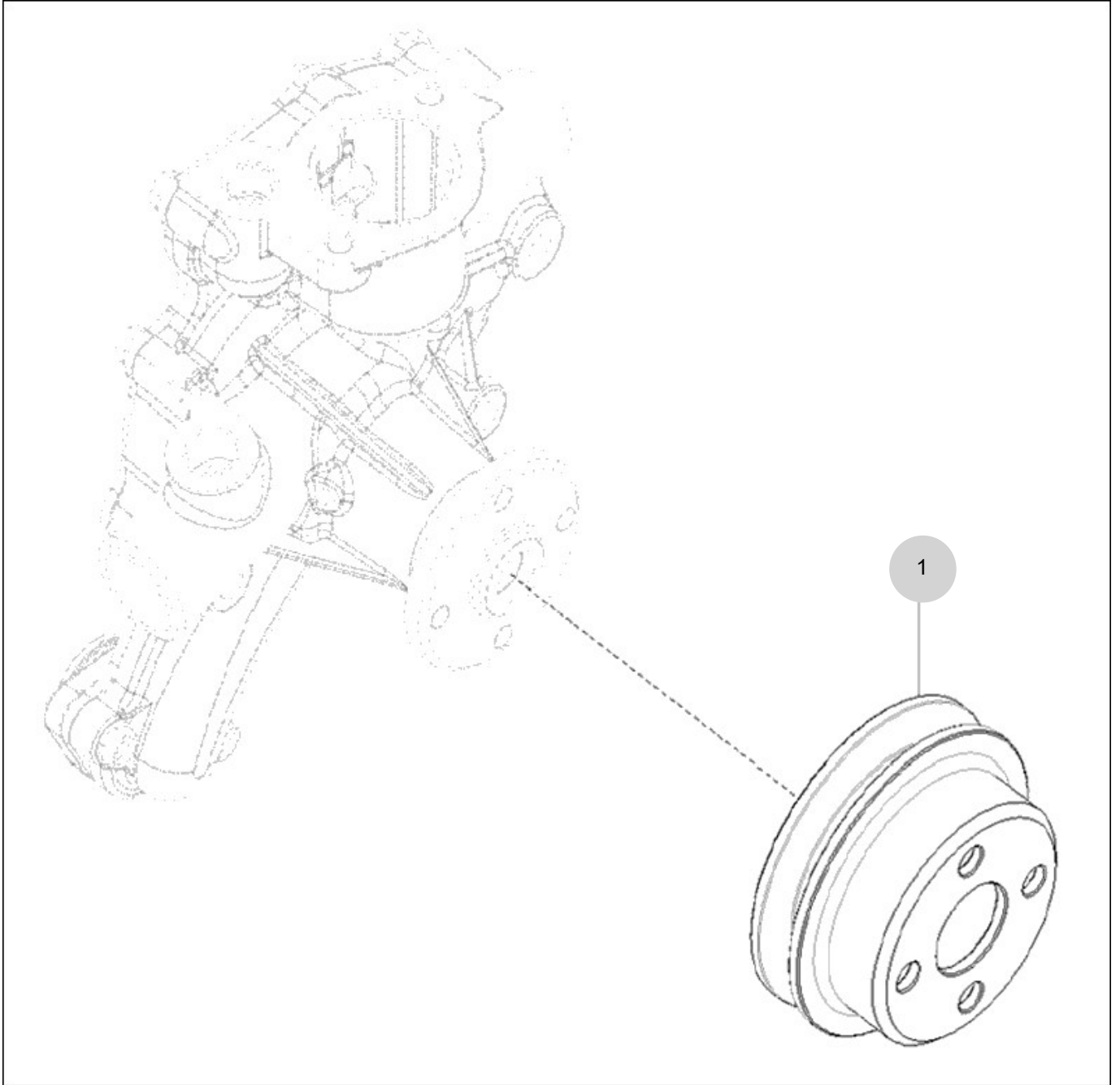
FIG 129

V-PULLEY

년/월  
Year/Month

2022-12

T575NHEU1



NOTE





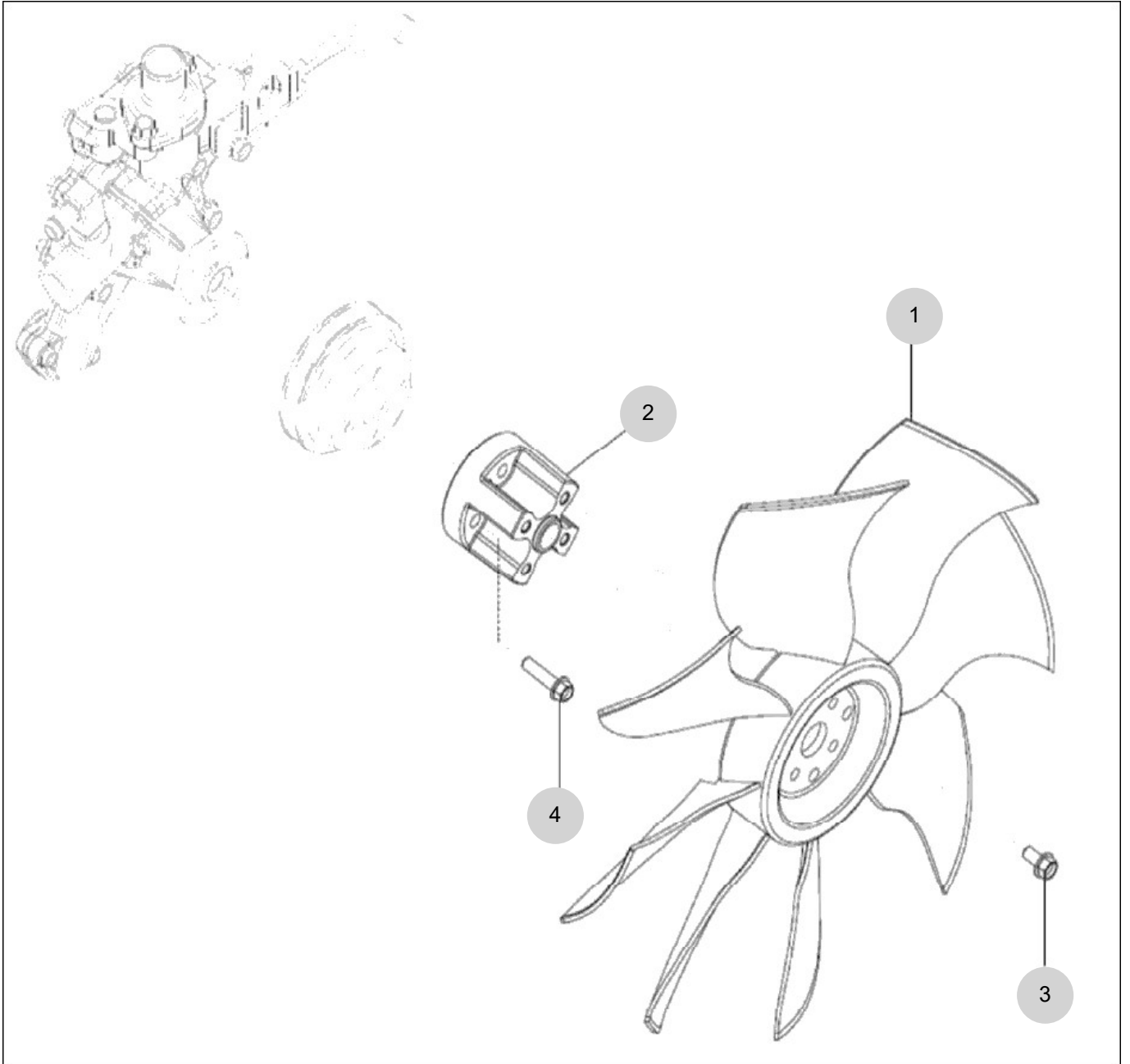
FIG 130

COOLING FAN

년/월  
Year/Month

2022-12

T575NHEU1



NOTE



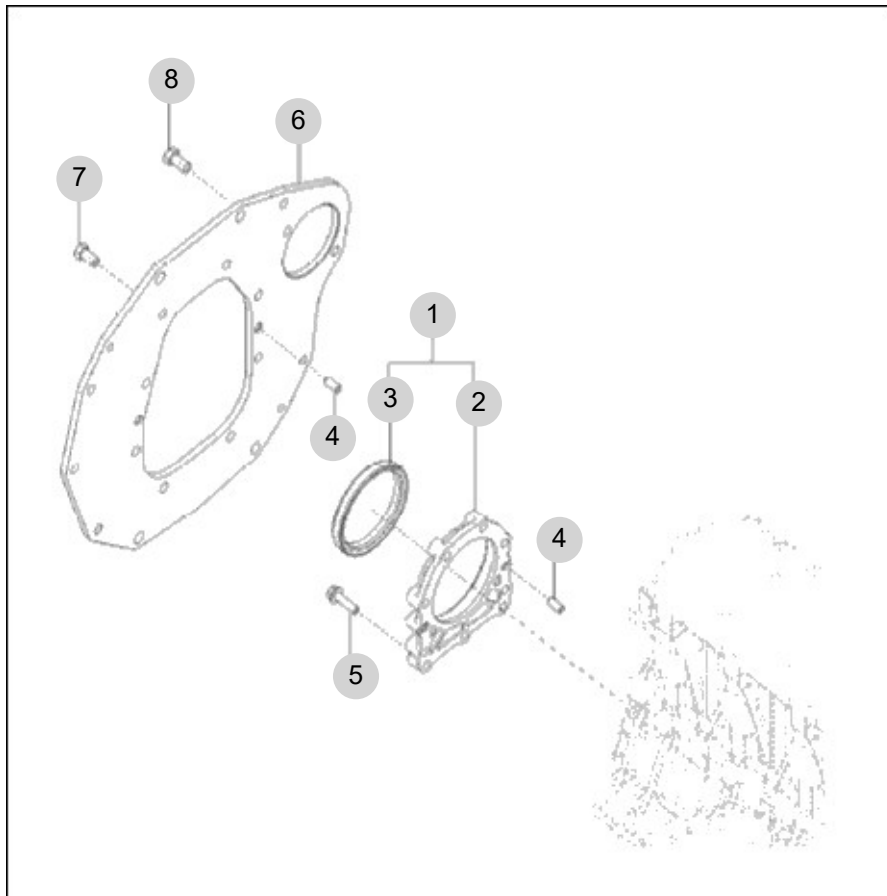
FIG 131

FLYWHEEL HOUSING

년/월  
Year/Month

2022-12

T575NHEU1



NOTE



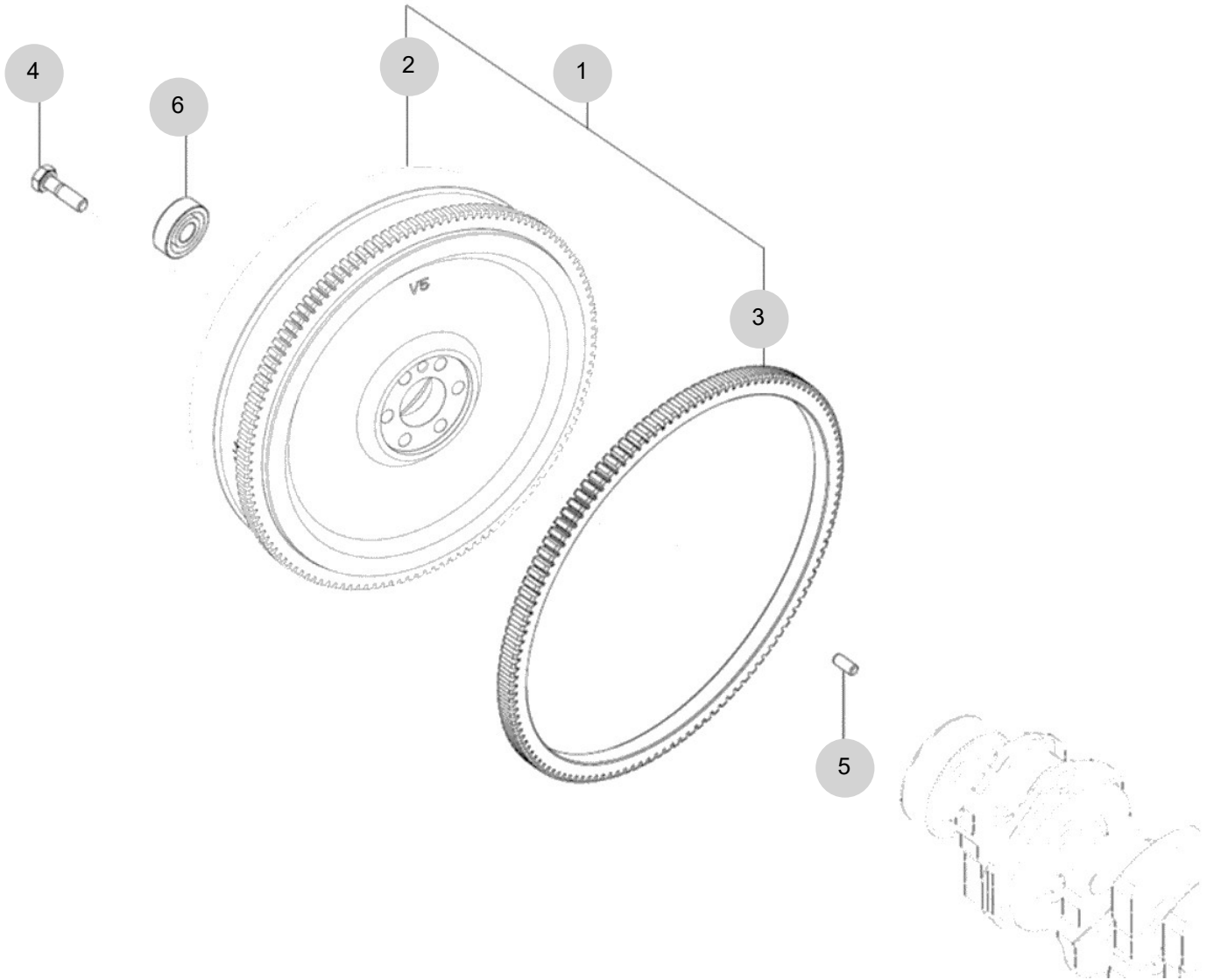
FIG 132

FLYWHEEL

년/월  
Year/Month

2022-12

T575NHEU1



NOTE



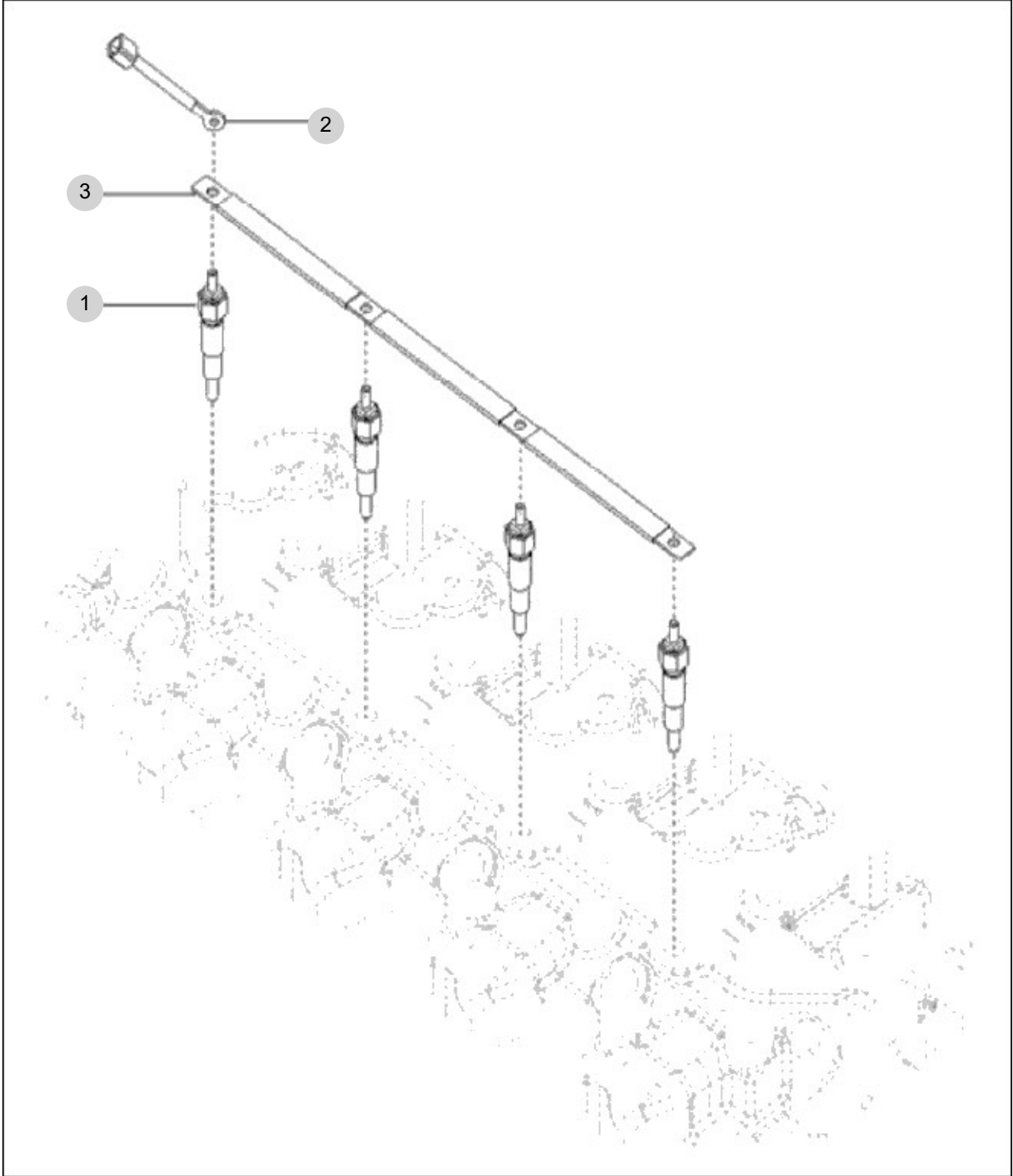
FIG 133

GLOW PLUG ASS'Y OPTION

년/월  
Year/Month

2022-12

T575NHEU1



NOTE





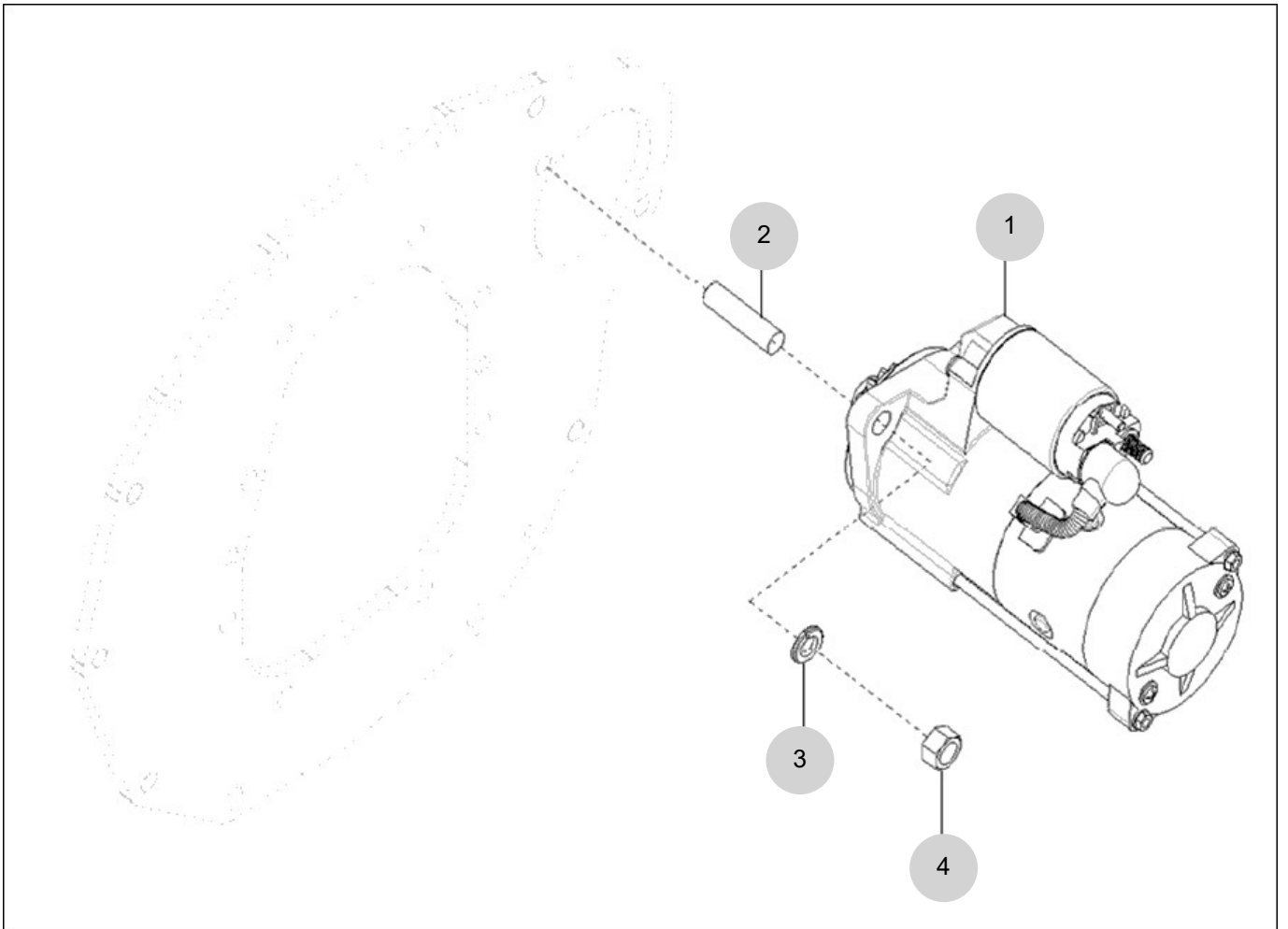
FIG 134

STARTING MOTOR

년/월  
Year/Month

2022-12

T575NHEU1



NOTE



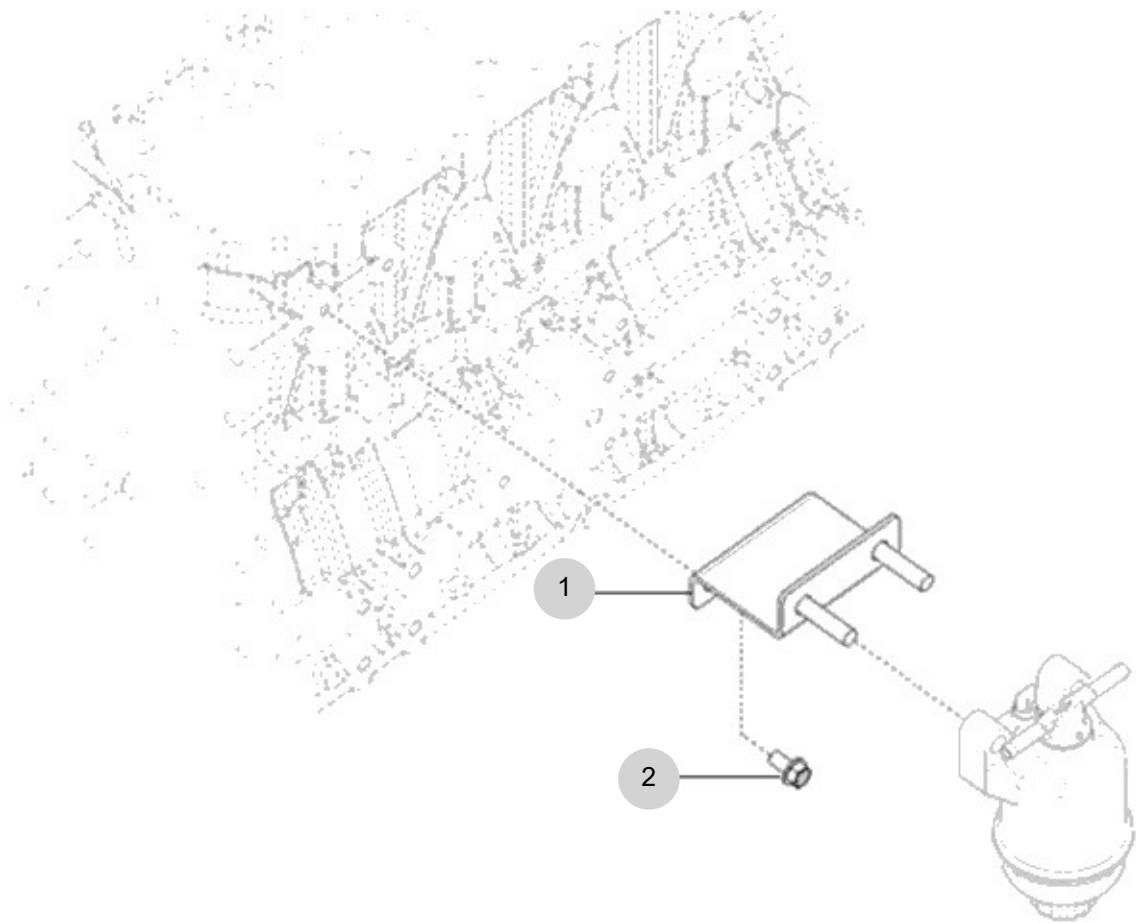
FIG 135

FUEL FILTER BRACKET ASS'Y

년/월  
Year/Month

2022-12

T575NHEU1



NOTE



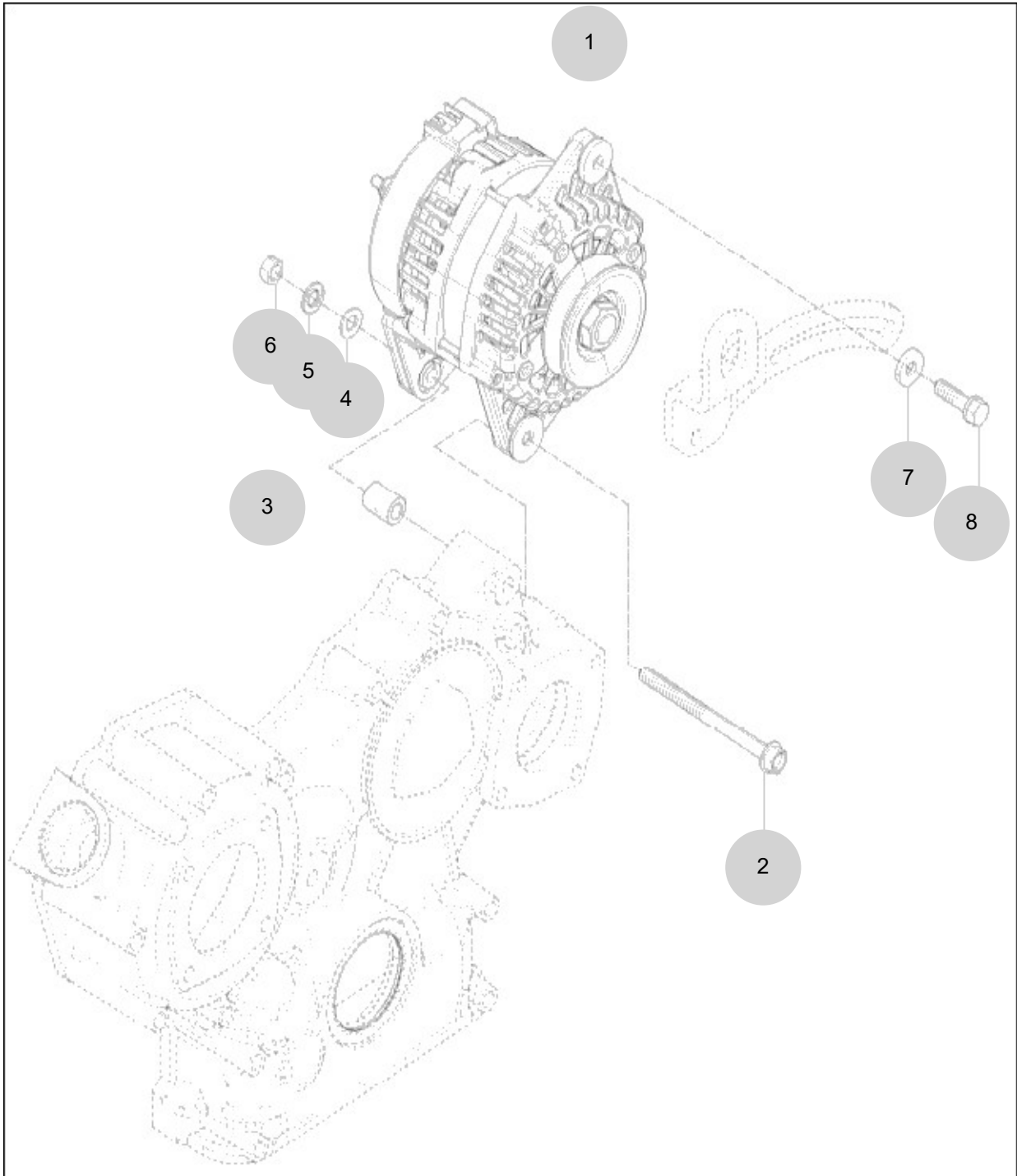
FIG 136

ALTERNATOR

년/월  
Year/Month

2022-12

T575NHEU1



NOTE

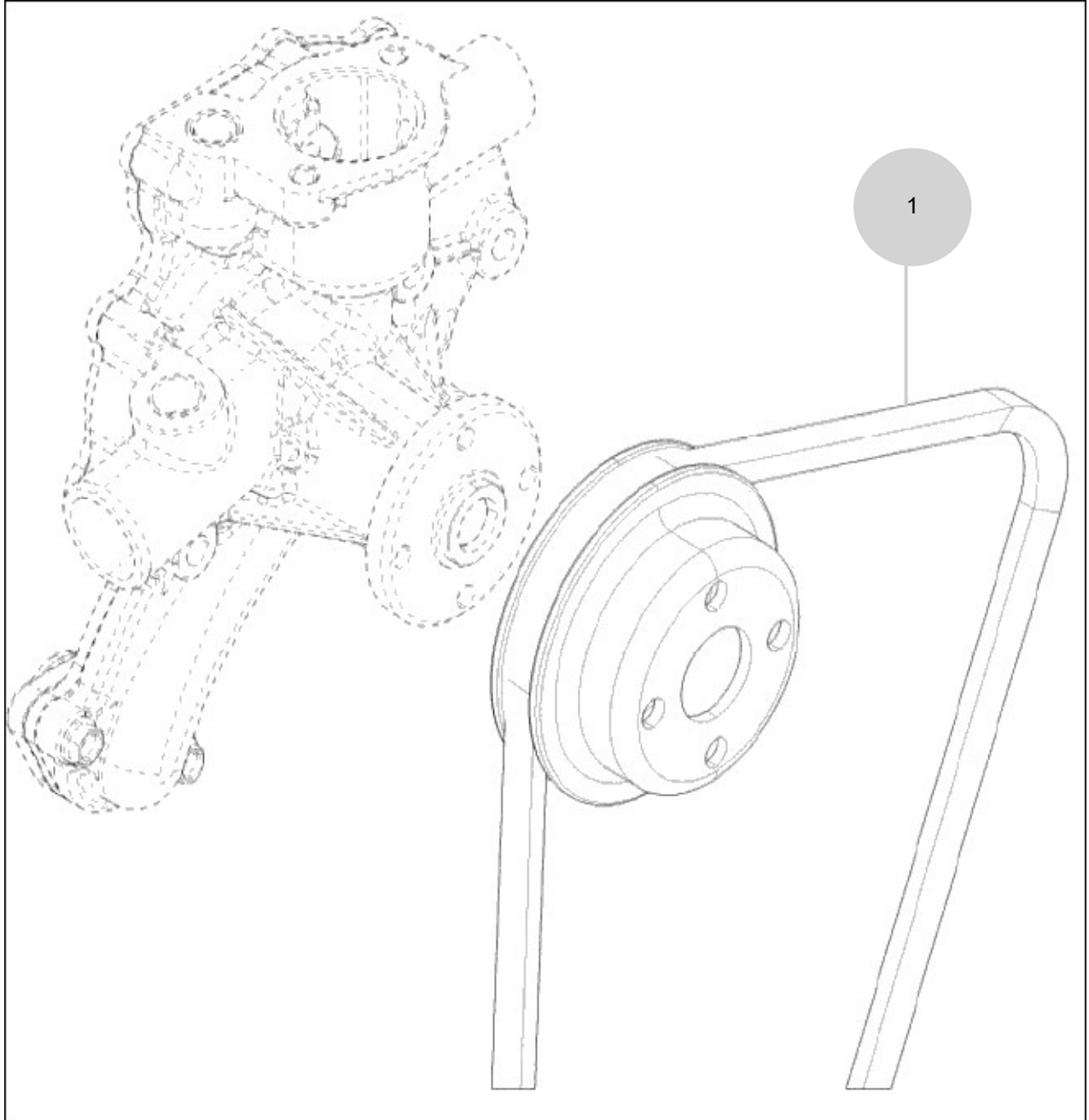


FIG 137

V-BELT

년/월  
Year/Month

2022-12



NOTE





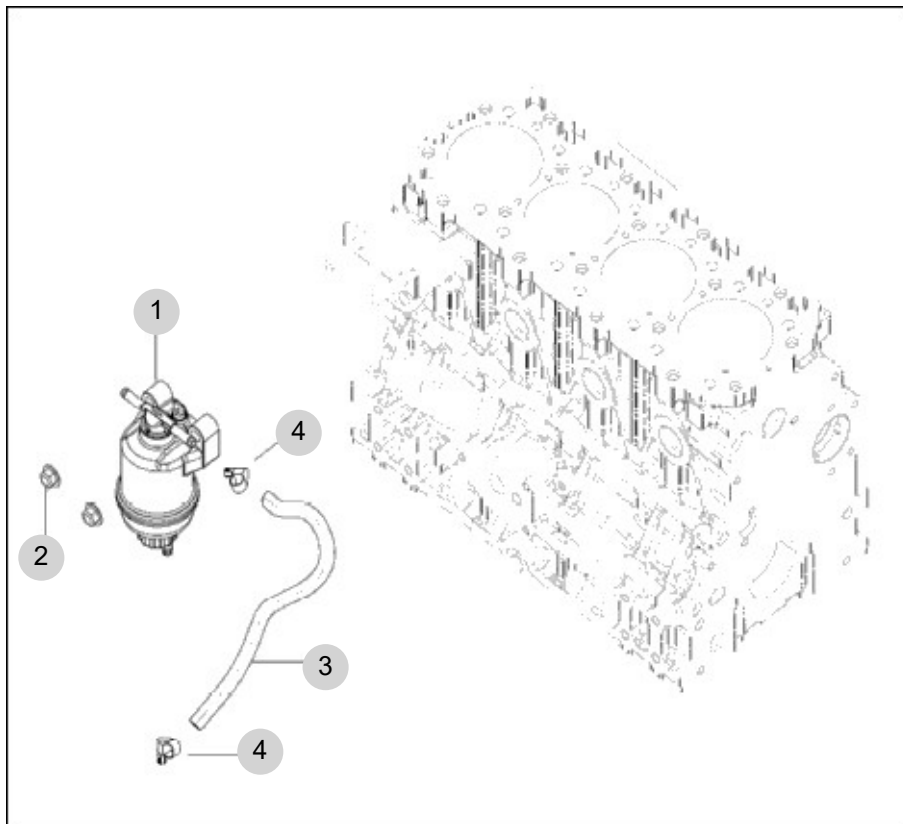
FIG 138

FUEL FILTER

년/월  
Year/Month

2022-12

T575NHEU1



NOTE

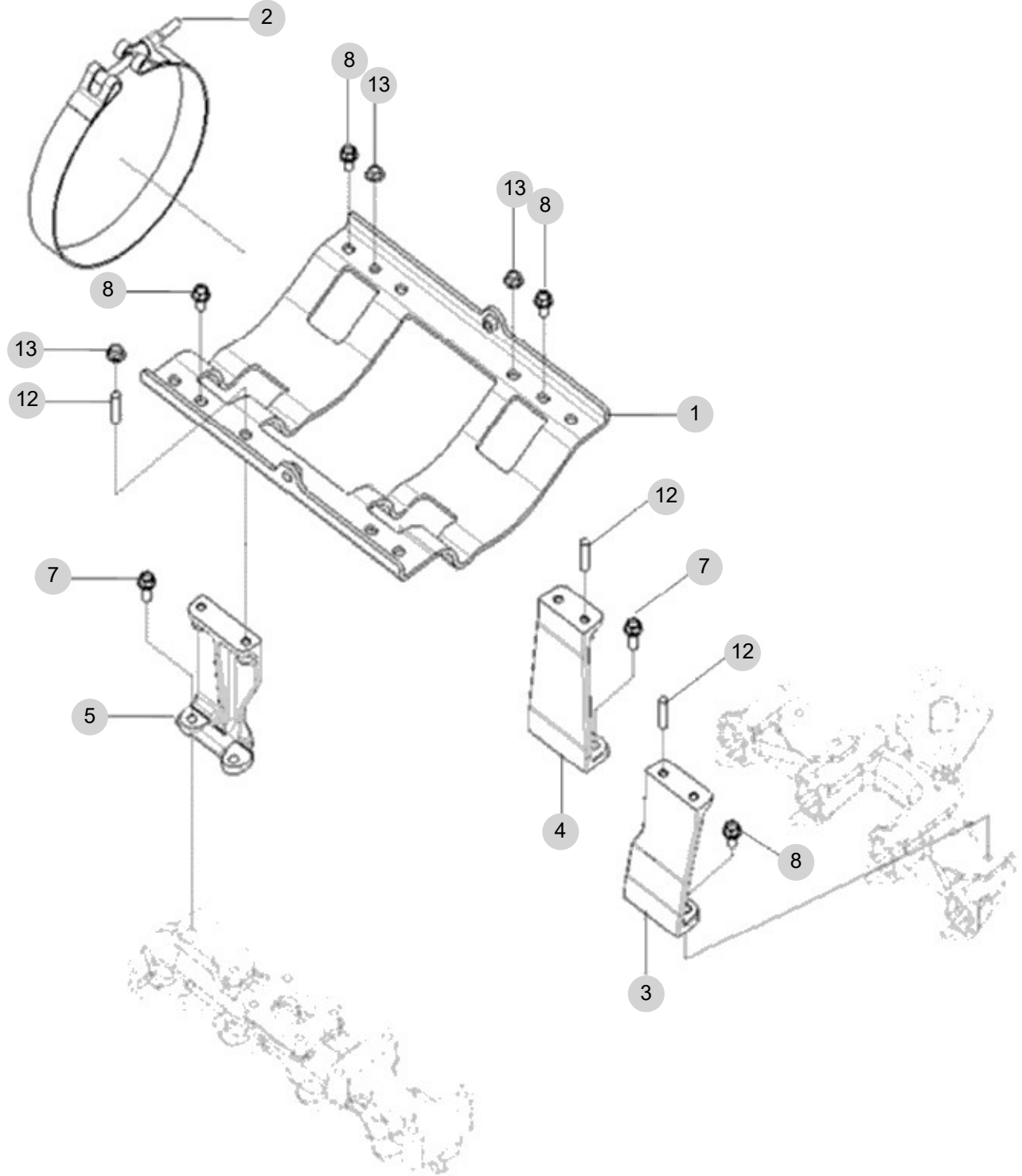


FIG 139A

DPF SUPPORT (T574)

년/월  
Year/Month

2022-12



NOTE



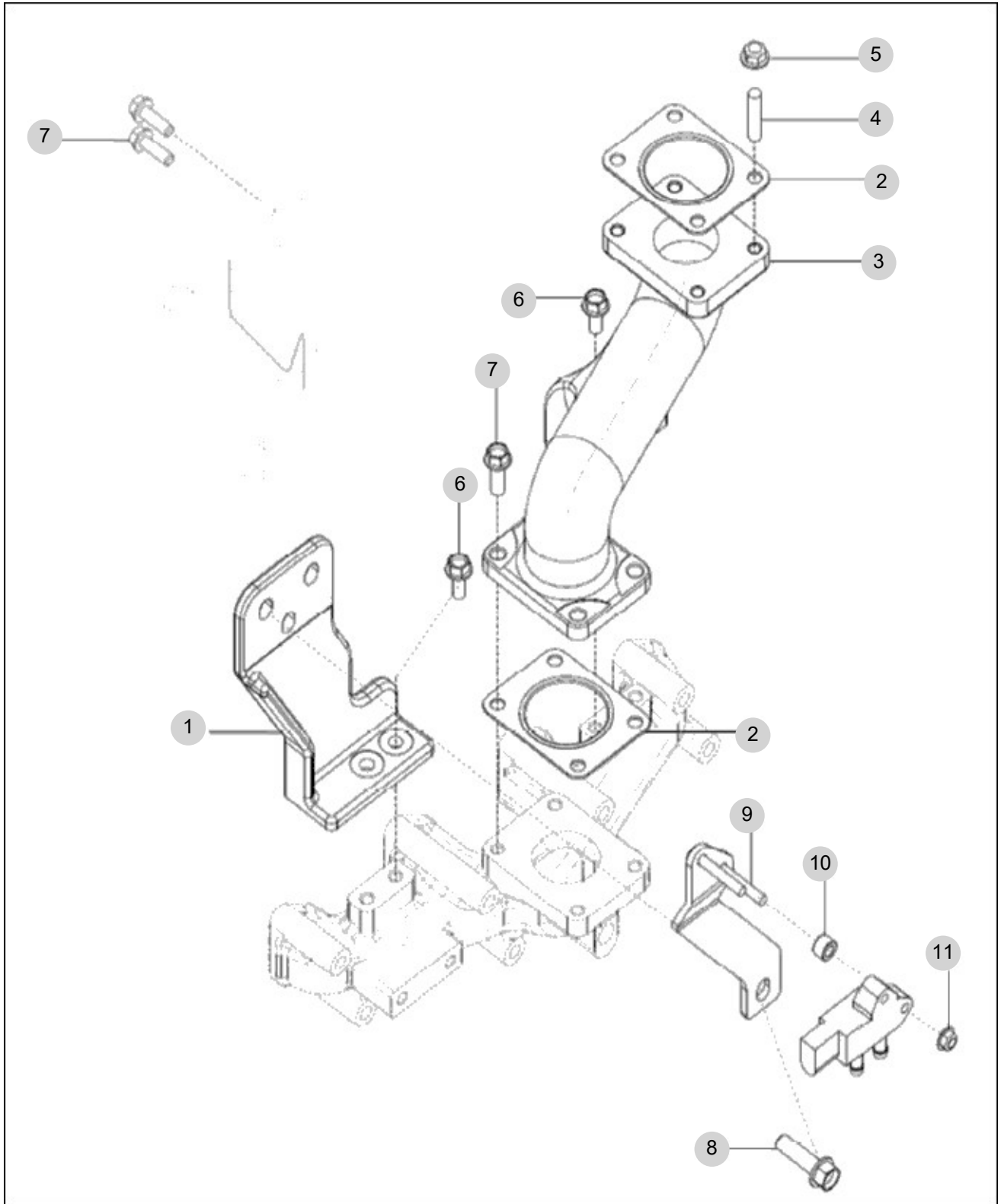
FIG 139B

DPF SUPPORT (T494)

년/월  
Year/Month

2022-12

T575NHEU1



NOTE



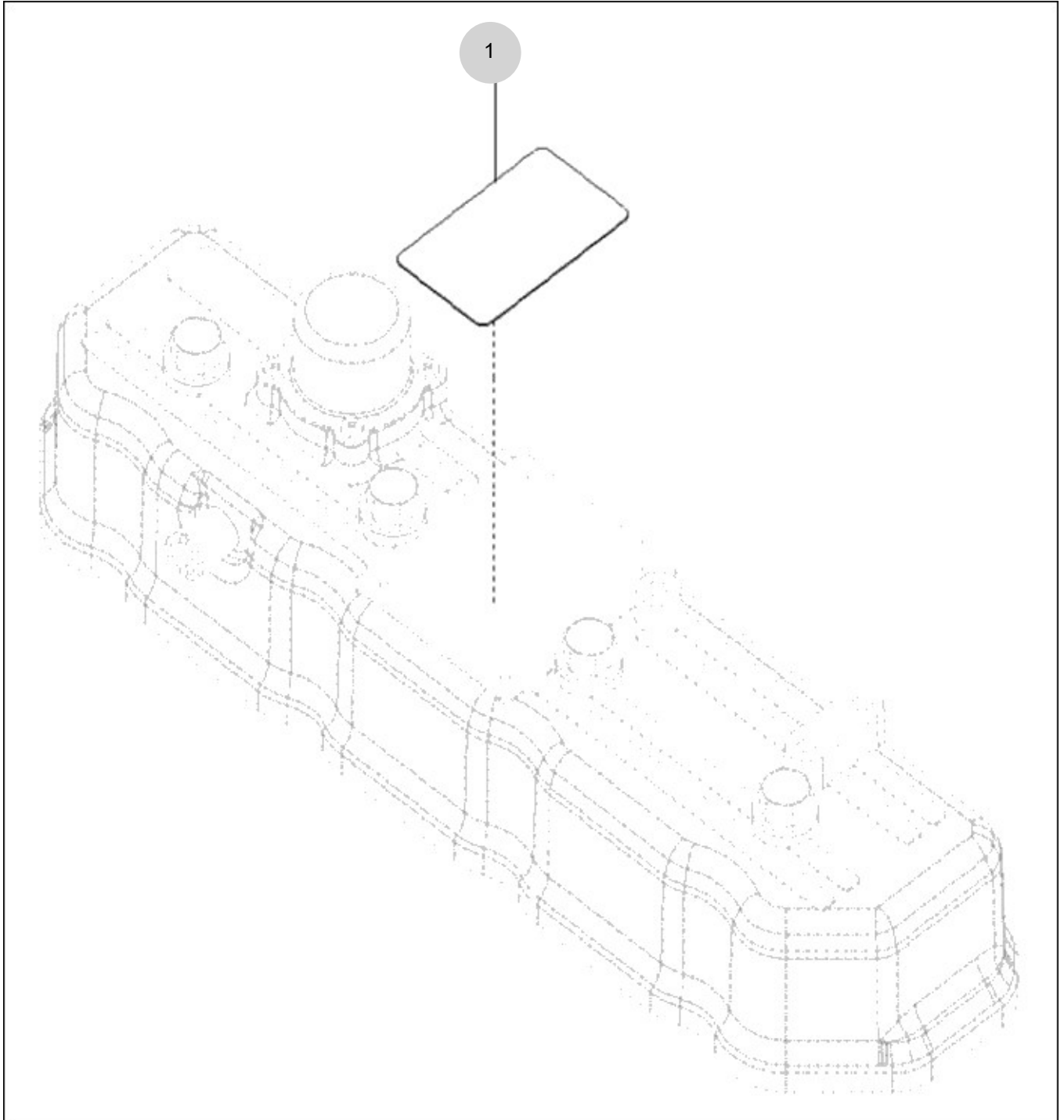
FIG 140

DATAPLATE

년/월  
Year/Month

2022-12

T575NHEU1



NOTE





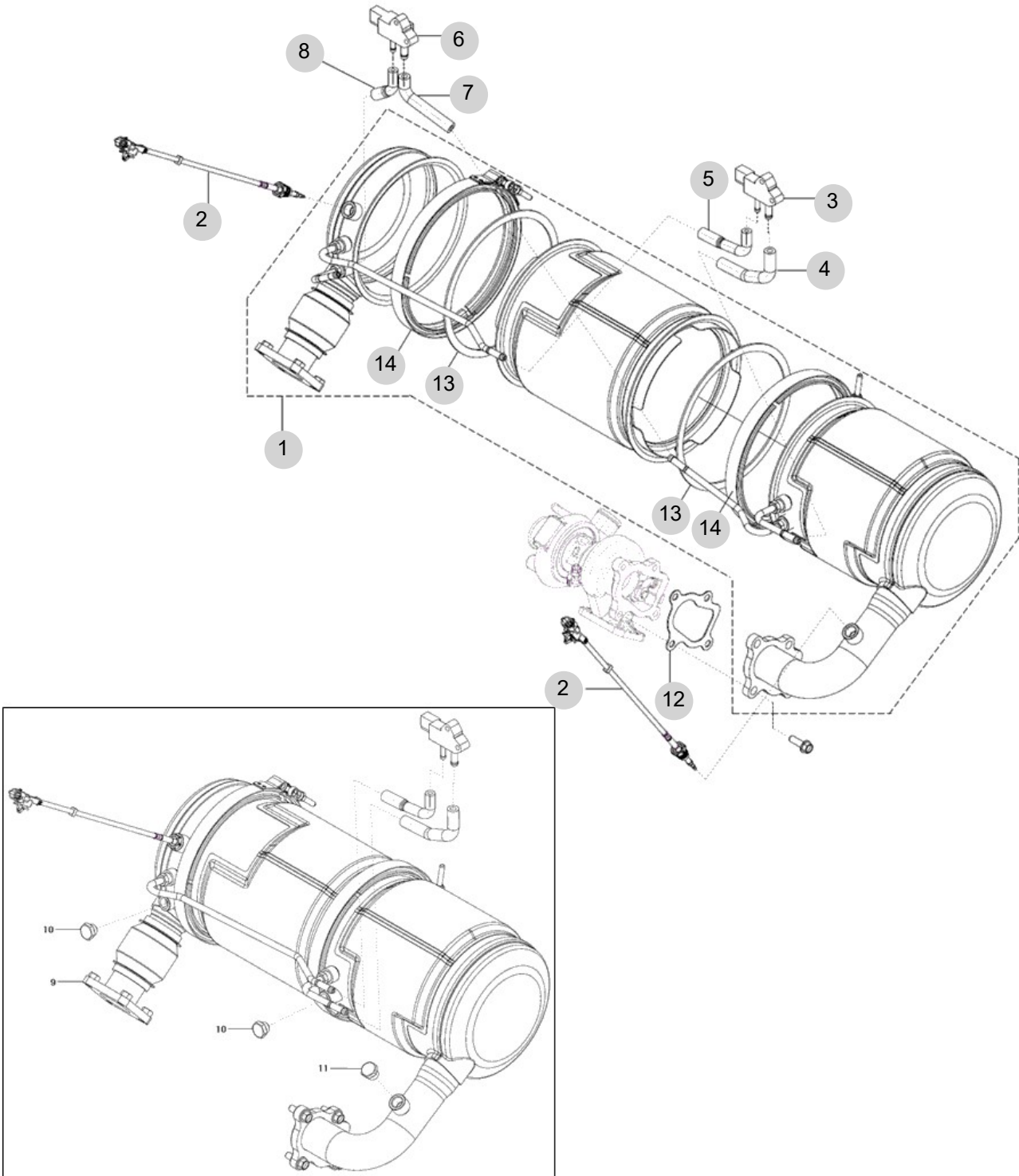
FIG 142A

T575NHEU1

DPF ASS'Y (T574)

년/월  
Year/Month

2022-12



NOTE



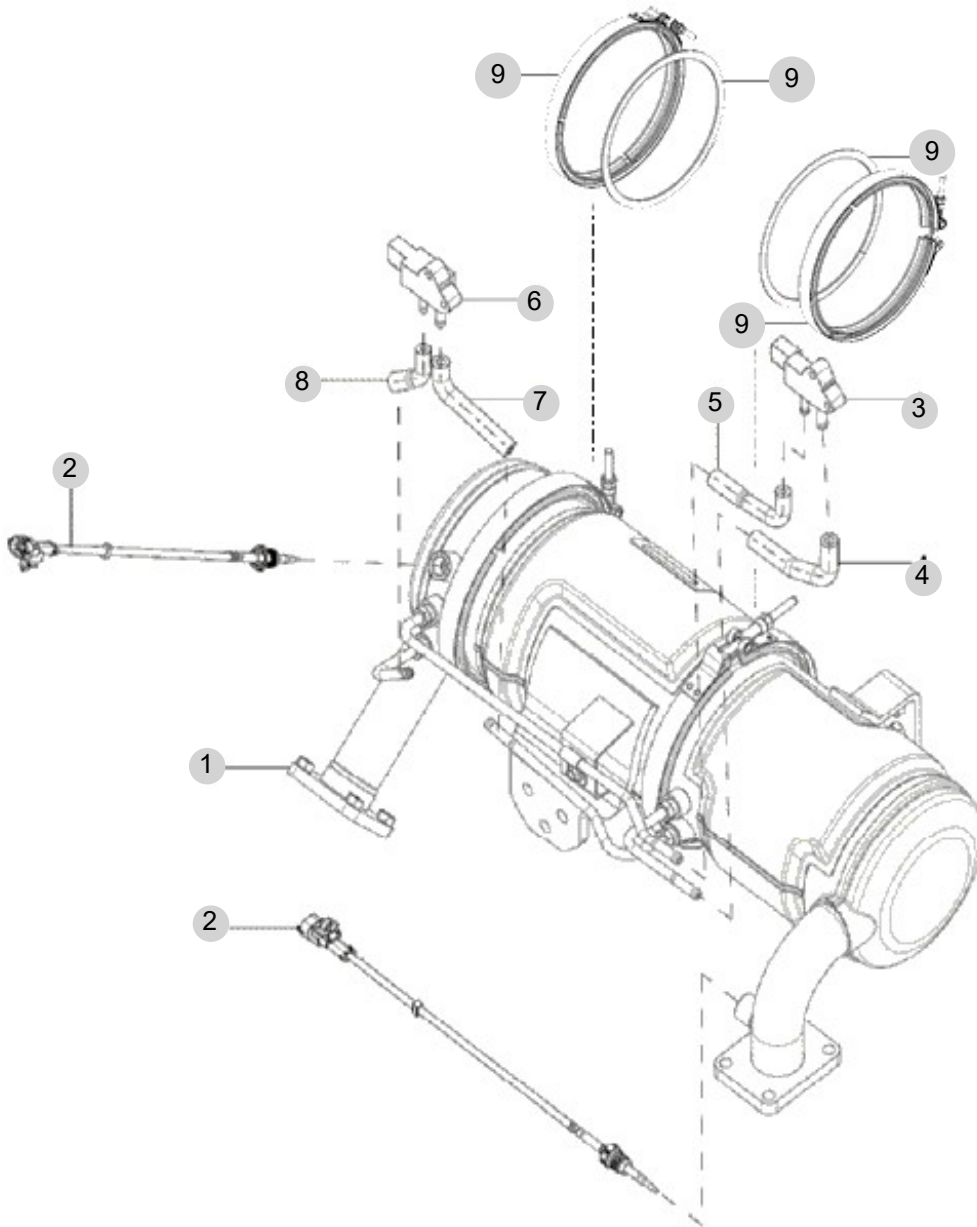
FIG 142B

DPF ASS'Y (T494)

년/월  
Year/Month

2022-12

T575NHEU1



NOTE



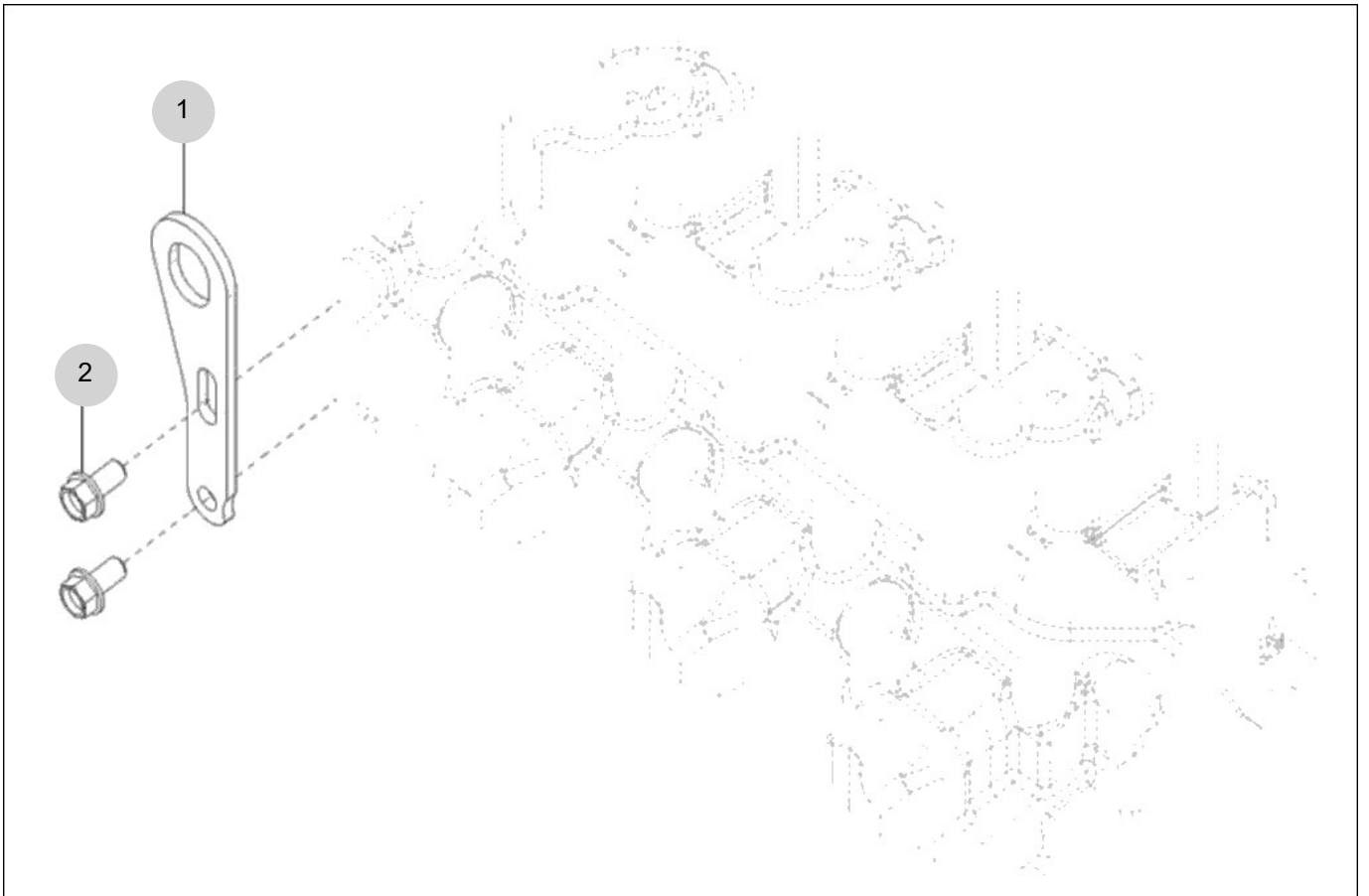
FIG 143

LIFT ASS'Y

년/월  
Year/Month

2022-12

T575NHEU1



NOTE



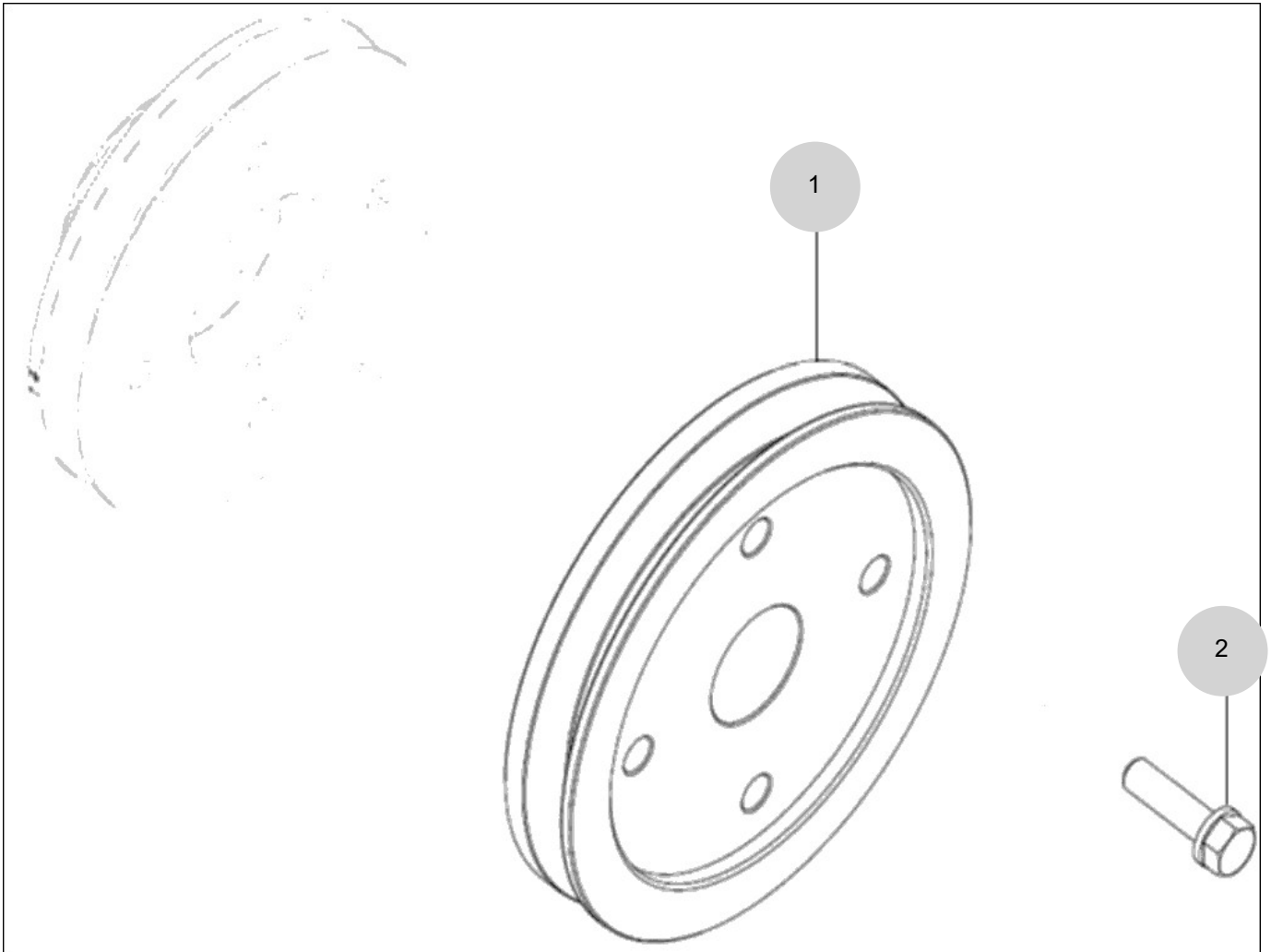
FIG 144

COMP . DRIVE PULLEY ASS'Y OPTION

년/월  
Year/Month

2022-12

T575NHEU1



NOTE





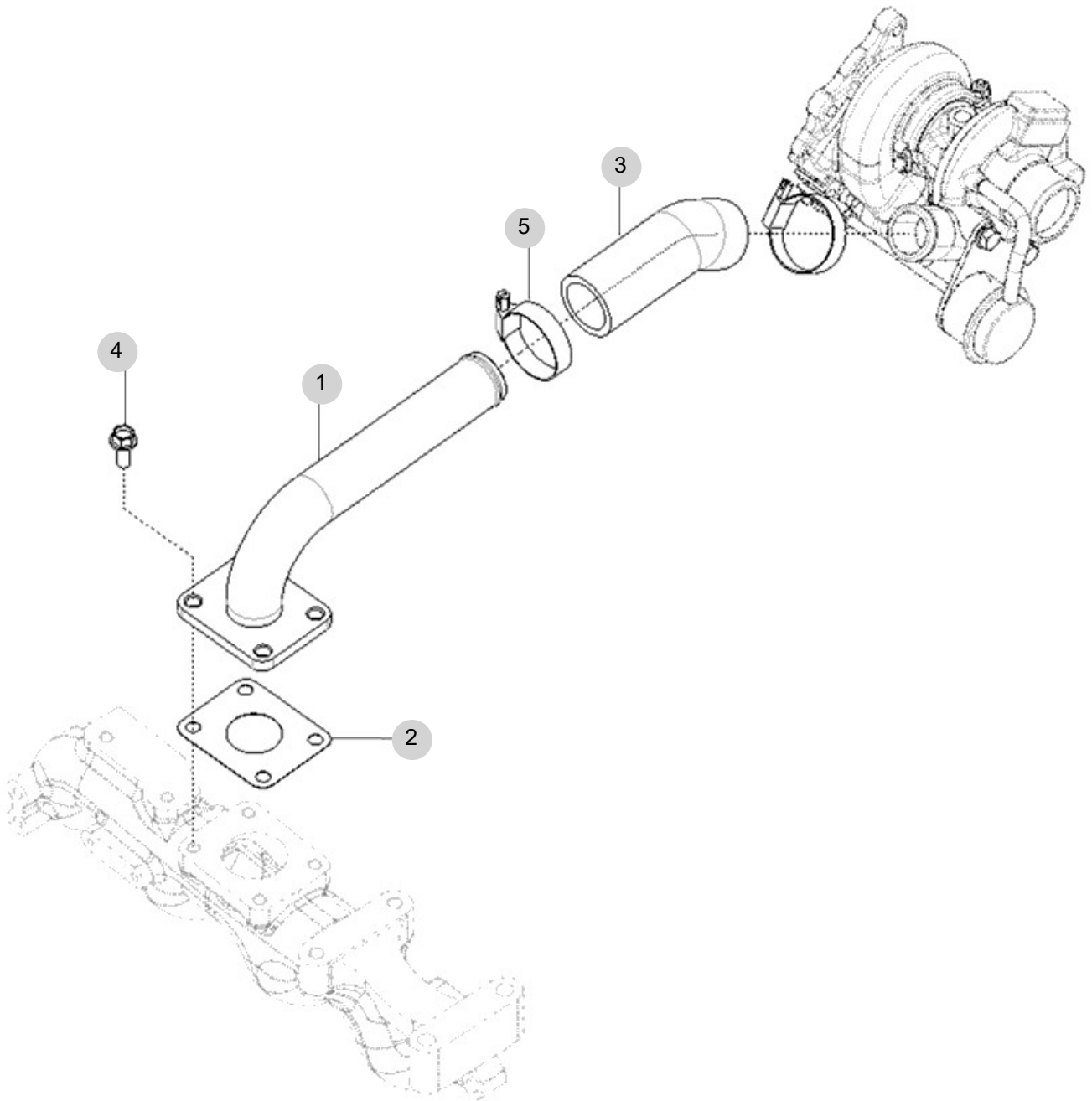
FIG 145

INTAKE PIPE

년/월  
Year/Month

2022-12

T575NHEU1



NOTE



FIG 146

CCV ASS'Y

년/월  
Year/Month

2022-12

T575NHEU1



NOTE



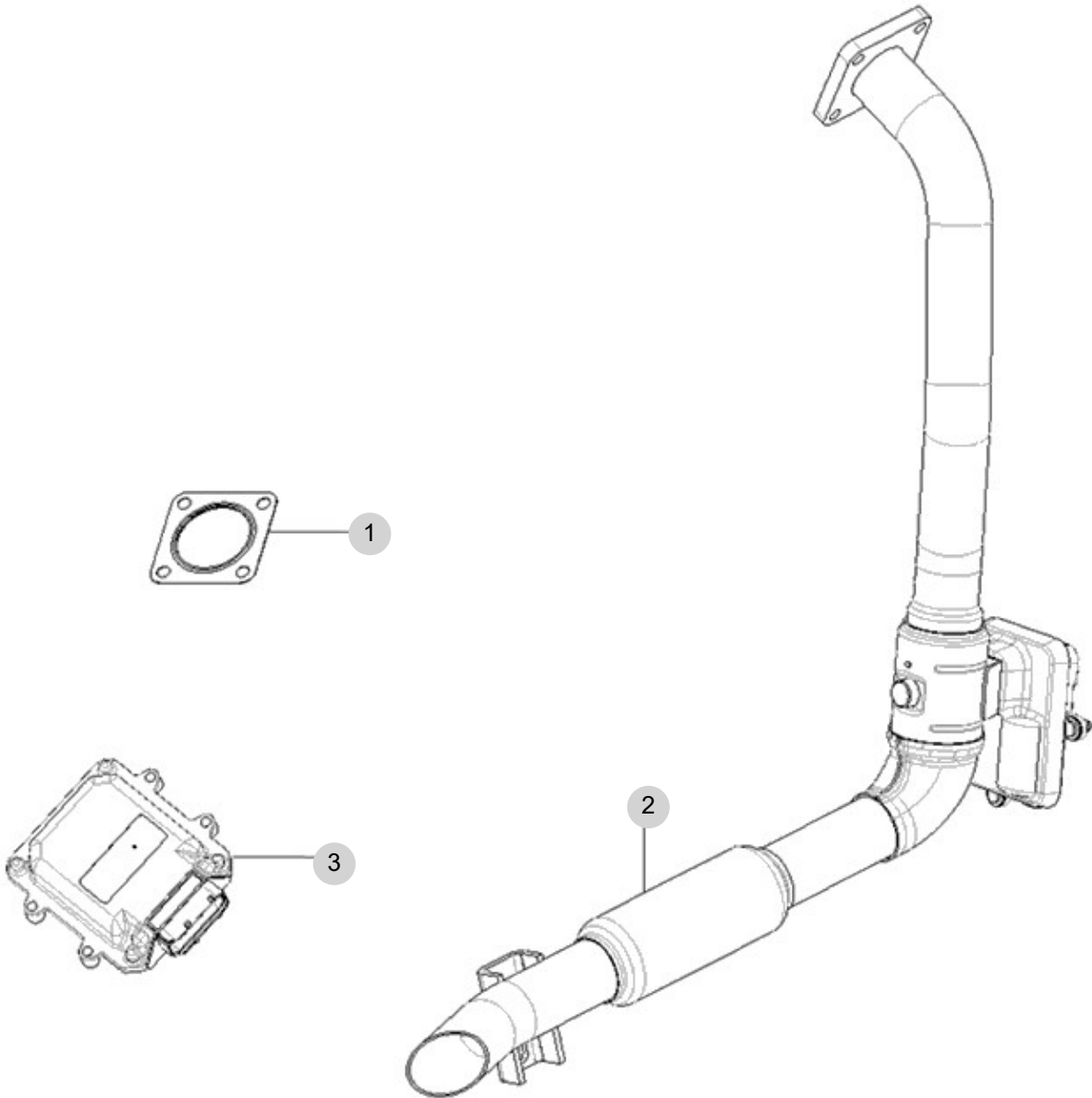
FIG 147

LOOSED PARTS

년/월  
Year/Month

2022-12

T575NHEU1



NOTE



## 2. 엔진보기품 PART NO. T2

FIG 201A AIR CLEANER(T575)	112
FIG 202 RADIATOR	114
FIG 203 MUFFLER	116
FIG 204 FUEL HOSE & FILTER	118
FIG 205 FUEL TANK	120
FIG 206 ACCELERATOR	122
FIG 207 OIL COOLER	124

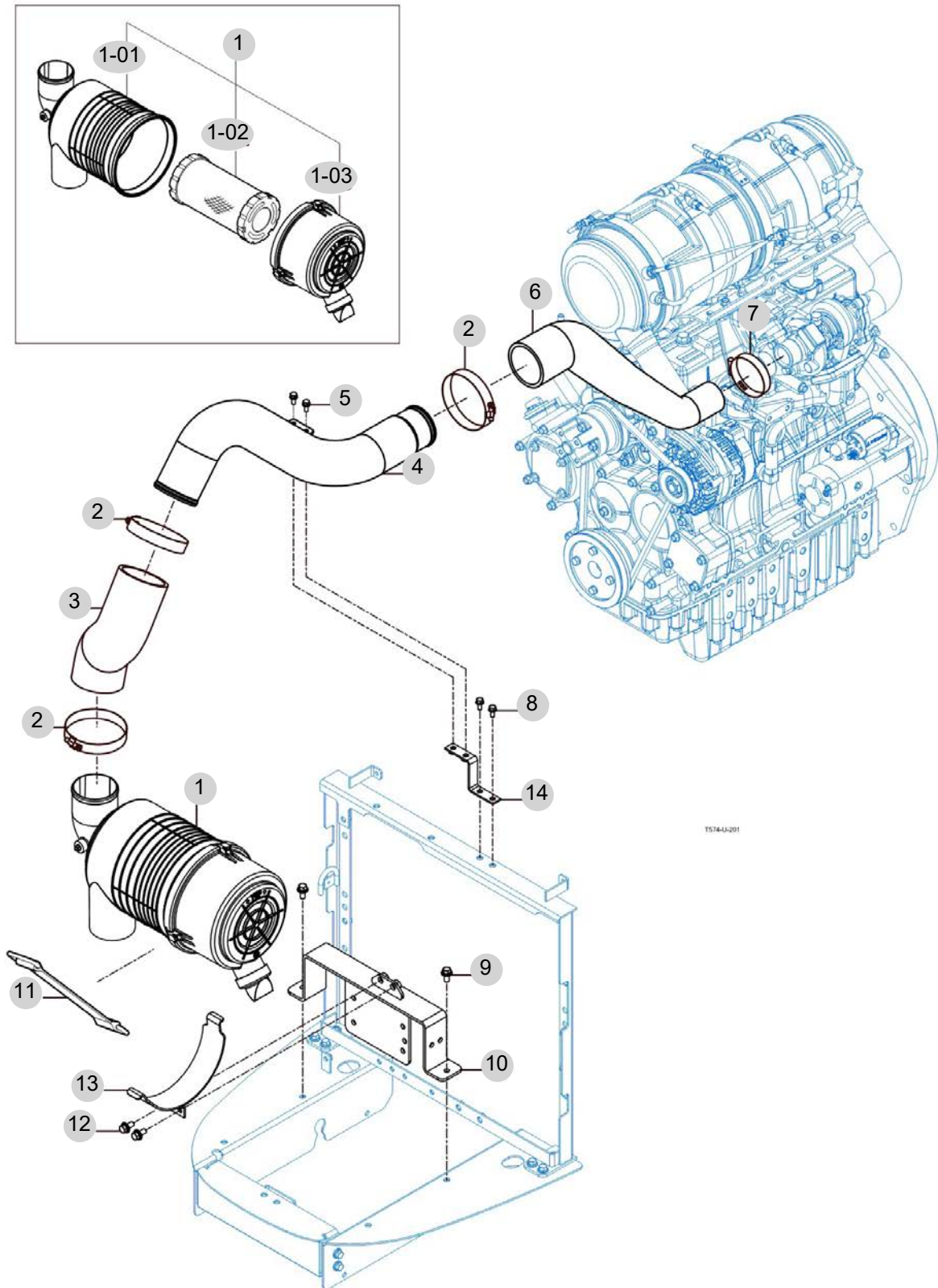
FIG 201A

AIR CLEANER(T575)

년/월  
Year/Month

2022-12

T575NHEU1



NOTE





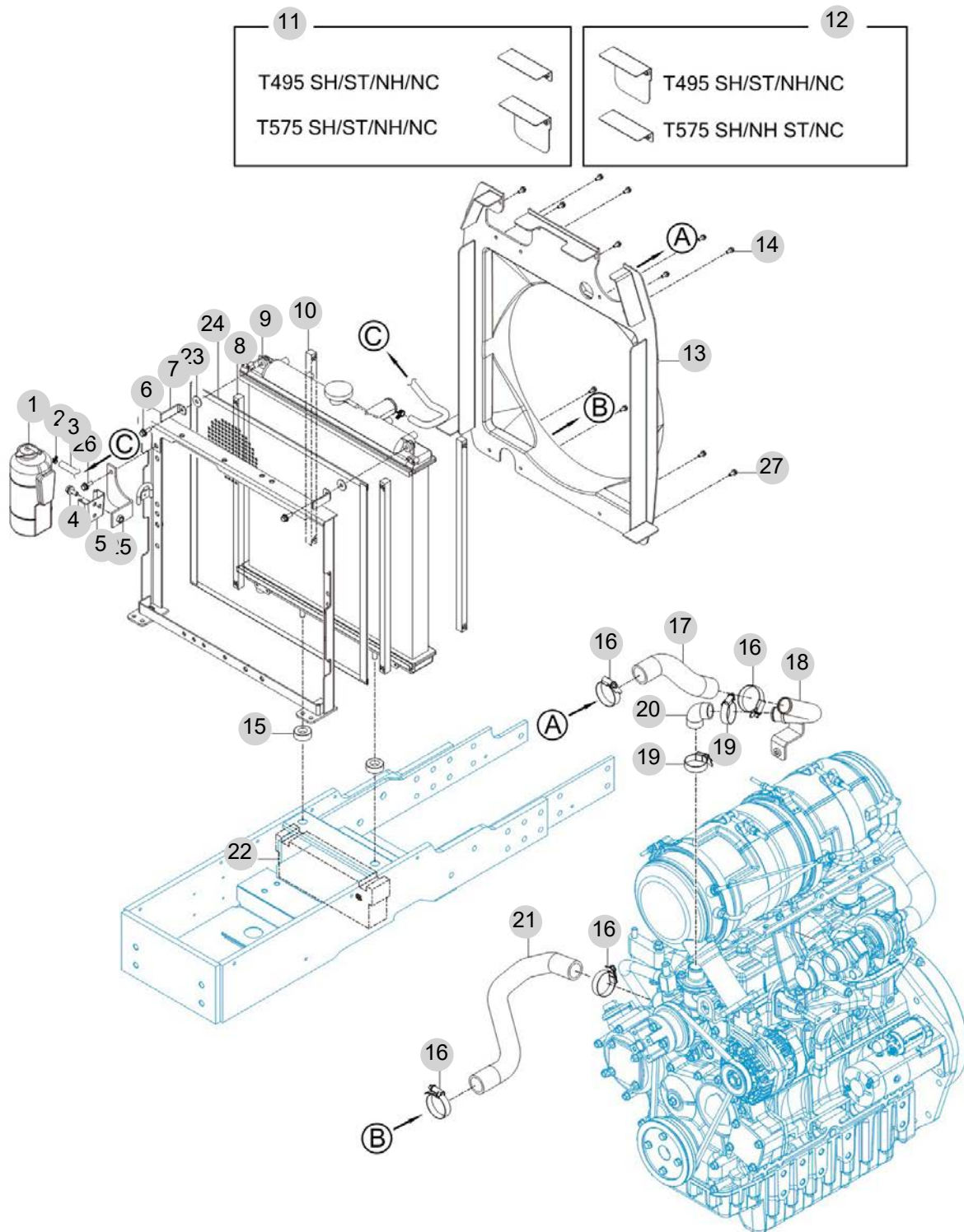
FIG 202

RADIATOR

년/월  
Year/Month

2022-12

T575NHEU1



NOTE



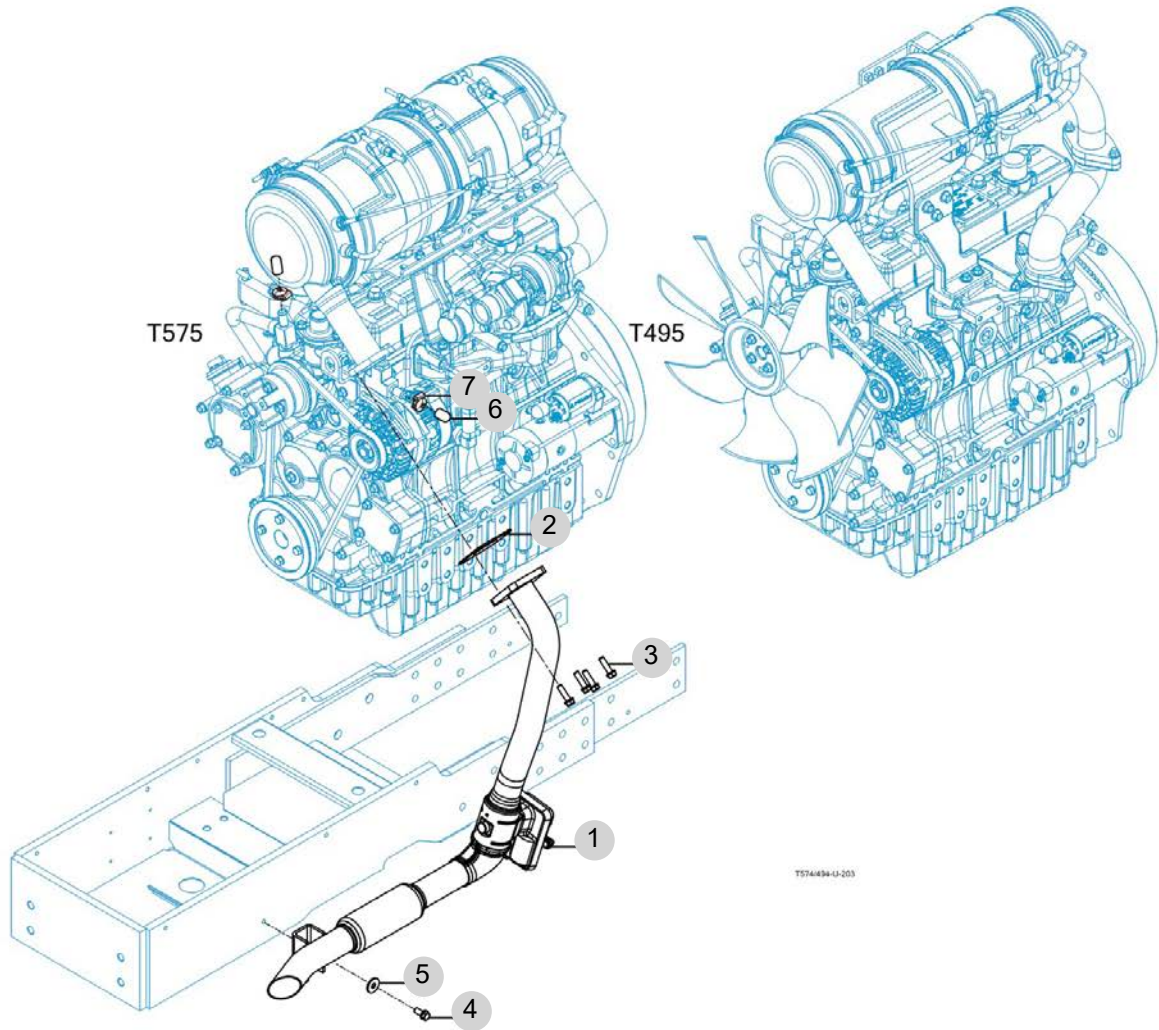
FIG 203

MUFFLER

년/월  
Year/Month

2022-12

T575NHEU1



NOTE



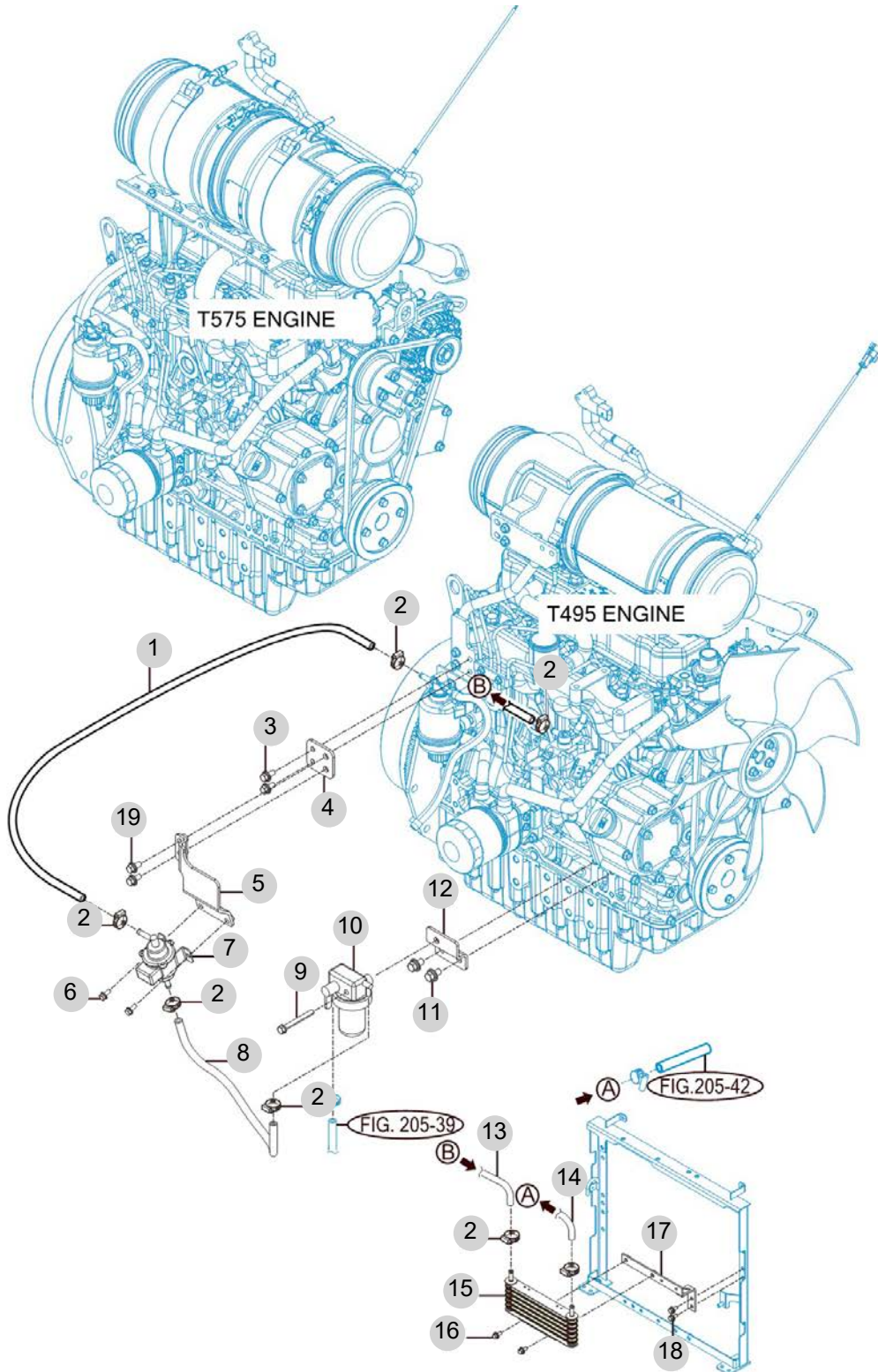
FIG 204

FUEL HOSE & FILTER

년/월  
Year/Month

2022-12

T575NHEU1



NOTE



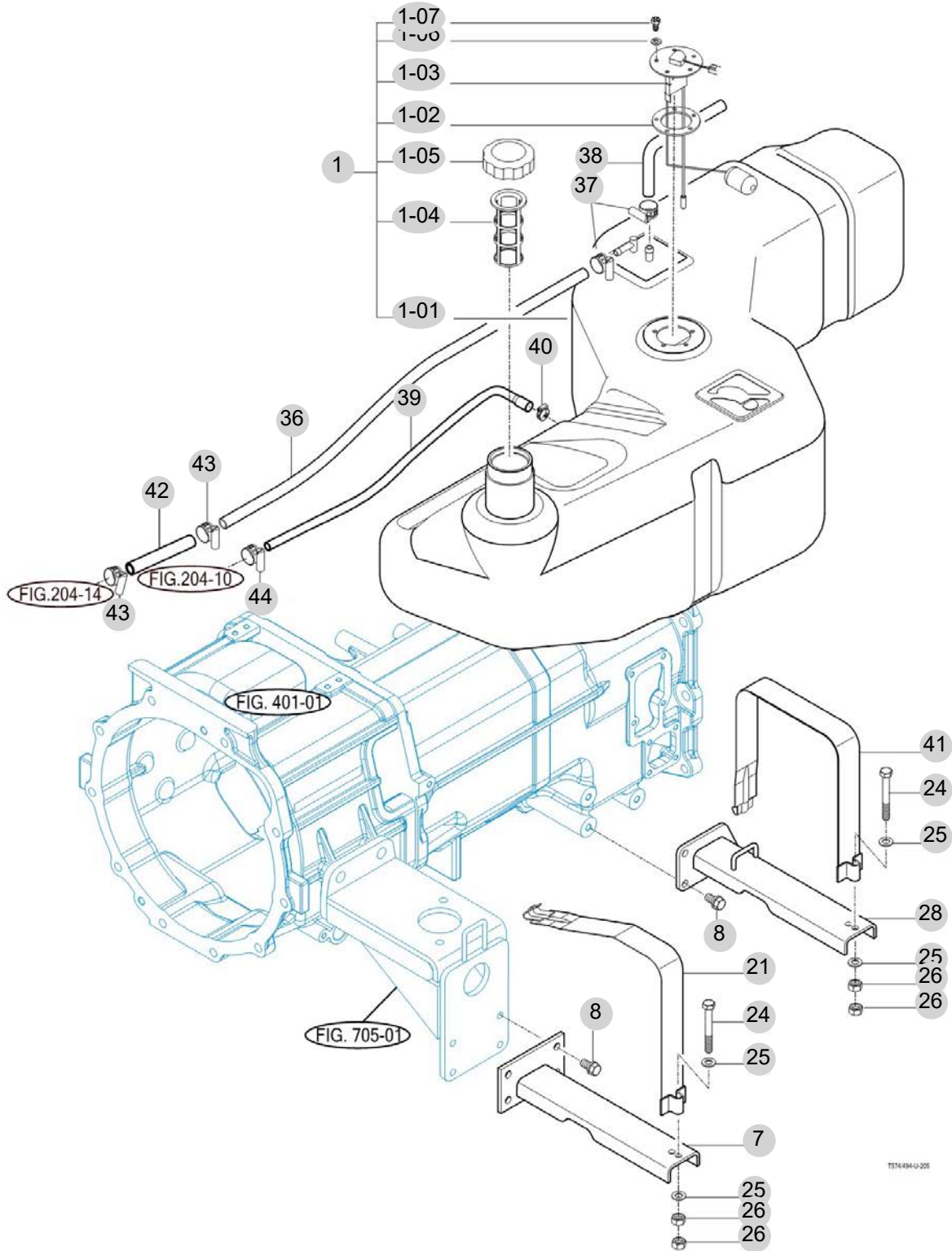
FIG 205

T575NHEU1

FUEL TANK

년/월  
Year/Month

2022-12



NOTE





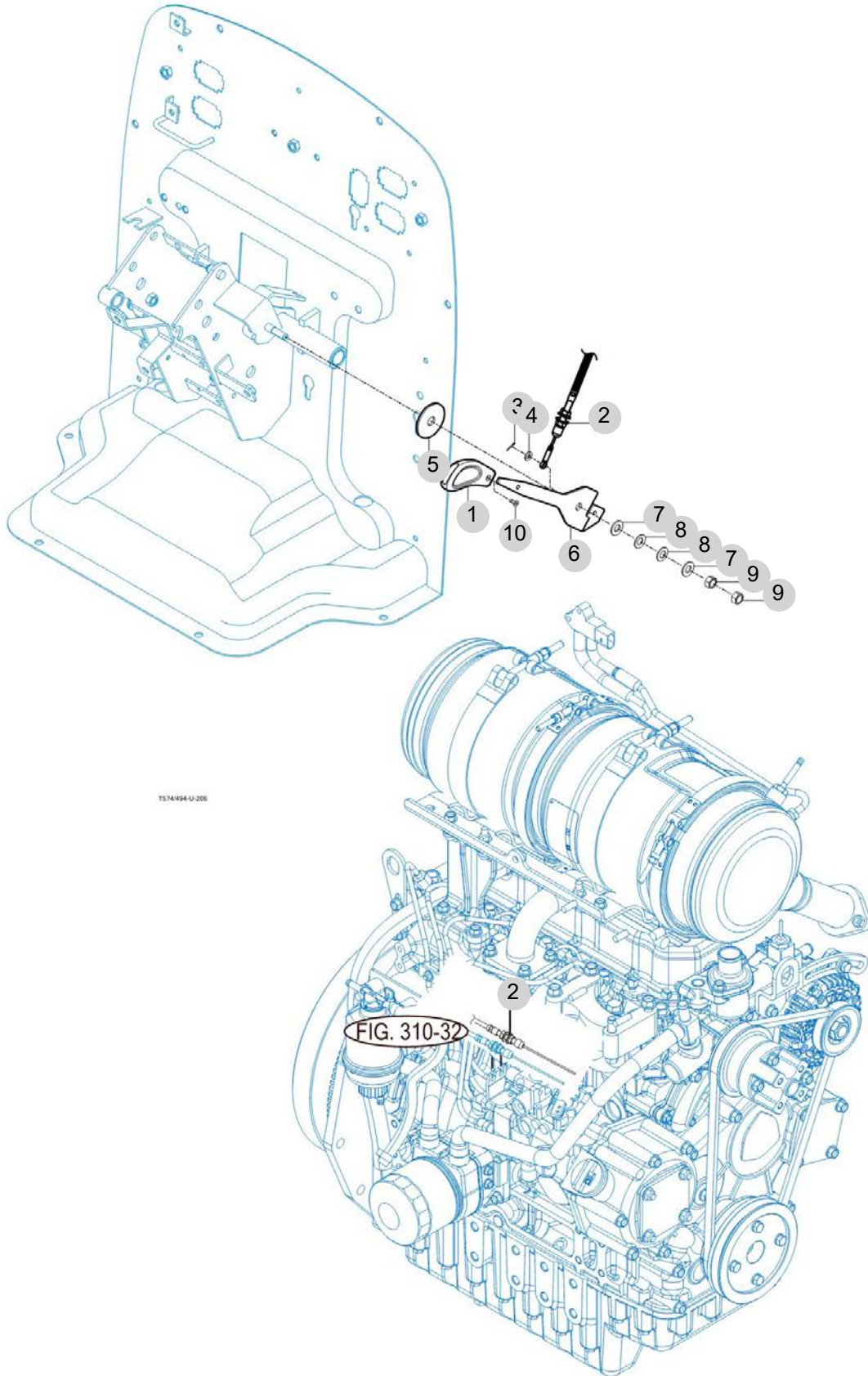
FIG 206

ACCELERATOR

년/월  
Year/Month

2022-12

T575NHEU1



NOTE



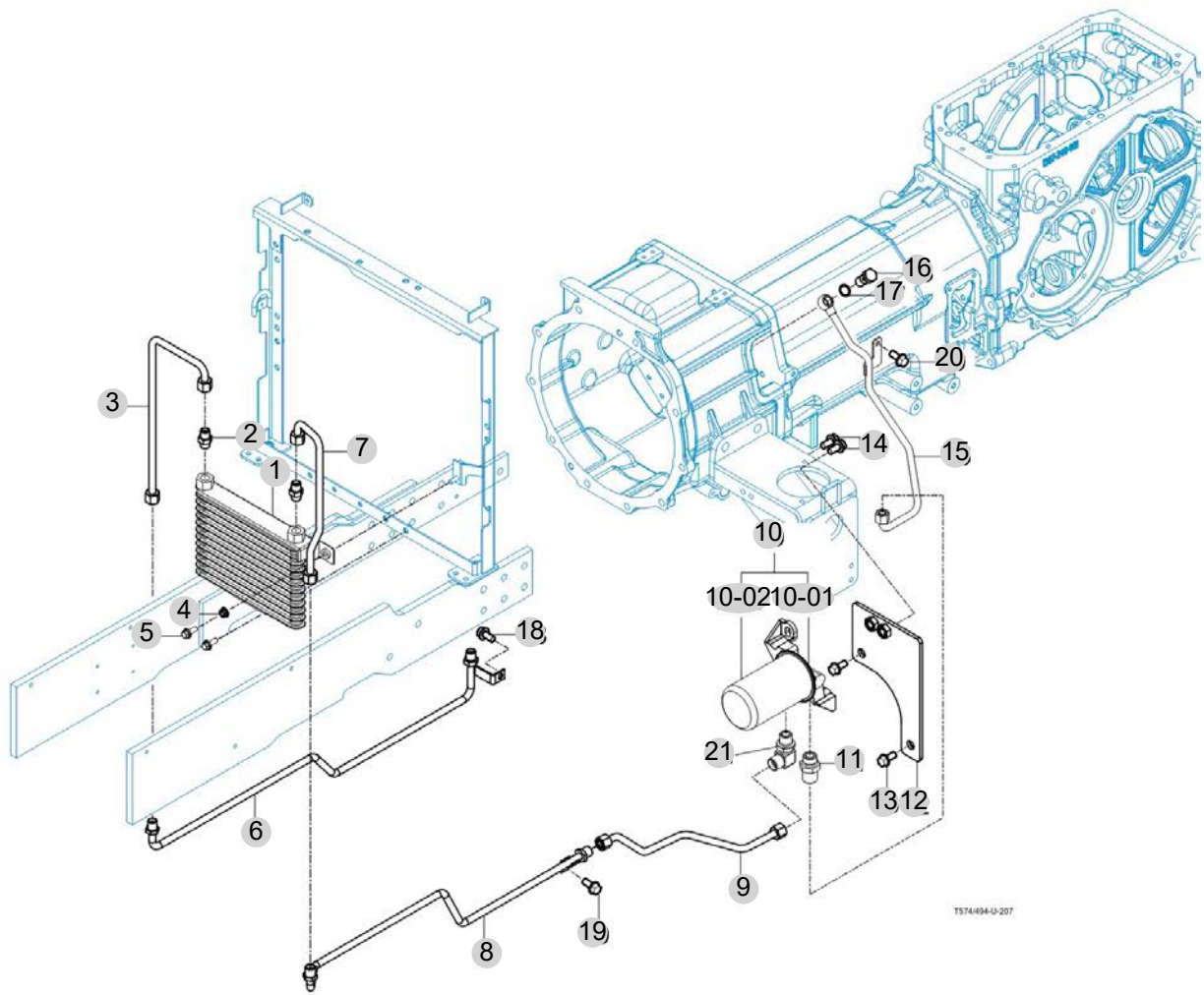
FIG 207

OIL COOLER

년/월  
Year/Month

2022-12

T575NHEU1



T574494-U-207

NOTE



### 3. 클러치/브레이크/스티어링 PART NO. T3

FIG 301 FLYWHEEL HOUSING	127
FIG 302 CLUTCH PEDAL	129
FIG 303 BRAKE	131
FIG 304 BRAKE PEDAL & LINK	133
FIG 305A FRONT WHEEL	135
FIG 305A REAR WHEEL	137
FIG 305B FRONT WHEEL (R4 OPTION)	139
FIG 305B REAR WHEEL (R4 OPTION)	141
FIG 307 POWER STEERING WHEEL	143
FIG 308 POWER STEERING VALVE	145
FIG 309 POWER STEERING CYLINDER	147
FIG 310 HST CONTROL LINK	149

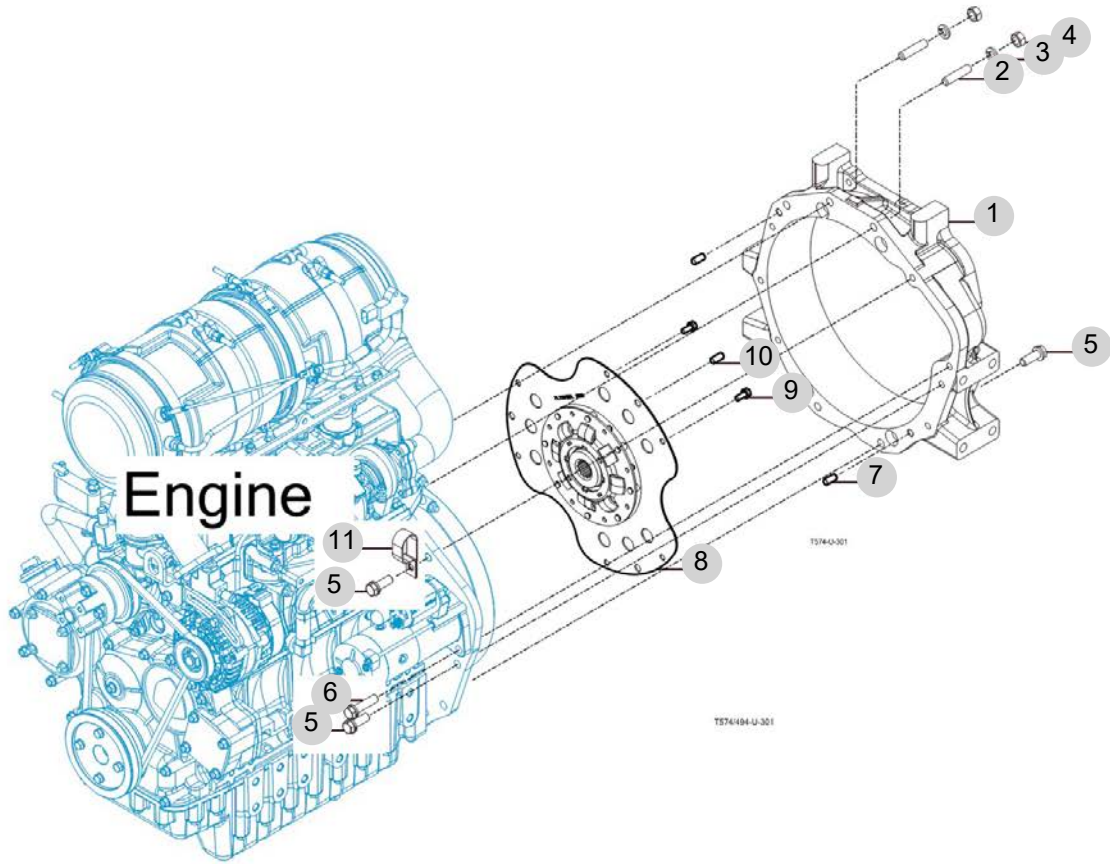
FIG 301

FLYWHEEL HOUSING

년/월  
Year/Month

2022-12

T575NHEU1



NOTE

FIG 301 T575NHEU1		FLYWHEEL HOUSING						년/월 Year/Month	
								2022-12	
KEY NO		PART NO	DESCRIPTION	SPEC	QTY	REPAIR	EFFECTIVE DATE	REMARKS	
301	1	13871120010GB	플라이휠 하우징		1				
301	2	16733412040	심음볼트		2				
301	3	V4011600120	스프링와셔	M12	2				
301	4	V3343600120	소형육각너트가는2종	M12	2				
301	5	V2174612035	소형육각볼트보통(S)	M12X35	13				
301	6	V2174612050	소형육각볼트보통(S)	M12X50	1				
301	7	V5201010022	평행핀(A)	10X22	2				
301	8	13871212000	댐퍼 플랜지 어셈블리		1				
301	9	V2173608020	소형육각볼트보통(S)	M8X20	6				
301	10	V5201010022	평행핀(A)	10X22	3				
301	11	14441010161	라디에이터호스클램프		1				
NOTE									



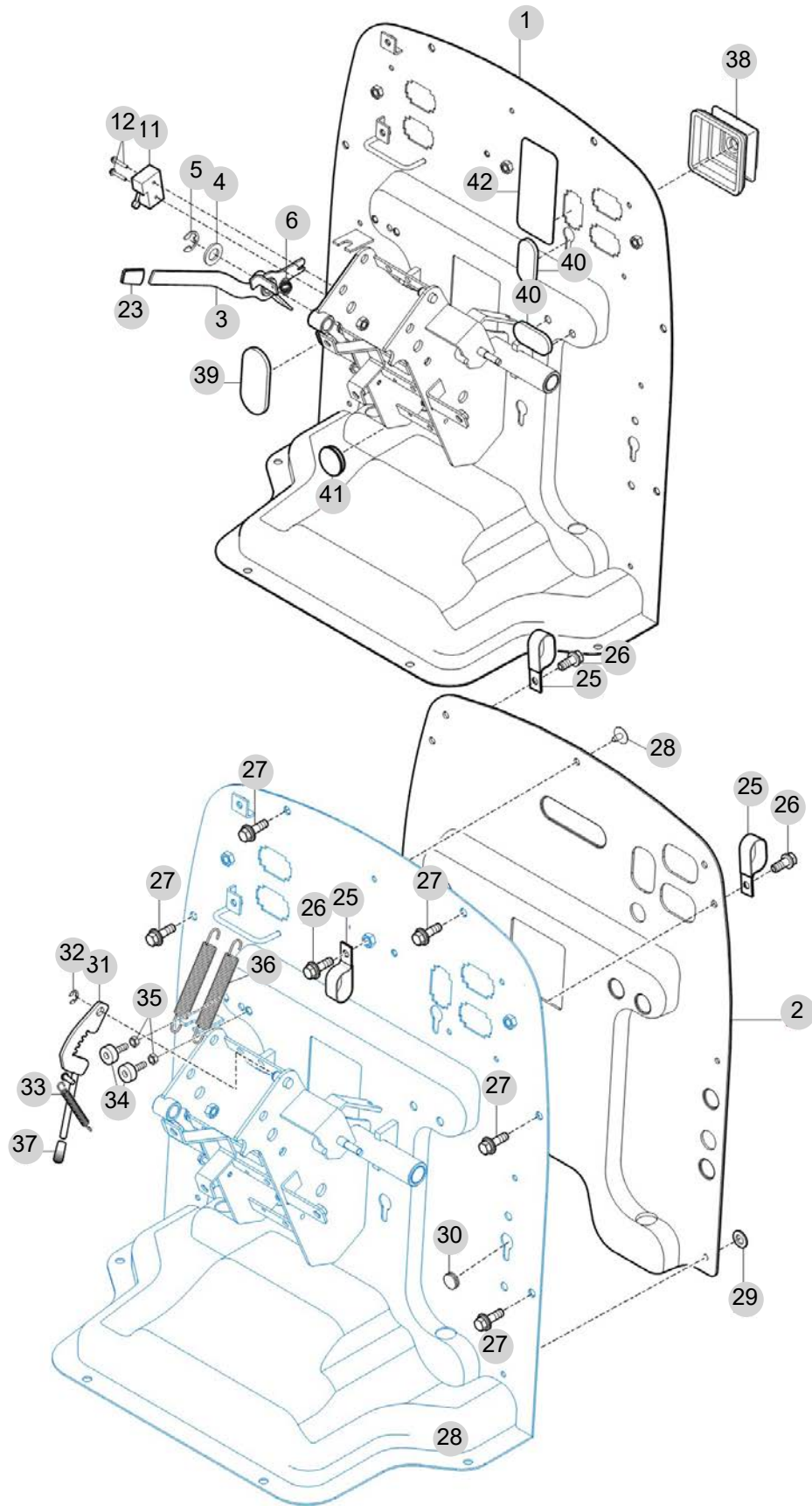
FIG 302

CLUTCH PEDAL

년/월  
Year/Month

2022-12

T575NHEU1



NOTE



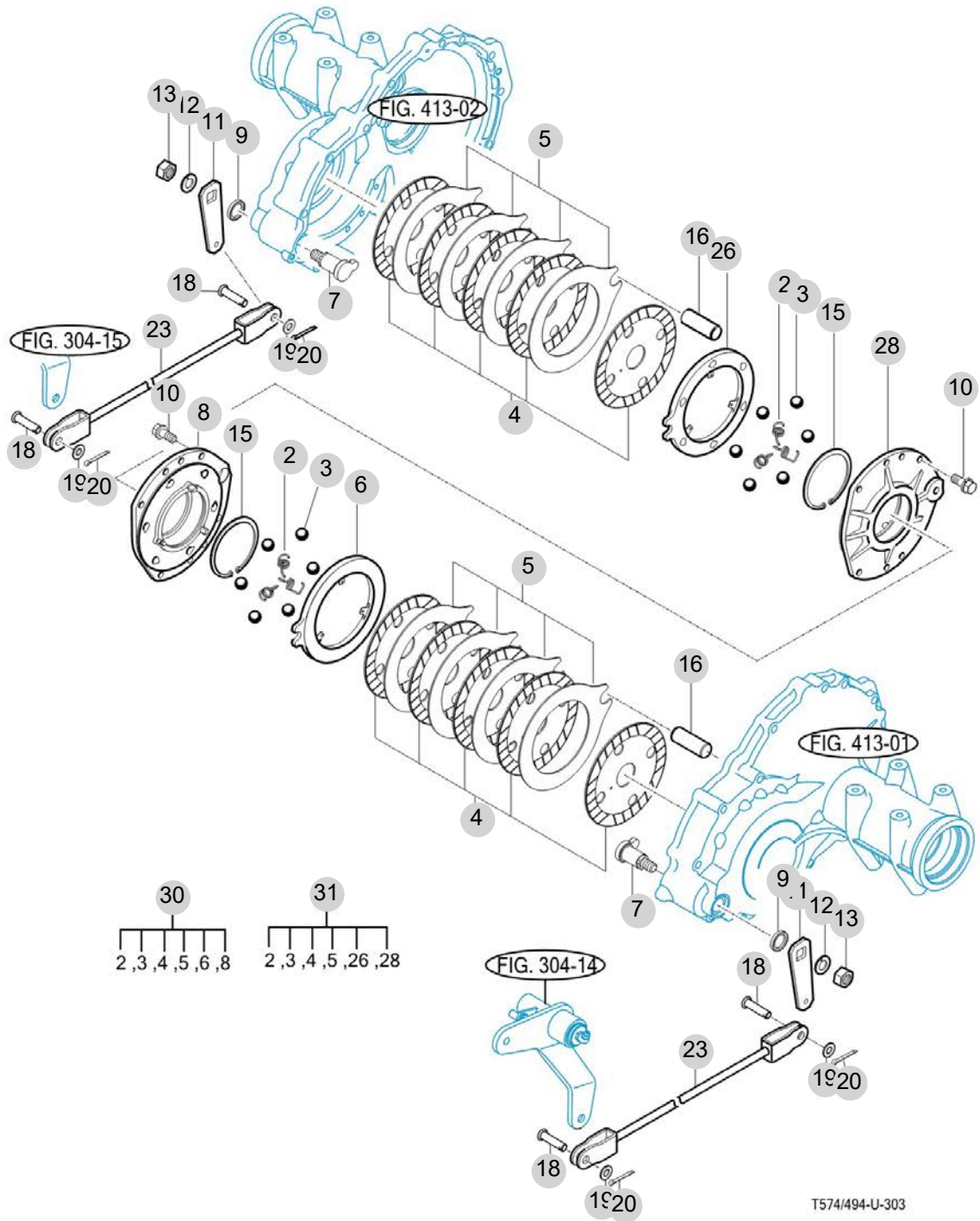
FIG 303

T575NHEU1

BRAKE

년/월  
Year/Month

2022-12



NOTE



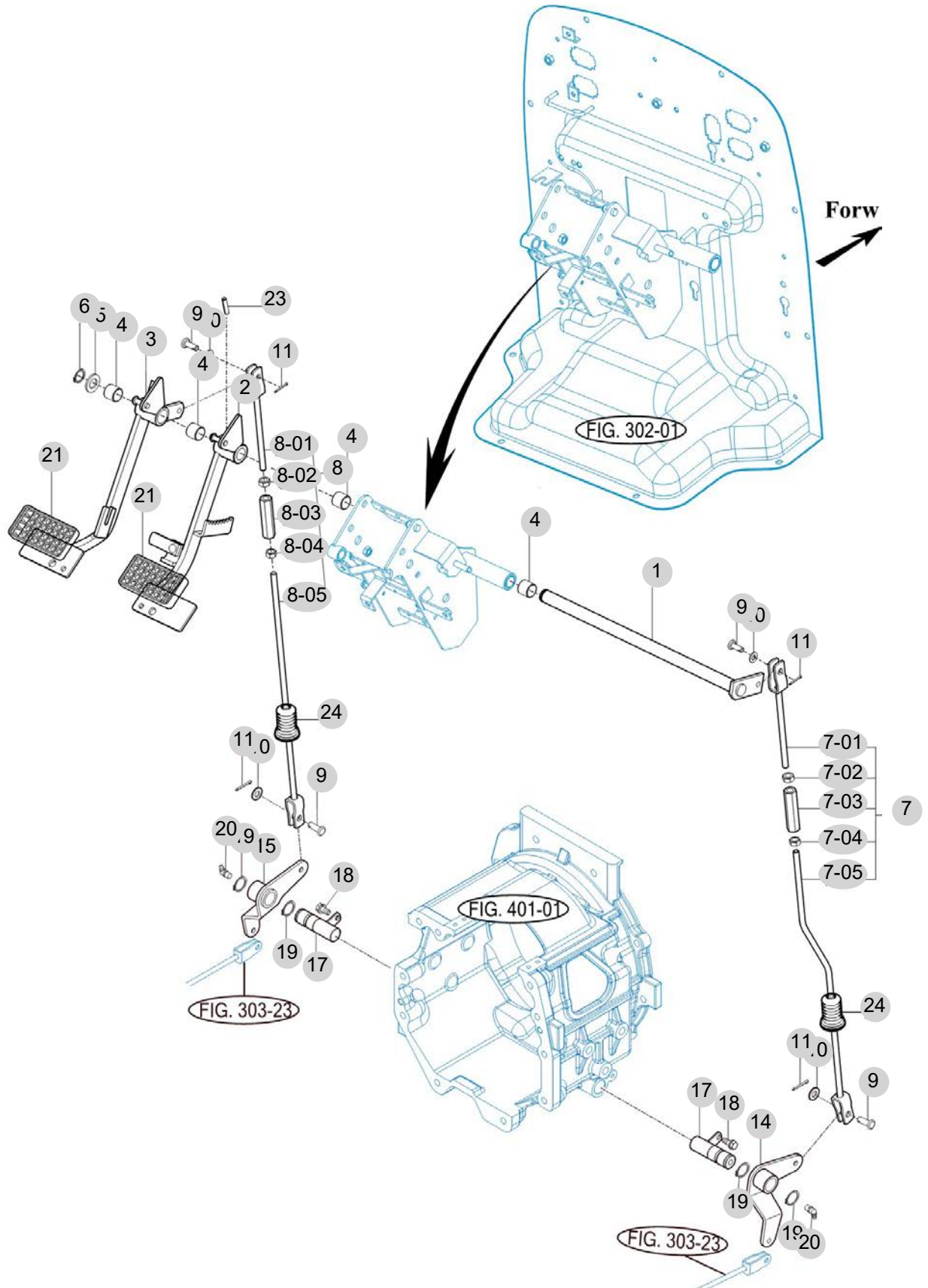
FIG 304

BRAKE PEDAL & LINK

년/월  
Year/Month

2022-12

T575NHEU1



NOTE



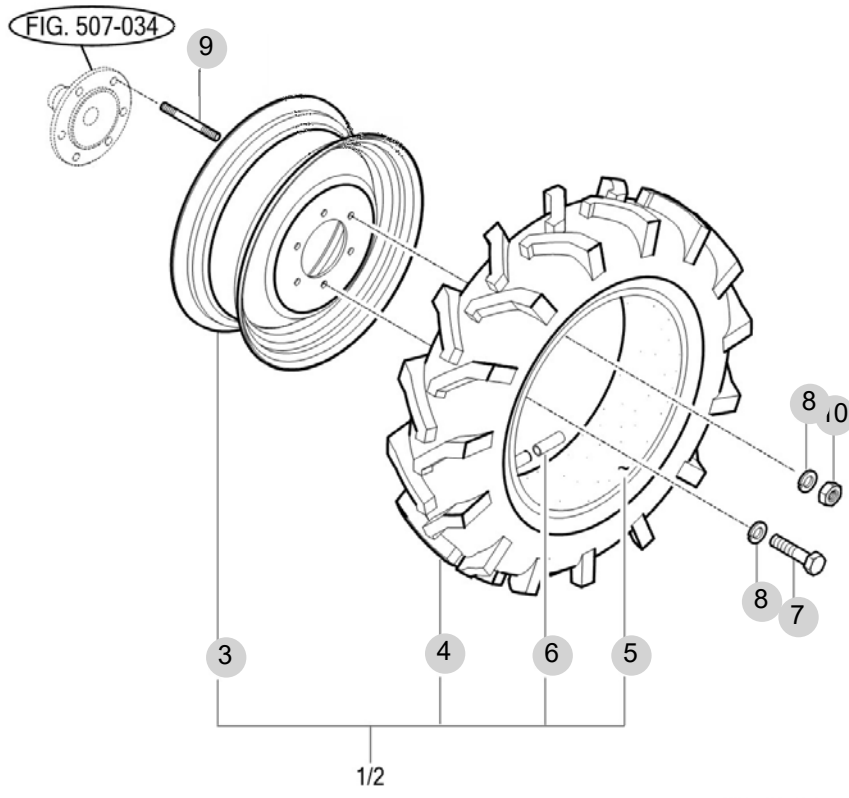
FIG 305A

T575NHEU1

FRONT WHEEL

년/월  
Year/Month

2022-12



NOTE





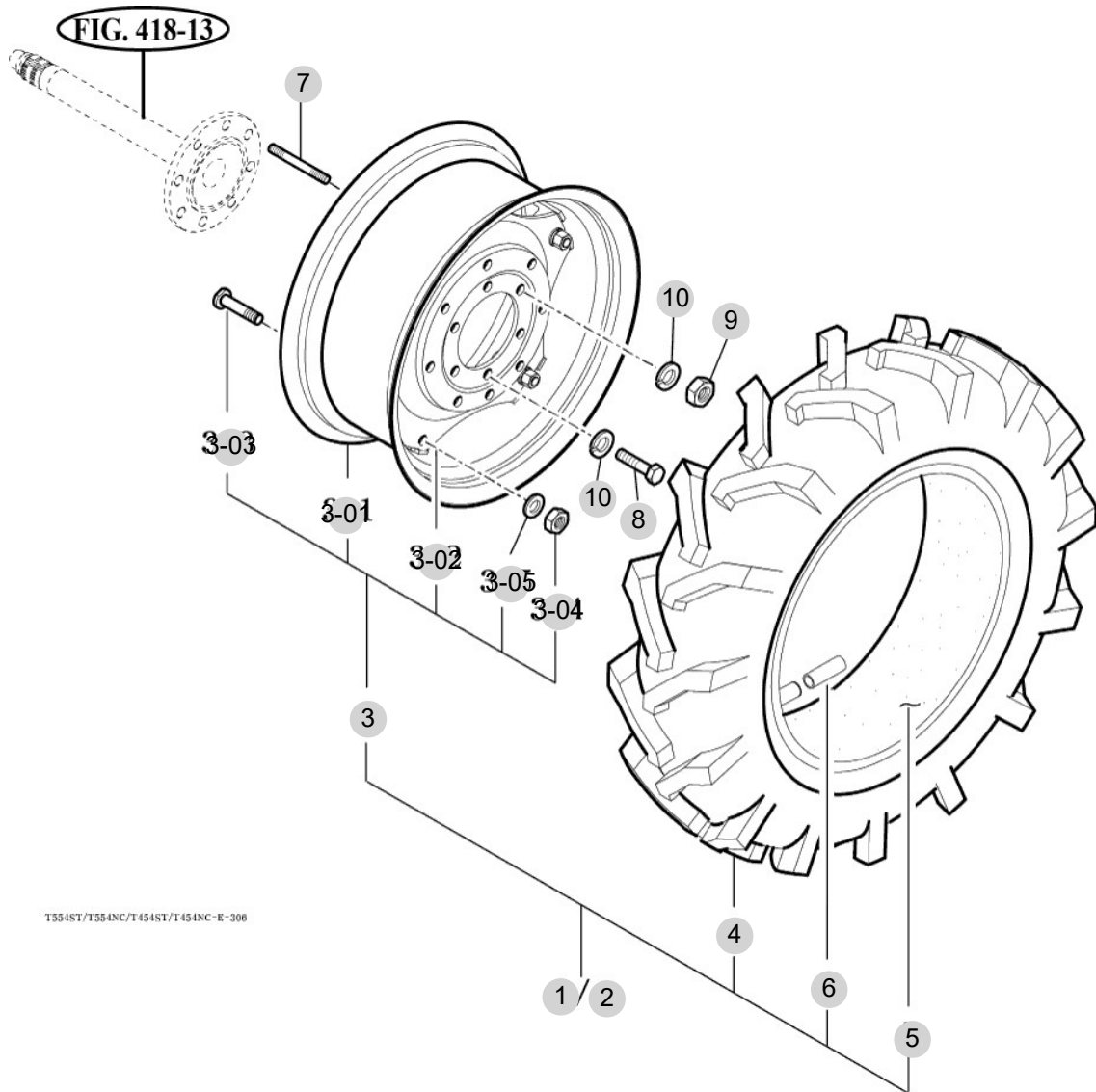
FIG 305A

T575NHEU1

REAR WHEEL

년/월  
Year/Month

2022-12



T554ST/T554NC/T454ST/T454NC-E-300

NOTE



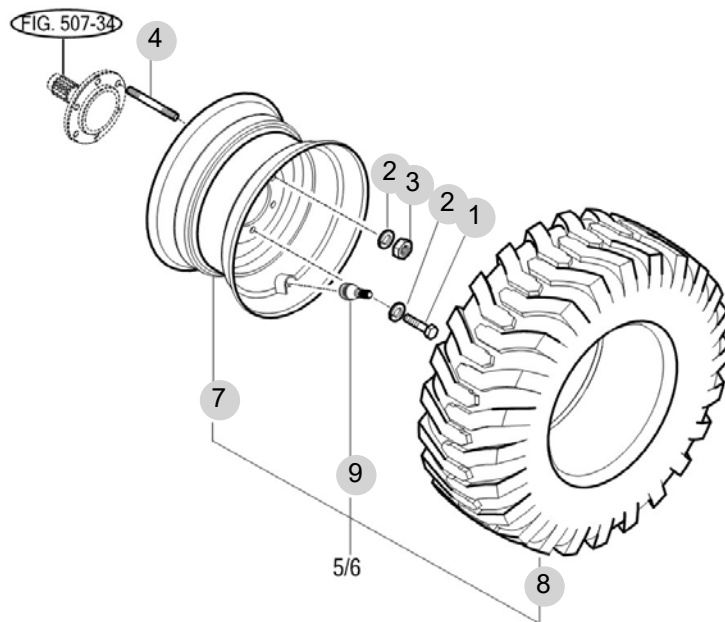
FIG 305B

T575NHEU1

FRONT WHEEL (R4 OPTION)

년/월  
Year/Month

2022-12



T503HST-E-305B

NOTE



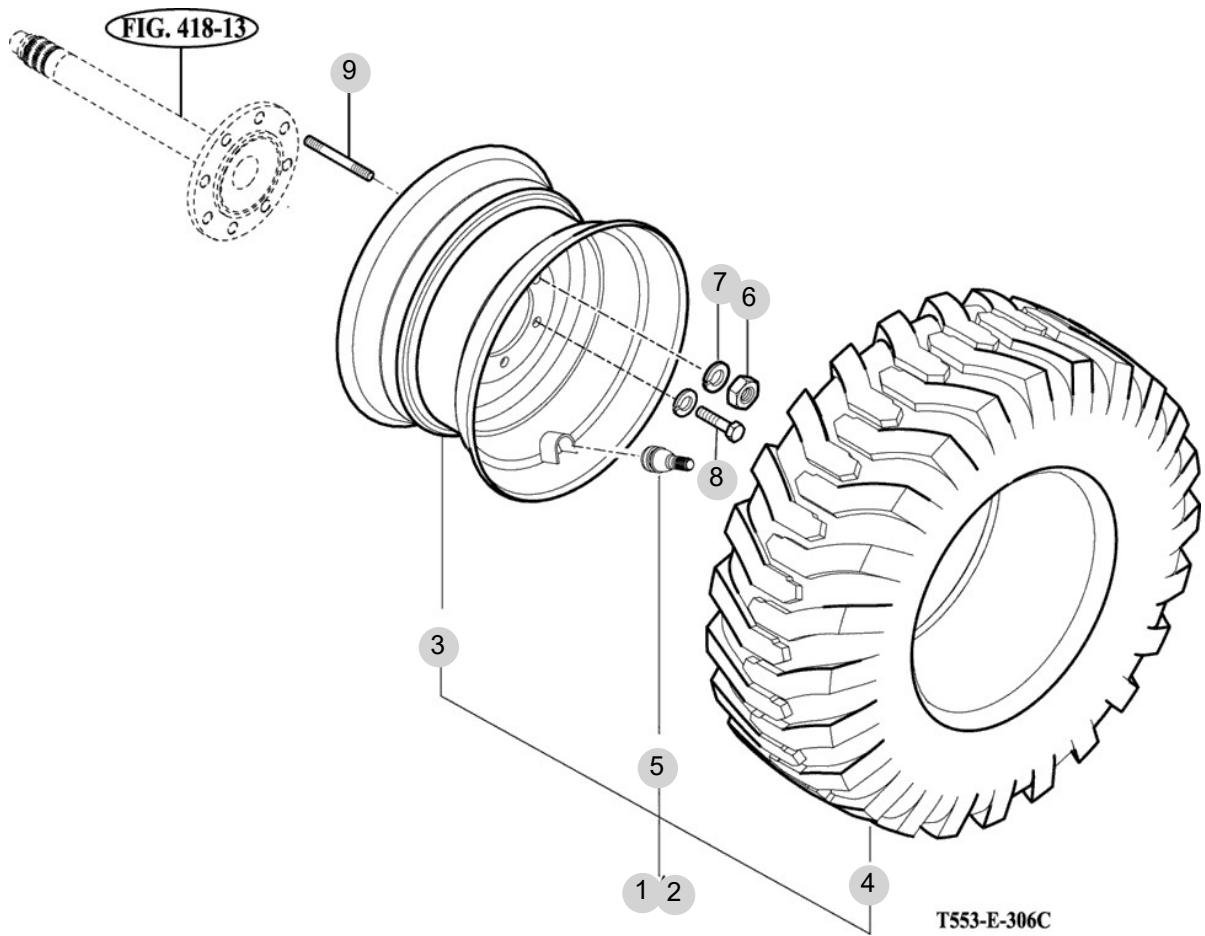
FIG 305B

T575NHEU1

REAR WHEEL (R4 OPTION)

년/월  
Year/Month

2022-12



NOTE









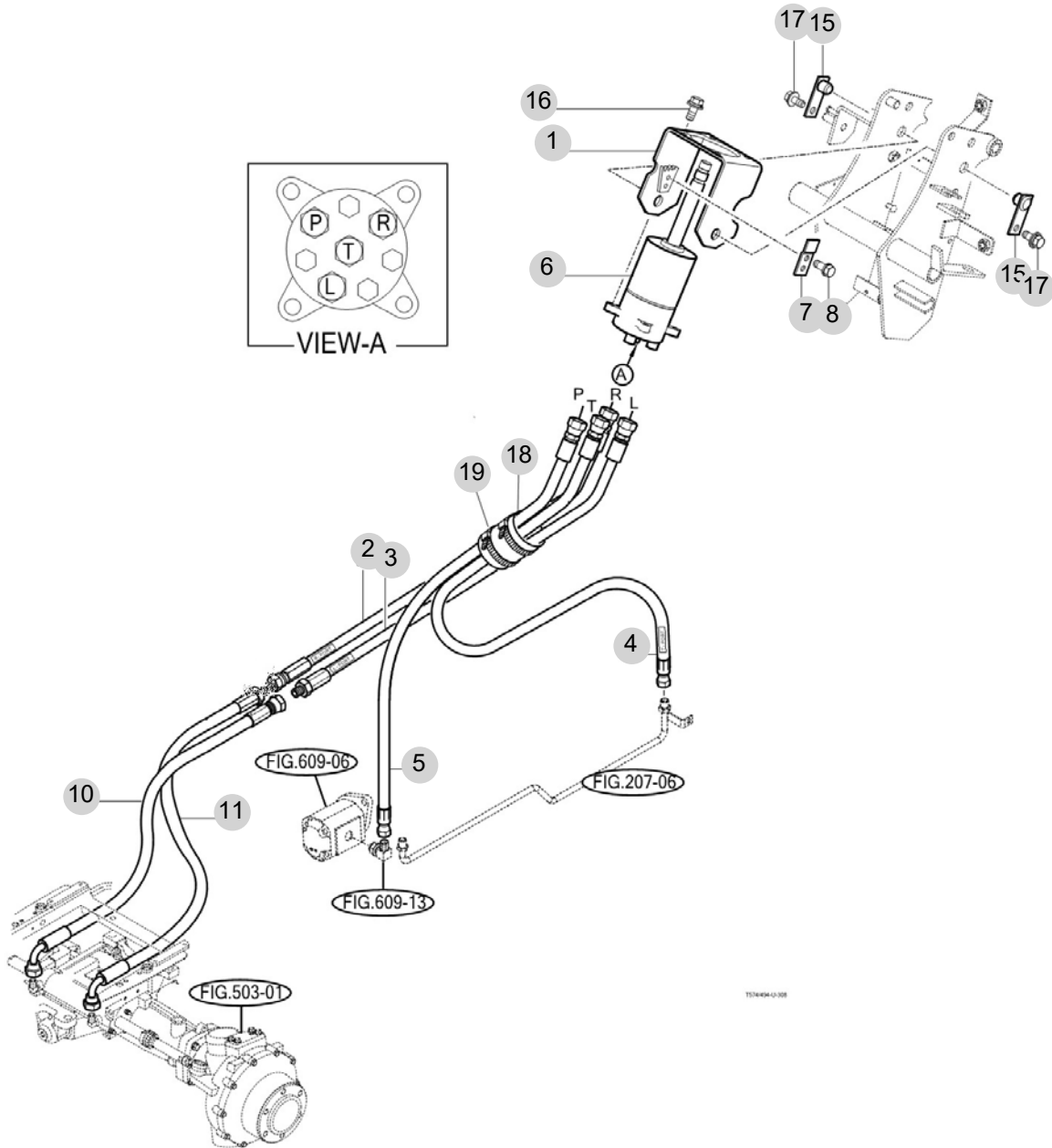
FIG 308

POWER STEERING VALVE

년/월  
Year/Month

2022-12

T575NHEU1



NOTE



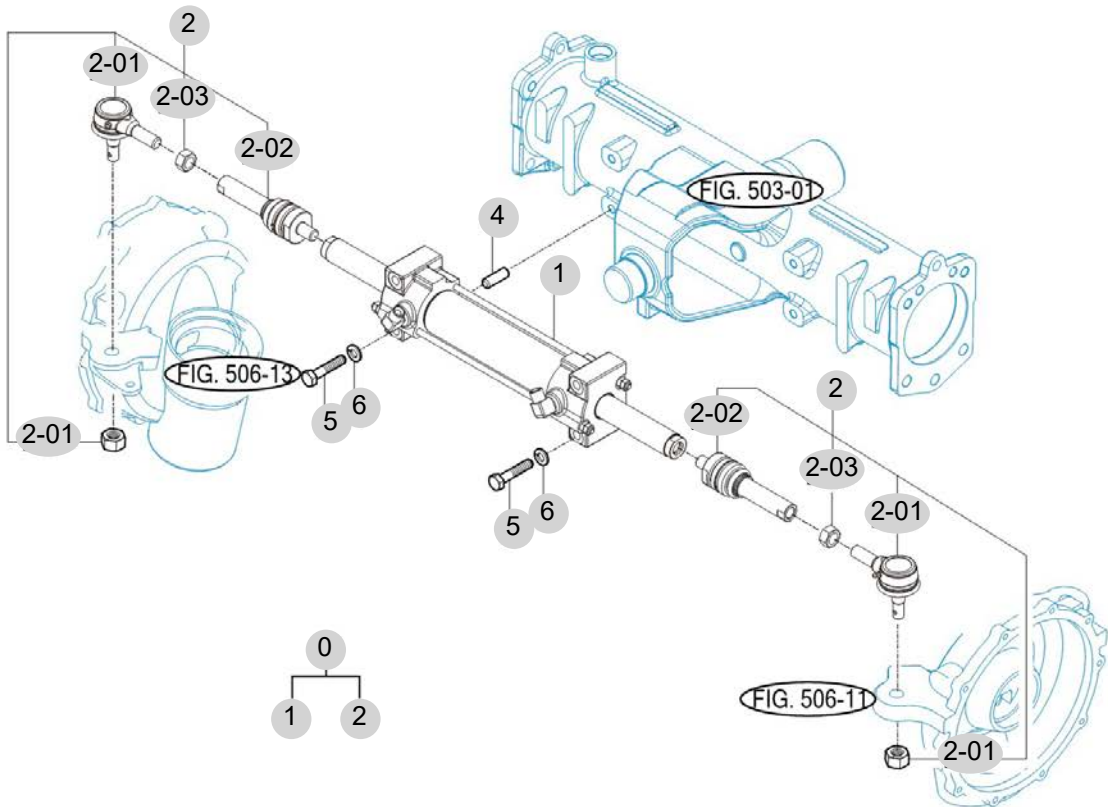
FIG 309

POWER STEERING CYLINDER

년/월  
Year/Month

2022-12

T575NHEU1



NOTE



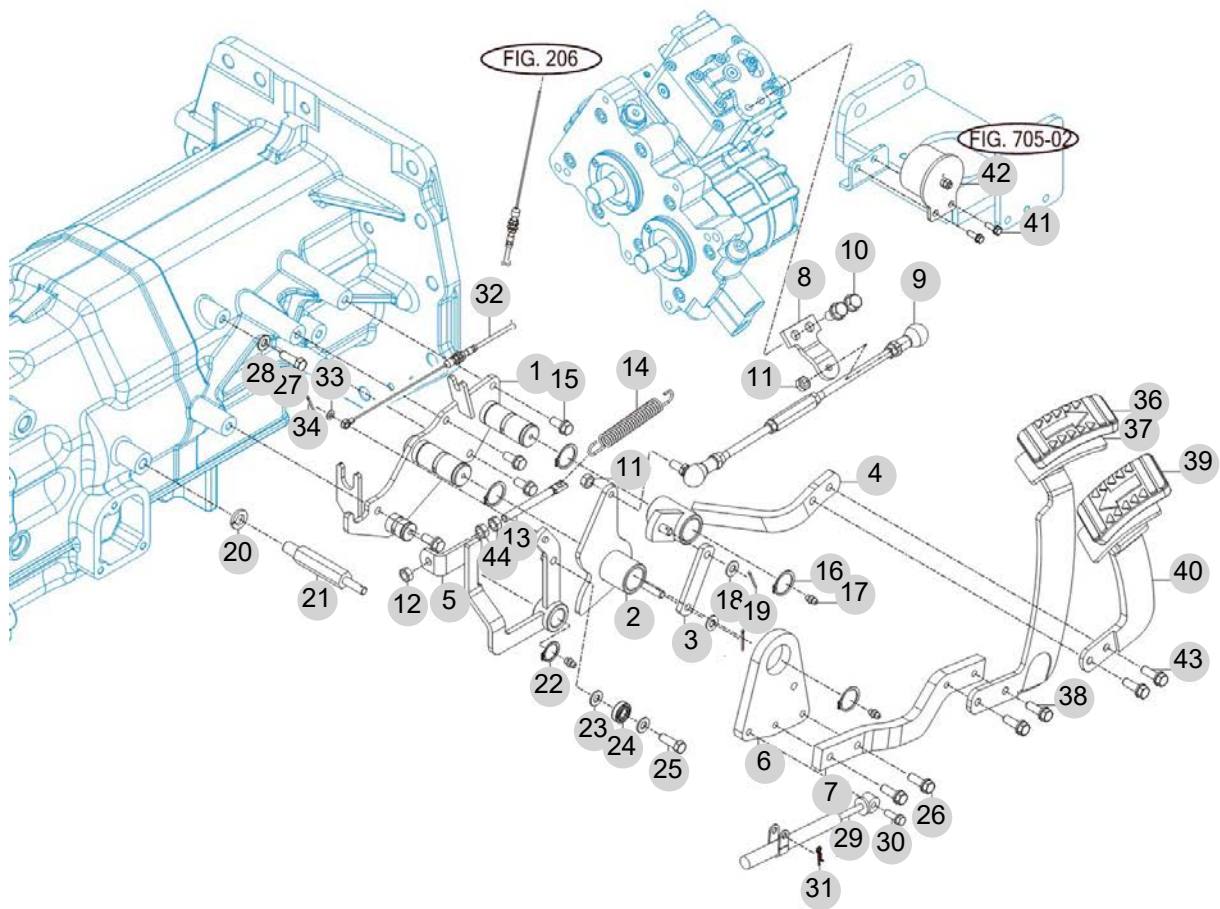
FIG 310

HST CONTROL LINK

년/월  
Year/Month

2022-12

T575NHEU1



NOTE

FIG 310		HST CONTROL LINK					년/월 Year/Month	
T575NHEU1							2022-12	
KEY NO	PART NO	DESCRIPTION	SPEC	QTY	REPAIR	EFFECTIVE DATE	REMARKS	
310	1	13872313200	HST 페달 브래킷 COMP		1			
310	2	13872312300	전진 암 COMP		1			
310	3	14722310023	플레이트(후진)		1			
310	4	13872312600	리버스 암 COMP		1			
310	5	13872312501	캠 팔로워 암 COMP		1			
310	6	13872312330	컨트롤 플레이트		1			
310	7	13872310050	전진 플레이트		1			
310	8	13872312111	HST 암 플레이트		1			
310	8	13872312112	HST 암 플레이트		1			
310	9	13872325001	HST 로드 ASSY		1			
310	9	13872325002	HST 로드 ASSY		1			
310	10	V2173608025	소형육각볼트보통(S)	M8X25	2			
310	11	V3043600080	소형육각너트보통2종	M8	2			
310	12	V3043600080	소형육각너트보통2종	M8	1			
310	13	34522150080	체인 텐션 로드(82)		1			
310	14	14722310033	스프링(리턴)		1			
310	15	V2173608020	소형육각볼트보통(S)	M8X20	4			
310	16	V7041400250	C형멈춤링(축용)		4			
310	17	V7601500000	그리스니플(A-M6F)		3			
310	18	V4111600080	평와서	M8	2			
310	19	V5001920020	분할핀		2			
310	20	V4011600120	스프링와셔	M12	1			
310	21	14722310041	오일 댐퍼 핀		1			
310	22	V7041400200	C형멈춤링(축용)		1			
310	23	V4111600080	평와서	M8	2			
310	24	14722310060	볼베어링(608DD)		1			
310	25	V2013608025	소형육각볼트(보통)	M8X25	1			
310	26	V2173608025	소형육각볼트보통(S)	M8X25	2			
310	27	V2013608045	소형육각볼트(보통)		1			
310	27	V2013608040	소형육각볼트(보통)	M8X40	1			
310	28	V3042600080	소형육각너트보통2종	M8	1			
310	29	11102321000	오일 댐퍼(110)		1			
310	30	V2183608030	소형육각볼트보통(SP)	M8X30	1			
310	31	V5601600008	스냅핀		1			
310	32	13871162700	케이블(오토스로틀)ASSY		1			
310	33	V4111600060	평와서	M6	1			
310	34	V5001920015	분할핀		1			
310	36	14722312730	패드		1			
310	37	13872312700GB	전진 페달 COMP		1			
310	38	V2173608020	소형육각볼트보통(S)	M8X20	2			
310	39	14722312730	패드		1			
310	40	13872312800GB	후진 페달 COMP		1			
310	40	13872312801GB	후진 페달 COMP		1			
310	41	V2173608020	소형육각볼트보통(S)	M8X20	2			
310	42	12382323000	크루저 컨트롤 마그네틱 ASSY		1			
NOTE								



#### 4. 트랜스미션 PART NO. T4

FIG 401 TRANSMISSION FRONT CASE	153
FIG 402 HST	155
FIG 403 MID TRANSMISSION CASE	157
FIG 404 TRANSTER GEAR SET	159
FIG 405 TRANSMISSION REAR CASE	161
FIG 406 SUB CHANGE GEARS	163
FIG 407 SUB CHANGE SHIFTER	165
FIG 408 DRIVE GEARS	167
FIG 409 4WD CHANGE LEVER	169
FIG 410 P.T.O DRIVE SHAFT	171
FIG 411 P.T.O CHANGE GEARS	173
FIG 412 P.T.O CHANGE LEVER	175
FIG 413 4WD CHANGE LEVER	178



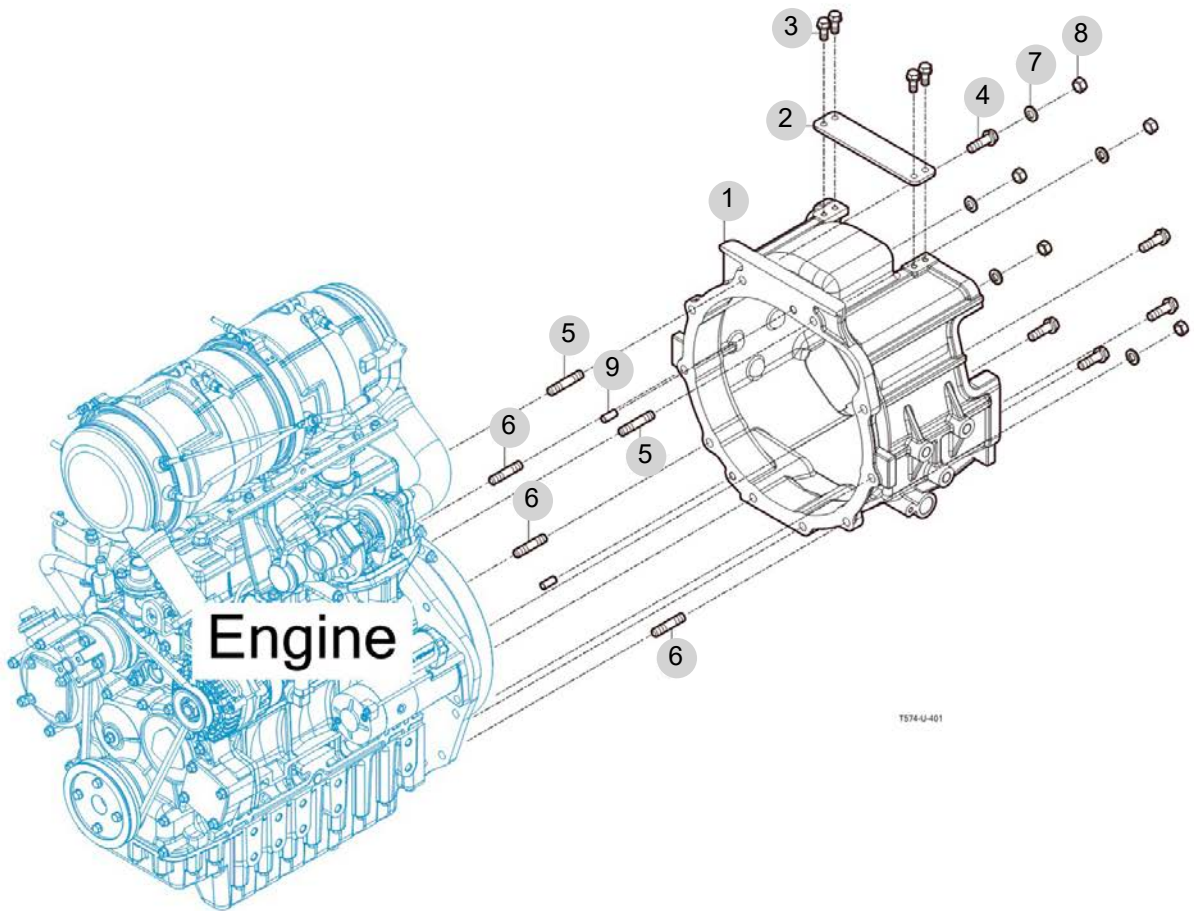
FIG 401

TRANSMISSION FRONT CASE

년/월  
Year/Month

2022-12

T575NHEU1



NOTE



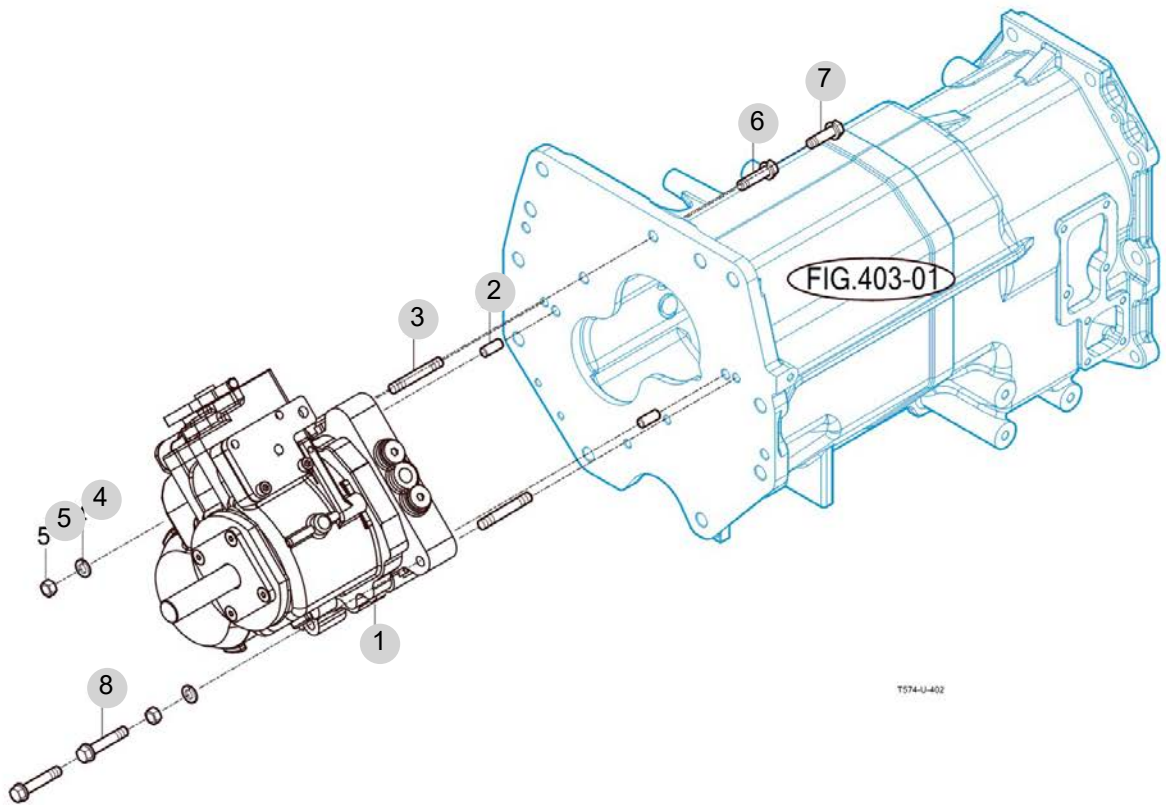
FIG 402

HST

년/월  
Year/Month

T575NHEU1

2022-12



NOTE



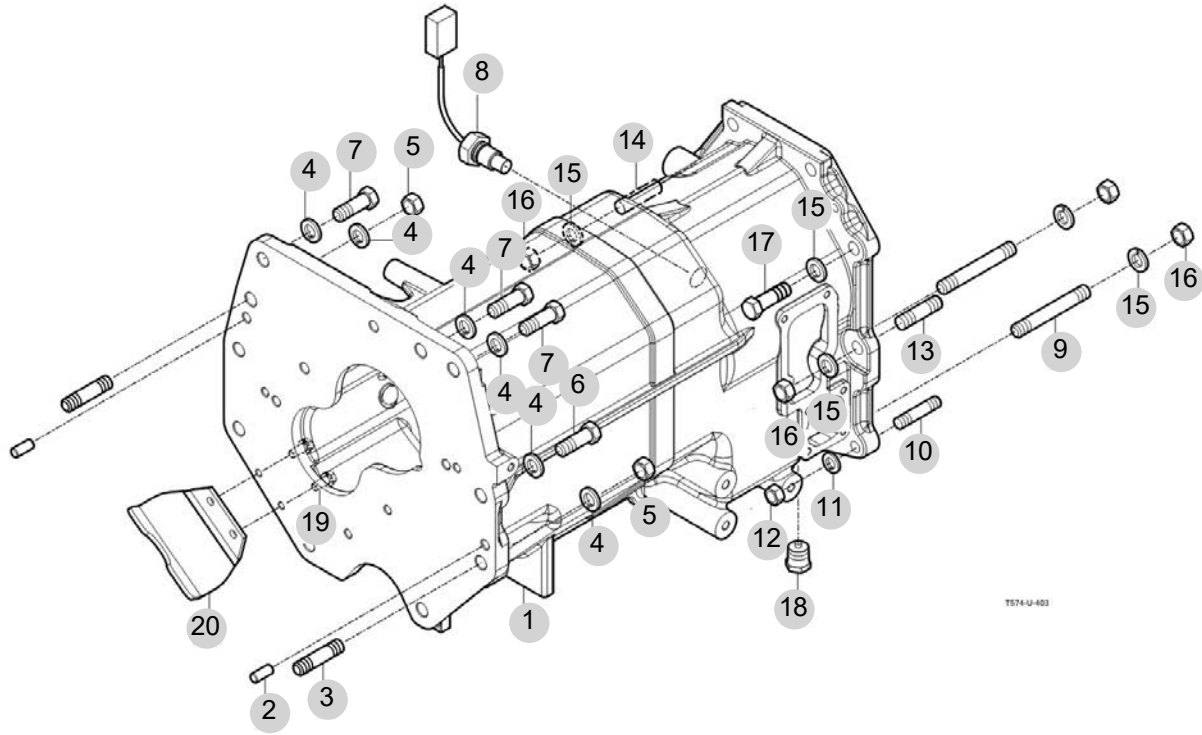
FIG 403

MID TRANSMISSION CASE

년/월  
Year/Month

2022-12

T575NHEU1



T574-U-403

NOTE



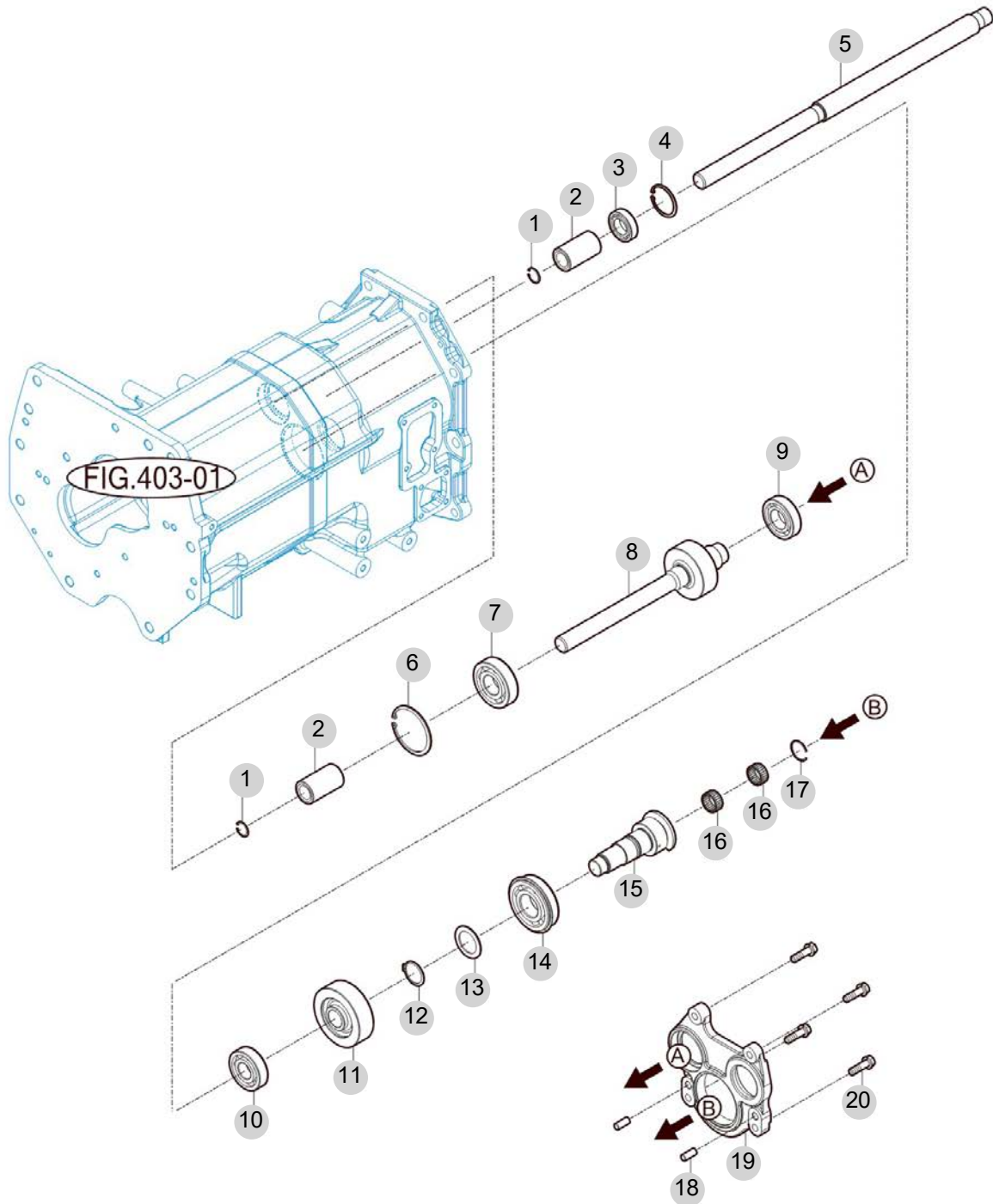
FIG 404

TRANSFER GEAR SET

년/월  
Year/Month

2022-12

T575NHEU1



NOTE





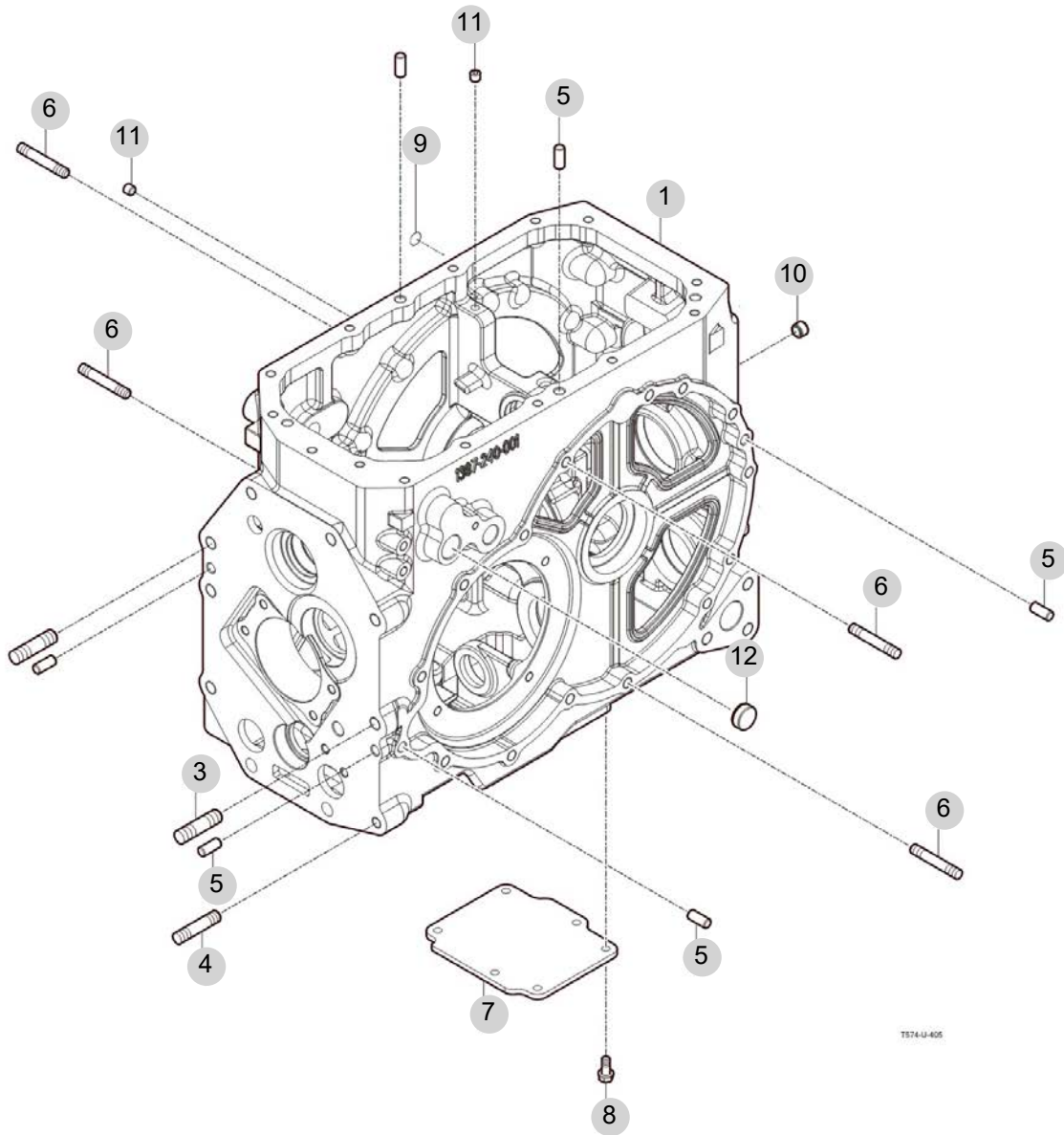
FIG 405

TRANSMISSION REAR CASE

년/월  
Year/Month

2022-12

T575NHEU1



NOTE







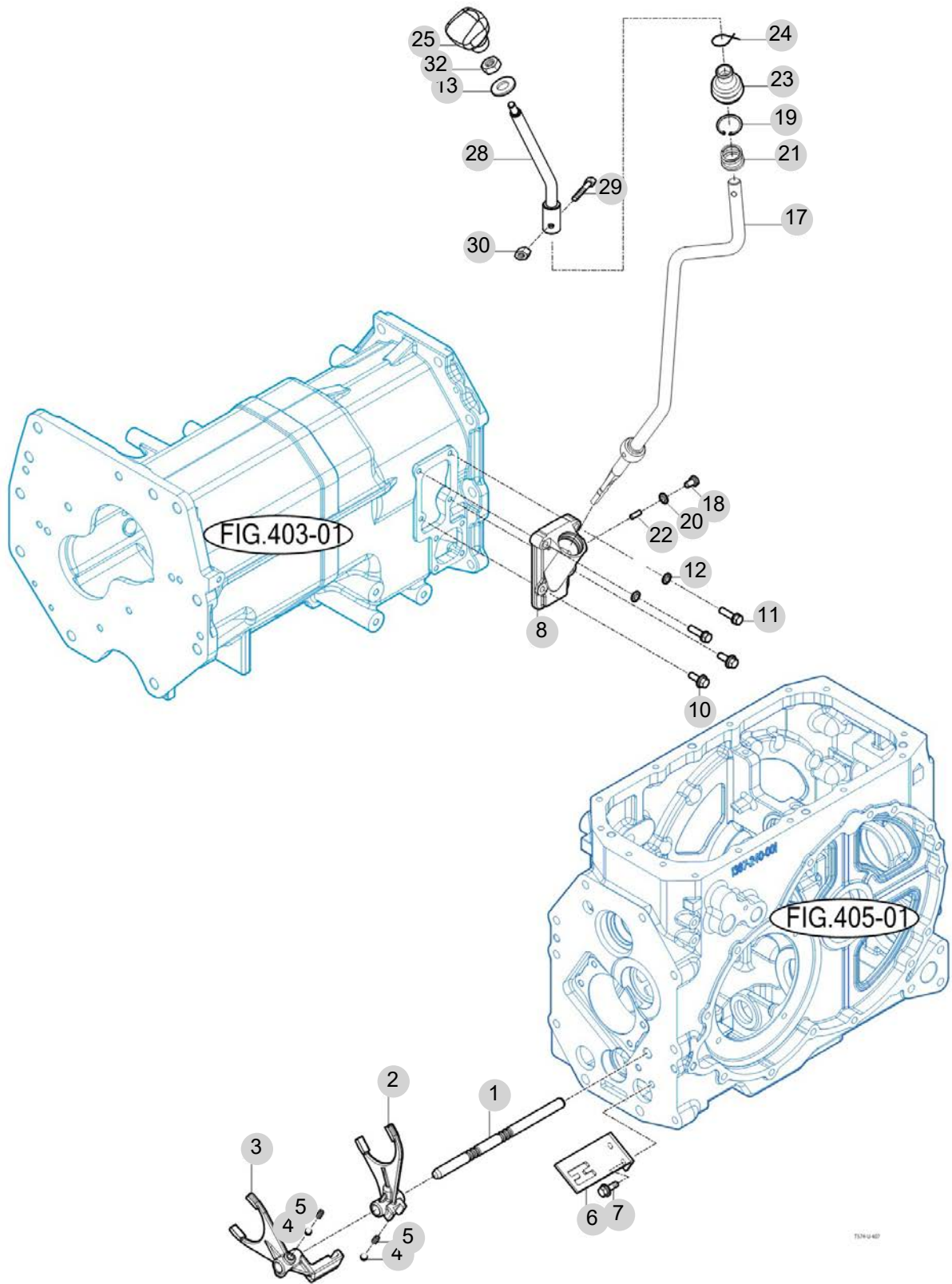
FIG 407

SUB CHANGE SHIFTER

년/월  
Year/Month

2022-12

T575NHEU1



NOTE



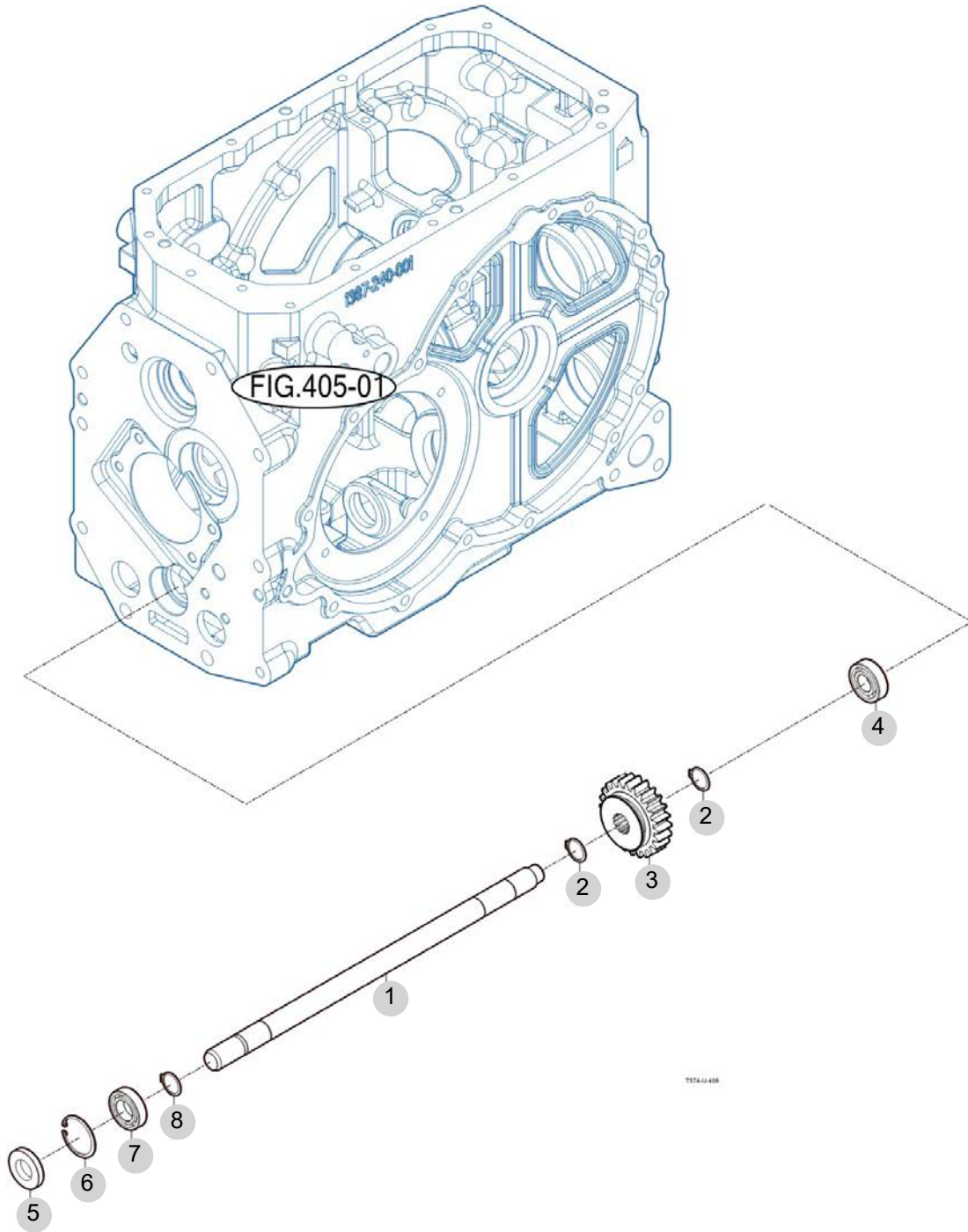
FIG 408

DRIVE GEARS

년/월  
Year/Month

2022-12

T575NHEU1



NOTE



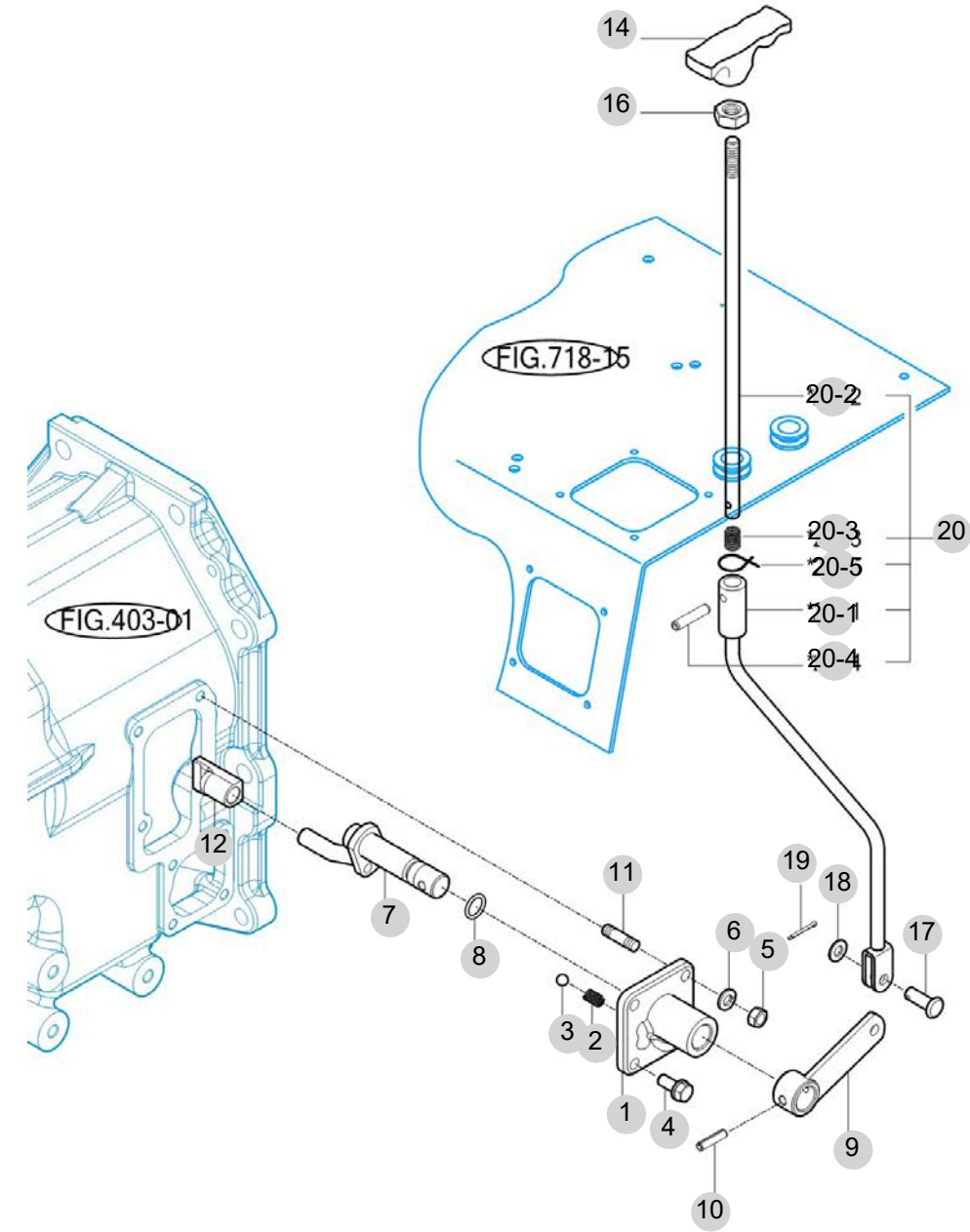


FIG 409

4WD CHANGE LEVER

년/월  
Year/Month

2022-12



\*NOT SERVICED SEPARATELY

T574-U-409

NOTE



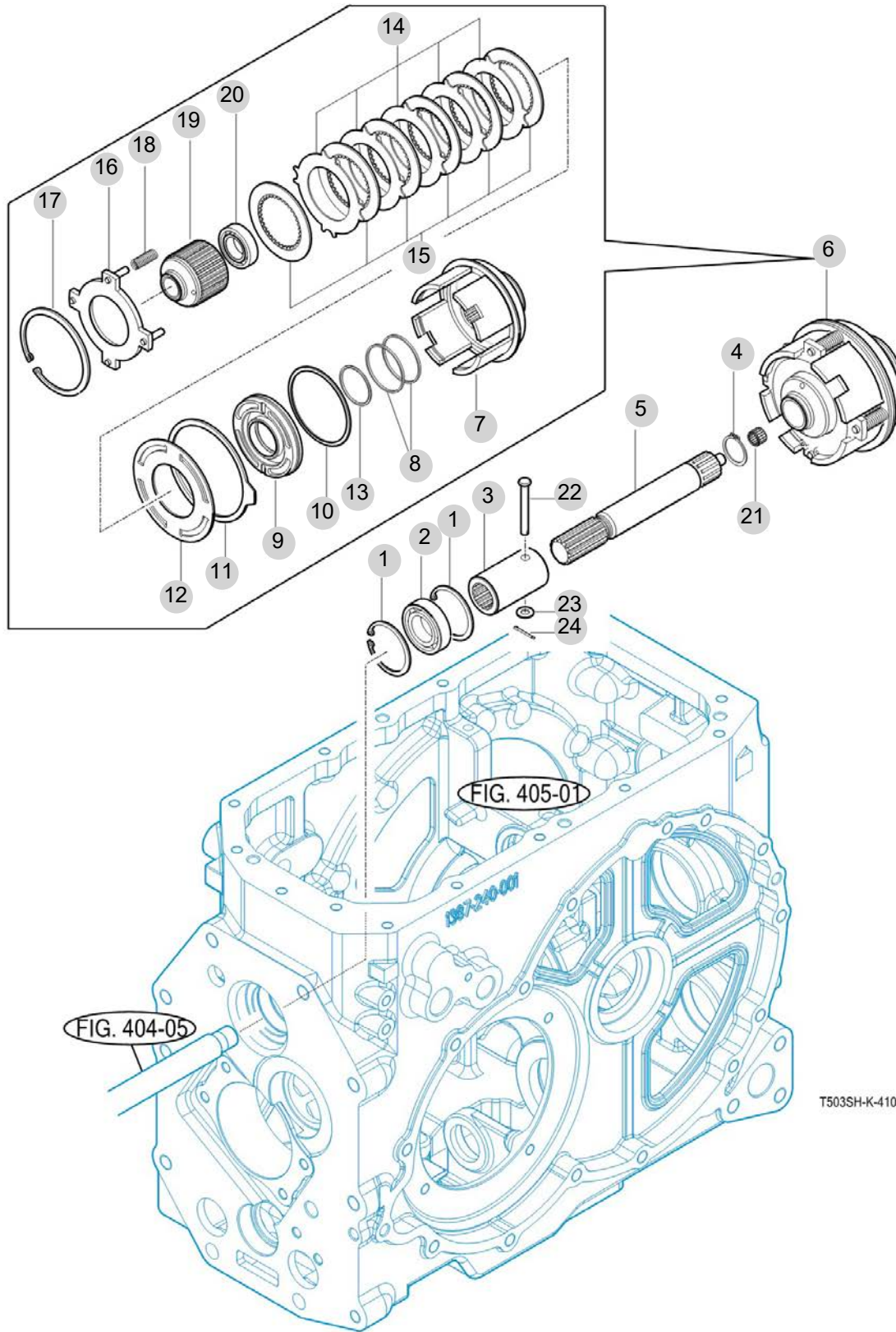
FIG 410

P.T.O DRIVE SHAFT

년/월  
Year/Month

2022-12

T575NHEU1



NOTE



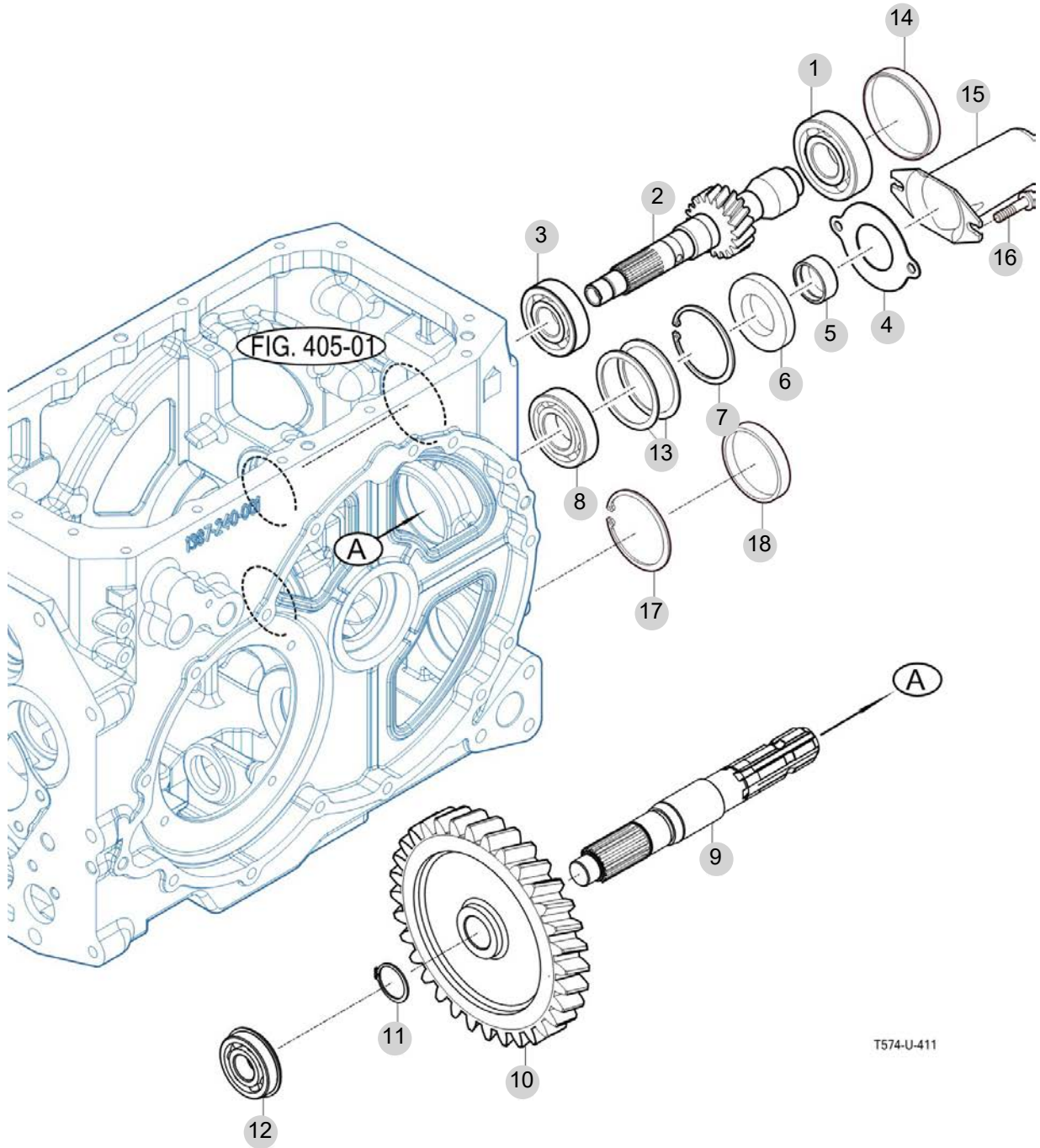
FIG 411

P.T.O CHANGE GEARS

년/월  
Year/Month

2022-12

T575NHEU1



NOTE



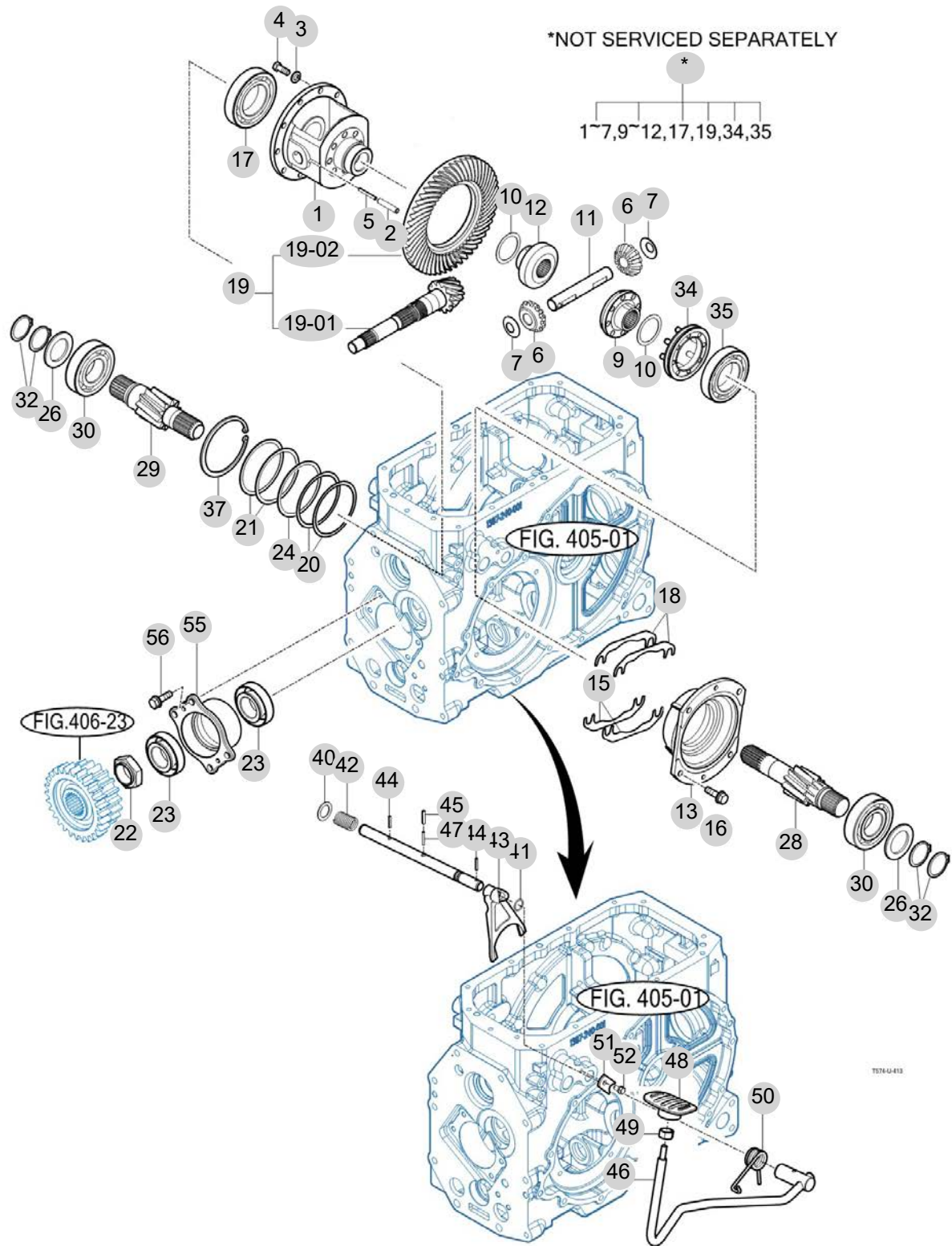
FIG 412

P.T.O CHANGE LEVER

년/월  
Year/Month

2022-12

T575NHEU1



NOTE

FIG 412 T575NHEU1		P.T.O CHANGE LEVER					년/월 Year/Month	
							2022-12	
KEY NO	PART NO	DESCRIPTION	SPEC	QTY	REPAIR	EFFECTIVE DATE	REMARKS	
412	0	14523031001	리어차동장치(47PS)ASSY			1		
412	1	14523030010M	케이스(디프)			1		
412	2	V5801408040	스프링핀	8X40		1		
412	3	V4011600100	스프링와셔	M10		10		
412	4	V2024610025	소형육각볼트(가는)	M10X25		10		
412	5	V5801405036	스프링핀	5X36		1		
412	6	14523180041	피니언(차동)			2		
412	7	14523030080	칼라(피니언)			2		
412	9	14523180061	피니언(베벨/16 LH)			1		
412	10	14523030100	와셔(스러스트)			2		
412	11	14523030110	디프피니언샤프트			1		
412	12	14523180031	피니언(베벨/16 RH)			1		
412	13	14523030131M	메탈(LH/디프케이스)			1		
412	15	14523010090	심(B)	T=0.2		4		
412	16	V2173610025	소형육각볼트보통(S)	M10X25		4		
412	17	V6001106212	볼베어링	6212		1		
412	18	14523010080	심(A)	T=0.1		2		
412	19	14523022100	기어(10X41)SET			1		
412	19-01	14523022111	베벨피니언			1		
412	19-02	14523022120	스파이럴베벨기어			1		
412	20	14523010050	심(0.1)	T=0.1		1		
412	22	15533030020	너트(M40XP1.5)			1		
412	23	V6321132208	테이퍼로울러베어링(보통)	32208CR		2		
412	24	14523010100	심(0.2)	T=0.2		2		
412	26	15133060030	스러스트칼라(45X68X4)			2		
412	28	14523060011	피니언(헬리컬/11/LH)			1		
412	29	14523060021	피니언(헬리컬/11/RH)			1		
412	30	V6041106309	볼베어링(HL1)	6309		2		
412	32	V7041400450	C형멈춤링(축용)	45		4		
412	34	14523033400	슬리브COMP			1		
412	35	V6001106211	볼베어링	6211		1		
412	37	V7051401100	C형멈춤링(구멍용)	R110		1		
412	39	15533193010	디프록 샤프트			1		
412	40	V4111600200	평와셔	M20		1		
412	41	V7201024016	O링(P)	P16		1		
412	42	17973030420	스프링			1		
412	43	14523190011M	포크(디프록)			1		
412	44	V5801406032	스프링핀	6X32		2		
412	45	V5801408036	스프링핀	8X36		1		
412	46	15533193100	디프록페달COMP			1		
412	47	V5801405036	스프링핀	5X36		1		
412	48	14521220120	페달COMP,액셀			1		
412	49	V3342600100	소형육각너트가는2종	M10		1		
412	50	15533190020	스프링(디프 페달)			1		
412	50	15533190021	스프링(디프 페달)			1		
NOTE								



<b>FIG 412</b> T575NHEU1	<b>P.T.O CHANGE LEVER</b>					년/월 Year/Month
						2022-12

KEY NO	PART NO	DESCRIPTION	SPEC	QTY	REPAIR	EFFECTIVE DATE	REMARKS
412	51	16703180191	플레이트	1			
412	52	V2173608016	소형육각볼트보통(S)	1			
412	55	14523020040M	메탈(피니언)	1			
412	56	14523010031	심(0.2)	4			
412	56	V2173610025	소형육각볼트보통(S)	4			

NOTE

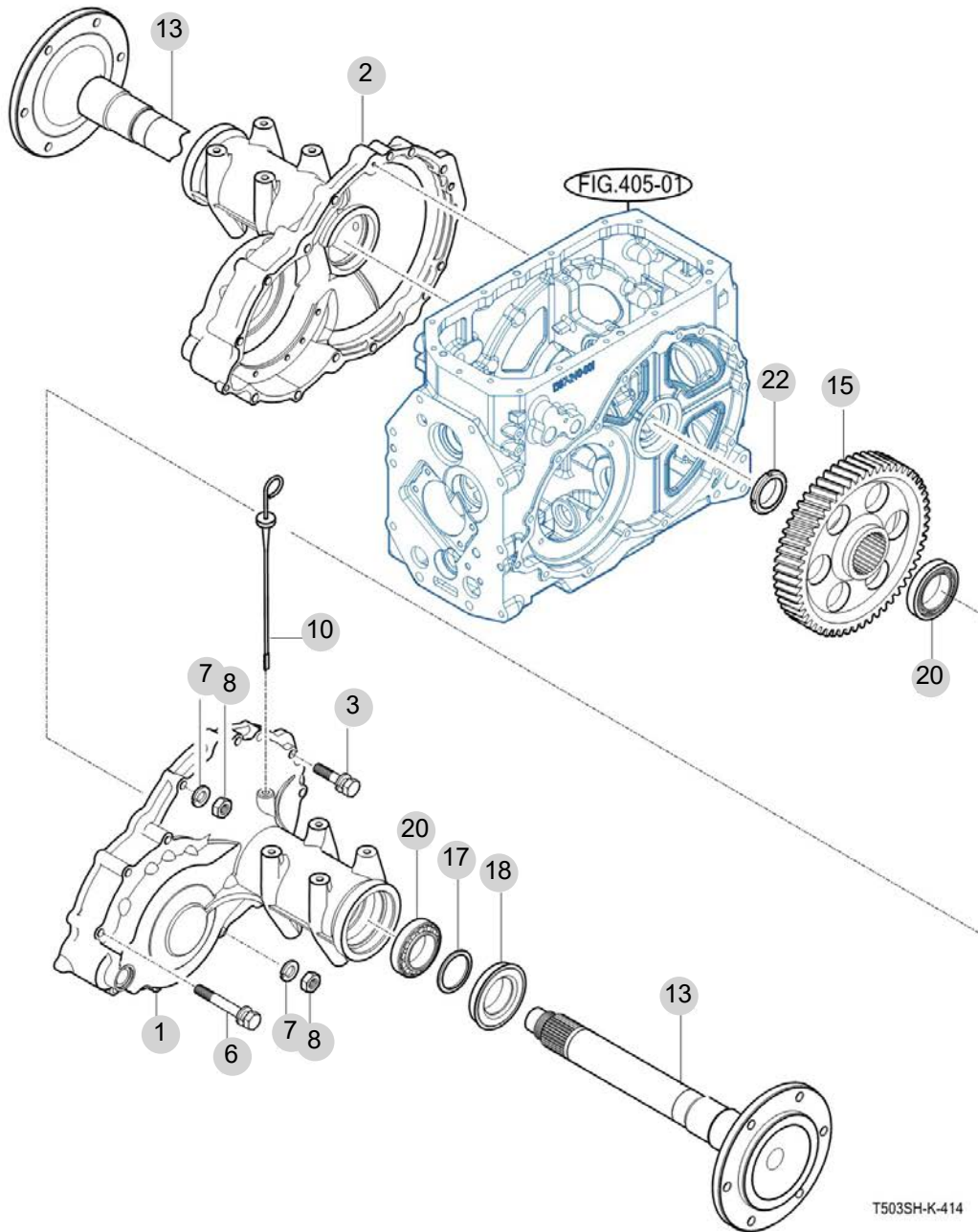
FIG 413

4WD CHANGE LEVER

년/월  
Year/Month

2022-12

T575NHEU1



NOTE



## 5. 프런트 액슬 PART NO. T5

FIG 501 FRONT AXLE SUPPORT	181
FIG 502 FRONT DRIVE SHAFT	183
FIG 503 FRONT AXLE HOUSING	185
FIG 504 FRONT DIFFERENTIAL GEARS	187
FIG 505 FRONT GEAR CASE (1)	189
FIG 506 FRONT GEAR CASE (2)	191
FIG 507 FRONT GEAR CASE (3)	193

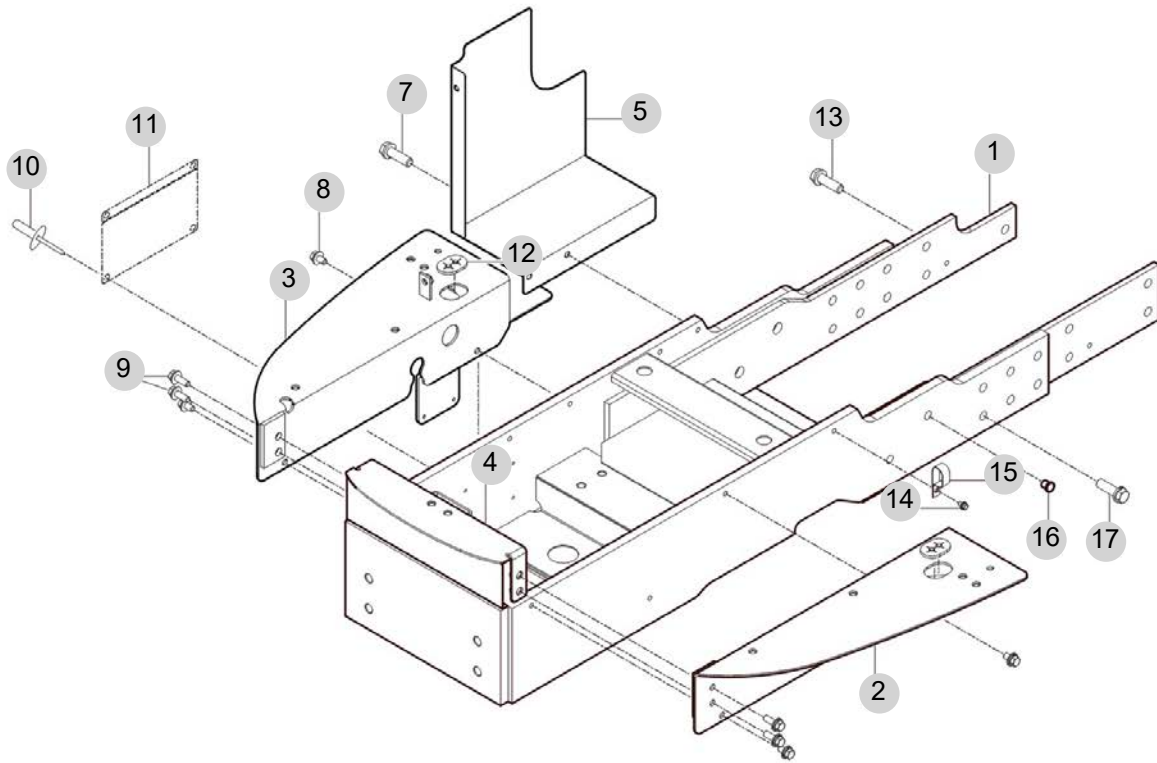
FIG 501

FRONT AXLE SUPPORT

년/월  
Year/Month

2022-12

T575NHEU1



T574494-U-501

NOTE

FIG 501 T575NHEU1		FRONT AXLE SUPPORT						년/월 Year/Month	REMARKS
								2022-12	
KEY NO	PART NO	DESCRIPTION	SPEC	QTY	REPAIR	EFFECTIVE DATE			
501	1	13871021000ED	메인 프레임 COMP				1		
501	2	13871052101GB	플레이트 COMP , 그릴 좌				1		
501	3	11061052200GB	플레이트 COMP , 그릴 우				1		
501	4	14184103100GB	플레이트 COMP, 하				1		
501	5	13871812100GB	브래킷 COMP , 가이드				1		
501	7	V2183608020	소형육각볼트보통(SP)	M8X20			2		
501	8	V2183608016	소형육각볼트보통(SP)	M8X16			4		
501	9	V2183608025	소형육각볼트보통(SP)	M8X25			4		
501	10	V5502040093	브라인더리벳				4		
501	11	11069049200	기종명판(내용/T495/T575)				1		
501	11	11069049201	형식명판 , EU/내용				1		
501	12	14541063050	쇐(파이프)				2		
501	13	V2173612030	소형육각볼트보통(S)	M12X30			7		
501	14	V2183608016	소형육각볼트보통(SP)	M8X16			4		
501	15	14441010161	라디에이터호스클램프				3		
501	16	14273170040	캠(M14)				8		
501	17	V2173612040	소형육각볼트보통(S)	M12X40			12		
NOTE									

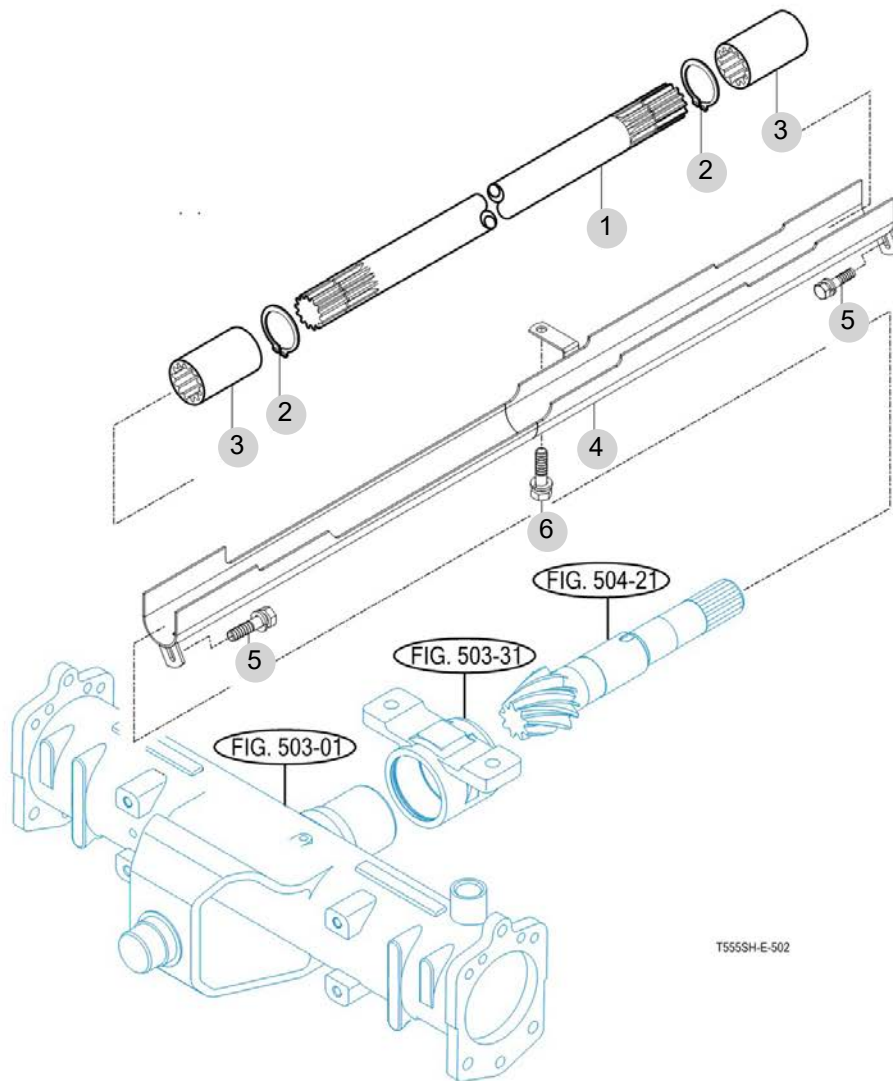
FIG 502

FRONT DRIVE SHAFT

년/월  
Year/Month

2022-12

T575NHEU1



T555SH-E-502

NOTE





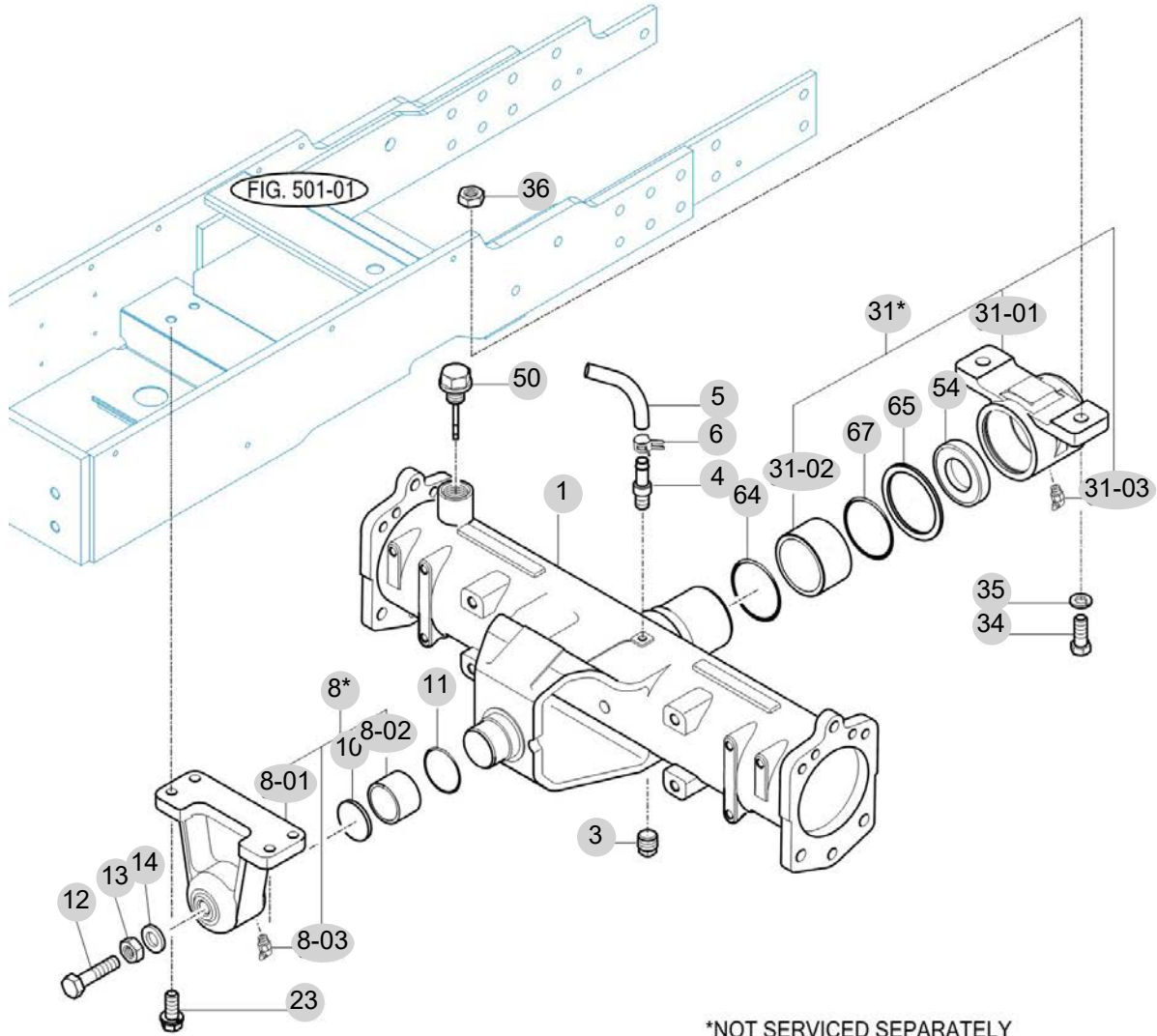
FIG 503

FRONT AXLE HOUSING

년/월  
Year/Month

2022-12

T575NHEU1



T574494-U-503

NOTE



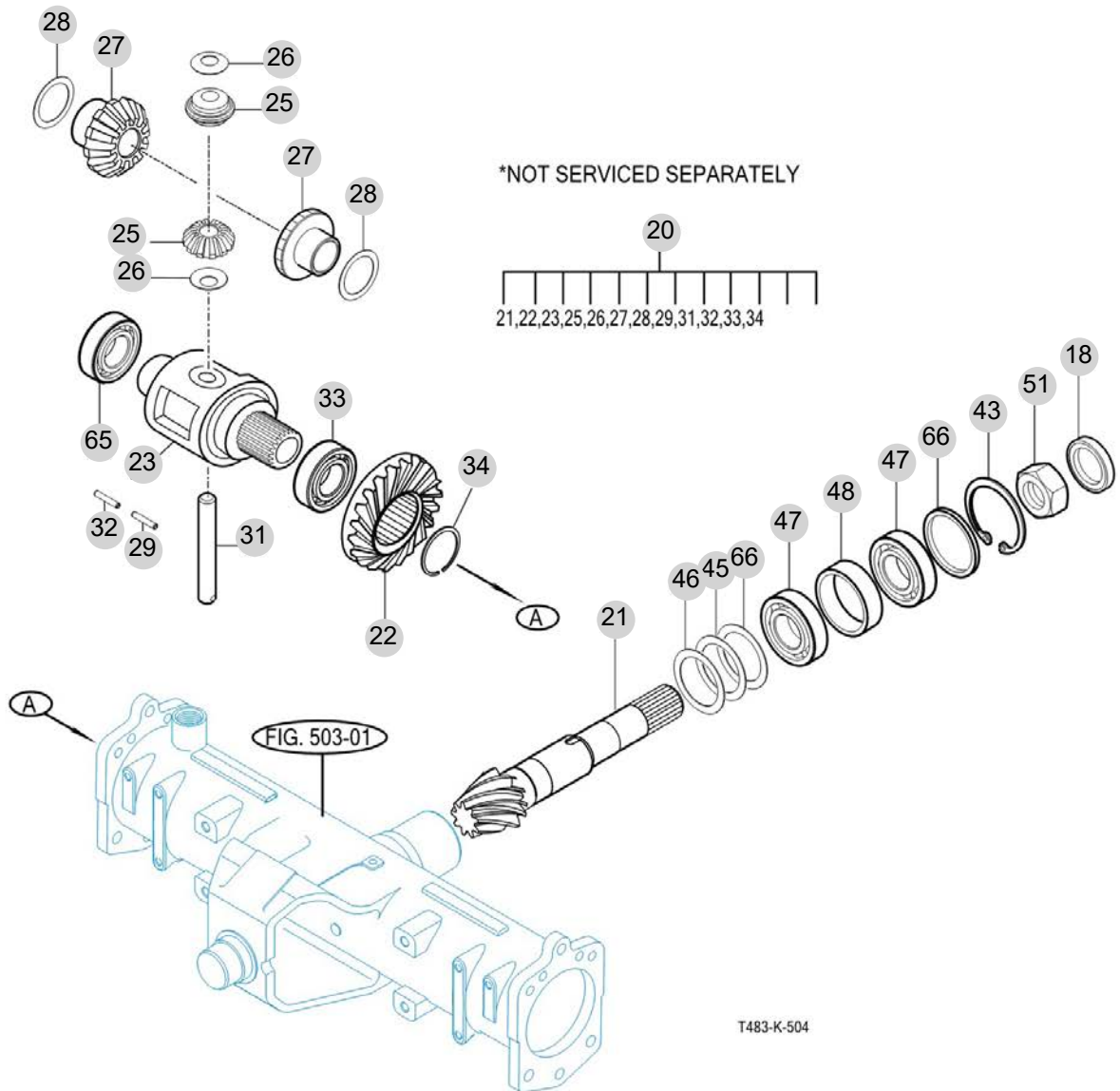
FIG 504

FRONT DIFFERENTIAL GEARS

년/월  
Year/Month

2022-12

T575NHEU1



\*NOT SERVICED SEPARATELY

21,22,23,25,26,27,28,29,31,32,33,34

FIG. 503-01

T483-K-504

NOTE



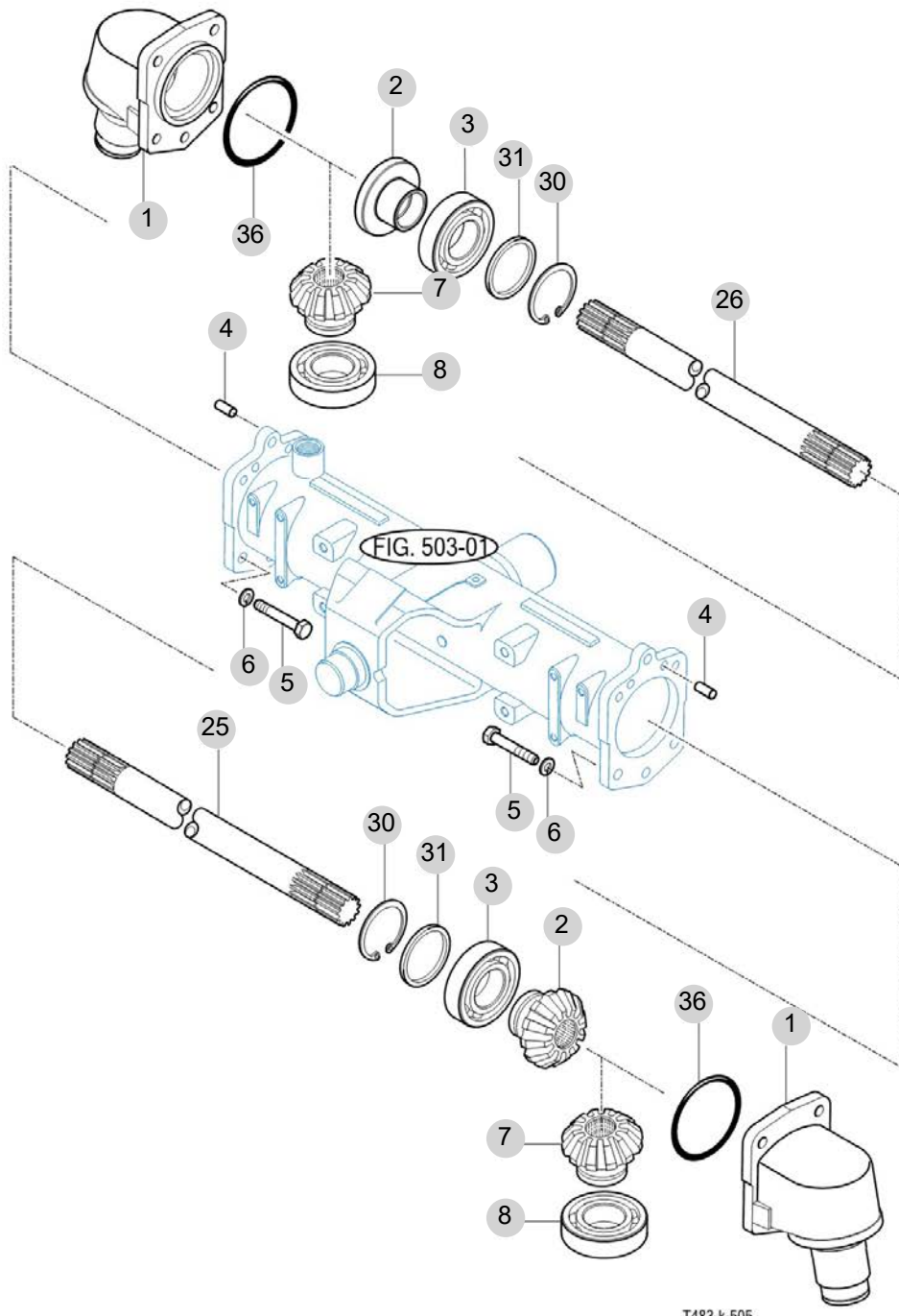
FIG 505

FRONT GEAR CASE (1)

년/월  
Year/Month

2022-12

T575NHEU1



T483-k-505

NOTE



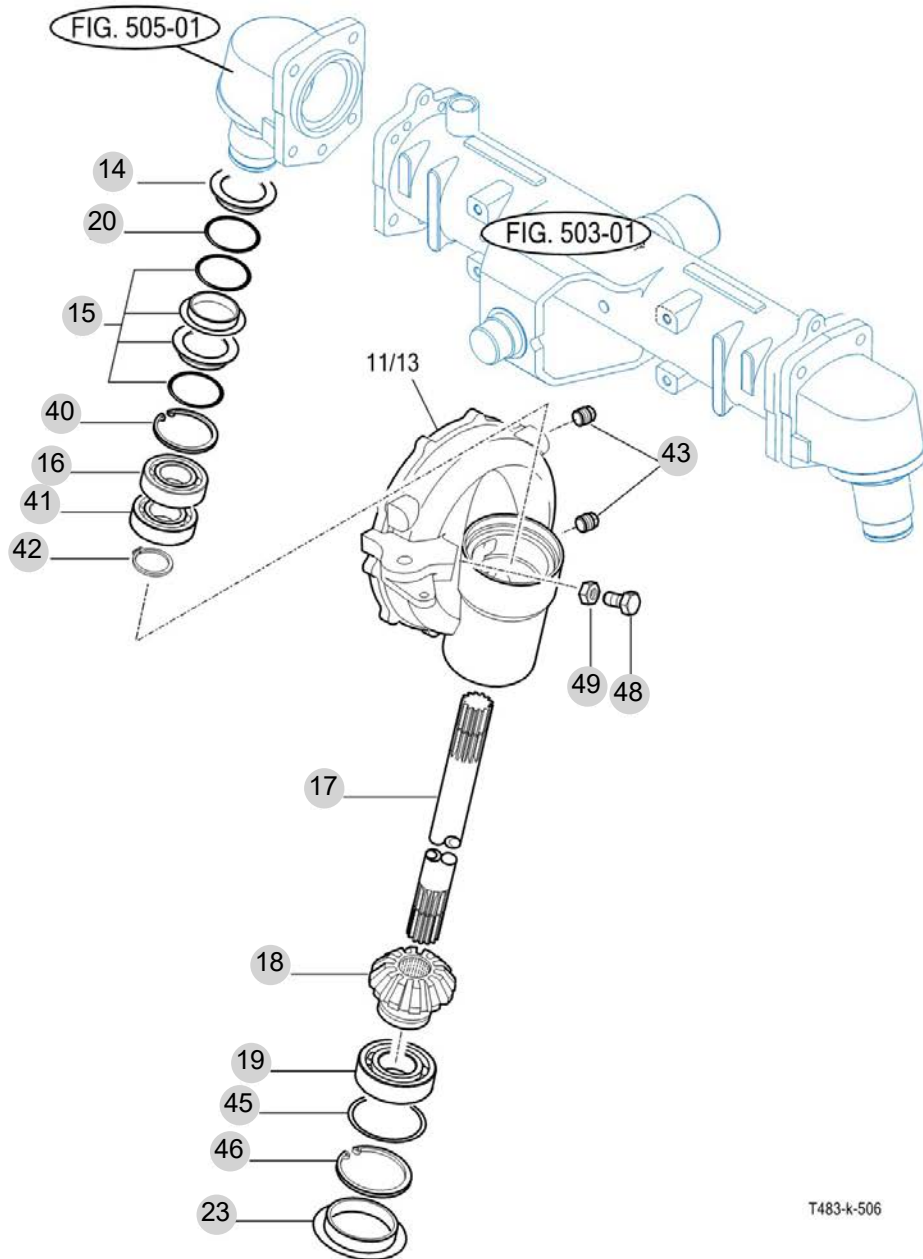
FIG 506

T575NHEU1

FRONT GEAR CASE (2)

년/월  
Year/Month

2022-12



T483-k-506

NOTE





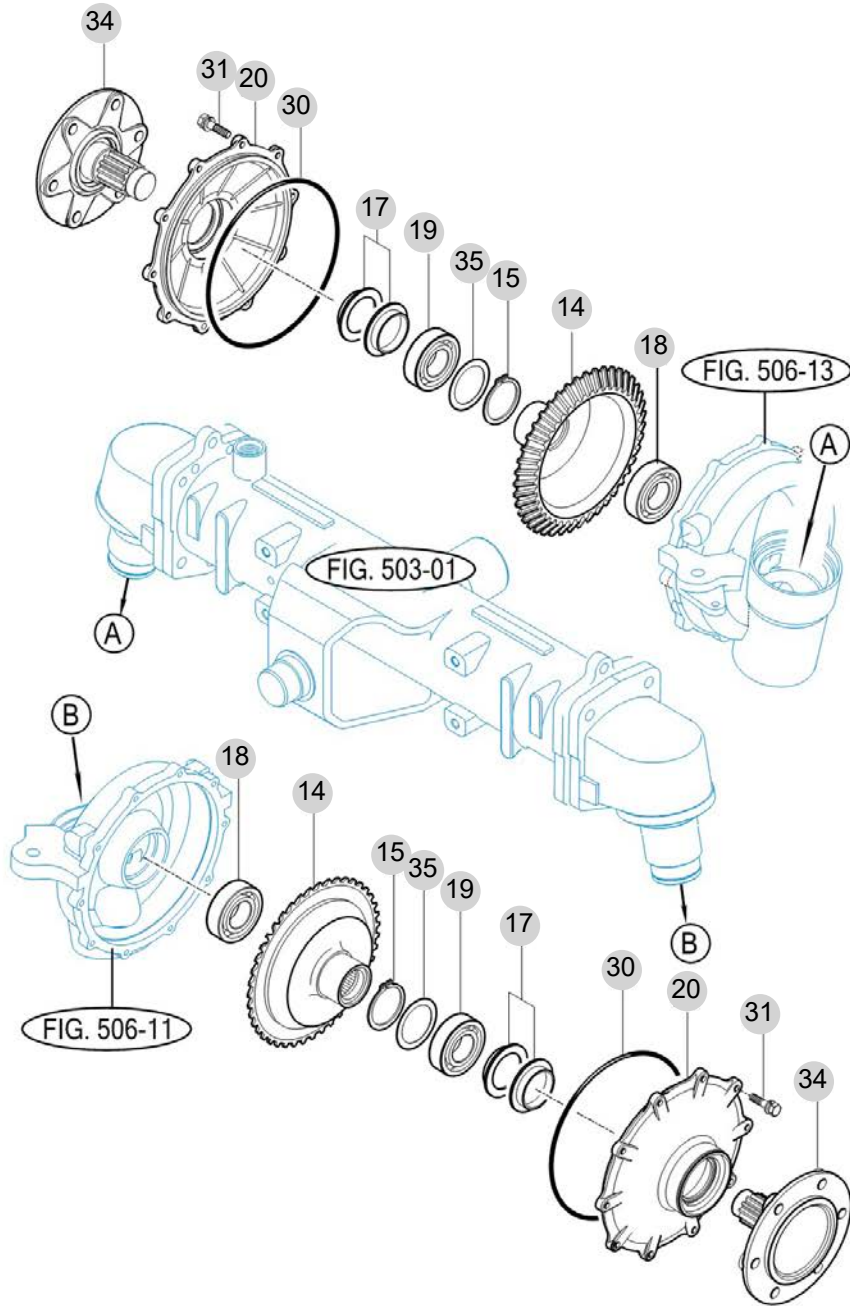
FIG 507

T575NHEU1

FRONT GEAR CASE (3)

년/월  
Year/Month

2022-12



T483-k-507

NOTE

<b>FIG 507</b> T575NHEU1	<b>FRONT GEAR CASE (3)</b>	년/월 Year/Month  2022-12
-----------------------------	----------------------------	----------------------------------

KEY NO		PART NO	DESCRIPTION	SPEC	QTY	REPAIR	EFFECTIVE DATE	REMARKS
507	14	16734340081	베벨기어(38)		2			
507	14	16734340080	베벨기어(38)		2			
507	15	17994420060	C형머츨링(축용)	50	2			
507	15	V7041400500	C형머츨링(축용)	50	2			
507	17	16004340040	플로팅쎀		2			
507	18	V6041106308	볼베어링(HL1)	6308HL1	2			
507	19	V6041106210	볼베어링(HL1)	6210HL1	2			
507	20	16704340130M	휠샤프트커버		2			
507	30	16704340150	O-링		2			
507	31	V2173608025	소형육각볼트보통(S)	M8X25	20			
507	34	16704340070	샤프트(휠)		2			
507	35	16709510081	와셔(50X67X2)		2			

NOTE

## 6. 유압/3점링크 PART NO. T6

FIG 601 CYLINDER CASE	196
FIG 602 LIFT ARM	198
FIG 603 CYLINDER	200
FIG 604 POSITION LINK	202
FIG 605 CONTROL VALVE	204
FIG 606 DRAFT LINK	206
FIG 607 POSITION & DRAFT LEVER (1)	208
FIG 607-2 POSITION & DRAFT LEVER (2)[SAP 가져오기]에서 생성함.	210
FIG 608 EXTERIOR HYD.VALVE	212
FIG 609 HYDRAULIC PIPE	214
FIG 610 JOYSTICK	216
FIG 612 HITCH & 3-POINT LINK	219
FIG 613 LOWER LINK & LIFT ROD	222

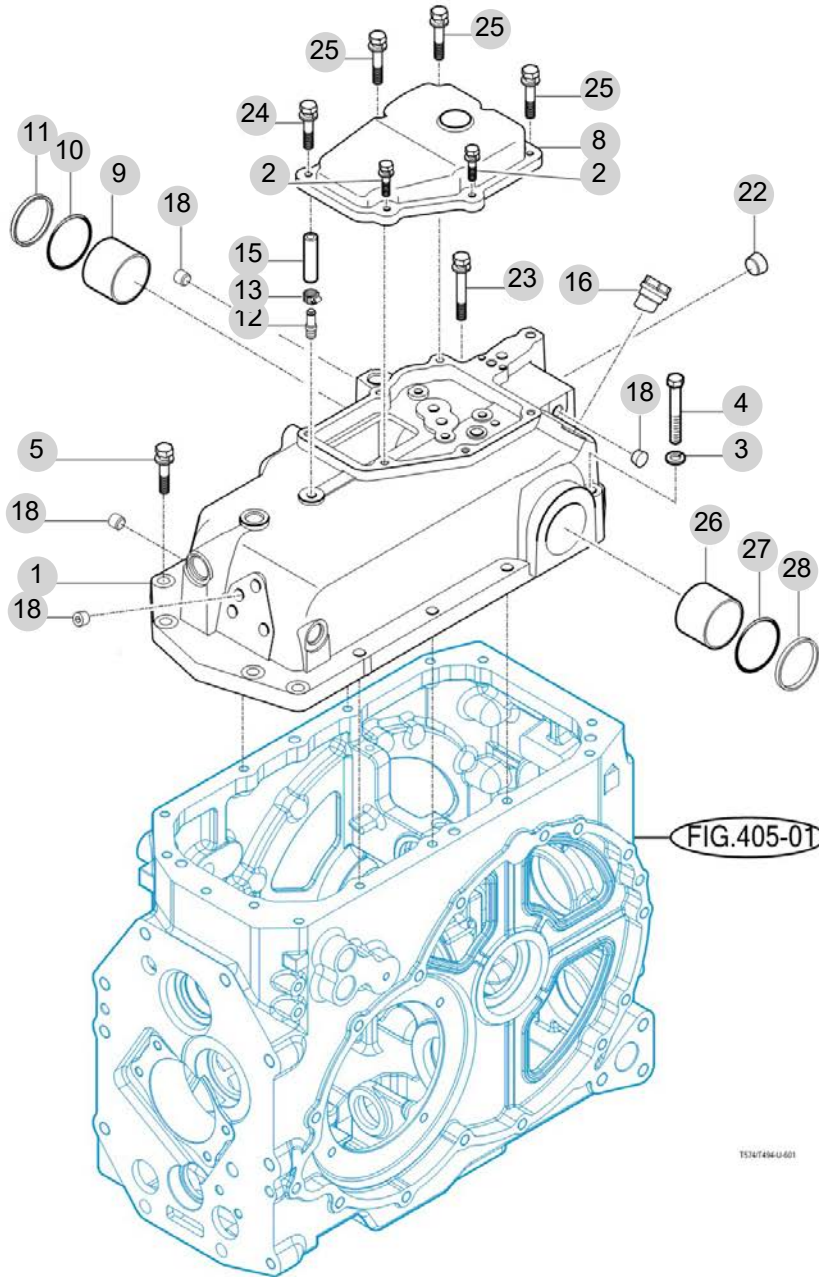
FIG 601

CYLINDER CASE

년/월  
Year/Month

2022-12

T575NHEU1



NOTE



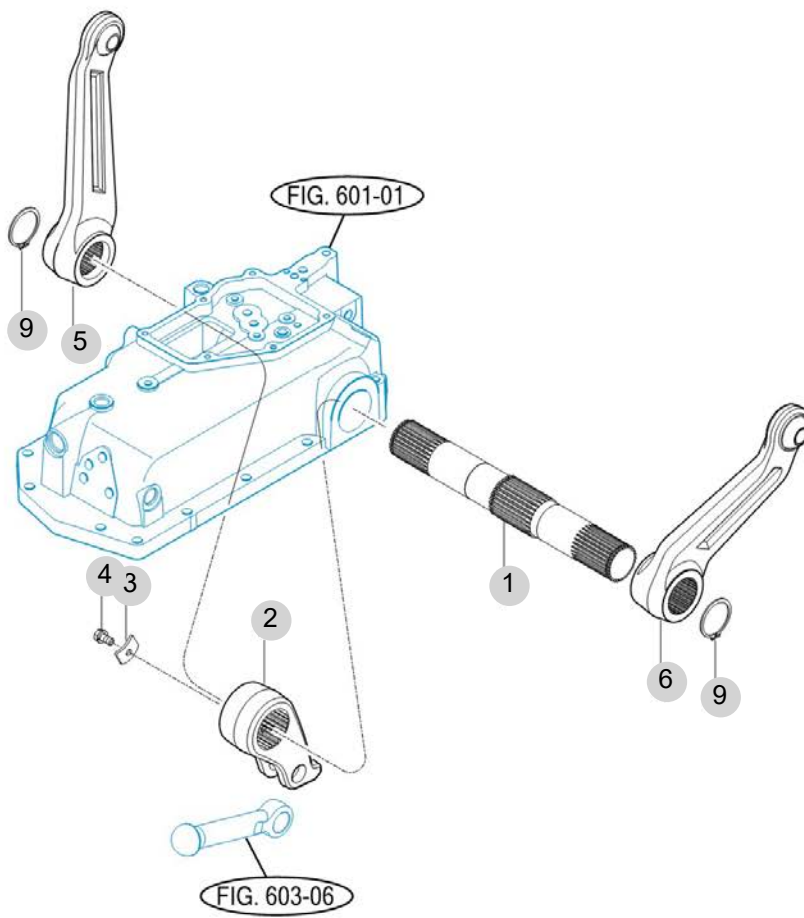
FIG 602

T575NHEU1

LIFT ARM

년/월  
Year/Month

2022-12



T483-K-602

NOTE



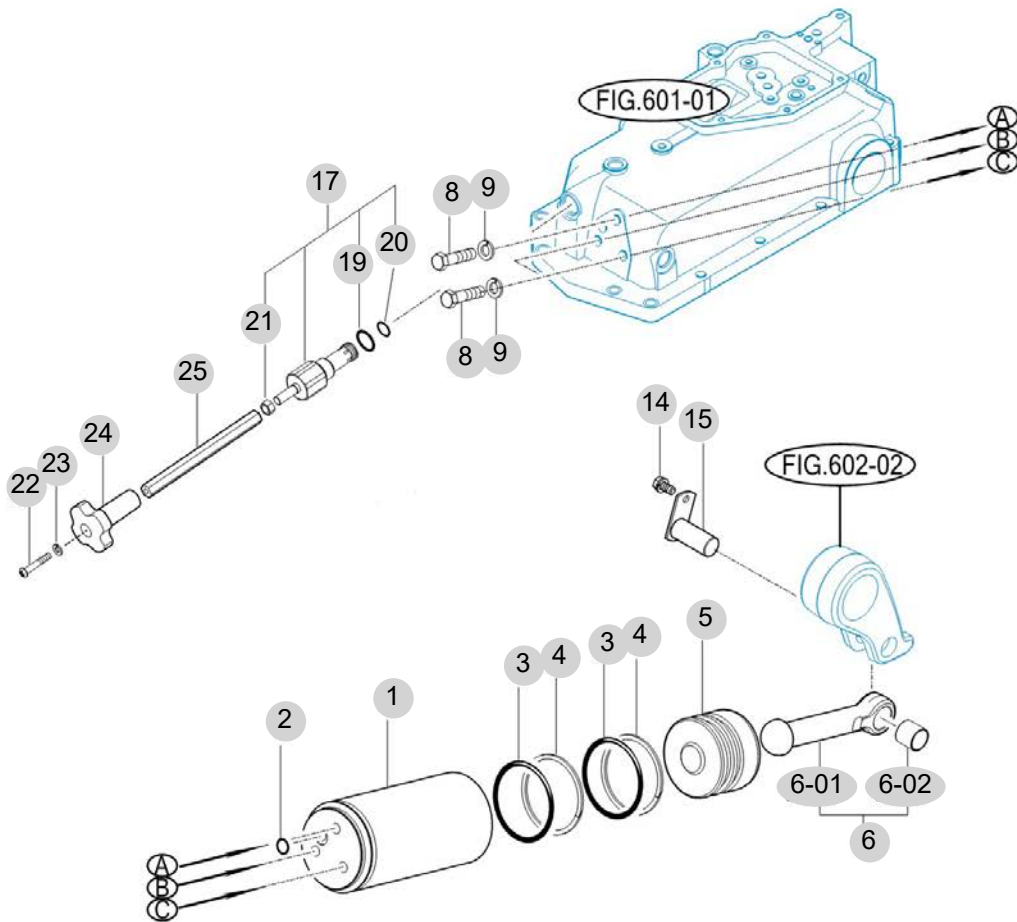
FIG 603

T575NHEU1

CYLINDER

년/월  
Year/Month

2022-12



T483-K-603

NOTE





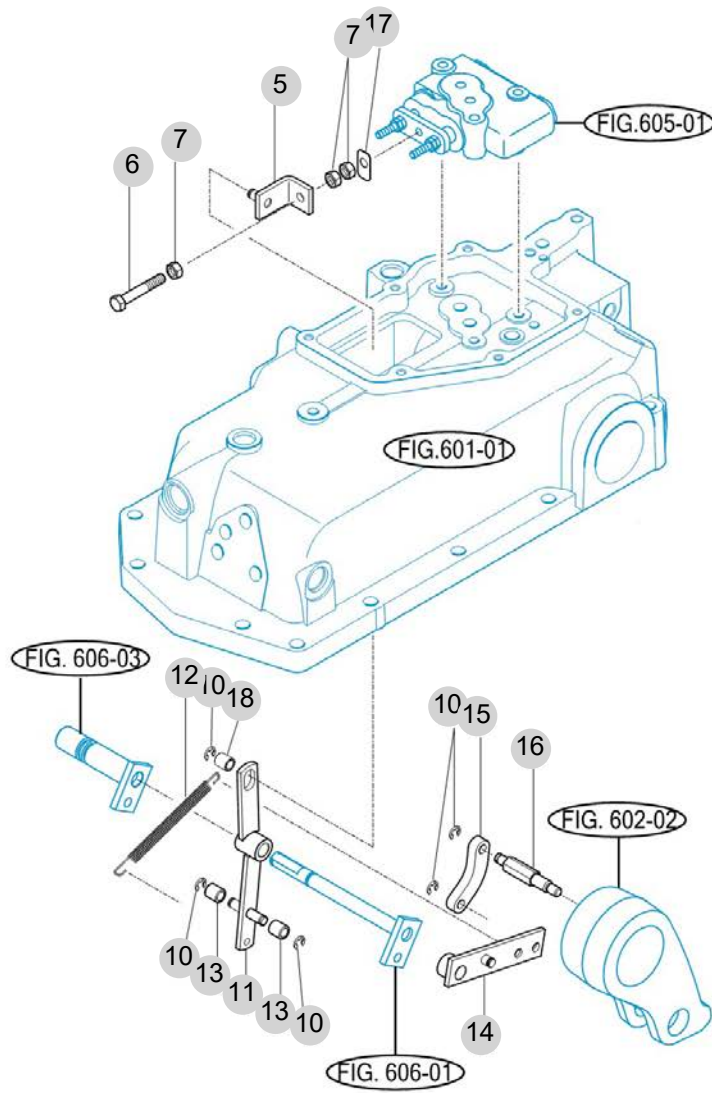
FIG 604

T575NHEU1

POSITION LINK

년/월  
Year/Month

2022-12



T483-K-604

NOTE



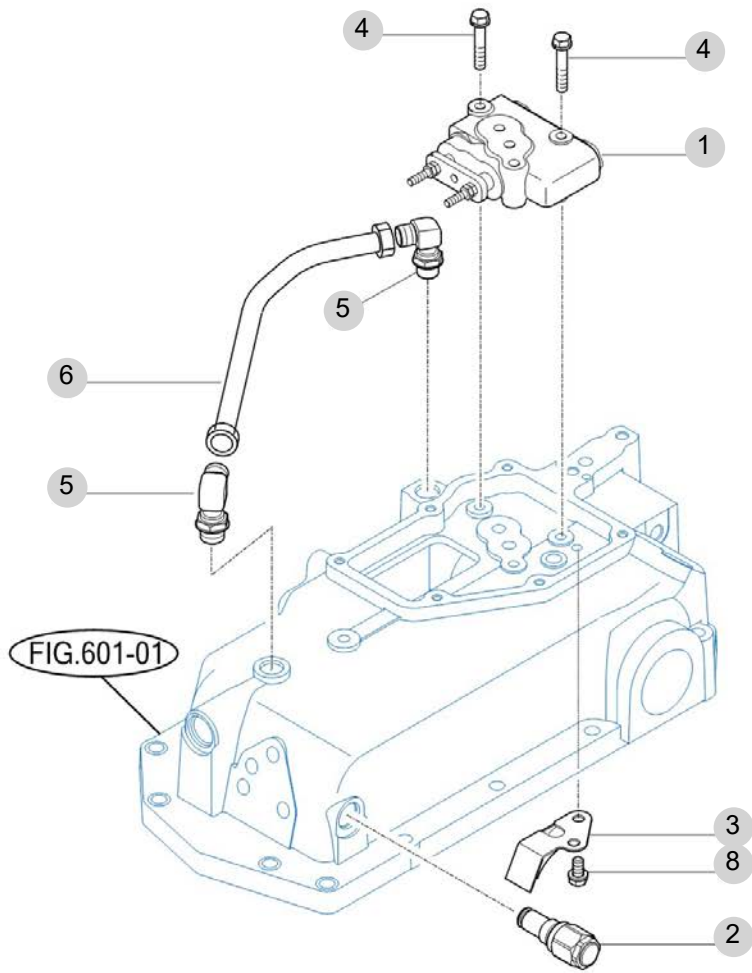
FIG 605

CONTROL VALVE

년/월  
Year/Month

2022-12

T575NHEU1



T483-K-605

NOTE



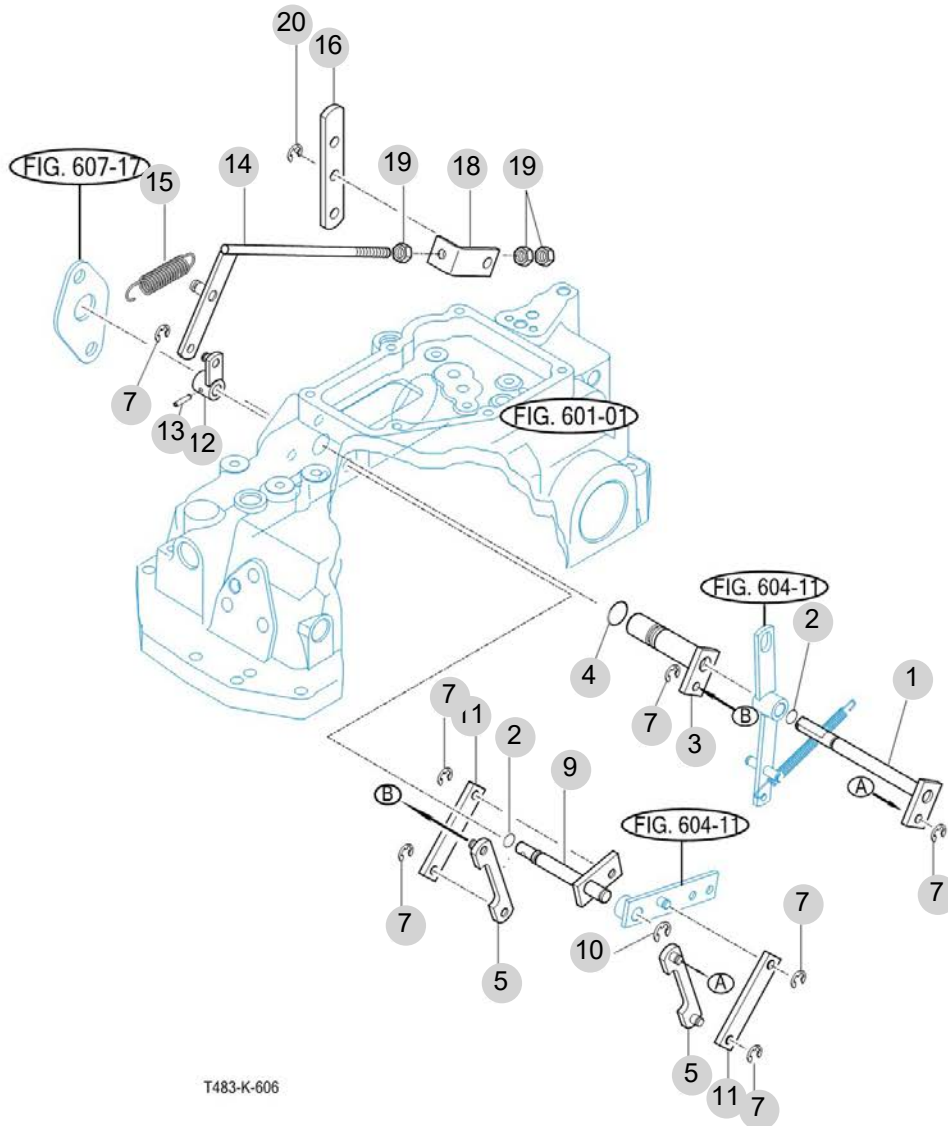
FIG 606

DRAFT LINK

년/월  
Year/Month

2022-12

T575NHEU1



NOTE







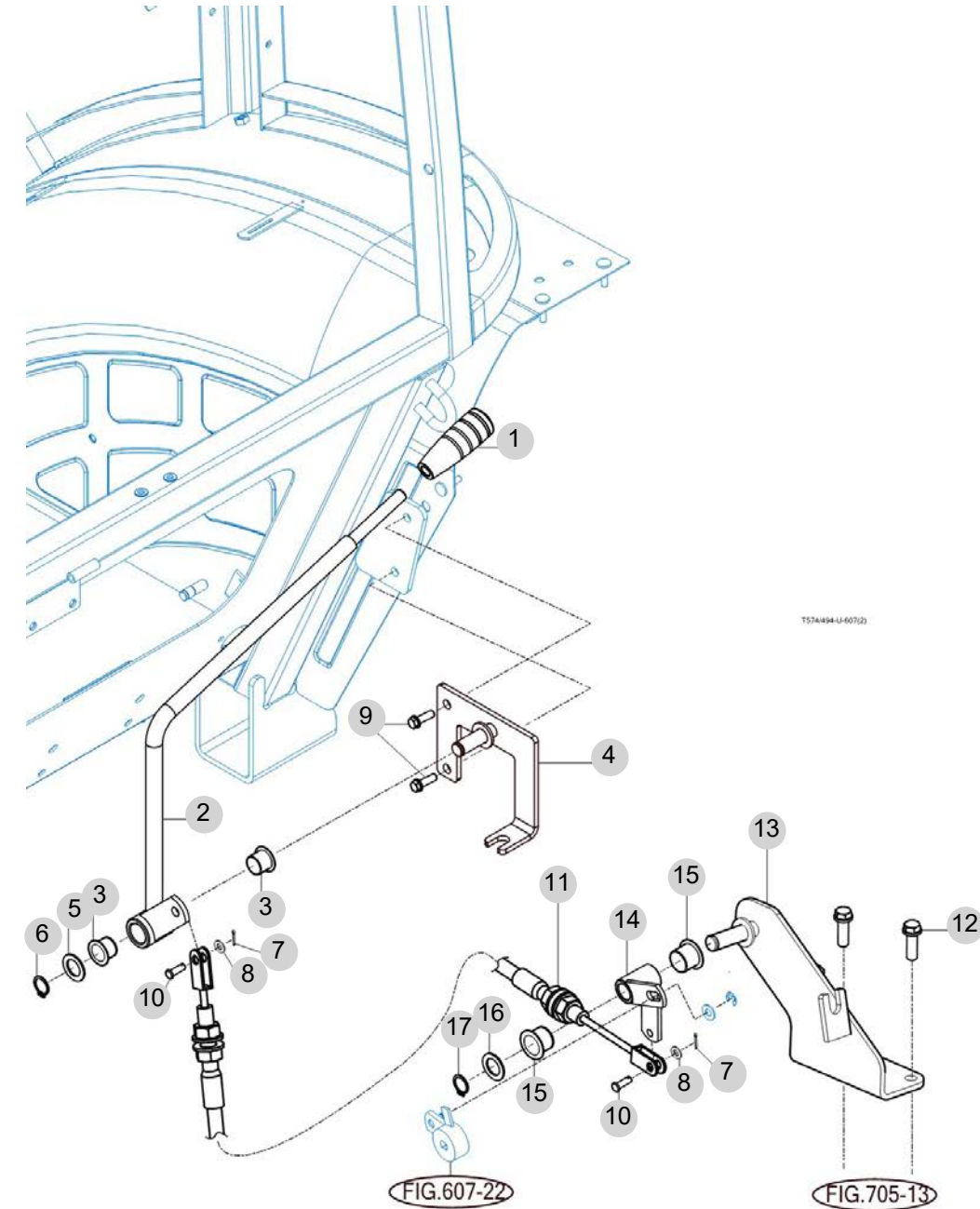


FIG 607-2

POSITION & DRAFT LEVER (2)[SAP 가져오기]  
에서 생성함.

년/월  
Year/Month

2022-12



NOTE



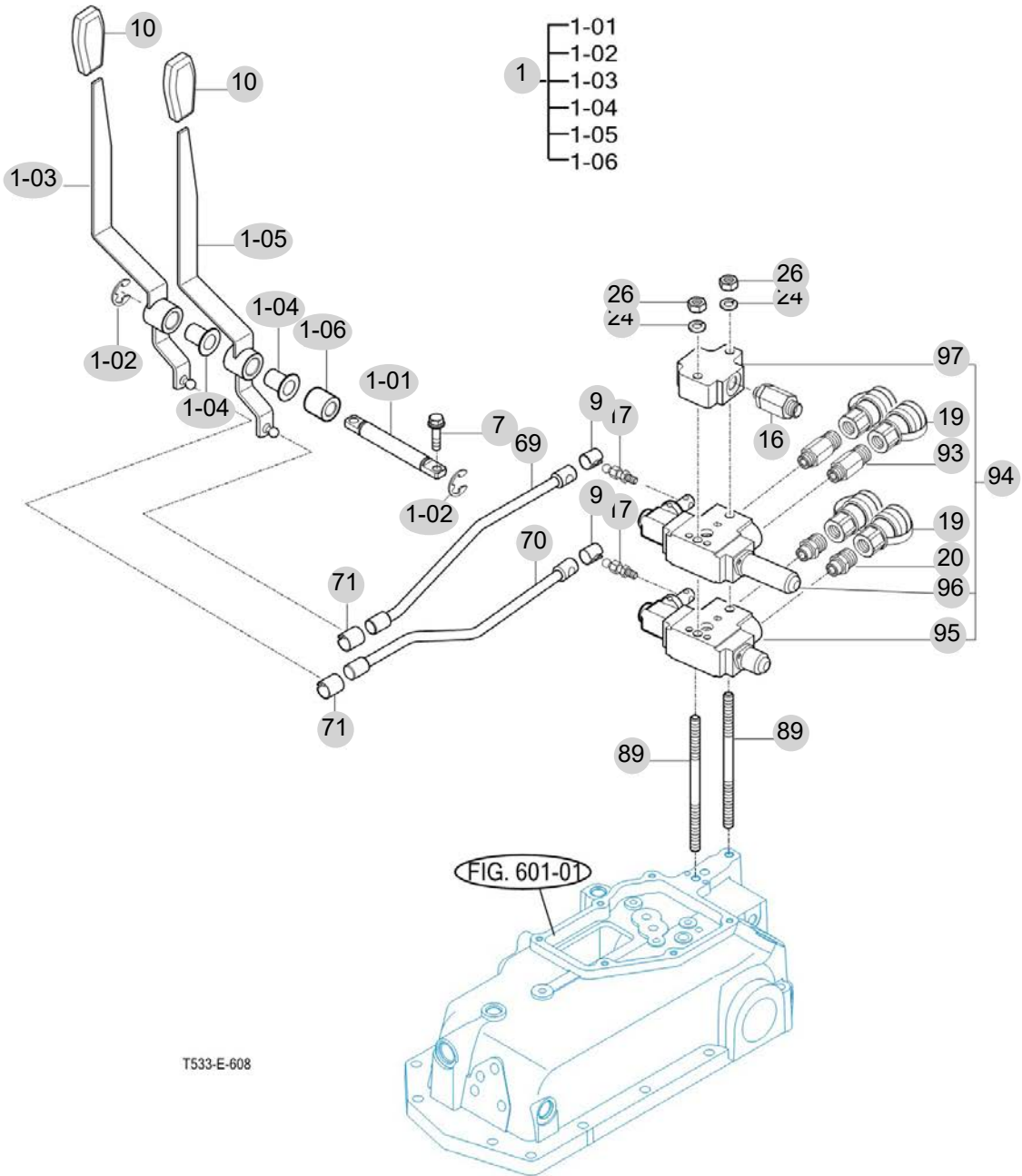
FIG 608

EXTERIOR HYD.VALVE

년/월  
Year/Month

2022-12

T575NHEU1



T533-E-608

NOTE



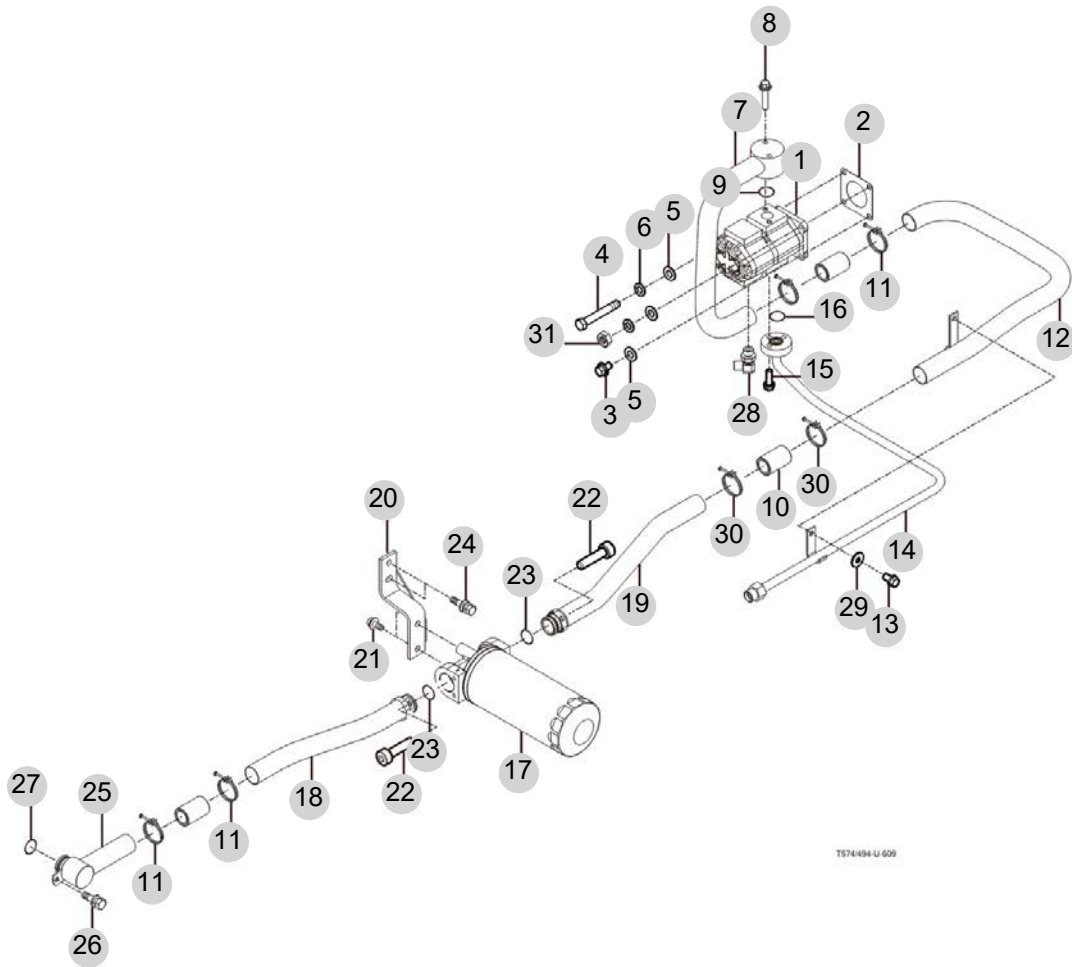
FIG 609

HYDRAULIC PIPE

년/월  
Year/Month

2022-12

T575NHEU1



NOTE



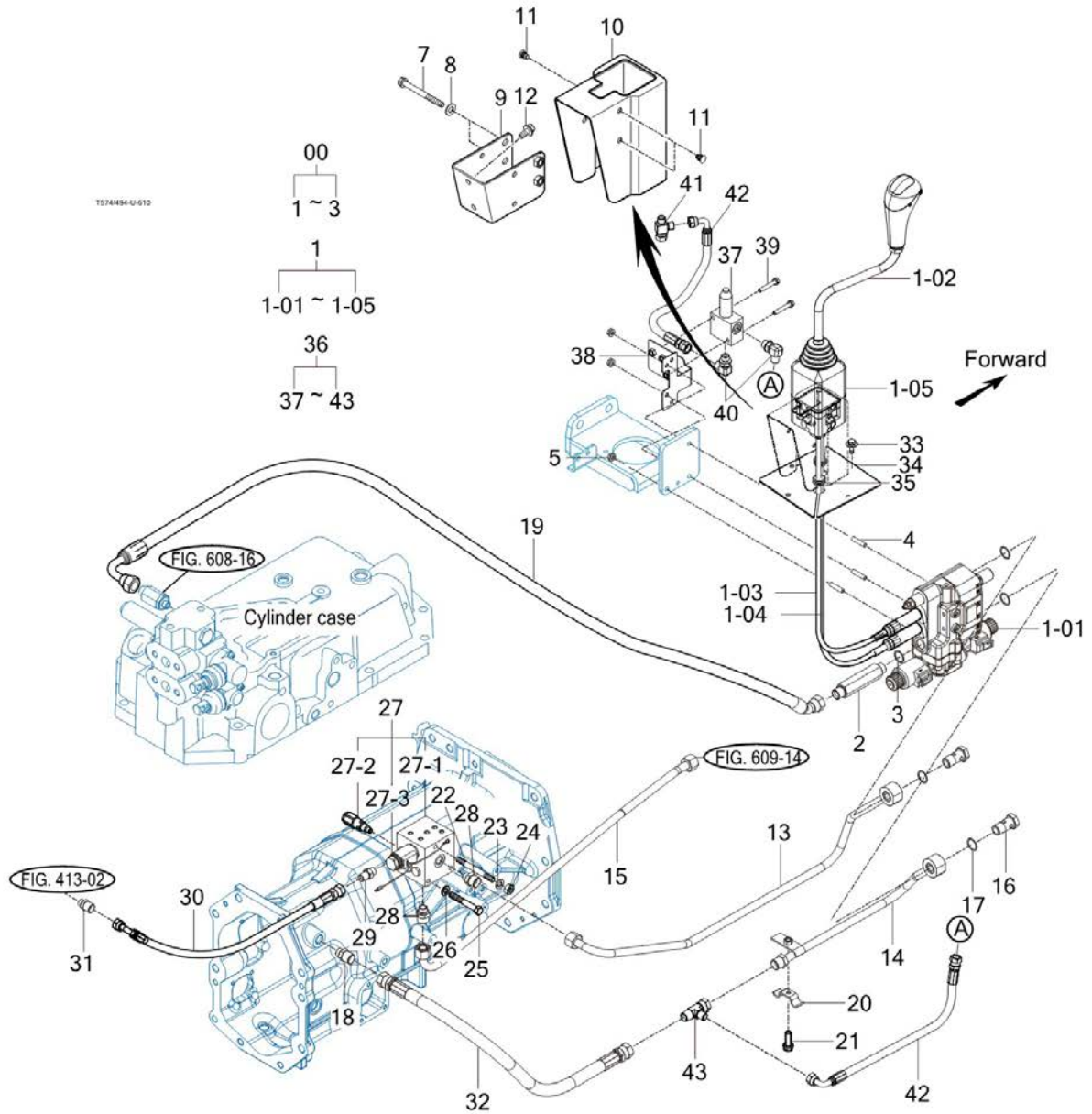
FIG 610

JOYSTICK

년/월  
Year/Month

2022-12

T575NHEU1



NOTE



FIG 610 T575NHEU1		JOYSTICK					년/월 Year/Month	
							2022-12	
KEY NO	PART NO	DESCRIPTION	SPEC	QTY	REPAIR	EFFECTIVE DATE	REMARKS	
610	0	13877753000	로더밸브 SUB		1			
610	1	13877752000	로더밸브 조이스틱 ASSY		1			
610	1-01	13877752100	로더밸브 ASSY		1			
610	1-02	13877752200	조이스틱 레버 ASSY		1			
610	1-03	13877752300	조이스틱 케이블 ASSY ,상(720)		1			
610	1-04	13877752400	조이스틱 케이블 ASSY ,하(770)		1			
610	1-05	13877752500	부츠 ASSY		1			
610	2	13805410050	유니온(PF1/2-130)		1			
610	3	19557753010	본디드 썸 , PF1/2		1			
610	4	V2513408025	스터드볼트2종	8X25	3			
610	5	V3802600080	플랜지볼이육각너트	M8	3			
610	7	V2173608085	소형육각볼트보통(S)	M8X85	2			
610	8	V4111600080	평와셔	M8	2			
610	9	14527103100GB	조이스틱브래킷		1			
610	10	14527100010	커버(조이스틱/T483)		1			
610	11	15276040020	트림 클립(8)		3			
610	12	V2183608020	소형육각볼트보통(SP)	M8X20	2			
610	13	13875412101	로더파이프 COMP , P		1			
610	14	13875412201	로더파이프 COMP , T		1			
610	15	13875102201GB	메인파이프 COMP , 후		1			
610	16	13875410081	아이 조인트 볼트 (PF1/2)		2			
610	17	19557753010	본디드 썸 , PF1/2		4			
610	18	17995161130	유니온(PF3/8,PF1/2)		1			
610	19	13875202300	유압호스(1550)ASSY		1			
610	20	18715404700	클립		1			
610	21	V2173608016	소형육각볼트보통(S)	M8X16	1			
610	22	V2513408090	스터드볼트2종	8X90	1			
610	23	V4011600080	스프링와셔	M8	1			
610	24	V3042600080	소형육각너트보통2종	M8	1			
610	25	V2013608090	소형육각볼트(보통)	M8X90	2			
610	26	V4011600080	스프링와셔	M8	1			
610	27	13875182000	PTO밸브ASSY		1			
610	27	17975182001	PTO밸브ASSY		1			
610	27-1	14725182100	PTO 밸브		1			
610	27-2	16490110001	릴리프밸브ASSY		1			
610	27-3	14725182210	슬레노이드 코일		1			
610	28	14135160010	유니온 , PF3/8 M22		2			
610	29	37681850141	어댑터(직선)		1			
610	30	18717562060	유압호스(520)ASSY		1			
610	31	17971850140	어댑터(직선, PF1/4)		1			
610	32	13875202200	유압호스(750)ASSY		1			
610	33	V2193606016	육각볼트(SPL)	M6X16	4			
610	34	17685161810GB	플레이트(썸)		2			
610	35	14526300530	인슐레이터(조이스틱)		2			
610	36	13875410000	릴리프밸브 SET		1			
NOTE								



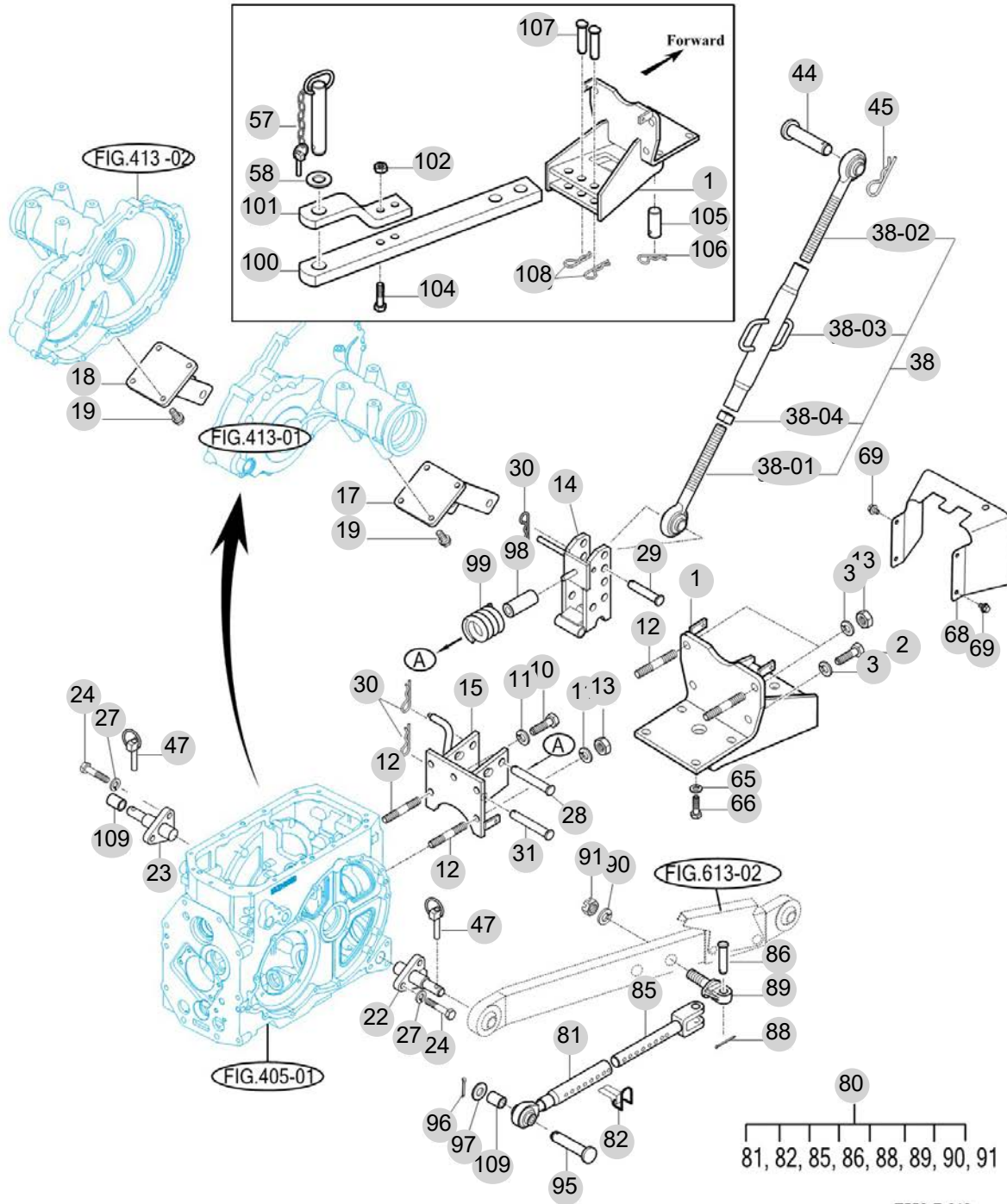
FIG 612

HITCH & 3-POINT LINK

년/월  
Year/Month

2022-12

T575NHEU1



T553-E-612

NOTE

FIG 612		HITCH & 3-POINT LINK						년/월 Year/Month	
								2022-12	
T575NHEU1		KEY NO	PART NO	DESCRIPTION	SPEC	QTY	REPAIR	EFFECTIVE DATE	REMARKS
612	1	15535202002GB	스윙드로바 브래킷, COMP			1			
612	1	15535202003GB	스윙드로바 브래킷, COMP			1			
612	2	V2013616035	소형육각볼트(보통)	M16X35		2			
612	3	V4011600160	스프링와셔	M16		4			
612	10	V2013616035	소형육각볼트(보통)	M16X35		3			
612	11	V4011600160	스프링와셔	M16		5			
612	12	V2513416035	스터드볼트2종	M16X35		4			
612	13	V3043600160	소형육각너트보통2종	M16		4			
612	14	16735222102GB	링크 COMP			1			
612	15	15185222000GB	브래킷 COMP			1			
612	17	14525254100GB	브래킷(후)COMP			1			
612	18	14525254100GB	브래킷(후)COMP			1			
612	19	V2173612030	소형육각볼트보통(S)	M12X30		8			
612	22	15685252204	핀(L) COMP			1			
612	23	15685252801	핀(R) COMP			1			
612	24	V2013614040	소형육각볼트(보통)	M14X40		6			
612	27	V4011600140	스프링와셔	M14		6			
612	28	15645250010	핀(19X122)			1			
612	29	15645220020	핀(19X95)			1			
612	30	14445140051	헤어핀(19)			3			
612	31	15645250010	핀(19X122)			1			
612	38	16505245501GB	톱링크ASSY			1			
612	38	16505245502GB	톱링크 ASSY			1			
612	38-01	16505245510	톱링크COMP(RH)			1			
612	38-02	16505245520	톱링크COMP(LH)			1			
612	38-03	14555140251	턴버클 조합(톱링크)			1			
612	38-04	16505245530	육각너트			1			
612	44	15645220011	핀(19X86)			1			
612	45	14445140051	헤어핀(19)			1			
612	47	14215020020	링크핀			2			
612	57	S0973063031	핀ASSY			1			
612	58	15252470010	쿠션고무			1			
612	65	V4011600140	스프링와셔	M14		4			
612	66	V2013614035	소형육각볼트(보통)	M14X35		4			
612	68	13605200012GB	커버(씰드)			1			
612	69	V2183608016	소형육각볼트보통(SP)			4			
612	80	15155253000GB	조정링크(완)ASSY			2			
612	81	15155253100	로드 SUB, FR			2			
612	82	17705254200	린치핀			2			
612	85	15155253300	로드 SUB, RR			2			
612	86	15155253400	핀, ø20X59			2			
612	88	V5001940035	분할핀	4.0X35		2			
612	89	15155253500	아이볼트			2			
612	90	V4111600220	평와셔	M22		2			
612	91	V3343600220	소형육각너트가는2종	M22		2			
NOTE									



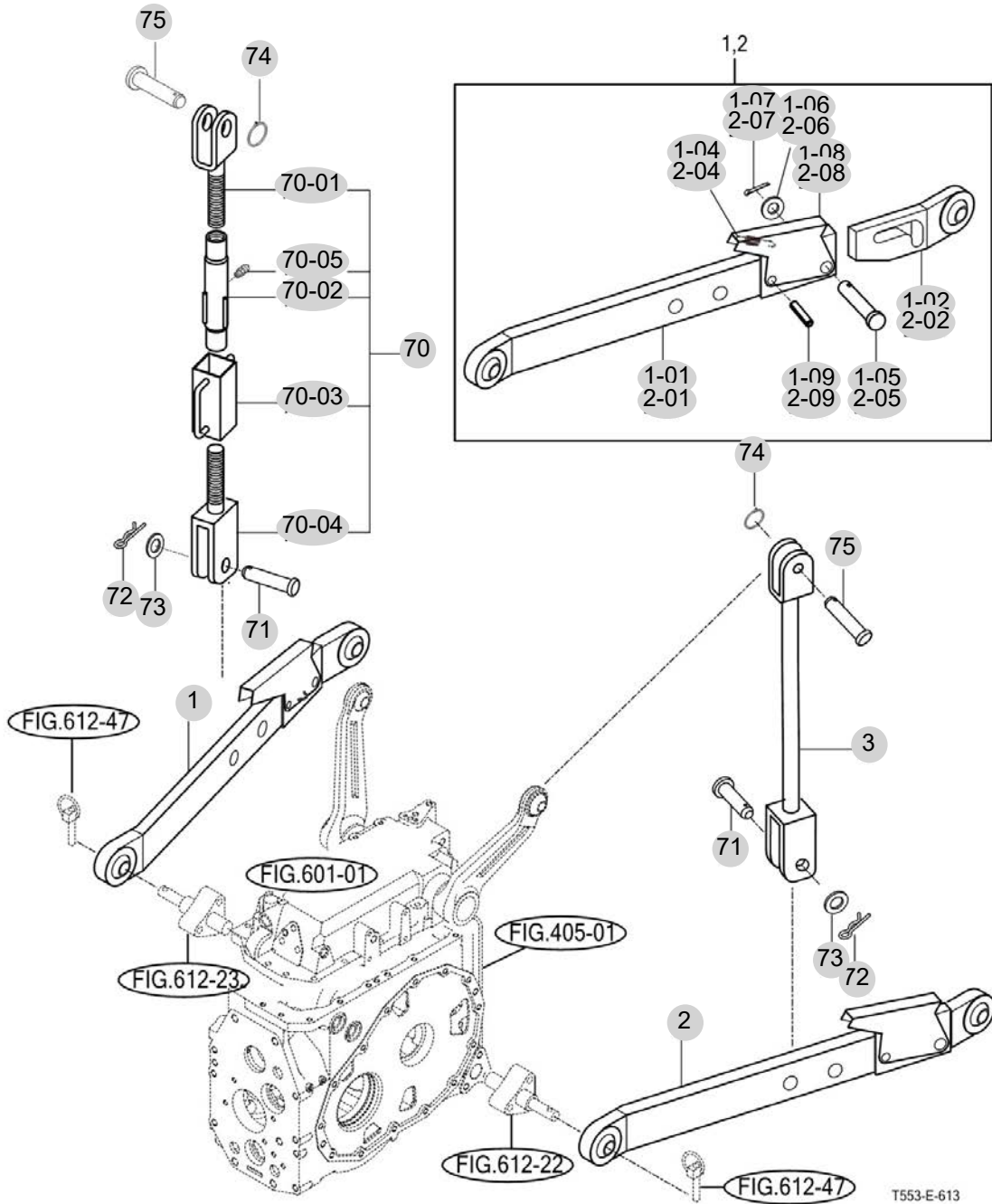
FIG 613

LOWER LINK & LIFT ROD

년/월  
Year/Month

2022-12

T575NHEU1



T553-E-613

NOTE



## 7. 시트메탈/캐빈 PART NO. T7

FIG 701 BONNET FRAME	225
FIG 702A BONNET (1)	227
FIG 702B BONNET (2)	229
FIG 703 EXTENSION COVER	231
FIG 704B LEVER COVER & STEP-Non CAB	233
FIG 705 FRONT & REAR MOUNTING	235
FIG 706 SEAT & MAT	237
FIG 710B FRAME&2POLES ROPS-Non CAB	239
FIG 713B SUB FENDER&COVER-Non CAB	241
FIG 714B MIRROR&WORKING LAMP-Non CAB	243



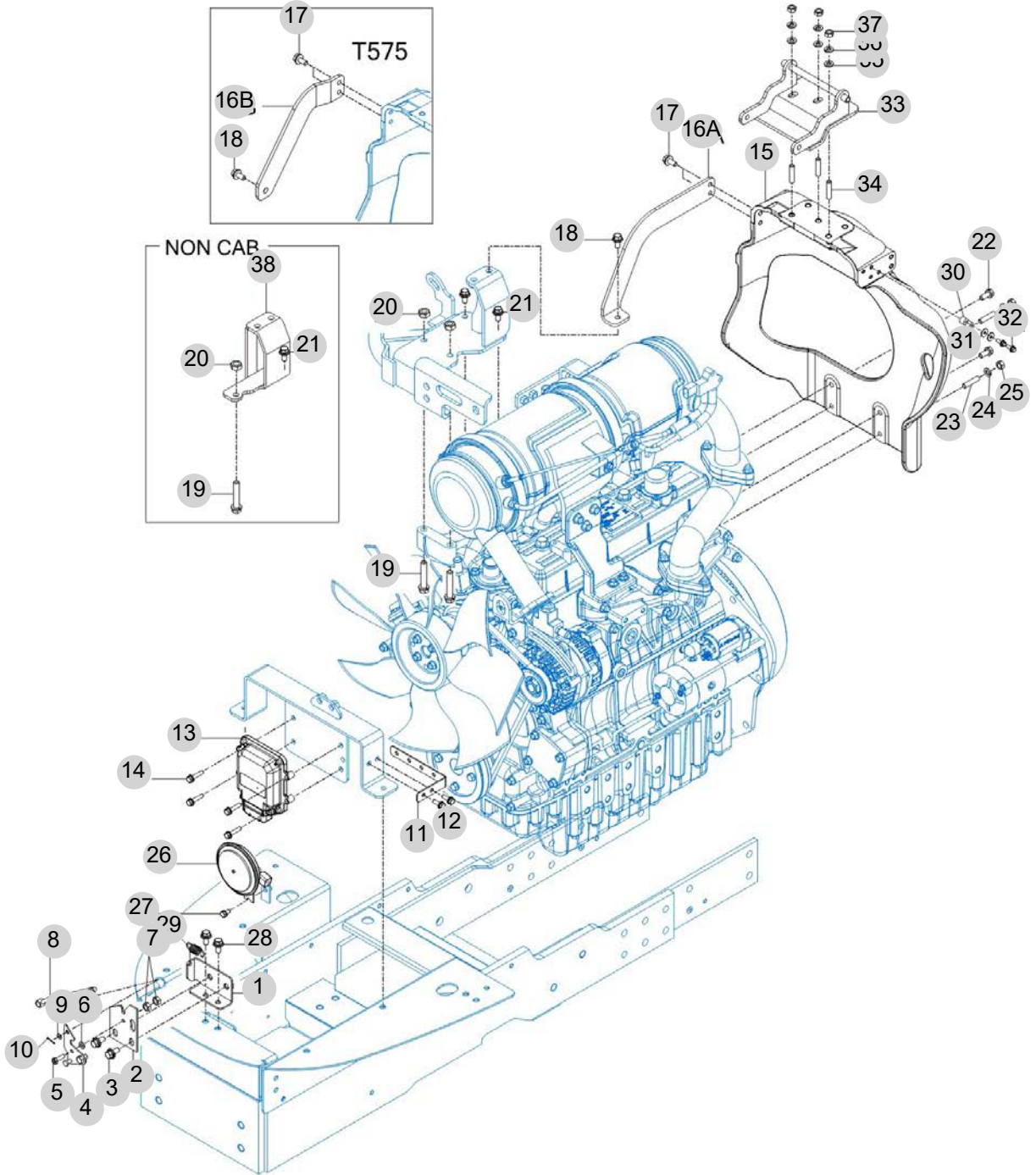
FIG 701

BONNET FRAME

년/월  
Year/Month

2022-12

T575NHEU1



NOTE



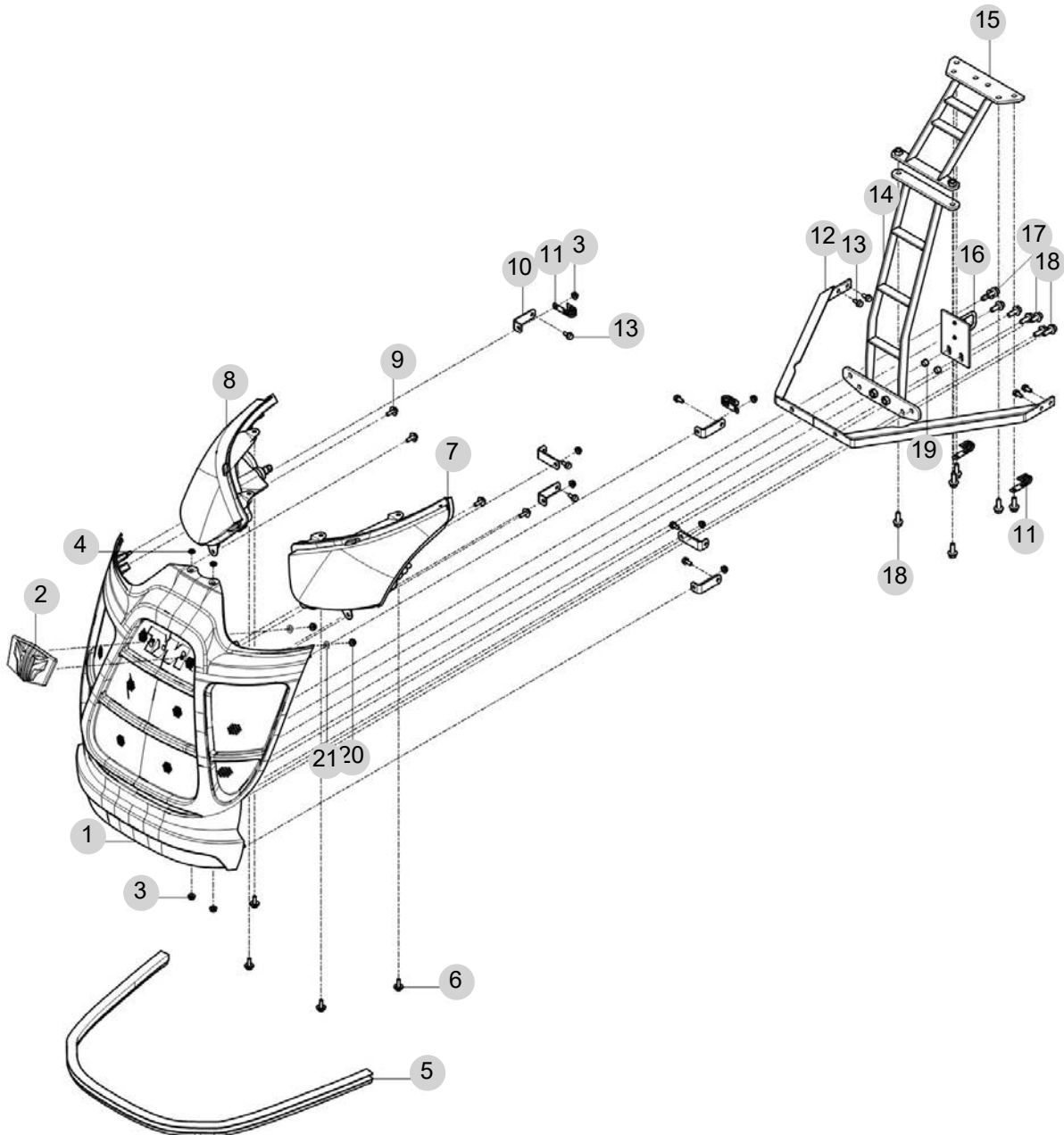
FIG 702A

T575NHEU1

BONNET (1)

년/월  
Year/Month

2022-12



NOTE

FIG 702A		BONNET (1)					년/월 Year/Month		
							2022-12		
T575NHEU1		KEY NO	PART NO	DESCRIPTION	SPEC	QTY	REPAIR	EFFECTIVE DATE	REMARKS
702A	1	14136206800	커버 COMP , 프론트그릴			1			
702A	1	14136206801	커버 COMP , 프론트그릴			1			
702A	2	19959010010	엠블럼			1			
702A	2	19959010011	엠블럼			1			
702A	2	17136010100	엠블럼 ASSY , 후드			1			
702A	3	V3802600060	플랜지볼이육각너트	M6		8			
702A	4	V4111600060	평와셔	M6		2			
702A	5	14136203900	인슐레이터 , 하/후드			1			
702A	6	V2193606020	육각볼트(SPL)	M6X20		4			
702A	7	14136206400	전조등 조합 , 좌			1			
702A	8	14136206700	전조등 조합 , 우			1			
702A	9	V2193606020	육각볼트(SPL)	M6X20		4			
702A	10	17406203010GB	플레이트 , 상/사이드			6			
702A	10	17406203011GB	플레이트 , 상/사이드			6			
702A	10	17406203010GB	플레이트 , 상/사이드			6			
702A	11	37371720090	메인하니스 클램프(하)			4			
702A	12	14136207100GB	프레임 COMP , 전/후드			1			
702A	13	V2123606016	육각볼트(SP)	M6X16		10			
702A	14	14136202500GB	핀(후드 록) COMP			1			
702A	15	14136202600GB	브래킷 COMP , 그릴			1			
702A	16	14136017301GB	브래킷(전/후드) COMP			1			
702A	17	V2183608020	소형육각볼트보통(SP)	M8X20		2			
702A	18	V2183608025	소형육각볼트보통(SP)	M8X25		12			
702A	19	15991040050	칼라(08X12X08)			2			
702A	20	V3802600060	플랜지볼이육각너트	M6		2			
702A	21	V4111600060	평와셔	M6		2			
NOTE									

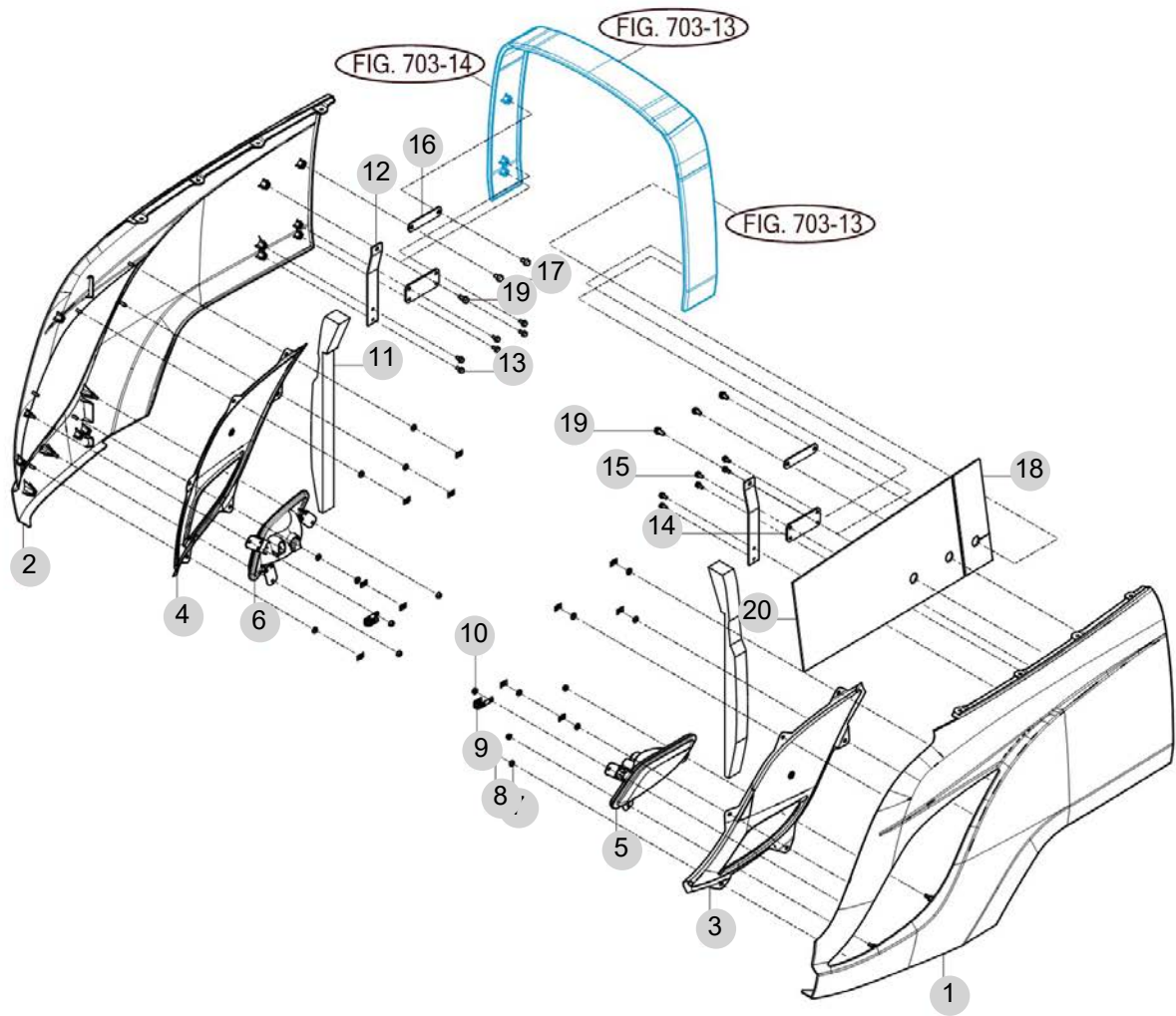
FIG 702B

T575NHEU1

BONNET (2)

년/월  
Year/Month

2022-12



NOTE

FIG 702B T575NHEU1		BONNET (2)						년/월 Year/Month			
								2022-12		REMARKS	
								KEY NO	PART NO	DESCRIPTION	SPEC
702B	1	14136206201SR	사이드 패널(좌) COMP			1					
702B	2	14136206501SR	사이드 패널(우) COMP			1					
702B	3	14136206300GB	그릴(좌)			1					
702B	4	14136206600GB	그릴(우)			1					
702B	5	14136207400	작업등 ASSY , 좌			1					
702B	6	14136207700	작업등 ASSY , 우			1					
702B	7	14446010150	네트와샤(6X14X3)			12					
702B	8	V3501600060	스프링 너트			12					
702B	9	37371720090	메인하니스 클램프(하)			2					
702B	10	V3802600060	플랜지붙이육각너트			6					
702B	11	13876200080	인슐레이터 , 사이드			2					
702B	12	14136207200GB	브래킷 , 후/후드			2					
702B	13	V2123606016	육각볼트(SP)	M6X16		4					
702B	14	14186208500GB	브래킷 , 하/연장후드			2					
702B	15	V2123606016	육각볼트(SP)	M6X16		8					
702B	16	14186208700GB	브래킷 , 중/연장후드			2					
702B	17	V2173608016	소형육각볼트보통(S)	M8X16		4					
702B	18	14186208600	인슐레이터 , 연장			1					
702B	19	V2173608020	소형육각볼트보통(S)	M8X20		2					
702B	20	14136206900	인슐레이터 , 후드(방열)			1					
NOTE											

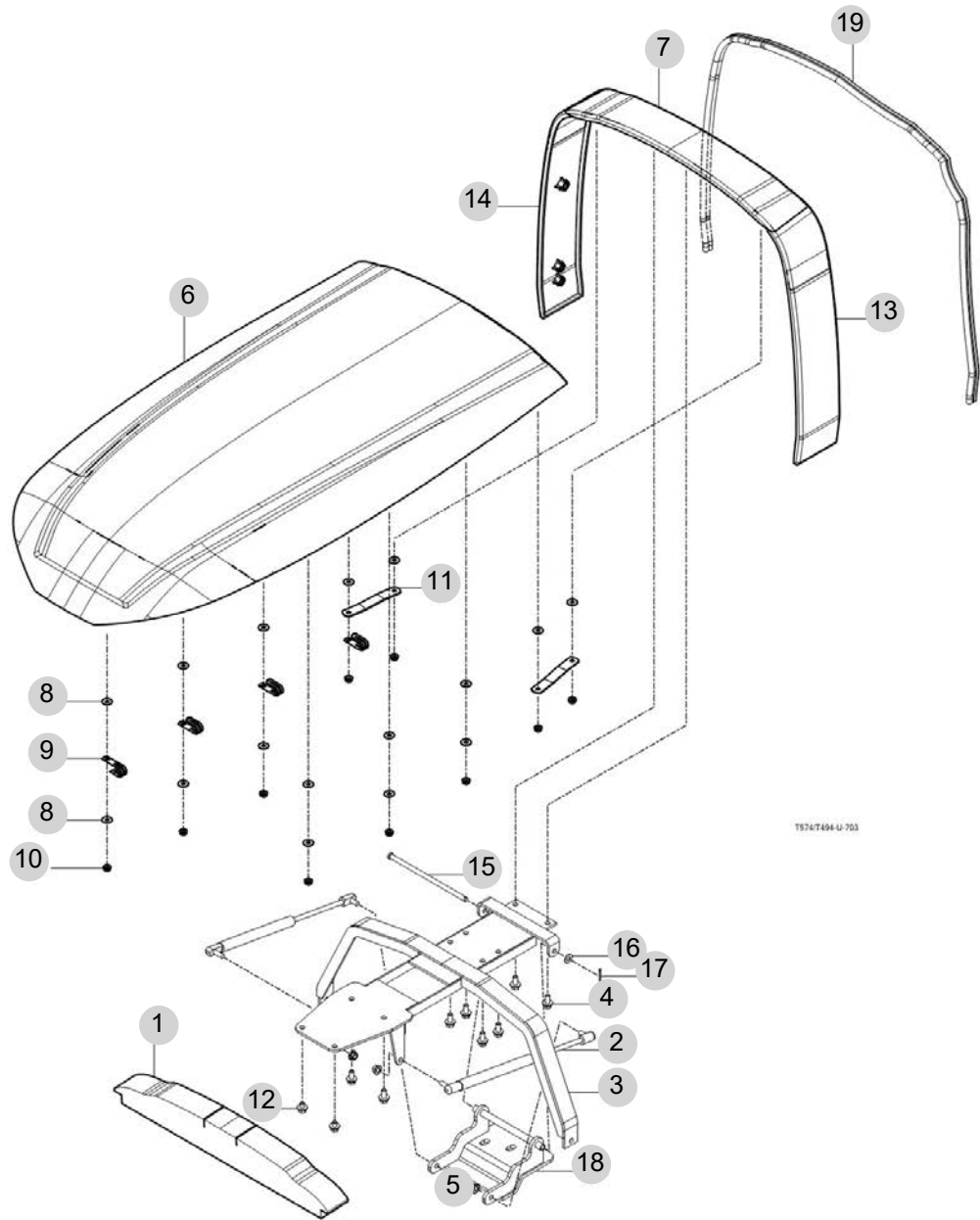
FIG 703

EXTENSION COVER

년/월  
Year/Month

2022-12

T575NHEU1



T574/T604-U-703

NOTE





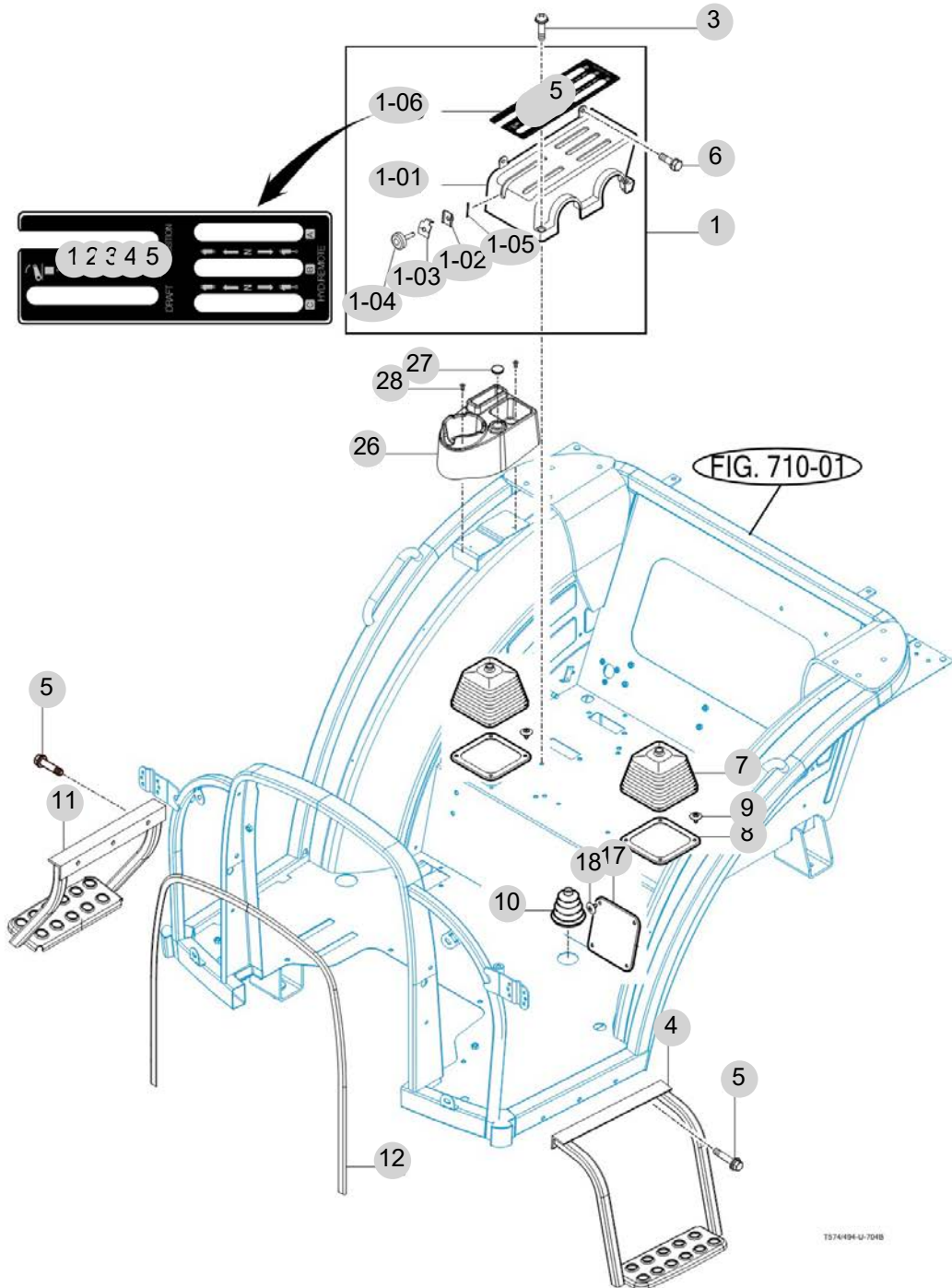
FIG 704B

LEVER COVER & STEP-Non CAB

년/월  
Year/Month

2022-12

T575NHEU1



NOTE



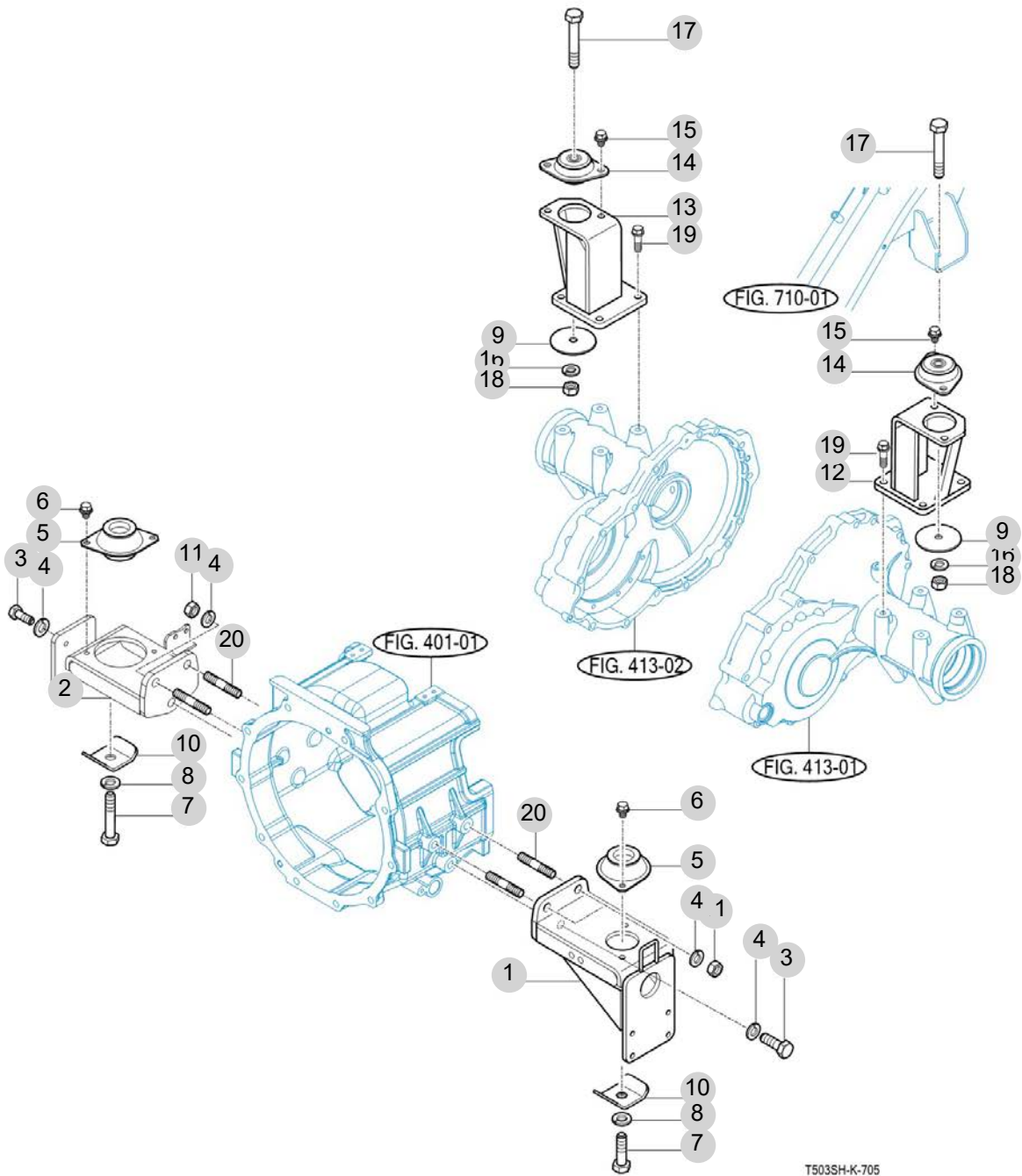
FIG 705

FRONT & REAR MOUNTING

년/월  
Year/Month

2022-12

T575NHEU1



T503SH-K-705

NOTE



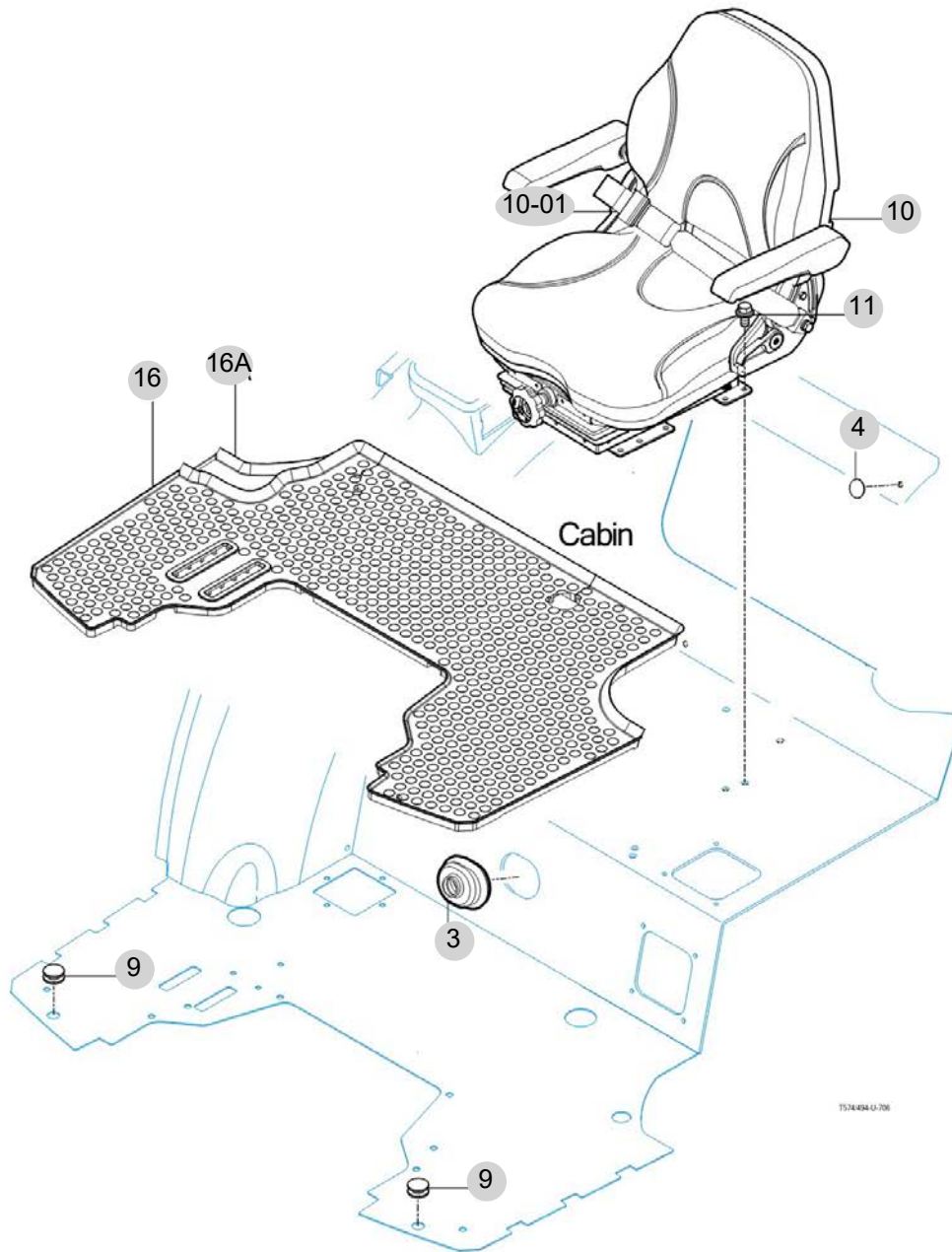
FIG 706

SEAT & MAT

년/월  
Year/Month

2022-12

T575NHEU1



NOTE

<b>FIG 706</b>	<b>SEAT &amp; MAT</b>	년/월 Year/Month
T575NHEU1		2022-12

KEY NO		PART NO	DESCRIPTION	SPEC	QTY	REPAIR	EFFECTIVE DATE	REMARKS
706	3	16736300010	부츠(슬로/리탄)		1			
706	4	16606070031	캡(9)		2			
706	9	14326510210	고무캡(20)		2			
706	10	12146112000	시트 ASSY		1			
706	11	V2183608020	소형육각볼트보통(SP)	M8X20	4			
706	16A	13857071110	매트 , 년캡(HST)		1			
NOTE								

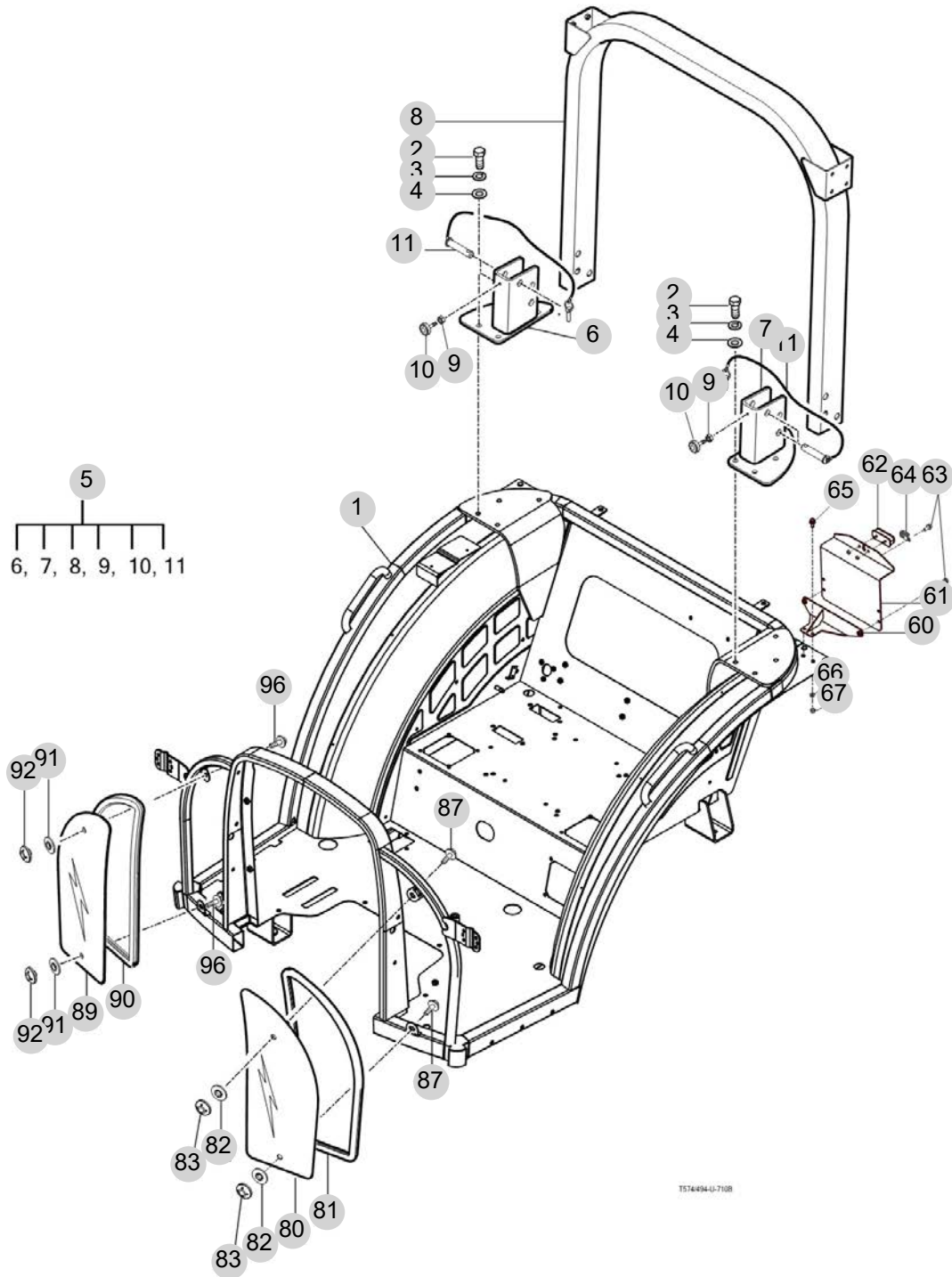
FIG 710B

FRAME&2POLES ROPS-Non CAB

년/월  
Year/Month

2022-12

T575NHEU1



NOTE





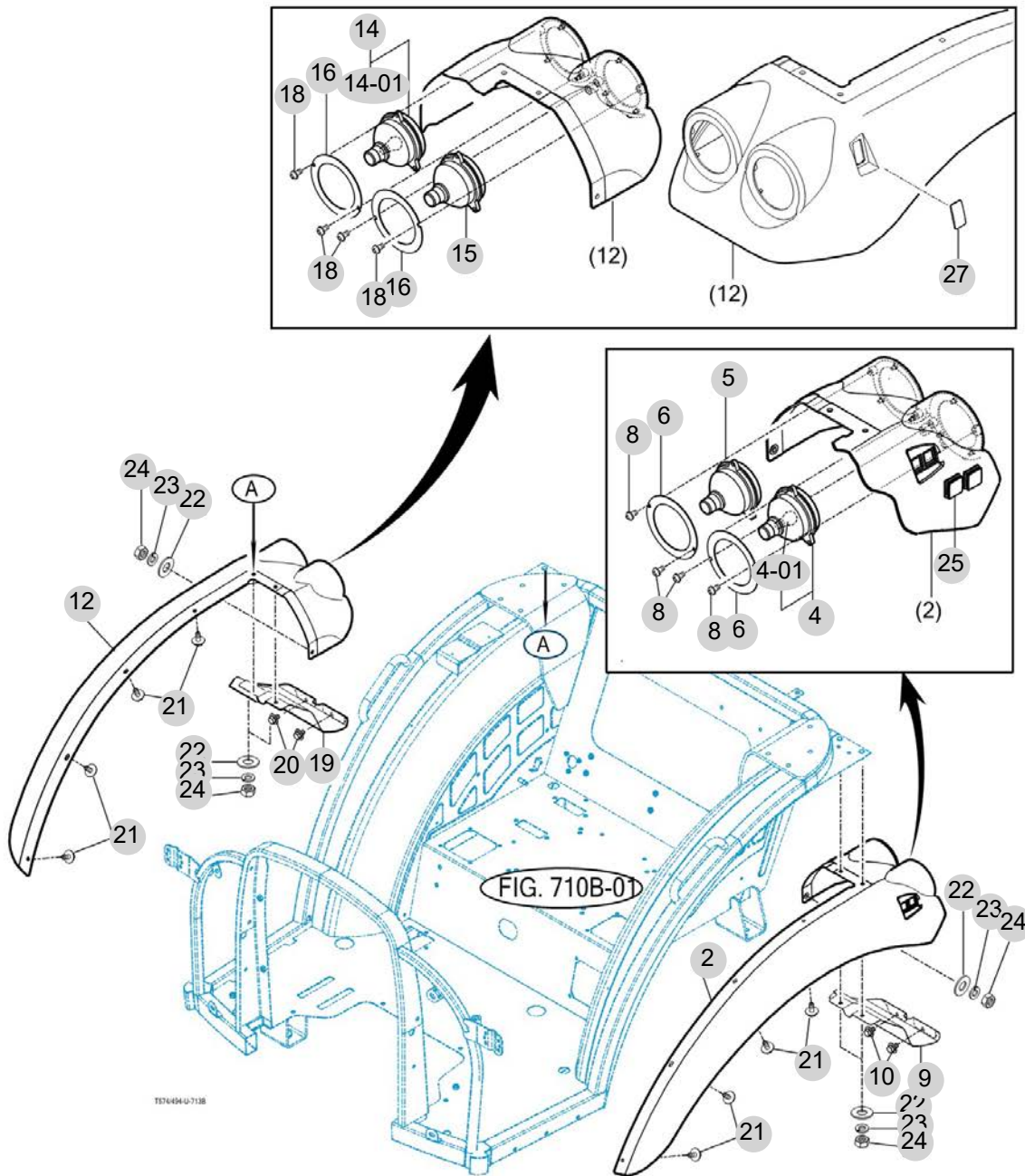
FIG 713B

T575NHEU1

SUB FENDER&COVER-Non CAB

년/월  
Year/Month

2022-12



NOTE



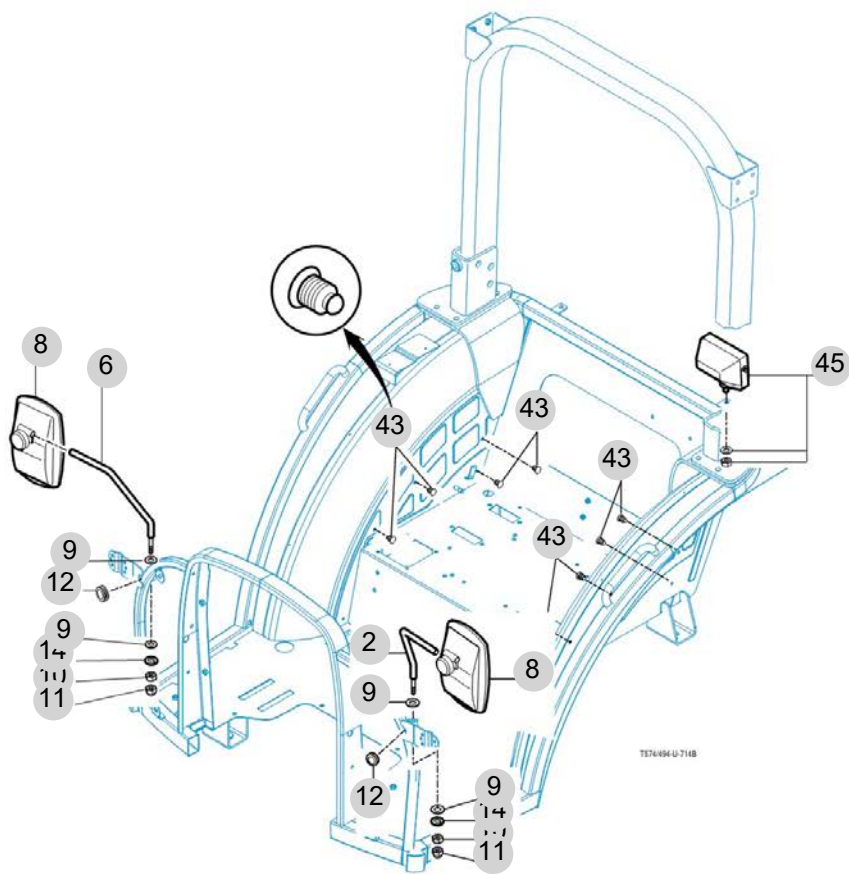
FIG 714B

T575NHEU1

MIRROR&WORKING LAMP-Non CAB

년/월  
Year/Month

2022-12



NOTE



## 8. 전장 PART NO. T8

FIG 801 BATTERY MOUNTING	246
FIG 802 HARNESS LAMP	248
FIG 803 INSTRUMENT PANEL	250
FIG 804 ELECTRIC SYSTEM (1)	252
FIG 805B ELECTRIC SYSTEM (2)-Non CAB	254
FIG 806 ELECTRIC SYSTEM (3)	256

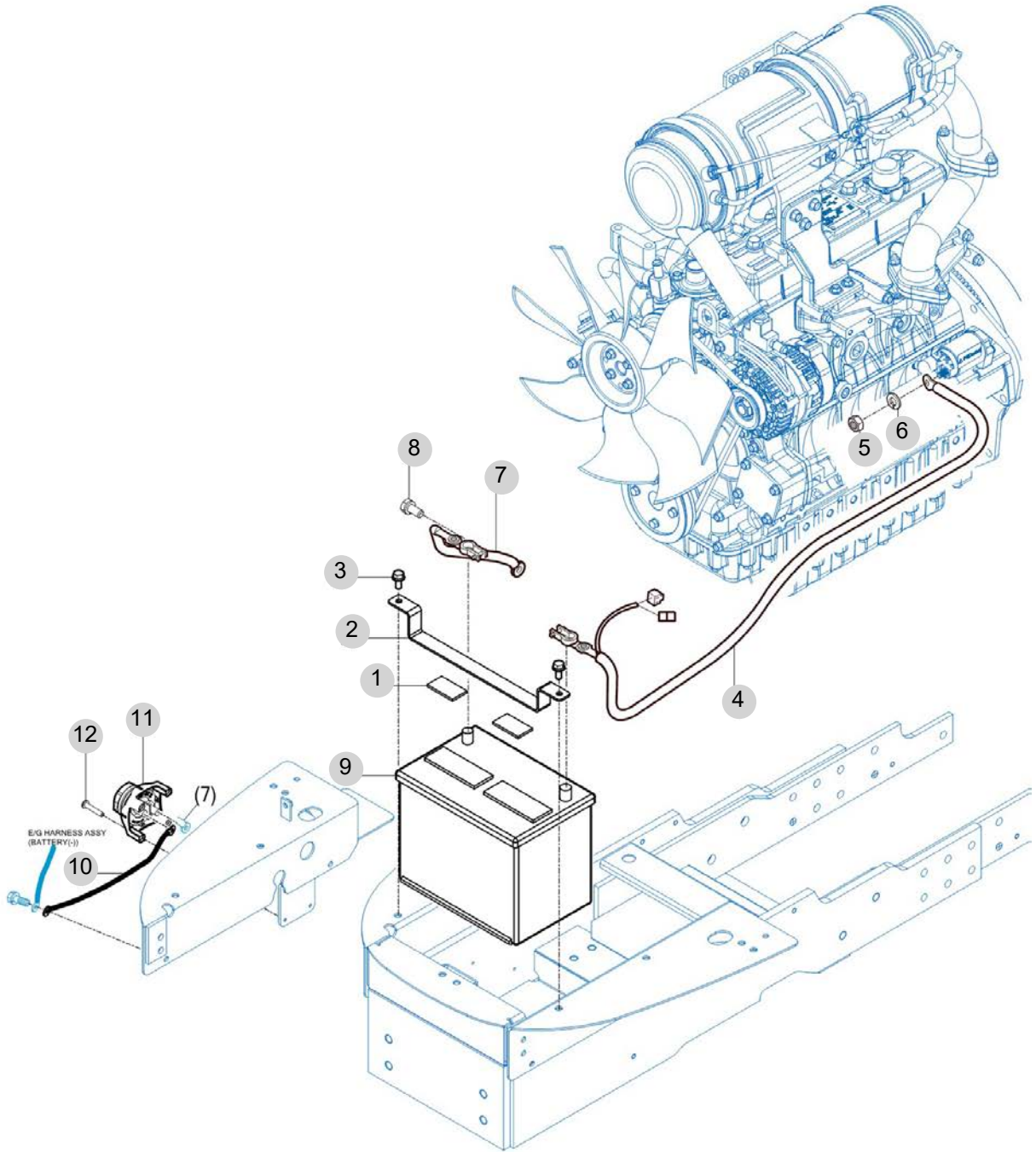
FIG 801

BATTERY MOUNTING

년/월  
Year/Month

2022-12

T575NHEU1



NOTE



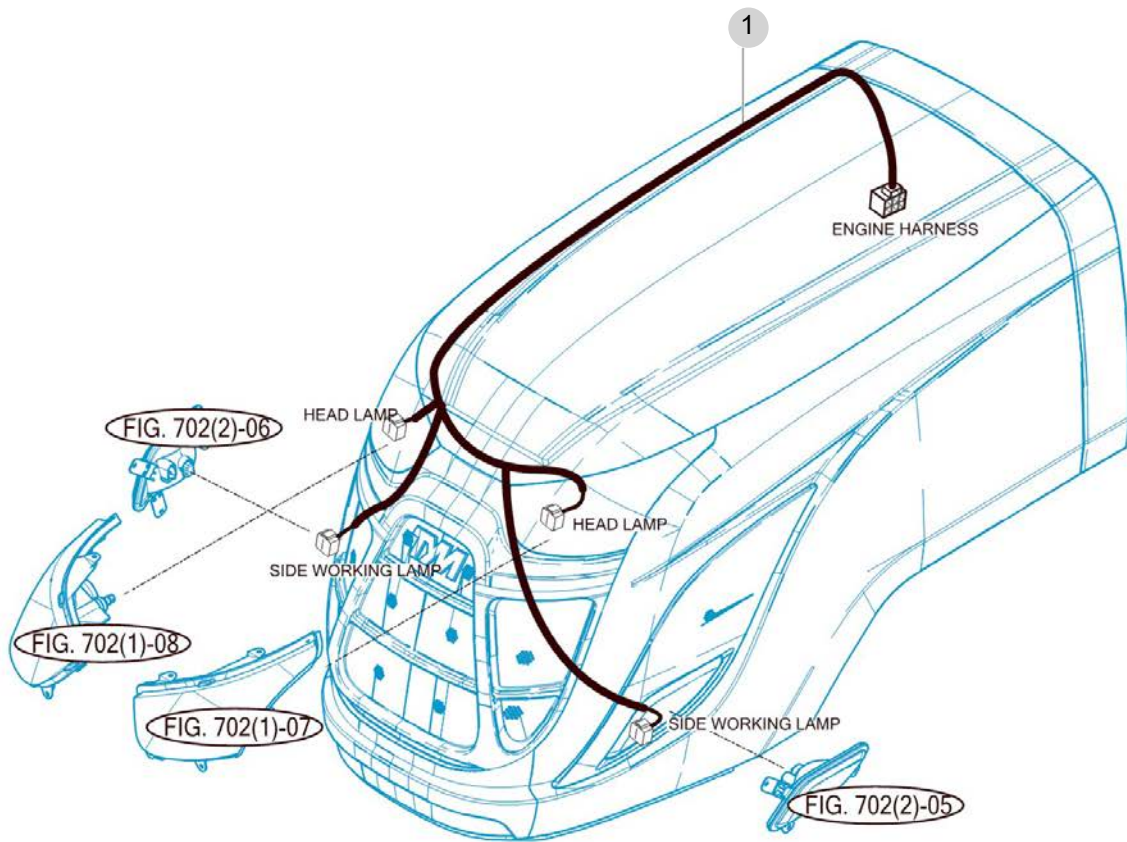
FIG 802

HARNESS LAMP

년/월  
Year/Month

2022-12

T575NHEU1



NOTE





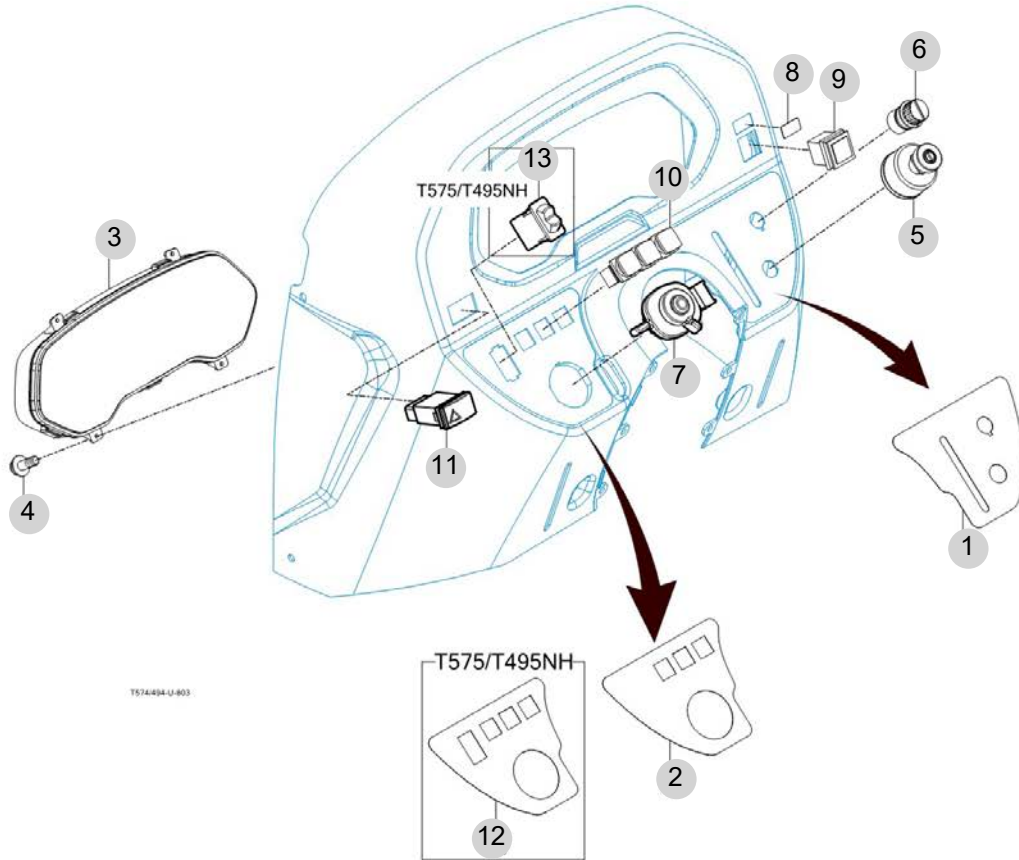
FIG 803

INSTRUMENT PANEL

년/월  
Year/Month

2022-12

T575NHEU1



T574894-U-803

NOTE



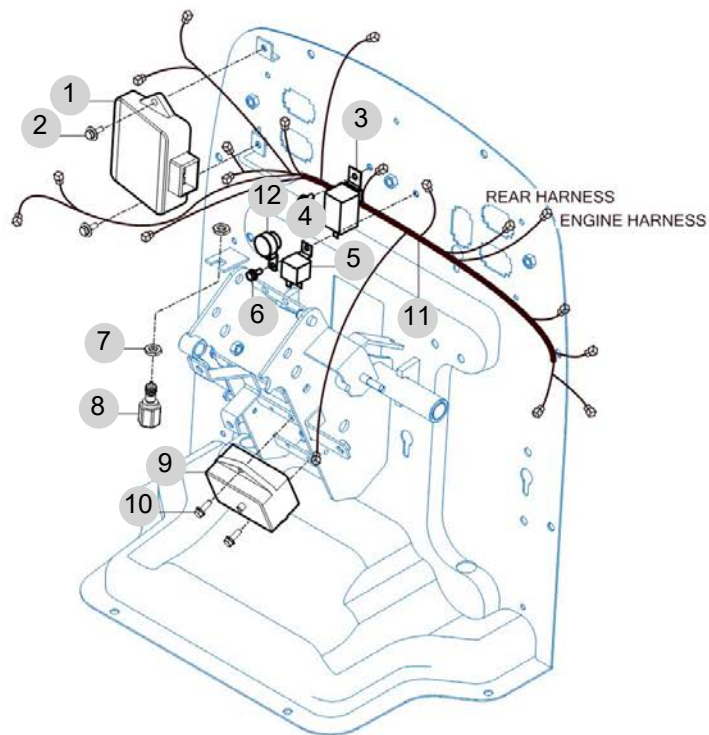
FIG 804

ELECTRIC SYSTEM (1)

년/월  
Year/Month

2022-12

T575NHEU1



NOTE

<b>FIG 804</b> T575NHEU1	<b>ELECTRIC SYSTEM (1)</b>						년/월 Year/Month
							2022-12

KEY NO	PART NO	DESCRIPTION	SPEC	QTY	REPAIR	EFFECTIVE DATE	REMARKS
804	1	13746300100	컨트롤러 ASSY				
804	2	V2123606016	육각볼트(SP)	M6X16	2		
804	3	13606642401	플래셔SET 3p(은색)		1		
804	4	V2123606016	육각볼트(SP)	M6X16	1		
804	5	11616212900	5P 릴레이		1		
804	6	V2123606016	육각볼트(SP)	M6X16	1		
804	7	14326210061	록너트(M12)		2		
804	8	15186213200	스톱 라이트스위치 ASSY		1		
804	9	13836642100	케이스(퓨즈) ASSY		1		
804	10	V2123606020	육각볼트(SP)	M6X20	2		
804	11	11076683000	하니스 ASSY , 메인		1		
804	12	16586652000	부저조합		1		
NOTE							

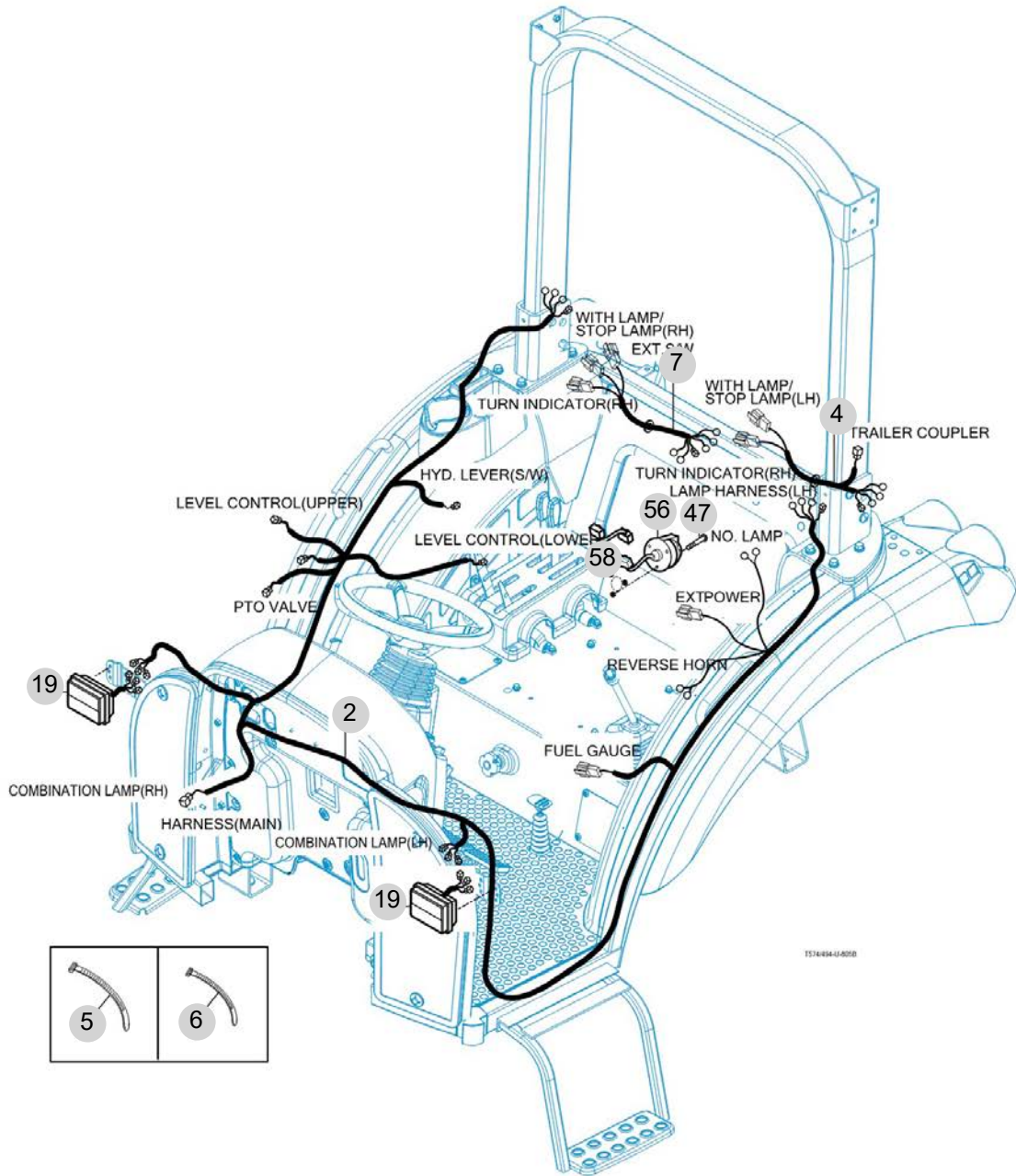
FIG 805B

ELECTRIC SYSTEM (2)-Non CAB

년/월  
Year/Month

2022-12

T575NHEU1



NOTE



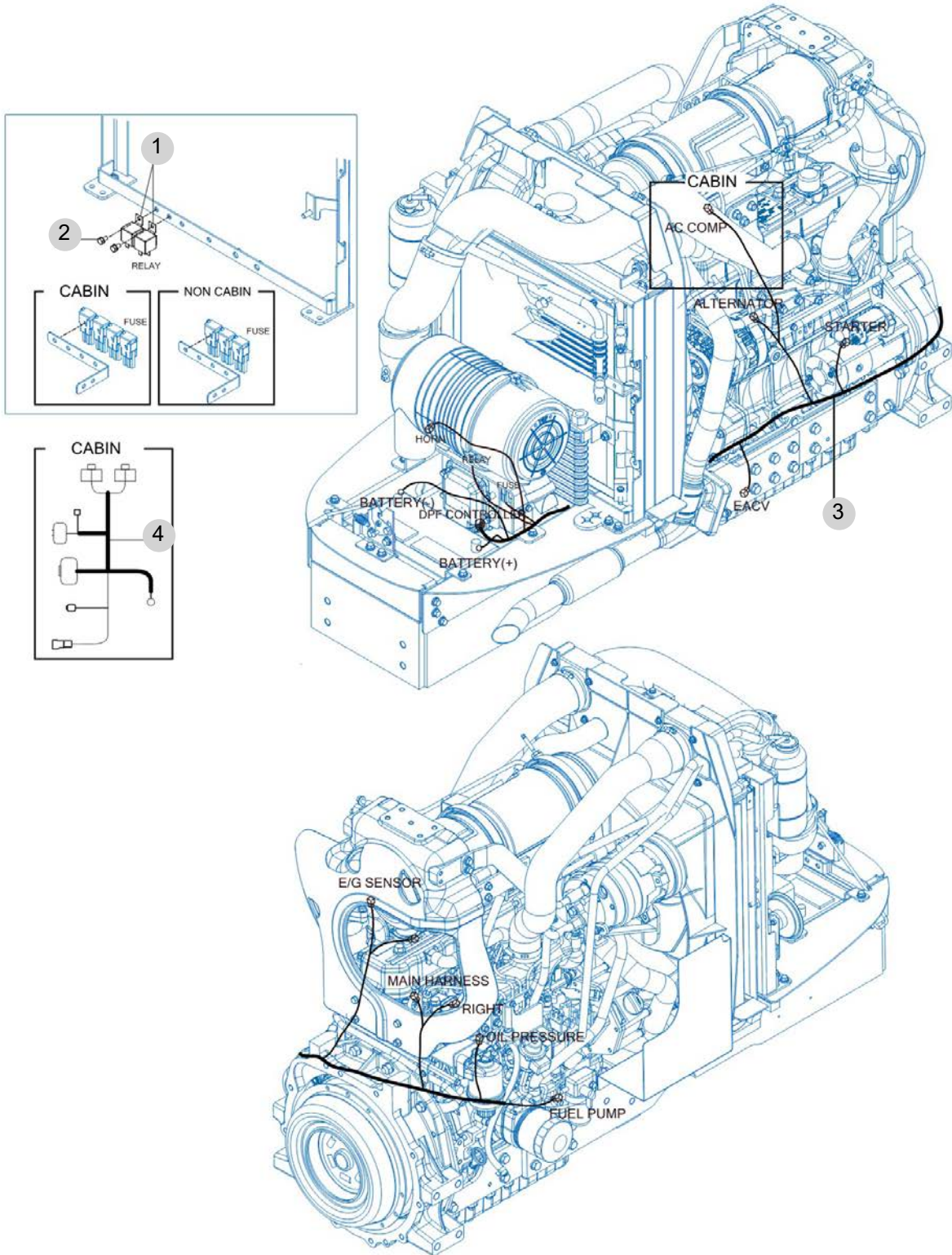
FIG 806

ELECTRIC SYSTEM (3)

년/월  
Year/Month

2022-12

T575NHEU1



NOTE





## 9. 라벨/옵션 PART NO. T9

FIG 901 TOOL & ACCESSORY	259
FIG 902 WEIGHT	261
FIG 903 LABEL	263
FIG 903-2 LABEL	265

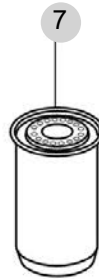
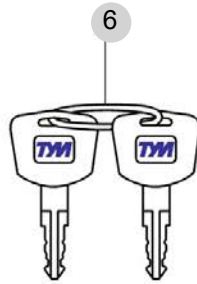
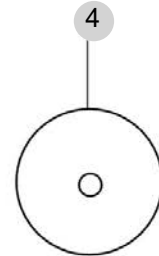
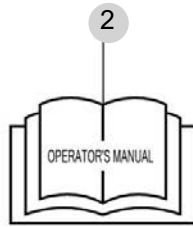
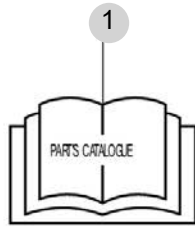
FIG 901

TOOL & ACCESSORY

년/월  
Year/Month

2022-12

T575NHEU1



NOTE



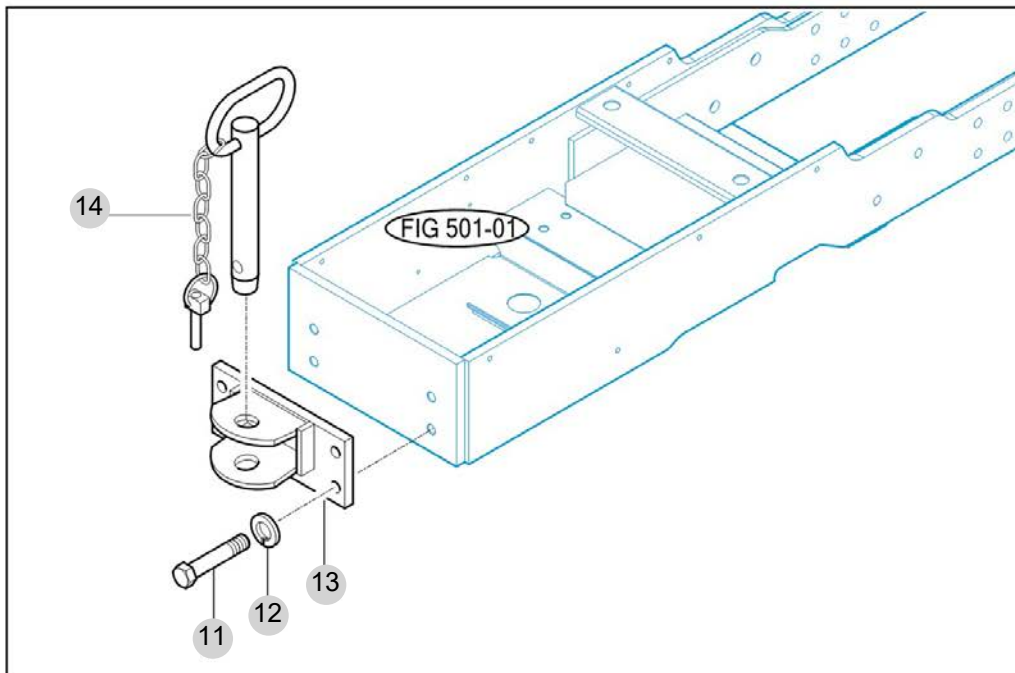
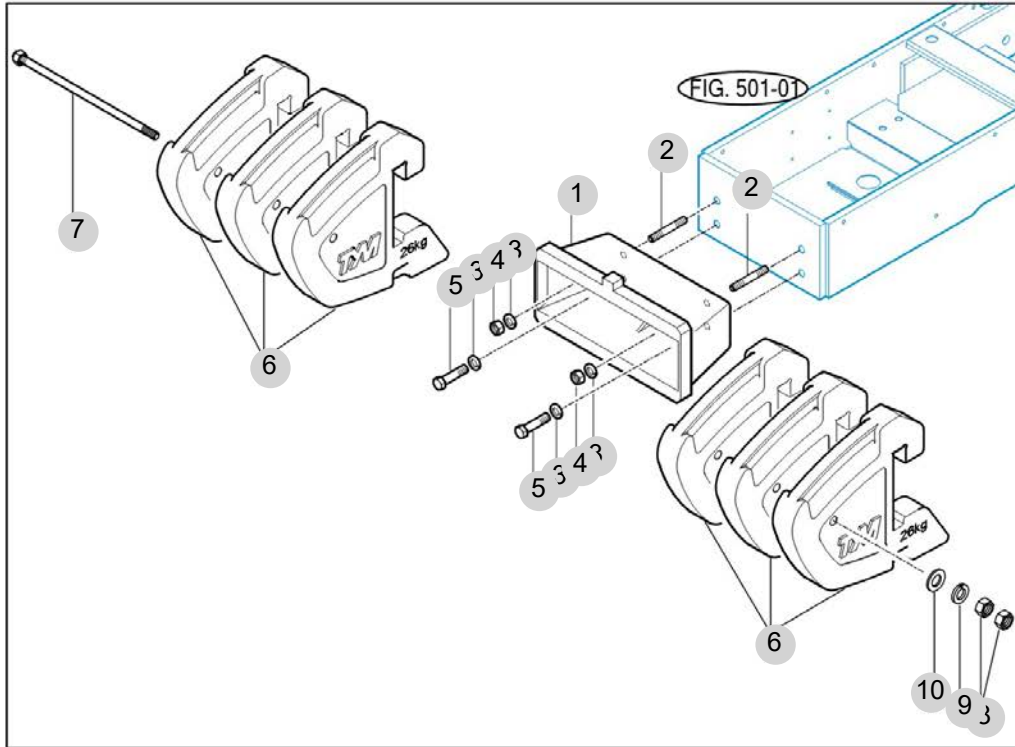
FIG 902

WEIGHT

년/월  
Year/Month

2022-12

T575NHEU1



T575-E-902

NOTE



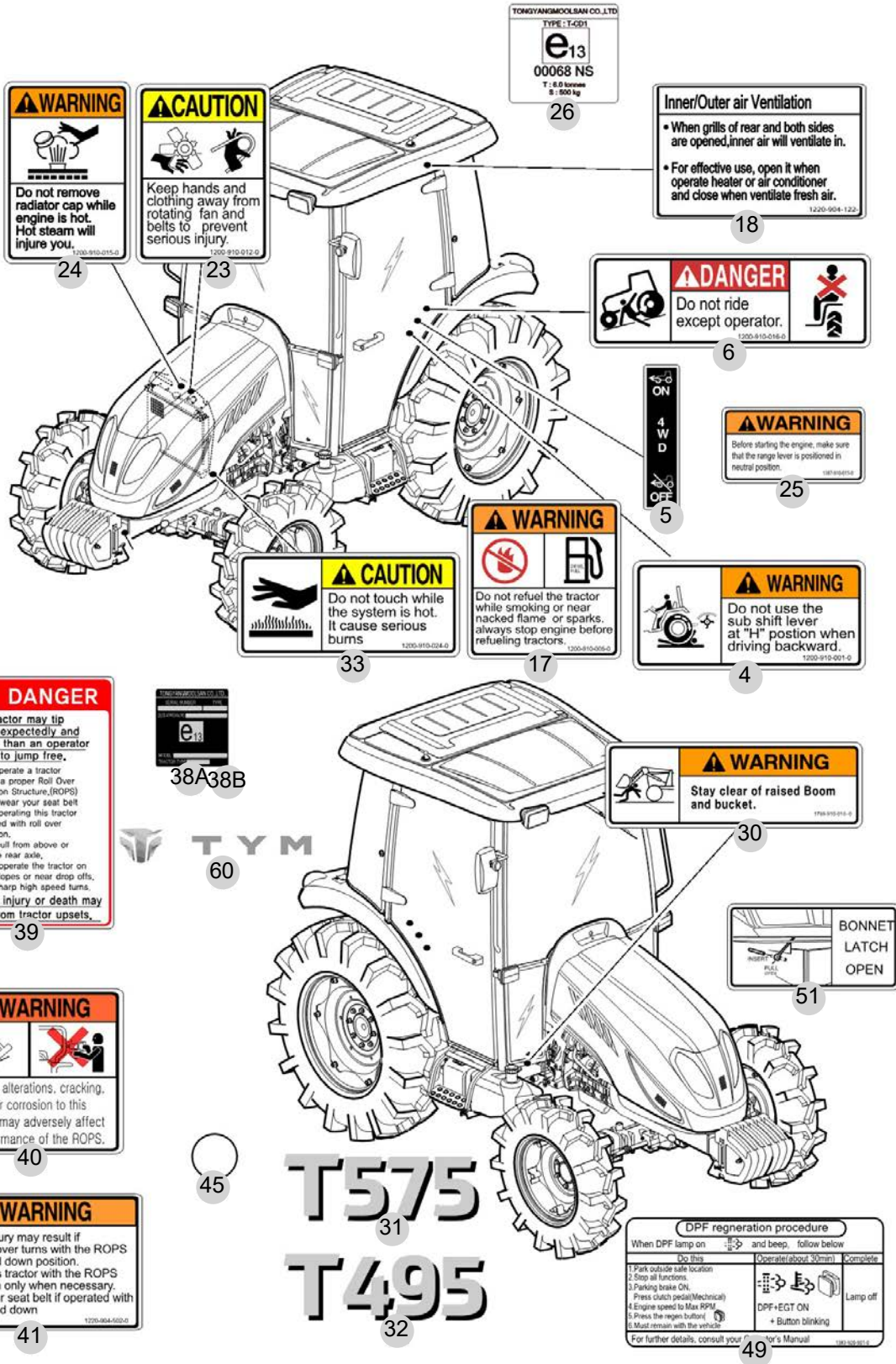
FIG 903

T575NHEU1

LABEL

년/월  
Year/Month

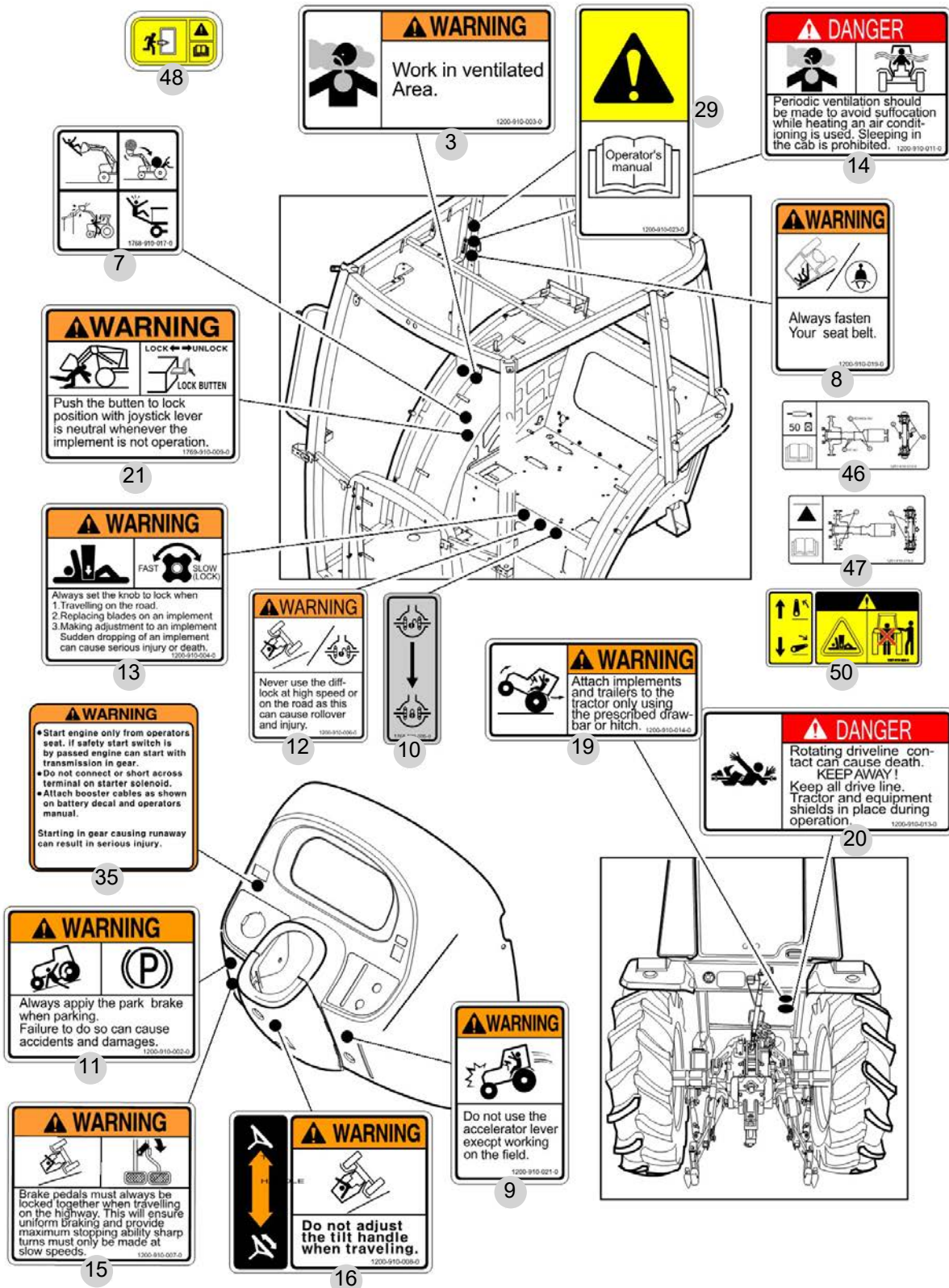
2022-12



NOTE







NOTE

