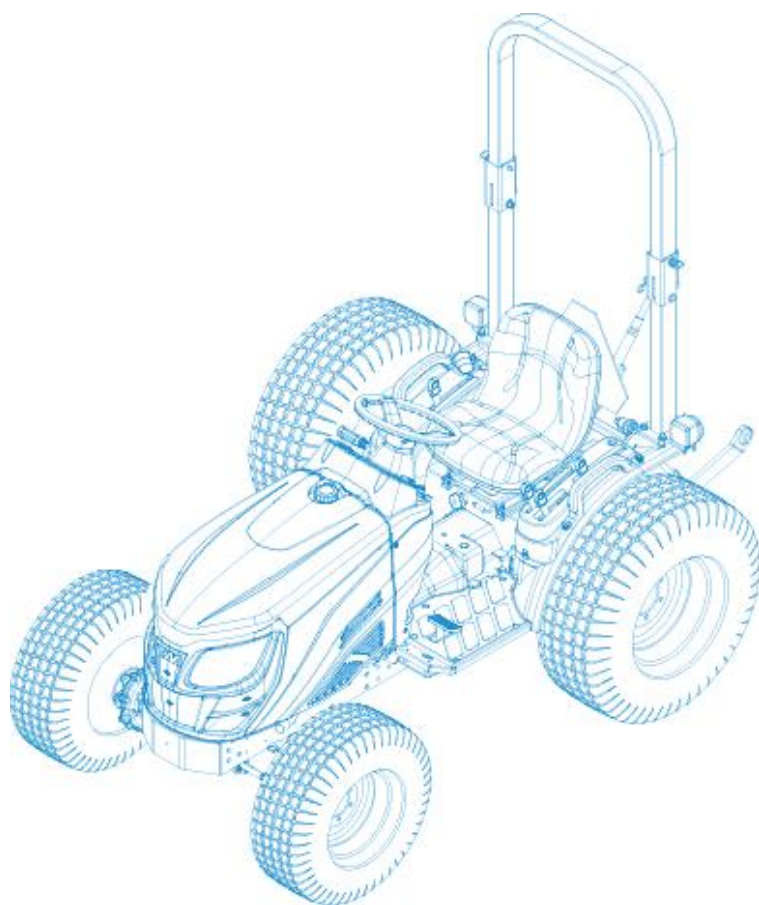


# Parts Catalogue

## T254NC



제 작 일	2014.
작 성	
검 토	
승 인	

**TMM** 동양물산 기계사업부

Printed : 2014 Version

Part number of this book: 11139120030

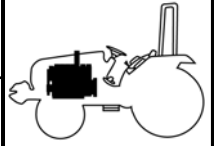
FIG 101

CYLINDER BLOCK

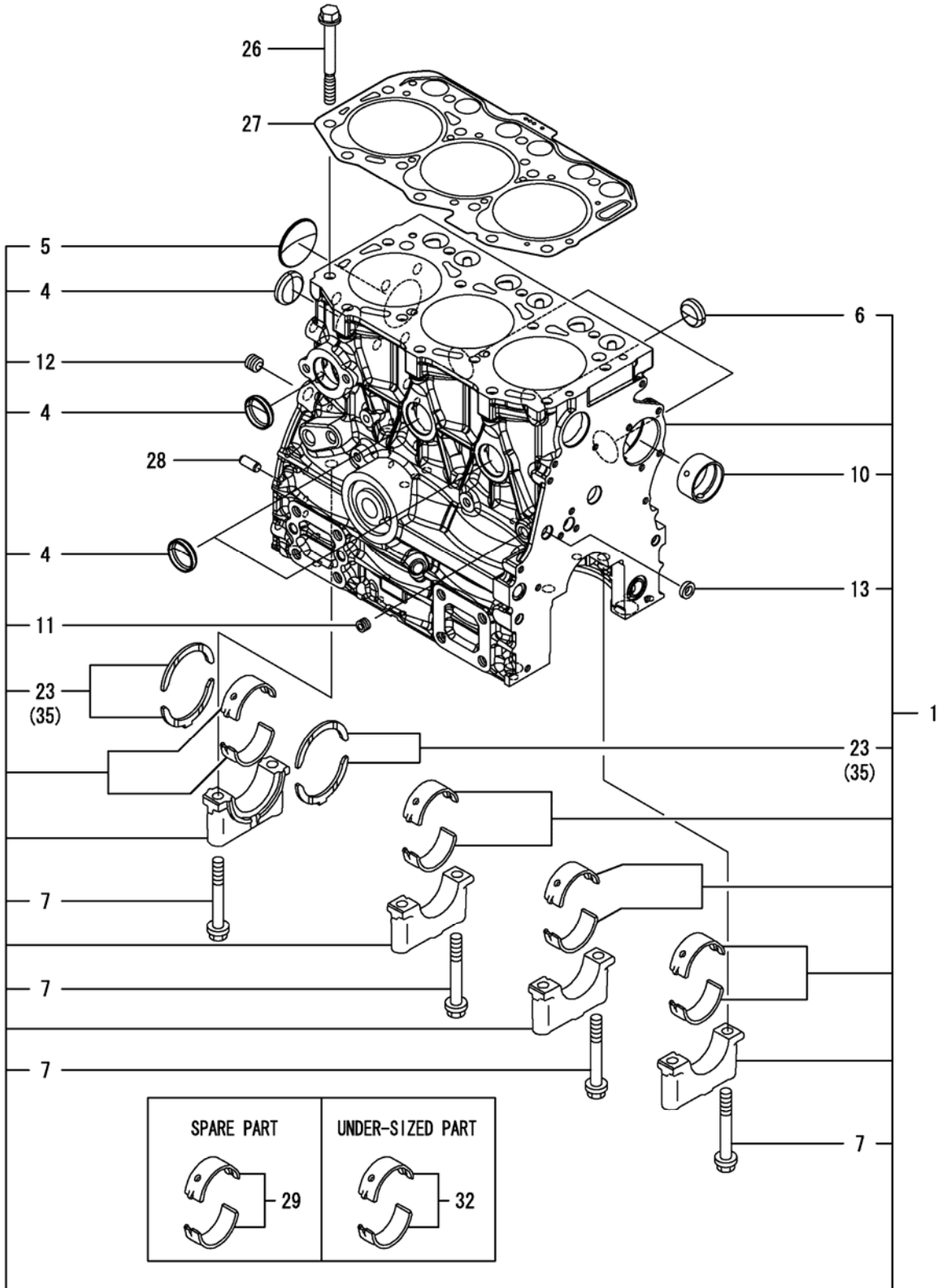
P1

Year

2014



T254NC



NOTE



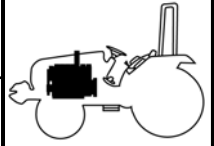
FIG 102

GEAR HOUSING

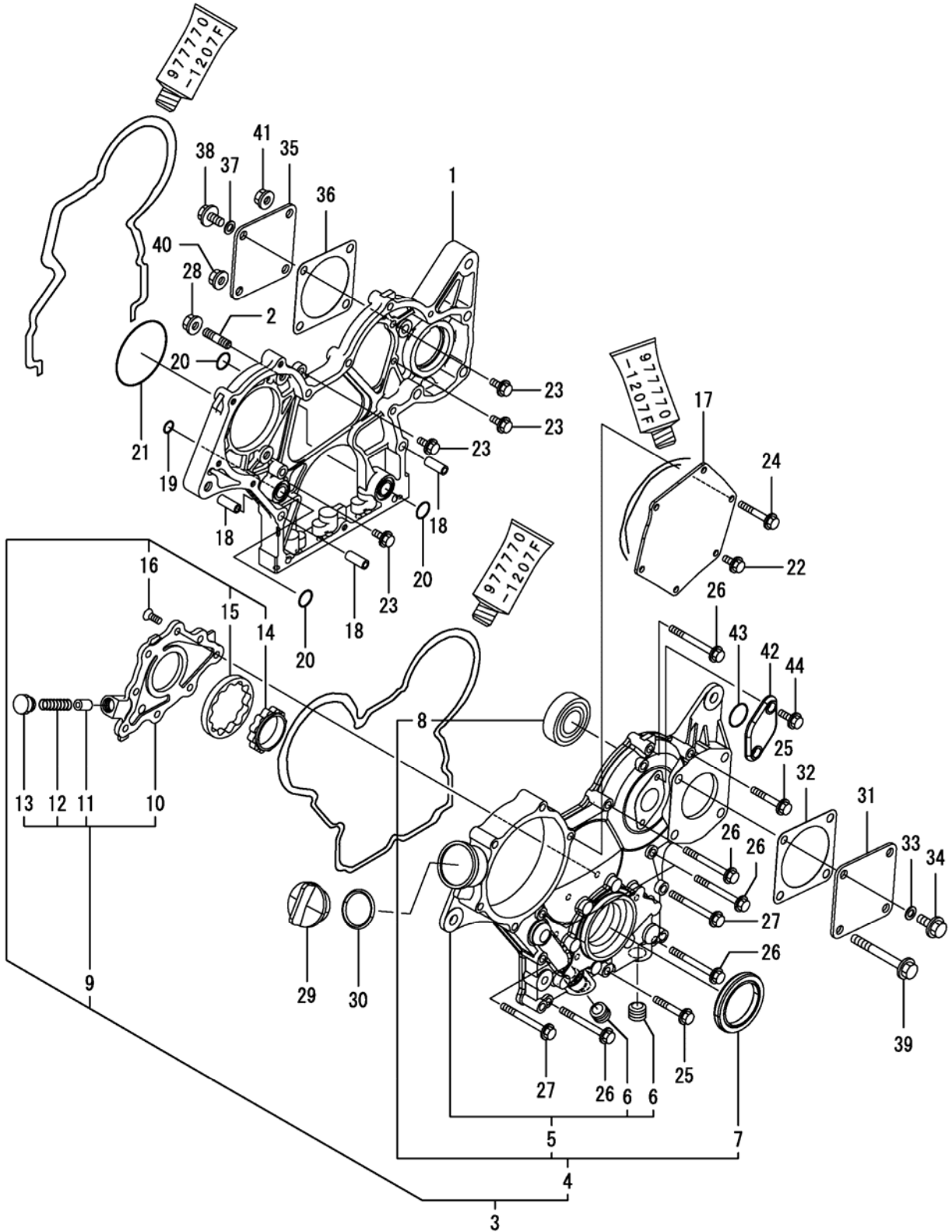
P1

Year

2014



T254NC



NOTE



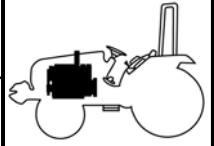
FIG 103

OIL SUMP

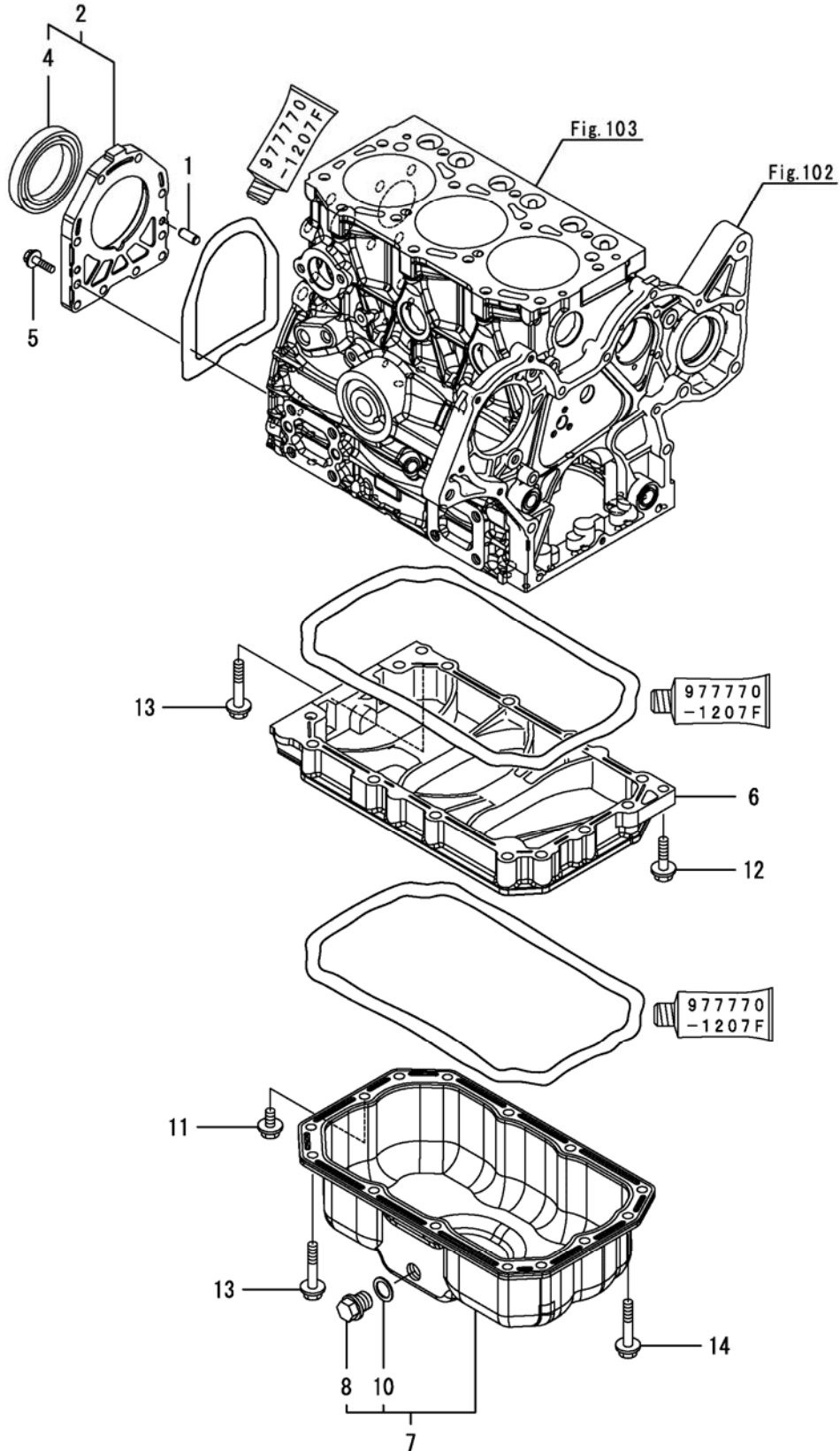
P1

Year

2014



T254NC



NOTE



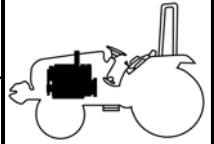
FIG 104

CYLINDER HEAD & BONNET

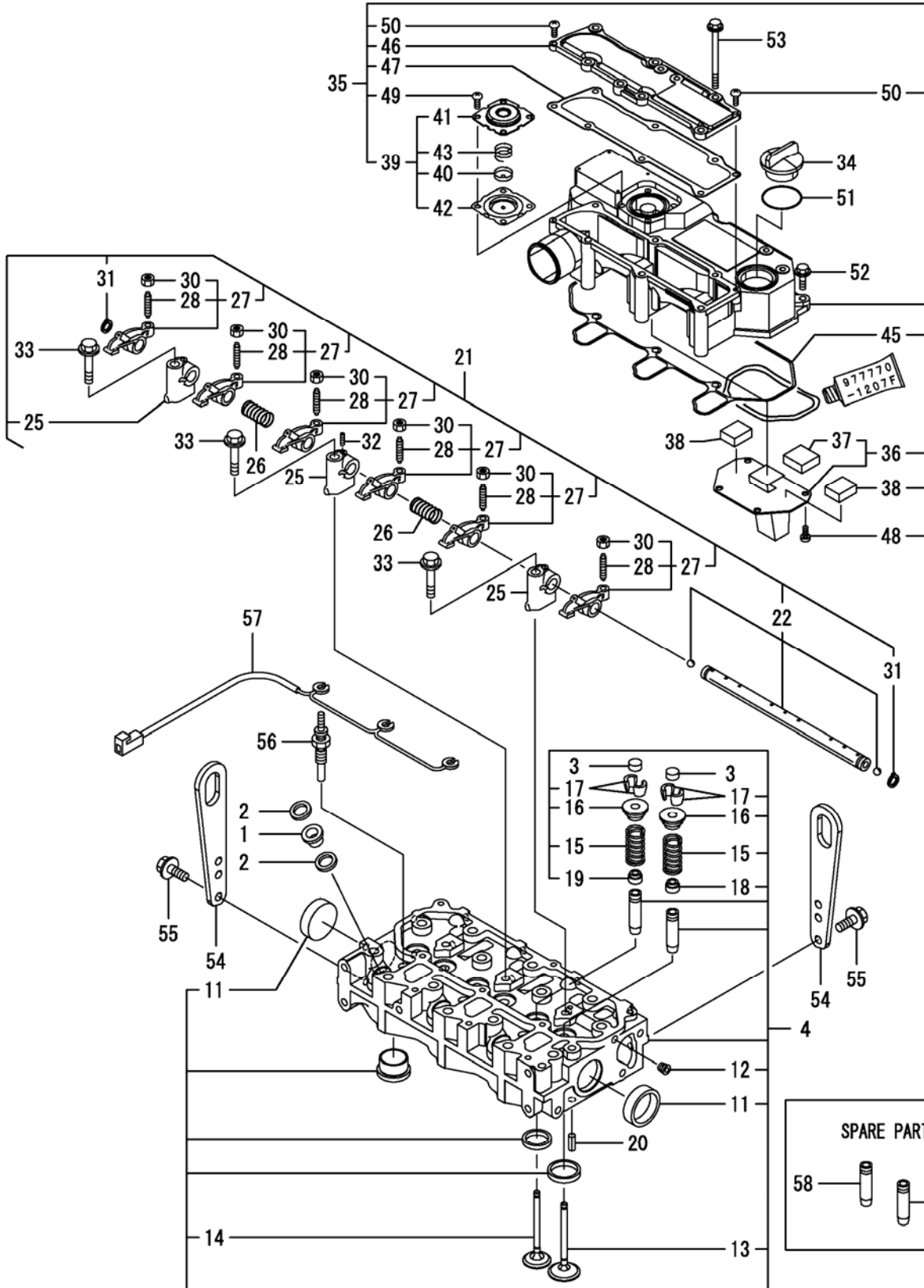
P1

Year

2014



T254NC



NOTE



FIG 104		CYLINDER HEAD & BONNET			P1	Year	
T254NC						2014 0	
KEY NO.	PART NO.	DESCRIPTION	SPEC.	QTY.	REPAIR	E/G SERIAL NO	REMARKS
104	001	129901-11450	PROTECTOR, NO LE		3		
104	002	119600-11460	GASKET, NO LE		6		
104	003	105010-11490	CAP, VALVE		6		
104	004	119E10-11750	HEAD ASSY, CYLINDER		1		
104	011	119285-11990	PLUG, 35		2		
104	012	23876-005000	PLUG, R005		1		
104	013	119E10-11100	VALVE, SUCTION		3		
104	014	119E10-11110	VALVE, EXHAUST		3		
104	015	119717-11131	SPRING, VALVE		6		
104	016	129508-11180	RETAINER, SPRING		6		
104	017	119717-11190	COTTER		12		
104	018	119717-11340	SEAL, VALVE STEM		3		
104	019	119717-11350	SEAL, VALVE STEM		3		
104	020	22351-060012	PIN, SPRING 6.0X12		2		
104	021	119717-11200	SUPPORT ASSY, ARM		1		
104	022	119717-11240	SHAFT ASSY, ROCKER		1		
104	025	119717-11260	SUPPORT, ROCKER ARM		3		
104	026	119620-11280	SPRING		2		
104	027	119717-11650	ARM, ROCKER		6		
104	028	129150-11230	SCRE , VALVE AD UST		6		
104	030	129150-11750	NUT, M8		6		
104	031	22242-000120	RING, 12		2		
104	032	26979-050162	SCRE , M5X16		1		
104	033	26106-080402	BOLT, M8X 40 PLATED		3		
104	034	124160-01751	COVER, FILLER		1		
104	035	119717-11381	BONNET ASSY, HEAD		1		
104	036	119717-03031	PLATE		1		
104	037	119717-03070	BAFFLE, BREATHER		1		
104	038	119717-03070	BAFFLE, BREATHER		2		
104	039	119802-03100	DIAPHRAGM ASSY		1		
104	040	119802-03110	PLATE		1		
104	041	119802-03121	COVER, DIAPHRAGM		1		
104	042	119802-03131	DIAPHRAGM		1		
104	043	119802-03141	SPRING, DIAPHRAGM		1		
104	045	119718-11310	GASKET, BONNET		1		
104	046	119717-11320	COVER, BONNET		1		
104	047	119717-11331	GASKET		1		
104	048	22857-500100	SCRE , 5X10		4		
104	049	22857-500100	SCRE , 5X10		4		
104	050	22857-500160	SCRE , 5X16		2		
104	051	24311-000320	O-RING, 1AP32.0		1		
104	052	26106-060202	BOLT, M6X20 PLATED		3		
104	053	26106-060752	BOLT, M6X75 PLATED		6		
104	054	129900-07900	LIFTER		2		
104	055	26106-080162	BOLT, M8X16 PLATED		4		
104	056	119717-77801	PLUG, GLO		3		
104	057	119717-77820	CONNECTOR, GLO PLUG		1		
104	058	119717-11800	GUIDE, VALVE		6		
<b>NOTE</b>	1 S						

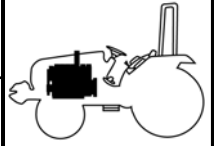
FIG 105

EXHAUST MANIFOLD

P1

Year

2014



T254NC

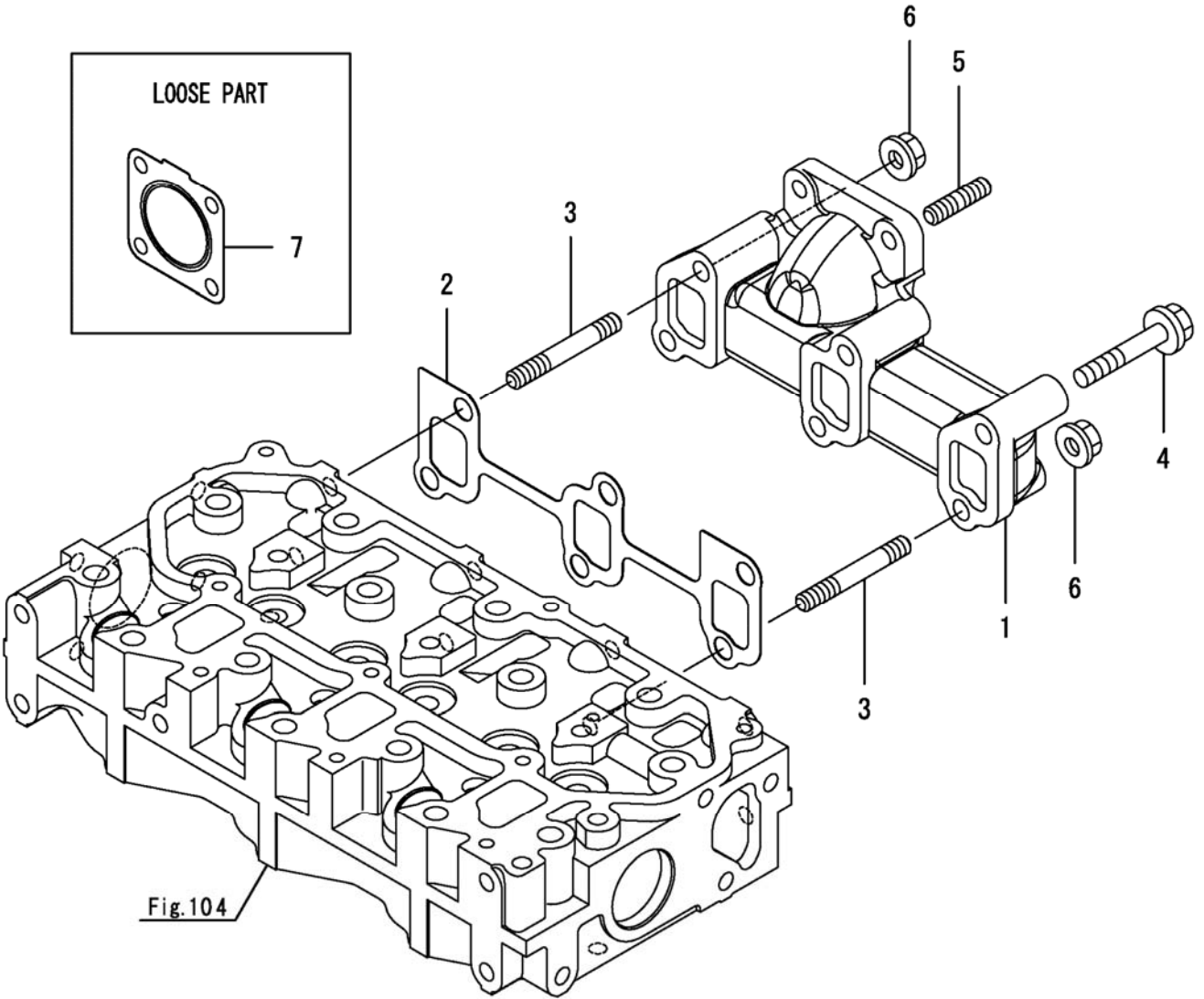
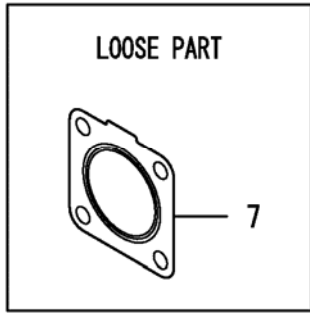


Fig.104

NOTE



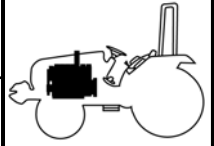
FIG 106

CAMSHAFT & DRIVING GEAR

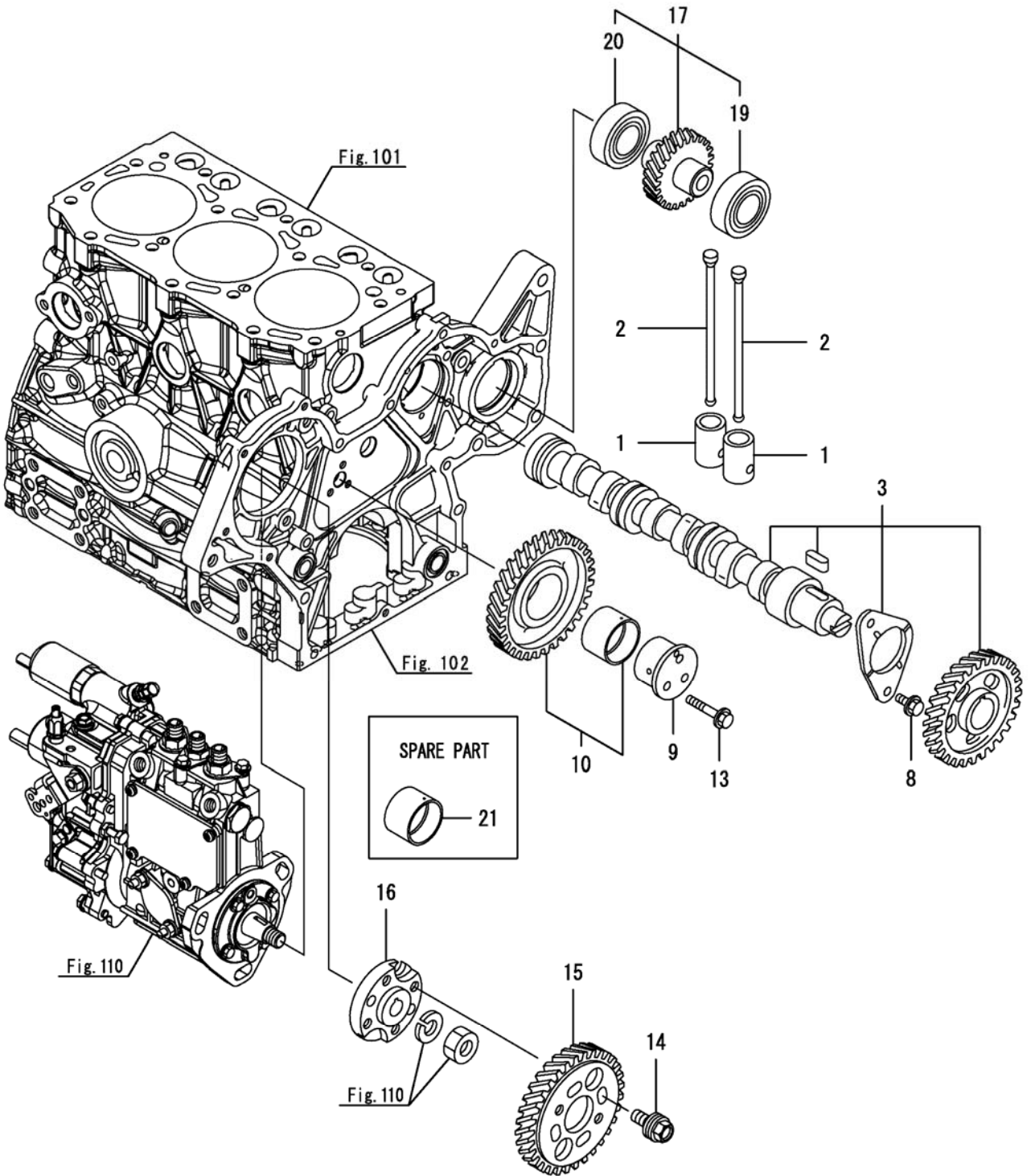
P1

Year

2014



T254NC



NOTE



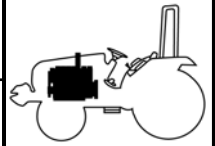
FIG 107

CRANKSHAFT & PISTON

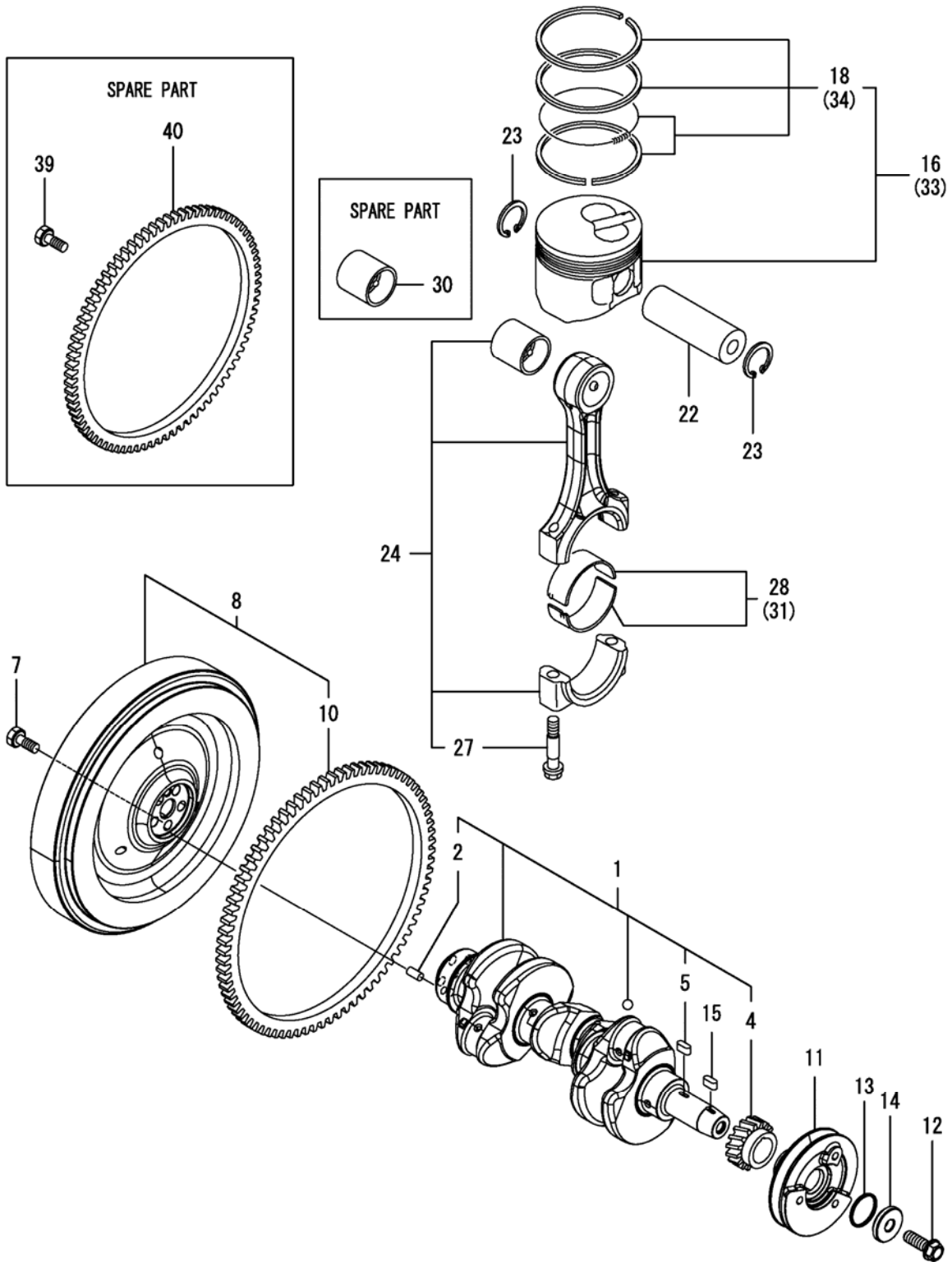
P1

Year

2014



T254NC



NOTE



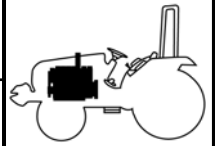
FIG 108

LUB. OIL SYSTEM

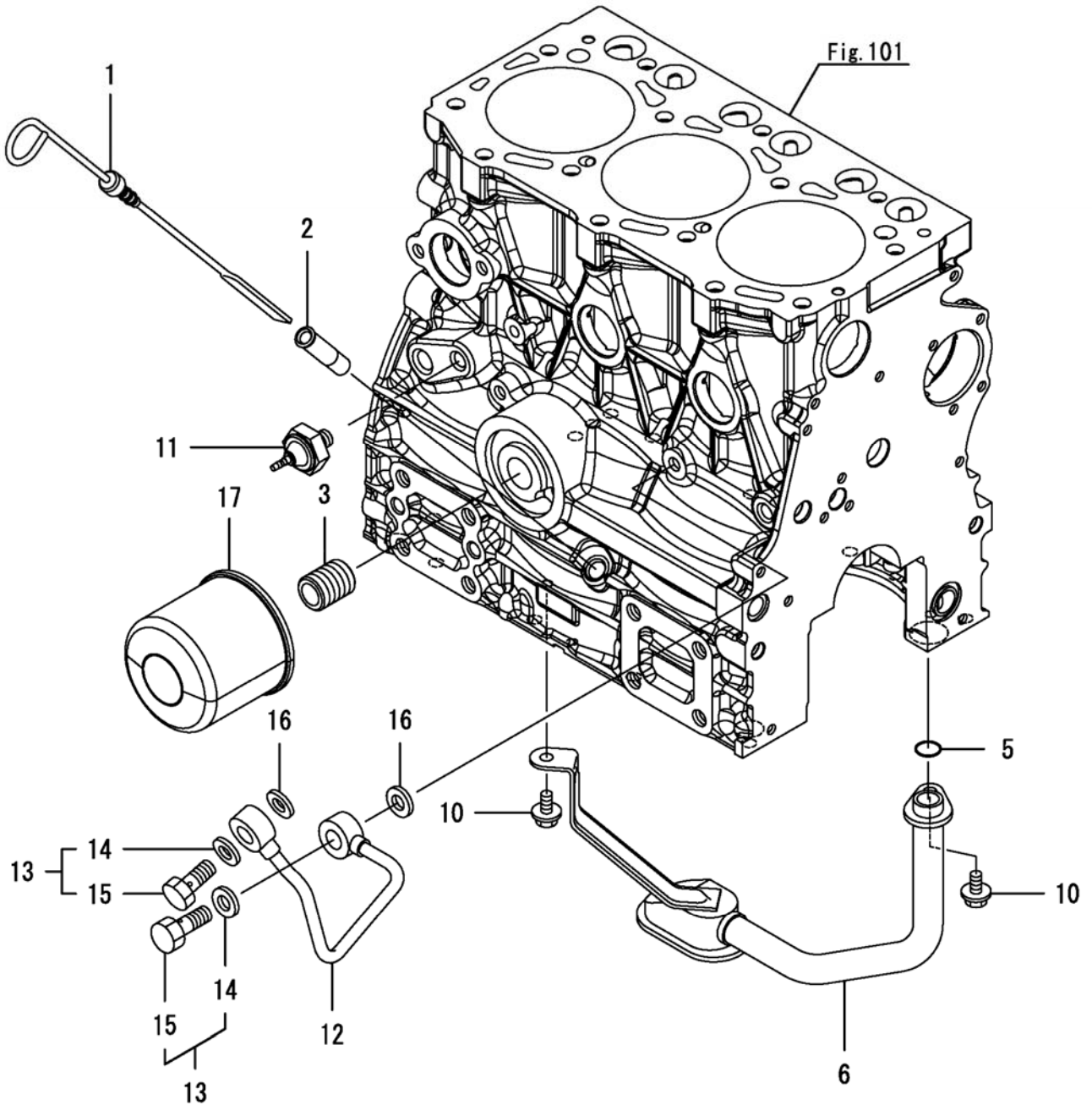
P1

Year

2014



T254NC



NOTE





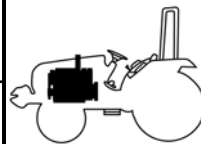
FIG 109

COOLING WATER SYSTEM

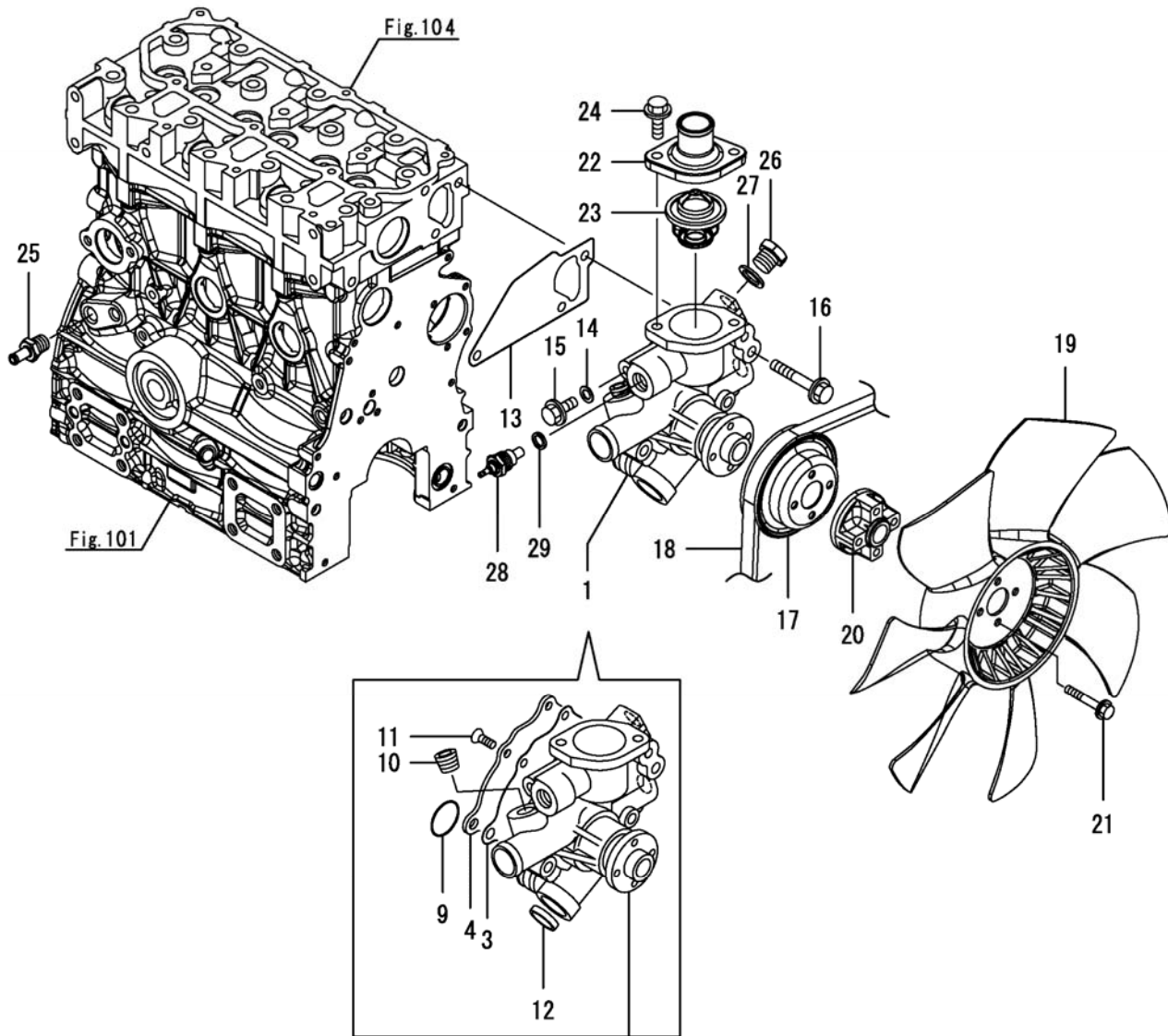
P1

Year

2014



T254NC



NOTE



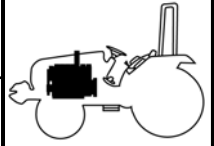
FIG 110

FUEL INJECTION PUMP

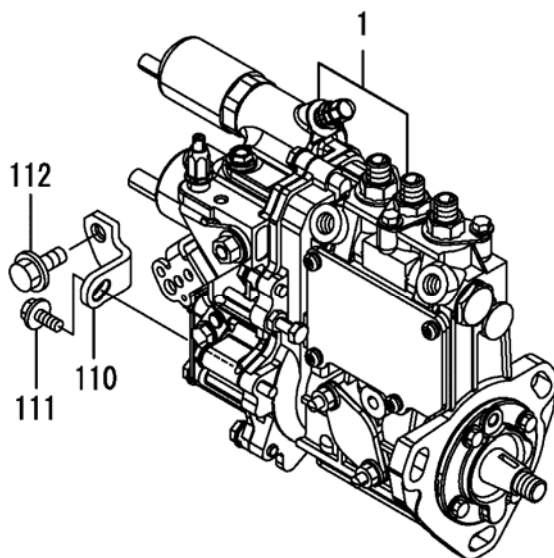
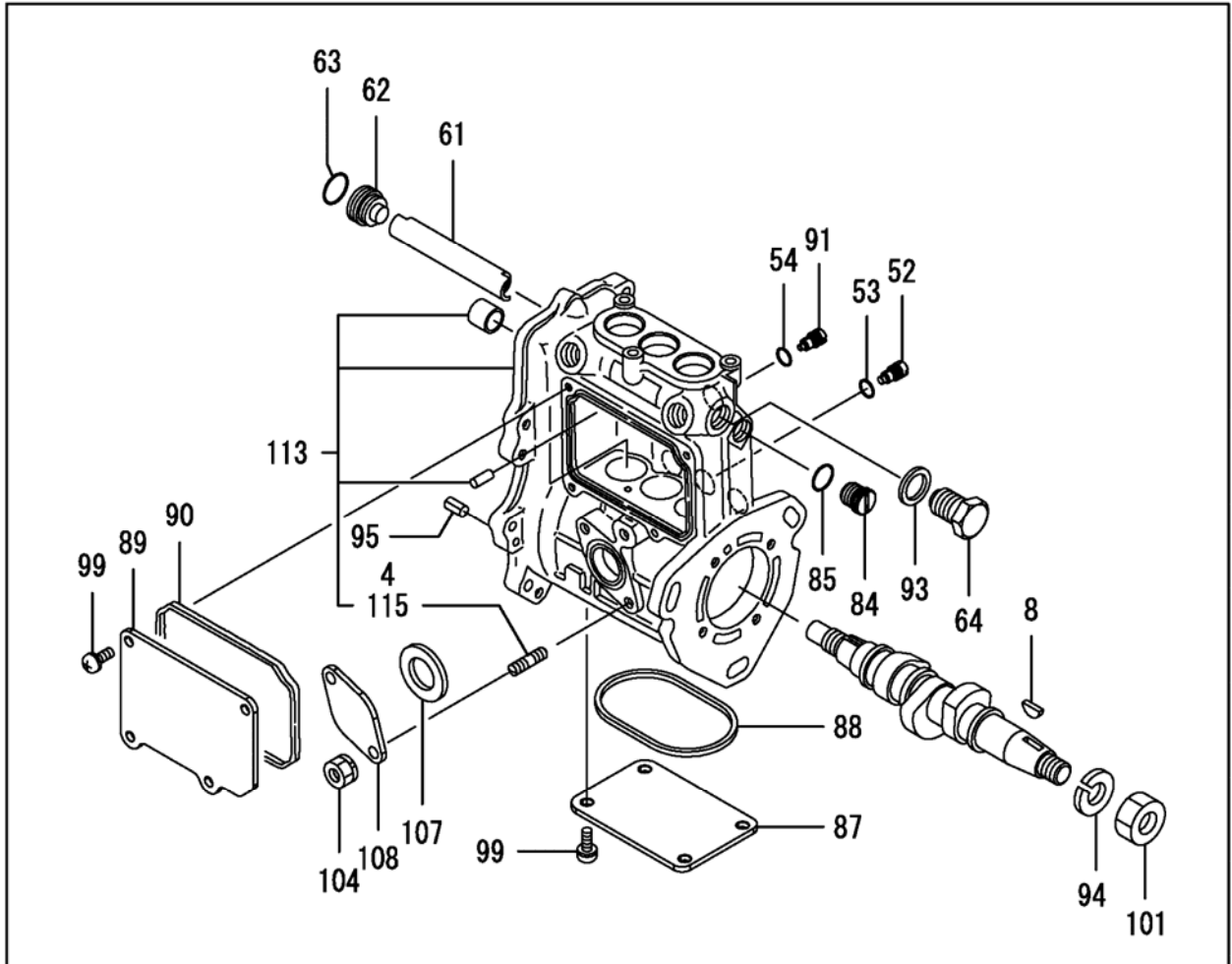
P1

Year

2014



T254NC



NOTE



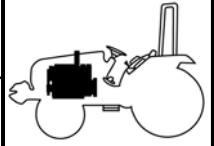
FIG 111

GOVERNOR

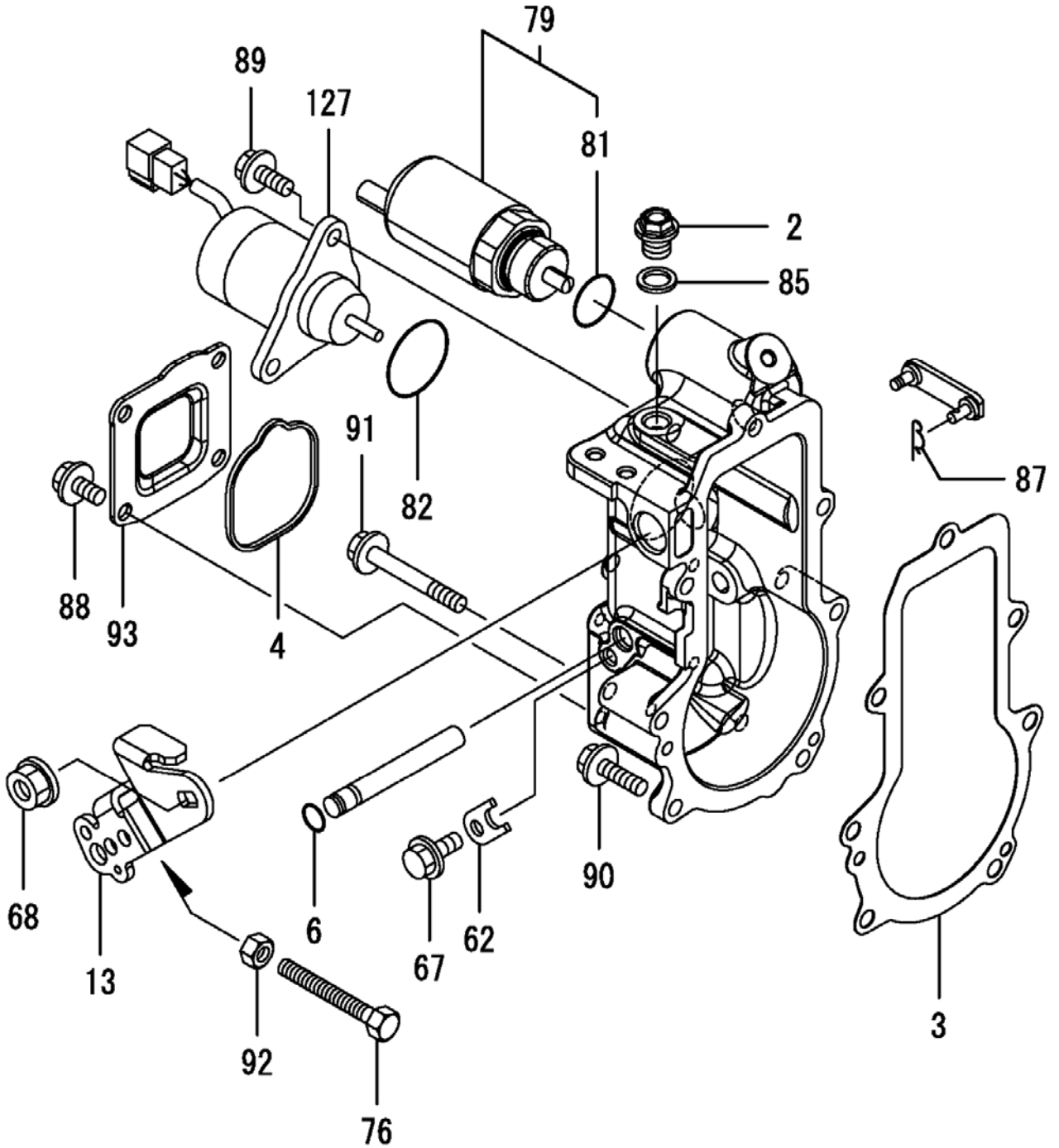
P1

Year

2014



T254NC



NOTE



FIG 112

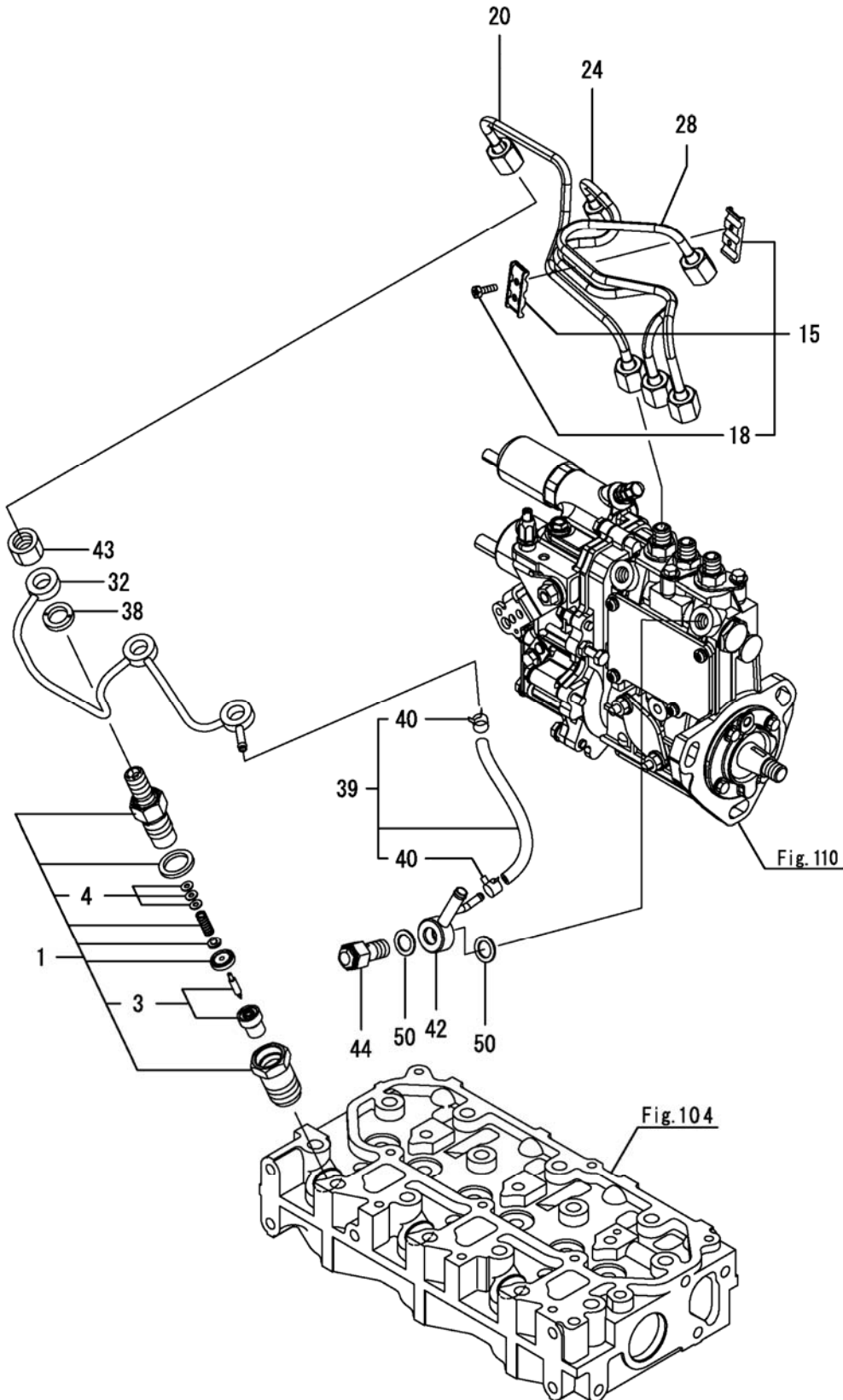
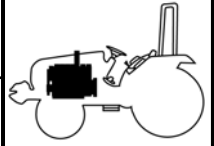
T254NC

FUEL INJECTION VALVE

P1

Year

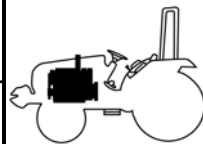
2014



NOTE







T254NC

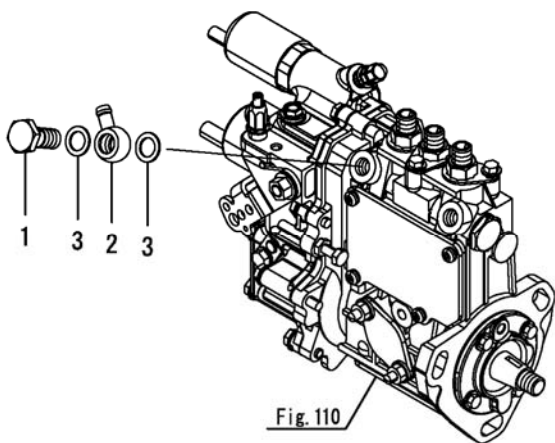
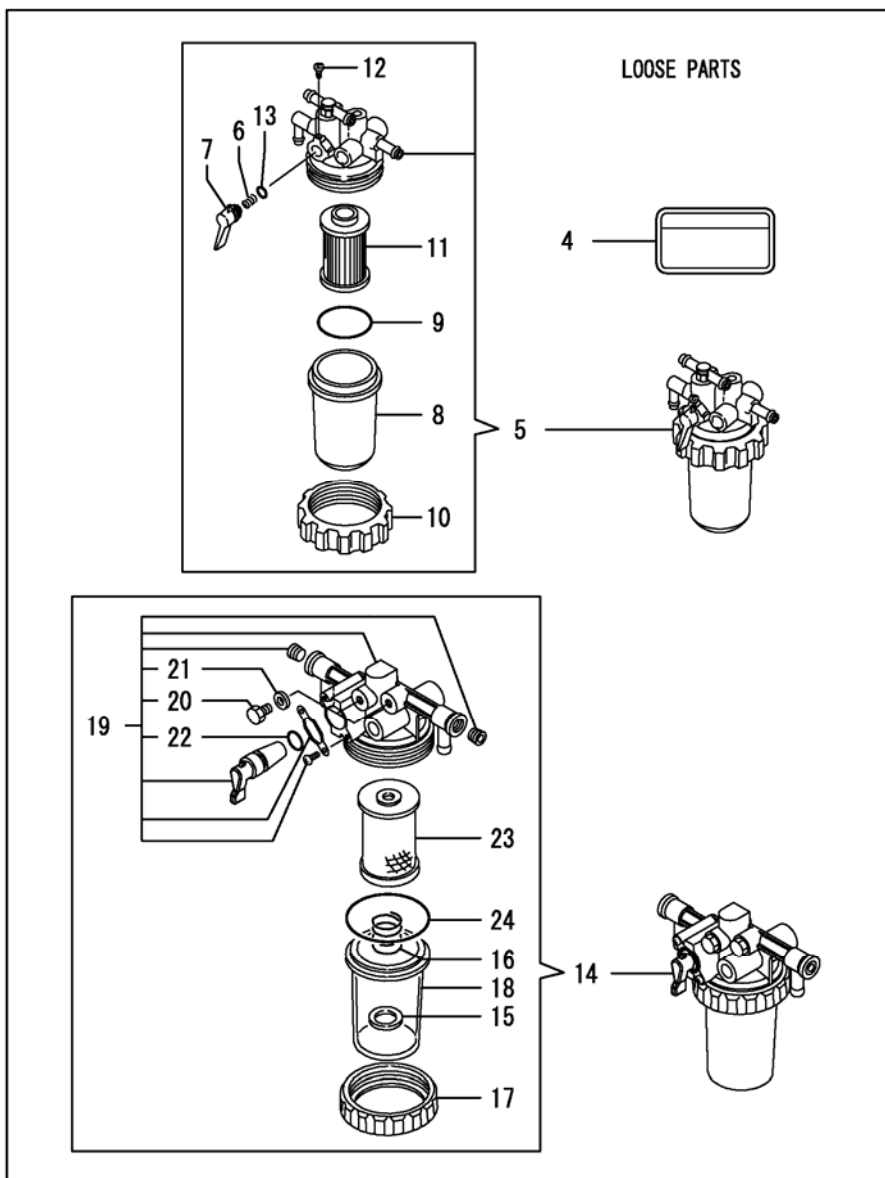
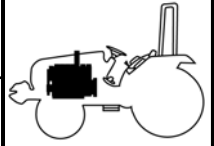


Fig. 110



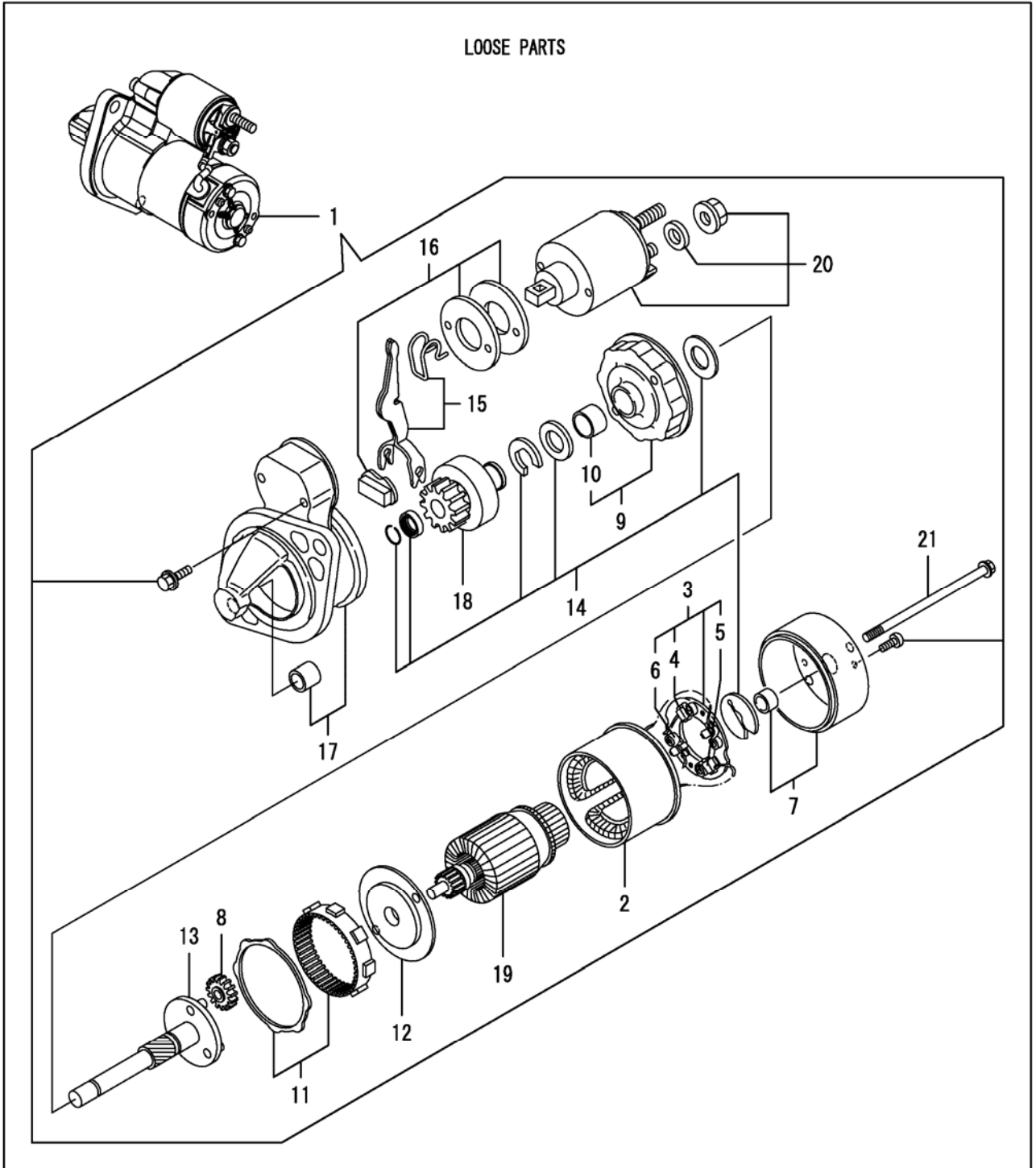
NOTE





T254NC

LOOSE PARTS



NOTE







FIG 116

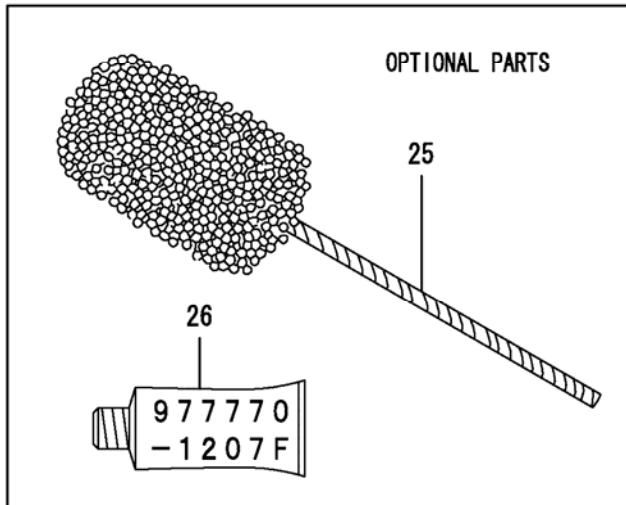
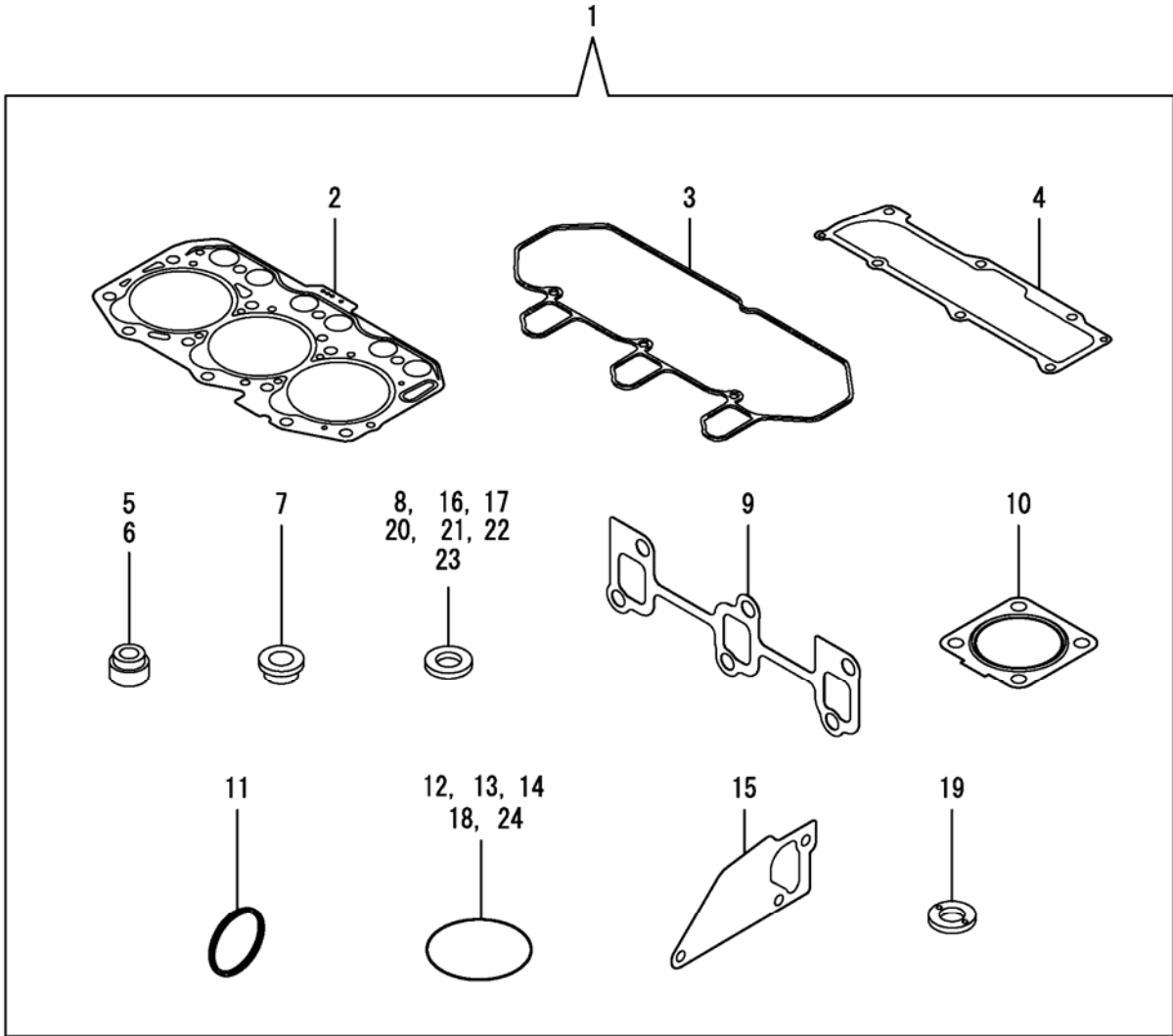
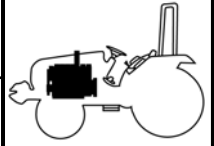
T254NC

GASKET SET

P1

Year

2014



NOTE





FIG 201

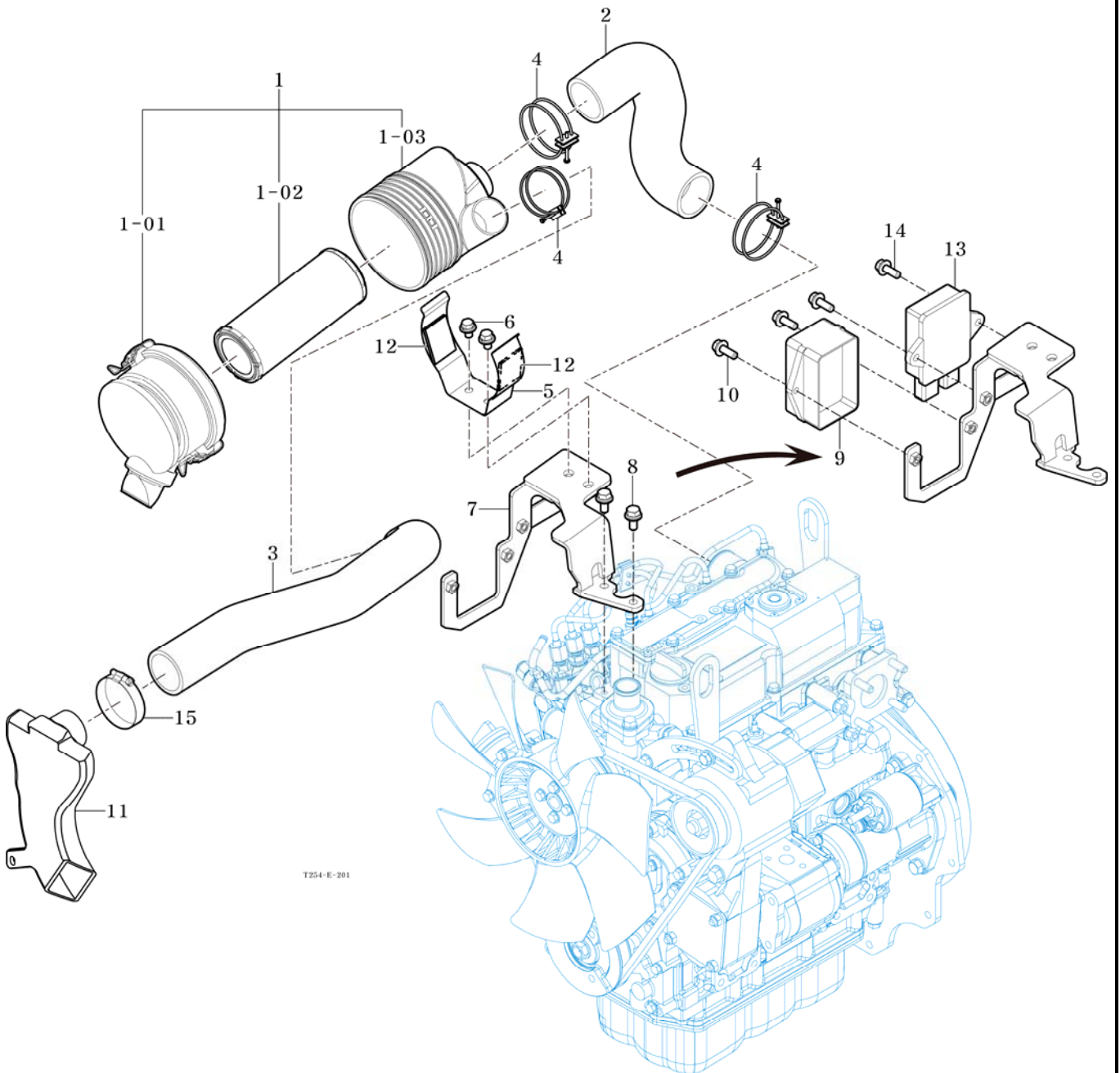
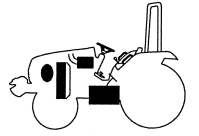
T254NC

# AIR CLEANER

P1

Year

2014



T254-E-201

NOTE



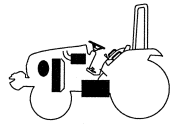
FIG 202

# RADIATOR

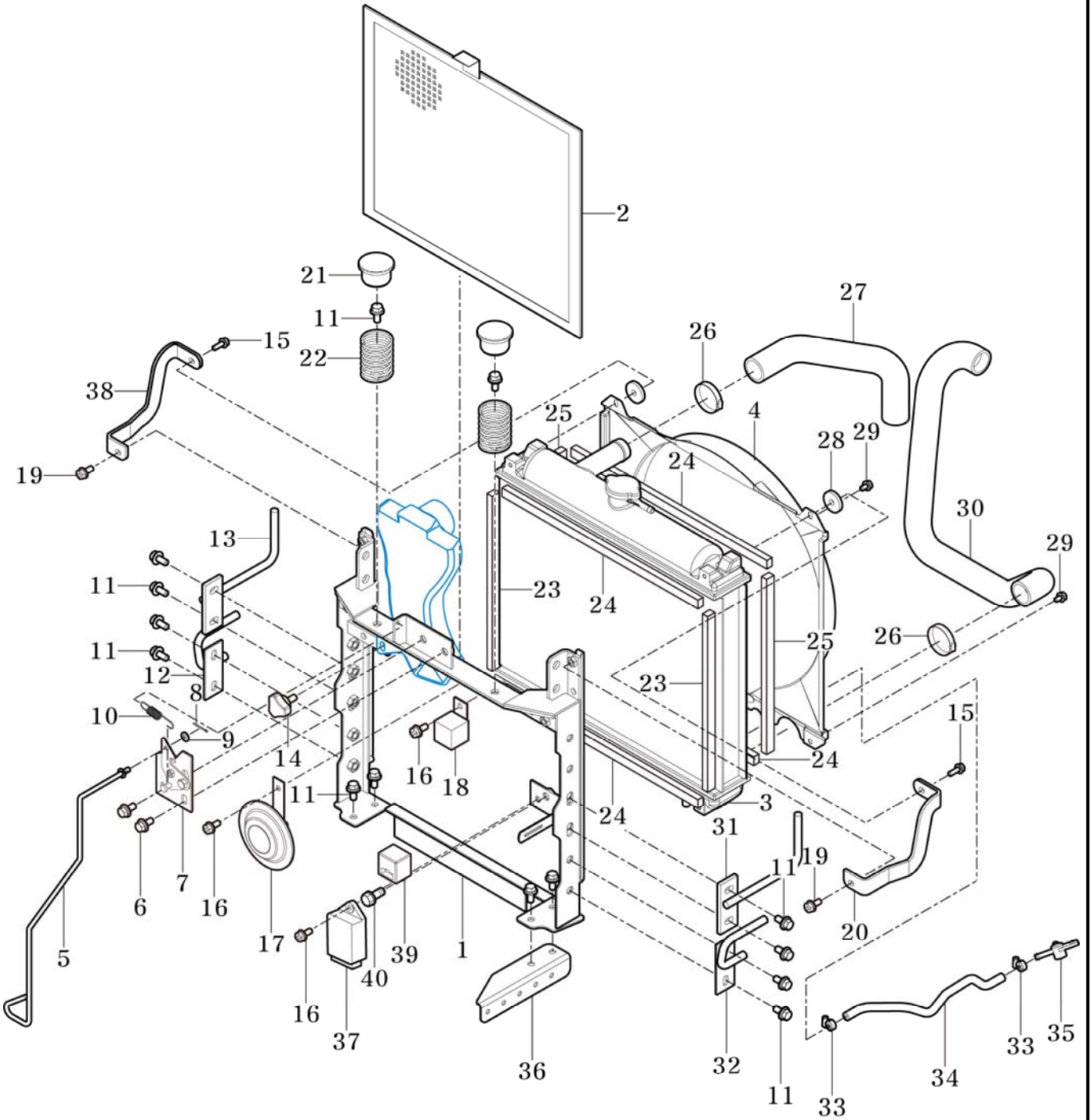
P1

Year

2014



T254NC



T254-E-202

NOTE



FIG 203

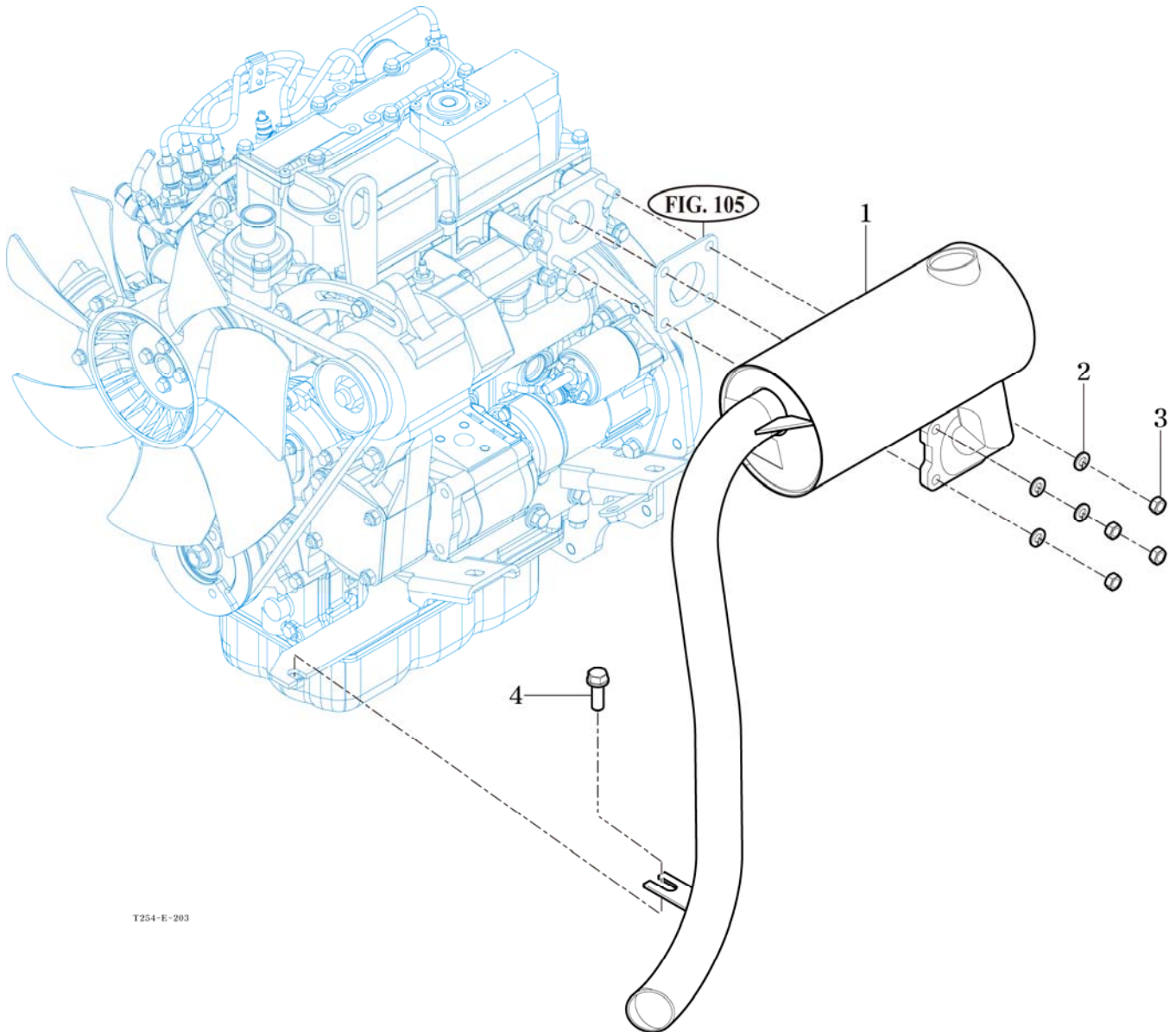
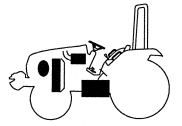
T254NC

# MUFFLER

P1

Year

2014



T254-E-203

NOTE



FIG 204

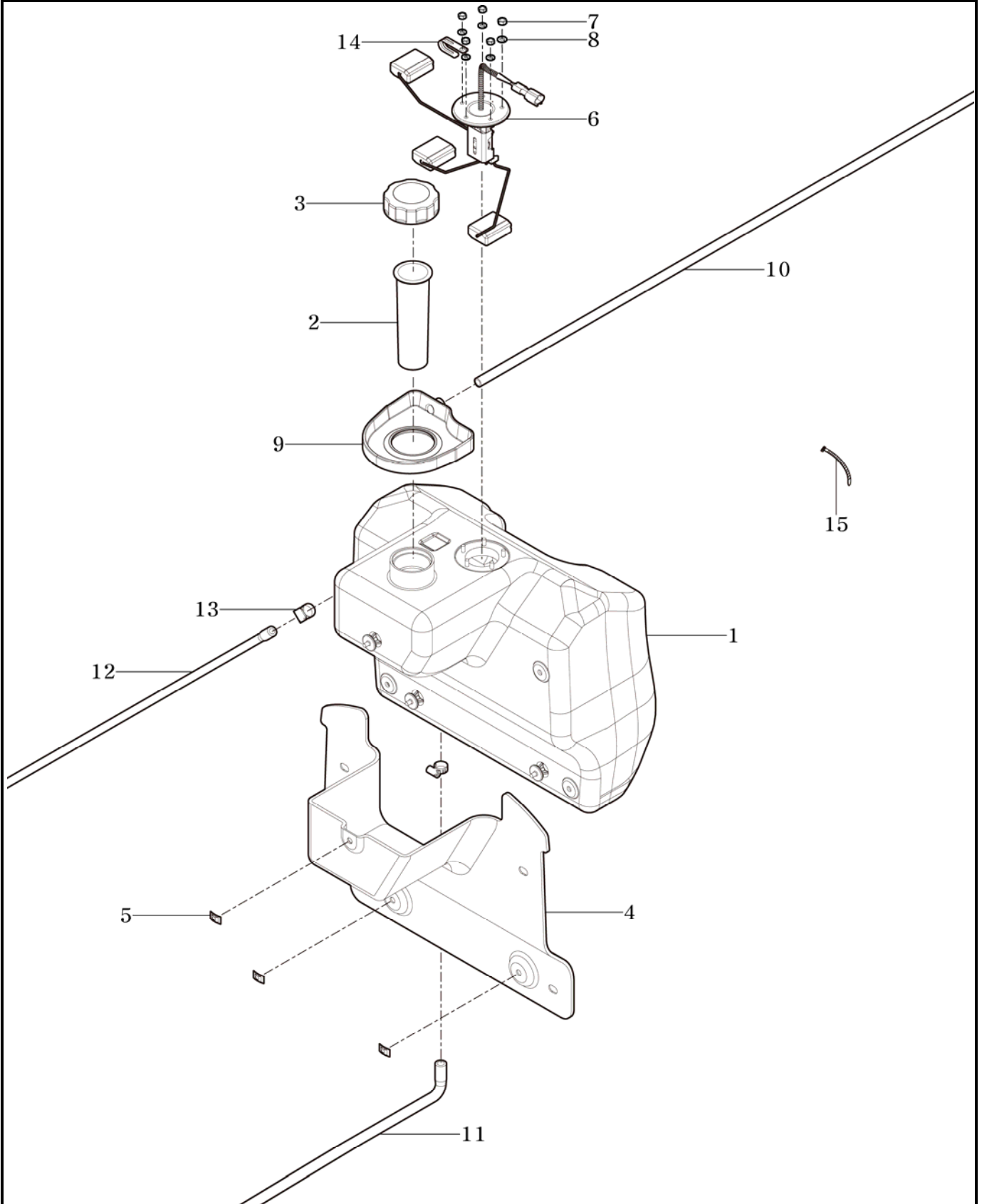
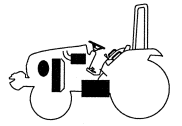
T254NC

FUEL TANK & FUEL LINE

P1

Year

2014



NOTE





FIG 205

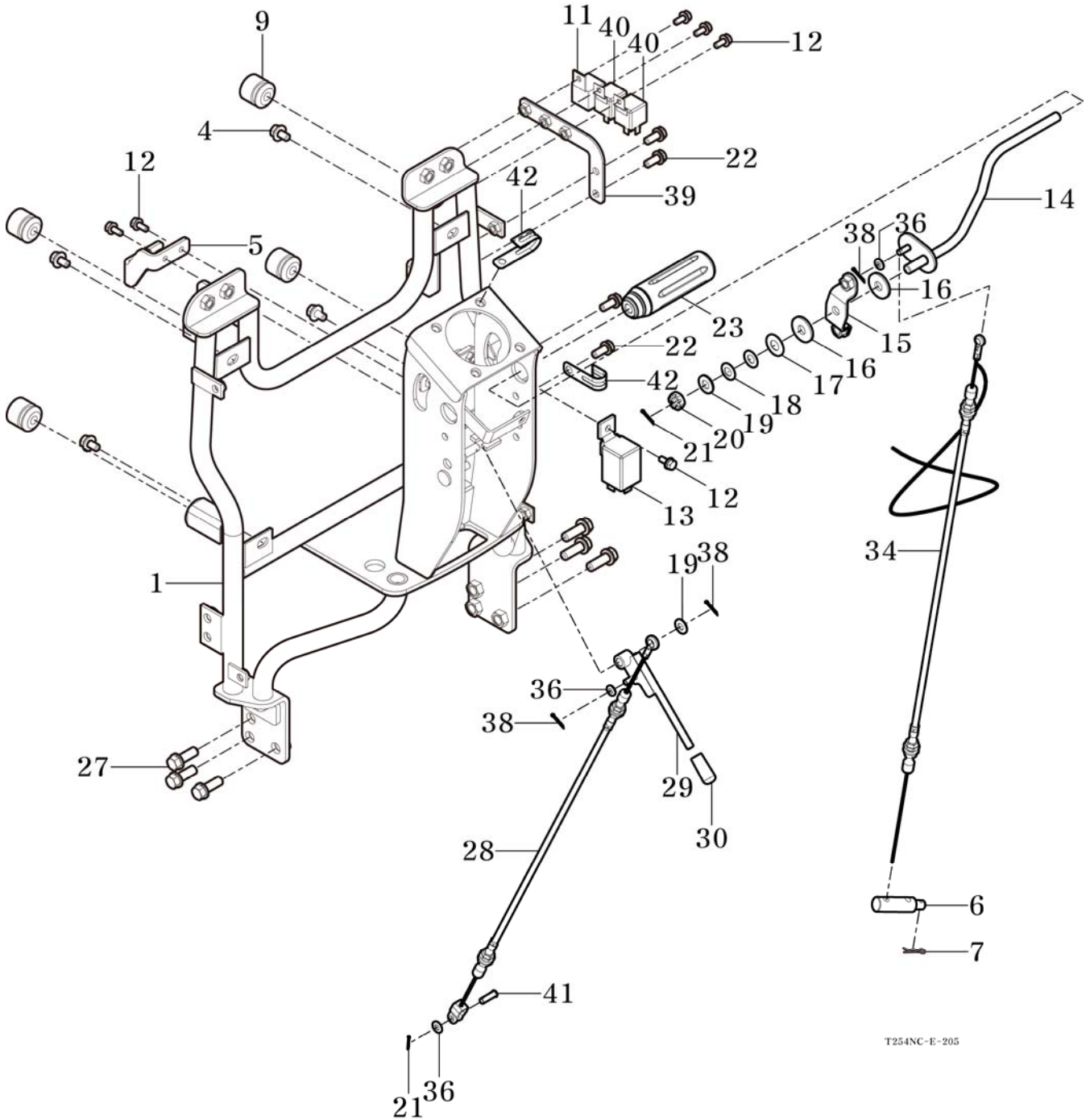
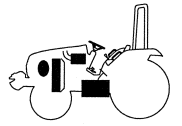
T254NC

ACCELERATOR

P1

Year

2014



T254NC-E-205

NOTE



FIG 206

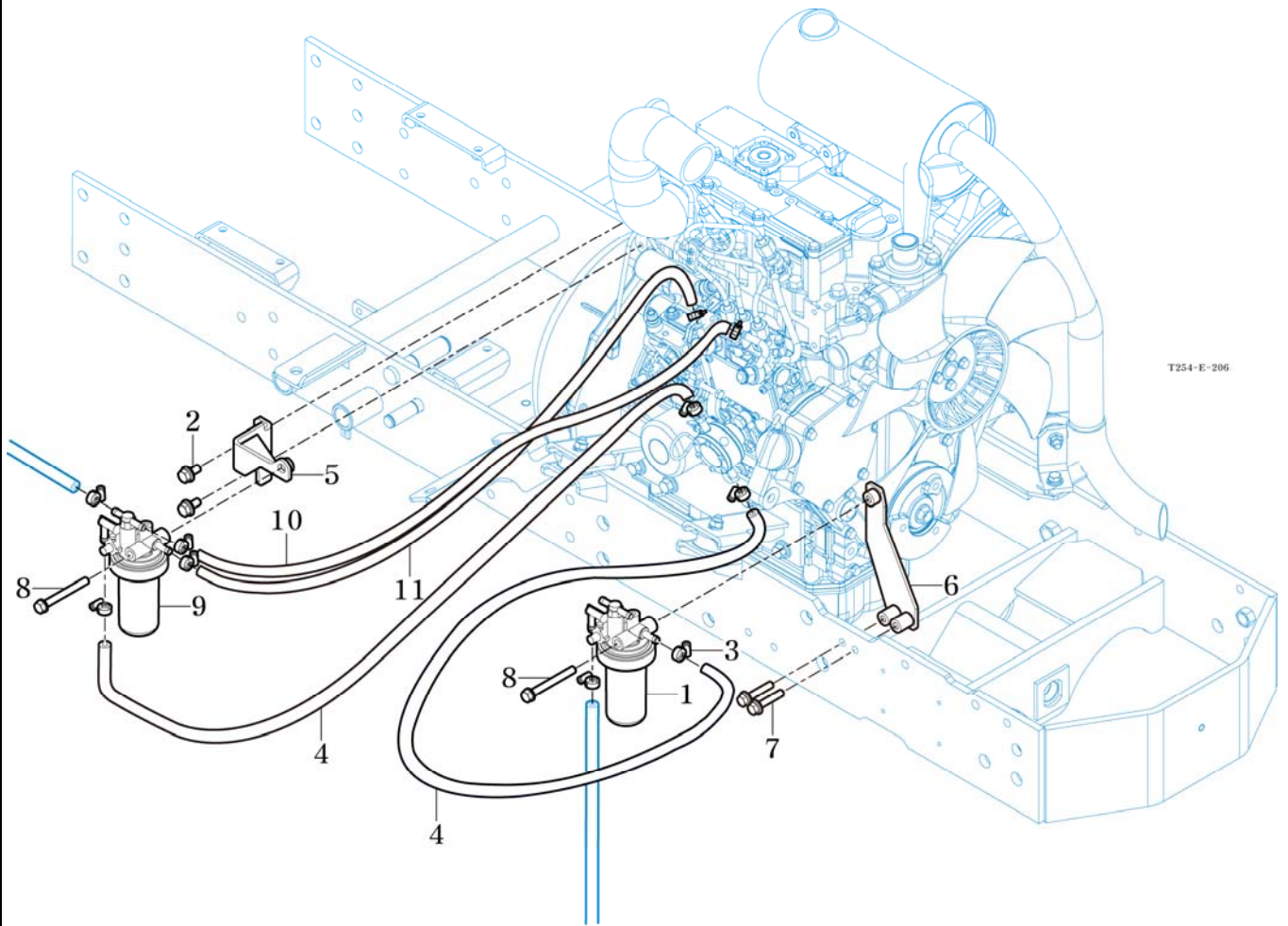
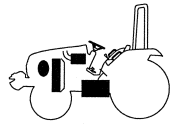
T254NC

# FUEL FILTER

P1

Year

2014



NOTE



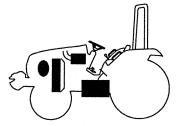
FIG 207

ENGINE MOUNTING

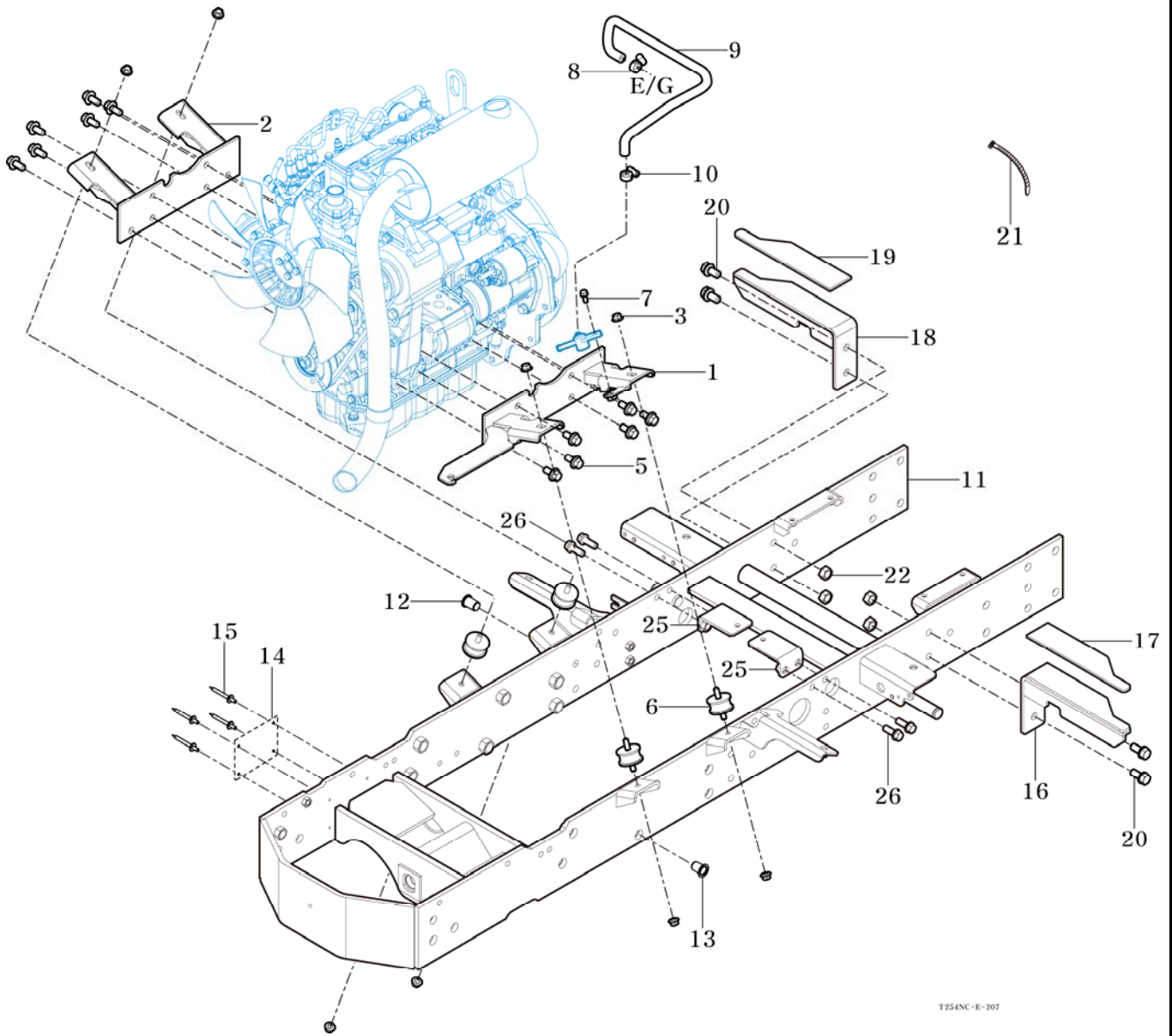
P1

Year

2014



T254NC



T254NC-E-207

NOTE



FIG 301

FLYWHEEL COVER

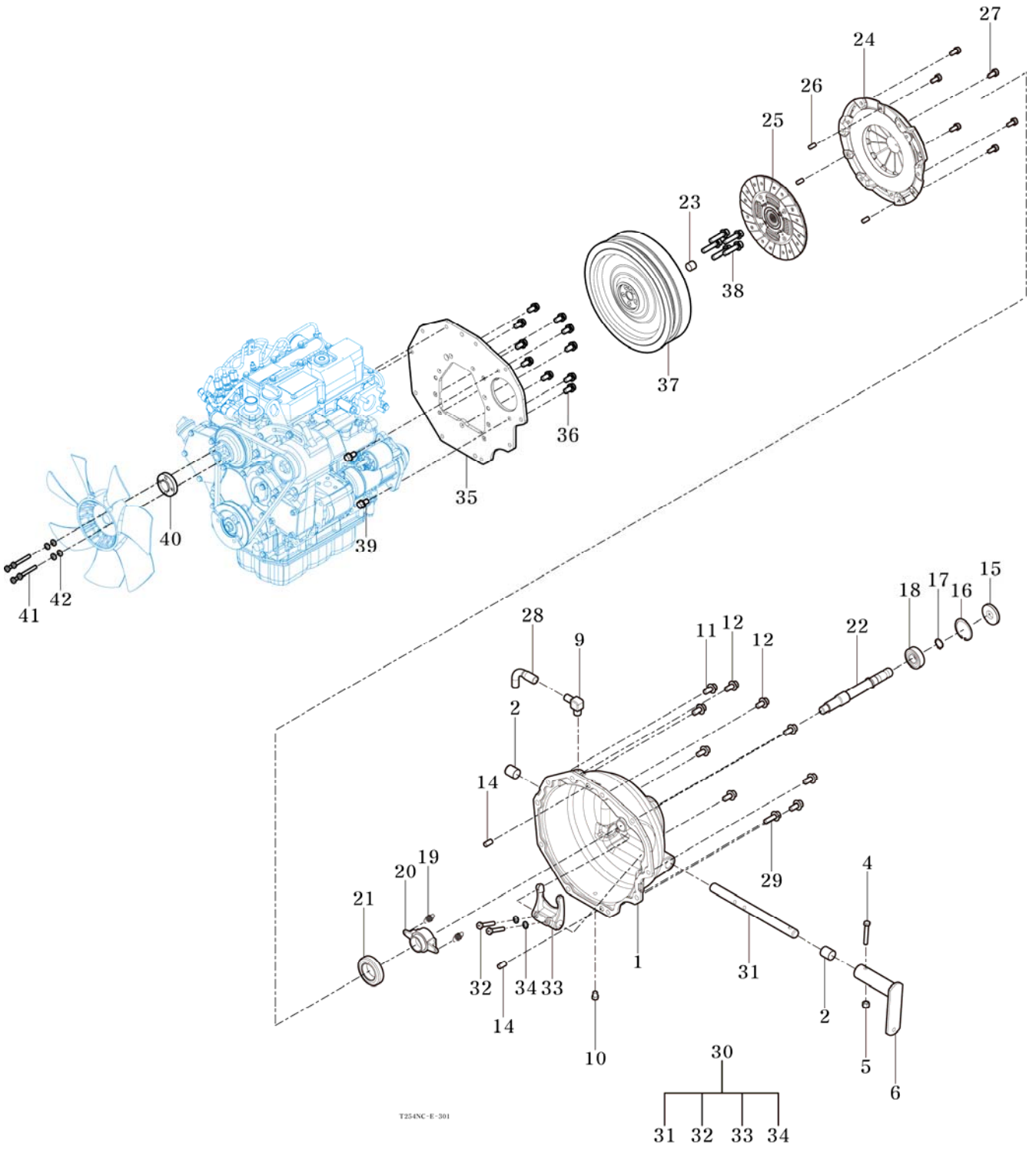
P1

Year

2014



T254NC



T254NC-E-301

NOTE





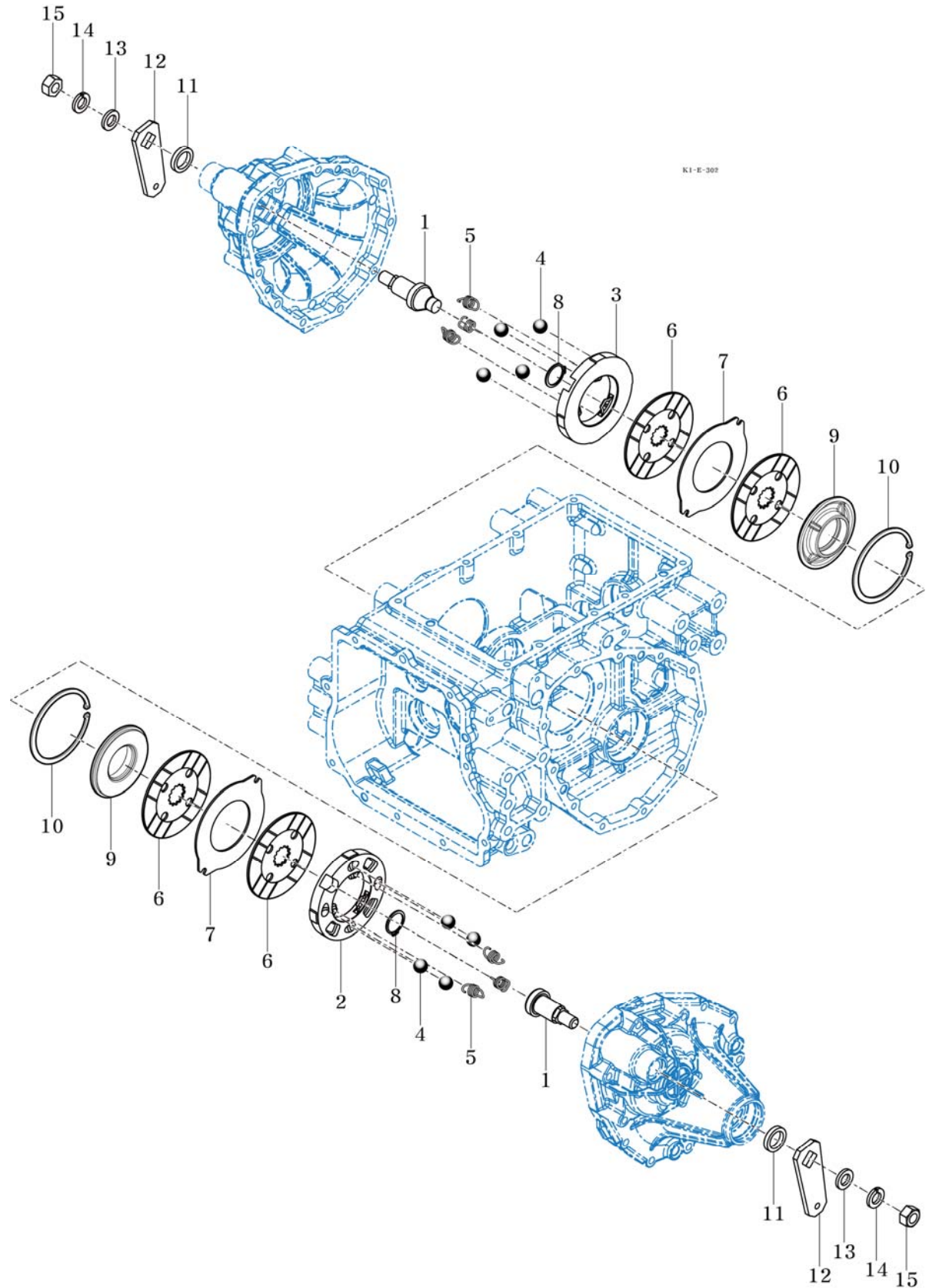
FIG 302

BRAKE

P1

Year

2014



NOTE



FIG 303

CLUTCH , BRAKE PEDAL & LINKAGE

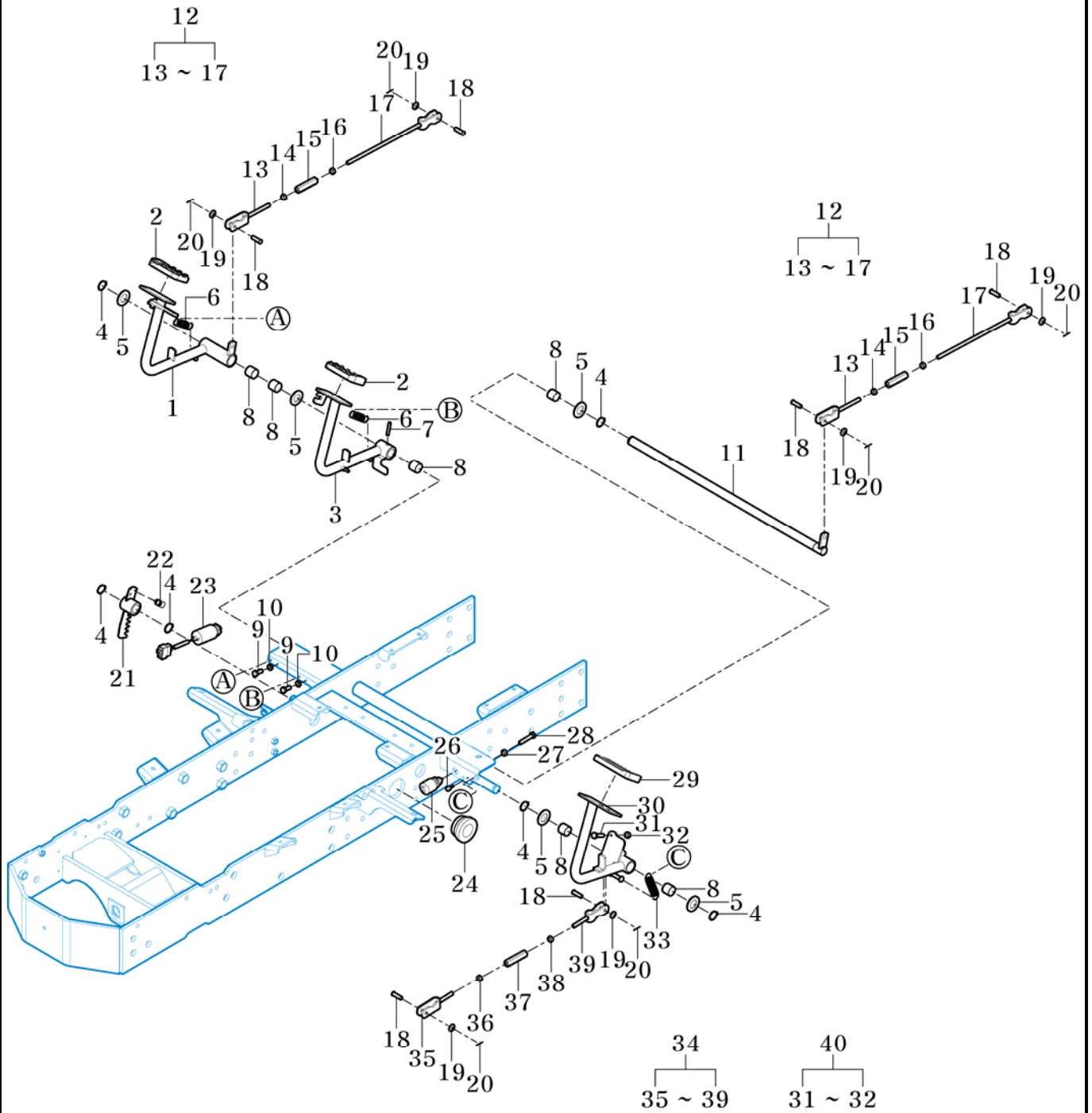
P1

Year

2014



T254NC



NOTE



FIG 304

ACCELERATOR PEDAL & CABLE

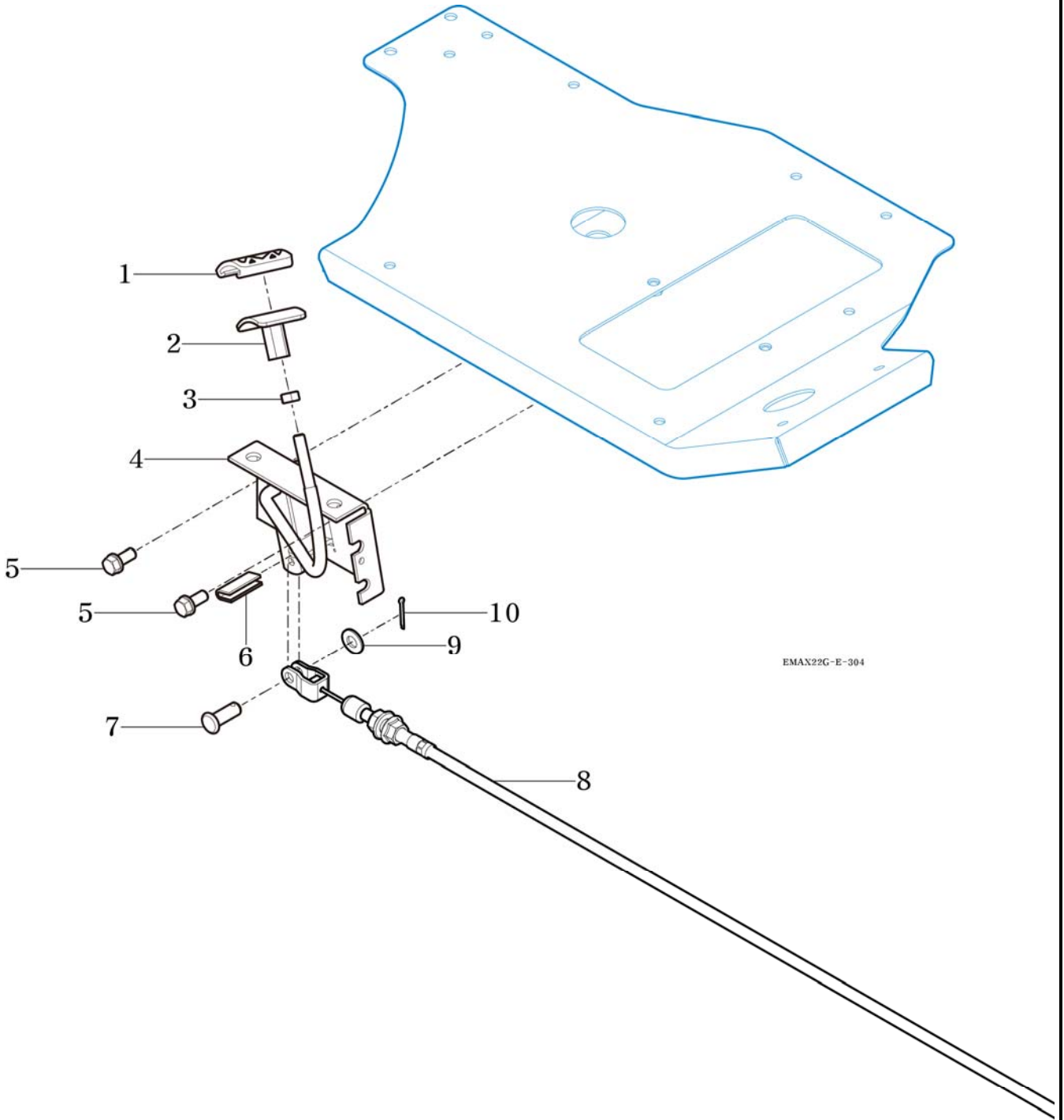
P1

Year

2014



T254NC



EMAX22G-E-304

NOTE



FIG 305

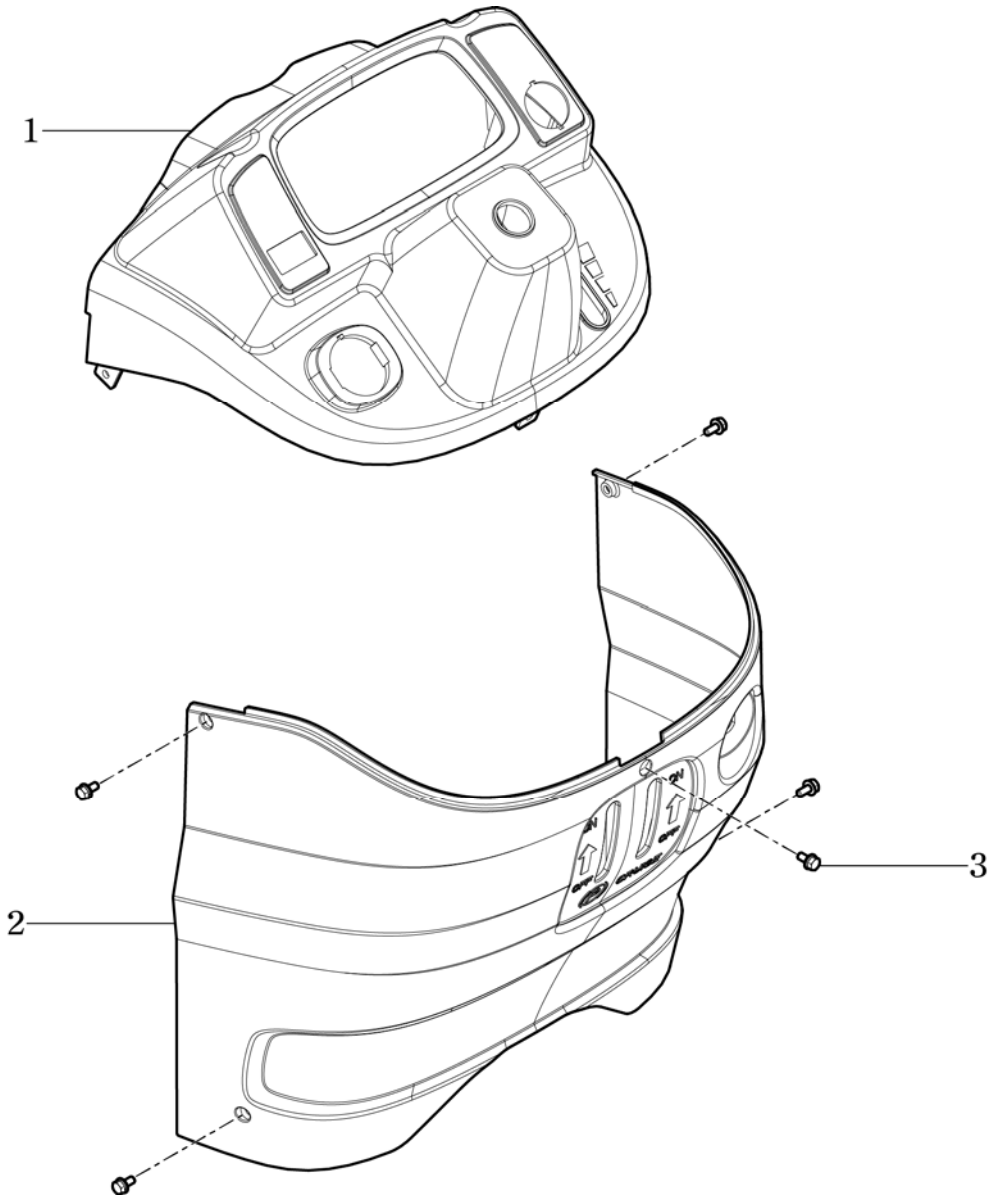
T254NC

DASH COVER

P1

Year

2014



NOTE





FIG 306

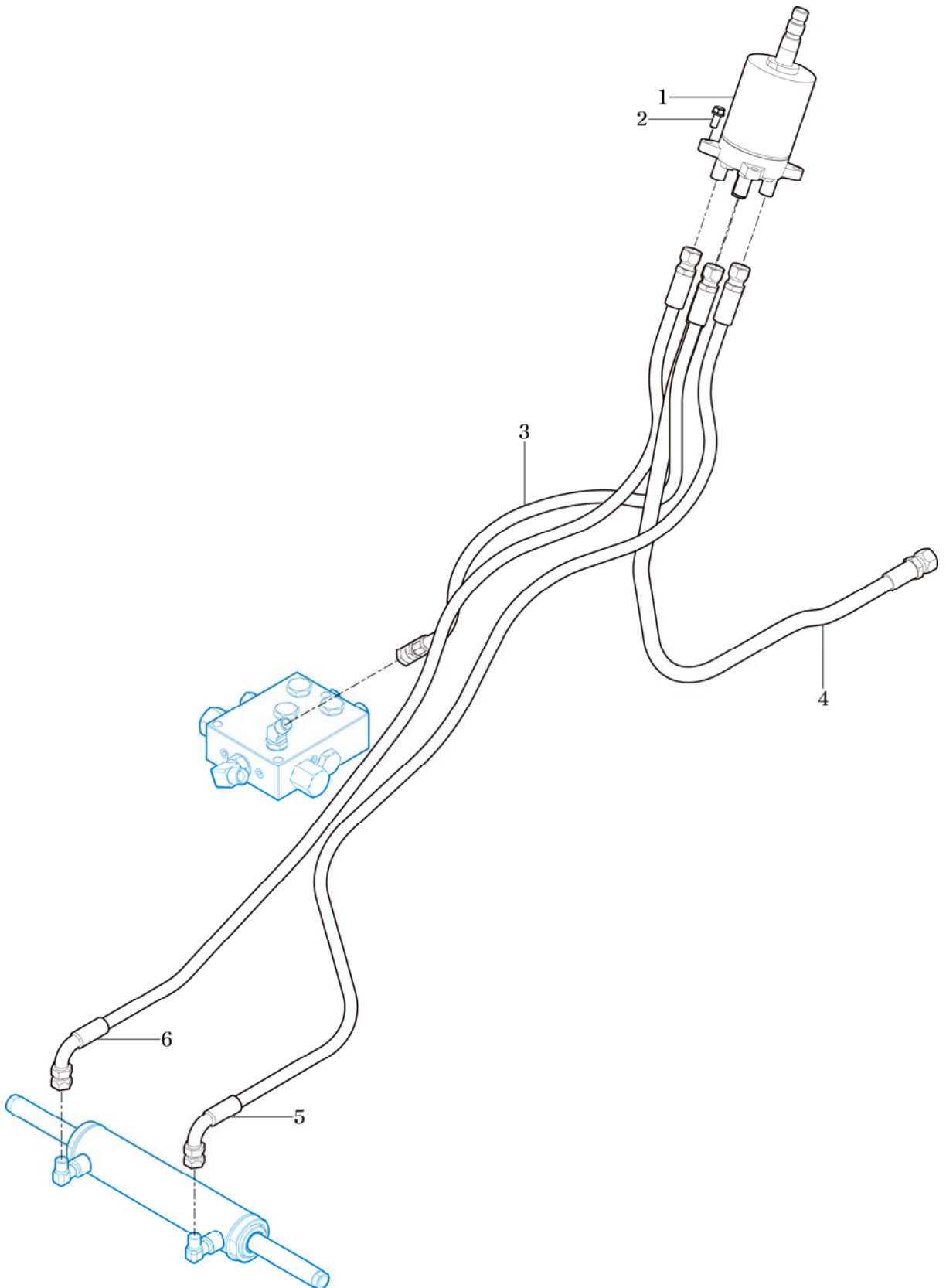
T254NC

# STEERING VALVE

P1

Year

2014



NOTE



FIG 307

STEERING CYLINDER

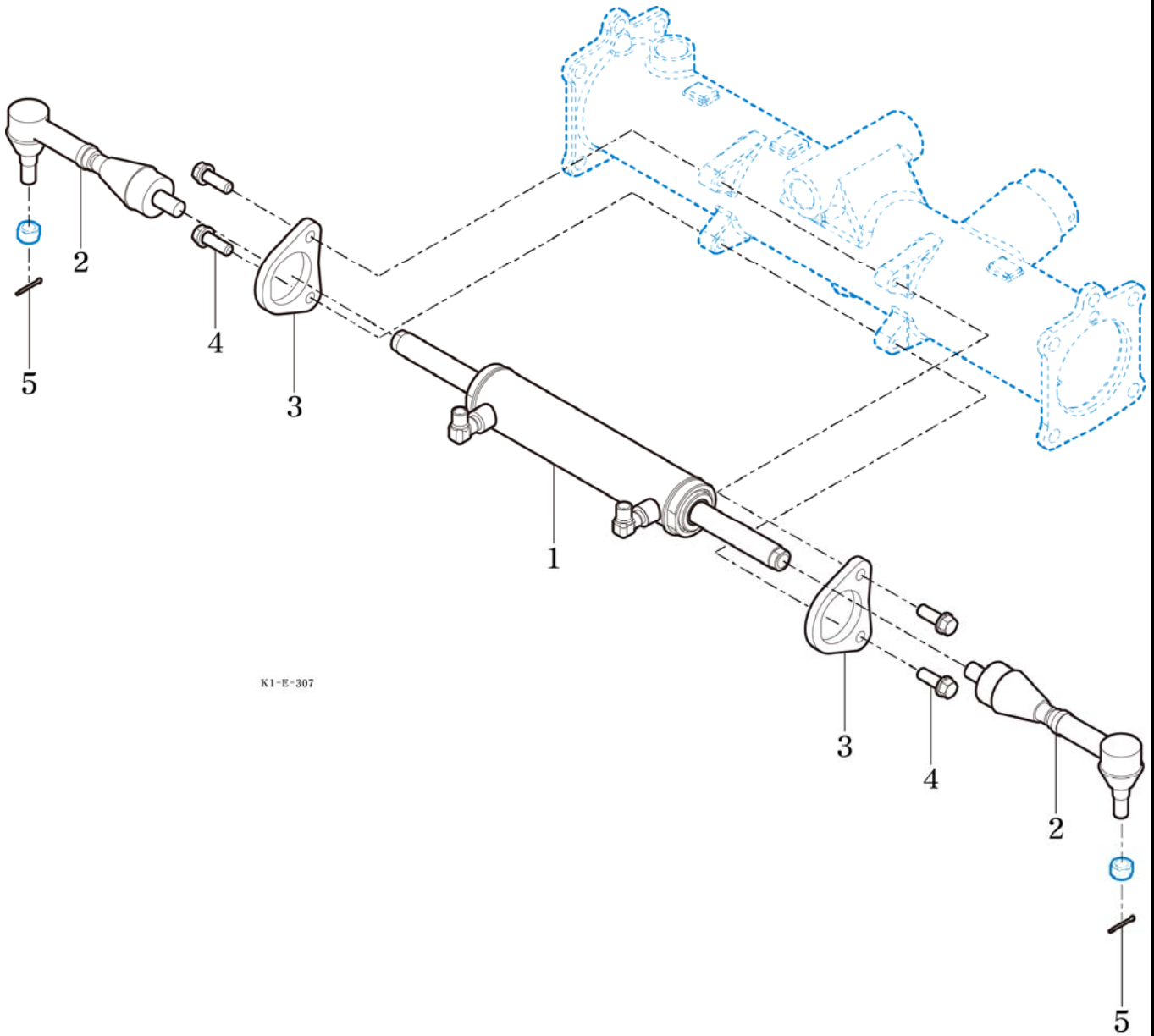
P1

Year

2014



T254NC



K1-E-307

NOTE



FIG 308

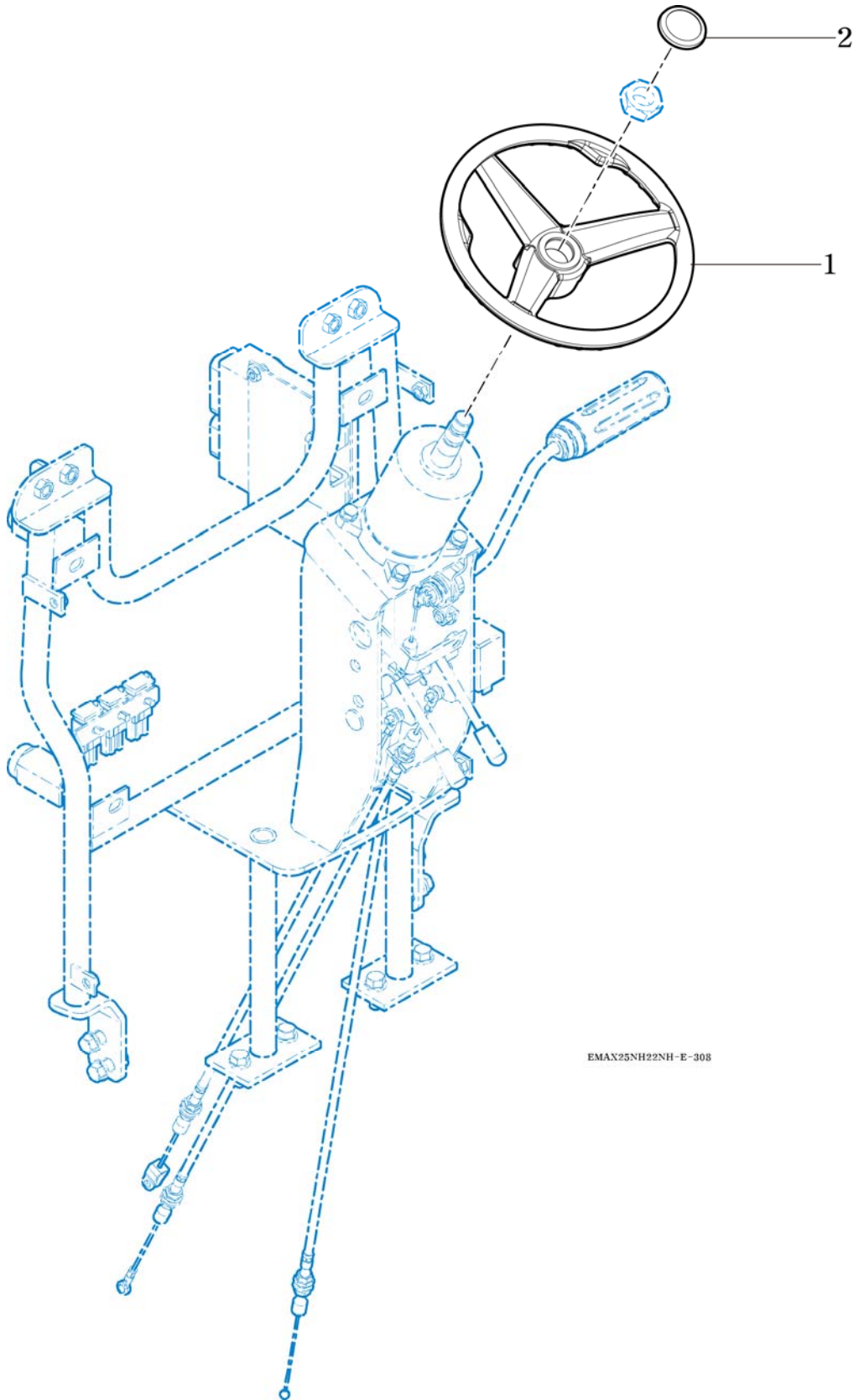
T254NC

STEERING WHEEL

P1

Year

2014



NOTE



FIG 309

T254NC

# WHEEL

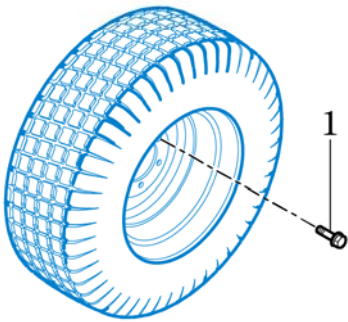
P1

Year

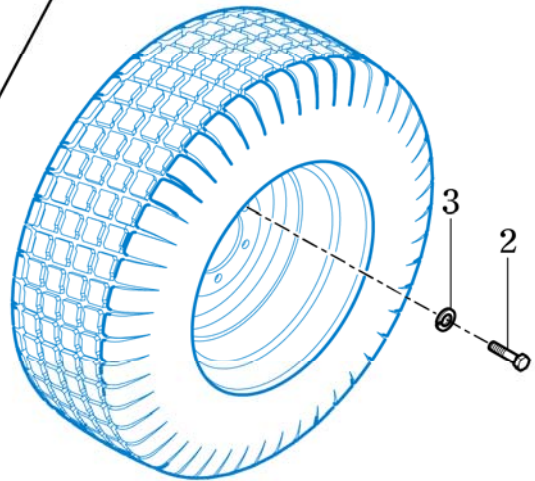
2014



FRONT



REAR



EMAN25NH22NH-E-309

NOTE





FIG 401

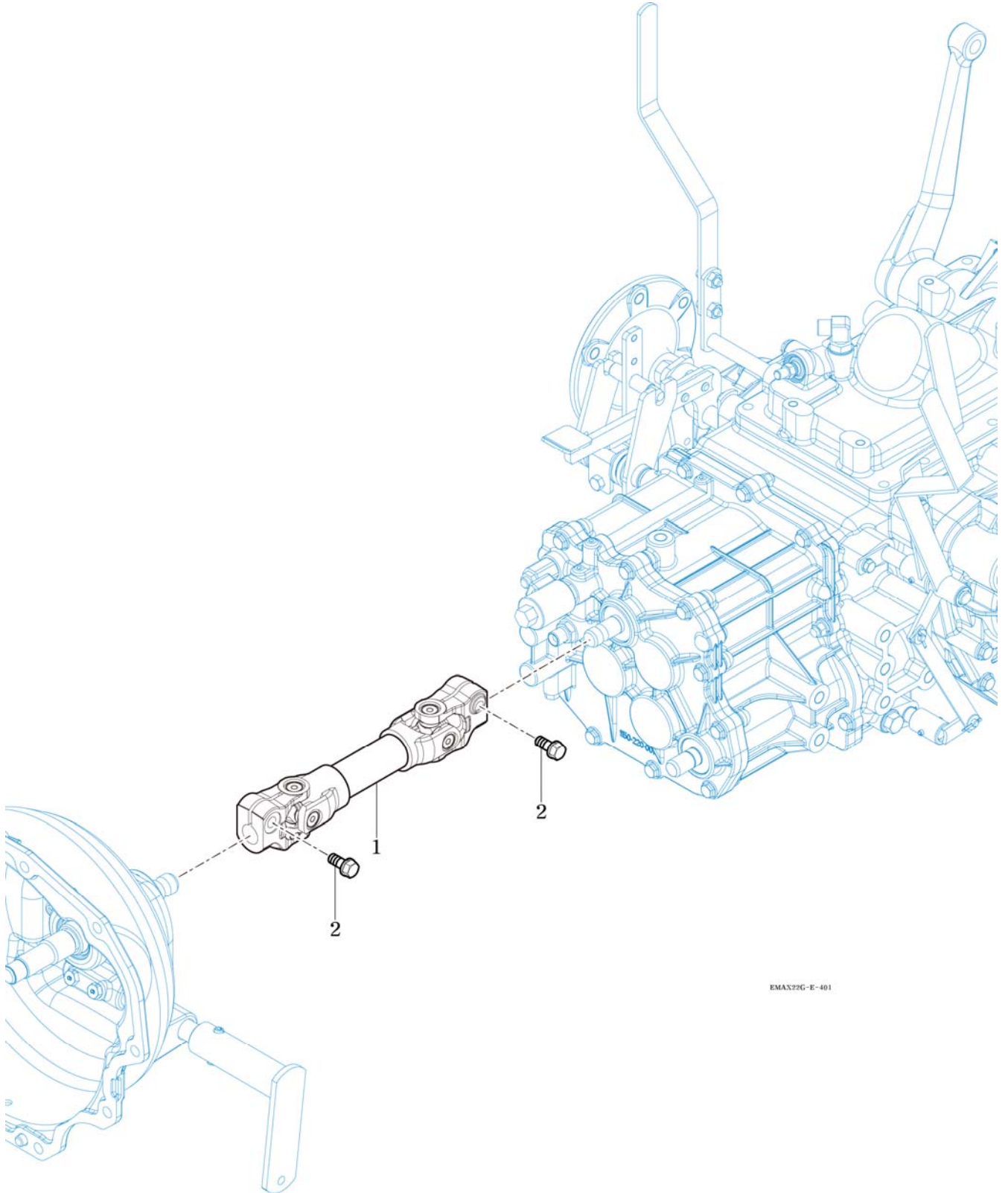
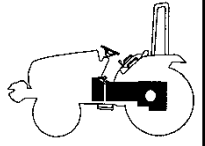
T254NC

INPUT SHAFT

P1

Year

2014



EMAX22G-E-401

NOTE



FIG 402

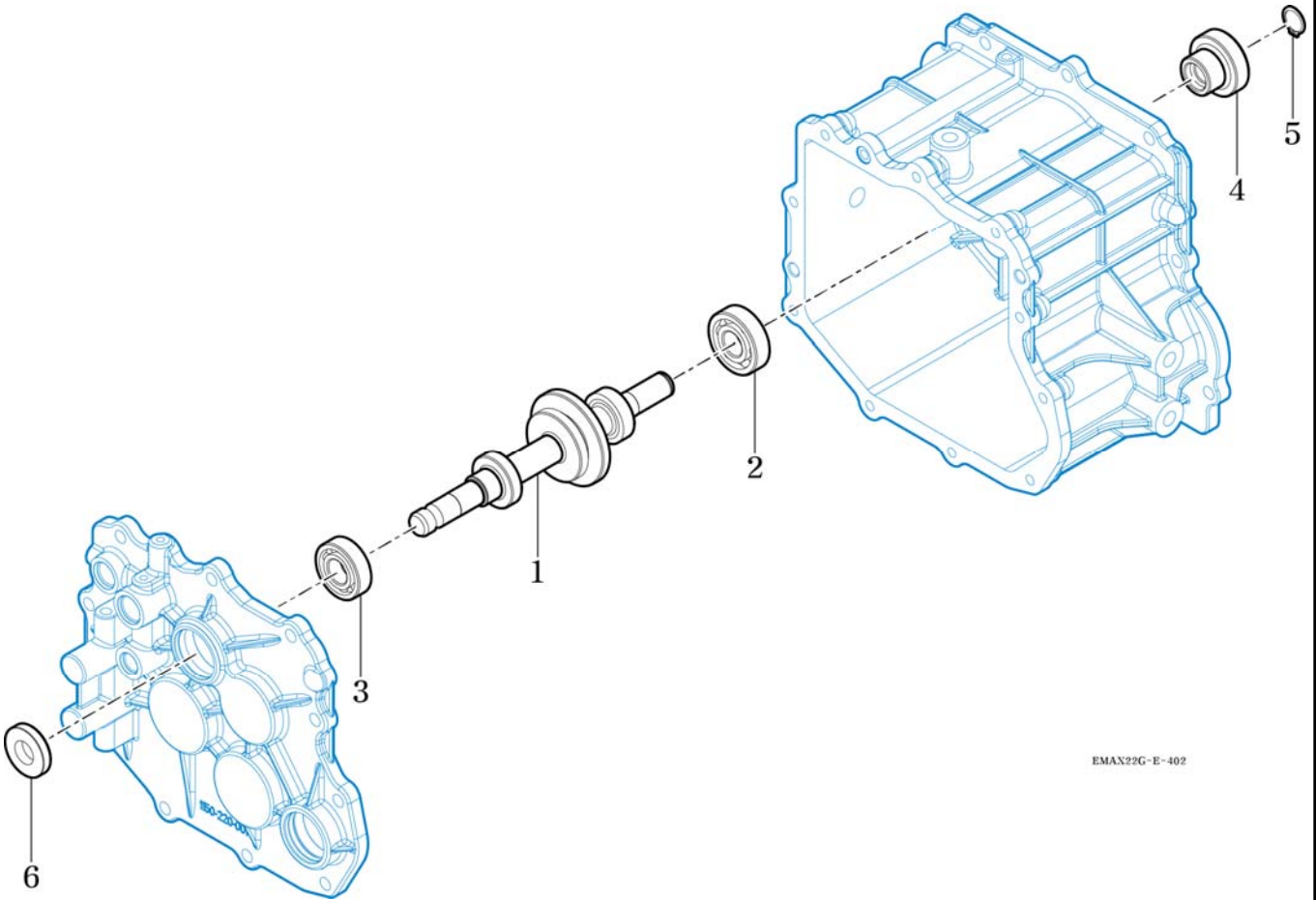
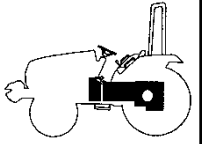
T254NC

# INPUT GEAR

P1

Year

2014



EMAN22G-E-402

NOTE



FIG 403

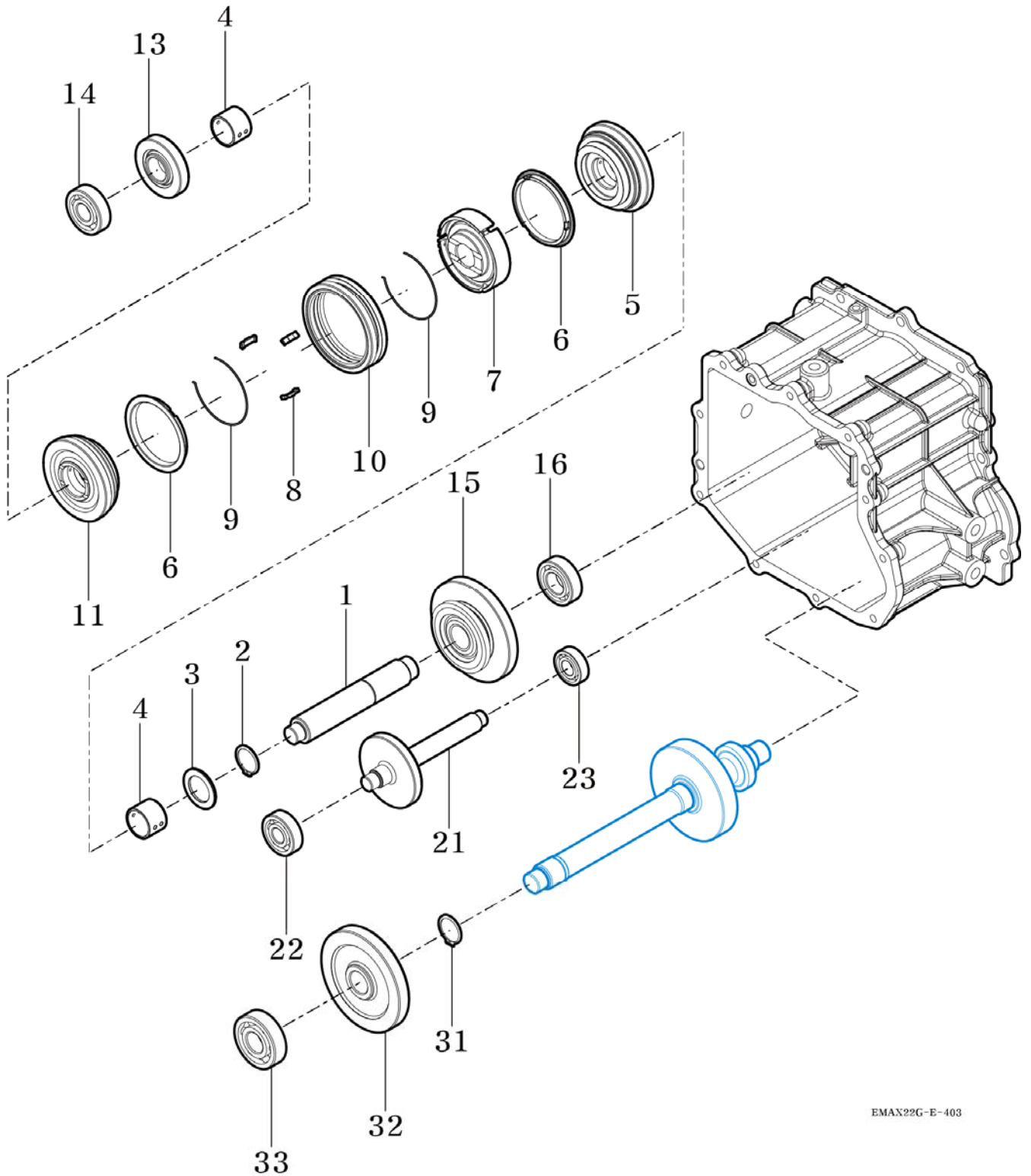
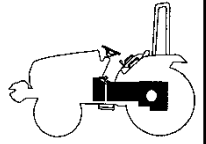
T254NC

MAIN SHIFT GEAR

P1

Year

2014



EMAX22G-E-403

NOTE



FIG 404

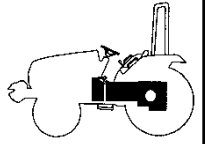
T254NC

RANGE GEAR

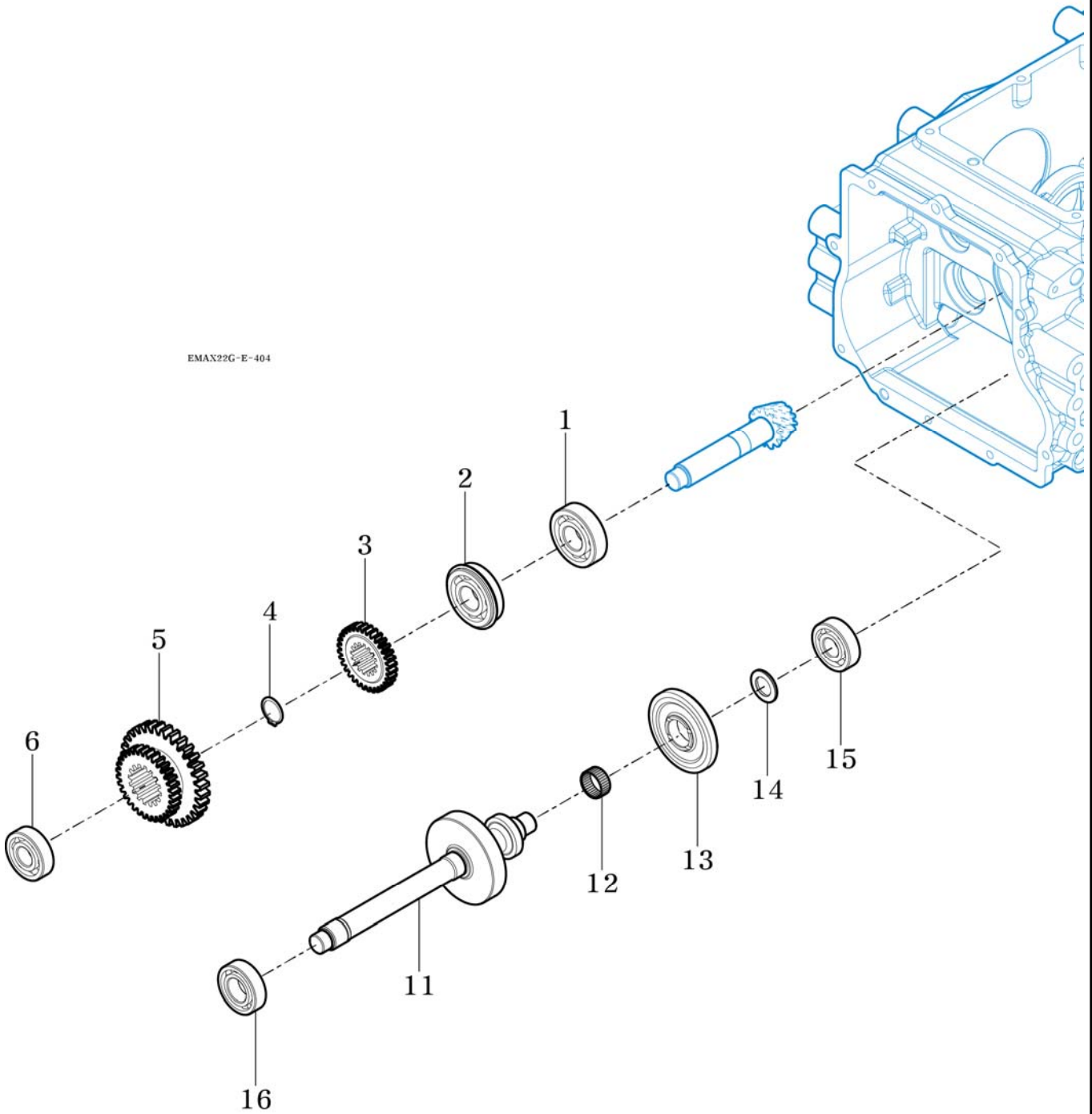
P1

Year

2014



EMAX22G-E-404



NOTE





FIG 405

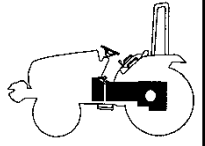
T254NC

4WD DRIVE GEAR

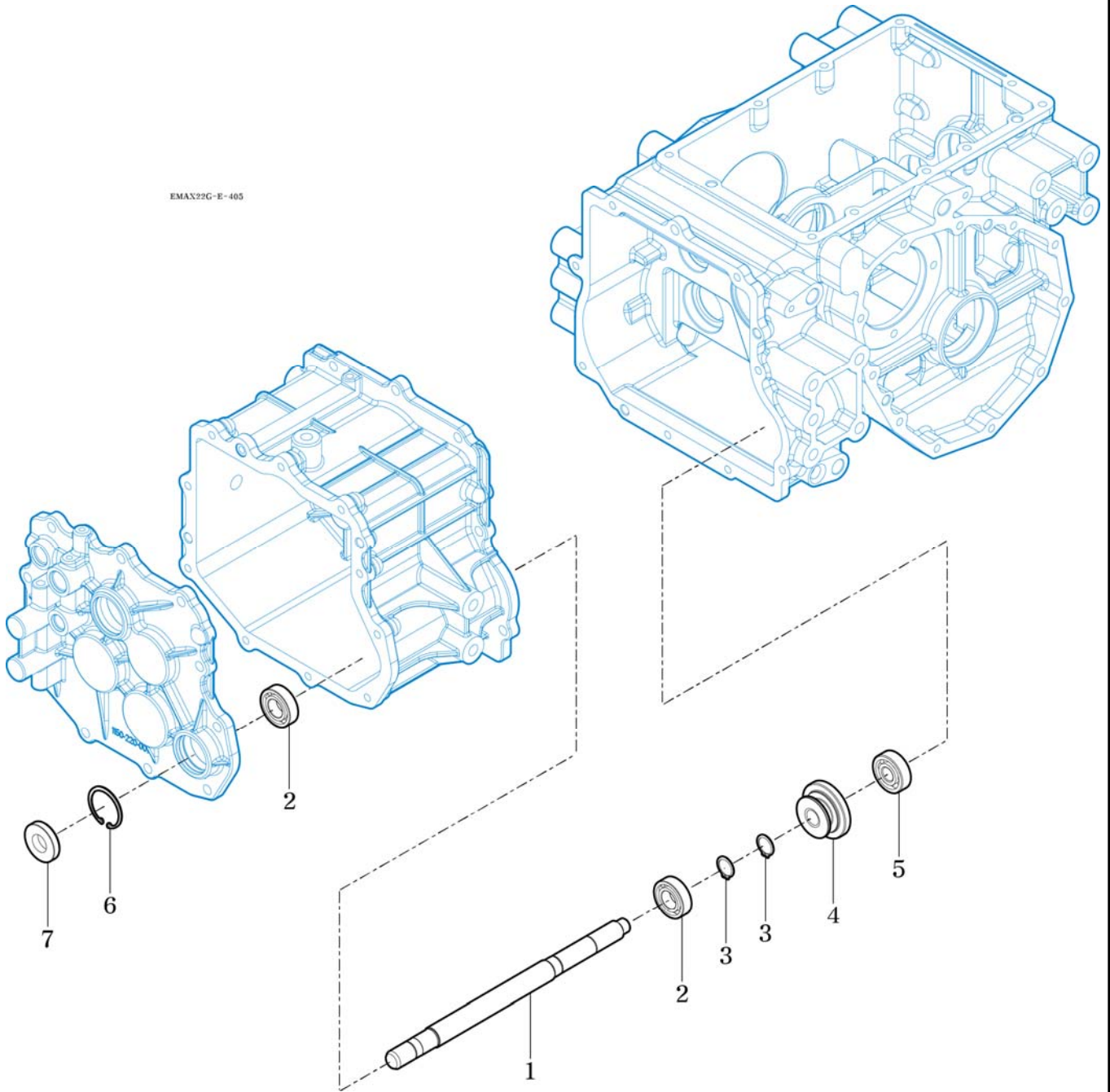
P1

Year

2014



EMAX22G-E-405



NOTE



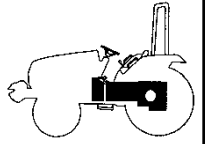
FIG 406

P.T.O DRIVE SHAFT

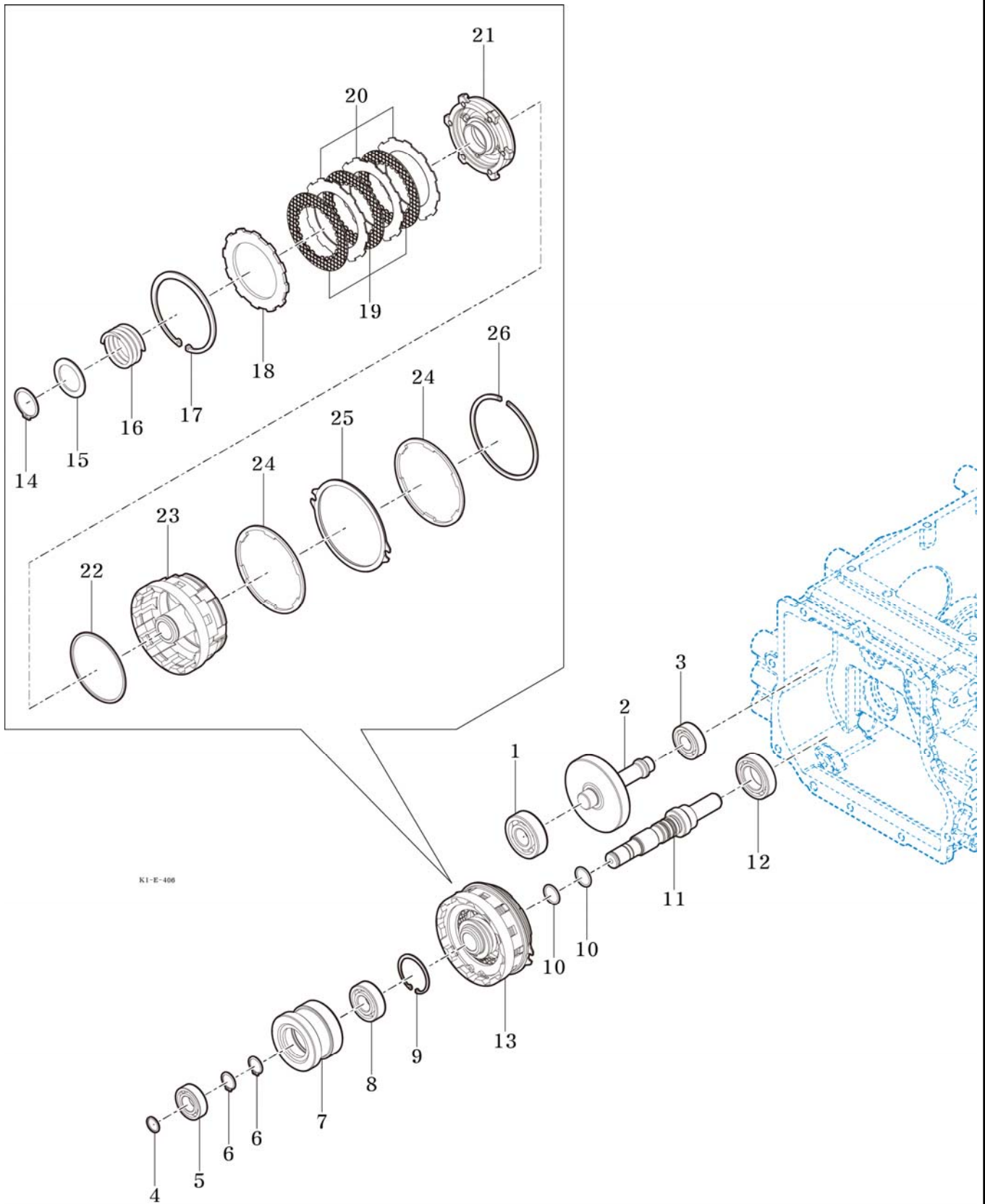
P1

Year

2014



T254NC



KI-E-406

NOTE



FIG 407

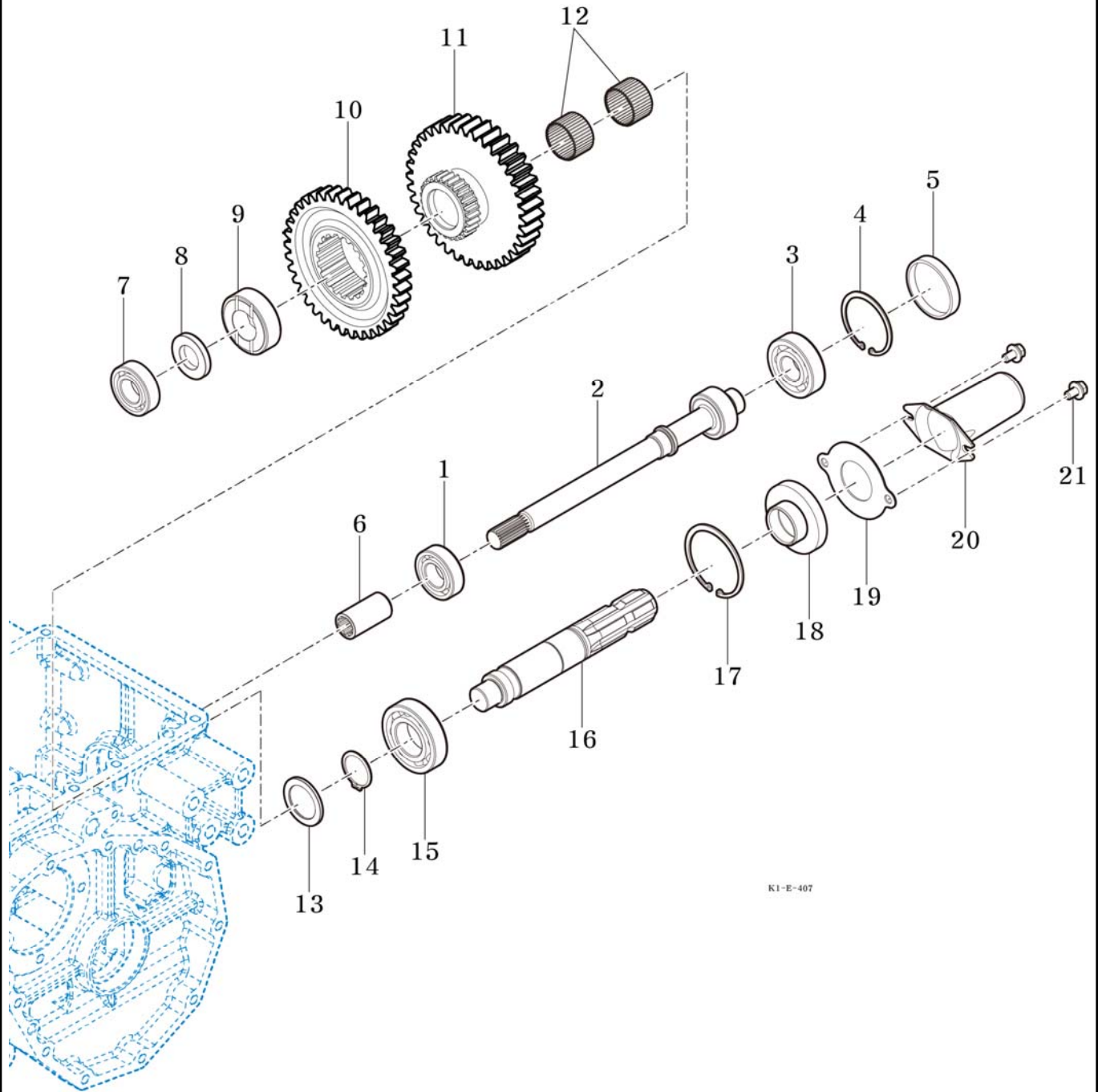
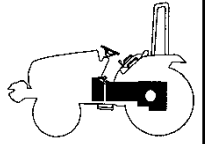
T254NC

P.T.O SHAFT

P1

Year

2014



K1-E-407

NOTE



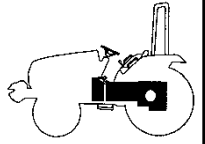
FIG 408

MID P.T.O GEAR

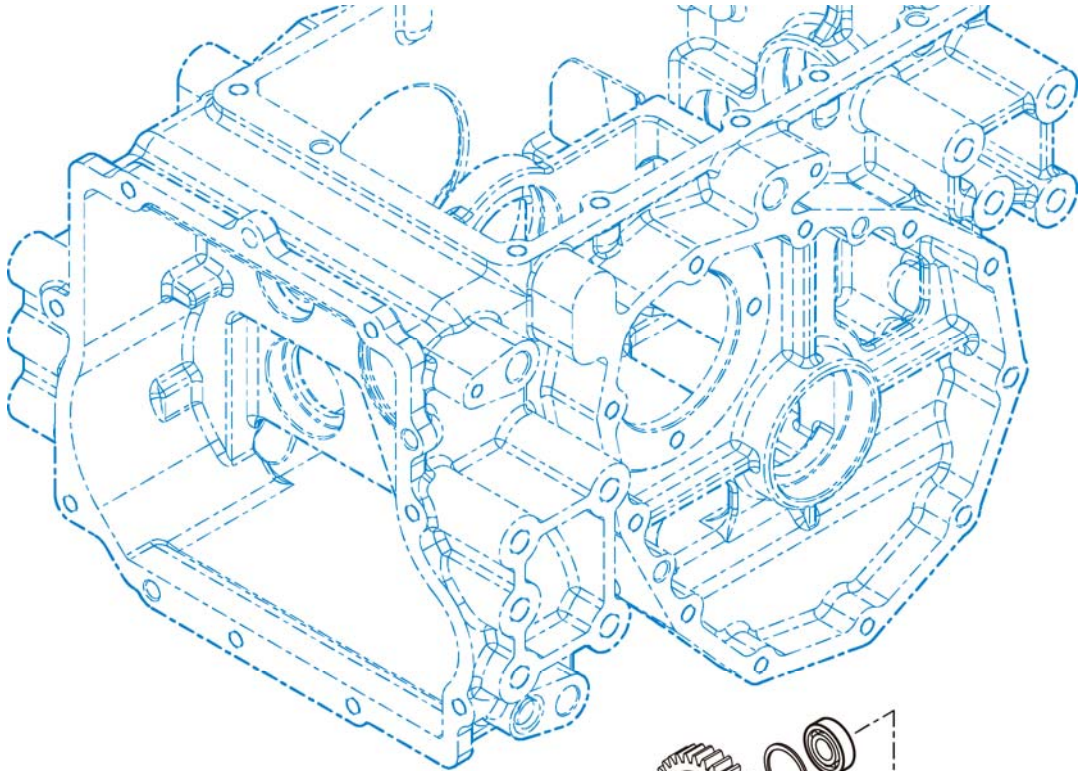
P1

Year

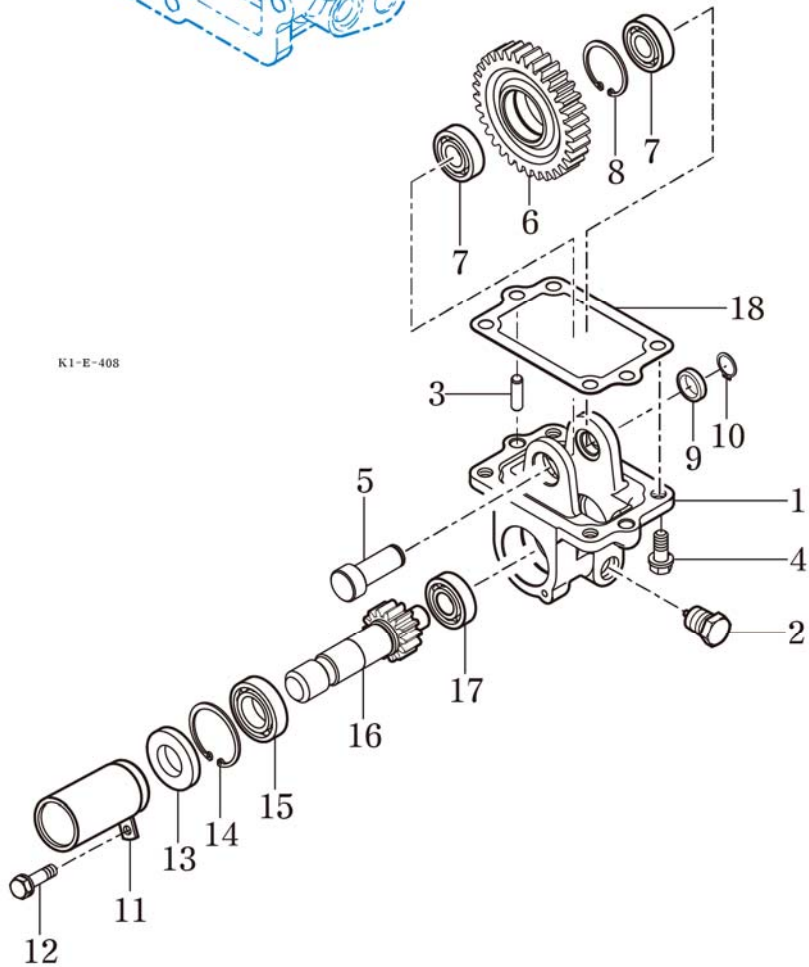
2014



T254NC



K1-E-408



NOTE





FIG 409

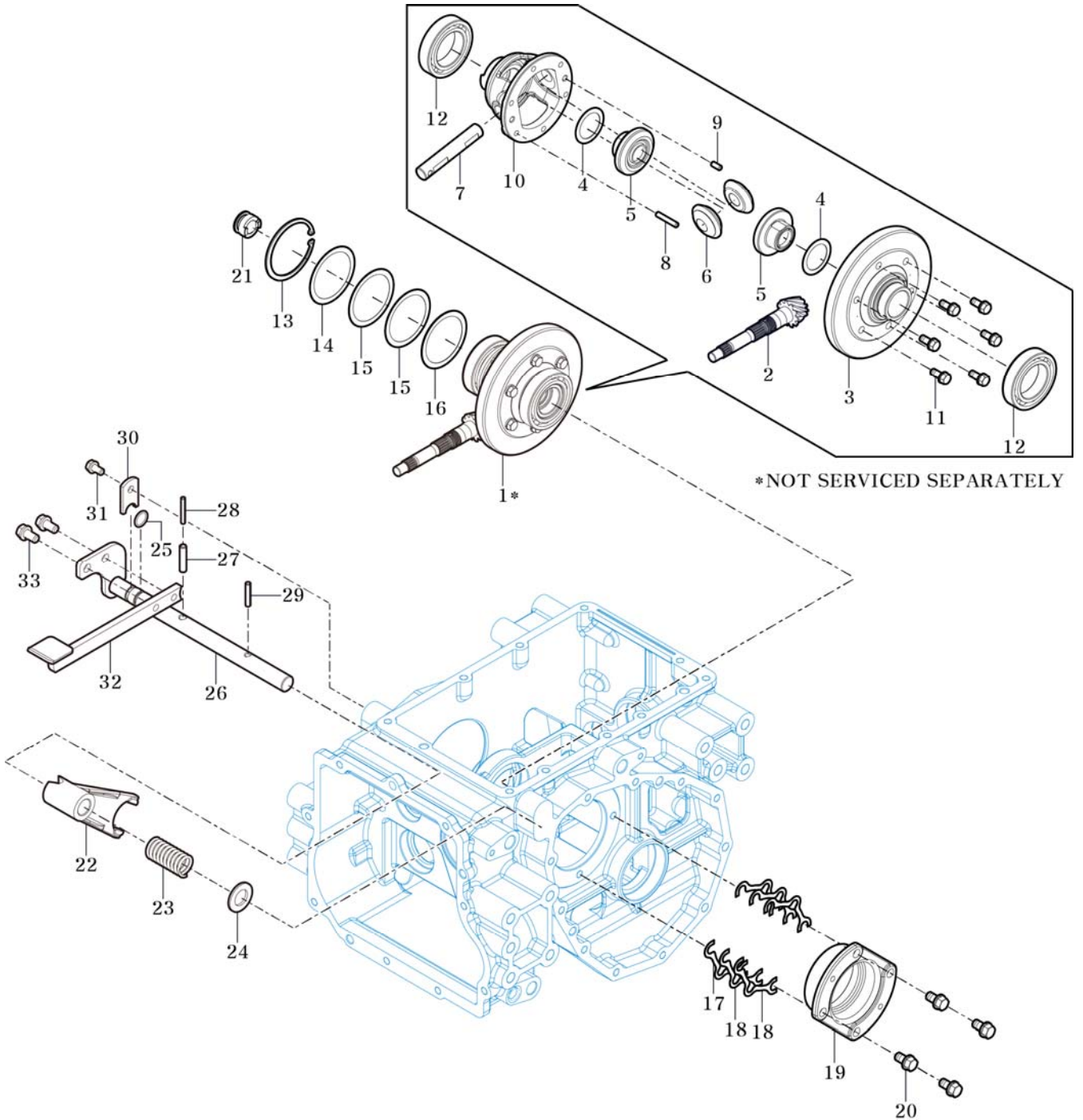
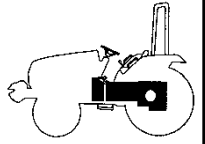
T254NC

DIFF LOCK

P1

Year

2014



NOTE



FIG 410

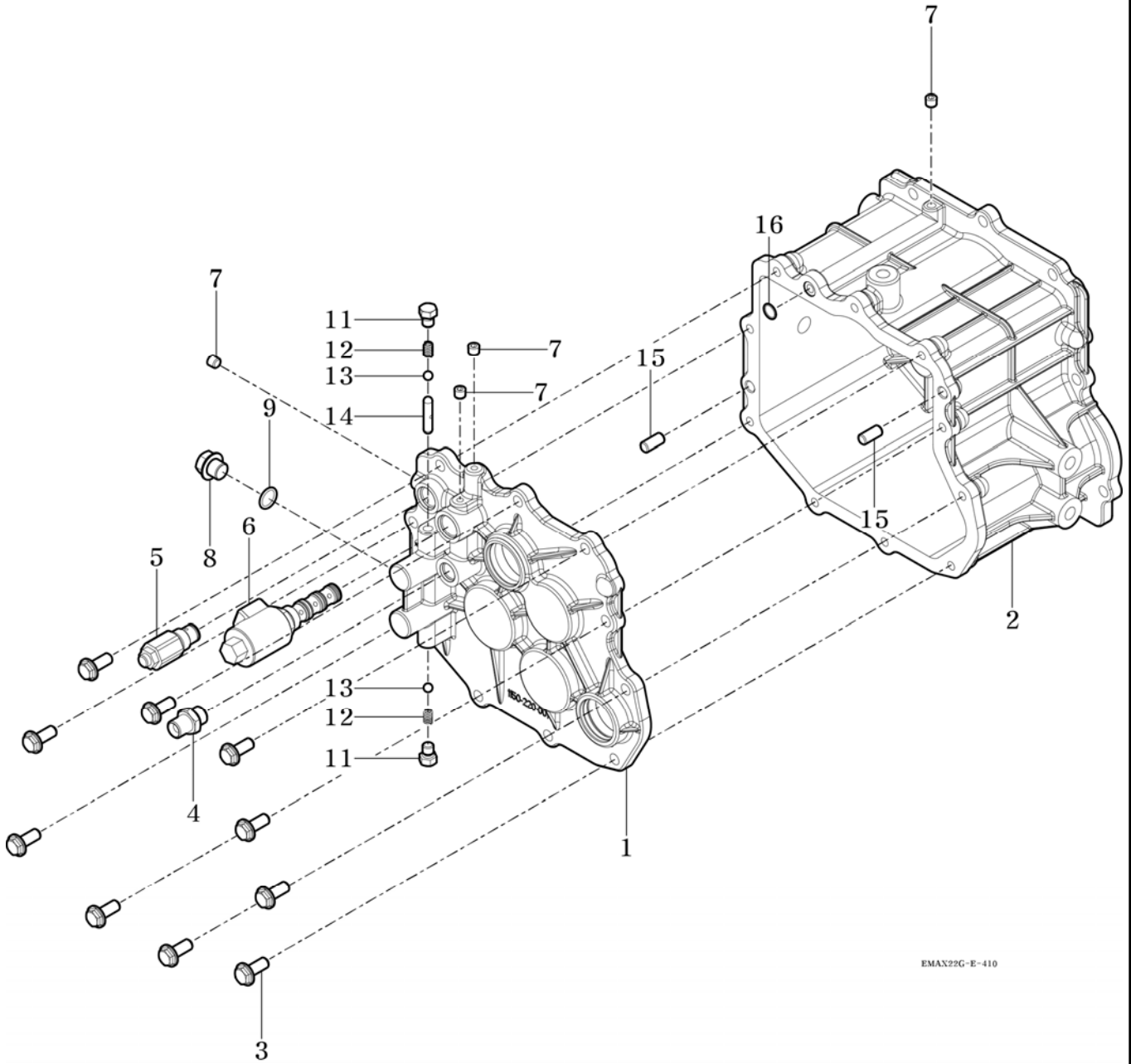
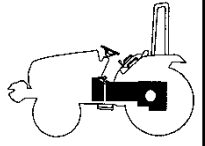
T254NC

MID TRANSMISSION CASE

P1

Year

2014



EMAX22G-E-410

NOTE



FIG 411

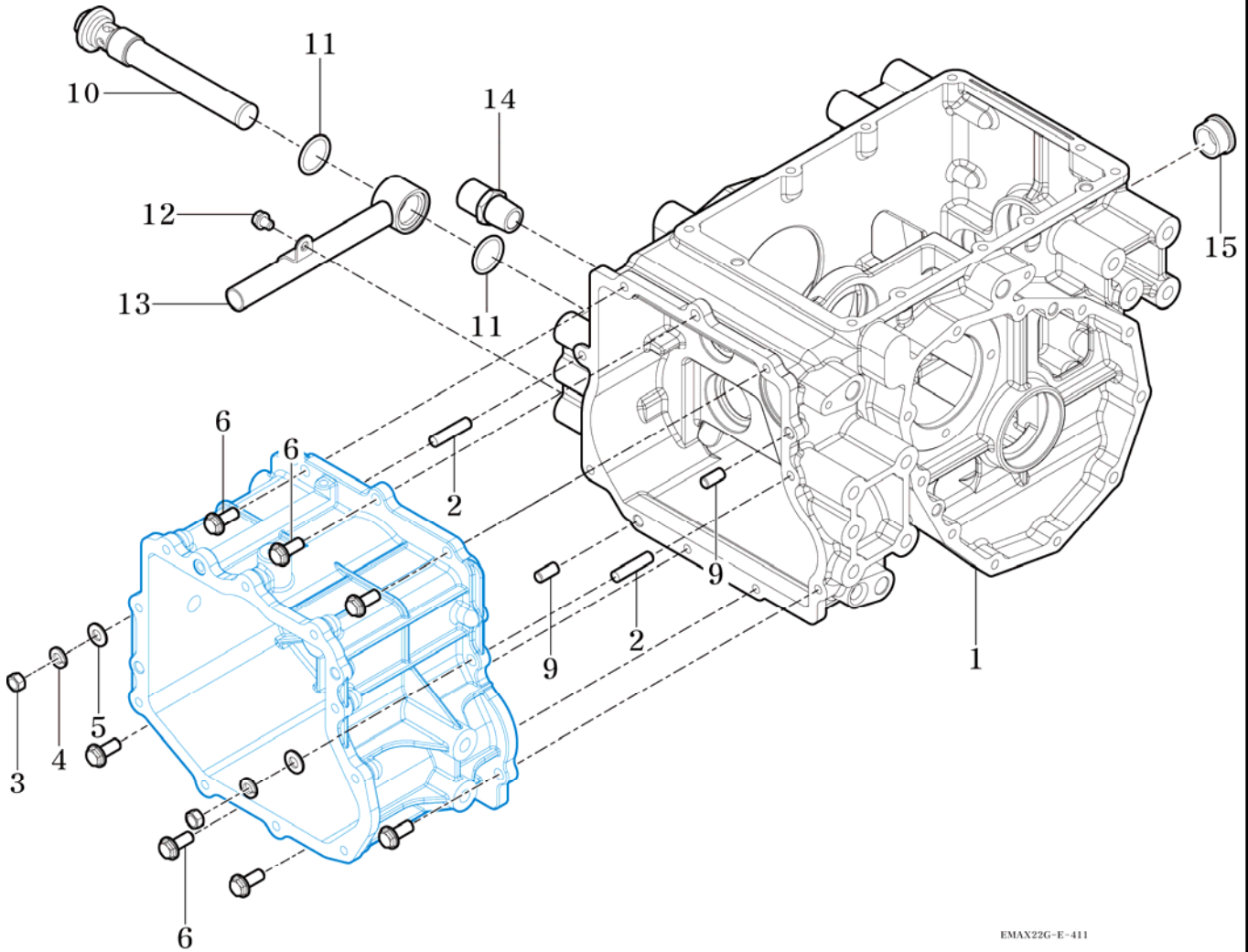
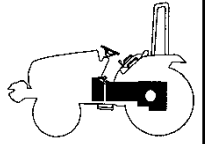
REAR TRANSMISSION CASE

T254NC

P1

Year

2014



EMAX22G-E-411

NOTE



FIG 412

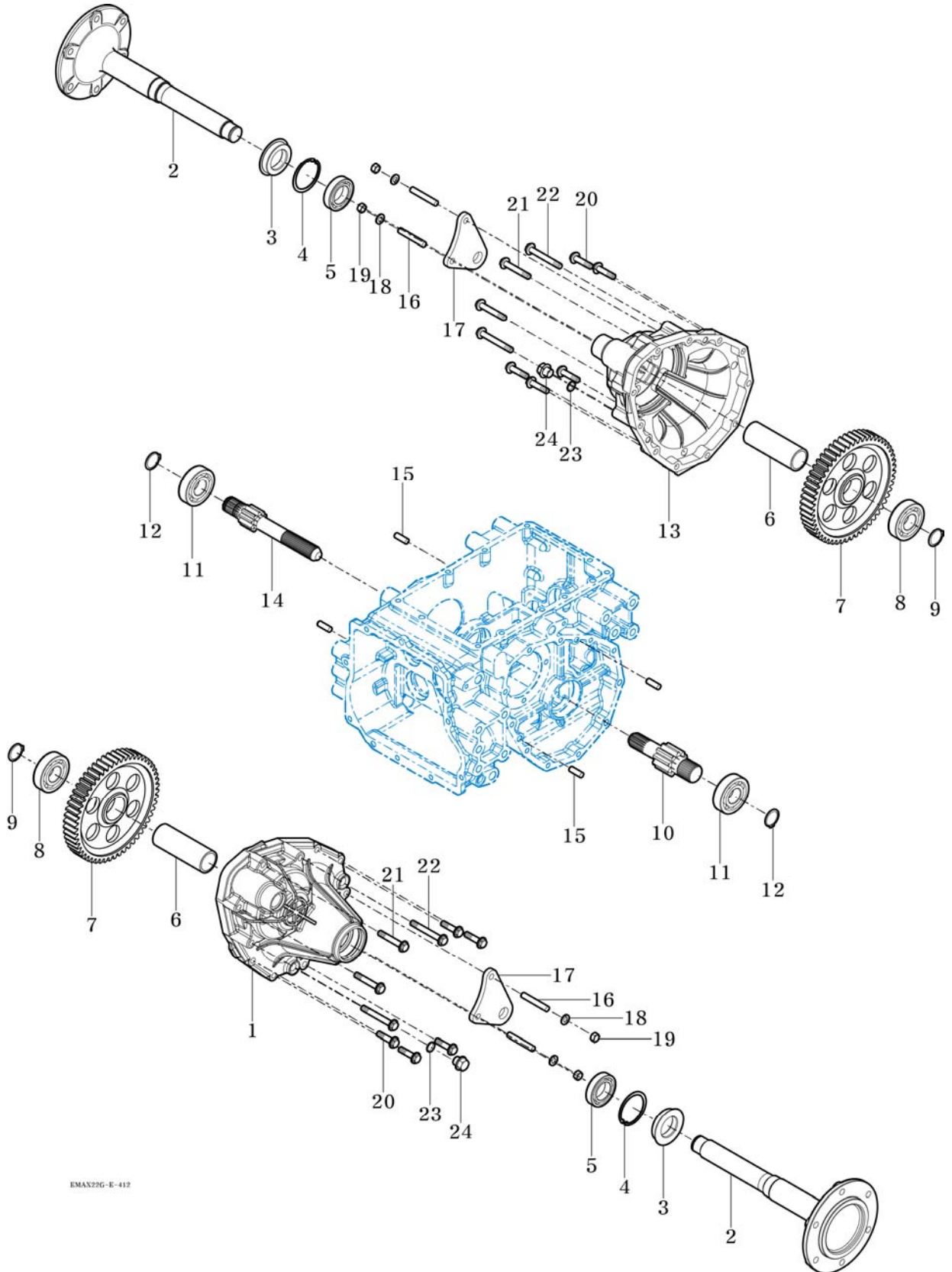
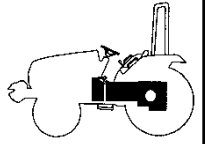
REAR AXLE HOUSING

T254NC

P1

Year

2014



EMAX22G-E-412

NOTE





FIG 413

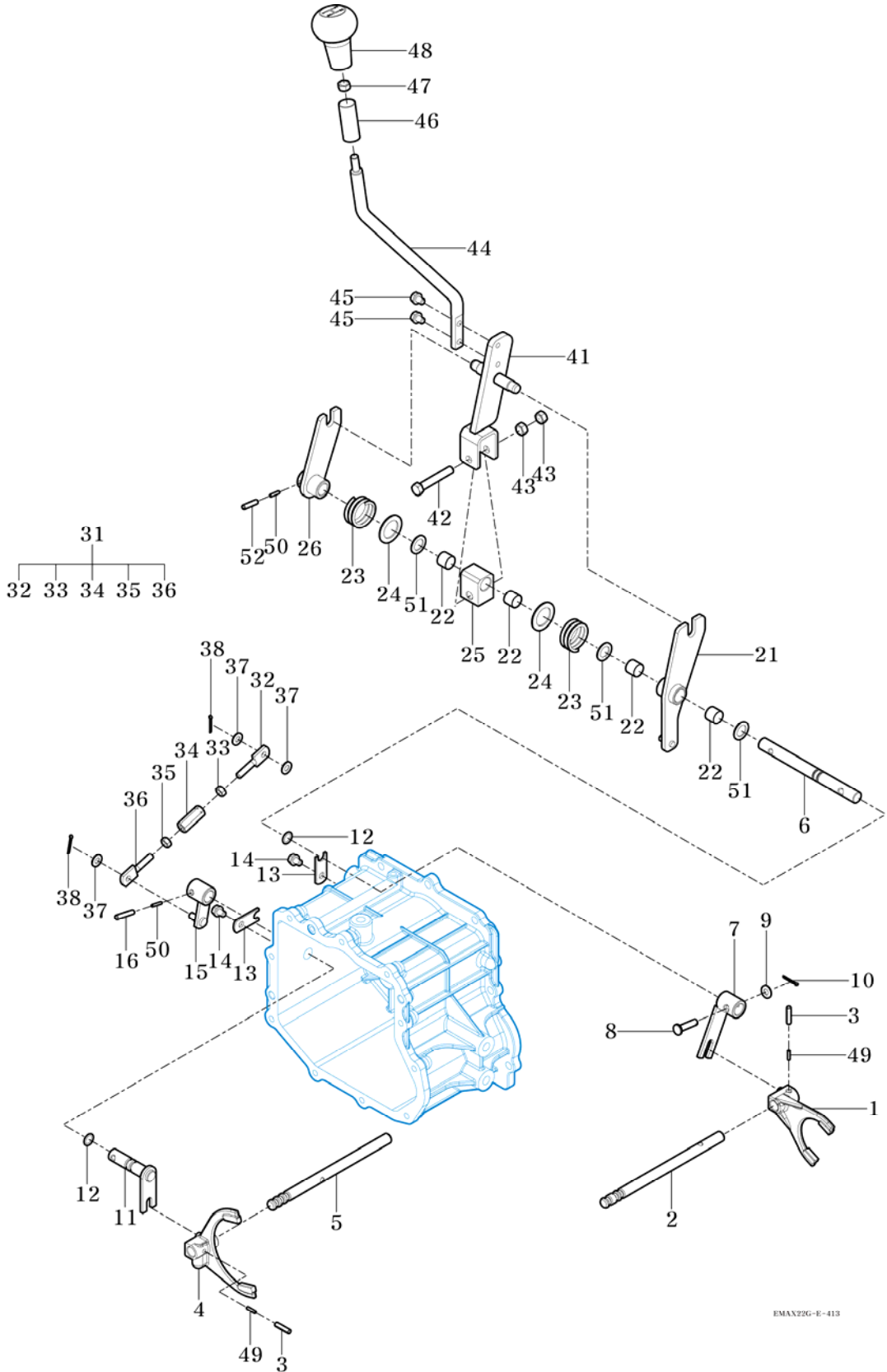
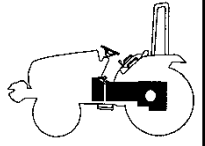
T254NC

MAIN SHIFT LEVER

P1

Year

2014



EMAX226-E-413

NOTE



FIG 414

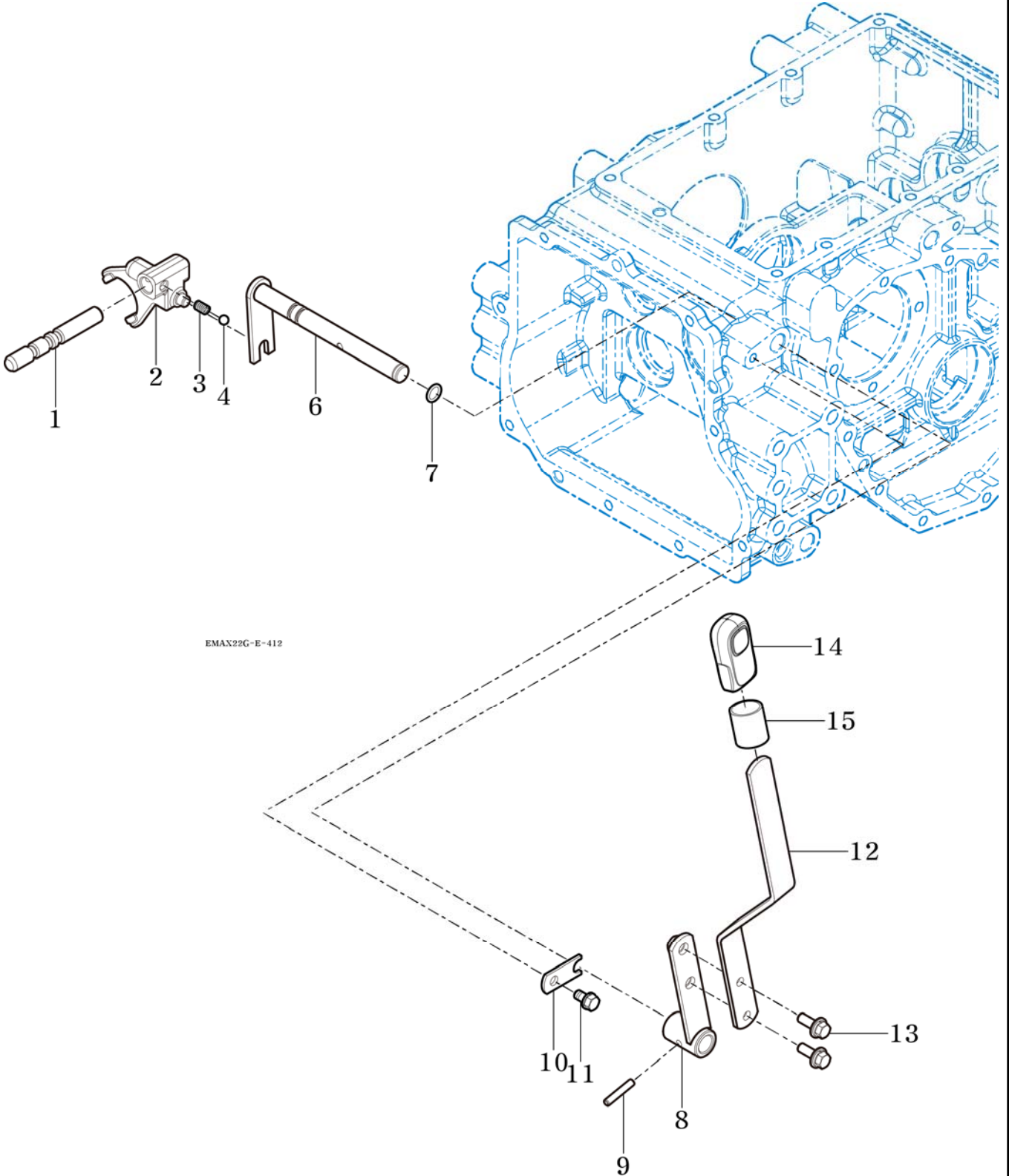
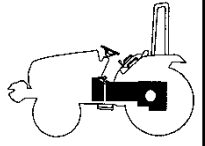
T254NC

RANGE SHIFT LEVER

P1

Year

2014



NOTE



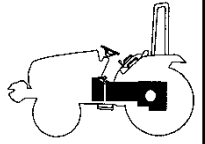
FIG 415

P.T.O CHANGE LEVER

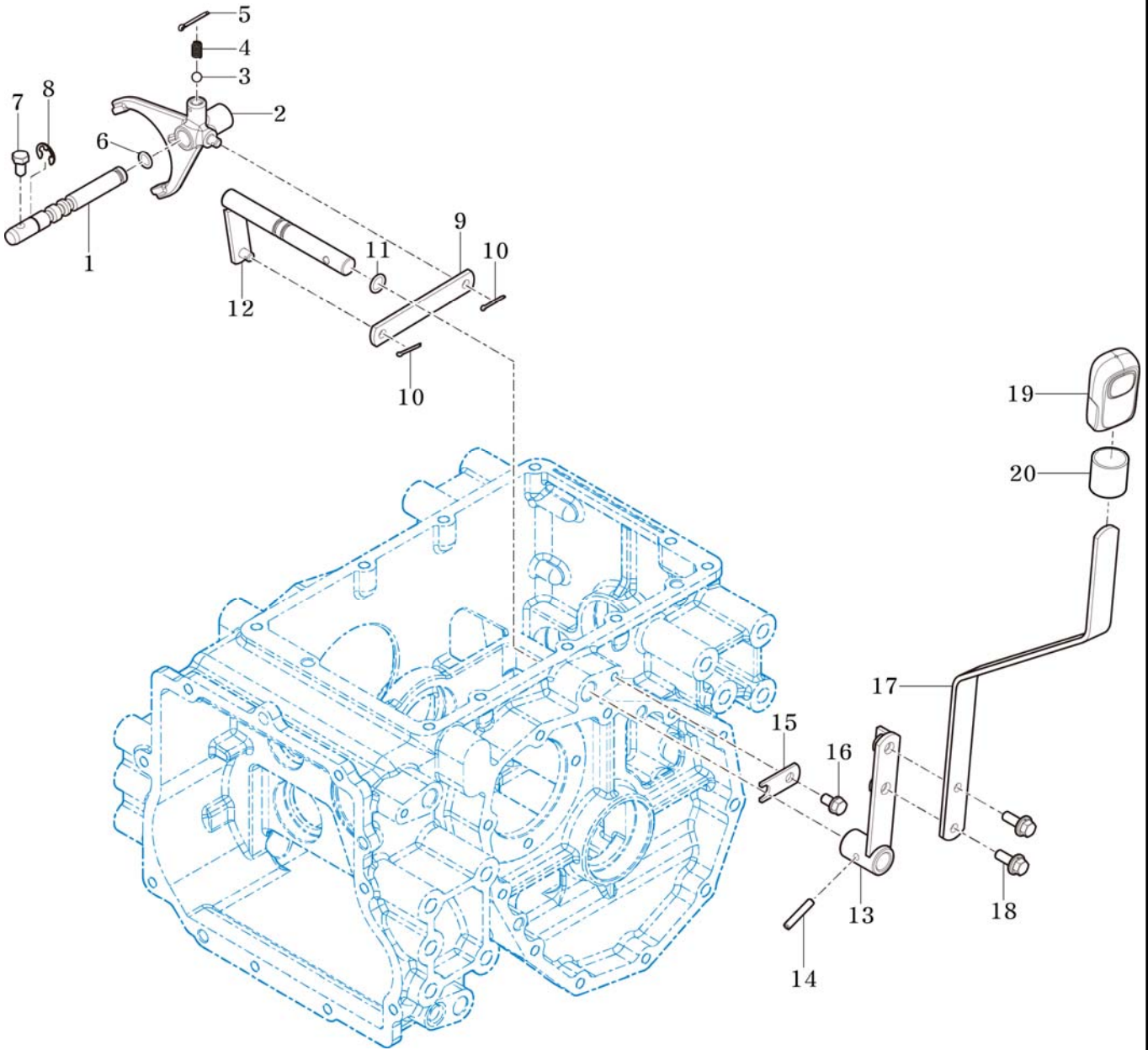
P1

Year

2014



T254NC



NOTE



FIG 416

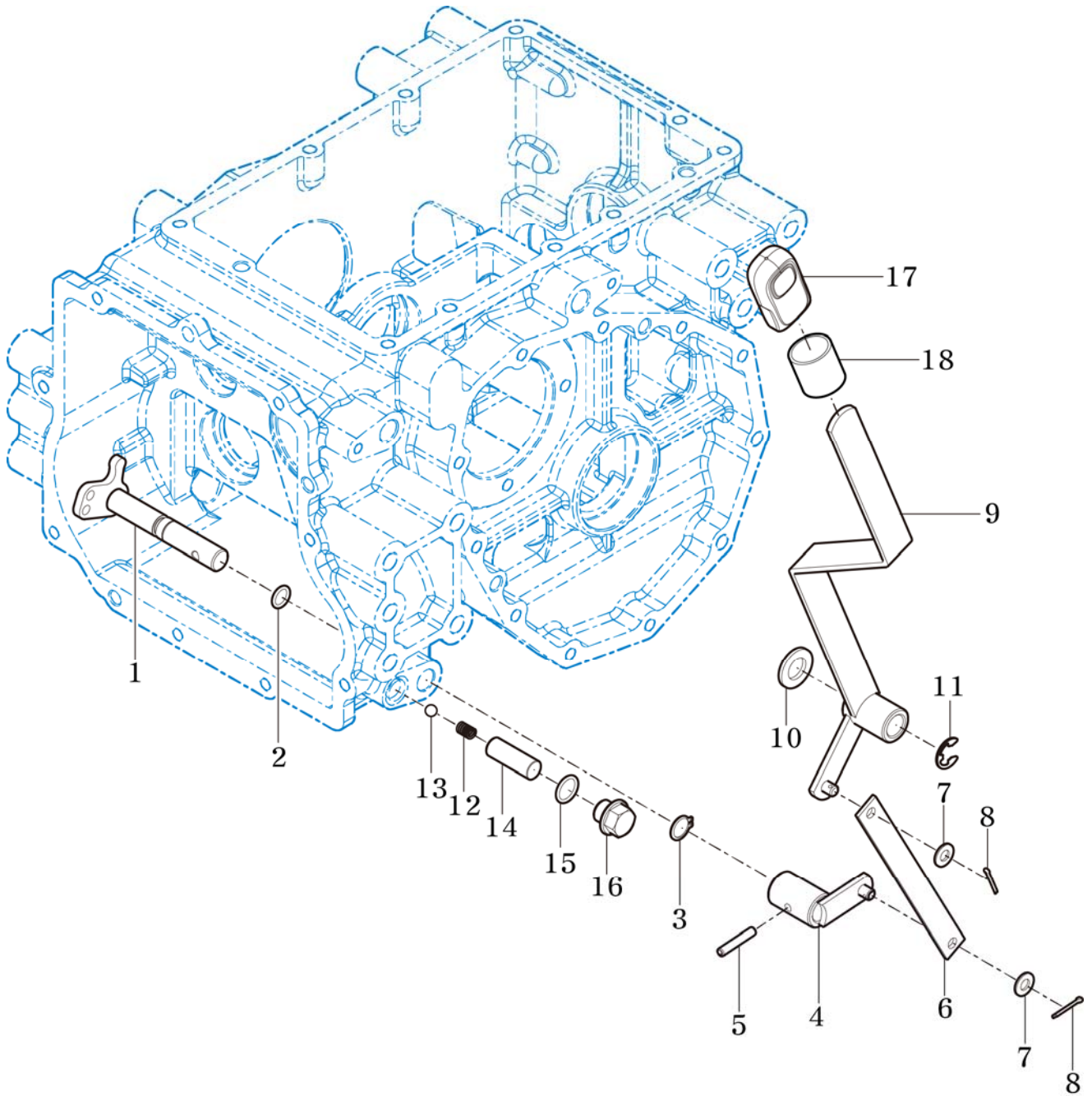
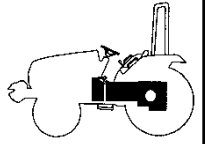
4WD CHANGE LEVER

T254NC

P1

Year

2014



NOTE





FIG 417

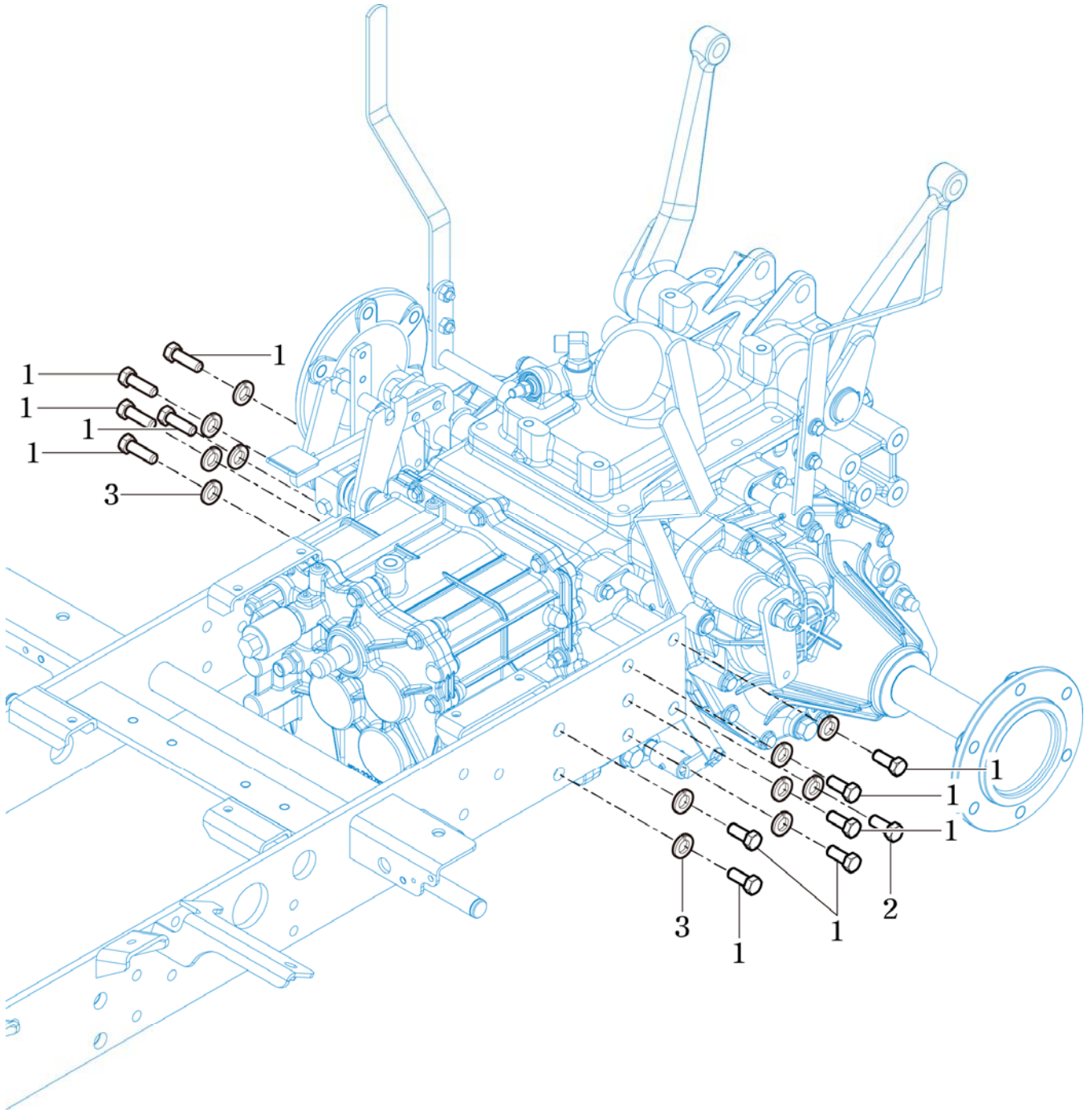
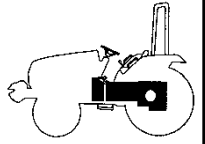
TRANSMISSION MOUNTING

T254NC

P1

Year

2014



EMAX22G-E-417

NOTE



FIG 501

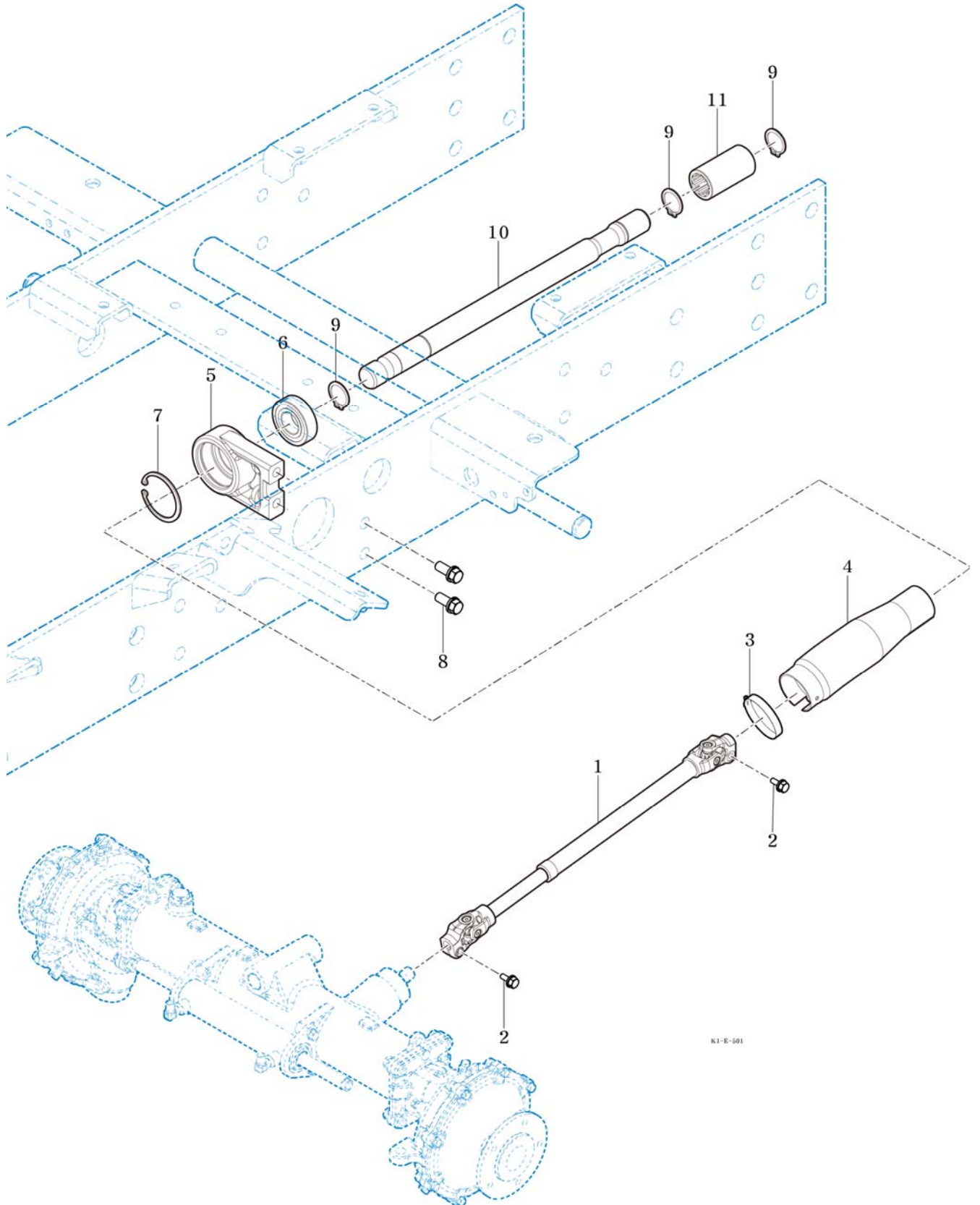
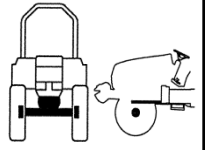
T254NC

FRONT DRIVE SHAFT

P1

Year

2014



K1-E-501

NOTE



FIG 502

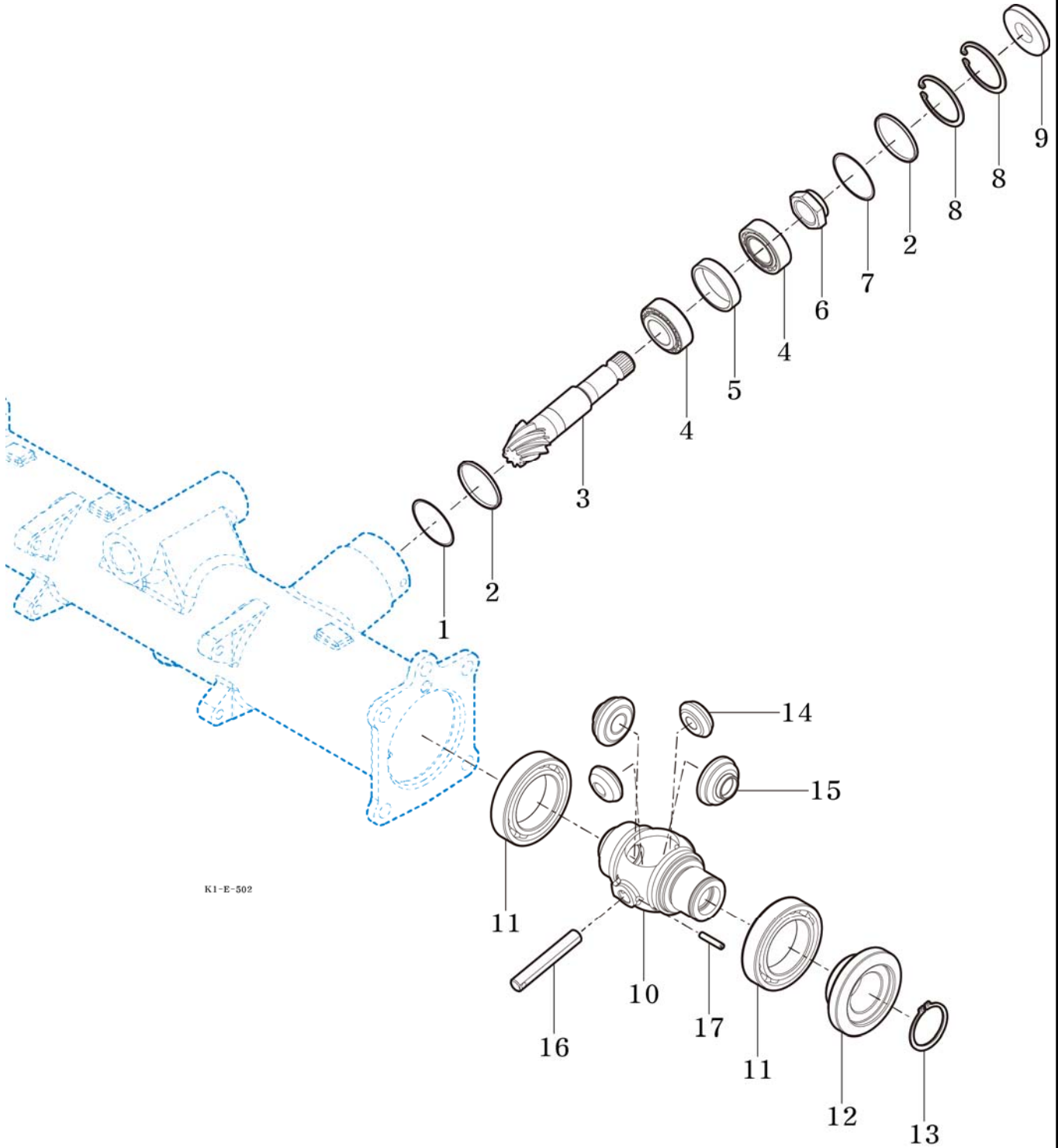
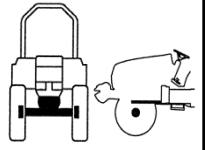
T254NC

FRONT DIFFERENTIAL GEAR

P1

Year

2014



K1-E-502

NOTE



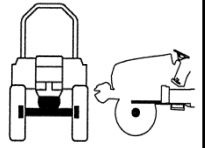
FIG 503

FRONT AXLE HOUSING

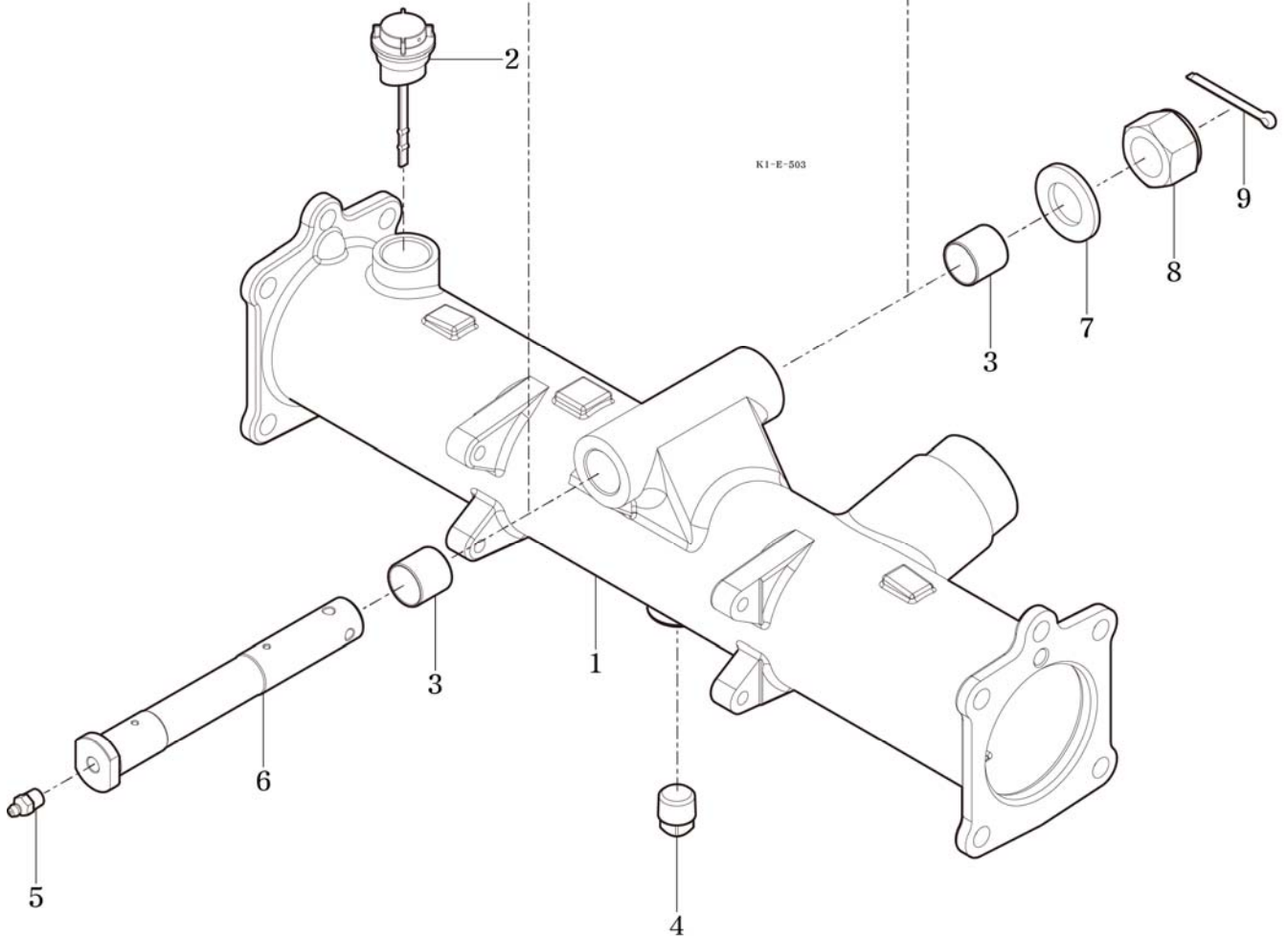
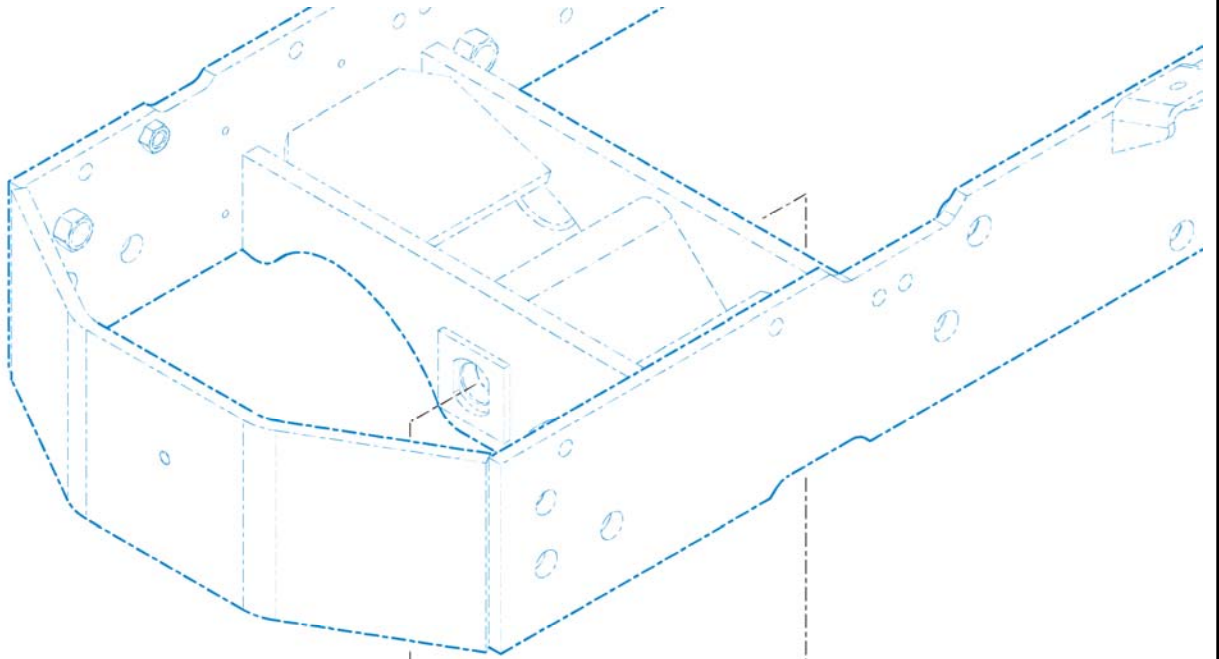
P1

Year

2014



T254NC



NOTE





FIG 504

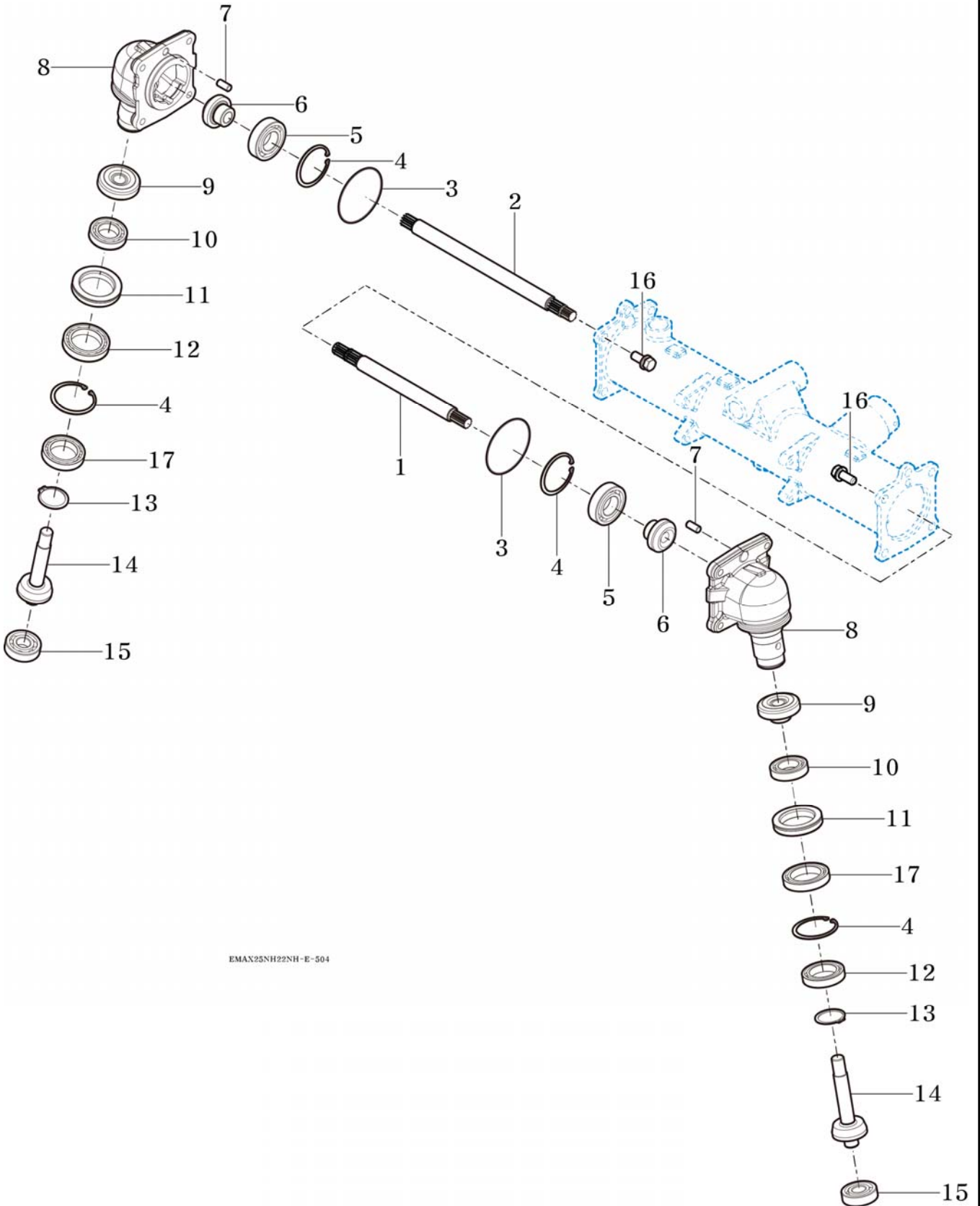
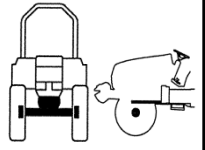
FRONT GEAR CASE (1)

T254NC

P1

Year

2014



EMAX25NH22NH-E-504

NOTE



FIG 505

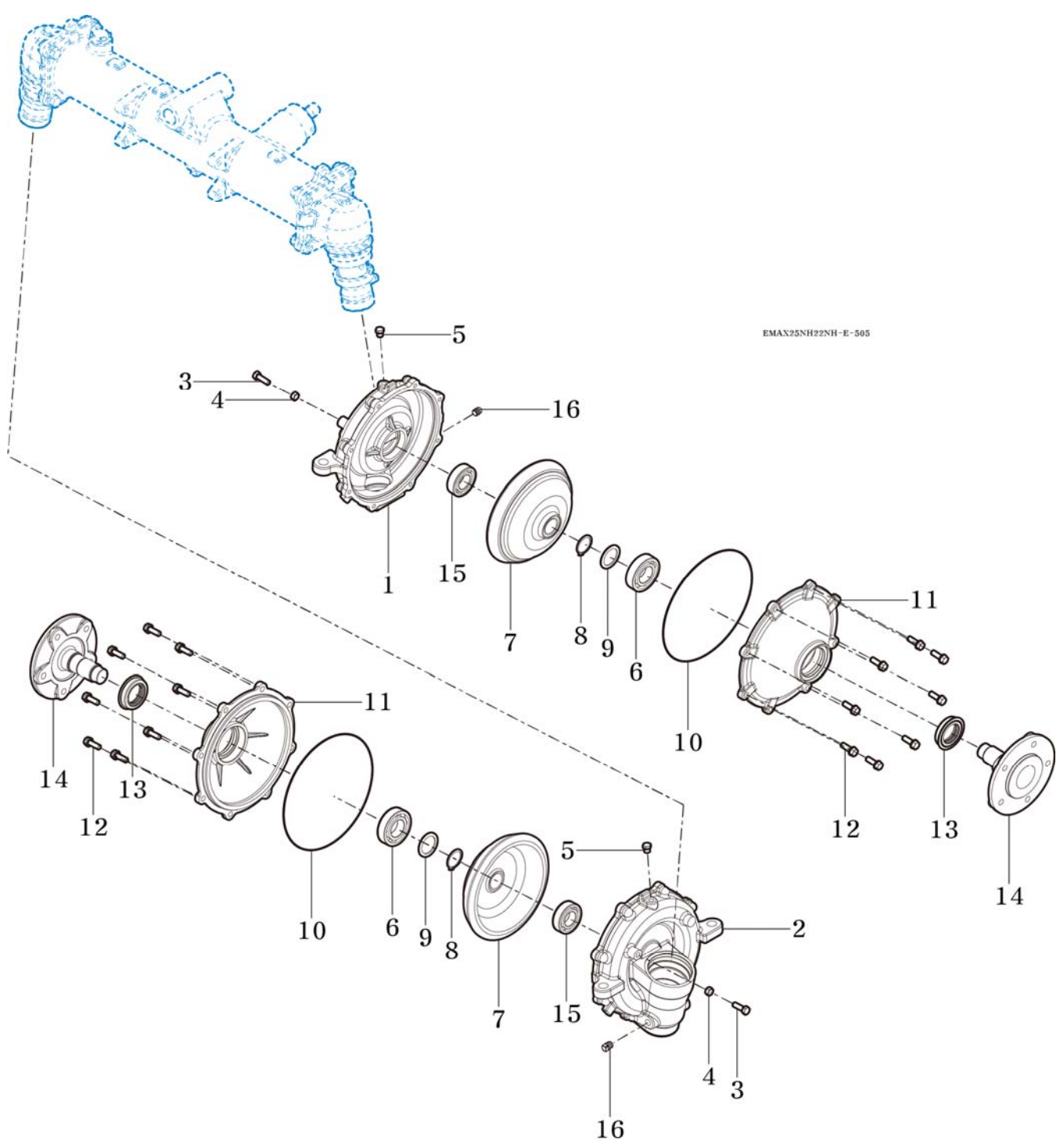
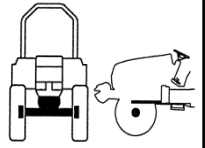
FRONT GEAR CASE (2)

T254NC

P1

Year

2014



NOTE



FIG 601

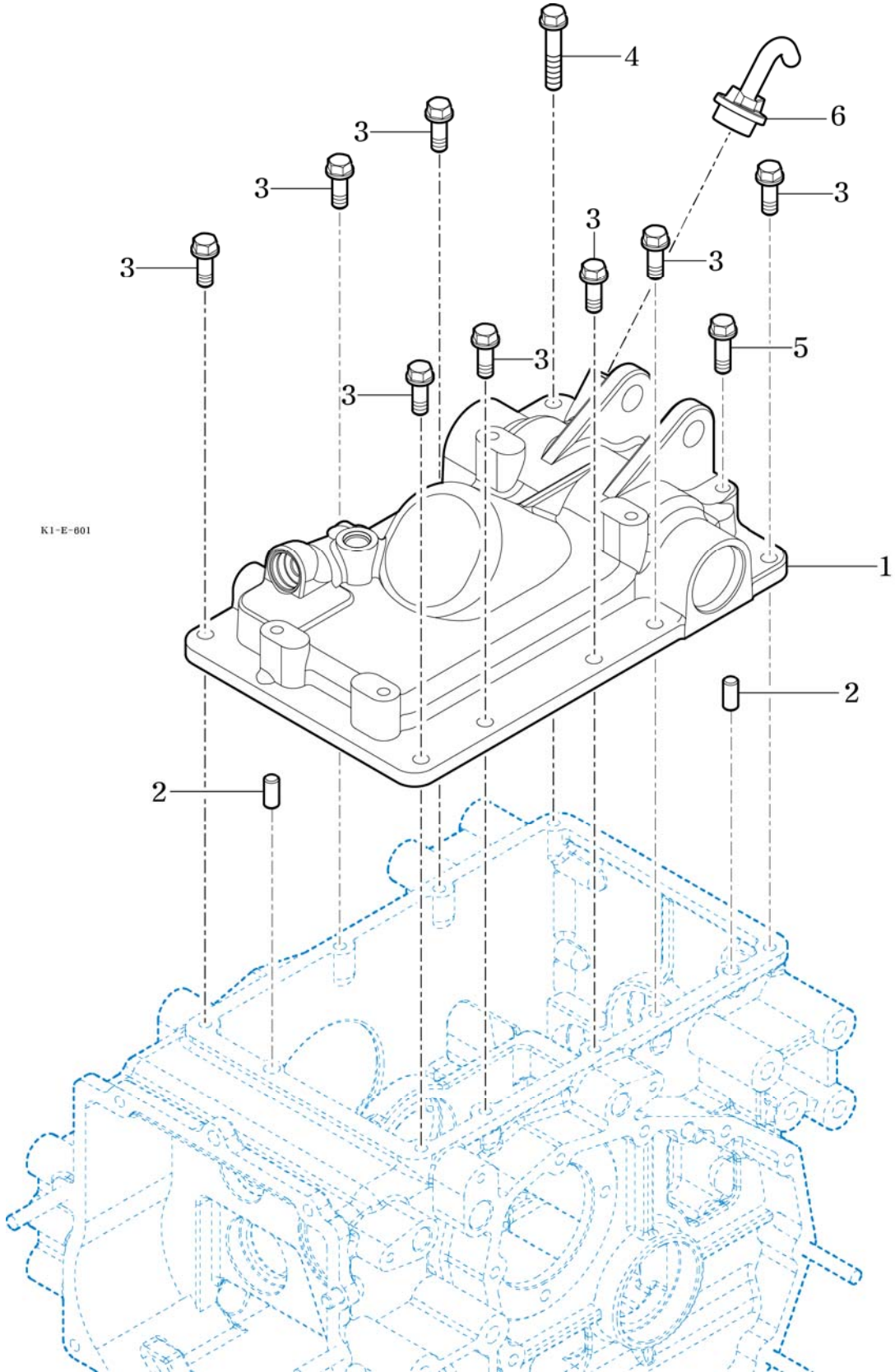
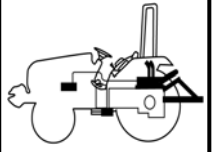
T254NC

CYLINDER CASE

P1

Year

2014



NOTE



FIG 602

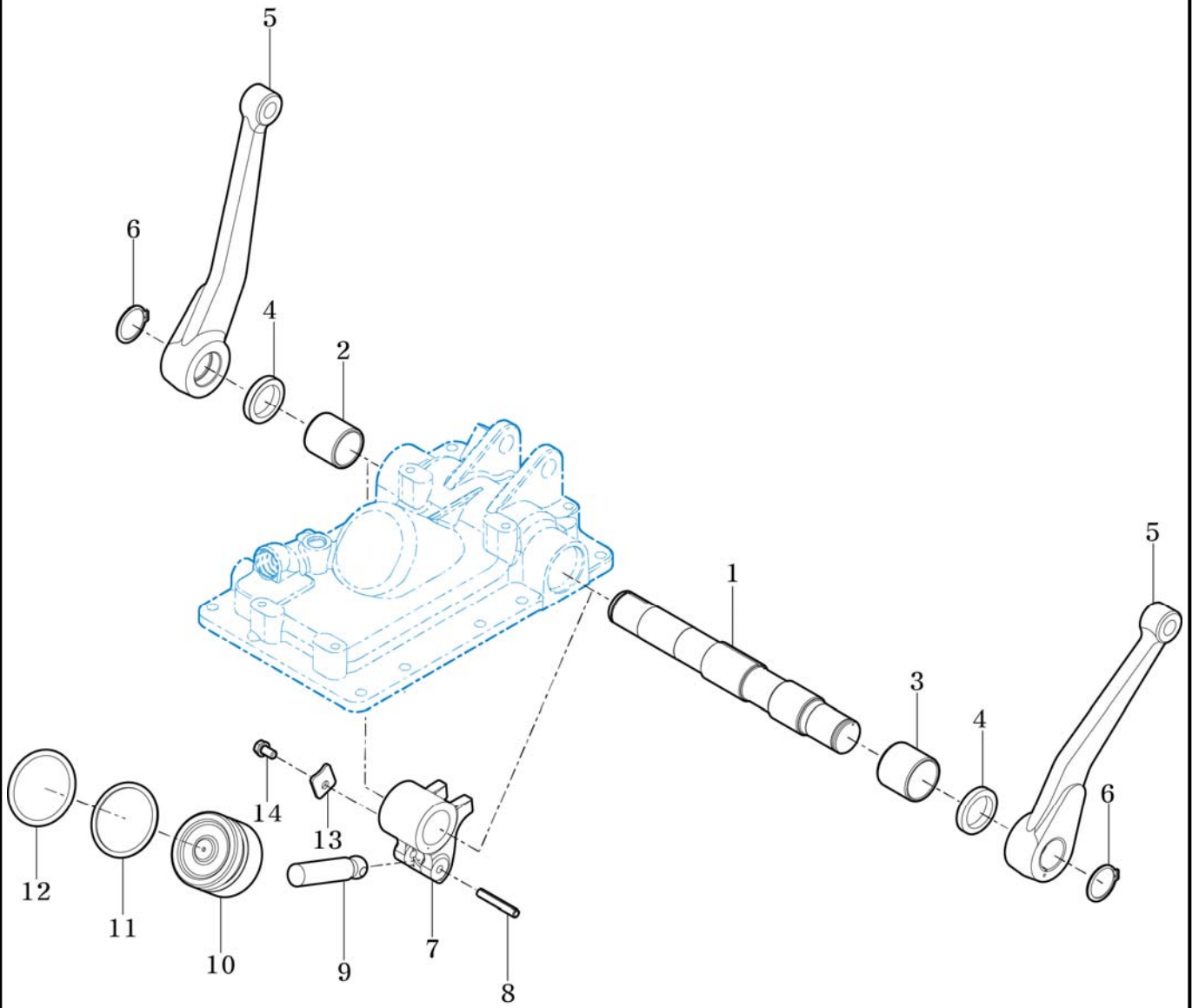
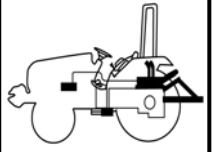
T254NC

LIFT ARM

P1

Year

2014



NOTE





FIG 603

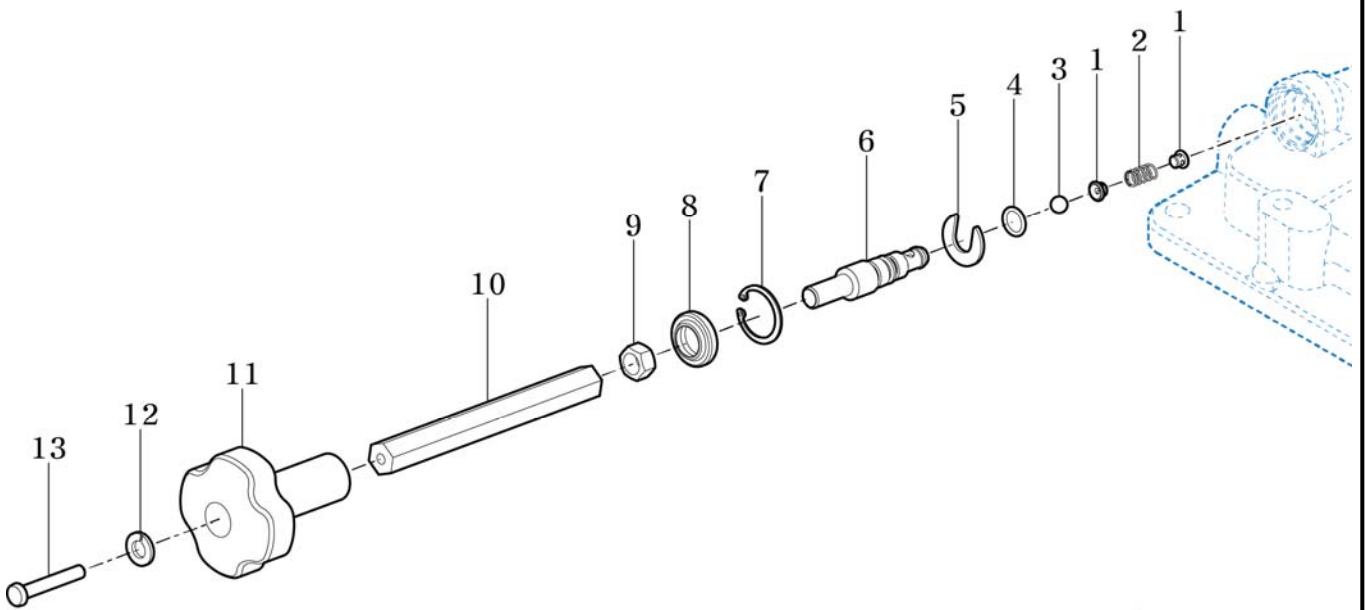
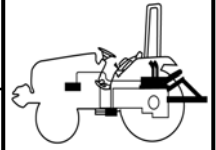
T254NC

FLOW CONTROL VALVE

P1

Year

2014



EMAX22G-E-603

NOTE



FIG 604

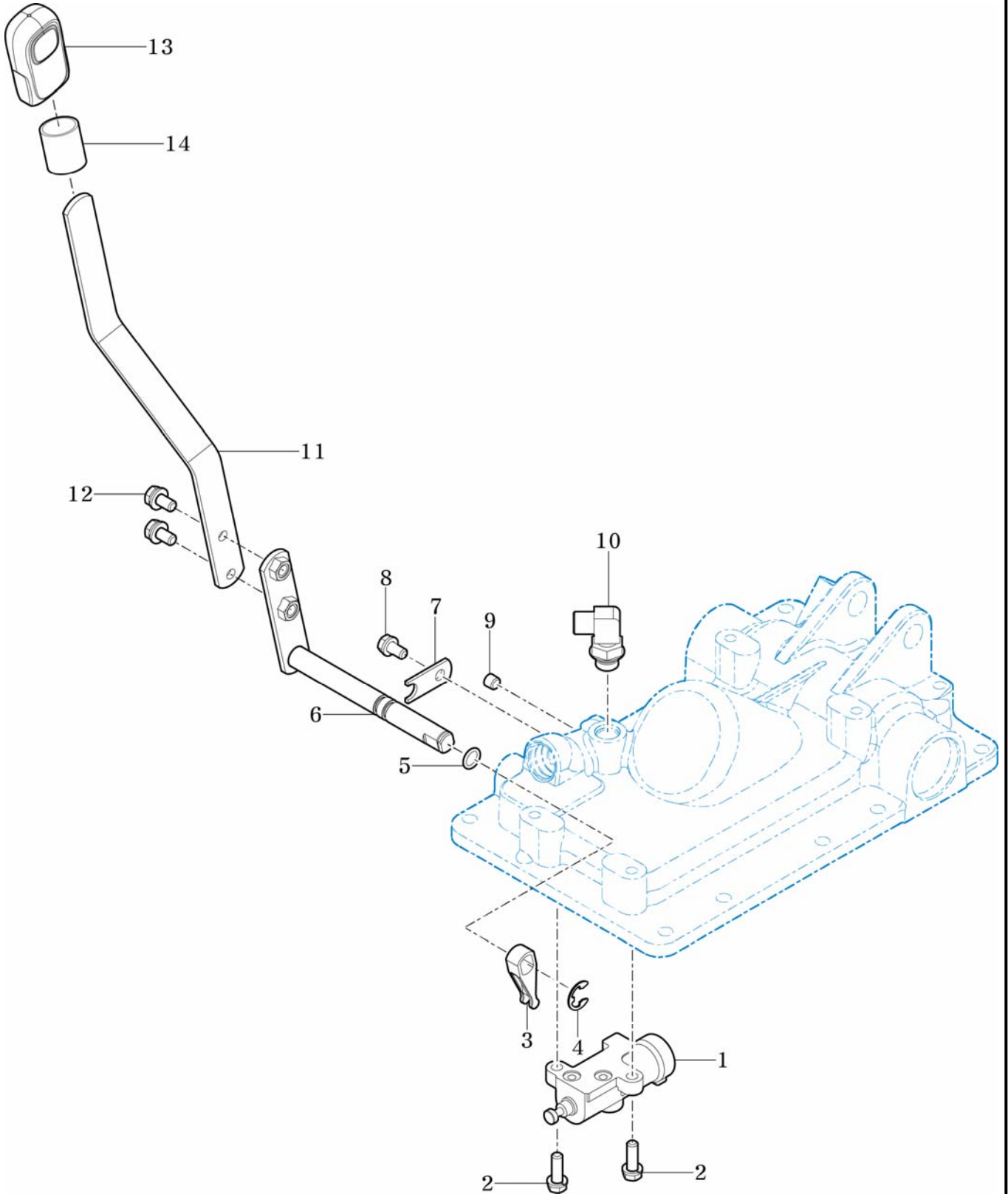
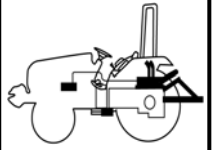
T254NC

MAIN CONTROL VALVE

P1

Year

2014



NOTE



FIG 605

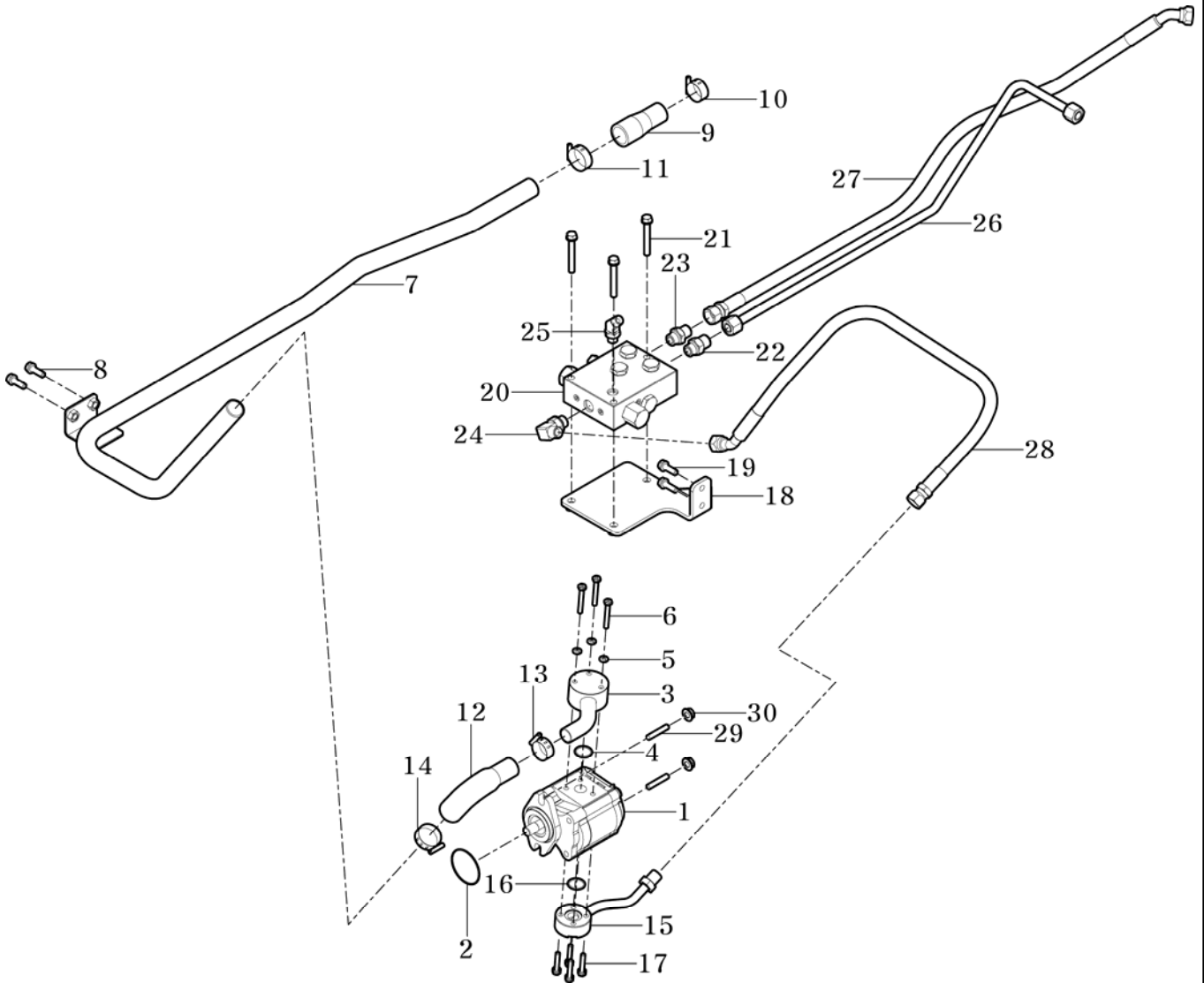
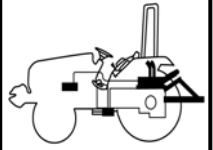
T254NC

HYDRAULIC SUB

P1

Year

2014



NOTE



FIG 606

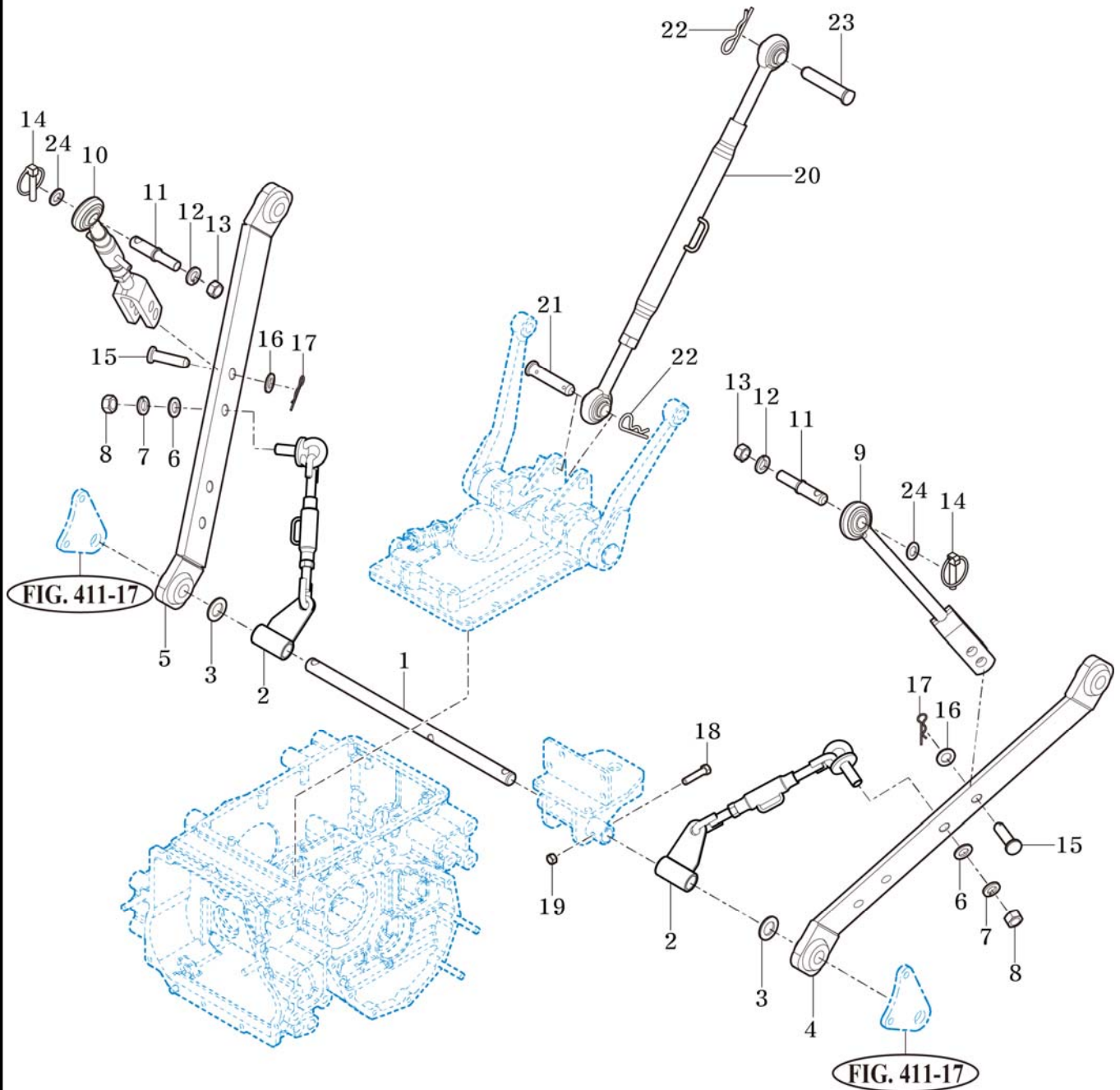
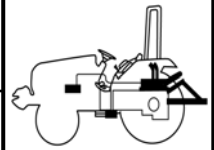
T254NC

# HITCH & 3-POINT LINKAGE

P1

Year

2014



NOTE





FIG 607

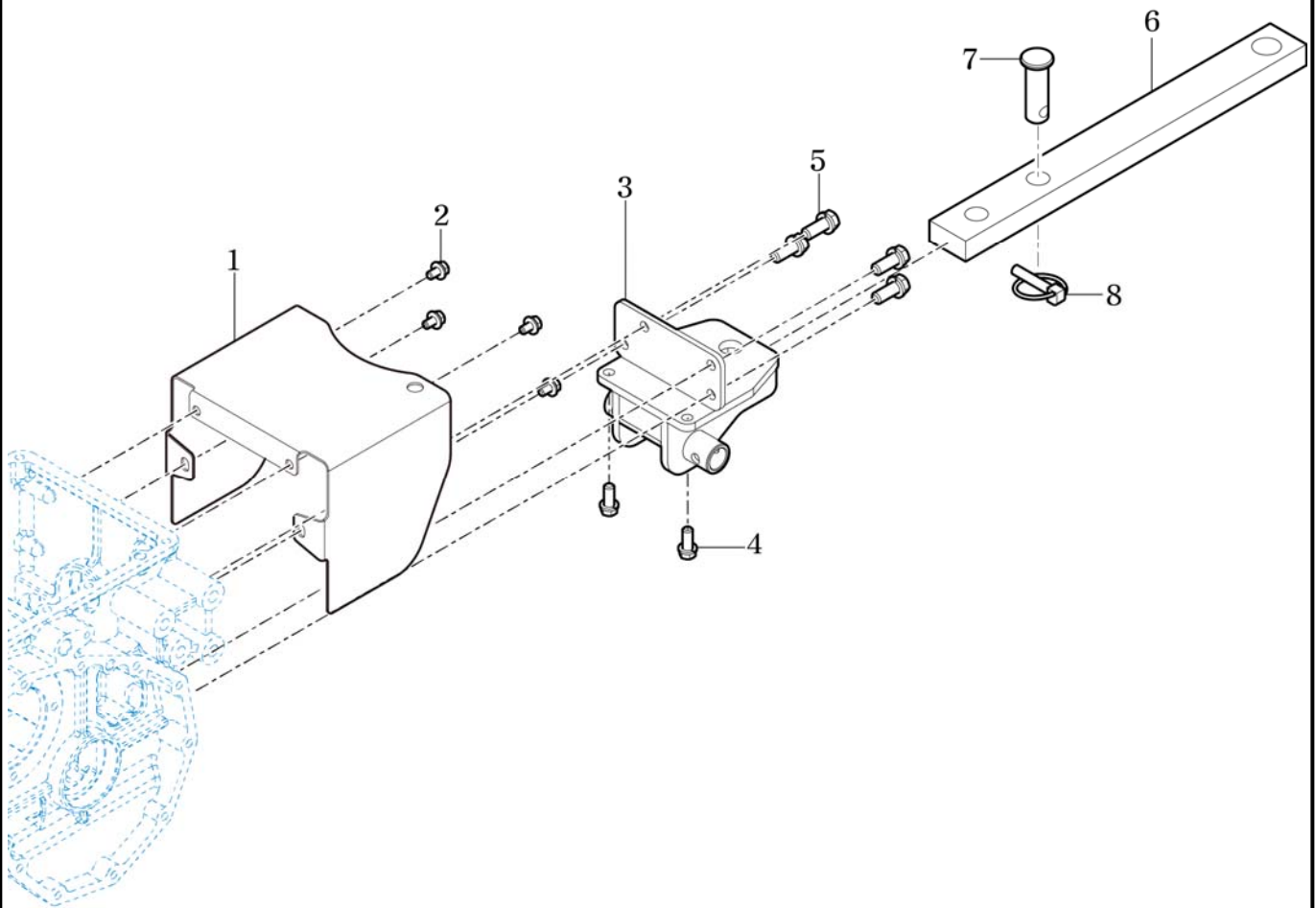
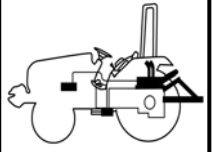
T254NC

HITCH & COVER

P1

Year

2014



NOTE



FIG 701

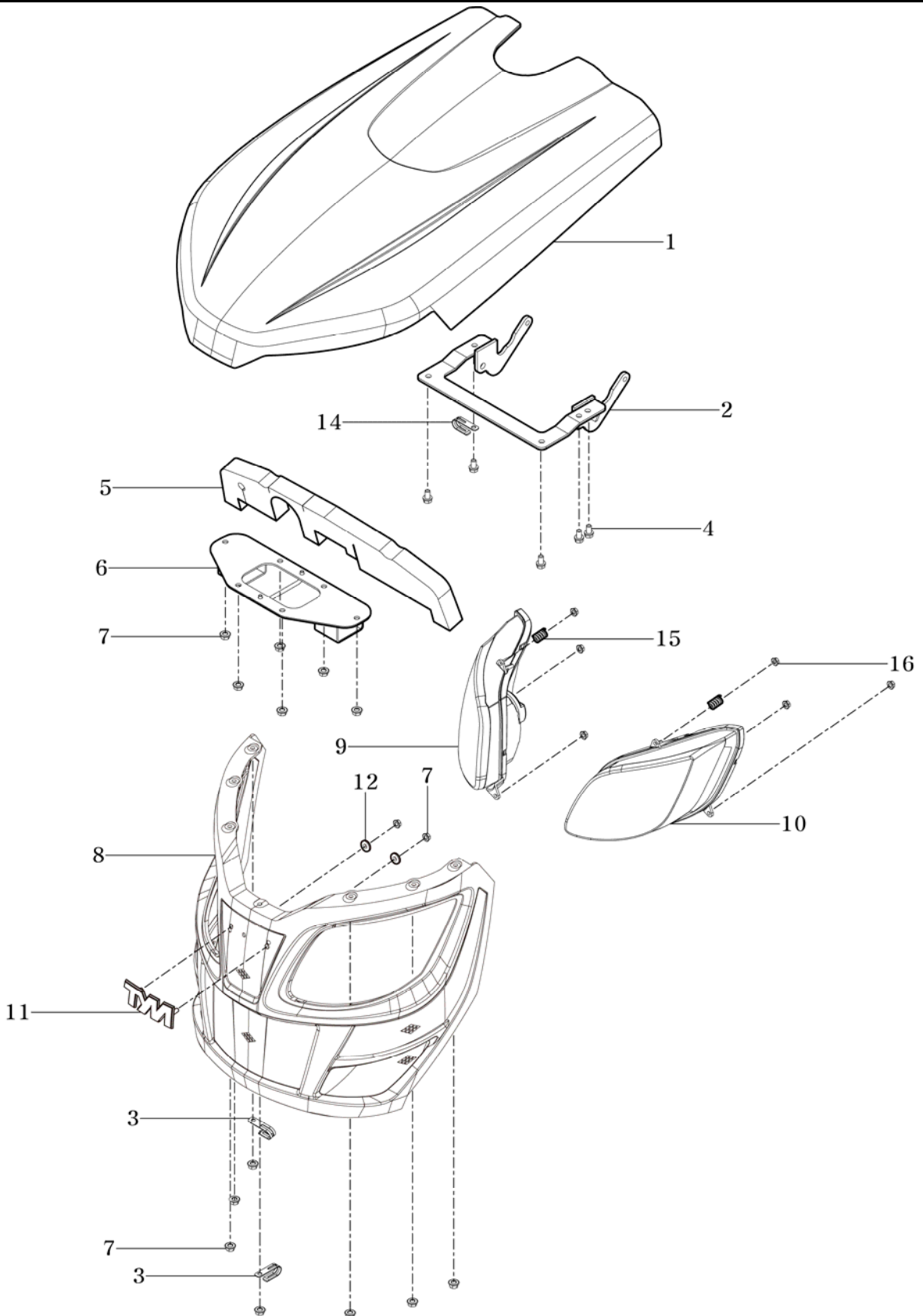
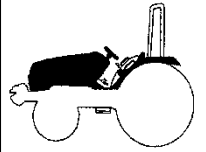
T254NC

# BONNET

P1

Year

2014



NOTE



FIG 701

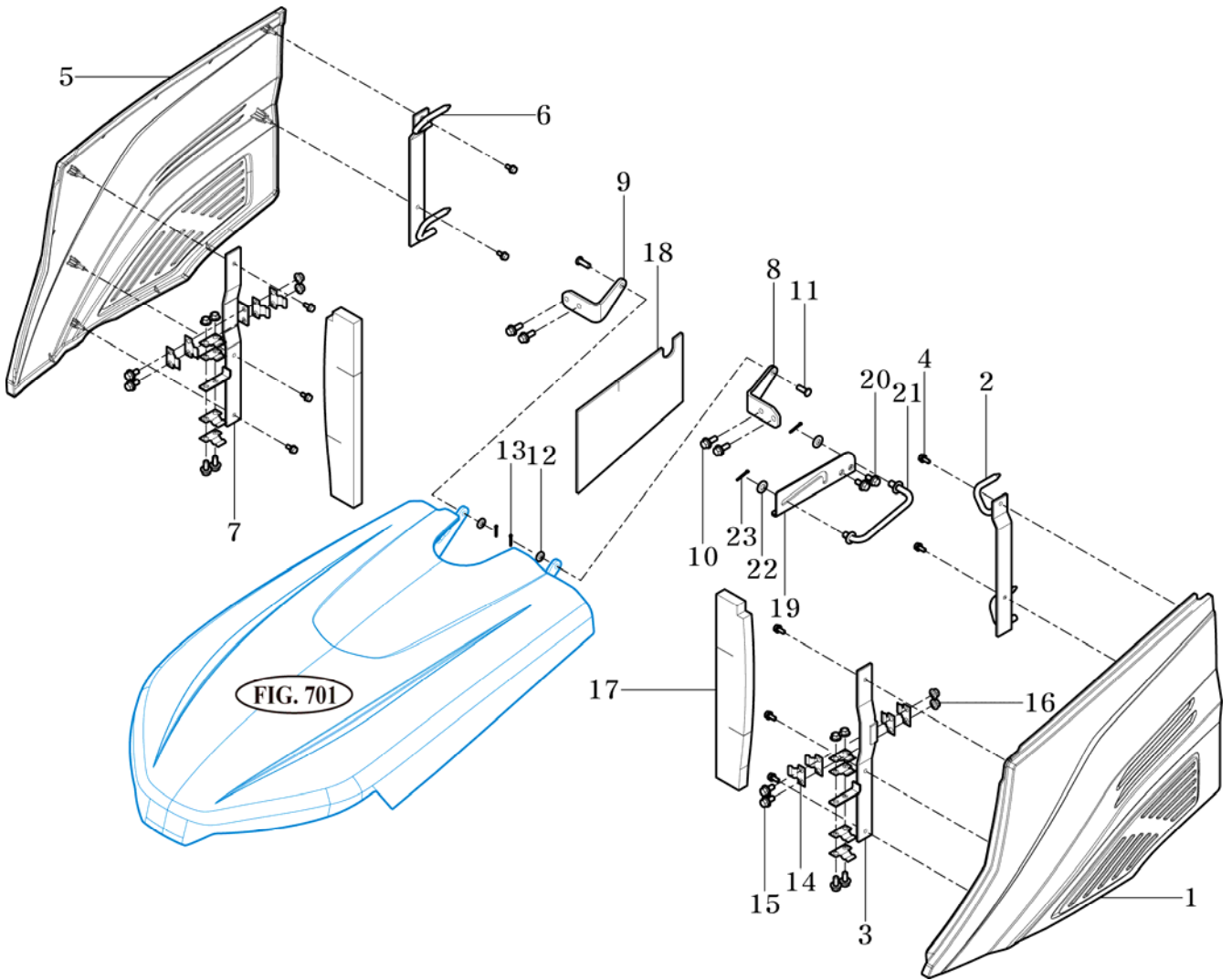
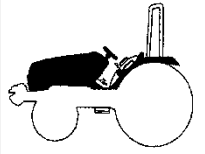
T254NC

BONNET

P2

Year

2014



NOTE



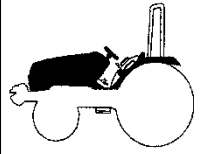
FIG 702

FLOOR

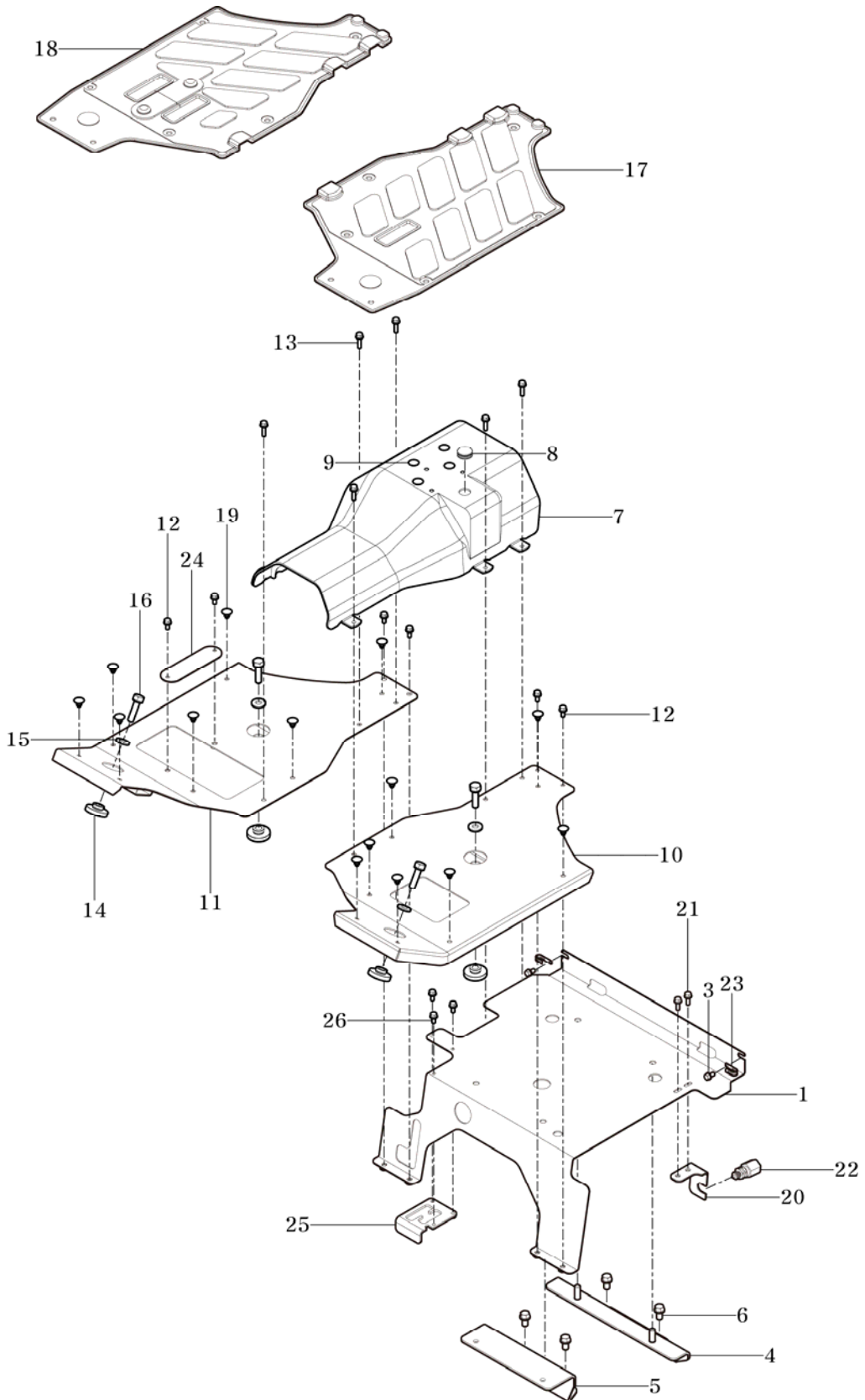
P1

Year

2014



T254NC



NOTE





FIG 703

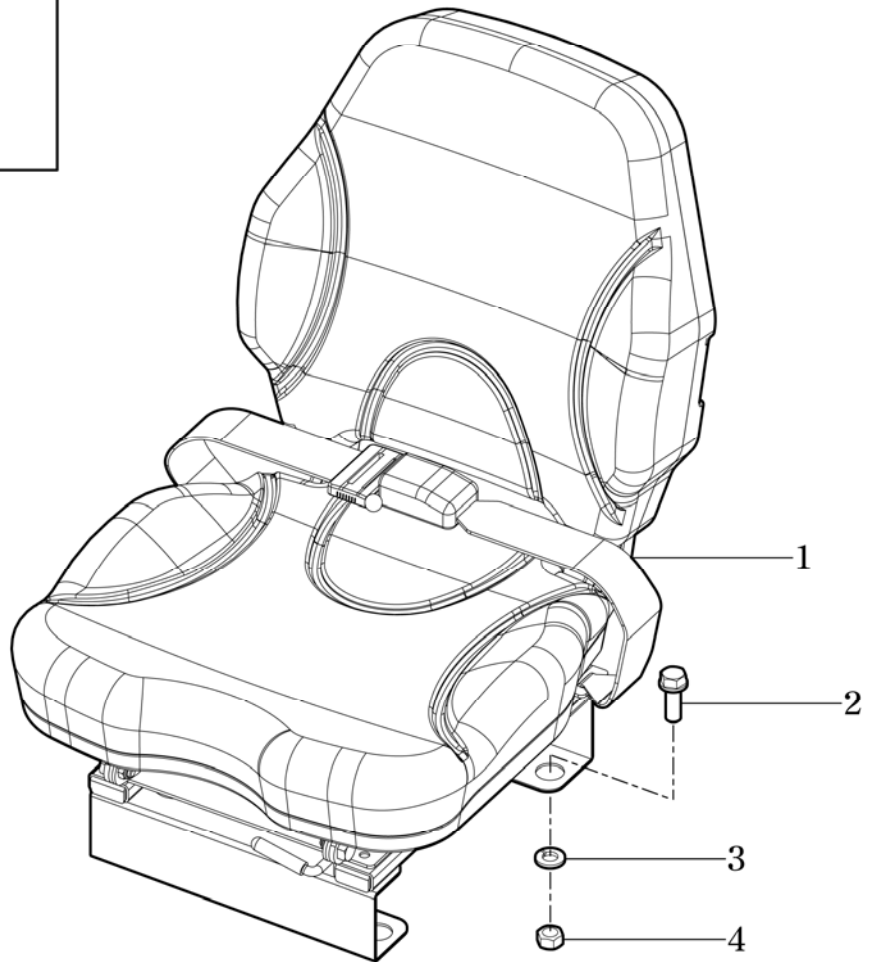
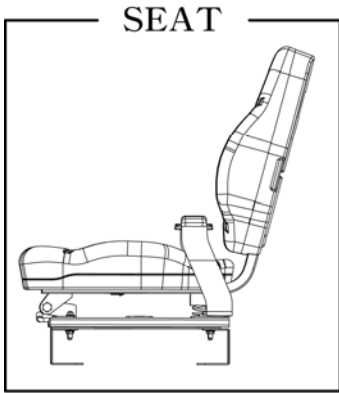
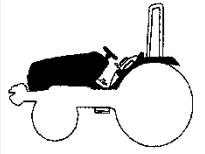
T254NC

SEAT

P1

Year

2014



NOTE



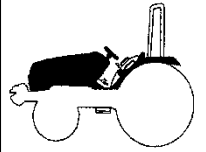
FIG 704

ROPS

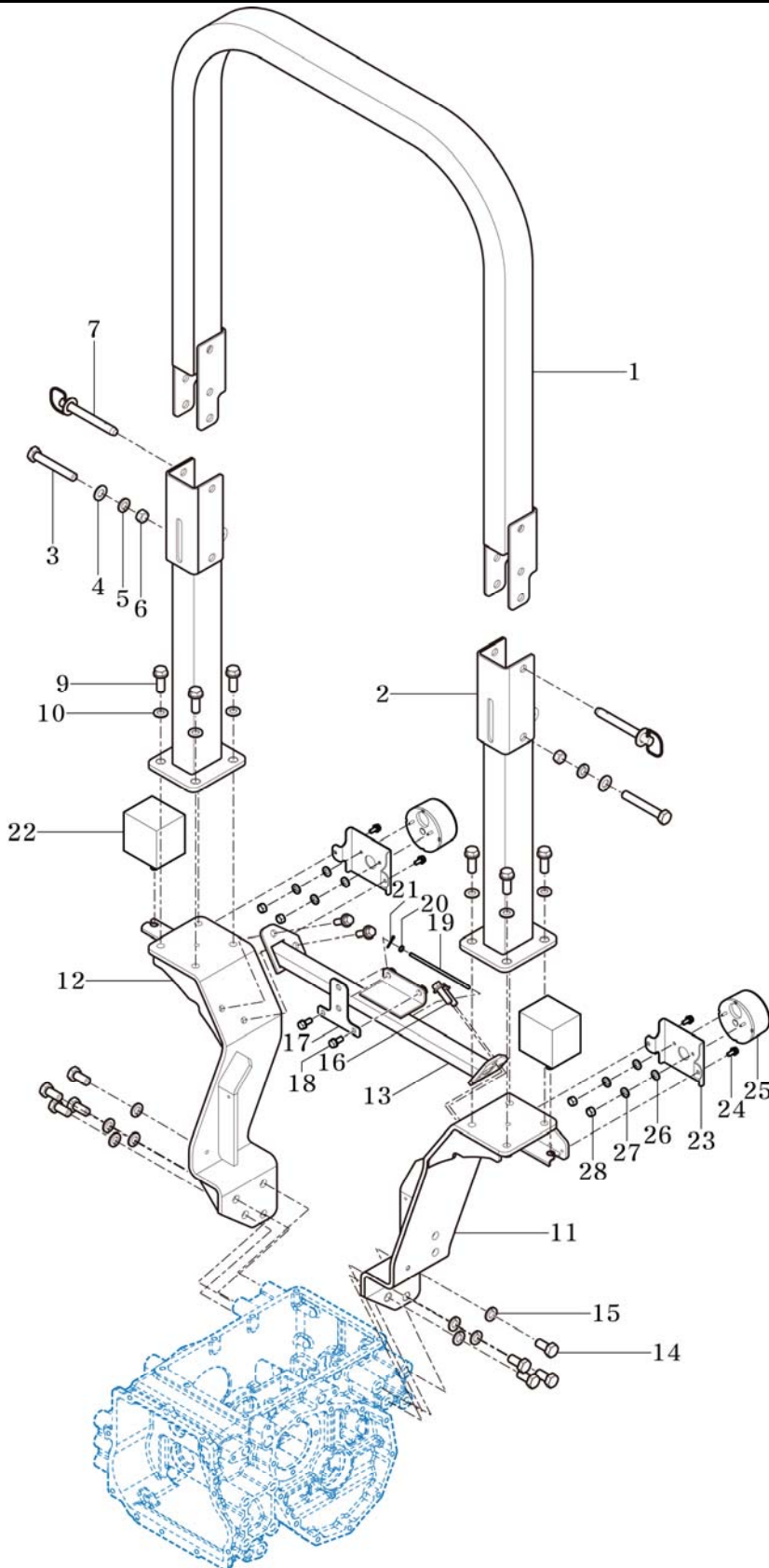
P1

Year

2014



T254NC



NOTE



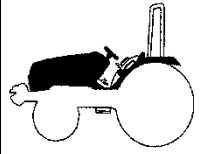
FIG 705

LEVER COVER & FENDER

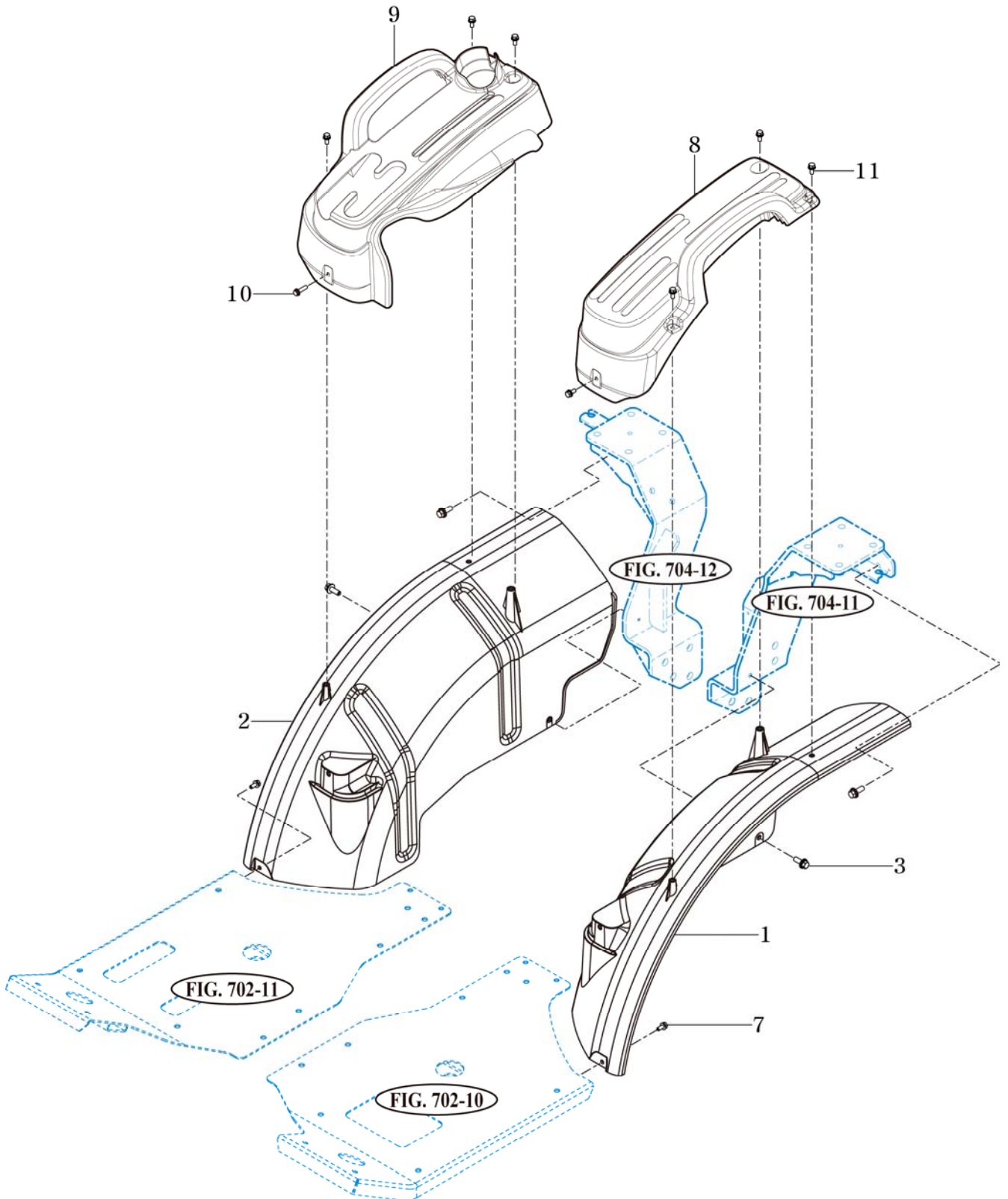
P1

Year

2014



T254NC



NOTE



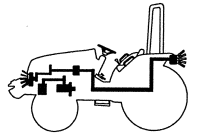
FIG 801

BATTERY MOUNTING

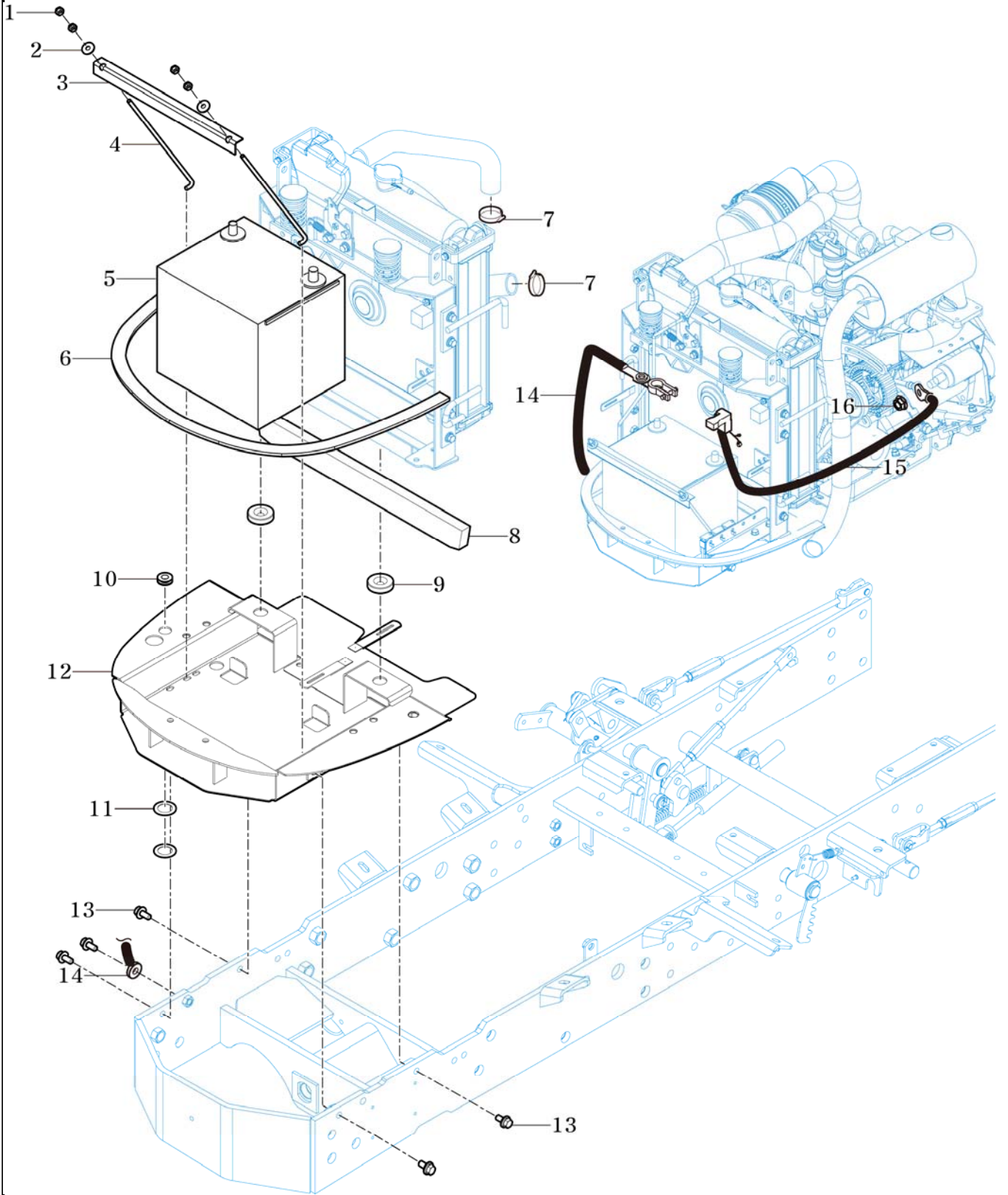
P1

Year

2014



T254NC



NOTE





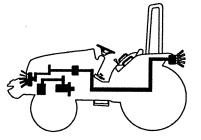
FIG 802

INSTRUMENT PANEL

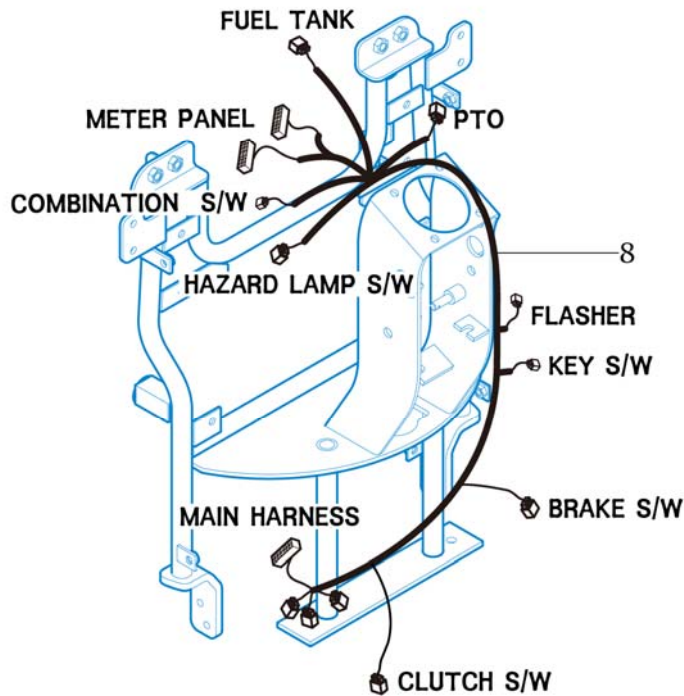
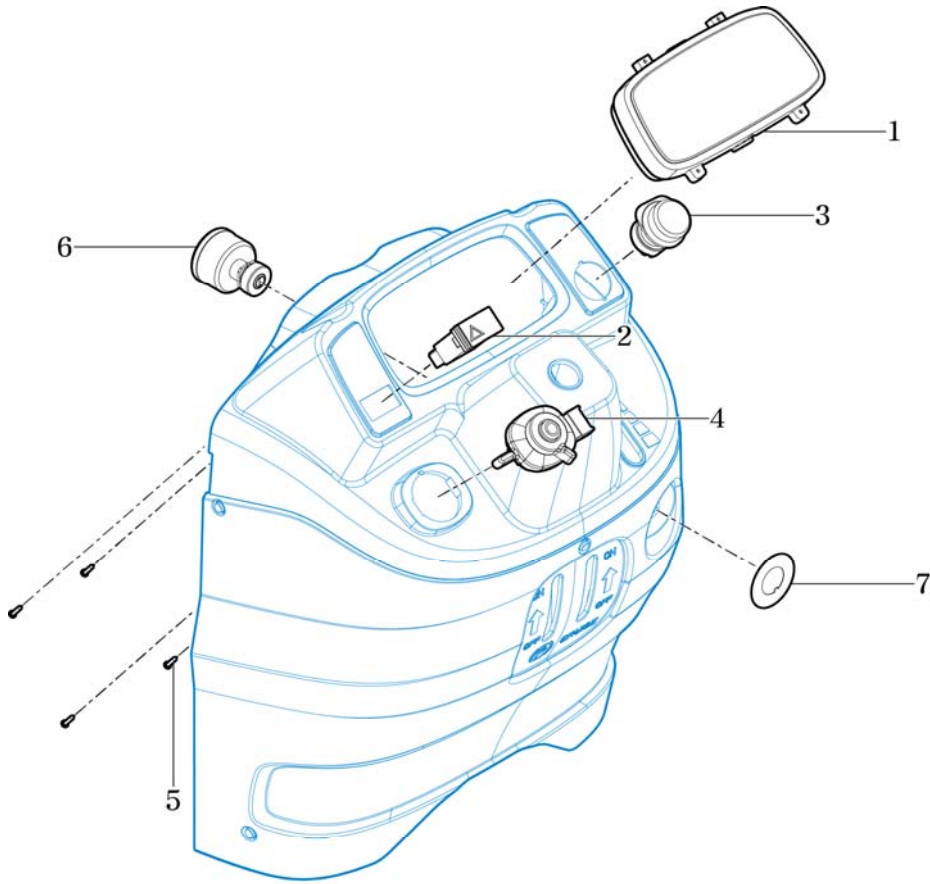
P1

Year

2014



T254NC



NOTE



FIG 803

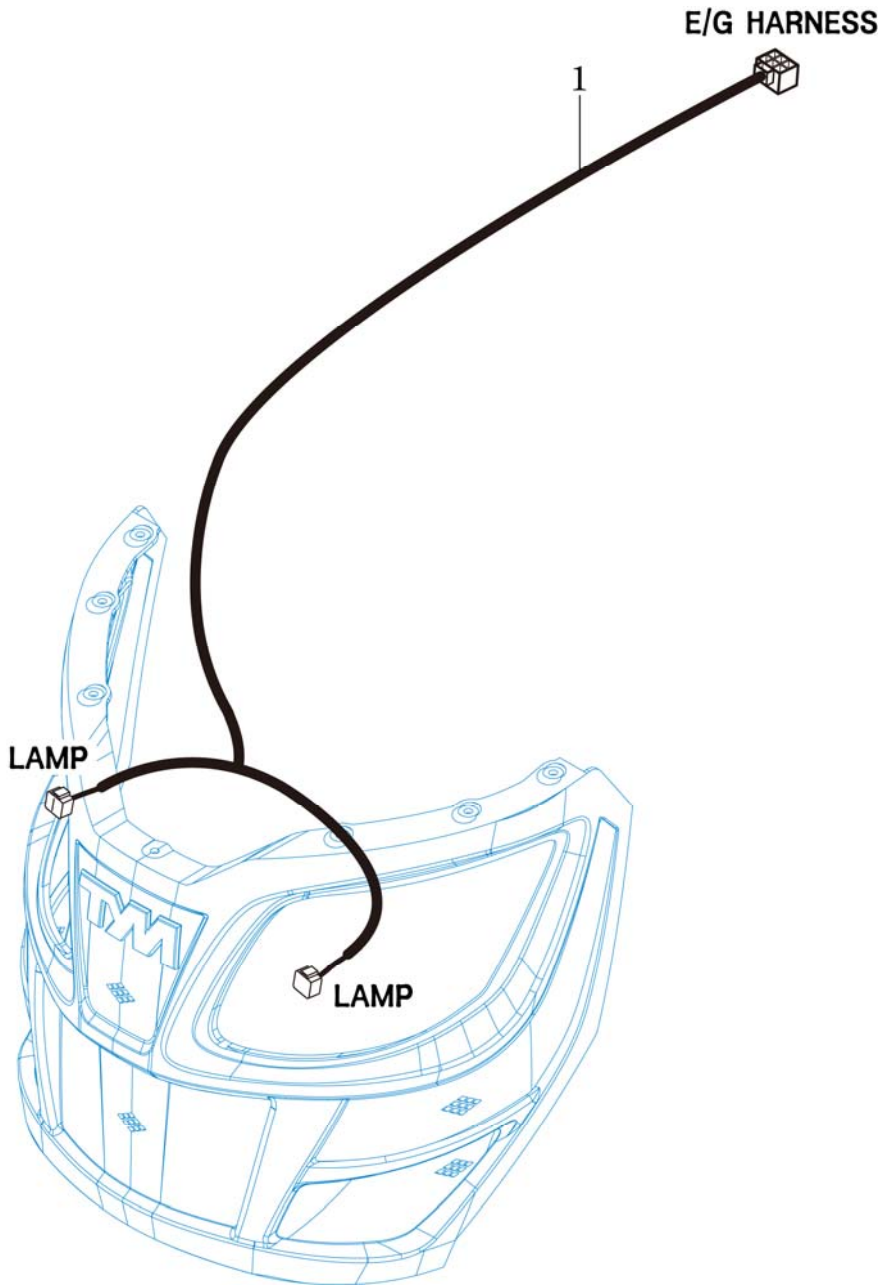
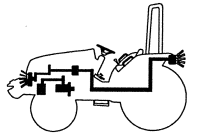
T254NC

HARNESS

P1

Year

2014



NOTE



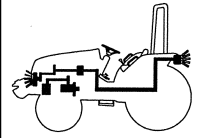
FIG 804

HARNESS

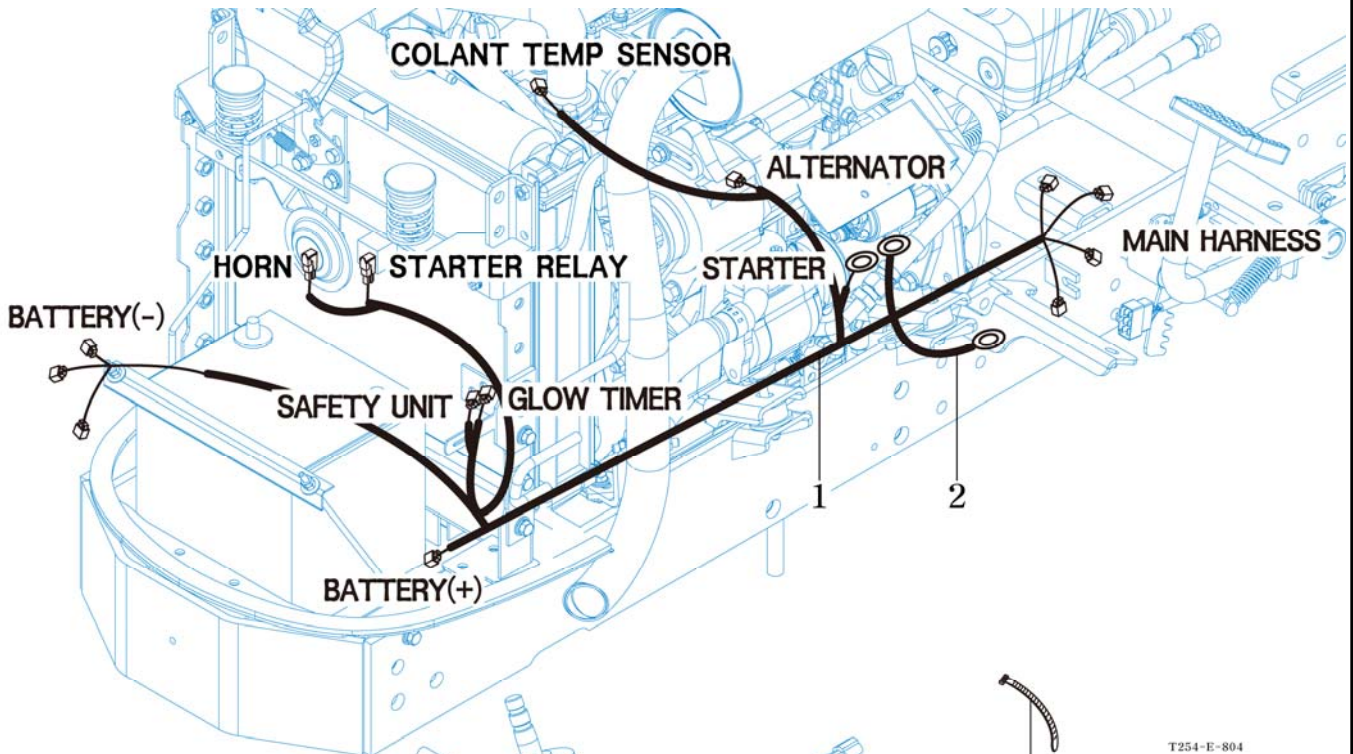
P1

Year

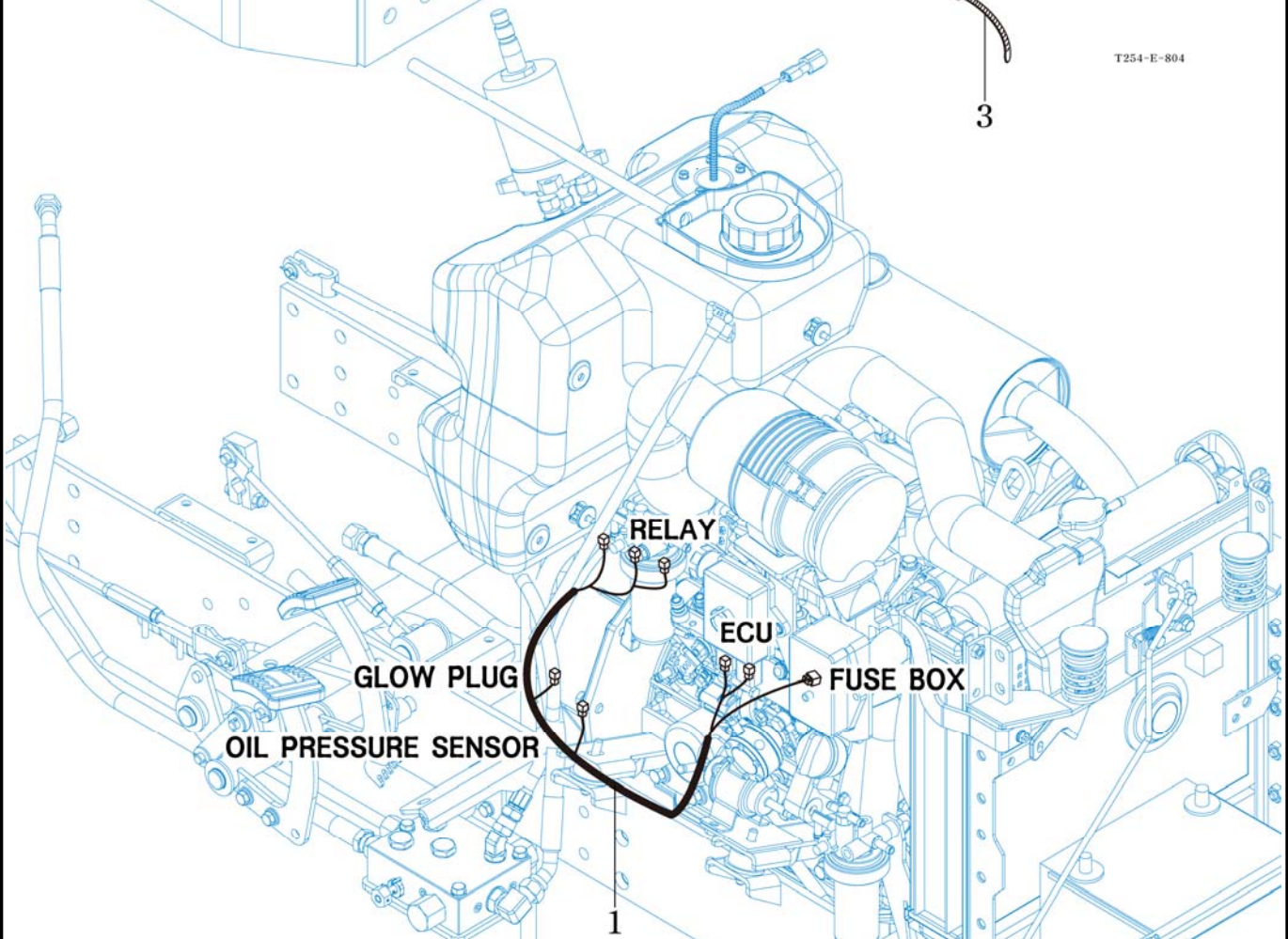
2014



T254NC



T254-E-804



NOTE



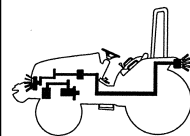
FIG 805

# HARNESS

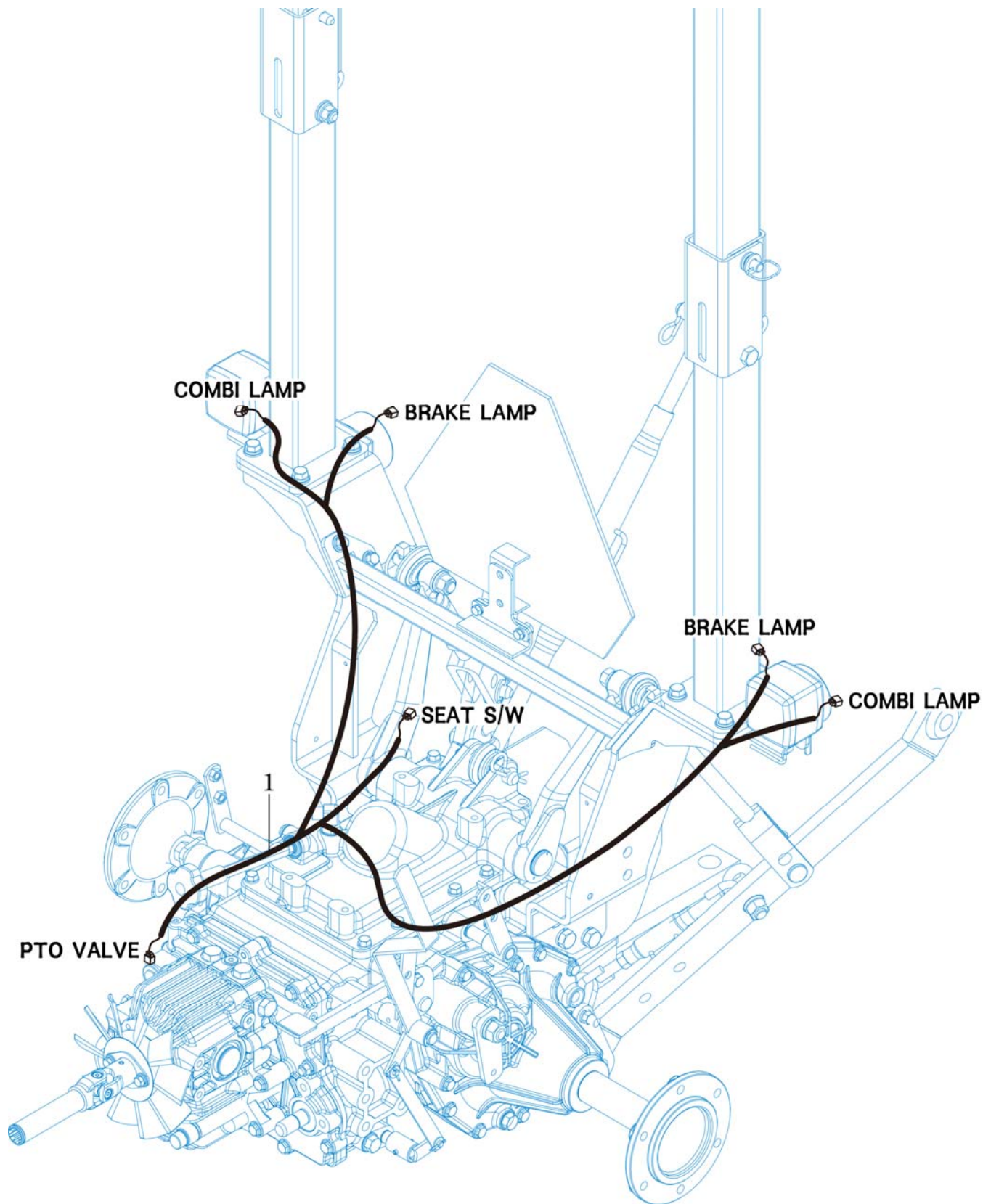
P1

Year

2014



T254NC



NOTE





FIG 901

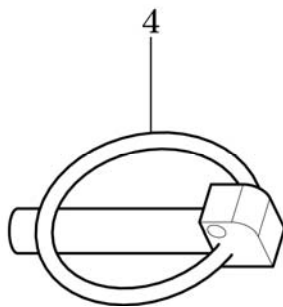
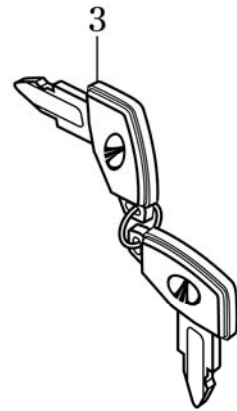
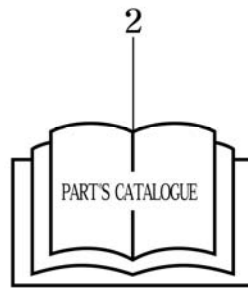
T254NC

TOOL & ACCESSORY

P1

Year

2014



NOTE



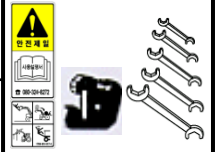
FIG 902

LABEL

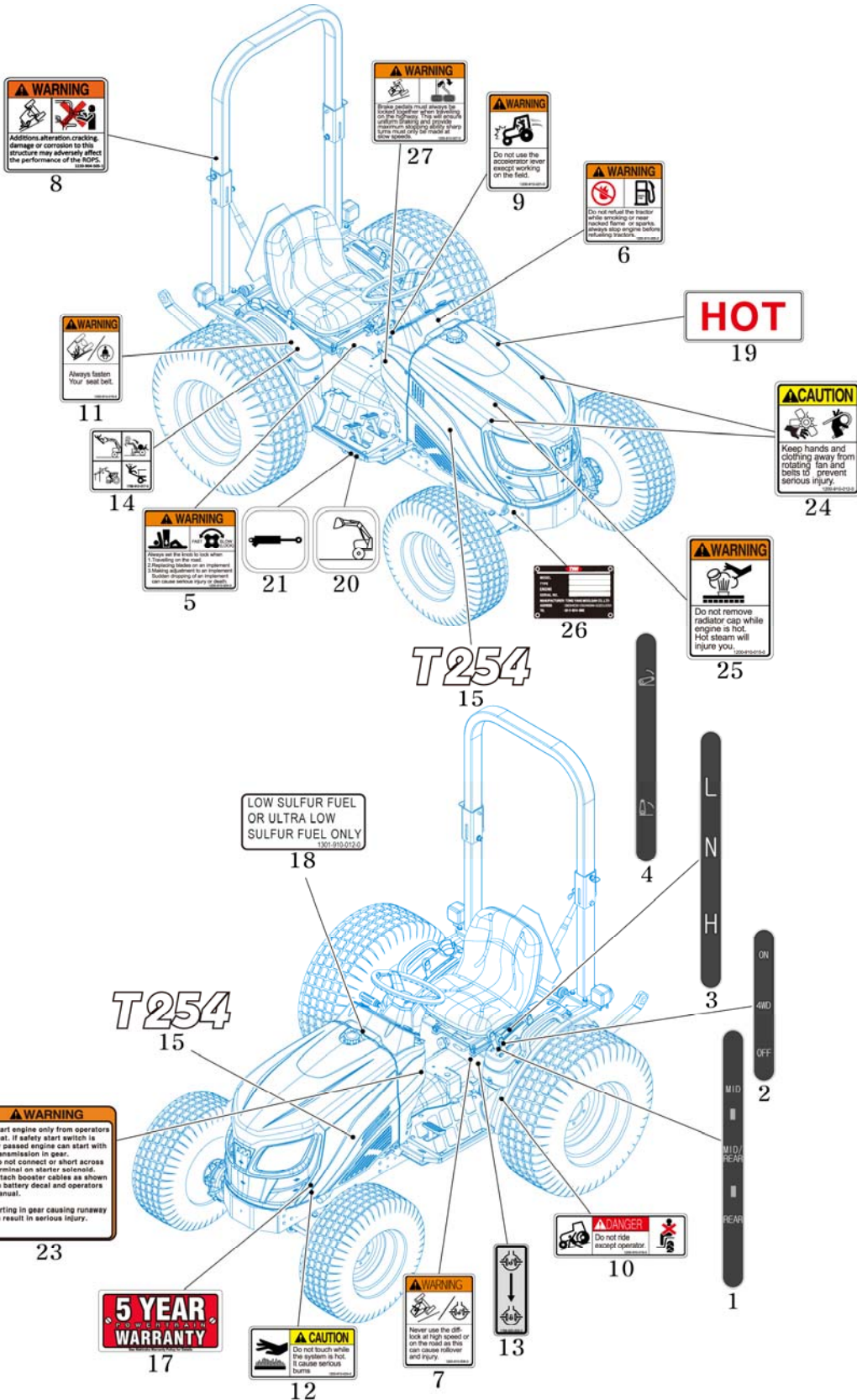
P1

Year

2014



T254NC



NOTE



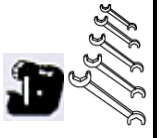
FIG 903

LABEL

P1

Year

2014



T254NC

**PARKING BRAKE**  
Press down the master brake pedal and lock the parking lever at the same time.

6

**WARNING**  
Always set the park brake when parking. Failure to do so can cause accidents and damages.

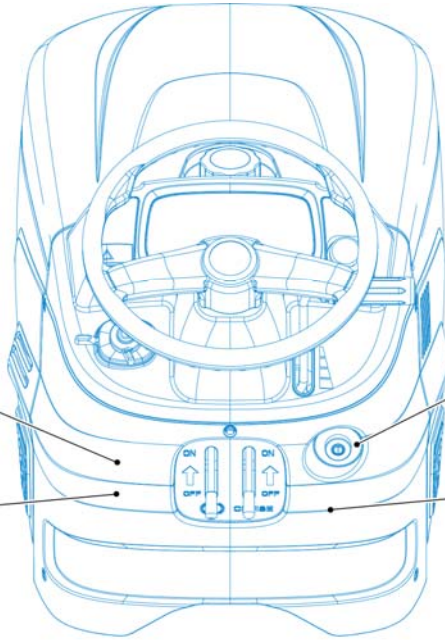
1



10



5



**WARNING**  
Work in ventilated Area.

2

**WARNING**  
Death or injury may result if the tractor over turns with the ROPS in the folded down position. Operate this tractor with the ROPS folded down only when necessary. Do not wear seat belt if operated with ROPS folded down.

9

**⚠ DANGER**  
This Tractor may tip over unexpectedly and buckle than the operator is able to jump free.  
1. Never operate a tractor without a proper full over Protection Structure (ROPS)  
2. Always wear your seat belt when operating this tractor equipped with roll over protection.  
3. Never pull from above or from the rear seat.  
4. Do not operate the tractor on level slopes or near drop offs.  
5. Avoid sharp high speed turns. Serious injury or death may result from tractor spins.

8

**WARNING**  
Adjust implements and trailers to the tractor only using the prescribed offset on hitch.

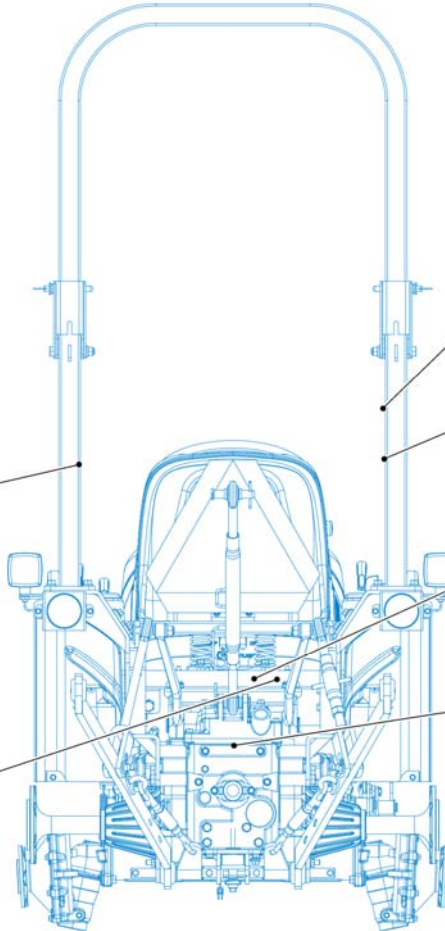
4

**⚠ DANGER**  
Rotating driveline contact can cause death. **KEEP AWAY!** Keep all drive line, tractor and equipment shields in place during operation.

3

The ROPS here will protect you in the event of a ROPS failure. Do not operate the tractor with the ROPS folded down. Do not wear seat belt if operated with ROPS folded down.

7



NOTE

