

T25NH

## Parts Catalog

# 목 차

---

## 1. Engine PART NO. EG

FIG 100 ENGINE ASSY	6
FIG 101 CYLINDER BLOCK	8
FIG 102 GEAR HOUSING	10
FIG 103 OIL SUMP	12
FIG 104 CYLINDER HEAD & BONNET	14
FIG 105 EXHAUST MANIFOLD	17
FIG 106 CAMSHAFT & DRIVING GEAR	19
FIG 107 CRANKSHAFT & PISTON	21
FIG 108 LUB. OIL SYSTEM	23
FIG 109 COOLING WATER SYSTEM	25
FIG 110 FUEL INJECTION PUMP	27
FIG 111 GOVERNOR	29
FIG 112 FUEL INJECTION VALVE	31
FIG 113 FUEL FILTER	33
FIG 114 STARTING MOTOR	35
FIG 115 GENERATOR	37
FIG 116 ACCESORY	39

## 2. Engine Accessories PART NO. T2

FIG 201 AIR CLEANER	42
FIG 202 RADIATOR	44
FIG 203 MUFFLER	46
FIG 204 FUEL TANK & FUEL LINE	48
FIG 205 ACCELERATOR	50
FIG 206 OIL COOLER	52

## 3. Clutch/Brake/Steering PART NO. T3

FIG 301 FLYWHEEL COVER	55
FIG 302 SPEED CONTROL	57

FIG 303 BRAKE	60
FIG 304 BRAKE PEDAL & LINKAGE	62
FIG 305 STEERING WHEEL & DASH COVER	64
FIG 306 STEERING VALVE	66
FIG 307 STEERING CYLINDER	68
FIG 308 FRONT WHEEL	70
FIG 309 REAR WHEEL	72

#### 4. Transmission PART NO. T4

FIG 401 INPUT SHAFT	75
FIG 402 HST	77
FIG 403 4WD DRIVE GEAR	79
FIG 404 RANGE GEARS	81
FIG 405 P.T.O DRIVE SHAFT	83
FIG 406 P.T.O SHAFT	85
FIG 408 DIFF LOCK	87
FIG 409 REAR TRANSMISSION CASE	89
FIG 410 REAR AXLE HOUSINGS	91
FIG 411 RANGE SHIFT LEVER	93
FIG 412 P.T.O CHANGE LEVER	95
FIG 413 4WD CHANGE LEVER	97

#### 5. Front Axle PART NO. T5

FIG 501 FRAME	100
FIG 502 FRONT DIFFERENTIAL GEARS & SHAFT	102
FIG 503 FRONT AXLE HOUSING	104
FIG 504 FRONT GEAR CASE (1)	106
FIG 505 FRONT GEAR CASE (2)	108

#### 6. Hydraulic/3P-Link PART NO. T6

FIG 601 CYLINDER CASE	111
FIG 602 LIFT ARM	113
FIG 603 FLOW CONTROL VALVE	115
FIG 604 CONTROL VALVE LINKAGE	117
FIG 605 MAIN CONTROL VALVE	119

FIG 606 REMOTE CONTROL VALVE	121
FIG 607 POSITION LEVER LINKAGE	123
FIG 608 GEAR PUMP	125
FIG 609 HYDRAULIC HOSE (1)	127
FIG 610 HYDRAULIC HOSE (2)	129
FIG 611 PTO VALVE	131
FIG 612 HITCH & 3-POINT LINKAGE	133
FIG 613 JOYSTICK LEVER	136
FIG 614 HITCH & COVER	138

## 7. Sheet Metal & Cabin PART NO. T7

FIG 701 BONNET	141
FIG 702 DASH PANEL	143
FIG 703 FLOOR	145
FIG 704 SEAT	148
FIG 705 ROPS	150

## 8. Electrical System PART NO. T8

FIG 801 BATTERY & MOUNTING	154
FIG 802 LIGHTS	156
FIG 803 INSTRUMENT PANEL	158
FIG 804 ELECTRIC SYSTEM	160
FIG 805 HARNESS	162
FIG 806 HARNESS	164

## 9. Label/Option PART NO. T9

FIG 901 TOOL & ACCESSORY	167
FIG 902 WEIGHT	169

## 1. Engine PART NO. EG

FIG 100 ENGINE ASSY	6
FIG 101 CYLINDER BLOCK	8
FIG 102 GEAR HOUSING	10
FIG 103 OIL SUMP	12
FIG 104 CYLINDER HEAD & BONNET	14
FIG 105 EXHAUST MANIFOLD	17
FIG 106 CAMSHAFT & DRIVING GEAR	19
FIG 107 CRANKSHAFT & PISTON	21
FIG 108 LUB. OIL SYSTEM	23
FIG 109 COOLING WATER SYSTEM	25
FIG 110 FUEL INJECTION PUMP	27
FIG 111 GOVERNOR	29
FIG 112 FUEL INJECTION VALVE	31
FIG 113 FUEL FILTER	33
FIG 114 STARTING MOTOR	35
FIG 115 GENERATOR	37
FIG 116 ACCESORY	39

FIG 100 T25NH	ENGINE ASSY	년/월 Year/Month 2022-12
------------------	-------------	------------------------------

# ENGINE

1

NOTE	
------	--

FIG 100

ENGINE ASSY

년/월  
Year/Month

T25NH

2022-12

KEY NO		PART NO	DESCRIPTION	SPEC	QTY	REPAIR	EFFECTIVE DATE	REMARKS
100	1	11811001100	ENGINE , 3TNV80F-NXDKTFX		1			
NOTE								

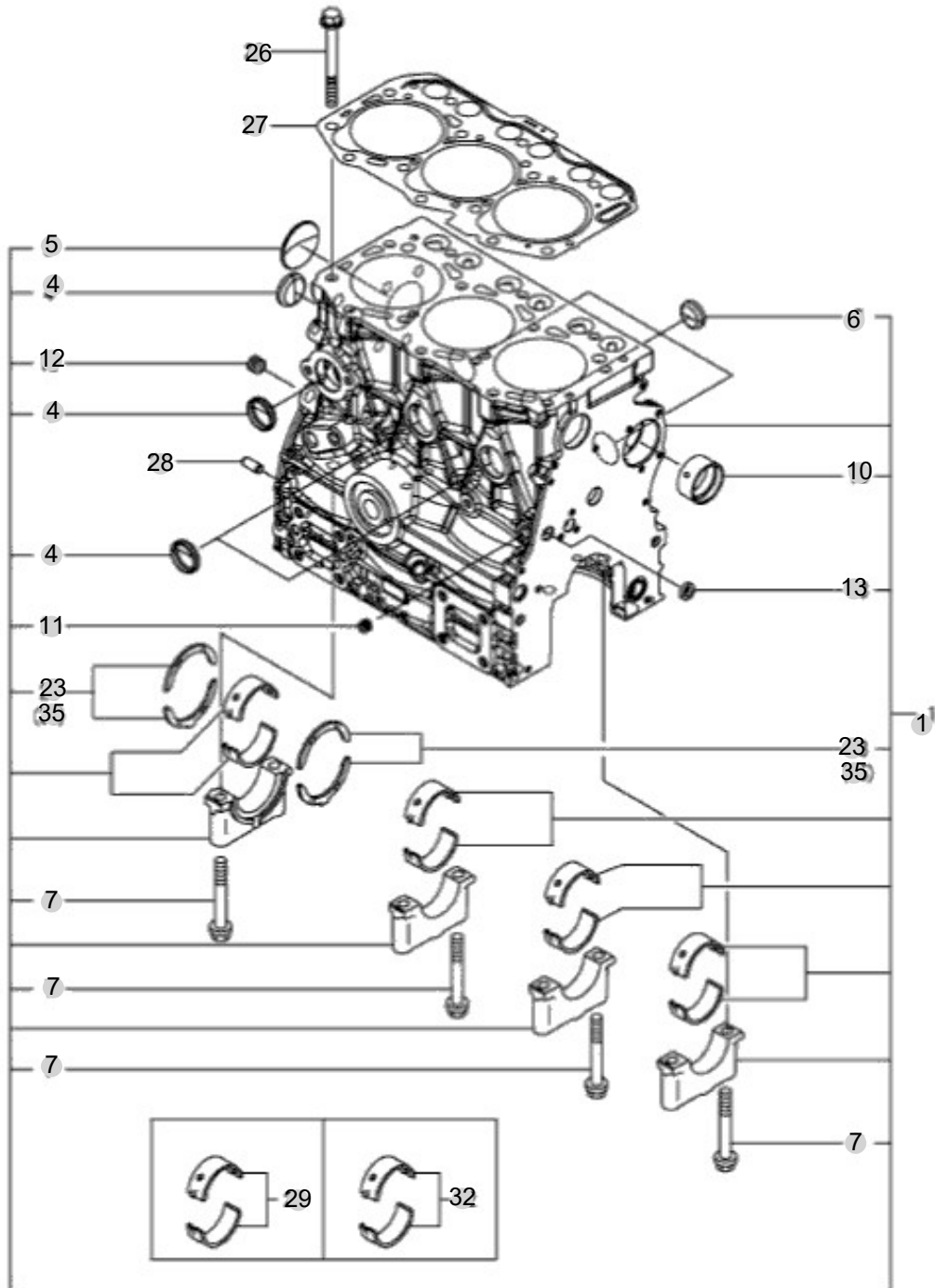
FIG 101

CYLINDER BLOCK

년/월  
Year/Month

2022-12

T25NH



NOTE





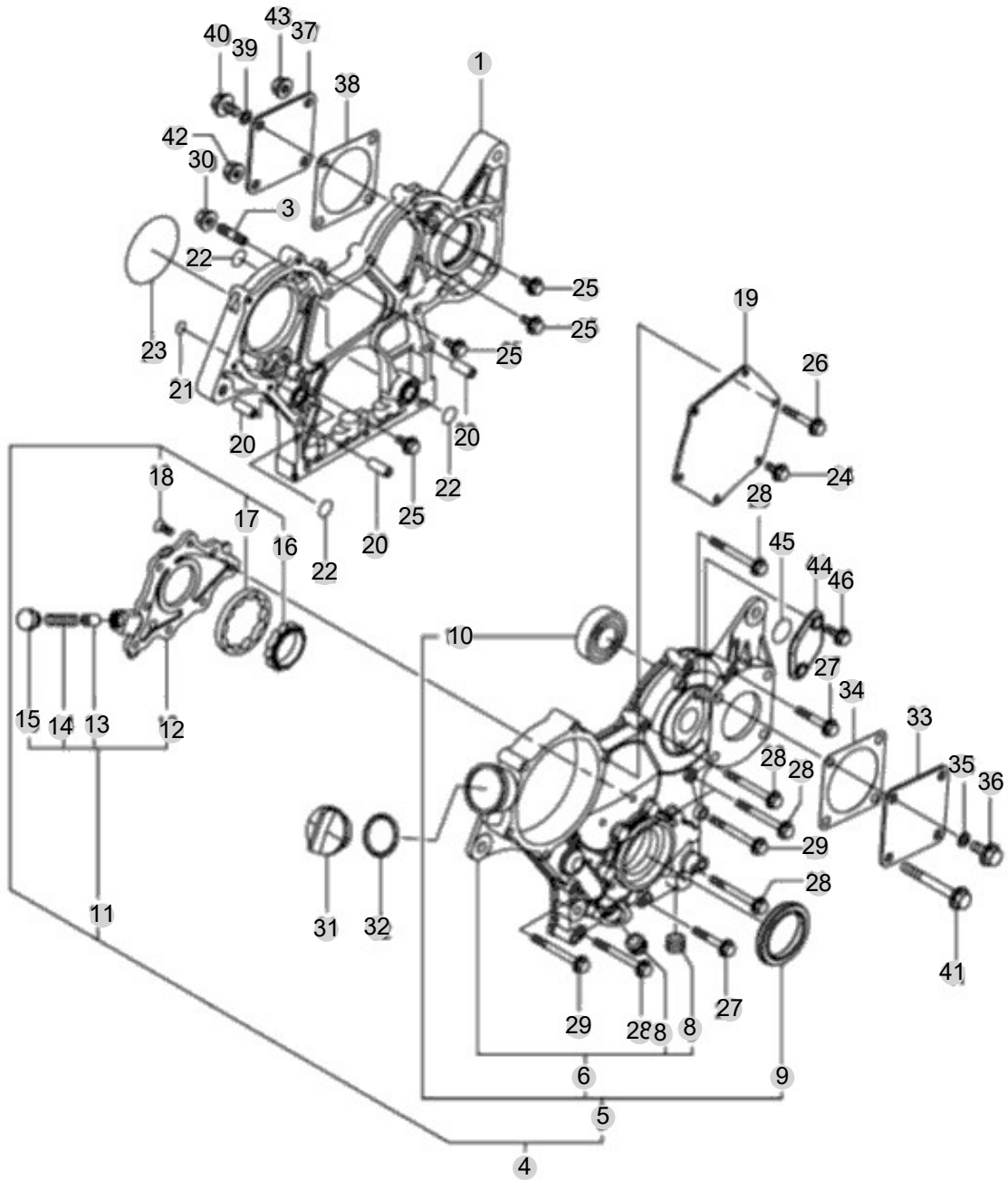
FIG 102

GEAR HOUSING

년/월  
Year/Month

2022-12

T25NH



NOTE

FIG 102		GEAR HOUSING					년/월	
							Year/Month	
T25NH		2022-12						
KEY NO	PART NO	DESCRIPTION	SPEC	QTY	REPAIR	EFFECTIVE DATE	REMARKS	
102	1	119740-01501	CASE, GEAR		1			
102	3	119717-01570	STUD		3			
102	4	119751-01590	COVER ASSY, CASE		1			
102	5	719751-01500	COVER ASSY, CASE		1			
102	6	119751-01521	COVER, GEAR CASE		1			
102	8	23876-030000	PLUG, R03		2			
102	9	119717-01800	SEAL, OIL		1			
102	10	24101-062024	BEARING, BALL 6202		1			
102	11	119717-32100	COVER ASSY, PUMP		1			
102	12	119717-32080	COVER, OIL PUMP		1			
102	13	129900-32130	VALVE, RELIEF		1			
102	14	129001-32320	SPRING		1			
102	15	129001-32330	PLUG		1			
102	16	119717-32110	ROTOR, INNER		1			
102	17	119717-32120	ROTOR, OUTER		1			
102	18	119802-32130	SCREW, M6X16		8			
102	19	119717-01750	COVER, PUMP		1			
102	20	119660-01911	PIPE, KNOCK 6X17		4			
102	21	119624-32040	O-RING, P12.0		1			
102	22	119717-32050	O-RING, P17.0		3			
102	23	121850-51960	O-RING, FUEL PUMP		1			
102	24	26106-060122	BOLT, M6X 12 PLATED		1			
102	25	26106-060162	BOLT, M6X 16 PLATED		4			
102	26	26106-060402	BOLT, M6X 40 PLATED		4			
102	27	26106-060402	BOLT, M6X 40 PLATED		2			
102	28	26106-060602	BOLT, M6X 60 PLATED		7			
102	29	26106-060652	BOLT, M6X 65 PLATED		2			
102	30	26306-080002	NUT, M8		3			
102	31	124160-01751	CAP, FILLER		1			
102	32	24311-000320	O-RING, 1AP32.0		1			
102	33	124240-01871	COVER, HYDRAULIC PUMP		1			
102	34	129C26-01890	GASKET, PUMP		1			
102	35	22190-080002	WASHER, SEAL 8		1			
102	36	26106-080142	BOLT, M8X 14 PLATED		1			
102	37	124240-01871	COVER, HYDRAULIC PUMP		1			
102	38	129C26-01890	GASKET, PUMP		1			
102	39	22190-080002	WASHER, SEAL 8		1			
102	40	26106-080142	BOLT, M8X 14 PLATED		1			
102	41	26106-080702	BOLT, M8X 70 PLATED		3			
102	42	26306-080002	NUT, M8		1			
102	43	26306-080002	NUT, M8		2			
102	44	121023-01551	COVER, TACHOMETER		1			
102	45	24341-000240	O-RING, 1AS24.0		1			
102	46	26106-060162	BOLT, M6X 16 PLATED		2			
NOTE								

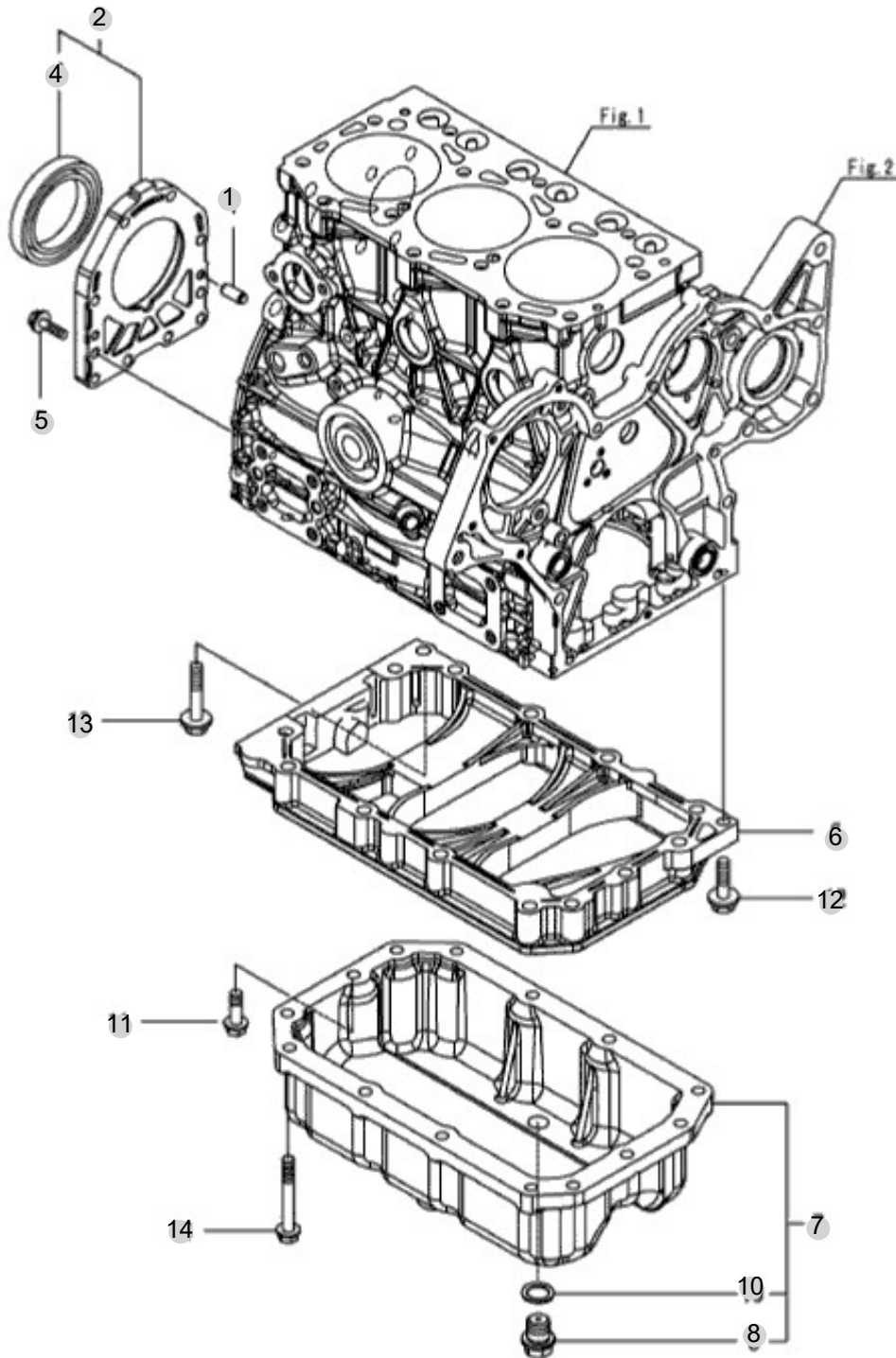
FIG 103

T25NH

OIL SUMP

년/월  
Year/Month

2022-12



NOTE



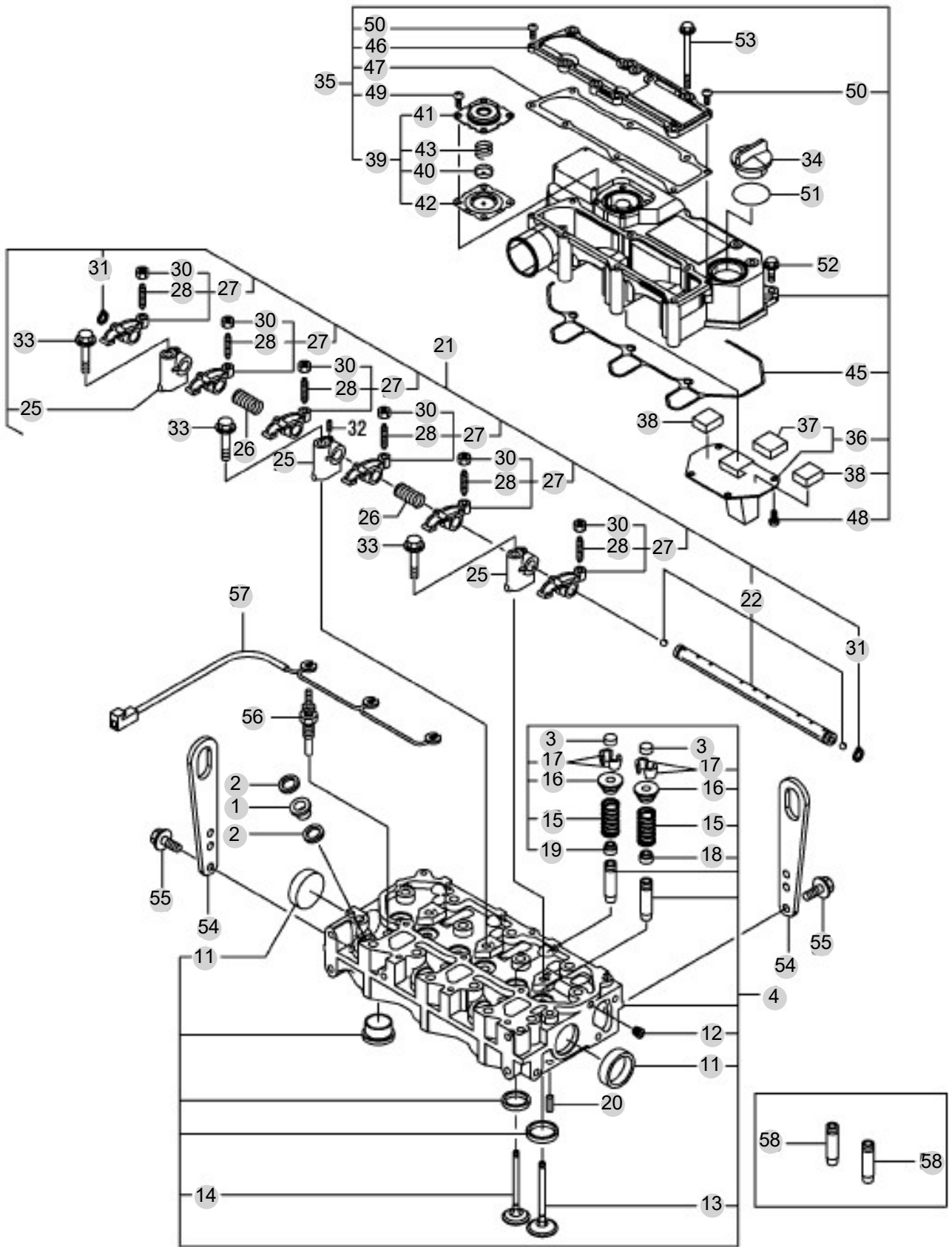
FIG 104

CYLINDER HEAD & BONNET

년/월  
Year/Month

2022-12

T25NH



NOTE

FIG 104 T25NH		CYLINDER HEAD & BONNET					년/월 Year/Month	
							2022-12	
KEY NO	PART NO	DESCRIPTION	SPEC	QTY	REPAIR	EFFECTIVE DATE	REMARKS	
104	1	129901-11450	PROTECTOR, NOZZLE		3			
104	2	119600-11460	GASKET, NOZZLE		6			
104	3	105010-11490	CAP, VALVE		6			
104	4	119E10-11750	HEAD ASSY, CYLINDER		1			
104	11	119285-11990	PLUG, 35		2			
104	12	23876-005000	PLUG, R005		1			
104	13	119E10-11100	VALVE, INTAKE		3			
104	14	119E10-11110	VALVE, EXHAUST		3			
104	15	119717-11131	SPRING, VALVE		6			
104	16	129508-11180	RETAINER, SPRING		6			
104	17	119717-11190	COTTER, VALVE		12			
104	18	119717-11340	SEAL, VALVE STEM		3			
104	19	119717-11350	SEAL, VALVE STEM		3			
104	20	22351-060012	PIN, SPRING 6.0X12		2			
104	21	119717-11200	SUPPORT ASSY, ROCKER		1			
104	22	119717-11240	SHAFT ASSY, ARM		1			
104	25	119717-11260	SUPPORT, ROCKER ARM		3			
104	26	119620-11280	SPRING, SHAFT		2			
104	27	119717-11650	ARM ASSY, ROCKER INT		6			
104	28	129150-11230	SCREW, VALVE ADJUST		6			
104	30	129150-11750	NUT, M8XP1.0		6			
104	31	22242-000120	RING, 12		2			
104	32	119260-11270	SCREW		1			
104	33	26106-080402	BOLT, M8X 40 PLATED		3			
104	34	124160-01751	CAP, FILLER		1			
104	35	119717-11381	BONNET ASSY, HEAD		1			
104	36	119717-03031	PLATE, BAFFLE		1			
104	37	119717-03070	BAFFLE, BREATHER		1			
104	38	119717-03070	BAFFLE, BREATHER		2			
104	39	119802-03100	DIAPHRAGM ASSY		1			
104	40	119802-03110	PLATE, DIAPHRAGM		1			
104	41	119802-03121	COVER, DIAPHRAGM		1			
104	42	119802-03131	DIAPHRAGM, BREATHER		1			
104	43	119802-03141	SPRING, DIAPHRAGM		1			
104	45	119718-11310	GASKET, BONNET		1			
104	46	119717-11320	COVER, BONNET		1			
104	47	119717-11331	GASKET, BONNET COVER		1			
104	48	22857-500100	SCREW, 5X10		4			
104	49	22857-500100	SCREW, 5X10		4			
104	50	22857-500160	SCREW, 5X16		2			
104	51	24311-000320	O-RING, 1AP32.0		1			
104	52	26106-060202	BOLT, M6X 20 PLATED		3			
104	53	26106-060752	BOLT, M6X 75 PLATED		6			
104	54	129900-07900	LIFTER, ENGINE		2			
104	55	26106-080162	BOLT, M8X 16 PLATED		4			
NOTE								





FIG 105

T25NH

EXHAUST MANIFOLD

년/월  
Year/Month

2022-12

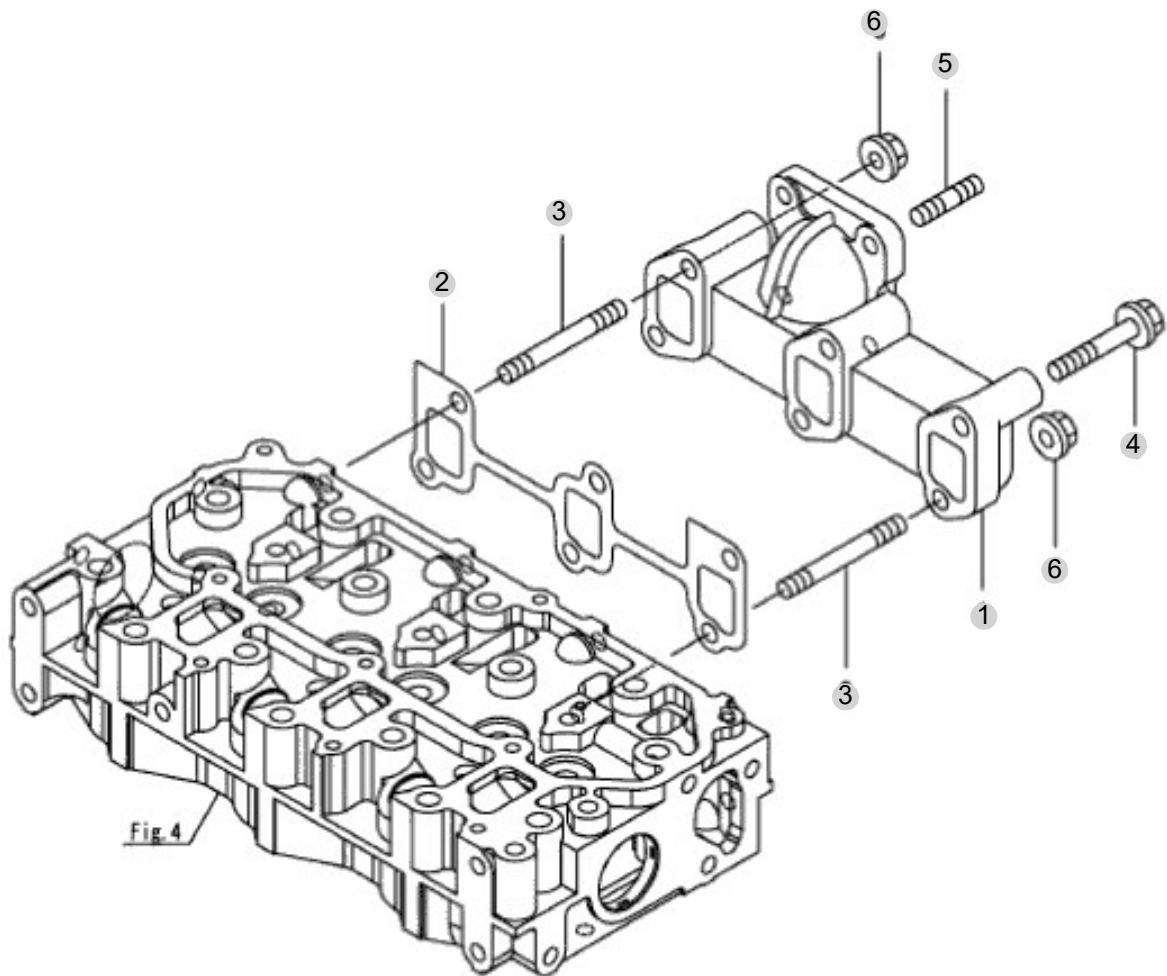


Fig. 4

NOTE







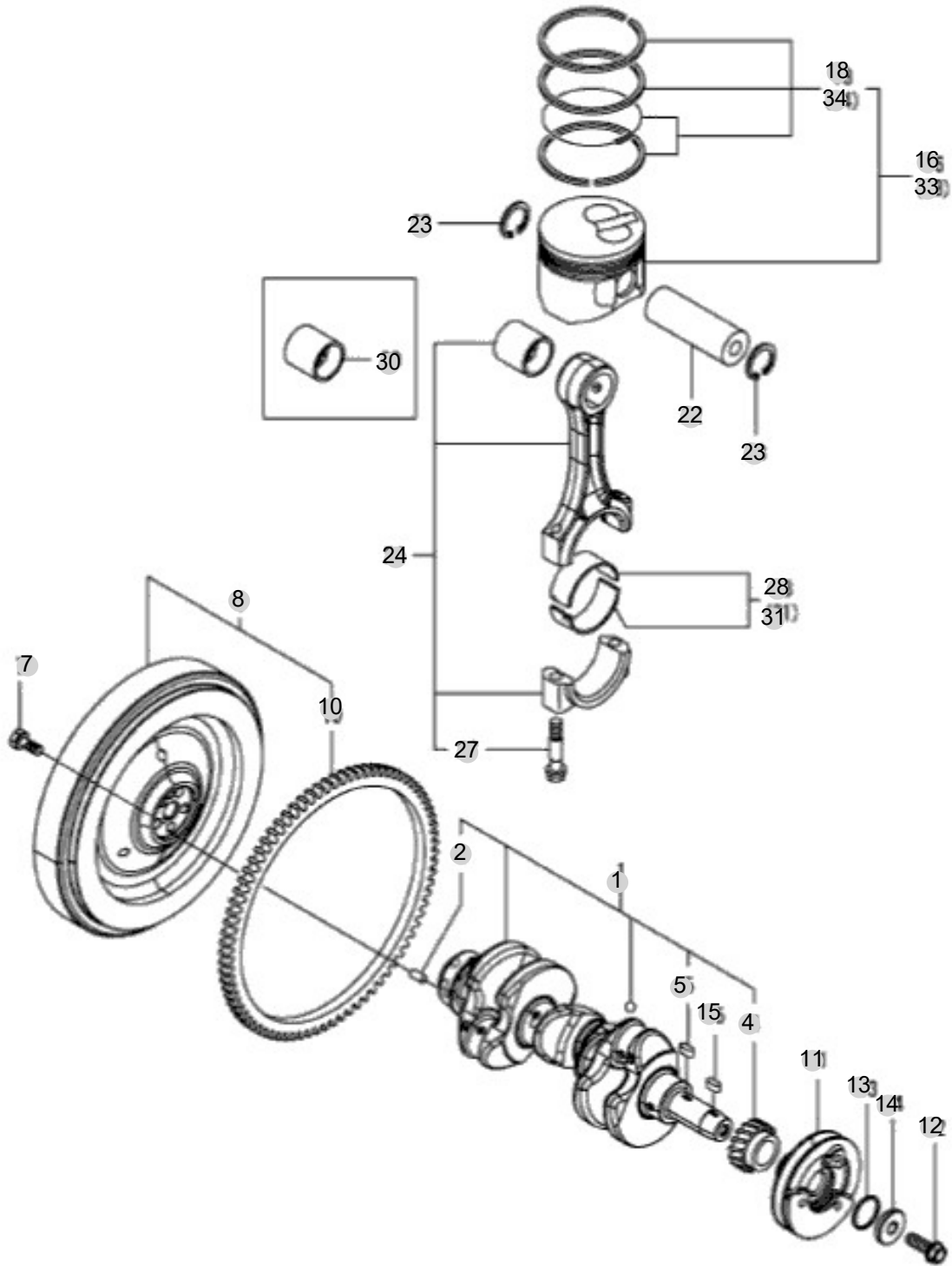
FIG 107

T25NH

CRANKSHAFT & PISTON

년/월  
Year/Month

2022-12



NOTE



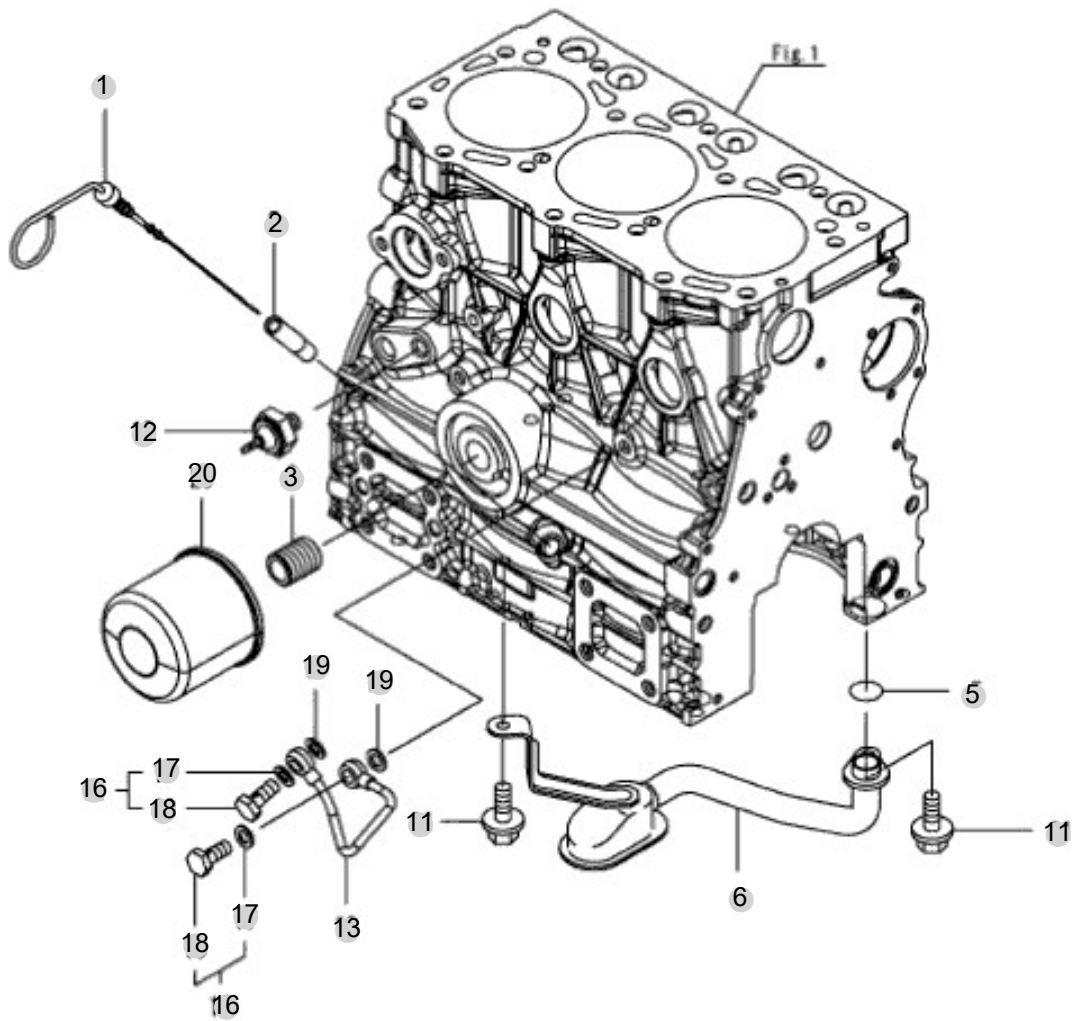
FIG 108

LUB. OIL SYSTEM

년/월  
Year/Month

2022-12

T25NH



NOTE



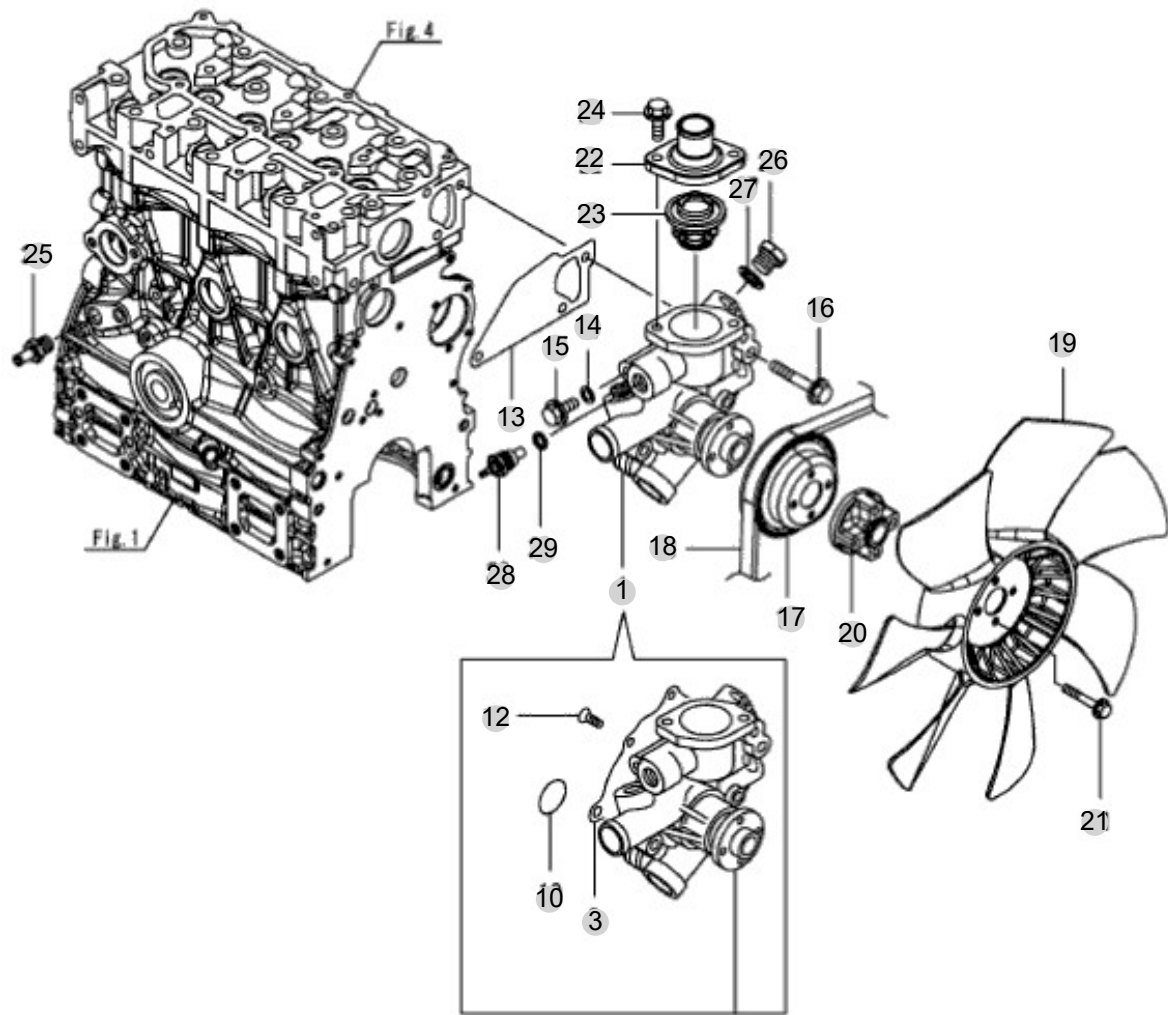


FIG 109

COOLING WATER SYSTEM

년/월  
Year/Month

2022-12



NOTE

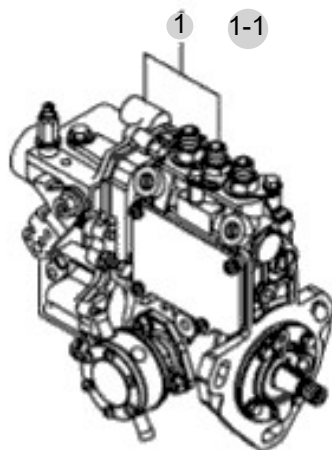
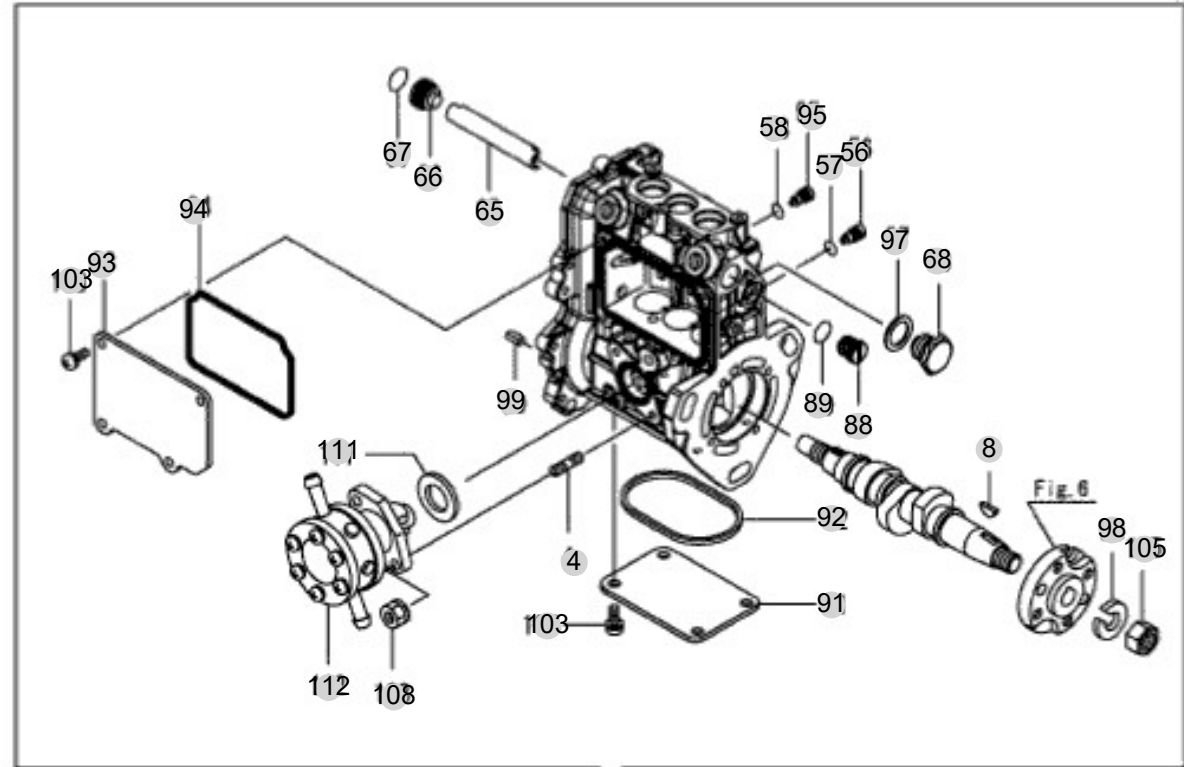


FIG 110

FUEL INJECTION PUMP

년/월  
Year/Month

2022-12



NOTE



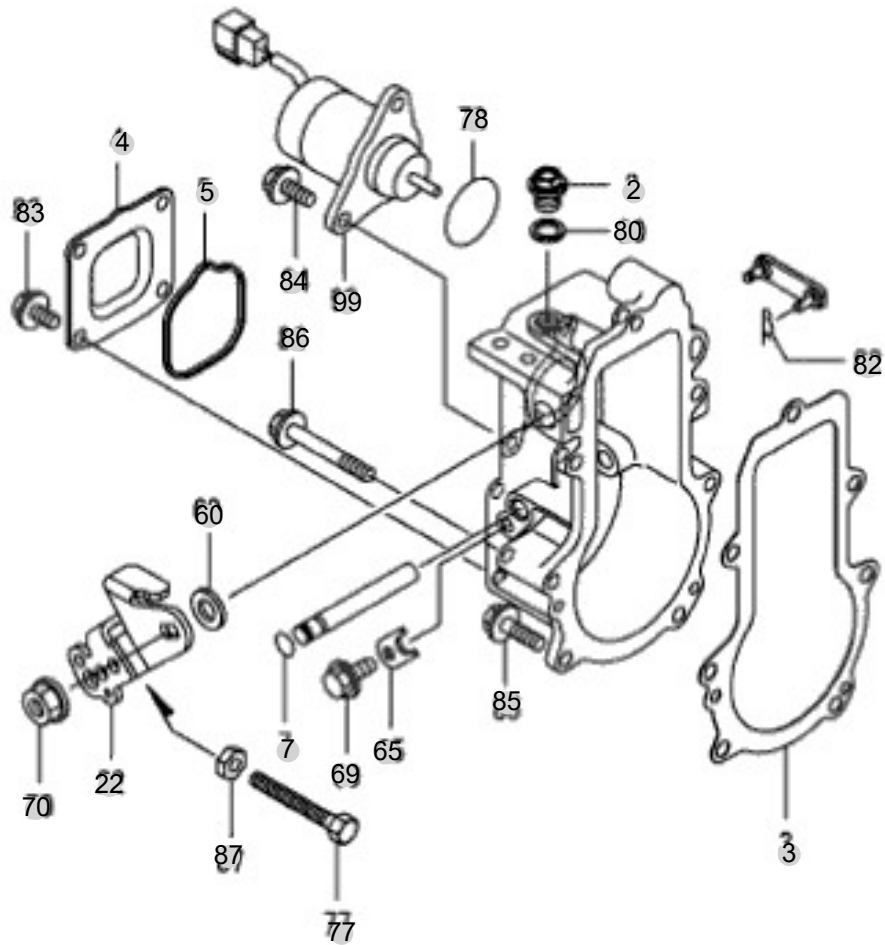
FIG 111

T25NH

GOVERNOR

년/월  
Year/Month

2022-12



NOTE



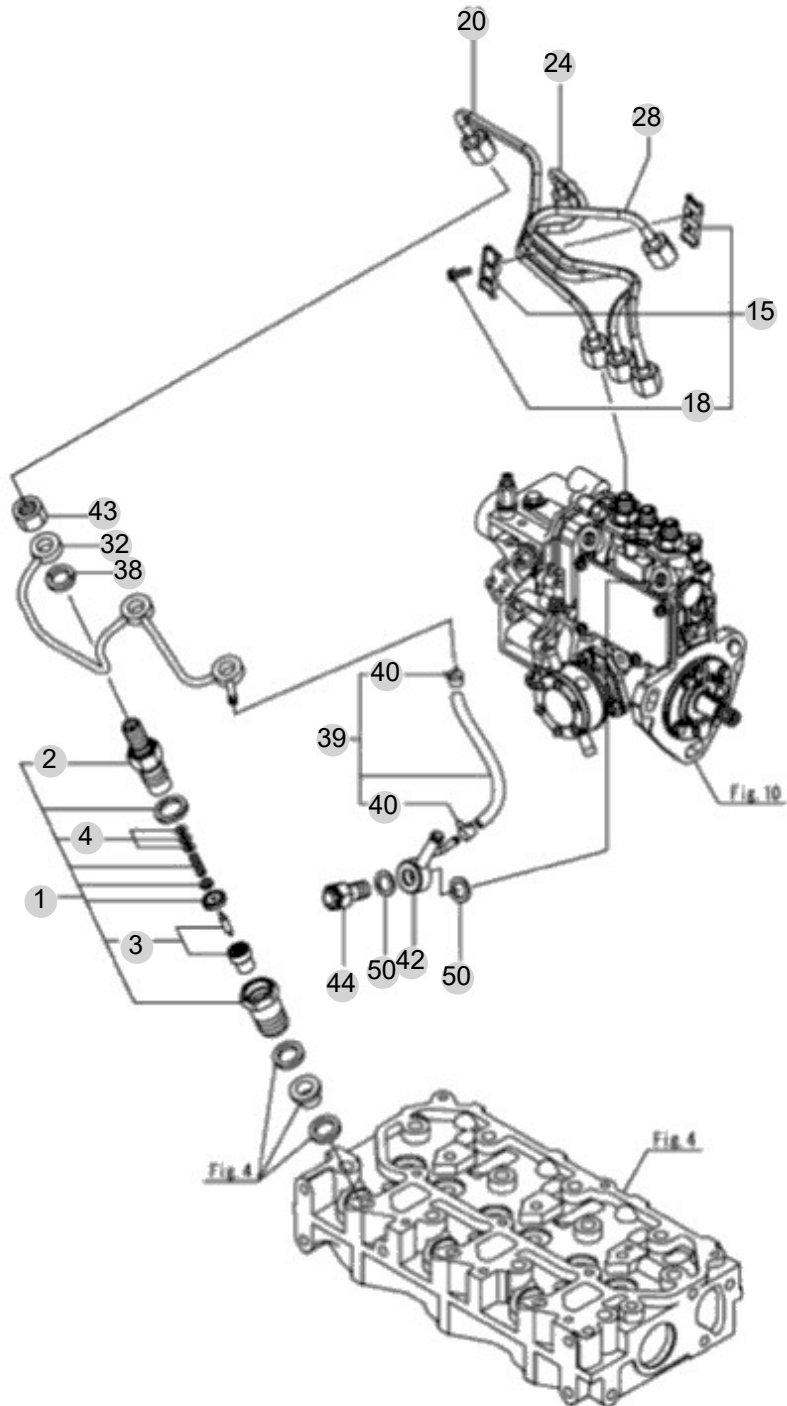
FIG 112

T25NH

FUEL INJECTION VALVE

년/월  
Year/Month

2022-12



NOTE





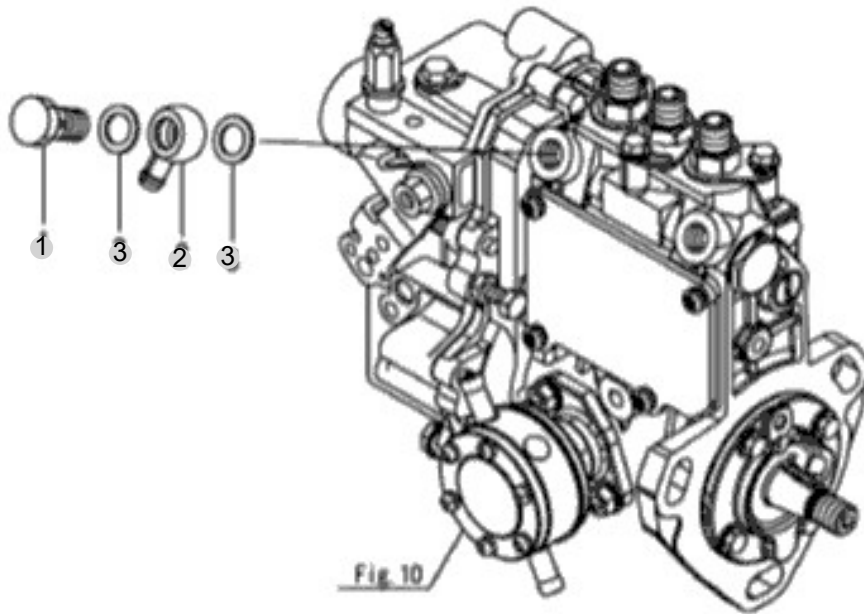
FIG 113

T25NH

FUEL FILTER

년/월  
Year/Month

2022-12



NOTE



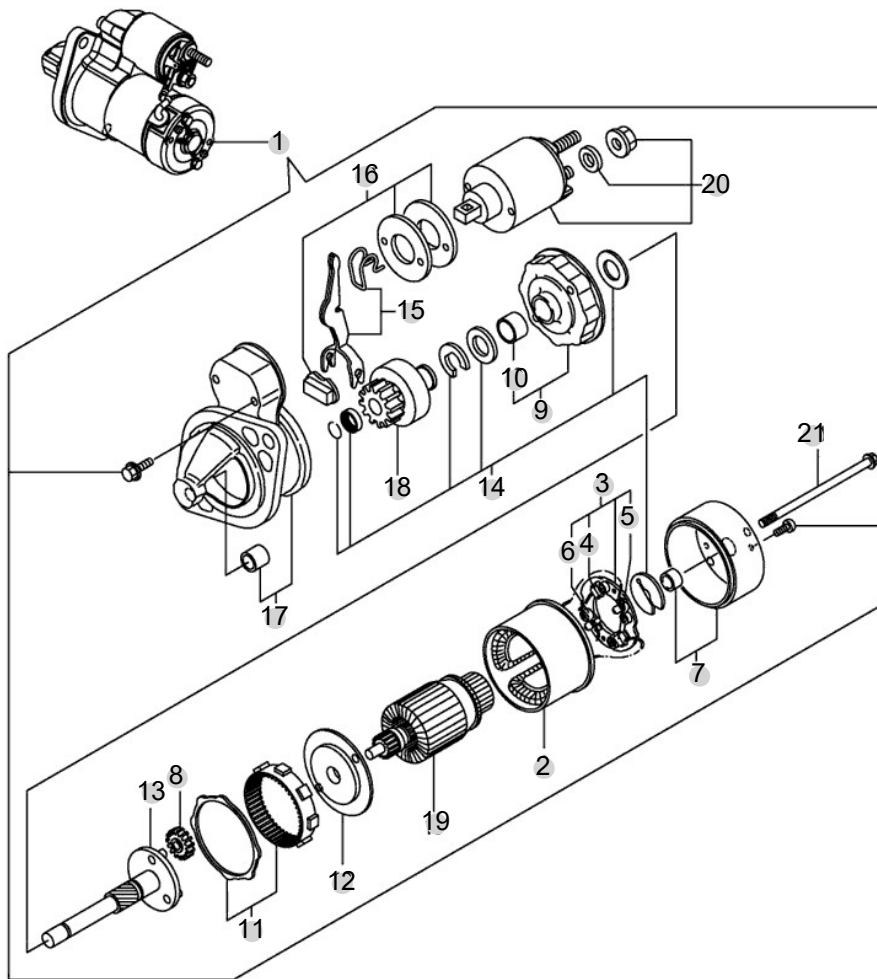
FIG 114

STARTING MOTOR

년/월  
Year/Month

2022-12

T25NH



NOTE



FIG 115

GENERATOR

년/월  
Year/Month

2022-12

T25NH

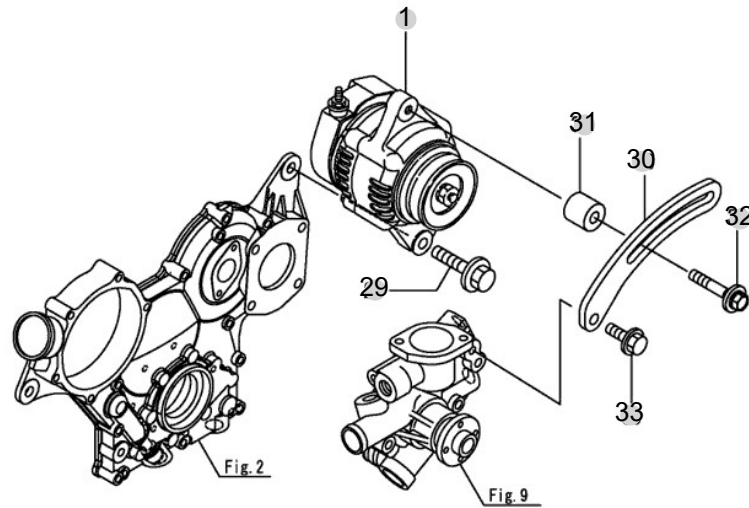
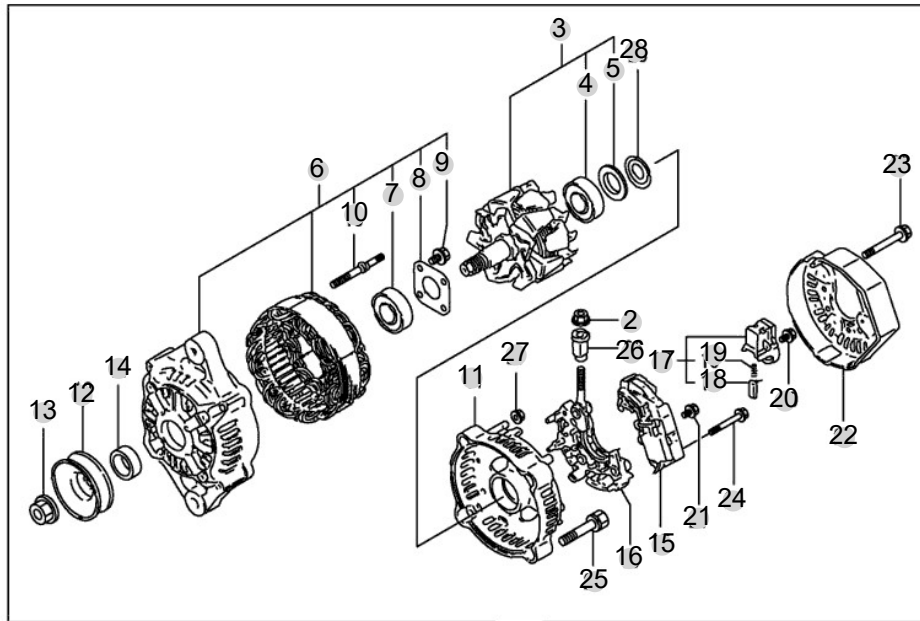


Fig.2

Fig.9

NOTE

FIG 115 T25NH		GENERATOR					년/월 Year/Month	REMARKS
							2022-12	
KEY NO	PART NO	DESCRIPTION	SPEC	QTY	REPAIR	EFFECTIVE DATE		
115	1	129423-77210	ALTERNATOR, 12V-40A			1		
115	2	129240-79310	NUT			1		
115	3	119620-77380	ROTOR ASSY			1		
115	4	123501-79240	BEARING, BALL			1		
115	5	119620-79250	COVER, BEARING			1		
115	6	119620-77421	FRAME ASSY, DRIVE			1		
115	7	119620-79200	BEARING, BALL			1		
115	8	119620-79210	PLATE, RETAINER			1		
115	9	119620-79220	SCREW			4		
115	10	119620-79230	STUD			2		
115	11	119620-77440	FRAME ASSY, REAR			1		
115	12	119620-77461	PULLEY, GENERATOR			1		
115	13	119620-77471	NUT			1		
115	14	119620-77490	COLLAR			1		
115	15	129423-77730	REGULATOR ASSY			1		
115	16	119620-79260	HOLDER ASSY			1		
115	17	129052-79270	HOLDER ASSY, BRUSH			1		
115	18	119620-77480	BRUSH ASSY, SUB			2		
115	19	119620-79280	SPRING			2		
115	20	119620-79290	SCREW			6		
115	21	119620-79300	SCREW			1		
115	22	129240-79300	COVER			1		
115	23	119620-79310	BOLT			3		
115	24	119620-79320	SCREW, W/WASHER			2		
115	25	119620-79330	BOLT			2		
115	26	119620-79340	BUSH, INSULATION			1		
115	27	119620-79350	NUT			2		
115	28	119620-79360	WASHER, THRUST			1		
115	29	26106-100452	BOLT, M10X 45 PLATED			1		
115	30	119515-77330	ADJUSTER, BELT			1		
115	31	124732-77340	SPACER, ADJUSTER			1		
115	32	129972-77341	BOLT, ADJUSTER L=50			1		
115	33	26106-080202	BOLT, M8X 20 PLATED			1		
NOTE								

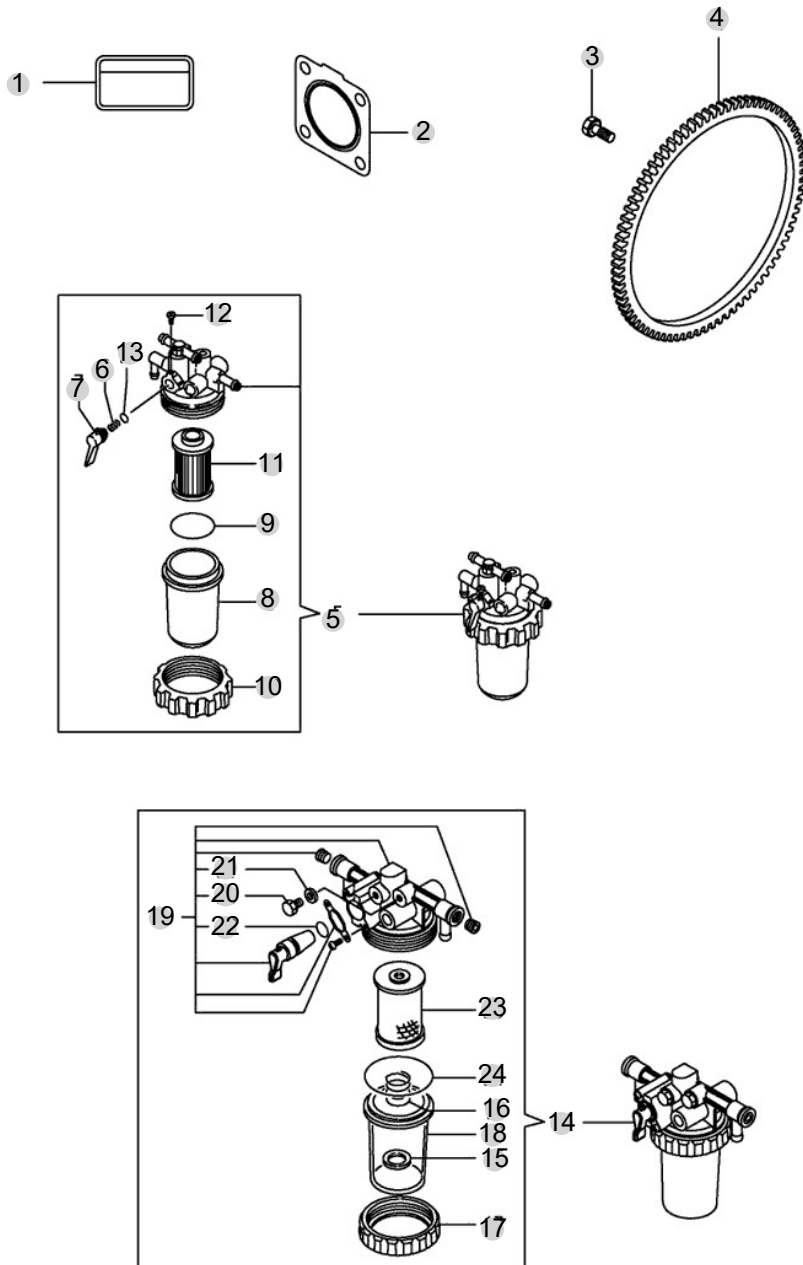
FIG 116

T25NH

ACCESSORY

년/월  
Year/Month

2022-12



NOTE





## 2. Engine Accessories PART NO. T2

FIG 201 AIR CLEANER	42
FIG 202 RADIATOR	44
FIG 203 MUFFLER	46
FIG 204 FUEL TANK & FUEL LINE	48
FIG 205 ACCELERATOR	50
FIG 206 OIL COOLER	52

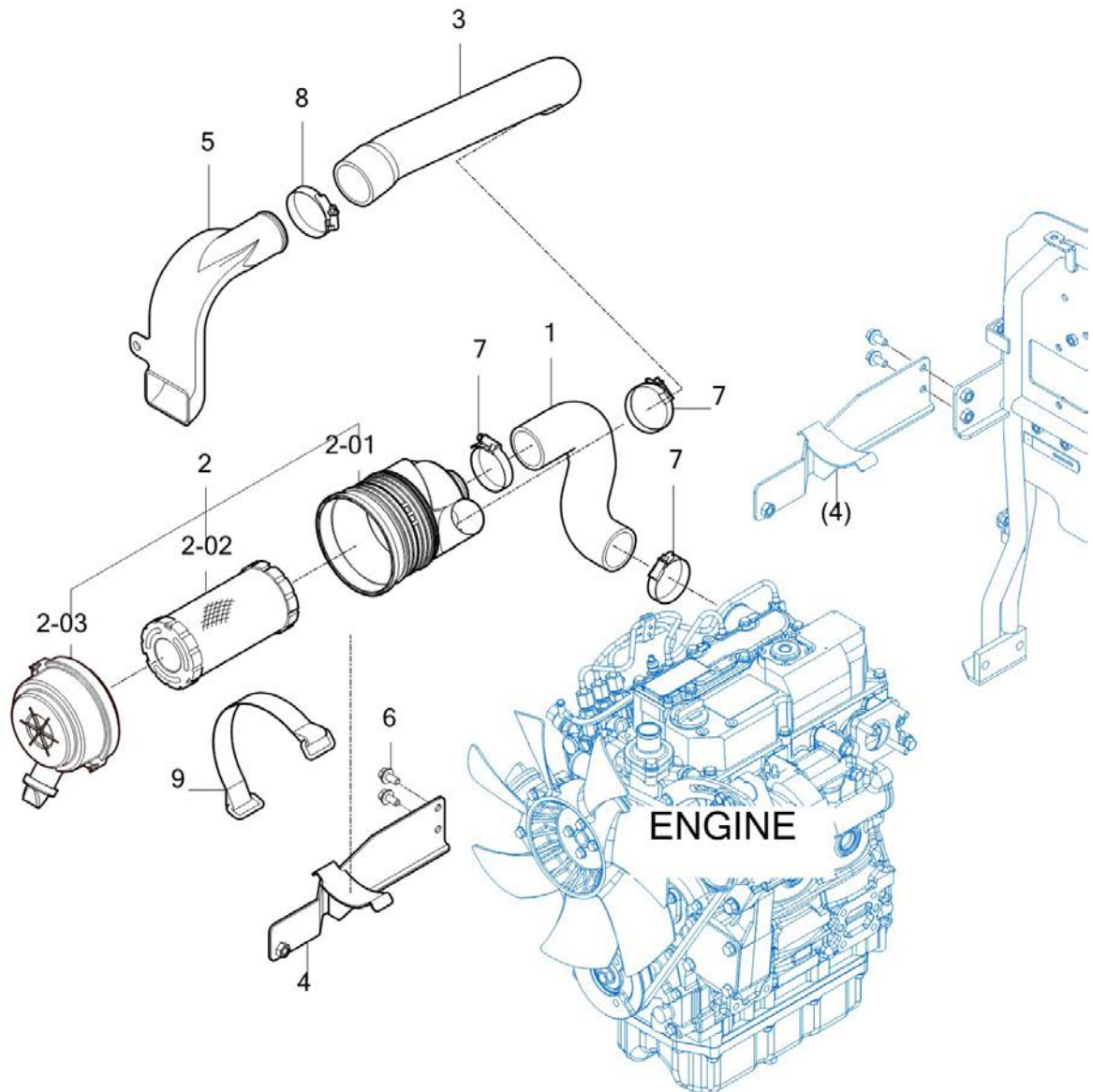
FIG 201

AIR CLEANER

년/월  
Year/Month

2022-12

T25NH



NOTE



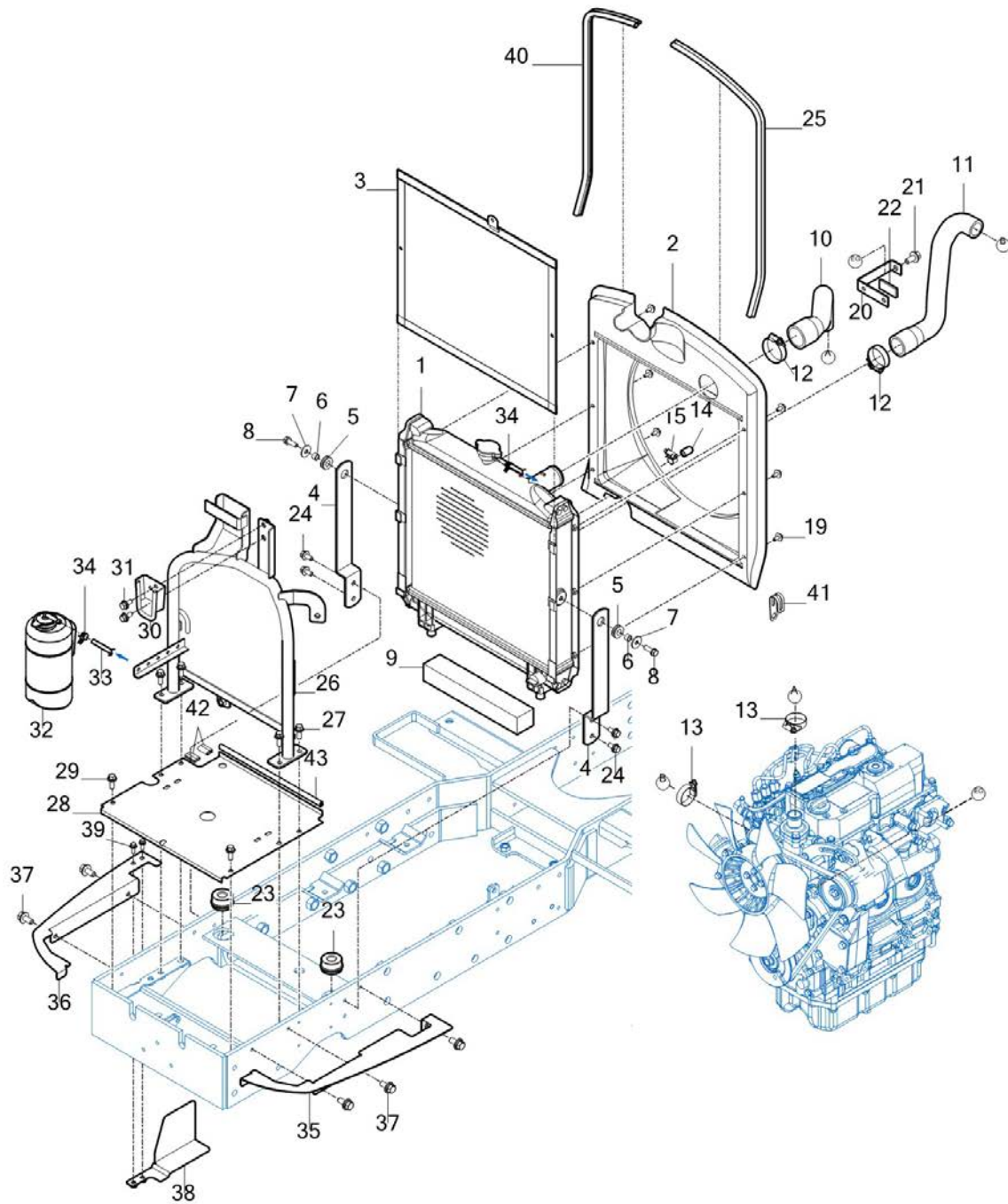
FIG 202

RADIATOR

년/월  
Year/Month

2022-12

T25NH



NOTE

FIG 202 T25NH		RADIATOR					년/월 Year/Month	
							2022-12	
KEY NO	PART NO	DESCRIPTION	SPEC	QTY	REPAIR	EFFECTIVE DATE	REMARKS	
202	1	13151043000	RADIATOR COMP			1		
202	2	11811521300	SHROUD			1		
202	3	13151042302GB	RADIATOR NET COMP			1		
202	4	13151040031GB	PLATE , RADIATOR FIX			2		
202	5	14046210300	GROMMET			2		
202	6	15991040050	COLLAR , 08X12X08			2		
202	7	35602010150	WASHER , BIND SHAFT			2		
202	8	V2173608025	BOLT , HEX/S			2		
202	9	11811030500	INSULATOR , RADIATOR			1		
202	10	11971511100	HOSE , RADIATOR INLET			1		
202	11	11971511200	HOSE , RADIATOR OUTLET			1		
202	12	18027090500	BAND CLAMP 50 EMBO TYPE			2		
202	13	18027090400	BAND CLAMP 40 EMBO TYPE			2		
202	14	12651040300	CAP , RADIATOR			1		
202	15	18027090160	BAND CLAMP 16 EMBO TYPE			1		
202	19	V2193606016	BOLT , HEX/SPL			6		
202	20	11111040120GB	BRACKET , RD HOSE FIX			1		
202	21	V2183610025	BOLT , HEX/SP			1		
202	22	11101032400	SPONGE , AIRCLEANER			1		
202	23	13151040040	CUSHION , RADIATOR			2		
202	24	V2183608020	BOLT , HEX/SP			4		
202	25	11811512300	INSULATOR , RH/SHROUD			1		
202	26	11811021100GB	FRAME COMP , FRONT			1		
202	27	V2183608025	BOLT , HEX/SP			4		
202	28	11811811210GB	BASE PLATE			1		
202	29	V2183608016	BOLT , HEX/SP			2		
202	30	36753302201GB	HOLDER COMP , TANK/RESERVE			1		
202	31	V2183608020	BOLT , HEX/SP			2		
202	32	16003302101	TANK ASSY , RESERVE			1		
202	33	11811513100	HOSE , 470/RESERVOIR TANK			1		
202	34	36423600080	CLIP , HOSE D=12.5			2		
202	35	11811811310GB	BASE PLATE , LH			1		
202	36	11811811410GB	BASE PLATE , RH			1		
202	37	V2183608016	BOLT , HEX/SP			5		
202	38	11811811600GB	BRACKET COMP , RH/WIND GUIDE			1		
202	39	V2123606016	BOLT , HEX /SP			2		
202	40	11811512400	INSULATOR , LH/SHROUD			1		
202	41	37371720090	CLAMP , W/HARNESS			1		
202	42	12626010200	INSULATOR , SIDE COVER/LOWER			2		
202	42	11811811700	WEATHER STRIP , E40			2		
202	43	17136040050	INSULATOR , SUPPORT			1		
NOTE								

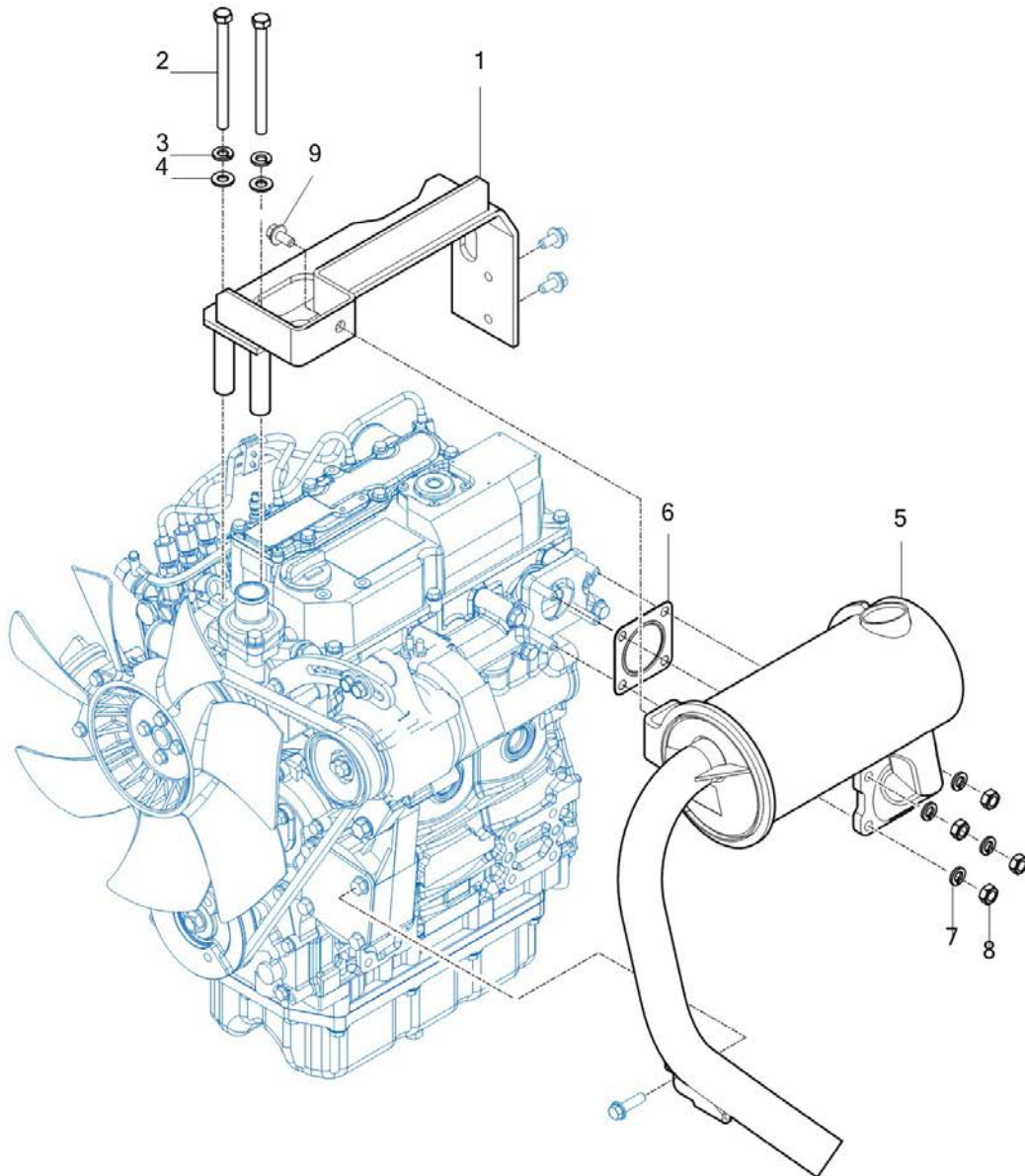
FIG 203

T25NH

MUFFLER

년/월  
Year/Month

2022-12



NOTE

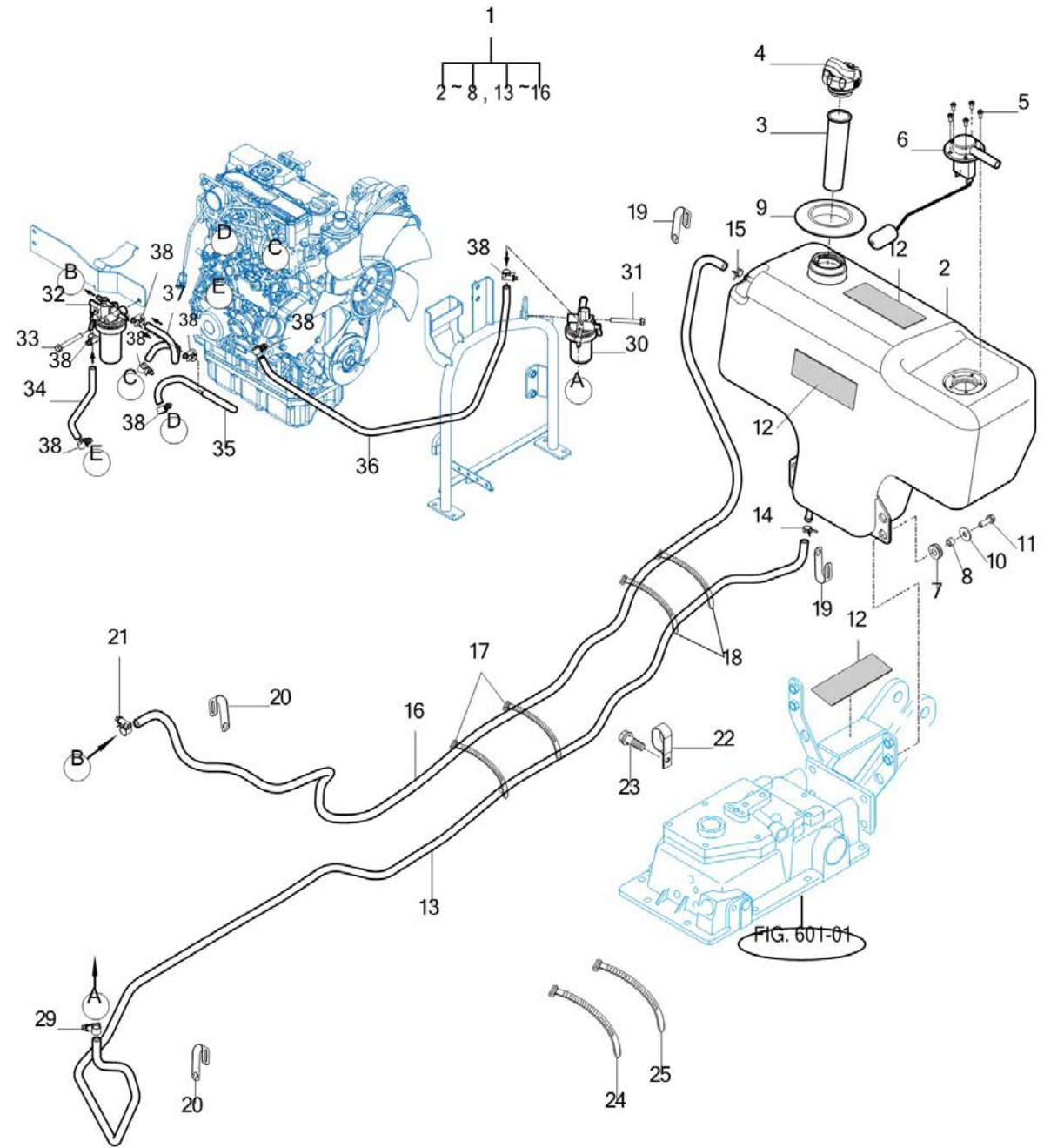


FIG 204

FUEL TANK & FUEL LINE

년/월  
Year/Month

2022-12



NOTE



FIG 204 T25NH		FUEL TANK & FUEL LINE					년/월 Year/Month	
							2022-12	
KEY NO	PART NO	DESCRIPTION	SPEC	QTY	REPAIR	EFFECTIVE DATE	REMARKS	
204	1	11811112000	FUEL TANK SUB		1			
204	2	11811112100	TANK COMP , FUEL		1			
204	3	18711112500	FILTER , FUEL TANK		1			
204	4	11973102200	CAP ASSY , FUEL		1			
204	5	V2053605010	BOLT , HEX C/R	M5X10	5			
204	6	13151112300	GAUGE ASSY , FUEL		1			
204	7	14046210300	GROMMET		4			
204	8	15991040050	COLLAR , 08X12X08		4			
204	9	36143110010	RUBBER , TANK INJECT HOLE		1			
204	10	35602010150	WASHER , BIND SHAFT		4			
204	11	V2173608025	BOLT , HEX/S	M8X25	4			
204	12	13151112011	INSULATOR , 40X70		3			
204	13	11811113100	HOSE , FUEL 2300		1			
204	14	36323600020	CLIP , HOSE D=14		2			
204	15	36423600080	CLIP , HOSE D=12.5		1			
204	16	13151113201	HOSE COMP , FUEL 2200		1			
204	17	13764020030	CABLE TIE , 140		10			
204	18	13424020060	CABLE TIE , 300		20			
204	19	14256210040	CLAMP , 9		4			
204	20	37371720110	CLAMP , FLASHER W/HARNESS		4			
204	21	18027090160	BAND CLAMP 16 EMBO TYPE		1			
204	22	14441010161	CLAMP , RADIATOR HOSE		1			
204	23	V2183610020	BOLT , HEX/SP		1			
204	24	15606950150	CABLE TIE , 370		2			
204	25	14216210380	CABLE TIE , 200		4			
204	29	36323600020	CLIP , HOSE D=14		1			
204	30	129335-55750	WATER SEPARATOR		1			
204	31	V2173608065	BOLT , HEX/S		1			
204	32	119740-55601	FILTER FO COMP		1			
204	33	V2173608065	BOLT , HEX/S		1			
204	34	11111113500	HOSE ASSY, FUEL FILTER/220		1			
204	35	11111113201	HOSE ASSY, FUEL IN/380		1			
204	36	11811491100	FUEL HOSE , 800		1			
204	37	11811491400	FUEL HOSE , 250		1			
204	38	18027090160	BAND CLAMP 16 EMBO TYPE		8			
NOTE								

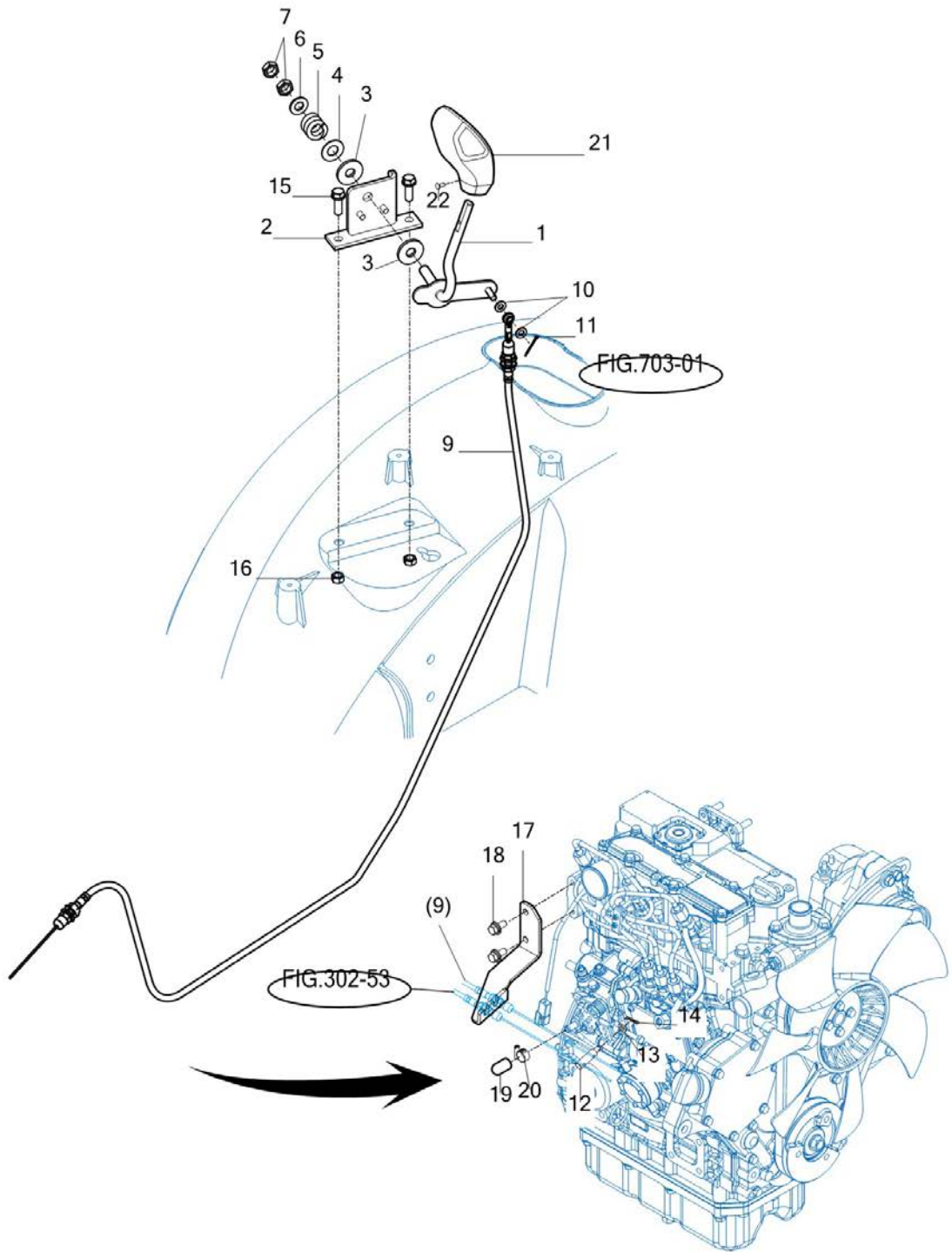
FIG 205

ACCELERATOR

년/월  
Year/Month

2022-12

T25NH



NOTE



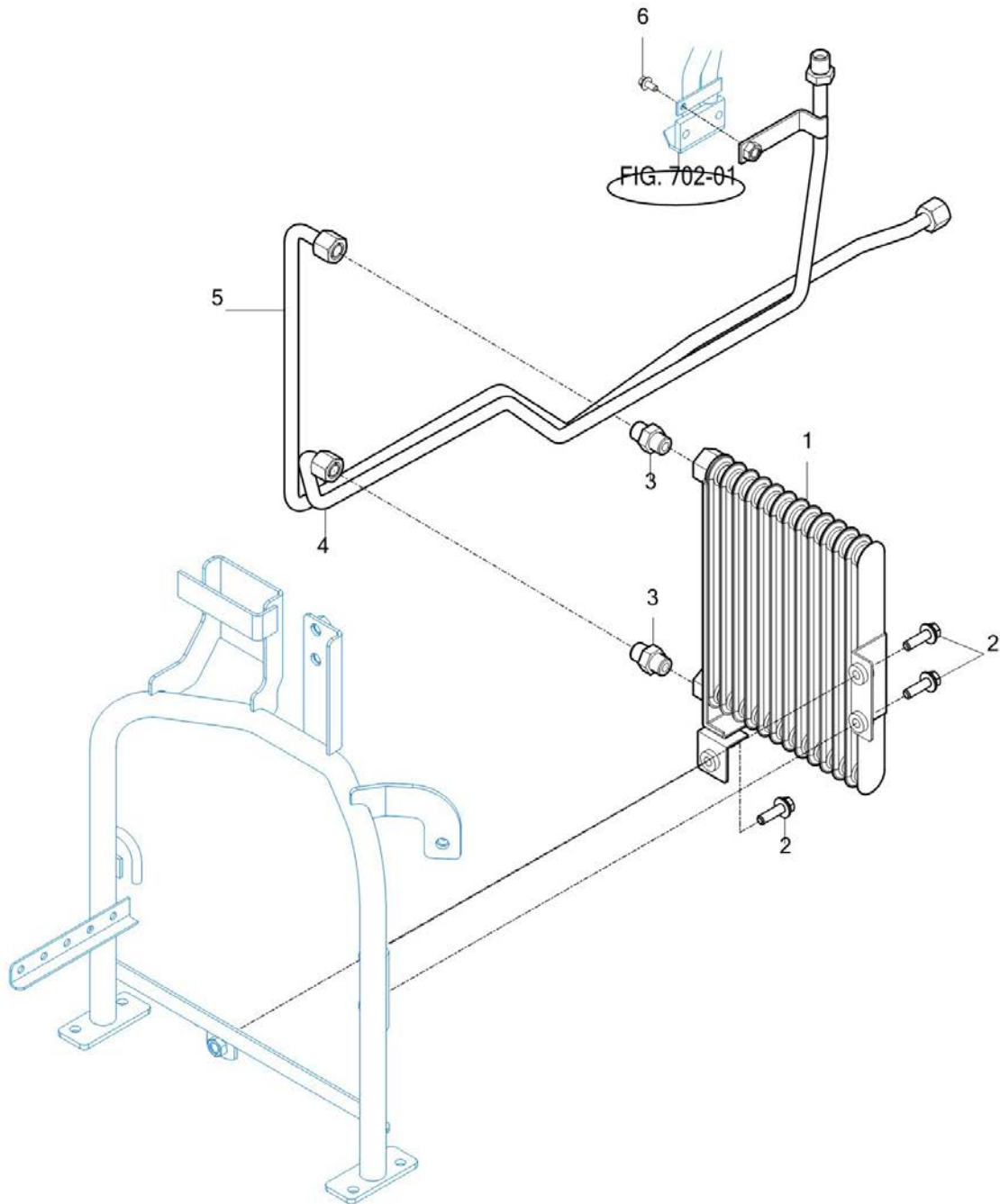
FIG 206

OIL COOLER

년/월  
Year/Month

2022-12

T25NH



NOTE



### 3. Clutch/Brake/Steering PART NO. T3

FIG 301 FLYWHEEL COVER	55
FIG 302 SPEED CONTROL	57
FIG 303 BRAKE	60
FIG 304 BRAKE PEDAL & LINKAGE	62
FIG 305 STEERING WHEEL & DASH COVER	64
FIG 306 STEERING VALVE	66
FIG 307 STEERING CYLINDER	68
FIG 308 FRONT WHEEL	70
FIG 309 REAR WHEEL	72

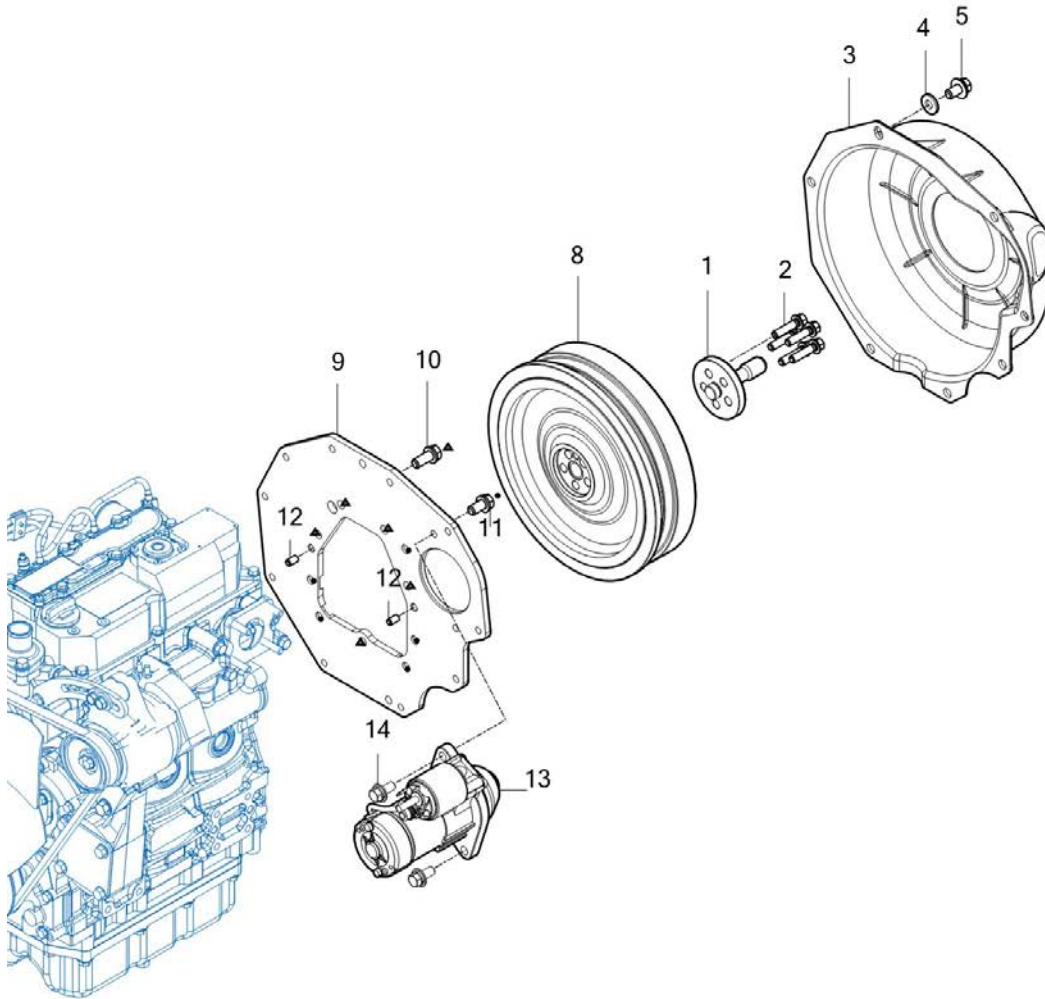
FIG 301

T25NH

FLYWHEEL COVER

년/월  
Year/Month

2022-12



NOTE





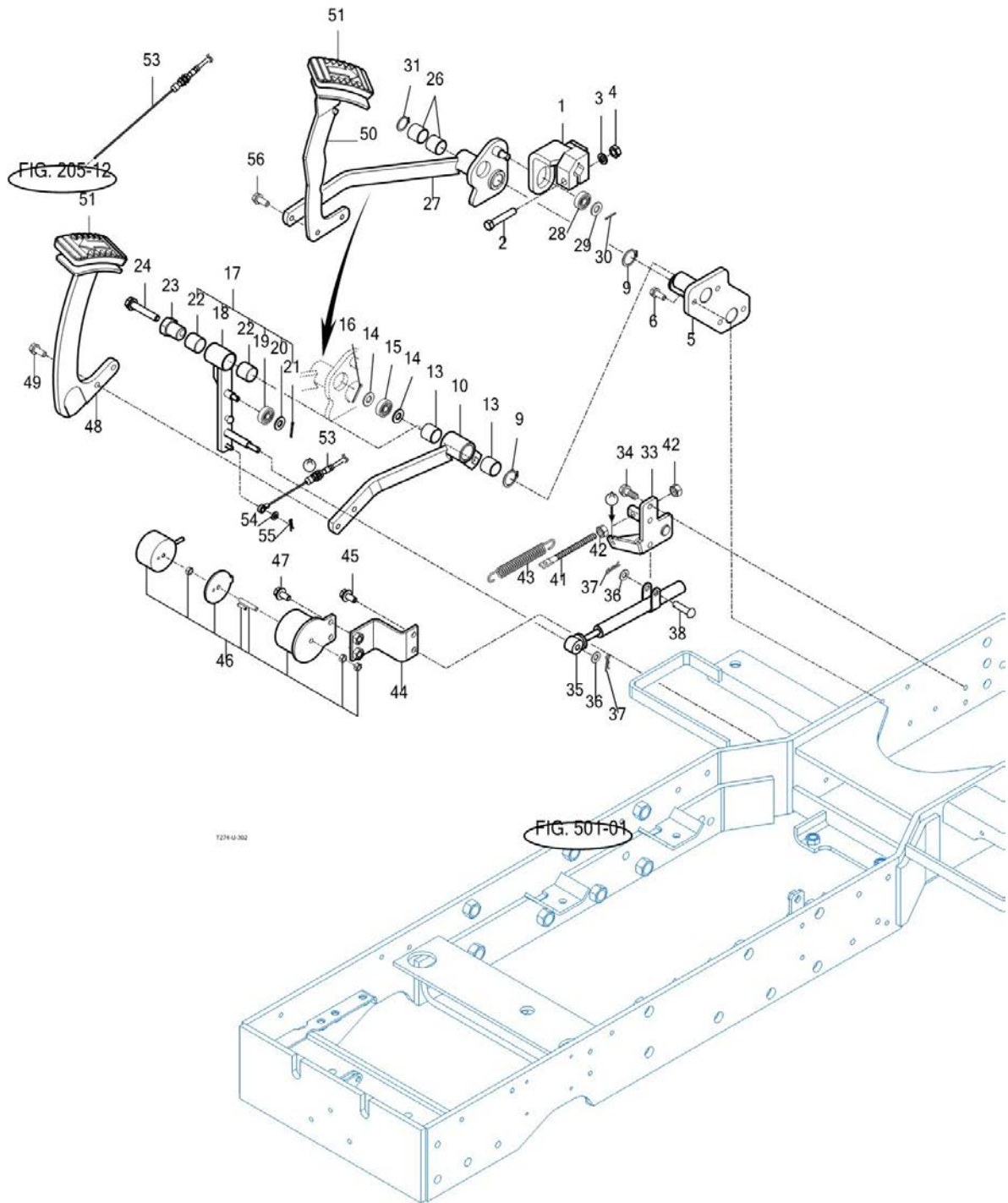
FIG 302

T25NH

SPEED CONTROL

년/월  
Year/Month

2022-12



NOTE

FIG 302		SPEED CONTROL					년/월	
							Year/Month	
T25NH		2022-12						
KEY NO	PART NO	DESCRIPTION	SPEC	QTY	REPAIR	EFFECTIVE DATE	REMARKS	
302	1	11972322101	HOLDER COMP			1		
302	1	11972322101	HOLDER COMP			1		
302	2	V2013608045	BOLT , HEX	M10X55		1		
302	2	V2013608045	BOLT , HEX			1		
302	3	V4011600080	WASHER , SPRING	M8		1		
302	3	V4011600080	WASHER , SPRING			1		
302	4	V3042600080	NUT , HEX/2	M8		1		
302	4	V3042600080	NUT , HEX/2			1		
302	5	11972322200GB	PIN COMP			1		
302	6	V2173608020	BOLT , HEX/S	M8X20		4		
302	9	V7041400250	C-RING , SHAFT	25		2		
302	10	11972323200GB	ARM COMP , FORWARD			1		
302	13	11972320030	DU BUSH , 25X28X20			2		
302	14	V4111600100	WASHER , PLAIN	M10		2		
302	15	V6001506000	BEARING , BALL	6000DD		1		
302	16	V5001920015	PIN , SPLIT	2X15		1		
302	17	11972324000	CAM SUB ASSY			1		
302	18	11972324100GB	ARM COMP , CAM			1		
302	19	14722310060	BEARING , BALL			1		
302	20	V4111600080	WASHER , PLAIN	M8		1		
302	21	V5001920015	PIN , SPLIT	2x15		1		
302	22	11972320030	DU BUSH , 25X28X20			2		
302	23	11972320020	PIN , NEUTRAL			1		
302	24	V2143610080	BOLT , HEX FINE /S	M10X50		1		
302	26	11972320040	DU BUSH , 25X28X30			2		
302	27	11972322300GB	ARM COMP, REVERSE			1		
302	28	V6001506000	BEARING , BALL	6000DD		1		
302	29	V4111600100	WASHER , PLAIN	M10		1		
302	30	V5001920015	PIN , SPLIT	2X15		1		
302	31	V7041400250	C-RING , SHAFT			1		
302	33	11972325100GB	PIN COMP , SPRING			1		
302	34	V2173608025	BOLT , HEX/S	M8X25		2		
302	35	13152312400	DAMPER , OIL			1		
302	36	V4111600080	WASHER , PLAIN	M8		4		
302	37	V5601600008	PIN , SNAP	8		4		
302	38	14043120060	PIN , YOKE			1		
302	41	34522150080	ROD , CHAIN(TENSION)(82)			1		
302	42	V3043600080	NUT , HEX/2	M8		2		
302	43	14722310033	SPRING , RETURN			1		
302	44	13152332103DG	BRACKET COMP , CRUISE			1		
302	44	13152332103GB	BRACKET COMP , CRUISE			1		
302	45	V2173608020	BOLT , HEX/S	M8X20		2		
302	46	12382323000	MAGNETIC ASSY , CRUISE			1		
302	46	12382323001	MAGNETIC ASSY , CRUISE			1		
302	47	V2173608020	BOLT , HEX/S	M8X20		2		
NOTE								



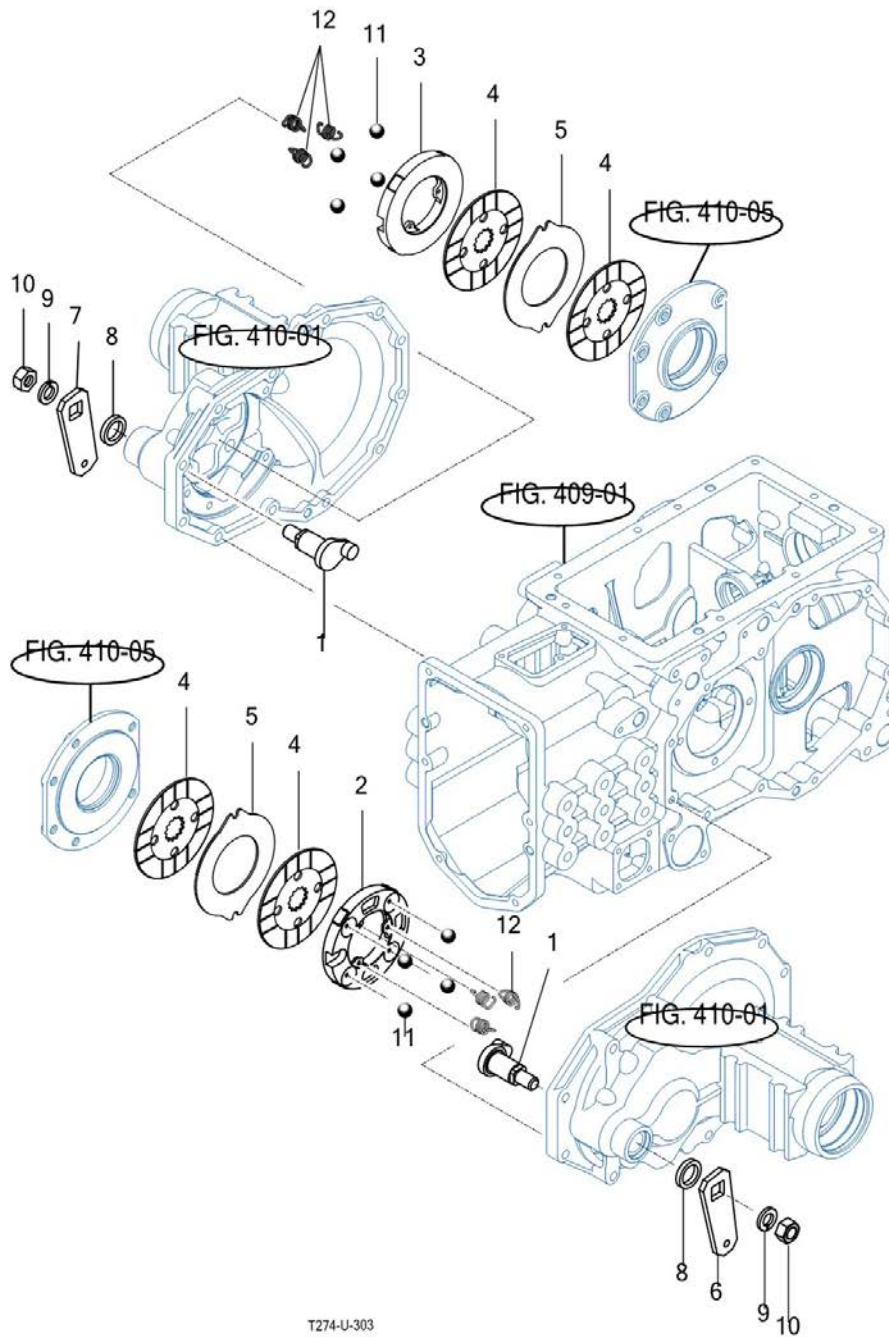
FIG 303

T25NH

BRAKE

년/월  
Year/Month

2022-12



NOTE

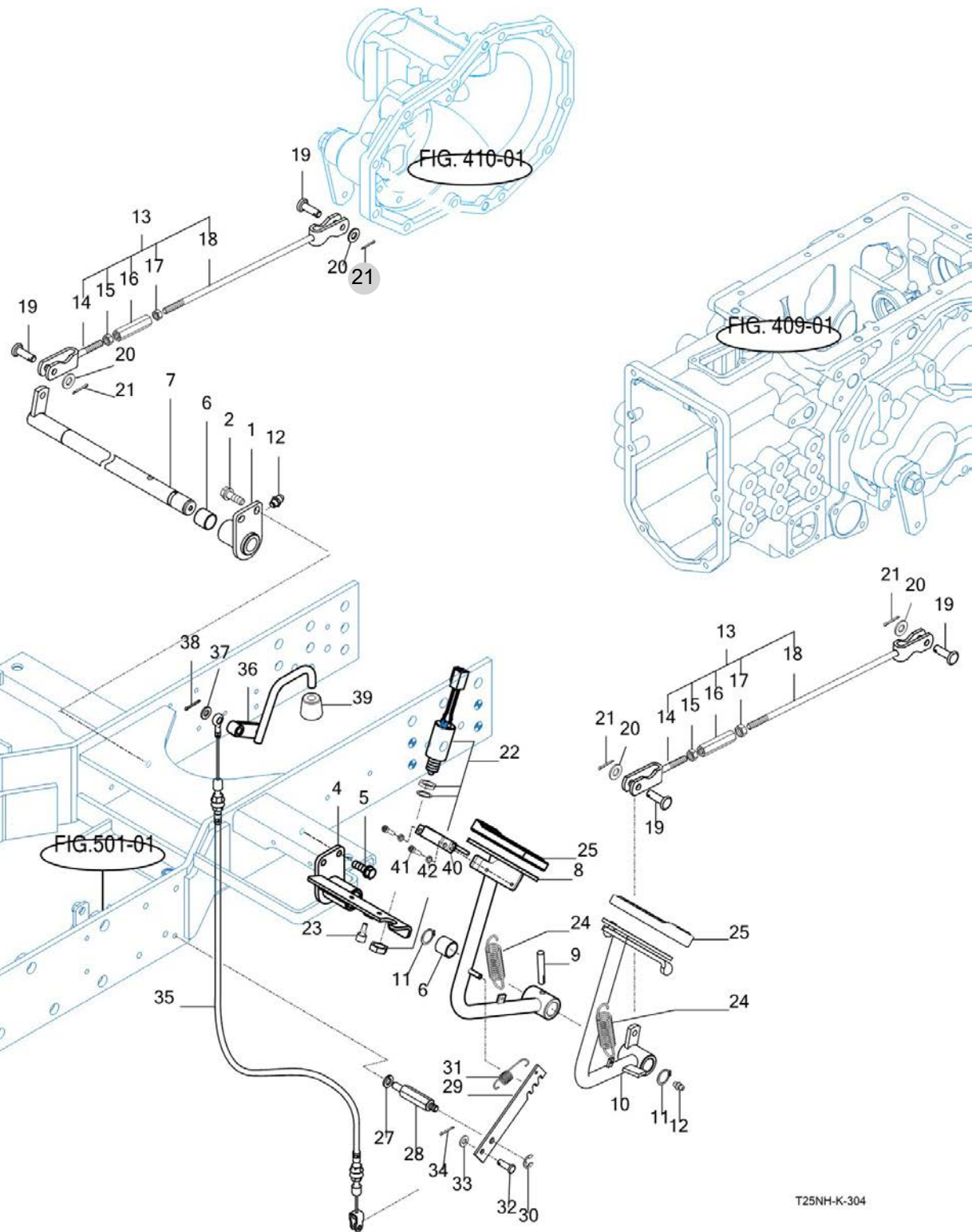


FIG 304

BRAKE PEDAL & LINKAGE

년/월  
Year/Month

2022-12



T25NH-K-304

NOTE



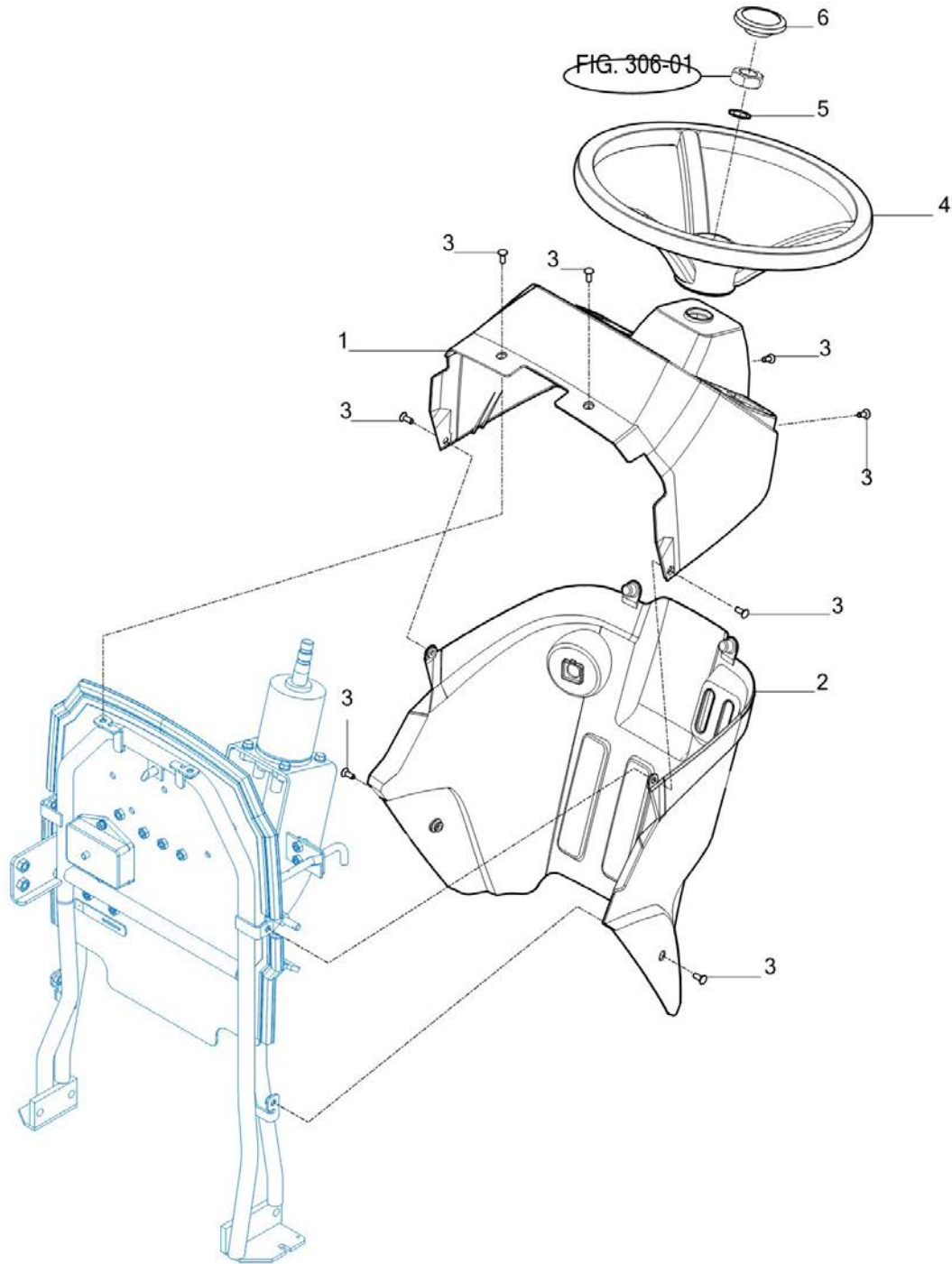
FIG 305

T25NH

STEERING WHEEL & DASH COVER

년/월  
Year/Month

2022-12



NOTE





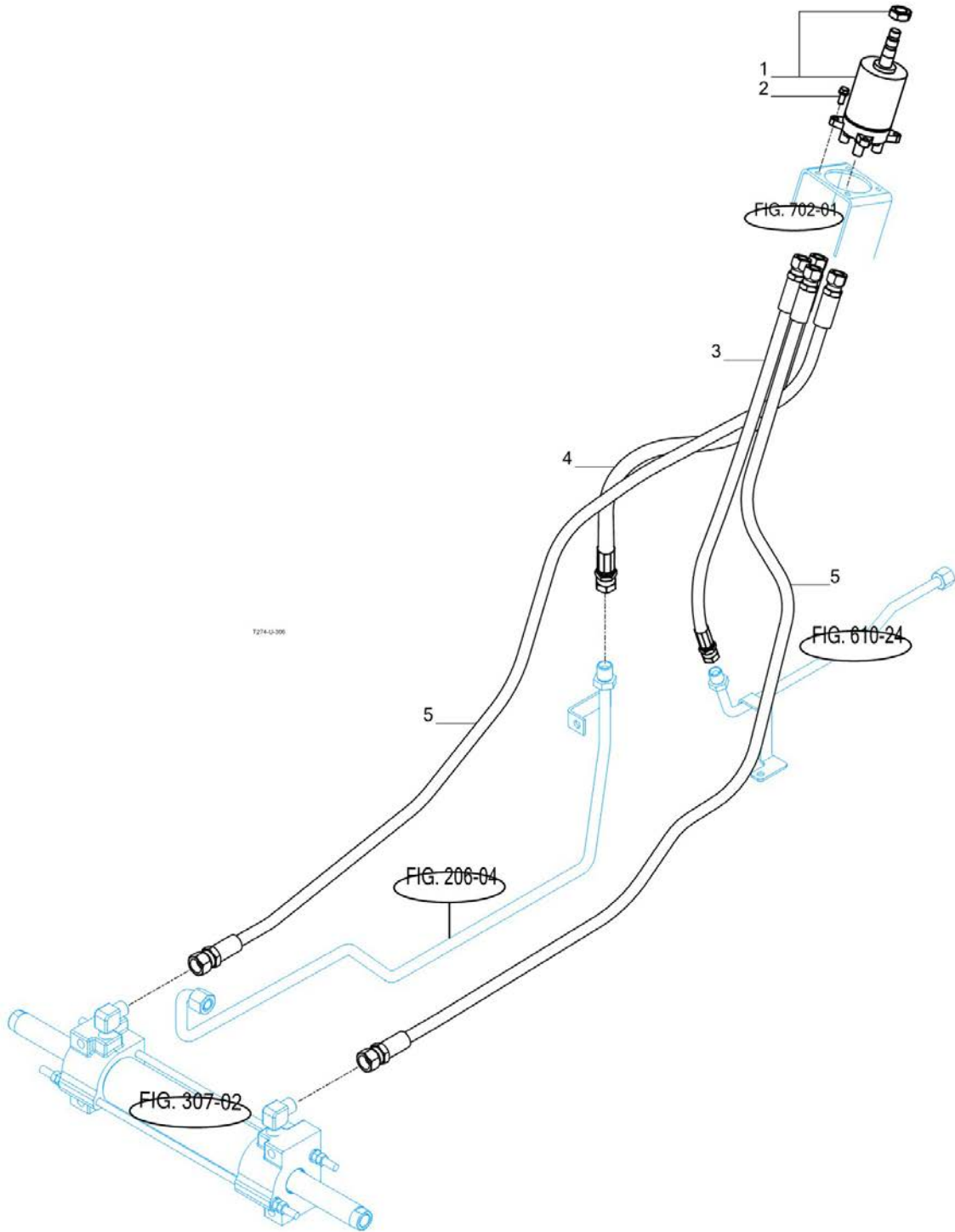
FIG 306

T25NH

STEERING VALVE

년/월  
Year/Month

2022-12



NOTE



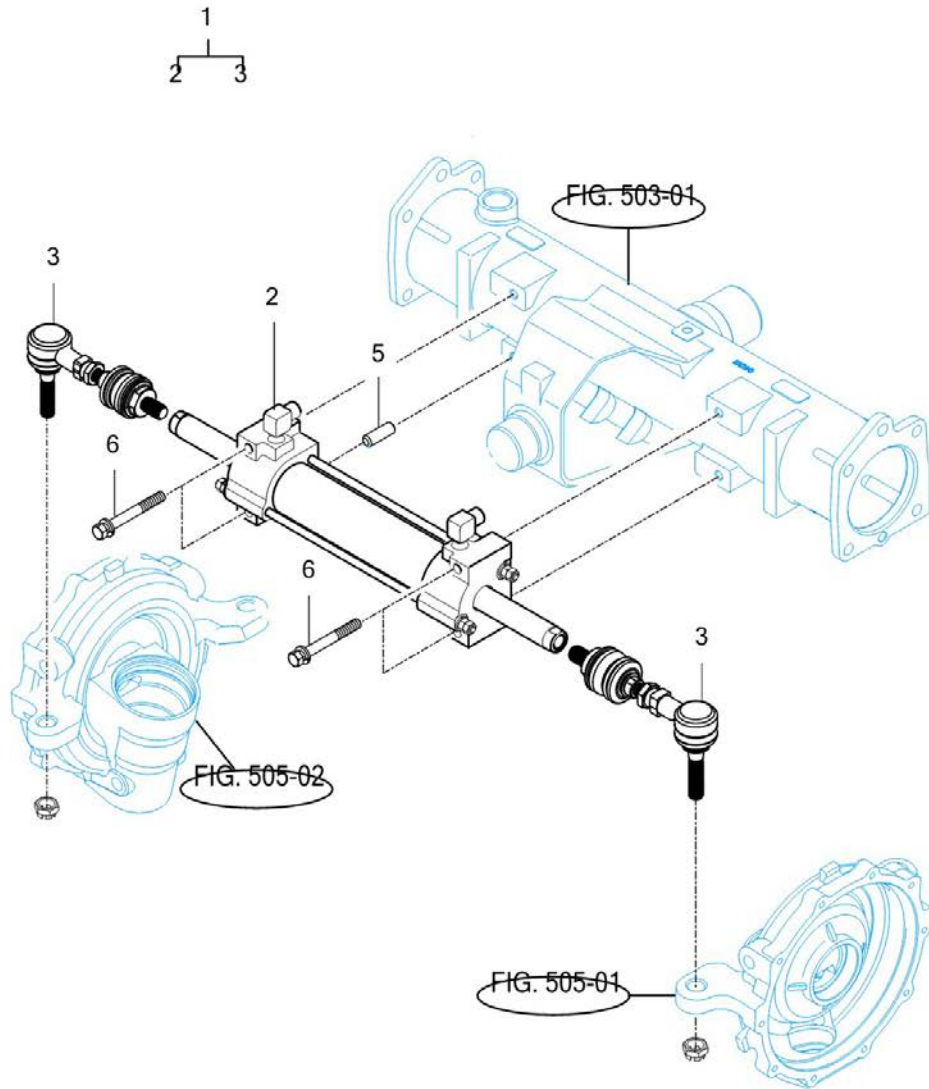
FIG 307

T25NH

STEERING CYLINDER

년/월  
Year/Month

2022-12



NOTE



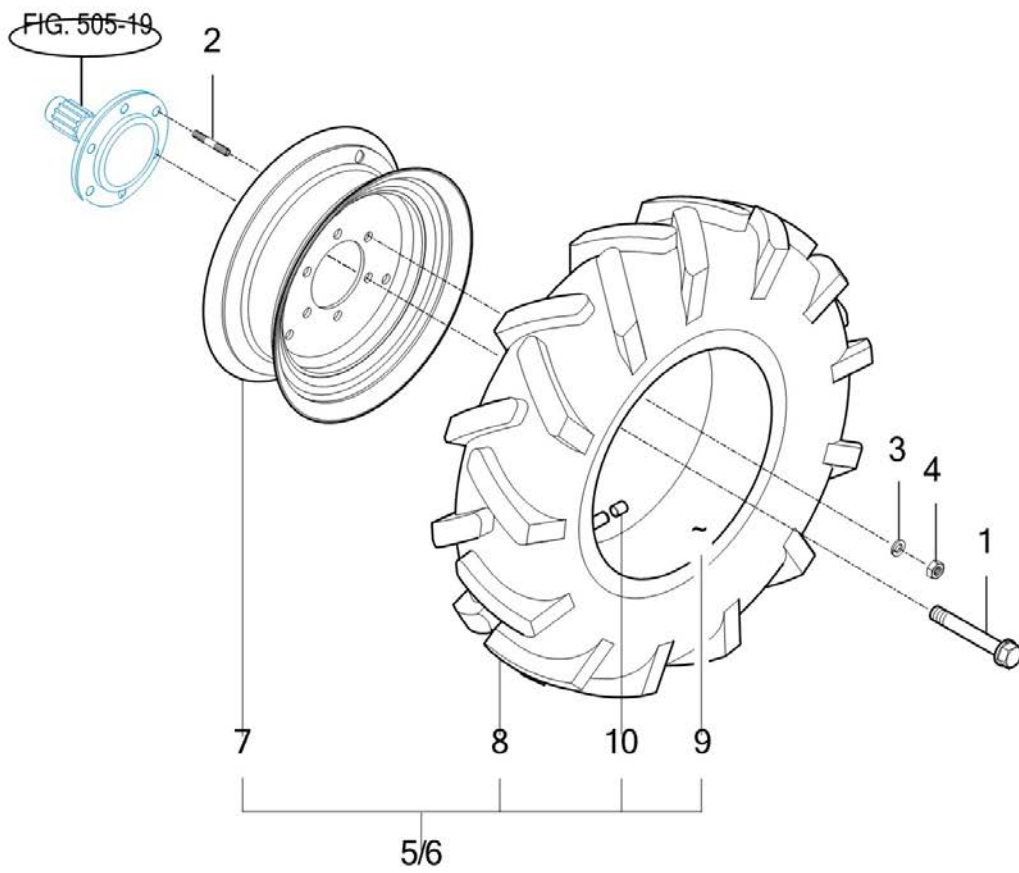
FIG 308

T25NH

FRONT WHEEL

년/월  
Year/Month

2022-12



NOTE



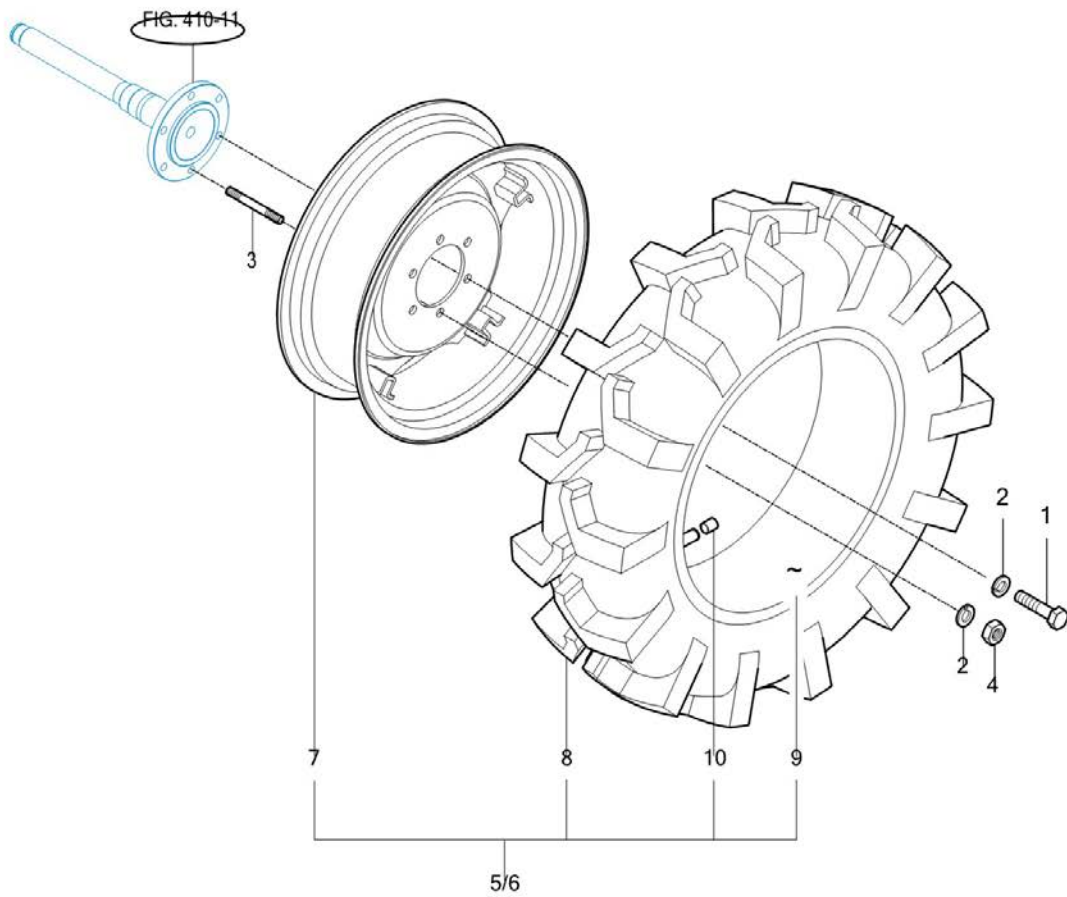
FIG 309

T25NH

REAR WHEEL

년/월  
Year/Month

2022-12



NOTE





## 4. Transmission PART NO. T4

FIG 401 INPUT SHAFT	75
FIG 402 HST	77
FIG 403 4WD DRIVE GEAR	79
FIG 404 RANGE GEARS	81
FIG 405 P.T.O DRIVE SHAFT	83
FIG 406 P.T.O SHAFT	85
FIG 408 DIFF LOCK	87
FIG 409 REAR TRANSMISSION CASE	89
FIG 410 REAR AXLE HOUSINGS	91
FIG 411 RANGE SHIFT LEVER	93
FIG 412 P.T.O CHANGE LEVER	95
FIG 413 4WD CHANGE LEVER	97

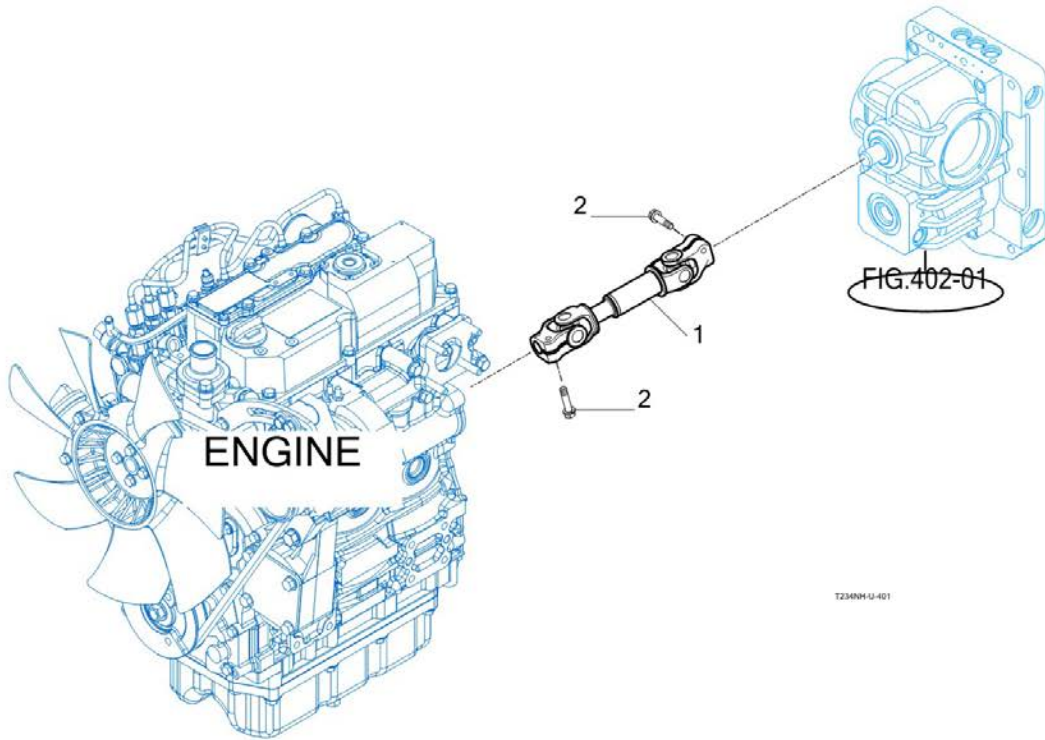
FIG 401

T25NH

INPUT SHAFT

년/월  
Year/Month

2022-12



NOTE



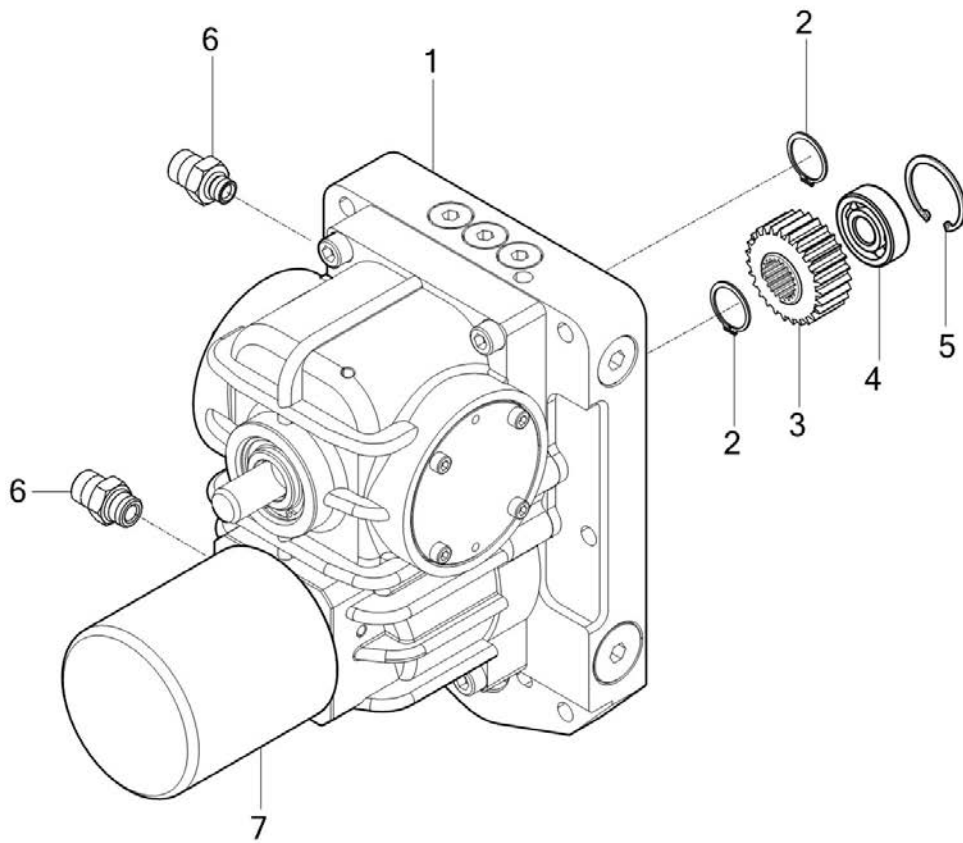
FIG 402

T25NH

HST

년/월  
Year/Month

2022-12



NOTE



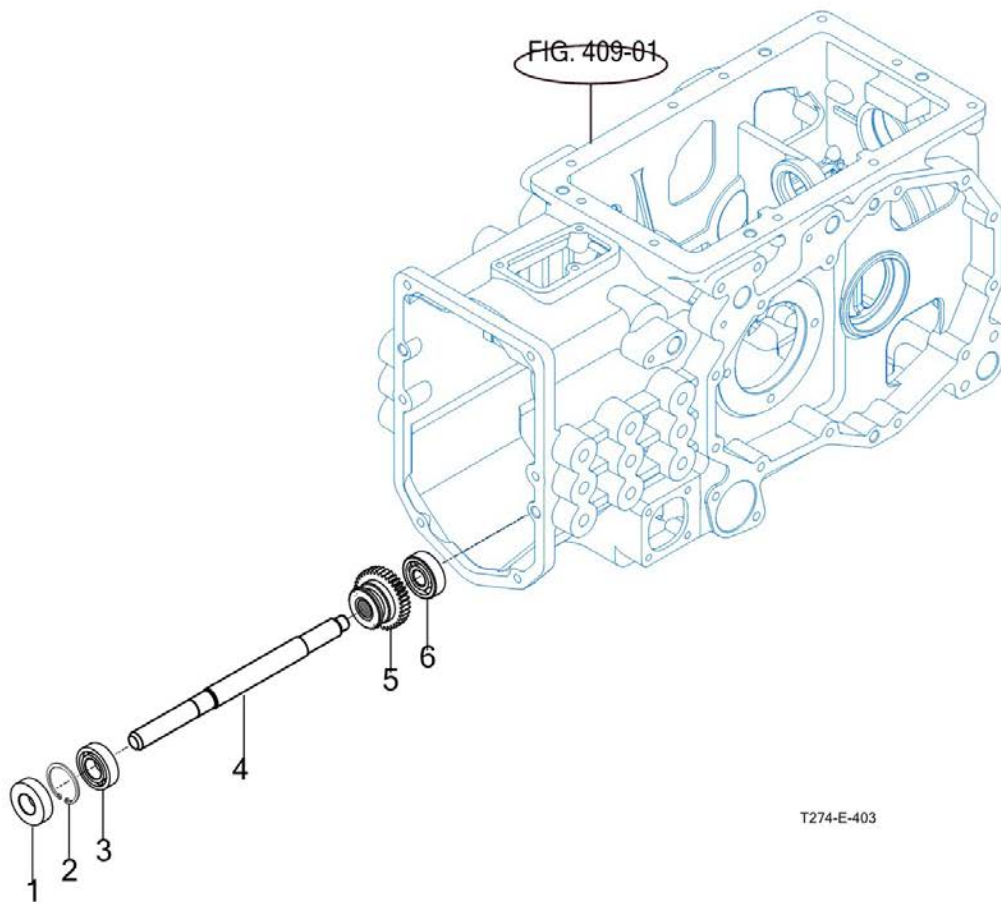
FIG 403

T25NH

4WD DRIVE GEAR

년/월  
Year/Month

2022-12



T274-E-403

NOTE





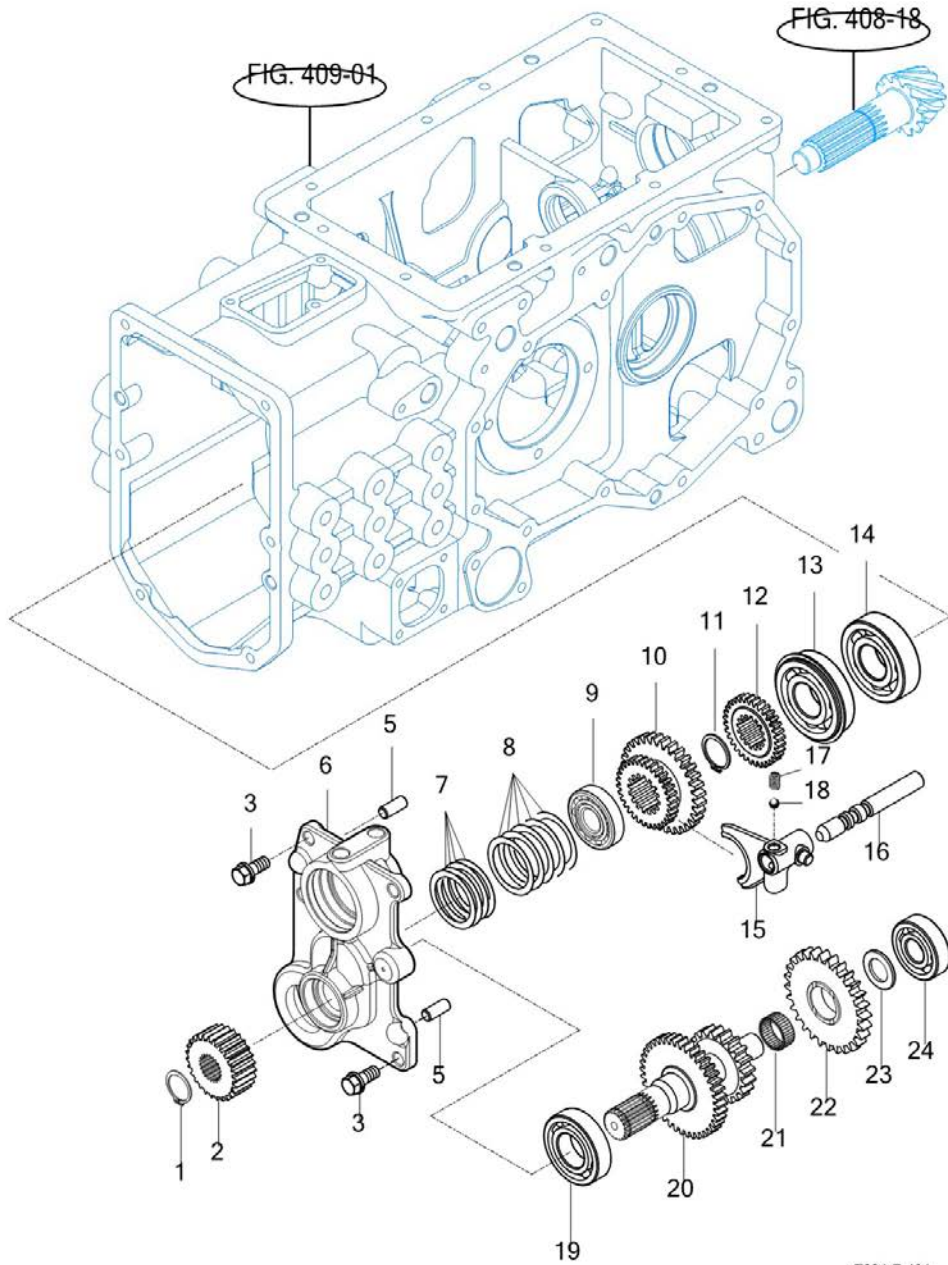
FIG 404

RANGE GEARS

년/월  
Year/Month

2022-12

T25NH



T234-E-404

NOTE



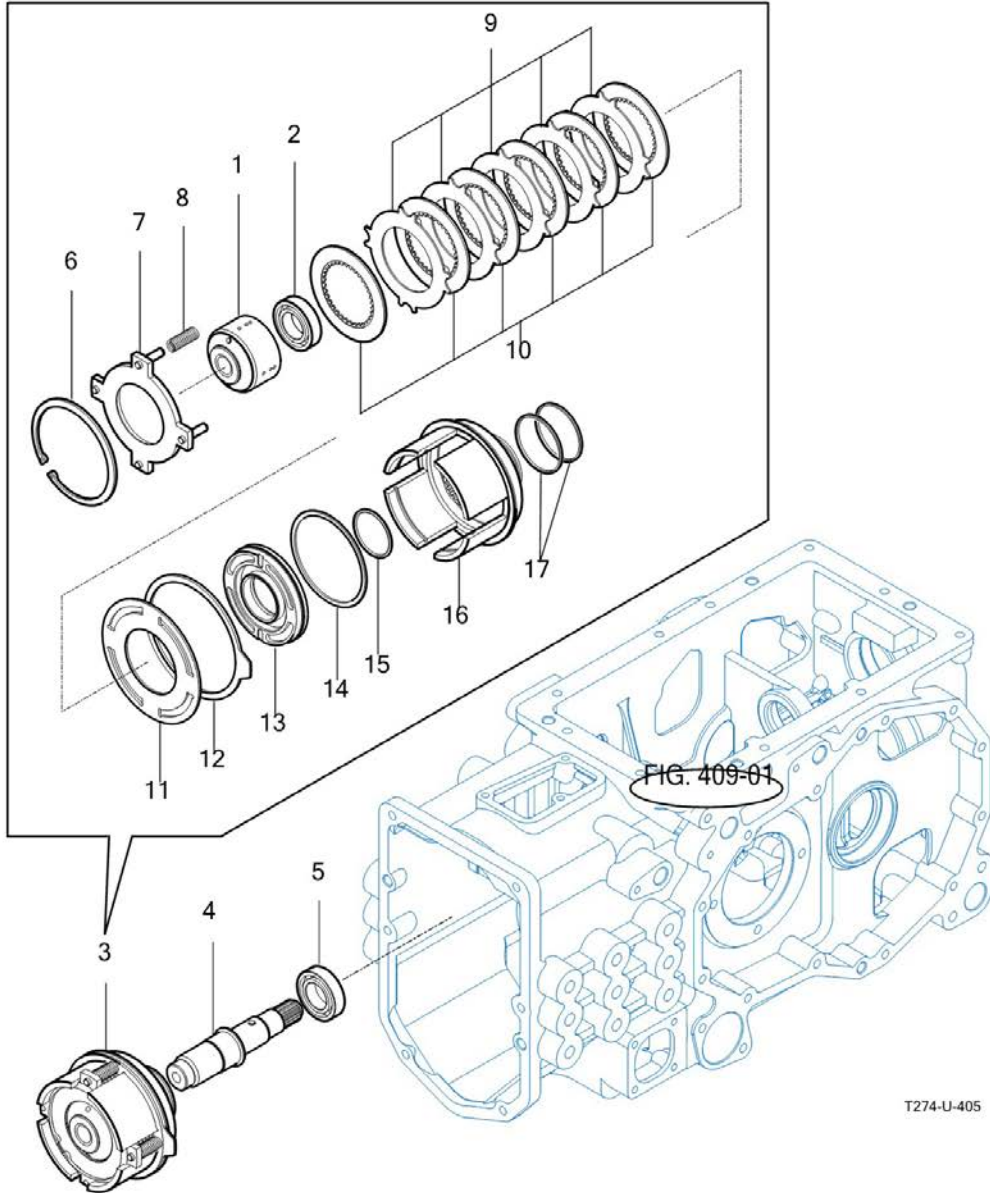
FIG 405

T25NH

P.T.O DRIVE SHAFT

년/월  
Year/Month

2022-12



T274-U-405

NOTE



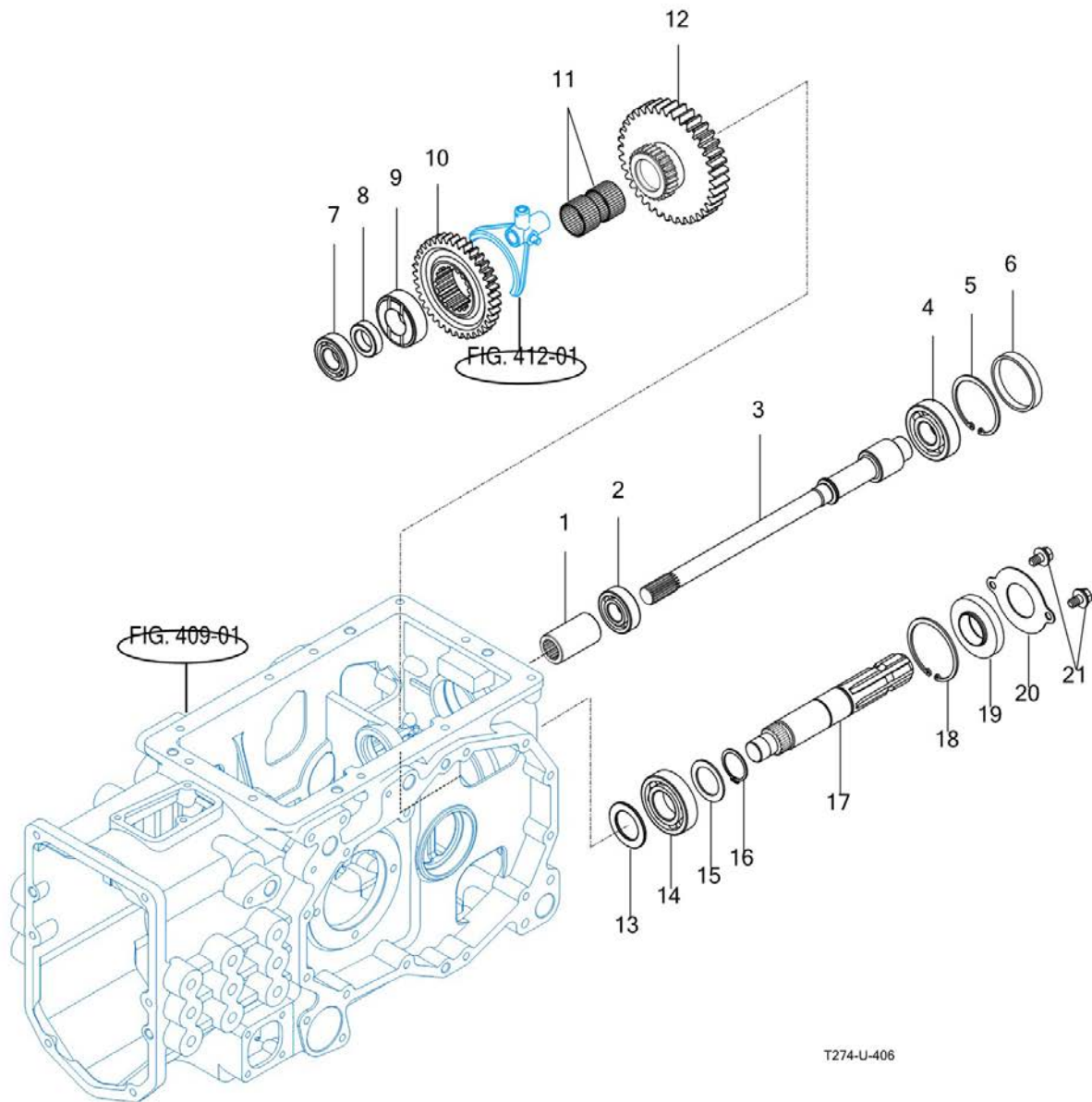
FIG 406

T25NH

P.T.O SHAFT

년/월  
Year/Month

2022-12



T274-U-406

NOTE



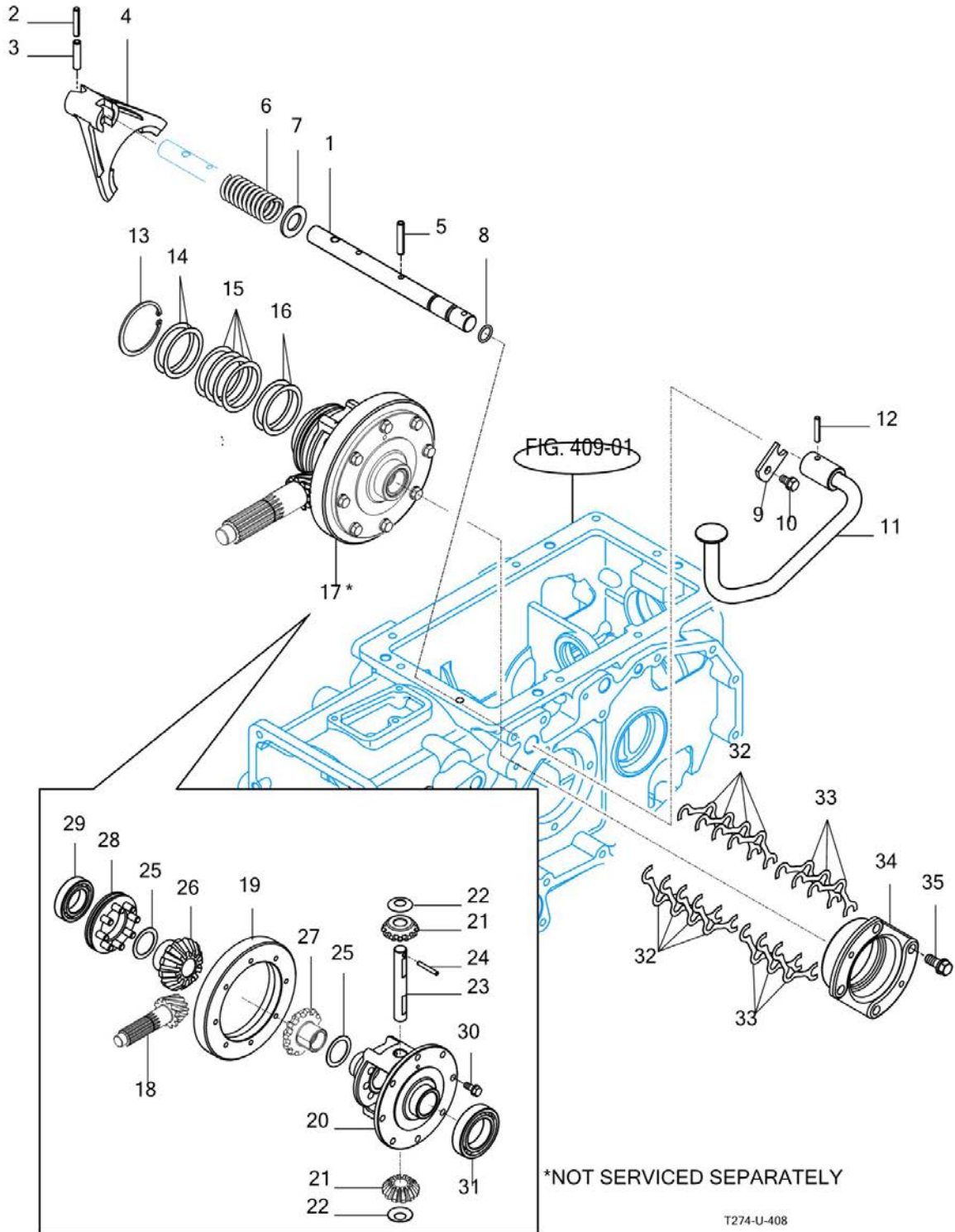
FIG 408

DIFF LOCK

년/월  
Year/Month

T25NH

2022-12



NOTE

FIG 408 T25NH		DIFF LOCK						년/월 Year/Month
								2022-12
KEY NO		PART NO	DESCRIPTION	SPEC	QTY	REPAIR	EFFECTIVE DATE	REMARKS
408	1	13153190020	SHAFT , DIFF LOCK		1			
408	2	V5801405036	PIN , SPRING	5X36	1			
408	3	V5801408036	PIN , SPRING	8X36	1			
408	4	13153190010M	FORK , DIFF LOCK		1			
408	5	V5801406032	PIN , SPRING	6X32	1			
408	6	17973030420	SPRING		1			
408	7	V4111600200	WASHER , PLAIN	M20	1			
408	8	V7201024016	O-RING , P	P16	1			
408	9	16703180191	PLATE , STOP		1			
408	10	V2173608016	BOLT , HEX/S	M8X16	1			
408	11	13153193100	PEDAL COMP , DIFF LOCK		1			
408	12	V5801406028	PIN , SPRING		1			
408	12	V5801408036	PIN , SPRING	8X32	1			
408	13	V7051400620	C-RING , HOLE	62	1			
408	14	13153180110	SHIM , 0.5		3			
408	15	13153180130	SHIM , 0.2		4			
408	16	13153180120	SHIM , 0.1		3			
408	17	13403002000	DIFF ASSY , RR		1			
408	18	13153002110	PINION , DRIVE 9T		1			
408	19	13153002120	GEAR , BEVEL 55T		1			
408	20	13153180011M	CASE , DIFF		1			
408	21	14443180040	PINION , DIFF 12T		2			
408	22	14443180050	COLLAR , PINION THRUST		2			
408	23	13153180070	SHAFT , DIFF PINION		1			
408	24	V5801405036	PIN , SPRING	5X36	1			
408	25	13153180080	WASHER, THRUST 34X46X1		2			
408	26	13153180030	GEAR , BEVEL RH 20T		1			
408	27	13153180060	GEAR , BEVEL LH 20T		1			
408	28	13153182100	CLUTCH COMP , DIFF LOCK		1			
408	29	V6001106007	BEARING , BALL	6007	1			
408	30	V2173608020	BOLT , HEX/S	M8X20	8			
408	31	V6001106009	BEARING , BALL	6009	1			
408	32	13153181030	SHIM , 0.2		8			
408	33	13153181020	SHIM , 0.1		6			
408	34	13153181010M	METAL , DIFF CASE		1			
408	35	V2173610025	BOLT , HEX/S		4			
NOTE								



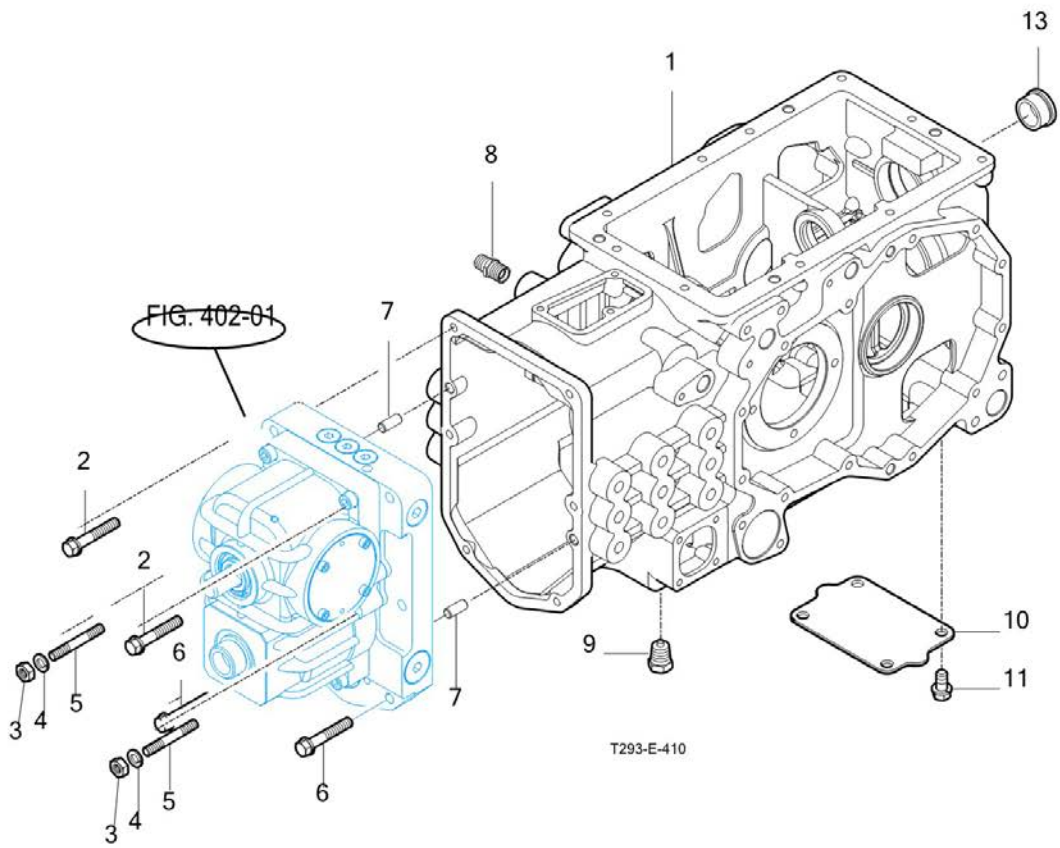
FIG 409

T25NH

REAR TRANSMISSION CASE

년/월  
Year/Month

2022-12



NOTE



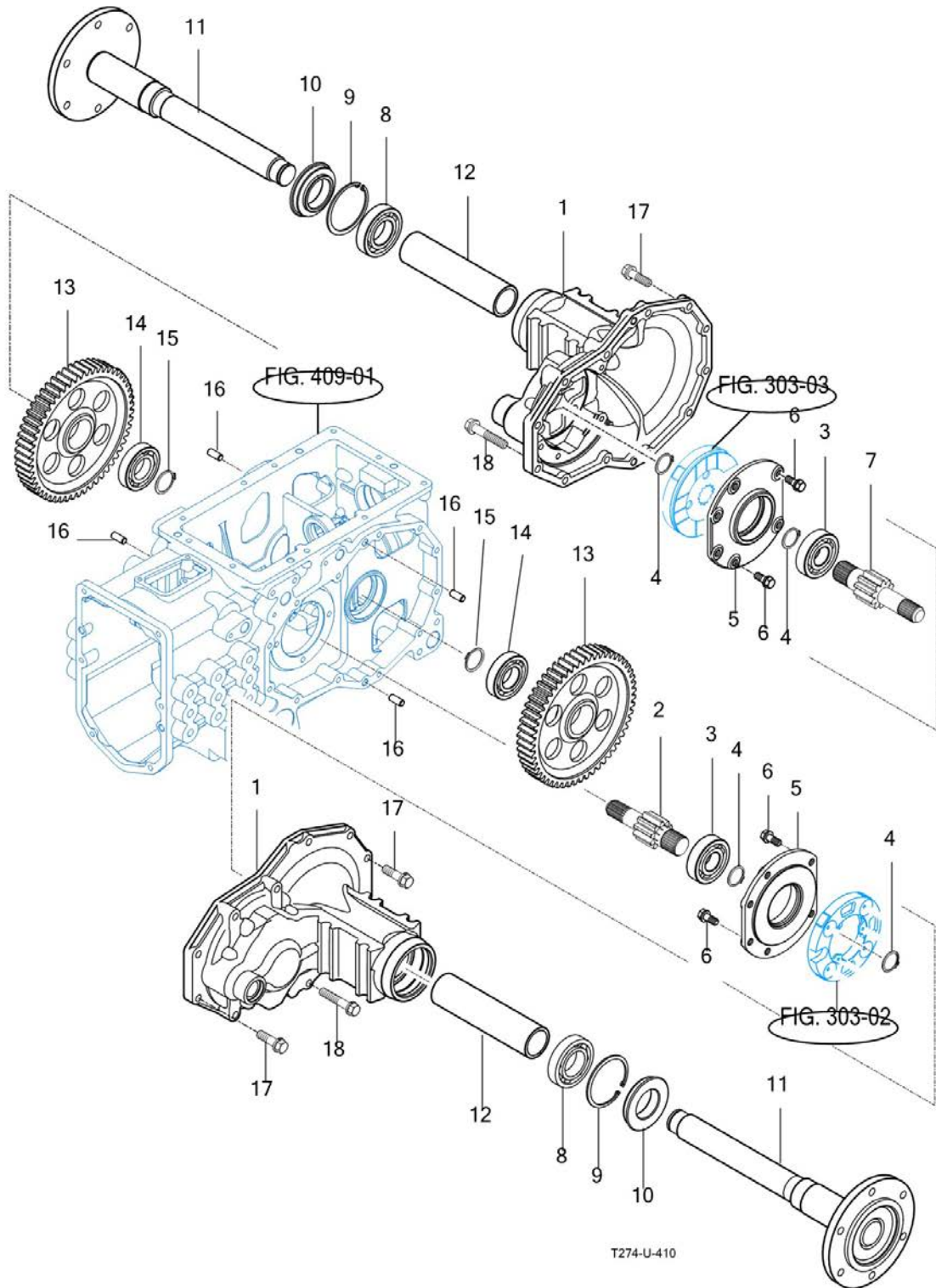
FIG 410

REAR AXLE HOUSINGS

년/월  
Year/Month

2022-12

T25NH



NOTE







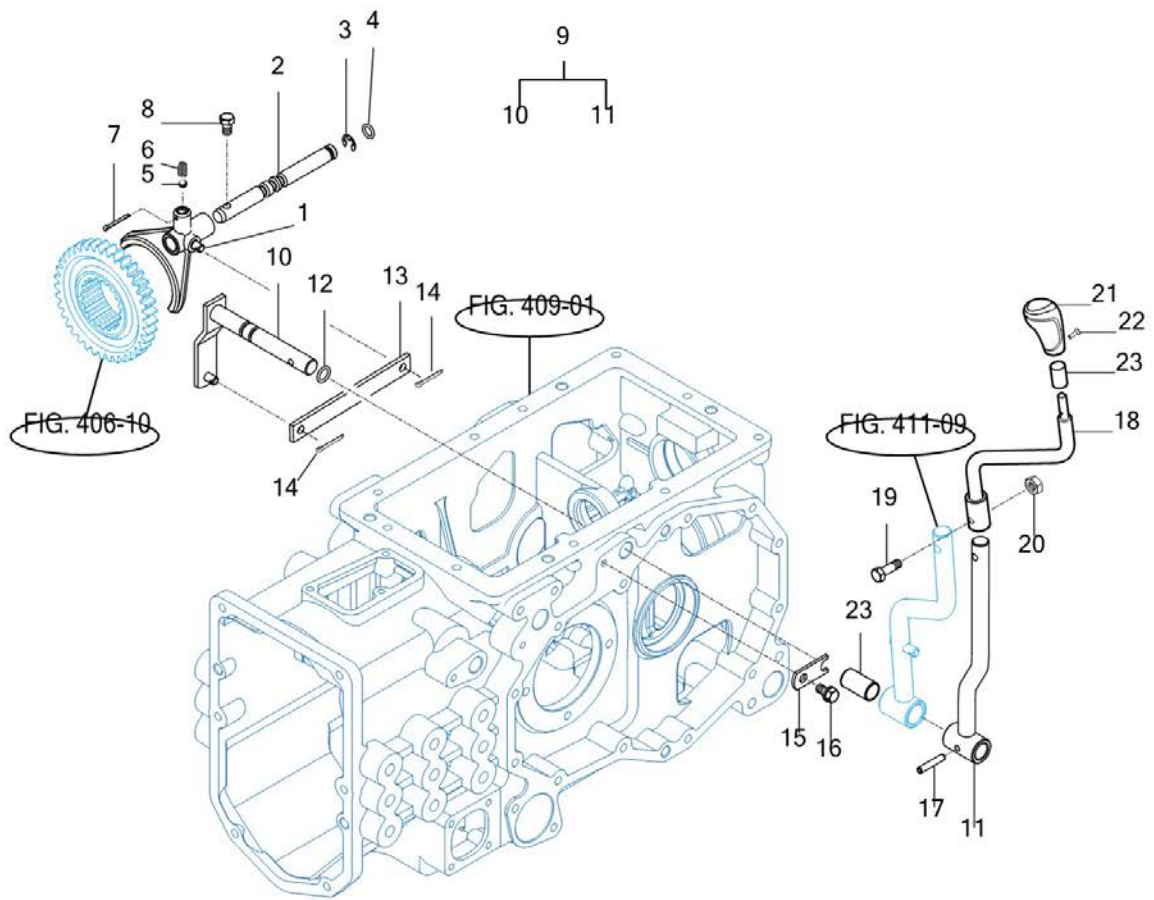
FIG 412

T25NH

P.T.O CHANGE LEVER

년/월  
Year/Month

2022-12



T274-U-412

NOTE





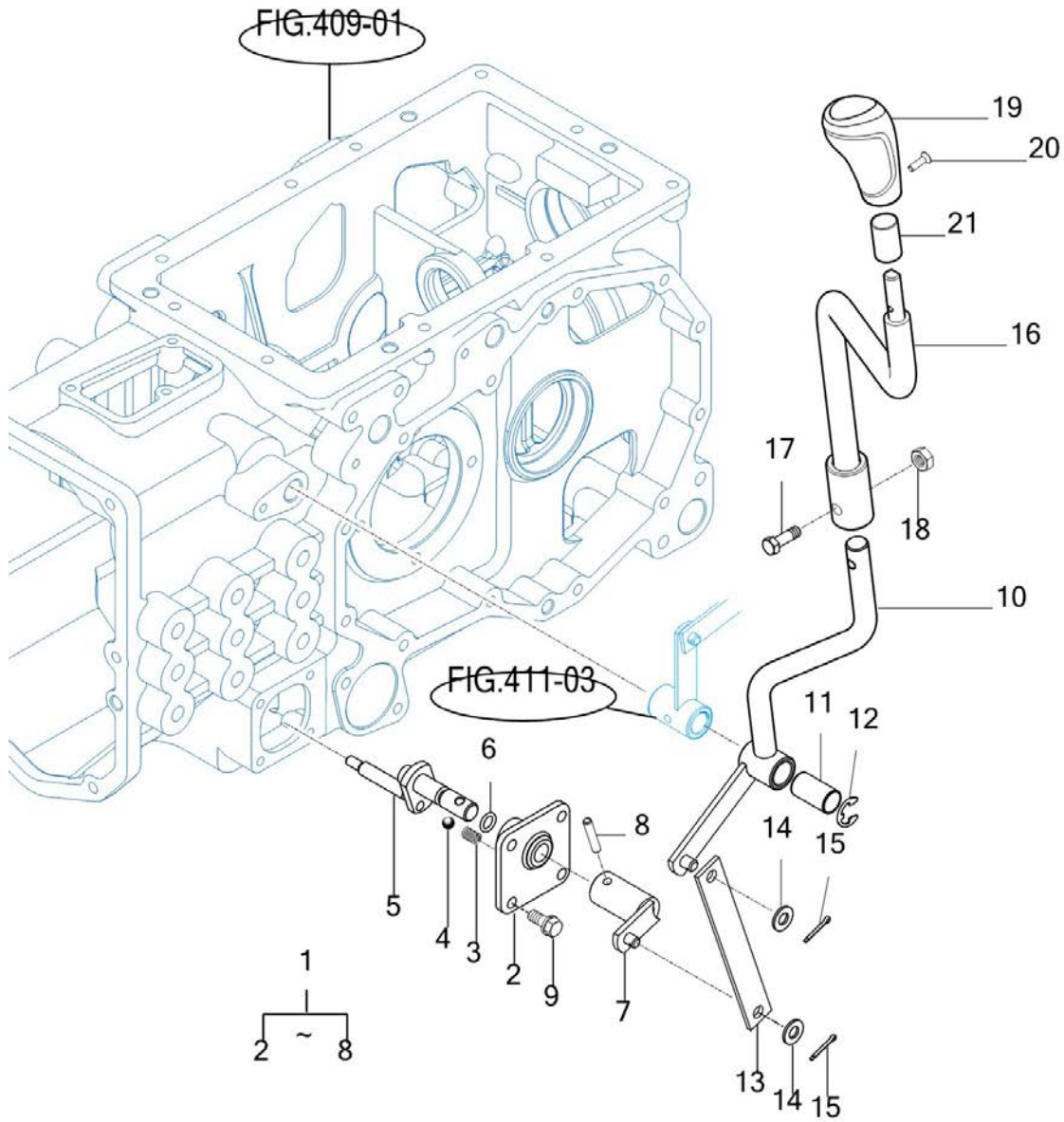
FIG 413

4WD CHANGE LEVER

년/월  
Year/Month

2022-12

T25NH



T274-U-413

NOTE

FIG 413 T25NH		4WD CHANGE LEVER					년/월 Year/Month	
							2022-12	
KEY NO		PART NO	DESCRIPTION	SPEC	QTY	REPAIR	EFFECTIVE DATE	REMARKS
413	1	13402632001	ARM SUB ASSY , 4WD		1			
413	2	14443120010M	BOSS		1			
413	3	13022250030	SPRING , SHIFTER		1			
413	4	V6802000010	BALL , STEEL	5/16	1			
413	5	14572622101	ARM COMP , 4WD		1			
413	6	V7201024010	O-RING , P	P10A	1			
413	7	13152632201	ARM COMP		1			
413	8	V5801406032	PIN , SPRING	6X32	1			
413	9	V2173608020	BOLT , HEX/S	M8X20	4			
413	10	13152632102	LEVER COMP , 4WD(Low)		1			
413	10	13152632103	LEVER COMP , 4WD(Low)		1			
413	11	17995070270	BUSH , 16X18X33		1			
413	12	V7081400120	E-RING	12	1			
413	13	13152630011	LINK , 4WD		1			
413	14	V4111600080	WASHER , PLAIN	M8	2			
413	15	V5001925020	PIN D2.5x20	2.5X20	2			
413	16	11812632300GB	4WD LEVER (UPR) COMP		1			
413	16	11812632301GB	4WD LEVER (UPR) COMP		1			
413	17	V2013608035	BOLT , HEX	M8X30	1			
413	18	V3042600080	NUT , HEX/2	M8	1			
413	19	11817513200	GRIP(CHANGE RANGE)		1			
413	20	V1122804012	SCREW , C/R FLAT		1			
413	21	13632444620	HOSE , 60		1			
NOTE								

## 5. Front Axle PART NO. T5

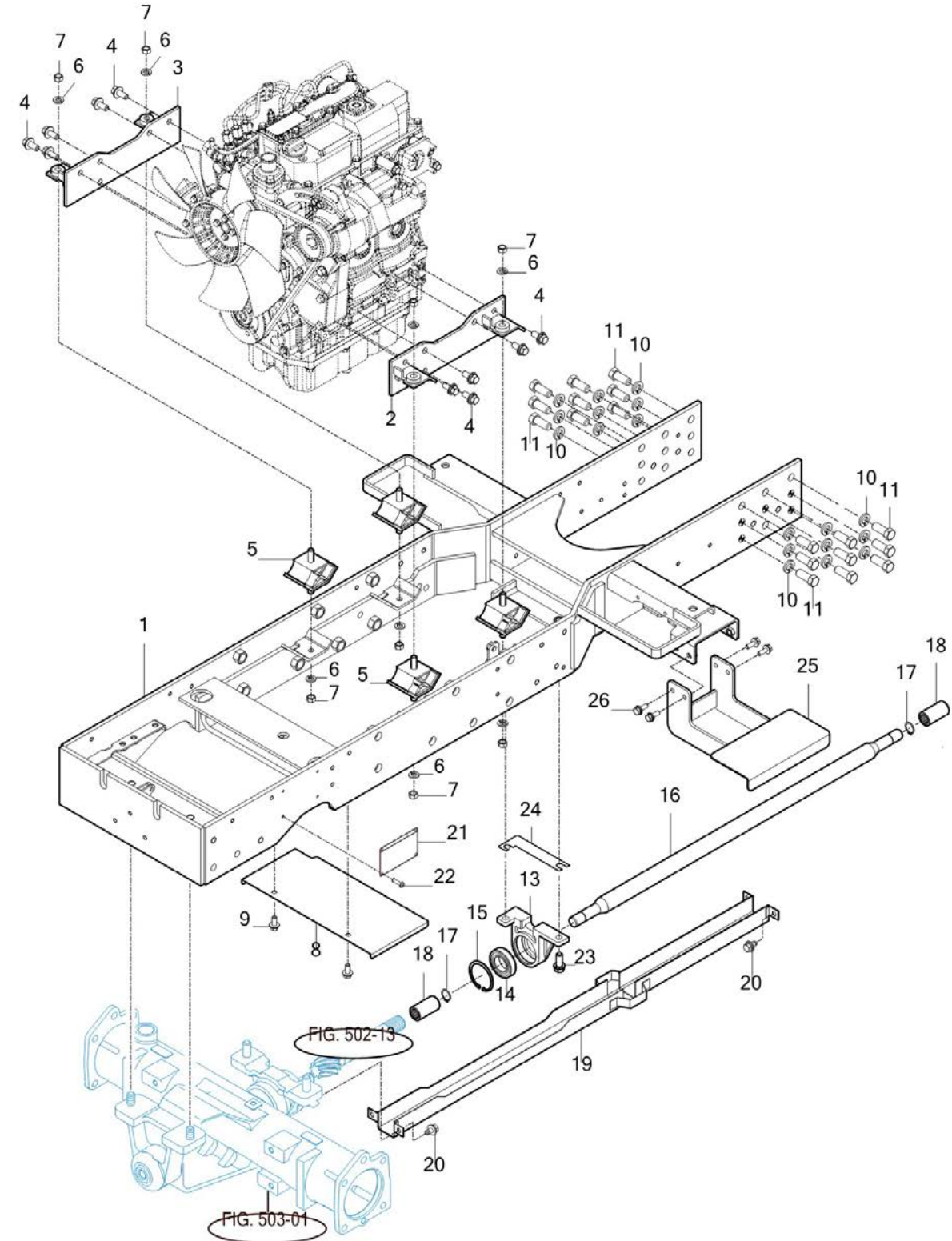
FIG 501 FRAME	100
FIG 502 FRONT DIFFERENTIAL GEARS & SHAFT	102
FIG 503 FRONT AXLE HOUSING	104
FIG 504 FRONT GEAR CASE (1)	106
FIG 505 FRONT GEAR CASE (2)	108

FIG 501

FRAME

년/월  
Year/Month

2022-12



NOTE



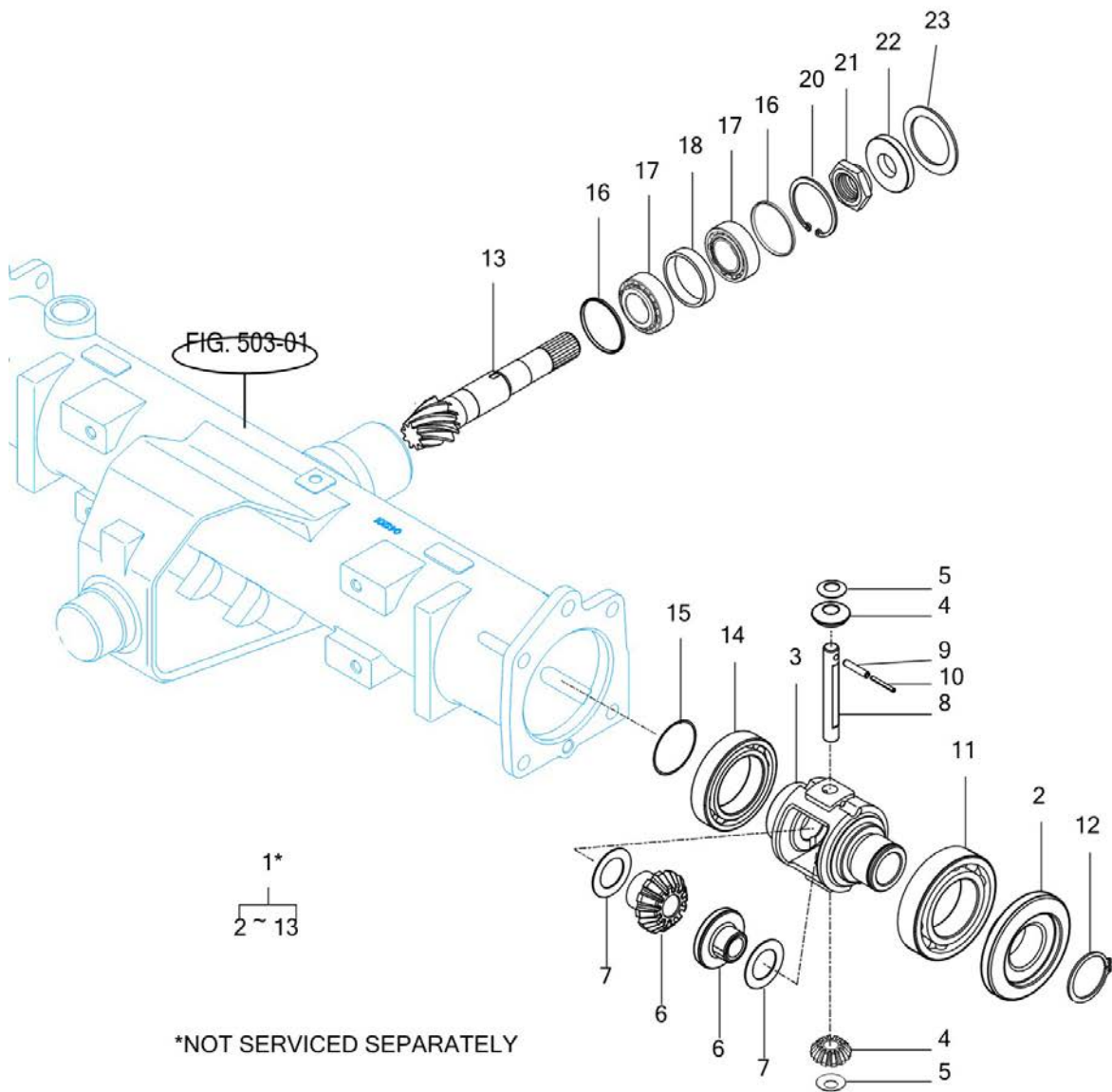
FIG 502

FRONT DIFFERENTIAL GEARS & SHAFT

년/월  
Year/Month

2022-12

T25NH



T293-E-502

NOTE



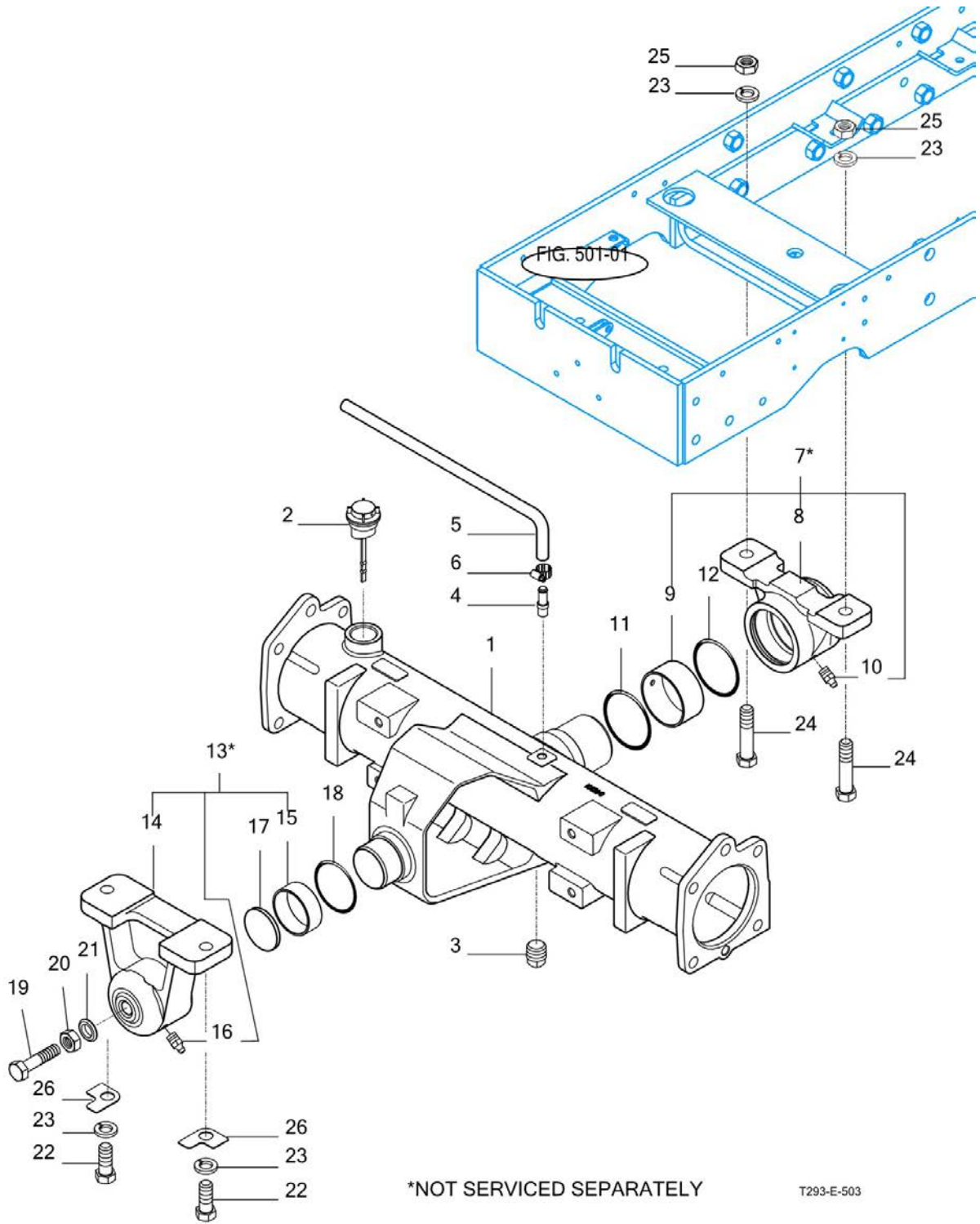
FIG 503

FRONT AXLE HOUSING

년/월  
Year/Month

T25NH

2022-12



NOTE





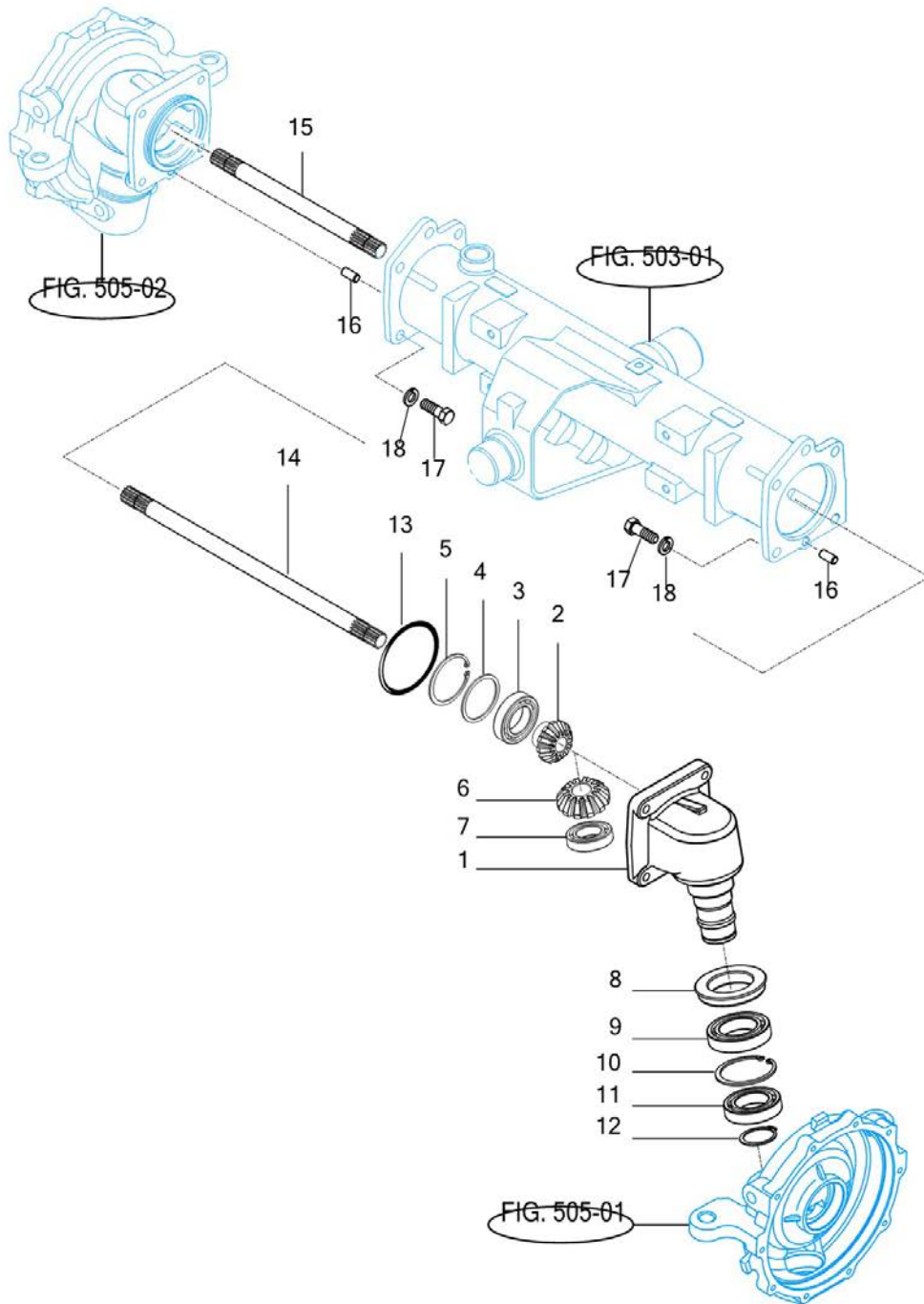
FIG 504

T25NH

FRONT GEAR CASE (1)

년/월  
Year/Month

2022-12



T293-E-504

NOTE



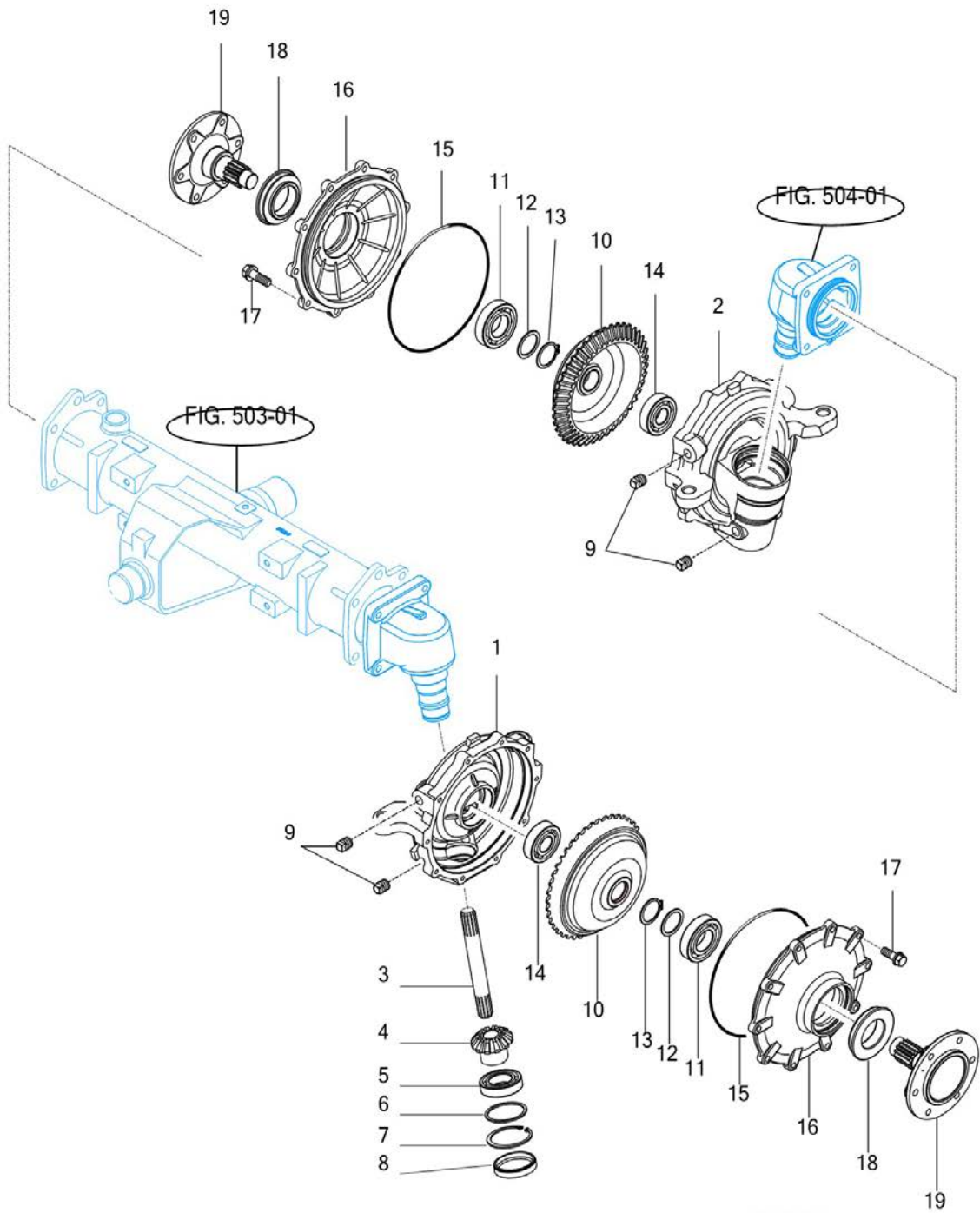
FIG 505

T25NH

FRONT GEAR CASE (2)

년/월  
Year/Month

2022-12



T293-E-505

NOTE



## 6. Hydraulic/3P-Link PART NO. T6

FIG 601 CYLINDER CASE	111
FIG 602 LIFT ARM	113
FIG 603 FLOW CONTROL VALVE	115
FIG 604 CONTROL VALVE LINKAGE	117
FIG 605 MAIN CONTROL VALVE	119
FIG 606 REMOTE CONTROL VALVE	121
FIG 607 POSITION LEVER LINKAGE	123
FIG 608 GEAR PUMP	125
FIG 609 HYDRAULIC HOSE (1)	127
FIG 610 HYDRAULIC HOSE (2)	129
FIG 611 PTO VALVE	131
FIG 612 HITCH & 3-POINT LINKAGE	133
FIG 613 JOYSTICK LEVER	136
FIG 614 HITCH & COVER	138

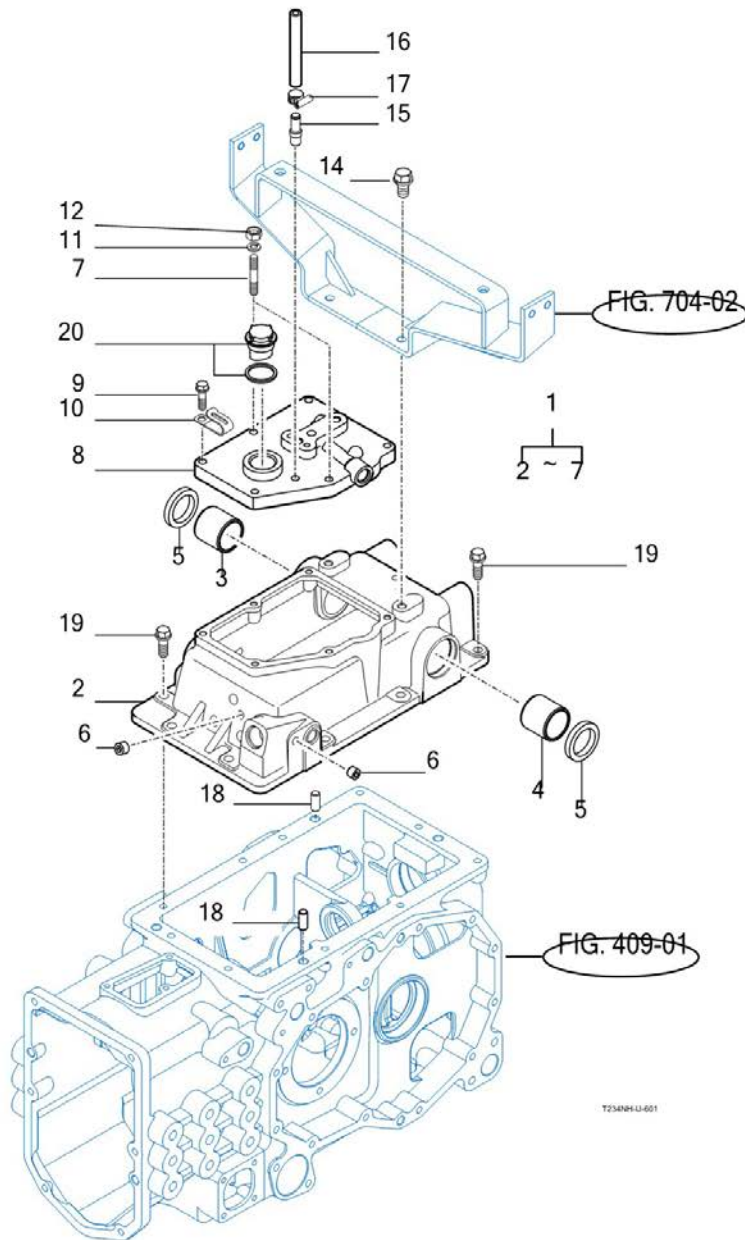
FIG 601

T25NH

CYLINDER CASE

년/월  
Year/Month

2022-12



T25NH-U-601

NOTE





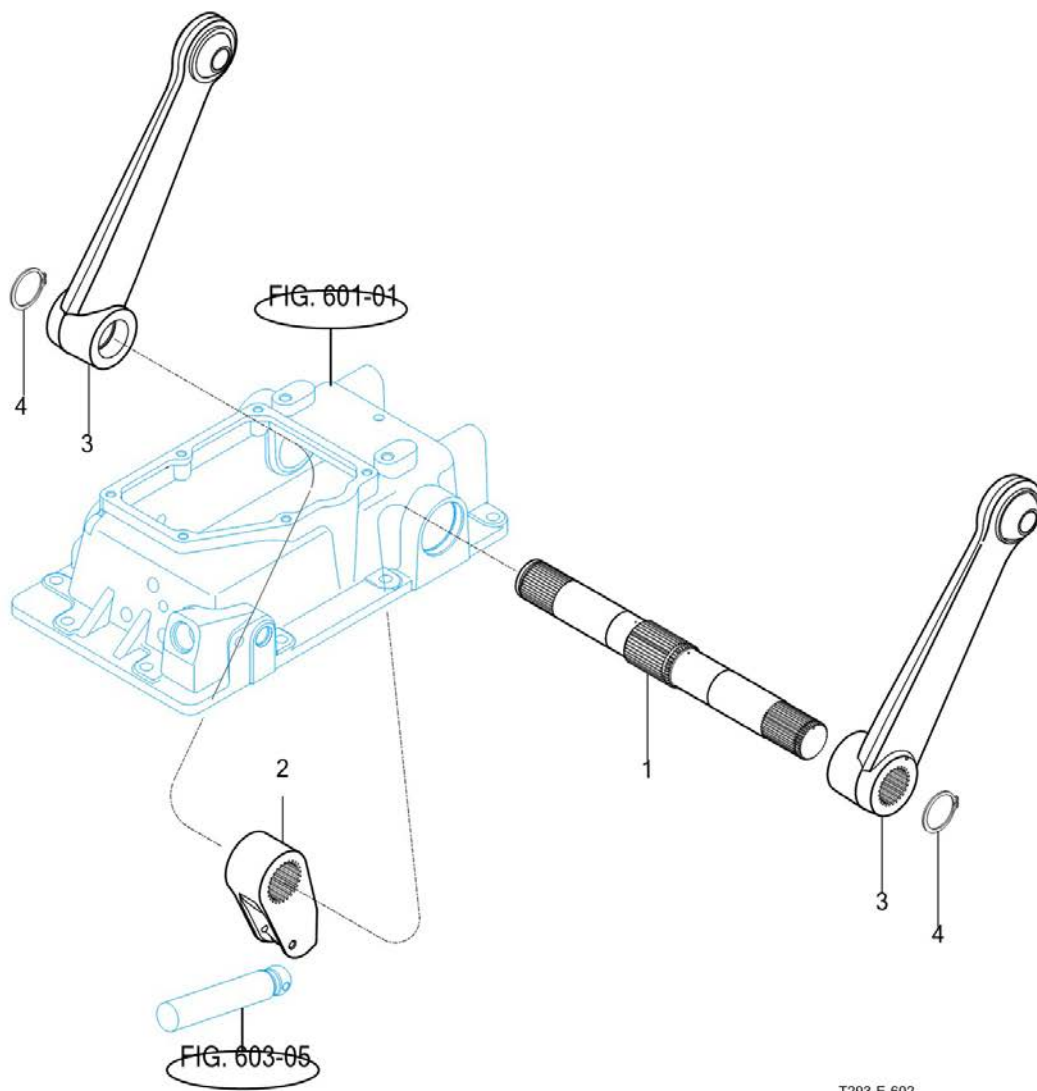
FIG 602

T25NH

LIFT ARM

년/월  
Year/Month

2022-12



T293-E-602

NOTE



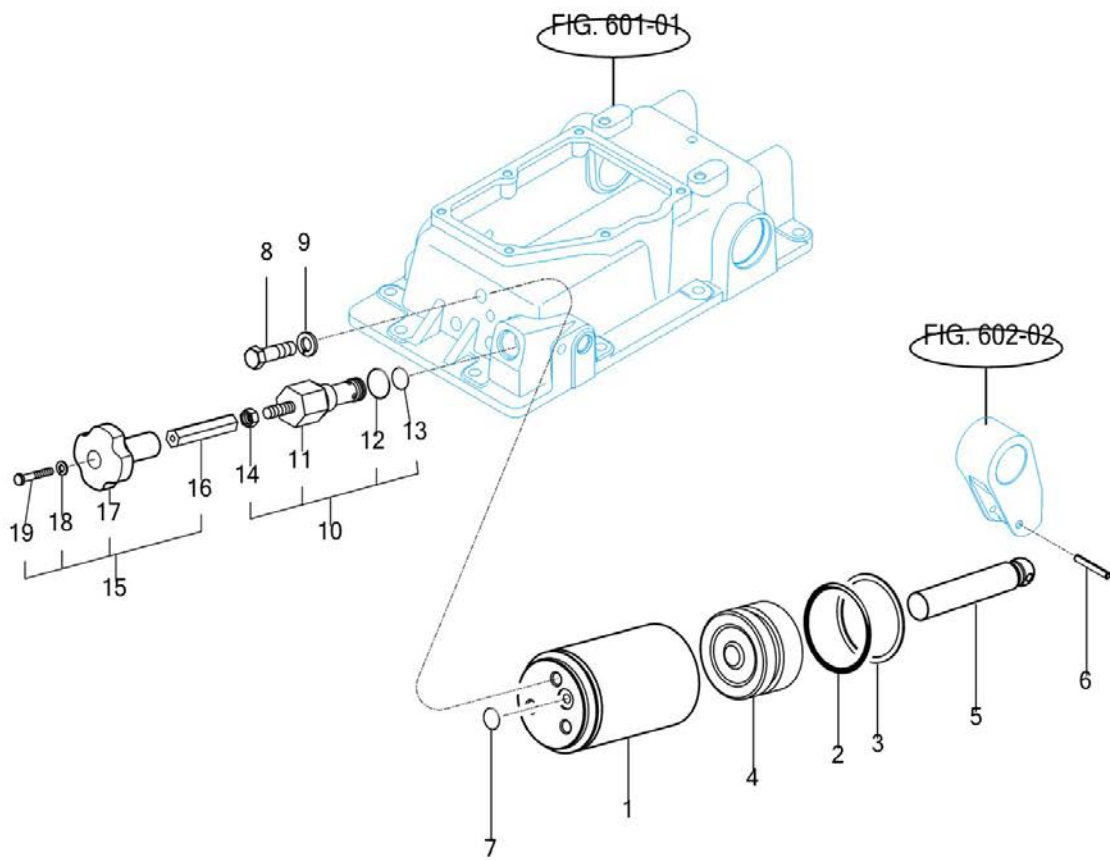
FIG 603

T25NH

FLOW CONTROL VALVE

년/월  
Year/Month

2022-12



T293-E-603

NOTE



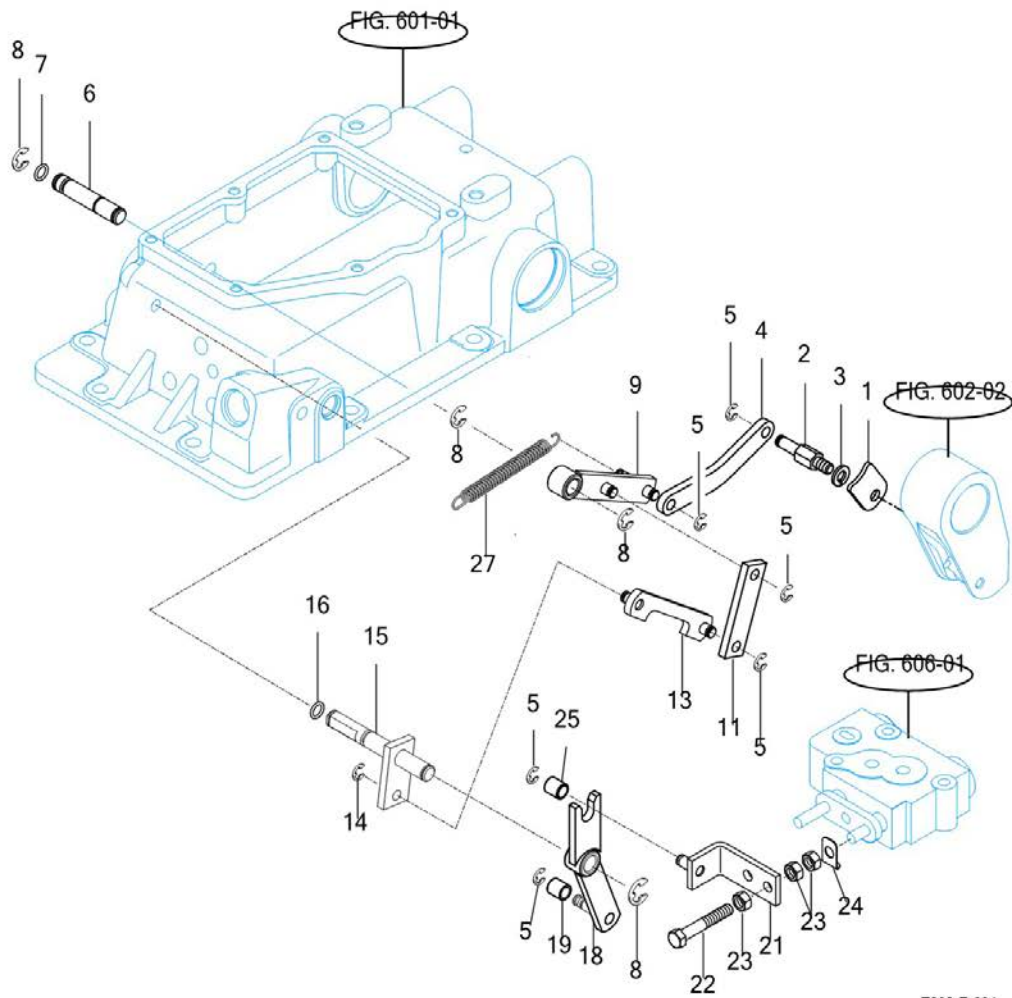
FIG 604

T25NH

CONTROL VALVE LINKAGE

년/월  
Year/Month

2022-12



T293-E-604

NOTE



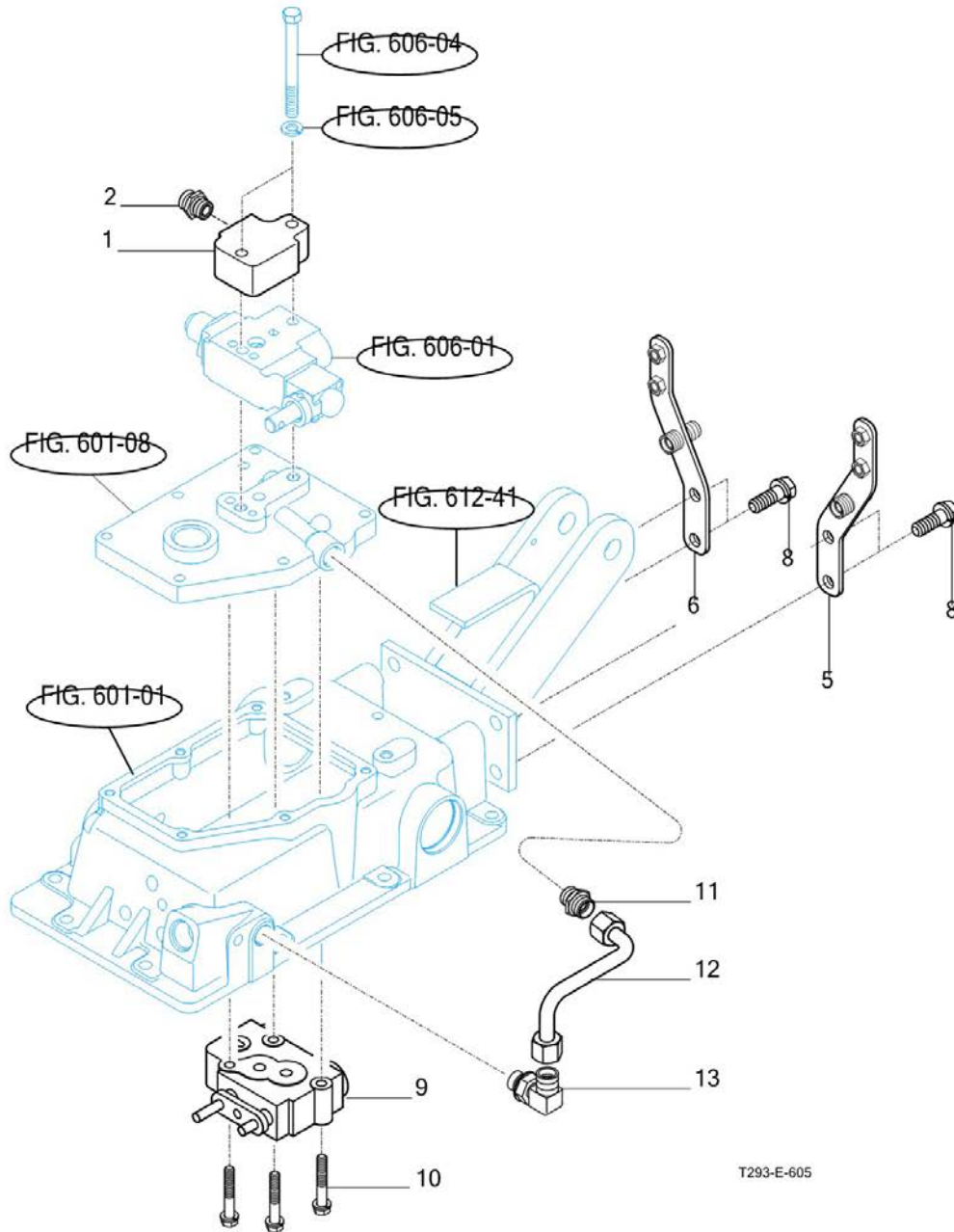
FIG 605

T25NH

MAIN CONTROL VALVE

년/월  
Year/Month

2022-12



NOTE





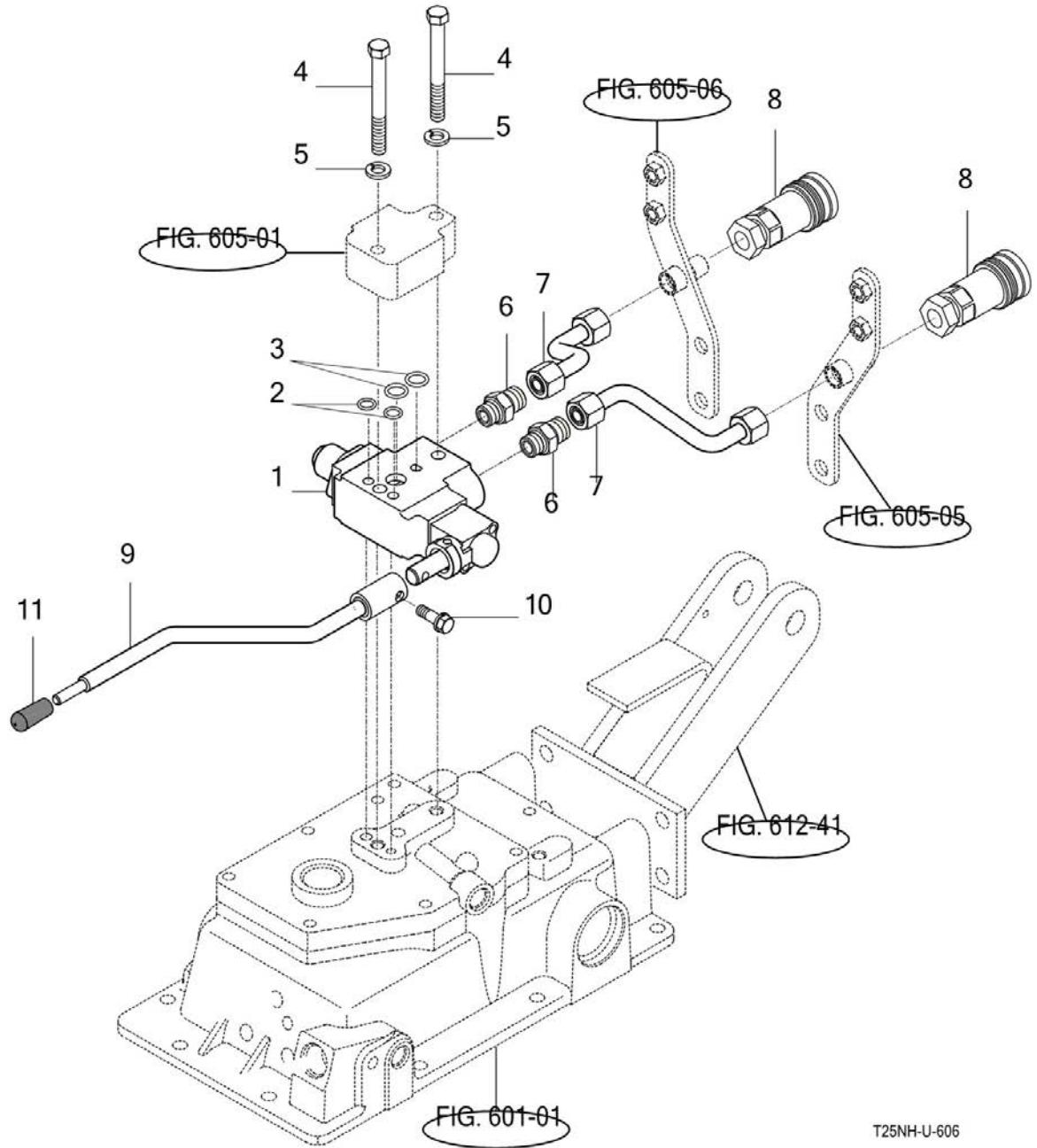
FIG 606

T25NH

REMOTE CONTROL VALVE

년/월  
Year/Month

2022-12



T25NH-U-606

NOTE



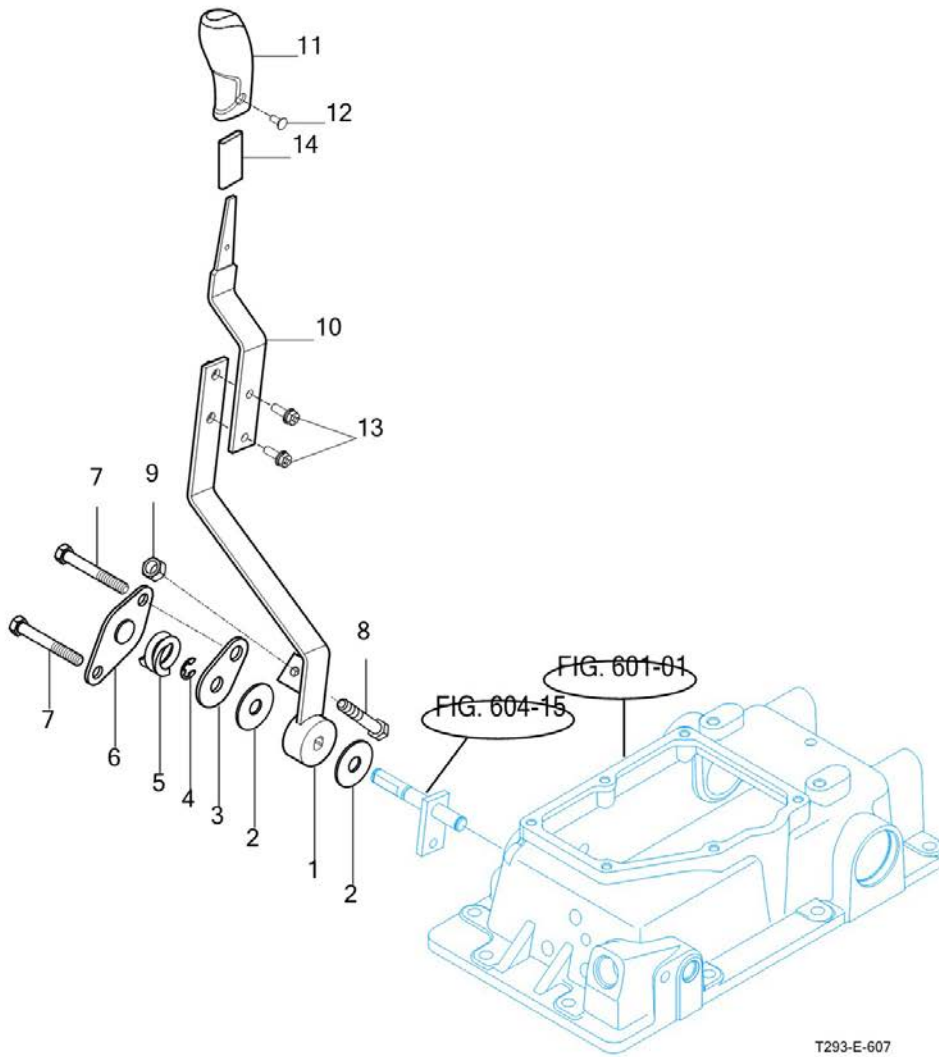
FIG 607

T25NH

POSITION LEVER LINKAGE

년/월  
Year/Month

2022-12



T293-E-607

NOTE



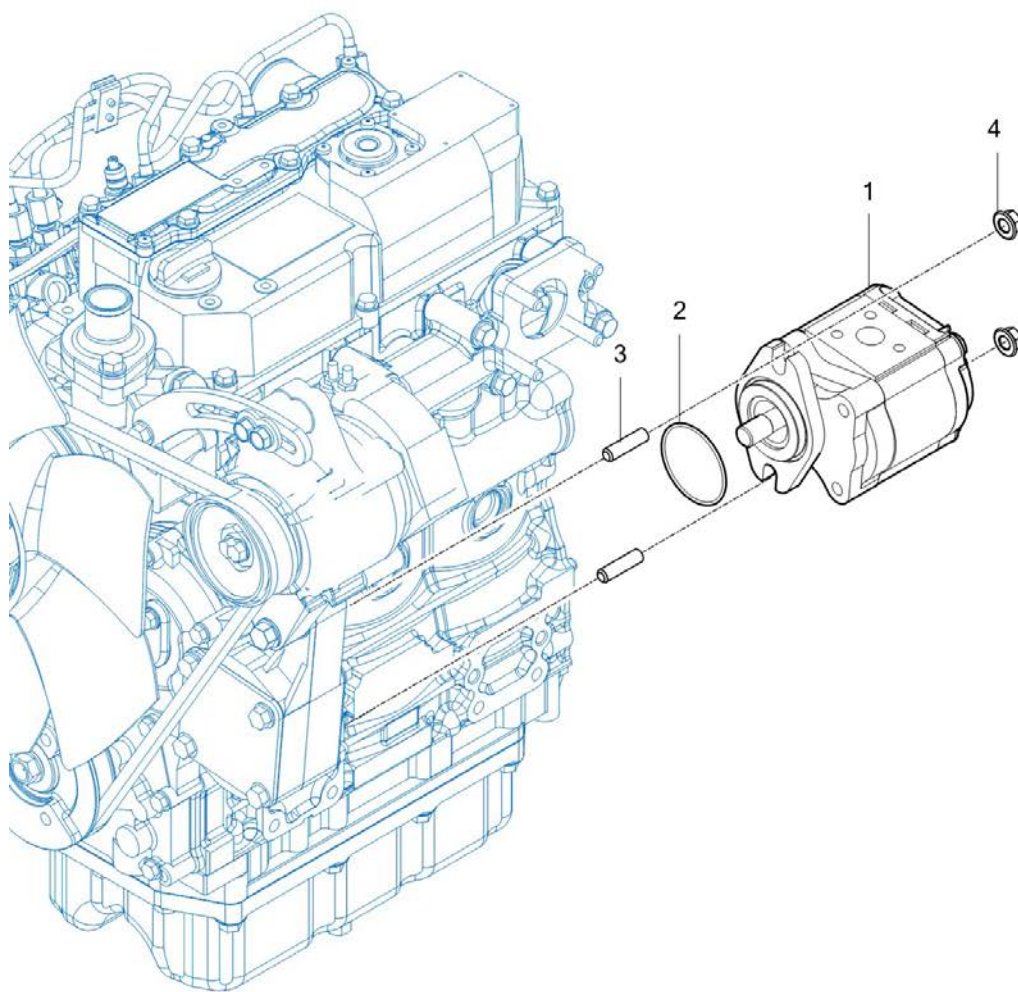
FIG 608

T25NH

GEAR PUMP

년/월  
Year/Month

2022-12



NOTE



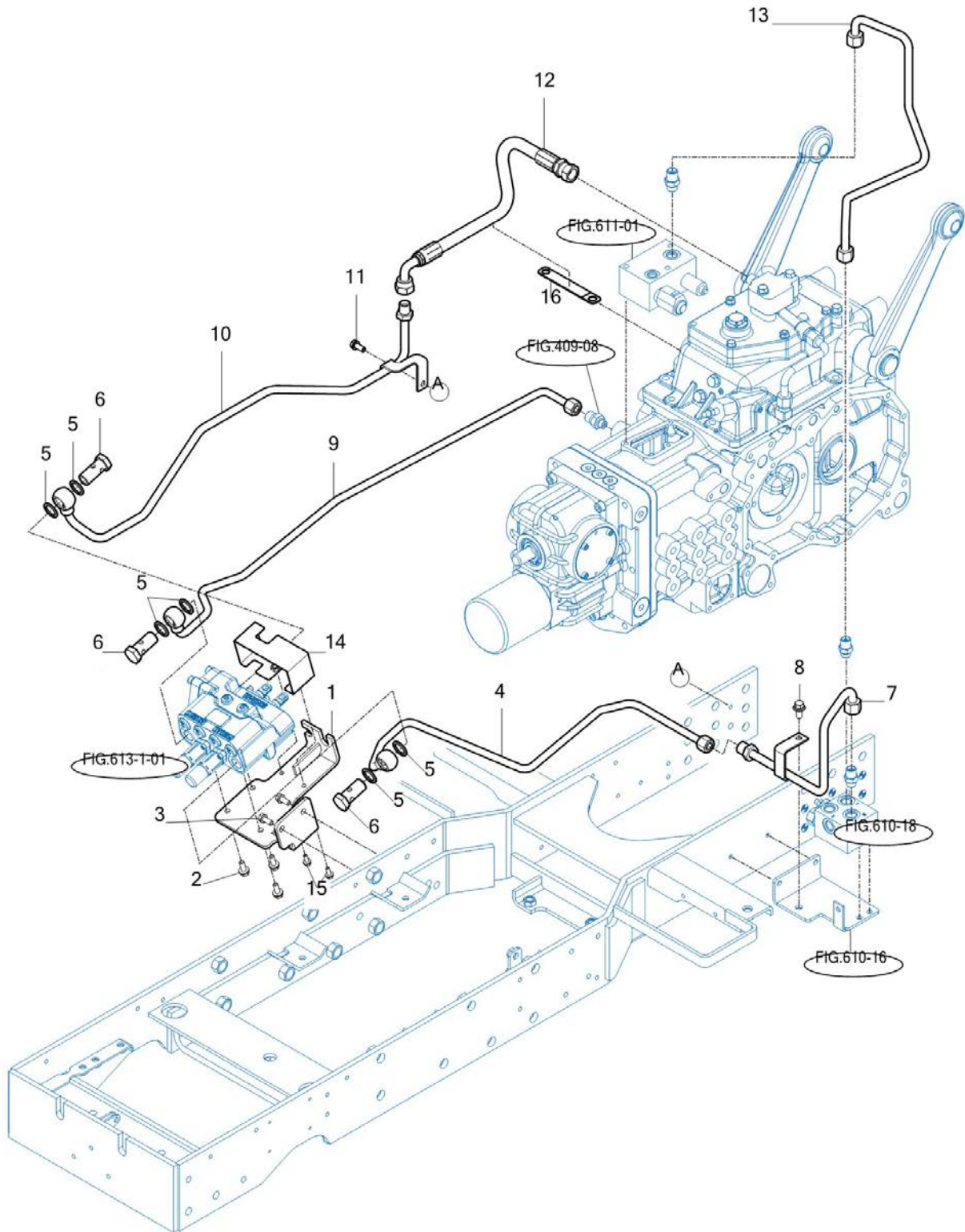
FIG 609

T25NH

HYDRAULIC HOSE (1)

년/월  
Year/Month

2022-12



NOTE





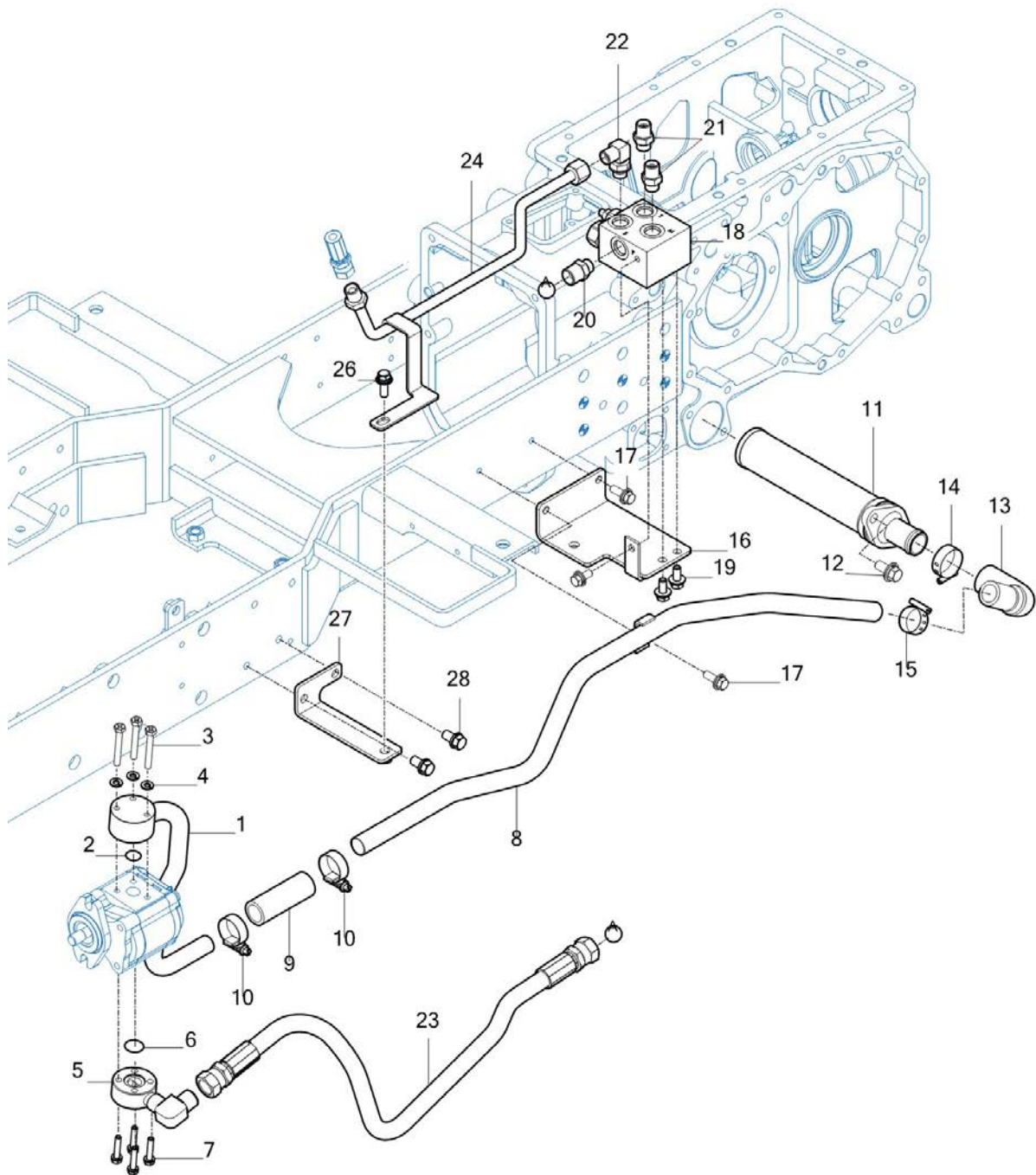
FIG 610

T25NH

HYDRAULIC HOSE (2)

년/월  
Year/Month

2022-12



NOTE



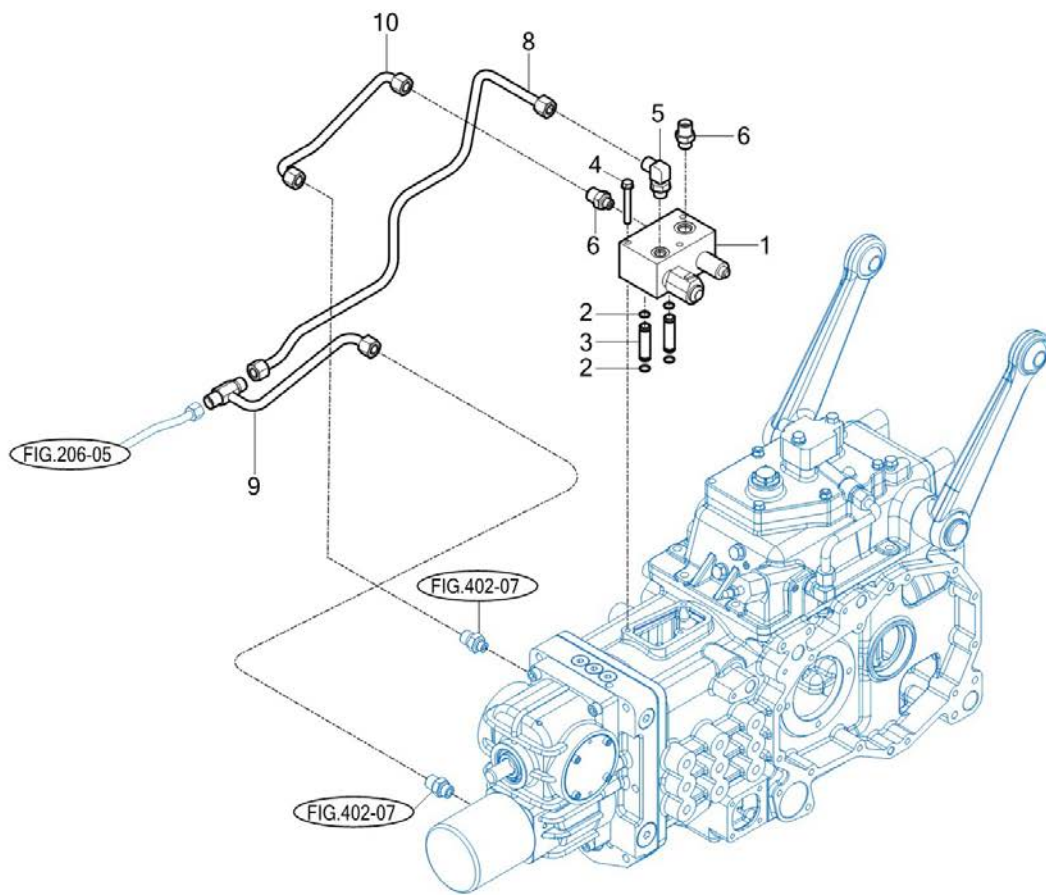
FIG 611

T25NH

PTO VALVE

년/월  
Year/Month

2022-12



NOTE



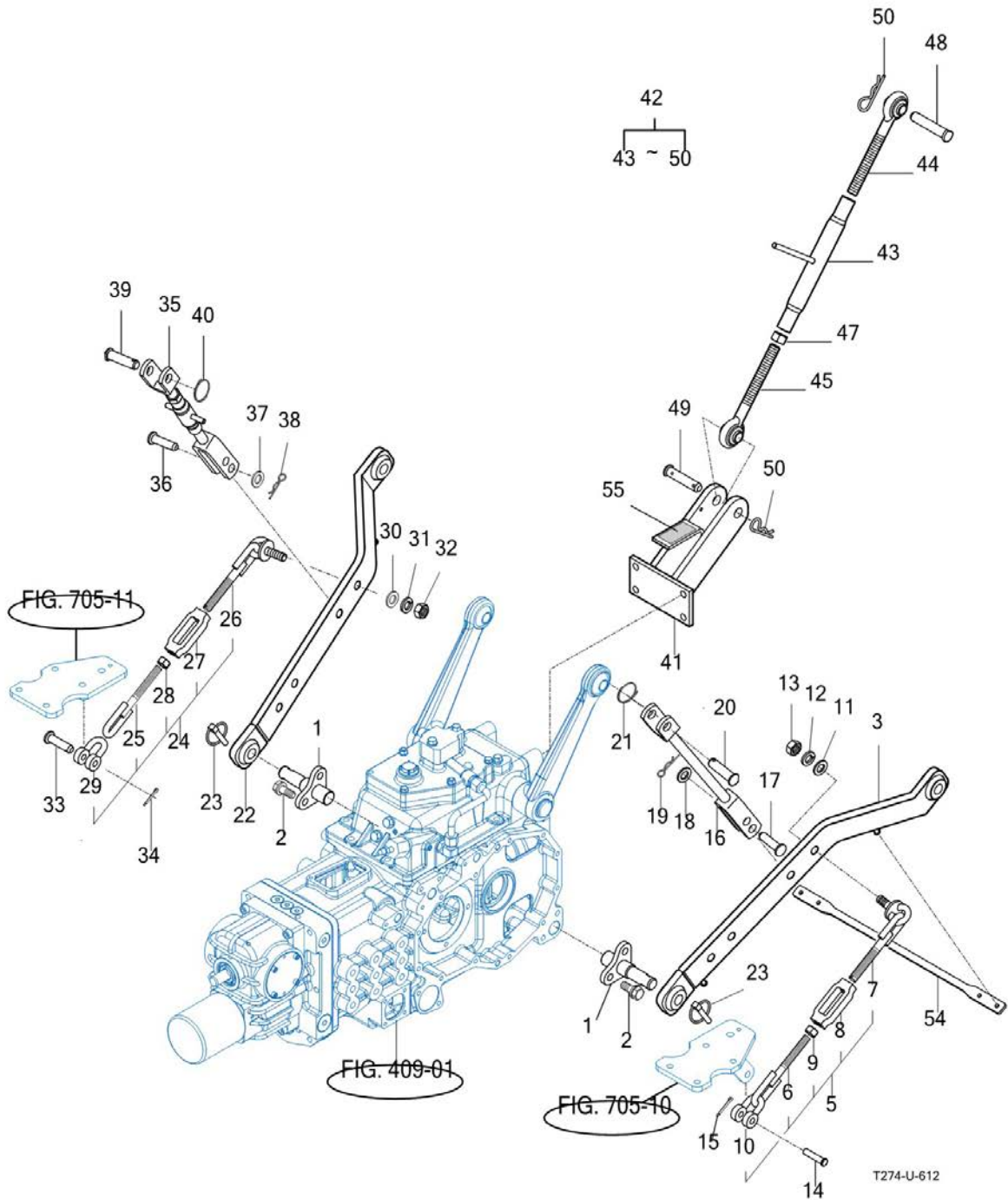
FIG 612

T25NH

HITCH & 3-POINT LINKAGE

년/월  
Year/Month

2022-12



NOTE

FIG 612		HITCH & 3-POINT LINKAGE						년/월 Year/Month	
								2022-12	
T25NH		KEY NO	PART NO	DESCRIPTION	SPEC	QTY	REPAIR	EFFECTIVE DATE	REMARKS
612	1	13155205100	PIN COMP, 115			2			
612	2	V2173612030	BOLT , HEX/S	M12X30		4			
612	3	13155202202	LOWER LINK COMP , LH			1			
612	5	13155202501	CHAIN ASSY , CHECK			1			
612	6	14585142600	CHAIN COMP , RH CHECK			1			
612	7	14585142700	CHAIN COMP , LH CHECK			1			
612	8	13155202511	TURNBUCKLE			1			
612	9	V3012600140	NUT , HEX/2	M14		1			
612	10	14585142520	SHACKLE , CHECK CHAIN			1			
612	11	V4111600160	WASHER , PLAIN	M16		1			
612	12	V4011600160	WASHER , SPRING	M16		1			
612	13	V3313600160	NUT , HEX FINE/2	M16		1			
612	14	79636110030	PIN , 12X48			1			
612	15	V5001930020	PIN , SPLIT	3X20		1			
612	16	13155202401	LIFT ROD COMP , LH			1			
612	17	79636130050	PIN , 16X60			1			
612	18	V4111600160	WASHER , PLAIN	M16		1			
612	19	13059310030	PIN			1			
612	20	12505243500	PIN			1			
612	21	12505240060	Spring			1			
612	22	13155203102	LOWER LINK COMP , RH			1			
612	23	14215020020	PIN , LINK			2			
612	24	13155202501	CHAIN ASSY , CHECK			1			
612	25	14585142600	CHAIN COMP , RH CHECK			1			
612	26	14585142700	CHAIN COMP , LH CHECK			1			
612	27	13155202511	TURNBUCKLE			1			
612	28	V3012600140	NUT , HEX/2	M14		1			
612	29	14585142520	SHACKLE , CHECK CHAIN			1			
612	30	V4111600160	WASHER , PLAIN	M16		1			
612	31	V4011600160	WASHER , SPRING	M16		1			
612	32	V3313600160	NUT , HEX FINE/2	M16		1			
612	33	79636110030	PIN , 12X48			1			
612	34	V5001930020	PIN , SPLIT	3X20		1			
612	35	13155203201	LIFT ROD ASSY , RH			1			
612	36	79636130050	PIN , 16X60			1			
612	37	V4111600160	WASHER , PLAIN	M16		1			
612	38	13059310030	PIN			1			
612	39	12505243500	PIN			1			
612	40	12505240060	Spring			1			
612	41	13155204104	BRACKET COMP, TOP LINK			1			
612	42	13155206002	TOP LINK ASSY			1			
612	42	13155206003	TOP LINK ASSY			1			
612	42	13155206004	TOP LINK ASSY			1			
612	43	13155206111	TURN BUCKLE			1			
612	44	13155206121	JOINT , LH			1			
NOTE									

FIG 612		HITCH & 3-POINT LINKAGE					년/월 Year/Month	
							2022-12	
T25NH								
KEY NO	PART NO	DESCRIPTION	SPEC	QTY	REPAIR	EFFECTIVE DATE	REMARKS	
612	45	13155206131	JOINT , RH					
612	47	V3042600200	NUT , HEX/2	M20				
612	48	15645220020	PIN , 19X95					
612	49	15645220011	PIN , 19X86					
612	50	14445140051	PIN , 19					
612	54	15605250030	BAND , 470					
612	55	13151112011	INSULATOR , 40X70					
NOTE								

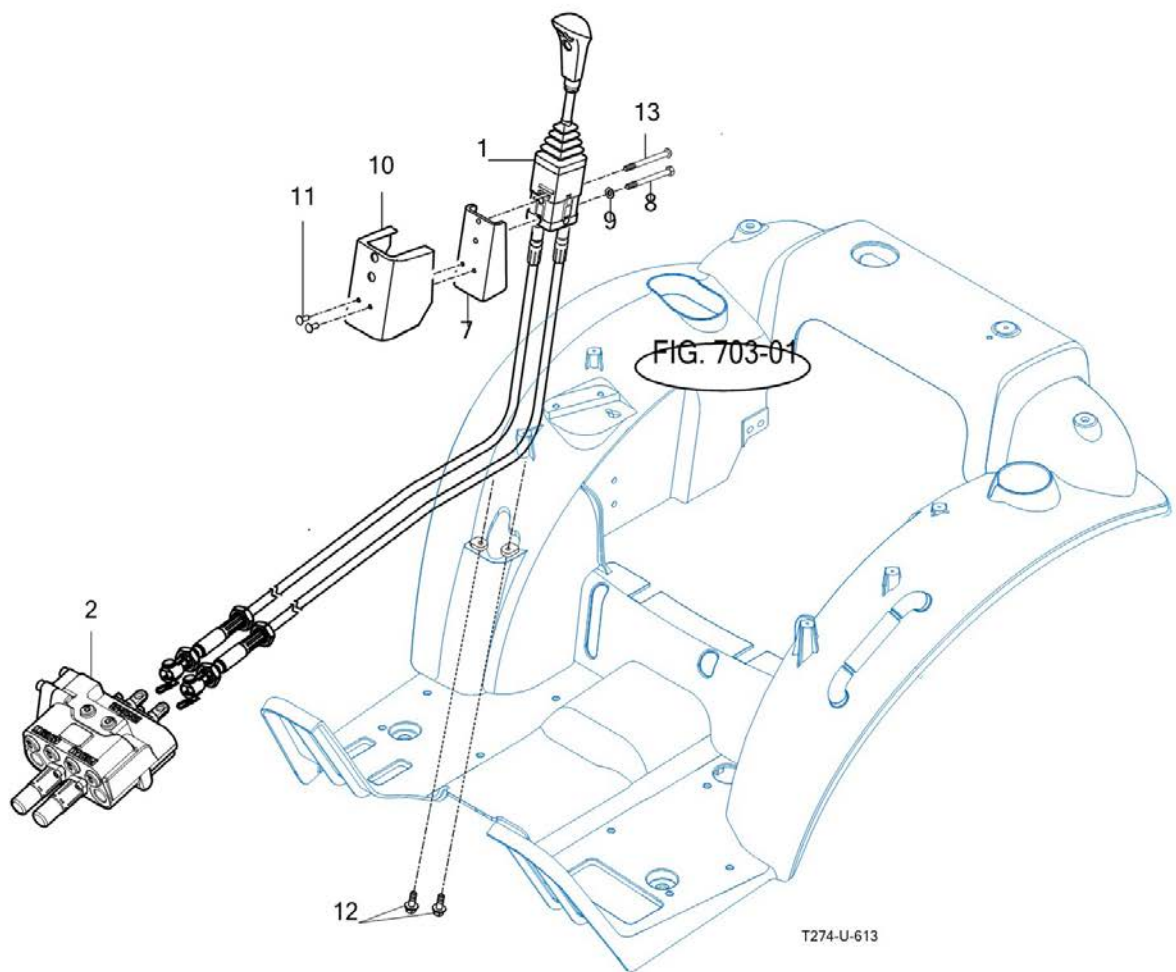
FIG 613

T25NH

JOYSTICK LEVER

년/월  
Year/Month

2022-12



NOTE





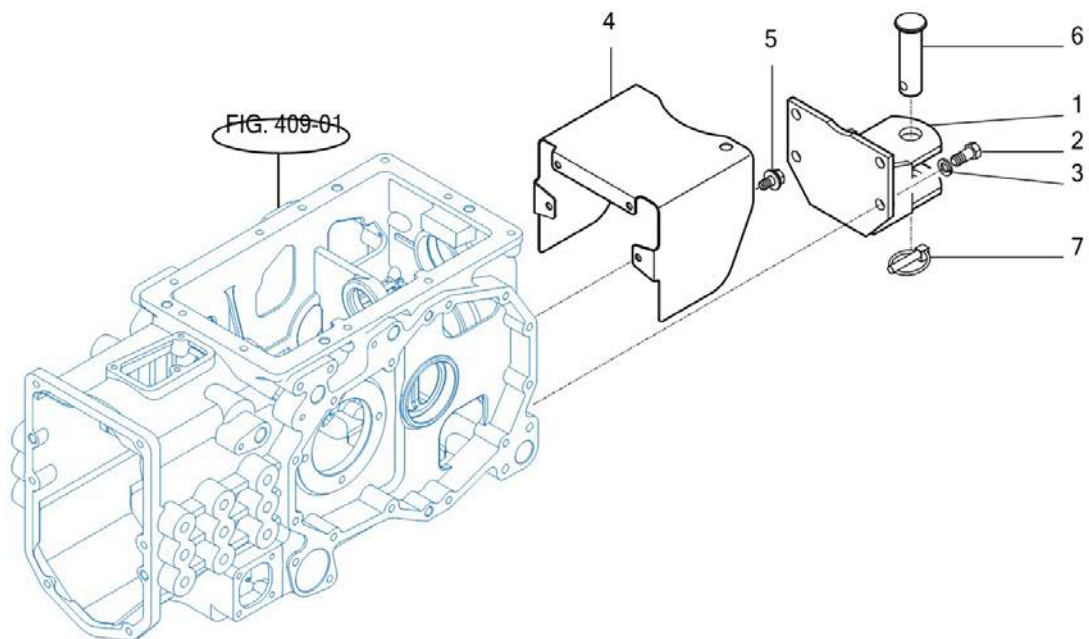
FIG 614

T25NH

HITCH & COVER

년/월  
Year/Month

2022-12



NOTE



## 7. Sheet Metal & Cabin PART NO. T7

FIG 701 BONNET	141
FIG 702 DASH PANEL	143
FIG 703 FLOOR	145
FIG 704 SEAT	148
FIG 705 ROPS	150

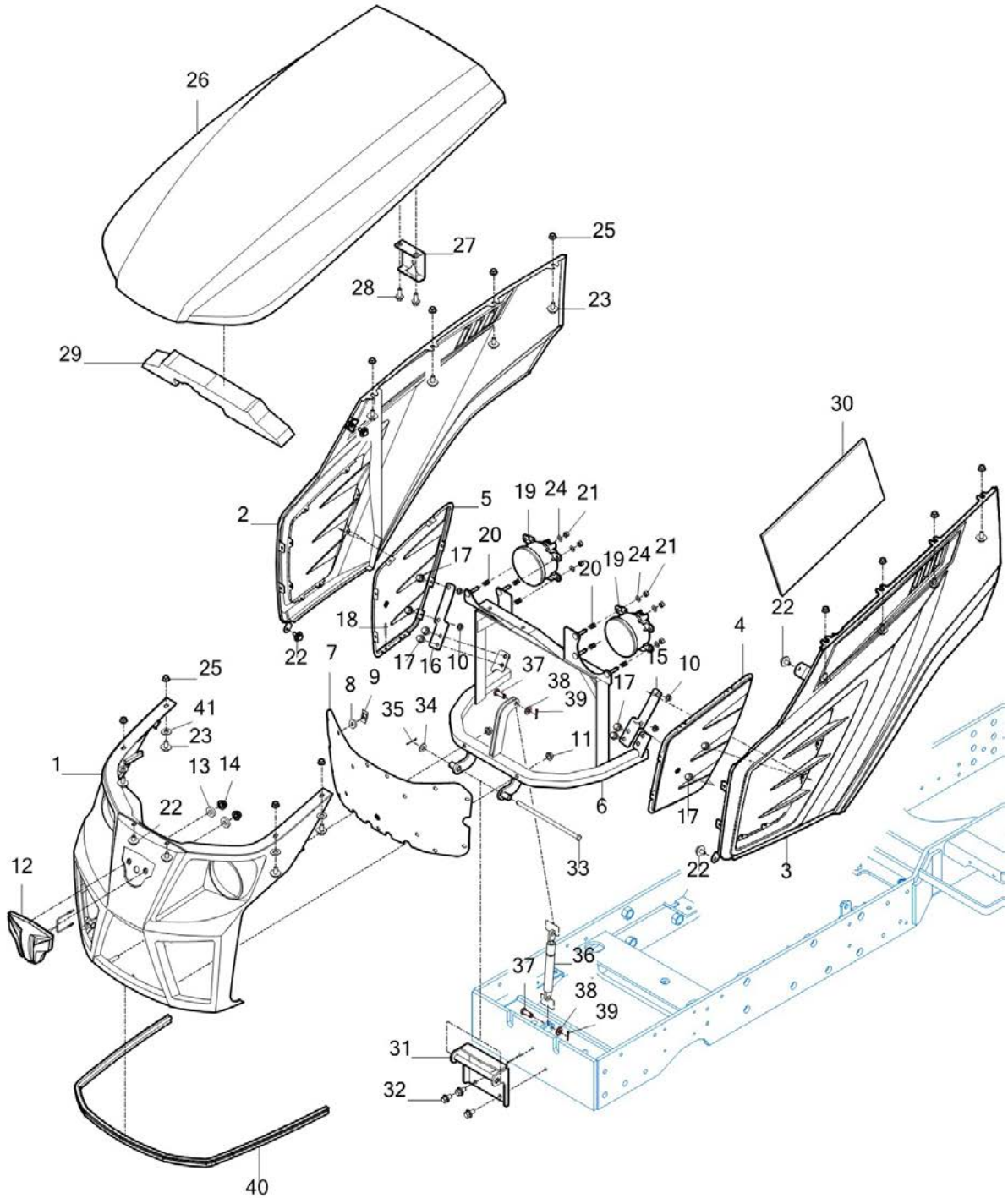
FIG 701

BONNET

년/월  
Year/Month

2022-12

T25NH



NOTE

FIG 701 T25NH		BONNET					년/월 Year/Month	
							2022-12	
KEY NO	PART NO	DESCRIPTION	SPEC	QTY	REPAIR	EFFECTIVE DATE	REMARKS	
701	1	11816012400GB	GRILL COMP		1			
701	2	11816012300SR	SIDE PANEL COMP , RH		1			
701	3	11816012200SR	SIDE PANEL COMP , LH		1			
701	4	11816020020GB	NET , LH / SIDE PANEL		1			
701	5	11816020030GB	NET , RH / SIDE PANEL		1			
701	6	11816022100GB	HOOD FRAME COMP		1			
701	7	11816020010GB	NET , FR / GRILL		1			
701	8	14446010150	WASHER , NET		15			
701	9	V3501600060	NUT, PUSH-ON SPRING		15			
701	10	V3802600060	NUT , HEX FLANGE		4			
701	11	V3802600080	NUT , HEX FLANGE		2			
701	12	11816010100	EMBLEM ASSY , LED		1			
701	13	V4111600060	WASHER , PLAIN		2			
701	14	V3802600060	NUT , HEX FLANGE		2			
701	15	11816022210GB	FIX PLATE , LH		1			
701	16	11816022310GB	FIX PLATE , RH		1			
701	17	V2193606016	BOLT , HEX/SPL		8			
701	18	V5502040093	RIVET , BLIND		14			
701	19	11816020090	HEAD LAMP, LED		2			
701	20	16998010080	SPRING , HC016		6			
701	21	19027210060	NUT , NYLON , M6		6			
701	22	V2193606016	BOLT , HEX/SPL		6			
701	23	V2193606016	BOLT , HEX/SPL		12			
701	24	V4111600060	WASHER , PLAIN		6			
701	25	V3802600060	NUT , HEX FLANGE		12			
701	26	11816012100SR	HOOD		1			
701	27	13156012213	BRACKET , STAY		1			
701	28	V2183608020	BOLT , HEX/SP		2			
701	29	11816020060	INSULATOR , UPPER / HOOD		1			
701	30	16506010140	SPONGE		1			
701	31	11816013100GB	BRACKET COMP , HINGE		1			
701	32	V2183608025	BOLT , HEX/SP		3			
701	33	13016202060	PIN , HOOD		1			
701	34	V4111600080	WASHER , PLAIN		1			
701	35	V5001925020	PIN D2.5x20		1			
701	36	11816022400	GAS SPRING , 70kgf		1			
701	37	14322420010	PIN		2			
701	38	V4111600080	WASHER , PLAIN		2			
701	39	V5001925015	PIN , SPLIT		2			
701	40	11816020040	INSULATOR , LOW / HOOD		1			
701	41	19026112050	WASHER , 6X30X2.3		4			
NOTE								

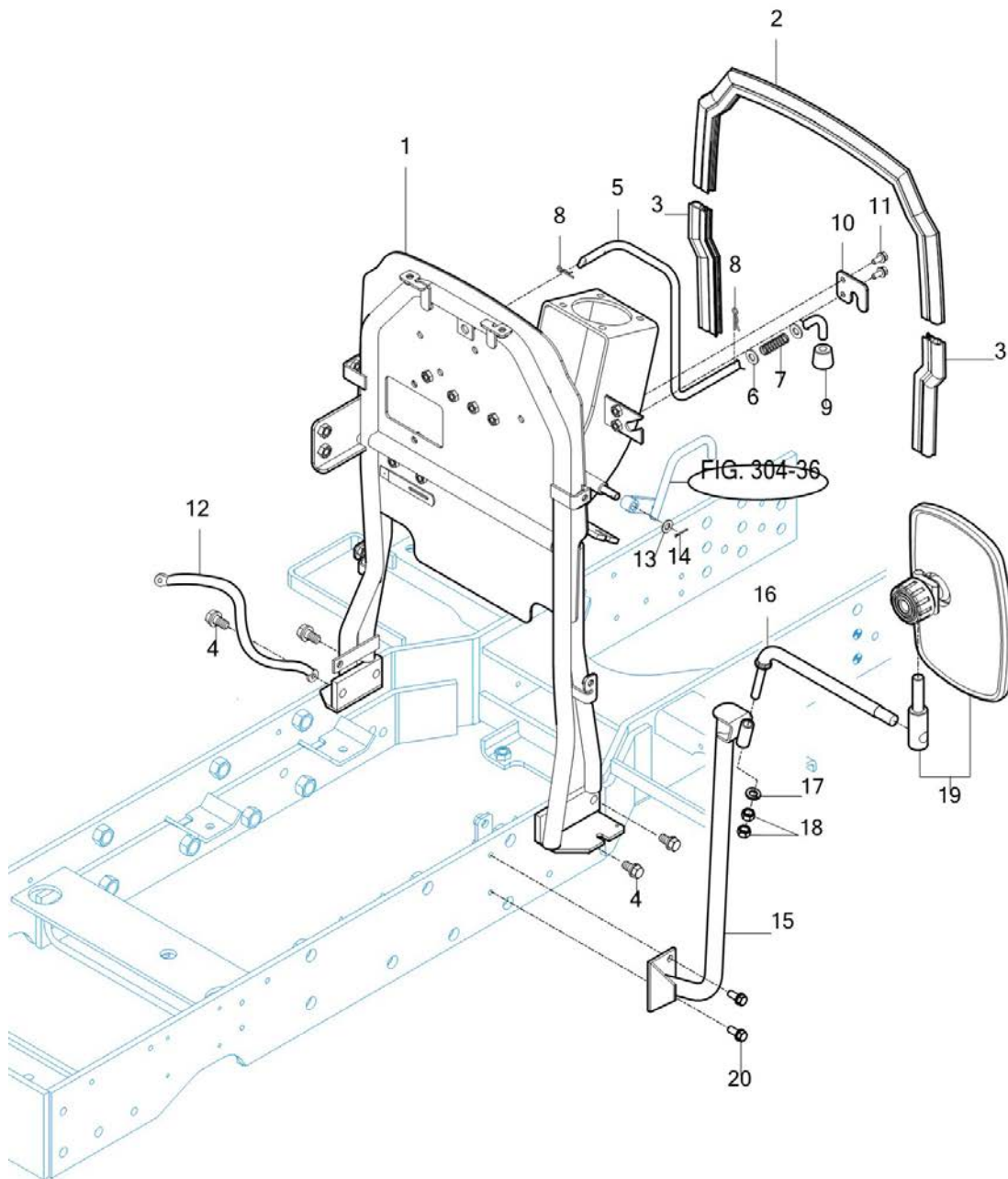
FIG 702

DASH PANEL

년/월  
Year/Month

2022-12

T25NH



NOTE





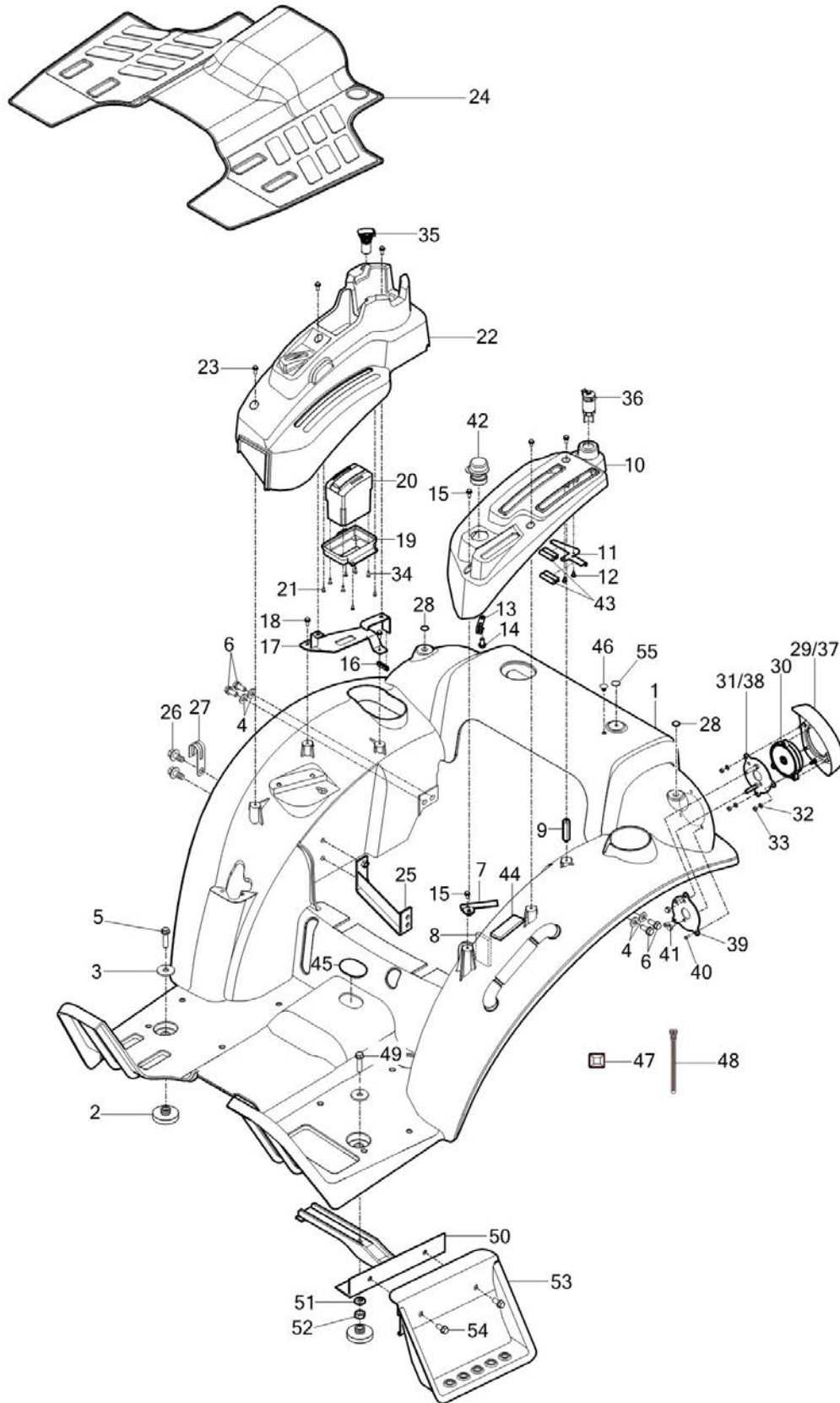
FIG 703

FLOOR

년/월  
Year/Month

2022-12

T25NH



NOTE

FIG 703 T25NH		FLOOR					년/월 Year/Month	
							2022-12	
KEY NO	PART NO	DESCRIPTION	SPEC	QTY	REPAIR	EFFECTIVE DATE	REMARKS	
703	1	13156402114SR	PANEL , FLOOR		1			
703	2	13156252121	INSULATOR		2			
703	3	13156252110	PLATE		2			
703	4	V4111600100	WASHER , PLAIN	M10	4			
703	5	V2173612040	BOLT , HEX/S	M12X40	1			
703	6	V2173610040	BOLT , HEX/S	M10X40	4			
703	7	11817082300GB	BRACKET COMP , FR/LEVER COVER		1			
703	8	11816400010	INSULATOR , 4WD		1			
703	9	11817095440	BOLT , COVER		1			
703	10	11817082100	LEVERCOVER SUB , LH		1			
703	11	11816400020GB	PLATE, PTO LEVER		1			
703	12	V1902605012	SCREW , TAPPING C/R PAN/3		2			
703	13	37371720090	CLAMP , W/HARNESS		1			
703	14	19406110080	TAPPING SCREW , TRUSS/6X16		1			
703	15	V1222806012	SCREW , C/R PAN/SP		4			
703	16	11816030020	INSULATOR , RH / LEVER COVER		1			
703	17	11817082400GB	BRACKET COMP , LEVER COVER		1			
703	18	V1222806012	SCREW , C/R PAN/SP		2			
703	19	11817082220	LEVER COVER , LOW / RH		1			
703	20	11816602300	WIRELESS CHARGE ASSY		1			
703	21	V1922604012	SCREW , TAPPING		4			
703	22	11817082210NG	LEVER COVER , UPPER /RH		1			
703	23	V1222806012	SCREW , C/R PAN/SP		3			
703	24	13186412110	MAT , FLOOR		1			
703	25	13196253100GB	PLATE COMP, RH SUPPROT FENDER		1			
703	26	V2183608025	BOLT , HEX/SP		2			
703	27	14256210040	CLAMP , 9		1			
703	28	16606070031	CAP , 9		2			
703	29	11817023500NG	LAMP COMP , STOP COVER LH		1			
703	30	11817023400	LAMP ASSY . STOP		2			
703	31	11817023700	FIX PLATE COMP , LH / STOP LAMP		1			
703	32	V4011600060	WASHER , SPRING		6			
703	33	V3412700080	NUT , SMALL CAP		6			
703	34	V1122804012	SCREW , C/R FLAT		4			
703	35	11817018500	USB SOCKET ASSY		1			
703	36	10037018500	SOCKET ASSY , POWER		1			
703	37	11817023600NG	STOP LAMP COVER , RH		1			
703	38	11817023800	FIX PLATE COMP , RH / STOP LAMP		1			
703	39	11817023710	FIX PLATE , STOP LAMP		2			
703	40	V1922605012	SCREW , TAPPING		6			
703	41	V3412700080	NUT , SMALL CAP		4			
703	42	11106644000	SWITCH ASSY , PTO		1			
703	43	11816400030	INSULATOR , 40 / LEVERCOVER		2			
703	44	11816400040	INSULATOR , LOW /4WD LEVER		1			
703	45	14706300020	CAP , SLOW RETURN		1			
NOTE								



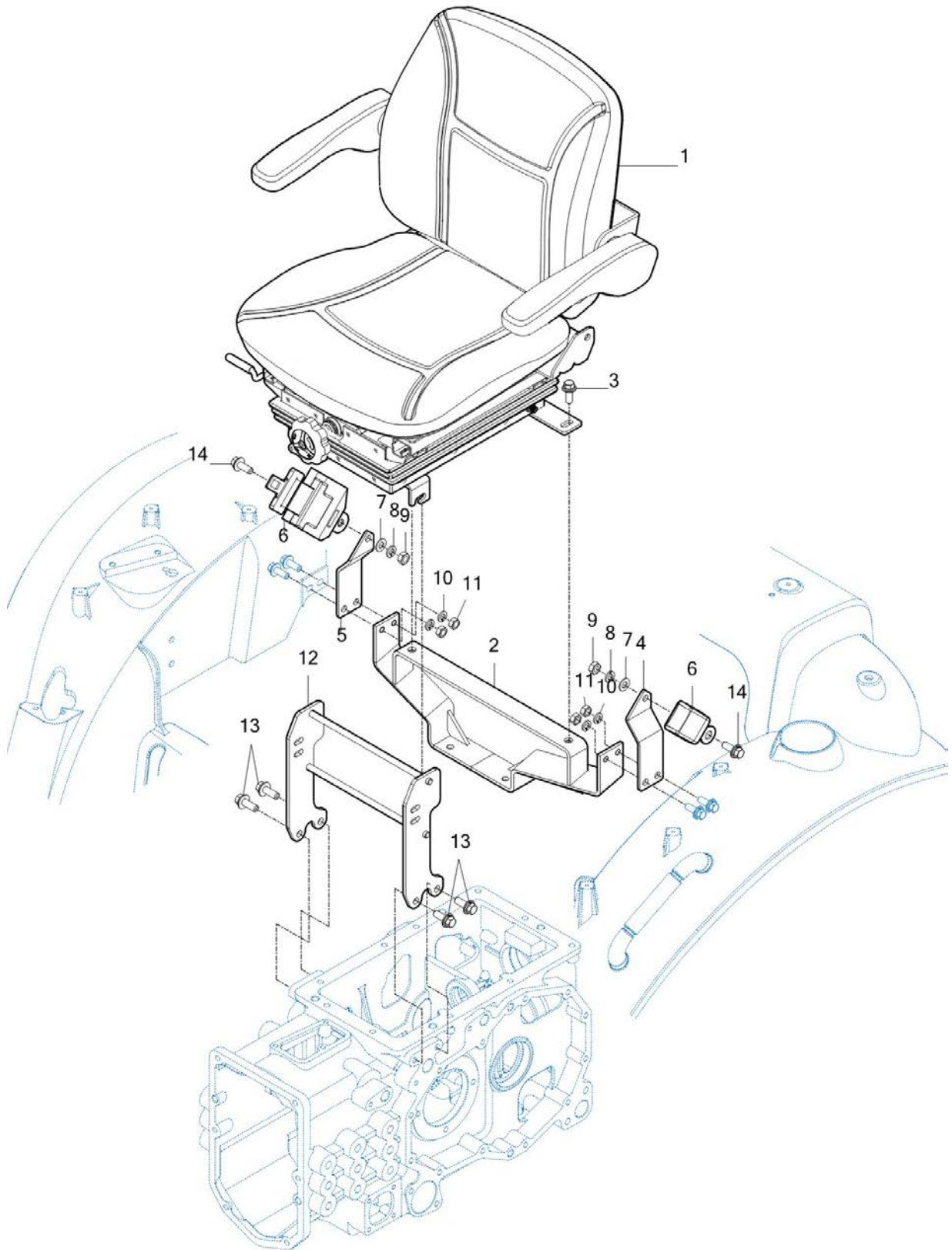
FIG 704

SEAT

년/월  
Year/Month

2022-12

T25NH



NOTE



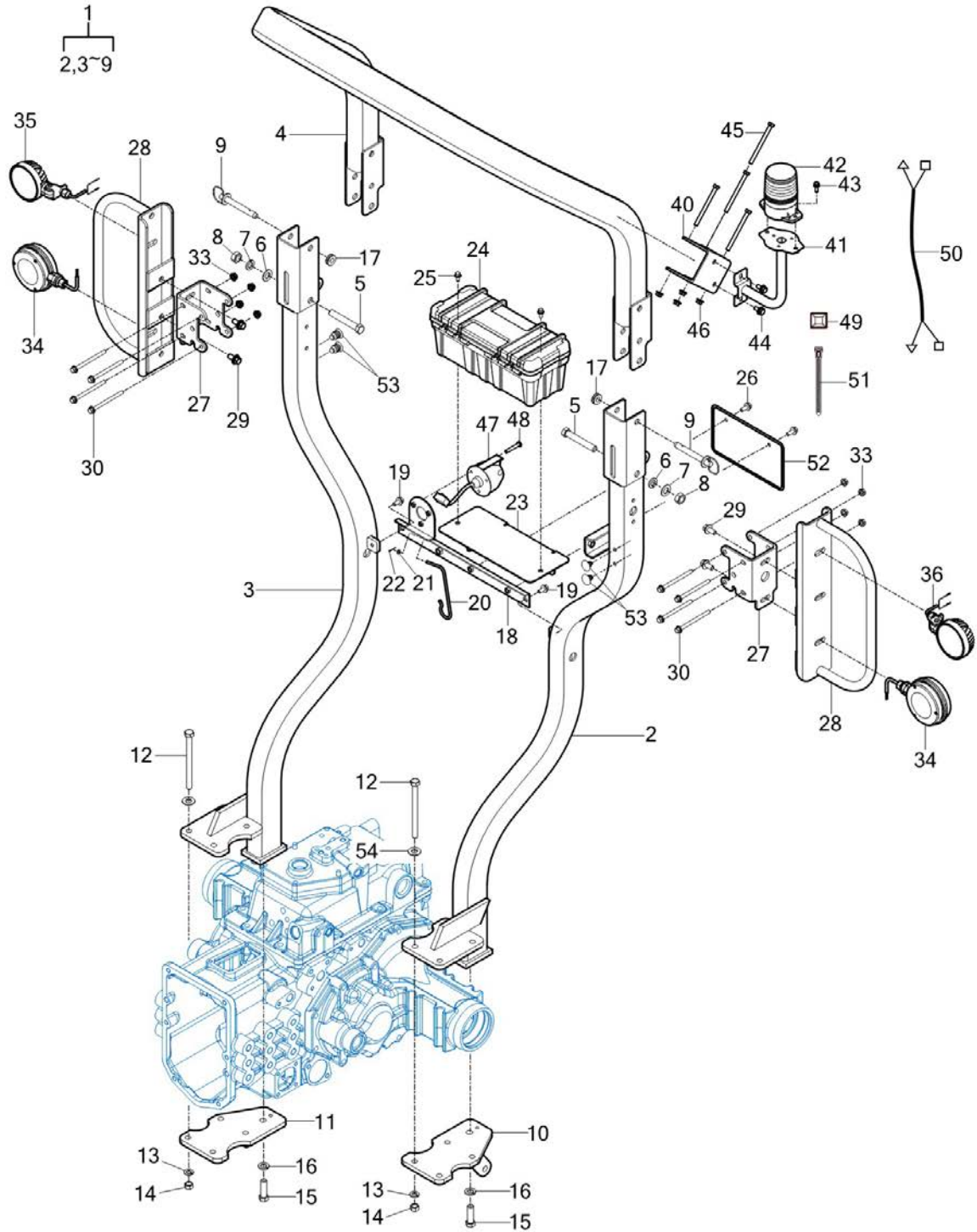
FIG 705

T25NH

ROPS

년/월  
Year/Month

2022-12



NOTE

FIG 705		ROPS					년/월 Year/Month		
							2022-12		
T25NH		KEY NO	PART NO	DESCRIPTION	SPEC	QTY	REPAIR	EFFECTIVE DATE	REMARKS
705	1	12027022000				1			
705	2	11817022100GB	FRAME COMP , LH			1			
705	3	11817023100GB	FRAME COMP , RH			1			
705	4	13397024100GB	FRAME COMP , UPR			1			
705	5	V2004614090	BOLT , HEX			2			
705	6	V4111600140	WASHER , PLAIN			2			
705	7	V4011600140	WASHER , SPRING			2			
705	8	V3043600140	NUT , HEX/2			2			
705	9	16507027500	PIN COMP , FIXED			2			
705	10	11817022201GB	BRACKET COMP , LH			1			
705	11	11817023201GB	BRACKET COMP , RH			1			
705	12	V2004612150	BOLT , HEX			8			
705	13	V4011600120	WASHER , SPRING			8			
705	14	V3043600120	NUT , HEX/2			8			
705	15	V2013614045	BOLT , HEX			2			
705	16	V4011600120	WASHER , SPRING			2			
705	17	14046210300	GROMMET			2			
705	18	13277035401GB	BRACKET COMP			1			
705	19	V2183608025	BOLT , HEX/SP			2			
705	20	16705251100	HOOK , TOPLINK			1			
705	20	14527071350	HOOK , TOPLINK			1			
705	20	14527071350	HOOK , TOPLINK			1			
705	21	V4111600050	WASHER , PLAIN			1			
705	22	V5001920015	PIN , SPLIT			1			
705	23	11817011100GB	BRACKET COMP , TOOLBOX			1			
705	24	13836081180	TOOL BOX			1			
705	25	V2183608020	BOLT , HEX/SP			2			
705	26	V2183606016	BOLT , HEX/SP			2			
705	27	11817120010GB	PLATE , COMBI			2			
705	28	11817122100GB	BRACKET COMP , COMBI LAMP			2			
705	29	V2183610025	BOLT , HEX/SP			4			
705	30	V2183608100	BOLT , HEX/SP			8			
705	33	V3802600080	NUT , HEX FLANGE			8			
705	34	11616562000	LAMP ASSY , DOUBLE-SIDE			2			
705	35	11817025800	LAMP ASSY , WORKING RH			1			
705	36	11817025700	LAMP ASSY , WORKING LH			1			
705	40	12027002100GB	브래킷 COMP , 경광등			1			
705	41	19027912201GB	ARM COMP , BEACON			1			
705	42	19027912301	BEACON ASSY			1			
705	43	V2123606020	BOLT , HEX /SP			2			
705	44	V2183608020	BOLT , HEX/SP			2			
705	45	V2183608100	BOLT , HEX/SP			4			
705	46	V3802600080	NUT , HEX FLANGE			4			
705	47	13267028202	SOCKET ASSY , TRAILER			1			
705	48	V1112605030	SCREW , C/R PAN			3			
NOTE									





## 8. Electrical System PART NO. T8

FIG 801 BATTERY & MOUNTING	154
FIG 802 LIGHTS	156
FIG 803 INSTRUMENT PANEL	158
FIG 804 ELECTRIC SYSTEM	160
FIG 805 HARNESS	162
FIG 806 HARNESS	164

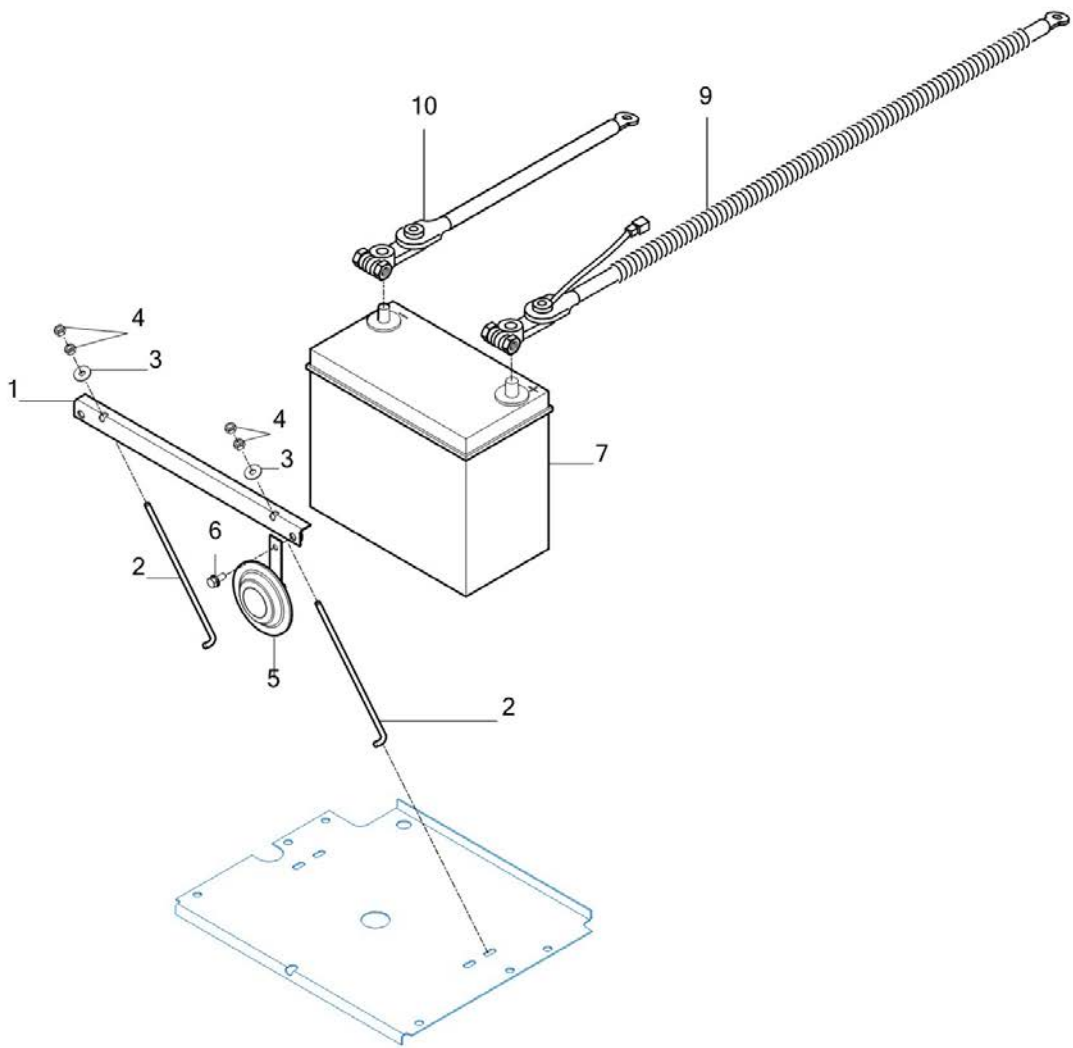
FIG 801

T25NH

BATTERY & MOUNTING

년/월  
Year/Month

2022-12



NOTE



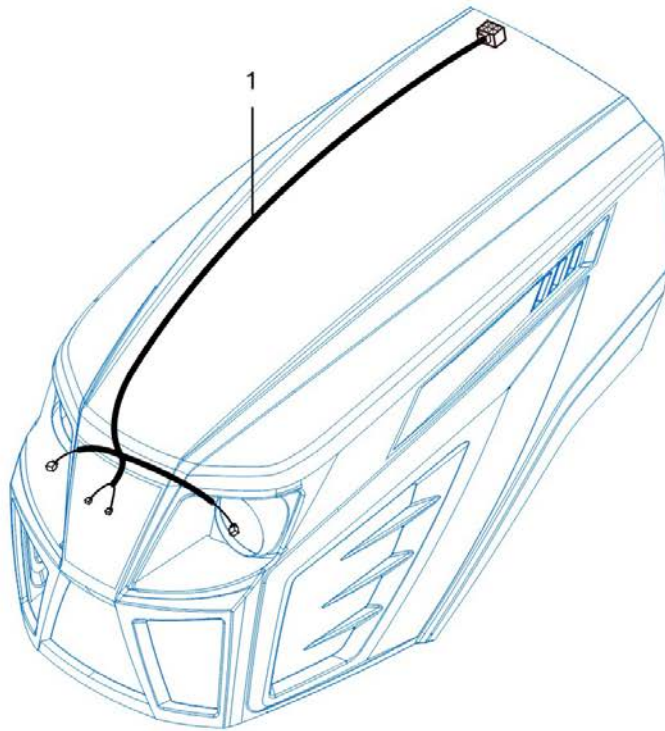
FIG 802

T25NH

LIGHTS

년/월  
Year/Month

2022-12



NOTE



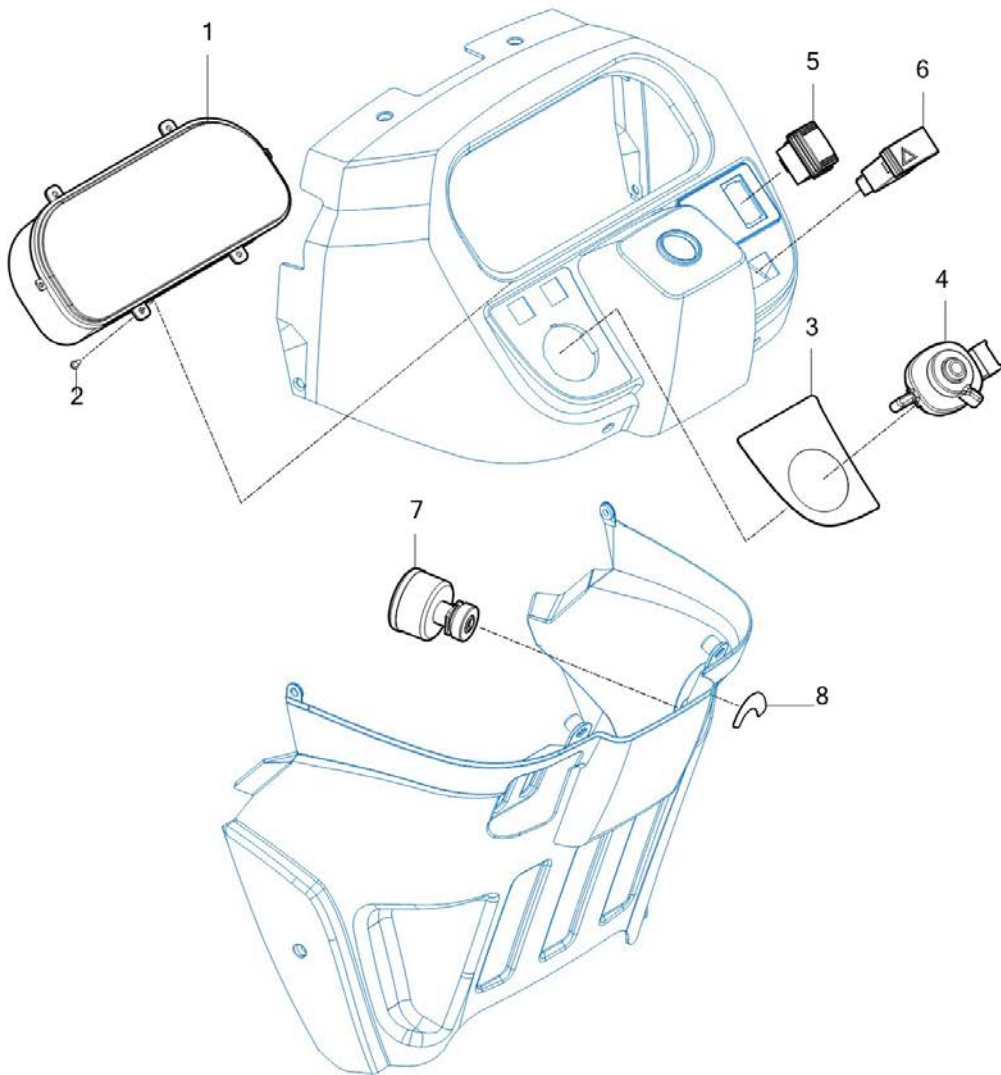
FIG 803

T25NH

INSTRUMENT PANEL

년/월  
Year/Month

2022-12



NOTE



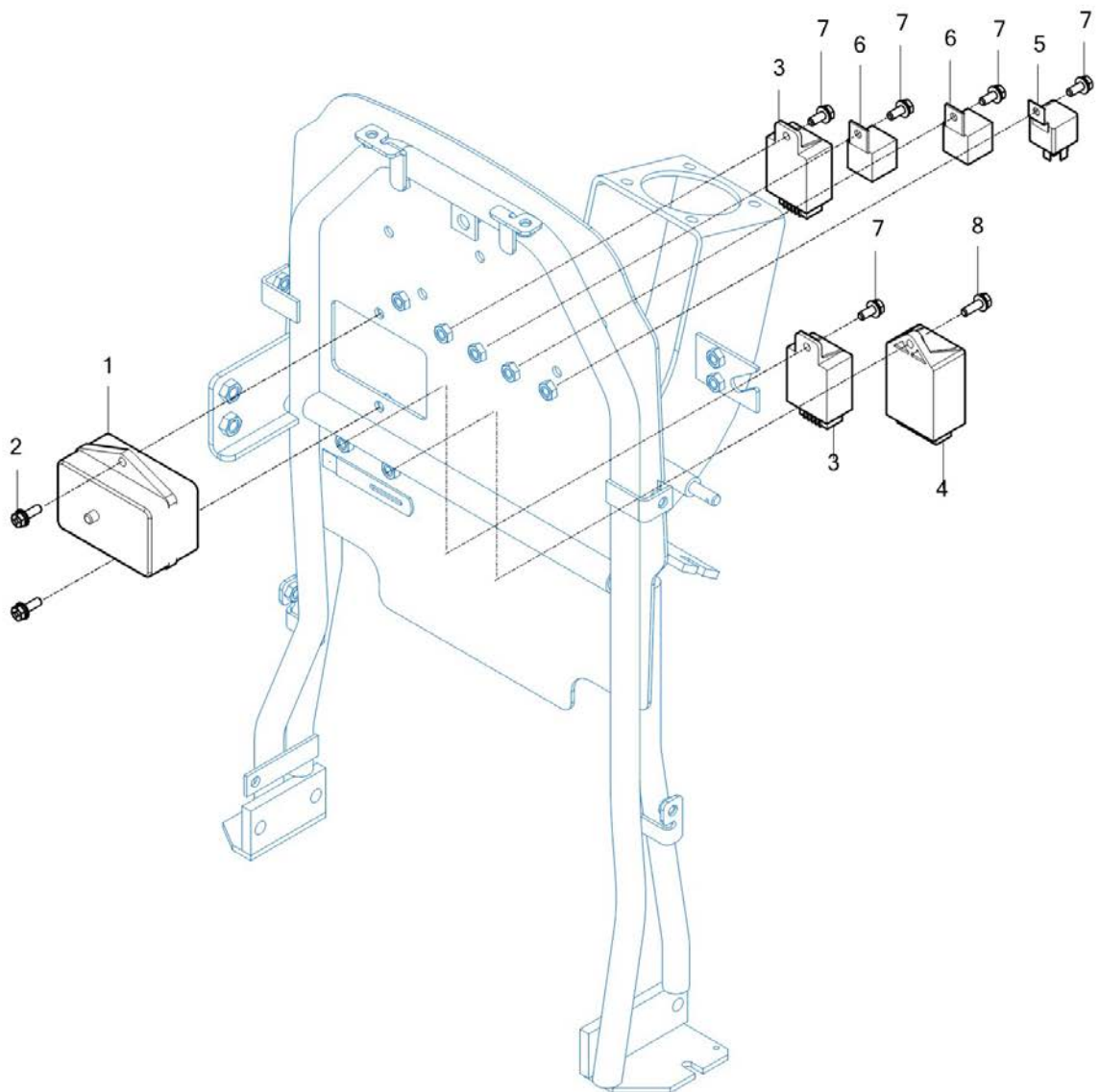
FIG 804

T25NH

ELECTRIC SYSTEM

년/월  
Year/Month

2022-12



NOTE



FIG 804 T25NH		ELECTRIC SYSTEM						년/월 Year/Month	REMARKS
								2022-12	
KEY NO		PART NO	DESCRIPTION	SPEC	QTY	REPAIR	EFFECTIVE DATE		
804	1	12026642000	FUSE ASSY, BOX		1				
804	2	V2323606020	BOLT , C/R HEX/SP		2				
804	3	20115300010	RELAY ASSY , TWIN		2				
804	4	12026642400	플래셔 ASSY		1				
804	5	11616212900	RELAY 5P		1				
804	6	17686641110	RELAY , PREHEAT		2				
804	7	V2323606016	BOLT , C/R HEX/SP		5				
804	8	V2323606020	BOLT , C/R HEX/SP		1				
NOTE									

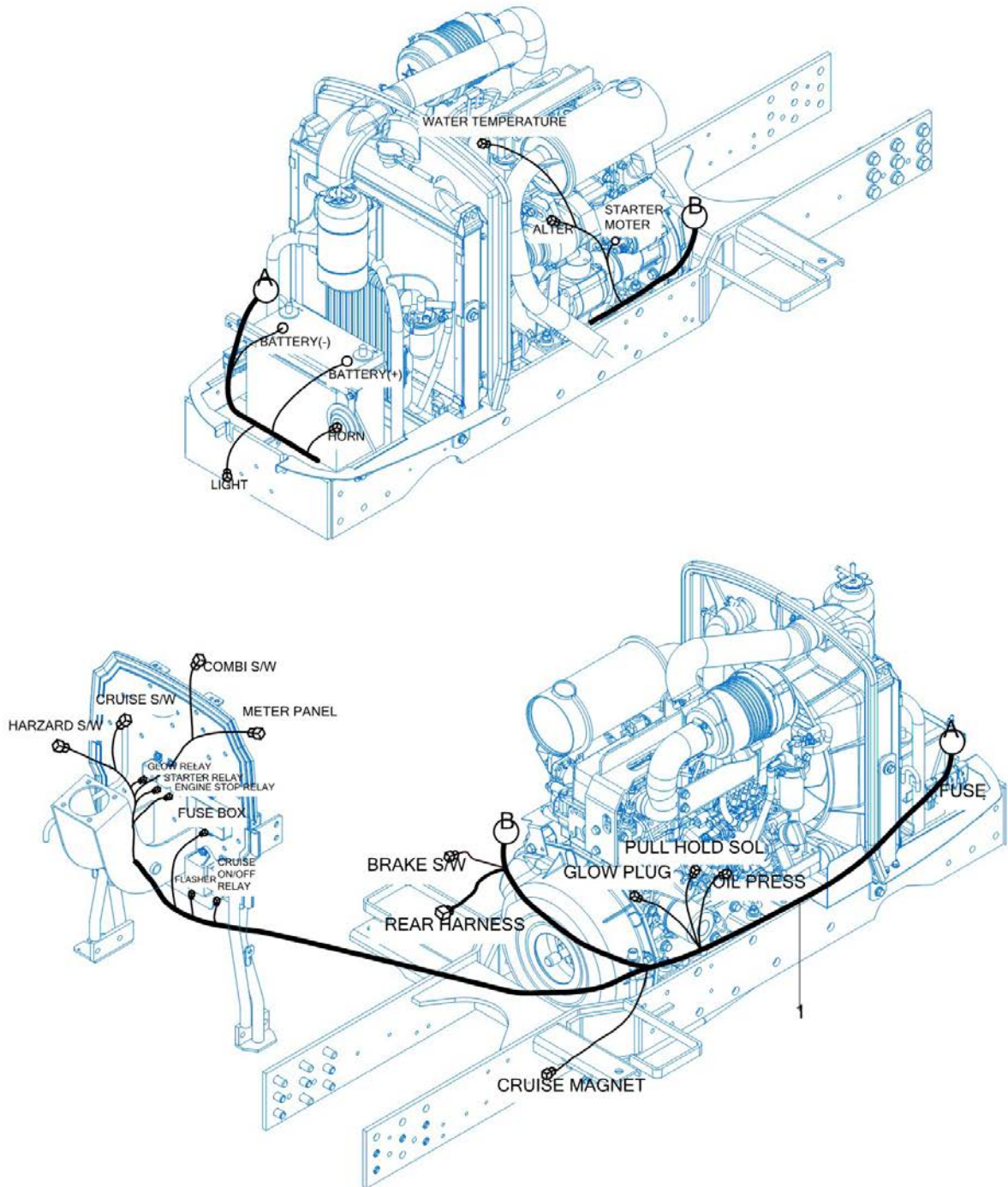
FIG 805

HARNESS

년/월  
Year/Month

T25NH

2022-12



NOTE



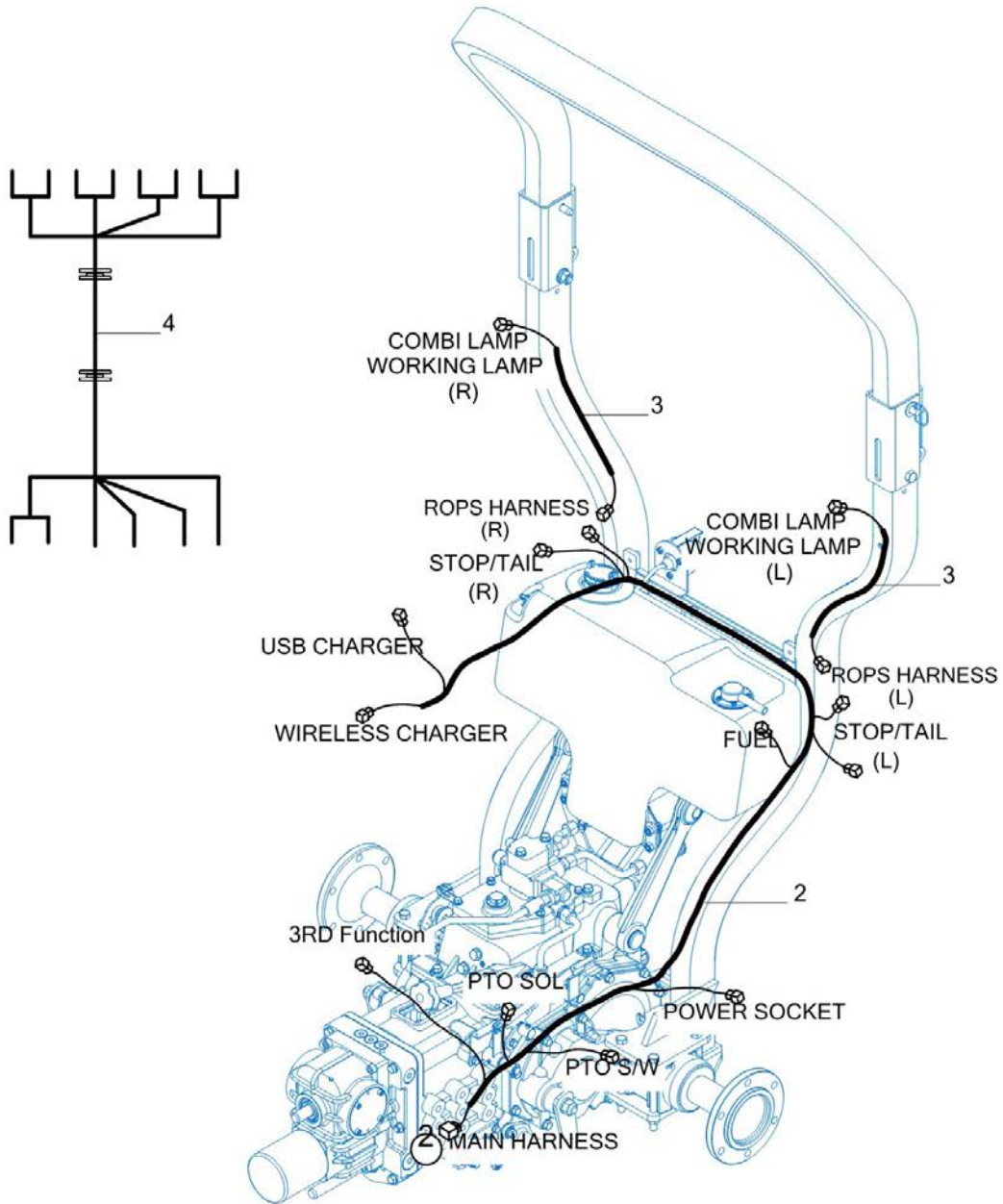
FIG 806

T25NH

HARNESS

년/월  
Year/Month

2022-12



NOTE



## 9. Label/Option PART NO. T9

FIG 901 TOOL & ACCESSORY

167

FIG 902 WEIGHT

169

FIG 903 LABEL

171

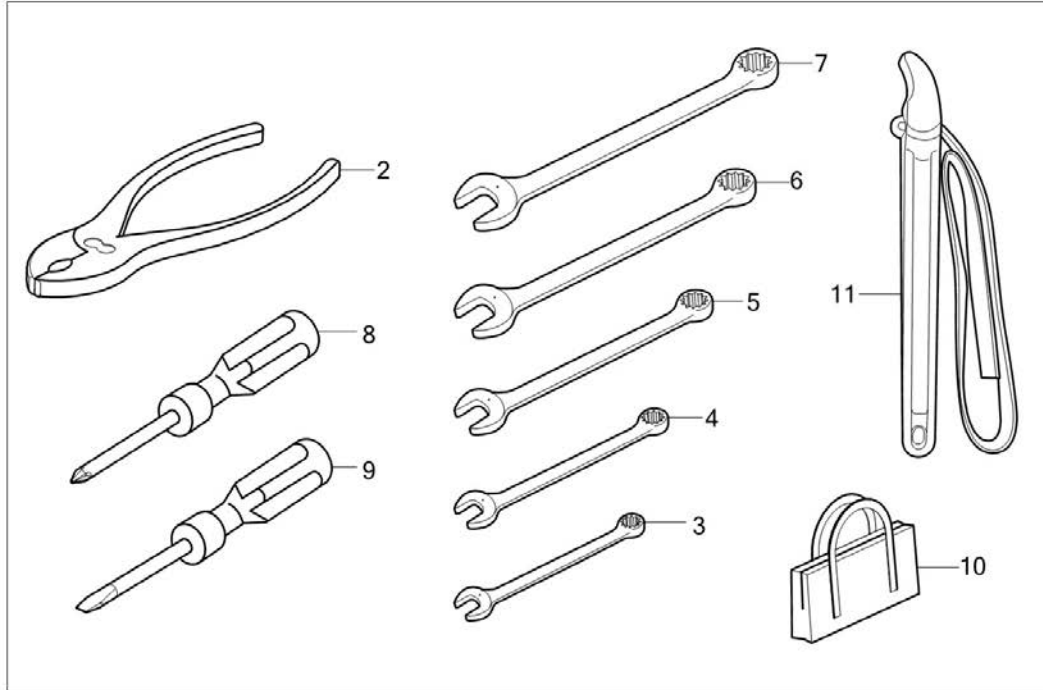
FIG 901

T25NH

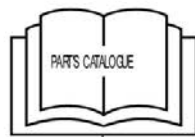
TOOL & ACCESSORY

년/월  
Year/Month

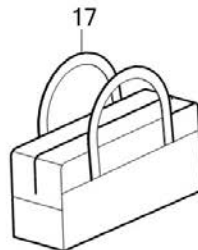
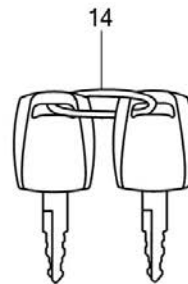
2022-12



12



13



T25NH-K-001

NOTE





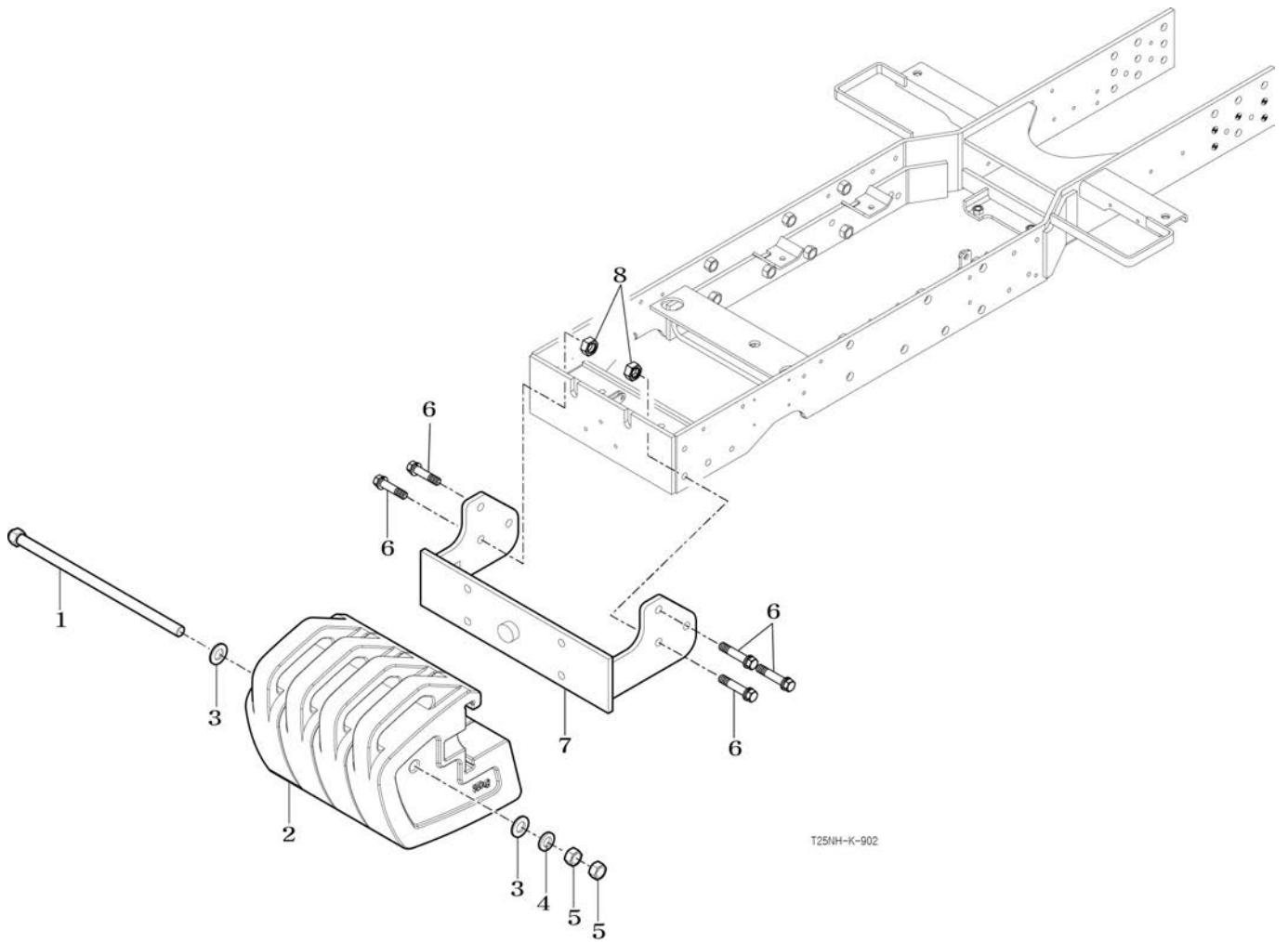
FIG 902

T25NH

WEIGHT

년/월  
Year/Month

2022-12



T25NH-K-902

NOTE



FIG 903

LABEL

년/월  
Year/Month

T25NH

2022-12



1



3



4



5



8



9



11



12



13



14



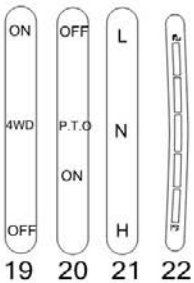
15

# T25

18



28



19

20

21

22



27



43



44



30



31



34



37



40



42

NOTE

