

T495NHEU1

Parts Catalog

목 차

1. 엔진 PART NO. EG

FIG 100 ENGINE	8
FIG 101 CYLINDER BLOCK	10
FIG 102B OILJET ASS'Y OPTION(T494)	12
FIG 103 CRANK SHAFT	14
FIG 104 PISTON	16
FIG 105 CYLINDER HEAD	18
FIG 106 ROCKER LEVER	20
FIG 107 HEAD COVER	22
FIG 108 GEAR CASE	24
FIG 109 IDLE GEAR	26
FIG 110 CAM SHAFT	28
FIG 111 OIL PUMP	30
FIG 112 HYD. PUMP DRIVE	32
FIG 113 2ND BALANCE	34
FIG 114 OIL PAN	36
FIG 115B INTAKE MANIFOLD(T494)	38
FIG 116B EXHAUST MANIFOLD(T494)	40
FIG 117B TURBOCHARGER ASS'Y(T494)	42
FIG 118B TURBOCHARGER PLUMBING OPTION(T494)	44
FIG 119B BREATHER(T494)	46
FIG 120 FUEL INJECTION PUMP	48
FIG 121 FUEL INJECTION VALVE	50
FIG 122 FUEL PIPE ASS'Y	52
FIG 123 OIL FILTER	54
FIG 124 OIL COOLER	56
FIG 125 OIL GAUGUE	58
FIG 126 OIL FILLER CAP	60
FIG 127 COOLING WATER PUMP	62
FIG 128 CRANK SHAFT PULLEY	64
FIG 129 V-PULLEY	66
FIG 130 COOLING FAN	68

FIG 131 FLYWHEEL HOUSING	70
FIG 132 FLYWHEEL	72
FIG 133 GLOW PLUG ASS'Y OPTION	74
FIG 134 STARTING MOTOR	76
FIG 135 FUEL FILTER BRACKET ASS'Y	78
FIG 136 ALTERNATOR	80
FIG 137 V-BELT	82
FIG 138 FUEL FILTER	84
FIG 139B DPF SUPPORT (T494)	86
FIG 140 DATAPLATE	88
FIG 142B DPF ASS'Y (T494)	90
FIG 143 LIFT ASS'Y	92
FIG 144 COMP . DRIVE PULLEY ASS'Y OPTION	94
FIG 147 LOOSED PARTS	96

2. 엔진보기품 PART NO. T2

FIG 201B AIR CLEANER(T495)	99
FIG 202 RADIATOR	101
FIG 203 MUFFLER	103
FIG 204 FUEL HOSE & FILTER	105
FIG 205 FUEL TANK	107
FIG 206 ACCELERATOR	109
FIG 207 OIL COOLER	111

3. 클러치/브레이크/스티어링 PART NO. T3

FIG 301 FLYWHEEL HOUSING	114
FIG 302 CLUTCH PEDAL	116
FIG 303 BRAKE	118
FIG 304 BRAKE PEDAL & LINK	120
FIG 305A FRONT WHEEL	122
FIG 305A REAR WHEEL	124
FIG 305B FRONT WHEEL (R4 OPTION)	126
FIG 305B REAR WHEEL (R4 OPTION)	128
FIG 307 POWER STEERING WHEEL	130
FIG 308 POWER STEERING VALVE	132
FIG 309 POWER STEERING CYLINDER	134

FIG 310 HST CONTROL LINK	136
--------------------------	-----

4. 트랜스미션 PART NO. T4

FIG 401 TRANSMISSION FRONT CASE	140
FIG 402 HST	142
FIG 403 MID TRANSMISSION CASE	144
FIG 404 TRANSTER GEAR SET	146
FIG 405 TRANSMISSION REAR CASE	148
FIG 406 SUB CHANGE GEARS	150
FIG 407 SUB CHANGE SHIFTER	152
FIG 408 DRIVE GEARS	154
FIG 409 4WD CHANGE LEVER	156
FIG 410 P.T.O DRIVE SHAFT	158
FIG 411 P.T.O CHANGE GEARS	160
FIG 412 P.T.O CHANGE LEVER	162
FIG 413 4WD CHANGE LEVER	165

5. 프런트 액슬 PART NO. T5

FIG 501 FRONT AXLE SUPPORT	168
FIG 502 FRONT DRIVE SHAFT	170
FIG 503 FRONT AXLE HOUSING	172
FIG 504 FRONT DIFFERENTIAL GEARS	174
FIG 505 FRONT GEAR CASE (1)	176
FIG 506 FRONT GEAR CASE (2)	178
FIG 507 FRONT GEAR CASE (3)	180

6. 유압/3점링크 PART NO. T6

FIG 601 CYLINDER CASE	183
FIG 602 LIFT ARM	185
FIG 603 CYLINDER	187
FIG 604 POSITION LINK	189
FIG 605 CONTROL VALVE	191
FIG 606 DRAFT LINK	193
FIG 607 POSITION & DRAFT LEVER (1)	195
FIG 607-2 POSITION & DRAFT LEVER (2)[SAP 가져오기]에서 생성함.	197

FIG 608 EXTERIOR HYD.VALVE	199
FIG 609 HYDRAULIC PIPE	201
FIG 610 JOYSTICK	203
FIG 612 HITCH & 3-POINT LINK	206
FIG 613 LOWER LINK & LIFT ROD	209

7. 시트메탈/캐빈 PART NO. T7

FIG 701 BONNET FRAME	212
FIG 702A BONNET (1)	214
FIG 702B BONNET (2)	216
FIG 703 EXTENSION COVER	218
FIG 704B LEVER COVER & STEP-Non CAB	220
FIG 705 FRONT & REAR MOUNTING	222
FIG 706 SEAT & MAT	224
FIG 710B FRAME&2POLES ROPS-Non CAB	226
FIG 713B SUB FENDER&COVER-Non CAB	228
FIG 714B MIRROR&WORKING LAMP-Non CAB	230

8. 전장 PART NO. T8

FIG 801 BATTERY MOUNTING	233
FIG 802 HARNESS LAMP	235
FIG 803 INSTRUMENT PANEL	237
FIG 804 ELECTRIC SYSTEM (1)	239
FIG 805B ELECTRIC SYSTEM (2)-Non CAB	241
FIG 806 ELECTRIC SYSTEM (3)	243

9. 라벨/옵션 PART NO. T9

FIG 901 TOOL & ACCESSORY	246
FIG 902 WEIGHT	248
FIG 903 LABEL	250

1. 엔진 PART NO. EG

FIG 100 ENGINE	8
FIG 101 CYLINDER BLOCK	10
FIG 102B OILJET ASS'Y OPTION(T494)	12
FIG 103 CRANK SHAFT	14
FIG 104 PISTON	16
FIG 105 CYLINDER HEAD	18
FIG 106 ROCKER LEVER	20
FIG 107 HEAD COVER	22
FIG 108 GEAR CASE	24
FIG 109 IDLE GEAR	26
FIG 110 CAM SHAFT	28
FIG 111 OIL PUMP	30
FIG 112 HYD. PUMP DRIVE	32
FIG 113 2ND BALANCE	34
FIG 114 OIL PAN	36
FIG 115B INTAKE MANIFOLD(T494)	38
FIG 116B EXHAUST MANIFOLD(T494)	40
FIG 117B TURBOCHARGER ASS'Y(T494)	42
FIG 118B TURBOCHARGER PLUMBING OPTION(T494)	44
FIG 119B BREATHER(T494)	46
FIG 120 FUEL INJECTION PUMP	48
FIG 121 FUEL INJECTION VALVE	50
FIG 122 FUEL PIPE ASS'Y	52
FIG 123 OIL FILTER	54
FIG 124 OIL COOLER	56
FIG 125 OIL GAUGUE	58
FIG 126 OIL FILLER CAP	60
FIG 127 COOLING WATER PUMP	62
FIG 128 CRANK SHAFT PULLEY	64
FIG 129 V-PULLEY	66
FIG 130 COOLING FAN	68
FIG 131 FLYWHEEL HOUSING	70
FIG 132 FLYWHEEL	72
FIG 133 GLOW PLUG ASS'Y OPTION	74
FIG 134 STARTING MOTOR	76
FIG 135 FUEL FILTER BRACKET ASS'Y	78
FIG 136 ALTERNATOR	80
FIG 137 V-BELT	82

FIG 138 FUEL FILTER	84
FIG 139B DPF SUPPORT (T494)	86
FIG 140 DATAPLATE	88
FIG 142B DPF ASS'Y (T494)	90
FIG 143 LIFT ASS'Y	92
FIG 144 COMP . DRIVE PULLEY ASS'Y OPTION	94
FIG 147 LOOSED PARTS	96

FIG 100 T495NHEU1	ENGINE	년/월 Year/Month
		2022-12
NOTE		

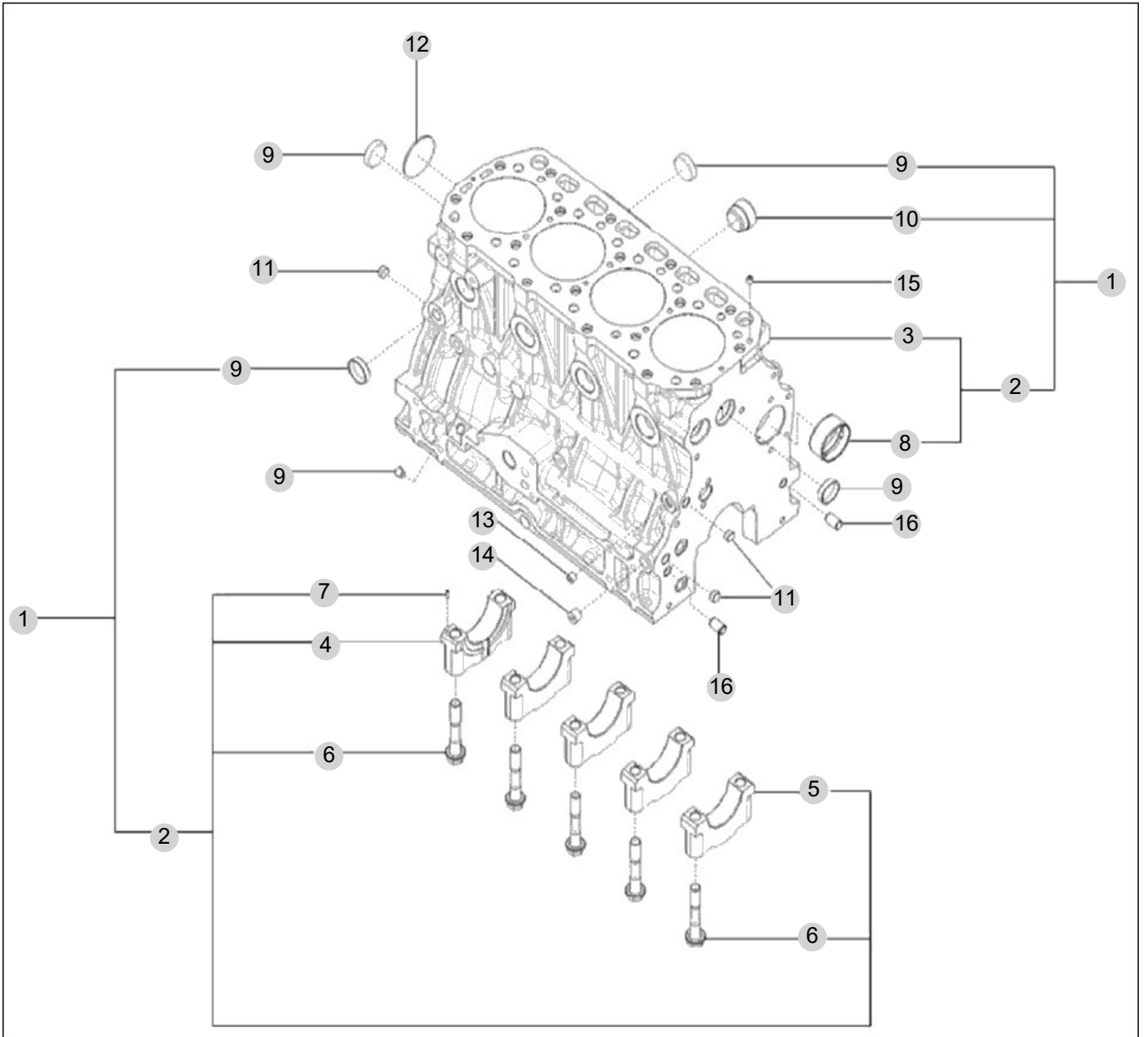
FIG 101

CYLINDER BLOCK

년/월
Year/Month

2022-12

T495NHEU1



NOTE

FIG 101 T495NHEU1		CYLINDER BLOCK						년/월 Year/Month
								2022-12
KEY NO	PART NO		DESCRIPTION	SPEC	QTY	REPAIR	EFFECTIVE DATE	REMARKS
101	1	HRA0103100A	실린더블록조합		1			
101	1	EA00004707A	BLOCK ASS'Y, CYLINDER		1			
101	2	EA00000446A	실린더블록조합		1			
101	2	HRA0103100A	BLOCK ASS'Y, CYLINDER		1			
101	3	HRA0103101A	BLOCK, CYLINDER		1			
101	4	HRA0100102B	BEARING CAP(1)		1			
101	5	HRA0100103B	BEARING CAP(2)		4			
101	6	HRA0100104A	BOLT, BEARING CAP		10			
101	7	22351-030010	SPRING PIN		5			
101	8	HRU0100105A	BUSH(CAM SHAFT)		1			
101	9	27241-300000	캠형플러그		8			
101	10	HM23030000A	PLUG(BLOCK HEATER)		1			
101	11	HRA0100108A	PLUG 12		3			
101	11	HT01010300A	테이퍼플러그(PT 1/4)		3			
101	12	27231-500000	PLUG 50		1			
101	13	23871-010000	테이퍼나사플러그		1			
101	14	23871-020000	테이퍼나사플러그		1			
101	15	HRA0100800A	PIN(OIL)		1			
101	16	HRA0201100A	PIN, GUIDE		2			
101	17	HRT0300500A	PLUG, EXPANSION		1			
NOTE								

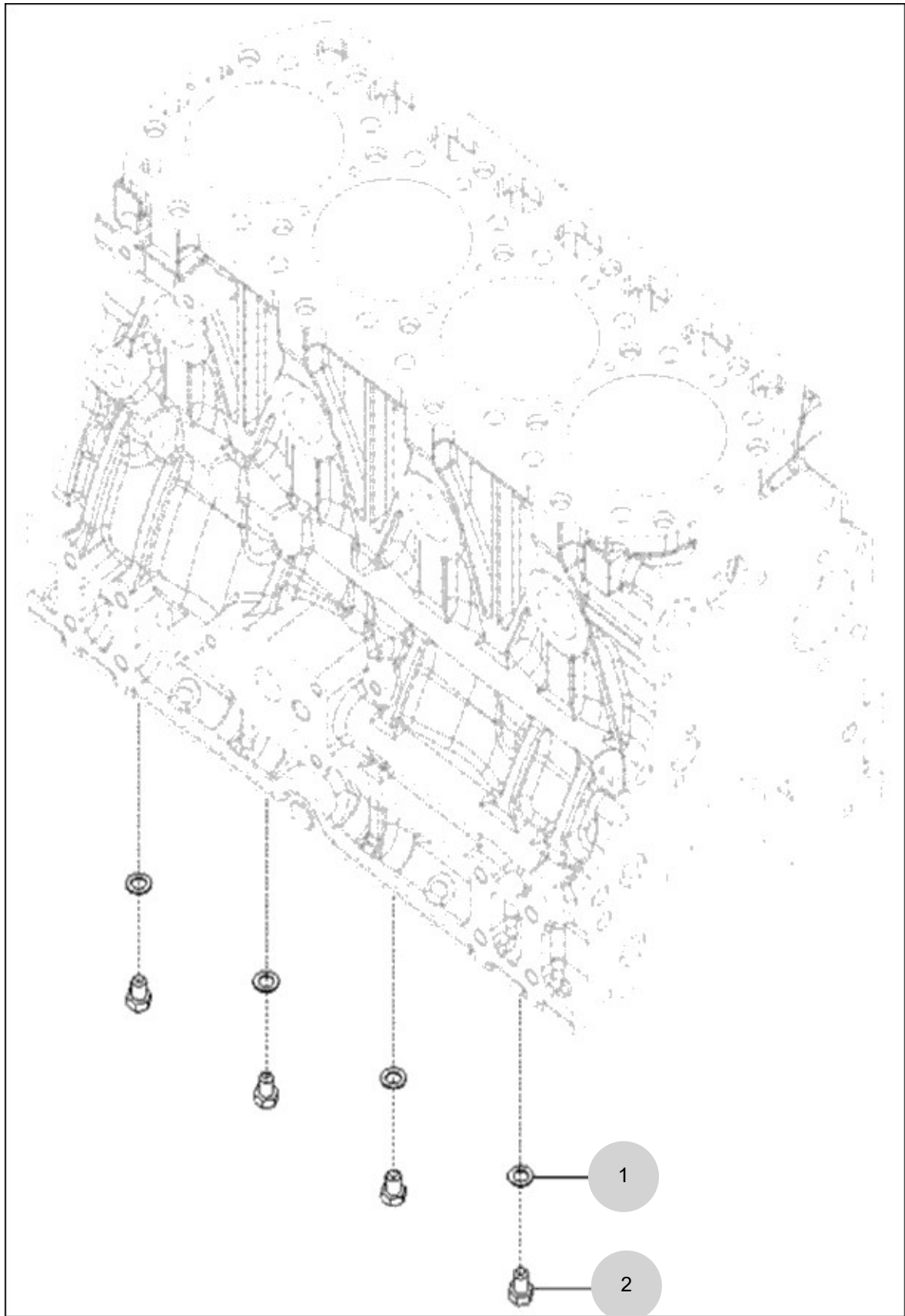
FIG 102B

OILJET ASS'Y OPTION(T494)

년/월
Year/Month

2022-12

T495NHEU1



NOTE

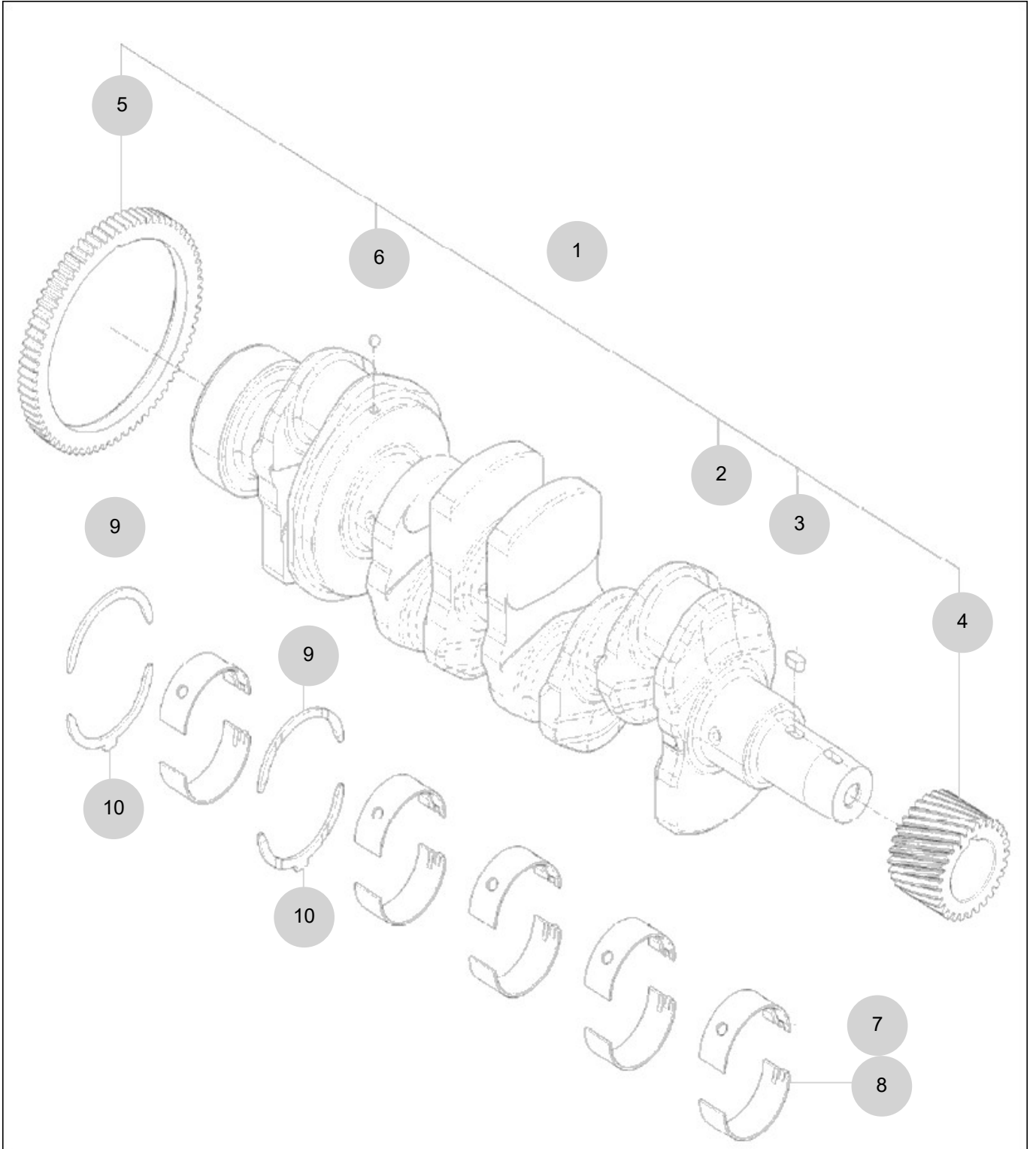
FIG 103

CRANK SHAFT

년/월
Year/Month

2022-12

T495NHEU1



NOTE

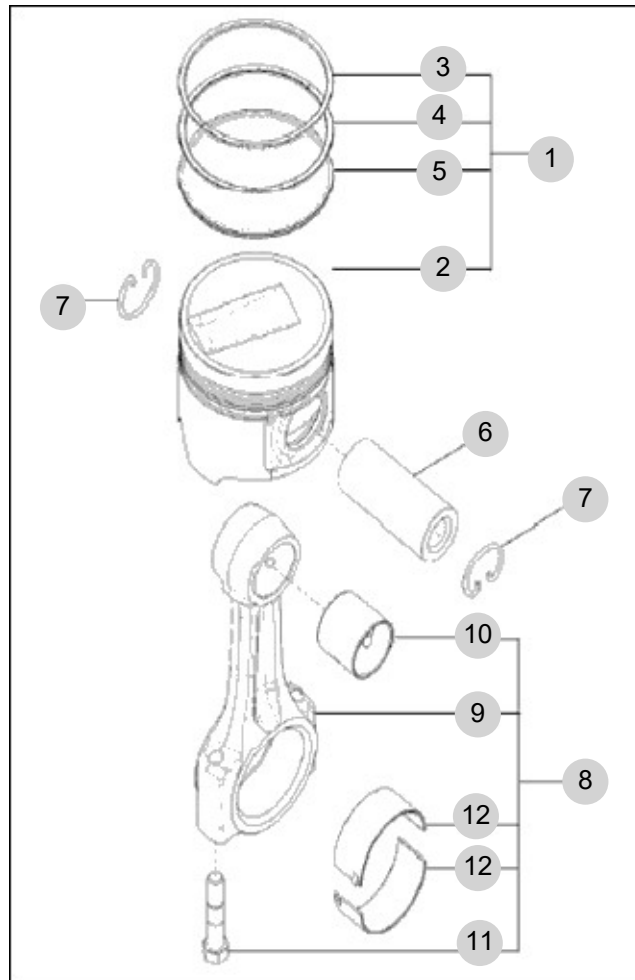
FIG 104

PISTON

년/월
Year/Month

2022-12

T495NHEU1



NOTE

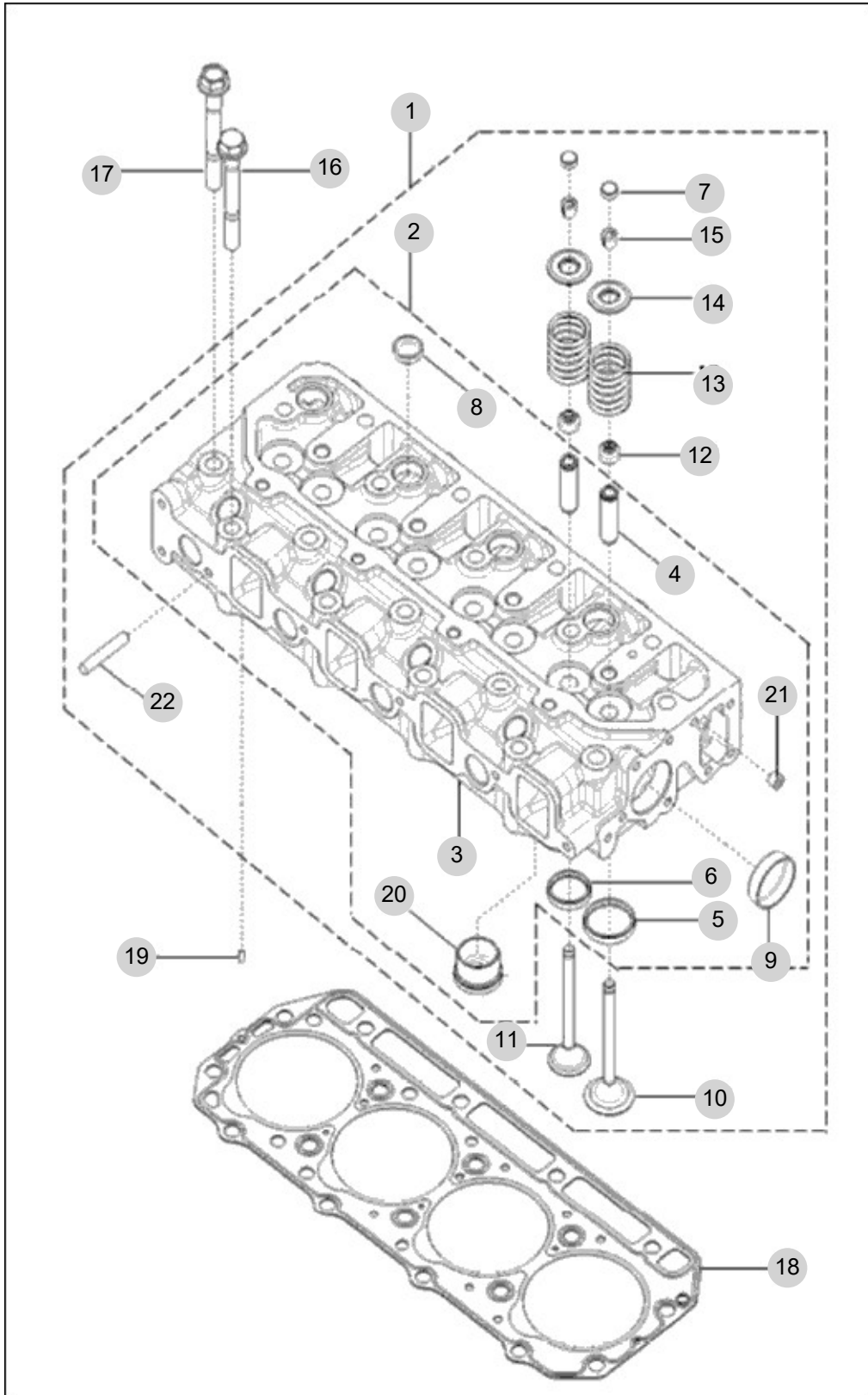
FIG 105

CYLINDER HEAD

년/월
Year/Month

2022-12

T495NHEU1



NOTE

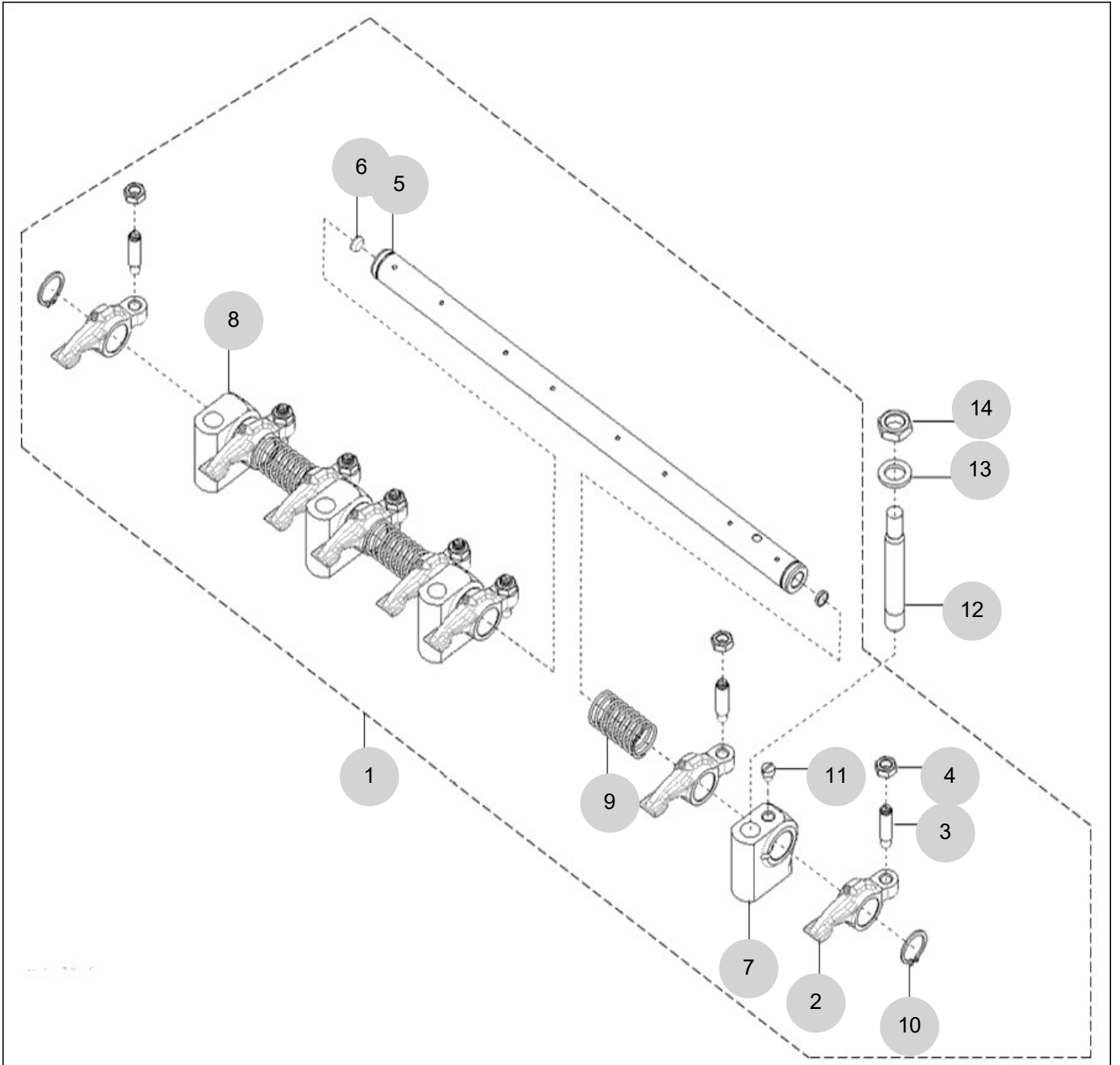
FIG 106

ROCKER LEVER

년/월
Year/Month

2022-12

T495NHEU1



NOTE

FIG 106 T495NHEU1	ROCKER LEVER						년/월 Year/Month
							2022-12

KEY NO	PART NO	DESCRIPTION	SPEC	QTY	REPAIR	EFFECTIVE DATE	REMARKS
106	1	HRA0401100D	로커암축조합				
106	1	HRA0401100B	ROCKER LEVER SHAFT ASS'Y	1			
106	2	HRA0401600C	로커암	8			
106	2	HRA0401600A	ROCKER LEVER	8			
106	3	AF02110000E	ADJUSTMENT SCREW, VALVE	8			
106	4	HH05280000A	HEX. NUT	8			
106	5	HRA0401501B	로커암축	1			
106	5	HRA0401501A	SHAFT, ROCKER LEVER	1			
106	6	27241-100000	PLUG, CAP	2			
106	7	HRA0401200A	SUPPORT(A)	1			
106	8	HRA0401300A	SUPPORT(B)	3			
106	9	HRA0401400A	SPRING, ROCKER ARM	3			
106	10	22242-000190	CIRCLIP	2			
106	11	26921-080102	SCREW, STOP 8X10	1			
106	12	HRA0401800A	STUD BOLT	4			
106	13	22117-120000	WASHER 12	4			
106	14	HA03180000B	NUT M12	4			

NOTE

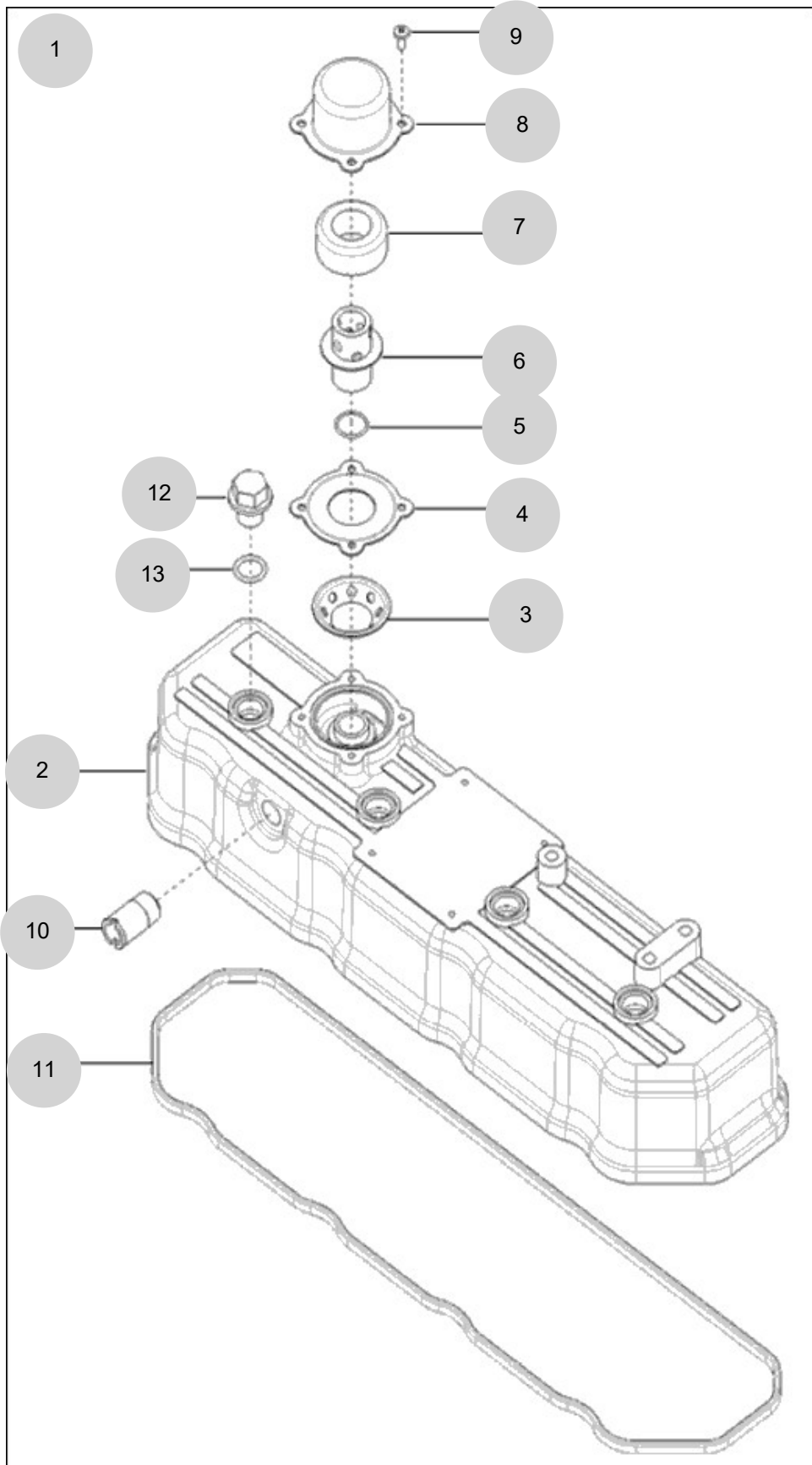
FIG 107

HEAD COVER

년/월
Year/Month

2022-12

T495NHEU1



NOTE

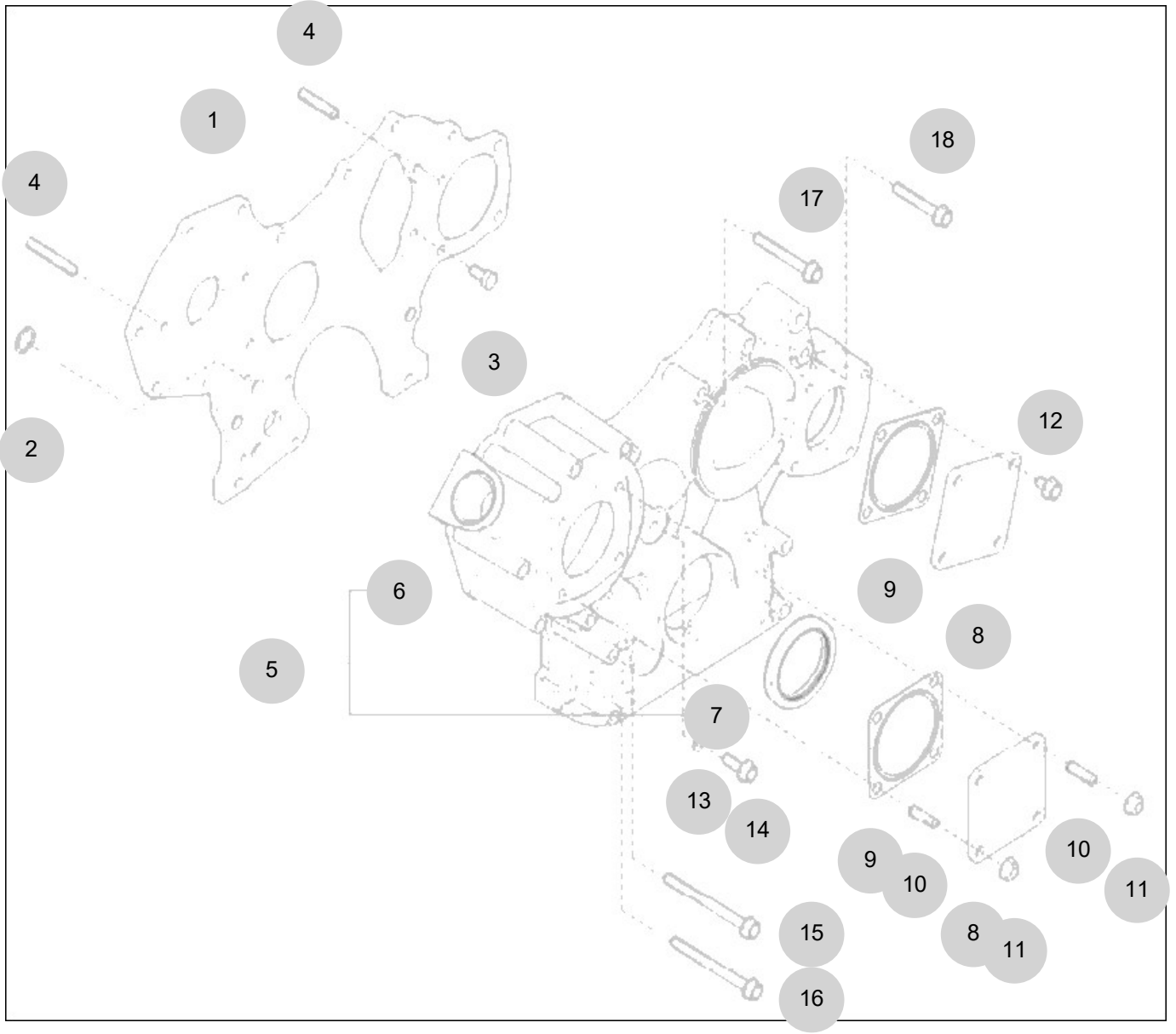
FIG 108

GEAR CASE

년/월
Year/Month

2022-12

T495NHEU1



NOTE

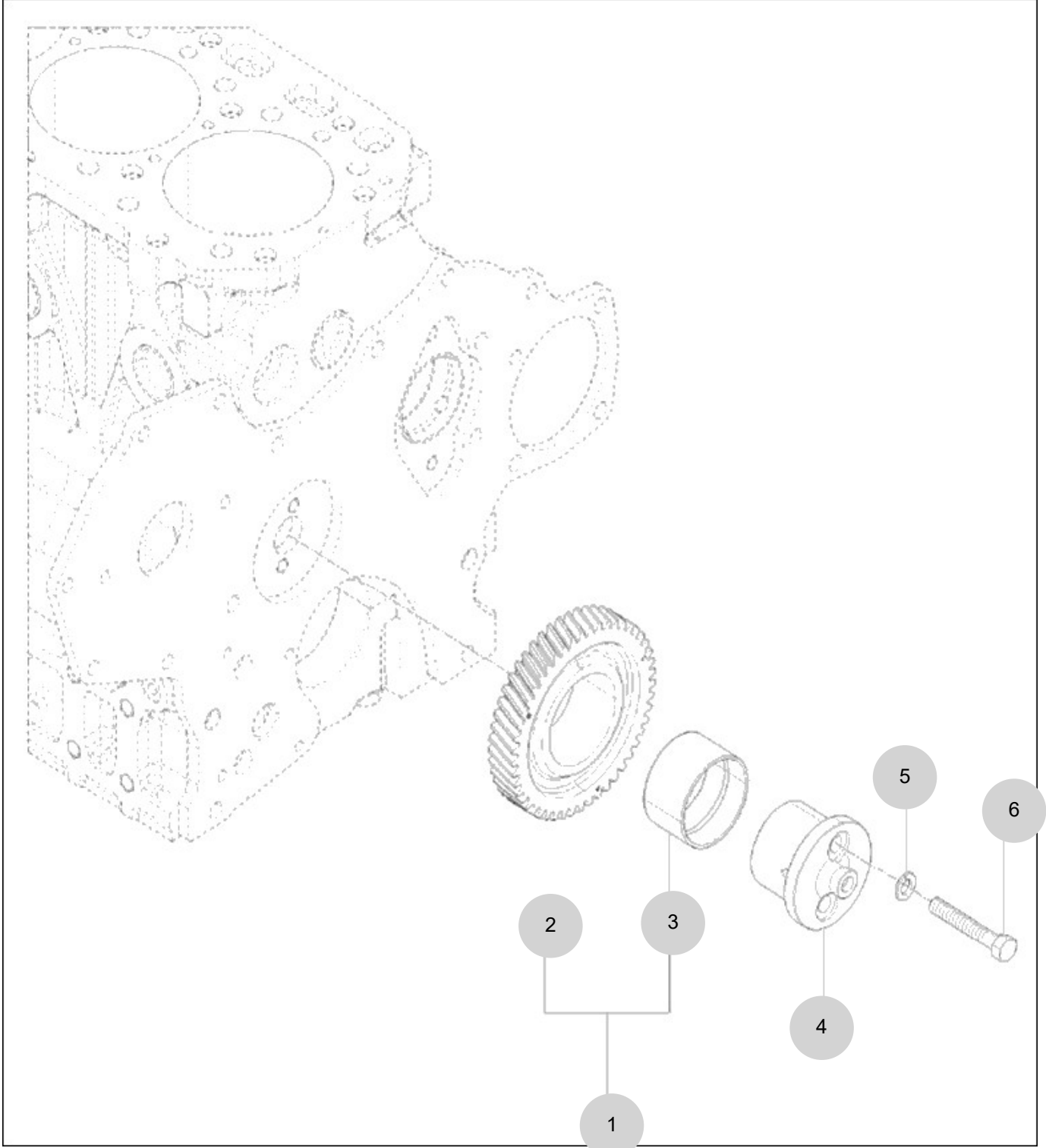
FIG 109

IDLE GEAR

년/월
Year/Month

T495NHEU1

2022-12



NOTE

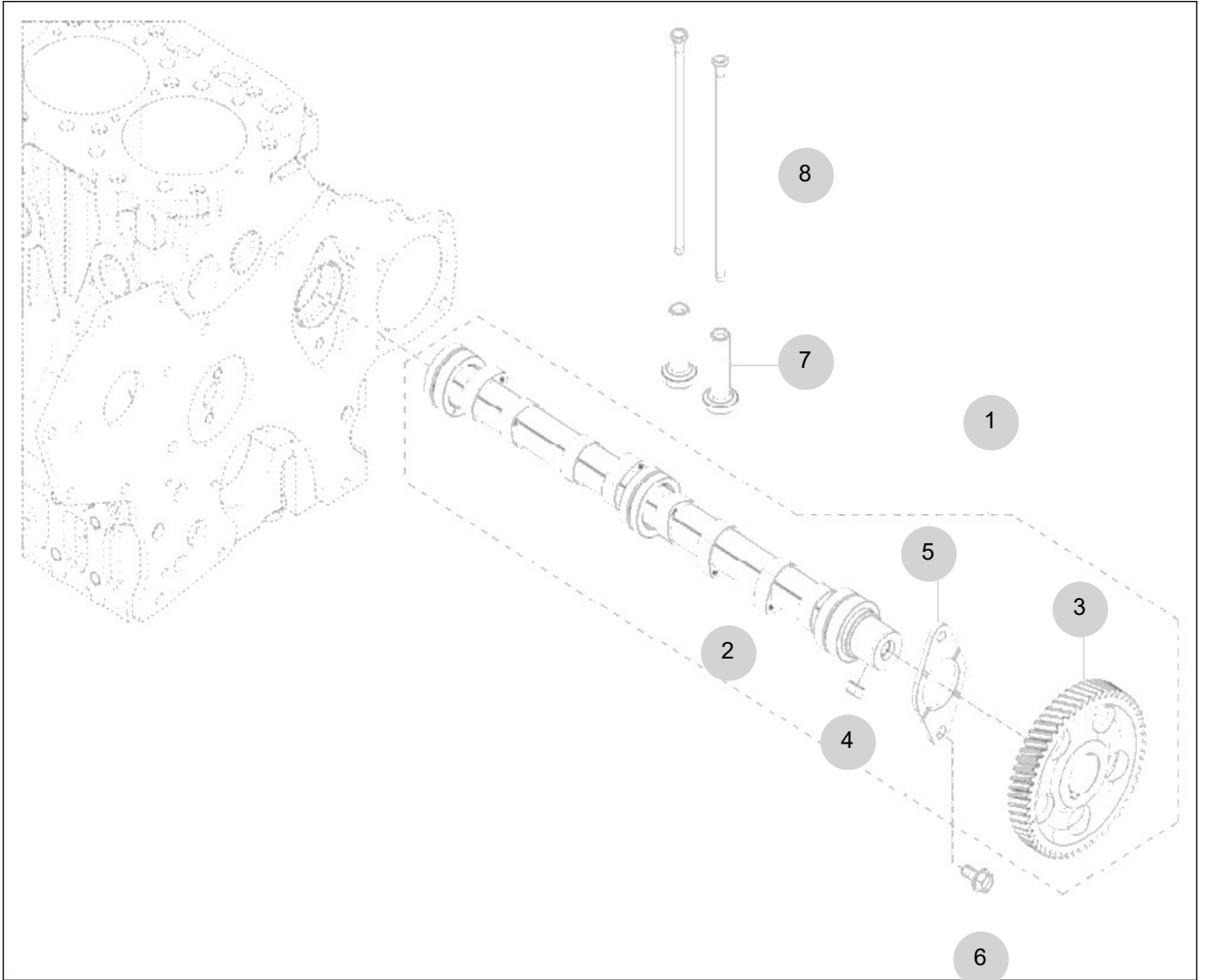
FIG 110

CAM SHAFT

년/월
Year/Month

2022-12

T495NHEU1



NOTE

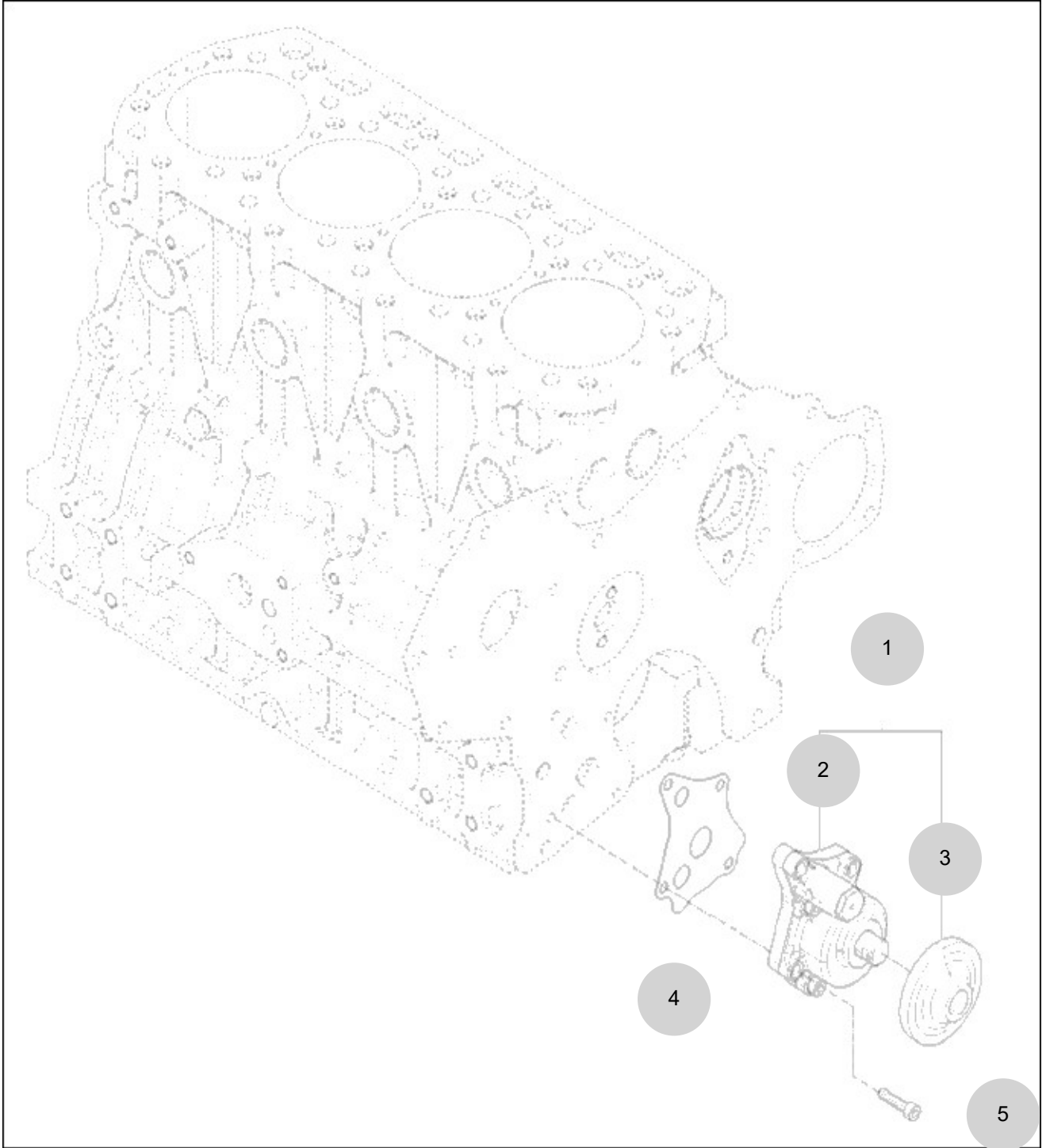
FIG 111

OIL PUMP

년/월
Year/Month

2022-12

T495NHEU1



NOTE

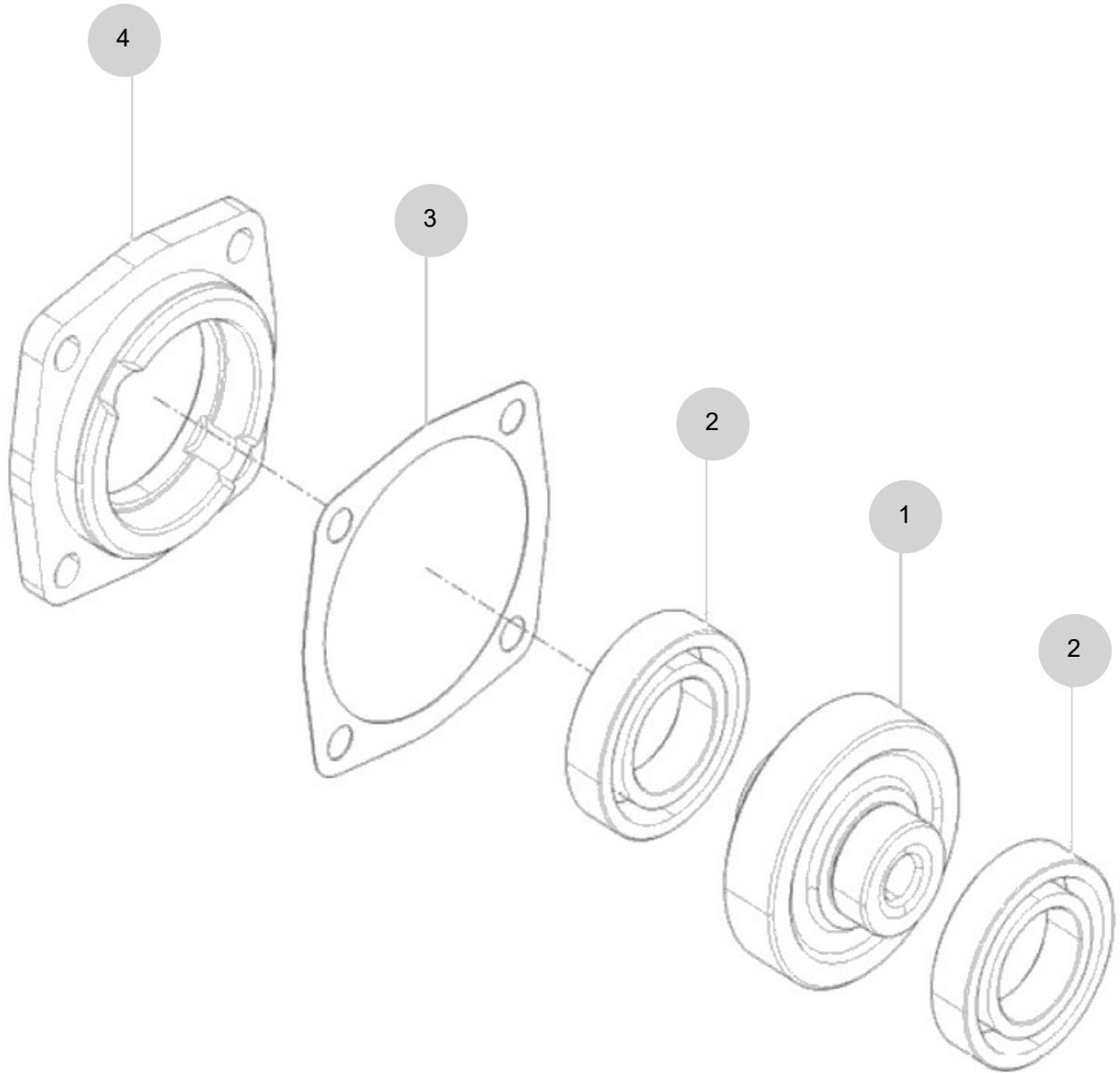
FIG 112

HYD. PUMP DRIVE

년/월
Year/Month

T495NHEU1

2022-12



NOTE

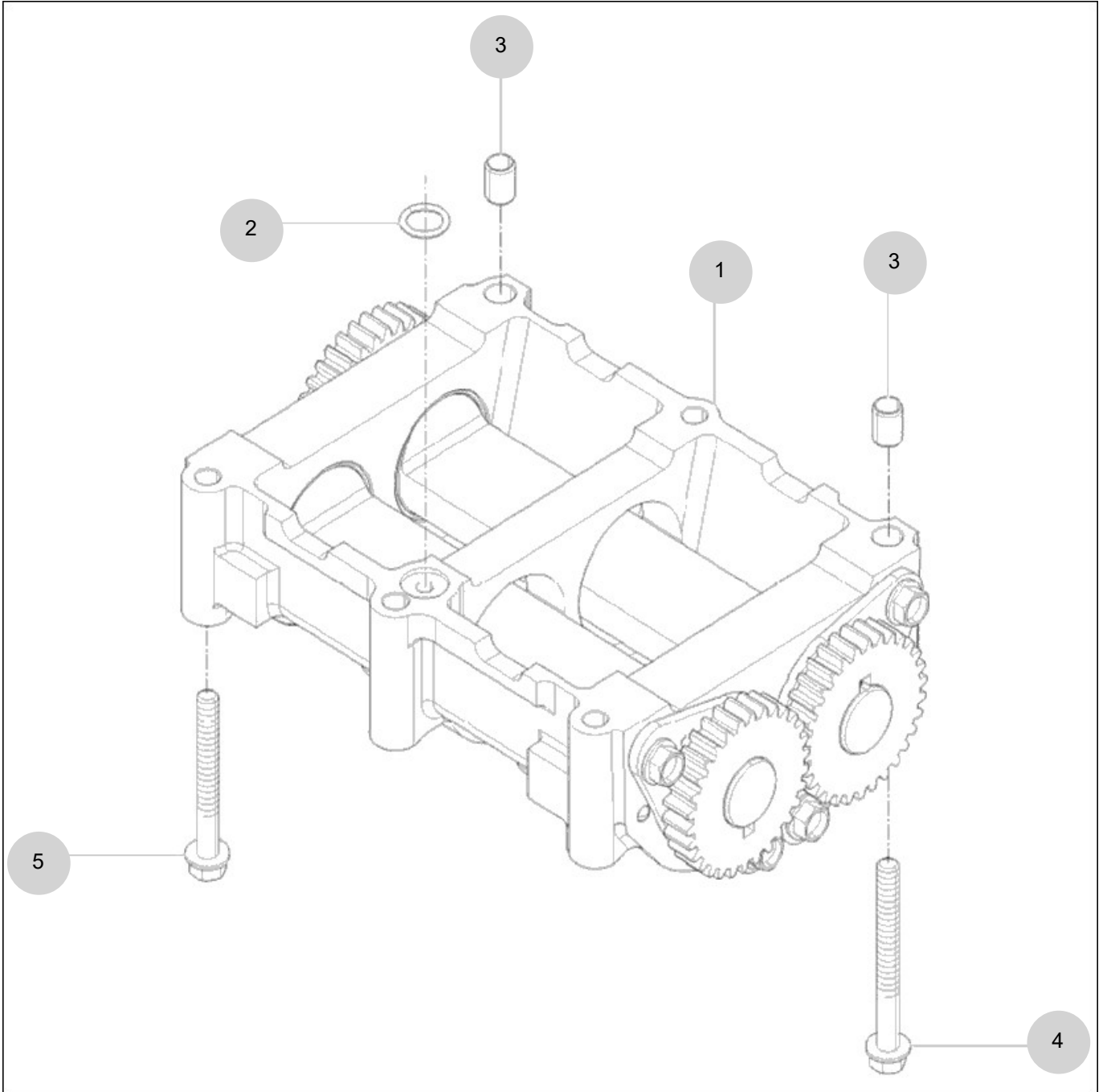
FIG 113

2ND BALANCE

년/월
Year/Month

T495NHEU1

2022-12



NOTE

FIG 113 T495NHEU1		2ND BALANCE					년/월 Year/Month	
							2022-12	
KEY NO	PART NO	DESCRIPTION		SPEC	QTY	REPAIR	EFFECTIVE DATE	
113	1	HRA1000100A	BALANCE ASS'Y			1		
113	2	24311-000140	441,ALL,O-RINGP-14			1		
113	3	HRA1000700A	PIN, GUIDE			2		
113	4	26106-080752	HEX. FLANGE BOLT			2		
113	5	26106-080652	육각플랜지볼트			4		
NOTE								

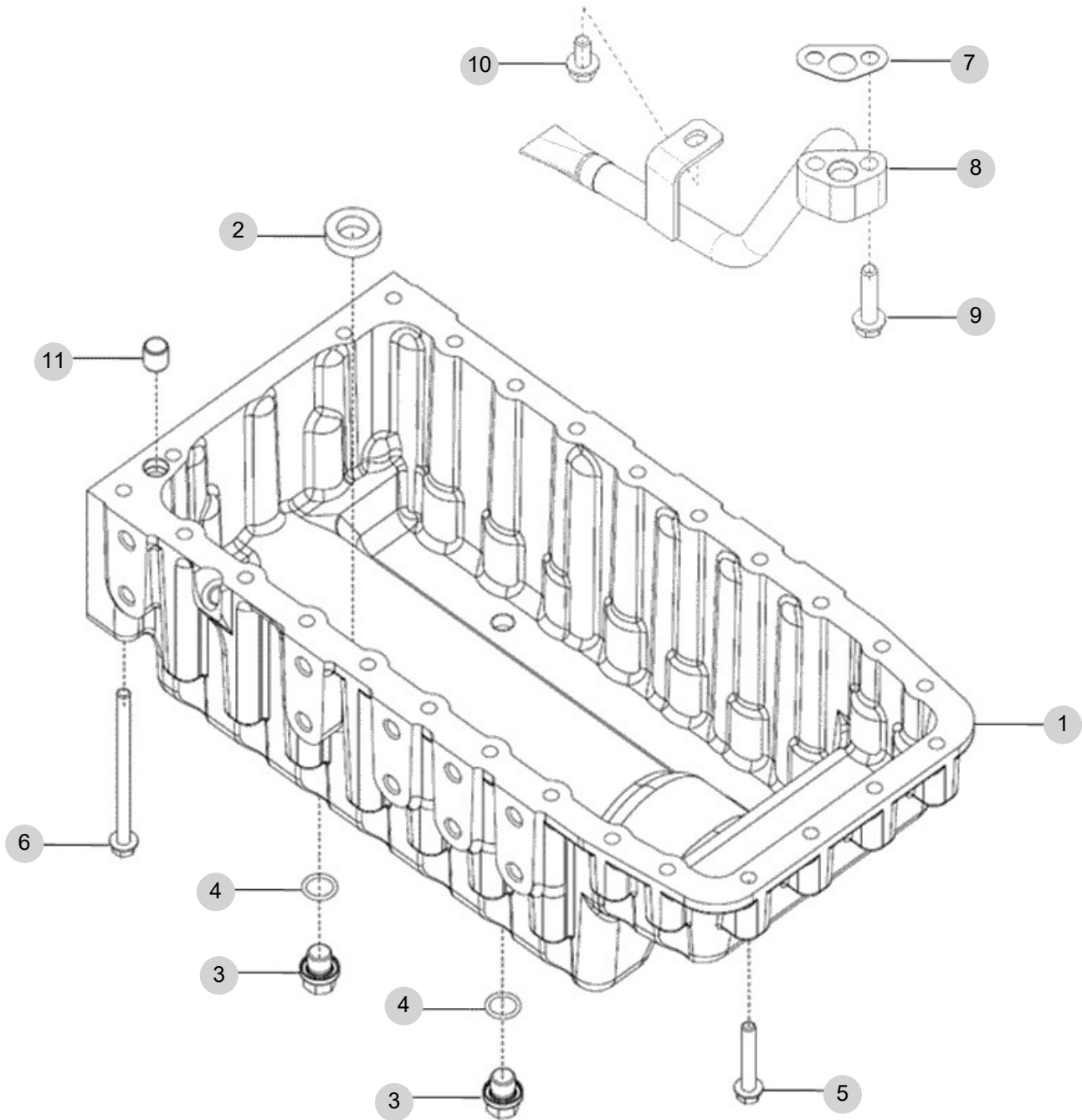
FIG 114

OIL PAN

년/월
Year/Month

2022-12

T495NHEU1



NOTE

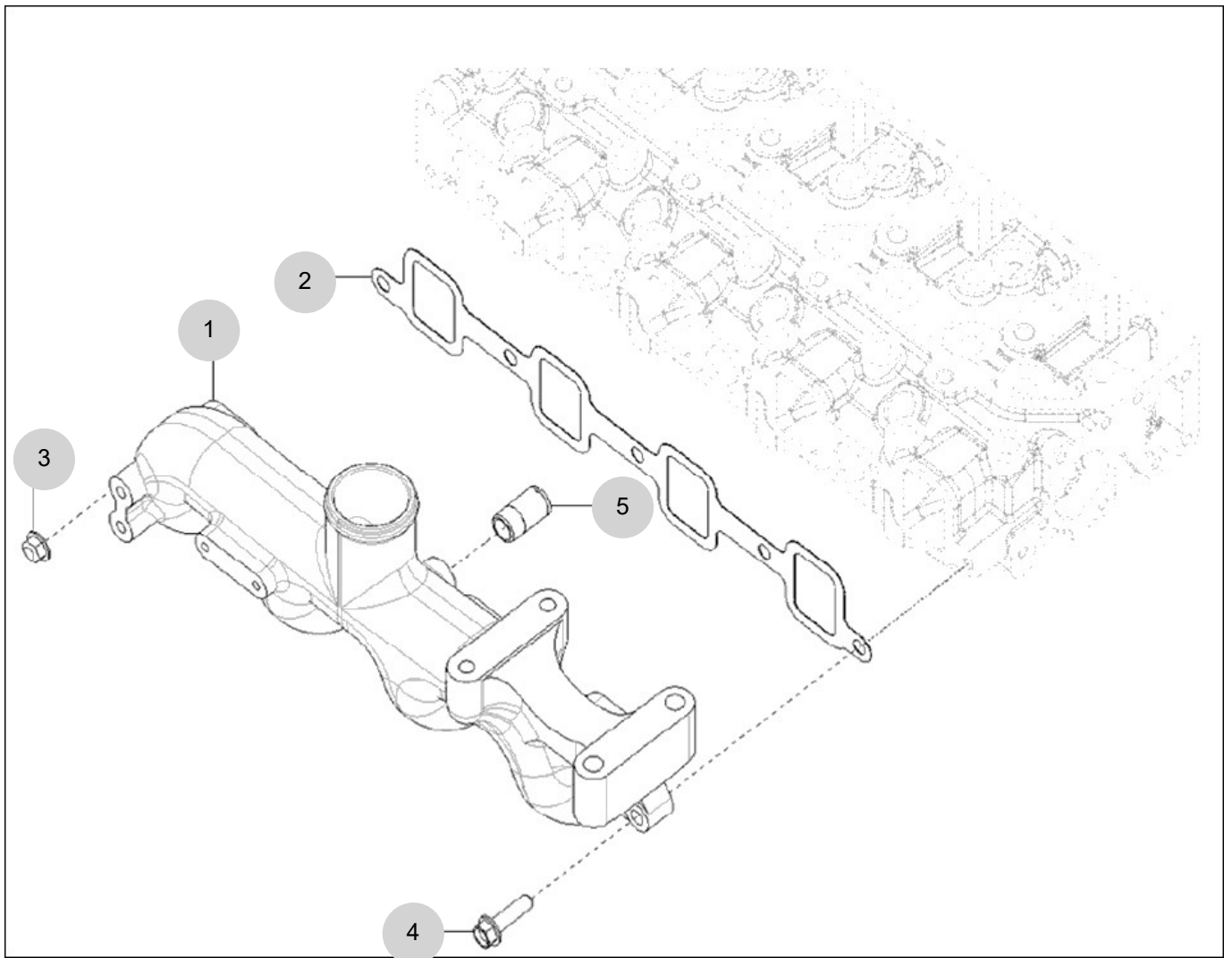
FIG 115B

T495NHEU1

INTAKE MANIFOLD(T494)

년/월
Year/Month

2022-12



NOTE

FIG 115B		INTAKE MANIFOLD(T494)					년/월 Year/Month 2022-12	
T495NHEU1								
KEY NO	PART NO	DESCRIPTION	SPEC	QTY	REPAIR	EFFECTIVE DATE	REMARKS	
115B	1	HRC7000900A	INTAKE MANIFOLD	1				
115B	2	HRA0500200A	GASKET(INTAKE MANIFOLD)	1				
115B	2	HRA0500200B	흡기매니폴드 가스켓	1				
115B	3	26367-080002	육각플랜지너트	1				
115B	4	26106-080302	육각플랜지볼트	4				
115B	5	HRA0404000A	TUBE, BREATHER	1				
NOTE								

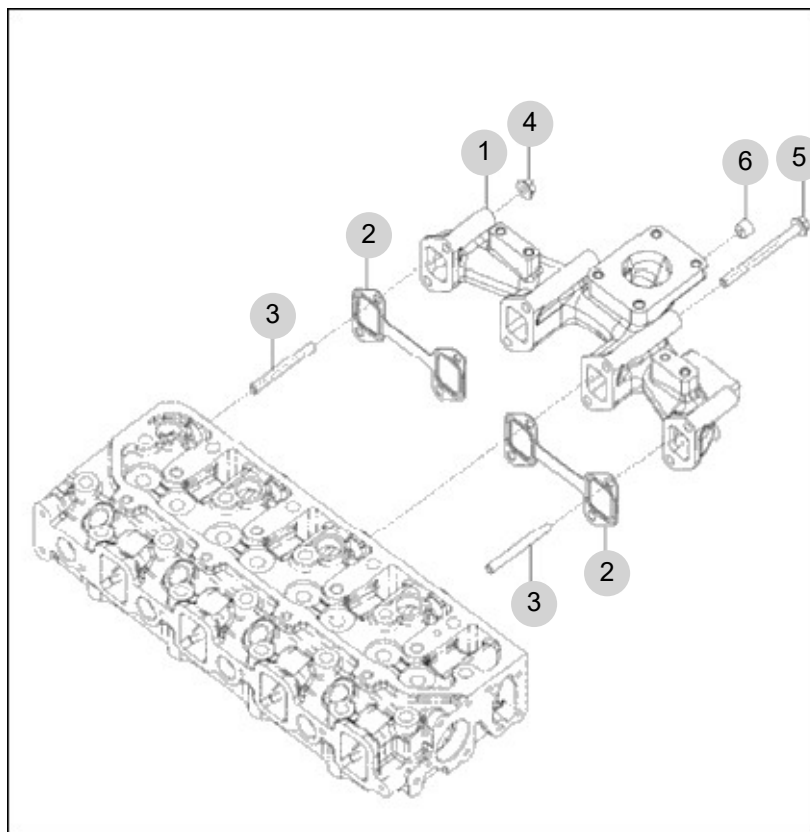
FIG 116B

T495NHEU1

EXHAUST MANIFOLD(T494)

년/월
Year/Month

2022-12



NOTE

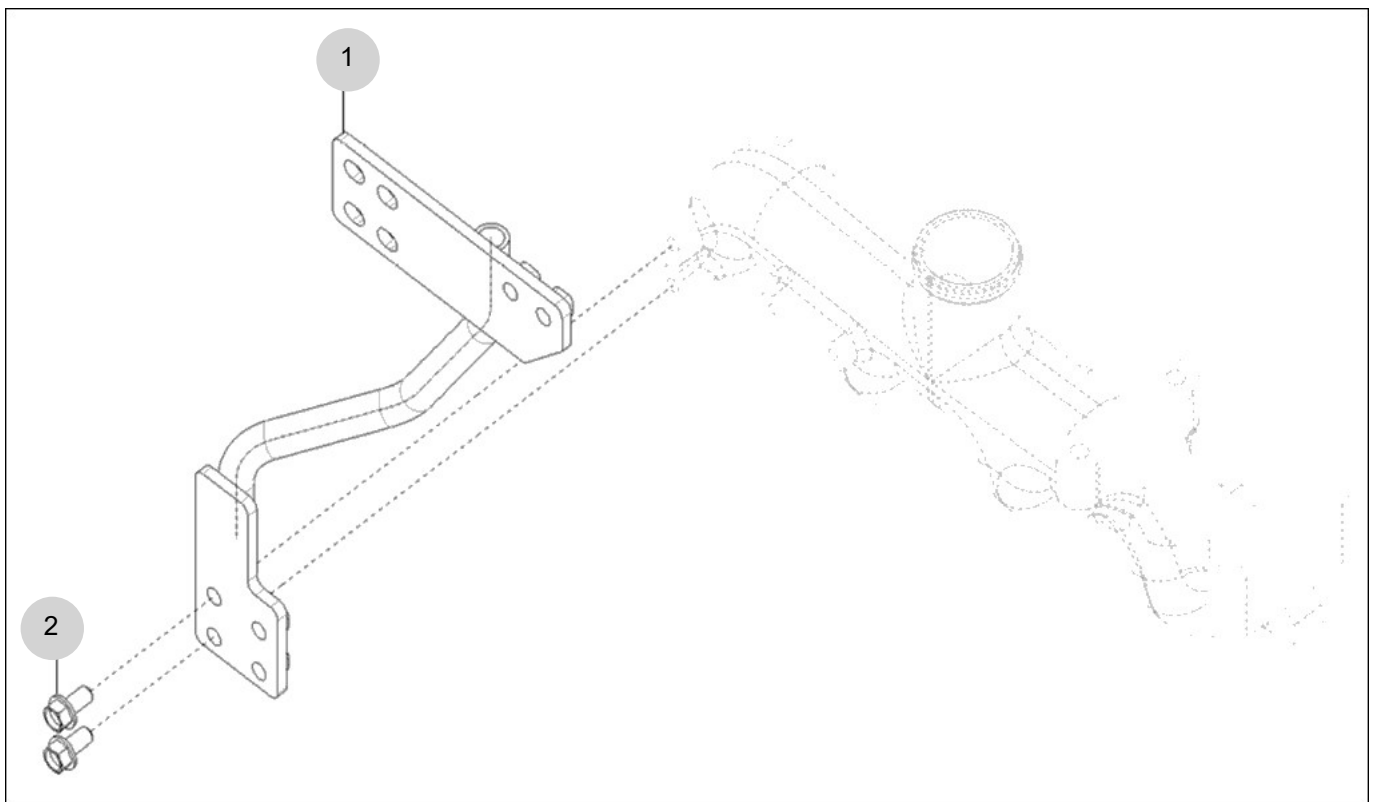
FIG 117B

TURBOCHARGER ASS'Y(T494)

년/월
Year/Month

2022-12

T495NHEU1



NOTE

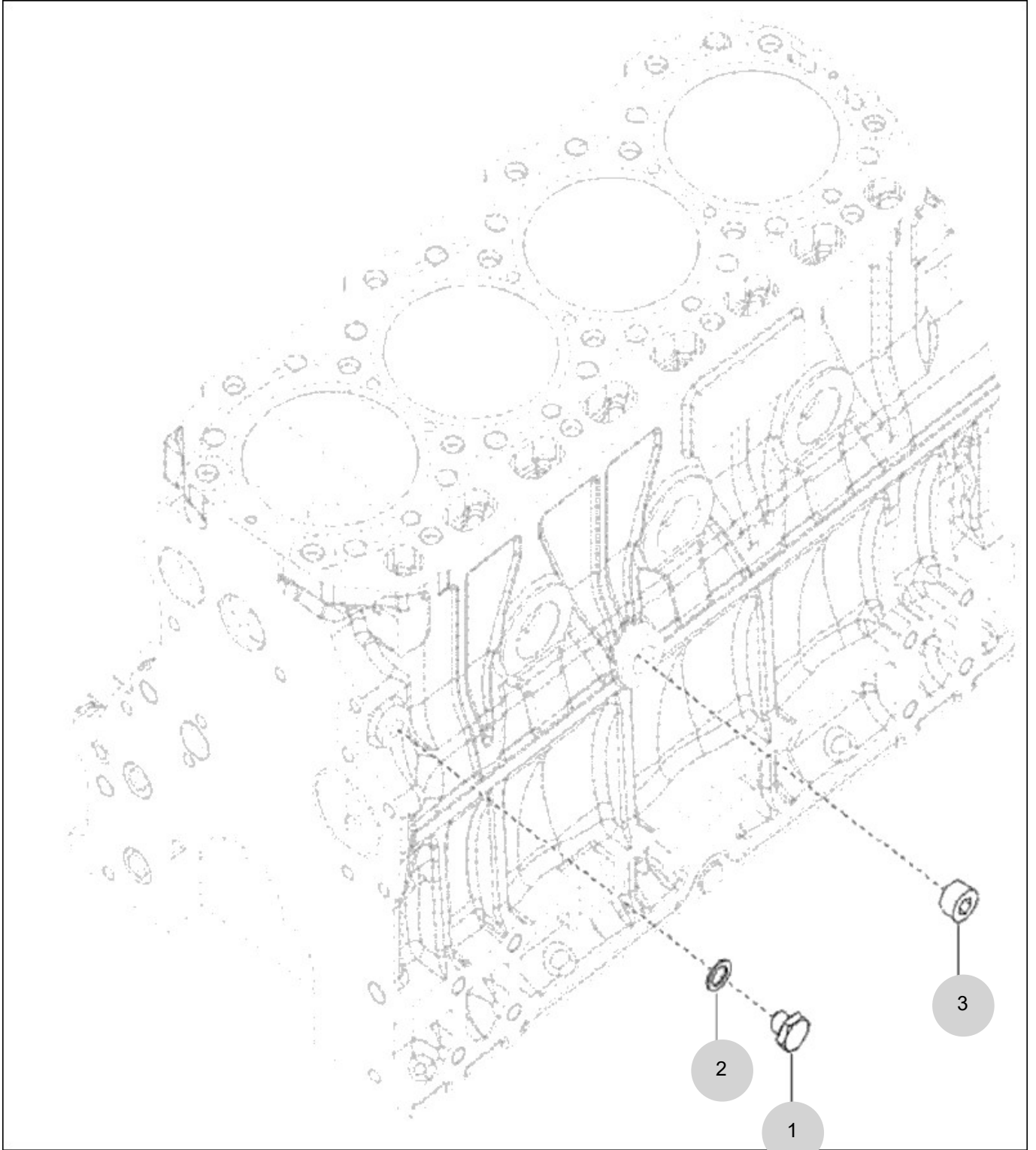
FIG 118B

TURBOCHARGER PLUMBING OPTION(T494)

년/월
Year/Month

2022-12

T495NHEU1



NOTE

FIG 118B T495NHEU1		TURBOCHARGER PLUMBING OPTION(T494)					년/월 Year/Month	
							2022-12	
KEY NO	PART NO	DESCRIPTION	SPEC	QTY	REPAIR	EFFECTIVE DATE	REMARKS	
118B	1	23887-100002	SCREW, HEXAGON HEAD CAP			1		
118B	2	23414-100000	WASHER, SEALING			1		
118B	3	23871-030000	테이퍼나사플러그			1		
NOTE								

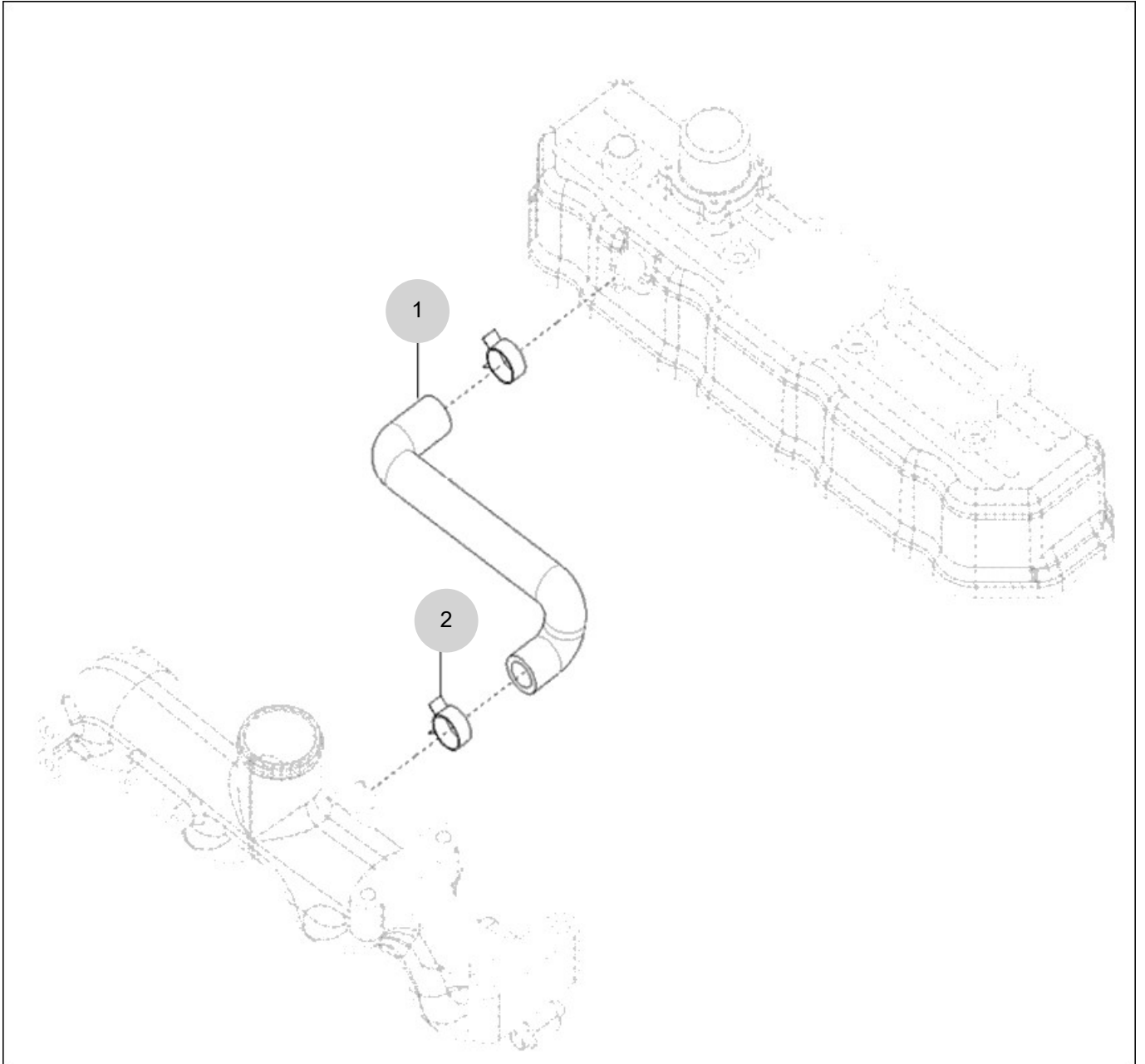
FIG 119B

BREATHER(T494)

년/월
Year/Month

2022-12

T495NHEU1



NOTE

FIG 119B		BREATHER(T494)					년/월 Year/Month	
T495NHEU1								2022-12
KEY NO	PART NO	DESCRIPTION	SPEC	QTY	REPAIR	EFFECTIVE DATE	REMARKS	
119B	1	HRA0404100D	HOSE, PLAIN					
119B	2	23080-021000	CLAMP, V BAND					
NOTE								

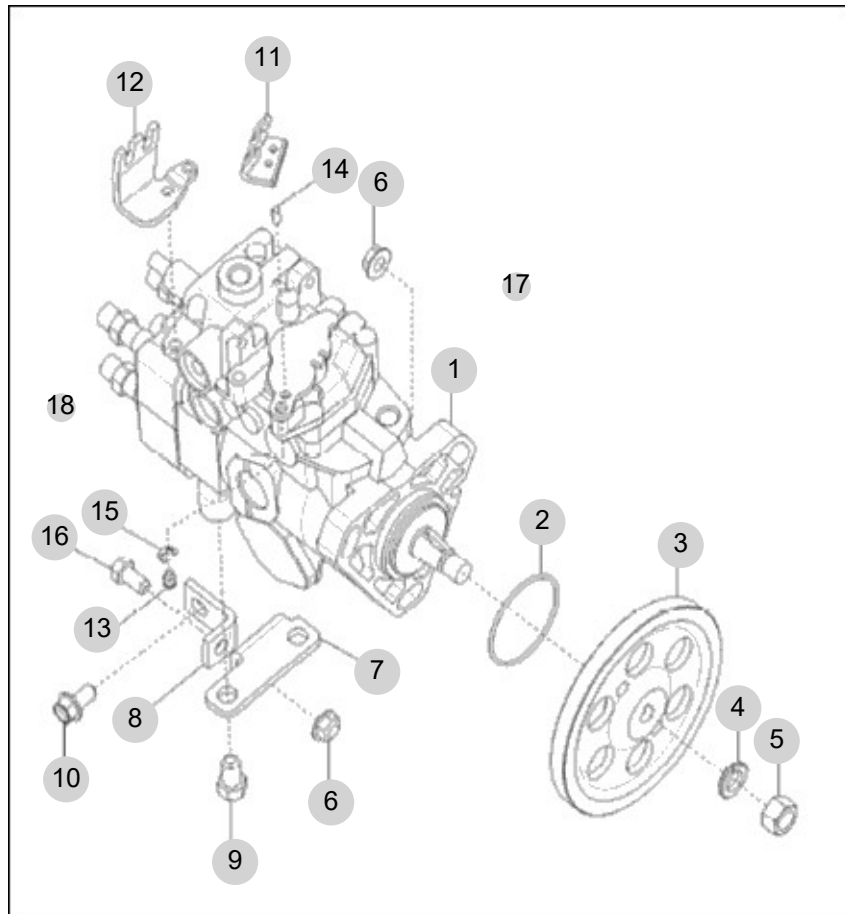
FIG 120

FUEL INJECTION PUMP

년/월
Year/Month

2022-12

T495NHEU1



NOTE

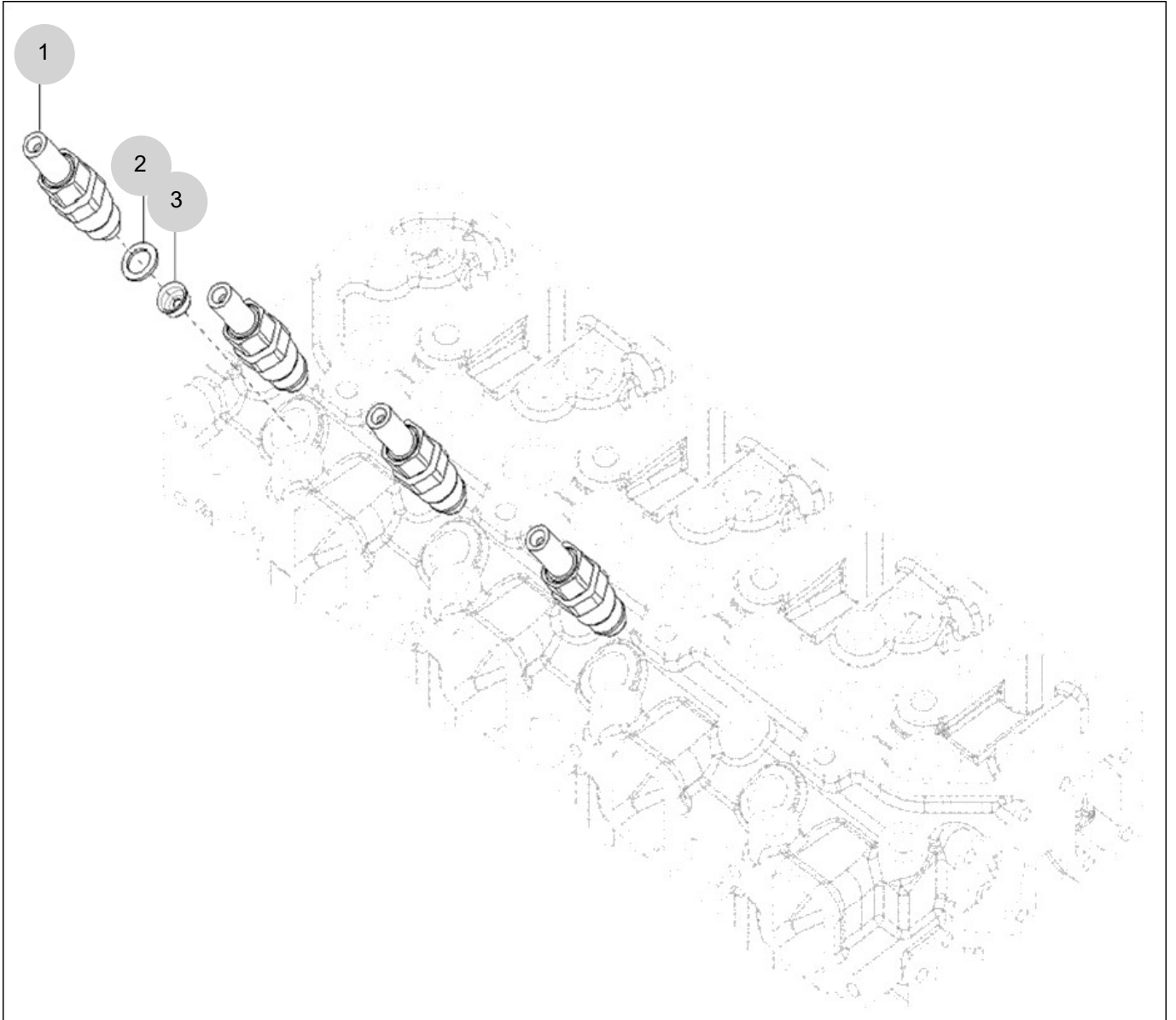
FIG 121

FUEL INJECTION VALVE

년/월
Year/Month

2022-12

T495NHEU1



NOTE

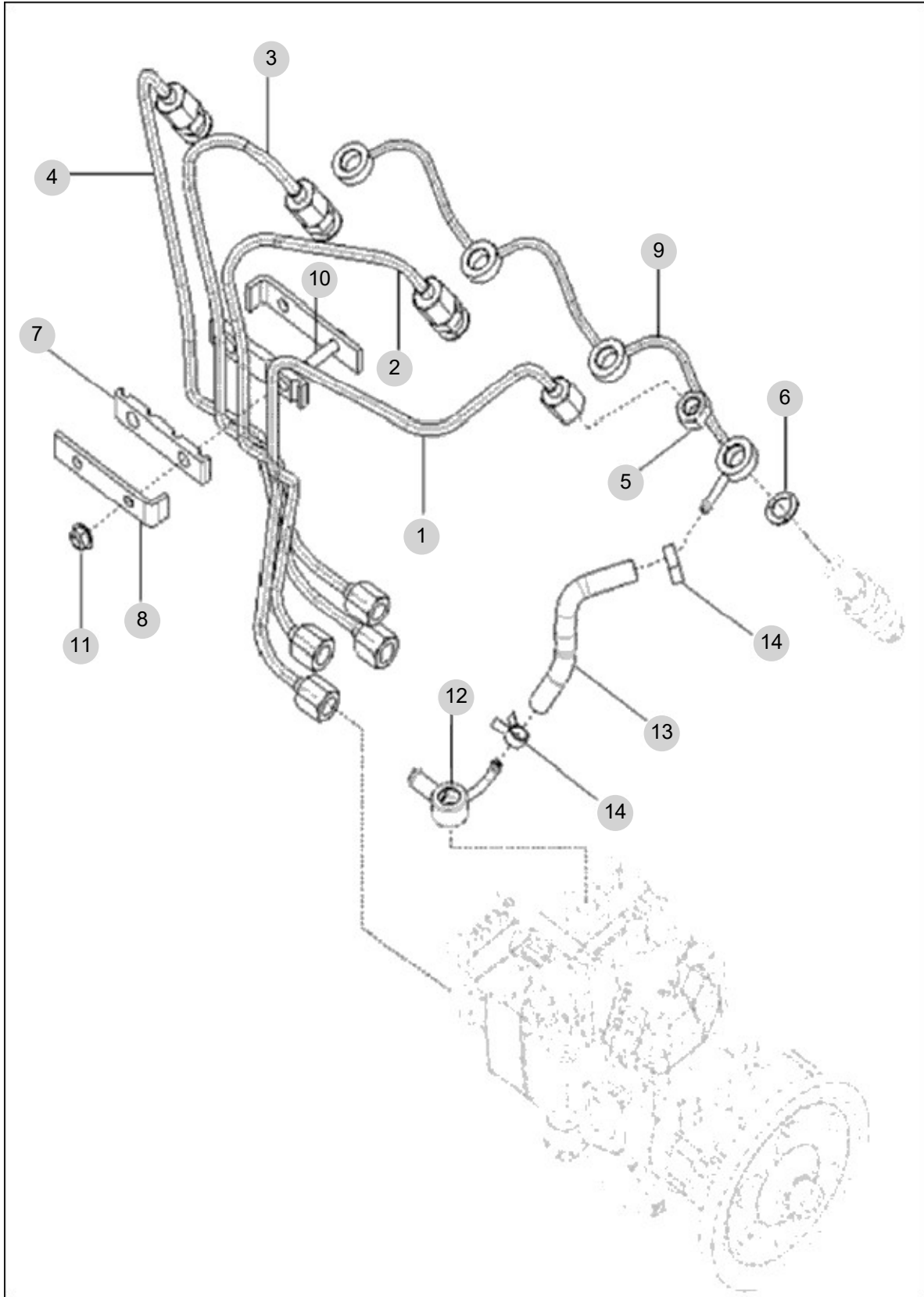
FIG 122

FUEL PIPE ASS'Y

년/월
Year/Month

2022-12

T495NHEU1



NOTE

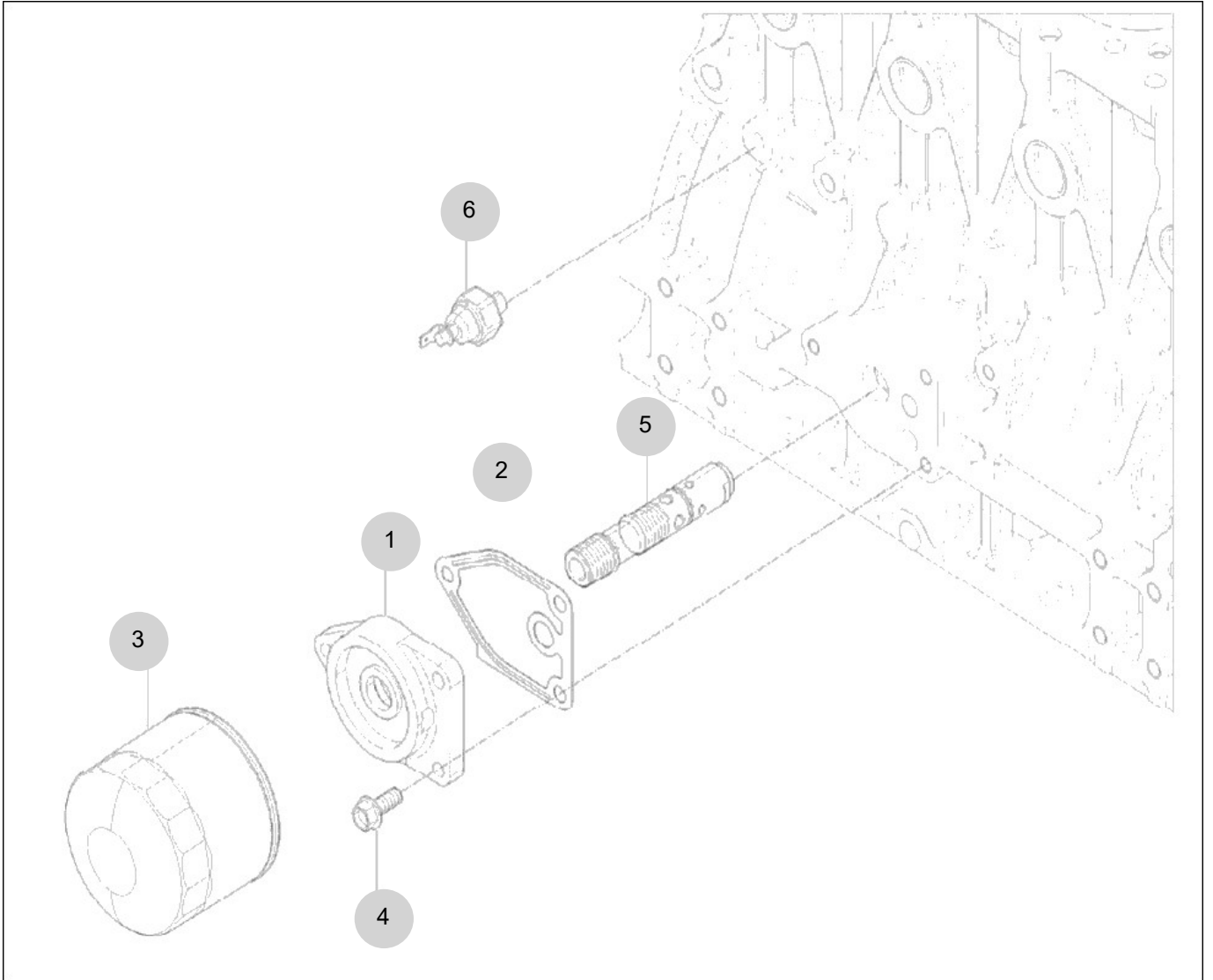
FIG 123

OIL FILTER

년/월
Year/Month

2022-12

T495NHEU1



NOTE

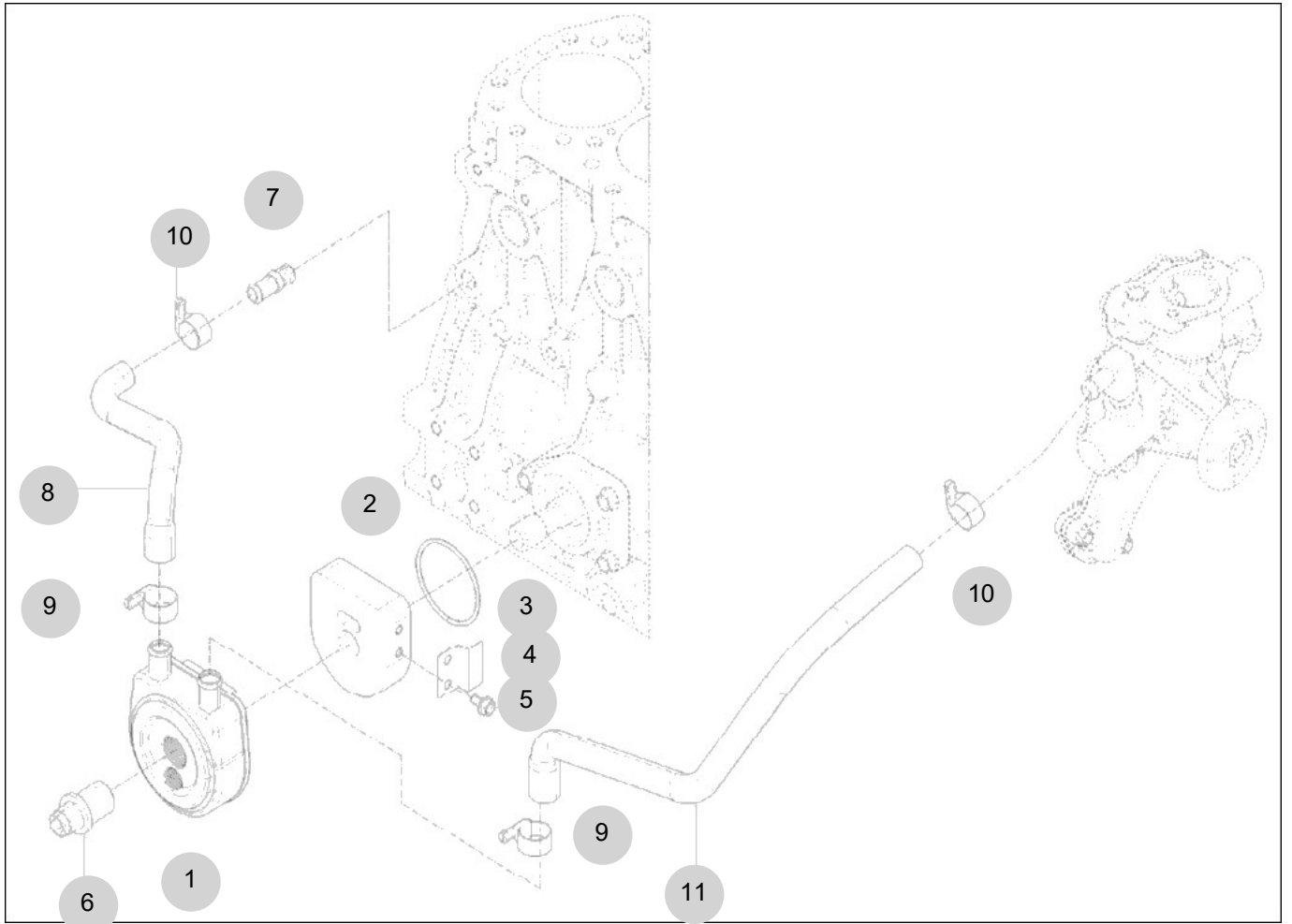
FIG 124

OIL COOLER

년/월
Year/Month

2022-12

T495NHEU1



NOTE

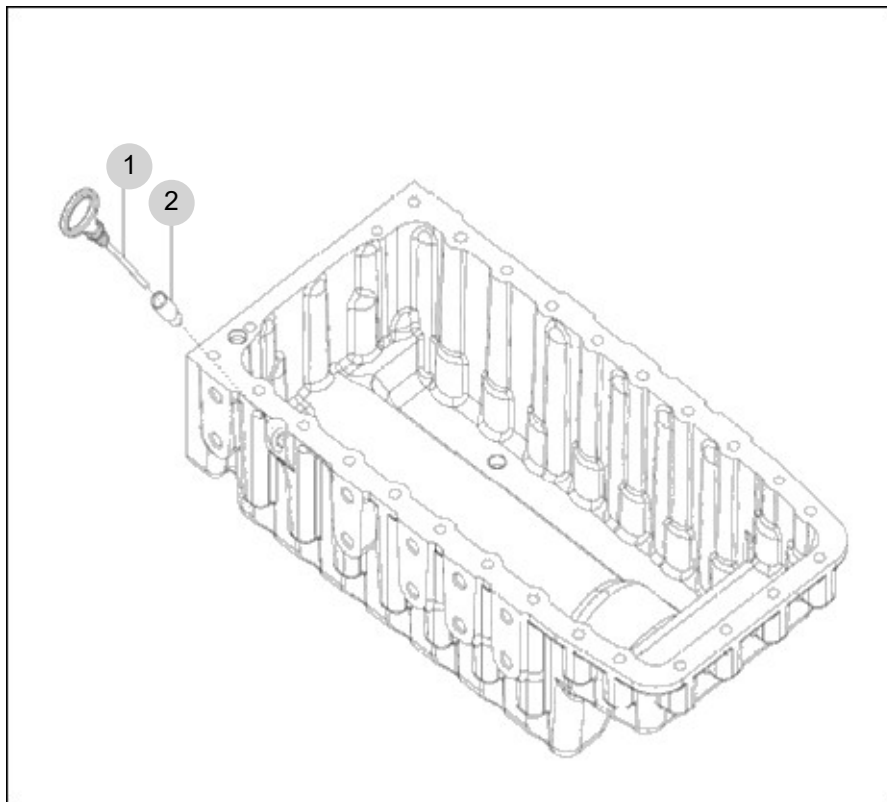
FIG 125

OIL GAUGUE

년/월
Year/Month

2022-12

T495NHEU1



NOTE

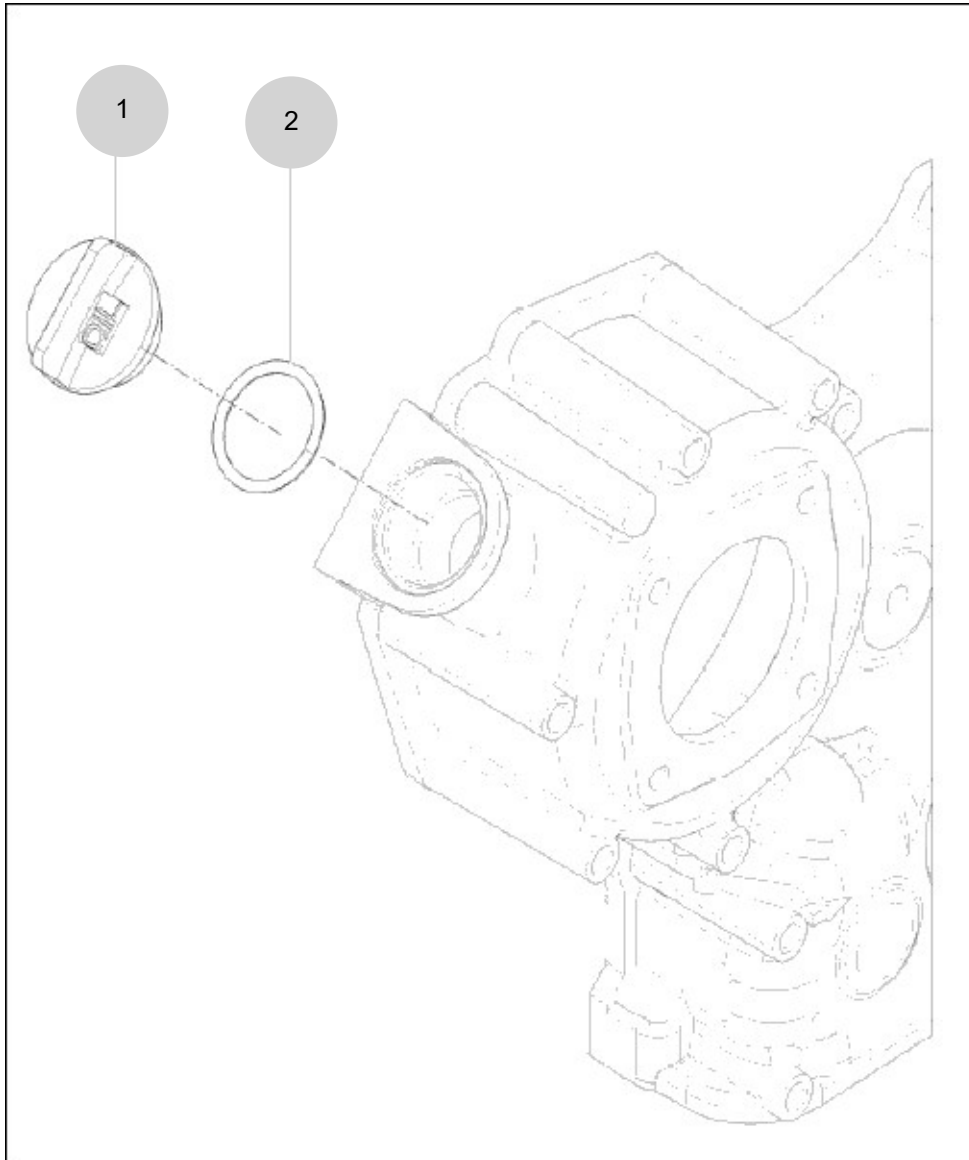
FIG 126

OIL FILLER CAP

년/월
Year/Month

T495NHEU1

2022-12



NOTE

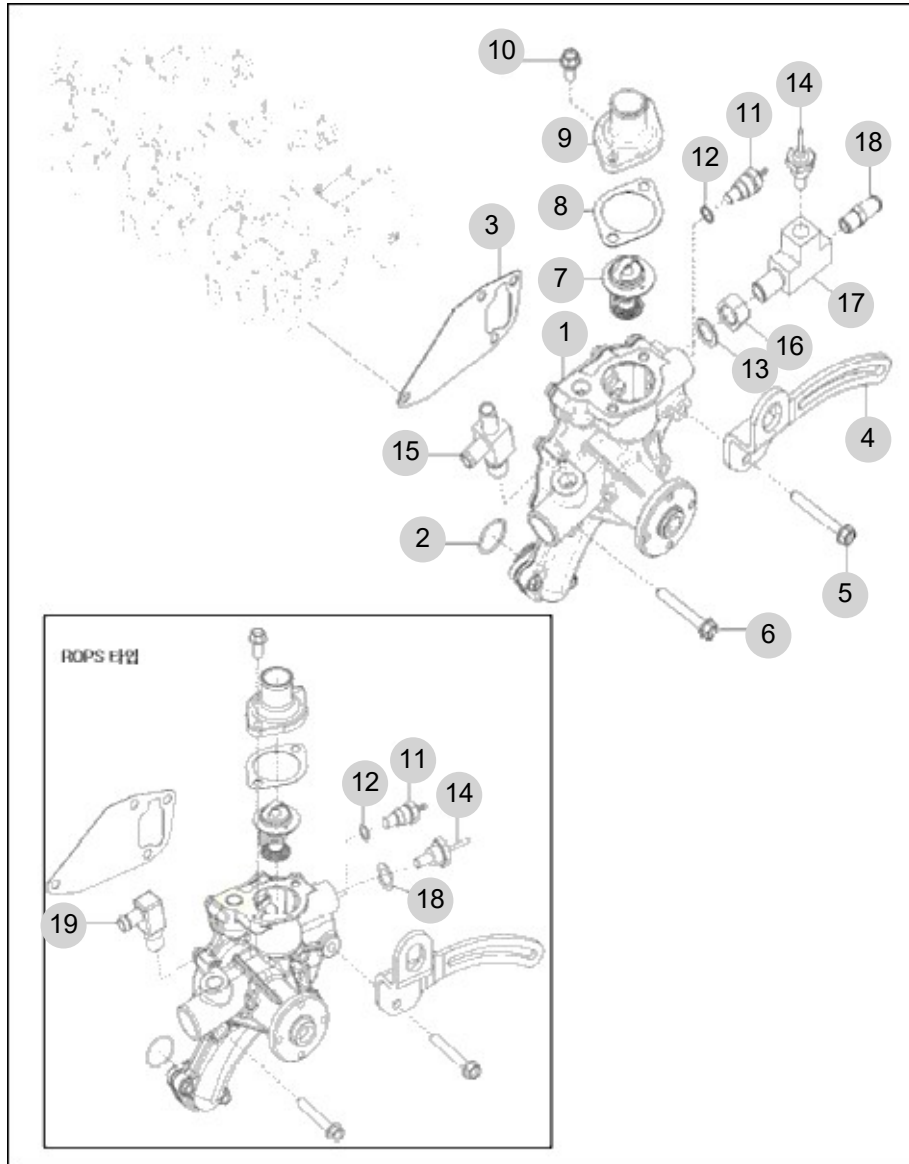
FIG 127

COOLING WATER PUMP

년/월
Year/Month

2022-12

T495NHEU1



NOTE

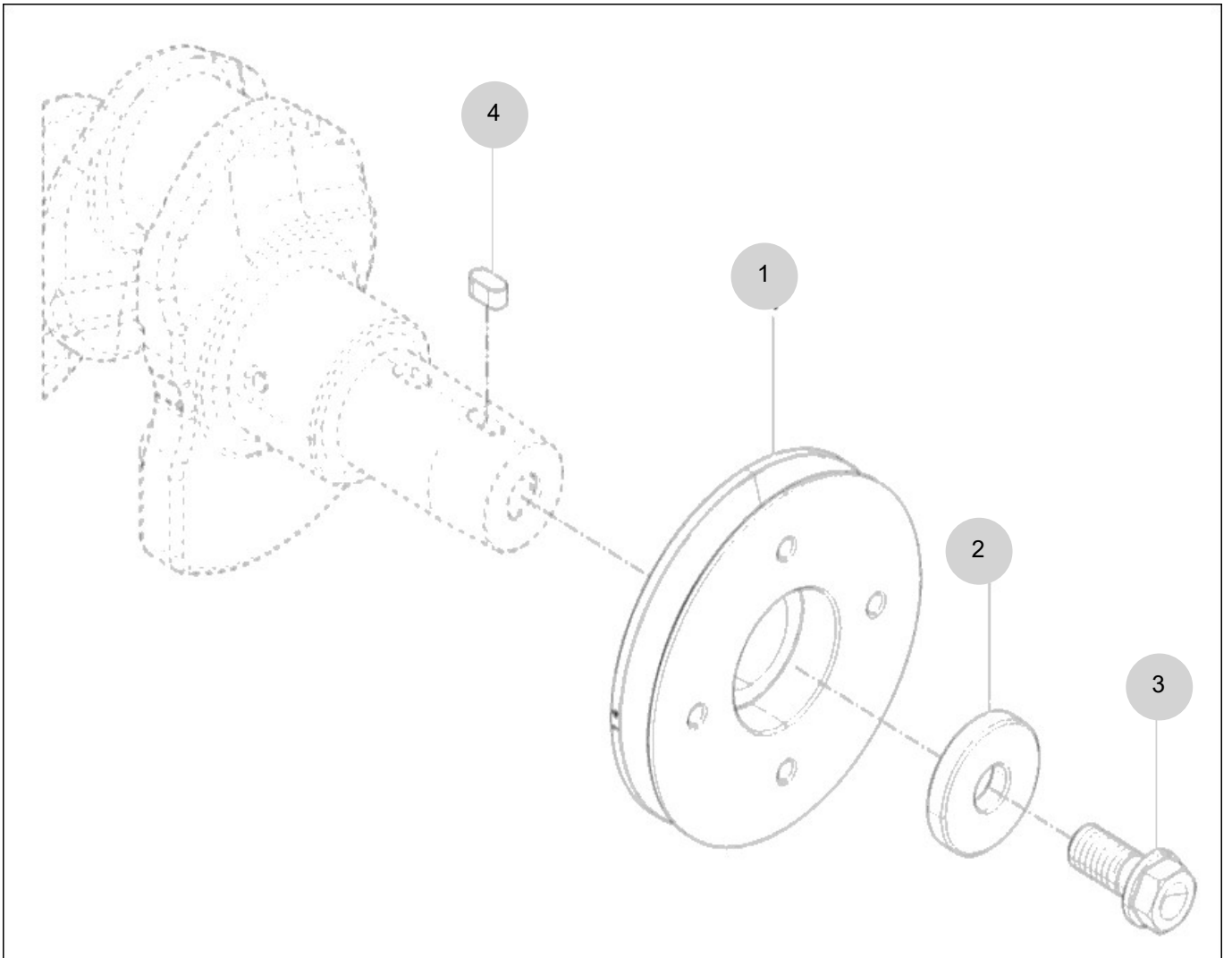
FIG 128

CRANK SHAFT PULLEY

년/월
Year/Month

2022-12

T495NHEU1



NOTE

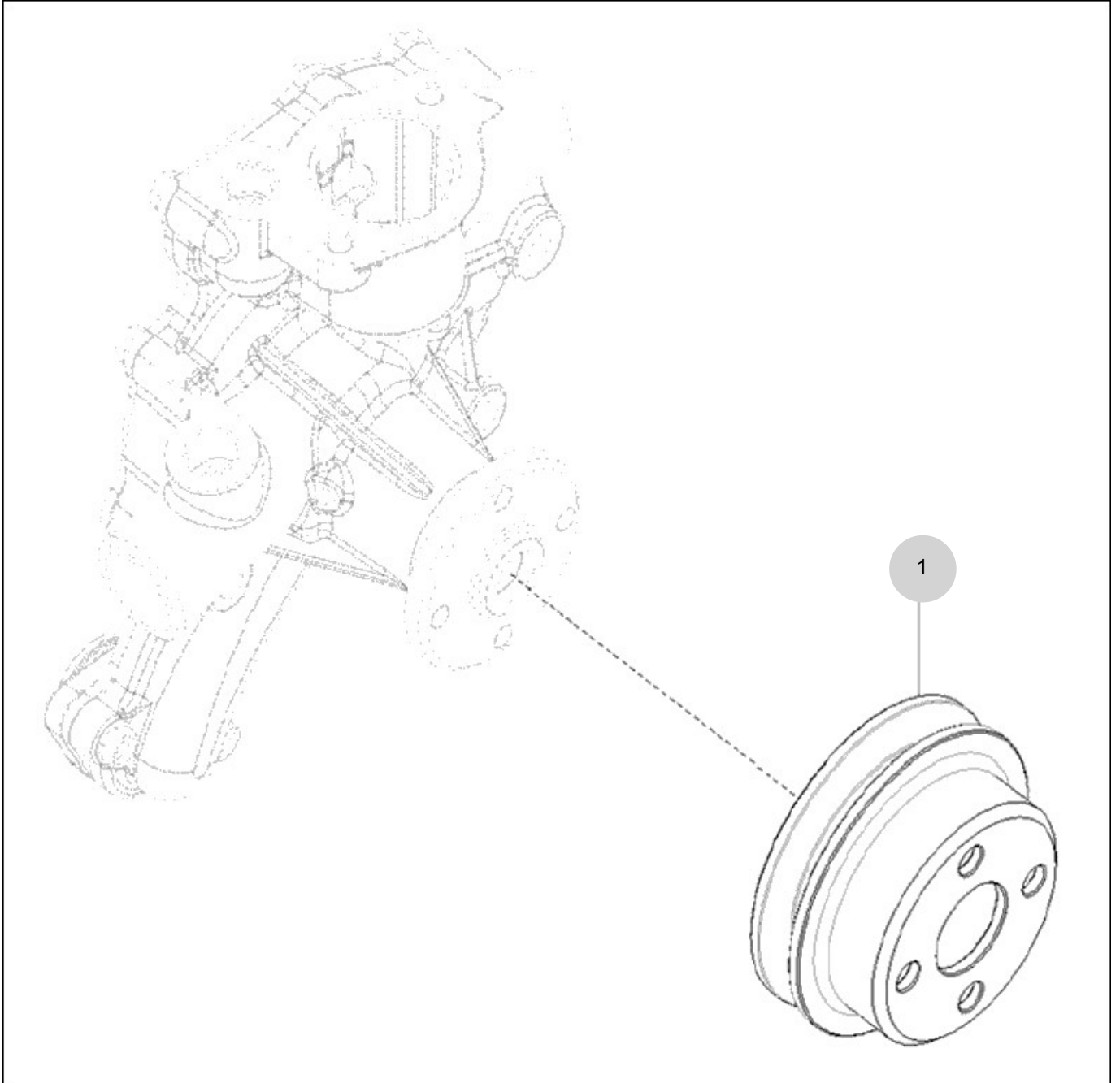
FIG 129

V-PULLEY

년/월
Year/Month

2022-12

T495NHEU1



NOTE

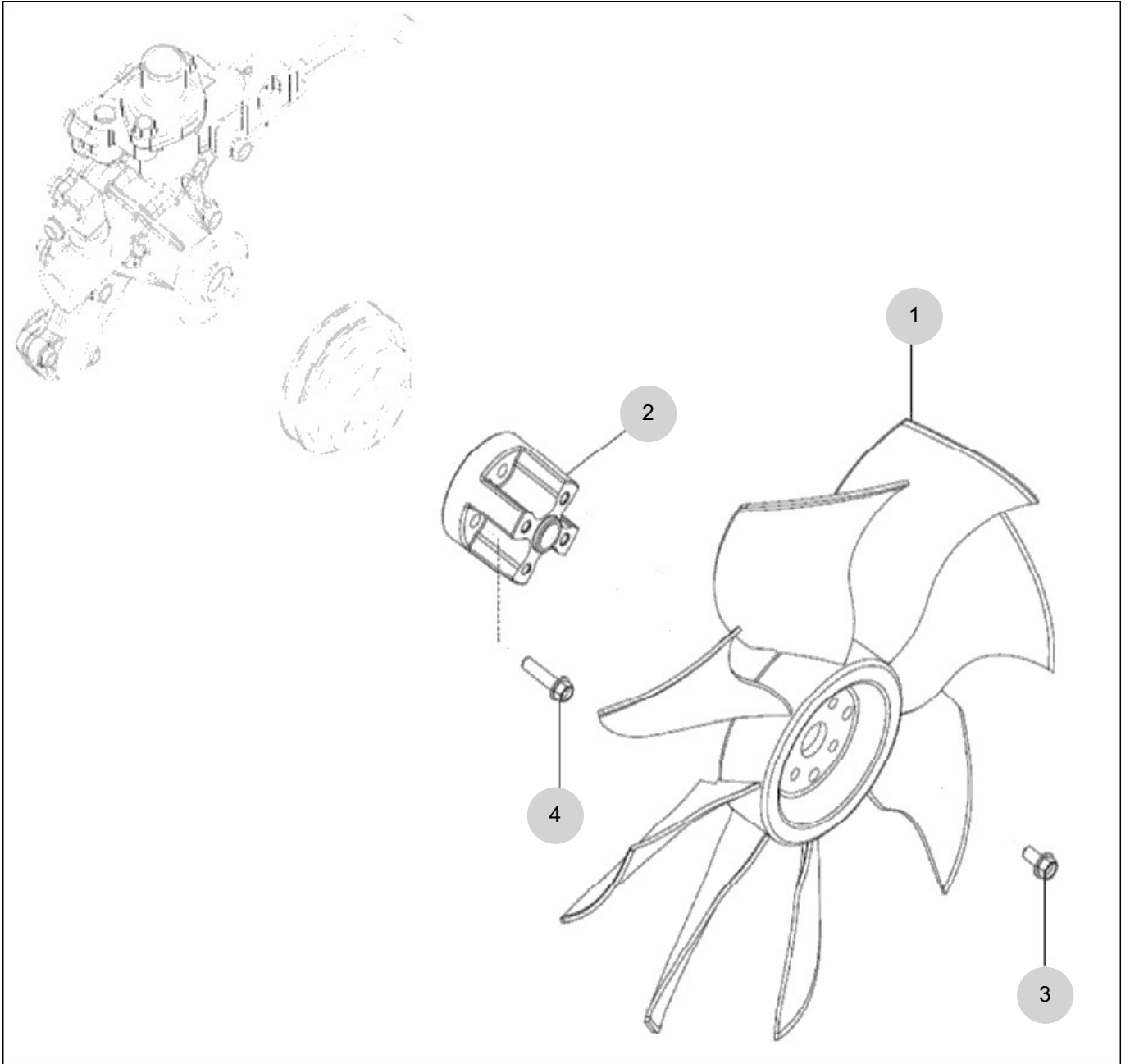
FIG 130

COOLING FAN

년/월
Year/Month

2022-12

T495NHEU1



NOTE

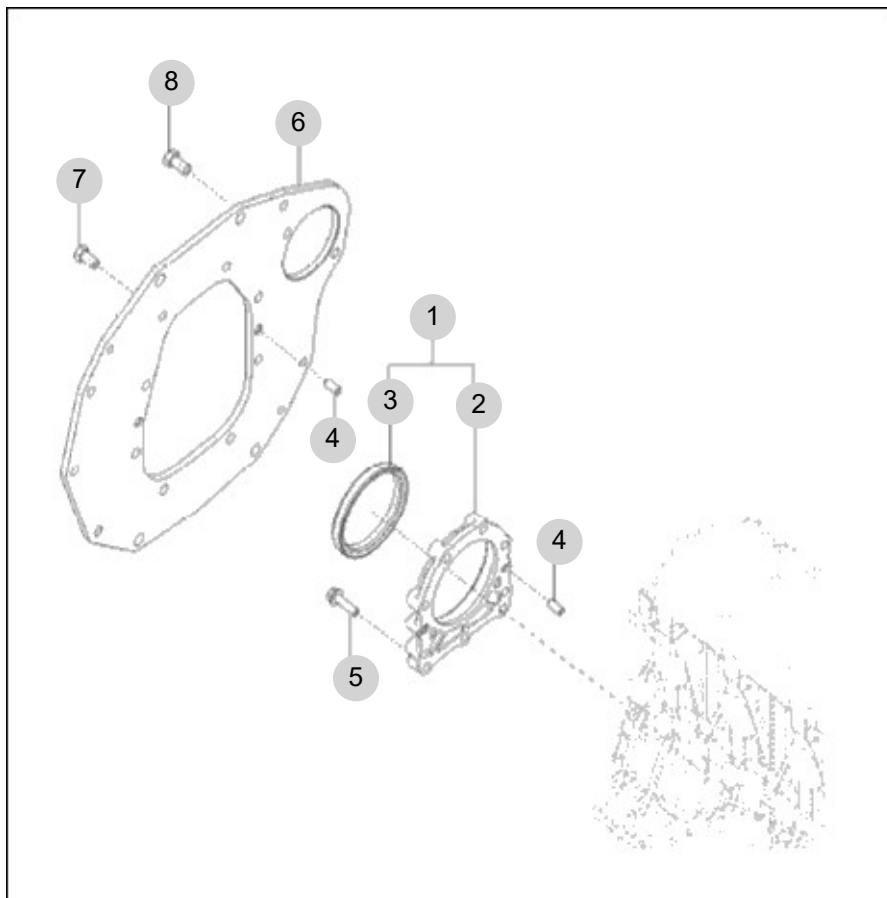
FIG 131

FLYWHEEL HOUSING

년/월
Year/Month

2022-12

T495NHEU1



NOTE

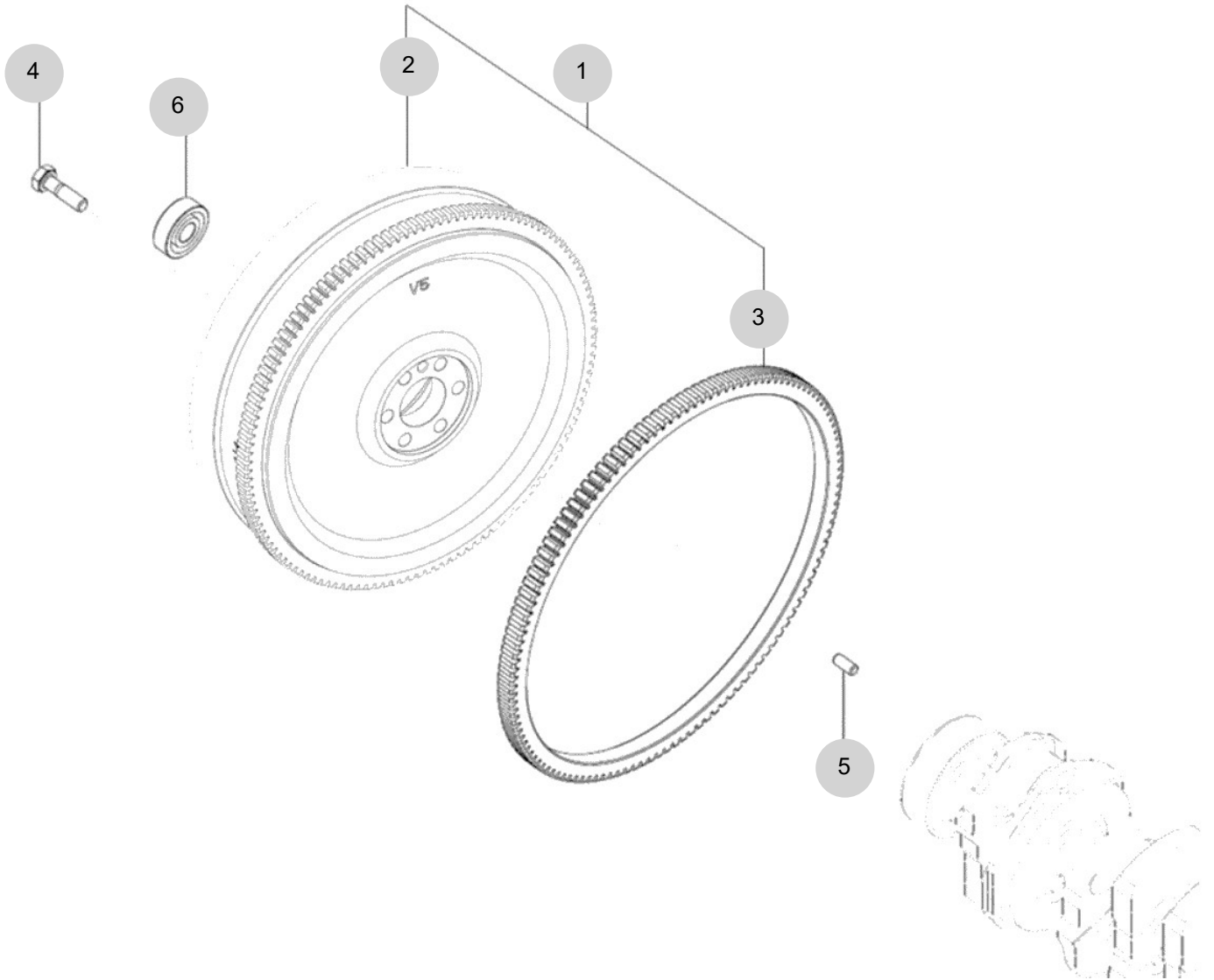
FIG 132

T495NHEU1

FLYWHEEL

년/월
Year/Month

2022-12



NOTE

FIG 132 T495NHEU1	FLYWHEEL						년/월 Year/Month
							2022-12

KEY NO		PART NO	DESCRIPTION	SPEC	QTY	REPAIR	EFFECTIVE DATE	REMARKS
132	1	EA00005604A	FLYWHEEL ASSY		1			
132	2	EA00005605A	FLYWHEEL		1			
132	3	HA07070000A	링 기어		1			
132	4	HRC0801000A	BOLT, FLYWHEEL		6			
132	5	22312-080160	핀(22312080160-로 주문 변경)		1			
132	6	24104-063024	깊은홈 볼베어링		1			

NOTE

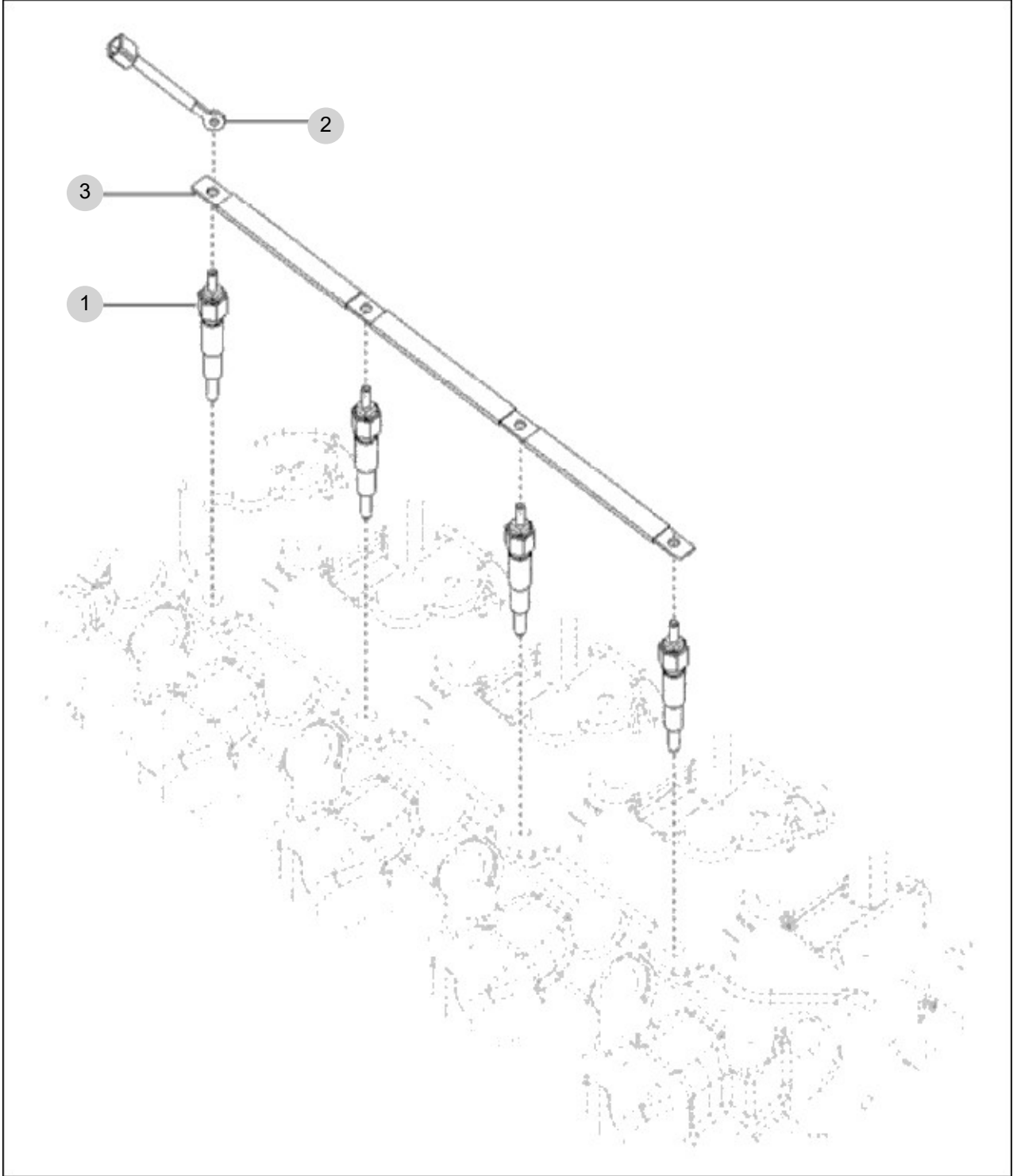
FIG 133

GLOW PLUG ASS'Y OPTION

년/월
Year/Month

2022-12

T495NHEU1



NOTE

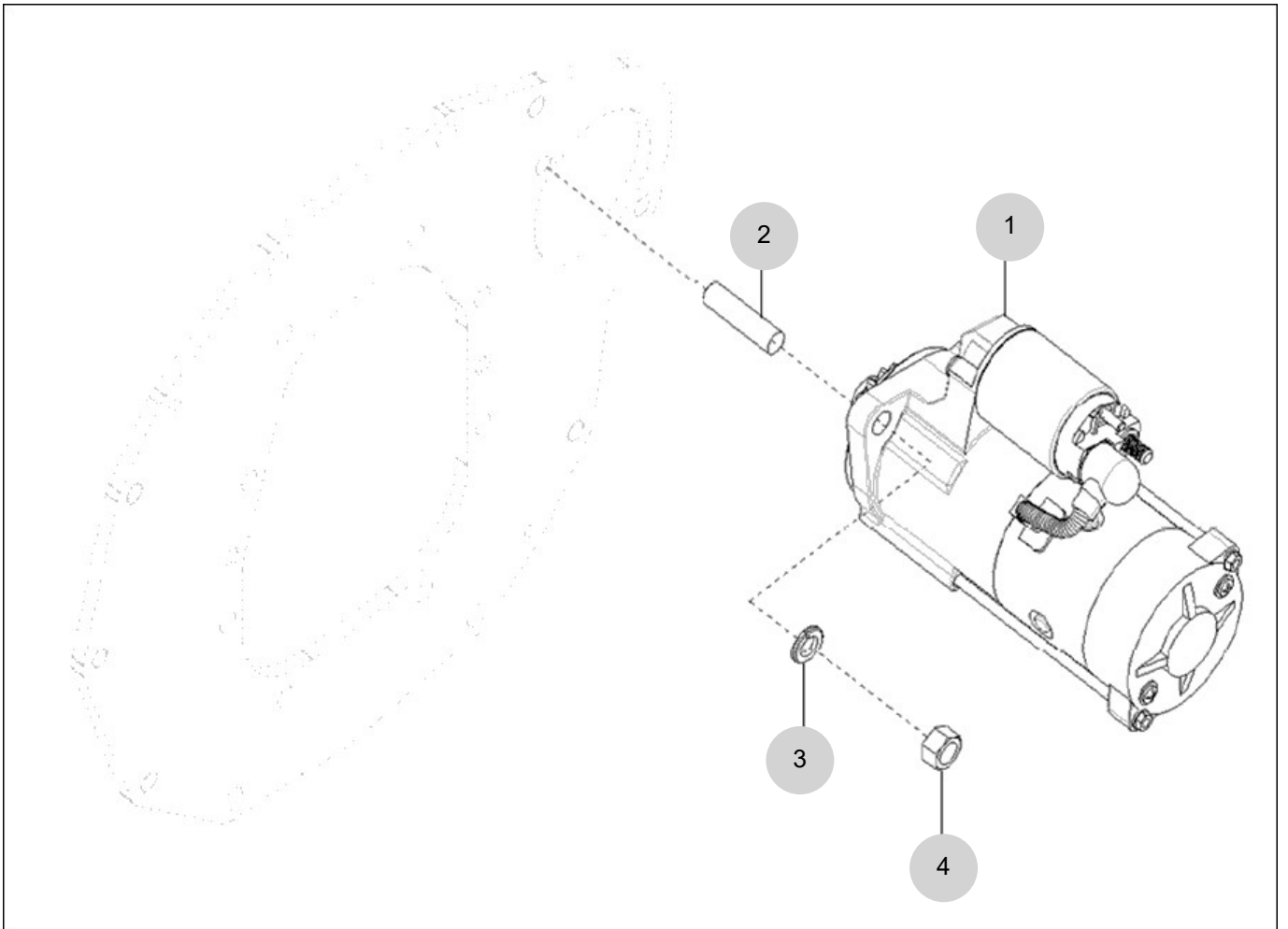
FIG 134

STARTING MOTOR

년/월
Year/Month

2022-12

T495NHEU1



NOTE

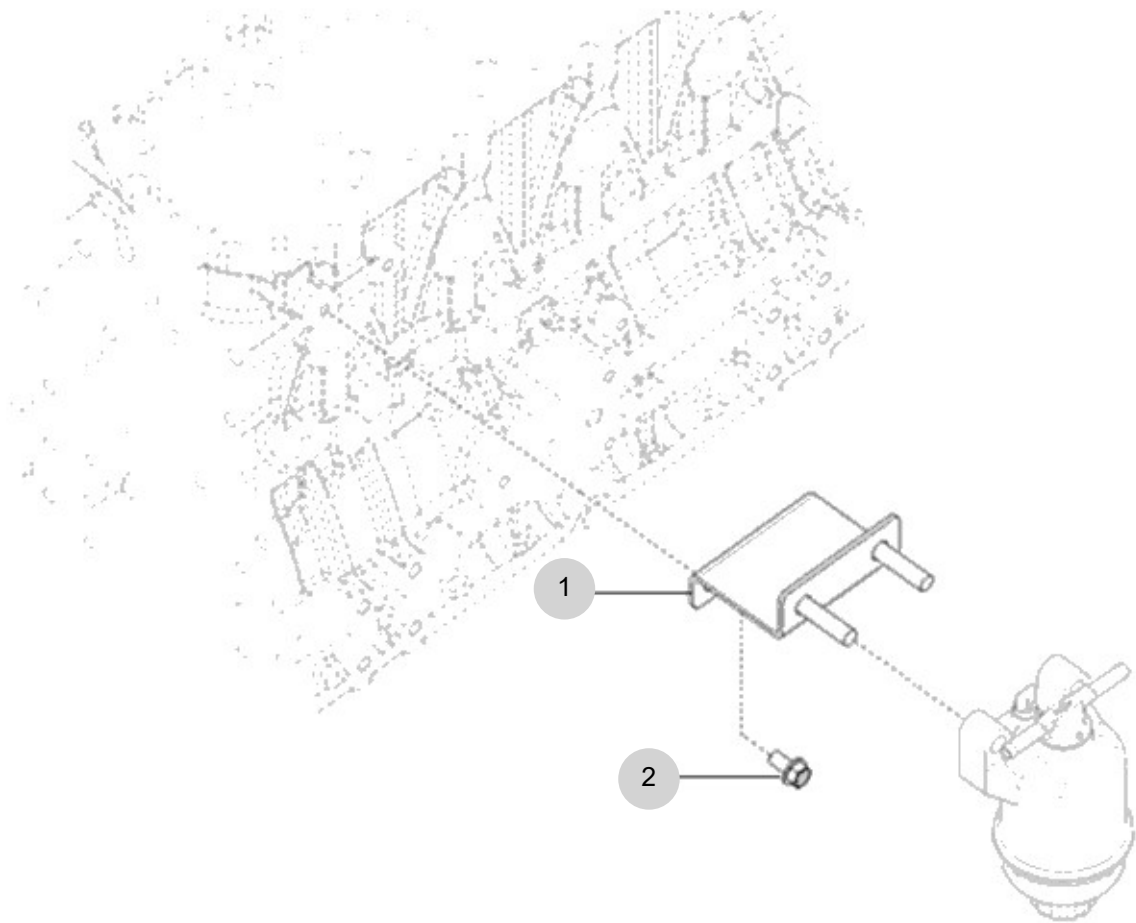
FIG 135

FUEL FILTER BRACKET ASS'Y

년/월
Year/Month

2022-12

T495NHEU1



NOTE

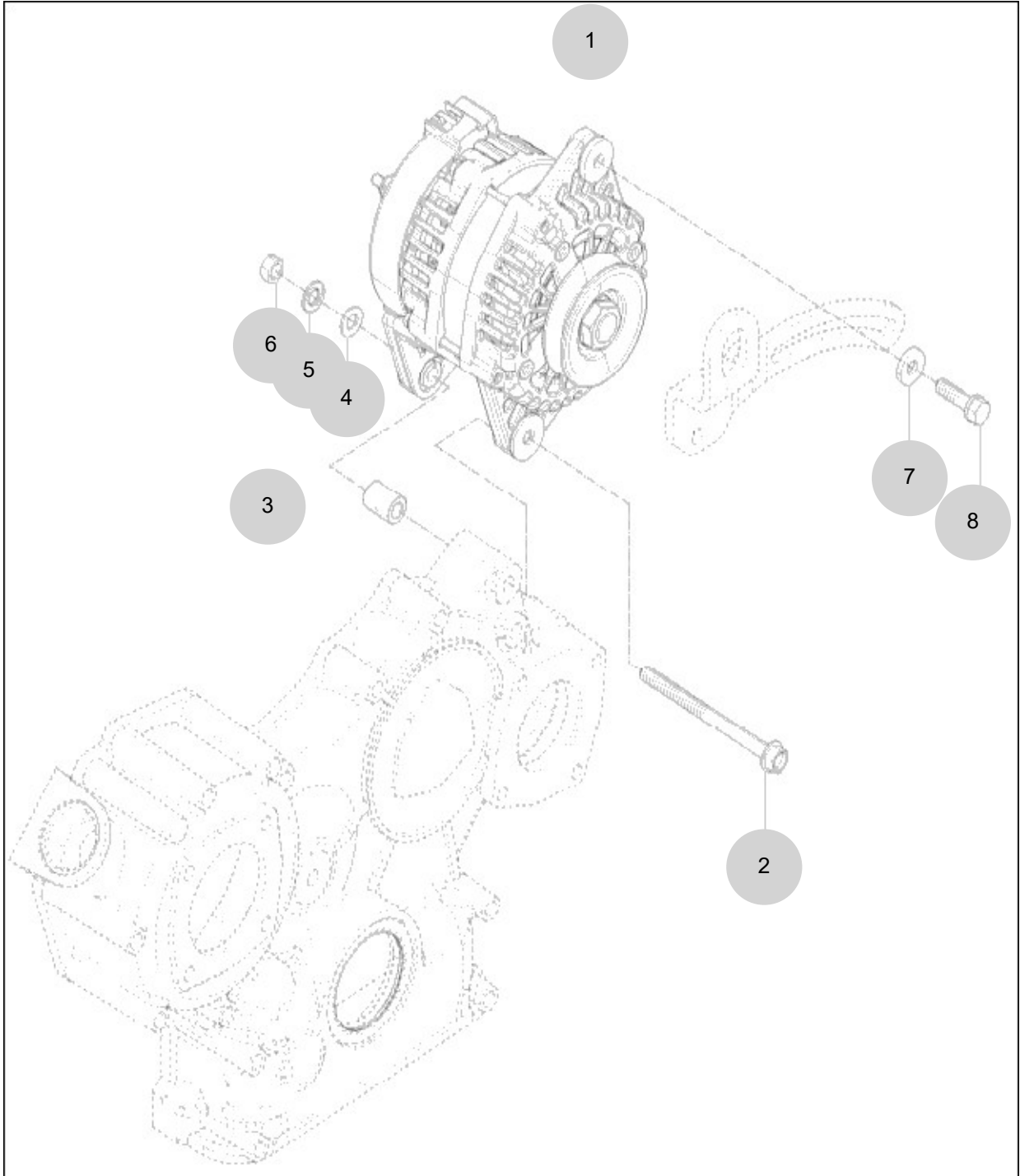
FIG 136

ALTERNATOR

년/월
Year/Month

2022-12

T495NHEU1



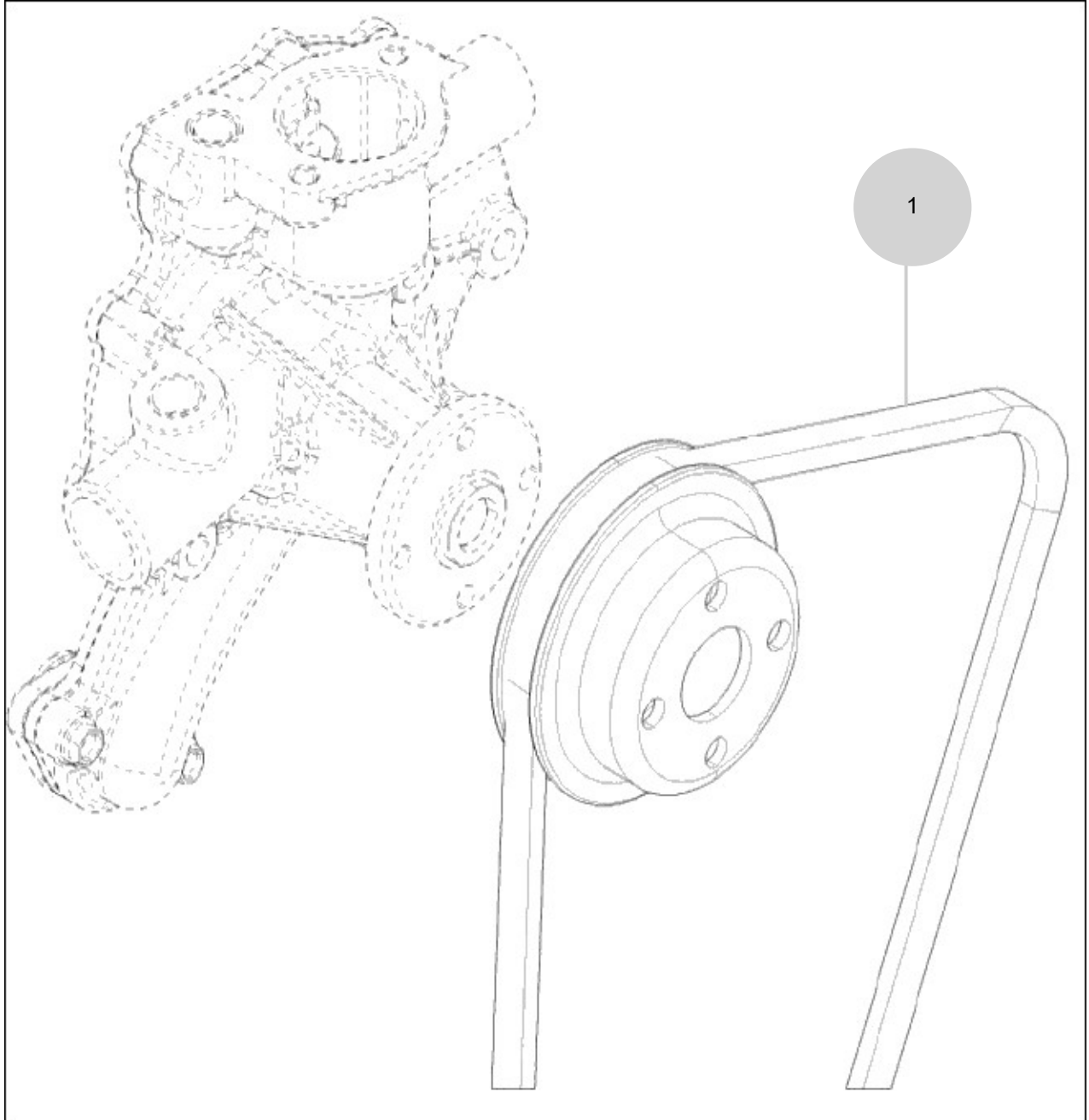
NOTE

FIG 137

V-BELT

년/월
Year/Month

2022-12



NOTE

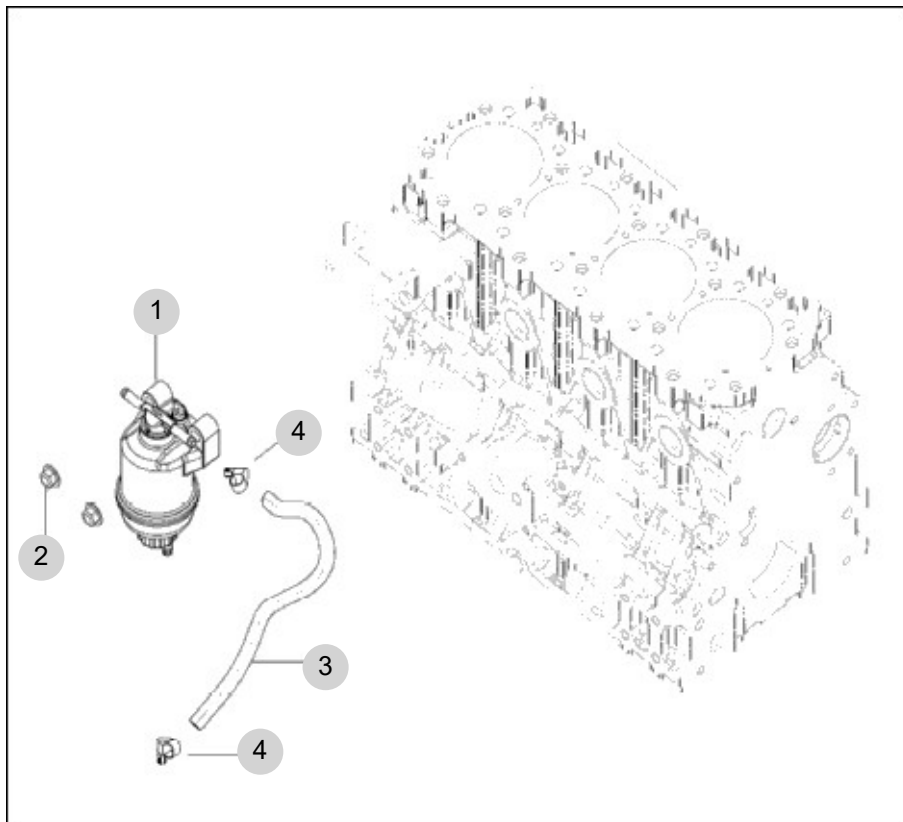
FIG 138

FUEL FILTER

년/월
Year/Month

2022-12

T495NHEU1



NOTE

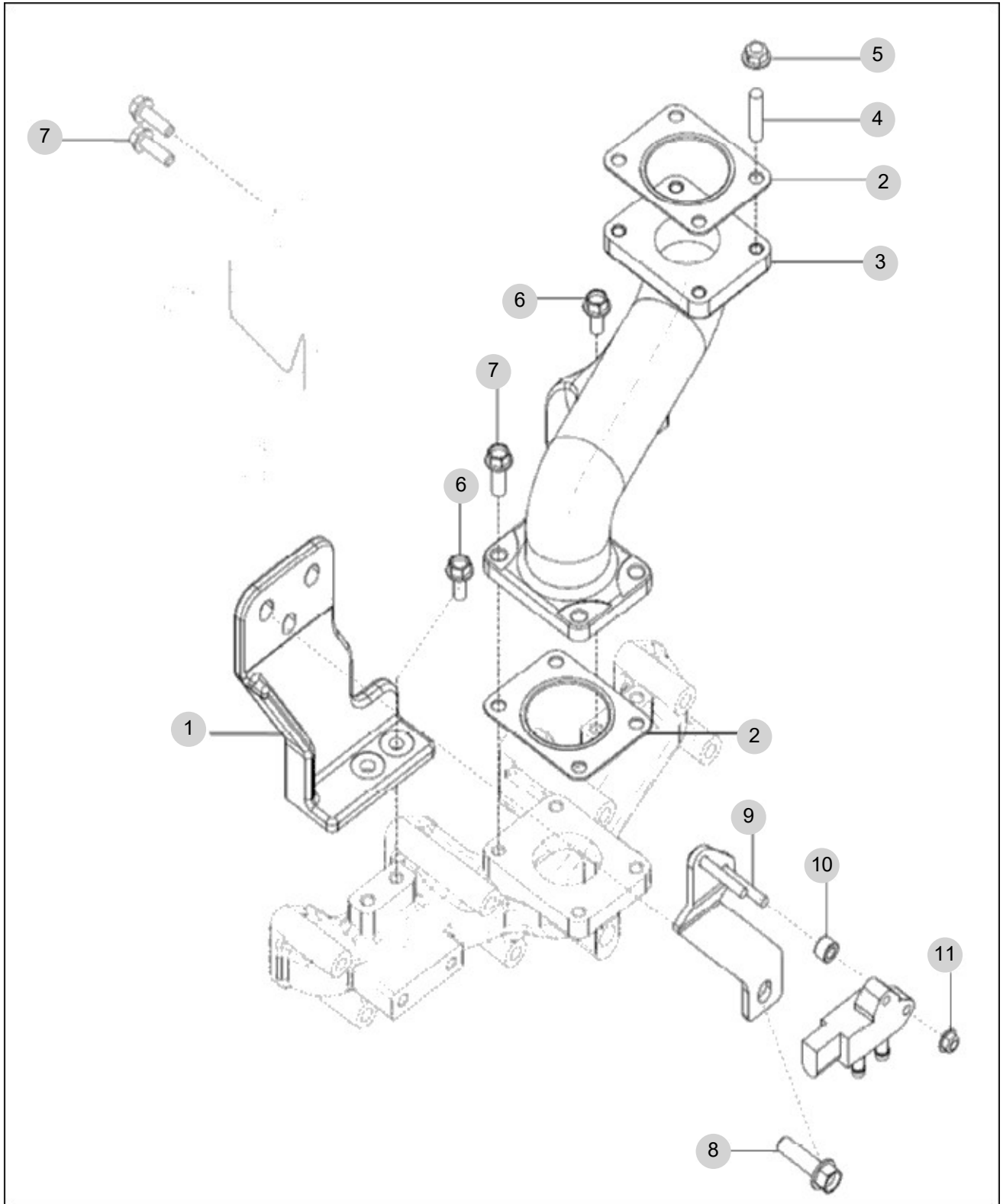
FIG 139B

DPF SUPPORT (T494)

년/월
Year/Month

2022-12

T495NHEU1



NOTE

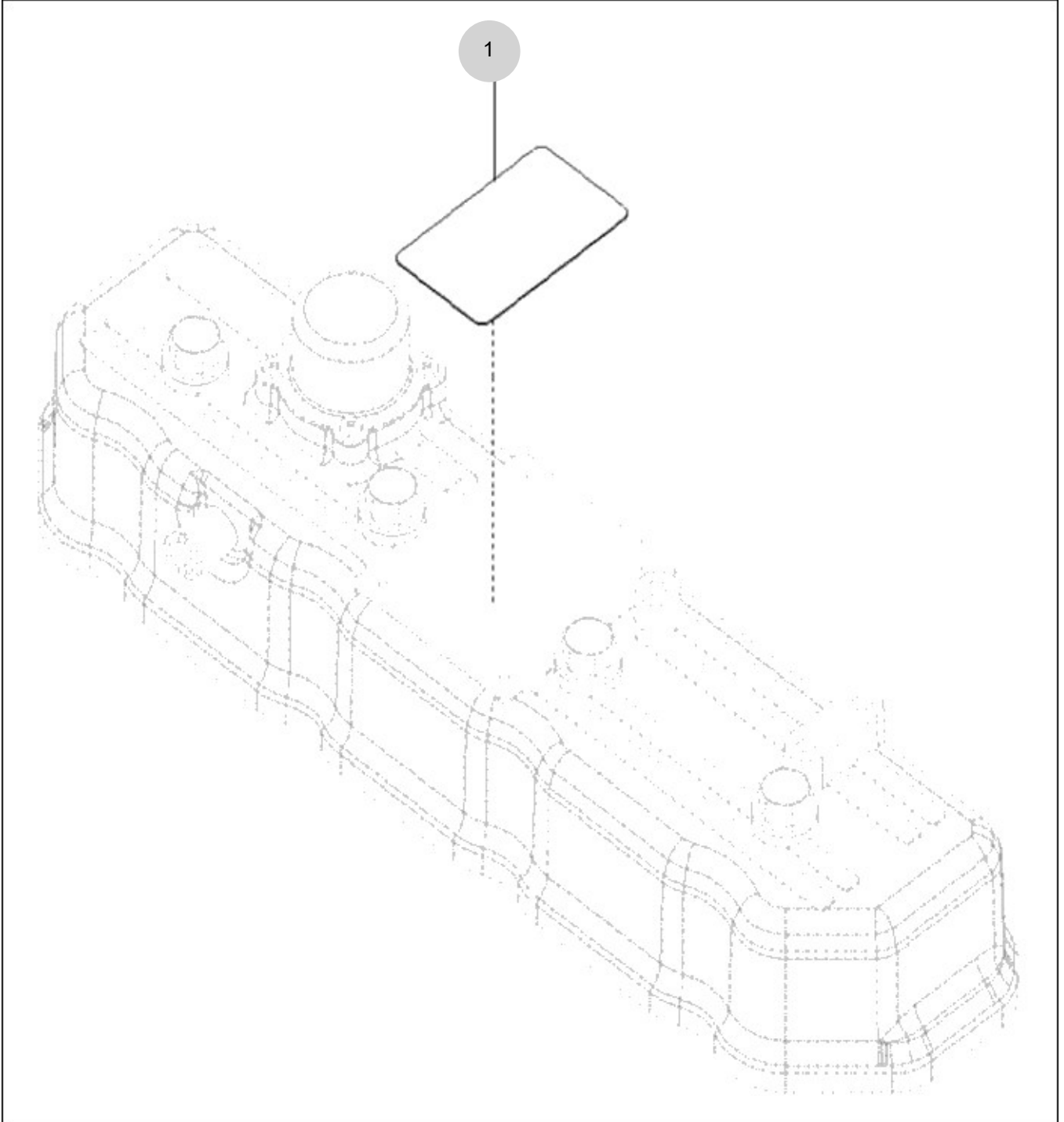
FIG 140

DATAPLATE

년/월
Year/Month

2022-12

T495NHEU1



NOTE

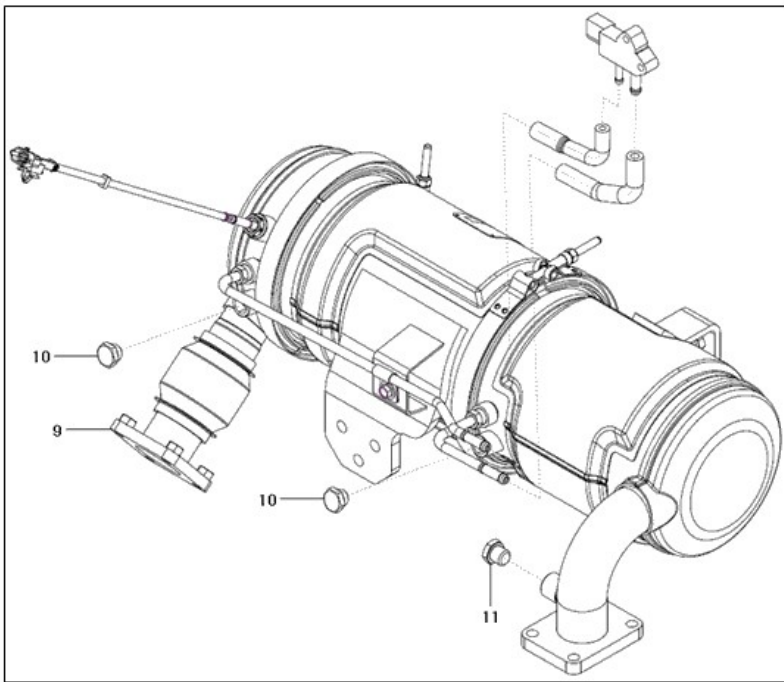
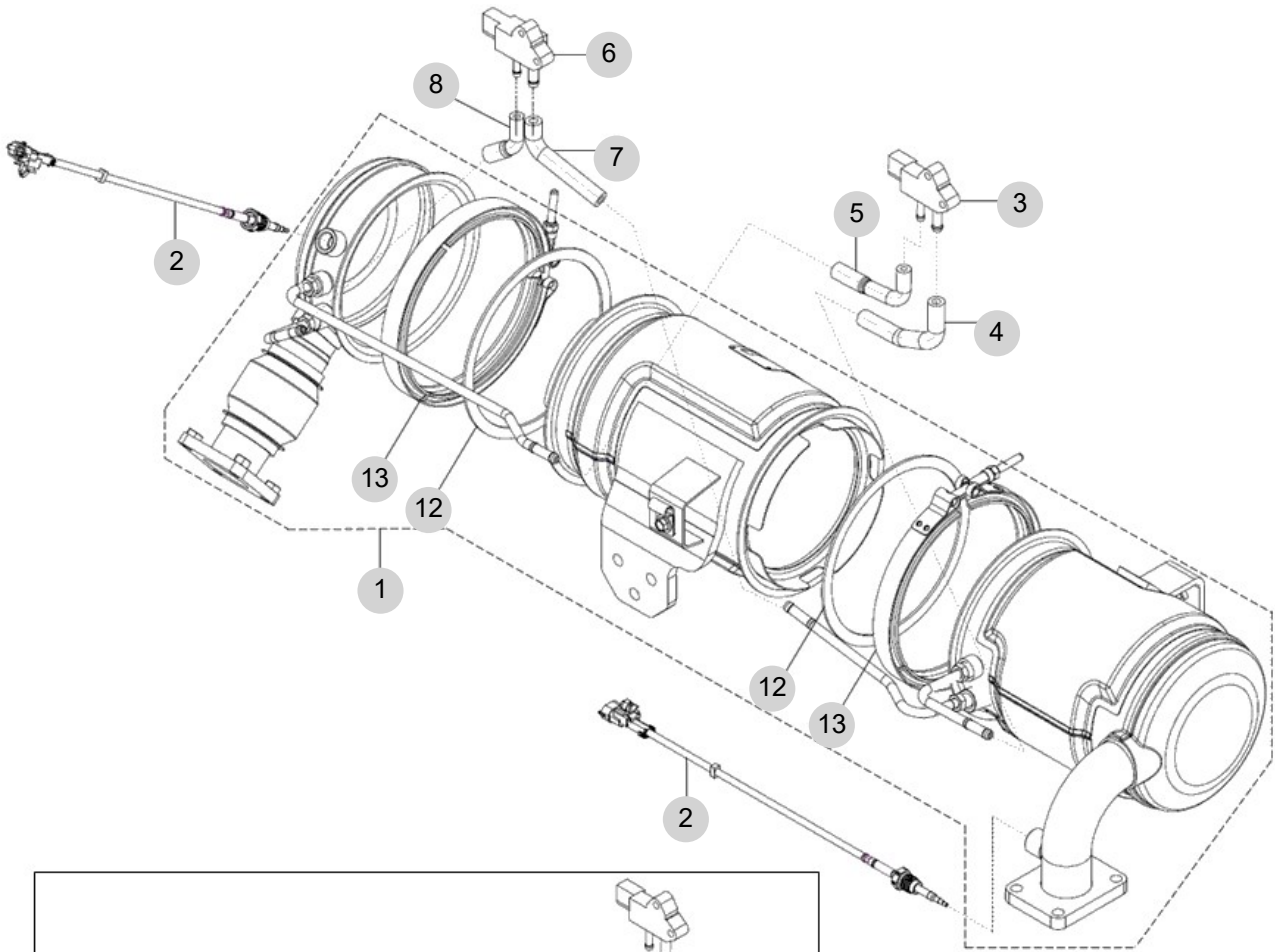
FIG 142B

DPF ASS'Y (T494)

년/월
Year/Month

2022-12

T495NHEU1



NOTE

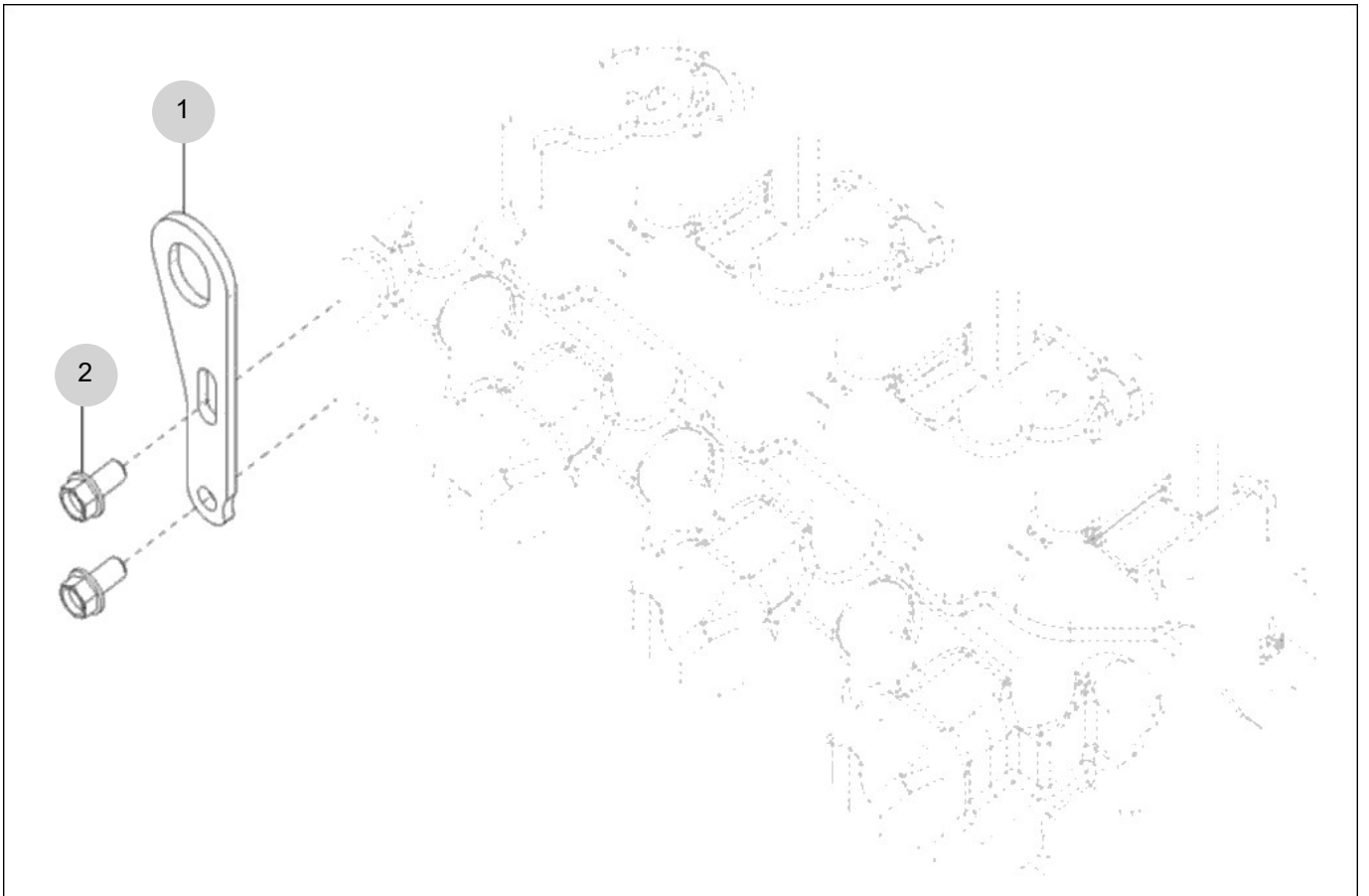
FIG 143

LIFT ASS'Y

년/월
Year/Month

2022-12

T495NHEU1



NOTE

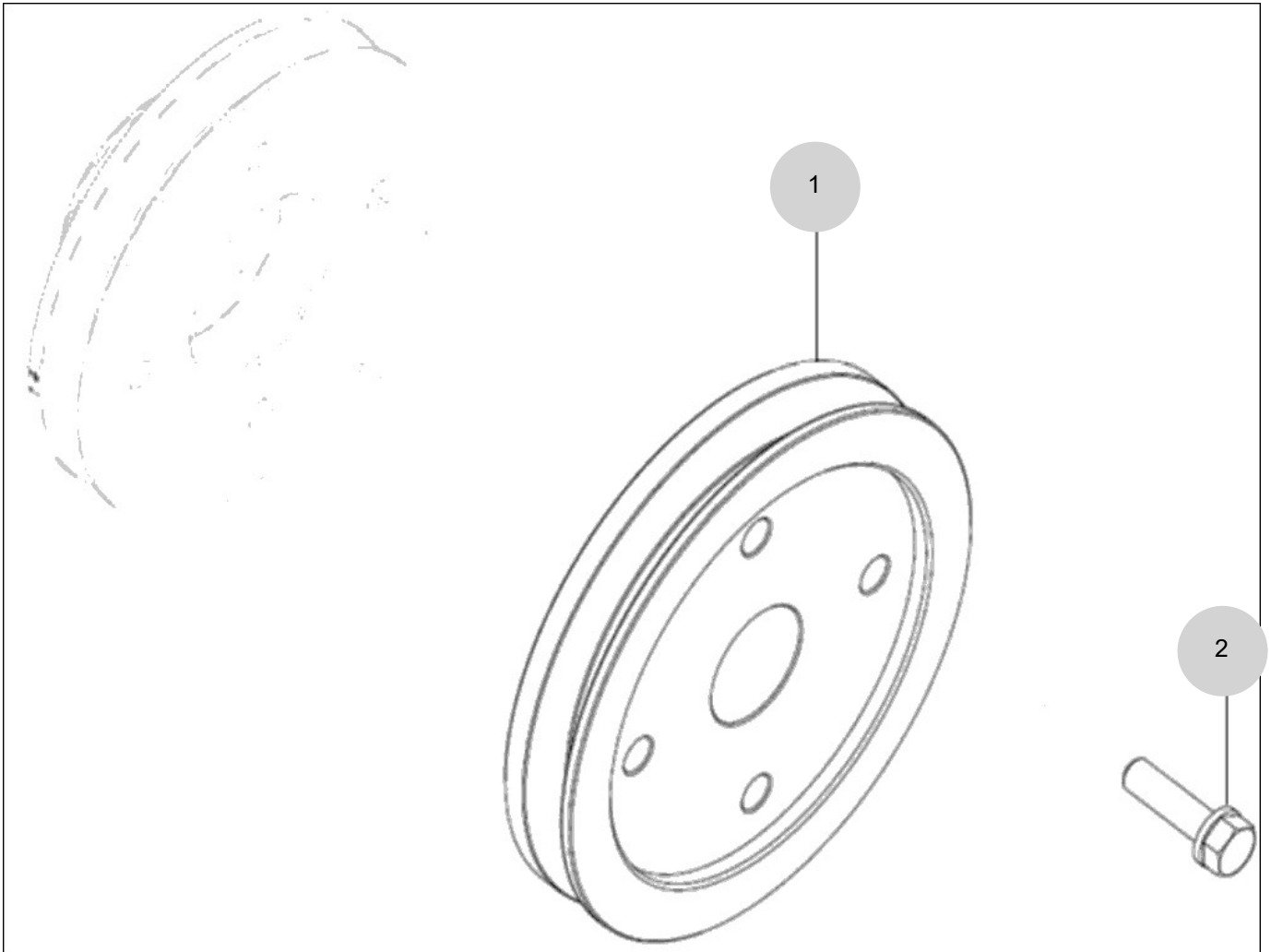
FIG 144

COMP . DRIVE PULLEY ASS'Y OPTION

년/월
Year/Month

2022-12

T495NHEU1



NOTE

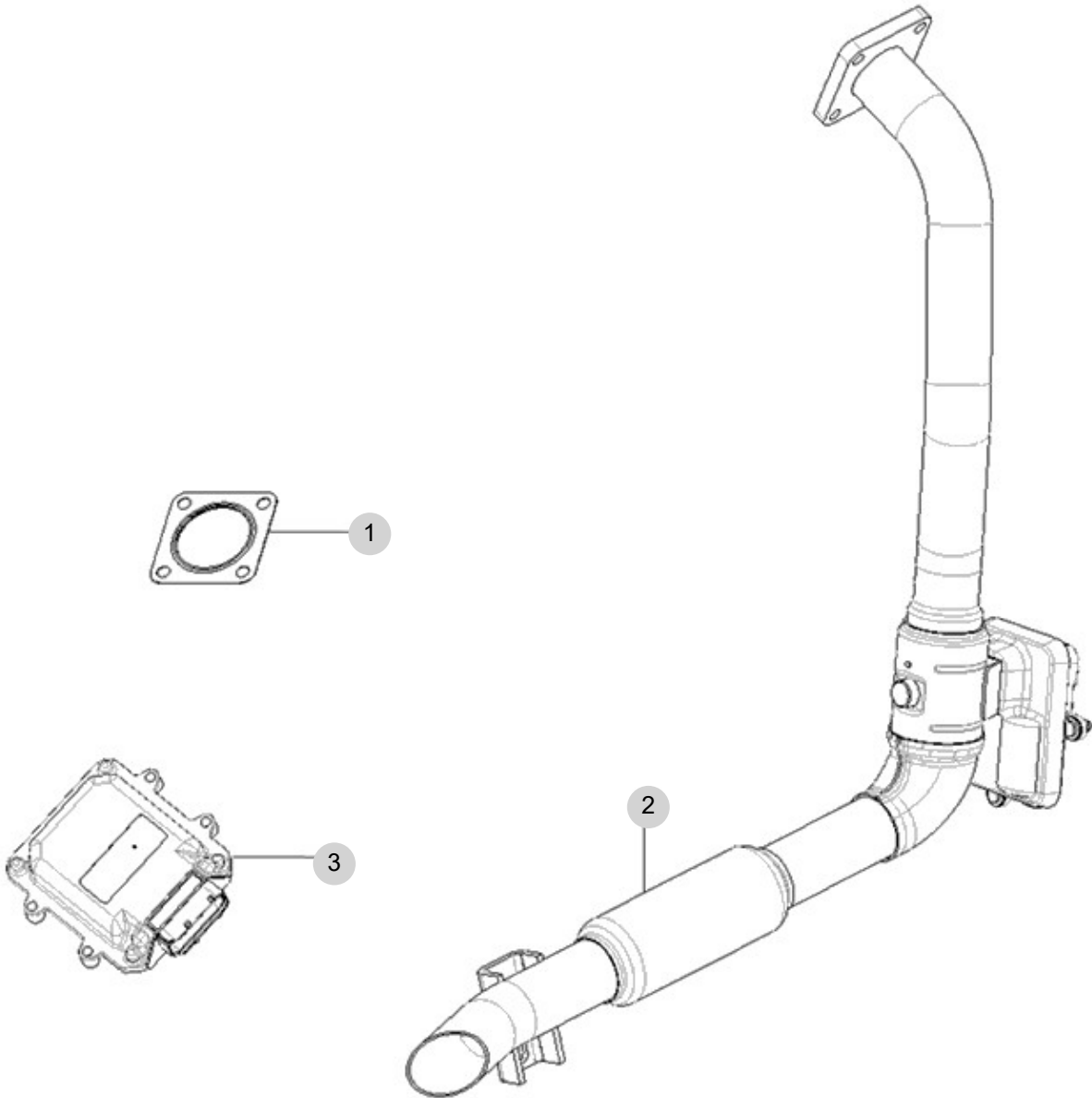
FIG 147

LOOSED PARTS

년/월
Year/Month

2022-12

T495NHEU1



NOTE

2. 엔진보기품 PART NO. T2

FIG 201B AIR CLEANER(T495)	99
FIG 202 RADIATOR	101
FIG 203 MUFFLER	103
FIG 204 FUEL HOSE & FILTER	105
FIG 205 FUEL TANK	107
FIG 206 ACCELERATOR	109
FIG 207 OIL COOLER	111

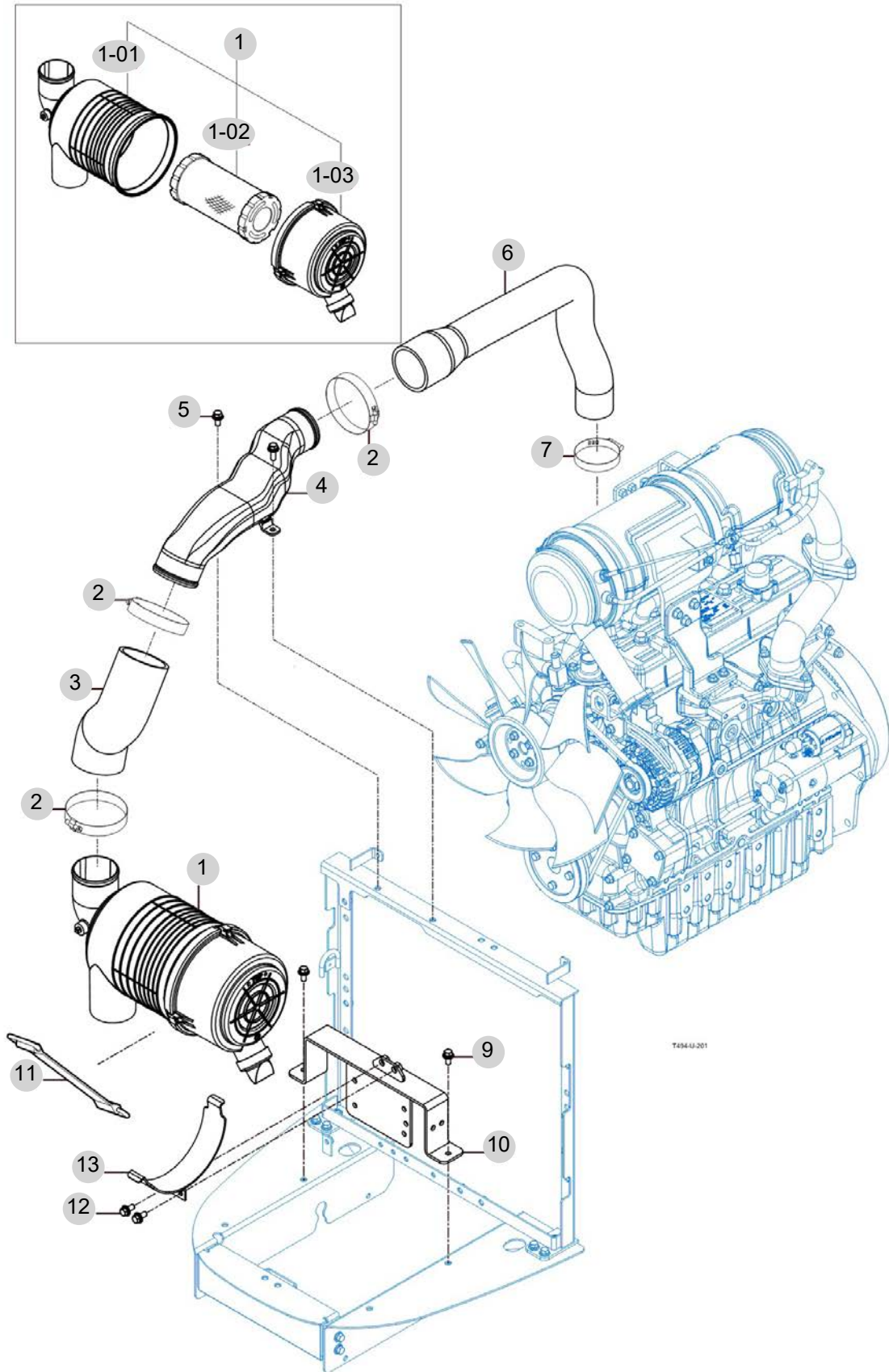
FIG 201B

AIR CLEANER(T495)

년/월
Year/Month

2022-12

T495NHEU1



NOTE

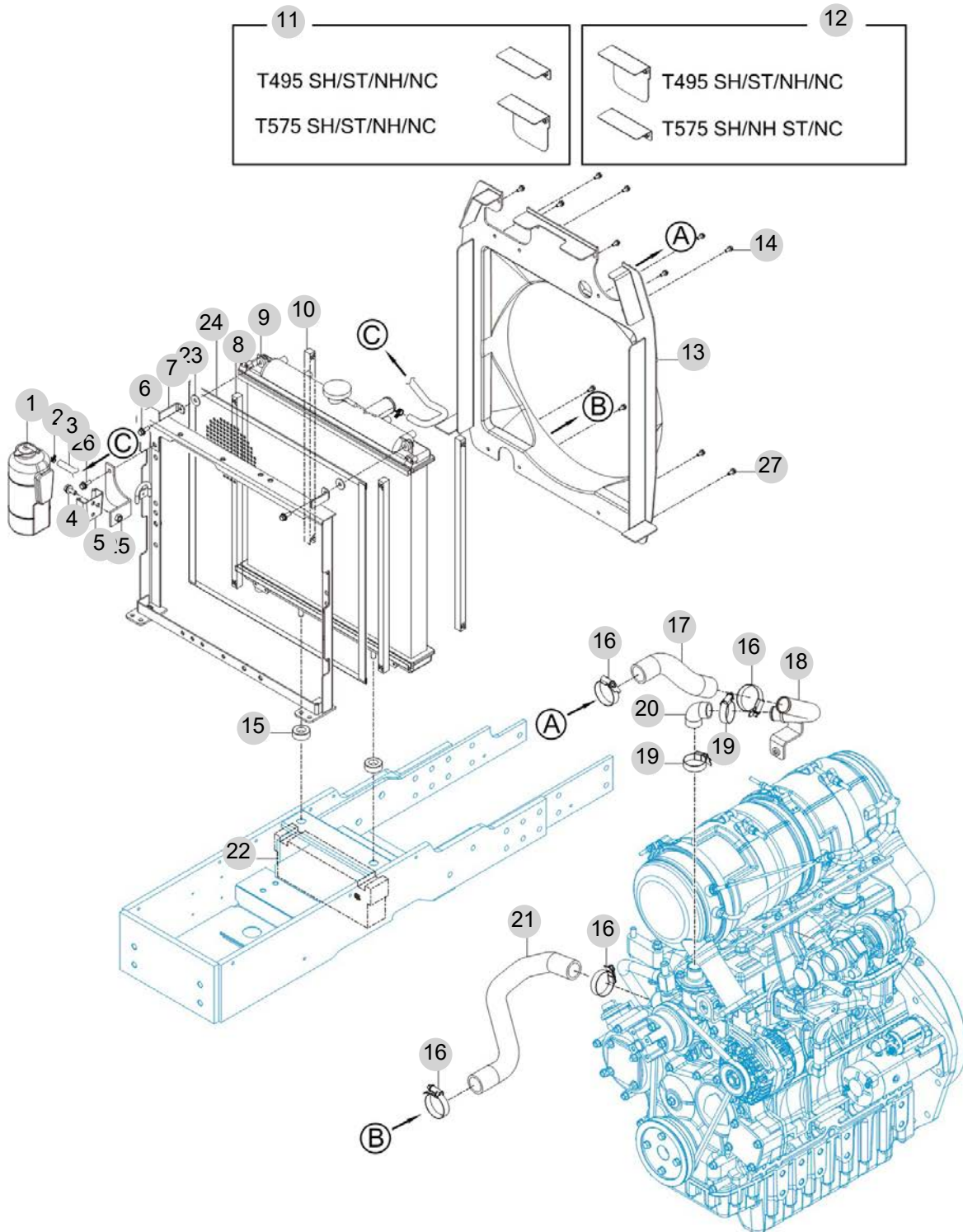
FIG 202

RADIATOR

년/월
Year/Month

T495NHEU1

2022-12



NOTE

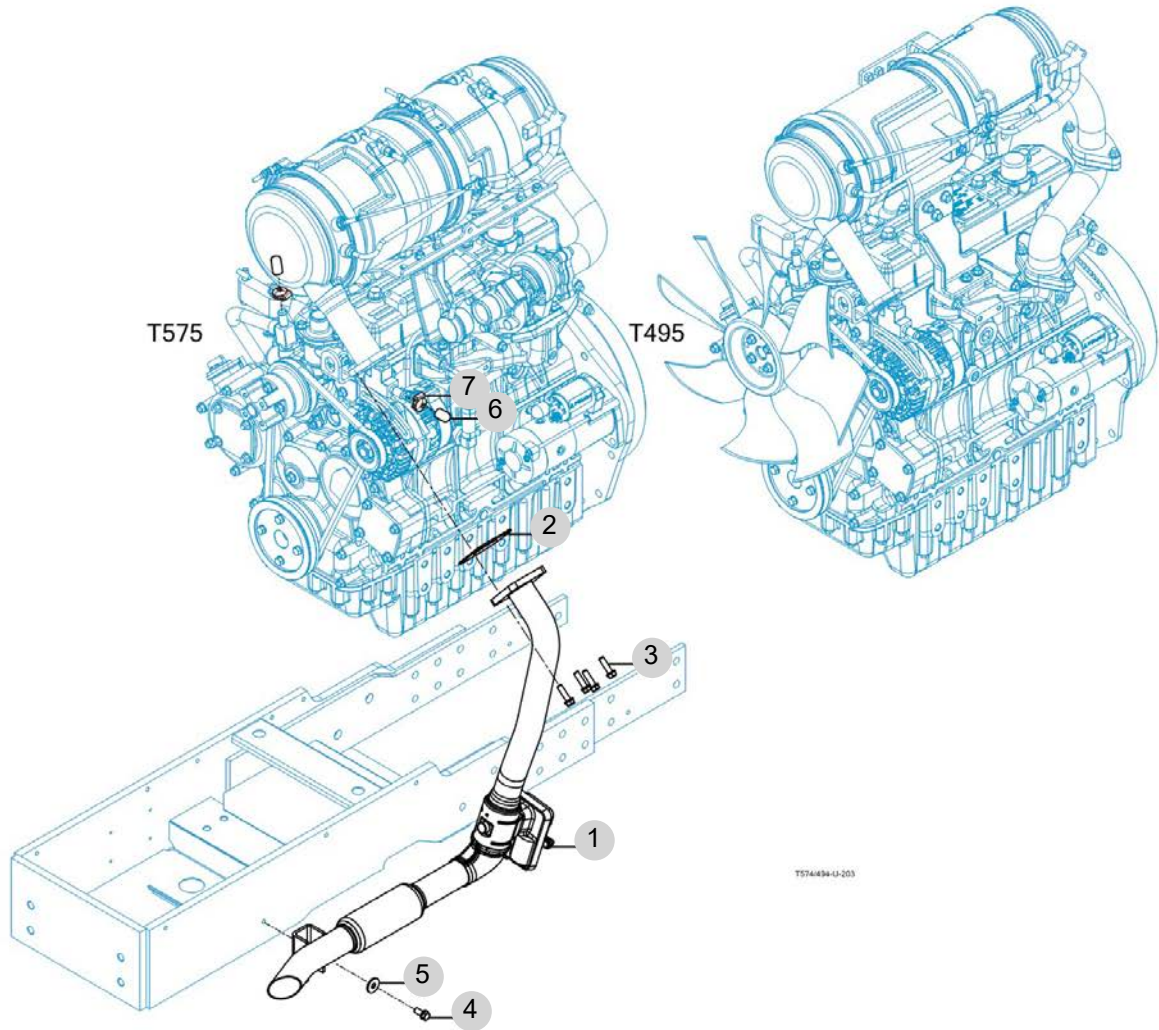
FIG 203

MUFFLER

년/월
Year/Month

2022-12

T495NHEU1



NOTE

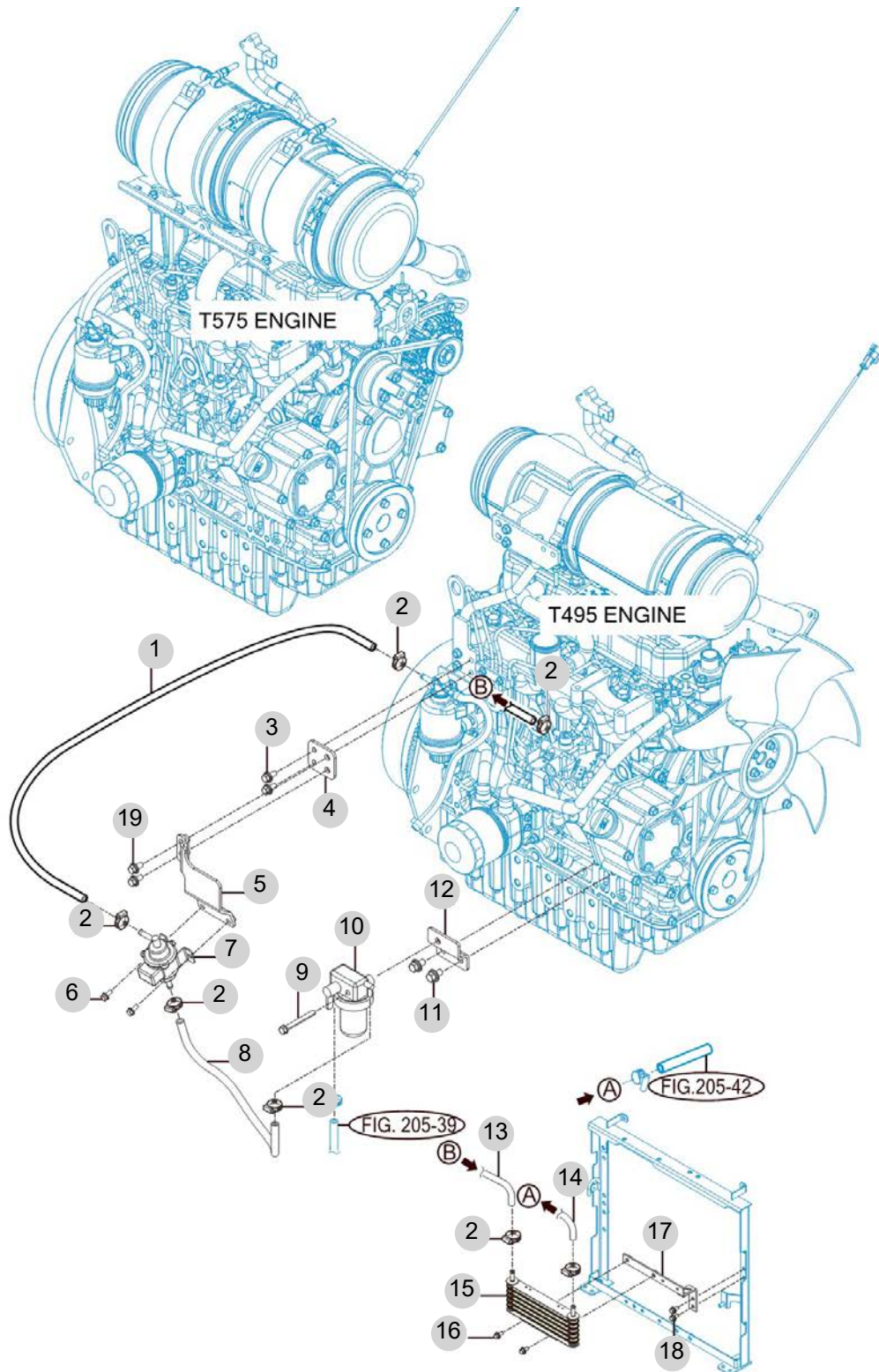
FIG 204

FUEL HOSE & FILTER

년/월
Year/Month

2022-12

T495NHEU1



NOTE

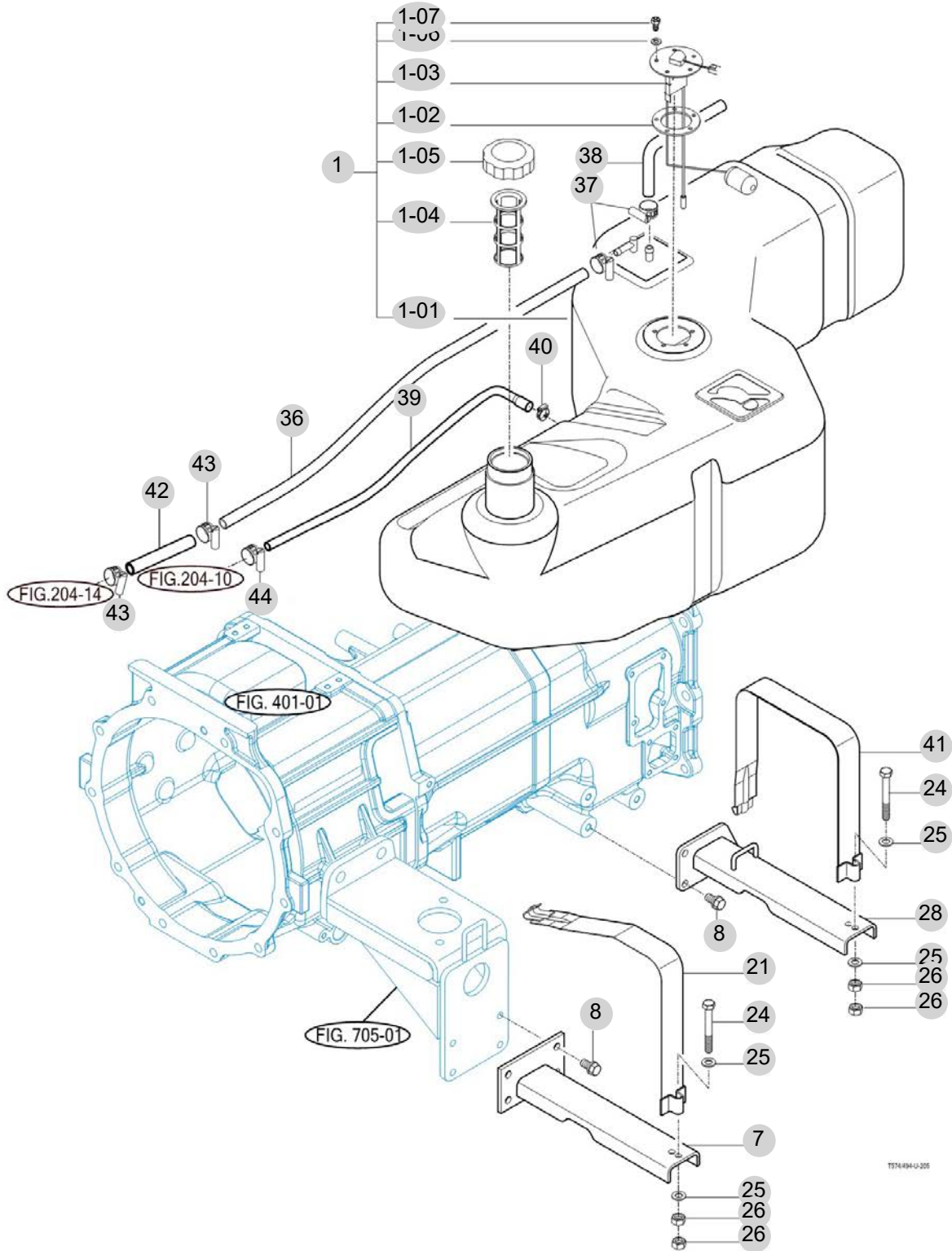
FIG 205

T495NHEU1

FUEL TANK

년/월
Year/Month

2022-12



NOTE

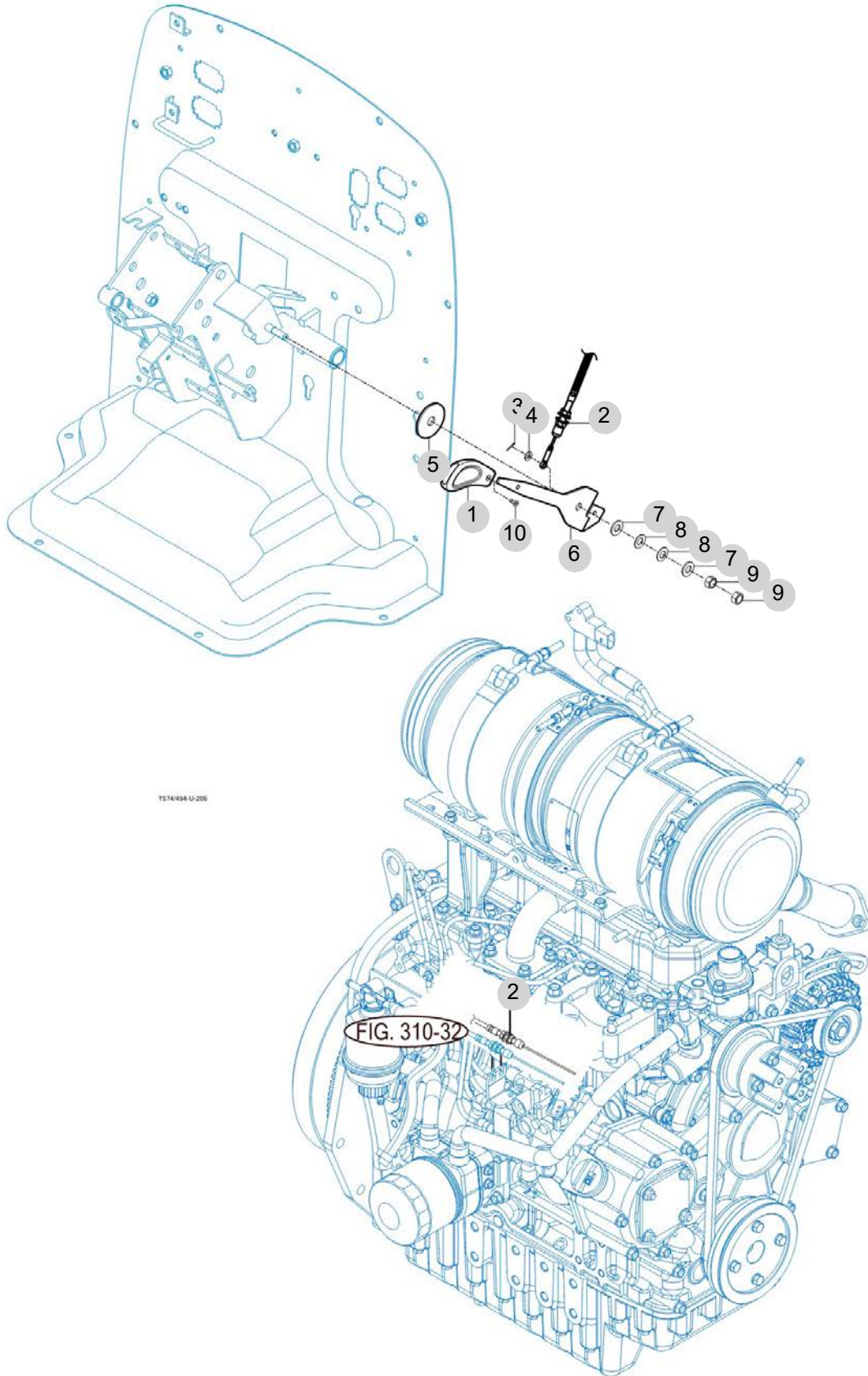
FIG 206

ACCELERATOR

년/월
Year/Month

2022-12

T495NHEU1



NOTE

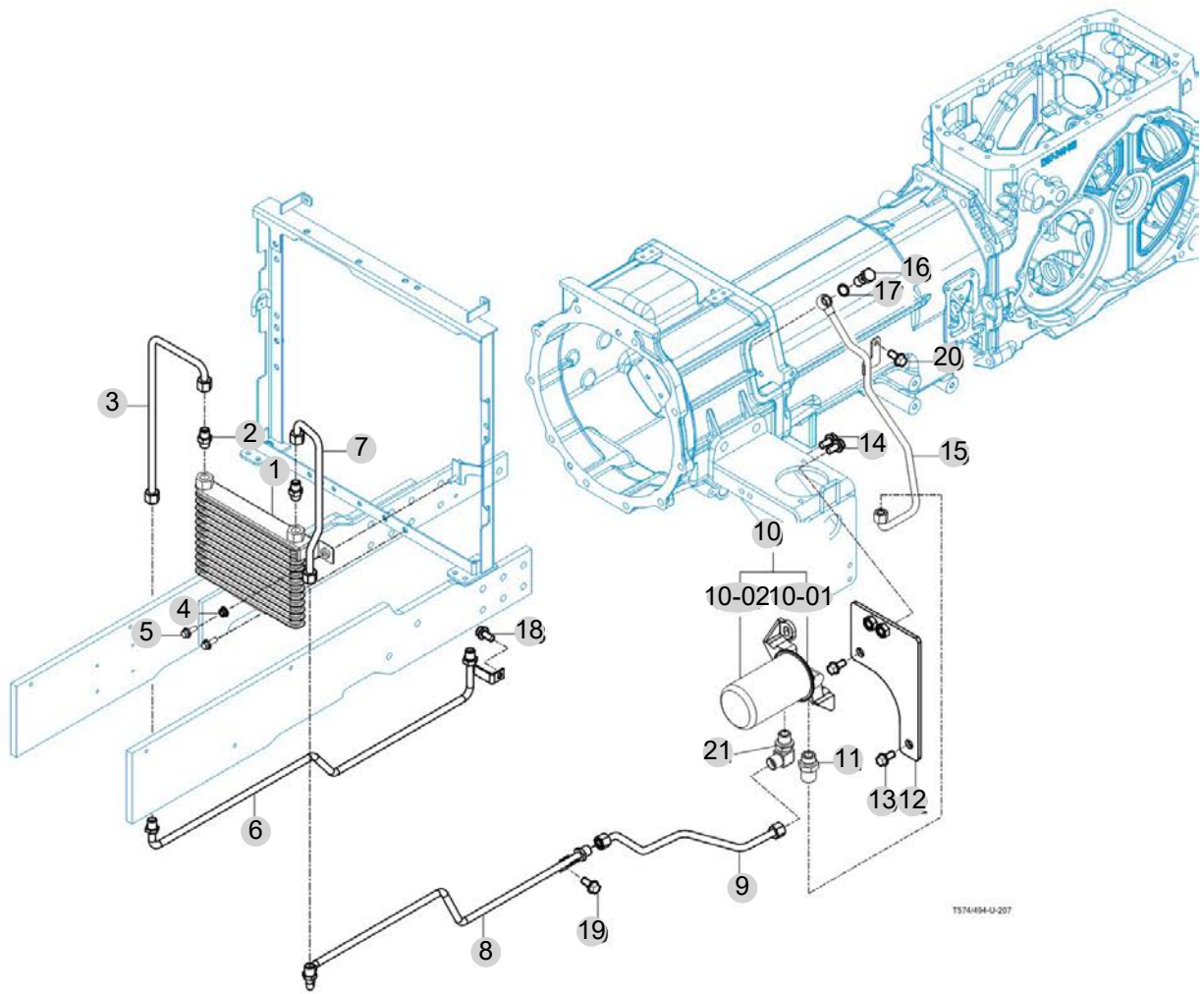
FIG 207

OIL COOLER

년/월
Year/Month

2022-12

T495NHEU1



NOTE

3. 클러치/브레이크/스티어링 PART NO. T3

FIG 301 FLYWHEEL HOUSING	114
FIG 302 CLUTCH PEDAL	116
FIG 303 BRAKE	118
FIG 304 BRAKE PEDAL & LINK	120
FIG 305A FRONT WHEEL	122
FIG 305A REAR WHEEL	124
FIG 305B FRONT WHEEL (R4 OPTION)	126
FIG 305B REAR WHEEL (R4 OPTION)	128
FIG 307 POWER STEERING WHEEL	130
FIG 308 POWER STEERING VALVE	132
FIG 309 POWER STEERING CYLINDER	134
FIG 310 HST CONTROL LINK	136

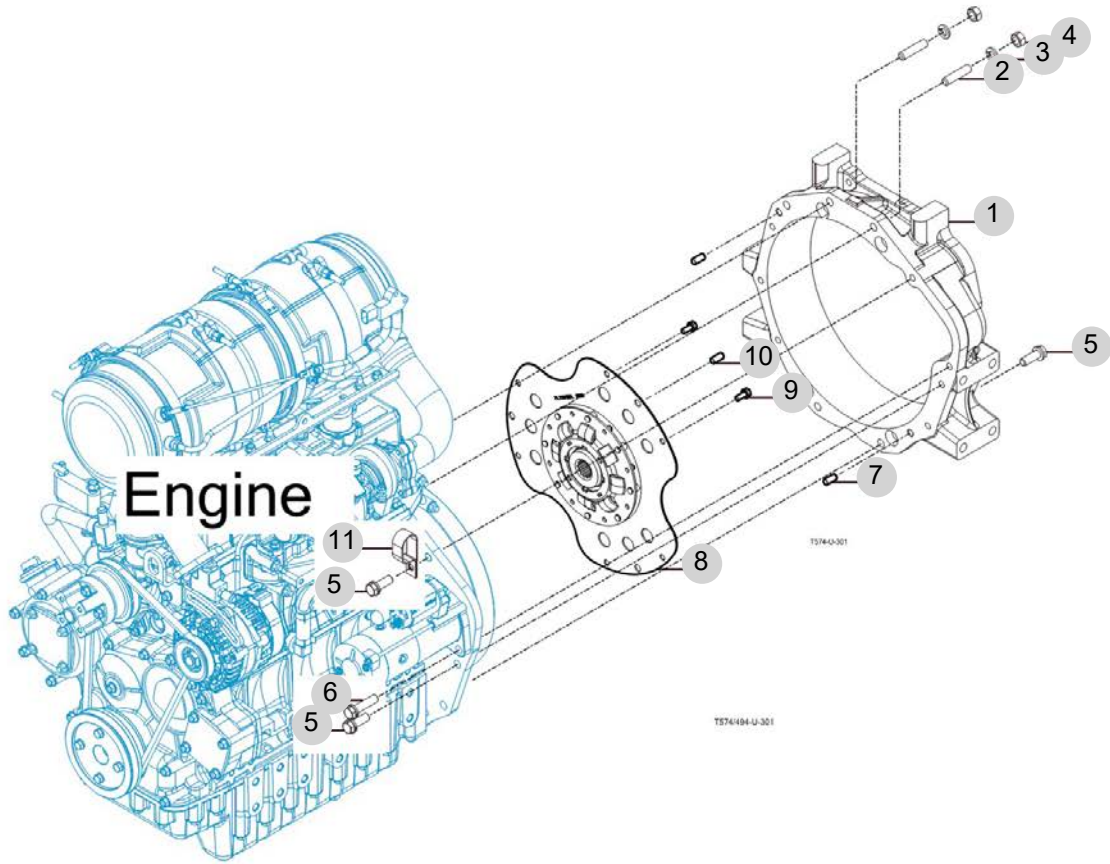
FIG 301

FLYWHEEL HOUSING

년/월
Year/Month

2022-12

T495NHEU1



NOTE

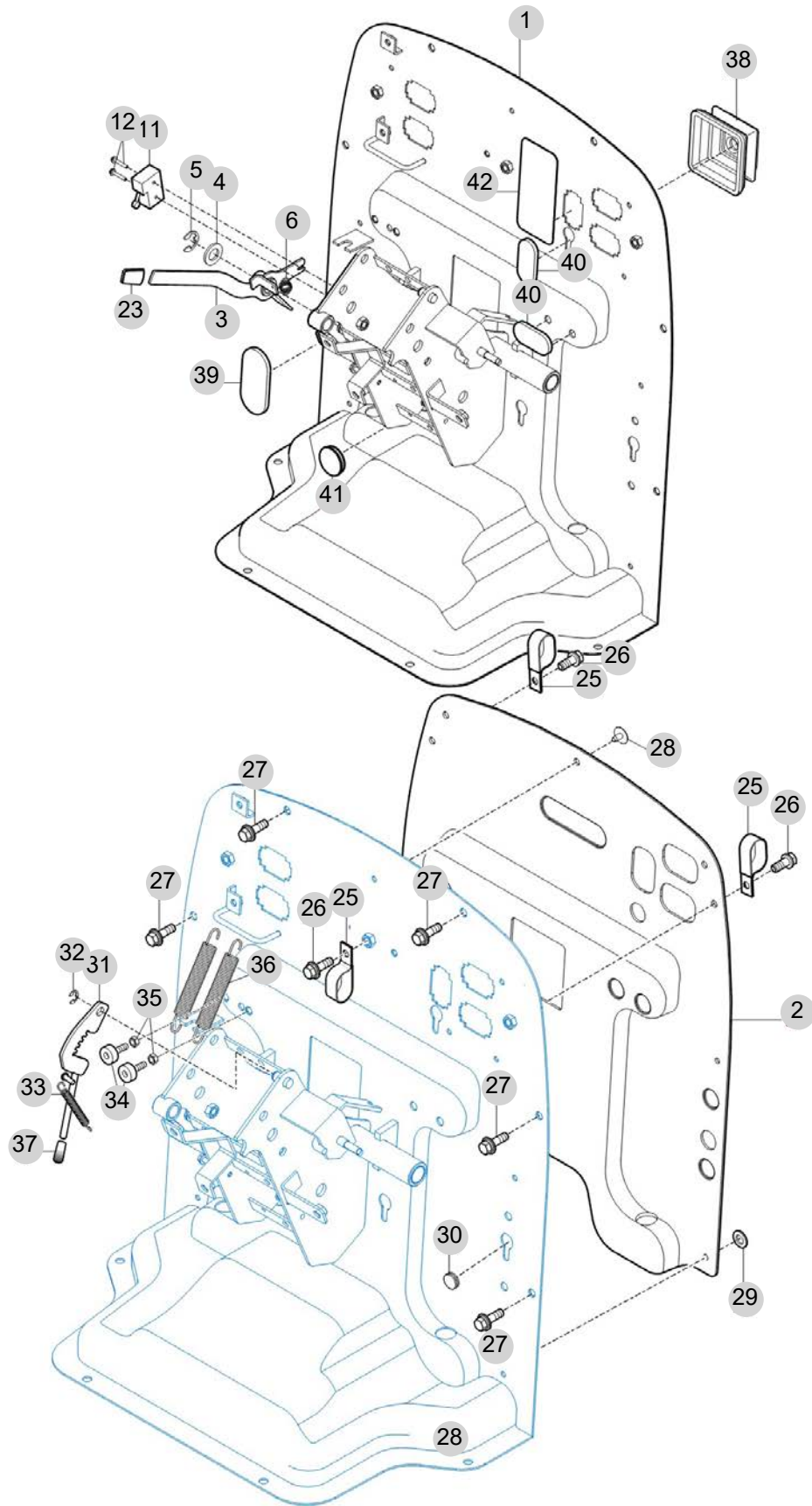
FIG 302

CLUTCH PEDAL

년/월
Year/Month

2022-12

T495NHEU1



NOTE

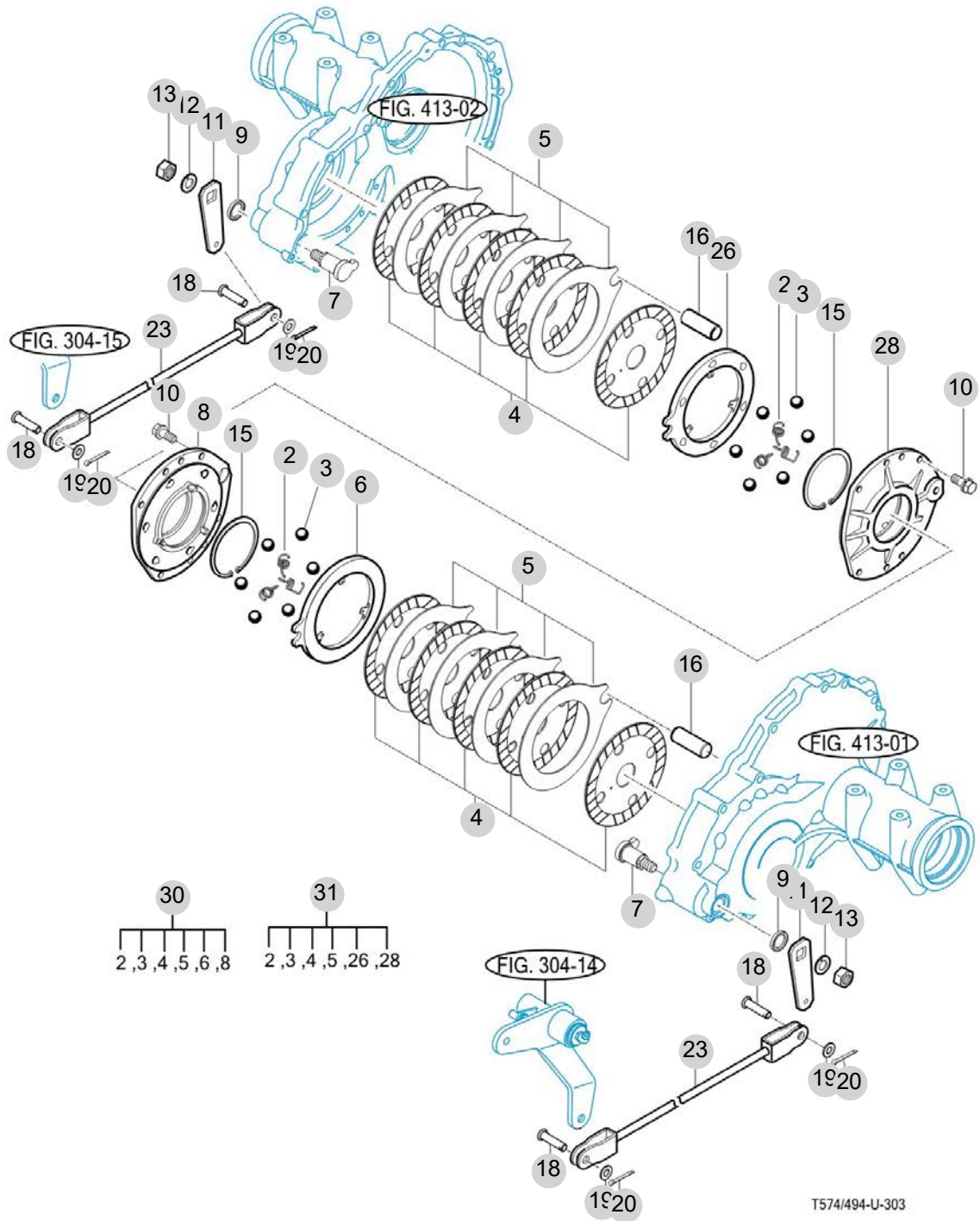
FIG 303

T495NHEU1

BRAKE

년/월
Year/Month

2022-12



NOTE

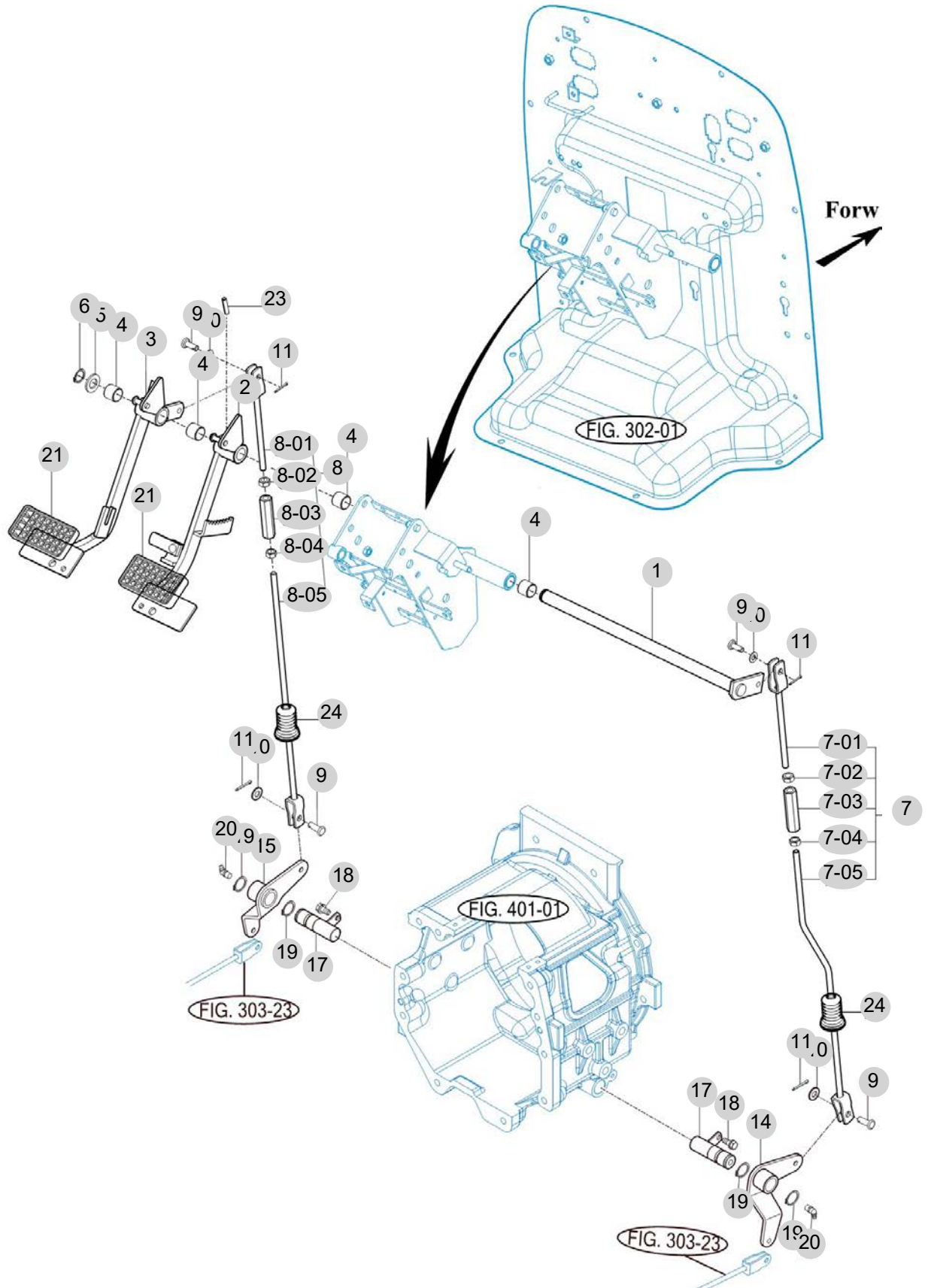
FIG 304

BRAKE PEDAL & LINK

년/월
Year/Month

2022-12

T495NHEU1



NOTE

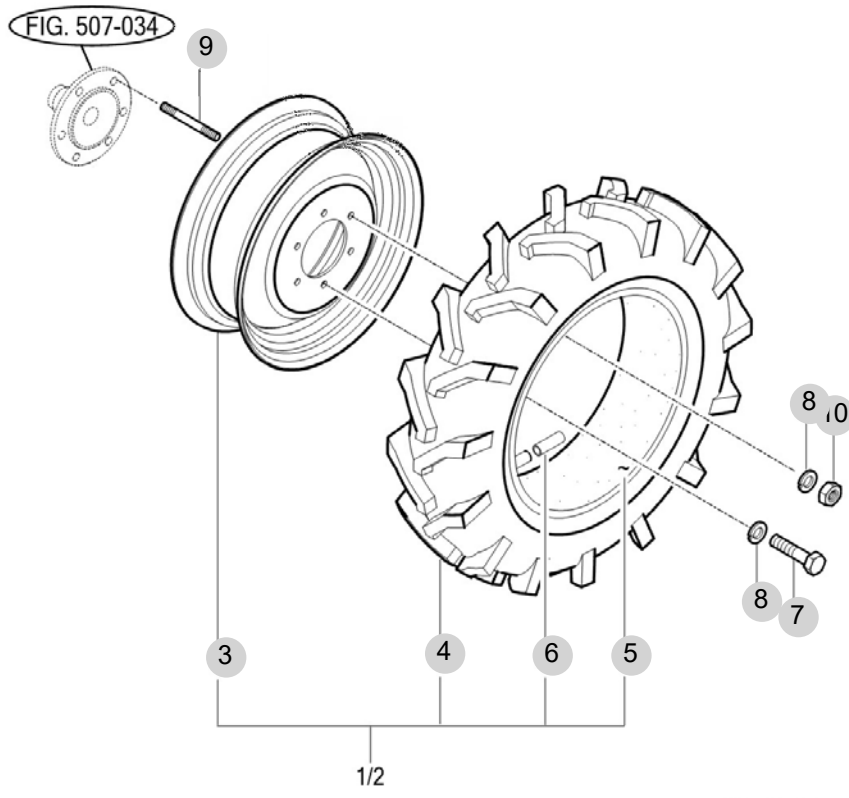
FIG 305A

T495NHEU1

FRONT WHEEL

년/월
Year/Month

2022-12



NOTE

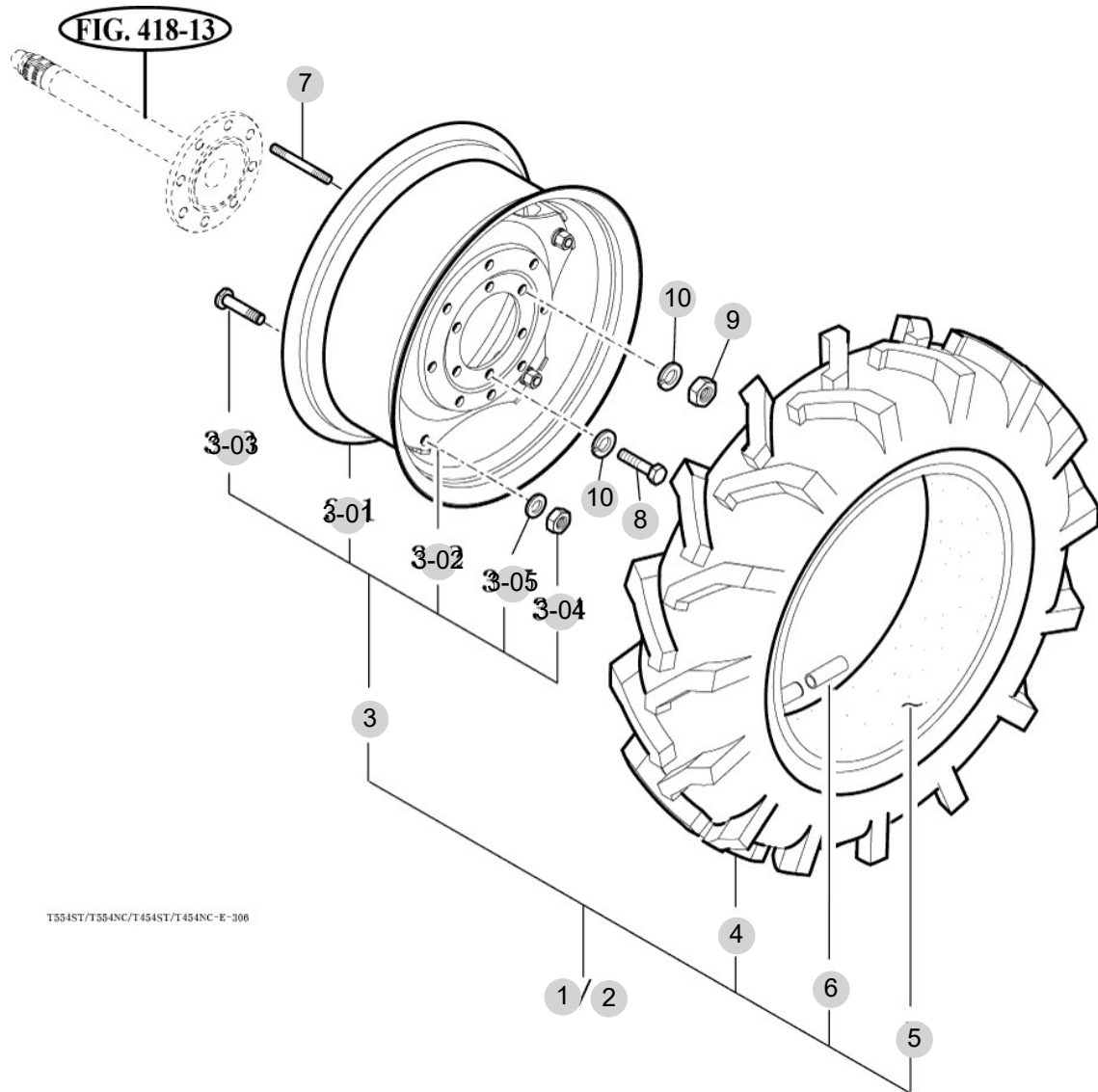
FIG 305A

T495NHEU1

REAR WHEEL

년/월
Year/Month

2022-12



T354ST/T354NC/T454ST/T454NC-E-300

NOTE

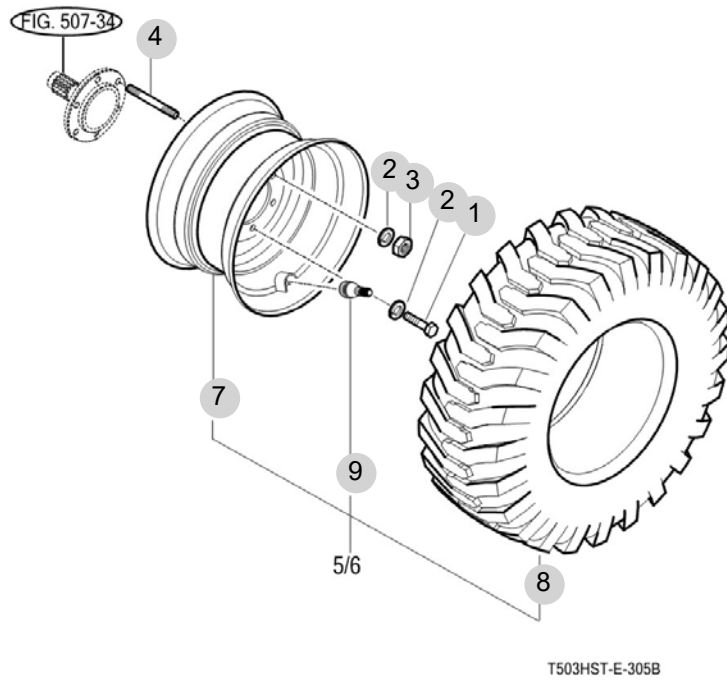
FIG 305B

T495NHEU1

FRONT WHEEL (R4 OPTION)

년/월
Year/Month

2022-12



NOTE

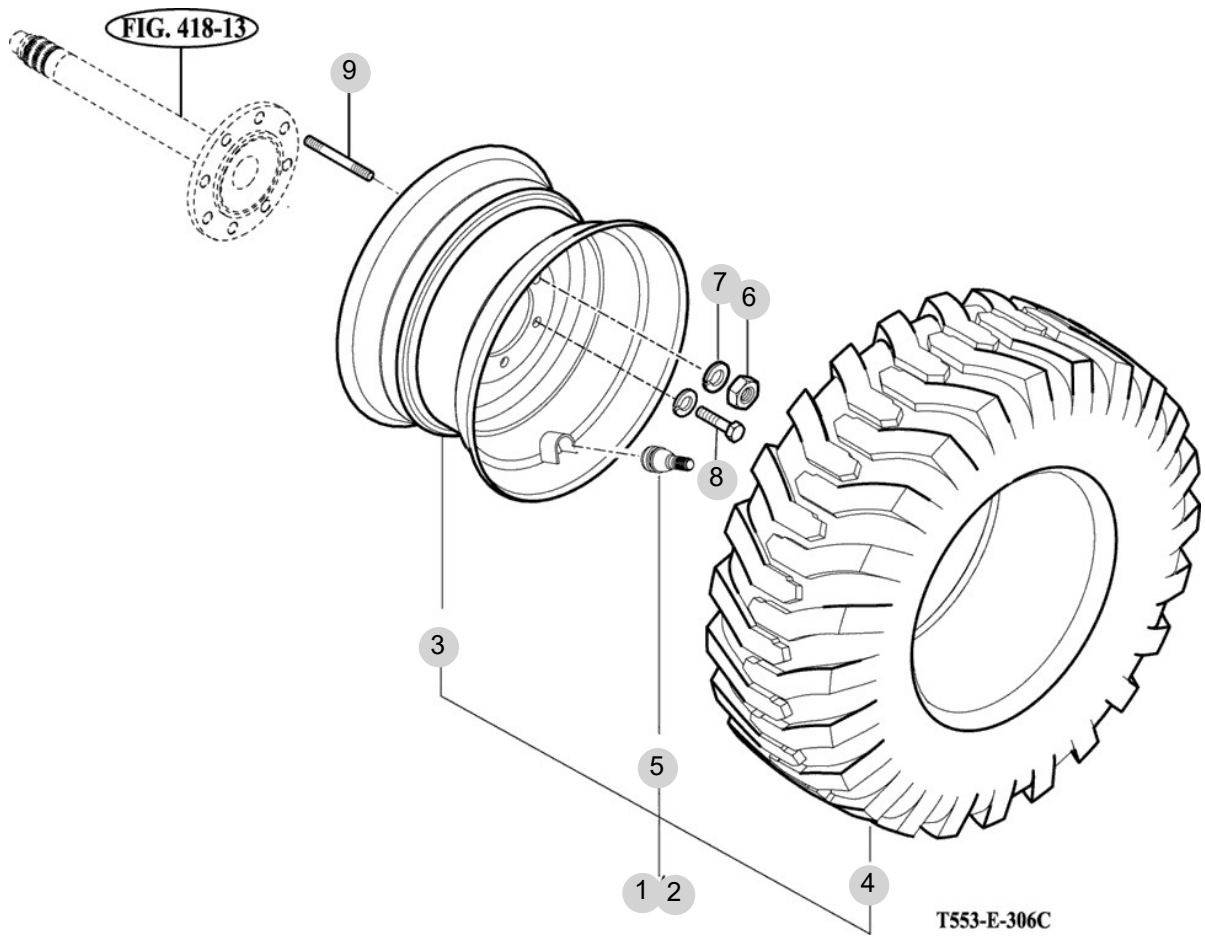
FIG 305B

T495NHEU1

REAR WHEEL (R4 OPTION)

년/월
Year/Month

2022-12



NOTE

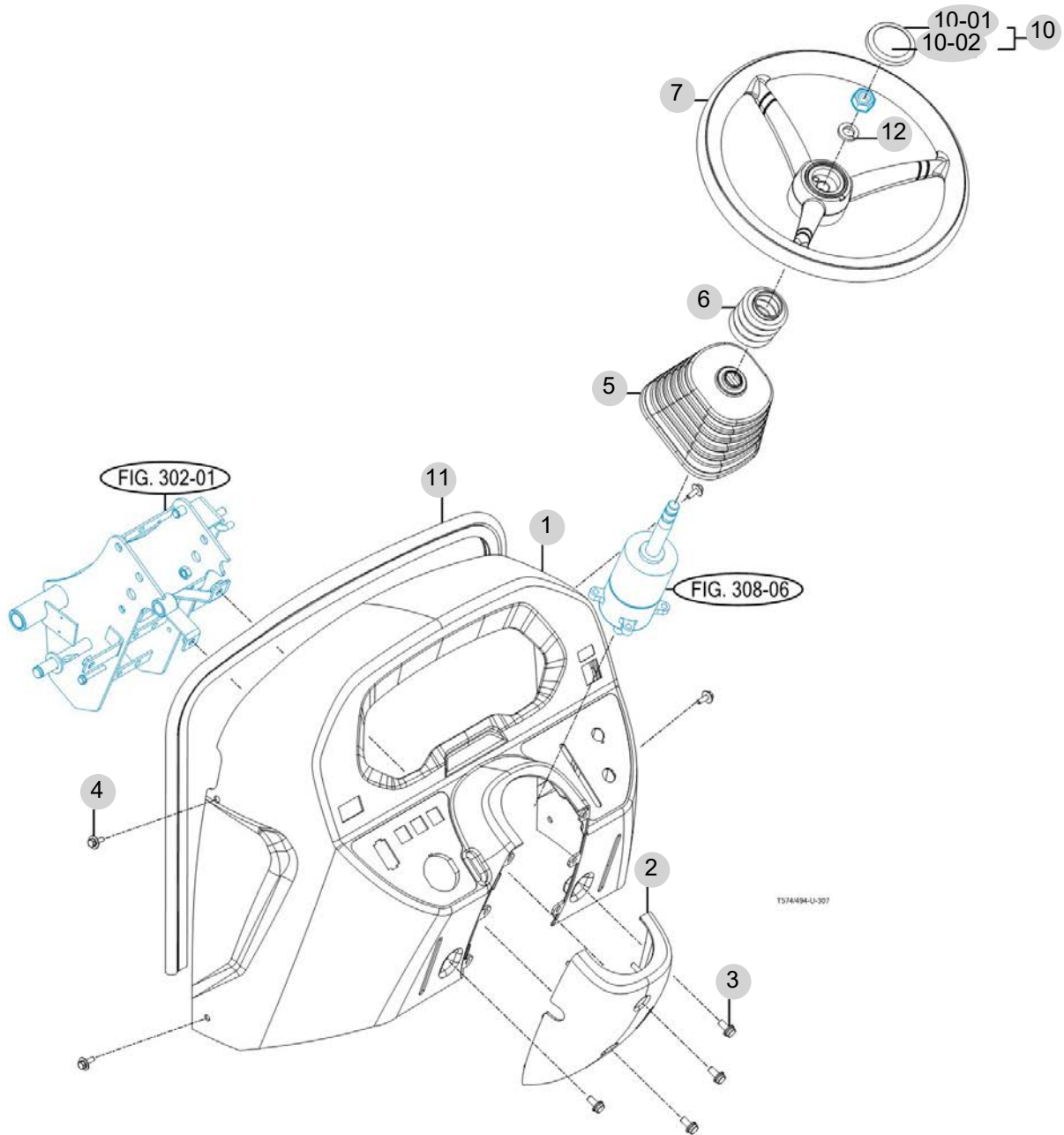
FIG 307

T495NHEU1

POWER STEERING WHEEL

년/월
Year/Month

2022-12



NOTE

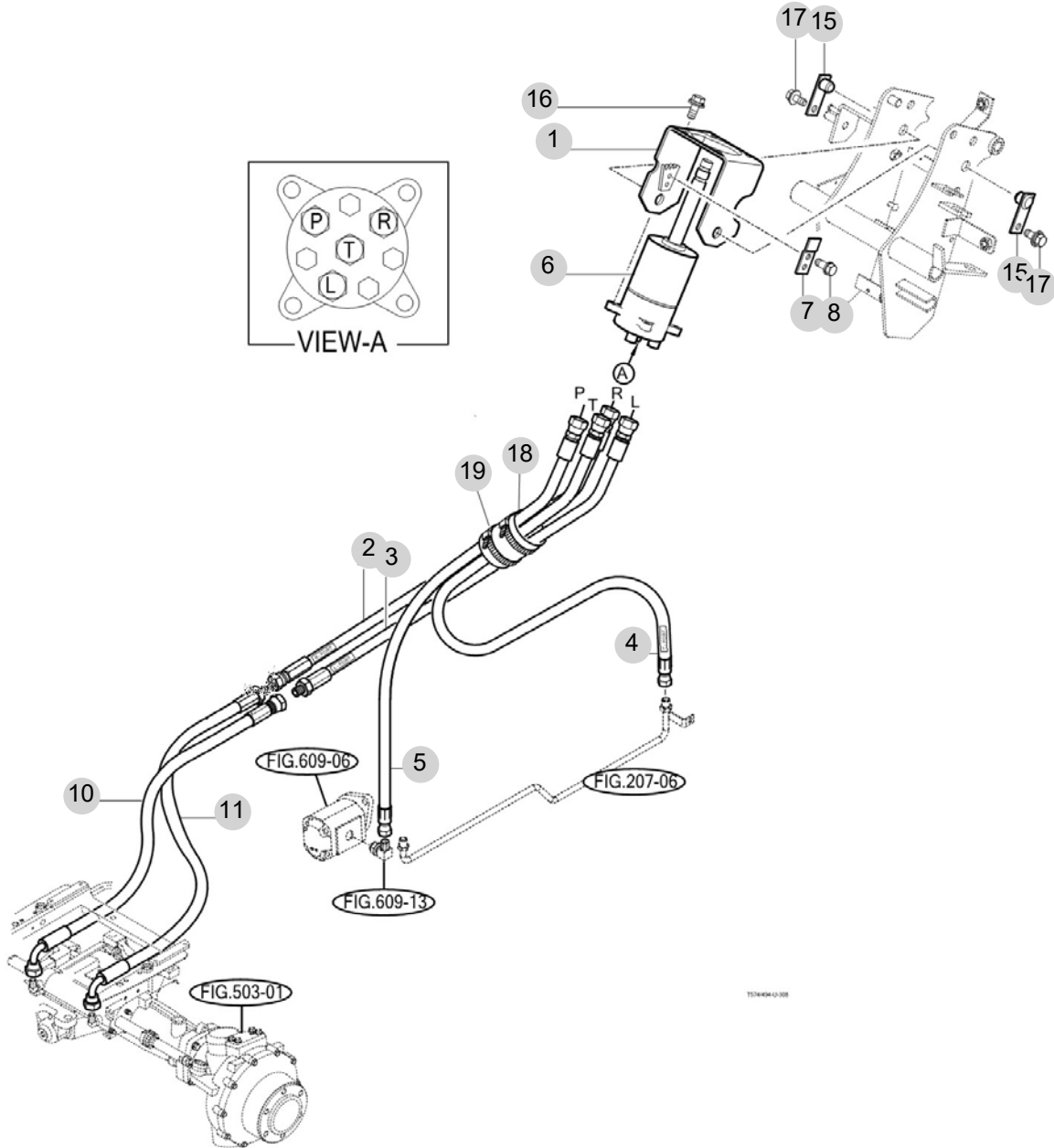
FIG 308

POWER STEERING VALVE

년/월
Year/Month

T495NHEU1

2022-12



NOTE

FIG 308 T495NHEU1		POWER STEERING VALVE					년/월 Year/Month	
							2022-12	
KEY NO	PART NO	DESCRIPTION		SPEC	QTY	REPAIR	EFFECTIVE DATE	
308	1	14524043302GB	브래킷조합,스티어링밸브			1		
308	2	13874072600	유압호스(950)ASSY			1		
308	3	13874072501	유압호스(880)ASSY			1		
308	4	17484073500	유압호스 (1180) ASSY			1		
308	4	13874072800	유압호스 (1180) ASSY			1		
308	5	17415103400	유압호스(1130)ASSY			1		
308	6	14524054002	스티어링밸브 유닛			1		
308	6	13874042100	스티어링밸브 유닛			1		
308	7	14724040201	플레이트(가이드)			1		
308	8	V2113606010	육각볼트(S)		M6X10	1		
308	10	13874072701	유압호스(820)ASSY			1		
308	11	17484052800	유압호스(820)ASSY			1		
308	15	16754042100GB	핀(16X21/LH)COMP			2		
308	16	V2183608020	소형육각볼트보통(SP)		M8X20	4		
308	17	V2183608020	소형육각볼트보통(SP)		M8X20	2		
308	18	14524041110	패드, 호스			1		
308	19	13424020060	케이블타이(300)			5		
NOTE								

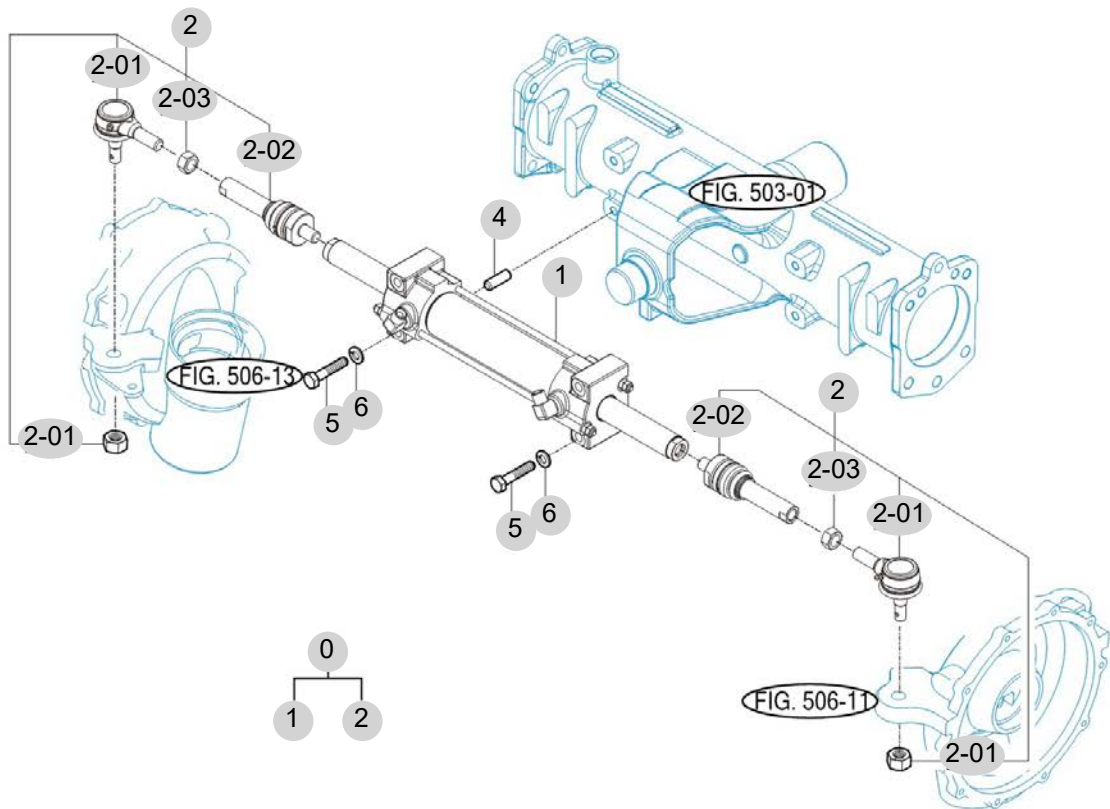
FIG 309

POWER STEERING CYLINDER

년/월
Year/Month

2022-12

T495NHEU1



T55551/T495NCE-309

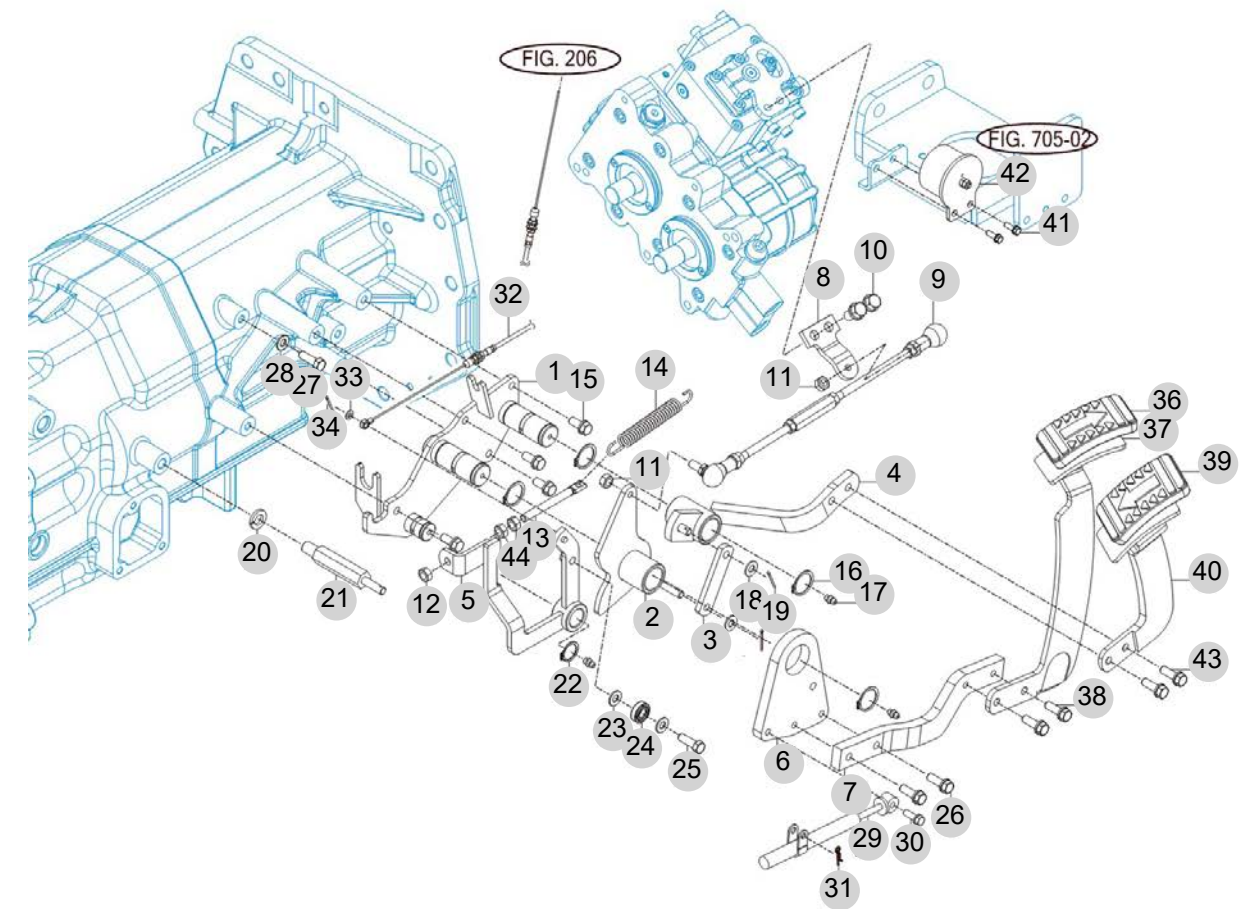
NOTE

FIG 310

HST CONTROL LINK

년/월
Year/Month

2022-12



NOTE

FIG 310 T495NHEU1		HST CONTROL LINK					년/월 Year/Month	
							2022-12	
KEY NO	PART NO	DESCRIPTION	SPEC	QTY	REPAIR	EFFECTIVE DATE	REMARKS	
310	1	13872313200	HST 페달 브래킷 COMP		1			
310	2	13872312300	전진 암 COMP		1			
310	3	14722310023	플레이트(후진)		1			
310	4	13872312600	리버스 암 COMP		1			
310	5	13872312501	캠 팔로워 암 COMP		1			
310	6	13872312330	컨트롤 플레이트		1			
310	7	13872310050	전진 플레이트		1			
310	8	13872312111	HST 암 플레이트		1			
310	8	13872312112	HST 암 플레이트		1			
310	9	13872325001	HST 로드 ASSY		1			
310	9	13872325002	HST 로드 ASSY		1			
310	10	V2173608025	소형육각볼트보통(S)	M8X25	2			
310	11	V3043600080	소형육각너트보통2종	M8	2			
310	12	V3043600080	소형육각너트보통2종	M8	1			
310	13	34522150080	체인 텐션 로드(82)		1			
310	14	14722310033	스프링(리턴)		1			
310	15	V2173608020	소형육각볼트보통(S)	M8X20	4			
310	16	V7041400250	C형멈춤링(축용)		4			
310	17	V7601500000	그리스니플(A-M6F)		3			
310	18	V4111600080	평와서	M8	2			
310	19	V5001920020	분할핀		2			
310	20	V4011600120	스프링와서	M12	1			
310	21	14722310041	오일 댐퍼 핀		1			
310	22	V7041400200	C형멈춤링(축용)		1			
310	23	V4111600080	평와서	M8	2			
310	24	14722310060	볼베어링(608DD)		1			
310	25	V2013608025	소형육각볼트(보통)	M8X25	1			
310	26	V2173608025	소형육각볼트보통(S)	M8X25	2			
310	27	V2013608045	소형육각볼트(보통)		1			
310	27	V2013608040	소형육각볼트(보통)	M8X40	1			
310	28	V3042600080	소형육각너트보통2종	M8	1			
310	29	11102321000	오일 댐퍼(110)		1			
310	30	V2183608030	소형육각볼트보통(SP)	M8X30	1			
310	31	V5601600008	스냅핀		1			
310	32	13871162700	케이블(오토스로틀)ASSY		1			
310	33	V4111600060	평와서	M6	1			
310	34	V5001920015	분할핀		1			
310	36	14722312730	패드		1			
310	37	13872312700GB	전진 페달 COMP		1			
310	38	V2173608020	소형육각볼트보통(S)	M8X20	2			
310	39	14722312730	패드		1			
310	40	13872312800GB	후진 페달 COMP		1			
310	40	13872312801GB	후진 페달 COMP		1			
310	41	V2173608020	소형육각볼트보통(S)	M8X20	2			
310	42	12382323000	크루저 컨트롤 마그네틱 ASSY		1			
NOTE								

FIG 310 T495NHEU1		HST CONTROL LINK					년/월 Year/Month	
							2022-12	
KEY NO		PART NO	DESCRIPTION	SPEC	QTY	REPAIR	EFFECTIVE DATE	REMARKS
310	42	12382323001	크루저 콘트롤 마그네틱 ASSY		1			
310	43	V2173608016	소형육각볼트보통(S)	M8X16	2			
310	44	V3043600080	소형육각너트보통2종	M8	2			
NOTE								

4. 트랜스미션 PART NO. T4

FIG 401 TRANSMISSION FRONT CASE	140
FIG 402 HST	142
FIG 403 MID TRANSMISSION CASE	144
FIG 404 TRANSTER GEAR SET	146
FIG 405 TRANSMISSION REAR CASE	148
FIG 406 SUB CHANGE GEARS	150
FIG 407 SUB CHANGE SHIFTER	152
FIG 408 DRIVE GEARS	154
FIG 409 4WD CHANGE LEVER	156
FIG 410 P.T.O DRIVE SHAFT	158
FIG 411 P.T.O CHANGE GEARS	160
FIG 412 P.T.O CHANGE LEVER	162
FIG 413 4WD CHANGE LEVER	165

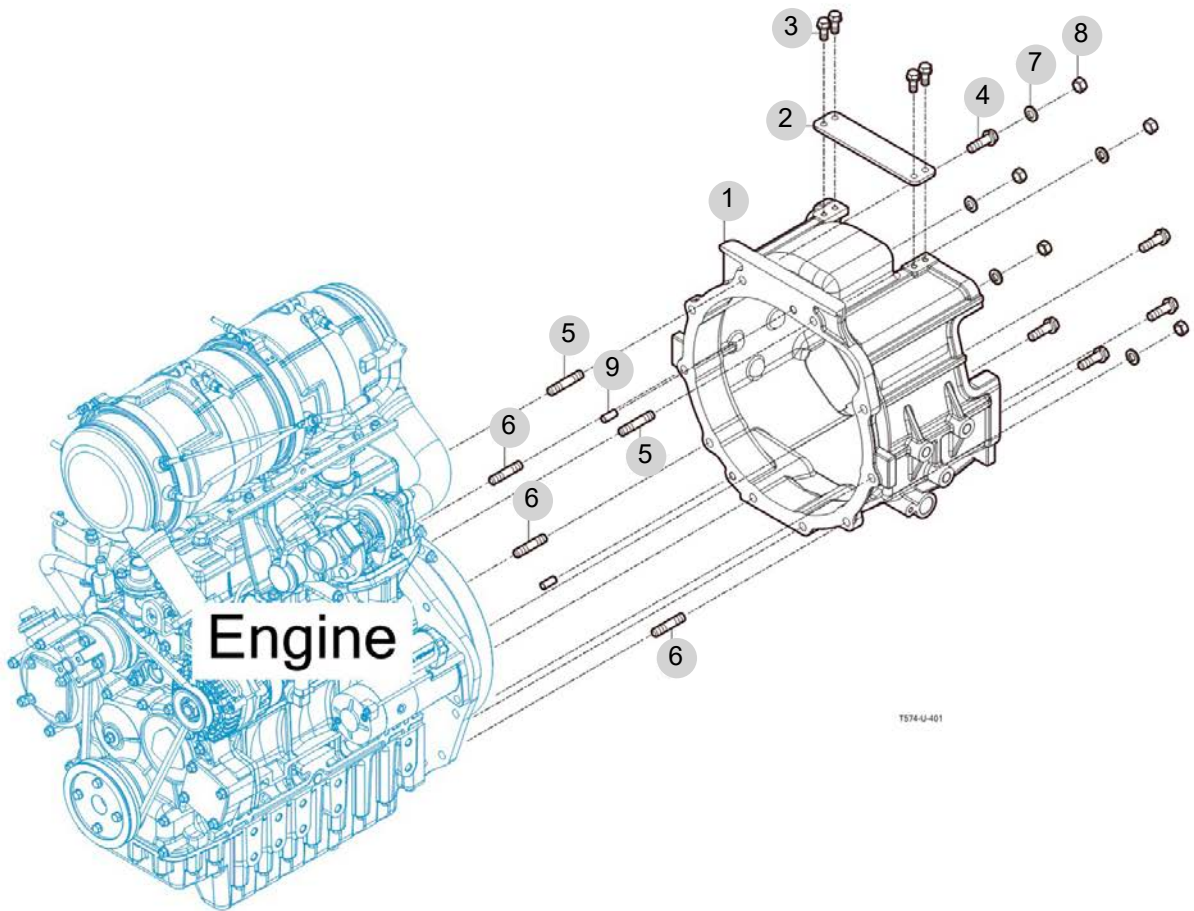
FIG 401

TRANSMISSION FRONT CASE

년/월
Year/Month

2022-12

T495NHEU1



NOTE

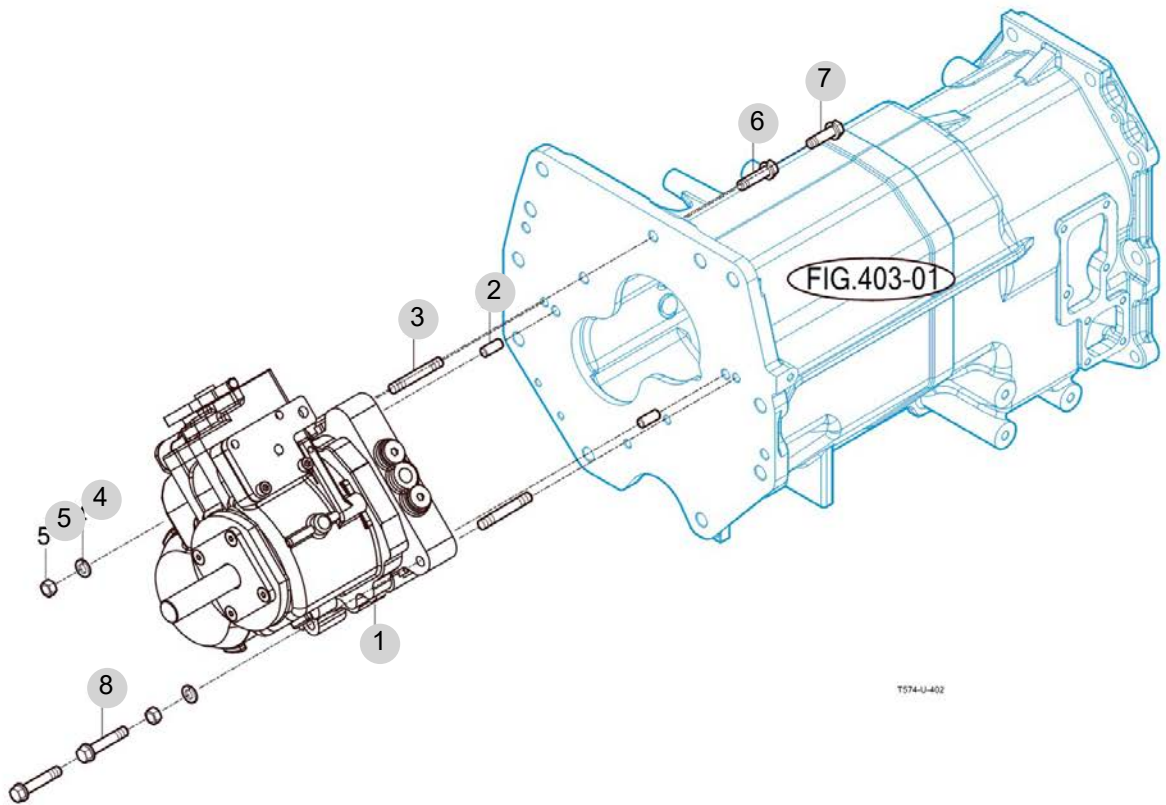
FIG 402

T495NHEU1

HST

년/월
Year/Month

2022-12



T574-U-402

NOTE

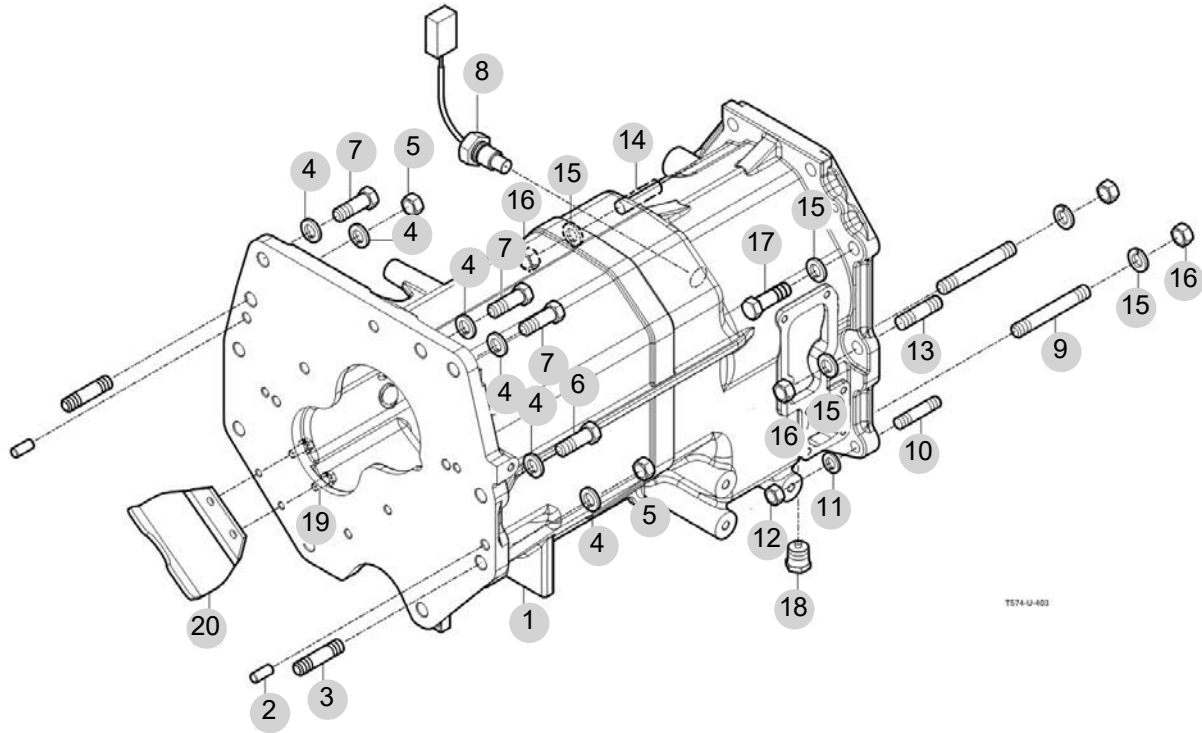
FIG 403

MID TRANSMISSION CASE

년/월
Year/Month

2022-12

T495NHEU1



T574-U-403

NOTE

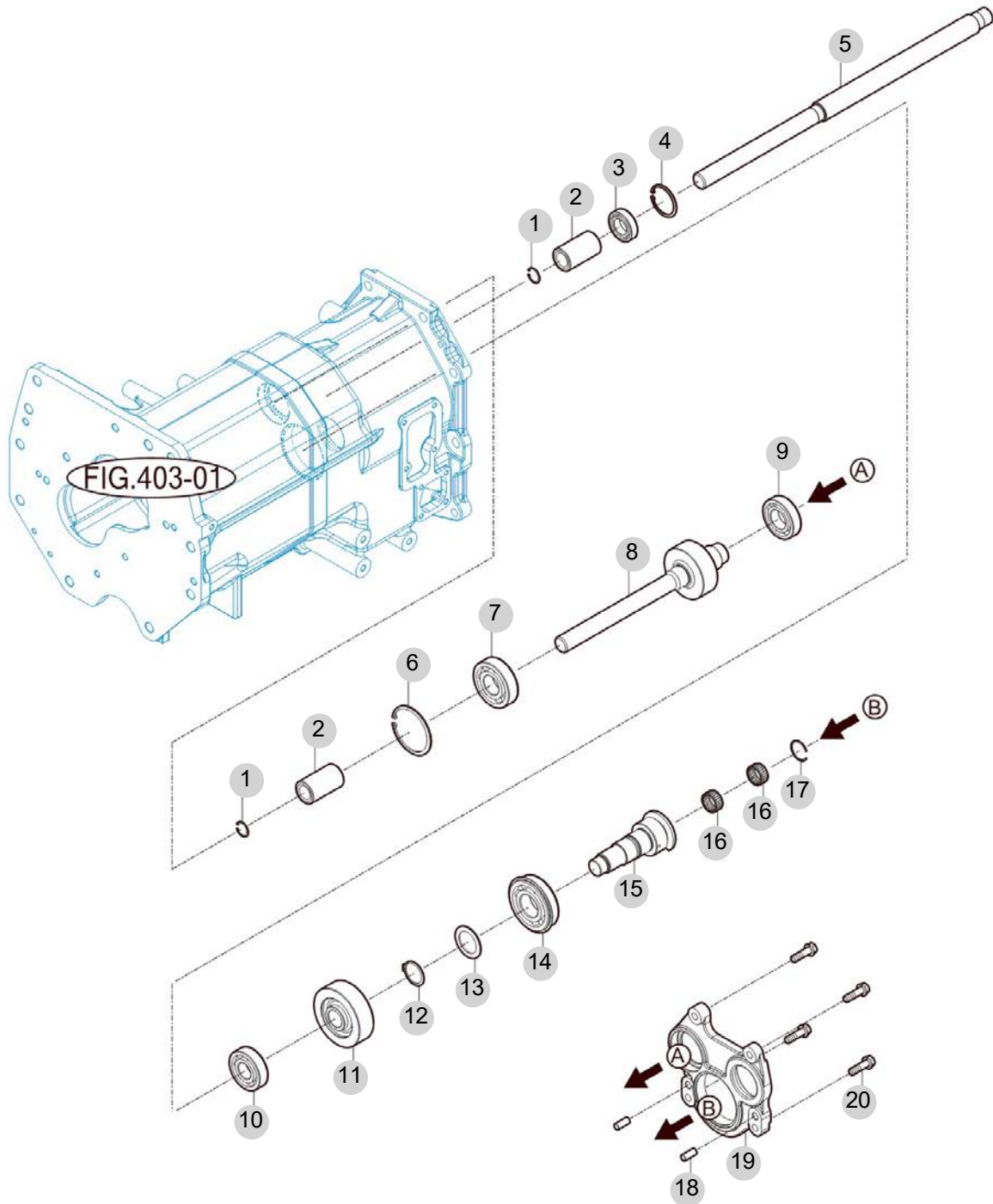
FIG 404

TRANSFER GEAR SET

년/월
Year/Month

2022-12

T495NHEU1



NOTE

FIG 404		TRANSTER GEAR SET						년/월 Year/Month	
								2022-12	
T495NHEU1									
KEY NO		PART NO	DESCRIPTION	SPEC	QTY	REPAIR	EFFECTIVE DATE	REMARKS	
404	1	V7051400220	C형멈춤링(구멍용)		2				
404	2	13872300120	커플링(36X62)		2				
404	3	V6001106005	볼베어링		1				
404	4	V7051400470	C형멈춤링(구멍용)		1				
404	5	13872300110	PTO 인풋 샤프트		1				
404	6	V7051400720	C형멈춤링(구멍용)		1				
404	7	V6041106306	볼베어링(HL1)		1				
404	8	13872300030	기어(헬리컬, 23)		1				
404	9	V6041106206	볼베어링(HL1)		1				
404	10	V6001106305	볼베어링		1				
404	11	15532300080	기어,(H/27)		1				
404	12	V7041400350	C형멈춤링(축용)		1				
404	13	14443140041	칼라(35X50X2)		1				
404	14	V6001606307	볼베어링(NR)		1				
404	15	15532300091	기어(H/14)		1				
404	16	14523020010	니들베어링(케이지)-K243013.8		2				
404	17	14522080080	C형동심멈춤링(구멍용)		1				
404	18	V5201010022	평행핀(A)		2				
404	19	13872300020M	베어링 메탈		1				
404	20	V2173610035	소형육각볼트보통(S)	M10X35	4				
NOTE									

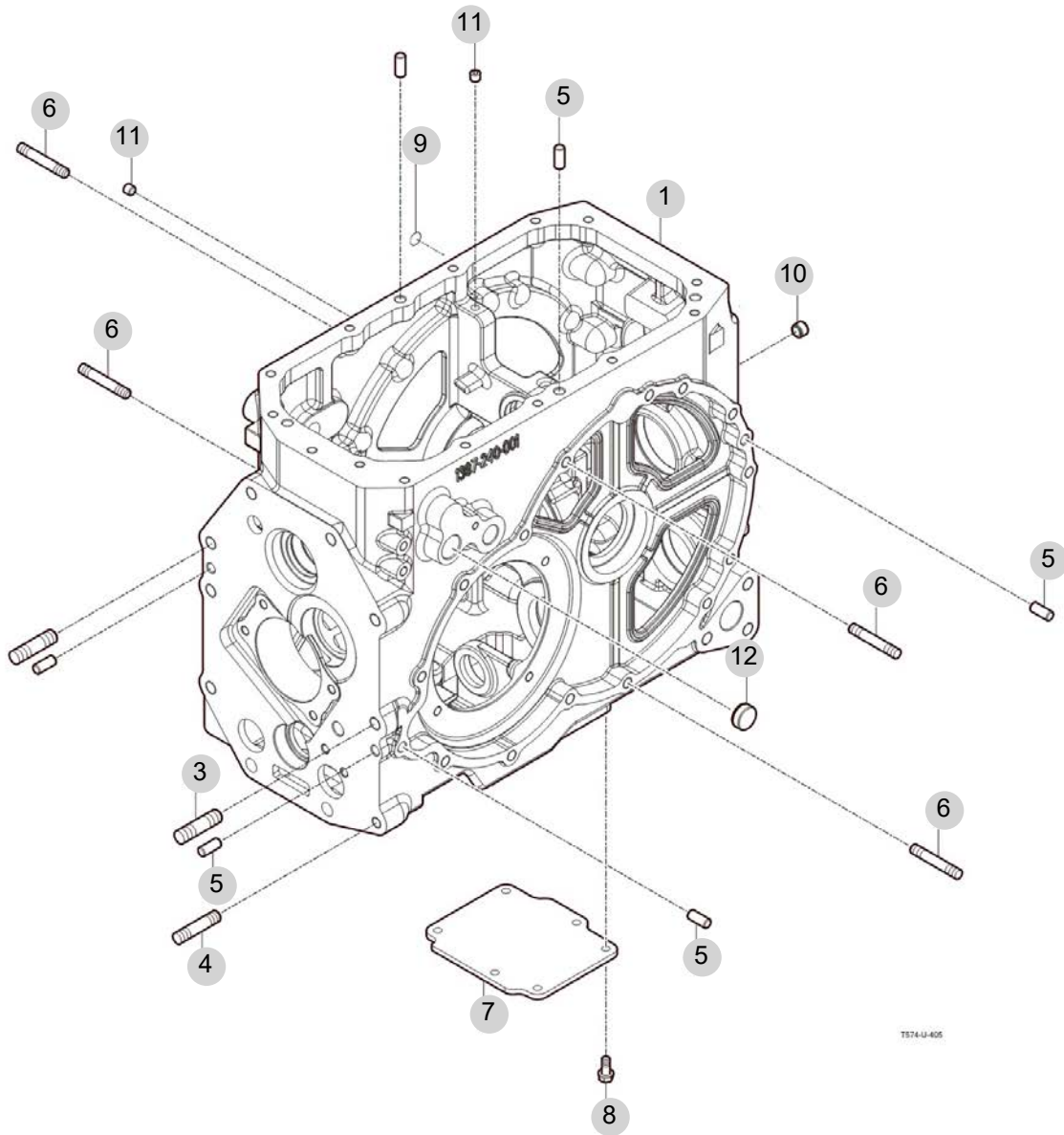
FIG 405

TRANSMISSION REAR CASE

년/월
Year/Month

2022-12

T495NHEU1



NOTE

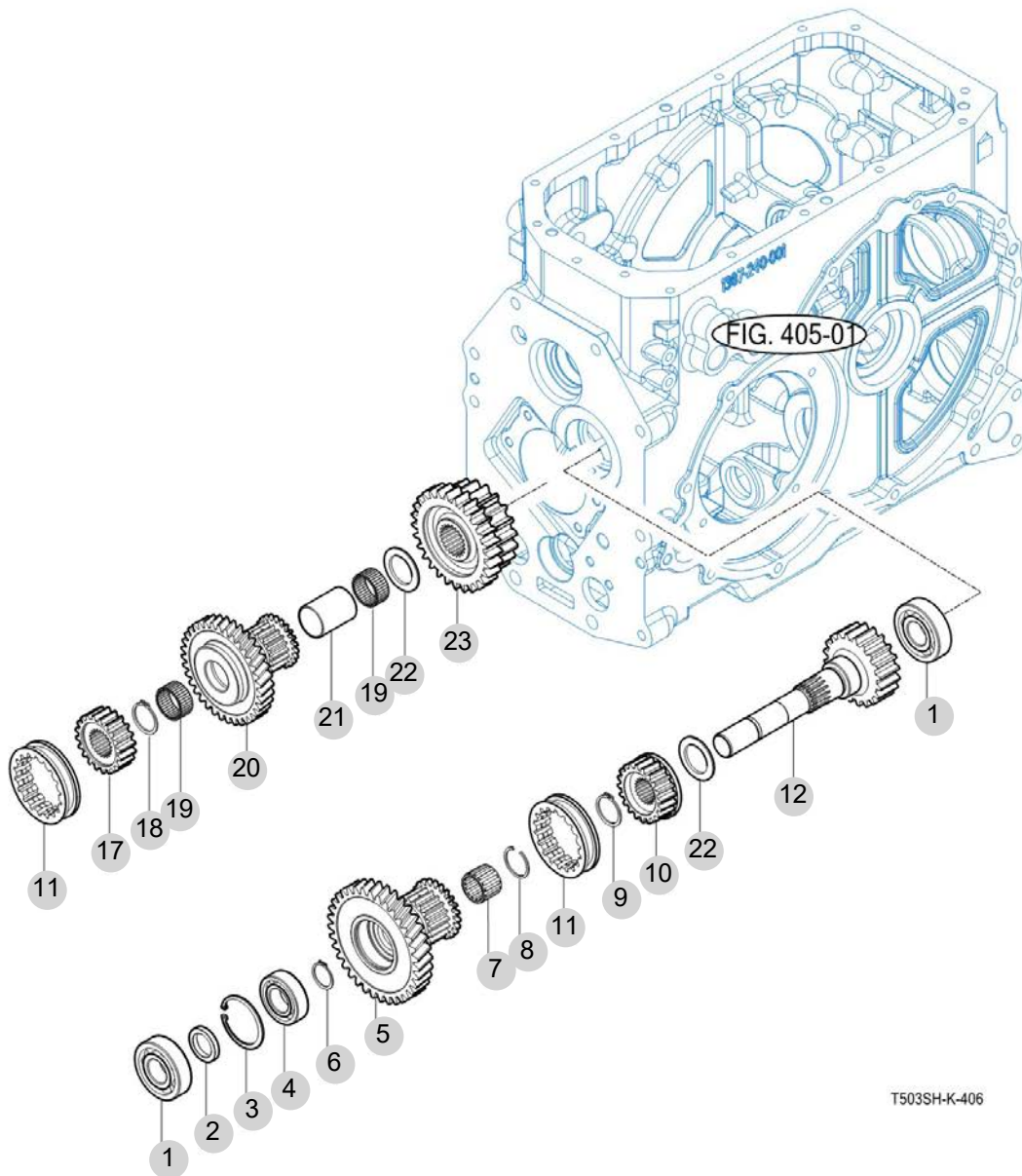
FIG 406

SUB CHANGE GEARS

년/월
Year/Month

T495NHEU1

2022-12



T503SH-K-406

NOTE

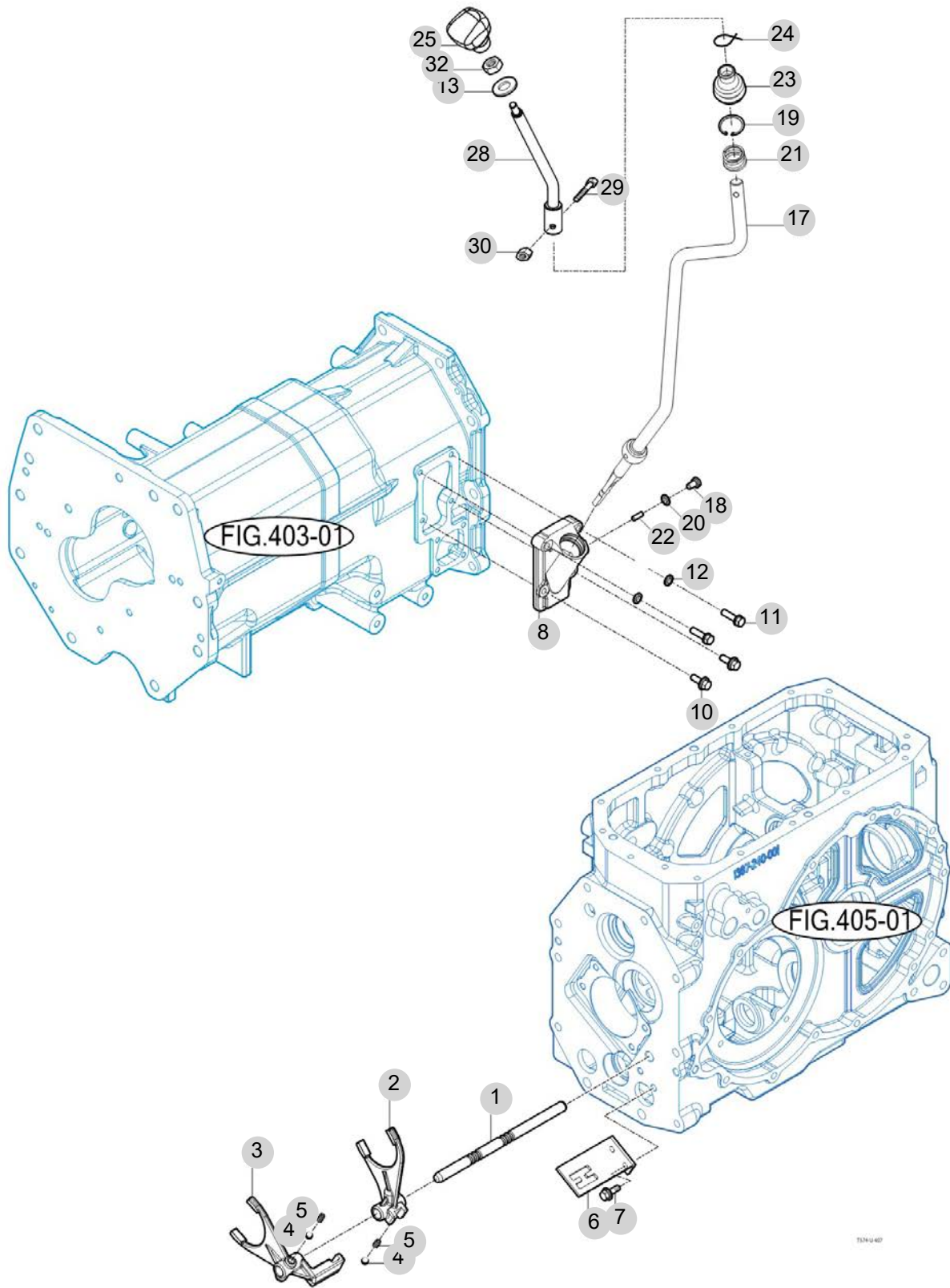
FIG 407

SUB CHANGE SHIFTER

년/월
Year/Month

2022-12

T495NHEU1



NOTE

FIG 407 T495NHEU1	SUB CHANGE SHIFTER					년/월 Year/Month
						2022-12

KEY NO	PART NO	DESCRIPTION	SPEC	QTY	REPAIR	EFFECTIVE DATE	REMARKS
407	1	14522590021	스태이(시프터/부변속)				
407	2	14522590053M	포크(시프터,M-LL)				
407	3	14522590032M	포크(시프터,H-L)				
407	4	V6802000010	강구				
			5/16	2			
407	5	13022250030	시프터스프링				
407	6	14522590120	가이드				
407	7	V2173610020	소형육각볼트보통(S)				
			M10X20	2			
407	8	14522590011M	메탈서브				
407	10	V2183608025	소형육각볼트보통(SP)				
			M8X25	2			
407	11	14523608035	스터드볼트(M8X30)				
				2			
407	11	V2013608030	소형육각볼트(보통)				
			M8X30	2			
407	12	15602230085	씰				
				2			
407	13	V4111600100	평와셔				
			M10	1			
407	17	14522812001	레버COMP(시프트/서브)				
				1			
407	17	13872812000	레버COMP(시프트/서브)				
				1			
407	18	16007060020	볼트(드레인)				
				1			
407	19	V7051400320	C형멈춤링(구멍용)				
			32	1			
407	20	15602230085	씰				
				1			
407	21	15602900063	스프링(C020)				
				1			
407	22	V5201006016	평행핀(A)				
			6X16	1			
407	23	15602800044	부츠				
				1			
407	24	V5901010070	철선				
			1.0X70	1			
407	25	13872810100	손잡이, 부변속				
				1			
407	25	19407513200	손잡이(부변속)				
				1			
407	28	13872913200GB	레버 COMP, 부변속				
				1			
407	29	V2013608035	소형육각볼트(보통)				
			M8X35	1			
407	30	V3042600080	소형육각너트보통2종				
			M8	1			
407	32	V3342600100	소형육각너트가는2종				
			M10	1			

NOTE	
------	--

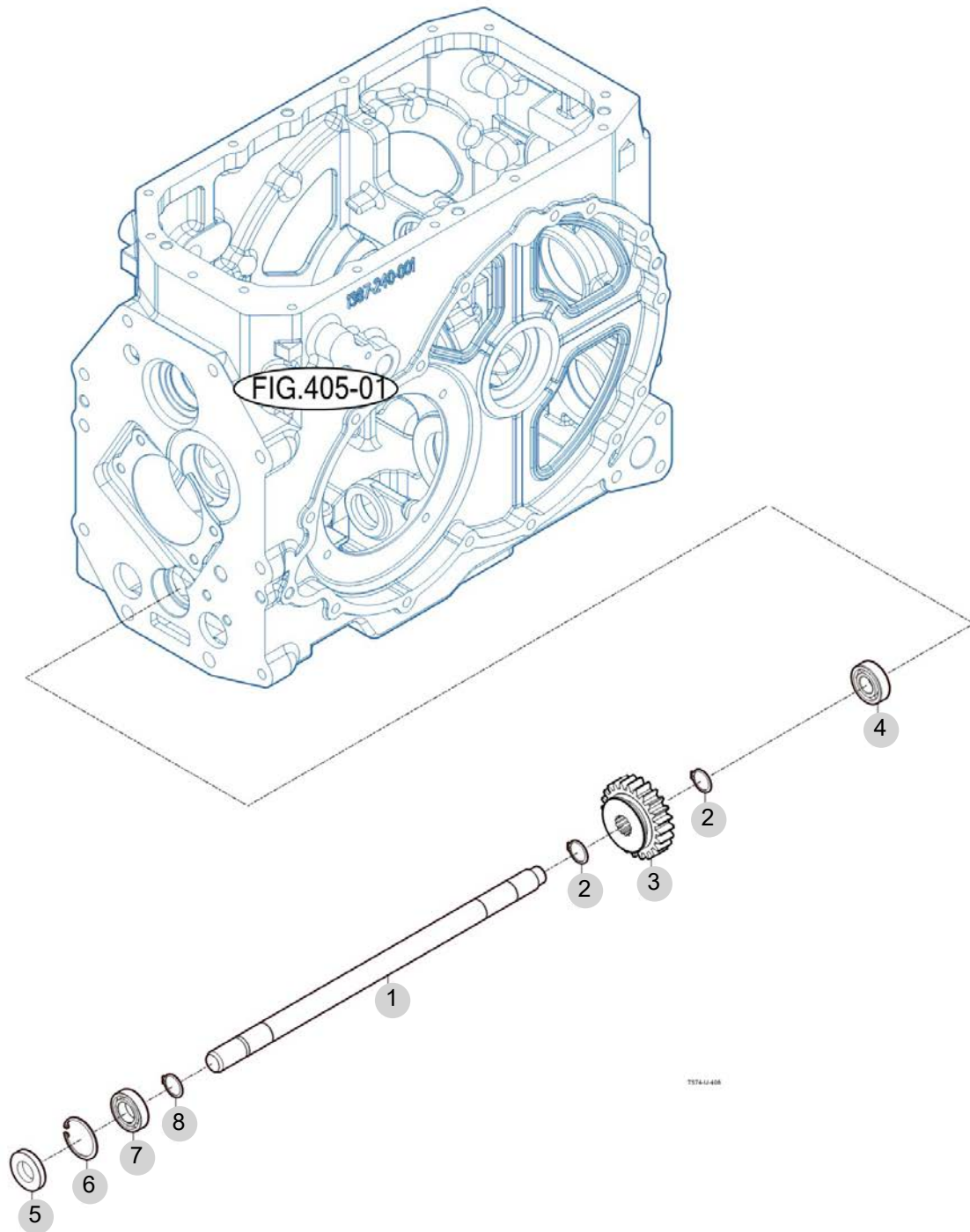
FIG 408

DRIVE GEARS

년/월
Year/Month

2022-12

T495NHEU1



NOTE

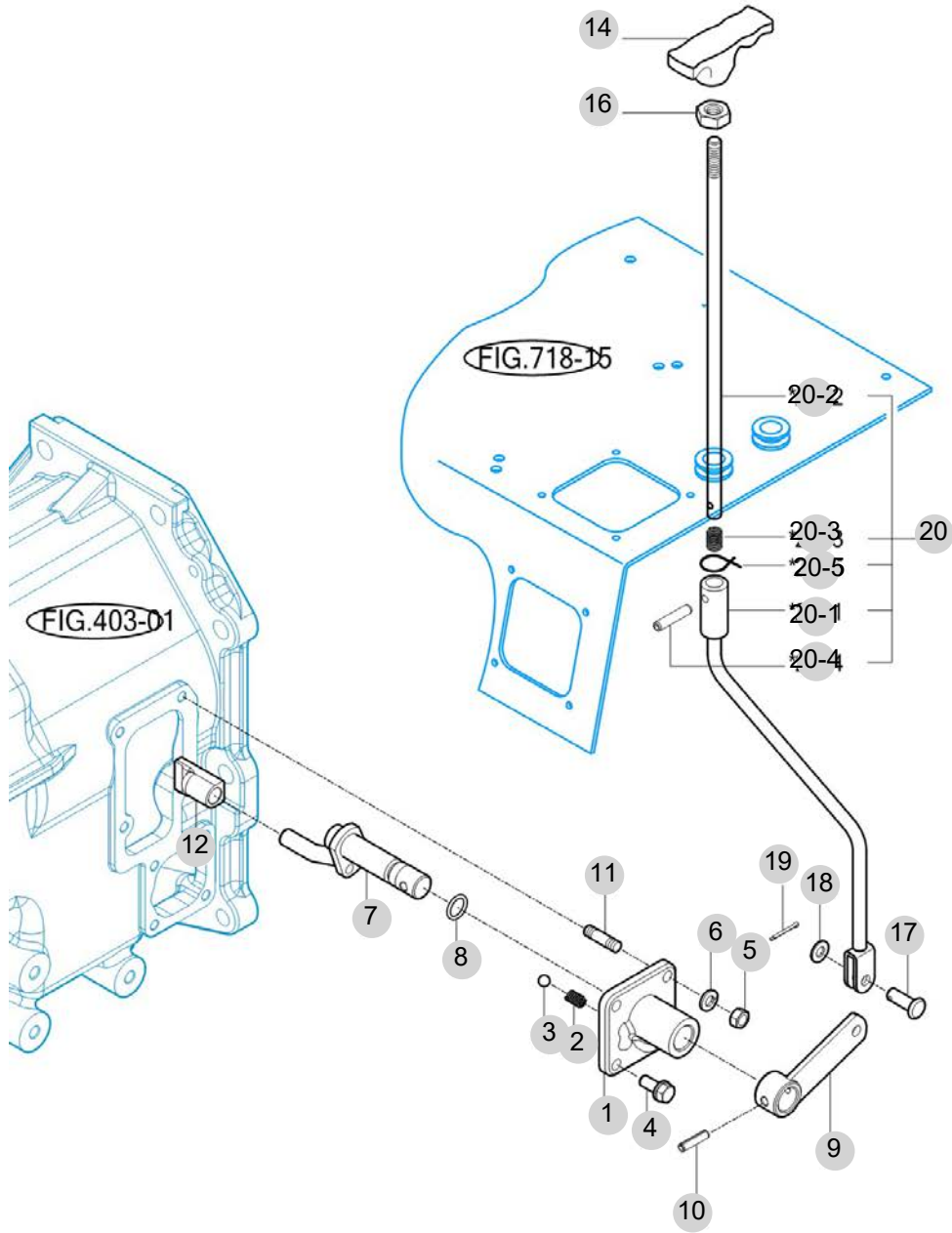
FIG 409

4WD CHANGE LEVER

년/월
Year/Month

2022-12

T495NHEU1



*NOT SERVICED SEPARATELY

T574-U-409

NOTE

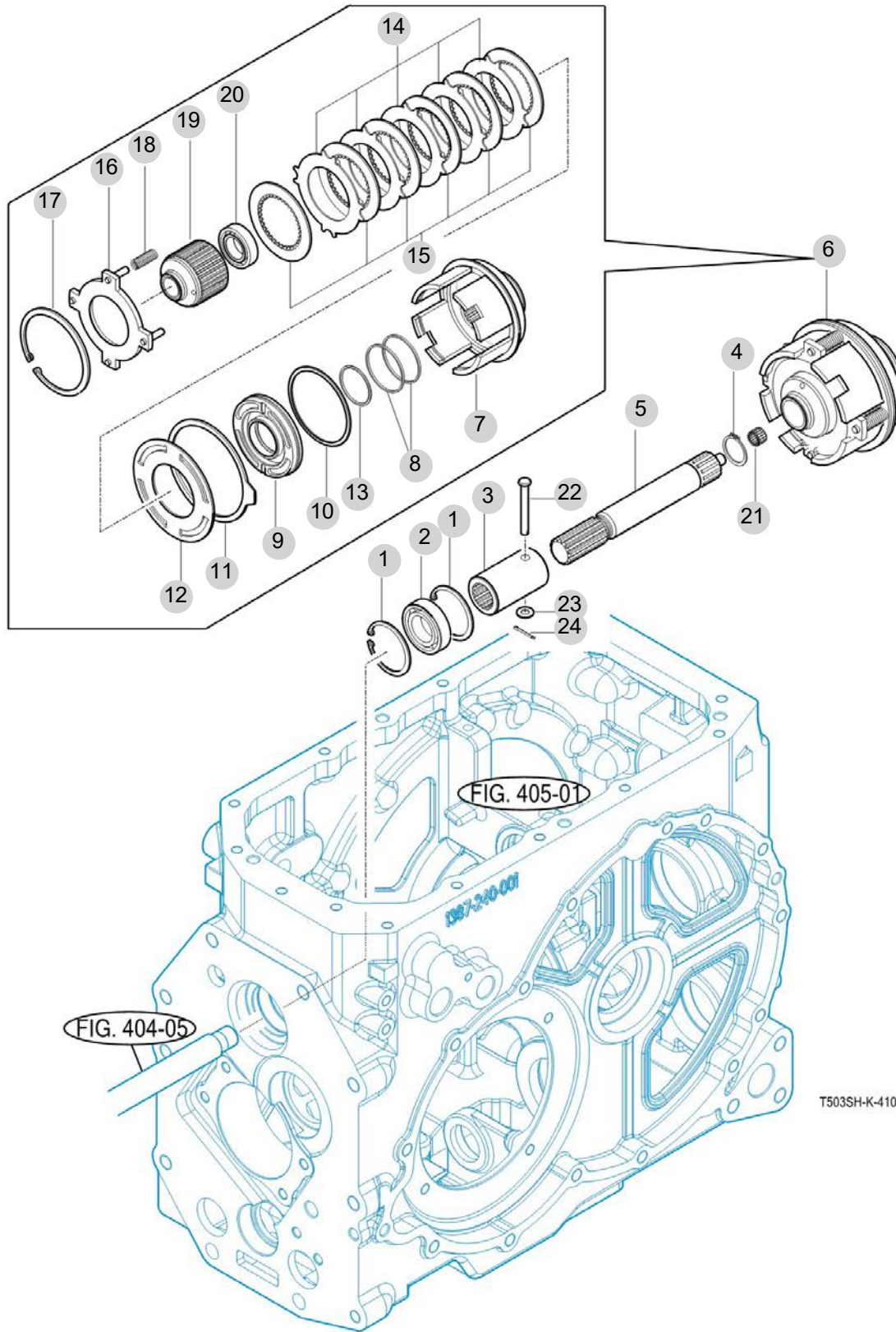
FIG 410

P.T.O DRIVE SHAFT

년/월
Year/Month

2022-12

T495NHEU1



NOTE

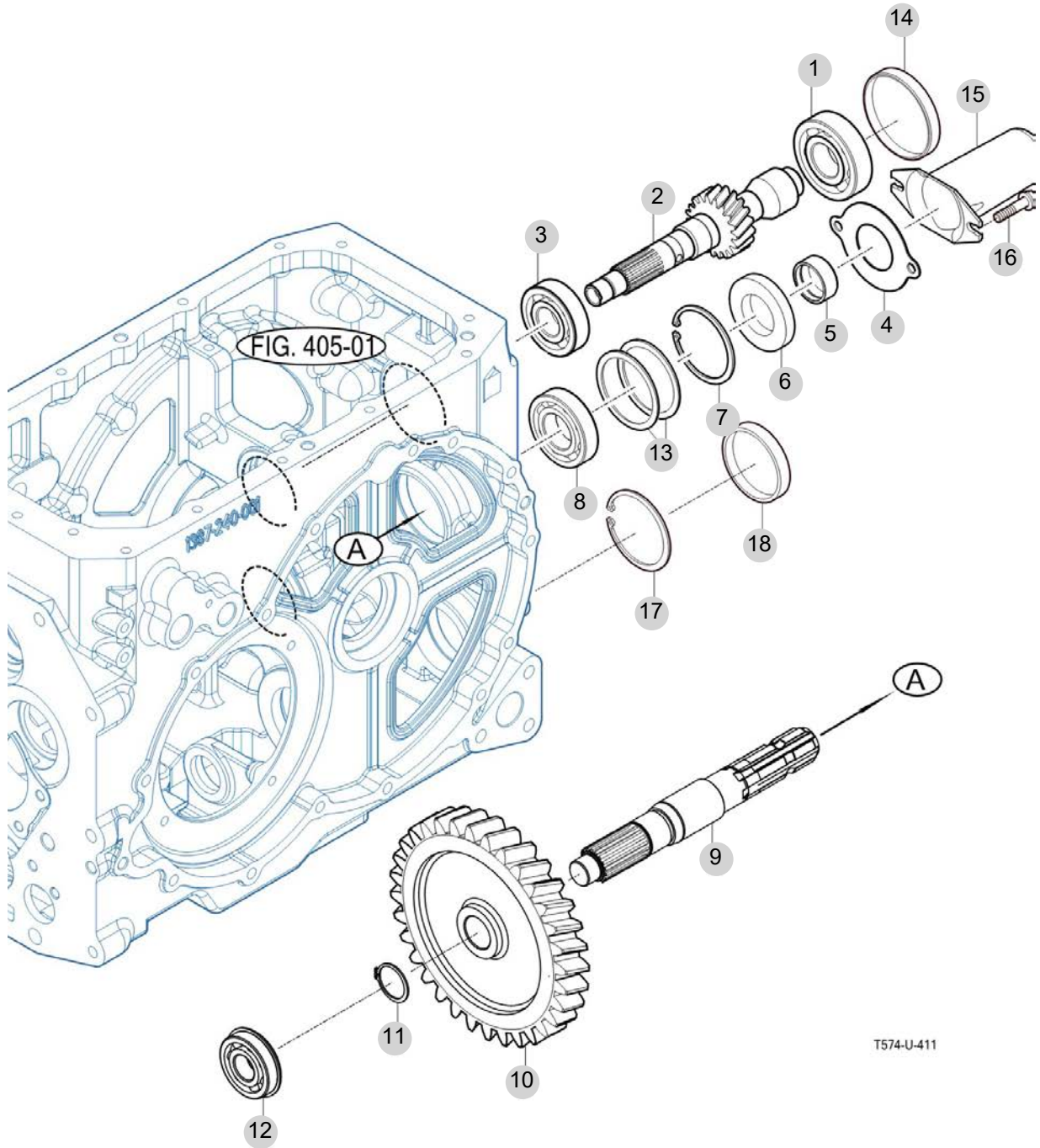
FIG 411

P.T.O CHANGE GEARS

년/월
Year/Month

2022-12

T495NHEU1



NOTE

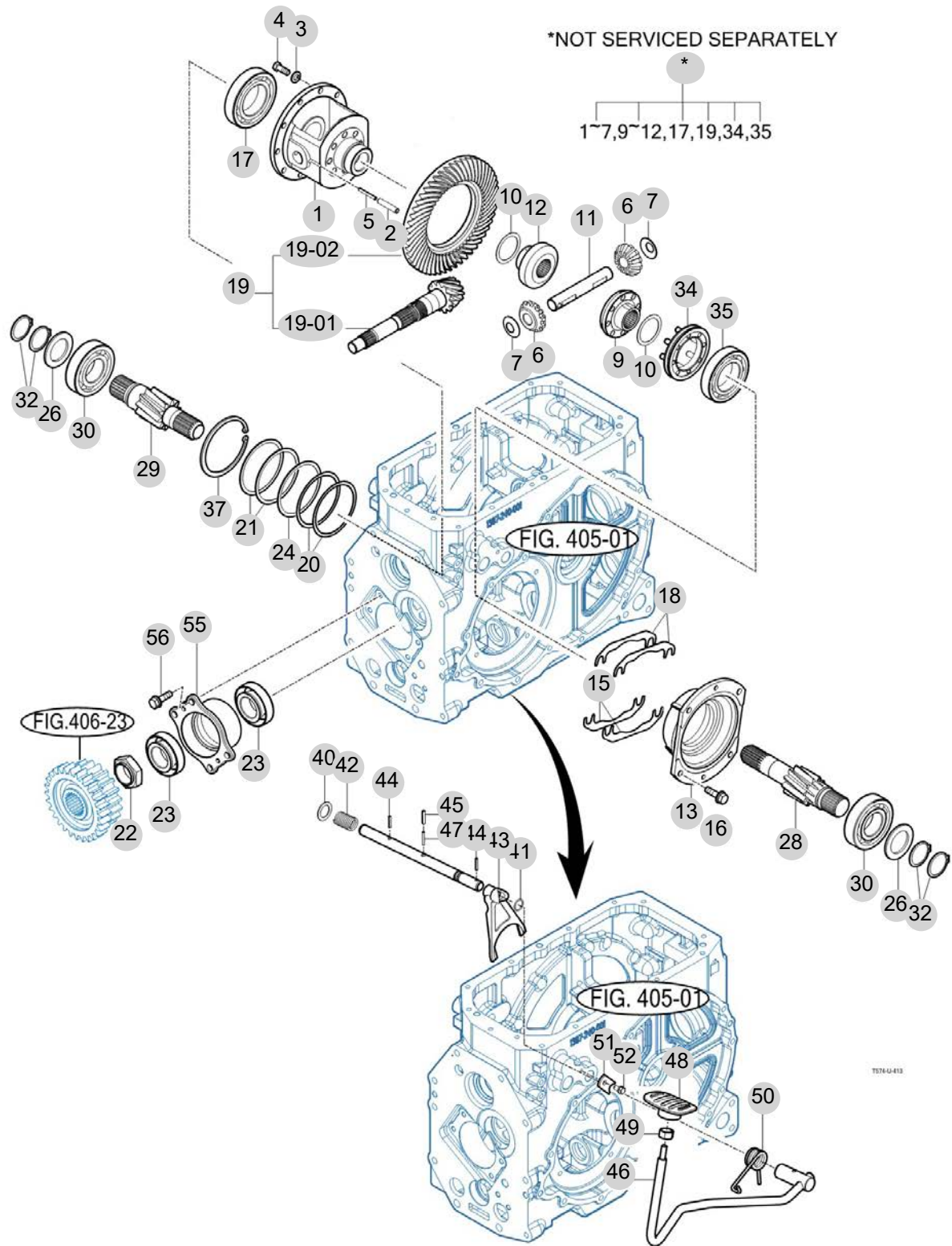
FIG 412

P.T.O CHANGE LEVER

년/월
Year/Month

2022-12

T495NHEU1



NOTE

FIG 412		P.T.O CHANGE LEVER					년/월 Year/Month		
							2022-12		
T495NHEU1		KEY NO	PART NO	DESCRIPTION	SPEC	QTY	REPAIR	EFFECTIVE DATE	REMARKS
412	0	14523031001	리어차동장치(47PS)ASSY			1			
412	1	14523030010M	케이스(디프)			1			
412	2	V5801408040	스프링핀	8X40		1			
412	3	V4011600100	스프링와셔	M10		10			
412	4	V2024610025	소형육각볼트(가는)	M10X25		10			
412	5	V5801405036	스프링핀	5X36		1			
412	6	14523180041	피니언(차동)			2			
412	7	14523030080	칼라(피니언)			2			
412	9	14523180061	피니언(베벨/16 LH)			1			
412	10	14523030100	와셔(스러스트)			2			
412	11	14523030110	디프피니언샤프트			1			
412	12	14523180031	피니언(베벨/16 RH)			1			
412	13	14523030131M	메탈(LH/디프케이스)			1			
412	15	14523010090	심(B)	T=0.2		4			
412	16	V2173610025	소형육각볼트보통(S)	M10X25		4			
412	17	V6001106212	볼베어링	6212		1			
412	18	14523010080	심(A)	T=0.1		2			
412	19	14523022100	기어(10X41)SET			1			
412	19-01	14523022111	베벨피니언			1			
412	19-02	14523022120	스파이럴베벨기어			1			
412	20	14523010050	심(0.1)	T=0.1		1			
412	22	15533030020	너트(M40XP1.5)			1			
412	23	V6321132208	테이퍼로올러베어링(보통)	32208CR		2			
412	24	14523010100	심(0.2)	T=0.2		2			
412	26	15133060030	스러스트칼라(45X68X4)			2			
412	28	14523060011	피니언(헬리컬/11/LH)			1			
412	29	14523060021	피니언(헬리컬/11/RH)			1			
412	30	V6041106309	볼베어링(HL1)	6309		2			
412	32	V7041400450	C형멈춤링(축용)	45		4			
412	34	14523033400	슬리브COMP			1			
412	35	V6001106211	볼베어링	6211		1			
412	37	V7051401100	C형멈춤링(구멍용)	R110		1			
412	39	15533193010	디프록 샤프트			1			
412	40	V4111600200	평와셔	M20		1			
412	41	V7201024016	O링(P)	P16		1			
412	42	17973030420	스프링			1			
412	43	14523190011M	포크(디프록)			1			
412	44	V5801406032	스프링핀	6X32		2			
412	45	V5801408036	스프링핀	8X36		1			
412	46	15533193100	디프록페달COMP			1			
412	47	V5801405036	스프링핀	5X36		1			
412	48	14521220120	페달COMP,액셀			1			
412	49	V3342600100	소형육각너트가는2종	M10		1			
412	50	15533190020	스프링(디프 페달)			1			
412	50	15533190021	스프링(디프 페달)			1			
NOTE									

FIG 412 T495NHEU1	P.T.O CHANGE LEVER	년/월 Year/Month
		2022-12

KEY NO		PART NO	DESCRIPTION	SPEC	QTY	REPAIR	EFFECTIVE DATE	REMARKS
412	51	16703180191	플레이트		1			
412	52	V2173608016	소형육각볼트보통(S)	M8X16	1			
412	55	14523020040M	메탈(피니언)		1			
412	56	14523010031	심(0.2)		4			
412	56	V2173610025	소형육각볼트보통(S)	M10X25	4			
NOTE								

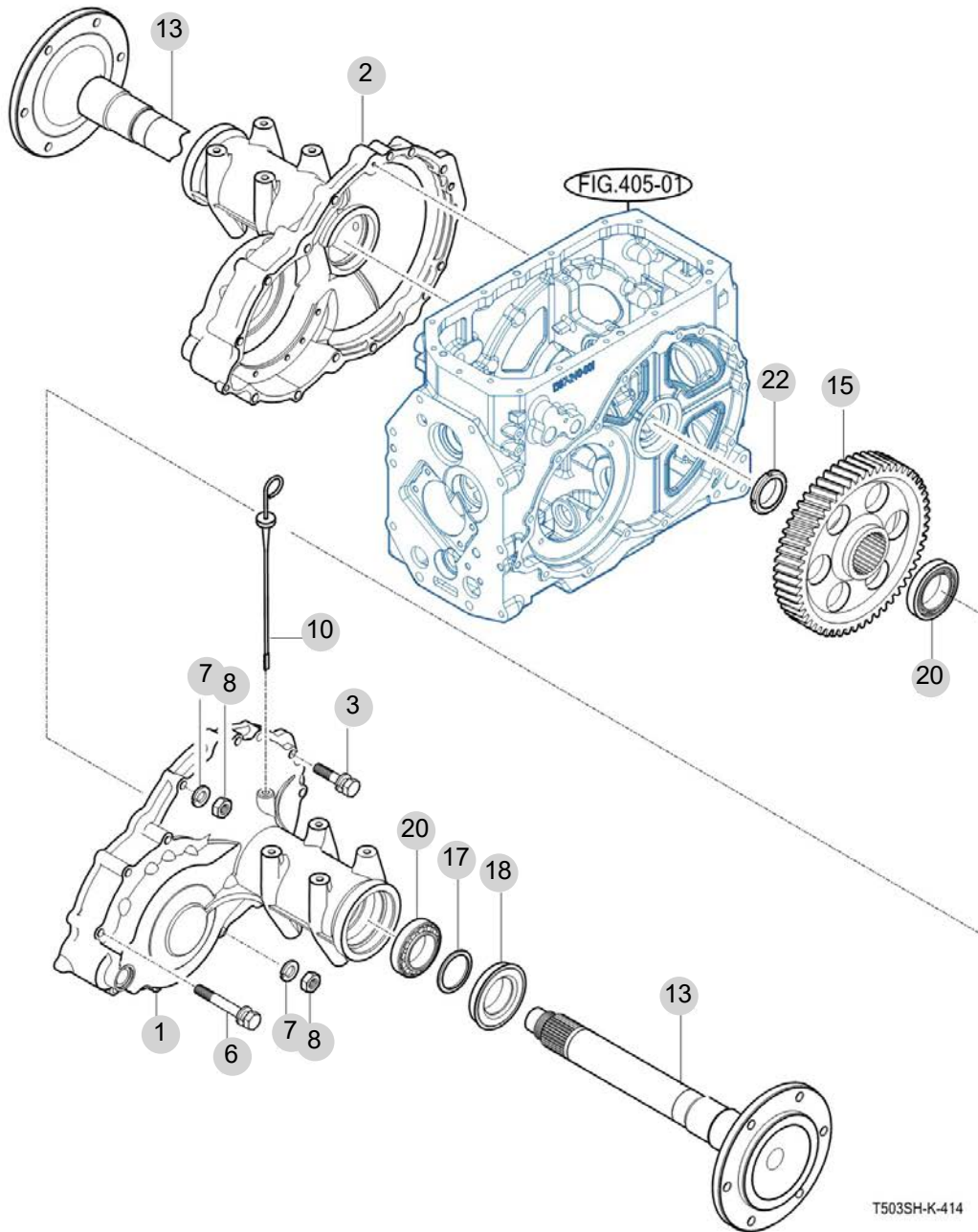
FIG 413

4WD CHANGE LEVER

년/월
Year/Month

2022-12

T495NHEU1



NOTE

5. 프런트 액슬 PART NO. T5

FIG 501 FRONT AXLE SUPPORT	168
FIG 502 FRONT DRIVE SHAFT	170
FIG 503 FRONT AXLE HOUSING	172
FIG 504 FRONT DIFFERENTIAL GEARS	174
FIG 505 FRONT GEAR CASE (1)	176
FIG 506 FRONT GEAR CASE (2)	178
FIG 507 FRONT GEAR CASE (3)	180

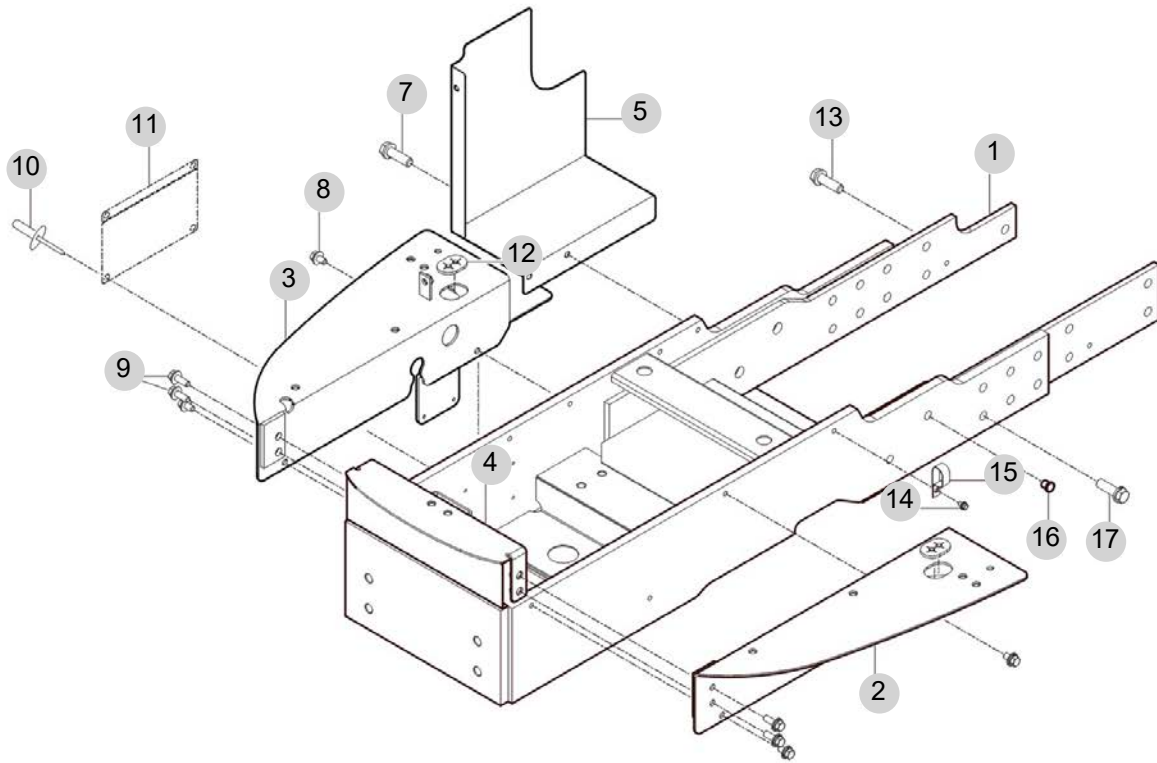
FIG 501

FRONT AXLE SUPPORT

년/월
Year/Month

2022-12

T495NHEU1



TS74494-U-501

NOTE

FIG 501		FRONT AXLE SUPPORT						년/월 Year/Month
T495NHEU1								2022-12
KEY NO	PART NO	DESCRIPTION	SPEC	QTY	REPAIR	EFFECTIVE DATE	REMARKS	
501	1	13871021000ED	메인 프레임 COMP					
501	2	13871052101GB	플레이트 COMP ,그릴 좌					
501	3	11061052200GB	플레이트 COMP ,그릴 우					
501	4	14184103100GB	플레이트 COMP, 하					
501	5	13871812100GB	브래킷 COMP , 가이드					
501	7	V2183608020	소형육각볼트보통(SP)	M8X20	2			
501	8	V2183608016	소형육각볼트보통(SP)	M8X16	4			
501	9	V2183608025	소형육각볼트보통(SP)	M8X25	4			
501	10	V5502040093	브라인더리벳		4			
501	11	11069049200	기종명판(내용/T495/T575)		1			
501	11	11069049201	형식명판 , EU/내용		1			
501	12	14541063050	씰(파이프)		2			
501	13	V2173612030	소형육각볼트보통(S)	M12X30	7			
501	14	V2183608016	소형육각볼트보통(SP)	M8X16	4			
501	15	14441010161	라디에이터호스클램프		3			
501	16	14273170040	캠(M14)		8			
501	17	V2173612040	소형육각볼트보통(S)	M12X40	12			
NOTE								

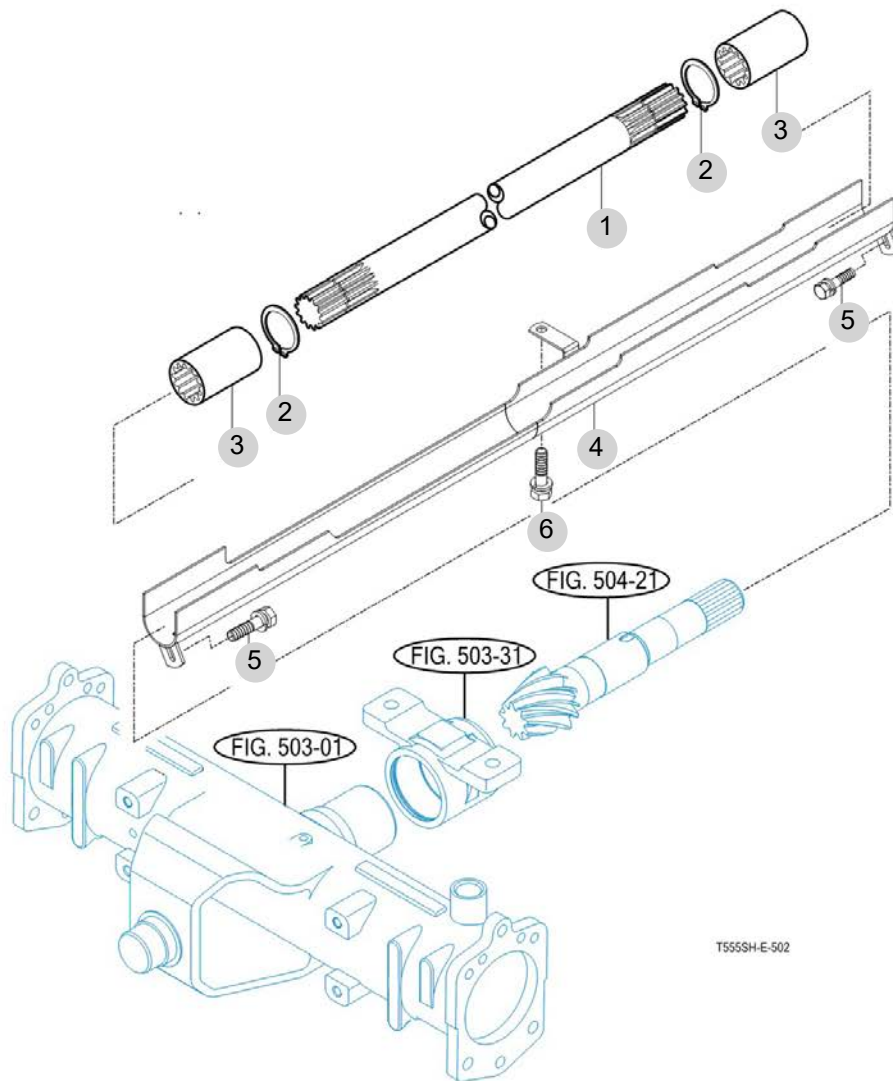
FIG 502

FRONT DRIVE SHAFT

년/월
Year/Month

2022-12

T495NHEU1



T555SH-E-502

NOTE

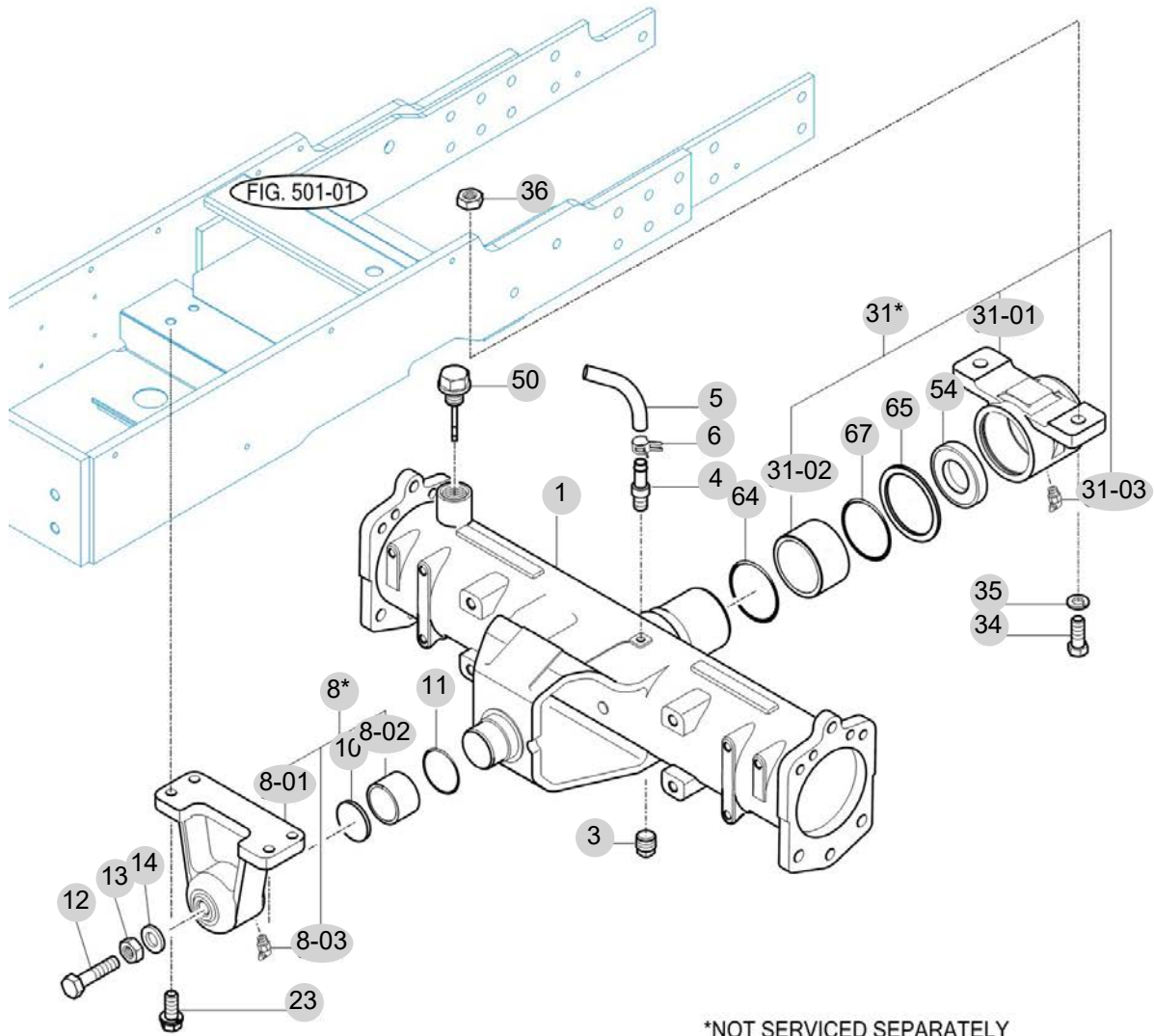
FIG 503

FRONT AXLE HOUSING

년/월
Year/Month

2022-12

T495NHEU1



T574494-U-503

NOTE

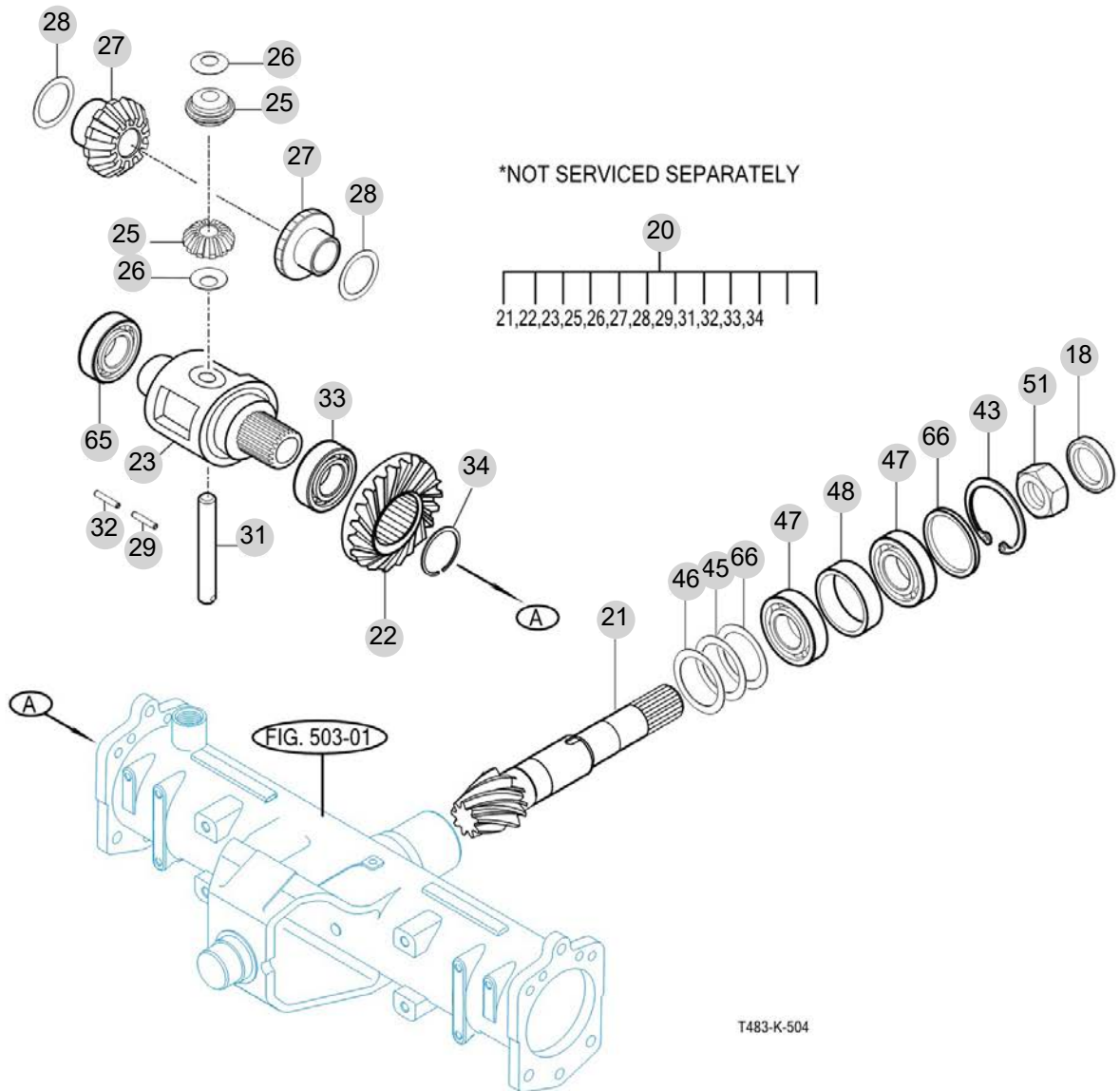
FIG 504

FRONT DIFFERENTIAL GEARS

년/월
Year/Month

2022-12

T495NHEU1



NOTE

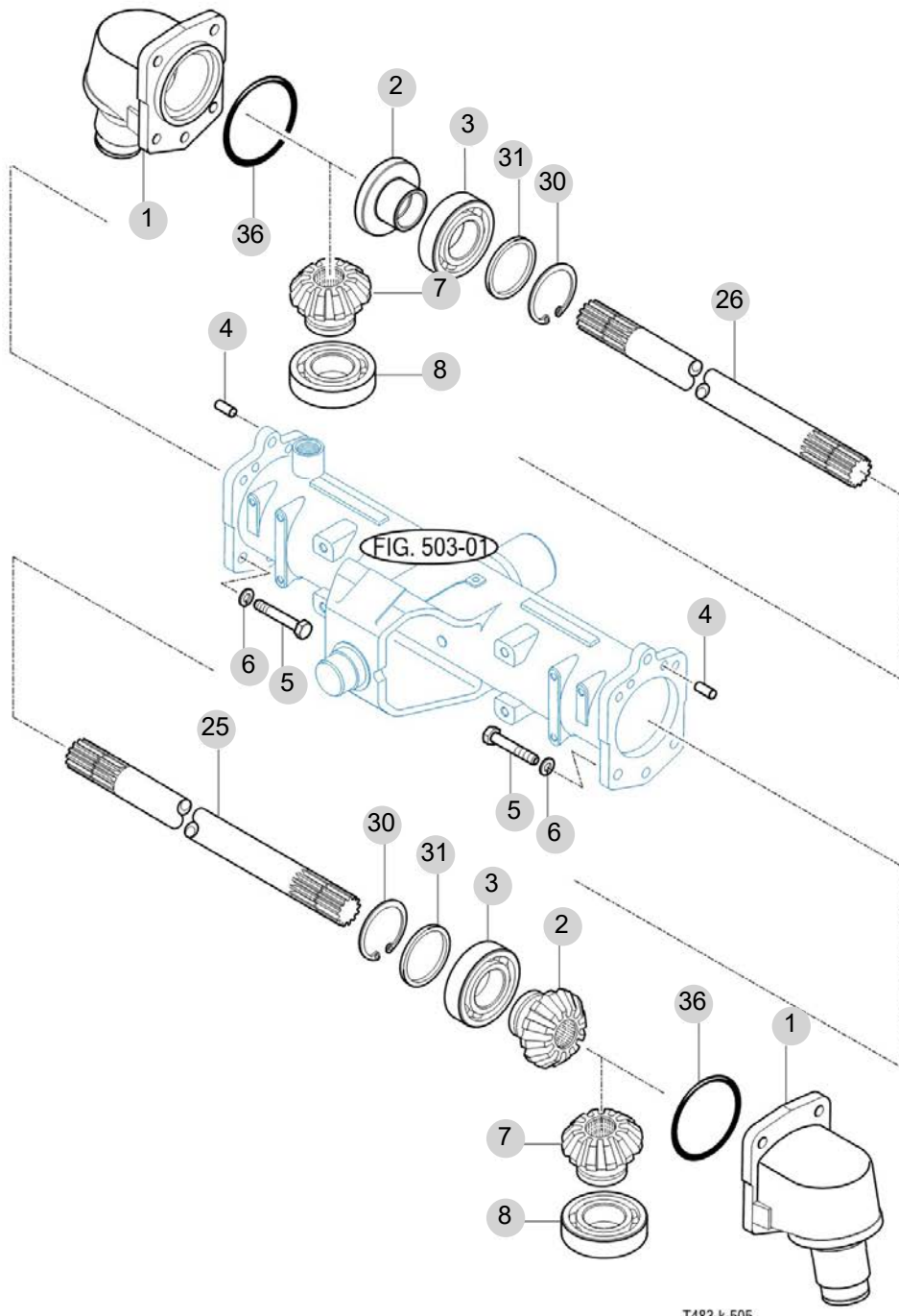
FIG 505

FRONT GEAR CASE (1)

년/월
Year/Month

2022-12

T495NHEU1



NOTE

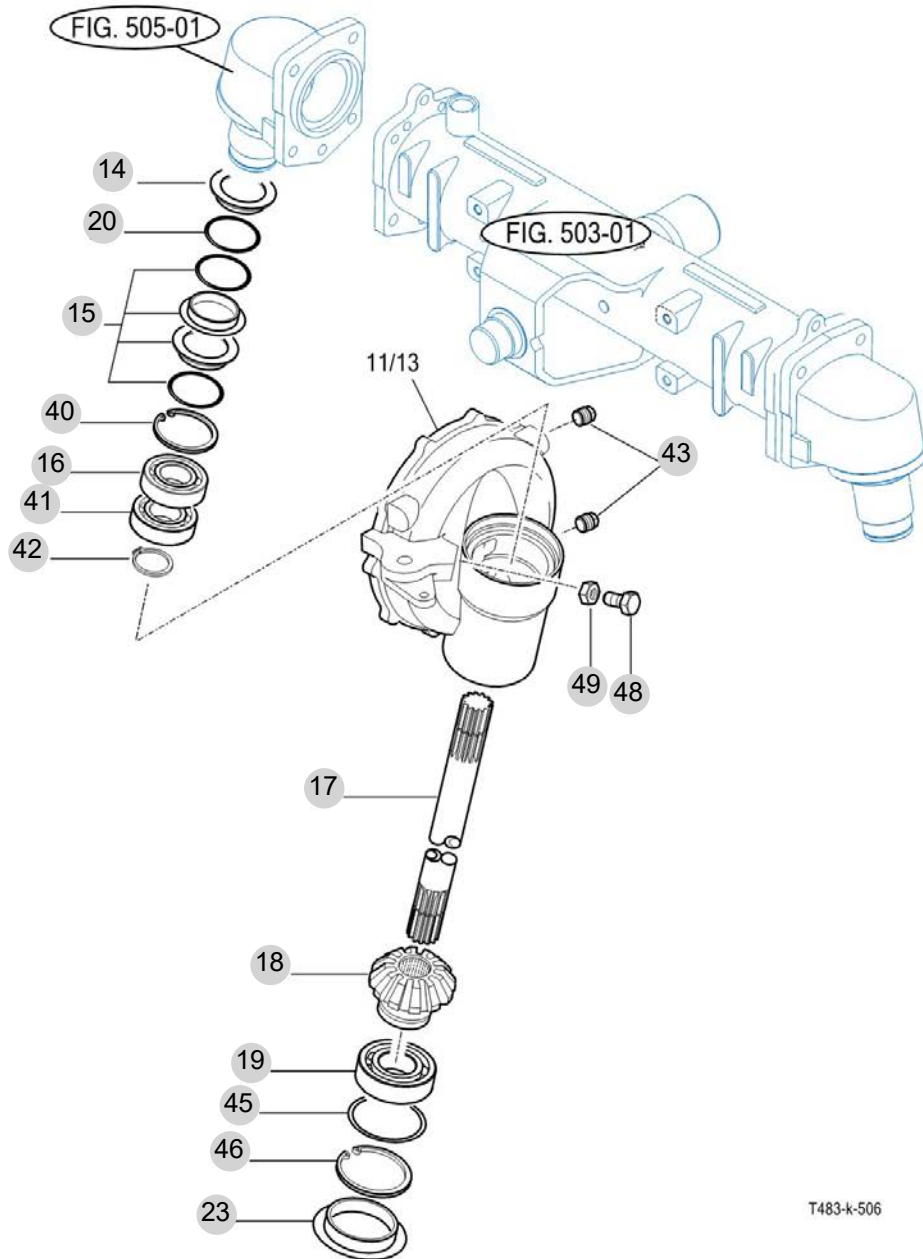
FIG 506

FRONT GEAR CASE (2)

년/월
Year/Month

2022-12

T495NHEU1



T483-k-506

NOTE

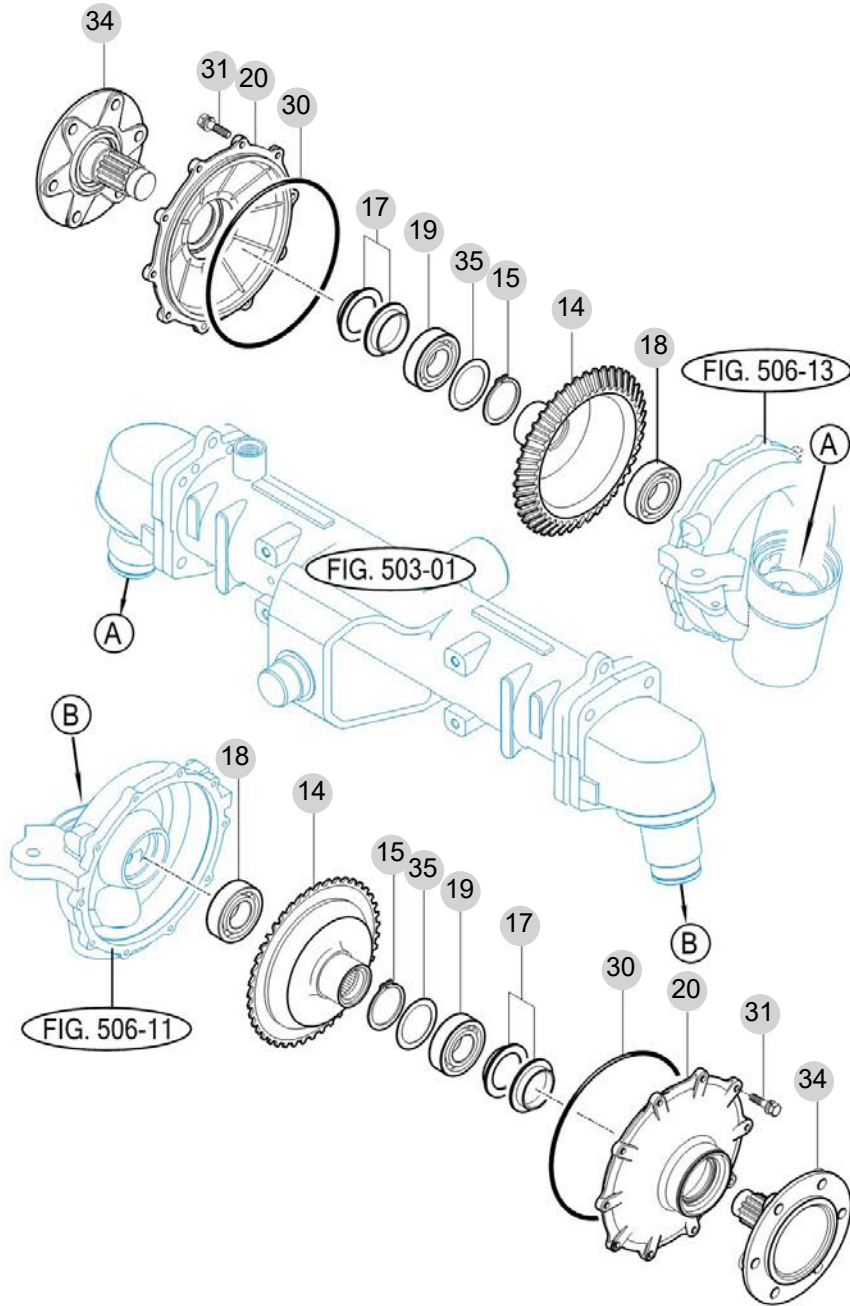
FIG 507

T495NHEU1

FRONT GEAR CASE (3)

년/월
Year/Month

2022-12



T483-k-507

NOTE

6. 유압/3점링크 PART NO. T6

FIG 601 CYLINDER CASE	183
FIG 602 LIFT ARM	185
FIG 603 CYLINDER	187
FIG 604 POSITION LINK	189
FIG 605 CONTROL VALVE	191
FIG 606 DRAFT LINK	193
FIG 607 POSITION & DRAFT LEVER (1)	195
FIG 607-2 POSITION & DRAFT LEVER (2)[SAP 가져오기]에서 생성함.	197
FIG 608 EXTERIOR HYD.VALVE	199
FIG 609 HYDRAULIC PIPE	201
FIG 610 JOYSTICK	203
FIG 612 HITCH & 3-POINT LINK	206
FIG 613 LOWER LINK & LIFT ROD	209

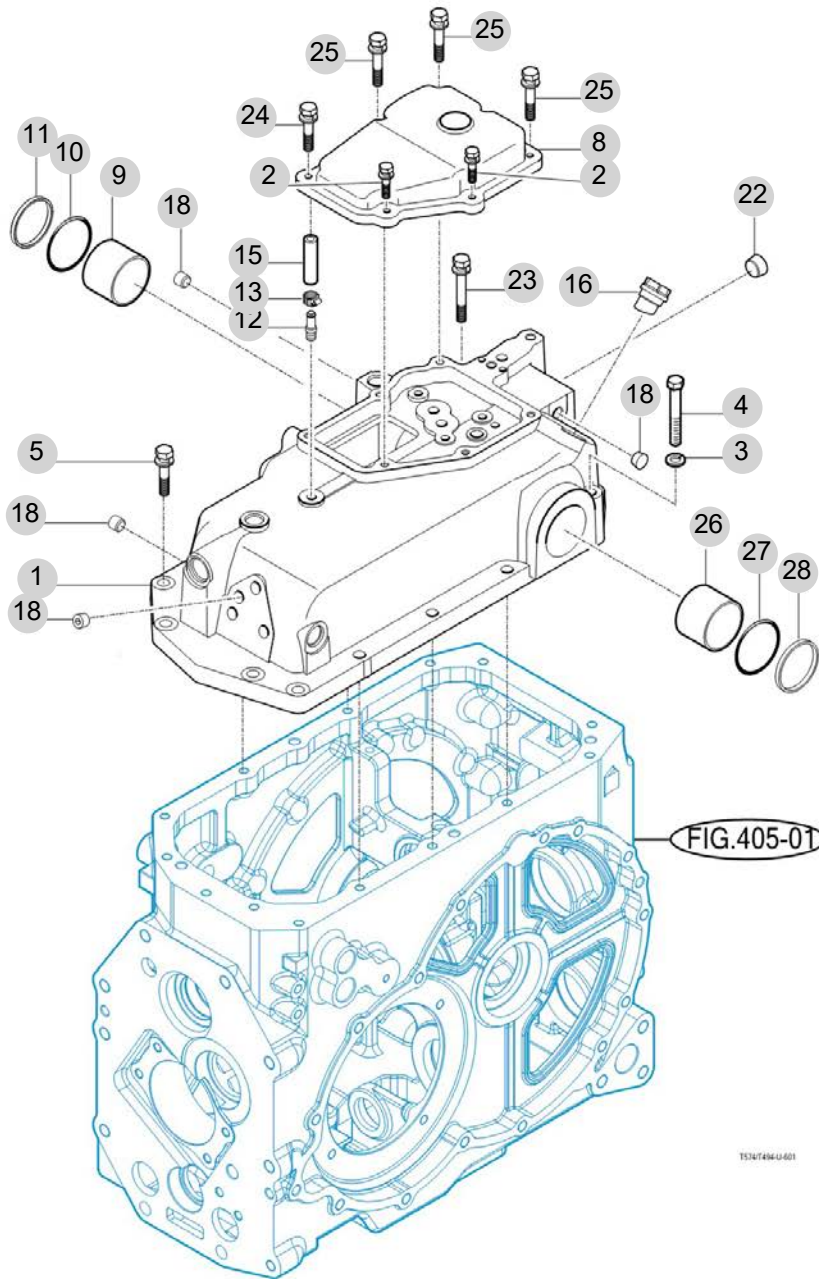
FIG 601

CYLINDER CASE

년/월
Year/Month

2022-12

T495NHEU1



NOTE

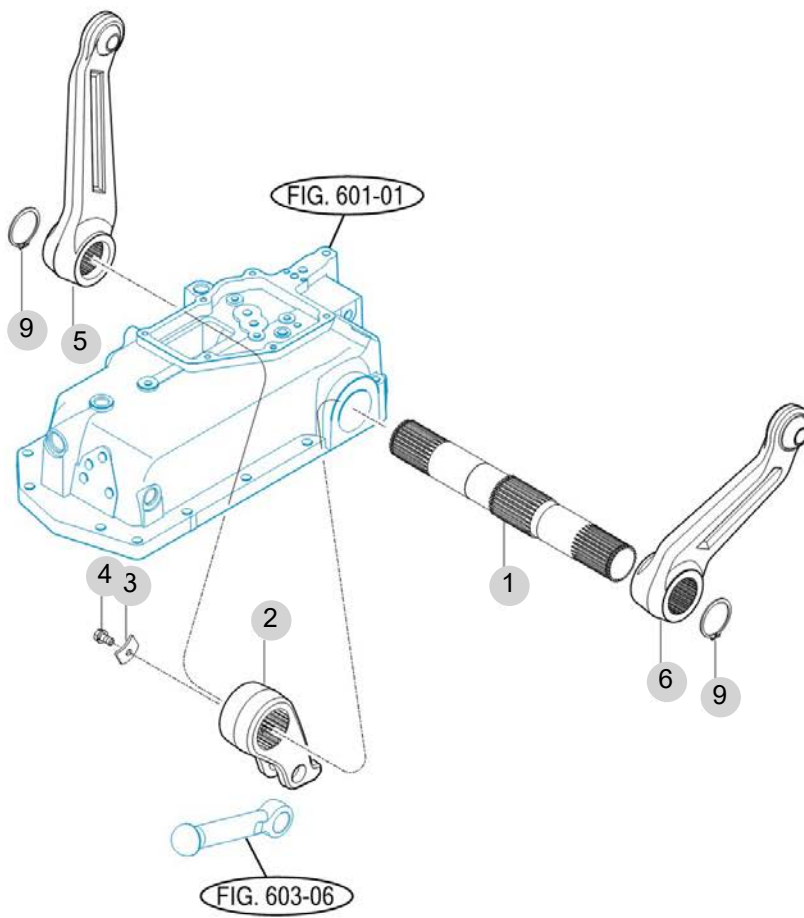
FIG 602

LIFT ARM

년/월
Year/Month

2022-12

T495NHEU1



T483-K-602

NOTE

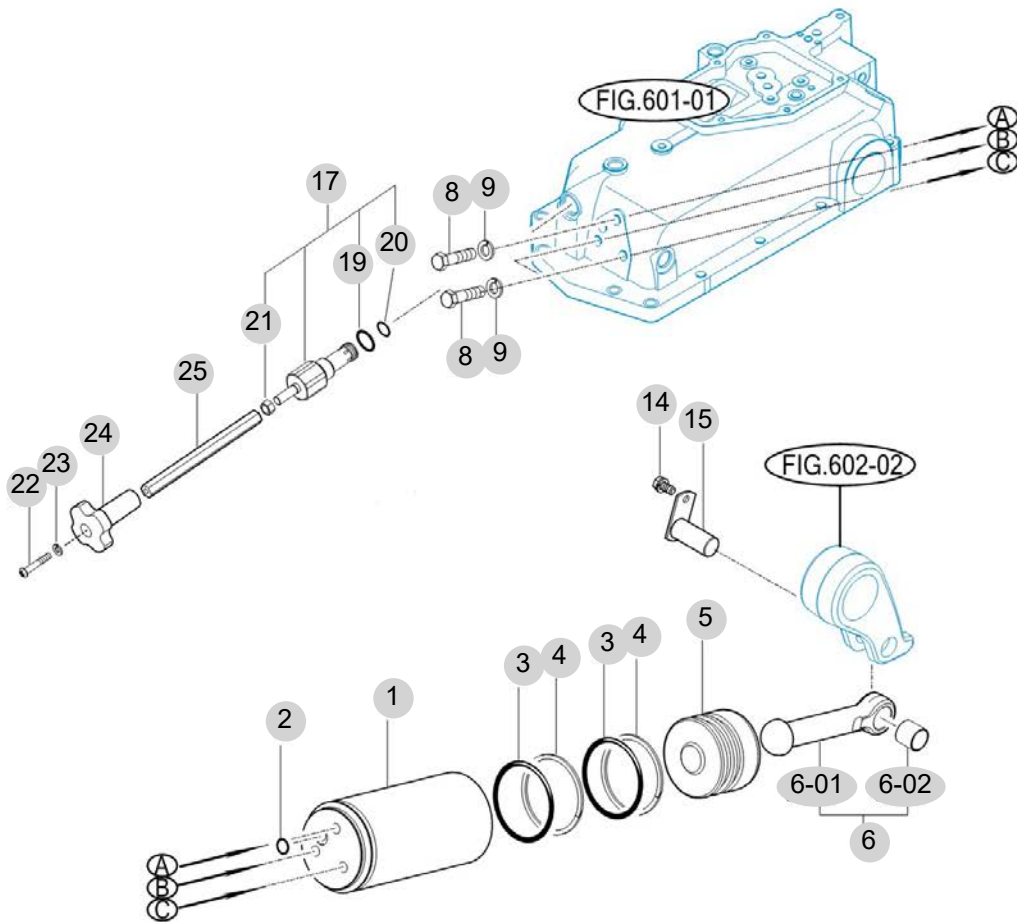
FIG 603

T495NHEU1

CYLINDER

년/월
Year/Month

2022-12



T483-K-603

NOTE

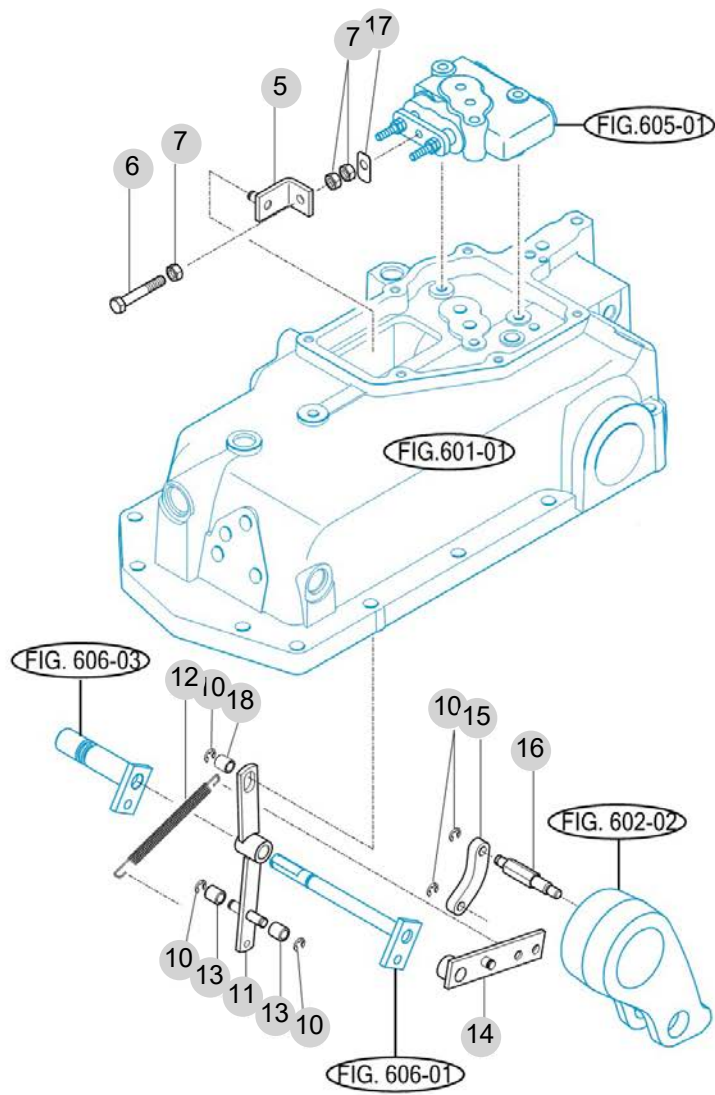
FIG 604

T495NHEU1

POSITION LINK

년/월
Year/Month

2022-12



T483-K-604

NOTE

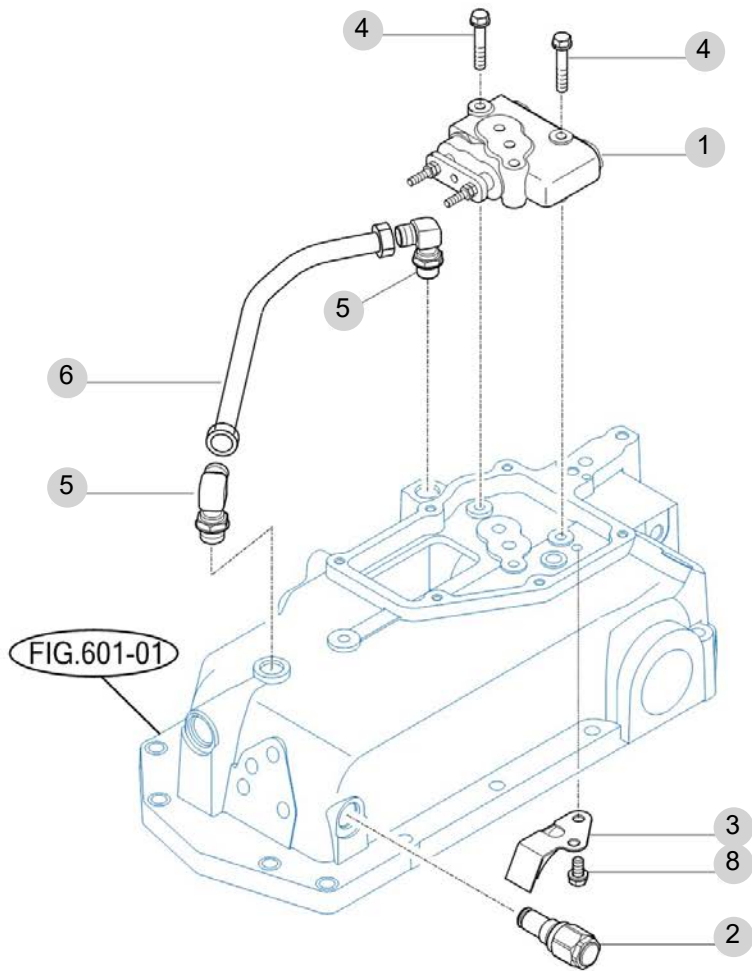
FIG 605

T495NHEU1

CONTROL VALVE

년/월
Year/Month

2022-12



T483-K-605

NOTE

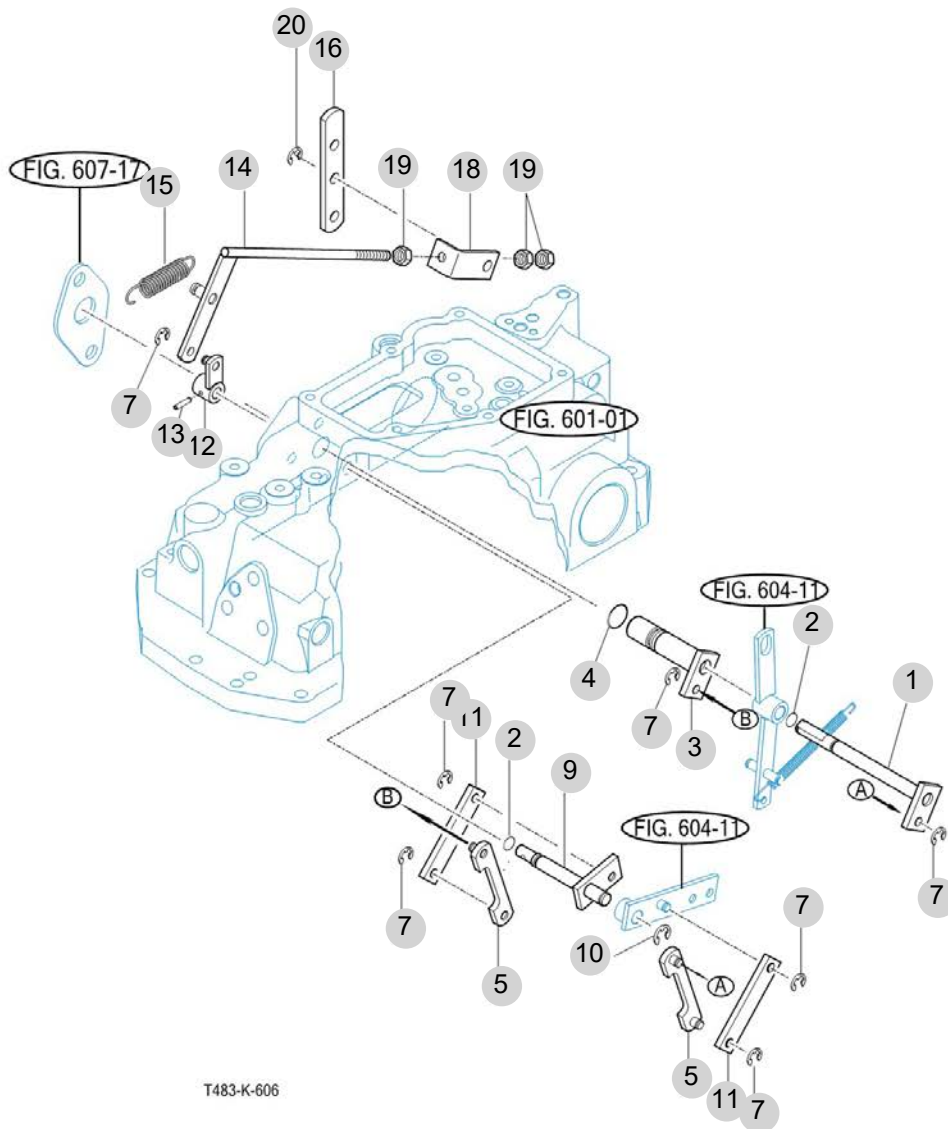
FIG 606

DRAFT LINK

년/월
Year/Month

T495NHEU1

2022-12



NOTE

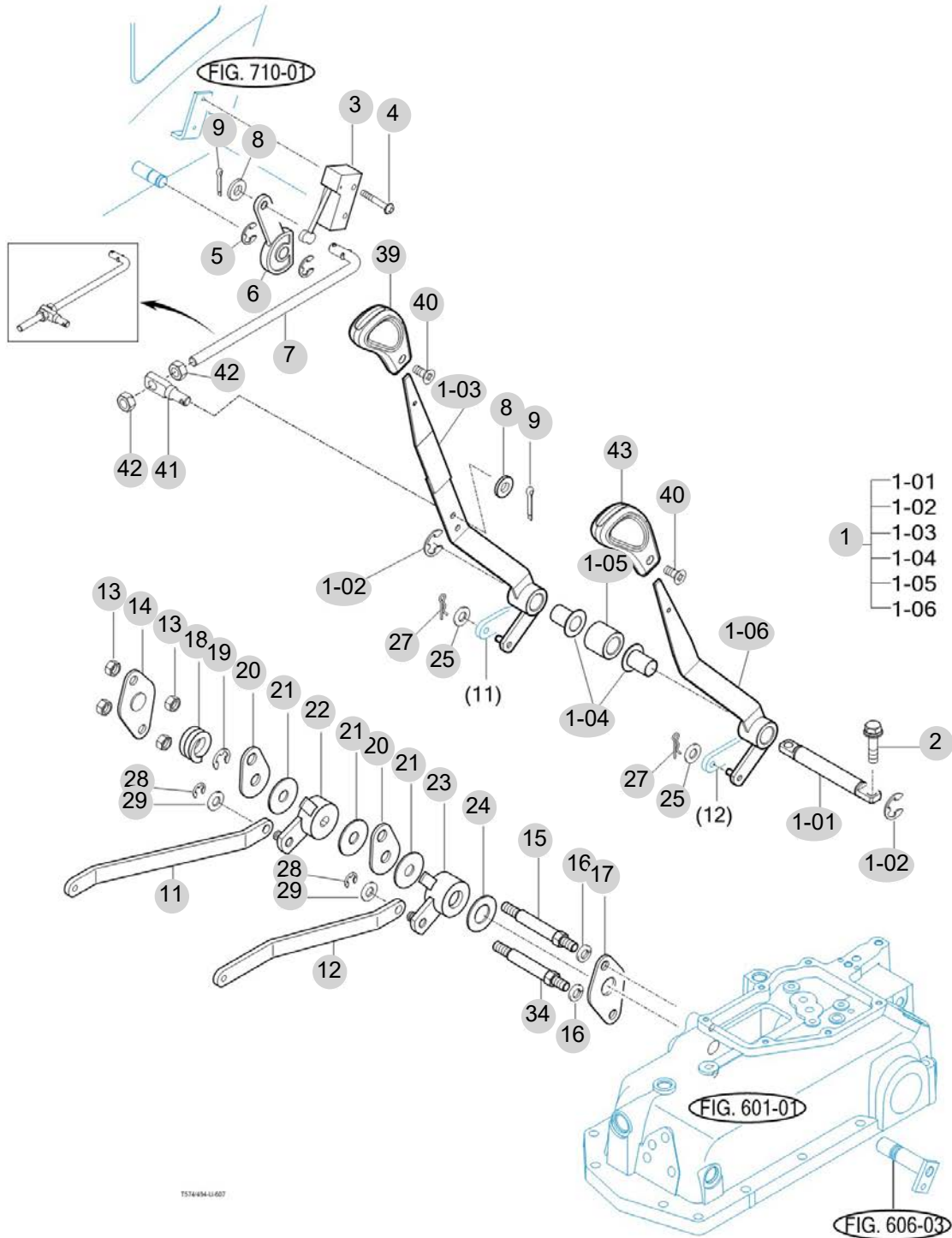
FIG 607

POSITION & DRAFT LEVER (1)

년/월
Year/Month

2022-12

T495NHEU1



NOTE

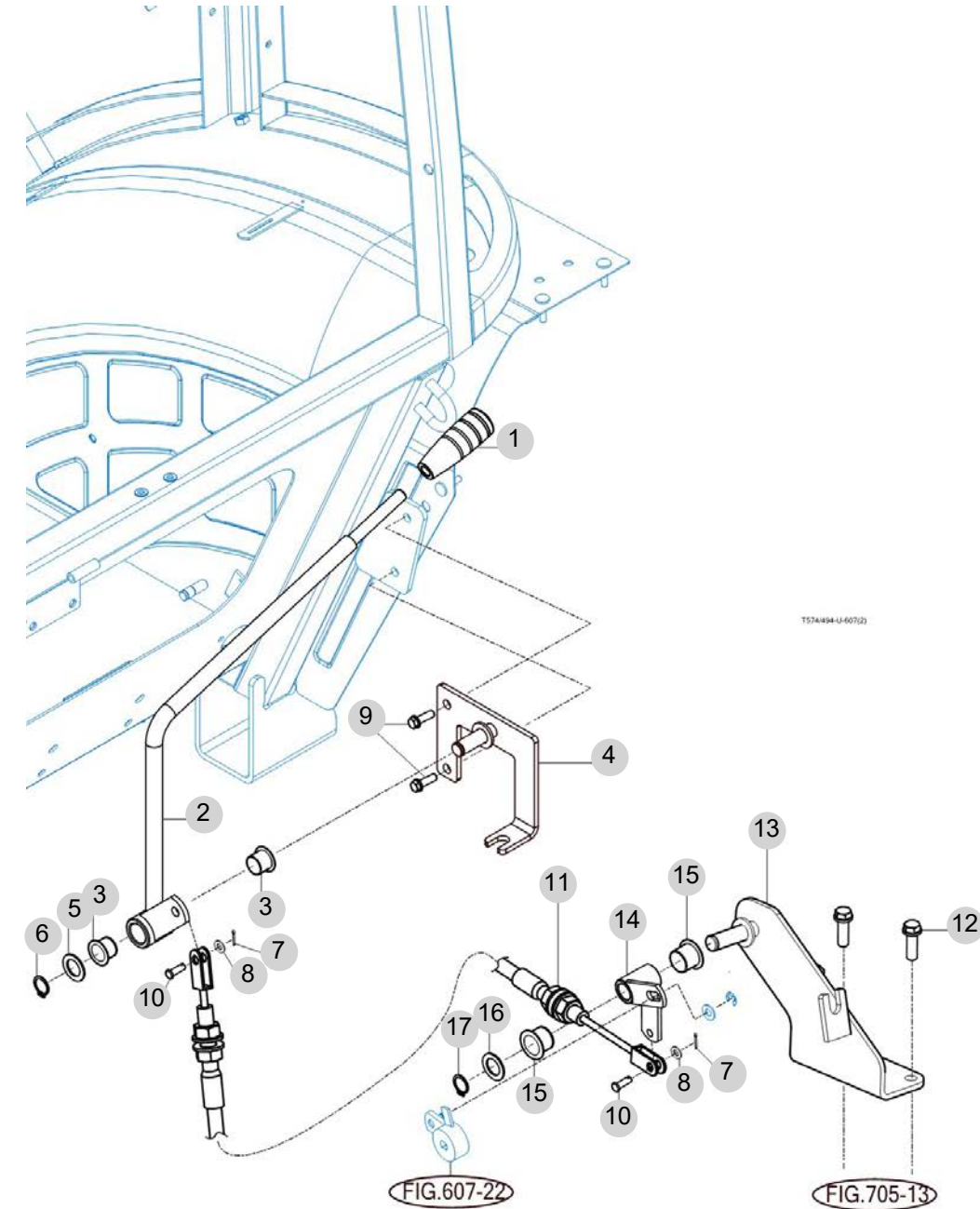
FIG 607		POSITION & DRAFT LEVER (1)					년/월 Year/Month	
T495NHEU1							2022-12	
KEY NO	PART NO	DESCRIPTION		SPEC	QTY	REPAIR	EFFECTIVE DATE	REMARKS
607	1	13877092100	레버서브, 포지션/드래프트			1		
607	1-01	14527092110	샤프트		D=16	1		
607	1-02	V7081400150	E형멈춤링		15	2		
607	1-03	13877092200GB	레버 COMP 포지션			1		
607	1-04	14527092120	부시,나이론/16X18X27			2		
607	1-05	14527092251	칼라(스페이스)			1		
607	1-06	13877092300GB	레버 COMP , 드래프트			1		
607	2	V2183608020	소형육각볼트보통(SP)		M8X20	2		
607	3	16606742301	스위치(리미트)ASSY			1		
607	4	V1222604025	심자흡냄비작은나사(SP)		M4X25	2		
607	5	V7081400080	E형멈춤링		8	2		
607	6	14527090020	캠,센서			1		
607	7	19997090010	로드, 스위치		D=6	1		
607	8	V4111600060	평와셔		M6	2		
607	9	V5001920020	분할핀		2X20	2		
607	11	14525070121	플레이트(포지션)		19X6T	1		
607	12	14525070141	플레이트(드래프트)		19X6T	1		
607	13	V3043600100	소형육각너트보통2종		M10	4		
607	14	17995070140	플레이트(C)		3.2T	1		
607	15	17995070150	지지볼트		H14X108.9	1		
607	16	V4011600100	스프링와셔		M10	2		
607	17	17995070170	플레이트(D)		3.2T	1		
607	18	17995070180	스프링			1		
607	19	V7081400120	E형멈춤링		12	1		
607	20	17995070200	플레이트(A)		3.2T	2		
607	21	17995070211	마찰판(소)			3		
607	21	13835070210	마찰판(소)			3		
607	22	14525070221	암(포지션레버)COMP			1		
607	23	14525070230	암COMP(드래프트 레버)			1		
607	24	17995070241	마찰대(대)		21X40X2T	1		
607	24	13835070220	마찰대(대)			1		
607	25	V4111600060	평와셔		M6	2		
607	27	21306010180	헤어핀(6)			2		
607	28	V7081400080	E형멈춤링		8	2		
607	29	V4111600100	평와셔		M10	2		
607	34	17995070340	지지볼트			1		
607	39	13877553400	손잡이 , 포지션레버			1		
607	40	V1122605012	심자흡점시작은나사		M5X12	2		
607	41	19997090210	핀 , 포지션로드			1		
607	42	V3002600060	육각너트보통1종		M6	2		
607	43	13877553500	손잡이 , 드래프트 레버			1		
NOTE								

FIG 607-2

POSITION & DRAFT LEVER (2)[SAP 가져오기]
에서 생성함.

년/월
Year/Month

2022-12



NOTE

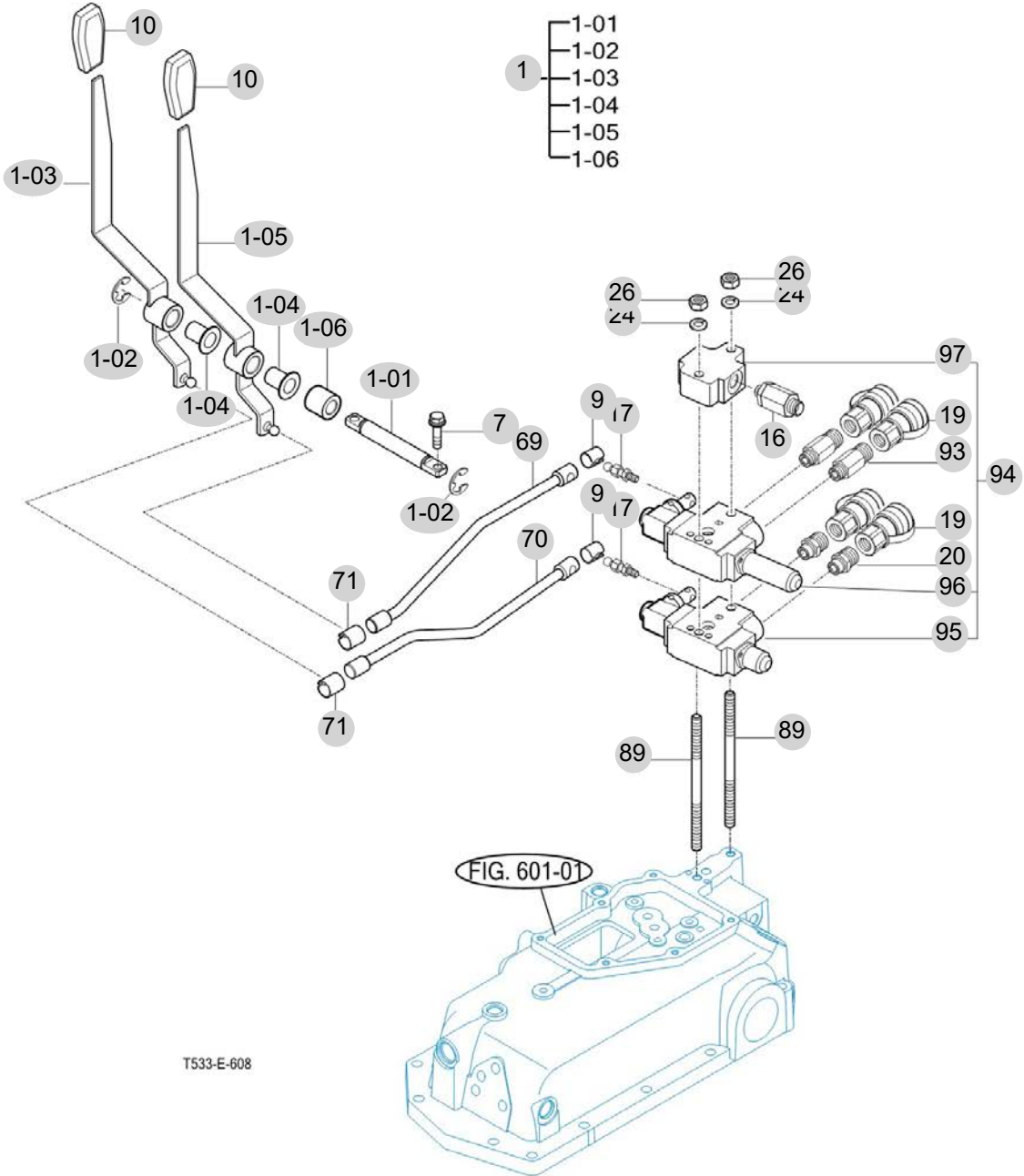
FIG 608

T495NHEU1

EXTERIOR HYD.VALVE

년/월
Year/Month

2022-12



NOTE

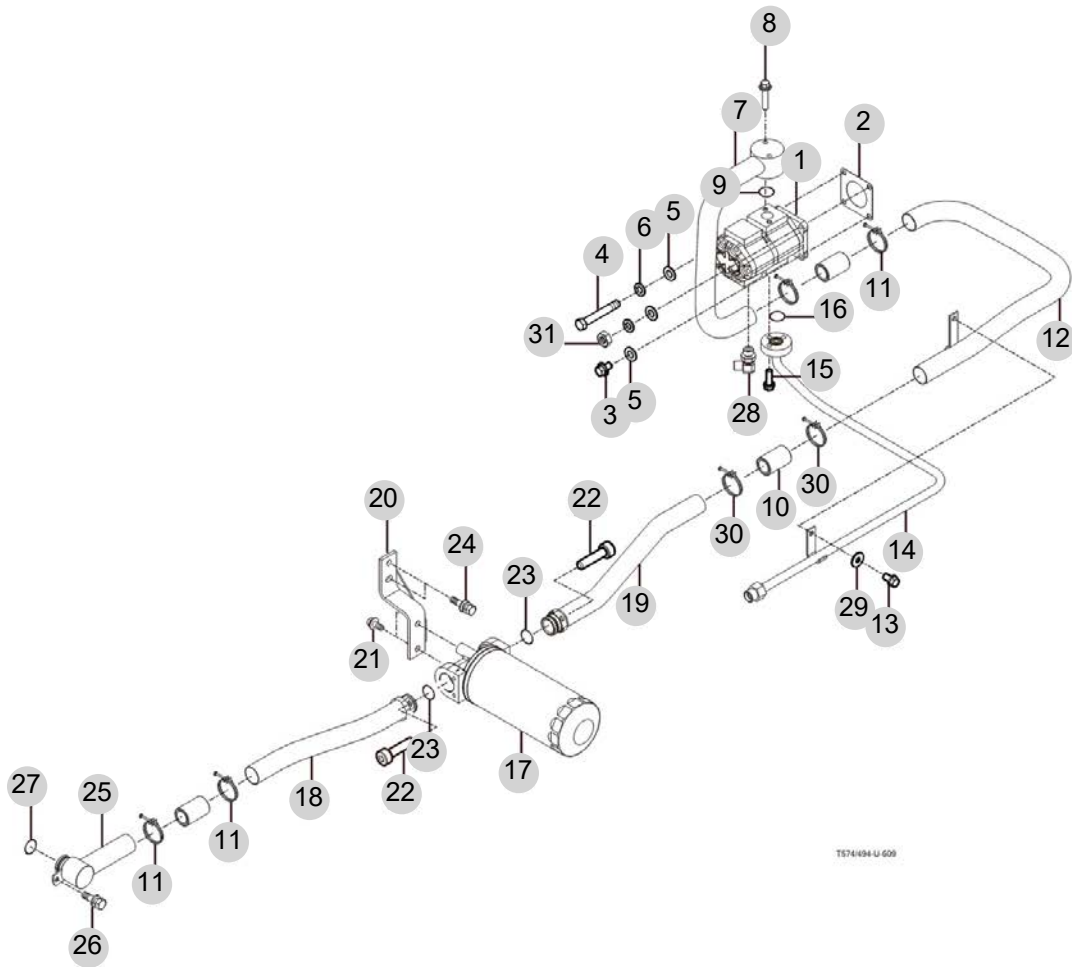
FIG 609

HYDRAULIC PIPE

년/월
Year/Month

2022-12

T495NHEU1



NOTE

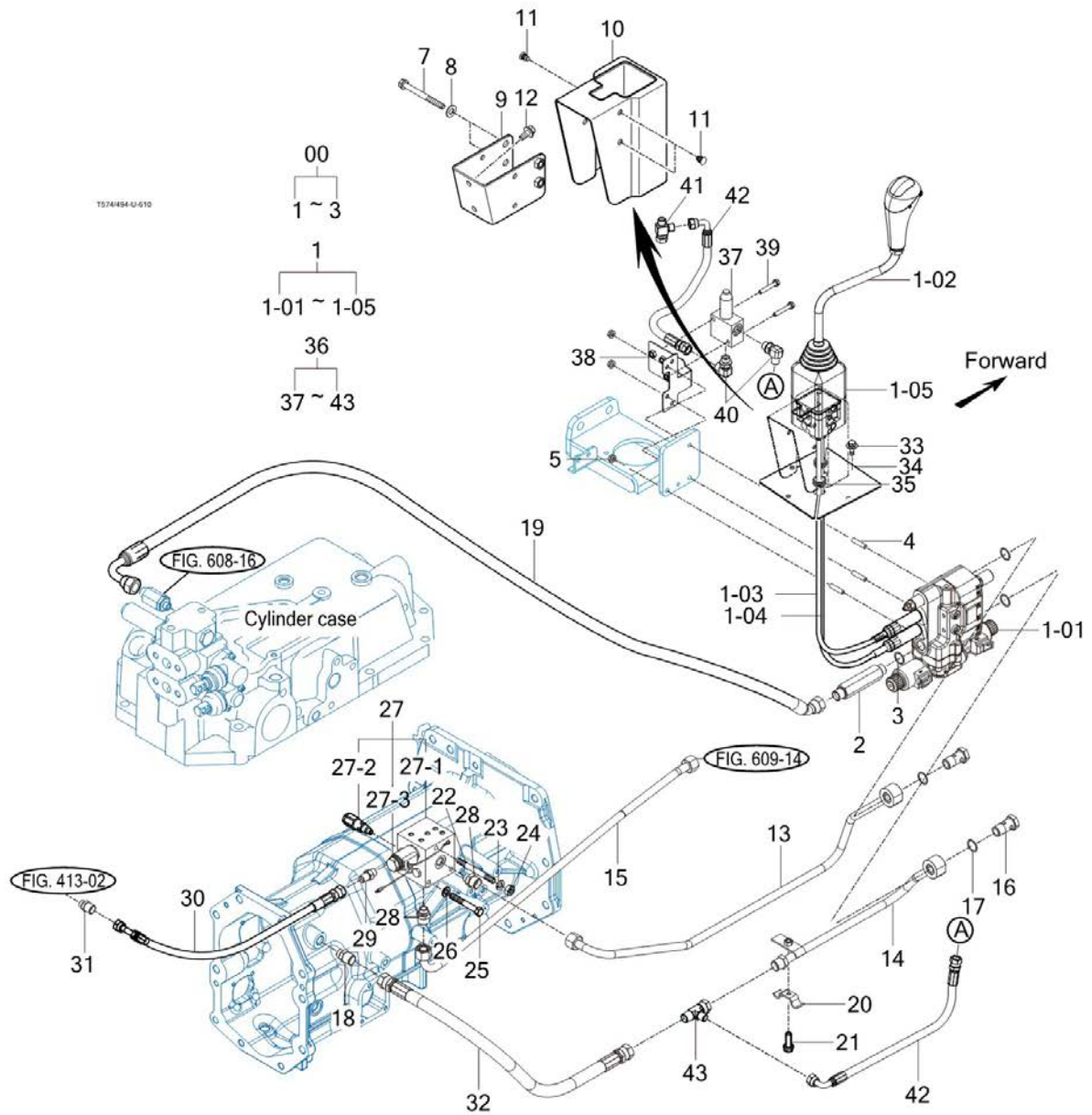
FIG 610

JOYSTICK

년/월
Year/Month

2022-12

T495NHEU1



NOTE

FIG 610 T495NHEU1		JOYSTICK					년/월 Year/Month	
							2022-12	
KEY NO	PART NO	DESCRIPTION	SPEC	QTY	REPAIR	EFFECTIVE DATE	REMARKS	
610	0	13877753000	로더밸브 SUB		1			
610	1	13877752000	로더밸브 조이스틱 ASSY		1			
610	1-01	13877752100	로더밸브 ASSY		1			
610	1-02	13877752200	조이스틱 레버 ASSY		1			
610	1-03	13877752300	조이스틱 케이블 ASSY ,상(720)		1			
610	1-04	13877752400	조이스틱 케이블 ASSY ,하(770)		1			
610	1-05	13877752500	부츠 ASSY		1			
610	2	13805410050	유니온(PF1/2-130)		1			
610	3	19557753010	본디드 썸 , PF1/2		1			
610	4	V2513408025	스터드볼트2종	8X25	3			
610	5	V3802600080	플랜지볼이육각너트	M8	3			
610	7	V2173608085	소형육각볼트보통(S)	M8X85	2			
610	8	V4111600080	평와셔	M8	2			
610	9	14527103100GB	조이스틱브래킷		1			
610	10	14527100010	커버(조이스틱/T483)		1			
610	11	15276040020	트림 클립(8)		3			
610	12	V2183608020	소형육각볼트보통(SP)	M8X20	2			
610	13	13875412101	로더파이프 COMP , P		1			
610	14	13875412201	로더파이프 COMP , T		1			
610	15	13875102201GB	메인파이프 COMP , 후		1			
610	16	13875410081	아이 조인트 볼트 (PF1/2)		2			
610	17	19557753010	본디드 썸 , PF1/2		4			
610	18	17995161130	유니온(PF3/8,PF1/2)		1			
610	19	13875202300	유압호스(1550)ASSY		1			
610	20	18715404700	클립		1			
610	21	V2173608016	소형육각볼트보통(S)	M8X16	1			
610	22	V2513408090	스터드볼트2종	8X90	1			
610	23	V4011600080	스프링와셔	M8	1			
610	24	V3042600080	소형육각너트보통2종	M8	1			
610	25	V2013608090	소형육각볼트(보통)	M8X90	2			
610	26	V4011600080	스프링와셔	M8	1			
610	27	13875182000	PTO밸브ASSY		1			
610	27	17975182001	PTO밸브ASSY		1			
610	27-1	14725182100	PTO 밸브		1			
610	27-2	16490110001	릴리프밸브ASSY		1			
610	27-3	14725182210	솔레노이드 코일		1			
610	28	14135160010	유니온 , PF3/8 M22		2			
610	29	37681850141	어댑터(직선)		1			
610	30	18717562060	유압호스(520)ASSY		1			
610	31	17971850140	어댑터(직선, PF1/4)		1			
610	32	13875202200	유압호스(750)ASSY		1			
610	33	V2193606016	육각볼트(SPL)	M6X16	4			
610	34	17685161810GB	플레이트(썸)		2			
610	35	14526300530	인솔레이터(조이스틱)		2			
610	36	13875410000	릴리프밸브 SET		1			
NOTE								

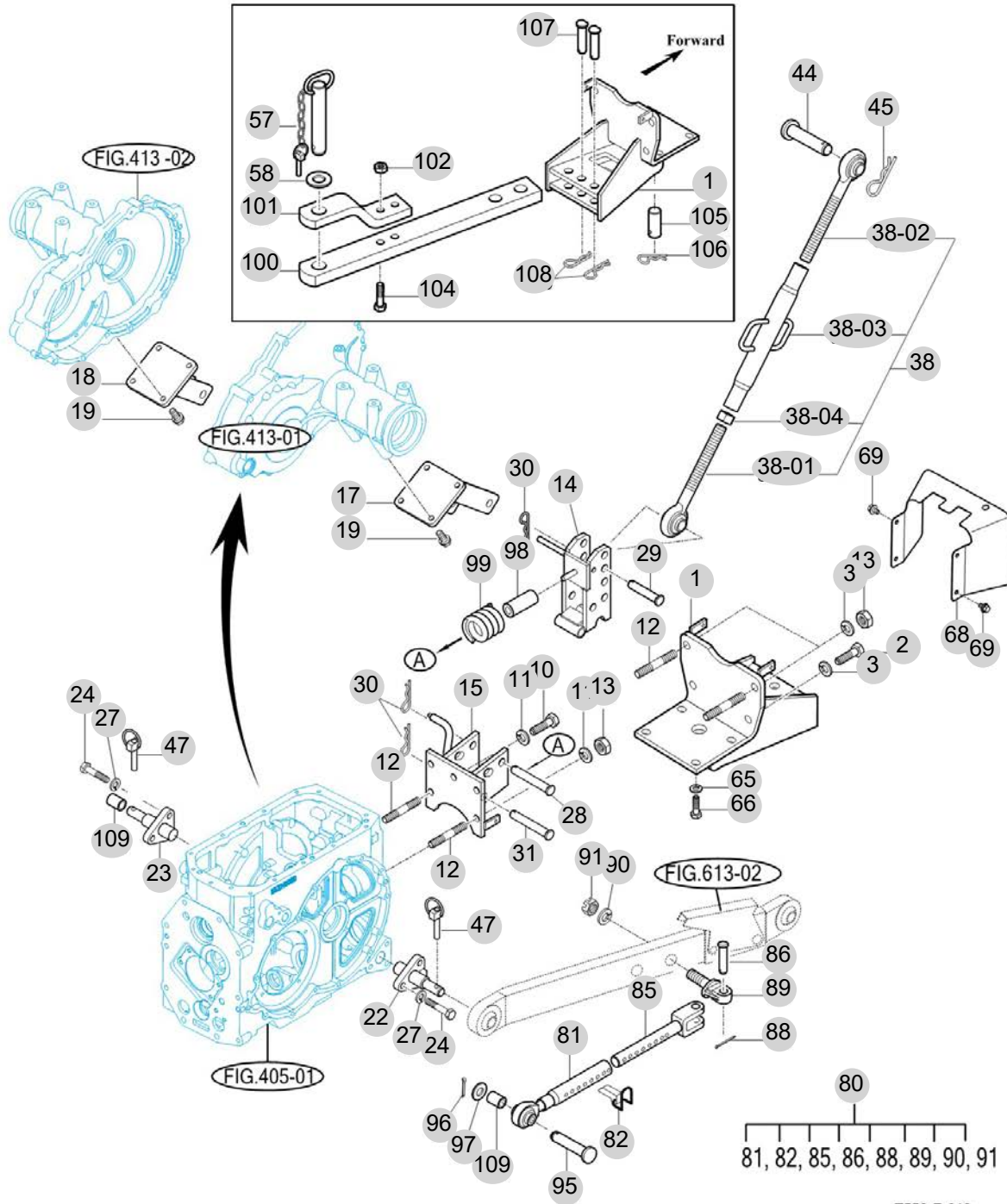
FIG 612

HITCH & 3-POINT LINK

년/월
Year/Month

2022-12

T495NHEU1



T553-E-612

NOTE

FIG 612		HITCH & 3-POINT LINK						년/월	
								Year/Month	
T495NHEU1		2022-12							
KEY NO	PART NO	DESCRIPTION	SPEC	QTY	REPAIR	EFFECTIVE DATE	REMARKS		
612	1	15535202002GB	스윙드로바 브래킷, COMP		1				
612	1	15535202003GB	스윙드로바 브래킷, COMP		1				
612	2	V2013616035	소형육각볼트(보통)	M16X35	2				
612	3	V4011600160	스프링와셔	M16	4				
612	10	V2013616035	소형육각볼트(보통)	M16X35	3				
612	11	V4011600160	스프링와셔	M16	5				
612	12	V2513416035	스터드볼트2종	M16X35	4				
612	13	V3043600160	소형육각너트보통2종	M16	4				
612	14	16735222102GB	링크 COMP		1				
612	15	15185222000GB	브래킷 COMP		1				
612	17	14525254100GB	브래킷(후)COMP		1				
612	18	14525254100GB	브래킷(후)COMP		1				
612	19	V2173612030	소형육각볼트보통(S)	M12X30	8				
612	22	15685252204	핀(L) COMP		1				
612	23	15685252801	핀(R) COMP		1				
612	24	V2013614040	소형육각볼트(보통)	M14X40	6				
612	27	V4011600140	스프링와셔	M14	6				
612	28	15645250010	핀(19X122)		1				
612	29	15645220020	핀(19X95)		1				
612	30	14445140051	헤어핀(19)		3				
612	31	15645250010	핀(19X122)		1				
612	38	16505245501GB	톱링크ASSY		1				
612	38	16505245502GB	톱링크 ASSY		1				
612	38-01	16505245510	톱링크COMP(RH)		1				
612	38-02	16505245520	톱링크COMP(LH)		1				
612	38-03	14555140251	턴버클 조합(톱링크)		1				
612	38-04	16505245530	육각너트		1				
612	44	15645220011	핀(19X86)		1				
612	45	14445140051	헤어핀(19)		1				
612	47	14215020020	링크핀		2				
612	57	S0973063031	핀ASSY		1				
612	58	15252470010	쿠션고무		1				
612	65	V4011600140	스프링와셔	M14	4				
612	66	V2013614035	소형육각볼트(보통)	M14X35	4				
612	68	13605200012GB	커버(씰드)		1				
612	69	V2183608016	소형육각볼트보통(SP)		4				
612	80	15155253000GB	조정링크(완)ASSY		2				
612	81	15155253100	로드 SUB, FR		2				
612	82	17705254200	린치핀		2				
612	85	15155253300	로드 SUB, RR		2				
612	86	15155253400	핀, ø20X59		2				
612	88	V5001940035	분할핀	4.0X35	2				
612	89	15155253500	아이볼트		2				
612	90	V4111600220	평와셔	M22	2				
612	91	V3343600220	소형육각너트가는2종	M22	2				
NOTE									

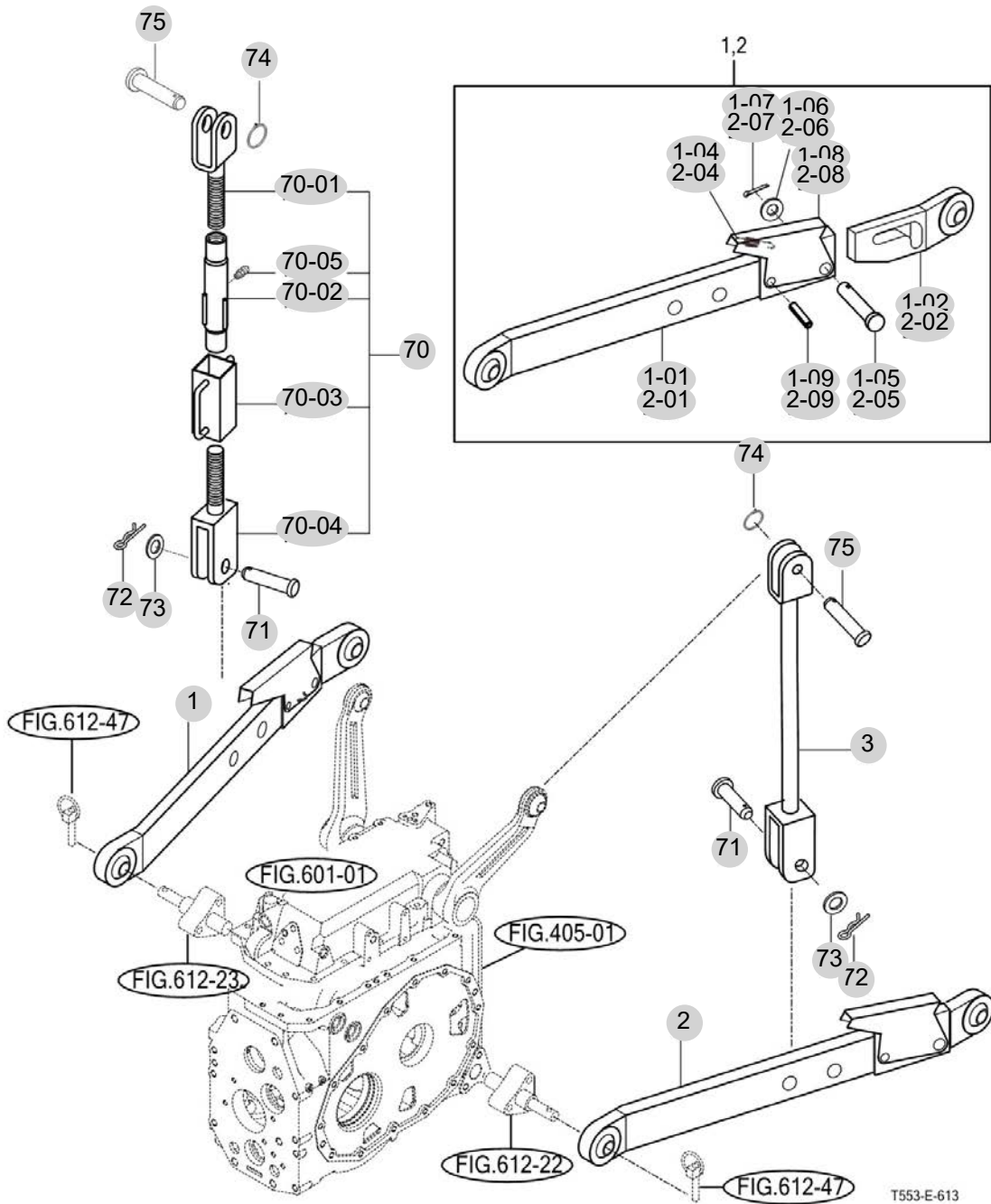
FIG 613

LOWER LINK & LIFT ROD

년/월
Year/Month

2022-12

T495NHEU1



T553-E-613

NOTE

7. 시트메탈/캐빈 PART NO. T7

FIG 701 BONNET FRAME	212
FIG 702A BONNET (1)	214
FIG 702B BONNET (2)	216
FIG 703 EXTENSION COVER	218
FIG 704B LEVER COVER & STEP-Non CAB	220
FIG 705 FRONT & REAR MOUNTING	222
FIG 706 SEAT & MAT	224
FIG 710B FRAME&2POLES ROPS-Non CAB	226
FIG 713B SUB FENDER&COVER-Non CAB	228
FIG 714B MIRROR&WORKING LAMP-Non CAB	230

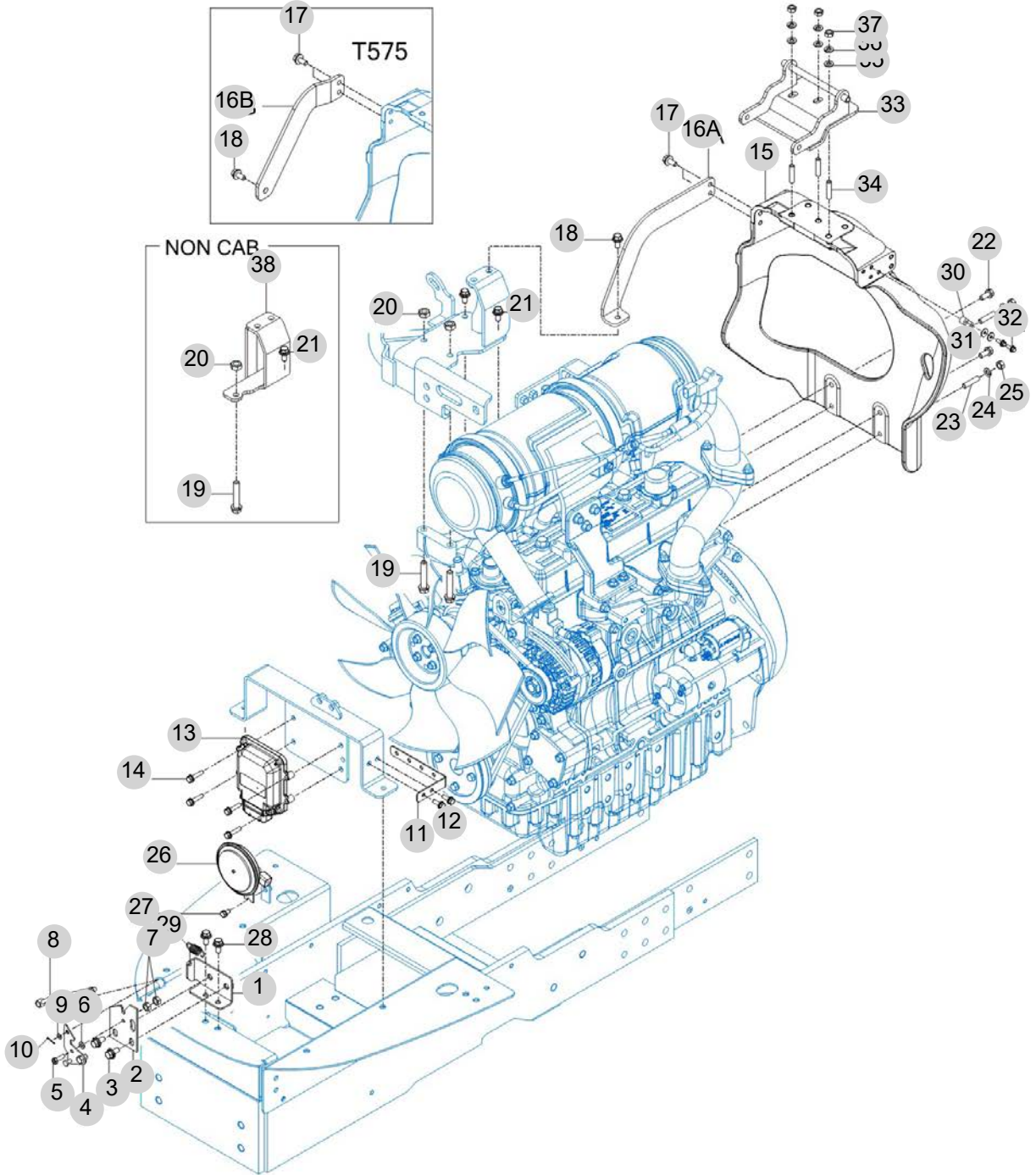
FIG 701

BONNET FRAME

년/월
Year/Month

2022-12

T495NHEU1



NOTE

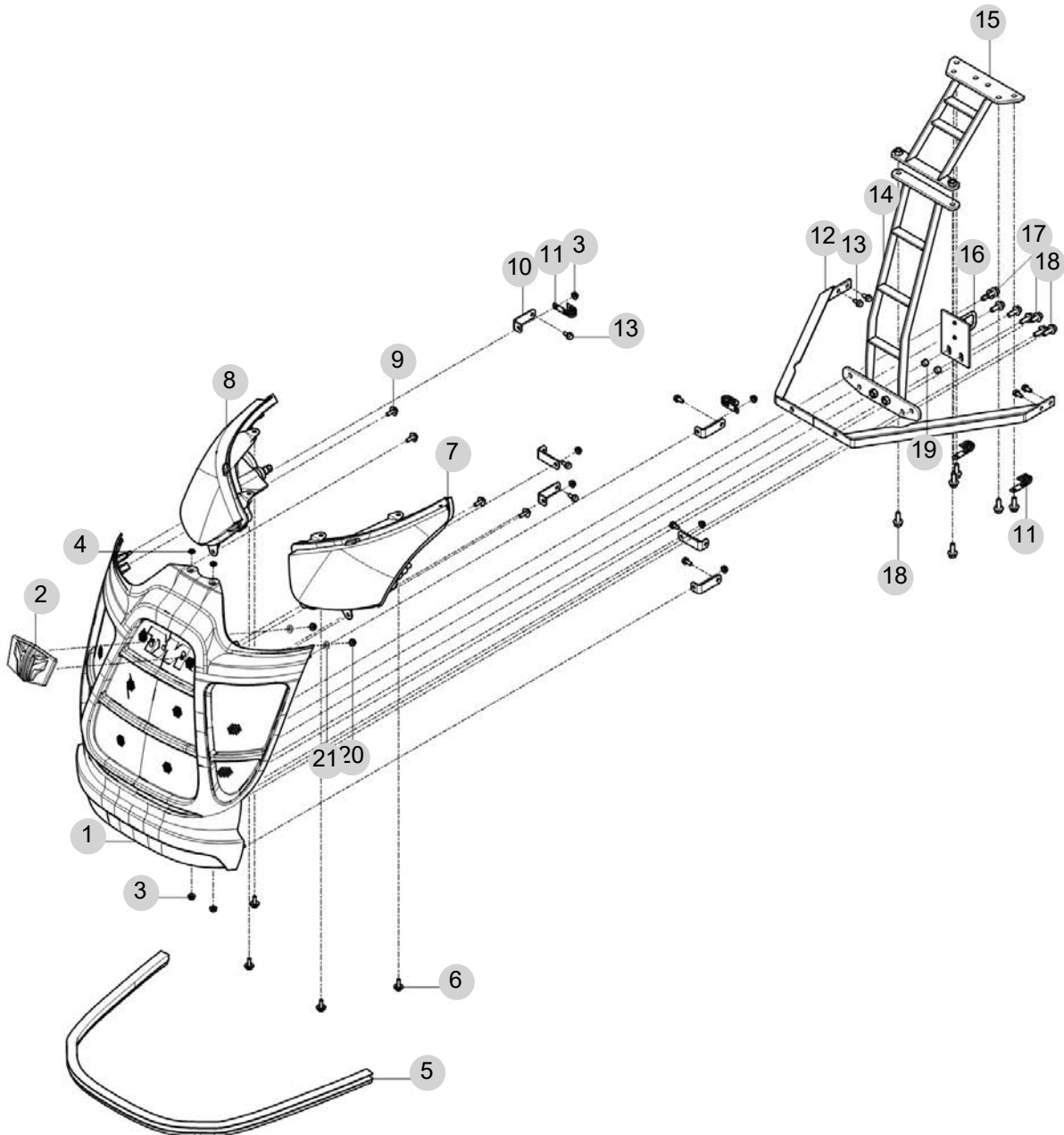
FIG 702A

T495NHEU1

BONNET (1)

년/월
Year/Month

2022-12



NOTE

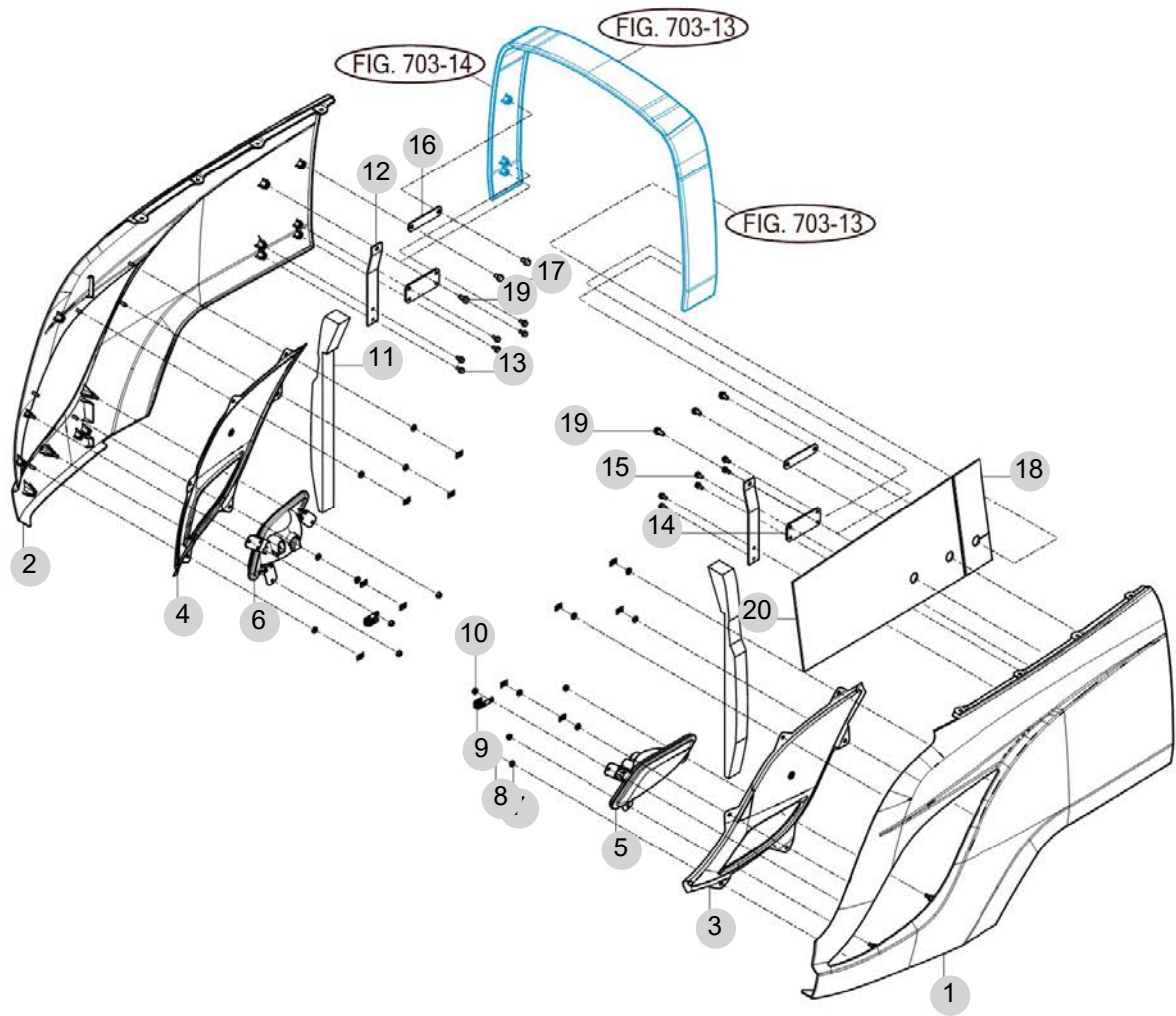
FIG 702B

T495NHEU1

BONNET (2)

년/월
Year/Month

2022-12



NOTE

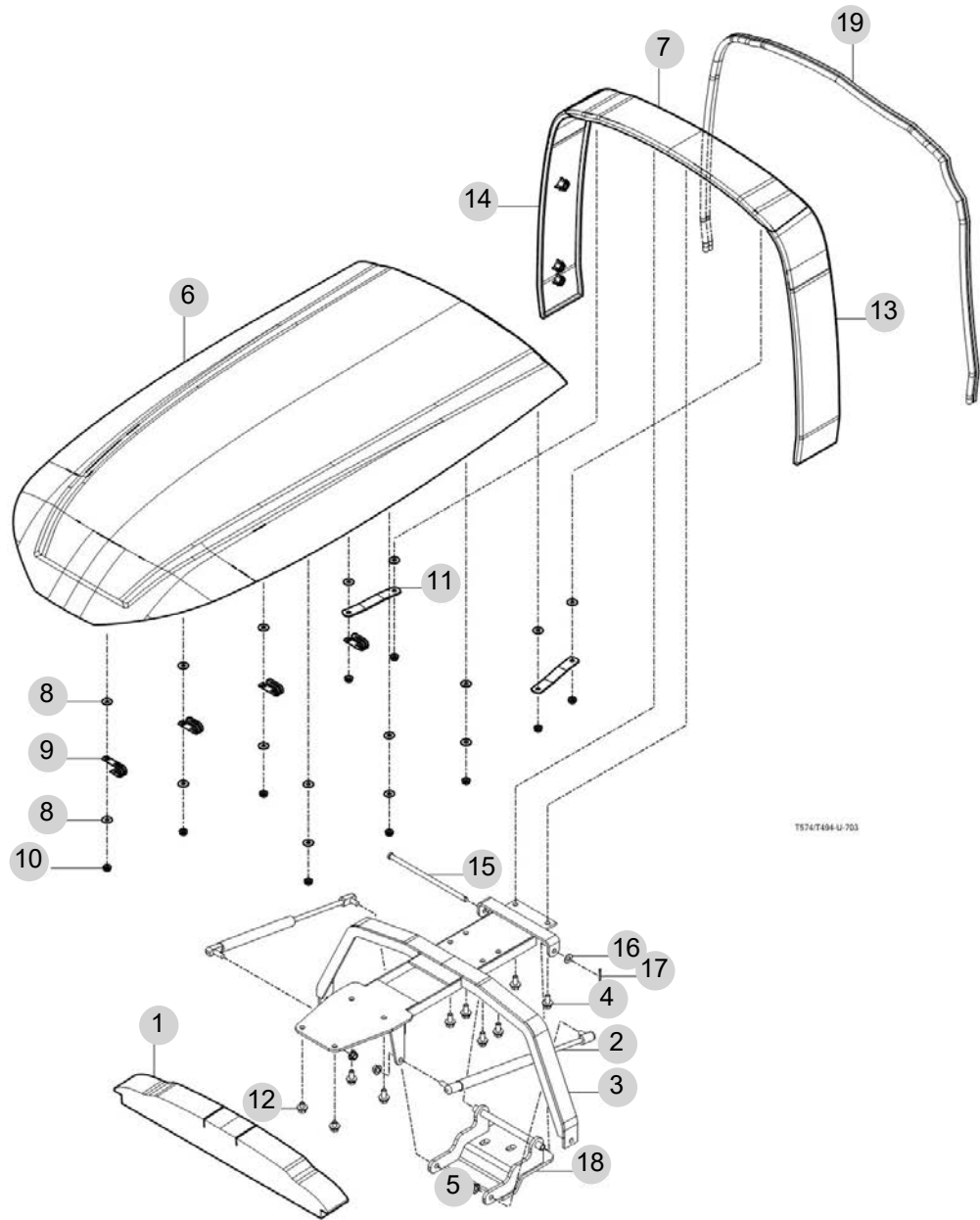
FIG 703

EXTENSION COVER

년/월
Year/Month

2022-12

T495NHEU1



NOTE

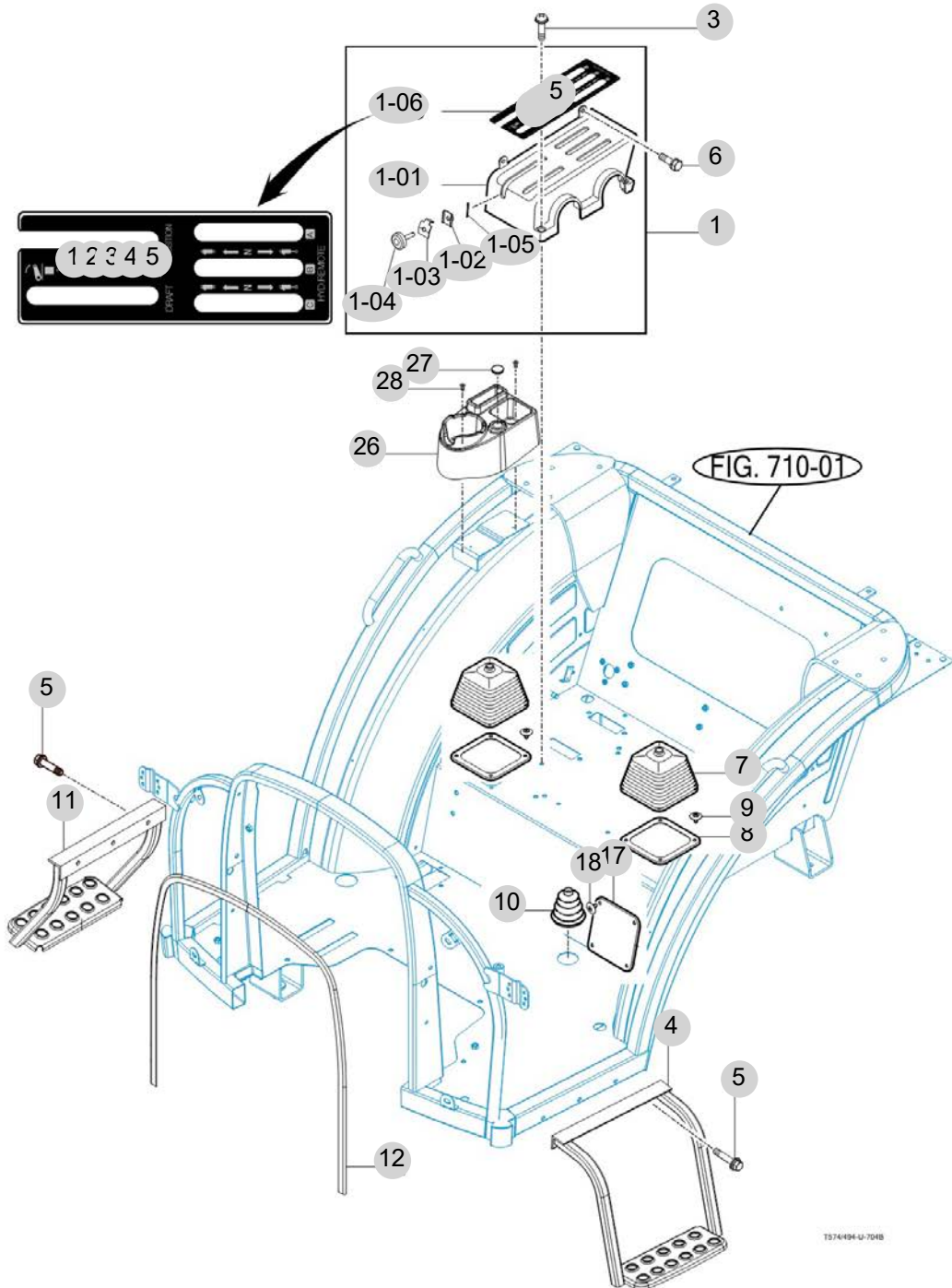
FIG 704B

LEVER COVER & STEP-Non CAB

년/월
Year/Month

2022-12

T495NHEU1



T574/494-U-704B

NOTE

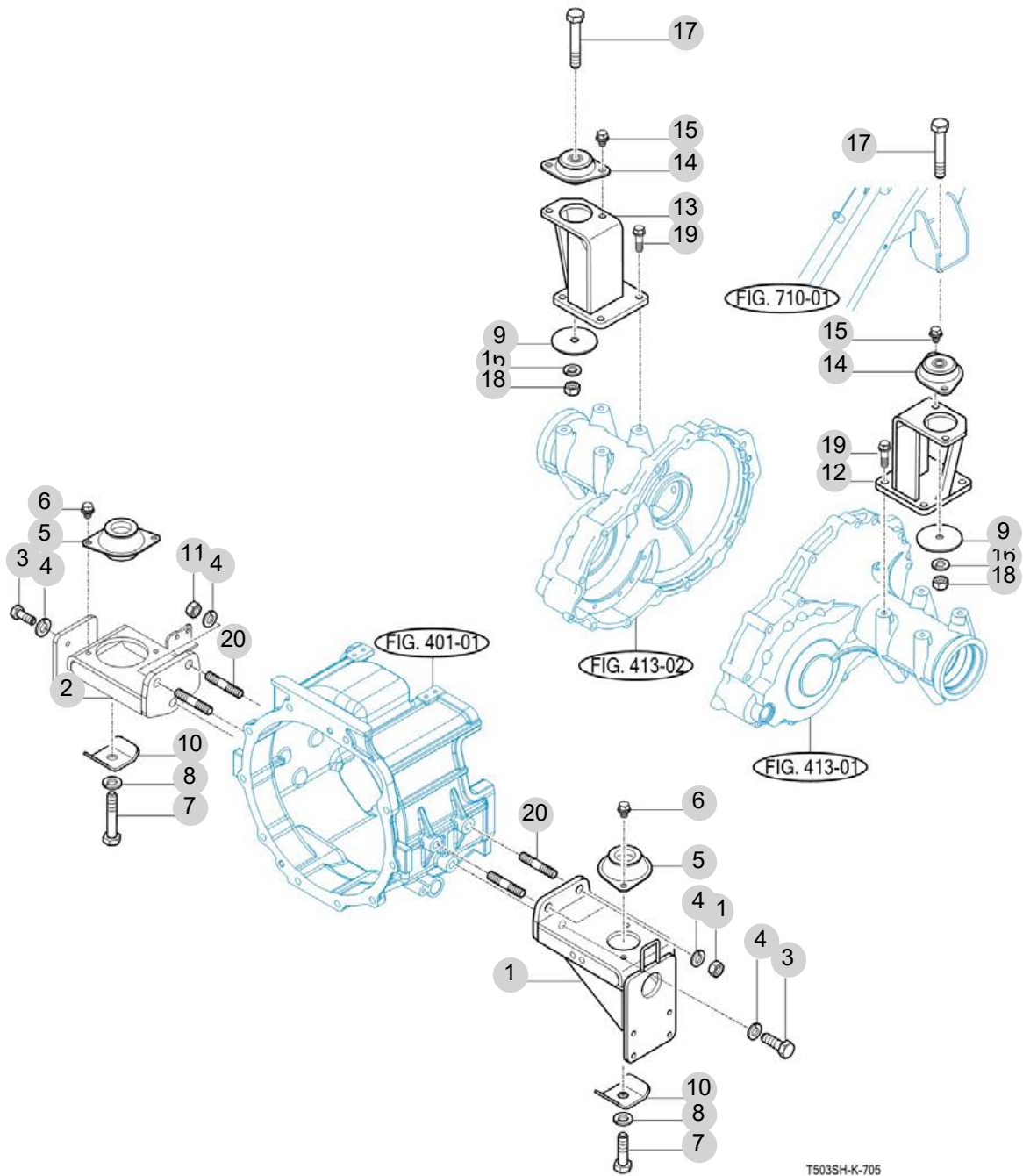
FIG 705

FRONT & REAR MOUNTING

년/월
Year/Month

2022-12

T495NHEU1



T503SH-K-705

NOTE

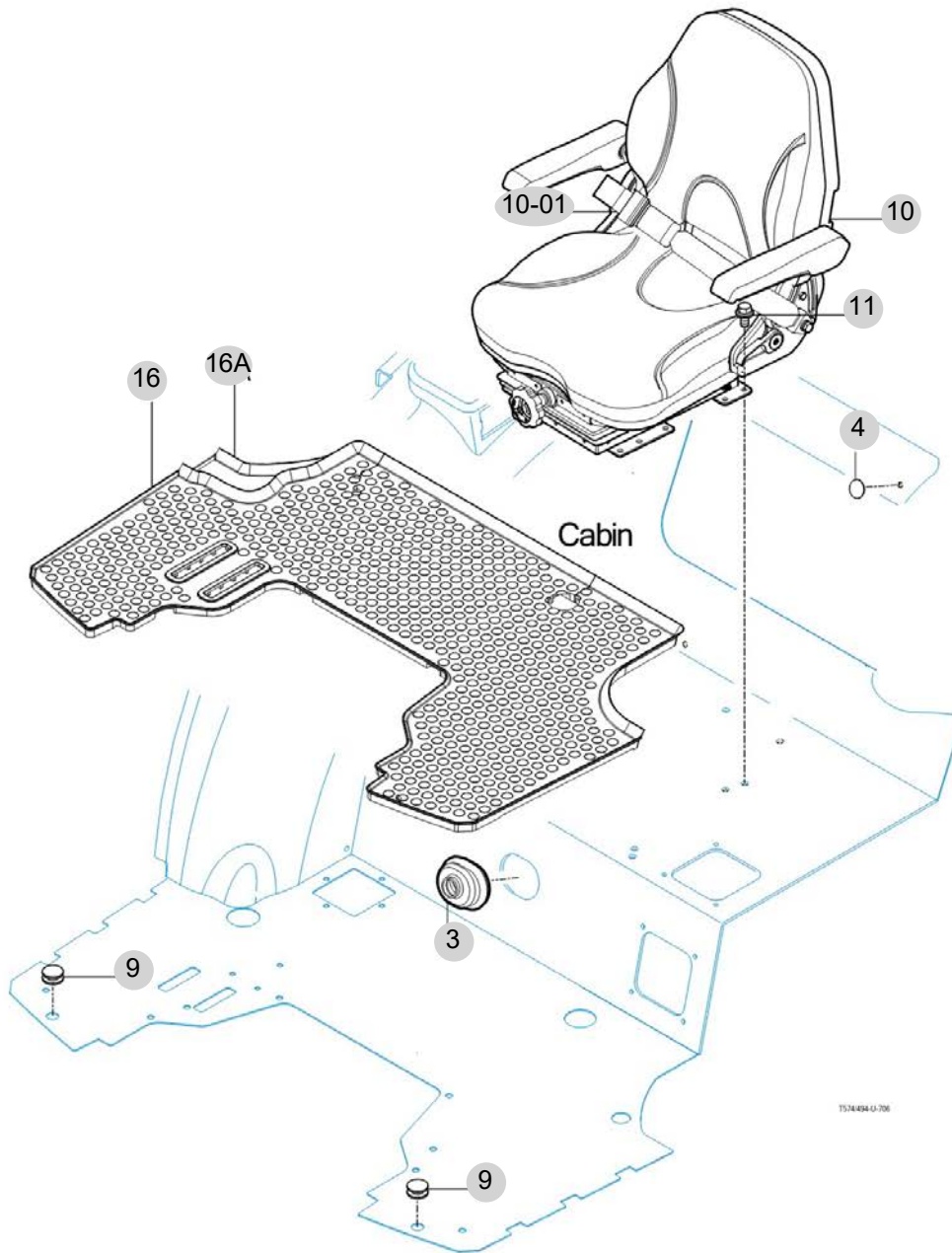
FIG 706

SEAT & MAT

년/월
Year/Month

2022-12

T495NHEU1



NOTE

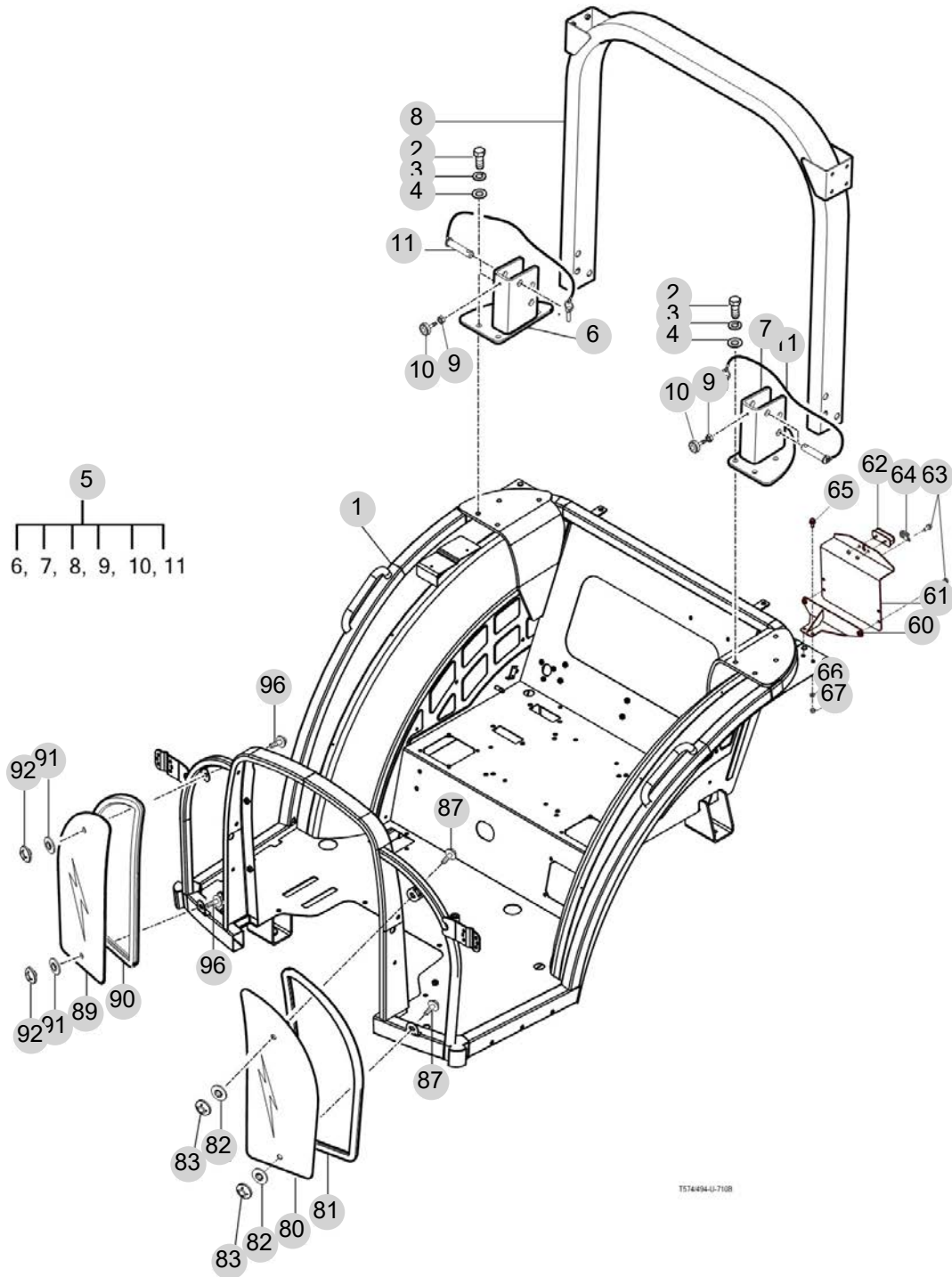
FIG 710B

FRAME&2POLES ROPS-Non CAB

년/월
Year/Month

2022-12

T495NHEU1



NOTE

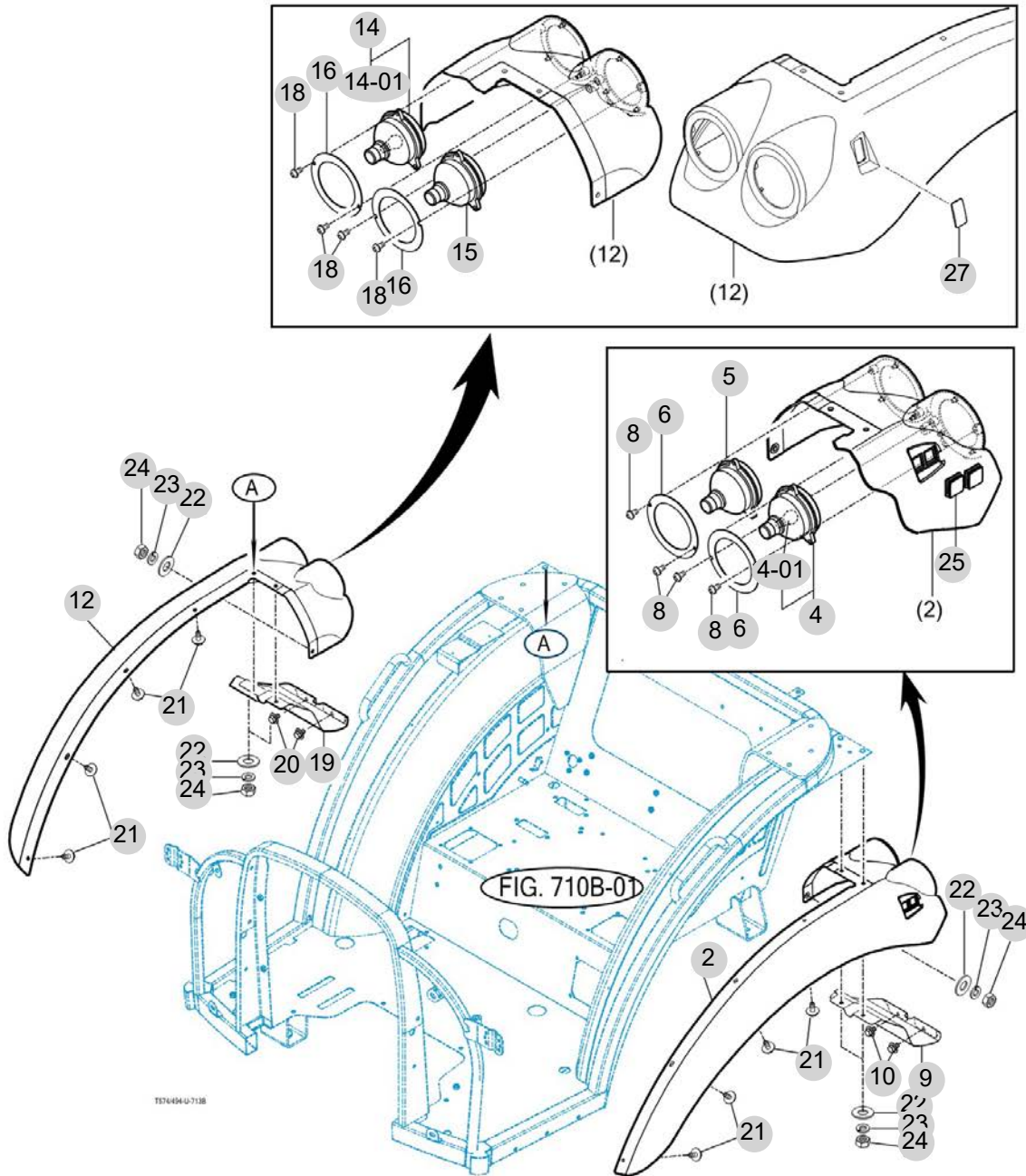
FIG 713B

SUB FENDER&COVER-Non CAB

년/월
Year/Month

2022-12

T495NHEU1



NOTE

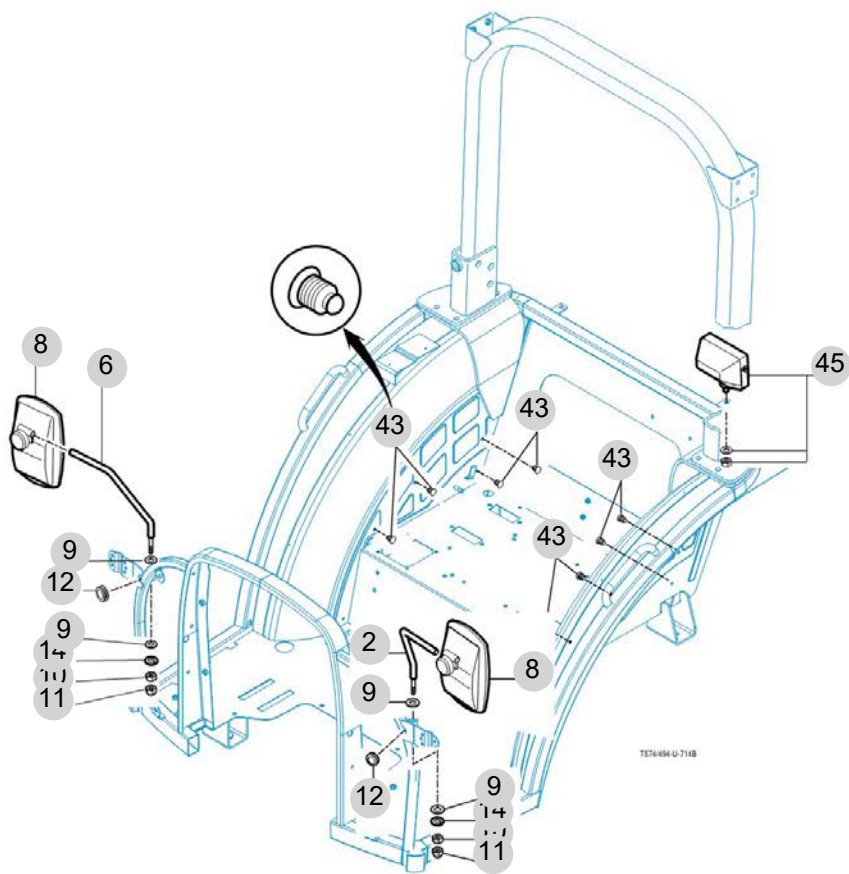
FIG 714B

T495NHEU1

MIRROR&WORKING LAMP-Non CAB

년/월
Year/Month

2022-12



NOTE

8. 전장 PART NO. T8

FIG 801 BATTERY MOUNTING	233
FIG 802 HARNESS LAMP	235
FIG 803 INSTRUMENT PANEL	237
FIG 804 ELECTRIC SYSTEM (1)	239
FIG 805B ELECTRIC SYSTEM (2)-Non CAB	241
FIG 806 ELECTRIC SYSTEM (3)	243

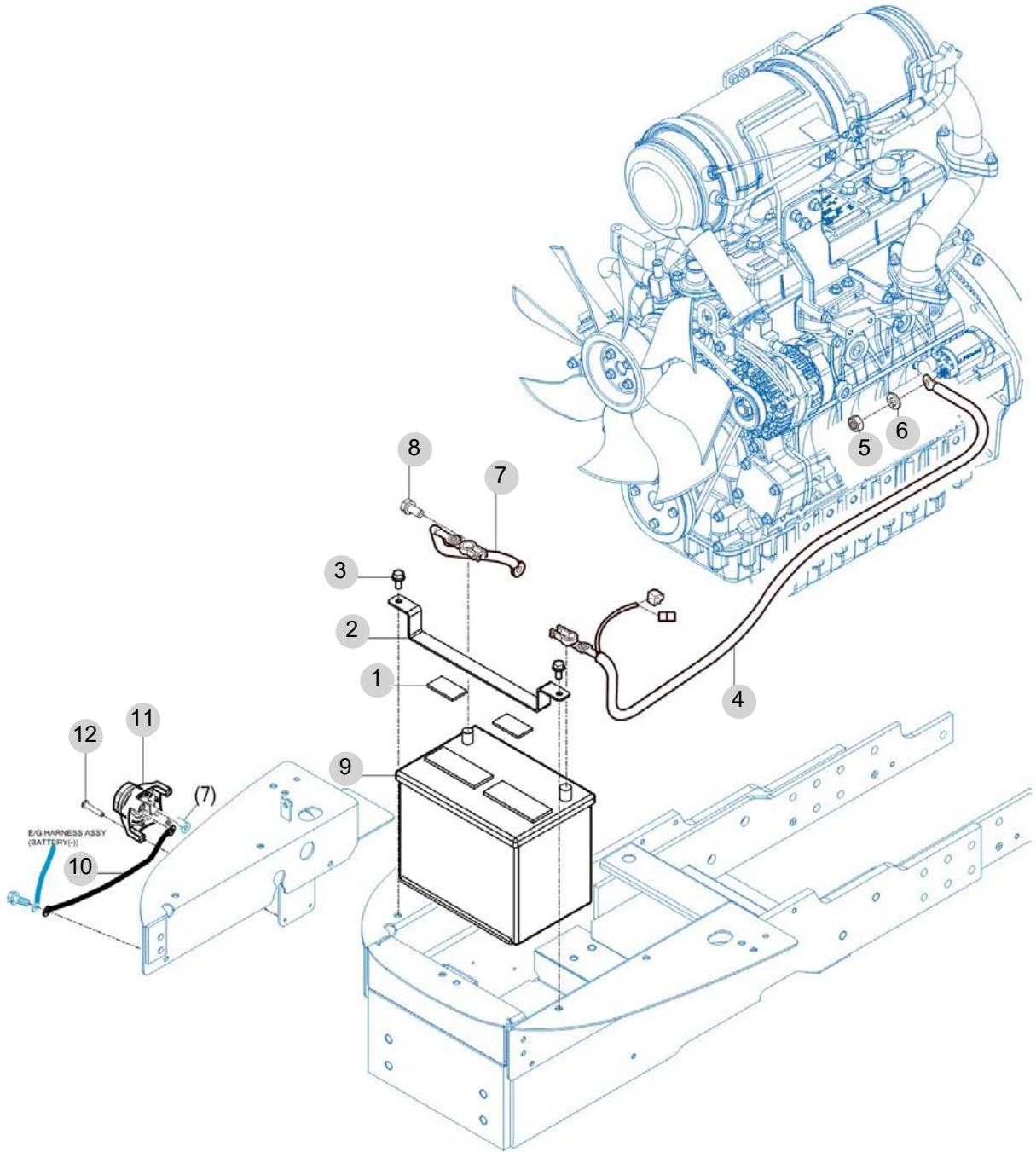
FIG 801

BATTERY MOUNTING

년/월
Year/Month

2022-12

T495NHEU1



NOTE

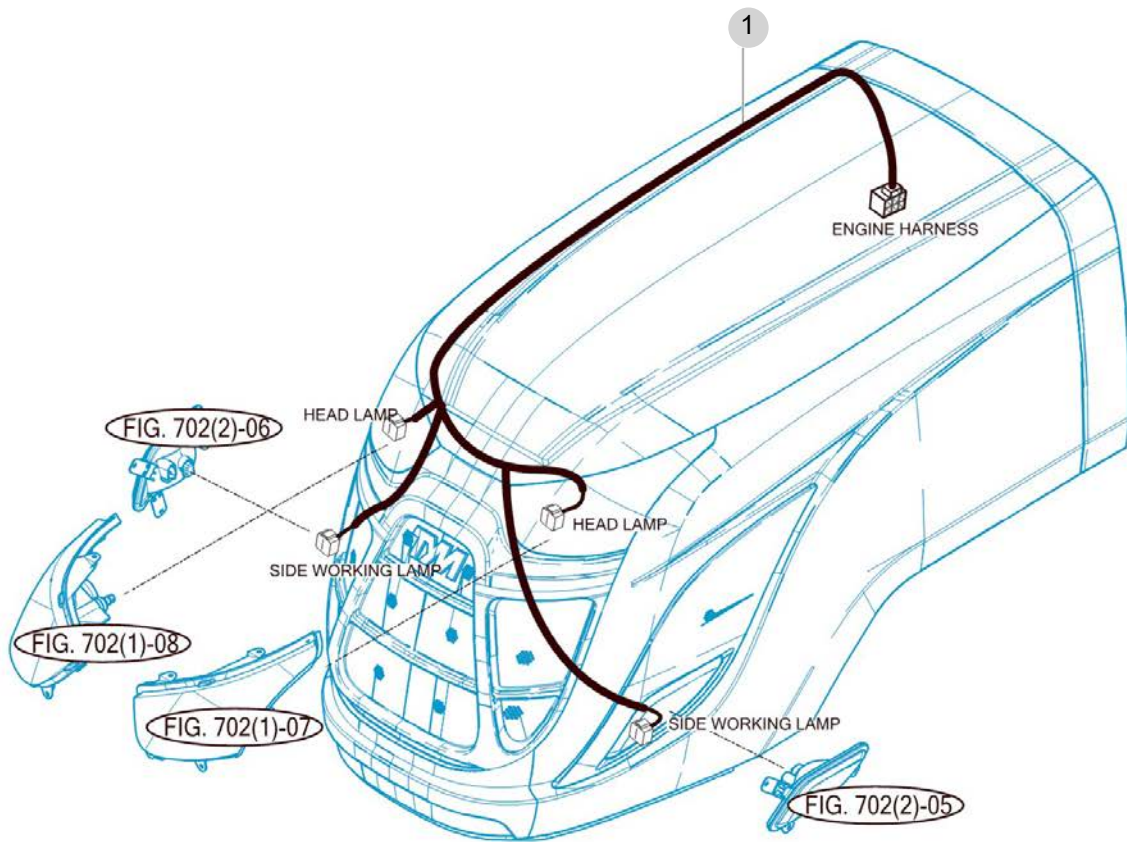
FIG 802

HARNESS LAMP

년/월
Year/Month

2022-12

T495NHEU1



NOTE

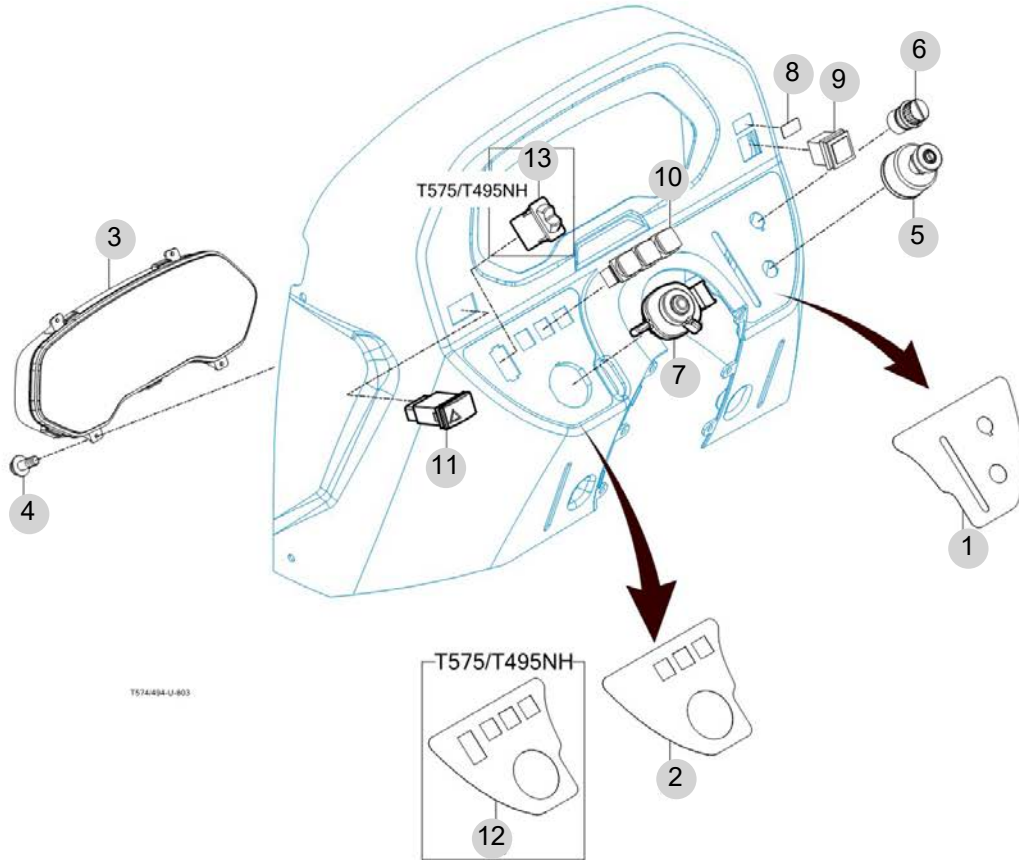
FIG 803

INSTRUMENT PANEL

년/월
Year/Month

2022-12

T495NHEU1



NOTE

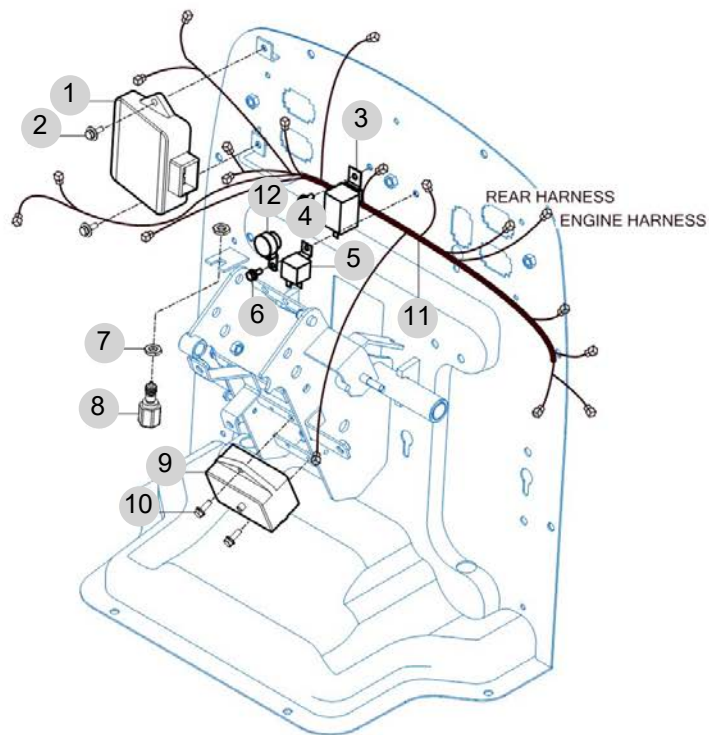
FIG 804

ELECTRIC SYSTEM (1)

년/월
Year/Month

2022-12

T495NHEU1



NOTE

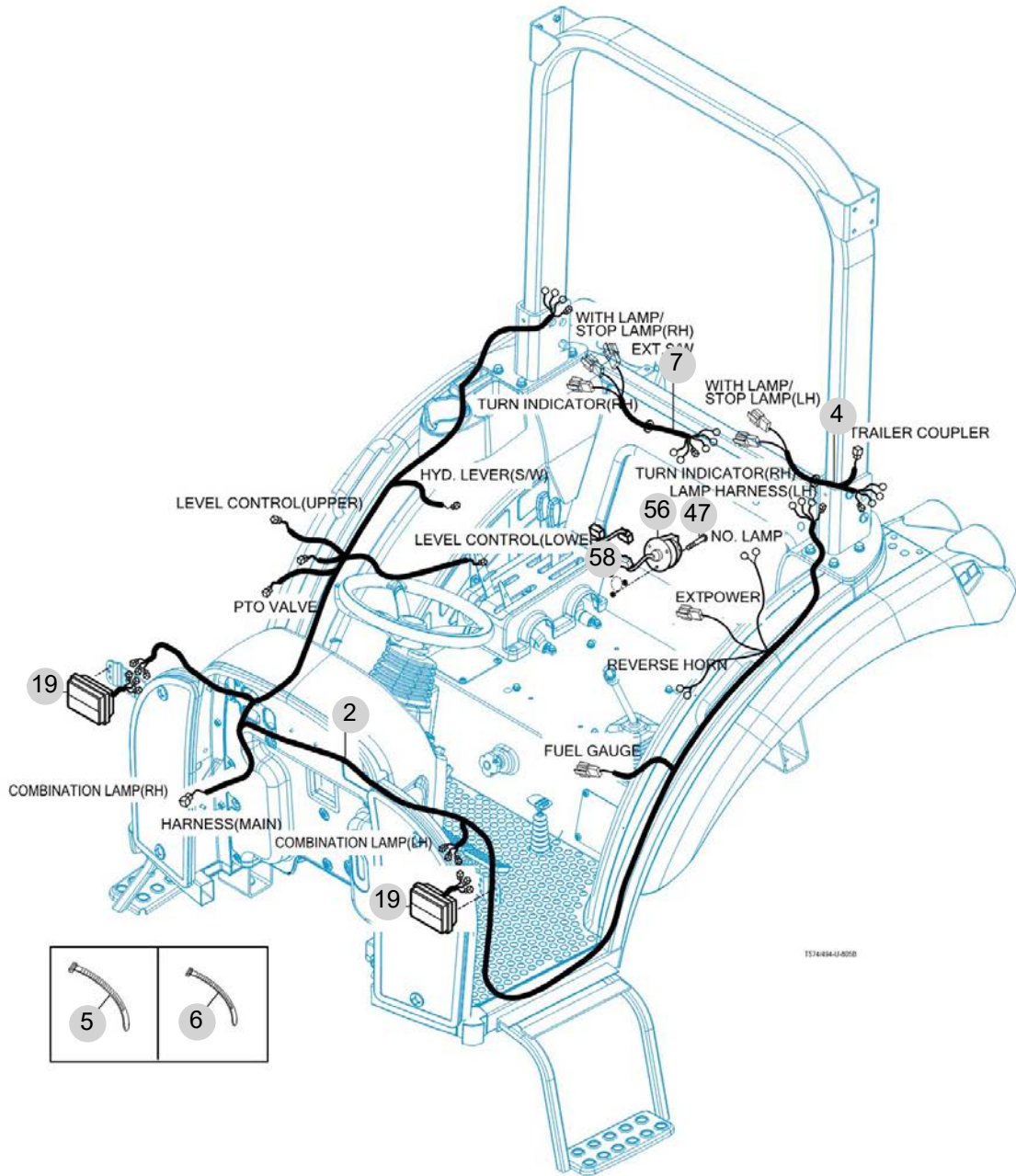
FIG 805B

ELECTRIC SYSTEM (2)-Non CAB

년/월
Year/Month

2022-12

T495NHEU1



NOTE

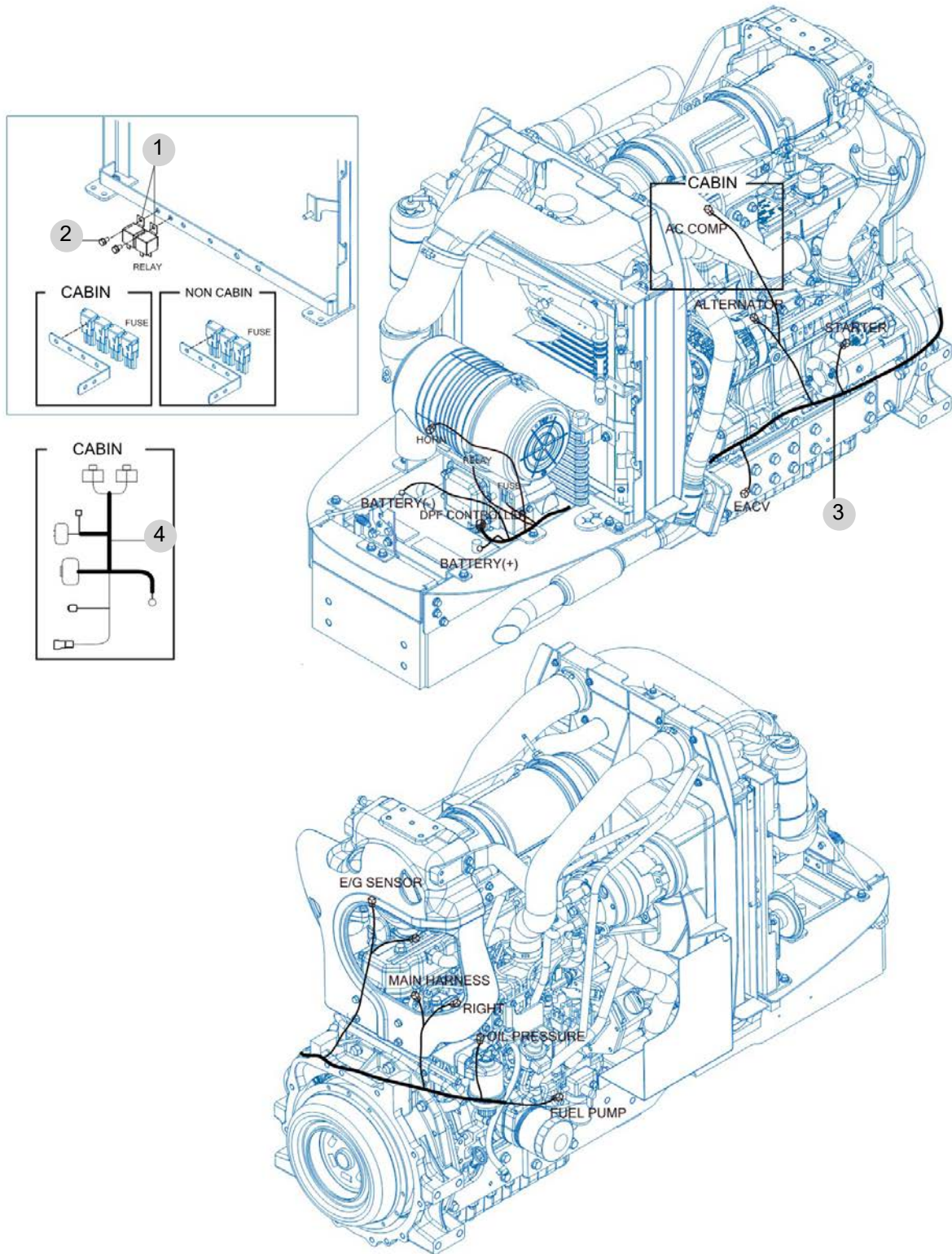
FIG 806

ELECTRIC SYSTEM (3)

년/월
Year/Month

2022-12

T495NHEU1



NOTE

9. 라벨/옵션 PART NO. T9

FIG 901 TOOL & ACCESSORY	246
FIG 902 WEIGHT	248
FIG 903 LABEL	250
FIG 903-2 LABEL	252

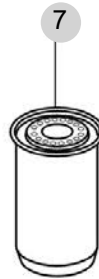
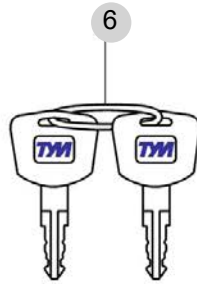
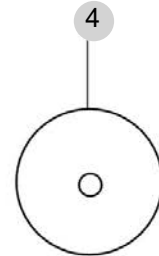
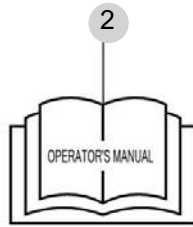
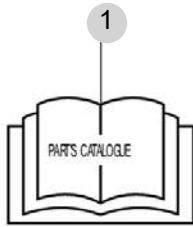
FIG 901

TOOL & ACCESSORY

년/월
Year/Month

T495NHEU1

2022-12



NOTE

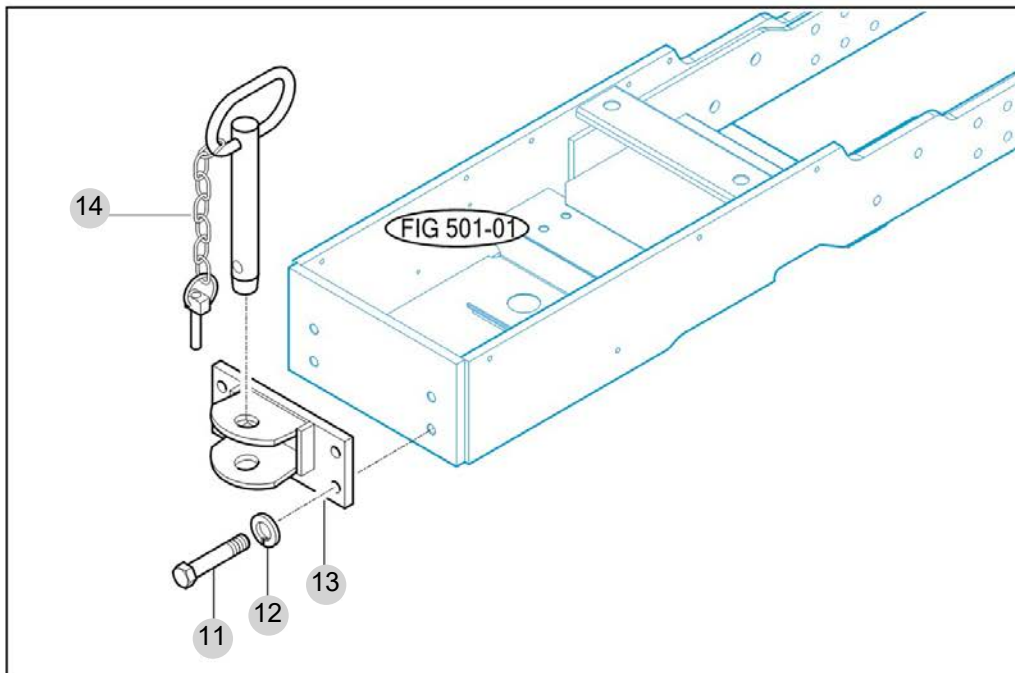
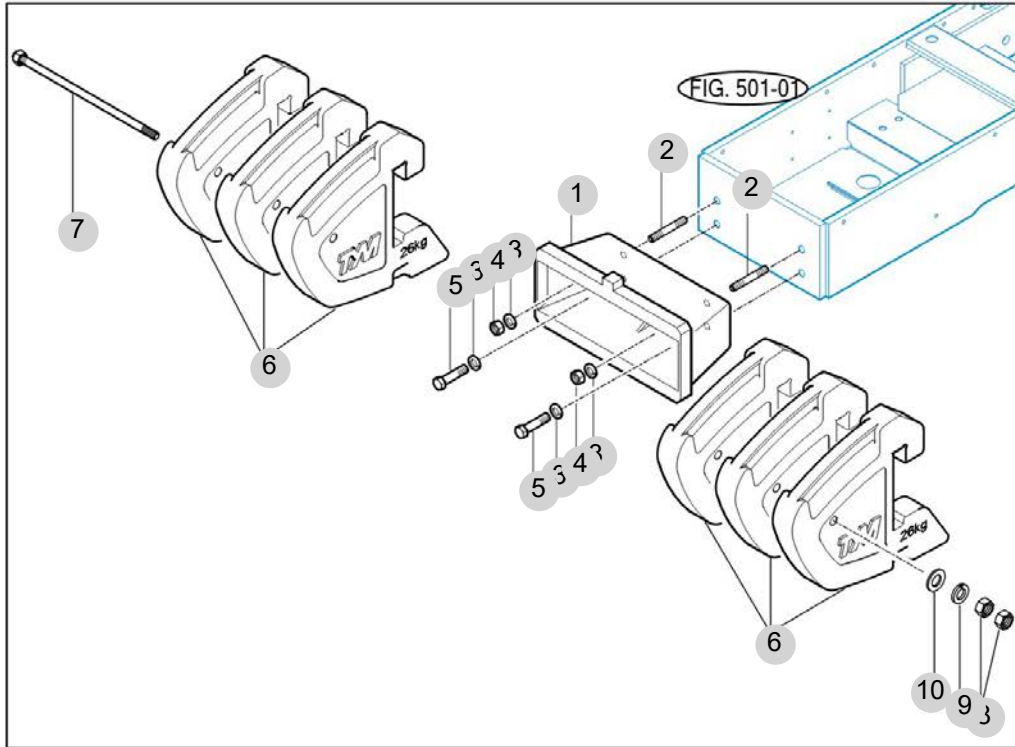
FIG 902

WEIGHT

년/월
Year/Month

T495NHEU1

2022-12



T575-E-902

NOTE

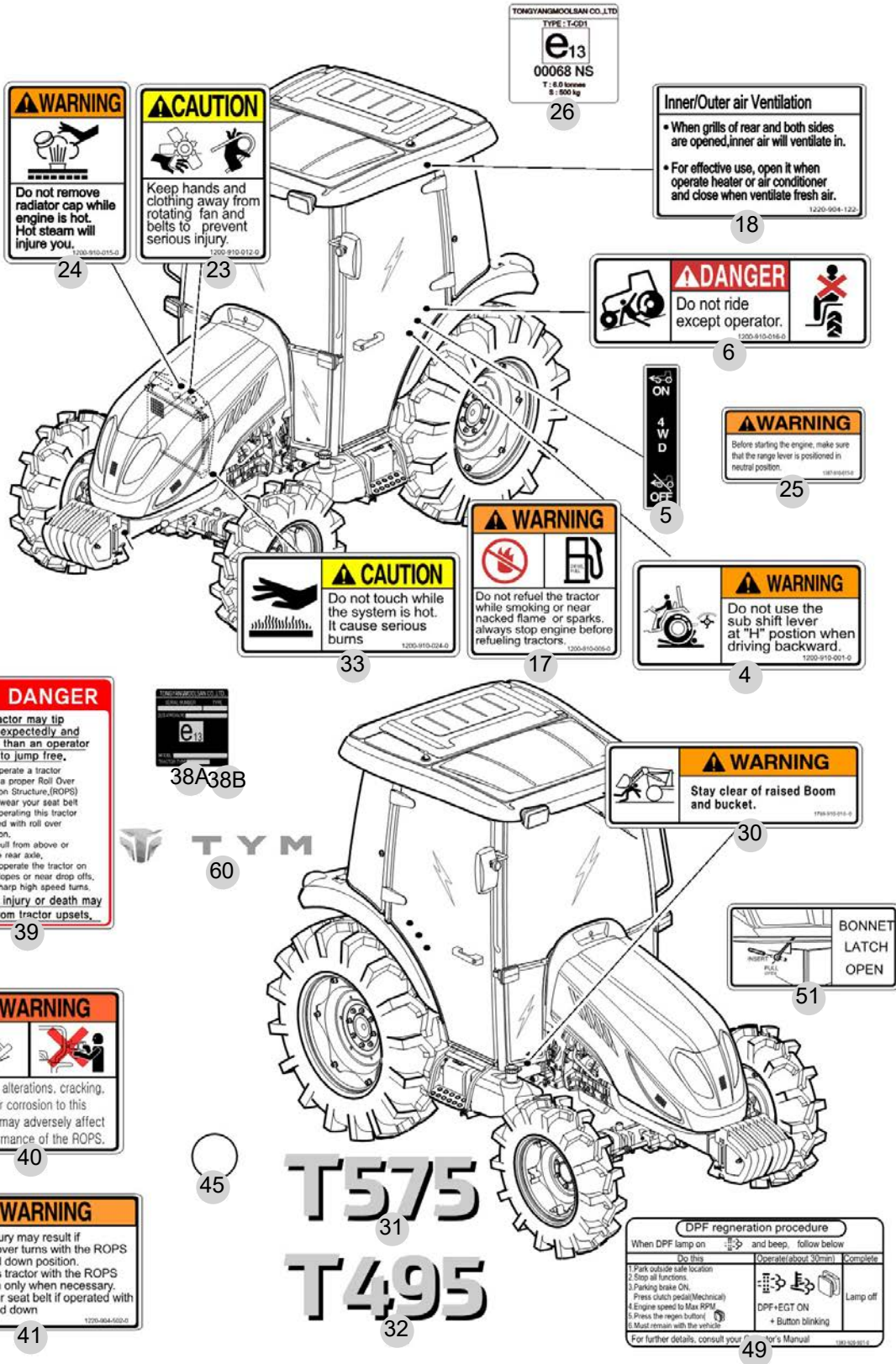
FIG 903

LABEL

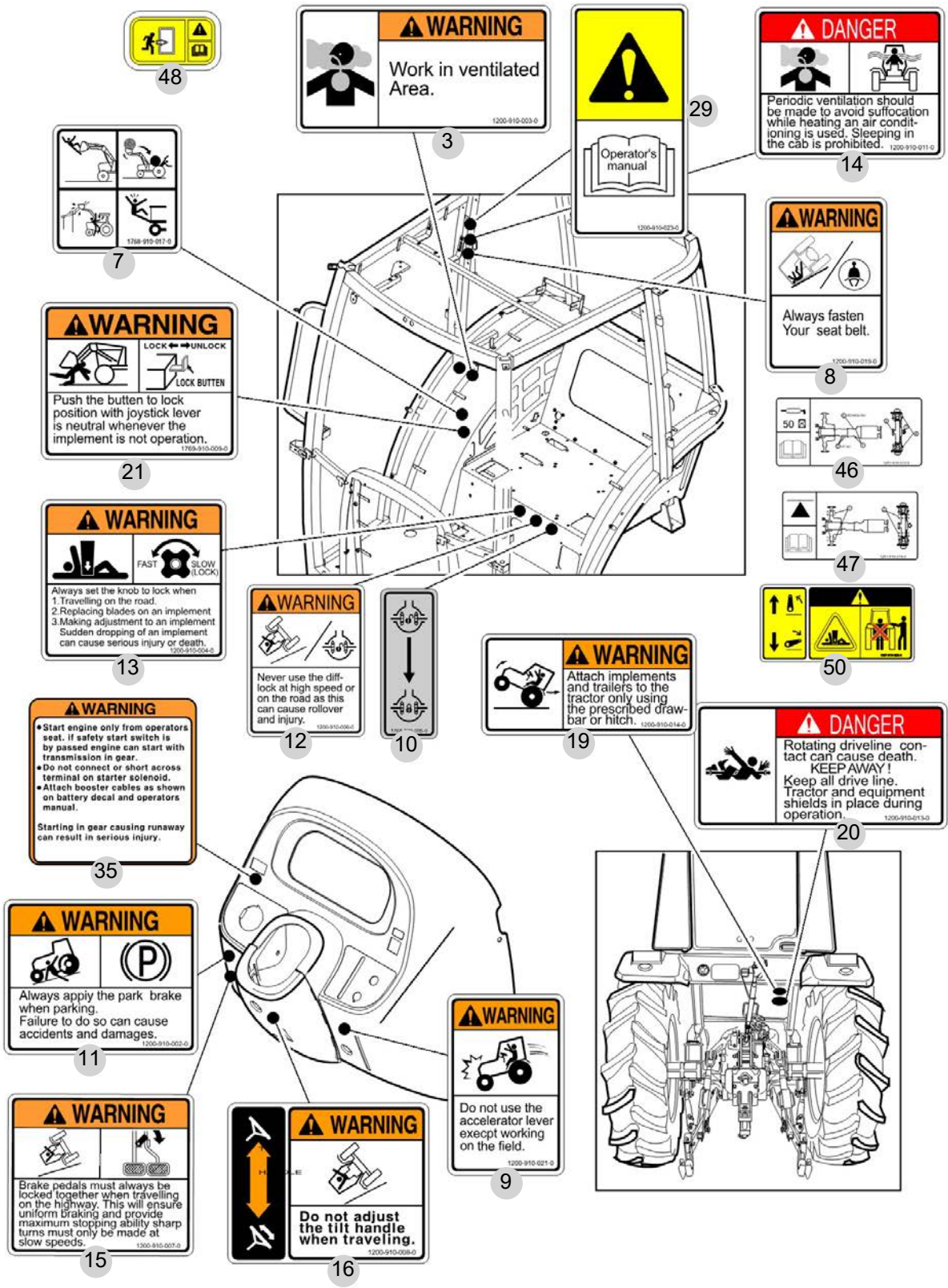
년/월
Year/Month

T495NHEU1

2022-12



NOTE



NOTE

