

T355NHEU

Parts Catalog

# 목 차

---

## 2. 엔진보기품 PART NO. T2

|                          |    |
|--------------------------|----|
| FIG 201 AIR CLEANER      | 6  |
| FIG 202 RADIATOR         | 8  |
| FIG 203 MUFFLER          | 10 |
| FIG 204 FUEL TANK & HOSE | 12 |
| FIG 205 OIL COOLER       | 14 |

## 3. 클러치/브레이크/스티어링 PART NO. T3

|                                     |    |
|-------------------------------------|----|
| FIG 301 FLYWHEEL & CLUTCH           | 17 |
| FIG 302 BRAKE PEDAL                 | 19 |
| FIG 303 BRAKE                       | 21 |
| FIG 304 FRONT WHEEL MOUNTING        | 23 |
| FIG 305 REAR WHEEL MOUNTING         | 25 |
| FIG 306 STEERING WHEEL & DASH COVER | 27 |
| FIG 307 STEERING VALVE & TILT       | 29 |
| FIG 308 STEERING CYLINDER           | 31 |

## 4. 트랜스미션 PART NO. T4

|                                 |    |
|---------------------------------|----|
| FIG 401 TRANSMISSION FRONT CASE | 34 |
| FIG 402 HST                     | 36 |
| FIG 403 MID CASE                | 38 |
| FIG 404 4WD DRIVE GEAR          | 40 |
| FIG 405 INPUT GEAR              | 42 |
| FIG 406 SUB CHANGE GEARS        | 44 |
| FIG 407 PINION GEARS            | 46 |
| FIG 408 PTO DRIVE SHAFT         | 48 |
| FIG 409 PTO CHANGE GEARS        | 50 |
| FIG 410 DIFF LOCK               | 53 |
| FIG 411 TRANSMISSION REAR CASE  | 55 |
| FIG 412 REAR AXLE HOUSINGS (1)  | 57 |

|   |    |
|---|----|
| FIG 413 REAR AXLE HOUSINGS (2)            | 59 |
| FIG 414 MID P.T.O GEARS                   | 61 |
| FIG 415 SUB CHANGE LEVER                  | 63 |
| FIG 416 FORWARD & REVERSE CONTROL LINKAGE | 65 |
| FIG 417 CRUISE CONTROL                    | 67 |
| FIG 418 4WD CHANGE LEVER                  | 69 |

## 5. 프론트 액슬 PART NO. T5

|                                  |    |
|----------------------------------|----|
| FIG 501 FRONT AXLE BRACKET       | 72 |
| FIG 502 FRONT DIFFERENTIAL GEARS | 74 |
| FIG 503 FRONT AXLE HOUSING       | 76 |
| FIG 504 FRONT GEAR CASE (1)      | 78 |
| FIG 505 FRONT GEAR CASE (2)      | 80 |

## 6. 유압/3점링크 PART NO. T6

|                             |     |
|-----------------------------|-----|
| FIG 601 GEAR PUMP           | 83  |
| FIG 602 CYLINDER CASE       | 85  |
| FIG 603 LIFT ARM            | 87  |
| FIG 604 CYLINDER            | 89  |
| FIG 605 POSITION LINK (1)   | 91  |
| FIG 606 POSITION LINK (2)   | 93  |
| FIG 607 CONTROL VALVE       | 95  |
| FIG 608 POSITION LEVER      | 97  |
| FIG 609 HYDRAULIC PIPE (1)  | 99  |
| FIG 610 HYDRAULIC PIPE (2)  | 101 |
| FIG 611 EXTERIOR HYD. VALVE | 103 |
| FIG 612 3-POINT LINK        | 105 |
| FIG 613 HITCH & COVER       | 107 |

## 7. 시트메탈/캐빈 PART NO. T7

|                            |     |
|----------------------------|-----|
| FIG 701 HOOD               | 110 |
| FIG 702 BONNET             | 112 |
| FIG 704 FENDER, REAR FRAME | 115 |
| FIG 705 ROPS               | 118 |
| FIG 706 DASH PANEL         | 120 |

|                        |     |
|------------------------|-----|
| FIG 707 FLOOR          | 122 |
| FIG 708 SEAT           | 124 |
| FIG 709 FLOOR MOUNTING | 126 |

## 8. 전장 PART NO. T8

|                            |     |
|----------------------------|-----|
| FIG 801 BATTERY & MOUNTING | 129 |
| FIG 802 LIGHTS             | 131 |
| FIG 803 INSTRUMENT PANEL   | 133 |
| FIG 804 ELECTRIC SYSTEM    | 135 |
| FIG 805 HARNESS (1)        | 137 |
| FIG 806 HARNESS (2)        | 139 |

## 9. 라벨/옵션 PART NO. T9

|                          |     |
|--------------------------|-----|
| FIG 901 WEIGHT           | 142 |
| FIG 902 TOOL & ACCESSORY | 144 |
| FIG 903-1 LABEL          | 146 |

## 2. 엔진보기품 PART NO. T2

|                          |    |
|--------------------------|----|
| FIG 201 AIR CLEANER      | 6  |
| FIG 202 RADIATOR         | 8  |
| FIG 203 MUFFLER          | 10 |
| FIG 204 FUEL TANK & HOSE | 12 |
| FIG 205 OIL COOLER       | 14 |

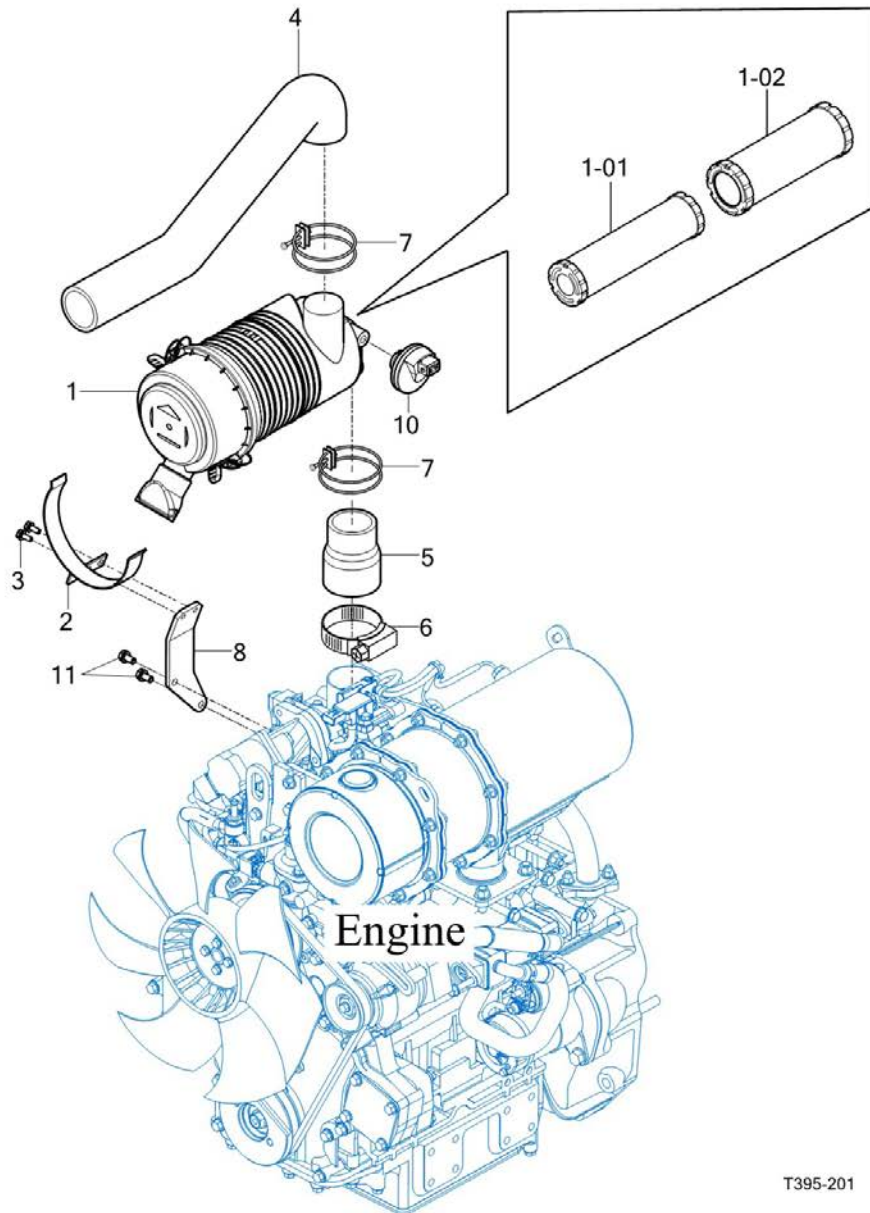
FIG 201

AIR CLEANER

년/월  
Year/Month

2022-12

T355NHEU



T395-201

NOTE



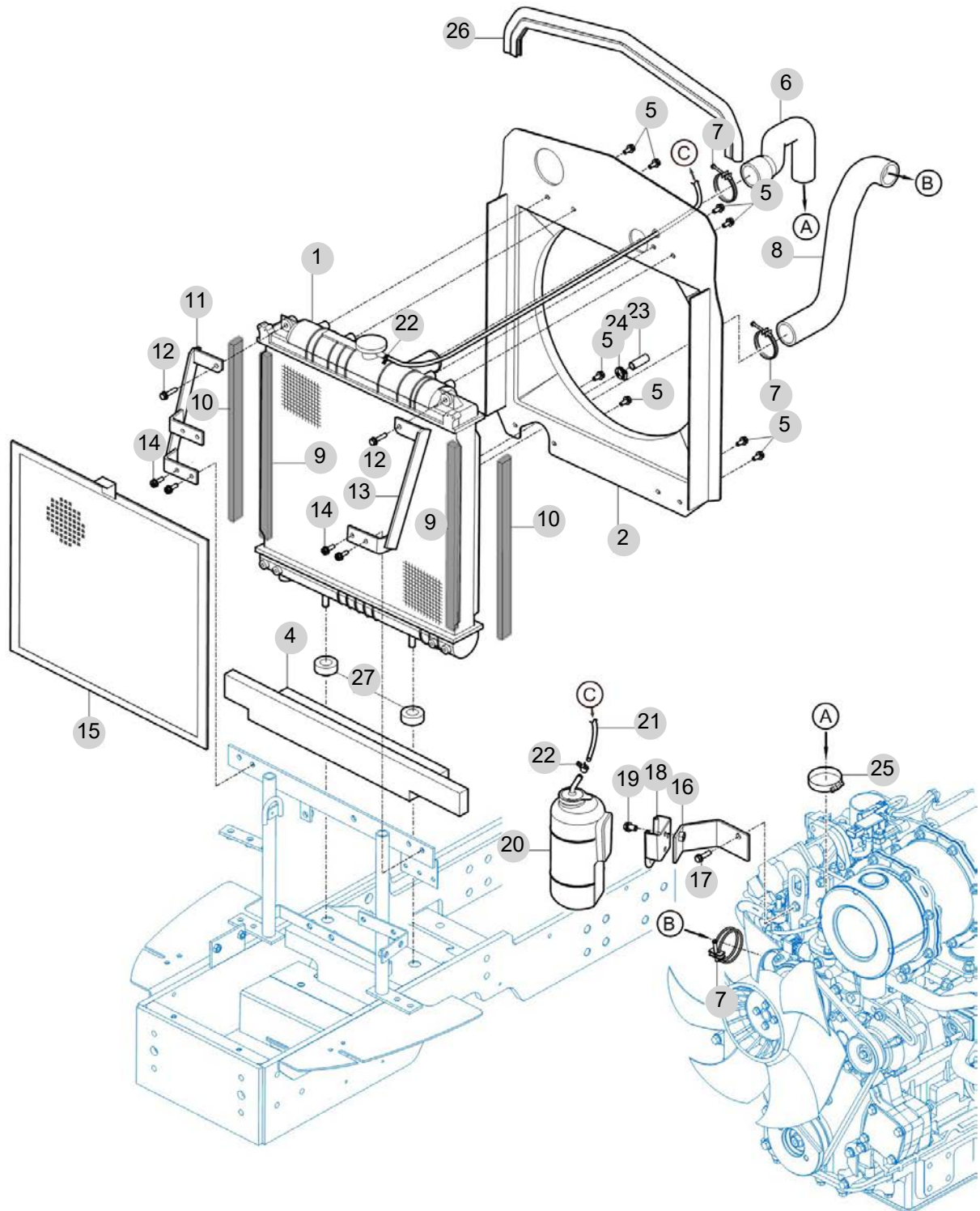
FIG 202

RADIATOR

년/월  
Year/Month

2022-12

T355NHEU



NOTE





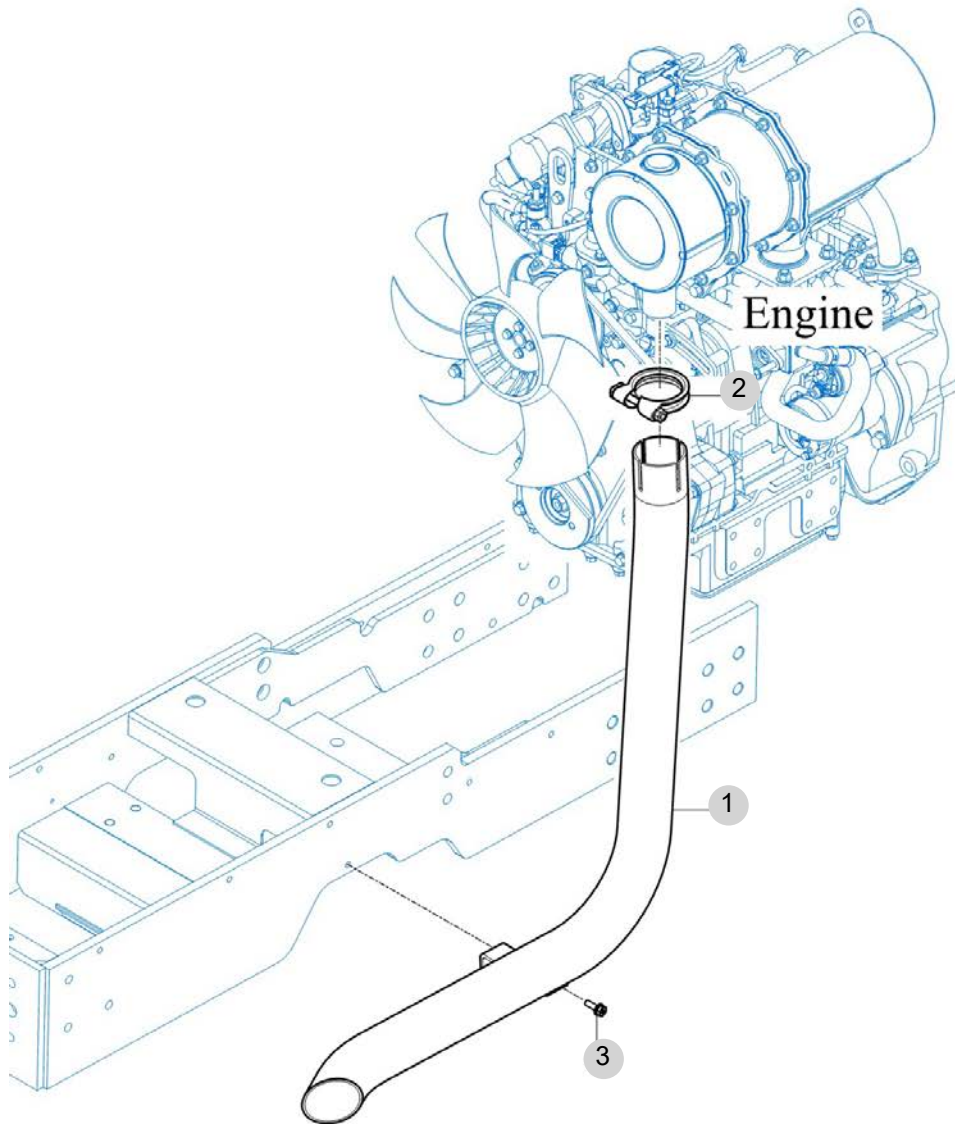
FIG 203

T355NHEU

MUFFLER

년/월  
Year/Month

2022-12



NOTE



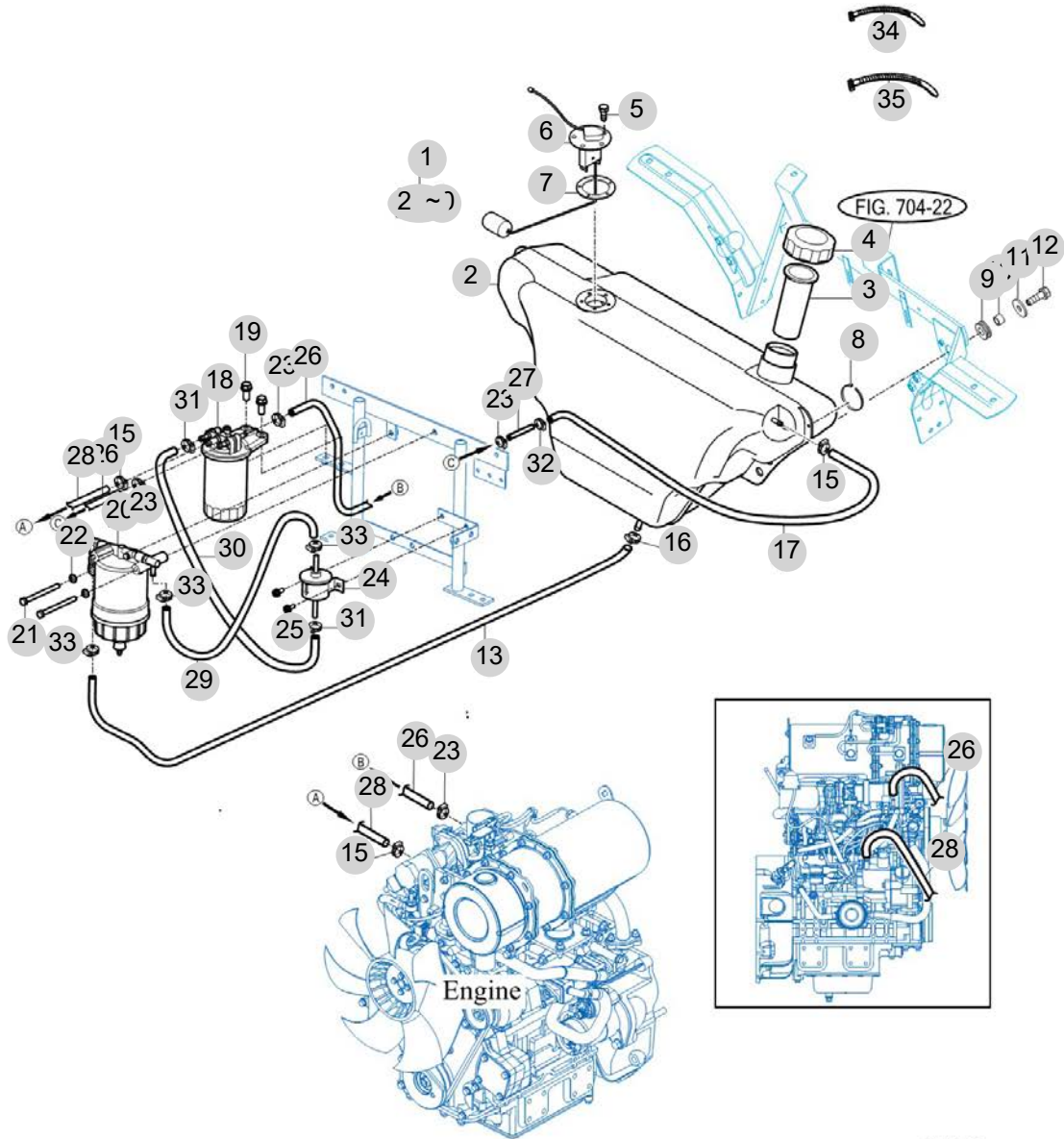
FIG 204

FUEL TANK & HOSE

년/월  
Year/Month

2022-12

T355NHEU



NOTE



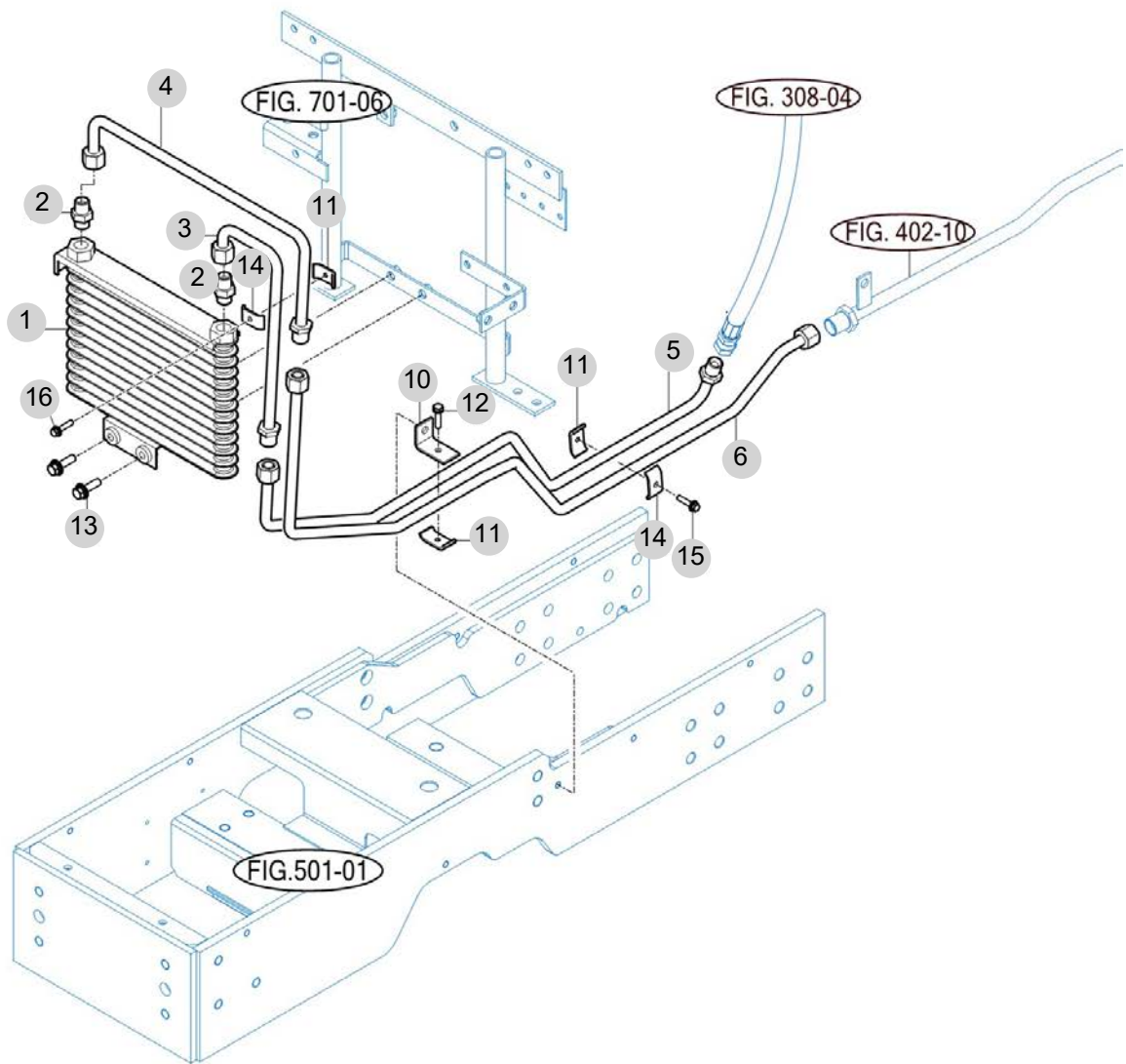
FIG 205

T355NHEU

OIL COOLER

년/월  
Year/Month

2022-12



NOTE



### 3. 클러치/브레이크/스티어링 PART NO. T3

|                                     |    |
|-------------------------------------|----|
| FIG 301 FLYWHEEL & CLUTCH           | 17 |
| FIG 302 BRAKE PEDAL                 | 19 |
| FIG 303 BRAKE                       | 21 |
| FIG 304 FRONT WHEEL MOUNTING        | 23 |
| FIG 305 REAR WHEEL MOUNTING         | 25 |
| FIG 306 STEERING WHEEL & DASH COVER | 27 |
| FIG 307 STEERING VALVE & TILT       | 29 |
| FIG 308 STEERING CYLINDER           | 31 |



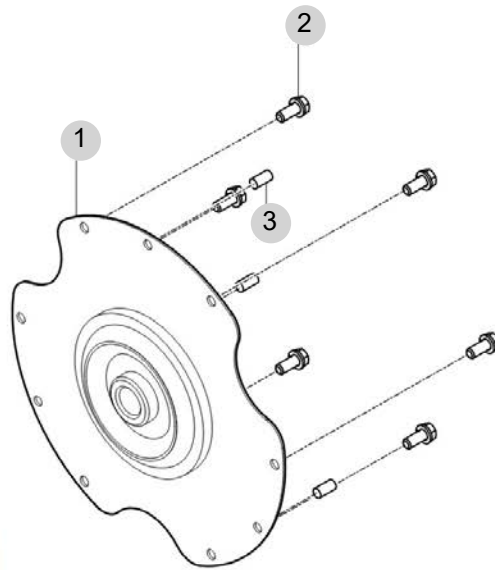
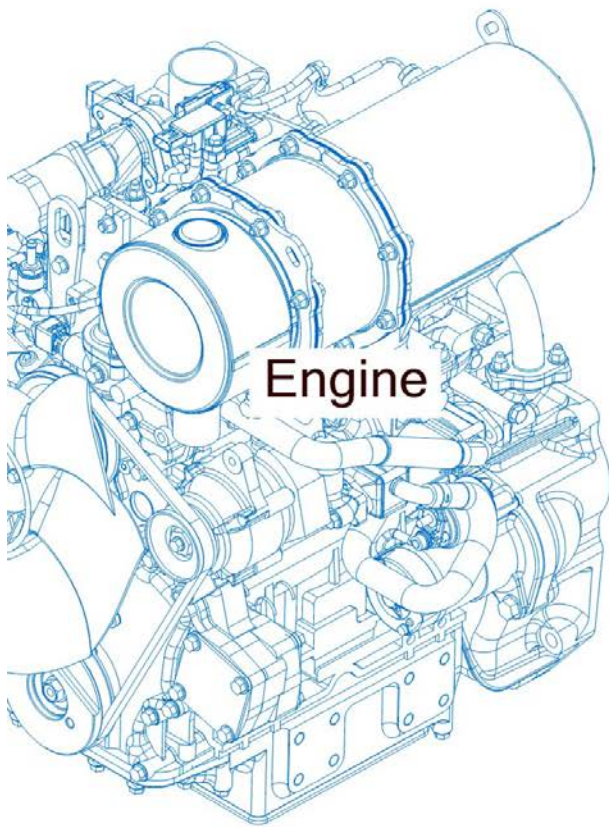
FIG 301

T355NHEU

FLYWHEEL & CLUTCH

년/월  
Year/Month

2022-12



T393SH-E-301

NOTE

|                            |                              |                   |
|----------------------------|------------------------------|-------------------|
| <b>FIG 301</b><br>T355NHEU | <b>FLYWHEEL &amp; CLUTCH</b> | 년/월<br>Year/Month |
|                            |                              | 2022-12           |

| KEY NO |   | PART NO     | DESCRIPTION | SPEC  | QTY | REPAIR | EFFECTIVE DATE | REMARKS |
|--------|---|-------------|-------------|-------|-----|--------|----------------|---------|
| 301    | 1 | 12381212000 | 댐퍼 플랜지 어셈블리 |       | 1   |        |                |         |
| 301    | 2 | V2173608020 | 소형육각볼트보통(S) | M8X20 | 6   |        |                |         |
| 301    | 3 | V5211008016 | 평행핀(B)      | 8X16  | 3   |        |                |         |
|        |   |             |             |       |     |        |                |         |
|        |   |             |             |       |     |        |                |         |
|        |   |             |             |       |     |        |                |         |
|        |   |             |             |       |     |        |                |         |
|        |   |             |             |       |     |        |                |         |
|        |   |             |             |       |     |        |                |         |
|        |   |             |             |       |     |        |                |         |
|        |   |             |             |       |     |        |                |         |
|        |   |             |             |       |     |        |                |         |
|        |   |             |             |       |     |        |                |         |
|        |   |             |             |       |     |        |                |         |
|        |   |             |             |       |     |        |                |         |
|        |   |             |             |       |     |        |                |         |
|        |   |             |             |       |     |        |                |         |
|        |   |             |             |       |     |        |                |         |
|        |   |             |             |       |     |        |                |         |
|        |   |             |             |       |     |        |                |         |
|        |   |             |             |       |     |        |                |         |
|        |   |             |             |       |     |        |                |         |
|        |   |             |             |       |     |        |                |         |
|        |   |             |             |       |     |        |                |         |
|        |   |             |             |       |     |        |                |         |
|        |   |             |             |       |     |        |                |         |
|        |   |             |             |       |     |        |                |         |
|        |   |             |             |       |     |        |                |         |
|        |   |             |             |       |     |        |                |         |
|        |   |             |             |       |     |        |                |         |
|        |   |             |             |       |     |        |                |         |
|        |   |             |             |       |     |        |                |         |
|        |   |             |             |       |     |        |                |         |
|        |   |             |             |       |     |        |                |         |
|        |   |             |             |       |     |        |                |         |
|        |   |             |             |       |     |        |                |         |
|        |   |             |             |       |     |        |                |         |

|      |  |
|------|--|
| NOTE |  |
|------|--|

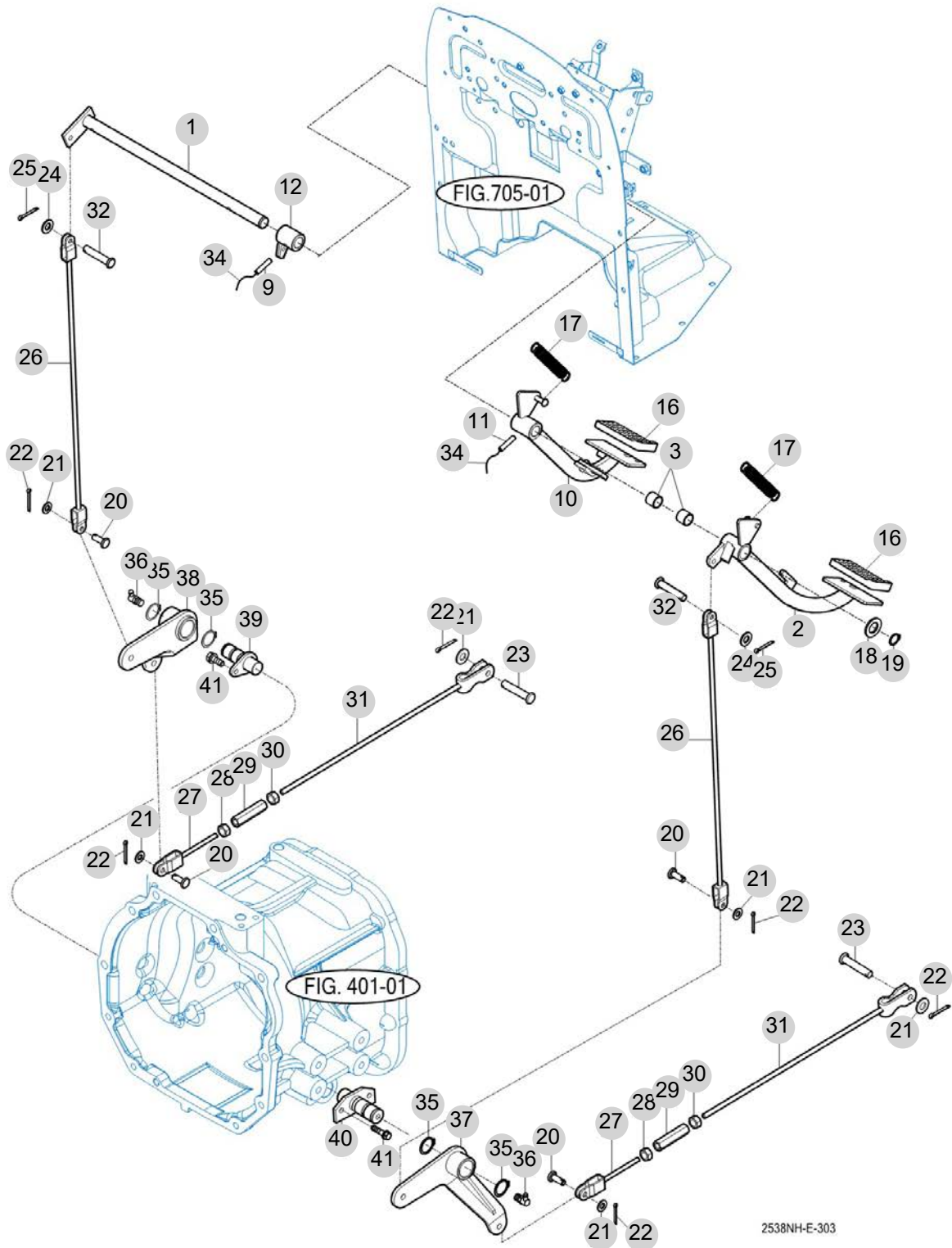
FIG 302

BRAKE PEDAL

년/월  
Year/Month

2022-12

T355NHEU



2538NH-E-303

NOTE



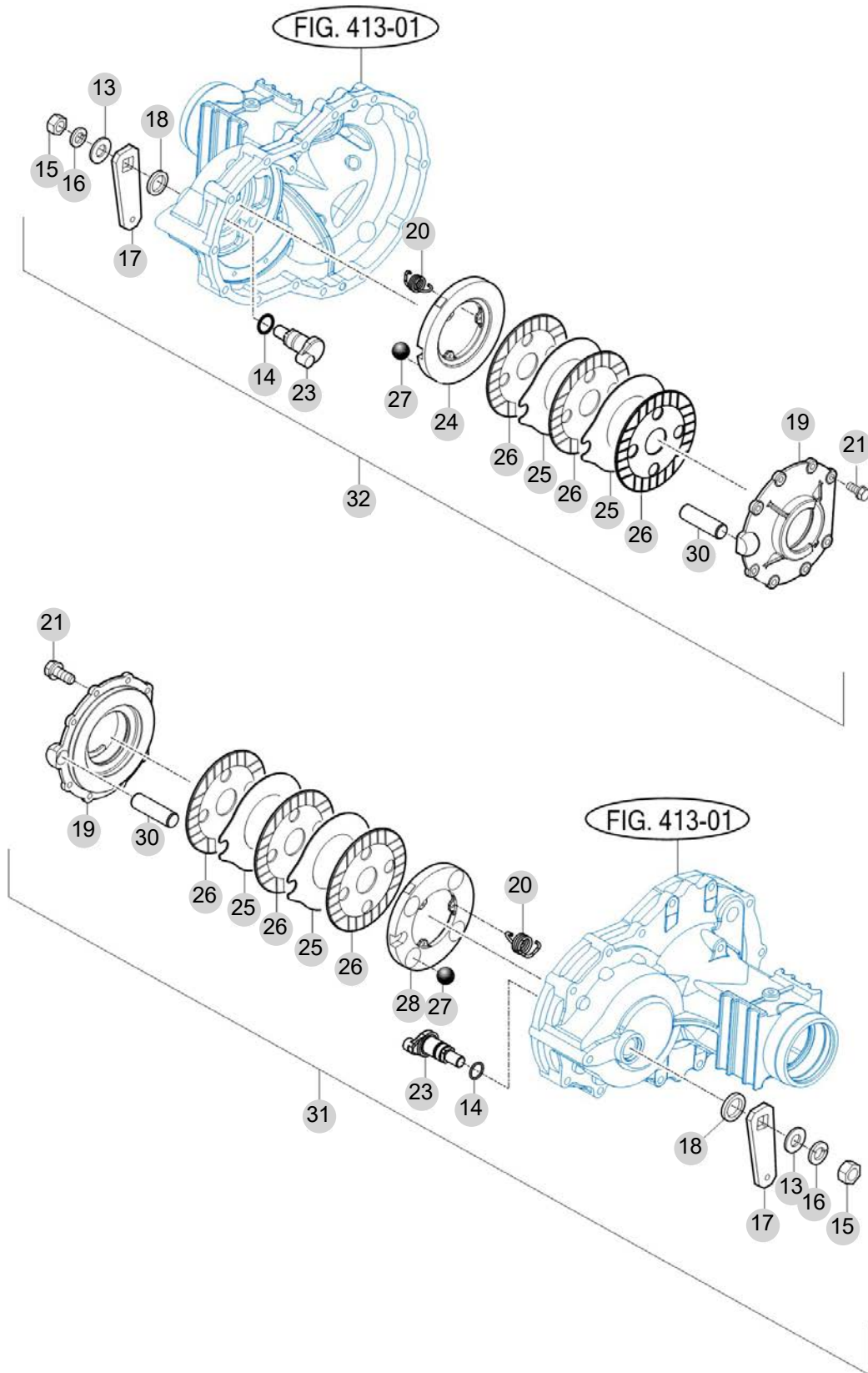
FIG 303

T355NHEU

BRAKE

년/월  
Year/Month

2022-12



NOTE



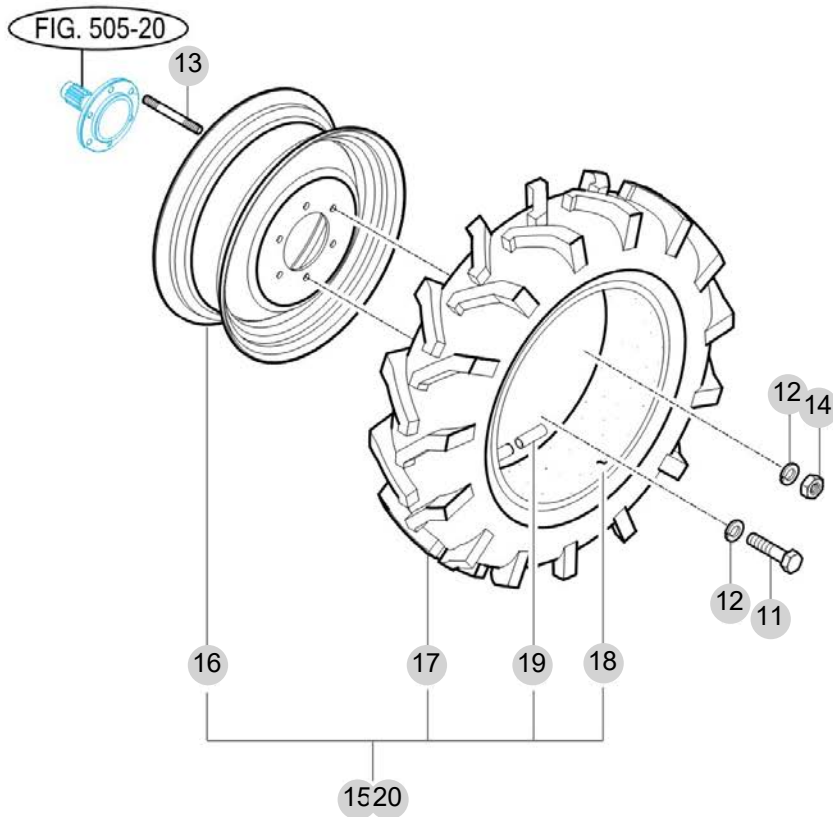
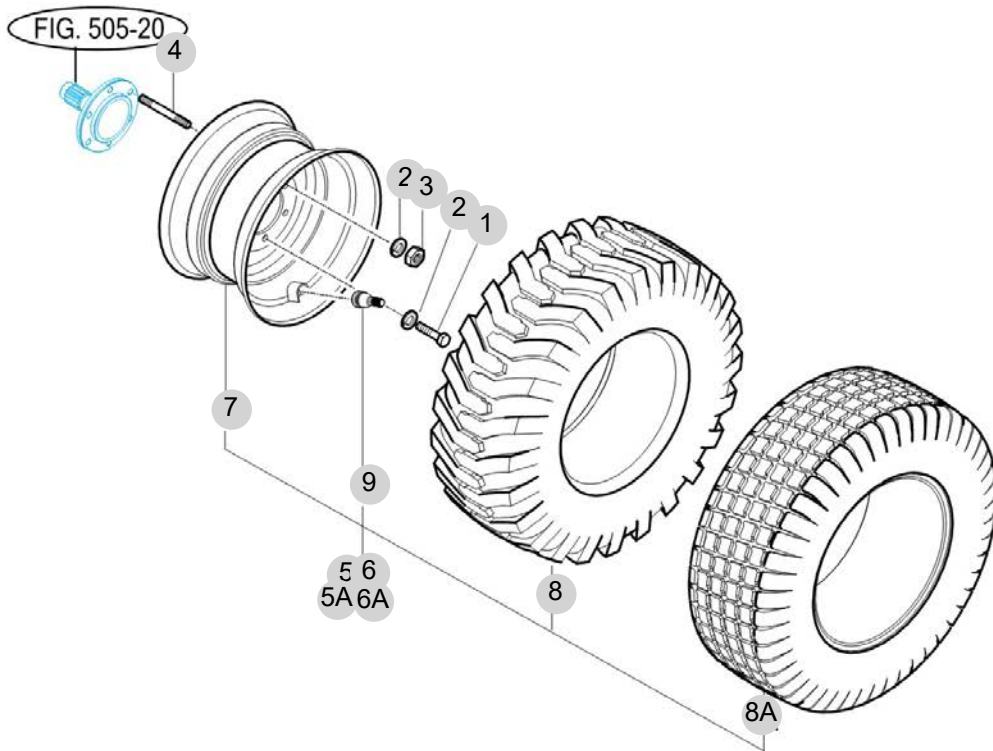
FIG 304

T355NHEU

FRONT WHEEL MOUNTING

년/월  
Year/Month

2022-12



T384-E-304

NOTE





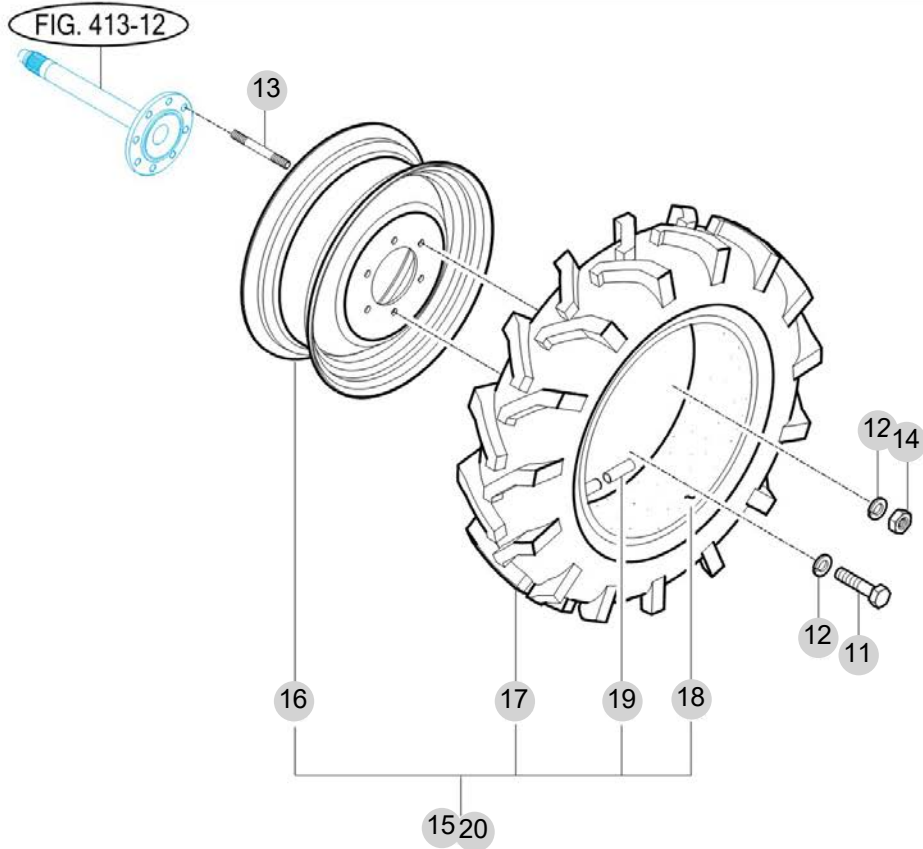
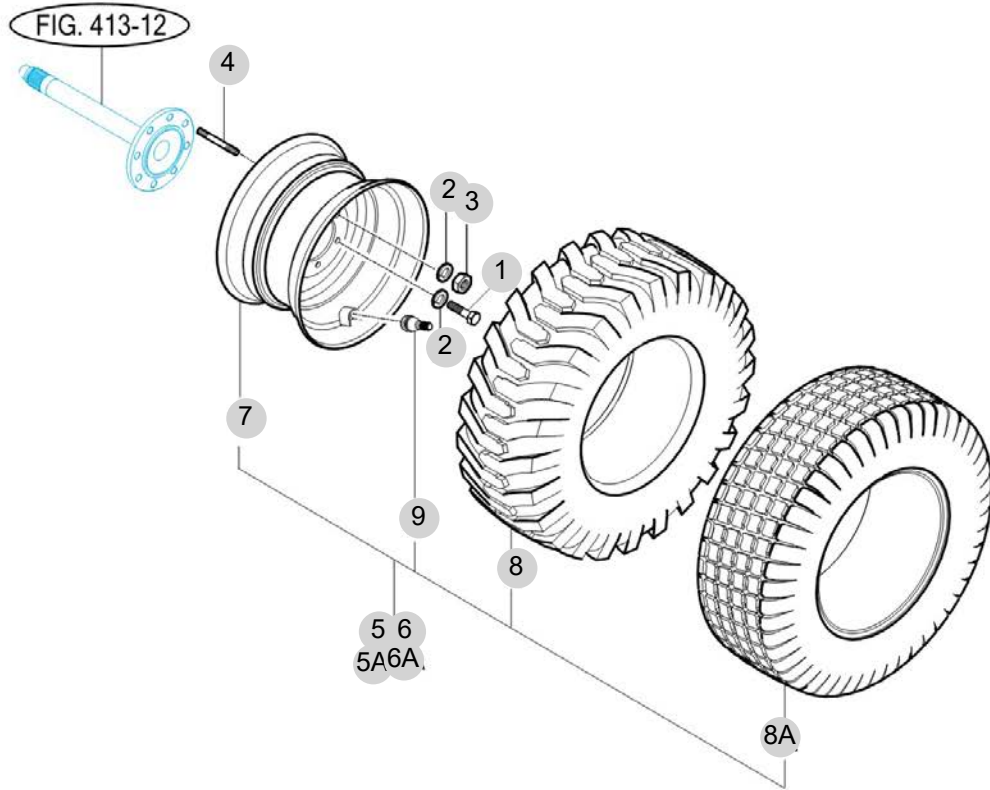
FIG 305

T355NHEU

REAR WHEEL MOUNTING

년/월  
Year/Month

2022-12



T384-E-305

NOTE



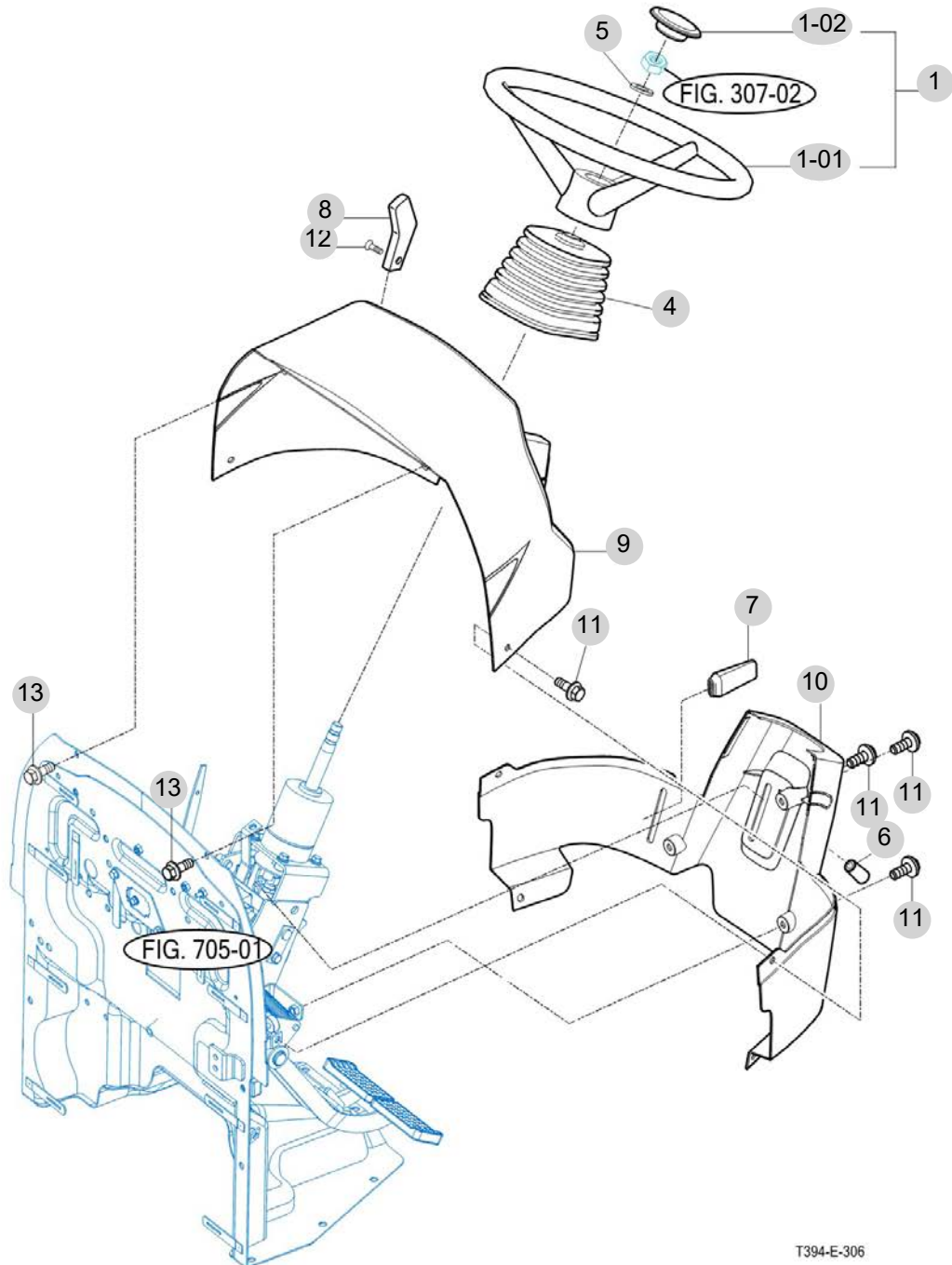
FIG 306

T355NHEU

STEERING WHEEL & DASH COVER

년/월  
Year/Month

2022-12



T394-E-306

NOTE

| FIG 306<br>T355NHEU |         | STEERING WHEEL & DASH COVER |             |       |        |                | 년/월<br>Year/Month | REMARKS |
|---------------------|---------|-----------------------------|-------------|-------|--------|----------------|-------------------|---------|
|                     |         |                             |             |       |        |                | 2022-12           |         |
| KEY NO              | PART NO | DESCRIPTION                 | SPEC        | QTY   | REPAIR | EFFECTIVE DATE | REMARKS           |         |
| 306                 | 1       | 14724012002                 | 스티어링 휠 ASSY |       | 1      |                |                   |         |
| 306                 | 1-01    | 14724012100                 | 스티어링 휠      |       | 1      |                |                   |         |
| 306                 | 1-02    | 16994012020                 | 커버(스티어링)    |       | 1      |                |                   |         |
| 306                 | 4       | 14724010052                 | 부츠(틸트)      |       | 1      |                |                   |         |
| 306                 | 5       | V4011600160                 | 스프링와셔       | M16   | 1      |                |                   |         |
| 306                 | 6       | 14445070030                 | 레버손잡이       |       | 1      |                |                   |         |
| 306                 | 7       | 12133030020                 | 그립, 오렌지     |       | 1      |                |                   |         |
| 306                 | 8       | 12135110050                 | 그립, 오렌지     |       | 1      |                |                   |         |
| 306                 | 9       | 17416031013NB               | 대시 커버, 상    |       | 1      |                |                   |         |
| 306                 | 10      | 17416031022NB               | 대시 커버, 하    |       | 1      |                |                   |         |
| 306                 | 11      | V2163808020                 | 소형육각볼트보통(P) | M8X20 | 8      |                |                   |         |
| 306                 | 12      | V1122605012                 | 십자홈접시작은나사   |       | 1      |                |                   |         |
| 306                 | 13      | V2113606012                 | 육각볼트(S)     | M6X12 | 2      |                |                   |         |
|                     |         |                             |             |       |        |                |                   |         |
|                     |         |                             |             |       |        |                |                   |         |
|                     |         |                             |             |       |        |                |                   |         |
|                     |         |                             |             |       |        |                |                   |         |
|                     |         |                             |             |       |        |                |                   |         |
|                     |         |                             |             |       |        |                |                   |         |
|                     |         |                             |             |       |        |                |                   |         |
|                     |         |                             |             |       |        |                |                   |         |
|                     |         |                             |             |       |        |                |                   |         |
|                     |         |                             |             |       |        |                |                   |         |
|                     |         |                             |             |       |        |                |                   |         |
|                     |         |                             |             |       |        |                |                   |         |
|                     |         |                             |             |       |        |                |                   |         |
|                     |         |                             |             |       |        |                |                   |         |
|                     |         |                             |             |       |        |                |                   |         |
|                     |         |                             |             |       |        |                |                   |         |
|                     |         |                             |             |       |        |                |                   |         |
|                     |         |                             |             |       |        |                |                   |         |
|                     |         |                             |             |       |        |                |                   |         |
|                     |         |                             |             |       |        |                |                   |         |
|                     |         |                             |             |       |        |                |                   |         |
|                     |         |                             |             |       |        |                |                   |         |
|                     |         |                             |             |       |        |                |                   |         |
|                     |         |                             |             |       |        |                |                   |         |
|                     |         |                             |             |       |        |                |                   |         |
|                     |         |                             |             |       |        |                |                   |         |
|                     |         |                             |             |       |        |                |                   |         |
|                     |         |                             |             |       |        |                |                   |         |
|                     |         |                             |             |       |        |                |                   |         |
|                     |         |                             |             |       |        |                |                   |         |
|                     |         |                             |             |       |        |                |                   |         |
|                     |         |                             |             |       |        |                |                   |         |
|                     |         |                             |             |       |        |                |                   |         |
| NOTE                |         |                             |             |       |        |                |                   |         |

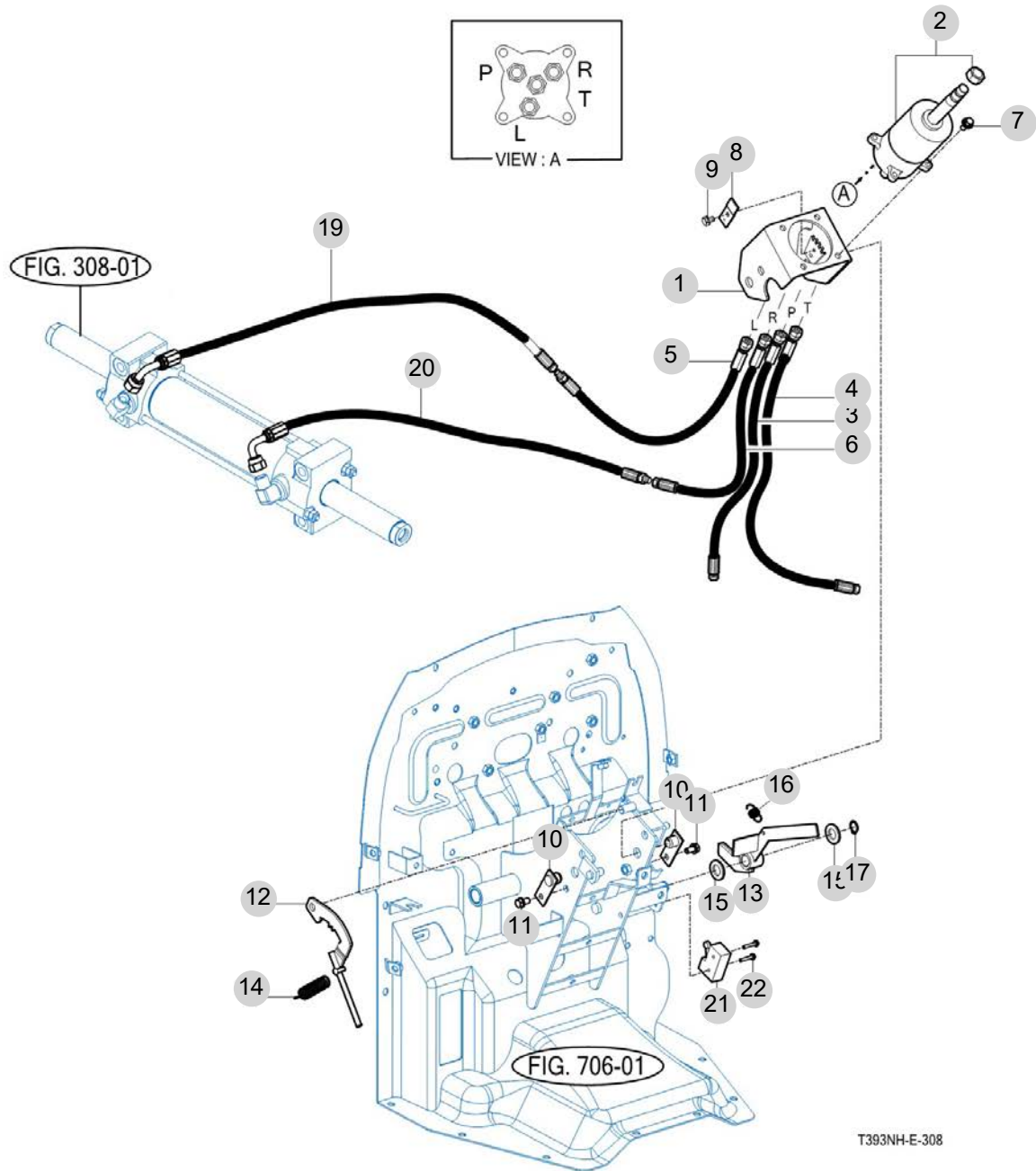
FIG 307

STEERING VALVE & TILT

년/월  
Year/Month

2022-12

T355NHEU



NOTE



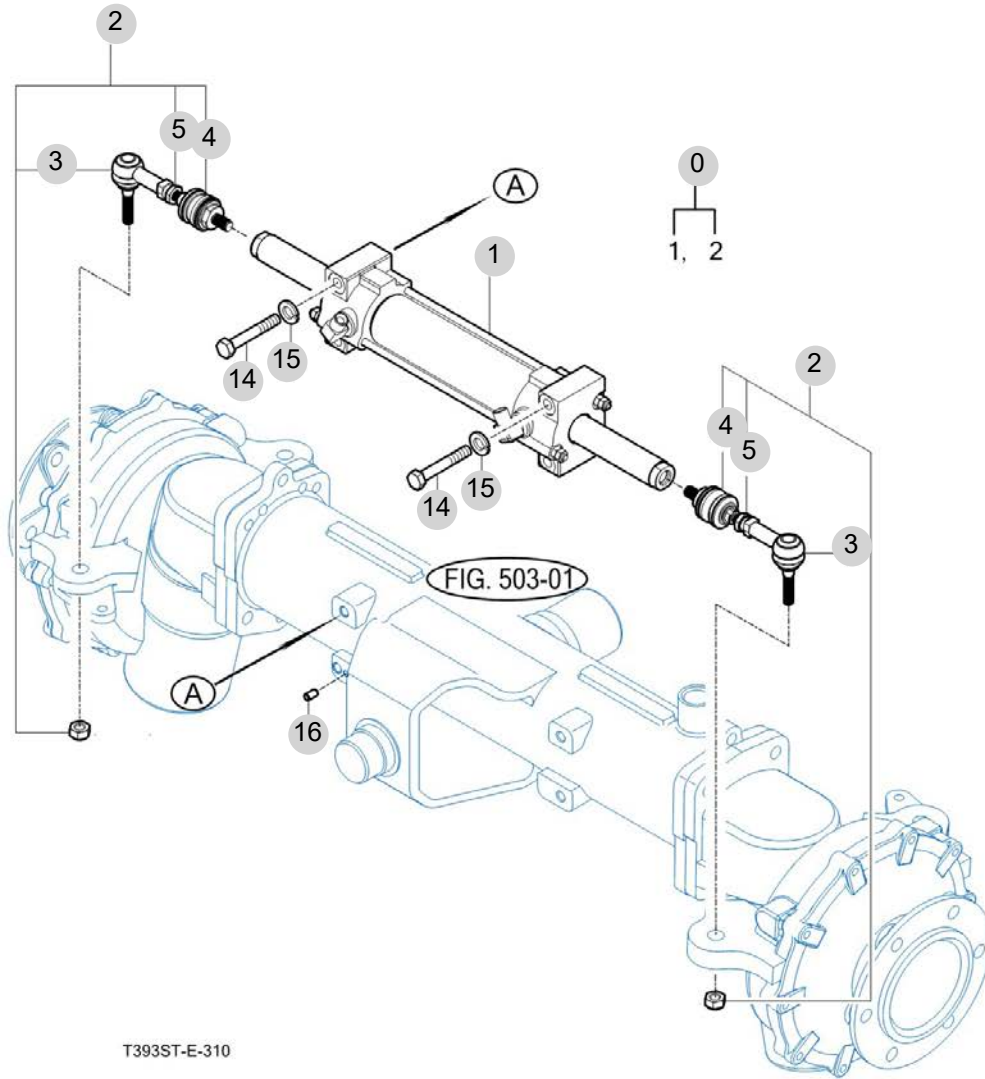
FIG 308

T355NHEU

# STEERING CYLINDER

년/월  
Year/Month

2022-12



T393ST-E-310

NOTE





## 4. 트랜스미션 PART NO. T4

|   |    |
|---|----|
| FIG 401 TRANSMISSION FRONT CASE           | 34 |
| FIG 402 HST                               | 36 |
| FIG 403 MID CASE                          | 38 |
| FIG 404 4WD DRIVE GEAR                    | 40 |
| FIG 405 INPUT GEAR                        | 42 |
| FIG 406 SUB CHANGE GEARS                  | 44 |
| FIG 407 PINION GEARS                      | 46 |
| FIG 408 PTO DRIVE SHAFT                   | 48 |
| FIG 409 PTO CHANGE GEARS                  | 50 |
| FIG 410 DIFF LOCK                         | 53 |
| FIG 411 TRANSMISSION REAR CASE            | 55 |
| FIG 412 REAR AXLE HOUSINGS (1)            | 57 |
| FIG 413 REAR AXLE HOUSINGS (2)            | 59 |
| FIG 414 MID P.T.O GEARS                   | 61 |
| FIG 415 SUB CHANGE LEVER                  | 63 |
| FIG 416 FORWARD & REVERSE CONTROL LINKAGE | 65 |
| FIG 417 CRUISE CONTROL                    | 67 |
| FIG 418 4WD CHANGE LEVER                  | 69 |

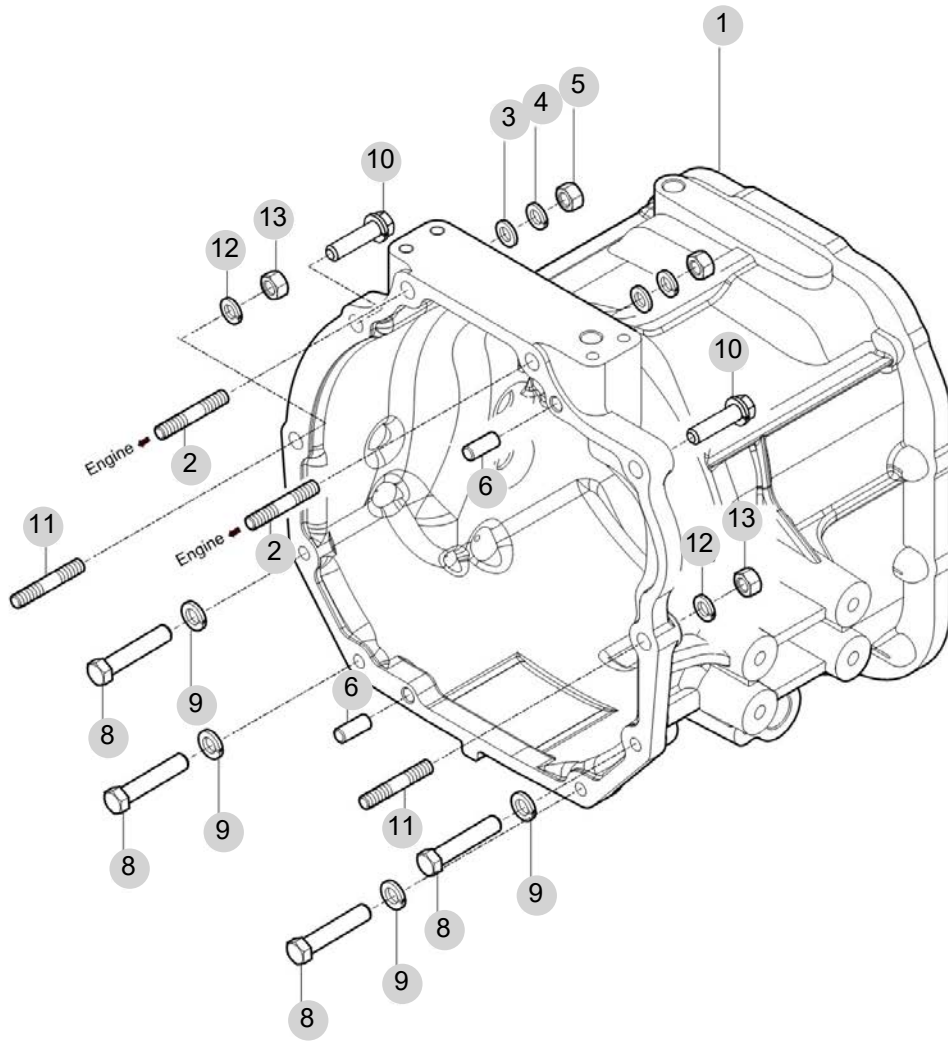
FIG 401

T355NHEU

TRANSMISSION FRONT CASE

년/월  
Year/Month

2022-12



T394NH-E-401

NOTE

| FIG 401  |         | TRANSMISSION FRONT CASE |               |        |        |                |         | 년/월        |  |
|----------|---------|-------------------------|---------------|--------|--------|----------------|---------|------------|--|
|          |         |                         |               |        |        |                |         | Year/Month |  |
| T355NHEU |         |                         |               |        |        |                |         | 2022-12    |  |
| KEY NO   | PART NO | DESCRIPTION             | SPEC          | QTY    | REPAIR | EFFECTIVE DATE | REMARKS |            |  |
| 401      | 1       | 12352100011M            | 프런트 트랜스미션 케이스 |        | 1      |                |         |            |  |
| 401      | 2       | V2513412090             | 스터드볼트2종       | M12X90 | 2      |                |         |            |  |
| 401      | 3       | V4111600120             | 평와셔           | M12    | 2      |                |         |            |  |
| 401      | 4       | V4011600120             | 스프링와셔         | M12    | 2      |                |         |            |  |
| 401      | 5       | V3043600120             | 소형육각너트보통2종    | M12    | 2      |                |         |            |  |
| 401      | 6       | V5201010022             | 평행핀(A)        | 10X22  | 2      |                |         |            |  |
| 401      | 8       | V2013612060             | 소형육각볼트(보통)    | M12X60 | 4      |                |         |            |  |
| 401      | 9       | V4011600120             | 스프링와셔         | M12    | 4      |                |         |            |  |
| 401      | 10      | V2173612040             | 소형육각볼트보통(S)   | M12X40 | 2      |                |         |            |  |
| 401      | 11      | V2513412045             | 스터드볼트2종       | M12X45 | 2      |                |         |            |  |
| 401      | 12      | V4011600120             | 스프링와셔         | M12    | 2      |                |         |            |  |
| 401      | 13      | V3043600120             | 소형육각너트보통2종    | M12    | 2      |                |         |            |  |
|          |         |                         |               |        |        |                |         |            |  |
|          |         |                         |               |        |        |                |         |            |  |
|          |         |                         |               |        |        |                |         |            |  |
|          |         |                         |               |        |        |                |         |            |  |
|          |         |                         |               |        |        |                |         |            |  |
|          |         |                         |               |        |        |                |         |            |  |
|          |         |                         |               |        |        |                |         |            |  |
|          |         |                         |               |        |        |                |         |            |  |
|          |         |                         |               |        |        |                |         |            |  |
|          |         |                         |               |        |        |                |         |            |  |
|          |         |                         |               |        |        |                |         |            |  |
|          |         |                         |               |        |        |                |         |            |  |
|          |         |                         |               |        |        |                |         |            |  |
|          |         |                         |               |        |        |                |         |            |  |
|          |         |                         |               |        |        |                |         |            |  |
|          |         |                         |               |        |        |                |         |            |  |
|          |         |                         |               |        |        |                |         |            |  |
|          |         |                         |               |        |        |                |         |            |  |
|          |         |                         |               |        |        |                |         |            |  |
|          |         |                         |               |        |        |                |         |            |  |
|          |         |                         |               |        |        |                |         |            |  |
|          |         |                         |               |        |        |                |         |            |  |
|          |         |                         |               |        |        |                |         |            |  |
|          |         |                         |               |        |        |                |         |            |  |
|          |         |                         |               |        |        |                |         |            |  |
| NOTE     |         |                         |               |        |        |                |         |            |  |

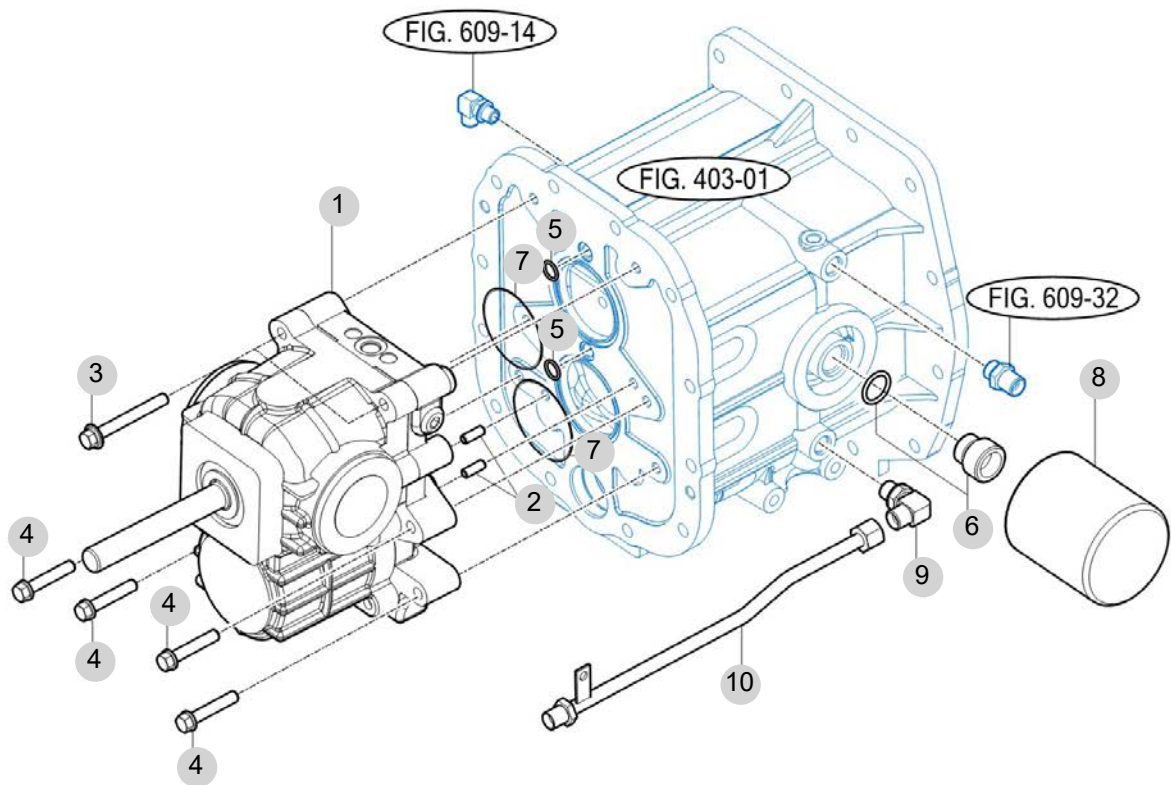
FIG 402

T355NHEU

HST

년/월  
Year/Month

2022-12



NOTE



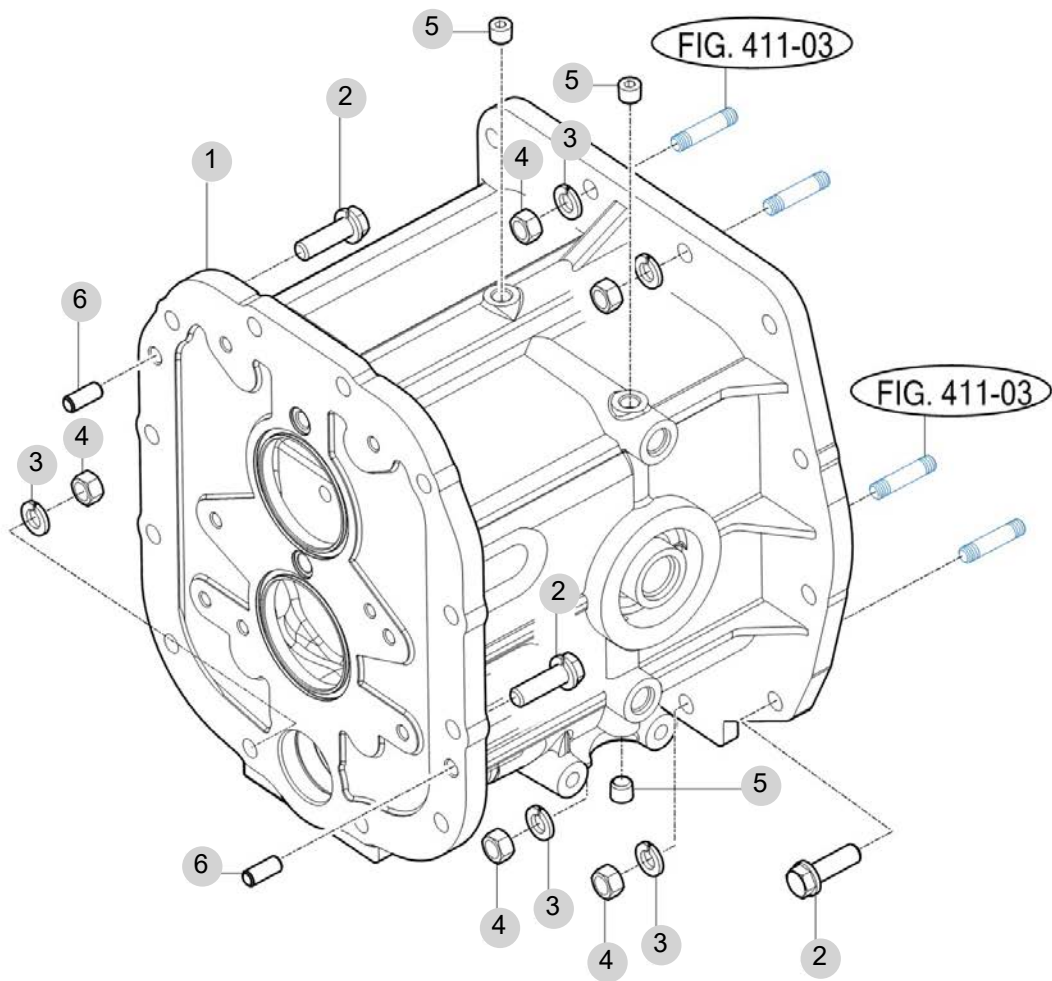
FIG 403

T355NHEU

MID CASE

년/월  
Year/Month

2022-12



NOTE

| FIG 403<br>T355NHEU |   | MID CASE     |              |        |     |        |                   | 년/월<br>Year/Month |  |
|---------------------|---|--------------|--------------|--------|-----|--------|-------------------|-------------------|--|
|                     |   |              |              |        |     |        |                   | 2022-12           |  |
| KEY NO              |   | PART NO      | DESCRIPTION  | SPEC   | QTY | REPAIR | EFFECTIVE<br>DATE | REMARKS           |  |
| 403                 | 1 | 12382200011M | 미드 트랜스미션 케이스 |        | 1   |        |                   |                   |  |
| 403                 | 2 | V2173612040  | 소형육각볼트보통(S)  | M12X40 | 18  |        |                   |                   |  |
| 403                 | 3 | V4011600120  | 스프링와셔        | M12    | 6   |        |                   |                   |  |
| 403                 | 4 | V3043600120  | 소형육각너트보통2종   | M12    | 6   |        |                   |                   |  |
| 403                 | 5 | V7801000004  | 플러그(육각구멍테이퍼) |        | 3   |        |                   |                   |  |
| 403                 | 6 | V5201010022  | 평행핀(A)       | 10X22  | 2   |        |                   |                   |  |
|                     |   |              |              |        |     |        |                   |                   |  |
|                     |   |              |              |        |     |        |                   |                   |  |
|                     |   |              |              |        |     |        |                   |                   |  |
|                     |   |              |              |        |     |        |                   |                   |  |
|                     |   |              |              |        |     |        |                   |                   |  |
|                     |   |              |              |        |     |        |                   |                   |  |
|                     |   |              |              |        |     |        |                   |                   |  |
|                     |   |              |              |        |     |        |                   |                   |  |
|                     |   |              |              |        |     |        |                   |                   |  |
|                     |   |              |              |        |     |        |                   |                   |  |
|                     |   |              |              |        |     |        |                   |                   |  |
|                     |   |              |              |        |     |        |                   |                   |  |
|                     |   |              |              |        |     |        |                   |                   |  |
|                     |   |              |              |        |     |        |                   |                   |  |
|                     |   |              |              |        |     |        |                   |                   |  |
|                     |   |              |              |        |     |        |                   |                   |  |
|                     |   |              |              |        |     |        |                   |                   |  |
|                     |   |              |              |        |     |        |                   |                   |  |
|                     |   |              |              |        |     |        |                   |                   |  |
|                     |   |              |              |        |     |        |                   |                   |  |
|                     |   |              |              |        |     |        |                   |                   |  |
|                     |   |              |              |        |     |        |                   |                   |  |
|                     |   |              |              |        |     |        |                   |                   |  |
|                     |   |              |              |        |     |        |                   |                   |  |
|                     |   |              |              |        |     |        |                   |                   |  |
|                     |   |              |              |        |     |        |                   |                   |  |
|                     |   |              |              |        |     |        |                   |                   |  |
|                     |   |              |              |        |     |        |                   |                   |  |
|                     |   |              |              |        |     |        |                   |                   |  |
| NOTE                |   |              |              |        |     |        |                   |                   |  |

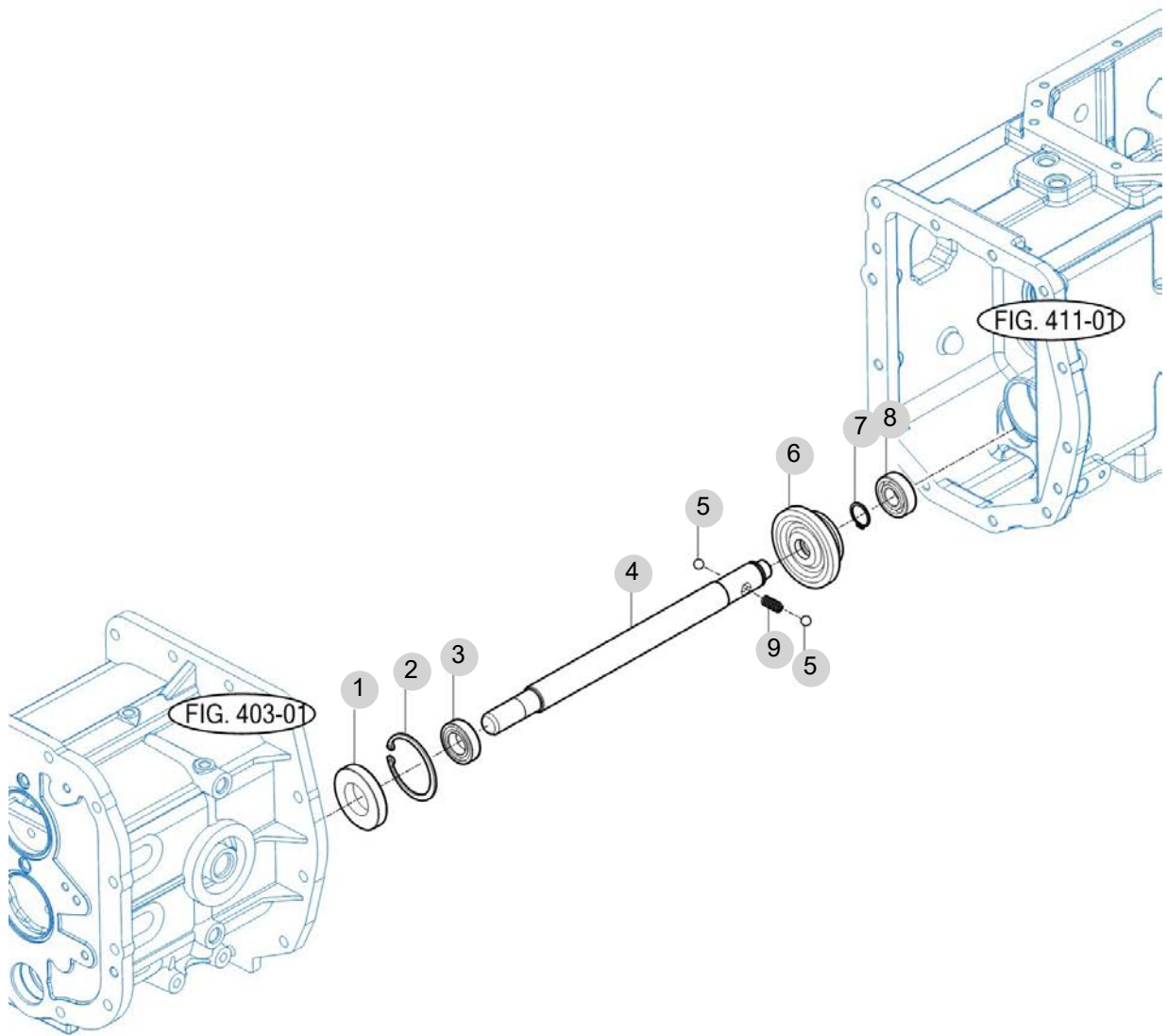
FIG 404

T355NHEU

4WD DRIVE GEAR

년/월  
Year/Month

2022-12



NOTE



| FIG 404  |   | 4WD DRIVE GEAR |               |             |      |     |        | 년/월            |         |
|----------|---|----------------|---------------|-------------|------|-----|--------|----------------|---------|
|          |   |                |               |             |      |     |        | Year/Month     |         |
| T355NHEU |   | KEY NO         | PART NO       | DESCRIPTION | SPEC | QTY | REPAIR | EFFECTIVE DATE | REMARKS |
| 404      | 1 | V7441254708    | 오일살(D)        | D25478      | 1    |     |        |                |         |
| 404      | 2 | V7051400470    | C형멈춤링(구멍용)    | 47          | 1    |     |        |                |         |
| 404      | 3 | V6001106005    | 볼베어링          | 6005        | 1    |     |        |                |         |
| 404      | 4 | 12382610040    | 4륜 구동축        |             | 1    |     |        |                |         |
| 404      | 5 | V6802000010    | 강구            | 5/16        | 2    |     |        |                |         |
| 404      | 6 | 16702610023    | 4륜구동기어(스퍼/28) |             | 1    |     |        |                |         |
| 404      | 7 | V7041400280    | C형멈춤링(축용)     | Ø28         | 1    |     |        |                |         |
| 404      | 8 | V6001106204    | 볼베어링          | 6204        | 1    |     |        |                |         |
| 404      | 9 | 13022250030    | 시프터스프링        |             | 1    |     |        |                |         |
|          |   |                |               |             |      |     |        |                |         |
|          |   |                |               |             |      |     |        |                |         |
|          |   |                |               |             |      |     |        |                |         |
|          |   |                |               |             |      |     |        |                |         |
|          |   |                |               |             |      |     |        |                |         |
|          |   |                |               |             |      |     |        |                |         |
|          |   |                |               |             |      |     |        |                |         |
|          |   |                |               |             |      |     |        |                |         |
|          |   |                |               |             |      |     |        |                |         |
|          |   |                |               |             |      |     |        |                |         |
|          |   |                |               |             |      |     |        |                |         |
|          |   |                |               |             |      |     |        |                |         |
|          |   |                |               |             |      |     |        |                |         |
|          |   |                |               |             |      |     |        |                |         |
|          |   |                |               |             |      |     |        |                |         |
|          |   |                |               |             |      |     |        |                |         |
|          |   |                |               |             |      |     |        |                |         |
|          |   |                |               |             |      |     |        |                |         |
|          |   |                |               |             |      |     |        |                |         |
|          |   |                |               |             |      |     |        |                |         |
|          |   |                |               |             |      |     |        |                |         |
|          |   |                |               |             |      |     |        |                |         |
|          |   |                |               |             |      |     |        |                |         |
|          |   |                |               |             |      |     |        |                |         |
|          |   |                |               |             |      |     |        |                |         |
|          |   |                |               |             |      |     |        |                |         |
|          |   |                |               |             |      |     |        |                |         |
|          |   |                |               |             |      |     |        |                |         |
|          |   |                |               |             |      |     |        |                |         |
|          |   |                |               |             |      |     |        |                |         |
| NOTE     |   |                |               |             |      |     |        |                |         |

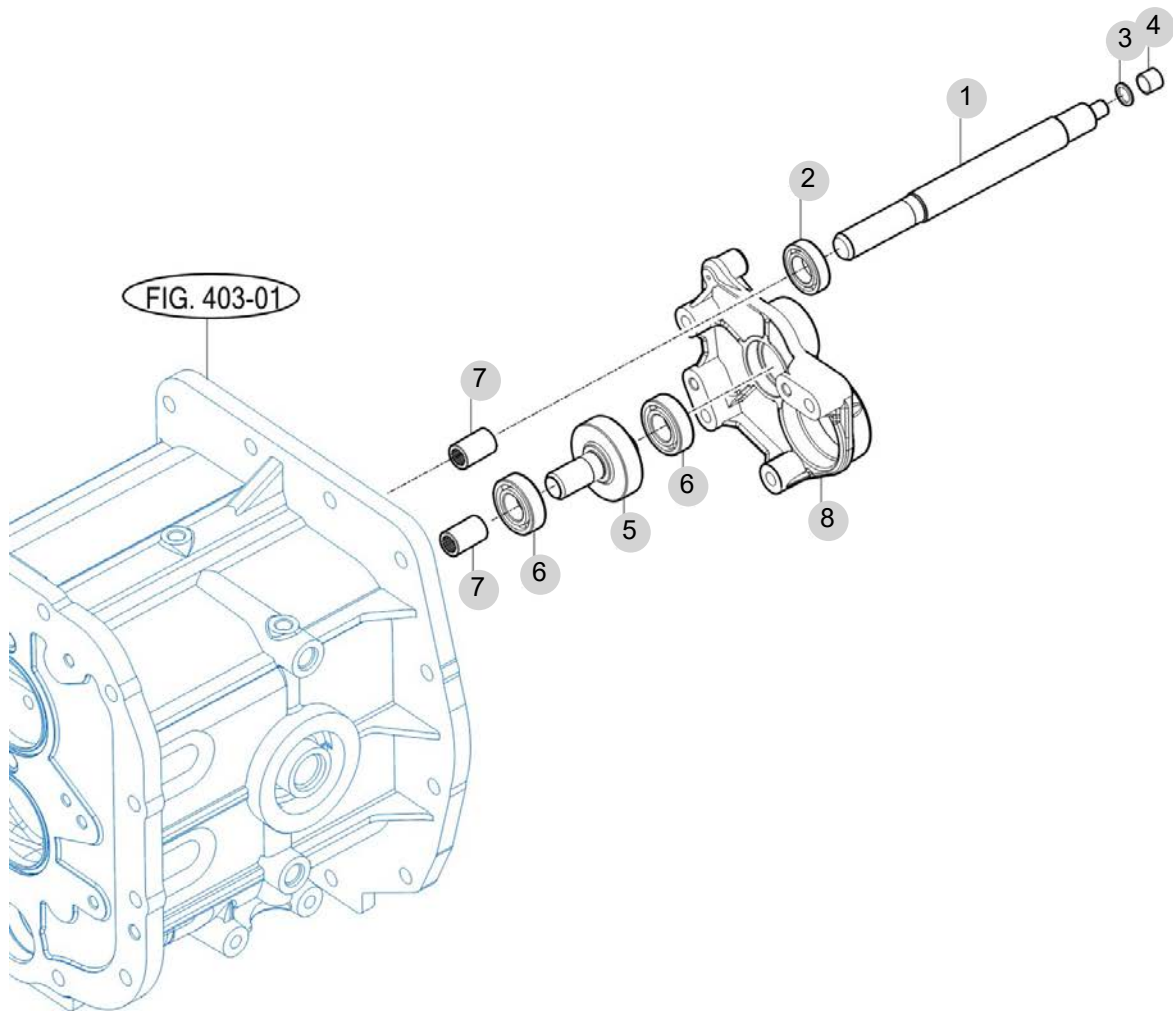
FIG 405

T355NHEU

INPUT GEAR

년/월  
Year/Month

2022-12



NOTE



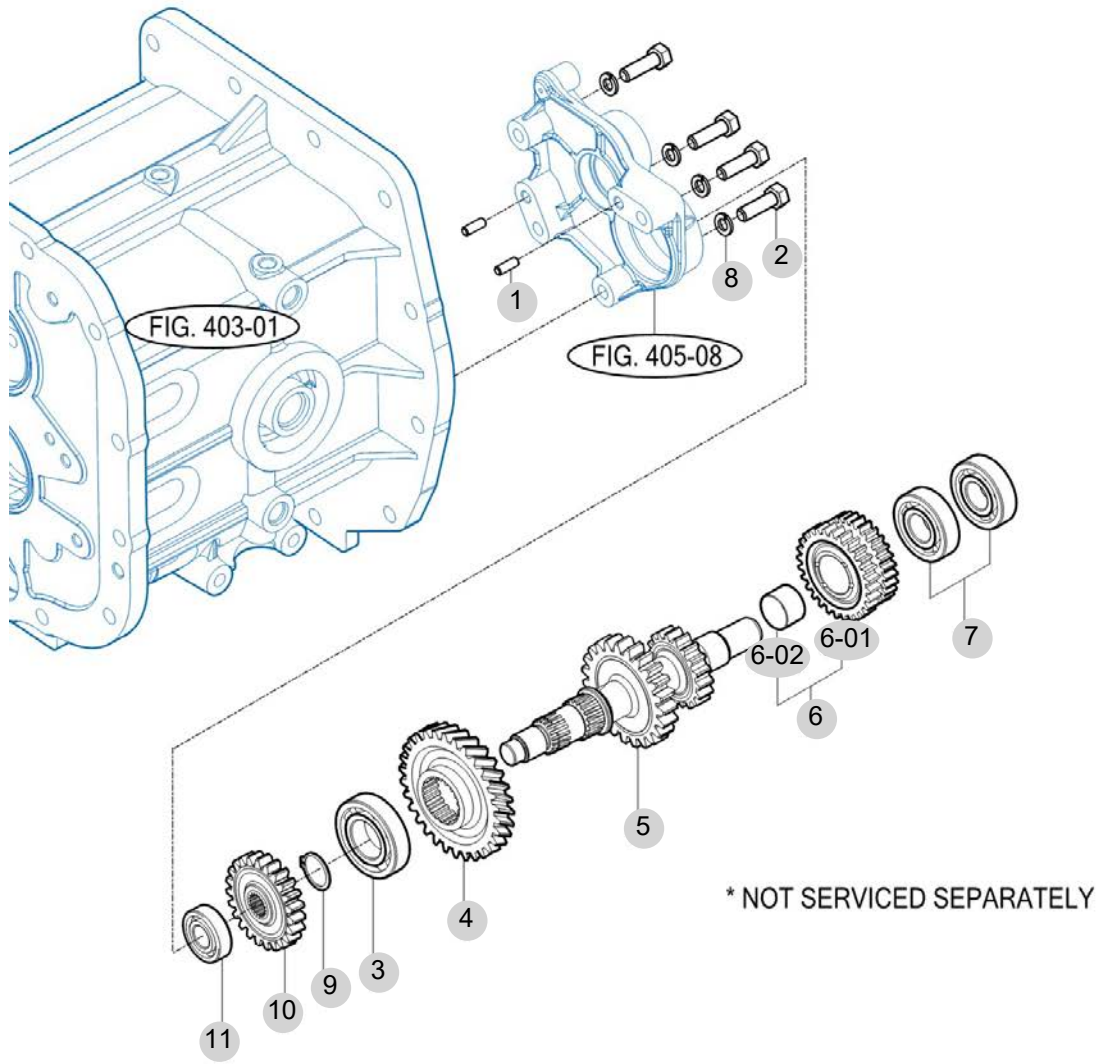
FIG 406

T355NHEU

SUB CHANGE GEARS

년/월  
Year/Month

2022-12



2538NH-E-406

NOTE



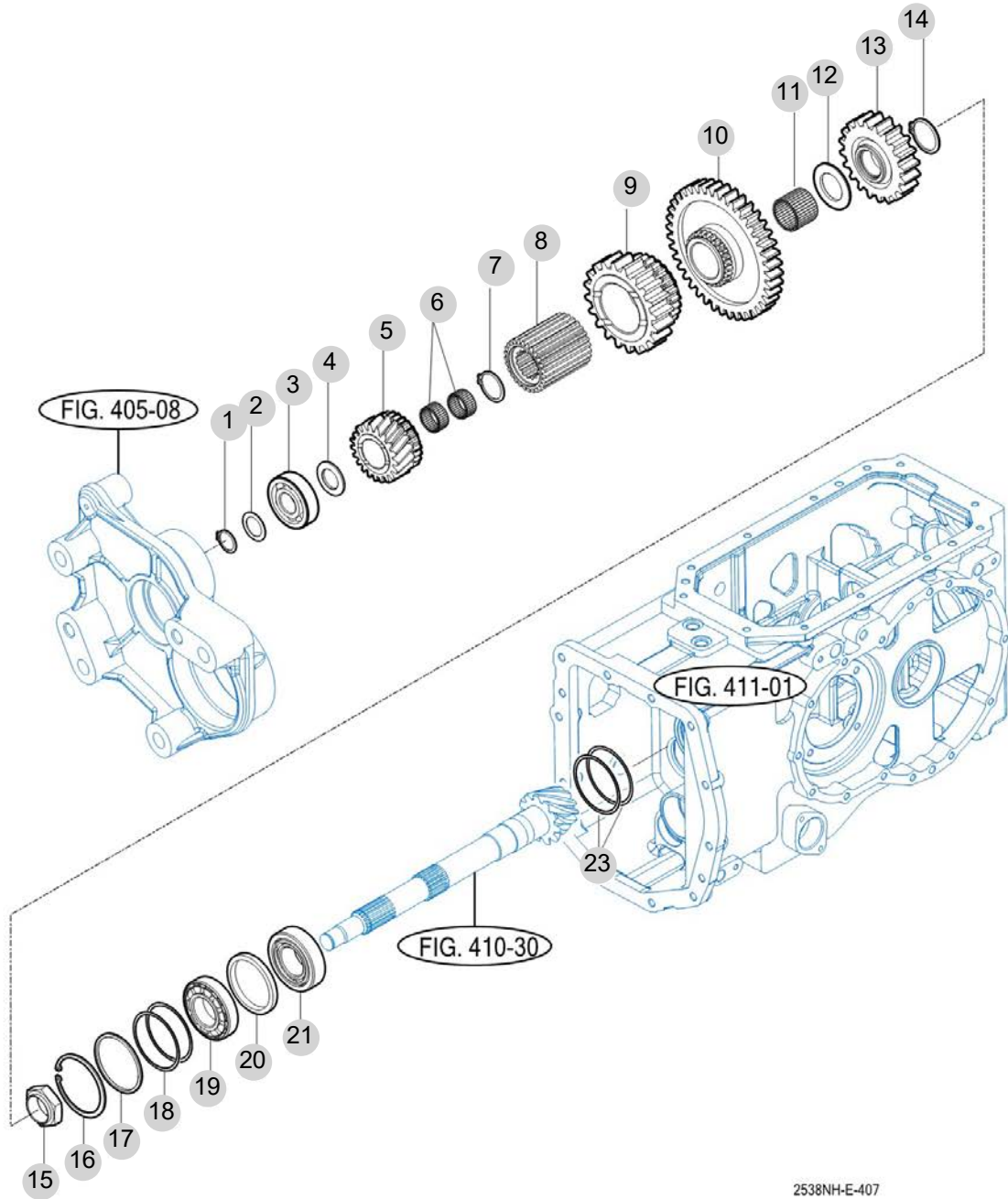
FIG 407

T355NHEU

PINION GEARS

년/월  
Year/Month

2022-12



2538NH-E-407

NOTE



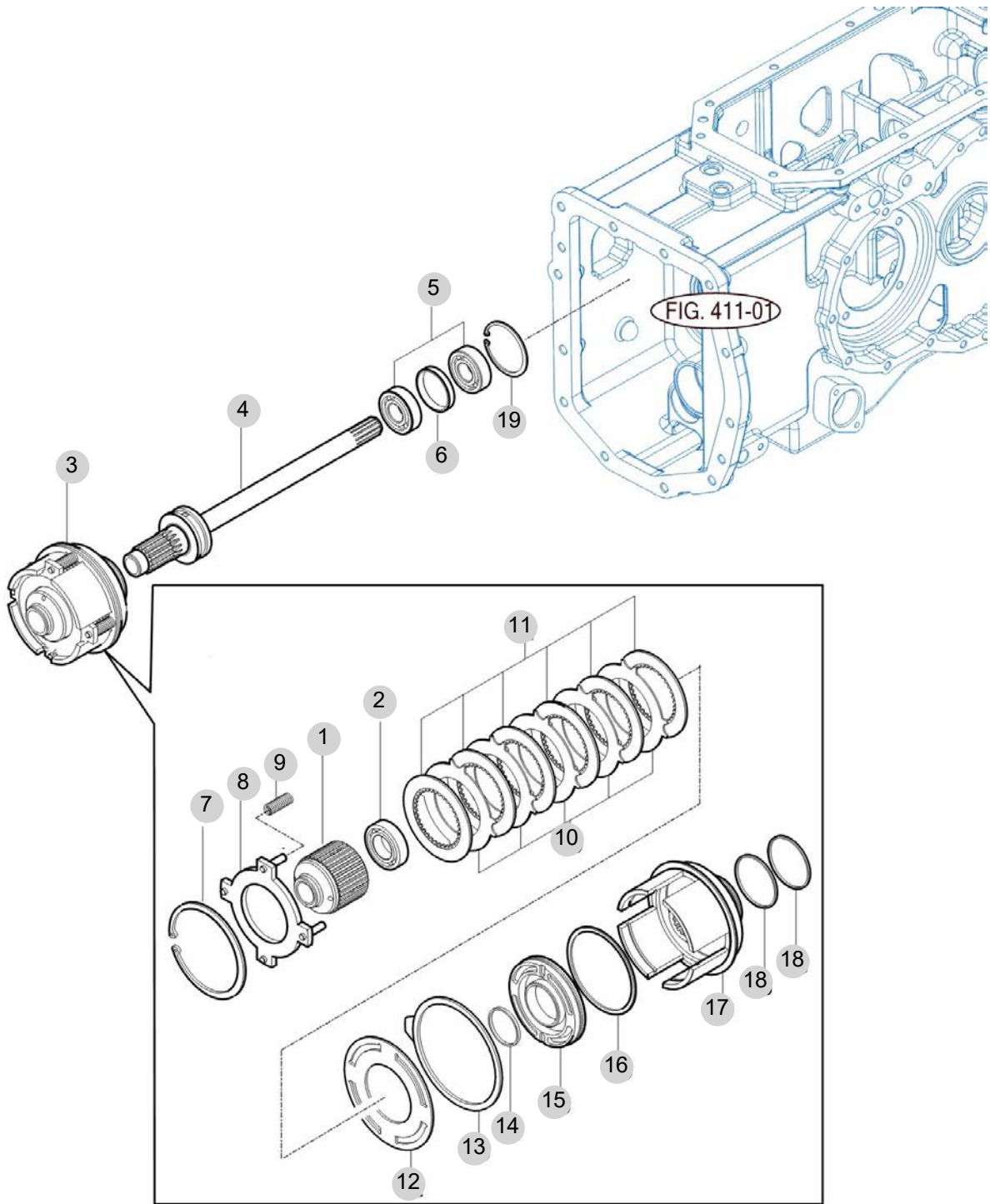
FIG 408

T355NHEU

PTO DRIVE SHAFT

년/월  
Year/Month

2022-12



T303/353NC-E-408

NOTE



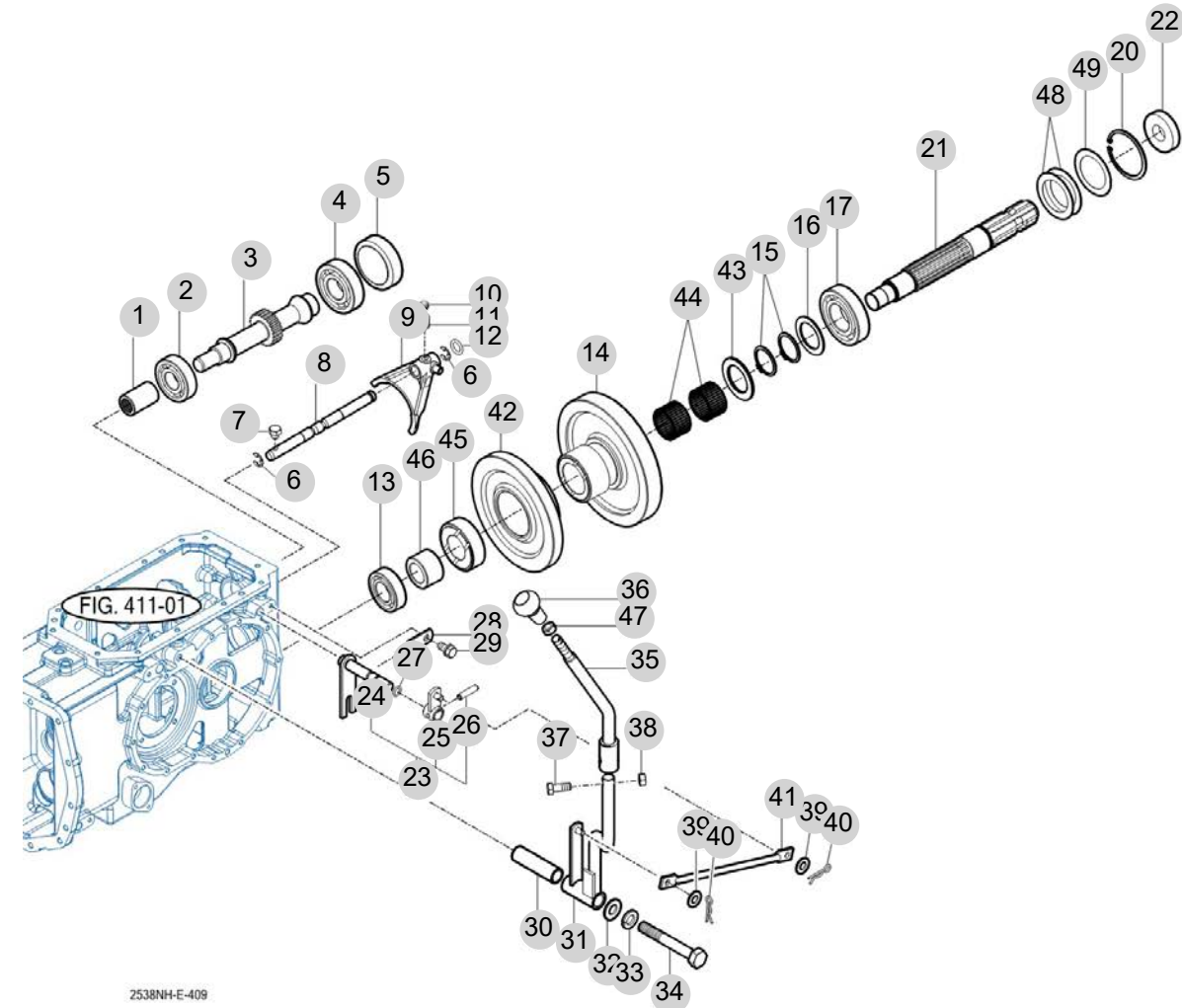


FIG 409

PTO CHANGE GEARS

년/월  
Year/Month

2022-12



NOTE

| FIG 409  |    | PTO CHANGE GEARS |                |             |      |     | 년/월<br>Year/Month |                |         |
|----------|----|------------------|----------------|-------------|------|-----|-------------------|----------------|---------|
|          |    |                  |                |             |      |     | 2022-12           |                |         |
| T355NHEU |    | KEY NO           | PART NO        | DESCRIPTION | SPEC | QTY | REPAIR            | EFFECTIVE DATE | REMARKS |
| 409      | 1  | 14211340190      | 커플링            |             |      | 1   |                   |                |         |
| 409      | 2  | V6001106305      | 볼베어링           | 6305        |      | 1   |                   |                |         |
| 409      | 3  | 12352543530      | PTO 카운트 축      |             |      | 1   |                   |                |         |
| 409      | 4  | V6001106306      | 볼베어링           | 6306        |      | 1   |                   |                |         |
| 409      | 5  | 14254330180      | 캡(72)          |             |      | 1   |                   |                |         |
| 409      | 6  | V7081400100      | E형멈춤링          | Ø10         |      | 2   |                   |                |         |
| 409      | 7  | 15602231610      | 볼트(셋트/M8X16)   |             |      | 1   |                   |                |         |
| 409      | 8  | 12382540020      | PTO 스테이        |             |      | 1   |                   |                |         |
| 409      | 9  | 16702540011M     | 포크(PTO)        |             |      | 1   |                   |                |         |
| 409      | 10 | V6802000010      | 강구             | 5/16        |      | 1   |                   |                |         |
| 409      | 11 | 13022250030      | 시프터스프링         |             |      | 1   |                   |                |         |
| 409      | 12 | V7201024010      | O링(P)          | P10         |      | 1   |                   |                |         |
| 409      | 13 | V6001106205      | 볼베어링           | 6205        |      | 1   |                   |                |         |
| 409      | 14 | 12352530020      | PTO 기어(54)     |             |      | 1   |                   |                |         |
| 409      | 15 | V7041400350      | C형멈춤링(축용)      | Ø35         |      | 2   |                   |                |         |
| 409      | 16 | 14443140041      | 칼라(35X50X2)    |             |      | 1   |                   |                |         |
| 409      | 17 | V6001106207      | 볼베어링           | 6207        |      | 1   |                   |                |         |
| 409      | 20 | V7051400720      | C형멈춤링(구멍용)     | Ø72         |      | 1   |                   |                |         |
| 409      | 21 | 12382530010      | PTO 샤프트        |             |      | 1   |                   |                |         |
| 409      | 22 | 16322732000      | 씰(오일) ASSY     |             |      | 1   |                   |                |         |
| 409      | 23 | 16702555102      | 리어 PTO 후크 SET  |             |      | 1   |                   |                |         |
| 409      | 24 | 16702542102      | 리어 PTO 후크 COMP |             |      | 1   |                   |                |         |
| 409      | 25 | 16702432201      | 암(부변속) COMP    |             |      | 1   |                   |                |         |
| 409      | 26 | V5801406025      | 스프링핀           | 6X25        |      | 1   |                   |                |         |
| 409      | 27 | V7201024012      | O링(P)          | P12         |      | 1   |                   |                |         |
| 409      | 28 | 16702230371      | 플레이트           |             |      | 1   |                   |                |         |
| 409      | 29 | V2173608016      | 소형육각볼트보통(S)    | M8X16       |      | 1   |                   |                |         |
| 409      | 30 | 16702440070      | 허브(13X17X61)   |             |      | 1   |                   |                |         |
| 409      | 31 | 16702552103      | PTO 레버 ,하 COMP |             |      | 1   |                   |                |         |
| 409      | 32 | V4111600120      | 평와셔            | M12         |      | 1   |                   |                |         |
| 409      | 33 | V4011600120      | 스프링와셔          | M12         |      | 1   |                   |                |         |
| 409      | 34 | V2013612085      | 소형육각볼트(보통)     | M12X85      |      | 1   |                   |                |         |
| 409      | 35 | 16702552202GB    | PTO레버(상)COMP   |             |      | 1   |                   |                |         |
| 409      | 36 | 16992190102      | 그립(PTO)        |             |      | 1   |                   |                |         |
| 409      | 36 | 19682190100      | 그립(PTO)        |             |      | 1   |                   |                |         |
| 409      | 37 | V2013608035      | 소형육각볼트(보통)     | M8X35       |      | 1   |                   |                |         |
| 409      | 38 | V3042600080      | 소형육각너트보통2종     | M8          |      | 1   |                   |                |         |
| 409      | 39 | V4111600080      | 평와셔            | M8          |      | 2   |                   |                |         |
| 409      | 40 | V5601600008      | 스냅핀            | 8           |      | 2   |                   |                |         |
| 409      | 41 | 16702553100      | 로드(236)        |             |      | 1   |                   |                |         |
| 409      | 42 | 12382530030      | 스퍼 기어(41)      |             |      | 1   |                   |                |         |
| 409      | 43 | 15642730082      | 와셔(35X55X03)   | D=55        |      | 1   |                   |                |         |
| 409      | 44 | V6544354026      | 니들베어링(케이지)     |             |      | 2   |                   |                |         |
| 409      | 45 | 15642730052      | 허브(35X62X20)   |             |      | 1   |                   |                |         |
| 409      | 46 | 12382530040      | 와셔(25X40X26)   | D=40        |      | 1   |                   |                |         |
| NOTE     |    |                  |                |             |      |     |                   |                |         |



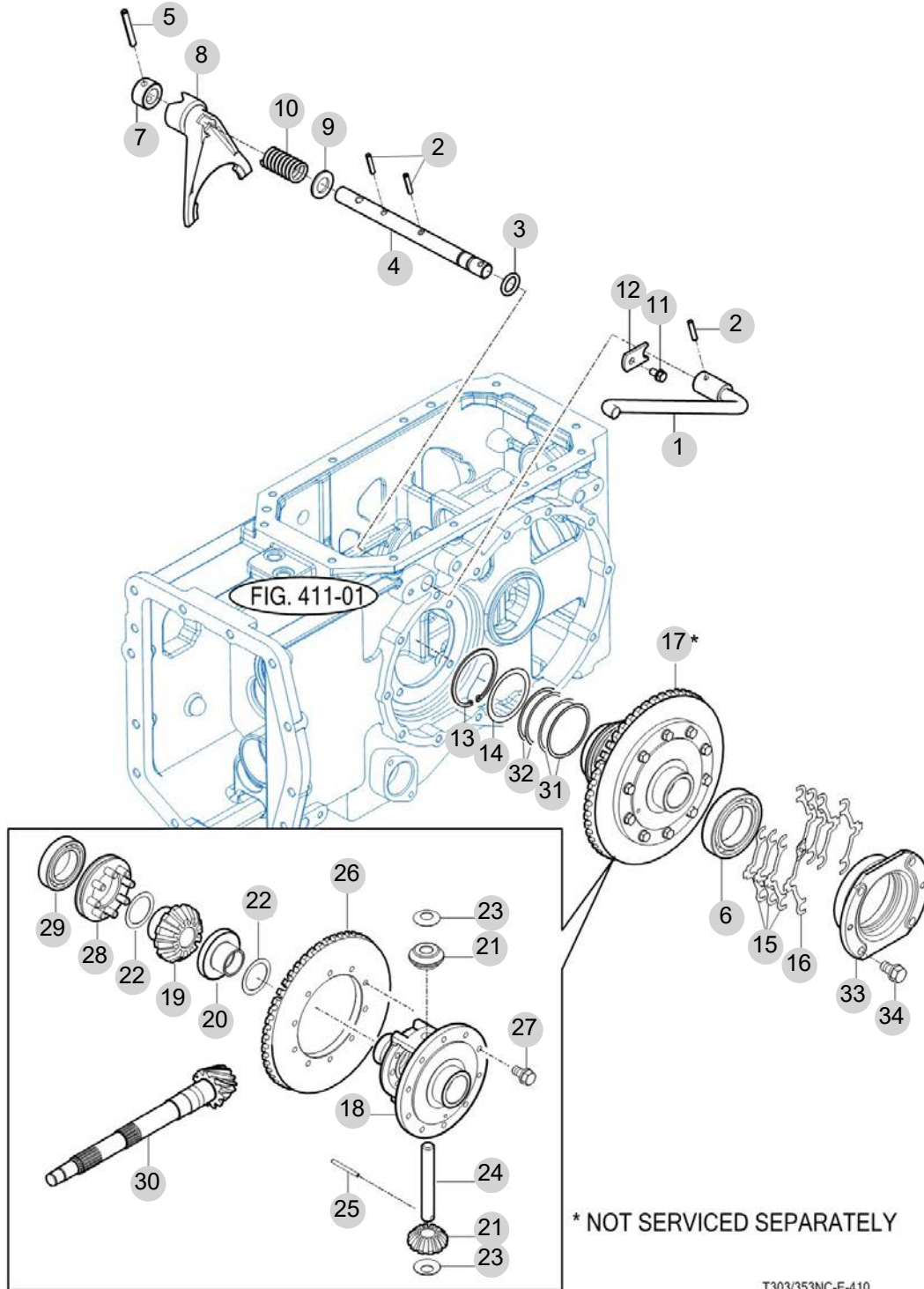
FIG 410

T355NHEU

DIFF LOCK

년/월  
Year/Month

2022-12



\* NOT SERVICED SEPARATELY

T303/353NC-E-410

NOTE



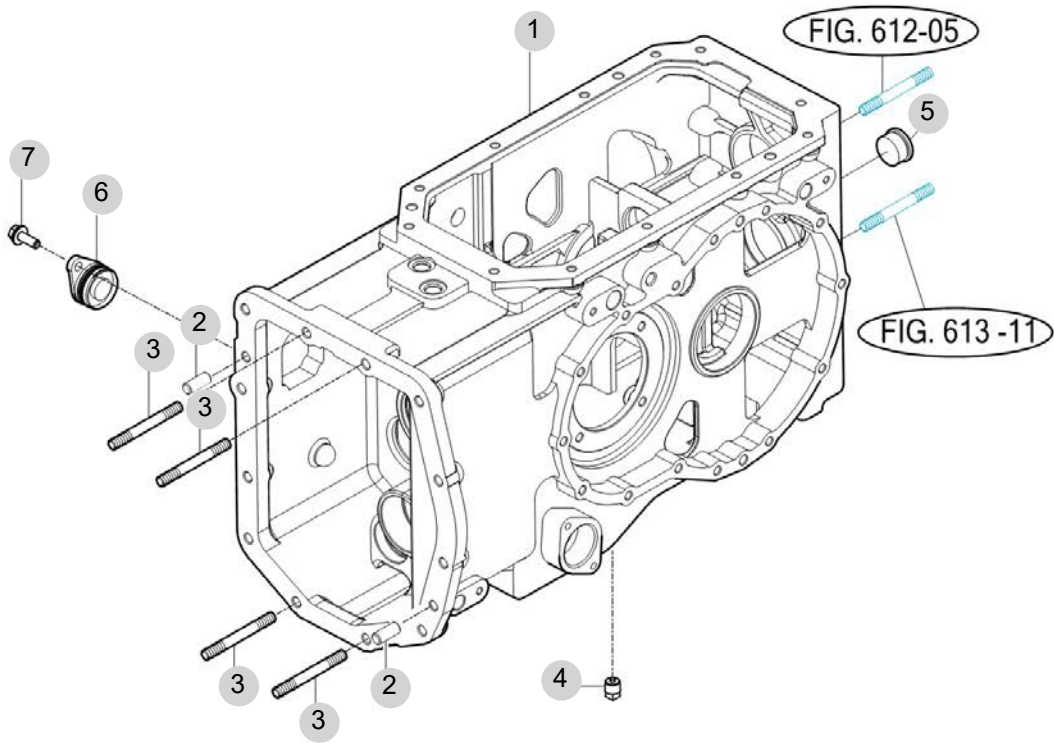
FIG 411

T355NHEU

TRANSMISSION REAR CASE

년/월  
Year/Month

2022-12



T394NH-E-411

NOTE





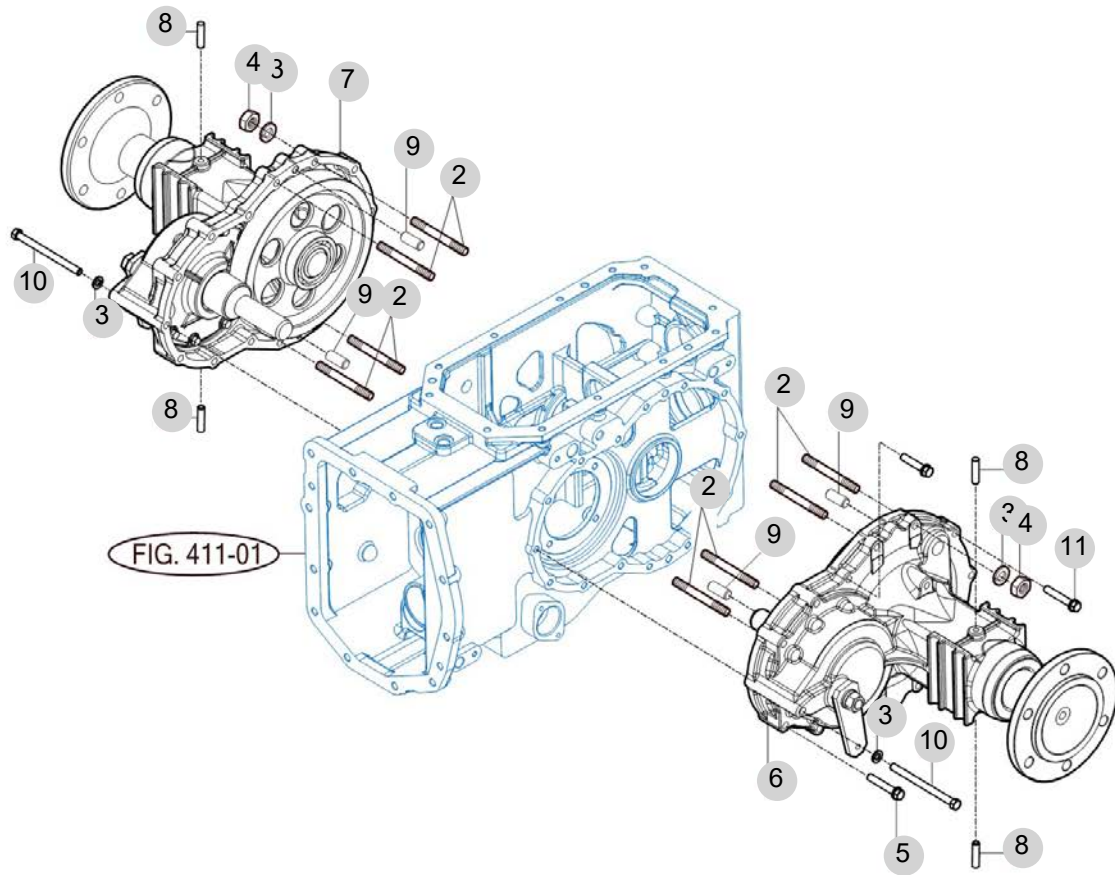
FIG 412

T355NHEU

REAR AXLE HOUSINGS (1)

년/월  
Year/Month

2022-12



2538NH-E-412

NOTE



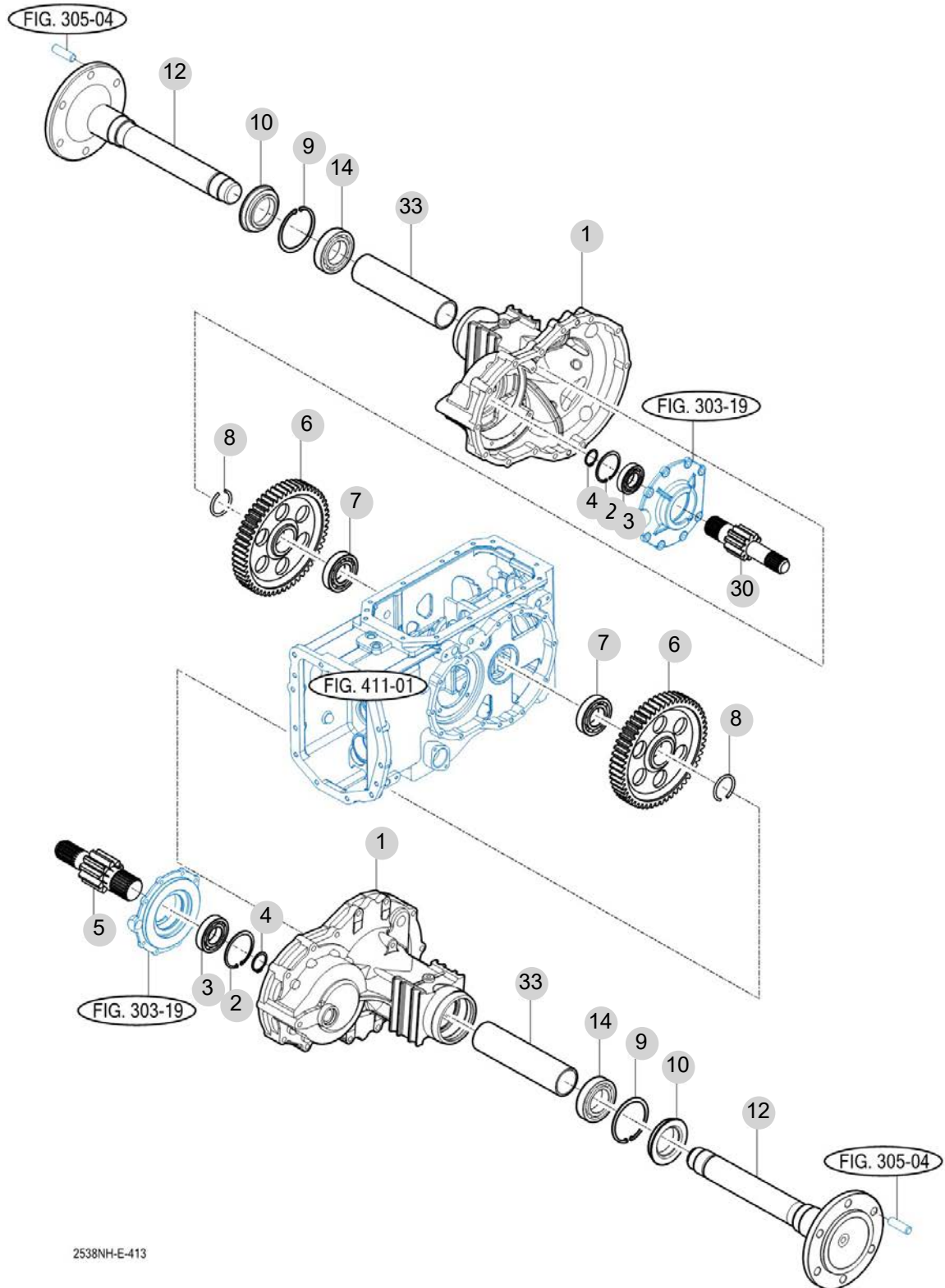
FIG 413

T355NHEU

REAR AXLE HOUSINGS (2)

년/월  
Year/Month

2022-12



2538NH-E-413

NOTE



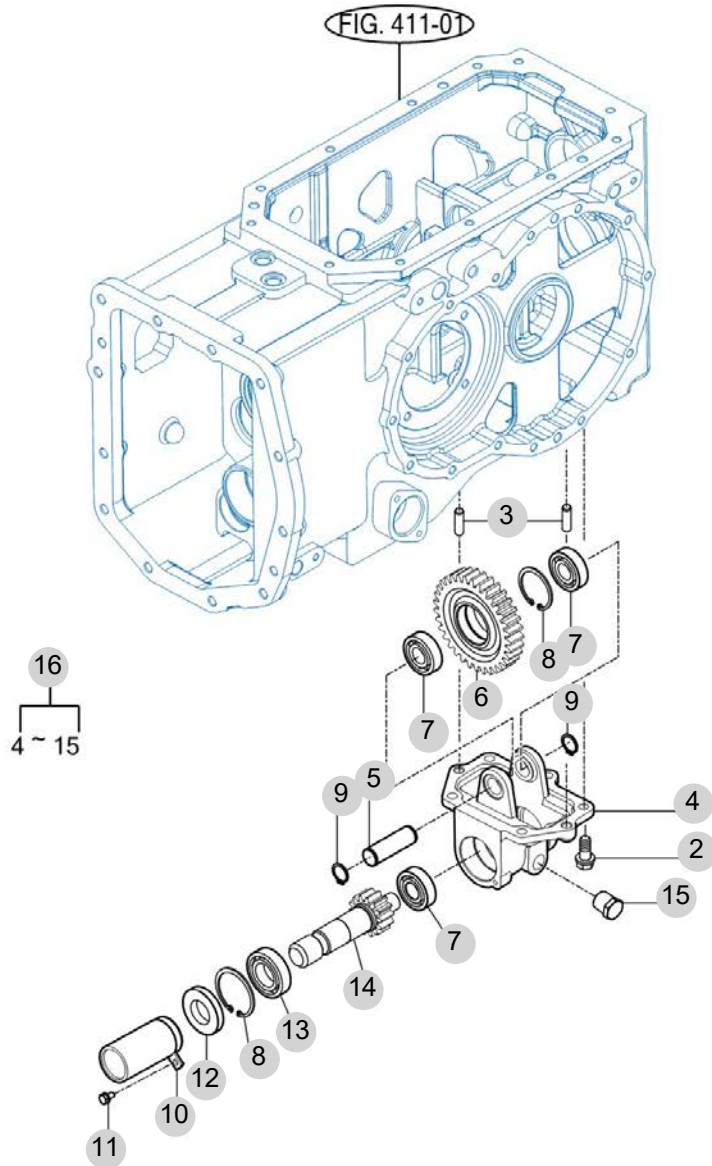
FIG 414

MID P.T.O GEARS

년/월  
Year/Month

2022-12

T355NHEU



393NH-E-414

NOTE



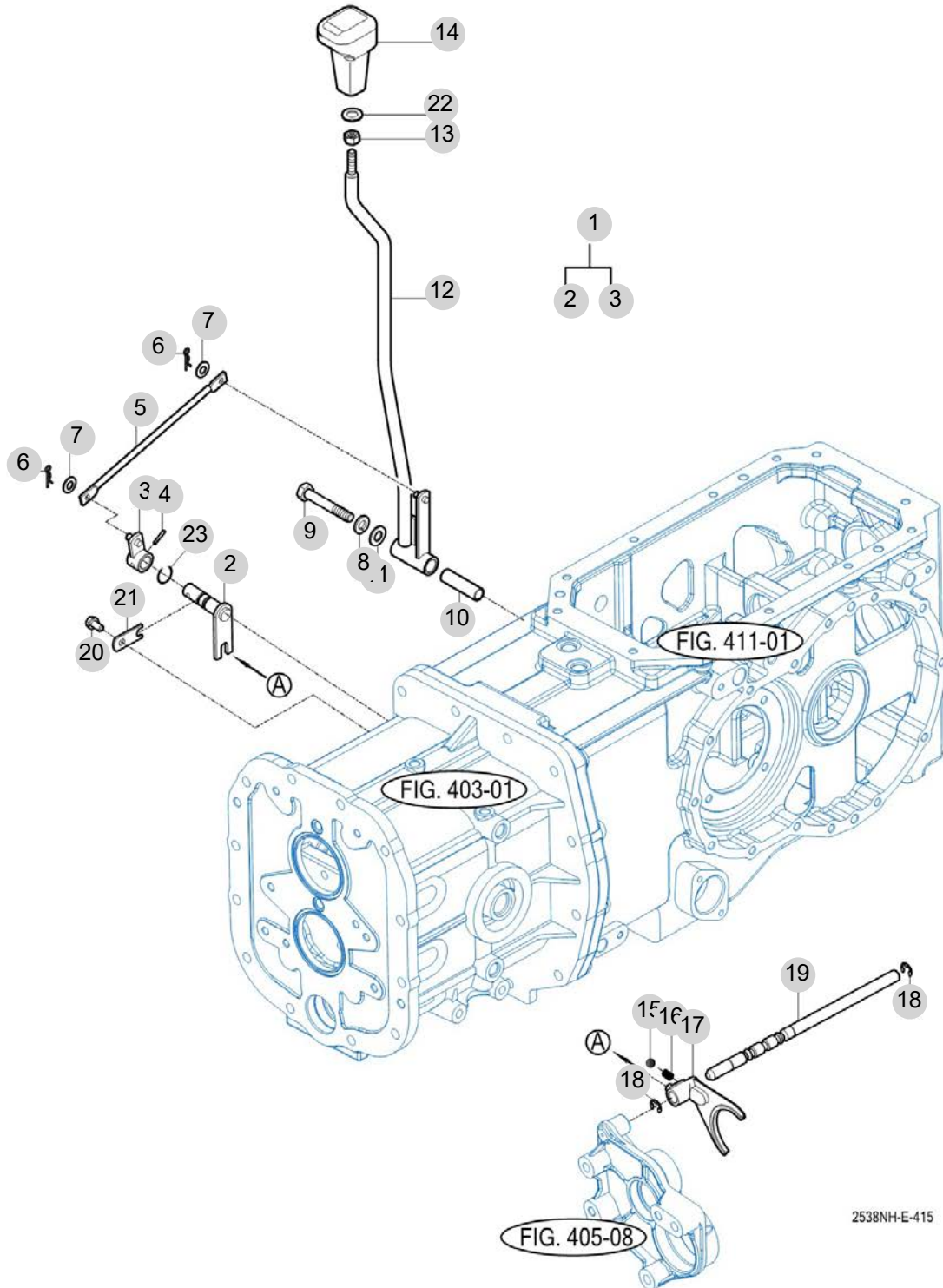
FIG 415

T355NHEU

SUB CHANGE LEVER

년/월  
Year/Month

2022-12



NOTE





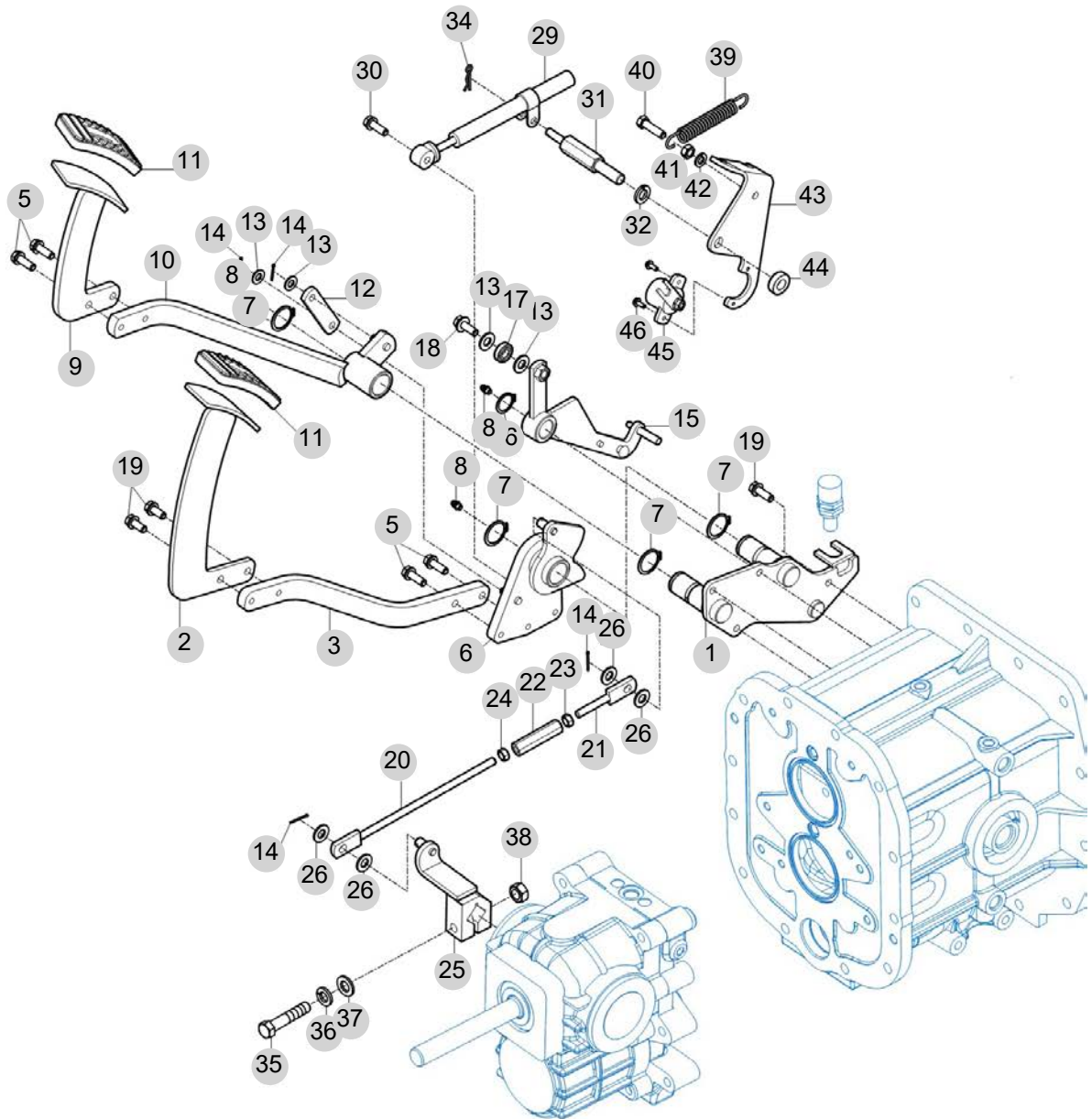
FIG 416

FORWARD & REVERSE CONTROL LINKAGE

년/월  
Year/Month

2022-12

T355NHEU



NOTE

| FIG 416  |    | FORWARD & REVERSE CONTROL LINKAGE |                 |             |      |     | 년/월<br>Year/Month |                |         |
|----------|----|-----------------------------------|-----------------|-------------|------|-----|-------------------|----------------|---------|
|          |    |                                   |                 |             |      |     | 2022-12           |                |         |
| T355NHEU |    | KEY NO                            | PART NO         | DESCRIPTION | SPEC | QTY | REPAIR            | EFFECTIVE DATE | REMARKS |
| 416      | 1  | 12382313201                       | HST 페달 브래킷 COMP |             |      | 1   |                   |                |         |
| 416      | 2  | 14722312703GB                     | 페달(전진) COMP     |             |      | 1   |                   |                |         |
| 416      | 3  | 14722310052                       | 전진 플레이트         |             |      | 1   |                   |                |         |
| 416      | 5  | V2173608025                       | 소형육각볼트보통(S)     | M8X25       |      | 4   |                   |                |         |
| 416      | 6  | 12382312300                       | 전진 암 COMP       |             |      | 1   |                   |                |         |
| 416      | 7  | V7041400250                       | C형멈춤링(축용)       | 25          |      | 4   |                   |                |         |
| 416      | 8  | V7601500000                       | 그리스니플(A-M6F)    |             |      | 3   |                   |                |         |
| 416      | 9  | 14722312802GB                     | 페달(후진) COMP     |             |      | 1   |                   |                |         |
| 416      | 10 | 14722312603                       | 암(후진) COMP      |             |      | 1   |                   |                |         |
| 416      | 11 | 14722312730                       | 패드              |             |      | 2   |                   |                |         |
| 416      | 12 | 14722310023                       | 플레이트(후진)        |             |      | 1   |                   |                |         |
| 416      | 13 | V4111600080                       | 평와셔             | M8          |      | 4   |                   |                |         |
| 416      | 14 | V5001920020                       | 분할핀             | 2X20        |      | 4   |                   |                |         |
| 416      | 15 | 10532312600                       |                 |             |      | 1   |                   |                |         |
| 416      | 15 | 10532312601                       | 캠 팔로어 암 COMP    |             |      | 1   |                   |                |         |
| 416      | 16 | V7041400200                       | C형멈춤링(축용)       |             |      | 1   |                   |                |         |
| 416      | 17 | 14722310060                       | 볼베어링(608DD)     |             |      | 1   |                   |                |         |
| 416      | 18 | V2183608025                       | 소형육각볼트보통(SP)    | M8X25       |      | 1   |                   |                |         |
| 416      | 19 | V2173608025                       | 소형육각볼트보통(S)     | M8X25       |      | 6   |                   |                |         |
| 416      | 20 | 12382325100                       | 로드 COMP(LH)     |             |      | 1   |                   |                |         |
| 416      | 21 | 11102325200                       | 로드 COMP(RH)     |             |      | 1   |                   |                |         |
| 416      | 22 | 16601220020                       | 터언버클(M8,60)     |             |      | 1   |                   |                |         |
| 416      | 23 | V3042600080                       | 소형육각너트보통2종      | M8          |      | 1   |                   |                |         |
| 416      | 24 | 15601320073                       | 육각너트(SM,LH,M8)  |             |      | 1   |                   |                |         |
| 416      | 25 | 12382312101                       | 홀더 브래킷 COMP     |             |      | 1   |                   |                |         |
| 416      | 26 | V4111600100                       | 평와셔             | M10         |      | 4   |                   |                |         |
| 416      | 29 | 14722312401                       | 오일 댐퍼           |             |      | 1   |                   |                |         |
| 416      | 30 | V2183608035                       | 소형육각볼트보통(SP)    | M8X35       |      | 1   |                   |                |         |
| 416      | 31 | 10532310090                       | 오일 댐퍼 핀         |             |      | 1   |                   |                |         |
| 416      | 32 | V4011600120                       | 스프링와셔           | M12         |      | 1   |                   |                |         |
| 416      | 34 | V5601600008                       | 스냅핀             |             |      | 1   |                   |                |         |
| 416      | 35 | V2173610055                       | 소형육각볼트보통(S)     | M10X55      |      | 1   |                   |                |         |
| 416      | 36 | V4011600100                       | 스프링와셔           | M10         |      | 1   |                   |                |         |
| 416      | 37 | V4111600100                       | 평와셔             | M10         |      | 1   |                   |                |         |
| 416      | 38 | V3043600100                       | 소형육각너트보통2종      | M10         |      | 1   |                   |                |         |
| 416      | 39 | 14722310033                       | 스프링(리턴)         |             |      | 1   |                   |                |         |
| 416      | 40 | V2013608035                       | 소형육각볼트(보통)      | M8X35       |      | 1   |                   |                |         |
| 416      | 41 | V3042600080                       | 소형육각너트보통2종      | M8          |      | 1   |                   |                |         |
| 416      | 42 | V4011600080                       | 스프링와셔           |             |      | 1   |                   |                |         |
| 416      | 43 | 10531163810                       | 브래킷 , P         |             |      | 1   |                   |                |         |
| 416      | 44 | 10532310080                       | 칼라, 12X24X8     |             |      | 1   |                   |                |         |
| 416      | 45 | 14545300020                       | 포텐서미터 ASSY      |             |      | 1   |                   |                |         |
| 416      | 46 | V1222604012                       | 심자흡냄비작은나사(SP)   | M4X12       |      | 2   |                   |                |         |
|          |    |                                   |                 |             |      |     |                   |                |         |
|          |    |                                   |                 |             |      |     |                   |                |         |
| NOTE     |    |                                   |                 |             |      |     |                   |                |         |

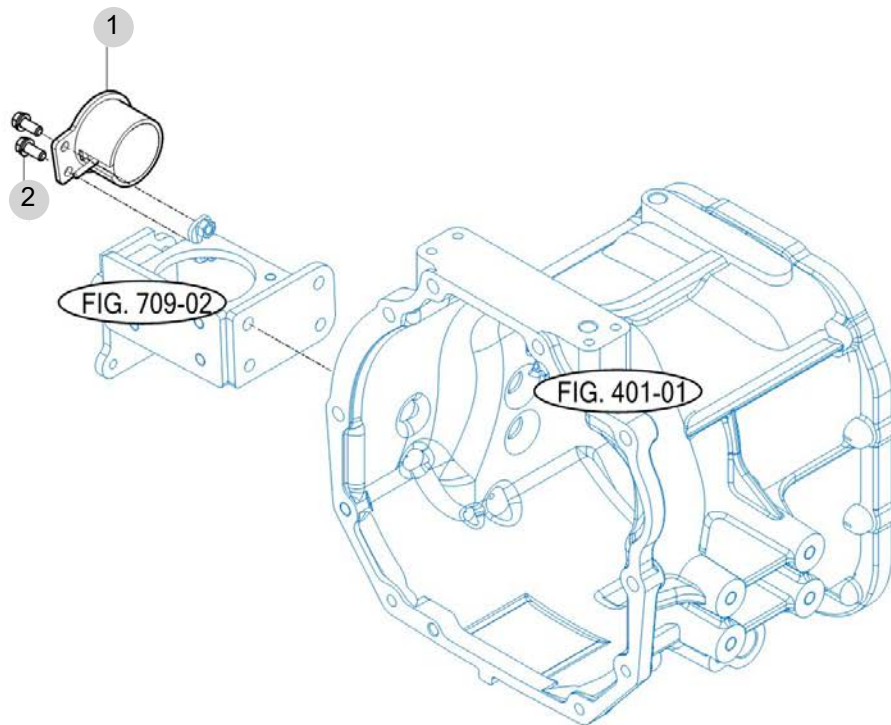
FIG 417

T355NHEU

CRUISE CONTROL

년/월  
Year/Month

2022-12



NOTE

| FIG 417  |         | CRUISE CONTROL |                   |       |        |                |         | 년/월<br>Year/Month |
|----------|---------|----------------|-------------------|-------|--------|----------------|---------|-------------------|
| T355NHEU |         |                |                   |       |        |                |         | 2022-12           |
| KEY NO   | PART NO | DESCRIPTION    | SPEC              | QTY   | REPAIR | EFFECTIVE DATE | REMARKS |                   |
| 417      | 3       | 12382323000    | 크루저 컨트롤 마그네틱 ASSY |       |        |                |         |                   |
| 417      | 3       | 12382323001    | 크루저 컨트롤 마그네틱 ASSY |       |        |                |         |                   |
| 417      | 4       | V2183608020    | 소형육각볼트보통(SP)      | M8X20 |        |                |         |                   |
|          |         |                |                   |       |        |                |         |                   |
|          |         |                |                   |       |        |                |         |                   |
|          |         |                |                   |       |        |                |         |                   |
|          |         |                |                   |       |        |                |         |                   |
|          |         |                |                   |       |        |                |         |                   |
|          |         |                |                   |       |        |                |         |                   |
|          |         |                |                   |       |        |                |         |                   |
|          |         |                |                   |       |        |                |         |                   |
|          |         |                |                   |       |        |                |         |                   |
|          |         |                |                   |       |        |                |         |                   |
|          |         |                |                   |       |        |                |         |                   |
|          |         |                |                   |       |        |                |         |                   |
|          |         |                |                   |       |        |                |         |                   |
|          |         |                |                   |       |        |                |         |                   |
|          |         |                |                   |       |        |                |         |                   |
|          |         |                |                   |       |        |                |         |                   |
|          |         |                |                   |       |        |                |         |                   |
|          |         |                |                   |       |        |                |         |                   |
|          |         |                |                   |       |        |                |         |                   |
|          |         |                |                   |       |        |                |         |                   |
|          |         |                |                   |       |        |                |         |                   |
|          |         |                |                   |       |        |                |         |                   |
|          |         |                |                   |       |        |                |         |                   |
|          |         |                |                   |       |        |                |         |                   |
|          |         |                |                   |       |        |                |         |                   |
|          |         |                |                   |       |        |                |         |                   |
|          |         |                |                   |       |        |                |         |                   |
|          |         |                |                   |       |        |                |         |                   |
|          |         |                |                   |       |        |                |         |                   |
|          |         |                |                   |       |        |                |         |                   |
|          |         |                |                   |       |        |                |         |                   |
|          |         |                |                   |       |        |                |         |                   |
|          |         |                |                   |       |        |                |         |                   |
|          |         |                |                   |       |        |                |         |                   |
|          |         |                |                   |       |        |                |         |                   |
|          |         |                |                   |       |        |                |         |                   |
|          |         |                |                   |       |        |                |         |                   |
|          |         |                |                   |       |        |                |         |                   |
| NOTE     |         |                |                   |       |        |                |         |                   |

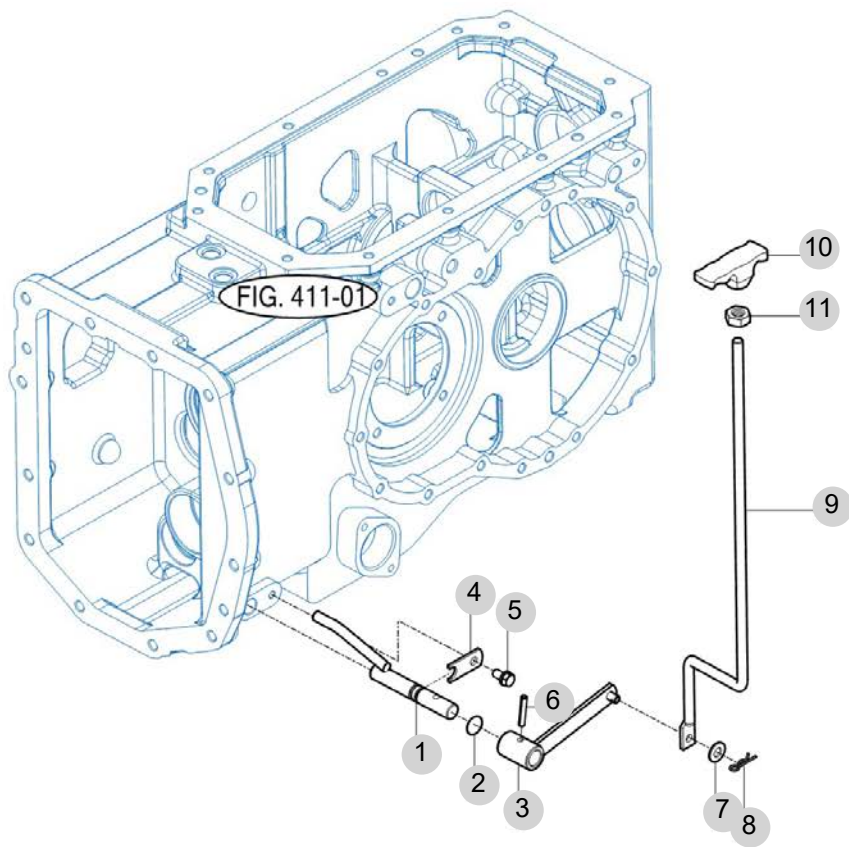
FIG 418

4WD CHANGE LEVER

년/월  
Year/Month

T355NHEU

2022-12



2538NH-K-418

NOTE

| FIG 418<br>T355NHEU |    | 4WD CHANGE LEVER |               |       |  |   |  | 년/월<br>Year/Month |         |             |      |
|---------------------|----|------------------|---------------|-------|--|---|--|-------------------|---------|-------------|------|
|                     |    |                  |               |       |  |   |  | 2022-12           |         |             |      |
|                     |    |                  |               |       |  |   |  | KEY NO            | PART NO | DESCRIPTION | SPEC |
| 418                 | 1  | 16703122103      | 시프터암(4WD)COMP |       |  | 1 |  |                   |         |             |      |
| 418                 | 2  | V7201024012      | O링(P)         | P12   |  | 1 |  |                   |         |             |      |
| 418                 | 3  | 16702622103      | 암COMP(4WD)    |       |  | 1 |  |                   |         |             |      |
| 418                 | 4  | 16702230371      | 플레이트          |       |  | 1 |  |                   |         |             |      |
| 418                 | 5  | V2173608016      | 소형육각볼트보통(S)   | M8X16 |  | 1 |  |                   |         |             |      |
| 418                 | 6  | V5801406025      | 스프링핀          | 6X25  |  | 1 |  |                   |         |             |      |
| 418                 | 7  | V4111600080      | 평와셔           | M8    |  | 1 |  |                   |         |             |      |
| 418                 | 8  | V5601600008      | 스냅핀           | 8     |  | 1 |  |                   |         |             |      |
| 418                 | 9  | 14942632110GB    | 4WD 레버        |       |  | 1 |  |                   |         |             |      |
| 418                 | 10 | 16702190060      | 그립(4WD)       |       |  | 1 |  |                   |         |             |      |
| 418                 | 11 | V3342600100      | 소형육각너트가는2종    | M10   |  | 1 |  |                   |         |             |      |
|                     |    |                  |               |       |  |   |  |                   |         |             |      |
|                     |    |                  |               |       |  |   |  |                   |         |             |      |
|                     |    |                  |               |       |  |   |  |                   |         |             |      |
|                     |    |                  |               |       |  |   |  |                   |         |             |      |
|                     |    |                  |               |       |  |   |  |                   |         |             |      |
|                     |    |                  |               |       |  |   |  |                   |         |             |      |
|                     |    |                  |               |       |  |   |  |                   |         |             |      |
|                     |    |                  |               |       |  |   |  |                   |         |             |      |
|                     |    |                  |               |       |  |   |  |                   |         |             |      |
|                     |    |                  |               |       |  |   |  |                   |         |             |      |
|                     |    |                  |               |       |  |   |  |                   |         |             |      |
|                     |    |                  |               |       |  |   |  |                   |         |             |      |
|                     |    |                  |               |       |  |   |  |                   |         |             |      |
|                     |    |                  |               |       |  |   |  |                   |         |             |      |
|                     |    |                  |               |       |  |   |  |                   |         |             |      |
|                     |    |                  |               |       |  |   |  |                   |         |             |      |
|                     |    |                  |               |       |  |   |  |                   |         |             |      |
|                     |    |                  |               |       |  |   |  |                   |         |             |      |
|                     |    |                  |               |       |  |   |  |                   |         |             |      |
|                     |    |                  |               |       |  |   |  |                   |         |             |      |
|                     |    |                  |               |       |  |   |  |                   |         |             |      |
|                     |    |                  |               |       |  |   |  |                   |         |             |      |
|                     |    |                  |               |       |  |   |  |                   |         |             |      |
|                     |    |                  |               |       |  |   |  |                   |         |             |      |
|                     |    |                  |               |       |  |   |  |                   |         |             |      |
|                     |    |                  |               |       |  |   |  |                   |         |             |      |
|                     |    |                  |               |       |  |   |  |                   |         |             |      |
|                     |    |                  |               |       |  |   |  |                   |         |             |      |
|                     |    |                  |               |       |  |   |  |                   |         |             |      |
|                     |    |                  |               |       |  |   |  |                   |         |             |      |
| NOTE                |    |                  |               |       |  |   |  |                   |         |             |      |

## 5. 프런트 액슬 PART NO. T5

|                                  |    |
|----------------------------------|----|
| FIG 501 FRONT AXLE BRACKET       | 72 |
| FIG 502 FRONT DIFFERENTIAL GEARS | 74 |
| FIG 503 FRONT AXLE HOUSING       | 76 |
| FIG 504 FRONT GEAR CASE (1)      | 78 |
| FIG 505 FRONT GEAR CASE (2)      | 80 |

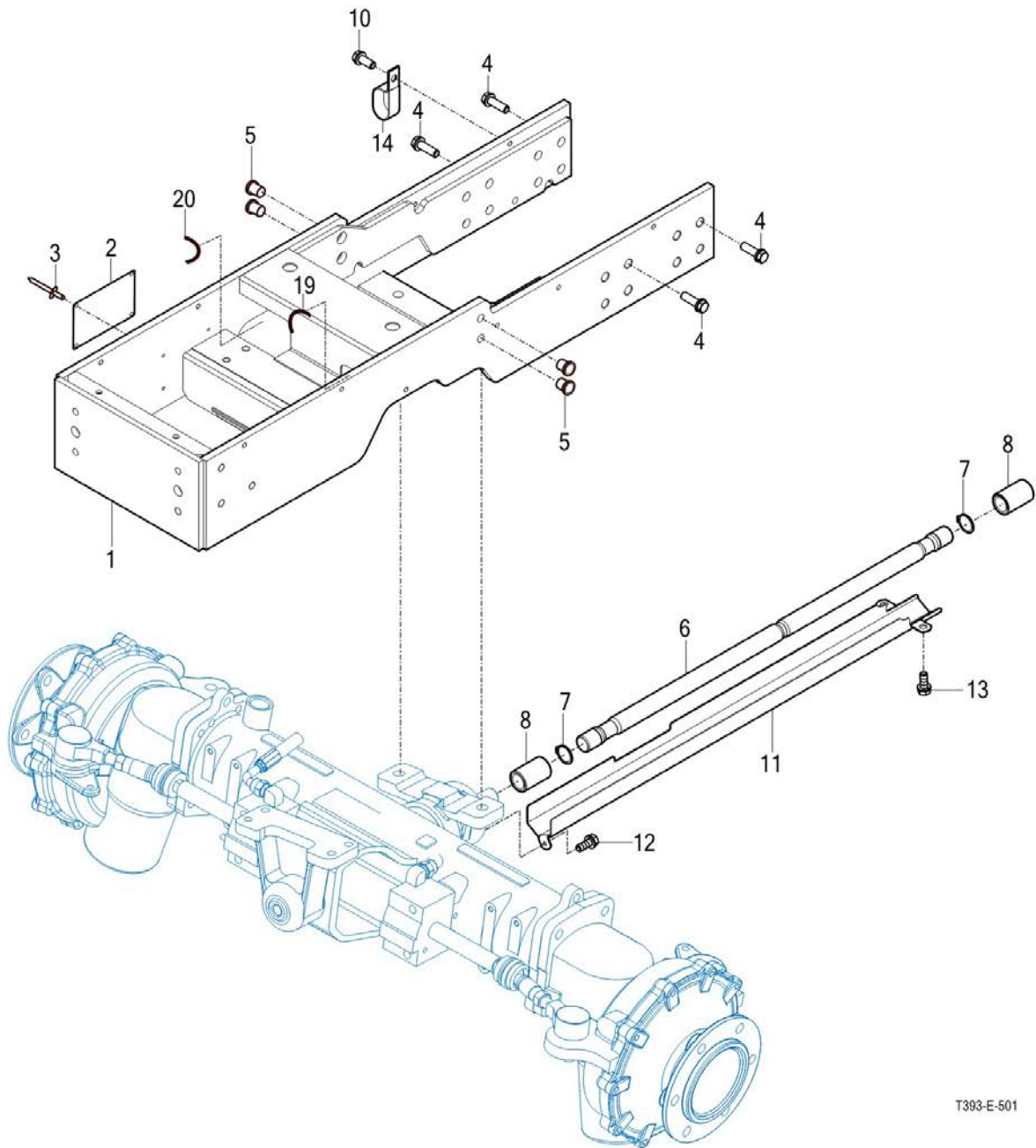
FIG 501

T355NHEU

FRONT AXLE BRACKET

년/월  
Year/Month

2022-12



T393-E-501

NOTE



| FIG 501<br>T355NHEU |         | FRONT AXLE BRACKET |                |        |        |                |         | 년/월<br>Year/Month |  |
|---------------------|---------|--------------------|----------------|--------|--------|----------------|---------|-------------------|--|
|                     |         |                    |                |        |        |                |         | 2022-12           |  |
| KEY NO              | PART NO | DESCRIPTION        | SPEC           | QTY    | REPAIR | EFFECTIVE DATE | REMARKS |                   |  |
| 501                 | 1       | 12534072200ED      | 프론트 액슬프레임 COMP |        |        |                |         |                   |  |
| 501                 | 2       | T0019110060        | 형식명판, 수출/EU    |        |        |                |         |                   |  |
| 501                 | 3       | V5502040093        | 브라인더리벳         |        |        |                |         |                   |  |
| 501                 | 4       | V2173612040        | 소형육각볼트보통(S)    | M12X40 |        |                |         |                   |  |
| 501                 | 5       | 14273170040        | 캡(M14)         |        |        |                |         |                   |  |
| 501                 | 6       | 12354100010GB      | 샤프트 , 4WD      |        |        |                |         |                   |  |
| 501                 | 7       | V7041400250        | C형멈춤링(축용)      | Ø25    |        |                |         |                   |  |
| 501                 | 8       | 14251320150        | 커플링            |        |        |                |         |                   |  |
| 501                 | 10      | V2183608025        | 소형육각볼트보통(SP)   | M8X25  |        |                |         |                   |  |
| 501                 | 11      | 12354102300GB      | 4륜 축 커버 COMP   |        |        |                |         |                   |  |
| 501                 | 12      | V2323606016        | 심자흠육각볼트(SP)    | M6X16  |        |                |         |                   |  |
| 501                 | 13      | V2183608016        | 소형육각볼트보통(SP)   | M8X16  |        |                |         |                   |  |
| 501                 | 14      | 14441010161        | 라디에이터호스클램프     |        |        |                |         |                   |  |
| 501                 | 19      | 16991600090        | 모서리보호대(70)     |        |        |                |         |                   |  |
| 501                 | 20      | 34522010130        | 모서리보호대(100)    |        |        |                |         |                   |  |
|                     |         |                    |                |        |        |                |         |                   |  |
|                     |         |                    |                |        |        |                |         |                   |  |
|                     |         |                    |                |        |        |                |         |                   |  |
|                     |         |                    |                |        |        |                |         |                   |  |
|                     |         |                    |                |        |        |                |         |                   |  |
|                     |         |                    |                |        |        |                |         |                   |  |
|                     |         |                    |                |        |        |                |         |                   |  |
|                     |         |                    |                |        |        |                |         |                   |  |
|                     |         |                    |                |        |        |                |         |                   |  |
|                     |         |                    |                |        |        |                |         |                   |  |
|                     |         |                    |                |        |        |                |         |                   |  |
|                     |         |                    |                |        |        |                |         |                   |  |
|                     |         |                    |                |        |        |                |         |                   |  |
|                     |         |                    |                |        |        |                |         |                   |  |
|                     |         |                    |                |        |        |                |         |                   |  |
|                     |         |                    |                |        |        |                |         |                   |  |
|                     |         |                    |                |        |        |                |         |                   |  |
|                     |         |                    |                |        |        |                |         |                   |  |
|                     |         |                    |                |        |        |                |         |                   |  |
|                     |         |                    |                |        |        |                |         |                   |  |
|                     |         |                    |                |        |        |                |         |                   |  |
|                     |         |                    |                |        |        |                |         |                   |  |
|                     |         |                    |                |        |        |                |         |                   |  |
|                     |         |                    |                |        |        |                |         |                   |  |
|                     |         |                    |                |        |        |                |         |                   |  |
| NOTE                |         |                    |                |        |        |                |         |                   |  |

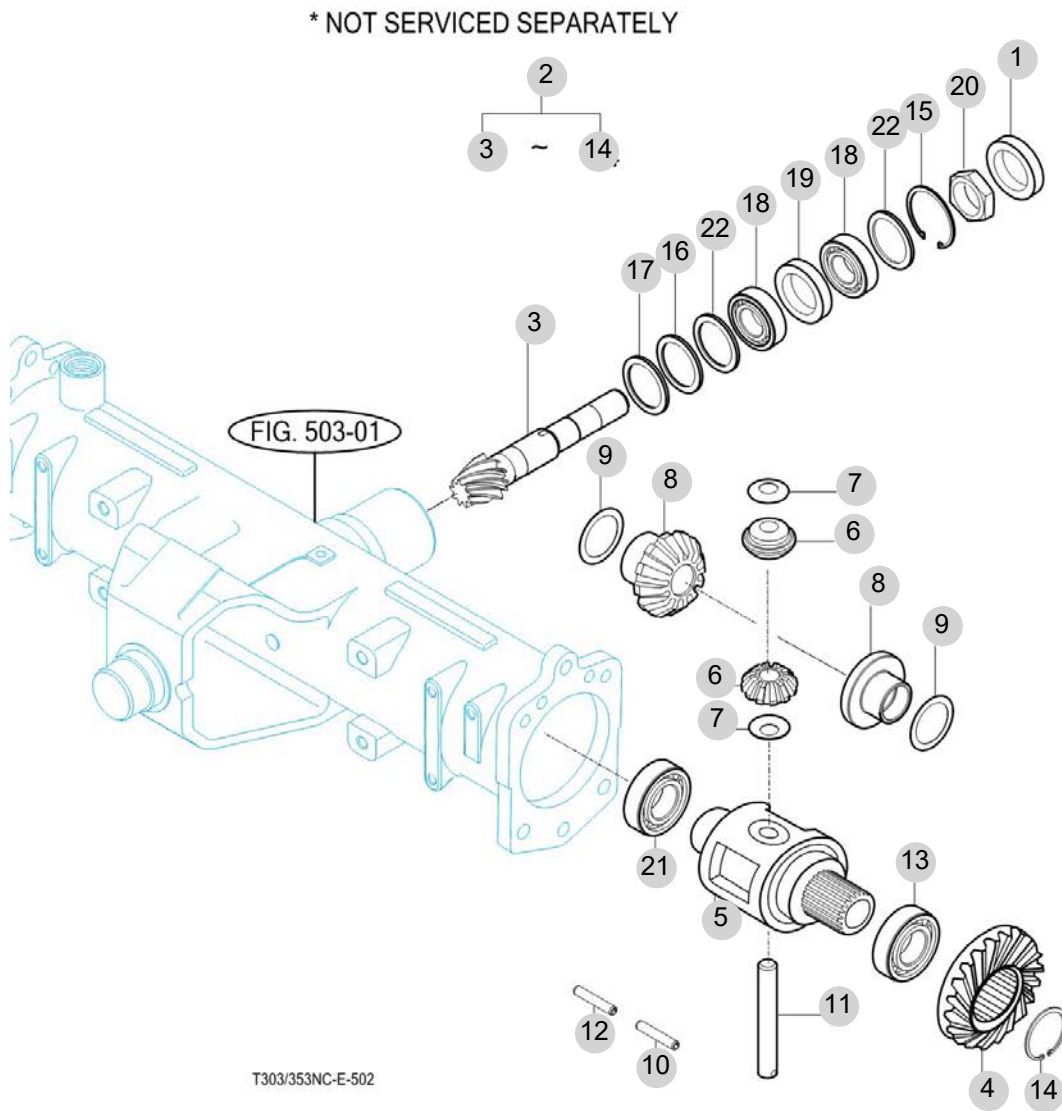
FIG 502

T355NHEU

FRONT DIFFERENTIAL GEARS

년/월  
Year/Month

2022-12



NOTE



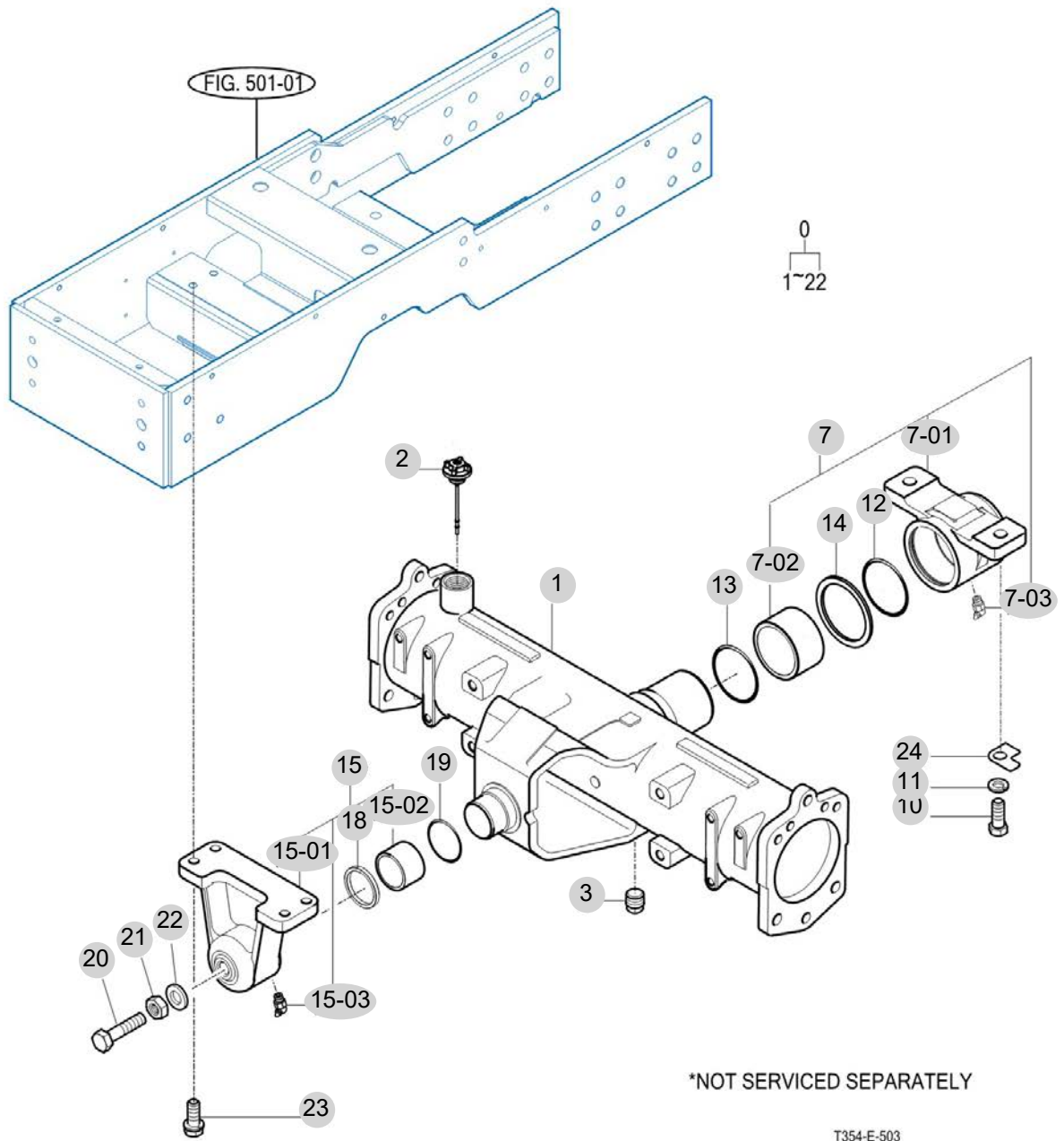
FIG 503

T355NHEU

FRONT AXLE HOUSING

년/월  
Year/Month

2022-12



NOTE



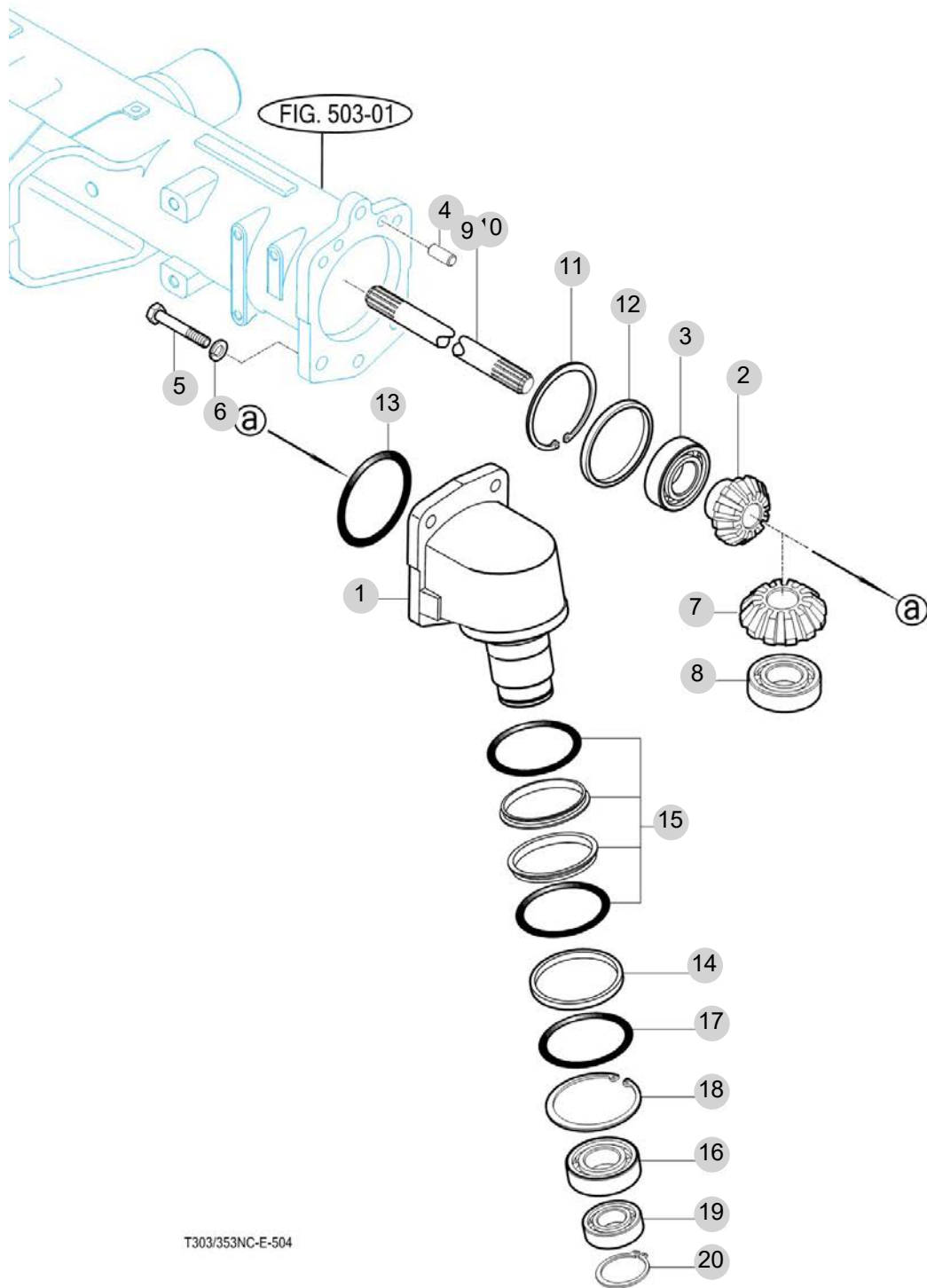
FIG 504

T355NHEU

FRONT GEAR CASE (1)

년/월  
Year/Month

2022-12



NOTE



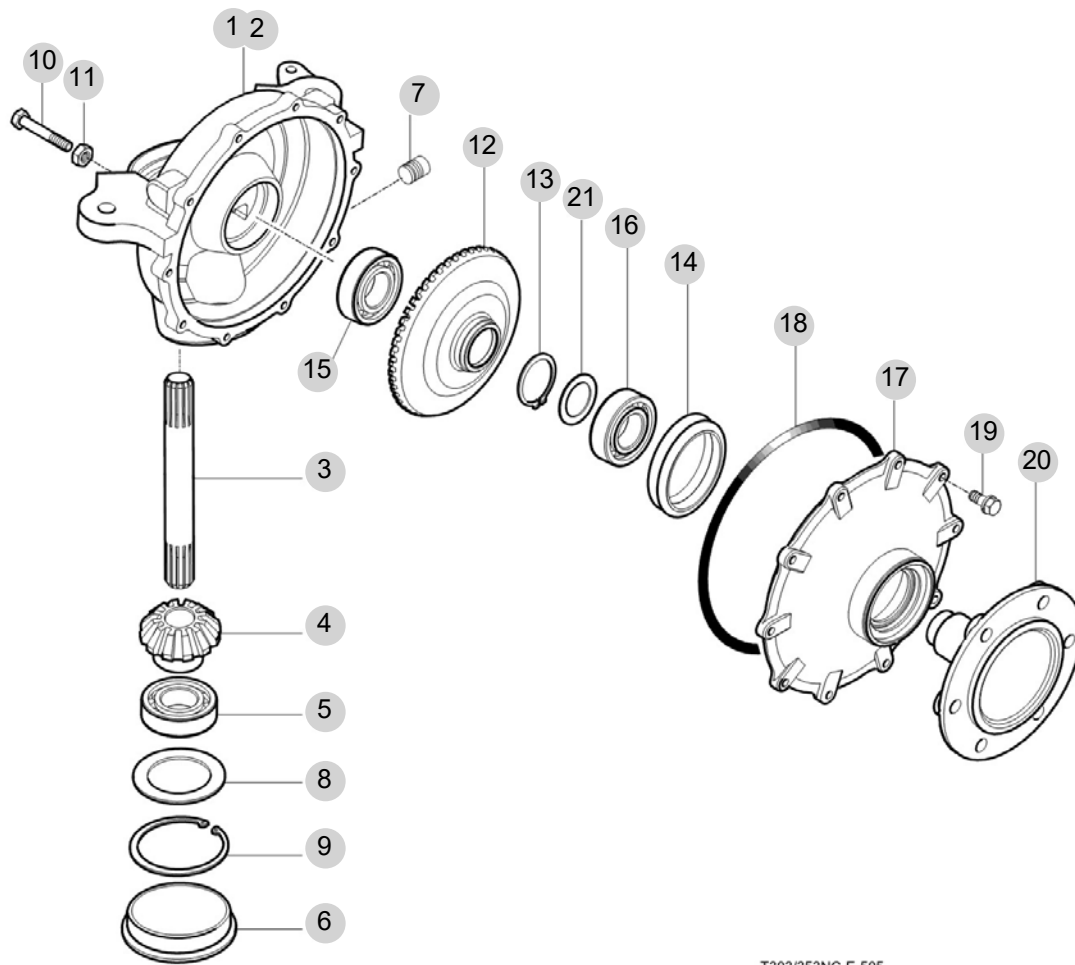
FIG 505

T355NHEU

FRONT GEAR CASE (2)

년/월  
Year/Month

2022-12



T303/353NC-E-505

NOTE





## 6. 유압/3점링크 PART NO. T6

|                             |     |
|-----------------------------|-----|
| FIG 601 GEAR PUMP           | 83  |
| FIG 602 CYLINDER CASE       | 85  |
| FIG 603 LIFT ARM            | 87  |
| FIG 604 CYLINDER            | 89  |
| FIG 605 POSITION LINK (1)   | 91  |
| FIG 606 POSITION LINK (2)   | 93  |
| FIG 607 CONTROL VALVE       | 95  |
| FIG 608 POSITION LEVER      | 97  |
| FIG 609 HYDRAULIC PIPE (1)  | 99  |
| FIG 610 HYDRAULIC PIPE (2)  | 101 |
| FIG 611 EXTERIOR HYD. VALVE | 103 |
| FIG 612 3-POINT LINK        | 105 |
| FIG 613 HITCH & COVER       | 107 |

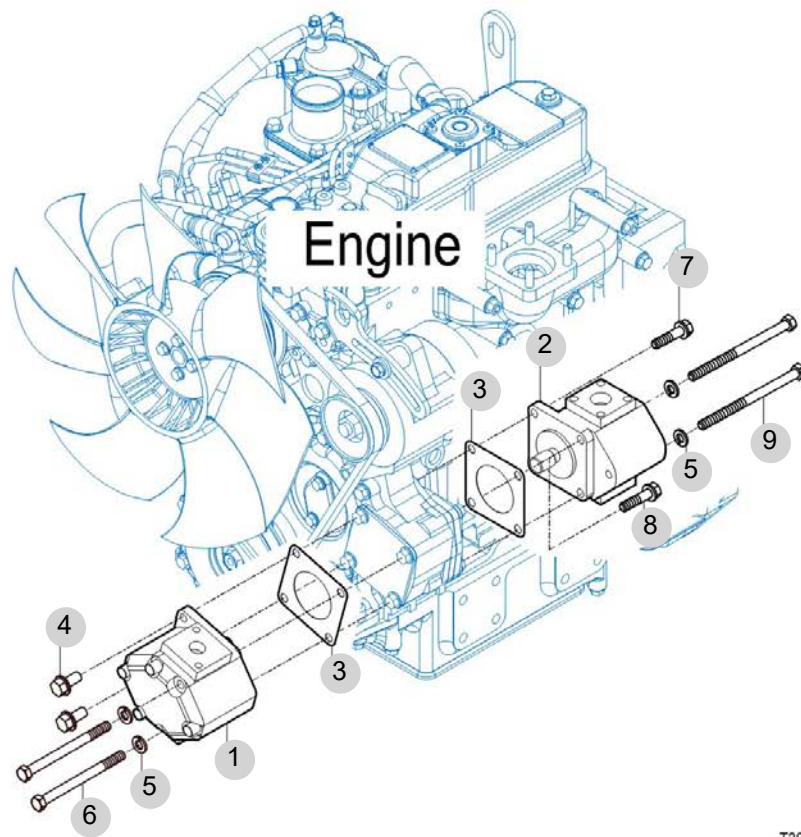
FIG 601

T355NHEU

# GEAR PUMP

년/월  
Year/Month

2022-12



T393-E-601

NOTE



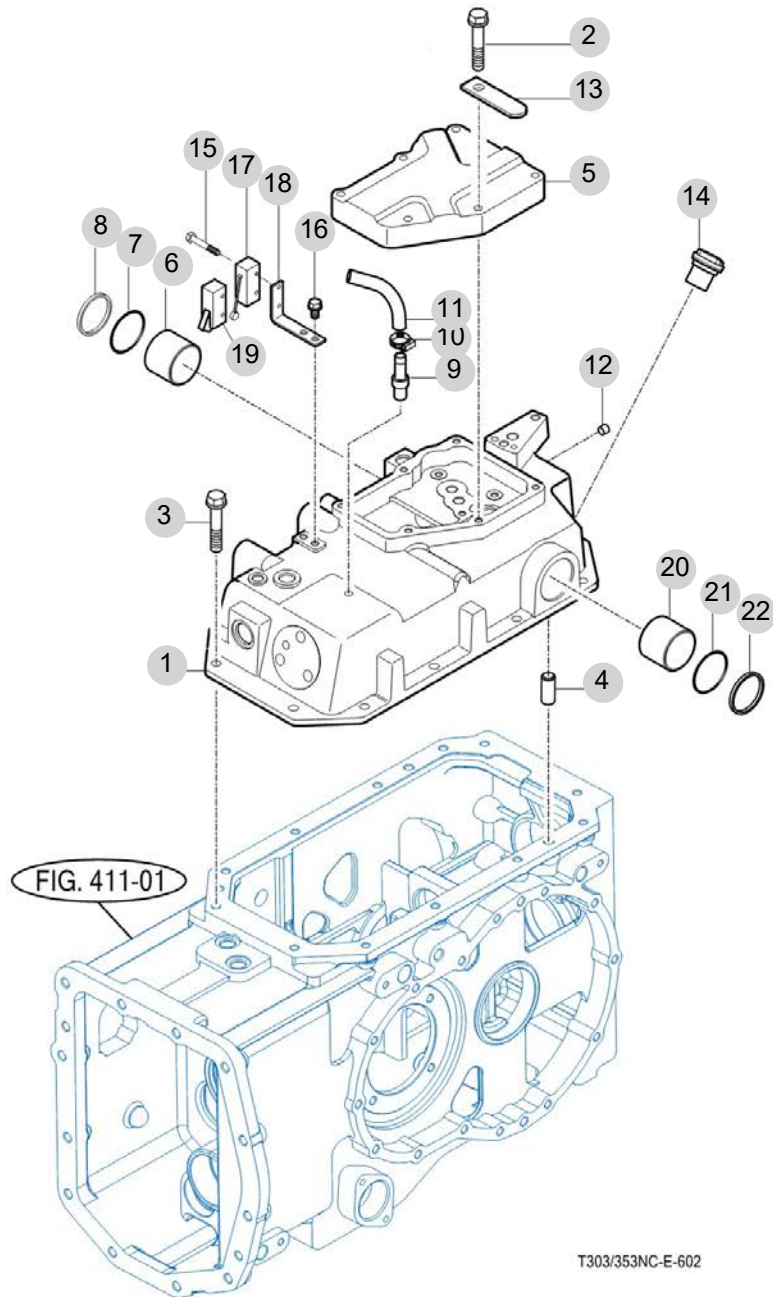
FIG 602

T355NHEU

CYLINDER CASE

년/월  
Year/Month

2022-12



NOTE



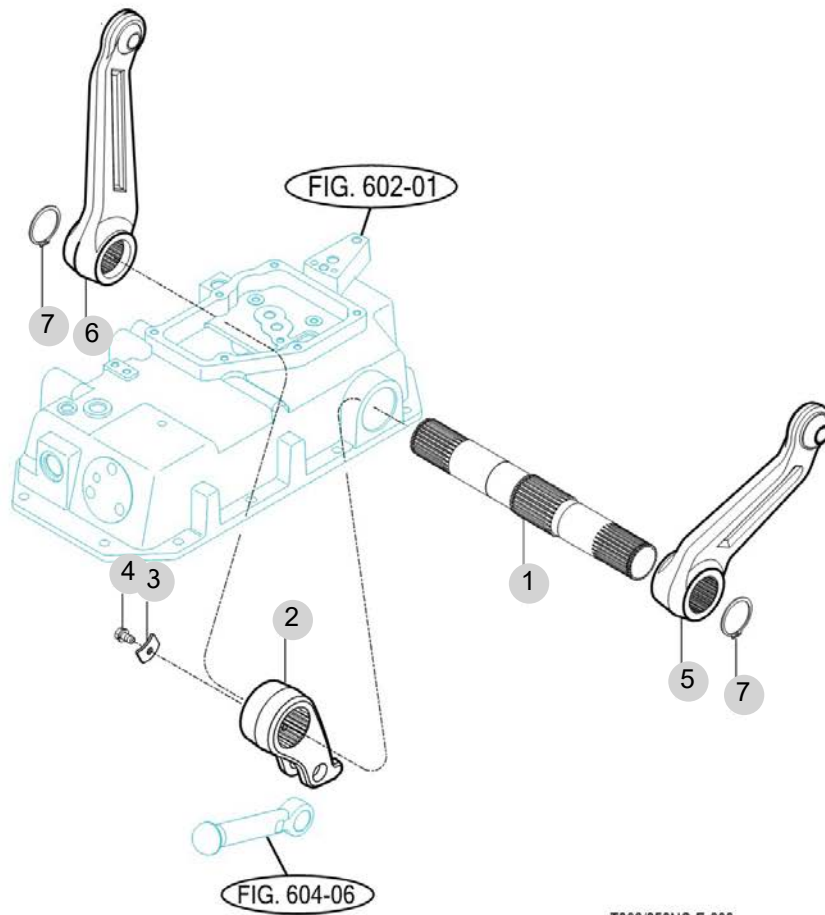
FIG 603

T355NHEU

LIFT ARM

년/월  
Year/Month

2022-12



T303/353NC-E-603

NOTE

| FIG 603<br>T355NHEU |         | LIFT ARM     |             |       |        |                |         | 년/월<br>Year/Month |  |
|---------------------|---------|--------------|-------------|-------|--------|----------------|---------|-------------------|--|
|                     |         |              |             |       |        |                |         | 2022-12           |  |
| KEY NO              | PART NO | DESCRIPTION  | SPEC        | QTY   | REPAIR | EFFECTIVE DATE | REMARKS |                   |  |
| 603                 | 1       | 16705020012M | 리프트 샤프트     |       |        | 1              |         |                   |  |
| 603                 | 2       | 16705020020M | 크랭크(리프트)    |       |        | 1              |         |                   |  |
| 603                 | 3       | 17995020030  | 고정판         |       |        | 1              |         |                   |  |
| 603                 | 4       | V2173608016  | 소형육각볼트보통(S) | M8X16 |        | 1              |         |                   |  |
| 603                 | 5       | 16705022100M | 암 리프트조합     |       |        | 1              |         |                   |  |
| 603                 | 6       | 16705022100M | 암 리프트조합     |       |        | 1              |         |                   |  |
| 603                 | 7       | V7041400450  | C형멈춤링(축용)   | 45    |        | 2              |         |                   |  |
|                     |         |              |             |       |        |                |         |                   |  |
|                     |         |              |             |       |        |                |         |                   |  |
|                     |         |              |             |       |        |                |         |                   |  |
|                     |         |              |             |       |        |                |         |                   |  |
|                     |         |              |             |       |        |                |         |                   |  |
|                     |         |              |             |       |        |                |         |                   |  |
|                     |         |              |             |       |        |                |         |                   |  |
|                     |         |              |             |       |        |                |         |                   |  |
|                     |         |              |             |       |        |                |         |                   |  |
|                     |         |              |             |       |        |                |         |                   |  |
|                     |         |              |             |       |        |                |         |                   |  |
|                     |         |              |             |       |        |                |         |                   |  |
|                     |         |              |             |       |        |                |         |                   |  |
|                     |         |              |             |       |        |                |         |                   |  |
|                     |         |              |             |       |        |                |         |                   |  |
|                     |         |              |             |       |        |                |         |                   |  |
|                     |         |              |             |       |        |                |         |                   |  |
|                     |         |              |             |       |        |                |         |                   |  |
|                     |         |              |             |       |        |                |         |                   |  |
|                     |         |              |             |       |        |                |         |                   |  |
|                     |         |              |             |       |        |                |         |                   |  |
|                     |         |              |             |       |        |                |         |                   |  |
|                     |         |              |             |       |        |                |         |                   |  |
|                     |         |              |             |       |        |                |         |                   |  |
|                     |         |              |             |       |        |                |         |                   |  |
|                     |         |              |             |       |        |                |         |                   |  |
|                     |         |              |             |       |        |                |         |                   |  |
|                     |         |              |             |       |        |                |         |                   |  |
|                     |         |              |             |       |        |                |         |                   |  |
|                     |         |              |             |       |        |                |         |                   |  |
| NOTE                |         |              |             |       |        |                |         |                   |  |



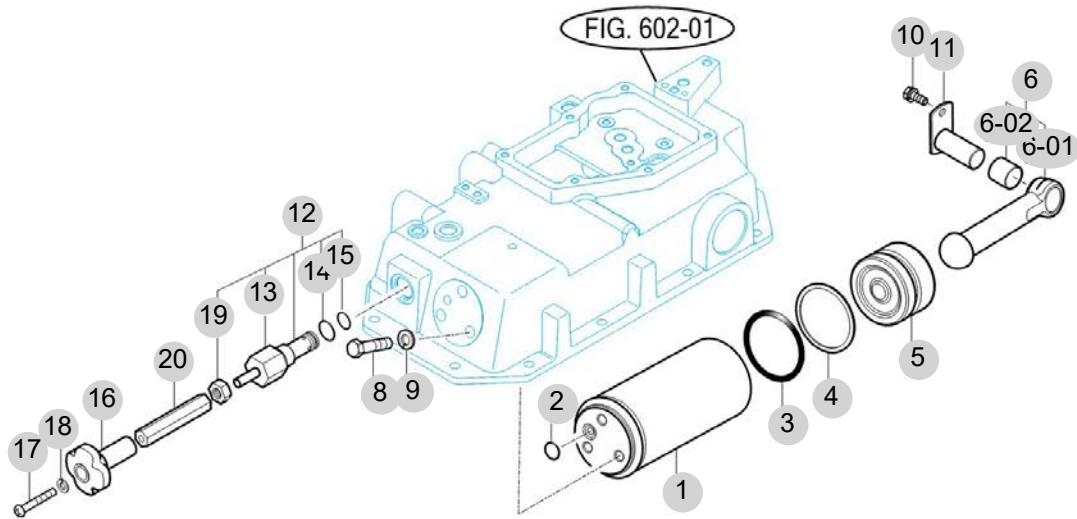
FIG 604

T355NHEU

CYLINDER

년/월  
Year/Month

2022-12



T303/353NC-E-604

NOTE



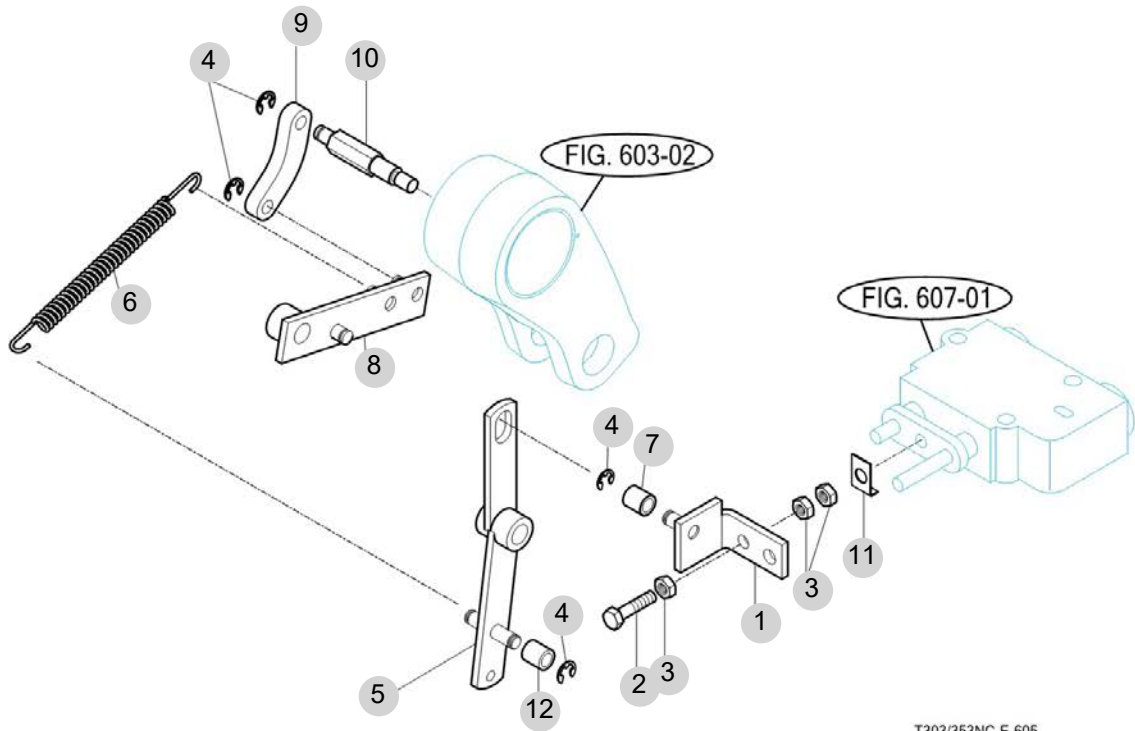
FIG 605

T355NHEU

POSITION LINK (1)

년/월  
Year/Month

2022-12



T303/353NC-E-605

NOTE



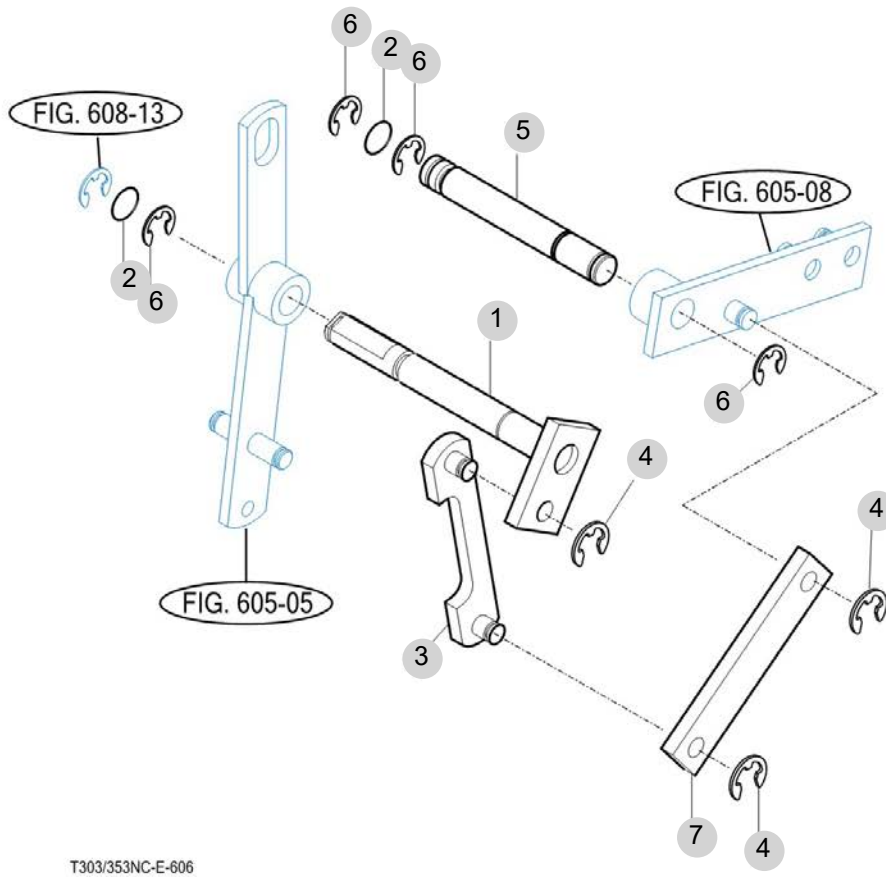
FIG 606

T355NHEU

POSITION LINK (2)

년/월  
Year/Month

2022-12



T303/353NC-E-606

NOTE



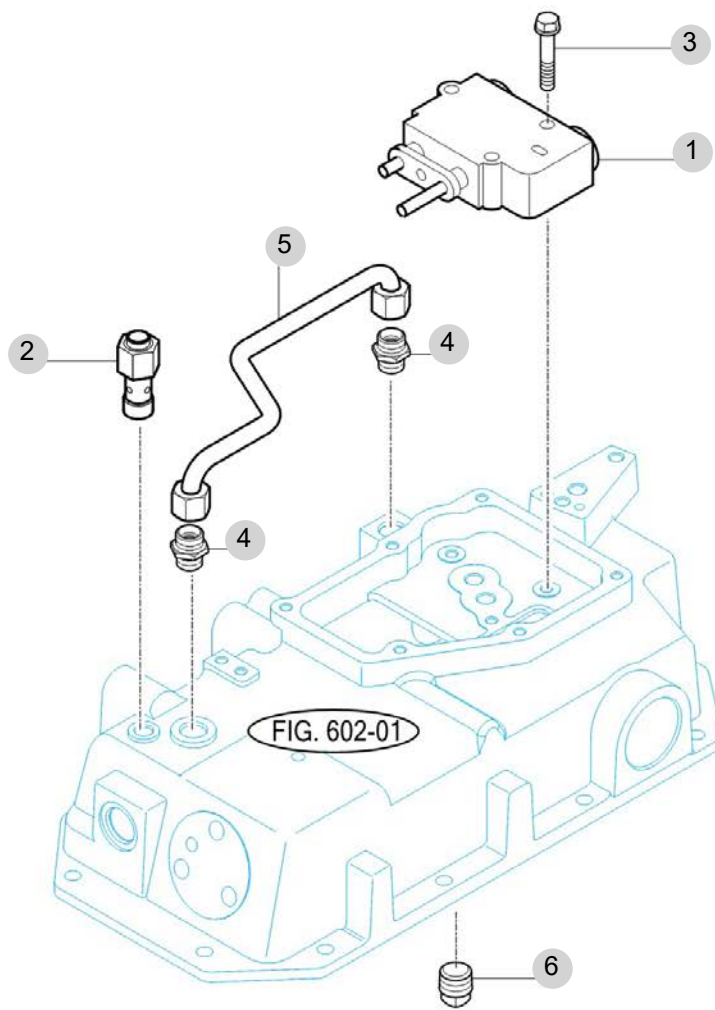
FIG 607

T355NHEU

# CONTROL VALVE

년/월  
Year/Month

2022-12



T303/353NC-E-607

NOTE





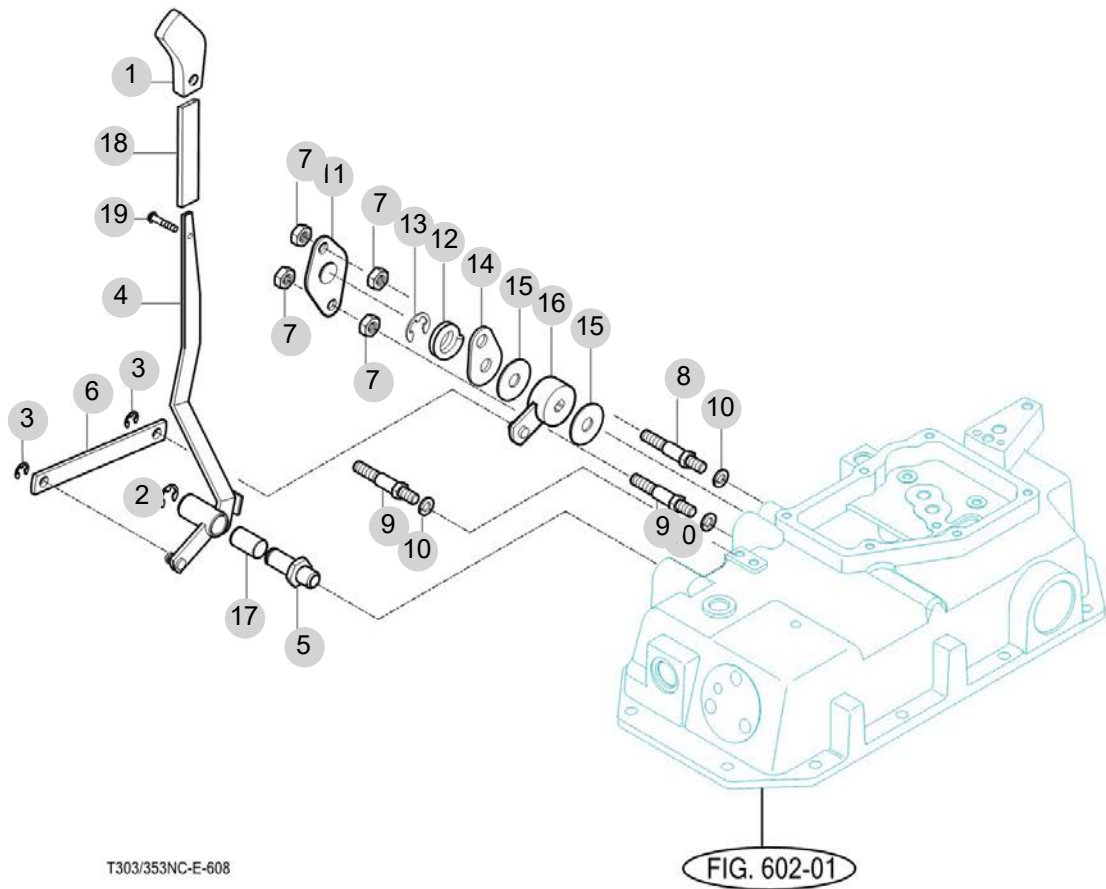
FIG 608

T355NHEU

POSITION LEVER

년/월  
Year/Month

2022-12



T303/353NC-E-608

FIG. 602-01

NOTE



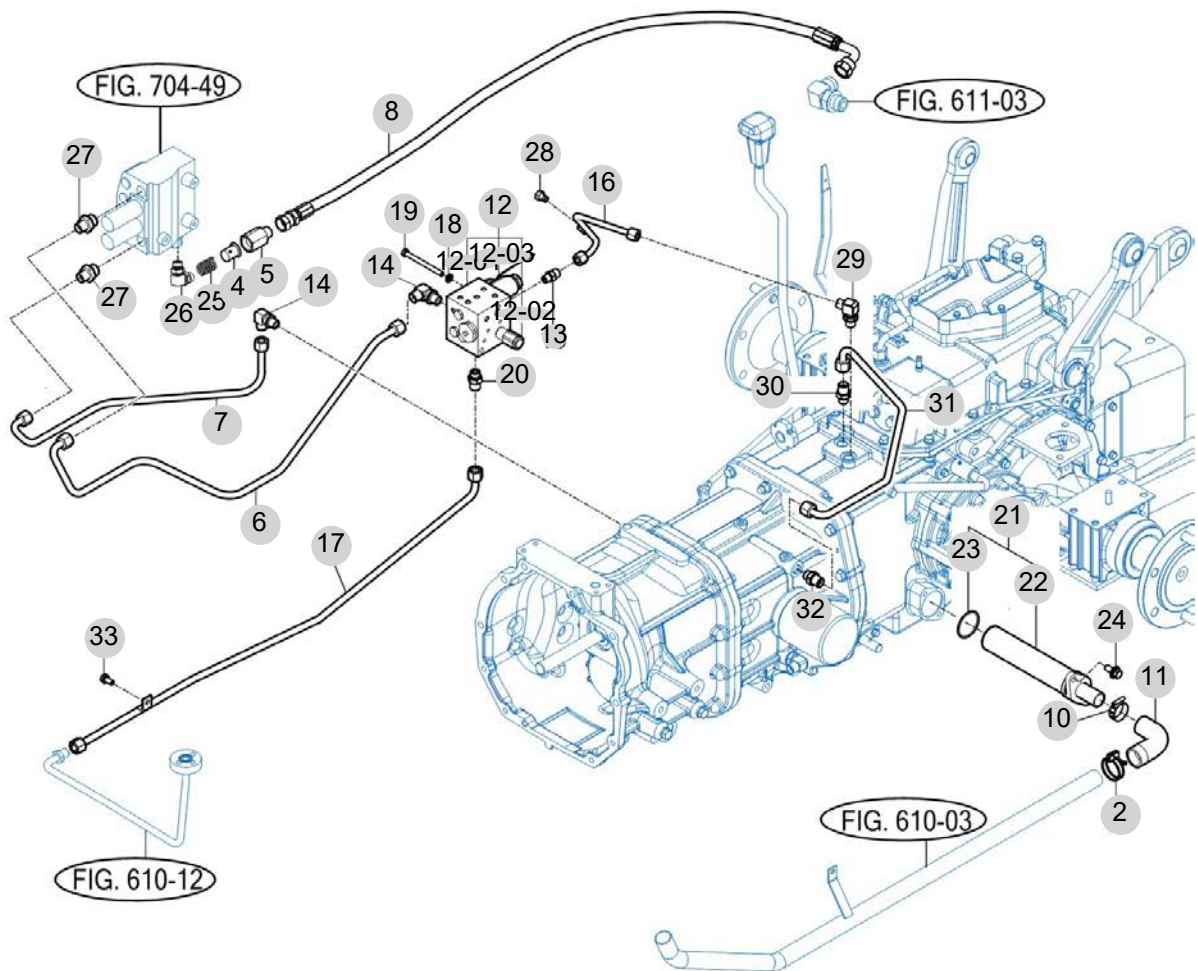
FIG 609

HYDRAULIC PIPE (1)

년/월  
Year/Month

2022-12

T355NHEU



T384NH-E-605

NOTE



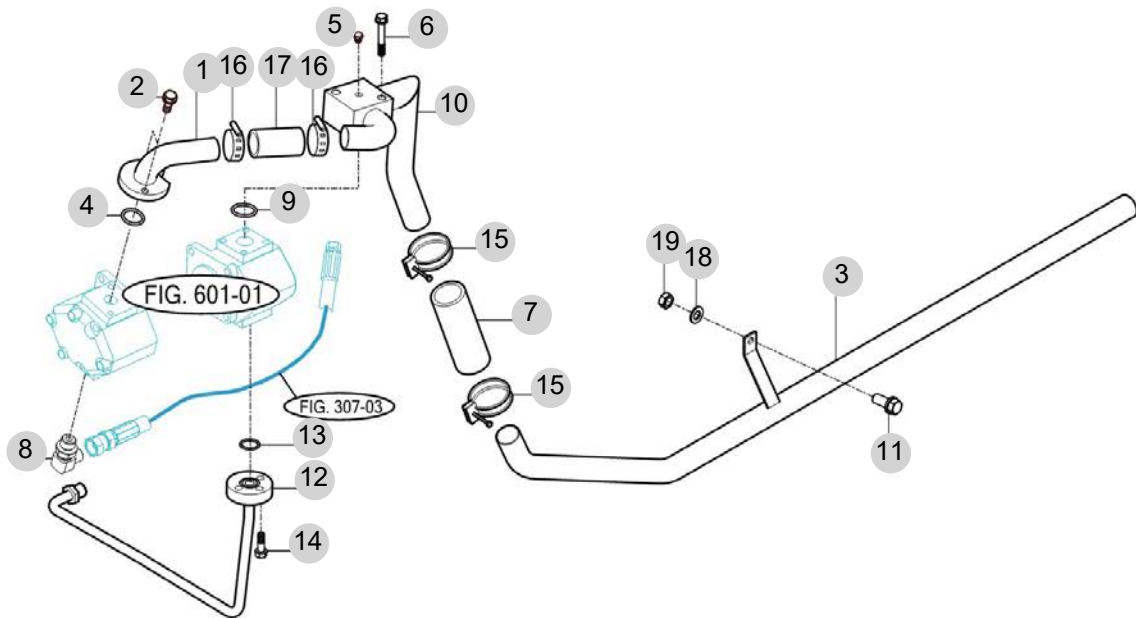
FIG 610

T355NHEU

HYDRAULIC PIPE (2)

년/월  
Year/Month

2022-12



T394-E-606

NOTE



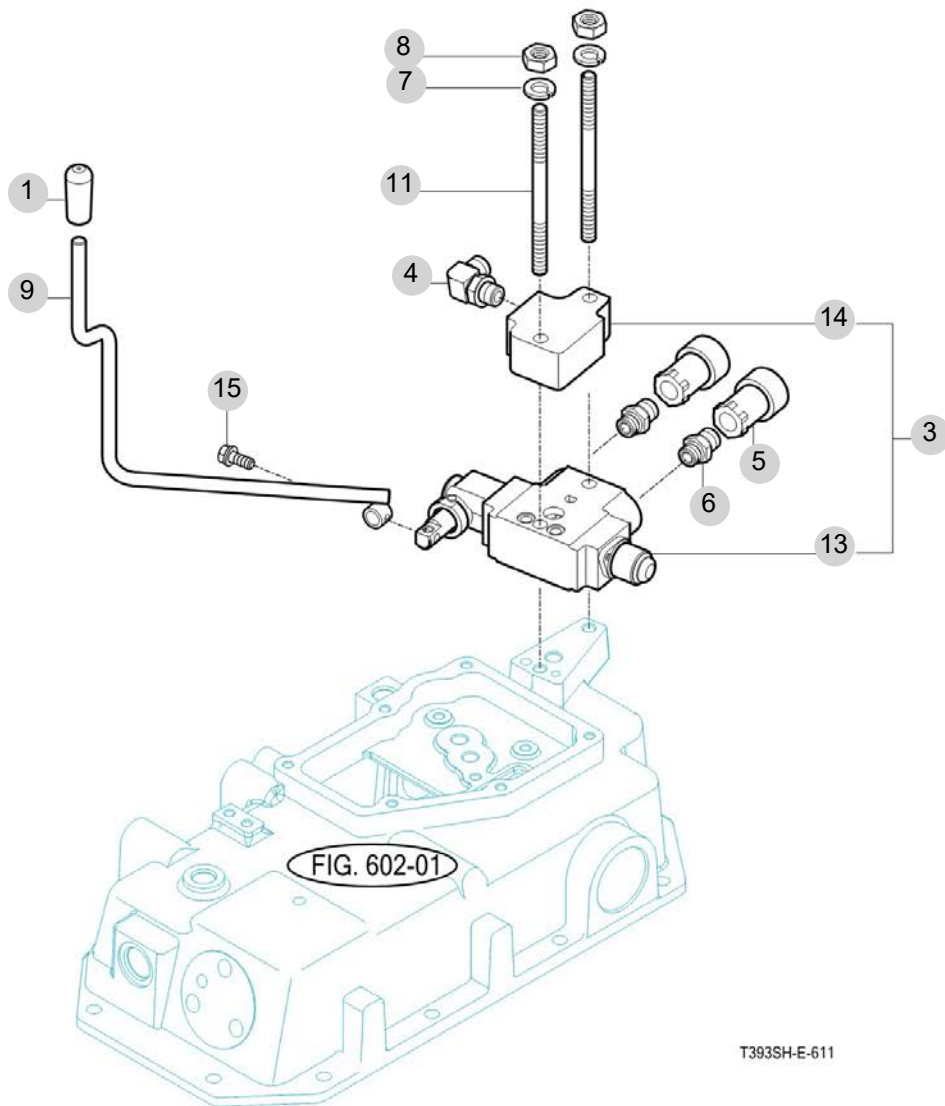
FIG 611

T355NHEU

EXTERIOR HYD. VALVE

년/월  
Year/Month

2022-12



NOTE



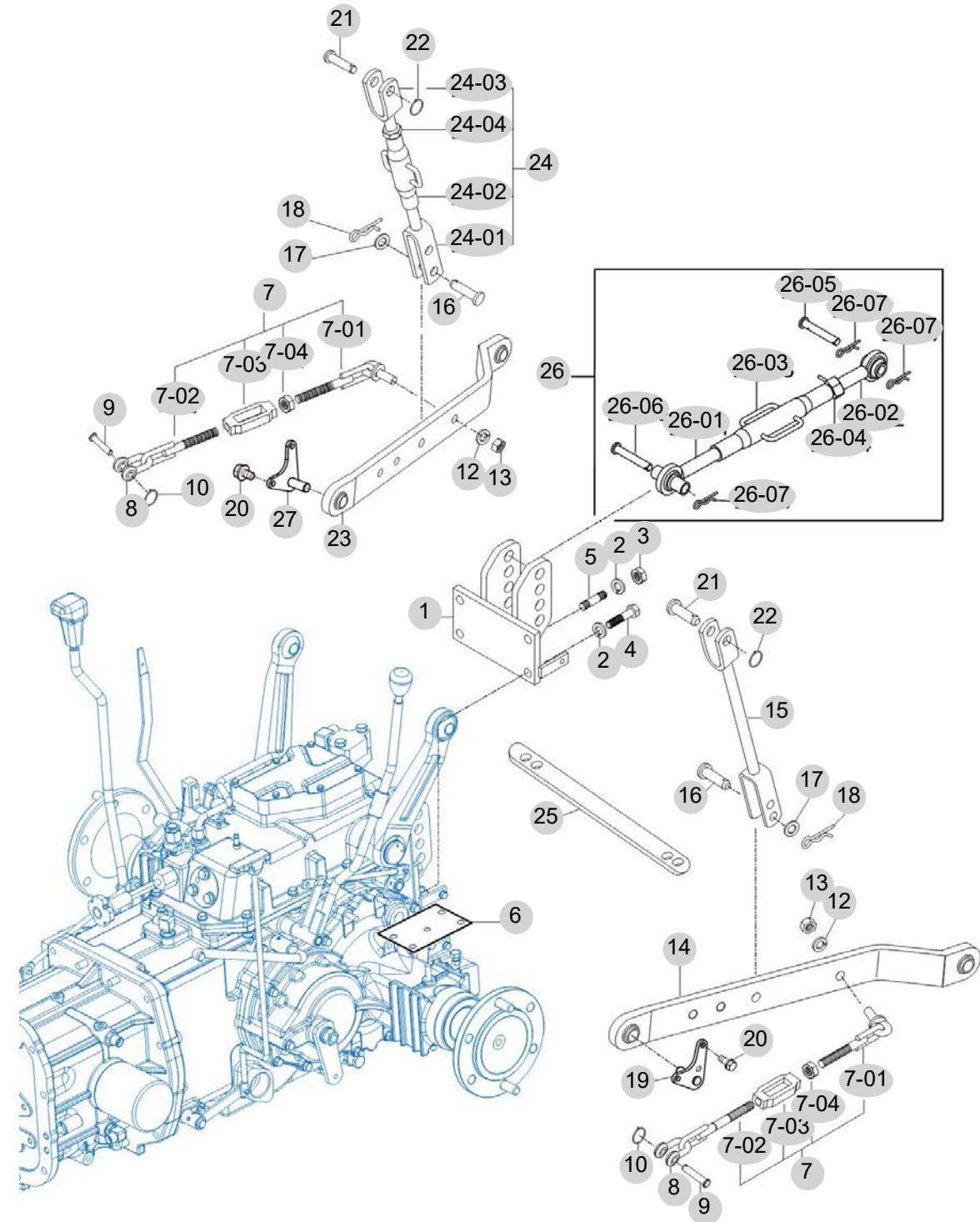


FIG 612

3-POINT LINK

년/월  
Year/Month

2022-12



2538NH-K-612

NOTE

| FIG 612  |       | 3-POINT LINK  |                 |             |      |     | 년/월<br>Year/Month |                |         |
|----------|-------|---------------|-----------------|-------------|------|-----|-------------------|----------------|---------|
|          |       |               |                 |             |      |     | 2022-12           |                |         |
| T355NHEU |       | KEY NO        | PART NO         | DESCRIPTION | SPEC | QTY | REPAIR            | EFFECTIVE DATE | REMARKS |
| 612      | 1     | 16703172002GB | 톱링크 브래킷 COMP    |             |      | 1   |                   |                |         |
| 612      | 2     | V4011600140   | 스프링와셔           | M14         |      | 4   |                   |                |         |
| 612      | 3     | V3043600140   | 소형육각너트보통2종      | M14         |      | 2   |                   |                |         |
| 612      | 4     | V2014614035   | 소형육각볼트(보통)      |             |      | 2   |                   |                |         |
| 612      | 5     | V2514414030   | 스터드볼트2종         | M14X30      |      | 2   |                   |                |         |
| 612      | 6     | 13017020040GB | 플레이트 , ROPS 미부착 |             |      | 2   |                   |                |         |
| 612      | 7     | 16705142501   | 체인(체크) 조합       |             |      | 2   |                   |                |         |
| 612      | 7-01  | 16705244100   | 체인(체크,LH)COMP   |             |      | 2   |                   |                |         |
| 612      | 7-02  | 16705142800   | 체인(체크,RH)COMP   |             |      | 2   |                   |                |         |
| 612      | 7-03  | 16705142510M  | 터언버클            |             |      | 2   |                   |                |         |
| 612      | 7-04  | V3043600160   | 소형육각너트보통2종      | M14         |      | 2   |                   |                |         |
| 612      | 8     | 16705142520   | 체크체인 샤클         |             |      | 2   |                   |                |         |
| 612      | 9     | 79636110030   | 핀(12X48)        |             |      | 2   |                   |                |         |
| 612      | 10    | 16735240060   | 스프링(45)         | 3X20        |      | 2   |                   |                |         |
| 612      | 12    | V4011600160   | 스프링와셔           | M16         |      | 2   |                   |                |         |
| 612      | 13    | V3013600160   | 육각너트보통2종        | M16         |      | 2   |                   |                |         |
| 612      | 14    | 12385142000GB | 로어링크(LH)COMP    |             |      | 1   |                   |                |         |
| 612      | 15    | 16705142400GB | 리프트로드(LH) COMP  |             |      | 1   |                   |                |         |
| 612      | 16    | 79636130050   | 핀(16X60)        |             |      | 2   |                   |                |         |
| 612      | 17    | V4111600160   | 평와셔             | M16         |      | 2   |                   |                |         |
| 612      | 18    | 13059310030   | 헤어핀(D=2.3)      |             |      | 2   |                   |                |         |
| 612      | 19    | 12385142200   | 핀(LH) COMP      |             |      | 2   |                   |                |         |
| 612      | 20    | V2173612030   | 소형육각볼트보통(S)     |             |      | 1   |                   |                |         |
| 612      | 20    | V2173612030   | 소형육각볼트보통(S)     | M12X30      |      | 4   |                   |                |         |
| 612      | 21    | 16705020050   | 핀(19X69)        |             |      | 2   |                   |                |         |
| 612      | 22    | 16735240060   | 스프링(45)         |             |      | 2   |                   |                |         |
| 612      | 23    | 12385142100GB | 로어링크(RH)COMP    |             |      | 1   |                   |                |         |
| 612      | 24    | 16705145000GB | 리프트로드(RH)ASSY   |             |      | 1   |                   |                |         |
| 612      | 24-01 | 16705145200   | 포크(하)COMP       |             |      | 1   |                   |                |         |
| 612      | 24-02 | 16705145100   | 슬리브 COMP        |             |      | 1   |                   |                |         |
| 612      | 24-03 | 16705145300   | 포크(상)COMP       |             |      | 1   |                   |                |         |
| 612      | 24-04 | V3023600220   | 육각너트보통3종        |             |      | 1   |                   |                |         |
| 612      | 25    | 15605250030   | 밴드(470)         |             |      | 1   |                   |                |         |
| 612      | 26    | 16505245501GB | 톱링크ASSY         |             |      | 1   |                   |                |         |
| 612      | 26    | 16505245502GB | 톱링크 ASSY        |             |      | 1   |                   |                |         |
| 612      | 26-01 | 16505245510   | 톱링크COMP(RH)     |             |      | 1   |                   |                |         |
| 612      | 26-02 | 16505245520   | 톱링크COMP(LH)     |             |      | 1   |                   |                |         |
| 612      | 26-03 | 14555140251   | 터버클 조합(톱링크)     |             |      | 1   |                   |                |         |
| 612      | 26-04 | 16505245530   | 육각너트            |             |      | 1   |                   |                |         |
| 612      | 26-05 | 15645220020   | 핀(19X95)        |             |      | 1   |                   |                |         |
| 612      | 26-06 | 15645220011   | 핀(19X86)        |             |      | 1   |                   |                |         |
| 612      | 26-07 | 14445140051   | 헤어핀(19)         |             |      | 3   |                   |                |         |
| 612      | 27    | 12385142300   | 핀(RH) COMP      |             |      | 1   |                   |                |         |
|          |       |               |                 |             |      |     |                   |                |         |
|          |       |               |                 |             |      |     |                   |                |         |
|          |       |               |                 |             |      |     |                   |                |         |
| NOTE     |       |               |                 |             |      |     |                   |                |         |

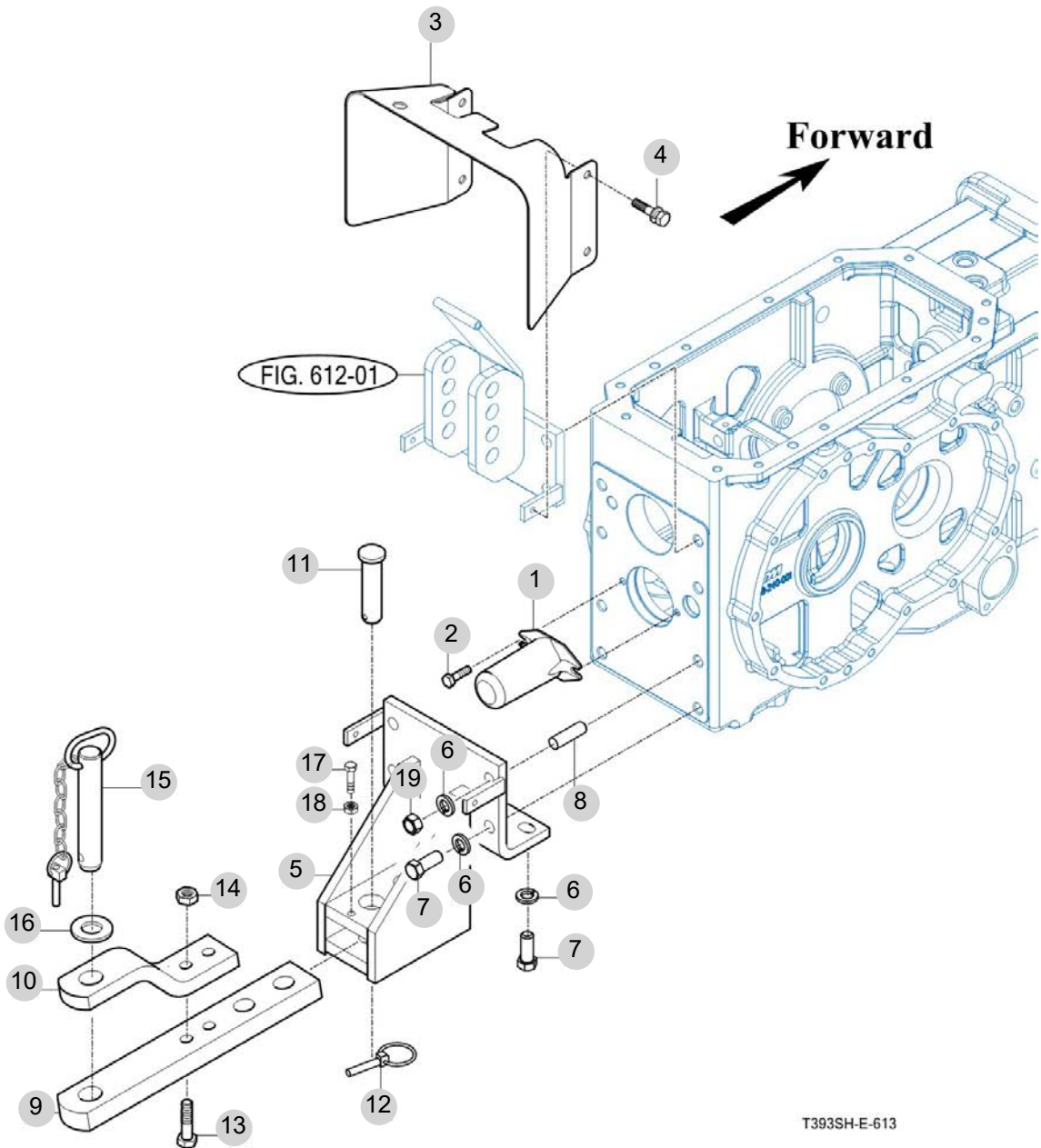
FIG 613

T355NHEU

HITCH & COVER

년/월  
Year/Month

2022-12



T393SH-E-613

NOTE



## 7. 시트메탈/캐빈 PART NO. T7

|                            |     |
|----------------------------|-----|
| FIG 701 HOOD               | 110 |
| FIG 702 BONNET             | 112 |
| FIG 704 FENDER, REAR FRAME | 115 |
| FIG 705 ROPS               | 118 |
| FIG 706 DASH PANEL         | 120 |
| FIG 707 FLOOR              | 122 |
| FIG 708 SEAT               | 124 |
| FIG 709 FLOOR MOUNTING     | 126 |

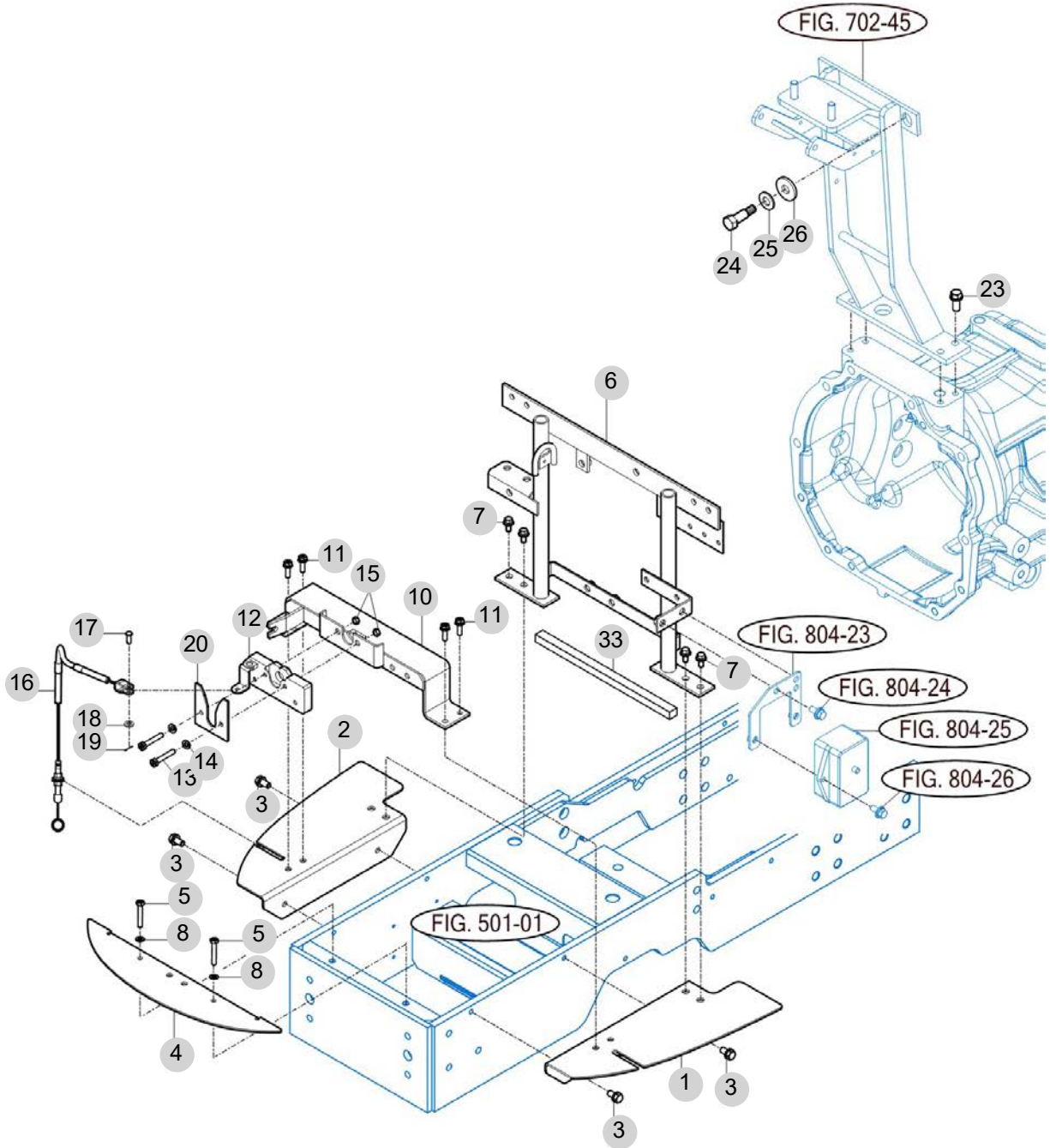
FIG 701

T355NHEU

HOOD

년/월  
Year/Month

2022-12



NOTE

| FIG 701  |         | HOOD          |                |     |        |                |  | 년/월        | REMARKS |
|----------|---------|---------------|----------------|-----|--------|----------------|--|------------|---------|
|          |         |               |                |     |        |                |  | Year/Month |         |
| T355NHEU |         | 2022-12       |                |     |        |                |  |            |         |
| KEY NO   | PART NO | DESCRIPTION   | SPEC           | QTY | REPAIR | EFFECTIVE DATE |  |            |         |
| 701      | 1       | 17404072301GB | 플레이트COMP, LH   |     |        |                |  |            |         |
| 701      | 2       | 17404072401GB | 플레이트COMP, RH   |     |        |                |  |            |         |
| 701      | 3       | V2183608016   | 소형육각볼트보통(SP)   |     |        |                |  |            |         |
| 701      | 4       | 17404072501GB | 플레이트 COMP, C   |     |        |                |  |            |         |
| 701      | 5       | V2053606035   | 심자흡육각볼트        |     |        |                |  |            |         |
| 701      | 6       | 17401122003GB | 프런트 프레임 COMP   |     |        |                |  |            |         |
| 701      | 7       | V2183608020   | 소형육각볼트보통(SP)   |     |        |                |  |            |         |
| 701      | 8       | V4011600060   | 스프링와셔          |     |        |                |  |            |         |
| 701      | 10      | 17406014202GB | 후드 스테이 COMP    |     |        |                |  |            |         |
| 701      | 11      | V2323606020   | 심자흡육각볼트(SP)    |     |        |                |  |            |         |
| 701      | 12      | 17686020600   | 잠금장치(후드)COMP   |     |        |                |  |            |         |
| 701      | 13      | V2053606040   | 심자흡육각볼트        |     |        |                |  |            |         |
| 701      | 14      | V4011600060   | 스프링와셔          |     |        |                |  |            |         |
| 701      | 15      | V3002600060   | 육각너트보통1종       |     |        |                |  |            |         |
| 701      | 16      | 12136020650   | 후드 케이블ASSY     |     |        |                |  |            |         |
| 701      | 17      | 15601160083   | 핀 (06X16)      |     |        |                |  |            |         |
| 701      | 18      | V4111600060   | 평와셔            |     |        |                |  |            |         |
| 701      | 19      | V5001920020   | 분할핀            |     |        |                |  |            |         |
| 701      | 20      | 17406014300   | 후드핀 가이드        |     |        |                |  |            |         |
| 701      | 23      | V2183610025   | 소형육각볼트보통(SP)   |     |        |                |  |            |         |
| 701      | 24      | 13016020010   | 고정볼트           |     |        |                |  |            |         |
| 701      | 25      | 35602010150   | 결속축와셔          |     |        |                |  |            |         |
| 701      | 26      | 13012060070   | 방진고무(8.5X30X5) |     |        |                |  |            |         |
| 701      | 33      | 12331041530   | 인슐레이터, 하니스     |     |        |                |  |            |         |
|          |         |               |                |     |        |                |  |            |         |
|          |         |               |                |     |        |                |  |            |         |
|          |         |               |                |     |        |                |  |            |         |
|          |         |               |                |     |        |                |  |            |         |
|          |         |               |                |     |        |                |  |            |         |
|          |         |               |                |     |        |                |  |            |         |
|          |         |               |                |     |        |                |  |            |         |
|          |         |               |                |     |        |                |  |            |         |
|          |         |               |                |     |        |                |  |            |         |
|          |         |               |                |     |        |                |  |            |         |
|          |         |               |                |     |        |                |  |            |         |
|          |         |               |                |     |        |                |  |            |         |
|          |         |               |                |     |        |                |  |            |         |
|          |         |               |                |     |        |                |  |            |         |
|          |         |               |                |     |        |                |  |            |         |
|          |         |               |                |     |        |                |  |            |         |
|          |         |               |                |     |        |                |  |            |         |
|          |         |               |                |     |        |                |  |            |         |
|          |         |               |                |     |        |                |  |            |         |
|          |         |               |                |     |        |                |  |            |         |
|          |         |               |                |     |        |                |  |            |         |
|          |         |               |                |     |        |                |  |            |         |
| NOTE     |         |               |                |     |        |                |  |            |         |

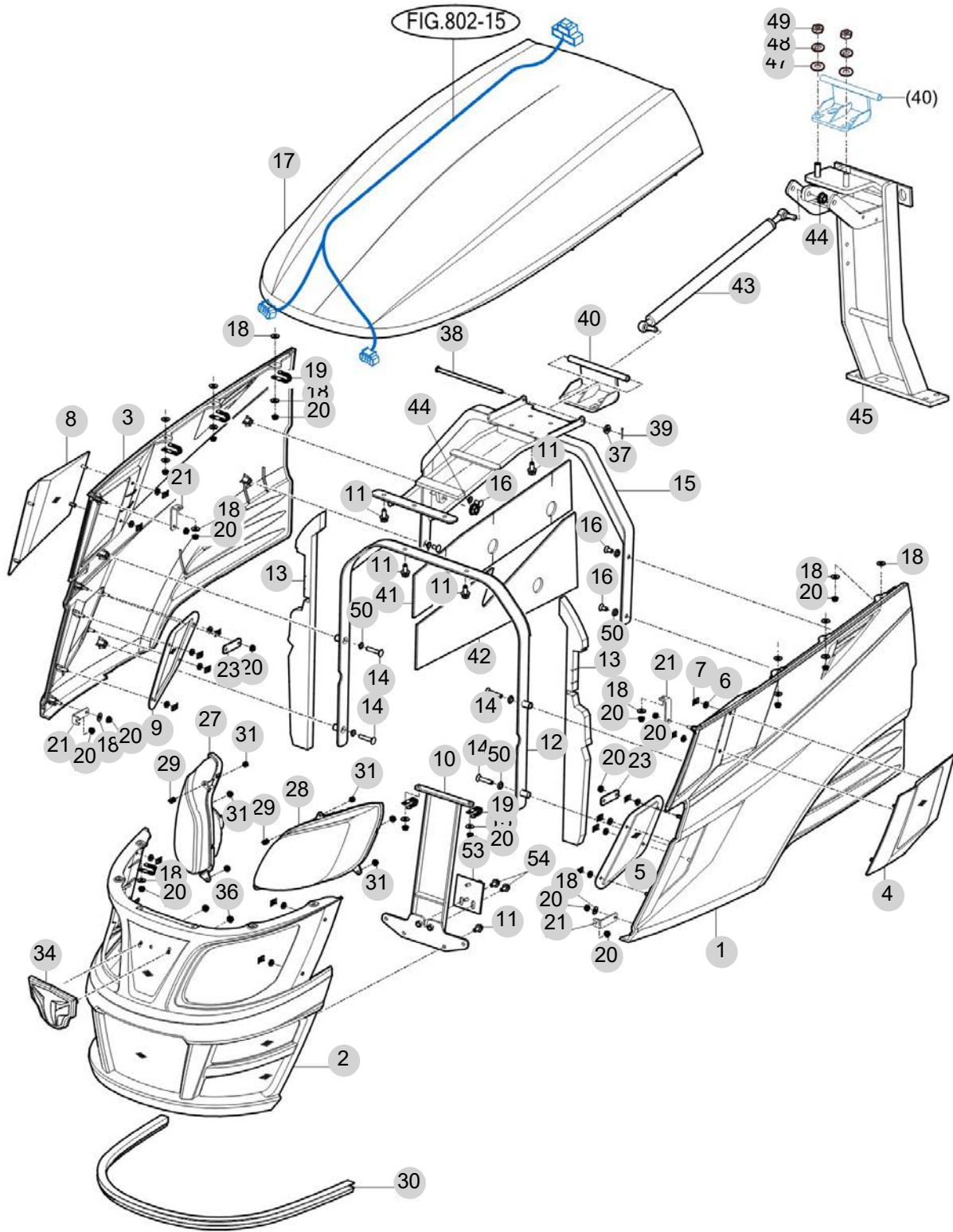
FIG 702

BONNET

년/월  
Year/Month

T355NHEU

2022-12



NOTE



| FIG 702  |         | BONNET        |                 |     |        |                | 년/월<br>Year/Month |  |
|----------|---------|---------------|-----------------|-----|--------|----------------|-------------------|--|
|          |         |               |                 |     |        |                | 2022-12           |  |
| T355NHEU |         |               |                 |     |        |                |                   |  |
| KEY NO   | PART NO | DESCRIPTION   | SPEC            | QTY | REPAIR | EFFECTIVE DATE | REMARKS           |  |
| 702      | 1       | 17406203301SR | 사이드 커버 COMP , 좌 |     | 1      |                |                   |  |
| 702      | 1       | 17406203302SR | 사이드 커버 COMP , 좌 |     | 1      |                |                   |  |
| 702      | 1       | 17406203303SR | 사이드 커버 COMP , 좌 |     | 1      |                |                   |  |
| 702      | 2       | 17406203200GB | 그릴 COMP         |     | 1      |                |                   |  |
| 702      | 3       | 17406203401SR | 사이드 커버 COMP , 우 |     | 1      |                |                   |  |
| 702      | 3       | 17406203402SR | 사이드 커버 COMP , 우 |     | 1      |                |                   |  |
| 702      | 3       | 17406203403SR | 사이드 커버 COMP , 우 |     | 1      |                |                   |  |
| 702      | 4       | 17406203500GB | 네트 , 상/좌        |     | 1      |                |                   |  |
| 702      | 5       | 17406203600GB | 네트 , 하/좌        |     | 1      |                |                   |  |
| 702      | 6       | 14446010150   | 네트와샤(6X14X3)    |     | 16     |                |                   |  |
| 702      | 7       | V3501600060   | 스프링 너트          |     | 16     |                |                   |  |
| 702      | 8       | 17406203700GB | 네트 , 상/우        |     | 1      |                |                   |  |
| 702      | 9       | 17406203800GB | 네트 , 하/우        |     | 1      |                |                   |  |
| 702      | 10      | 18366202500GB | 핀 COMP , 후드락    |     | 1      |                |                   |  |
| 702      | 10      | 17406202500GB | 핀 COMP , 후드락    |     | 1      |                |                   |  |
| 702      | 11      | V2183608020   | 소형육각볼트보통(SP)    |     | 13     |                |                   |  |
| 702      | 12      | 17406202300GB | 후드 프레임 COMP , 전 |     | 1      |                |                   |  |
| 702      | 13      | 17406202430   | 인슐레이터 , 사이드 전   |     | 2      |                |                   |  |
| 702      | 14      | V1122608040   | 십자홈접시작은나사       |     | 4      |                |                   |  |
| 702      | 15      | 17406202700GB | 후드 프레임 COMP , 후 |     | 1      |                |                   |  |
| 702      | 15      | 10536202700GB | 후드 프레임 COMP , 후 |     | 1      |                |                   |  |
| 702      | 15      | 10536202701GB | 후드 프레임 COMP , 후 |     | 1      |                |                   |  |
| 702      | 15      | 10536202702GB | 후드 프레임 COMP , 후 |     | 1      |                |                   |  |
| 702      | 16      | V1122608016   | 십자홈접시작은나사       |     | 4      |                |                   |  |
| 702      | 17      | 17406203101SR | 후드 COMP         |     | 1      |                |                   |  |
| 702      | 17      | 17406203102SR | 후드 COMP         |     | 1      |                |                   |  |
| 702      | 17      | 17406203103SR | 후드 COMP         |     | 1      |                |                   |  |
| 702      | 18      | 35605033020   | 와이어인출용와셔        |     | 22     |                |                   |  |
| 702      | 19      | 37371720090   | 메인하니스 클램프(하)    |     | 6      |                |                   |  |
| 702      | 19      | 13764020030   | 케이블타이(140)      |     | 6      |                |                   |  |
| 702      | 19      | 36571720090   | 메인 하니스 클램프      |     | 6      |                |                   |  |
| 702      | 20      | V3802600060   | 플랜지볼이육각너트       | M6  | 24     |                |                   |  |
| 702      | 21      | 17406203010GB | 플레이트 , 상/사이드    |     | 4      |                |                   |  |
| 702      | 21      | 17406203011GB | 플레이트 , 상/사이드    |     | 4      |                |                   |  |
| 702      | 21      | 17406203010GB | 플레이트 , 상/사이드    |     | 4      |                |                   |  |
| 702      | 23      | 17406203020GB | 플레이트 , 중/사이드    |     | 2      |                |                   |  |
| 702      | 27      | 17406525001   | 헤드램프 ASSY , 우   |     | 1      |                |                   |  |
| 702      | 27      | 17406525002   | 헤드램프 ASSY , 우   |     | 1      |                |                   |  |
| 702      | 28      | 17406524001   | 헤드램프 ASSY , 좌   |     | 1      |                |                   |  |
| 702      | 28      | 17406524002   | 헤드램프 ASSY , 좌   |     | 1      |                |                   |  |
| 702      | 29      | 36108010080   | 중자출구스프링(HC016)  |     | 2      |                |                   |  |
| 702      | 30      | 17406203900   | 인슐레이터 , 후드      |     | 1      |                |                   |  |
| 702      | 31      | 19027210060   | 나일론너트(M6)       |     | 6      |                |                   |  |
| 702      | 34      | 19959010011   | 엠블럼             |     | 1      |                |                   |  |
| 702      | 34      | 17406212000   | 엠블럼 ASSY , V5   |     | 1      |                |                   |  |
| NOTE     |         |               |                 |     |        |                |                   |  |



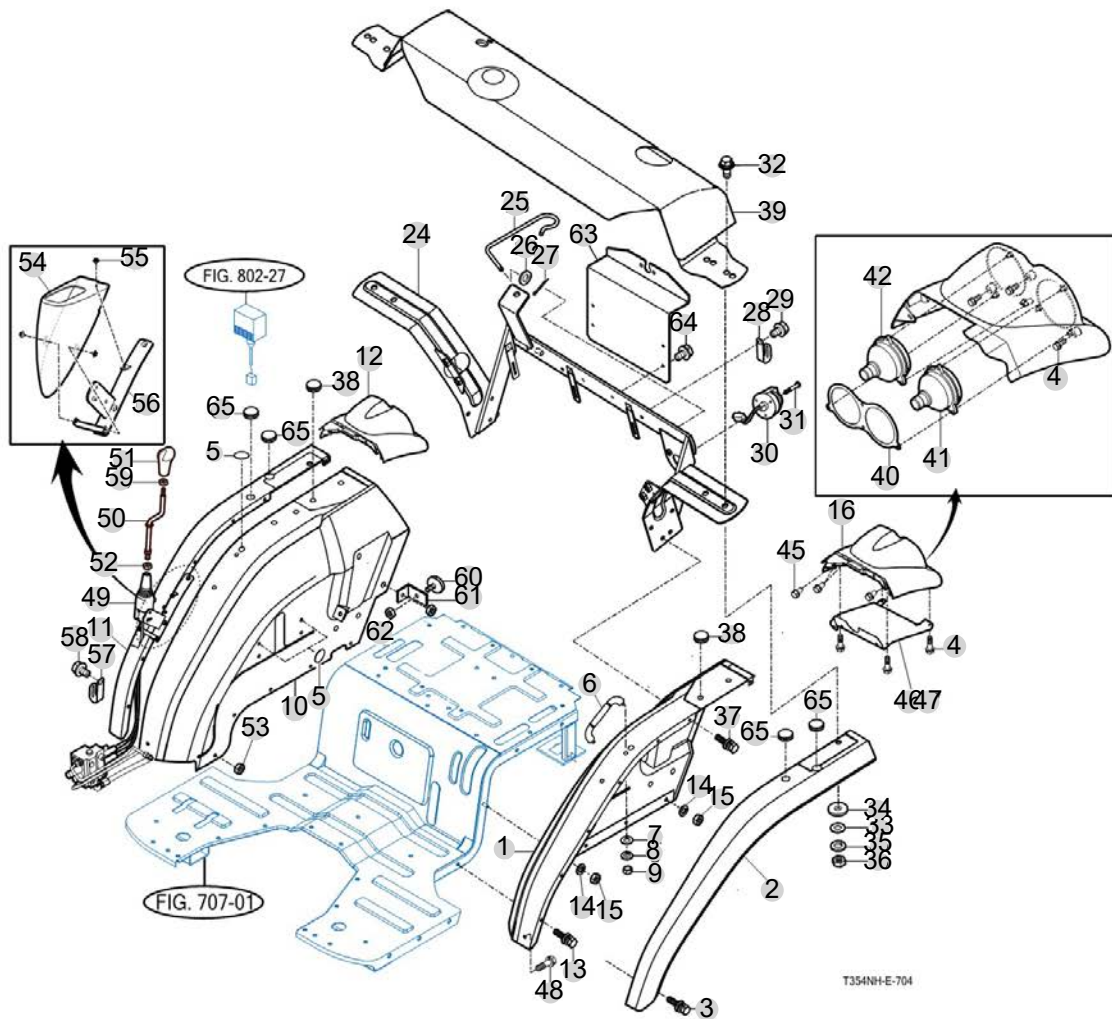
FIG 704

T355NHEU

FENDER, REAR FRAME

년/월  
Year/Month

2022-12



NOTE

| FIG 704  |    | FENDER, REAR FRAME |                       |             |      |     | 년/월<br>Year/Month |                |         |
|----------|----|--------------------|-----------------------|-------------|------|-----|-------------------|----------------|---------|
|          |    |                    |                       |             |      |     | 2022-12           |                |         |
| T355NHEU |    | KEY NO             | PART NO               | DESCRIPTION | SPEC | QTY | REPAIR            | EFFECTIVE DATE | REMARKS |
| 704      | 1  | 14726063502SR      | 휀더(LH)COMP            |             |      | 1   |                   |                |         |
| 704      | 2  | 12656060040SR      | 훗받이 휀더 (LH)           |             |      | 1   |                   |                |         |
| 704      | 2  | 12656060041SR      | 훗받이 휀더 (LH)           |             |      | 1   |                   |                |         |
| 704      | 3  | V2193606016        | 육각볼트(SPL)             | M6X16       |      | 12  |                   |                |         |
| 704      | 4  | V2123606012        | 육각볼트(SP)              | M6X12       |      | 14  |                   |                |         |
| 704      | 5  | 16606070031        | 캡(9)                  |             |      | 6   |                   |                |         |
| 704      | 7  | 35602010150        | 결속축와셔                 |             |      | 2   |                   |                |         |
| 704      | 8  | V4011600080        | 스프링와셔                 | M8          |      | 2   |                   |                |         |
| 704      | 9  | V3042600080        | 소형육각너트보통2종            | M8          |      | 2   |                   |                |         |
| 704      | 10 | 14726063602SR      | 휀더(RH)COMP(PNT)       |             |      | 1   |                   |                |         |
| 704      | 11 | 10526060020SR      | 훗받이 휀더 (RH)           |             |      | 1   |                   |                |         |
| 704      | 11 | 10526060021SR      | 훗받이 휀더 (RH)           |             |      | 1   |                   |                |         |
| 704      | 12 | 13016060030        | 리어 램프 커버(우)           |             |      | 1   |                   |                |         |
| 704      | 13 | V2183608020        | 소형육각볼트보통(SP)          | M8X20       |      | 8   |                   |                |         |
| 704      | 14 | V4011600080        | 스프링와셔                 | M8          |      | 4   |                   |                |         |
| 704      | 15 | V3042600080        | 소형육각너트보통2종            | M8          |      | 4   |                   |                |         |
| 704      | 16 | 13016060020        | 리어램프커버(좌)             |             |      | 1   |                   |                |         |
| 704      | 24 | 16707035403SR      | 리어프레임(연료탱크)COMP       |             |      | 1   |                   |                |         |
| 704      | 25 | 14885251100        | 후크(톱링크)               |             |      | 1   |                   |                |         |
| 704      | 26 | V4111600060        | 평와셔                   | M6          |      | 1   |                   |                |         |
| 704      | 27 | V5001920015        | 분할핀                   | 2X15        |      | 1   |                   |                |         |
| 704      | 28 | 14256210040        | 하니스클램프(9)             |             |      | 1   |                   |                |         |
| 704      | 28 | 14256210040        | 하니스클램프(9)             |             |      | 1   |                   |                |         |
| 704      | 29 | V2123606012        | 육각볼트(SP)              | M6X12       |      | 1   |                   |                |         |
| 704      | 30 | 13267028200        | 트레일러연결소켓 ASSY         |             |      | 1   |                   |                |         |
| 704      | 30 | 13267028201        | 트레일러연결소켓 ASSY         |             |      | 1   |                   |                |         |
| 704      | 30 | 13267028202        | 트레일러연결소켓 ASSY         |             |      | 1   |                   |                |         |
| 704      | 31 | V1112605030        | 십자훗냄비작은나사             | M5X30       |      | 3   |                   |                |         |
| 704      | 32 | V2173612040        | 소형육각볼트보통(S)           | M12X40      |      | 4   |                   |                |         |
| 704      | 34 | 36217020030        | 폴리 와셔                 |             |      | 4   |                   |                |         |
| 704      | 37 | V2183608020        | 소형육각볼트보통(SP)          | M8X20       |      | 4   |                   |                |         |
| 704      | 38 | 14326510210        | 고무캡(20)               |             |      | 2   |                   |                |         |
| 704      | 39 | 14777036302SR      | 커버 COMP (연료탱크)        |             |      | 1   |                   |                |         |
| 704      | 39 | 14777036302DR      | 커버 COMP(연료탱크)(PNT)    |             |      | 1   |                   |                |         |
| 704      | 39 | 14777036302SR      | 커버 COMP (연료탱크)        |             |      | 1   |                   |                |         |
| 704      | 39 | 14777036303SR      | 커버 COMP , 연료탱크        |             |      | 1   |                   |                |         |
| 704      | 39 | 14777036303SR      | 커버 COMP , 연료탱크        |             |      | 1   |                   |                |         |
| 704      | 40 | 13016061300        | 리어램프 고정플레이트           |             |      | 2   |                   |                |         |
| 704      | 41 | 14527023300        | 방향지시등(REAR)ASSY       |             |      | 2   |                   |                |         |
| 704      | 42 | 13367023400        | 스톱램프 ASSY             |             |      | 2   |                   |                |         |
| 704      | 45 | V2193606020        | 육각볼트(SPL)             |             |      | 2   |                   |                |         |
| 704      | 46 | 13016062000GB      | 리어램프 커버플레이트 COMP(좌)   |             |      | 1   |                   |                |         |
| 704      | 47 | 13016063000GB      | 리어 램프 커버 플레이트 COMP(우) |             |      | 1   |                   |                |         |
| 704      | 48 | V2183608035        | 소형육각볼트보통(SP)          | M8X35       |      | 2   |                   |                |         |
| 704      | 49 | 13015504005        | 로더밸브 조이스틱 ASSY        |             |      | 1   |                   |                |         |
| NOTE     |    |                    |                       |             |      |     |                   |                |         |



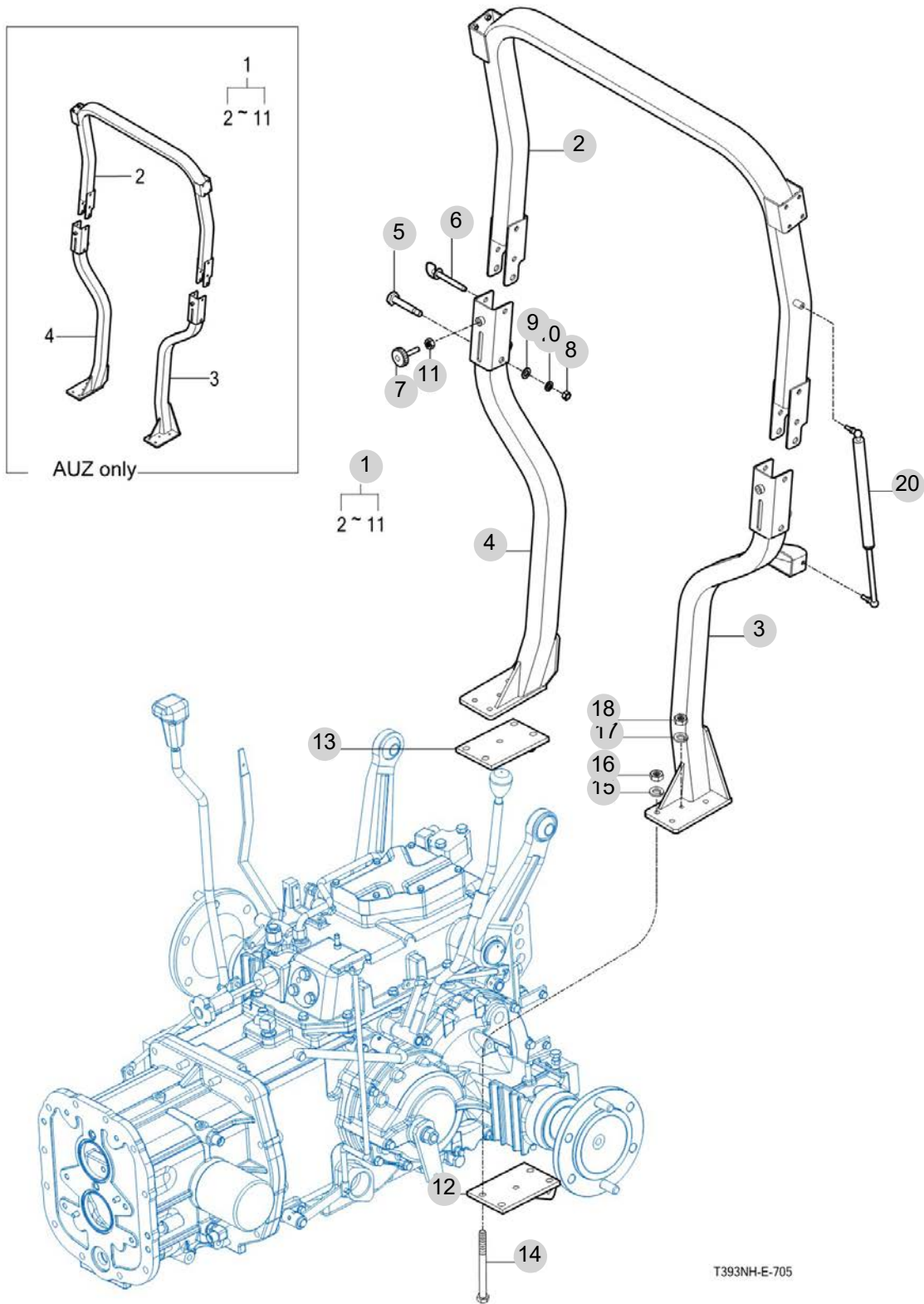
FIG 705

T355NHEU

ROPS

년/월  
Year/Month

2022-12



NOTE



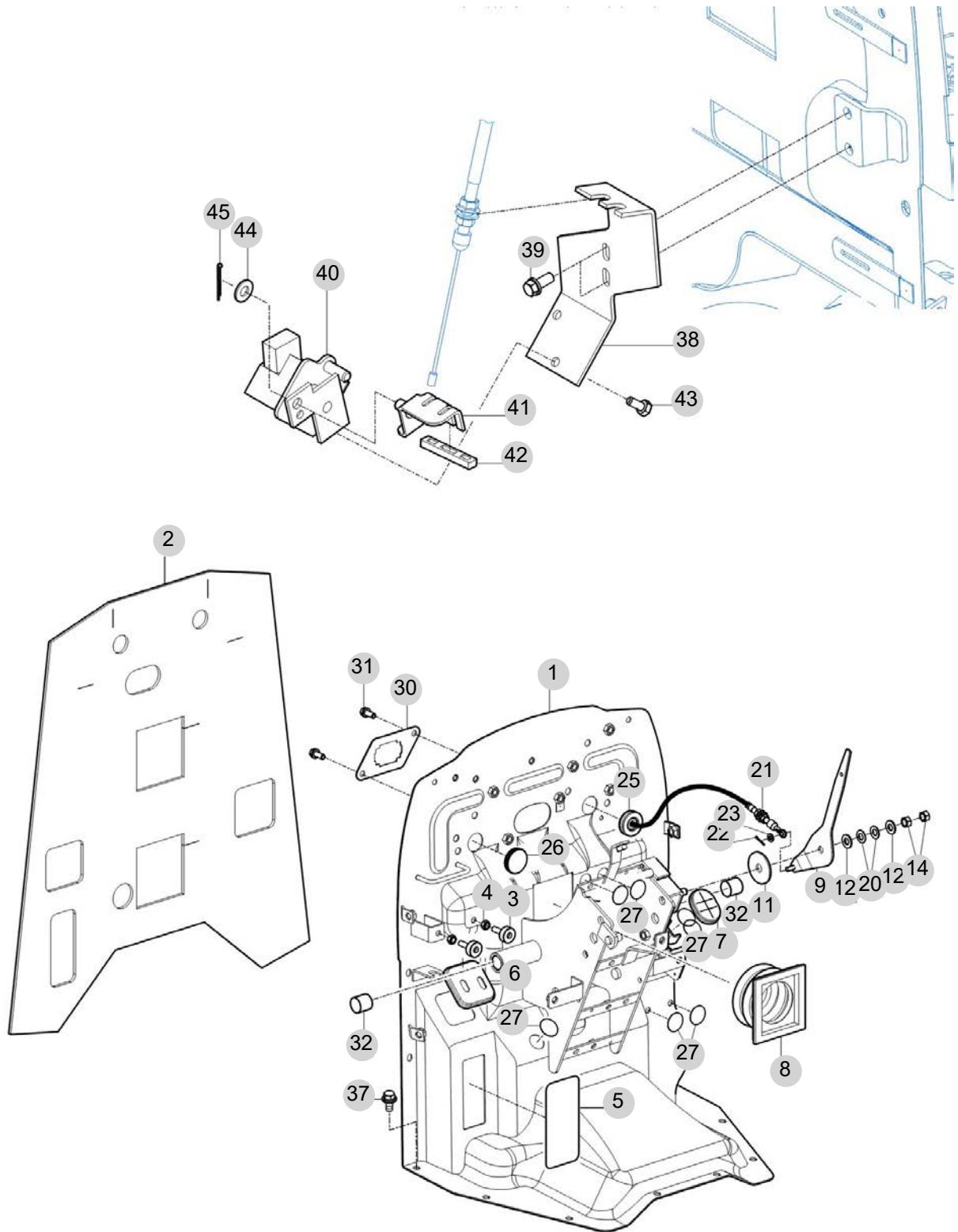
FIG 706

DASH PANEL

년/월  
Year/Month

T355NHEU

2022-12



T393NH-E-706

NOTE





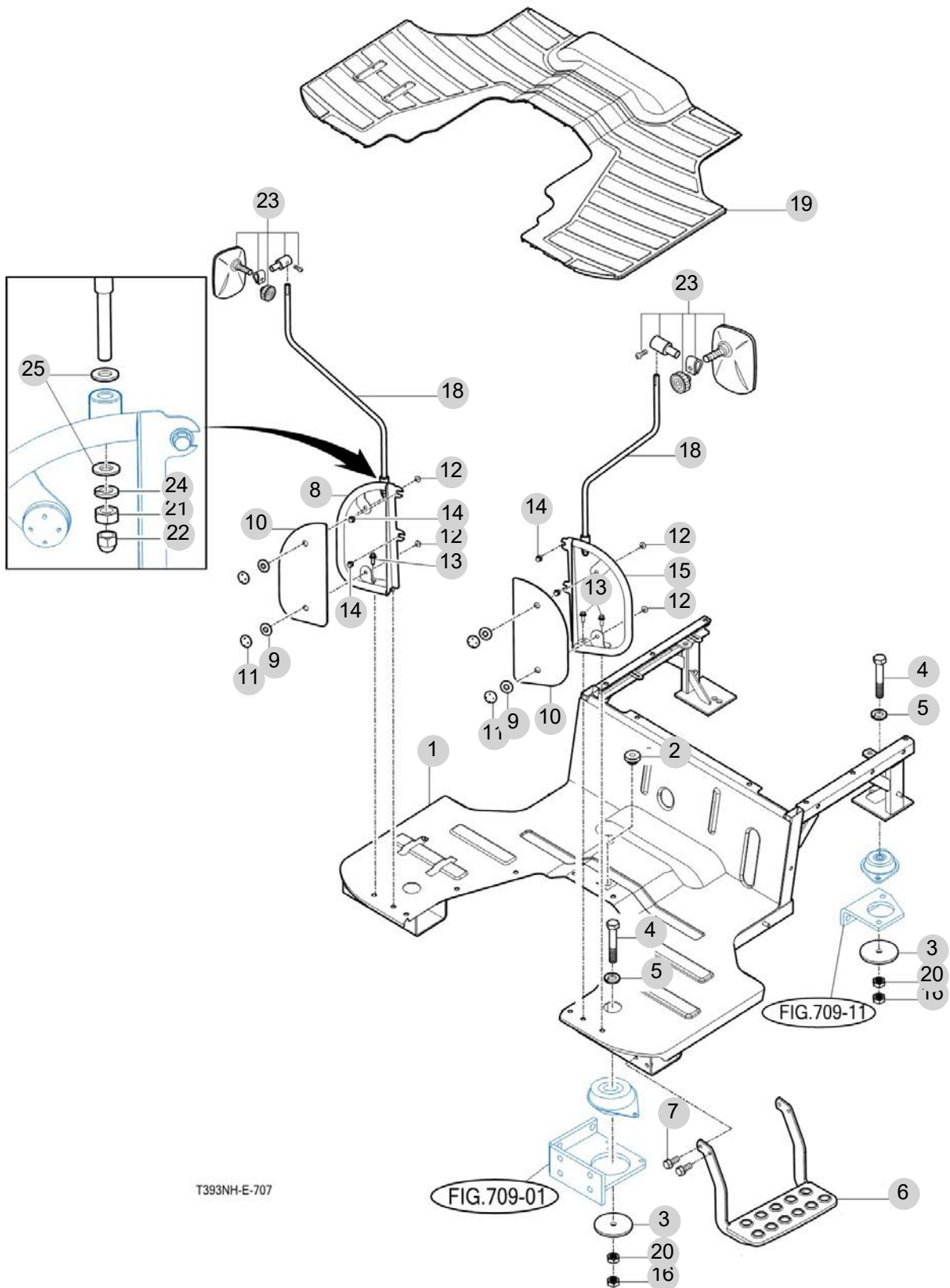
FIG 707

T355NHEU

FLOOR

년/월  
Year/Month

2022-12



NOTE



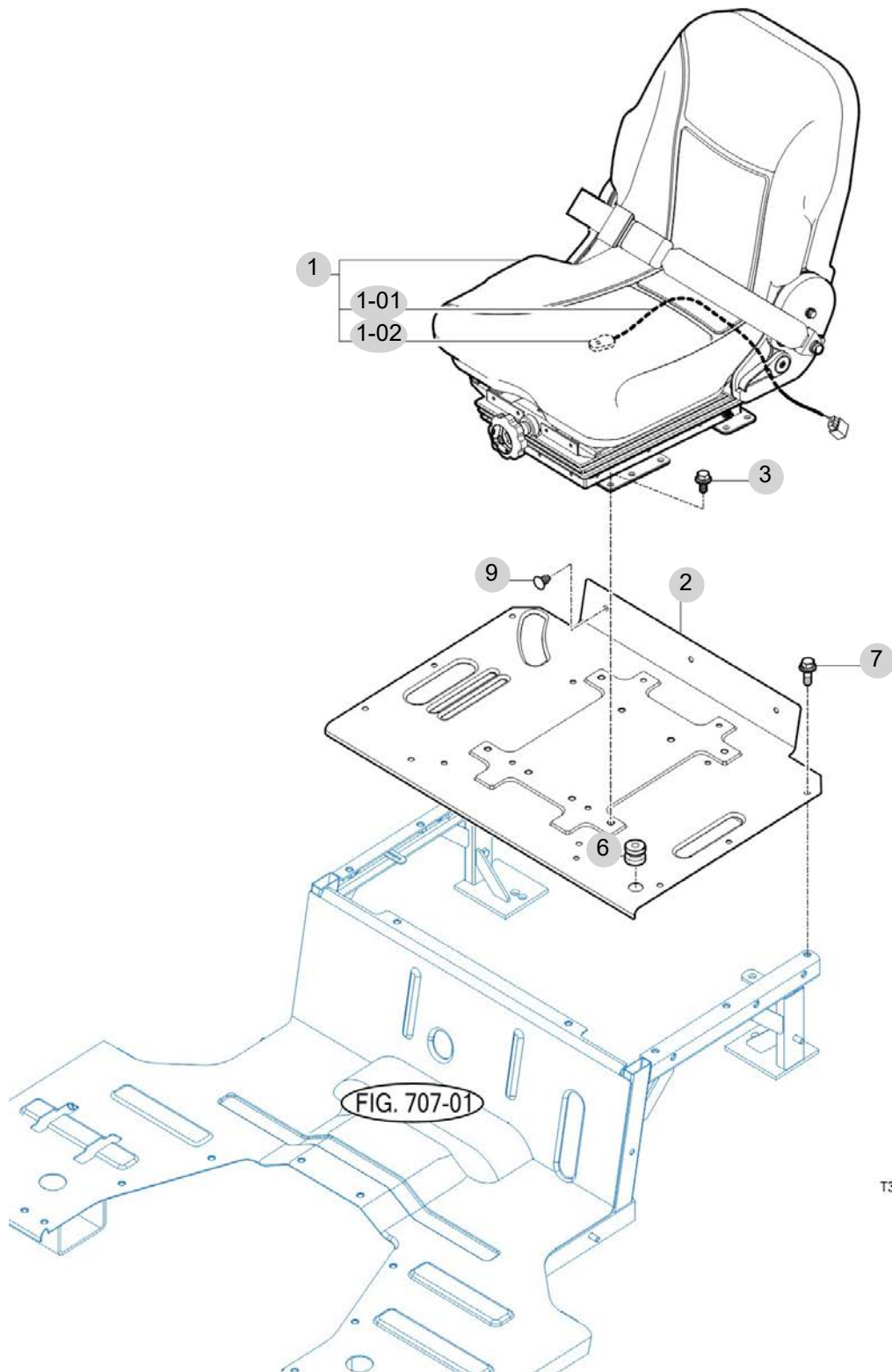
FIG 708

T355NHEU

SEAT

년/월  
Year/Month

2022-12



NOTE



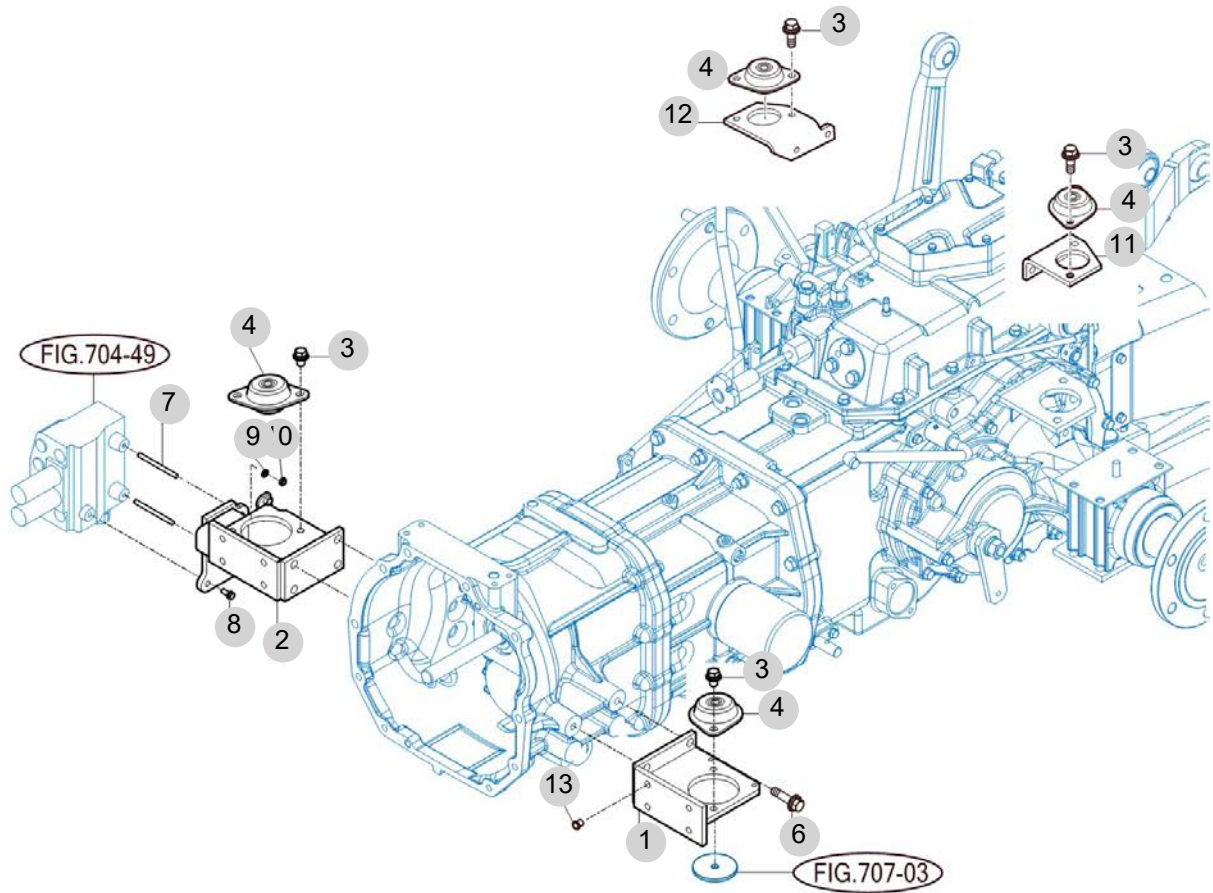
FIG 709

T355NHEU

FLOOR MOUNTING

년/월  
Year/Month

2022-12



NOTE

| FIG 709<br>T355NHEU |         | FLOOR MOUNTING |                  |        |        |                |         | 년/월<br>Year/Month |
|---------------------|---------|----------------|------------------|--------|--------|----------------|---------|-------------------|
|                     |         |                |                  |        |        |                |         | 2022-12           |
| KEY NO              | PART NO | DESCRIPTION    | SPEC             | QTY    | REPAIR | EFFECTIVE DATE | REMARKS |                   |
| 709                 | 1       | 14576252101    | 마운팅브래킷(전)COMP    |        |        |                |         |                   |
| 709                 | 2       | 12356253101    | 전/우 마운트 브래킷 COMP |        |        |                |         |                   |
| 709                 | 3       | V2183612020    | 소형육각볼트보통(SP)     | M12X20 | 8      |                |         |                   |
| 709                 | 4       | 15966250010    | 인슐레이터            |        | 4      |                |         |                   |
| 709                 | 6       | V2173612030    | 소형육각볼트보통(S)      | M12X30 | 8      |                |         |                   |
| 709                 | 7       | V2512608025    | 스터드볼트2종          | M8X25  | 2      |                |         |                   |
| 709                 | 8       | V2173608025    | 소형육각볼트보통(S)      | M8X25  | 1      |                |         |                   |
| 709                 | 9       | V4011600080    | 스프링와셔            | M8     | 2      |                |         |                   |
| 709                 | 10      | V3043600080    | 소형육각너트보통2종       | M8     | 2      |                |         |                   |
| 709                 | 11      | 16706260012    | 마운트브래킷(후/LH)     |        | 1      |                |         |                   |
| 709                 | 12      | 16706260022    | 마운트브래킷(후/RH)     |        | 1      |                |         |                   |
| 709                 | 13      | 14272010160    | 캡(M12)           |        | 8      |                |         |                   |
|                     |         |                |                  |        |        |                |         |                   |
|                     |         |                |                  |        |        |                |         |                   |
|                     |         |                |                  |        |        |                |         |                   |
|                     |         |                |                  |        |        |                |         |                   |
|                     |         |                |                  |        |        |                |         |                   |
|                     |         |                |                  |        |        |                |         |                   |
|                     |         |                |                  |        |        |                |         |                   |
|                     |         |                |                  |        |        |                |         |                   |
|                     |         |                |                  |        |        |                |         |                   |
|                     |         |                |                  |        |        |                |         |                   |
|                     |         |                |                  |        |        |                |         |                   |
|                     |         |                |                  |        |        |                |         |                   |
|                     |         |                |                  |        |        |                |         |                   |
|                     |         |                |                  |        |        |                |         |                   |
|                     |         |                |                  |        |        |                |         |                   |
|                     |         |                |                  |        |        |                |         |                   |
|                     |         |                |                  |        |        |                |         |                   |
|                     |         |                |                  |        |        |                |         |                   |
|                     |         |                |                  |        |        |                |         |                   |
|                     |         |                |                  |        |        |                |         |                   |
|                     |         |                |                  |        |        |                |         |                   |
|                     |         |                |                  |        |        |                |         |                   |
|                     |         |                |                  |        |        |                |         |                   |
|                     |         |                |                  |        |        |                |         |                   |
|                     |         |                |                  |        |        |                |         |                   |
|                     |         |                |                  |        |        |                |         |                   |
|                     |         |                |                  |        |        |                |         |                   |
|                     |         |                |                  |        |        |                |         |                   |
|                     |         |                |                  |        |        |                |         |                   |
| NOTE                |         |                |                  |        |        |                |         |                   |

## 8. 전장 PART NO. T8

|                            |     |
|----------------------------|-----|
| FIG 801 BATTERY & MOUNTING | 129 |
| FIG 802 LIGHTS             | 131 |
| FIG 803 INSTRUMENT PANEL   | 133 |
| FIG 804 ELECTRIC SYSTEM    | 135 |
| FIG 805 HARNESS (1)        | 137 |
| FIG 806 HARNESS (2)        | 139 |



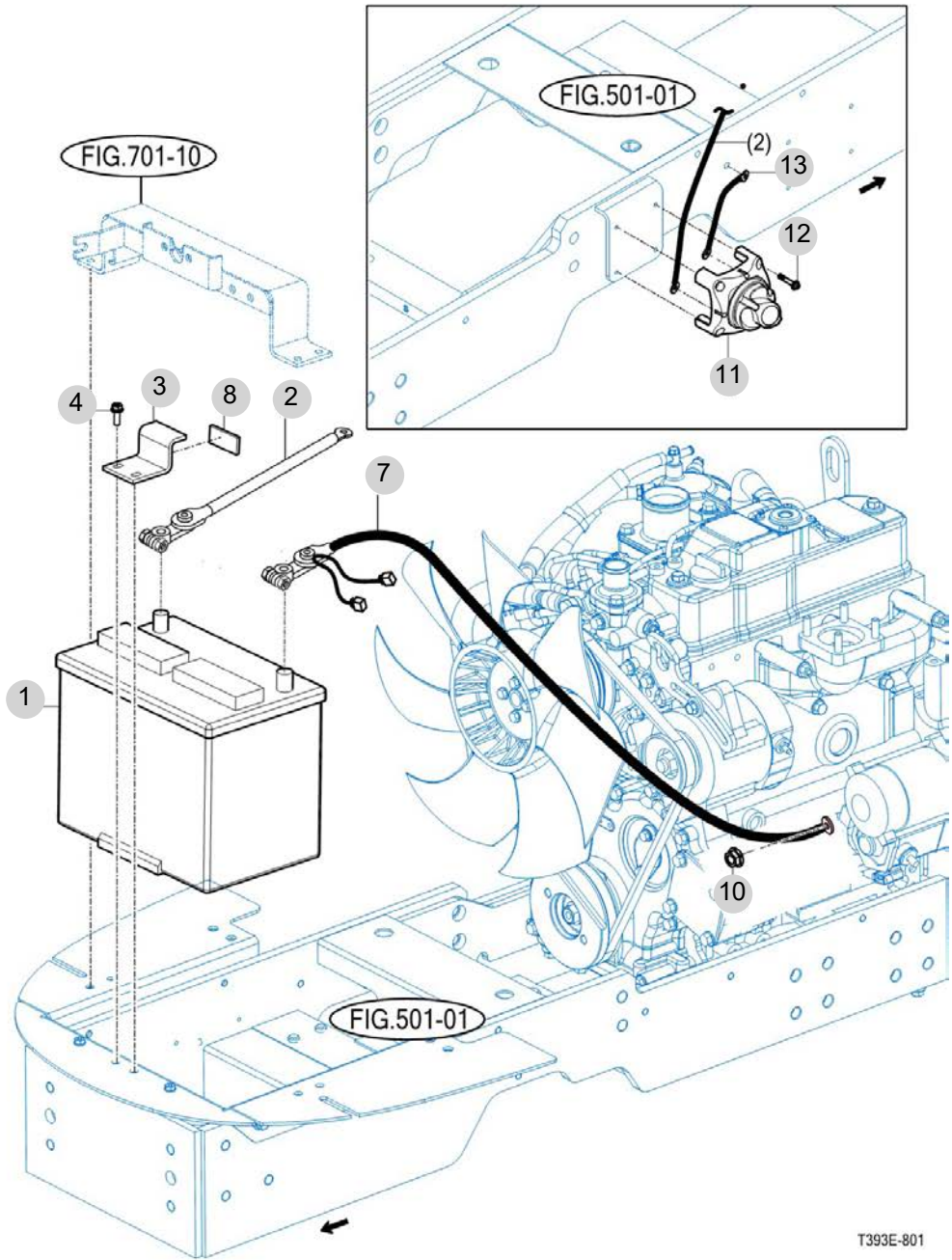
FIG 801

T355NHEU

BATTERY & MOUNTING

년/월  
Year/Month

2022-12



T393E-801

NOTE

| FIG 801<br>T355NHEU |         | BATTERY & MOUNTING |                  |       |        |                | 년/월<br>Year/Month |  |
|---------------------|---------|--------------------|------------------|-------|--------|----------------|-------------------|--|
|                     |         |                    |                  |       |        |                | 2022-12           |  |
| KEY NO              | PART NO | DESCRIPTION        | SPEC             | QTY   | REPAIR | EFFECTIVE DATE | REMARKS           |  |
| 801                 | 1       | 14216000522        | 배터리(12V80AH)ASSY |       |        | 1              |                   |  |
| 801                 | 2       | 12136503001        | 접지선              |       |        | 1              |                   |  |
| 801                 | 3       | 17406870011GB      | 배터리 고정 브라켓       |       |        | 1              |                   |  |
| 801                 | 3       | 17406870011GB      | 배터리 고정 브라켓       |       |        | 1              |                   |  |
| 801                 | 4       | V2323606020        | 십자홈육각볼트(SP)      | M6X20 |        | 2              |                   |  |
| 801                 | 4       | V2323606020        | 십자홈육각볼트(SP)      |       |        | 2              |                   |  |
| 801                 | 7       | 11116502000        | 케이블(배터리)ASSY     |       |        | 1              |                   |  |
| 801                 | 7       | 11116502001        | 케이블(배터리)ASSY     |       |        | 1              |                   |  |
| 801                 | 8       | 11101032400        | 스폰지 , 에어클리너      |       |        | 1              |                   |  |
| 801                 | 8       | 11101032400        | 스폰지 , 에어클리너      |       |        | 2              |                   |  |
| 801                 | 10      | V3802600080        | 플랜지붙이육각너트        | M8    |        | 1              |                   |  |
| 801                 | 11      | 12120028430        | 스위치 , 배터리        |       |        | 1              |                   |  |
| 801                 | 12      | V1112605030        | 십자홈냄비작은나사        |       |        | 4              |                   |  |
| 801                 | 13      | 11106684300        | 하니스(접지)ASSY      |       |        | 1              |                   |  |
|                     |         |                    |                  |       |        |                |                   |  |
|                     |         |                    |                  |       |        |                |                   |  |
|                     |         |                    |                  |       |        |                |                   |  |
|                     |         |                    |                  |       |        |                |                   |  |
|                     |         |                    |                  |       |        |                |                   |  |
|                     |         |                    |                  |       |        |                |                   |  |
|                     |         |                    |                  |       |        |                |                   |  |
|                     |         |                    |                  |       |        |                |                   |  |
|                     |         |                    |                  |       |        |                |                   |  |
|                     |         |                    |                  |       |        |                |                   |  |
|                     |         |                    |                  |       |        |                |                   |  |
|                     |         |                    |                  |       |        |                |                   |  |
|                     |         |                    |                  |       |        |                |                   |  |
|                     |         |                    |                  |       |        |                |                   |  |
|                     |         |                    |                  |       |        |                |                   |  |
|                     |         |                    |                  |       |        |                |                   |  |
|                     |         |                    |                  |       |        |                |                   |  |
|                     |         |                    |                  |       |        |                |                   |  |
|                     |         |                    |                  |       |        |                |                   |  |
|                     |         |                    |                  |       |        |                |                   |  |
|                     |         |                    |                  |       |        |                |                   |  |
|                     |         |                    |                  |       |        |                |                   |  |
|                     |         |                    |                  |       |        |                |                   |  |
|                     |         |                    |                  |       |        |                |                   |  |
| NOTE                |         |                    |                  |       |        |                |                   |  |

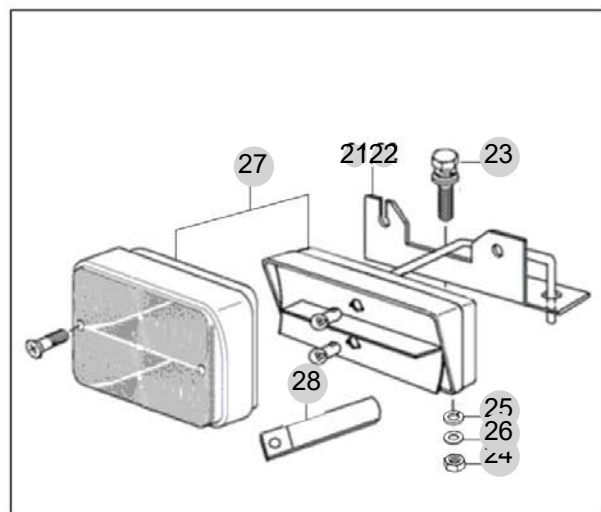
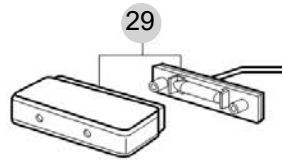
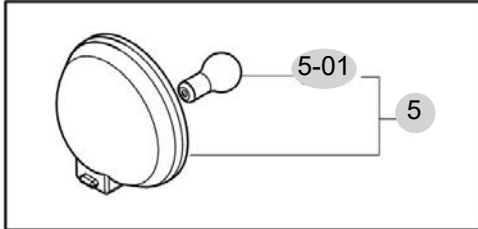
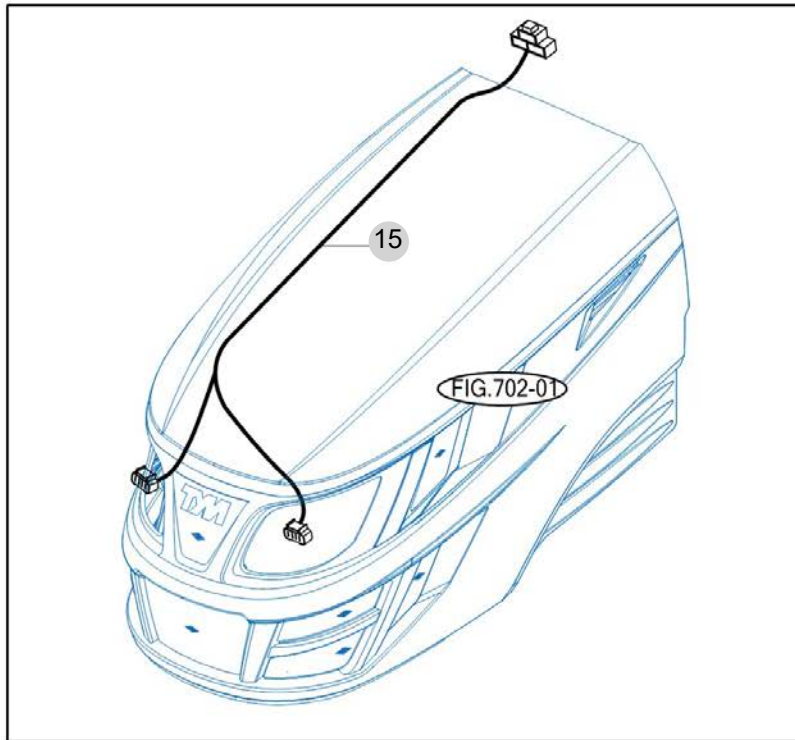
FIG 802

T355NHEU

LIGHTS

년/월  
Year/Month

2022-12



NOTE



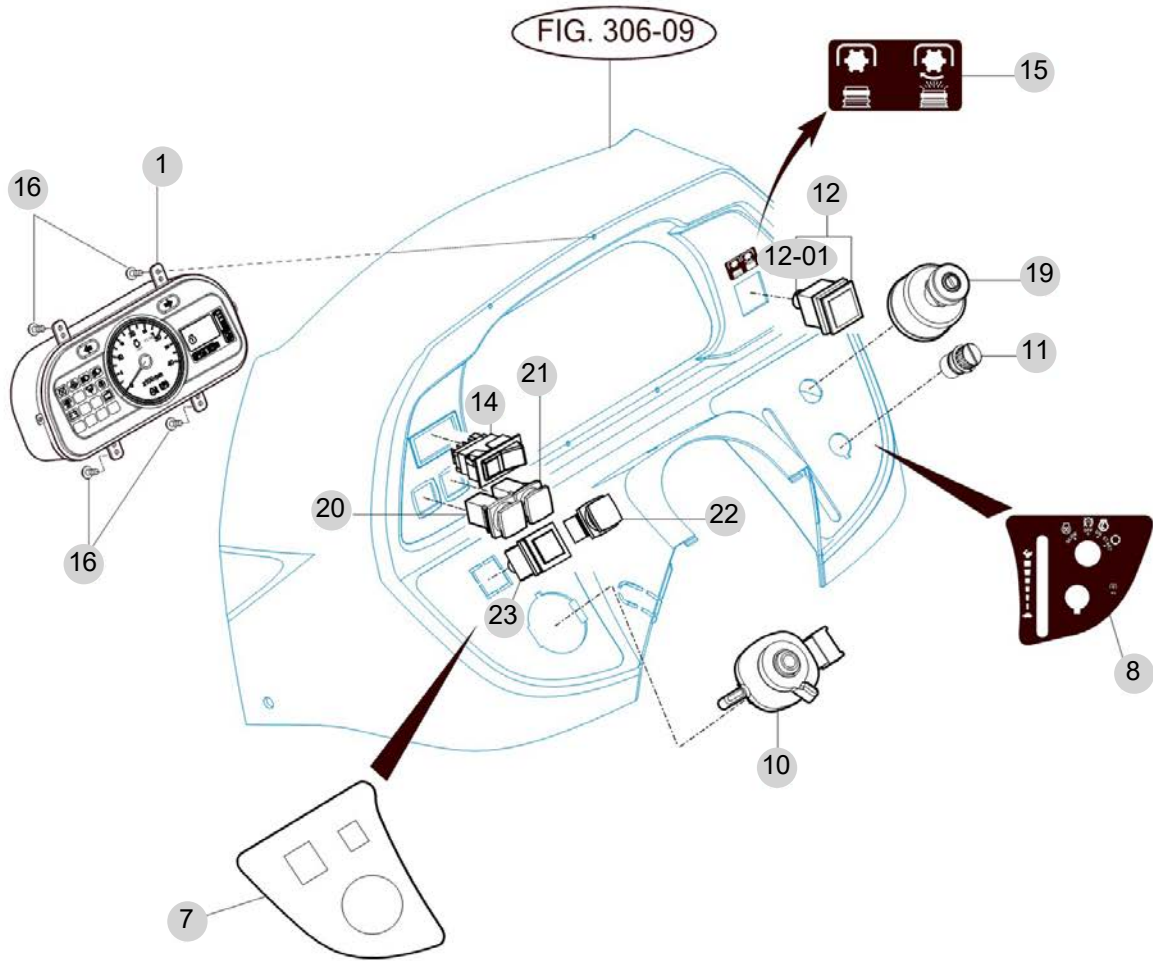
FIG 803

INSTRUMENT PANEL

년/월  
Year/Month

2022-12

T355NHEU



T393-E-803

NOTE



FIG 804

T355NHEU

ELECTRIC SYSTEM

년/월  
Year/Month

2022-12

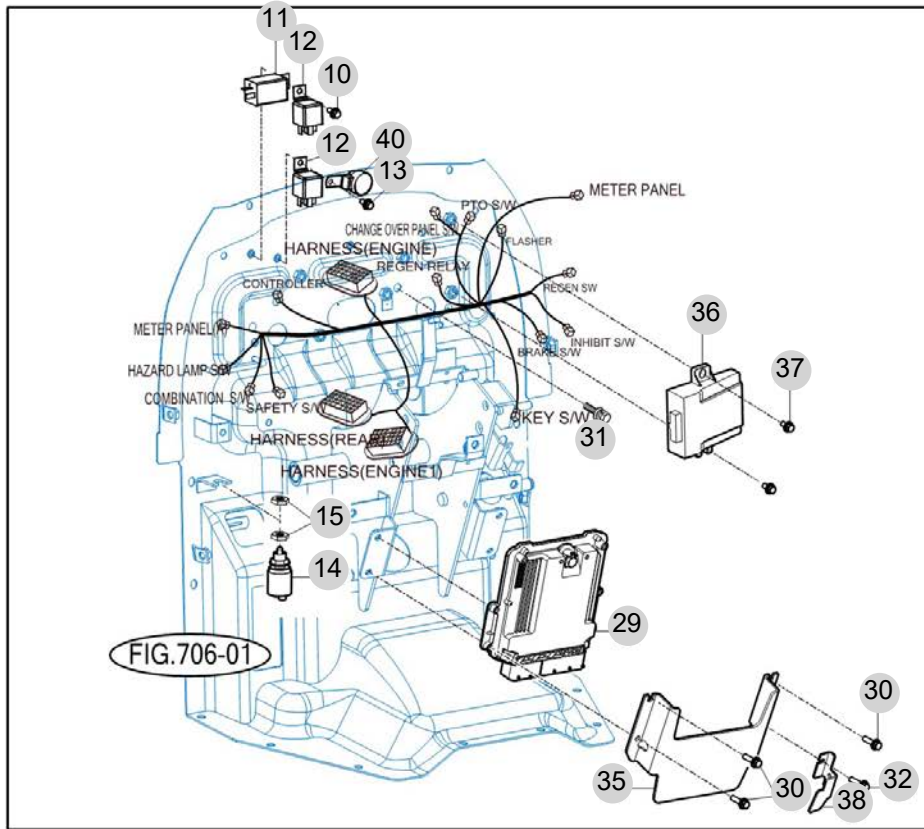
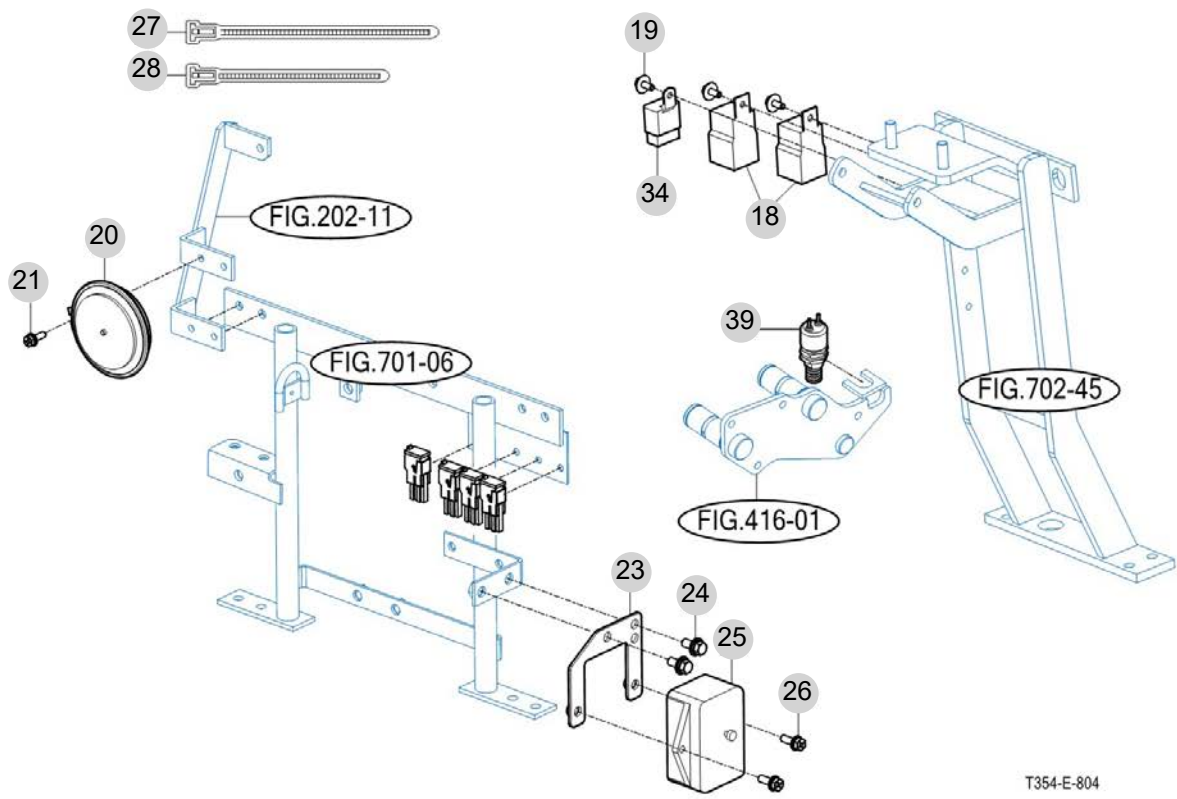


FIG.706-01



T354-E-804

NOTE





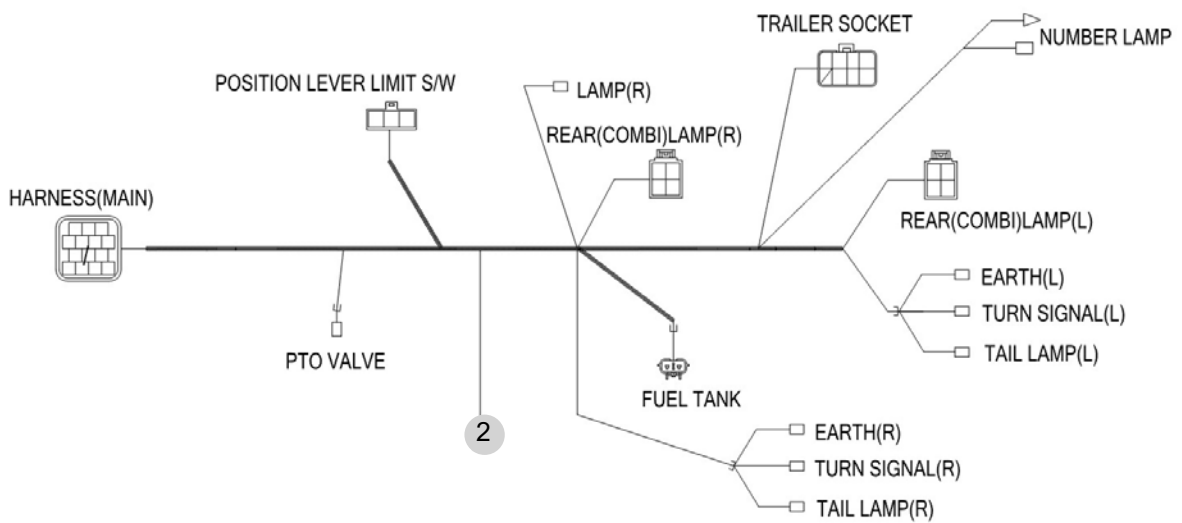
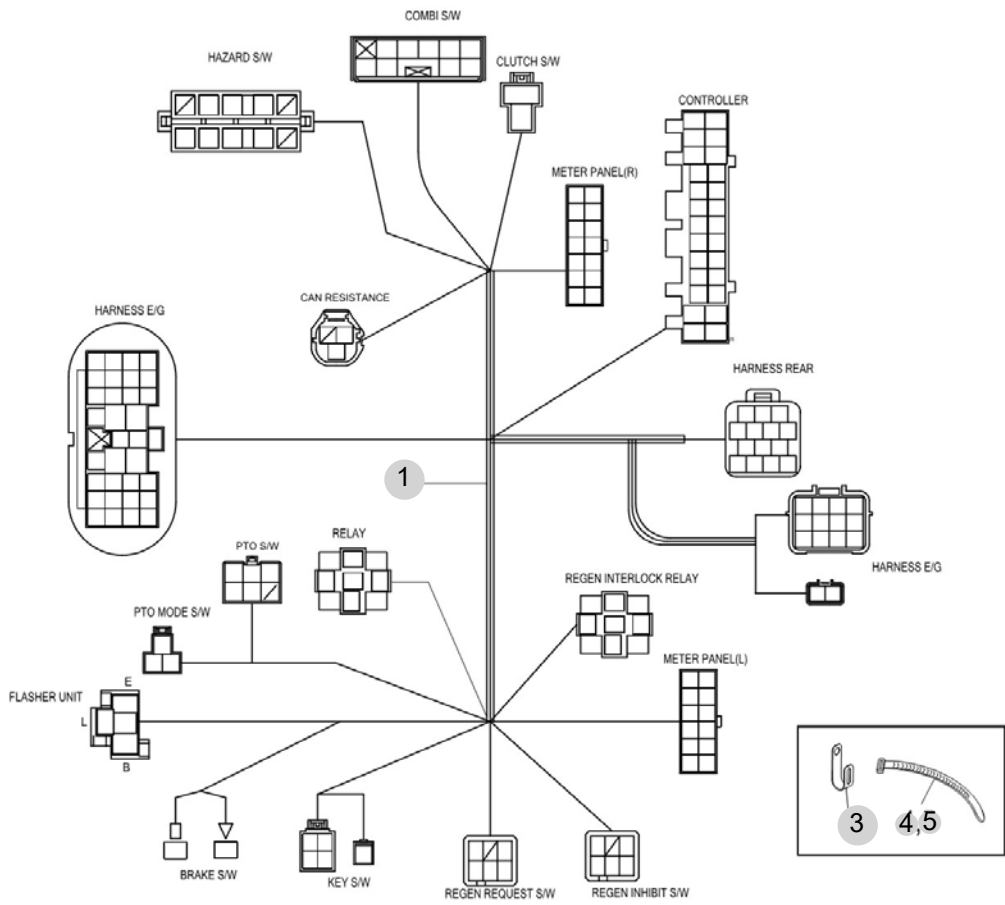
FIG 805

T355NHEU

HARNESS (1)

년/월  
Year/Month

2022-12



T354NC-E-805

NOTE



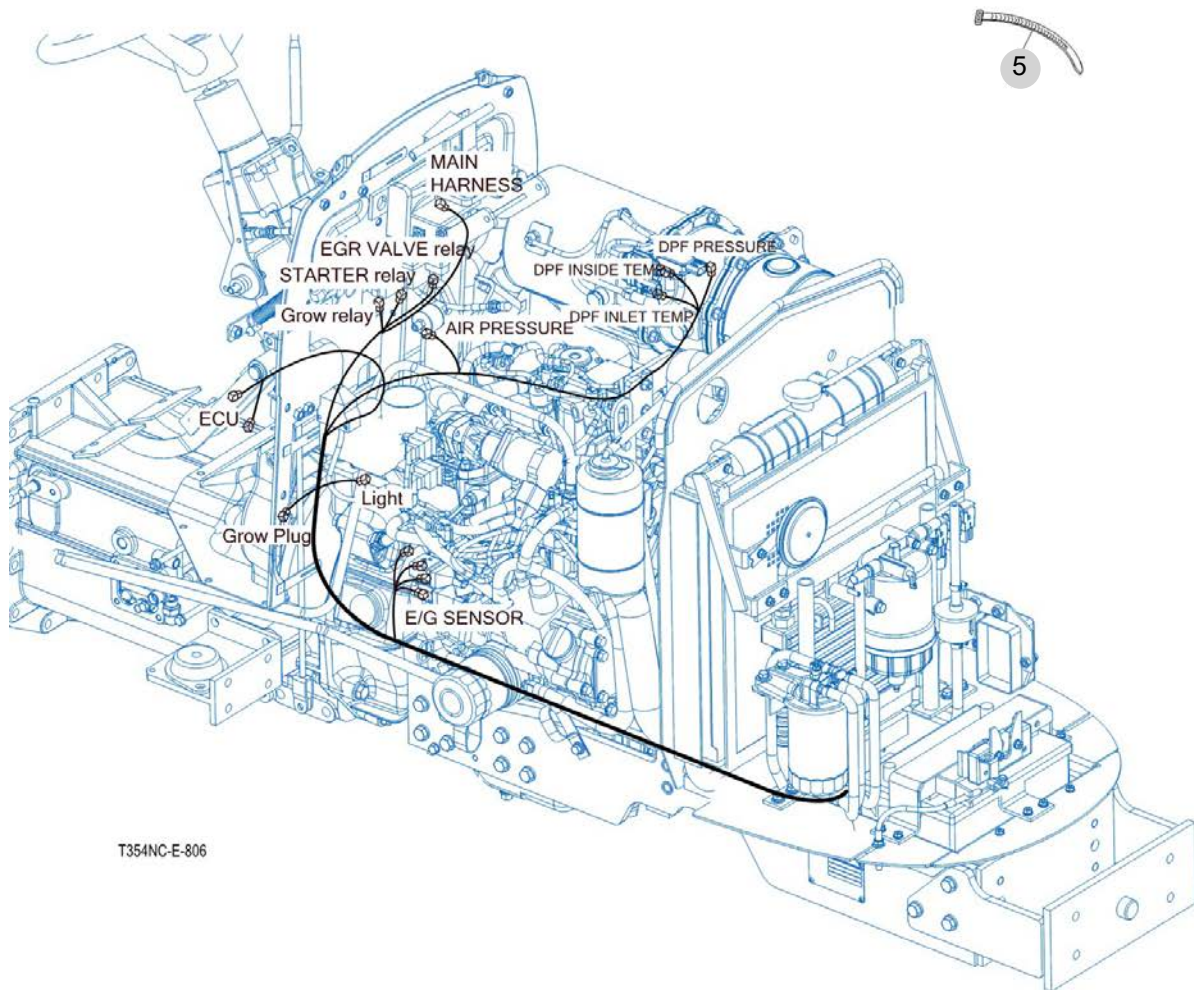
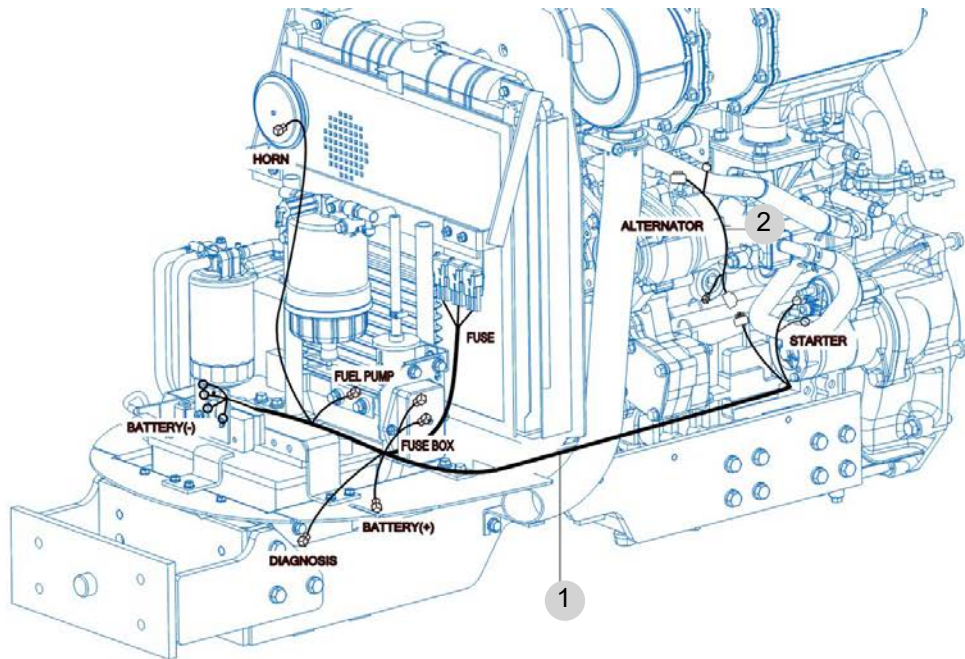
FIG 806

# HARNESS (2)

년/월  
Year/Month

2022-12

T355NHEU



T354NC-E-806

NOTE



## 9. 라벨/옵션 PART NO. T9

|                          |     |
|--------------------------|-----|
| FIG 901 WEIGHT           | 142 |
| FIG 902 TOOL & ACCESSORY | 144 |
| FIG 903-1 LABEL          | 146 |
| FIG 903-2 LABEL          | 148 |

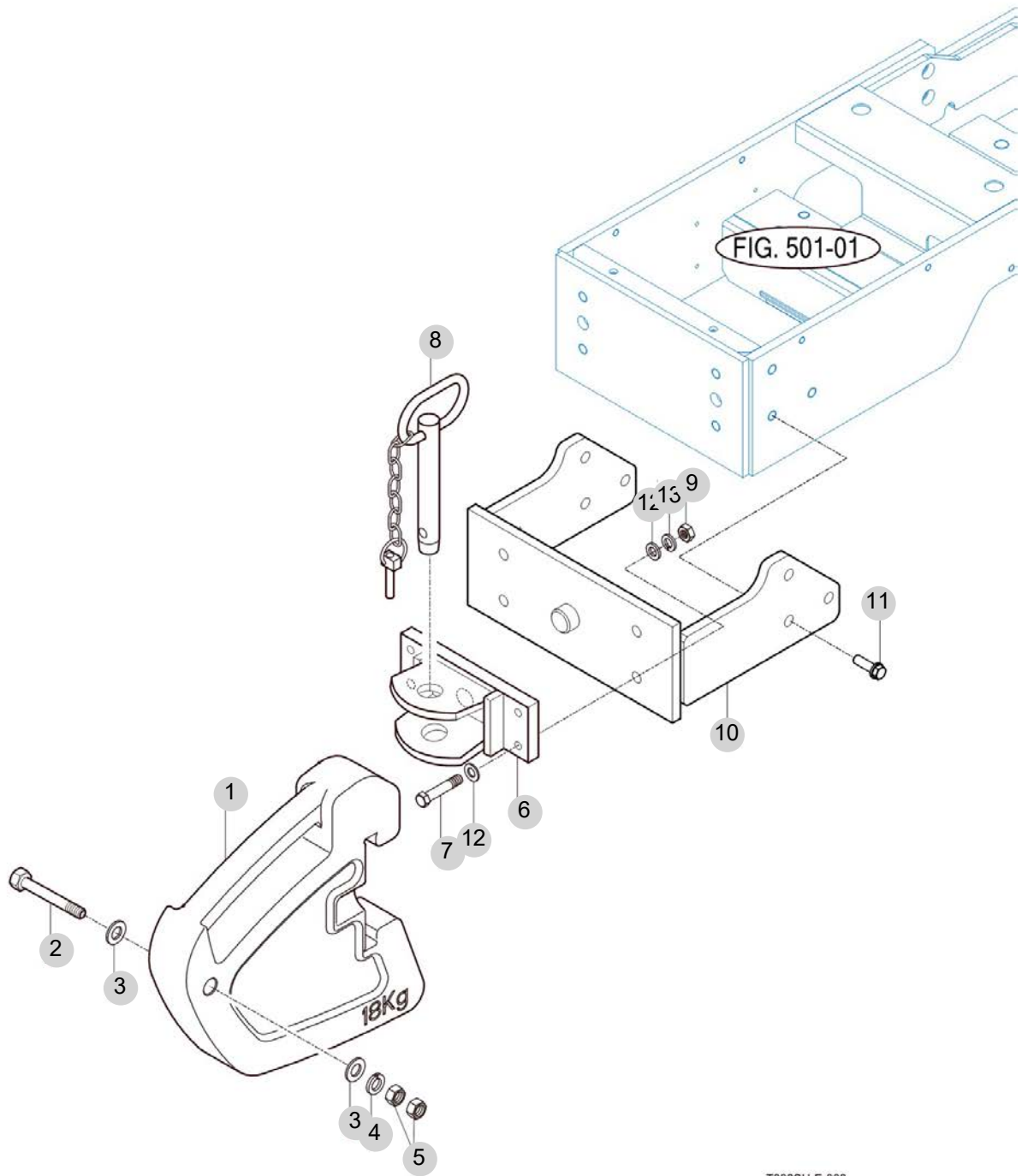
FIG 901

T355NHEU

WEIGHT

년/월  
Year/Month

2022-12



T393SH-E-903

NOTE



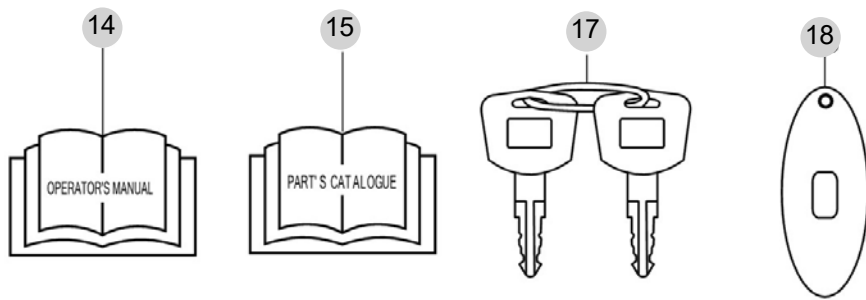
FIG 902

T355NHEU

TOOL & ACCESSORY

년/월  
Year/Month

2022-12



NOTE





FIG 903-1

LABEL

년/월  
Year/Month

T355NHEU

2022-12

**WARNING**

Death or injury may result if this tractor over turns with the ROPS in the folded down position. Operate this tractor with the ROPS folded down only when necessary. Do not wear seat belt if operated with ROPS folded down.

1220-804-932-0

35

**DANGER**

This Tractor may tip over unexpectedly and quicker than an operator is able to jump free

1. Never operate a tractor without a proper Roll over Protection Structure (ROPS)
2. Always wear your seat belt when operating this tractor equipped with roll over protection.
3. Never pull from above or from the rear axle.
4. Do not operate the tractor on steep slopes or near drop offs
5. Avoid sharp high speed turns

Serious injury or death may result from tractor upsets.

1220-904-001-0

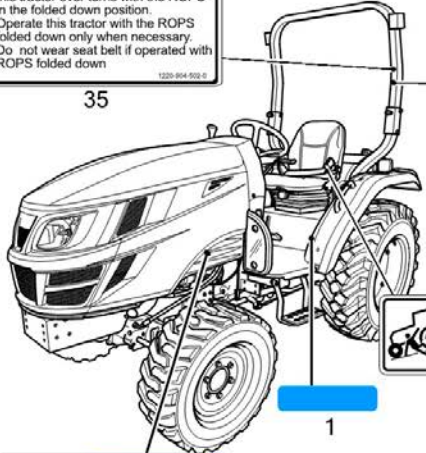
36

**WARNING**

- Start engine only from operators seat. If safety start switch is by passed engine can start with transmission in gear.
- Do not connect or short across terminal on starter solenoid.
- Attach booster cables as shown on battery decal and operators manual.

Starting in gear causing runaway can result in serious injury.

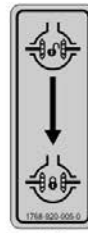
48



**DANGER**

Do not ride except operator.

13



18



45

**CAUTION**

Do not touch while the system is hot. It cause serious burns

1220-810-020-0

11

T355

29



65



47

**WARNING**

Work in ventilated Area.

1220-910-030-0

12

TONGYANGMOOLSAN CO., LTD.

| Model | Serial Number | Year |
|-------|---------------|------|
| T355  | 1000000000    | 2022 |

63

TONGYANGMOOLSAN CO., LTD.

TYPE: T-CC1

**e13**

00073 NS

T: 3.0 tonnes  
S: 300 kg

54



62

**PTO (MID,REAR) LEVER**

To prevent transmission damage, the PTO switch must be OFF before PTO lever is engaged.

50

**WARNING**

Always fasten Your seat belt.

1220-910-010-0

15

**WARNING**

Never use the diff-lock at high speed or on the road as this can cause rollover and injury.

1220-910-006-0

19

**WARNING**

Do not remove radiator cap while engine is hot. Hot steam will injure you.

1220-810-015-0

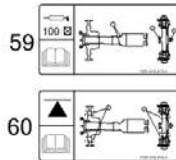
8

**WARNING**

Do not use the sub shift lever at "H" position when driving backward.

1220-910-021-0

11



59

60

**WARNING**

LOCK → UNLOCK

LOCK BUTTEN

Push the button to lock position with joystick lever is neutral whenever the implement is not operation.

1220-910-020-0

37

**WARNING**

Stay clear of raised Boom and bucket.

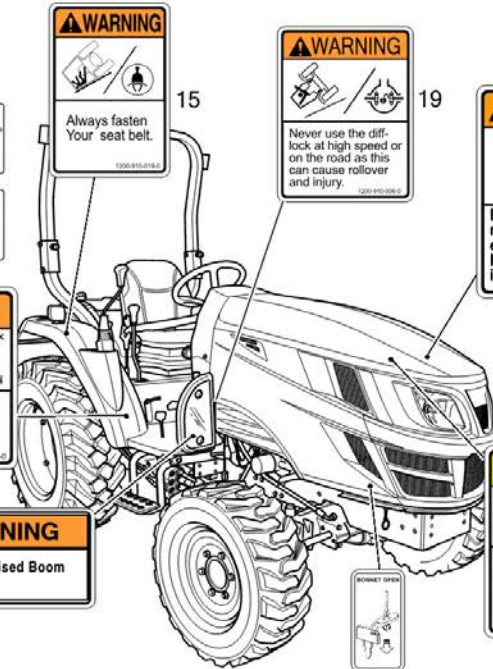
38

**DANGER**

Start only from seat in park or neutral

Starting in gear kills.

46



61

**CAUTION**

Keep hands and clothing away from rotating fan and belts to prevent serious injury.

1220-910-012-0

7

NOTE

| FIG 903-1 |         | LABEL       |                        |     |        |                | 년/월        |  |
|-----------|---------|-------------|------------------------|-----|--------|----------------|------------|--|
|           |         |             |                        |     |        |                | Year/Month |  |
| T355NHEU  |         | 2022-12     |                        |     |        |                |            |  |
| KEY NO    | PART NO | DESCRIPTION | SPEC                   | QTY | REPAIR | EFFECTIVE DATE | REMARKS    |  |
| 903-1     | 1       | 14726400010 | 막음썰(핸드브레이크)            |     | 1      |                |            |  |
| 903-1     | 4       | 12009100080 | 라벨, 경고/틸트              |     | 1      |                |            |  |
| 903-1     | 5       | 12009100240 | 라벨, 주의/소음기             |     | 1      |                |            |  |
| 903-1     | 7       | 12009100120 | 라벨, 주의/팬               |     | 1      |                |            |  |
| 903-1     | 8       | 12009100150 | 라벨, 경고/라디에이터캡          |     | 1      |                |            |  |
| 903-1     | 9       | 12009100230 | 라벨, 주의/취급              |     | 2      |                |            |  |
| 903-1     | 10      | 12009100130 | 라벨, 위험/PTO             |     | 1      |                |            |  |
| 903-1     | 11      | 12009100010 | 라벨, 경고/부변속             |     | 1      |                |            |  |
| 903-1     | 12      | 12009100030 | 라벨, 경고/배기가스            |     | 1      |                |            |  |
| 903-1     | 13      | 12009100160 | 라벨, 위험/동승금지            |     | 1      |                |            |  |
| 903-1     | 14      | 17689100170 | 라벨, 주의/안전              |     | 1      |                |            |  |
| 903-1     | 15      | 12009100190 | 라벨, 경고/안전벨트            |     | 1      |                |            |  |
| 903-1     | 16      | 12009100210 | 라벨, 경고/스로틀             |     | 1      |                |            |  |
| 903-1     | 17      | 12009100050 | 라벨, 경고/화기염금            |     | 1      |                |            |  |
| 903-1     | 18      | 17689200050 | 라벨, 취급/차동고정            |     | 1      |                |            |  |
| 903-1     | 19      | 12009100060 | 라벨, 경고/차동고정            |     | 1      |                |            |  |
| 903-1     | 20      | 12009100140 | 라벨, 경고/견인              |     | 1      |                |            |  |
| 903-1     | 26      | 12009100070 | 라벨, 경고/브레이크            |     | 1      |                |            |  |
| 903-1     | 29      | 13969010042 | 마크, /T355              |     | 2      |                |            |  |
| 903-1     | 29      | 13969010041 | 마크, T355               |     | 2      |                |            |  |
| 903-1     | 35      | 12209045020 | 라벨(ROPS경고)             |     | 1      |                |            |  |
| 903-1     | 36      | 12209045010 | 라벨(ROPS위험)             |     | 1      |                |            |  |
| 903-1     | 37      | 17699100090 | 라벨, 경고/조이스틱            |     | 1      |                |            |  |
| 903-1     | 38      | 17699100100 | 라벨, 경고/조이스틱밸브          |     | 1      |                |            |  |
| 903-1     | 39      | 12519430040 | 4WD마크                  |     | 1      |                |            |  |
| 903-1     | 40      | 12009100040 | 라벨, 경고/스톱밸브            |     | 1      |                |            |  |
| 903-1     | 45      | 12132442410 | 라벨(부변속)                |     | 1      |                |            |  |
| 903-1     | 46      | 14729020110 | 라벨(위험)                 |     | 1      |                |            |  |
| 903-1     | 47      | 12209040030 | 라벨(로타리)                |     | 2      |                |            |  |
| 903-1     | 48      | 12609040620 | 경고(스타트)                |     | 1      |                |            |  |
| 903-1     | 50      | 14729040200 | 라벨(PTO레버)              |     | 1      |                |            |  |
| 903-1     | 52      | 12209045051 | 라벨, 경고/개조              |     | 1      |                |            |  |
| 903-1     | 53      | 13749040690 | 형식마크(ROPS)             |     | 1      |                |            |  |
| 903-1     | 54      | 12519040230 | 드로바명판                  |     | 1      |                |            |  |
| 903-1     | 55      | 12519040190 | 명판(승강장치/상승) CONTROL ID |     | 1      |                |            |  |
| 903-1     | 56      | 12519040200 | 명판(승강장치/하강) CONTROL ID |     | 1      |                |            |  |
| 903-1     | 57      | 12519040920 | 라벨(보조유압/A)             |     | 1      |                |            |  |
| 903-1     | 58      | 15189030060 | 포트마크(A)                |     | 1      |                |            |  |
| 903-1     | 59      | 12519100130 | 라벨, 그리스                |     | 1      |                |            |  |
| 903-1     | 60      | 12519100140 | 라벨, 잭포인트               |     | 1      |                |            |  |
| 903-1     | 61      | 12137025120 | 라벨, 본넷 오픈              |     | 1      |                |            |  |
| 903-1     | 62      | 12519100040 | 라벨(PTO, M+R)           |     | 1      |                |            |  |
| 903-1     | 63      | 15829040220 | 제조사 식별명판(EU)           |     | 1      |                |            |  |
| 903-1     | 64      | 12009040041 | 유압컨트롤마크                |     | 1      |                |            |  |
| 903-1     | 65      | 14119010020 | 라벨, /TYM 60            |     | 1      |                |            |  |

NOTE

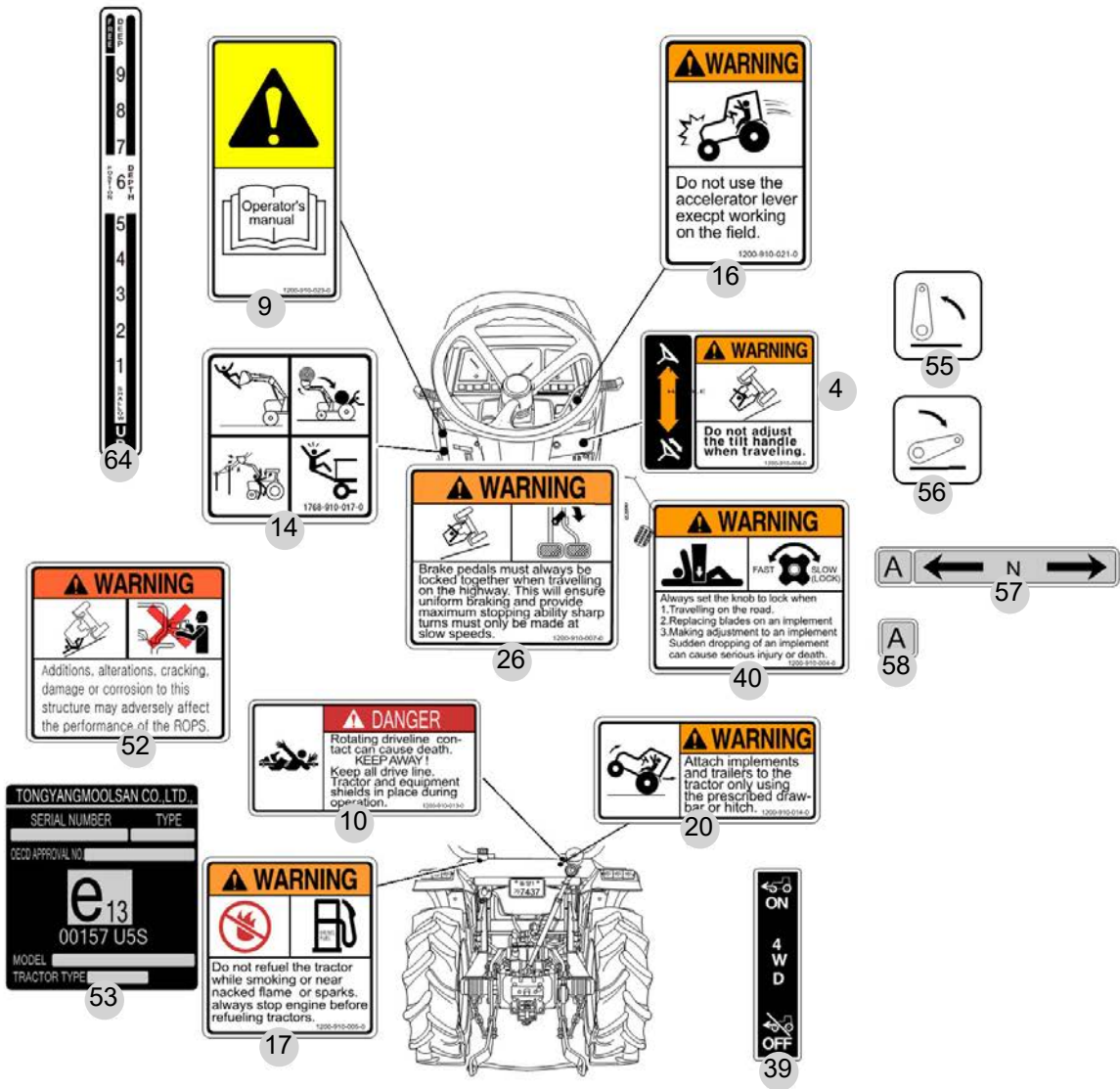
FIG 903-2

LABEL

년/월  
Year/Month

T355NHEU

2022-12



NOTE

| FIG 903-2 |    | LABEL       |                        |             |      |     | 년/월<br>Year/Month |                |         |
|-----------|----|-------------|------------------------|-------------|------|-----|-------------------|----------------|---------|
|           |    |             |                        |             |      |     | 2022-12           |                |         |
| T355NHEU  |    | KEY NO      | PART NO                | DESCRIPTION | SPEC | QTY | REPAIR            | EFFECTIVE DATE | REMARKS |
| 903-2     | 1  | 14726400010 | 막음썰(핸드브레이크)            |             |      | 1   |                   |                |         |
| 903-2     | 4  | 12009100080 | 라벨, 경고/틸트              |             |      | 1   |                   |                |         |
| 903-2     | 5  | 12009100240 | 라벨, 주의/소음기             |             |      | 1   |                   |                |         |
| 903-2     | 7  | 12009100120 | 라벨, 주의/팬               |             |      | 1   |                   |                |         |
| 903-2     | 8  | 12009100150 | 라벨, 경고/라디에이터캡          |             |      | 1   |                   |                |         |
| 903-2     | 9  | 12009100230 | 라벨, 주의/취급              |             |      | 2   |                   |                |         |
| 903-2     | 10 | 12009100130 | 라벨, 위험/PTO             |             |      | 1   |                   |                |         |
| 903-2     | 11 | 12009100010 | 라벨, 경고/부변속             |             |      | 1   |                   |                |         |
| 903-2     | 12 | 12009100030 | 라벨, 경고/배기가스            |             |      | 1   |                   |                |         |
| 903-2     | 13 | 12009100160 | 라벨, 위험/동승금지            |             |      | 1   |                   |                |         |
| 903-2     | 14 | 17689100170 | 라벨, 주의/안전              |             |      | 1   |                   |                |         |
| 903-2     | 15 | 12009100190 | 라벨, 경고/안전벨트            |             |      | 1   |                   |                |         |
| 903-2     | 16 | 12009100210 | 라벨, 경고/스로틀             |             |      | 1   |                   |                |         |
| 903-2     | 17 | 12009100050 | 라벨, 경고/화기염금            |             |      | 1   |                   |                |         |
| 903-2     | 18 | 17689200050 | 라벨, 취급/차동고정            |             |      | 1   |                   |                |         |
| 903-2     | 19 | 12009100060 | 라벨, 경고/차동고정            |             |      | 1   |                   |                |         |
| 903-2     | 20 | 12009100140 | 라벨, 경고/견인              |             |      | 1   |                   |                |         |
| 903-2     | 26 | 12009100070 | 라벨, 경고/브레이크            |             |      | 1   |                   |                |         |
| 903-2     | 29 | 13969010040 | 마크 오나먼트, T355          |             |      | 2   |                   |                |         |
| 903-2     | 29 | 13969010041 | 마크, T355               |             |      | 2   |                   |                |         |
| 903-2     | 29 | 13969010042 | 마크, /T355              |             |      | 2   |                   |                |         |
| 903-2     | 35 | 12209045020 | 라벨(ROPS경고)             |             |      | 1   |                   |                |         |
| 903-2     | 36 | 12209045010 | 라벨(ROPS위험)             |             |      | 1   |                   |                |         |
| 903-2     | 37 | 17699100090 | 라벨, 경고/조이스틱            |             |      | 1   |                   |                |         |
| 903-2     | 38 | 17699100100 | 라벨, 경고/조이스틱밸브          |             |      | 1   |                   |                |         |
| 903-2     | 39 | 12519430040 | 4WD마크                  |             |      | 1   |                   |                |         |
| 903-2     | 40 | 12009100040 | 라벨, 경고/스톱밸브            |             |      | 1   |                   |                |         |
| 903-2     | 45 | 12132442410 | 라벨(부변속)                |             |      | 1   |                   |                |         |
| 903-2     | 46 | 14729020110 | 라벨(위험)                 |             |      | 1   |                   |                |         |
| 903-2     | 47 | 12209040030 | 라벨(로타리)                |             |      | 2   |                   |                |         |
| 903-2     | 48 | 12609040620 | 경고(스타트)                |             |      | 1   |                   |                |         |
| 903-2     | 50 | 14729040200 | 라벨(PTO레버)              |             |      | 1   |                   |                |         |
| 903-2     | 52 | 12209045051 | 라벨, 경고/개조              |             |      | 1   |                   |                |         |
| 903-2     | 53 | 13749040690 | 형식마크(ROPS)             |             |      | 1   |                   |                |         |
| 903-2     | 54 | 12519040230 | 드로바명판                  |             |      | 1   |                   |                |         |
| 903-2     | 55 | 12519040190 | 명판(승강장치/상승) CONTROL ID |             |      | 1   |                   |                |         |
| 903-2     | 56 | 12519040200 | 명판(승강장치/하강) CONTROL ID |             |      | 1   |                   |                |         |
| 903-2     | 57 | 12519040920 | 라벨(보조유압/A)             |             |      | 1   |                   |                |         |
| 903-2     | 58 | 15189030060 | 포트마크(A)                |             |      | 1   |                   |                |         |
| 903-2     | 59 | 12519100130 | 라벨, 그리스                |             |      | 1   |                   |                |         |
| 903-2     | 60 | 12519100140 | 라벨, 잭포인트               |             |      | 1   |                   |                |         |
| 903-2     | 61 | 12137025120 | 라벨, 본넷 오픈              |             |      | 1   |                   |                |         |
| 903-2     | 62 | 12519100040 | 라벨(PTO, M+R)           |             |      | 1   |                   |                |         |
| 903-2     | 63 | 15829040220 | 제조사 식별명판(EU)           |             |      | 1   |                   |                |         |
| 903-2     | 63 | T0019110060 | 형식명판, 수출/EU            |             |      | 1   |                   |                |         |
| NOTE      |    |             |                        |             |      |     |                   |                |         |

