

T265NHEU

Parts Catalog

목 차

1. 엔진 PART NO. EG

FIG 101 CYLINDER BLOCK	7
FIG 102 OIL PAN	9
FIG 103 CYLINDER HEAD	11
FIG 104 GEAR CASE	13
FIG 105 HEAD COVERT	15
FIG 106 OIL FILTER	17
FIG 107 OIL GAUGE	19
FIG 108 MAIN BEARING CASE	21
FIG 109 CAM SHAFT & IDLE SHAFT	23
FIG 110 PISTON & CRANK SHAFT	25
FIG 111 FLYWHEEL	27
FIG 112 FUEL CAM SHAFT&GOVERNOR SHAFT	29
FIG 113 IDLE APPARATUS	31
FIG 114 CONNECTING-ROD	33
FIG 115 GOVERNOR	35
FIG 116 SPEED CONTROL PLATE	37
FIG 117 INJECTOR & GLOW PLUG	39
FIG 118 WATER PUMP FLANGE&THERMOSTAT	41
FIG 119 WATER PUMP	43
FIG 120 ROCKER ARM	45
FIG 121 INTAKE MANIFOLD	47
FIG 122 EXHAUST MANIFOLD	49
FIG 123 STOP SOLENOID	51
FIG 124 ALTERNATOR & PULLY	53
FIG 125 STARTING MOTOR	55
FIG 126 EXHAUST SILENCER	57
FIG 127 COOLING PAN	59
FIG 128 OIL PRESSURE SWITCH	61
FIG 129 DATA PLATE	63
FIG 130 WATER PIPE	65
FIG 131 WATER PIPE	67

2. 엔진보기품 PART NO. T2

FIG 201 AIR CLEANER	70
FIG 202 RADIATOR	72
FIG 203 MUFFLER	74
FIG 204 FUEL TANK & FUEL LINE	76
FIG 205 ACCELERATOR	78
FIG 206 OIL COOLER	80

3. 클러치/브레이크/스티어링 PART NO. T3

FIG 301 FLYWHEEL COVER	83
FIG 302 SPEED CONTROL	85
FIG 303 BRAKE	88
FIG 304 BRAKE PEDAL & LINKAGE	90
FIG 305 STEERING WHEEL & DASH COVER	92
FIG 306 STEERING VALVE	94
FIG 307 STEERING CYLINDER	96
FIG 308 FRONT WHEEL	98
FIG 309 REAR WHEEL	100

4. 트랜스미션 PART NO. T4

FIG 401 INPUT SHAFT	103
FIG 402 HST	105
FIG 404 4WD DRIVE GEAR	107
FIG 405 RANGE GEARS	109
FIG 406 P.T.O DRIVE SHAFT	111
FIG 407 P.T.O SHAFT	113
FIG 408 MID P.T.O GEARS	115
FIG 409 DIFF LOCK	117
FIG 410 REAR TRANSMISSION CASE	119
FIG 411 REAR AXLE HOUSINGS	121
FIG 413 RANGE SHIFT LEVER	123
FIG 414 P.T.O CHANGE LEVER	125
FIG 415 4WD CHANGE LEVER	127

5. 프런트 액슬 PART NO. T5

FIG 501 FRAME	130
---------------	-----

FIG 502 FRONT DIFFERENTIAL GEARS & SHAFT	132
FIG 503 FRONT AXLE HOUSING	134
FIG 504 FRONT GEAR CASE (1)	136
FIG 505 FRONT GEAR CASE (2)	138

6. 유압/3점 링크 PART NO. T6

FIG 601 CYLINDER CASE	141
FIG 602 LIFT ARM	143
FIG 603 FLOW CONTROL VALVE	145
FIG 604 CONTROL VALVE LINKAGE	147
FIG 605 MAIN CONTROL VALVE	149
FIG 606 REMOTE CONTROL VALVE	151
FIG 607 POSITION LEVER LINKAGE	153
FIG 608 GEAR PUMP	155
FIG 609 HYDRAULIC HOSE (1)	157
FIG 610 HYDRAULIC HOSE (2)	159
FIG 611 PTO VALVE	161
FIG 612 3-POINT LINKAGE	163
FIG 613 JOYSTICK LEVER	166
FIG 614 HITCH & COVER	168

7. 시트메탈/캐빈 PART NO. T7

FIG 701 BONNET	171
FIG 701-2 BONNET	173
FIG 702 DASH PANEL	175
FIG 703 FLOOR	177
FIG 704 SEAT	179
FIG 705 ROPS	181

8. 전장 PART NO. T8

FIG 801 BATTERY & MOUNTING	184
FIG 802 LIGHTS	186
FIG 803 INSTRUMENT PANEL	188
FIG 804 ELECTRIC SYSTEM	190
FIG 805 HARNESS	192

9. 라벨/옵션 PART NO. T9

FIG 901 TOOL & ACCESSORY

195

FIG 902 WEIGHT

197

1. 엔진 PART NO. EG

FIG 101 CYLINDER BLOCK	7
FIG 102 OIL PAN	9
FIG 103 CYLINDER HEAD	11
FIG 104 GEAR CASE	13
FIG 105 HEAD COVERT	15
FIG 106 OIL FILTER	17
FIG 107 OIL GAUGE	19
FIG 108 MAIN BEARING CASE	21
FIG 109 CAM SHAFT & IDLE SHAFT	23
FIG 110 PISTON & CRANK SHAFT	25
FIG 111 FLYWHEEL	27
FIG 112 FUEL CAM SHAFT&GOVERNOR SHAFT	29
FIG 113 IDLE APPARATUS	31
FIG 114 CONNECTING-ROD	33
FIG 115 GOVERNOR	35
FIG 116 SPEED CONTROL PLATE	37
FIG 117 INJECTOR & GLOW PLUG	39
FIG 118 WATER PUMP FLANGE&THERMOSTAT	41
FIG 119 WATER PUMP	43
FIG 120 ROCKER ARM	45
FIG 121 INTAKE MANIFOLD	47
FIG 122 EXHAUST MANIFOLD	49
FIG 123 STOP SOLENOID	51
FIG 124 ALTERNATOR & PULLY	53
FIG 125 STARTING MOTOR	55
FIG 126 EXHAUST SILENCER	57
FIG 127 COOLING PAN	59
FIG 128 OIL PRESSURE SWITCH	61
FIG 129 DATA PLATE	63
FIG 130 WATER PIPE	65
FIG 131 WATER PIPE	67

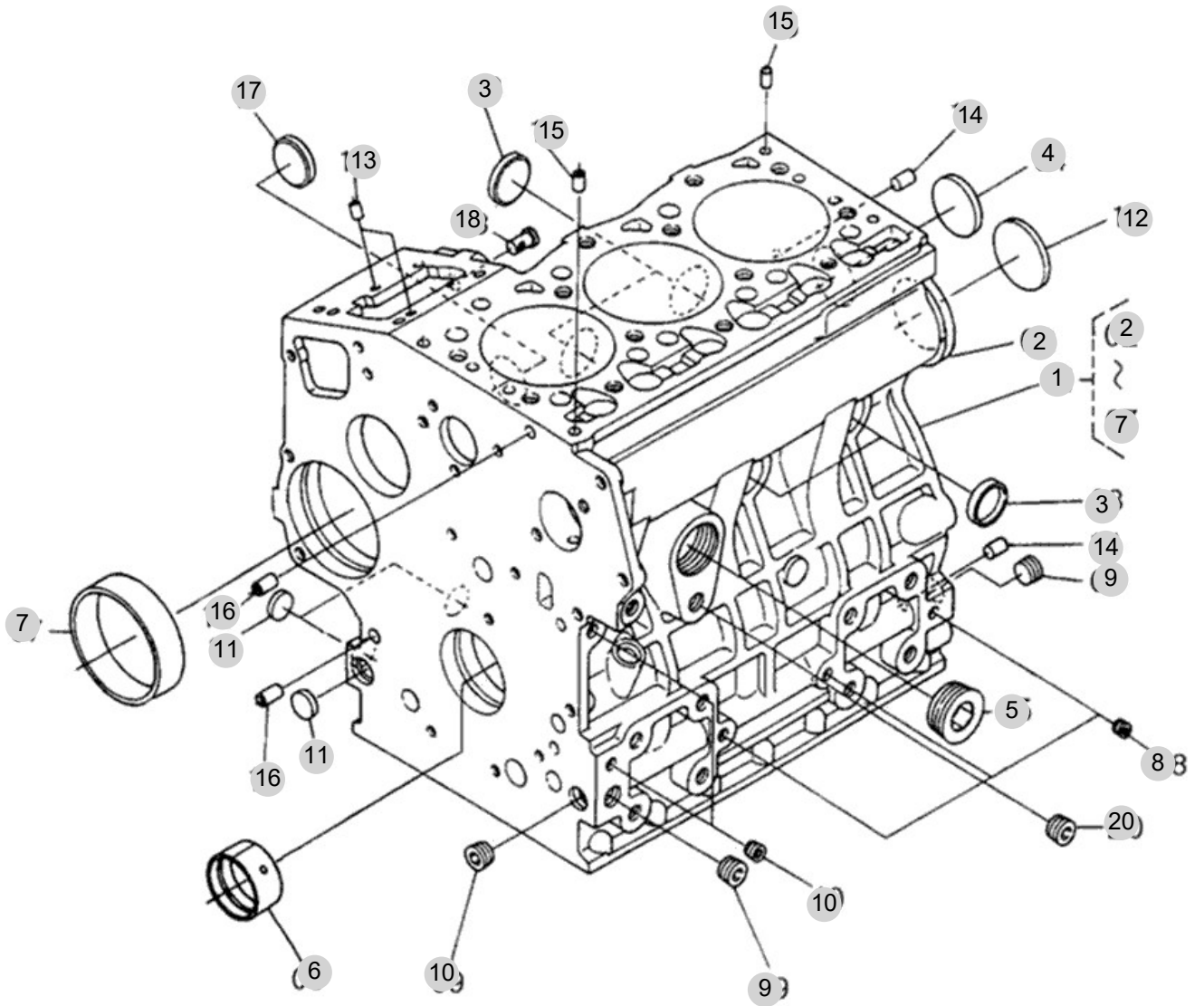
FIG 101

T265NHEU

CYLINDER BLOCK

년/월
Year/Month

2022-12



NOTE

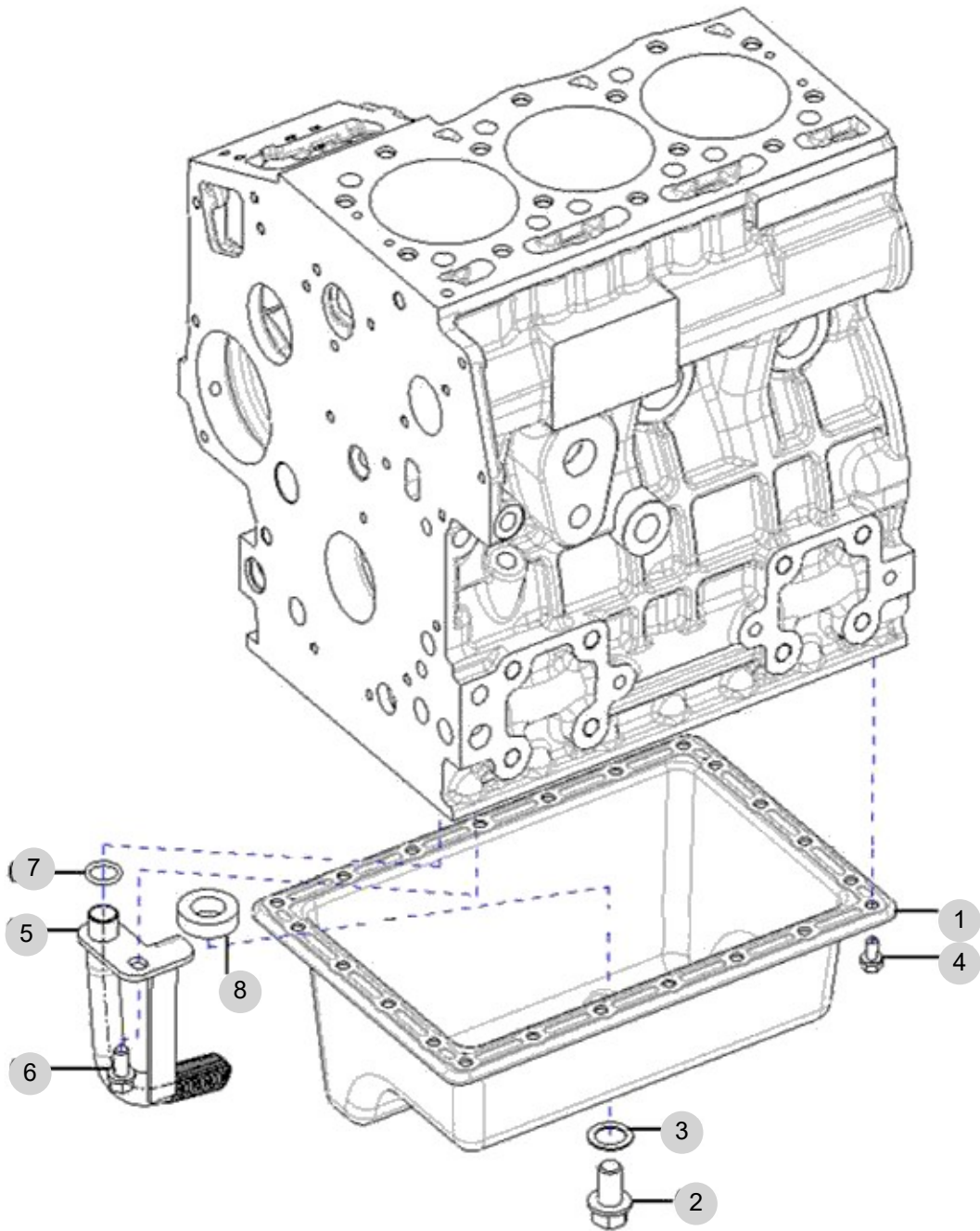
FIG 102

T265NHEU

OIL PAN

년/월
Year/Month

2022-12



NOTE

FIG 102 T265NHEU	OIL PAN						년/월 Year/Month
							2022-12

KEY NO	PART NO	DESCRIPTION	SPEC	QTY	REPAIR	EFFECTIVE DATE	REMARKS
102	1	EA00000865C	오일 팬 조합				
102	2	EA00001475A	드레인 플러그				
102	3	24311-000140	441,ALL,O-RINGP-14				
102	4	26013-060122	와셔조립육각볼트				
102	5	EA00000869A	오일 흡입관 조합				
102	6	26013-080162	와셔조립육각볼트				
102	7	24311-000160	운동용O링				
102	8	HF01470000A	자석				
NOTE							

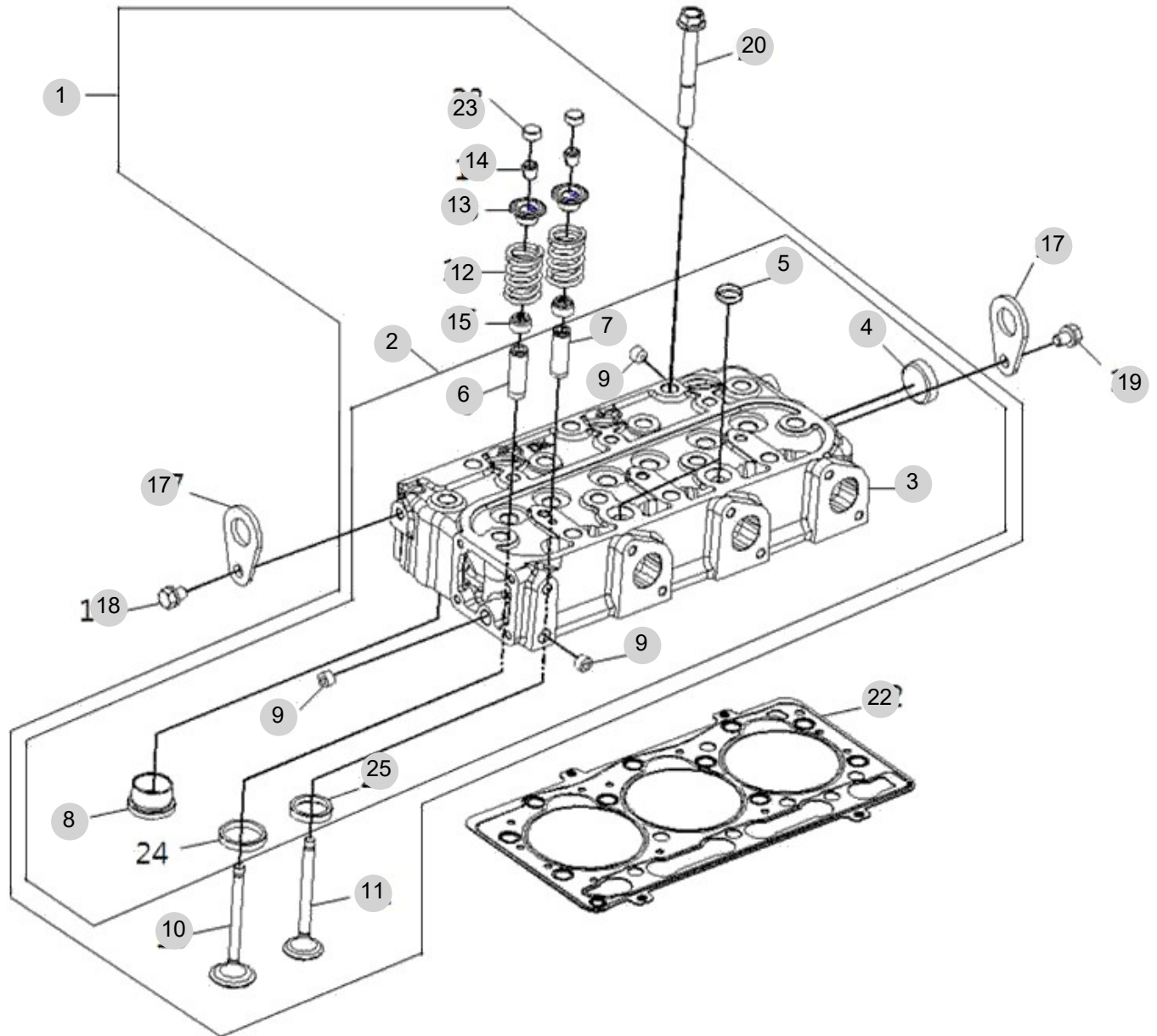
FIG 103

CYLINDER HEAD

년/월
Year/Month

2022-12

T265NHEU



NOTE

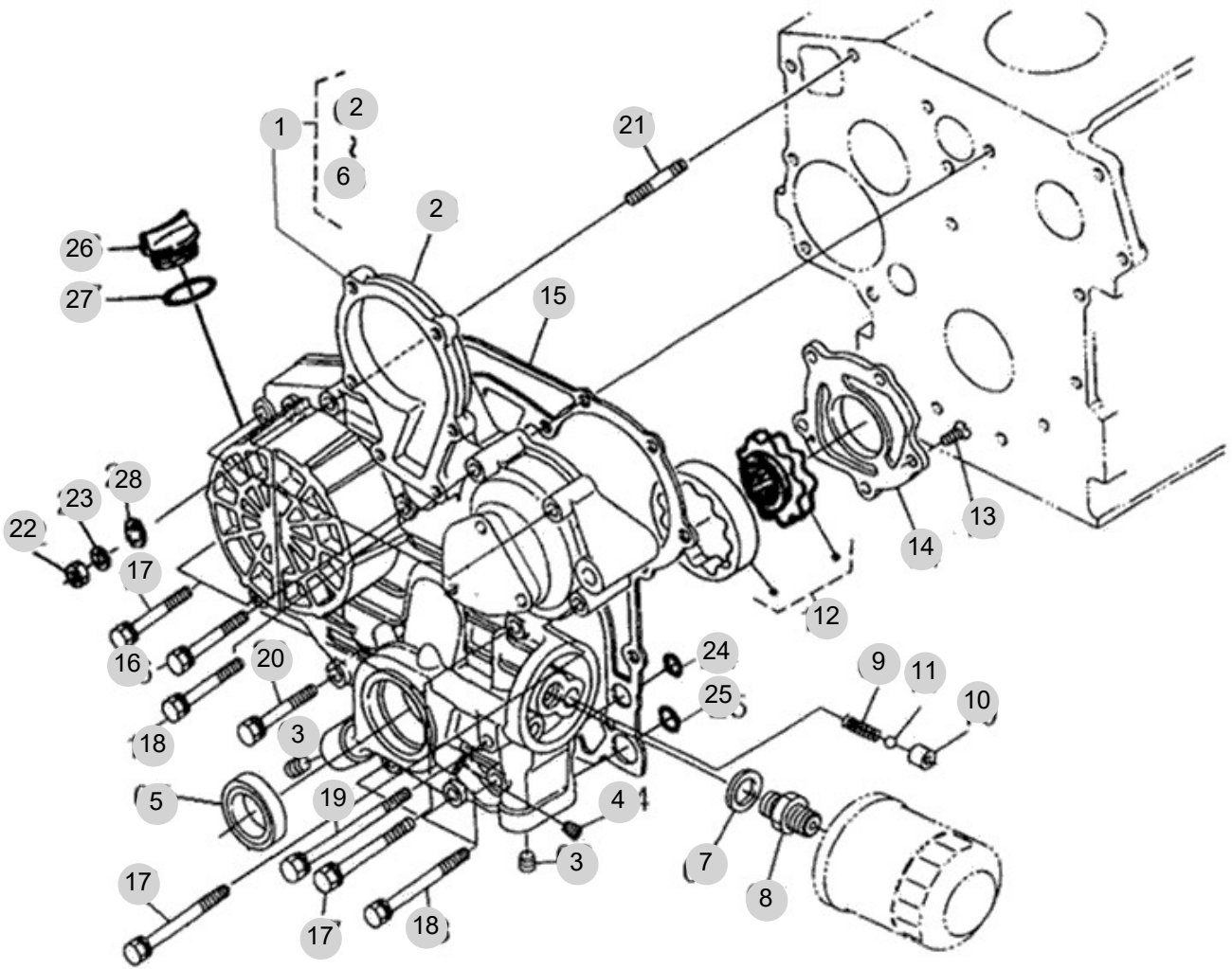
FIG 104

GEAR CASE

년/월
Year/Month

2022-12

T265NHEU



NOTE

FIG 104		GEAR CASE						년/월 Year/Month	
								2022-12	
T265NHEU		KEY NO	PART NO	DESCRIPTION	SPEC	QTY	REPAIR	EFFECTIVE DATE	REMARKS
104	1	EA00005393A	GEAR CASE(EA00006103C로 주문변경)			1			
104	2	HT04010100D	CASE, GEAR			1			
104	3	23871-030000	테이퍼나사플러그			2			
104	4	23871-010000	테이퍼나사플러그			1			
104	5	EA00001446A	오일 시일			1			
104	7	22117-180000	평와셔			1			
104	8	HT04020100A	PIPE, JOINT			1			
104	9	HT04020200B	SPRING			1			
104	10	HT04020300A	SEAT			1			
104	11	24190-160001	강구			1			
104	12	HT04030000A	ASS'Y ROTOR, OIL PUMP			1			
104	13	26577-060202	[+]자흡접시작은나사			5			
104	14	HT04050000A	COVER,OIL PUMP			1			
104	15	HT04060000A	GASKET,GEAR CASE			1			
104	16	26013-060452	와셔조립육각볼트		M6X45	3			
104	17	26013-060502	와셔조립육각볼트		M6X50	5			
104	18	26013-060552	와셔조립육각볼트		M6X55	3			
104	19	HT04070000A	BOLT		M6X68	1			
104	20	26013-060602	와셔조립육각볼트		M6X60	1			
104	21	26216-060452	심음볼트			1			
104	22	26716-060002	육각너트		M6	1			
104	23	22217-060000	스프링와셔			1			
104	24	24311-240100	운동용O링			2			
104	25	24311-000150	운동용O링			2			
104	26	HC03470000B	급유구(HC03470000B4로 주문변경)			1			
104	27	24311-000320	운동용O링			1			
104	28	22117-060000	평와셔			1			
NOTE									

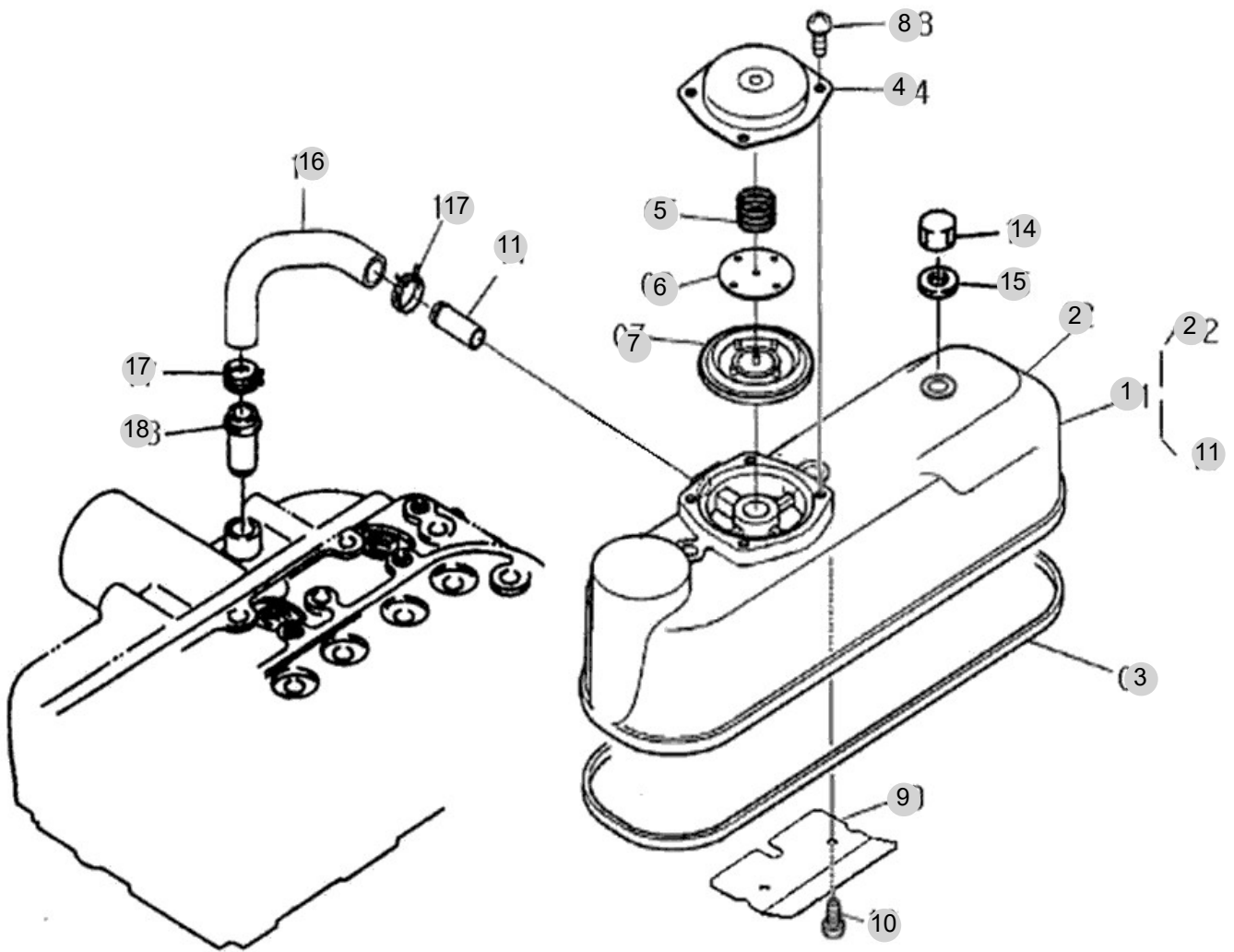
FIG 105

HEAD COVERT

년/월
Year/Month

T265NHEU

2022-12



NOTE

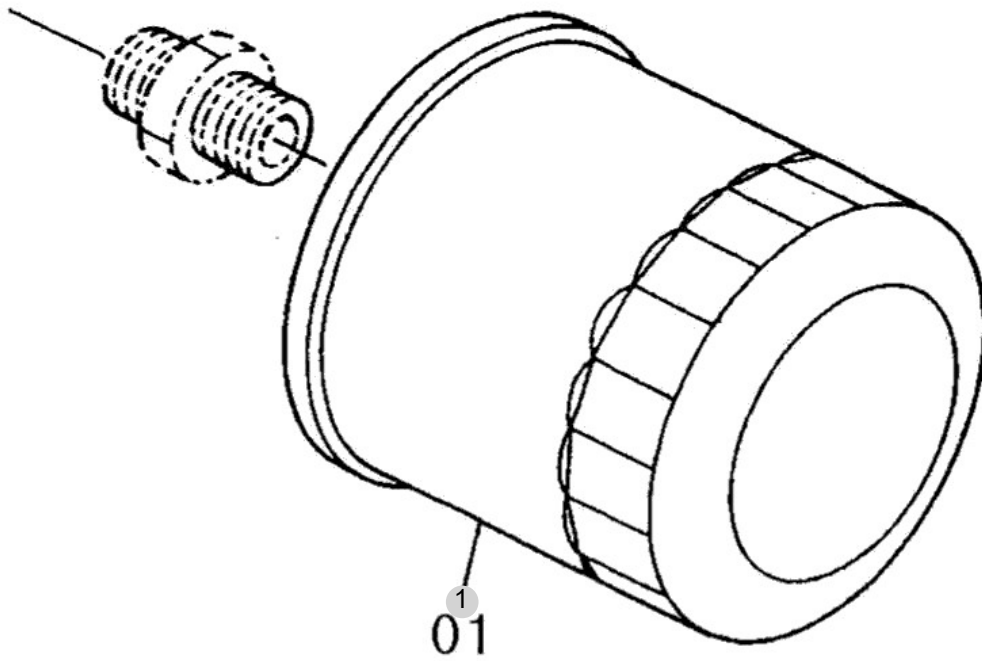
FIG 106

T265NHEU

OIL FILTER

년/월
Year/Month

2022-12



NOTE

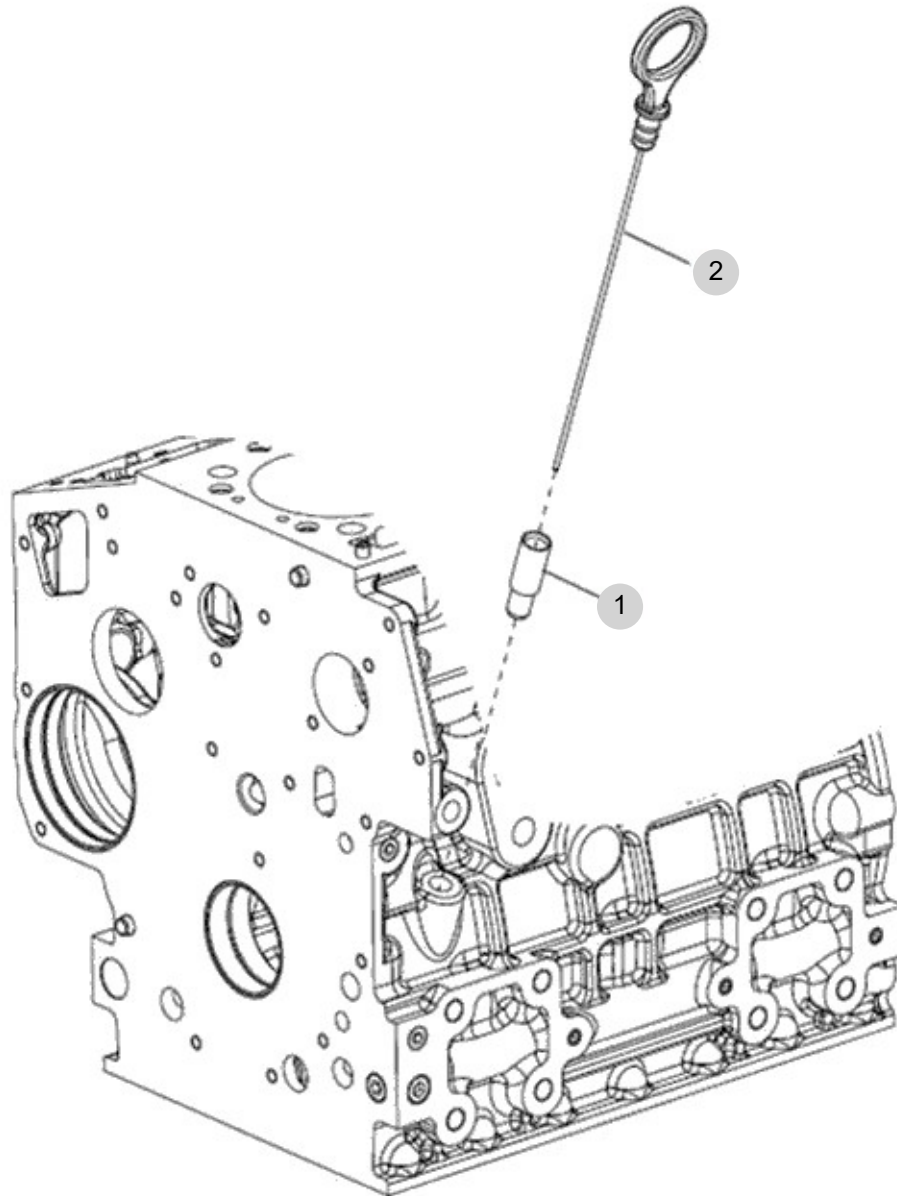
FIG 107

T265NHEU

OIL GAUGE

년/월
Year/Month

2022-12



NOTE

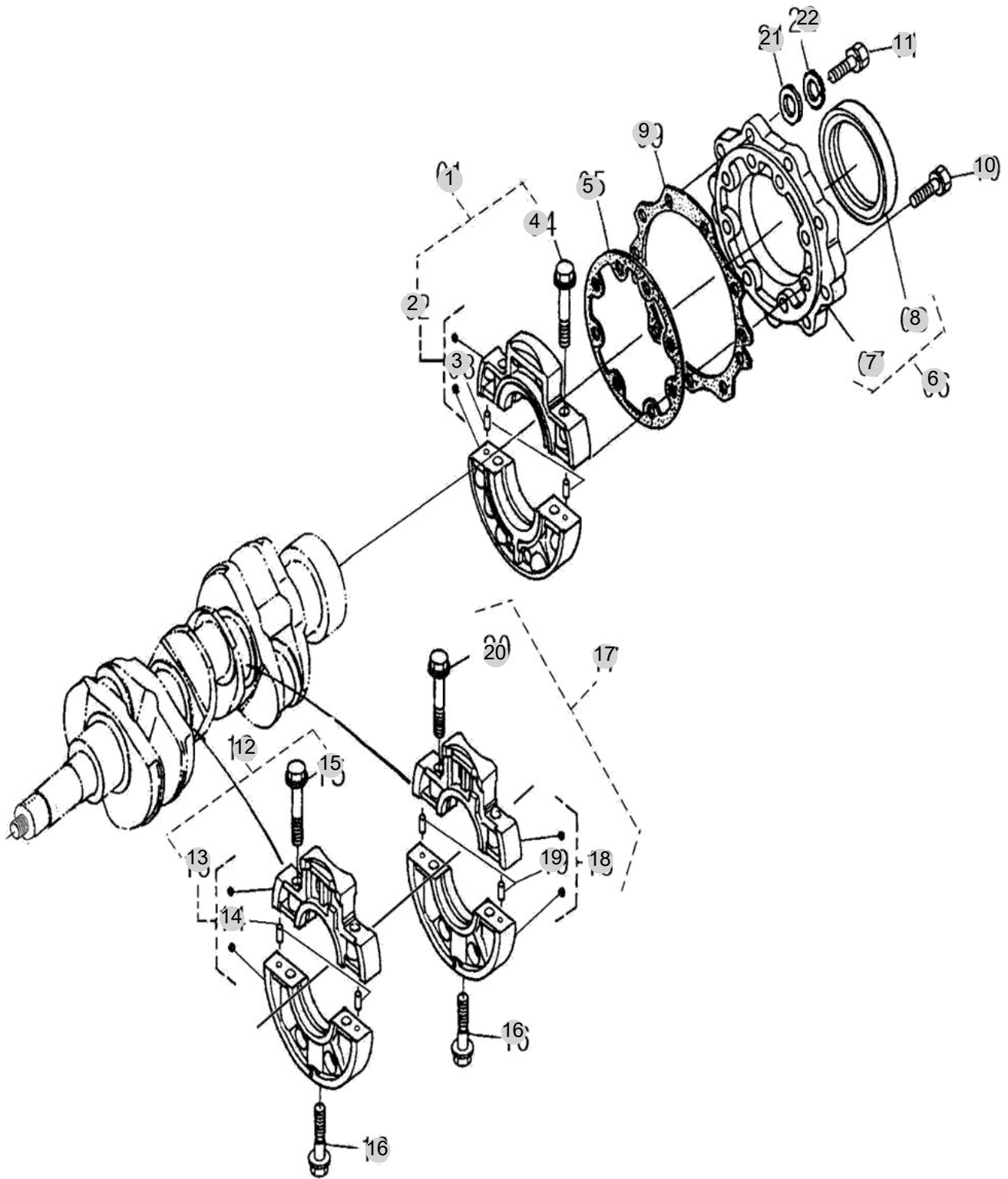
FIG 108

MAIN BEARING CASE

년/월
Year/Month

2022-12

T265NHEU



NOTE

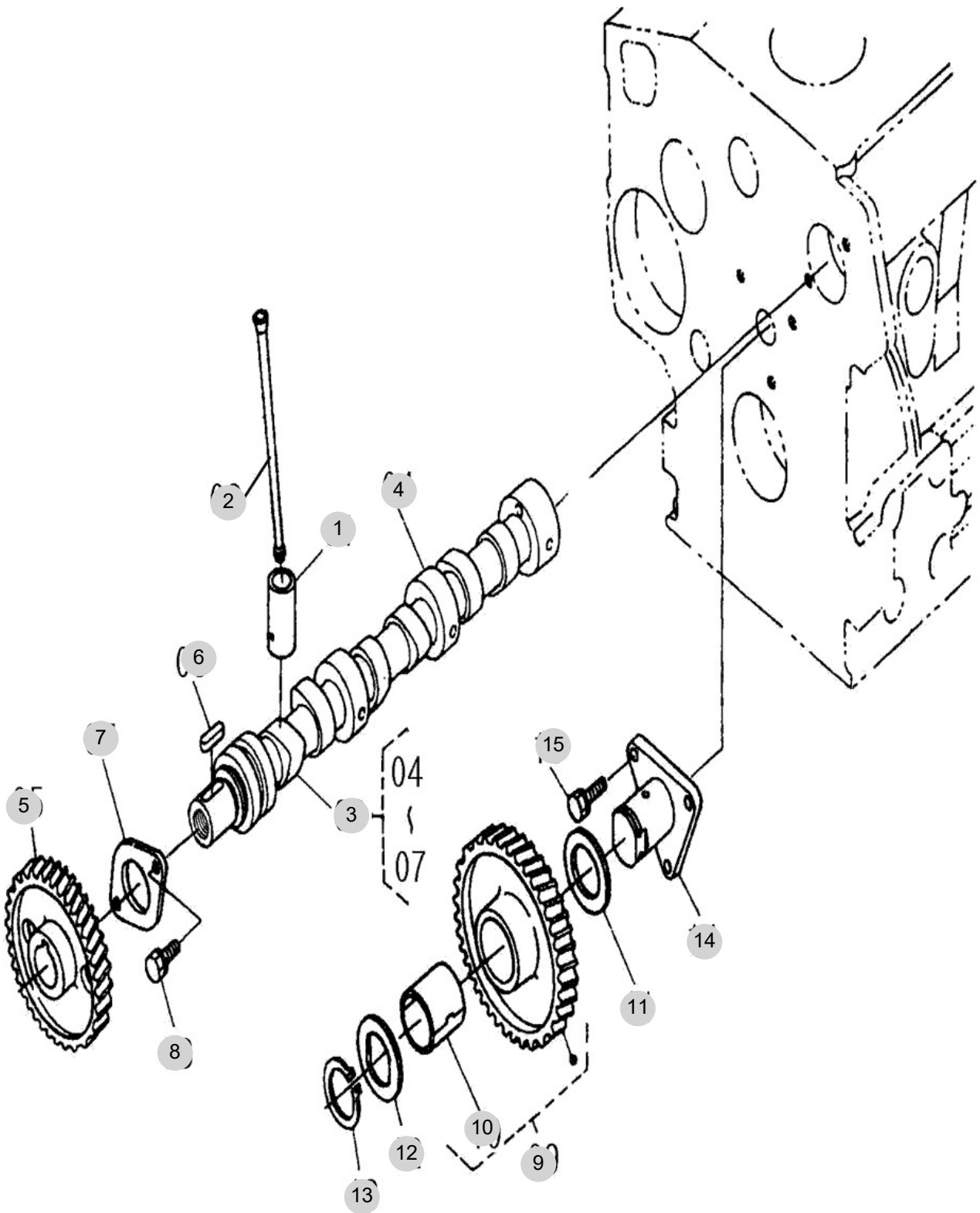
FIG 109

CAM SHAFT & IDLE SHAFT

년/월
Year/Month

2022-12

T265NHEU



NOTE

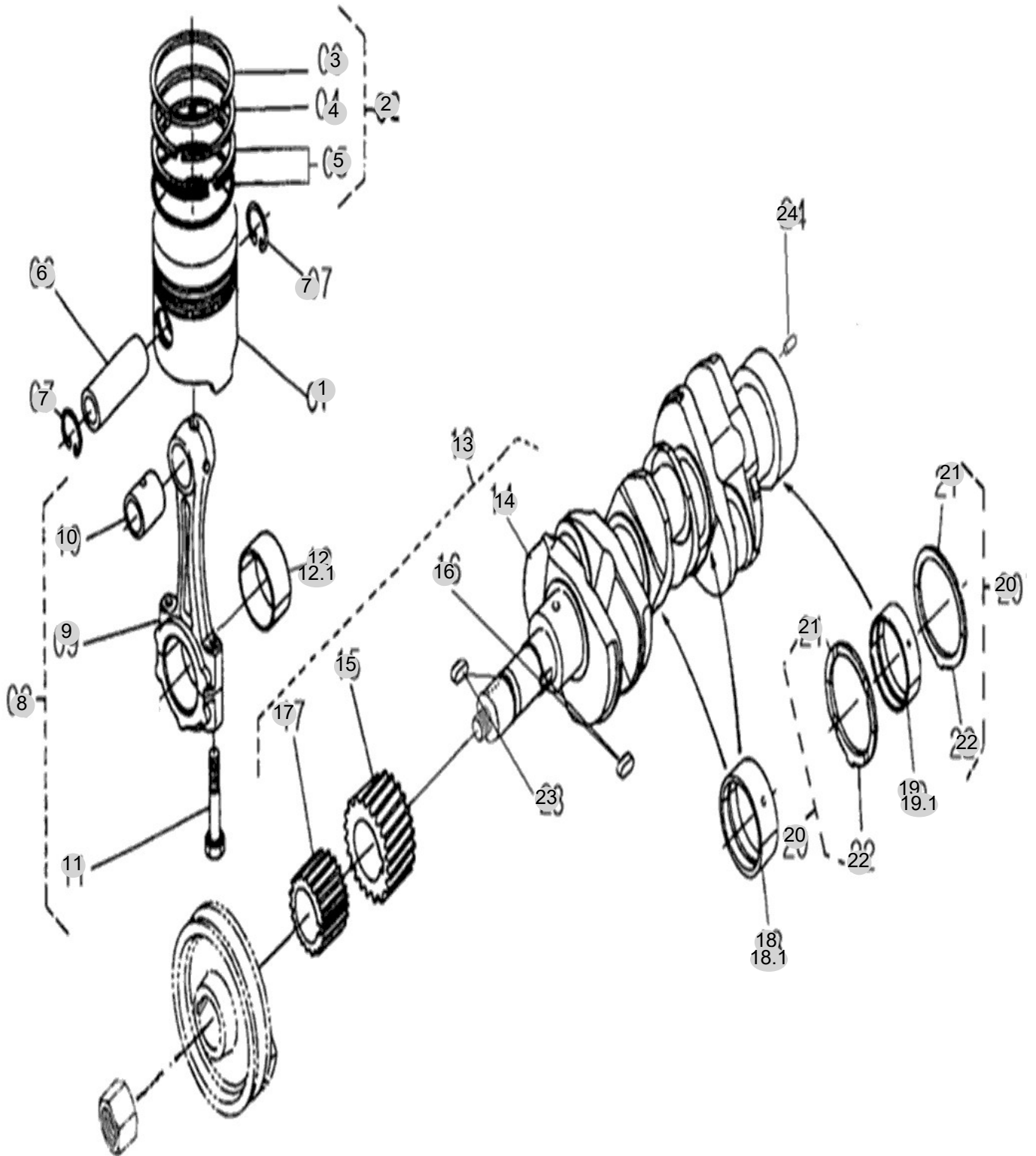
FIG 110

PISTON & CRANK SHAFT

년/월
Year/Month

2022-12

T265NHEU



NOTE

FIG 110	PISTON & CRANK SHAFT						년/월
							Year/Month
T265NHEU							2022-12

KEY NO	PART NO	DESCRIPTION	SPEC	QTY	REPAIR	EFFECTIVE DATE	REMARKS
110	1	HT10010000B	피스톤	3			
110	2	HT10020000A	피스톤 링 조합	3			
110	3	HT10020100A	피스톤 링 (1st)	3			
110	4	HT10020200A	피스톤 링 (2nd)	3			
110	5	HT10020300A	오일링	3			
110	6	HT10030000A	피스톤 핀	3			
110	7	HT10040000A	스냅링 (피스톤 핀)	6			
110	8	HT10050000B	커넥팅 로드 조합	3			
110	9	HT10050100B	커넥팅 로드	3			
110	10	HT10050200A	피스톤 핀 부쉬	3			
110	11	HT10050300A	커넥팅 로드 볼트	6			
110	12	HT10060000A	크랭크핀 메탈 조합	3			
110	12.1	HT10060100A	크랭크핀 메탈	6			
110	13	HT10070000B	크랭크축 조합	1			
110	14	HT10070100C	크랭크축	1			
110	15	HT10070200A	크랭크축 기어	1			
110	16	22512-040160	미끄럼키	1			
110	17	HT10070300A	오일 펌프 구동 기어	1			
110	18	HT10080000A	크랭크 축 메탈 조합 (B)	2			
110	18.1	HT10080100A	크랭크축 메탈 (B)	4			
110	19	HT10090000A	크랭크 축 메탈 조합 (A)	1			
110	19.1	HT10090100A	크랭크축 메탈 (A)	2			
110	20	HT10100000A	사이드 메탈 조합	2			
110	21	HT10100100A	사이드 메탈 (상)	2			
110	22	HT10100200A	사이드 메탈 (하)	2			
110	23	22512-040160	미끄럼키	1			
110	24	22312-080140	평행핀	1			

NOTE							
------	--	--	--	--	--	--	--

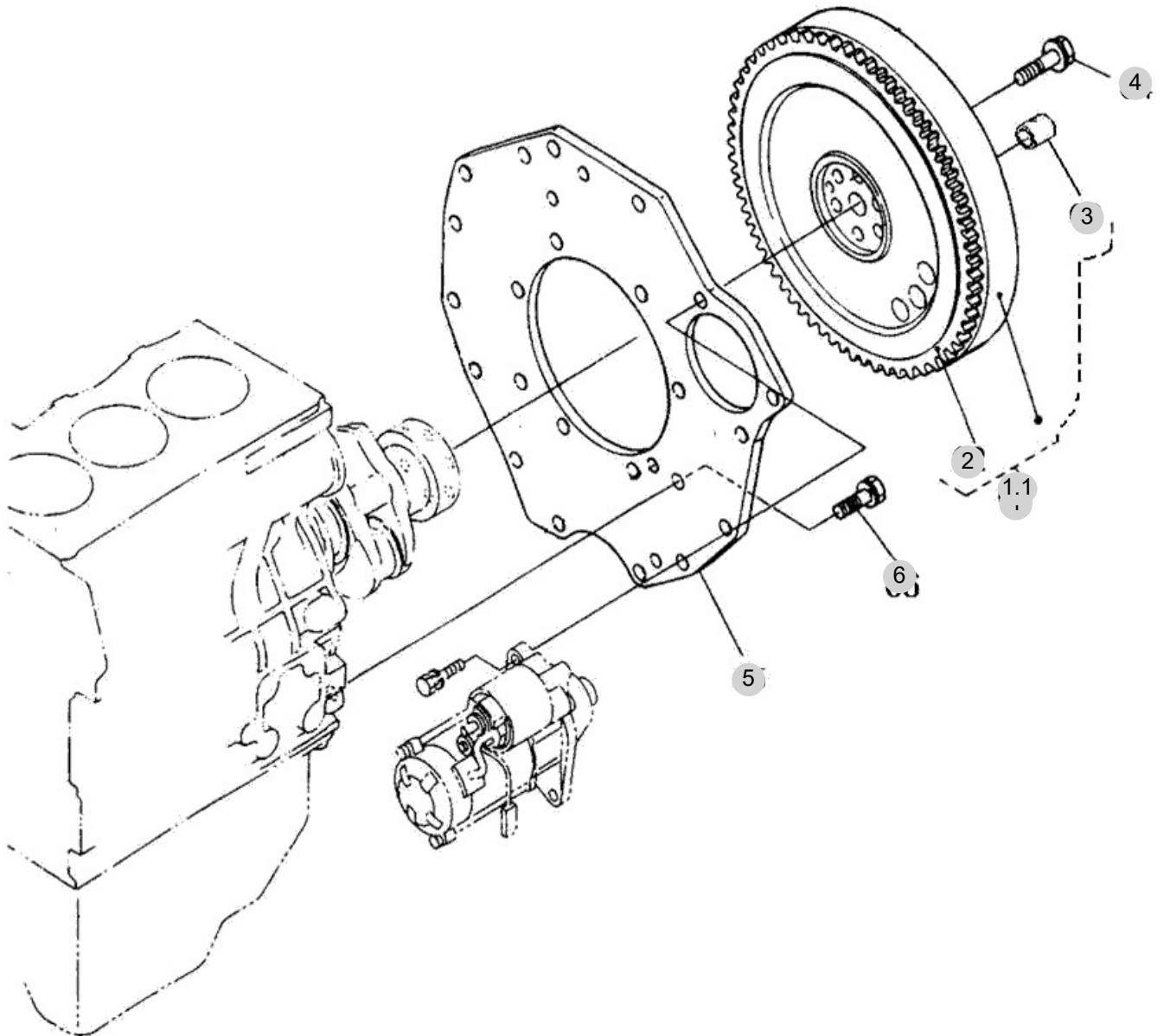
FIG 111

T265NHEU

FLYWHEEL

년/월
Year/Month

2022-12



NOTE

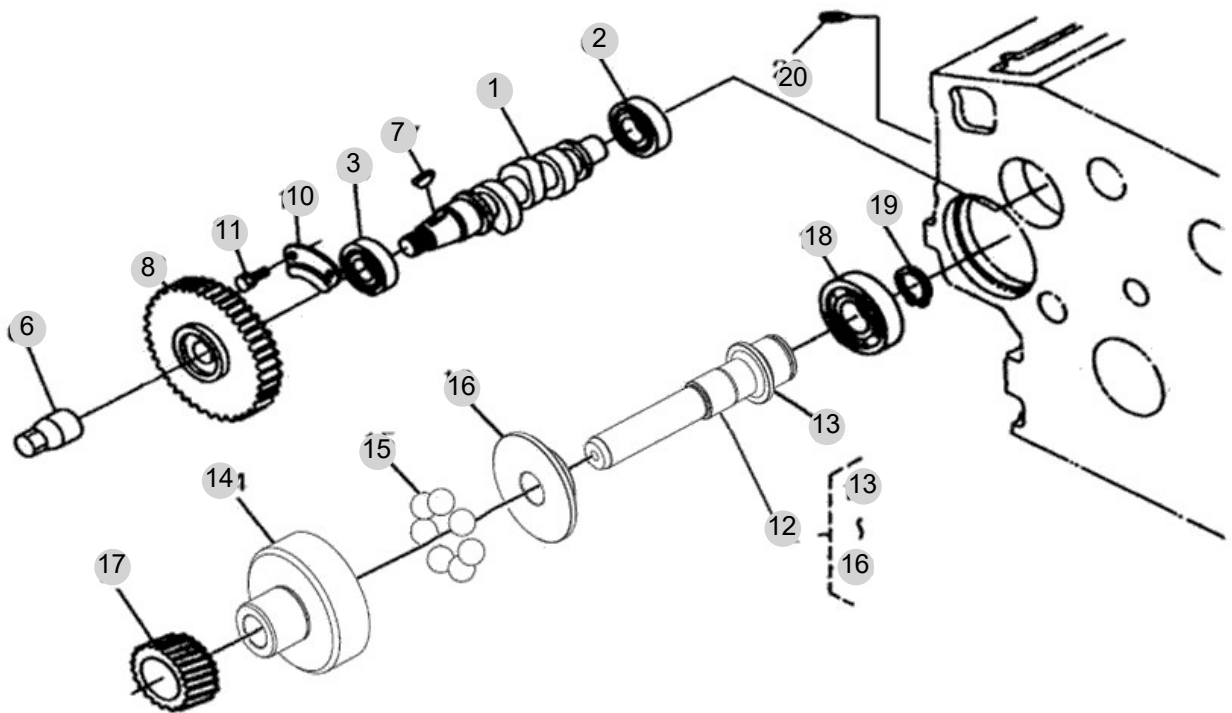
FIG 112

FUEL CAM SHAFT&GOVERNOR SHAFT

년/월
Year/Month

2022-12

T265NHEU



NOTE

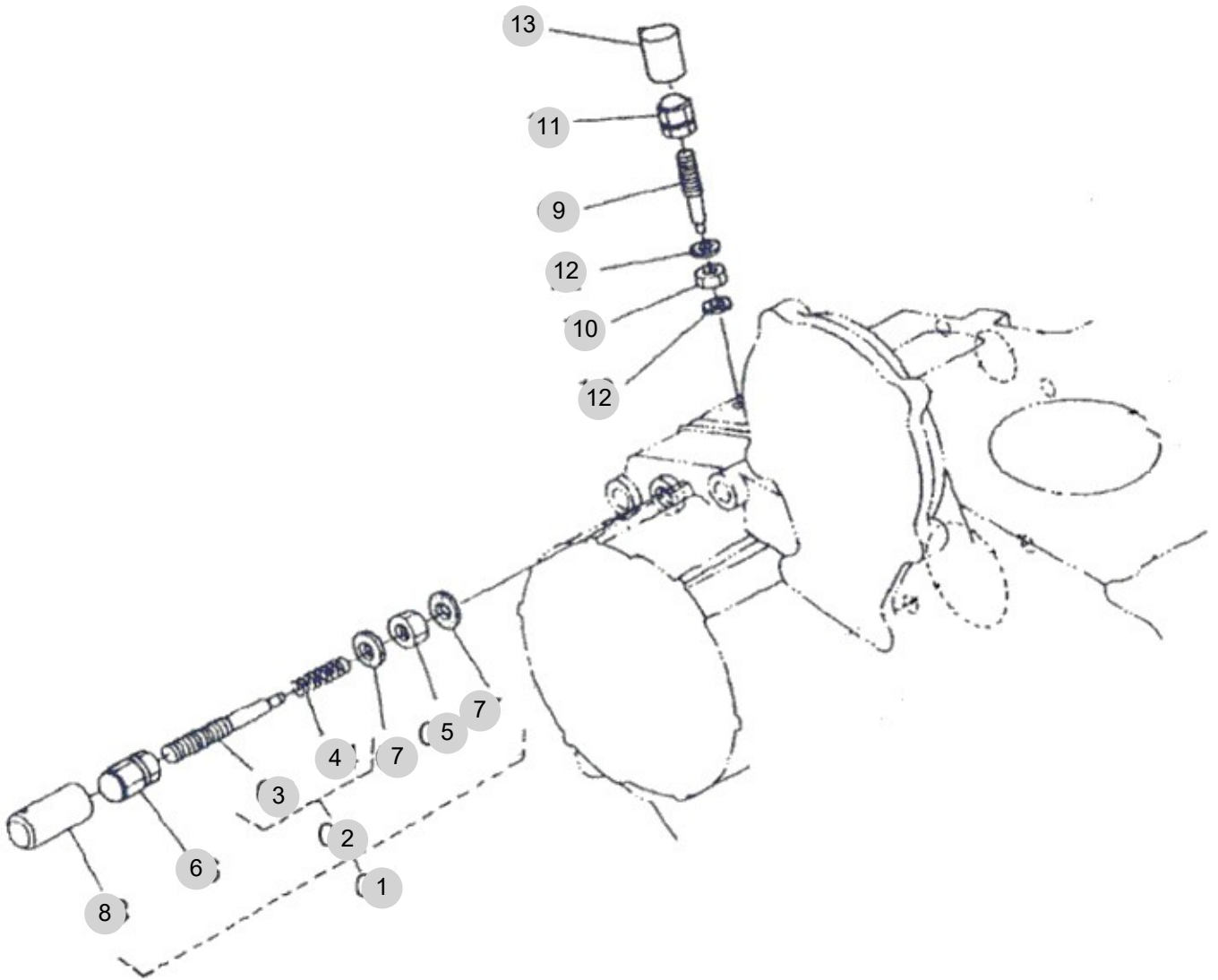
FIG 113

IDLE APPARATUS

년/월
Year/Month

T265NHEU

2022-12



NOTE

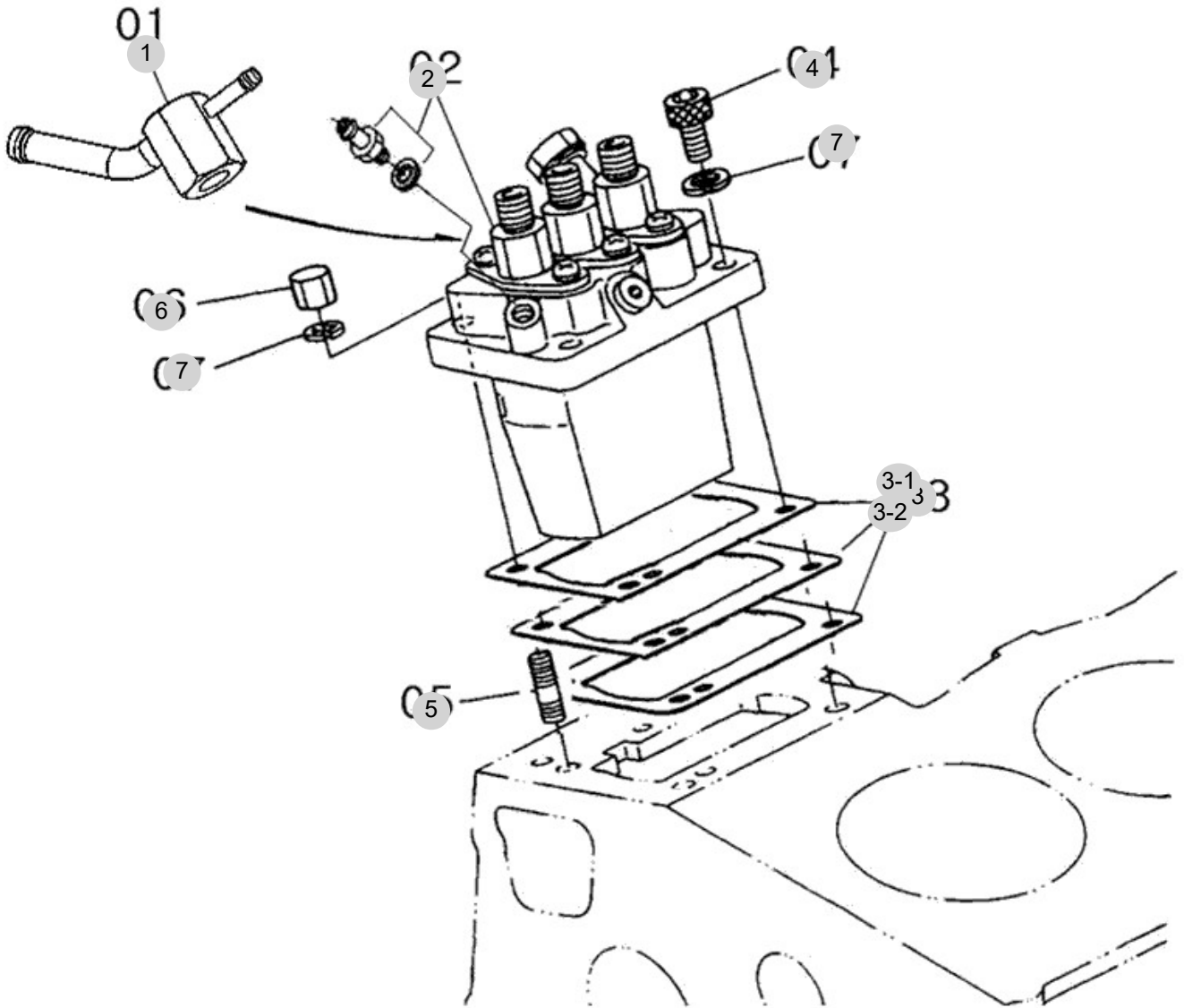
FIG 114

T265NHEU

CONNECTING-ROD

년/월
Year/Month

2022-12



NOTE

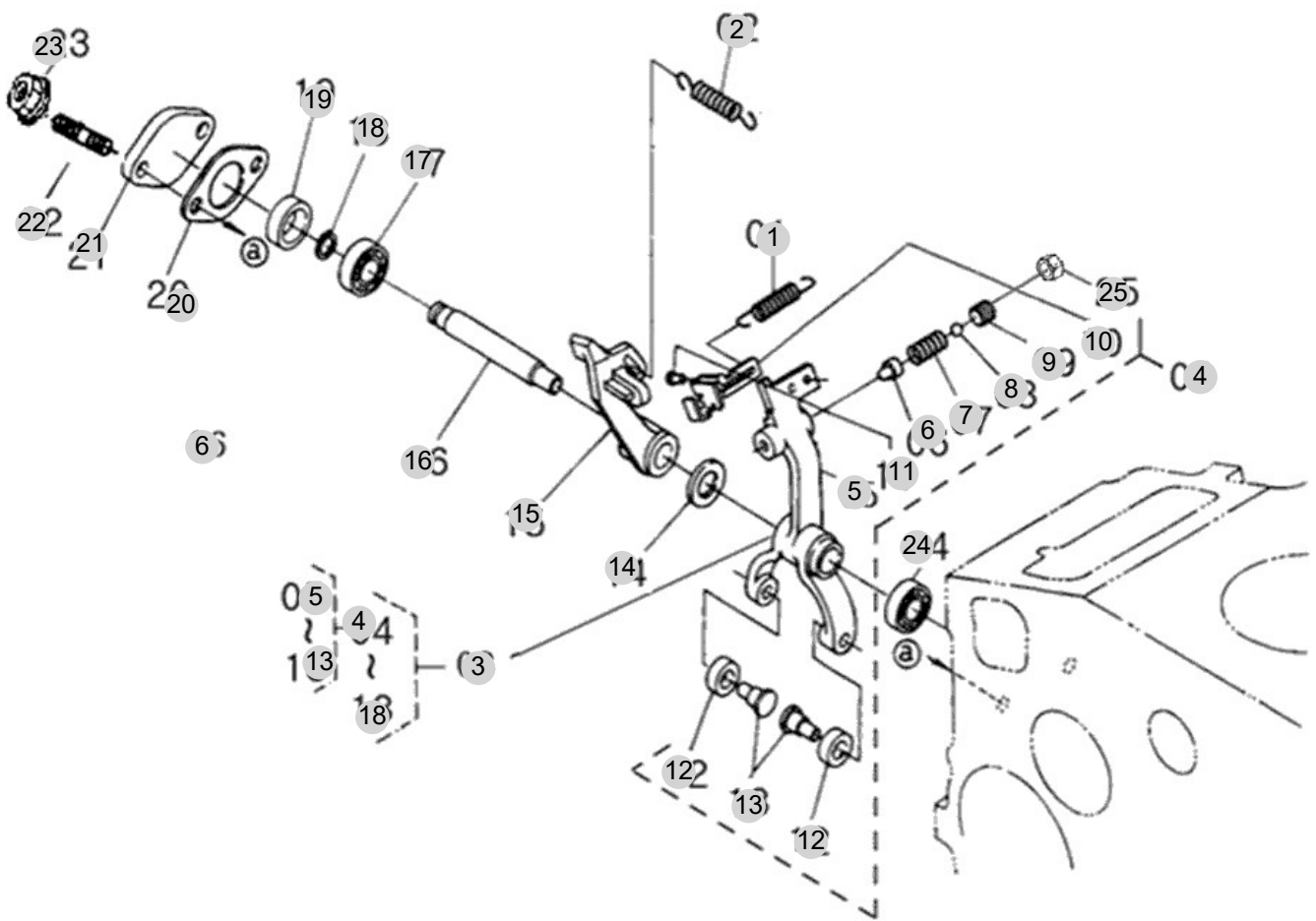
FIG 115

GOVERNOR

년/월
Year/Month

2022-12

T265NHEU



NOTE

FIG 115 T265NHEU	GOVERNOR						년/월 Year/Month
							2022-12

KEY NO	PART NO	DESCRIPTION	SPEC	QTY	REPAIR	EFFECTIVE DATE	REMARKS
115	1	HT15010000A	SPRING, START	1			
115	2	HT15020000B	SPRING(A), GOVERNOR	1			
115	3	HT15040000B	포크 레버 COMP	1			
115	4	EA00005431A	포크 레버(A) 조합	1			
115	5	HT15040101C	LEVER(A), FORK	1			
115	6	HT15040102A	PIN	1			
115	7	HT15040103C	SPRING	1			
115	8	24190-050001	BALL, STEEL	1			
115	9	EA00005432A	조정나사(B)	1			
115	10	HT15040105B	LEVER, THRUST	1			
115	11	HT15040106A	PIN (A)	2			
115	12	EA00004225A	단열깊은훙베어링(687zz)	2			
115	13	HT15040107A	PIN (B)	2			
115	14	HT15040200A	WASHER, PLAIN	1			
115	15	HT15040300B	포크 레버(B)	1			
115	16	HT15040400C	SHAFT, FORK LEVER	1			
115	17	HT15040500A	BEARING 699, MINIATURIZE	1			
115	18	HT15040600A	CIR. CLIP, EXTERNAL	1			
115	19	HT15050000A	COLLAR	1			
115	20	HT15060000A	PACKING	1			
115	21	HT15070000A	COVER, FORK LEVER SHAFT	1			
115	22	26012-060182	STUD	M6X18	2		
115	23	26367-060002	육각플랜지너트	M6	2		
115	24	HT15080000A	BEARING 698, MINIATURIZE	1			
115	25	EA00005437A	육각너트	1			

NOTE	
------	--

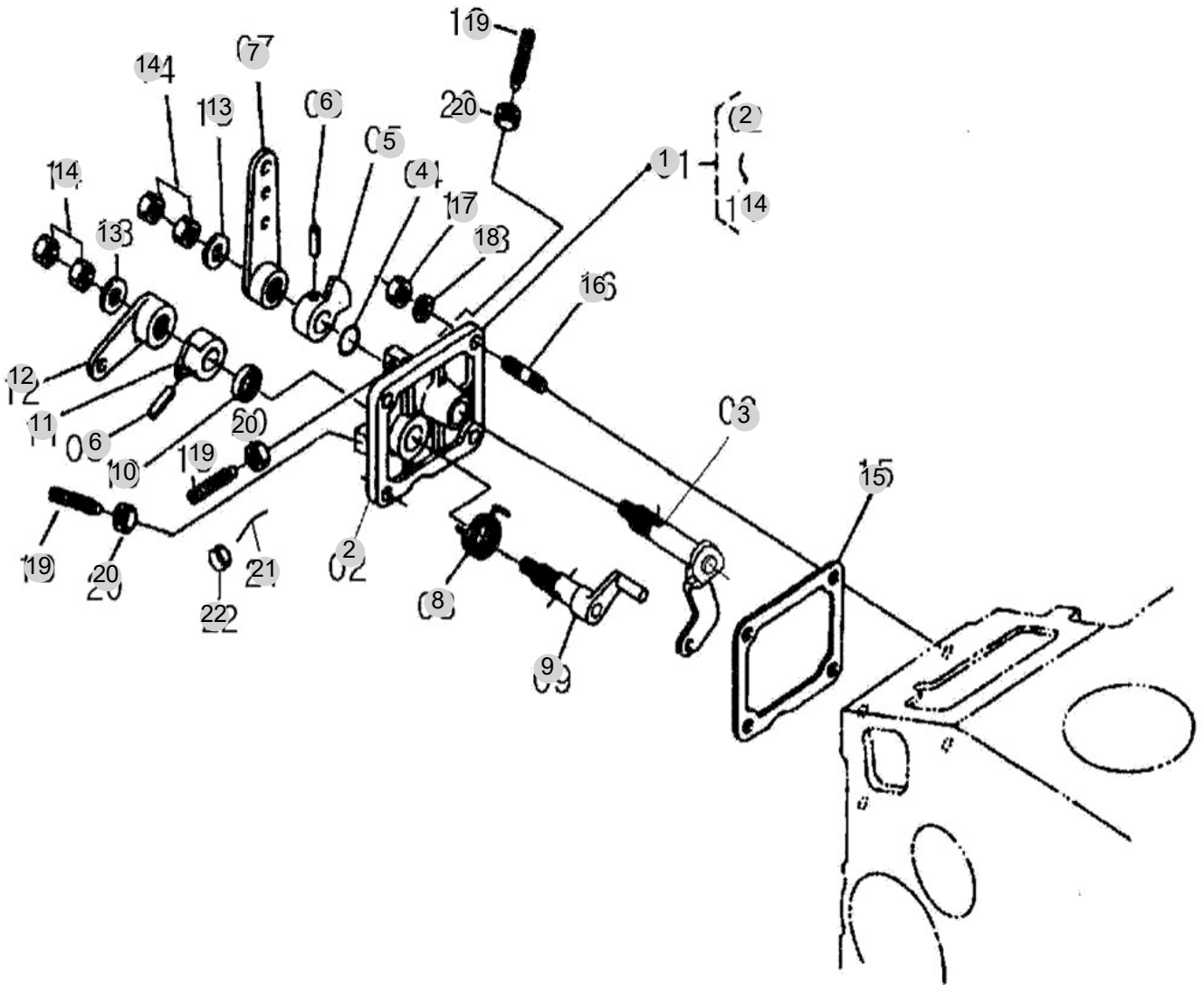
FIG 116

T265NHEU

SPEED CONTROL PLATE

년/월
Year/Month

2022-12



NOTE

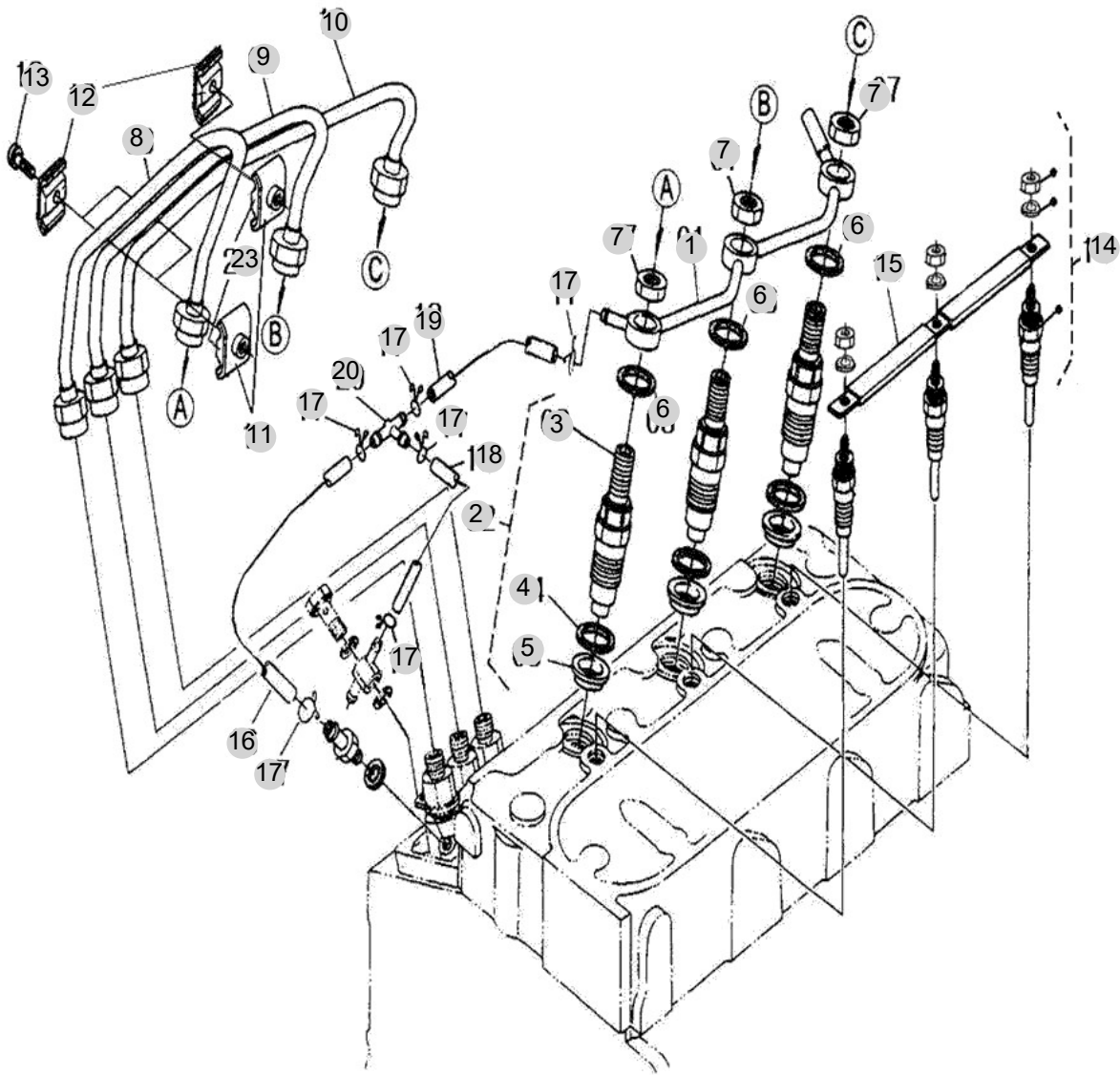
FIG 117

INJECTOR & GLOW PLUG

년/월
Year/Month

2022-12

T265NHEU



NOTE

FIG 117 T265NHEU		INJECTOR & GLOW PLUG					년/월 Year/Month 2022-12	
KEY NO	PART NO	DESCRIPTION	SPEC	QTY	REPAIR	EFFECTIVE DATE	REMARKS	
117	1	HT17010000A	연료 되돌림 파이프 조합	1				
117	2.1	EA00004961A	연료분사밸브조합(EA00000642B로 주문변경)	3				
117	3.1	EA00000642A	연료분사밸브(EA00000642B로 주문변경)	3	120bar			
117	4	HRA0404900A	씰(HRA0404900A4로주문변경요)	3				
117	5	HRA0405000A	스페이서(HRA0405000A4로 주문변경)	3				
117	6	HK13440000A	패킹 (조인트)	3				
117	7	HK13450000A	육각 고정 너트	3				
117	8	HT17040000A	연료 분사 파이프 조합	1				
117	9	HT17050000A	연료 분사 파이프 조합	1				
117	10	HT17060000A	연료 분사 파이프 조합	1				
117	11	HT17070000C	파이프 클램프 (A)	2				
117	12	HT17080000A	파이프 클램프 (B)	2				
117	13	EA00001717A	와셔조립 육각볼트	2				
117	14	HT17160000A	예열 플러그	3				
117	15	HT17090000A	커넥터 (예열 플러그)	1				
117	16	HT17100000A	오버 플로우 호스 (A)	1				
117	17	23080-010000	호스클램프	6				
117	18	HT17120000A	오버 플로우 호스 (B)	1				
117	19	HT17130000A	오버 플로우 호스 (C)	1				
117	20	HT17140000A	T 연결관	1				
NOTE								

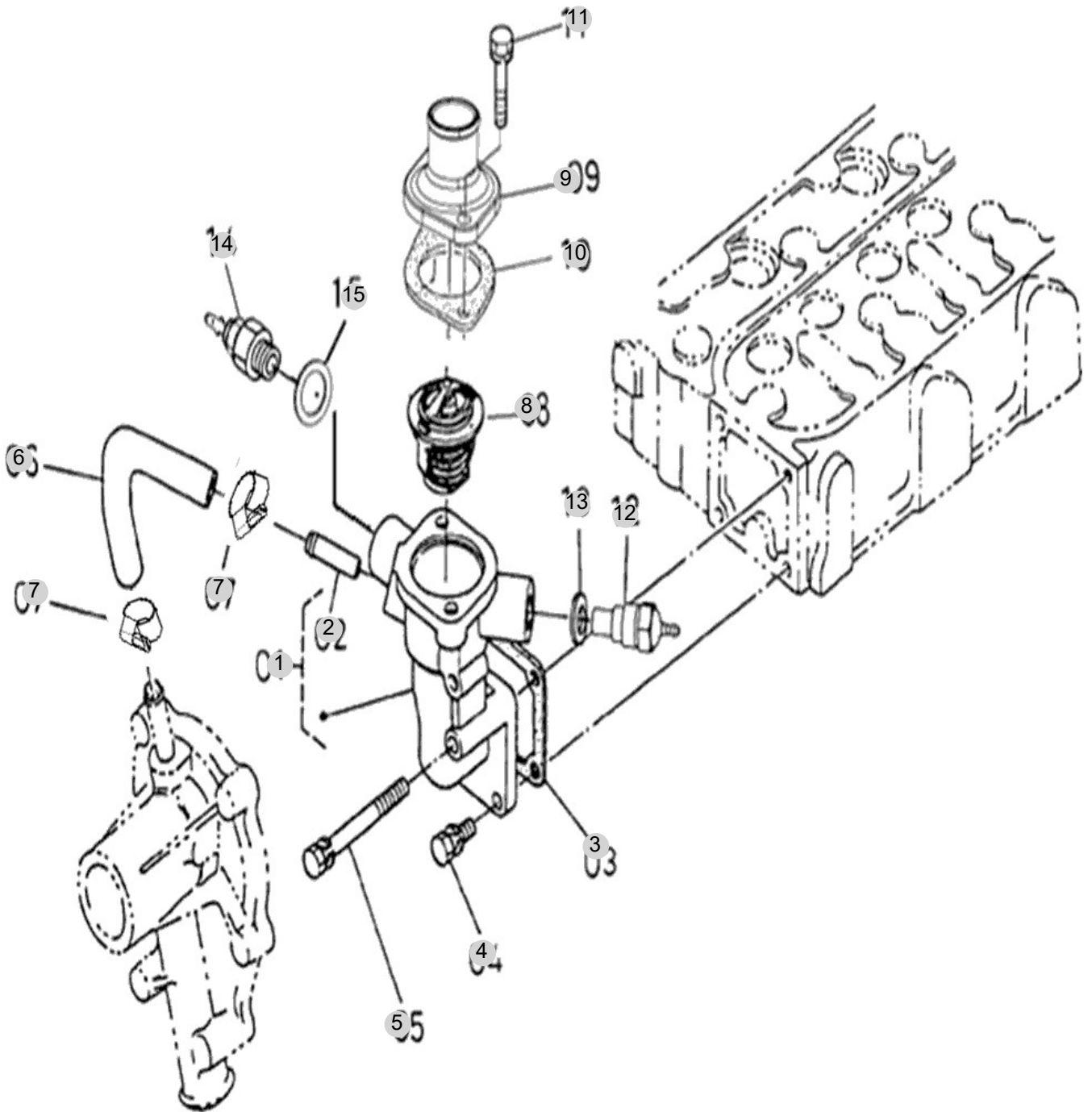
FIG 118

WATER PUMP FLANGE&THERMOSTAT

년/월
Year/Month

2022-12

T265NHEU



NOTE

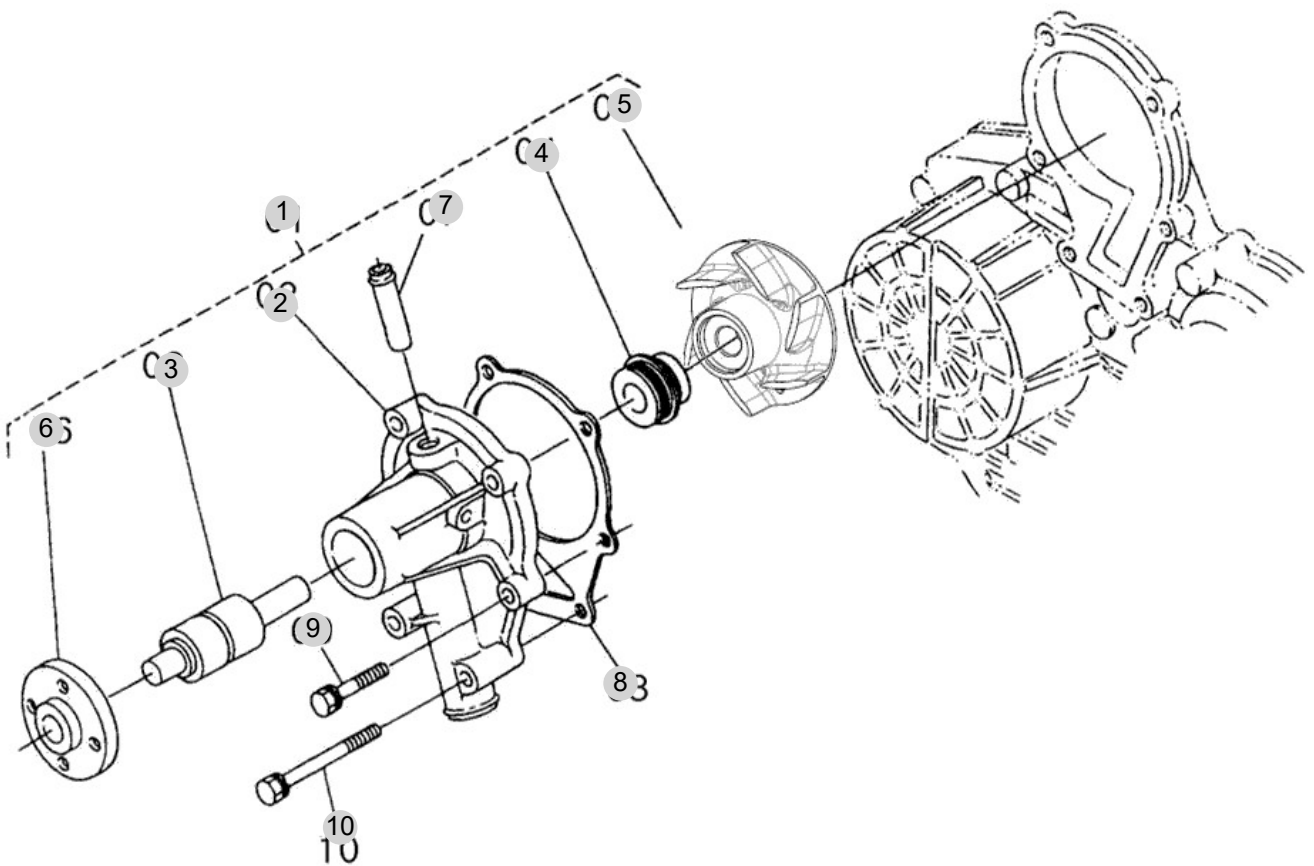
FIG 119

WATER PUMP

년/월
Year/Month

2022-12

T265NHEU



NOTE

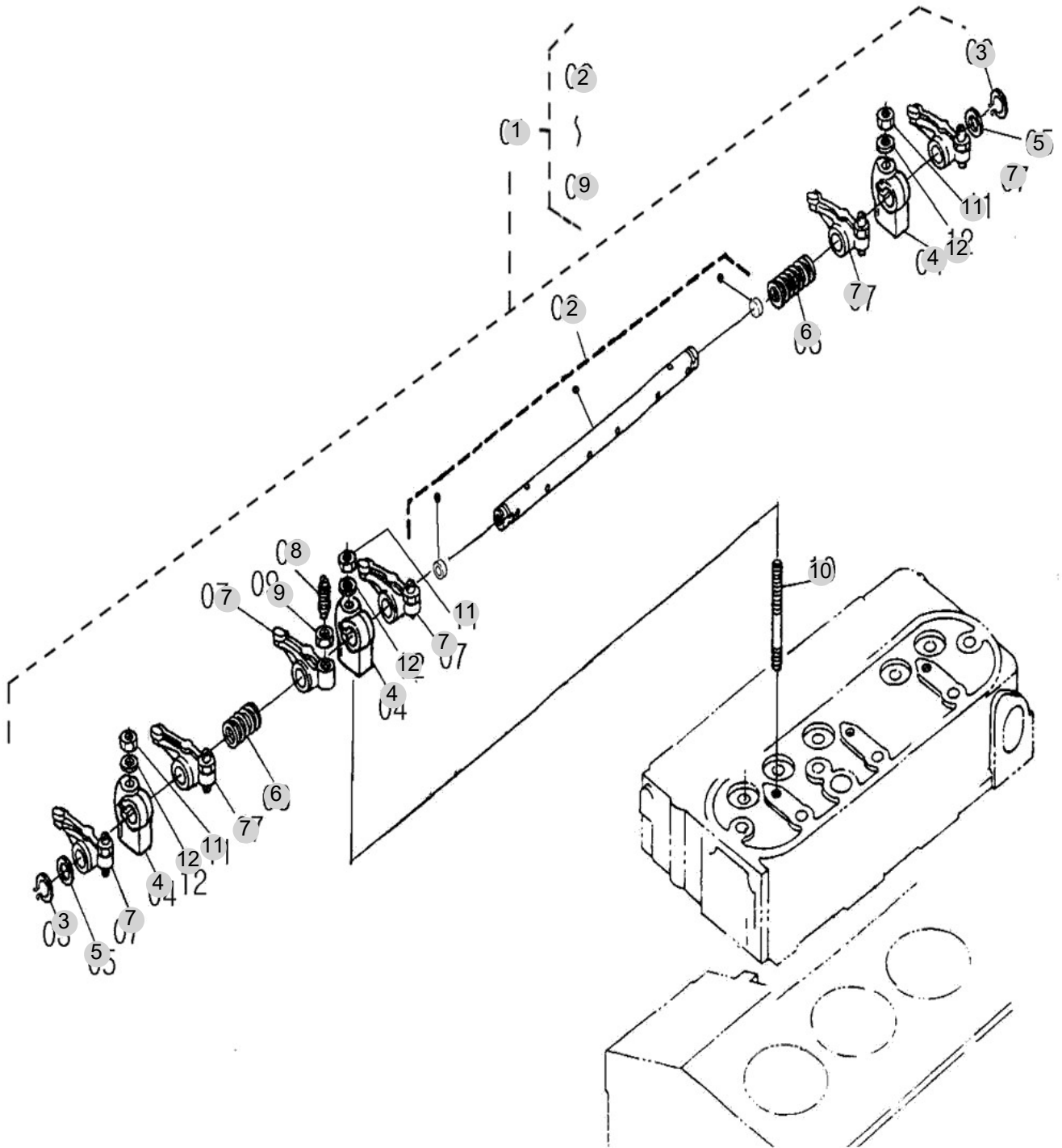
FIG 120

ROCKER ARM

년/월
Year/Month

T265NHEU

2022-12



NOTE

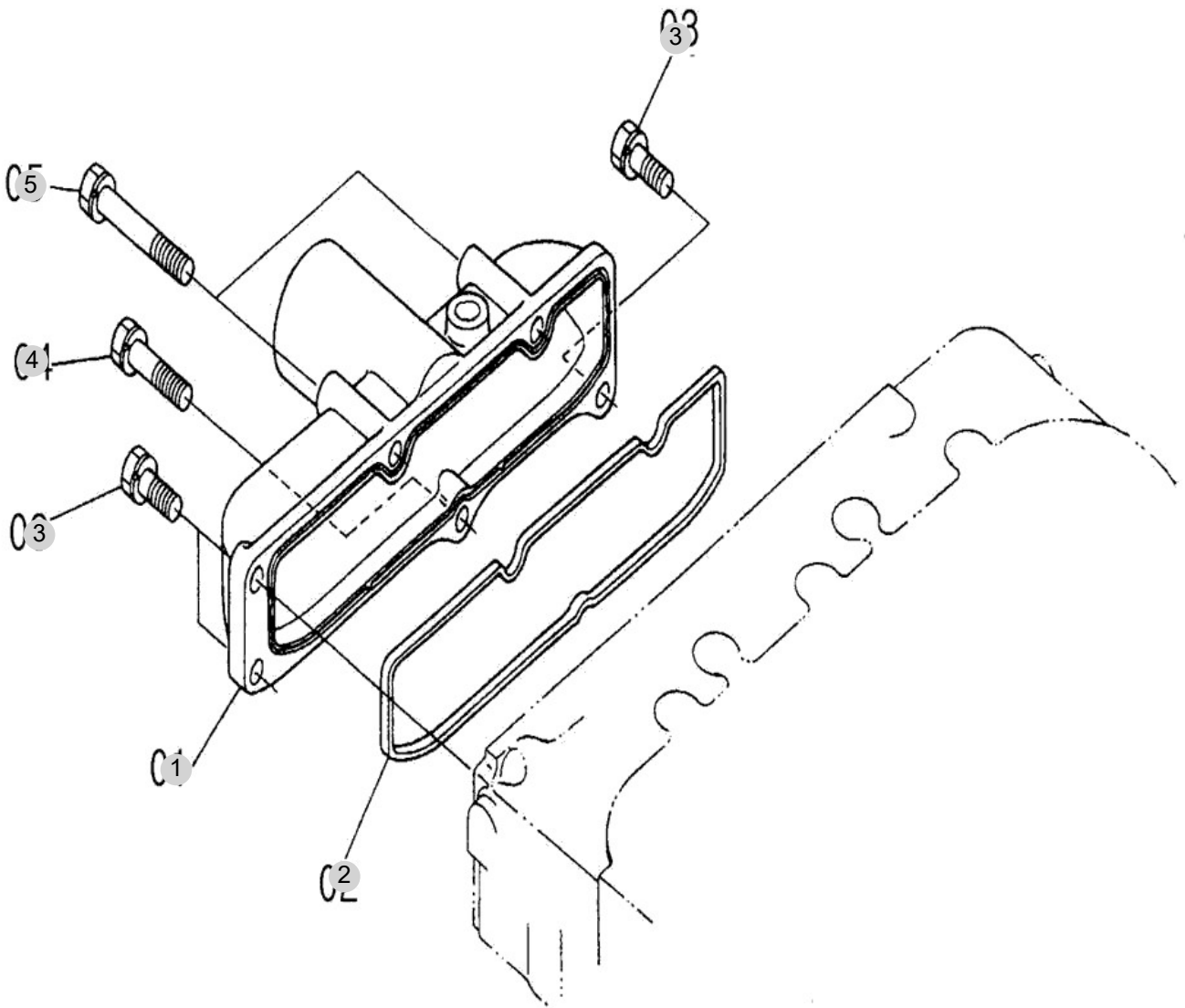
FIG 121

INTAKE MANIFOLD

년/월
Year/Month

2022-12

T265NHEU



NOTE

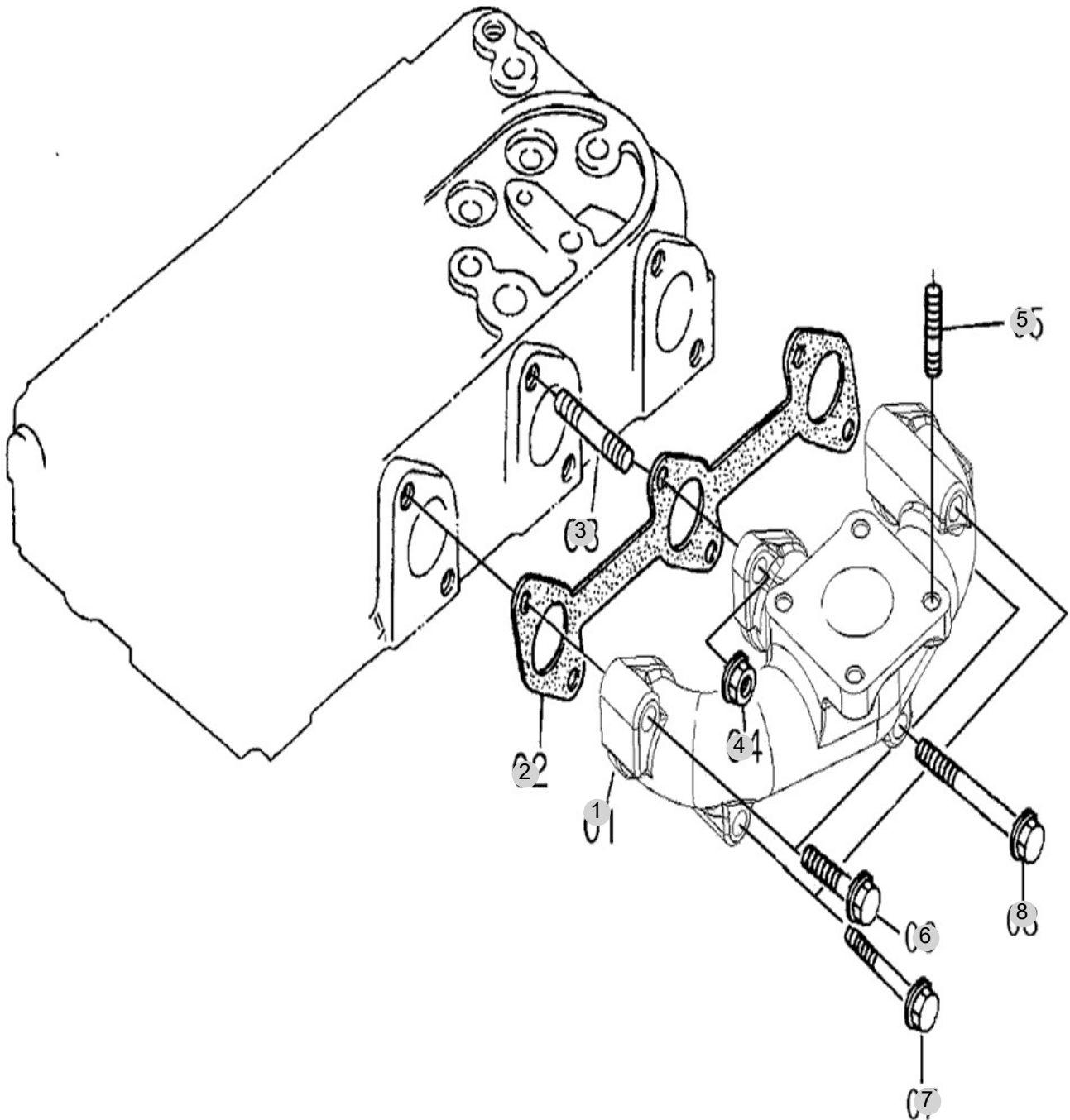
FIG 122

EXHAUST MANIFOLD

년/월
Year/Month

T265NHEU

2022-12



NOTE

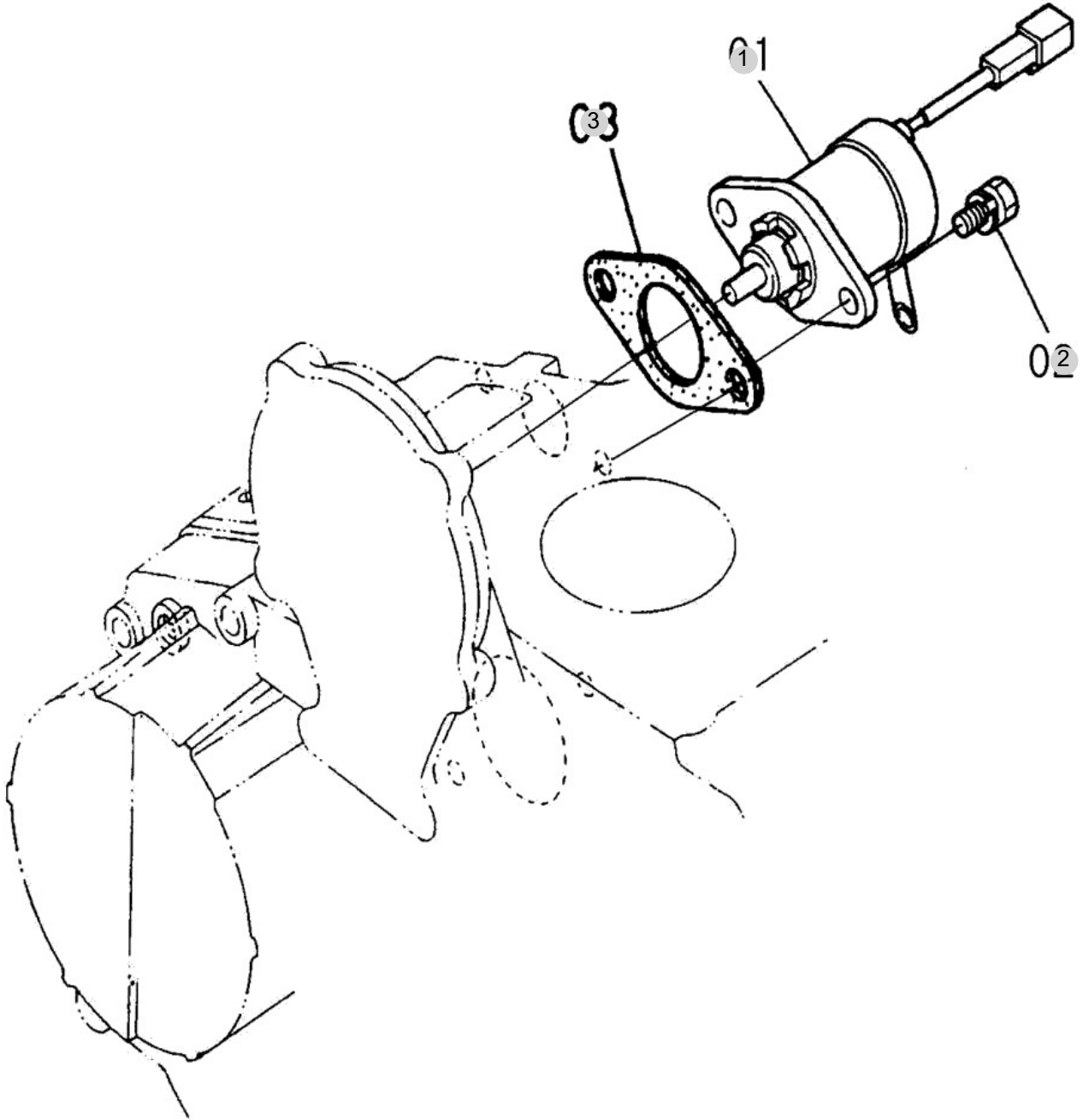
FIG 123

STOP SOLENOID

년/월
Year/Month

2022-12

T265NHEU



NOTE

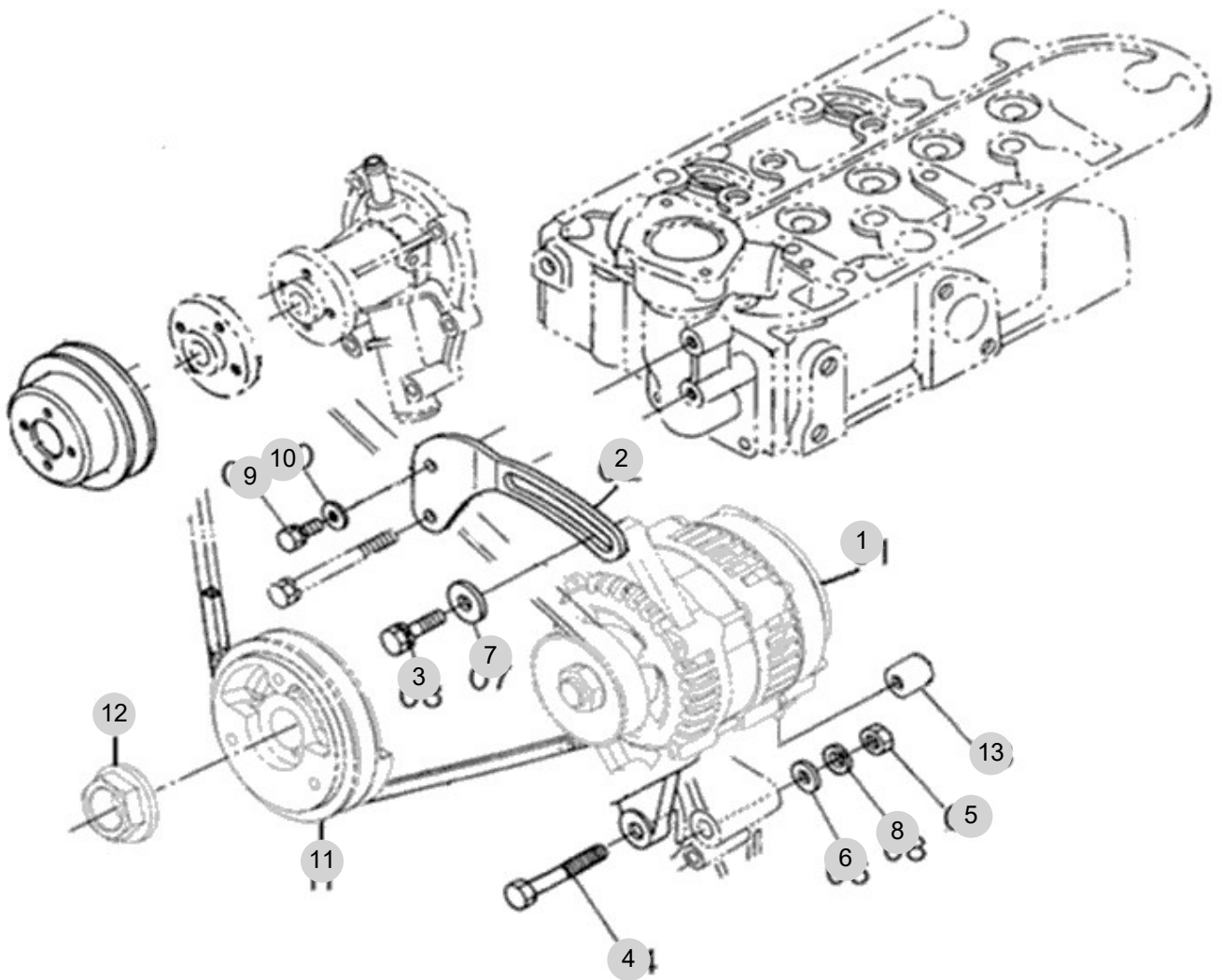
FIG 124

ALTERNATOR & PULLEY

년/월
Year/Month

2022-12

T265NHEU



NOTE

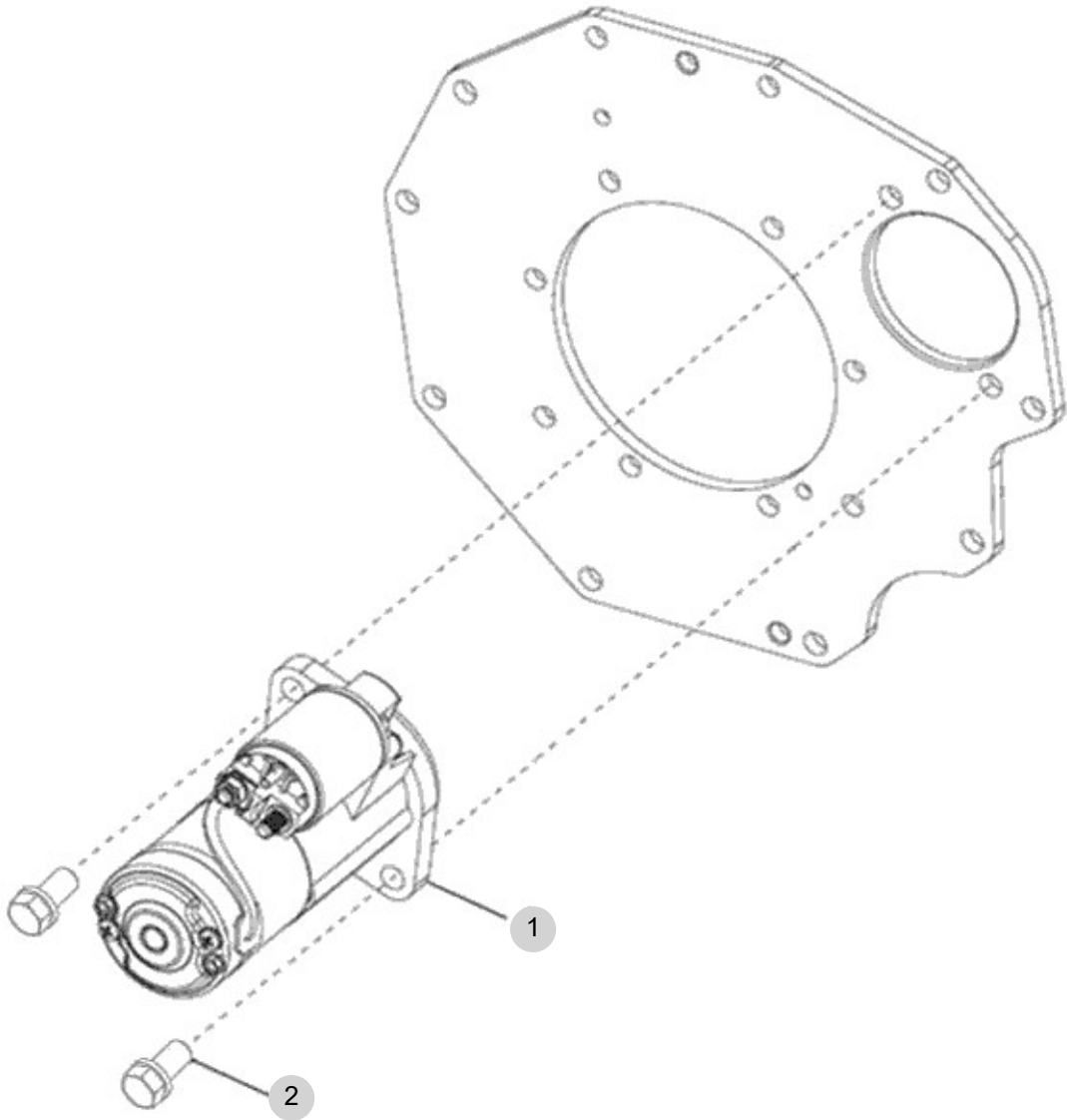
FIG 125

T265NHEU

STARTING MOTOR

년/월
Year/Month

2022-12



NOTE

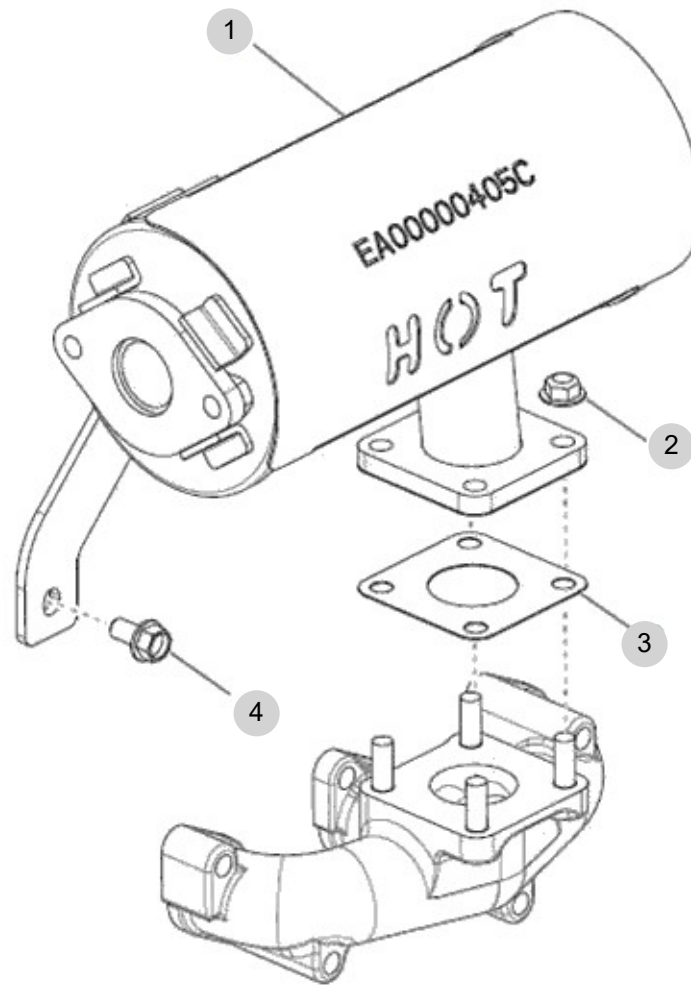
FIG 126

T265NHEU

EXHAUST SILENCER

년/월
Year/Month

2022-12



NOTE

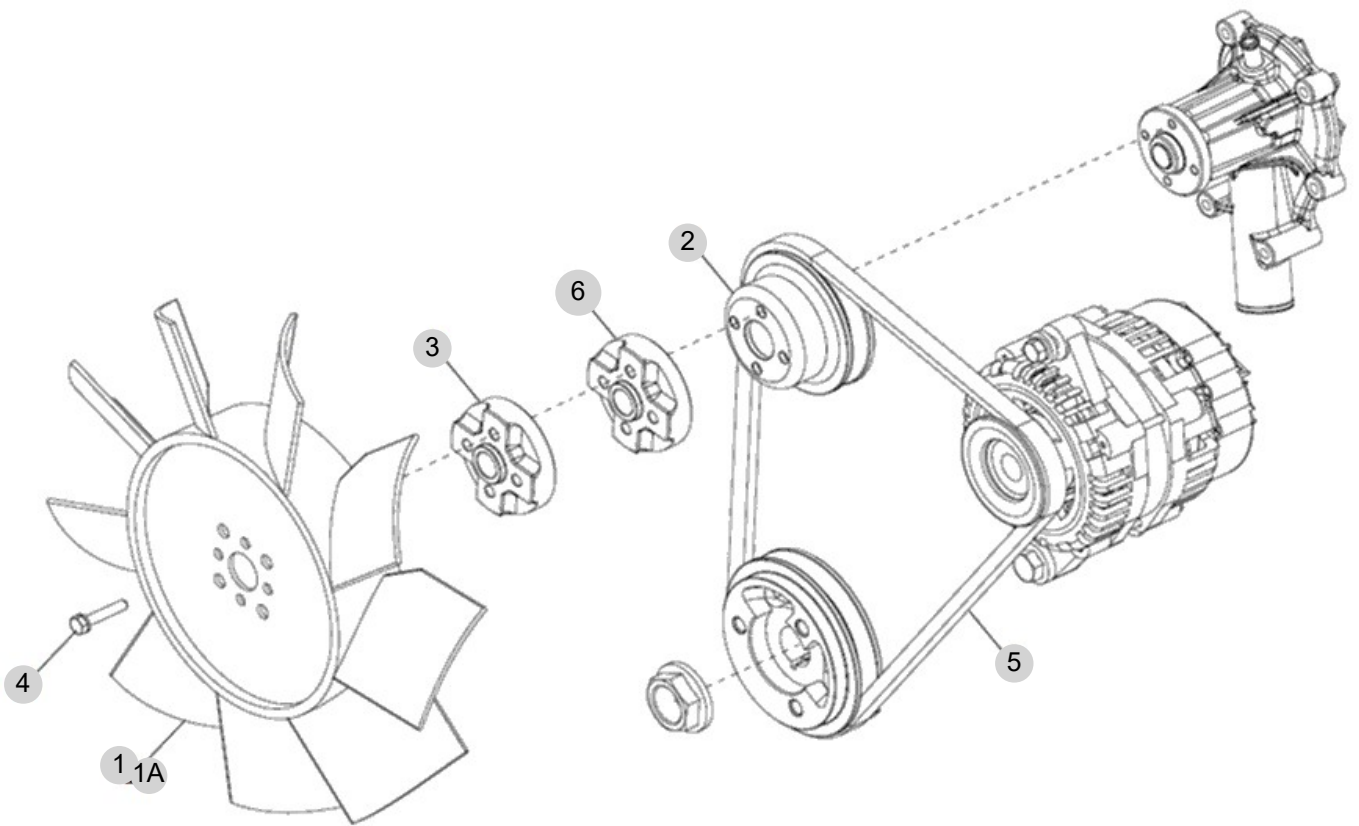
FIG 127

T265NHEU

COOLING PAN

년/월
Year/Month

2022-12



NOTE

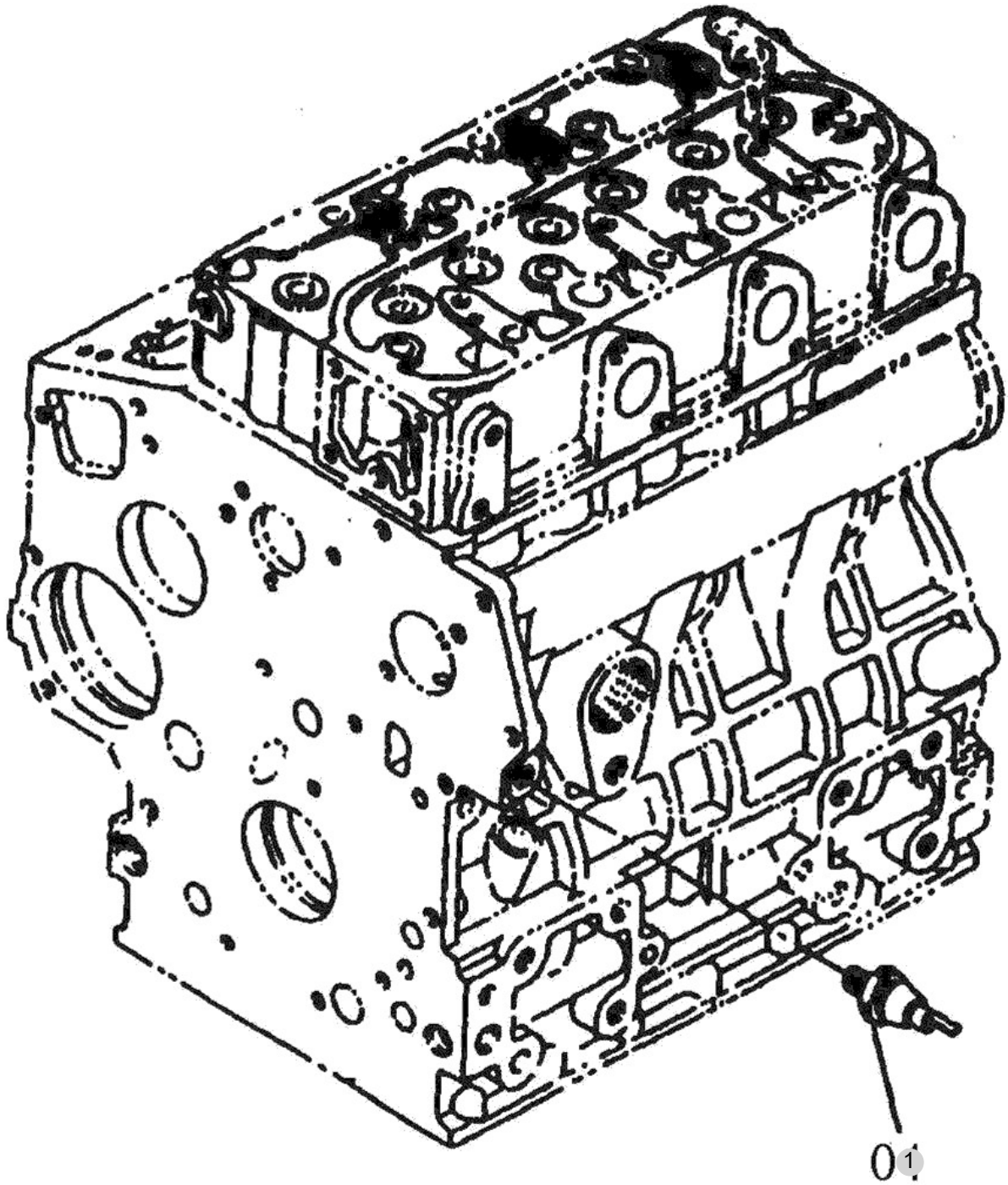
FIG 128

OIL PRESSURE SWITCH

년/월
Year/Month

2022-12

T265NHEU



NOTE

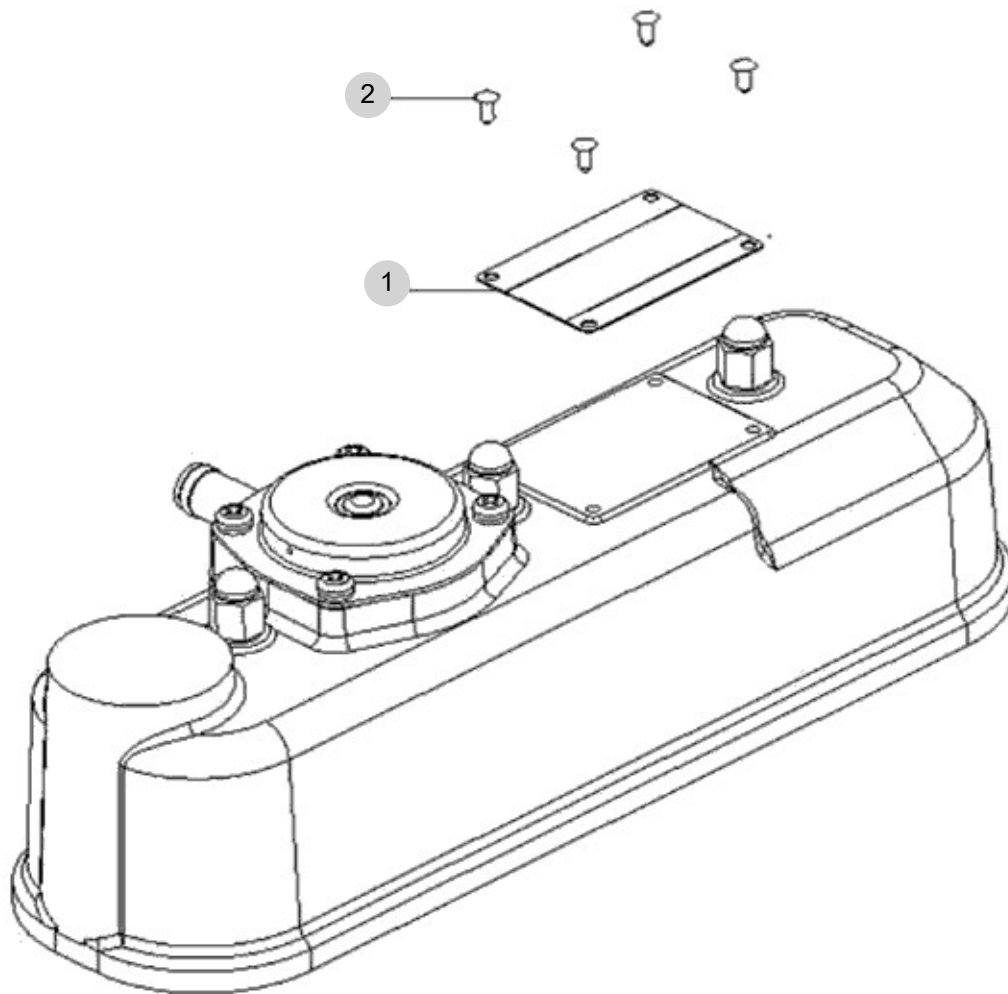
FIG 129

T265NHEU

DATA PLATE

년/월
Year/Month

2022-12



NOTE

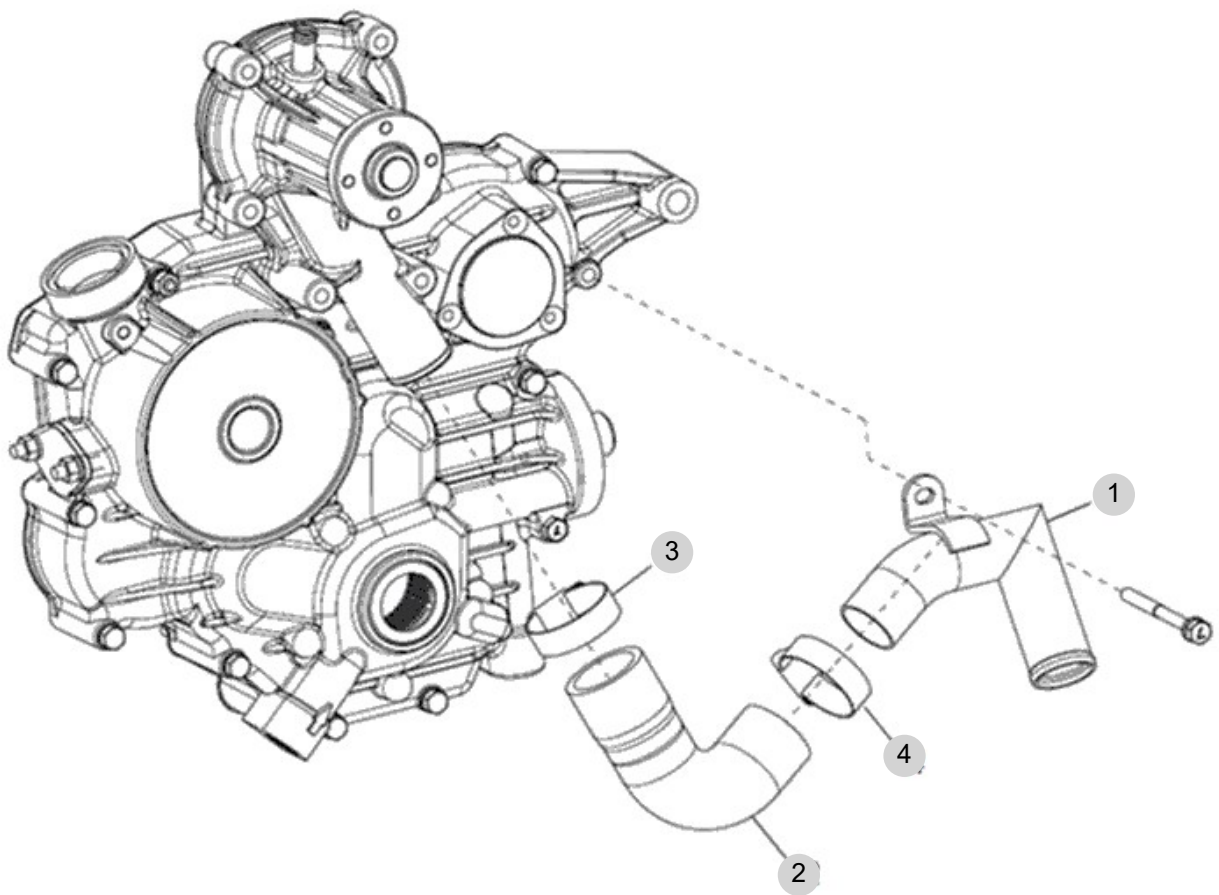
FIG 130

WATER PIPE

년/월
Year/Month

T265NHEU

2022-12



NOTE

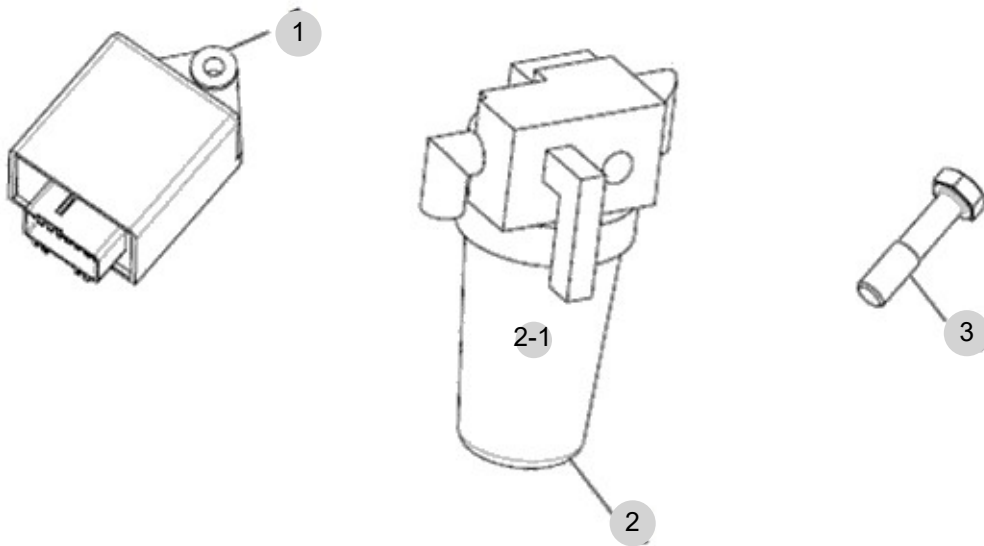
FIG 131

T265NHEU

WATER PIPE

년/월
Year/Month

2022-12



NOTE

2. 엔진보기품 PART NO. T2

FIG 201 AIR CLEANER	70
FIG 202 RADIATOR	72
FIG 203 MUFFLER	74
FIG 204 FUEL TANK & FUEL LINE	76
FIG 205 ACCELERATOR	78
FIG 206 OIL COOLER	80

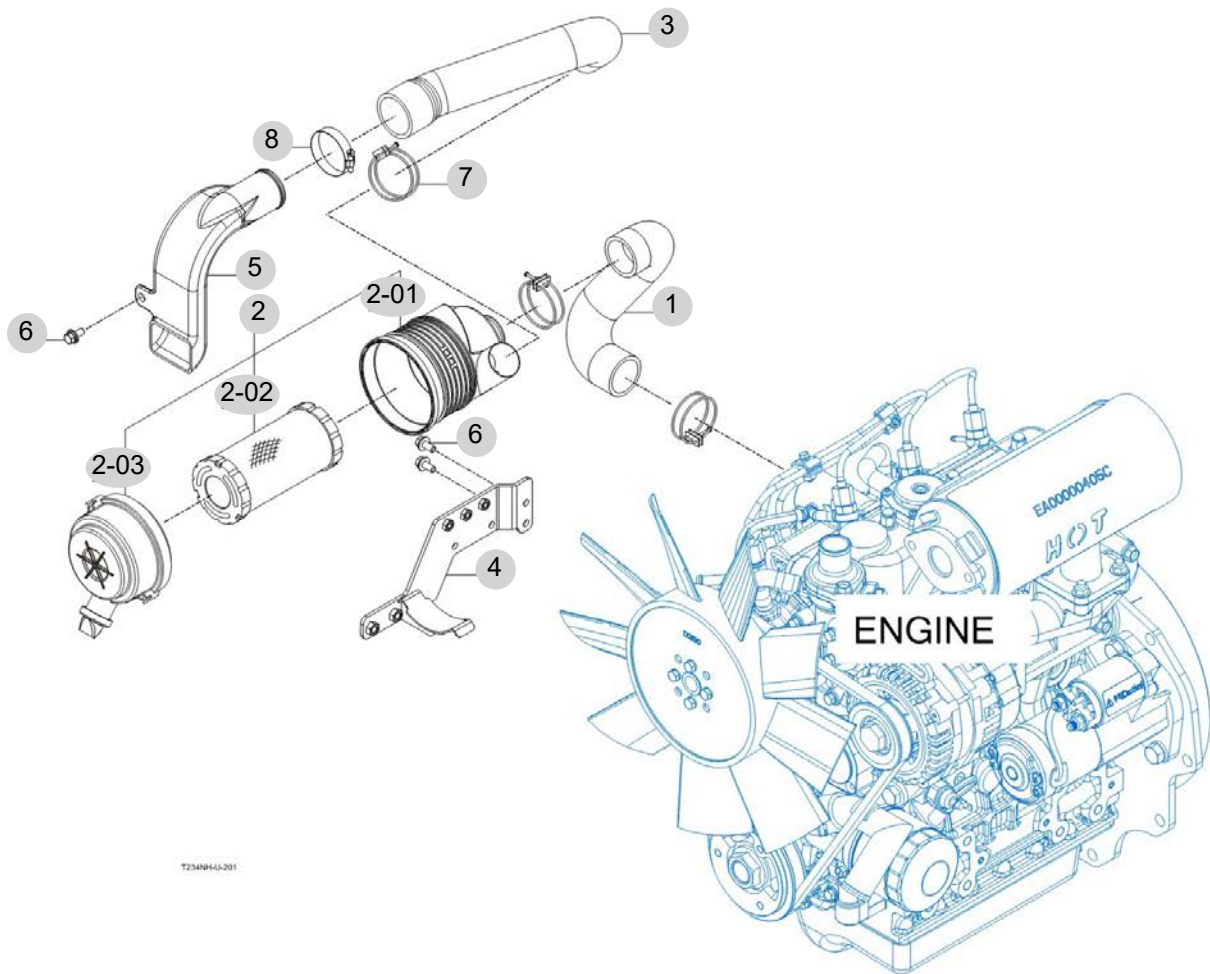
FIG 201

AIR CLEANER

년/월
Year/Month

T265NHEU

2022-12



NOTE

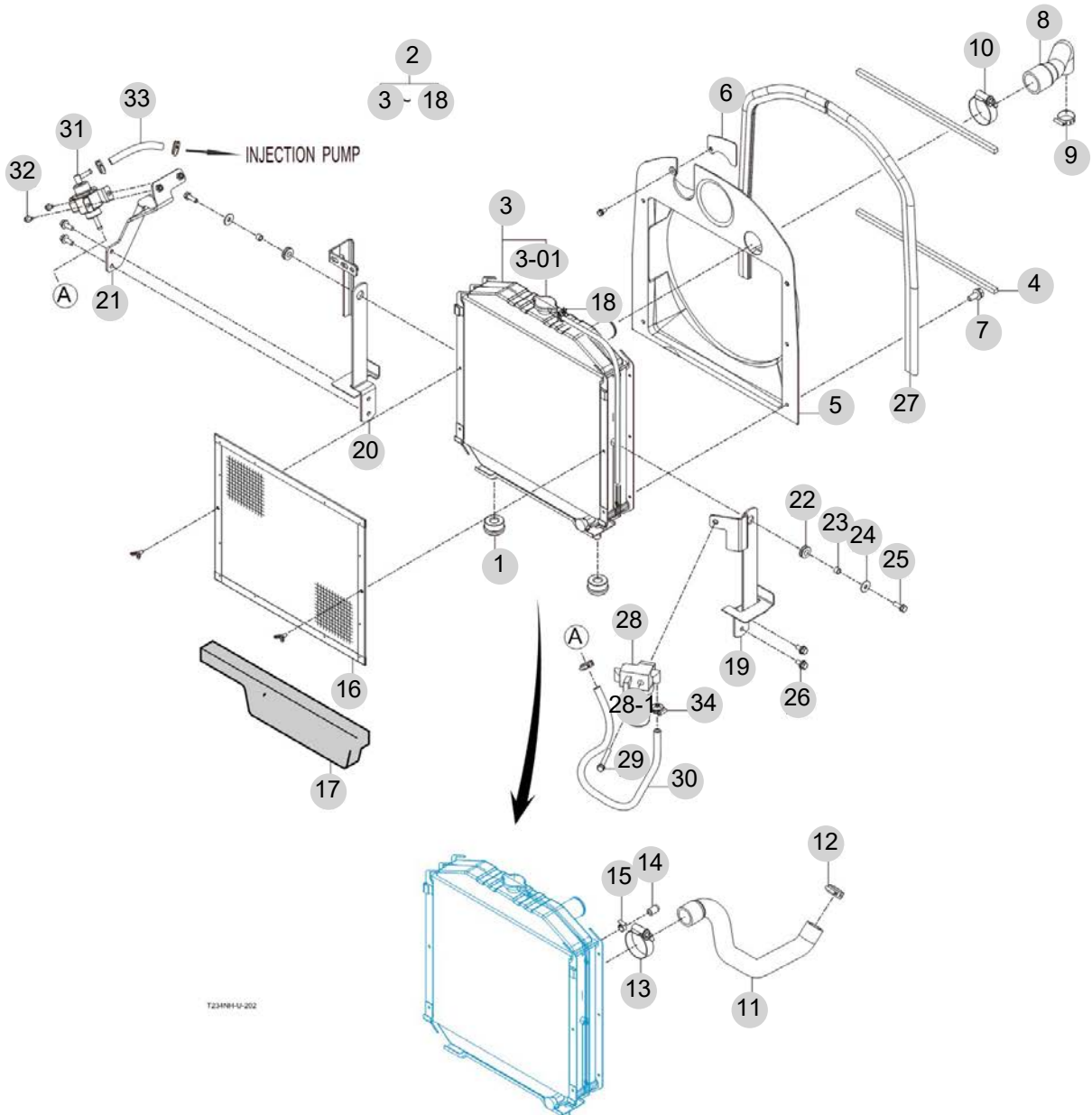
FIG 202

T265NHEU

RADIATOR

년/월
Year/Month

2022-12



T265NHEU-202

NOTE

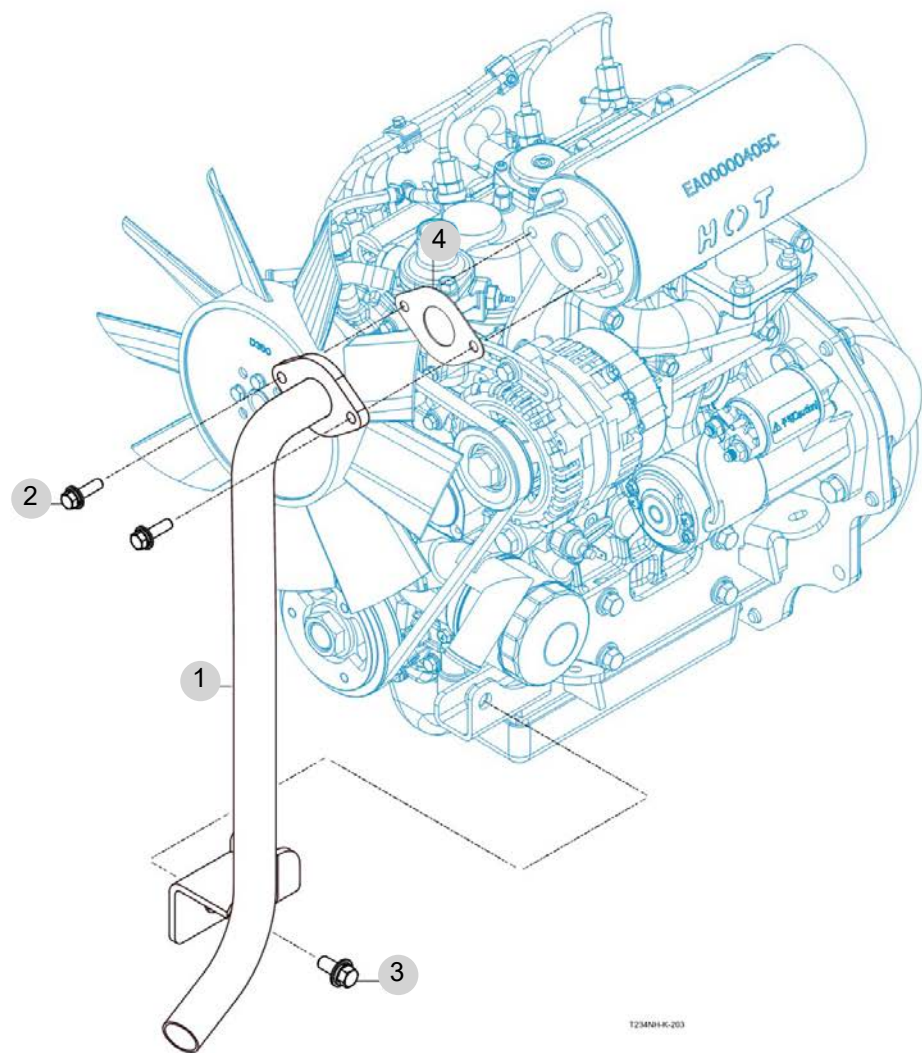
FIG 203

T265NHEU

MUFFLER

년/월
Year/Month

2022-12



NOTE

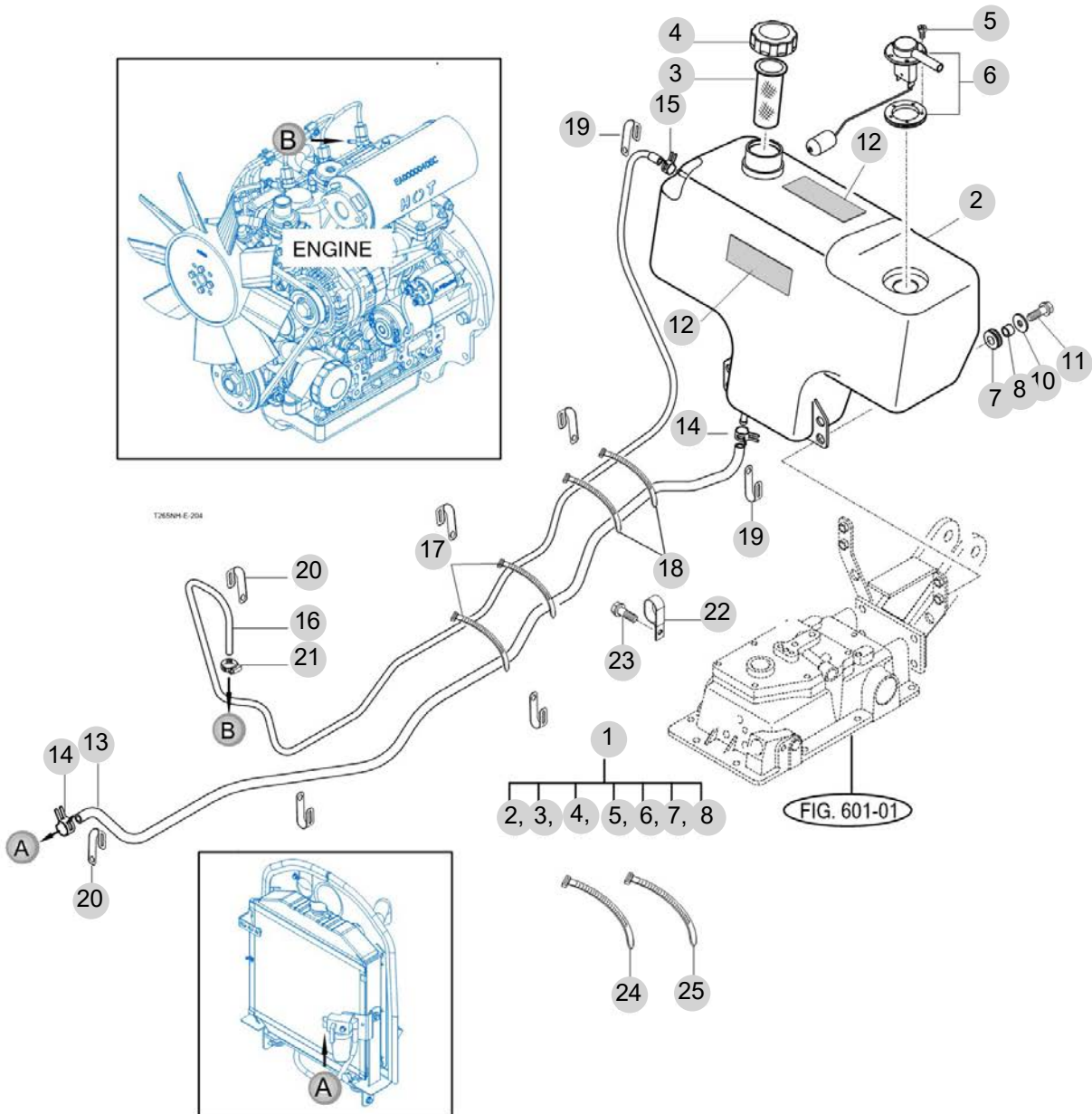
FIG 204

T265NHEU

FUEL TANK & FUEL LINE

년/월
Year/Month

2022-12



NOTE

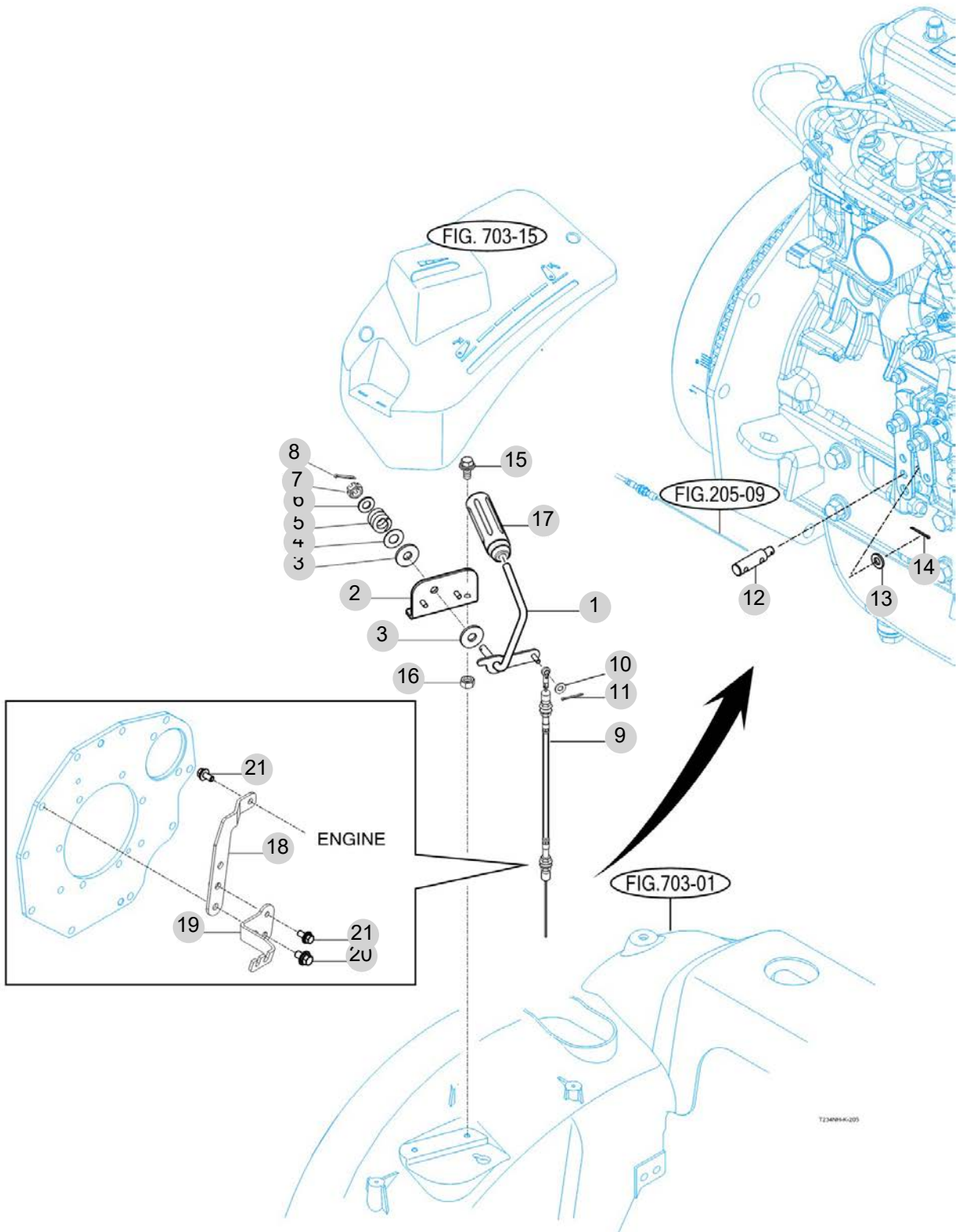
FIG 205

ACCELERATOR

년/월
Year/Month

T265NHEU

2022-12



NOTE

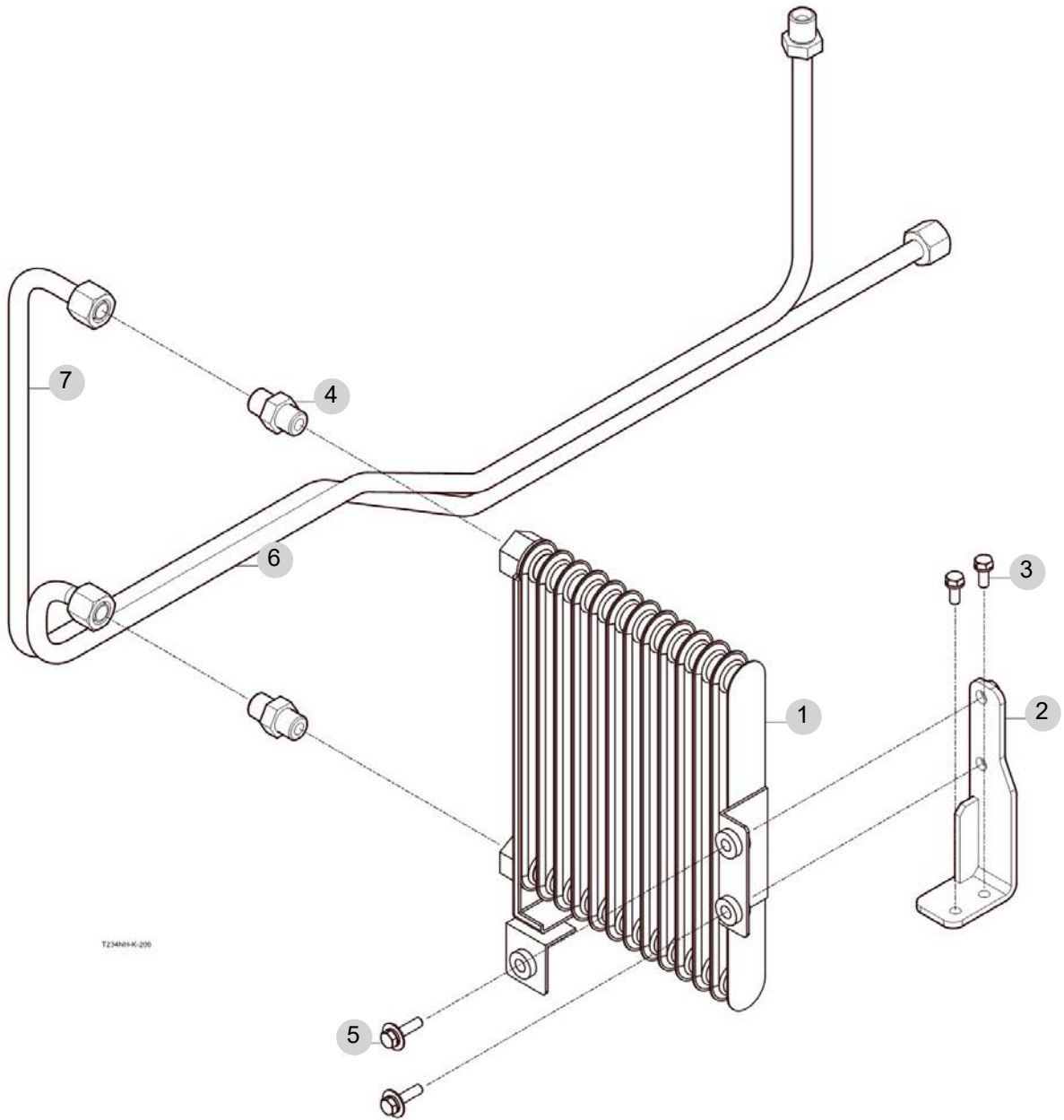
FIG 206

OIL COOLER

년/월
Year/Month

T265NHEU

2022-12



NOTE

3. 클러치/브레이크/스티어링 PART NO. T3

FIG 301 FLYWHEEL COVER	83
FIG 302 SPEED CONTROL	85
FIG 303 BRAKE	88
FIG 304 BRAKE PEDAL & LINKAGE	90
FIG 305 STEERING WHEEL & DASH COVER	92
FIG 306 STEERING VALVE	94
FIG 307 STEERING CYLINDER	96
FIG 308 FRONT WHEEL	98
FIG 309 REAR WHEEL	100

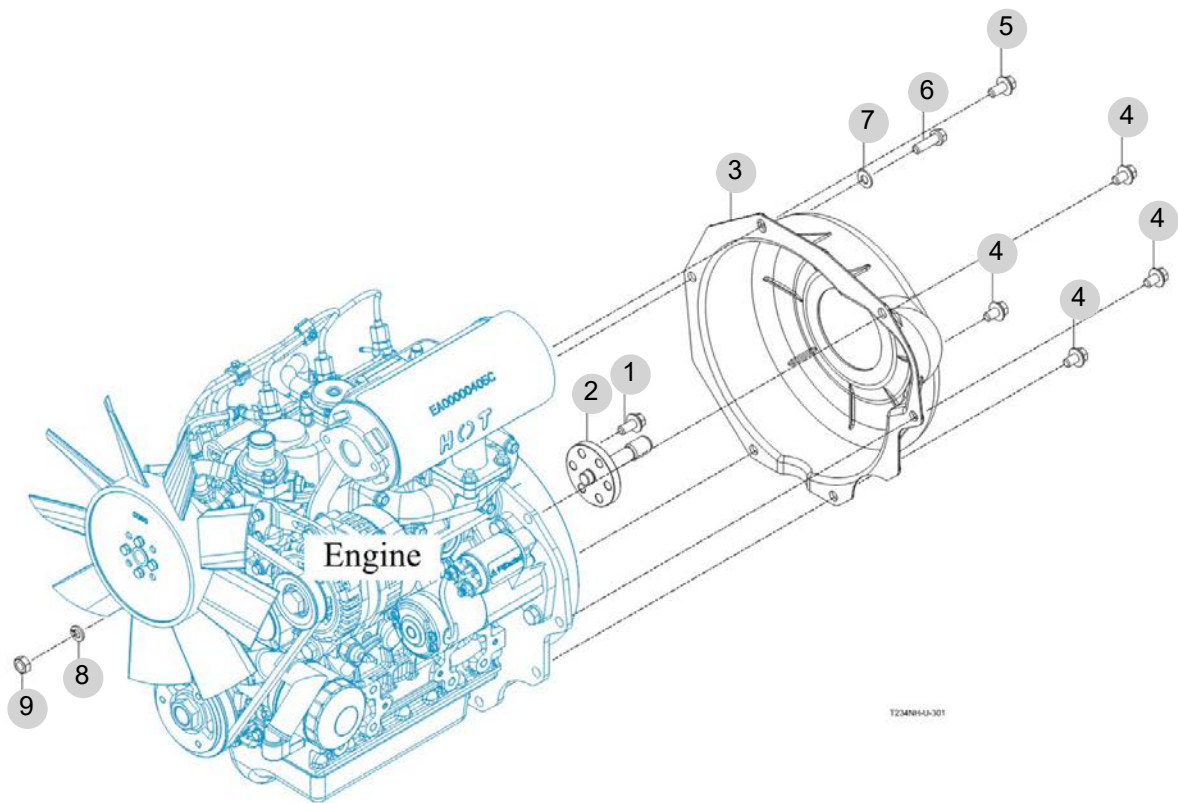
FIG 301

T265NHEU

FLYWHEEL COVER

년/월
Year/Month

2022-12



NOTE

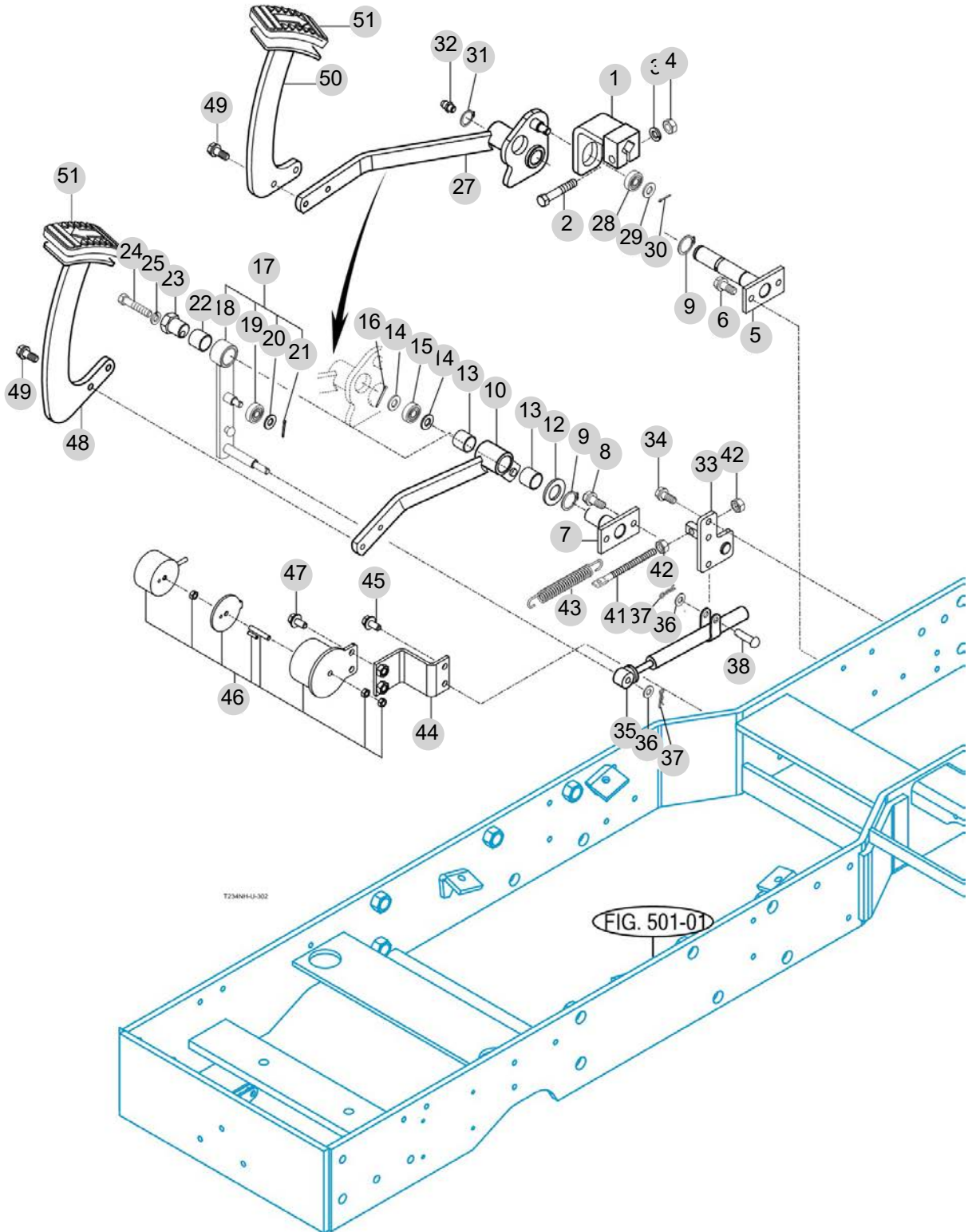
FIG 302

SPEED CONTROL

년/월
Year/Month

2022-12

T265NHEU



NOTE

FIG 302		SPEED CONTROL					년/월 Year/Month		
							2022-12		
T265NHEU		KEY NO	PART NO	DESCRIPTION	SPEC	QTY	REPAIR	EFFECTIVE DATE	REMARKS
302	1	13152322103	홀더 COMP			1			
302	2	V2013610045	소형육각볼트(보통)	M10X45		1			
302	3	V4011600100	스프링와셔	M10		1			
302	4	V3042600100	소형육각너트보통2종	M10		1			
302	5	13152322201	핀(후진) COMP			1			
302	6	V2173608020	소형육각볼트보통(S)	M8X20		2			
302	7	13152323102	핀(전진) COMP			1			
302	8	V2173608020	소형육각볼트보통(S)	M8X20		2			
302	9	V7041400200	C형멈춤링(축용)	20		2			
302	10	13152323202	암(전진) COMP			1			
302	12	V4111600200	평와셔	M20		1			
302	13	36707030080	부시(20X23X20)			2			
302	14	V4111600100	평와셔	M10		2			
302	15	V6001506000	볼베어링	6000DD		1			
302	16	V5001920015	분할핀	2X15		1			
302	17	13152324003	캠 SUB ASSY			1			
302	17	11972324000	캠 SUB ASSY			1			
302	18	13152324102GB	암(캠) COMP			1			
302	19	14722310060	볼베어링(608DD)			1			
302	20	V4111600080	평와셔	M8		1			
302	21	V5001920015	분할핀	2x15		1			
302	22	36707030080	부시(20X23X20)			1			
302	23	13152320023	핀(중립)			1			
302	23	11972320020	핀(중립)			1			
302	24	V2143610050	소형육각볼트가는(S)	M10X50		1			
302	24	V2143610080	소형육각볼트가는(S)			1			
302	25	V4011600100	스프링와셔	M10		1			
302	27	13152322306GB	암 COMP(후진)			1			
302	28	V6001506000	볼베어링	6000DD		1			
302	29	V4111600100	평와셔	M10		1			
302	30	V5001920015	분할핀	2X15		1			
302	31	V7041400200	C형멈춤링(축용)	20		1			
302	31	V7041400250	C형멈춤링(축용)			1			
302	32	V7601500000	그리스니플(A-M6F)			1			
302	33	13152325101	핀(스프링) COMP			1			
302	34	V2173608025	소형육각볼트보통(S)	M8X25		2			
302	35	13152312400	오일 댐퍼			1			
302	36	V4111600080	평와셔	M8		4			
302	37	V5601600008	스냅핀	8		4			
302	38	14043120060	요오크핀 (A)			1			
302	41	34522150080	체인 텐션 로드(82)			1			
302	42	V3043600080	소형육각너트보통2종	M8		2			
302	43	14722310033	스프링(리턴)			1			
302	44	13152332103DG	브래킷(크루즈) COMP			1			
302	44	13152332103GB	브래킷(크루즈) COMP			1			
NOTE									

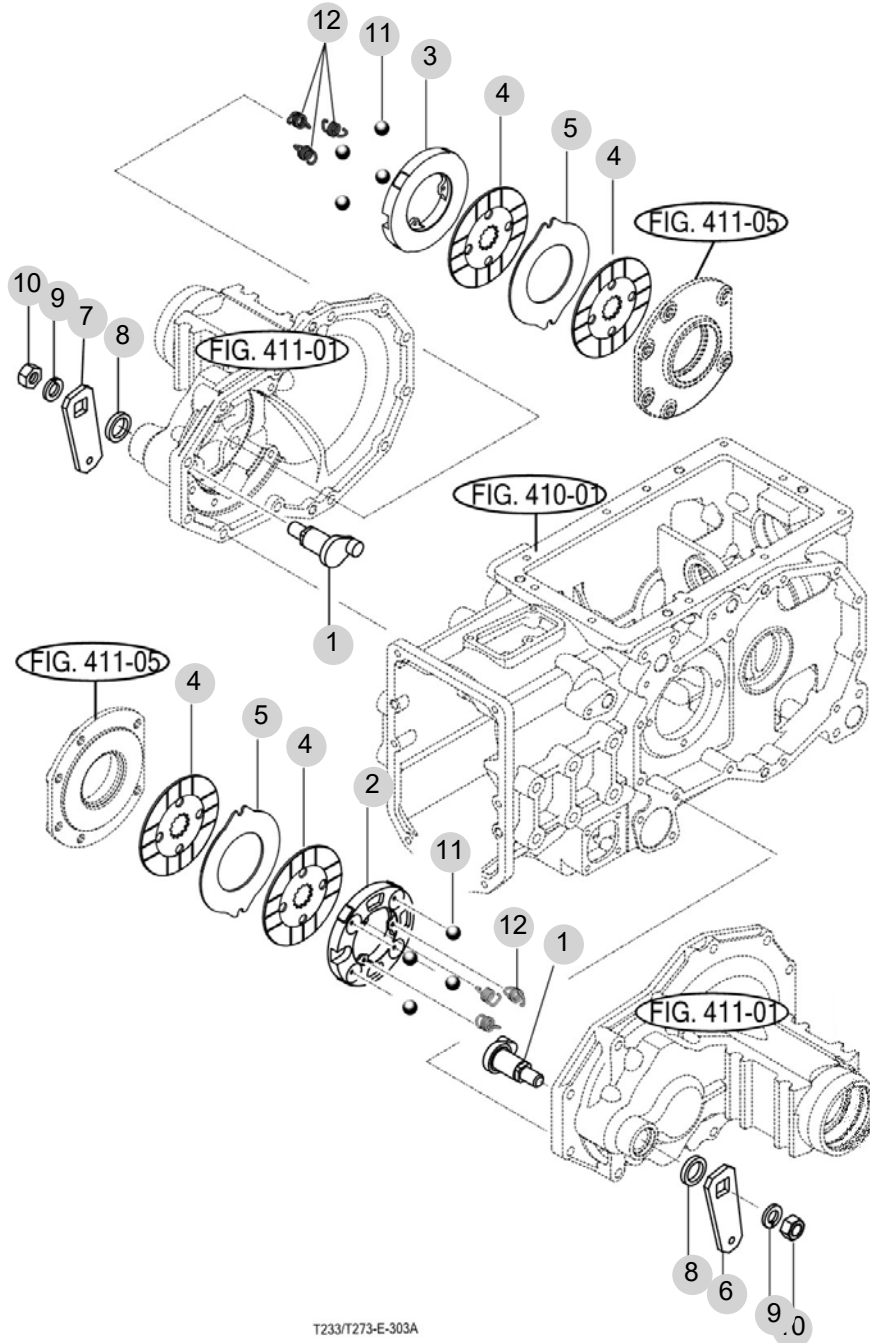
FIG 303

T265NHEU

BRAKE

년/월
Year/Month

2022-12



T233/T273-E-303A

NOTE

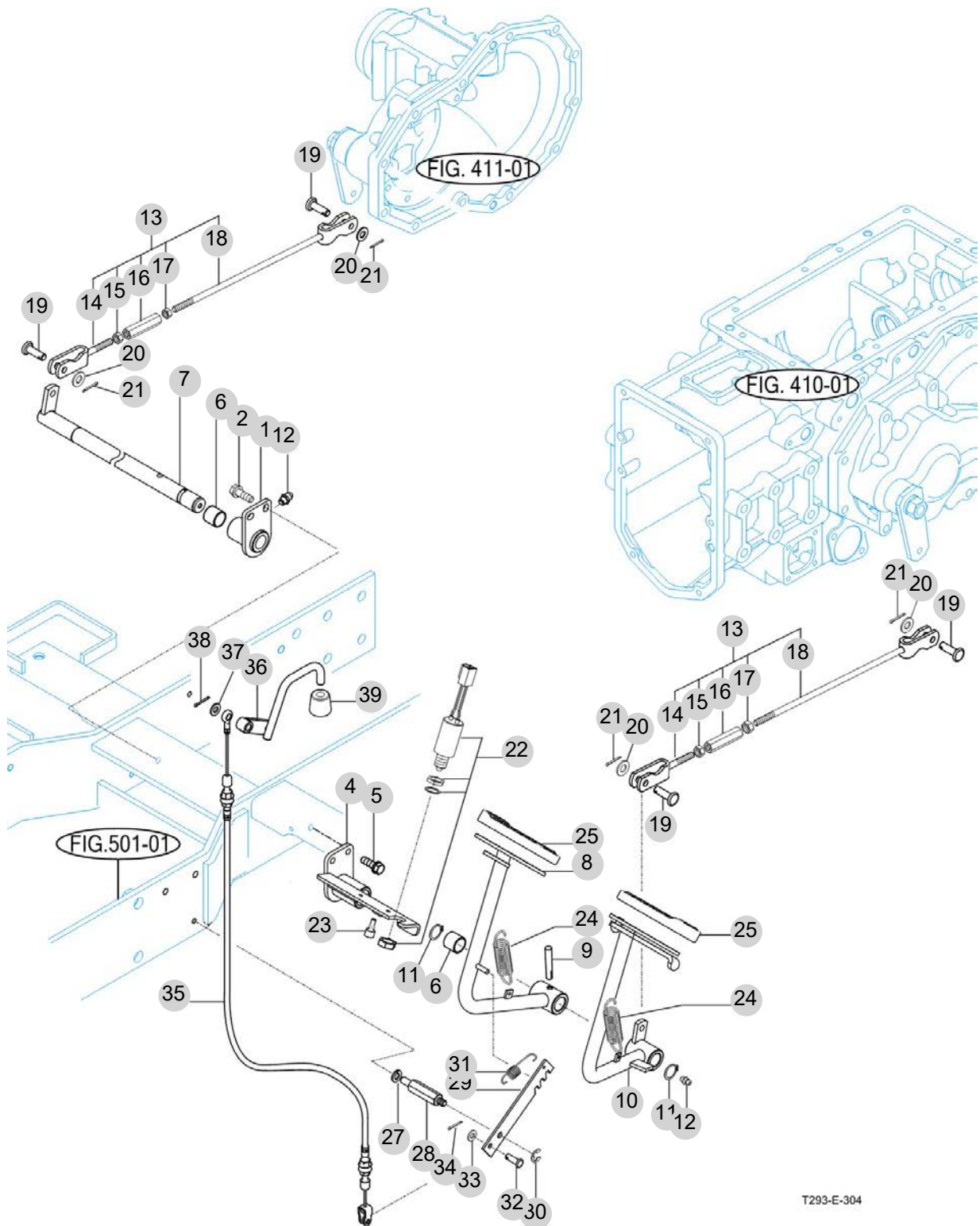
FIG 304

BRAKE PEDAL & LINKAGE

년/월
Year/Month

T265NHEU

2022-12



T293-E-304

NOTE

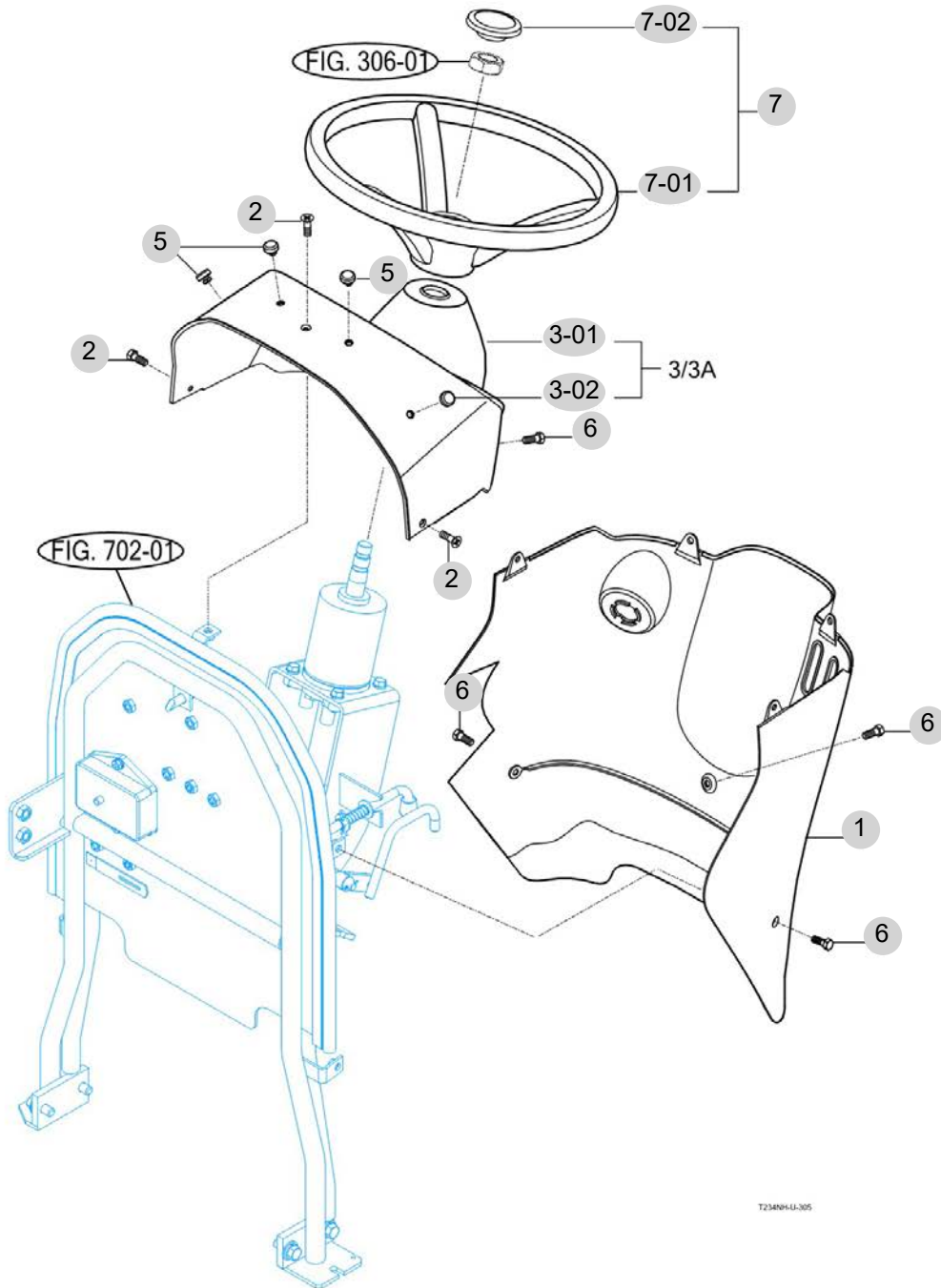
FIG 305

T265NHEU

STEERING WHEEL & DASH COVER

년/월
Year/Month

2022-12



T234NH-U-305

NOTE

FIG 305 T265NHEU		STEERING WHEEL & DASH COVER						년/월 Year/Month	
								2022-12	
KEY NO	PART NO	DESCRIPTION	SPEC	QTY	REPAIR	EFFECTIVE DATE	REMARKS		
305	1	13156032214	대시 커버, 하		1				
305	2	V1122806016	십자홈접시작은나사	M6X16	3				
305	3	13156032113	대시 커버, 상		1				
305	4	13156032121	고무		4				
305	6	V2123806016	육각볼트(SP)	M6X16	5				
305	7	14724012002	스티어링 휠 ASSY		1				
305	7-01	14724012100	스티어링 휠		1				
305	7-02	16994012020	커버(스티어링)		1				
NOTE									

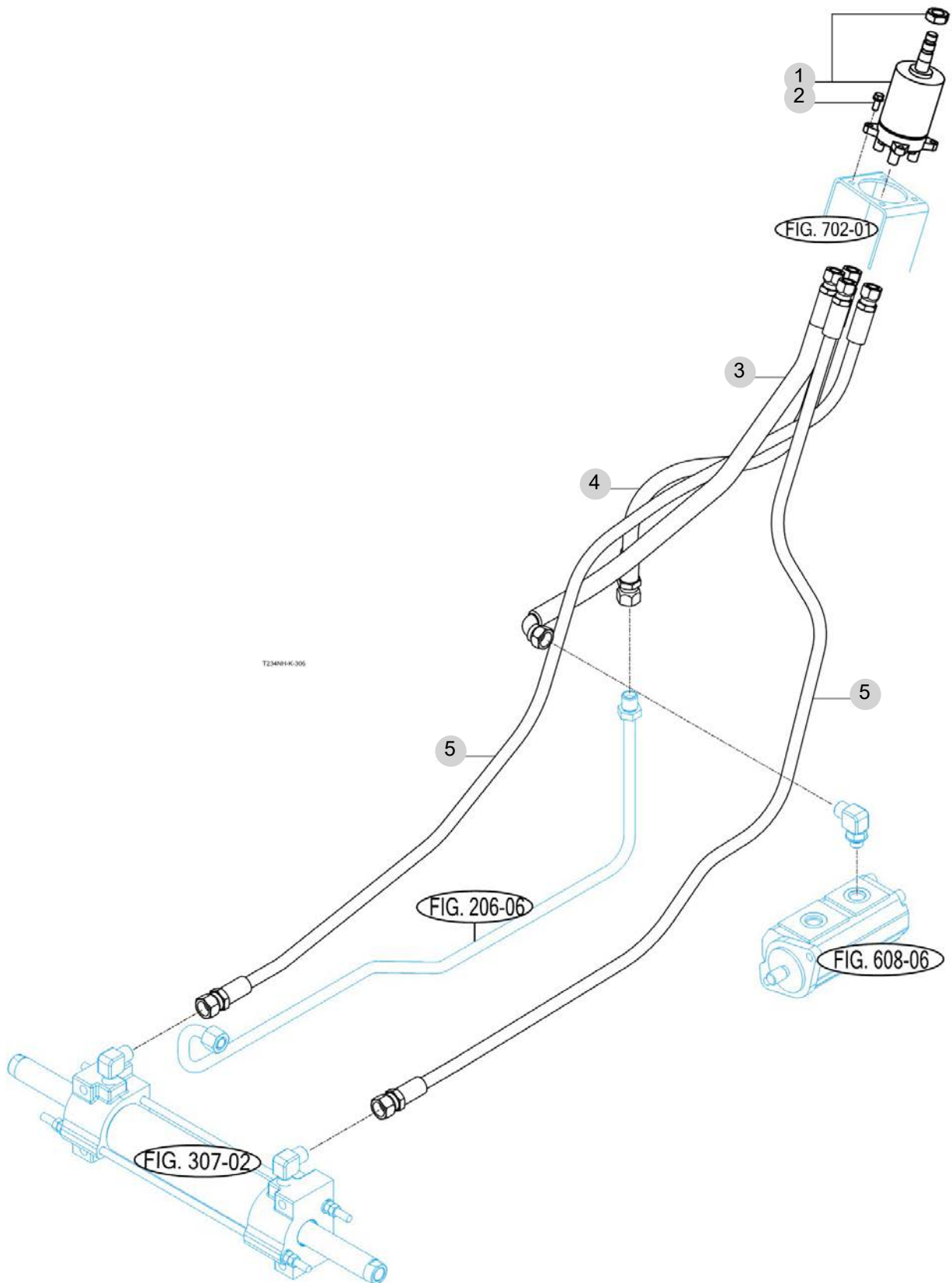
FIG 306

T265NHEU

STEERING VALVE

년/월
Year/Month

2022-12



NOTE

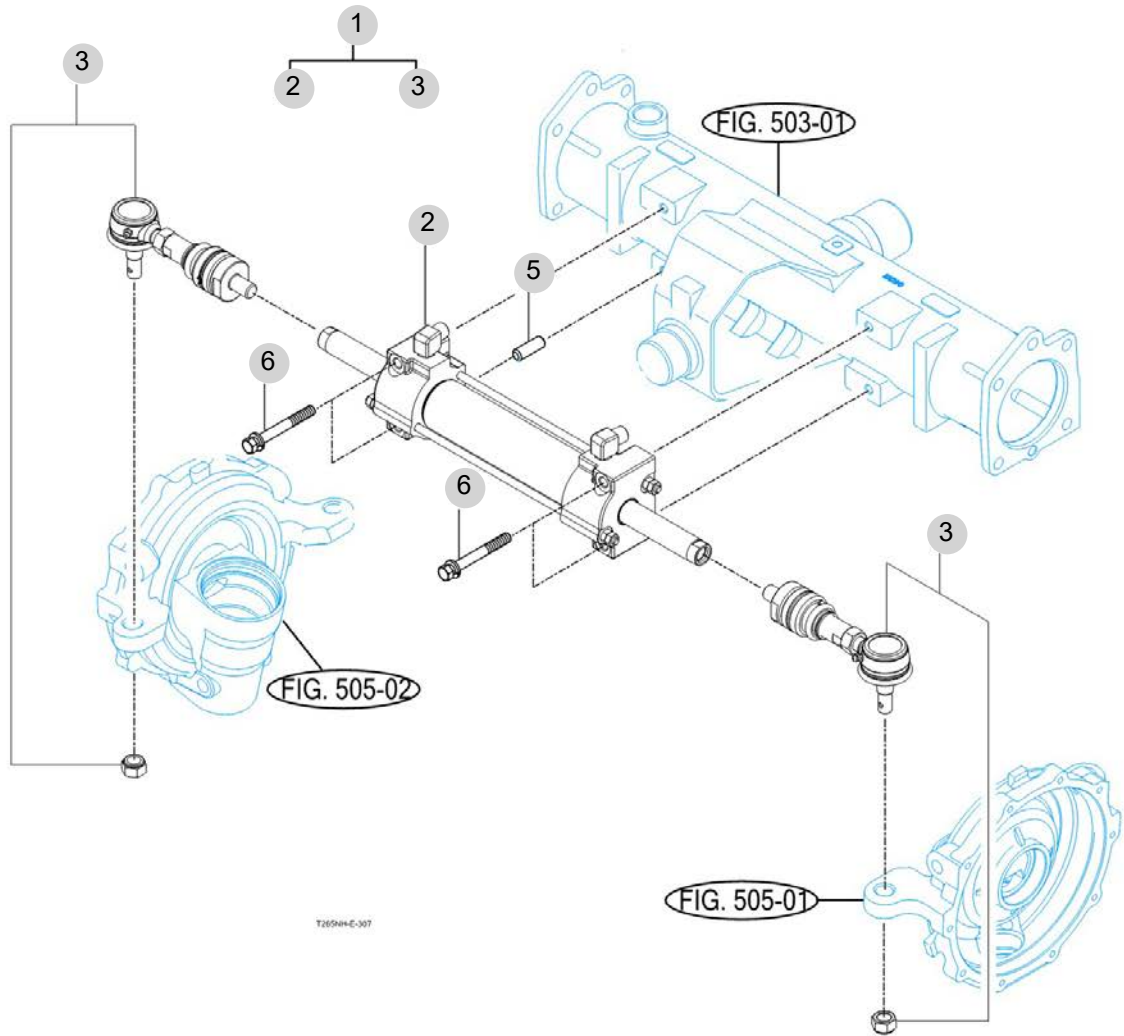
FIG 307

T265NHEU

STEERING CYLINDER

년/월
Year/Month

2022-12



T265NH-E-307

NOTE

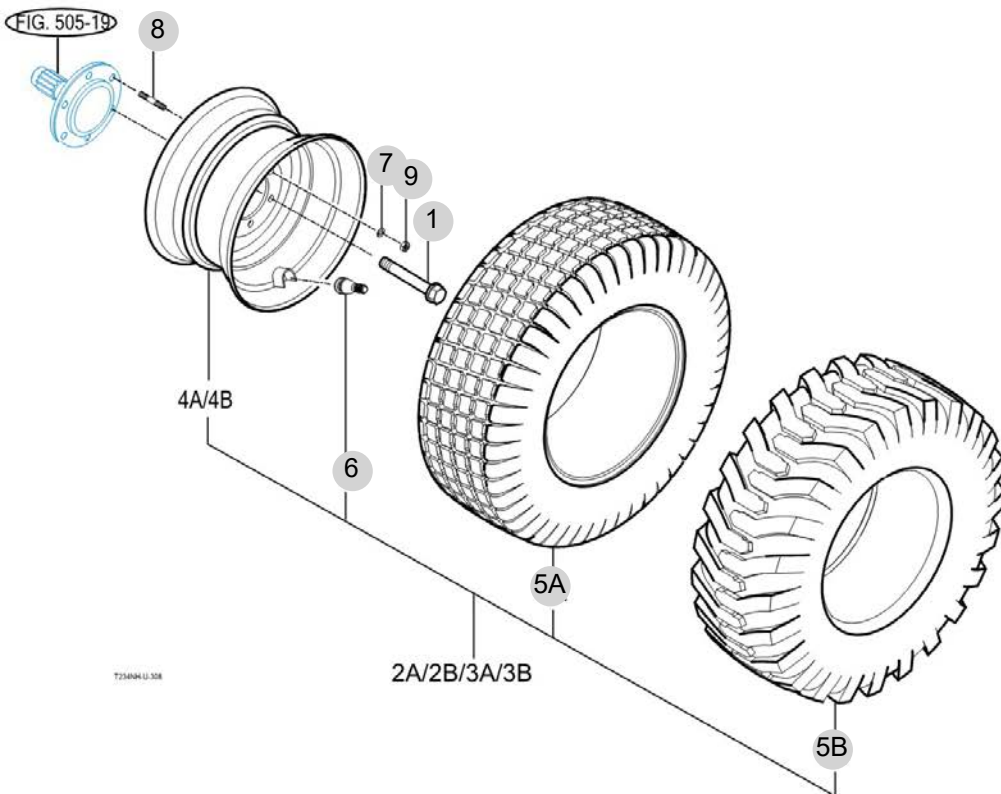
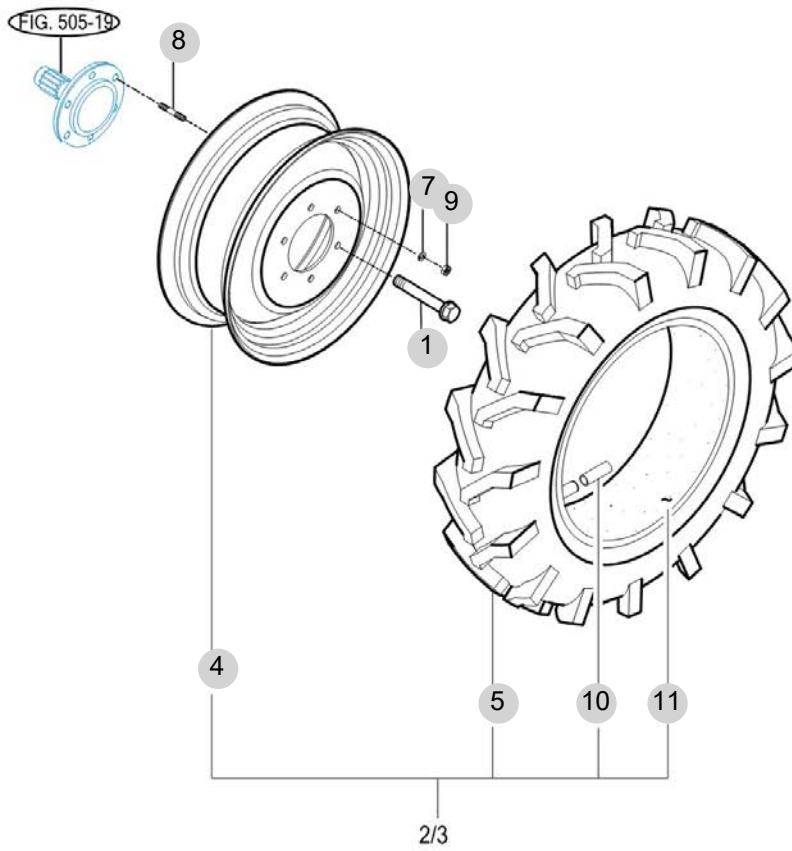
FIG 308

T265NHEU

FRONT WHEEL

년/월
Year/Month

2022-12



NOTE

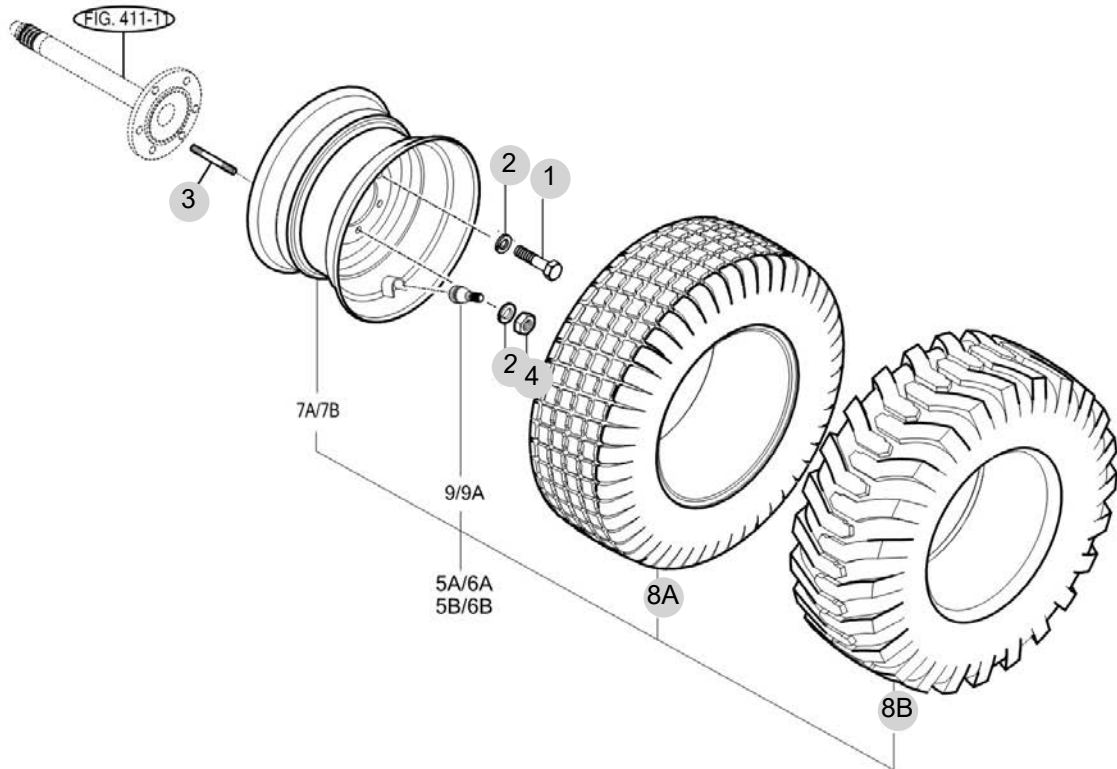
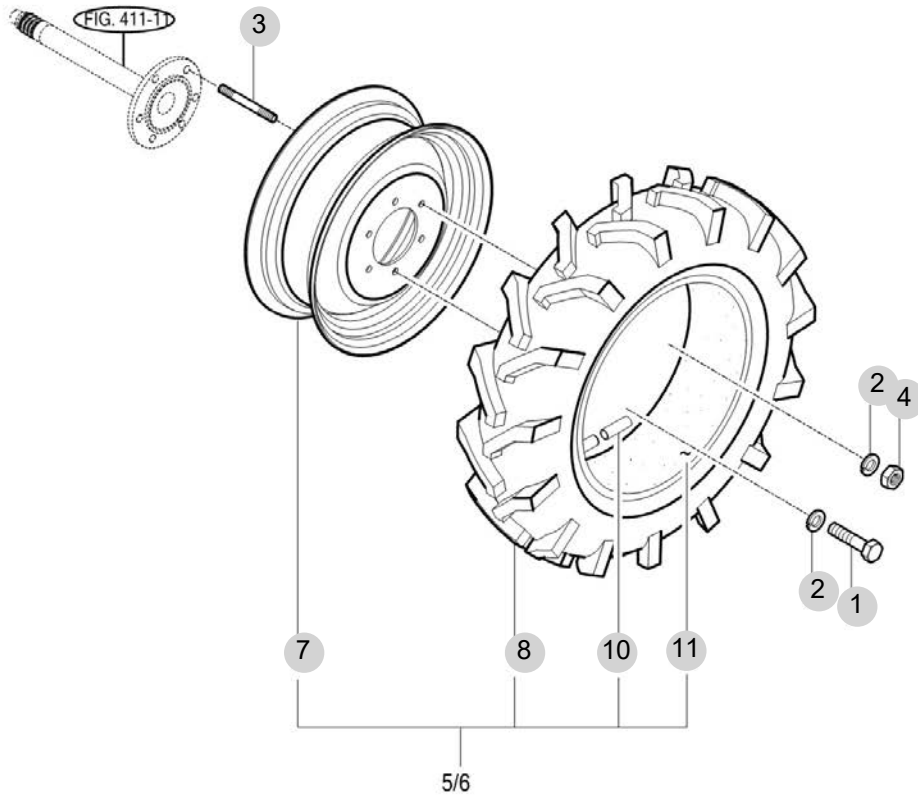
FIG 309

T265NHEU

REAR WHEEL

년/월
Year/Month

2022-12



NOTE

4. 트랜스미션 PART NO. T4

FIG 401 INPUT SHAFT	103
FIG 402 HST	105
FIG 404 4WD DRIVE GEAR	107
FIG 405 RANGE GEARS	109
FIG 406 P.T.O DRIVE SHAFT	111
FIG 407 P.T.O SHAFT	113
FIG 408 MID P.T.O GEARS	115
FIG 409 DIFF LOCK	117
FIG 410 REAR TRANSMISSION CASE	119
FIG 411 REAR AXLE HOUSINGS	121
FIG 413 RANGE SHIFT LEVER	123
FIG 414 P.T.O CHANGE LEVER	125
FIG 415 4WD CHANGE LEVER	127

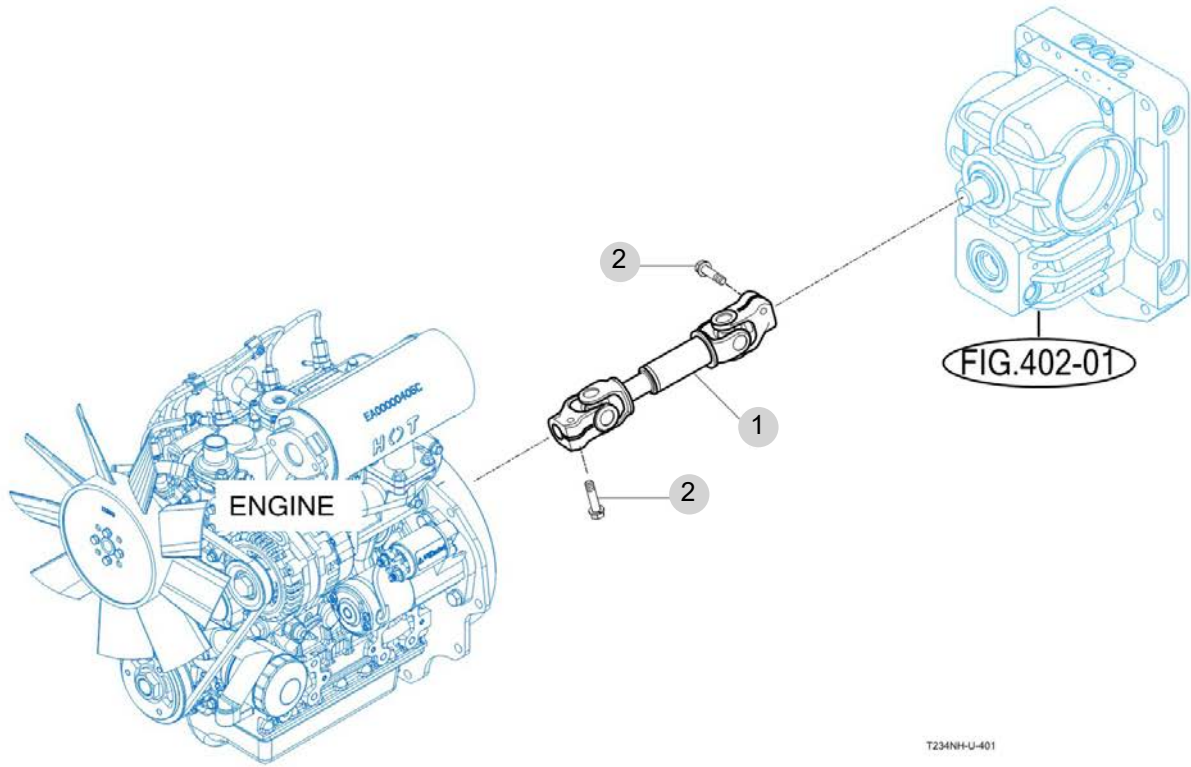
FIG 401

T265NHEU

INPUT SHAFT

년/월
Year/Month

2022-12



T234NF-U-401

NOTE

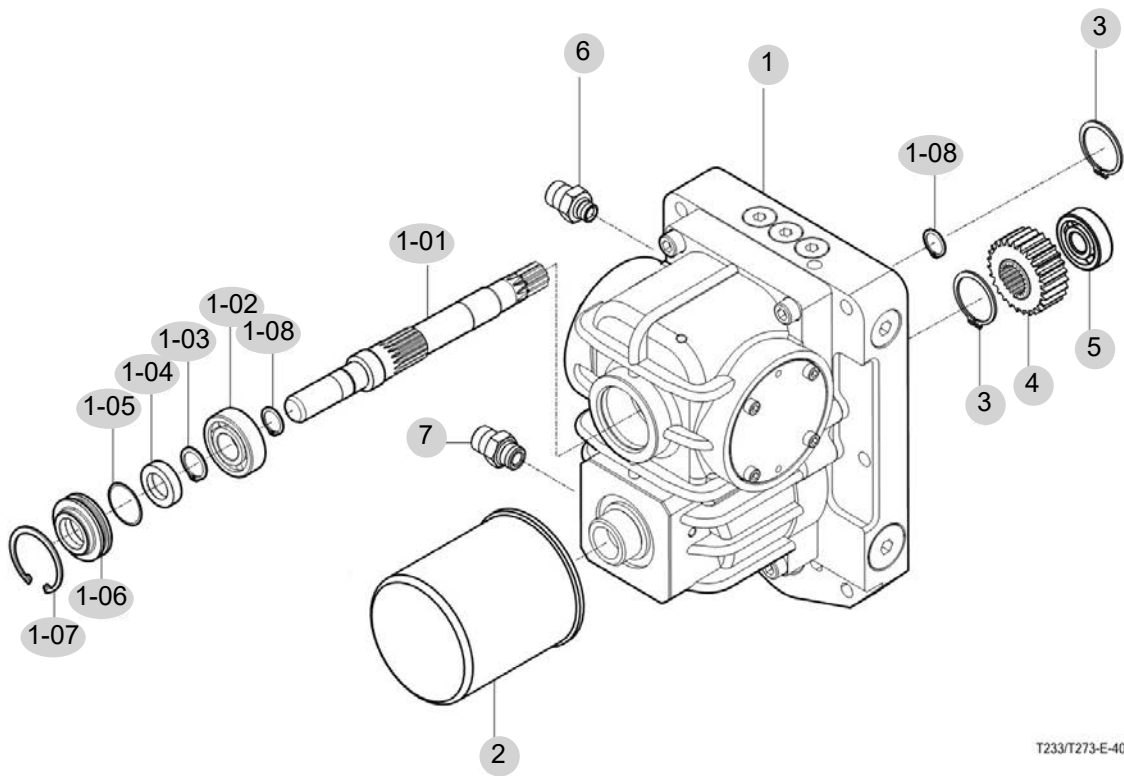
FIG 402

T265NHEU

HST

년/월
Year/Month

2022-12



T233/T273-E-402B

NOTE

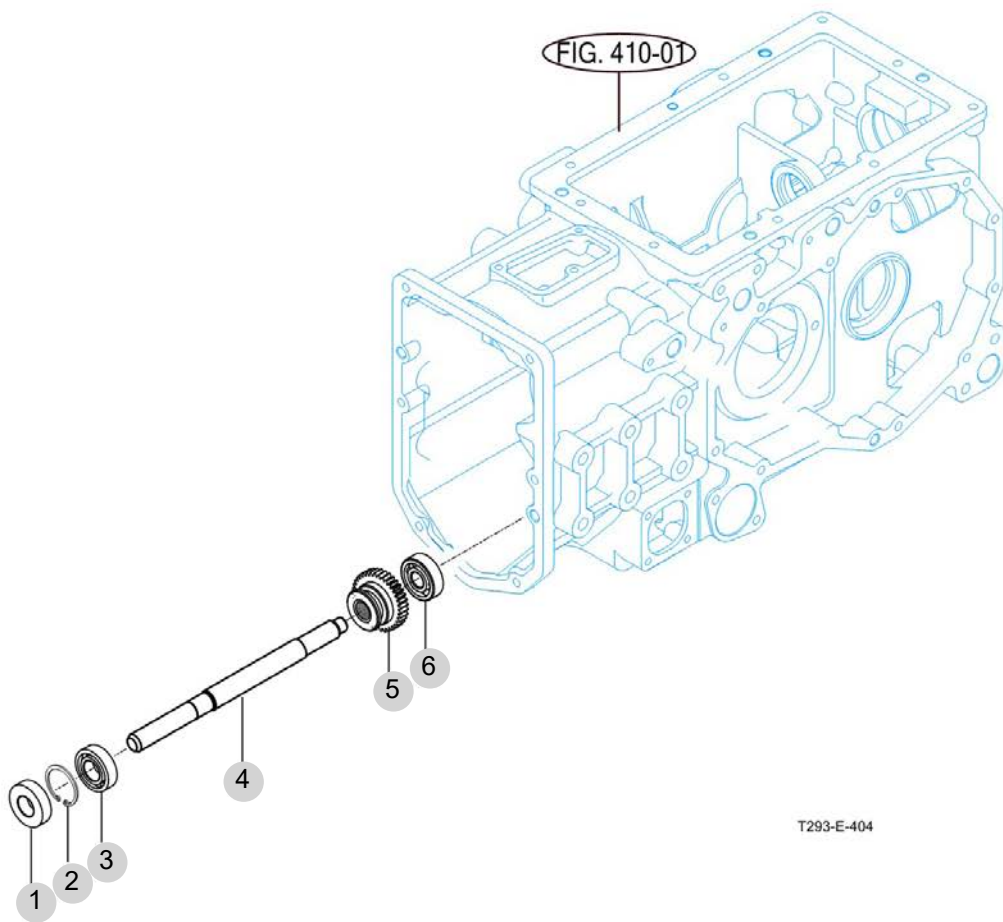
FIG 404

T265NHEU

4WD DRIVE GEAR

년/월
Year/Month

2022-12



NOTE

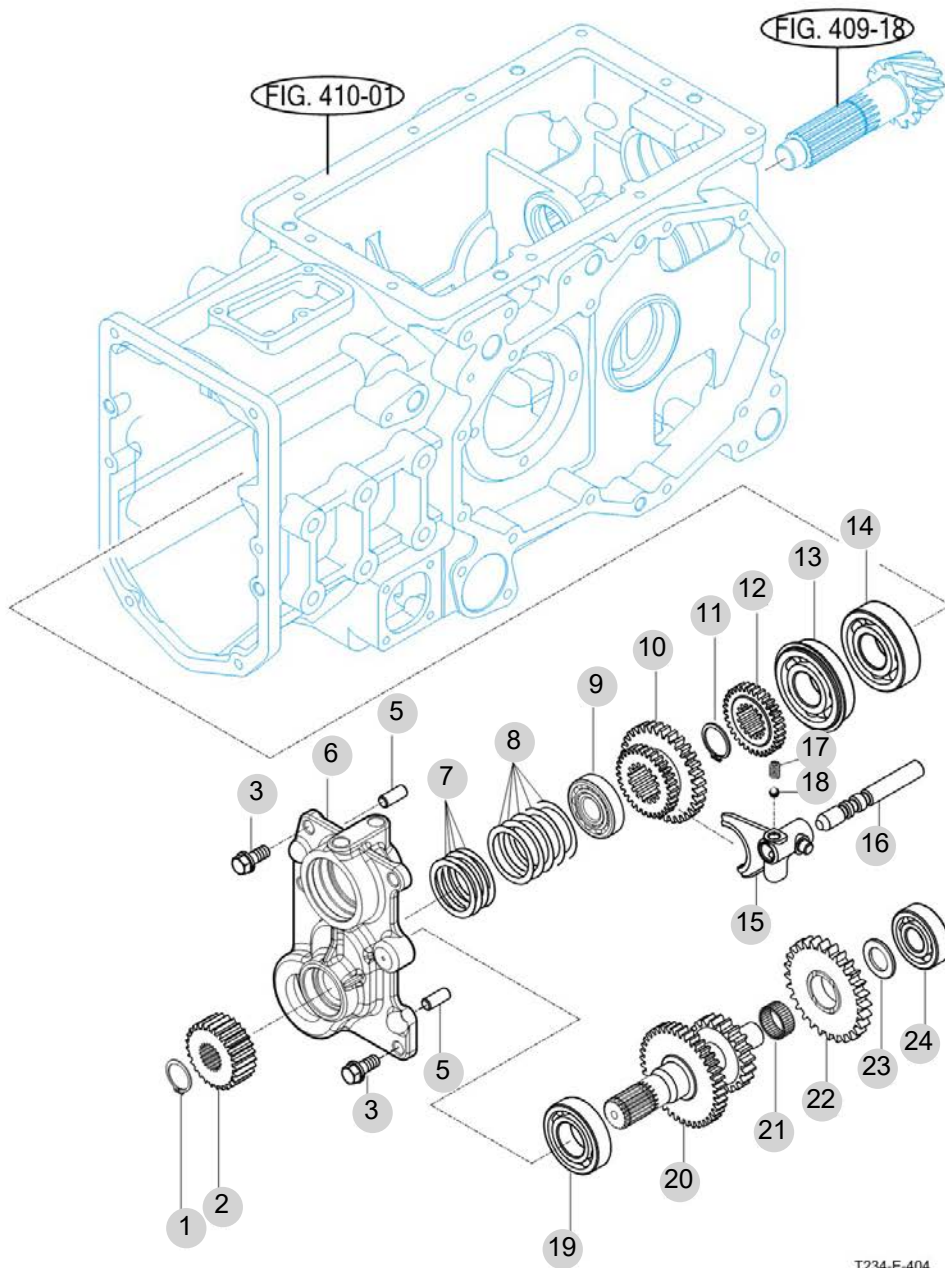
FIG 405

T265NHEU

RANGE GEARS

년/월
Year/Month

2022-12



T234-E-404

NOTE

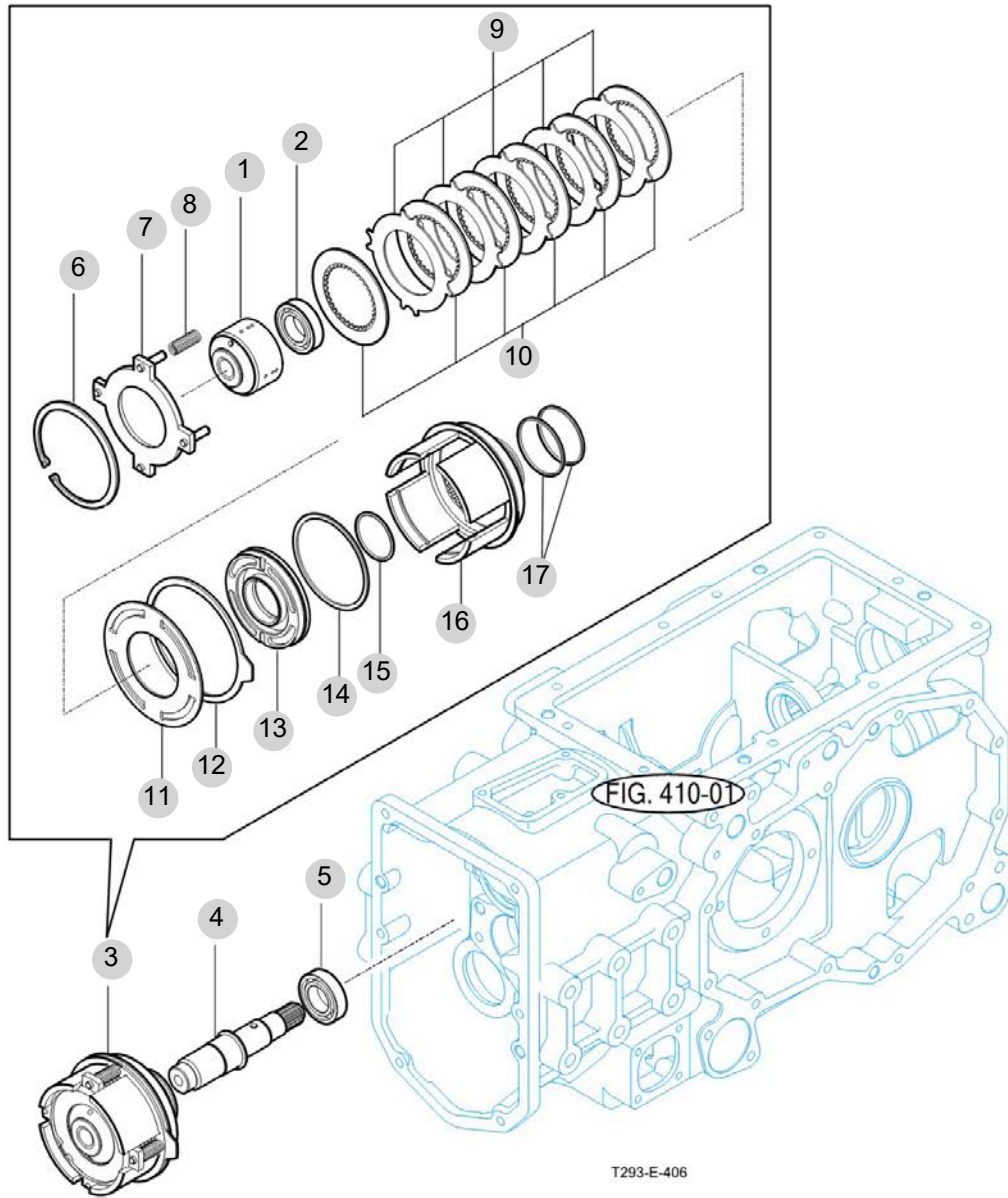
FIG 406

T265NHEU

P.T.O DRIVE SHAFT

년/월
Year/Month

2022-12



T293-E-406

NOTE

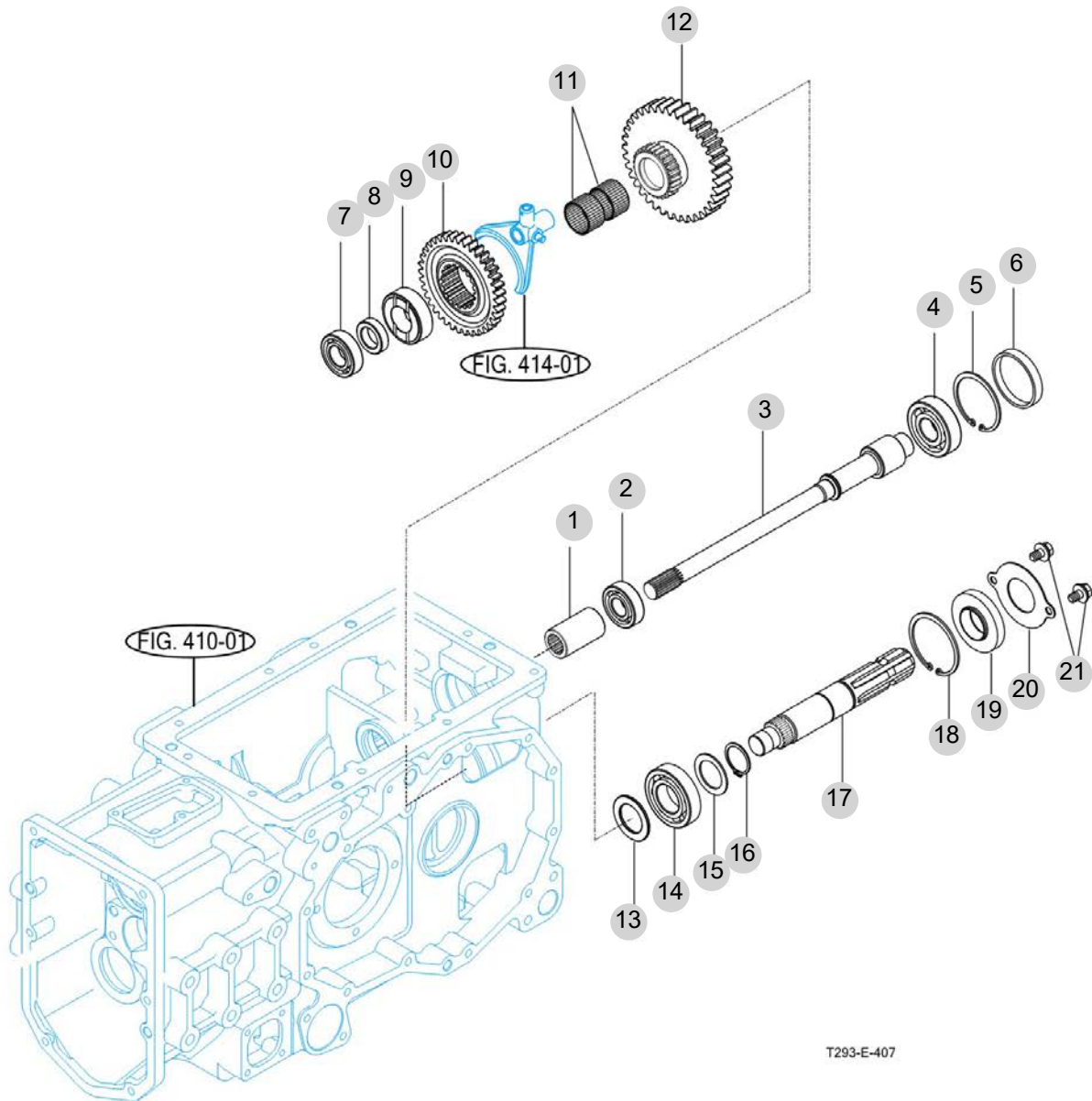
FIG 407

T265NHEU

P.T.O SHAFT

년/월
Year/Month

2022-12



T293-E-407

NOTE

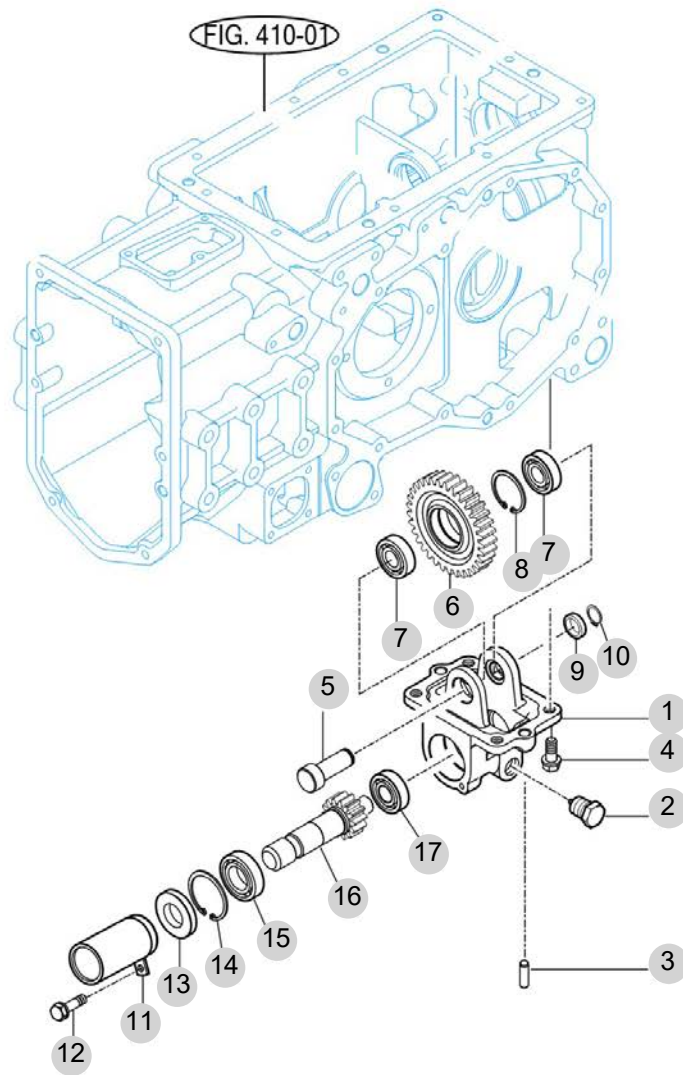
FIG 408

T265NHEU

MID P.T.O GEARS

년/월
Year/Month

2022-12



T293-E-408

NOTE

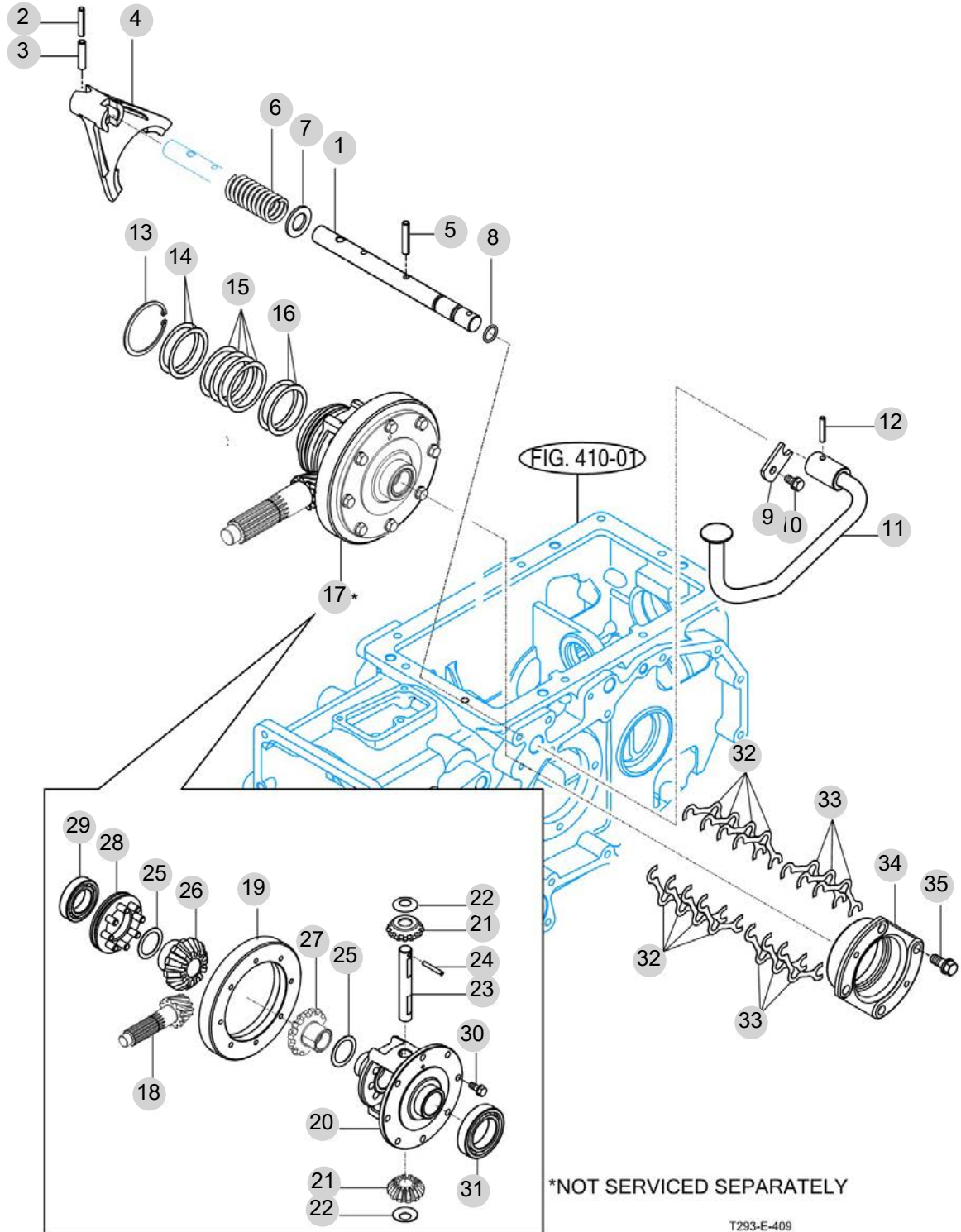
FIG 409

T265NHEU

DIFF LOCK

년/월
Year/Month

2022-12



T293-E-409

NOTE

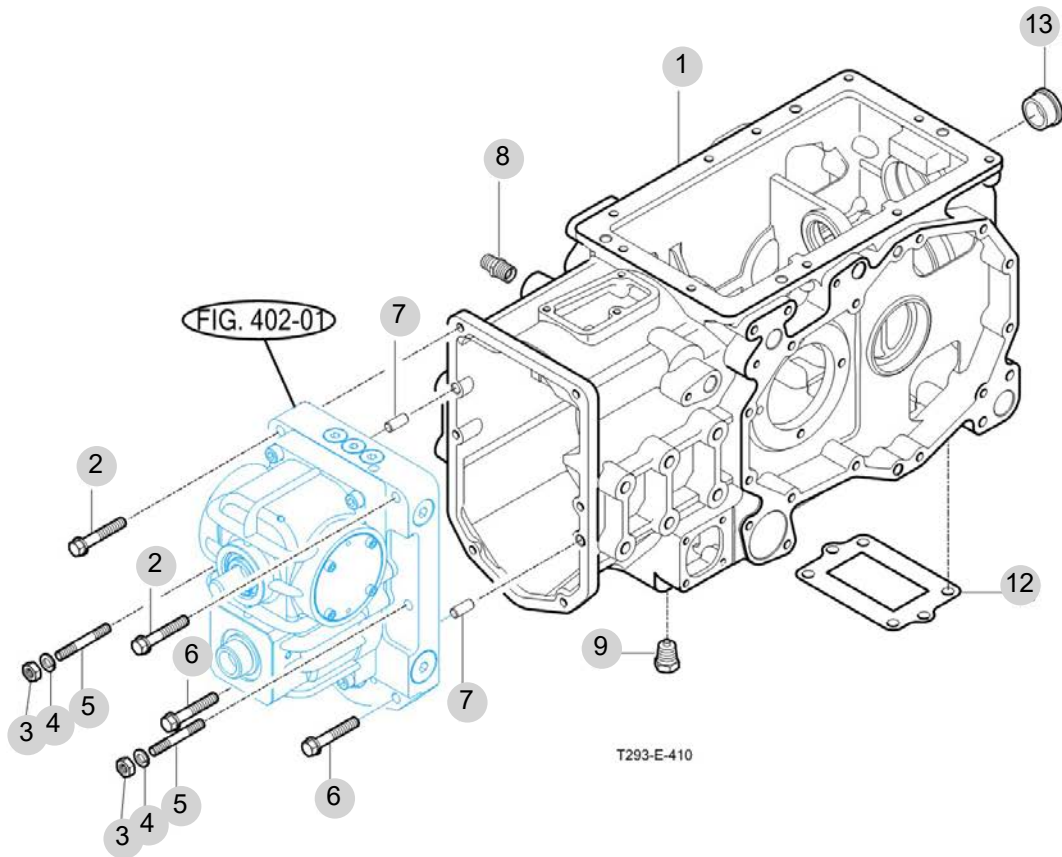
FIG 410

REAR TRANSMISSION CASE

년/월
Year/Month

T265NHEU

2022-12



NOTE

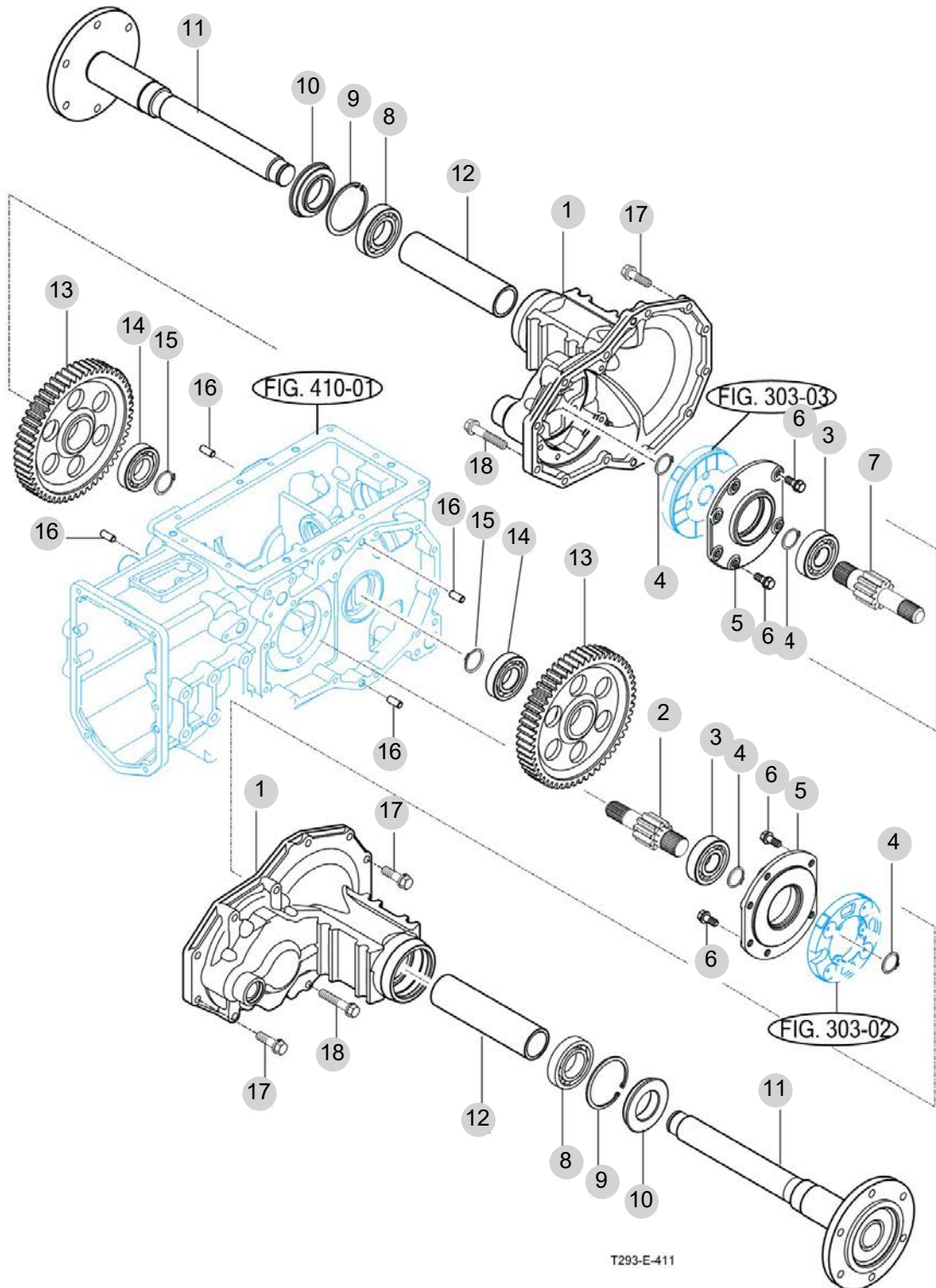
FIG 411

REAR AXLE HOUSINGS

년/월
Year/Month

T265NHEU

2022-12



NOTE

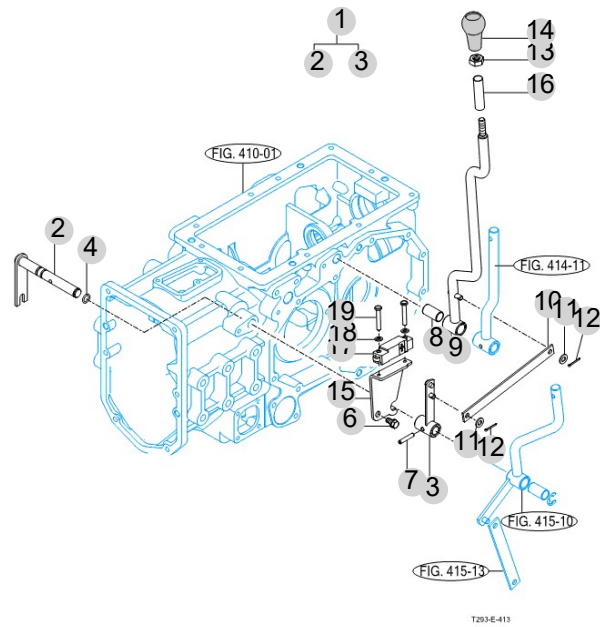
FIG 413

T265NHEU

RANGE SHIFT LEVER

년/월
Year/Month

2022-12



T265E-413

NOTE

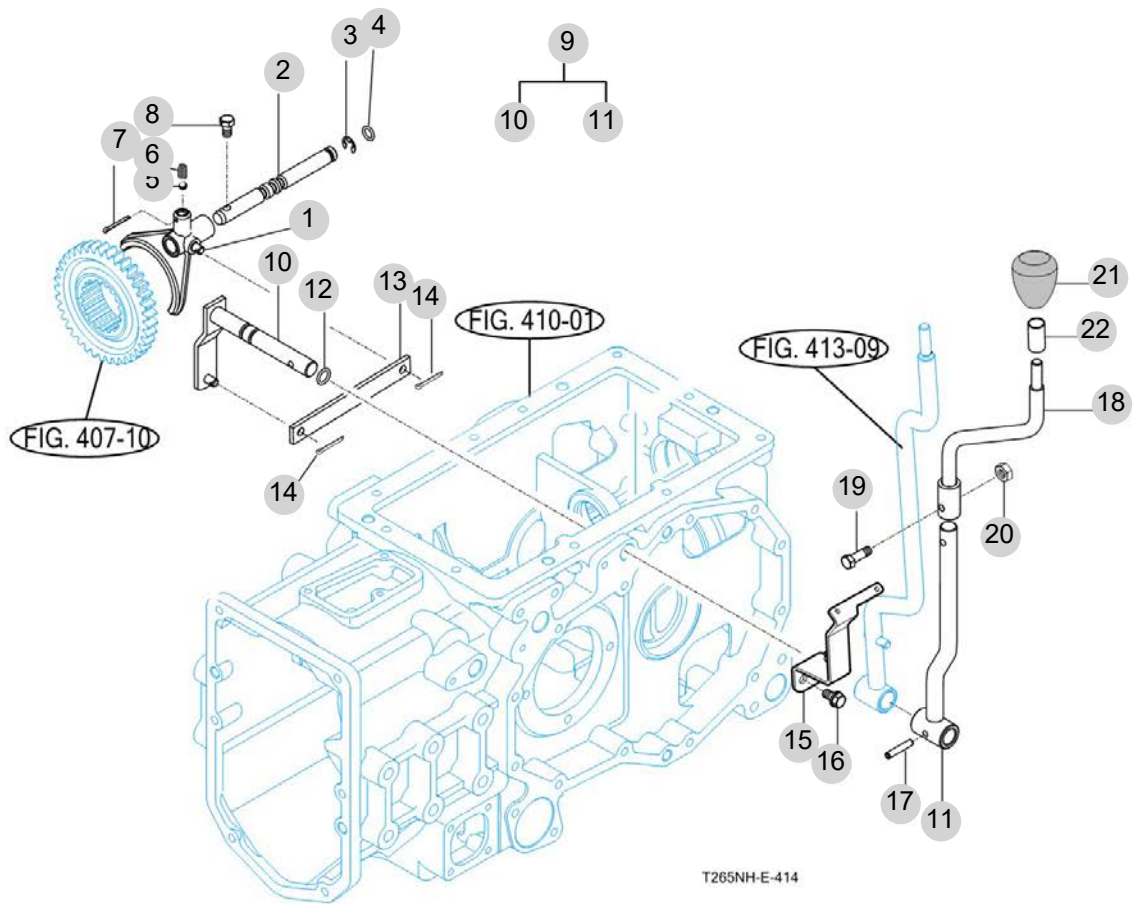
FIG 414

T265NHEU

P.T.O CHANGE LEVER

년/월
Year/Month

2022-12



NOTE

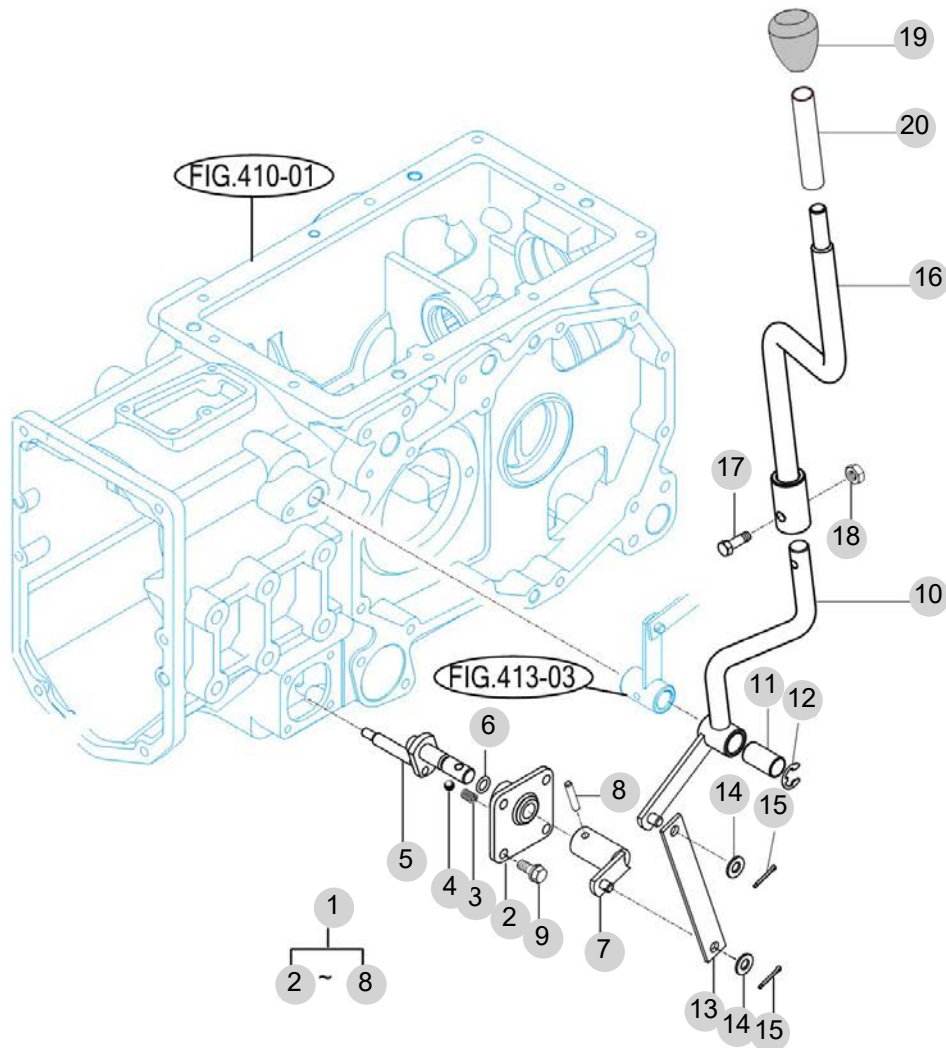
FIG 415

4WD CHANGE LEVER

년/월
Year/Month

T265NHEU

2022-12



T293-E-415

NOTE

FIG 415 T265NHEU	4WD CHANGE LEVER					년/월 Year/Month
						2022-12

KEY NO	PART NO	DESCRIPTION	SPEC	QTY	REPAIR	EFFECTIVE DATE	REMARKS
415	1	13402632001	4WD 암 SUB	1			
415	2	14443120010M	보스	1			
415	3	13022250030	시프터스프링	1			
415	4	V6802000010	강구	1		5/16	
415	5	14572622101	암COMP(4WD)	1			
415	6	V7201024010	O링(P)	1		P10A	
415	7	13152632201	암 COMP	1			
415	8	V5801406032	스프링핀	1		6X32	
415	9	V2173608020	소형육각볼트보통(S)	4		M8X20	
415	10	13152632102	레버(4WD/하) COMP	1			
415	10	13152632103	레버(4WD/하) COMP	1			
415	11	17995070270	부시(16X18X33)	1			
415	12	V7081400120	E형멈춤링	1		12	
415	13	13152630011	4WD 링크	1			
415	14	V4111600080	평와셔	2		M8	
415	15	V5001925020	핀	2		2.5X20	
415	16	13152632302	4WD 레버(상) COMP	1			
415	17	V2013608030	소형육각볼트(보통)	1		M8X30	
415	18	V3042600080	소형육각너트보통2종	1		M8	
415	19	15442190050	레버손잡이(12)	1			
415	20	13632444630	4WD레버호스 , 110	1			
NOTE							

5. 프런트 액슬 PART NO. T5

FIG 501 FRAME	130
FIG 502 FRONT DIFFERENTIAL GEARS & SHAFT	132
FIG 503 FRONT AXLE HOUSING	134
FIG 504 FRONT GEAR CASE (1)	136
FIG 505 FRONT GEAR CASE (2)	138

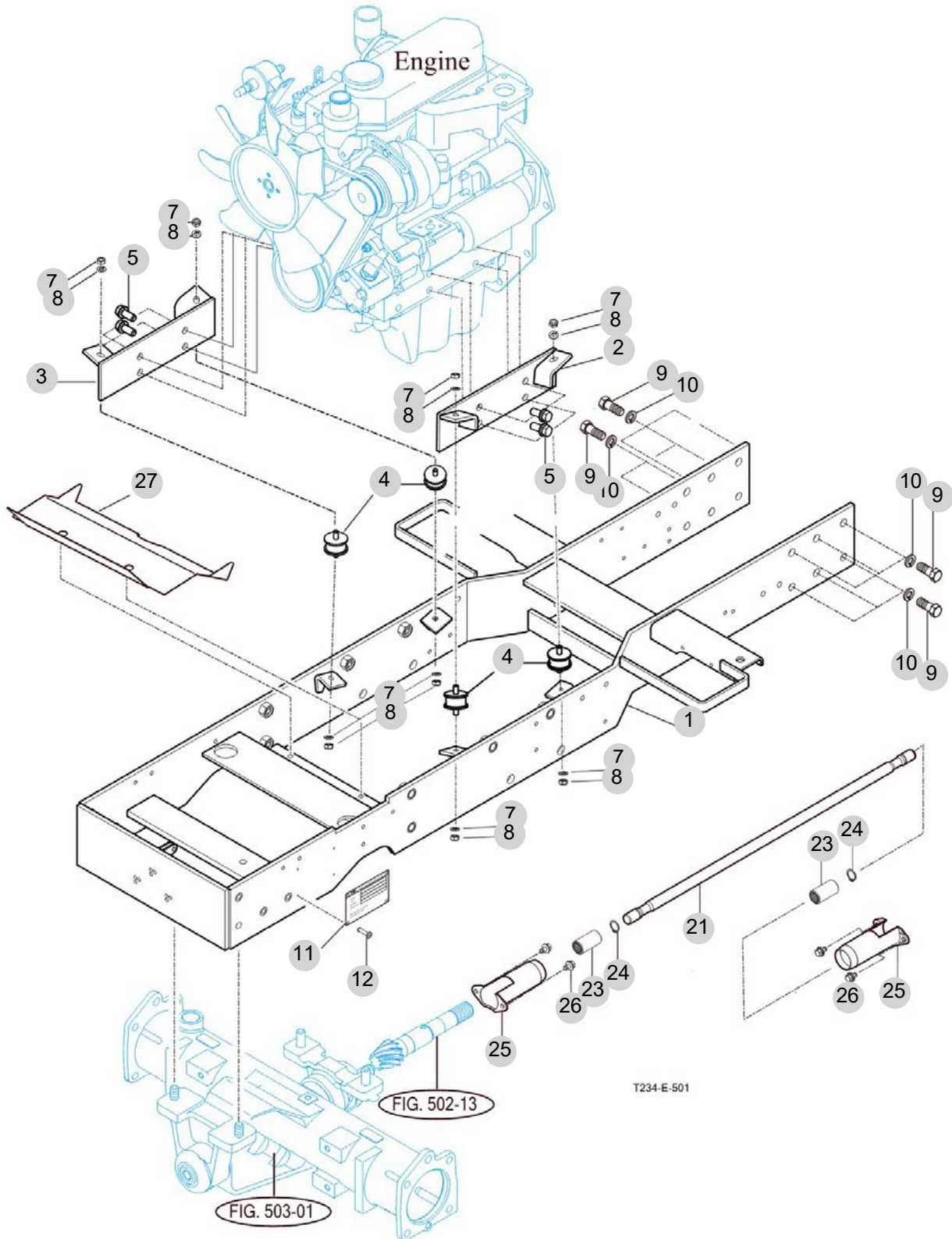
FIG 501

T265NHEU

FRAME

년/월
Year/Month

2022-12



NOTE

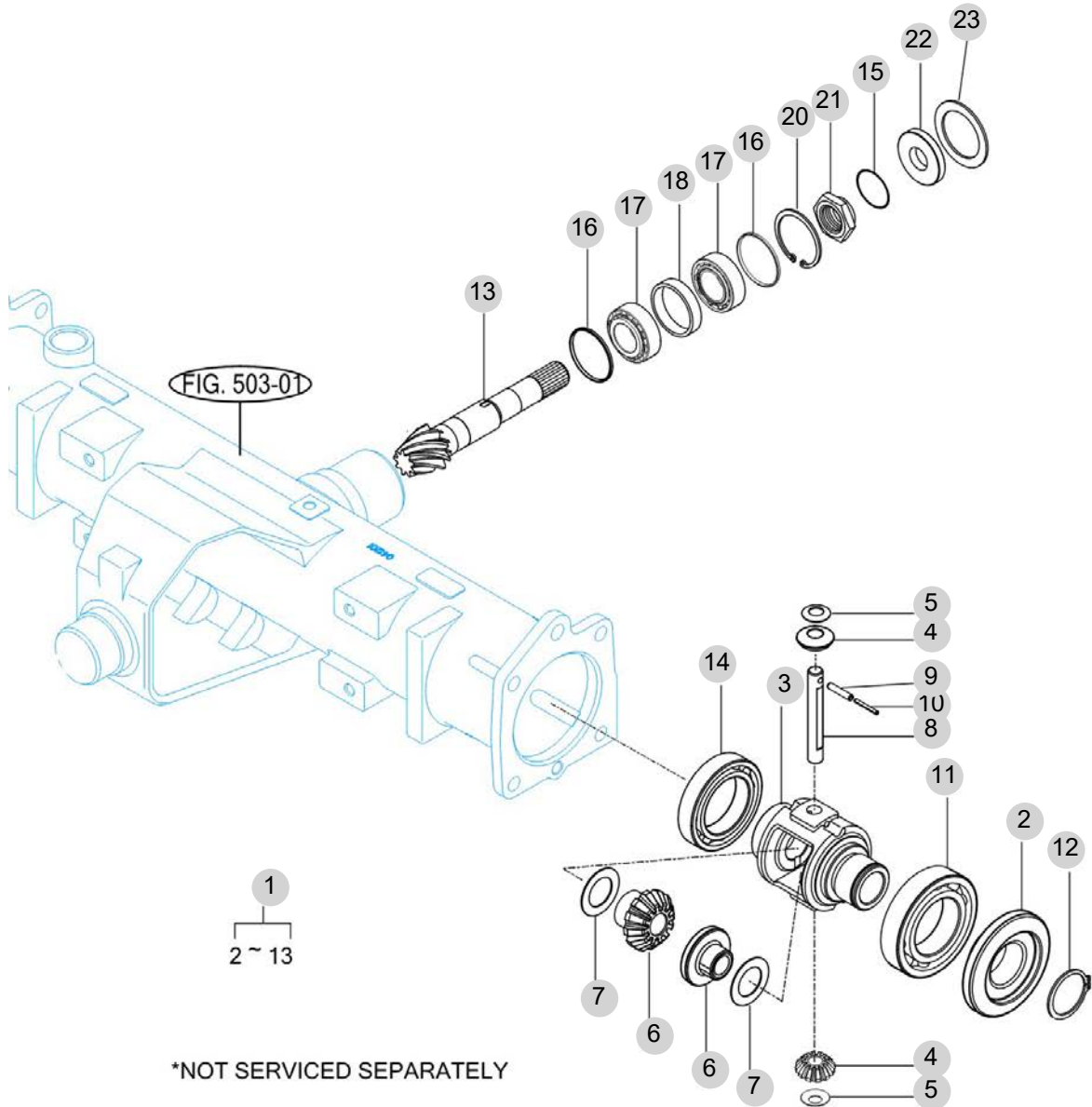
FIG 502

T265NHEU

FRONT DIFFERENTIAL GEARS & SHAFT

년/월
Year/Month

2022-12



*NOT SERVICED SEPARATELY

T293-E-502

NOTE

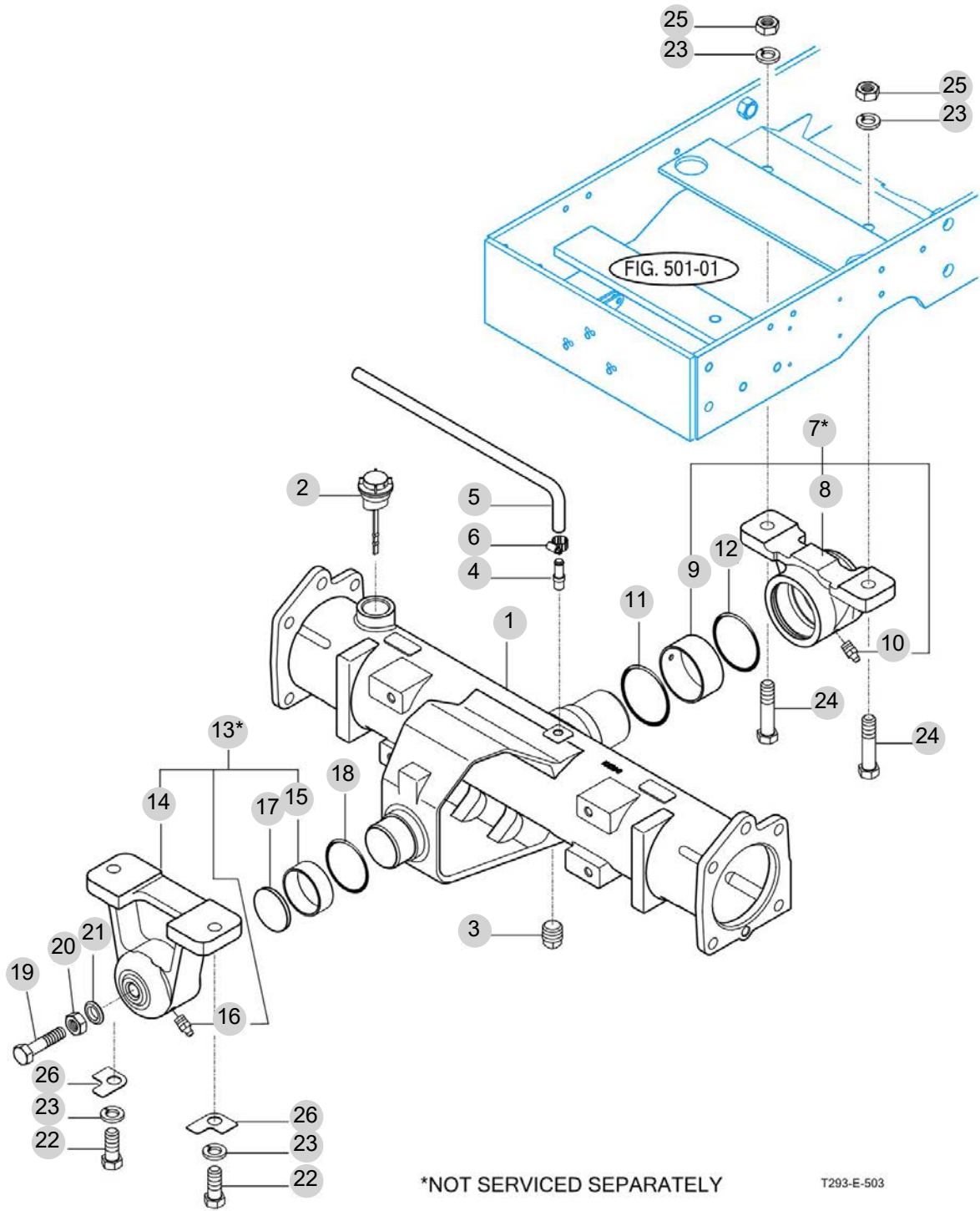
FIG 503

T265NHEU

FRONT AXLE HOUSING

년/월
Year/Month

2022-12



NOTE

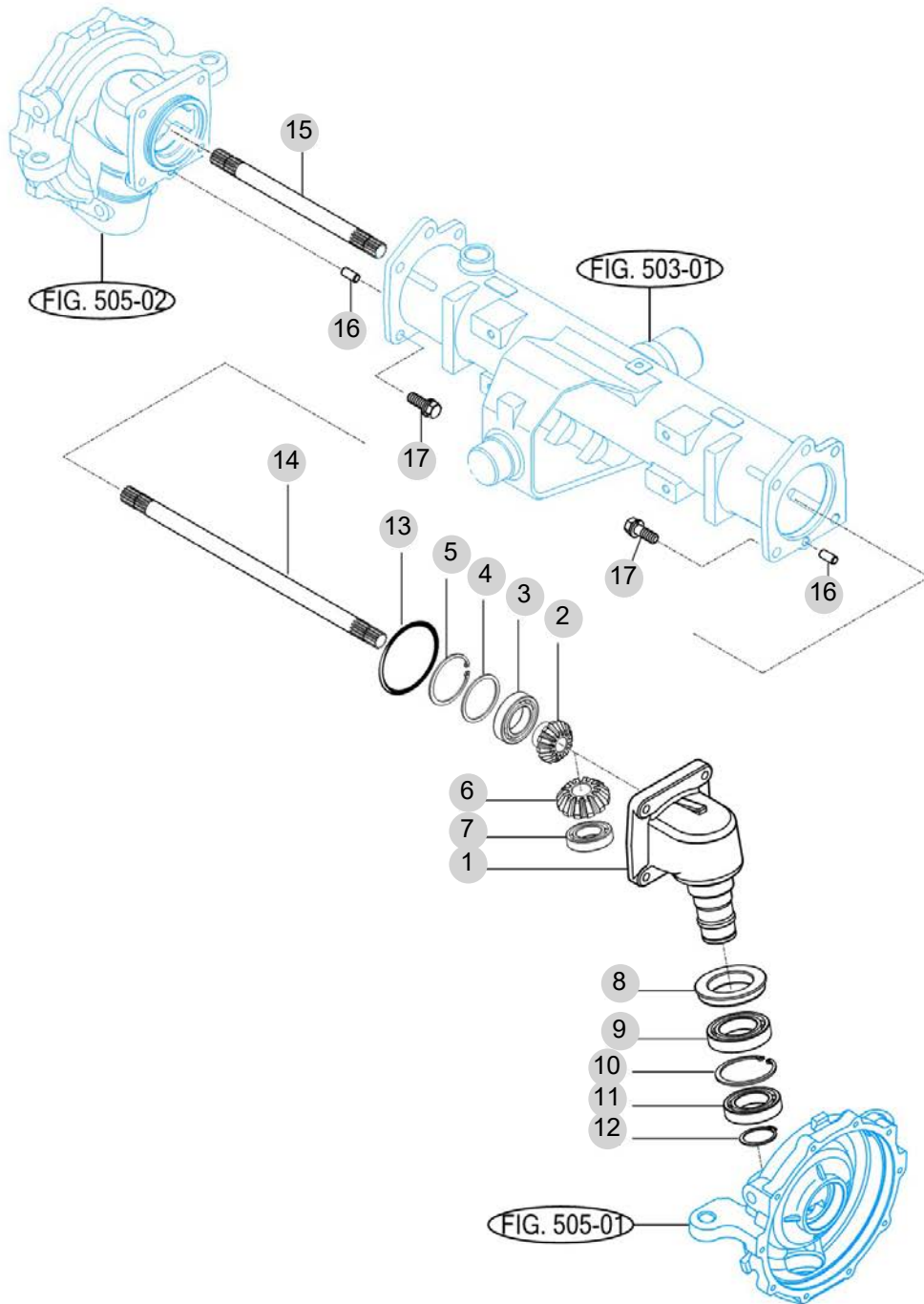
FIG 504

T265NHEU

FRONT GEAR CASE (1)

년/월
Year/Month

2022-12



T293-E-504

NOTE

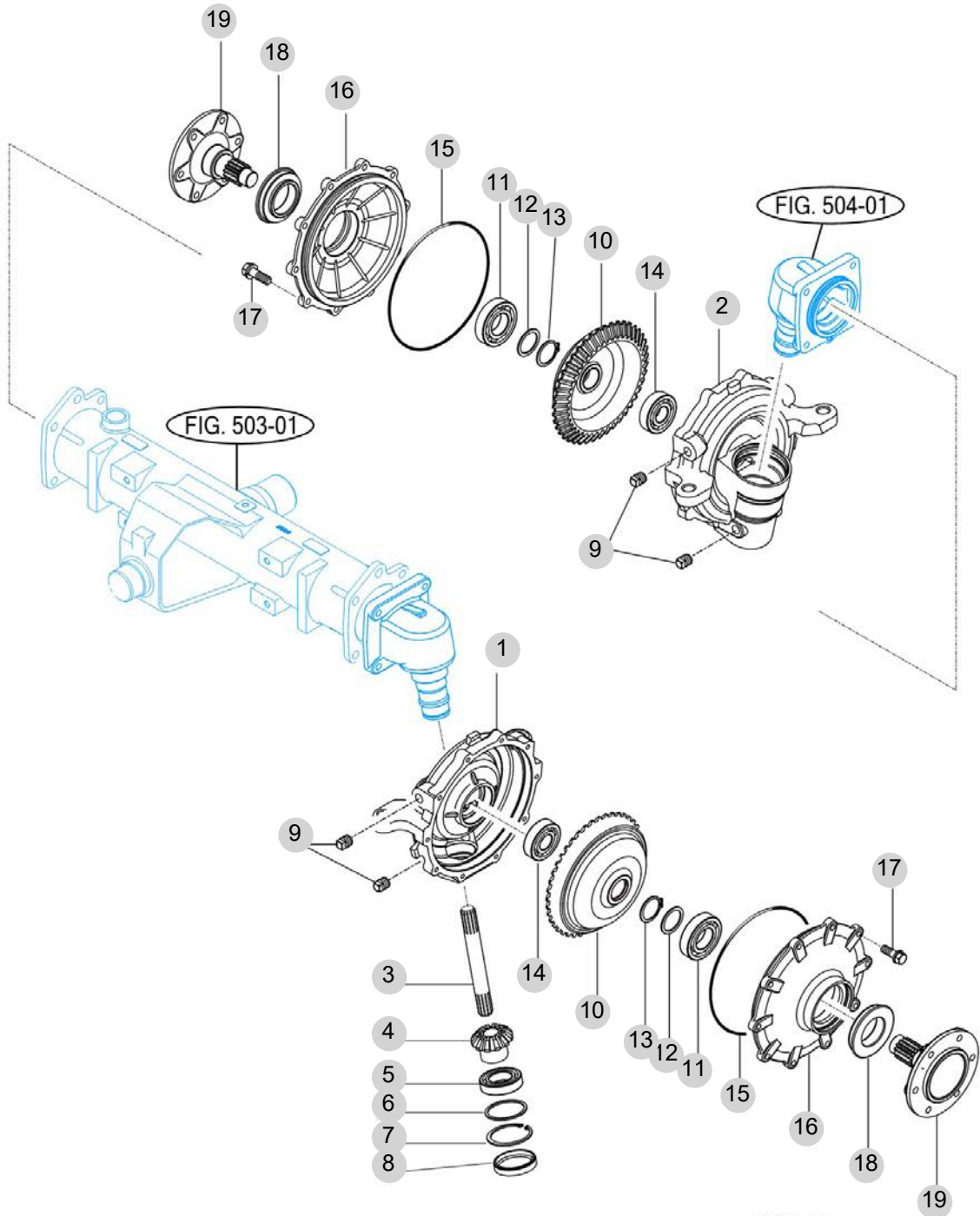
FIG 505

T265NHEU

FRONT GEAR CASE (2)

년/월
Year/Month

2022-12



NOTE

6. 유압/3점링크 PART NO. T6

FIG 601 CYLINDER CASE	141
FIG 602 LIFT ARM	143
FIG 603 FLOW CONTROL VALVE	145
FIG 604 CONTROL VALVE LINKAGE	147
FIG 605 MAIN CONTROL VALVE	149
FIG 606 REMOTE CONTROL VALVE	151
FIG 607 POSITION LEVER LINKAGE	153
FIG 608 GEAR PUMP	155
FIG 609 HYDRAULIC HOSE (1)	157
FIG 610 HYDRAULIC HOSE (2)	159
FIG 611 PTO VALVE	161
FIG 612 3-POINT LINKAGE	163
FIG 613 JOYSTICK LEVER	166
FIG 614 HITCH & COVER	168

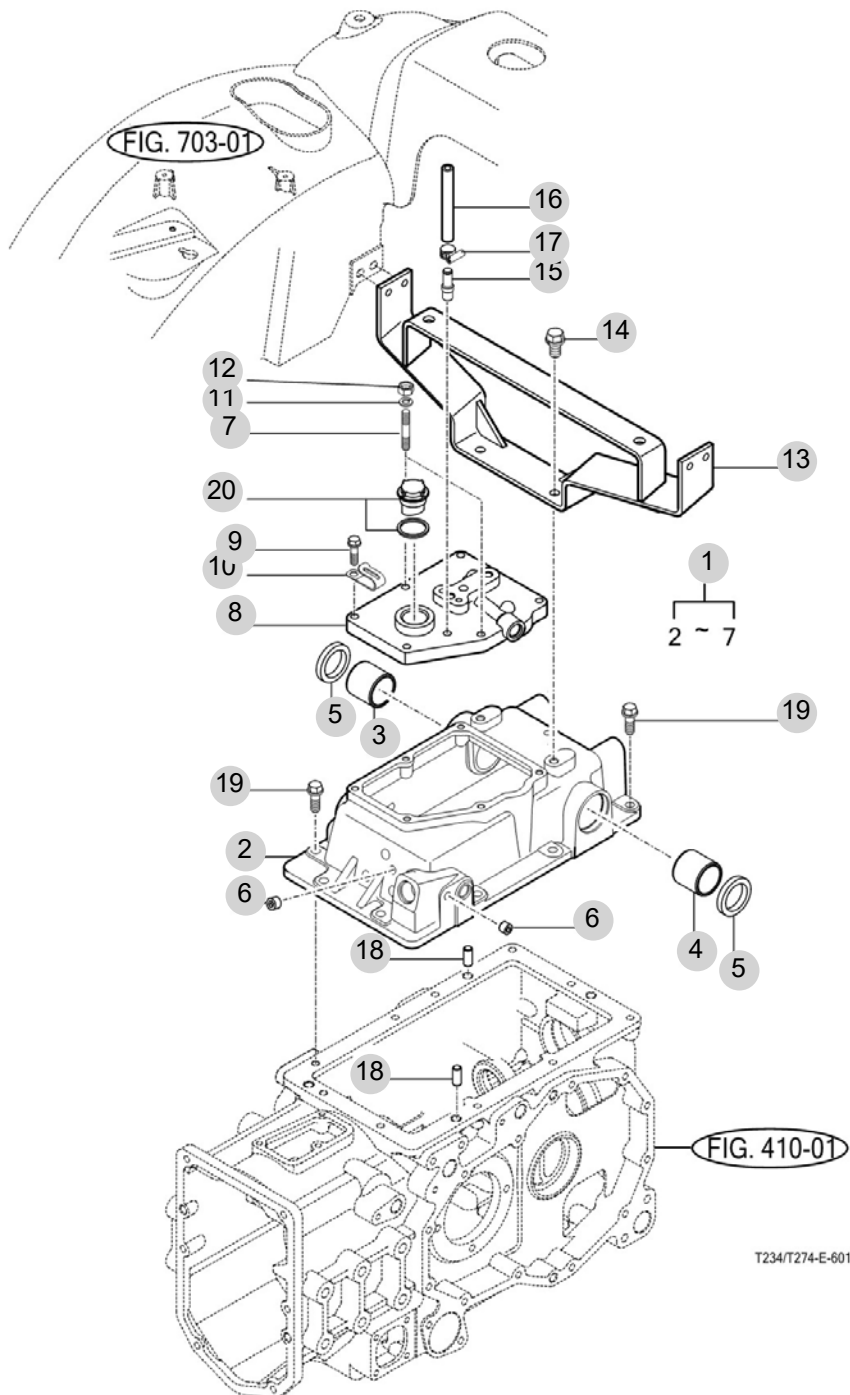
FIG 601

T265NHEU

CYLINDER CASE

년/월
Year/Month

2022-12



T234/T274-E-601

NOTE

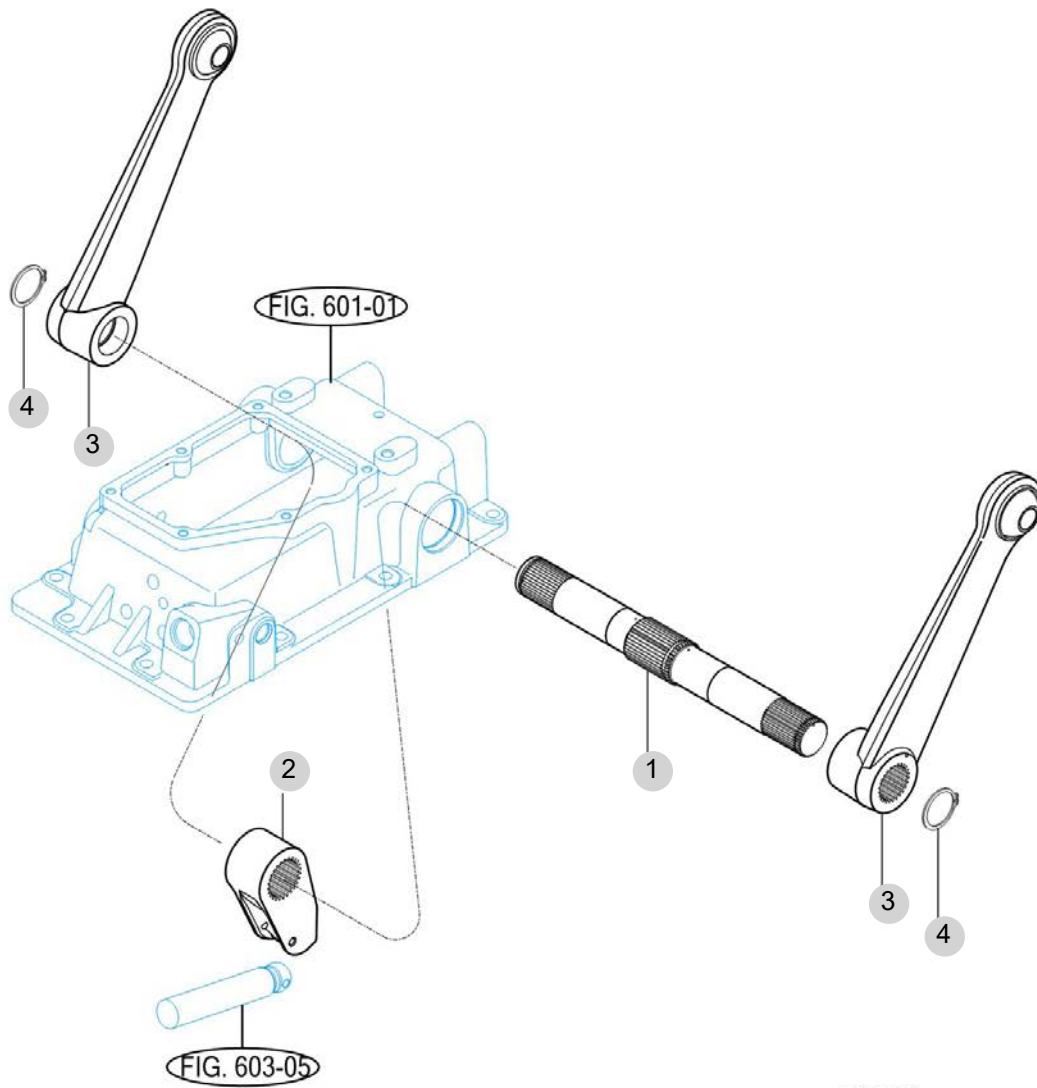
FIG 602

T265NHEU

LIFT ARM

년/월
Year/Month

2022-12



NOTE

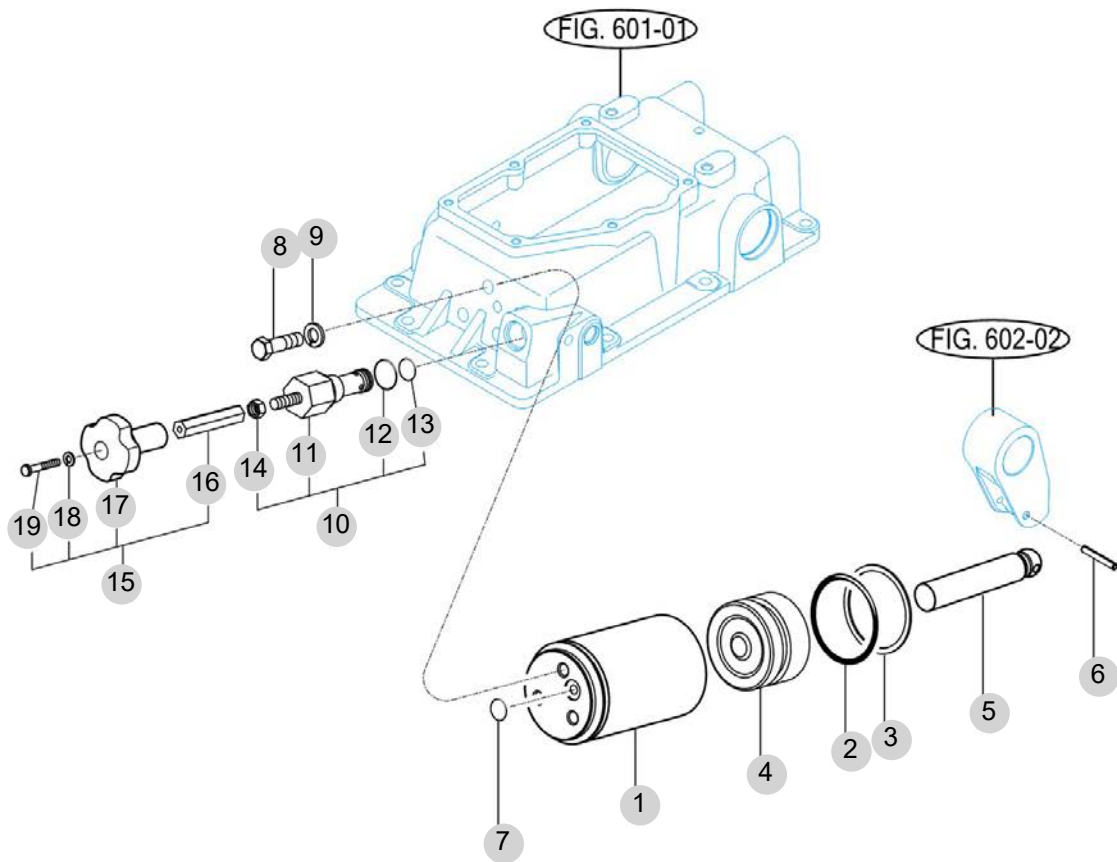
FIG 603

T265NHEU

FLOW CONTROL VALVE

년/월
Year/Month

2022-12



T293-E-603

NOTE

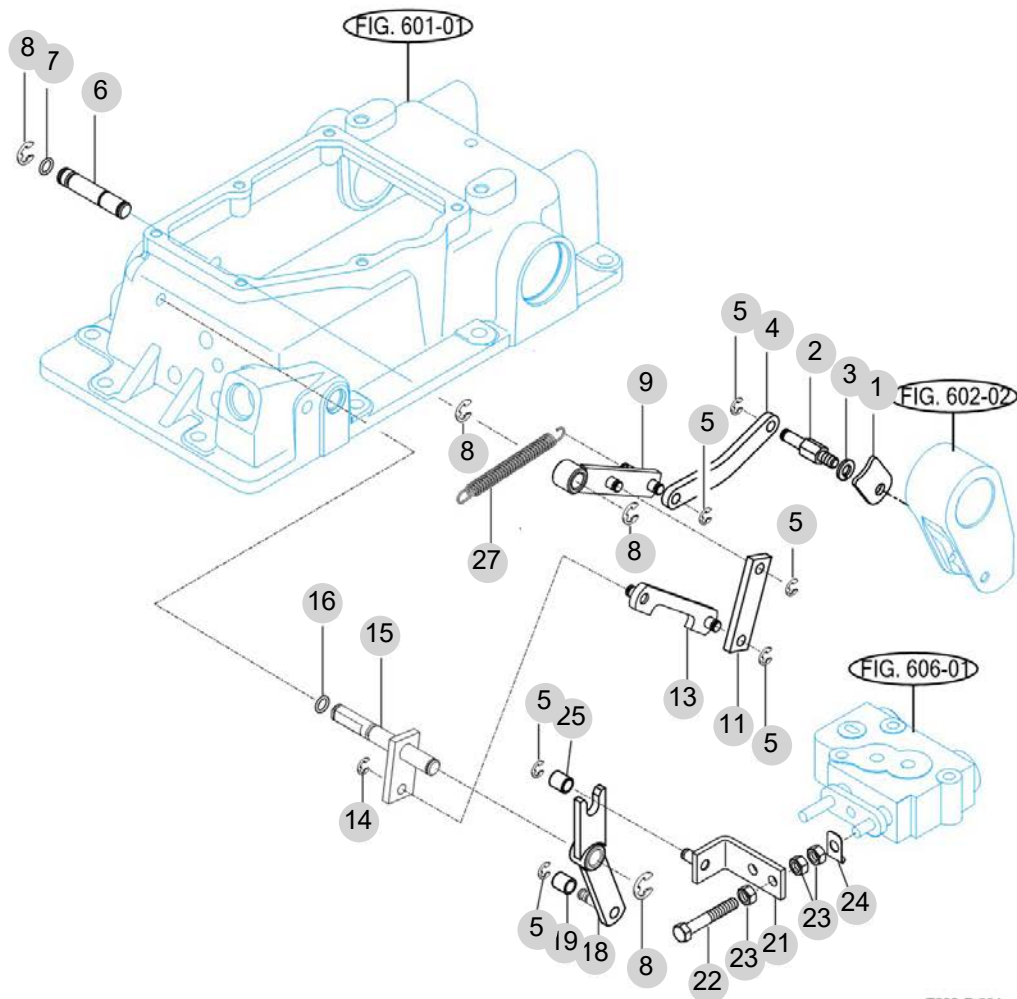
FIG 604

CONTROL VALVE LINKAGE

년/월
Year/Month

2022-12

T265NHEU



T293-E-604

NOTE

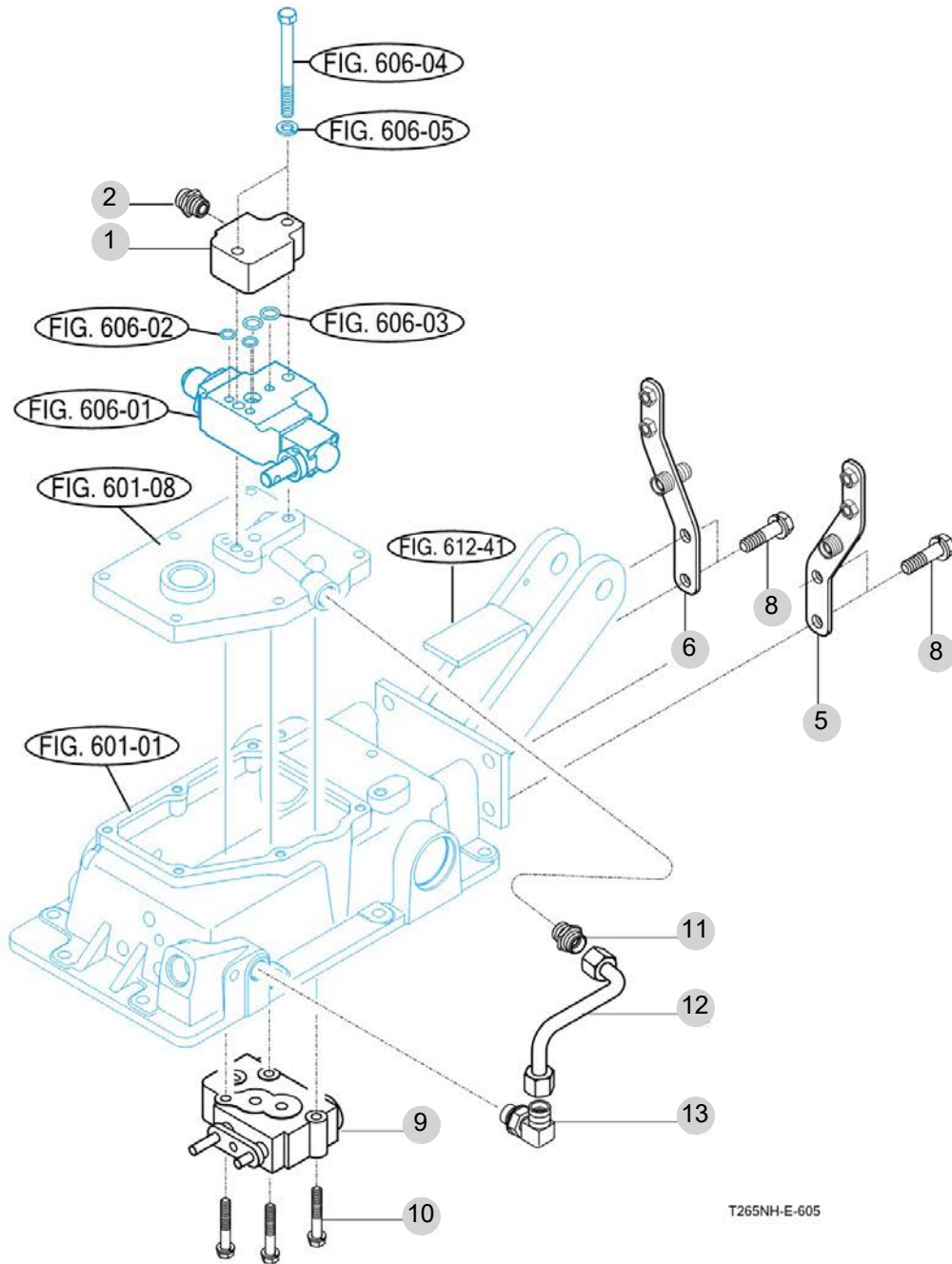
FIG 605

MAIN CONTROL VALVE

년/월
Year/Month

2022-12

T265NHEU



NOTE

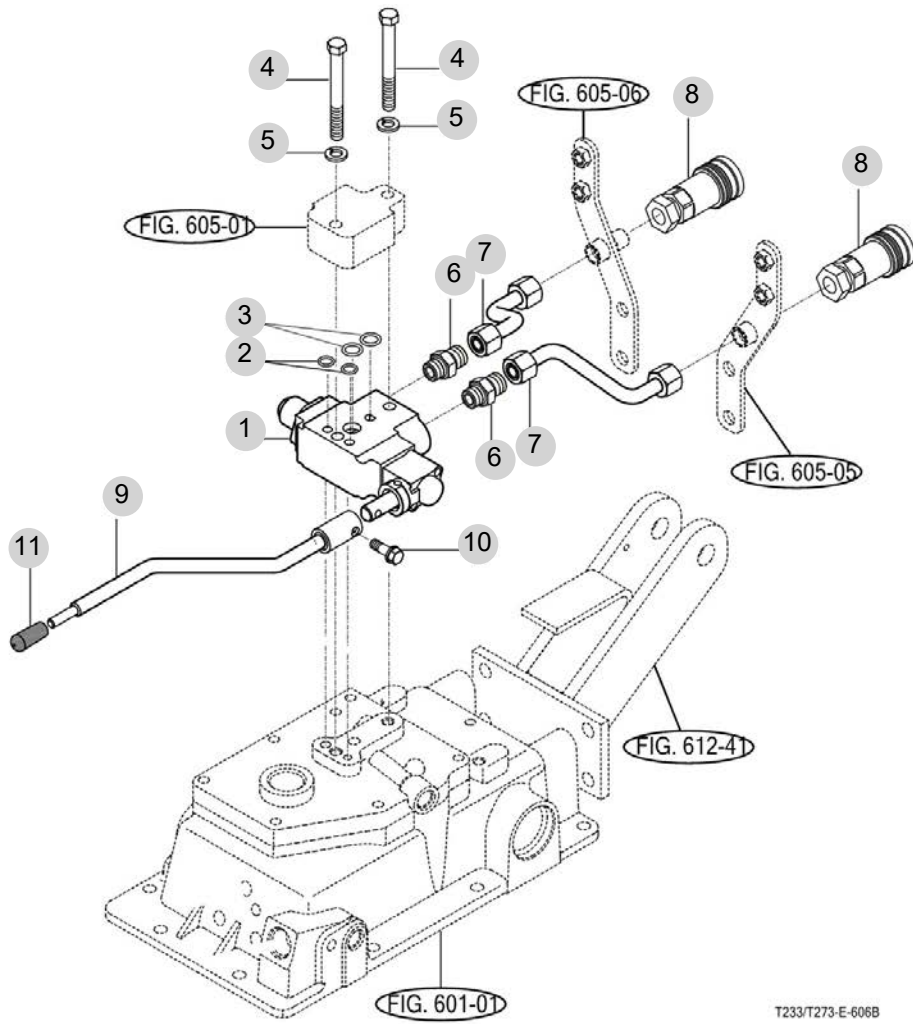
FIG 606

T265NHEU

REMOTE CONTROL VALVE

년/월
Year/Month

2022-12



T233/T273-E-606B

NOTE

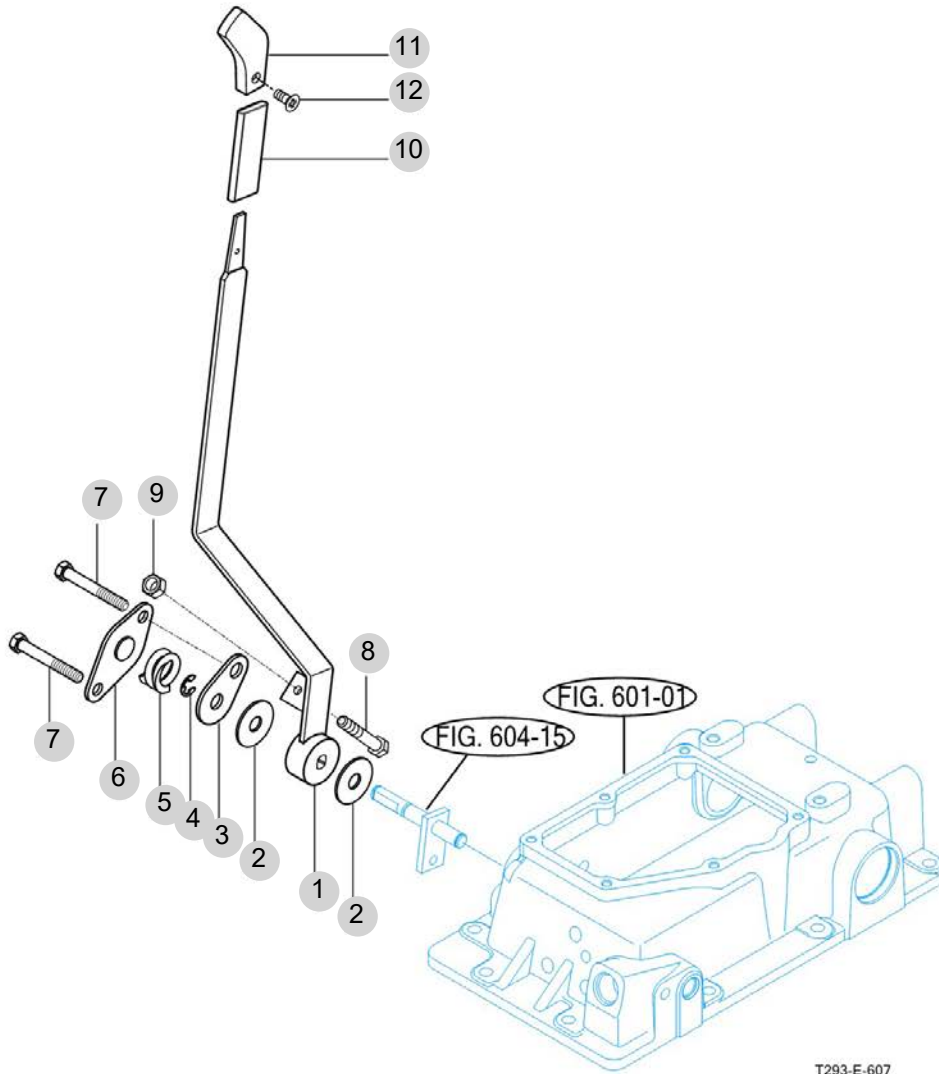
FIG 607

T265NHEU

POSITION LEVER LINKAGE

년/월
Year/Month

2022-12



NOTE

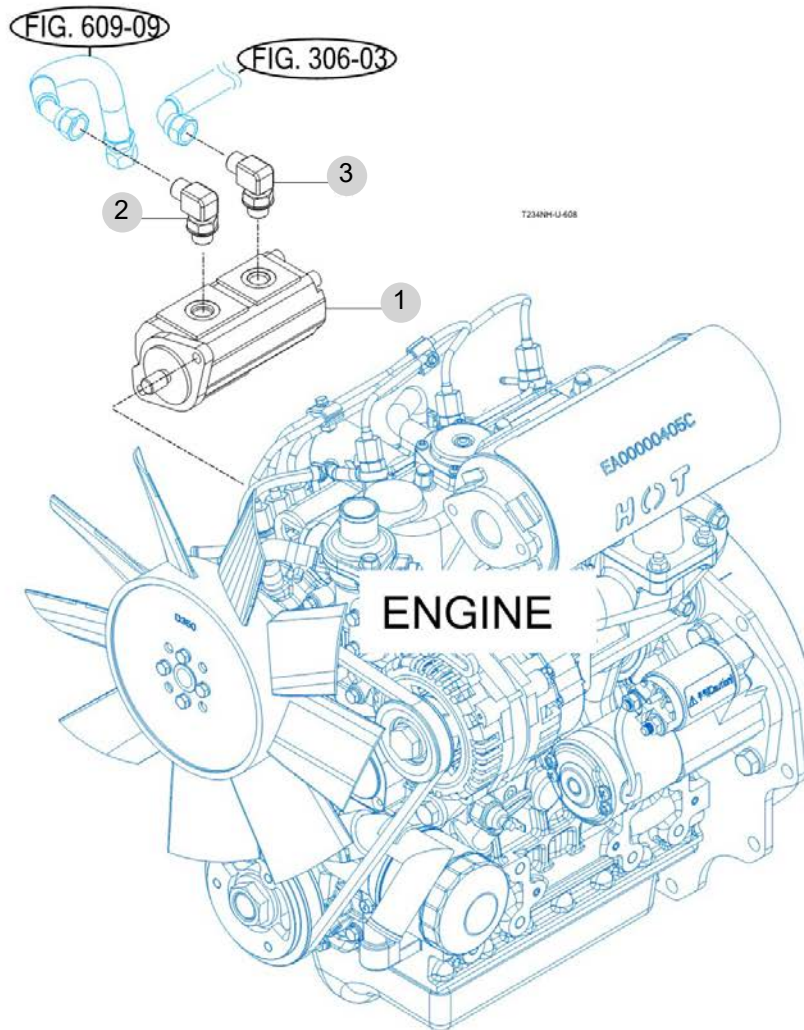
FIG 608

T265NHEU

GEAR PUMP

년/월
Year/Month

2022-12



NOTE

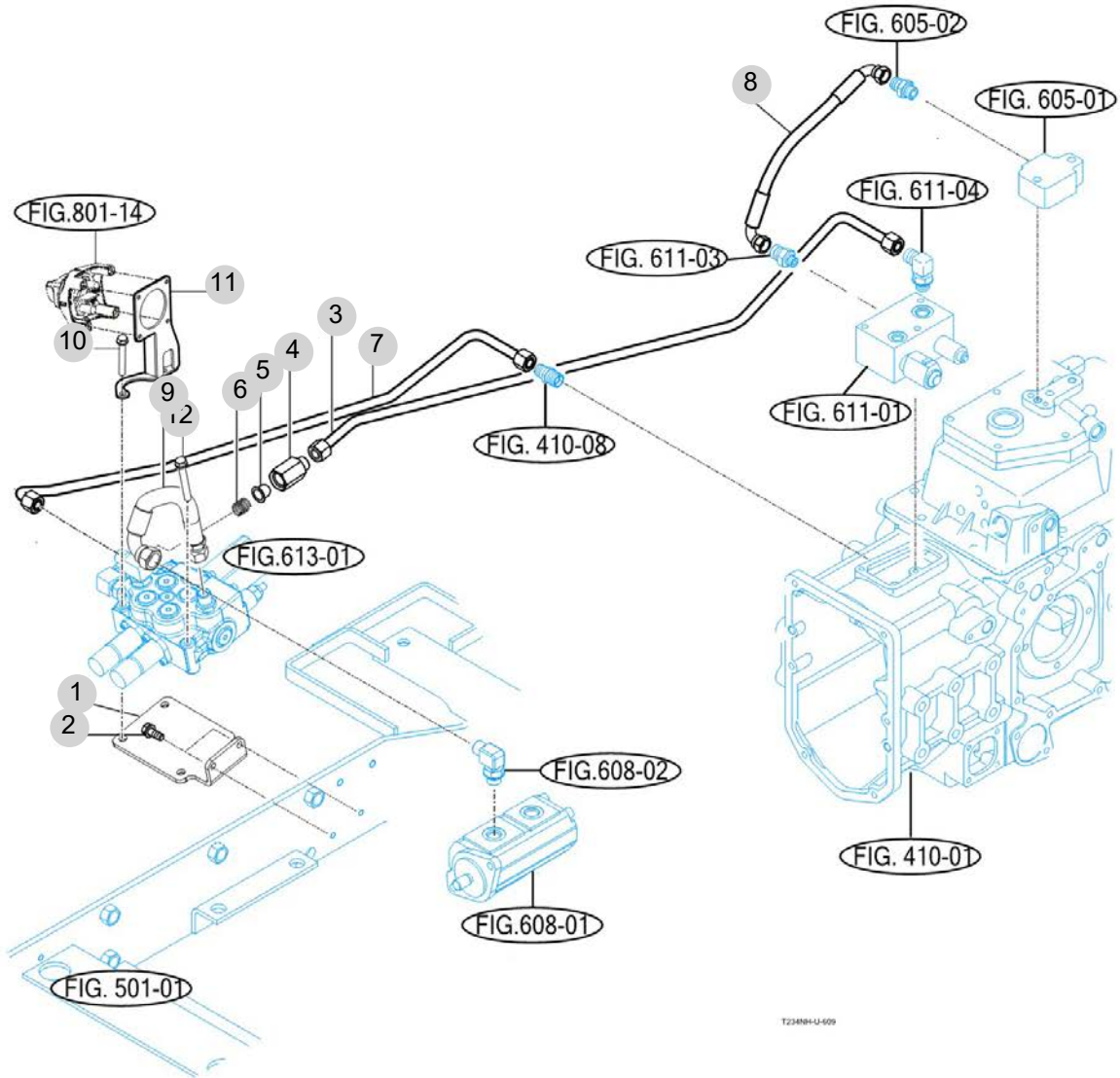
FIG 609

T265NHEU

HYDRAULIC HOSE (1)

년/월
Year/Month

2022-12



T2348H-U-609

NOTE

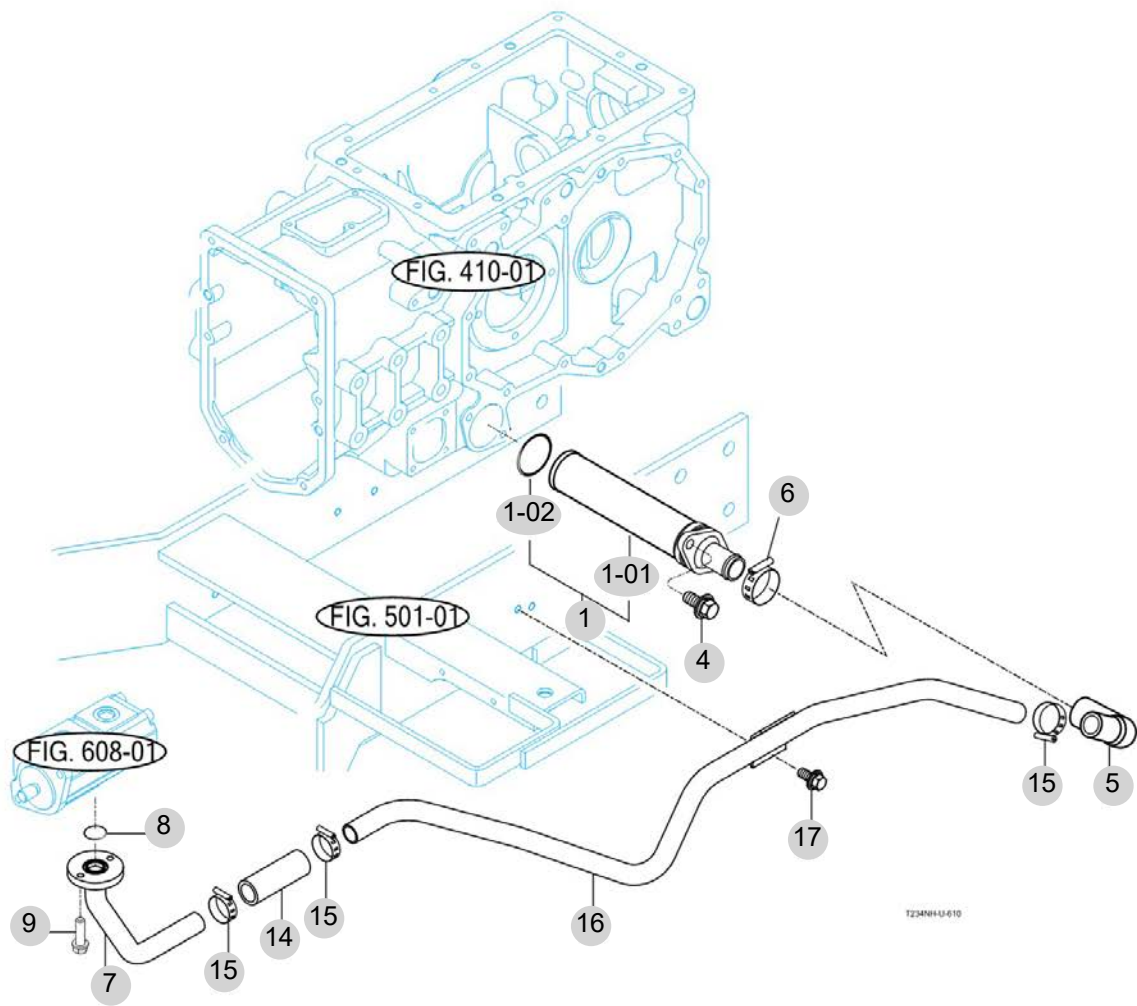
FIG 610

T265NHEU

HYDRAULIC HOSE (2)

년/월
Year/Month

2022-12



NOTE

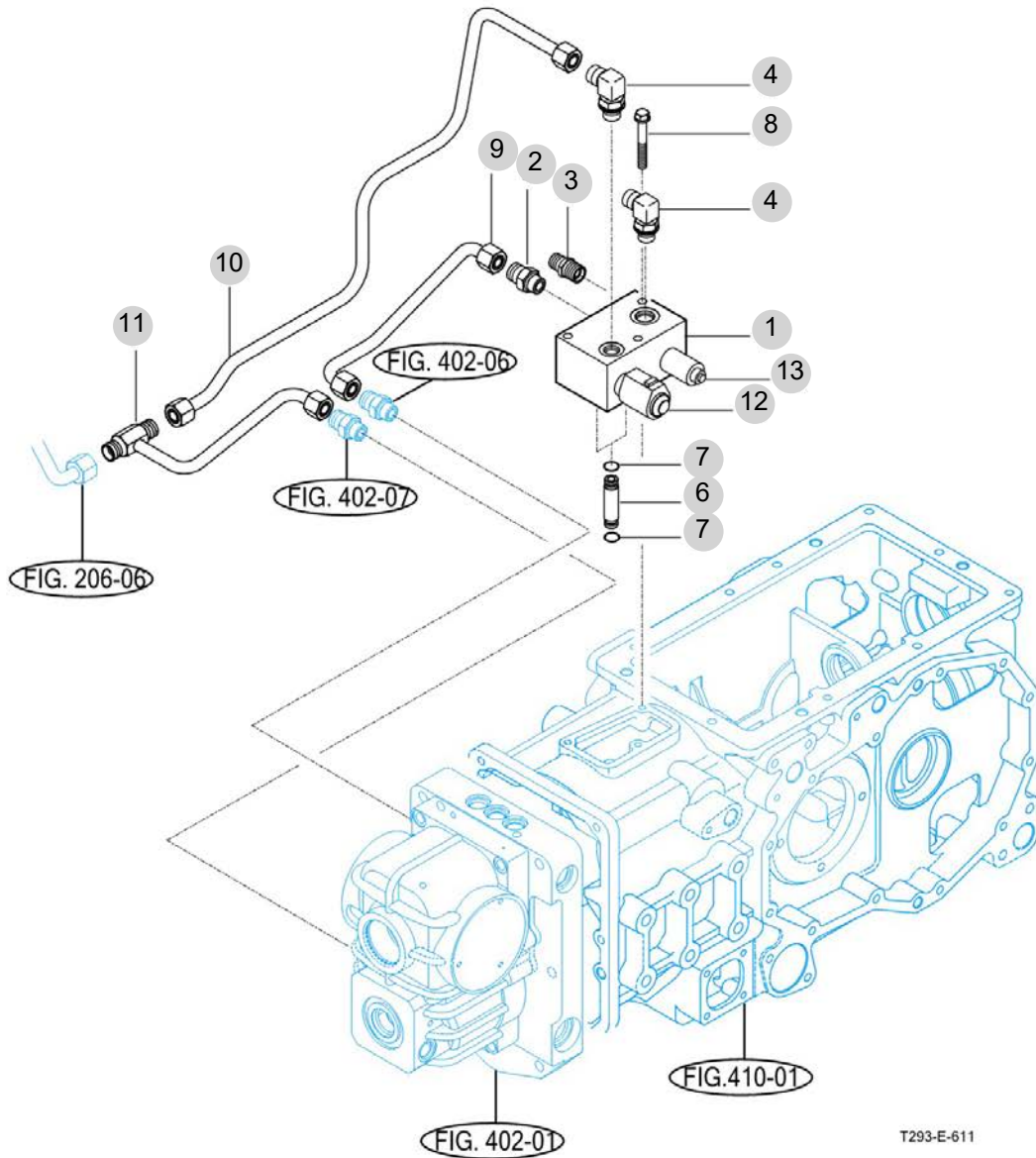
FIG 611

T265NHEU

PTO VALVE

년/월
Year/Month

2022-12



T293-E-611

NOTE

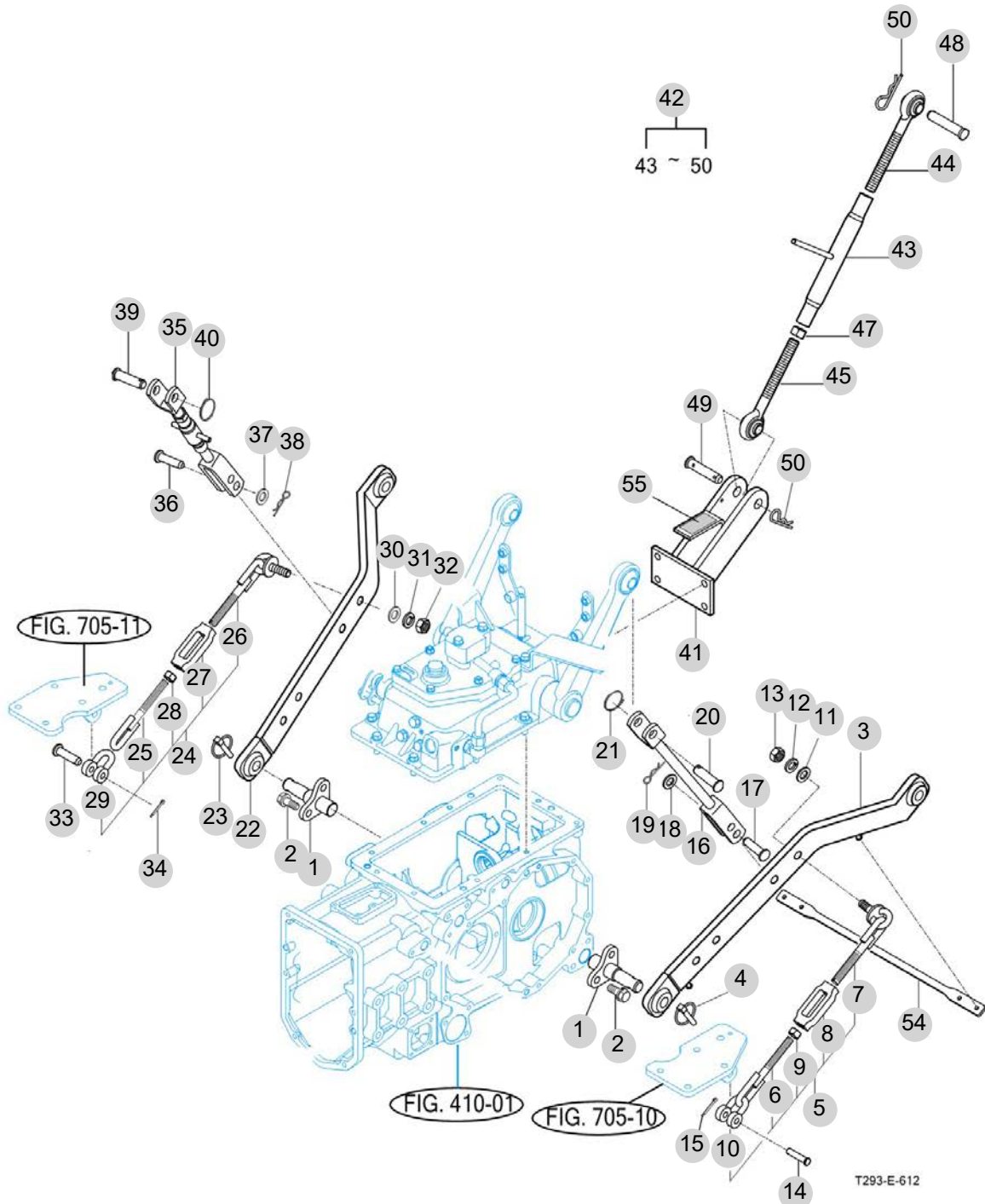
FIG 612

3-POINT LINKAGE

년/월
Year/Month

T265NHEU

2022-12



T293-E-612

NOTE

FIG 612		3-POINT LINKAGE					년/월 Year/Month		
							2022-12		
T265NHEU		KEY NO	PART NO	DESCRIPTION	SPEC	QTY	REPAIR	EFFECTIVE DATE	REMARKS
612	1	13155205100	핀(115) COMP			2			
612	2	V2173612030	소형육각볼트보통(S)	M12X30		4			
612	3	13155202202	로어링크(좌) COMP			1			
612	4	14215020020	링크핀			1			
612	5	13155202501	체인(체크) 조합			1			
612	6	14585142600	체인(체크,RH)COMP			1			
612	7	14585142700	체인(체크,LH)COMP			1			
612	8	13155202511	터언버클			1			
612	9	V3012600140	육각너트보통2종	M14		1			
612	10	14585142520	체크체인 샤클			1			
612	11	V4111600160	평와셔	M16		1			
612	12	V4011600160	스프링와셔	M16		1			
612	13	V3313600160	육각너트가는2종	M16		1			
612	14	79636110030	핀(12X48)			1			
612	15	V5001930020	분할핀			1			
612	16	13155202401	리프트로드(좌) COMP			1			
612	17	79636130050	핀(16X60)			1			
612	18	V4111600160	평와셔	M16		1			
612	19	13059310030	헤어핀(D=2.3)			1			
612	20	12505243500	핀			1			
612	21	12505240060	스프링			1			
612	22	13155203102	로어링크(우) COMP			1			
612	23	14215020020	링크핀			1			
612	24	13155202501	체인(체크) 조합			1			
612	25	14585142600	체인(체크,RH)COMP			1			
612	26	14585142700	체인(체크,LH)COMP			1			
612	27	13155202511	터언버클			1			
612	28	V3012600140	육각너트보통2종	M14		1			
612	29	14585142520	체크체인 샤클			1			
612	30	V4111600160	평와셔	M16		1			
612	31	V4011600160	스프링와셔	M16		1			
612	32	V3313600160	육각너트가는2종	M16		1			
612	33	79636110030	핀(12X48)			1			
612	34	V5001930020	분할핀			1			
612	35	13155203201	리프트로드(우) COMP			1			
612	36	79636130050	핀(16X60)			1			
612	37	V4111600160	평와셔	M16		1			
612	38	13059310030	헤어핀(D=2.3)			1			
612	39	12505243500	핀			1			
612	40	12505240060	스프링			1			
612	41	13155204104	톱링크 브래킷 COMP			1			
612	42	13155206002	톱링크 ASSY			1			
612	42	13155206003	톱링크 ASSY			1			
612	42	13155206004	톱링크 ASSY			1			
612	43	13155206111	터언버클			1			
NOTE									

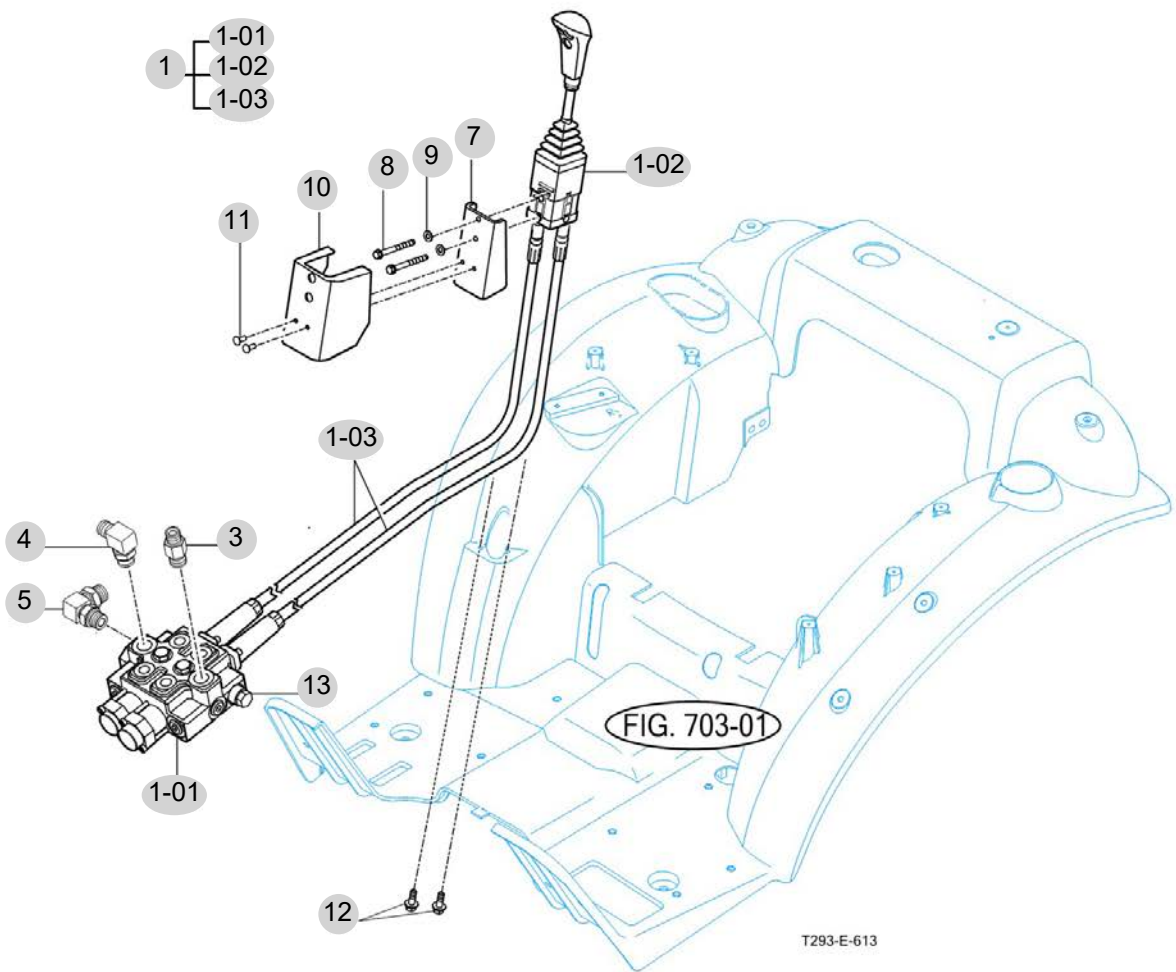
FIG 613

T265NHEU

JOYSTICK LEVER

년/월
Year/Month

2022-12



NOTE

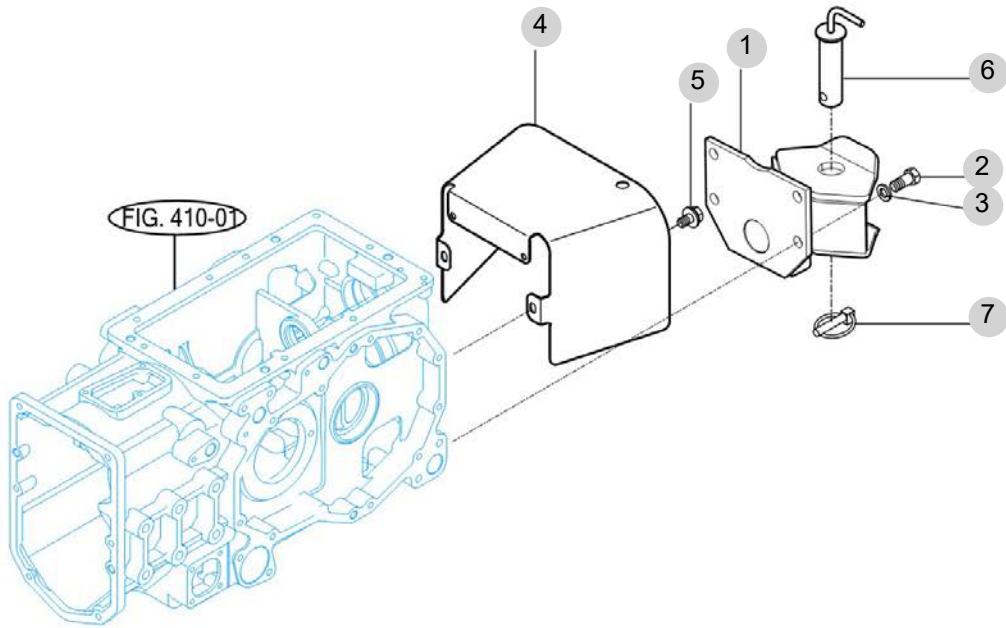
FIG 614

T265NHEU

HITCH & COVER

년/월
Year/Month

2022-12



T293-E-614

NOTE

FIG 614 T265NHEU		HITCH & COVER						년/월 Year/Month	
								2022-12	
KEY NO	PART NO	DESCRIPTION	SPEC	QTY	REPAIR	EFFECTIVE DATE			
614	1	13195212100GB	트레일러 히치 COMP				1		
614	1	12125122100GB	클레비스 커플링 ASSY				1		
614	2	V2013614030	소형육각볼트(보통)	M14X30			4		
614	3	V4011600140	스프링와셔	M14			4		
614	4	13195201010GB	PTO 보호구				1		
614	5	V2183608016	소형육각볼트보통(SP)	M8X16			4		
614	6	13195213100	트레일러핀(완)				1		
614	7	14215020020	링크핀				1		
NOTE									

7. 시트메탈/캐빈 PART NO. T7

FIG 701 BONNET	171
FIG 701-2 BONNET	173
FIG 702 DASH PANEL	175
FIG 703 FLOOR	177
FIG 704 SEAT	179
FIG 705 ROPS	181

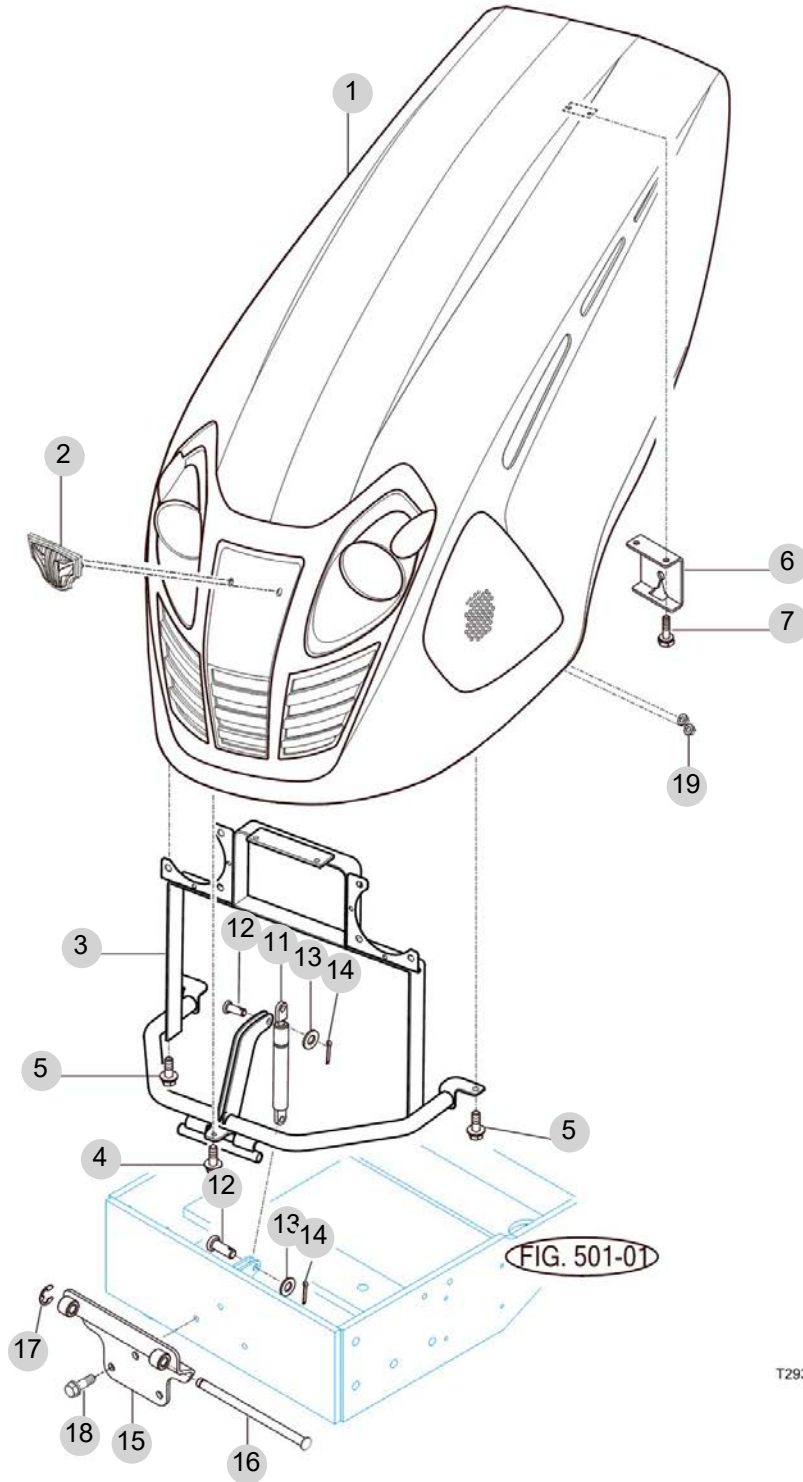
FIG 701

T265NHEU

BONNET

년/월
Year/Month

2022-12



T293-E-701

NOTE

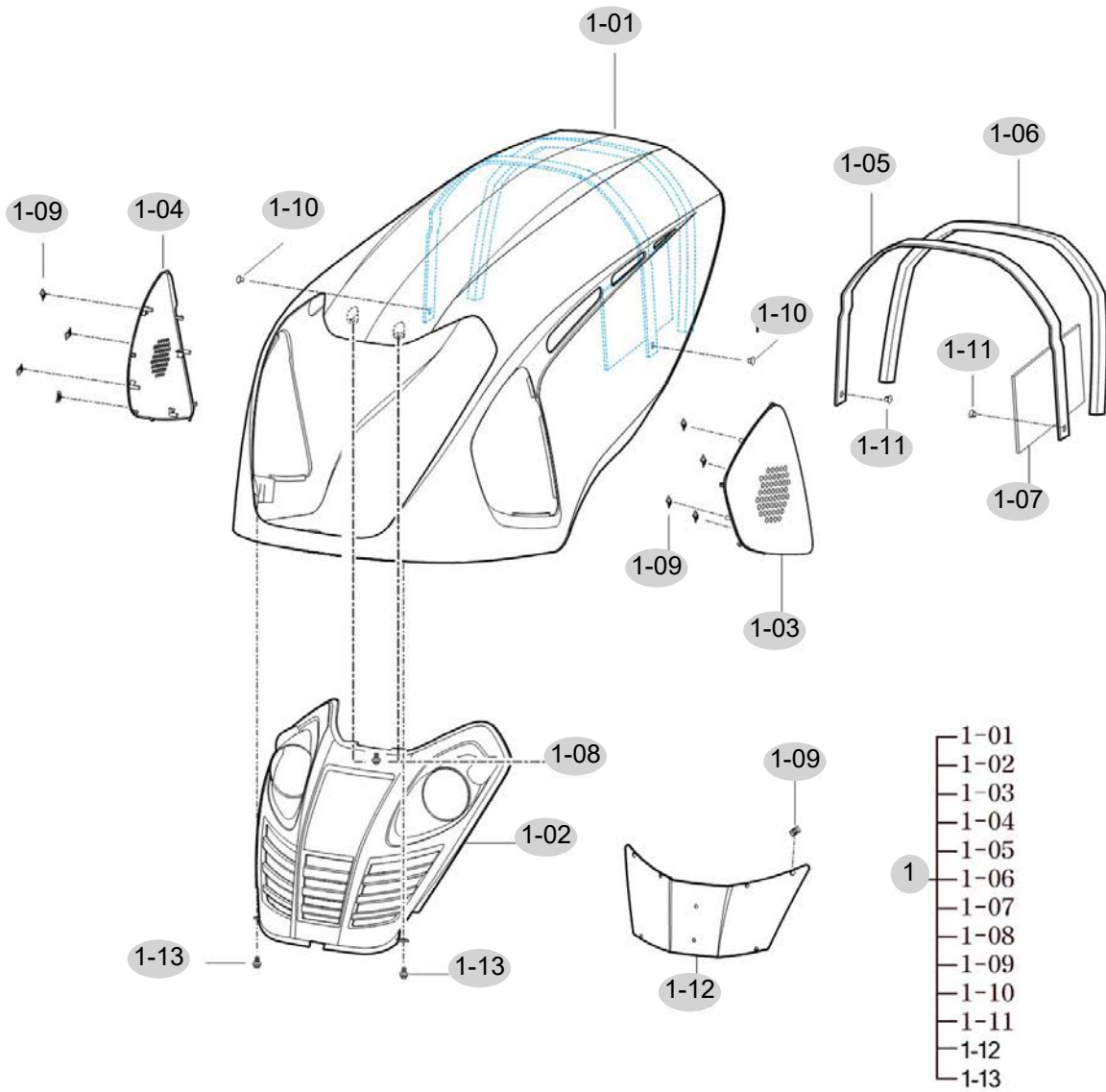
FIG 701-2

T265NHEU

BONNET

년/월
Year/Month

2022-12



T293-E-701B

NOTE

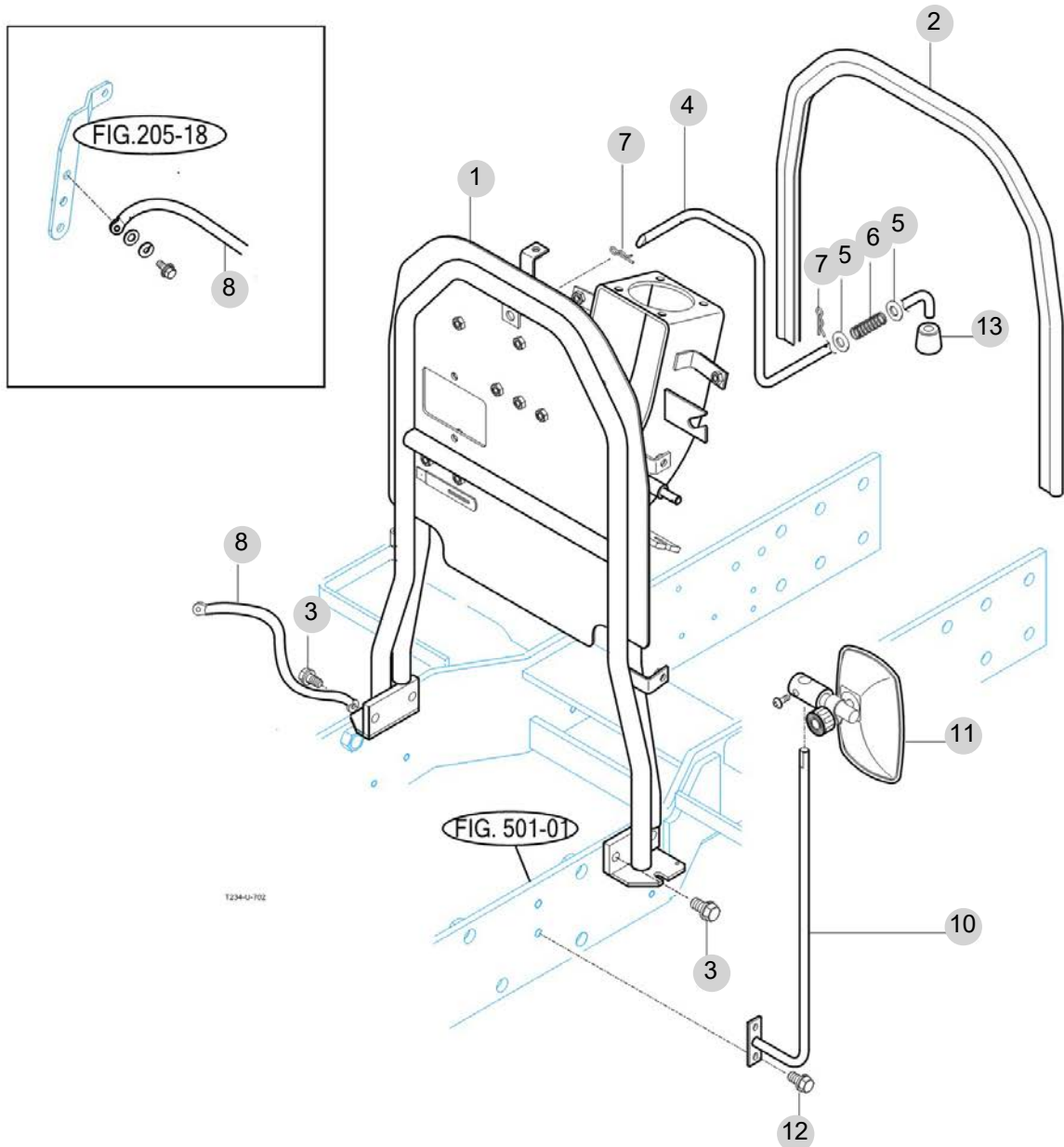
FIG 702

T265NHEU

DASH PANEL

년/월
Year/Month

2022-12



NOTE

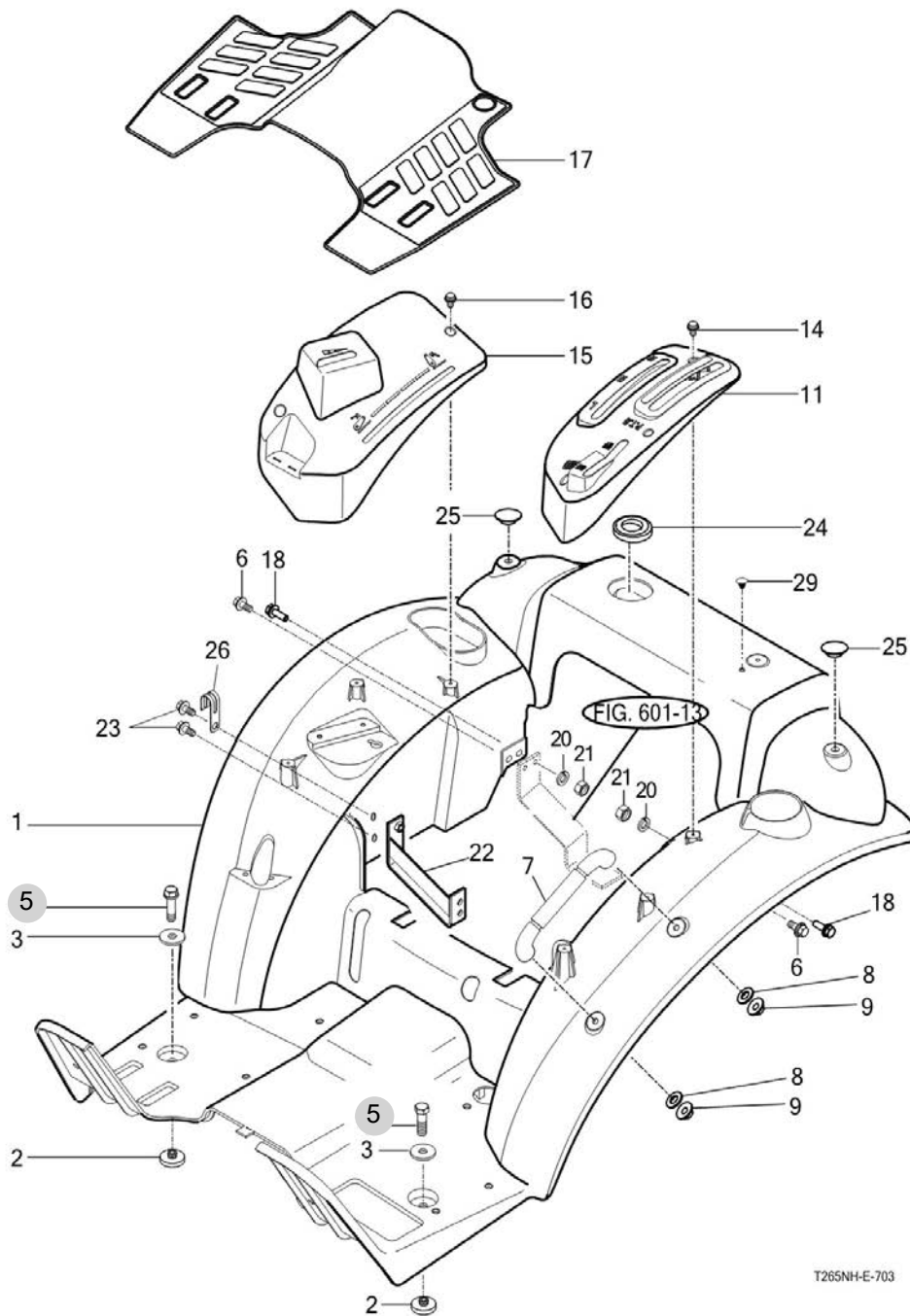
FIG 703

T265NHEU

FLOOR

년/월
Year/Month

2022-12



NOTE

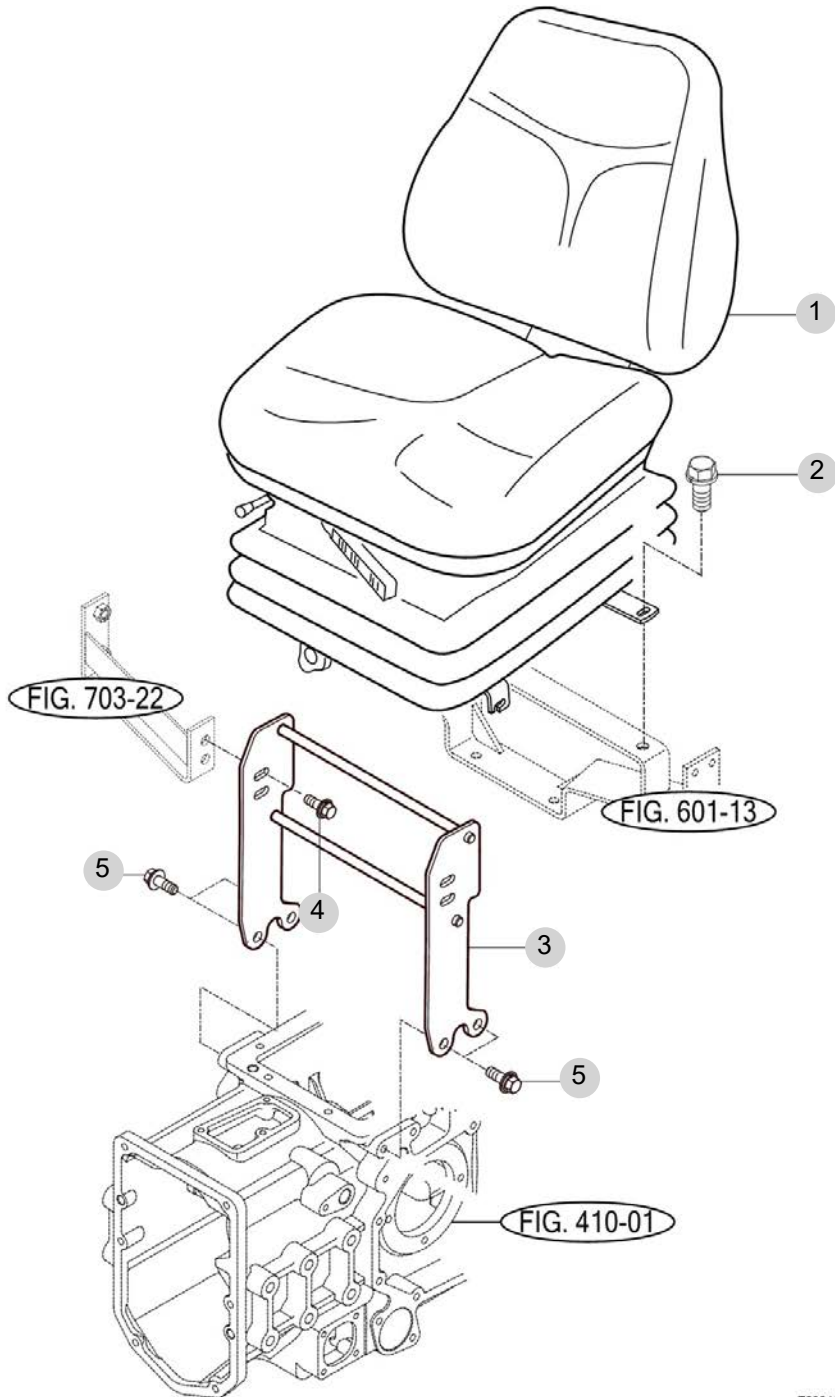
FIG 704

T265NHEU

SEAT

년/월
Year/Month

2022-12



T2334/T2734-E-704

NOTE

FIG 704 T265NHEU		SEAT						년/월 Year/Month	
								2022-12	
KEY NO	PART NO	DESCRIPTION	SPEC	QTY	REPAIR	EFFECTIVE DATE	REMARKS		
704	1	13196122001	시트ASSY			1			
704	1	12126122000	시트ASSY			1			
704	2	V2183610025	소형육각볼트보통(SP)			2			
704	3	13193286200DG	브래킷 COMP			1			
704	3	13193286200GB	브래킷 COMP			1			
704	3	13193286201GB	시트 브래킷 COMP,EU			1			
704	4	V2183608025	소형육각볼트보통(SP)	M8X25		2			
704	5	V2183610025	소형육각볼트보통(SP)	M10X25		4			
NOTE									

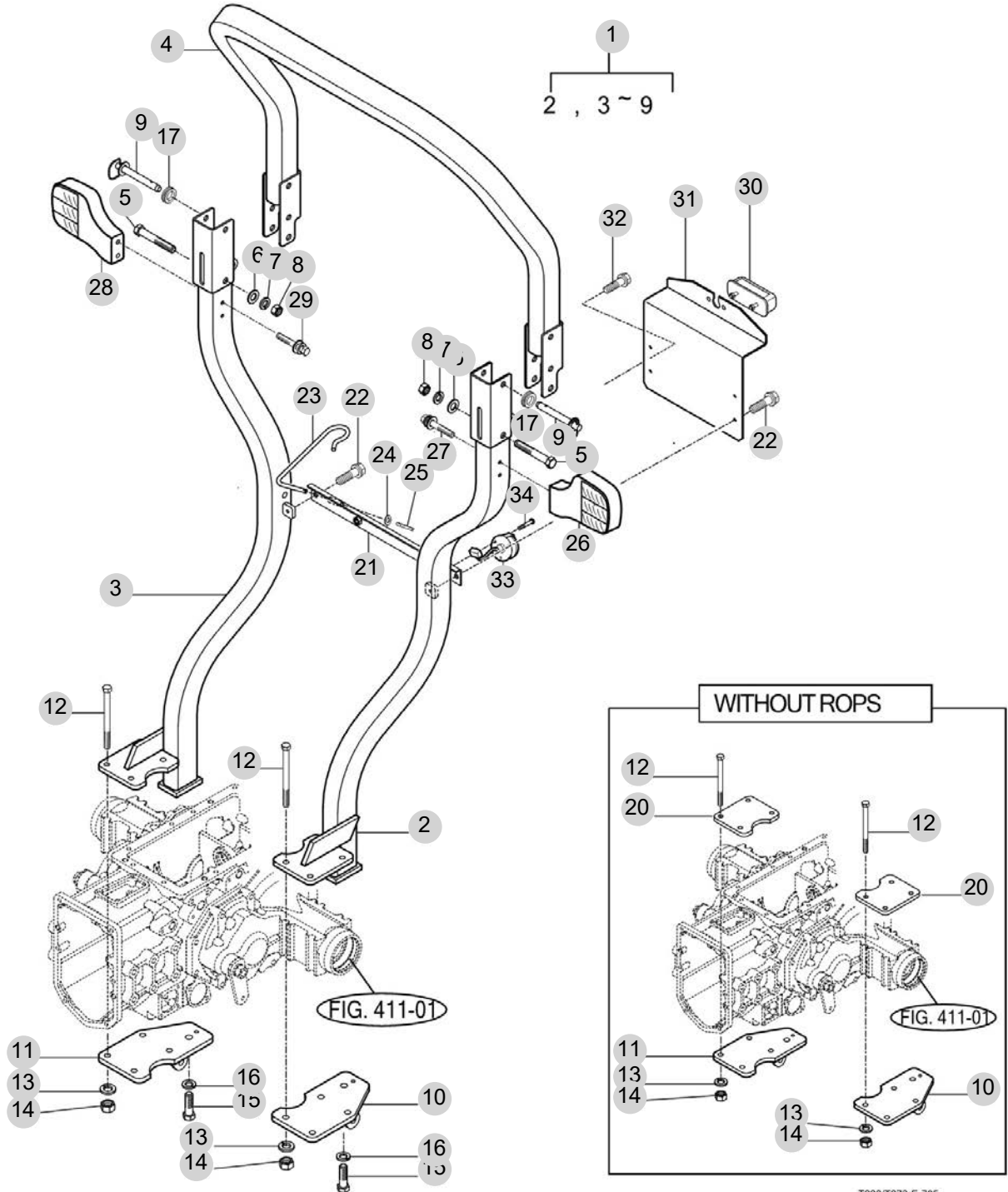
FIG 705

T265NHEU

ROPS

년/월
Year/Month

2022-12



NOTE

FIG 705		ROPS					년/월	
							Year/Month	
T265NHEU						2022-12		
KEY NO	PART NO	DESCRIPTION	SPEC	QTY	REPAIR	EFFECTIVE DATE	REMARKS	
705	1	13397010000	ROPS ASSY		1			
705	2	13397022000GB	프레임(좌) COMP		1			
705	3	13197023100GB	프레임(우) COMP		1			
705	4	13397024100GB	프레임(상) COMP		1			
705	5	V2004614090	육각볼트(보통)	M14X90	2			
705	6	V4111600140	평와셔	M14	2			
705	7	V4011600140	스프링와셔	M14	2			
705	8	V3043600140	소형육각너트보통2종	M14	2			
705	9	16507027500	고정핀 조합		2			
705	10	13157022202GB	브래킷(좌) COMP		1			
705	10	13157022203GB	브래킷(좌) COMP		1			
705	11	13157023202GB	브래킷(우) COMP		1			
705	11	13157023203GB	브래킷(우) COMP		1			
705	12	V2004612150	육각볼트(보통)	M12X150	8			
705	13	V4011600120	스프링와셔	M12	8			
705	14	V3043600120	소형육각너트보통2종	M12	8			
705	15	V2013614045	소형육각볼트(보통)	M14X45	2			
705	16	V4011600140	스프링와셔	M14	2			
705	17	14046210300	그로맷		2			
705	20	13157020040	플레이트(ROPS미부착)		2			
705	21	13277035401GB	브래킷 COMP		1			
705	22	V2183608016	소형육각볼트보통(SP)		2			
705	23	16705251100	후크(톱링크)		1			
705	23	14527071350	후크(톱링크)		1			
705	23	14527071350	후크(톱링크)		1			
705	24	V4111600050	평와셔		1			
705	25	V5001920015	분할핀		1			
705	26	13196562200	램프(ком비네이션) ASSY(LH)		1			
705	27	V2183608060	소형육각볼트보통(SP)	M8X60	2			
705	28	13196562300	램프(ком비네이션) ASSY(RH)		1			
705	29	V2183608060	소형육각볼트보통(SP)	M8X60	2			
705	30	14887024000	번호판램프ASSY		1			
705	31	13607010011	넘버 플레이트		1			
705	31	13607010012	넘버 플레이트		1			
705	31	13607010012GB	넘버 플레이트		1			
705	32	V2183608025	소형육각볼트보통(SP)	M8X25	1			
705	33	13267028202	트레일러연결소켓 ASSY		1			
705	34	V1112605030	심자흡냄비작은나사		3			
NOTE								

8. 전장 PART NO. T8

FIG 801 BATTERY & MOUNTING	184
FIG 802 LIGHTS	186
FIG 803 INSTRUMENT PANEL	188
FIG 804 ELECTRIC SYSTEM	190
FIG 805 HARNESS	192

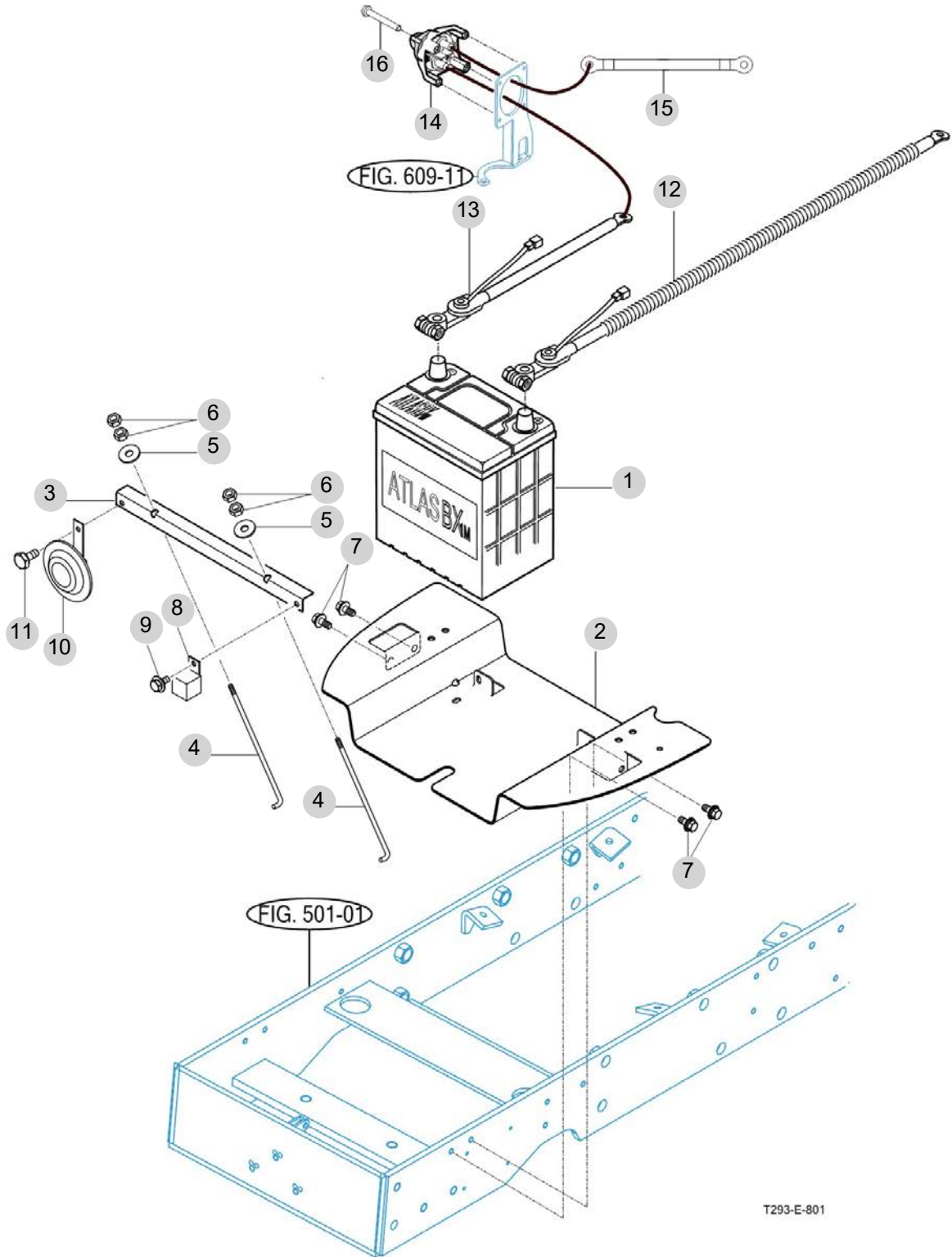
FIG 801

BATTERY & MOUNTING

년/월
Year/Month

2022-12

T265NHEU



NOTE

FIG 801		BATTERY & MOUNTING						년/월 Year/Month	
								2022-12	
T265NHEU		KEY NO	PART NO	DESCRIPTION	SPEC	QTY	REPAIR	EFFECTIVE DATE	REMARKS
801	1	13151121002	배터리(12V45AH)ASSY			1			
801	2	13181122100GB	배터리브래킷 COMP			1			
801	3	13151122201GB	세트플레이트 COMP			1			
801	4	13151120061	배터리세트볼트			2			
801	5	35605033020	와이어인출용와셔			2			
801	6	V3002600060	육각너트보통1종	M6		4			
801	7	V2173608020	소형육각볼트보통(S)	M8X20		4			
801	8	17686641110	예열릴레이			1			
801	9	V2193606016	육각볼트(SPL)	M6X16		1			
801	10	13266212003	흔			1			
801	11	V2113606016	육각볼트(S)	M6X16		1			
801	12	13156684102	케이블(배터리)ASSY			1			
801	12	13636684100	하니스 ASSY , 배터리			1			
801	12	14166684100	하니스 ASSY , 배터리			1			
801	13	12126684201	접지선			1			
801	14	12120028430	스위치 , 배터리			1			
801	15	12126684400	접지선			1			
801	16	V1112605030	심자흡냄비작은나사			4			
NOTE									

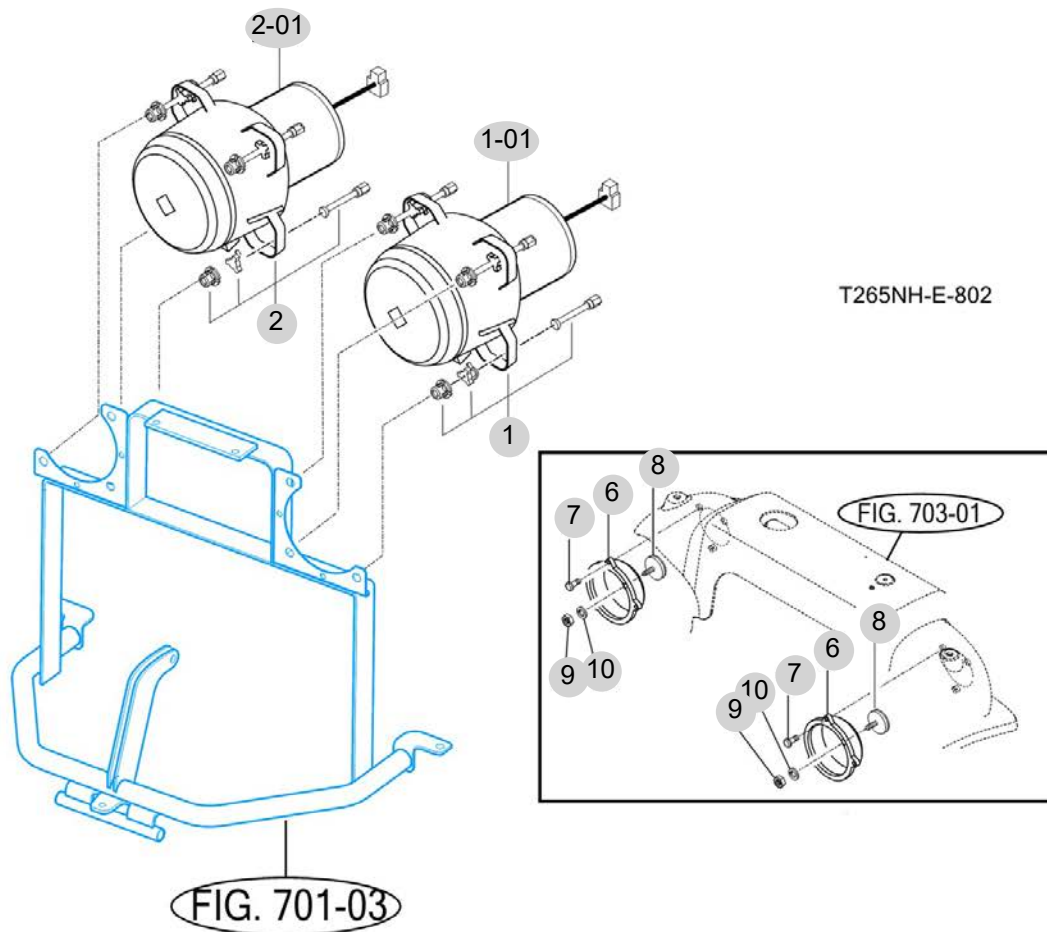
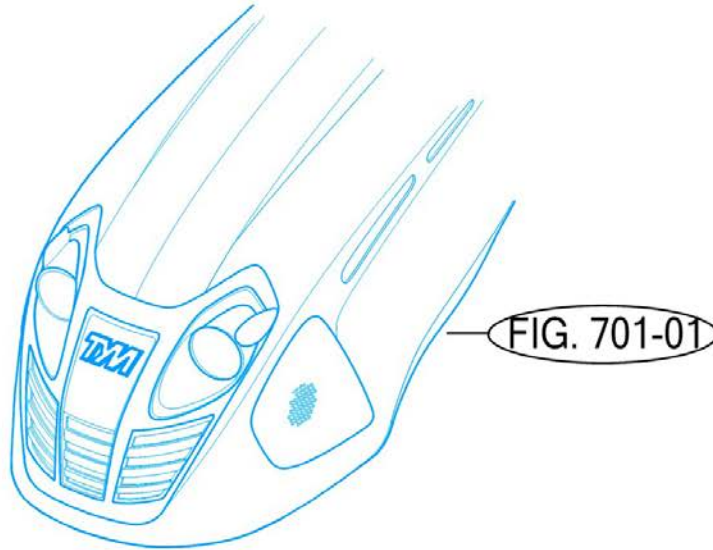
FIG 802

T265NHEU

LIGHTS

년/월
Year/Month

2022-12



NOTE

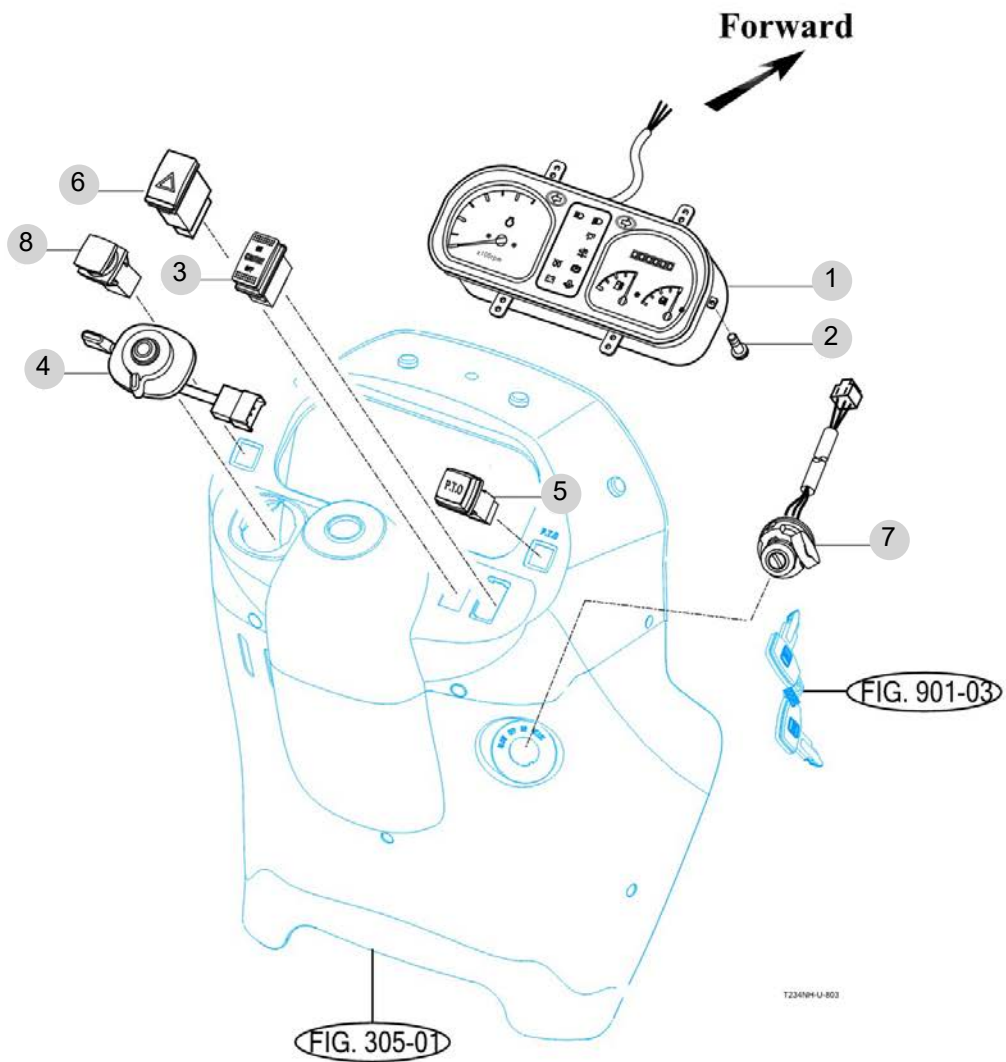
FIG 803

T265NHEU

INSTRUMENT PANEL

년/월
Year/Month

2022-12



NOTE

FIG 804

T265NHEU

ELECTRIC SYSTEM

년/월
Year/Month

2022-12

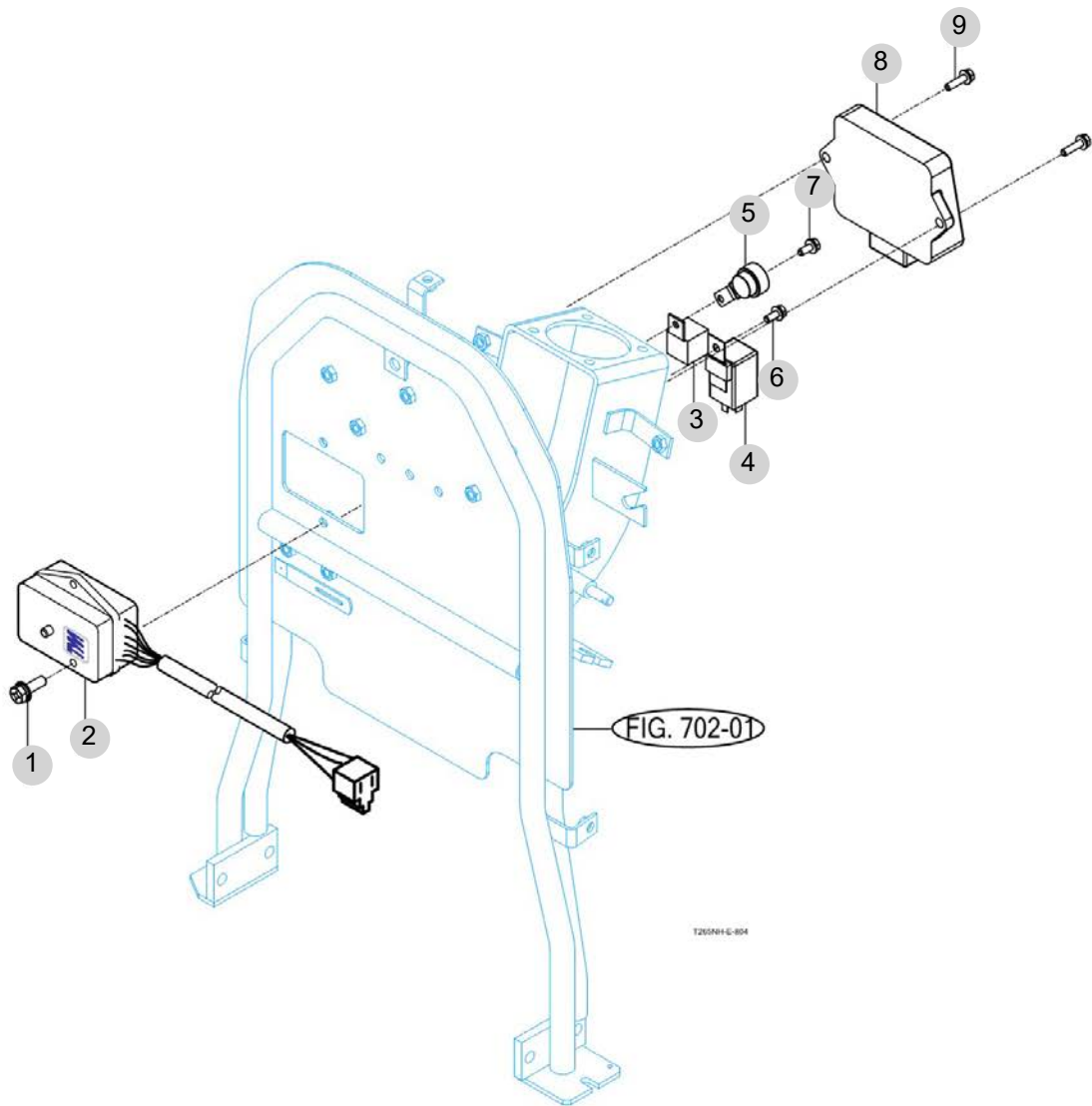


FIG. 702-01

T265NHE-804

NOTE

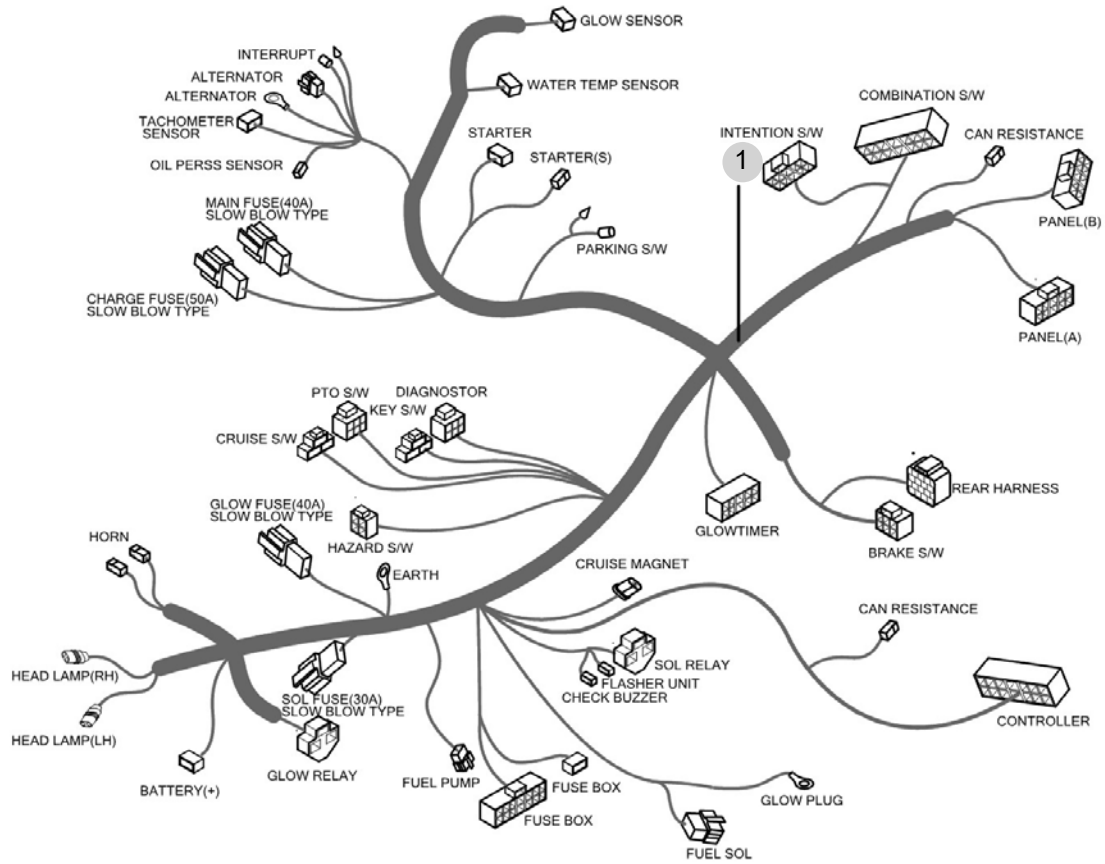
FIG 805

HARNESS

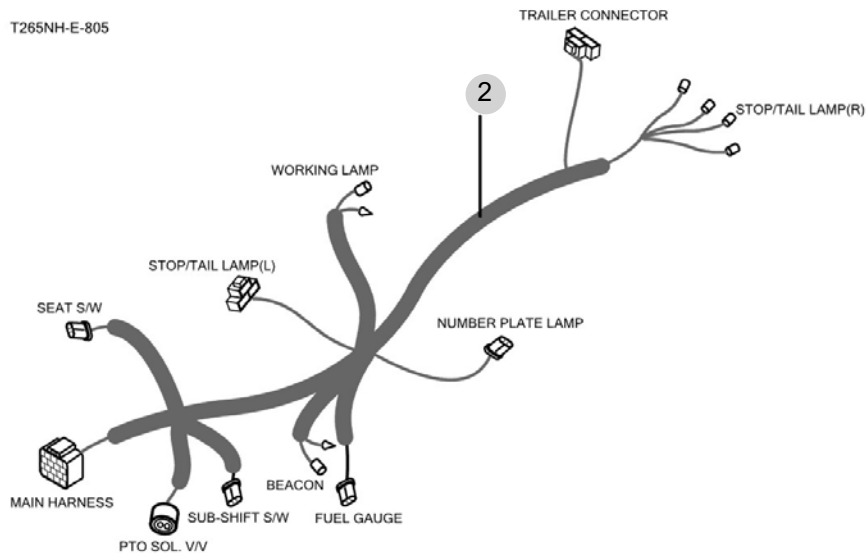
년/월
Year/Month

2022-12

T265NHEU



T265NH-E-805



NOTE

9. 라벨/옵션 PART NO. T9

FIG 901 TOOL & ACCESSORY

195

FIG 902 WEIGHT

197

FIG 903 LABEL

199

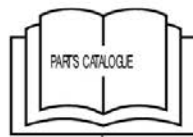
FIG 901

T265NHEU

TOOL & ACCESSORY

년/월
Year/Month

2022-12



T265NHEU-901

NOTE

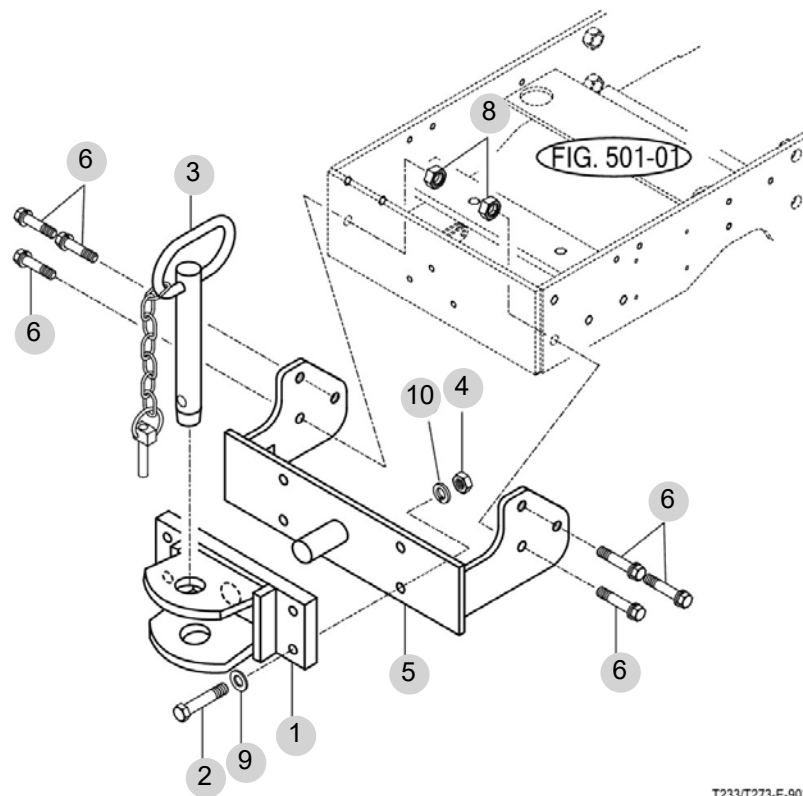
FIG 902

T265NHEU

WEIGHT

년/월
Year/Month

2022-12



NOTE

FIG 903

LABEL

년/월
Year/Month

T265NHEU

2022-12

1 **WARNING**
Always apply the park brake when parking. Failure to do so can cause accidents and damages. 1200-910-003-0

2 **WARNING**
Work in ventilated Area. 1200-910-003-0

3 **WARNING**
Always set the knob to lock when:
1.Traveling on the road.
2.Replacing blades on an implement
3.Making adjustment to an implement
Sudden dropping of an implement can cause serious injury or death. 1200-910-003-0

4 **WARNING**
Do not refuel the tractor while smoking or near naked flame or sparks. always stop engine before refueling tractors. 1200-910-003-0

5 **WARNING**
Never use the diff-lock at high speed or on the road as this can cause rollover and injury. 1200-910-003-0

6 **WARNING**
Brake pedals must always be locked together when travelling on the highway. This will ensure uniform braking and provide maximum stopping ability sharp turns must only be made at slow speeds. 1200-910-003-0

7 **CAUTION**
Keep hands and clothing away from rotating fan and belts to prevent serious injury. 1200-910-013-0

8 **DANGER**
Rotating driveline contact can cause death. KEEP AWAY!
Keep all drive line. Tractor and equipment shields in place during operation. 1200-910-003-0

10 **WARNING**
Attach implements and trailers to the tractor only using the prescribed drawbar or hitch. 1200-910-013-0

11 **DANGER**
Do not ride except operator. 1200-910-003-0

12 **WARNING**
Always fasten Your seat belt. 1200-910-013-0

14 **CAUTION**
Do not touch while the system is hot. It cause serious burns 1200-910-003-0

15 **WARNING**
1200-910-003-0

16 **WARNING**
1200-910-003-0

13 **WARNING**
Operator's manual 1200-910-003-0

21 **PARKING BRAKE**
Press down the master brake pedal and lock the parking lever at the same time 1212-006-013-0

22 REAR MID+REAR MID

23 **WARNING**
Do not use the accelerator lever except working on the field. 1200-910-023-0

24 **DANGER**
This Tractor may tip over unexpectedly and quicker than an operator is able to jump free
1.Never operate a tractor without a proper Roll over Protection Structure (ROPS)
2.Always wear your seat belt when operating this tractor equipped with roll over protection.
3.Never pull from above or from the rear axle.
4.Do not operate the tractor on steep slopes or near drop offs
5.Avoid sharp high speed turns
Serious injury or death may result from tractor upsets. 1200-904-003-0

25 **WARNING**
Death or injury may result if this tractor over turns with the ROPS in the folded down position. Operate this tractor with the ROPS folded down only when necessary. Do not wear seat belt if operated with ROPS folded down 1200-904-003-0

26 **WARNING**
1200-910-023-0

27 **WARNING**
1200-910-003-0

28 **T265**

29 **WARNING**
Stay clear of raised Boom and bucket. 1200-910-003-0

30 **WARNING**
Push the button to lock position with joystick lever is neutral whenever the implement is not operation. 1200-910-003-0

31 **EMISION CONTROL INFORMATION**
TONG YANG MOOL SAN CO.,LTD / 5932
2012 () , 2013 () , 2014 () , 2015 ()
82-2-3014-2000 / www.tym.co.kr
THIS TRACTOR HAS AN ENGINE THAT MEETS U.S. EPA EMISSION STANDARDS UNDER 40 CFR 1039.625 and CALIFORNIA EMISSION STANDARDS UNDER 13 CFR 2423(G) 1913-601-100-0

32 **WARNING**
1200-910-003-0

33 **WARNING**
1200-910-003-0

34 **WARNING**
1200-910-003-0

35 **WARNING**
1200-910-003-0

36 **TONG YANG MOOL SAN**
SERIAL NUMBER TYPE
1200 APPROVAL NO.
Model

37 **WARNING**
1200-910-003-0

38 **WARNING**
1200-910-003-0

39 **WARNING**
1200-910-003-0

40 **TONGYANGMOOLSAN CO.,LTD**
TYPE: T-265
e13
00073 NS
T : 3.0 tonnes
S : 300 kg
1200-904-003-0

41 **TYM**

T234-E-903

NOTE

FIG 903		LABEL						년/월 Year/Month
T265NHEU								2022-12
KEY NO	PART NO	DESCRIPTION	SPEC	QTY	REPAIR	EFFECTIVE DATE	REMARKS	
903	1	12009100020	라벨, 경고/파킹		1			
903	2	12009100030	라벨, 경고/배기가스		1			
903	3	12009100040	라벨, 경고/스톱밸브		1			
903	4	12009100050	라벨, 경고/화기염금		1			
903	5	12009100060	라벨, 경고/차동고정		1			
903	6	12009100070	라벨, 경고/브레이크		1			
903	7	12009100120	라벨, 주의/팬		2			
903	8	12009100130	라벨, 위험/PTO		1			
903	9	12009100140	라벨, 경고/견인		1			
903	10	12009100150	라벨, 경고/라디에이터캡		1			
903	11	12009100160	라벨, 위험/동승금지		1			
903	12	12009100190	라벨, 경고/안전벨트		1			
903	13	12009100230	라벨, 주의/취급		1			
903	14	12009100240	라벨, 주의/소음기		1			
903	15	17689200050	라벨, 취급/차동고정		1			
903	16	17689100170	라벨, 주의/안전		1			
903	18	14169020040	마크, 오나먼트(T265 HST)		2			
903	18	14169020041	마크, T265 HST		2			
903	18	14169020042	마크, /T265		2			
903	21	14729040130	라벨(코션/파킹)		1			
903	22	13139100040	라벨(PTO, M+R)		1			
903	23	12209045051	라벨, 경고/개조		1			
903	24	12209045010	라벨(ROPS위험)		1			
903	25	12209045020	라벨(ROPS경고)		1			
903	26	12519100130	라벨, 그리스		1			
903	27	12127025110	라벨, 스타터		1			
903	31	12009100210	라벨, 경고/스로틀		1			
903	32	17699100090	라벨, 경고/조이스틱		1			
903	33	17699100100	라벨, 경고/조이스틱밸브		1			
903	34	19129041130	라벨, TYM(75)		2			
903	35	12519100140	라벨, 잭포인트		1			
903	36	14169100050	라벨, ROPS		1			
903	37	13139100020	라벨, 4WD ON		1			
903	38	13139100030	라벨, 4WD OFF		1			
903	39	12127025120	라벨, 본네트 오픈		1			
903	40	13139040230	드로바명판		1			
903	41	11999010020	TYM 라벨		2			
NOTE								