

Parts Catalogue

T474SH



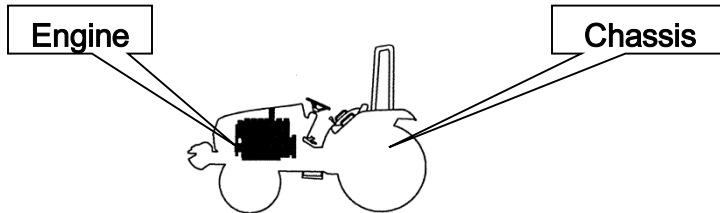
Important tips of Parts Catalogue

We thank you for your purchasing our product, manufactured under strict quality control, by gathering plenty of experiences and new technology, designed for a comfort and pleasant work.

1. Part Composition

This catalogue deals with engine and chassis.

Detailed classifications are listed in the following page.



2. For locating parts easily, Please Note:

A. If you know the assembly where the part is used.

-Refer to the relevant figure from the identifying group symbol illustration,

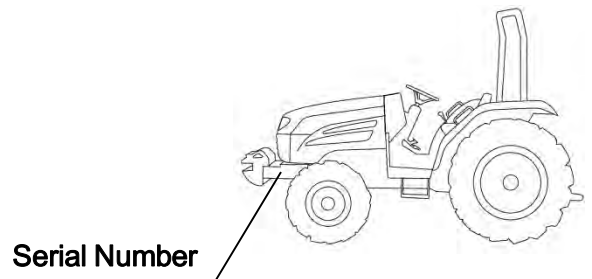
-Locate the relevant chapter

-Refer to the particular chapter desired.

3. For ordering parts

To obtain spare parts please contact your nearest dealer and give him the details listed below.

- ① Tractor Model : Tractor
- ② Tractor Serial Number : W050000
- ③ Part Number : 16001032000
- ④ Description : Air cleaner assembly
- ⑤ Quantity required: 1



4. For ordering PARTS CATALOGUE

This is Priced item and one is to order the same on part No. 13219400020

This supersedes all our editions.

Note) When replacing parts, please use original spare parts to be sure of the performance and the longer life of the product

※ The information in this catalogue may at any time be modified without a prior notice for the improvement of performance, please consult our spare parts dept. for the detailed inquiry.

5. How to use parts catalogue

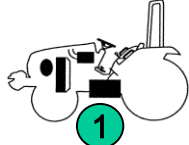
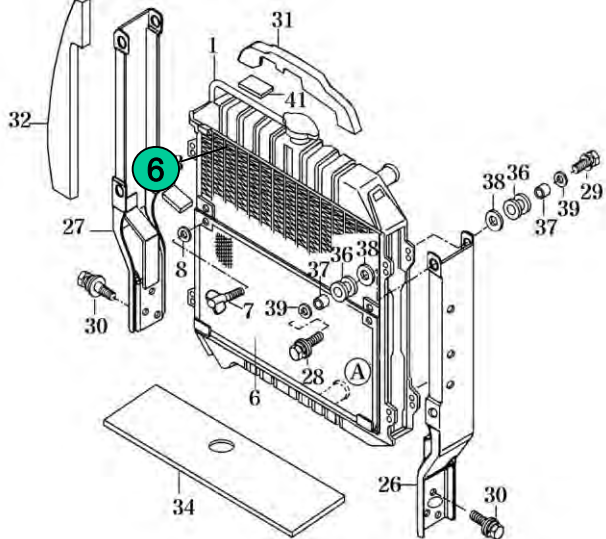
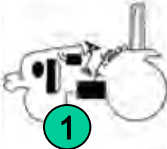
FIG 021 2	3 RADIATOR	P1 4	Year 5 2014	
				
NOTE	13			

FIG 021 2		3 RADIATOR			P1 4	Year 5 2014	
KEY NO	PART NO	PART NAME	SPEC	QTY	REPAIR	E/G SERIAL NO	REMARKS
023	001	14571042001 RADIATOR SET		1			
023	002	14571042101 RADIATOR SET		1			
023	003	14571042171 SHROUD		1			
023	006	14571042001HB NET COMP 8		10	11	12	14
023	007	V271042012 BOLT, WING 8	M6X12 9	10	11	12	14
NOTE	13						

- ① Group Indication : Indicate the relevant location of the part with a symbol illustration.
- ② Figure Number: Indicate the relevant section of the machine with a figure number.
- ③ Section Name : Indicate the section name of the machine
- ④ Section Page : Page number of the section in this catalogue.
- ⑤ Date : Show the Year of the section made or updated

⑥ Key number : Indicating number of each parts in the illustration.

⑦ Part Number : Unique part number maintained in our system

The part number starting with V or M means it is TYM s standard part

The alphabet at the end of part number means the status of material or the color of paint

Legend : M:Machining, DG:Dark Gray, BR:Bright Red, SW:Summer White, PB:Pure Black, GB:Glossy Black, SR:Super Red, MS:Metallic Silver DD:Heat proof Black, TY: Tangerine Yellow etc.

⑧ Description : Description of a part, Abbreviation means as follows.

- Indicate the mixture condition of a part

ASSY : Assembly with a mixture of several parts, so can be broke up retaining their original form

COMP : Assembly with a mixture of several parts, but can not be broke up retaining their original form

SUB : mean the same as ASSY but used in lower level in aid.

SET : Part consist of ASSY, COMP, and part(s) as a group

- Indicate the location of a part

LH: Left, RH: Right, FR: Front, RR: Rear, UPR: Upper, LOW: Lower

⑨ Type : Type of the standard items like bolt or nut

⑩ Quantity : Total quantity of the part referred to in the page.

Symbol below indicate options. So, show the quantity of each option.

Note) AR means as requested quantity.

⑪ Repair Parts consumption frequency class: indicate the level of a part in aid of stocking spares, anticipating the service requirements.

A :Fast moving part(frequently required)

B :Medium moving part (sometimes required)

C :Slow moving part(rarely required)

⑫ Modification :

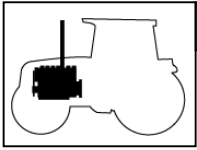
Year/Month~ : From which the change starts

~ Year/Month : To which the part installed

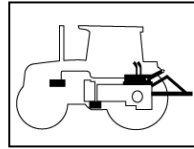
⑬ Notes : explain some reference data

⑭ Remark : indicate reference data or abbreviation in the content.

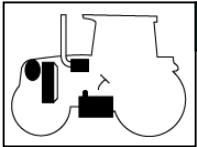
ENGINEERING GROUP INDEX



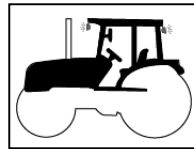
1 ENGINE



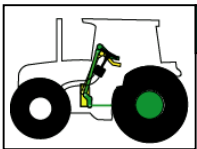
6 HYDRAULICS & 3-POINT LINK



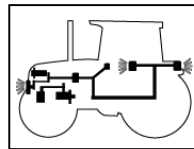
2 ENGINE ACCESSORIES & CONTROL



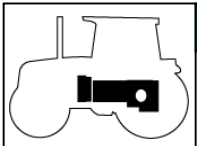
7 SHEET METAL & CABIN



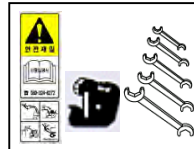
3 CLUTCH, BRAKE, STEERING



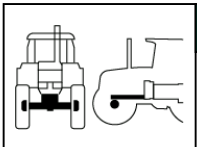
8 ELECTRICALS & HARNESS



4 TRANSMISSION & REAR AXLE



9 LABEL, TOOLS



5 FRONT AXLE, SUPPORTER & DRIVE SHAFT

067 020	12305180020
077 036	12403160020
036 005	13022250030
037 010	13022250131
041 005	13022250232
046 002	13022250333

10 NUMERICAL INDEX

CONTENTS

ENGINE

1 ENGINE

FIG 101	CYLINDER BLOCK	04
FIG 102	OILJET ASS'Y OPTION	06
FIG 103	CRANK SHAFT	08
FIG 104	PISTON	10
FIG 105	CYLINDER HEAD	12
FIG 106	ROCKER LEVER	14
FIG 107	HEAD COVER	16
FIG 108	GEAR CASE	18
FIG 109	IDLE GEAR	20
FIG 110	CAM SHAFT	22
FIG 111	OIL PUMP	24
FIG 112	HYD. PUMP DRIVE	26
FIG 113	2ND BALANCE	28
FIG 114	OIL PAN	30
FIG 115	INTAKE MANIFOLD	32
FIG 116	EXHAUST MANIFOLD	34
FIG 117	DPF SUPPORT OPTION	36
FIG 118	TURBOCHARGER PLUMBING OPTION	38
FIG 119	BREATHER	40
FIG 120	FUEL INJECTION PUMP	42
FIG 121	FUEL INJECTION VALVE	44
FIG 122	FUEL PIPE ASS'Y	46
FIG 123	OIL FILTER	48
FIG 124	OIL COOLER	50
FIG 125	OIL GAUGUE	52
FIG 126	OIL FILLER CAP	54
FIG 127	COOLING WATER PUMP	56
FIG 128	CRANK SHAFT PULLEY	58
FIG 129	V-PULLEY	60
FIG 130	COOLING FAN	62
FIG 131	FLYWHEEL HOUSING	64

FIG 132 FLYWHEEL	66
FIG 133 GLOW PLUG ASS'Y OPTION	68
FIG 134 STARTING MOTOR	70
FIG 135 FUEL FILTER BRACKET ASSoY	72
FIG 136 ALTERNATOR	74
FIG 137 V-BELT	76
FIG 138 FUEL FILTER	78
FIG 139 DPF SUPPORT	80
FIG 140 DATAPLATE	82
FIG 141 NAME PLATE, STARTING MOTOR	84
FIG 142 DPF ASSoY	86
FIG 143 LIFT ASSoY	88
FIG 144 COMP . DRIVE PULLEY ASSyY OPTION	90

CHASSIS

2 ENGINE ACCESSORIES & CONTROL

FIG 201 AIR CLEANER-----	96
FIG 202 RADIATOR-----	98
FIG 203 MUFFLER-----	100
FIG 204 FUEL TANK & FILTER-----	102
FIG 205 OIL COOLER-----	104

3 CLUTCH,BRAKE,STEERING

FIG 302 FLYWHEEL & CLUTCH-----	110
FIG 303 BRAKE PEDAL-----	112
FIG 304 BRAKE-----	114
FIG 306 FRONT WHEEL MOUNTING-----	116
FIG 307 REAR WHEEL MOUNTING-----	118
FIG 308 STEERING WHEEL-----	120
FIG 309 STEERING VALVE & PARKING-----	122
FIG 310 STEERING CYLINDER-----	124

4 TRANSMISSION & REAR AXLE

FIG 401 TRANSMISSION FRONT CASE-----	130
FIG 402 HST-----	132
FIG 403 MID CASE-----	134
FIG 404 4WD DRIVE GEAR-----	136
FIG 405 INPUT GEAR-----	138
FIG 406 SUB CHANGE GEARS-----	140
FIG 407 PINION GEARS-----	142

FIG 408 P.T.O DRIVE SHAFT-----	144
FIG 409 P.T.O CHANGE GEARS-----	146
FIG 410 DIFF LOCK-----	148
FIG 411 TRANSMISSION REAR CASE-----	150
FIG 412 REAR AXLE HOUSINGS (1)-----	152
FIG 413 REAR AXLE HOUSINGS (2)-----	154
FIG 415 SUB CHANGE LEVER-----	156
FIG 416 FORWARD & REVERSE CONTROL LINKAGE-----	158
FIG 418 4WD CHANGE LEVER-----	160

5 FRONT AXLE

FIG 501 FRONT AXLE BRACKET-----	166
FIG 502 FRONT DIFFERENTIAL GEARS & SHAFT-----	168
FIG 503 FRONT AXLE HOUSING-----	170
FIG 504 FRONT GEAR CASE (1)-----	172
FIG 505 FRONT GEAR CASE (2)-----	174

6 HYDRAULICS & 3-POINT LINK

FIG 601 GEAR PUMP-----	180
FIG 602 CYLINDER CASE-----	182
FIG 603 LIFT ARM-----	184
FIG 604 CYLINDER-----	186
FIG 605 POSITION LINK (1)-----	188
FIG 606 POSITION LINK (2)-----	190
FIG 607 CONTROL VALVE-----	192
FIG 608 POSITION LEVER-----	194
FIG 609 HYDRAULIC PIPE (1)-----	196
FIG 610 HYDRAULIC PIPE (2)-----	200
FIG 611 EXTERIOR HYD.VALVE-----	202
FIG 612 3-POINT LINK-----	204
FIG 613 HITCH & COVER-----	206
FIG 614 EXTERIOR POSITION LEVER-----	208

7**SHEET METAL & R.O.P.S**

FIG 701 HOOD FRAME-----	214
FIG 702 HOOD-----	216
FIG 703 EXTENSION COVER-----	218
FIG 705 DASHPANEL-----	220
FIG 708 FRONT & REAR MOUNTING-----	222
FIG 709 SEAT & MAT-----	224
FIG 710 DOOR-----	226
FIG 711 FRONT GLASS-----	230
FIG 712 REAR GLASS-----	232
FIG 713 SUB FENDER & COVER-----	234
FIG 714 MIRROR-----	236
FIG 715 HEATER & AIR-CON-----	238
FIG 716 HEATER & AIR-CON-----	240
FIG 717 FENDER COVER-----	242
FIG 718 ROOF-----	244
FIG 719 CABIN INTERIOR-----	246

8**ELECTRICALS & HARNESS**

FIG 801 BATTERY & MOUNTING-----	252
FIG 802 LAMP-----	254
FIG 803 INSTRUMENT PANEL-----	256
FIG 804 ELECTRIC SYSTEM-----	258
FIG 805 HARNESS (1) -----	260
FIG 806 HARNESS (2) -----	262

9**WEIGHT,LABEL,TOOLS**

FIG 901 TOOL & ACCESSORY-----	268
FIG 902 LABEL-----	270
FIG 903 OPTION-----	274

10**NUMERICAL INDEX**

ENGINE-----	279
CHASSIS-----	282

ENGINE

1 ENGINE

FIG 101	CYLINDER BLOCK	04
FIG 102	OILJET ASS'Y OPTION	06
FIG 103	CRANK SHAFT	08
FIG 104	PISTON	10
FIG 105	CYLINDER HEAD	12
FIG 106	ROCKER LEVER	14
FIG 107	HEAD COVER	16
FIG 108	GEAR CASE	18
FIG 109	IDLE GEAR	20
FIG 110	CAM SHAFT	22
FIG 111	OIL PUMP	24
FIG 112	HYD. PUMP DRIVE	26
FIG 113	2ND BALANCE	28
FIG 114	OIL PAN	30
FIG 115	INTAKE MANIFOLD	32
FIG 116	EXHAUST MANIFOLD	34
FIG 117	DPF SUPPORT OPTION	36
FIG 118	TURBOCHARGER PLUMBING OPTION	38
FIG 119	BREATHER	40
FIG 120	FUEL INJECTION PUMP	42
FIG 121	FUEL INJECTION VALVE	44
FIG 122	FUEL PIPE ASS'Y	46
FIG 123	OIL FILTER	48
FIG 124	OIL COOLER	50
FIG 125	OIL GAUGUE	52
FIG 126	OIL FILLER CAP	54
FIG 127	COOLING WATER PUMP	56
FIG 128	CRANK SHAFT PULLEY	58
FIG 129	V-PULLEY	60
FIG 130	COOLING FAN	62
FIG 131	FLYWHEEL HOUSING	64

FIG 132 FLYWHEEL	66
FIG 133 GLOW PLUG ASS'Y OPTION	68
FIG 134 STARTING MOTOR	70
FIG 135 FUEL FILTER BRACKET ASSoY	72
FIG 136 ALTERNATOR	74
FIG 137 V-BELT	76
FIG 138 FUEL FILTER	78
FIG 139 DPF SUPPORT	80
FIG 140 DATAPLATE	82
FIG 141 NAME PLATE, STARTING MOTOR	84
FIG 142 DPF ASSoY	86
FIG 143 LIFT ASSoY	88
FIG 144 COMP . DRIVE PULLEY ASSyY OPTION	90

CHASSIS

2 ENGINE ACCESSORIES & CONTROL

FIG 201 AIR CLEANER-----	96
FIG 202 RADIATOR-----	98
FIG 203 MUFFLER-----	100
FIG 204 FUEL TANK & FILTER-----	102
FIG 205 OIL COOLER-----	104

3**CLUTCH,BRAKE,STEERING**

FIG 302 FLYWHEEL & CLUTCH-----	110
FIG 303 BRAKE PEDAL-----	112
FIG 304 BRAKE-----	114
FIG 306 FRONT WHEEL MOUNTING-----	116
FIG 307 REAR WHEEL MOUNTING-----	118
FIG 308 STEERING WHEEL-----	120
FIG 309 STEERING VALVE & PARKING-----	122
FIG 310 STEERING CYLINDER-----	124

4**TRANSMISSION & REAR AXLE**

FIG 401 TRANSMISSION FRONT CASE-----	130
FIG 402 HST-----	132
FIG 403 MID CASE-----	134
FIG 404 4WD DRIVE GEAR-----	136
FIG 405 INPUT GEAR-----	138
FIG 406 SUB CHANGE GEARS-----	140
FIG 407 PINION GEARS-----	142
FIG 408 P.T.O DRIVE SHAFT-----	144
FIG 409 P.T.O CHANGE GEARS-----	146
FIG 410 DIFF LOCK-----	148
FIG 411 TRANSMISSION REAR CASE-----	150
FIG 412 REAR AXLE HOUSINGS (1)-----	152
FIG 413 REAR AXLE HOUSINGS (2)-----	154
FIG 415 SUB CHANGE LEVER-----	156
FIG 416 FORWARD & REVERSE CONTROL LINKAGE-----	158
FIG 418 4WD CHANGE LEVER-----	160

5 FRONT AXLE

FIG 501 FRONT AXLE BRACKET-----166
FIG 502 FRONT DIFFERENTIAL GEARS & SHAFT-----168
FIG 503 FRONT AXLE HOUSING-----170
FIG 504 FRONT GEAR CASE (1)-----172
FIG 505 FRONT GEAR CASE (2)-----174

6 HYDRAULICS & 3-POINT LINK

FIG 601	GEAR PUMP-----	180
FIG 602	CYLINDER CASE-----	182
FIG 603	LIFT ARM-----	184
FIG 604	CYLINDER-----	186
FIG 605	POSITION LINK (1)-----	188
FIG 606	POSITION LINK (2)-----	190
FIG 607	CONTROL VALVE-----	192
FIG 608	POSITION LEVER-----	194
FIG 609	HYDRAULIC PIPE (1)-----	196
FIG 610	HYDRAULIC PIPE (2)-----	200
FIG 611	EXTERIOR HYD.VALVE-----	202
FIG 612	3-POINT LINK-----	204
FIG 613	HITCH & COVER-----	206
FIG 614	EXTERIOR POSITION LEVER-----	208

FIG 701 HOOD FRAME-----	214
FIG 702 HOOD-----	216
FIG 703 EXTENSION COVER-----	218
FIG 705 DASH PANEL-----	220
FIG 708 FRONT & REAR MOUNTING-----	222
FIG 709 SEAT & MAT-----	224
FIG 710 DOOR-----	226
FIG 711 FRONT GLASS-----	230
FIG 712 REAR GLASS-----	232
FIG 713 SUB FENDER & COVER-----	234
FIG 714 MIRROR-----	236
FIG 715 HEATER & AIR-CON-----	238
FIG 716 HEATER & AIR-CON-----	240
FIG 717 FENDER COVER-----	242
FIG 718 ROOF-----	244
FIG 719 CABIN INTERIOR-----	246

8

ELECTRICALS & HARNESS

FIG 801 BATTERY & MOUNTING-----252
FIG 802 LAMP-----254
FIG 803 INSTRUMENT PANEL-----256
FIG 804 ELECTRIC SYSTEM-----258
FIG 805 HARNESS (1) -----260
FIG 806 HARNESS (2) -----262

9

WEIGHT,LABEL,TOOLS

FIG 901 TOOL & ACCESSORY-----268
FIG 902 LABEL-----270
FIG 903 OPTION-----274

ENGINE-----279
CHASSIS-----282

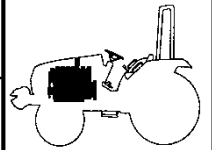
FIG 101

CYLINDER BLOCK

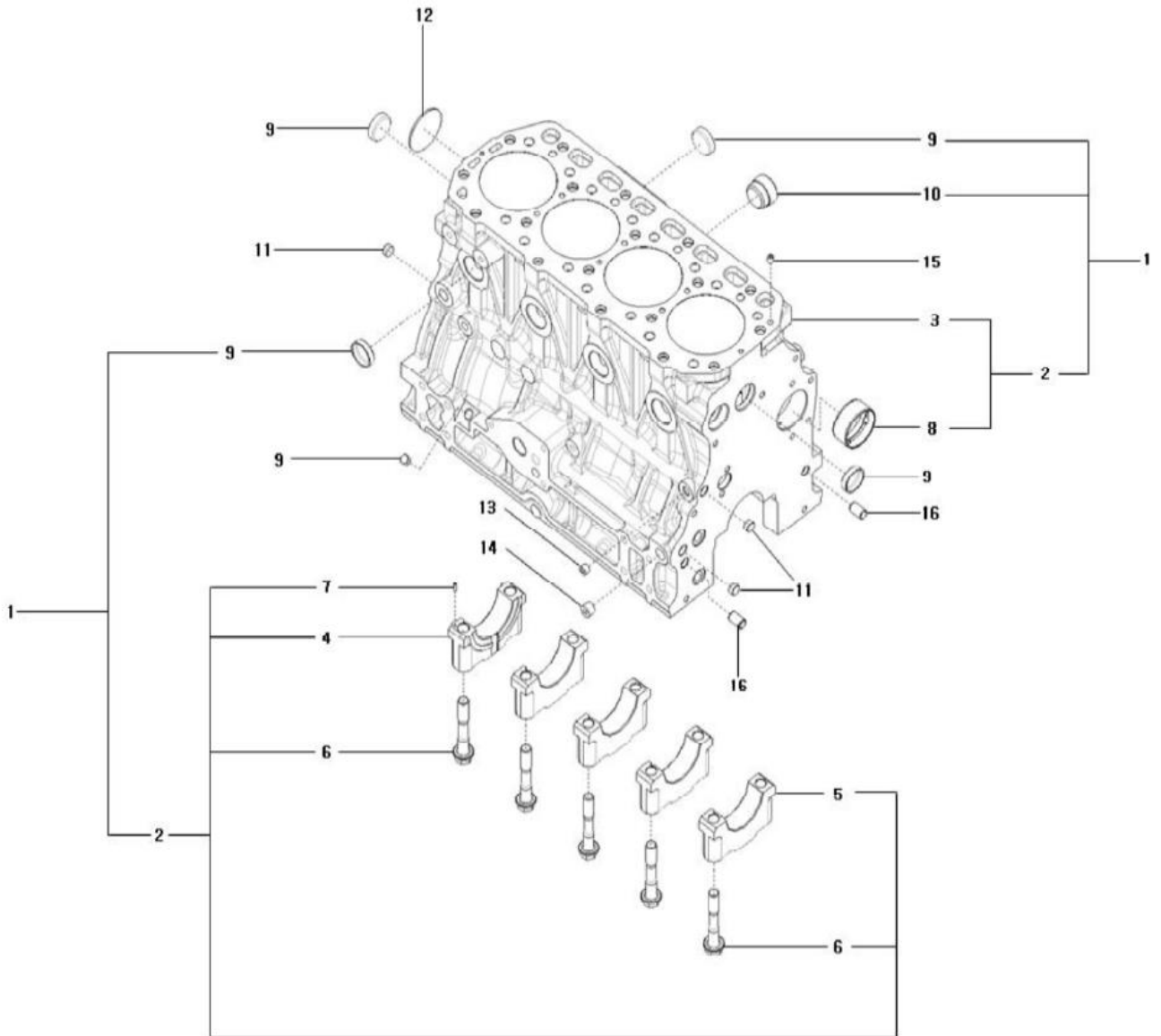
P1

YEAR

2019



T474SH



NOTE

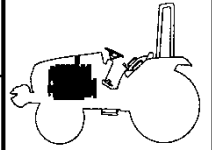
FIG 102

OILJET ASS'Y OPTION

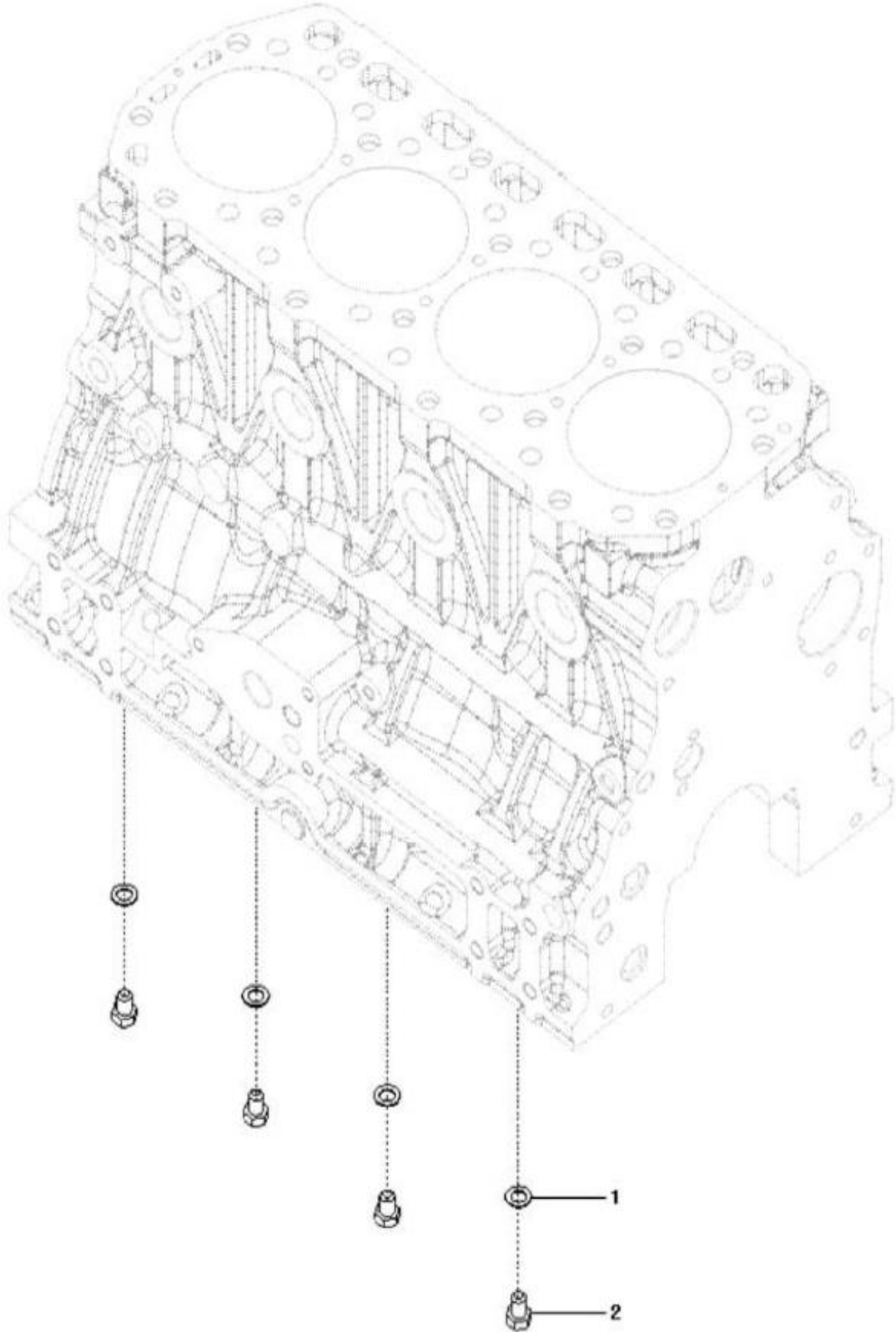
P1

YEAR

2019



T474SH



NOTE

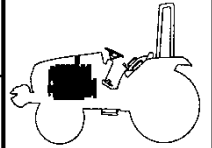
FIG 103

CRANK SHAFT

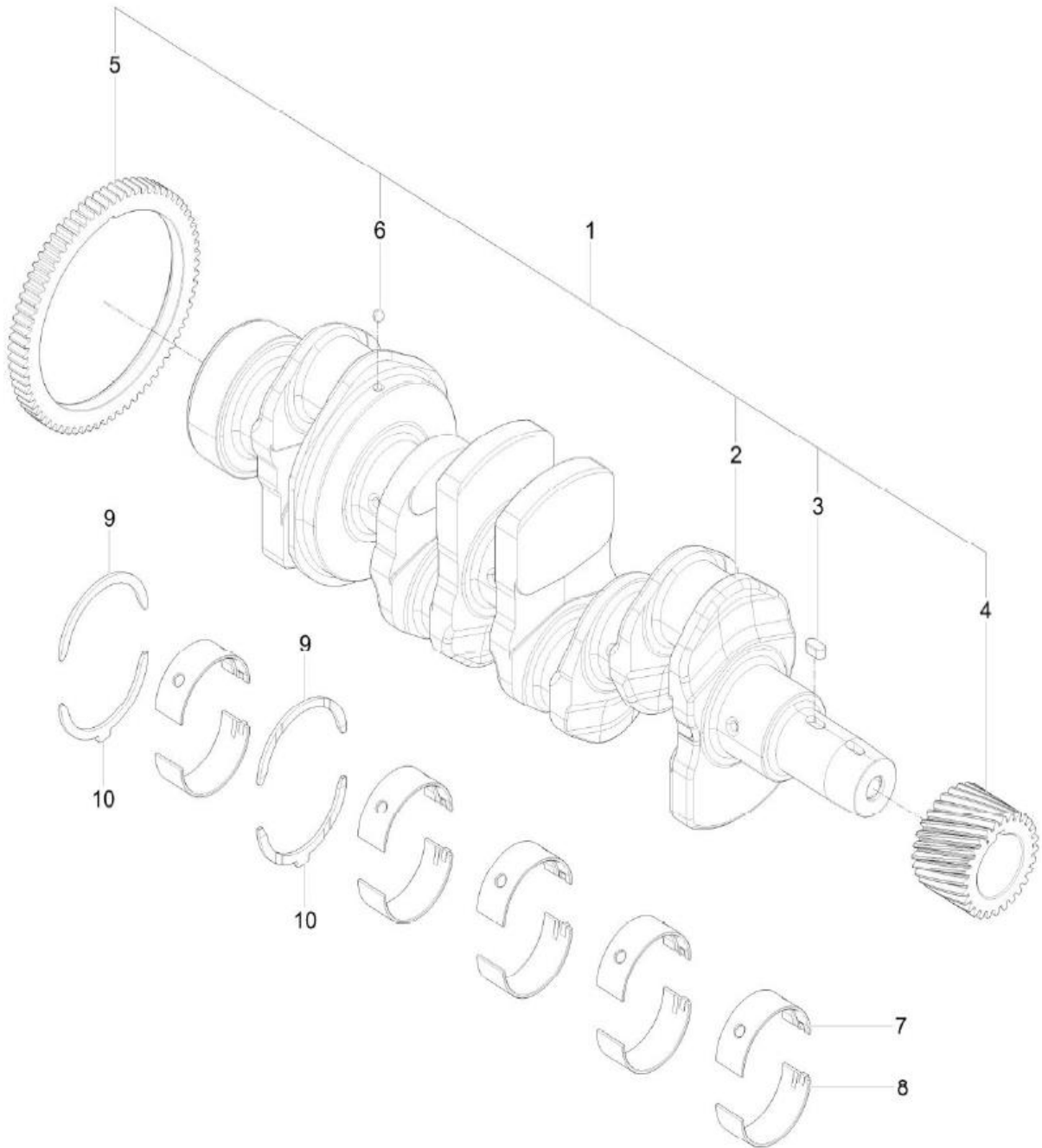
P1

YEAR

2019



T474SH



NOTE

FIG 104

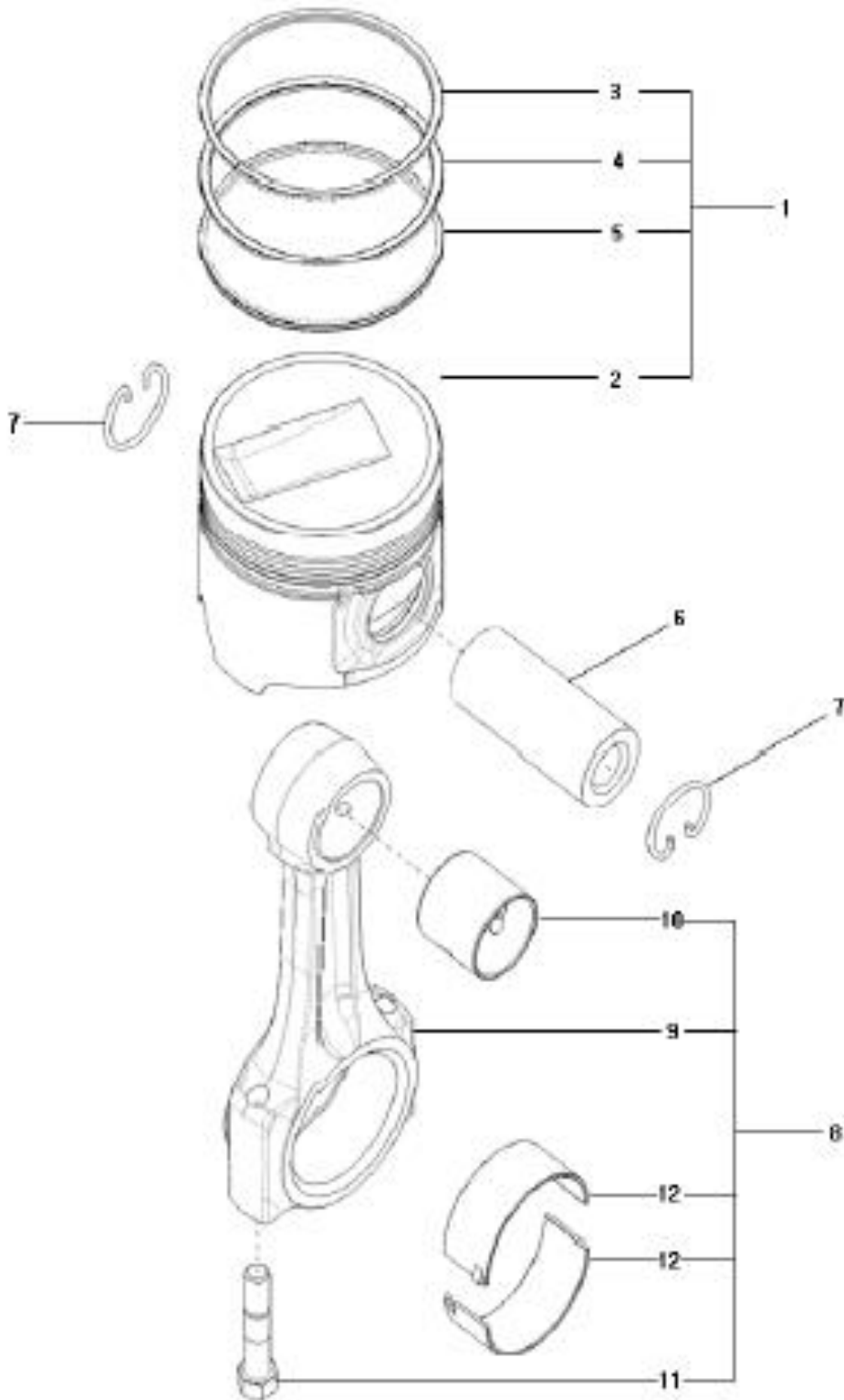
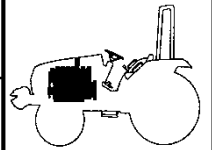
T474SH

PISTON

P1

YEAR

2019



NOTE

FIG 105

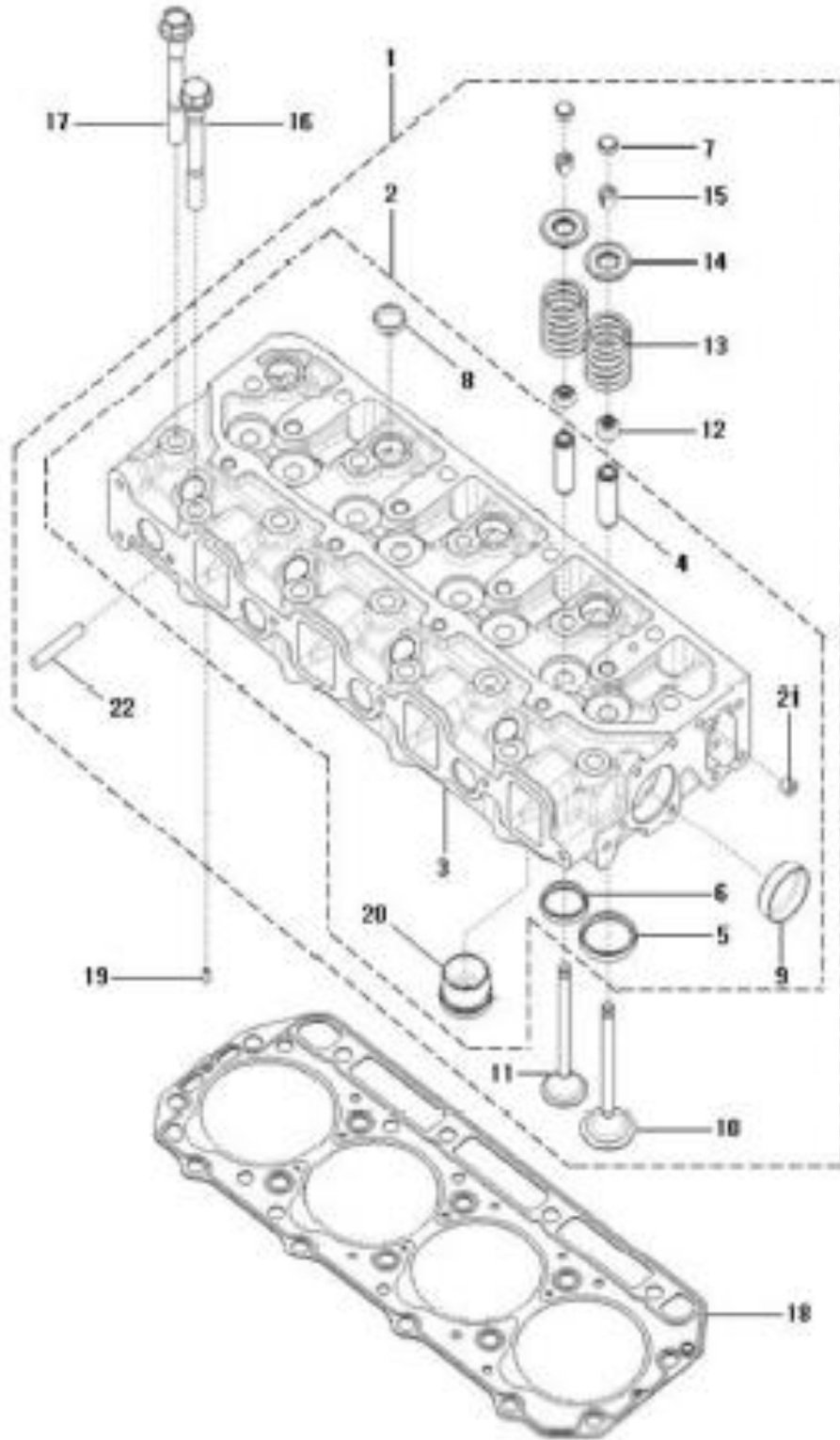
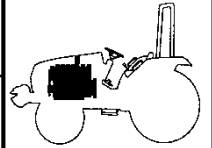
T474SH

CYLINDER HEAD

P1

YEAR

2019



NOTE

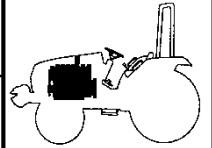
FIG 106

ROCKER LEVER

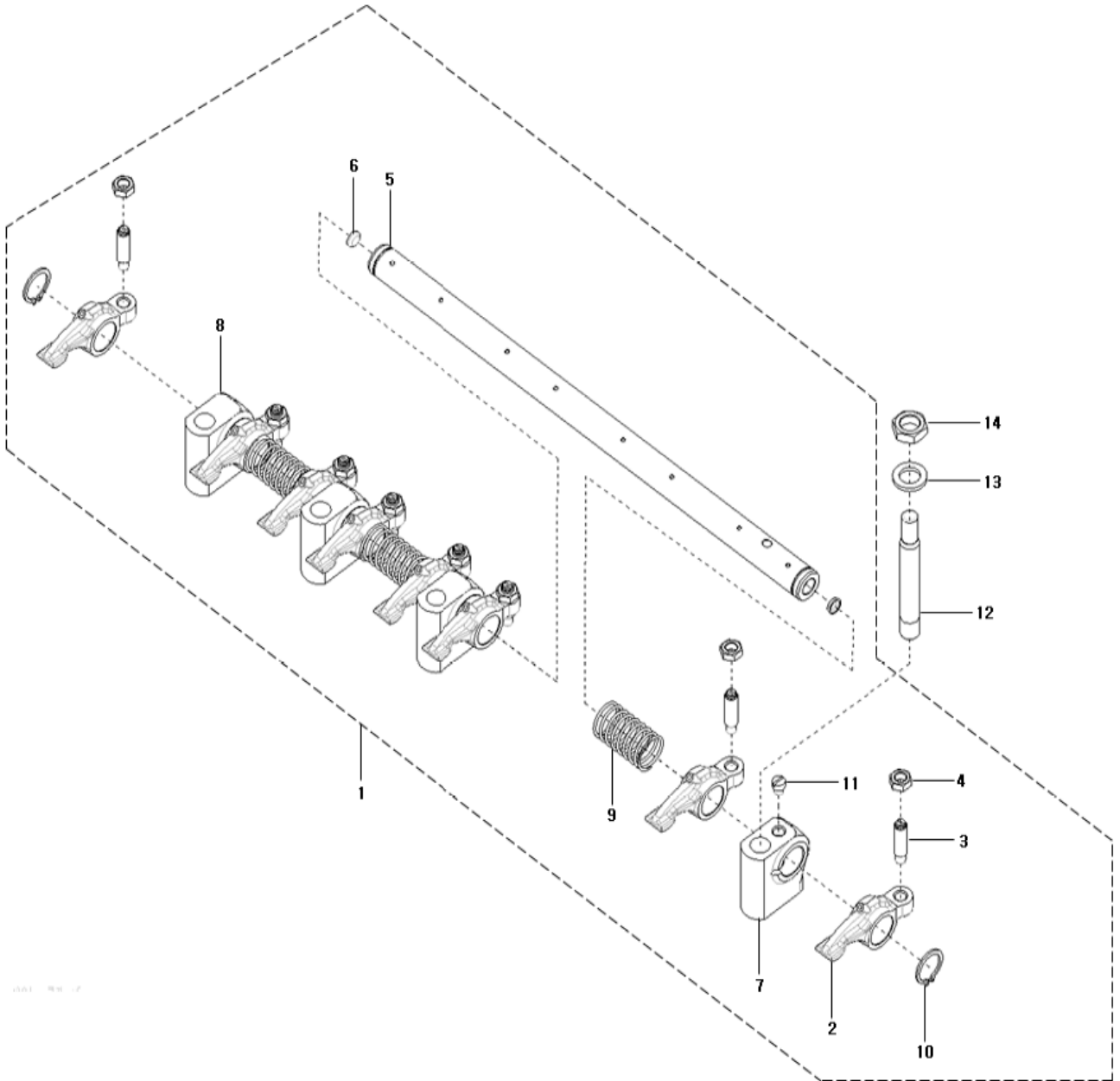
P1

YEAR

2019



T474SH



NOTE

FIG 107

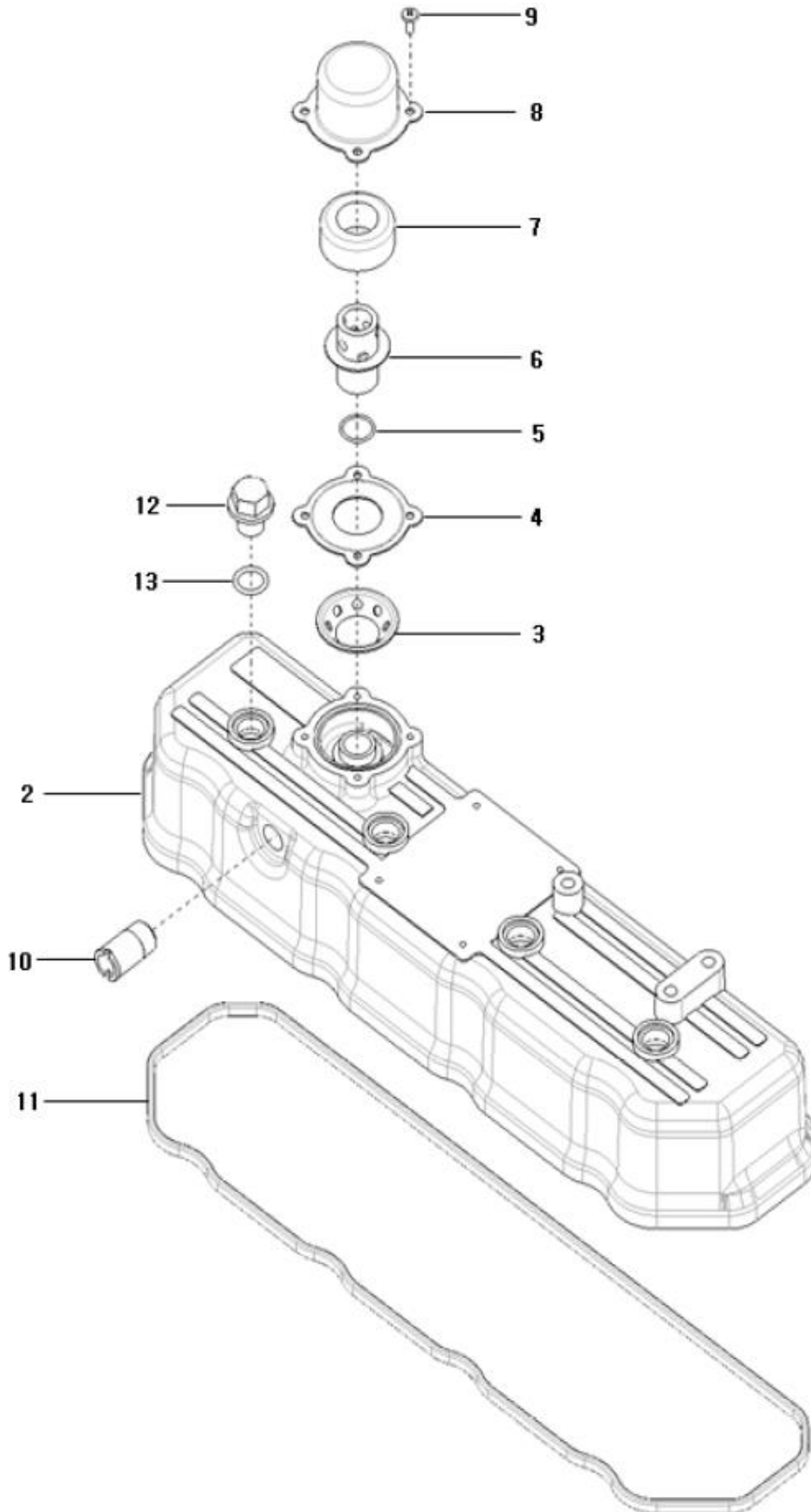
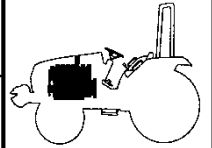
T474SH

HEAD COVER

P1

YEAR

2019



NOTE

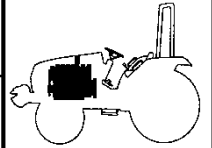
FIG 108

GEAR CASE

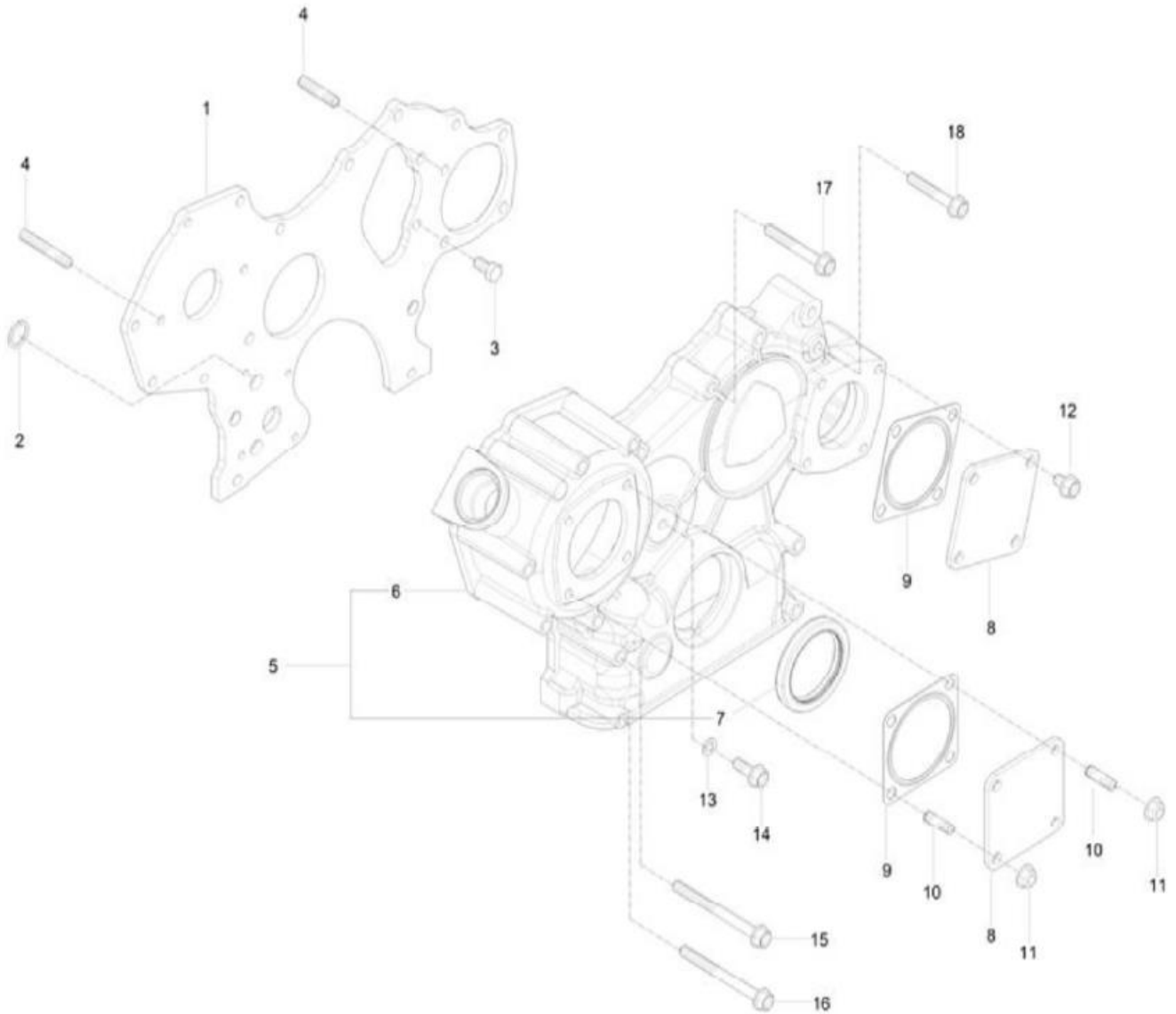
P1

YEAR

2019



T474SH



NOTE

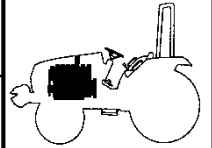
FIG 109

IDLE GEAR

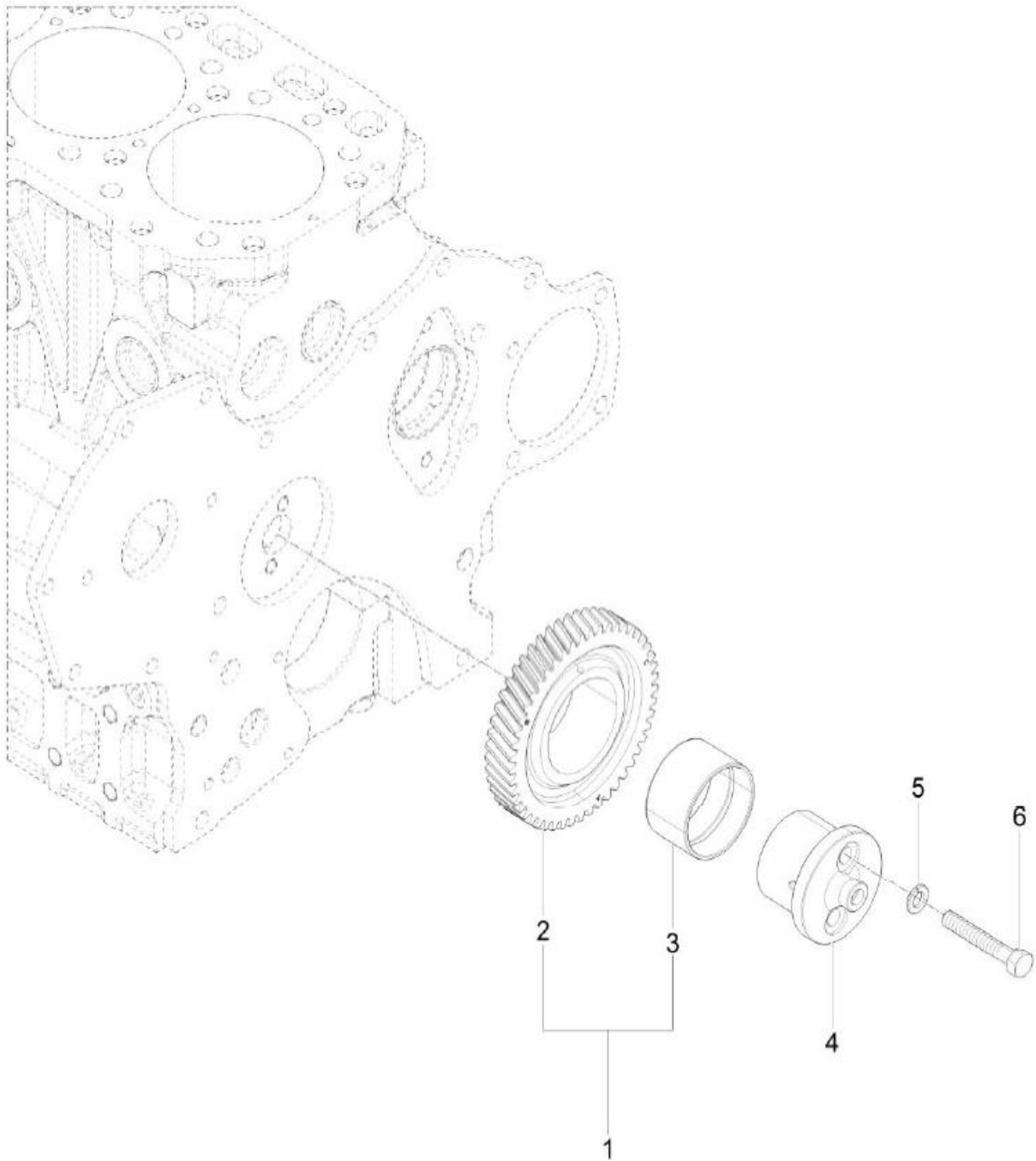
P1

YEAR

2019



T474SH



NOTE

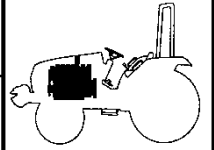
FIG 110

CAM SHAFT

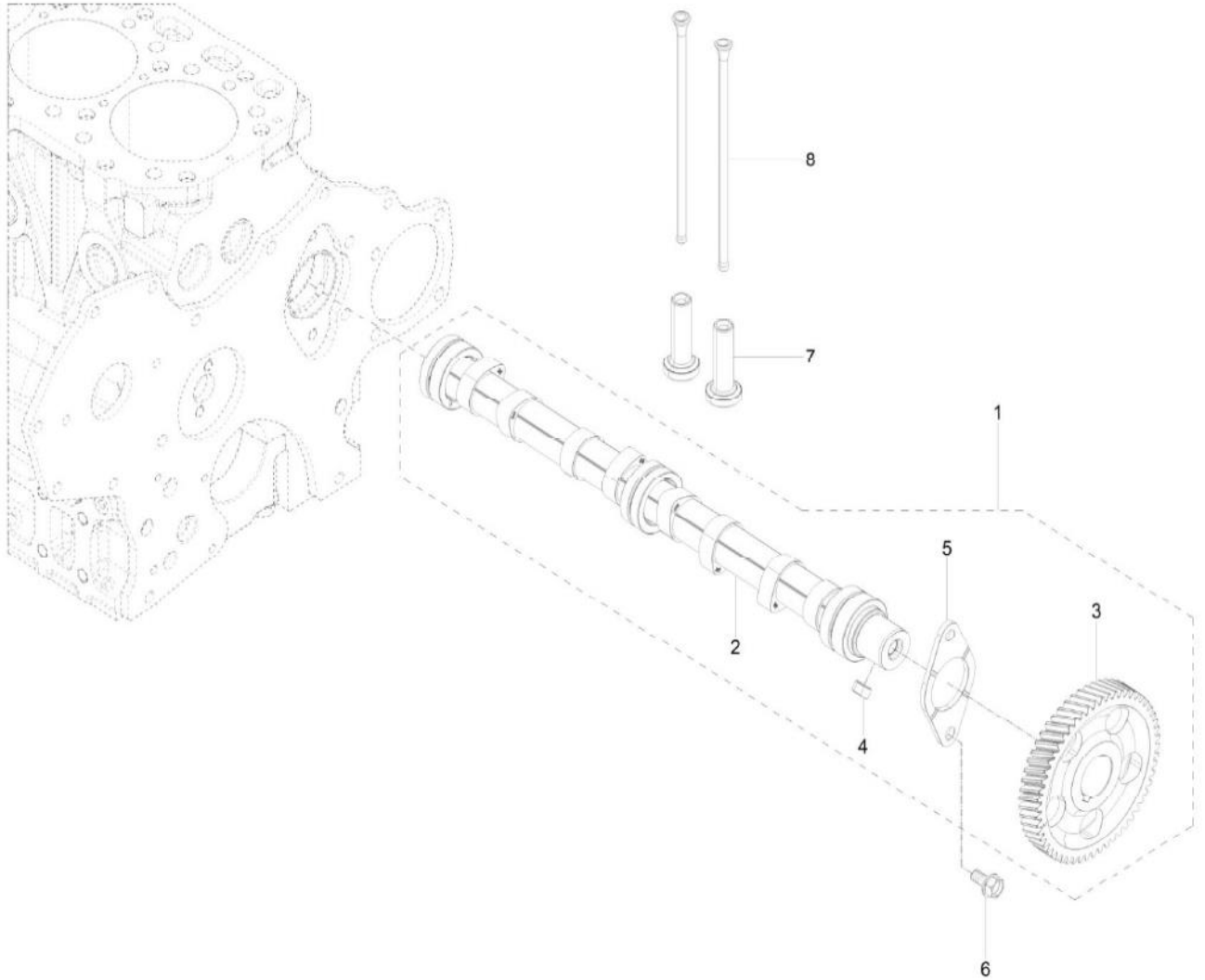
P1

YEAR

2019



T474SH



NOTE

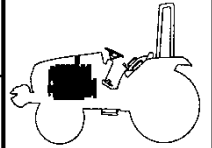
FIG 111

OIL PUMP

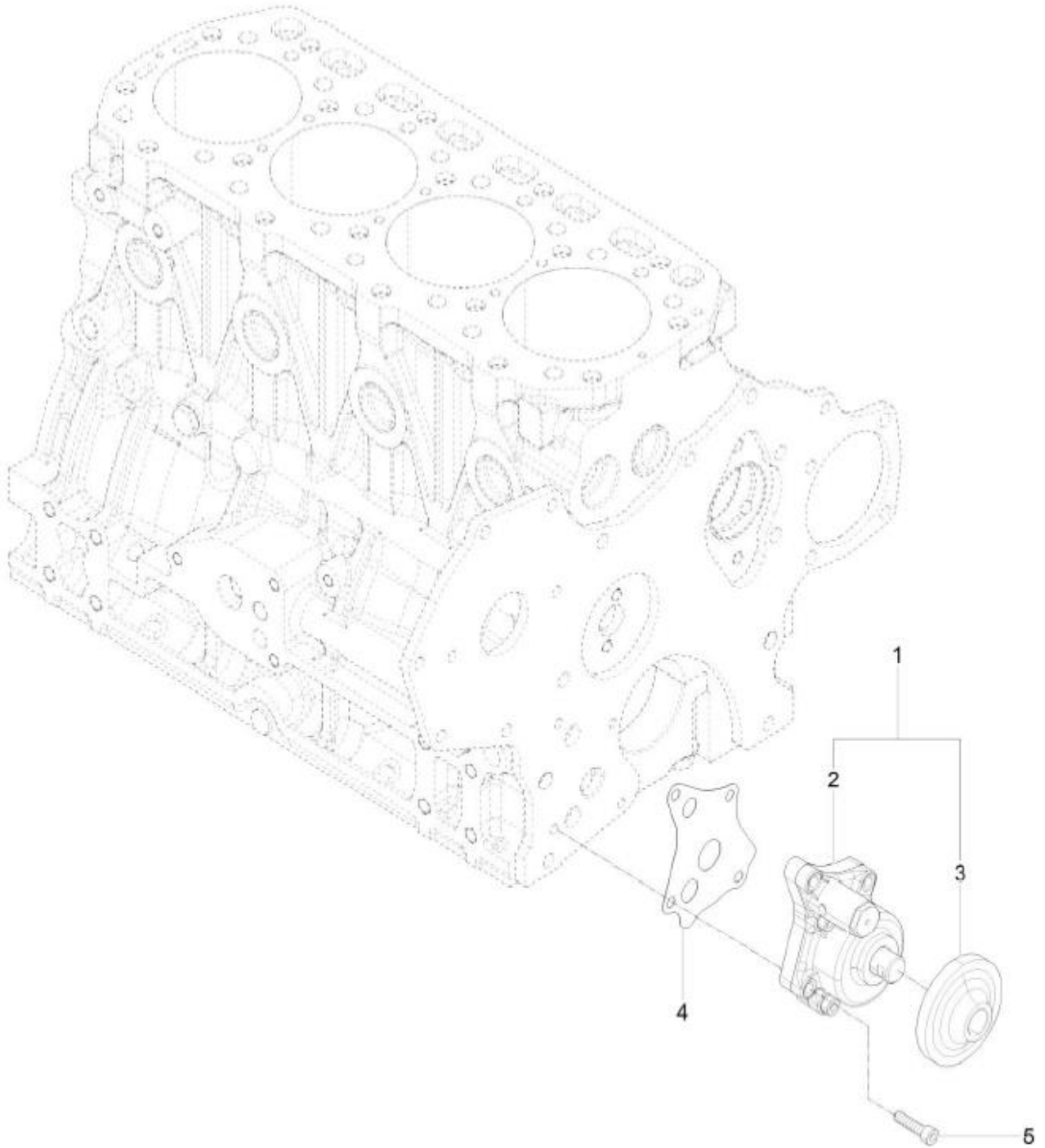
P1

YEAR

2019



T474SH



NOTE

FIG 112

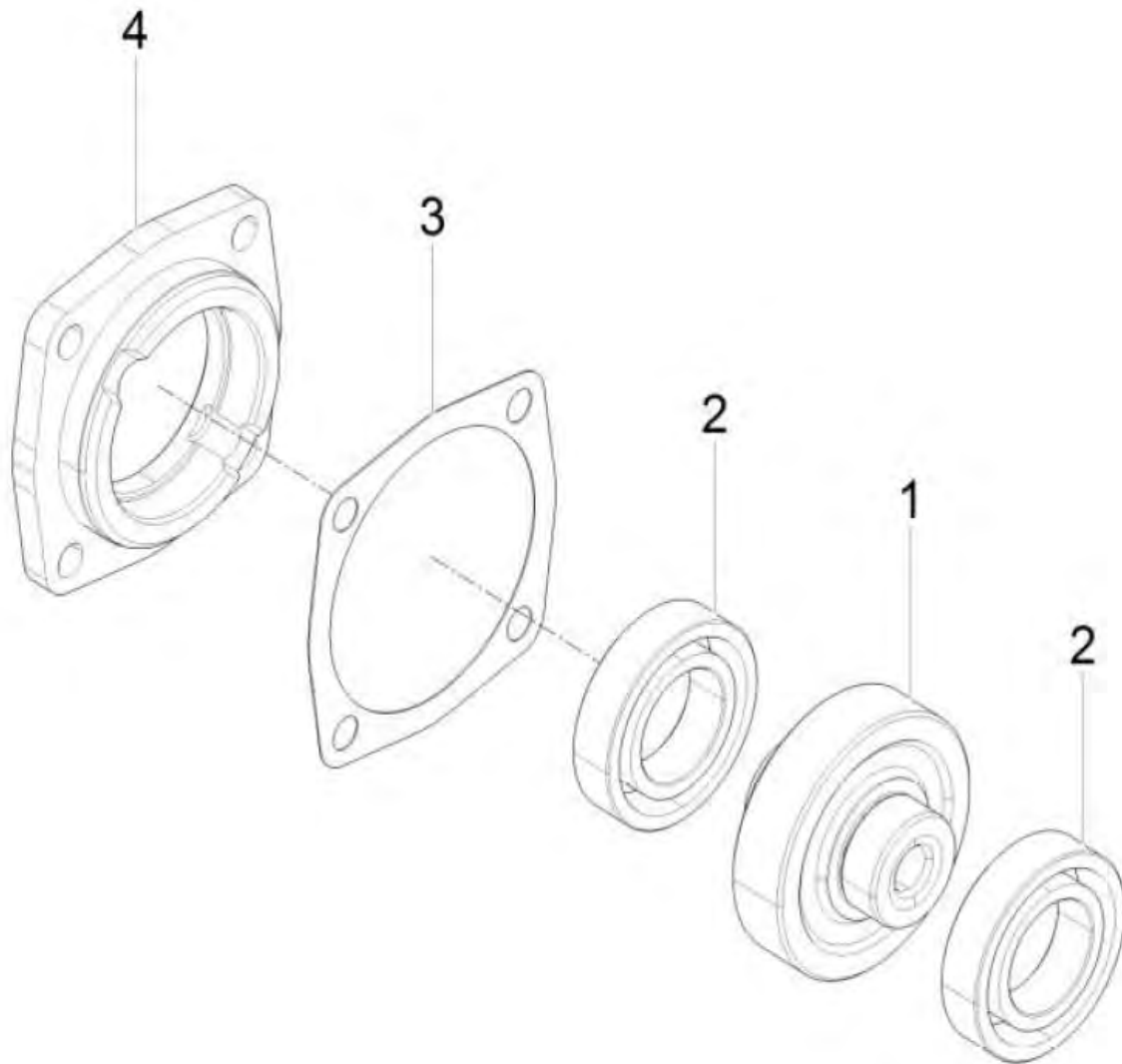
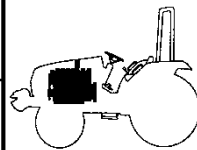
T474SH

HYD. PUMP DRIVE

P1

YEAR

2019



NOTE

FIG 113

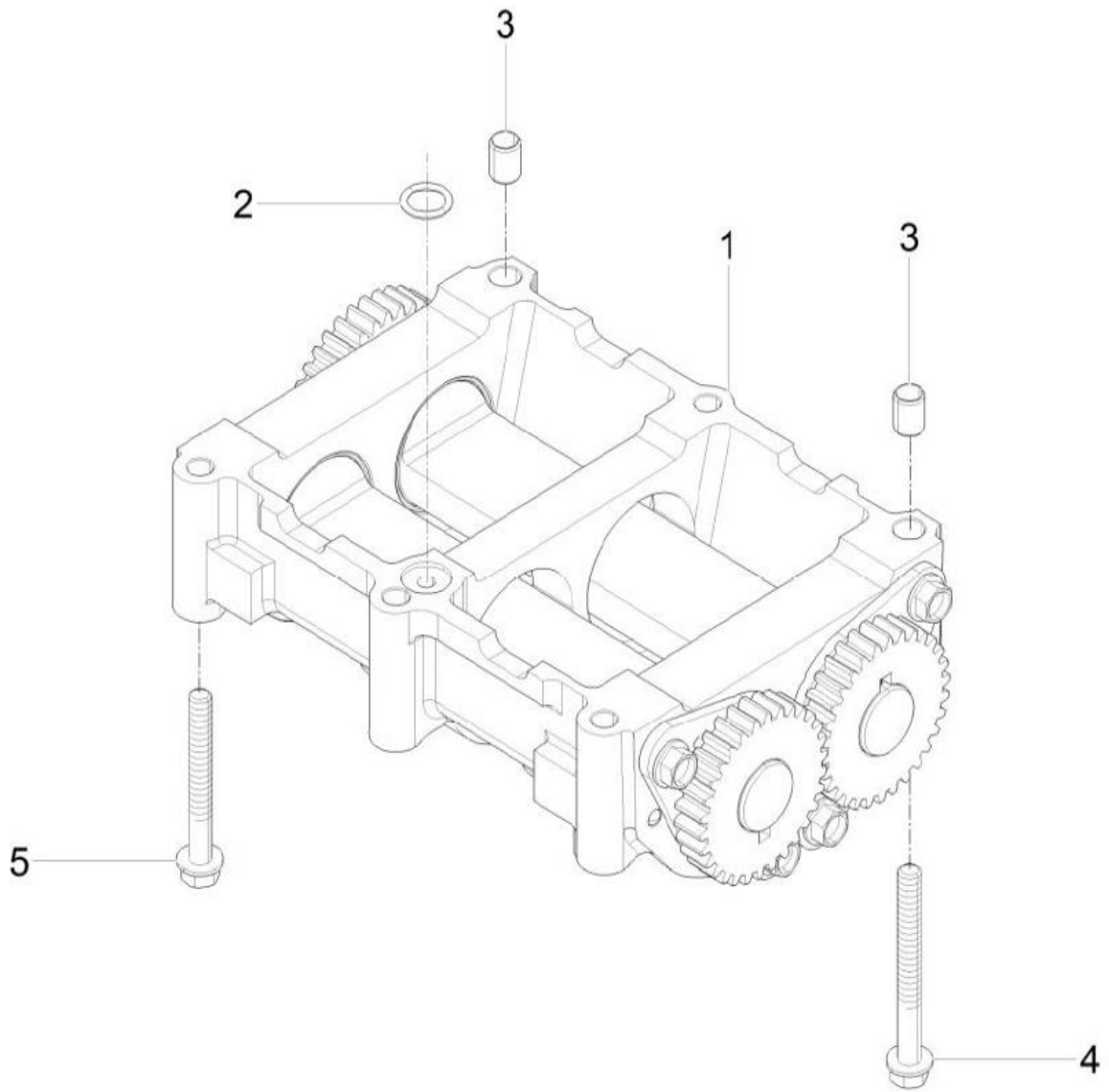
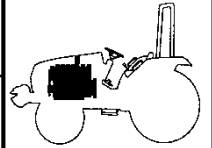
T474SH

2ND BALANCE

P1

YEAR

2019



NOTE

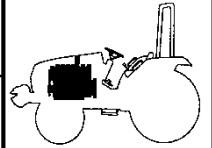
FIG 114

OIL PAN

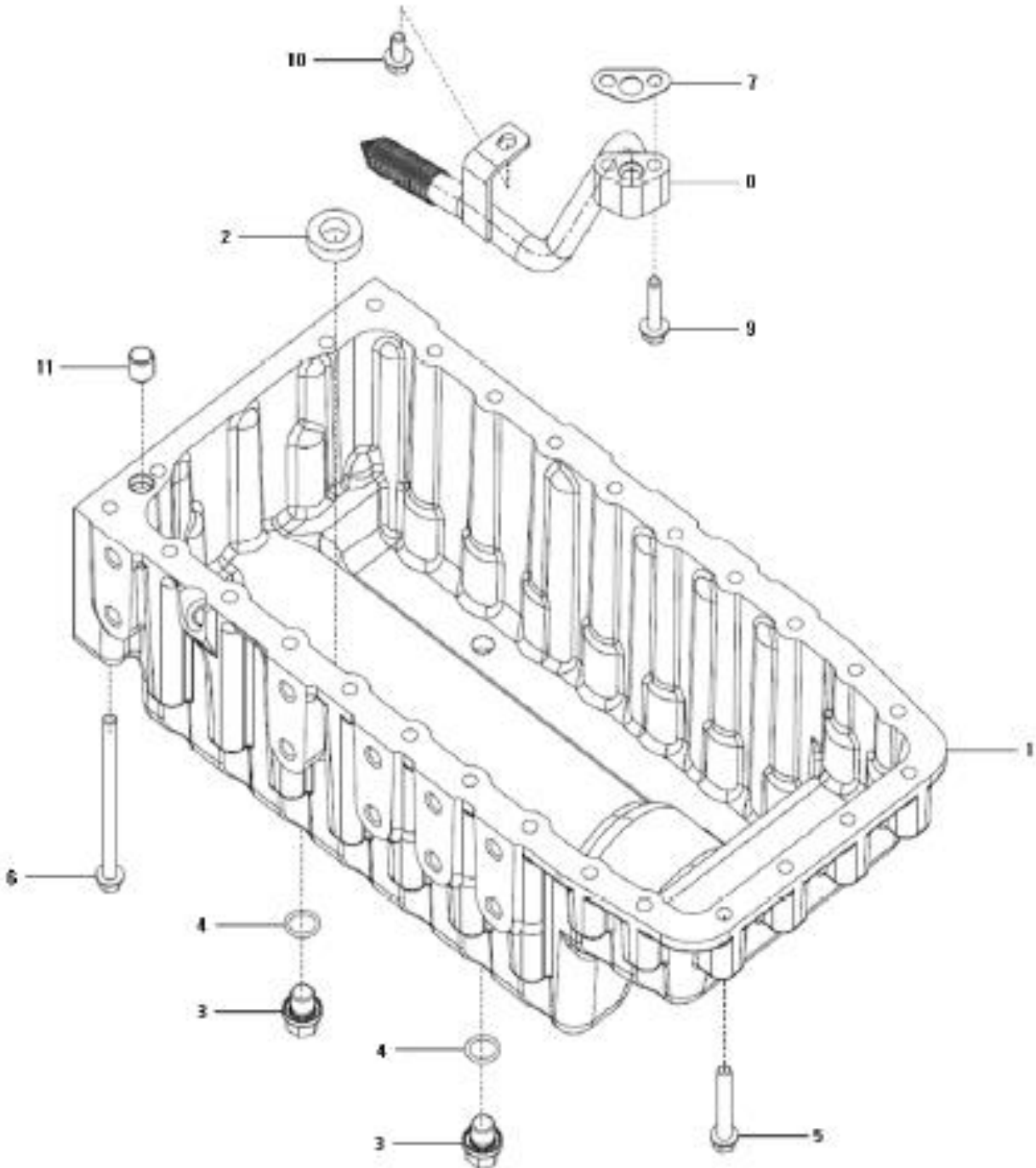
P1

YEAR

2019



T474SH



NOTE

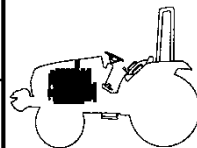
FIG 115

INTAKE MANIFOLD

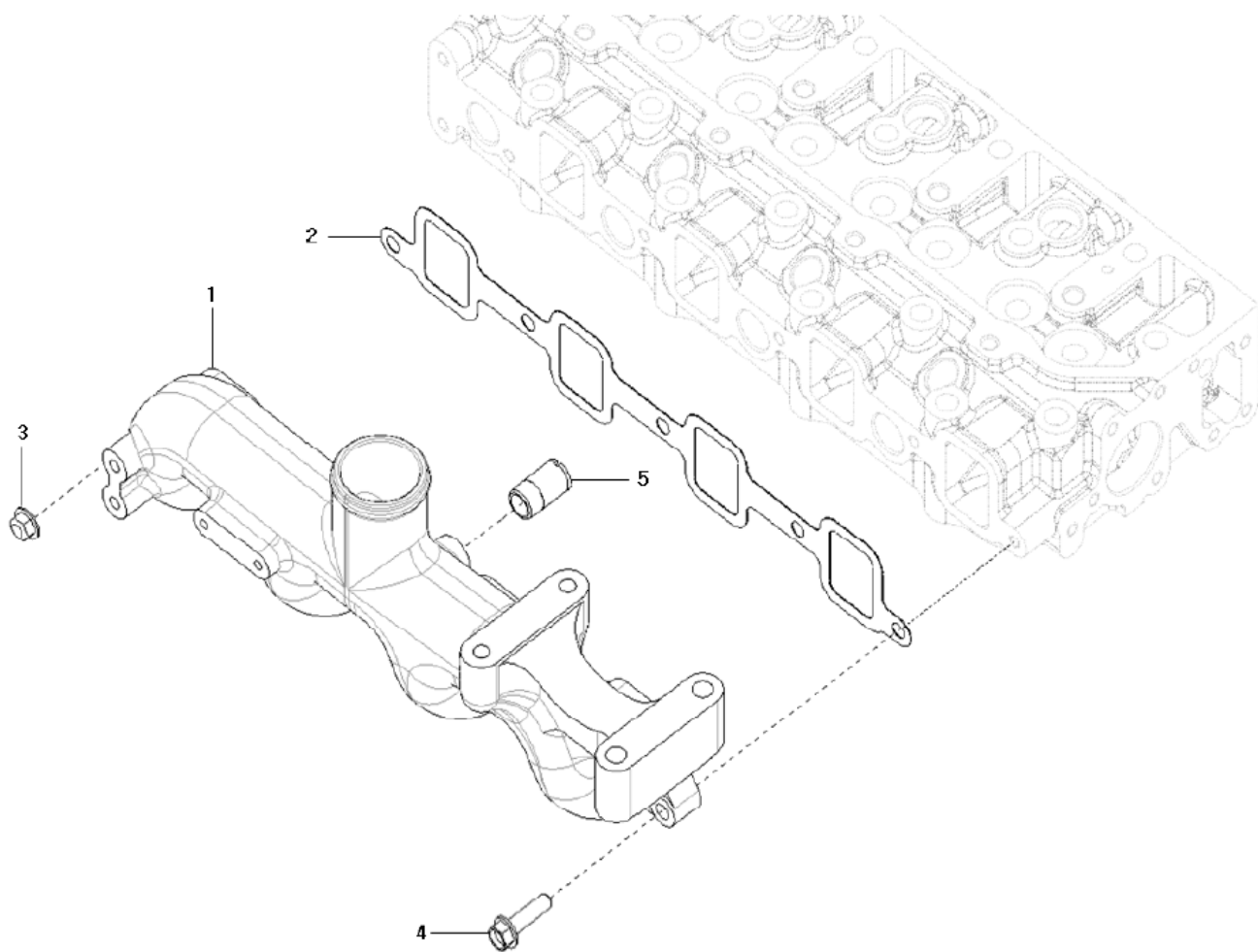
P1

YEAR

2019



T474SH



NOTE

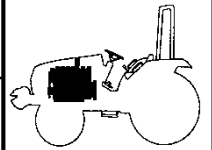
FIG 116

EXHAUST MANIFOLD

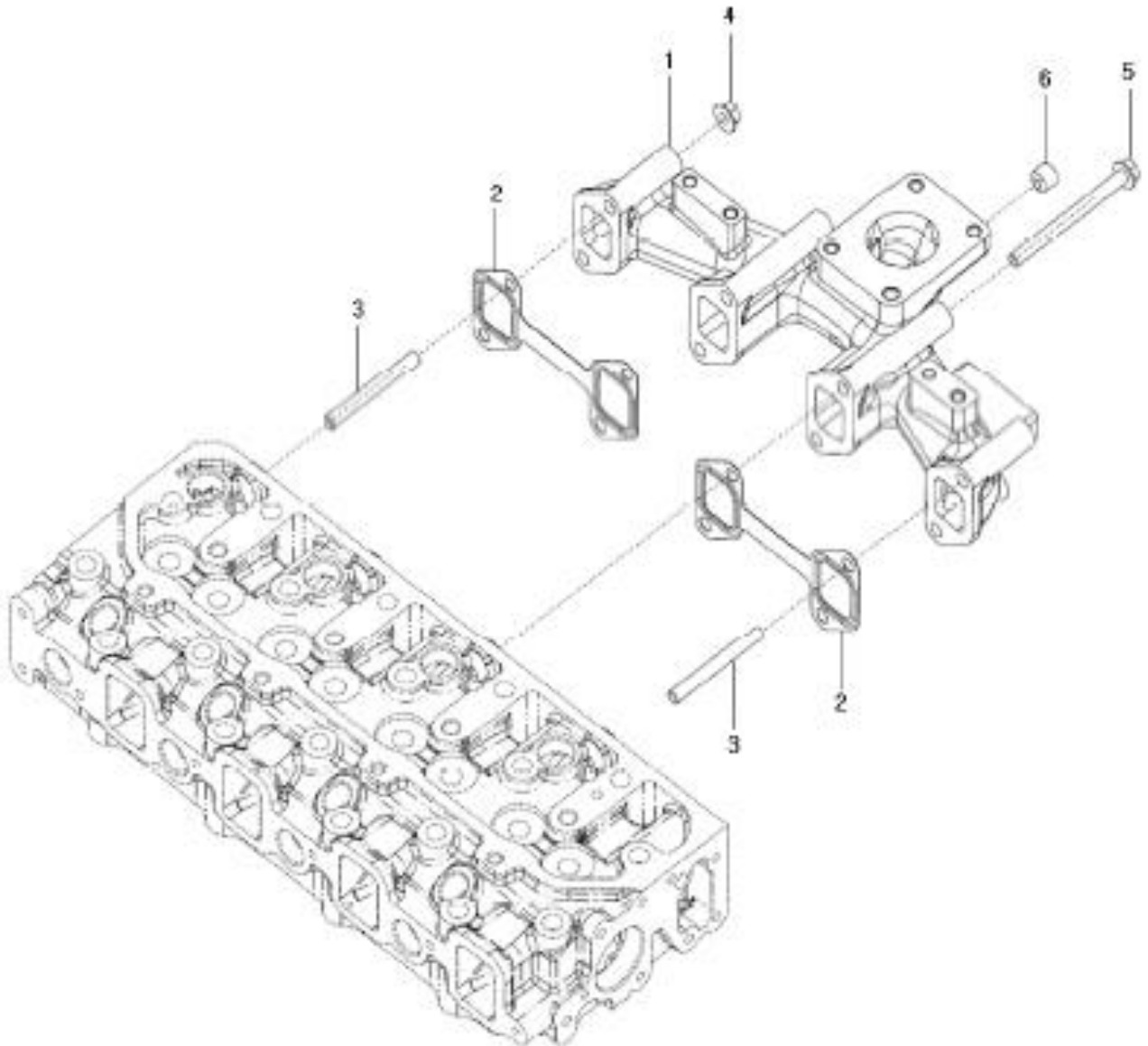
P1

YEAR

2019



T474SH



NOTE

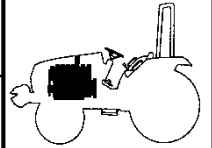
FIG 117

DPF SUPPORT OPTION

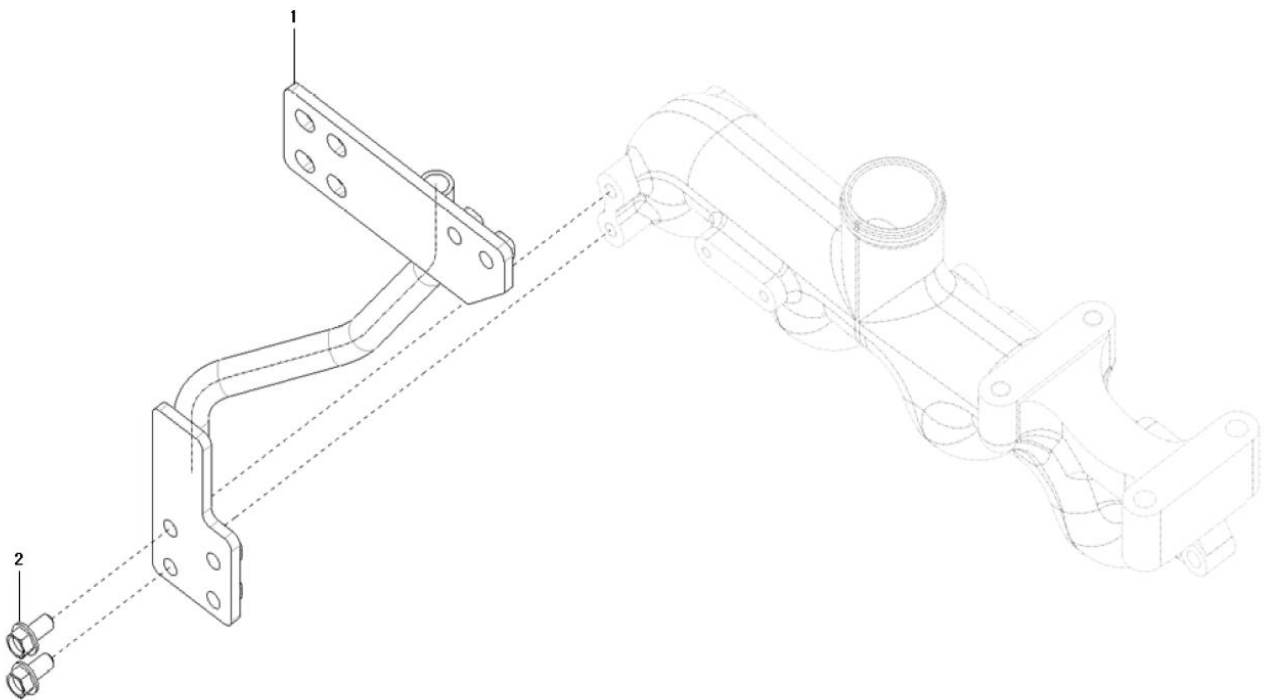
P1

YEAR

2019



T474SH



NOTE

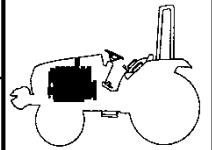
FIG 118

TURBOCHARGER PLUMBING OPTION

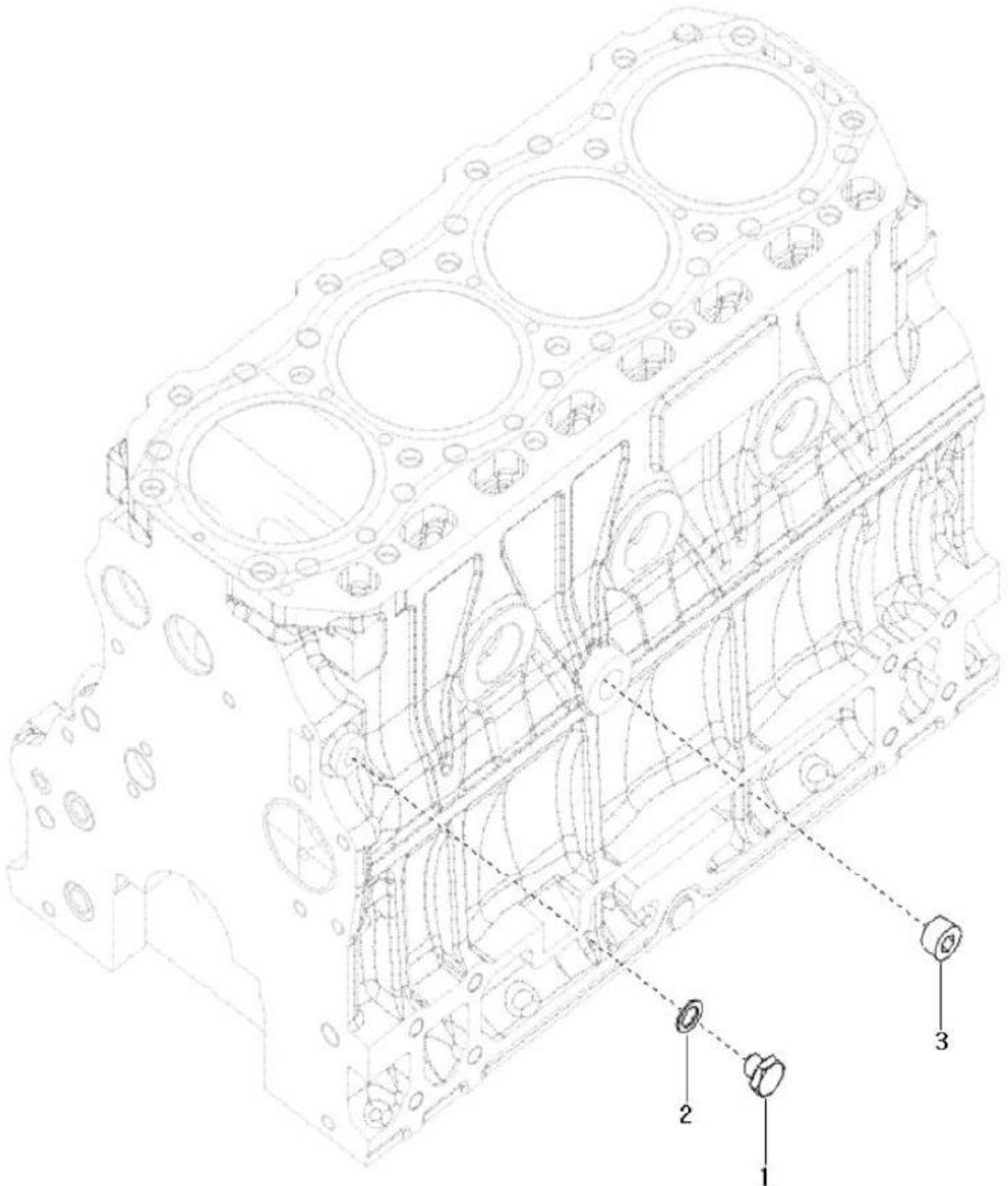
P1

YEAR

2019



T474SH



NOTE

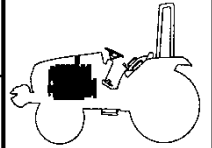
FIG 119

BREATHER

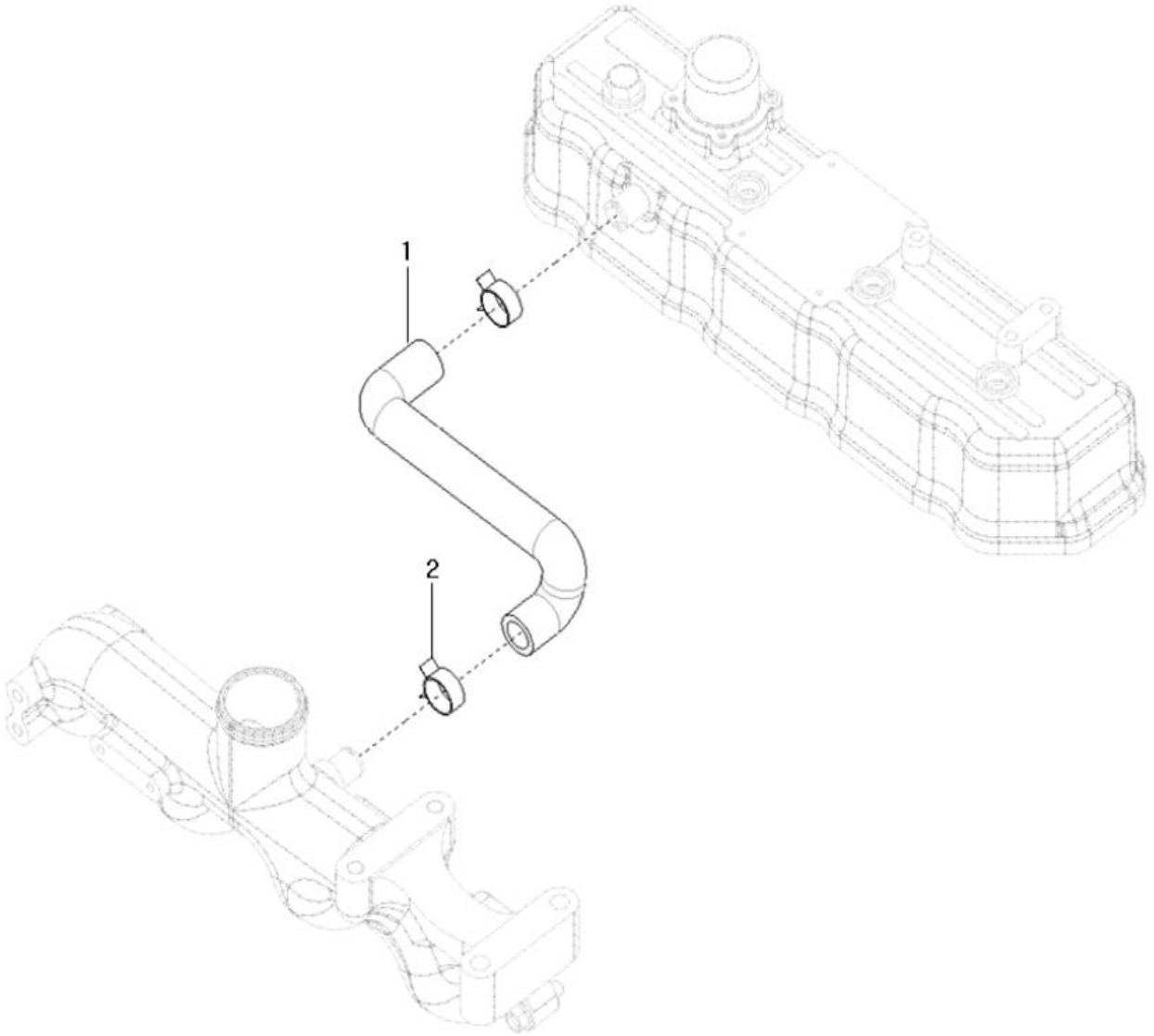
P1

YEAR

2019



T474SH



NOTE

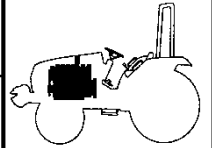
FIG 120

FUEL INJECTION PUMP

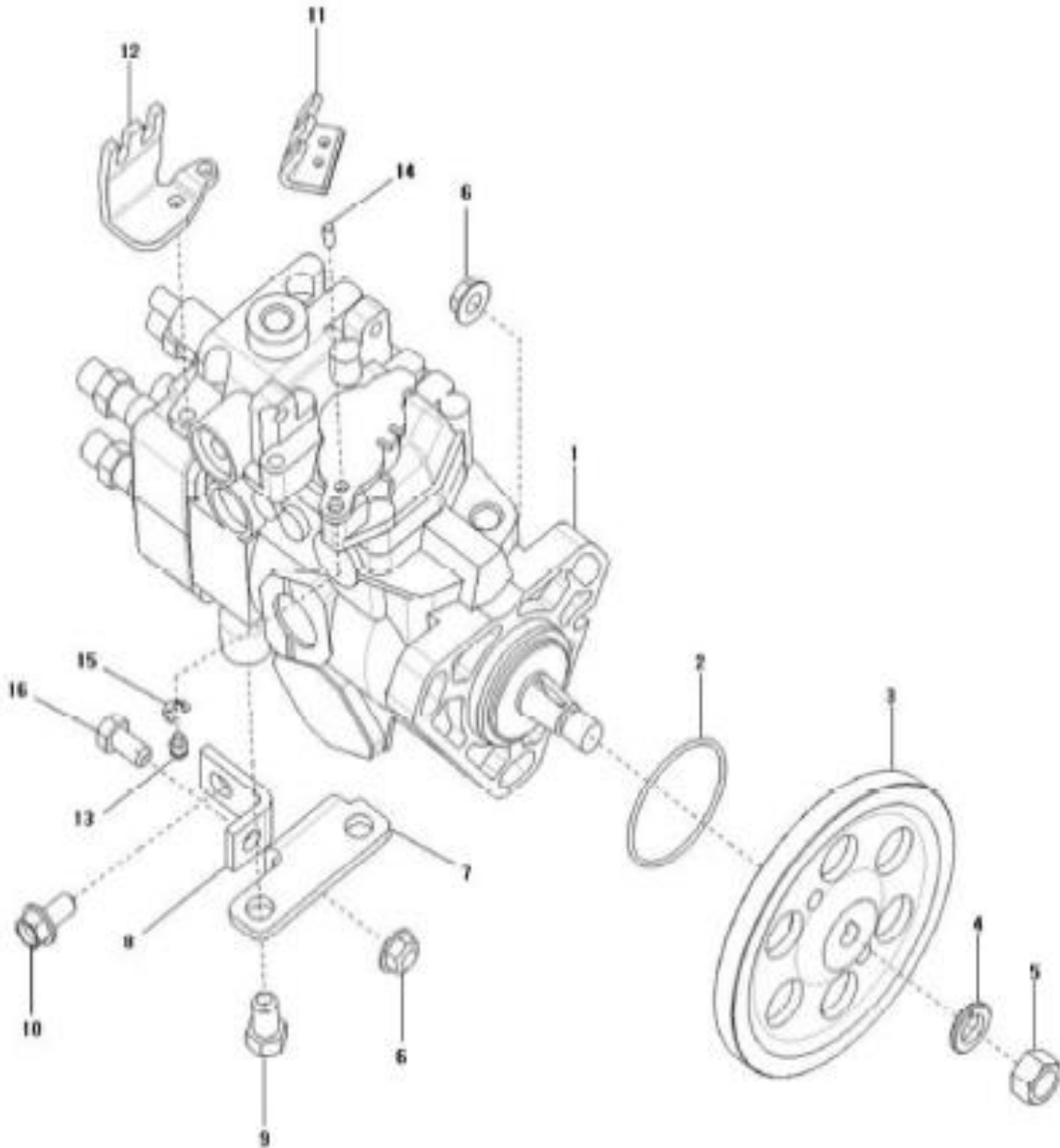
P1

YEAR

2019



T474SH



NOTE

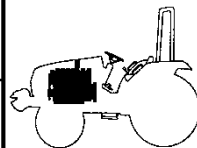
FIG 121

FUEL INJECTION VALVE

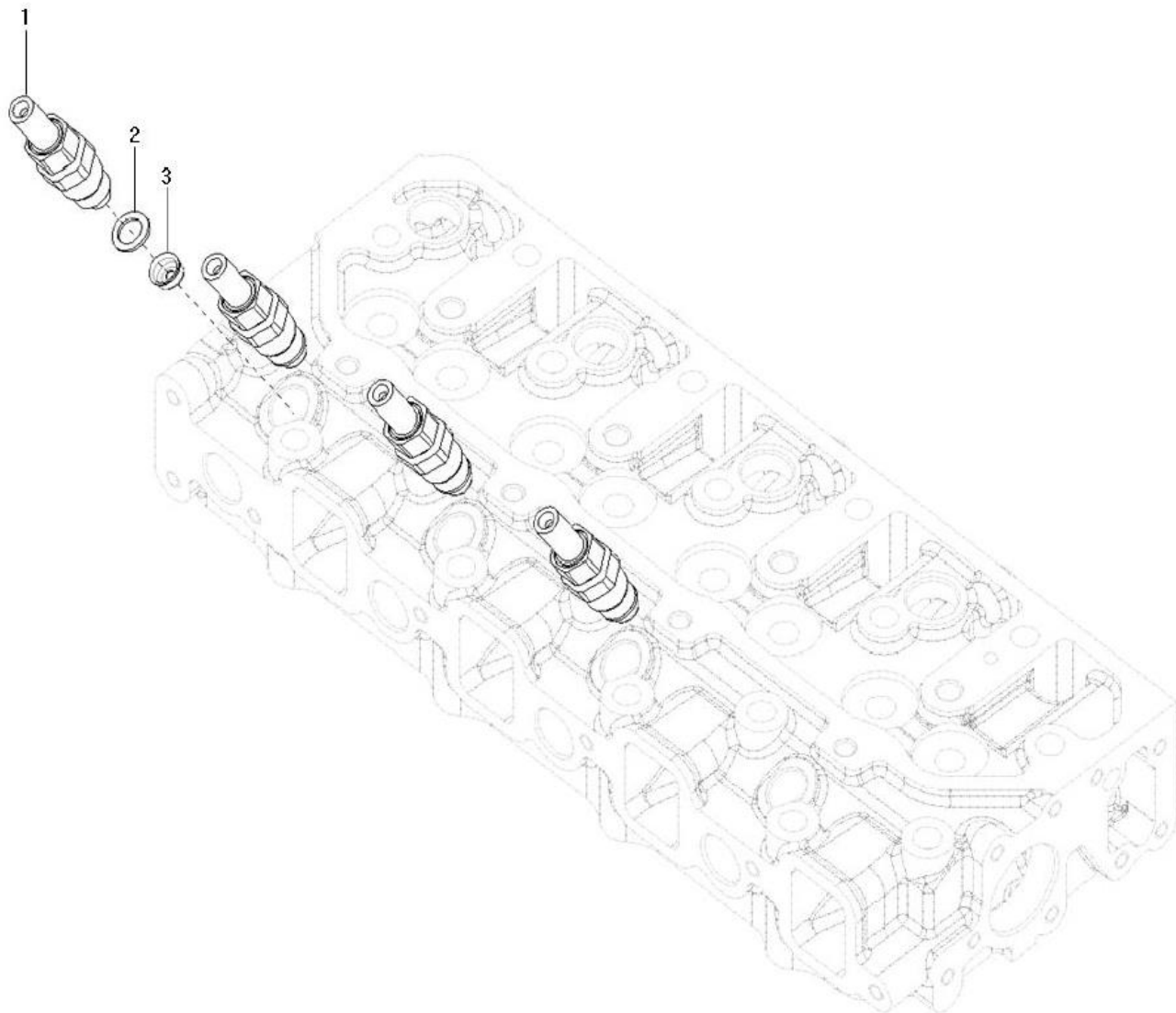
P1

YEAR

2019



T474SH



NOTE

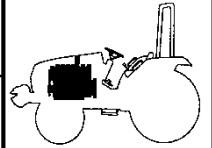
FIG 122

FUEL PIPE ASS'Y

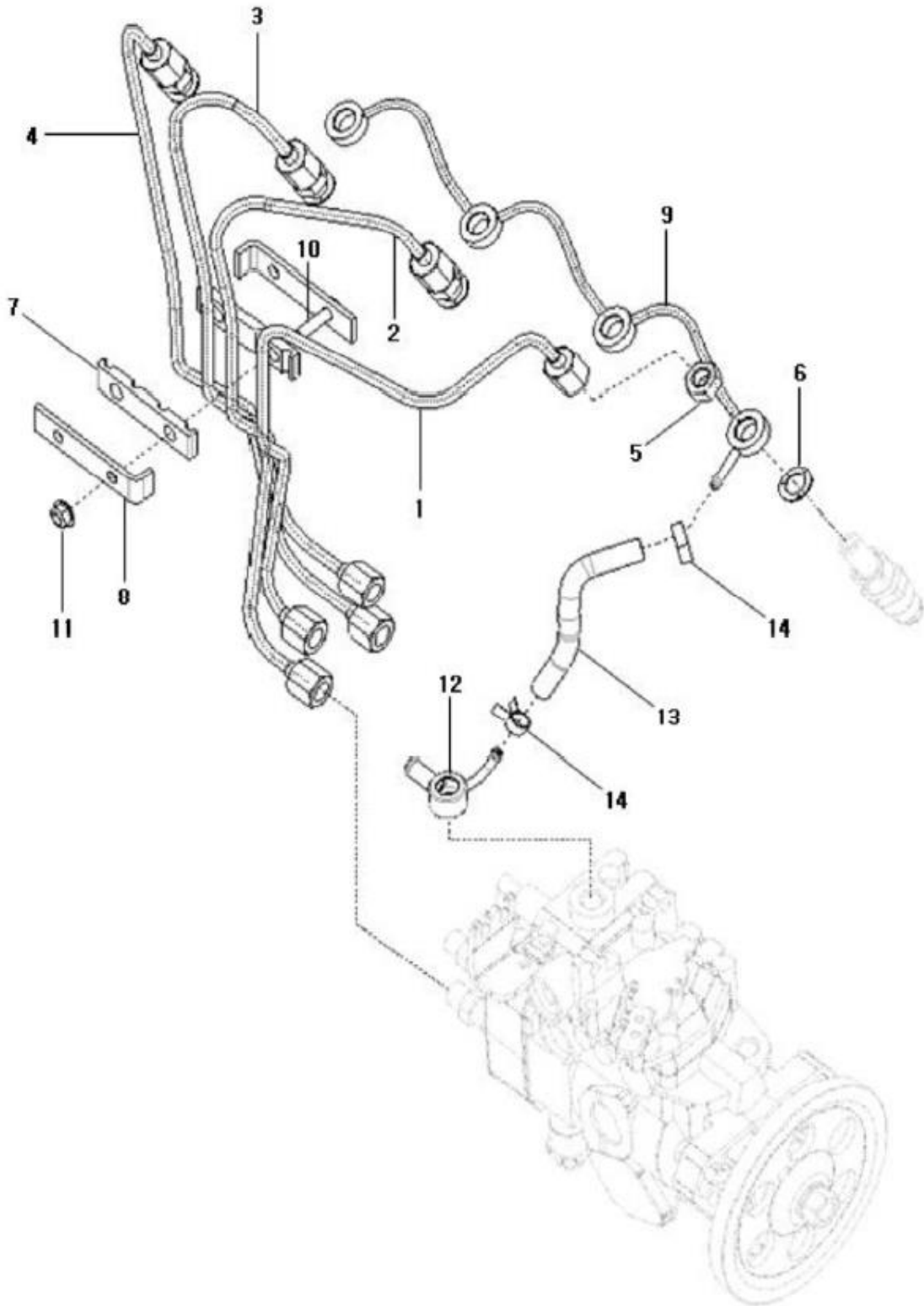
P1

YEAR

2019



T474SH



NOTE

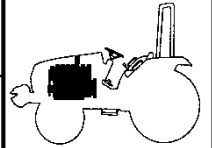
FIG 123

OIL FILTER

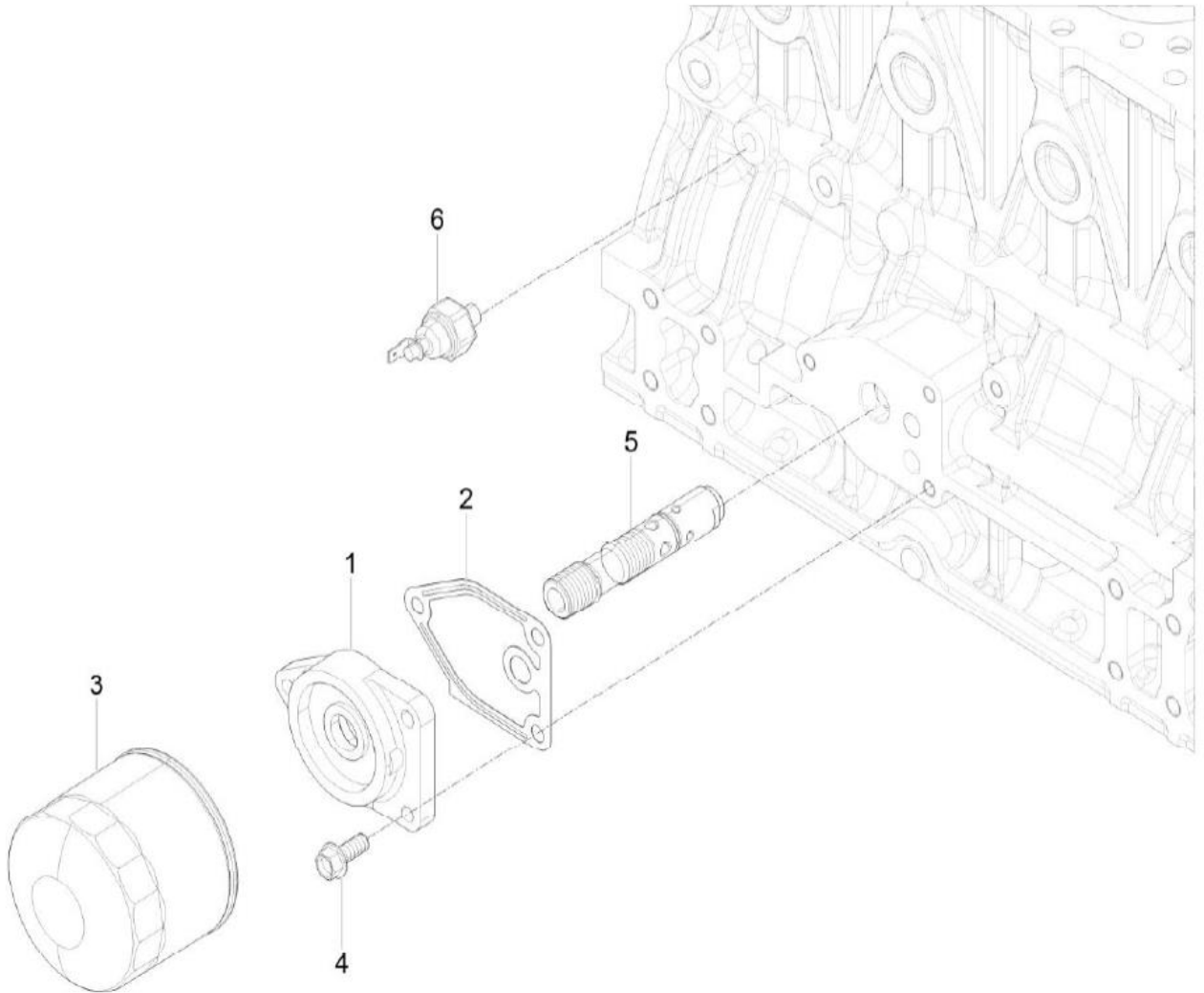
P1

YEAR

2019



T474SH



NOTE

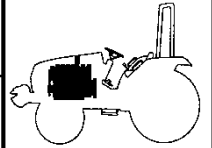
FIG 124

OIL COOLER

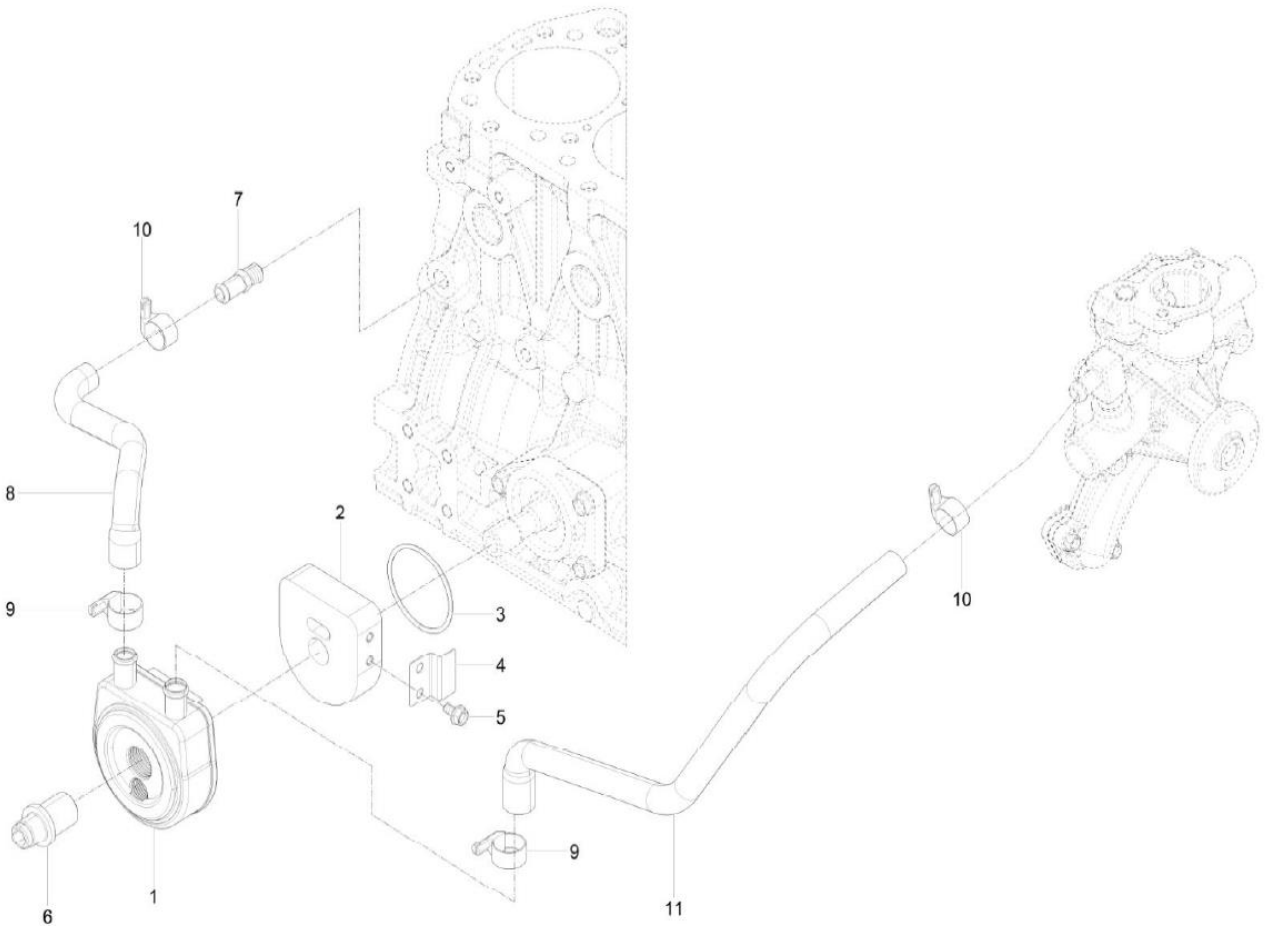
P1

YEAR

2019



T474SH



NOTE

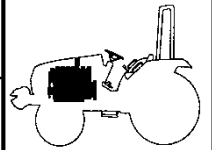
FIG 125

OIL GAUGUE

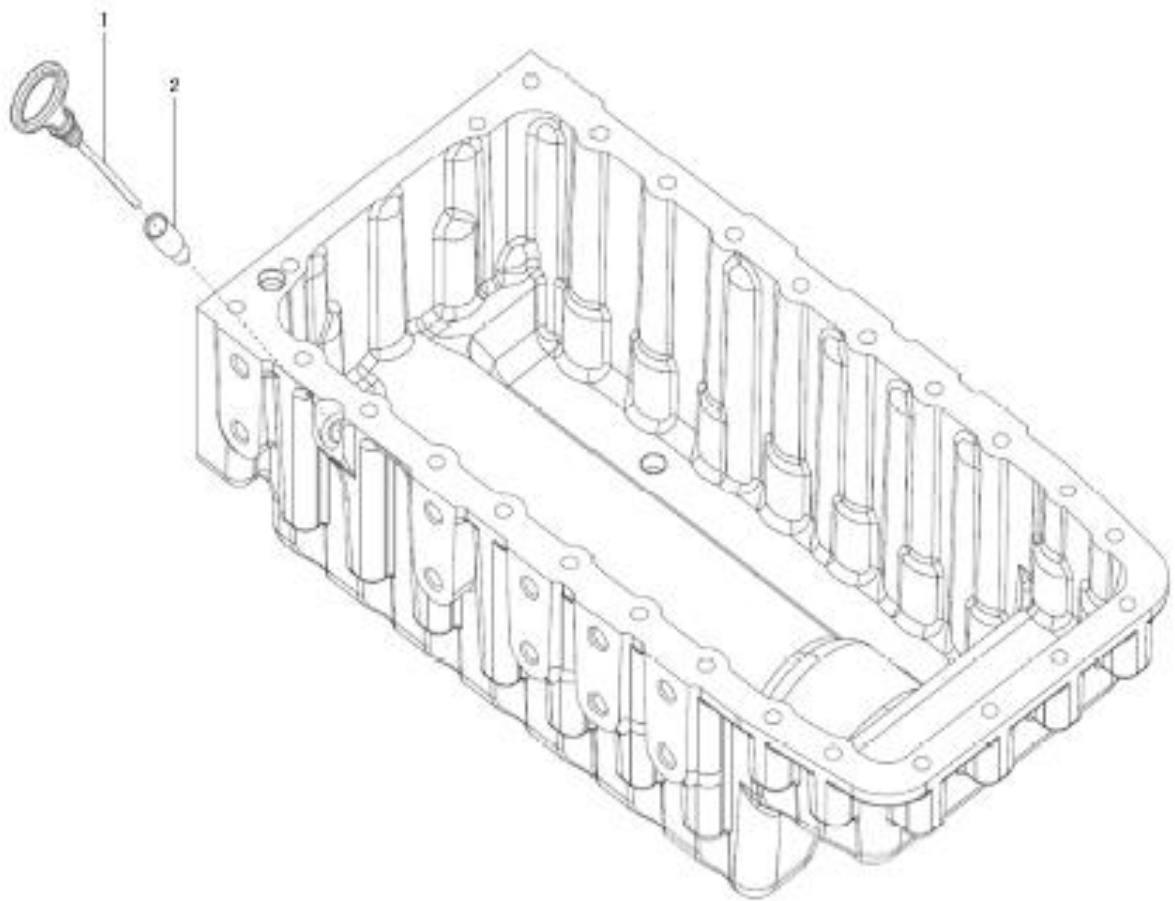
P1

YEAR

2019



T474SH



NOTE

FIG 126

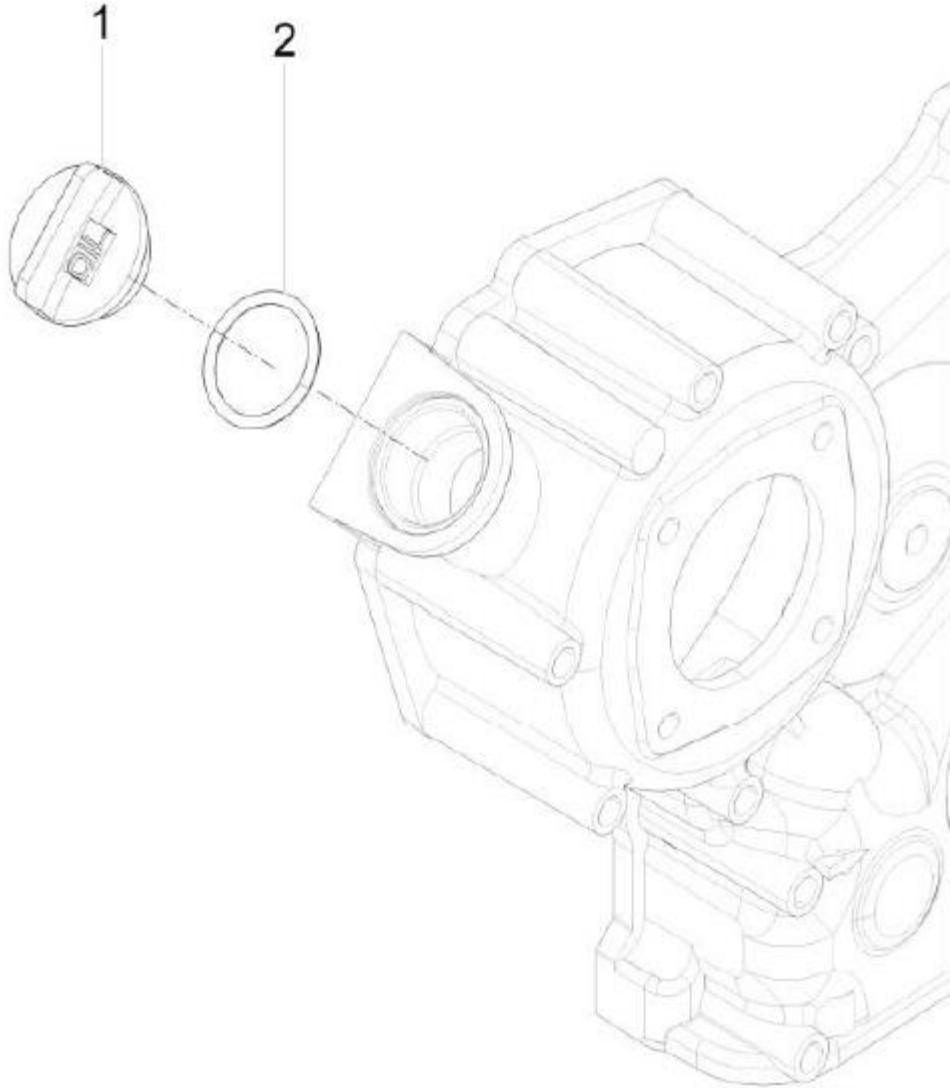
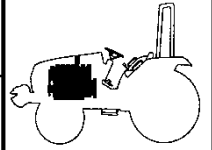
T474SH

OIL FILLER CAP

P1

YEAR

2019



NOTE

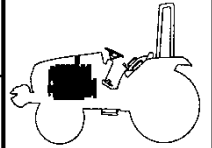
FIG 127

COOLING WATER PUMP

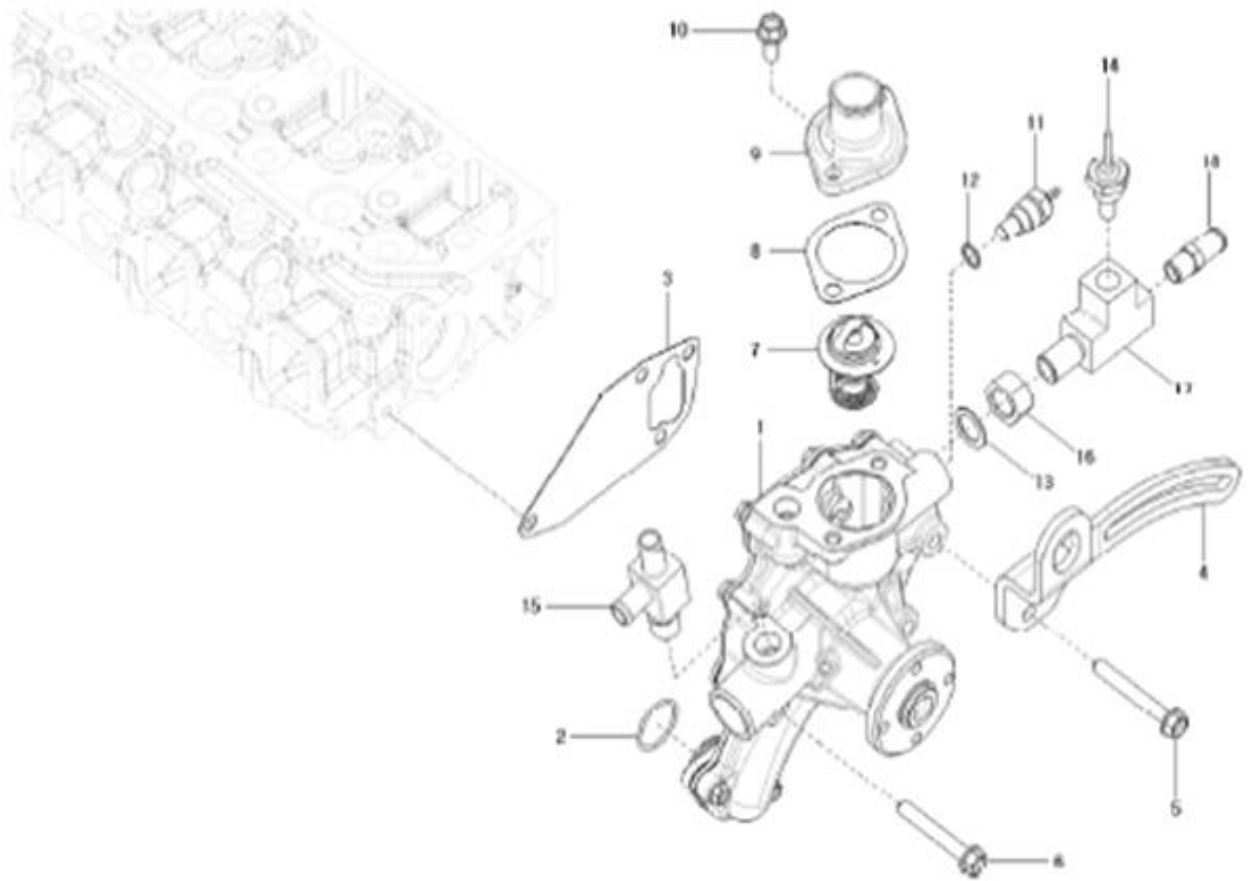
P1

YEAR

2019



T474SH



NOTE

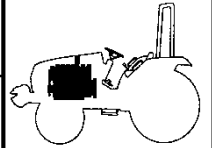
FIG 128

CRANK SHAFT PULLEY

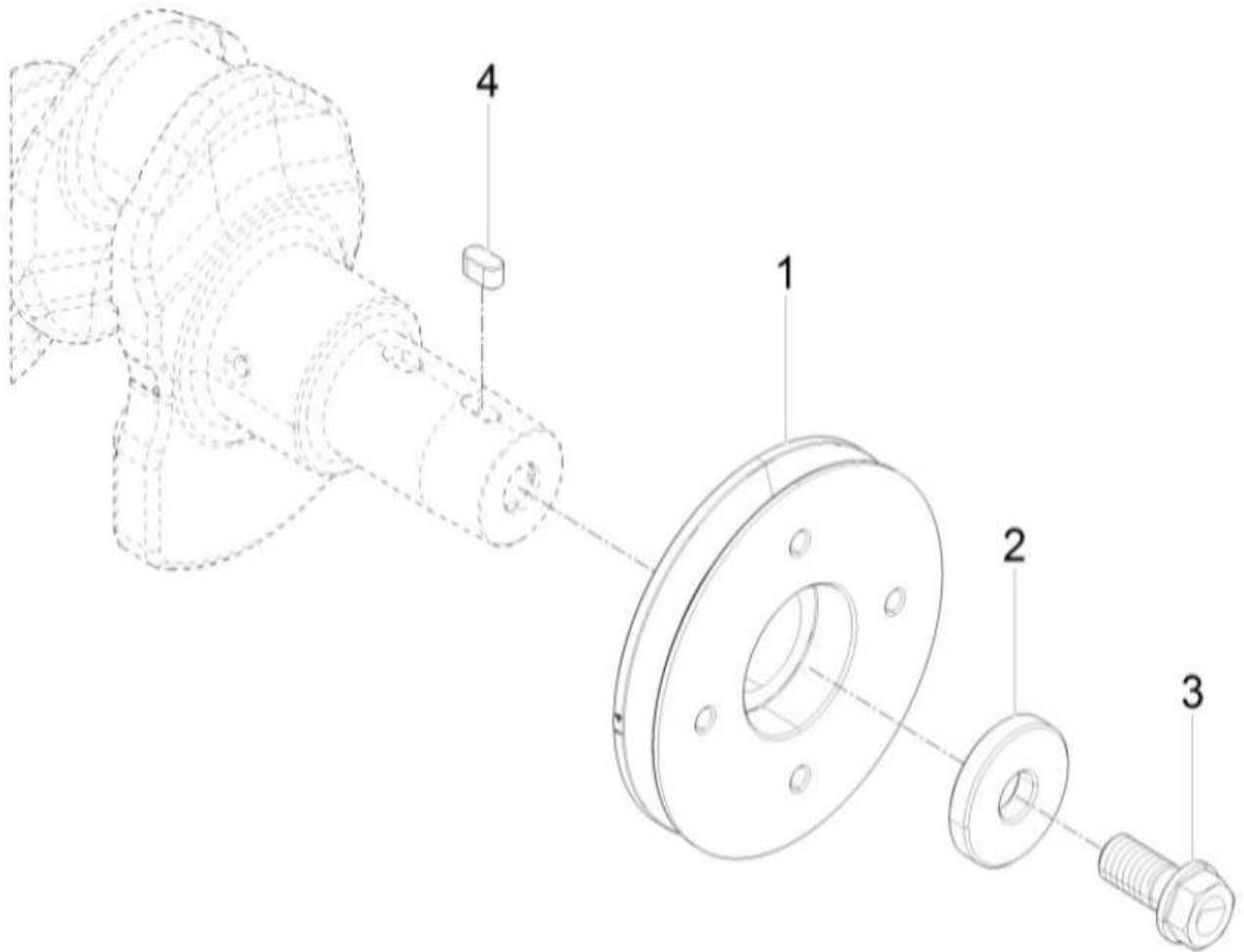
P1

YEAR

2019



T474SH



NOTE

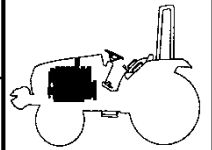
FIG 129

V-PULLEY

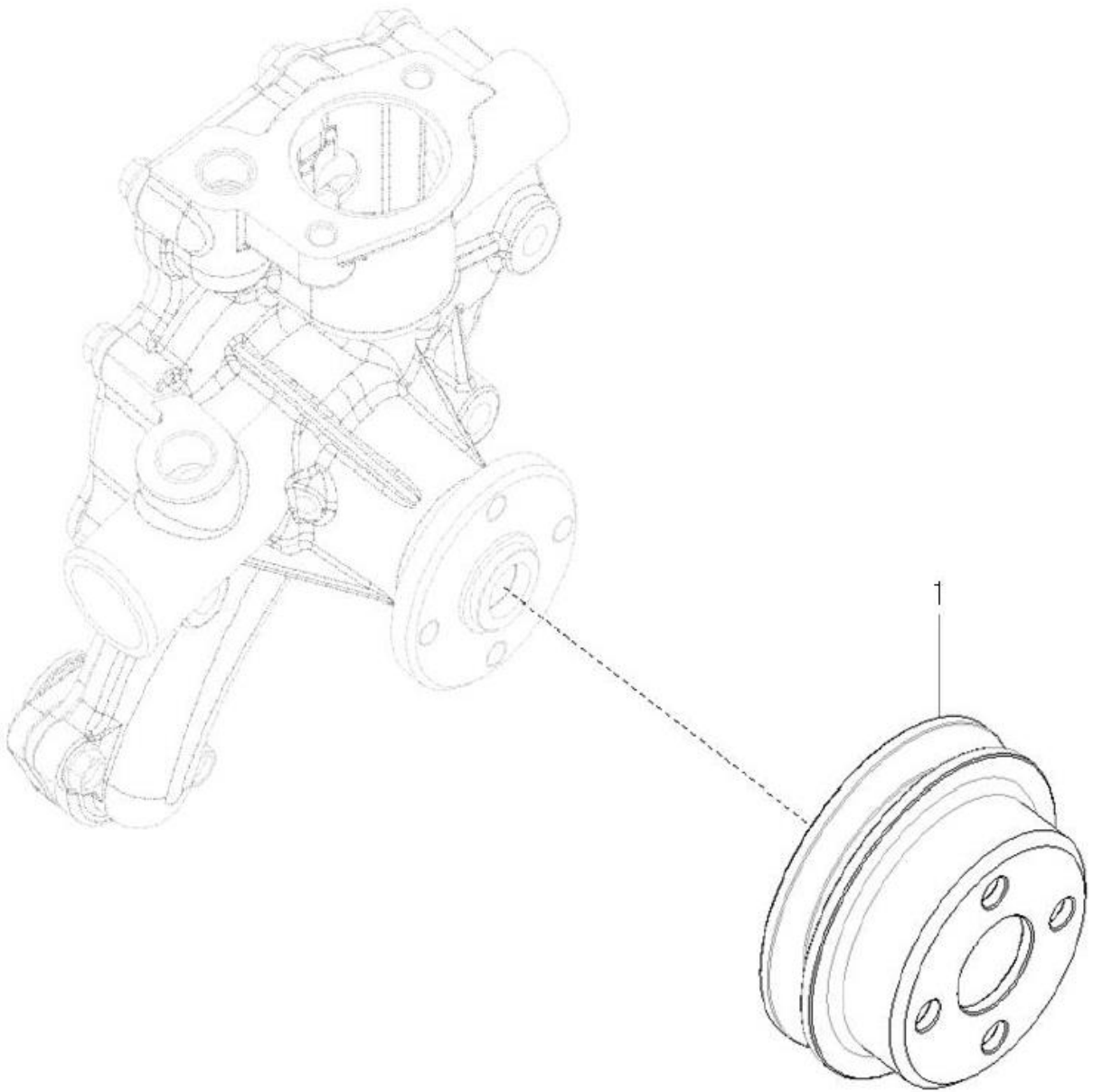
P1

YEAR

2019



T474SH



NOTE

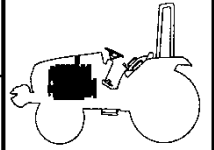
FIG 130

COOLING FAN

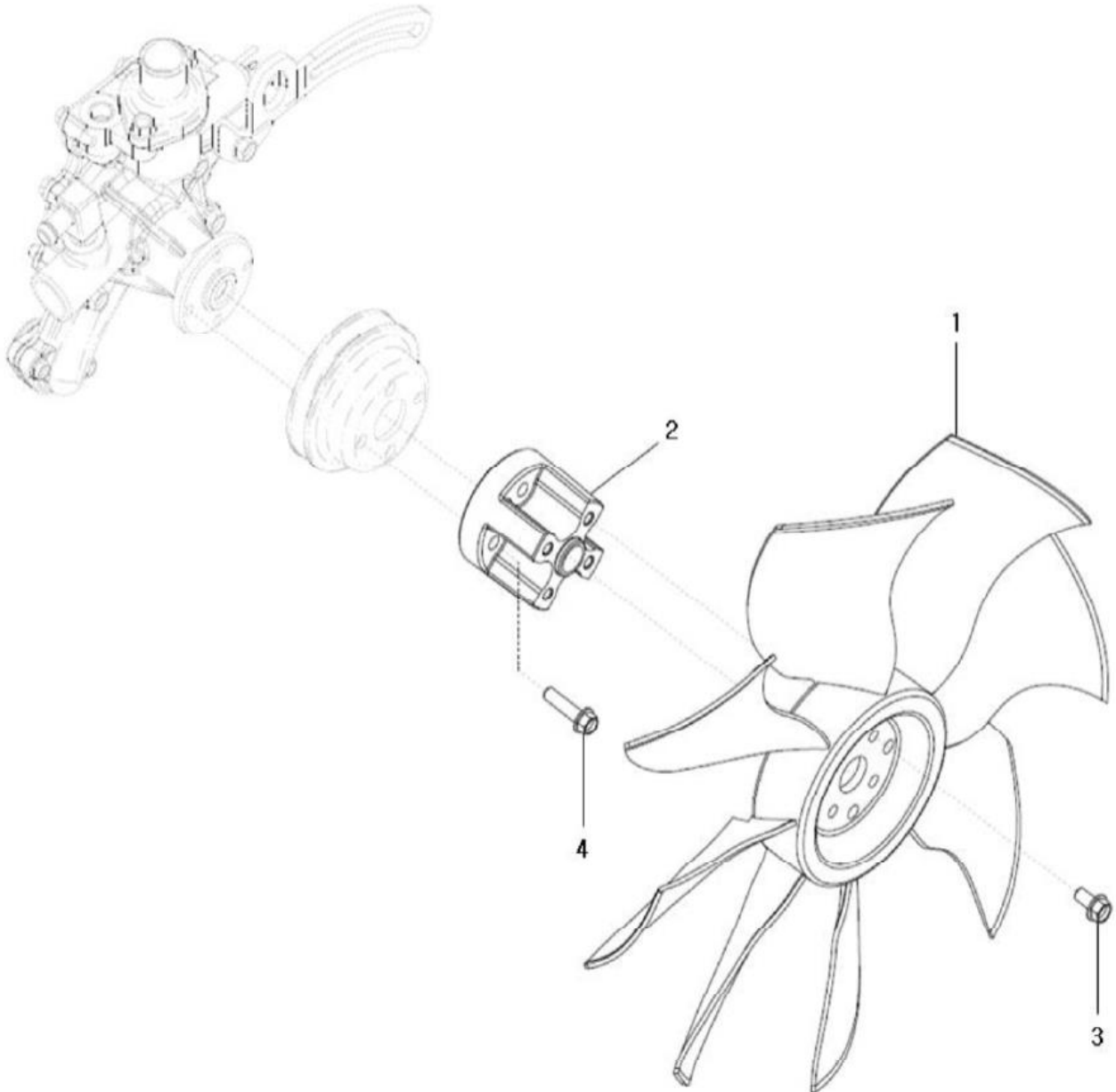
P1

YEAR

2019



T474SH



NOTE

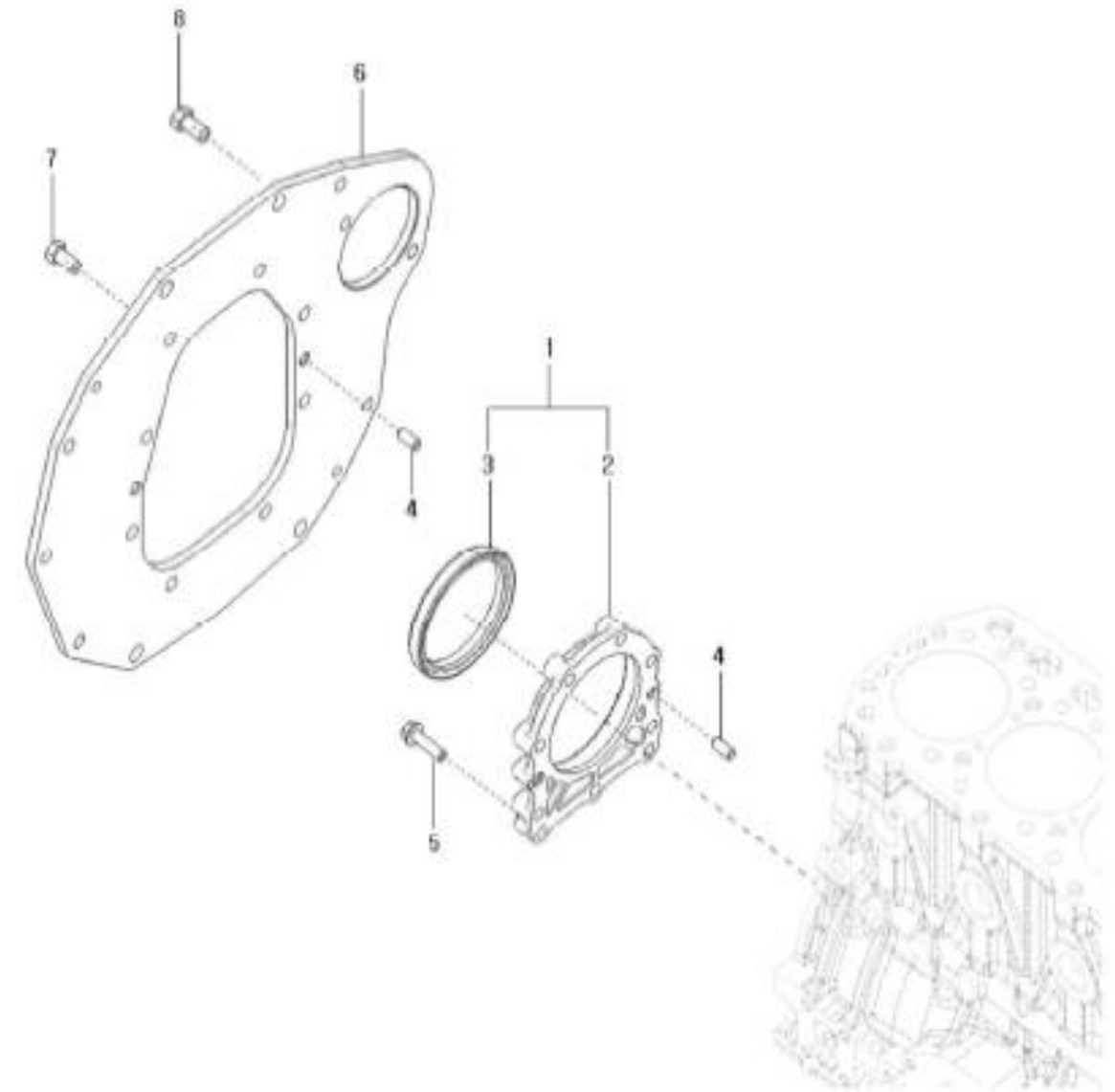
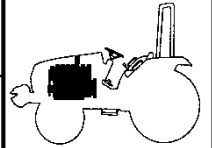
FIG 131

FLYWHEEL HOUSING

P1

YEAR

2019



NOTE

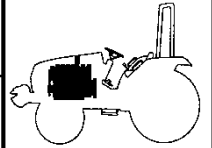
FIG 132

FLYWHEEL

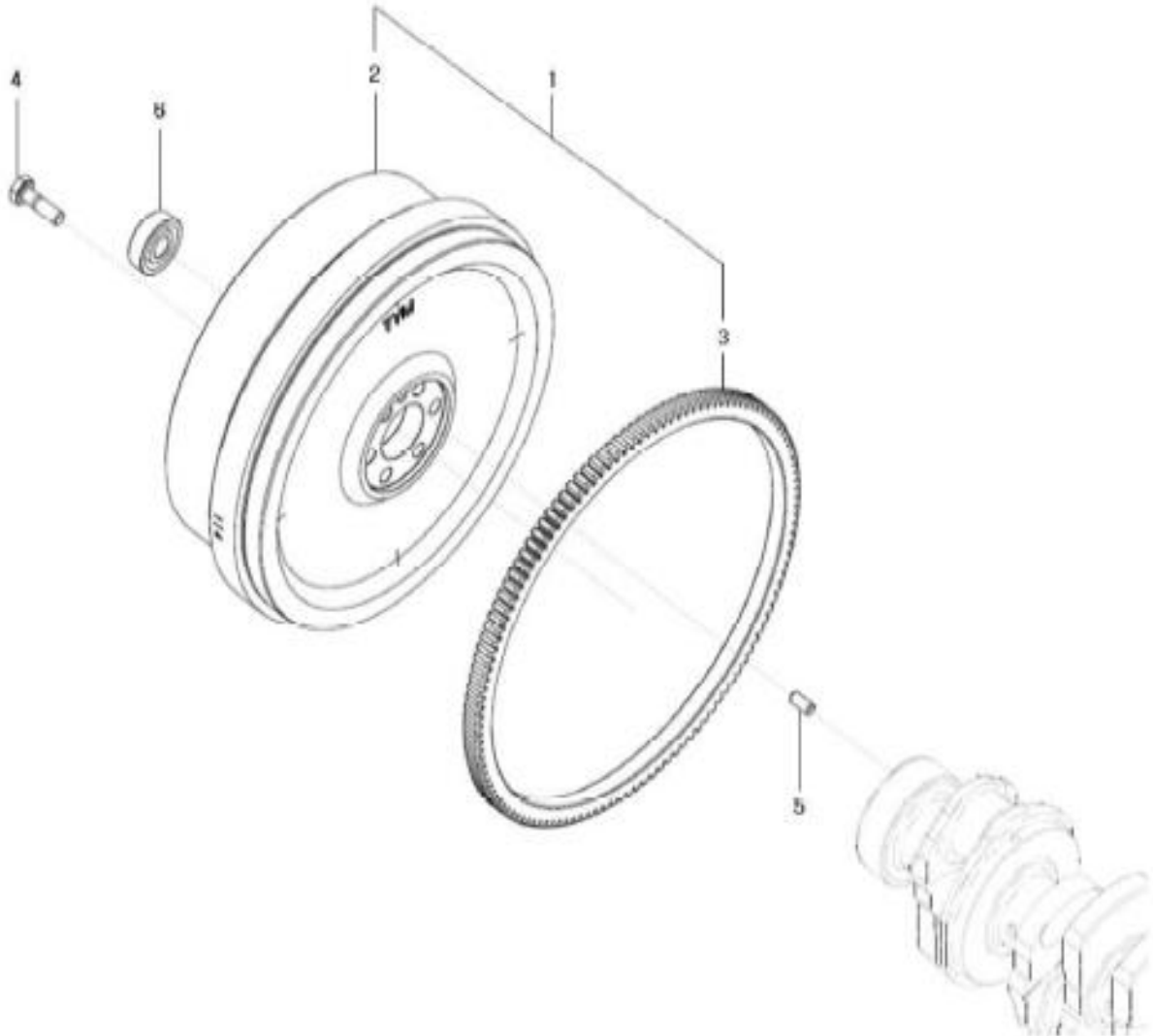
P1

YEAR

2019



T474SH



NOTE

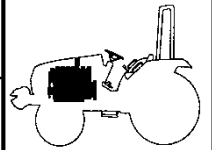
FIG 133

GLOW PLUG ASS'Y OPTION

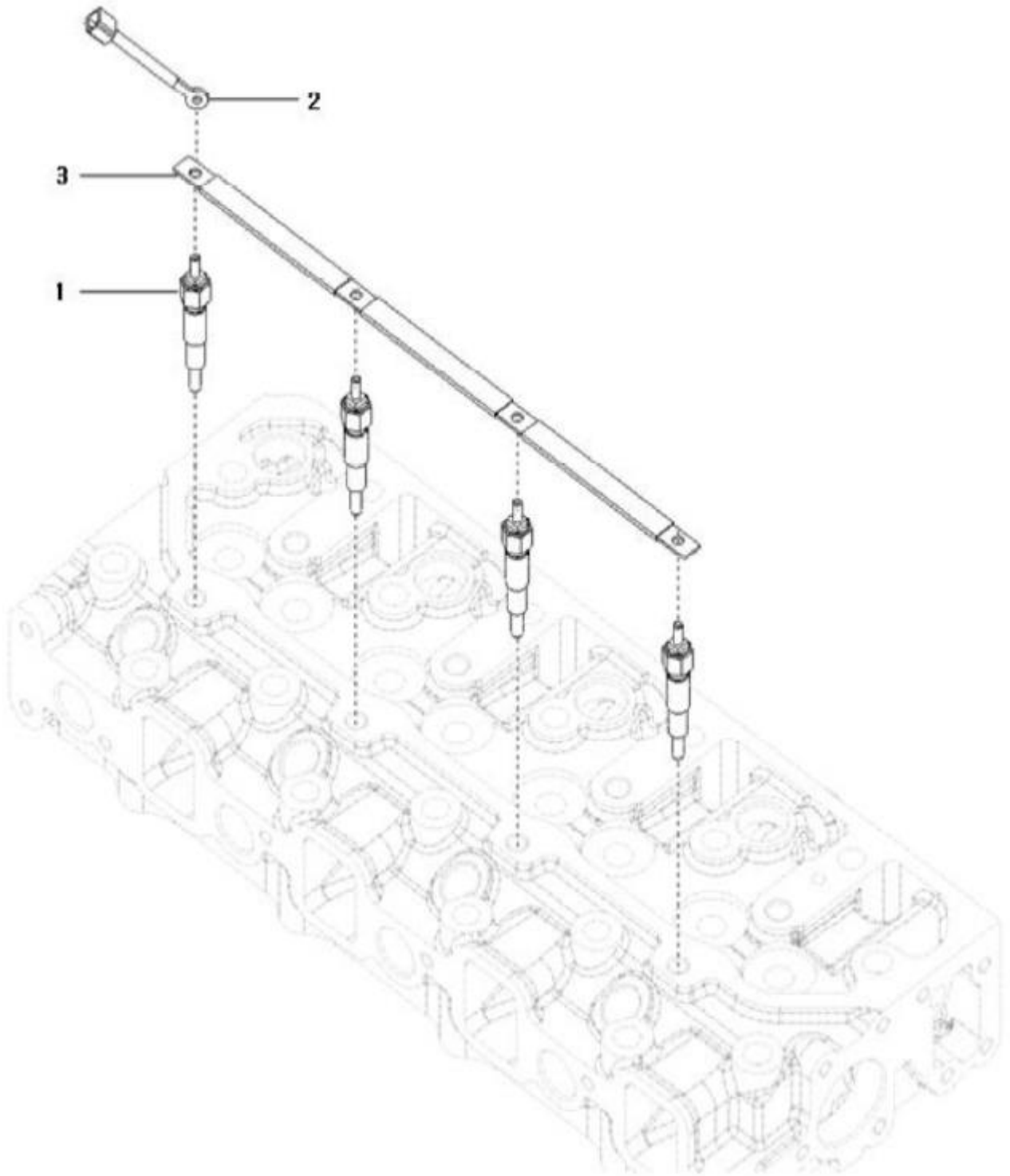
P1

YEAR

2019



T474SH



NOTE

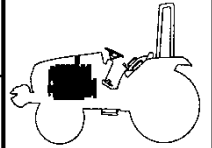
FIG 134

STARTING MOTOR

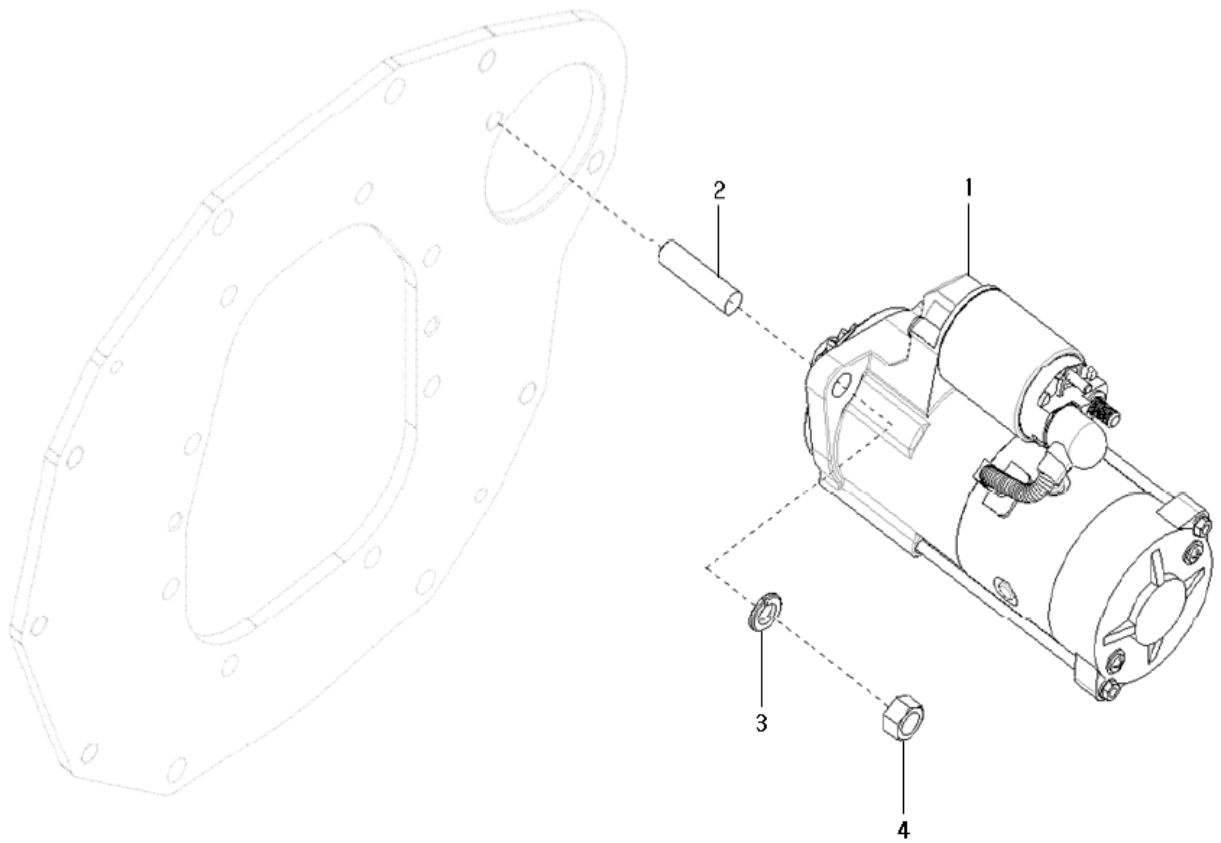
P1

YEAR

2019



T474SH



NOTE

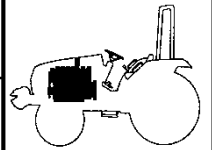
FIG 135

FUEL FILTER BRACKET ASS'Y

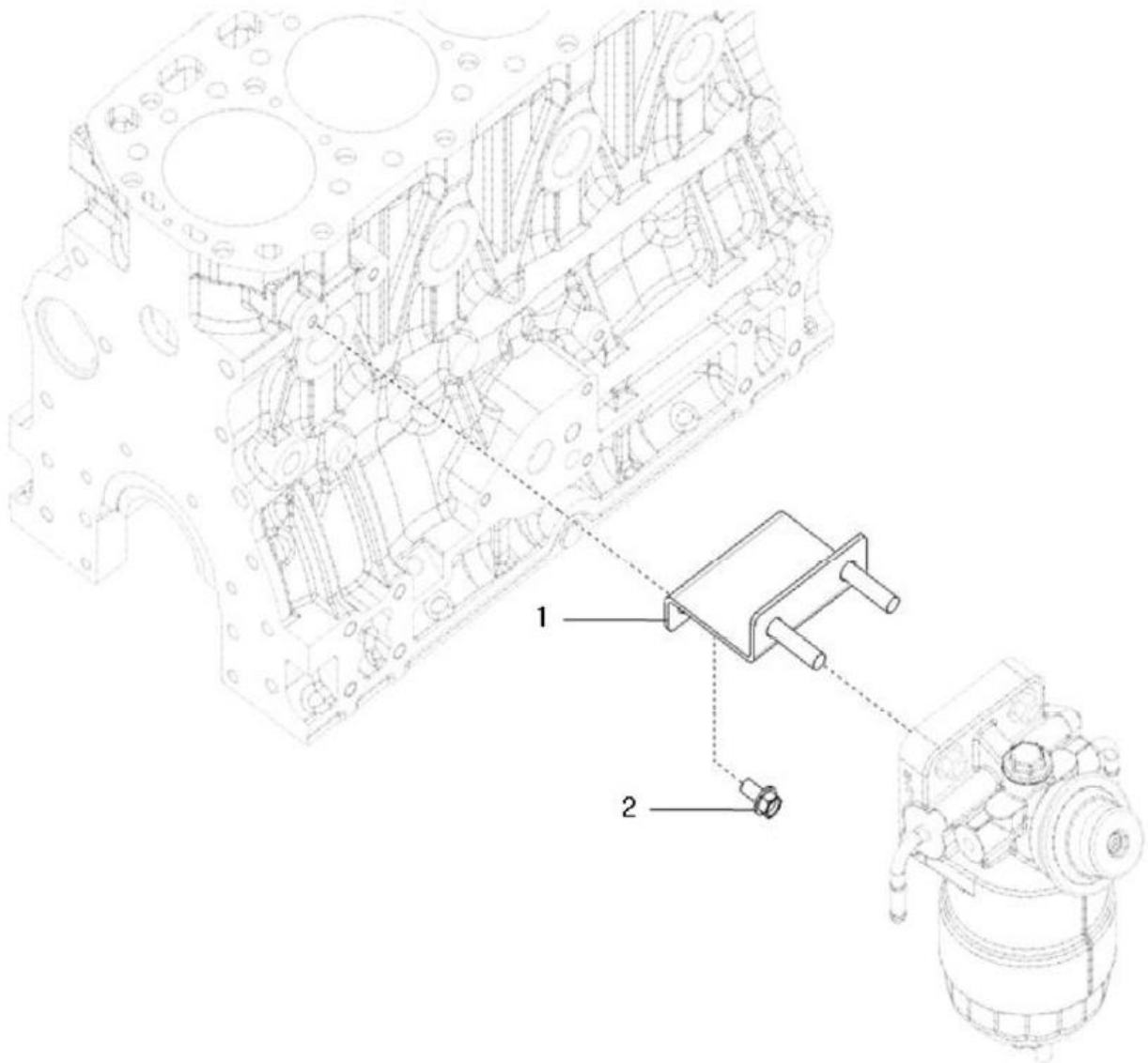
P1

YEAR

2019



T474SH



NOTE

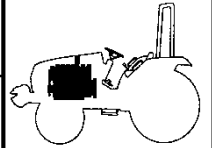
FIG 136

ALTERNATOR

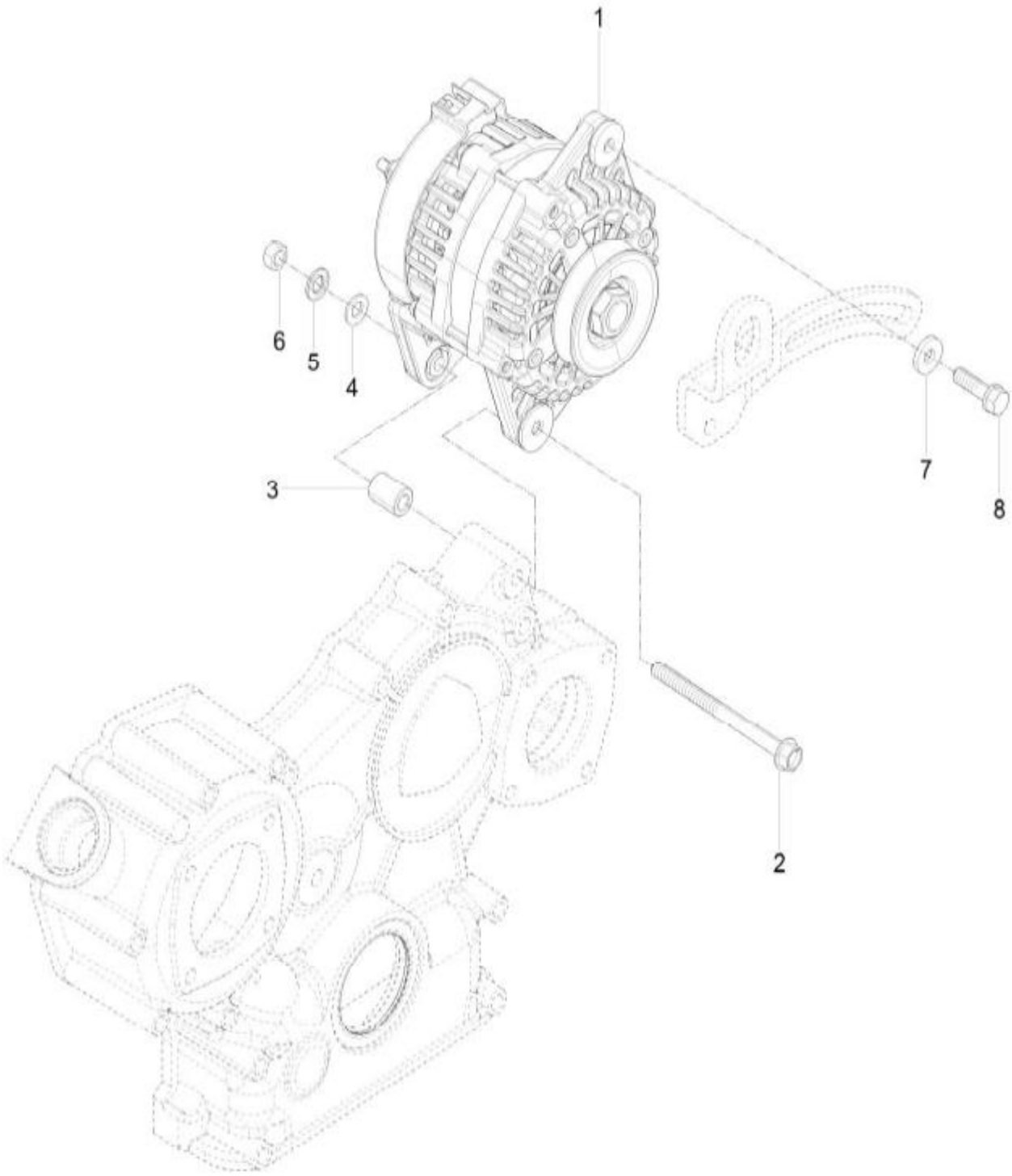
P1

YEAR

2019



T474SH



NOTE

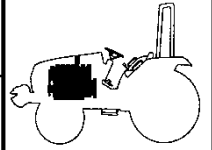
FIG 137

V-BELT

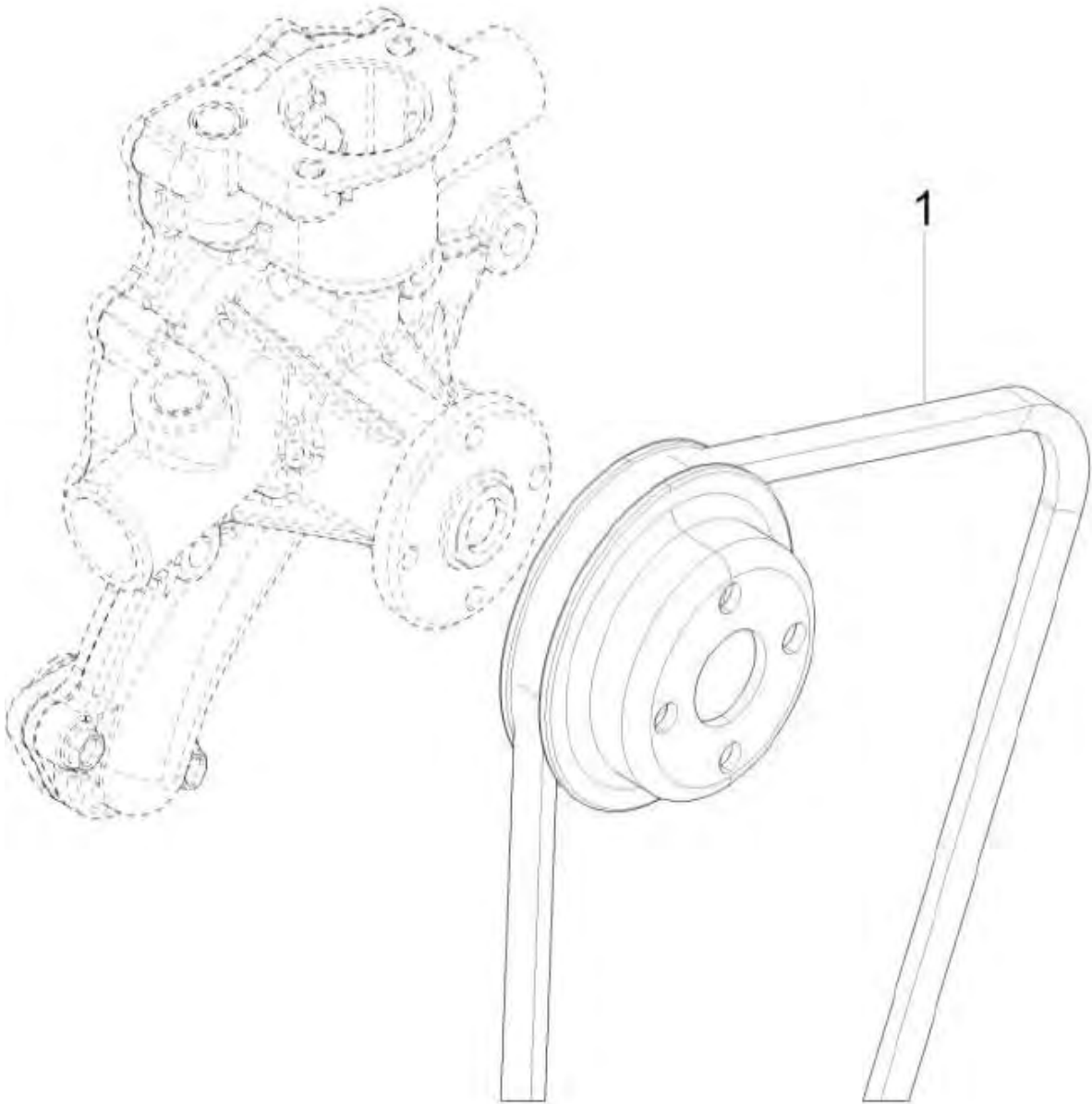
P1

YEAR

2019



T474SH



NOTE

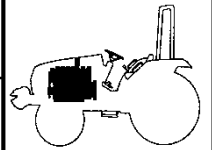
FIG 138

FUEL FILTER

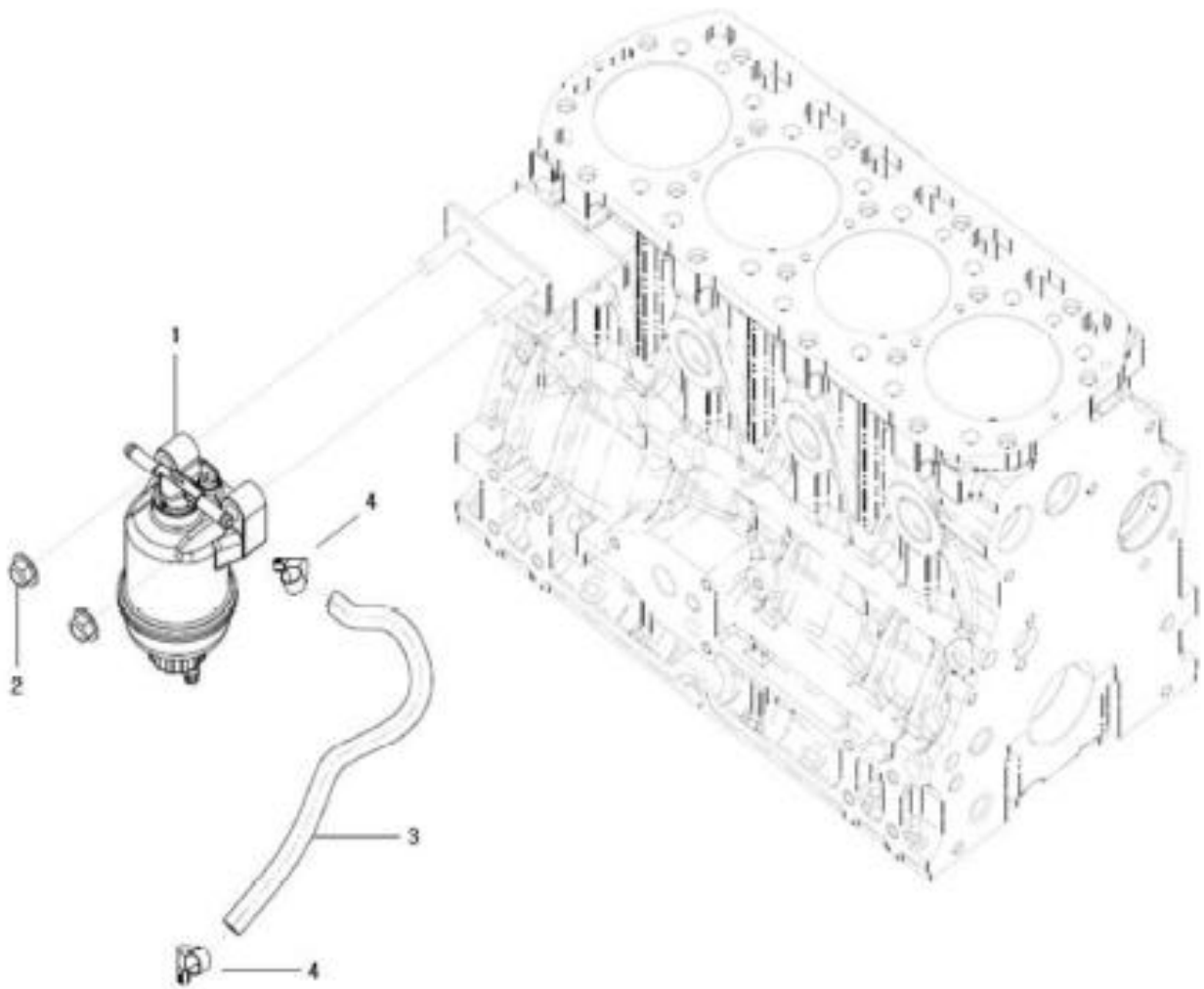
P1

YEAR

2019



T474SH



NOTE

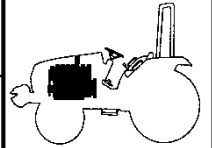
FIG 139

DPF SUPPORT

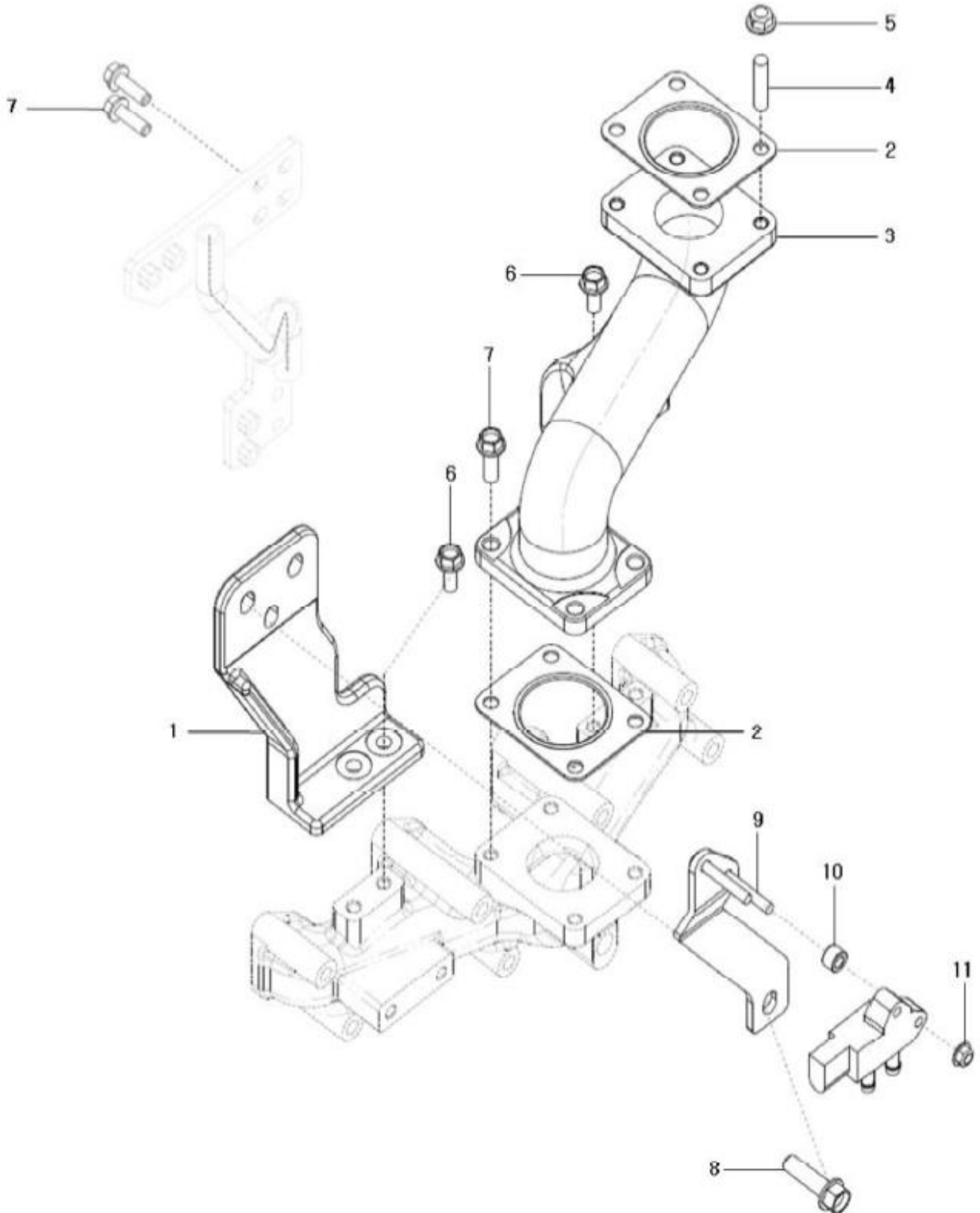
P1

YEAR

2019



T474SH



NOTE

FIG 140

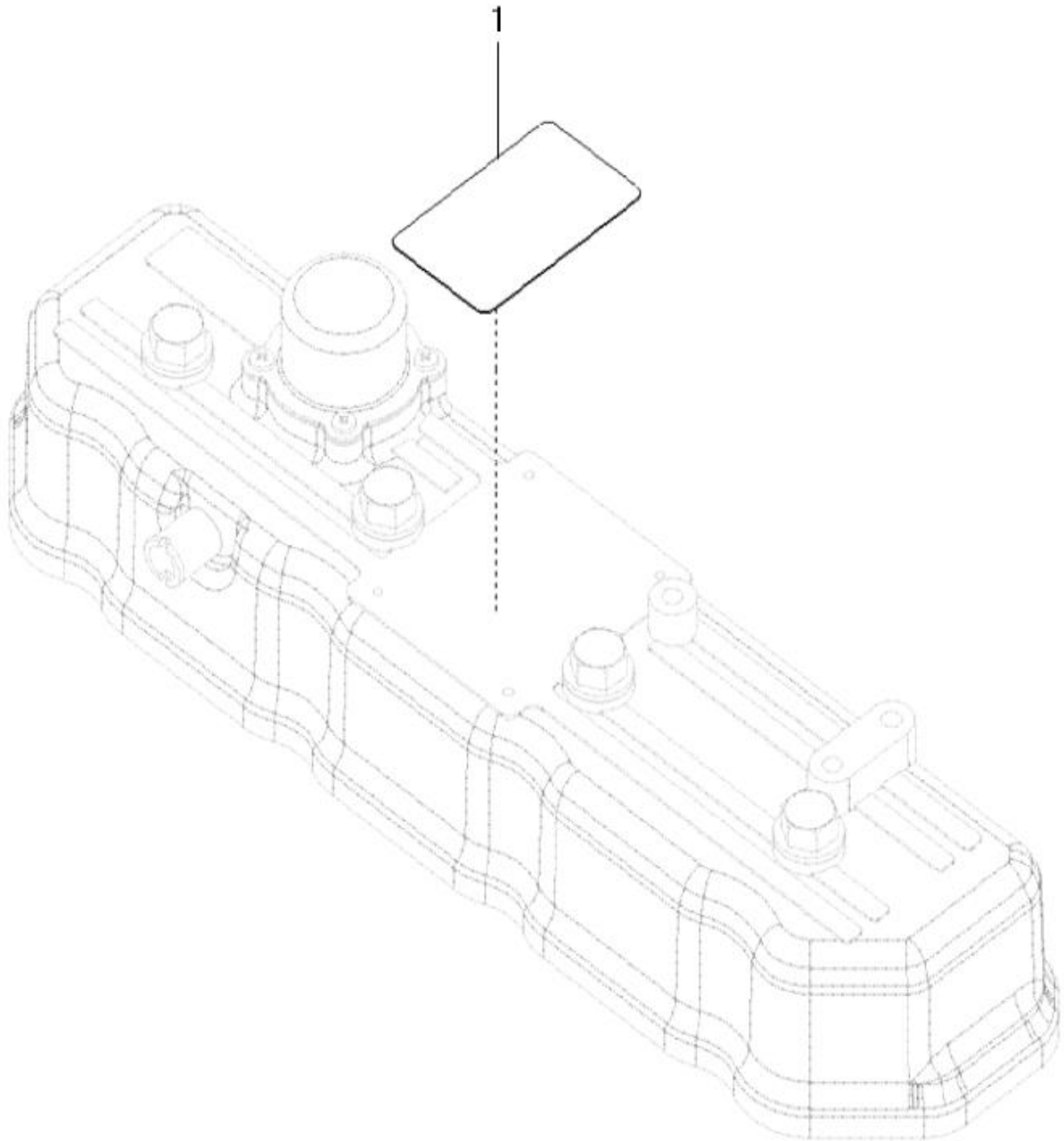
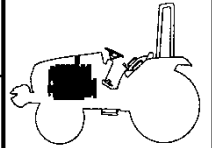
T474SH

DATAPLATE

P1

YEAR

2019



NOTE

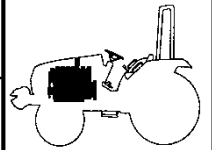
FIG 141

NAME PLATE, STARTING MOTOR

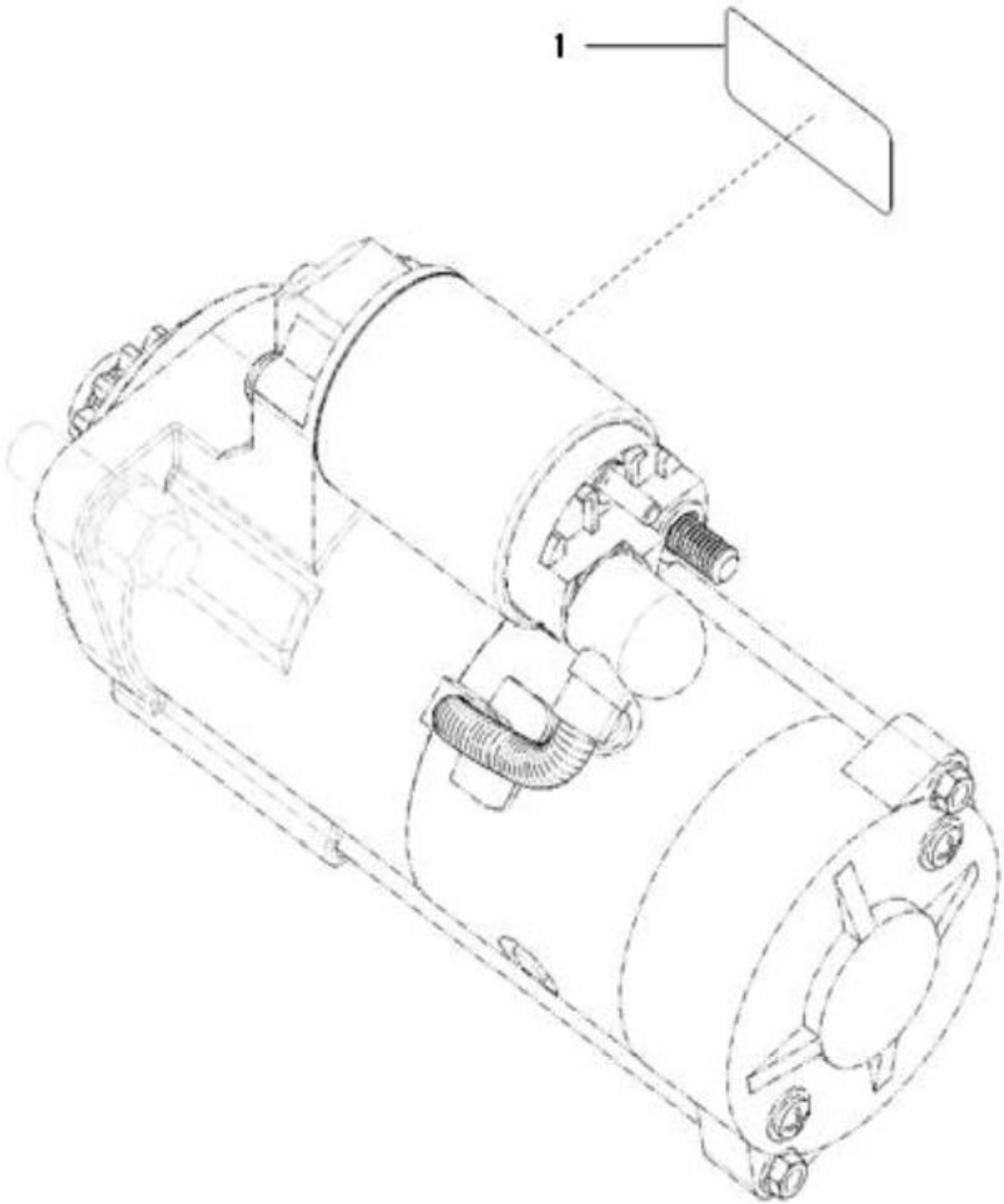
P1

YEAR

2019



T474SH



NOTE

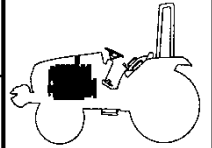
FIG 142

DPF ASS'Y

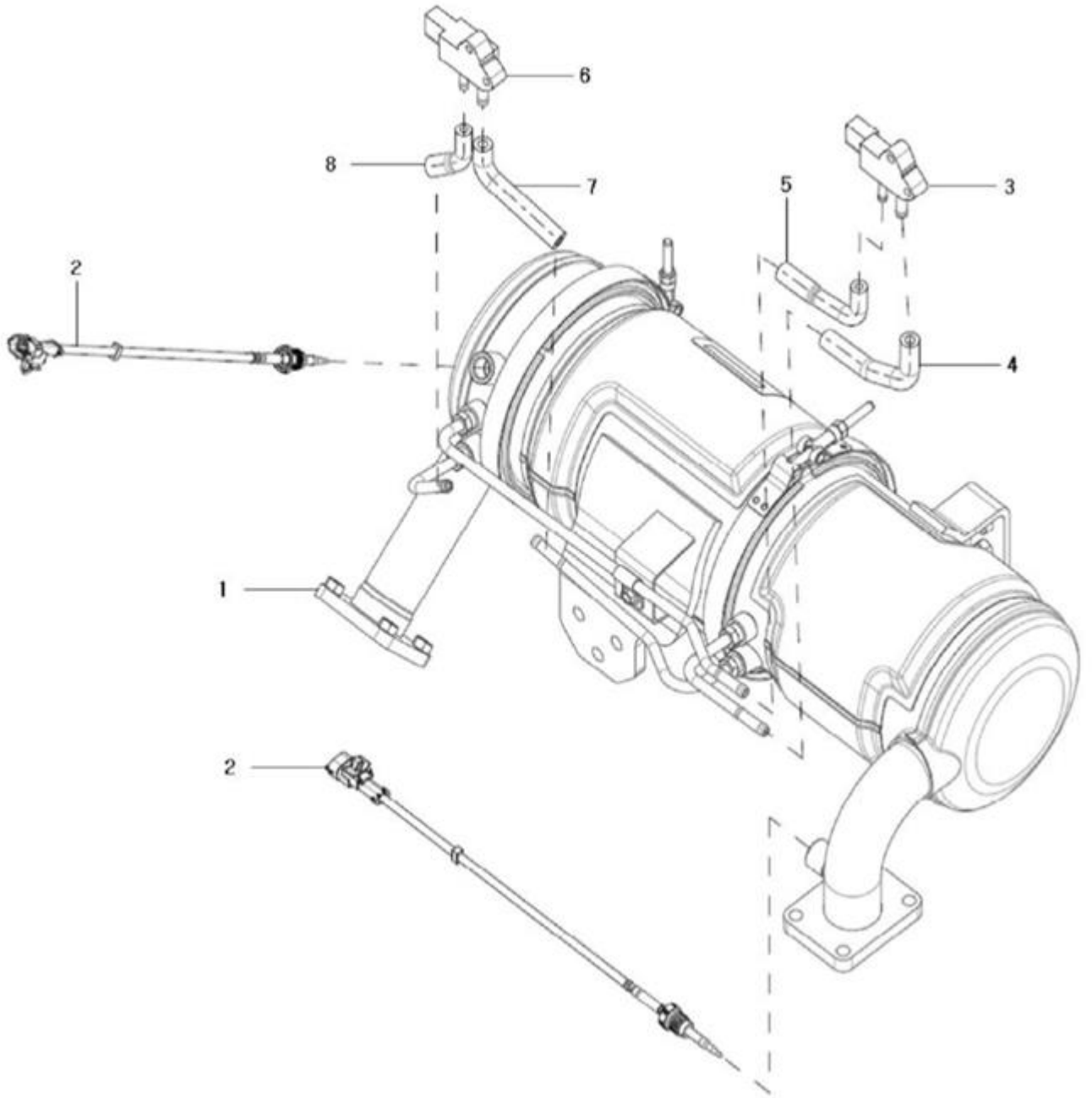
P1

YEAR

2019



T474SH



NOTE

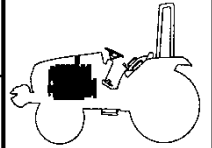
FIG 143

LIFT ASS'Y

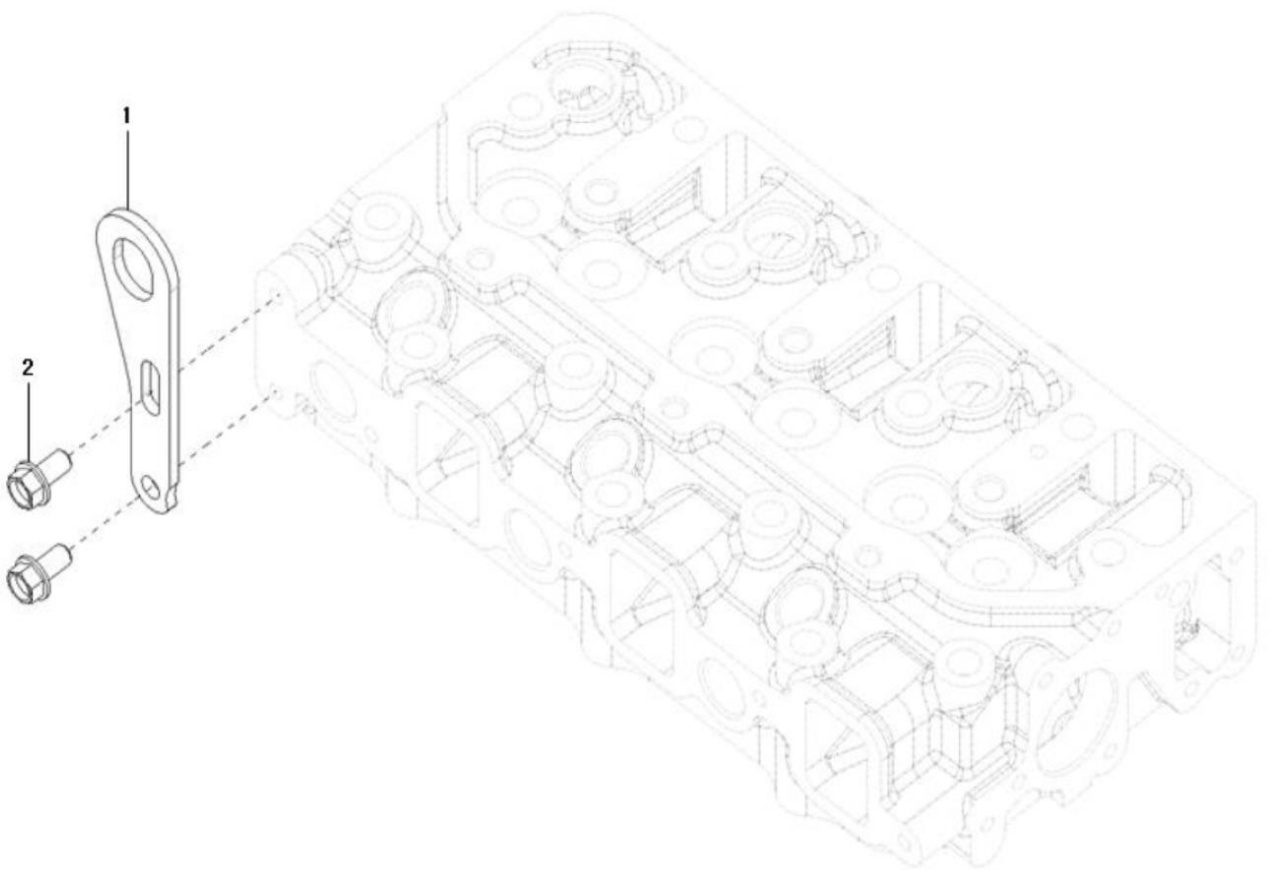
P1

YEAR

2019



T474SH



NOTE

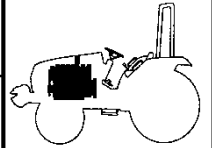
FIG 144

COMP . DRIVE PULLEY ASSyY OPTION

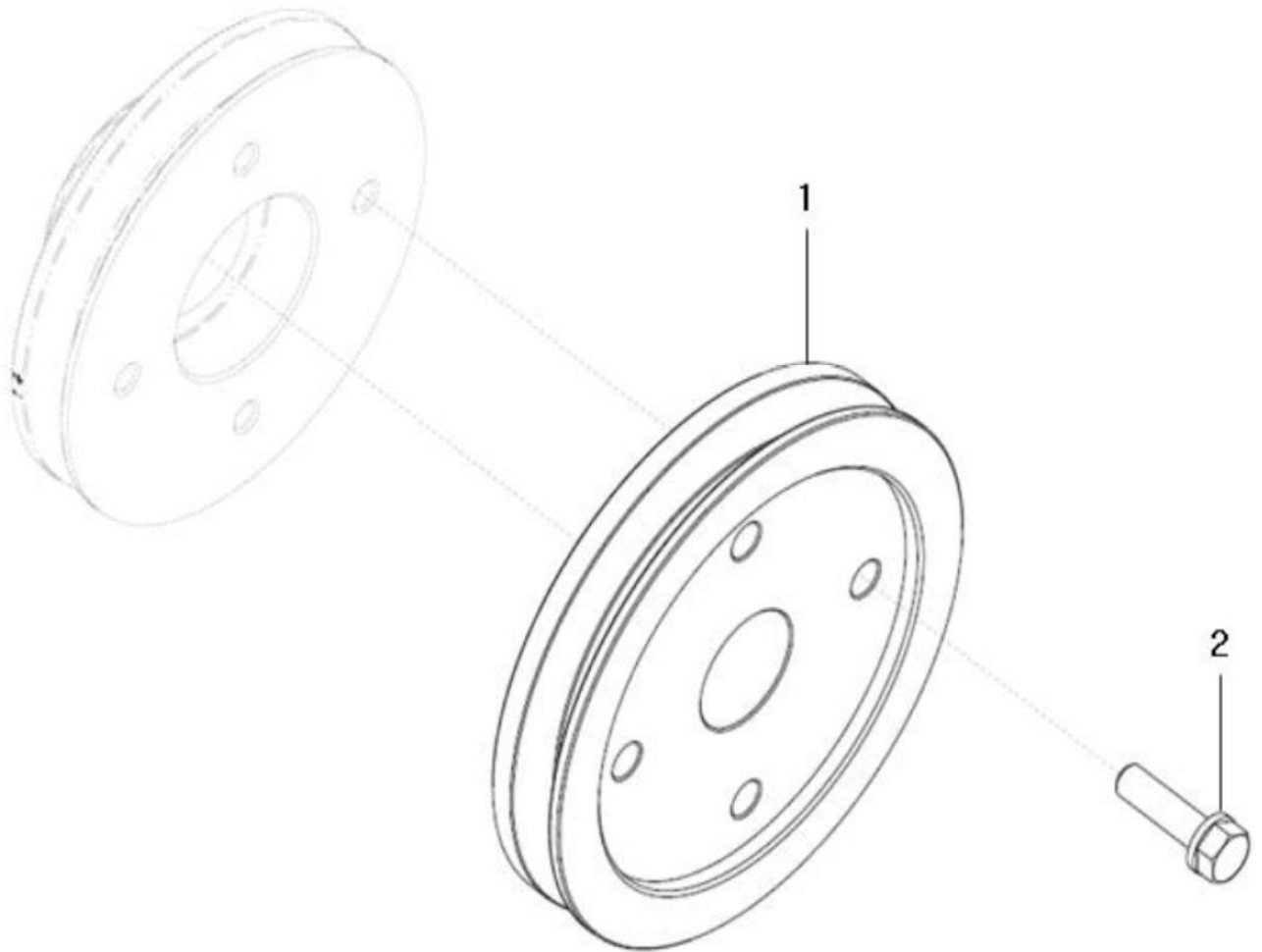
P1

YEAR

2019



T474SH



NOTE

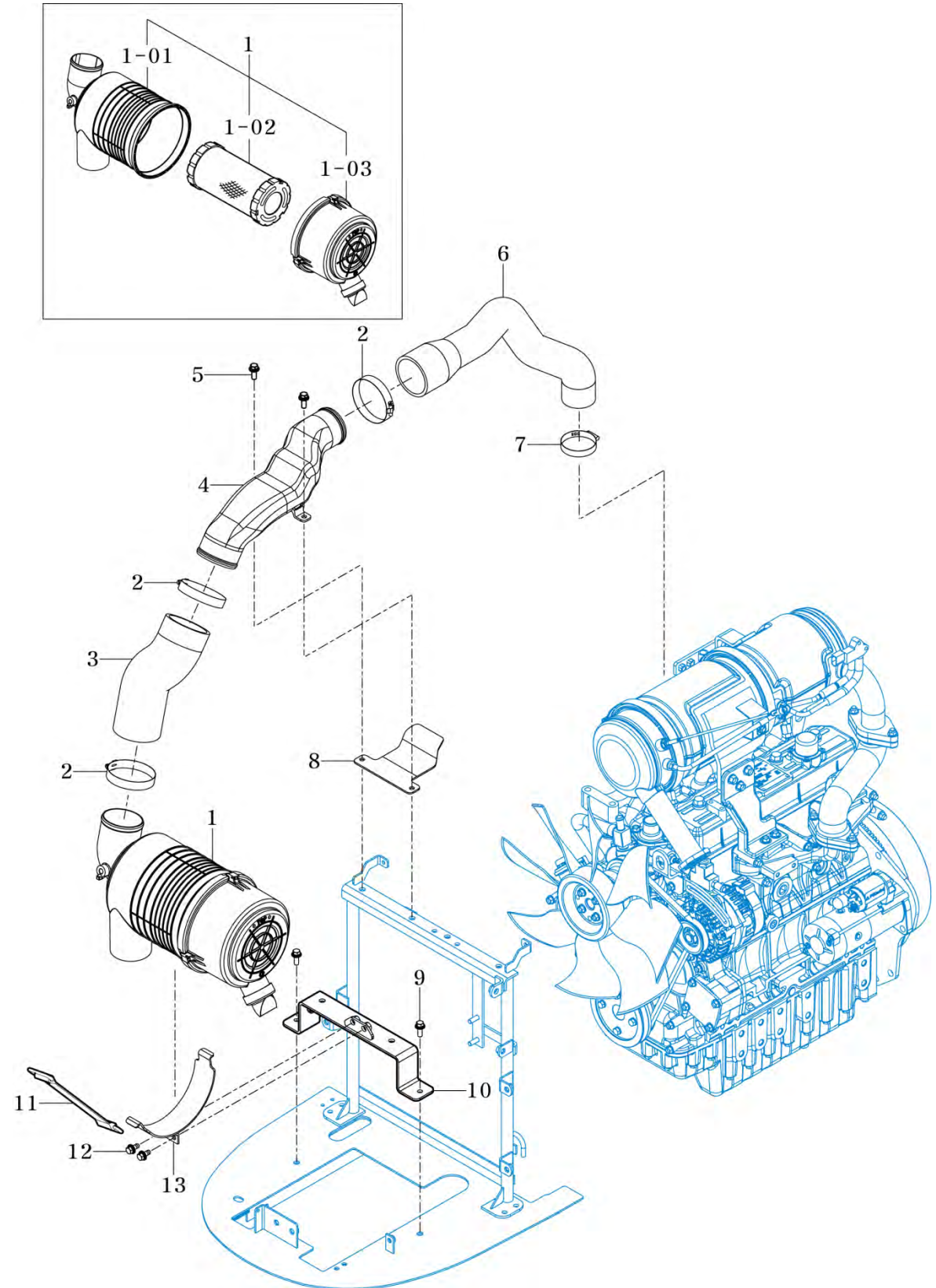
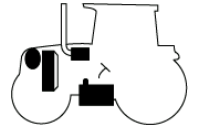
FIG 201

AIR CLEANER

P1

YEAR

2018



NOTE

FIG 202

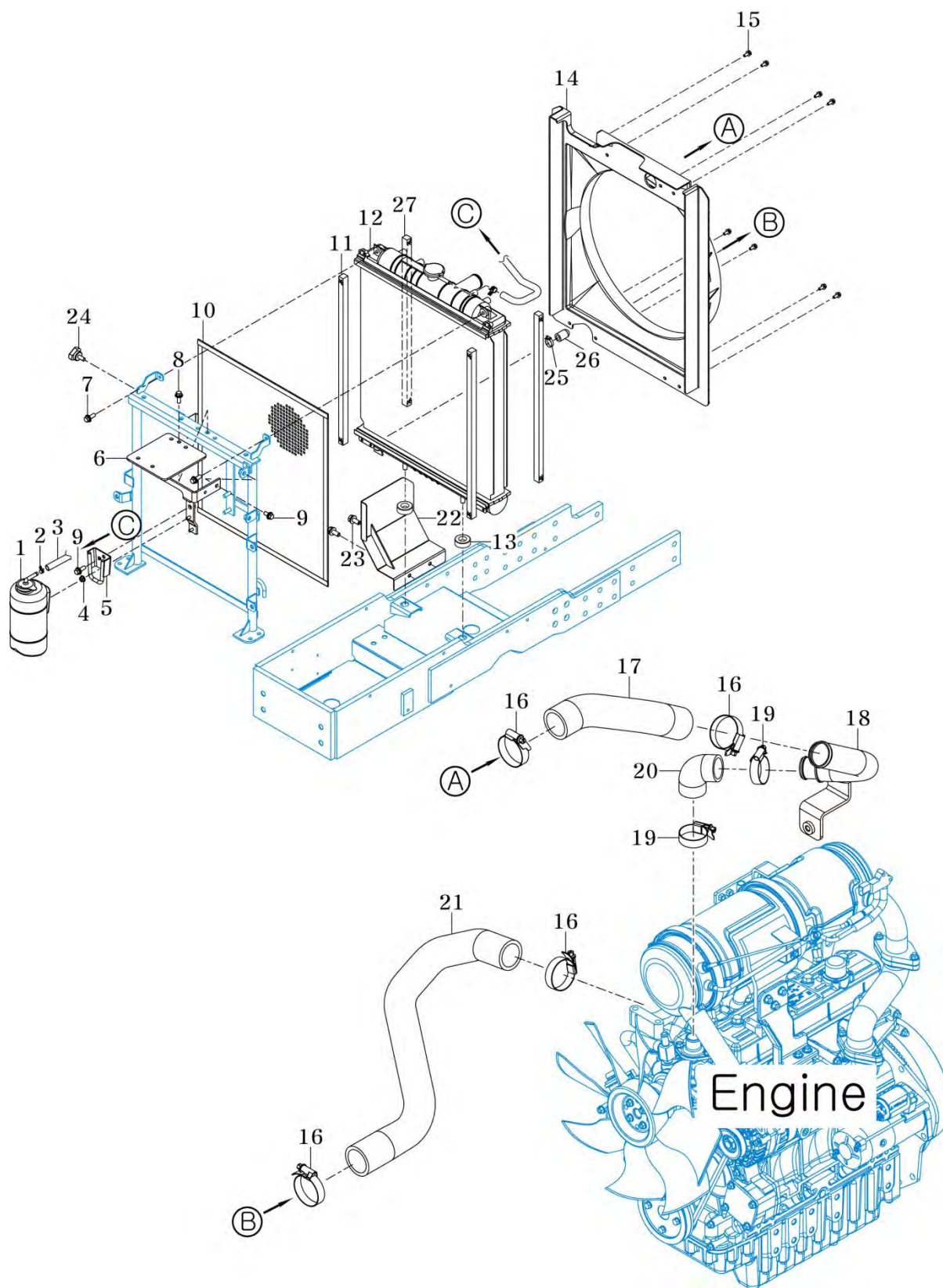
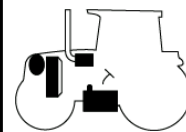
T474SH

RADIATOR

P1

YEAR

2018



NOTE

FIG 203

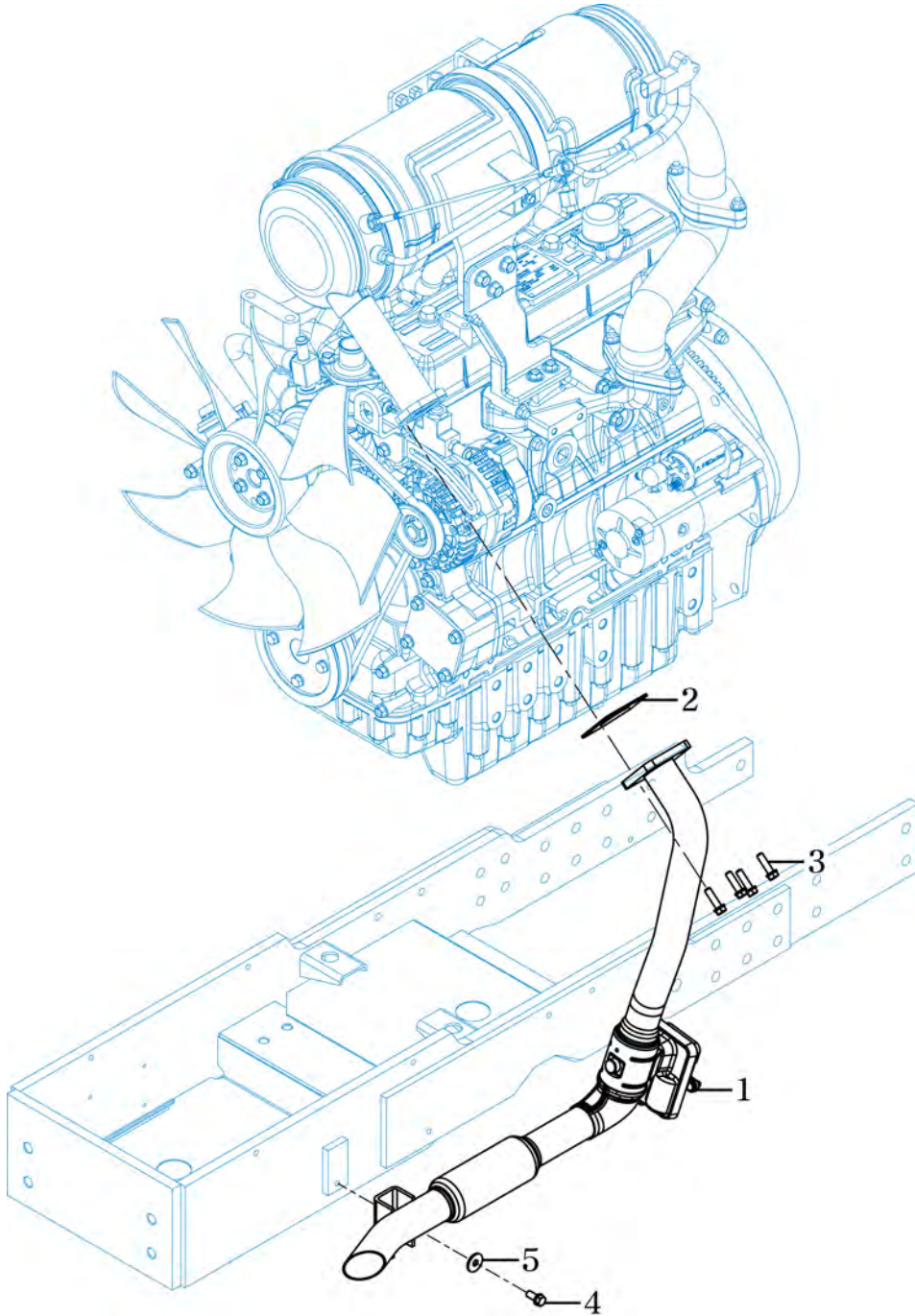
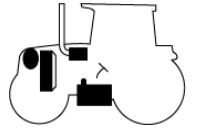
T474SH

MUFFLER

P1

YEAR

2018



T474-U-203

NOTE

FIG 204

FUEL TANK & FILTER

P1

YEAR

2018

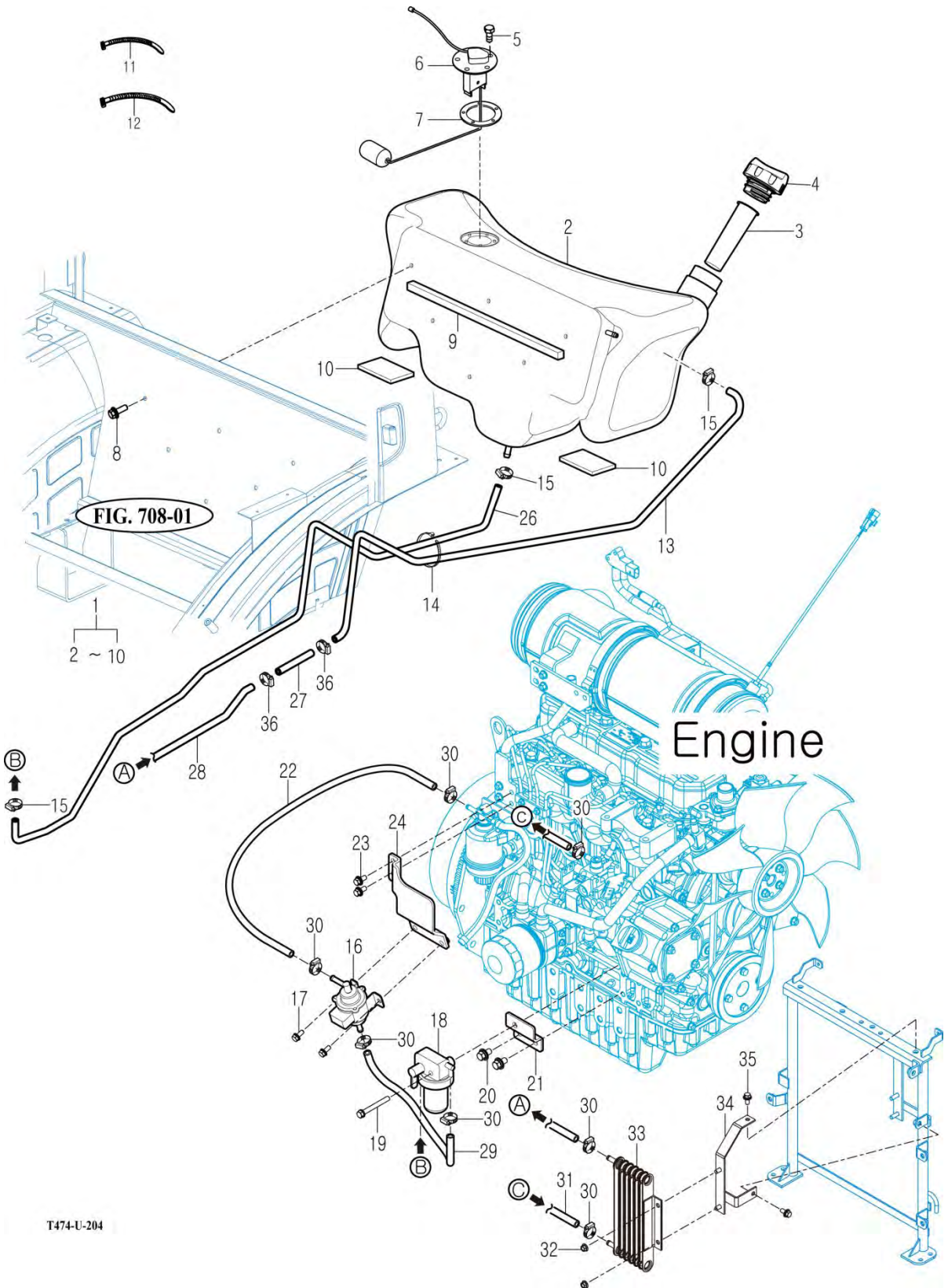
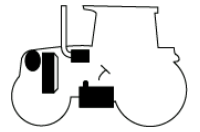


FIG. 708-01

Engine

T474-U-204

NOTE

FIG 205

T474SH

OIL COOLER

P1

YEAR

2018

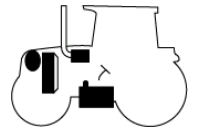


FIG. 701-01

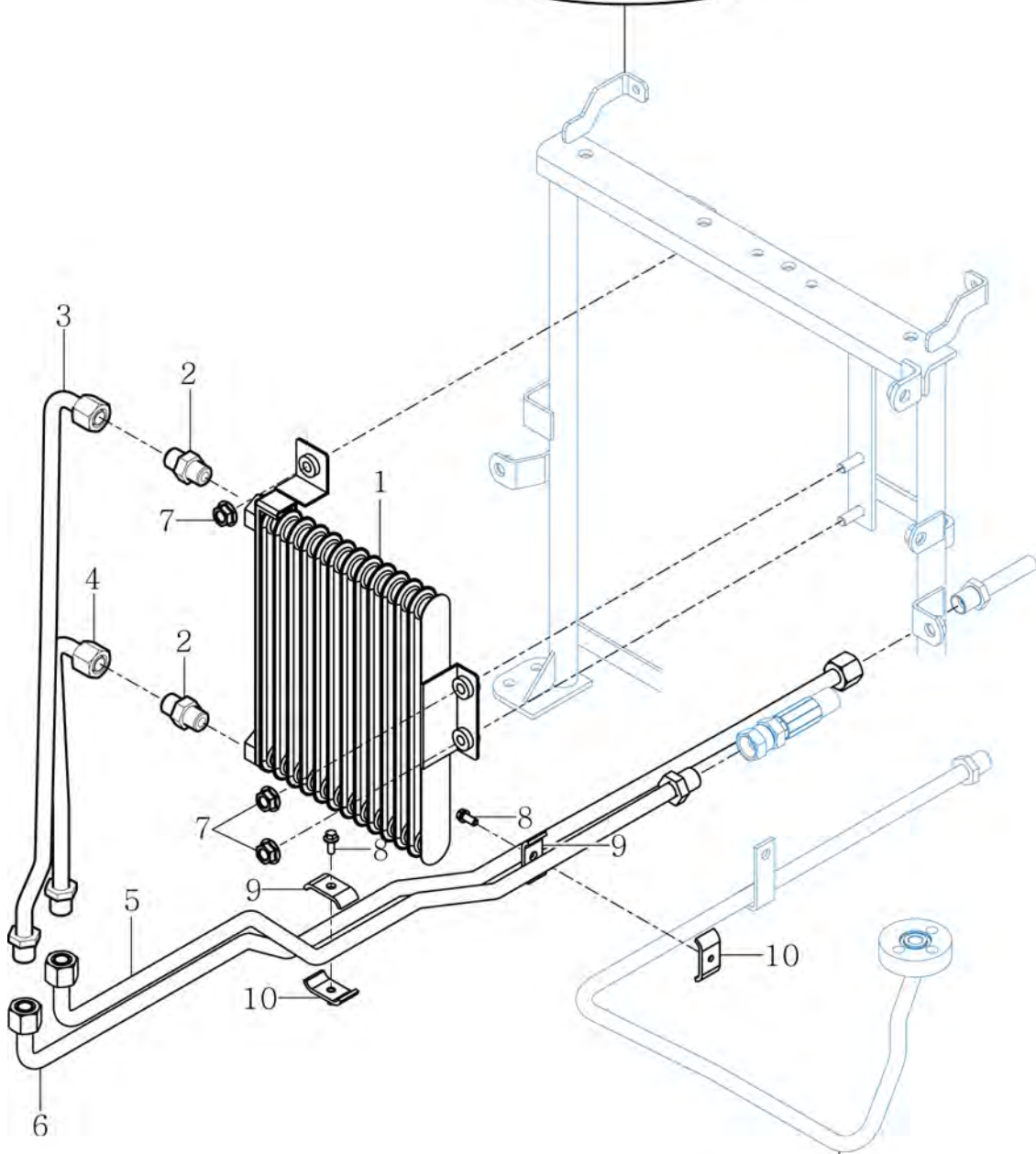


FIG. 610-11

NOTE

FIG 302

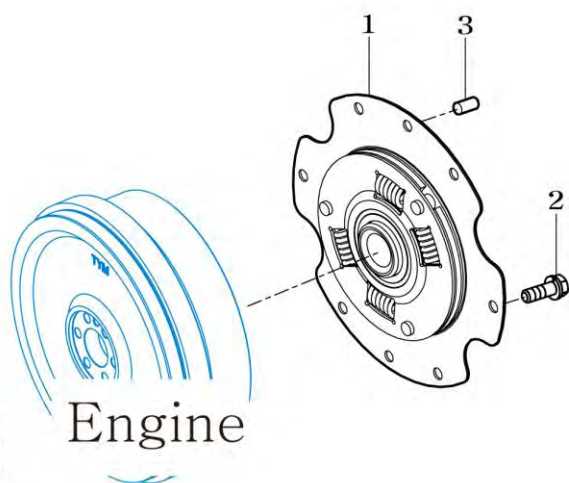
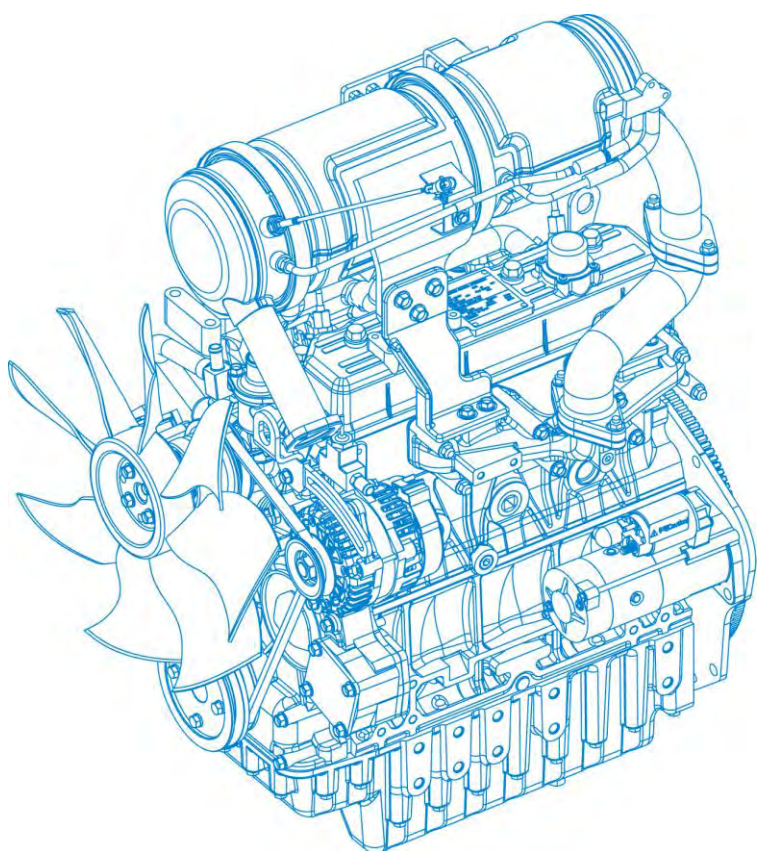
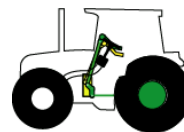
T474SH

FLYWHEEL & CLUTCH

P1

YEAR

2018



T474-U-302

NOTE

FIG 303

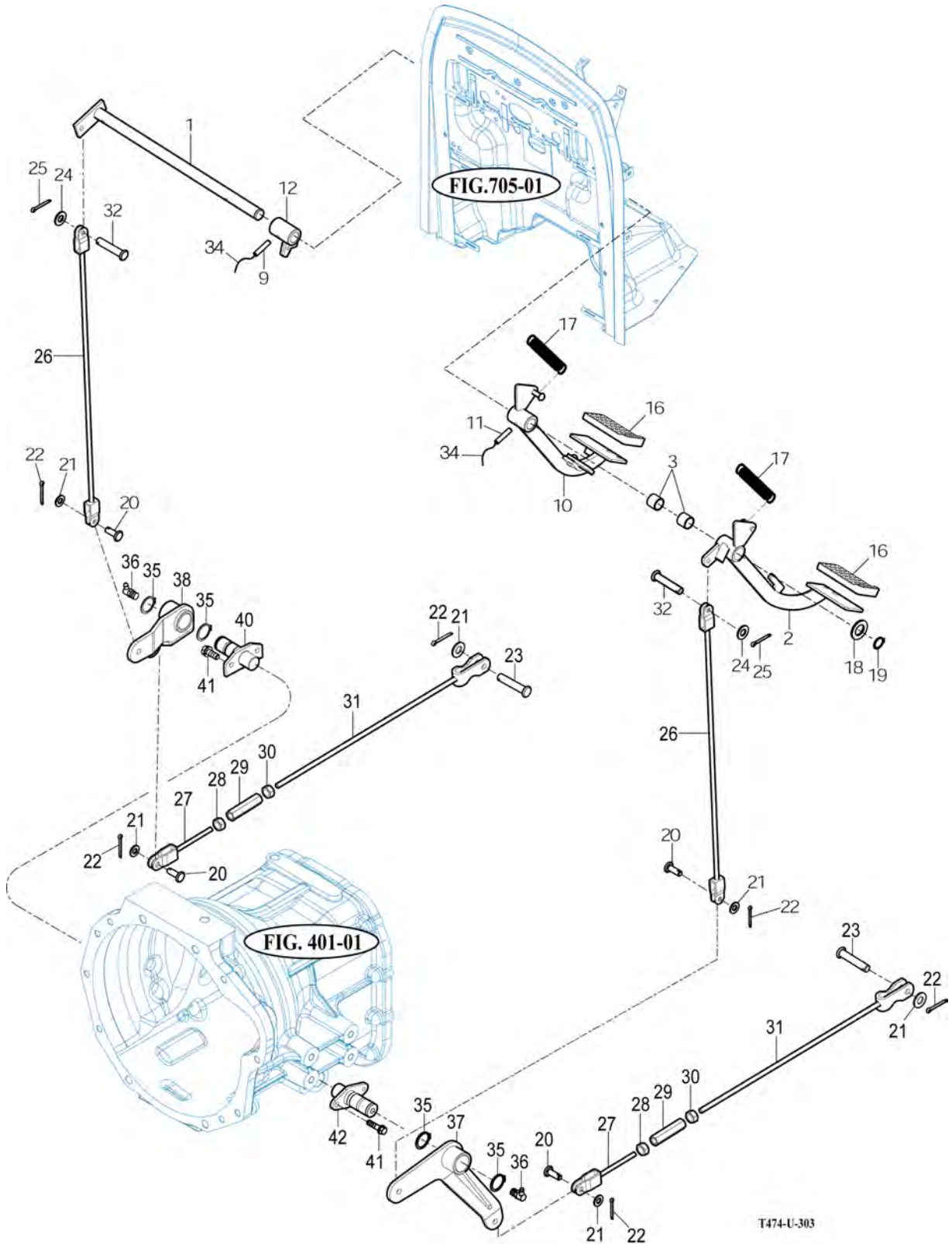
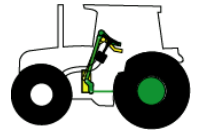
T474SH

BRAKE PEDAL

P1

YEAR

2018



T474-U-303

NOTE

FIG 304

T474SH

BRAKE

P1

YEAR

2018

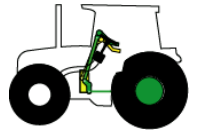


FIG. 413-01

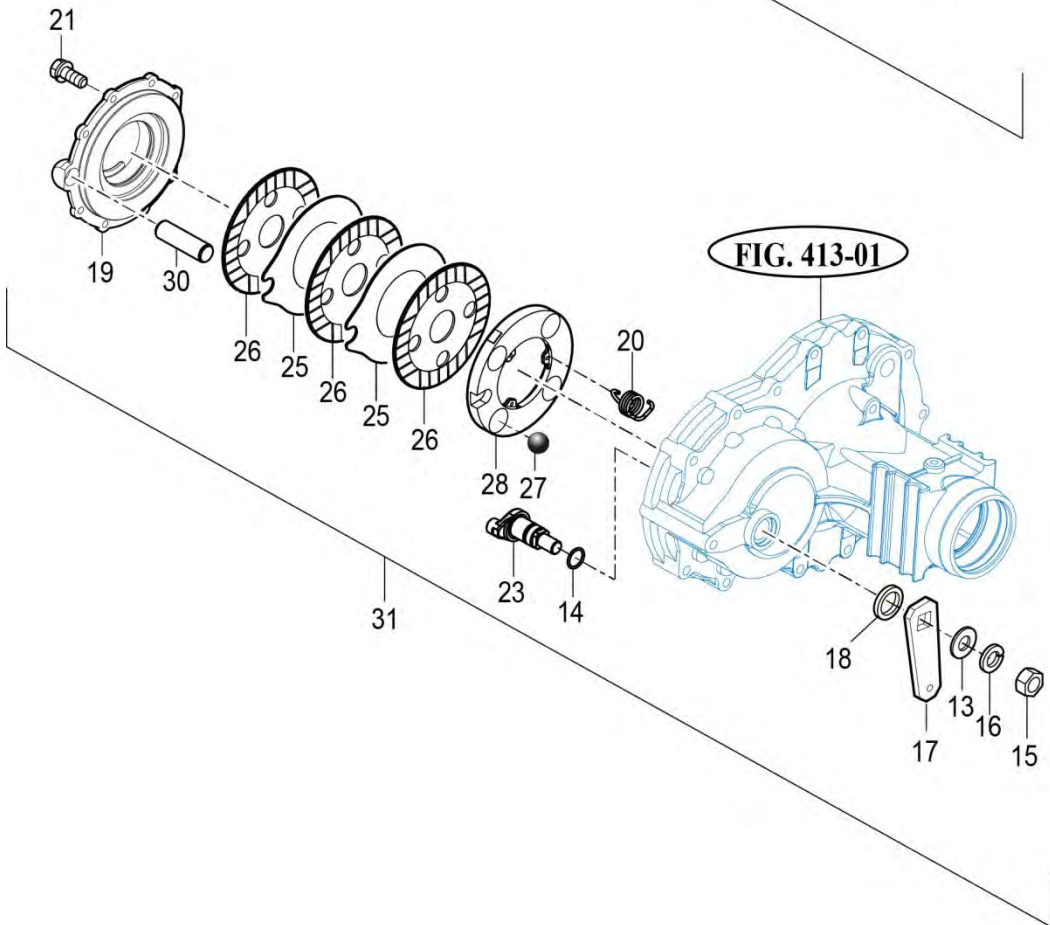
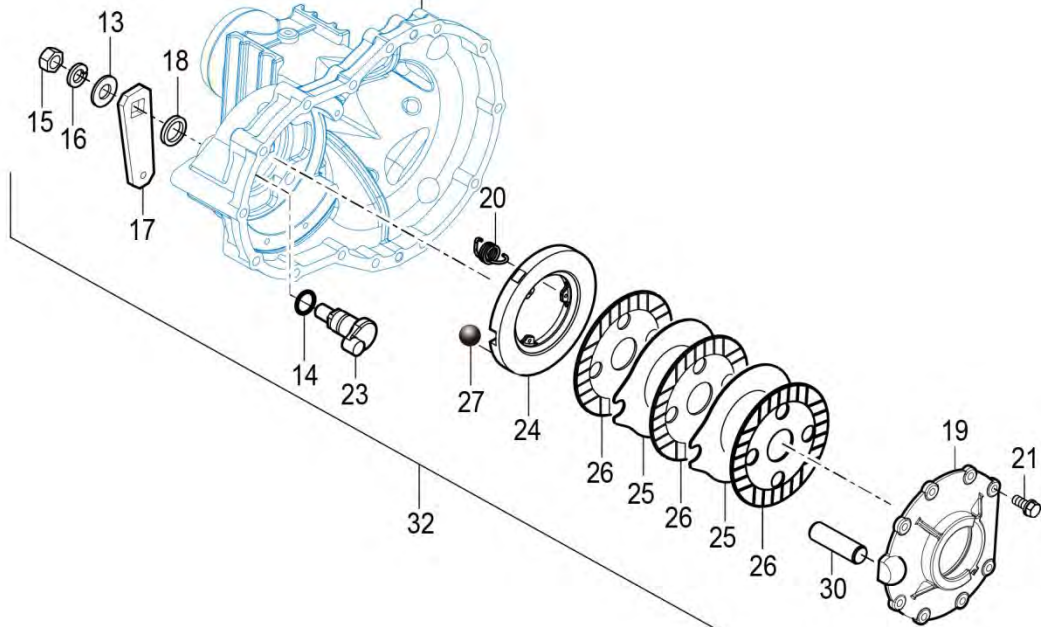


FIG. 413-01

NOTE

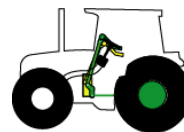
FIG 306

FRONT WHEEL MOUNTING

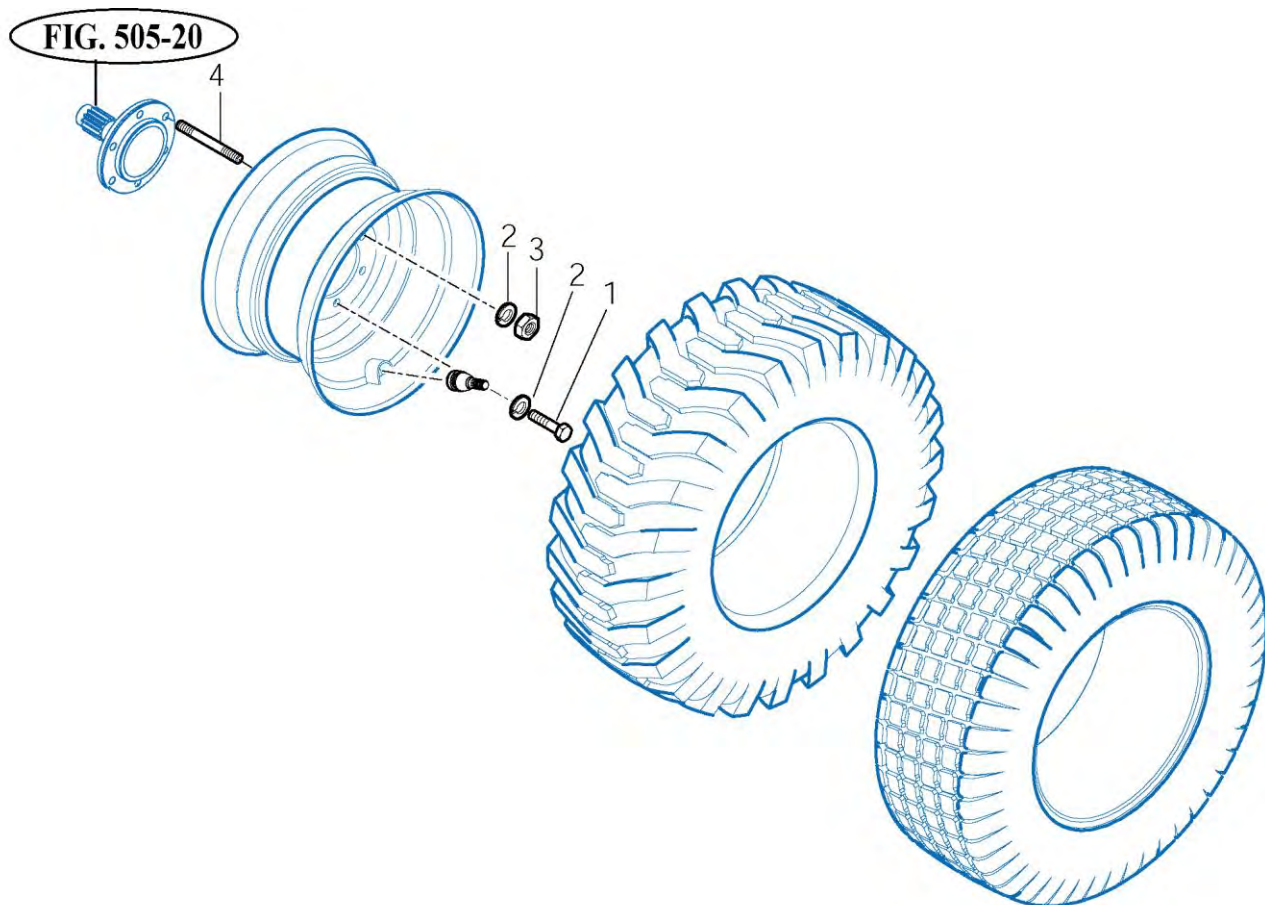
P1

YEAR

2018



T474SH



NOTE

FIG 307

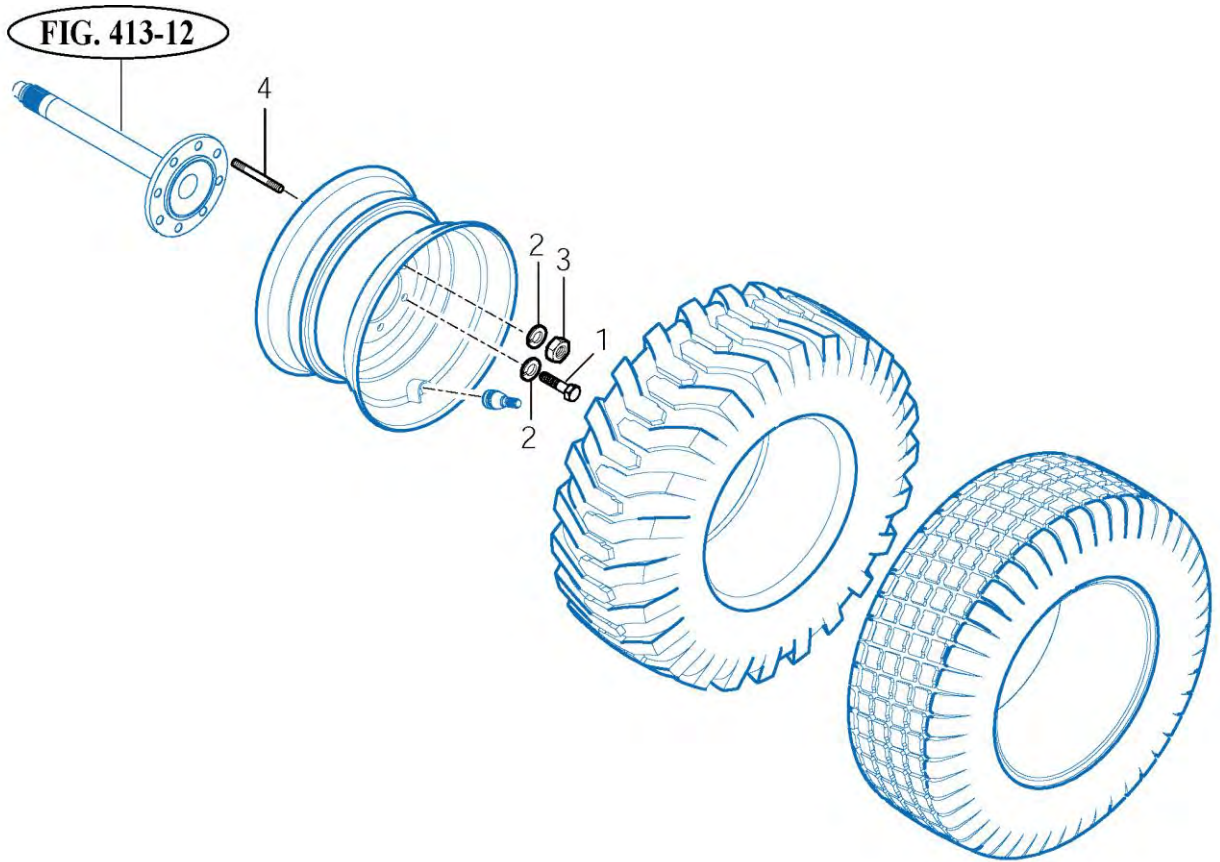
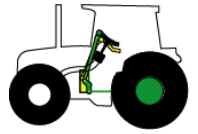
T474SH

REAR WHEEL MOUNTING

P1

YEAR

2018



NOTE

FIG 308

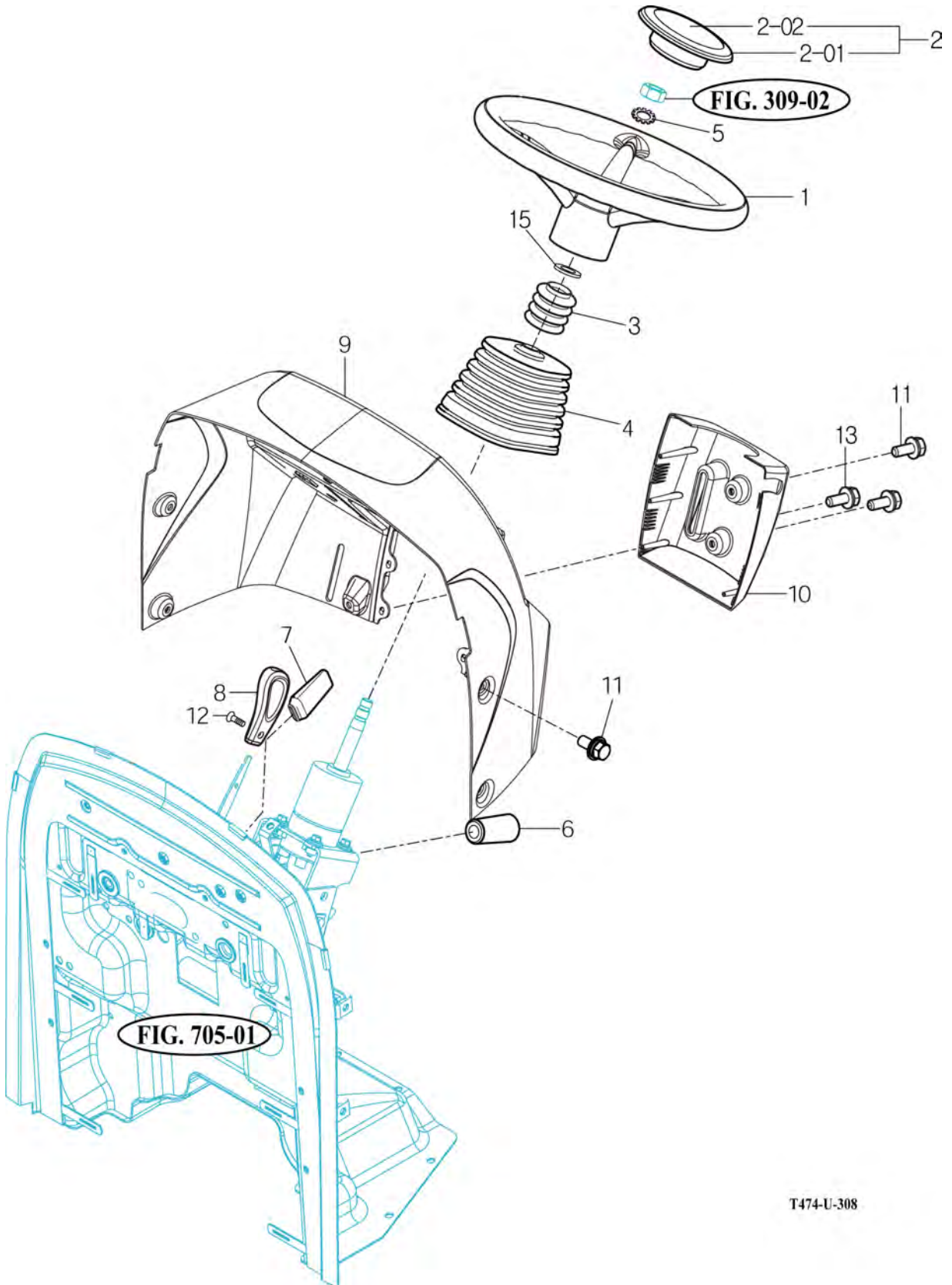
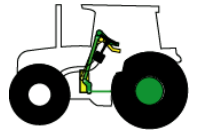
T474SH

STEERING WHEEL

P1

YEAR

2018



T474-U-308

NOTE

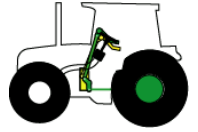
FIG 309

STEERING VALVE & PARKING

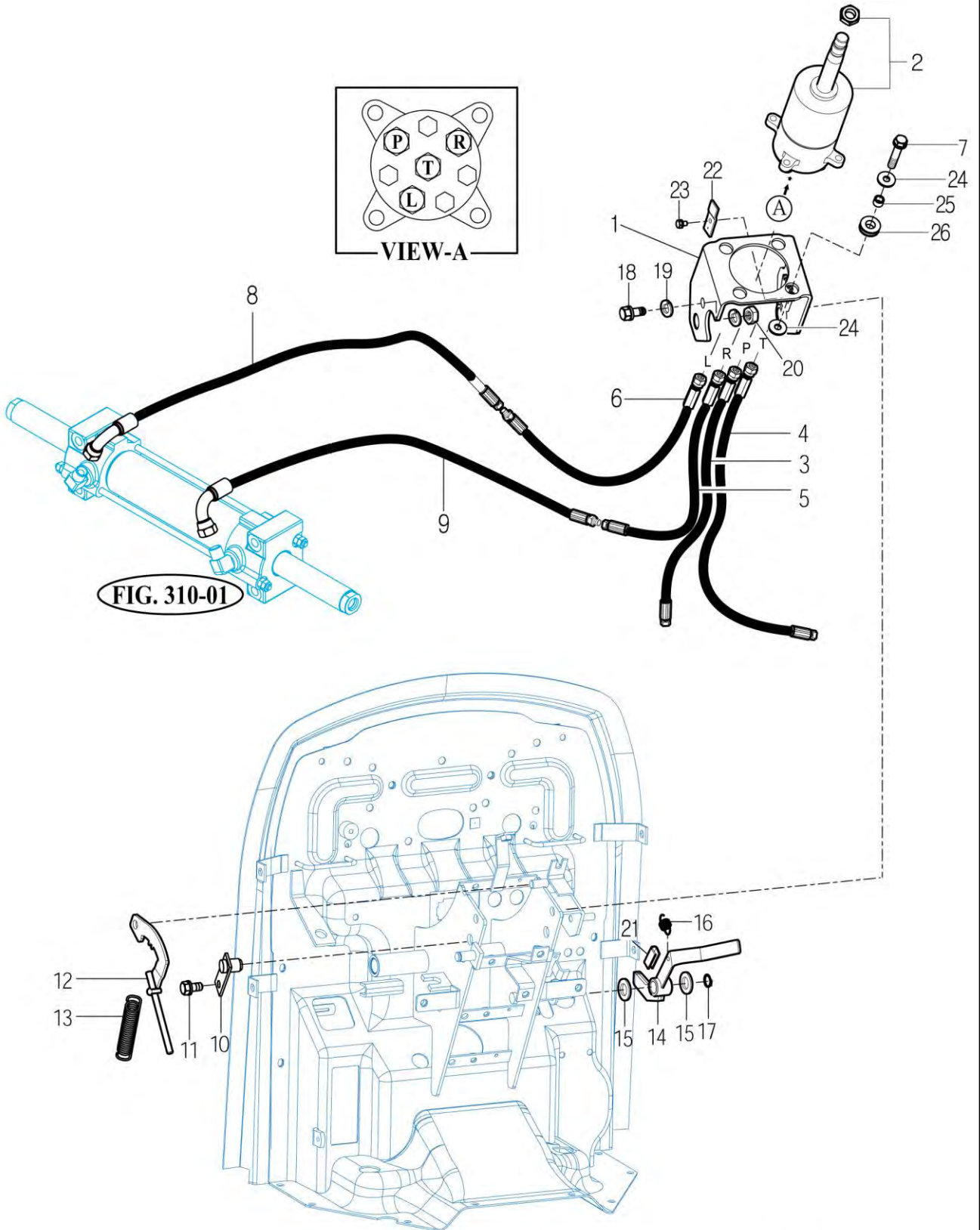
P1

YEAR

2018



T474SH



T474-U-309

NOTE

FIG 310

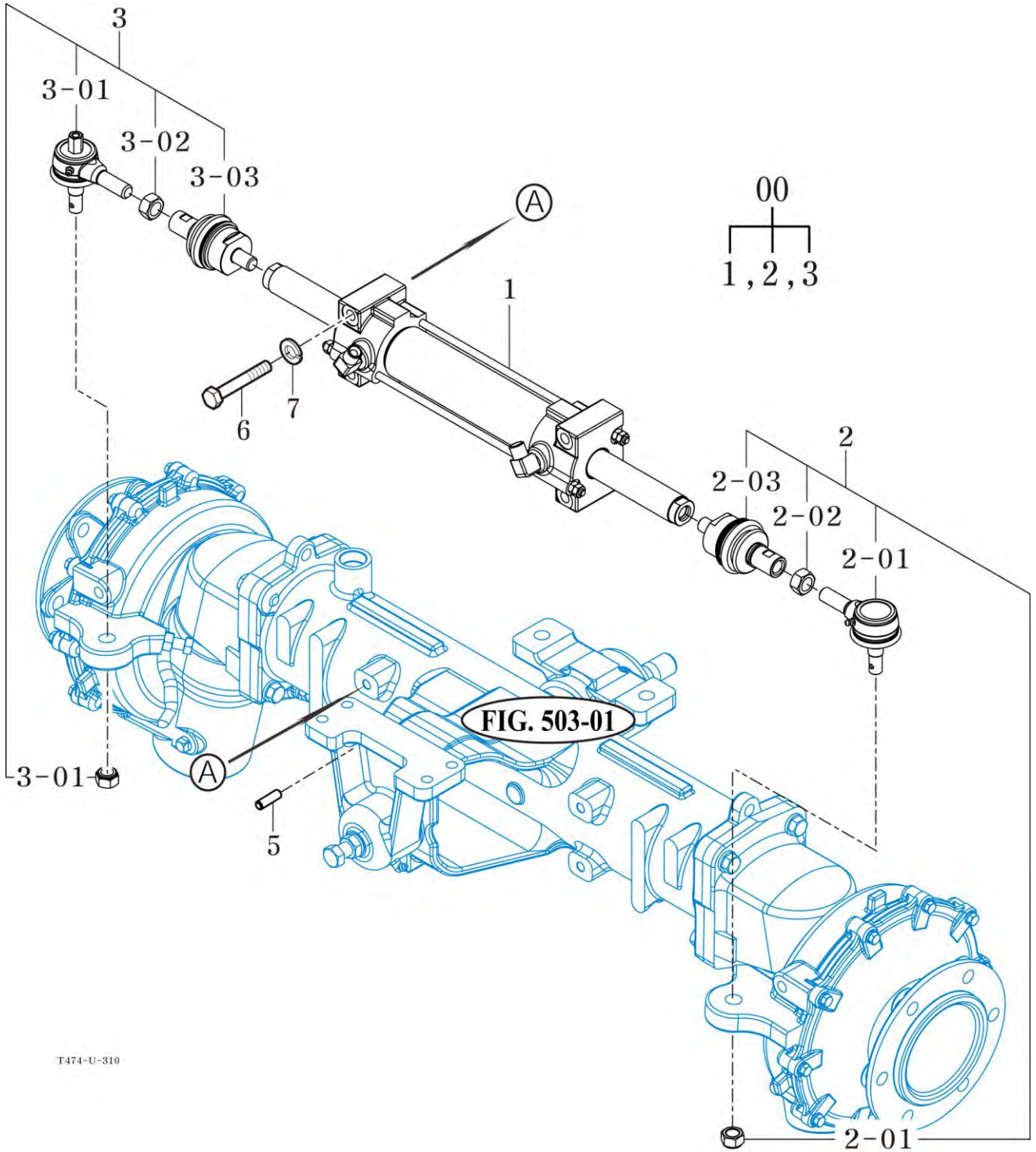
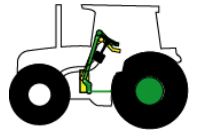
T474SH

STEERING CYLINDER

P1

YEAR

2018



NOTE

FIG 401

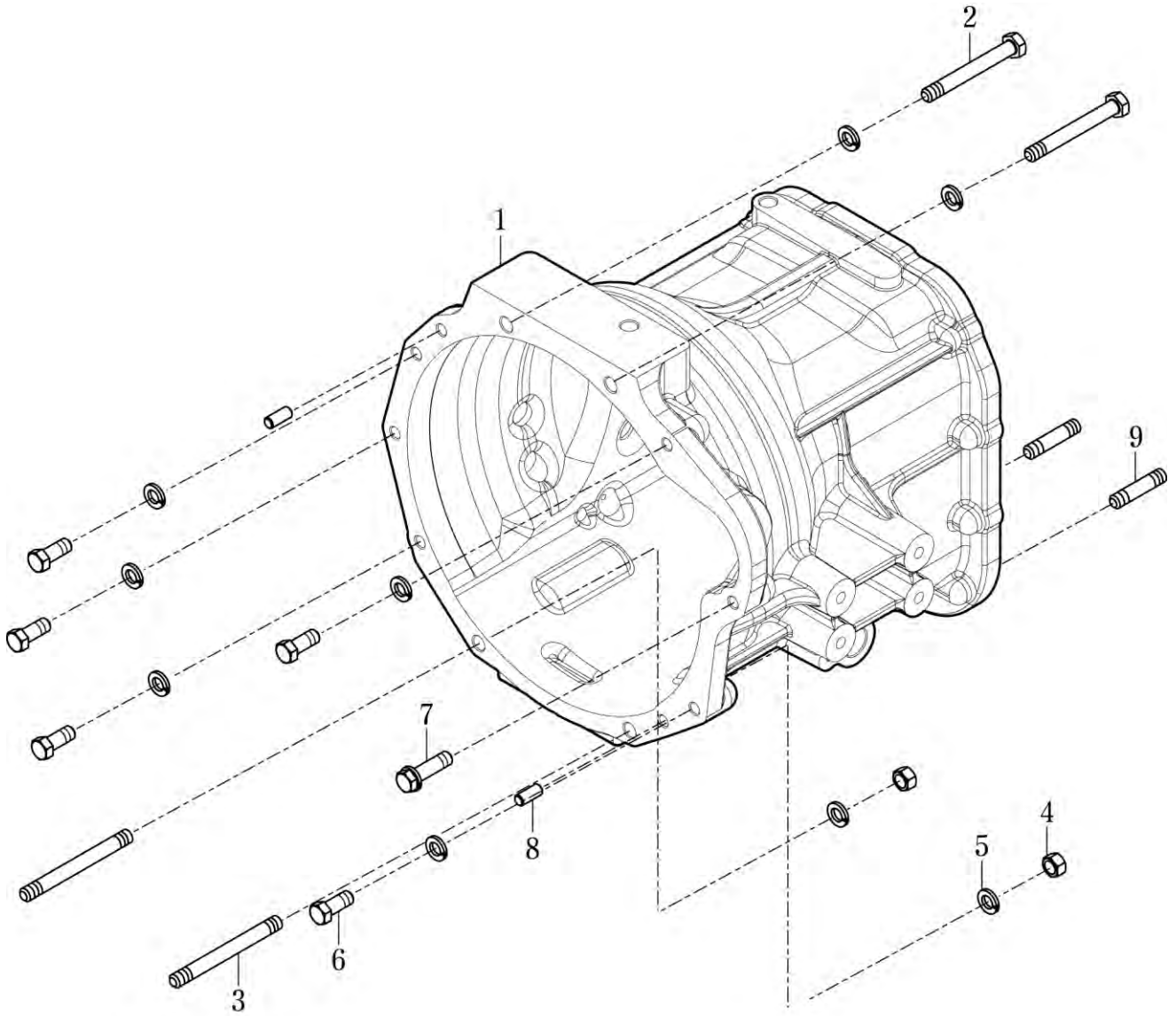
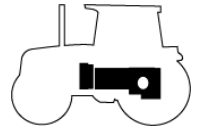
TRANSMISSION FRONT CASE

T474SH

P1

YEAR

2018



T474I-01

NOTE

FIG 402

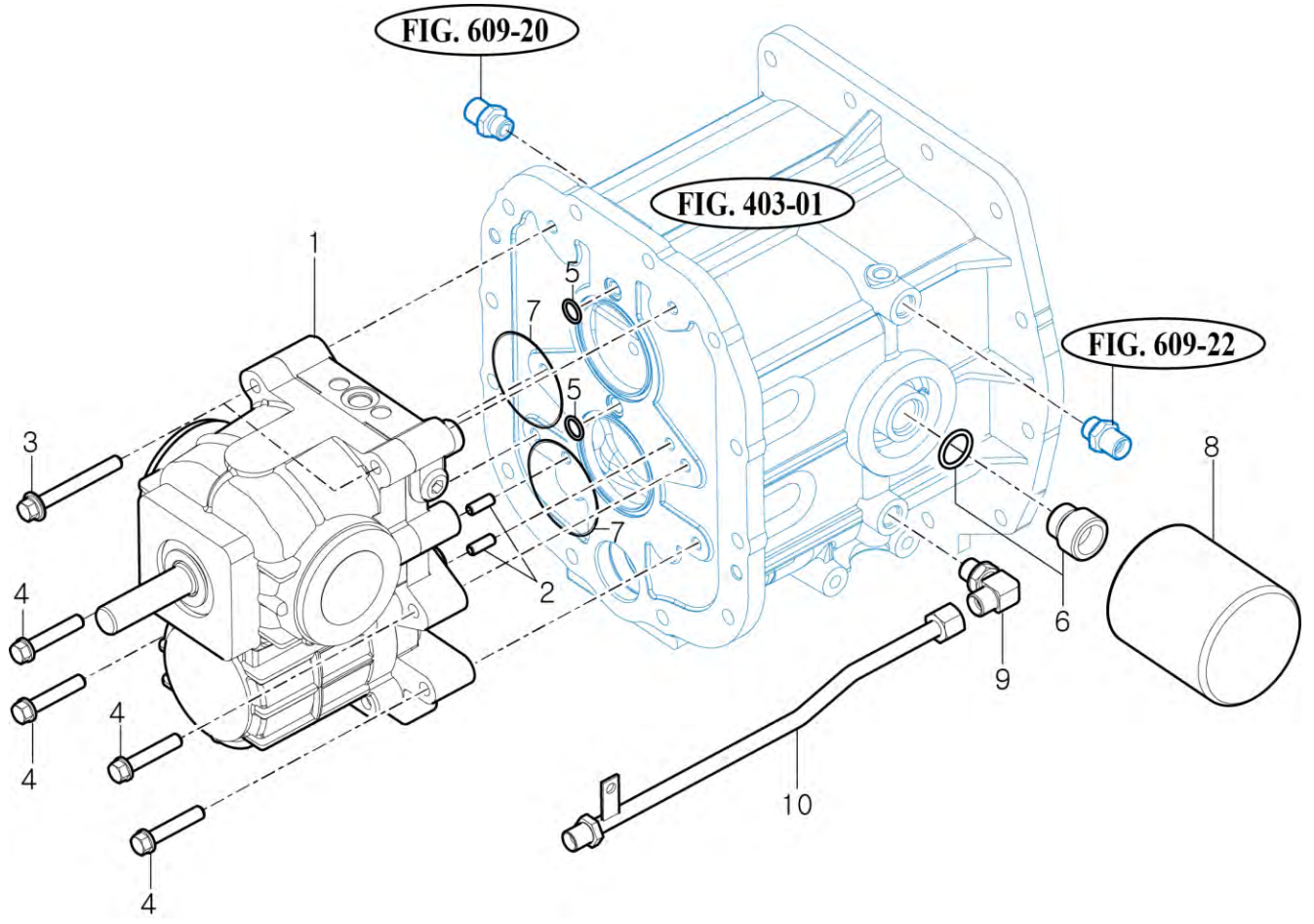
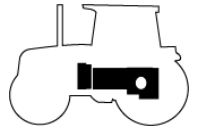
T474SH

HST

P1

YEAR

2018



NOTE

FIG 403

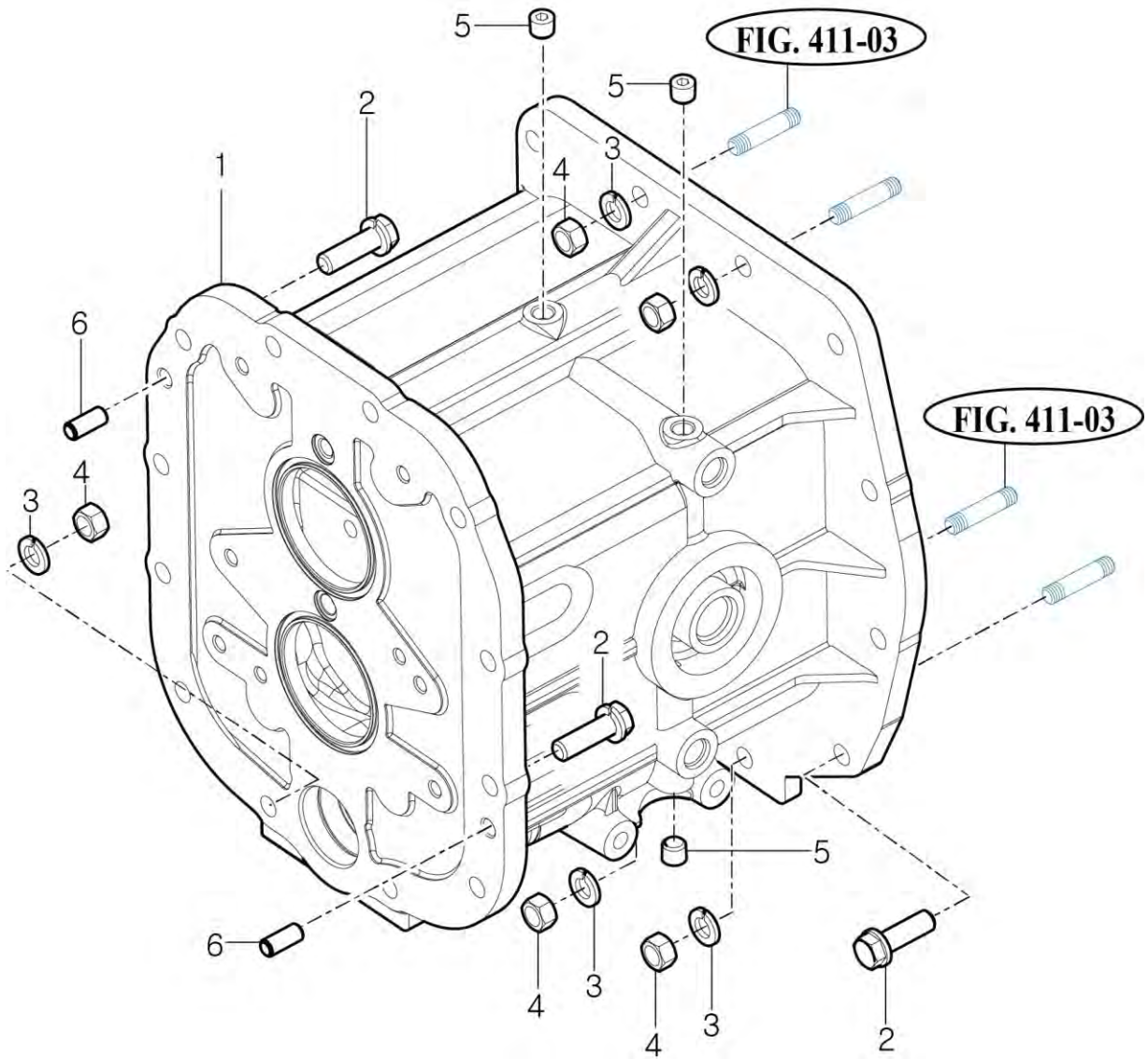
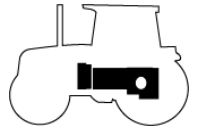
MID CASE

T474SH

P1

YEAR

2018



NOTE

FIG 404

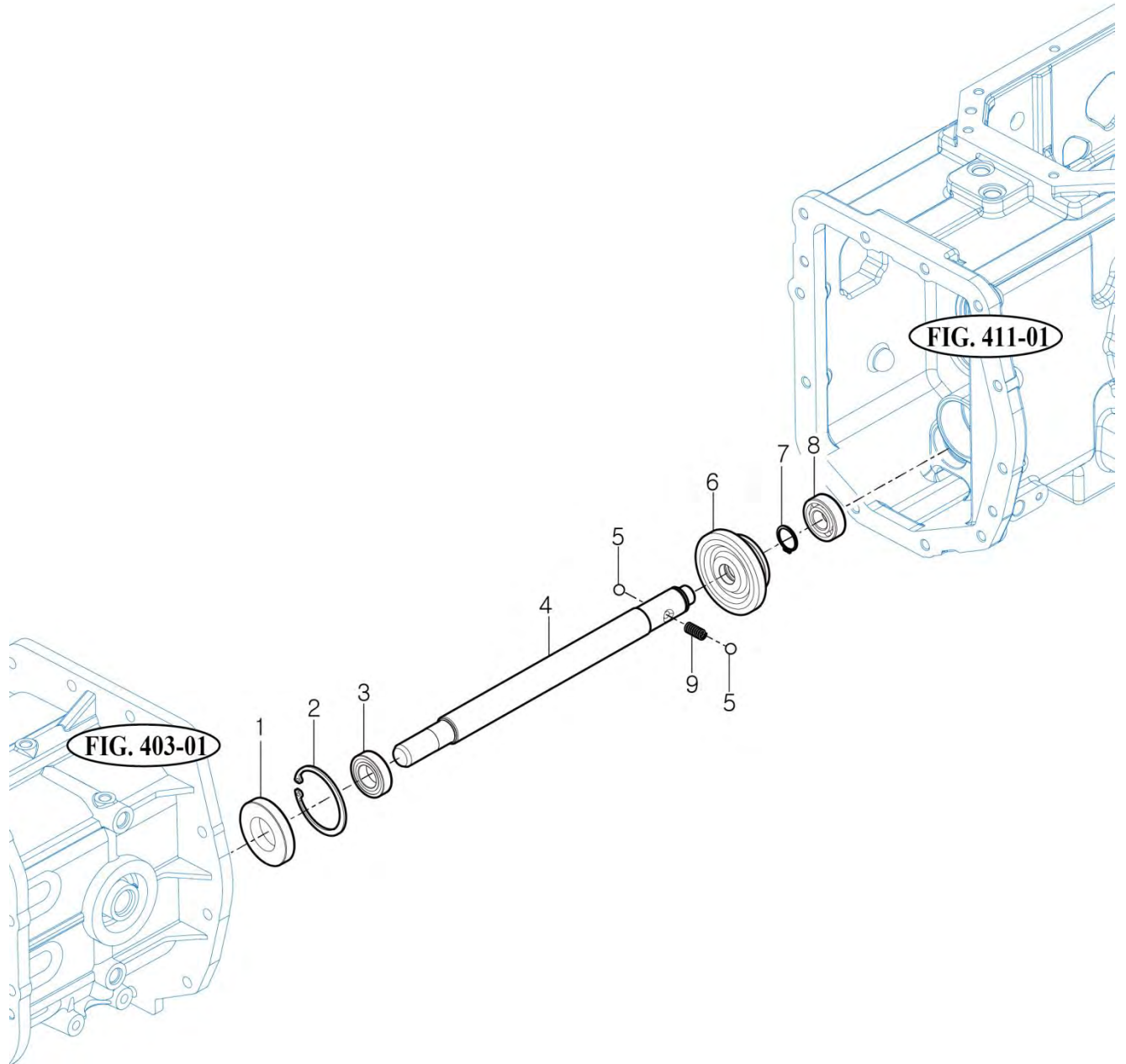
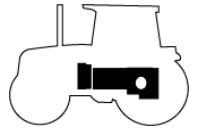
T474SH

4WD DRIVE GEAR

P1

YEAR

2018



NOTE

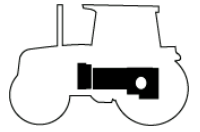
FIG 405

INPUT GEAR

P1

YEAR

2018



T474SH

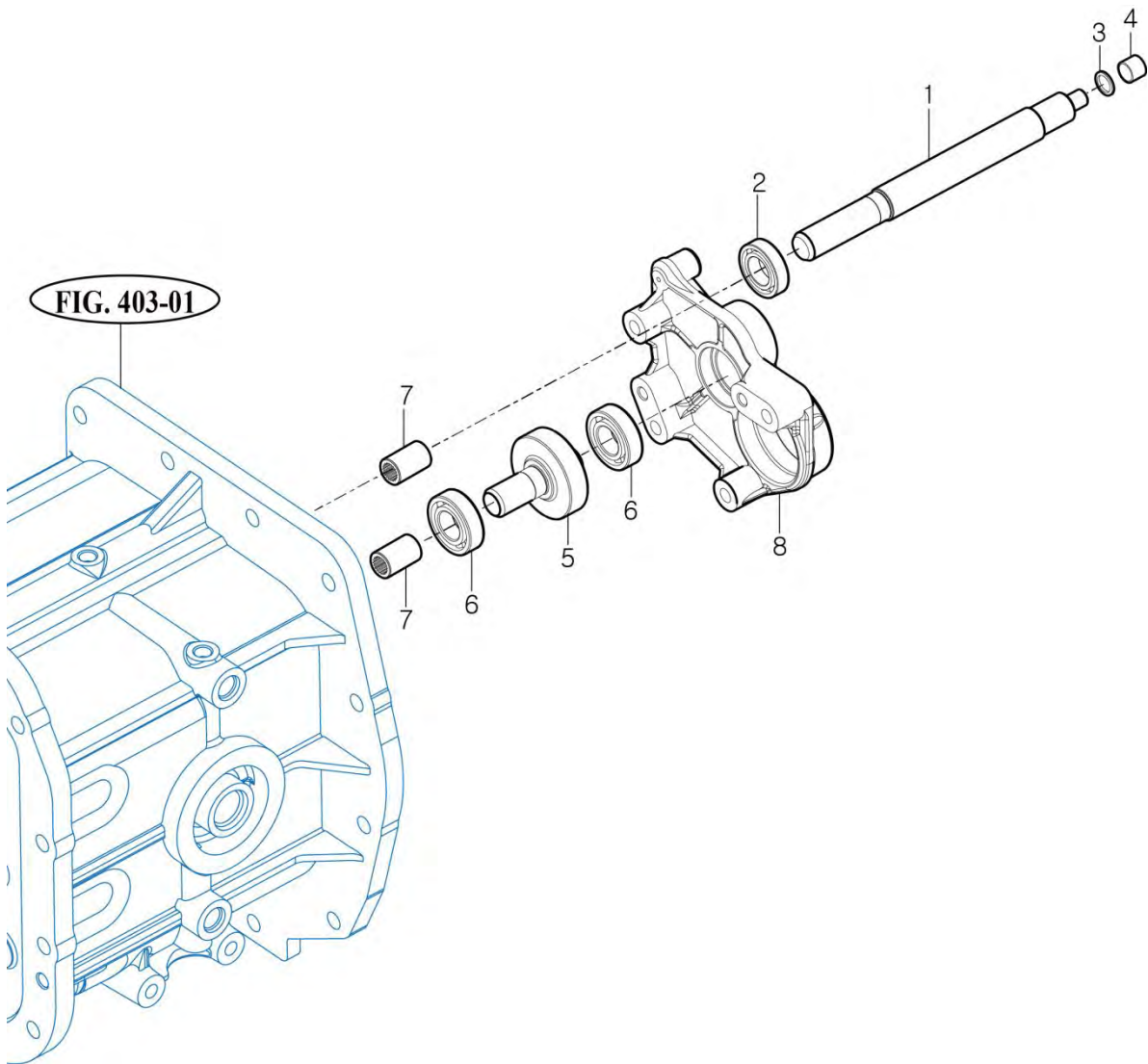


FIG. 403-01

NOTE

FIG 406

T474SH

SUB CHANGE GEARS

P1

YEAR

2018

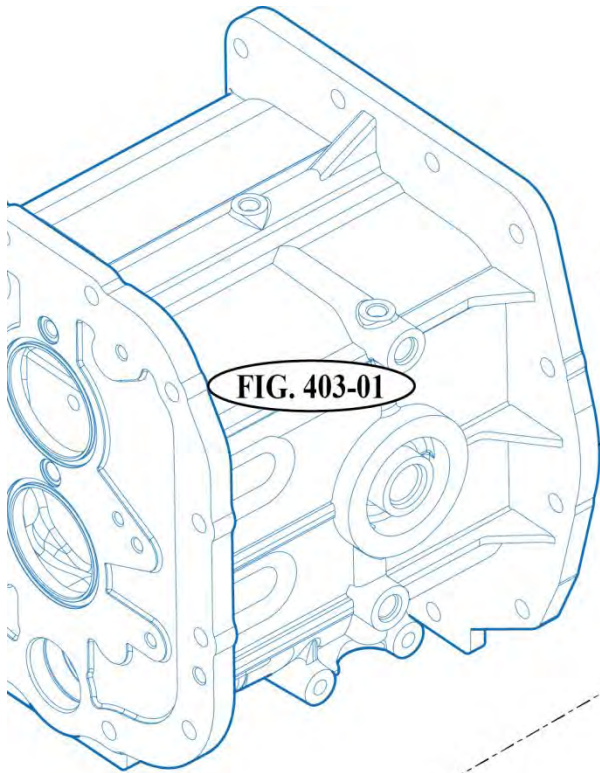
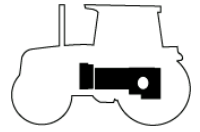


FIG. 403-01

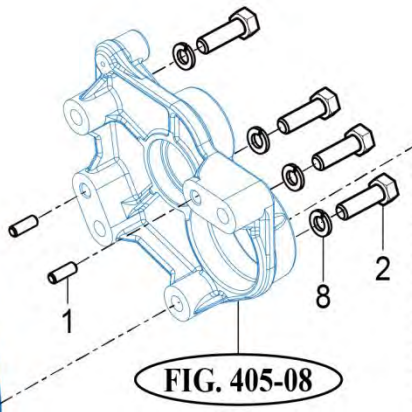
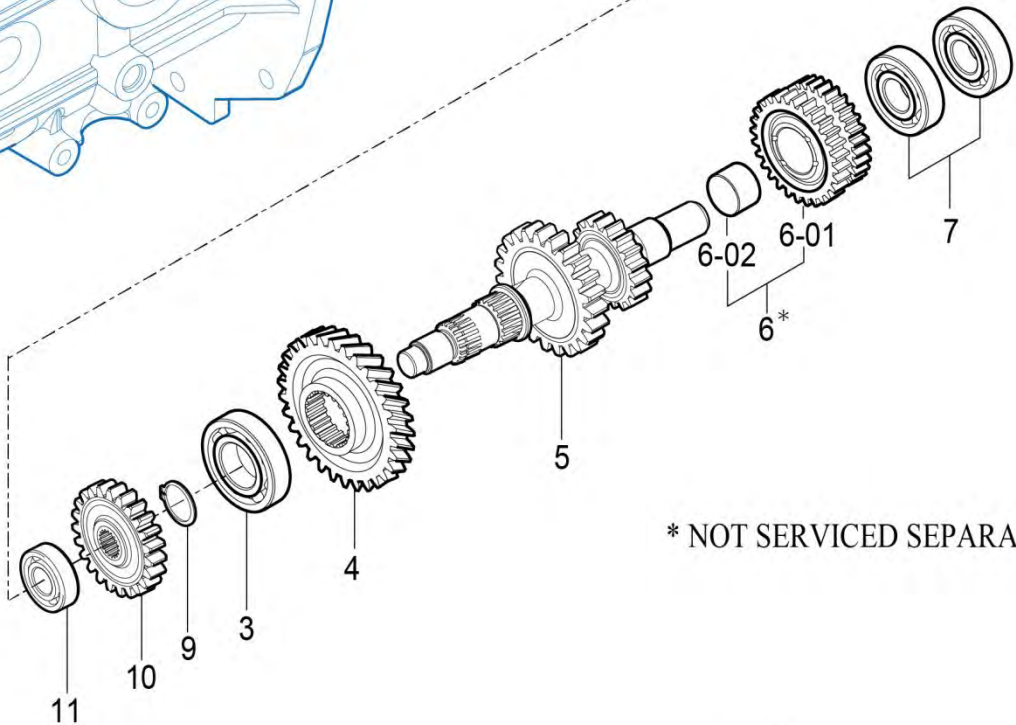


FIG. 405-08



* NOT SERVICED SEPARATELY

2538NH-E-406

NOTE

FIG 407

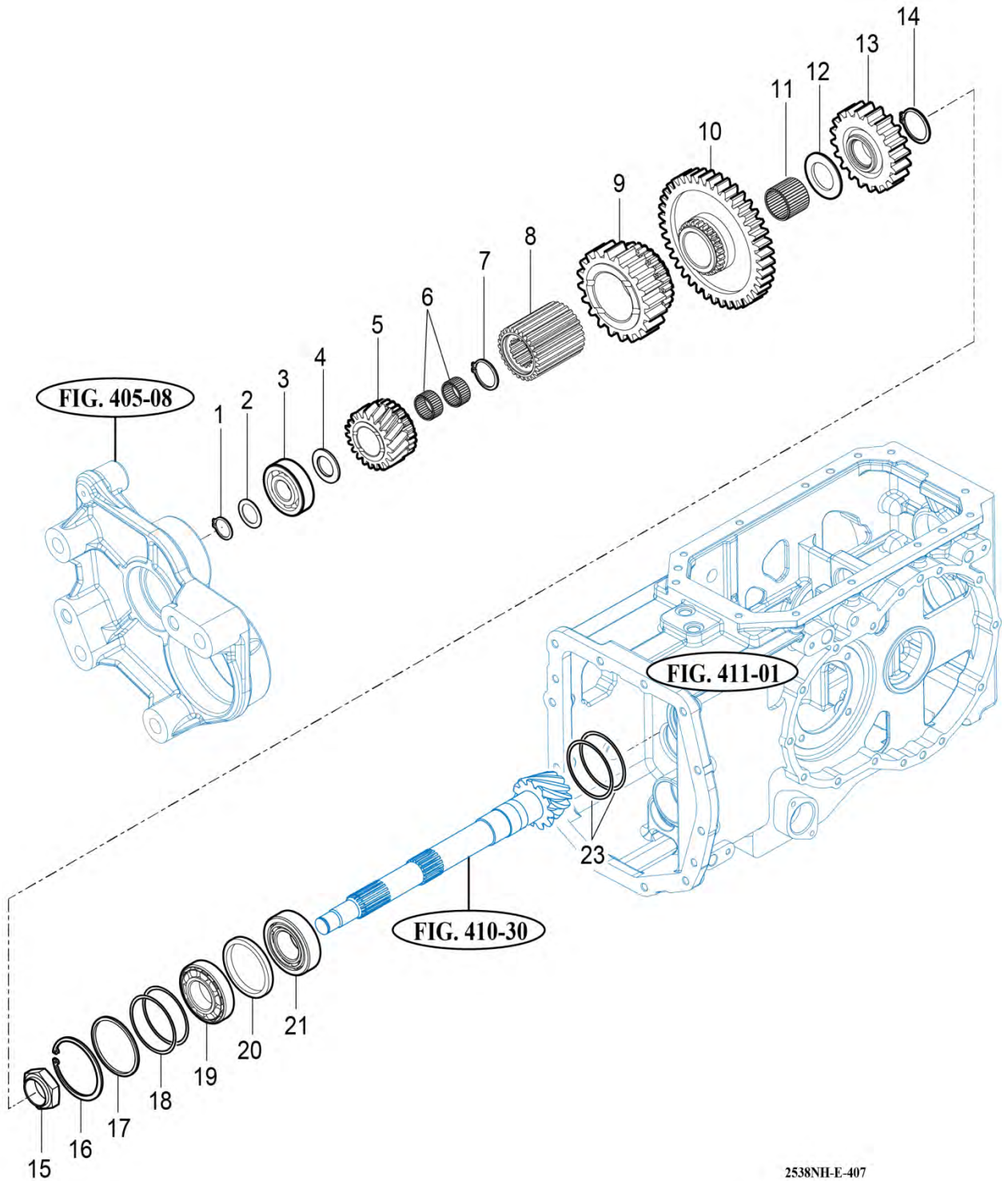
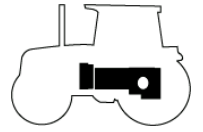
T474SH

PINION GEARS

P1

YEAR

2018



2538NH-E-407

NOTE

FIG 408

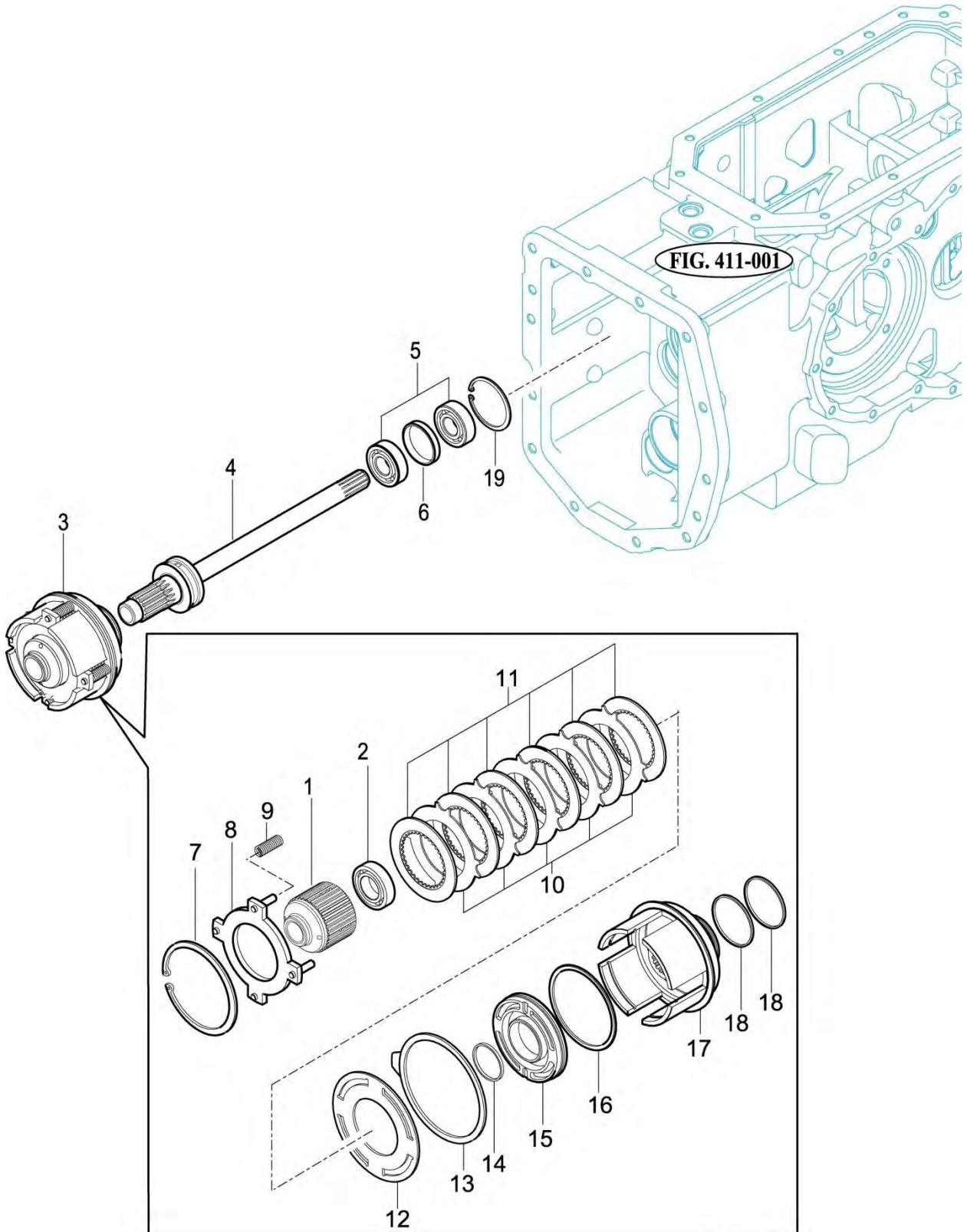
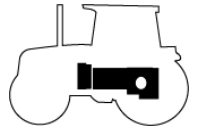
T474SH

P.T.O DRIVE SHAFT

P1

YEAR

2018



T303/353NC-E-408

NOTE

FIG 409

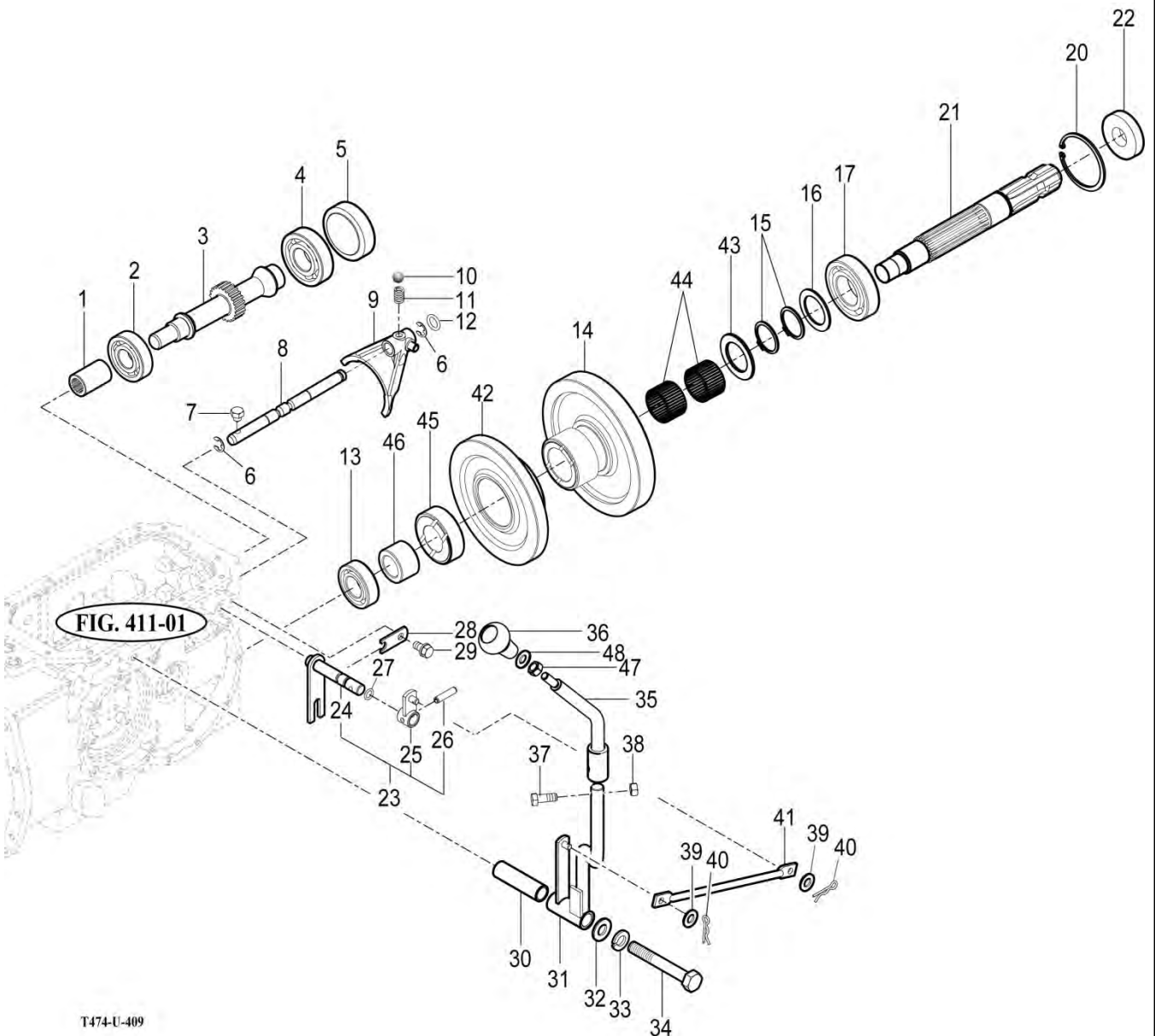
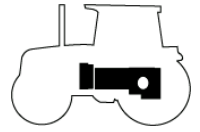
T474SH

P.T.O. CHANGE GEARS

P1

YEAR

2018



NOTE

FIG 410

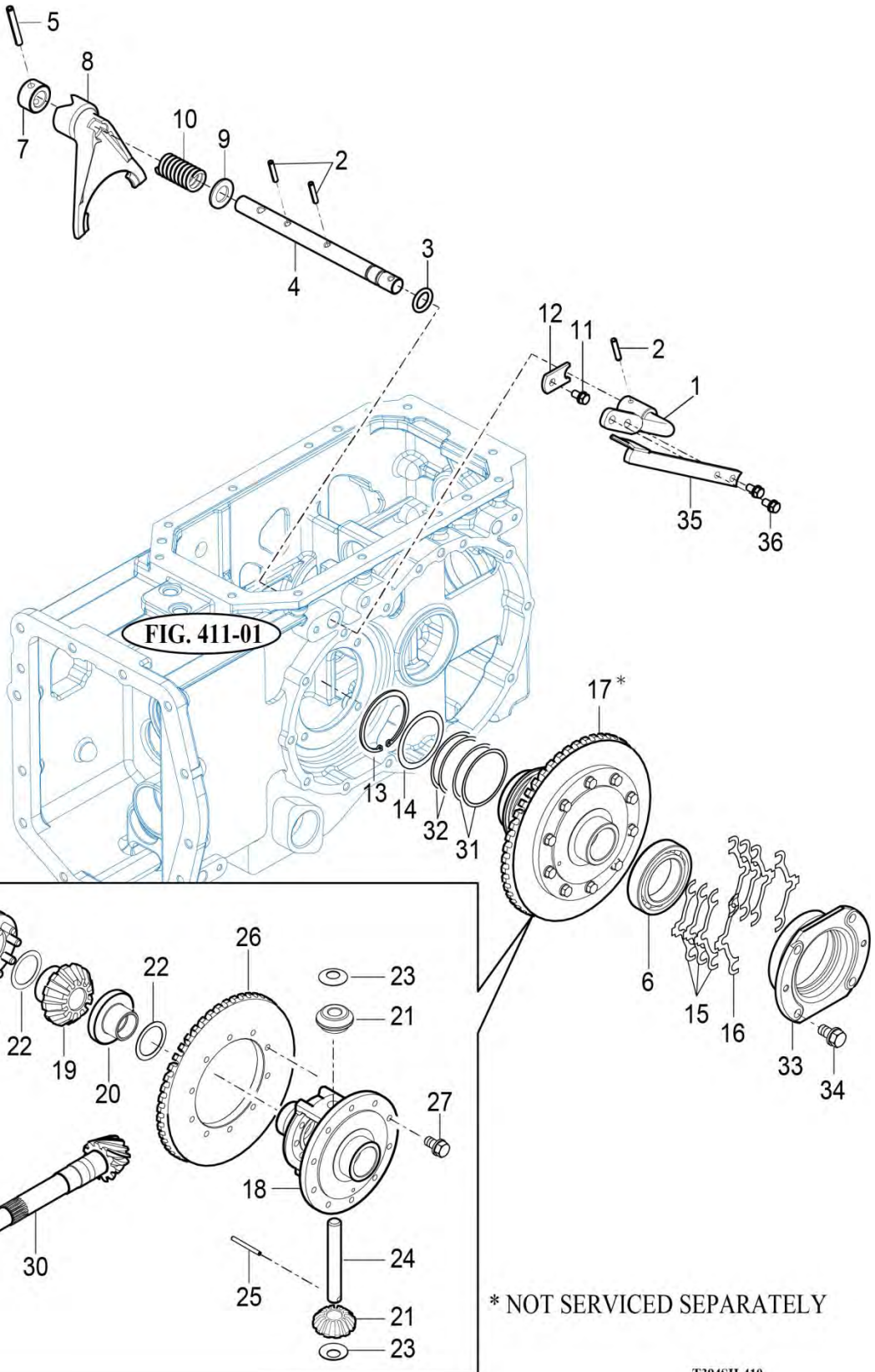
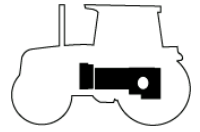
T474SH

DIFF LOCK

P1

YEAR

2018



T394SH-410

NOTE

FIG 411

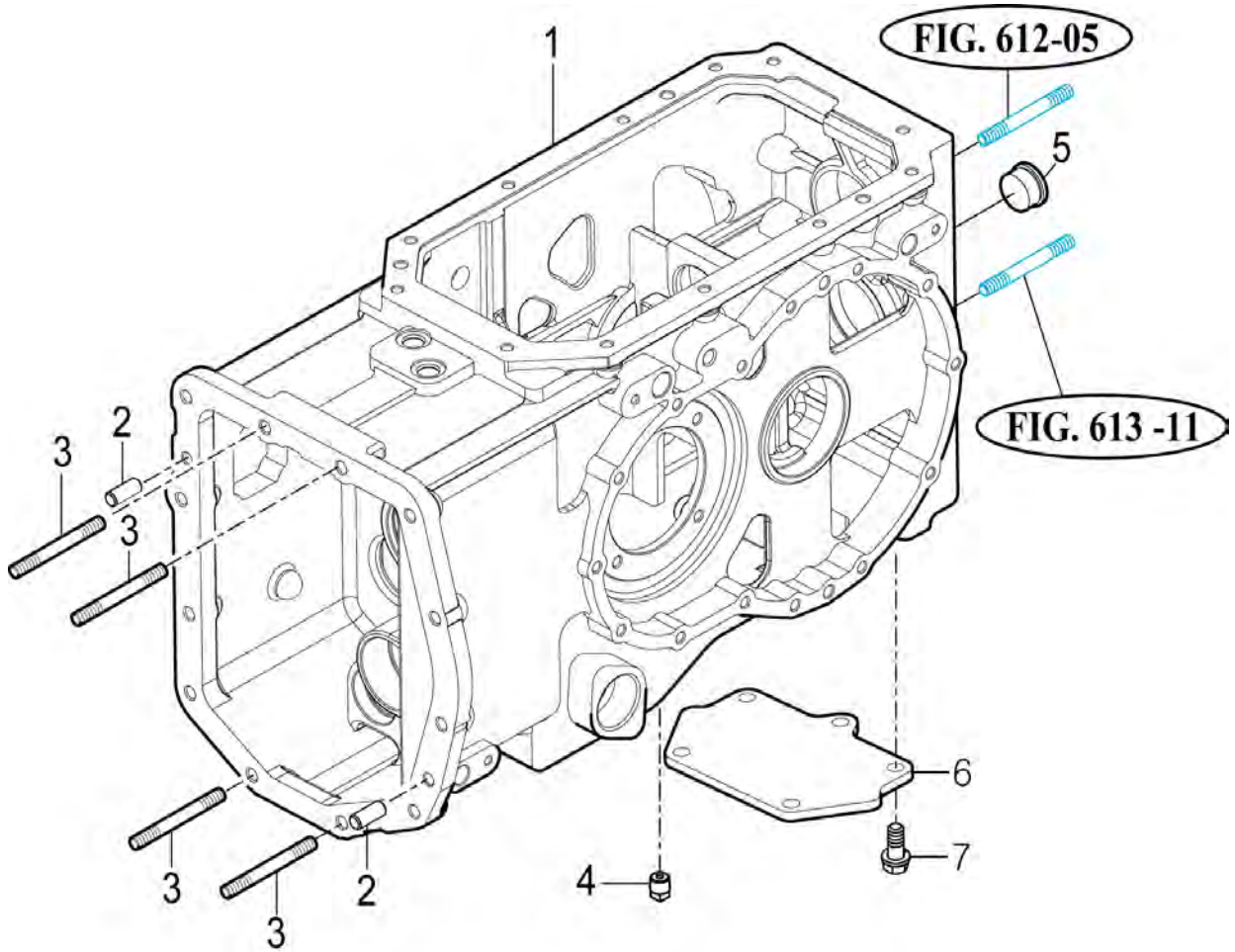
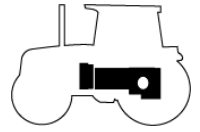
T474SH

TRANSMISSION REAR CASE

P1

YEAR

2018



T474-U-411

NOTE

FIG 412

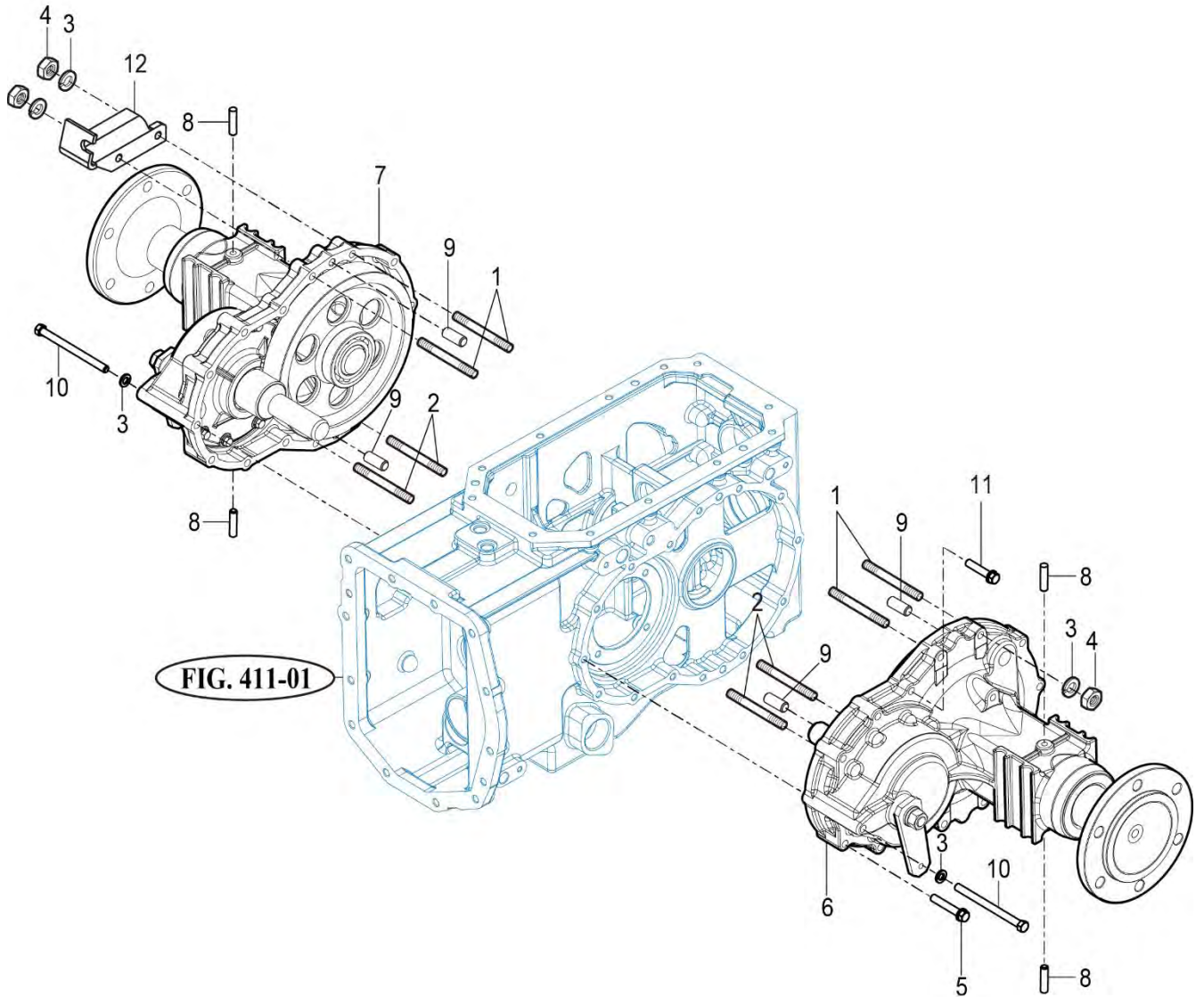
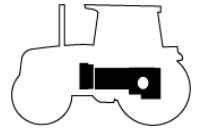
T474SH

REAR AXLE HOUSINGS (1)

P1

YEAR

2018



2538NII-E-412

NOTE

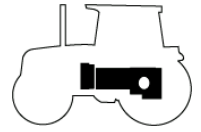
FIG 413

REAR AXLE HOUSINGS (2)

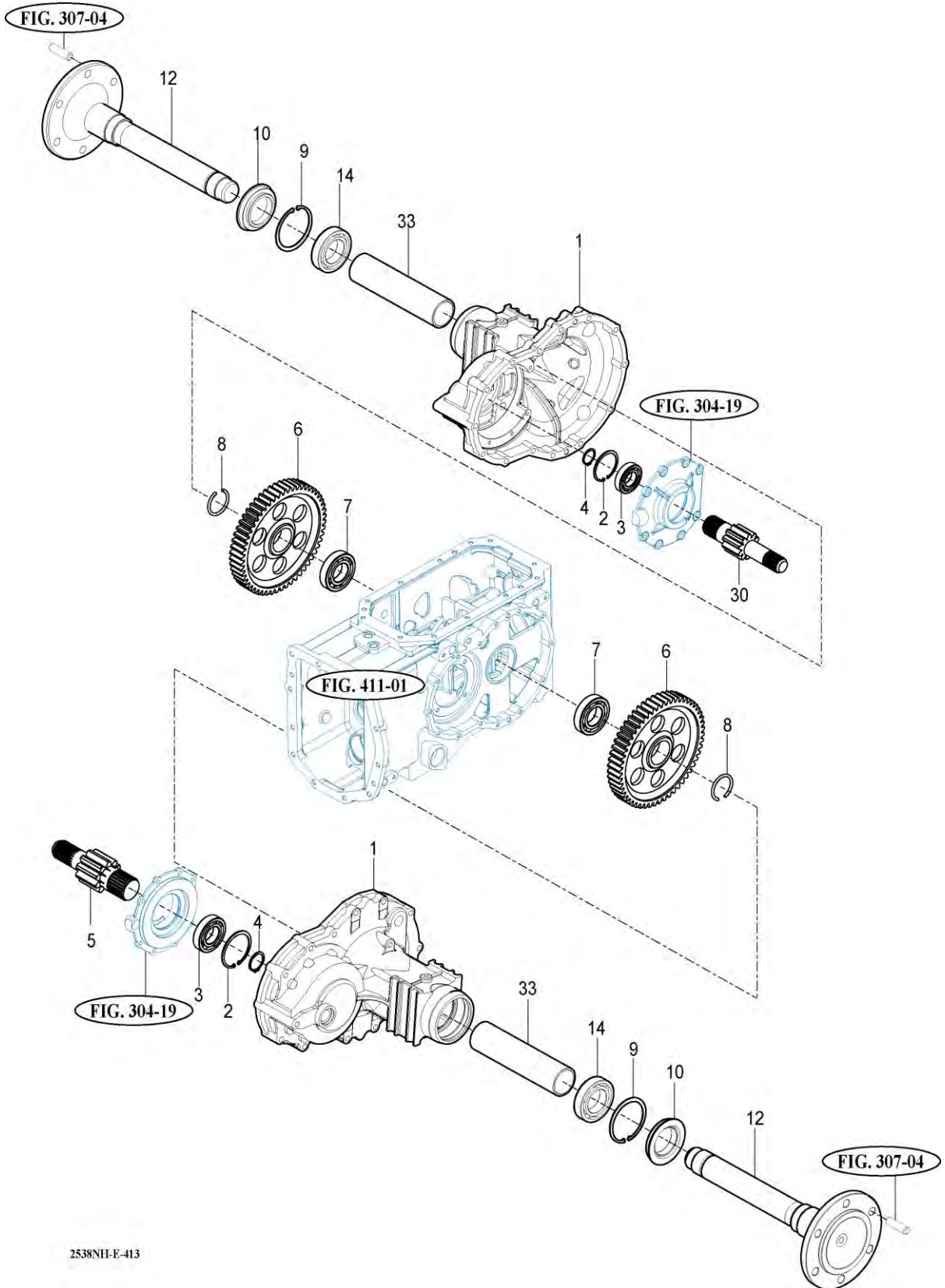
P1

YEAR

2018



T474SH



2538NH-E-413

NOTE

FIG 415

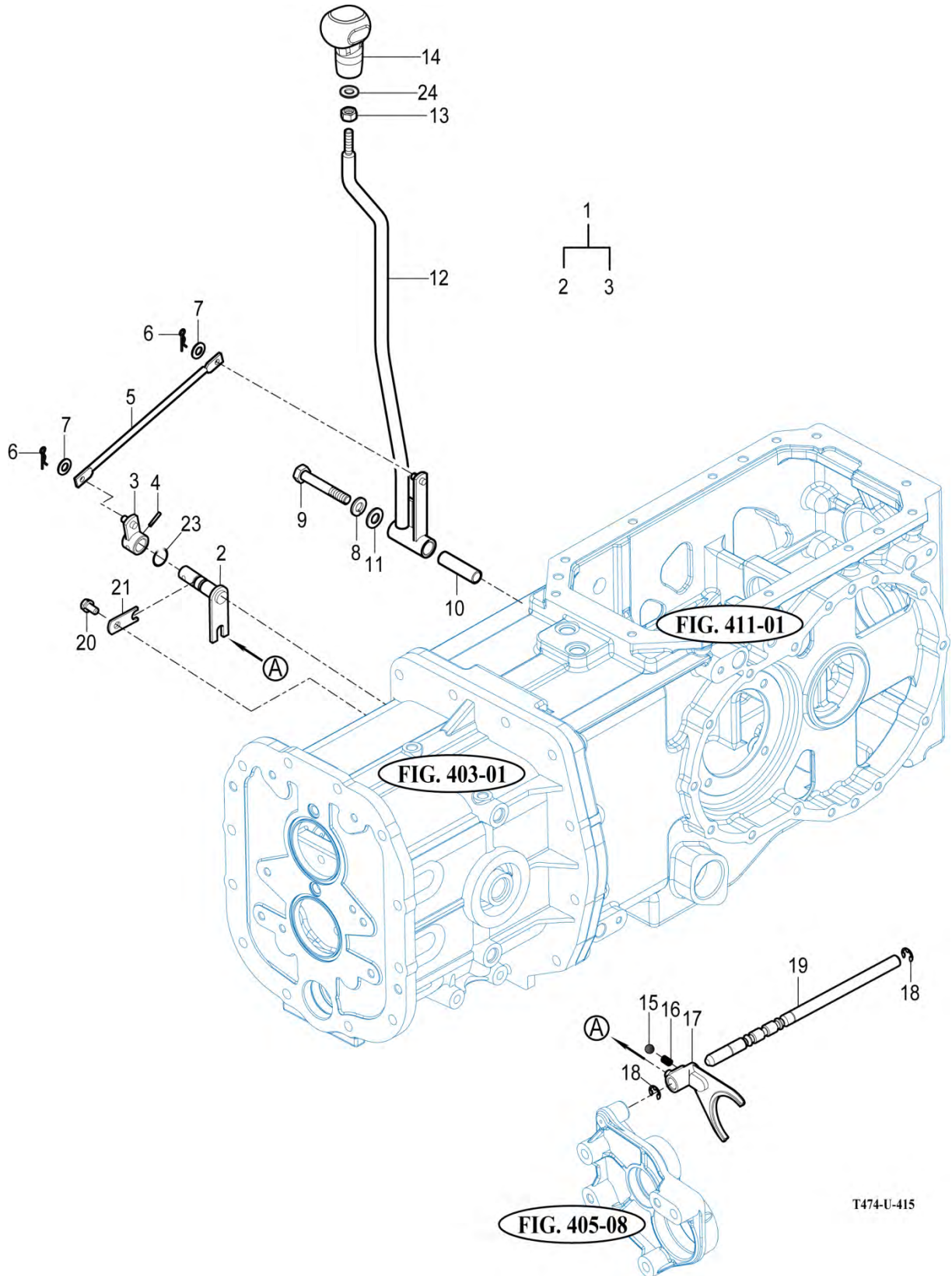
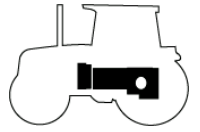
SUB CHANGE LEVER

T474SH

P1

YEAR

2018



NOTE

FIG 416

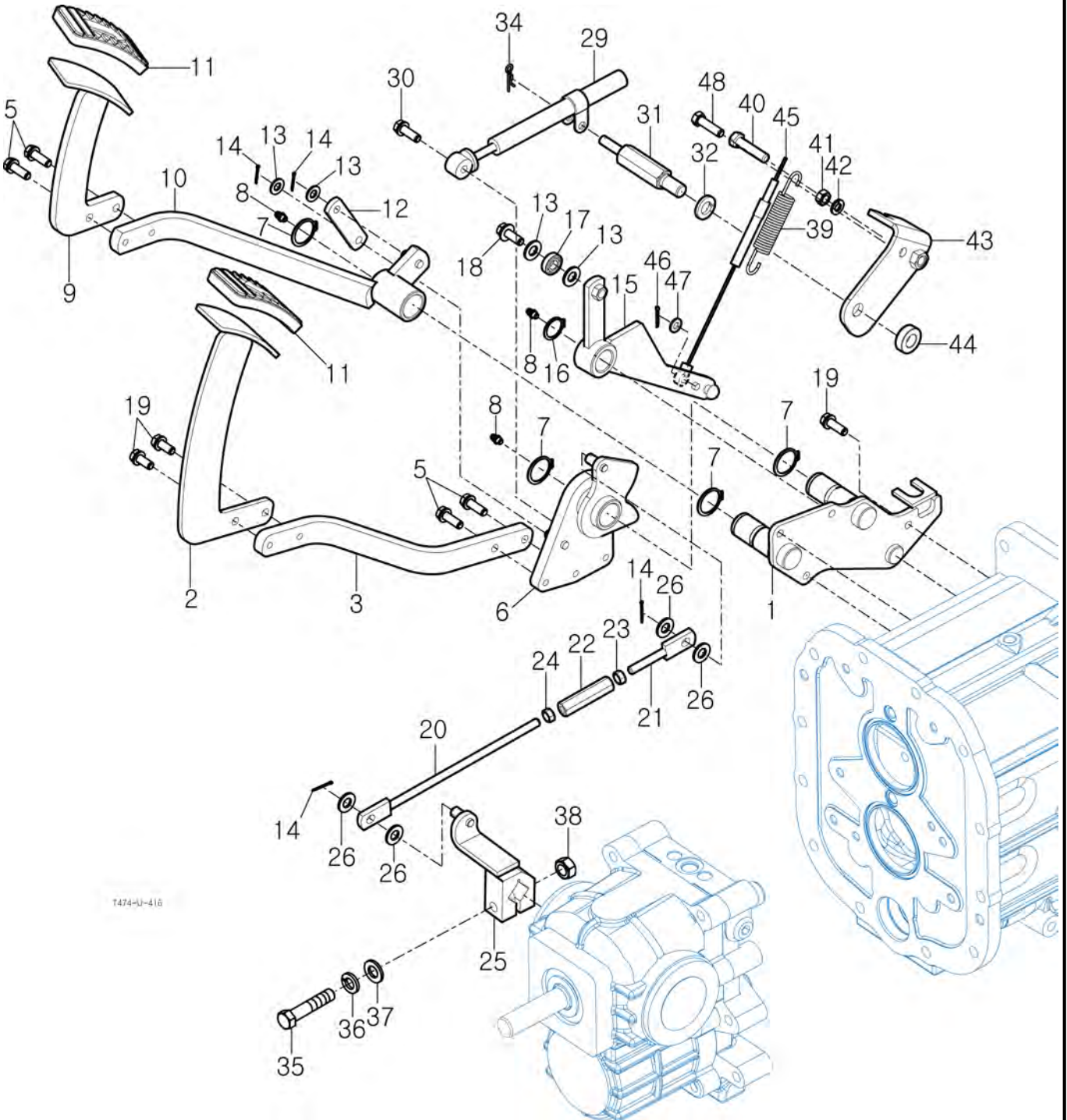
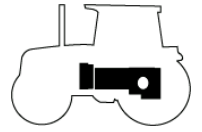
FORWARD & REVERSE CONTROL LINKAGE

T474SH

P1

YEAR

2018



T474-UJ-416

NOTE

FIG 418

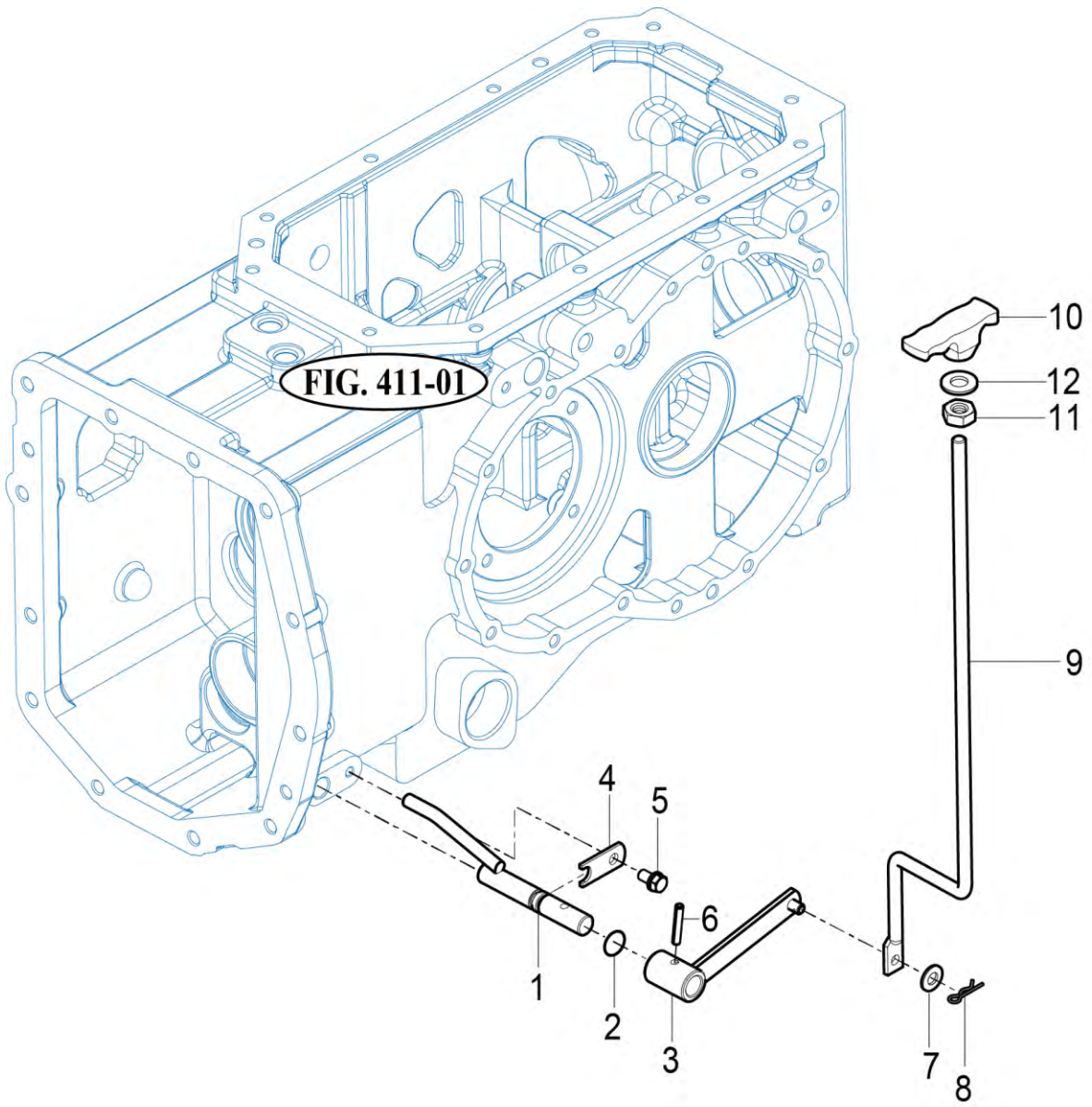
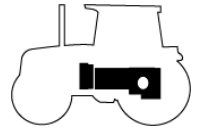
4WD CHANGE LEVER

T474SH

P1

YEAR

2018



2538NH-K-418

NOTE

FIG 501

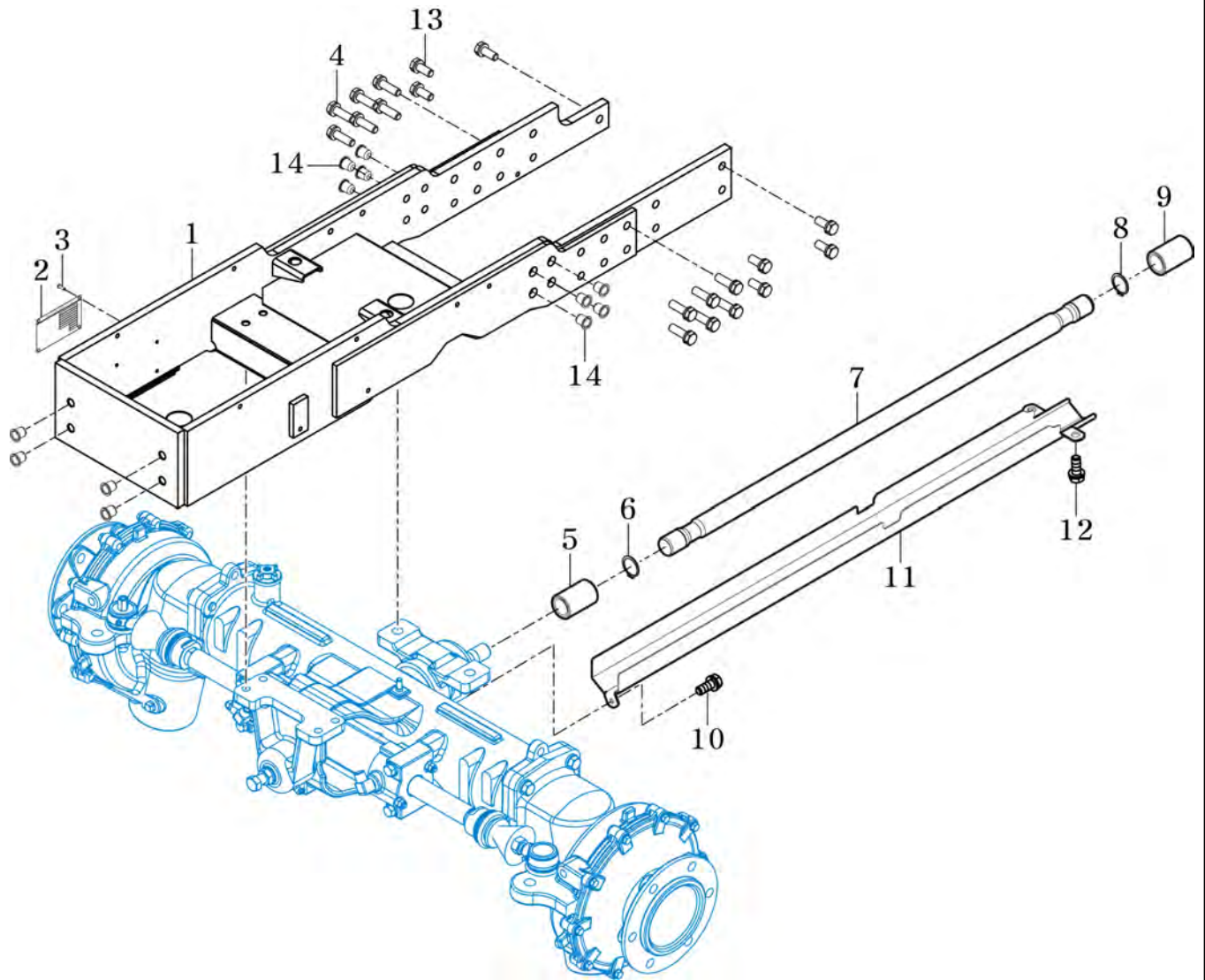
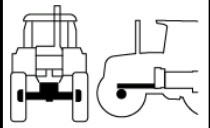
T474SH

FRONT AXLE BRACKET

P1

YEAR

2018



NOTE

FIG 502

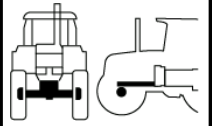
T474SH

FRONT DIFF. GEARS & SHAFT

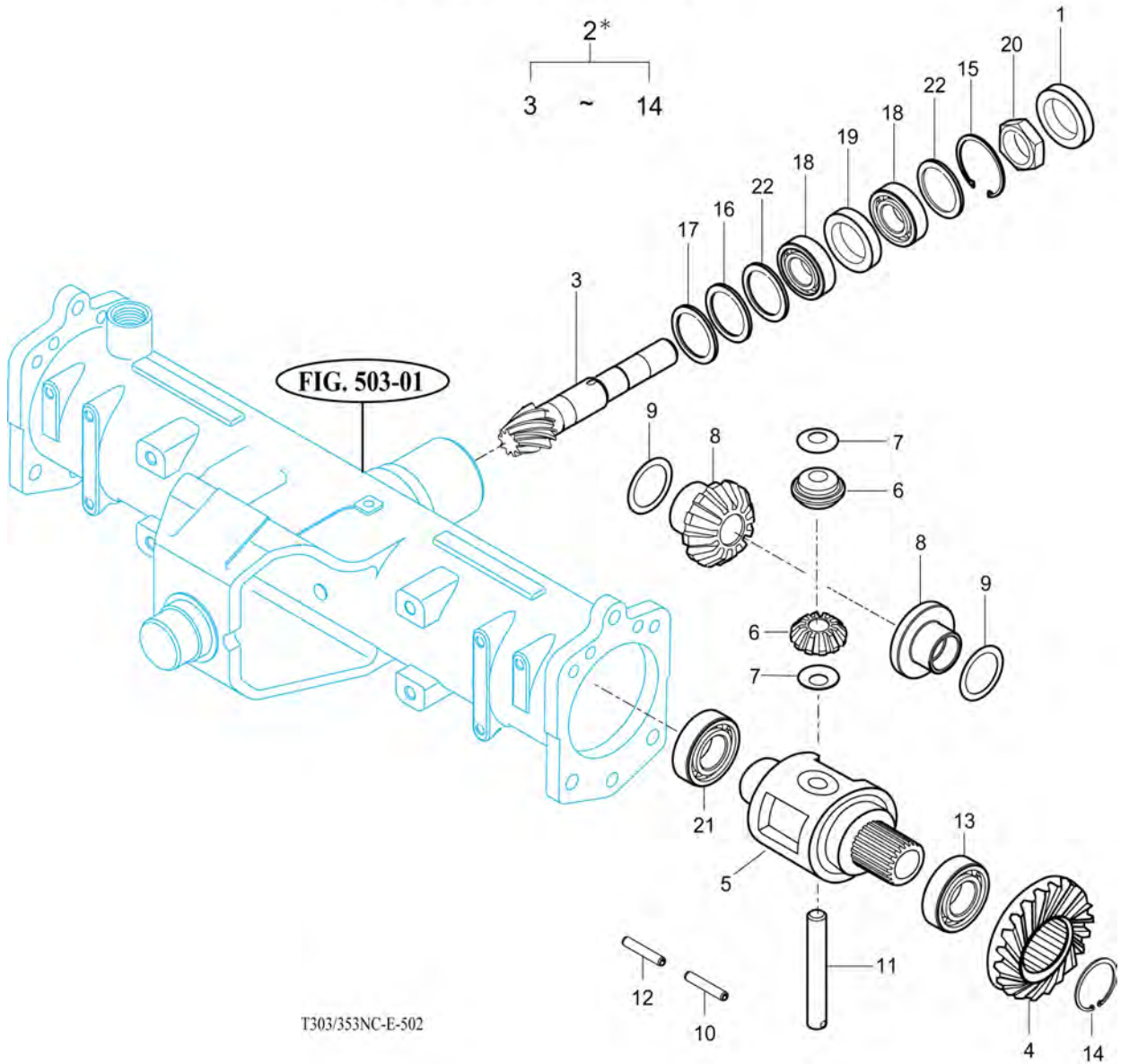
P1

YEAR

2018



* NOT SERVICED SEPARATELY



T303/353NC-E-502

NOTE

FIG 503

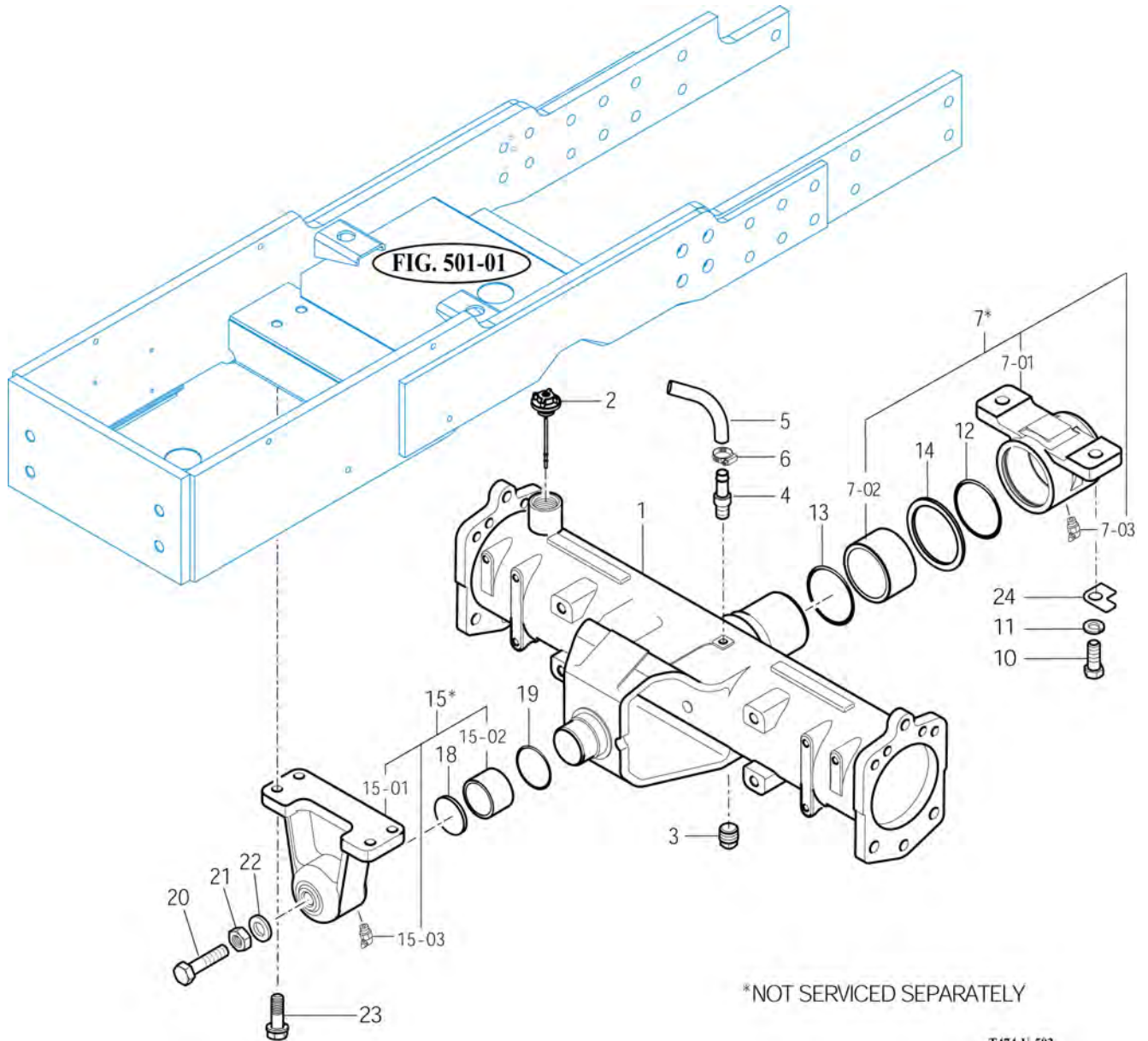
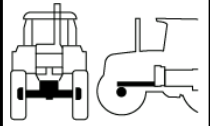
T474SH

FRONT AXLE HOUSING

P1

YEAR

2018



NOTE

FIG 504

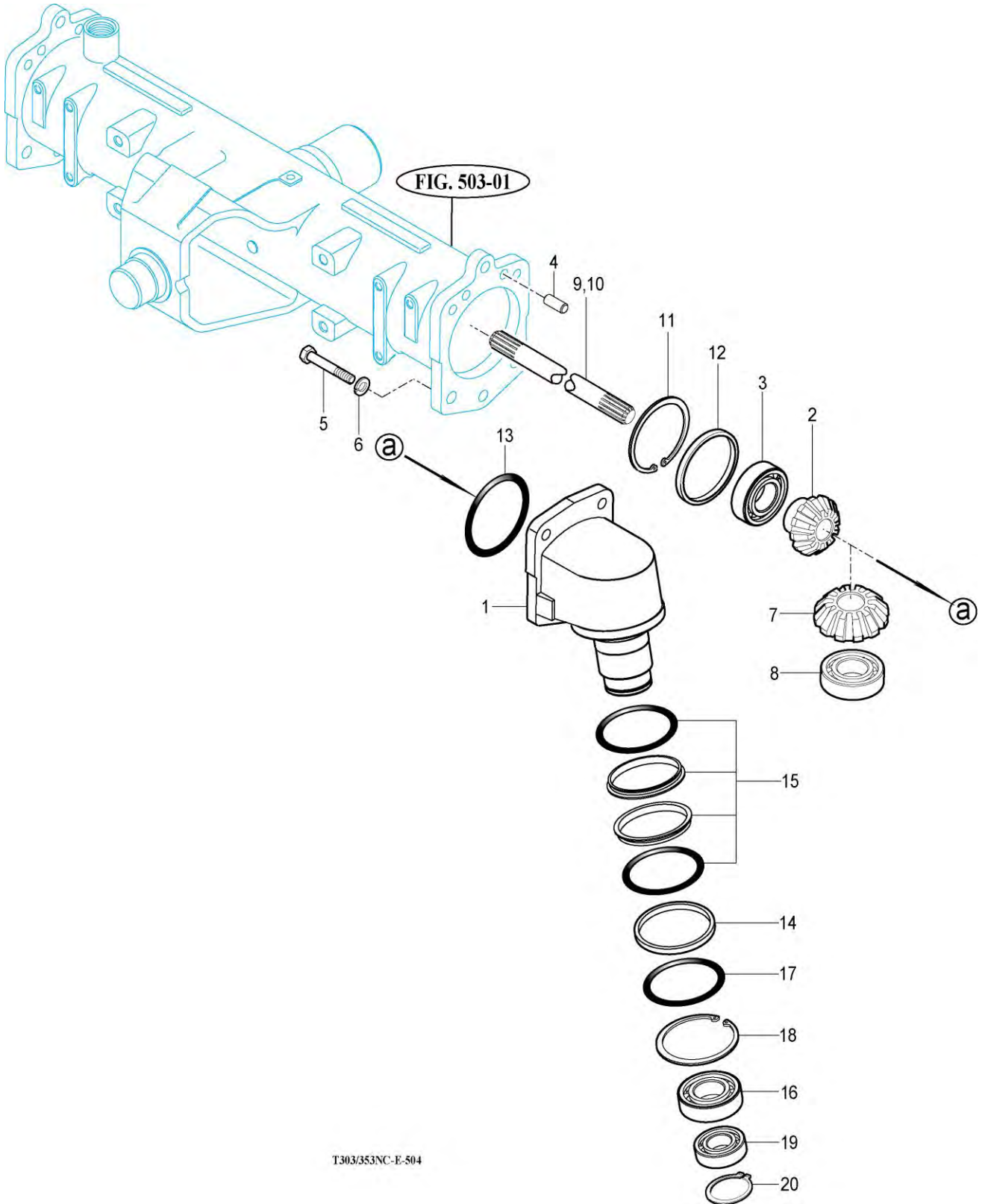
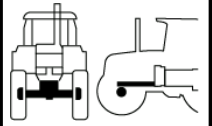
T474SH

FRONT GEAR CASE (1)

P1

YEAR

2018



T303/353NC-E-504

NOTE

FIG 505

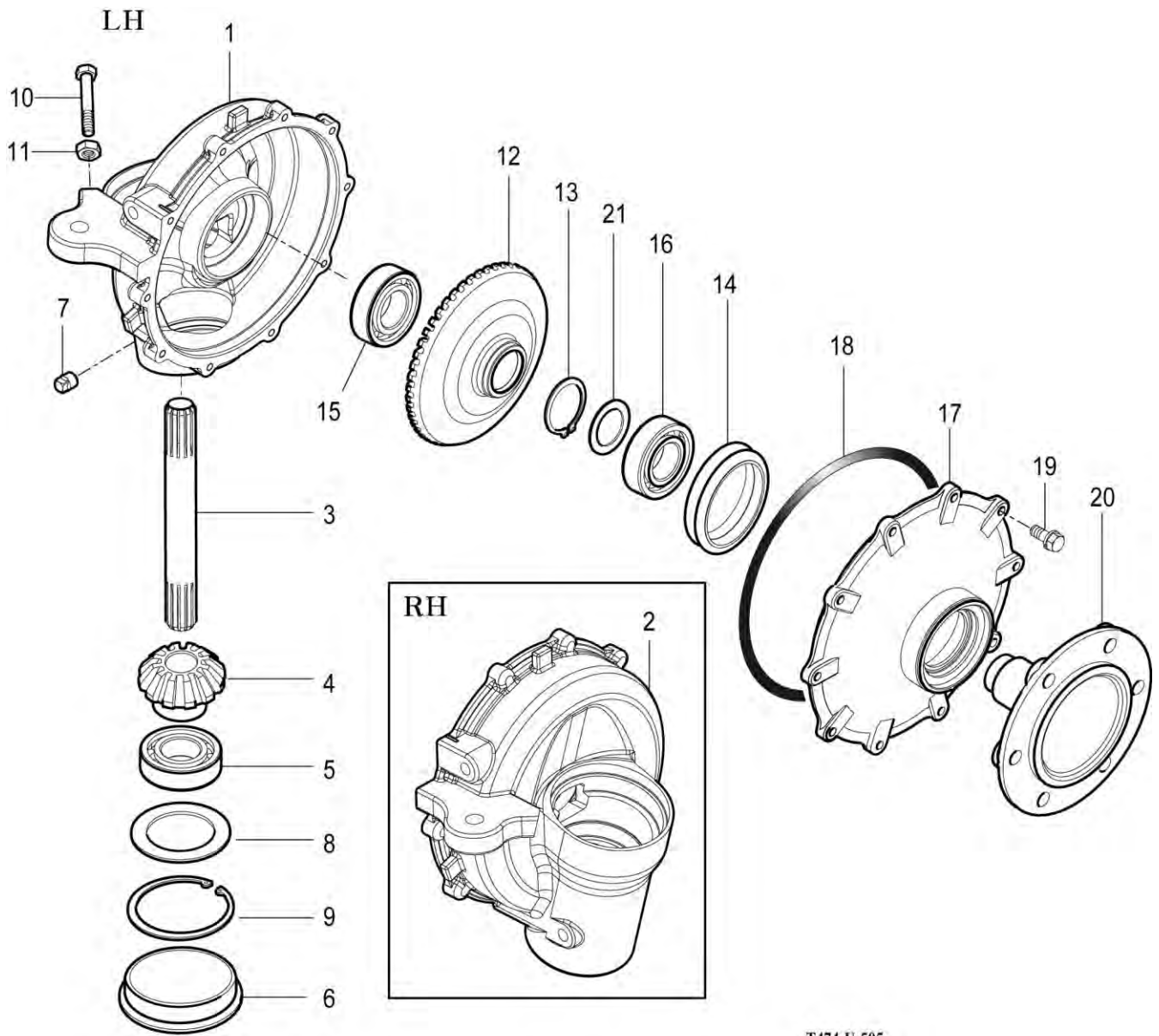
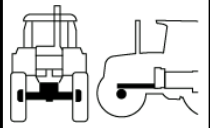
T474SH

FRONT GEAR CASE (2)

P1

YEAR

2018



T474-U-505

NOTE

FIG 601

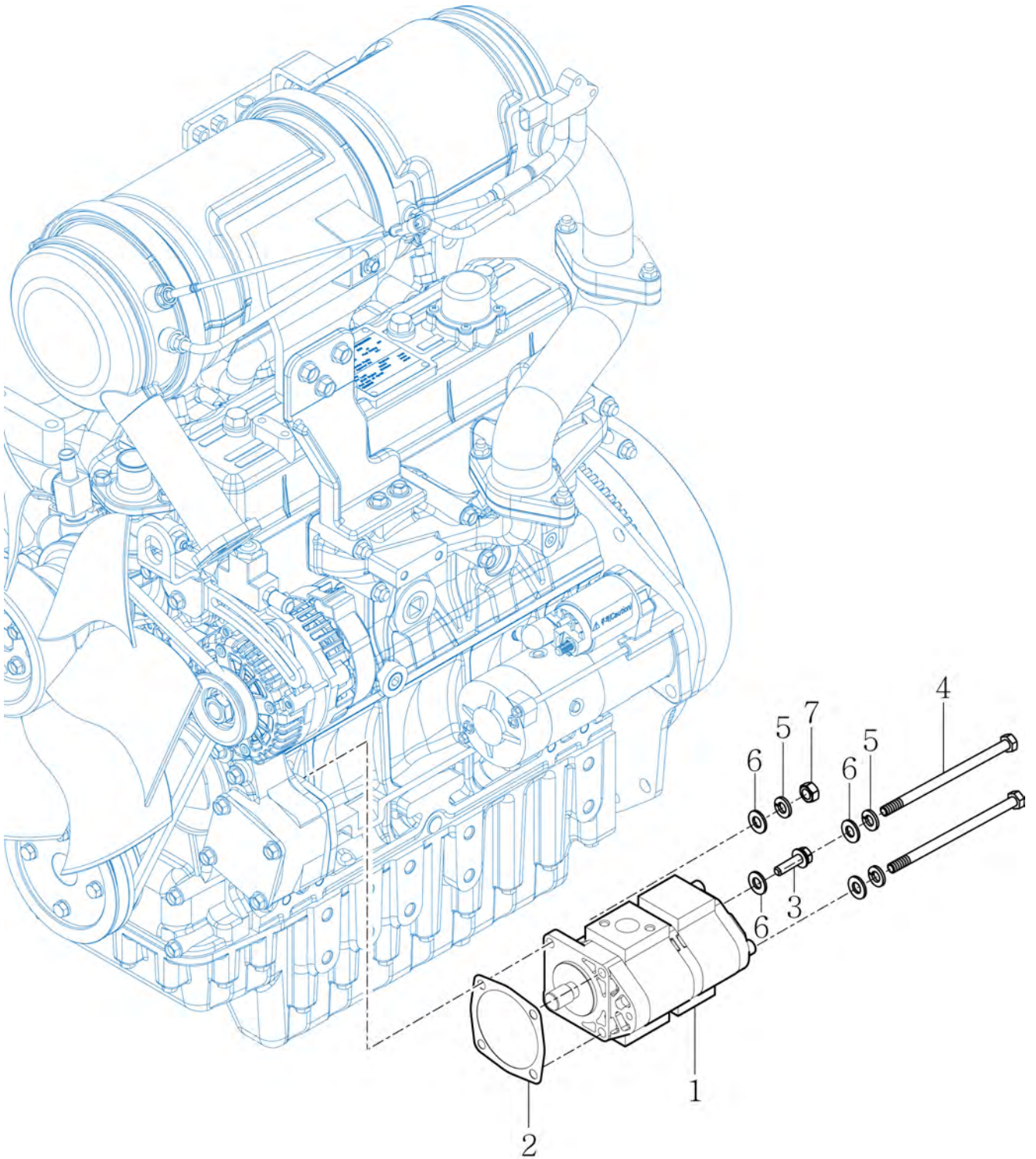
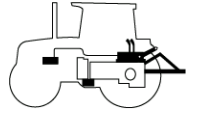
T474SH

GEAR PUMP

P1

YEAR

2018



NOTE

FIG 602

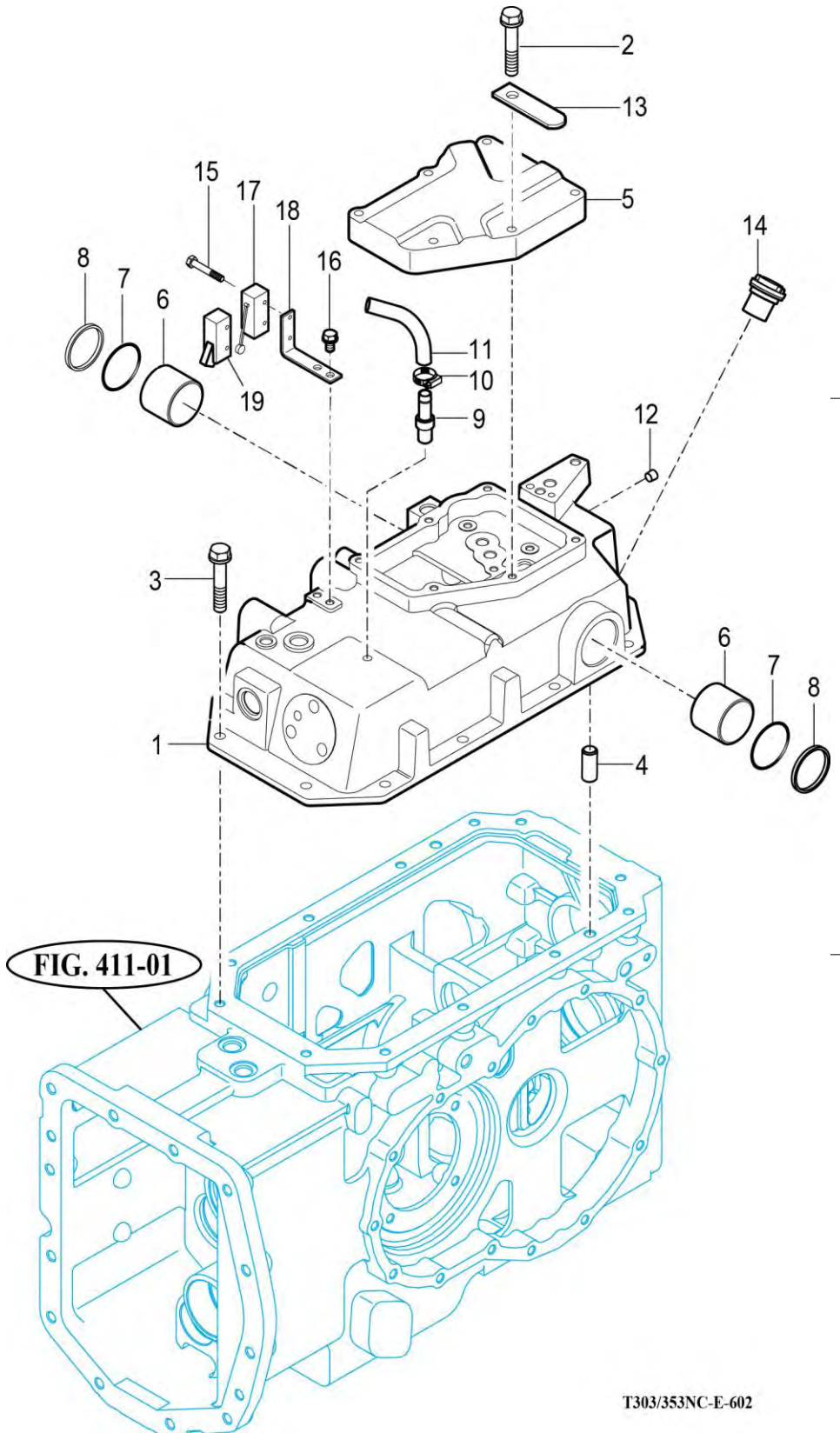
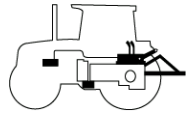
T474SH

CYLINDER CASE

P1

YEAR

2018



NOTE

FIG 603

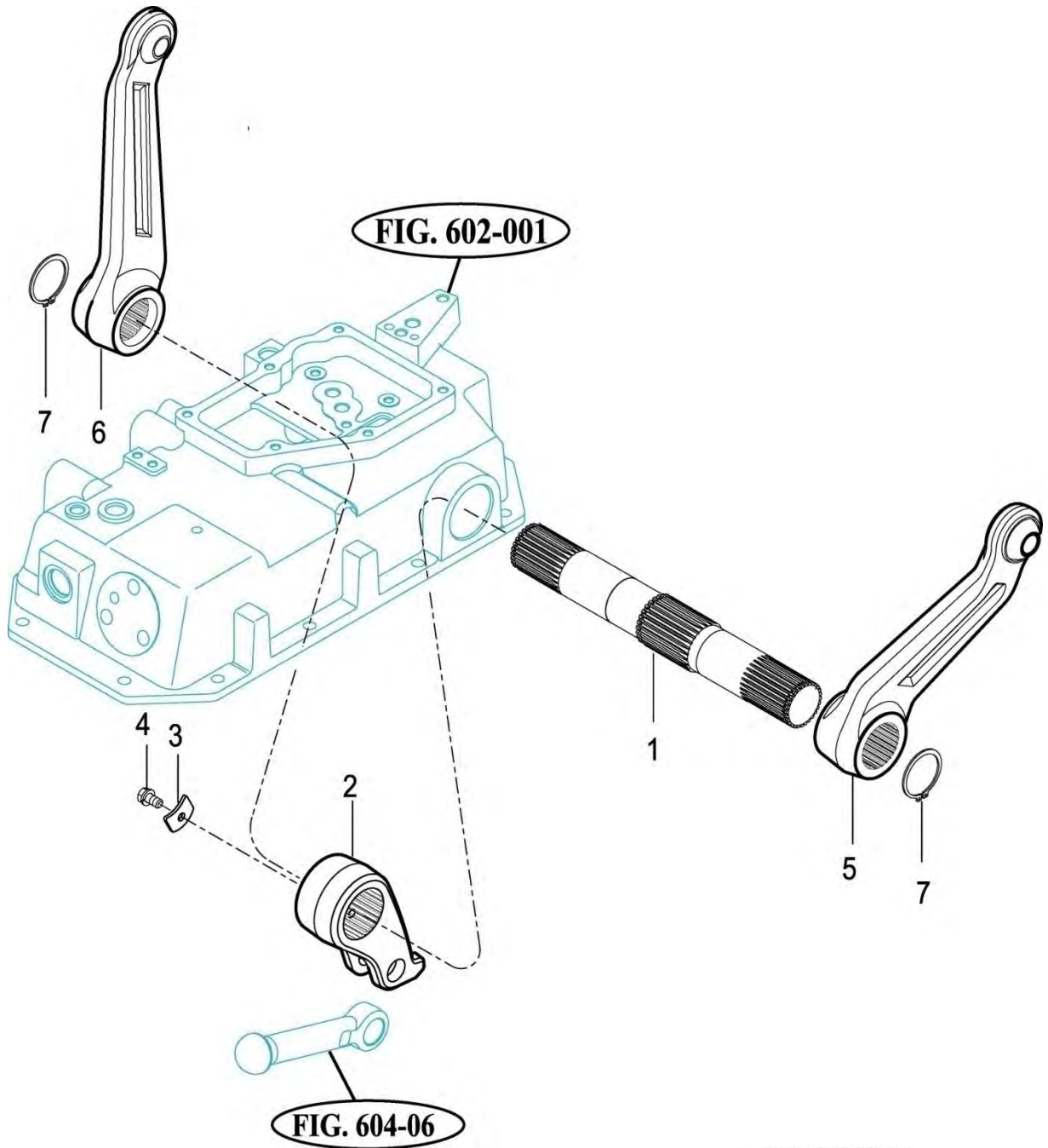
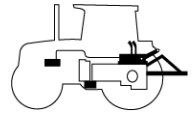
T474SH

LIFT ARM

P1

YEAR

2018



T303/353NC-E-603

NOTE

FIG 604

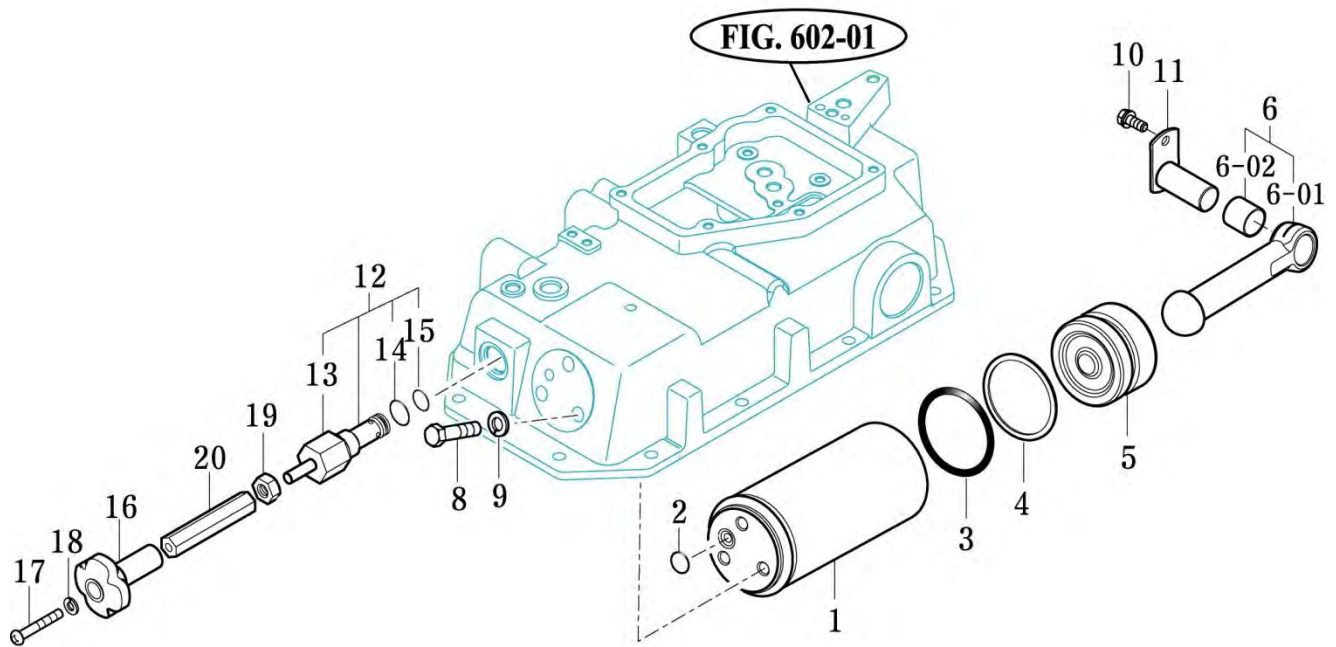
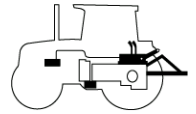
T474SH

CYLINDER

P1

YEAR

2018



T303/353NC-E-604

NOTE

FIG 605

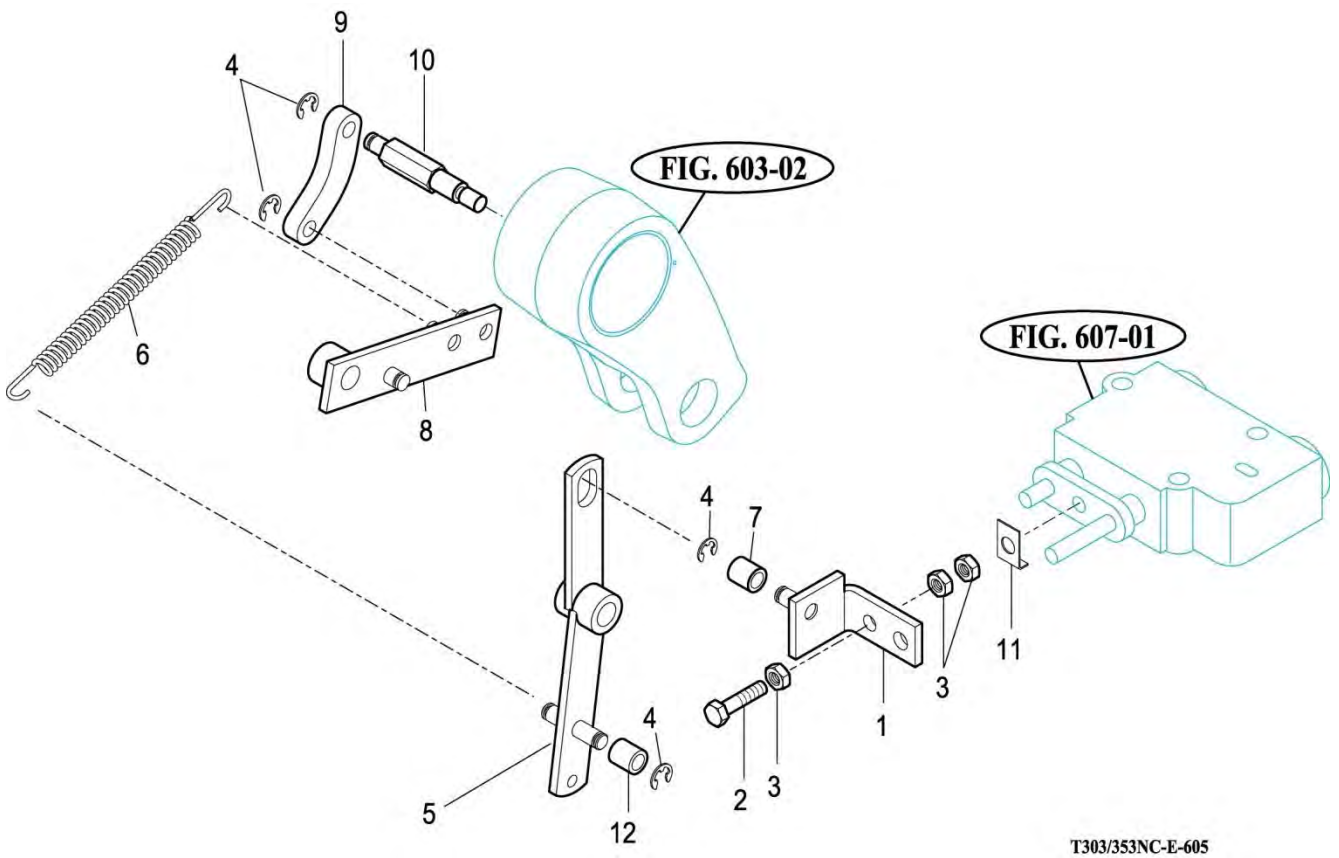
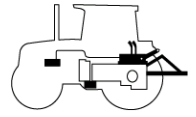
T474SH

POSITION LINK (1)

P1

YEAR

2018



NOTE

FIG 606

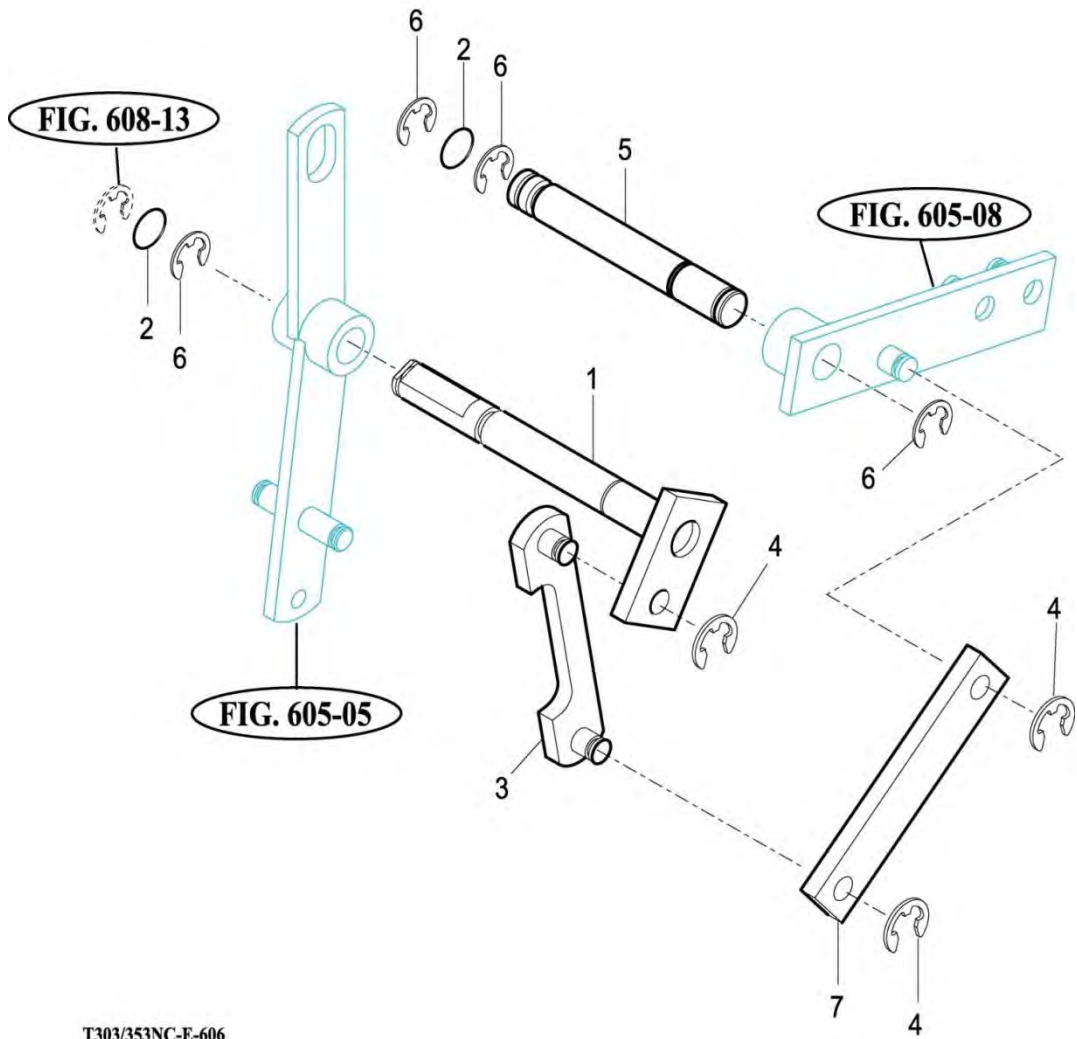
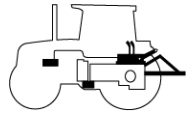
T474SH

POSITION LINK (2)

P1

YEAR

2018



T303/353NC-E-606

NOTE

FIG 607

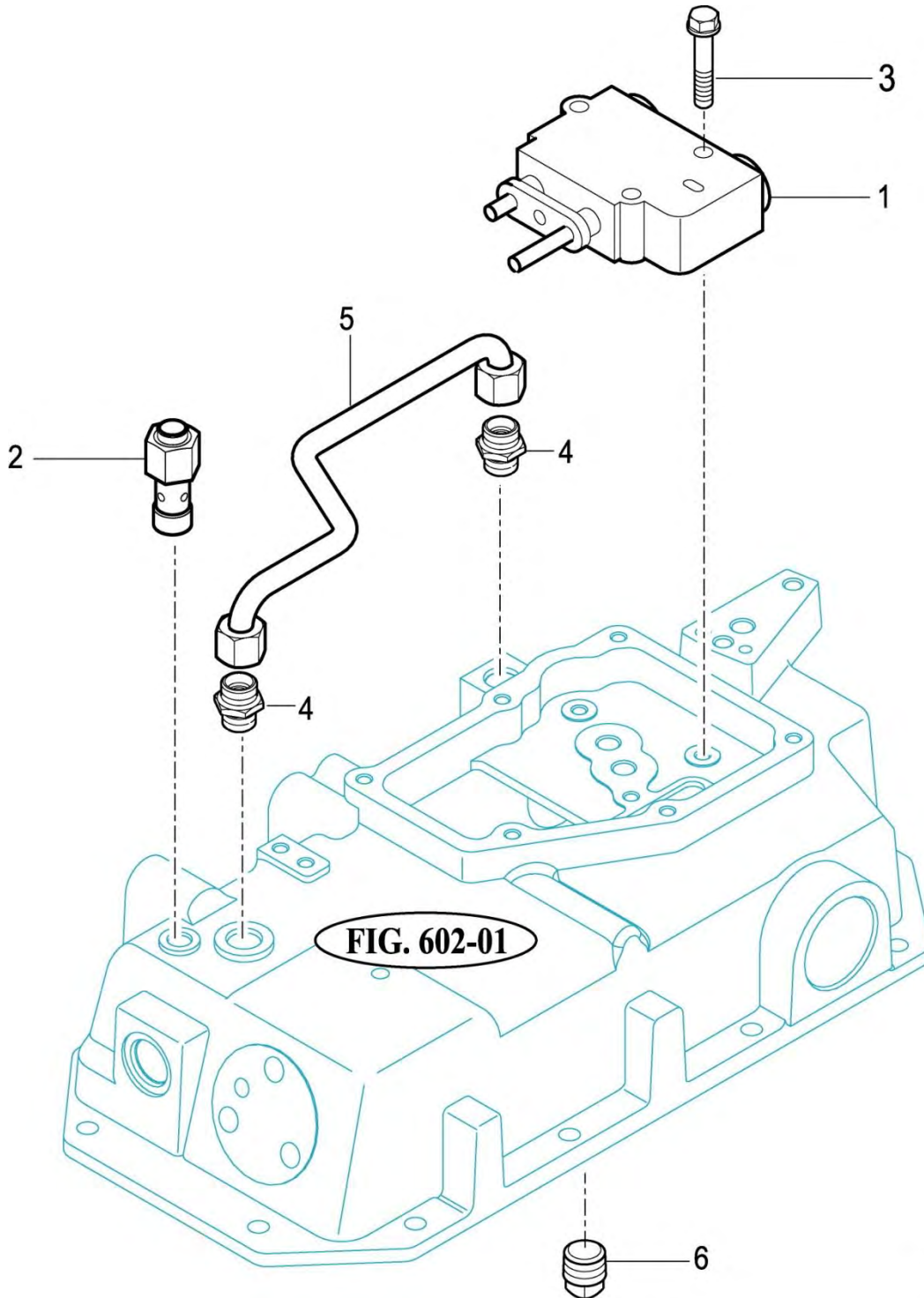
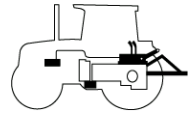
T474SH

CONTROL VALVE

P1

YEAR

2018



T303/353NC-E-607

NOTE

FIG 608

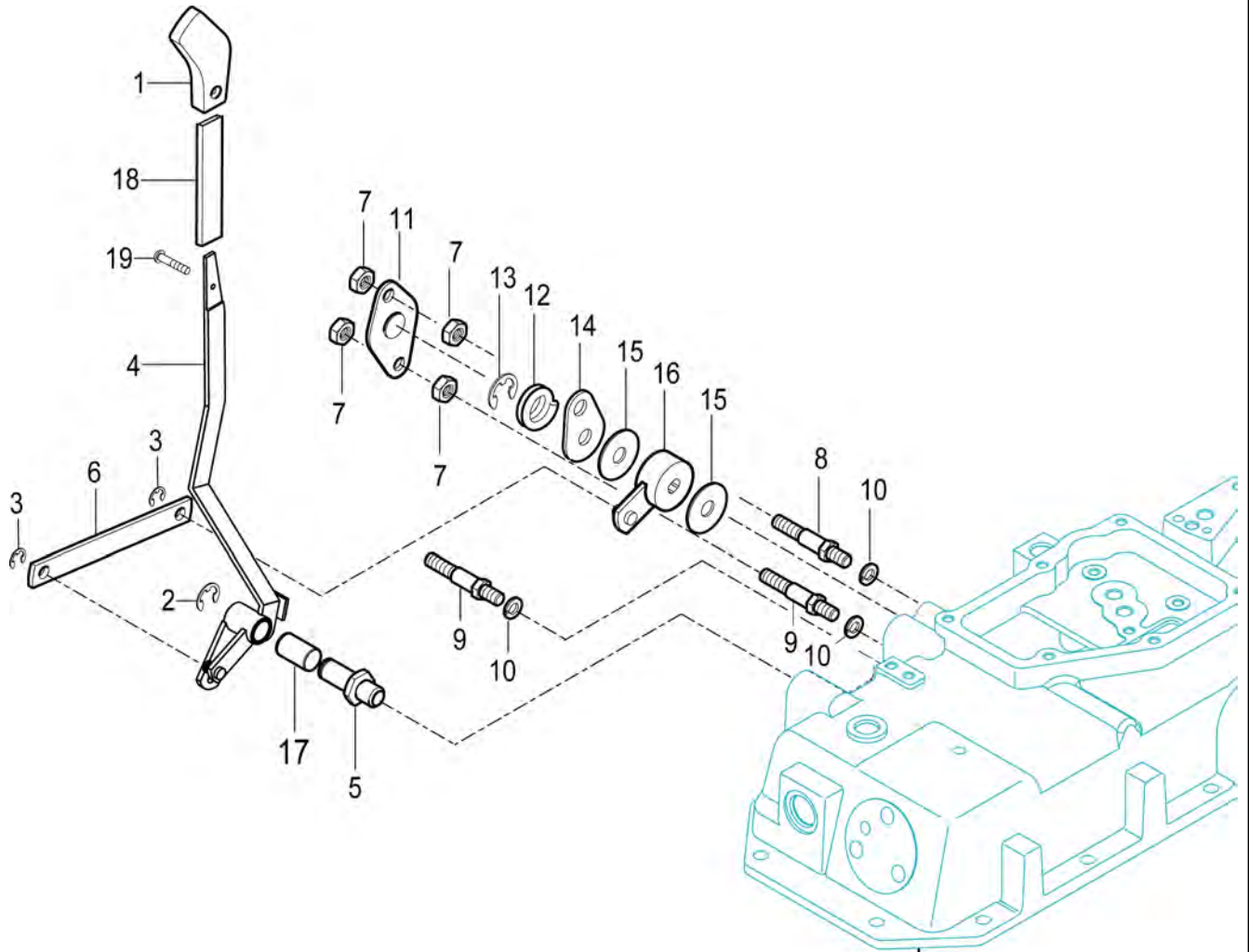
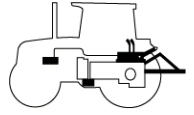
T474SH

POSITION LEVER

P1

YEAR

2018



T303/353NC-E-608

FIG. 602-01

NOTE

FIG 609

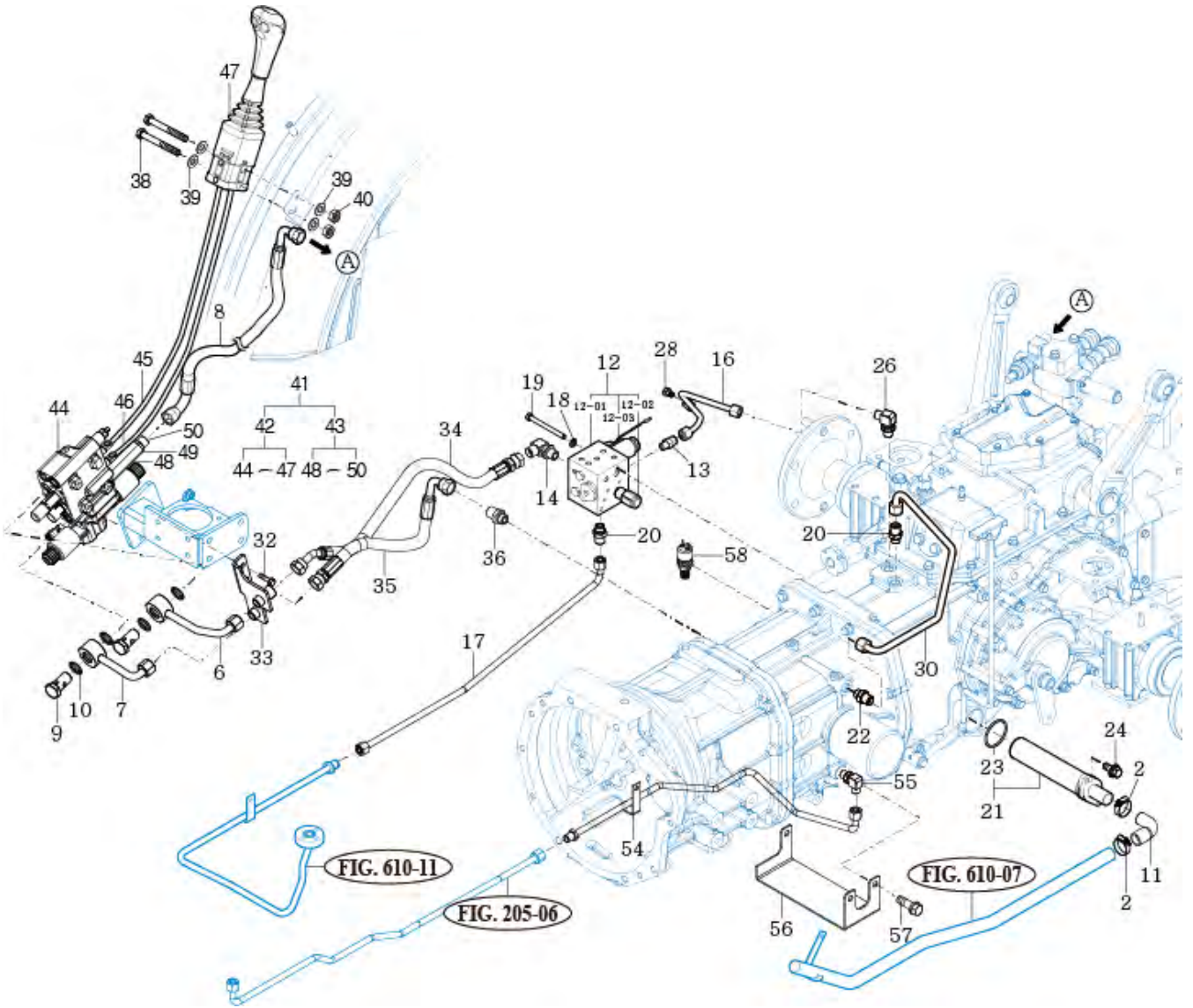
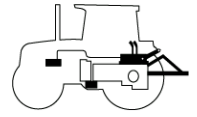
T474SH

HYDRAULIC PIPE (1)

P1

YEAR

2018



NOTE

FIG 609

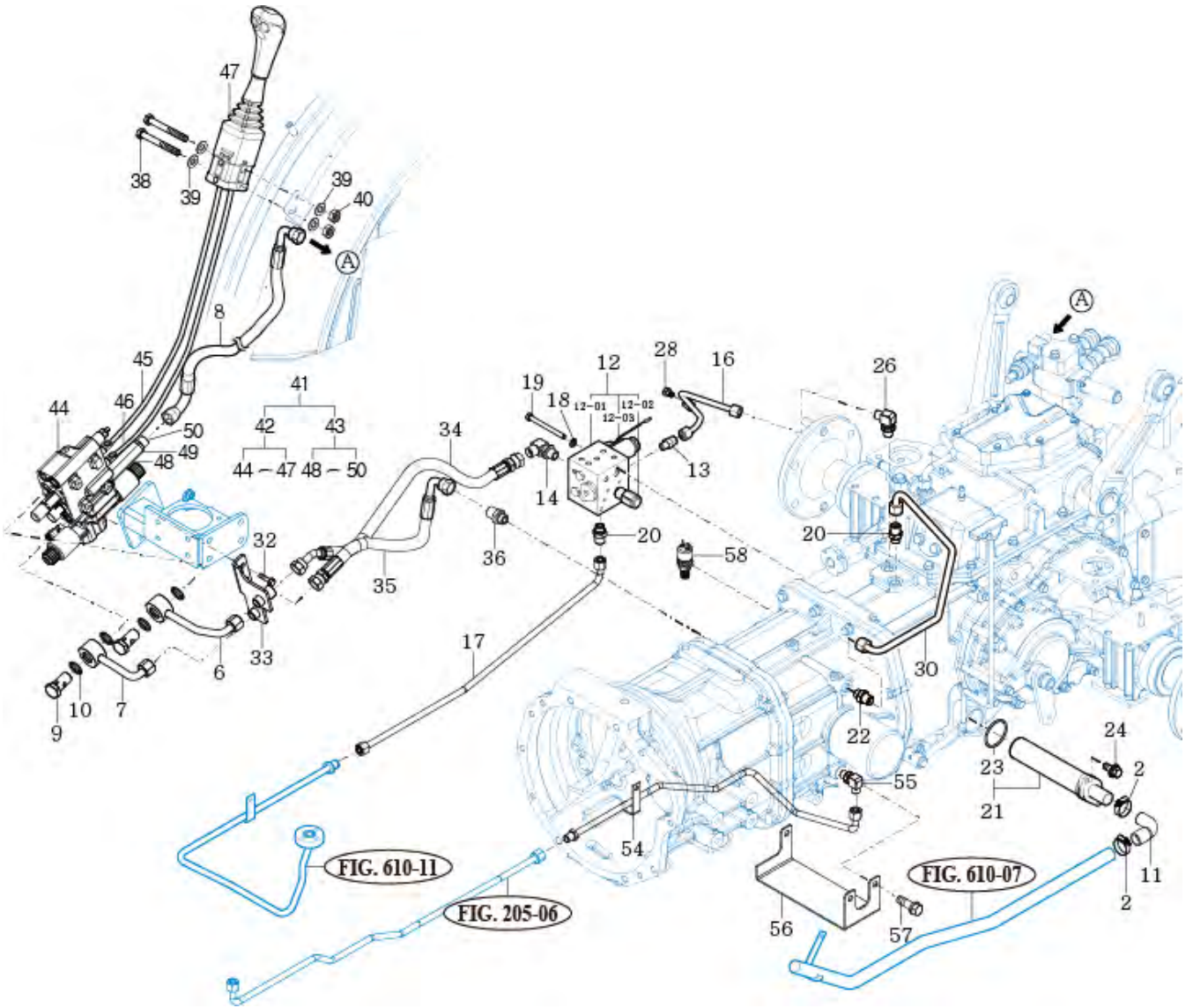
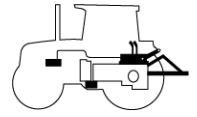
T474SH

HYDRAULIC PIPE (1)

P2

YEAR

2018



NOTE

FIG 610

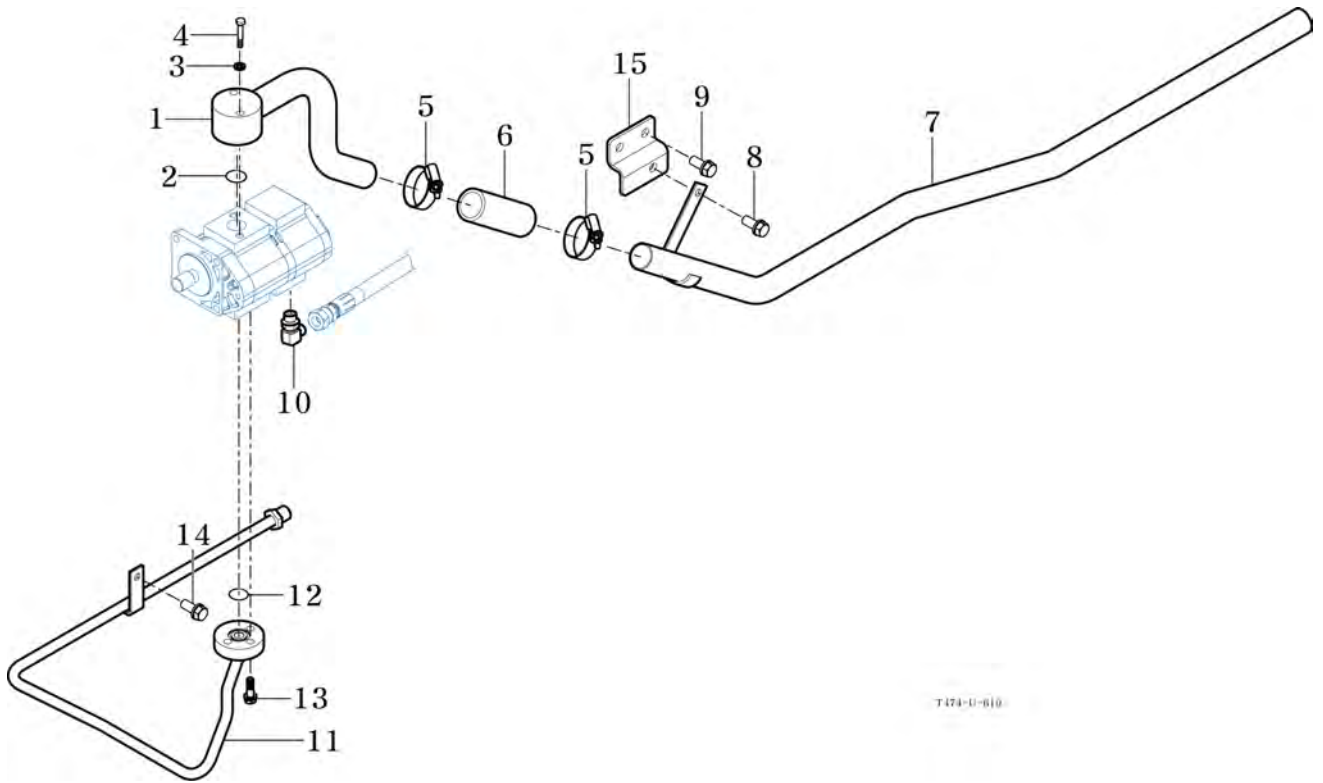
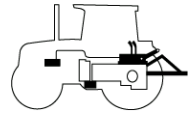
T474SH

HYDRAULIC PIPE (2)

P1

YEAR

2018



7474-0-010

NOTE

FIG 611

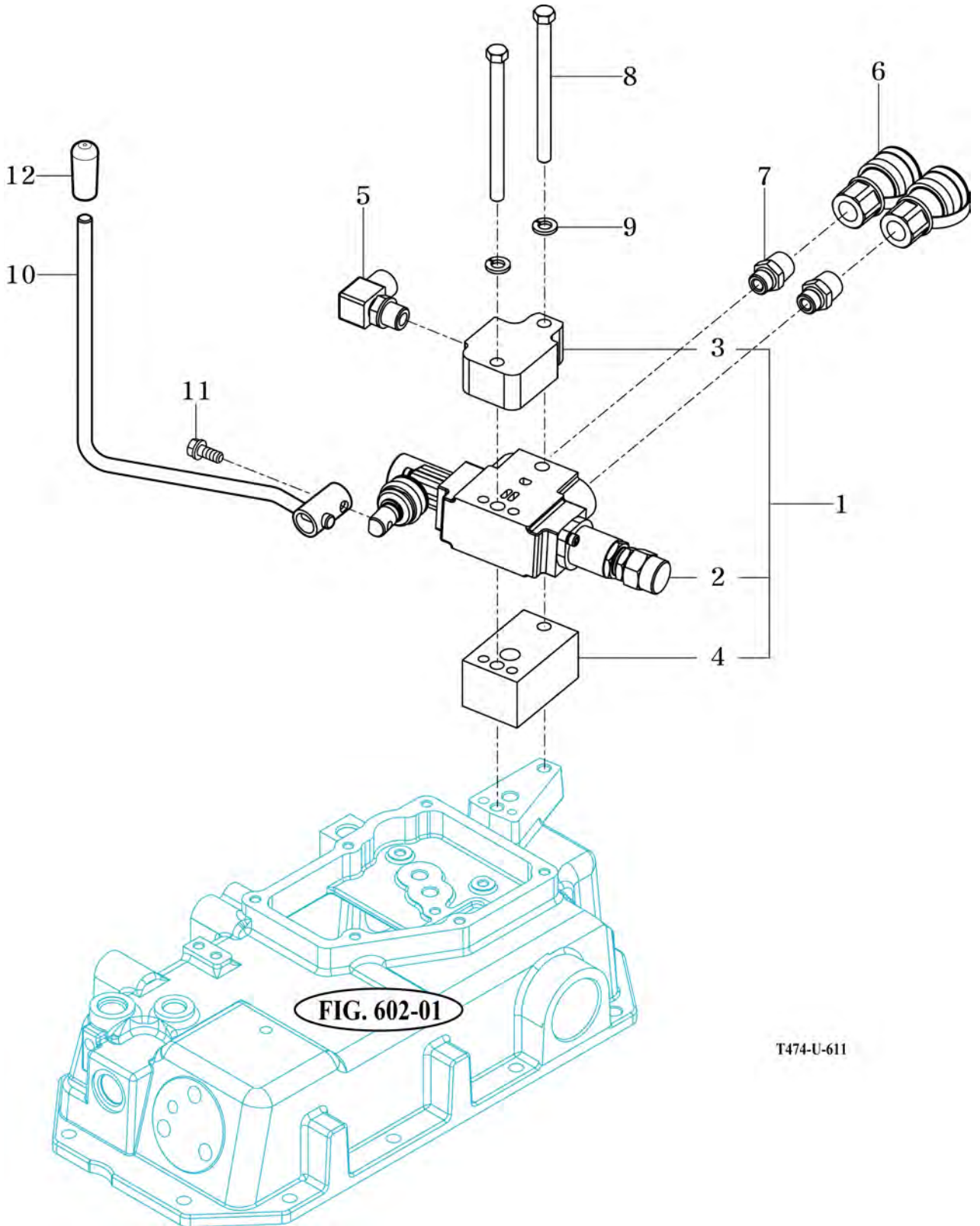
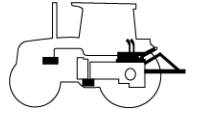
T474SH

EXTERIOR HYD. VALVE

P1

YEAR

2018



NOTE

FIG 612

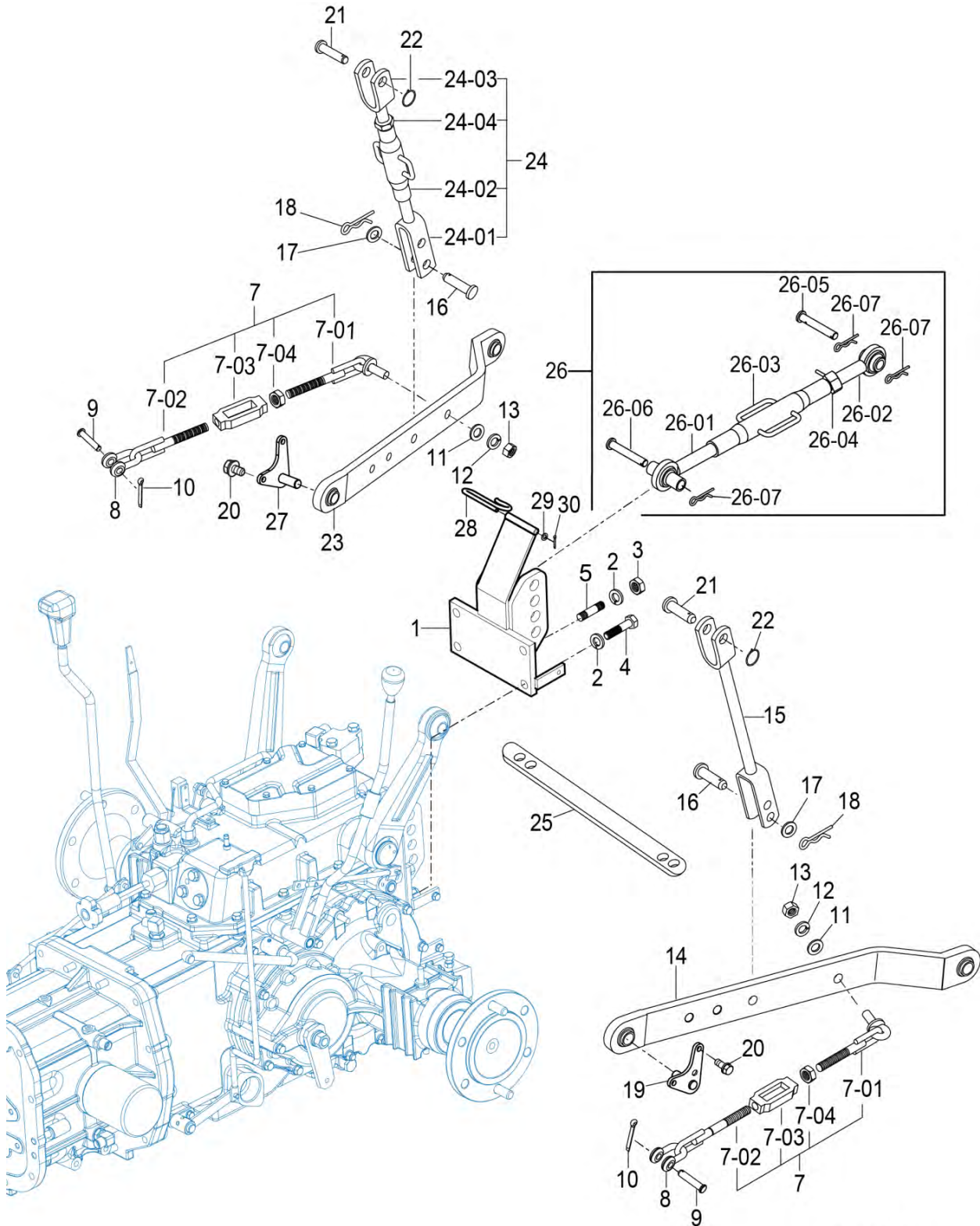
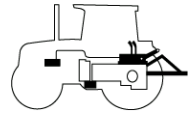
T474SH

3-POINT LINK

P1

YEAR

2018



2538NH-K-612

NOTE

FIG 613

T474SH

HITCH & COVER

P1

YEAR

2018

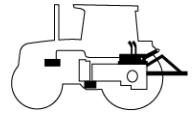
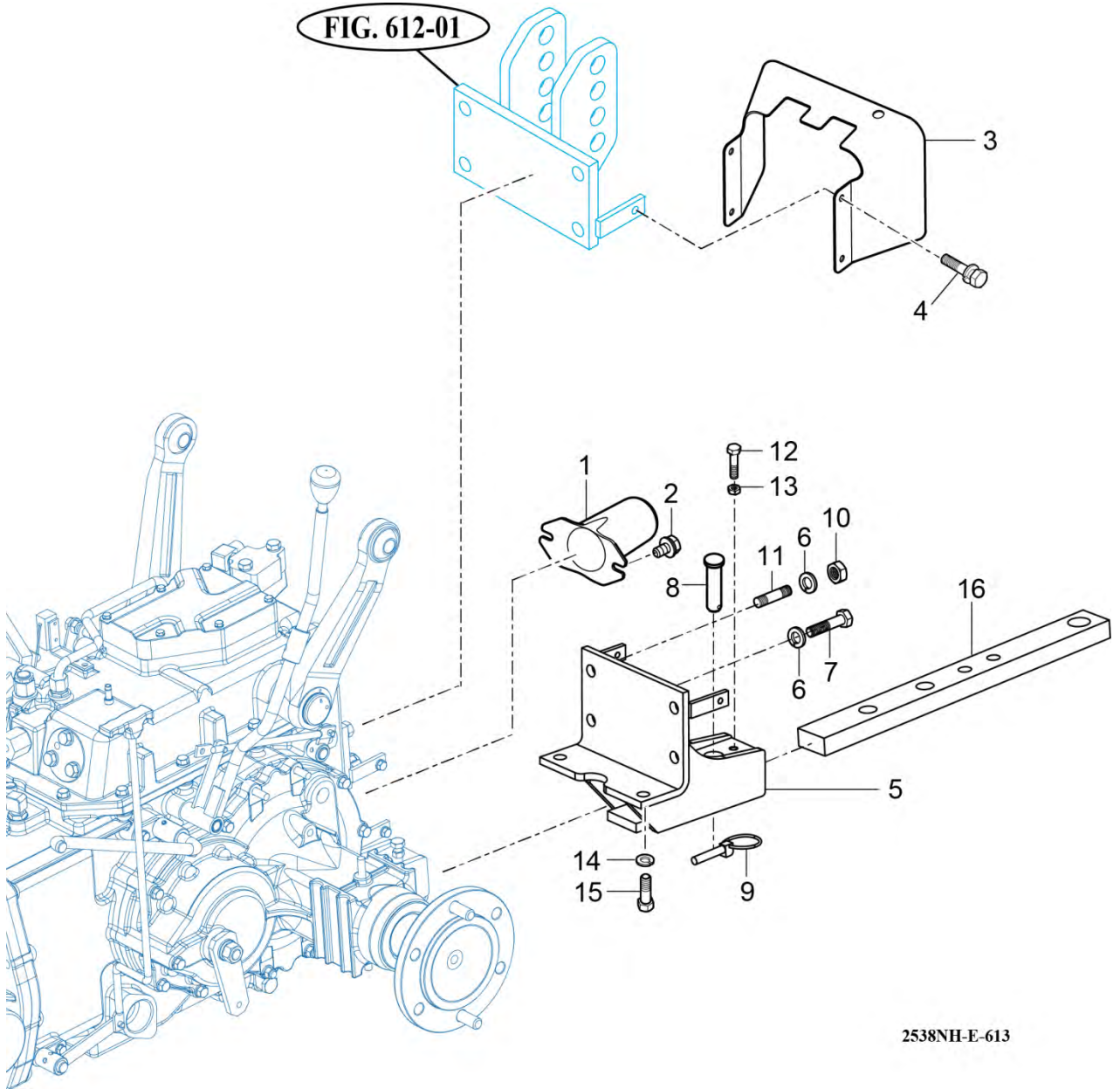


FIG. 612-01



2538NH-E-613

NOTE

FIG 701

HOOD FRAME

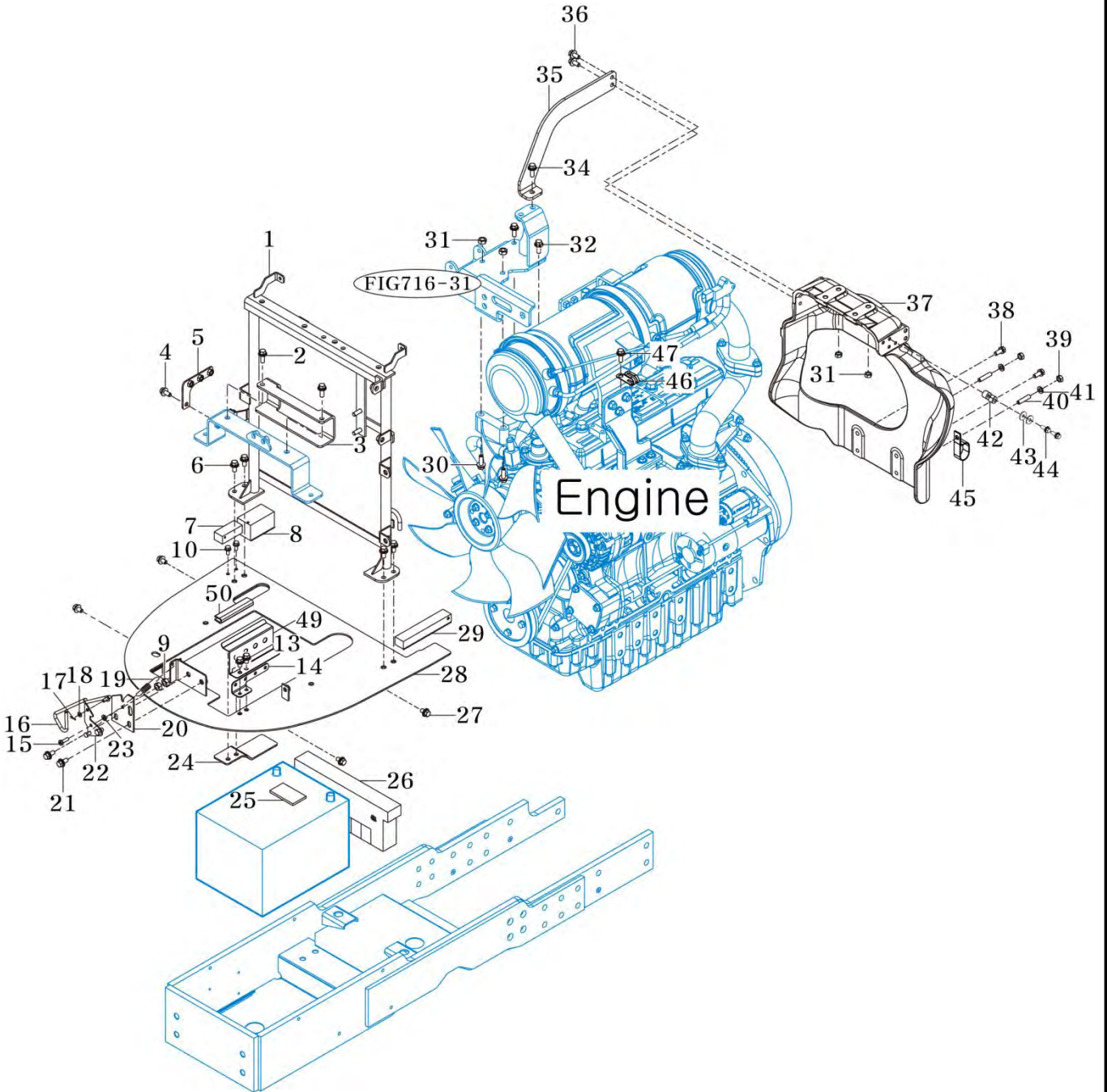
P1

YEAR

2018



T474SH



NOTE

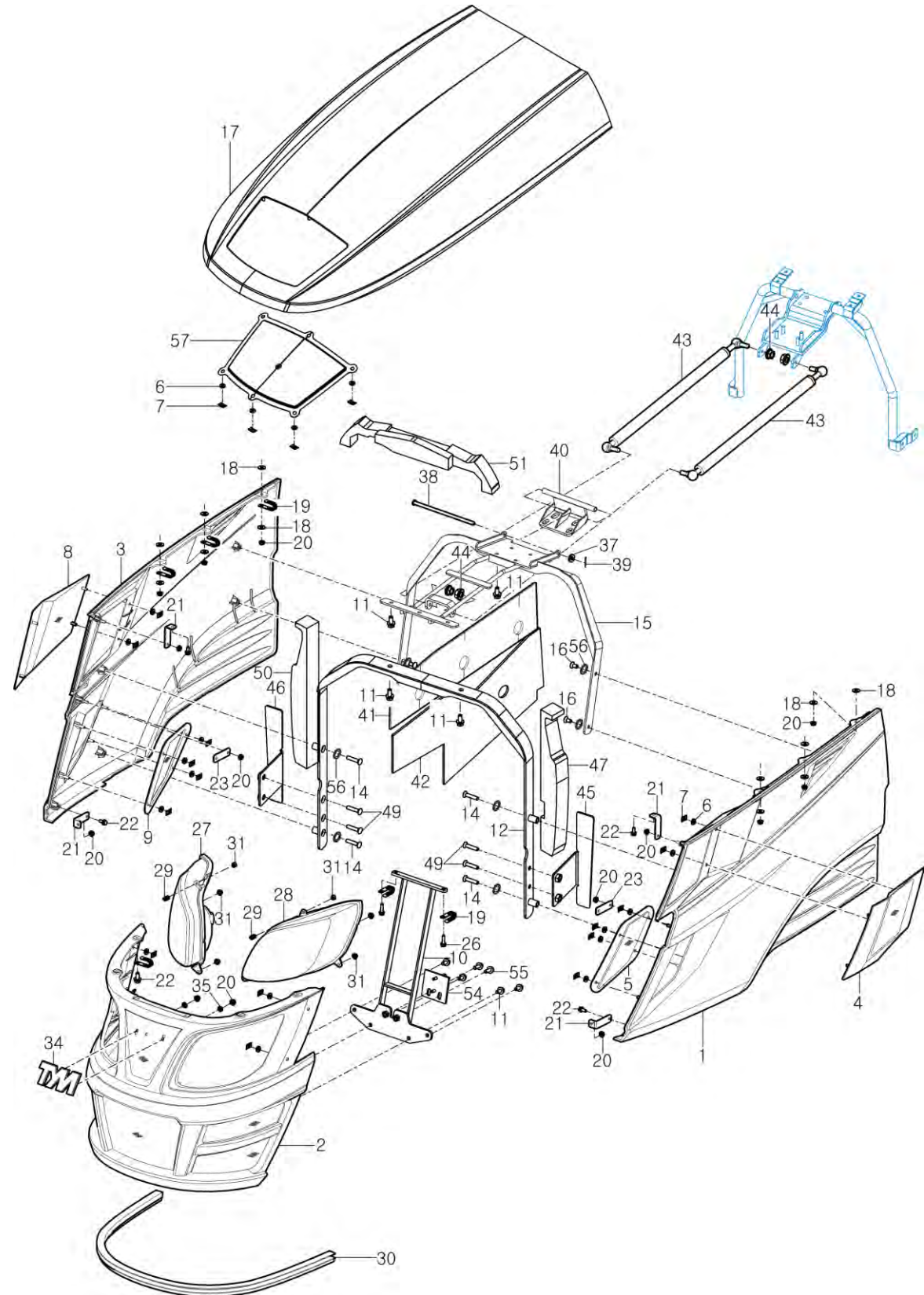
FIG 702

HOOD

P1

YEAR

2018



NOTE

FIG 703

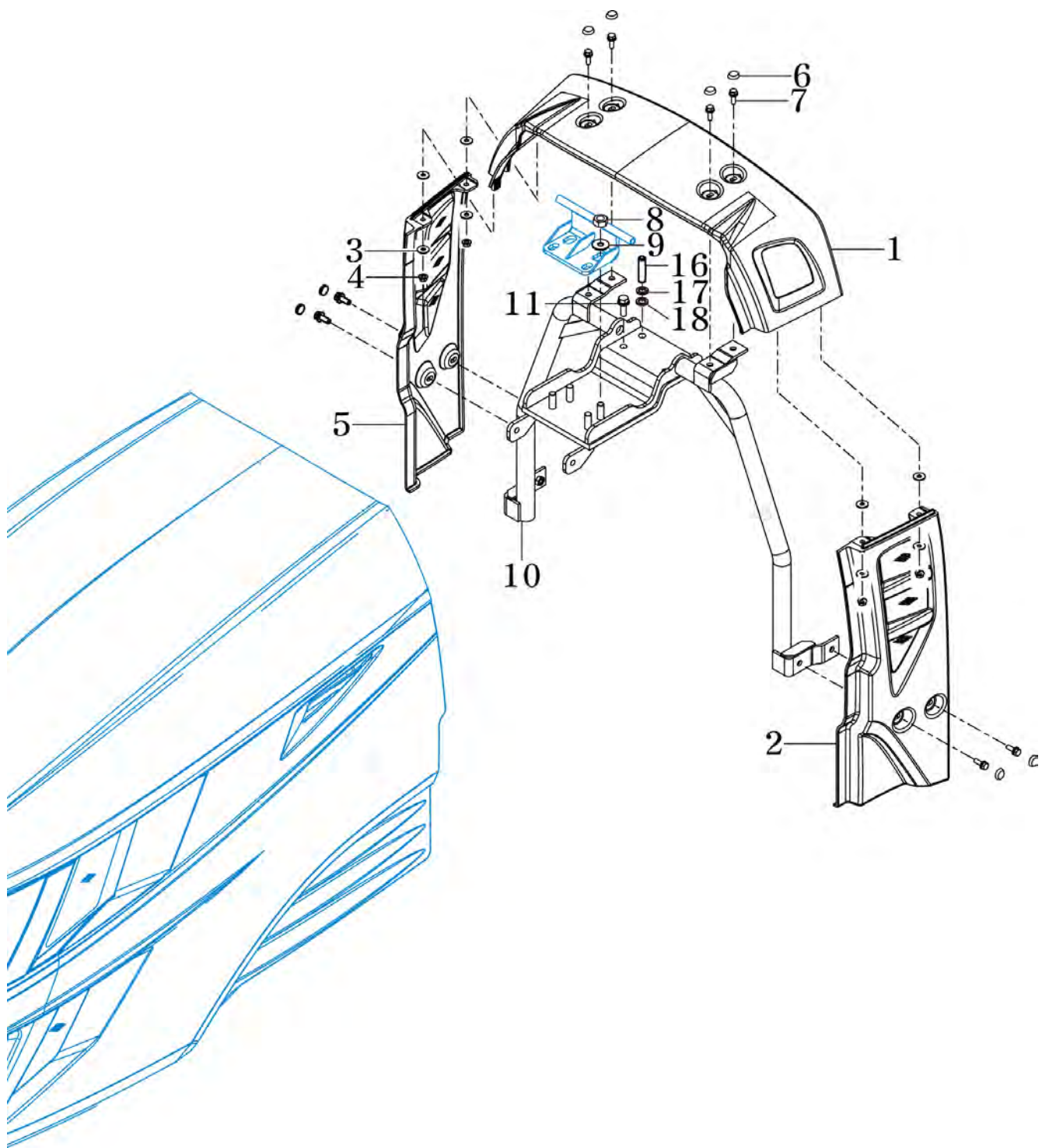
T474SH

EXTENSION COVER

P1

YEAR

2018



NOTE

FIG 705

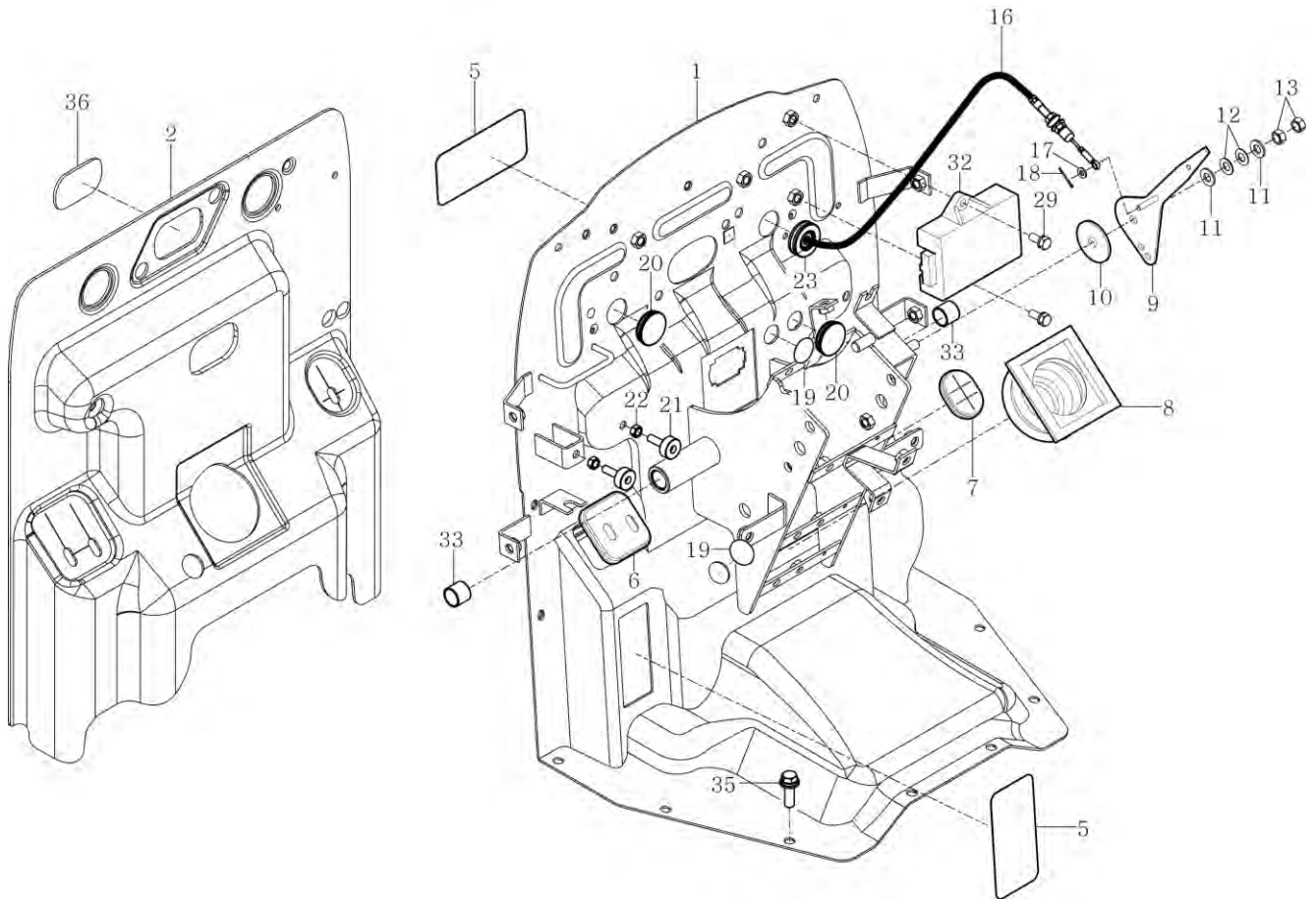
T474SH

DASHBOARD

P1

YEAR

2018



NOTE

FIG 708

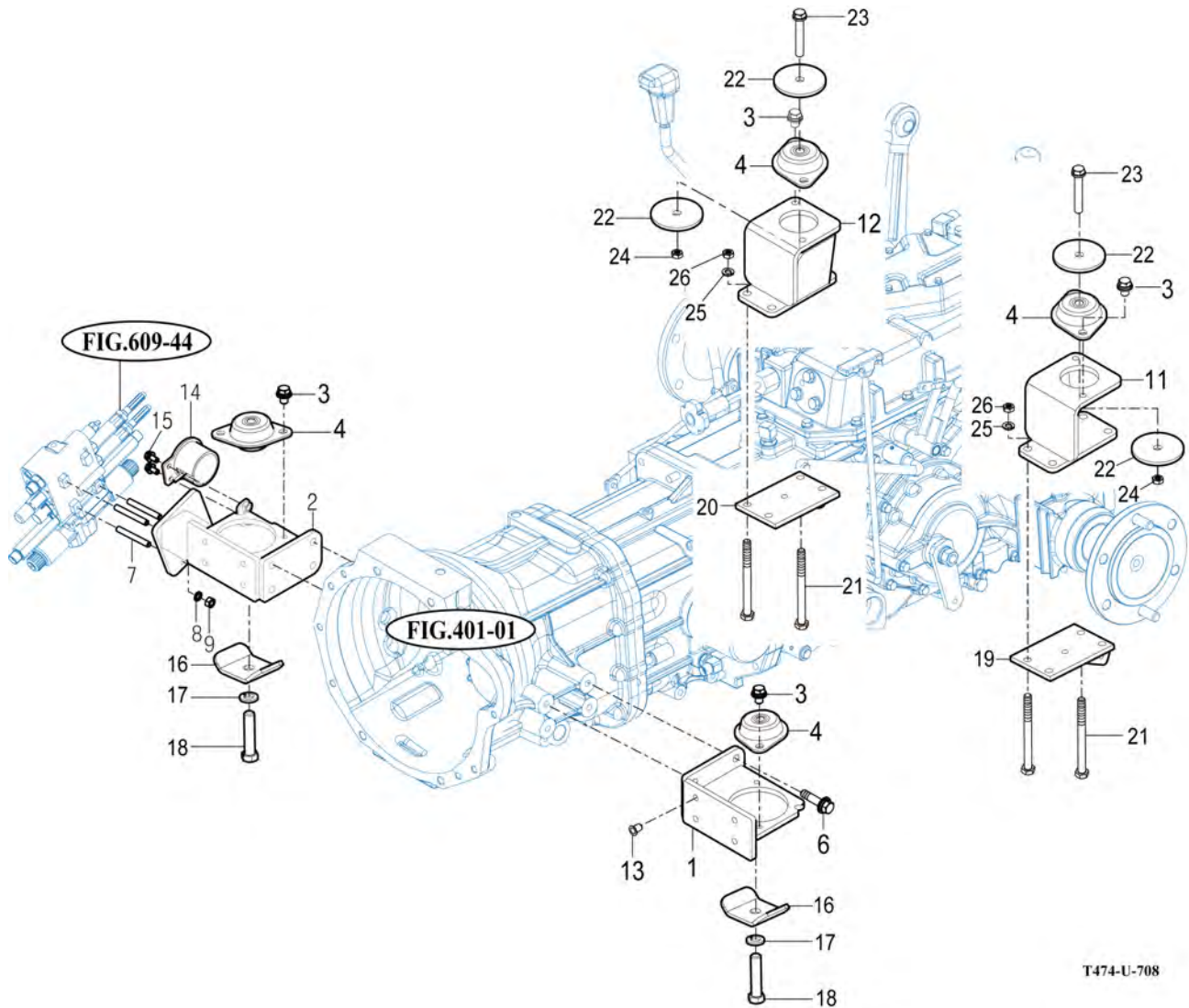
T474SH

FRONT & REAR MOUNTING

P1

YEAR

2018



T474-U-708

NOTE

FIG 709

SEAT & MAT

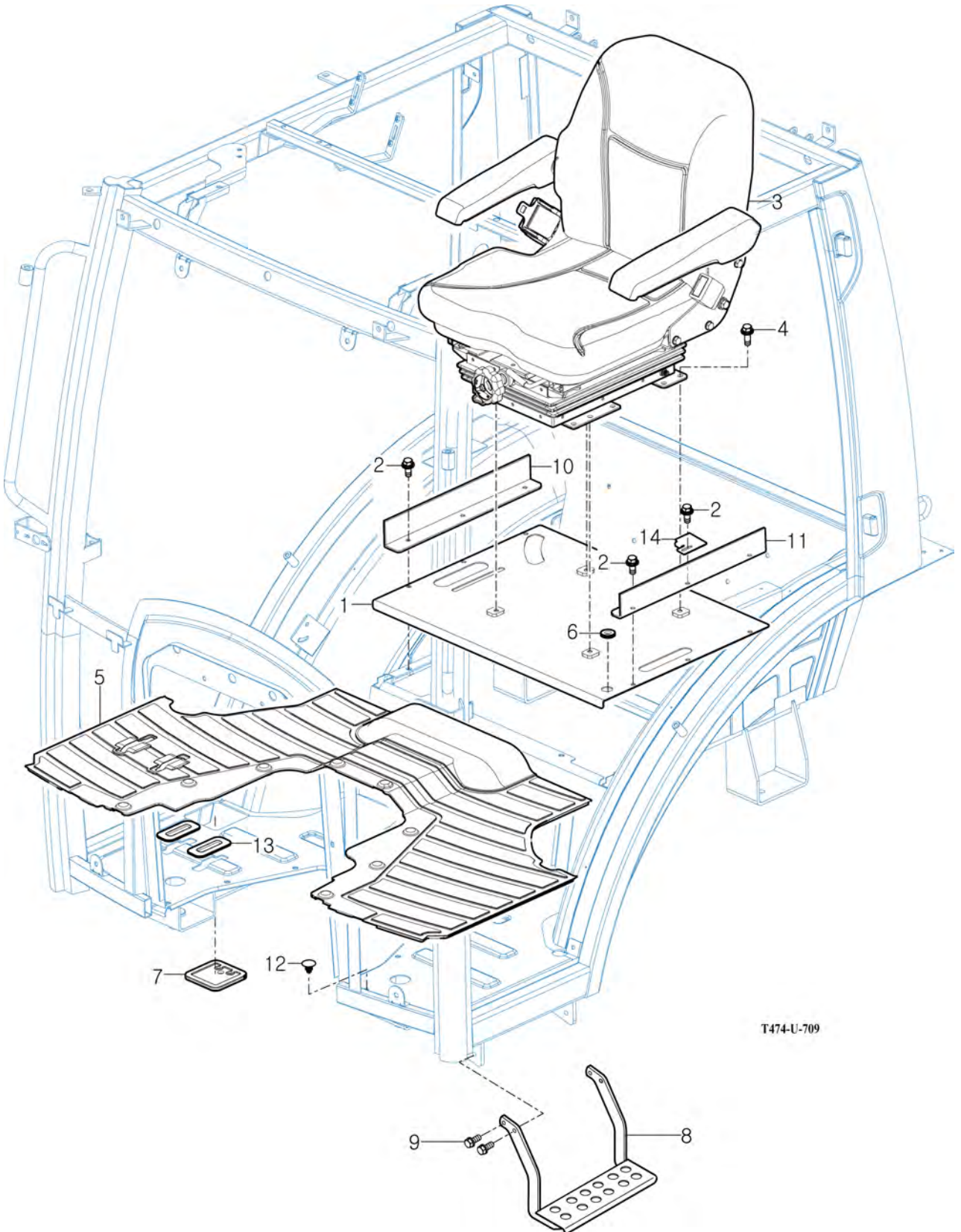
P1

YEAR

2018



T474SH



T474-U-709

NOTE

FIG 710

DOOR

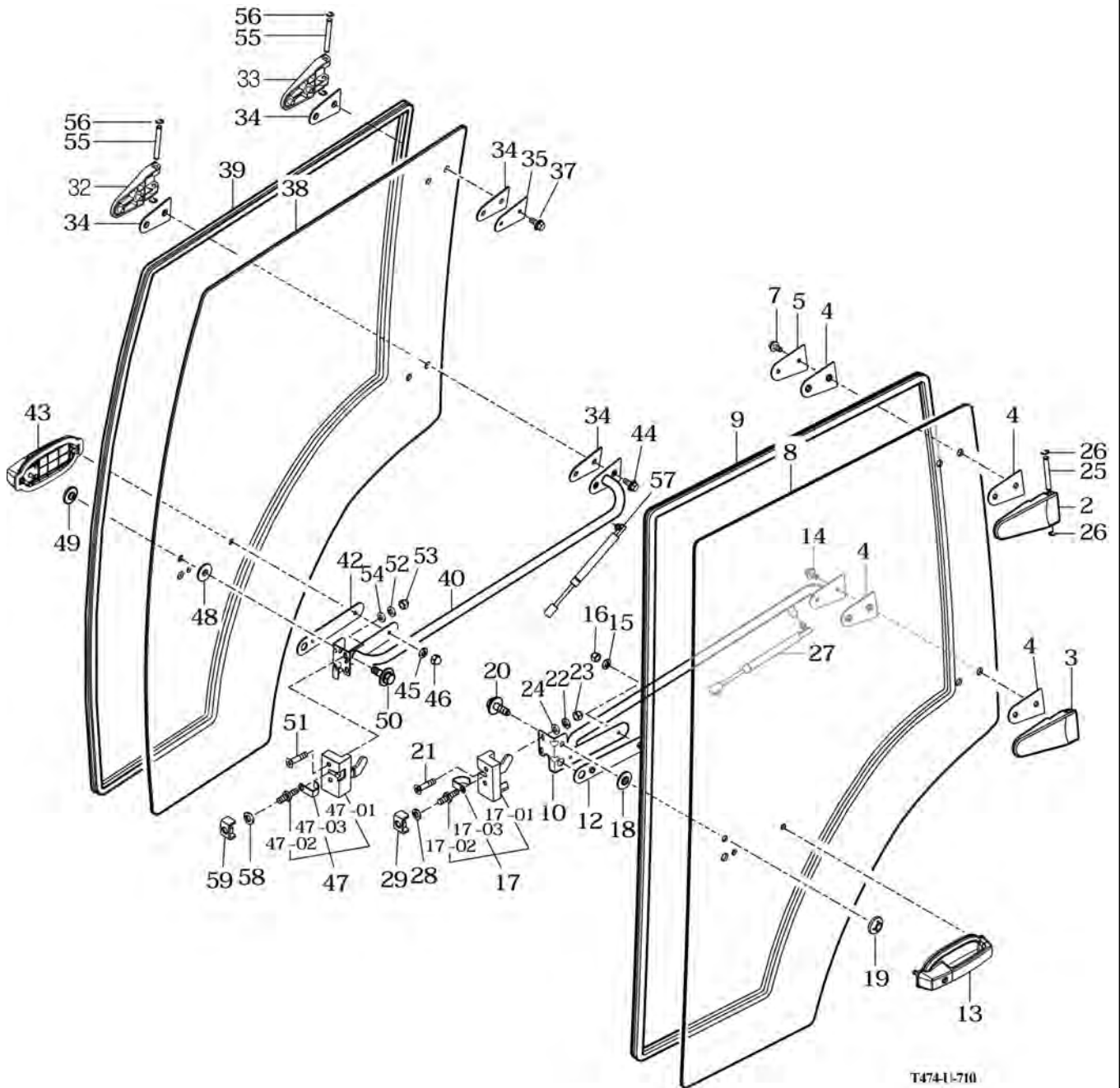
P1

YEAR

2018



T474SH



T474L-710

NOTE

FIG 710

DOOR

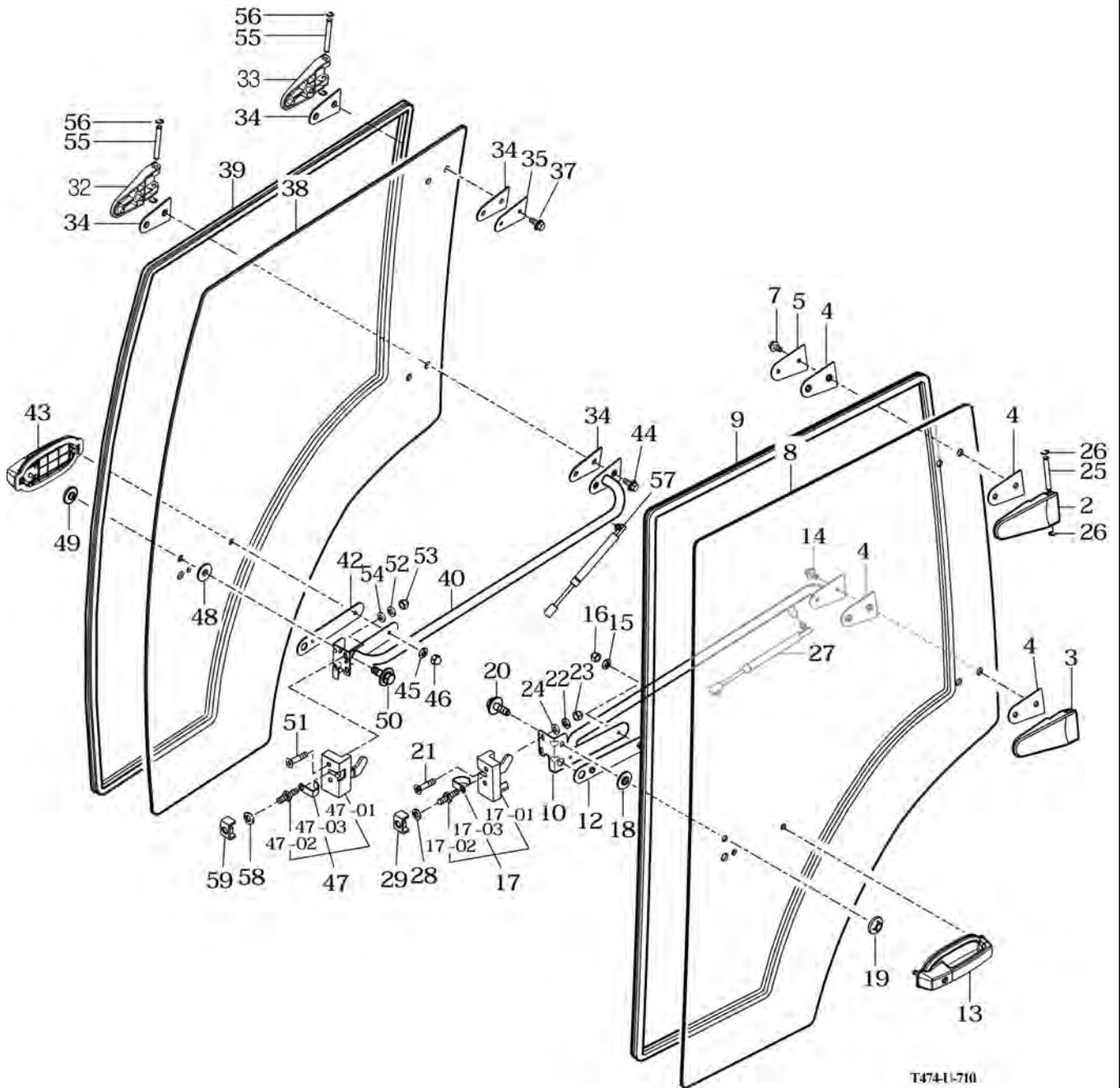
P2

YEAR

2018



T474SH



NOTE

FIG 711

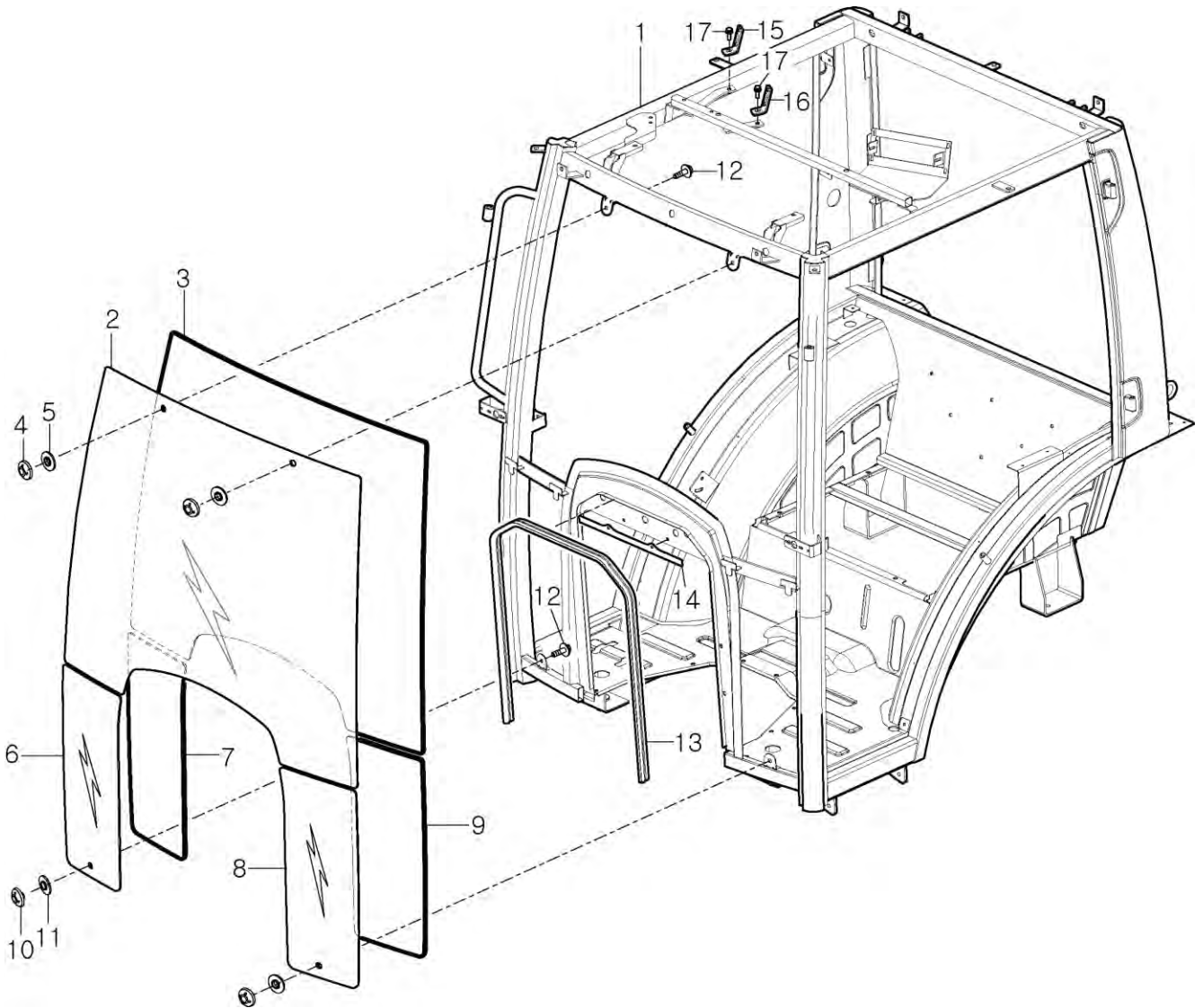
T474SH

FRONT GLASS

P1

YEAR

2018



NOTE

FIG 712

REAR GLASS

P1

YEAR

2018



T474SH

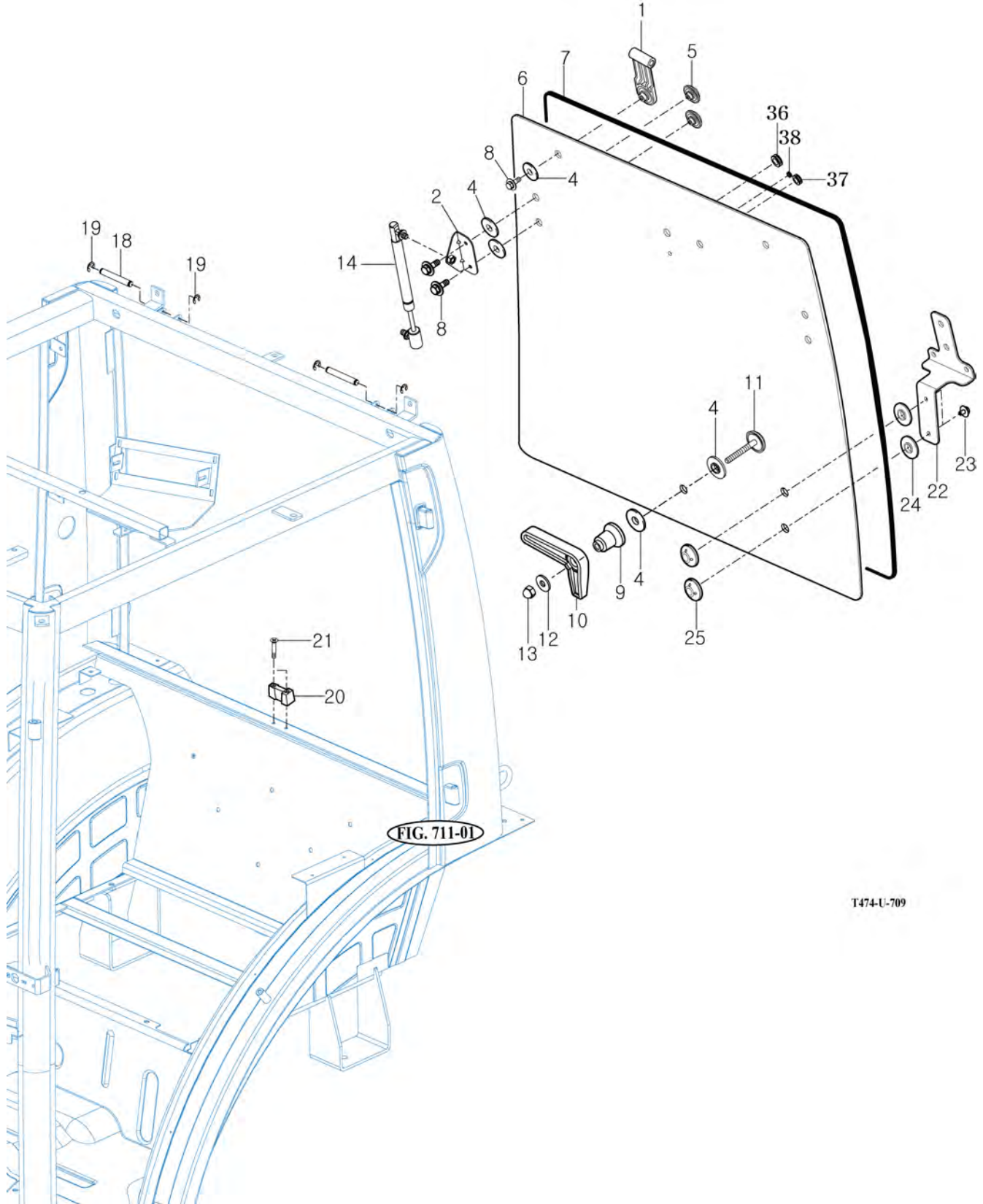


FIG. 711-01

T474-U-709

NOTE

FIG 713

T474SH

SUB FENDER & COVER

P1

YEAR

2018

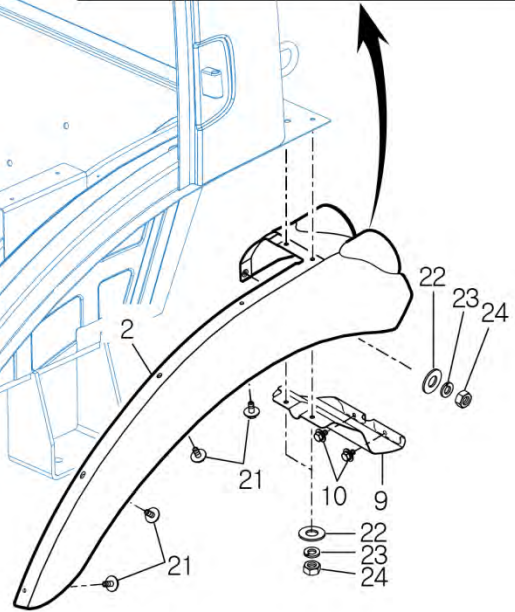
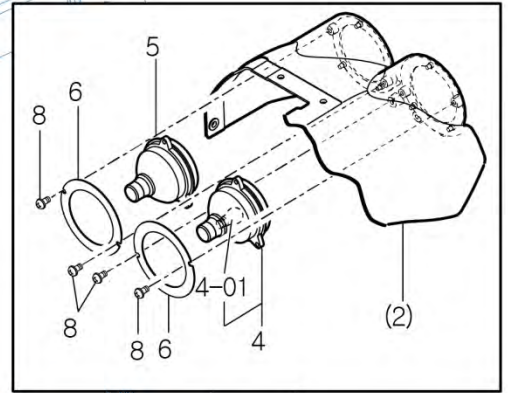
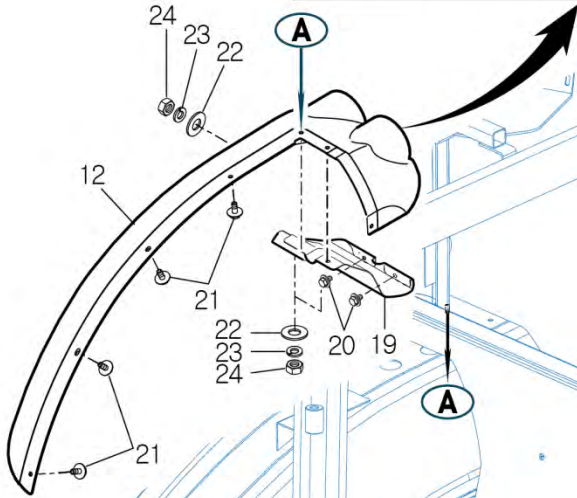
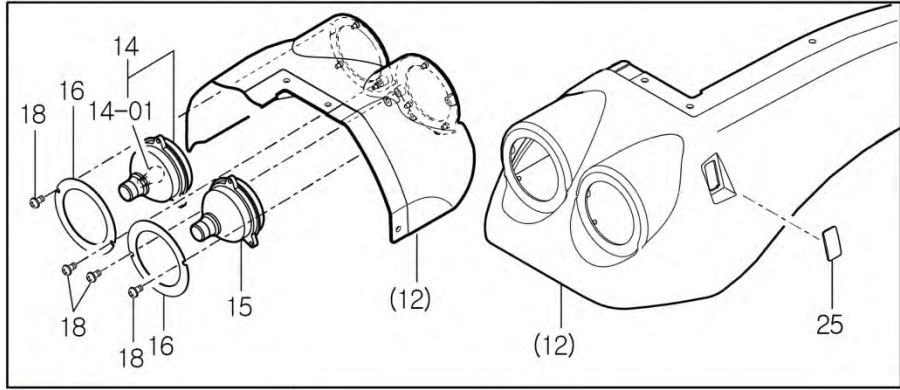


FIG. 708-01

2538SH-k-710

NOTE

FIG 714

T474SH

MIRROR

P1

YEAR

2018

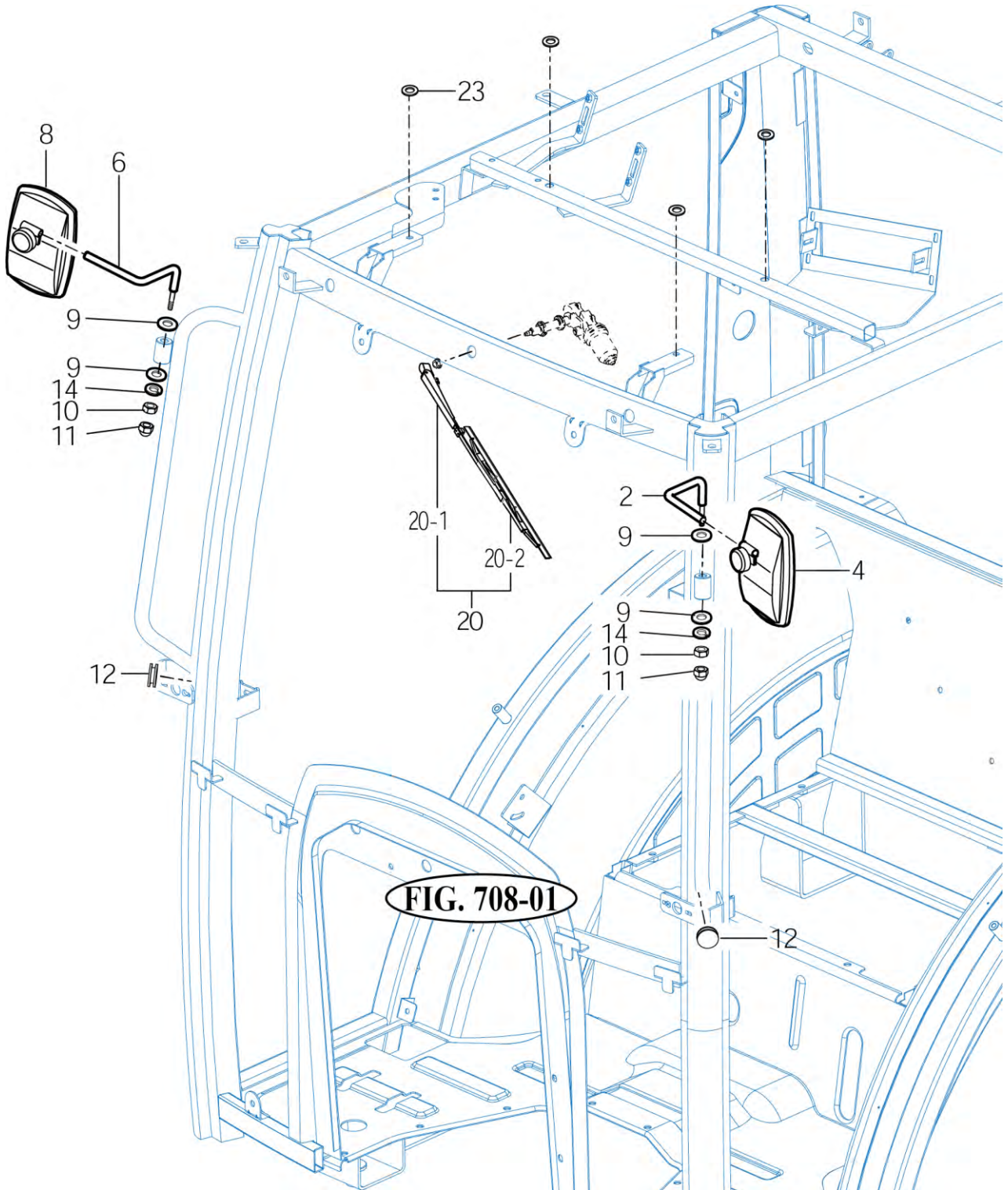


FIG. 708-01

NOTE

FIG 715

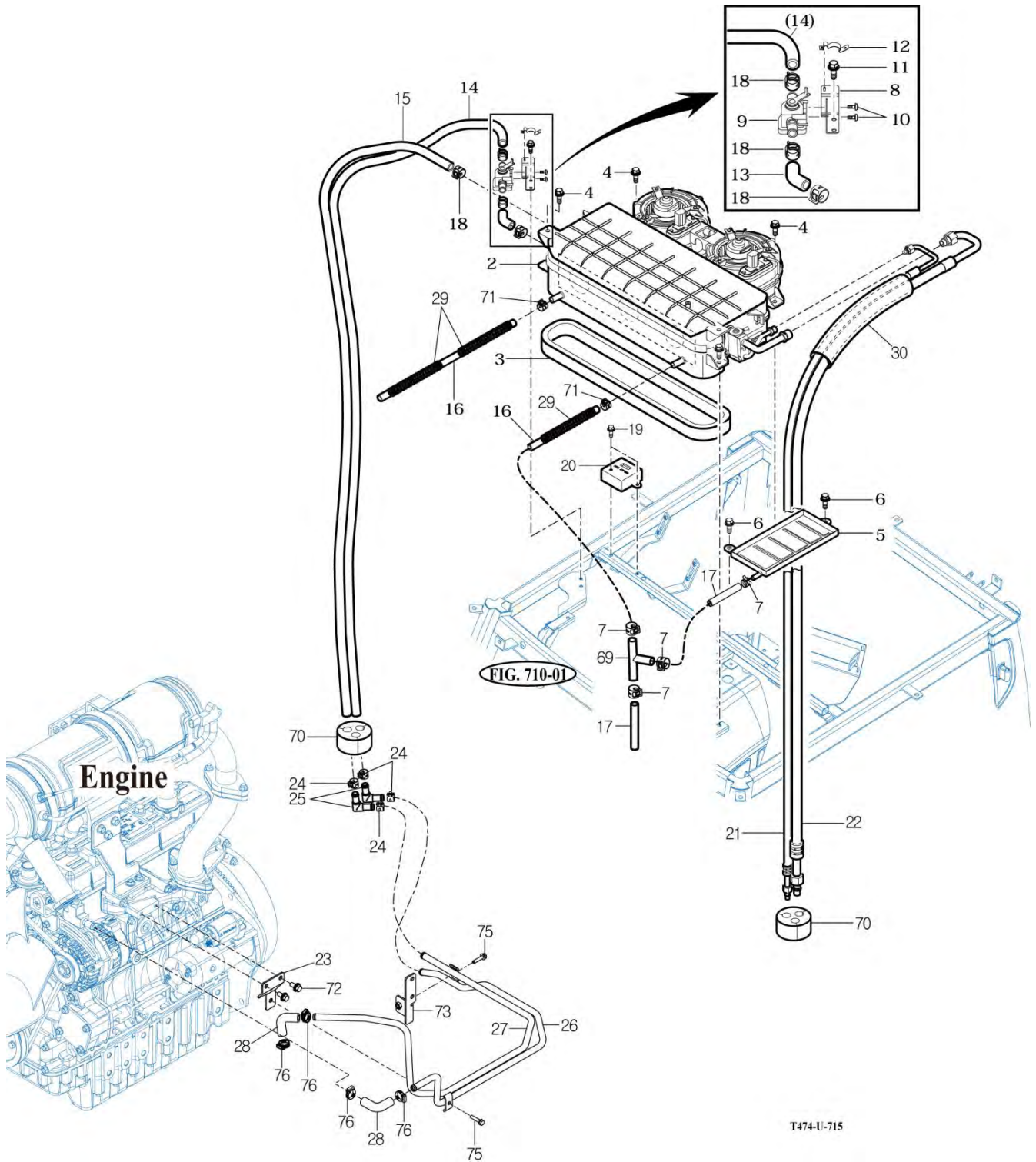
T474SH

HEATER & AIR-CON

P1

YEAR

2018



T474-U-715

NOTE

FIG 716

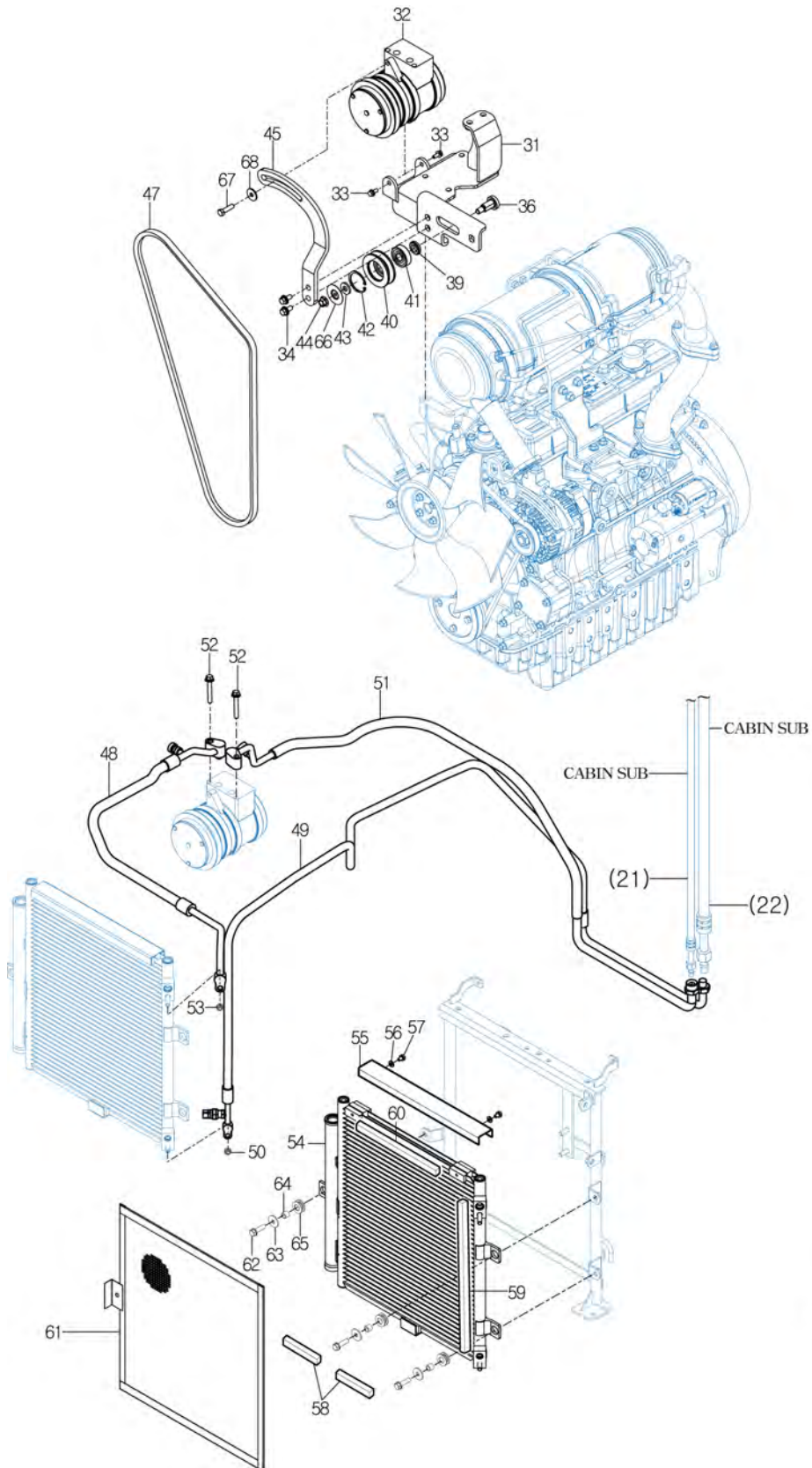
T474SH

HEATER & AIR-CON

P2

YEAR

2018



2538SH-K-712

NOTE

FIG 717

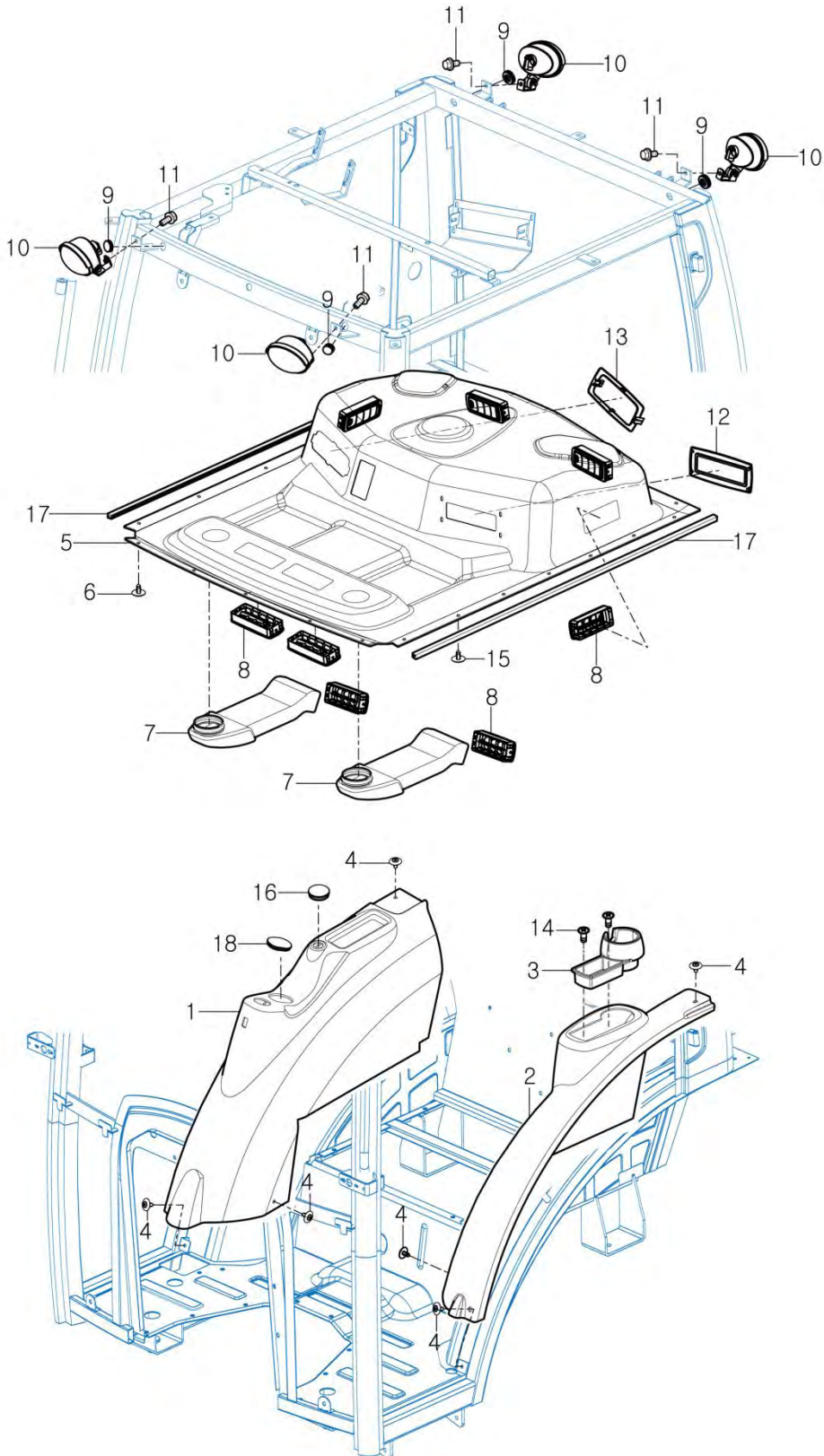
T474SH

FENDER COVER

P1

YEAR

2018



NOTE

FIG 718

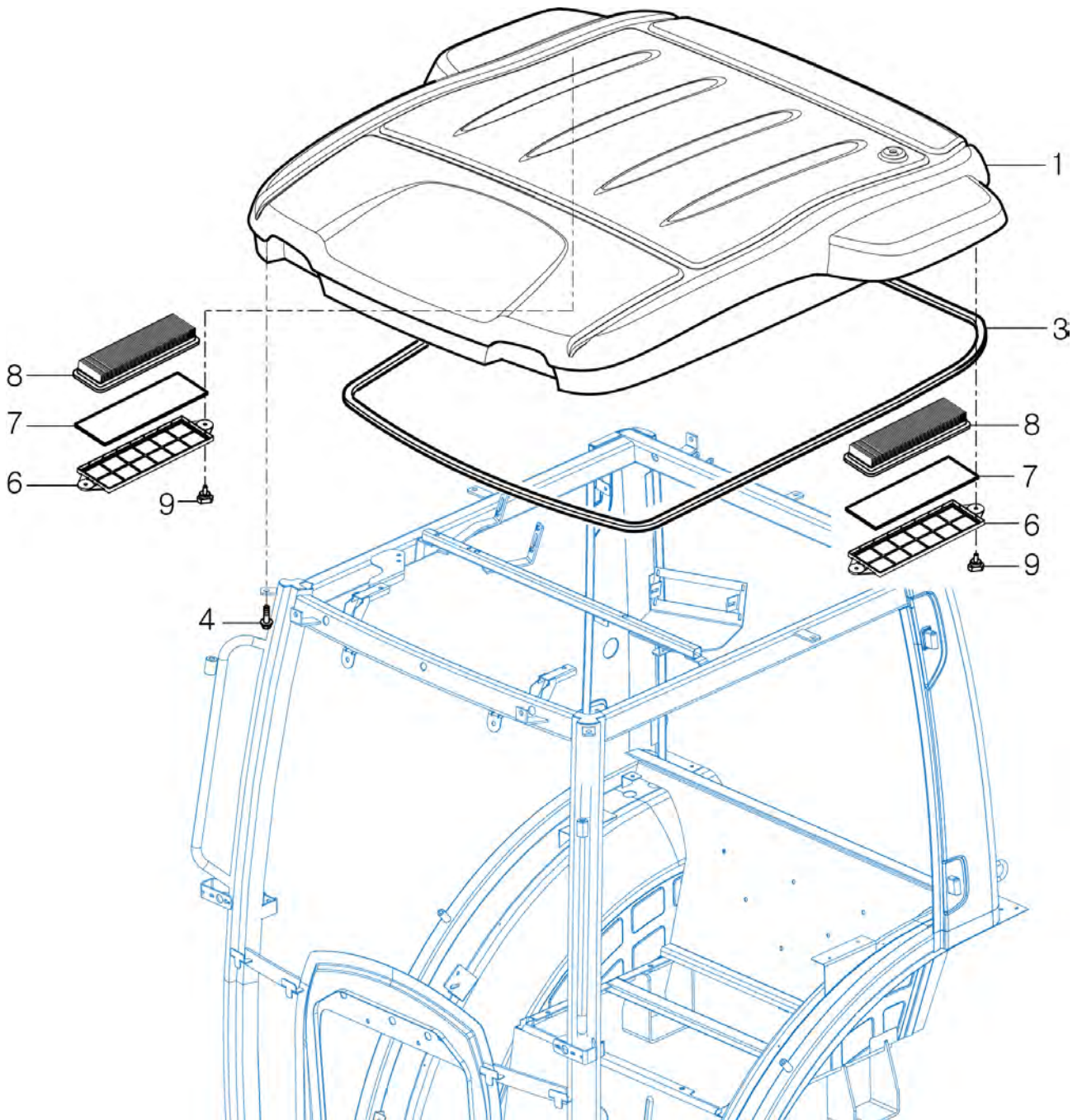
T474SH

ROOF

P1

YEAR

2018



NOTE

FIG 719

CABIN INTERIOR

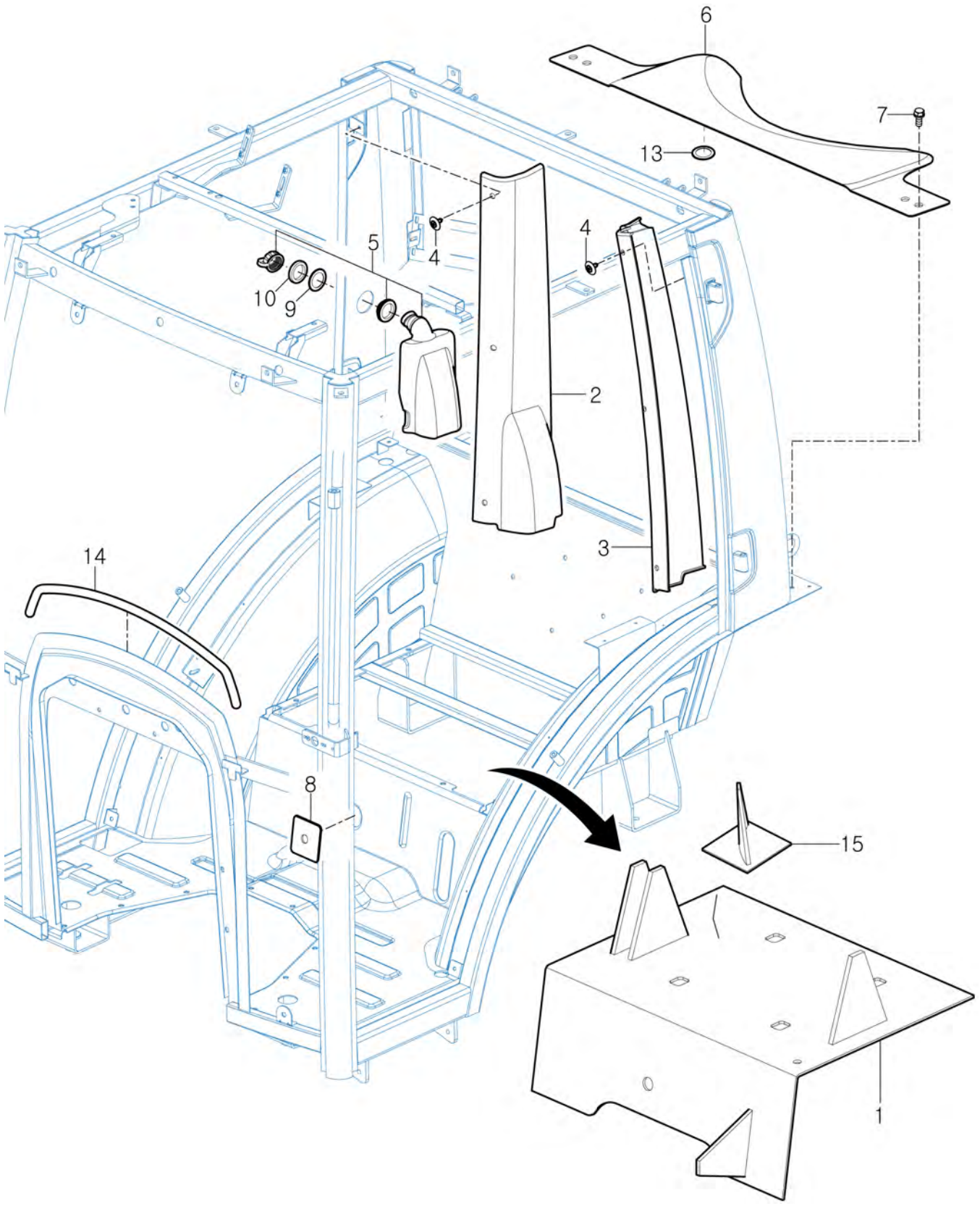
P1

YEAR

2018



T474SH



NOTE

FIG 801

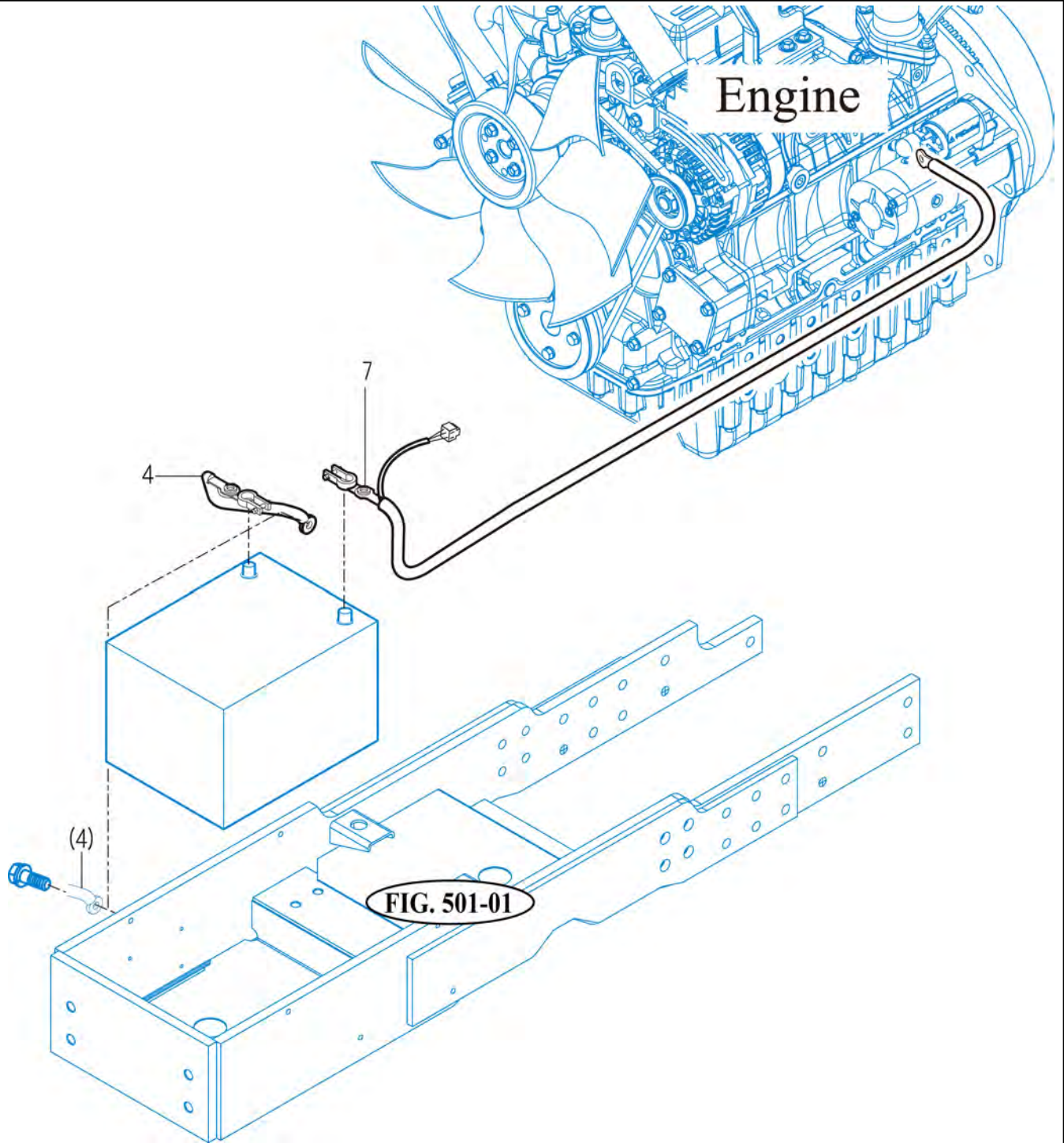
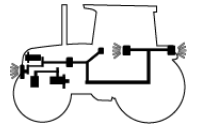
T474SH

BATTERY & MOUNTING

P1

YEAR

2018



NOTE

FIG 802

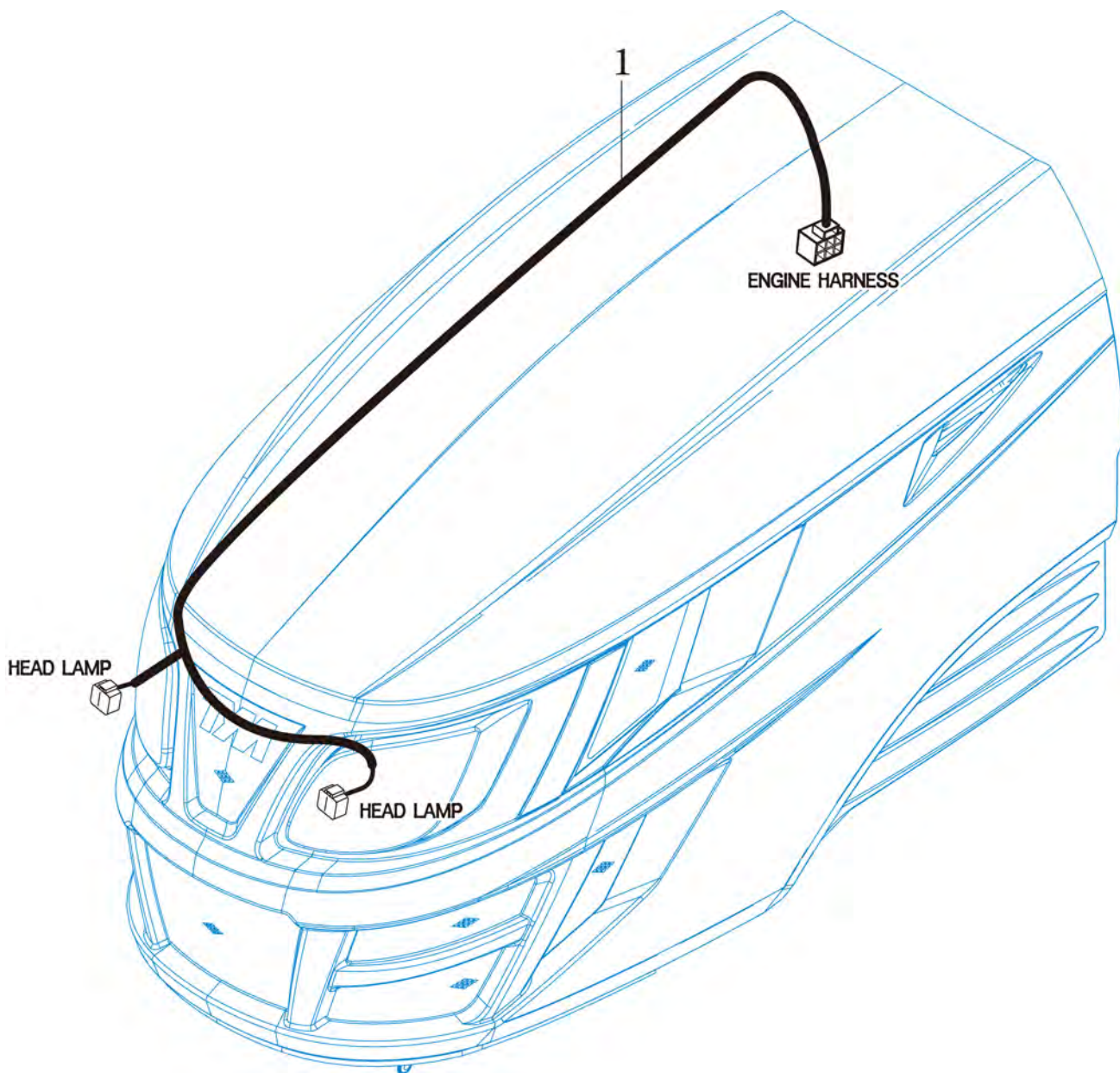
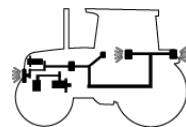
T474SH

LAMP

P1

YEAR

2018



NOTE

FIG 803

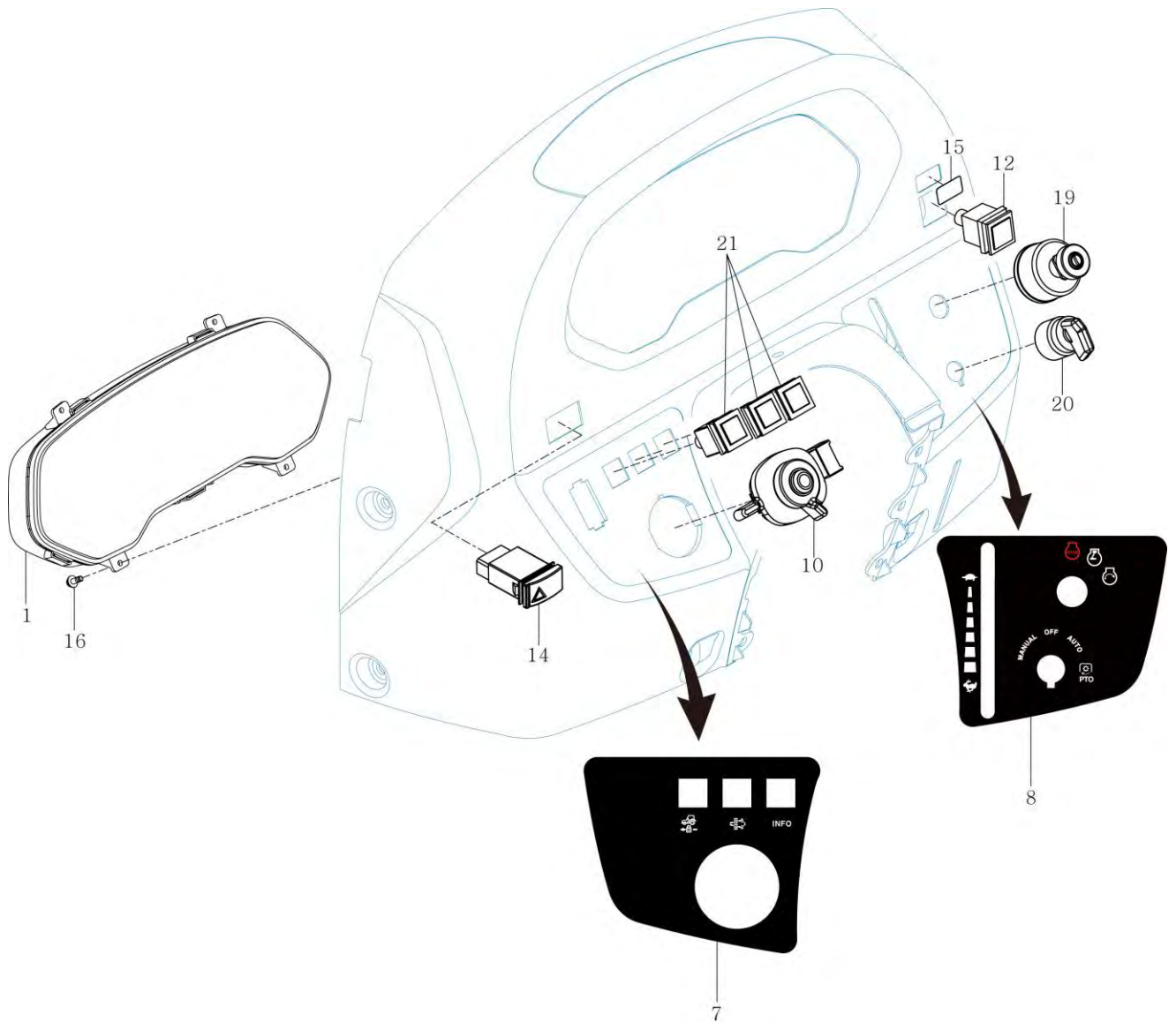
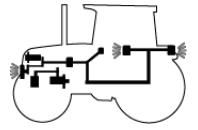
T474SH

INSTRUMENT PANEL

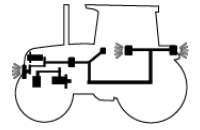
P1

YEAR

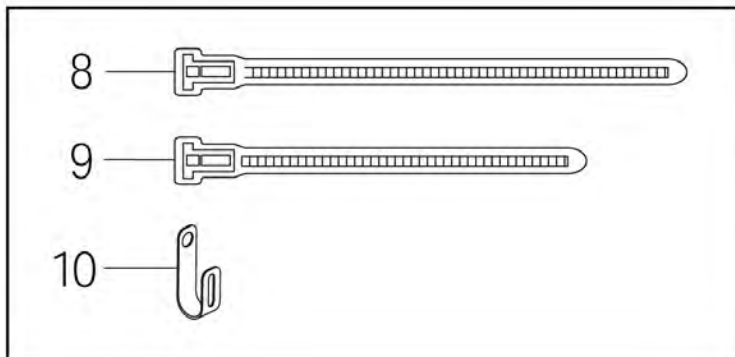
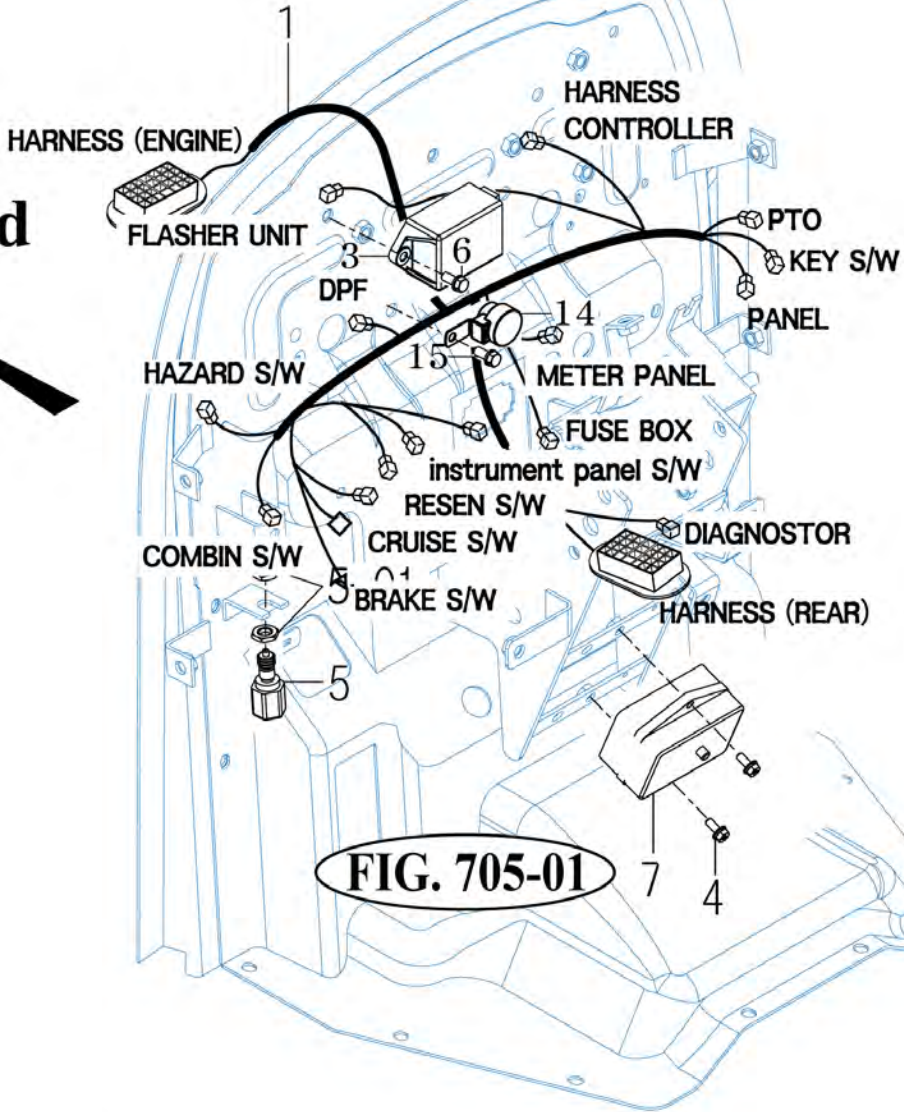
2018



NOTE



Forward



T474-U-804

NOTE

FIG 805

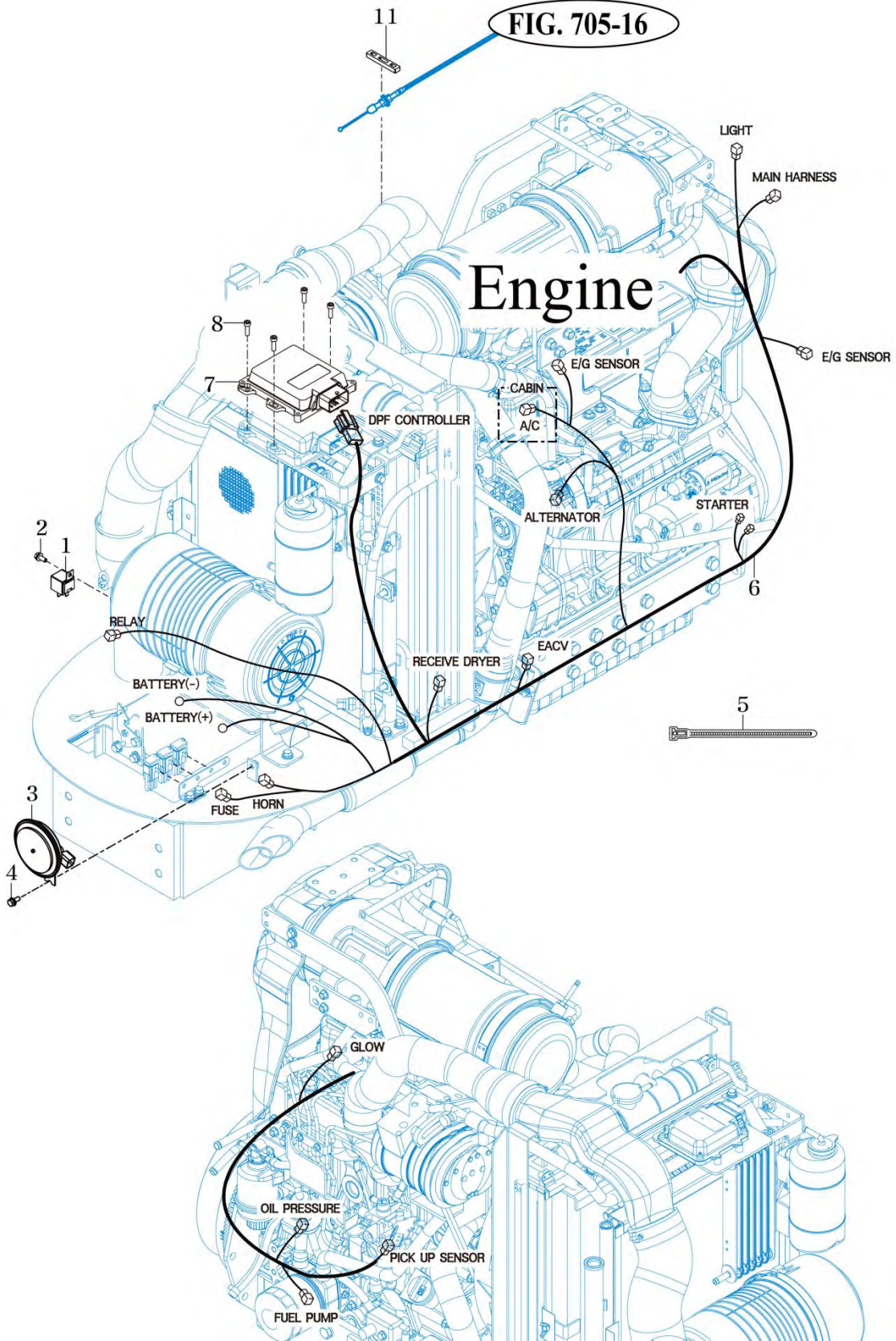
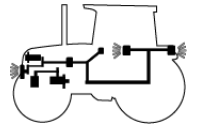
T474SH

HARNESS (1)

P1

YEAR

2018



NOTE

FIG 806

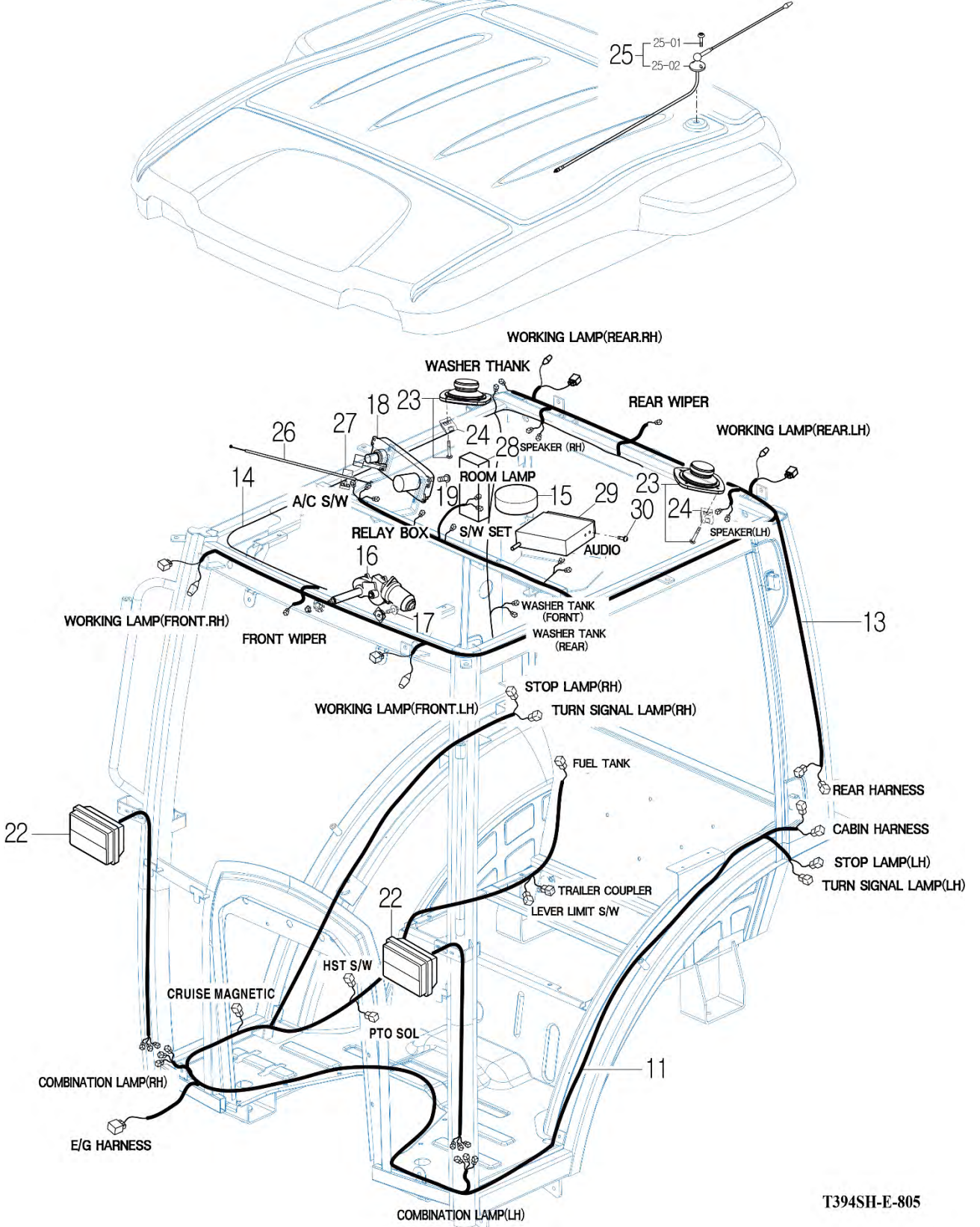
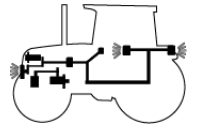
T474SH

HARNESS (2)

P1

YEAR

2018



T394SH-E-805

NOTE

FIG 901

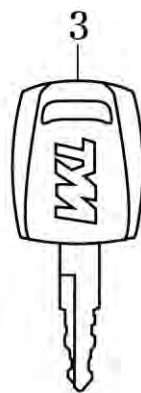
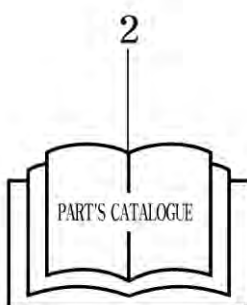
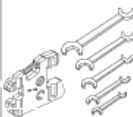
T474SH

TOOL & ACCESSORY

P1

YEAR

2018



T474-U-901

NOTE

FIG 902

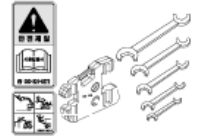
T474SH

LABEL

P1

YEAR

2018



23



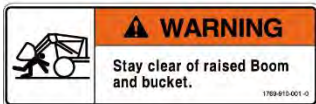
27



11



12

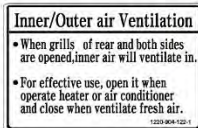


24

T474



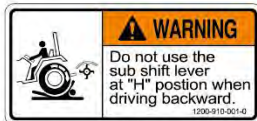
40



26



15



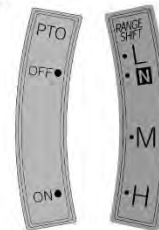
10



54

T474

34



20

21



2



29



16



7



13



6



5



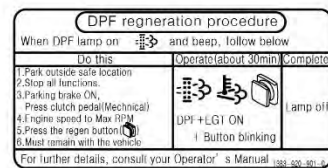
19



25



47



49

NOTE

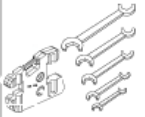
FIG 902

LABEL

P2

YEAR

2018



T474SH



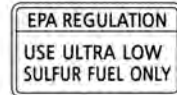
3



14



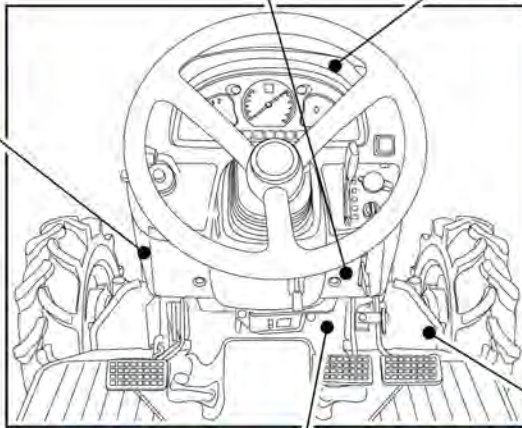
28



39



8



32



33



38



37



4



18



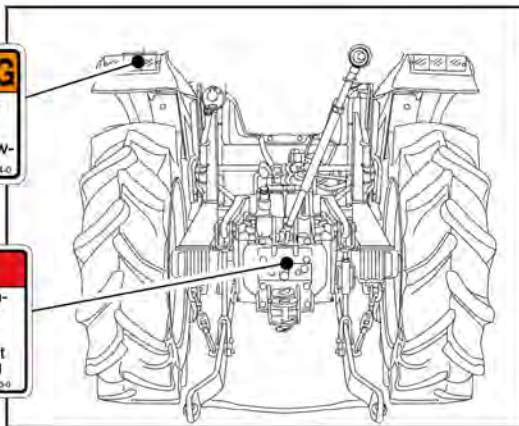
48



17



9



HST

44



50

NOTE

FIG 903

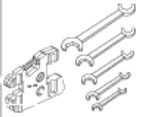
T474SH

OPTION

P1

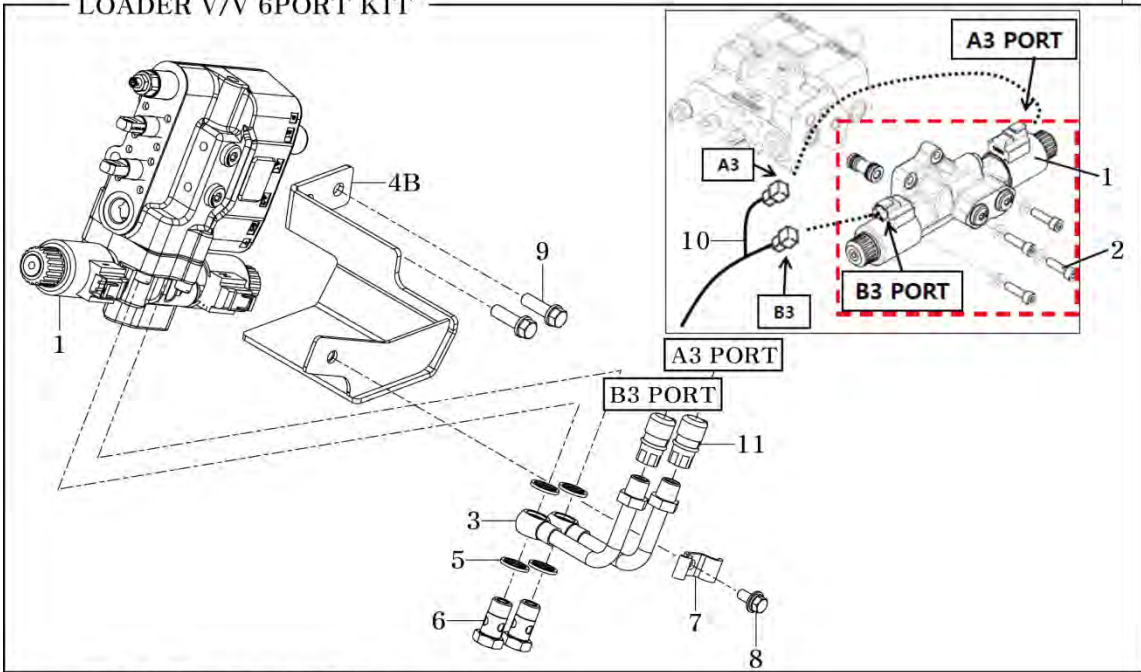
YEAR

2018

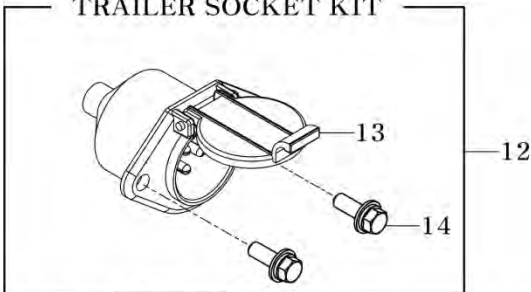


0B

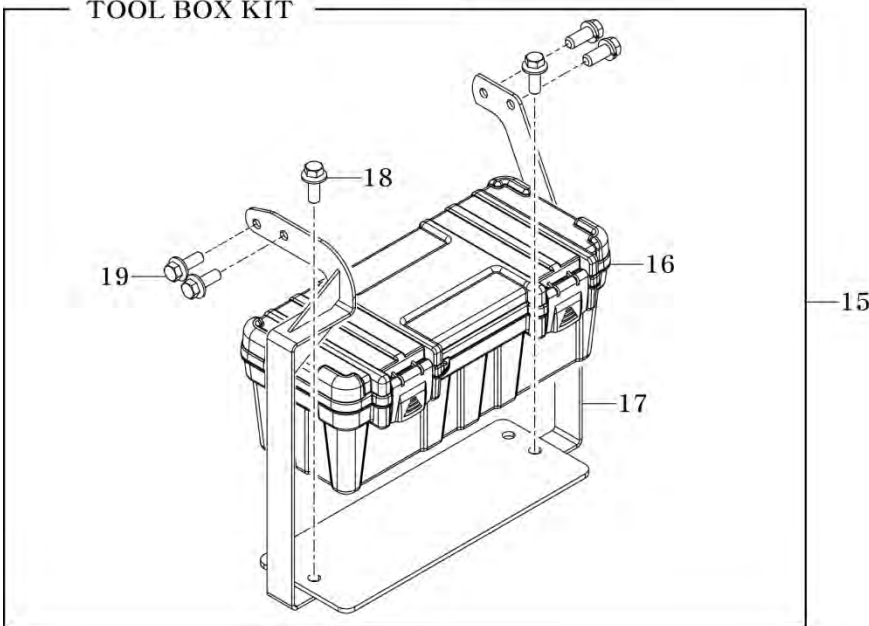
LOADER V/V 6PORT KIT



TRAILER SOCKET KIT



TOOL BOX KIT



NOTE