

T255NCEU

Parts Catalog

목 차

0. 트랙터 KIT PART NO. TK1

FIG 001 K1 AUTO THROTTLE KIT	7
FIG 001 VALVE KIT, AUX	9
FIG 001 AUX VALVE KIT	11

1. 엔진 PART NO. EG

FIG 100 ENGINE	14
FIG 101 CYLINDER BLOCK	16
FIG 102 GEAR HOUSING	18
FIG 103 OIL SUMP	20
FIG 104 CYLINDER HEAD & BONNET	22
FIG 105 EXHAUST MANIFOLD	25
FIG 106 CAMSHAFT & DRIVING GEAR	27
FIG 107 CRANKSHAFT & PISTON	29
FIG 108 LUB.OIL SYSTEM	31
FIG 109 COOLING WATER SYSTEM	33
FIG 110 FUEL INJECTION PUMP	35
FIG 111 GOVERNOR	37
FIG 112 FUEL INJECTION VALVE	39
FIG 113 FUEL FILTER	41
FIG 114 STARTING MOTOR	43
FIG 115 GENERATOR	45

2. 엔진보기품 PART NO. T2

FIG 201 AIR CLEANER	48
FIG 202 RADIATOR	50
FIG 203 MUFFLER	52
FIG 204 FUEL TANK & FUEL LINE	54
FIG 205 ACCELERATOR	56
FIG 206 FUEL FILTER	58

FIG 207 ENGINE MOUNTING	60
-------------------------	----

3. 클러치/브레이크/스티어링 PART NO. T3

FIG 301 FLYWHEEL COVER	63
FIG 302 BRAKE	65
FIG 303 CLUTCH , BRAKE PEDAL & LINKAGE	67
FIG 304 ACCELERATOR PEDAL & CABLE	69
FIG 305 DASH COVER	71
FIG 306 STEERING VALVE	73
FIG 307 STEERING CYLINDER	75
FIG 308 STEERING WHEEL	77
FIG 309 TIRE	79
FIG 310 HAND BRAKE	81

4. 트랜스미션 PART NO. T4

FIG 401 INPUT SHAFT	84
FIG 402 INPUT GEAR	86
FIG 403 MAIN SHIFT GEAR	88
FIG 404 RANGE GEAR	90
FIG 405 4WD DRIVE GEAR	92
FIG 406 P.T.O DRIVE SHAFT	94
FIG 407 P.T.O SHAFT	96
FIG 408 MID P.T.O GEAR	98
FIG 409 DIFF LOCK	100
FIG 410 MID TRANSMISSION CASE	102
FIG 411 REAR TRANSMISSION CASE	104
FIG 412 REAR AXLE HOUSINGS	106
FIG 413 MAIN SHIFT LEVER	108
FIG 414 RANGE SHIFT LEVER	110
FIG 415 P.T.O CHANGE LEVER	112
FIG 416 4WD CHANGE LEVER	114
FIG 417 TRANSMISSION MOUNTING	116

5. 프론트 액슬 PART NO. T5

FIG 501 FRONT DRIVE SHAFT	119
---------------------------	-----

FIG 502 FRONT DIFFERENTIAL GEAR	121
FIG 503 FRONT AXLE HOUSING	123
FIG 504 FRONT GEAR CASE (1)	125
FIG 505 FRONT GEAR CASE (2)	127

6. 유압/3점 링크 PART NO. T6

FIG 601 CYLINDER CASE	130
FIG 602 LIFT ARM	132
FIG 603 FLOW CONTROL VALVE	134
FIG 604 MAIN CONTROL VALVE	136
FIG 605 HYDRAULIC SUB	138
FIG 606 HITCH & 3-POINT LINKAGE	140
FIG 607 HITCH & COVER	142
FIG 608 AUXILIARY VALVE	144

7. 시트메탈/캐빈 PART NO. T7

FIG 701 BONNET (1)	147
FIG 701-2 BONNET (2)	149
FIG 702 FLOOR	151
FIG 703 SEAT	153
FIG 704 ROPS	155
FIG 705 LEVER COVER & FENDER	157
FIG 706 LAMP	159

8. 전장 PART NO. T8

FIG 801 BATTERY MOUNTING	162
FIG 802 INSTRUMENT PANEL	164
FIG 803 HARNESS (1)	166
FIG 804 HARNESS (2)	168
FIG 805 HARNESS (3)	170

9. 라벨/옵션 PART NO. T9

FIG 901 TOOL & ACCESSORY	173
FIG 902 WEIGHT	175

0. 트랙터 KIT PART NO. TK1

FIG 001 K1 AUTO THROTTLE KIT

7

FIG 001 VALVE KIT, AUX

9

FIG 001 AUX VALVE KIT

11

FIG 001 T255NCEU	K1 AUTO THROTTLE KIT	년/월 Year/Month 2022-12
---------------------	----------------------	------------------------------

--	--

NOTE	
------	--

FIG 001 T255NCEU	K1 AUTO THROTTLE KIT						년/월 Year/Month
							2022-12

KEY NO	PART NO	DESCRIPTION	SPEC	QTY	REPAIR	EFFECTIVE DATE	REMARKS
001	0	10296087000		1			
001	1	10512321300		1			
001	2	10512327100GB		1			
001	3	V2173612035	M12X35	1			
001	4	10511162200		1			
001	5	15601160083		1			
001	6	V4111600060	M6	1			
001	7	V5601600006		1			
001	8	10516302380GB		1			
NOTE							

FIG 001 T255NCEU	VALVE KIT, AUX	년/월 Year/Month 2022-12
---------------------	----------------	------------------------------

--	--

NOTE	
------	--

FIG 001 T255NCEU	AUX VALVE KIT	년/월 Year/Month 2022-12
---------------------	---------------	------------------------------

--	--

NOTE	
------	--

1. 엔진 PART NO. EG

FIG 100 ENGINE	14
FIG 101 CYLINDER BLOCK	16
FIG 102 GEAR HOUSING	18
FIG 103 OIL SUMP	20
FIG 104 CYLINDER HEAD & BONNET	22
FIG 105 EXHAUST MANIFOLD	25
FIG 106 CAMSHAFT & DRIVING GEAR	27
FIG 107 CRANKSHAFT & PISTON	29
FIG 108 LUB.OIL SYSTEM	31
FIG 109 COOLING WATER SYSTEM	33
FIG 110 FUEL INJECTION PUMP	35
FIG 111 GOVERNOR	37
FIG 112 FUEL INJECTION VALVE	39
FIG 113 FUEL FILTER	41
FIG 114 STARTING MOTOR	43
FIG 115 GENERATOR	45

FIG 100 T255NCEU	ENGINE	년/월 Year/Month
		2022-12

--	--

NOTE	
------	--

FIG 100 T255NCEU		ENGINE						년/월 Year/Month	REMARKS
								2022-12	
KEY NO		PART NO	DESCRIPTION	SPEC	QTY	REPAIR	EFFECTIVE DATE	REMARKS	
100	1	14321011000	엔진, 3TNV76-UDKTF		1				
NOTE									

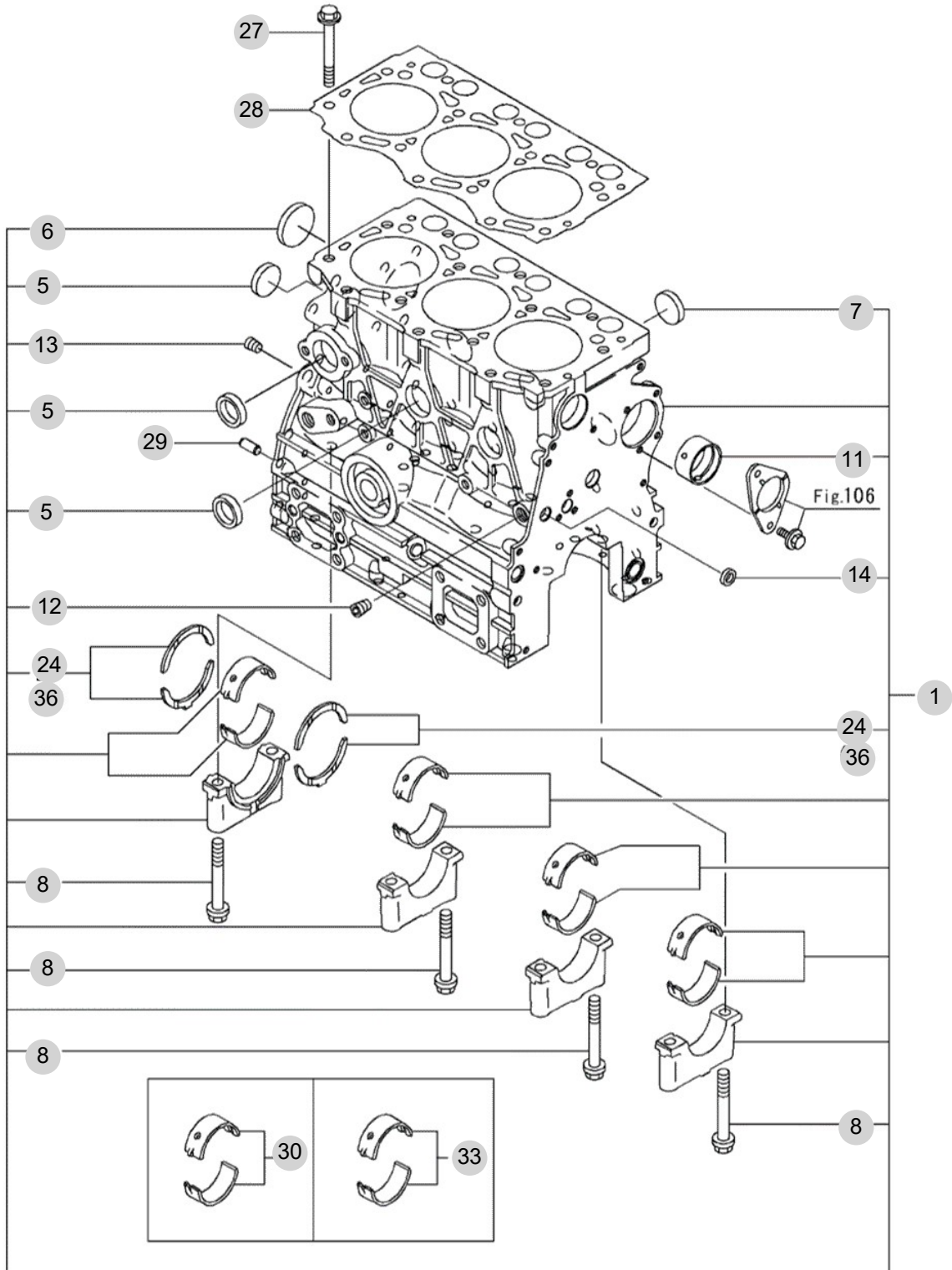
FIG 101

CYLINDER BLOCK

년/월
Year/Month

2022-12

T255NCEU



NOTE

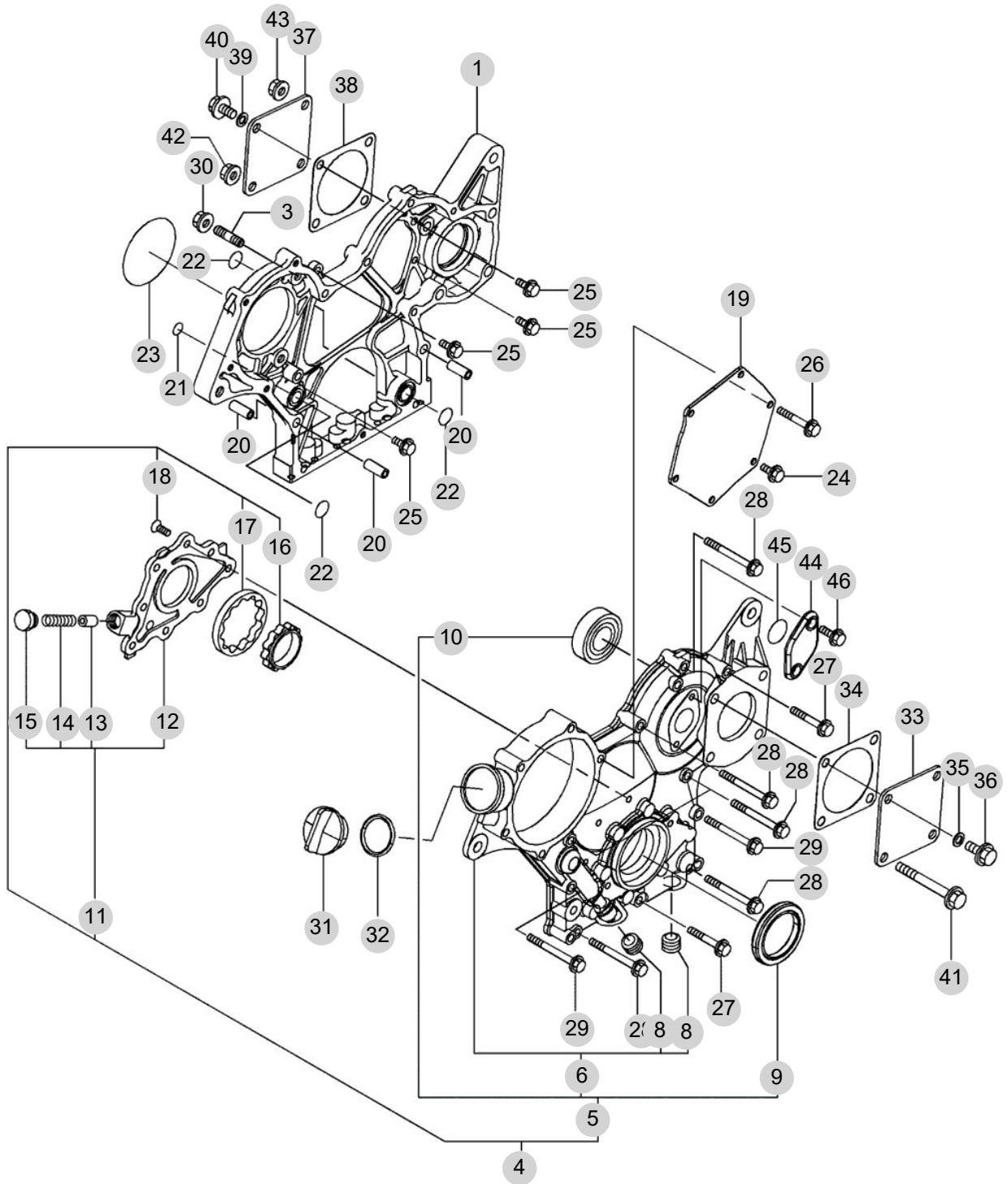
FIG 102

GEAR HOUSING

년/월
Year/Month

T255NCEU

2022-12



NOTE

FIG 102		GEAR HOUSING					년/월	
							Year/Month	
T255NCEU		2022-12						
KEY NO	PART NO	DESCRIPTION	SPEC	QTY	REPAIR	EFFECTIVE DATE	REMARKS	
102	1	119740-01501	CASE, GEAR		1			
102	3	119717-01570	STUD		3			
102	4	119751-01590	COVER ASSY,GEAR CASE		1			
102	5	719751-01500	COVER ASSY,GEAR CASE		1			
102	6	119751-01521	COVER, GEAR CASE		1			
102	8	23876-030000	PLUG, R03		2			
102	9	119717-01800	SEAL, OIL		1			
102	10	24101-062024	깊은홈 볼베어링		1			
102	11	119717-32100	COVER ASSY		1			
102	12	119717-32080	COVER		1			
102	13	129900-32130	VALVE, RELIEF		1			
102	14	129001-32320	SPRING		1			
102	15	129001-32330	PLUG		1			
102	16	119717-32110	ROTOR, INNER		1			
102	17	119717-32120	ROTOR, OUTER		1			
102	18	119802-32130	SCREW, M6X16		8			
102	19	119717-01750	COVER		1			
102	20	119660-01911	PIPE, KNOCK		4			
102	21	119624-32040	O-RING, P12.0		1			
102	22	119717-32050	O-RING, P17.0		3			
102	23	121850-51960	O-RING		1			
102	24	26106-060122	BOLT, M6X 12 PLATED		1			
102	25	26106-060162	BOLT, M6X 16 PLATED		4			
102	26	26106-060402	BOLT, M6X 40 PLATED		4			
102	27	26106-060402	BOLT, M6X 40 PLATED		2			
102	28	26106-060602	BOLT, M6X 60 PLATED		7			
102	29	26106-060652	BOLT, M6X 65 PLATED		2			
102	30	26306-080002	NUT, M8		3			
102	31	124160-01751	COVER, FILLER		1			
102	32	24311-000320	운동용O링		1			
102	33	124240-01871	COVER		1			
102	34	129C26-01890	GASKET, HO-P		1			
102	35	22190-080002	WASHER, SEAL 8		1			
102	36	26106-080122	BOLT, M8X 12 PLATED		1			
102	37	124240-01871	COVER		1			
102	38	129C26-01890	GASKET, HO-P		1			
102	39	22190-080002	WASHER, SEAL 8		1			
102	40	26106-080142	BOLT, M8X 14 PLATED		1			
102	41	26106-080702	BOLT, M8X 70 PLATED		3			
102	42	26306-080002	NUT, M8		1			
102	43	26306-080002	NUT, M8		2			
102	44	121023-01551	COVER		1			
102	45	24341-000240	O-RING, 1AS24.0		1			
102	46	26106-060162	BOLT, M6X 16 PLATED		2			
NOTE								

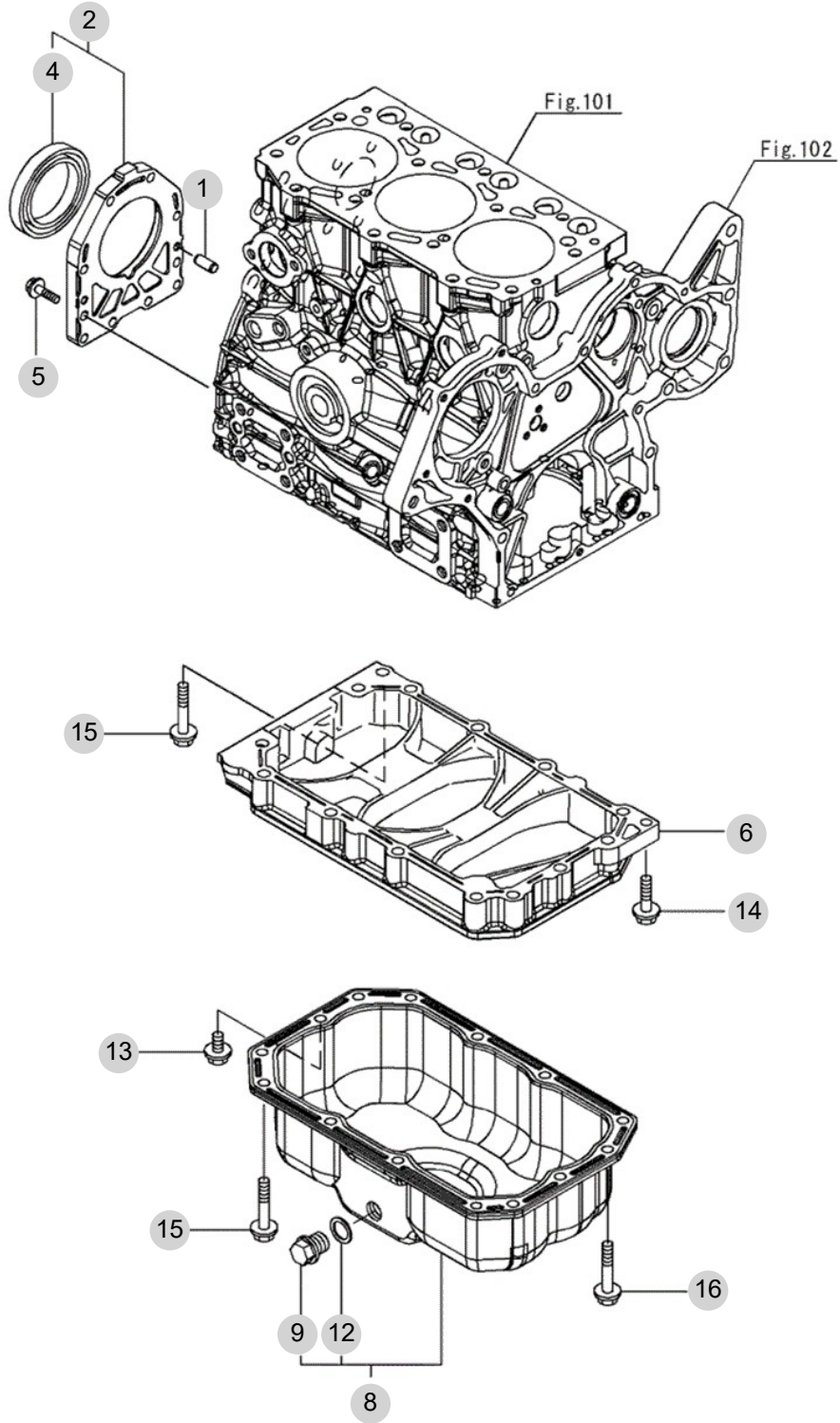
FIG 103

T255NCEU

OIL SUMP

년/월
Year/Month

2022-12



NOTE

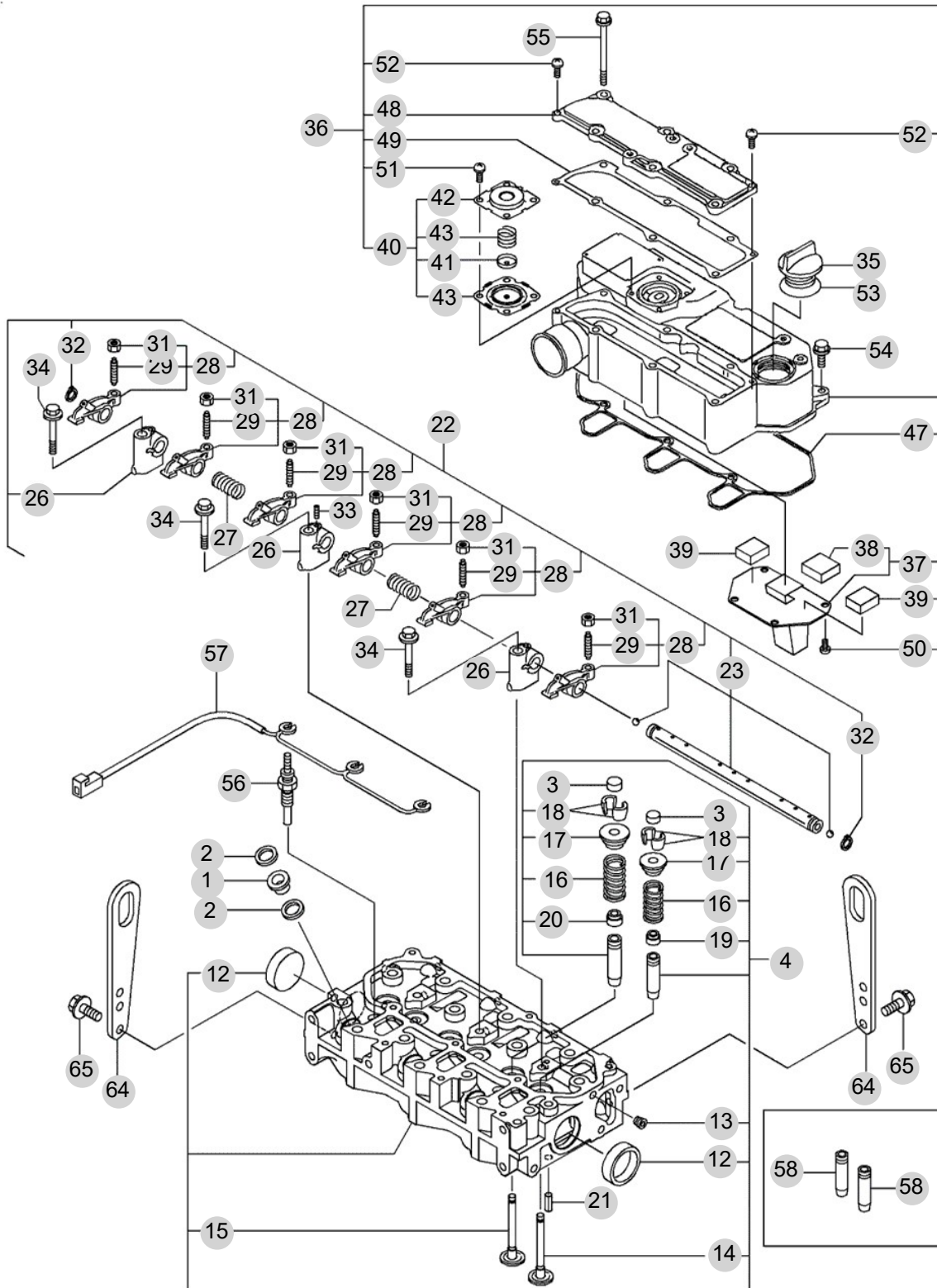
FIG 104

CYLINDER HEAD & BONNET

년/월
Year/Month

2022-12

T255NCEU



NOTE

FIG 104		CYLINDER HEAD & BONNET					년/월 Year/Month		
							2022-12		
T255NCEU		KEY NO	PART NO	DESCRIPTION	SPEC	QTY	REPAIR	EFFECTIVE DATE	REMARKS
104	1	129901-11450	PROTECTOR, NOZZLE			3			
104	2	119600-11460	GASKET, NOZZLE			6			
104	3	105010-11490	CAP, VALVE			6			
104	4	119717-11740	HEAD ASSY, CYLINDER			1			
104	12	119285-11990	PLUG, 35			2			
104	13	23876-005000	PLUG, R005			1			
104	14	119717-11101	VALVE, INTAKE			3			
104	15	119717-11110	VALVE, EXHAUST			3			
104	16	119717-11131	SPRING, VALVE			6			
104	17	129508-11180	RETAINER, SPRING			6			
104	18	119717-11190	COTTER			12			
104	19	119717-11340	SEAL, VALVE STEM			3			
104	20	119717-11350	SEAL, VALVE STEM			3			
104	21	22351-060012	스프링핀			2			
104	22	119717-11200	SUPPORT ASSY, ARM			1			
104	23	119717-11240	SHAFT ASSY, ROCKER			1			
104	26	119717-11260	SUPPORT, ROCKER ARM			3			
104	27	119620-11280	SPRING			2			
104	28	119717-11650	ARM, ROCKER			6			
104	29	129150-11230	SCREW, VALVE ADJUST			6			
104	31	129150-11750	NUT, M8			6			
104	32	22242-000120	RING, 12			2			
104	33	119260-11270	SCREW			1			
104	34	26106-080402	BOLT, M8X 40 PLATED			3			
104	35	124160-01751	COVER, FILLER			1			
104	36	119717-11381	BONNET ASSY, HEAD			1			
104	37	119717-03031	PLATE			1			
104	38	119717-03070	BAFFLE, BREATHER			1			
104	39	119717-03070	BAFFLE, BREATHER			2			
104	40	119802-03100	DIAPHRAGM ASSY			1			
104	41	119802-03110	PLATE			1			
104	42	119802-03121	COVER, DIAPHRAGM			1			
104	43	119802-03131	DIAPHRAGM			1			
104	44	119802-03141	SPRING, DIAPHRAGM			1			
104	47	119718-11310	GASKET, BONNET			1			
104	48	119717-11320	COVER, BONNET			1			
104	49	119717-11331	GASKET			1			
104	50	22857-500100	SCREW, 5X10			4			
104	51	22857-500100	SCREW, 5X10			4			
104	52	22857-500160	SCREW, 5X16			2			
104	53	24311-000320	운동용O링			1			
104	54	26106-060202	BOLT, M6X20 PLATED			3			
104	55	26106-060752	BOLT, M6X75 PLATED			6			
104	56	119717-77801	PLUG, GLOW			3			
104	57	119717-77820	CONNECTOR, GLOW PLUG			1			
NOTE									

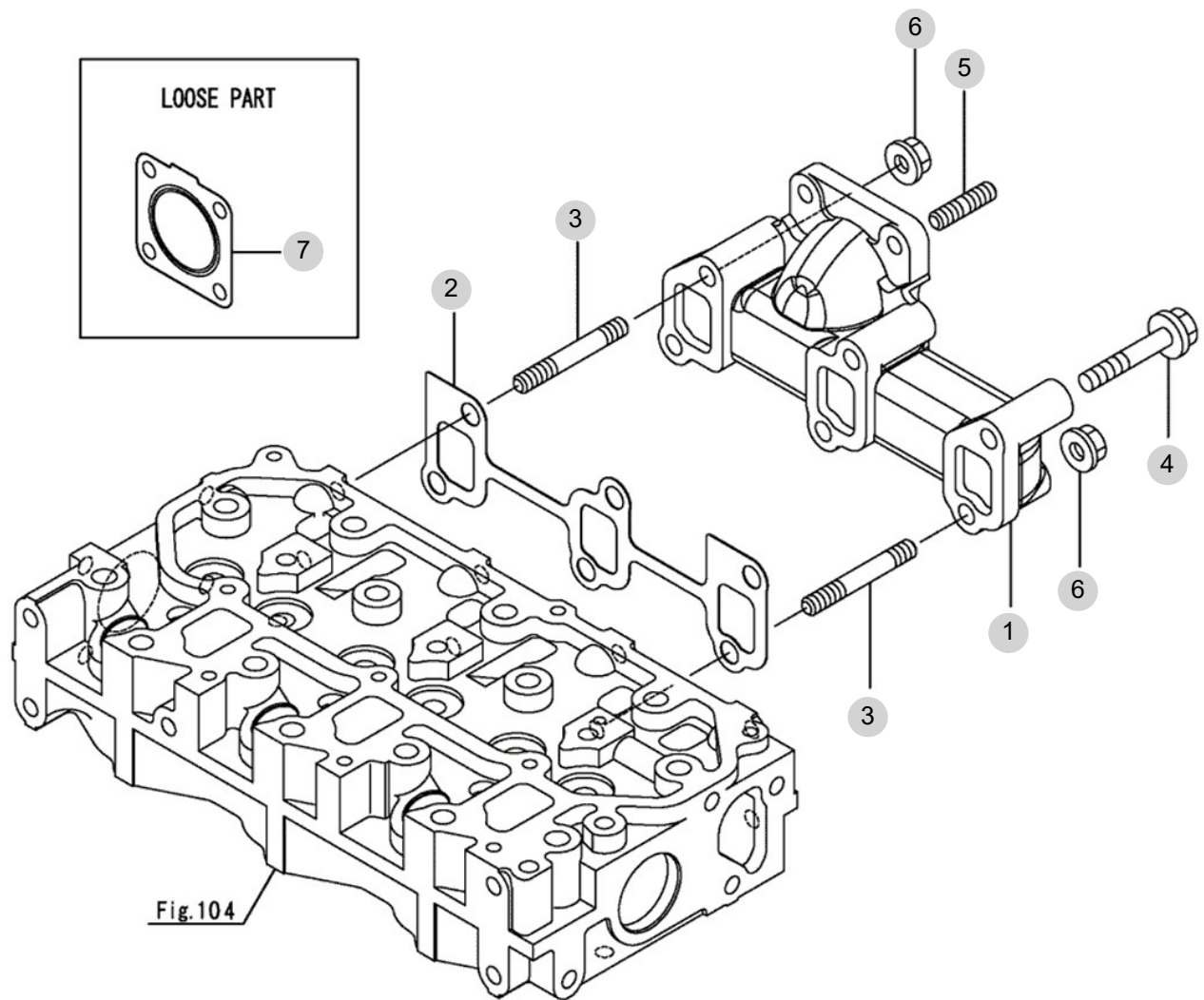
FIG 105

EXHAUST MANIFOLD

년/월
Year/Month

T255NCEU

2022-12



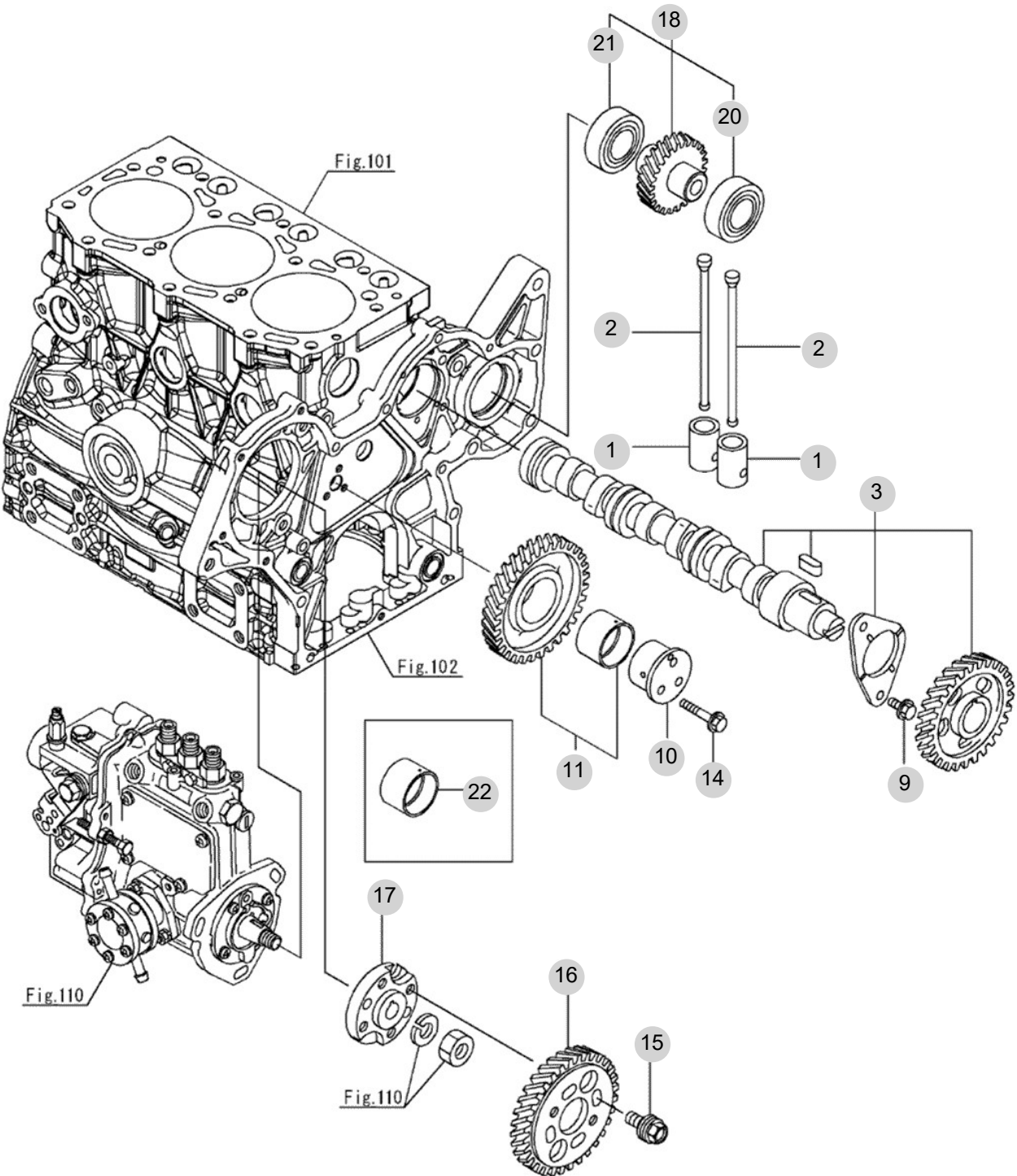
NOTE

FIG 106

CAMSHAFT & DRIVING GEAR

년/월
Year/Month

2022-12



NOTE

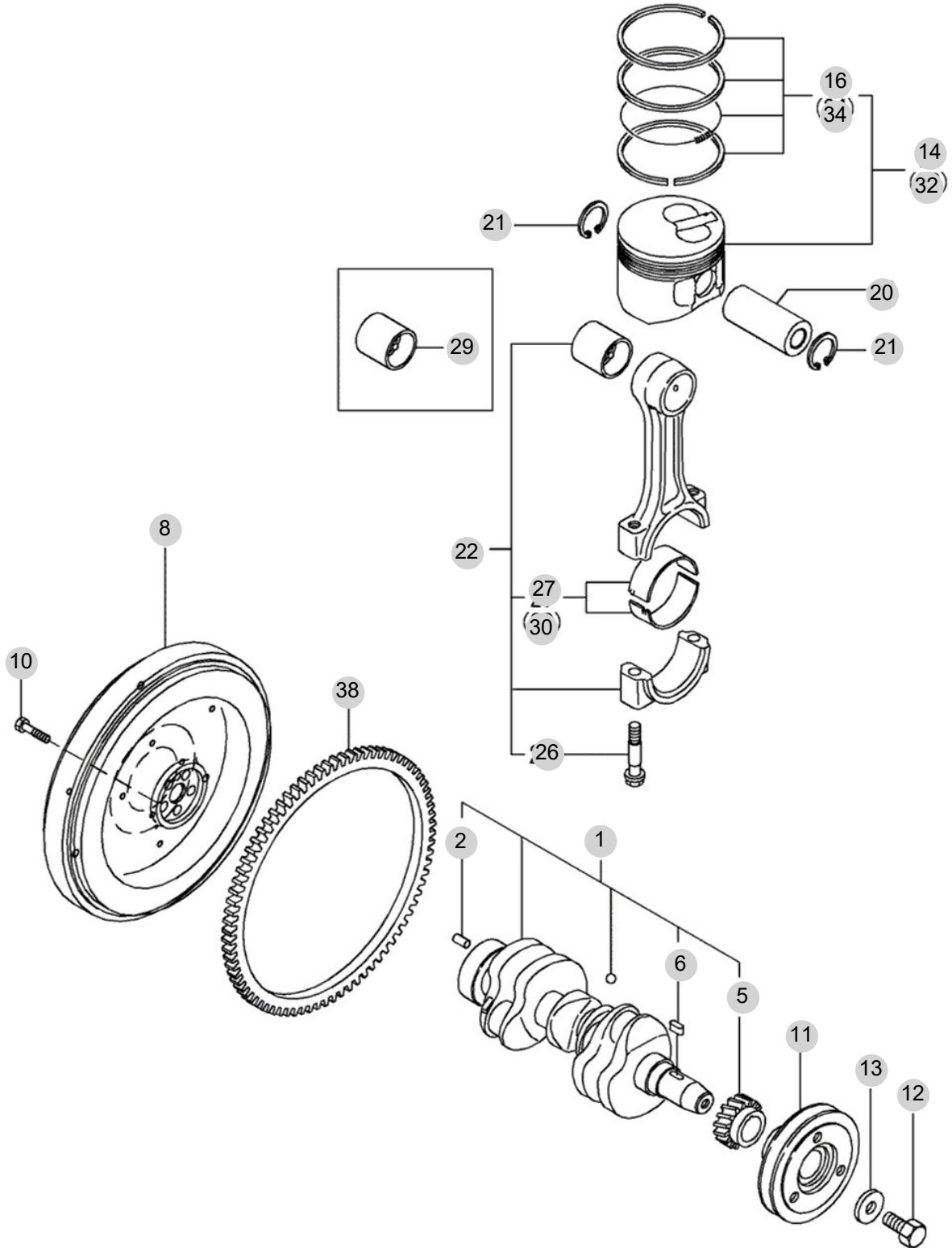
FIG 107

CRANKSHAFT & PISTON

년/월
Year/Month

T255NCEU

2022-12



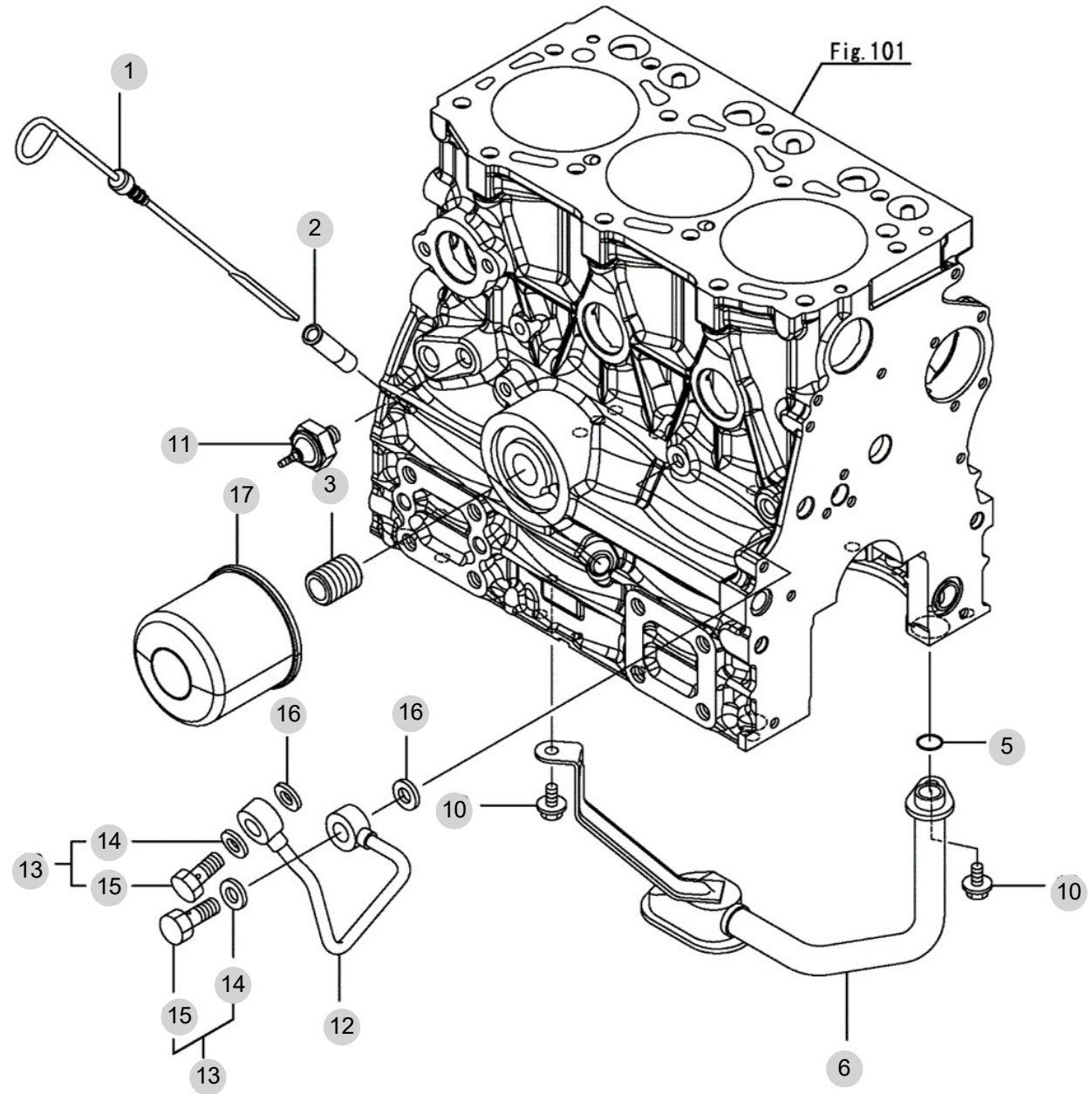
NOTE

FIG 108

LUB.OIL SYSTEM

년/월
Year/Month

2022-12



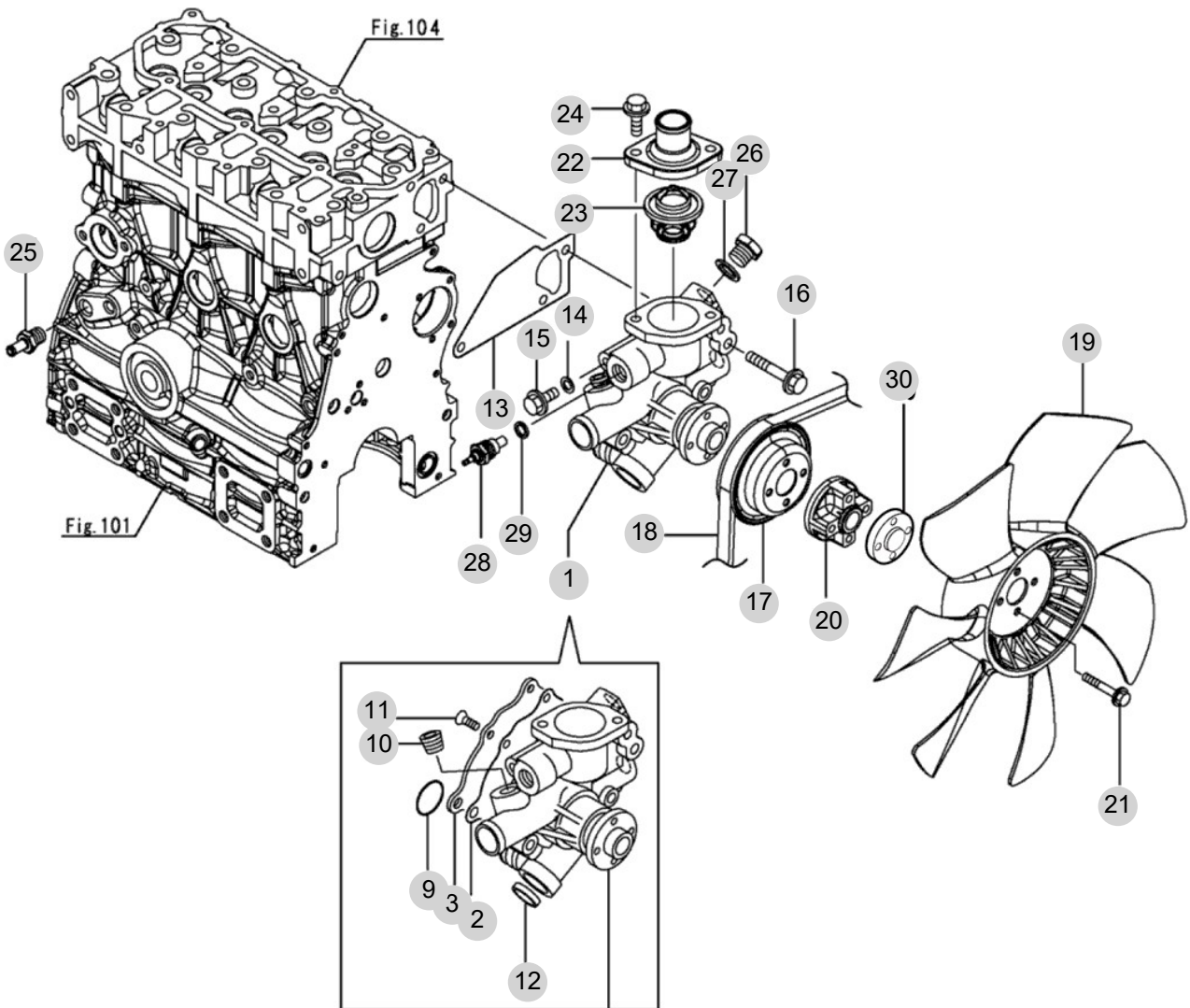
NOTE

FIG 109

COOLING WATER SYSTEM

년/월
Year/Month

2022-12



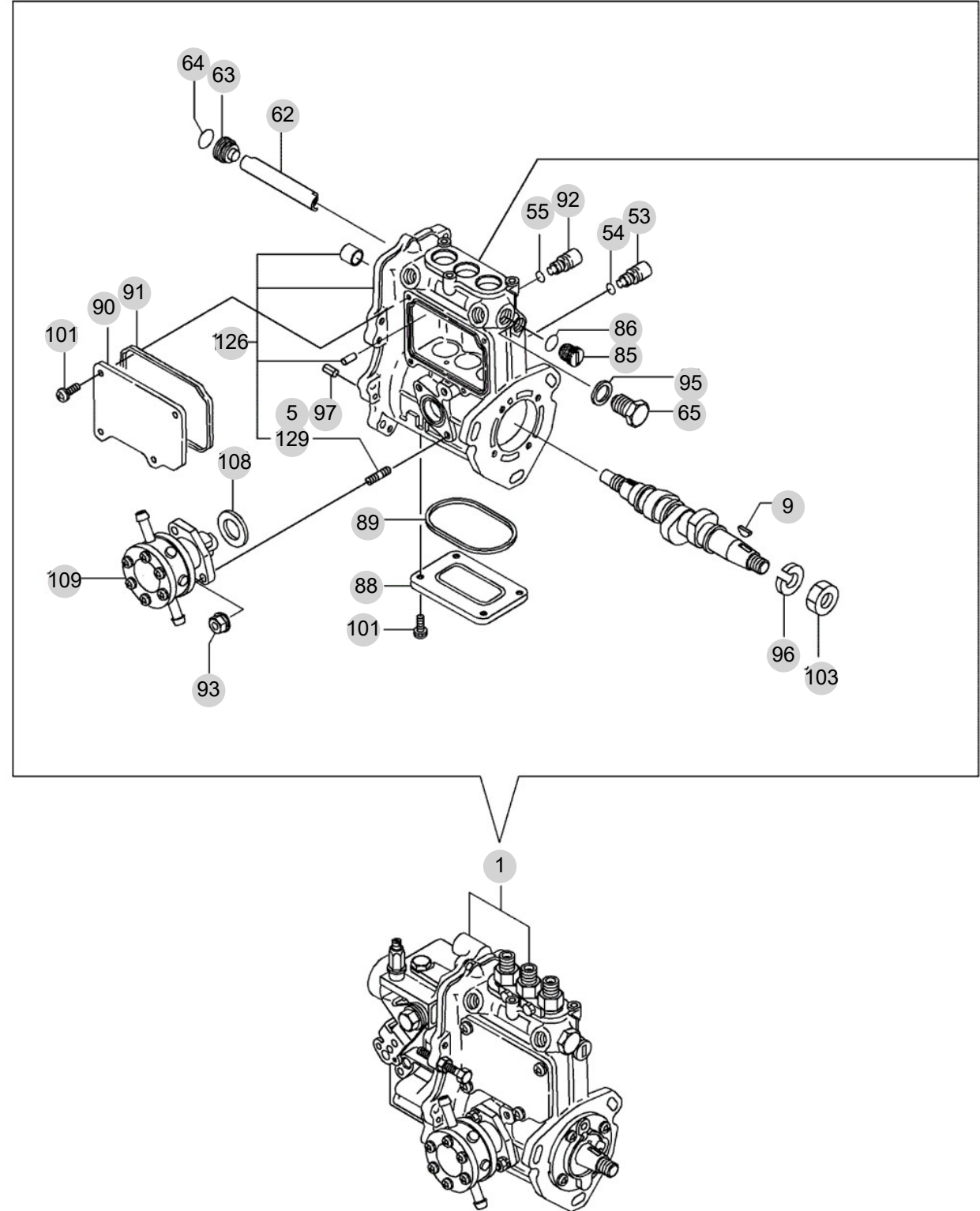
NOTE

FIG 110

FUEL INJECTION PUMP

년/월
Year/Month

2022-12



NOTE

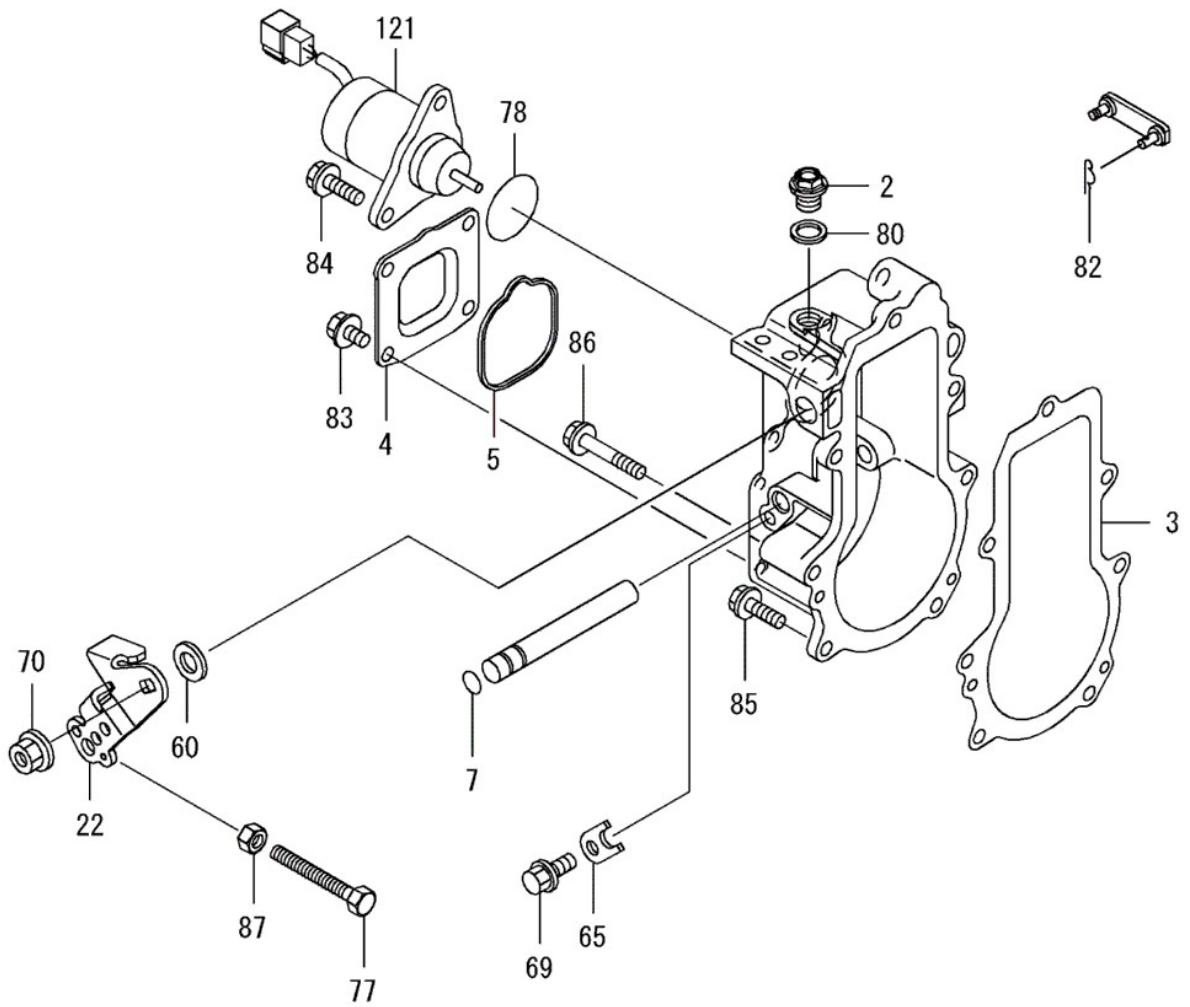
FIG 111

GOVERNOR

년/월
Year/Month

2022-12

T255NCEU



NOTE

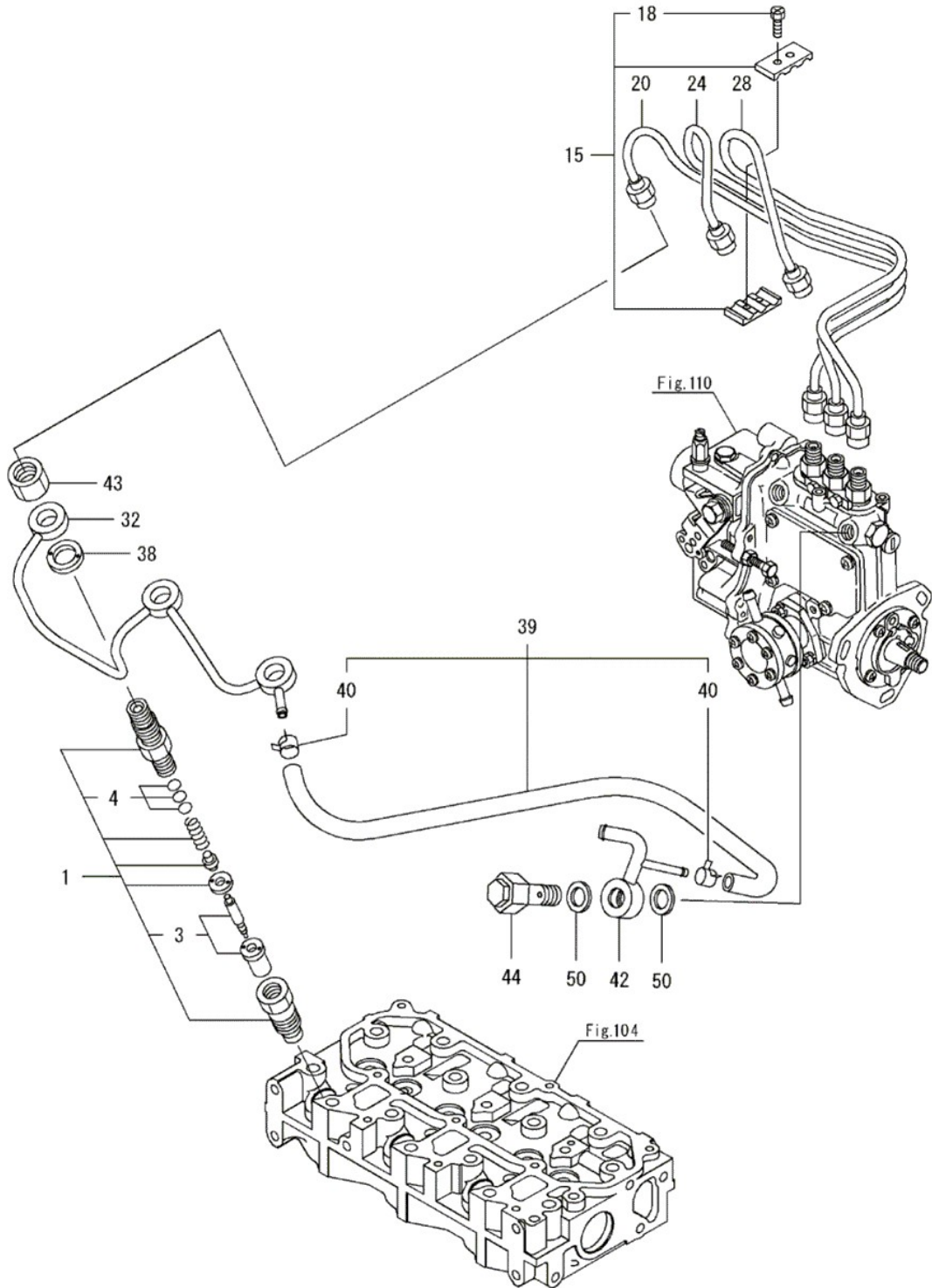
FIG 112

T255NCEU

FUEL INJECTION VALVE

년/월
Year/Month

2022-12



NOTE

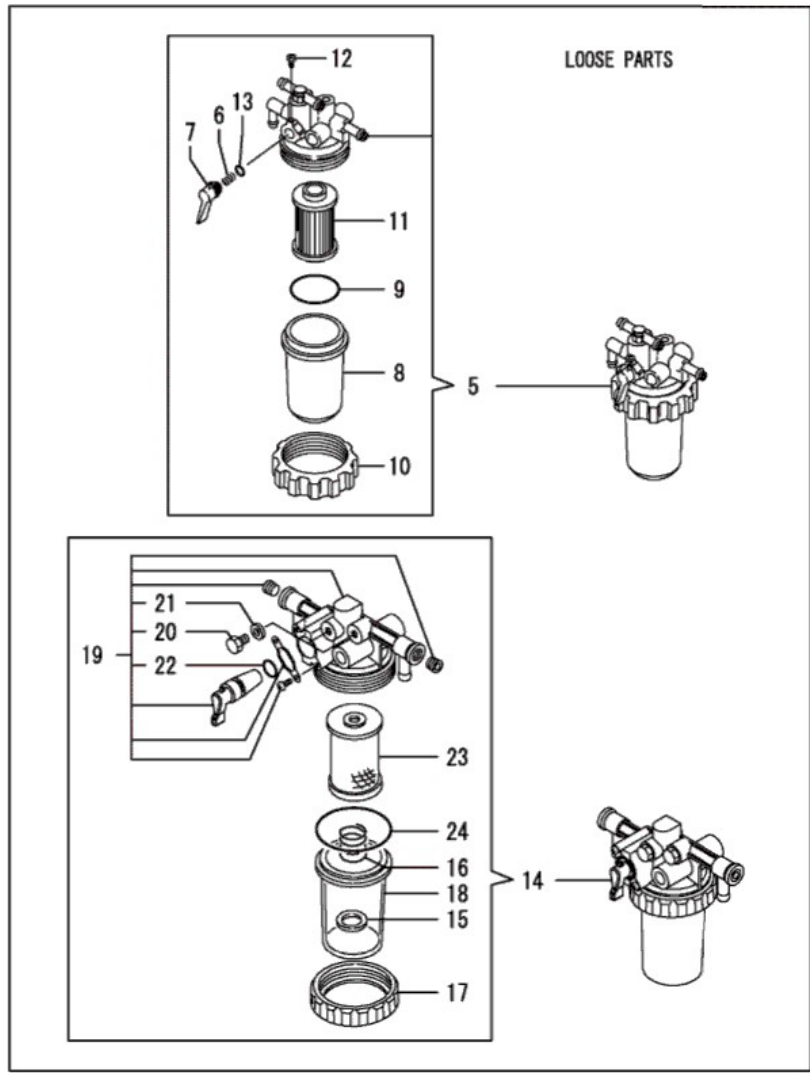
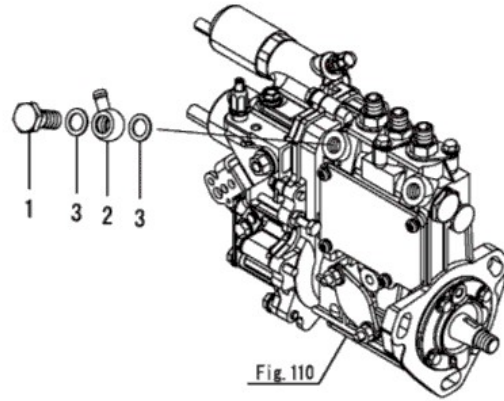
FIG 113

T255NCEU

FUEL FILTER

년/월
Year/Month

2022-12



NOTE

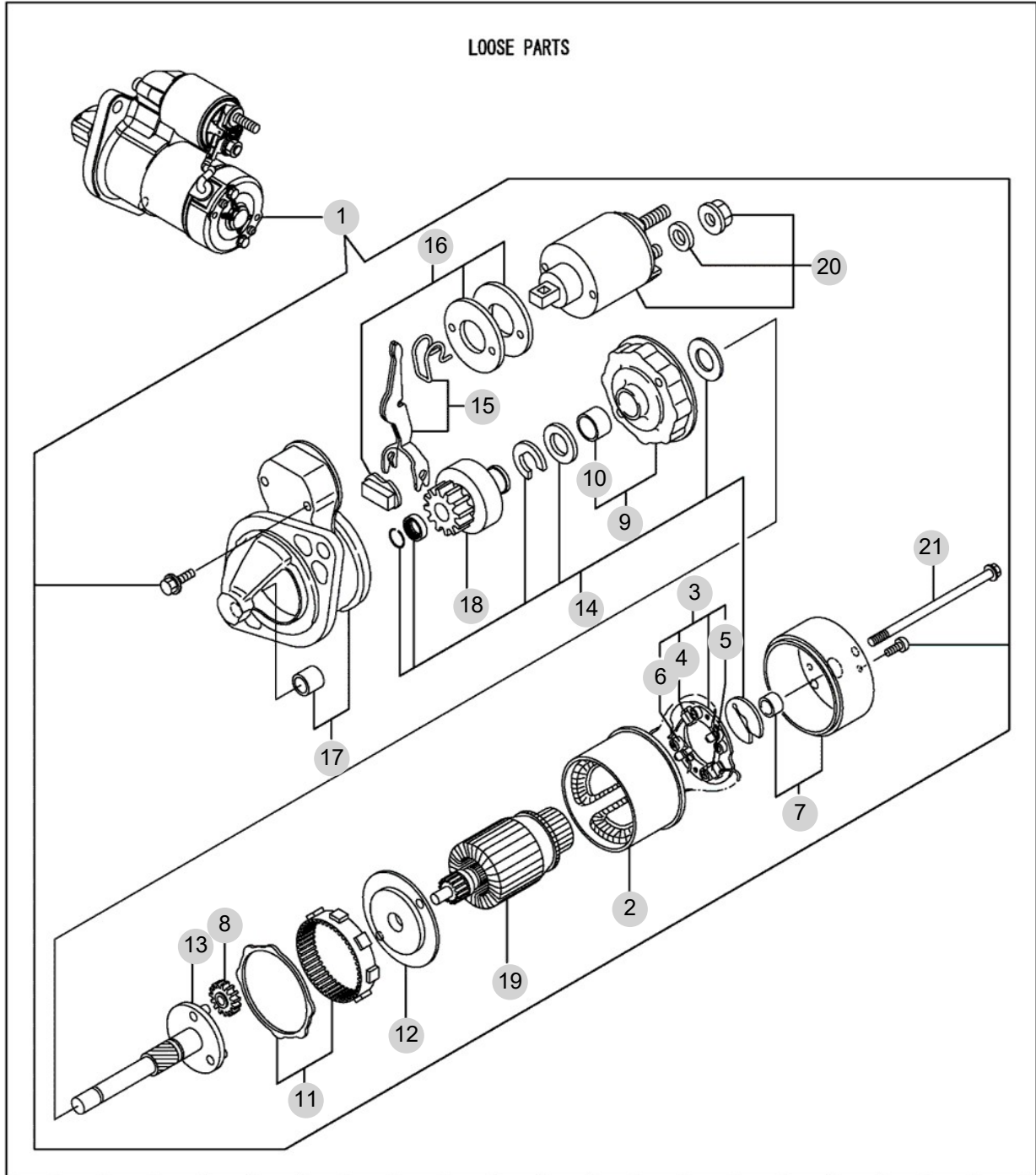
FIG 114

STARTING MOTOR

년/월
Year/Month

T255NCEU

2022-12



NOTE

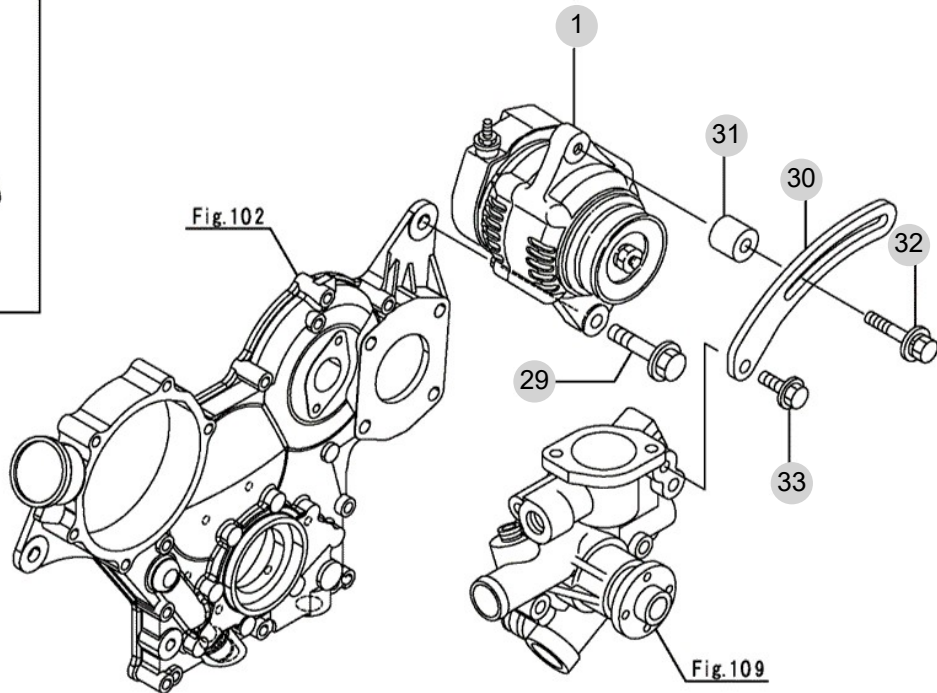
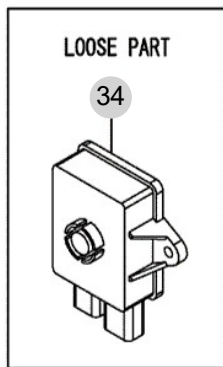
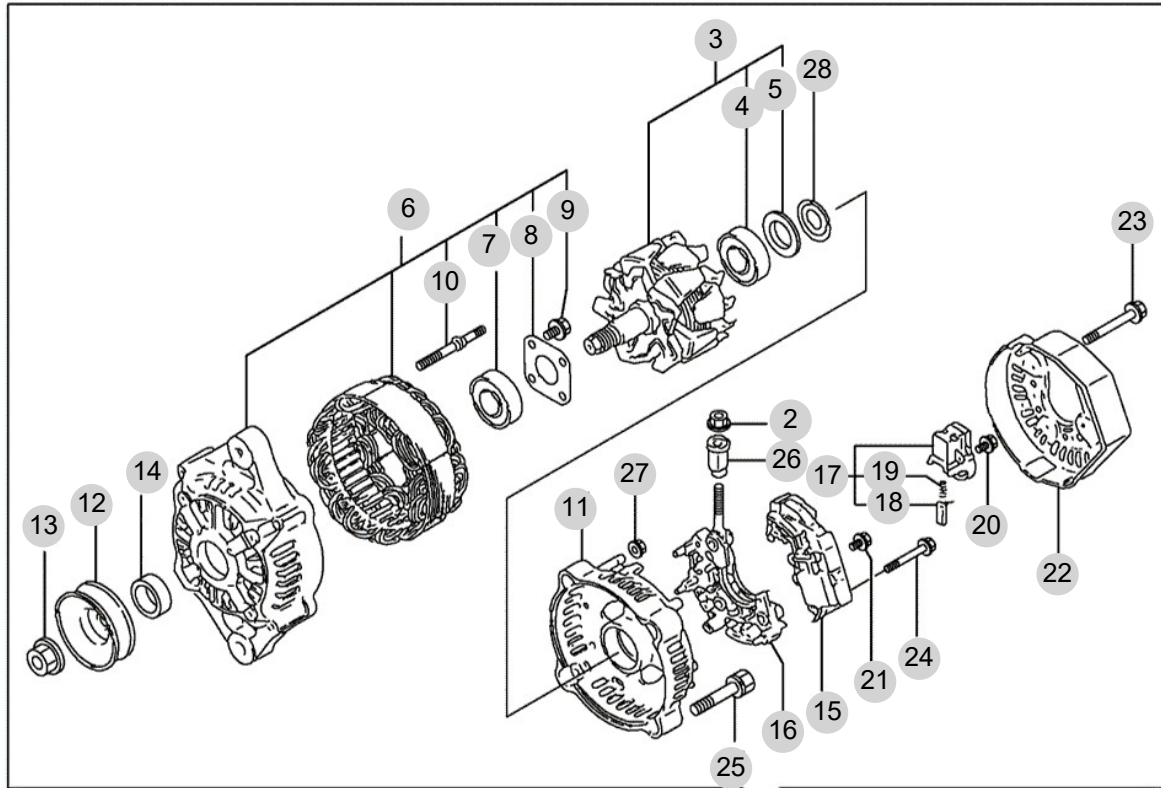
FIG 115

GENERATOR

년/월
Year/Month

2022-12

T255NCEU



NOTE

2. 엔진보기품 PART NO. T2

FIG 201 AIR CLEANER	48
FIG 202 RADIATOR	50
FIG 203 MUFFLER	52
FIG 204 FUEL TANK & FUEL LINE	54
FIG 205 ACCELERATOR	56
FIG 206 FUEL FILTER	58
FIG 207 ENGINE MOUNTING	60

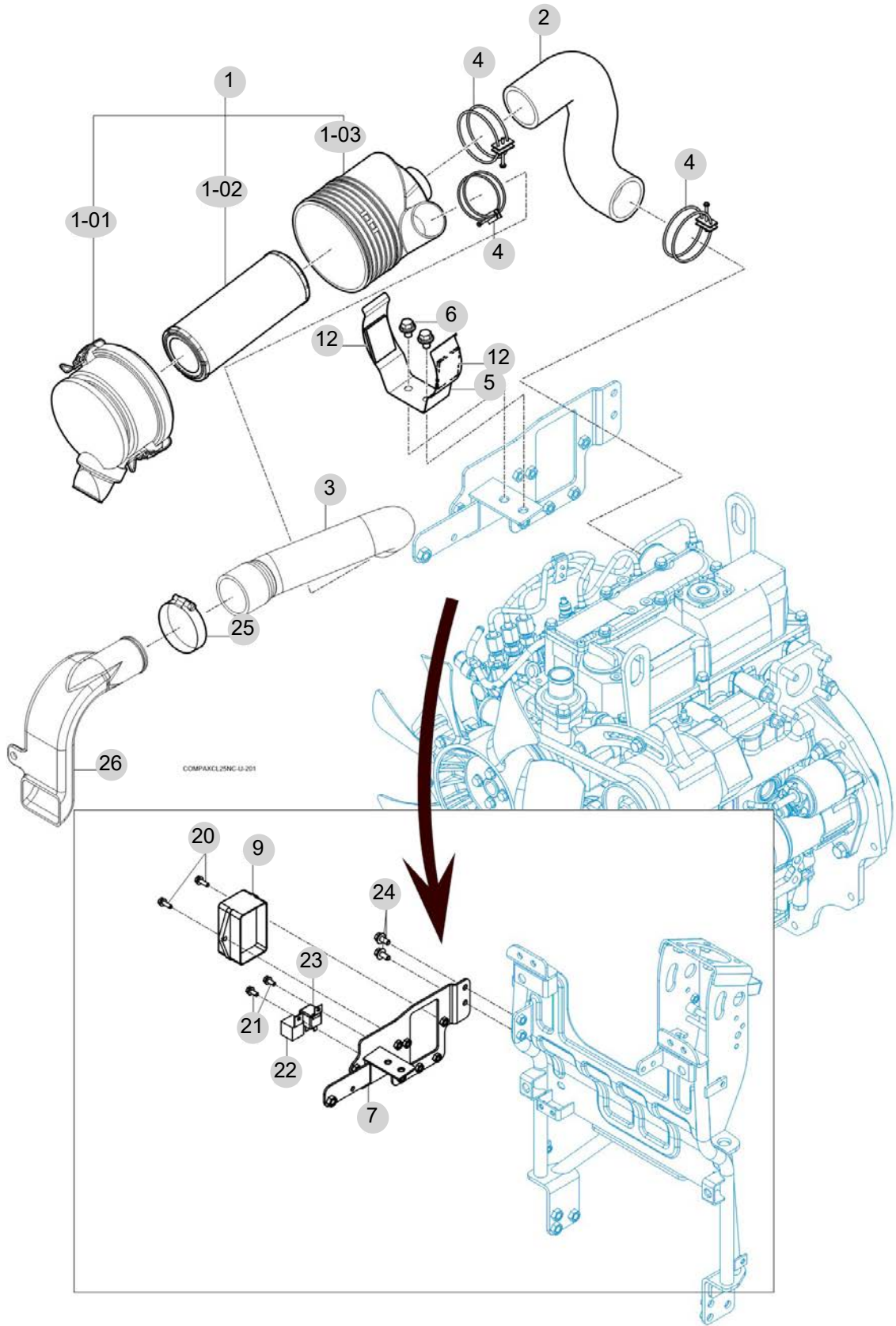
FIG 201

AIR CLEANER

년/월
Year/Month

2022-12

T255NCEU



NOTE

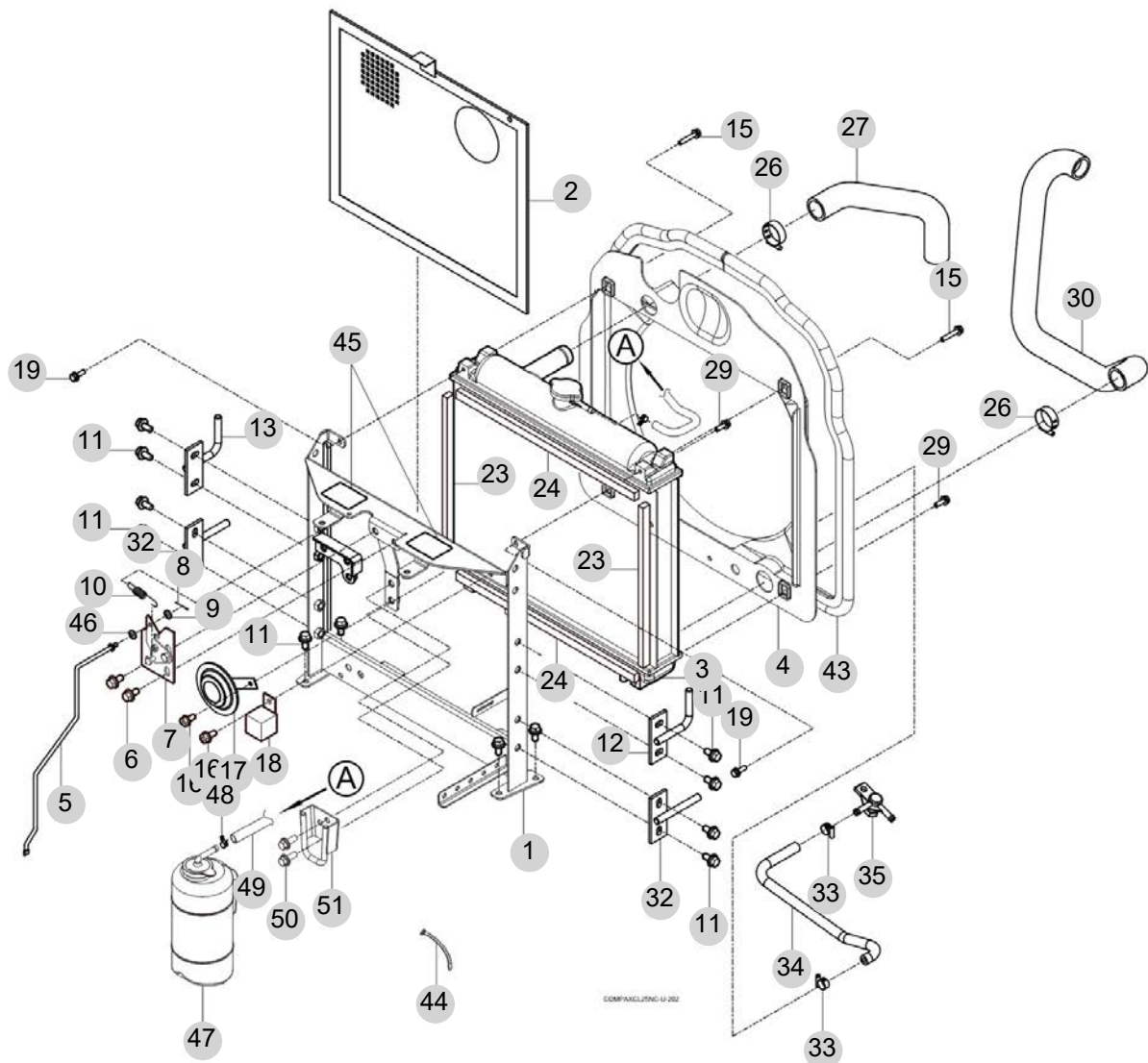
FIG 202

T255NCEU

RADIATOR

년/월
Year/Month

2022-12



NOTE

FIG 202		RADIATOR					년/월	
							Year/Month	
T255NCEU		2022-12						
KEY NO	PART NO	DESCRIPTION	SPEC	QTY	REPAIR	EFFECTIVE DATE	REMARKS	
202	1	11116081200GB	프런트 프레임 COMP		1			
202	2	11101042310GB	네트(라디에이터) COMP		1			
202	3	11111042000	라디에이터 COMP		1			
202	4	11111050050	슈라우드		1			
202	5	11126024300			1			
202	5	11126024301	로드(열림) COMP		1			
202	6	V2183608020	소형육각볼트보통(SP)	M8X20	2			
202	7	11106024501	후드 스테이 SUB		1			
202	8	V5001925020	핀		1			
202	9	V4111600060	평와서	M6	1			
202	10	11106020010	인장스프링(40)		1			
202	11	V2183608020	소형육각볼트보통(SP)	M8X20	14			
202	12	11116013501	핀(전/상/좌) COMP		1			
202	13	11116013601	핀(전/상/우) COMP		1			
202	15	V2193606020	육각볼트(SPL)	M6X20	2			
202	16	V2323606016	심자흠육각볼트(SP)	M6X16	2			
202	17	13266212003	흔		1			
202	18	17686641110	예열릴레이		1			
202	19	V2323606016	심자흠육각볼트(SP)	M6X16	2			
202	23	11101042390	스폰지(314)		2			
202	24	11101042350	스폰지(410)		2			
202	26	14445100080	밴드 클램프 40		2			
202	26	18027090400	밴드 클램프 40 흡식		2			
202	27	11111040011	라디에이터 호스(인렛)		1			
202	29	V2193606020	육각볼트(SPL)	M6X20	2			
202	30	11111040110	라디에이터 호스(아웃렛)		1			
202	32	11116013700	핀 COMP(하)		2			
202	33	14501410050	밴드 클램프 16		2			
202	34	11111040091	라디에이터 연결호스		1			
202	35	15601041000	콘넥터 ASSY		1			
202	43	11201050080	인슐레이터 , 라디에이터		1			
202	44	15606950150	케이블타이(370)		2			
202	45	13016400010	씰 , 배터리 브래킷		2			
202	46	V7231015006	O링(S)		1			
202	47	16003302101	탱크(리저브)ASSY		1			
202	48	14501410050	밴드 클램프 16		2			
202	49	17995010150	호스(500)		1			
202	50	V2183608020	소형육각볼트보통(SP)	M8X20	2			
202	51	36753302201GB	홀더(탱크/리저브)COMP		1			
NOTE								

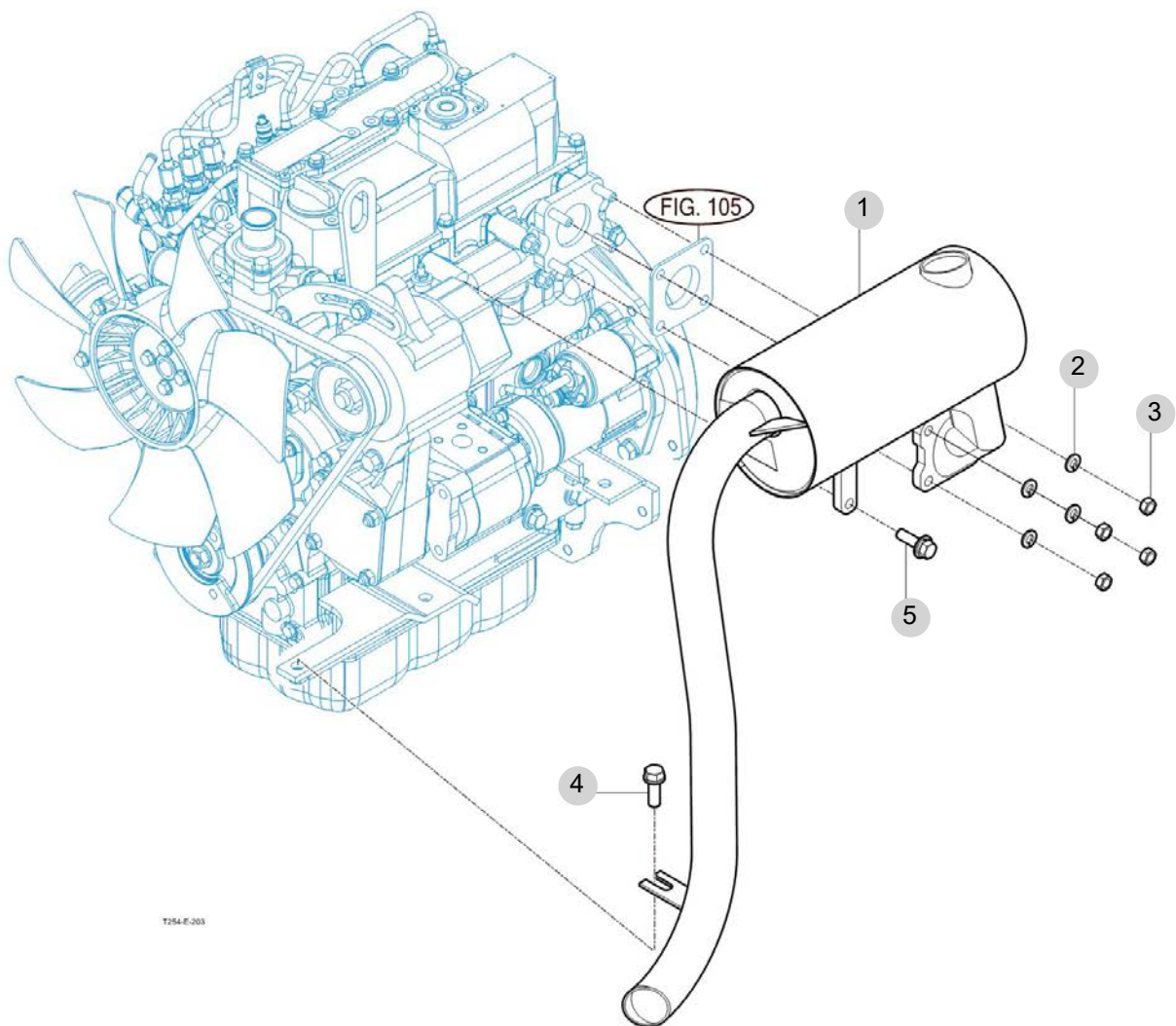
FIG 203

T255NCEU

MUFFLER

년/월
Year/Month

2022-12



NOTE

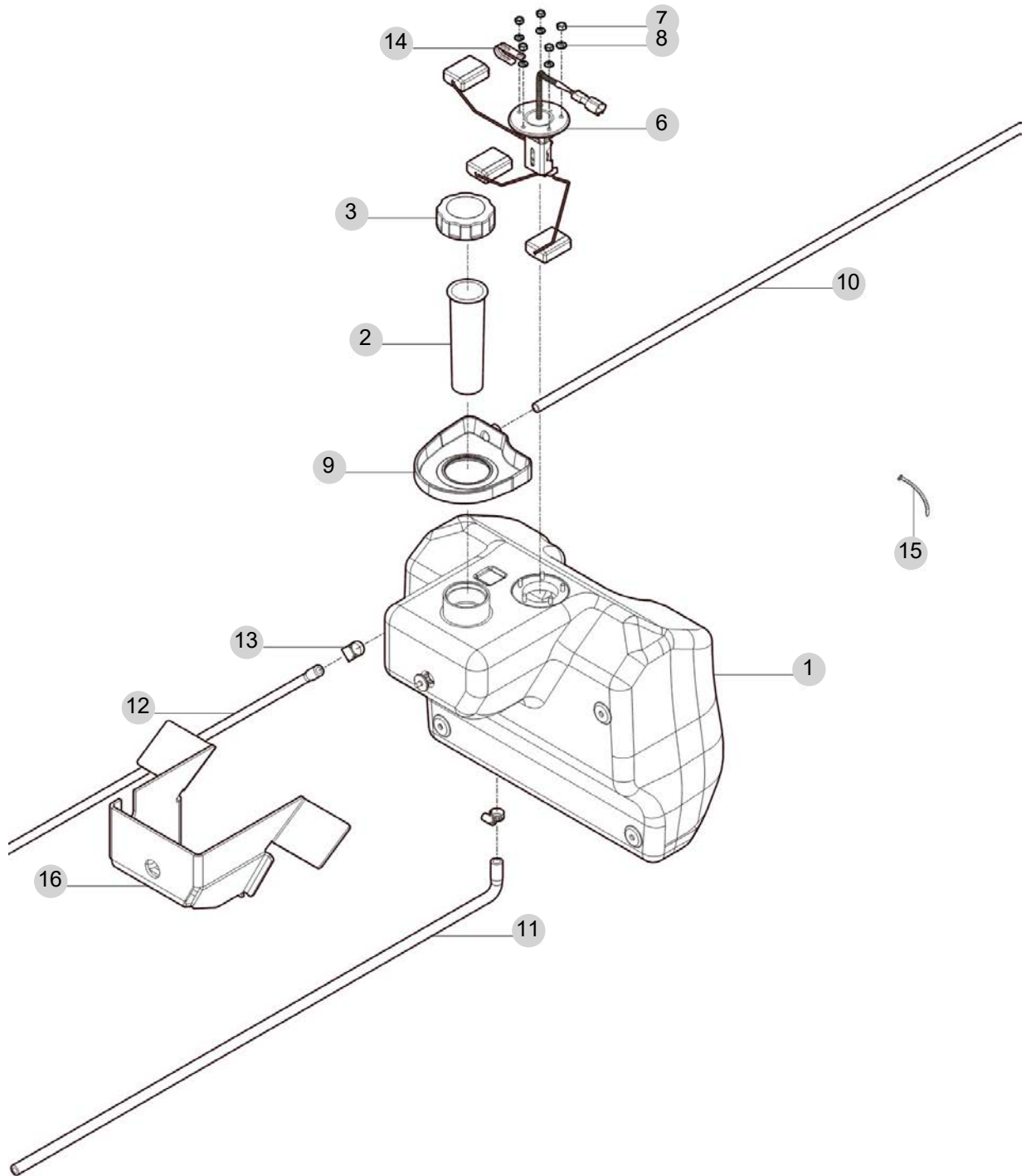
FIG 204

T255NCEU

FUEL TANK & FUEL LINE

년/월
Year/Month

2022-12



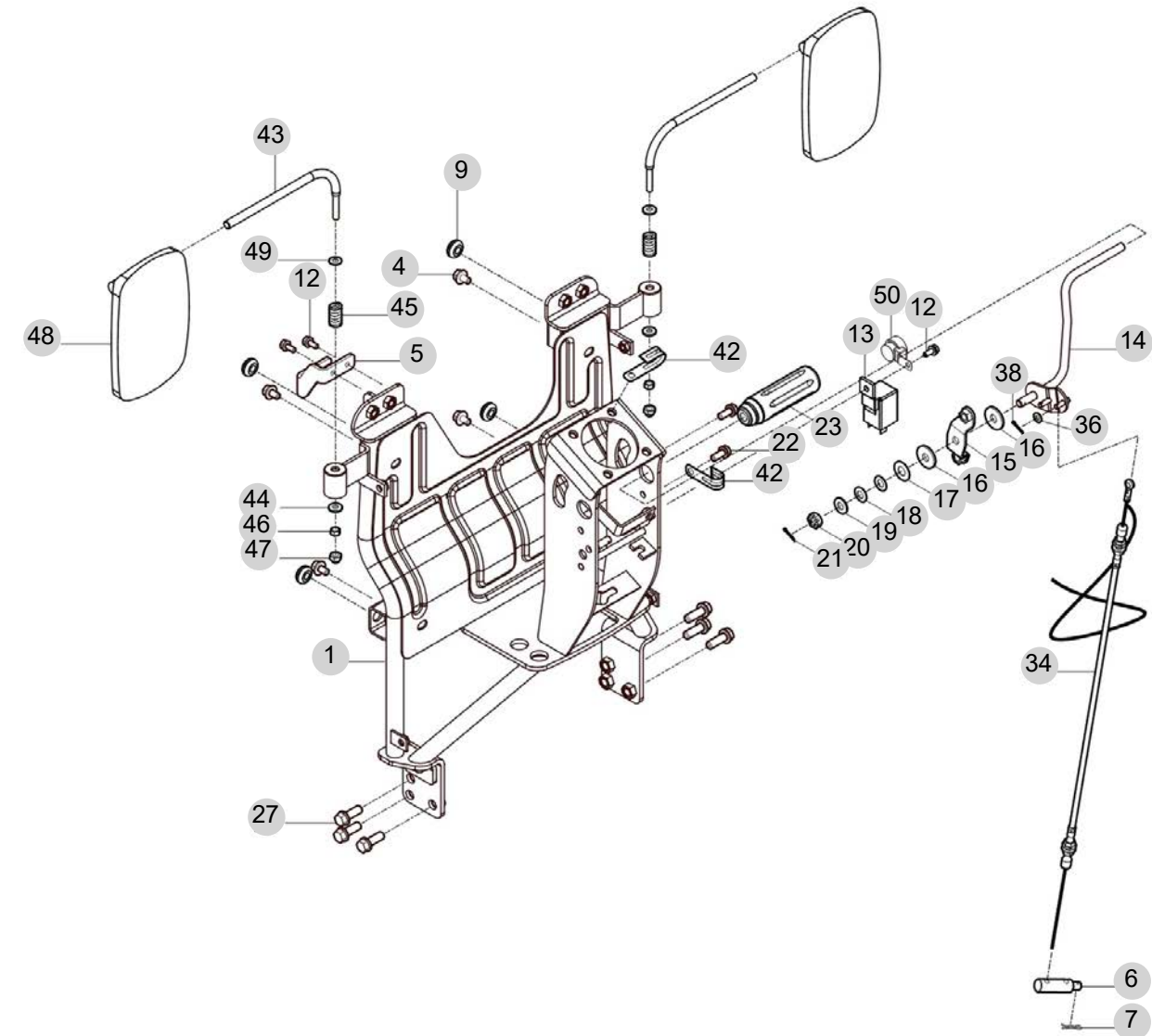
NOTE

FIG 205

ACCELERATOR

년/월
Year/Month

2022-12



TS25NCE-205

NOTE

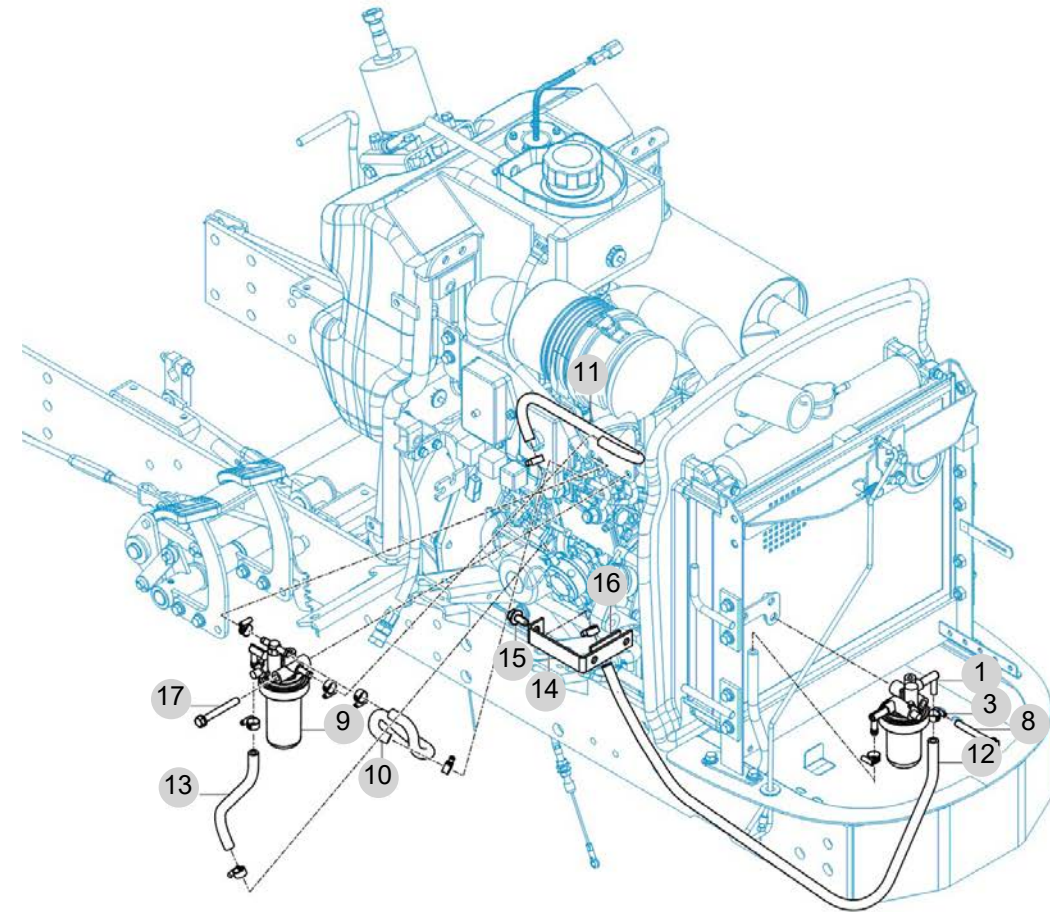
FIG 205		ACCELERATOR					년/월 Year/Month		
							2022-12		
T255NCEU		KEY NO	PART NO	DESCRIPTION	SPEC	QTY	REPAIR	EFFECTIVE DATE	REMARKS
205	1	11176302000GB	패널 COMP ,대시			1			
205	4	V2183608016	소형육각볼트보통(SP)	M8X16		4			
205	5	11116302380GB	고정 브라켓, 케이블 ASSY			1			
205	6	11111162411	핀 ,액셀레이터			1			
205	7	V5601600006	스냅핀			1			
205	7	21306010180	헤어핀(6)			1			
205	9	19026642010	그로멧(12X17X3.2)			4			
205	12	V2123606016	육각볼트(SP)	M6X16		3			
205	13	13606642401	플래셔SET 3p(은색)			1			
205	14	11171162500GB	레버 COMP ,바/10			1			
205	15	11101162600	브라켓 COMP ,액셀레이터			1			
205	16	15965120021	라이닝(11X30X03)			2			
205	17	36104400180	소입폴리핀 와셔			1			
205	18	14527060010	접시스프링와셔/M10			2			
205	19	V4111600100	평와셔	M10		1			
205	20	V3232600100	소형흡불이육각너트저형	M10		1			
205	21	V5001920015	분할핀			1			
205	22	V2173608020	소형육각볼트보통(S)	M8X20		2			
205	23	17681170050	그림(리버스)			1			
205	27	V2173610030	소형육각볼트보통(S)	M10X30		6			
205	34	11111162100	스로틀 케이블 ASSY			1			
205	36	V4111600060	평와셔	M6		1			
205	38	V5001920020	분할핀			1			
205	42	14256210040	하니스클램프(9)			2			
205	43	11126313011GB	스태이 ,사이드 미러			2			
205	44	11126313020	와셔(10X22X3)			2			
205	45	19027732040	백미러스프링			2			
205	46	V3013600100	육각너트보통2종			2			
205	47	V3402600100	육각캡너트			2			
205	48	15186313000	미러ASSY			2			
205	49	V4111600100	평와셔			2			
205	50	16586652000	부저조합			1			
NOTE									

FIG 206

FUEL FILTER

년/월
Year/Month

2022-12



NOTE

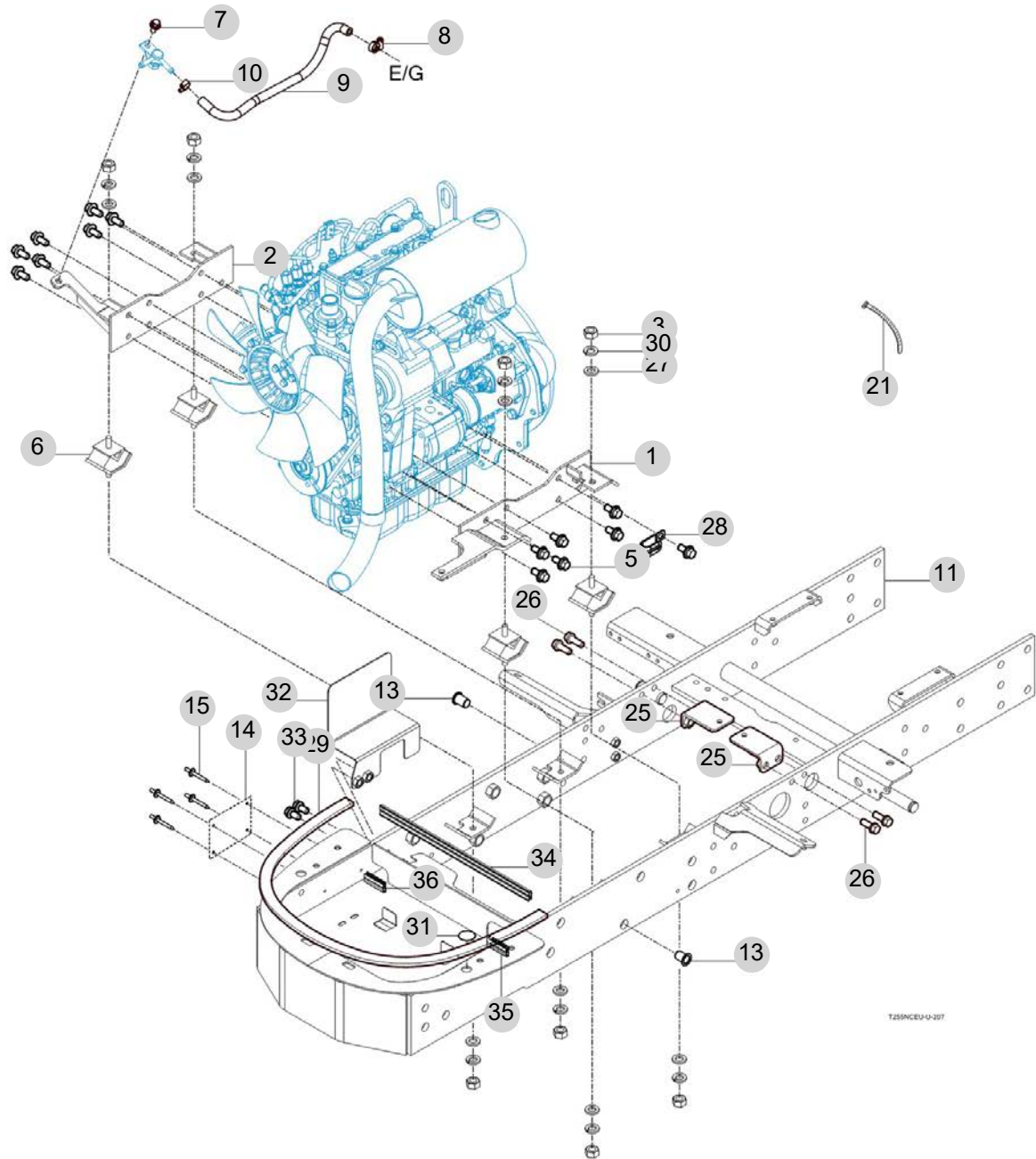
FIG 207

ENGINE MOUNTING

년/월
Year/Month

2022-12

T255NCEU



T255NCEU-U-207

NOTE

3. 클러치/브레이크/스티어링 PART NO. T3

FIG 301 FLYWHEEL COVER	63
FIG 302 BRAKE	65
FIG 303 CLUTCH , BRAKE PEDAL & LINKAGE	67
FIG 304 ACCELERATOR PEDAL & CABLE	69
FIG 305 DASH COVER	71
FIG 306 STEERING VALVE	73
FIG 307 STEERING CYLINDER	75
FIG 308 STEERING WHEEL	77
FIG 309 TIRE	79
FIG 310 HAND BRAKE	81

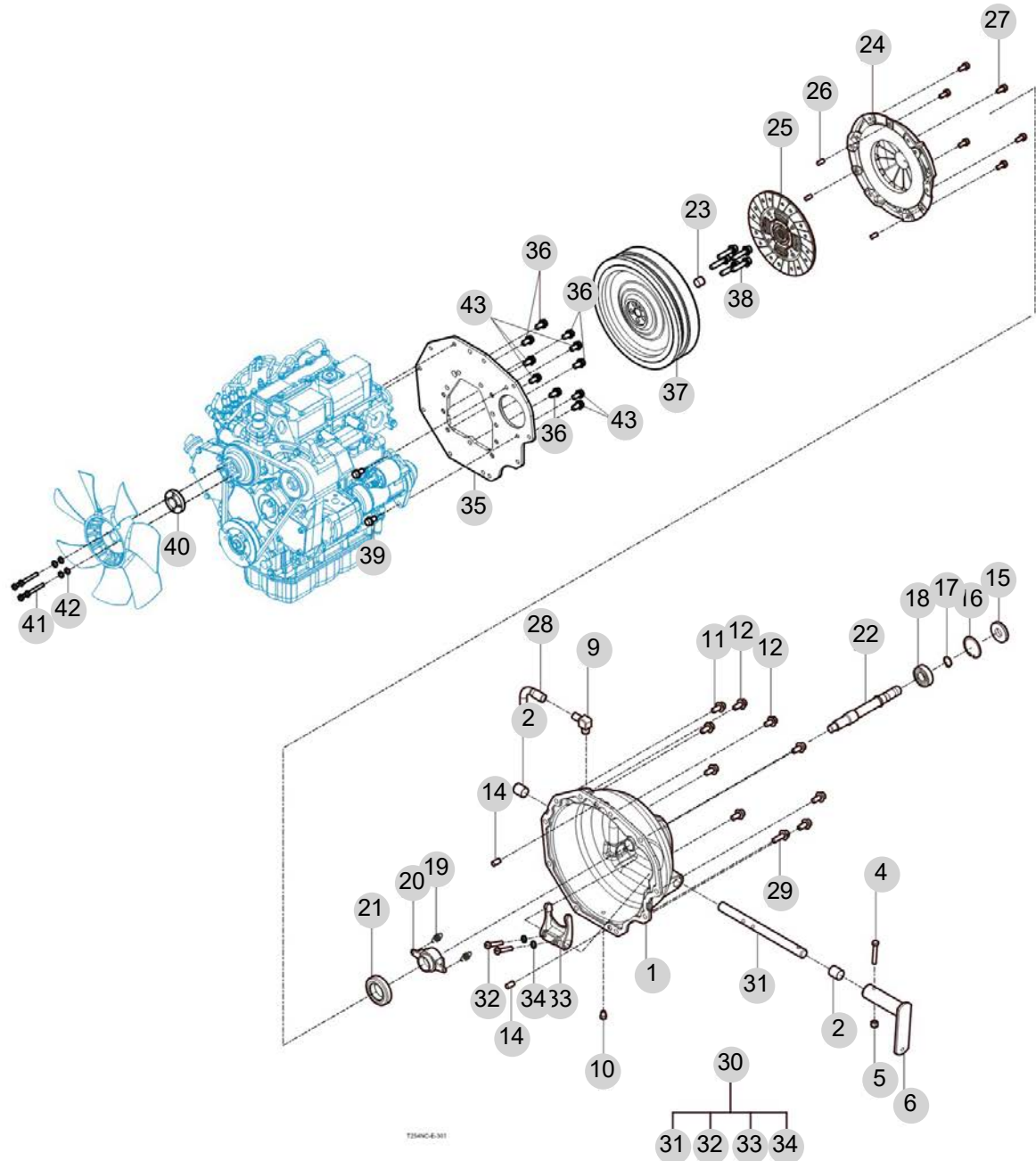
FIG 301

T255NCEU

FLYWHEEL COVER

년/월
Year/Month

2022-12



T255NCEU-311

NOTE

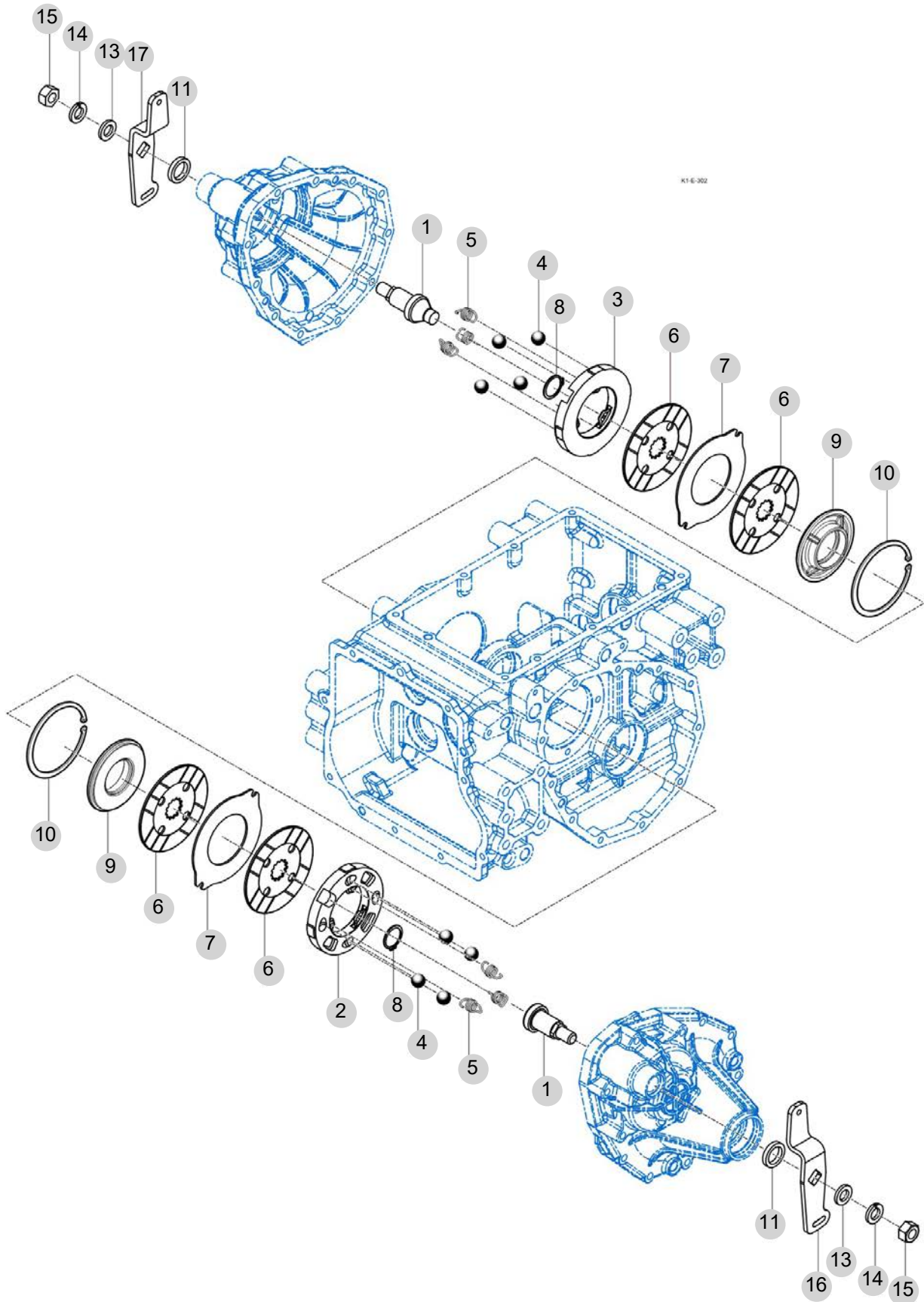
FIG 302

BRAKE

년/월
Year/Month

T255NCEU

2022-12



NOTE

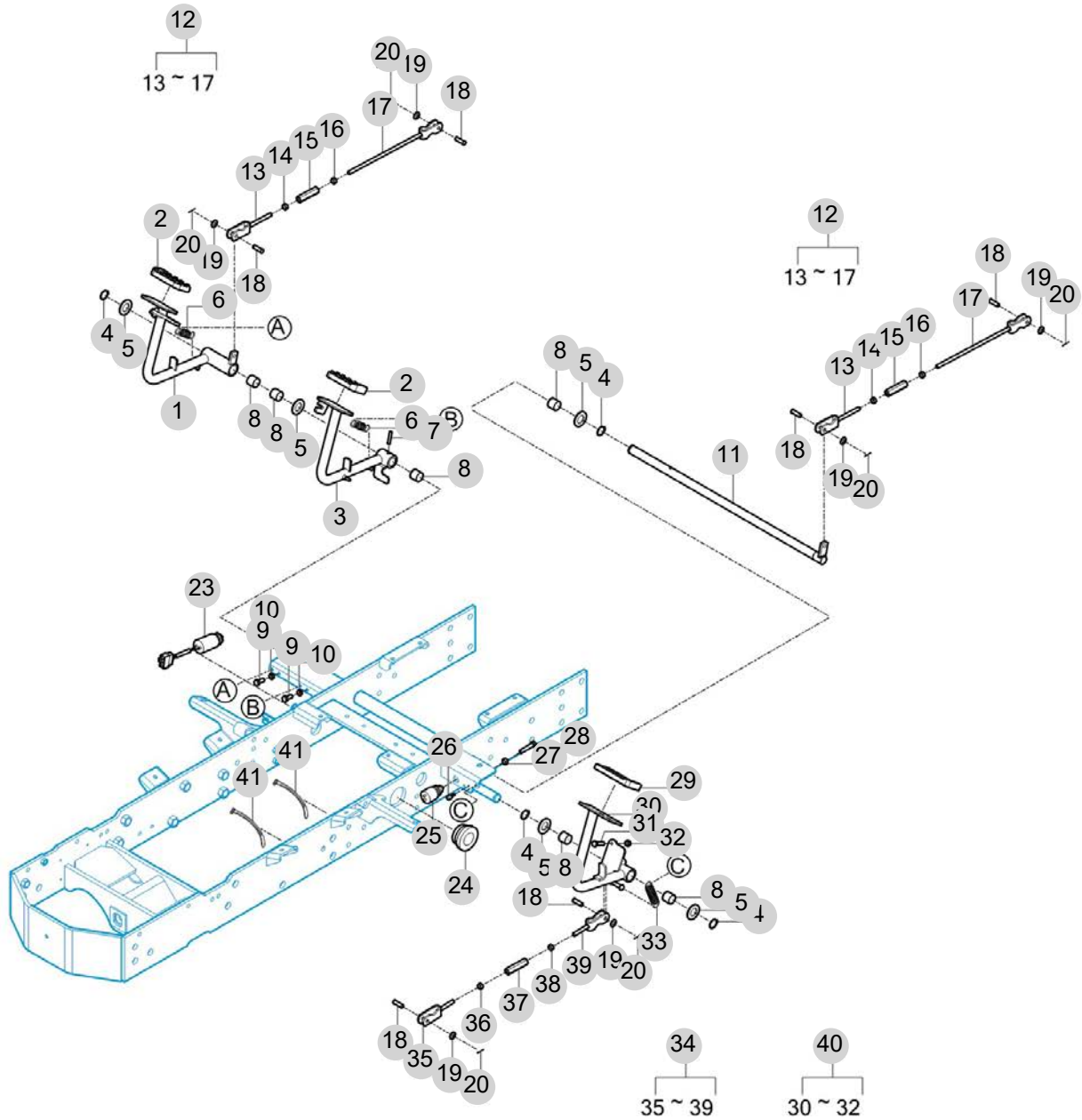
FIG 303

CLUTCH , BRAKE PEDAL & LINKAGE

년/월
Year/Month

2022-12

T255NCEU



NOTE

FIG 303 T255NCEU		CLUTCH , BRAKE PEDAL & LINKAGE						년/월 Year/Month	
								2022-12	
KEY NO	PART NO	DESCRIPTION	SPEC	QTY	REPAIR	EFFECTIVE DATE	REMARKS		
303	1	11503283200GB	브레이크 페달 COMP(RH)				1		
303	2	11503280020	브레이크패드				2		
303	3	11503283100GB	브레이크 페달 COMP(LH)				1		
303	4	V7041400200	C형 멈춤링(축용)	20			4		
303	5	V4111600200	평와셔	M20			5		
303	6	35822210090	스프링(HE070)				2		
303	7	V5801406032	스프링핀				1		
303	8	11102320030	부시(20X23X20)				6		
303	9	V2013608020	소형육각볼트(보통)	M8X20			2		
303	10	V3052600080	소형육각너트보통3종	M8			2		
303	11	11503282100	브레이크 암 COMP				1		
303	12	11103284000	브레이크 로드 ASSY				2		
303	13	11103284200	로드 후크 (RH) COMP				2		
303	14	V3043600080	소형육각너트보통2종	M8			2		
303	15	16601220020	터언버클(M8,60)				2		
303	16	15601320073	육각너트(SM,LH,M8)				2		
303	17	11103284100	후크 로드 COMP				2		
303	18	21443370020	핀 (08X25)				6		
303	19	V4111600080	평와셔	M8			6		
303	20	V5001920015	분할핀				6		
303	23	13153285001	브레이크 스위치 ASSY				1		
303	24	11501300030	마운팅고무(클러치)				1		
303	25	15606642500	스위치(푸시) SET				1		
303	25	18716642500	스위치(푸시) SET				1		
303	26	21004100070	묘이송암스톱퍼				1		
303	27	V3042600080	소형육각너트보통2종	M8			1		
303	28	V2013608040	소형육각볼트(보통)	M8X40			1		
303	29	13153280050	패드				1		
303	30	11501332100	클러치 페달 COMP				1		
303	31	V2013608030	소형육각볼트(보통)	M8X30			1		
303	32	V3042600080	소형육각너트보통2종	M8			1		
303	33	11501330010	리턴스프링				1		
303	34	11501305000	클러치 로드 ASSY				1		
303	35	11501305200	로드 COMP(우)				1		
303	36	V3043600080	소형육각너트보통2종	M8			1		
303	37	16601220020	터언버클(M8,60)				1		
303	38	15601320073	육각너트(SM,LH,M8)				1		
303	39	11501305100	로드 COMP(좌)				1		
303	40	11501332000	클러치 페달 SUB				1		
303	40	11501332000GB	클러치 페달 SUB				1		
303	41	14216210380	케이블타이(200)				1		
NOTE									

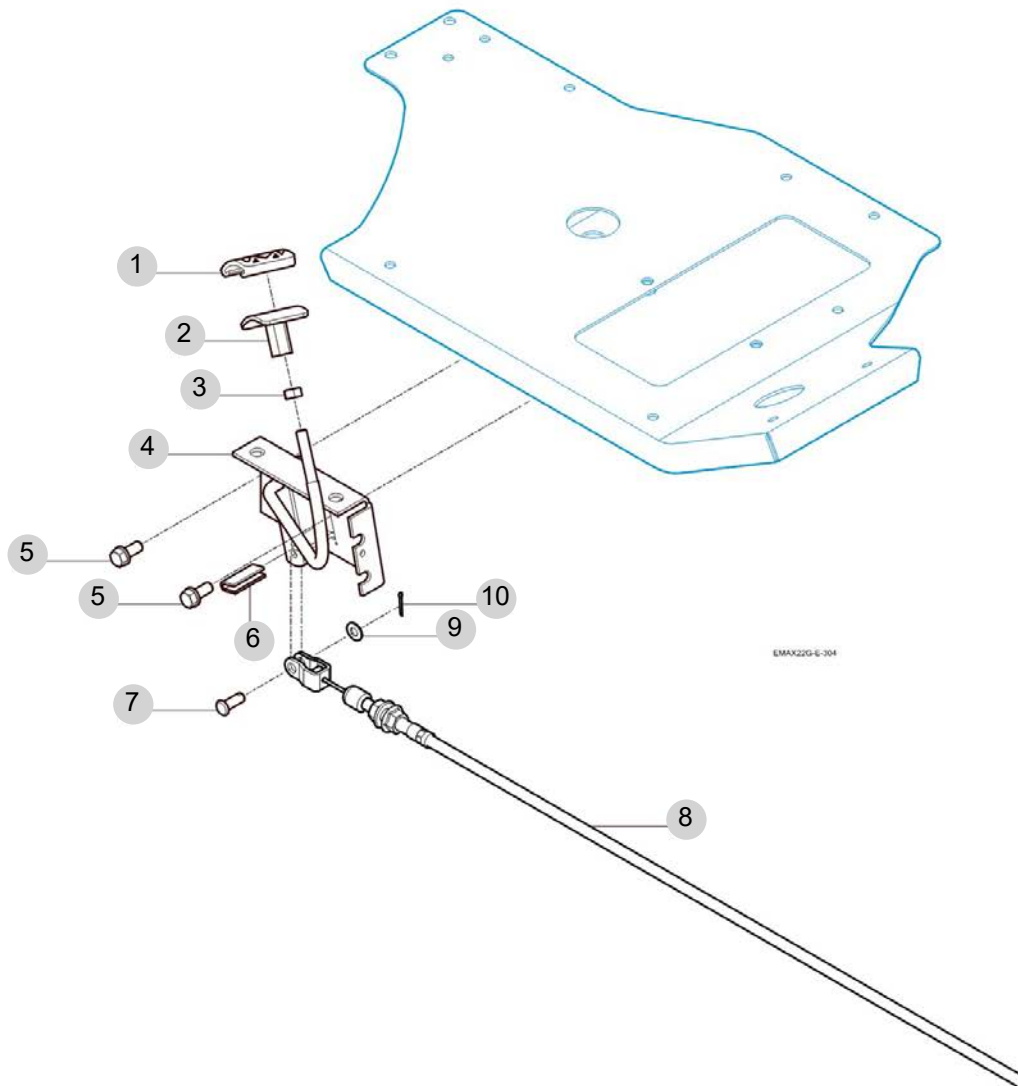
FIG 304

ACCELERATOR PEDAL & CABLE

년/월
Year/Month

2022-12

T255NCEU



NOTE

FIG 304	ACCELERATOR PEDAL & CABLE	년/월
		Year/Month
T255NCEU		2022-12

KEY NO	PART NO	DESCRIPTION	SPEC	QTY	REPAIR	EFFECTIVE DATE	REMARKS
304	1	16791220010	패드(엑셀)	1			
304	2	16001220000GB	플레이트(엑셀)COMP	1			
304	3	V3042600080	소형육각너트보통2종	1	M8		
304	4	11501162001GB	브래킷 COMP, 악셀	1			
304	5	V2173608020	소형육각볼트보통(S)	2	M8X20		
304	6	16997021960	인슬레이터(32)	1			
304	7	15601160083	핀 (06X16)	1			
304	8	11131162300	케이블(엑셀/F) ASSY	1			
304	9	V4111600060	평와서	1	M6		
304	10	V5001920020	분할핀	1			

NOTE

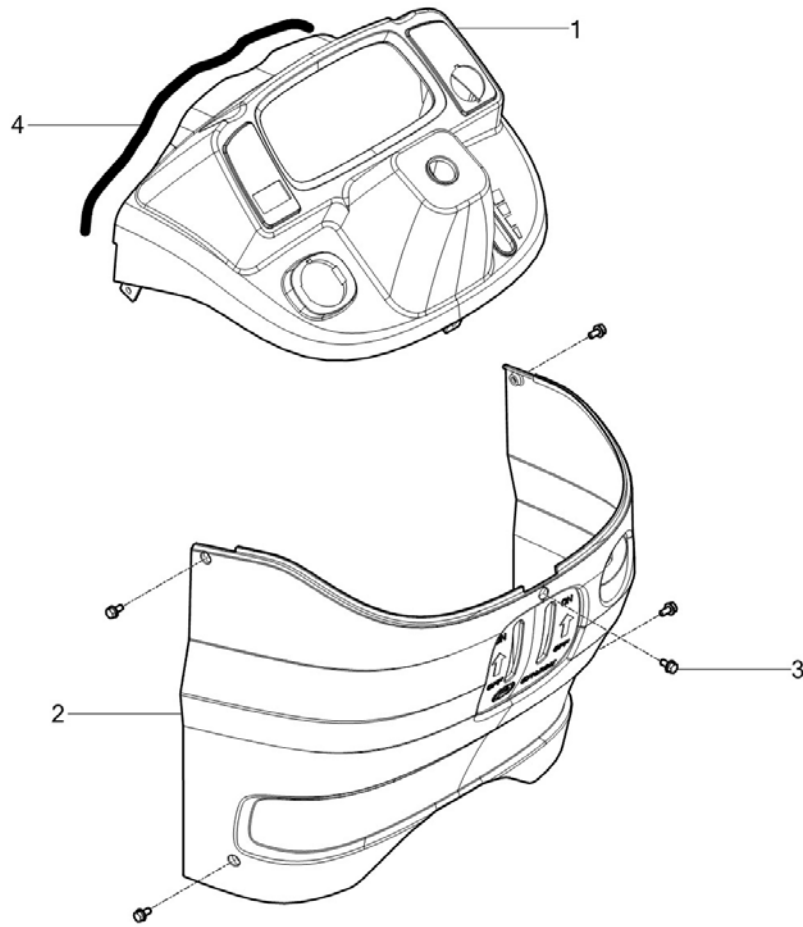
FIG 305

T255NCEU

DASH COVER

년/월
Year/Month

2022-12



NOTE

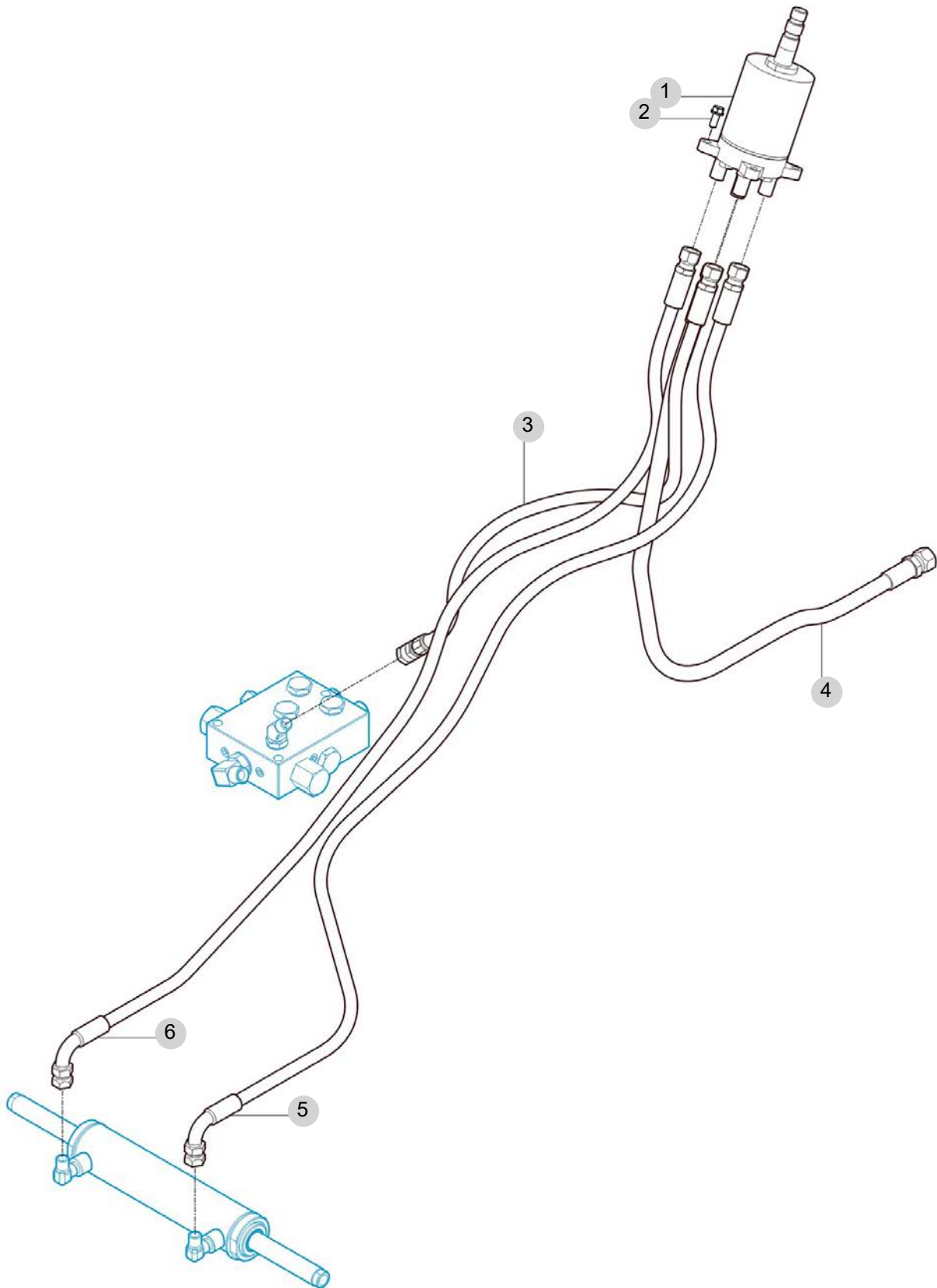
FIG 306

STEERING VALVE

년/월
Year/Month

T255NCEU

2022-12



NOTE

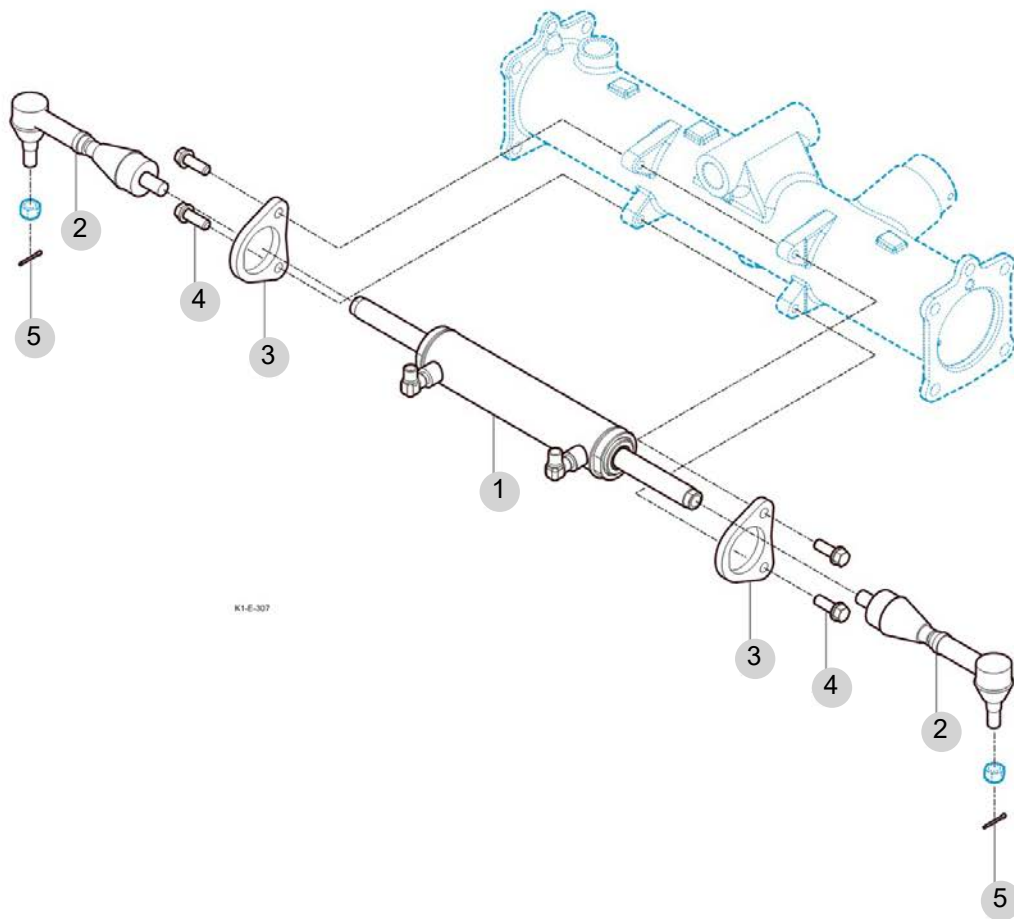
FIG 307

T255NCEU

STEERING CYLINDER

년/월
Year/Month

2022-12



NOTE

FIG 307 T255NCEU		STEERING CYLINDER						년/월 Year/Month 2022-12
KEY NO	PART NO	DESCRIPTION	SPEC	QTY	REPAIR	EFFECTIVE DATE	REMARKS	
307	1	11104055100	실린더 ASSY		1			
307	2	11104055000	볼조인트 ASSY		2			
307	3	11104120020	실린더 스테이		2			
307	4	V2173610030	소형 육각볼트보통(S)	M10X30	4			
NOTE								

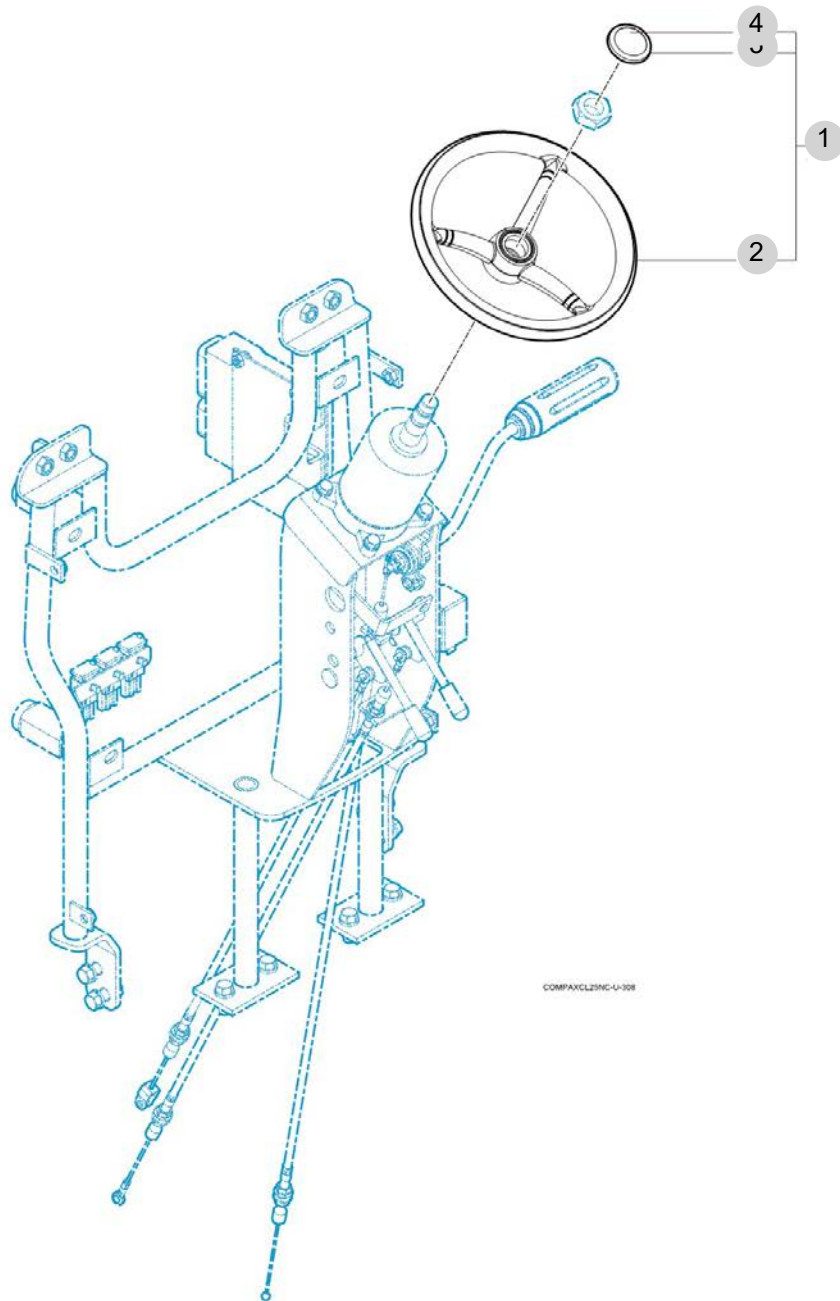
FIG 308

T255NCEU

STEERING WHEEL

년/월
Year/Month

2022-12



COMPAXCL29NC-U-308

NOTE

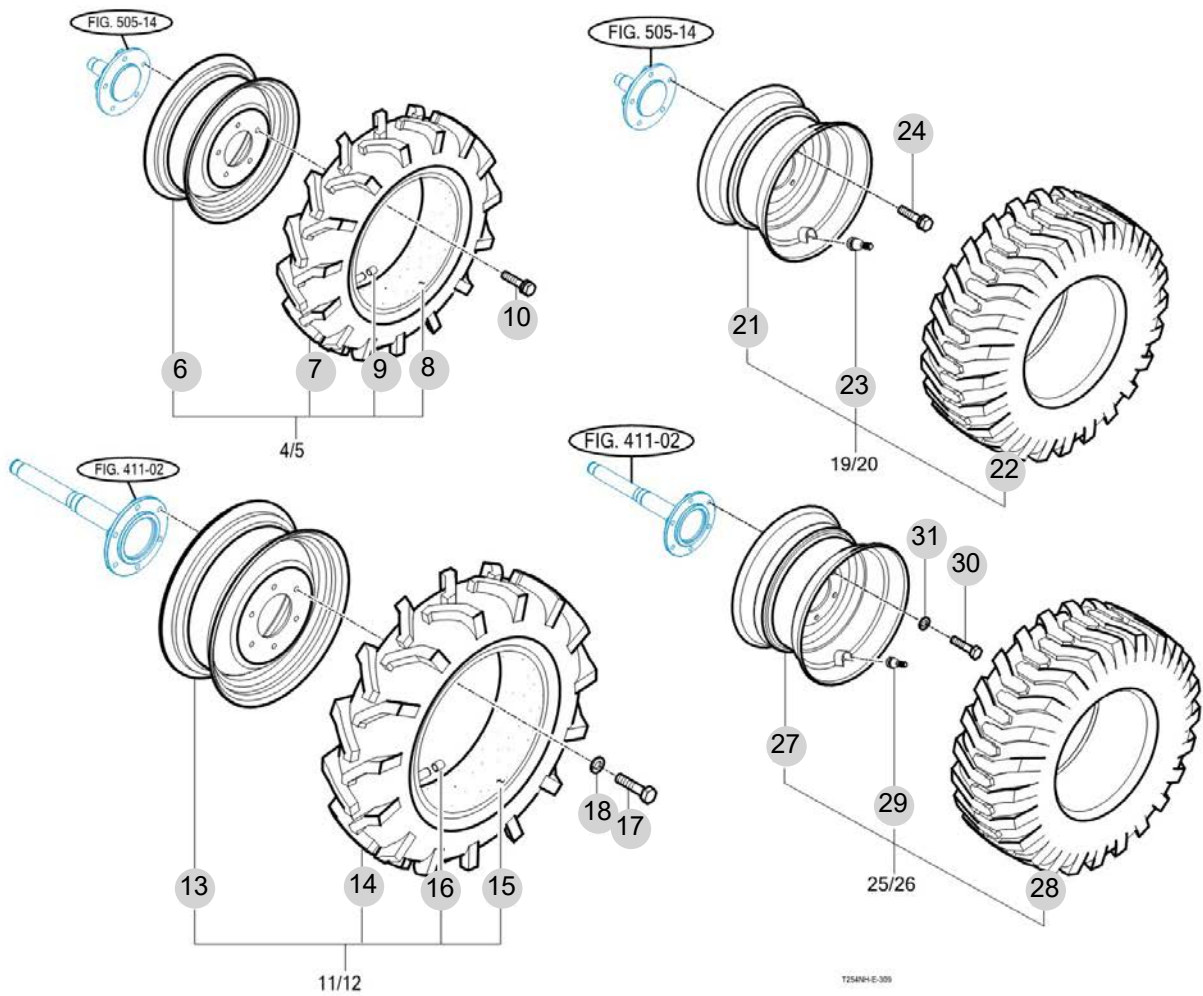
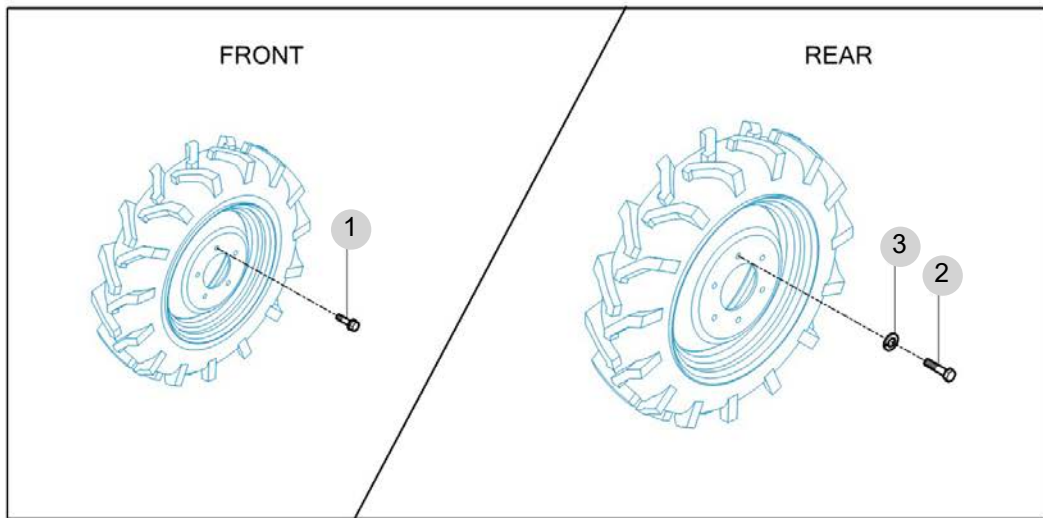
FIG 309

T255NCEU

TIRE

년/월
Year/Month

2022-12



NOTE

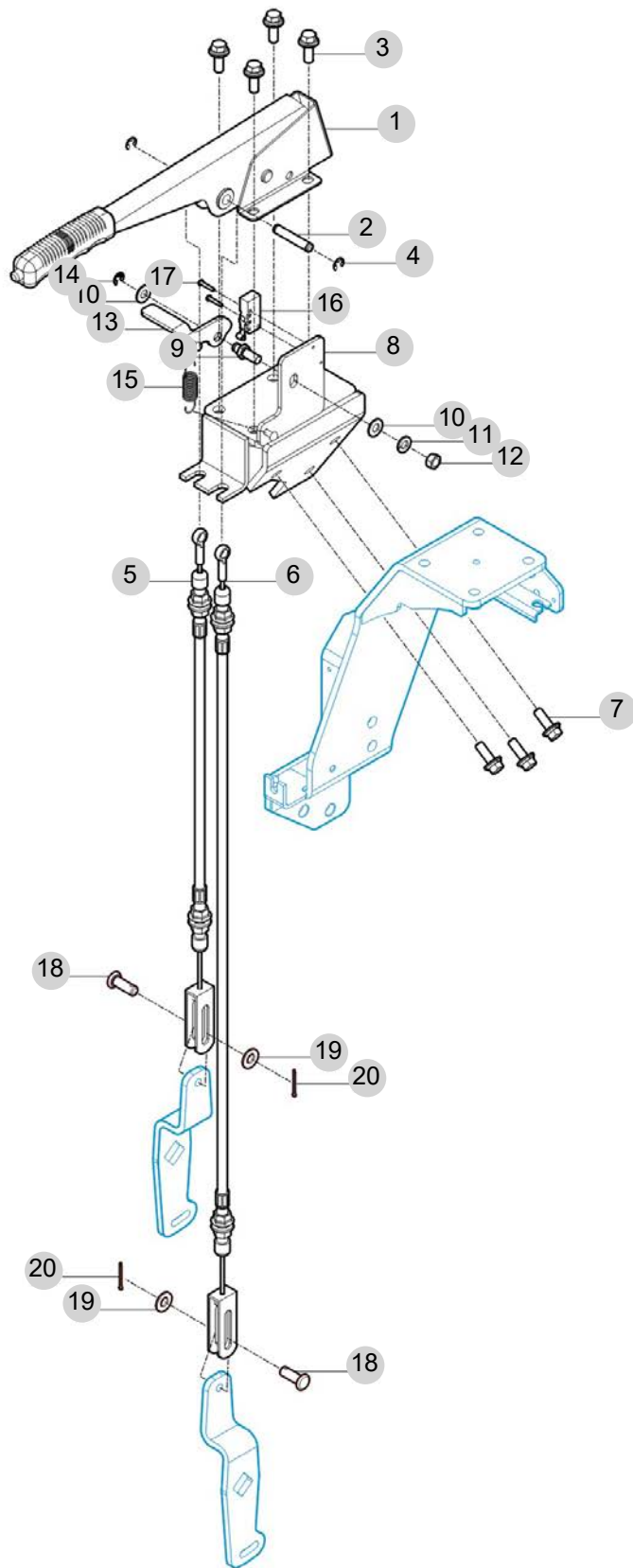
FIG 310

T255NCEU

HAND BRAKE

년/월
Year/Month

2022-12



NOTE

4. 트랜스미션 PART NO. T4

FIG 401 INPUT SHAFT	84
FIG 402 INPUT GEAR	86
FIG 403 MAIN SHIFT GEAR	88
FIG 404 RANGE GEAR	90
FIG 405 4WD DRIVE GEAR	92
FIG 406 P.T.O DRIVE SHAFT	94
FIG 407 P.T.O SHAFT	96
FIG 408 MID P.T.O GEAR	98
FIG 409 DIFF LOCK	100
FIG 410 MID TRANSMISSION CASE	102
FIG 411 REAR TRANSMISSION CASE	104
FIG 412 REAR AXLE HOUSINGS	106
FIG 413 MAIN SHIFT LEVER	108
FIG 414 RANGE SHIFT LEVER	110
FIG 415 P.T.O CHANGE LEVER	112
FIG 416 4WD CHANGE LEVER	114
FIG 417 TRANSMISSION MOUNTING	116

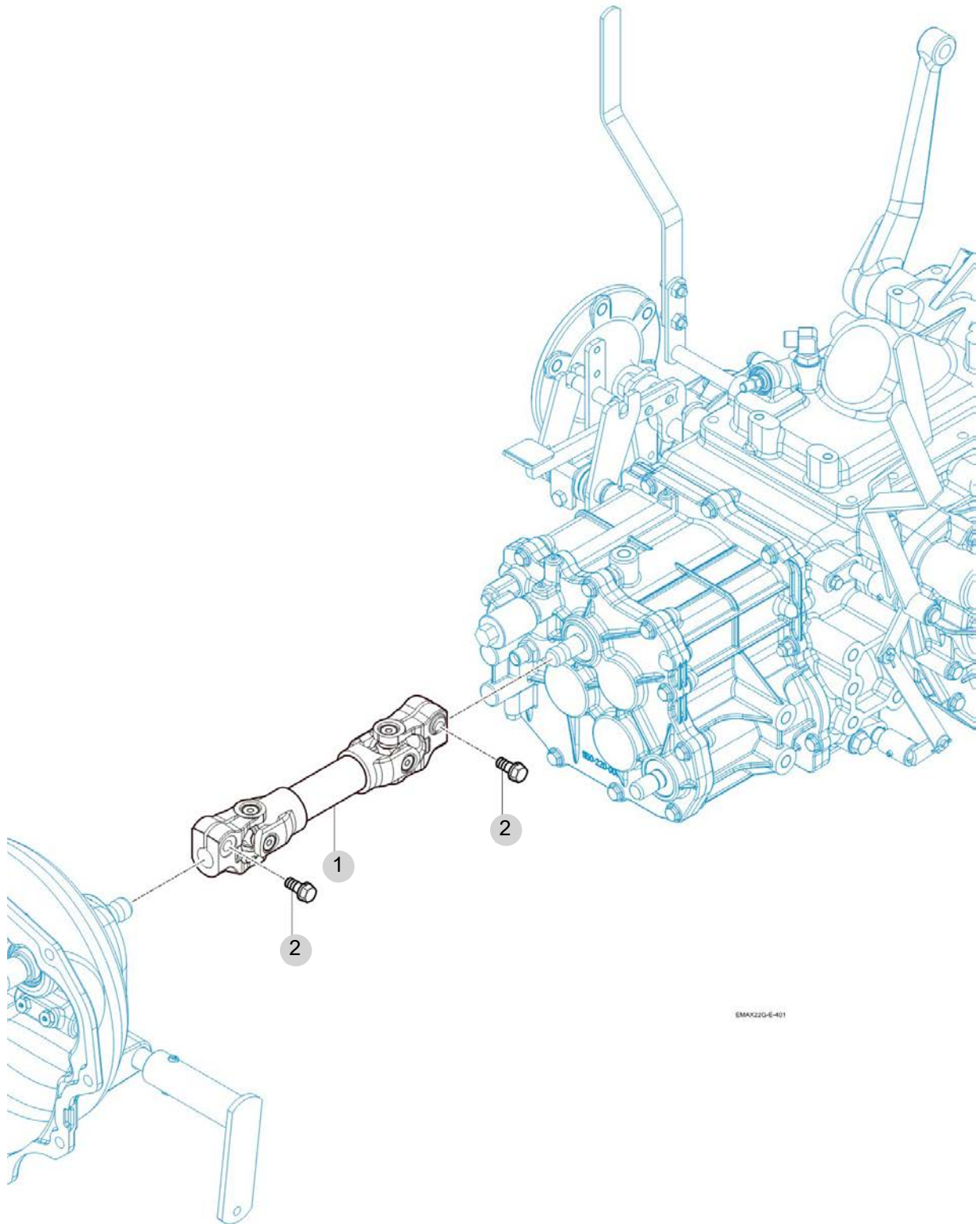
FIG 401

T255NCEU

INPUT SHAFT

년/월
Year/Month

2022-12



EMAX220-E-401

NOTE

FIG 401 T255NCEU		INPUT SHAFT					년/월 Year/Month	
							2022-12	
KEY NO	PART NO	DESCRIPTION	SPEC	QTY	REPAIR	EFFECTIVE DATE	REMARKS	
401	1	11502012001GB	인풋샤프트 ASSY		1			
401	2	V2173608035	소형육각볼트보통(S)	M8X35	2			
NOTE								

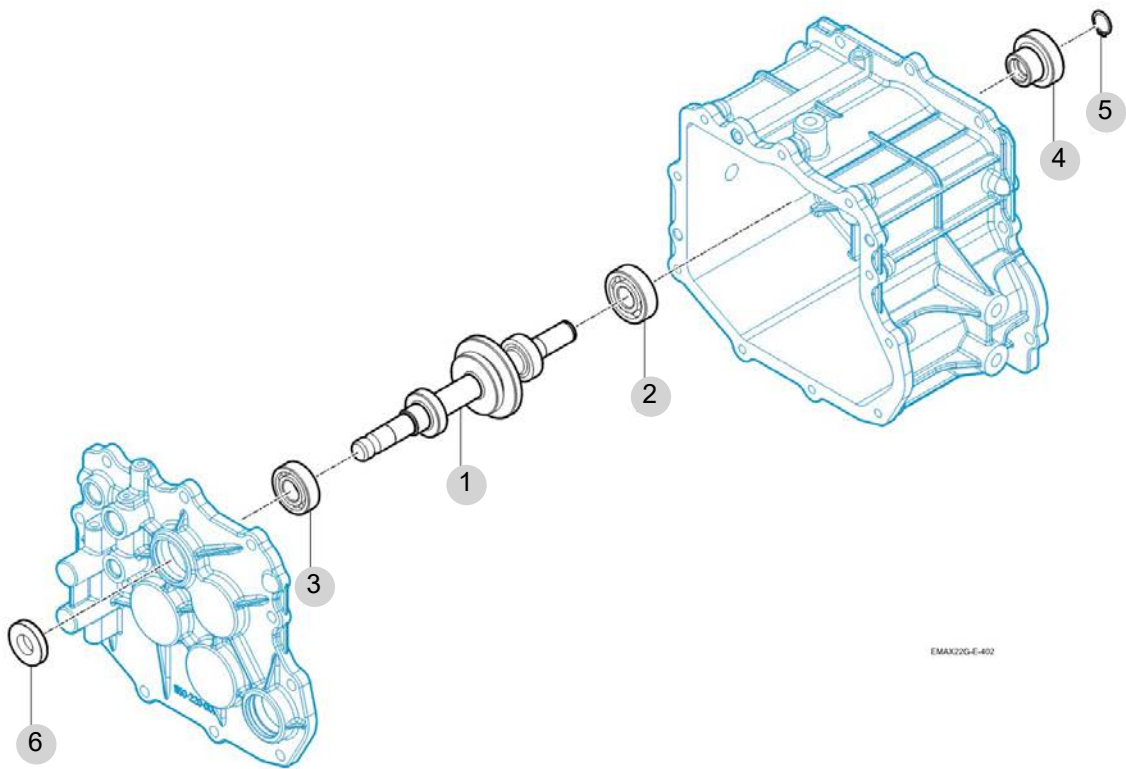
FIG 402

INPUT GEAR

년/월
Year/Month

T255NCEU

2022-12



EMAX02G-E-402

NOTE

FIG 402		INPUT GEAR						년/월	REMARKS
								Year/Month	
T255NCEU								2022-12	
KEY NO		PART NO	DESCRIPTION	SPEC	QTY	REPAIR	EFFECTIVE DATE		
402	1	11502310010	인풋 기어		1				
402	2	V6001106304	볼베어링	6304	1				
402	3	V6001106204	볼베어링	6204	1				
402	4	11502510010	PTO 입력 기어(18)		1				
402	5	V7041400200	C형 멍총링(축용)	20	1				
402	6	V7441204208	오일살(D)	D20428	1	C			
NOTE									

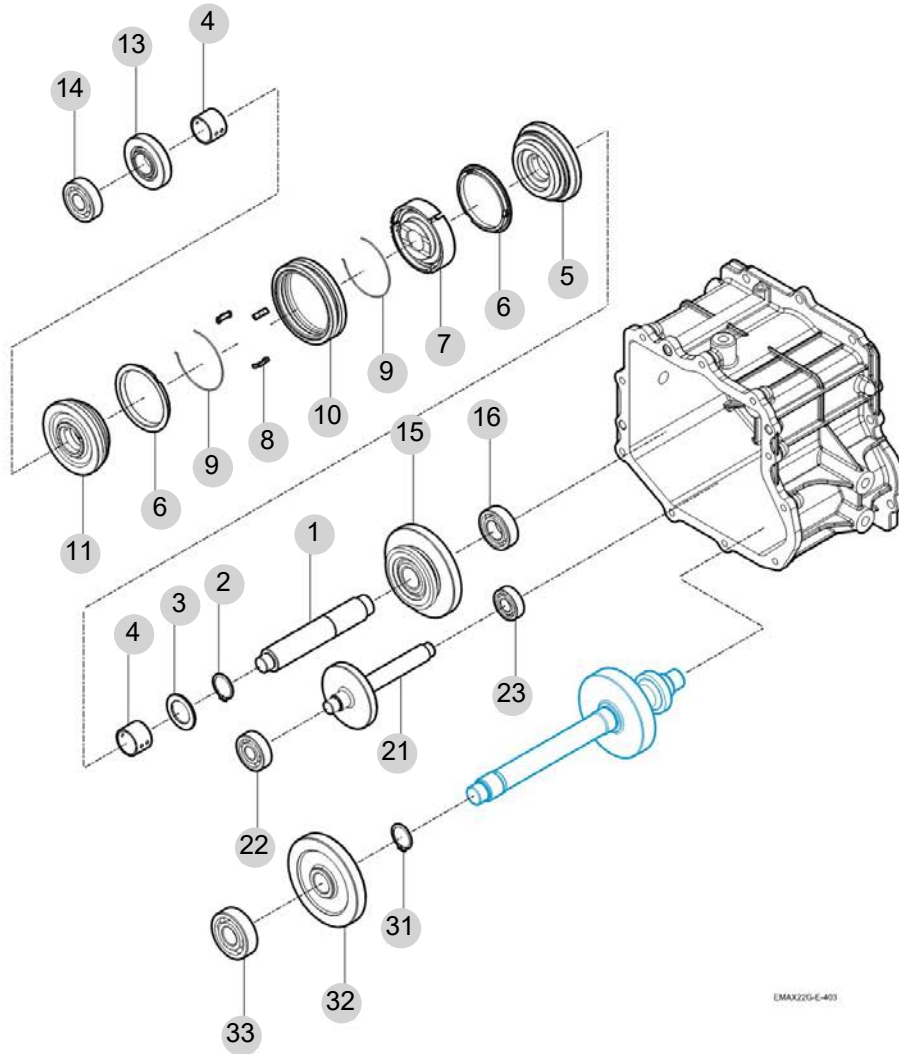
FIG 403

MAIN SHIFT GEAR

년/월
Year/Month

T255NCEU

2022-12



EMAX220-E-403

NOTE

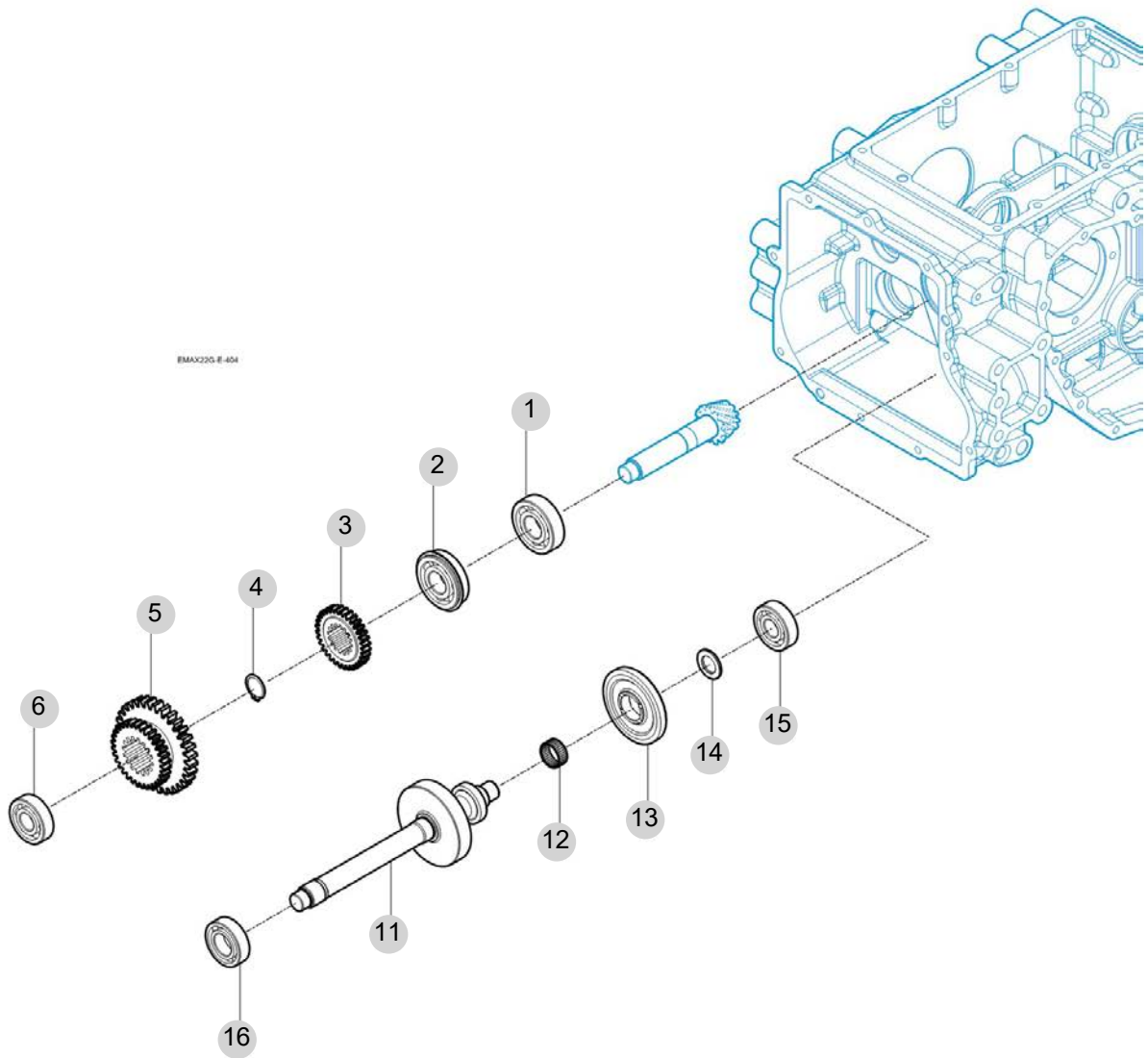
FIG 404

RANGE GEAR

년/월
Year/Month

2022-12

T255NCEU



NOTE

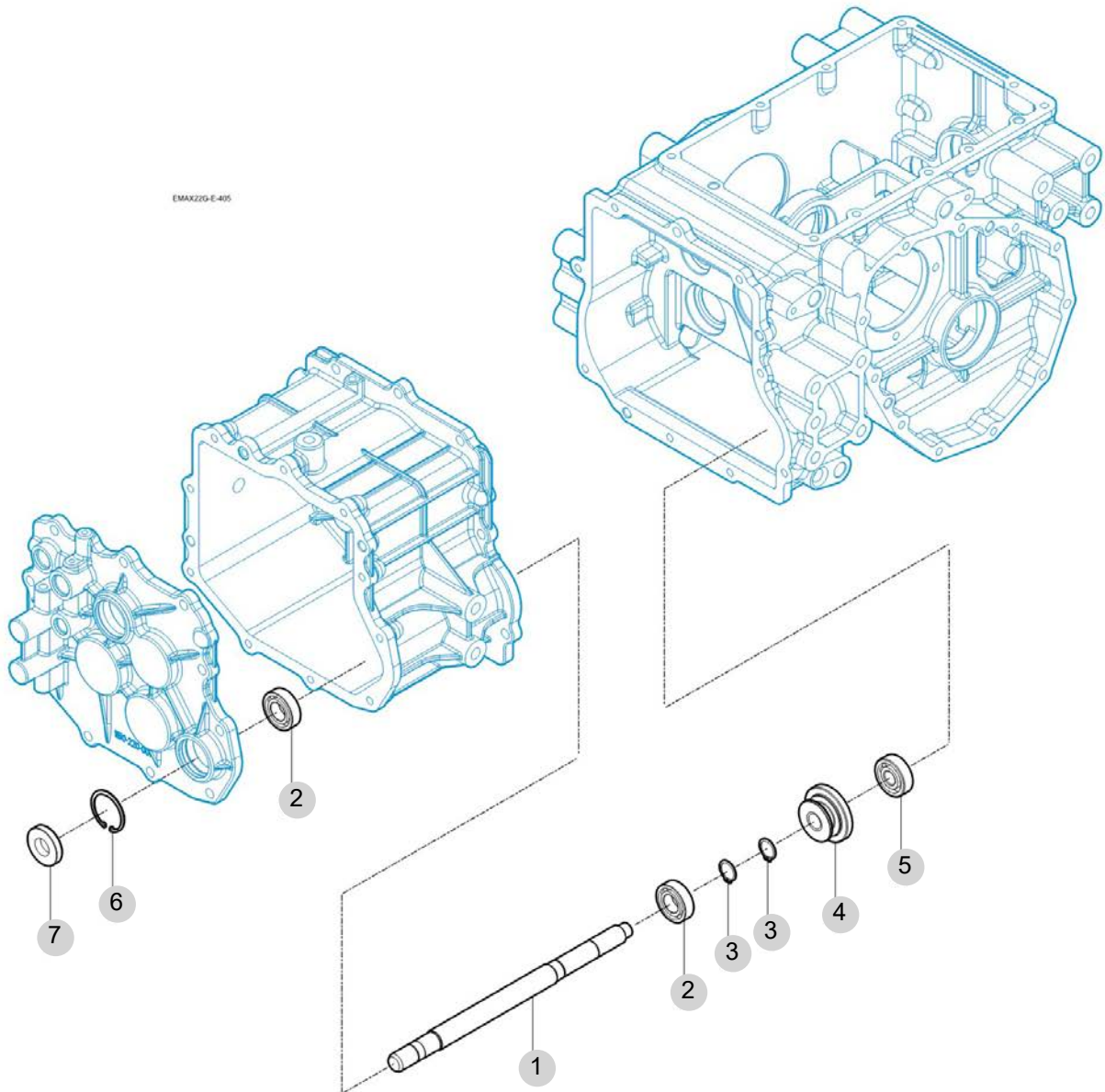
FIG 405

4WD DRIVE GEAR

년/월
Year/Month

T255NCEU

2022-12



NOTE

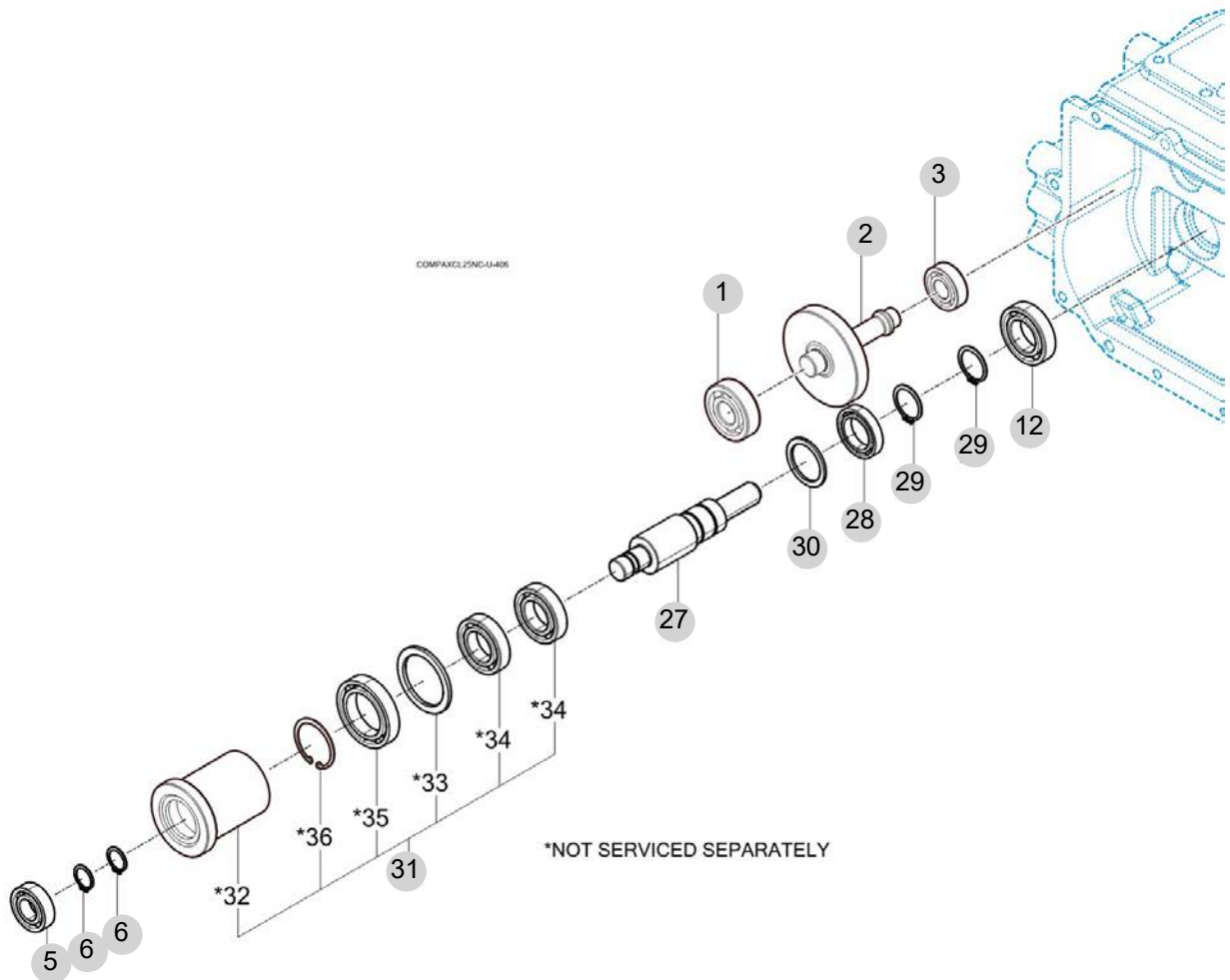
FIG 406

T255NCEU

P.T.O DRIVE SHAFT

년/월
Year/Month

2022-12



NOTE

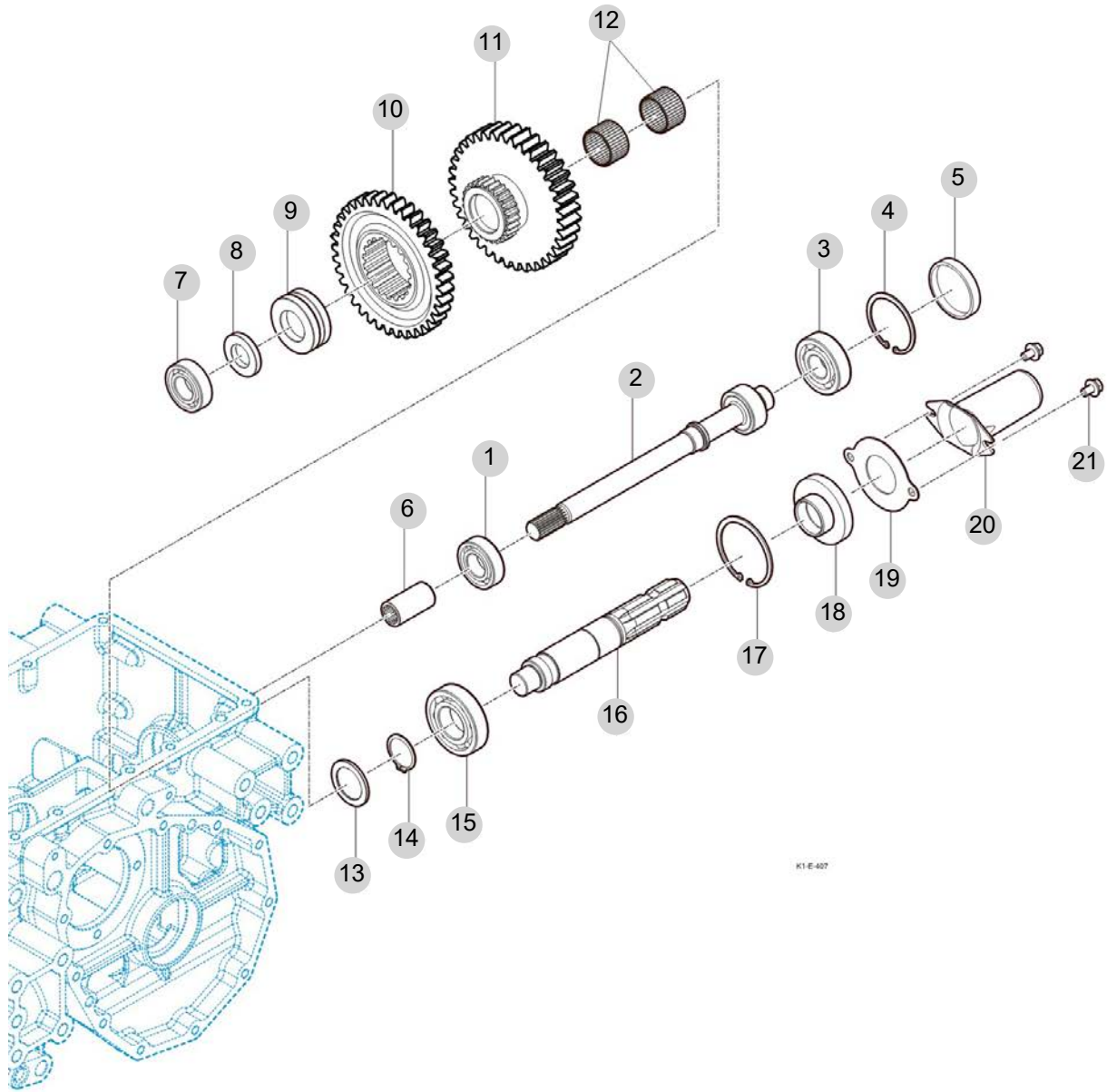
FIG 407

T255NCEU

P.T.O SHAFT

년/월
Year/Month

2022-12



K1-E-407

NOTE

FIG 407		P.T.O SHAFT						년/월 Year/Month 2022-12
T255NCEU								
KEY NO	PART NO	DESCRIPTION	SPEC	QTY	REPAIR	EFFECTIVE DATE	REMARKS	
407	1	V6001106205	볼베어링	6205	1			
407	2	11202520011	PTO 카운트 샤프트		1			
407	3	V6001106305	볼베어링	6305	1			
407	4	V7051400620	C형멈춤링(구멍용)	62	1			
407	5	14443140080	씨(62)		1			
407	6	14211340190	커플링		1			
407	7	V6001106205	볼베어링	6205	1			
407	9	11202530050	허브(35X62X27)		1			
407	10	11202530030	기어(스퍼/41)		1			
407	11	11202530022	PTO 기어(50)		1			
407	12	V6544354026	니들베어링(케이지)	KT354026	2			
407	13	19022160031	칼라(35X50X4)		1			
407	14	V7041400350	C형멈춤링(축용)	35	1			
407	15	V6001106207	볼베어링	6207	1			
407	16	11102530011	PTO 샤프트		1			
407	17	V7051400720	C형멈춤링(구멍용)	72	1			
407	18	16322732000	씨(오일) ASSY		1			
407	19	16322730040	커버(플레이트)		1			
407	20	14443140091	PTO축 캡		1			
407	21	V2183608016	소형육각볼트보통(SP)	M8X16	2			
NOTE								

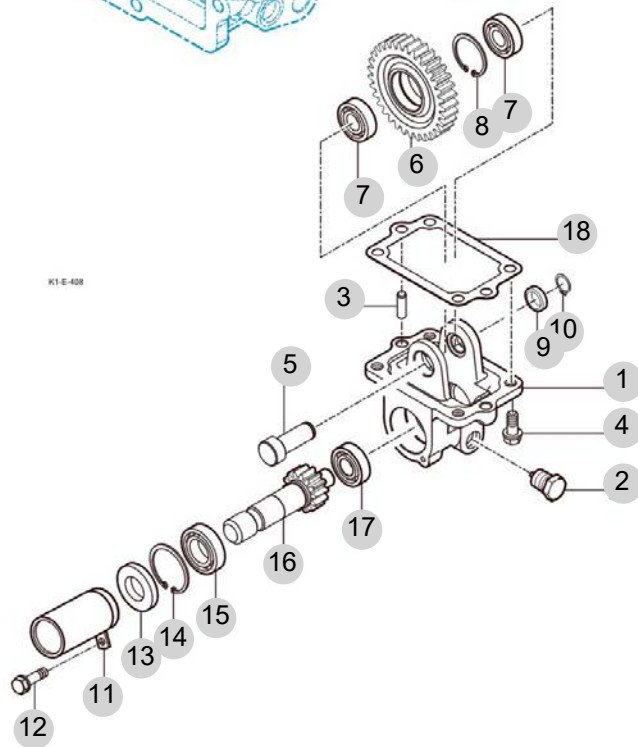
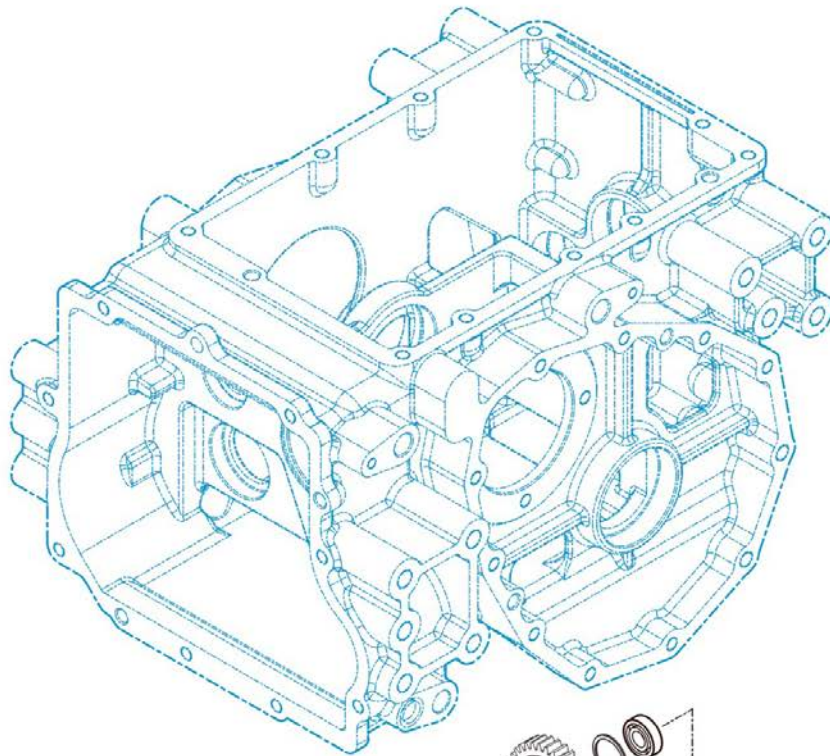
FIG 408

MID P.T.O GEAR

년/월
Year/Month

T255NCEU

2022-12



K1-E-408

NOTE

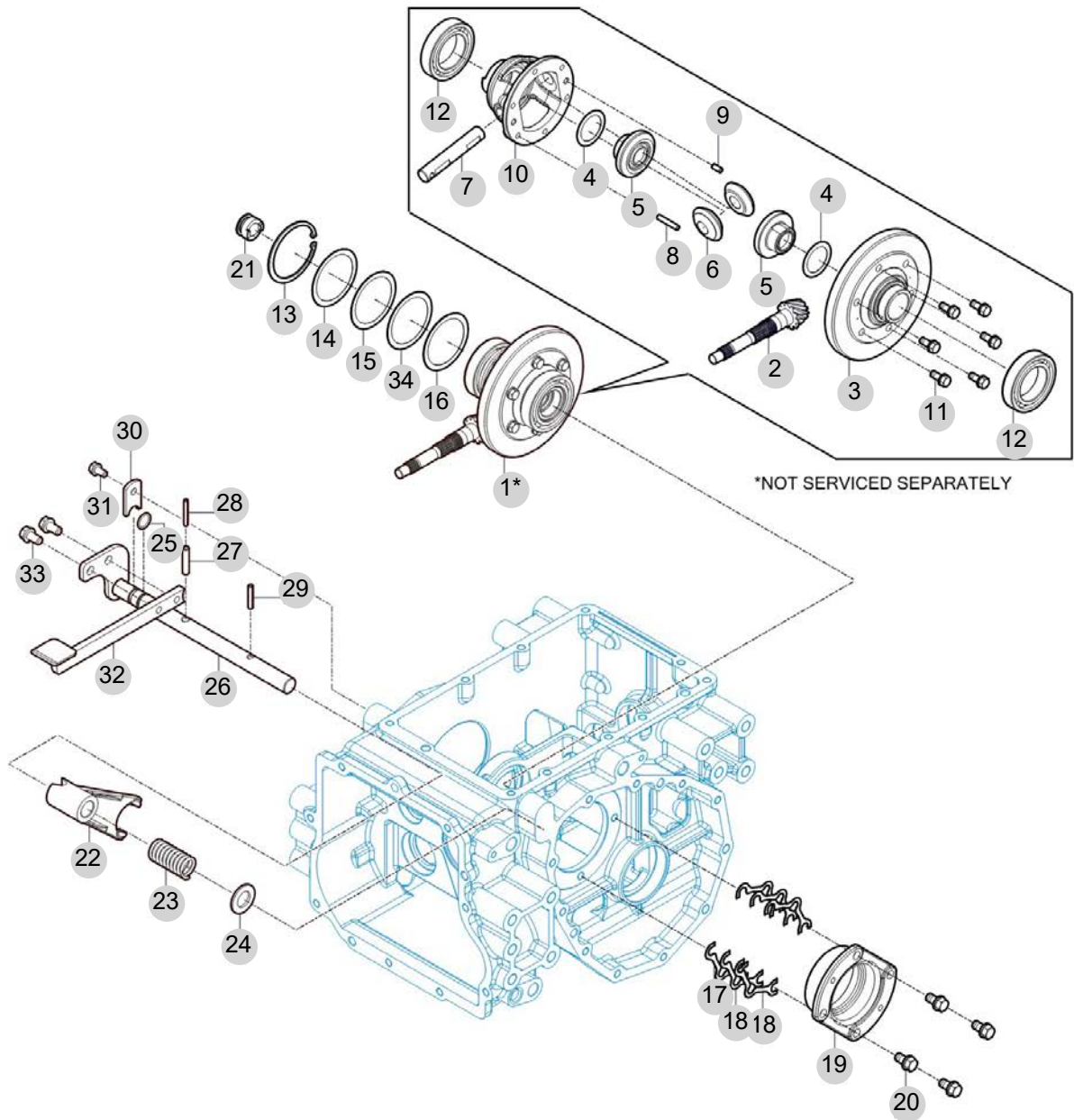
FIG 409

DIFF LOCK

년/월
Year/Month

T255NCEU

2022-12



NOTE

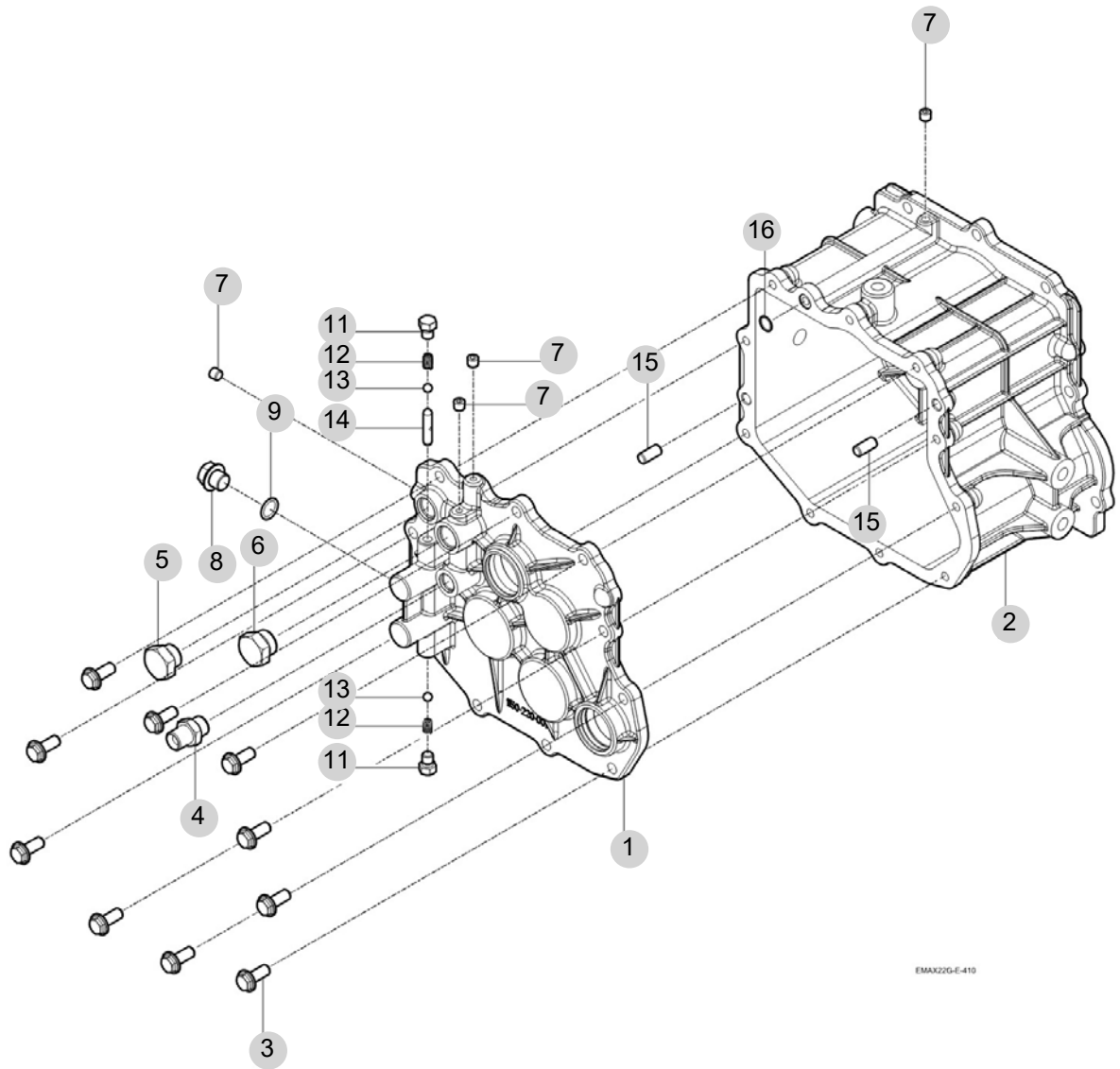
FIG 410

T255NCEU

MID TRANSMISSION CASE

년/월
Year/Month

2022-12



EMAX220-E-410

NOTE

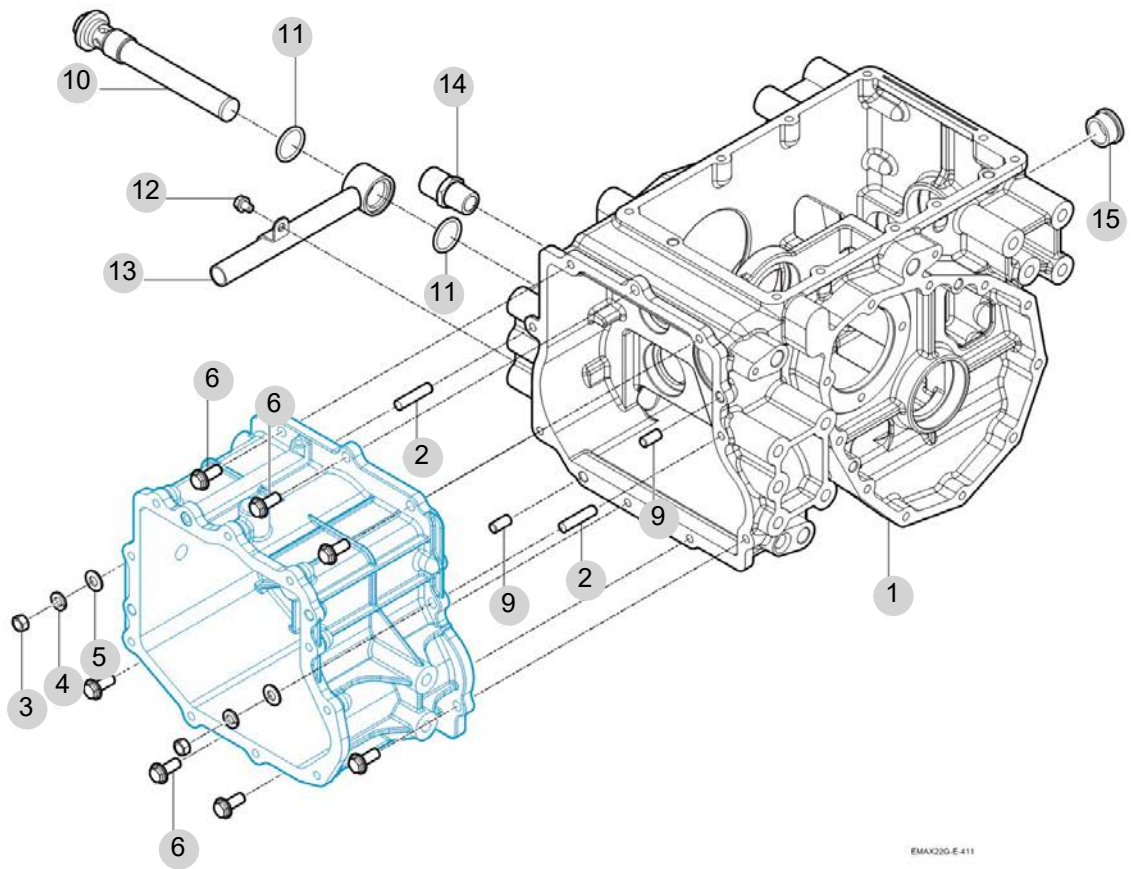
FIG 411

T255NCEU

REAR TRANSMISSION CASE

년/월
Year/Month

2022-12



NOTE

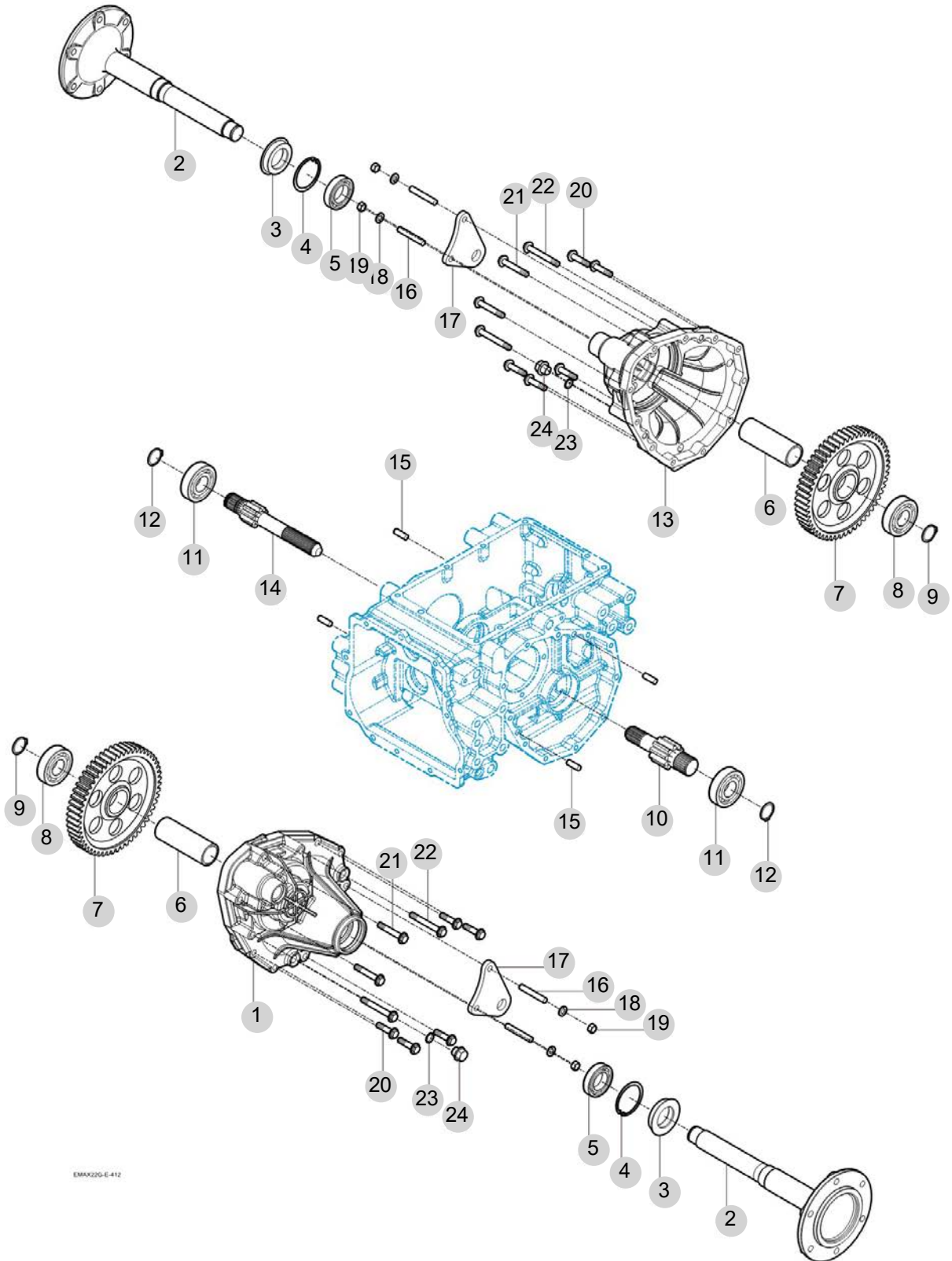
FIG 412

REAR AXLE HOUSINGS

년/월
Year/Month

2022-12

T255NCEU



EMAX226-E-412

NOTE

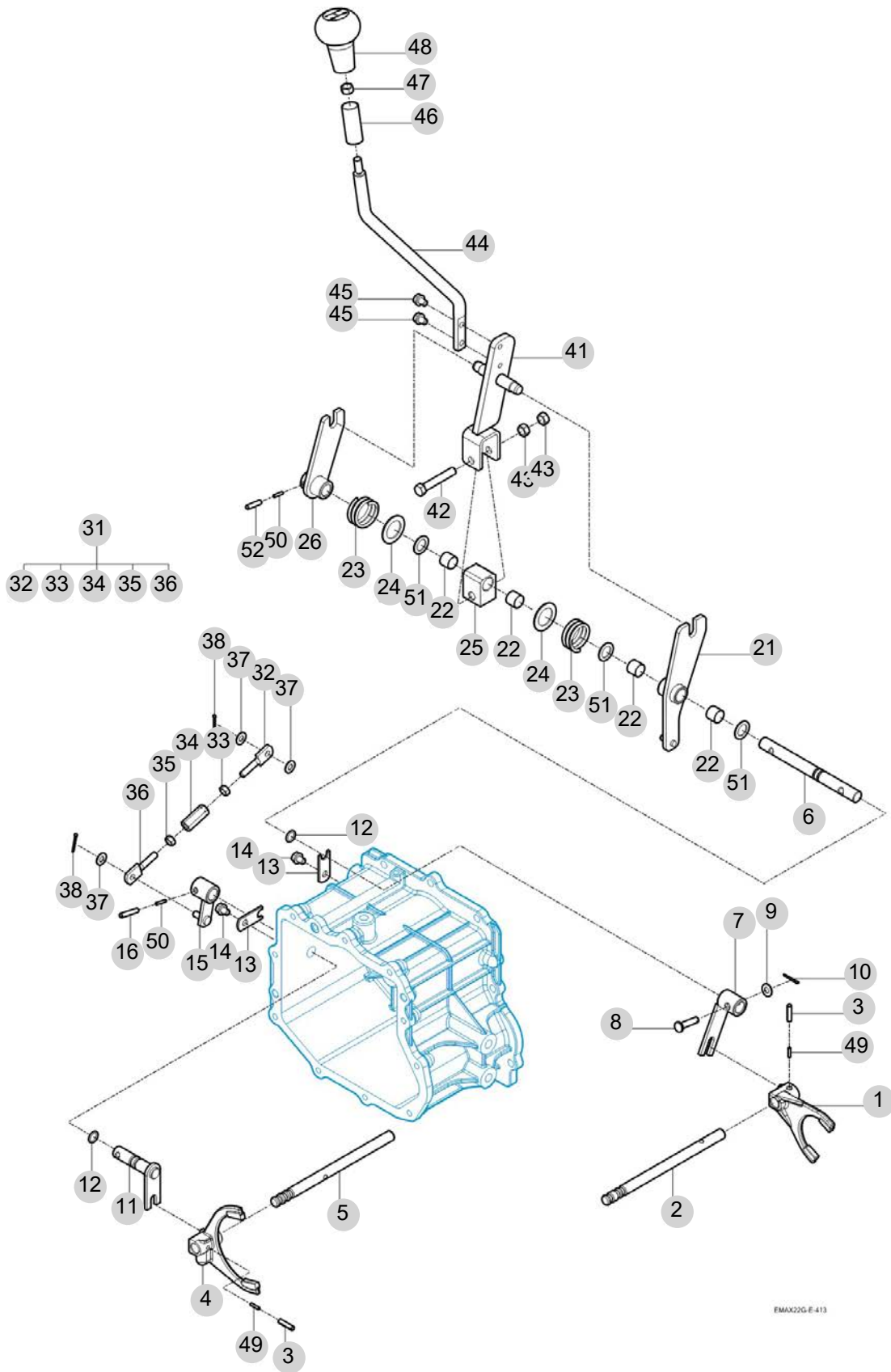
FIG 413

T255NCEU

MAIN SHIFT LEVER

년/월
Year/Month

2022-12



EMAX22G-E-413

NOTE

FIG 413		MAIN SHIFT LEVER					년/월 Year/Month
T255NCEU							2022-12
KEY NO	PART NO	DESCRIPTION	SPEC	QTY	REPAIR	EFFECTIVE DATE	REMARKS
413	1	11502350010M	주변속 포크(1-3)				
413	2	11502350031	주변속 스테이(1-3)				
413	3	V5801406025	스프링핀	6X25	2		
413	4	11502350020M	주변속 포크(2-R)		1		
413	5	11502350041	주변속 스테이(2-R)		1		
413	6	11502350051	샤프트(레버)		1		
413	7	11502352100	주변속 후크 COMP , 1-3		1		
413	8	11502350060	핀(8X29)		1		
413	9	V4111600080	평와셔	M8	1		
413	10	V5001925020	핀	2.5X20	1		
413	11	11502353100	주변속 후크 COMP , 2-R		1		
413	12	V7201024012	O링(P)	1A , P12	2		
413	13	16702230371	플레이트		2		
413	14	V2173608012	소형육각볼트보통(S)	M8X12	2		
413	15	11502353200	주변속 암 COMP(2-R)		1		
413	16	V5801406032	스프링핀	6X32	1		
413	21	11502353300	주변속 링크 COMP(2-R)		1		
413	22	15603142910	부시(16X18X15)		4		
413	23	11502350090	스프링(HC20)		2		
413	24	15642750070	와셔(27X40X02)		2		
413	25	11502350120	주변속 허브		1		
413	26	11502352301	주변속 링크 COMP(1-3)		1		
413	31	11502355000	주변속 로드 ASSY		1		
413	32	11502355100	로드 COMP(LH)		1		
413	33	15601320073	육각너트(SM,LH,M8)	M8 , LH	1		
413	34	11502355010	턴버클(M8/L38)		1		
413	35	V3042600080	소형육각너트보통2종	M8	1		
413	36	11502355200	로드 COMP(RH)		1		
413	37	V4111600080	평와셔	M8	3		
413	38	V5001925020	핀	2.5X20	2		
413	41	11502354202	주변속 레버 COMP		1		
413	42	V2013610060	소형육각볼트(보통)	M10X60	1		
413	43	V3042600100	소형육각너트보통2종	M10	2		
413	44	11502360010GB	주변속 레버		1		
413	45	V2173608020	소형육각볼트보통(S)	M8X20	2		
413	46	11503160030	튜브(스트레이트,150)		1		
413	47	V3342600100	소형육각너트가는2종	M10	1		
413	48	11502442400	주변속 그립 COMP		1		
413	49	11502350140	스프링핀		2		
413	50	11502350150	스프링핀		2		
413	51	11502350110	와셔		3		
413	52	V5801406032	스프링핀	6X32	1		
NOTE							

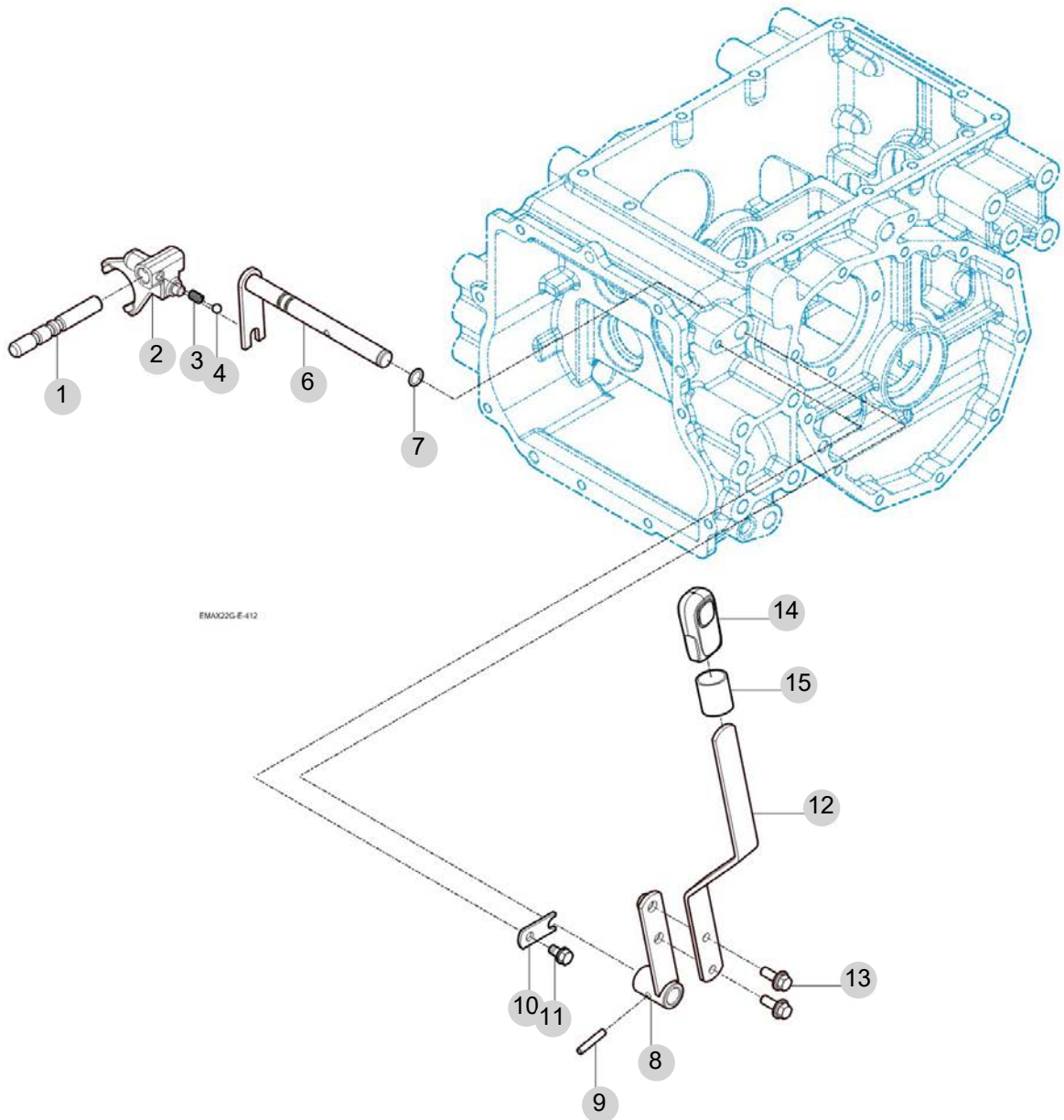
FIG 414

RANGE SHIFT LEVER

년/월
Year/Month

2022-12

T255NCEU



NOTE

FIG 414 T255NCEU		RANGE SHIFT LEVER					년/월 Year/Month	
							2022-12	
KEY NO	PART NO	DESCRIPTION	SPEC	QTY	REPAIR	EFFECTIVE DATE	REMARKS	
414	1	11502430020	부변속 스테이			1		
414	2	11502430011M	부변속 포크			1		
414	3	13022250030	시프터스프링			1		
414	4	V6802000010	강구	5/16		1		
414	6	11502432100	부변속 후크 COMP			1		
414	7	V7201024012	O링(P)	1A, P12		1		
414	8	11102432201	부변속 레버 COMP			1		
414	9	V5801406032	스프링핀	6X32		1		
414	10	16702230371	플레이트			1		
414	11	V2173608016	소형육각볼트보통(S)	M8X16		1		
414	12	11102430030GB	부변속 레버			1		
414	13	V2183608025	소형육각볼트보통(SP)	M8X25		2		
414	14	11106073030	노브, 4WD			1		
414	15	11103160020	튜브(스트레이트,60)			1		
NOTE								

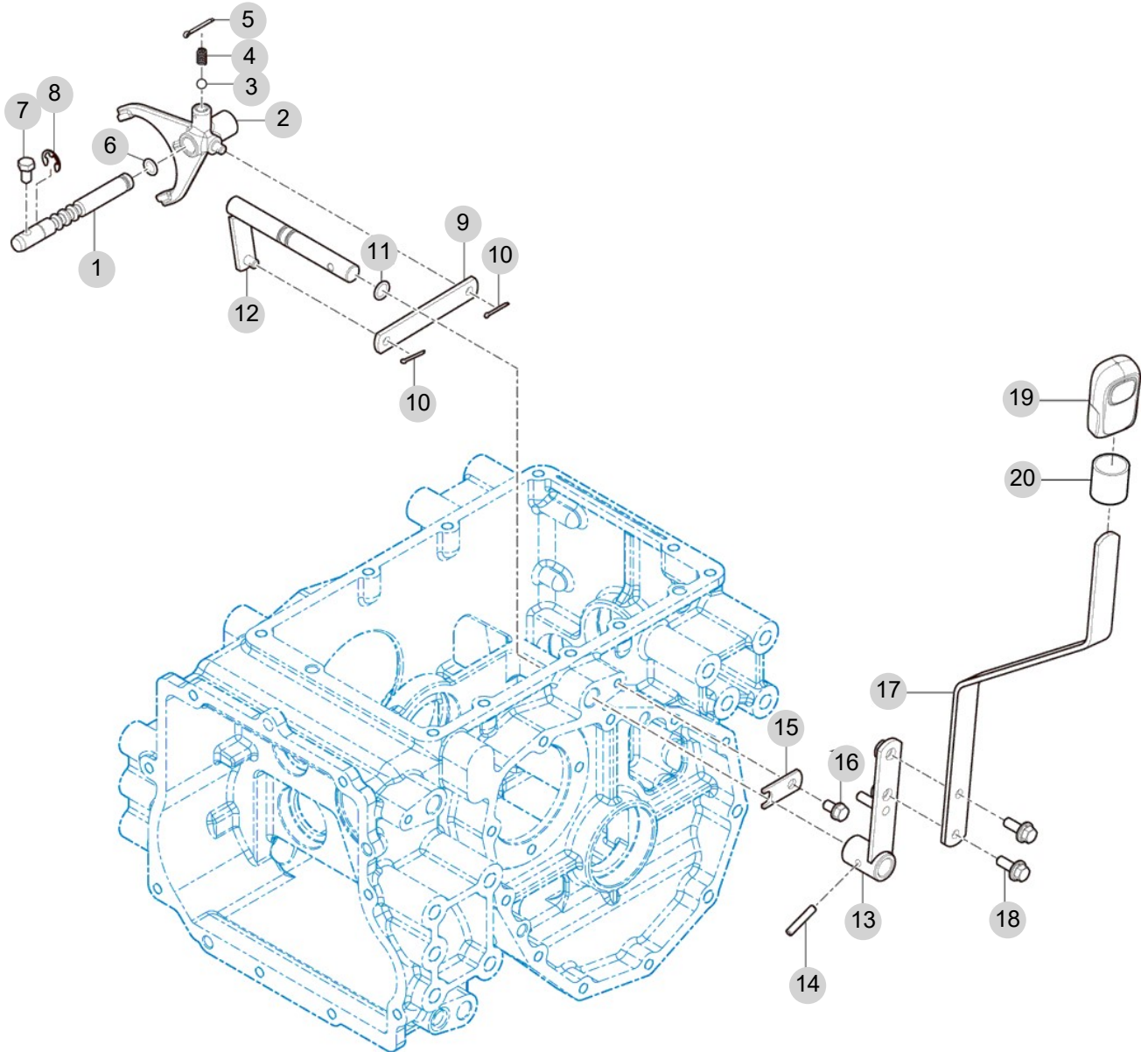
FIG 415

P.T.O CHANGE LEVER

년/월
Year/Month

2022-12

T255NCEU



NOTE

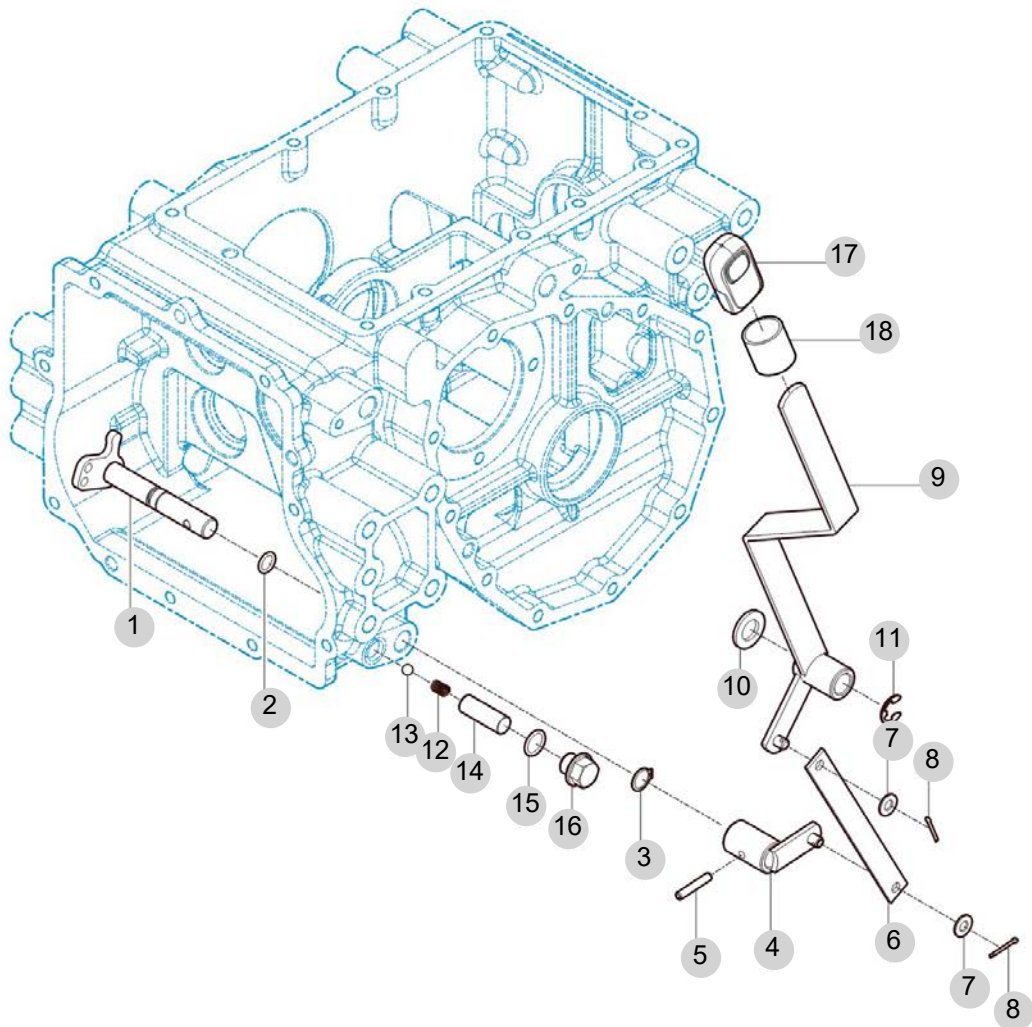
FIG 416

4WD CHANGE LEVER

년/월
Year/Month

T255NCEU

2022-12



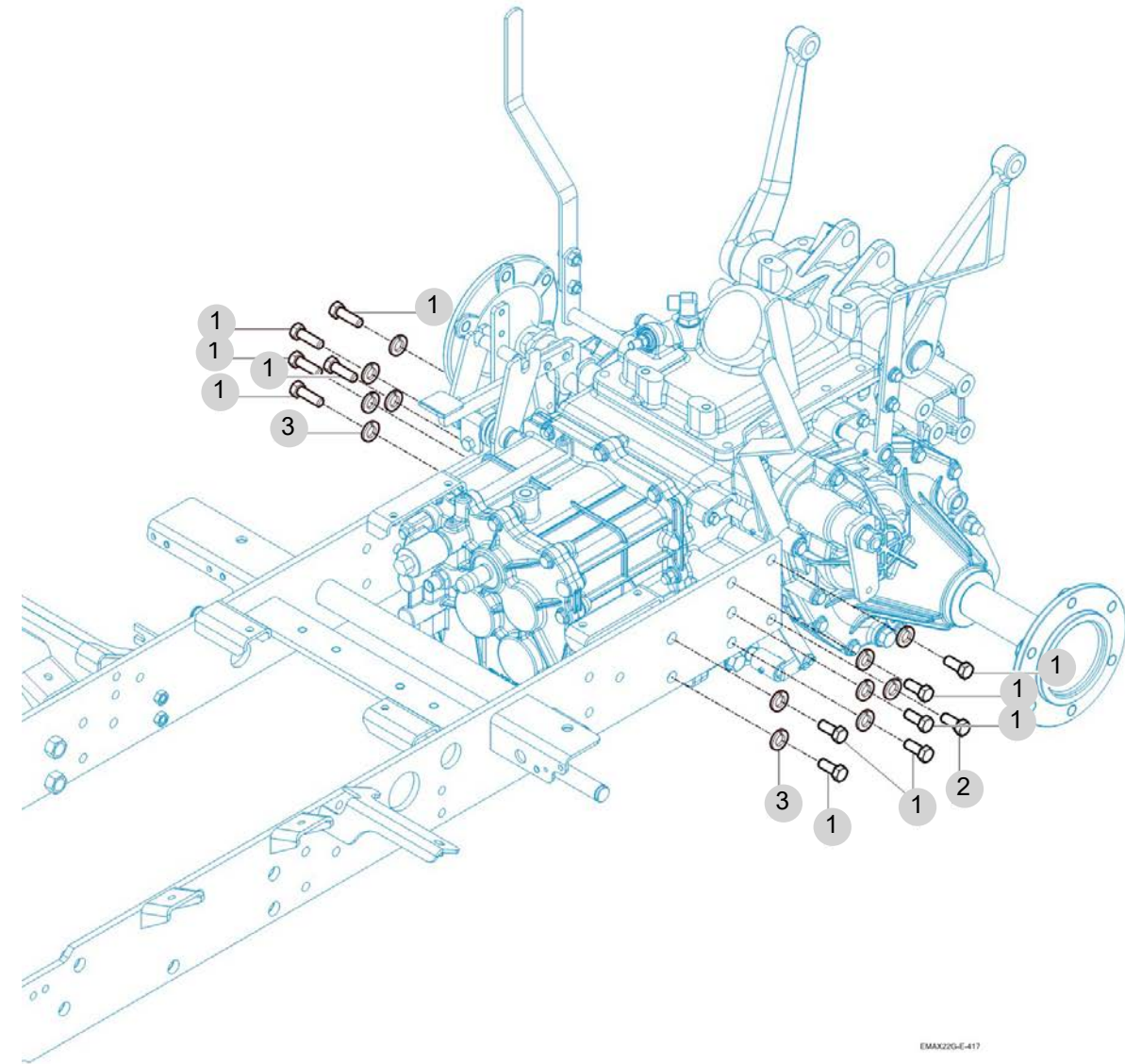
NOTE

FIG 417

TRANSMISSION MOUNTING

년/월
Year/Month

2022-12



EMAX220-E-417

NOTE

5. 프런트 액슬 PART NO. T5

FIG 501 FRONT DRIVE SHAFT	119
FIG 502 FRONT DIFFERENTIAL GEAR	121
FIG 503 FRONT AXLE HOUSING	123
FIG 504 FRONT GEAR CASE (1)	125
FIG 505 FRONT GEAR CASE (2)	127

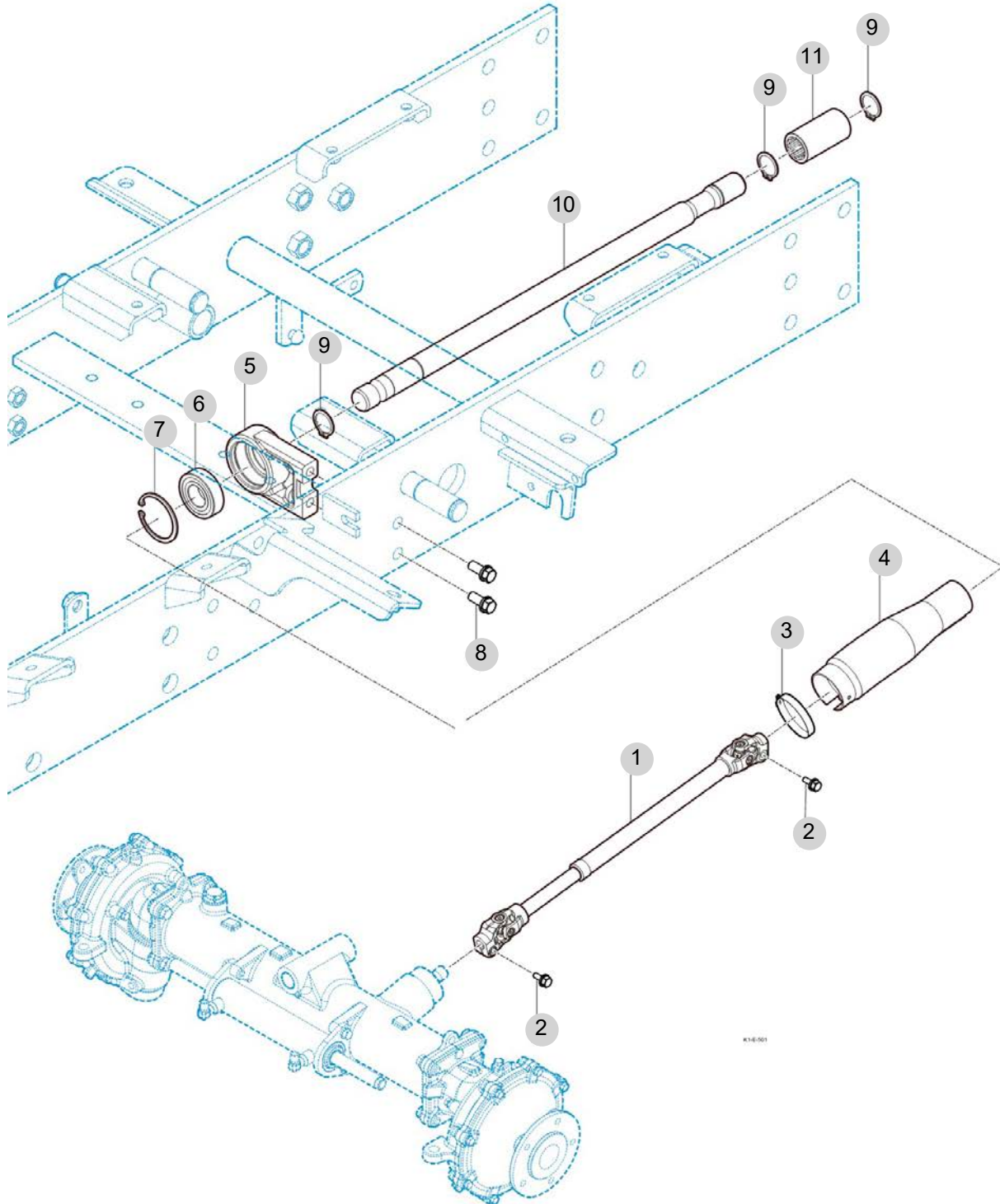
FIG 501

FRONT DRIVE SHAFT

T255NCEU

년/월
Year/Month

2022-12



NOTE

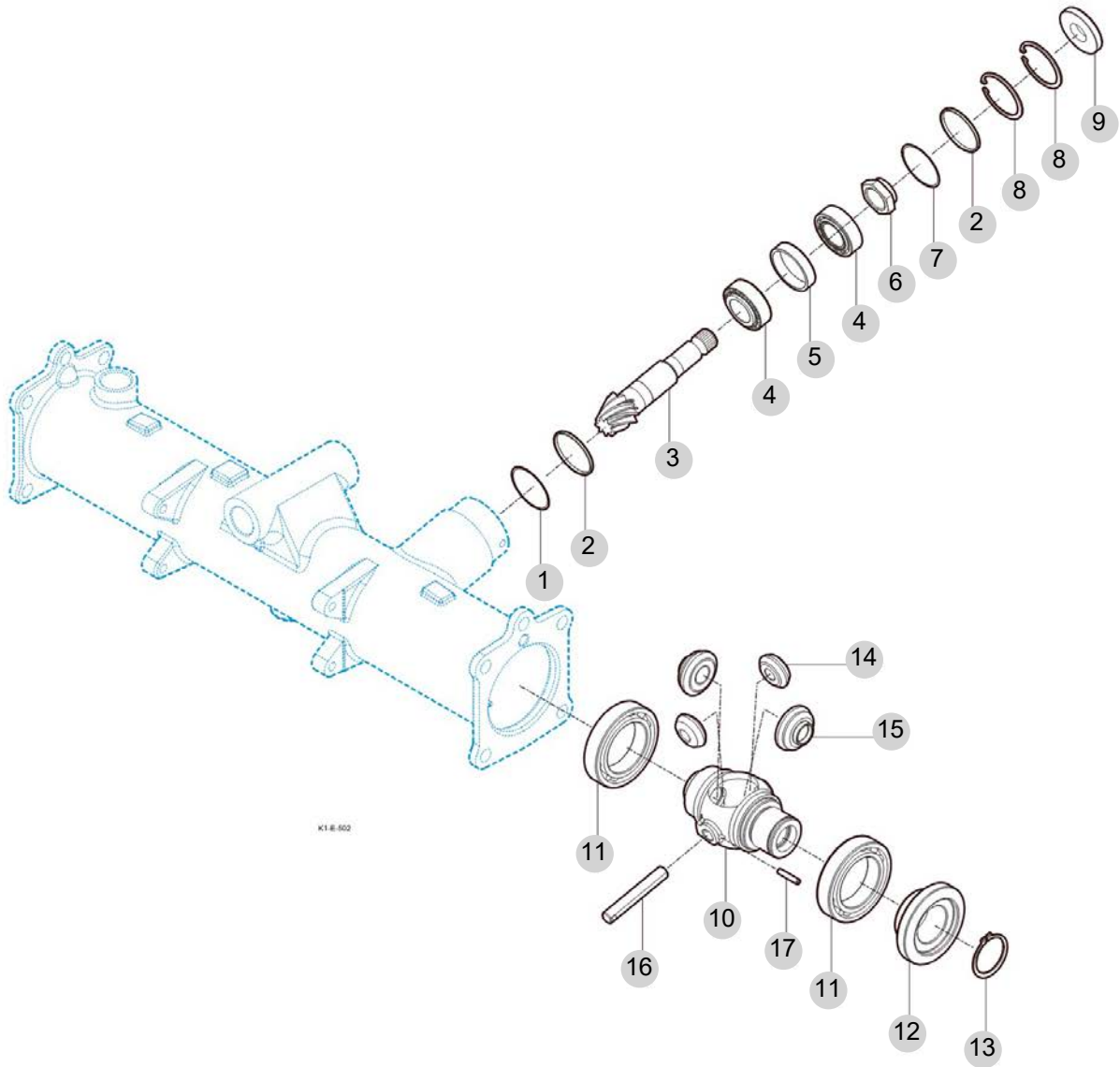
FIG 502

FRONT DIFFERENTIAL GEAR

년/월
Year/Month

T255NCEU

2022-12



NOTE

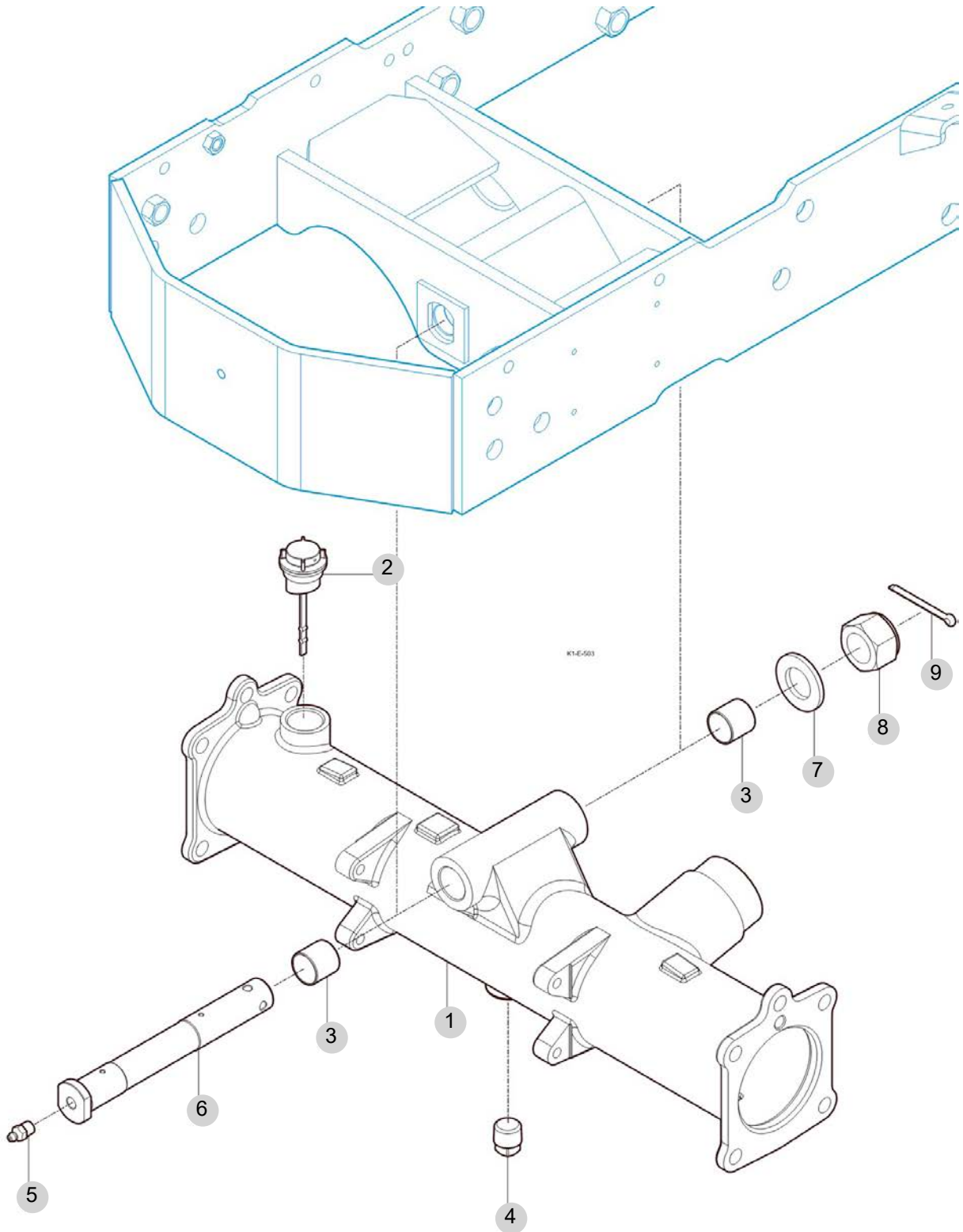
FIG 503

FRONT AXLE HOUSING

년/월
Year/Month

T255NCEU

2022-12



NOTE

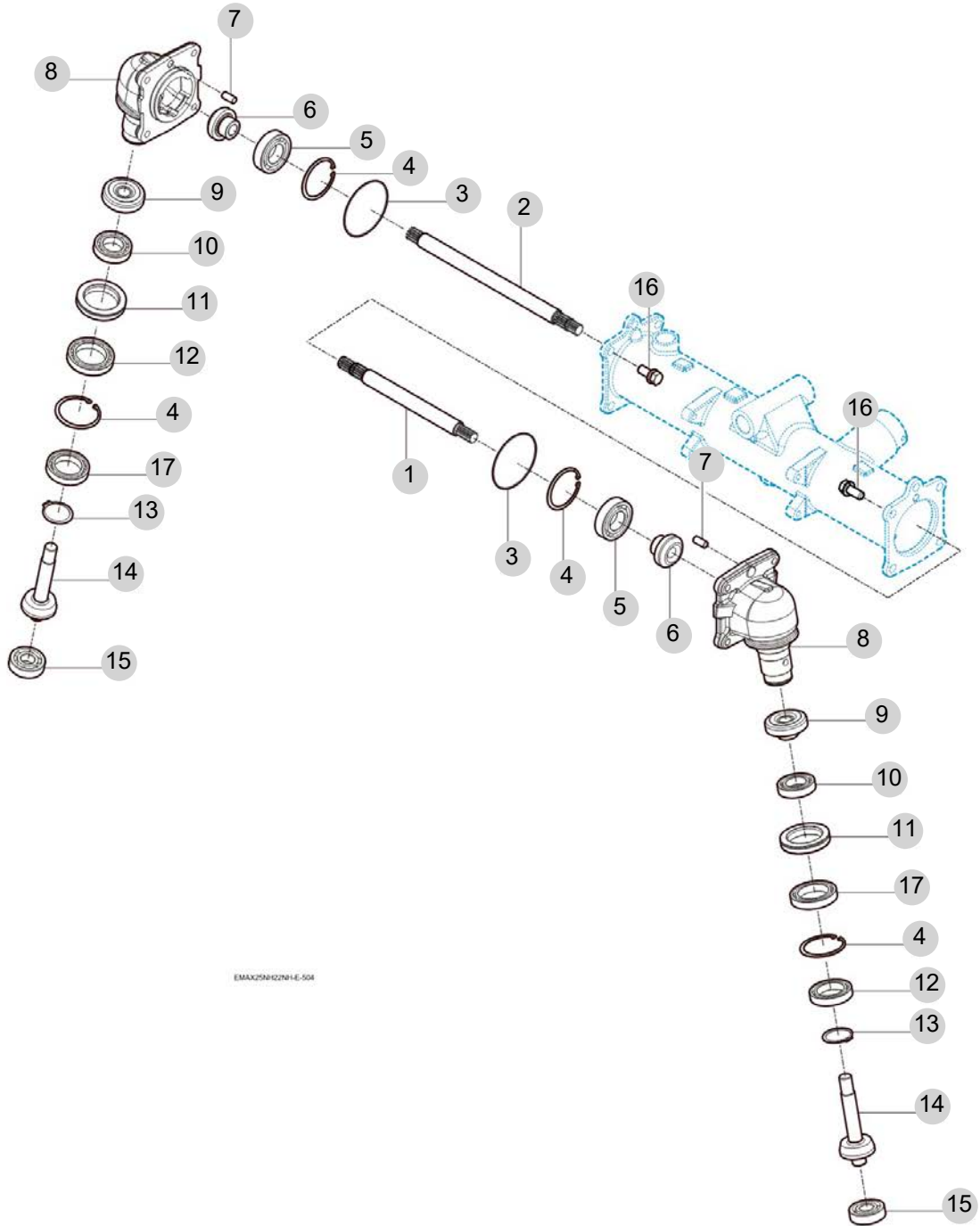
FIG 504

FRONT GEAR CASE (1)

년/월
Year/Month

2022-12

T255NCEU



EMAX255H2201E-504

NOTE

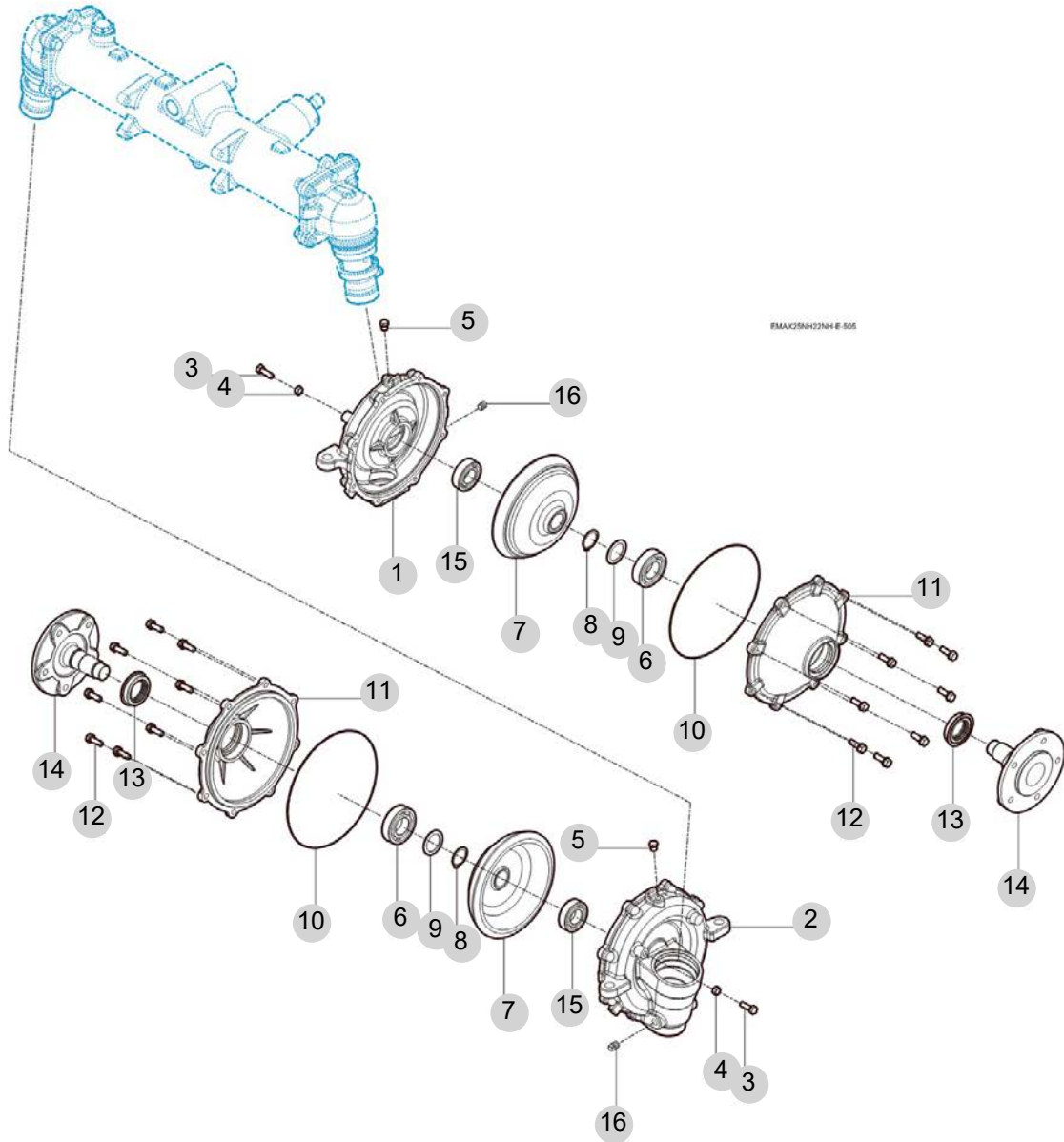
FIG 505

FRONT GEAR CASE (2)

년/월
Year/Month

2022-12

T255NCEU



NOTE

6. 유압/3점링크 PART NO. T6

FIG 601 CYLINDER CASE	130
FIG 602 LIFT ARM	132
FIG 603 FLOW CONTROL VALVE	134
FIG 604 MAIN CONTROL VALVE	136
FIG 605 HYDRAULIC SUB	138
FIG 606 HITCH & 3-POINT LINKAGE	140
FIG 607 HITCH & COVER	142
FIG 608 AUXILIARY VALVE	144

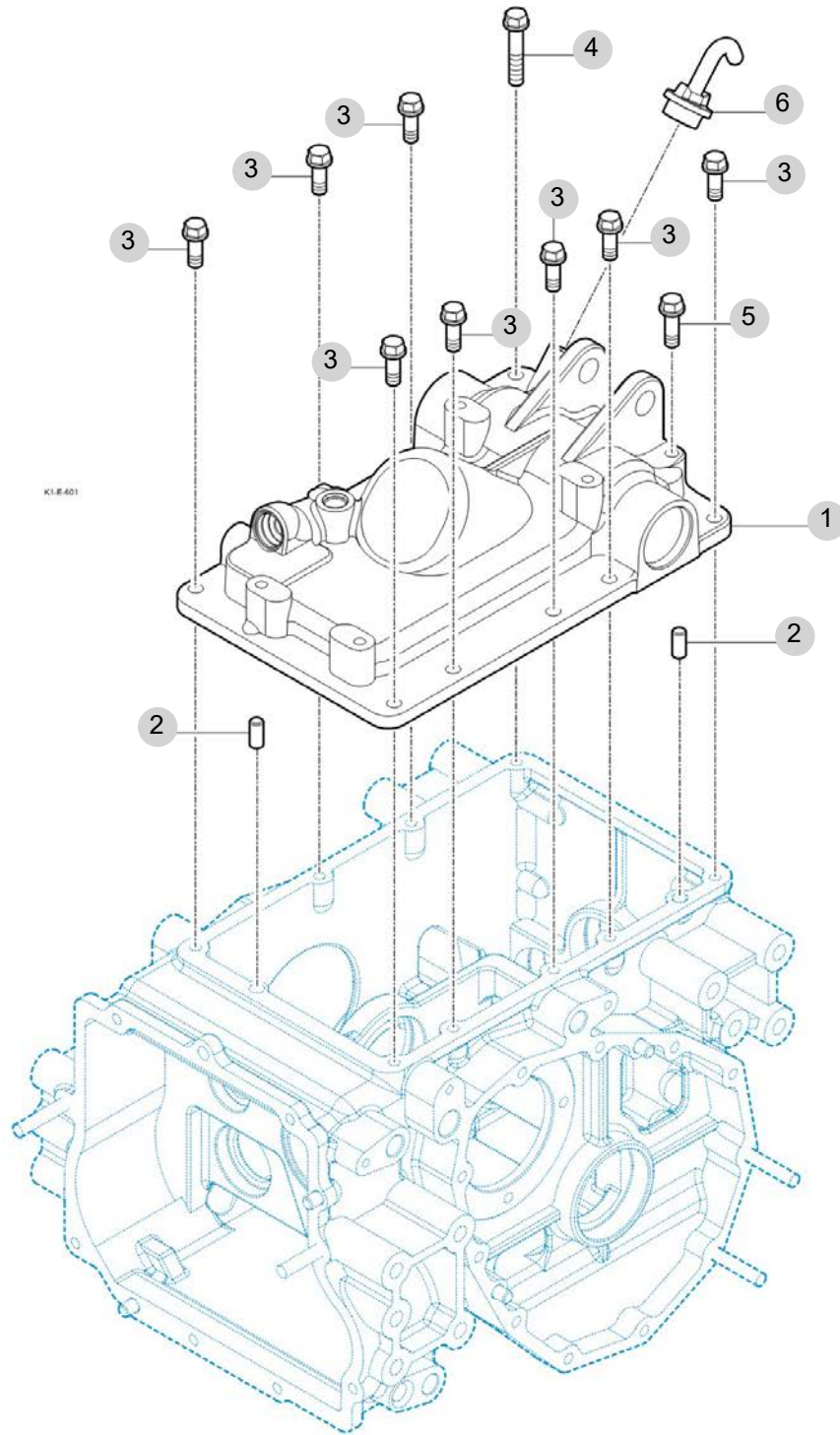
FIG 601

T255NCEU

CYLINDER CASE

년/월
Year/Month

2022-12



NOTE

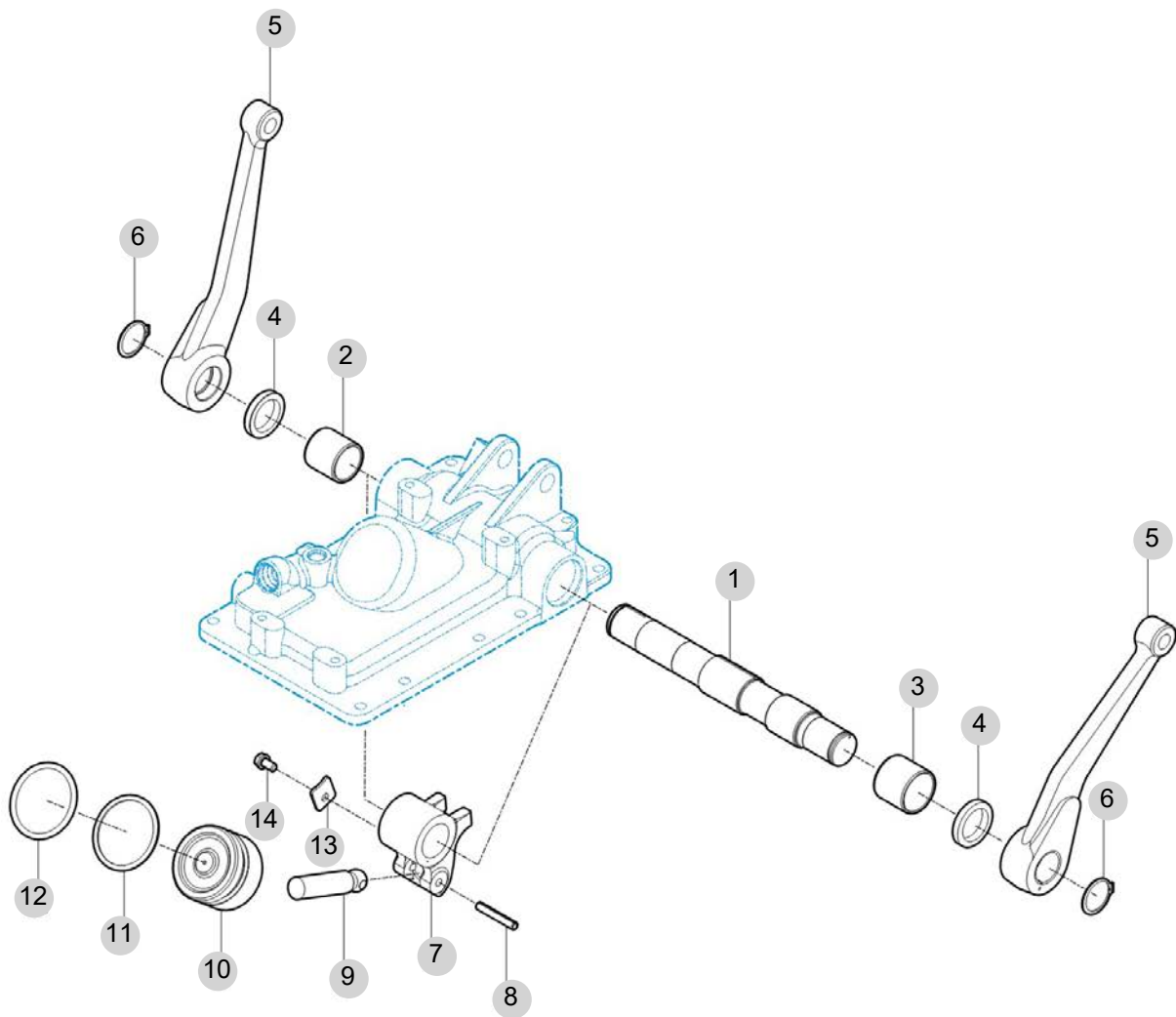
FIG 602

T255NCEU

LIFT ARM

년/월
Year/Month

2022-12



NOTE

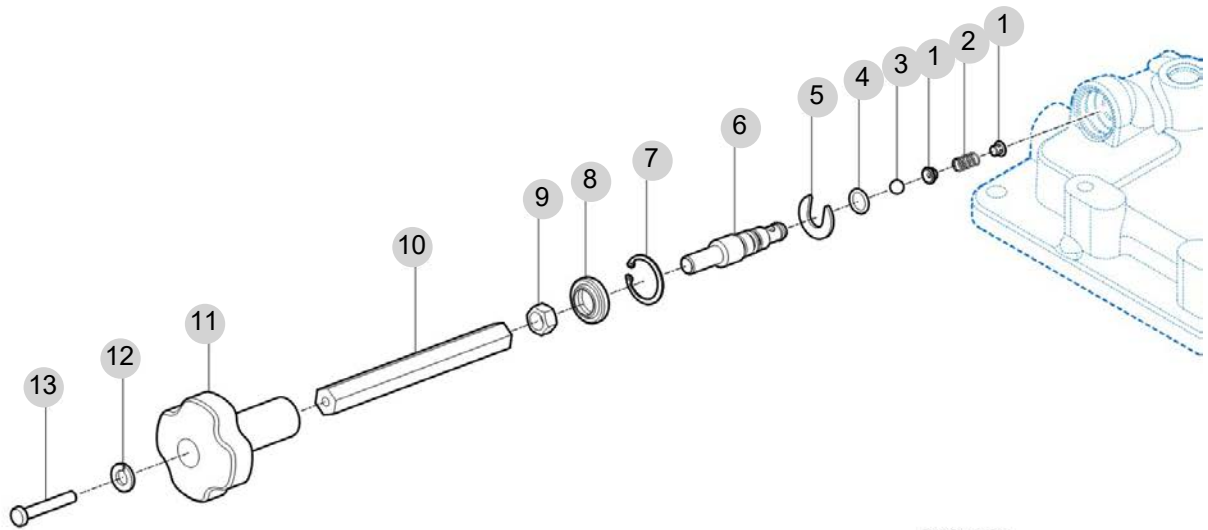
FIG 603

T255NCEU

FLOW CONTROL VALVE

년/월
Year/Month

2022-12



EMAX25NH220H-E-603

NOTE

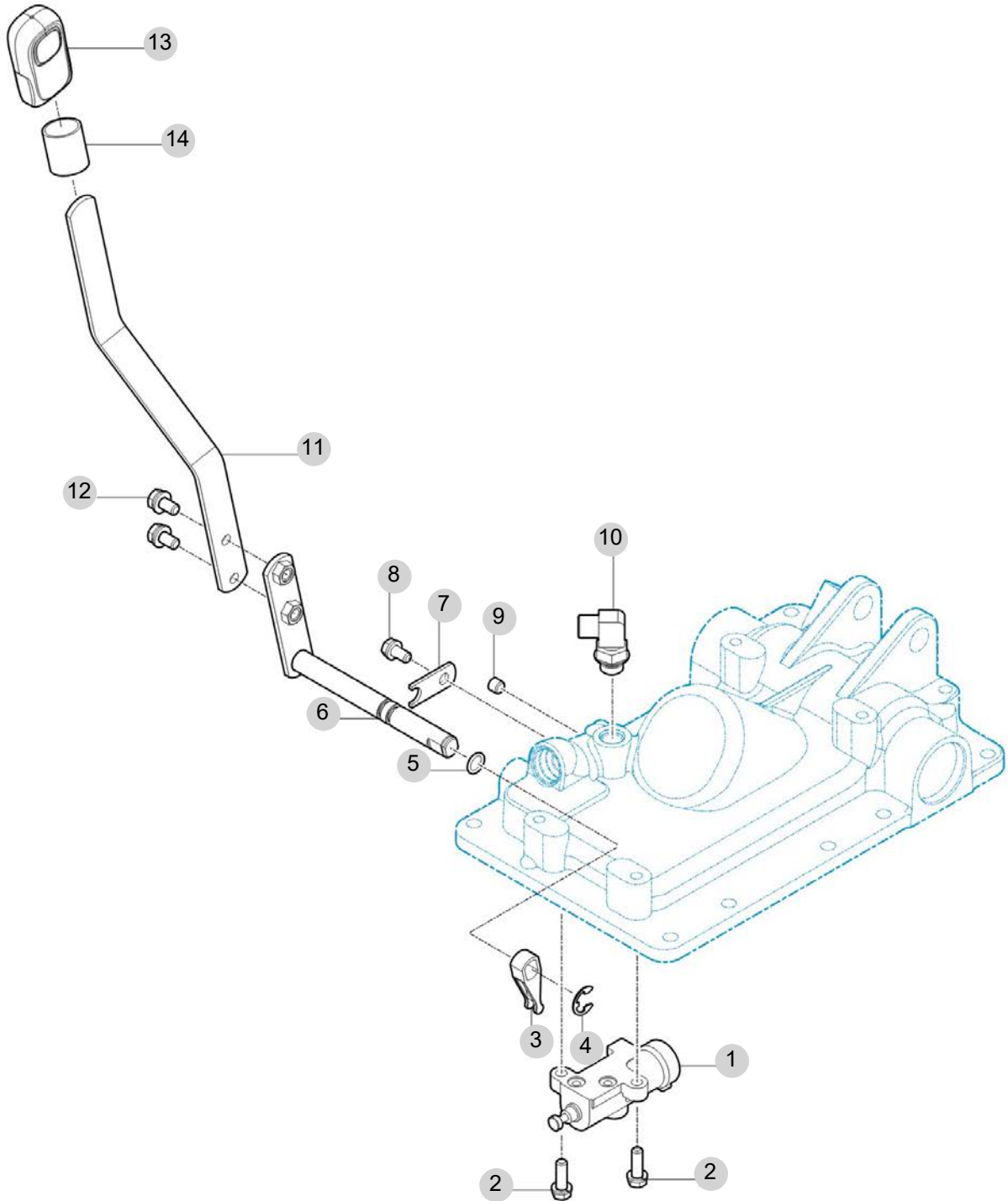
FIG 604

T255NCEU

MAIN CONTROL VALVE

년/월
Year/Month

2022-12



NOTE

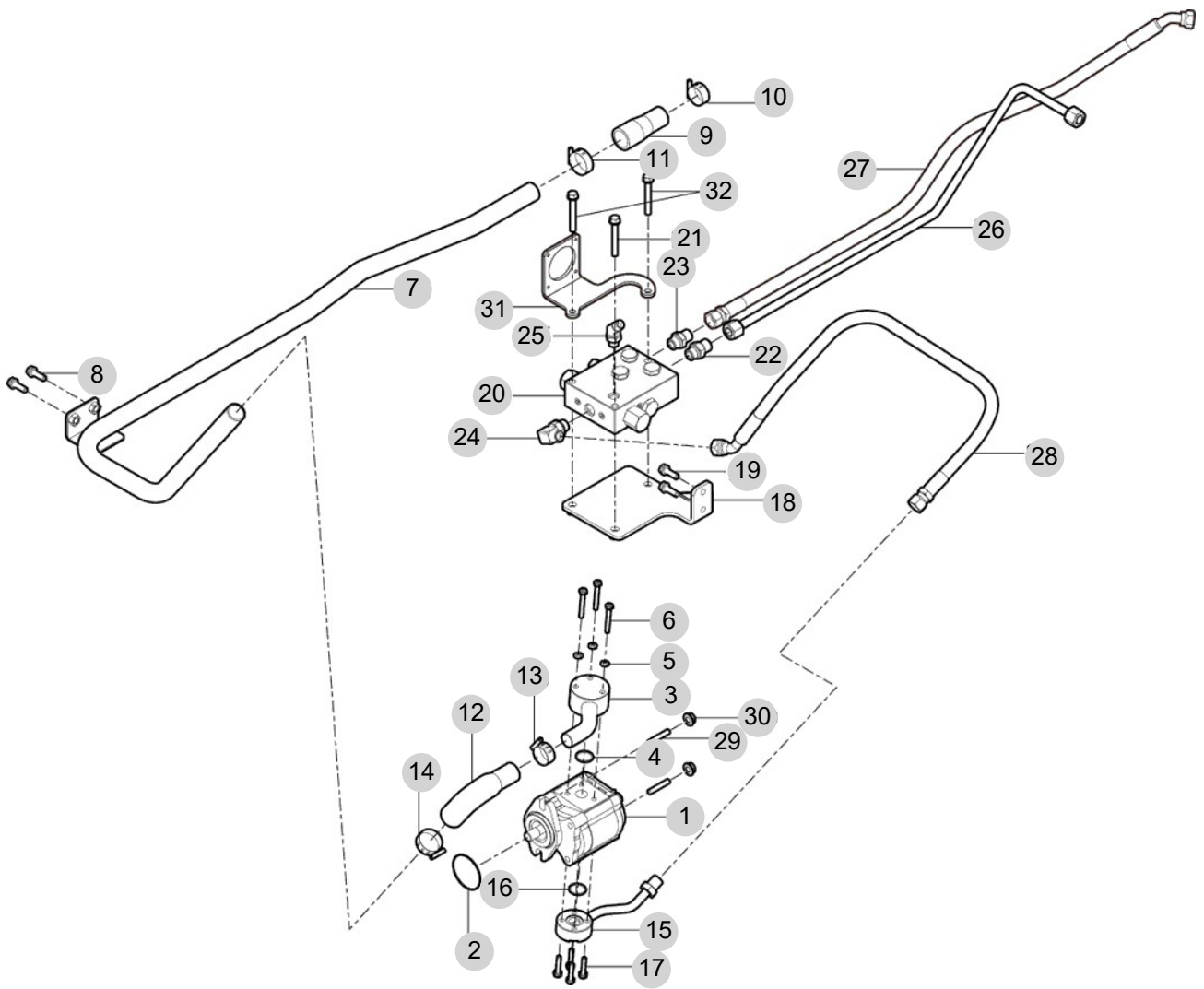
FIG 605

HYDRAULIC SUB

년/월
Year/Month

2022-12

T255NCEU



NOTE

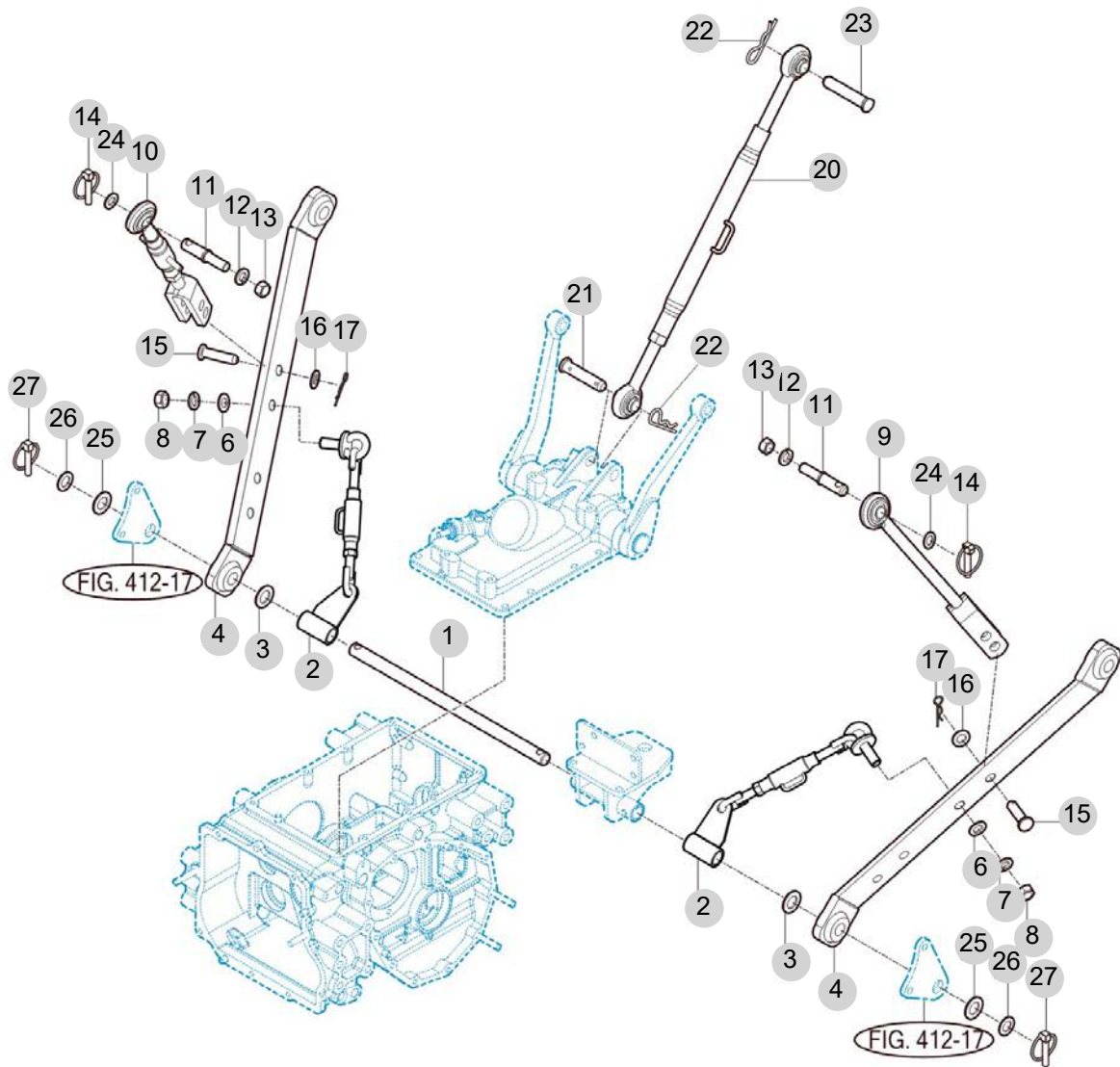
FIG 606

HITCH & 3-POINT LINKAGE

년/월
Year/Month

T255NCEU

2022-12



NOTE

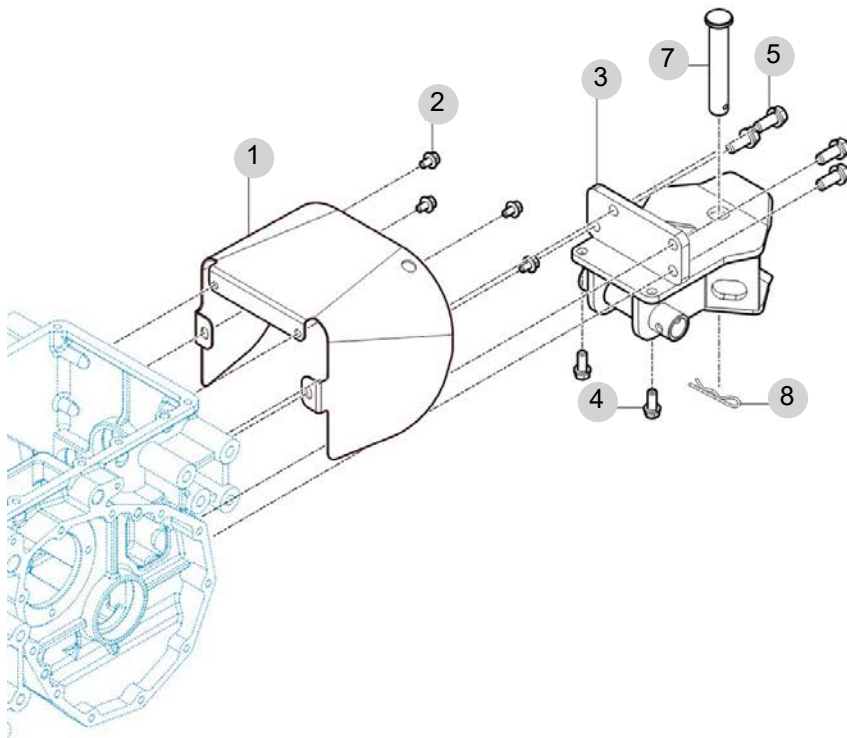
FIG 607

T255NCEU

HITCH & COVER

년/월
Year/Month

2022-12



NOTE

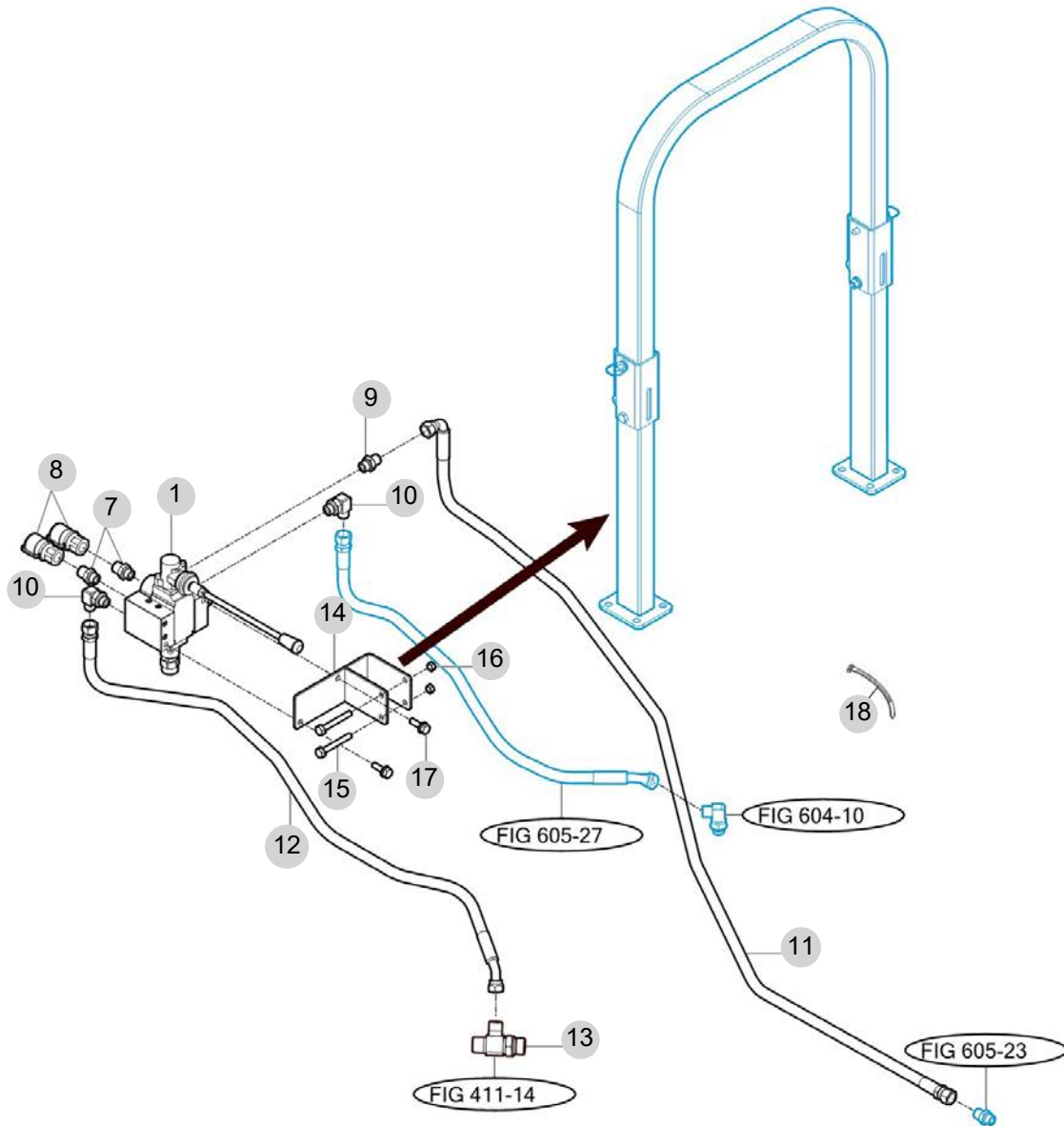
FIG 608

AUXILIARY VALVE

년/월
Year/Month

2022-12

T255NCEU



NOTE

7. 시트메탈/캐빈 PART NO. T7

FIG 701 BONNET (1)	147
FIG 701-2 BONNET (2)	149
FIG 702 FLOOR	151
FIG 703 SEAT	153
FIG 704 ROPS	155
FIG 705 LEVER COVER & FENDER	157
FIG 706 LAMP	159

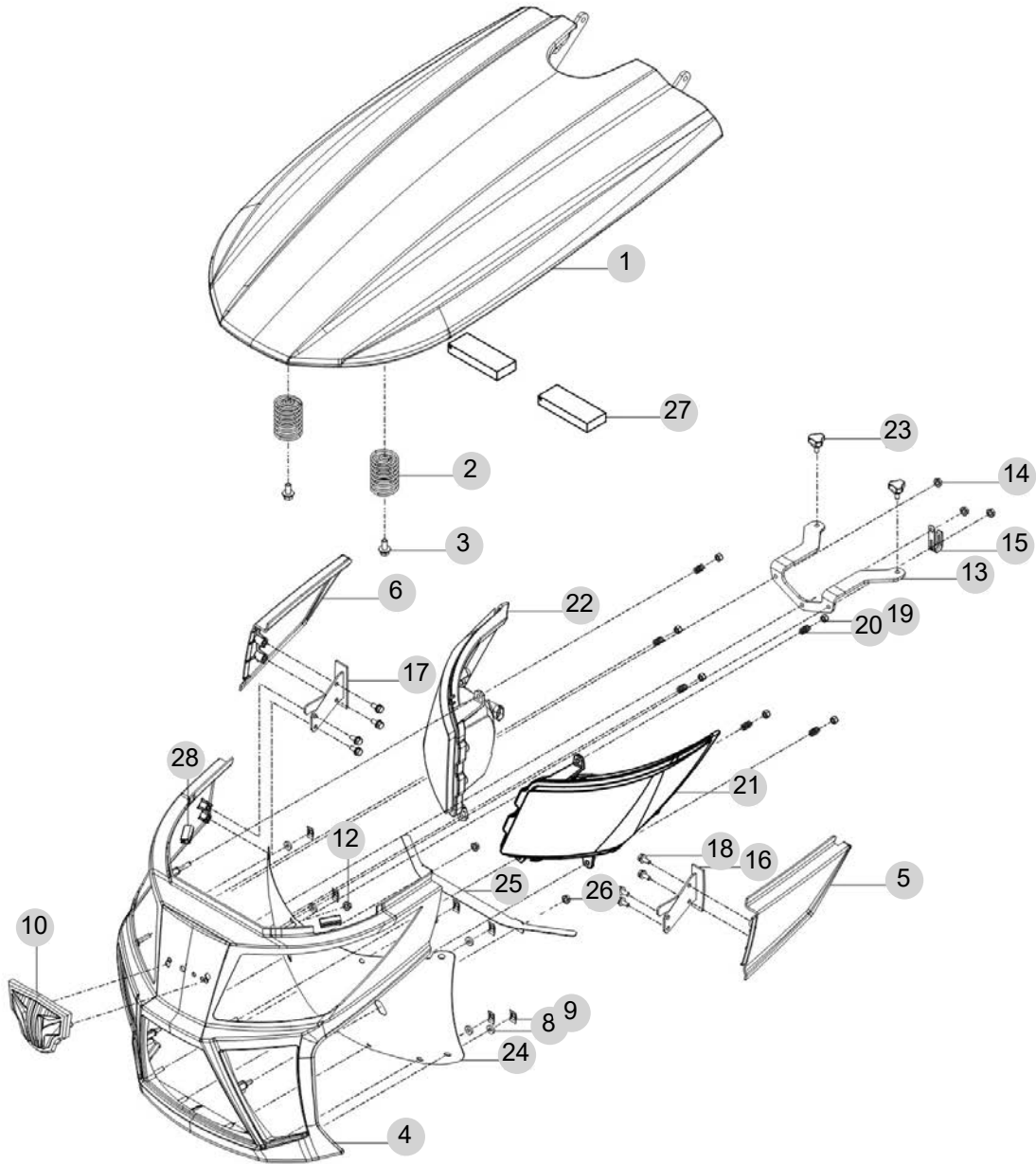
FIG 701

T255NCEU

BONNET (1)

년/월
Year/Month

2022-12



NOTE

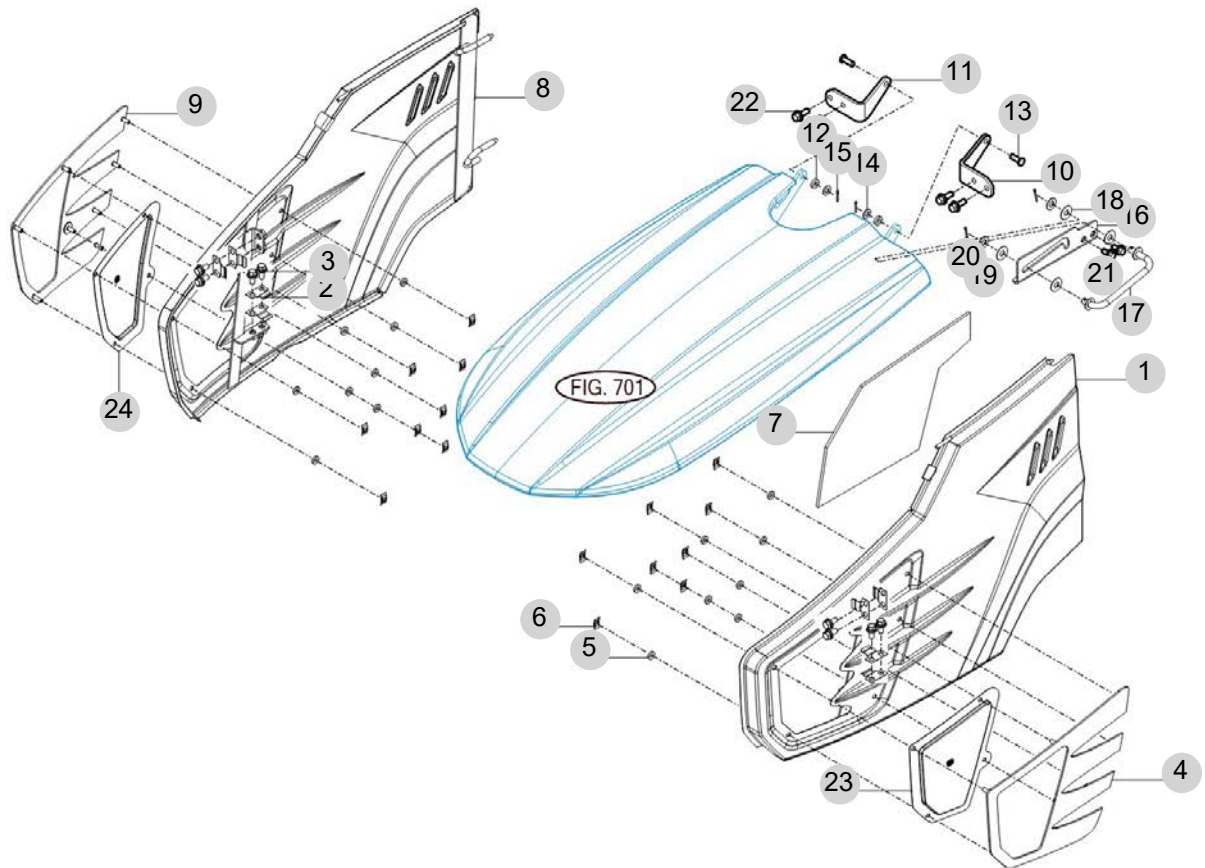
FIG 701-2

T255NCEU

BONNET (2)

년/월
Year/Month

2022-12



NOTE

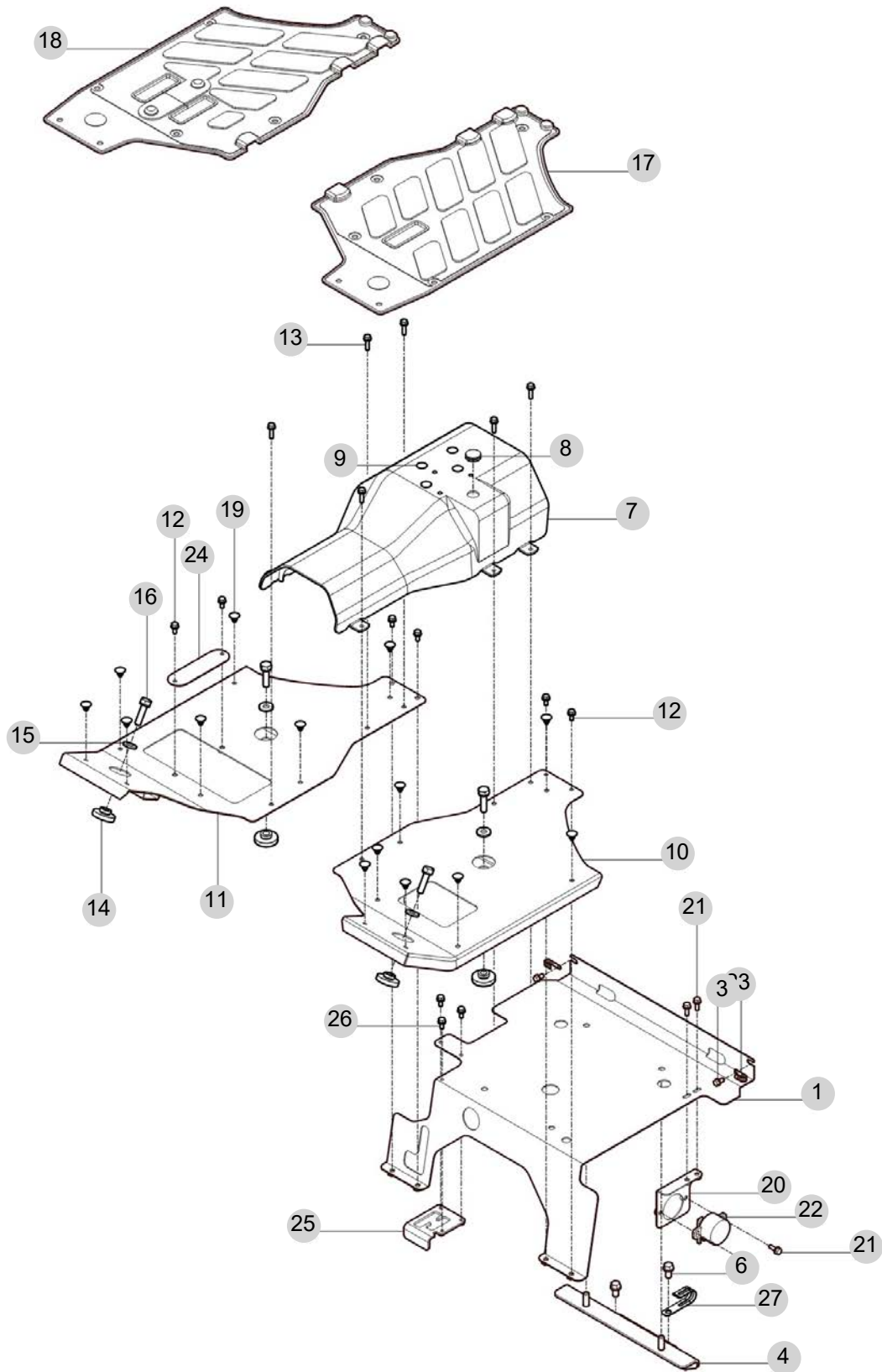
FIG 702

T255NCEU

FLOOR

년/월
Year/Month

2022-12



NOTE

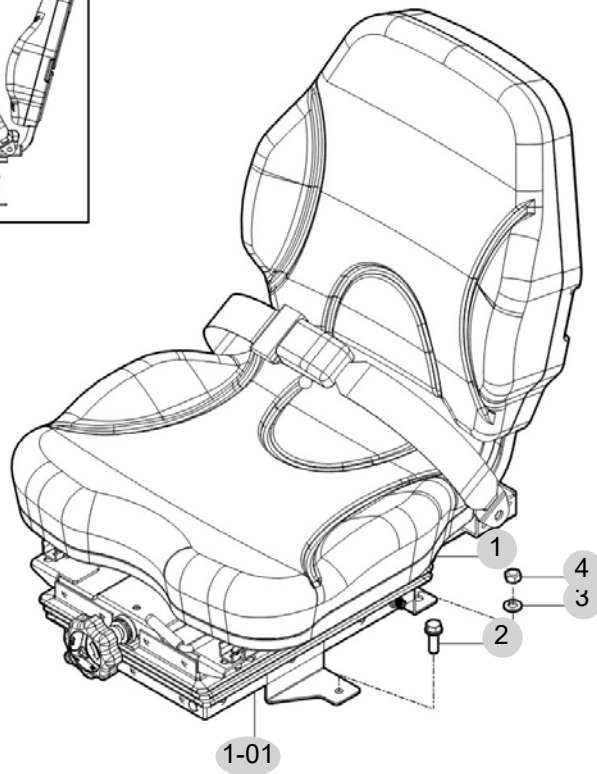
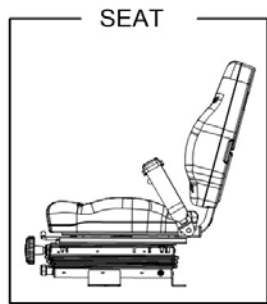
FIG 703

T255NCEU

SEAT

년/월
Year/Month

2022-12



NOTE

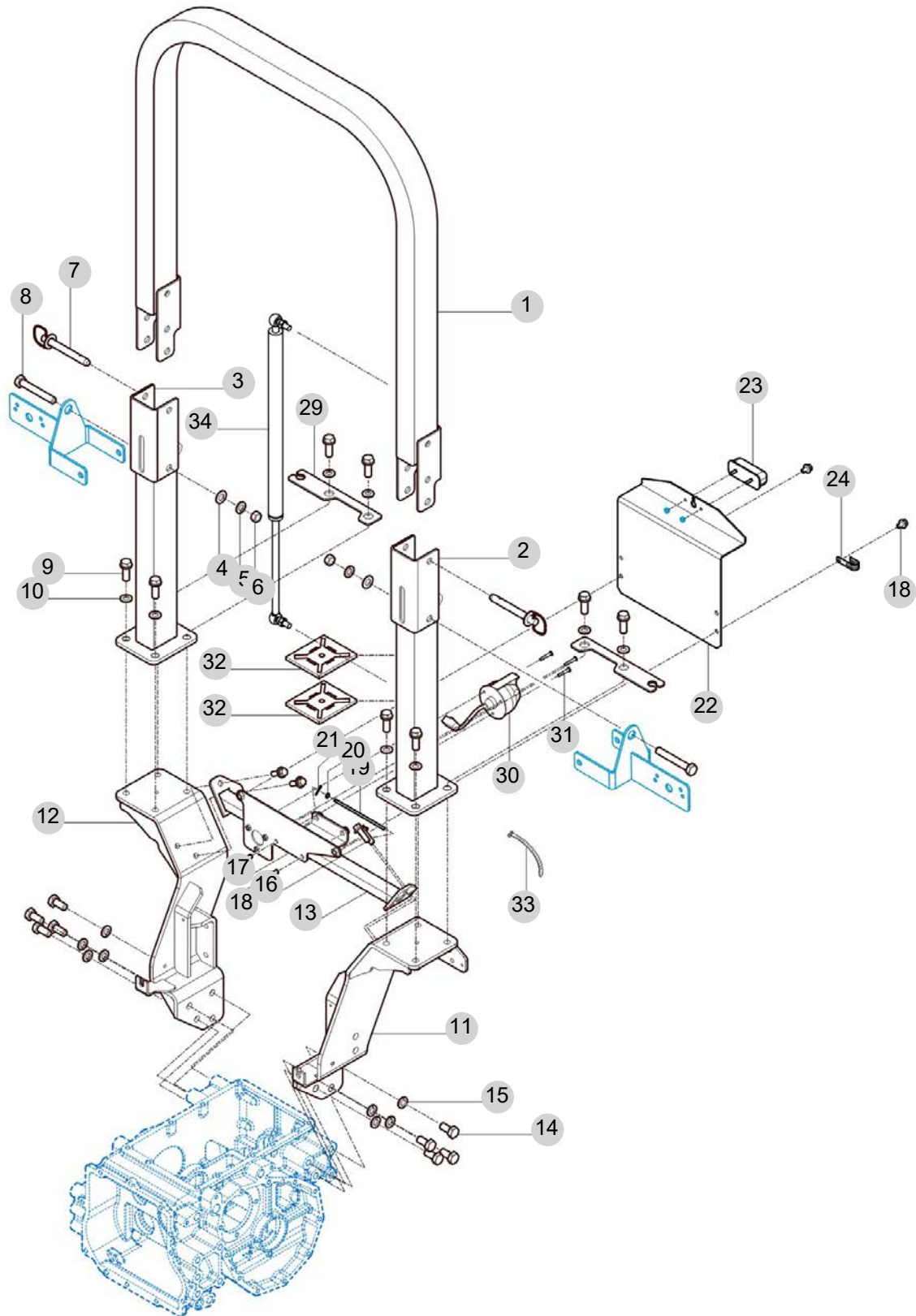
FIG 704

T255NCEU

ROPS

년/월
Year/Month

2022-12



NOTE

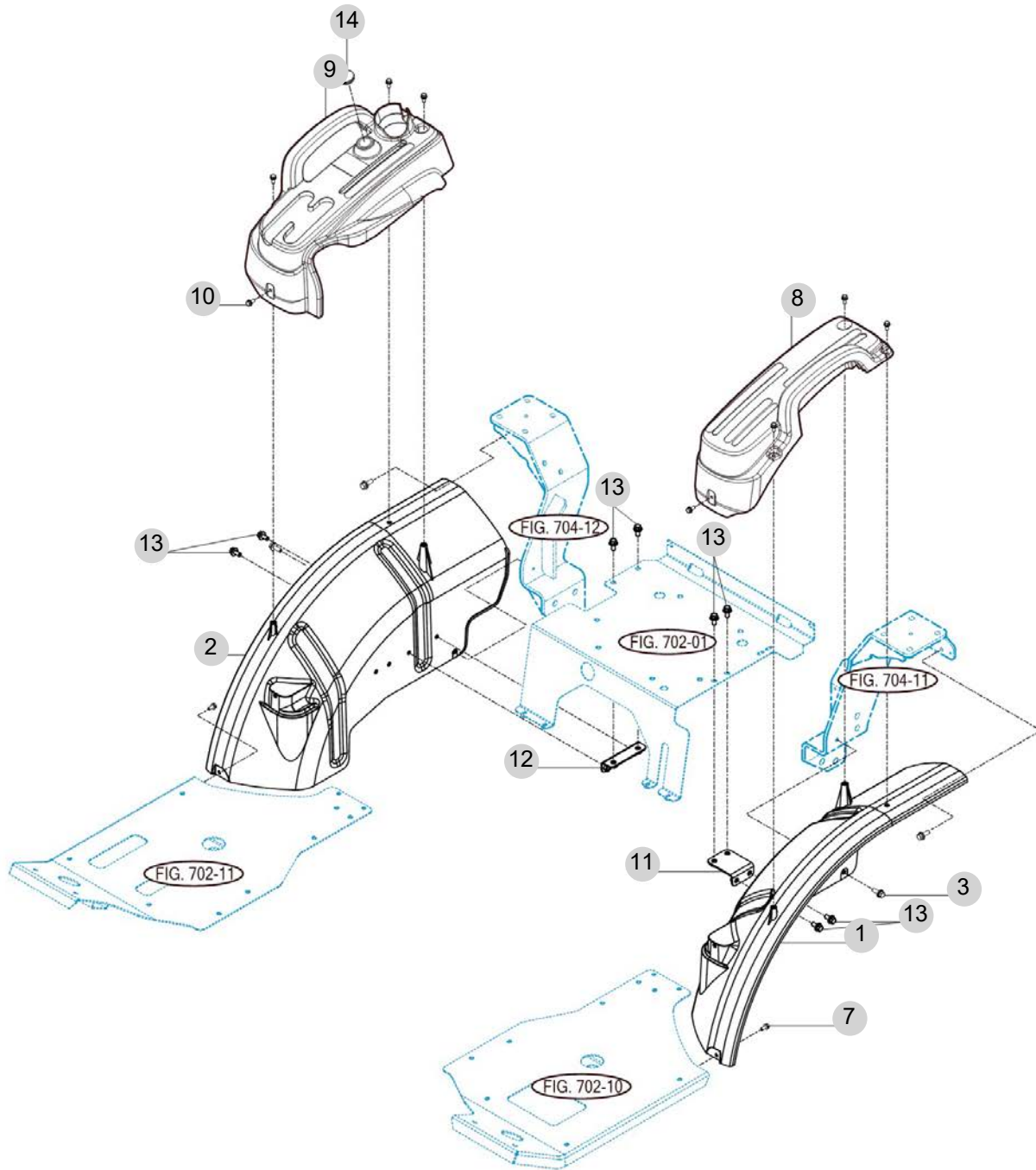
FIG 705

T255NCEU

LEVER COVER & FENDER

년/월
Year/Month

2022-12



NOTE

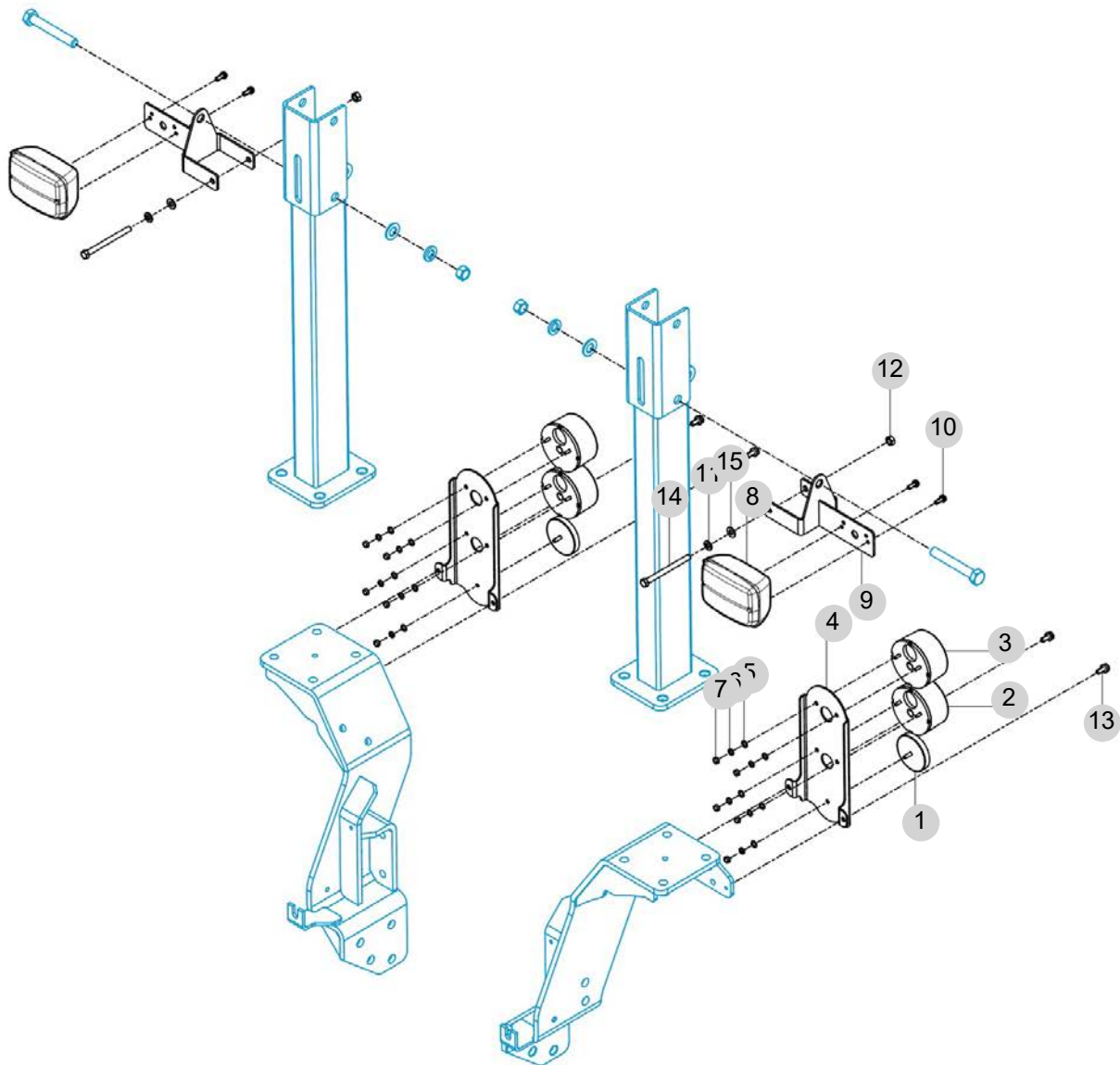
FIG 706

T255NCEU

LAMP

년/월
Year/Month

2022-12



NOTE

8. 전장 PART NO. T8

FIG 801 BATTERY MOUNTING	162
FIG 802 INSTRUMENT PANEL	164
FIG 803 HARNESS (1)	166
FIG 804 HARNESS (2)	168
FIG 805 HARNESS (3)	170

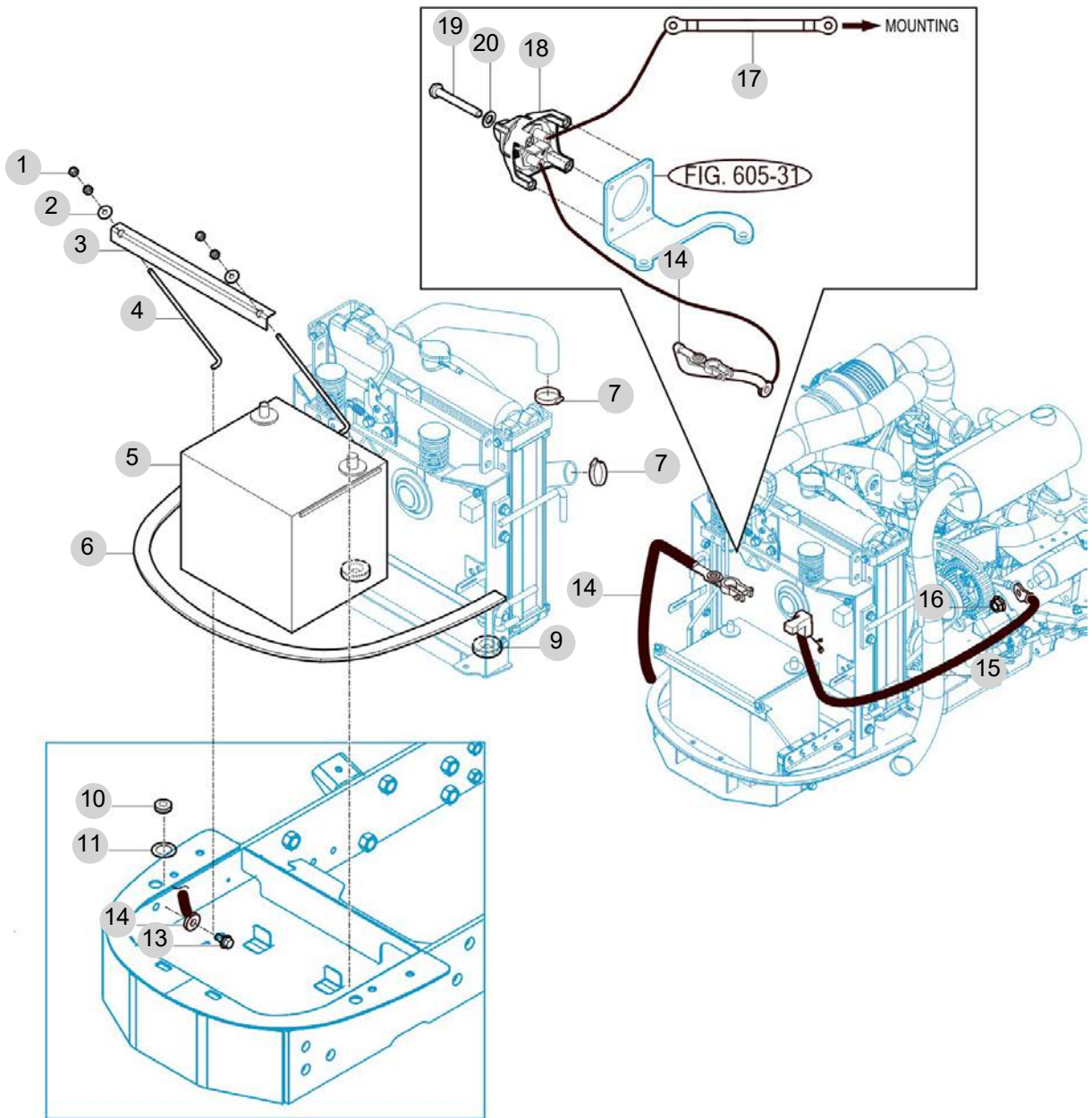
FIG 801

BATTERY MOUNTING

년/월
Year/Month

2022-12

T255NCEU



NOTE

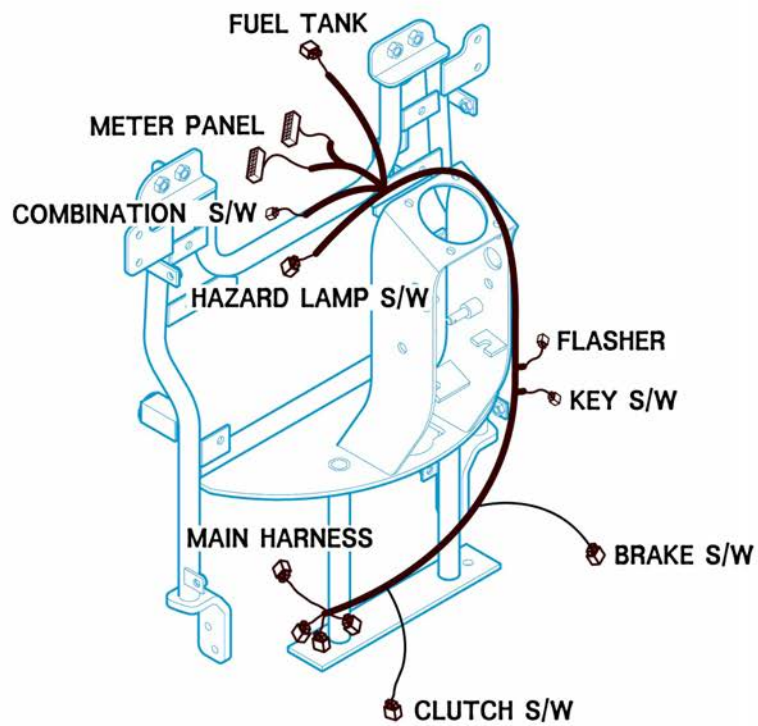
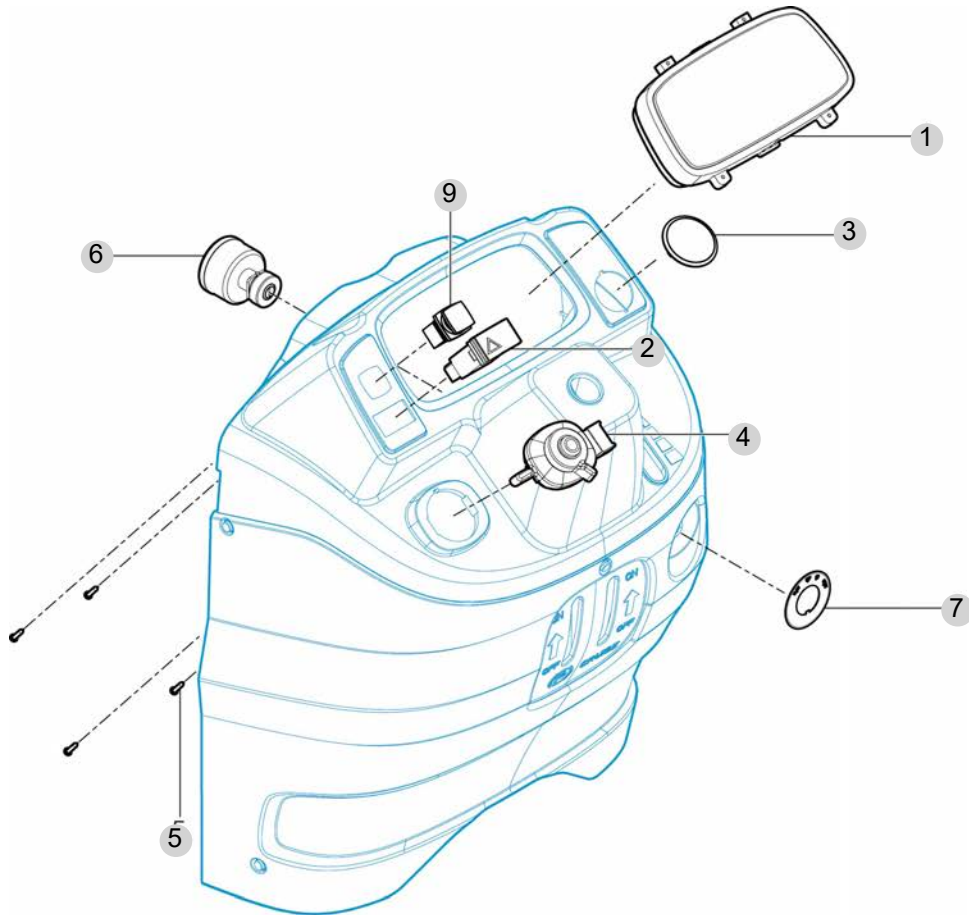
FIG 802

INSTRUMENT PANEL

년/월
Year/Month

2022-12

T255NCEU



NOTE

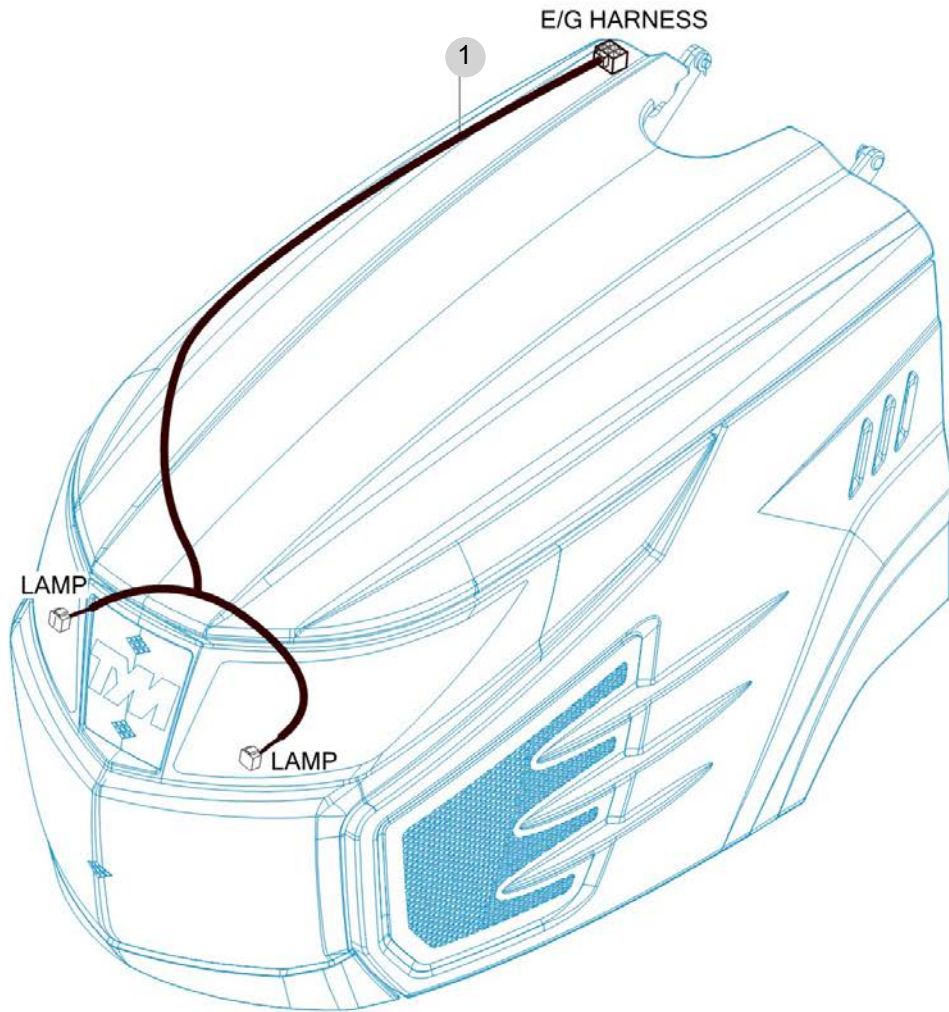
FIG 803

T255NCEU

HARNESS (1)

년/월
Year/Month

2022-12



NOTE

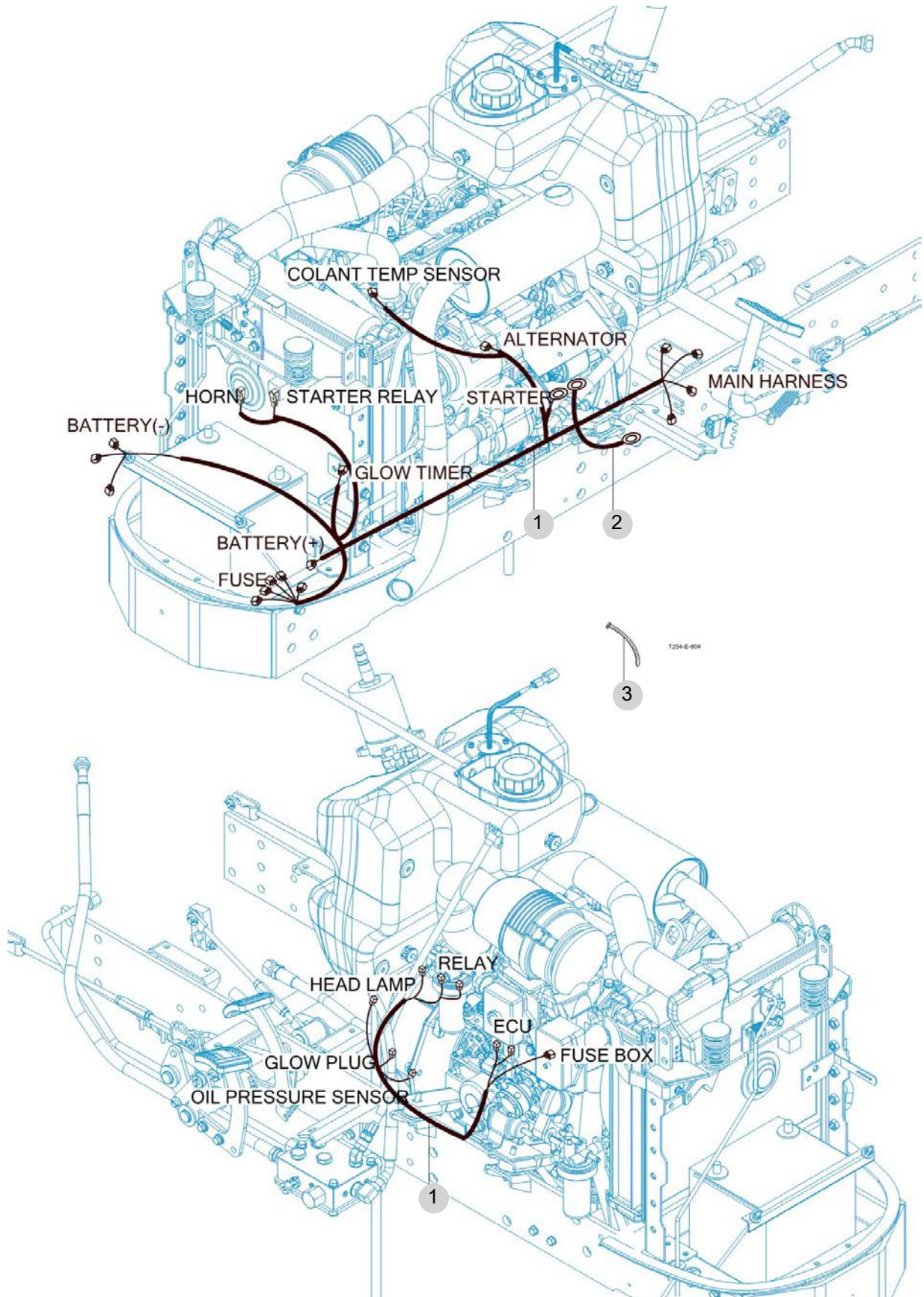
FIG 804

HARNESS (2)

년/월
Year/Month

2022-12

T255NCEU



NOTE

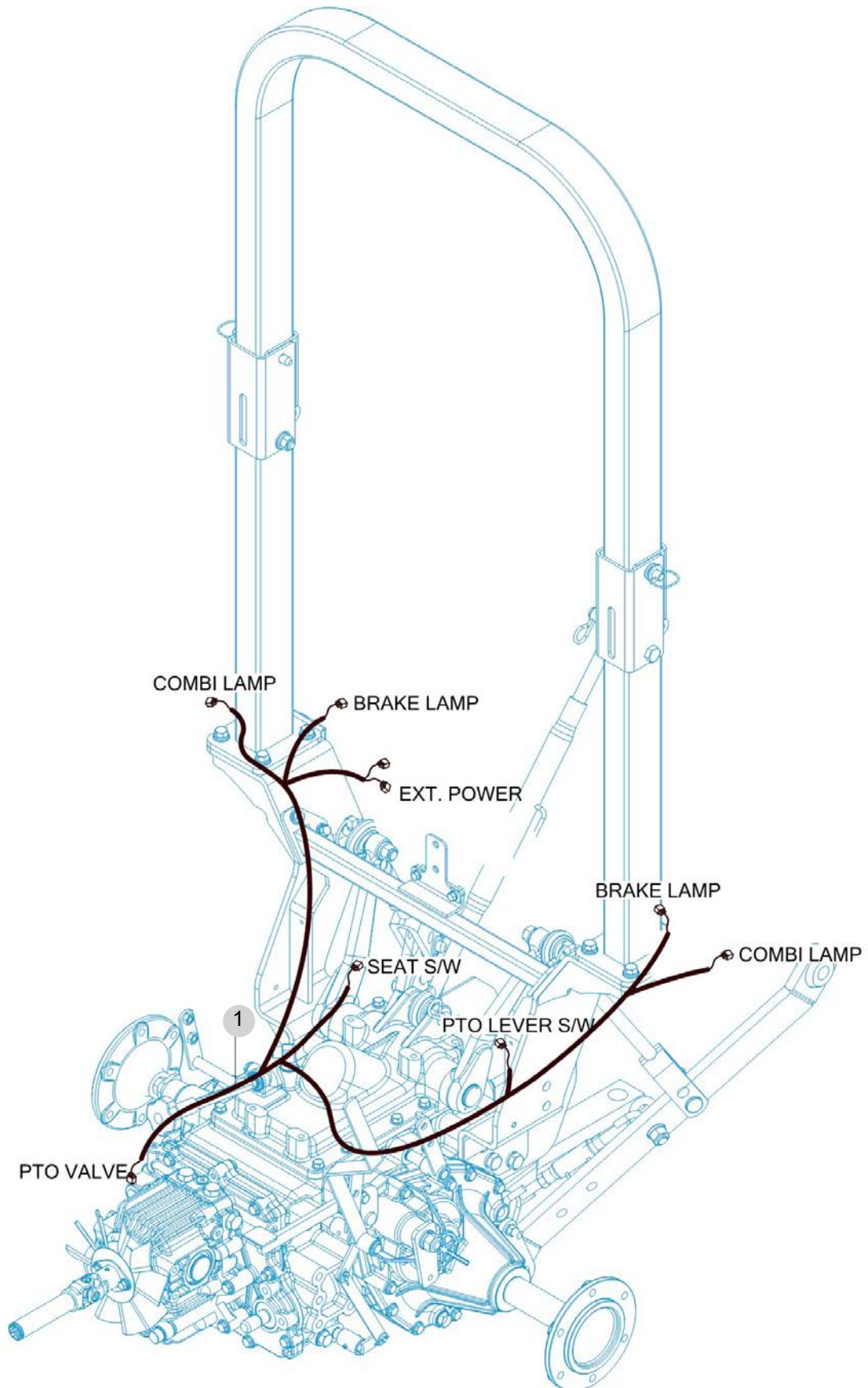
FIG 805

HARNESS (3)

년/월
Year/Month

T255NCEU

2022-12



NOTE

9. 라벨/옵션 PART NO. T9

FIG 901 TOOL & ACCESSORY	173
FIG 902 WEIGHT	175
FIG 903 LABEL (1)	177
FIG 904 LABEL (2)	179

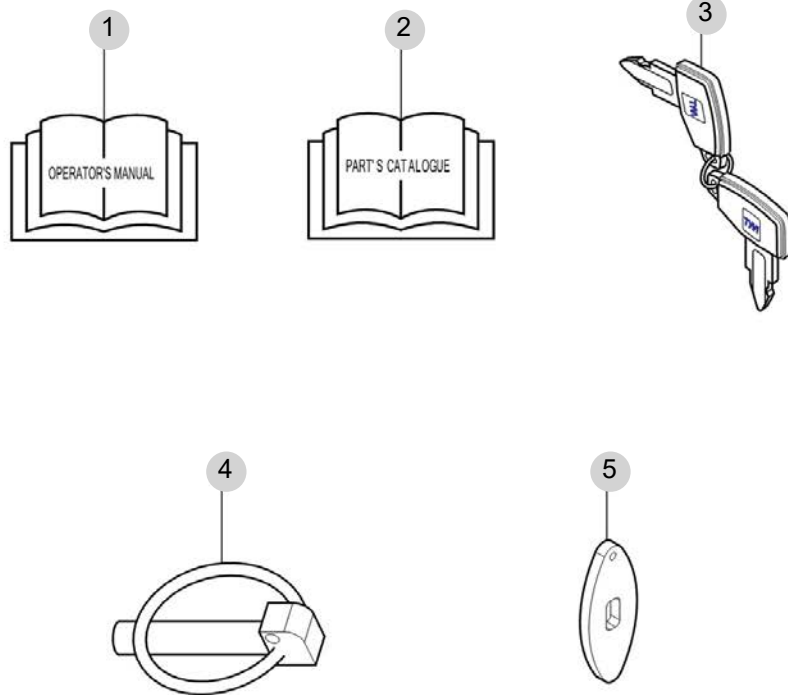
FIG 901

T255NCEU

TOOL & ACCESSORY

년/월
Year/Month

2022-12



NOTE

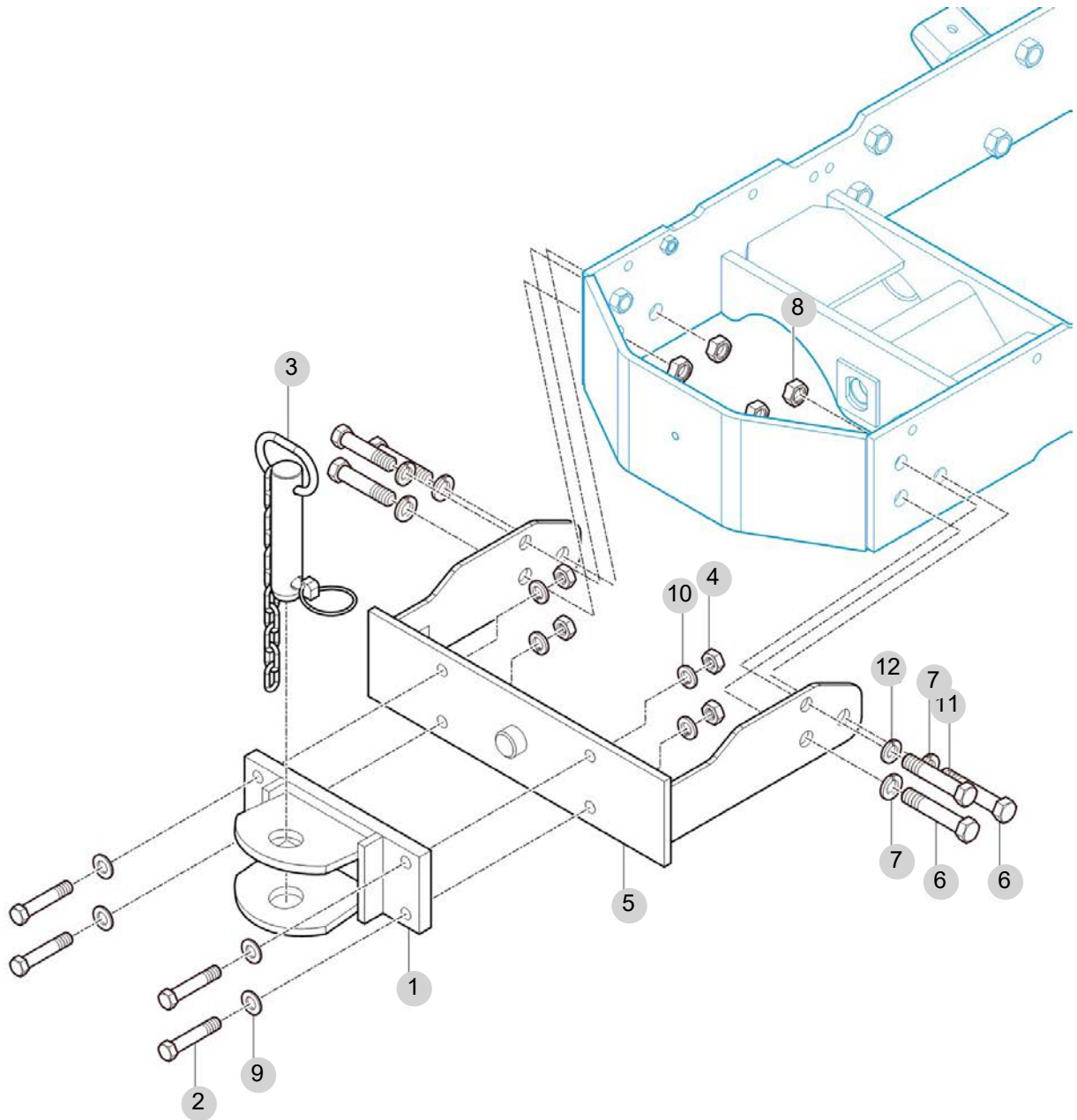
FIG 902

T255NCEU

WEIGHT

년/월
Year/Month

2022-12



NOTE

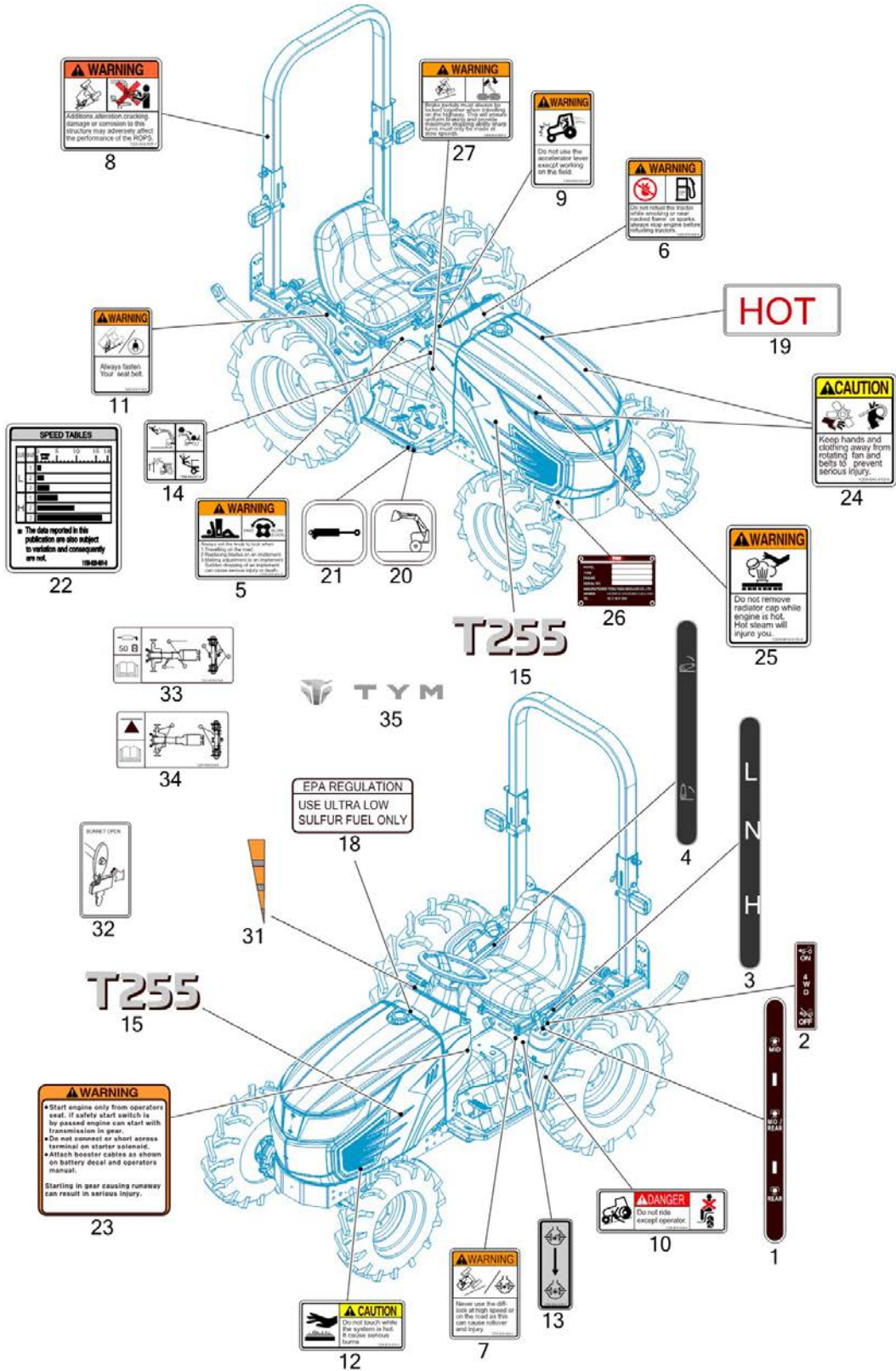
FIG 903

T255NCEU

LABEL (1)

년/월
Year/Month

2022-12



NOTE

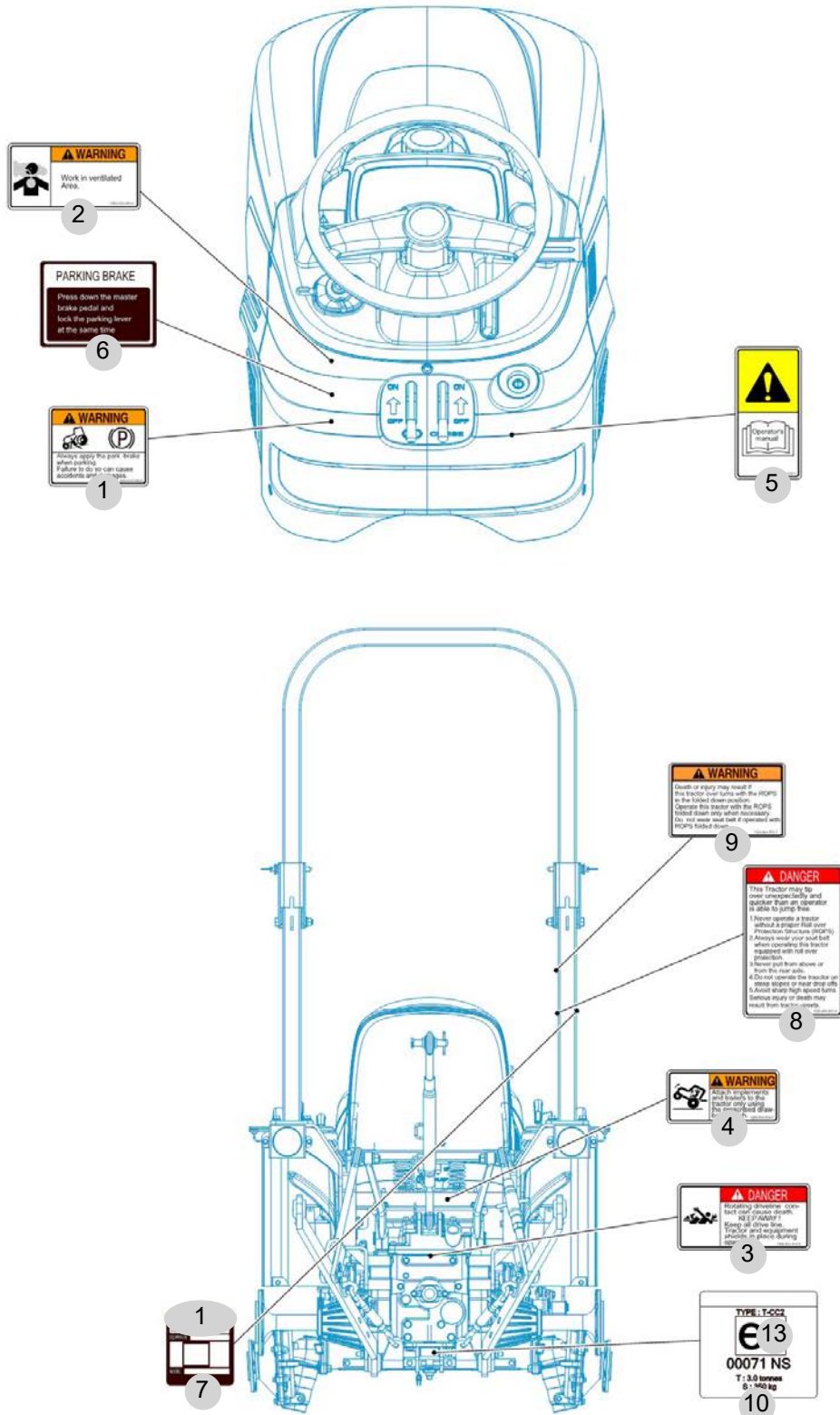
FIG 904

T255NCEU

LABEL (2)

년/월
Year/Month

2022-12



NOTE

