

5025C(AC02119) TRACTOR

Parts Catalogue



CONTENTS

GROUP NO	GROUP NAME	PAGE
G. ENGINE		
A01_007	CYLINDER BLOCK	6
A02_005	DRIVE PULLY	8
A03_004	CRANK SHAFT PULLEY	10
A04_005	GLOW PLUG ASS'Y OPTION	12
A05_005	CRANK SHAFT ASS'Y OPTION	14
A06_004	BREATHER OPTION	16
A07_005	CAMSHAFT	18
A08_006	ALTERNATOR	20
A09_007	COOLING WATER PUMP	22
A10_008	COOLING FAN SPACER	24
A11_007	INJECTOR	26
A12_014	FUEL INJECTON	28
A13_005	PLUMBING, FUEL	30
A14_003	FUEL FILTER BRACKET	33
A16_018	FUEL FILTER ASS'Y OPTION	35
A17_012	INTAKE MANIFOLD ASS'Y OPTION	37
A18_011	FLYWHEEL	39
A19_009	FLYWHEEL HOUSING	41
A20_010	HEAD, CYLINDER	43
A21_004	HEAD COVER	45
A23_009	TURBOCHARGER SUPPORT ASS'Y OPTION	47
A25_002	OIL JET ASS'Y OPTION	49
A26_005	COOLER, ENGINE OIL	51
A27_010	OIL PAN ASS'Y OPTION	53
A28_001	PUMP, LUBRICATING OIL	55
A29_005	FILTER, LUBRICATING OIL	57
A30_003	FRONT GEAR ACCESSORY DRIVE	59
A31_007	PISTON	61
A32_003	LEVER, LOCKER	63
A33_013	EXHAUST MANIFOLD	65
A35_002	IDLE GEAR	67
A36_004	COVER, FRONT GEAR	69
A37_001	BALANCE ASS'Y	71
A38_007	GAUGE, OIL LEVEL	73

CONTENTS

GROUP NO	GROUP NAME	PAGE
G. ENGINE		
A39_001	OIL FILLER CAP	75
A40_003	LIFT ASS'Y OPTION	77
A41_001	COMP,DRIVE PULLEY ASS'Y OPTION	79
A42_003	MOTER, STARTIONS	81
A43_001	DPF SUPPORT OPTION	83
A44_006	DPF MOUNTING OPTION	85
A45_012	DPF	87
A48_006	V-BELT	89
A50_001	COMPRESSOR BRACKET ASS'Y	91
B. ENGINE ACCESSORIES		
B01010	FUEL TANK	93
B02020	RADIATOR	95
B05011	LEVER ACCELERATOR	97
C. CLUTCH, BREAK, LEVER		
C01030	CLUTCH PEDAL	99
C02010	BRAKE PEDAL	101
C02032	BRAKE LINK	103
C02050	PARKING BRAKE	105
C02051	CABLE, PARKING BRAKE	107
C04010	SHUTTLE ASS'Y	109
C04031	LEVER, MAIN SHIFT	111
C04041	DIFF-LOCK PEDAL	113
C04060	SCV LEVER	115
C04071	LEVER ASS'Y, PTO SPEED CHANGE	117
D. HYDRAULIC		
D01010	HYD PUMP	119
D01020B	LOW PRESSURE PIPE	121
D01040	HYD FILTER	123
D01050	SCV VALVE	125
D02010	STEERING WHEEL	127
D02030	PST HOSE	129
D02040	PST CYLINDER	131
D04000	HYDRAULIC CYLINDER	133
E. FRONT AXLE		

CONTENTS

GROUP NO	GROUP NAME	PAGE
E. FRONT AXLE		
E01010	FRONT AXLE CASE	135
E01013	FRONT AXLE CASE/SPACER	137
E01020	SHAFT COVER	139
E01030	GEAR CASE, FRONT AXLE	141
E01070	FORNT DRIVE SHAFT	143
E01080	TIE ROD	145
F. TRANSMISSION		
F01010	CLUTCH HOUSING	147
F01020	TRANSMISSION CASE	149
F01030	HOUSING, REAR AXLE	152
F02010	CLUTCH RELEASE	154
F02020	CLUTCH SHAFT	156
F02060	REVERSE IDLE SHAFT	158
F02080	CLUTH DISC	160
F03040	RANGE SHIFT DRIVE SHAFT	162
F03050	RANGE SHIFT DRIVEN SHAFT	164
F03060	COUNTER SHAFT	166
F03080	GUIDE SHAFT, MAIN SHIFT	168
F04010	FRONT WHEEL DRIVE SHAFT	170
F04030	FRONT WHEEL DRIVE IDLE SHAFT	172
F05000	DIFFERENTIAL ASS'Y	174
F06030	BRAKE	176
F07000	PTO	178
F07050	PTO VALVE	181
F07120	ROD ASSY, PTO & 4WD	183
F08060	FORK, PTO SHIFT	185
F10020	LIFT ARM	187
F10030	SAFTY VALVE	189
F10040	STOP VALVE	191
F10061	DRAFT/ POSITION CONTROL LEVER	193
F10063	DRAFT CONTROL	195
F10064	POSITION CONTROL LEVER	197
F10120	REAR SCV	199
F11020	FRONT DRIVE & RANGE SHIFT LEVER	201

CONTENTS

GROUP NO	GROUP NAME	PAGE
G. SHEET METAL, CABIN		
G01020	BONNET	203
G01040	LATCHING DEVICE, BONNET	205
G01060A	FIXED BRACKET, BONNET	207
G01080	FRONT AXLE BRACKET	209
G02010	CABIN FRAME	211
G02011	PILLAR COVER	213
G02020	DASH BOARD	215
G02030	SIDE MIRROR	217
G02050	DOOR ASS'Y	219
G02071	FRONT WINDOWS	221
G02072	REAR WINDOWS	223
G02131	ROOF/OUTER	225
G02132	ROOF/INNER	227
G02140	DRIVER'S SEAT	229
G02150	FLOOR MAT	231
G02181	FENDER COVER/LH	233
G02182	FENDER COVER/RH	235
G02190	FENDER ASS'Y	237
G03010	AIR CONDITIONER	239
G03020	A/C DUCT	241
G03080	A.C HOSE/CONDENSER HOSE	243
G03091	COMPRESSOR	245
G05020	TOP LINK	247
G05030	LOWER LINK	249
G05050	LIFT LINK/LH,RH	251
G05070	DRAWBAR	253
H. ELECTRICALS, HARNESS		
H01030	BATTERY	255
H02020	COMBINATION LAMP	257
H03000	HARNESS	259
H04030	INSTRUMENT PANEL	261
H04050	SWITCH	263
H04090	HORN	265
H05040	WASHER LIQUID TANK	267

CONTENTS

GROUP NO	GROUP NAME	PAGE
I. WEIGHT, TOOLS, TIRE		
I01010	FRONT WEIGHT	269
I03000	NAME PLATE	271
I03030	NAME PLATE	273
I05010	FRONT WHEEL&TIRE	275
I05020	REAR WHEEL&TIRE ASSY	277
I07010	SPARE TOOLS	279

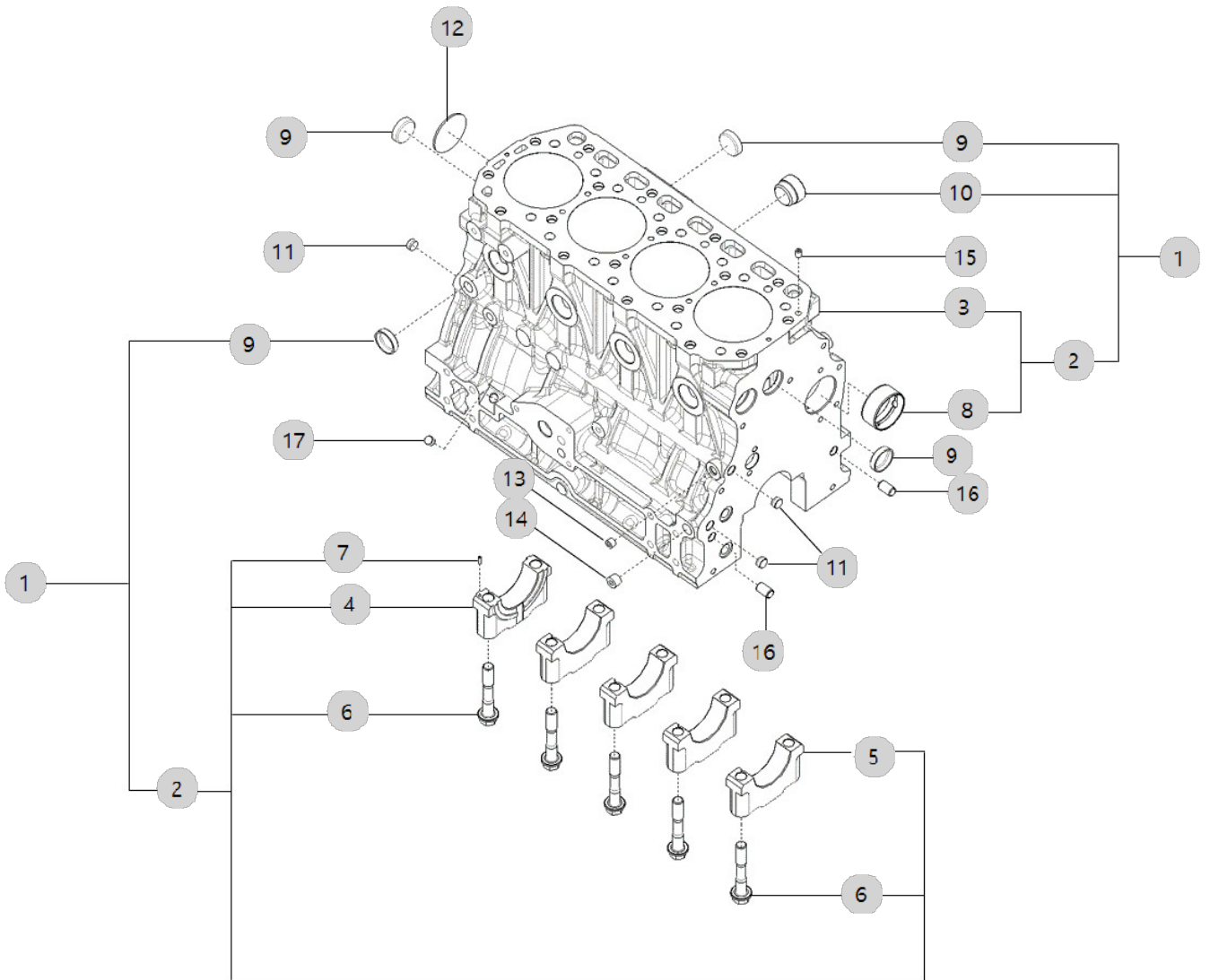
A01_007

A2300N2-ETC_5
(AB00329)

CYLINDER BLOCK

Year/Month

2022-12-16



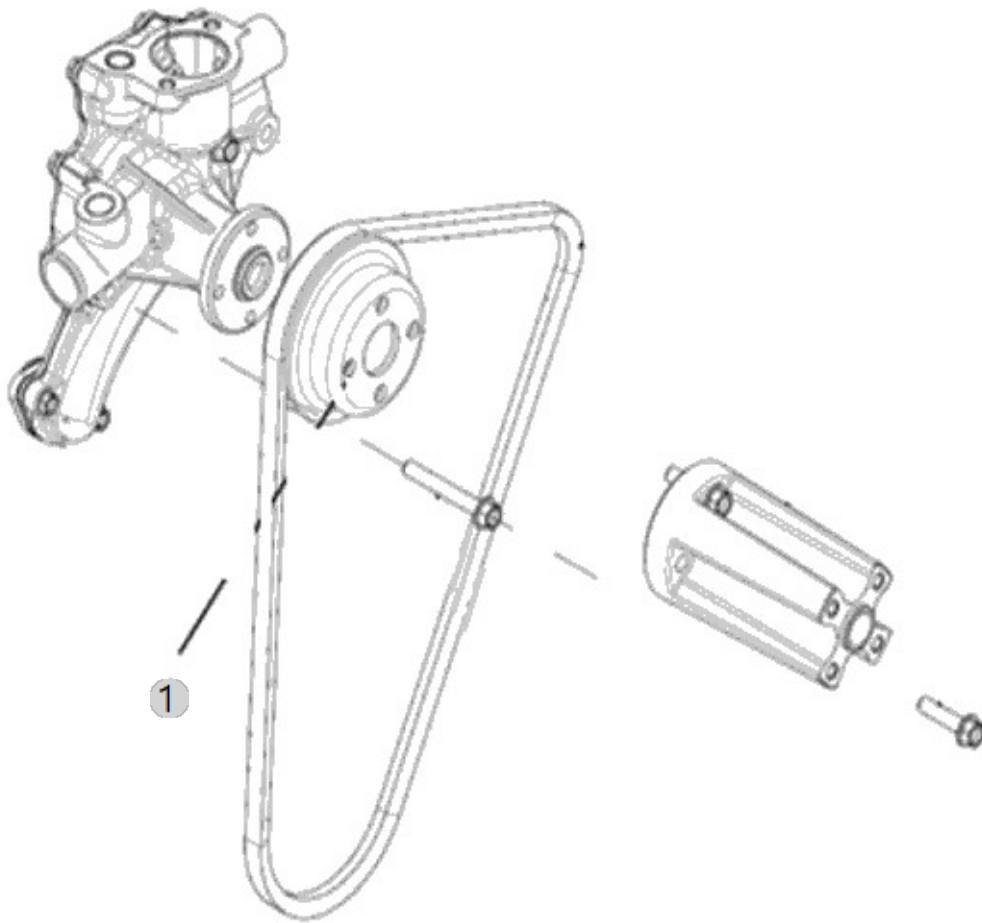
A02_005

A2300N2-ETC_5
(AB00329)

DRIVE PULLEY

Year/Month

2022-12-16



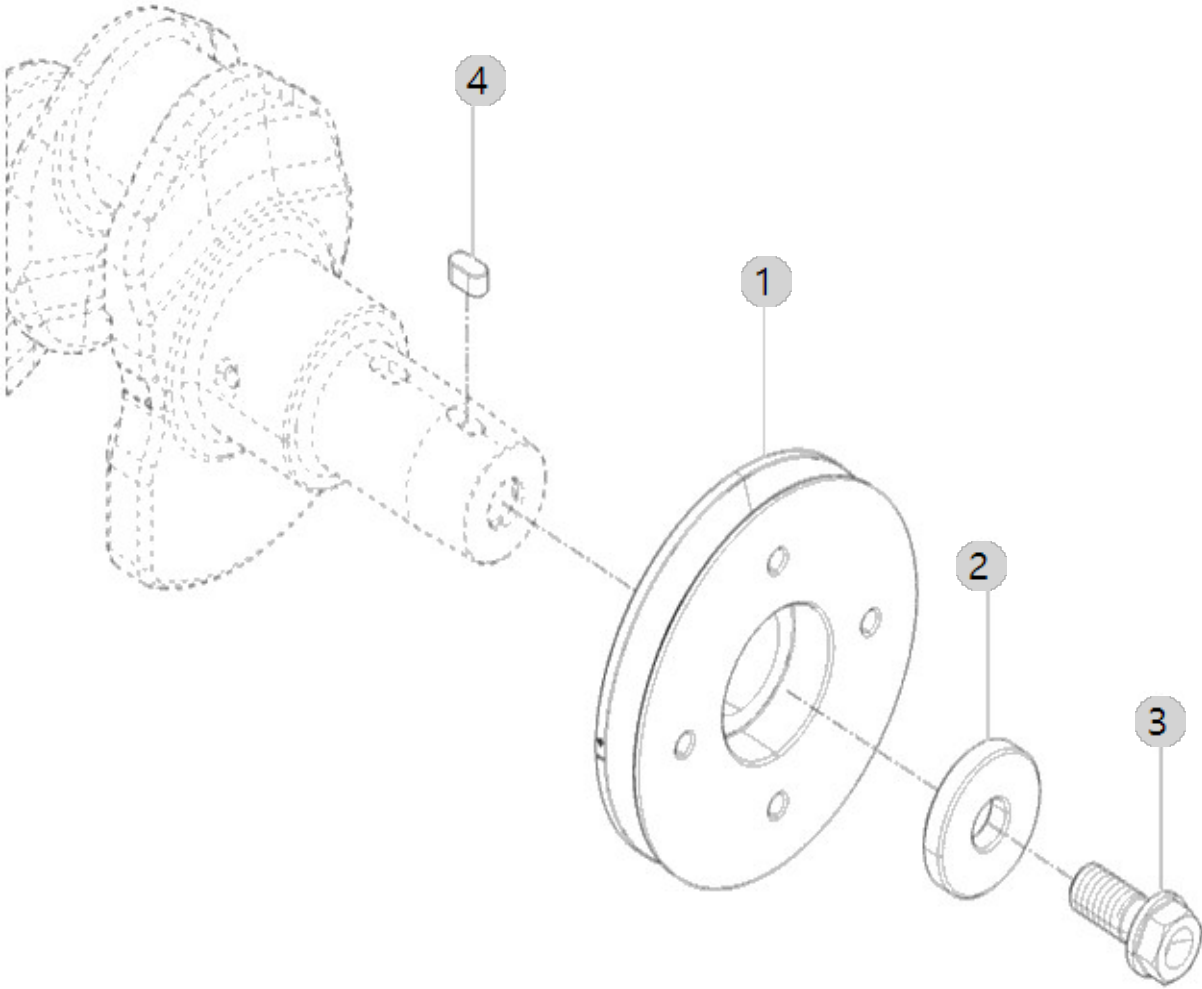
A03_004

A2300N2-ETC_5
(AB00329)

CRANK SHAFT PULLEY

Year/Month

2022-12-16



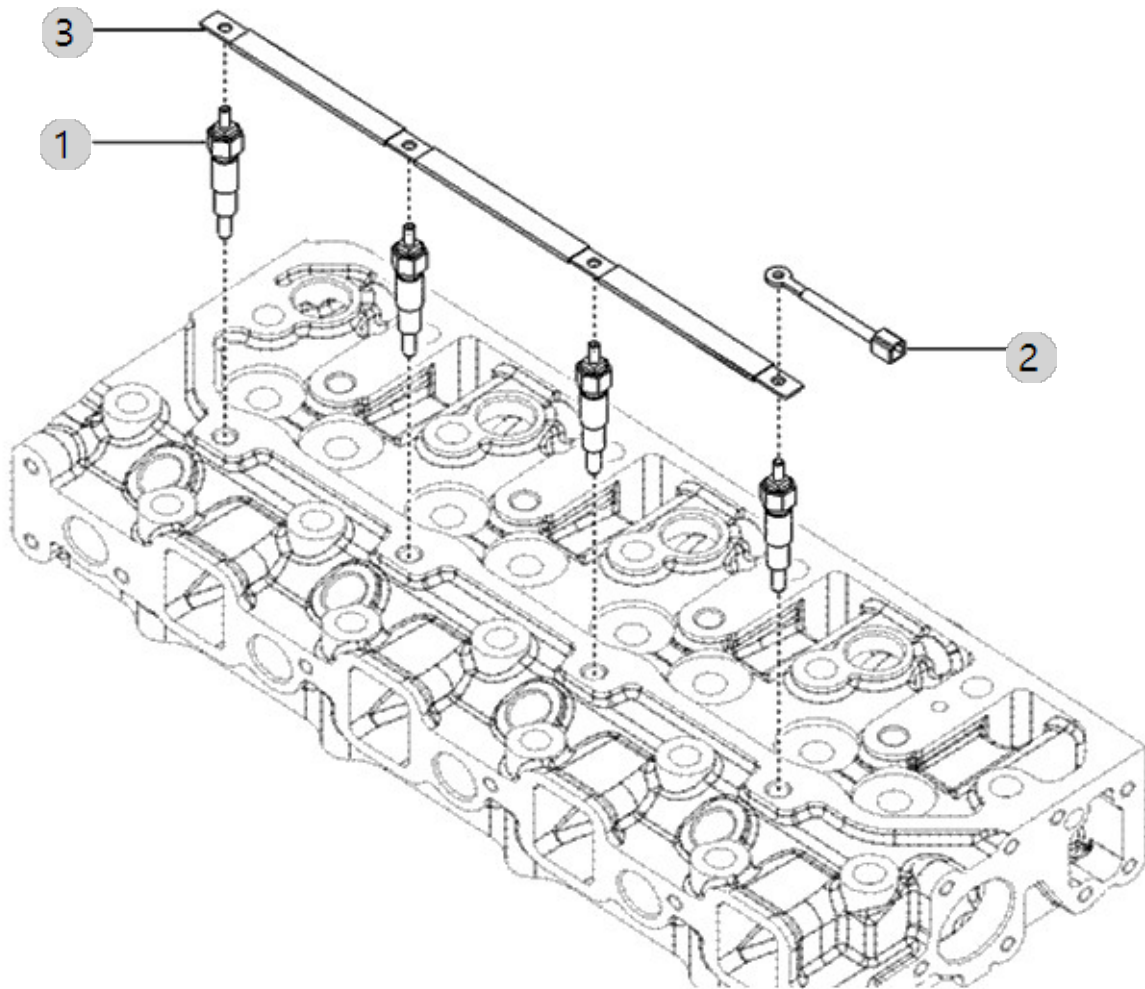
A04_005

A2300N2-ETC_5
(AB00329)

GLOW PLUG ASS'Y OPTION

Year/Month

2022-12-16



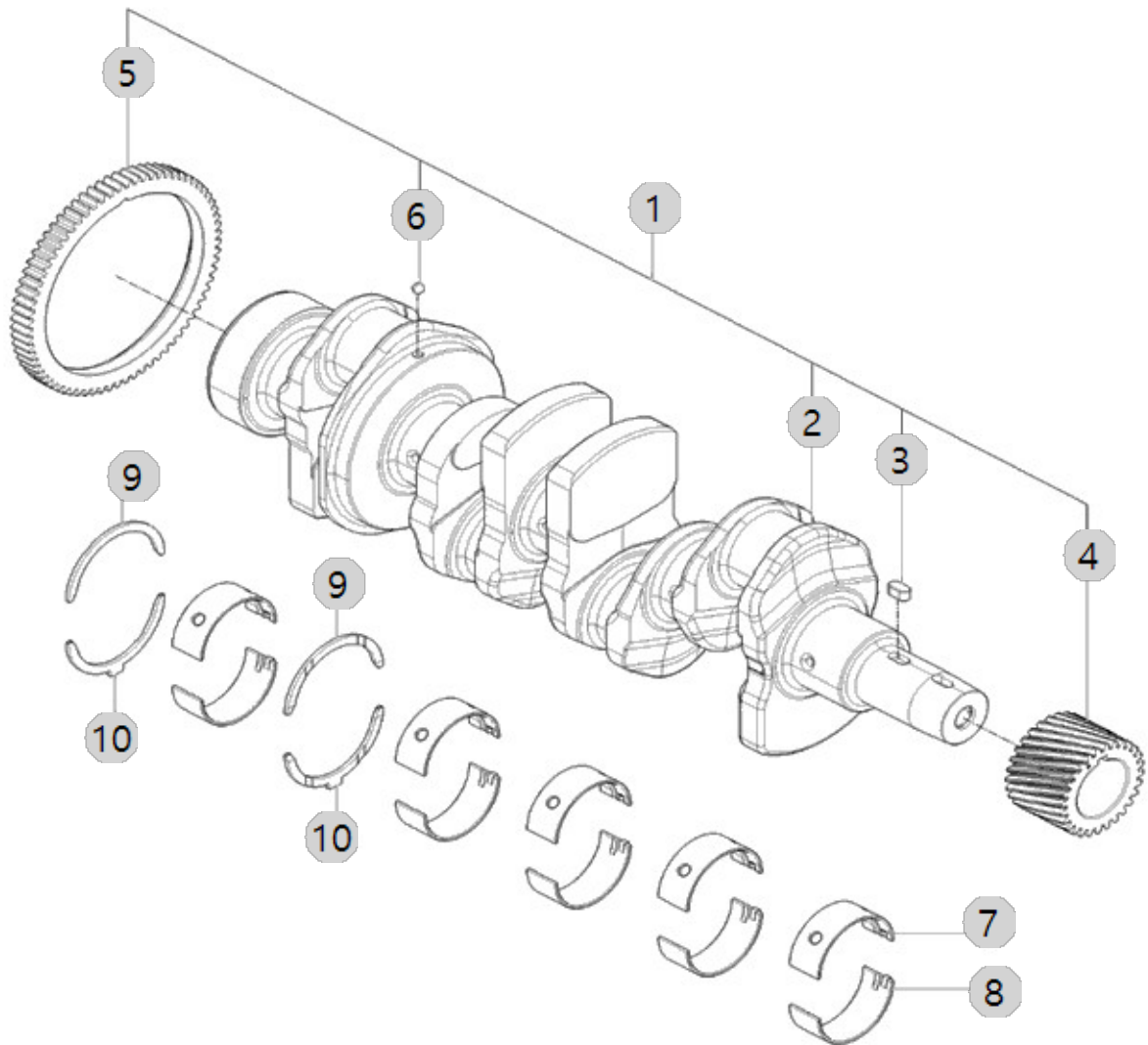
A05_005

A2300N2-ETC_5
(AB00329)

CRANK SHAFT ASS'Y OPTION

Year/Month

2022-12-16



A05_005 A2300N2-ETC_5 (AB00329)	CRANK SHAFT ASS'Y OPTION	Year/Month
		2022-12-16

순번 (NO)	부품번호 (PART NO)	품명 (PART NAME)	품명 (PART NAME)	수량 (QTY)	규격 (SPEC)	비고 (REMARK)
1	EA00004512A	크랭크축조합	CRANKSHAFT ASS'Y	1		
2	HRA0800101D0	크랭크축	CRANKSHAFT	1		
2	HRA0800101E0	크랭크축	CRANKSHAFT	1		
3	22512-070140	230,ALL,슬라이딩키(7*7*14)	KEY, SLIDING (07-14)	1	7X7X14	
4	HRA0800200A3	229,ALL,크랭크기어	GEAR, CRANK SHAFT	1		
5	HRA0800400A3	밸런스구동기어(A)	GEAR, BALANCERDRIVEN	1		
6	24190-080002	강구1/4	Ball, Steel	1	1/4	
7	HRA0100201A3	233,ALL,메인베어링(상)	BEARING, MAIN (UPPER)	5		
8	HRA0100202A3	234,ALL,메인베어링(하)	BEARING, MAIN (LOWER)	5		
9	HRA0100301A3	236,ALL,스러스트베어링(상)	THRUST BEARING, CRANKSHAFT (UPPER)	2		
10	HRA0100302A3	237,ALL,스러스트베어링(하)	THRUST BEARING, CRANKSHAFT (LOWER)	2		

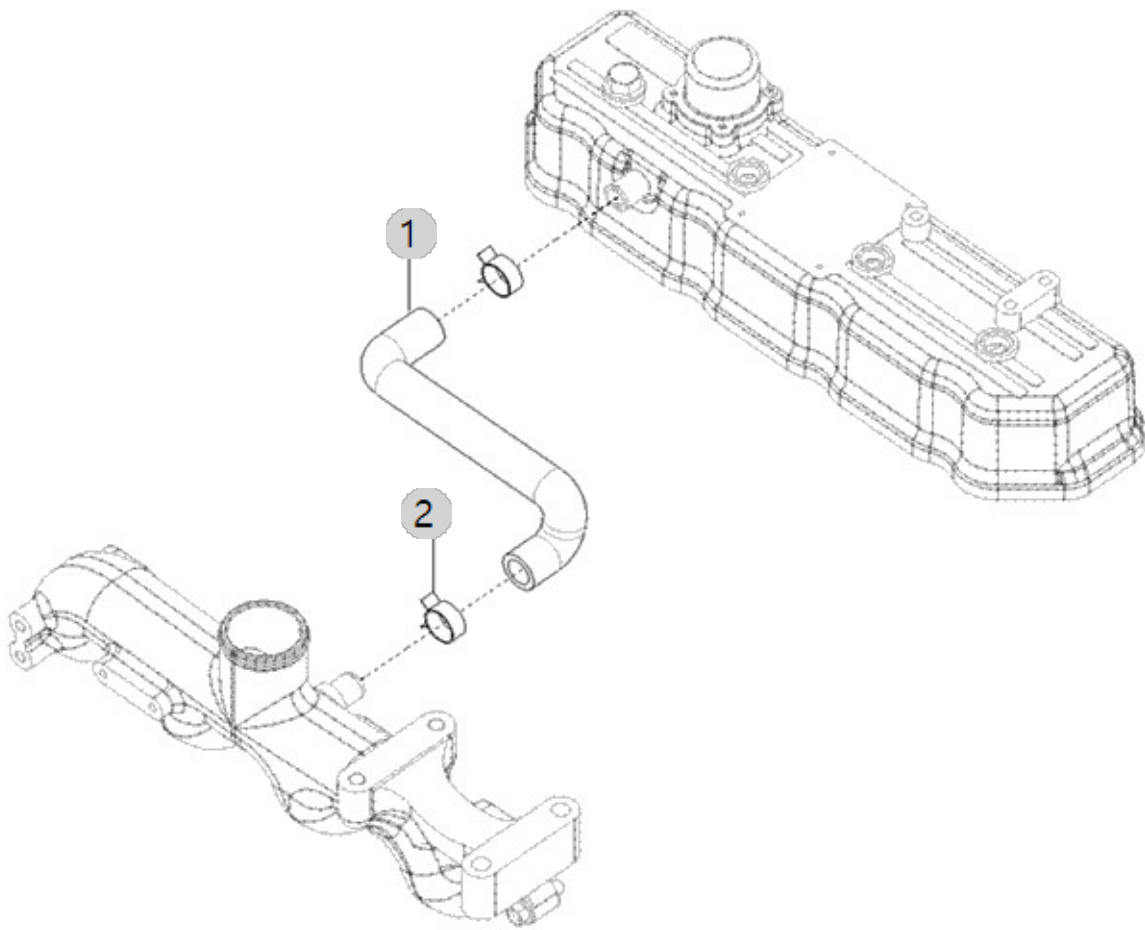
A06_004

A2300N2-ETC_5
(AB00329)

BREATHER OPTION

Year/Month

2022-12-16



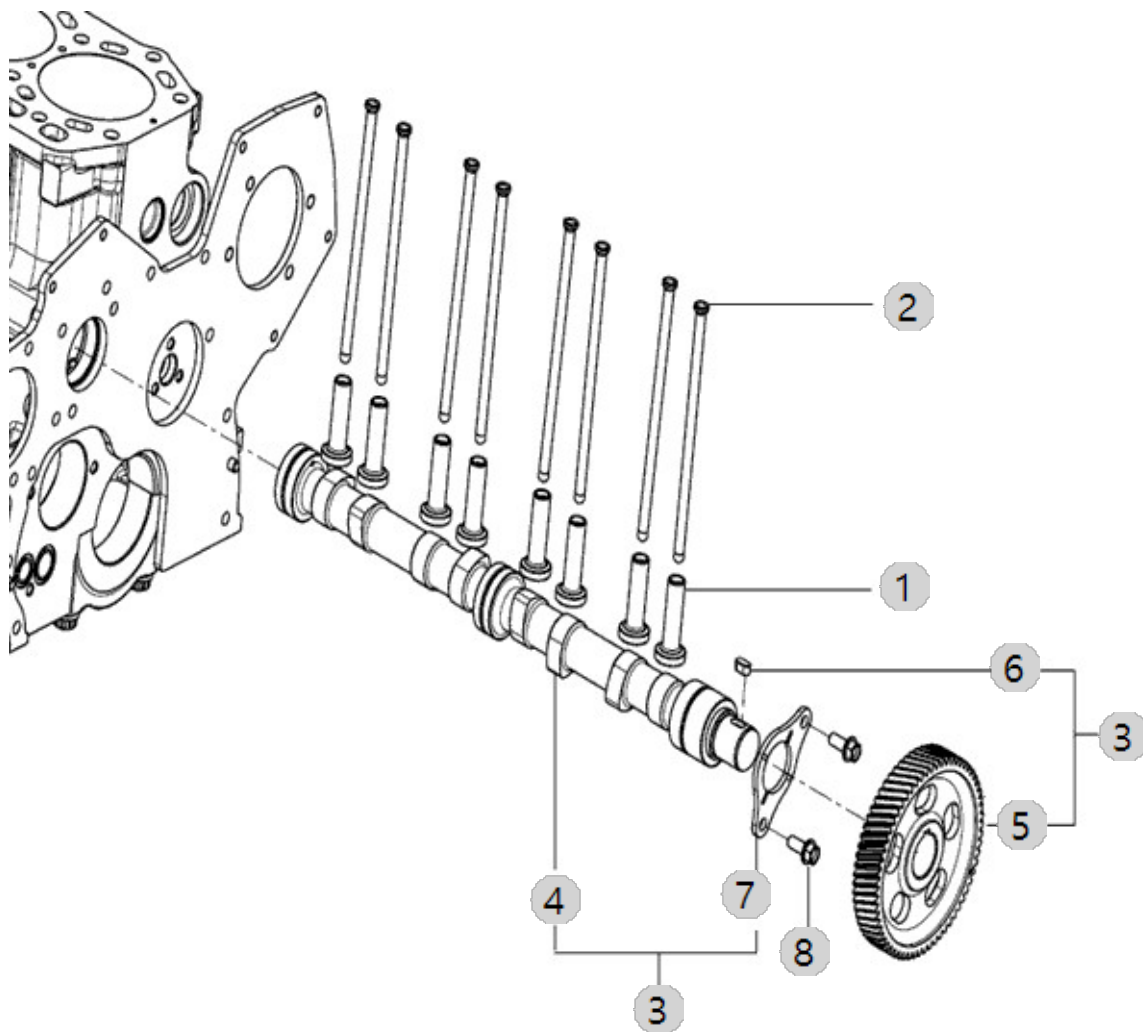
A07_005

A2300N2-ETC_5
(AB00329)

CAMSHAFT

Year/Month

2022-12-16



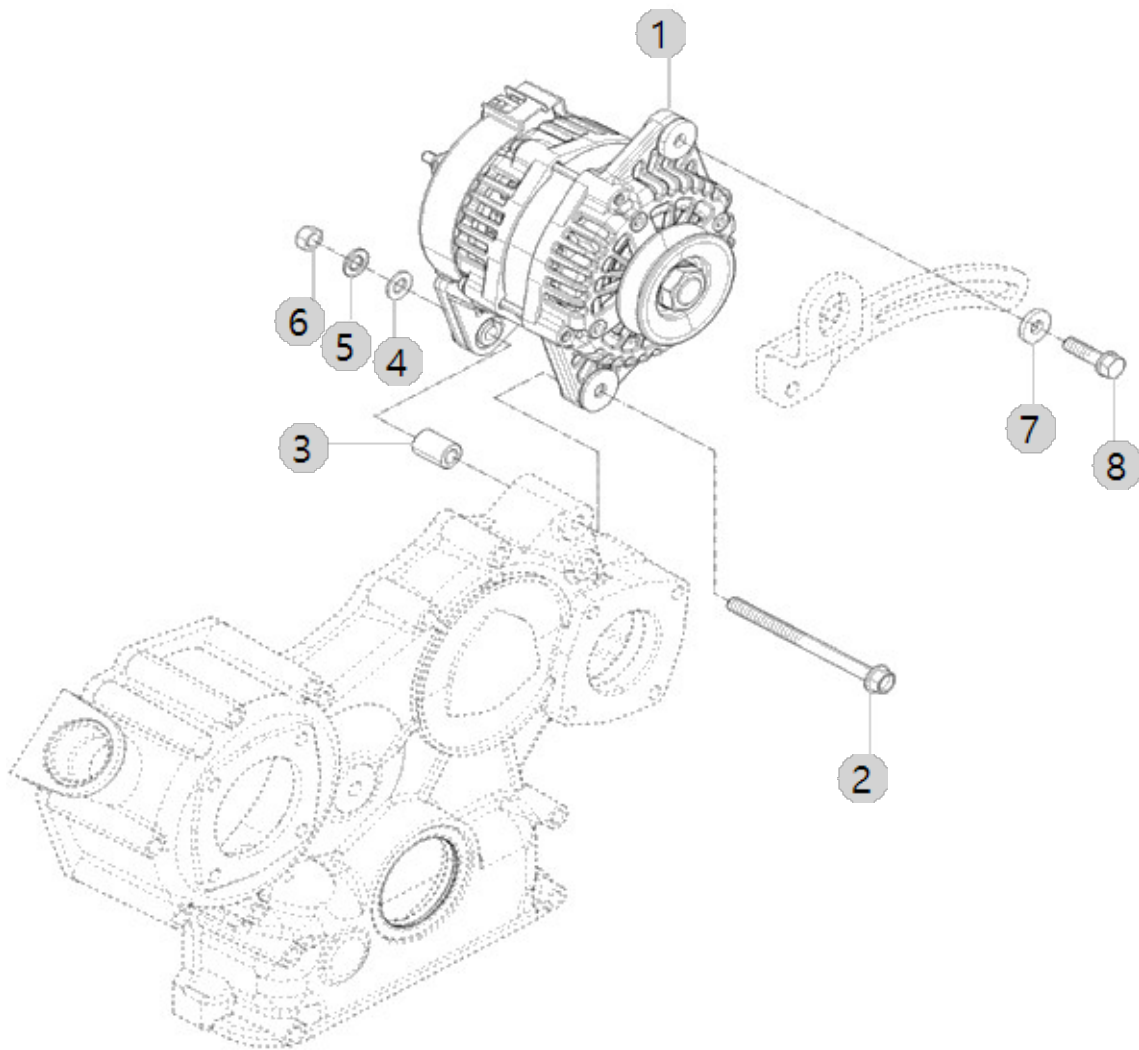
A08_006

A2300N2-ETC_5
(AB00329)

ALTERNATOR

Year/Month

2022-12-16



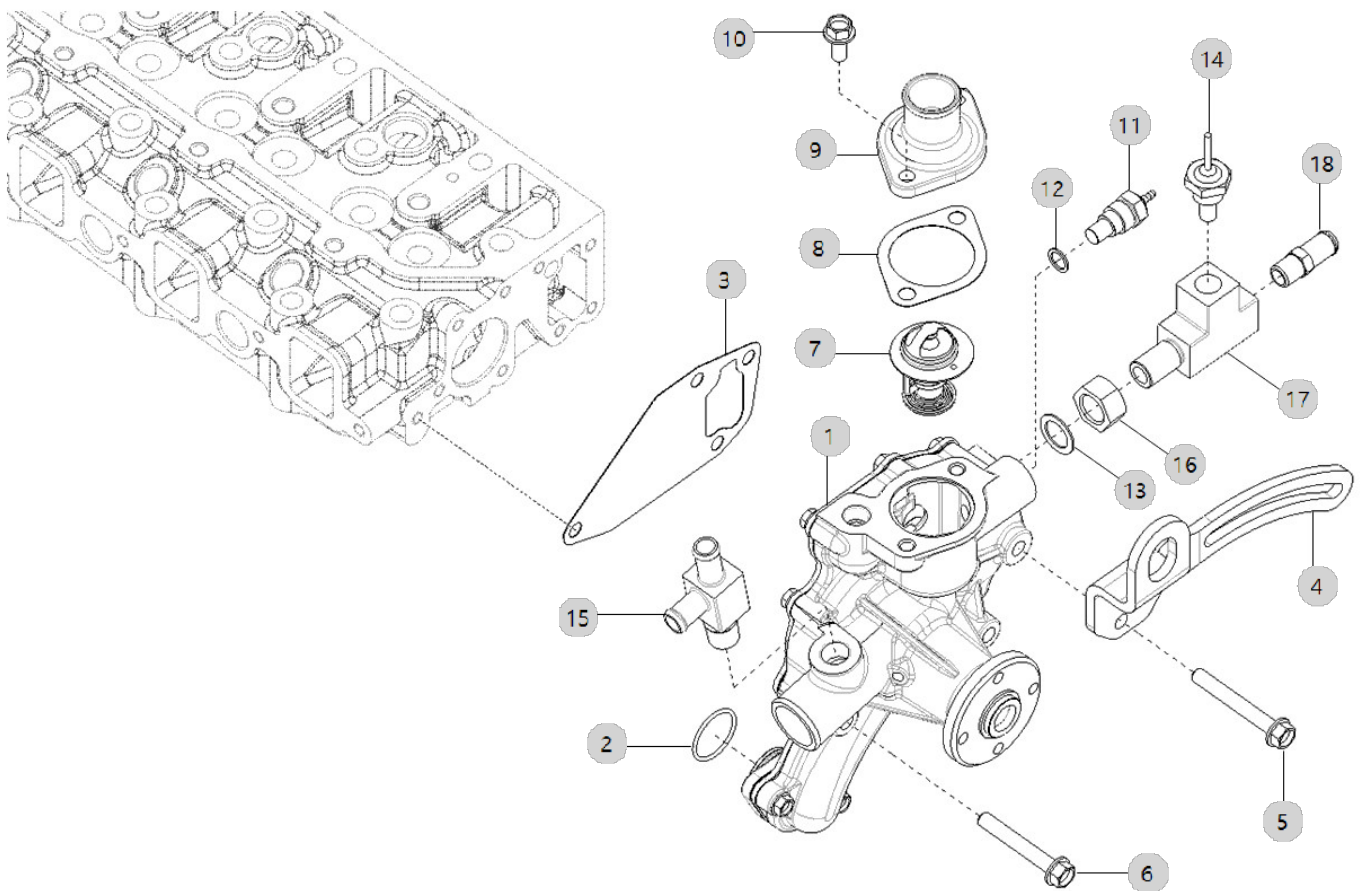
A09_007

A2300N2-ETC_5
(AB00329)

COOLING WATER PUMP

Year/Month

2022-12-16



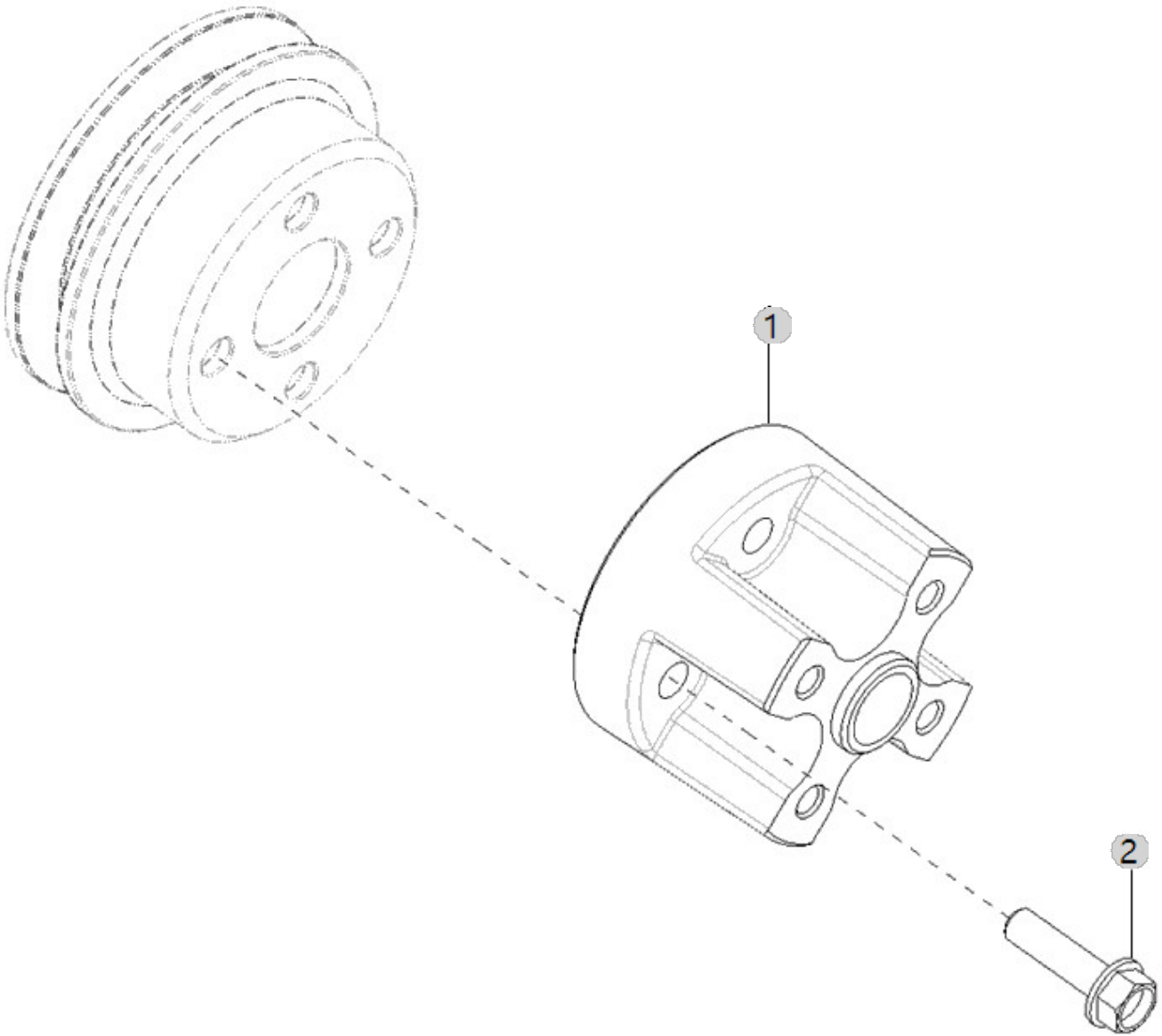
A10_008

A2300N2-ETC_5
(AB00329)

COOLING FAN SPACER

Year/Month

2022-12-16



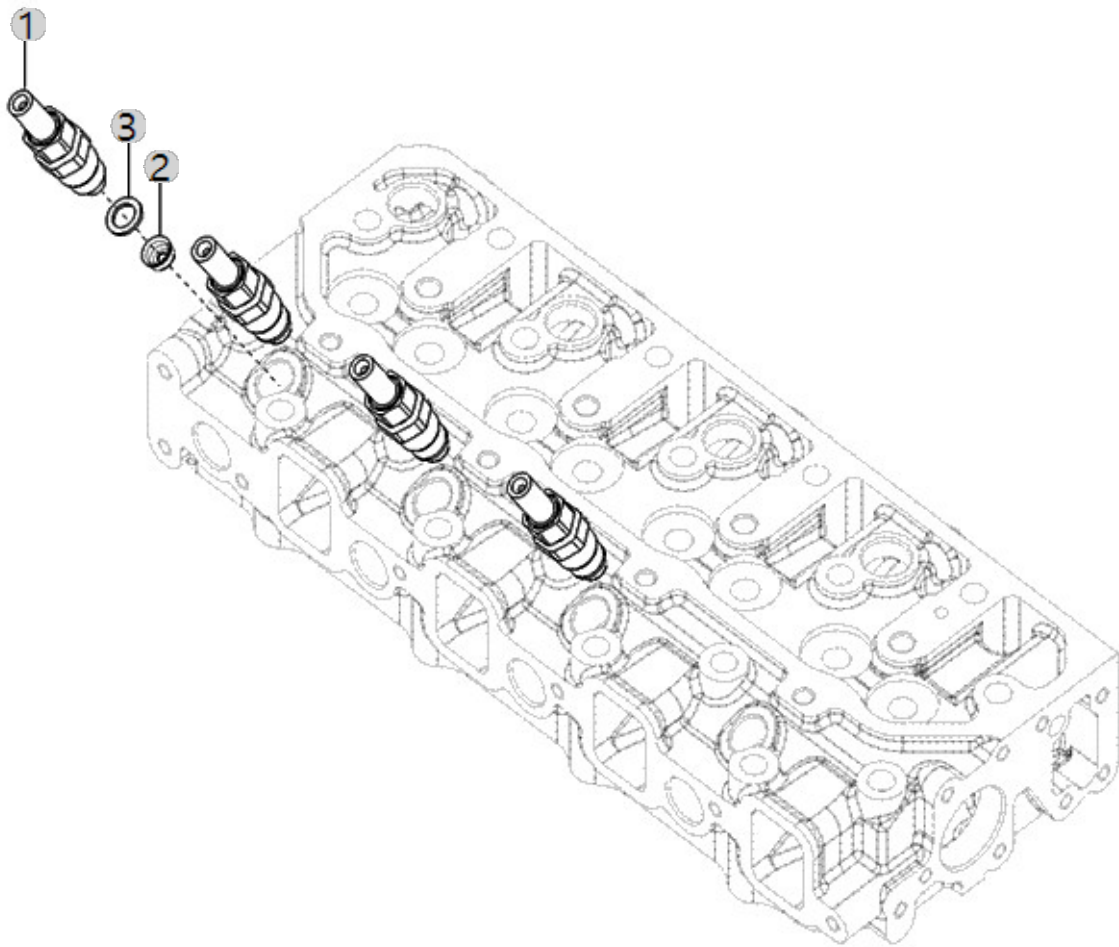
A11_007

A2300N2-ETC_5
(AB00329)

INJECTOR

Year/Month

2022-12-16



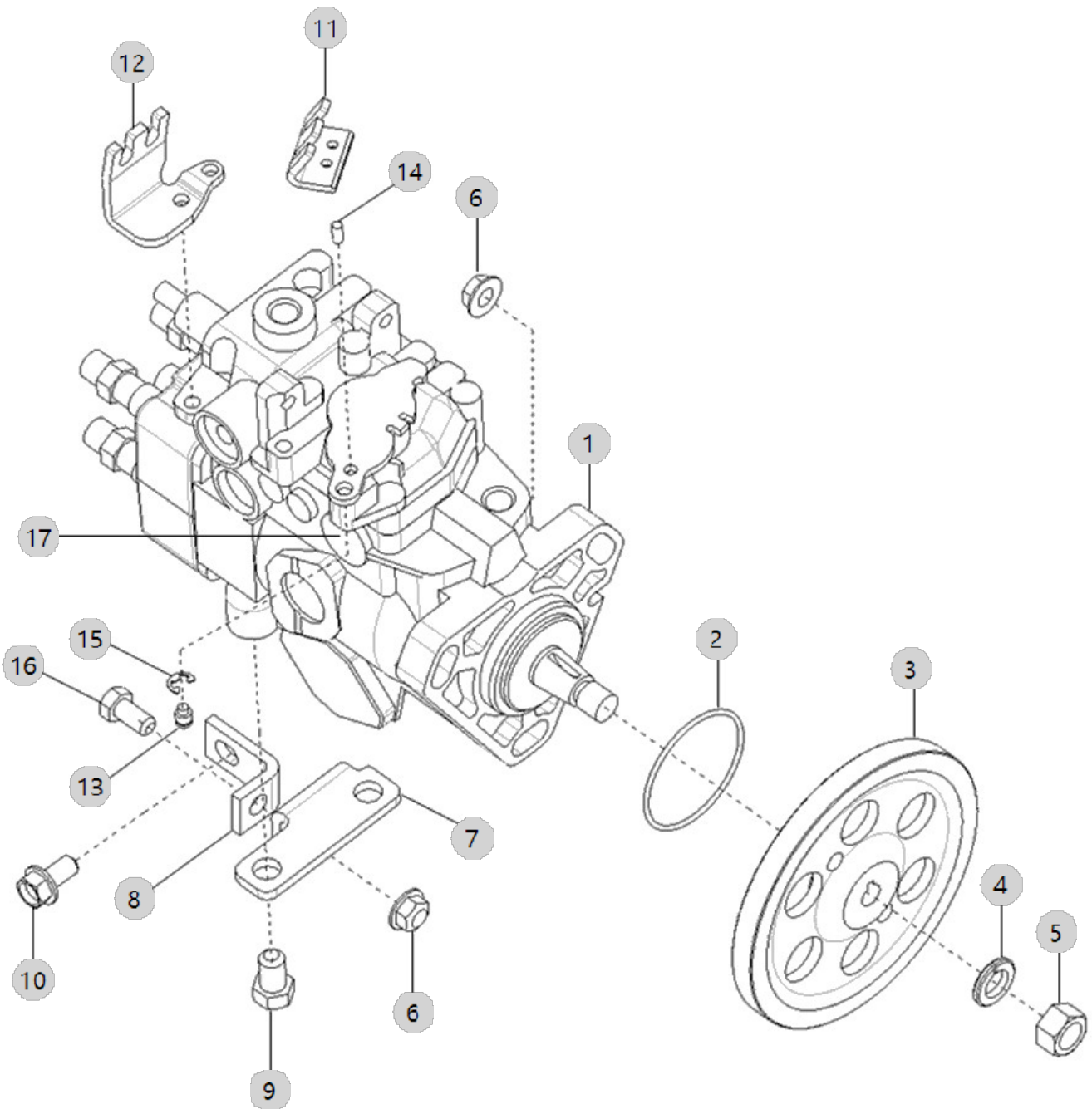
A12_014

A2300N2-ETC_5
(AB00329)

FUEL INJECTOR

Year/Month

2022-12-16



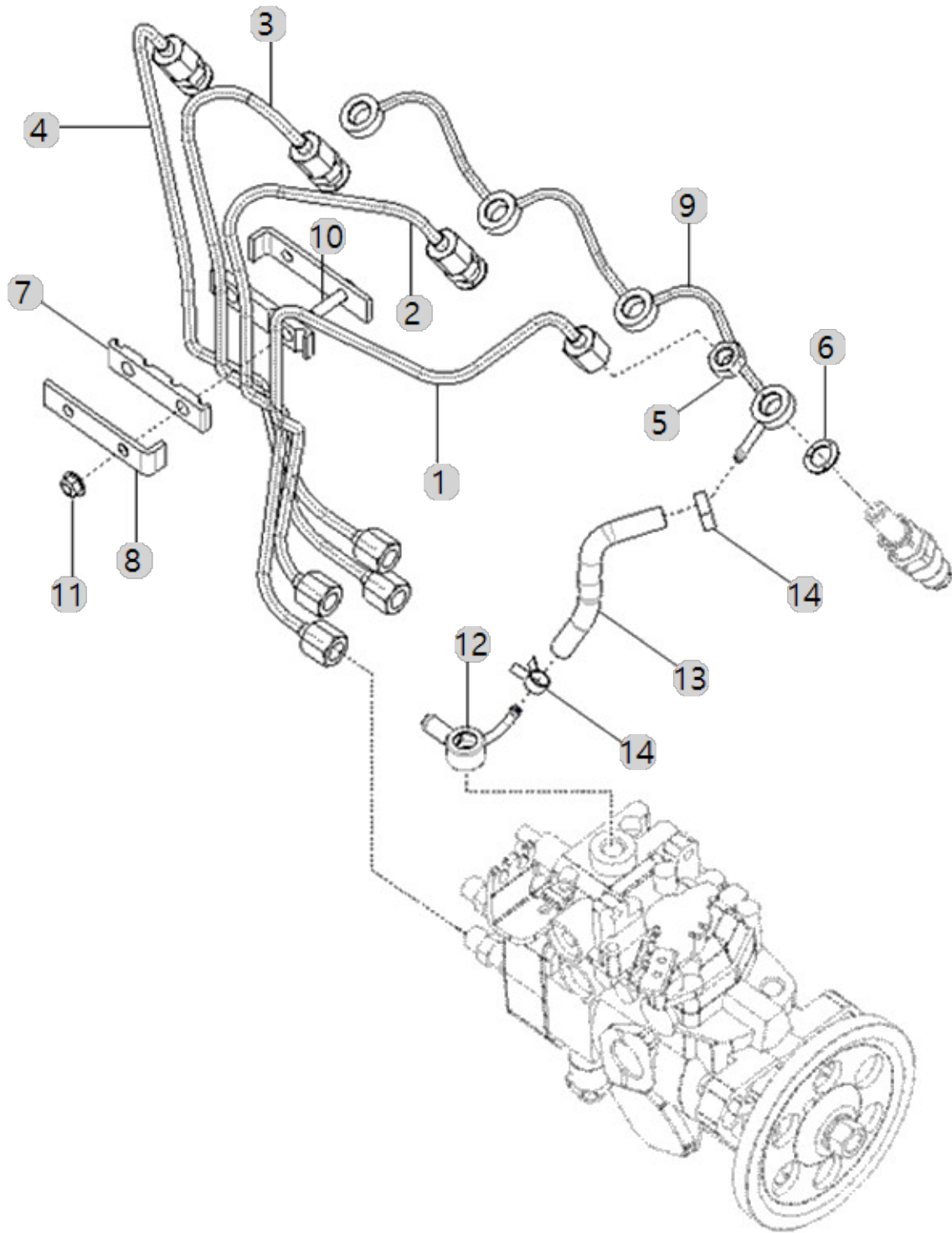
A13_005

A2300N2-ETC_5
(AB00329)

PLUMBING, FUEL

Year/Month

2022-12-16



A13_005 A2300N2-ETC_5 (AB00329)		PLUMBING, FUEL				Year/Month 2022-12-16
순번 (NO)	부품번호 (PART NO)	품명 (PART NAME)	품명 (PART NAME)	수량 (QTY)	규격 (SPEC)	비고 (REMARK)
1	HRA150050DC0	연료파이프조합(A)	TUBE,INJECTOR FUEL SUPPLY	1		
1	HRA150050DB0	299,A202322,연료파이프조합(A)	PIPE ASSY, FUEL SUPPLY A	1		
1	HRA150050DB0	299,A202322,연료파이프조합(A)	PIPE ASSY, FUEL SUPPLY A	1		
1	HRA150050DB0	299,A202322,연료파이프조합(A)	PIPE ASSY, FUEL SUPPLY A	1		
2	HRA150060DB0	300,A202322,연료파이프조합(B)	PIPE ASSY, FUEL SUPPLY (B)	1		
2	HRA150060DC0	연료파이프조합(B)	TUBE,INJECTOR FUEL SUPPLY	1		
2	HRA150060DB0	300,A202322,연료파이프조합(B)	PIPE ASSY, FUEL SUPPLY (B)	1		
2	HRA150060DB0	300,A202322,연료파이프조합(B)	PIPE ASSY, FUEL SUPPLY (B)	1		
3	HRA150070DB0	301,A202322,연료파이프조합(C)	PIPE ASSY, FUEL SUUPPLY C	1		
3	HRA150070DB0	301,A202322,연료파이프조합(C)	PIPE ASSY, FUEL SUUPPLY C	1		
3	HRA150070DB0	301,A202322,연료파이프조합(C)	PIPE ASSY, FUEL SUUPPLY C	1		
3	HRA150070DC0	연료파이프조합(C)	TUBE,INJECTOR FUEL SUPPLY	1		
4	HRA150080DB0	302,A202322,연료파이프조합(D)	PIPE ASSY, FUEL SUPPLY D	1		
4	HRA150080DC0	연료파이프조합(D)	TUBE,INJECTOR FUEL SUPPLY	1		
4	HRA150080DB0	302,A202322,연료파이프조합(D)	PIPE ASSY, FUEL SUPPLY D	1		
4	HRA150080DB0	302,A202322,연료파이프조합(D)	PIPE ASSY, FUEL SUPPLY D	1		
5	HK13450000A4	육각고정너트	NUT,REGULARHEXAGON	4	M12X1.5	
5	HK13450000A4	육각고정너트	NUT,REGULARHEXAGON	4	M12X1.5	
5	HK13450000A4	육각고정너트	NUT,REGULARHEXAGON	4	M12X1.5	
5	HK13450000A4	육각고정너트	NUT,REGULARHEXAGON	4	M12X1.5	
6	HK13440000A4	306,ALL,패킹(조인트)(와류실)	GASKET,FUELMANIFOLD	4		
6	HK13440000A4	306,ALL,패킹(조인트)(와류실)	GASKET,FUELMANIFOLD	4		
6	HK13440000A4	306,ALL,패킹(조인트)(와류실)	GASKET,FUELMANIFOLD	4		
6	HK13440000A4	306,ALL,패킹(조인트)(와류실)	GASKET,FUELMANIFOLD	4		
7	HRA1502700A4	462,ALL,브래킷고무	RUBBER,BRACKET	2		
7	HRA1502700A4	462,ALL,브래킷고무	RUBBER,BRACKET	2		
7	HRA1502700A4	462,ALL,브래킷고무	RUBBER,BRACKET	2		
7	HRA1502700A4	462,ALL,브래킷고무	RUBBER,BRACKET	2		
8	HRA1502800A4	브래킷판	CLAMP,TUBE	1	T 3.2	
8	HRA1502800A4	브래킷판	CLAMP,TUBE	1	T 3.2	
8	HRA1502800A4	브래킷판	CLAMP,TUBE	2	T 3.2	
8	HRA1502800A4	브래킷판	CLAMP,TUBE	1	T 3.2	
8	HRA1502800B4	브래킷판	CLAMP,TUBE	2	T 3.2	
9	HRA1500900C3	퇴유파이프조합	PIPE ASSY, FUEL RETURN	1		
9	HRA1500900C3	퇴유파이프조합	PIPE ASSY, FUEL RETURN	1		
9	HRA1500900C3	퇴유파이프조합	PIPE ASSY, FUEL RETURN	1		
9	HRA1500900D3	퇴유파이프조합	PIPE ASSY, FUEL	1		
10	HRA1502600B4	브래킷(연료파이프)	BRACKET,PIPE	1		
10	HRA1502600B4	브래킷(연료파이프)	BRACKET,PIPE	1		
10	HRA1502600B4	브래킷(연료파이프)	BRACKET,PIPE	1		
10	HRA1502600B4	브래킷(연료파이프)	BRACKET,PIPE	1		
11	26367-060002	플랜지너트	Nut, Hexa (Φ6)	2	M6XP1.0	
11	26367-060002	플랜지너트	Nut, Hexa (Φ6)	2	M6XP1.0	
11	26367-060002	플랜지너트	Nut, Hexa (Φ6)	2	M6XP1.0	
11	26367-060002	플랜지너트	Nut, Hexa (Φ6)	2	M6XP1.0	

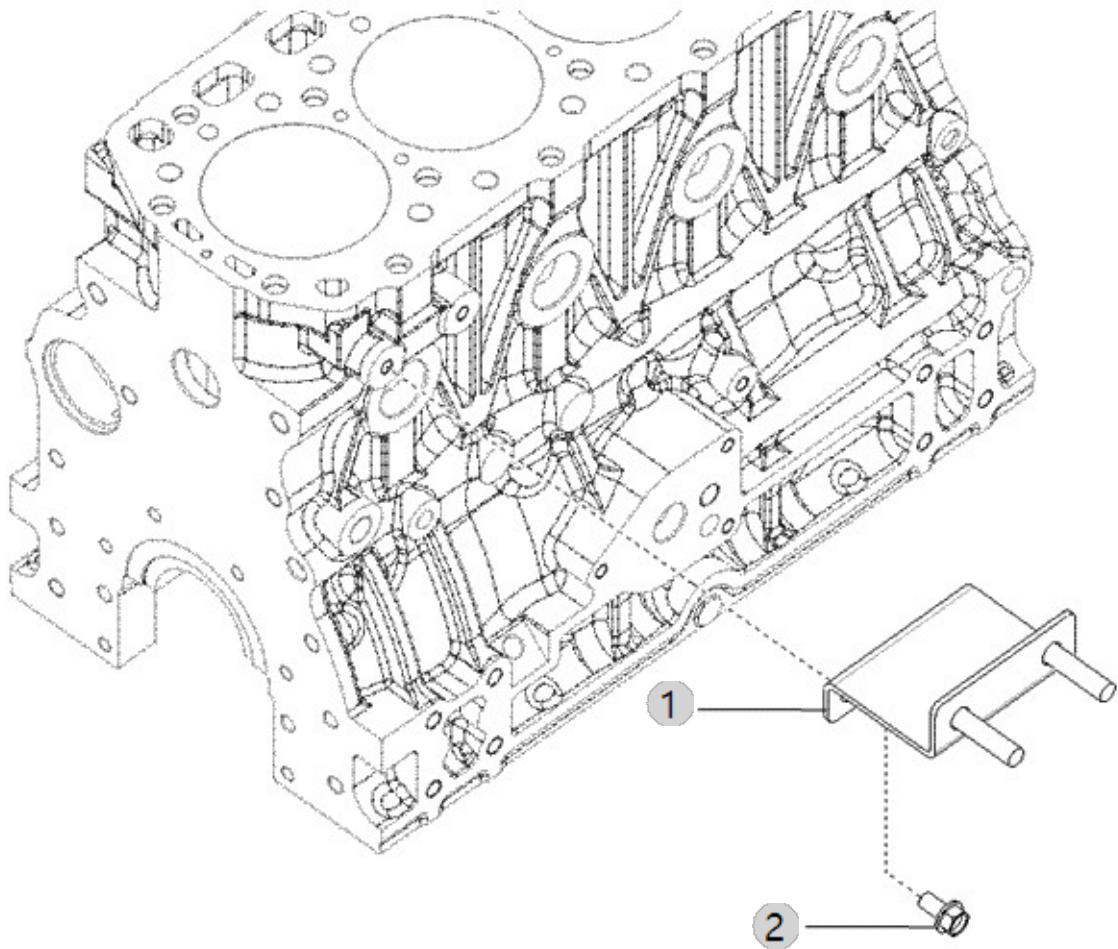
A14_003

A2300N2-ETC_5
(AB00329)

FUEL FILTER BRACKET

Year/Month

2022-12-16



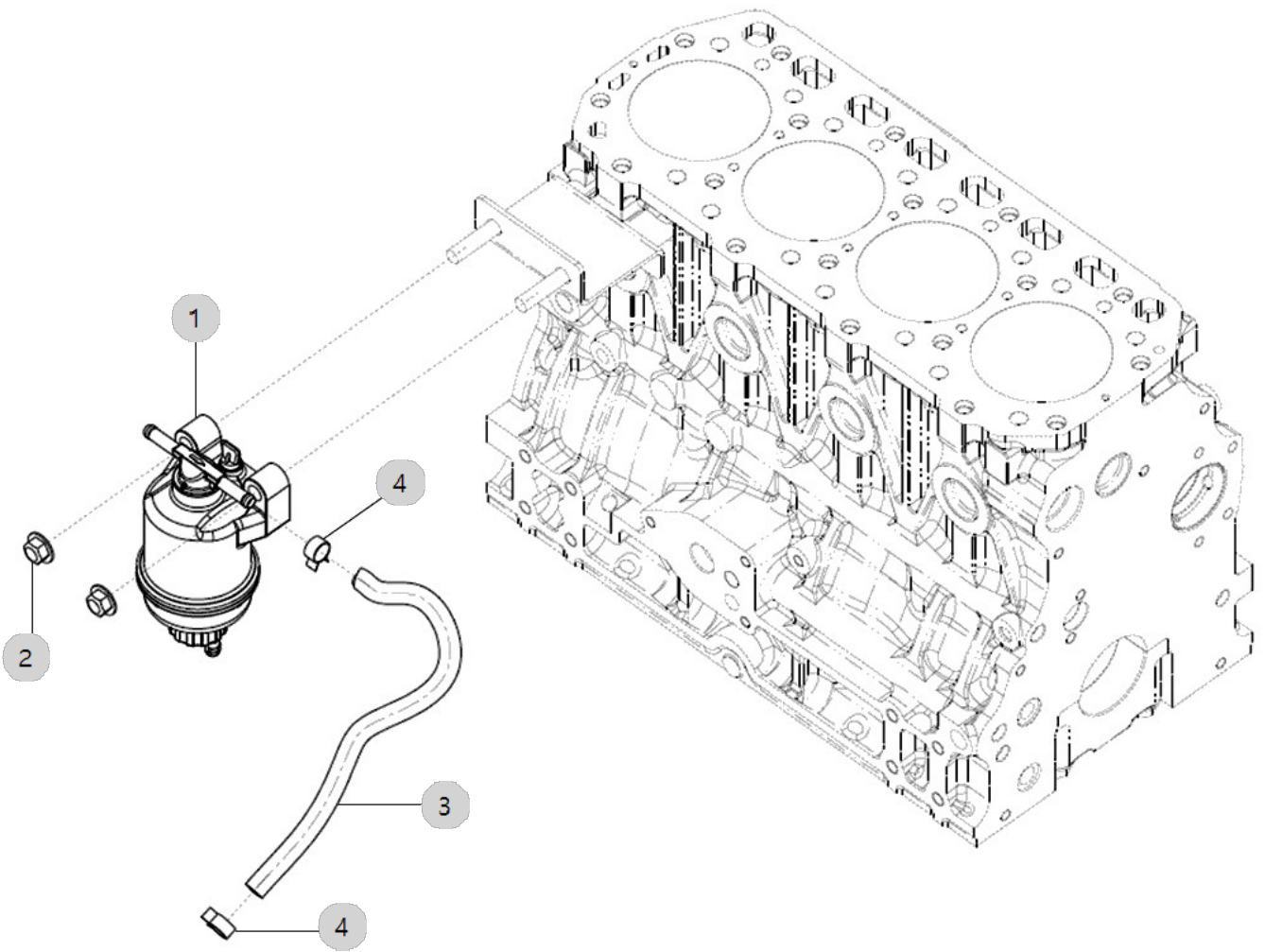
A16_018

A2300N2-ETC_5
(AB00329)

FUEL FILTER ASS'Y OPTION

Year/Month

2022-12-16



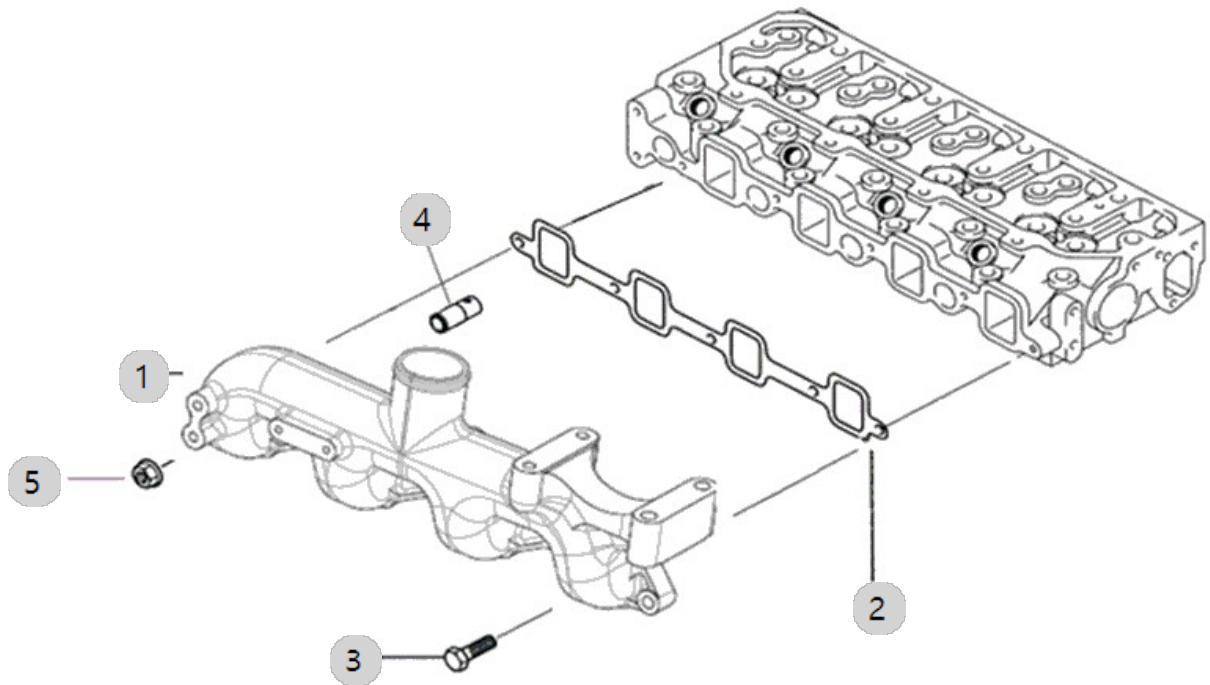
A17_012

A2300N2-ETC_5
(AB00329)

INTAKE MANIFOLD ASS'Y OPTION

Year/Month

2022-12-16



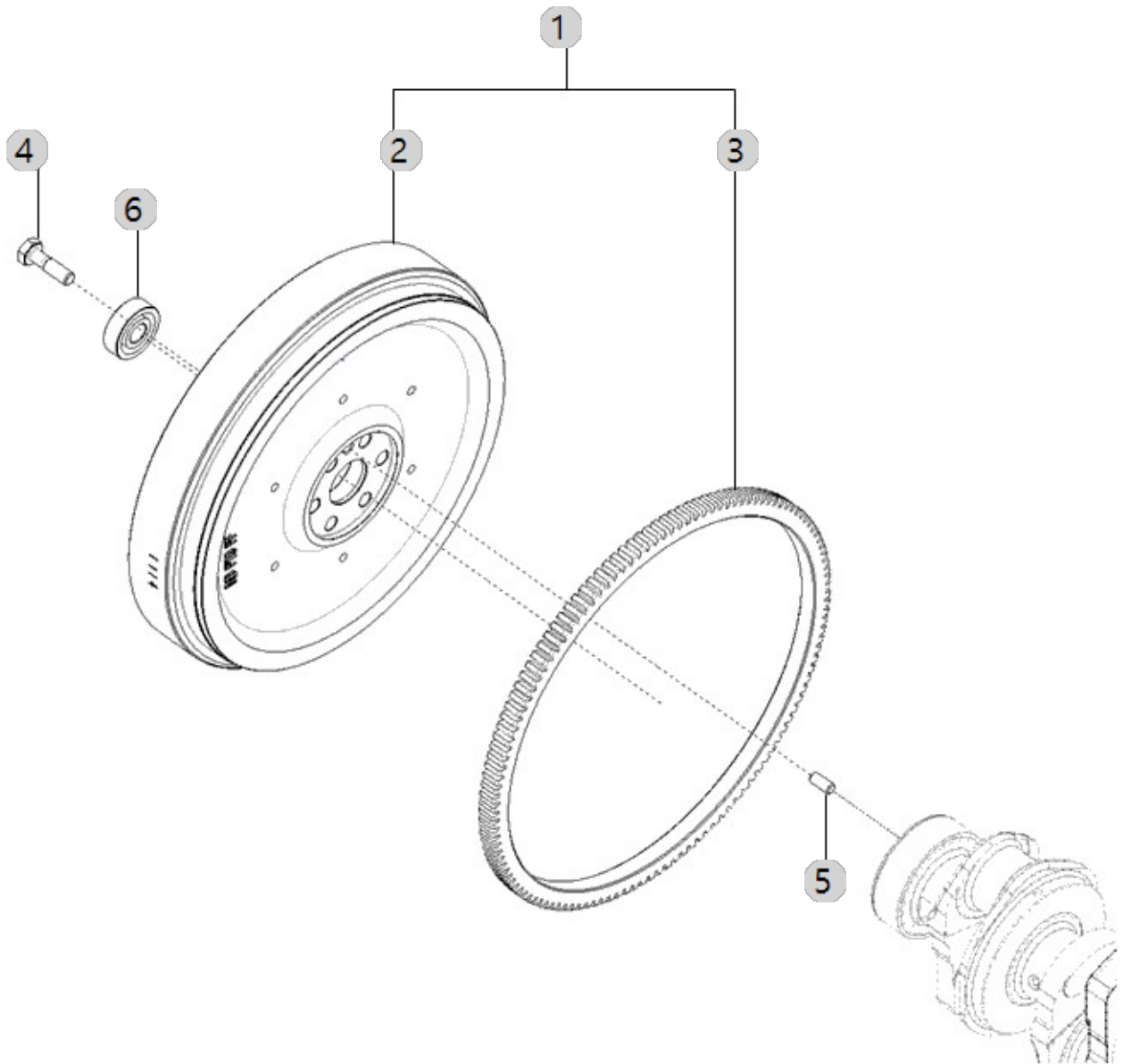
A18_011

A2300N2-ETC_5
(AB00329)

FLYWHEEL

Year/Month

2022-12-16



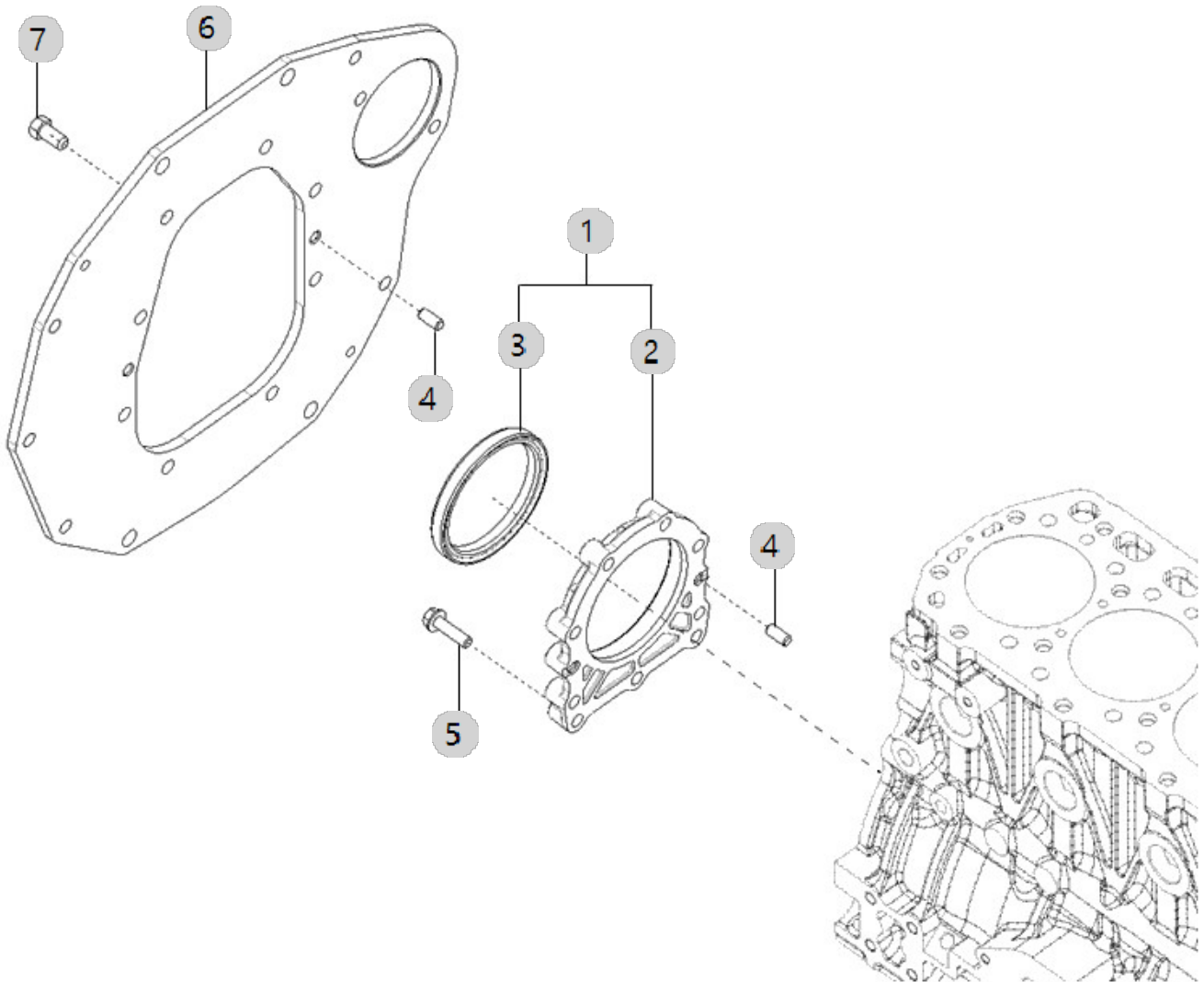
A19_009

A2300N2-ETC_5
(AB00329)

FLYWHEEL HOUSING

Year/Month

2022-12-16



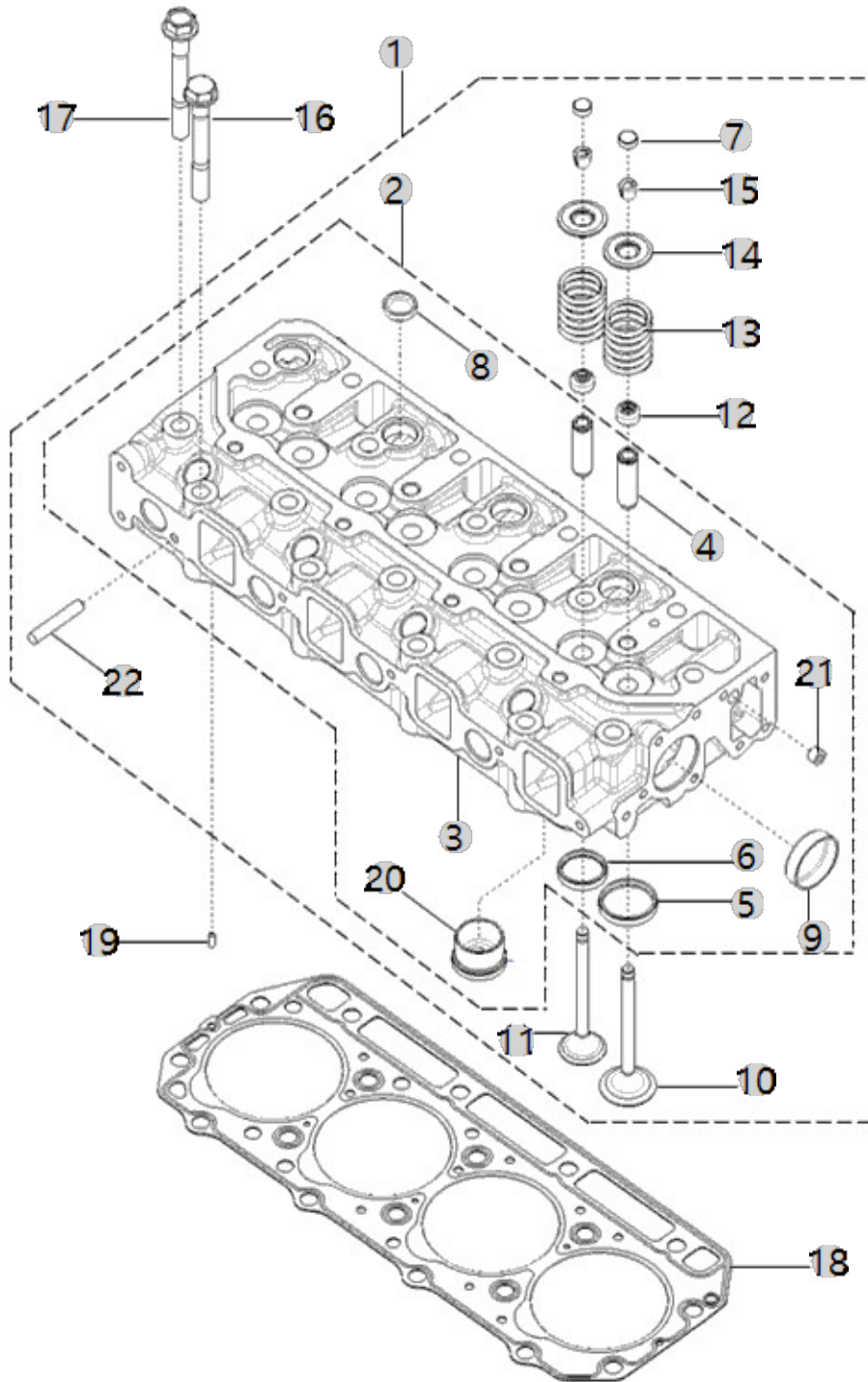
A20_010

A2300N2-ETC_5
(AB00329)

HEAD, CYLINDER

Year/Month

2022-12-16



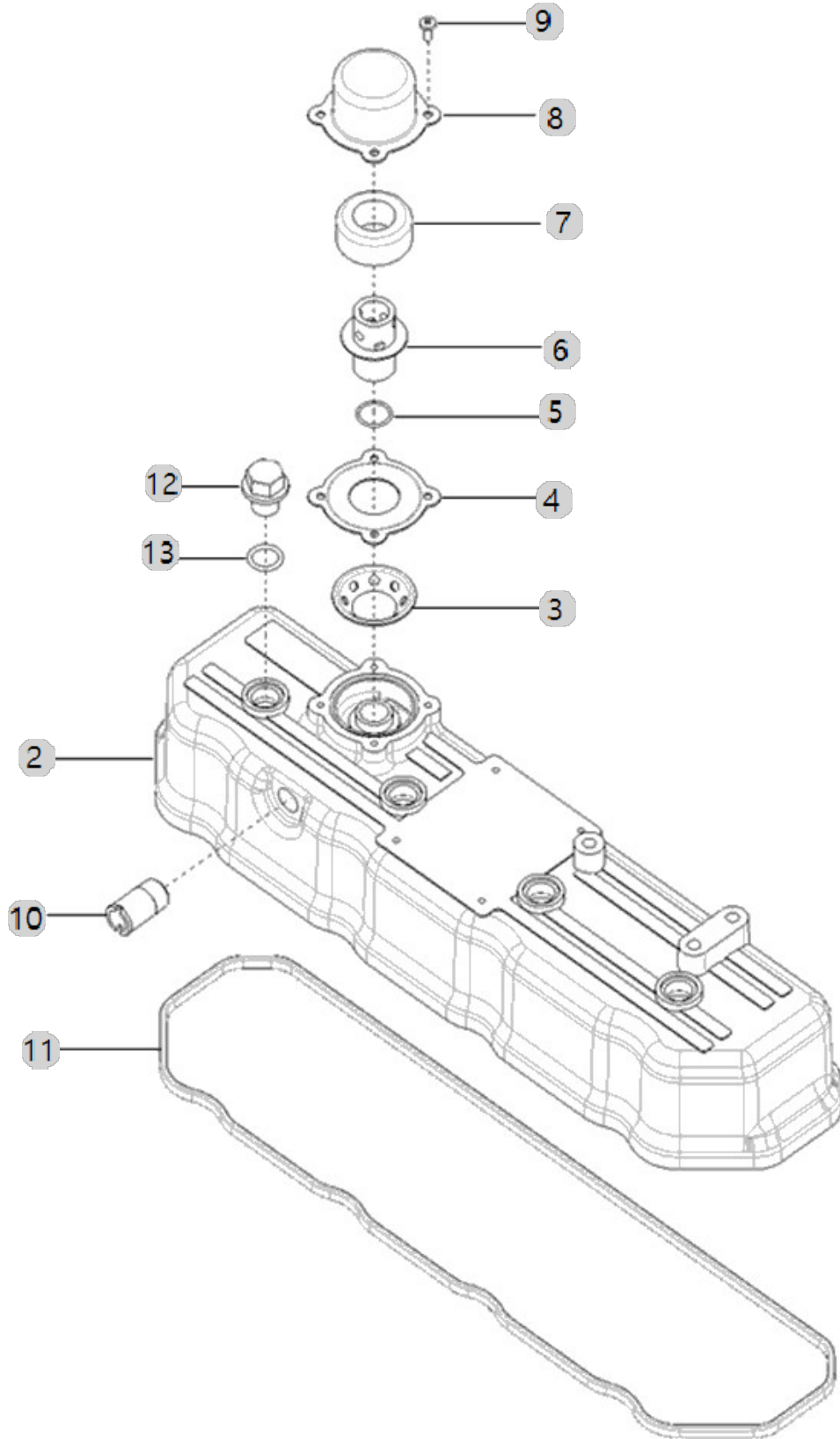
A21_004

A2300N2-ETC_5
(AB00329)

HEAD COVER

Year/Month

2022-12-16



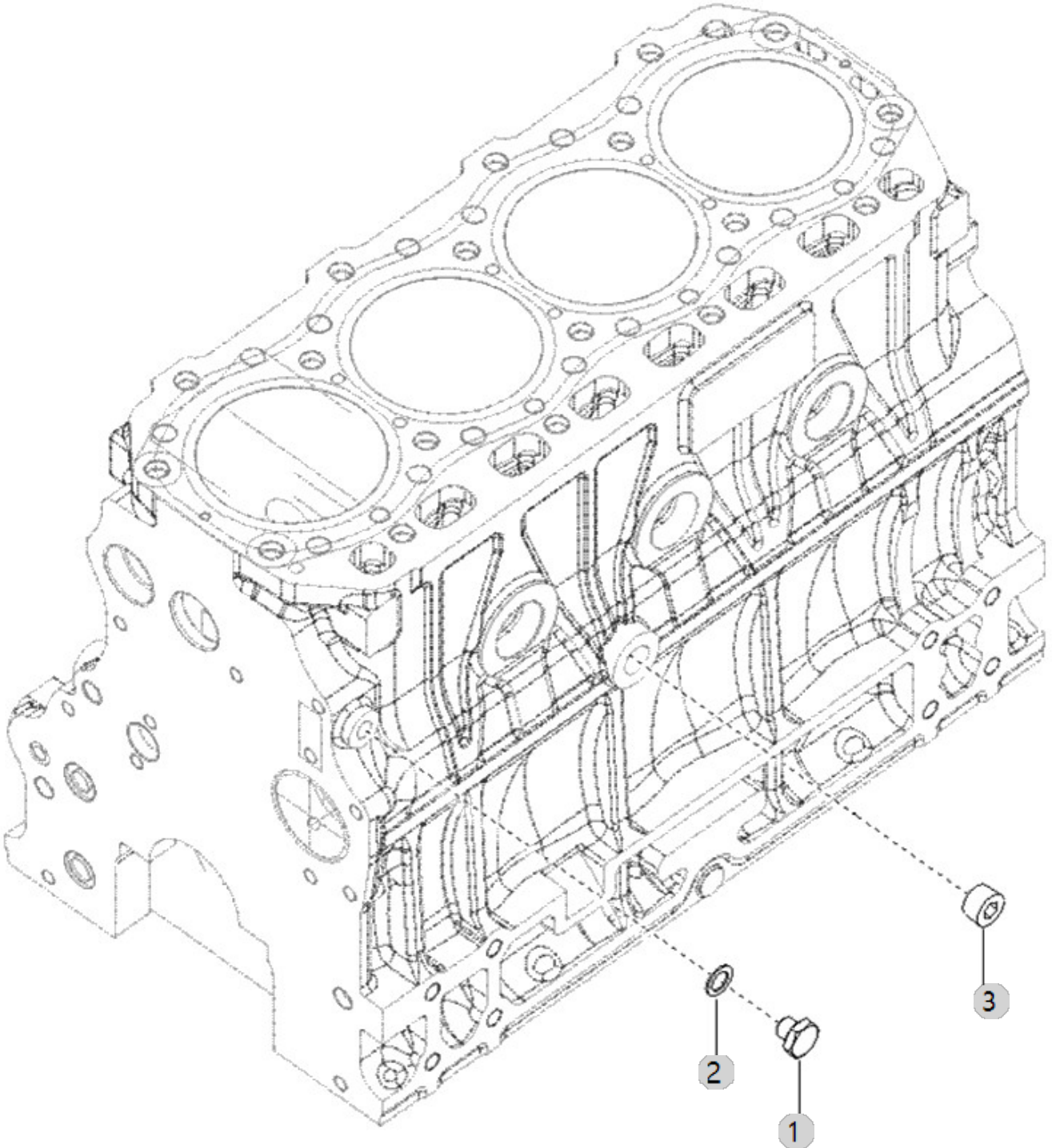
A23_009

A2300N2-ETC_5
(AB00329)

TURBOCHARGER SUPPORT ASS'Y OPTION

Year/Month

2022-12-16



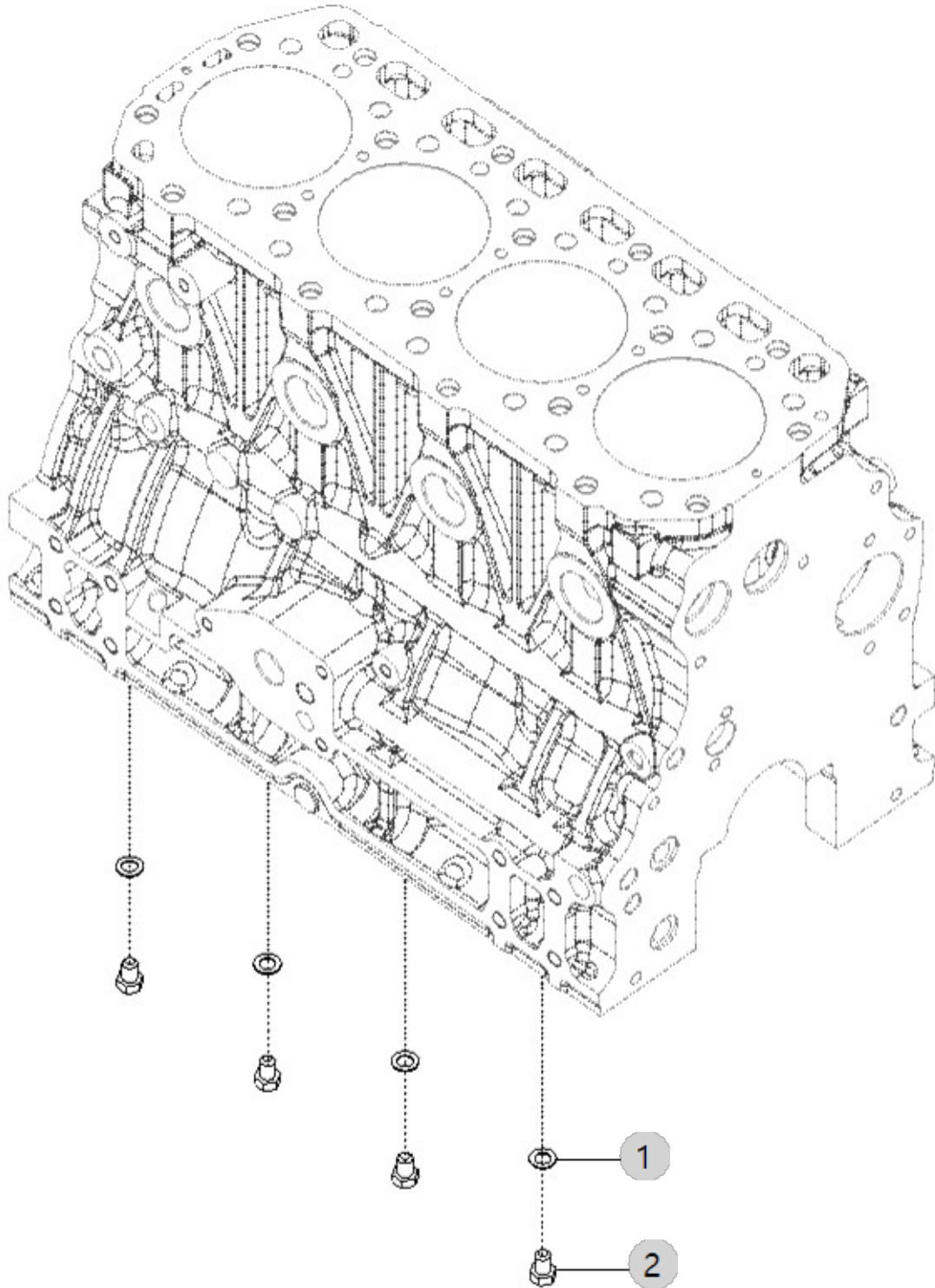
A25_002

A2300N2-ETC_5
(AB00329)

OIL JET ASS'Y OPTION

Year/Month

2022-12-16



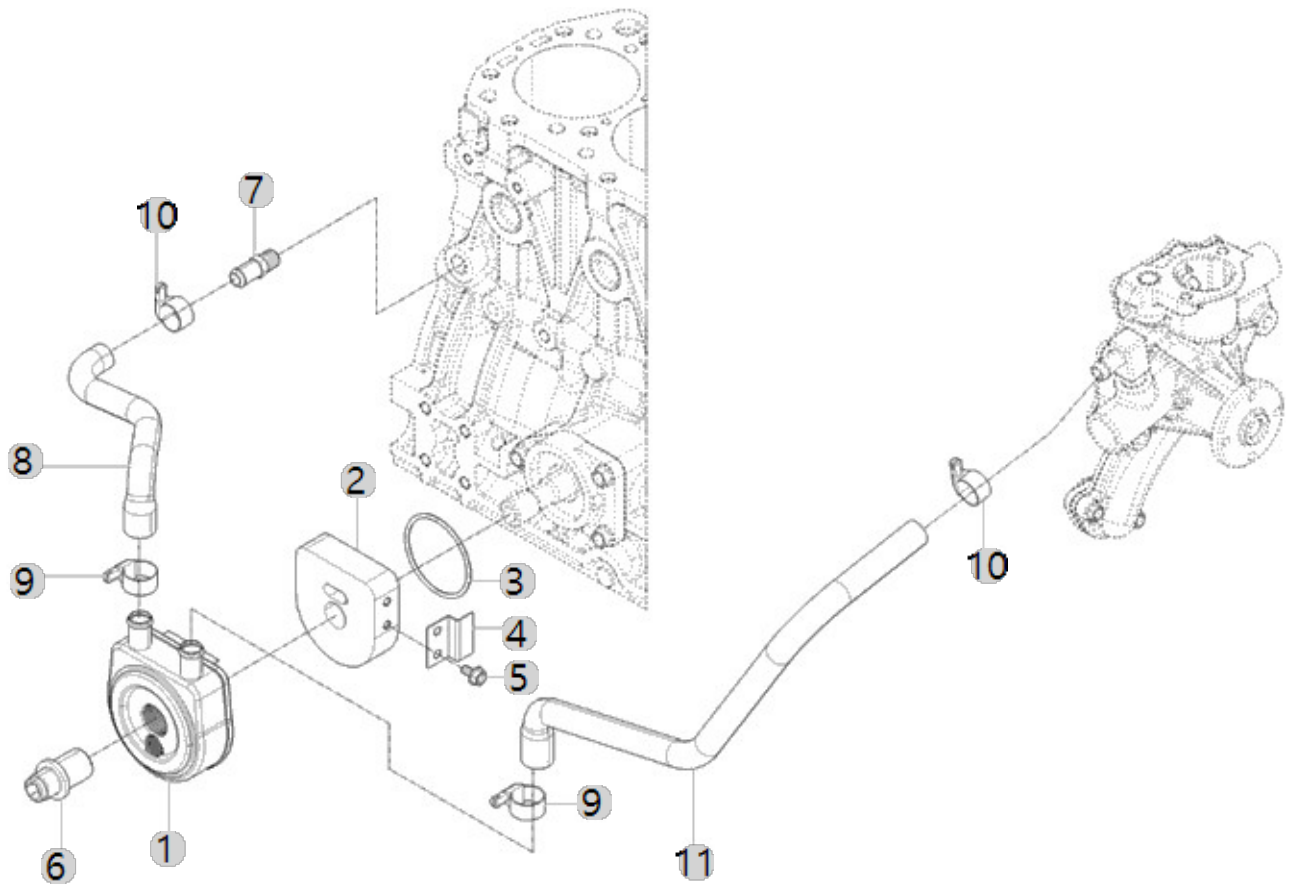
A26_005

A2300N2-ETC_5
(AB00329)

COOLER, ENGINE OIL

Year/Month

2022-12-16



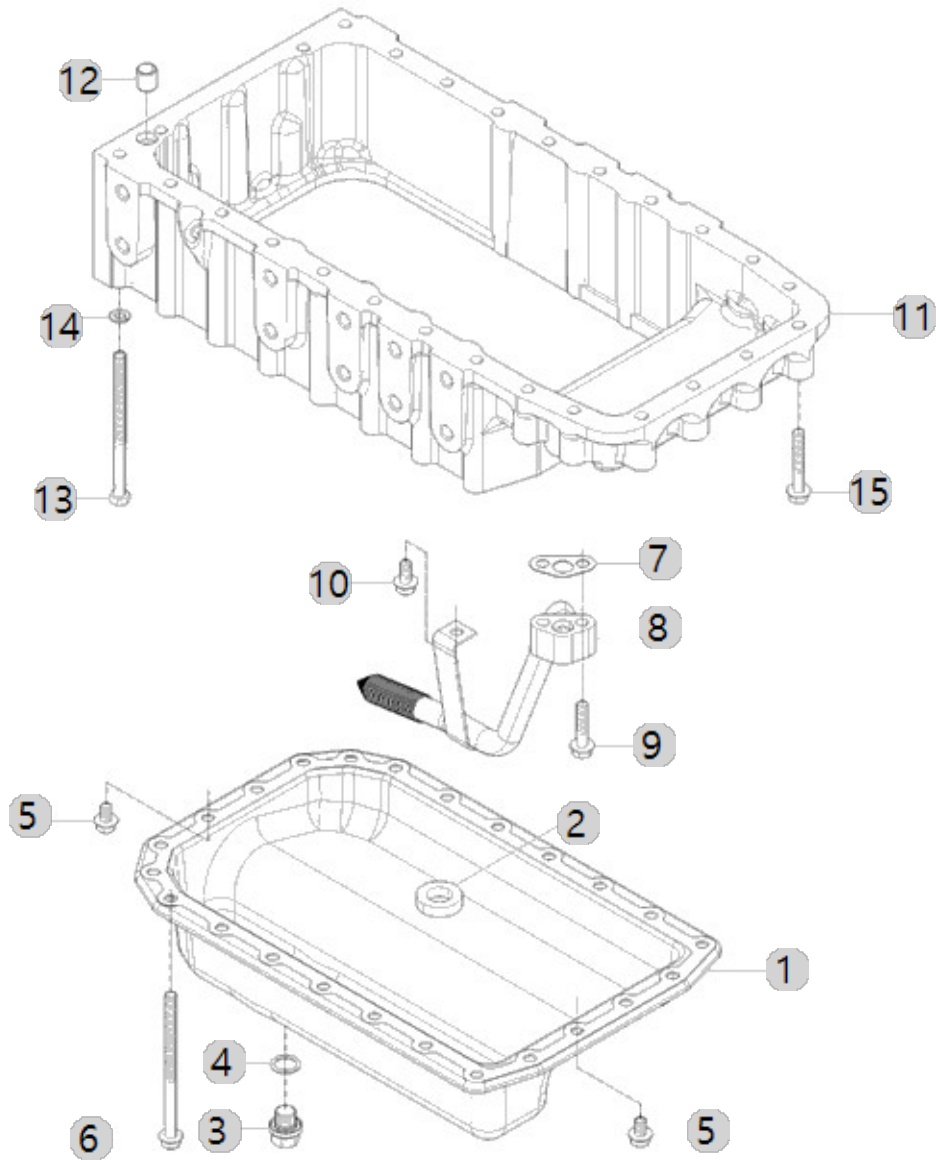
A27_010

A2300N2-ETC_5
(AB00329)

OIL PAN ASS'Y OPTION

Year/Month

2022-12-16



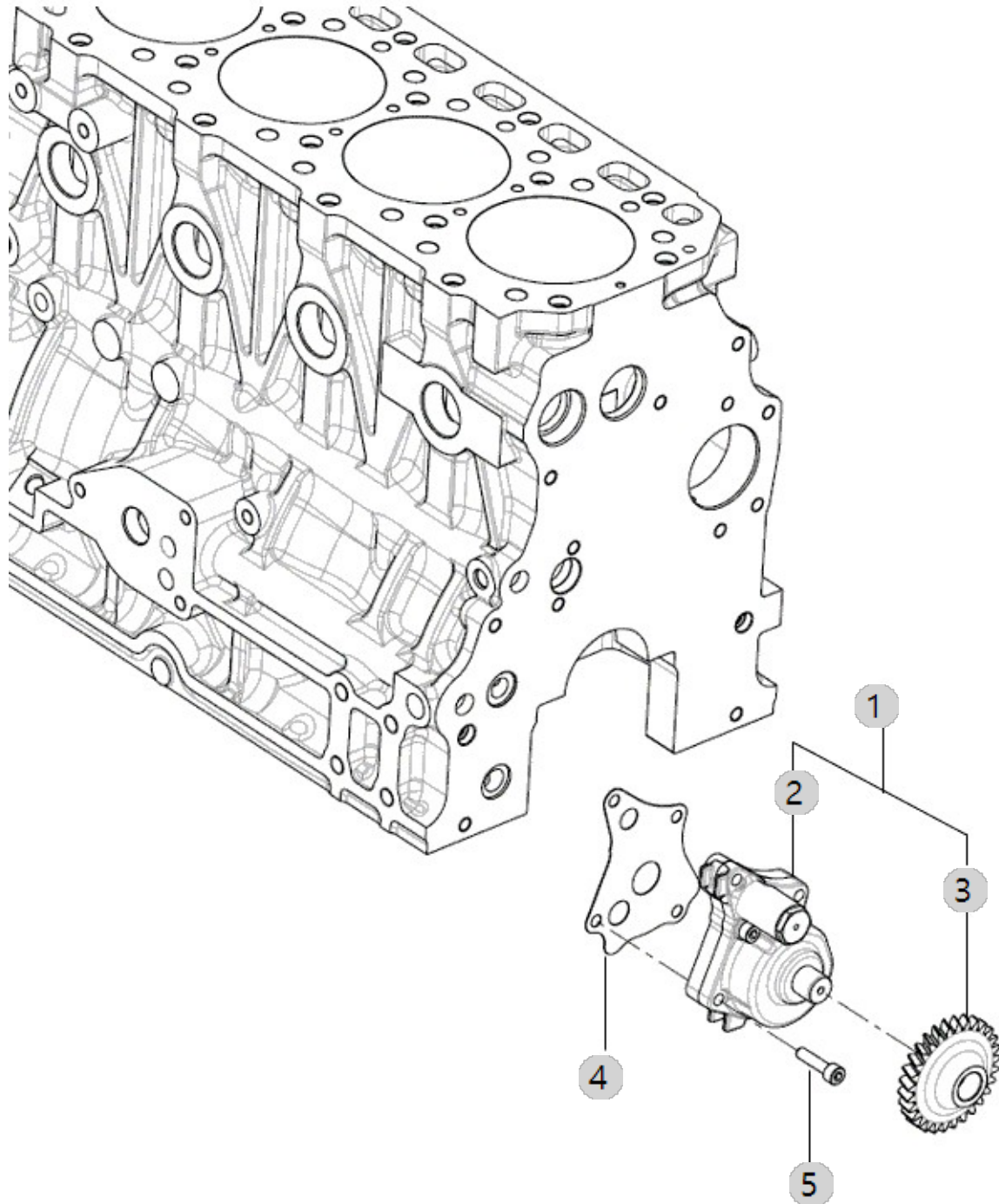
A28_001

A2300N2-ETC_5
(AB00329)

PUMP, LUBRICATING OIL

Year/Month

2022-12-16



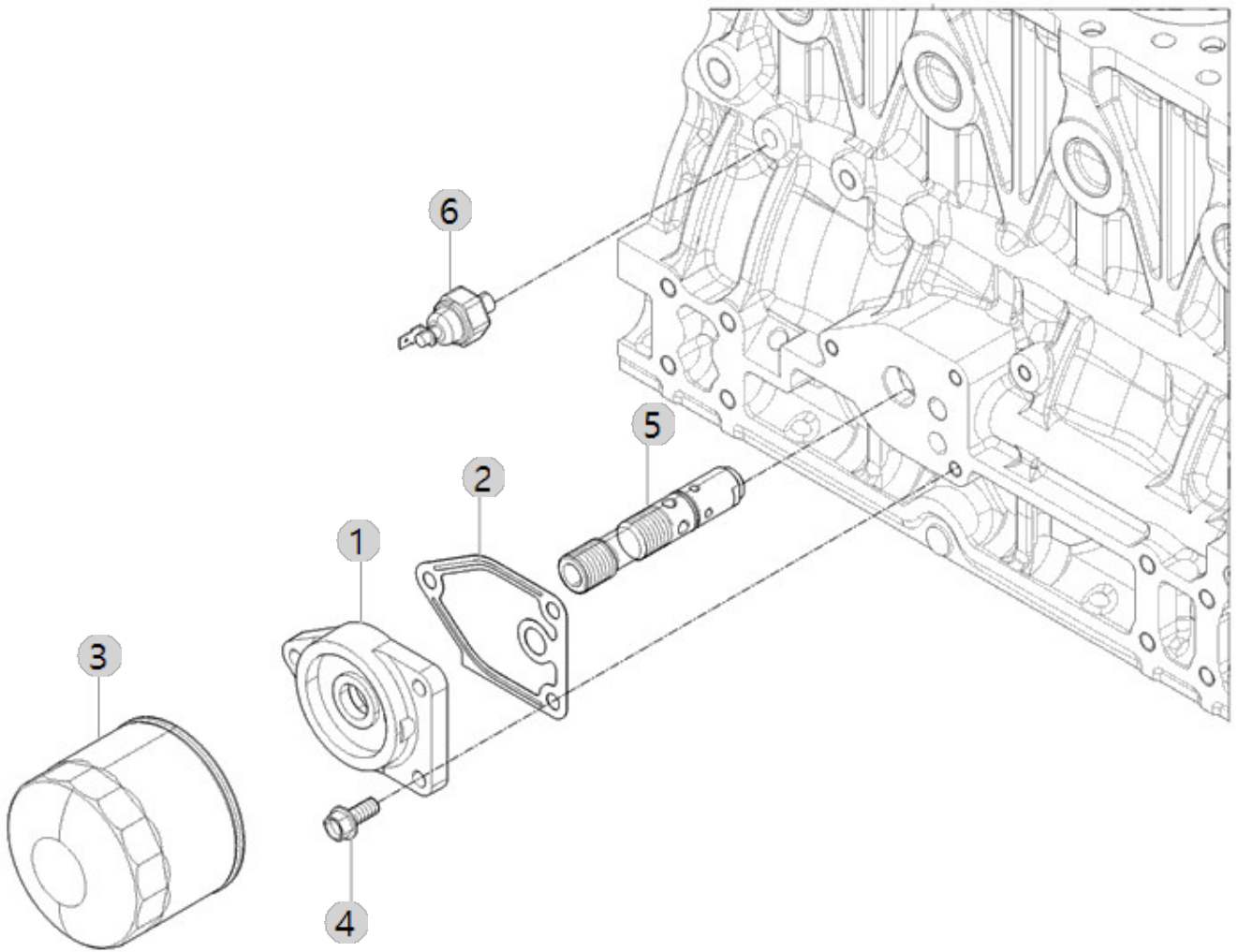
A29_005

A2300N2-ETC_5
(AB00329)

FILTER, LUBRICATING OIL

Year/Month

2022-12-16



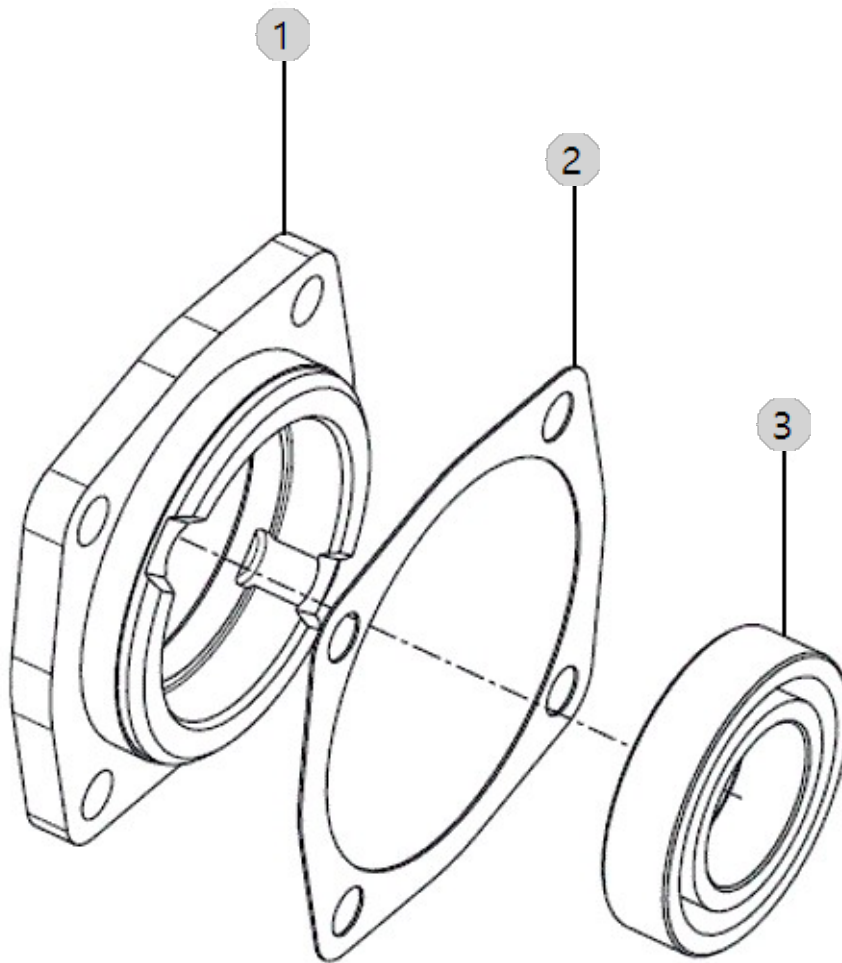
A30_003

A2300N2-ETC_5
(AB00329)

FRONT GEAR ACCESSORY DRIVE

Year/Month

2022-12-16



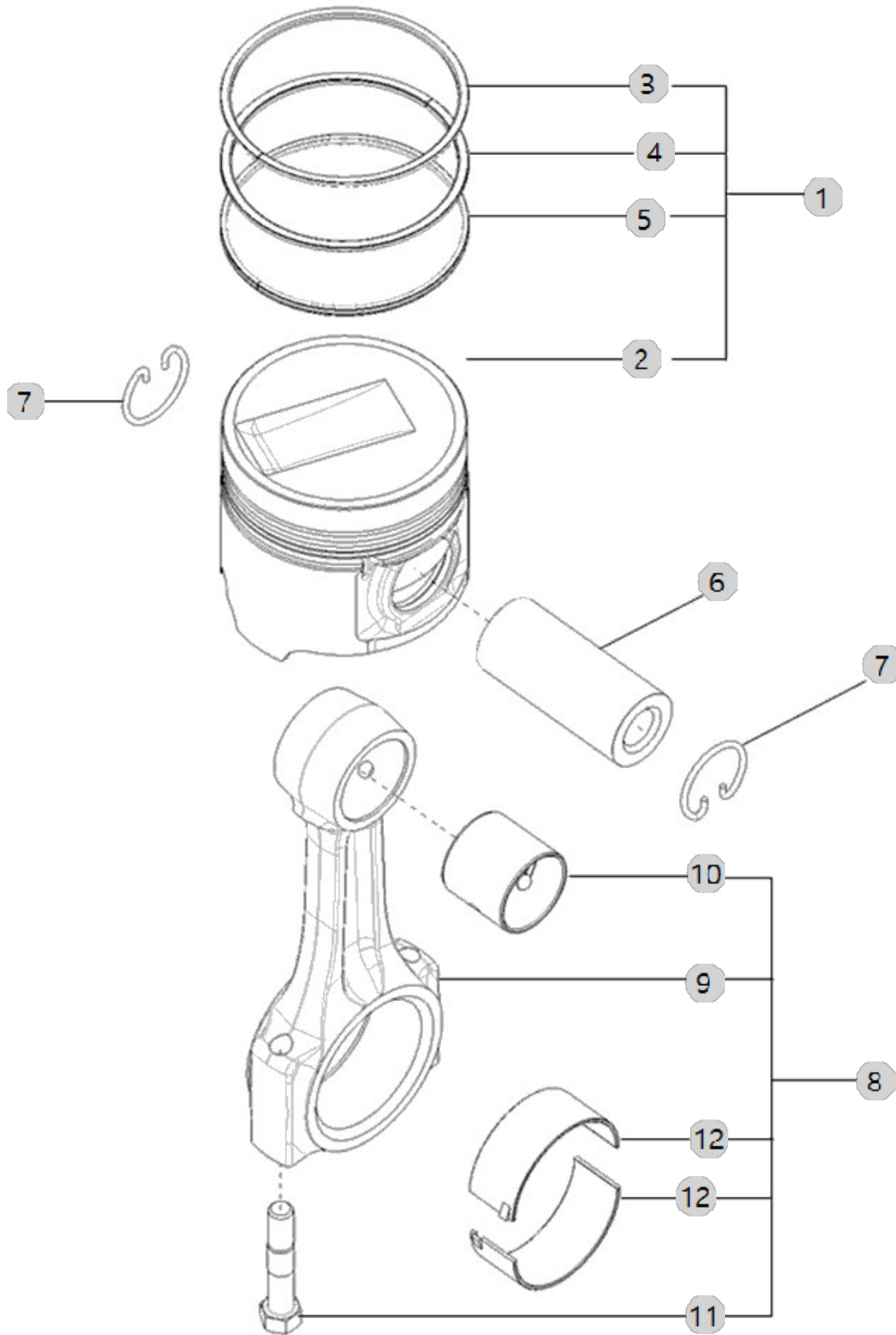
A31_007

A2300N2-ETC_5
(AB00329)

PISTON

Year/Month

2022-12-16



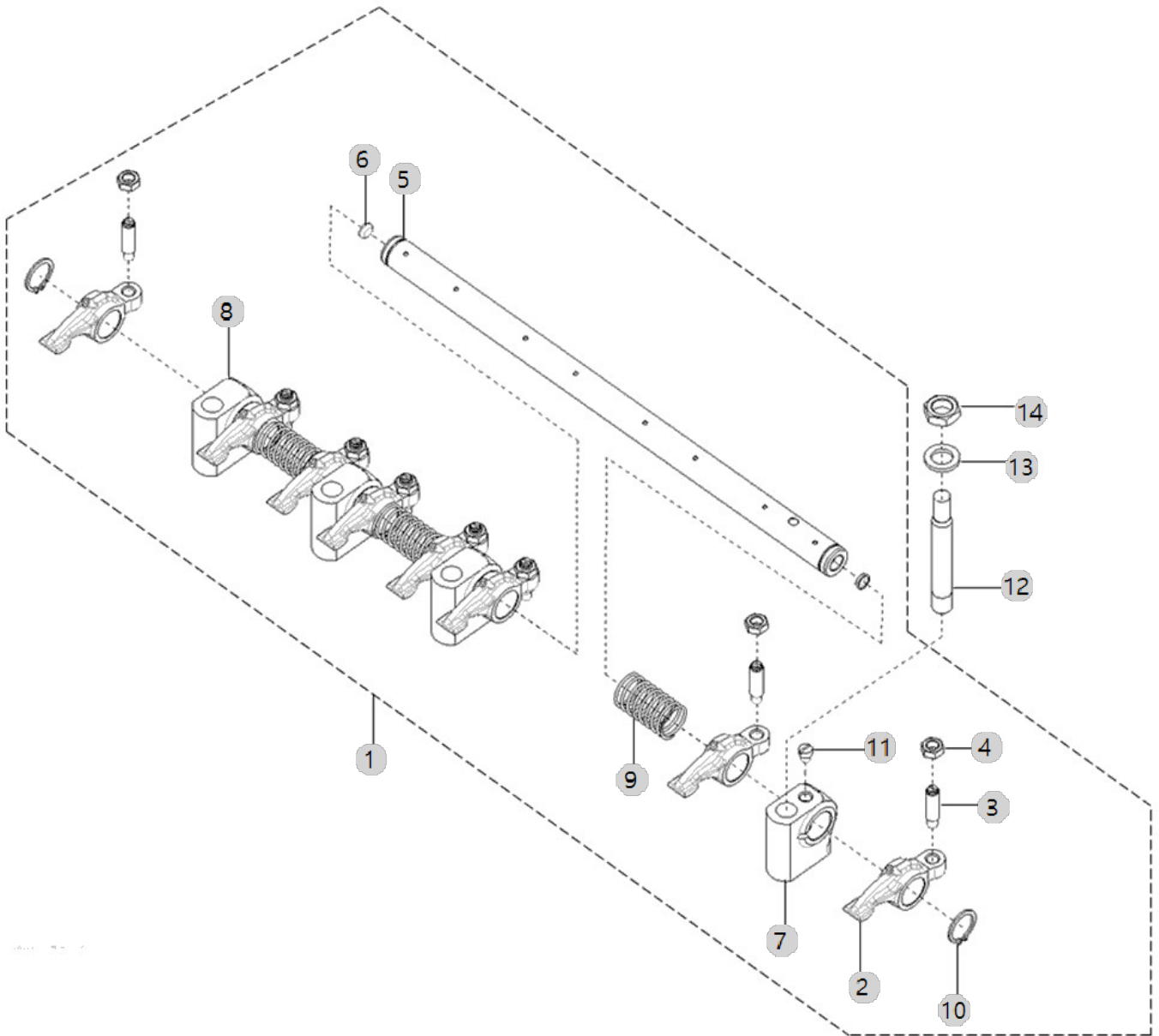
A32_003

A2300N2-ETC_5
(AB00329)

LEVER, LOCKER

Year/Month

2022-12-16



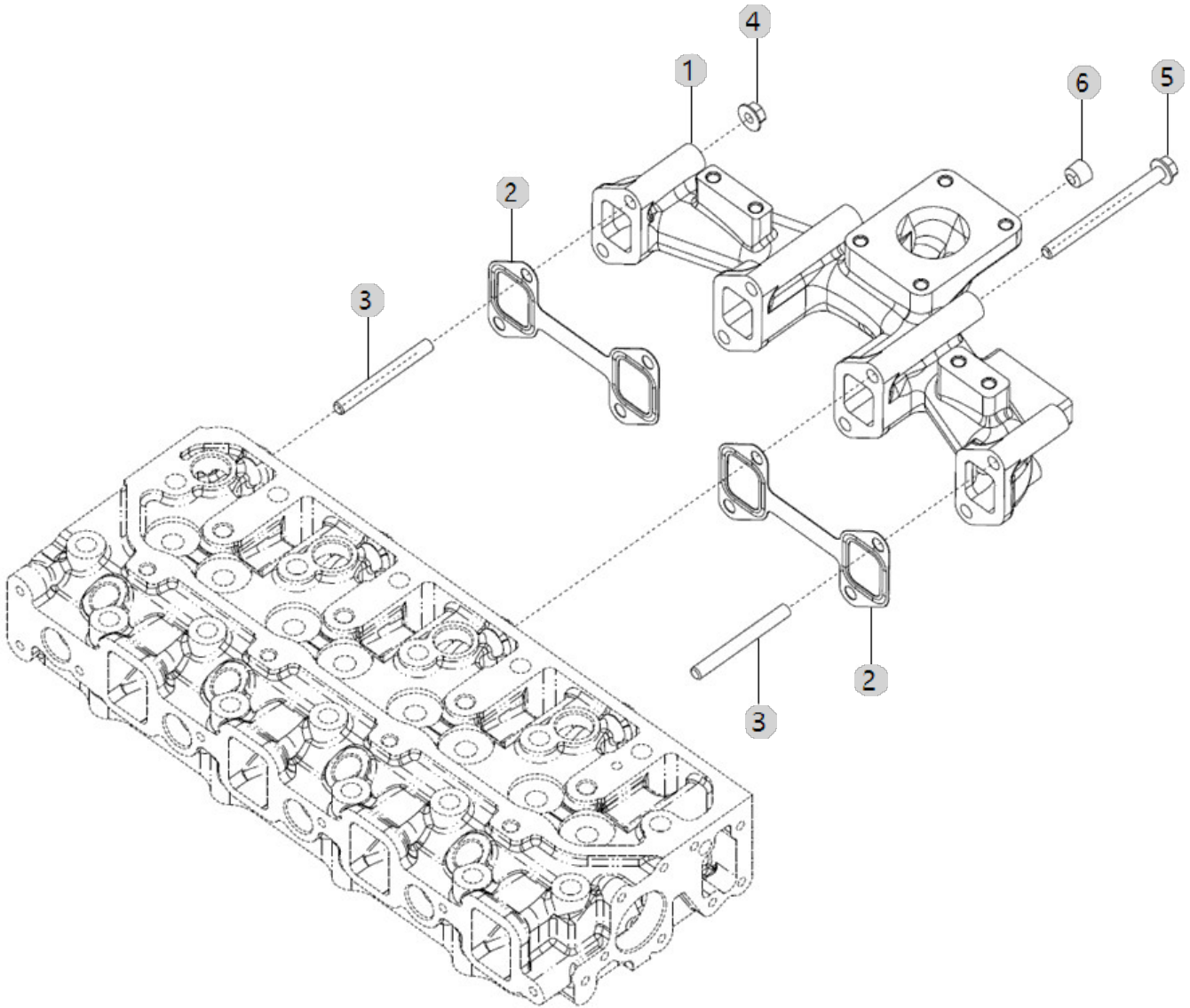
A33_013

A2300N2-ETC_5
(AB00329)

EXHAUST MANIFOLD

Year/Month

2022-12-16



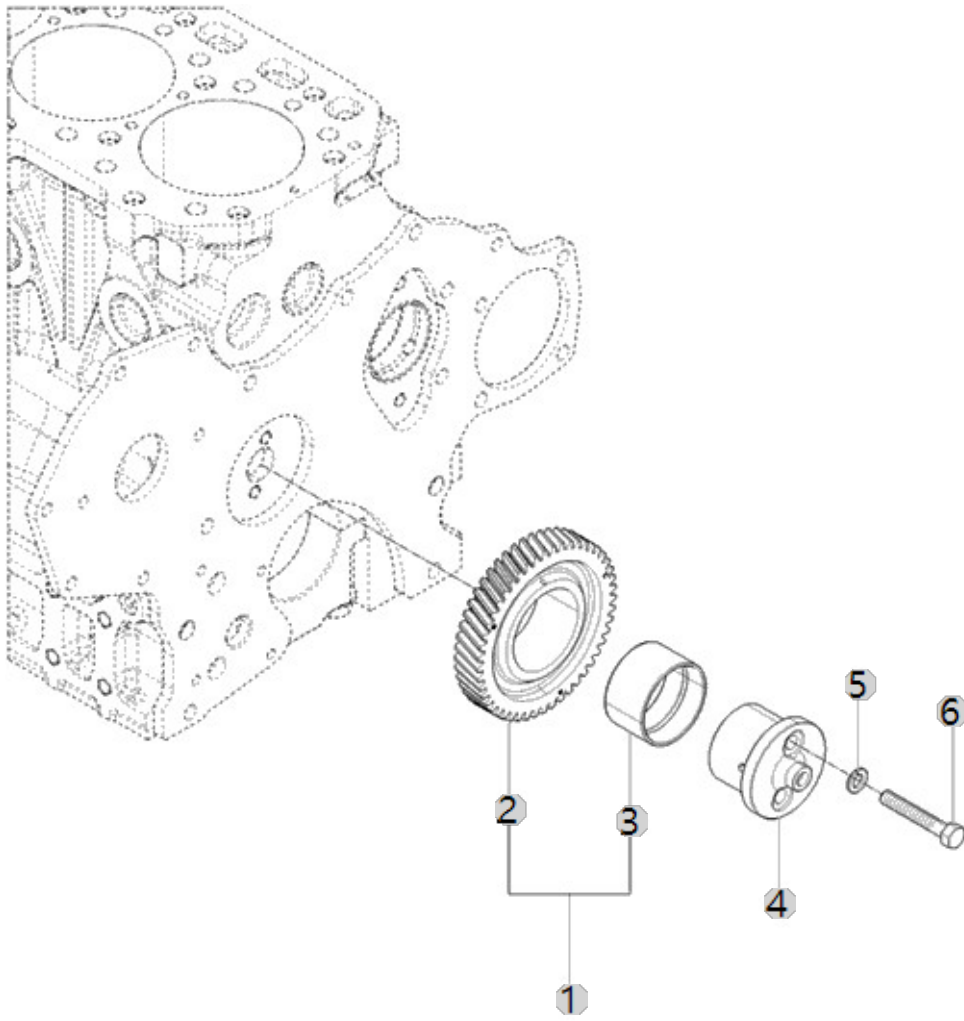
A35_002

A2300N2-ETC_5
(AB00329)

IDLE GEAR

Year/Month

2022-12-16



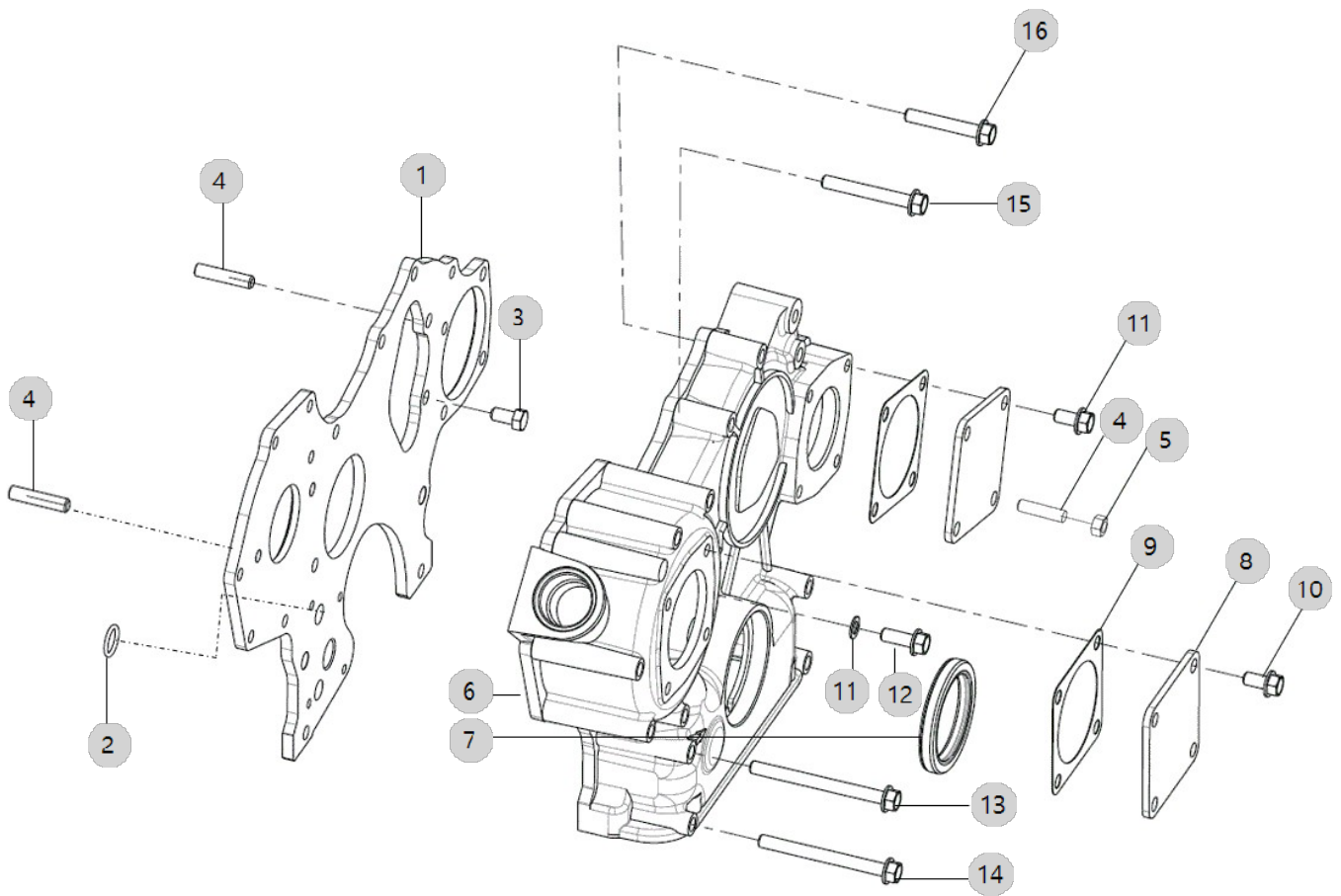
A36_004

A2300N2-ETC_5
(AB00329)

COVER, FRONT GEAR

Year/Month

2022-12-16



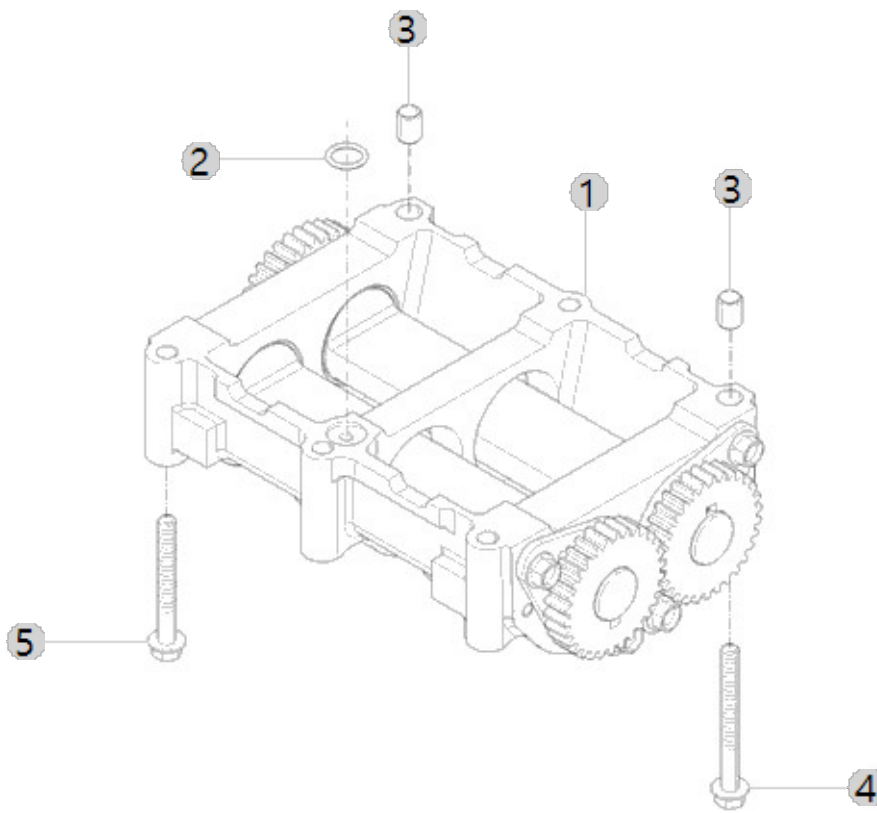
A37_001

A2300N2-ETC_5
(AB00329)

BALANCE ASS'Y

Year/Month

2022-12-16



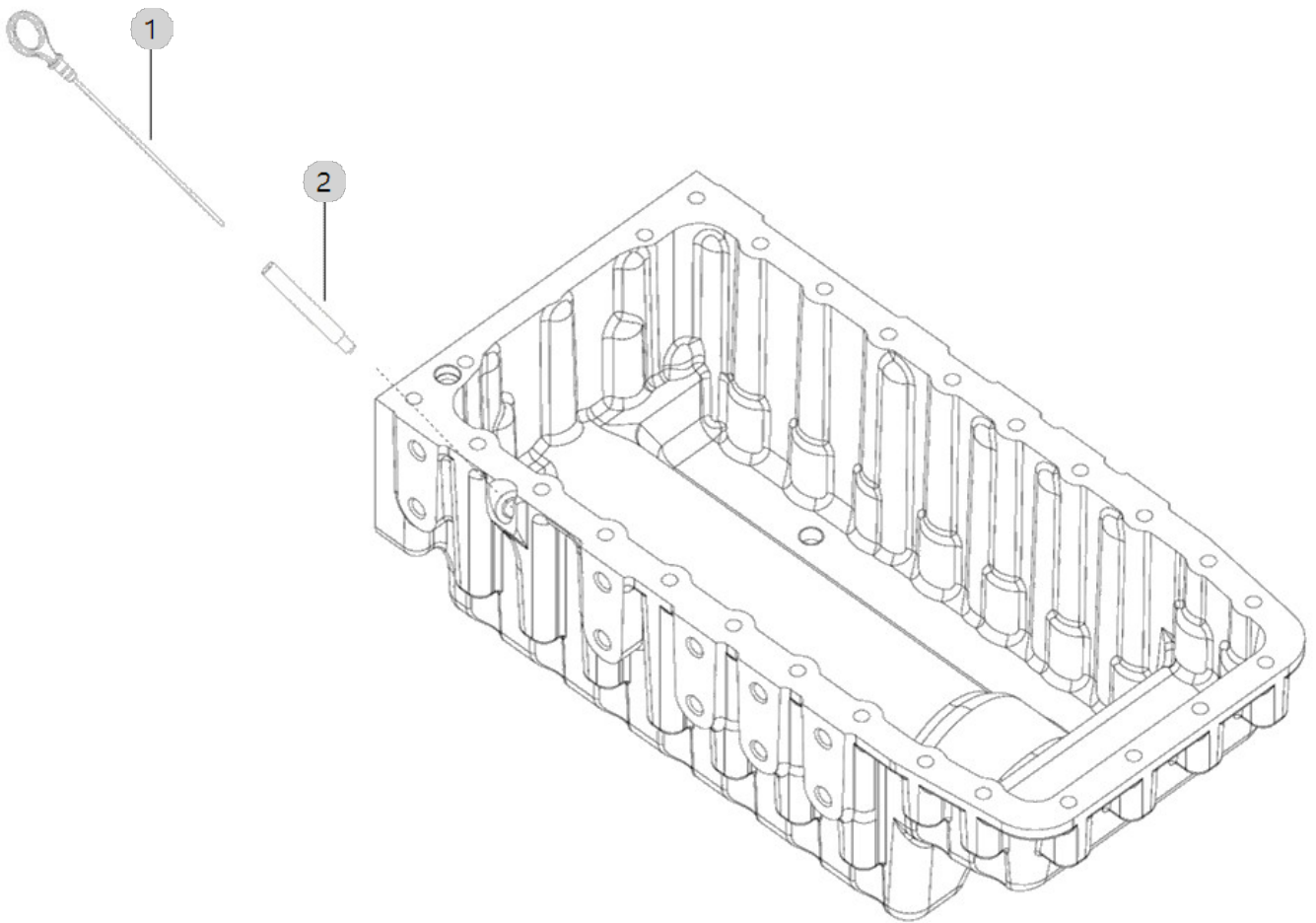
A38_007

A2300N2-ETC_5
(AB00329)

GAUGE, OIL LEVEL

Year/Month

2022-12-16



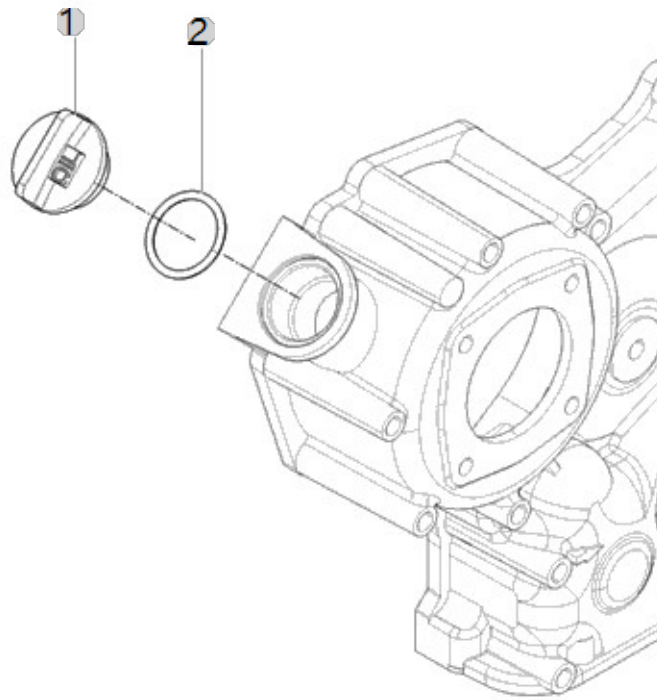
A39_001

A2300N2-ETC_5
(AB00329)

OIL FILLER CAP

Year/Month

2022-12-16



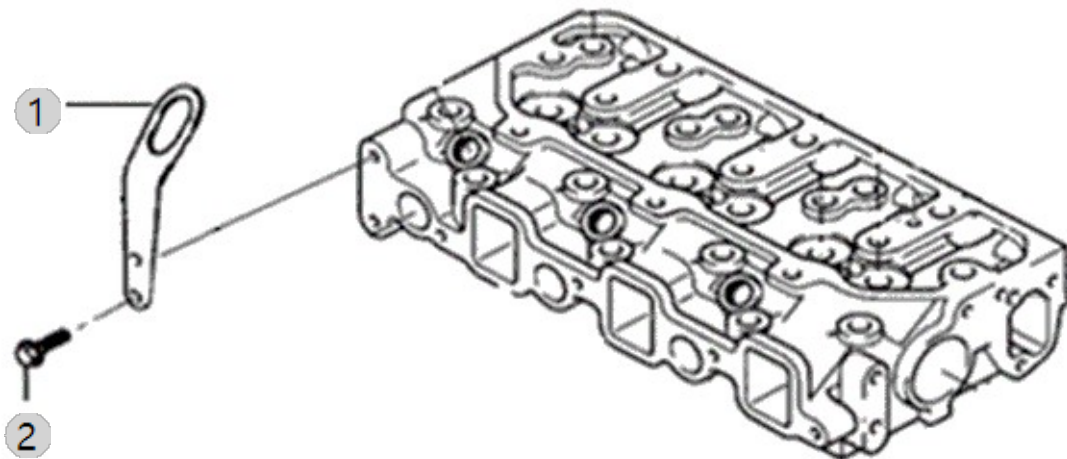
A40_003

A2300N2-ETC_5
(AB00329)

LIFT ASS'Y OPTION

Year/Month

2022-12-16



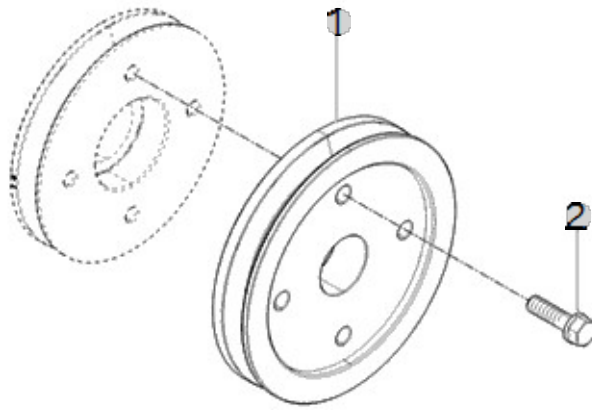
A41_001

A2300N2-ETC_5
(AB00329)

COMP,DRIVE PULLEY ASS'Y OPTION

Year/Month

2022-12-16



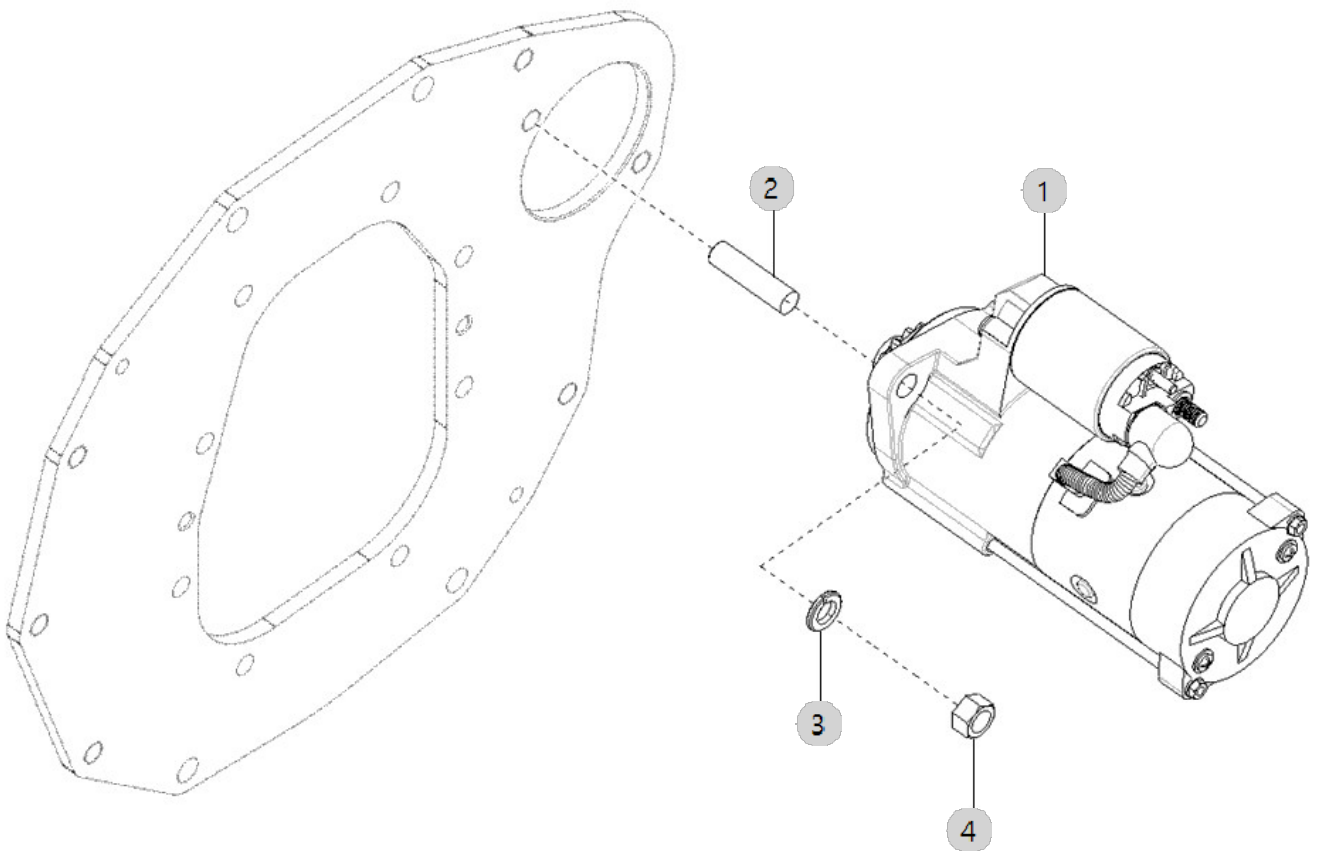
A42_003

A2300N2-ETC_5
(AB00329)

MOTER, STARTIONS

Year/Month

2022-12-16



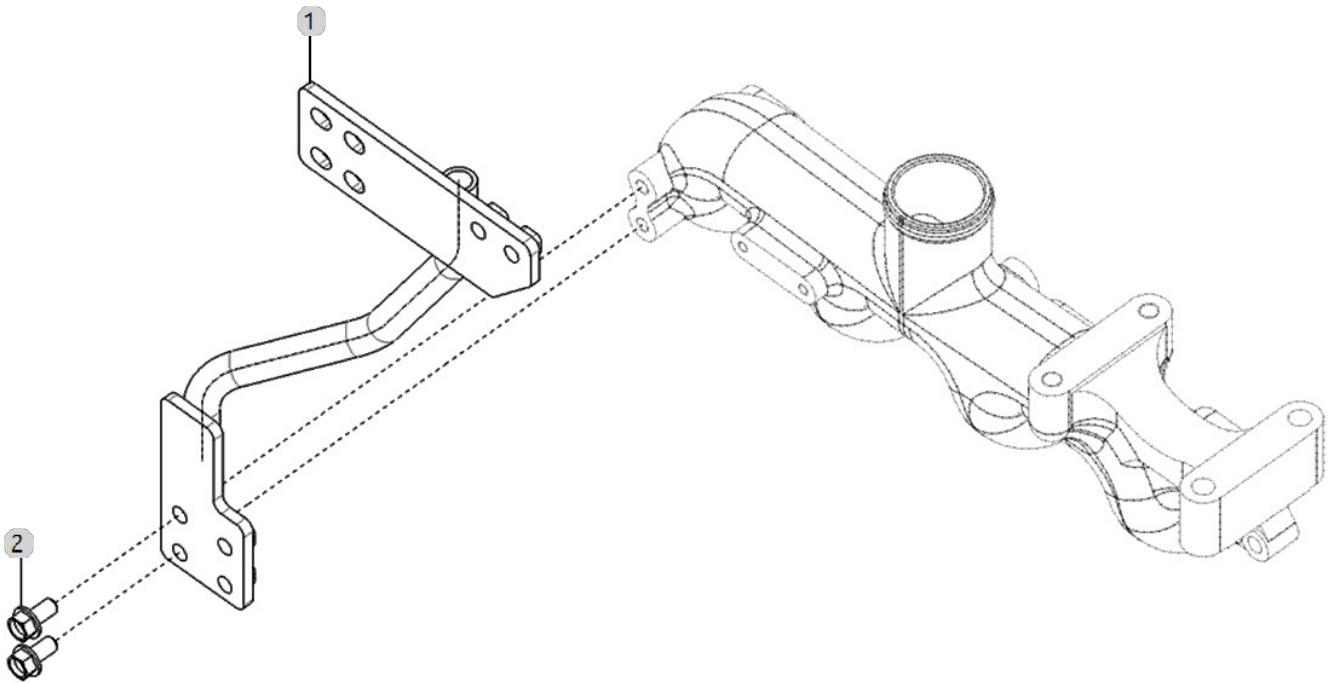
A43_001

A2300N2-ETC_5
(AB00329)

DPF SUPPORT OPTION

Year/Month

2022-12-16



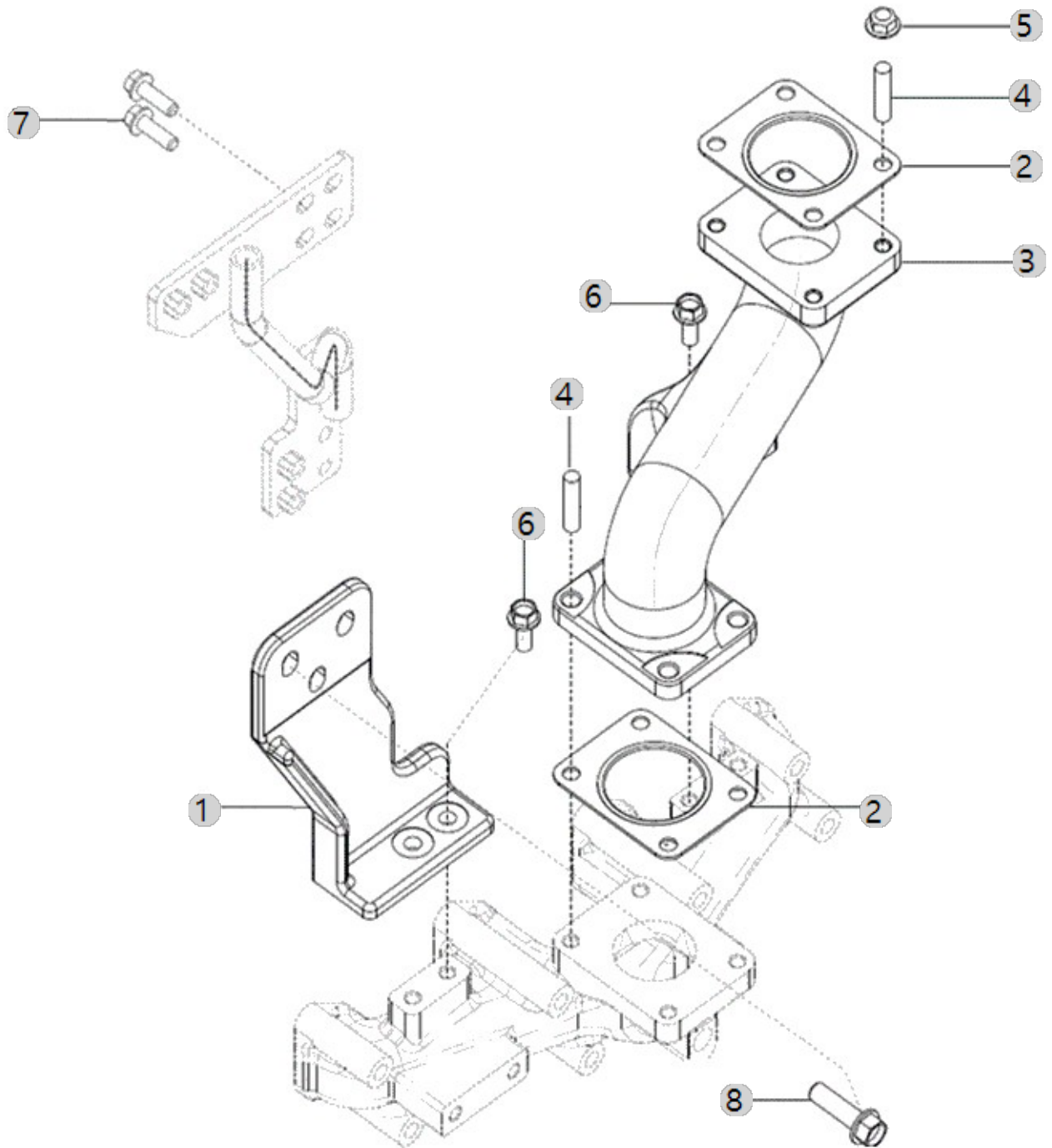
A44_006

A2300N2-ETC_5
(AB00329)

DPF MOUNTING OPTION

Year/Month

2022-12-16



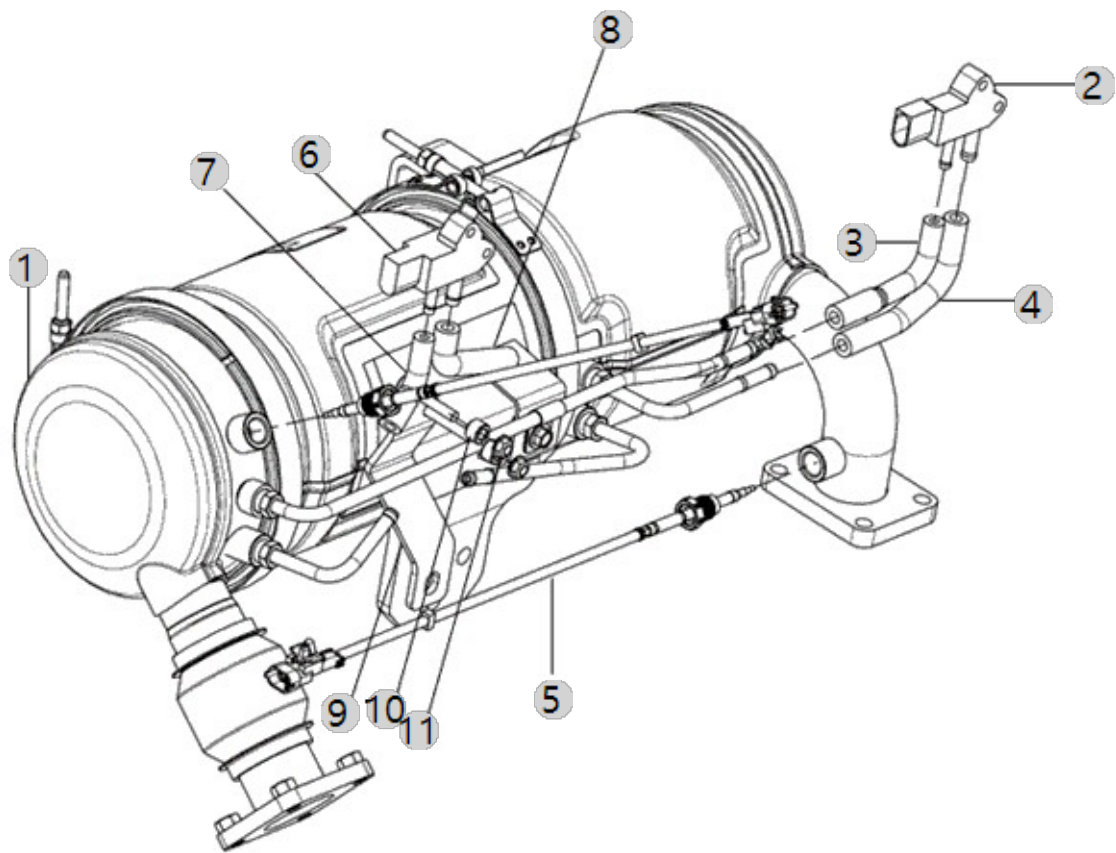
A45_012

A2300N2-ETC_5
(AB00329)

DPF

Year/Month

2022-12-16



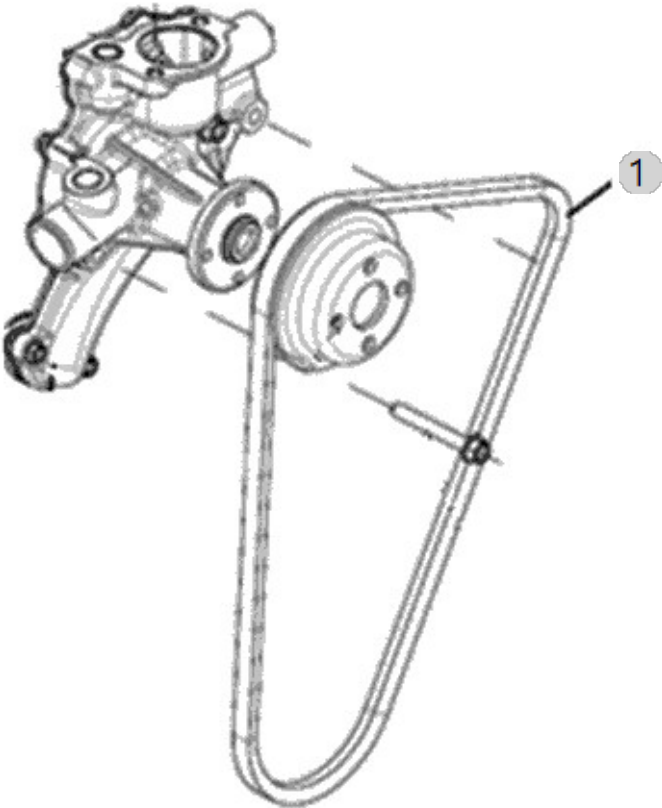
A48_006

A2300N2-ETC_5
(AB00329)

V-BELT

Year/Month

2022-12-16



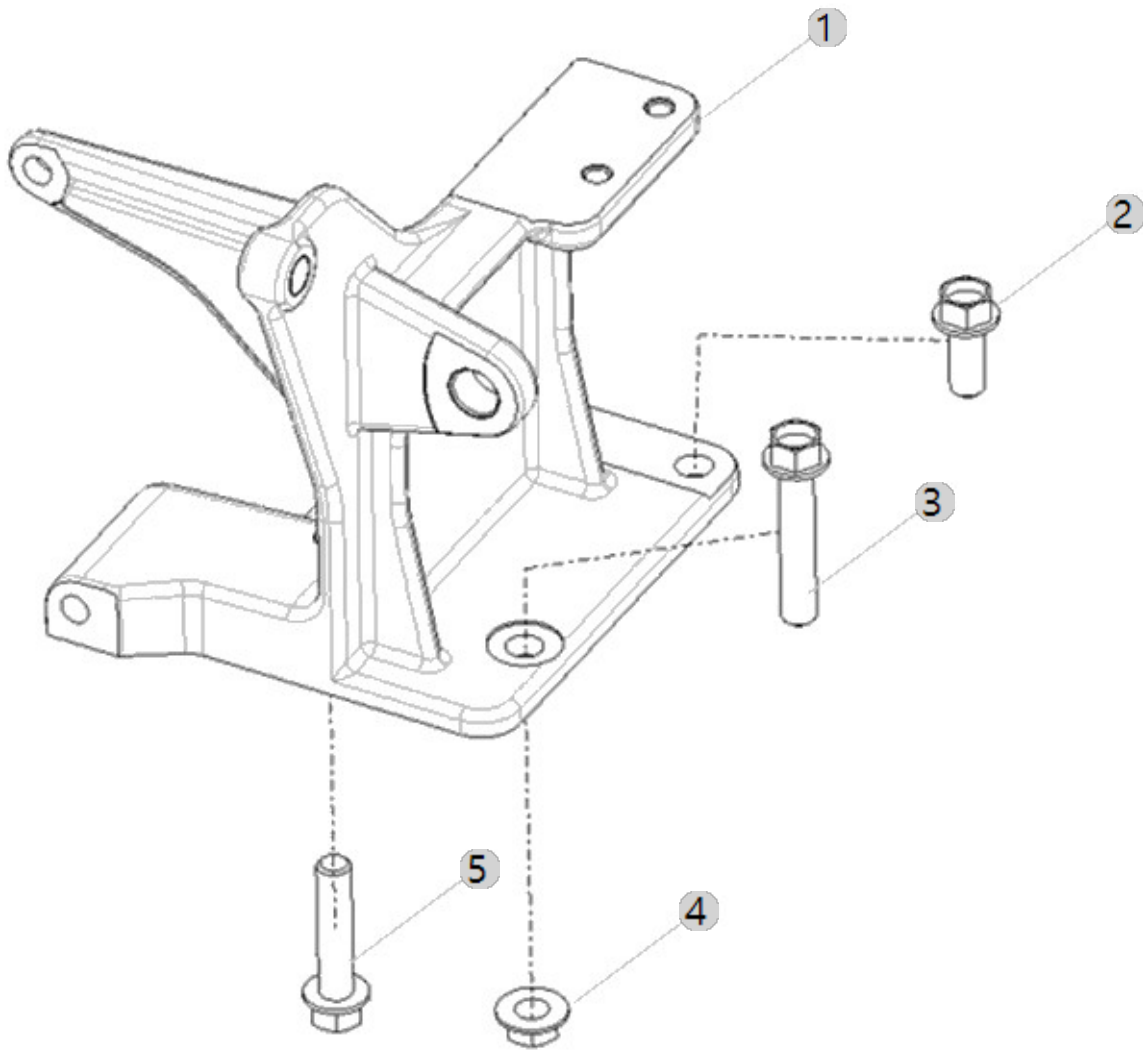
A50_001

A2300N2-ETC_5
(AB00329)

COMPRESSOR BRACKET ASS'Y

Year/Month

2022-12-16



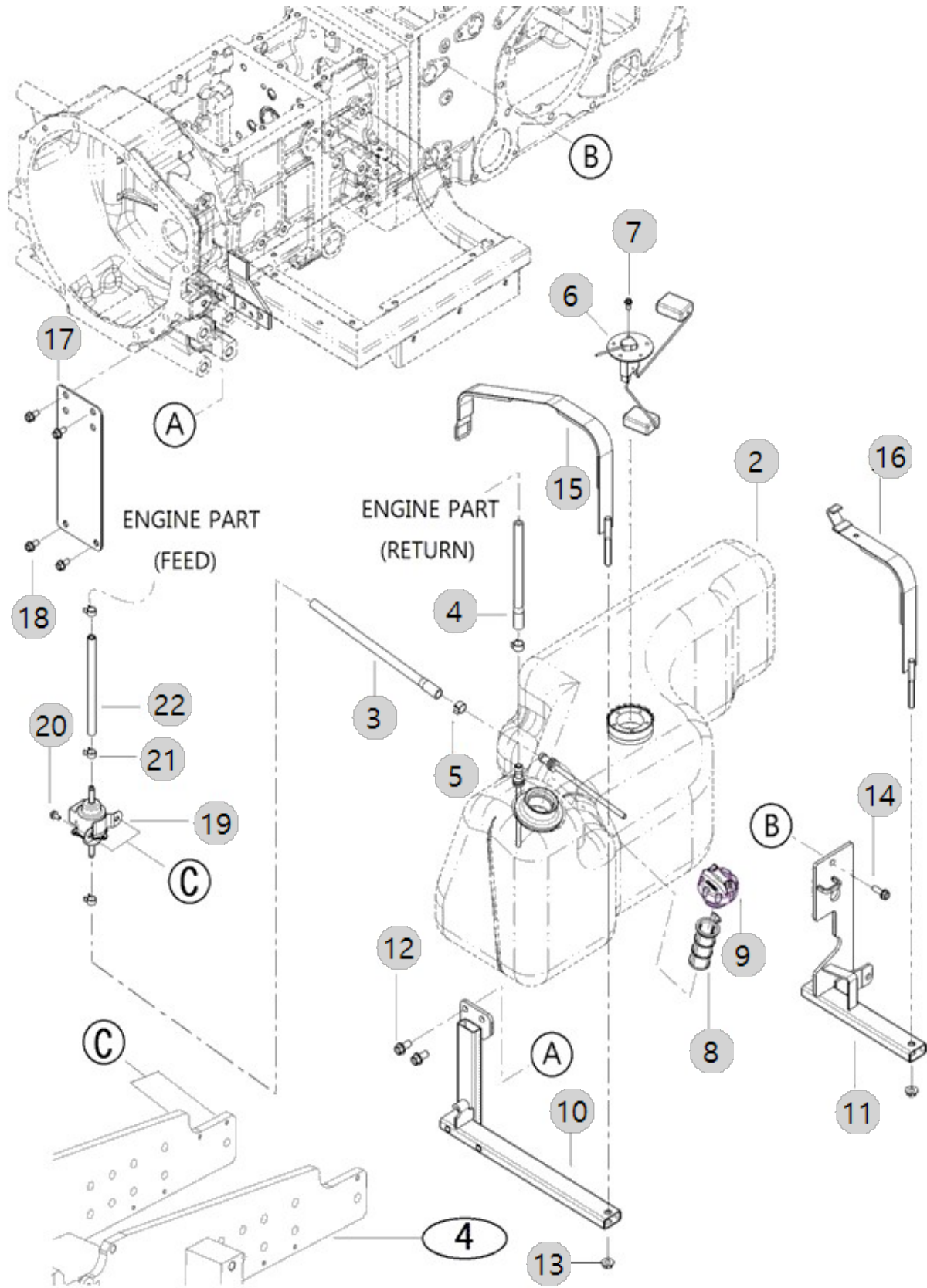
B01010

5025C(AC02119)

FUEL TANK

Year/Month

2022-12-16



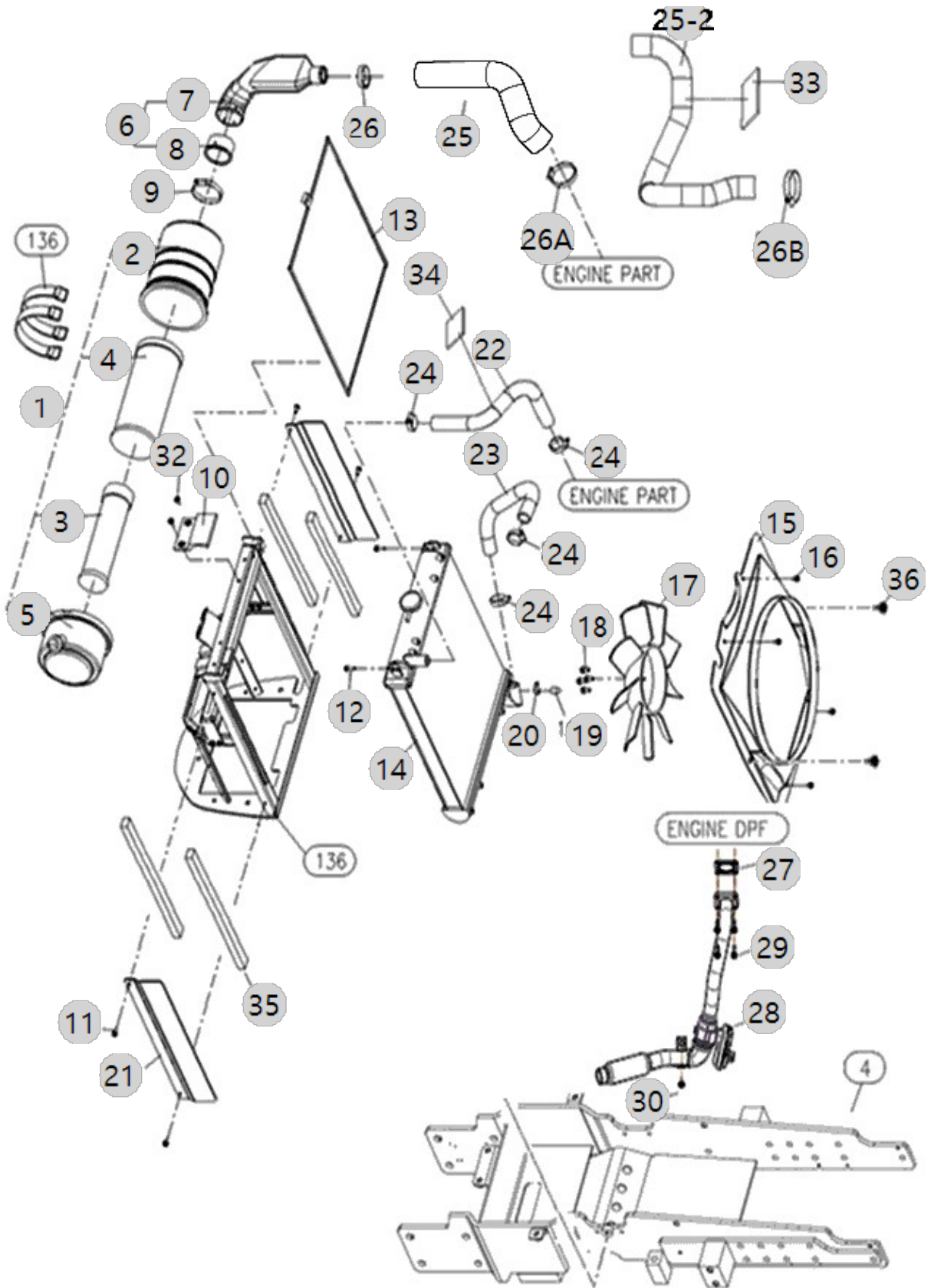
B02020

5025C(AC02119)

RADIATOR

Year/Month

2022-12-16



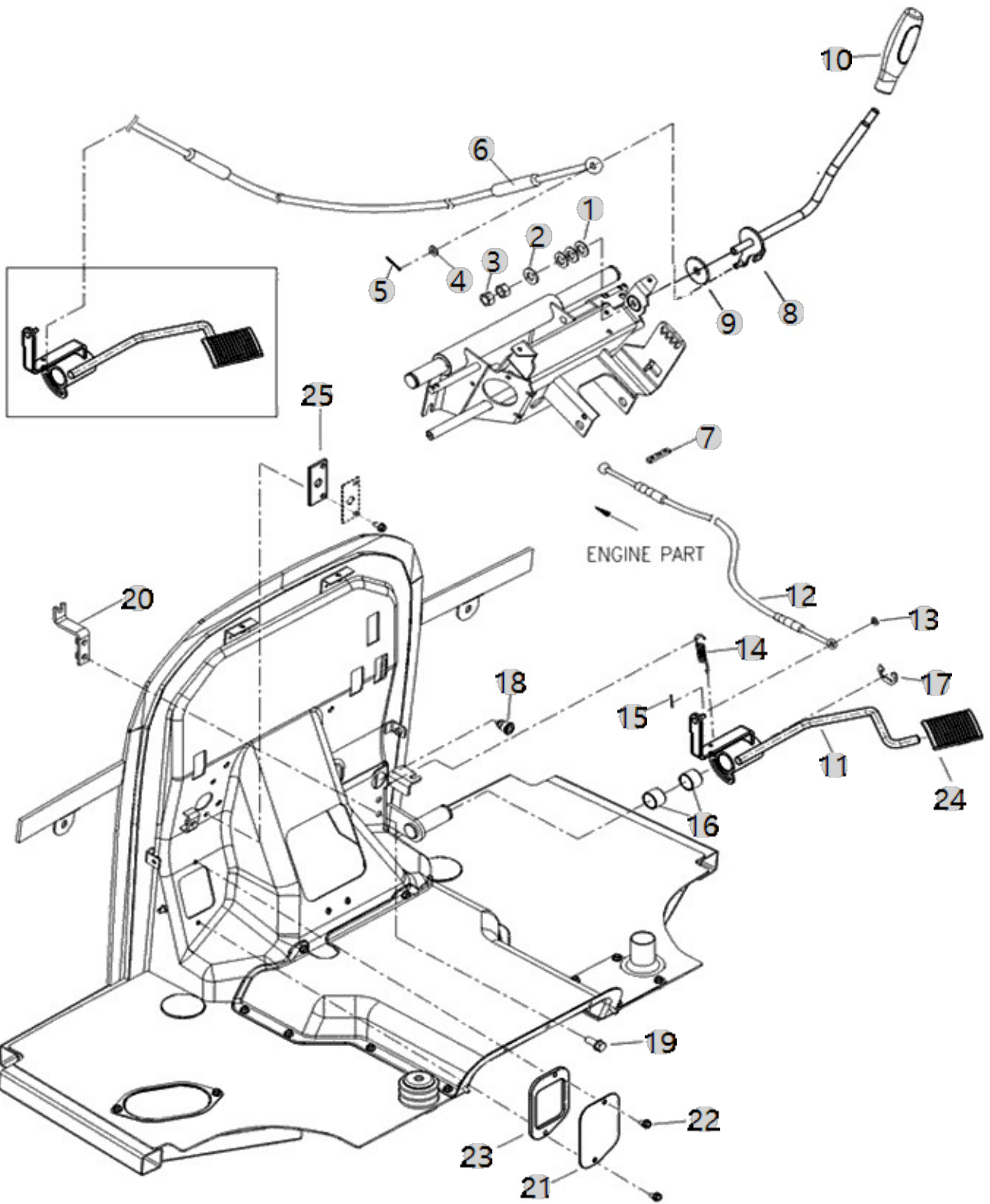
B05011

Year/Month

5025C(AC02119)

LEVER ACCELERATOR

2022-12-16



<p>B05011</p> <p>5025C(AC02119)</p>	<p>LEVER ACCELERATOR</p>	<p>Year/Month</p>
		<p>2022-12-16</p>

순번 (NO)	부품번호 (PART NO)	품명 (PART NAME)	품명 (PART NAME)	수량 (QTY)	규격 (SPEC)	비고 (REMARK)
1	TC45010000B4	접시 스프링 와셔10	SPRINGWASHER10	3	M10	
2	22137-060000	평와셔	WASHER, PLAIN	1	M6	
3	26716-100002	육각너트	Nut, Hexa (Φ10)	1	M10XP1.5	
4	22137-100000	평와셔 10	WASHER, PLAIN (Φ 10)	1	M10	
5	22417-160180	할핀1.6X18	PIN, COTTER (1-18)	1	D1.6X18	
6	TA00048946A	엑셀와이어(레버)	WIRE ASS'Y	1		
7	TC45040000A4	고무(와이어이탈방지)	RUBBER	1		
8	TA00048936B	엑셀레버조합(EEC)	LEVER ASS'Y, ACCELERATOR	1		
8	TA00048936A	엑셀레버조합(EEC)	LEVER ASSY, ACCELERATOR	1		
9	TC45060000B4	마찰판	FRICTIONPLATE	1	10.1X40X3	
10	TA00058251A	엑셀 손잡이 노브 조합(EU)	KNOD, ACCELERATOR	1		
11	TA00028617D	악셀 페달 조합	PEDAL ACCELERATOR ASS'Y	1		
11	TA00028617C	악셀 페달 조합	PEDAL ACCELERATION ASS'Y	1		
12	TA00029575B	엑셀 페달 와이어	ACCELERATOR WIRE, PEDAL	1		
13	22137-060000	평와셔	WASHER, PLAIN	1	M6	
14	RA00002397C	예비묘대스프링	SPRING, SPARE SEEDLING TRAY	1	D2	
15	22417-160180	할핀1.6X18	PIN, COTTER (1-18)	1	D1.6X18	
16	24550-025200	드라이부시	BUSH, DRY	2	25X20	
17	22272-000190	E형스냅링	RING, CIRCLIP (Φ 19)	1	D19	
18	TA00048755A	엑셀 와이어 그로멧	GROMMET	1		
19	26106-080162	플랜지볼트8X16	SCREW, HEX FLANGE HEAD CAP	2	M8XP1.25X16	
20	FT01320000B4	와이어브래킷B	BRACKET B, WIRE	1		
20	FT01320000C4	와이어브래킷B	BRACKET B, WIRE	1		
21	TA00017501B	커버	COVER	1	0.8T	
21	TA00017501C	커버	COVER	1	0.8T	
22	26106-060122	육각플랜지볼트	HEX BOLT (6-12)	2	M6XP1.0X12	
23	TA00034679C	고무판	PLATE, RUBBER	1		
24	TA00039370A	엑셀페달	PEDAL ACCELERATION	1		
25	TA00034695B	클러치 안전스위치 고무판	PLATE, RUBBER	1		

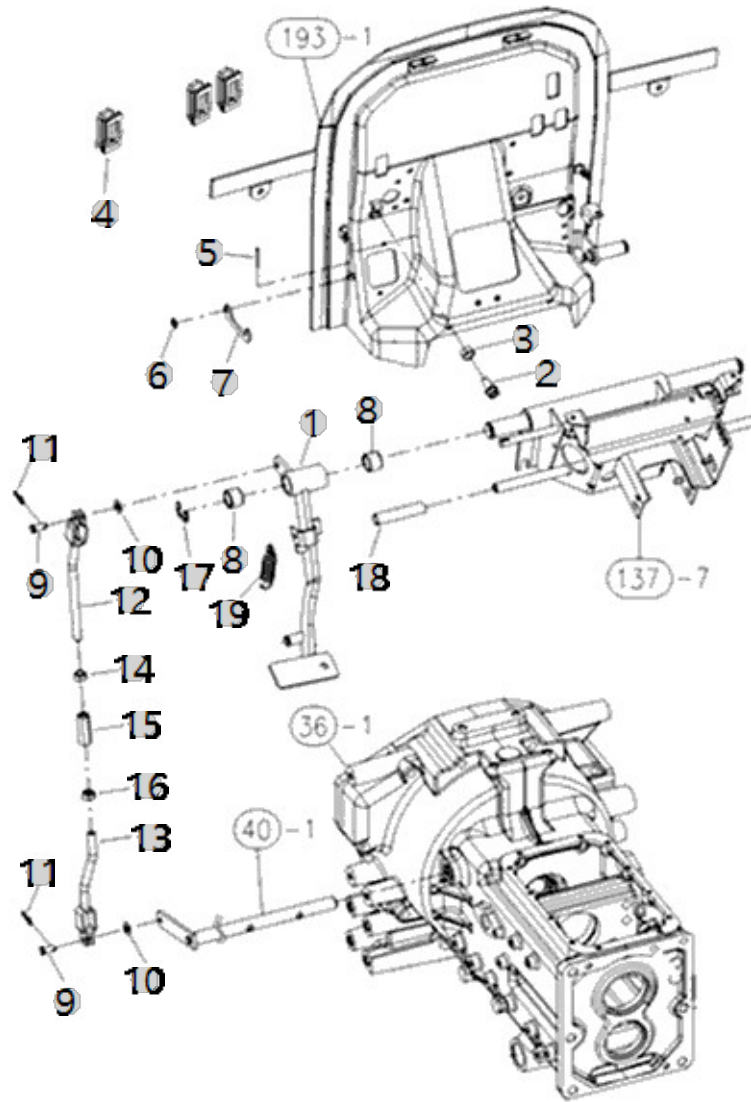
C01030

Year/Month

5025C(AC02119)

CLUTCH PEDAL

2022-12-16



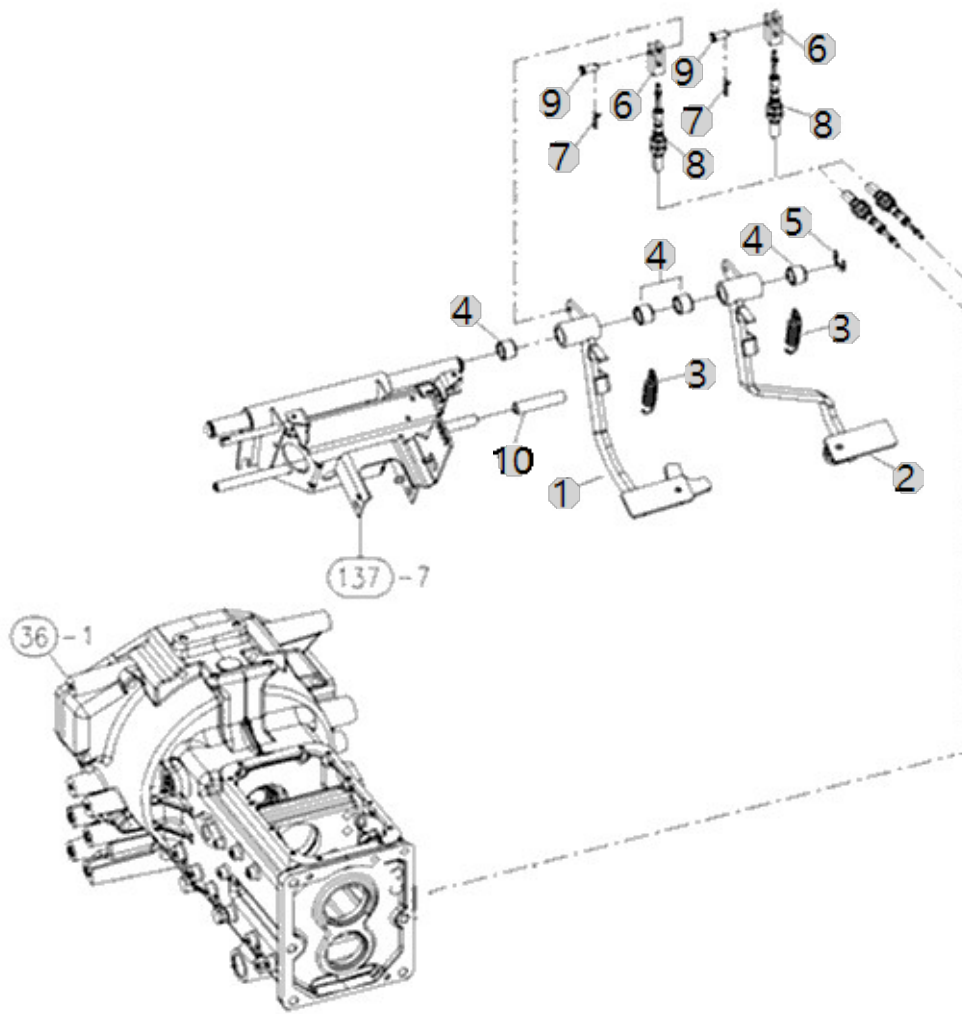
C02010

Year/Month

5025C(AC02119)

BRAKE PEDAL

2022-12-16



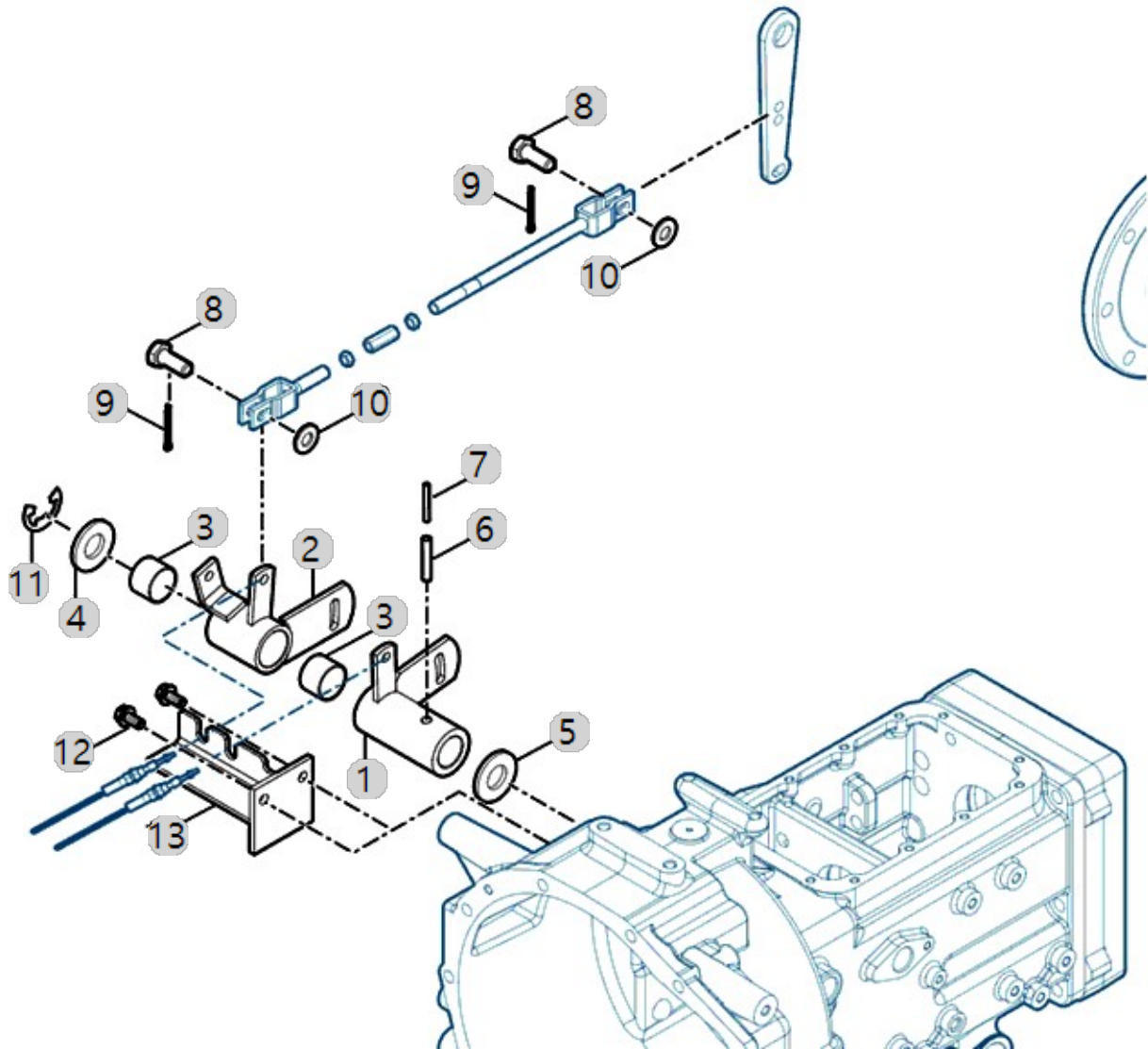
C02032

Year/Month

5025C(AC02119)

BRAKE LINK

2022-12-16



C02032 5025C(AC02119)		BRAKE LINK				Year/Month 2022-12-16
순번 (NO)	부품번호 (PART NO)	품 명 (PART NAME)	품 명 (PART NAME)	수량 (QTY)	규격 (SPEC)	비고 (REMARK)
1	TA00017352C	브레이크 링크 (좌)후	BRAKE LINK (L), REAR	1		
1	TA00017352B	브레이크 링크 (좌)후	BRAKE LINE(L)REAR	1		
2	TA00017353D	브레이크 링크 (우)후	BRAKE LINK (R), REAR	1		
2	TA00017353C	브레이크 링크 (우)후	BRAKE LINE(R)REAR	1		
3	TB26240000A4	부시	BUSH	2	32X38X25	
4	TB35120000C4	와셔 B		1	2.3T	
5	TB35110000B4	와셔A	WASHER A	1	T1.2X50X50	
6	22351-080050	스프링핀	PIN, SPRING (8-50)	1		
7	22351-050050	스프링핀	PIN, SPRING (5-05)	1		
8	TT41090000C4	두부핀 10x23	PIN10X23	2	D10	
9	22417-200300	할핀	PIN , COTTER (2-30)	2	D2.0X30	
10	22137-100000	평와셔 10	WASHER, PLAIN (Φ 10)	2	M10	
11	22272-000240	스냅링	RING, CIRCLIP (Φ 24)	1	D24	
12	26106-100202	육각플랜지볼트	HEX BOLT, (10-20)	2	M10XP1.5X20	
13	TA00034254C	지지대 조합(R)	SUPPORT ASS'Y (R)	1		
13	TA00034254B	지지대 조합(R)	SUPPORT ASS'Y (R)	1		

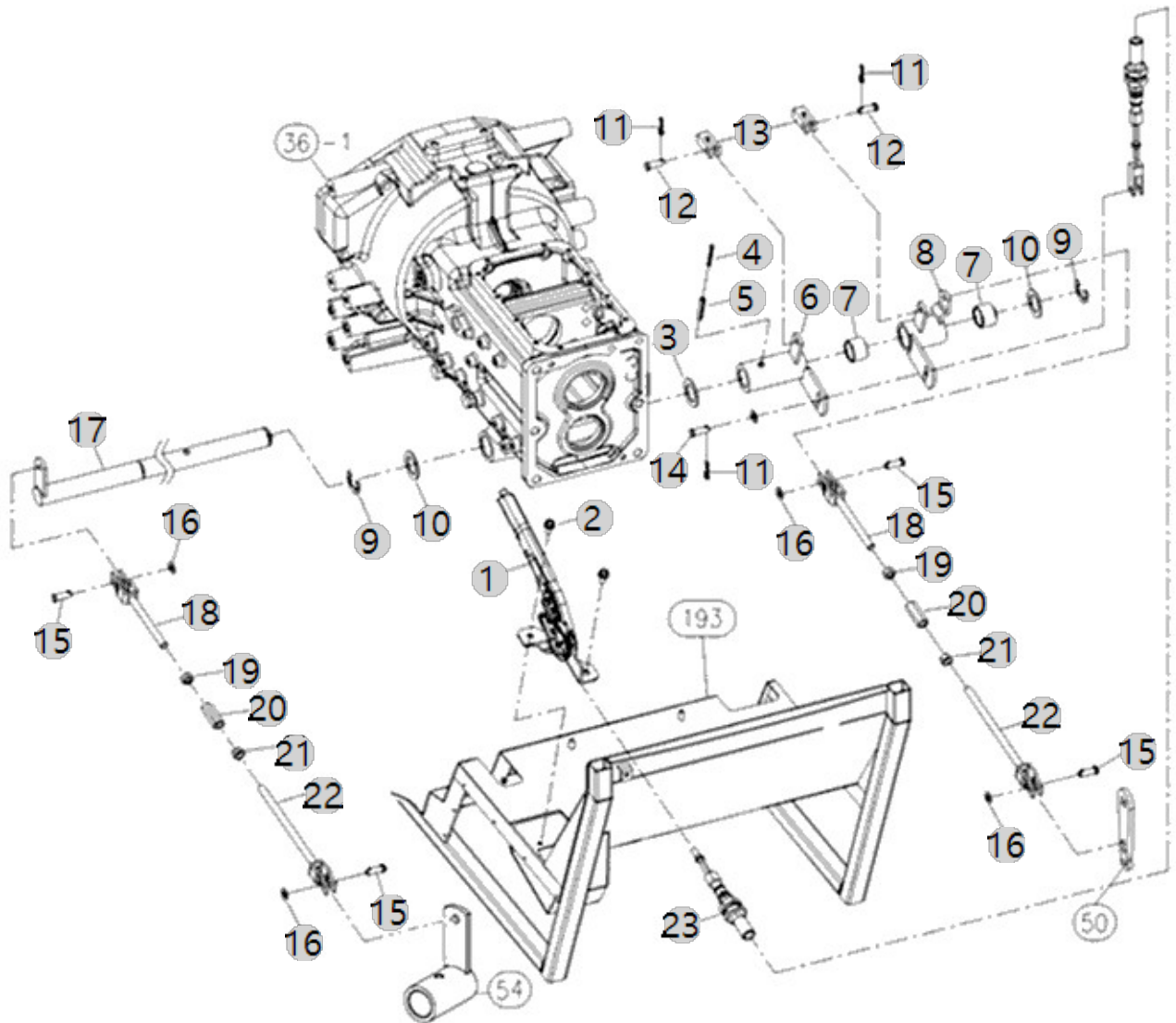
C02050

Year/Month

5025C(AC02119)

PARKING BRAKE

2022-12-16



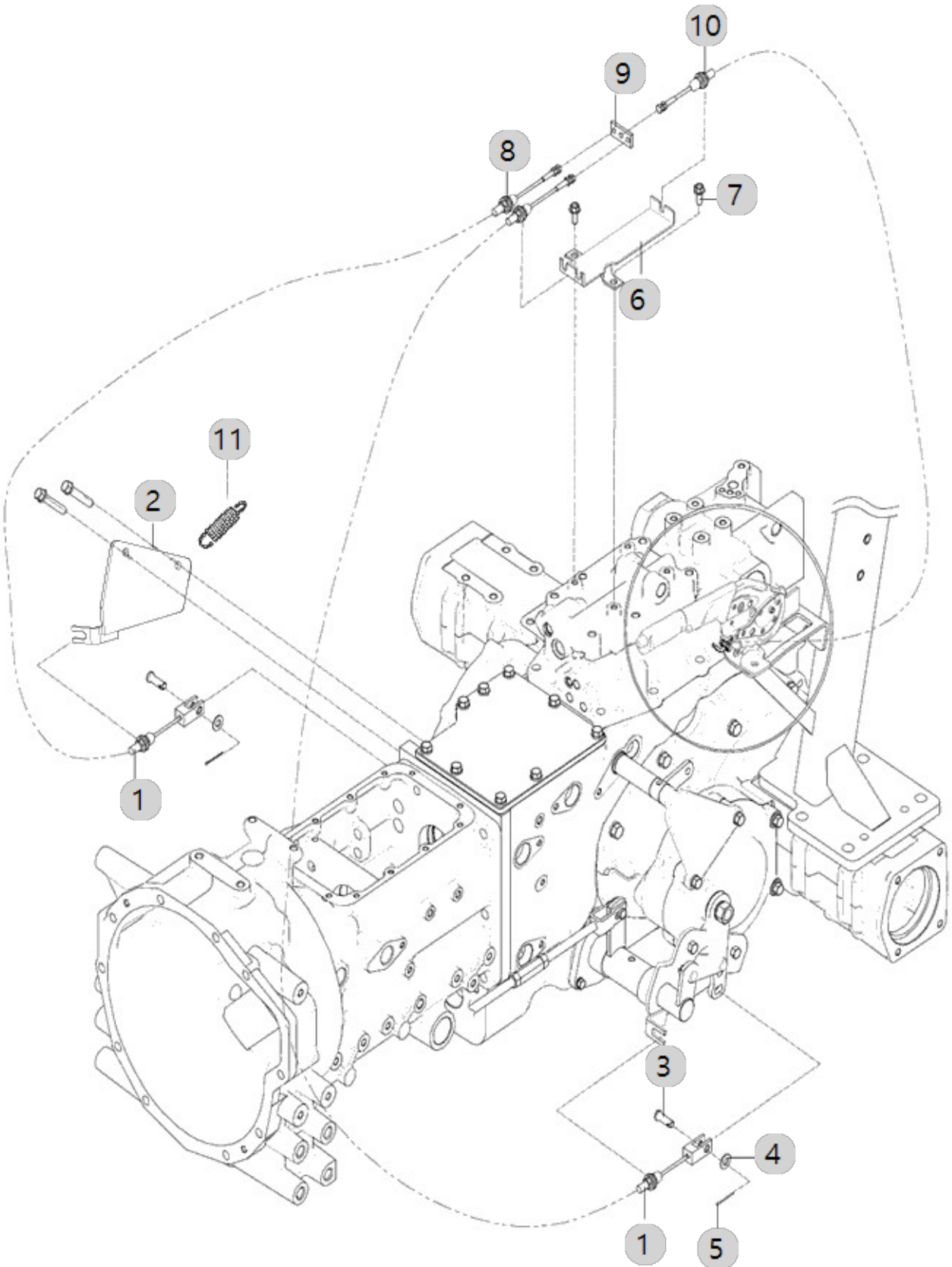
C02051

5025C(AC02119)

CABLE, PARKING BRAKE

Year/Month

2022-12-16



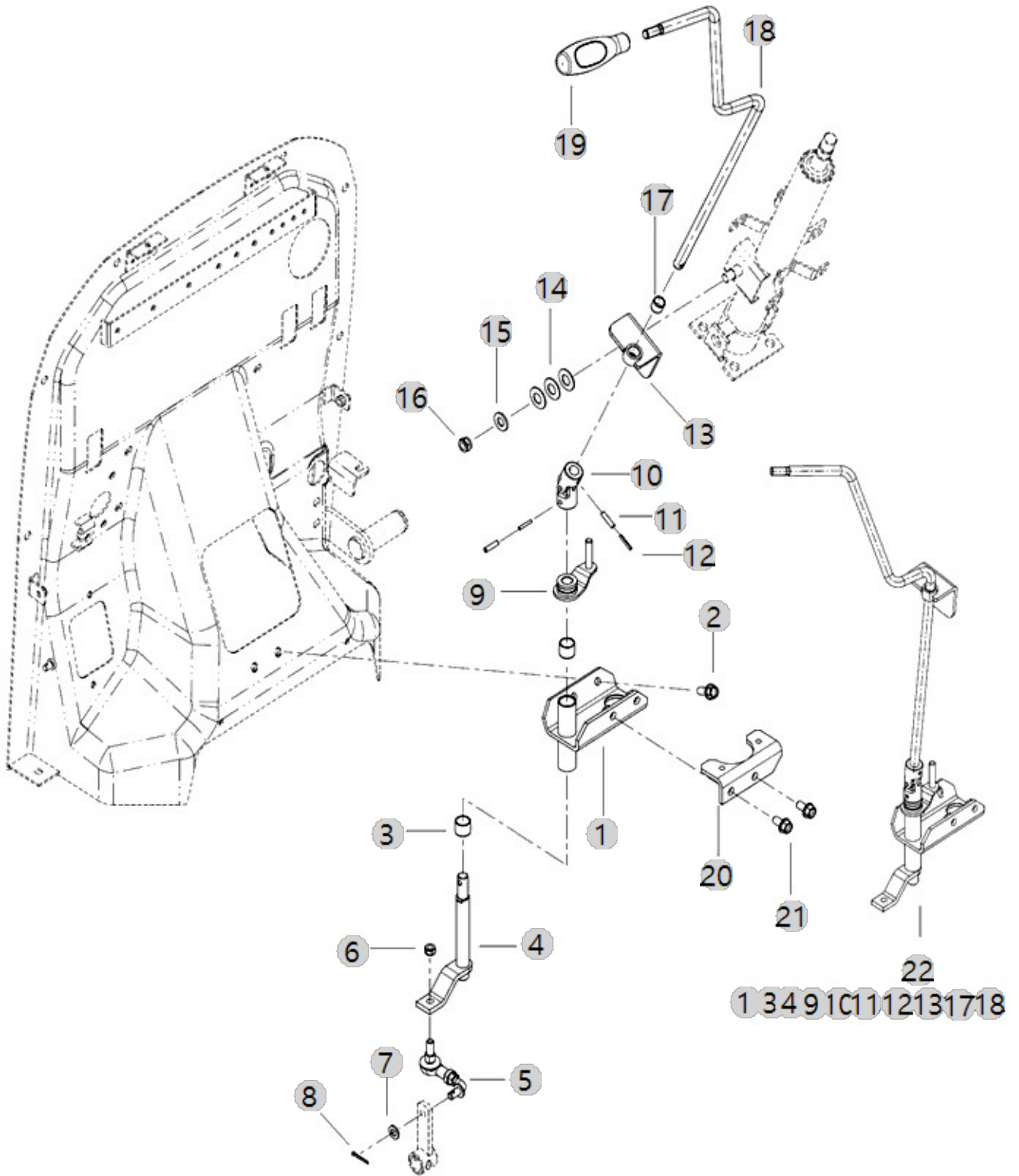
C04010

5025C(AC02119)

SHUTTLE ASS'Y

Year/Month

2022-12-16



C04010 5025C(AC02119)	SHUTTLE ASS'Y	Year/Month
		2022-12-16

순번 (NO)	부품번호 (PART NO)	품 명 (PART NAME)	품 명 (PART NAME)	수량 (QTY)	규격 (SPEC)	비고 (REMARK)
1	TA00017490D	리버서축 브래킷	BRACKET REVERSER SHAFT	1		
2	26106-080202	육각플랜지볼트	SQR FLANGE BOLT	2	M8XP1.25X20	
3	24550-016150	드라이부시	DRYBUSH	2		
4	TA00017487E	리버서축	SHAFT REVERSER	1		
5	TA00002832B	로드조합(F-R)	ROD ASS'Y(F-R)	1		
6	26347-080002	U너트	Unut	1	M8XP1.25	
7	22117-080000	평와셔(소형)	WASHER, PLAIN (Φ 08)	1	M8	
8	22417-250250	가름핀2.5X25	PIN, COTTER (2-25)	1	D2.5X25	
9	TA00017493B	조인트암 조합	JOINT ARM ASS'Y	1		
10	TA00060731A	조인트조합	JOINT ASS'Y	1		
11	22351-050020	스프링핀5X20	PIN, SPRING (5-20)	2	D5X20	
12	22351-030020	스프링핀3X20	PIN, SPRING (3X20)	2	D3X20	
13	TA00047045B	브래킷조합(셔틀레버)	BRACKET ASSY	1		
14	TC94060000A4	접시스프링12	PRING12	3		
15	22137-100000	평와셔 10	WASHER, PLAIN (Φ 10)	1	M10	
16	26347-100002	육각U너트	U-NUT	1	M10XP1.5	
17	24550-012120	드라이부시12X12	DRYBUSH12X12	1		
18	TA00047186D	셔틀레버(25series)	LEVER, SHUTTLE	1		
18	TA00047186C	셔틀레버(25series)	LEVER, SHUTTLE	1		
19	TA00056013A	셔틀 노브 조합(복미)	KNOB (LEVER SHUTTLE)	1		
20	TA00017502A	스위치취부판조합	SW BRACKET ASS'Y	1		
21	26106-080162	플랜지볼트8X16	SCREW,HEXFLANGEHEADCAP	2	M8XP1.25X16	
22	TA00047637D	리버스레버조합(캐빈/25)	REVERSE RLEVER ASSY (CABIN)	1		

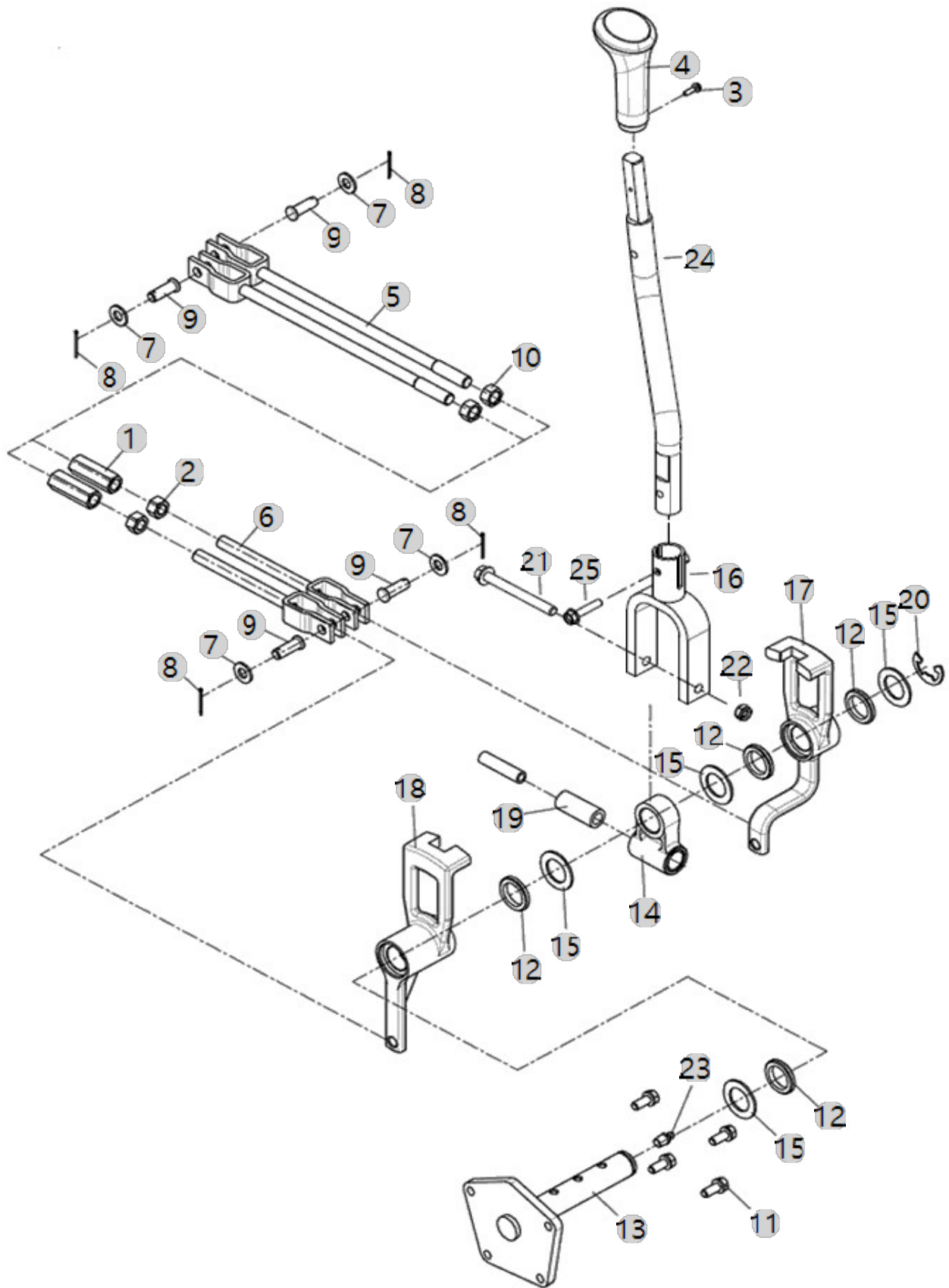
C04031

Year/Month

5025C(AC02119)

LEVER, MAIN SHIFT

2022-12-16



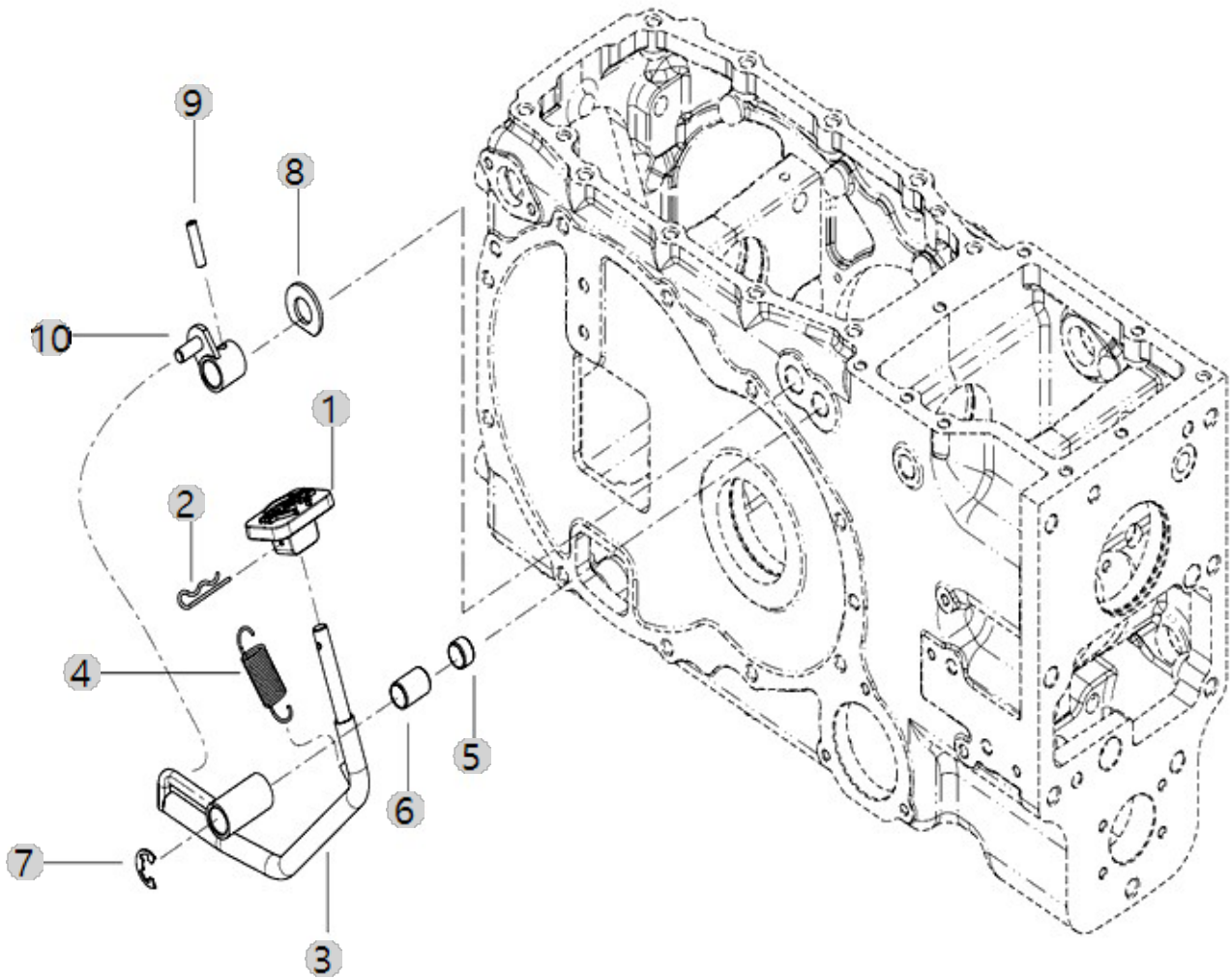
C04041

5025C(AC02119)

DIFF-LOCK PEDAL

Year/Month

2022-12-16



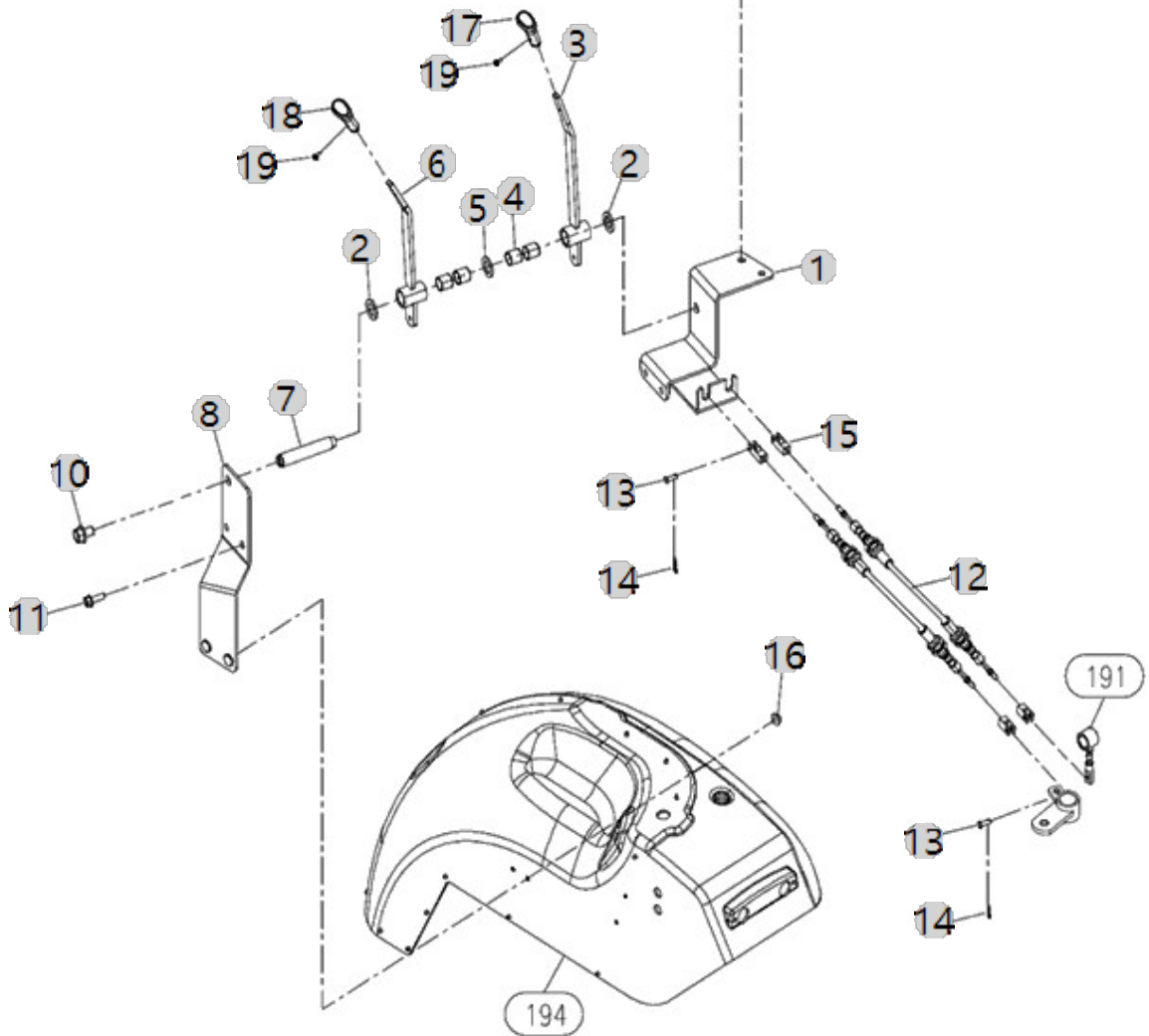
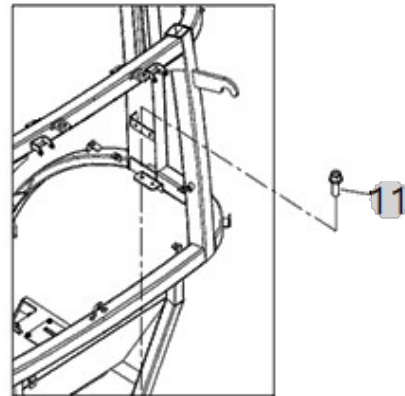
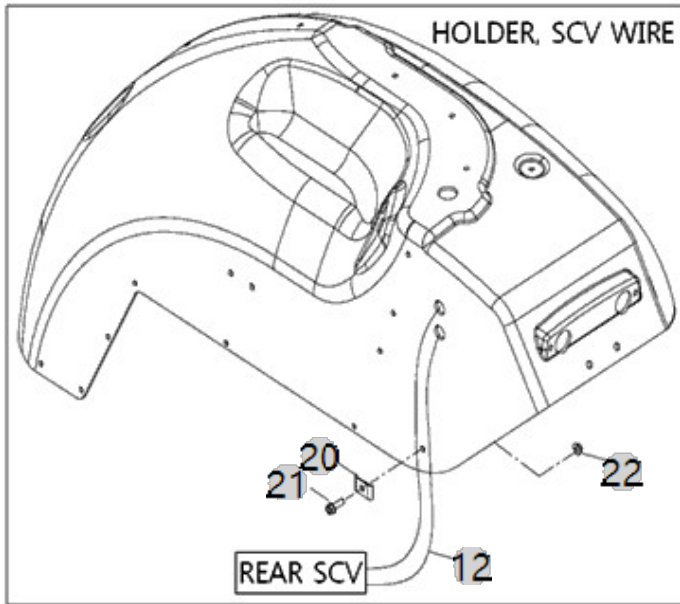
C04060

Year/Month

5025C(AC02119)

SCV LEVER

2022-12-16



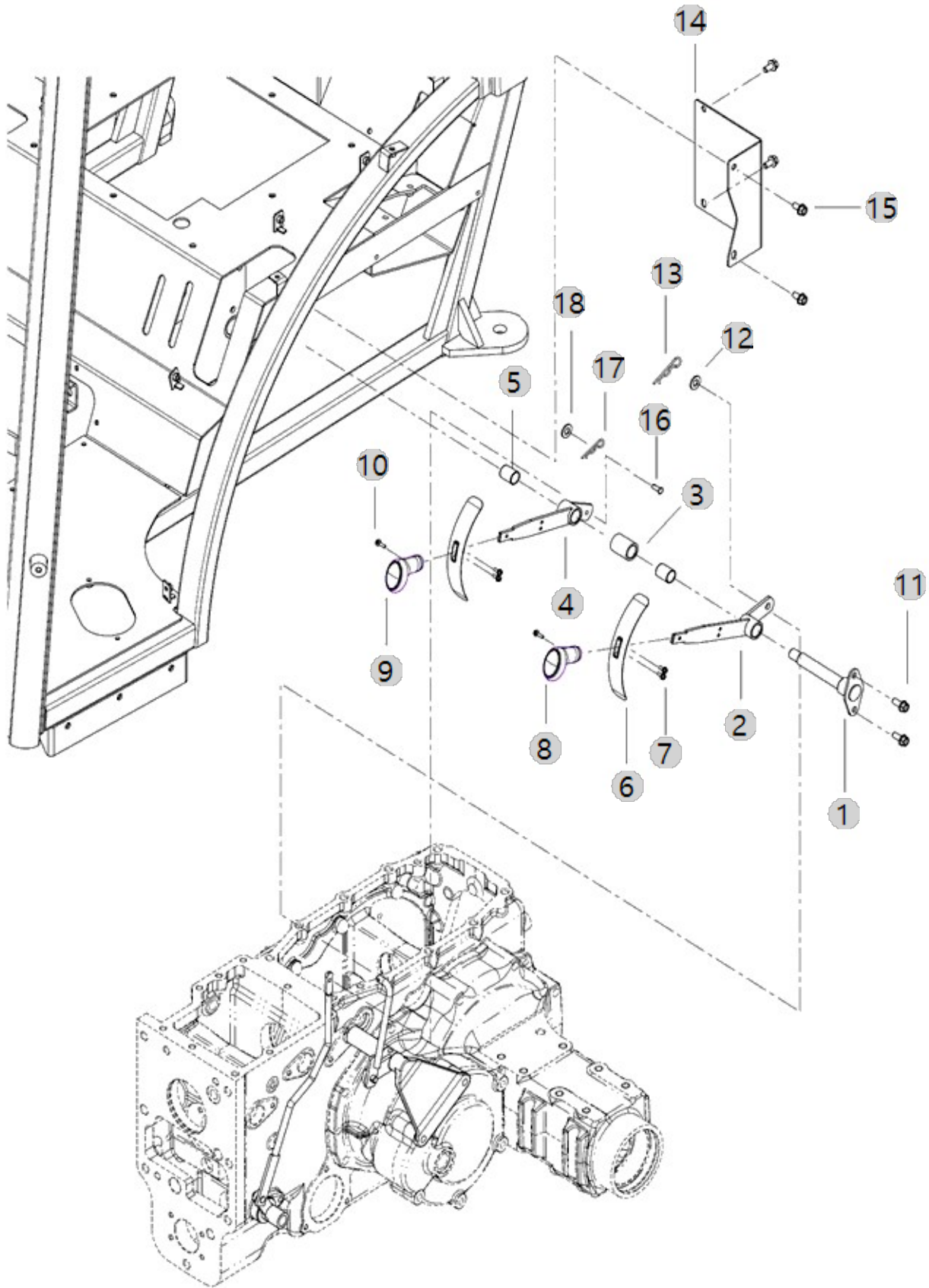
C04071

5025C(AC02119)

LEVER ASS'Y, PTO SPEED CHANGE

Year/Month

2022-12-16



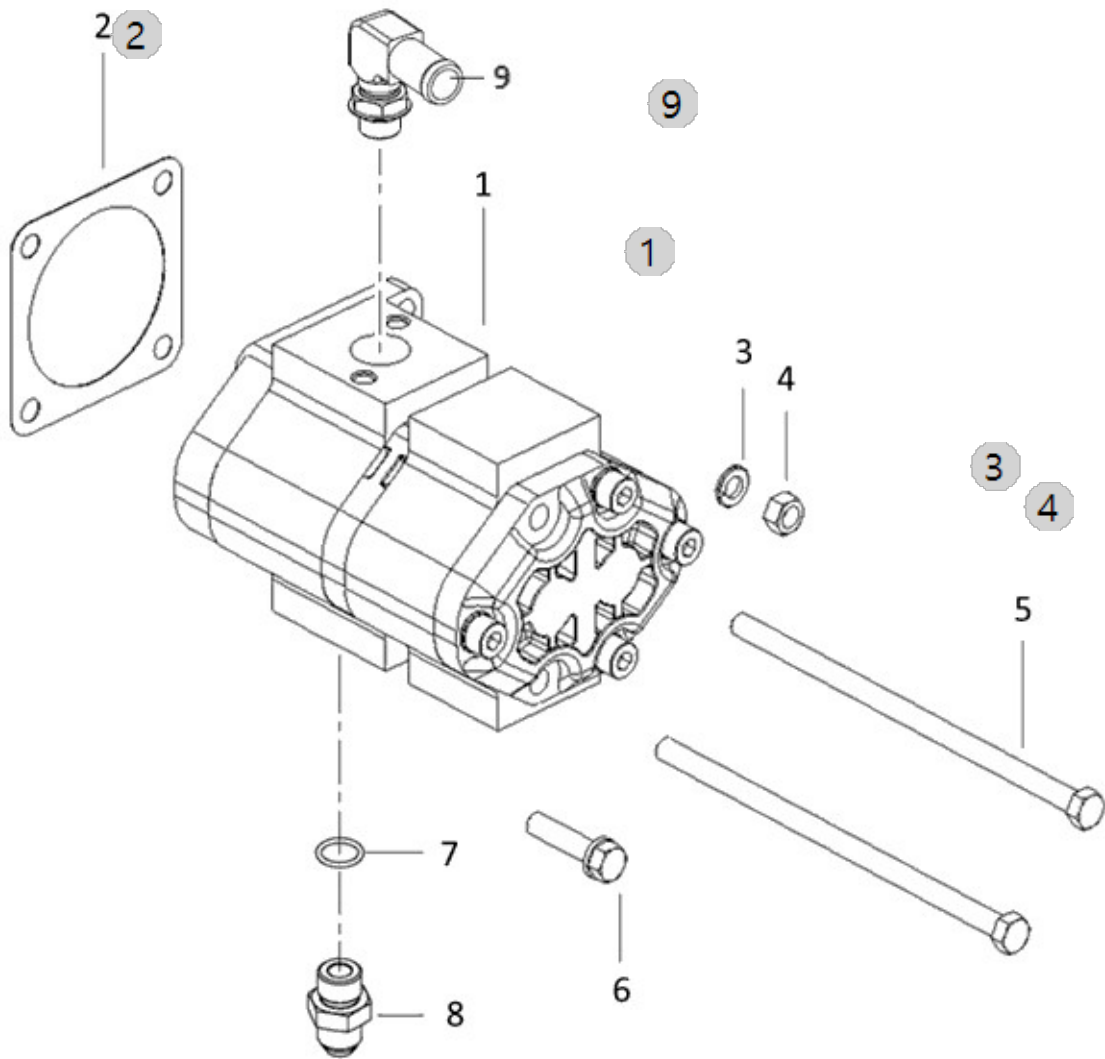
D01010

Year/Month

5025C(AC02119)

HYD PUMP

2022-12-16



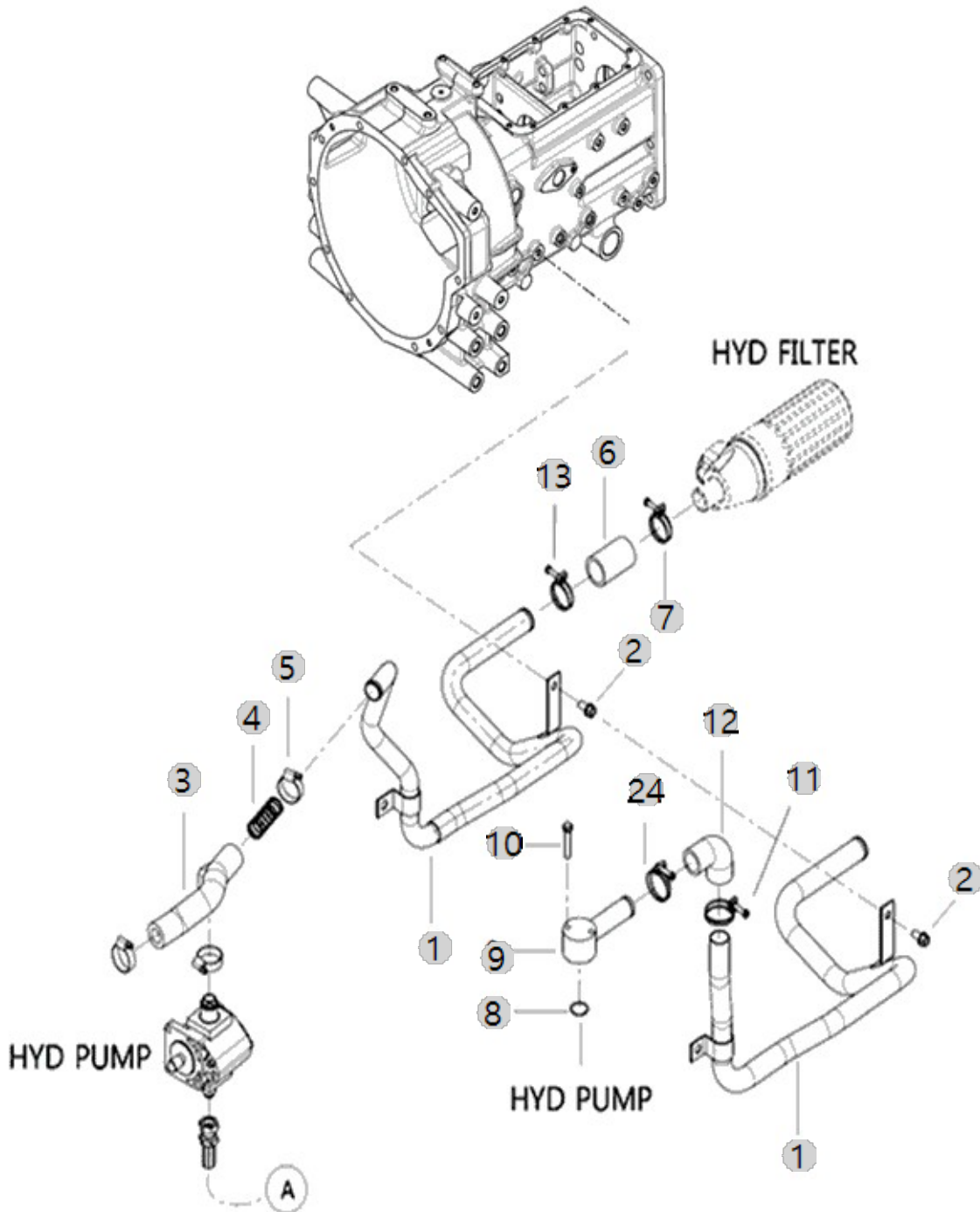
D01020B

Year/Month

5025C(AC02119)

LOW PRESSURE PIPE

2022-12-16



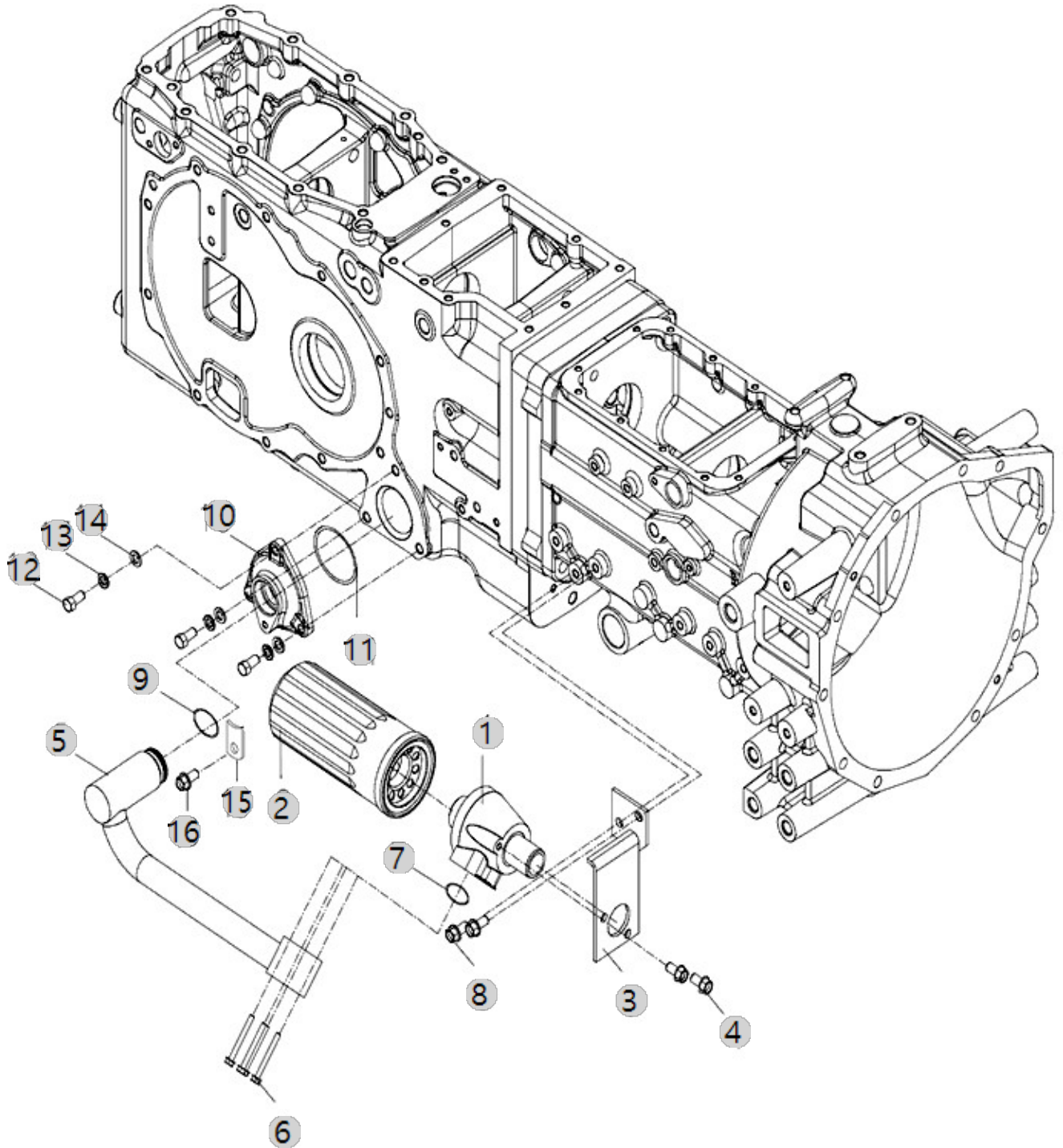
D01040

Year/Month

5025C(AC02119)

HYD FILTER

2022-12-16



D01040 5025C(AC02119)	HYD FILTER	Year/Month
		2022-12-16

순번 (NO)	부품번호 (PART NO)	품명 (PART NAME)	품명 (PART NAME)	수량 (QTY)	규격 (SPEC)	비고 (REMARK)
1	TTB8020011A3	휠터커버	COVER: FILTER	1		
2	TA00025525B	유압 휠터	FILTER, HYD OIL (20R/20C SERIES)	1		
2	TA00025525C	유압 휠터	HYD. FILTER	1		
3	TA00036028B	필터 브라켓	FILTER BRACKET	1		
3	TA00036028A	필터 브라켓	FILTER BRACKET	1		
4	26106-080162	플랜지볼트8X16	SCREW,HEXFLANGEHEADCAP	2	M8XP1.25X16	
5	TA00036031B	저압 플랜지 조립	PIPE ASS'Y,LOWER PRESSURE	1		
6	26106-060552	육각플랜지볼트	HEX FLANGE BOLT	4		
7	24321-000250	O-링	O-RING	1	25G	
8	26106-100202	육각플랜지볼트	HEX BOLT, (10-20)	2	M10XP1.5X20	
9	24311-000320	O링(P형)	O-RING, DYNAMIC (Φ32)	1	P32	
10	TA00000916A	커버(좌)	SCREEN COVER (LH)	1		
11	24321-000850	O링(G85)	ORING(G85)	2	G85	
12	26116-080252	볼트 7T(8X25)	BOLT7T(8X25)	3	M8X1.25X25	
13	22217-080000	스프링와셔8	WASHER, SPRING (Φ 08)	3	M8	
14	22137-080000	와셔8	WASHER, PLAIN (Φ 08)	3	M8	
15	TTB4100000D4	플레이트	PLATE	1	T3.0	
15	TTB4100000C4	플레이트	PLATE	1	T3.0	
15	TTB4100000A4	플레이트	PLATE	1	T3.9X19X40	
15	TTB4100000B4	플레이트	PLATE	1	T3.0	
16	26106-080162	플랜지볼트8X16	SCREW,HEXFLANGEHEADCAP	1	M8XP1.25X16	

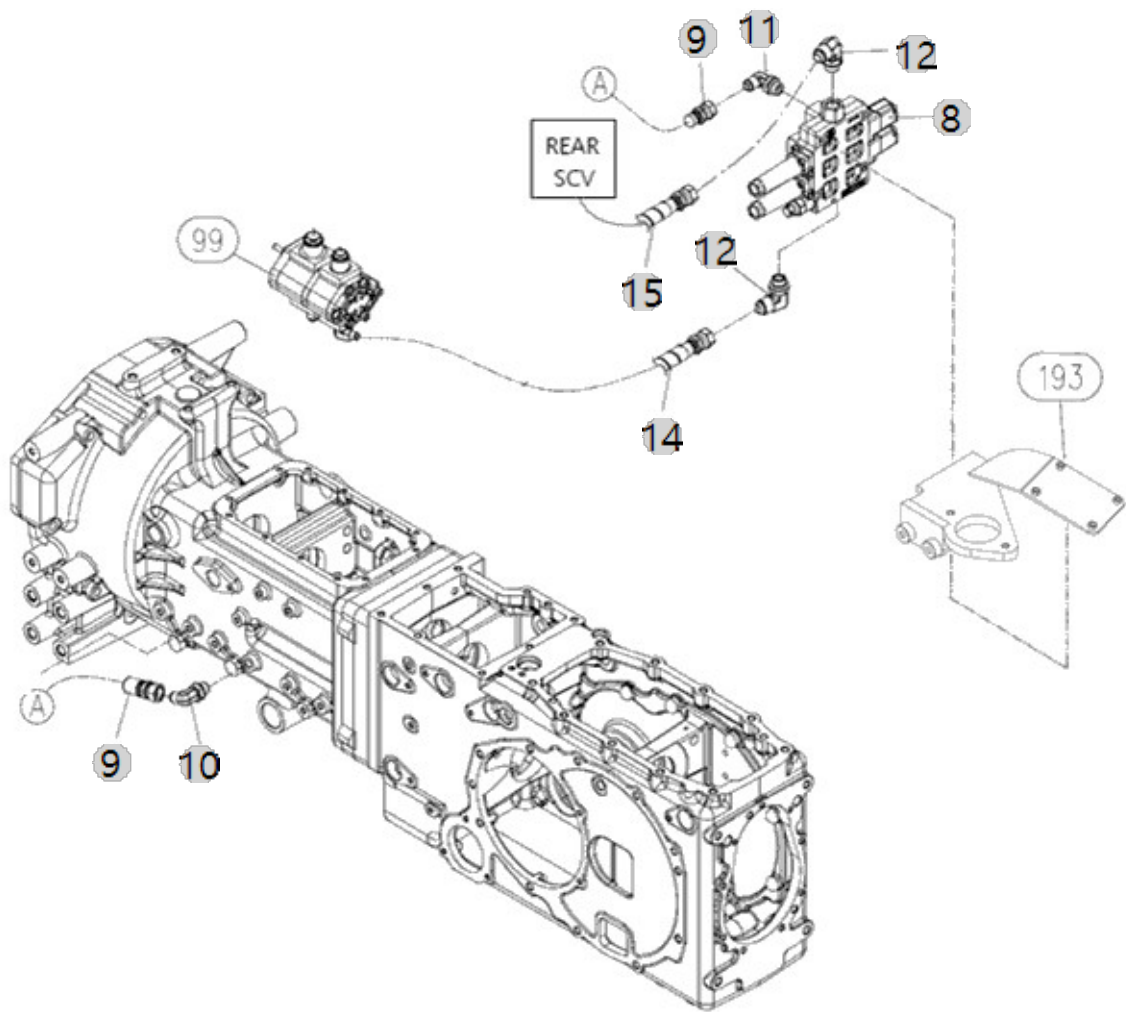
D01050

Year/Month

5025C(AC02119)

SCV VALVE

2022-12-16



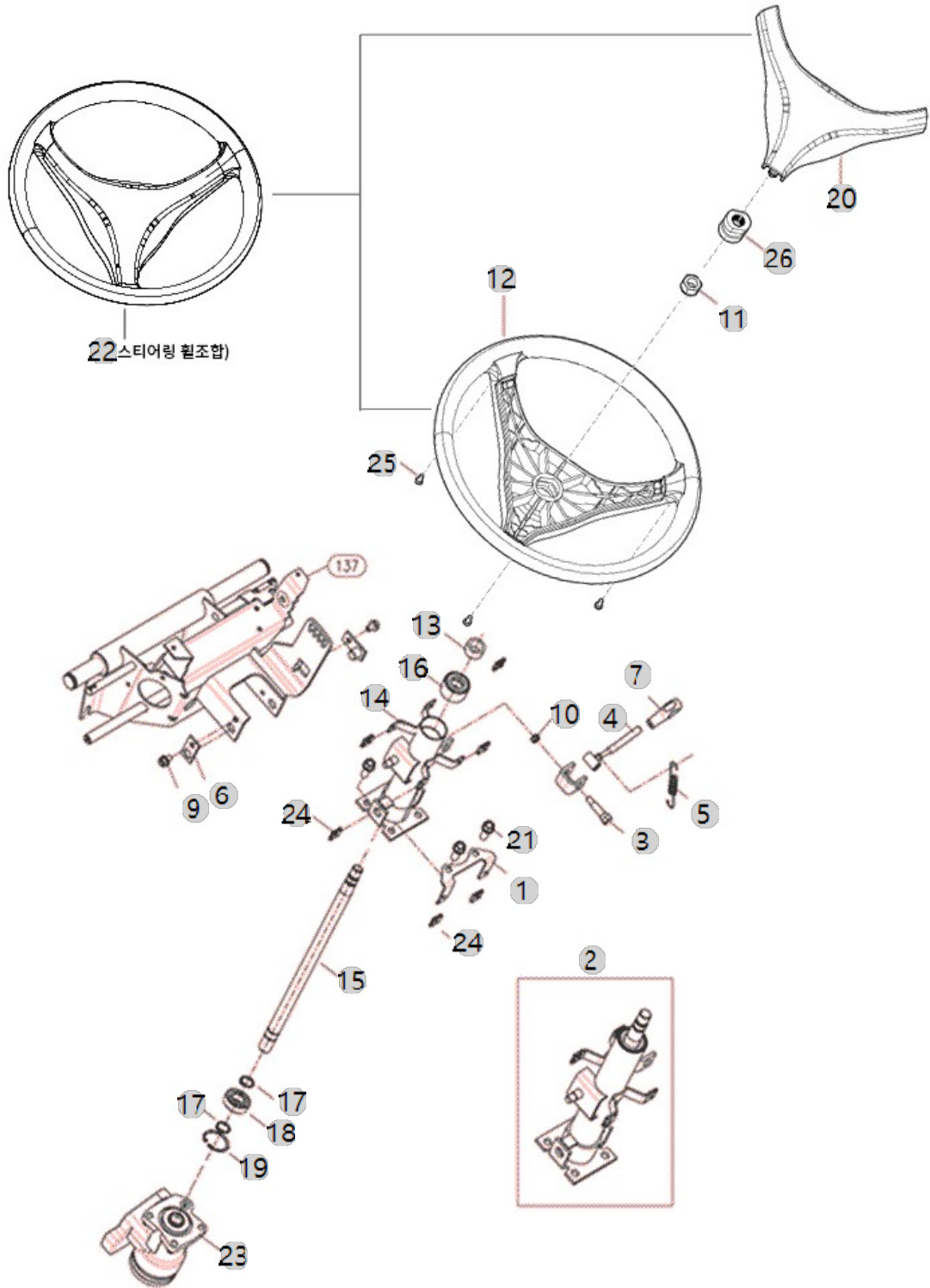
D02010

Year/Month

5025C(AC02119)

STEERING WHEEL

2022-12-16



D02010 5025C(AC02119)	STEERING WHEEL	Year/Month
		2022-12-16

순번 (NO)	부품번호 (PART NO)	품명 (PART NAME)	품명 (PART NAME)	수량 (QTY)	규격 (SPEC)	비고 (REMARK)
1	TC65010000B4	브래킷(컬럼커버)	BRACKET(COLUMCOVER)	1	2.3T	
2	TA00058976D	컬럼조합	COLUMN ASS'Y	1		
2	TA00058976E	컬럼조합	COLUMN ASS'Y	1		
3	TC65030000B4	틸트레버핀	TILTLEVERPIN	1		
4	TC65040000B4	틸트레버	TILTLEVER	1	NONE	
5	TC65050000A4	틸트스프링	TILTSPRING	1		
6	TC65060000B4	틸트핀조합	TILTPINASS'Y	2		
7	TA00015785A	스탠드 손잡이	LEVER, STAND	1		
9	26106-080122	육각플랜지볼트	Bolt, Hexa (8-12)	2	M8XP1.25X12	
10	26347-080002	U너트	Unut	1	M8XP1.25	
11	TA00048436B	U너트(M16XP1.5)	U-NUT	1		
12	TA00048049B	스티어링 휠	STEERING WHEEL	1		
13	TC65130000A4	커버(축)	COVER,SHAFT	1		
14	NT0141A100C2	스티어링컬럼	STEERING COLUMN	1		
14	NT0141A100D2	스티어링컬럼	STEERING COLUMN	1		
15	TA00054109C	스티어링축(수출)	SHAFT, STEERING	1		
16	TC65020400A9	컬럼부츠	COLUMNBUSH	1		
17	22242-000200	축용스냅링20	SNAP RING, SHAFT (Φ 20)	2	D20(축용)	
18	TA00060975A	캡 로울러	CAP ROLLER	1		
19	22252-000450	구멍용스냅링45	RING, CIRCLIP (Φ 45)	1	D45	
20	TA00048050B	커버	COVER	1		
21	26136-100252	육각플랜지볼트(세목)	SCREW, HEX FLANGE HEAD CAP	3	M10X25	
22	TA00048048C	스티어링 휠조합	STEERING WHEEL ASS'Y	1		
23	NT33010000D3	PST 밸브	P.S.TVALVE	1	NONE	
24	TTD7110000C4	스피드 너트 5008	SPEED NUT NS5008	6	0.7T	
24	TTD7110000B4	스피드 너트 5008	SPEED NUT NS5008	6	0.7T	
25	22587-480124	냄비머리태핑나사	TAPPING SCREW	3	4.8X12	
26	TA00001598A	인서트너트	NUT	1	M8XP1.25	

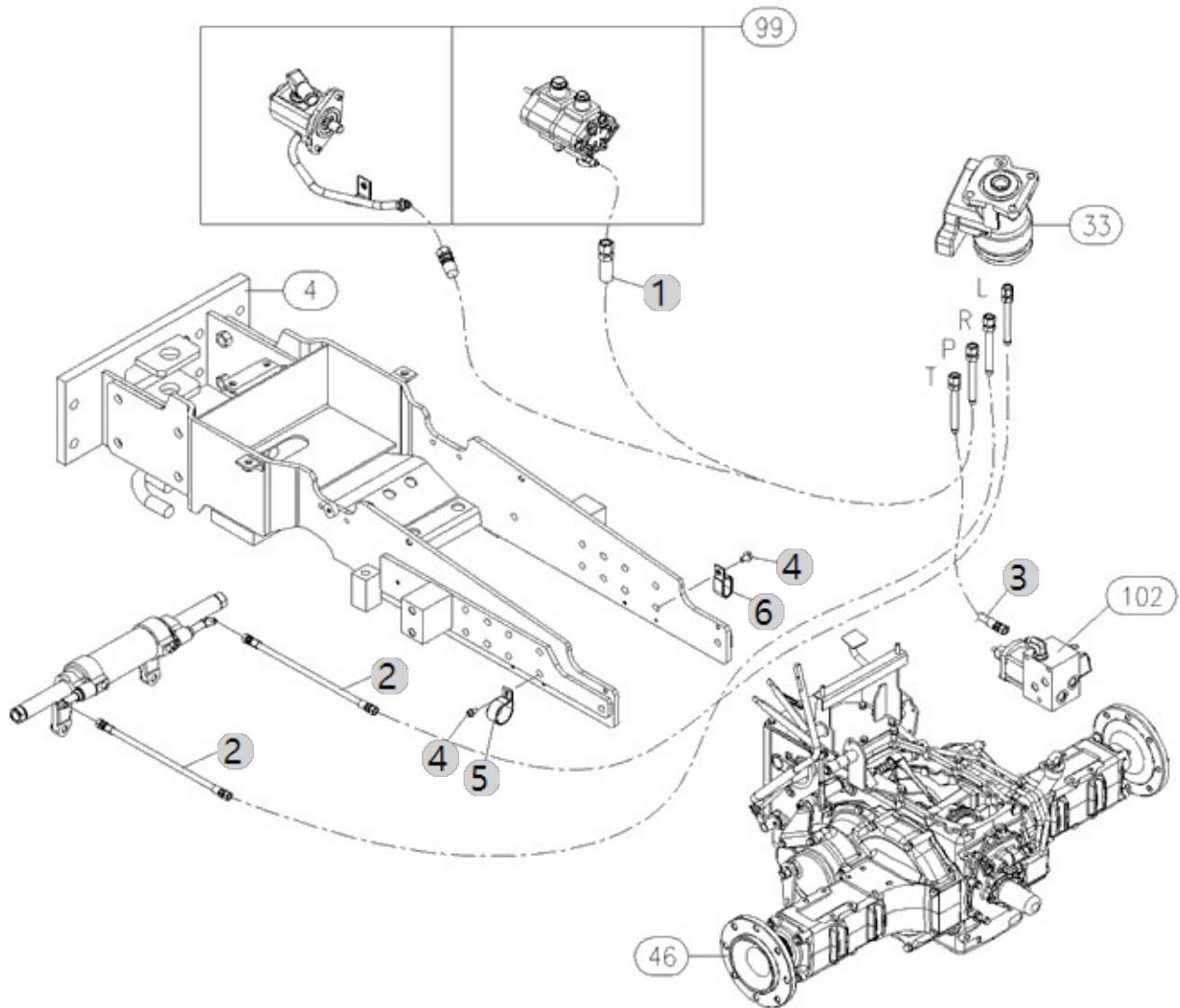
D02030

Year/Month

5025C(AC02119)

PST HOSE

2022-12-16



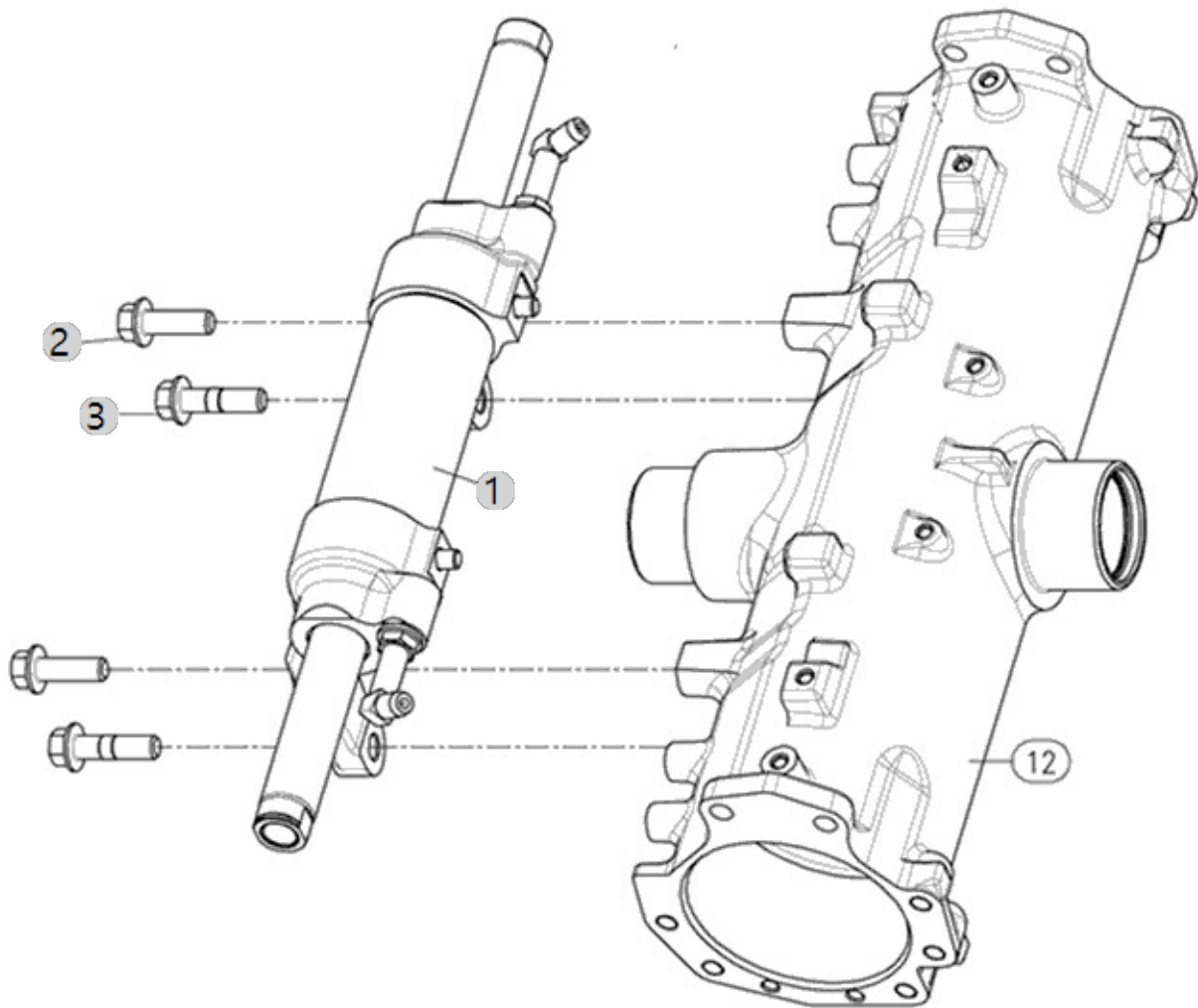
D02040

Year/Month

5025C(AC02119)

PST CYLINDER

2022-12-16



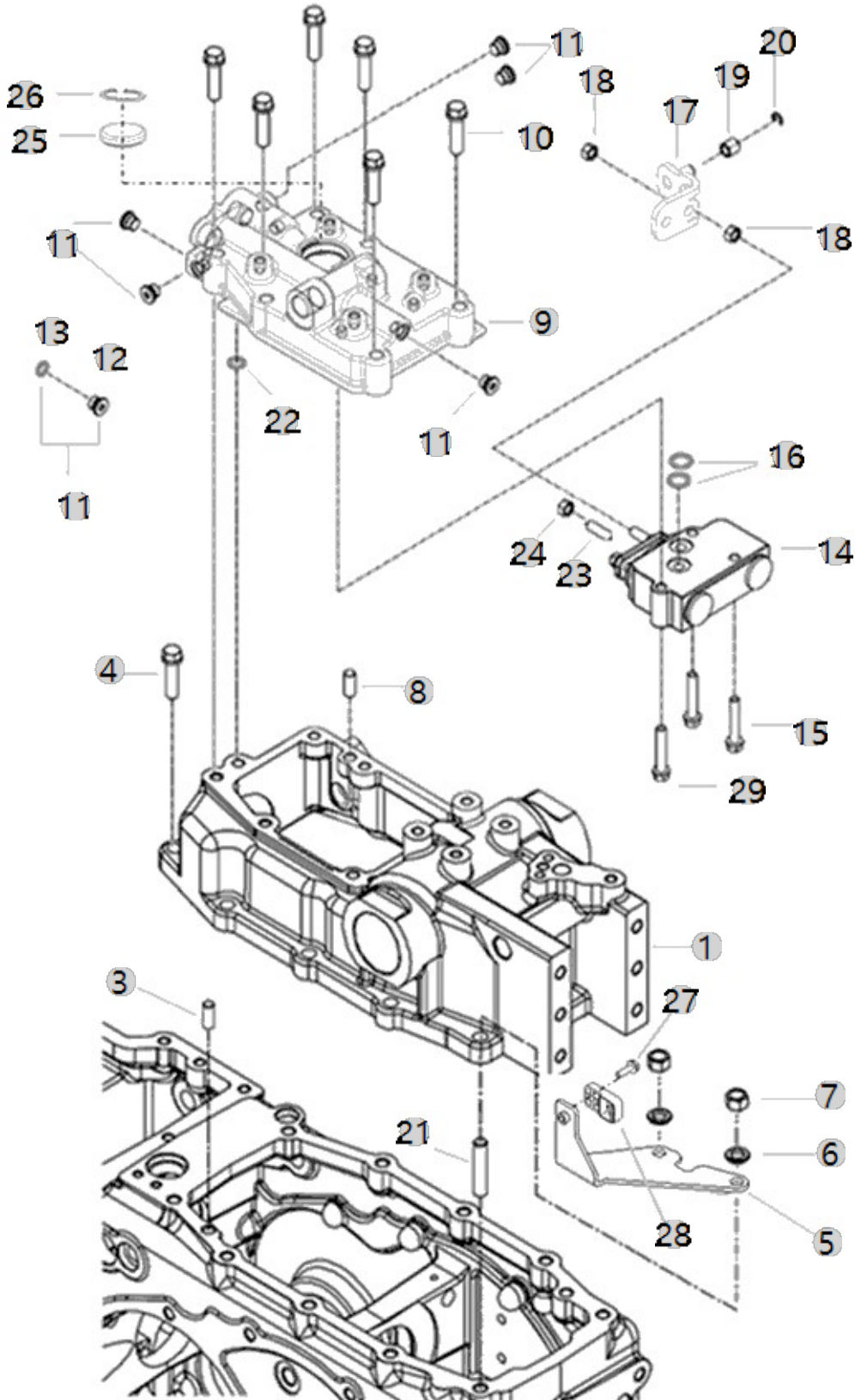
D04000

5025C(AC02119)

HYDRAULIC CYLINDER

Year/Month

2022-12-16



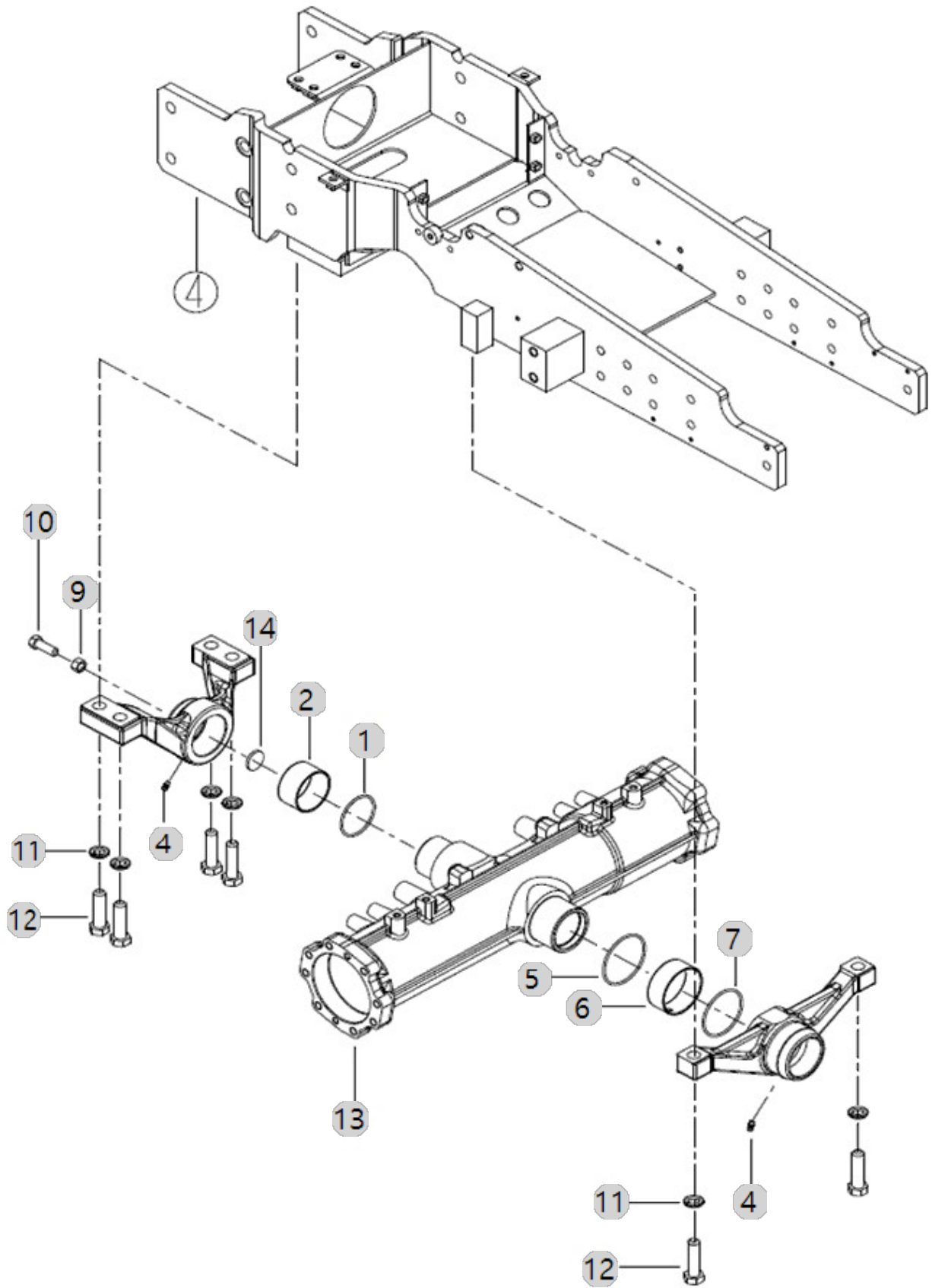
E01010

Year/Month

5025C(AC02119)

FRONT AXLE CASE

2022-12-16



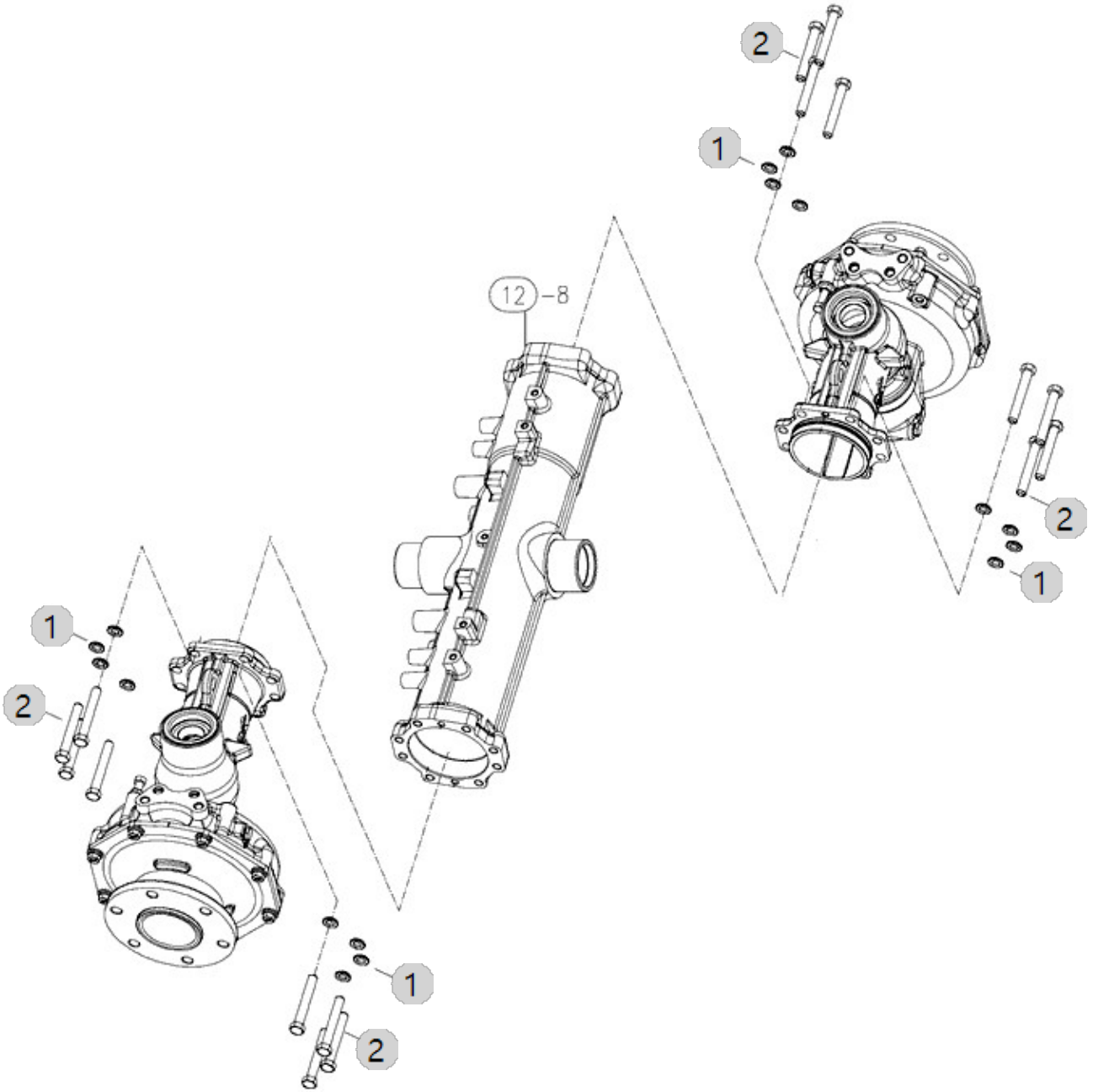
E01013

5025C(AC02119)

FRONT AXLE CASE/SPACER

Year/Month

2022-12-16



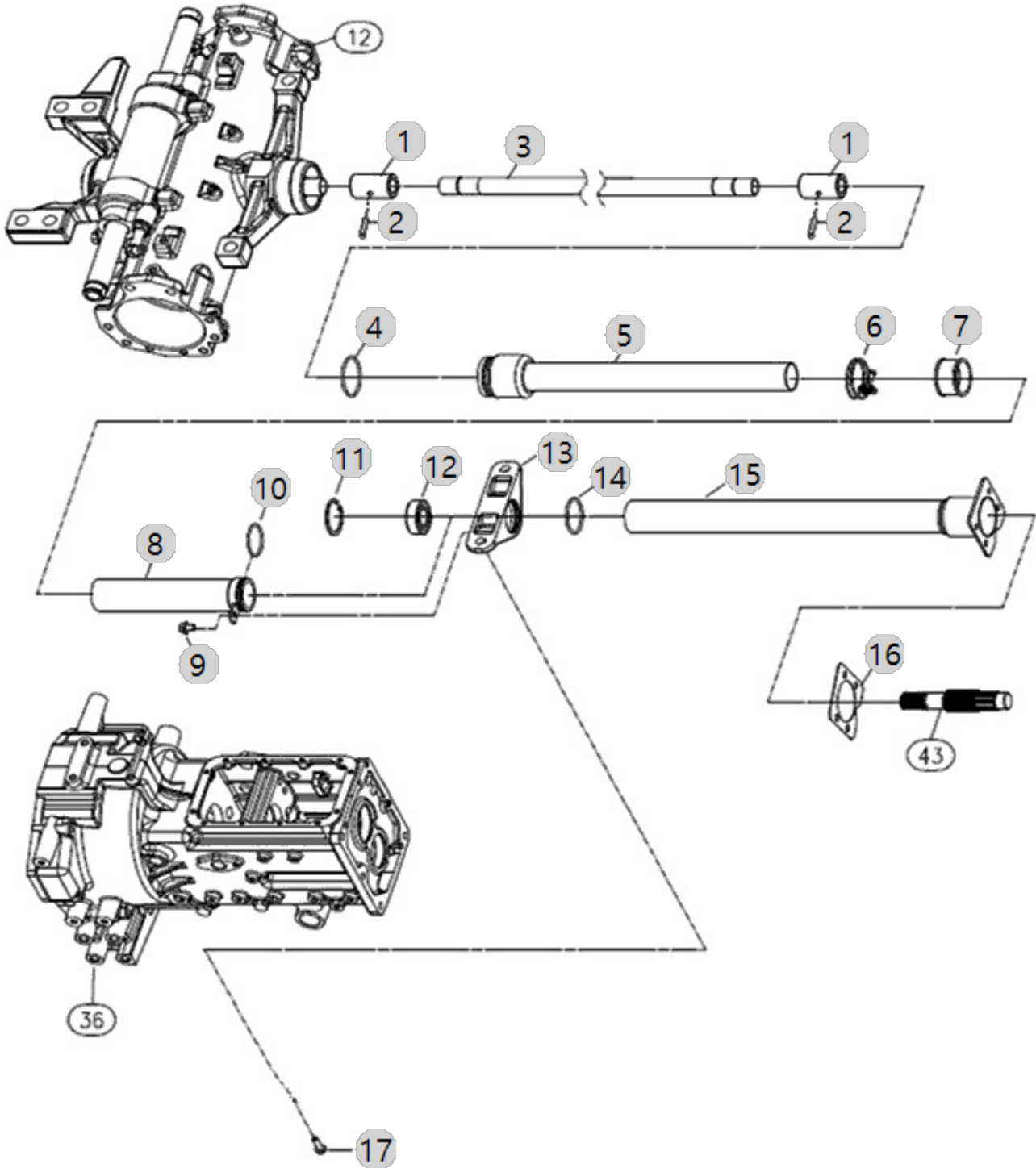
E01020

Year/Month

5025C(AC02119)

SHAFT COVER

2022-12-16



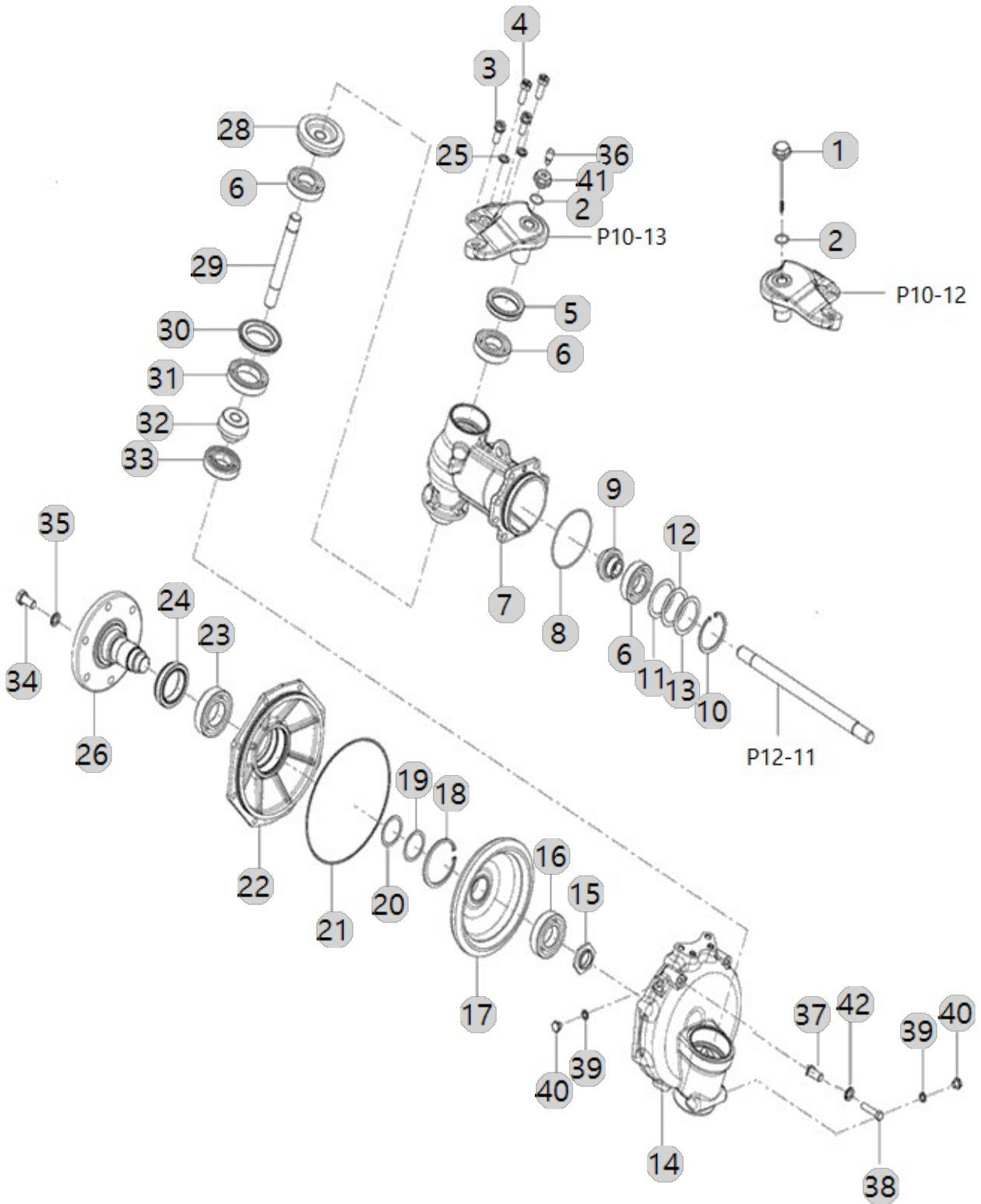
E01030

5025C(AC02119)

GEAR CASE, FRONT AXLE

Year/Month

2022-12-16



E01030		GEAR CASE, FRONT AXLE				Year/Month
5025C(AC02119)						2022-12-16
순번 (NO)	부품번호 (PART NO)	품명 (PART NAME)	품명 (PART NAME)	수량 (QTY)	규격 (SPEC)	비고 (REMARK)
1	TA00033805A	검유봉	OIL GUAGE	1		
2	24311-000220	O-RING1AP-22.0	O-RING, DYNAMIC (Φ22)	2	1A P22.0	
3	TA00033468C	와셔조립육각볼트	BOLT W/ WASHER	4		
4	TA00033475B	리머볼트	SPACER	4		
5	FE78010000B	오일실 (특수) 55x72x13.5	OIL SEAL (55X72X13.5)	2	55X72X13.5	
6	24101-062074	볼베어링6207	BALL BEARING (#6207)	6	#6207	
7	TA00048728A	프런트기어케이스(20)	CASE, FRONT GEAR	2		
8	24321-001050	O-링	O-RING	2		
9	TA00033461B	전1축피니언9T	PINION, FRONT 1ST SHAFT	2		
10	22252-000720	구멍용스냅링72	RING, CIRCLIP (Φ 72)	2	D72	
11	TA00033489A	심 0.2T	SHIM 0.2T	2		
12	TA00033488A	심 0.3T	SHIM 0.3T	2		
13	TA00033487A	심 0.5T	SHIM 0.5T	2		
14	TA00033458C	프런트기어박스	GEAR BOX, FRONT	2		
15	TA00033481A	로크너트	LOCK NUT	2		
16	24101-062084	볼베어링6208	Bearing, Ball (#6208)	2	#6208	
17	TA00033474A	베벨기어 49T	GEAR, BEVEL 49T	2		
18	22252-000850	써클립85H	RING, CIRCLIP (Φ 85)	2		
19	TA00033486A	심 0.2T	SHIM 0.2T	1		
20	TA00033485A	심 0.5T	SHIM 0.5T	1		
21	TA00033939A	O링	O RING	2		
22	TA00033459C	프런트베어링케이스	BEARING CASE, FRONT	1		
23	24101-062094	볼베어링6209	BALL BEARING (#6209)	2	#6209	
24	TA00041359A	오일실	OILSEAL	2		
25	22217-120000	스프링와셔	WASHER, SPRING (Φ 12)	2	M12	
26	TA00033460C	프런트스핀들	SPINDLE, FRONT	2		
26	TA00033460E	프런트스핀들	SPINDLE, FRONT	2		
26	TA00033460D	프런트스핀들	SPINDLE, FRONT	2		
27	TA00033469B	와셔조립육각볼트	BOLT W/ WASHER	16		
28	TA00033463A	전2축기어	FRONT 2ND AXLE LH	2		
29	TA00033464A	전2축	FRONT 2ND SHAFT	2		
30	TC60110000A3	오일실(AJ)	SEAL, OIL	2		
31	24101-060104	볼베어링6010	Bearing, Ball (#6010)	2	#6010	
32	TA00033473A	베벨기어 11T	GEAR, BEVEL 11T	2		
33	TC60340000A4	베어링TM207C3	BEARING(TM207C3)	2	TM207C3	
34	TD23120000B4	프런트 허브 볼트(M14X28)	BOLT	12	M14XP1.5	
35	22217-140000	스프링와셔14	WASHER, SPRING (Φ 14)	12	M14	
36	TA00049842B	에어브리더(STEEL)	AIR BREATHER	1		
36	TA00049842A	에어브리더(STEEL)	AIR BREATHER	1		
37	TA00058613A	스톱퍼(25.5)	STOPPER(25.5)	2		
38	26112-100502	SUB TO 26116-100502	SUB TO 26116-100502	2		
39	22190-100000	실와셔	WASHER	4	M10	
40	23887-100002	플러그(미터)	SCREW,HEXAGONHEADCAP	4	M10	
41	TA00049843B	에어브리더 플러그	ADAPTHER	1		
42	22217-100000	스프링와셔	WASHER, SPRING (Φ 10)	2	M10	

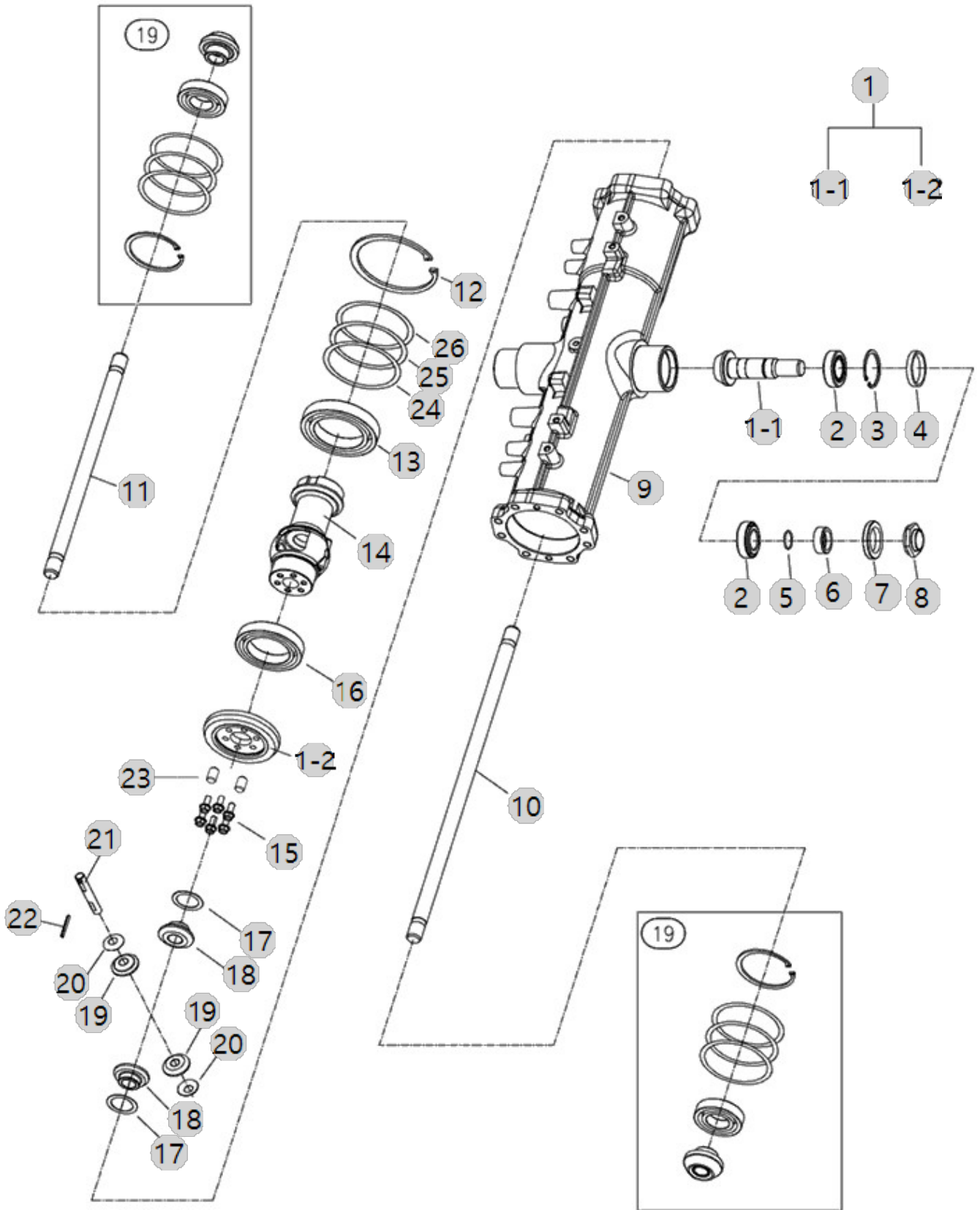
E01070

Year/Month

5025C(AC02119)

FORNT DRIVE SHAFT

2022-12-16



E01070	FORNT DRIVE SHAFT	Year/Month
5025C(AC02119)		2022-12-16

순번 (NO)	부품번호 (PART NO)	품 명 (PART NAME)	품 명 (PART NAME)	수량 (QTY)	규격 (SPEC)	비고 (REMARK)
1	TA00033454C	링기어조합	RING GEAR ASSY	1		
1-1	TA00033455B	카운터축	COUNT SHAFT	1		
1-2	TA00033456C	링기어	RING GEAR	1		
2	24141-320060	테이퍼롤러베어링320060	BEARING, ROLLER (#32-00-60)	2	32006	
3	22252-000550	구멍용스냅링(C형)	RING, CIRCLIP (Φ 55)	1	D55	
4	TA00033478A	간격판	PLATE	1		
5	24311-000300	O링(P형)	O RING(P TYPE)	1	P30	
6	TA00033471A	부시	BUSH	1		
7	24421-405508	오일실TC405508	OIL SEAL	1		
8	TA00033472A	너트	NUT	1		
9	TA00033449A	전차축케이스	CASE, FRONT AXLE	1		
10	TA00033827A	전1축LH_20h	1ST SHAFT	1		
11	TA00033828A	전1축RH_20h	1ST SHAFT	1		
12	22252-001100	구멍용스냅링	RING, CIRCLIP (Φ110)	2	D110	
13	24101-060144	볼베어링6014	BALL BEARING (#6014)	1	#6014	
14	TA00033451C	차동케이스	DIFF. CASE	1		
15	TA00054318B	볼트(M8X1.0)	BOLT	6		
16	24101-060134	볼베어링6013	BALL BEARING (#6013)	2		
17	TC57120000A4	차동사이드기어라이너	LINER, DIFFERENTIAL GEAR	2		
18	TC57090000A4	차동사이드기어14	GEAR, DIFFERENTIAL 14	2		
19	TC57100000A4	차동피니언기어10	DIFFERENTIAL PINION GEAR 10	2		
20	TC57130000A4	차동피니언라이너	LINER, DIFFERENTIAL PINION	2		
21	TC57110000B4	차동피니언축	SHAFT, PINION	1		
22	22351-040040	스프링핀	PIN, SPRING (4-04)	1	D4X40	
23	22312-080140	평행핀	PIN, DOWEL (8-14)	2	D8X14	
24	TA00033482A	심 0.5T	SHIM 0.5T	1		
25	TA00033483A	심 0.3T	SHIM 0.3T	1		
26	TA00033484A	심 0.2T	SHIM 0.2T	1		

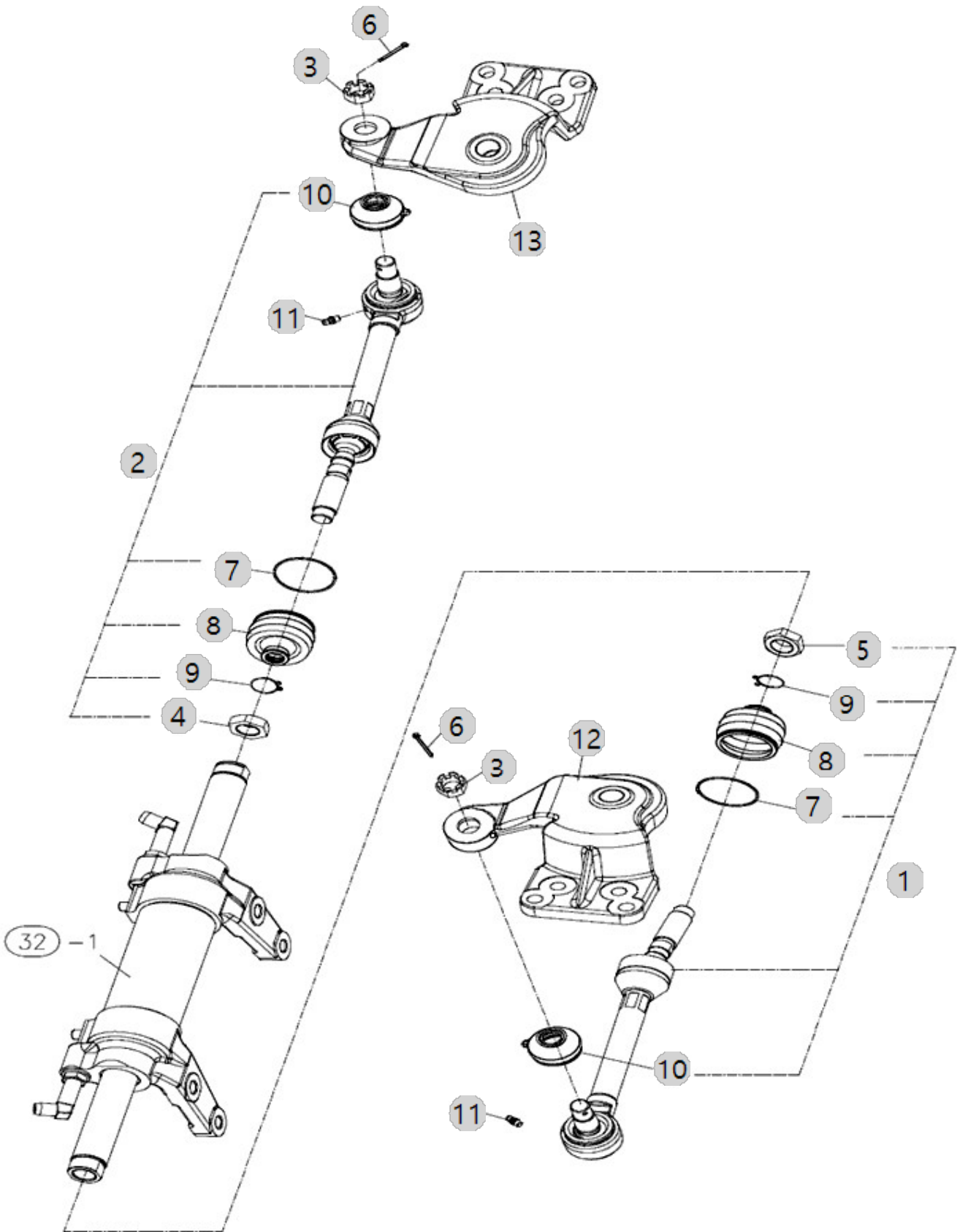
E01080

5025C(AC02119)

TIE ROD

Year/Month

2022-12-16



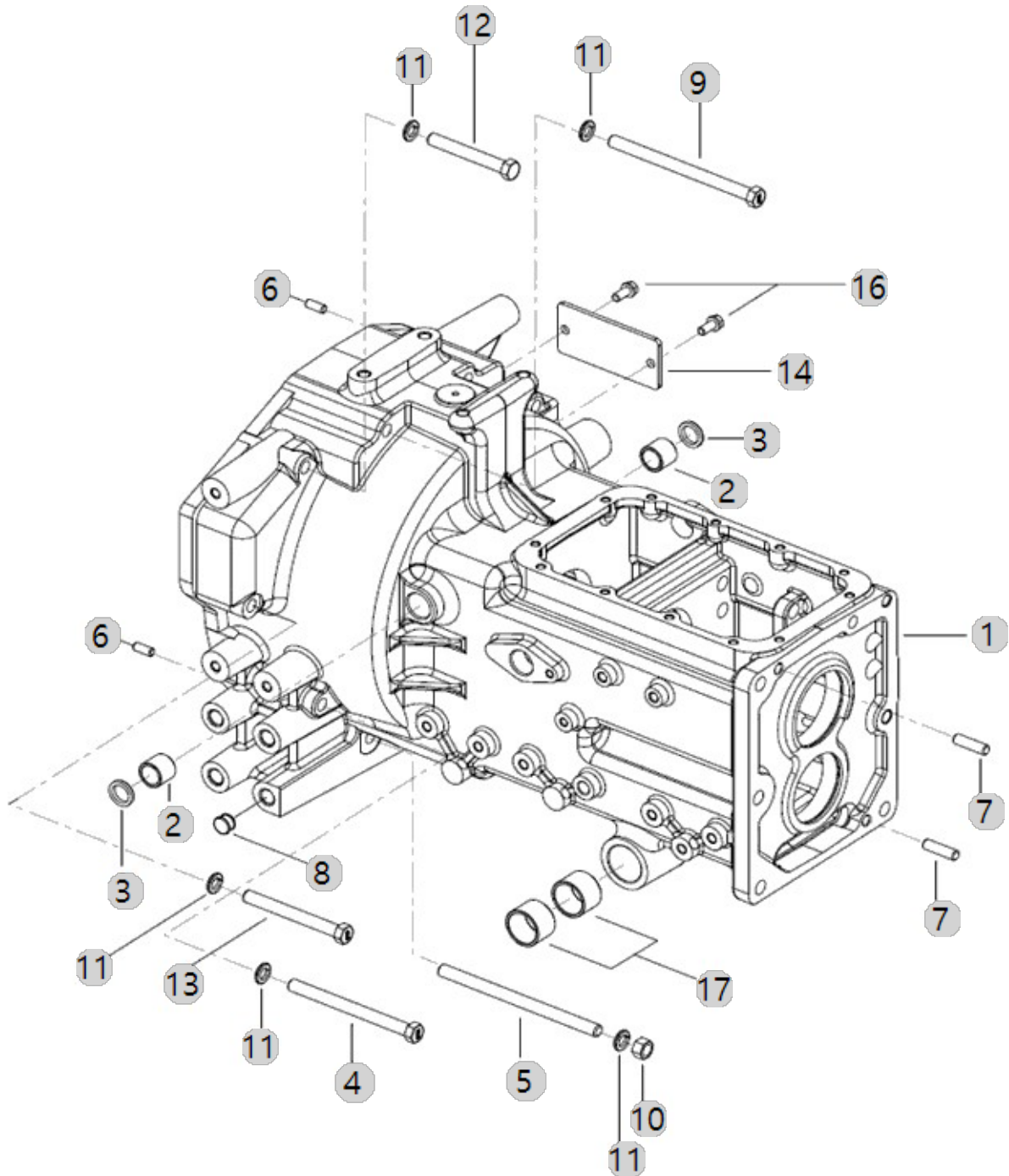
F01010

25CABIN TM총조합
(NEC)(AC01457)

CLUTCH HOUSING

Year/Month

2022-12-16



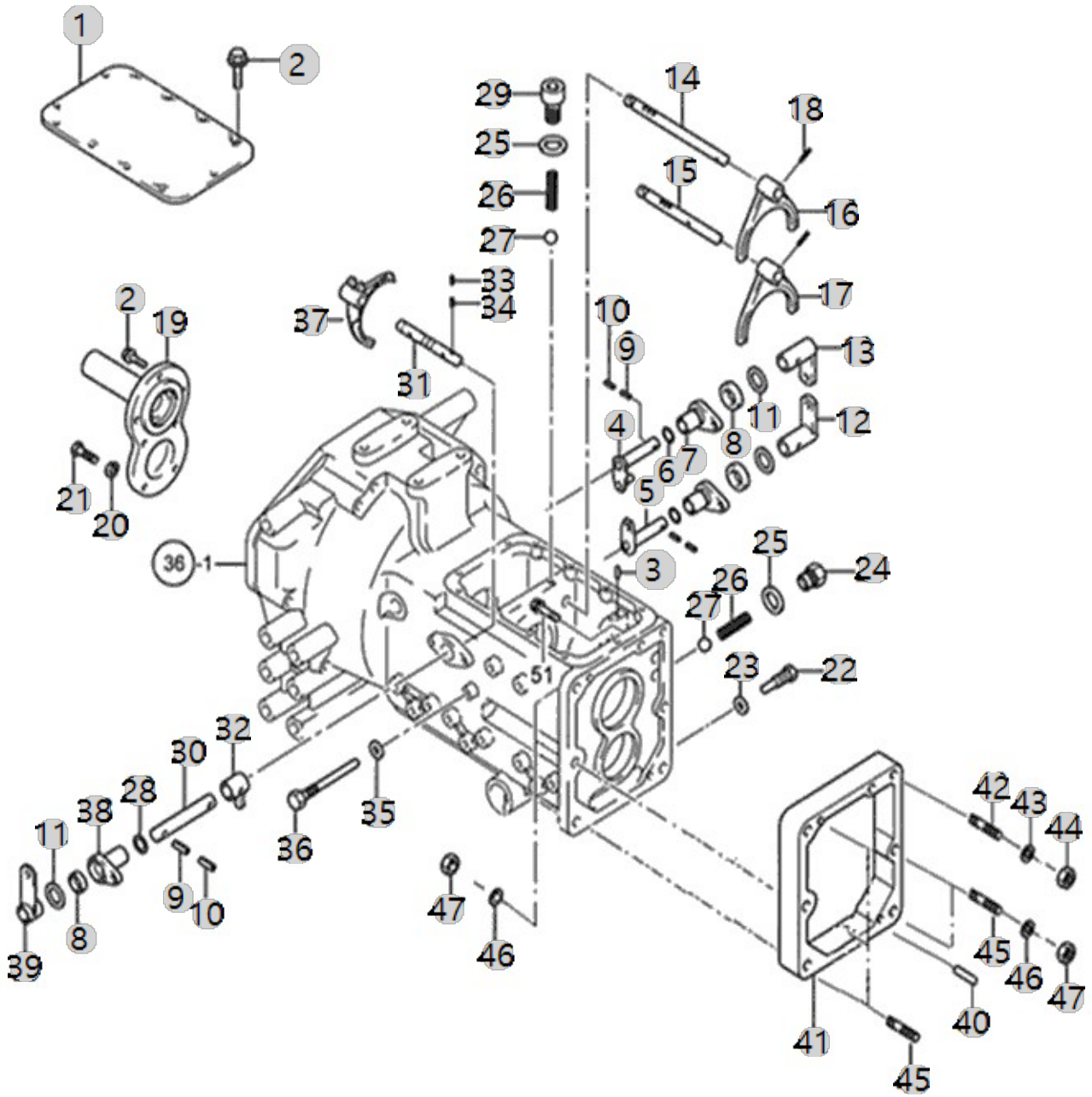
F01020

25CABIN TM총조합
(NEC)(AC01457)

TRANSMISSION CASE

Year/Month

2022-12-16



F01020 25CABIN TM총조합 (NEC)(AC01457)		TRANSMISSION CASE				Year/Month 2022-12-16
순번 (NO)	부품번호 (PART NO)	품명 (PART NAME)	품명 (PART NAME)	수량 (QTY)	규격 (SPEC)	비고 (REMARK)
1	NT41010000C3	미션상커버	UPPERCOVER,T/M	1	9.0T	
2	26013-080252	와셔조립육각볼트(+SW)	Bolt, Hexa (8-25)	19	M8XP1.25X25	
3	TN41070000A4	더블기어방지핀	PIN	1		
4	NT41080000A4	주변속시프터레버(3-4)	LEVER3-4	1		
4	NT41080000B4	주변속시프터레버(3-4)	MAIN SHIFTER LEVER-4	1		
5	NT41600000A4	주변속시프터레버(1-2)	LEVER[1ST-2ND],MAINSHIFT	1		
5	NT41600000B4	주변속시프터레버(1-2)	LEVER(1ST-2ND),MAIN SHIFT	1		
6	24311-000210	361,A22,O-RING1AP-21.0	O-RING, DYNAMIC (Φ21)	3	P21	
7	TN41100000A4	주변속시프터홀더	HOLDERMAINSHIFT	2		
8	24421-173007	오일실TC173007	Seal, Oil (#17-30-07)	3	TC17X30X7	
9	22351-080028	스프링핀8X28	PIN, SPRING (8-28)	2	D8X28	
10	22351-050028	스프링핀5X28	PIN, SPRING (5-02)	2	D5X28	DEL.20221012
11	TT65120000A4	칼라B	COLLARB	3	T2.3X45X45	
12	NT41130000B4	주변속아암3-4단	ARM(3-4), MAIN SHIFT	1		
12	NT41130000C4	주변속아암3-4단	ARM(3-4), MAIN SHIFT	1		
13	NT41140000A4	주변속아암(1-2)	ARM(1-2),MAINSHIFT	1		
13	NT41140000B4	주변속아암(1-2)	ARM(1-2),MAINSHIFT	1		
14	NT41150000A3	주변속3-4단포크축	FORKSHAFT[3-4],MAINSHIFT	1	D15	
15	NT41160000A3	주변속1-2단포크축	FORKSHAFT(1-2),MAINAHIFT	1	D15	
16	TN41170000D3	주변속포오크(1-2)	FORK1ST~2ND,MAINSHIFT	1		
17	TN41180000D3	주변속포오크(3-4)	FORK3-4MAINSHAFT	1		
18	22351-060030	스프링핀	PIN, SPRING (6-30)	2		
19	NT41580000C2	주축오일실케이스_4기통	OIL SEAL CASE	1		
20	22217-080000	스프링와셔8	WASHER, SPRING (Φ 08)	5	M8	
21	26116-080222	볼트7T(8X22)	BOLT7T(8X22)	5	M8X1.25X22	
22	TN41250000B4	단불이고정볼트	FIXINGBOLT	1		
23	23414-100000	429,A202322,패킹10	PLAIN WASHER (D10)	1	M10	
24	NT41270000B4	캡 볼트	CAPBOLT	1		
25	23414-160000	동패킹	WASHER,SEALING	2	M16	
26	TT42020000A4	스프링	SPRING	3		
27	24190-100001	강구5/16	Ball, Steel (5/16)	3	5/16"	
28	24311-000110	O-링 495-11	O-RING, DYNAMIC (Φ11)	1	P11	
29	23871-010000	테이퍼플러그	PLUG	1	PT1/8	
30	NT41350000A4	축(셔틀체인지)	SHAFT, SHUTTLE CHANGE	1		
30	NT41350000B4	축(셔틀체인지)	SHAFTSHUTTLECHANGE	1	D17	
31	TN41360000A3	셔틀시프터포오크축	SHAFTSH.FORK	1	D15X127	
32	NT41380000A4	셔틀샤프트레버	LEVERSHUTTLESHAFT	1		
32	NT41380000B4	셔틀시프트레버	LEVER SHUTTLE SHAFT	1		
33	22351-060025	SPRINGPIN6X25	PIN, SPRING (6-25)	2	D6X25	
34	22351-080028	스프링핀8X28	PIN, SPRING (8-28)	1	D8X28	
35	23414-080000	320,ALL,패킹8	WASHER, PLAIN (Φ8)	1	M8	
36	NT41460000A4	단불이볼트	BOLT	1		
37	TN41490000C3	셔틀포오크	FORK,SHUTTLE	1		
38	NT41540000A4	셔틀시프트홀더	HOLDER,SHUTTLESHIFT	1		
39	NT41550000D4	셔틀링크C	LINKC,SHUTTLE	1		

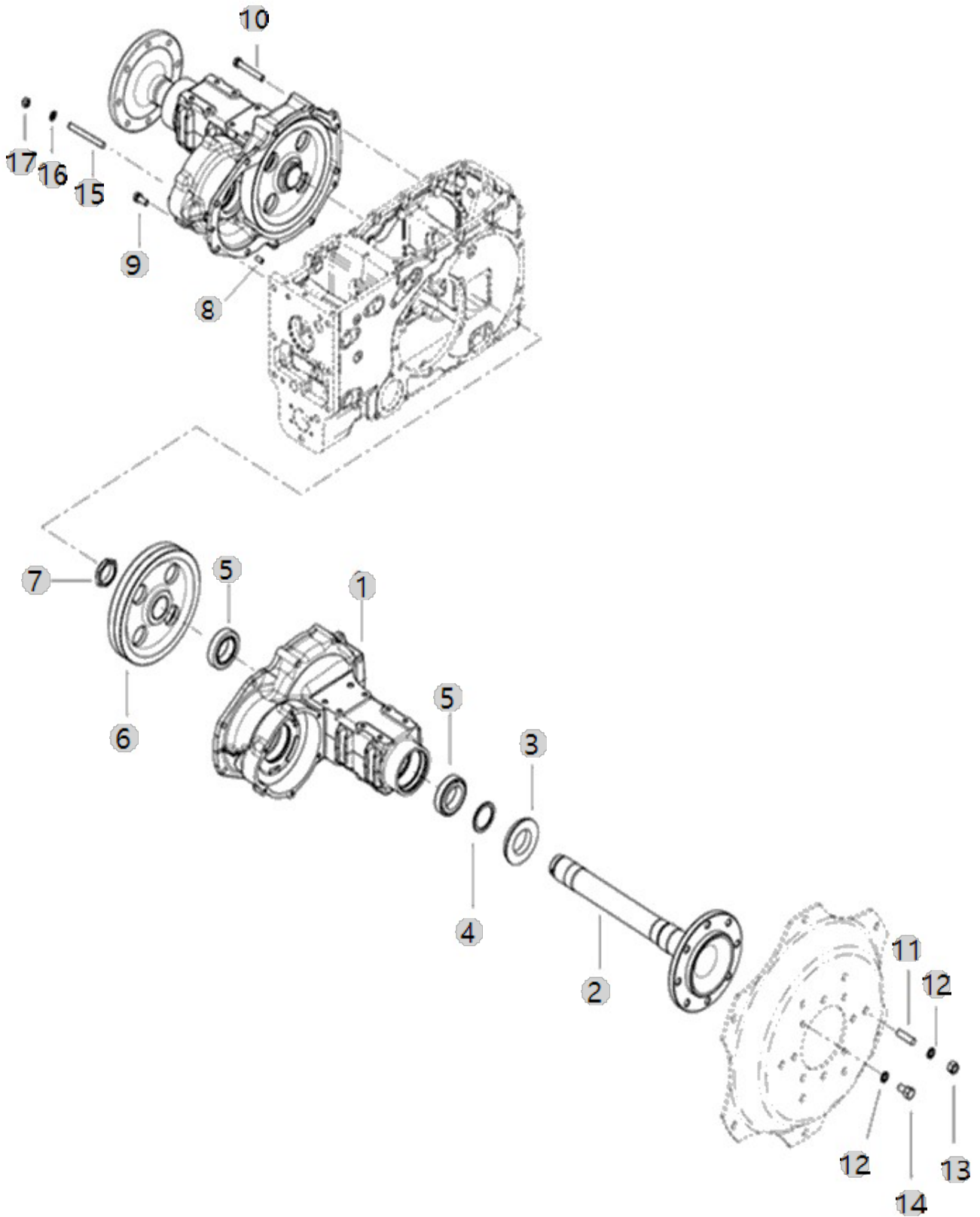
F01030

25CABIN TM총조합
(NEC)(AC01457)

HOUSING, REAR AXLE

Year/Month

2022-12-16



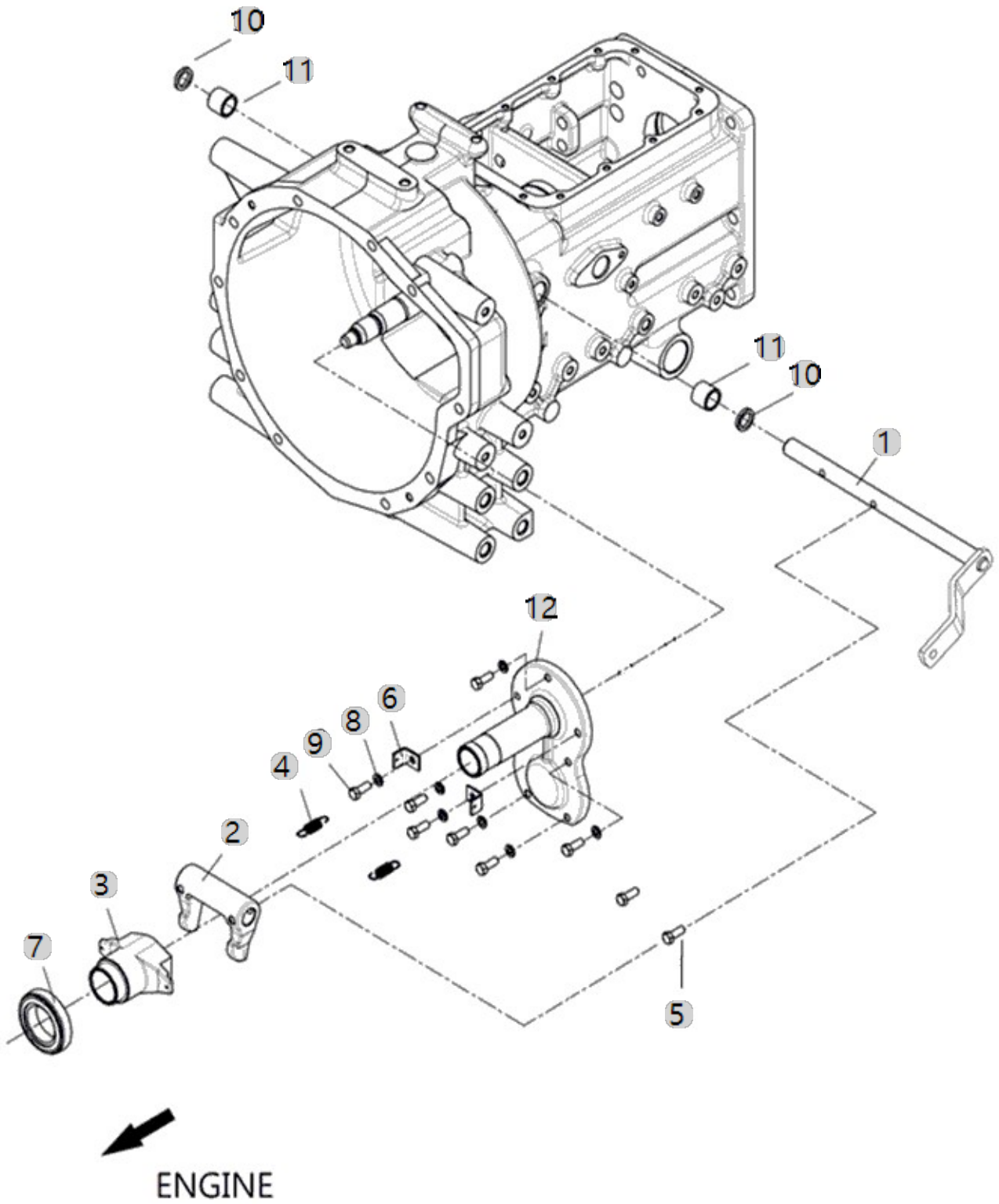
F02010

25CABIN TM총조합
(NEC)(AC01457)

CLUTCH RELEASE

Year/Month

2022-12-16



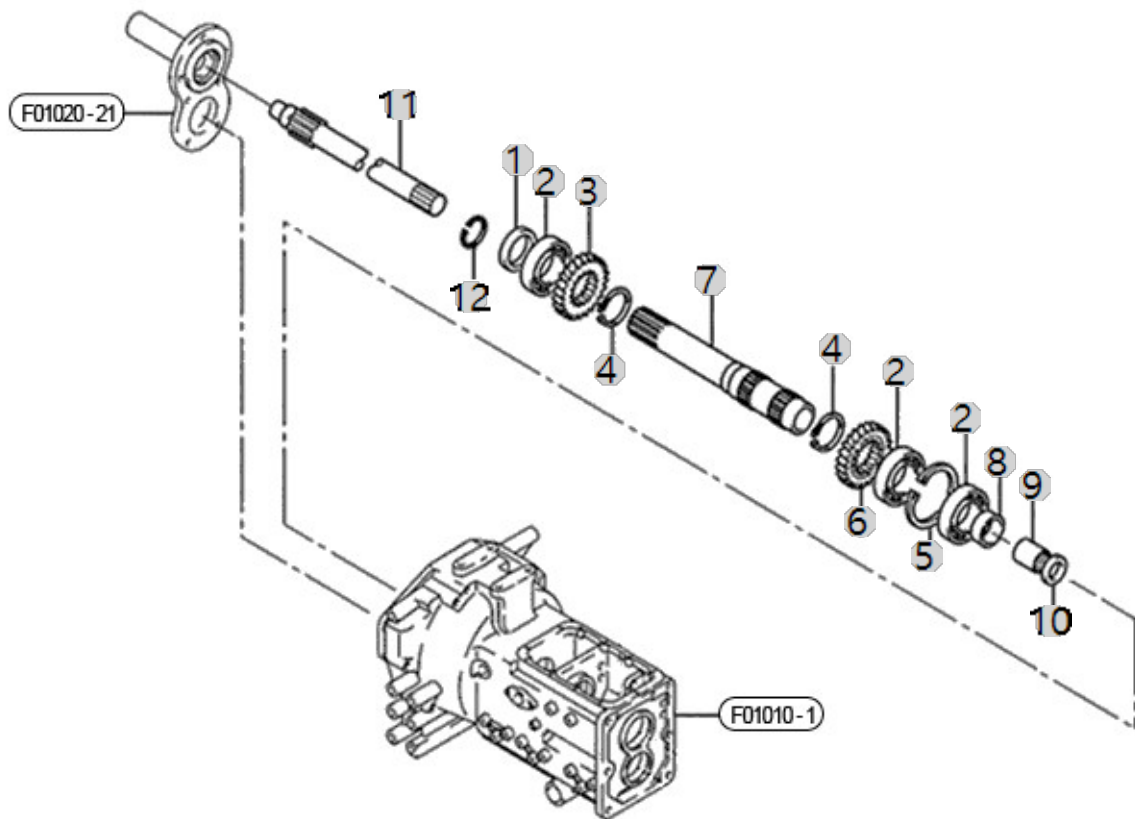
F02020

25CABIN TM총조합
(NEC)(AC01457)

CLUTCH SHAFT

Year/Month

2022-12-16



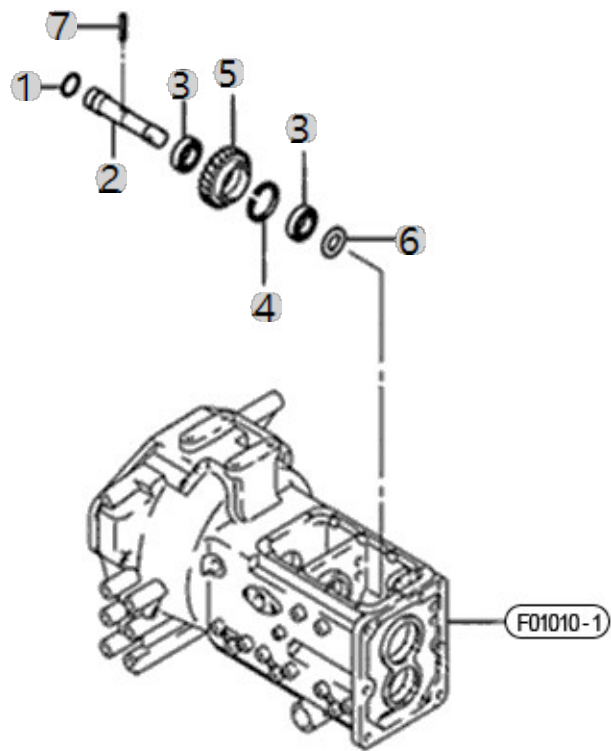
F02060

25CABIN TM총조합
(NEC)(AC01457)

REVERSE IDLE SHAFT

Year/Month

2022-12-16



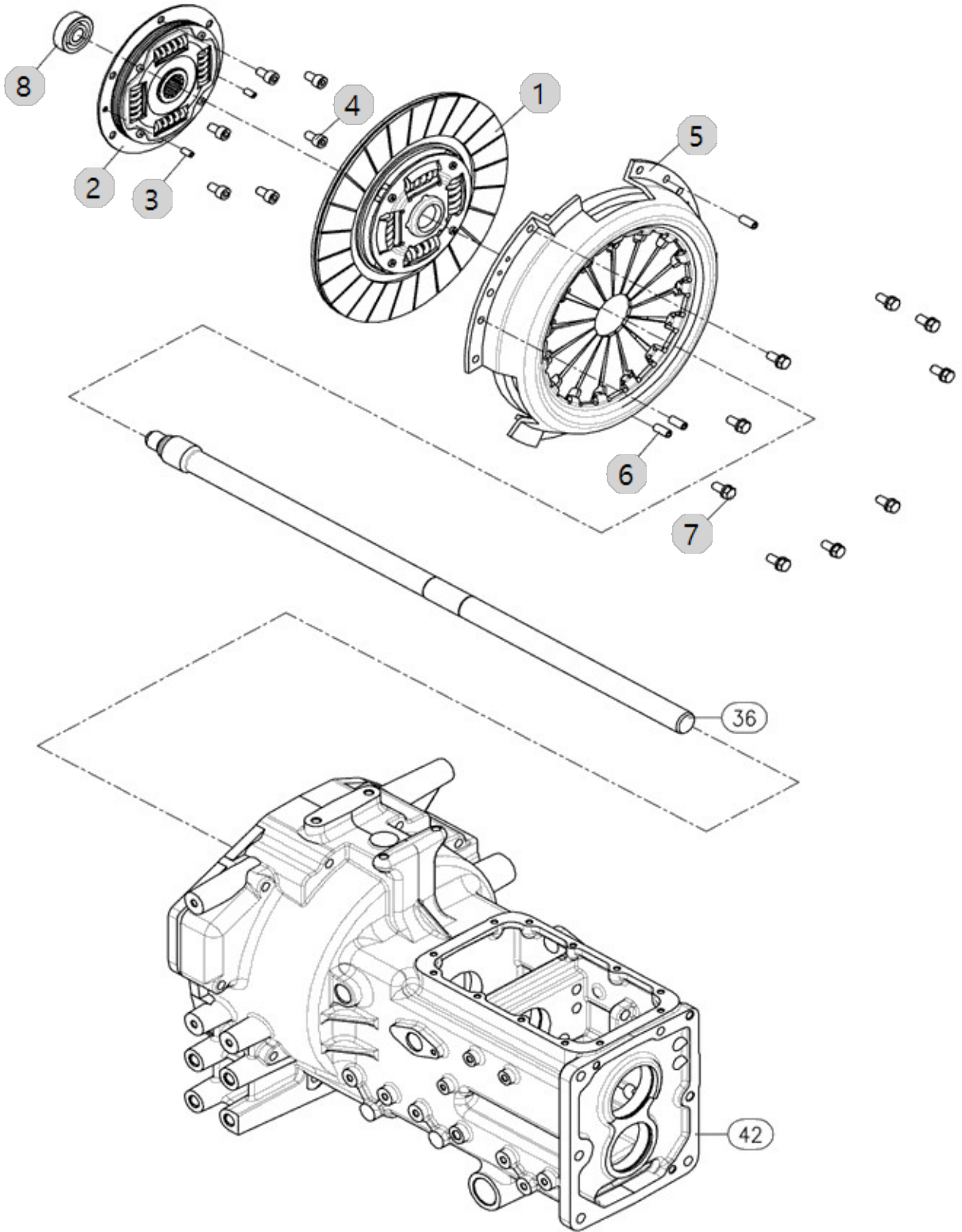
F02080

25CABIN TM총조합
(NEC)(AC01457)

CLUTH DISC

Year/Month

2022-12-16



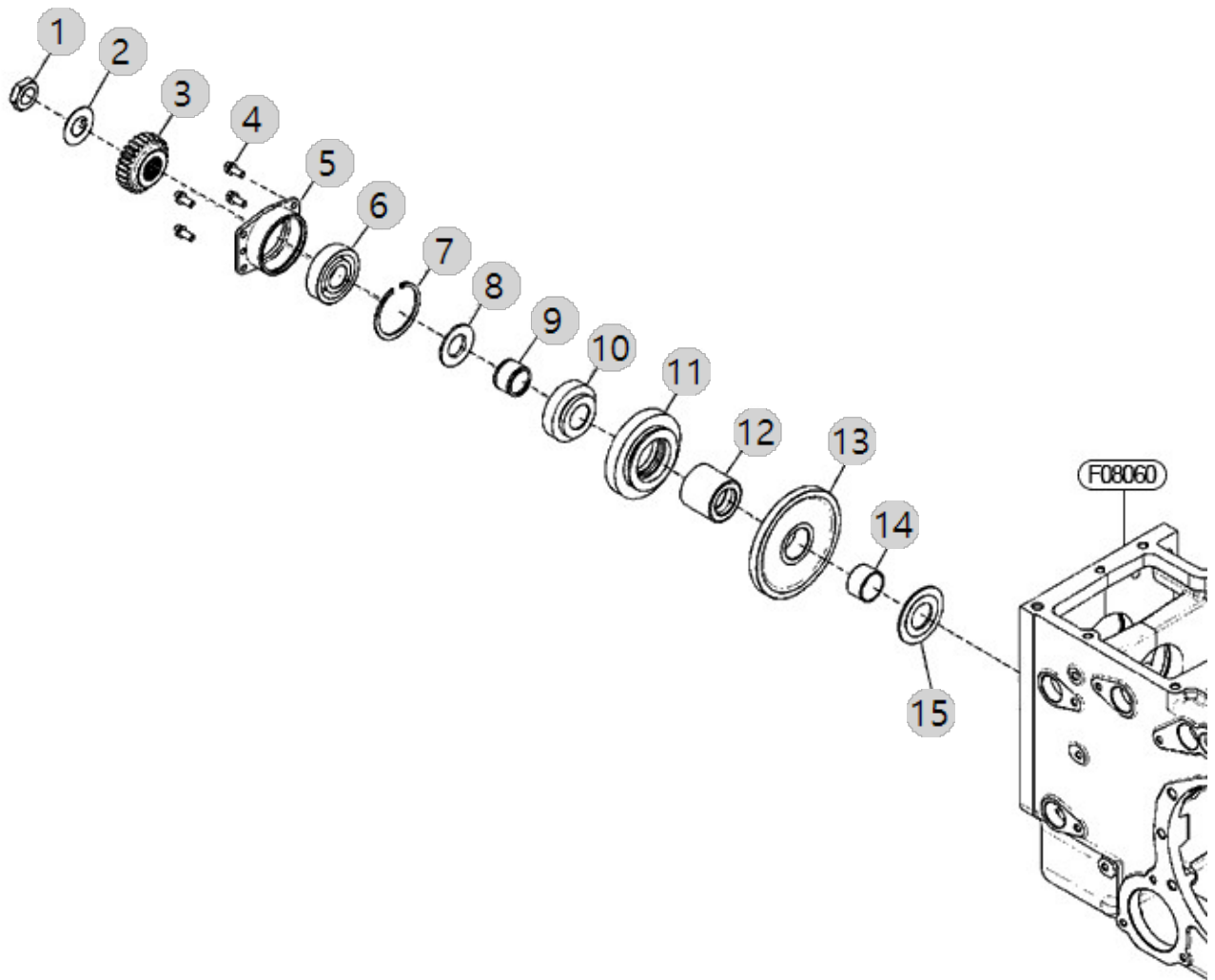
F03040

25CABIN TM총조합
(NEC)(AC01457)

RANGE SHIFT DRIVE SHAFT

Year/Month

2022-12-16



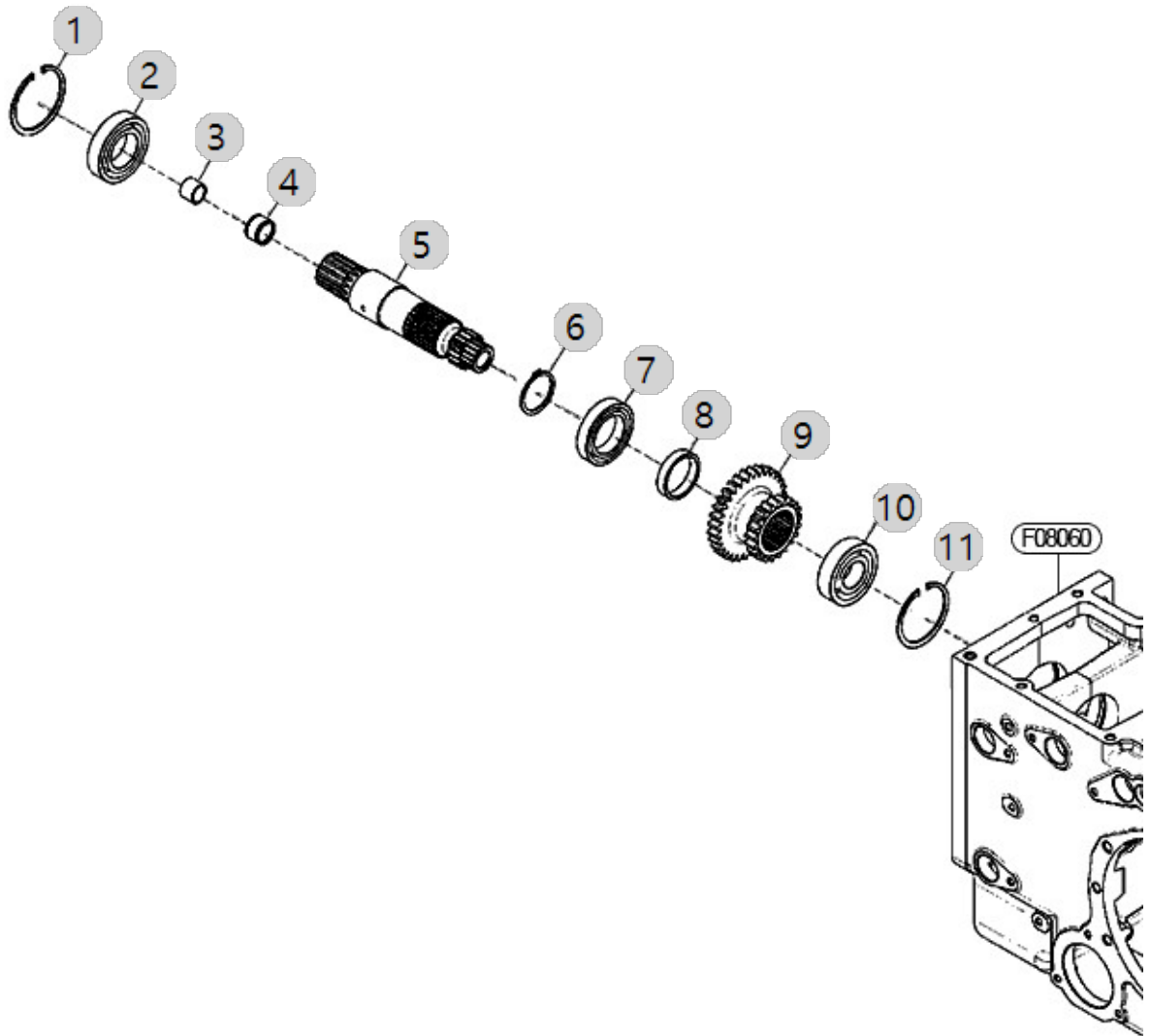
F03050

25CABIN TM총조합
(NEC)(AC01457)

RANGE SHIFT DRIVEN SHAFT

Year/Month

2022-12-16



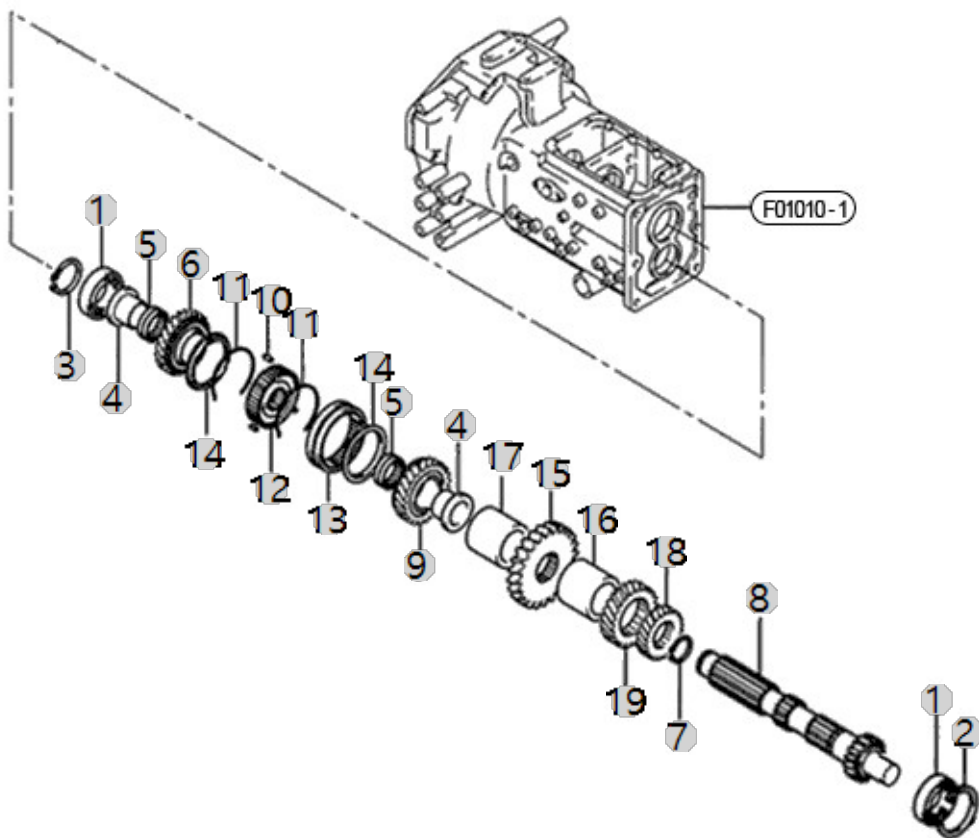
F03060

25CABIN TM총조합
(NEC)(AC01457)

COUNTER SHAFT

Year/Month

2022-12-16



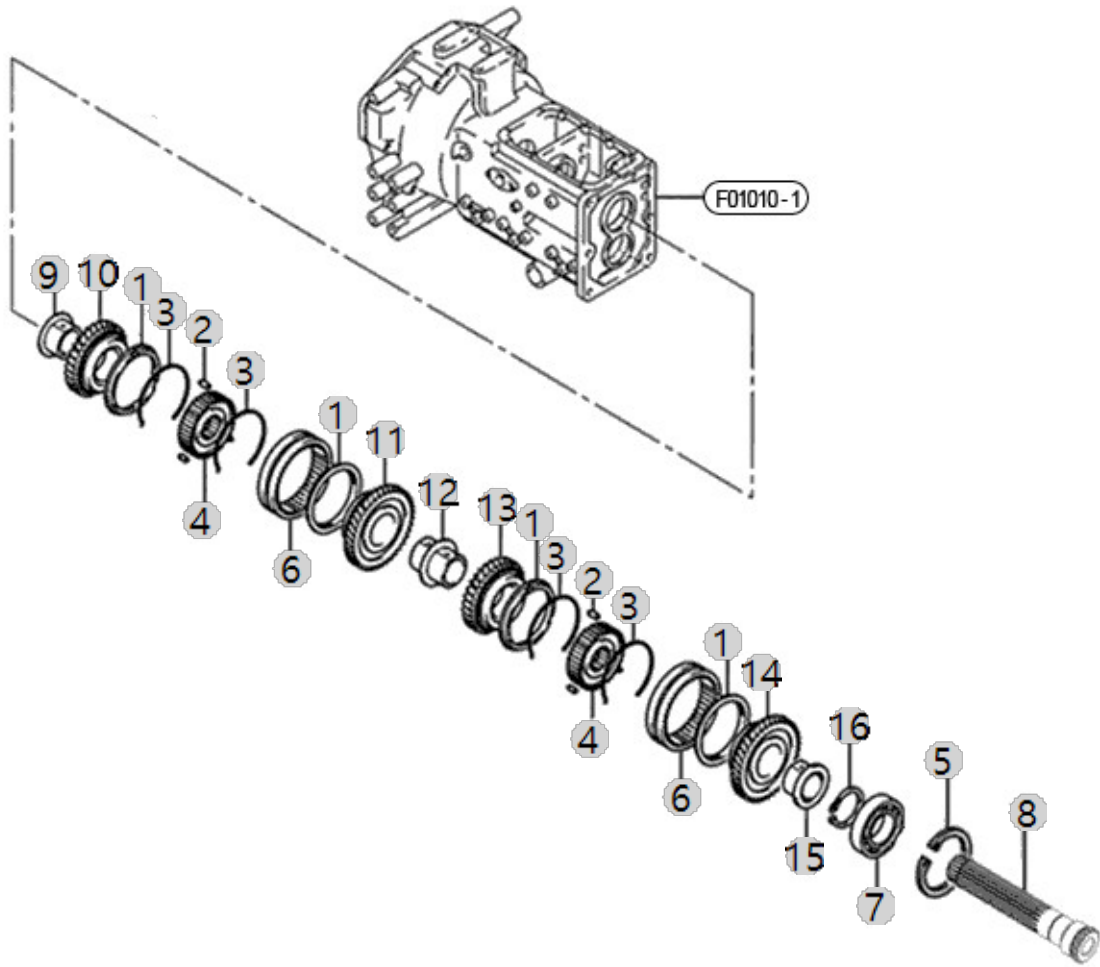
F03080

25CABIN TM총조합
(NEC)(AC01457)

GUIDE SHAFT, MAIN SHIFT

Year/Month

2022-12-16



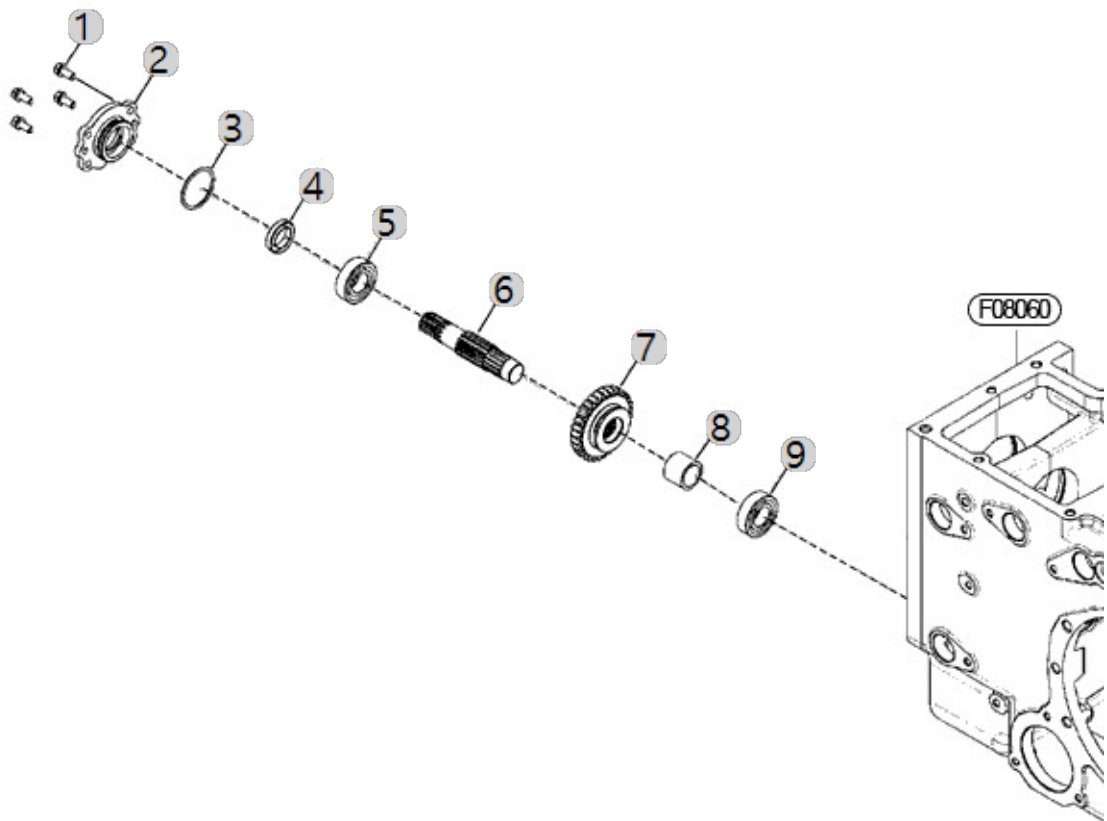
F04010

25CABIN TM총조합
(NEC)(AC01457)

FRONT WHEEL DRIVE SHAFT

Year/Month

2022-12-16



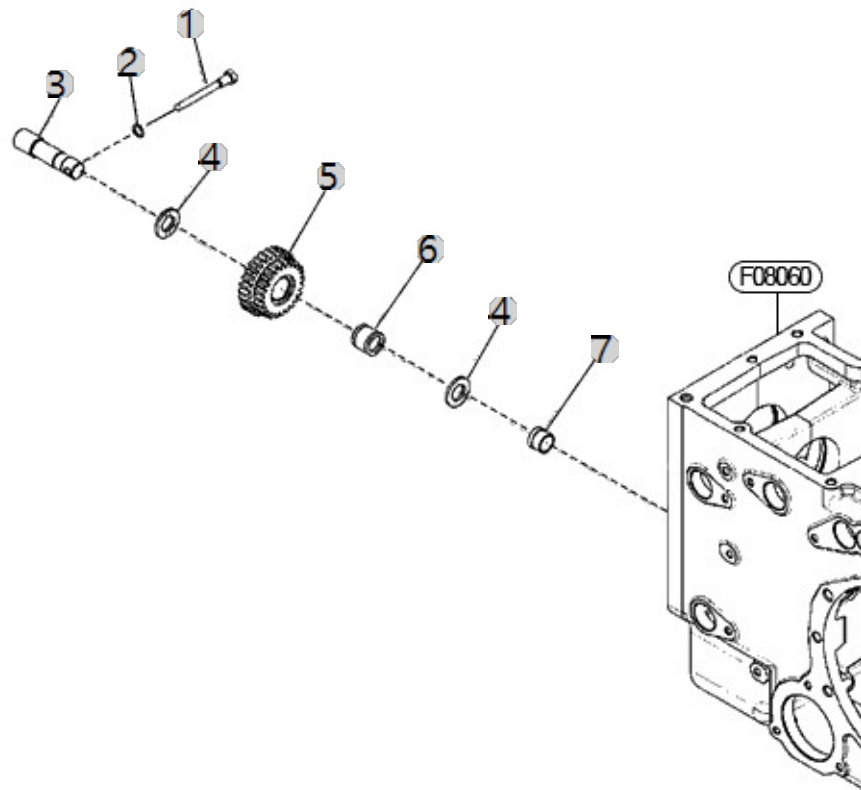
F04030

25CABIN TM총조합
(NEC)(AC01457)

FRONT WHEEL DRIVE IDLE SHAFT

Year/Month

2022-12-16



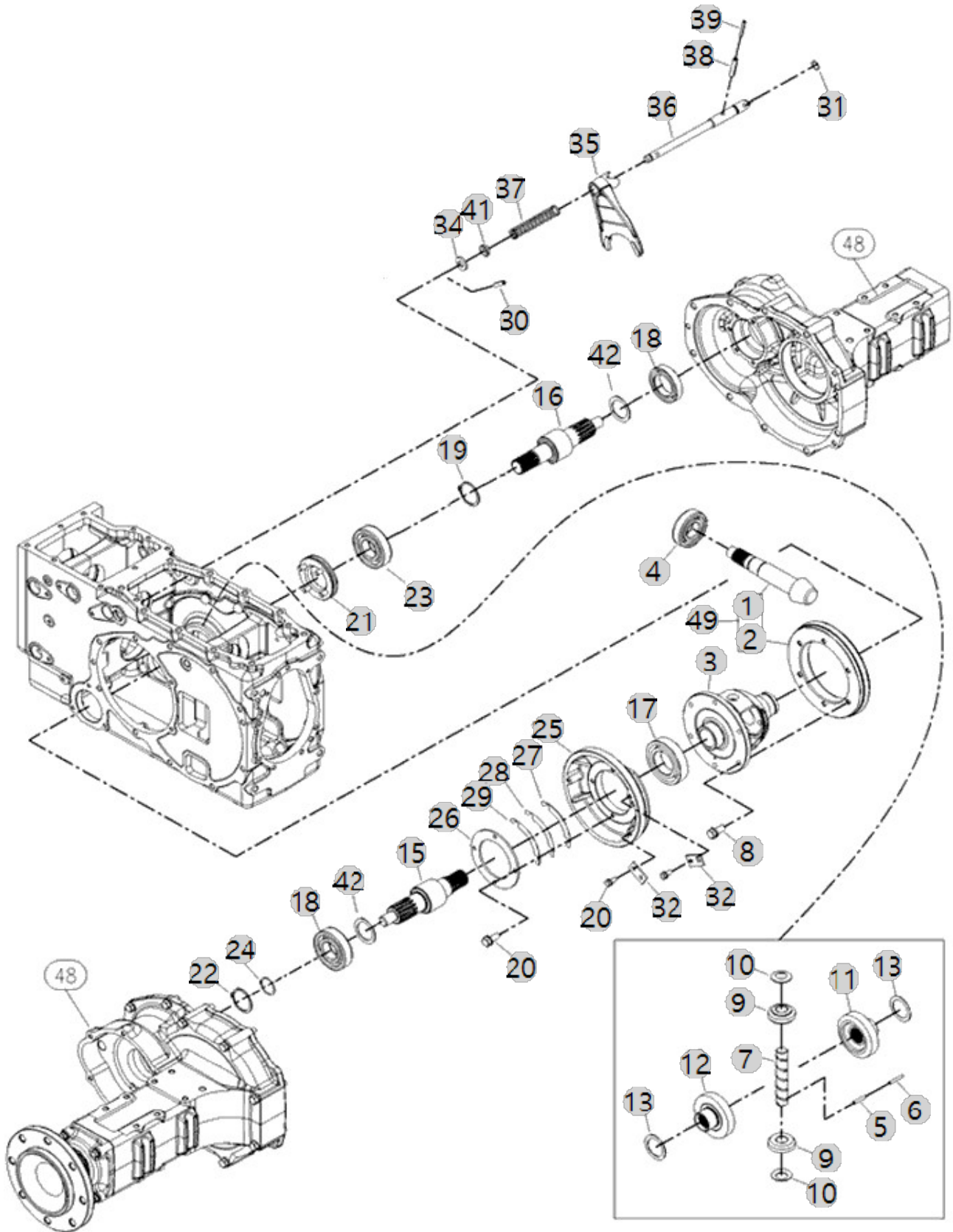
F05000

25CABIN TM총조합
(NEC)(AC01457)

DIFFERENTIAL ASS'Y

Year/Month

2022-12-16



F05000 25CABIN TM총조합 (NEC)(AC01457)		DIFFERENTIAL ASS'Y				Year/Month 2022-12-16
순번 (NO)	부품번호 (PART NO)	품명 (PART NAME)	품명 (PART NAME)	수량 (QTY)	규격 (SPEC)	비고 (REMARK)
1	TN49510000B2	카운터축	COUNTERSAHFT	1		
2	TN49520000D2	링기어	RINGGEAR	1		
3	TN49030000E2	차동케이스	CASE,DIFFERENTIAL	1		
4	TT78020000A3	베어링NJ307R	BEARINGNJ307R	1	NJ307R	DEL.20220323
5	22312-060360	평행핀	PIN, DOWEL (6-36)	1	D6X36	
6	22351-060032	스프링핀	PIN, SPRING (6-32)	1	D6X32	
7	TF64080000A4	피니언축	PINIONSHAFT	1		
8	TF64090000B4	볼트	BOLT	6		
9	TF64100000B3	차동피니언	PINION	2		
10	TF64110000A4	피니언라이너	PINIONLINER	2	T1.0	
11	TF64120000A3	차동사이드기어(A)	DIFF.SIDEGEAR(A)	1		
12	TF64130000A3	차동사이드기어(B)	DIFF.SIDEGEAR(B)	1		
13	TF64140000B4	사이드기어라이너	SIDEGEARLINER	2		
15	TA00032603E	파이널 피니언(좌)	FINAL PINION(L)	1		
16	TA00032596E	파이널 피니언(우)	FINAL PINION(R)	1		
17	24101-062114	볼베어링6211	Bearing, Ball (#6211)	1	#6211	
18	TF64190000A4	베어링6308HL1	BALL BEARING (#6308HL1) -> TF64190000A3	2	NJ307R	DEL.20220323
19	22242-000500	축용스냅링50	SNAP RING, SHAFT (Φ50)	1	D50	
21	TF64250000B3	데프록스리스트	THRUST, DIFF-LOCK ASSY	1		
22	22252-000900	구멍용스냅링90	RING, CIRCLIP (Φ 90)	1	D90	
23	24101-060102	볼베어링6010	BALL BEARING (#6010)	1		DEL.20220323
24	22242-000400	축용스냅링40	SNAP RING, SHAFT (Φ 40)	1	D40	
25	TN49550000B2	캐리어	CARRIOR	1		
26	TN49590000A4	리테이너	RETAINER	1		
27	TZ49560000A4	심A(0.5)	SHIMA	3		
28	TZ49570000A4	심B(0.3)	SHIMB	3		
29	TZ49580000A4	심C(0.1)	SHIMC	2		
30	22351-080032	스프링핀	PIN, SPRING (8-32)	1	D8X32	
31	24311-000160	O-링 P 16	O-RING, DYNAMIC (Φ16)	1	P16	
32	TB32360000A4	리테이너	RETAINER	2	T4.5X25X50	
34	TN49380000A4	와셔	WASHER	1	T4.2X30X30	
35	TN49400000B2	차동포크	FORKDIFFERENTIALLOCK	1		
36	TN49410000B3	포크축	SHAFT,DIFFLOCKFORK	1		
36	TN49410000C3	포크축	FORK SHAFT	1		
37	TN49430000A4	스프링	SPRING	1	D4.0	
38	22351-080040	스프링핀8X40	PIN, SPRING (8-40)	1	D8X40	DEL.20221012
39	22351-050040	스프링핀5X40	PIN, SPRING (5-04)	1	D5X40	DEL.20221012
41	24421-152507	오일실TC152507	Seal, Oil (#15-25-07)	1	TC15X25X7	
42	FT63190000A4	스페이서(40X75X5)	SPACER	2	051X6T	
49	TN49500000C9	링기어조합	RING GEAR ASSY	1		

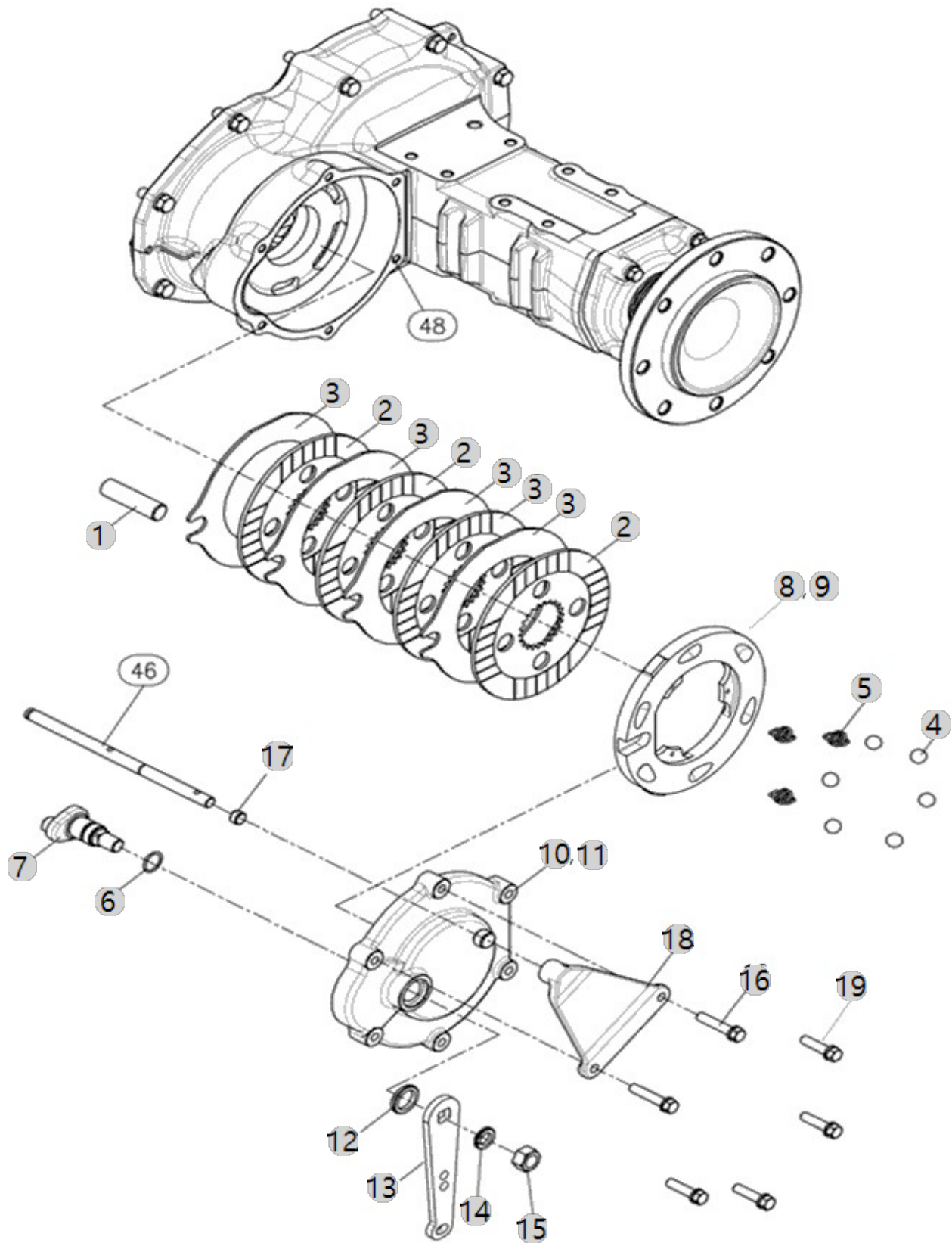
F06030

25CABIN TM총조합
(NEC)(AC01457)

BRAKE

Year/Month

2022-12-16



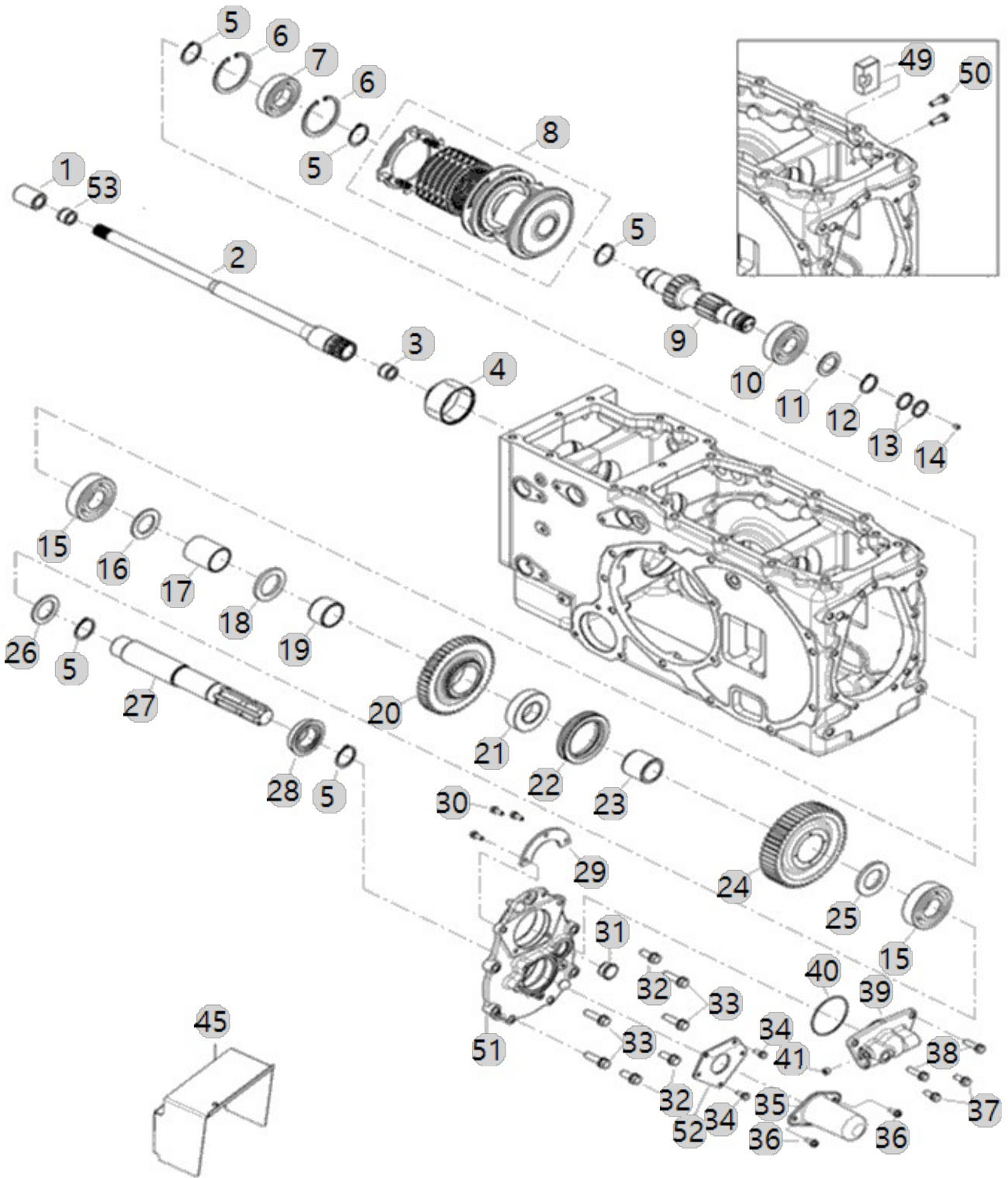
F07000

25CABIN TM총조합
(NEC)(AC01457)

PTO

Year/Month

2022-12-16



F07000 25CABIN TM총조합 (NEC)(AC01457)		PTO				Year/Month 2022-12-16
순번 (NO)	부품번호 (PART NO)	품명 (PART NAME)	품명 (PART NAME)	수량 (QTY)	규격 (SPEC)	비고 (REMARK)
1	TZ43010000A3	변속축연결칼라(20용)	COLLAR,COUPLING	1		
2	TA00015848A	PTO연결축(HST)20	PTO SHAFT(HST)	1		
3	24161-182417	니들베어링	Bearing, Neddle (#18-24-17)	1	KT182417	
4	NT45480000A3	PTO커플링	PTO COUPLING	1		
5	22242-000350	축용스냅링35	SNAP RING, SHAFT (Φ 35)	5	D35	
6	22252-000720	구멍용스냅링72	RING, CIRCLIP (Φ 72)	2	D72	
7	24101-062074	볼베어링6207	BALL BEARING (#6207)	1	#6207	DEL.20220323
8	TA00026514D	PTO클러치팩	PTO CLUTCH PACK	1		
9	NT45920000A2	PTO변속축	SHAFT, PTO SHIFT	1		
10	24101-063064	볼베어링6306	Bearing, Ball (#6306)	1	#6306	DEL.20220323
11	TN45520000A4	칼라	COLLAR	1		
12	22242-000300	축용스냅링30	SNAP RING, SHAFT (Φ 30)	1	D30	
13	TT64070000B4	시일링	SEAL RING	2	26X30X3	
14	TT64080000A4	멈춤나사 M7X1	RETAININGSCREWM7X1	1	M7XP1.0	
15	24101-063074	볼베어링6307	Bearing, Ball (#6307)	2	#6307	DEL.20220323
16	NT45670000B4	스러스트와셔	THRUST WASHER	1	3.0T	
17	NT45680000B4	스페이서	SPACER	1	D45XT2.6	
18	NT45440000C4	칼라	COLLAR	1		
19	TA00033210A	니들부시D	NEEDLE BUSH D	2		
20	TA00033211C	PTO기어46T	GEAR 46T, PTO	1		
21	TZ45100000B3	PTO허브	HUB,P.T.O	2		
22	TZ45110000C4	PTO슬리브	SLEEVE,P.T.O	2		
23	TA00033209A	니들부시B	NEEDLE BUSH B	1		
24	TA00033212C	PTO기어49T	GEAR 49T, PTO	1		
25	TZ45140000B4	칼라	COLLAR	1	5T	
26	TN45120000A4	와셔	WASHER	1	T3.0X60X60	
27	NT45130000B3	PTO축	shaft, PTO	1		
28	TT62040000A3	PTO 오일실 QLF35X60X19	PTO OIL SEAL QLF35X60X19	1	35X60X19	
29	NT45640000A4	베어링커버	Bearing Cover	1		
30	26013-060162	와셔조립육각볼트(+SW)	Bolt, Hexa (6-16)	3	M6XP1.0X16	
31	TCA8130000A4	검유창	SIGHTGLASS -> NT45690000A4	1		
32	26013-100252	와셔조립육각볼트(+SW)	SCREW, CAPTIVE WASHER CAP	3	M10X1.50X02	
33	26013-100352	볼트	Bolt, Hexa (10-35)	4		
34	26013-060162	와셔조립육각볼트(+SW)	Bolt, Hexa (6-16)	3	M6XP1.0X16	
35	TT80030000A3	P.T.O커버	P.T.OCOVER	1		
36	26106-060162	육각플랜지 볼트	HEXFLANGEBOLT	2	M6XP1.0X16	
37	26013-080202	와셔조립육각볼트(+SW)	Bolt, Hexa (8-20)	2	M8XP1.25X20	
38	26013-080302	와셔조립육각볼트(+SW)	HEX BOLT W/WASHER	2	M8XP1.25X30	
39	NT45620000A3	실케이스	SEAL CASE	1		
40	24341-000700	O링(70-S)	O-RING, FIX (Φ70)	1	1A S70.0	
41	23871-010000	테이퍼플러그	PLUG	1	PT1/8	
45	TA00062857A	PTO커버	COVER, PTO	1		
45	TA00062857B	PTO커버	COVER, PTO	1		
49	NT45980000A4	브레이크잡이	BRAKE HOLDER	1		
50	26013-080252	와셔조립육각볼트(+SW)	Bolt, Hexa (8-25)	2	M8XP1.25X25	

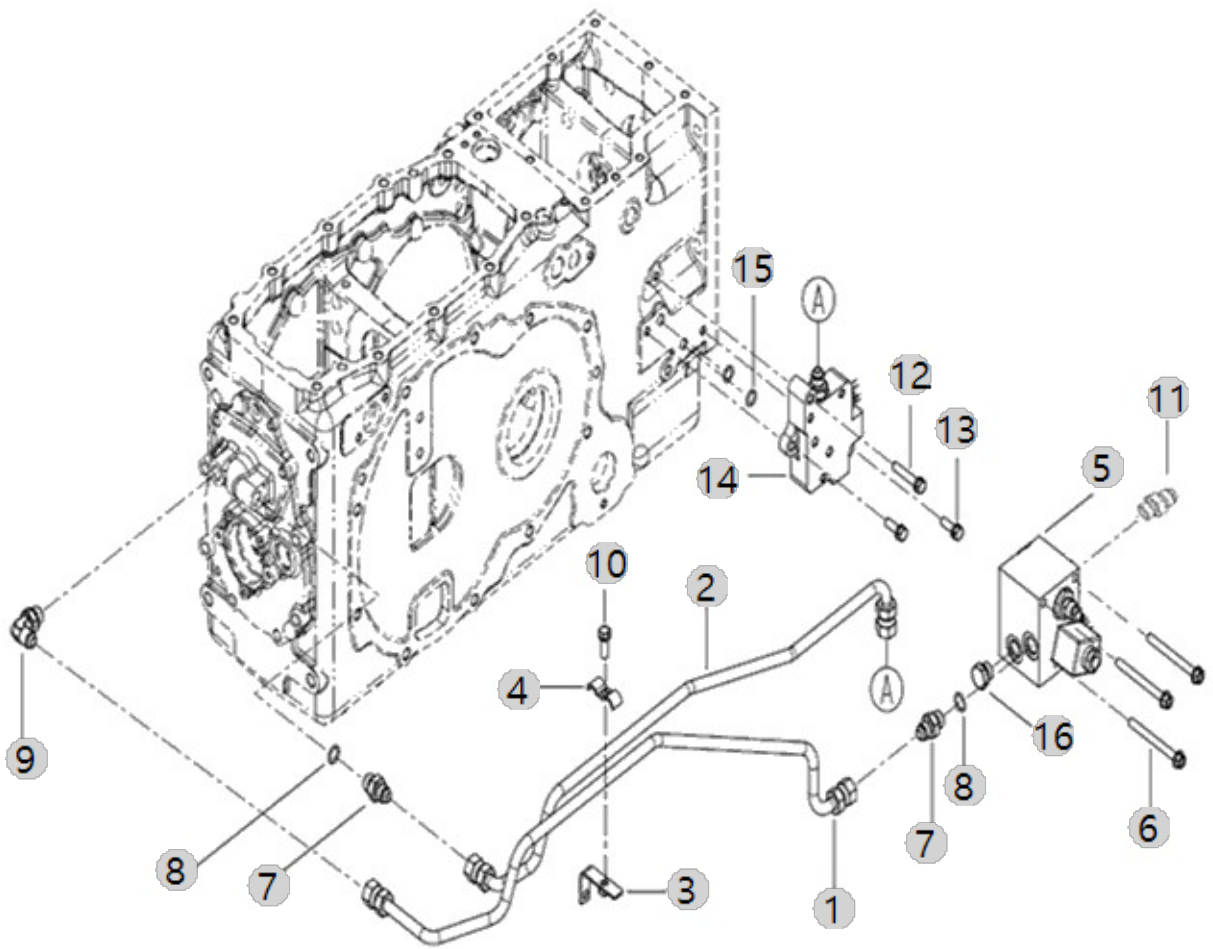
F07050

25CABIN TM총조합
(NEC)(AC01457)

PTO VALVE

Year/Month

2022-12-16



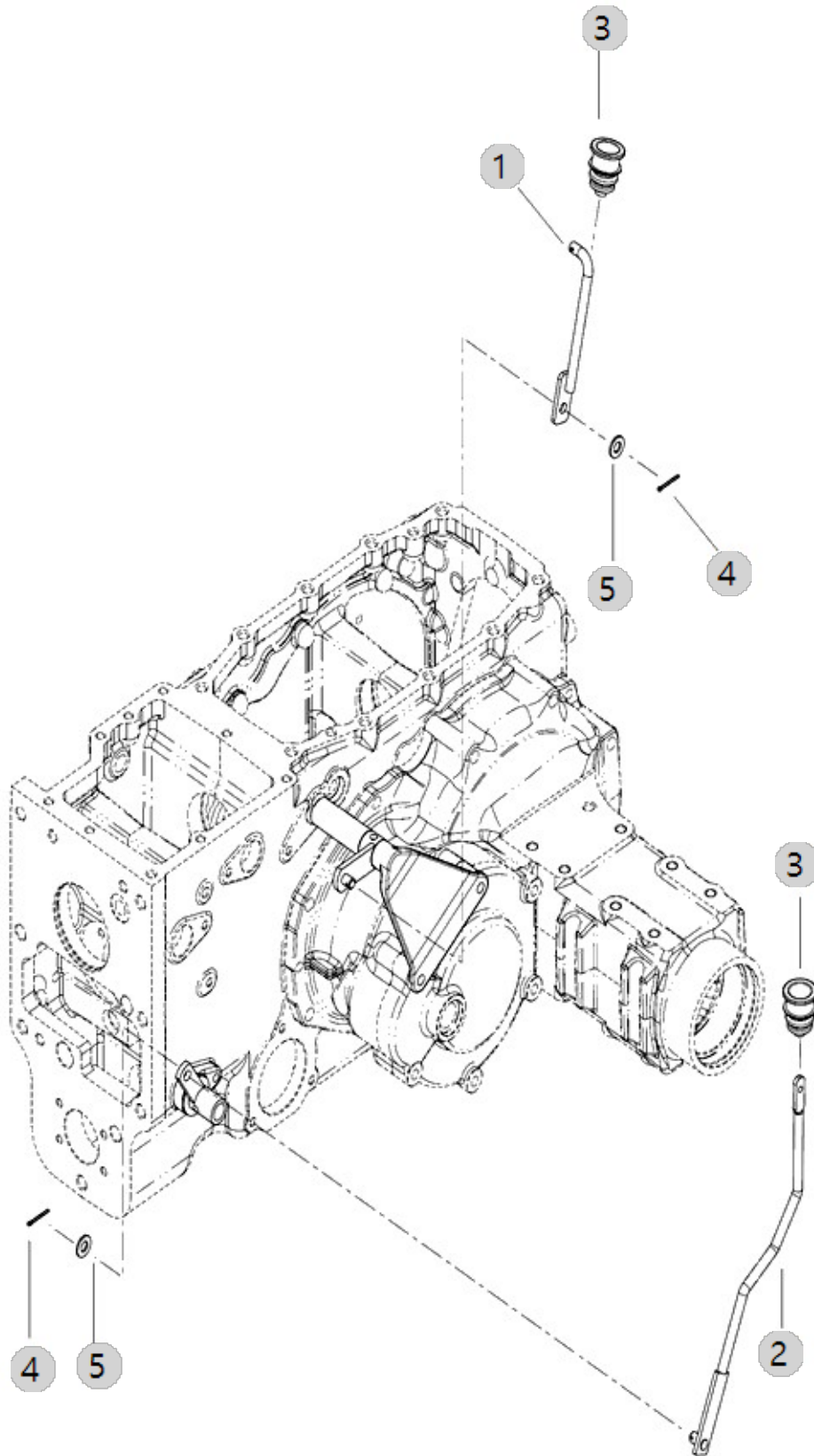
F07120

25CABIN TM총조합
(NEC)(AC01457)

ROD ASSY, PTO & 4WD

Year/Month

2022-12-16



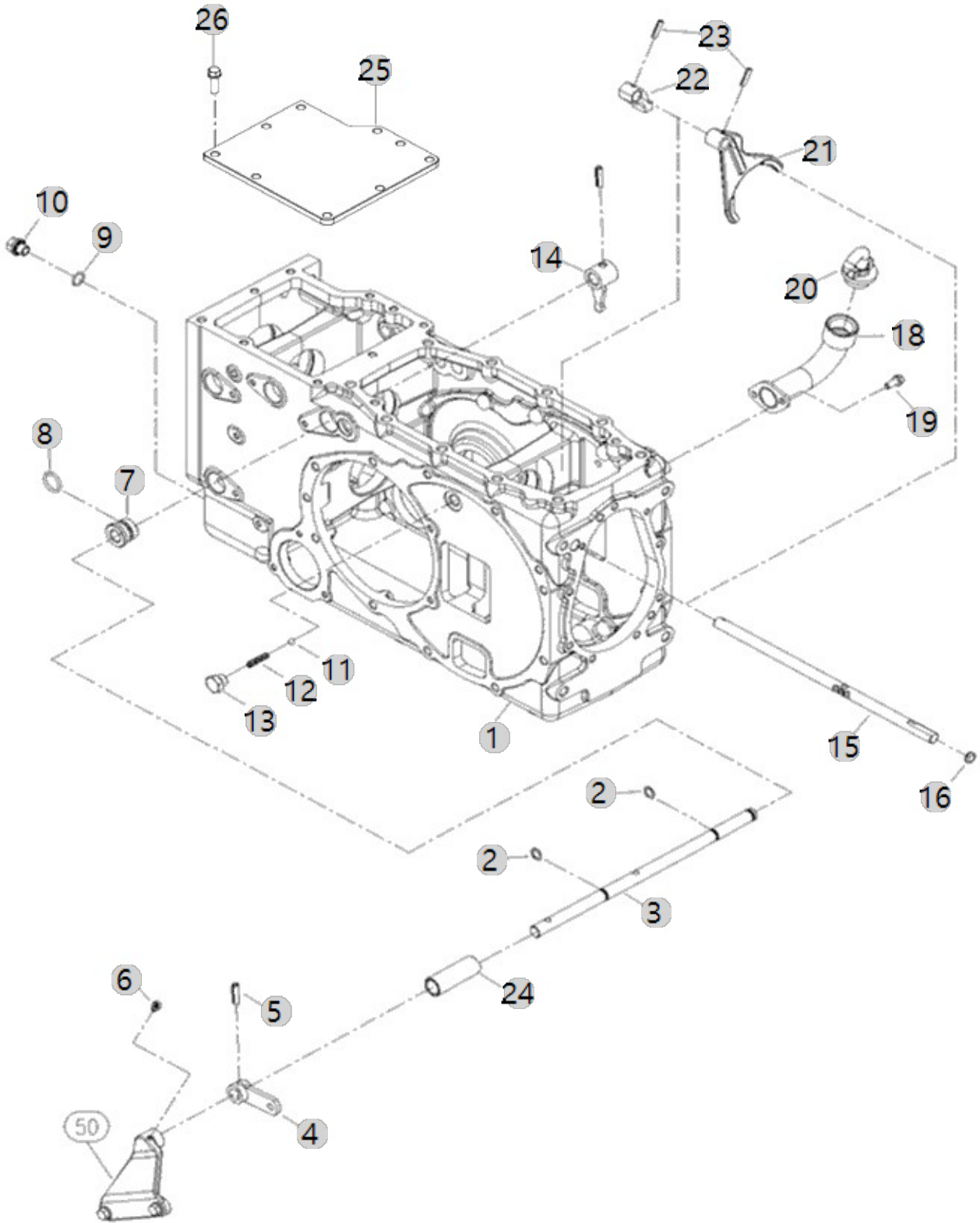
F08060

25CABIN TM총조합
(NEC)(AC01457)

FORK, PTO SHIFT

Year/Month

2022-12-16



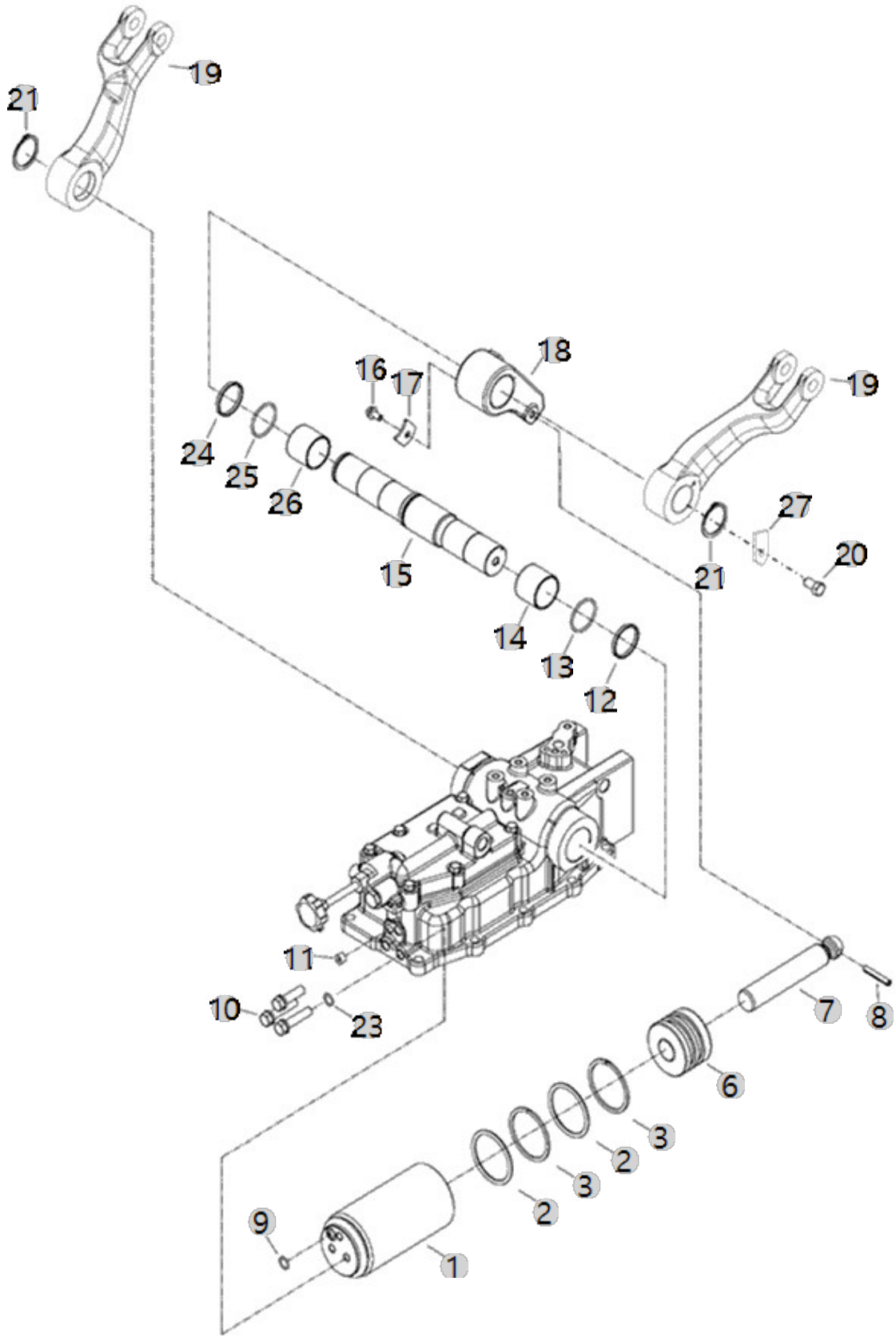
F10020

25CABIN TM총조합
(NEC)(AC01457)

LIFT ARM

Year/Month

2022-12-16



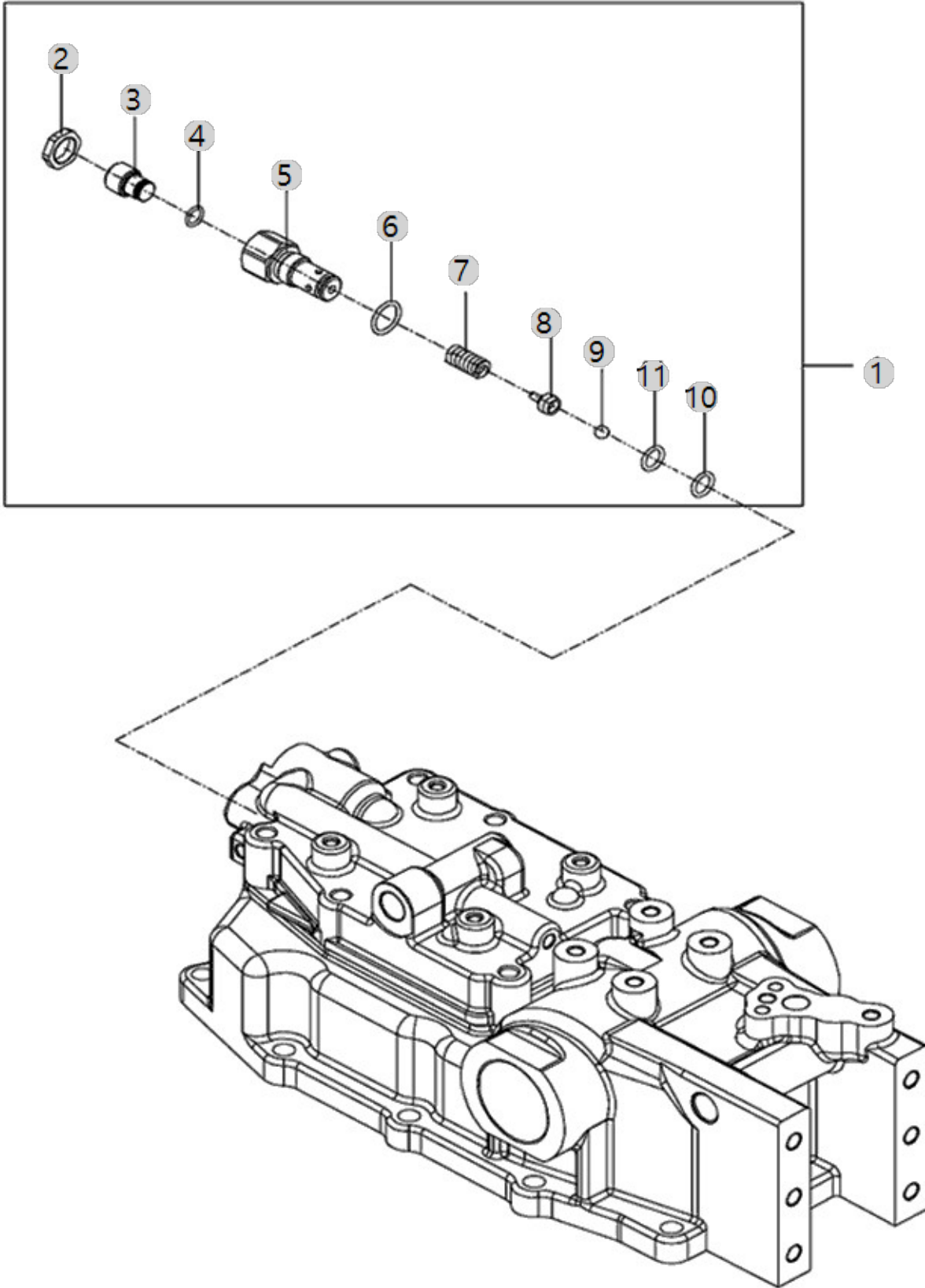
F10030

25CABIN TM총조합
(NEC)(AC01457)

SAFTY VALVE

Year/Month

2022-12-16



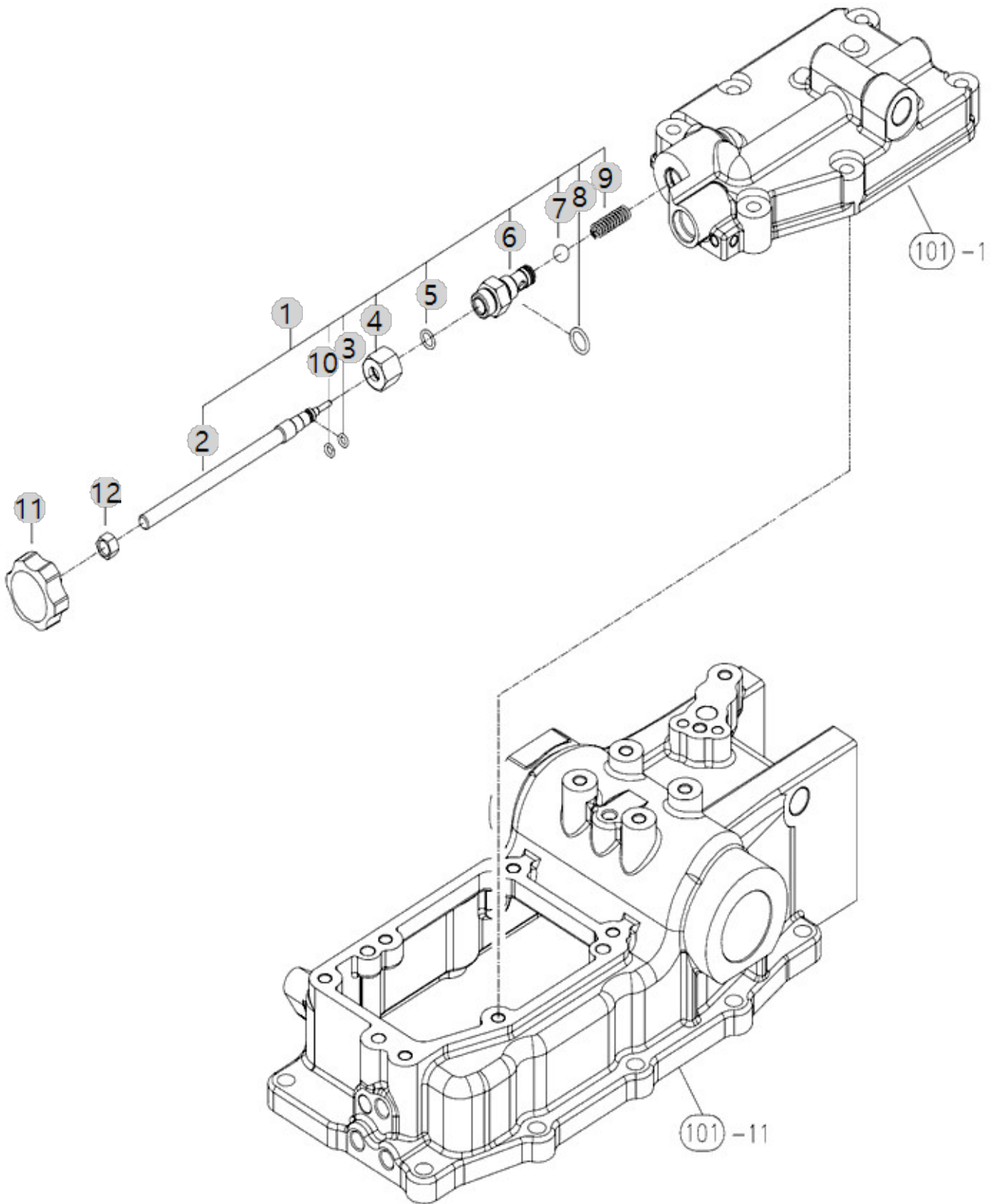
F10040

25CABIN TM총조합
(NEC)(AC01457)

STOP VALVE

Year/Month

2022-12-16



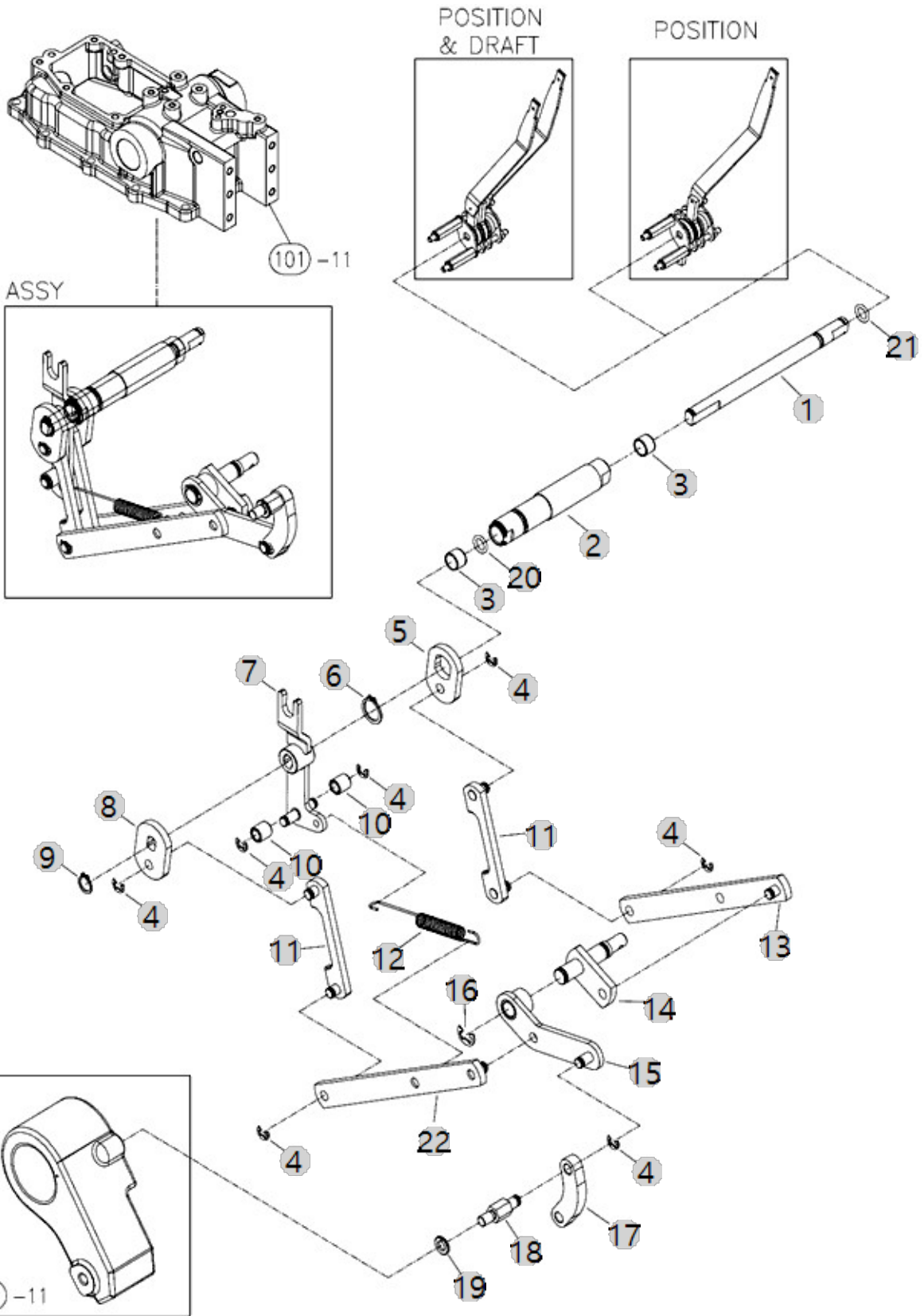
F10061

25CABIN TM총조합
(NEC)(AC01457)

DRAFT/ POSITION CONTROL LEVER

Year/Month

2022-12-16



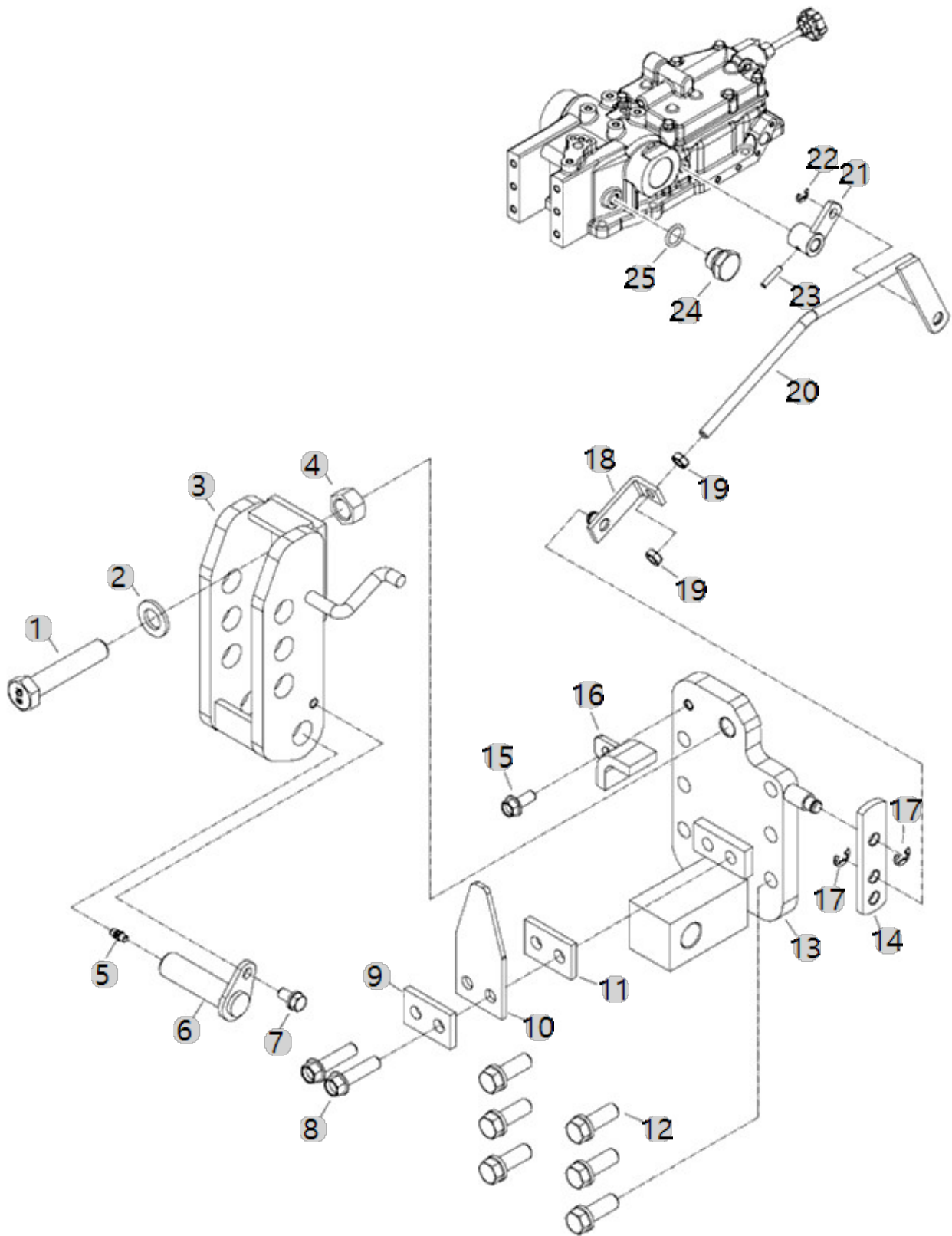
F10063

25CABIN TM총조합
(NEC)(AC01457)

DRAFT CONTROL

Year/Month

2022-12-16



F10063 25CABIN TM총조합 (NEC)(AC01457)		DRAFT CONTROL				Year/Month
						2022-12-16
순번 (NO)	부품번호 (PART NO)	품명 (PART NAME)	품명 (PART NAME)	수량 (QTY)	규격 (SPEC)	비고 (REMARK)
1	TA00000660A	육각볼트(M16XP1.5X80)	BOLT	1	M16XP1.5X80	
2	22137-160000	와셔	WASHER, PLAIN (Φ 16)	1	M16	
3	TA00033138B	톱링크힌지D	HINGE D, TOP LINK	1		
4	26736-160002	특수NUT	HEXNUT	1	M16XP1.5	
5	TA27160000A	그리스니플	NIPPLE	1		
6	TTB3090000A	힌지핀	PIN, HINGE	1		
7	26013-080162	와셔조립육각볼트(+SW)	Bolt, Hexa (8-16)	1	M8XP1.25X16	
8	26106-100402	플랜지보울트	SCREW,HEXFLANGEHEADCAP	2	M10X1.5X40	
9	TA00034144A	고정판	PLATE	1		
10	TA00033137A	힌지판	PLATE, HINGE	1		
11	TA00034144A	고정판	PLATE	1		
12	26013-120352	와셔조립육각볼트(+SW)	SCREW,CAPTIVEWASHERCAP	6	M12XP1.75X0	
13	TA00034018B	힌지서포터 조합	SUPPORT D, HINGE ASS'Y	1		
14	TA00033143C	플레이트	PLATE	1		
15	26106-080202	육각플랜지볼트	SQR FLANGE BOLT	1	M8XP1.25X20	
16	TA00034142B	연결판 조합	PLATE ASS'Y	1		
17	22272-000080	E형스냅링8	RING, CIRCLIP (Φ 08)	2	D8	
18	TA00033144B	플레이트조합	PLATE ASSY	1		
19	26756-080002	고정너트M8	NUT	2	M8X1.25	
20	TA00033150B	견인제어로드	CONTROL ROD, DRAFT	1		
21	TA00033147B	링크조합(OUT)	LINK ASSY (OUT)	1		
22	22272-000060	SNAP RING	RING, CIRCLIP (Φ 06)	1	D6	
23	22351-040020	스프링핀	PIN, SPRING (4X20)	1	D4X20	
24	NTA1130100A9	몸체	BODY	1		
25	24311-000140	441,ALL,O-RINGP-14	O-RING, DYNAMIC (Φ14)	1	P14	

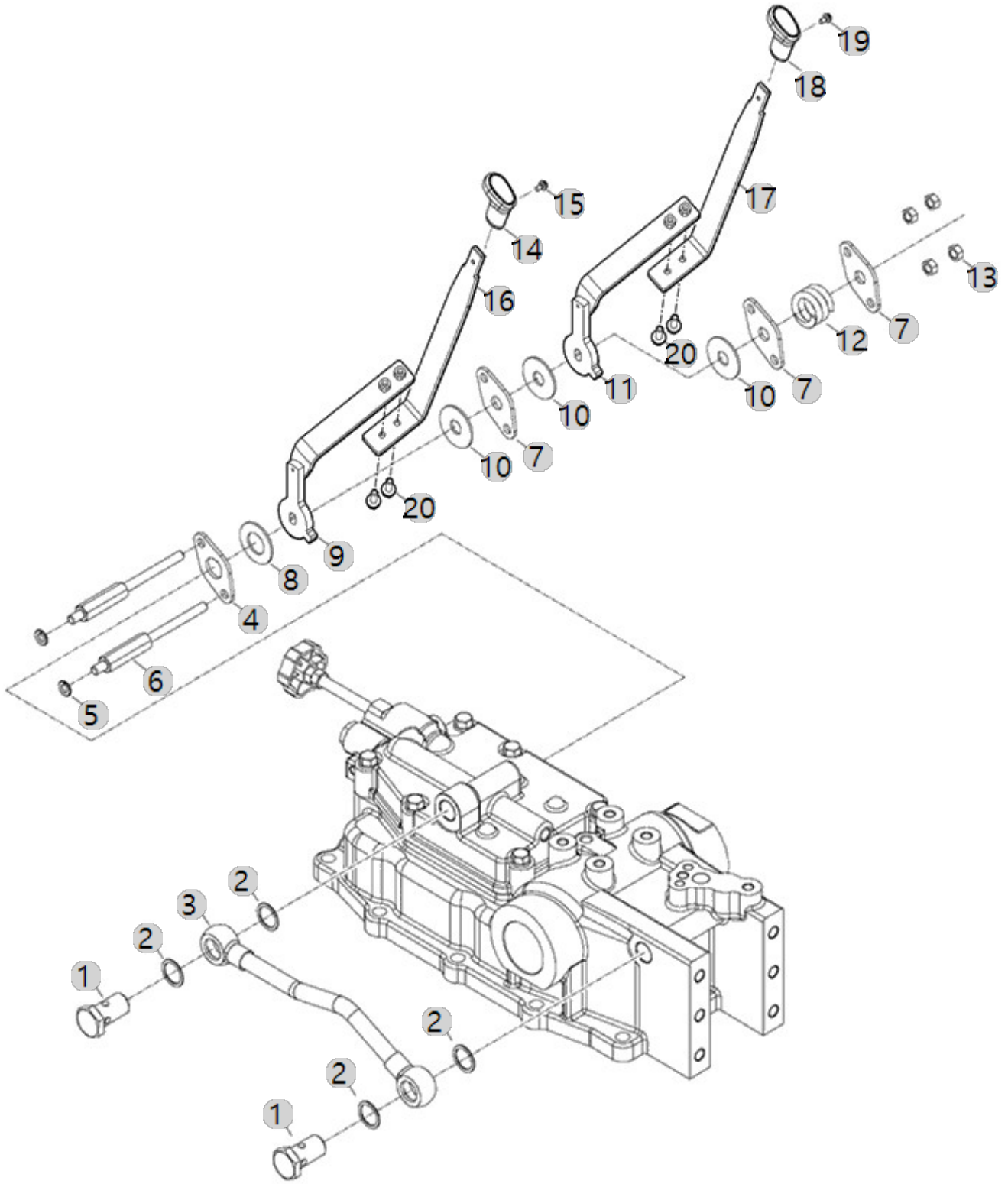
F10064

25CABIN TM총조합
(NEC)(AC01457)

POSITION CONTROL LEVER

Year/Month

2022-12-16



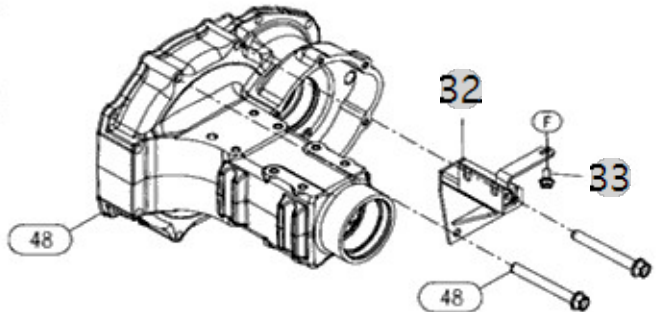
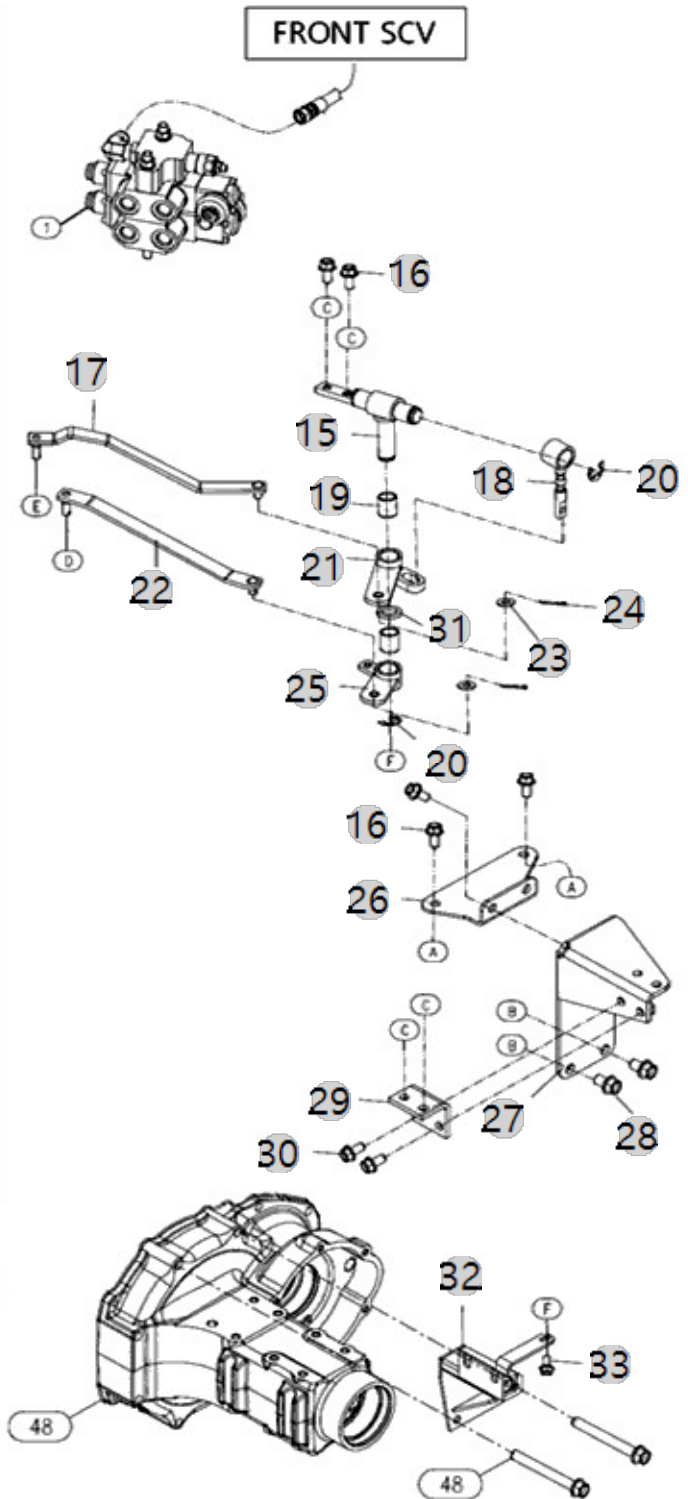
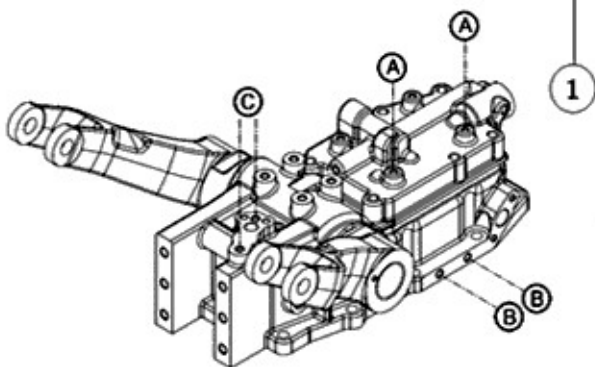
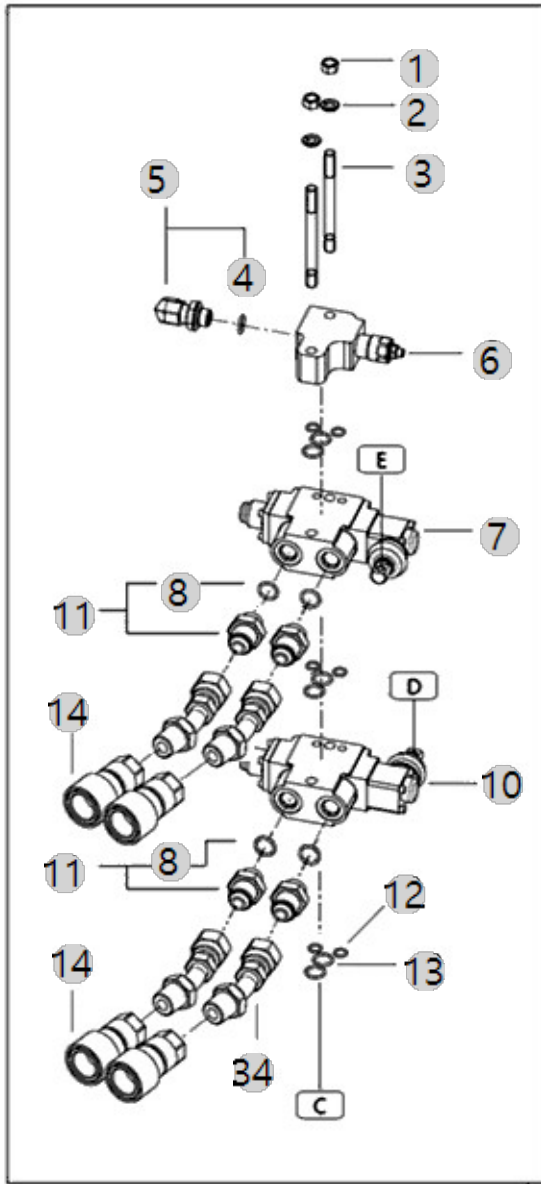
F10120

25CABIN TM총조합
(NEC)(AC01457)

REAR SCV

Year/Month

2022-12-16



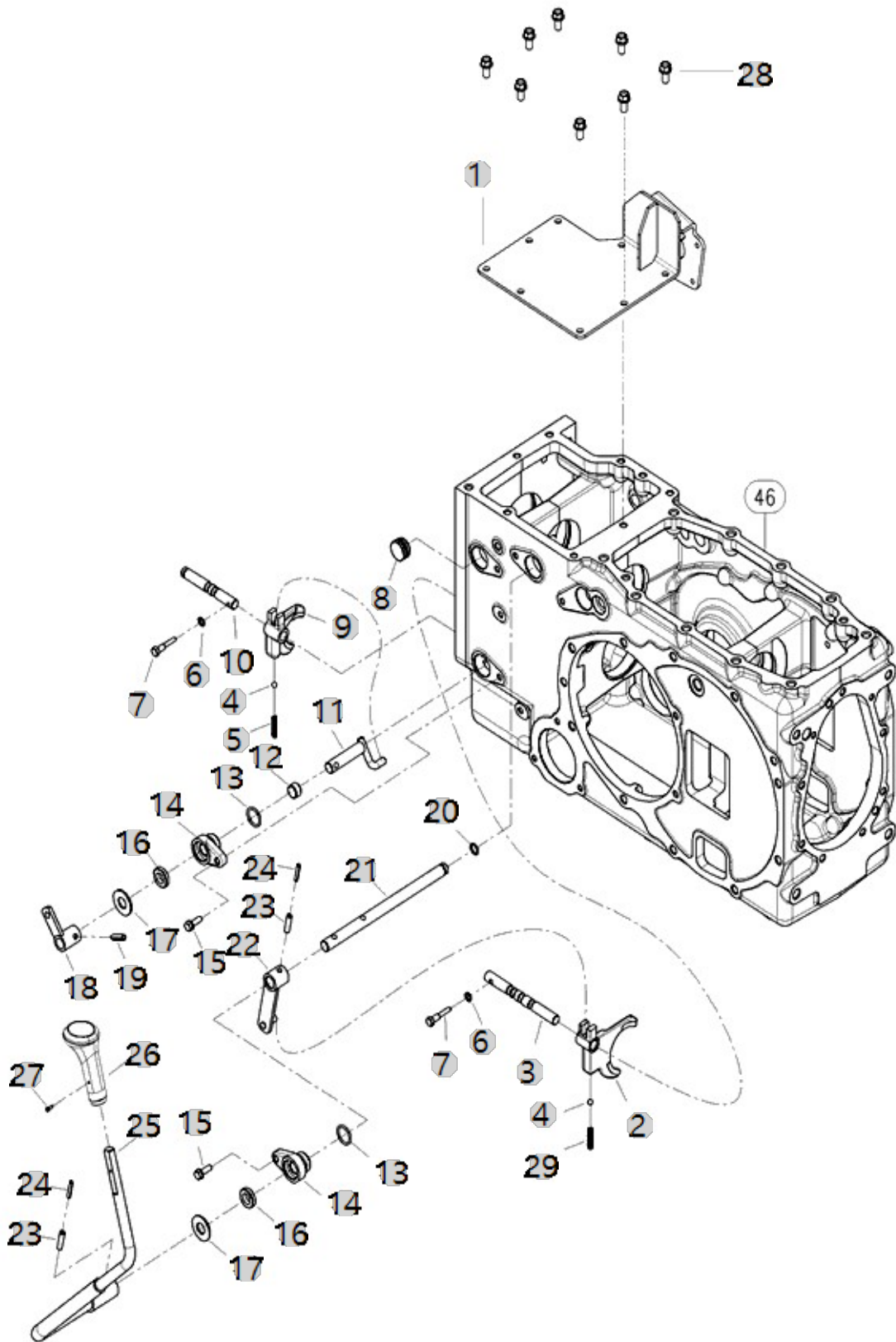
F11020

25CABIN TM총조합
(NEC)(AC01457)

FRONT DRIVE & RANGE SHIFT LEVER

Year/Month

2022-12-16



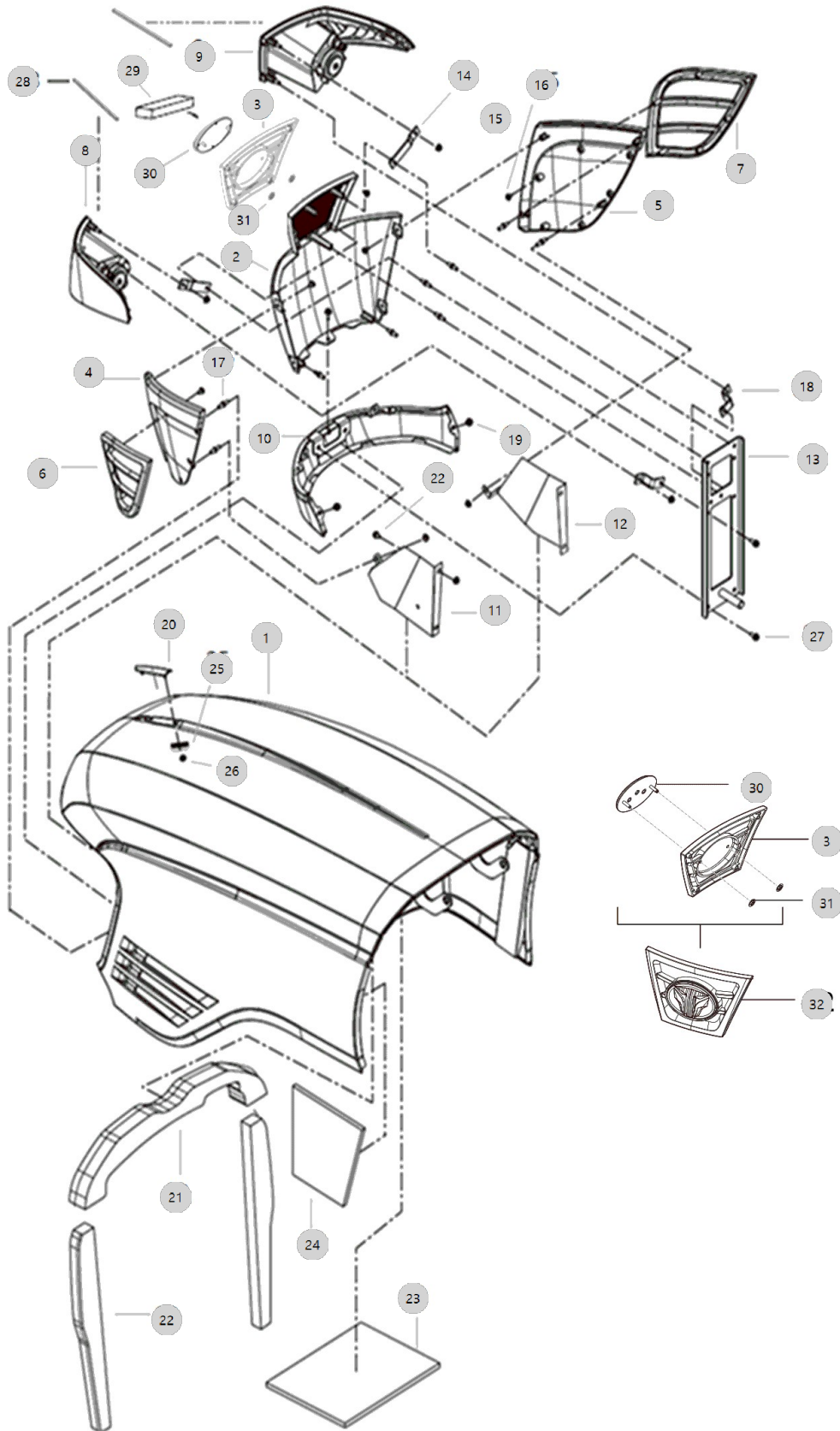
G01020

5025C(AC02119)

BONNET

Year/Month

2022-12-16



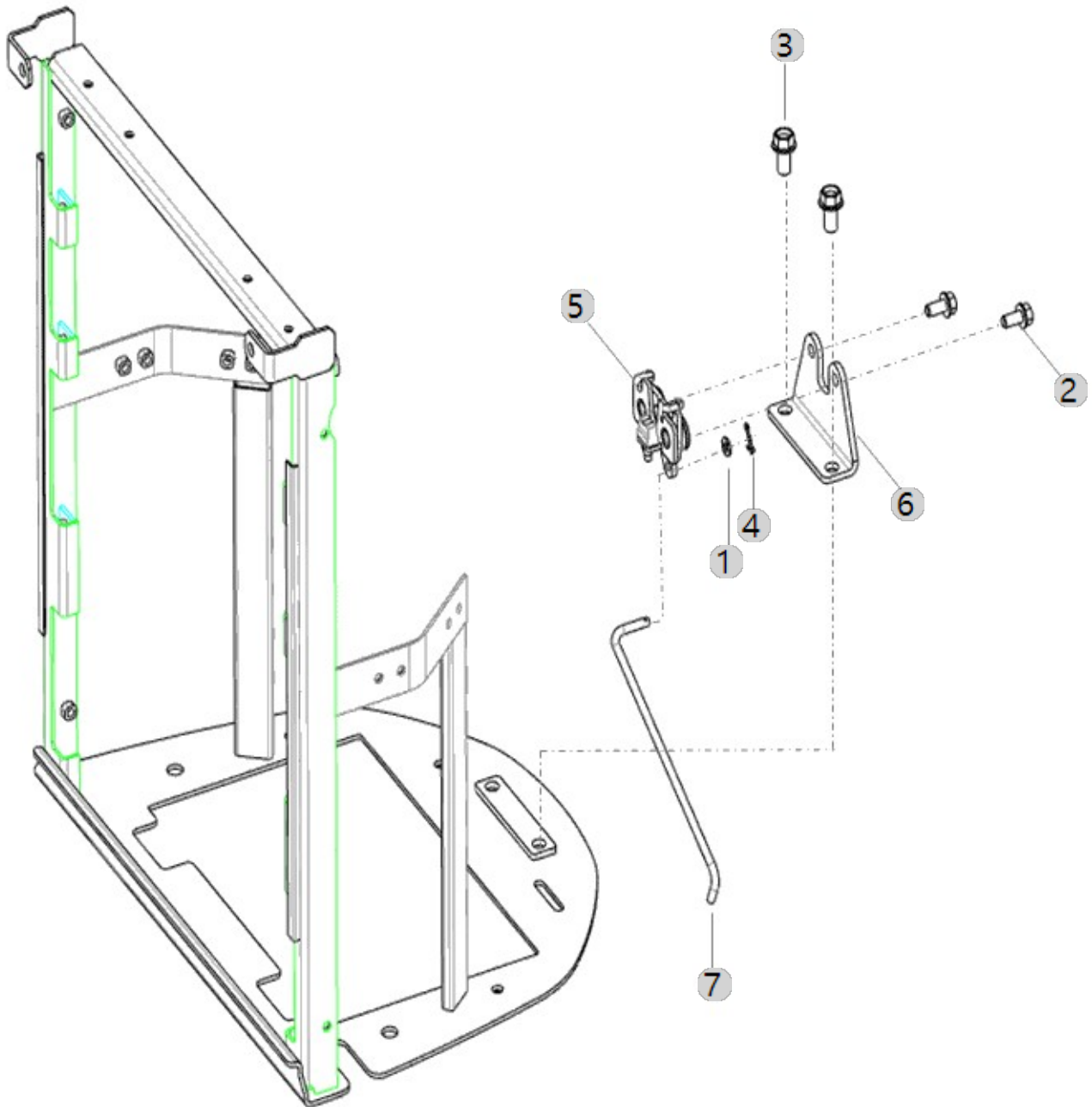
G01040

Year/Month

5025C(AC02119)

LATCHING DEVICE, BONNET

2022-12-16



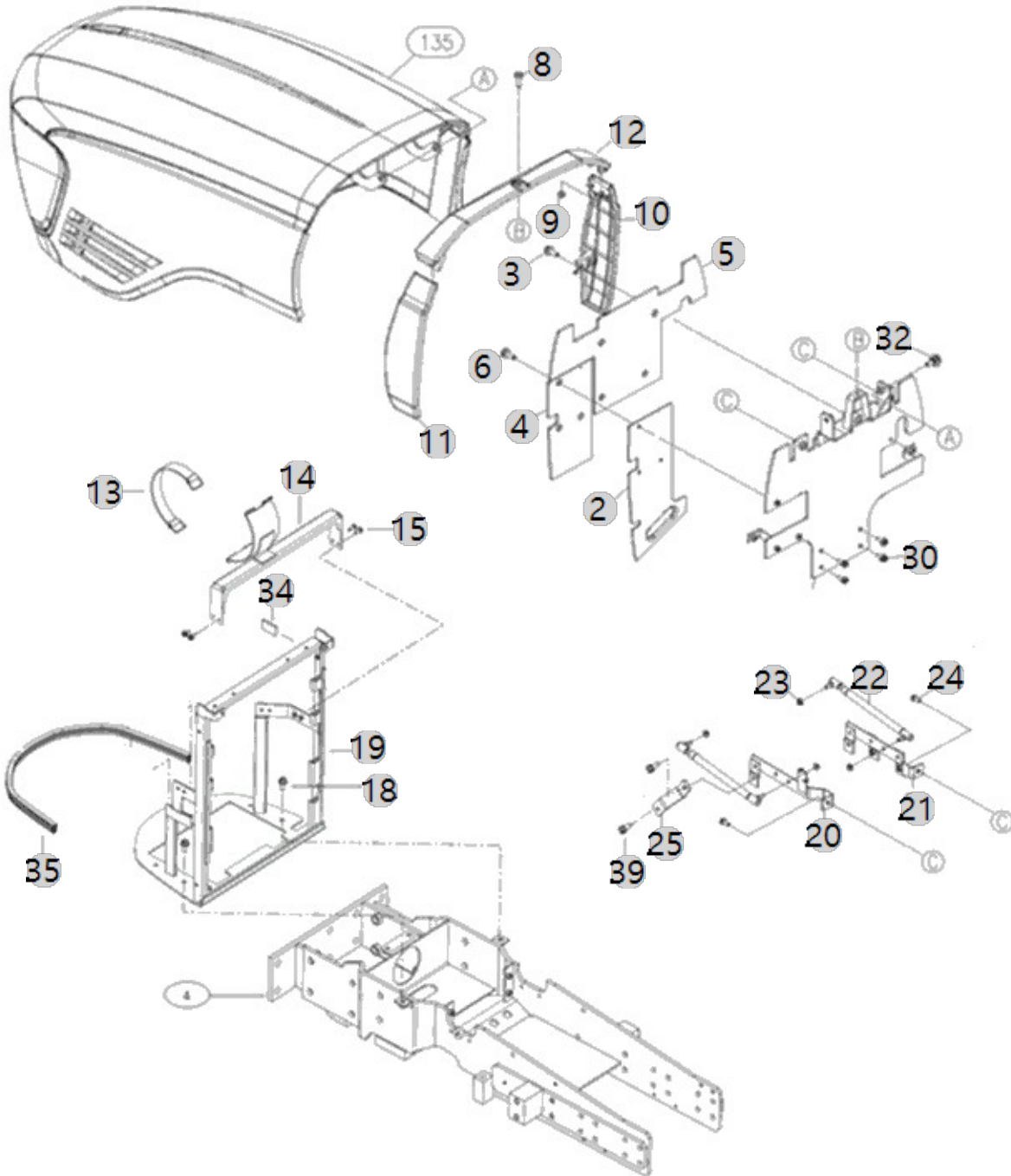
G01060A

Year/Month

5025C(AC02119)

FIXED BRACKET, BONNET

2022-12-16



G01060A 5025C(AC02119)	FIXED BRACKET, BONNET	Year/Month
		2022-12-16

순번 (NO)	부품번호 (PART NO)	품명 (PART NAME)	품명 (PART NAME)	수량 (QTY)	규격 (SPEC)	비고 (REMARK)
1	TA00028152F	막이판 조합	PLATE ASS'Y	1	-	
1	TA00028152G	막이판 조합	PLATE ASS'Y	1	-	
2	TA00028165B	플레이트	PLATE	1	2.3T	
2	TA00028165C	플레이트	PLATE	1	2.3T	
3	26106-080162	플랜지볼트8X16	SCREW,HEXFLANGEHEADCAP	2	M8XP1.25X16	
4	TA00028206B	막이판 스폰지 B (좌)	SPONGE B	1	5T	
5	TA00028205A	막이판 스폰지 A	SPONGE A	1	T5.0	
6	26106-060142	육각플랜지볼트	BOLT	3	M6X1.0X14	
8	26106-060122	육각플랜지볼트	HEX BOLT (6-12)	1	M6XP1.0X12	
9	26367-060002	플랜지너트	Nut, Hexa (Φ6)	4	M6XP1.0	
10	TA00072442A	후부 본넷 R	REAR BONNET R	1		
11	TA00072441A	후부 본넷 L	REAR BONNET L	1		
12	TA00072440A	후부 본넷	REAR BONNET	1		
13	TZD6890000A4	에어클리너취부밴드	BAND,AIRCLEANERHOLDING	2		
13	TZD6890000B4	에어클리너 취부 밴드	BAND, AIR CLEANER	2		
14	TA00034921D	에어 크리너 브래킷 조합	BRACKET, AIR-CLEANER	1		
14	TA00034921B	에어 크리너 브래킷 조합	BRACKET, AIR-CLEANER	1		
15	26106-060162	육각플랜지 볼트	HEXFLANGEBOLT	8	M6XP1.0X16	
18	26106-100202	육각플랜지볼트	HEX BOLT, (10-20)	4	M10XP1.5X20	
19	TA00053540D	그릴프레임조합(25C유럽)	GRILL FRAME ASS'Y(25C EU)	1		
19	TA00053540B	그릴프레임조합(25C유럽)	GRILL FRAME ASSY	1		
20	TA00034874C	브래킷 조합 (좌)	BRACKET A	1		
20	TA00034874D	브래킷 조합 (좌)	BRACKET A	1		
21	TA00034873C	브래킷 조합	BRACKET ASS'Y	1		
21	TA00034873D	브래킷 조합	BRACKET ASS'Y	1		
22	TA00023455B	가스 스프링	GAS SPRING	2	NONE	
23	26367-080002	259, 육각플랜지너트	HEX FLANGE NUT (Φ8)	4	M8XP1.25	
24	26106-100202	육각플랜지볼트	HEX BOLT, (10-20)	4	M10XP1.5X20	
25	TA00035176A	연결 브래킷	BRACKET	1		
25	TA00035176B	연결 브래킷	BRACKET	1		
30	26106-080182	444,ALL,플랜지볼트	SCREW,HEXFLANGEHEADCAP	4		
32	TA00022981B	본넷취부볼트	BONNET BOLT	2	M10XP1.5	
34	TA00031097A	흡기파이프 방진고무	RUBBER	1	6.0T	
35	TA00038101A	스트립	STRIP	1	A	
36	TA00025920A	브래킷	BRACKET	1		
37	26106-080402	451,ALL,플랜지볼트	SCREW,HEXFLANGEHEADCAP	4		

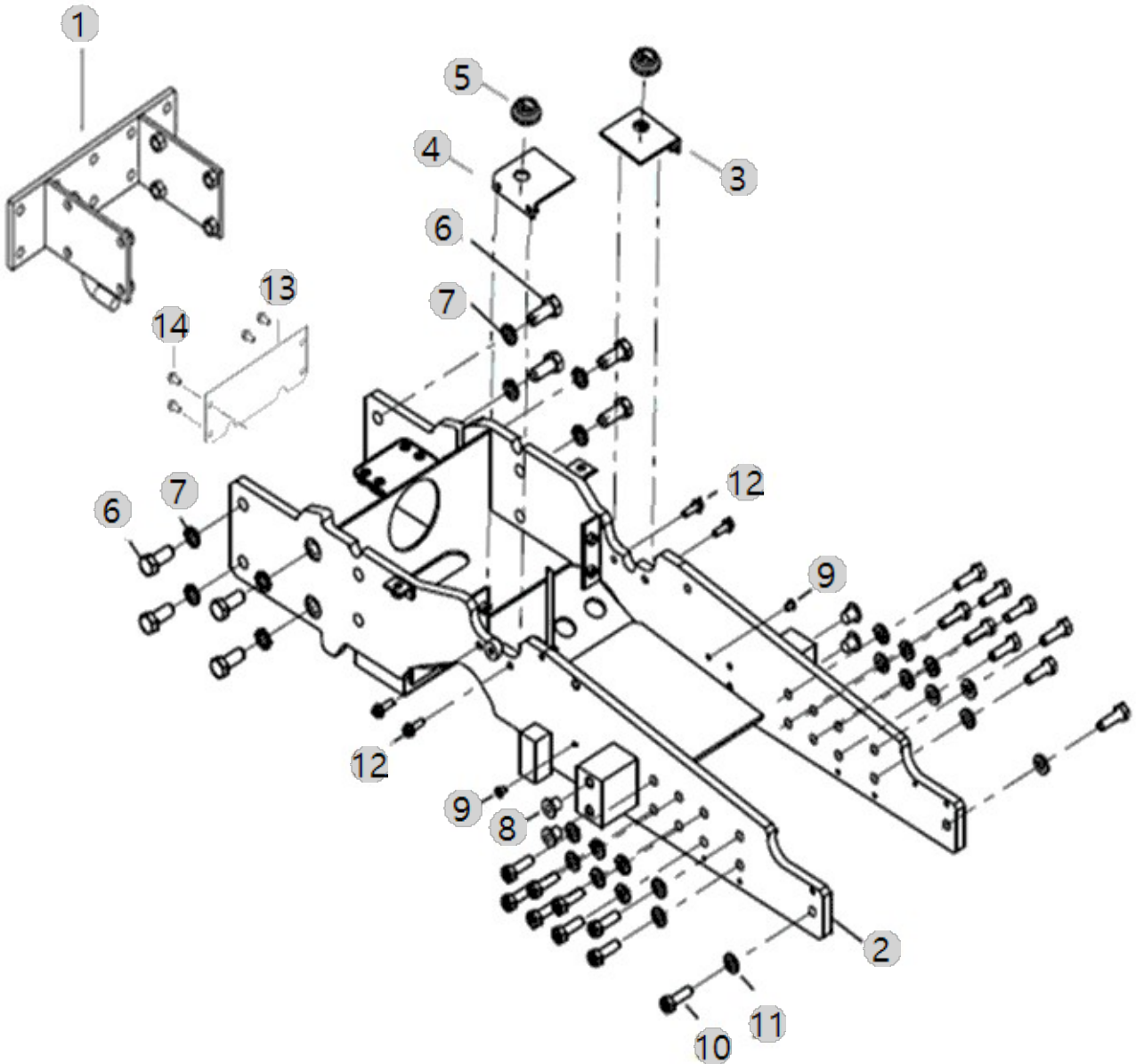
G01080

Year/Month

5025C(AC02119)

FRONT AXLE BRACKET

2022-12-16



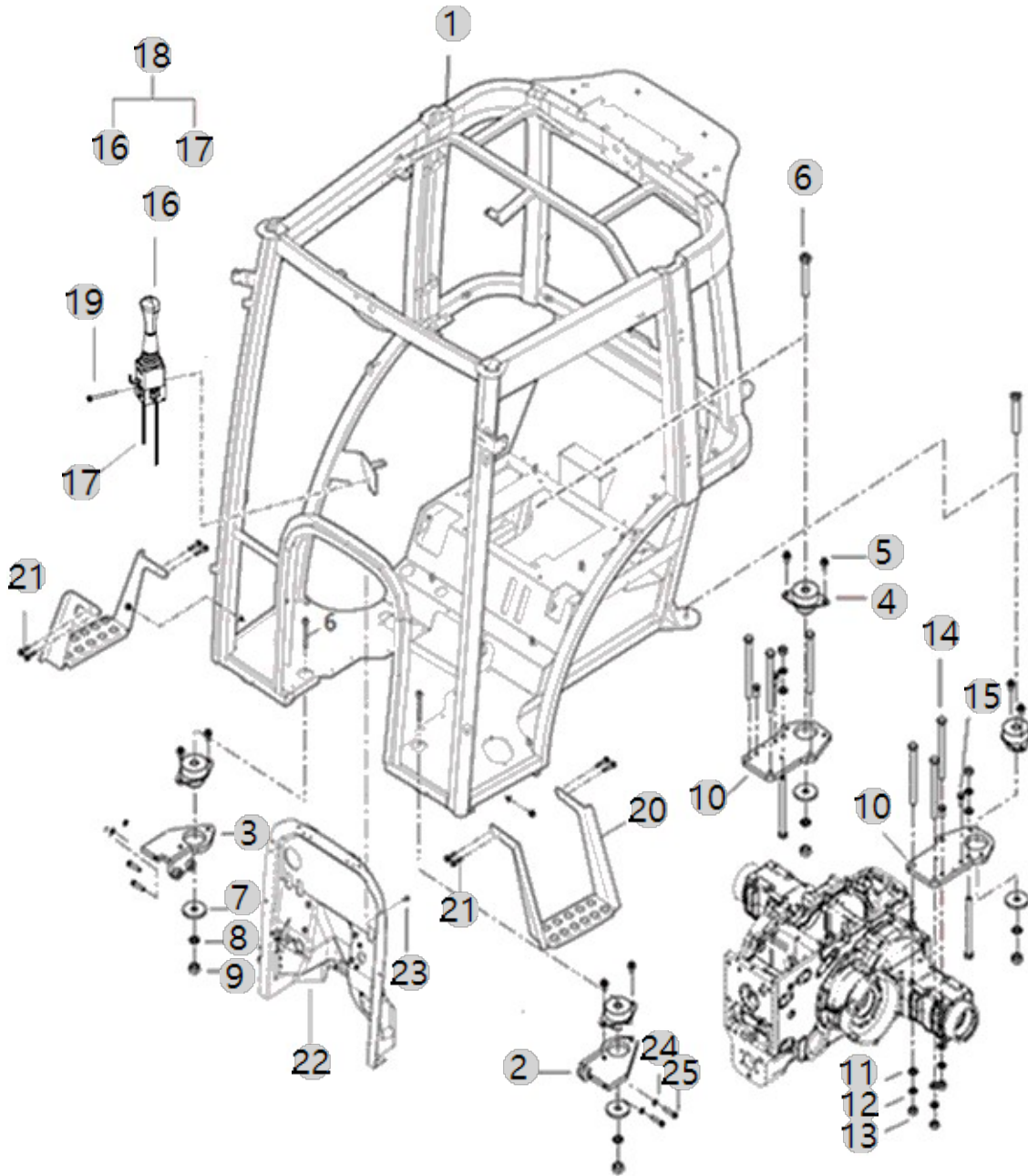
G02010

Year/Month

5025C(AC02119)

CABIN FRAME

2022-12-16



G02010 5025C(AC02119)		CABIN FRAME				Year/Month
						2022-12-16
순번 (NO)	부품번호 (PART NO)	품명 (PART NAME)	품명 (PART NAME)	수량 (QTY)	규격 (SPEC)	비고 (REMARK)
1	TA00063802A	25C캐빈프레임조합_(EU)	25C CABIN FRAME ASSY_(EU)	1		
2	TA00035953B	방진 고무 지지대 앞 조합 (좌)_	SUPPORT ASS'Y	1		
2	TA00035953A	방진 고무 지지대 앞 조합 (좌)_	SUPPORT ASSY	1		
3	TA00036461B	방진고무 지지대 앞(우)	BRACKET, FRONT(R)	1		
3	TA00036461A	방진고무 지지대 앞(우)	BRACKET, FRONT(R)	1		
4	TA00017825B	방진고무조합	CUSHION RUBBER, FRONT	4		
5	26106-120202	육각플랜지볼트	BOLT	8		
6	FTK1320000C4	캐빈취부볼트	BOLT	4	M20XP2.0X12	
7	TH51050000B4	와셔	WASHER	4	8T	
8	22217-200000	스프링 와셔	WASHER, SPRING (Φ 20)	4	M20 X 60 X P	
9	26716-200002	육각너트	NUT	4	M20XP2.5	
10	TA00027276C	캐빈 취부 브래킷 후	BRACKET REAR	2	16T	
10	TA00027276B	캐빈 취부 브래킷 후	BRACKET REAR	2	16T	
11	22137-160000	와셔	WASHER, PLAIN (Φ 16)	8	M16	
12	22217-160000	스프링와셔	WASHER, SPRING (Φ 16)	8	M16	
13	26716-160002	육각너트	NUT	8	M16XP2.0	
14	TTF8170000B4	볼트	BOLT	8	M16X2.0	
15	26013-120302	와셔조립육각볼트(+SW)	HEX BOLT W/WASHER	4	M12XP1.75X3	
16	TA00035126A	조이스틱	JOY-STICK	1		
17	TA00035127A	조이스틱 케이블	JOYSTICK CABLE	1		
18	TA00035125A	조이스틱 조합	JOY-STICK ASS'Y	1		
19	26106-080802	572,A1417,플랜지볼트8X80	SCREW,HEXFLANGEHEADCAP	2	M8X1.25X80	
20	TA00063010A	발판조합_C	STEP ASS'Y	2		
21	26106-080202	육각플랜지볼트	SQR FLANGE BOLT	8	M8XP1.25X20	
22	TA00028579J	방풍판 조합	WINDSHIELD ASS'Y	1		
22	TA00028579I	방풍판 조합	WINDSHIELD ASS'Y	1		
22	TA00028579H	방풍판 조합	HEAT INSULATOR ASS'Y	1		
23	26106-060162	육각플랜지 볼트	HEXFLANGEBOLT	8	M6XP1.0X16	
24	22217-100000	스프링와셔	WASHER, SPRING (Φ 10)	4	M10	
25	CA00001686B	육각볼트M10X45	BOLT HEXAGON M10X45	4	M10X45(10.9T)	
25	CA00001686A	육각볼트M10X45	BOLT HEXAGON M10X45	4		
26	TB26060000A4	플러그7.8	PLUGRUBBER	2		

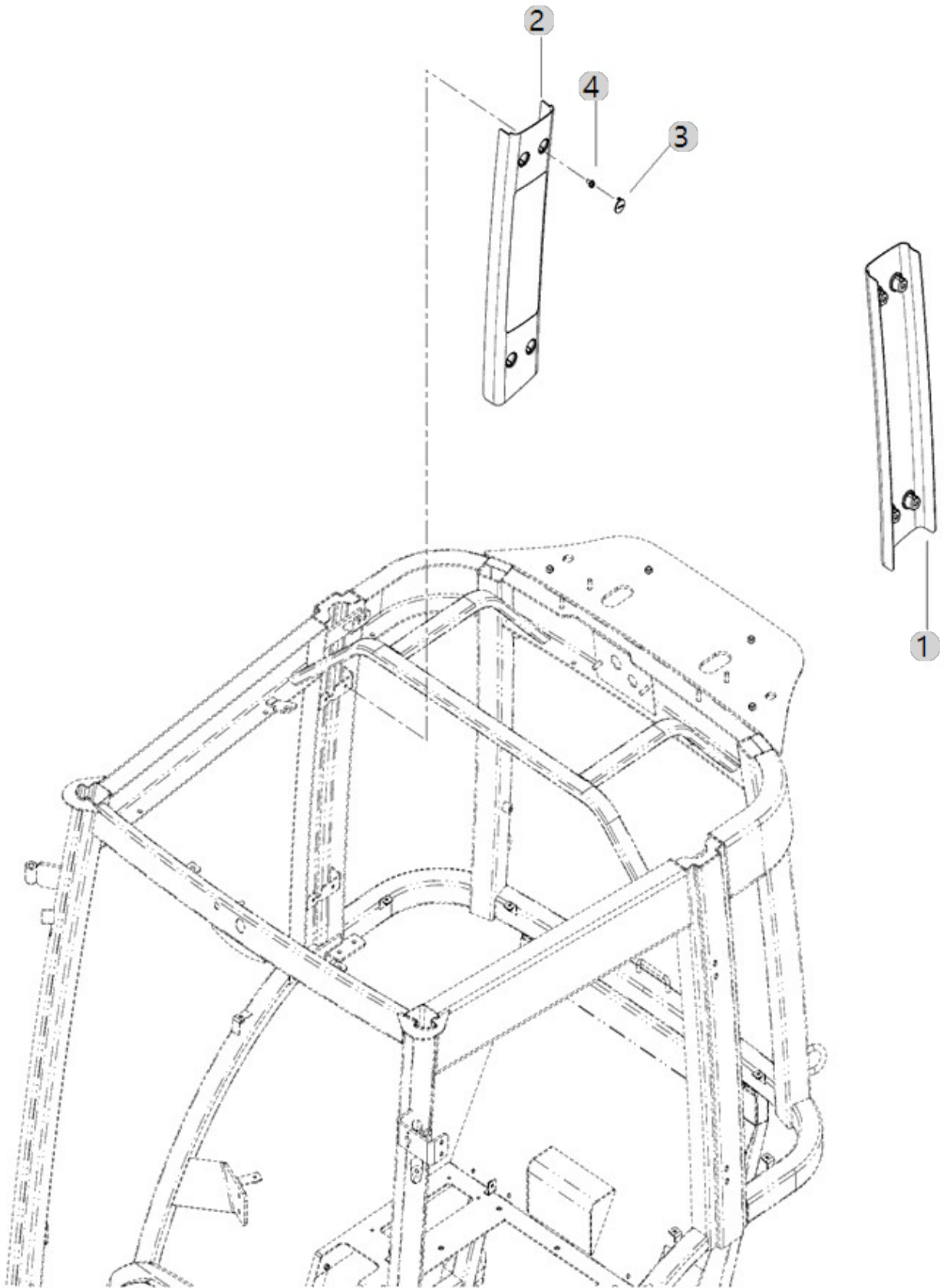
G02011

Year/Month

5025C(AC02119)

PILLAR COVER

2022-12-16



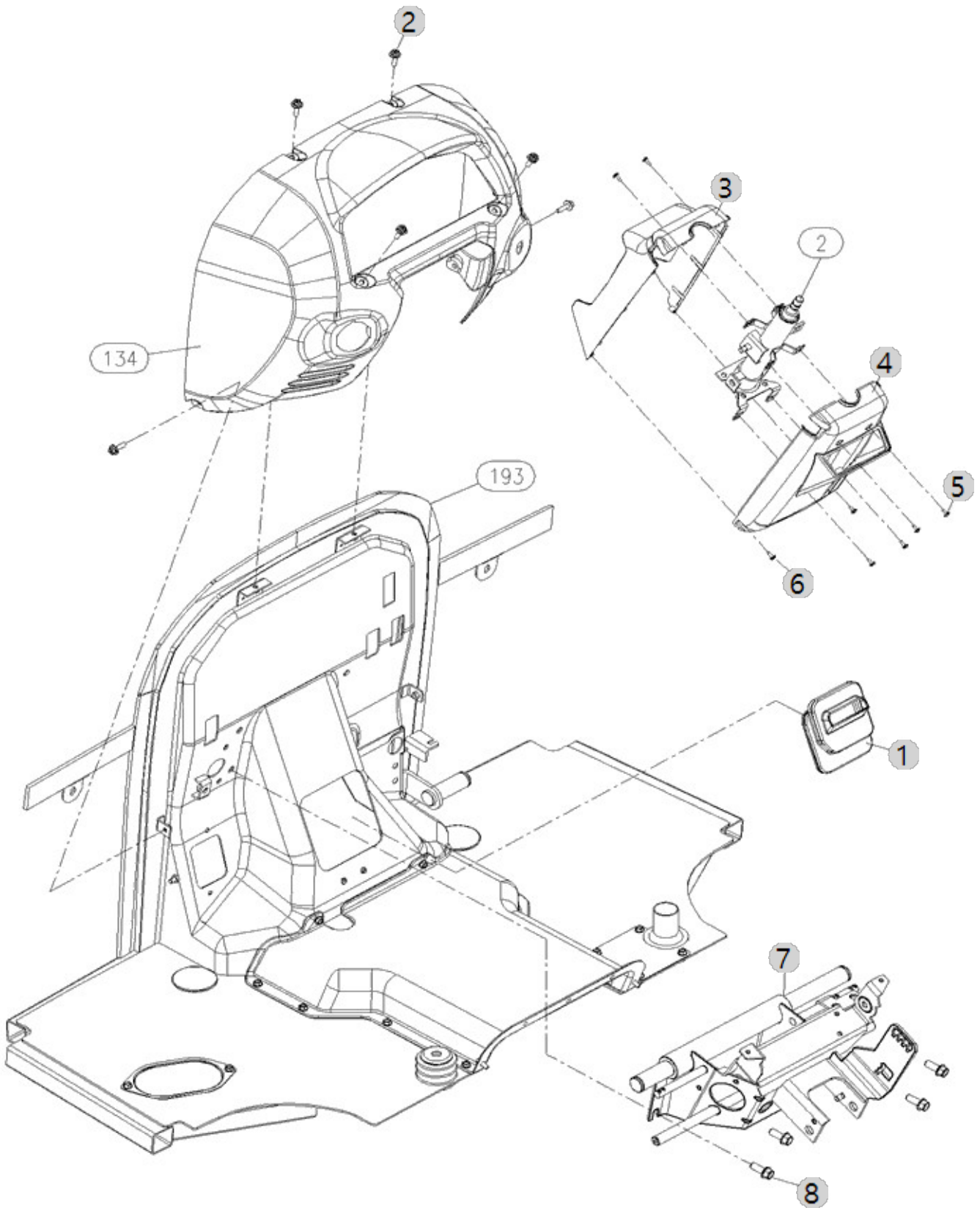
G02020

Year/Month

5025C(AC02119)

DASH BOARD

2022-12-16



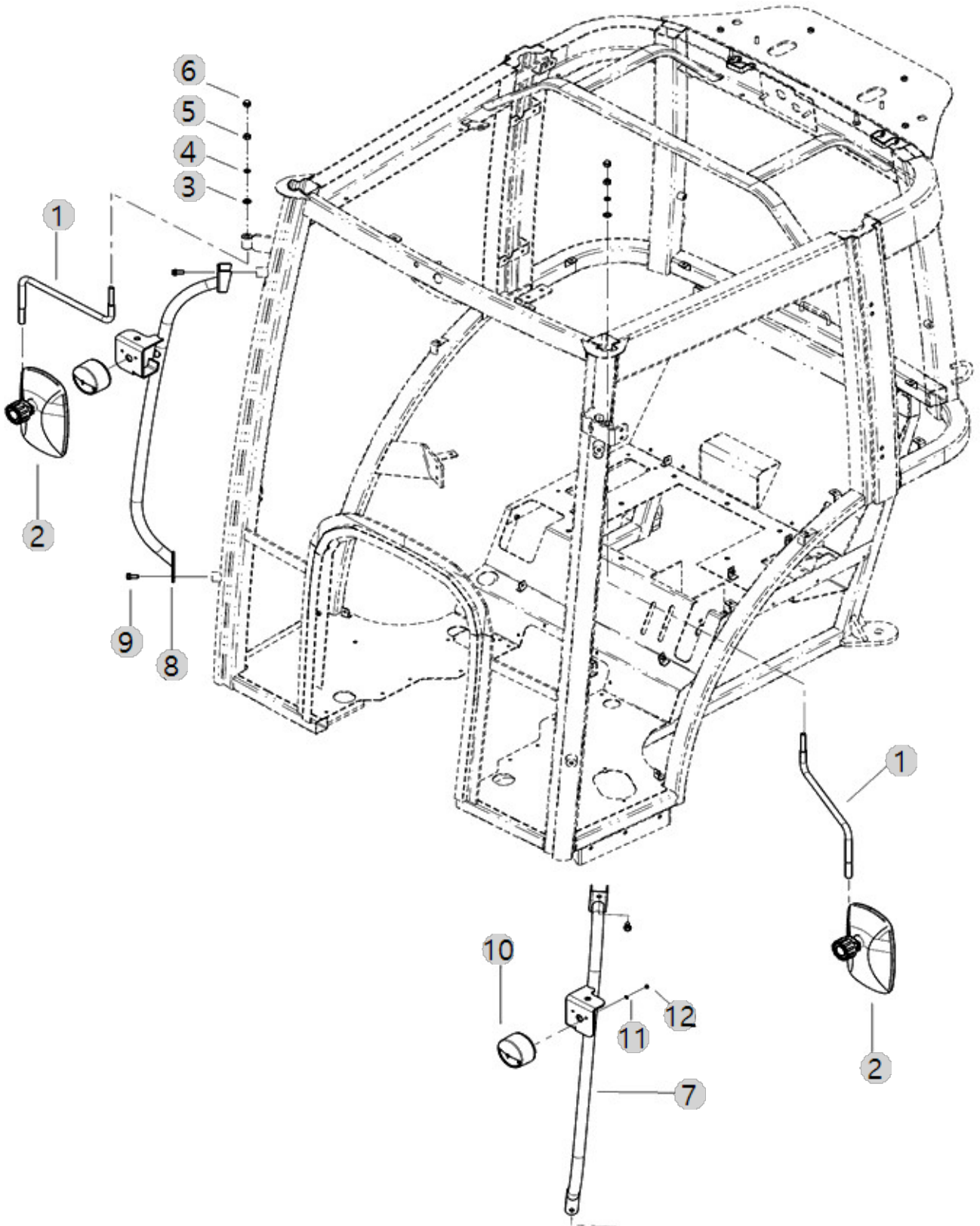
G02030

Year/Month

5025C(AC02119)

SIDE MIRROR

2022-12-16



G02030 5025C(AC02119)		SIDE MIRROR				Year/Month 2022-12-16
순번 (NO)	부품번호 (PART NO)	품명 (PART NAME)	품명 (PART NAME)	수량 (QTY)	규격 (SPEC)	비고 (REMARK)
1	TA00028657C	백미러 스테이 봉	REARVIEW MIRROR ROD	2		
1	TA00028657B	백미러 스테이 봉	BACK MIRROR BOSE	2		
2	TCF5170000B3	백미러	SIDE MIRROR	2		
3	22117-100000	평와셔(소형)	WASHER, PLAIN (Φ 10)	2	M10	
4	22217-100000	스프링와셔	WASHER, SPRING (Φ 10)	2	M10	
5	26716-100002	육각너트	Nut, Hexa (Φ10)	2	M10XP1.5	
6	26656-100002	육각캡너트	CAP NUT, HEX	2	M10	
7	TA00045948C	손잡이 조합 L	GRIP ASS'Y, LH	1		
7	TA00045948B	외측 손잡이 조합 L	ASS'Y, GRIP	1		
8	TA00045951C	손잡이 조합 R	GRIP ASS'Y, RH	1		
8	TA00045951B	손잡이 조합 R	ASS'Y, GRIP	1		
9	26106-080202	육각플랜지볼트	SQR FLANGE BOLT	4	M8XP1.25X20	
10	FBE113000EB3	콤비네이션램프 - 00, 20R(C), LUXEN	COMBINATION LAMP	2		
11	22217-050000	스프링와셔	WASHER, SPRING (Φ 05)	2	M5	
12	26716-050002	너트M5	Nut, Hexa (Φ5)	2	M5X0.8	

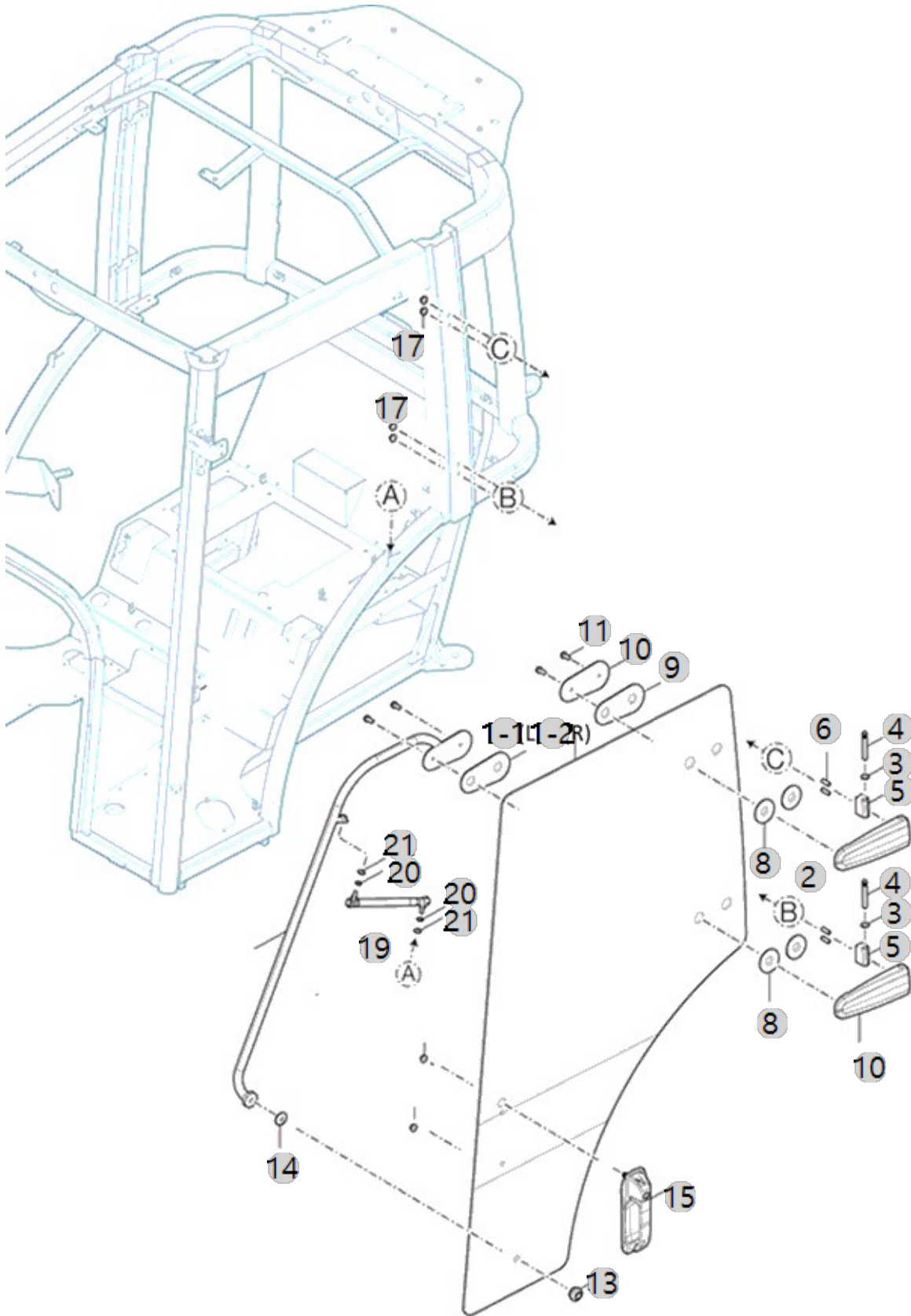
G02050

Year/Month

5025C(AC02119)

DOOR ASS'Y

2022-12-16



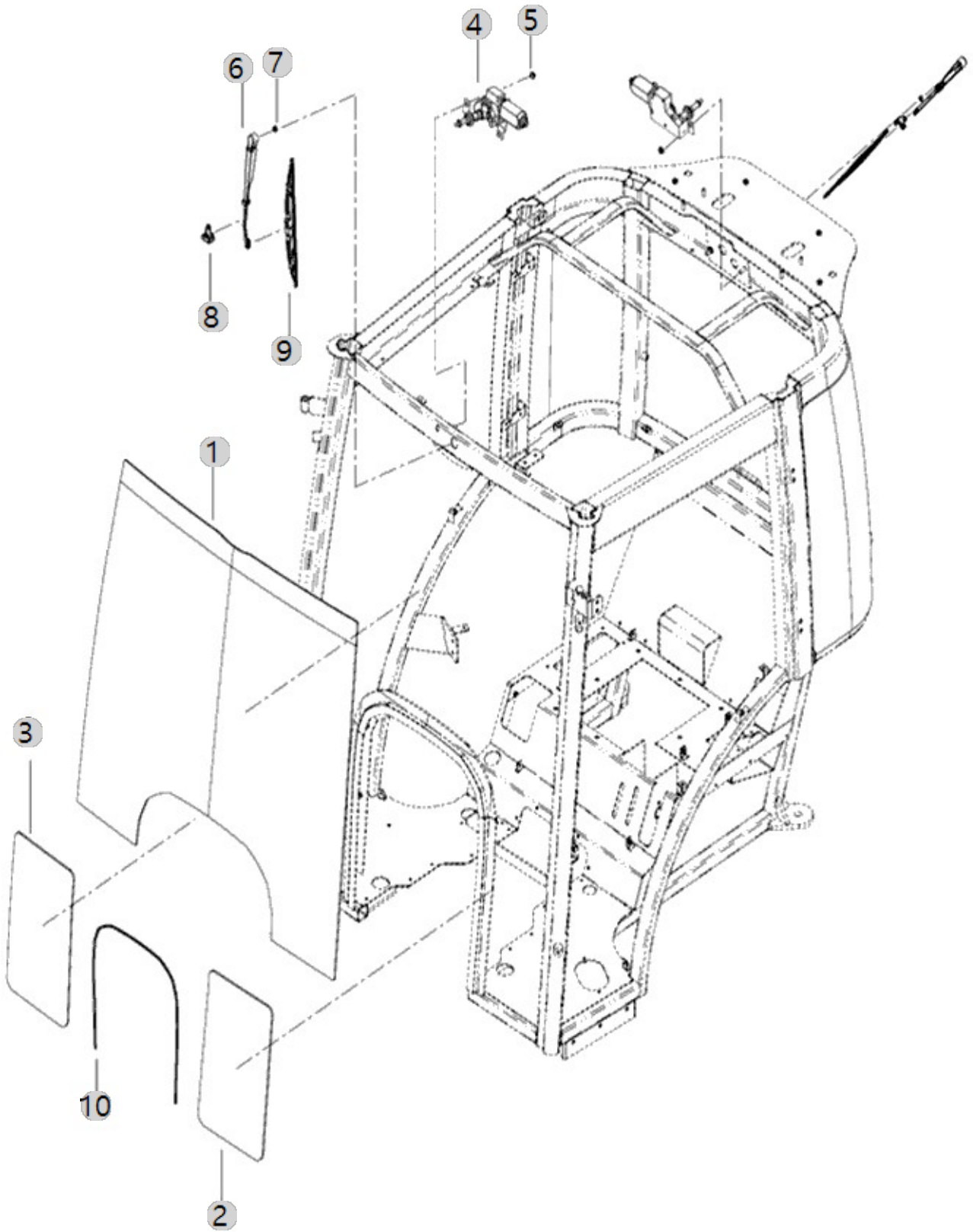
G02071

5025C(AC02119)

FRONT WINDOWS

Year/Month

2022-12-16



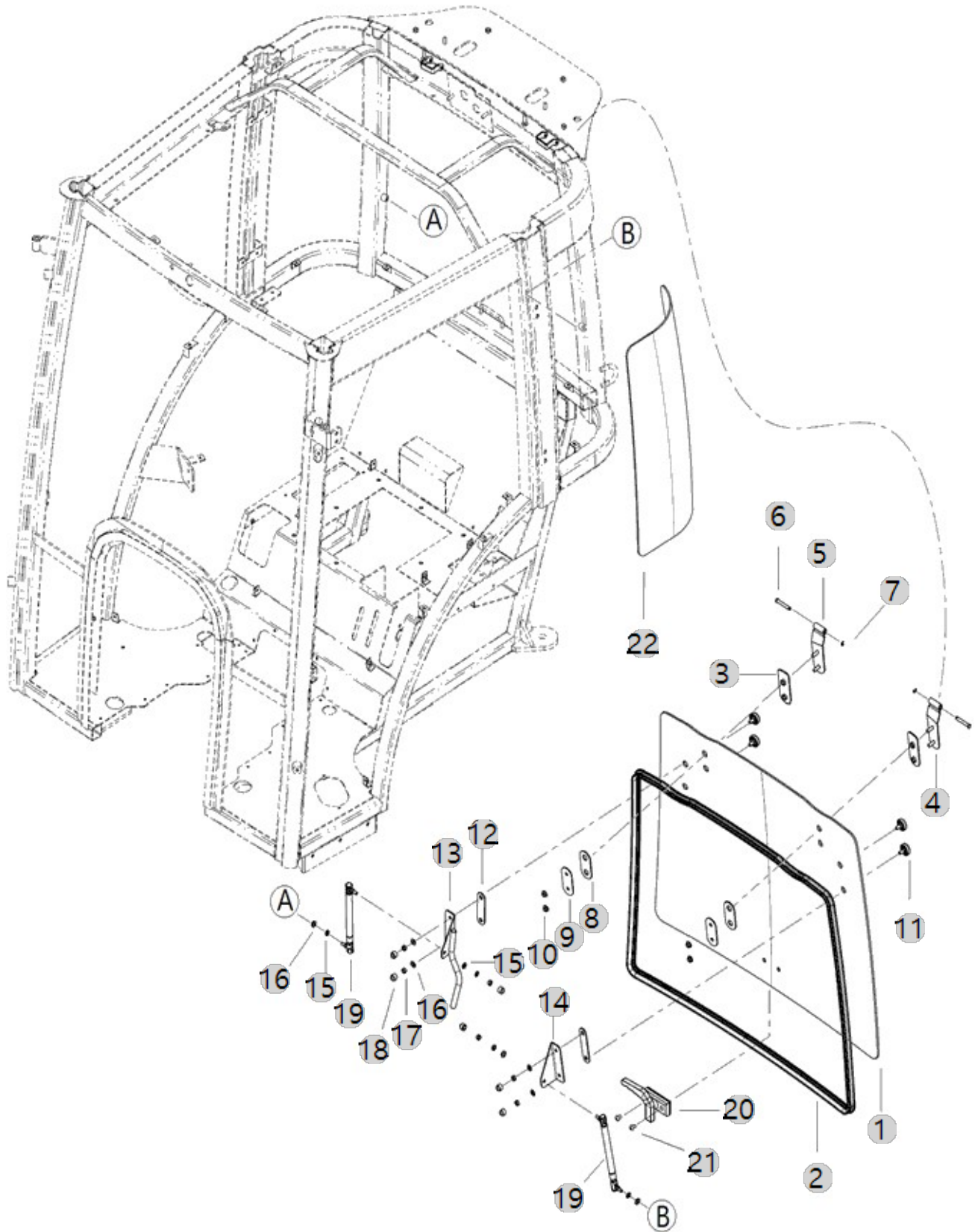
G02072

Year/Month

5025C(AC02119)

REAR WINDOWS

2022-12-16



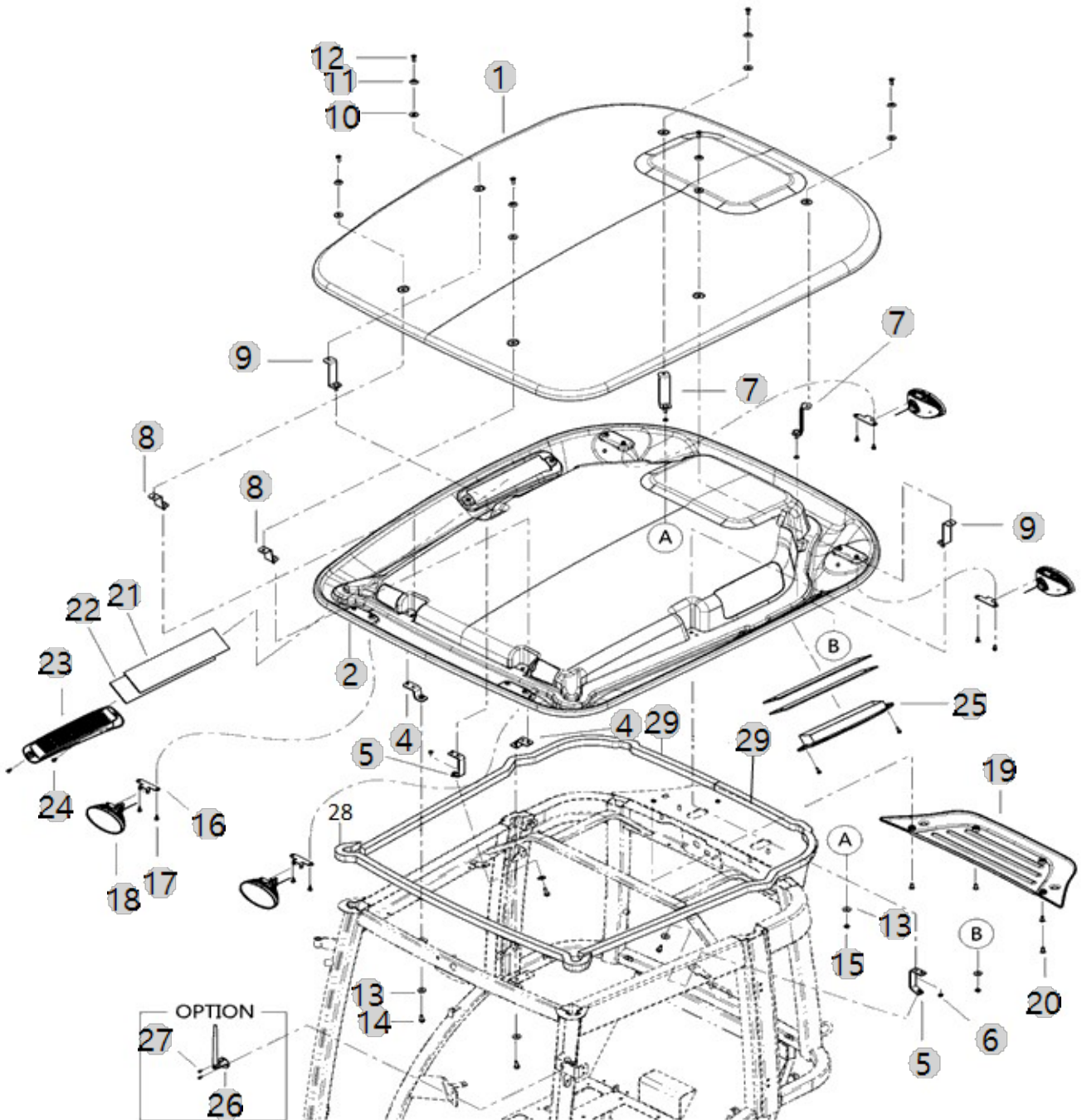
G02131

Year/Month

5025C(AC02119)

ROOF/OUTER

2022-12-16



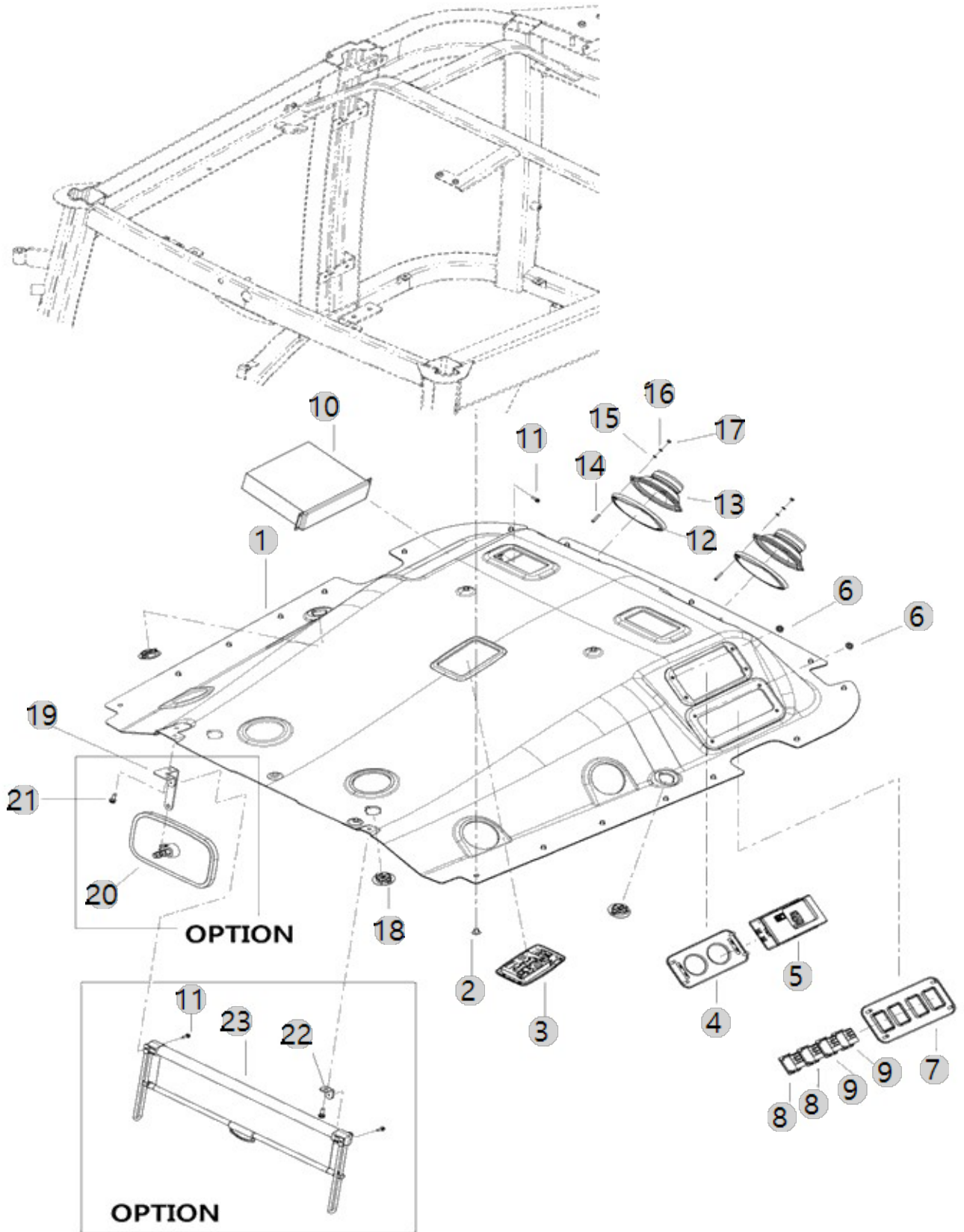
G02132

Year/Month

5025C(AC02119)

ROOF/INNER

2022-12-16



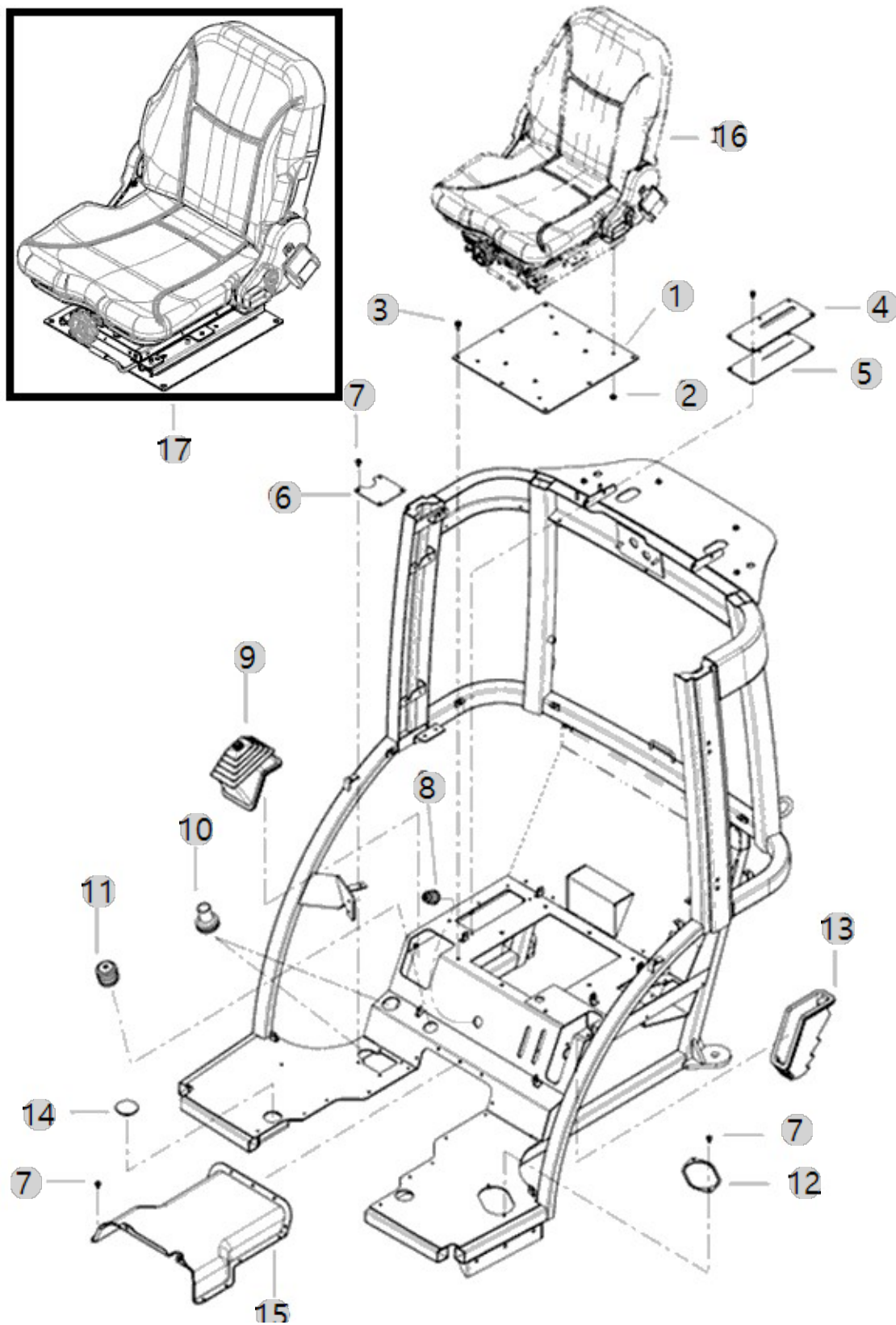
G02140

Year/Month

5025C(AC02119)

DRIVER'S SEAT

2022-12-16



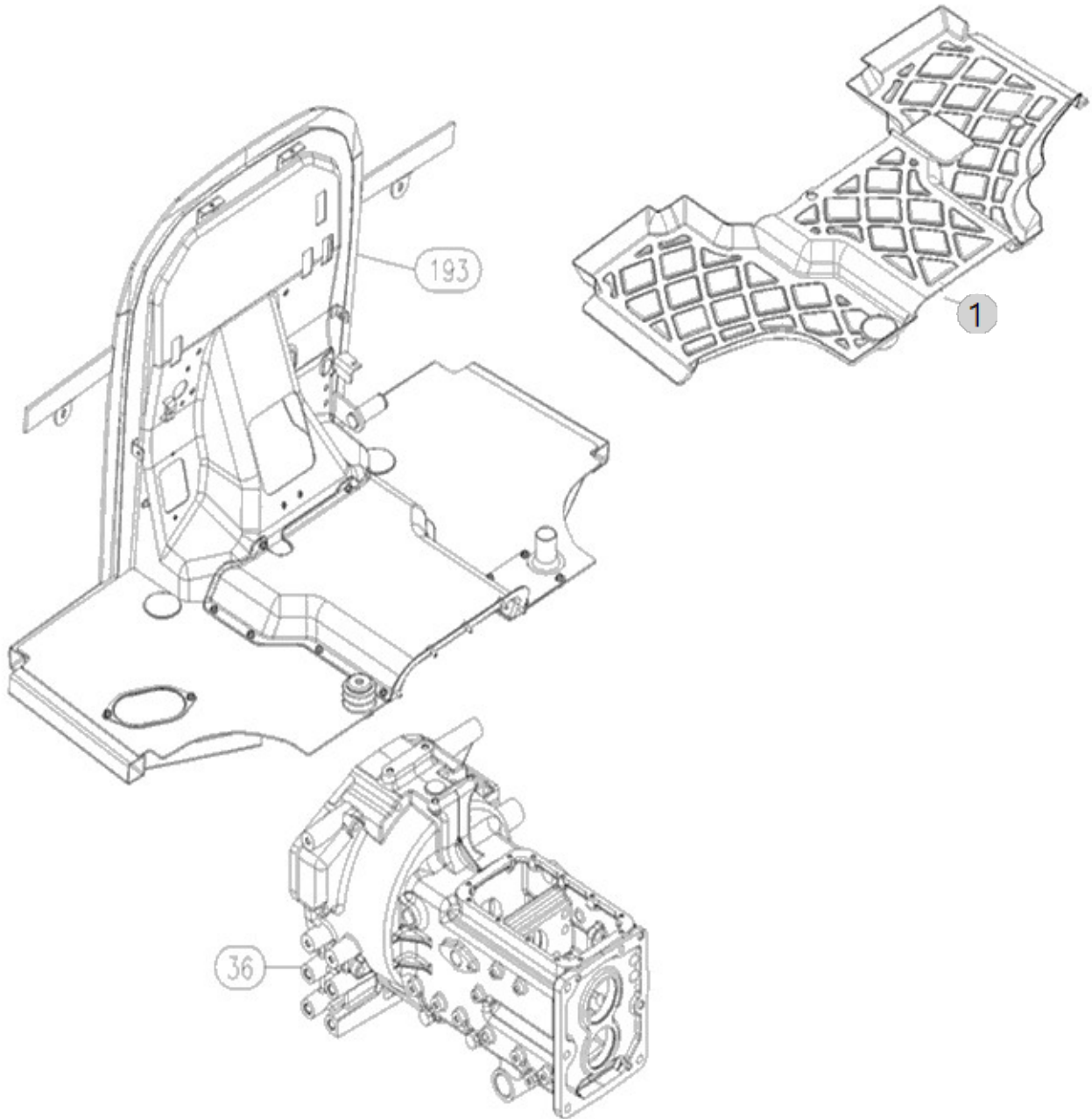
G02150

Year/Month

5025C(AC02119)

FLOOR MAT

2022-12-16



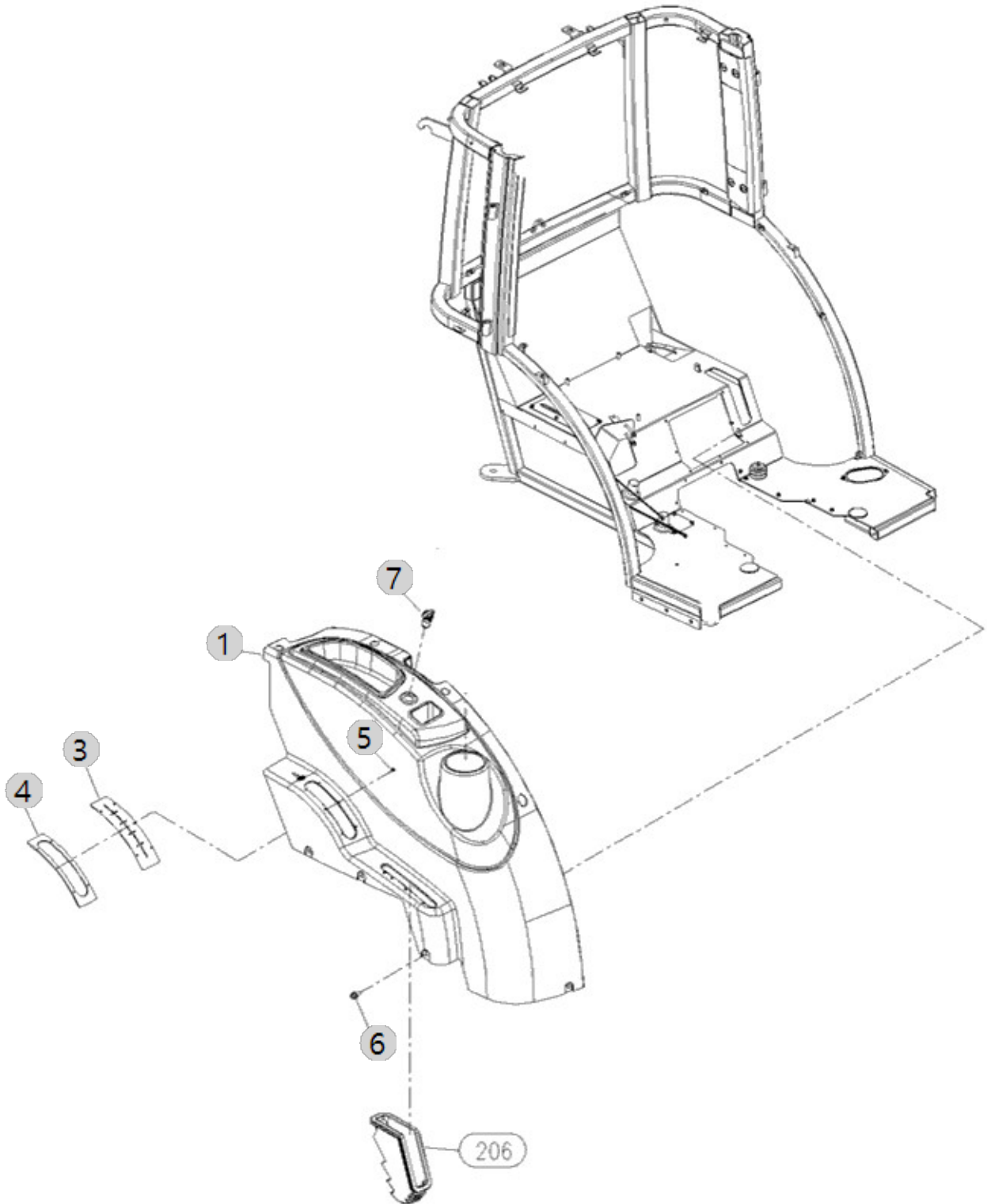
G02181

Year/Month

5025C(AC02119)

FENDER COVER/LH

2022-12-16



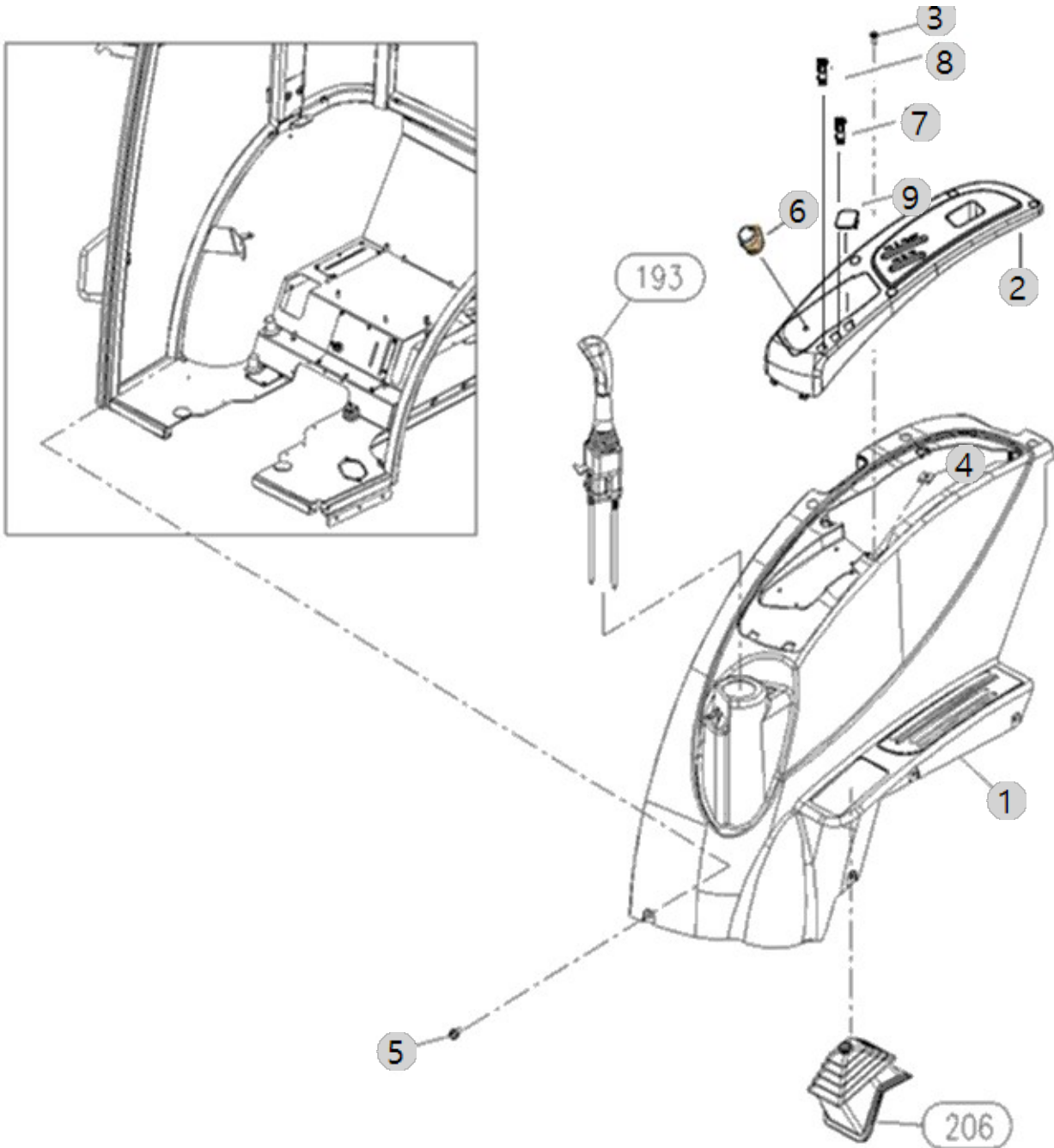
G02182

Year/Month

5025C(AC02119)

FENDER COVER/RH

2022-12-16



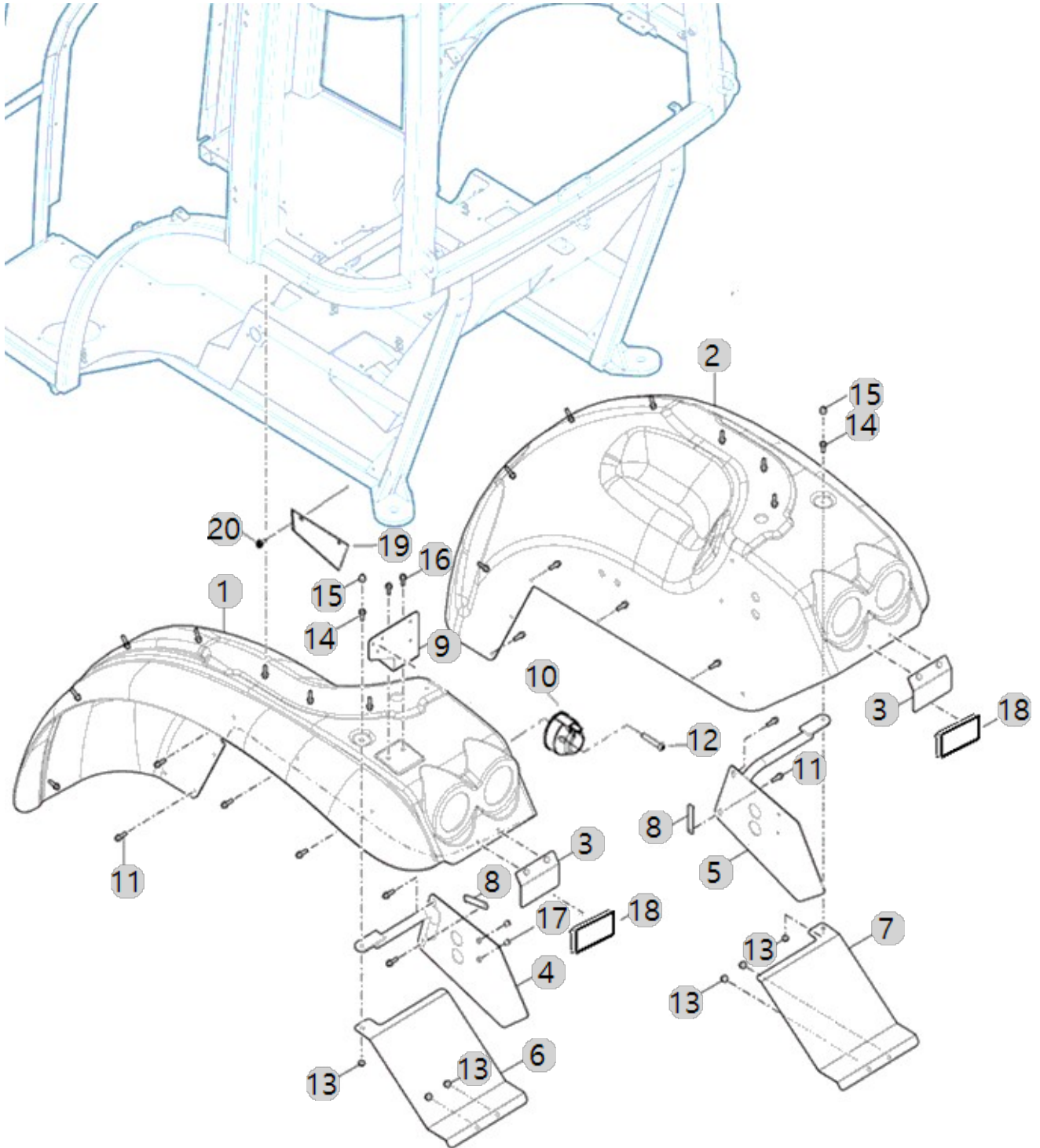
G02190

Year/Month

5025C(AC02119)

FENDER ASS'Y

2022-12-16



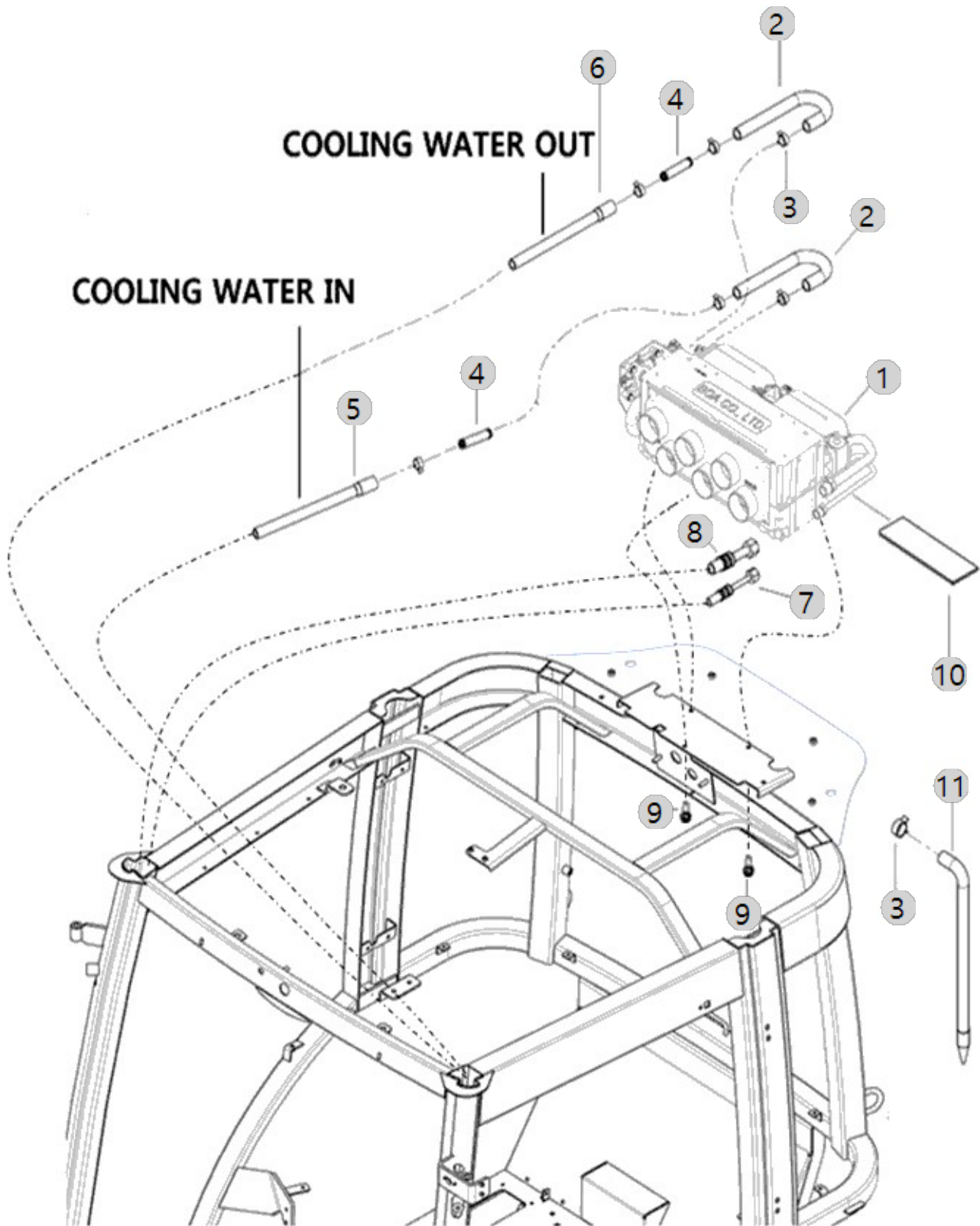
G03010

Year/Month

5025C(AC02119)

AIR CONDITIONER

2022-12-16



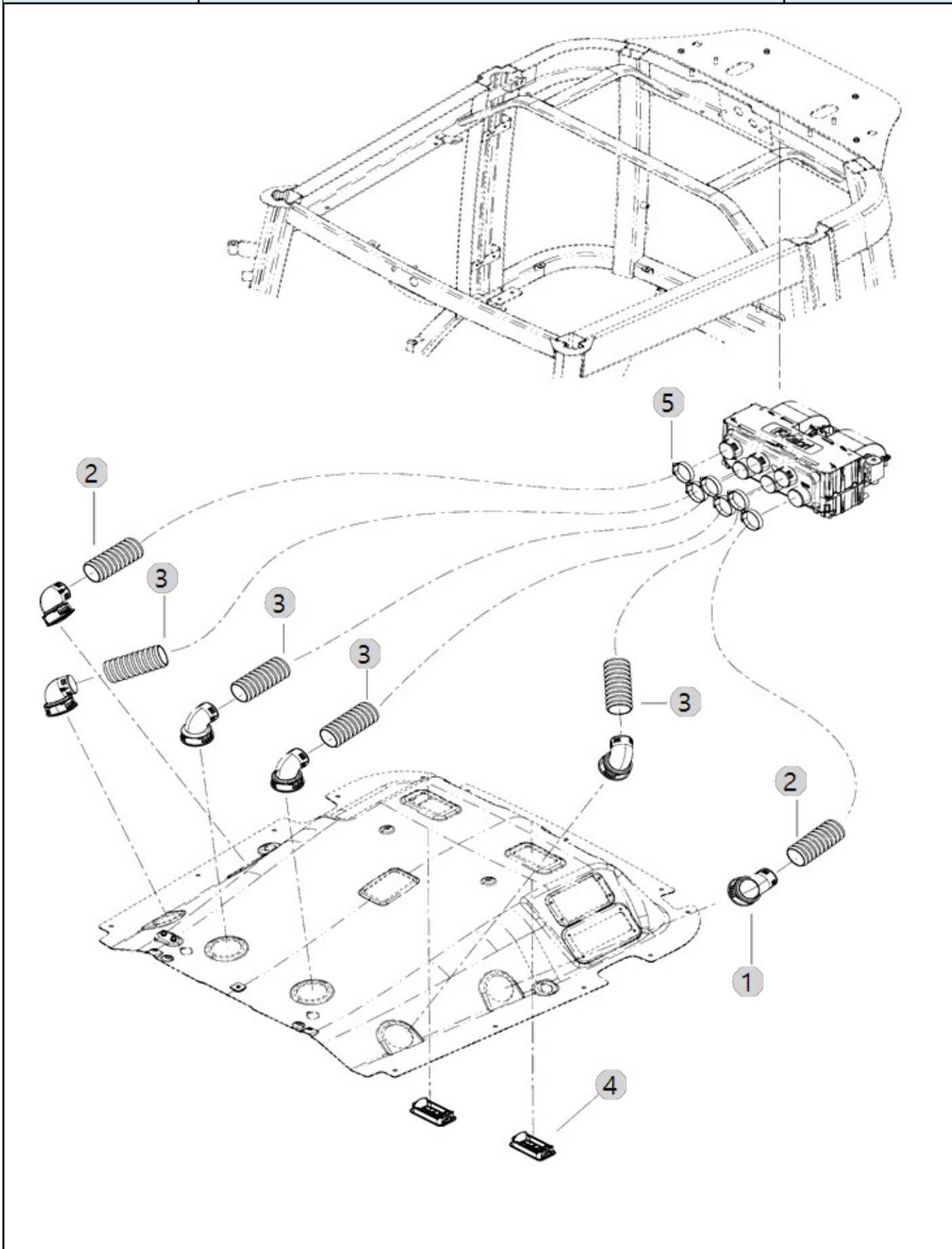
G03020

Year/Month

5025C(AC02119)

A/C DUCT

2022-12-16



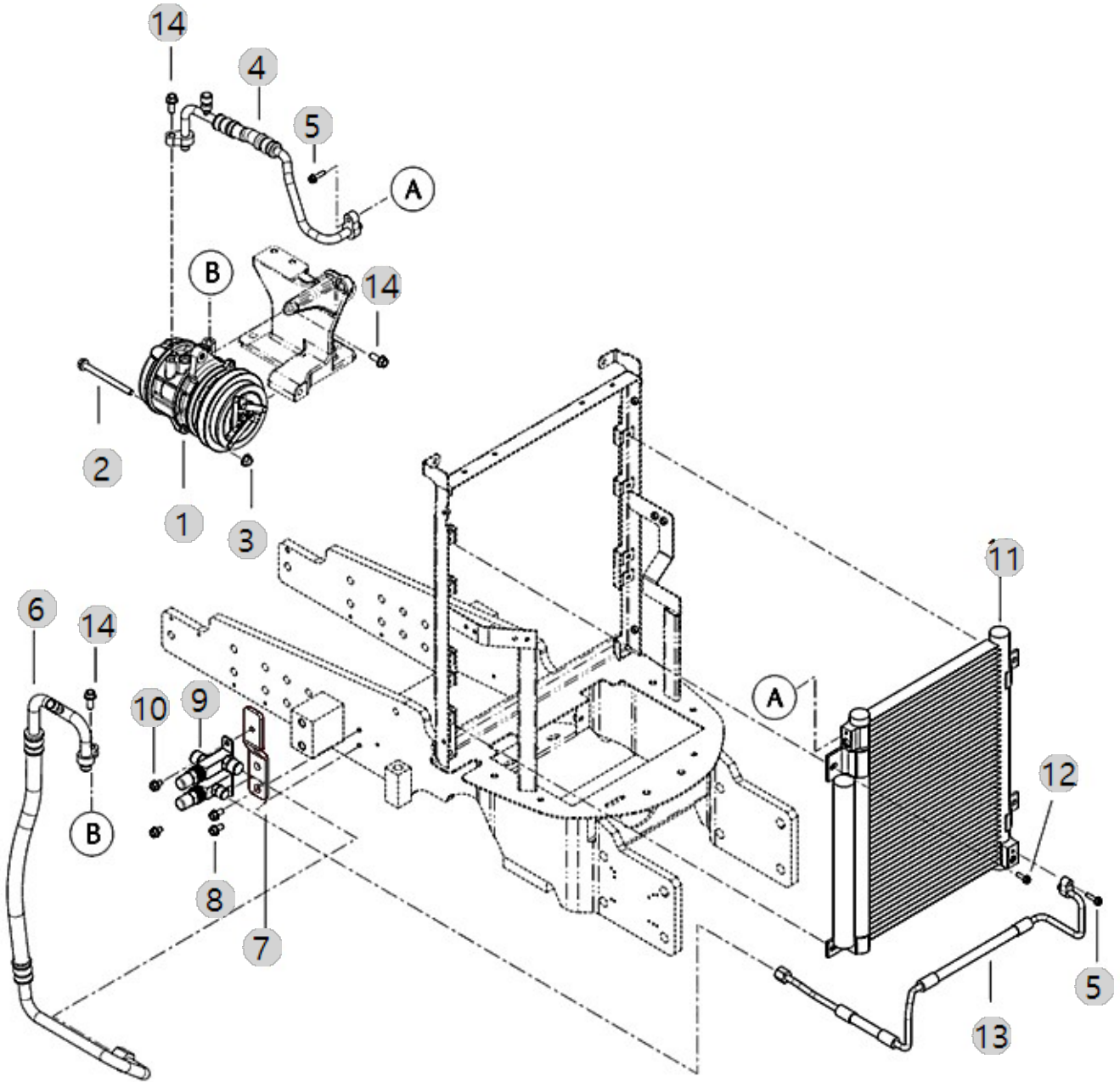
G03080

5025C(AC02119)

A.C HOSE/CONDENSER HOSE

Year/Month

2022-12-16



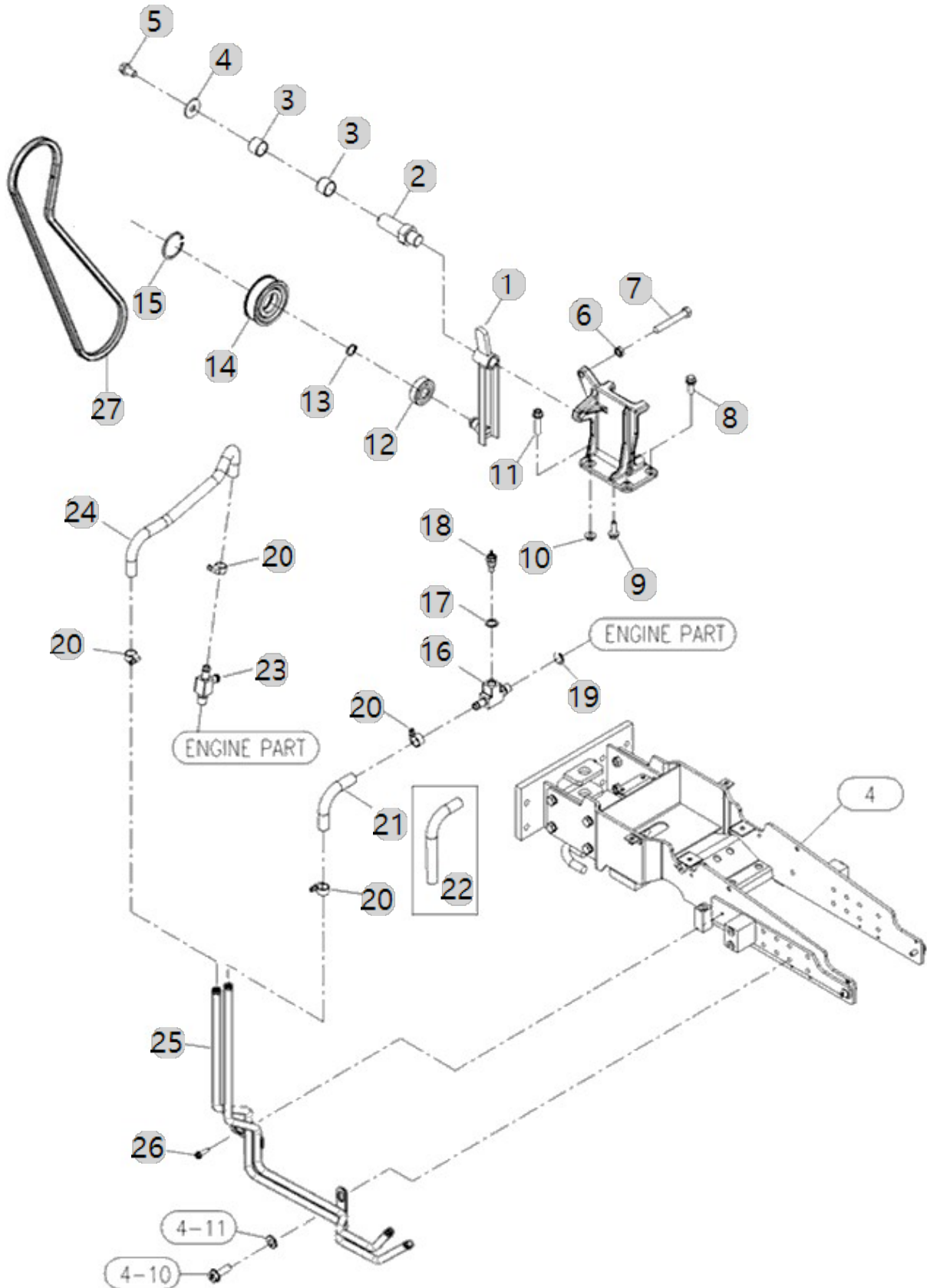
G03091

5025C(AC02119)

COMPRESSOR

Year/Month

2022-12-16



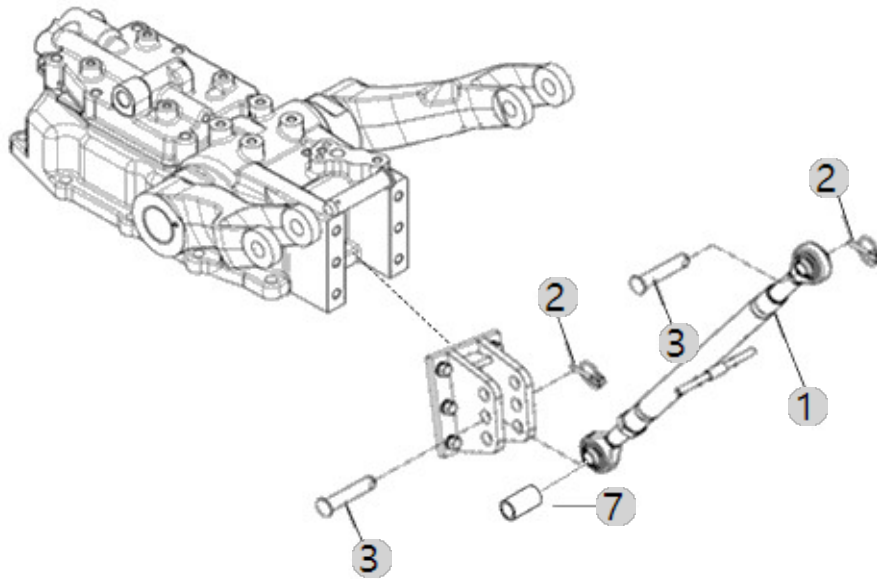
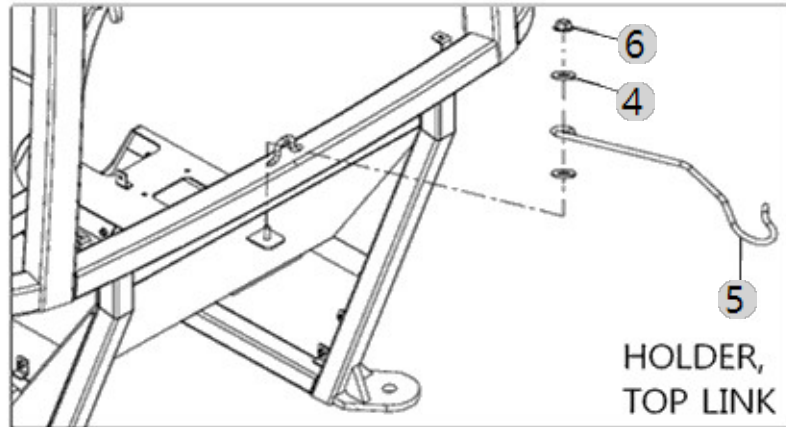
G05020

Year/Month

5025C(AC02119)

TOP LINK

2022-12-16



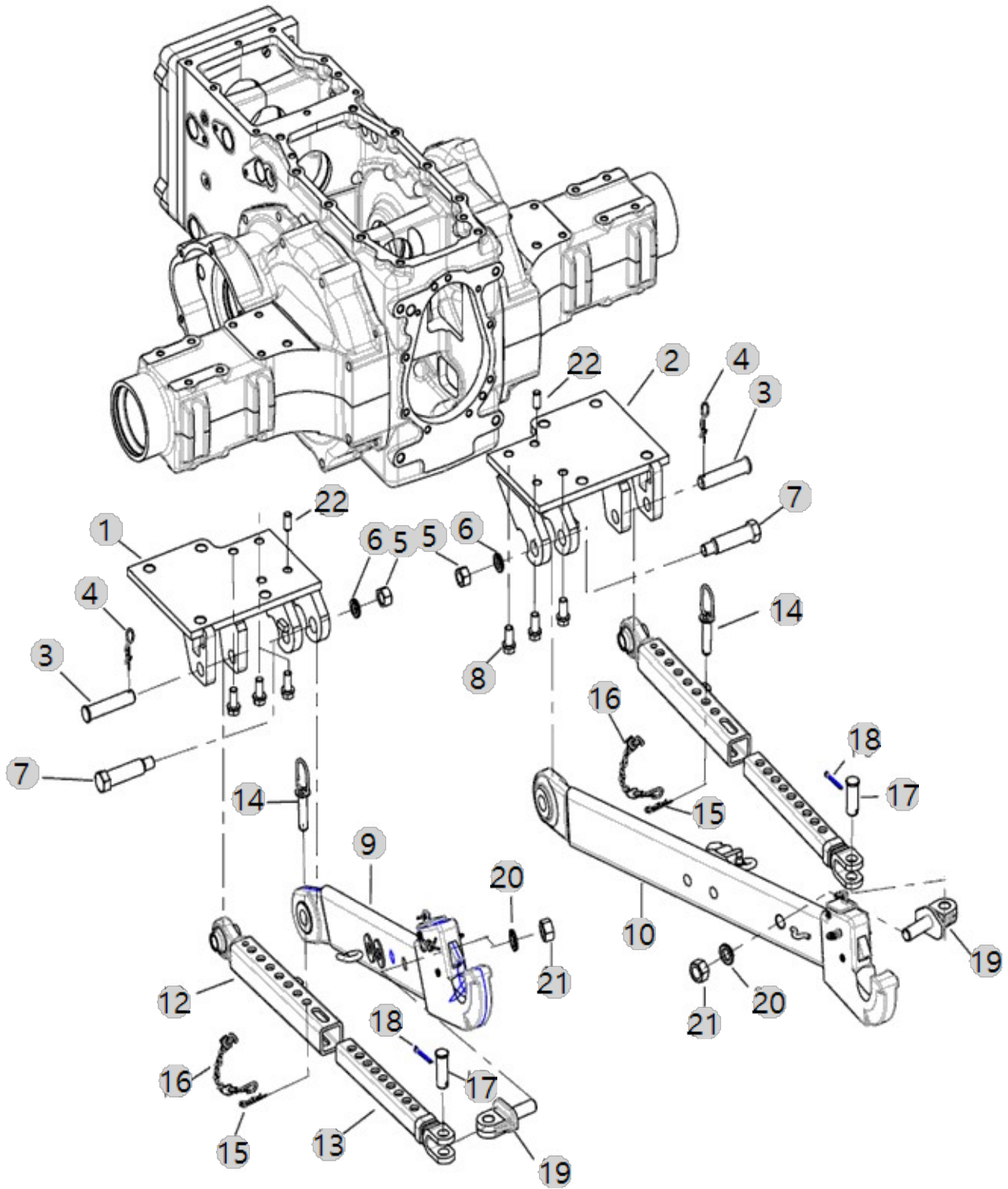
G05030

Year/Month

5025C(AC02119)

LOWER LINK

2022-12-16



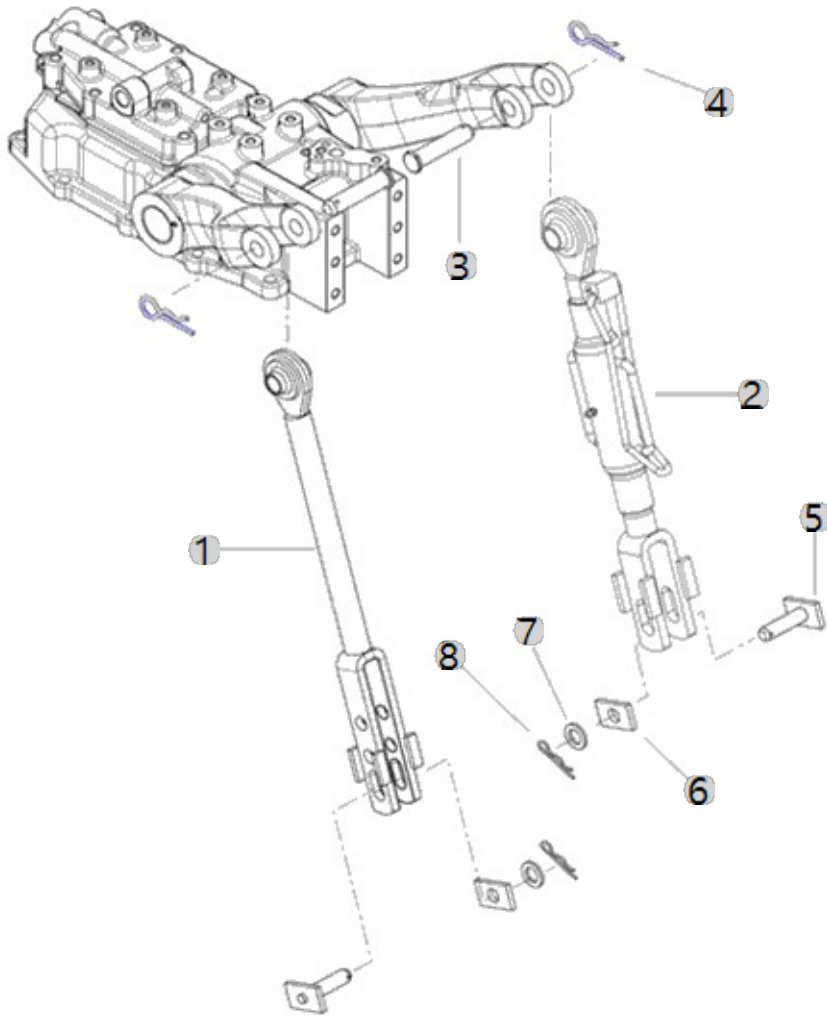
G05050

Year/Month

5025C(AC02119)

LIFT LINK/LH,RH

2022-12-16



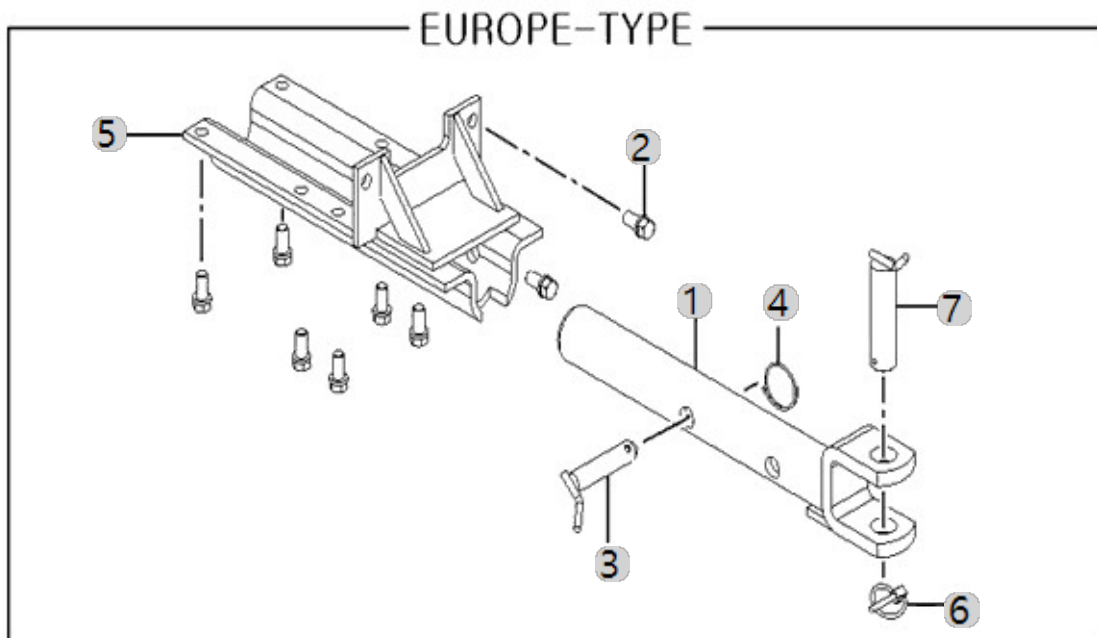
G05070

Year/Month

5025C(AC02119)

DRAWBAR

2022-12-16



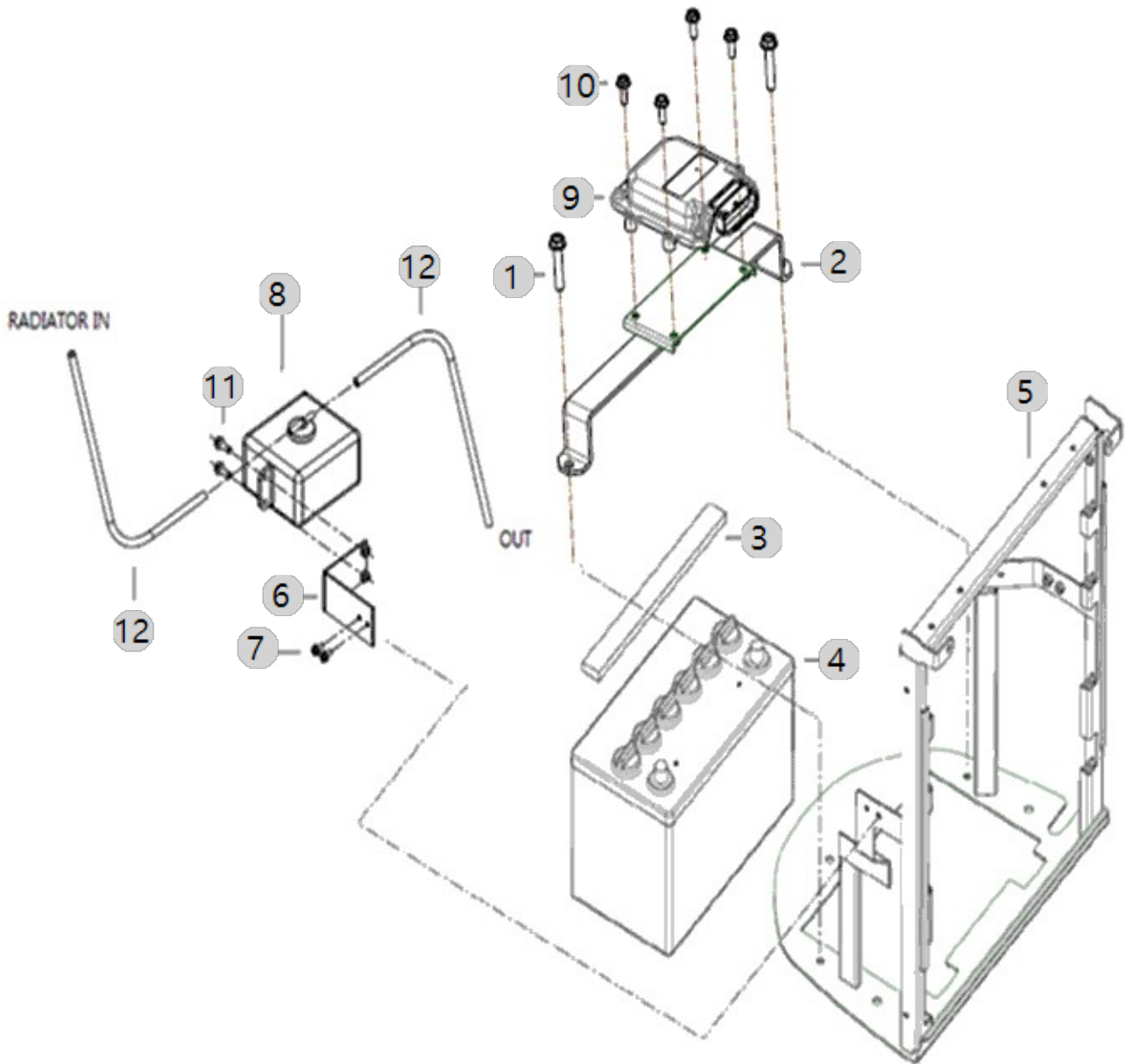
H01030

5025C(AC02119)

BATTERY

Year/Month

2022-12-16



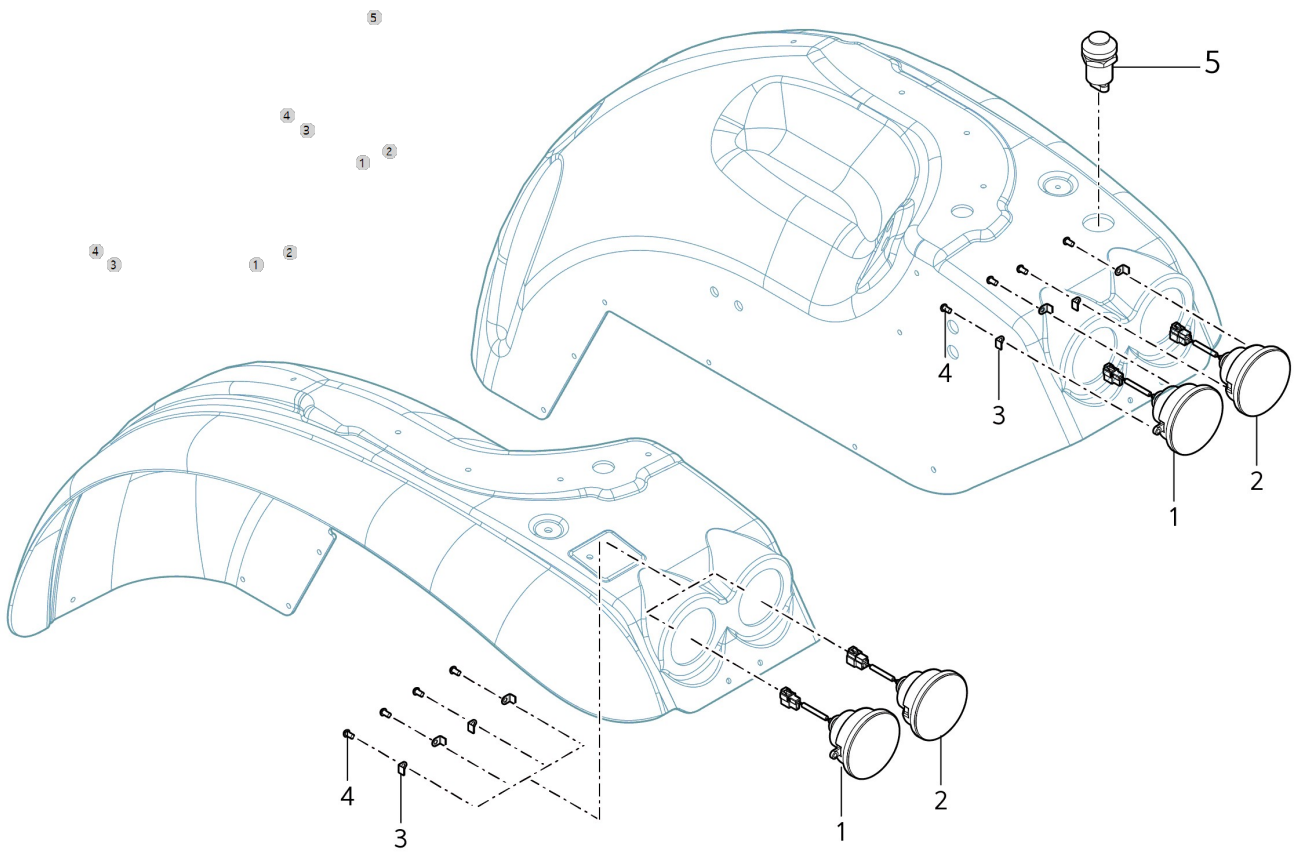
H02020

5025C(AC02119)

COMBINATION LAMP

Year/Month

2022-12-16



H03000

Year/Month

5025C(AC02119)

HARNESS

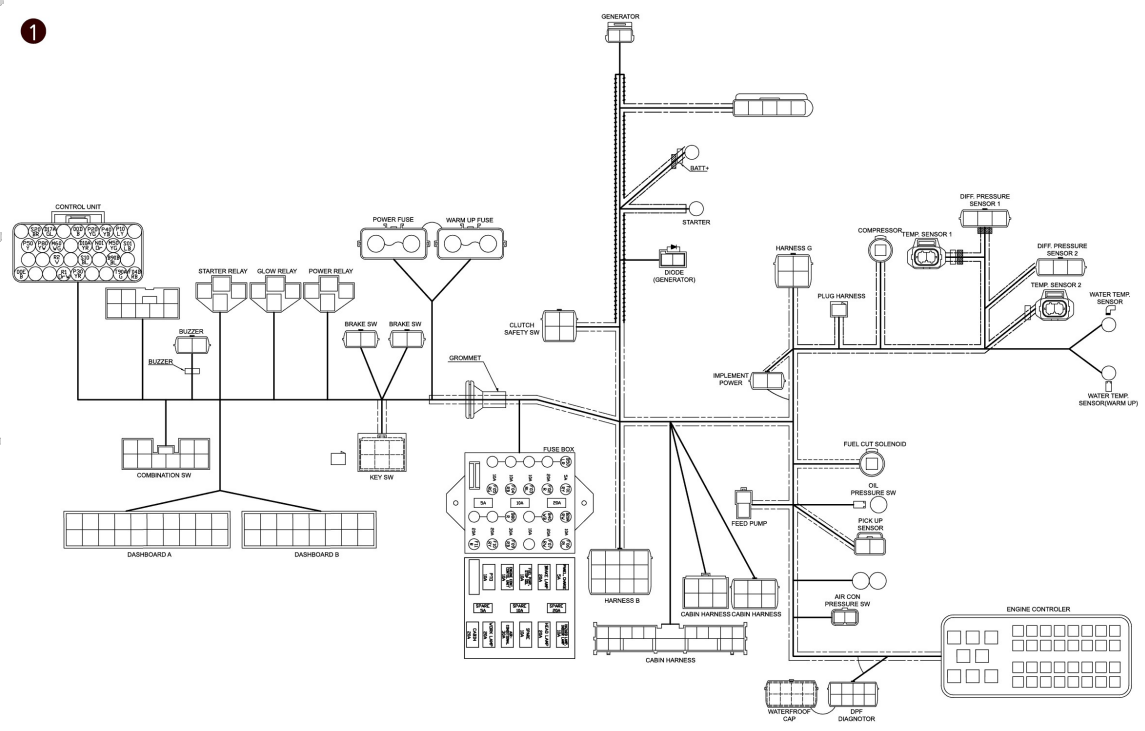
2022-12-16

1

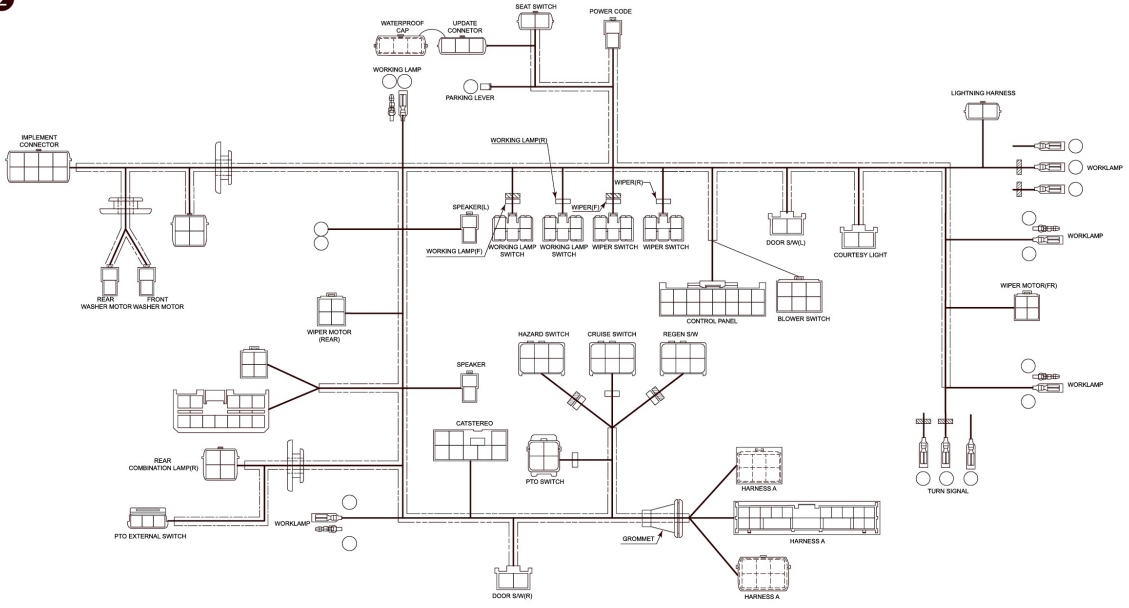
1

2

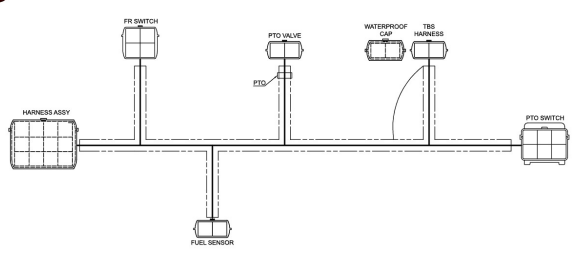
3



2



3



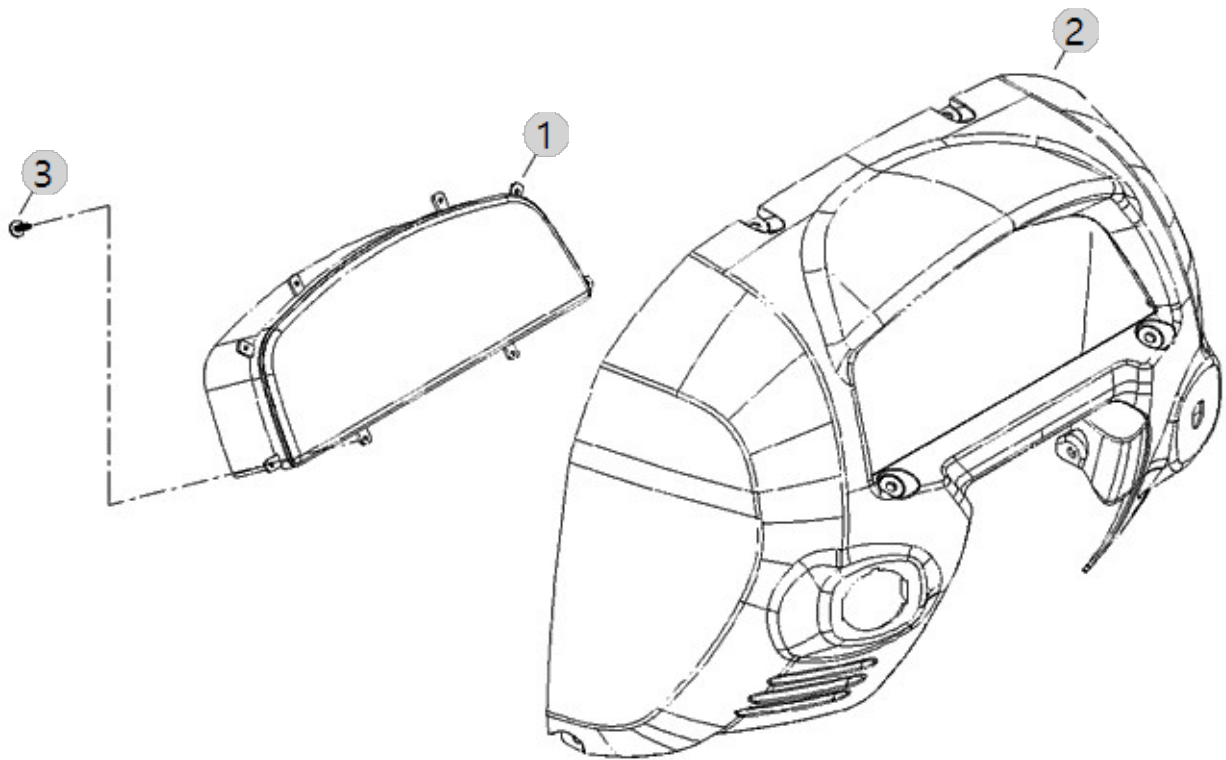
H04030

5025C(AC02119)

INSTRUMENT PANEL

Year/Month

2022-12-16



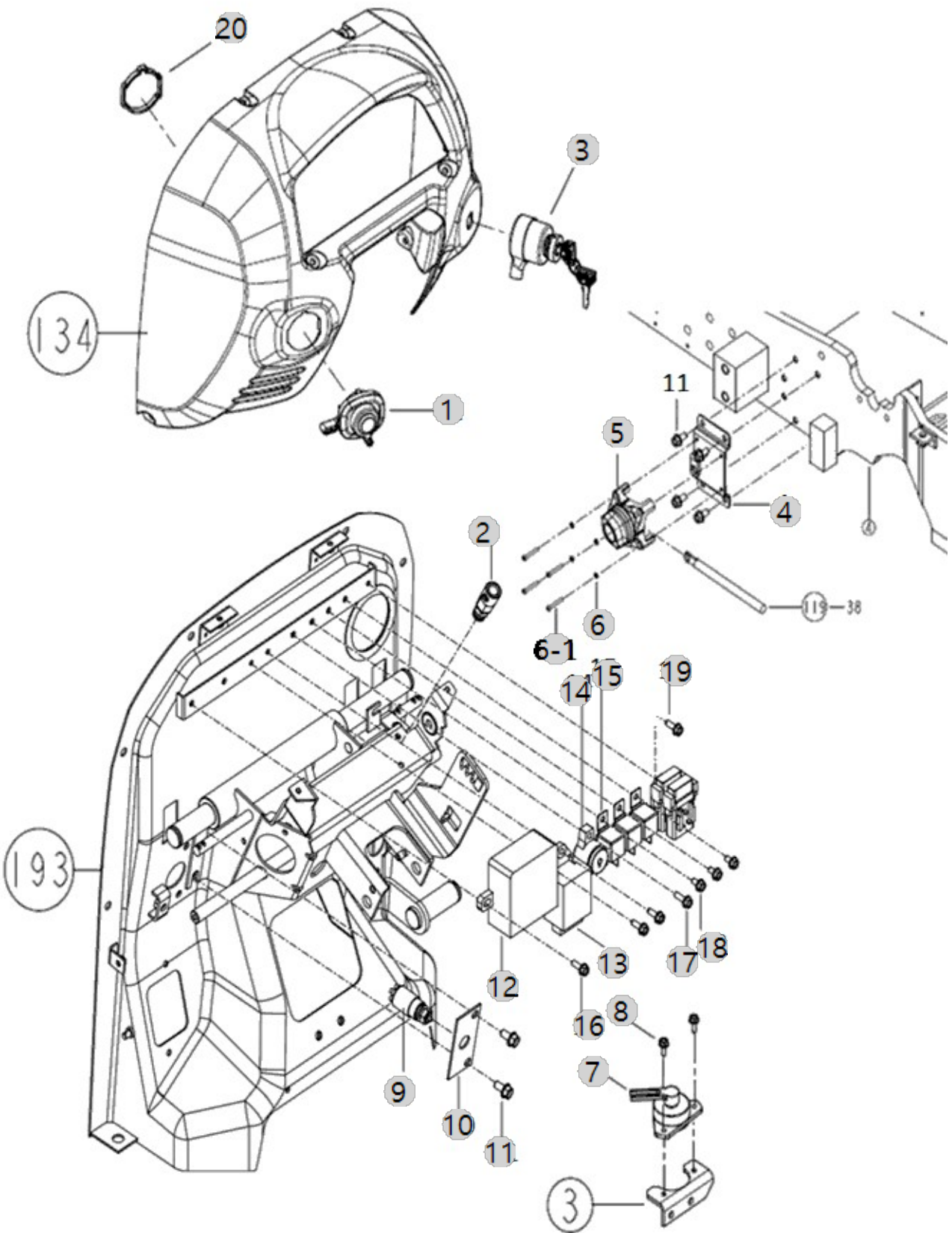
H04050

5025C(AC02119)

SWITCH

Year/Month

2022-12-16



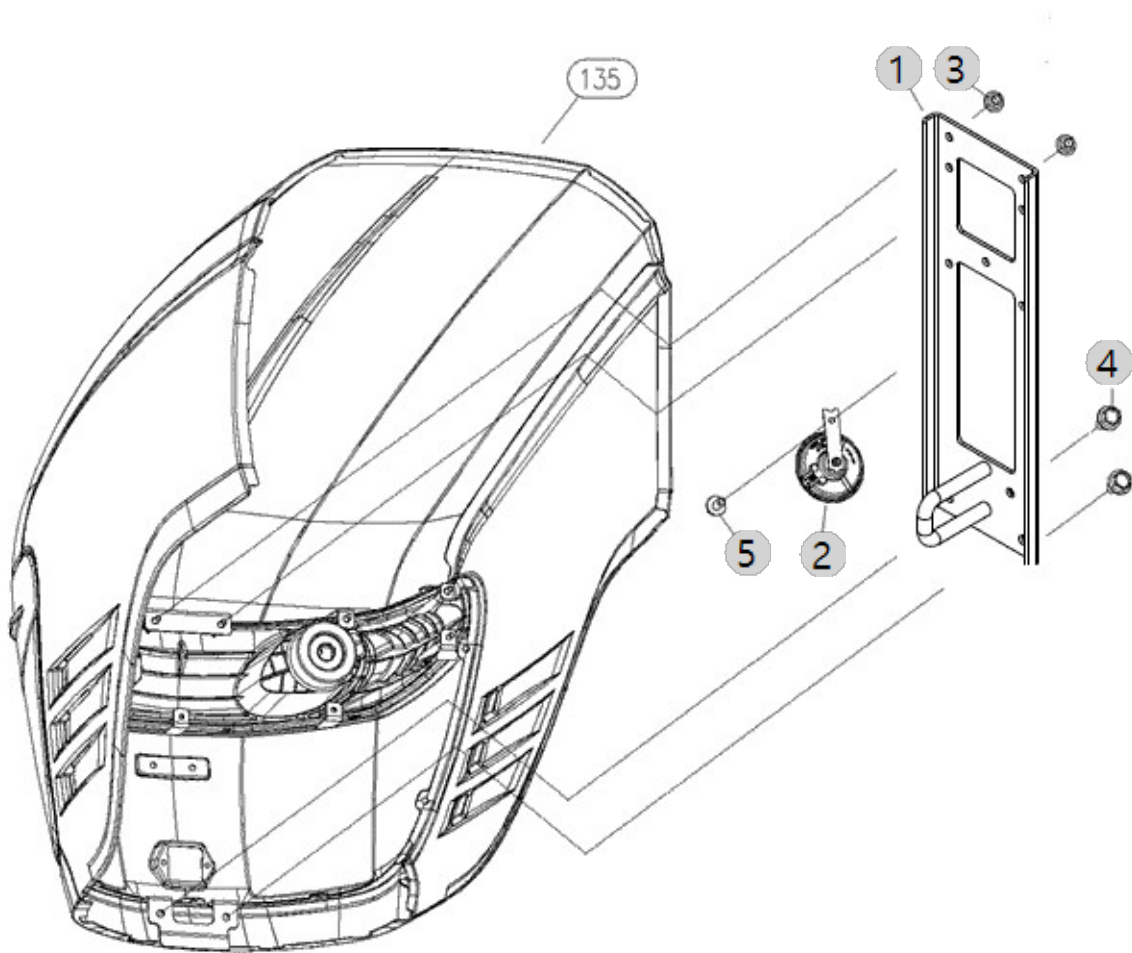
H04090

Year/Month

5025C(AC02119)

HORN

2022-12-16



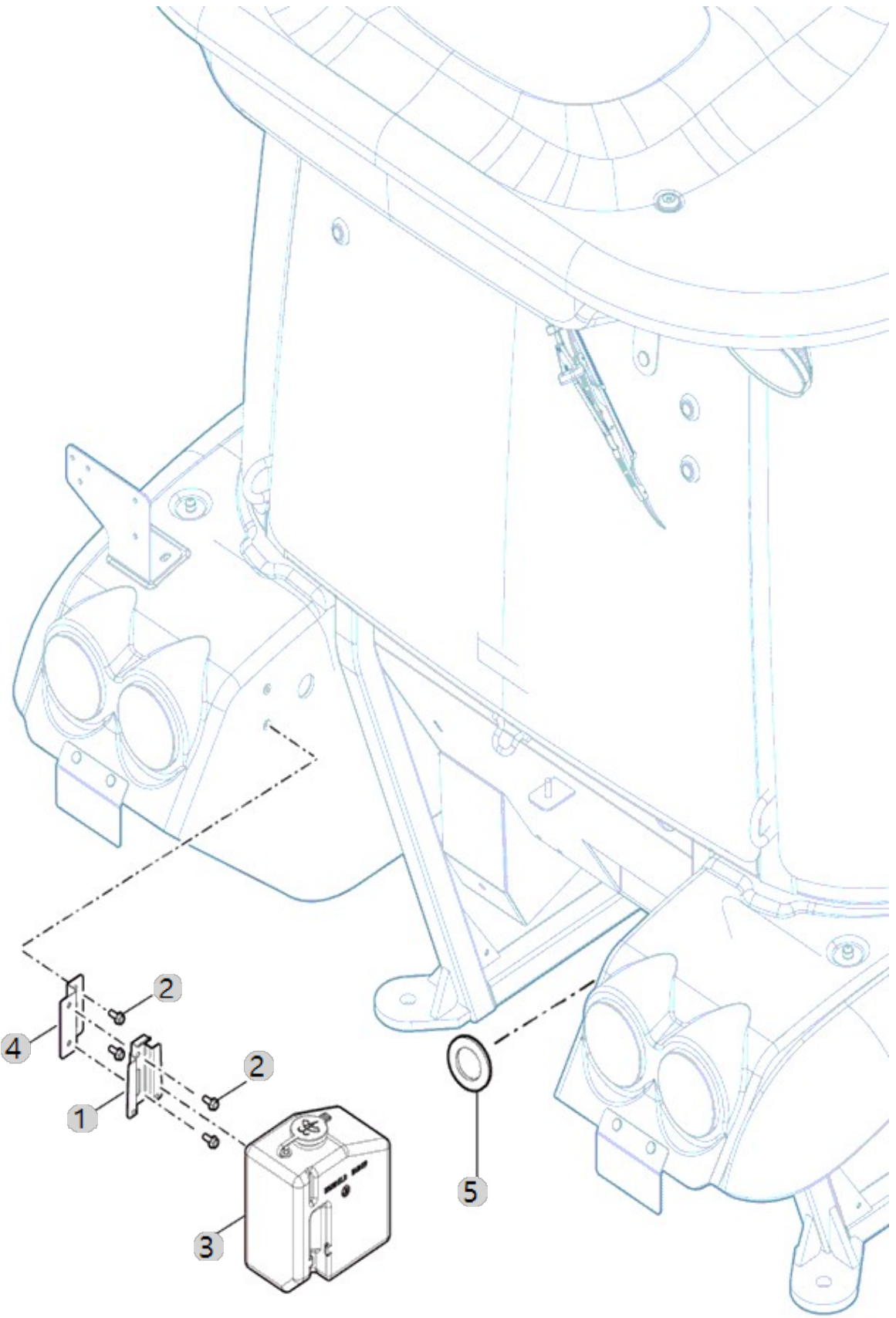
H05040

5025C(AC02119)

WASHER LIQUID TANK

Year/Month

2022-12-16



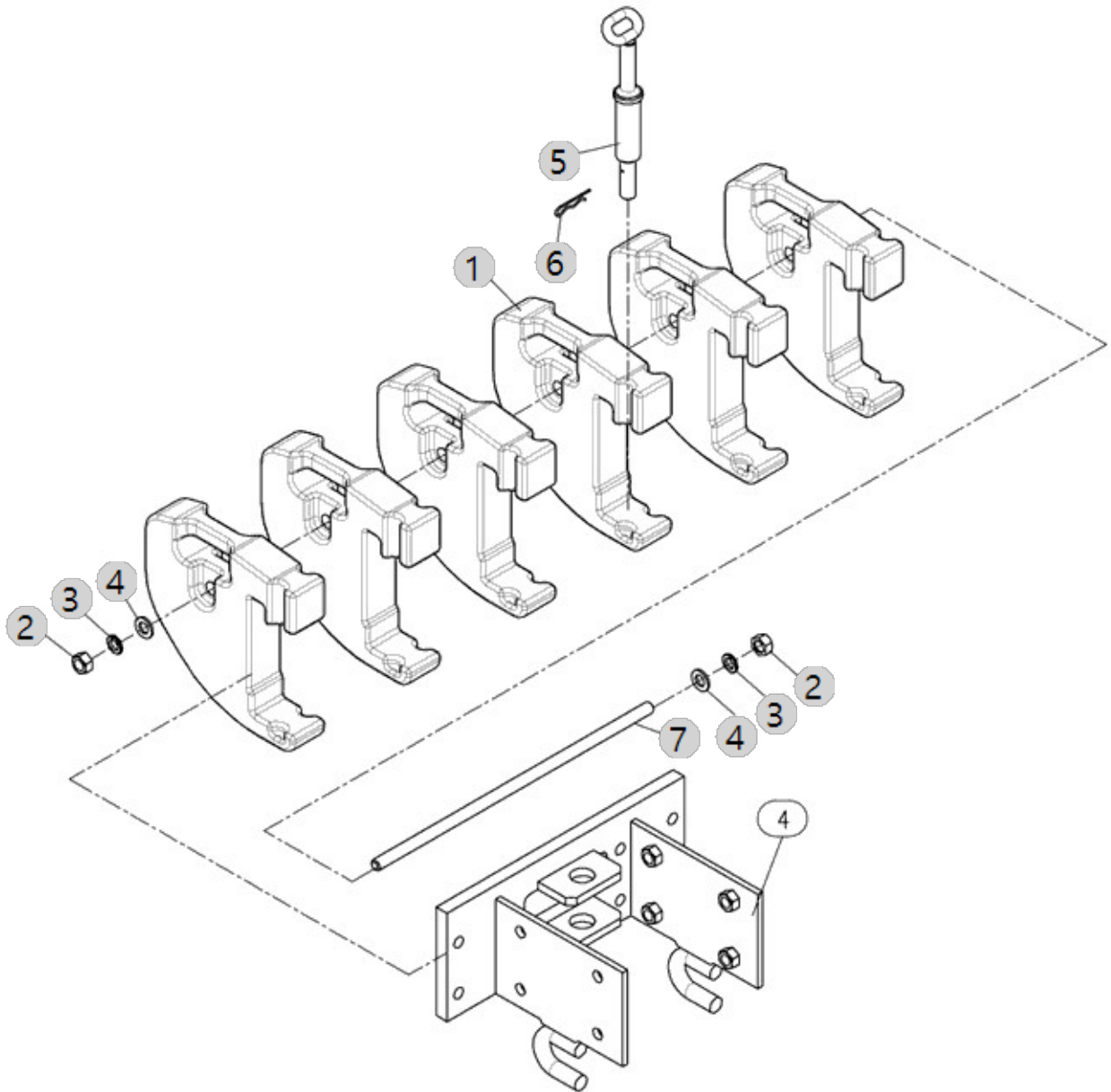
I01010

5025C(AC02119)

FRONT WEIGHT

Year/Month

2022-12-16



I03000

5025C(AC02119)

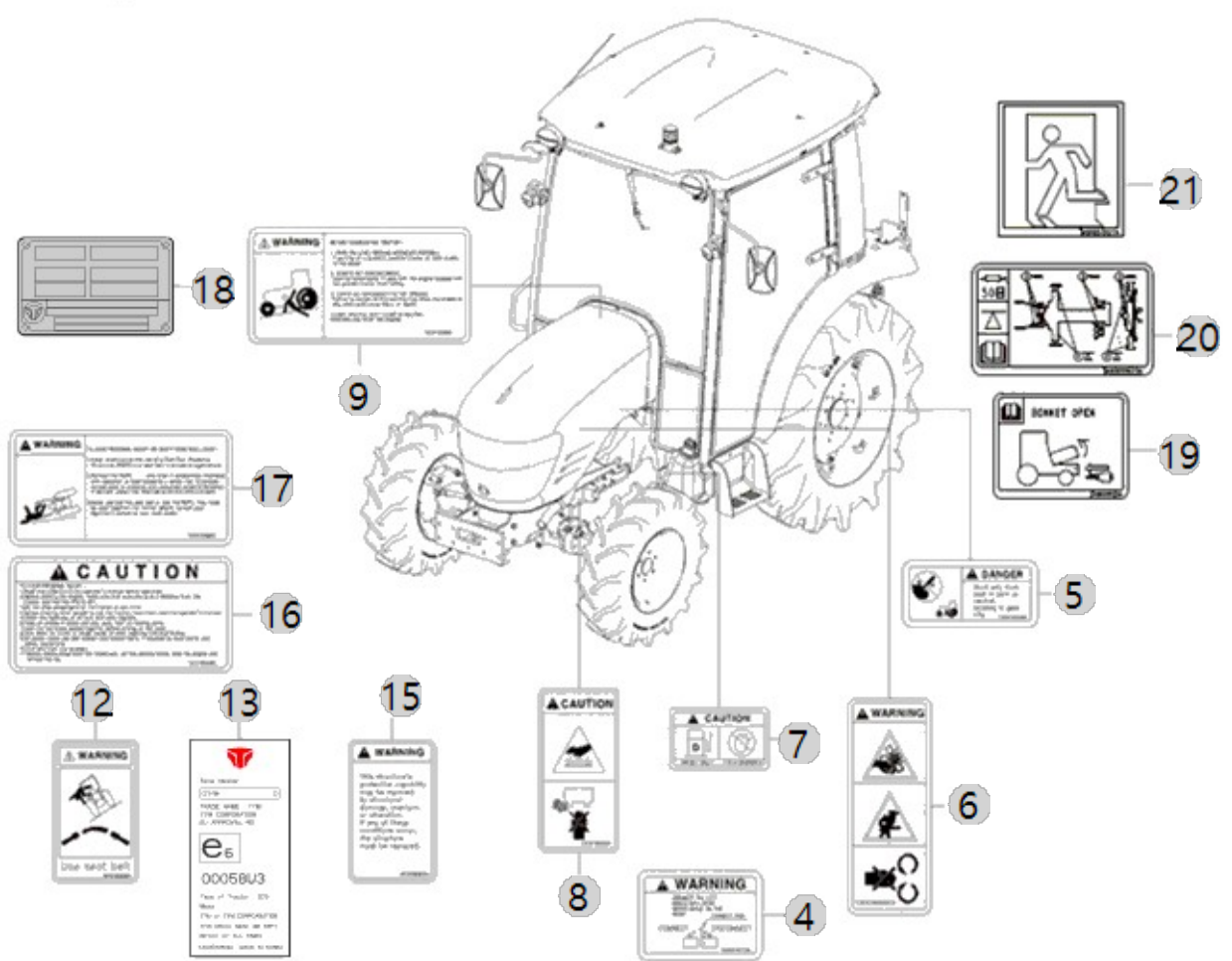
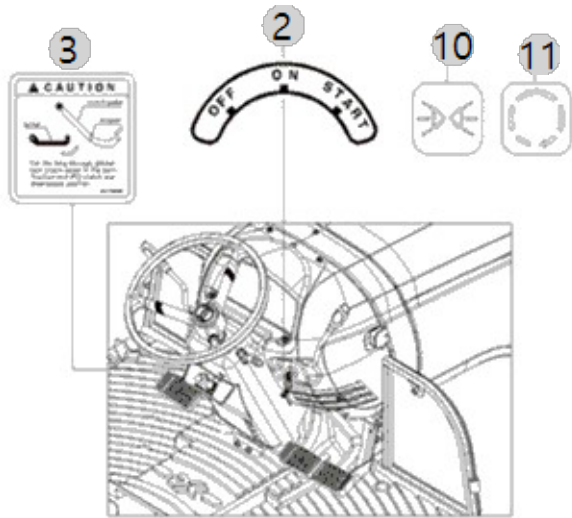
NAME PLATE

Year/Month

2022-12-16

5025C -1-1
5825C -1-2
6225C -1-3

TYM - 14



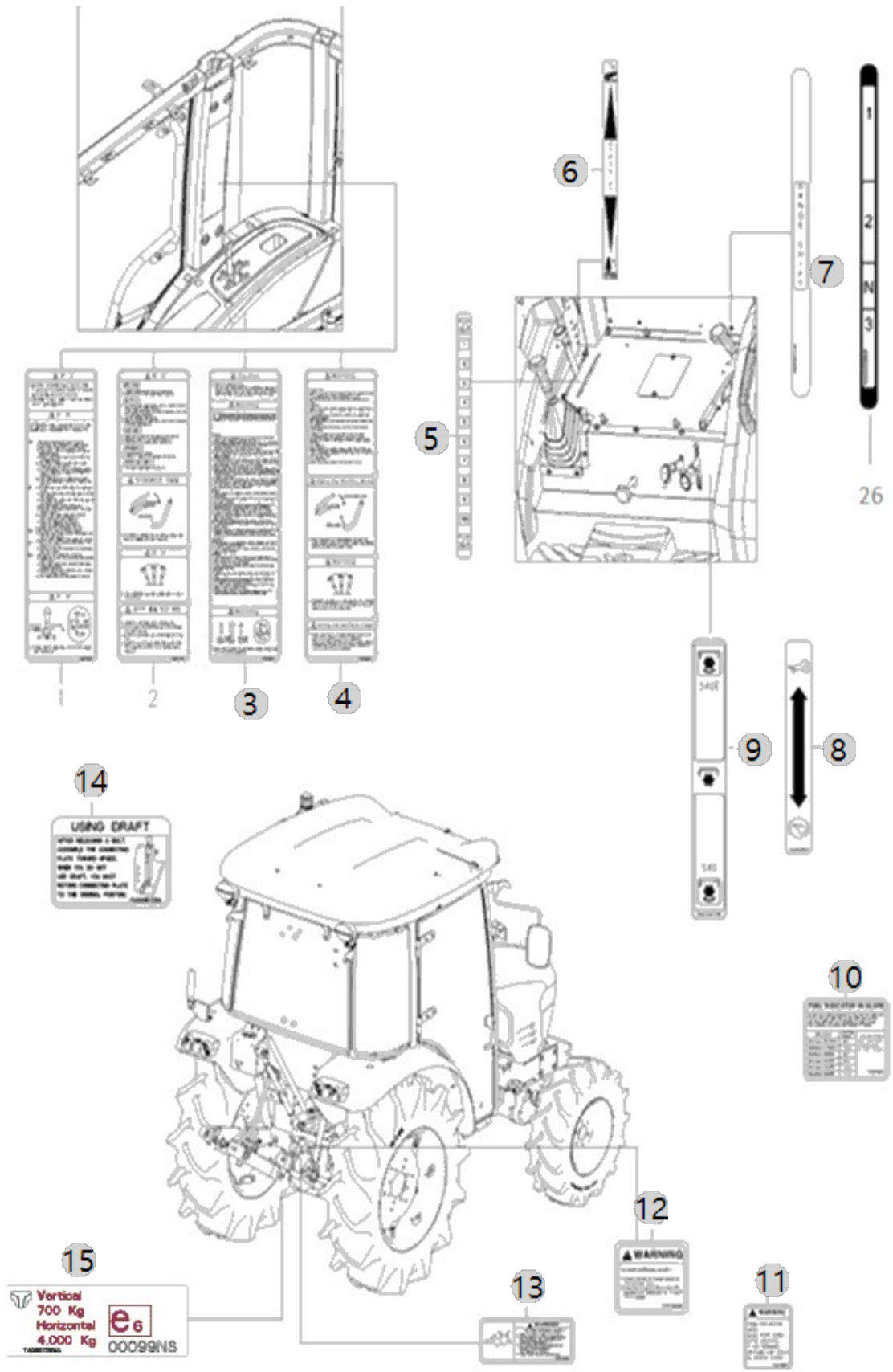
I03030

5025C(AC02119)

NAME PLATE

Year/Month

2022-12-16



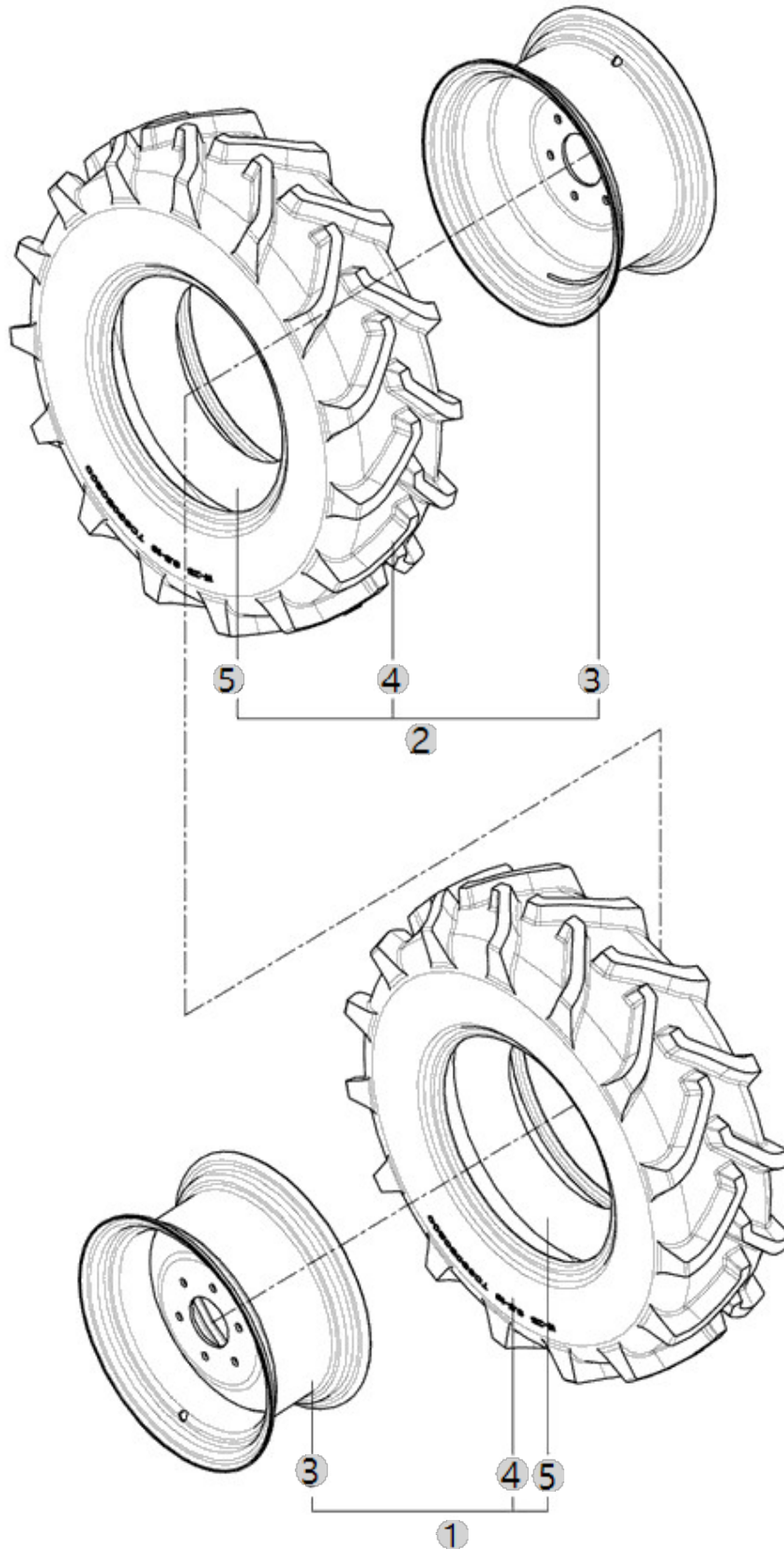
I05010

5025C(AC02119)

FRONT WHEEL&TIRE

Year/Month

2022-12-16



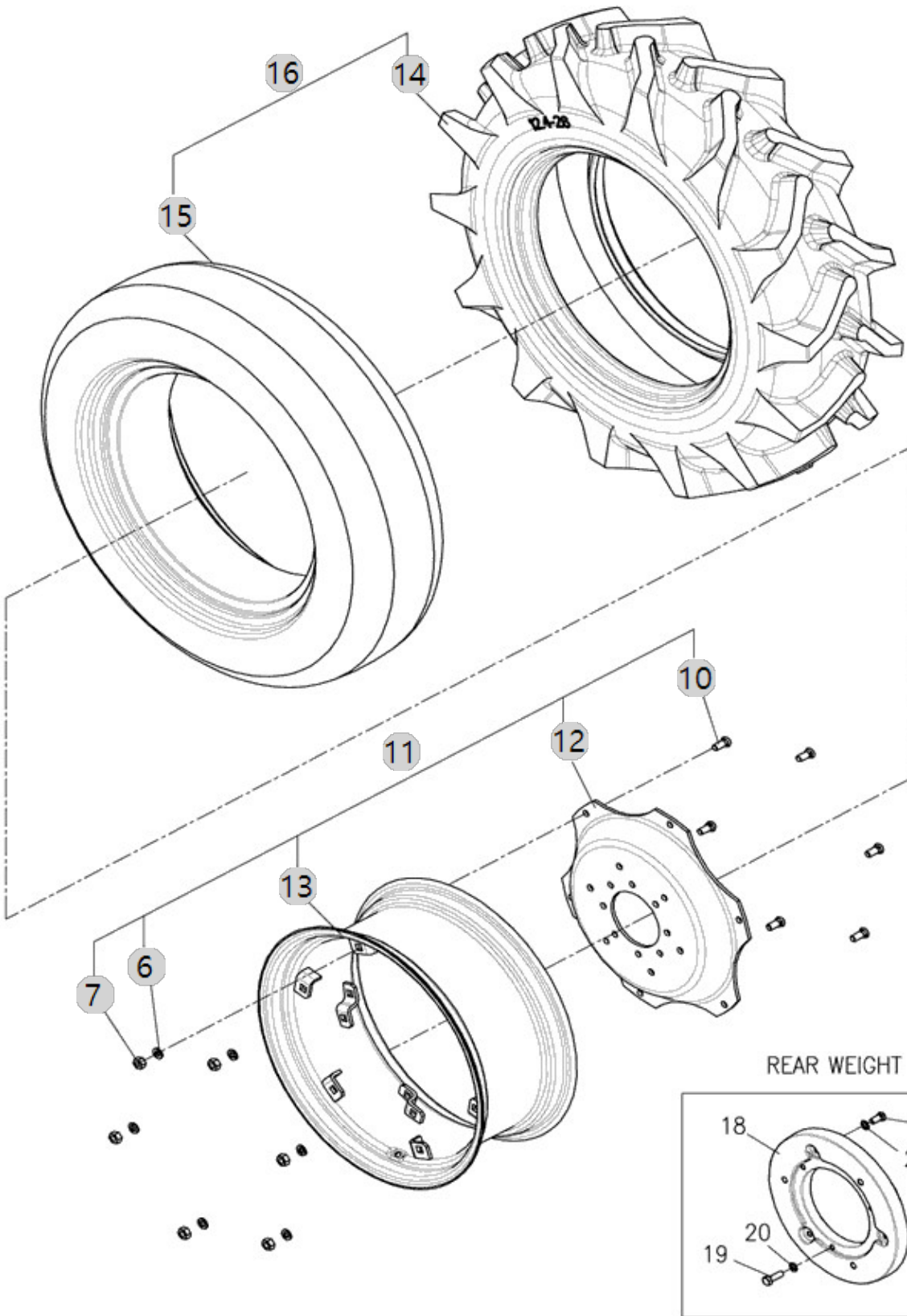
I05020

5025C(AC02119)

REAR WHEEL&TIRE ASSY

Year/Month

2022-12-16



I07010

5025C(AC02119)

SPARE TOOLS

Year/Month

2022-12-16

