

T574NC

Parts Catalog

목 차

0. TRACTOR KIT PART NO. TK1

FIG 000 TRAILER SOCKET KIT	8
FIG 002 3rd FUNCTION KIT , LOADER	10

1. Engine PART NO. EG

FIG 100 ENGINE	14
FIG 101 CYLINDER BLOCK	16
FIG 102A OILJET ASS'Y OPTION(T574)	18
FIG 103 CRANK SHAFT	20
FIG 104 PISTON	22
FIG 105 CYLINDER HEAD	24
FIG 106 ROCKER LEVER	26
FIG 107 HEAD COVER	28
FIG 108 GEAR CASE	30
FIG 109 IDLE GEAR	32
FIG 110 CAM SHAFT	34
FIG 111 OIL PUMP	36
FIG 112 HYD. PUMP DRIVE	38
FIG 113 2ND BALANCE	40
FIG 114 OIL PAN	42
FIG 115A INTAKE MANIFOLD(T574)	44
FIG 116A EXHAUST MANIFOLD(T574)	46
FIG 117A TURBOCHARGER ASS'Y(T574)	48
FIG 118A TURBOCHARGER PLUMBING OPTION(T574)	50
FIG 119A BREATHER(T574)	52
FIG 120 FUEL INJECTION PUMP	54
FIG 121 FUEL INJECTION VALVE	56
FIG 122 FUEL PIPE ASS'Y	58
FIG 123 OIL FILTER	60
FIG 124 OIL COOLER	62
FIG 125 OIL GAUGUE	64

FIG 126 OIL FILLER CAP	66
FIG 127 COOLING WATER PUMP	68
FIG 128 CRANK SHAFT PULLEY	70
FIG 129 V-PULLEY	72
FIG 130 COOLING FAN	74
FIG 131 FLYWHEEL HOUSING	76
FIG 132 FLYWHEEL	78
FIG 133 GLOW PLUG ASS'Y OPTION	80
FIG 134 STARTING MOTOR	82
FIG 135 FUEL FILTER BRACKET ASS'Y	84
FIG 136 ALTERNATOR	86
FIG 137 V-BELT	88
FIG 138 FUEL FILTER	90
FIG 139A DPF SUPPORT (T574)	92
FIG 140 DATAPLATE	94
FIG 142A DPF ASS'Y (T574)	96
FIG 143 LIFT ASS'Y	98
FIG 144 COMP . DRIVE PULLEY ASS'Y OPTION	100
FIG 145 INTAKE PIPE	102
FIG 146 CCV ASS'Y	104
FIG 147 LOOSED PARTS	106

2. Engine Accessories PART NO. T2

FIG 201A AIR CLEANER (T574)	109
FIG 202 RADIATOR	111
FIG 203 MUFFLER	113
FIG 204 FUEL HOSE & FILTER	115
FIG 205 FUEL TANK	117
FIG 206 ACCELERATOR	119

3. Clutch/Brake/Steering PART NO. T3

FIG 301 CLUTCH	122
FIG 302 CLUTCH PEDAL	124
FIG 303 BRAKE	127
FIG 304 BRAKE PEDAL & LINK	129
FIG 305 FRONT WHEEL	131

FIG 306 REAR WHEEL	133
FIG 307 POWER STEERING WHEEL	135
FIG 308 POWER STEERING VALVE	137
FIG 309 POWER STEERING CYLINDER	139

4. Transmission PART NO. T4

FIG 401 TRANSMISSION FRONT CASE	142
FIG 402 FORWARD & BACKWARD GEARS	144
FIG 403 IDLE & COUNTER GEARS	146
FIG 404 MAIN SHIFT GEARS	148
FIG 405 P.T.O DRIVE SHAFT	150
FIG 406 MAIN CHANGE LEVER	152
FIG 407 REVERSE CHANGE LEVER	154
FIG 408 TRANSMISSION MID CASE	156
FIG 409 TRANSMISSION REAR CASE	158
FIG 410 SUB CHANGE GEARS	160
FIG 411 SUB CHANGE SHIFTER	162
FIG 413 DRIVE GEARS	164
FIG 414 4WD CHANGE LEVER	166
FIG 415 P.T.O CHANGE GEARS	168
FIG 417 REAR DIFFERENTIAL GEARS	170
FIG 418 REAR AXLE HOUSING	173

5. Front Axle PART NO. T5

FIG 501 FRONT AXLE SUPPORT	176
FIG 502 FRONT DRIVE SHAFT	178
FIG 503 FRONT AXLE HOUSING	180
FIG 504 FRONT DIFFERENTIAL GEARS	182
FIG 505 FRONT GEAR CASE (1)	184
FIG 506 FRONT GEAR CASE (2)	186
FIG 507 FRONT GEAR CASE (3)	188

6. Hydraulic/3P-Link PART NO. T6

FIG 601 CYLINDER CASE	191
FIG 602 LIFT ARM	193

FIG 603 CYLINDER	195
FIG 604 POSITION LINK	197
FIG 605 CONTROL VALVE	199
FIG 606 DRAFT LINK	201
FIG 607A POSITION & DRAFT LEVER (1)	203
FIG 607B POSITION & DRAFT LEVER (2)	205
FIG 608 EXTERIOR HYD. VALVE	207
FIG 609 HYDRAULIC PIPE	209
FIG 610 JOYSTICK	211
FIG 612 HITCH & 3-POINT LINK	214
FIG 613 LOWER LINK & LIFT ROD	217

7. Sheet Metal & Cabin PART NO. T7

FIG 701 BONNET FRAME	220
FIG 702A BONNET (1)	222
FIG 702B BONNET (2)	224
FIG 703 EXTENSION COVER	226
FIG 704B LEVER COVER & STEP-NON CAB	228
FIG 705 FRONT & REAR MOUNTING	230
FIG 706 SEAT & MAT	232
FIG 710B FRAME & 2POLES-ROPS-NON CAB	234
FIG 713B SUB FENDER & COVER-NON CAB	236
FIG 714B MIRROR&WORKING LAMP-NON CAB	238
FIG 718 CABIN INTERIOR	240

8. Electrical System PART NO. T8

FIG 801 BATTERY & MOUNTING	243
FIG 802 HARNESS LAMP	245
FIG 803 INSTRUMENT PANEL	247
FIG 804 ELECTRIC SYSTEM (1)	249
FIG 805B ELECTRIC SYSTEM (2)-NON CAB	251
FIG 806 ELECTRIC SYSTEM (3)	253

9. Label/Option PART NO. T9

FIG 901 TOOL & ACCESSORY	256
--------------------------	-----

FIG 902 LABEL
FIG 902 LABEL

258
260

0. TRACTOR KIT PART NO. TK1

FIG 000 TRAILER SOCKET KIT

8

FIG 002 3rd FUNCTION KIT , LOADER

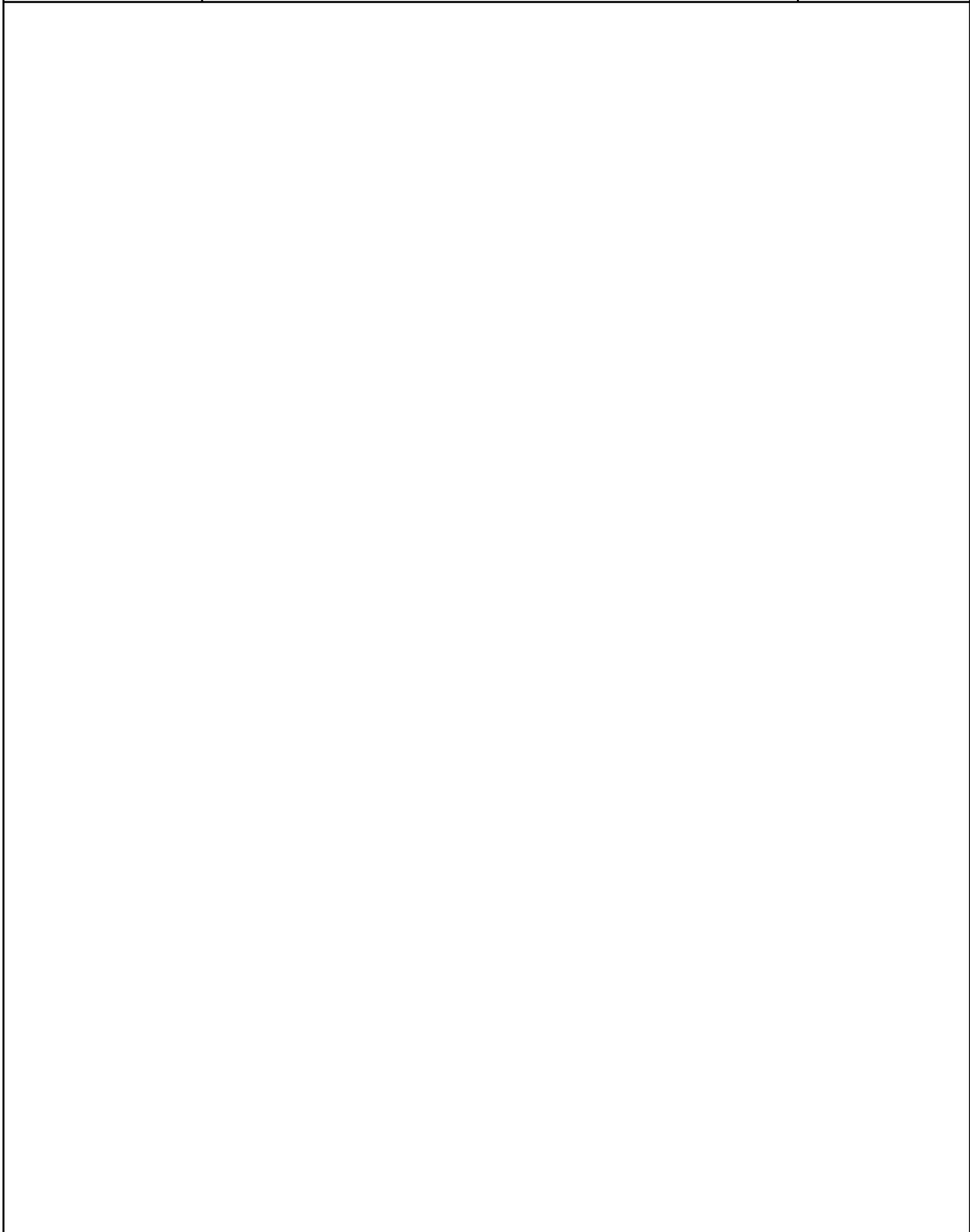
10

FIG 000 T574NC	TRAILER SOCKET KIT	년/월 Year/Month 2022-12
-------------------	--------------------	------------------------------

--	--

NOTE	
------	--

FIG 002 T574NC	3rd FUNCTION KIT , LOADER	년/월 Year/Month 2022-12
-------------------	---------------------------	------------------------------



NOTE	
------	--

1. Engine PART NO. EG

FIG 100 ENGINE	14
FIG 101 CYLINDER BLOCK	16
FIG 102A OILJET ASS'Y OPTION(T574)	18
FIG 103 CRANK SHAFT	20
FIG 104 PISTON	22
FIG 105 CYLINDER HEAD	24
FIG 106 ROCKER LEVER	26
FIG 107 HEAD COVER	28
FIG 108 GEAR CASE	30
FIG 109 IDLE GEAR	32
FIG 110 CAM SHAFT	34
FIG 111 OIL PUMP	36
FIG 112 HYD. PUMP DRIVE	38
FIG 113 2ND BALANCE	40
FIG 114 OIL PAN	42
FIG 115A INTAKE MANIFOLD(T574)	44
FIG 116A EXHAUST MANIFOLD(T574)	46
FIG 117A TURBOCHARGER ASS'Y(T574)	48
FIG 118A TURBOCHARGER PLUMBING OPTION(T574)	50
FIG 119A BREATHER(T574)	52
FIG 120 FUEL INJECTION PUMP	54
FIG 121 FUEL INJECTION VALVE	56
FIG 122 FUEL PIPE ASS'Y	58
FIG 123 OIL FILTER	60
FIG 124 OIL COOLER	62
FIG 125 OIL GAUGUE	64
FIG 126 OIL FILLER CAP	66
FIG 127 COOLING WATER PUMP	68
FIG 128 CRANK SHAFT PULLEY	70
FIG 129 V-PULLEY	72
FIG 130 COOLING FAN	74
FIG 131 FLYWHEEL HOUSING	76
FIG 132 FLYWHEEL	78
FIG 133 GLOW PLUG ASS'Y OPTION	80
FIG 134 STARTING MOTOR	82
FIG 135 FUEL FILTER BRACKET ASS'Y	84
FIG 136 ALTERNATOR	86
FIG 137 V-BELT	88

FIG 138 FUEL FILTER	90
FIG 139A DPF SUPPORT (T574)	92
FIG 140 DATAPLATE	94
FIG 142A DPF ASS'Y (T574)	96
FIG 143 LIFT ASS'Y	98
FIG 144 COMP . DRIVE PULLEY ASS'Y OPTION	100
FIG 145 INTAKE PIPE	102
FIG 146 CCV ASS'Y	104
FIG 147 LOOSED PARTS	106

FIG 100 T574NC	ENGINE	년/월 Year/Month
		2022-12

--	--

NOTE	
------	--

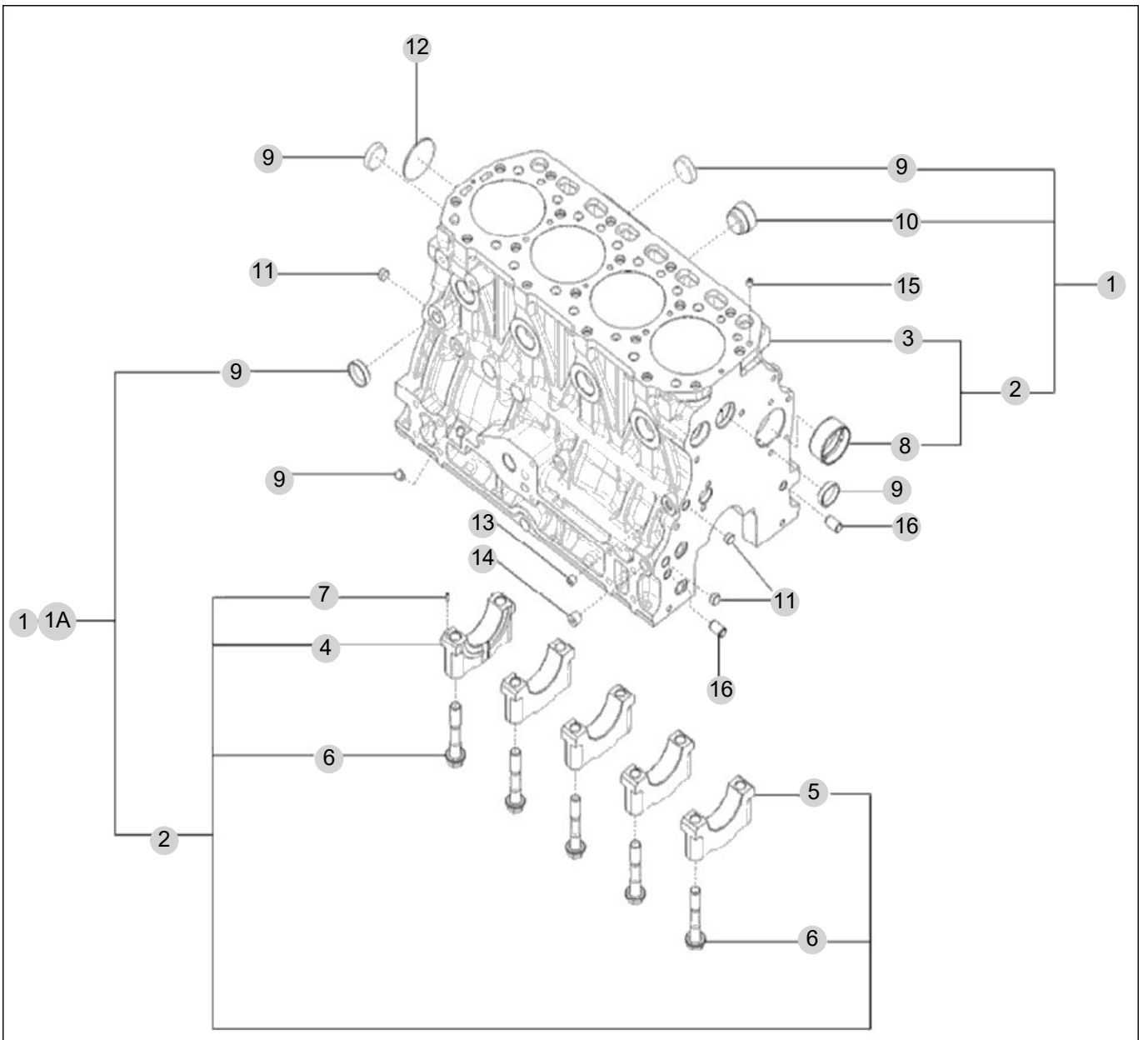
FIG 101

T574NC

CYLINDER BLOCK

년/월
Year/Month

2022-12



NOTE

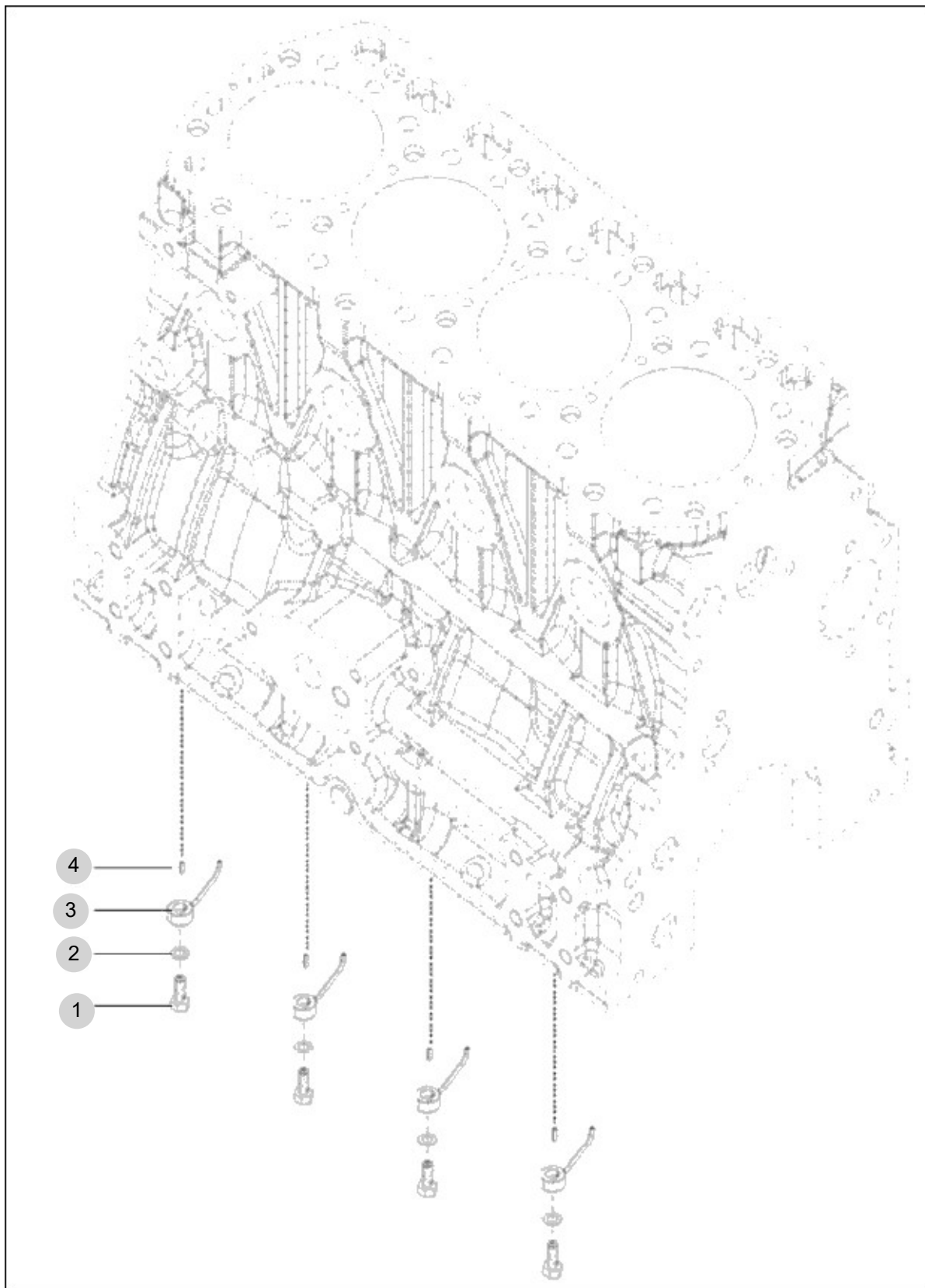
FIG 102A

OILJET ASS'Y OPTION(T574)

년/월
Year/Month

2022-12

T574NC



NOTE

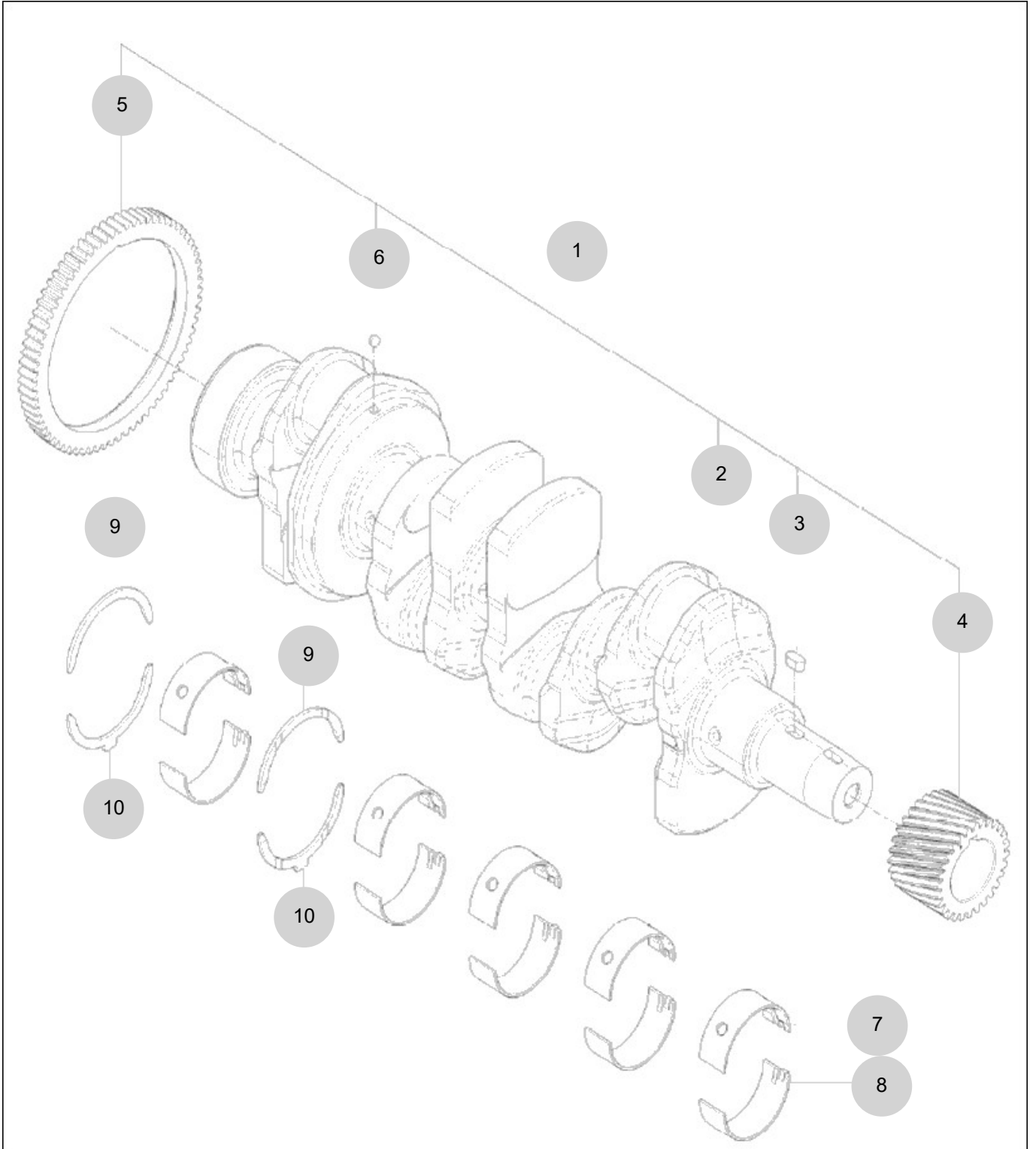
FIG 103

CRANK SHAFT

년/월
Year/Month

2022-12

T574NC



NOTE

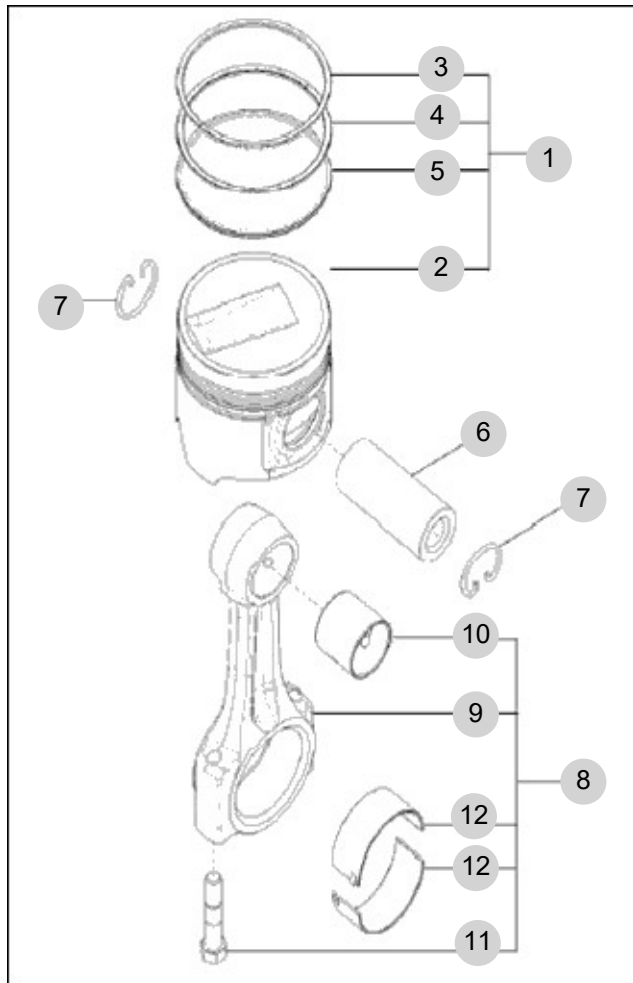
FIG 104

T574NC

PISTON

년/월
Year/Month

2022-12



NOTE

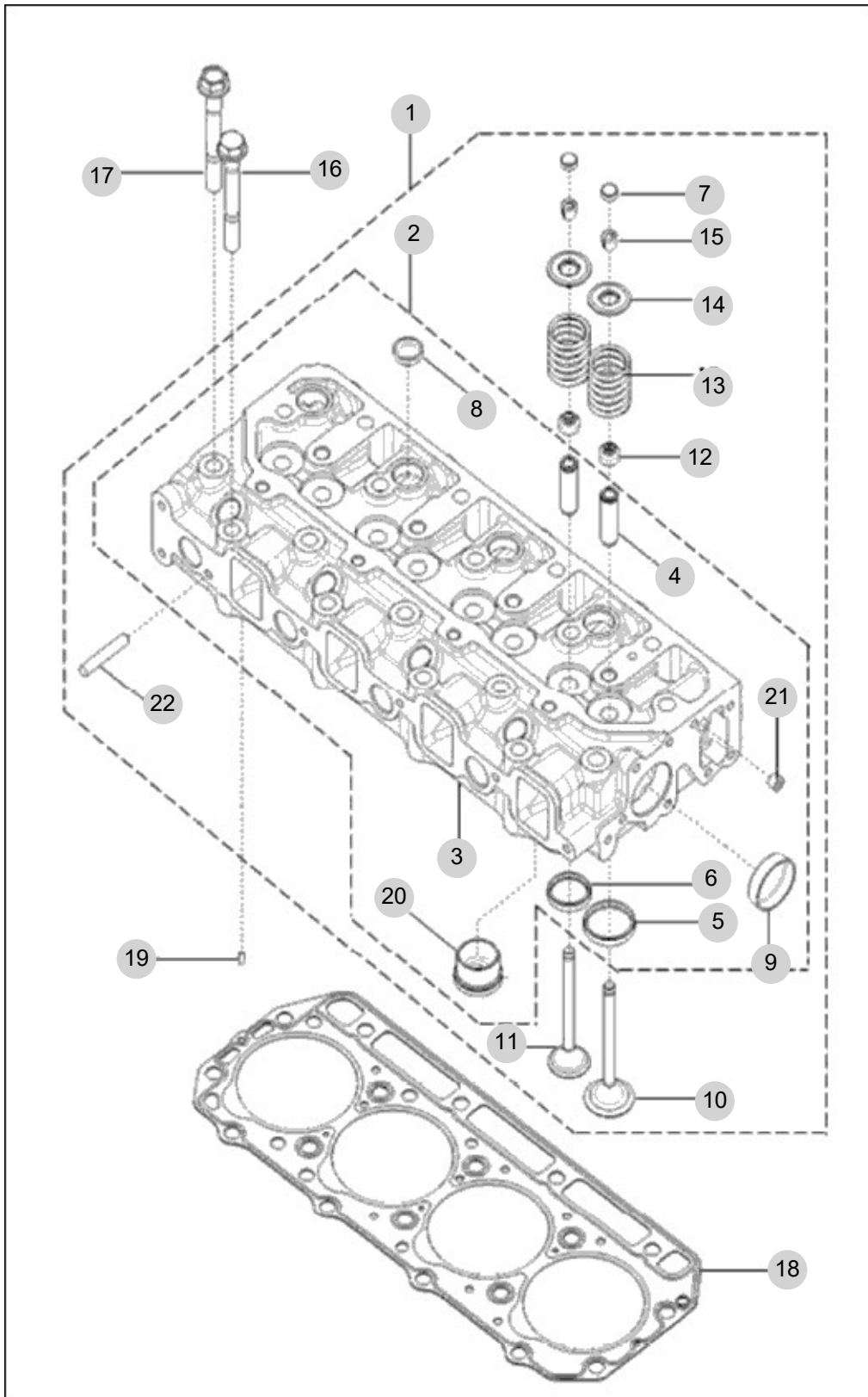
FIG 105

CYLINDER HEAD

년/월
Year/Month

2022-12

T574NC



NOTE

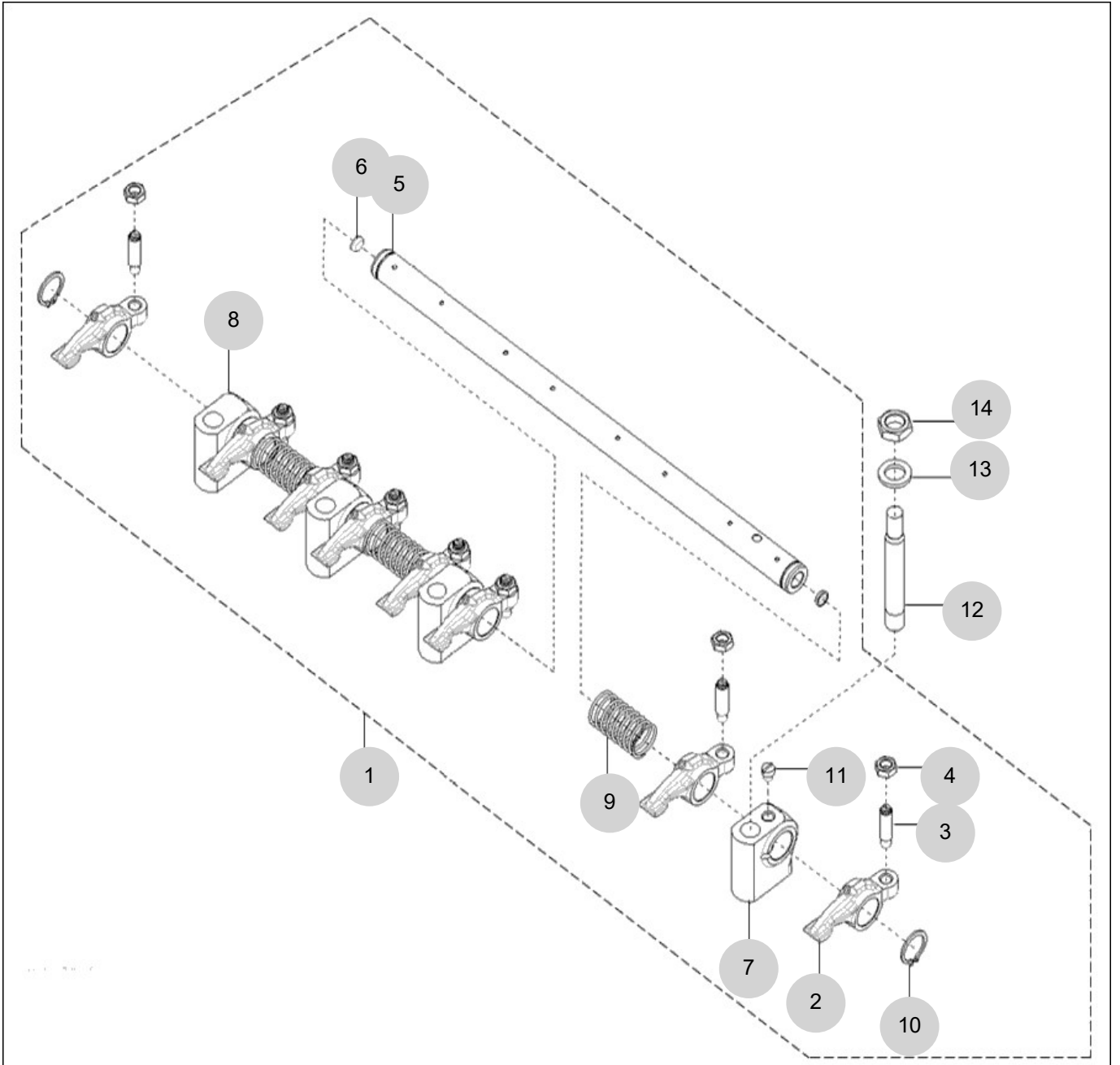
FIG 106

T574NC

ROCKER LEVER

년/월
Year/Month

2022-12



NOTE

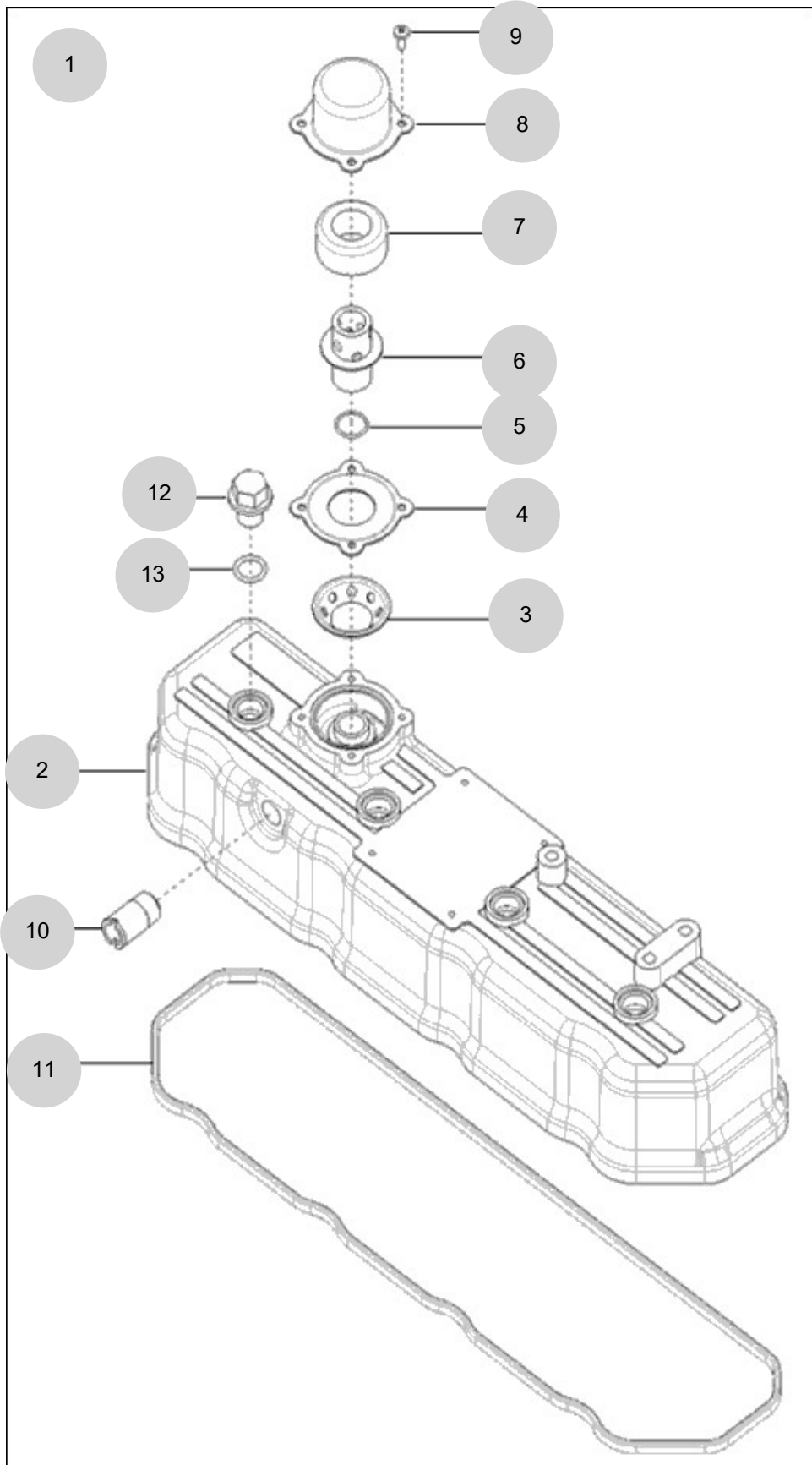
FIG 107

T574NC

HEAD COVER

년/월
Year/Month

2022-12



NOTE

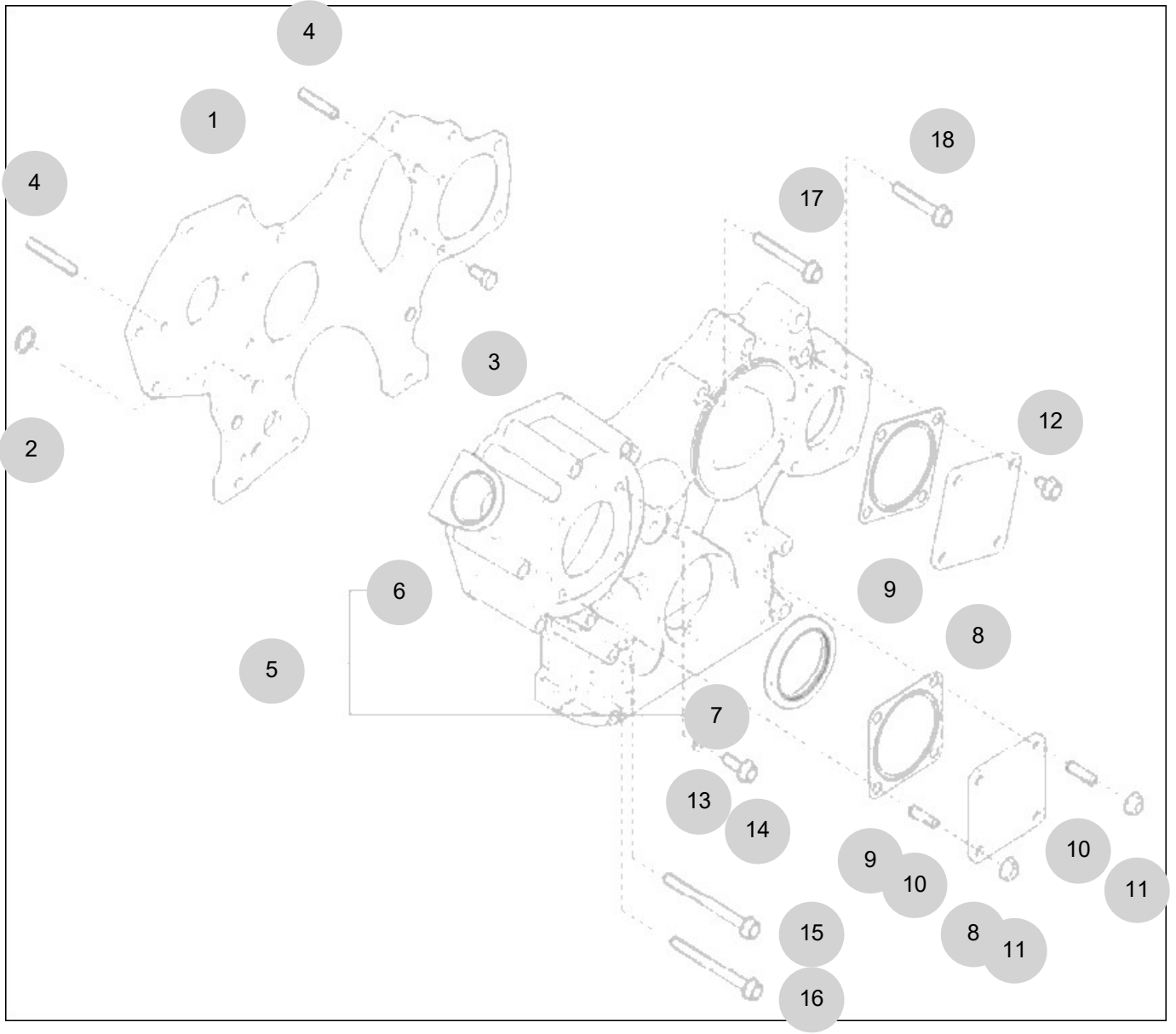
FIG 108

GEAR CASE

년/월
Year/Month

T574NC

2022-12



NOTE

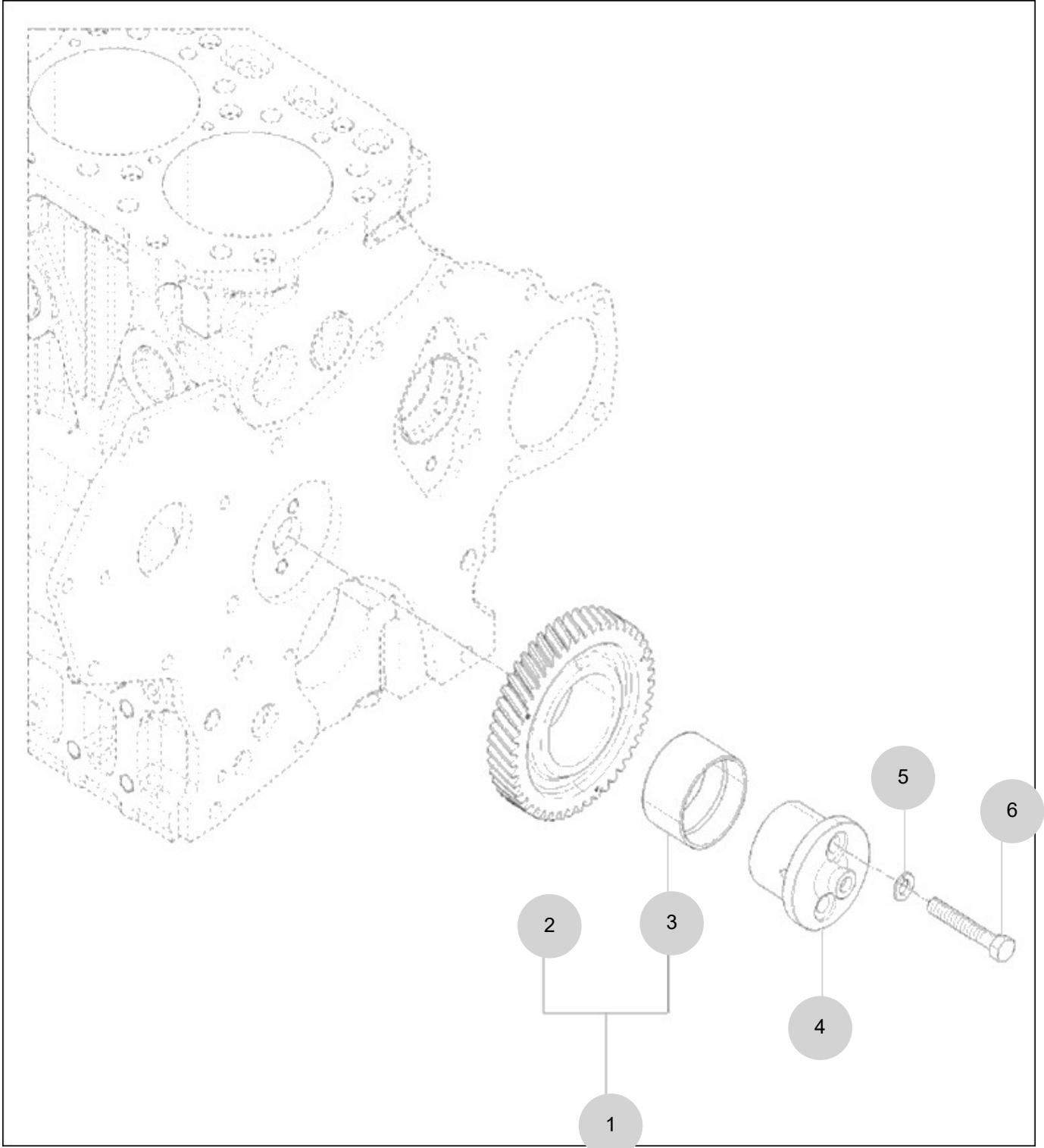
FIG 109

IDLE GEAR

년/월
Year/Month

T574NC

2022-12



NOTE

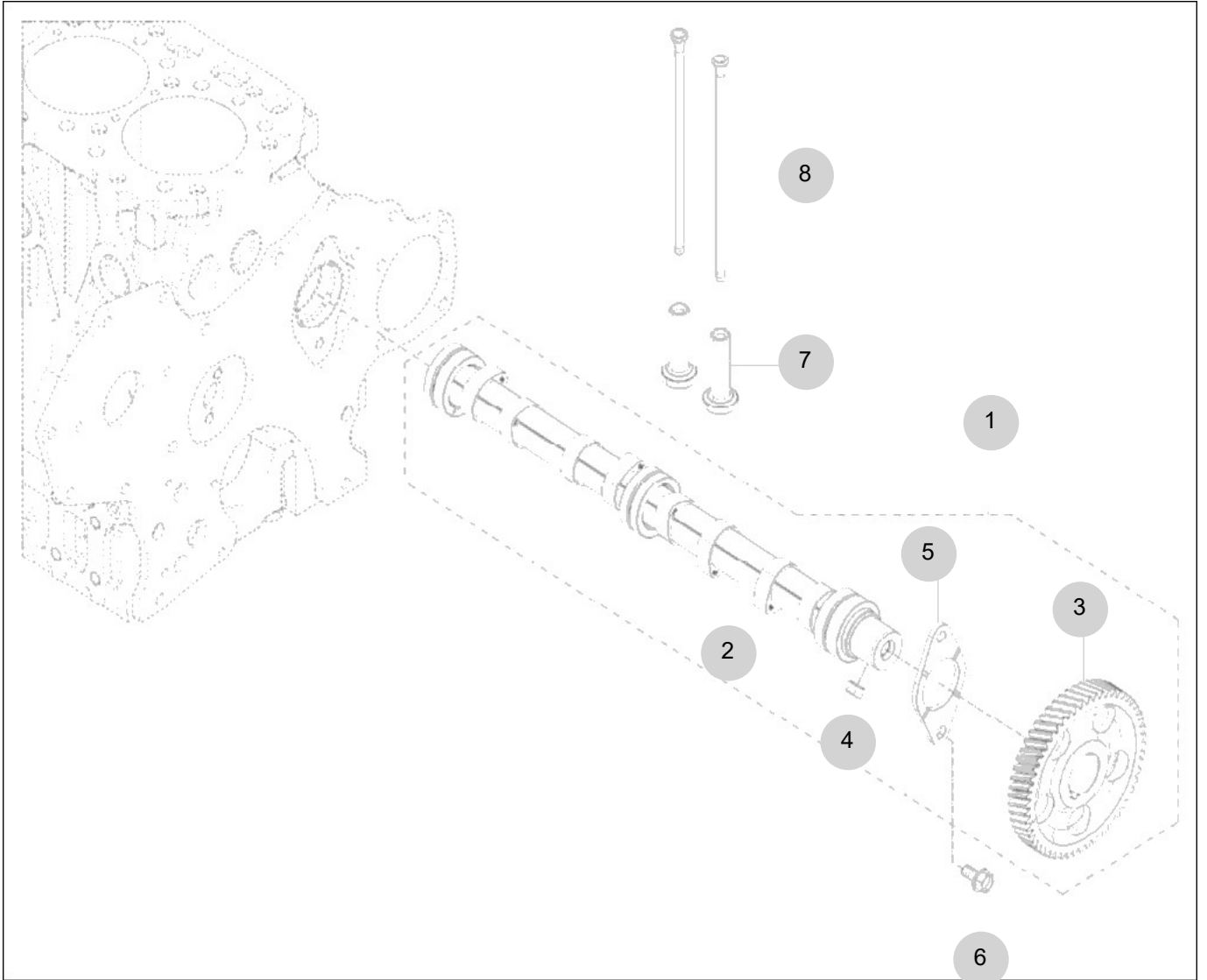
FIG 110

T574NC

CAM SHAFT

년/월
Year/Month

2022-12



NOTE

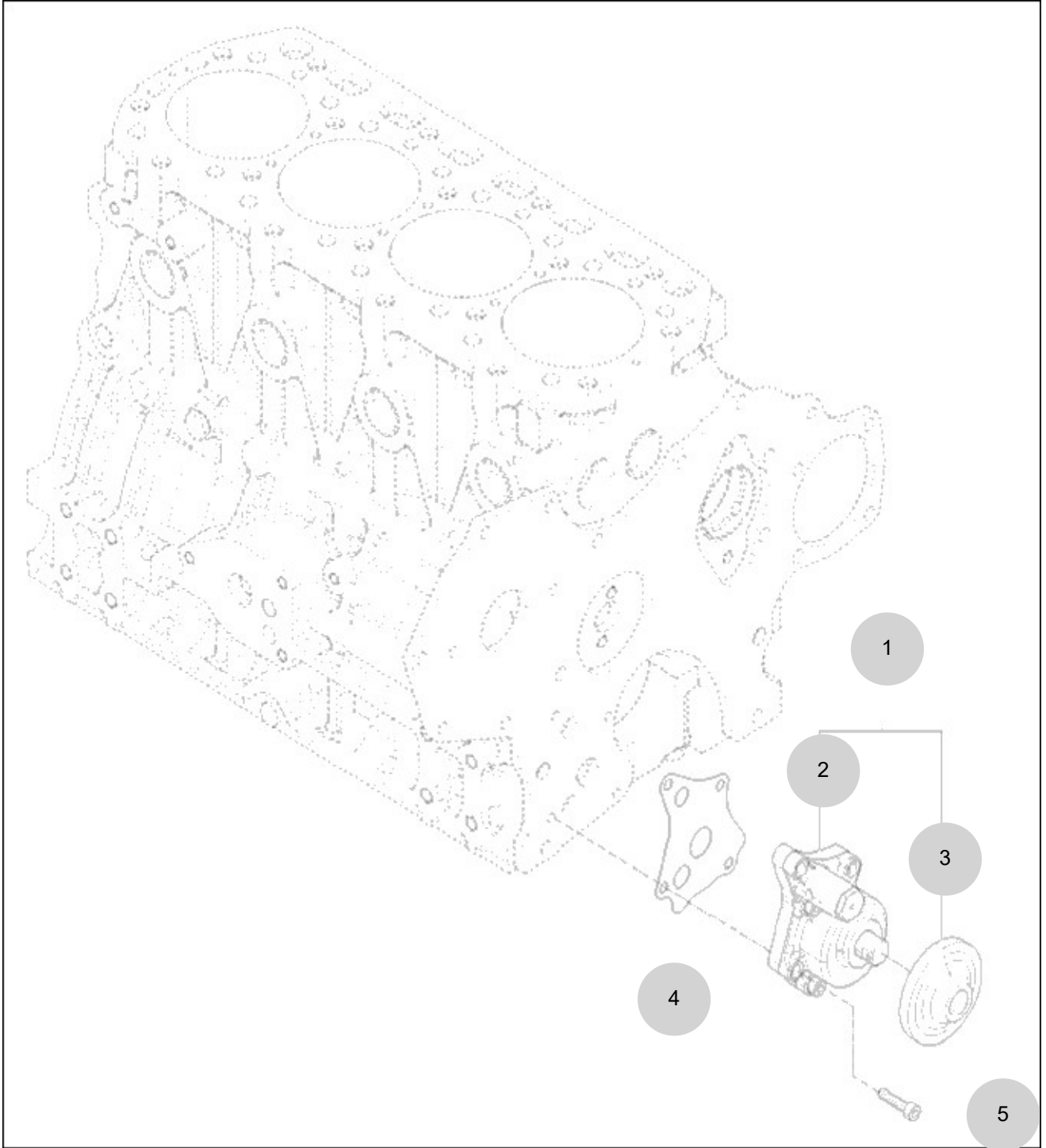
FIG 111

OIL PUMP

년/월
Year/Month

T574NC

2022-12



NOTE

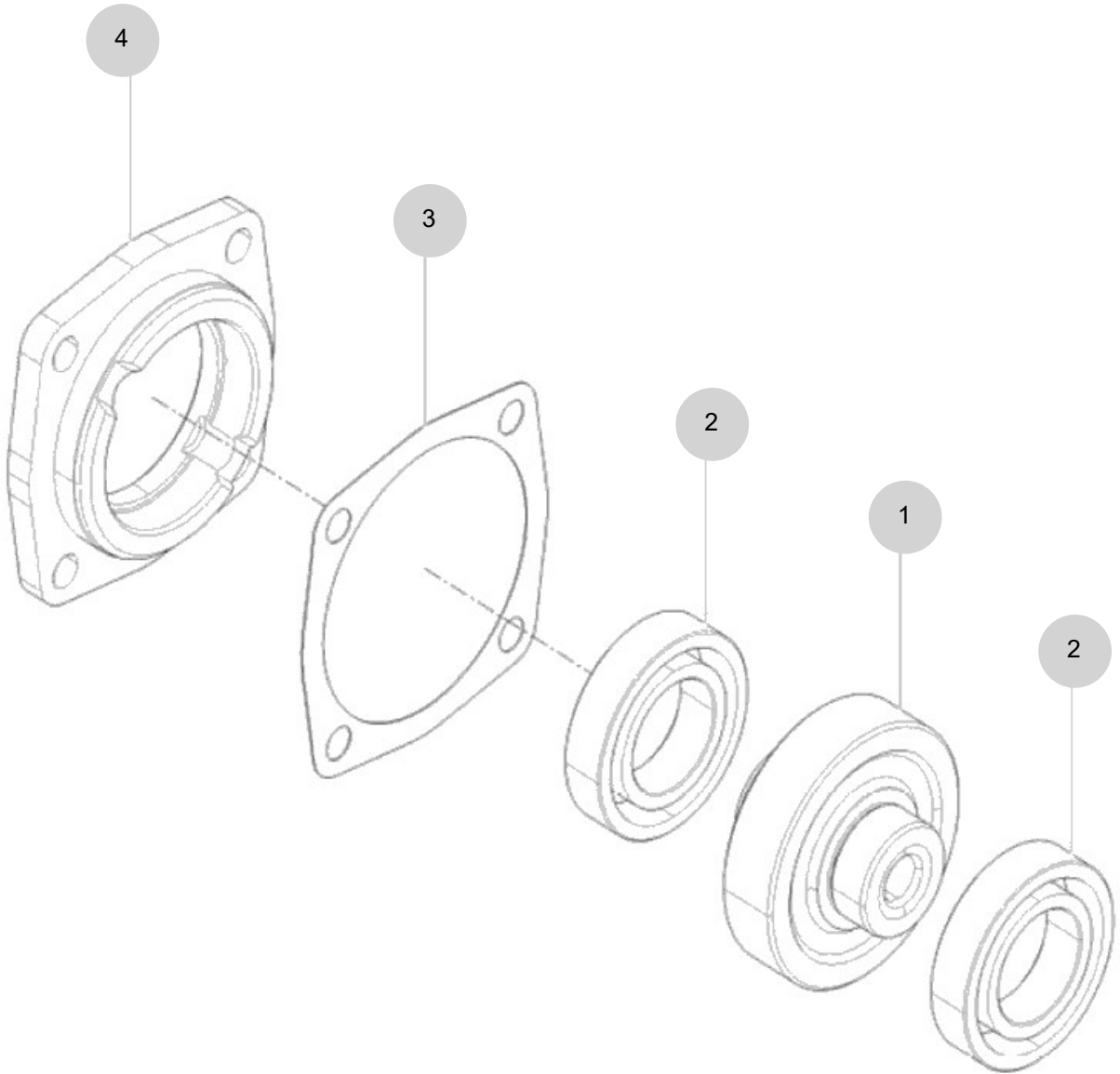
FIG 112

T574NC

HYD. PUMP DRIVE

년/월
Year/Month

2022-12



NOTE

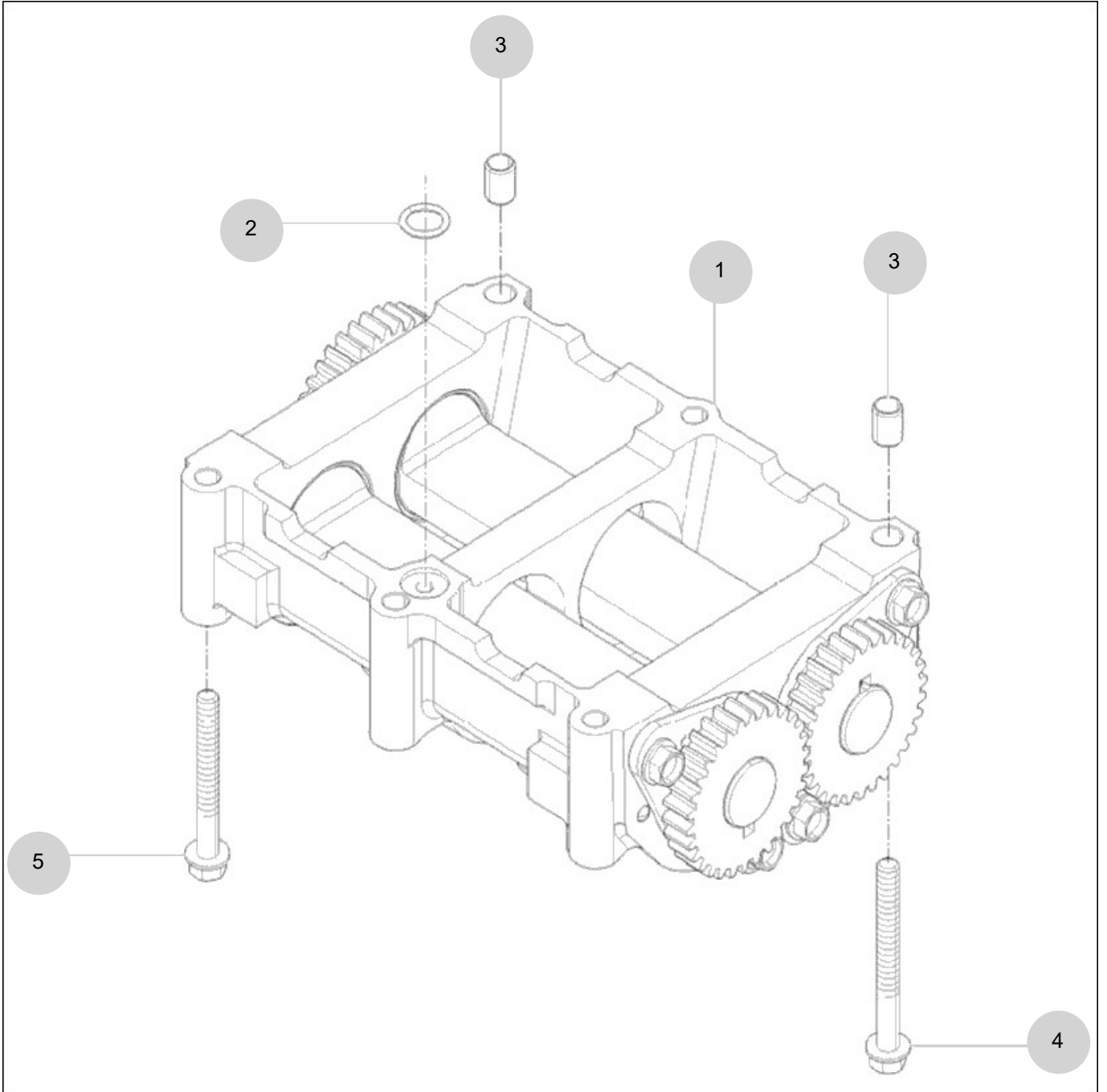
FIG 113

T574NC

2ND BALANCE

년/월
Year/Month

2022-12



NOTE

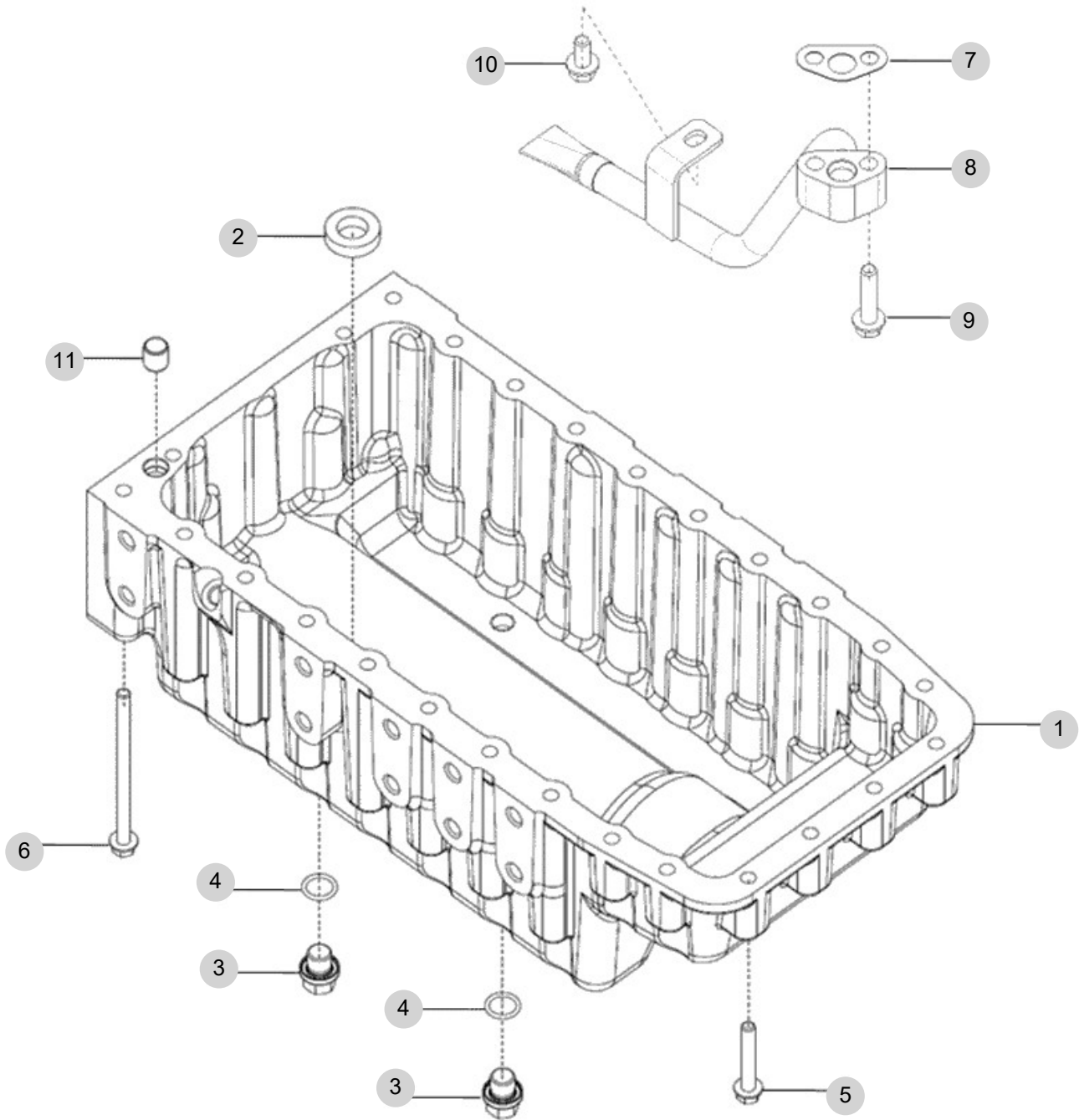
FIG 114

T574NC

OIL PAN

년/월
Year/Month

2022-12



NOTE

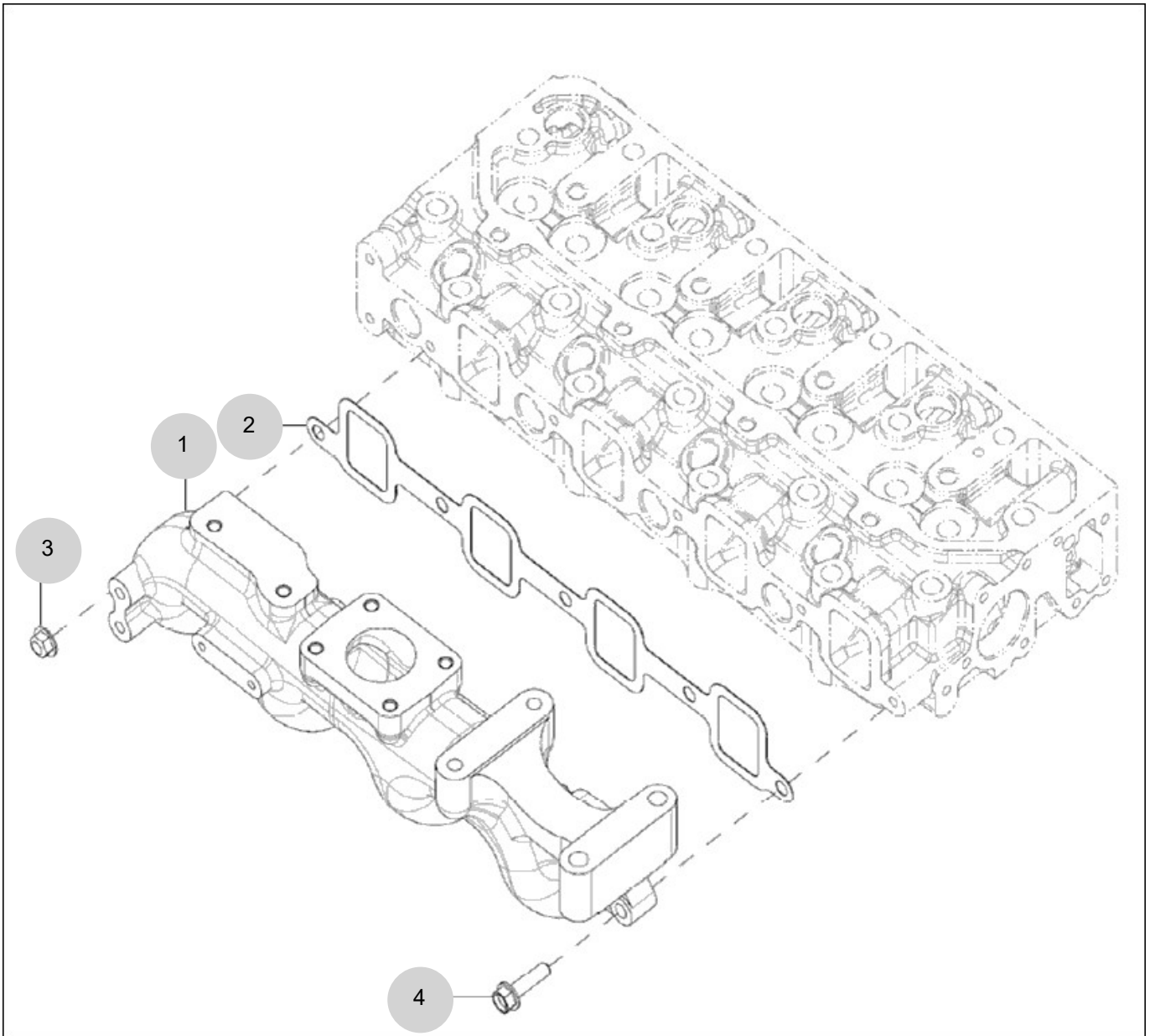
FIG 115A

INTAKE MANIFOLD(T574)

년/월
Year/Month

T574NC

2022-12



NOTE

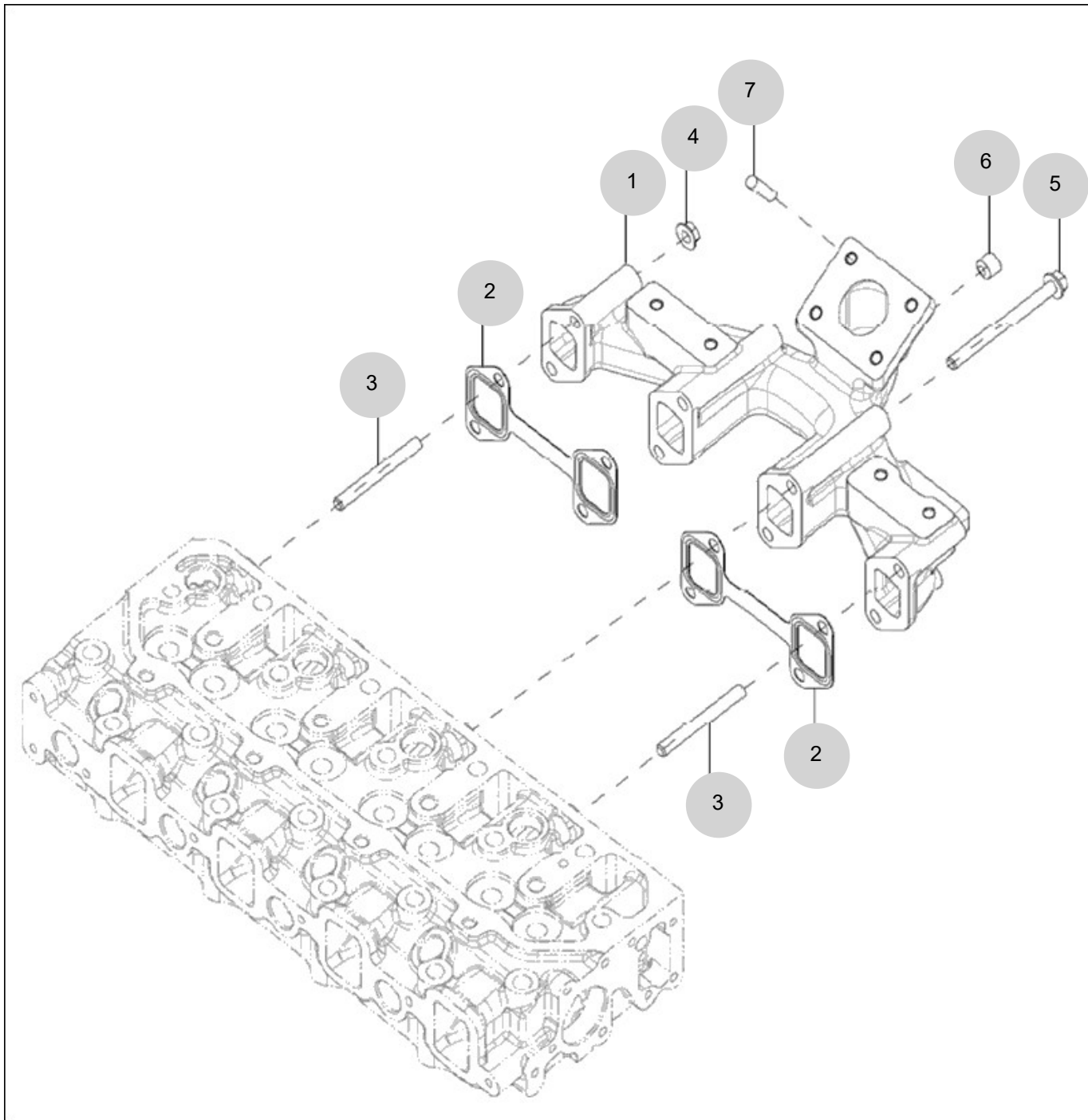
FIG 116A

EXHAUST MANIFOLD(T574)

년/월
Year/Month

T574NC

2022-12



NOTE

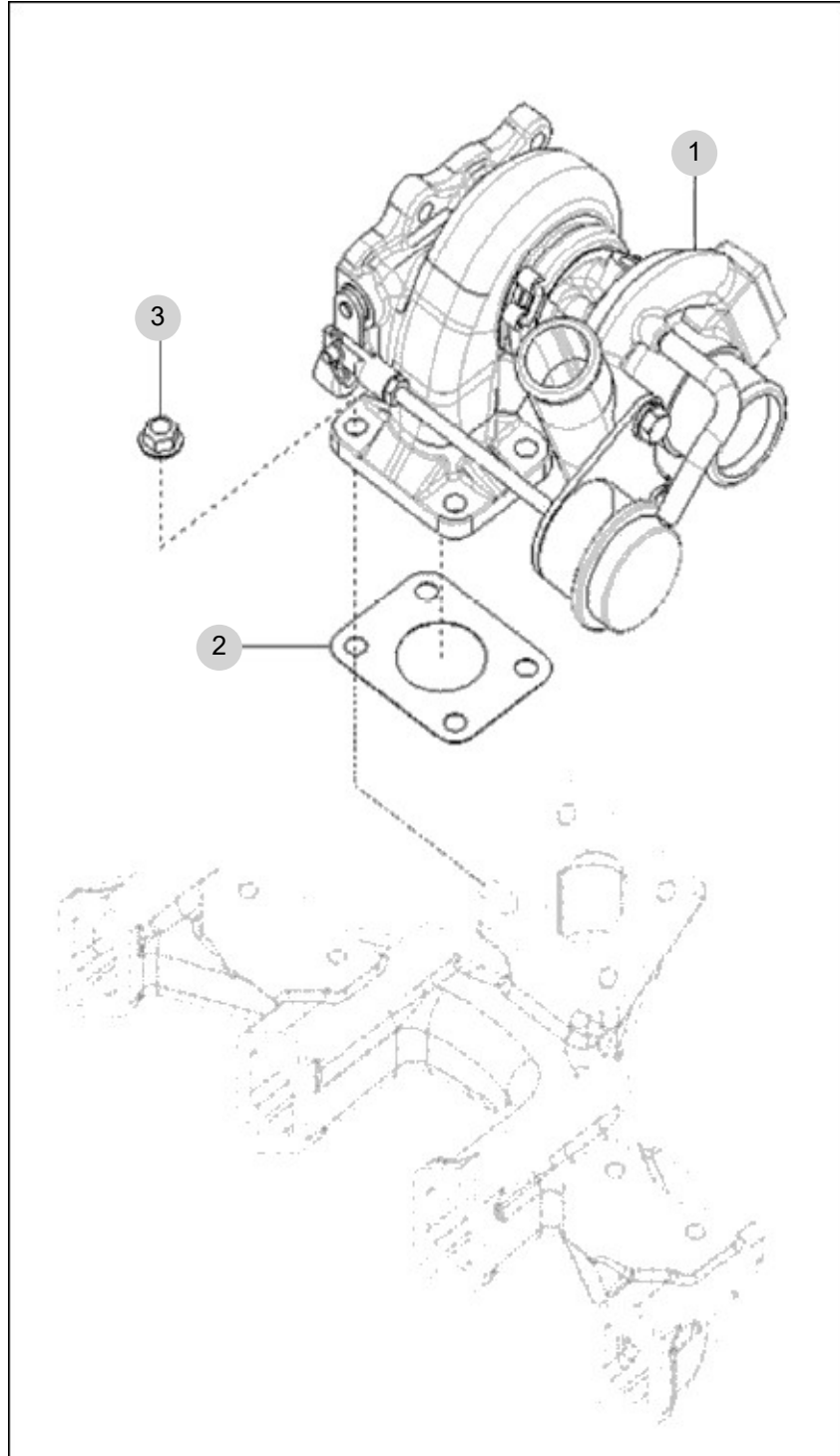
FIG 117A

TURBOCHARGER ASS'Y(T574)

년/월
Year/Month

2022-12

T574NC



NOTE

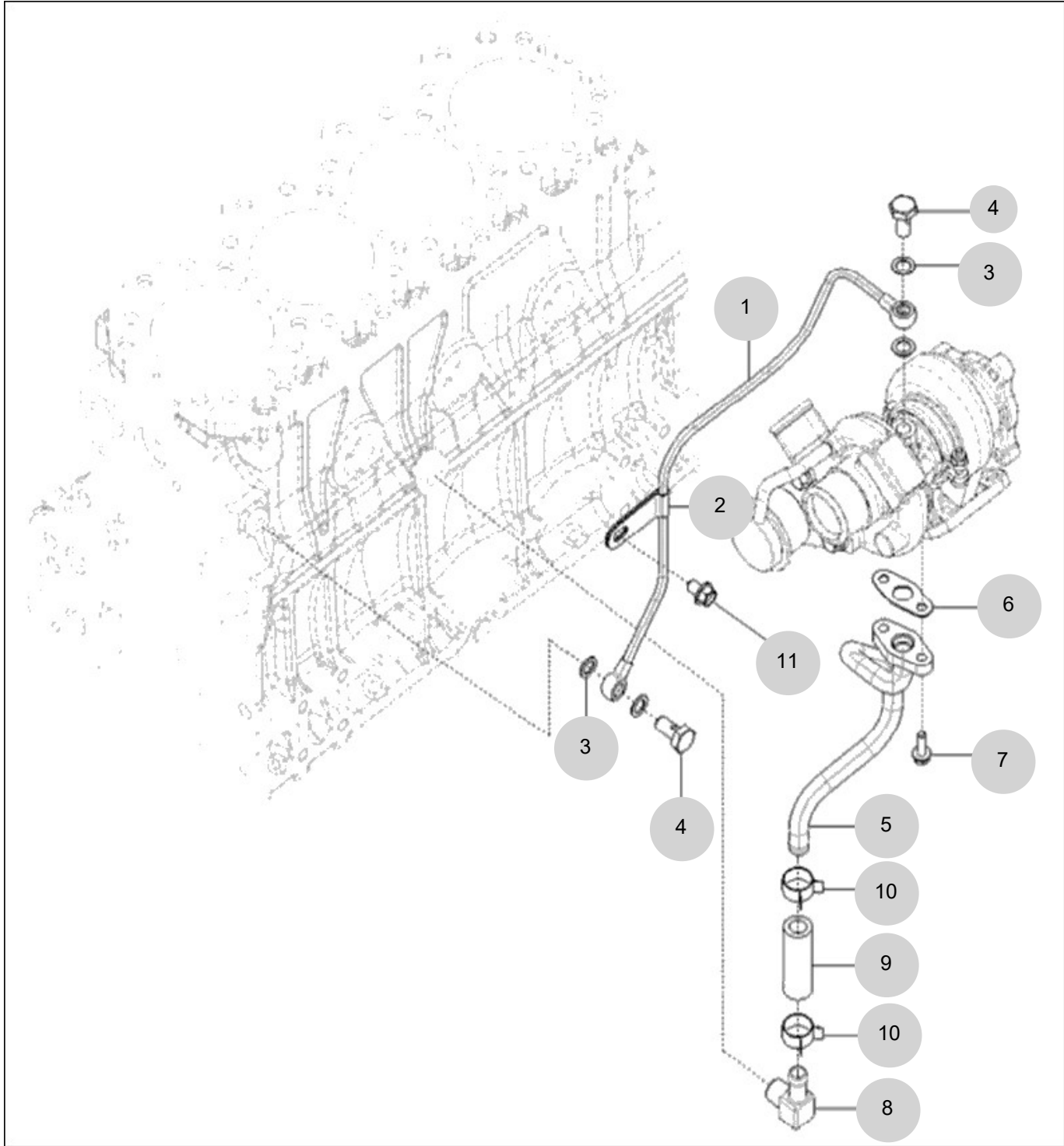
FIG 118A

TURBOCHARGER PLUMBING OPTION(T574)

년/월
Year/Month

2022-12

T574NC



NOTE

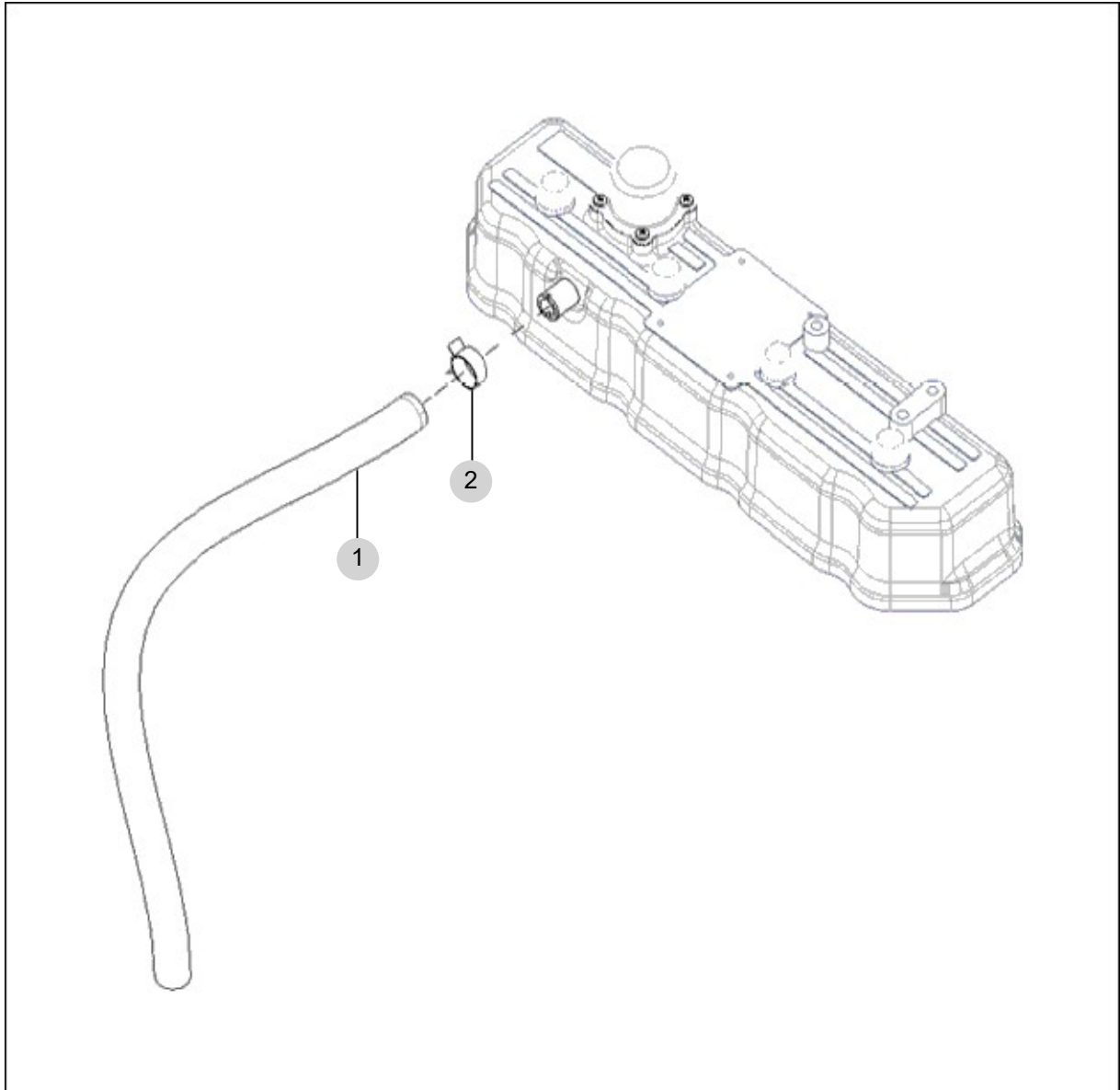
FIG 119A

BREATHER(T574)

년/월
Year/Month

T574NC

2022-12



NOTE

FIG 119A		BREATHER(T574)					년/월 Year/Month	
T574NC							2022-12	
KEY NO	PART NO	DESCRIPTION	SPEC	QTY	REPAIR	EFFECTIVE DATE	REMARKS	
119A	1	HLT0501000A	HOSE, PLAIN	1				
119A	2	23080-021000	CLAMP, V BAND	1				
NOTE								

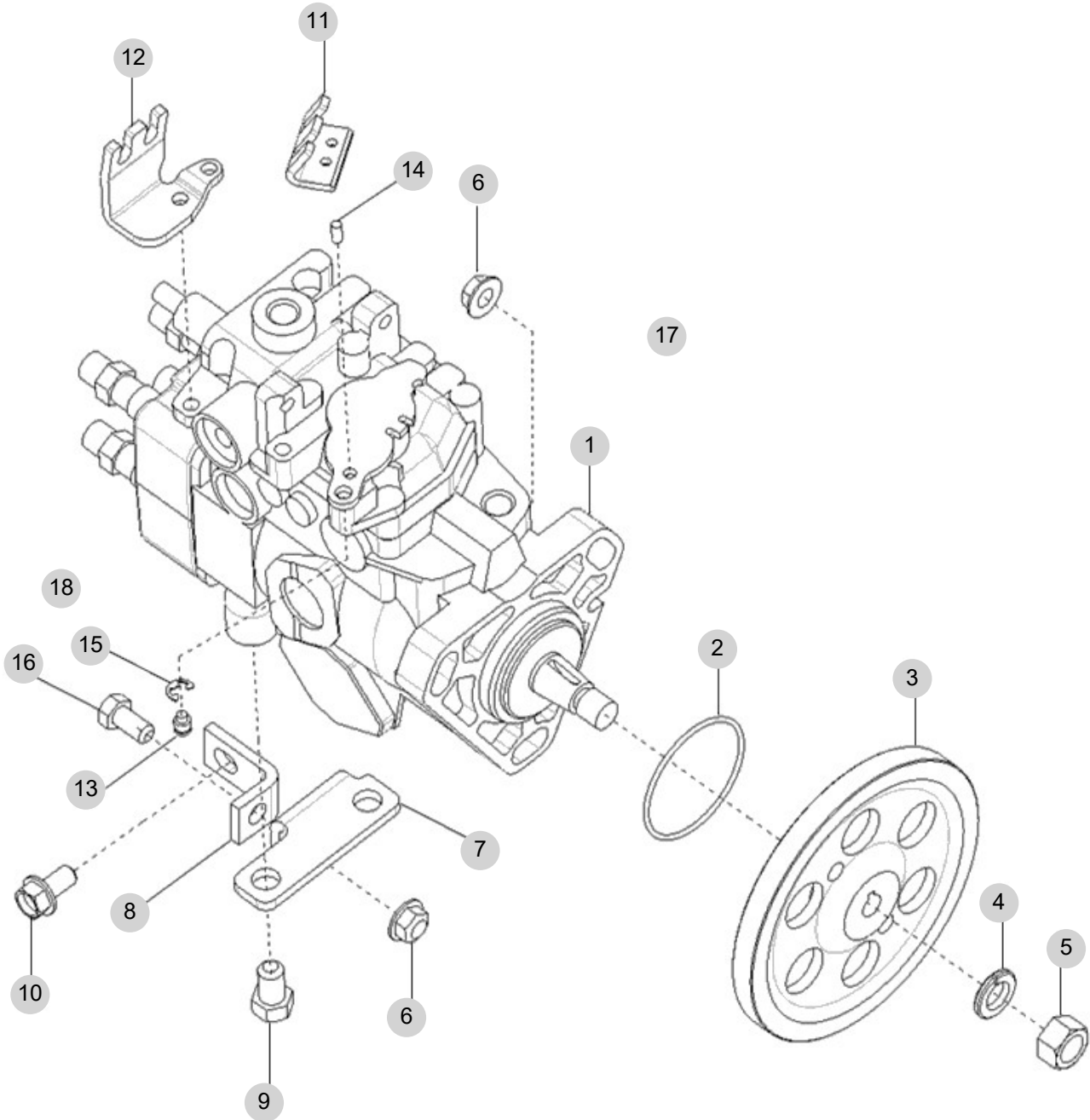
FIG 120

FUEL INJECTION PUMP

년/월
Year/Month

2022-12

T574NC



NOTE

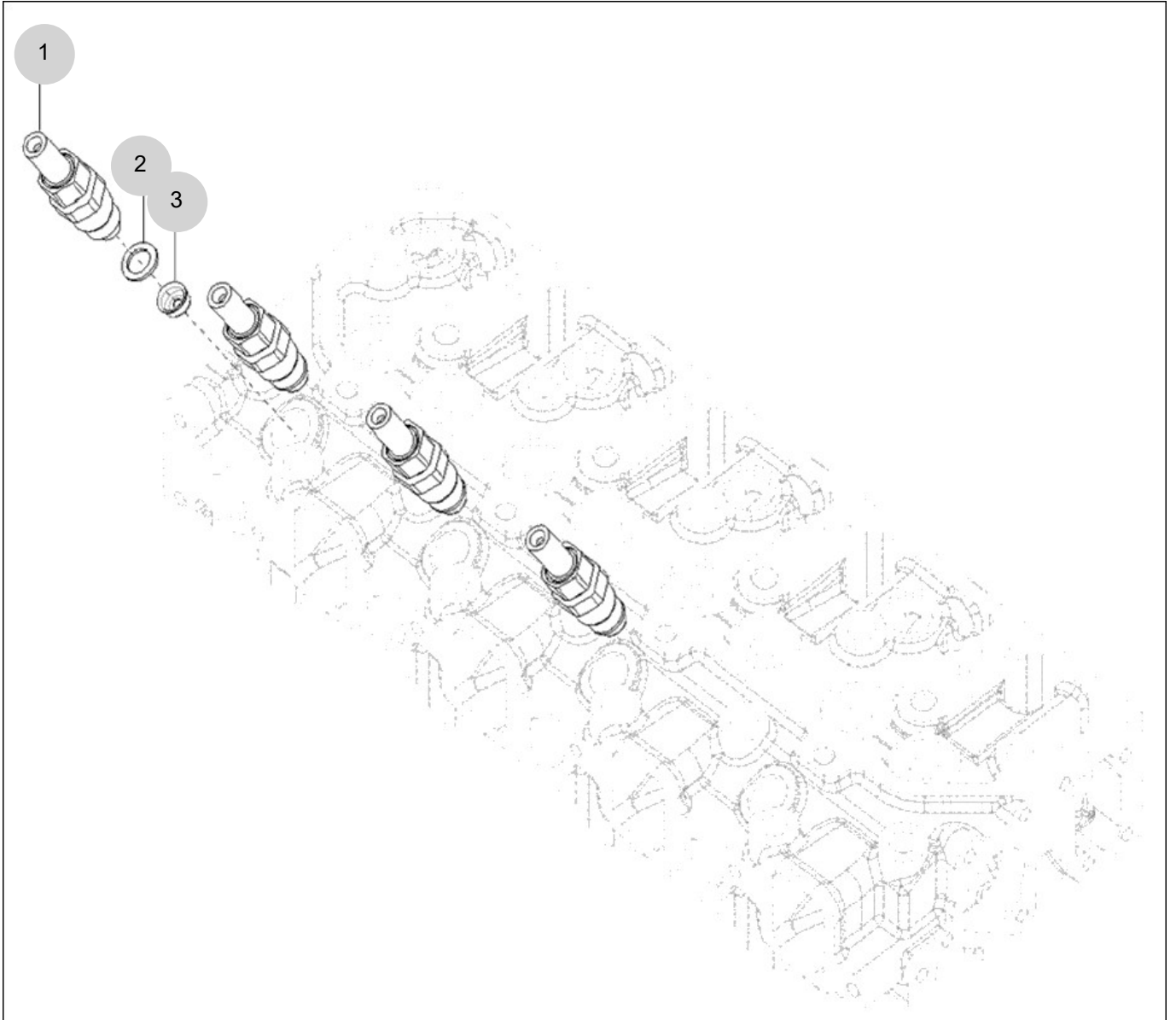
FIG 121

T574NC

FUEL INJECTION VALVE

년/월
Year/Month

2022-12



NOTE

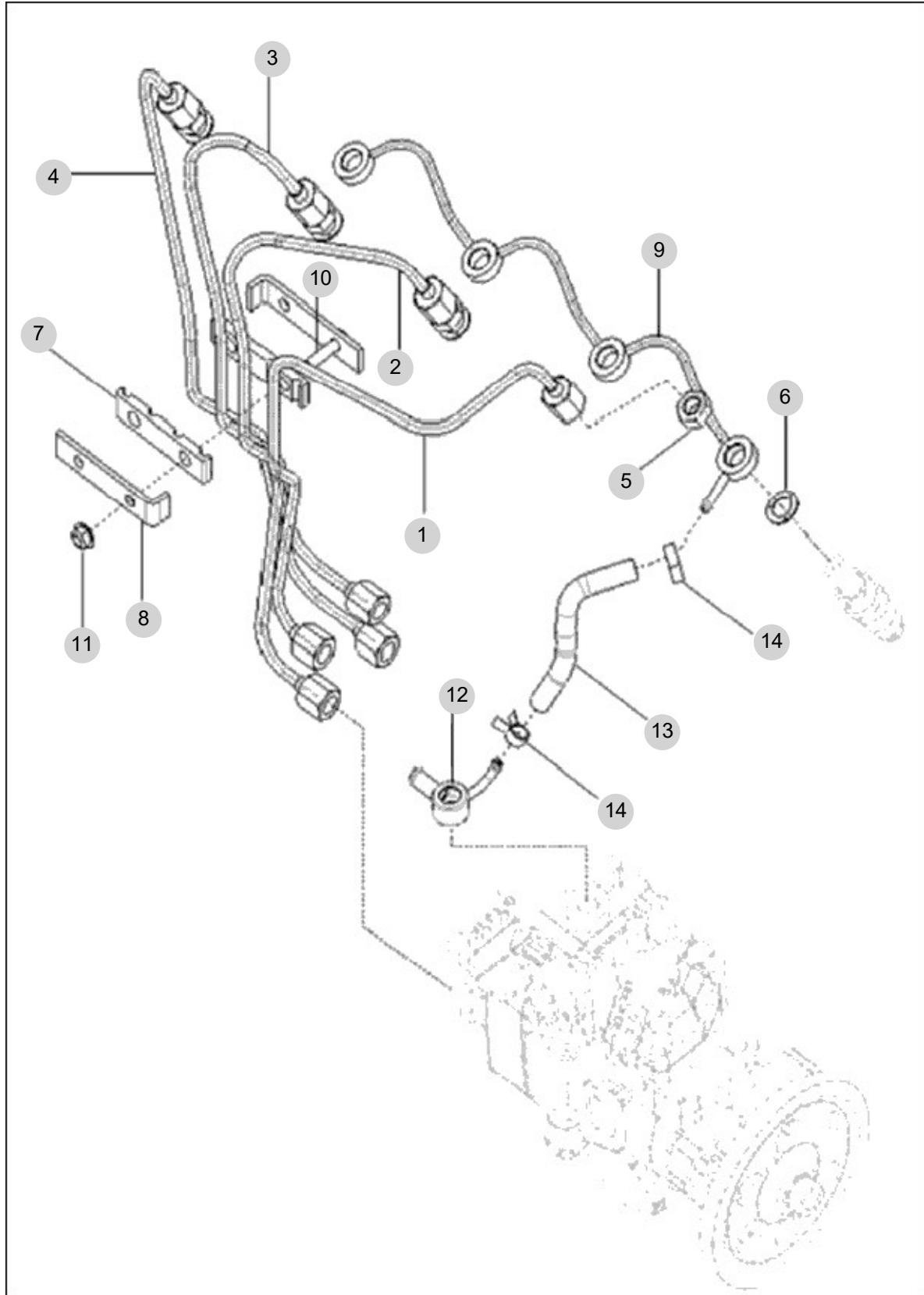
FIG 122

FUEL PIPE ASS'Y

년/월
Year/Month

2022-12

T574NC



NOTE

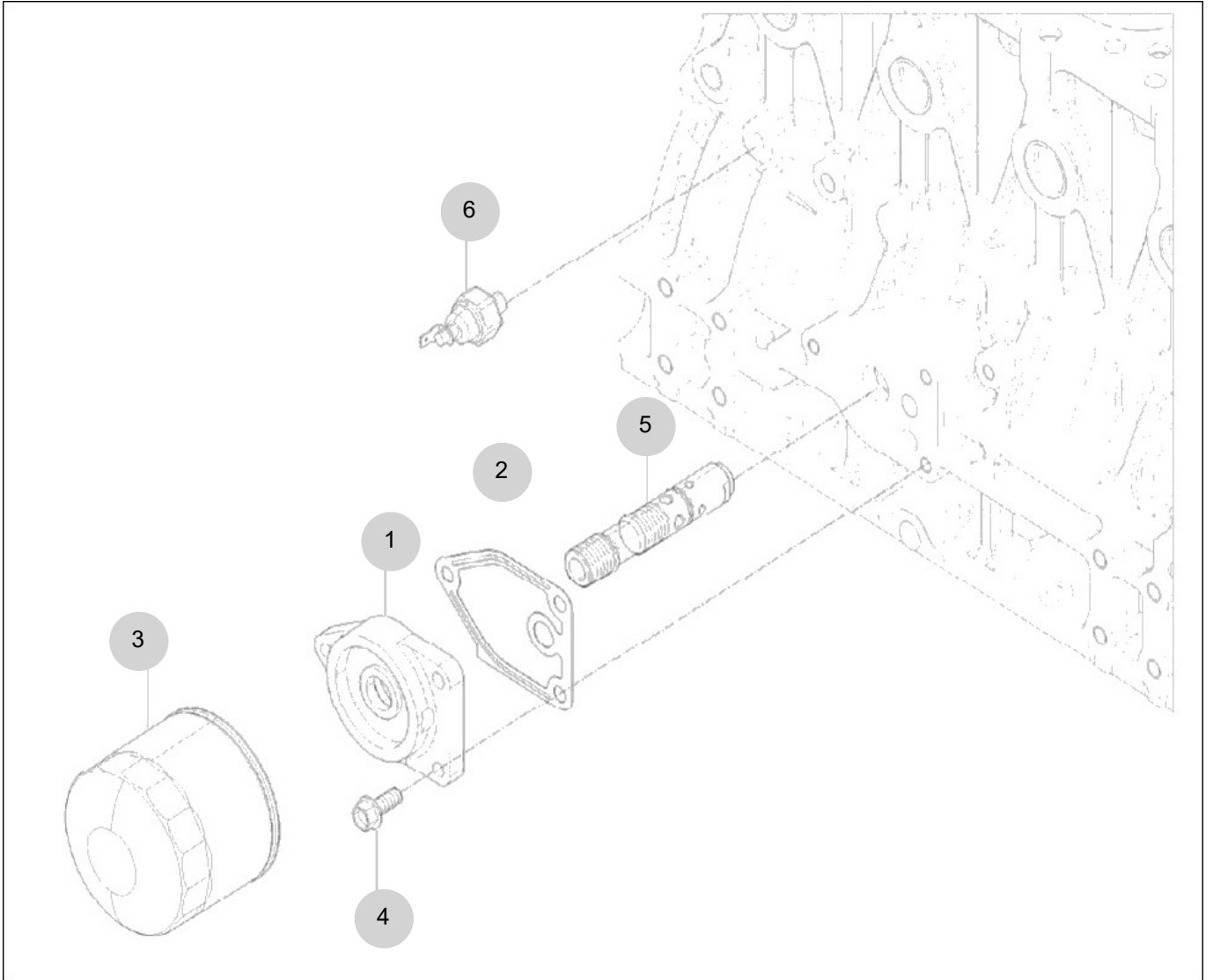
FIG 123

T574NC

OIL FILTER

년/월
Year/Month

2022-12



NOTE

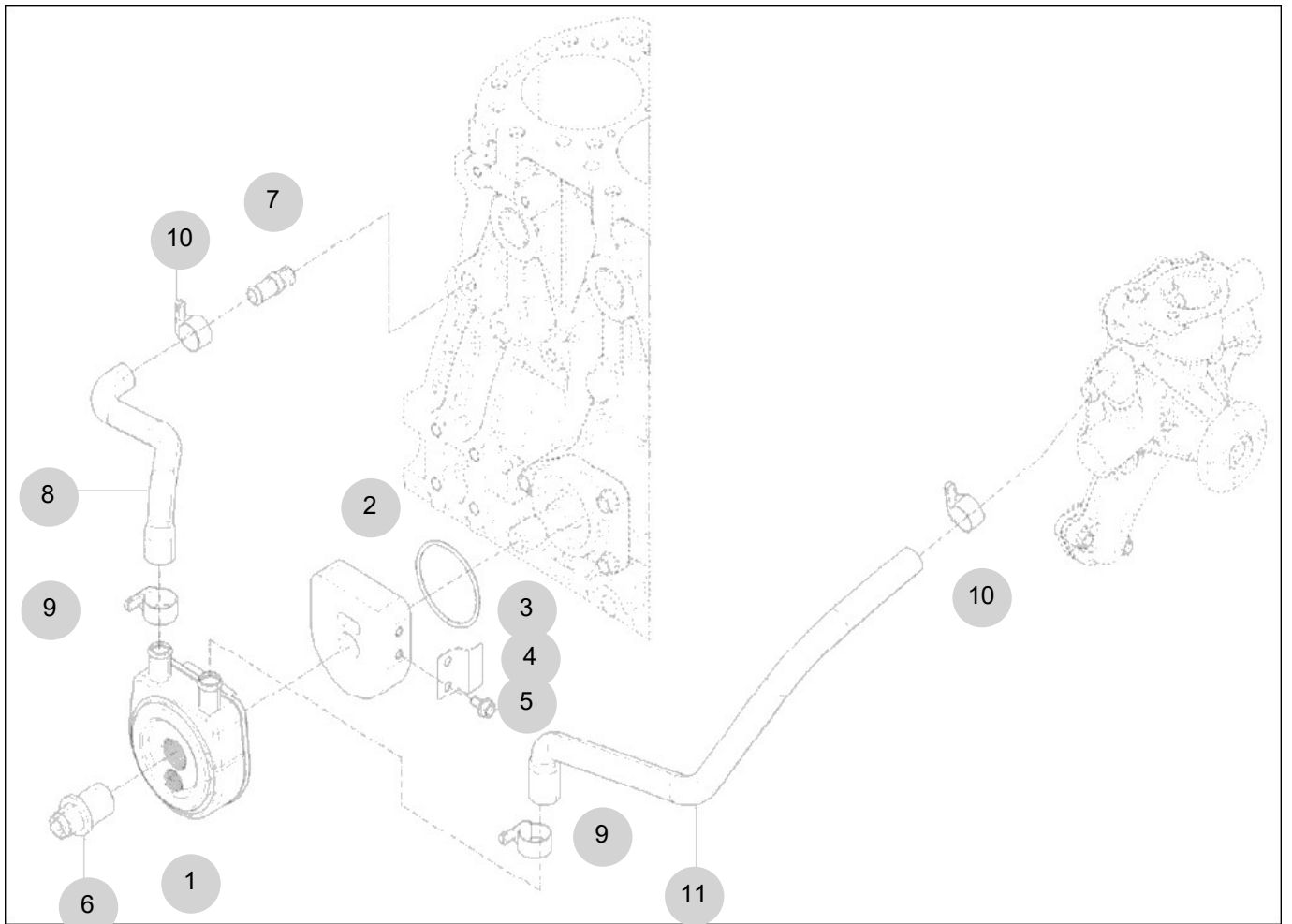
FIG 124

OIL COOLER

년/월
Year/Month

T574NC

2022-12



NOTE

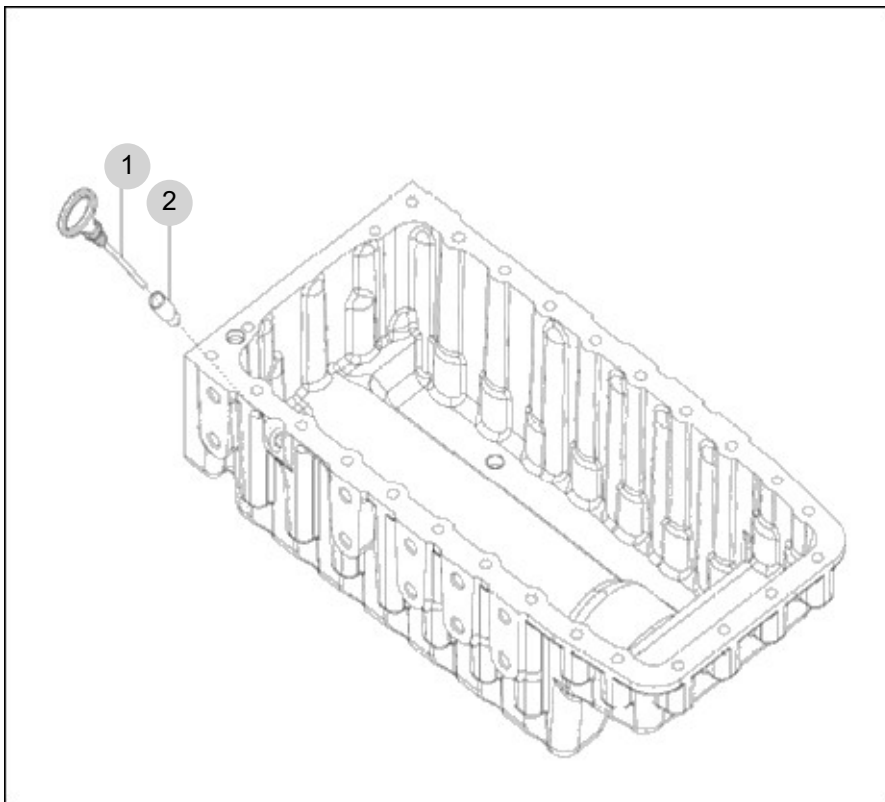
FIG 125

OIL GAUGUE

년/월
Year/Month

T574NC

2022-12



NOTE

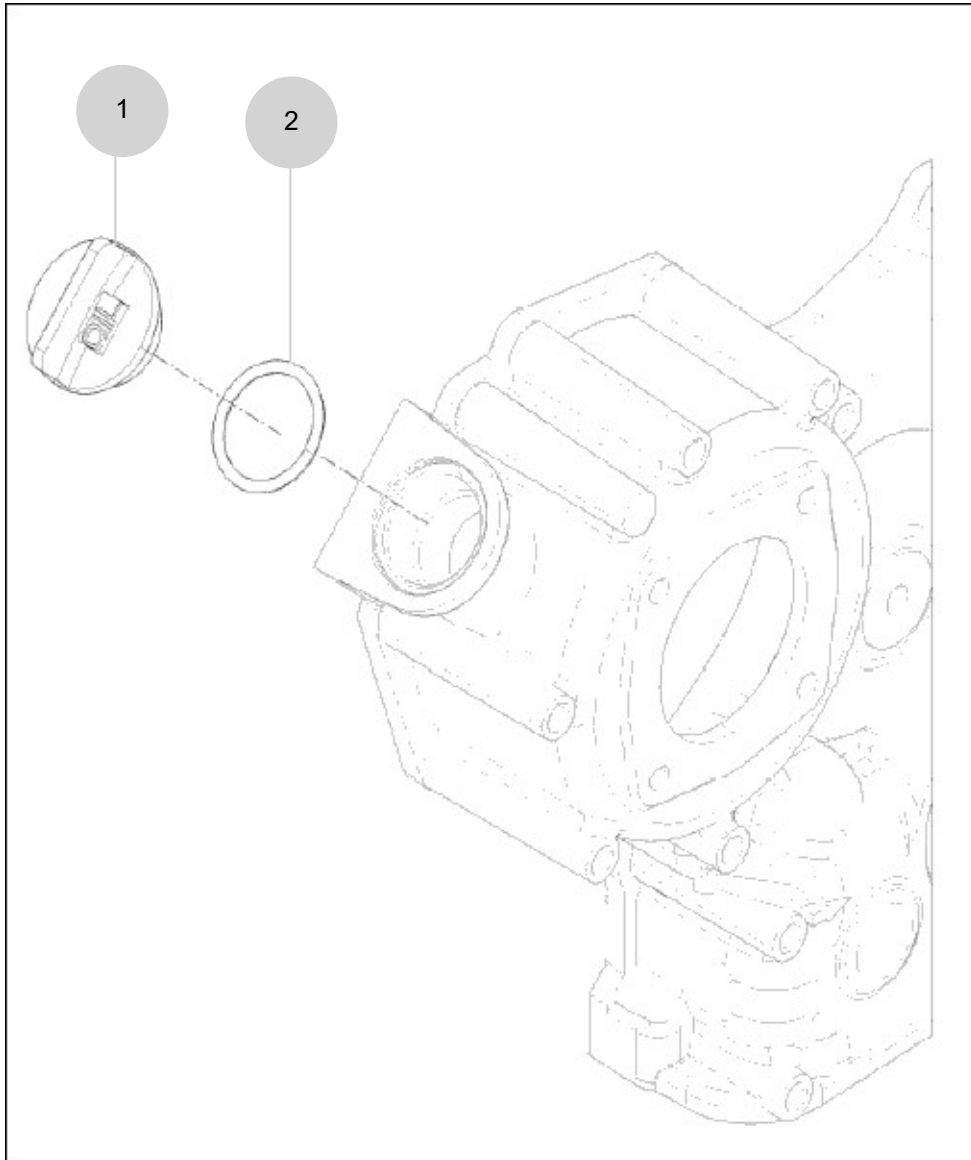
FIG 126

T574NC

OIL FILLER CAP

년/월
Year/Month

2022-12



NOTE

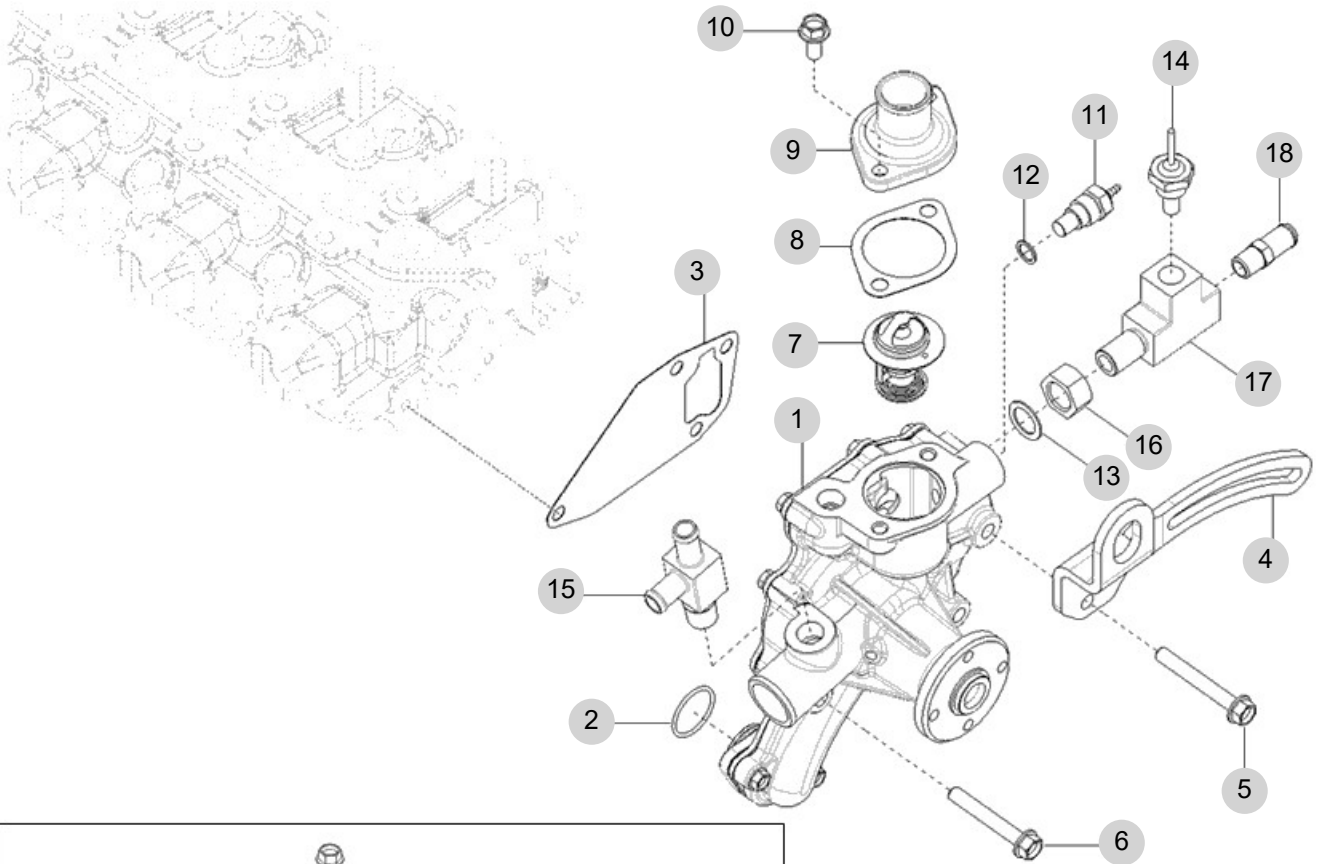
FIG 127

COOLING WATER PUMP

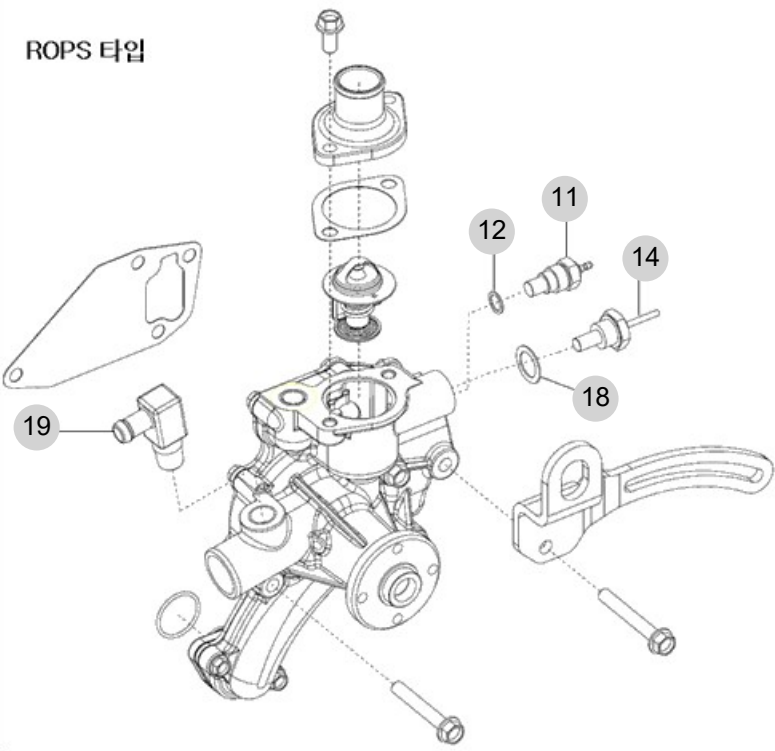
년/월
Year/Month

2022-12

T574NC



ROPS 타입



NOTE

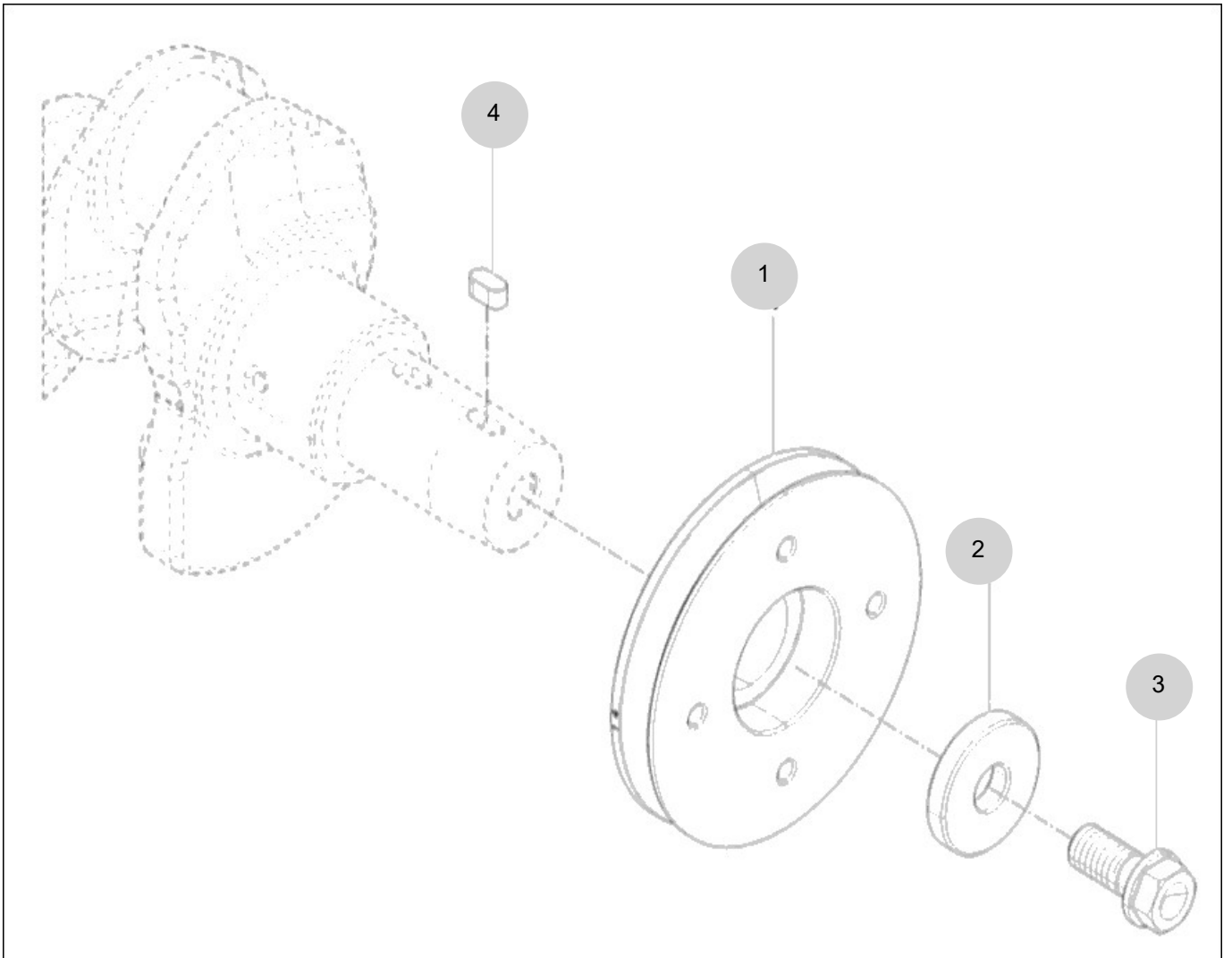
FIG 128

T574NC

CRANK SHAFT PULLEY

년/월
Year/Month

2022-12



NOTE

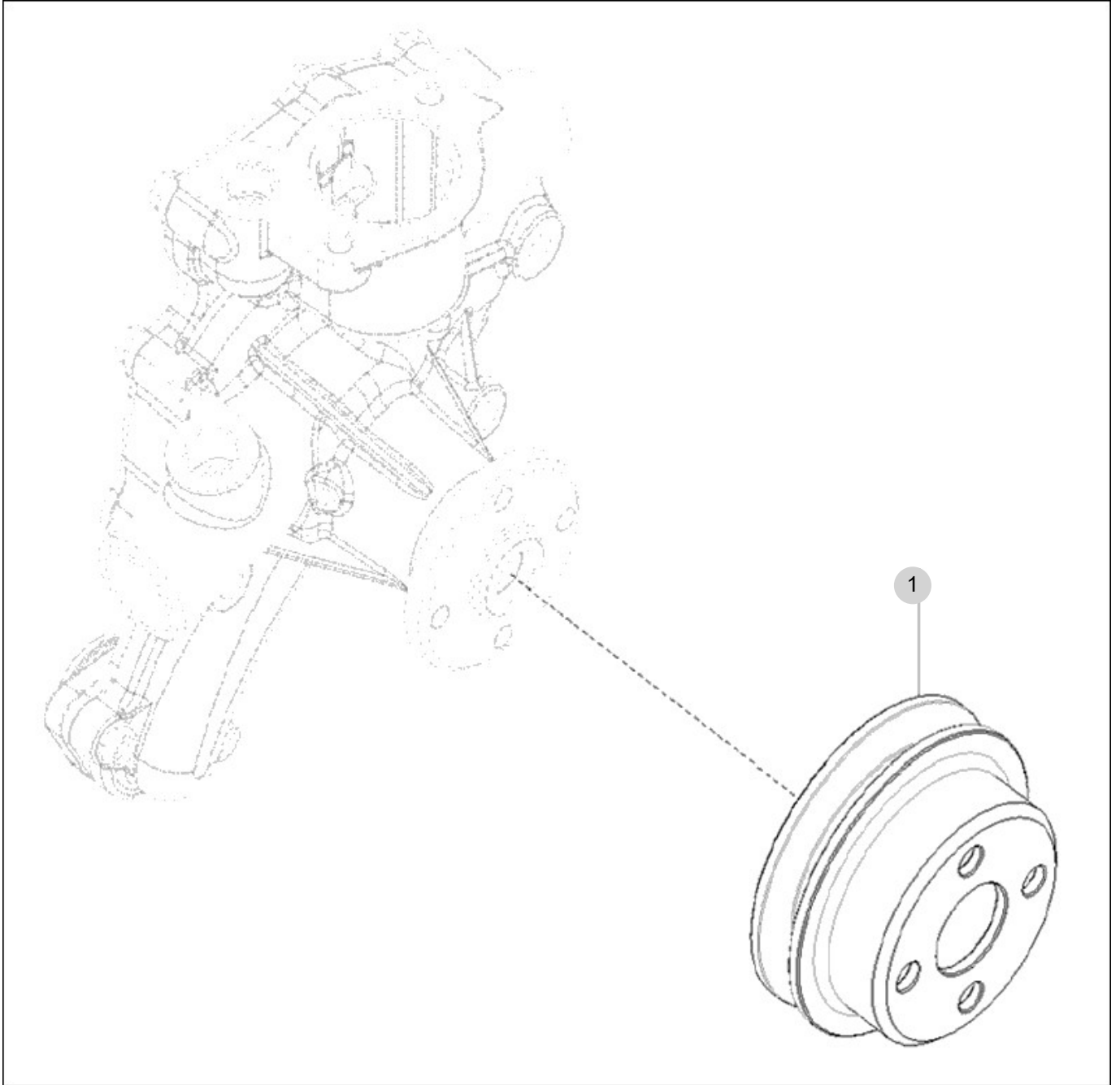
FIG 129

V-PULLEY

년/월
Year/Month

T574NC

2022-12



NOTE

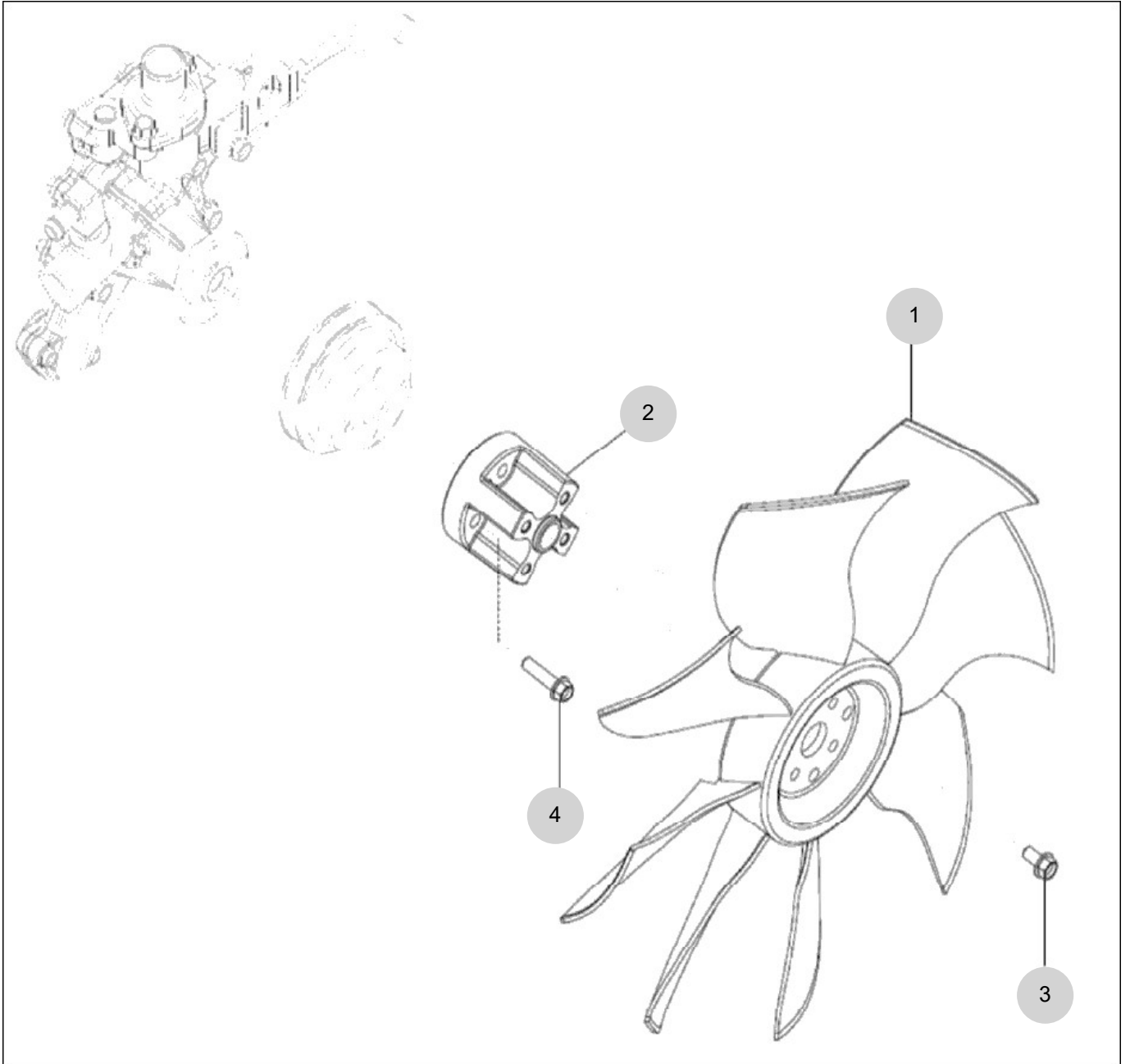
FIG 130

COOLING FAN

년/월
Year/Month

T574NC

2022-12



NOTE

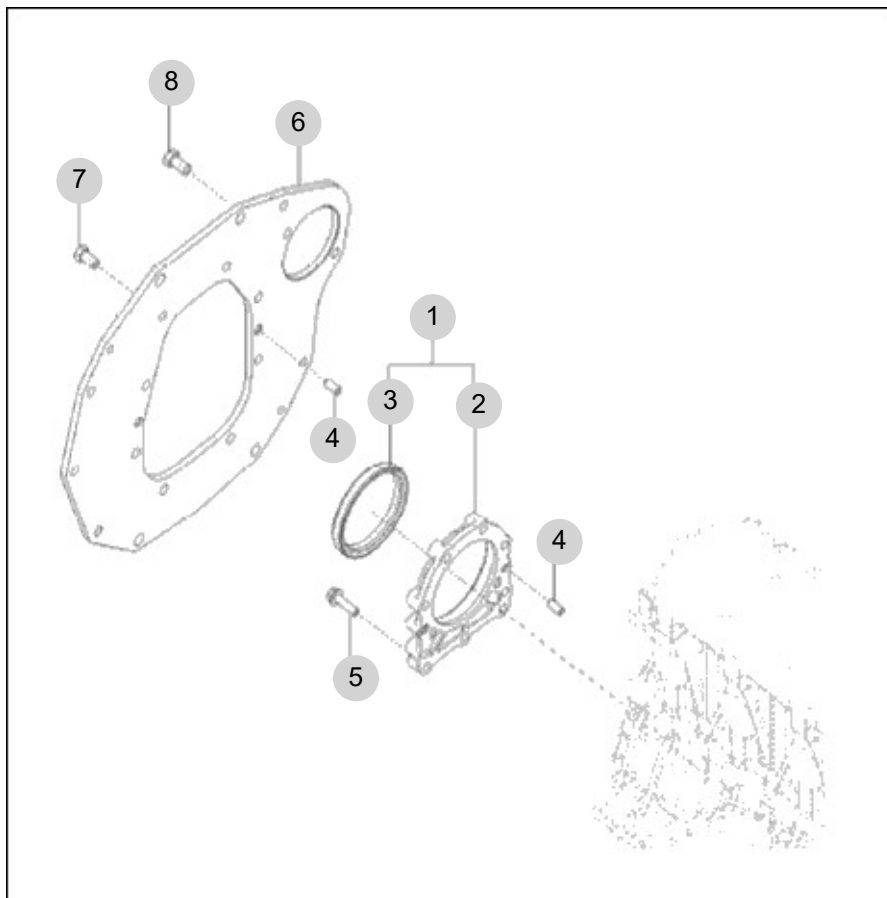
FIG 131

T574NC

FLYWHEEL HOUSING

년/월
Year/Month

2022-12



NOTE

FIG 131		FLYWHEEL HOUSING						년/월 Year/Month	
								2022-12	
T574NC									
KEY NO	PART NO	DESCRIPTION	SPEC	QTY	REPAIR	EFFECTIVE DATE	REMARKS		
131	1	HRC0300800A	OIL SEAL HOUSING ASSY(HRA0301401B2 단품으로 주문변경)		1				
131	2	HRA0301401B	HOUSING, OIL SEAL		1				
131	3	HRC0300802A	OIL SEAL(F)		1				
131	4	22312-080160	PIN, DOWEL		4				
131	5	26106-080302	FLANGE BOLT		9				
131	6	EA00005602A	MOUNTING FLANGE		1				
131	7	26116-100202	HEX. BOLT		8				
131	8	26116-120302	HEX. BOLT		4				
NOTE									

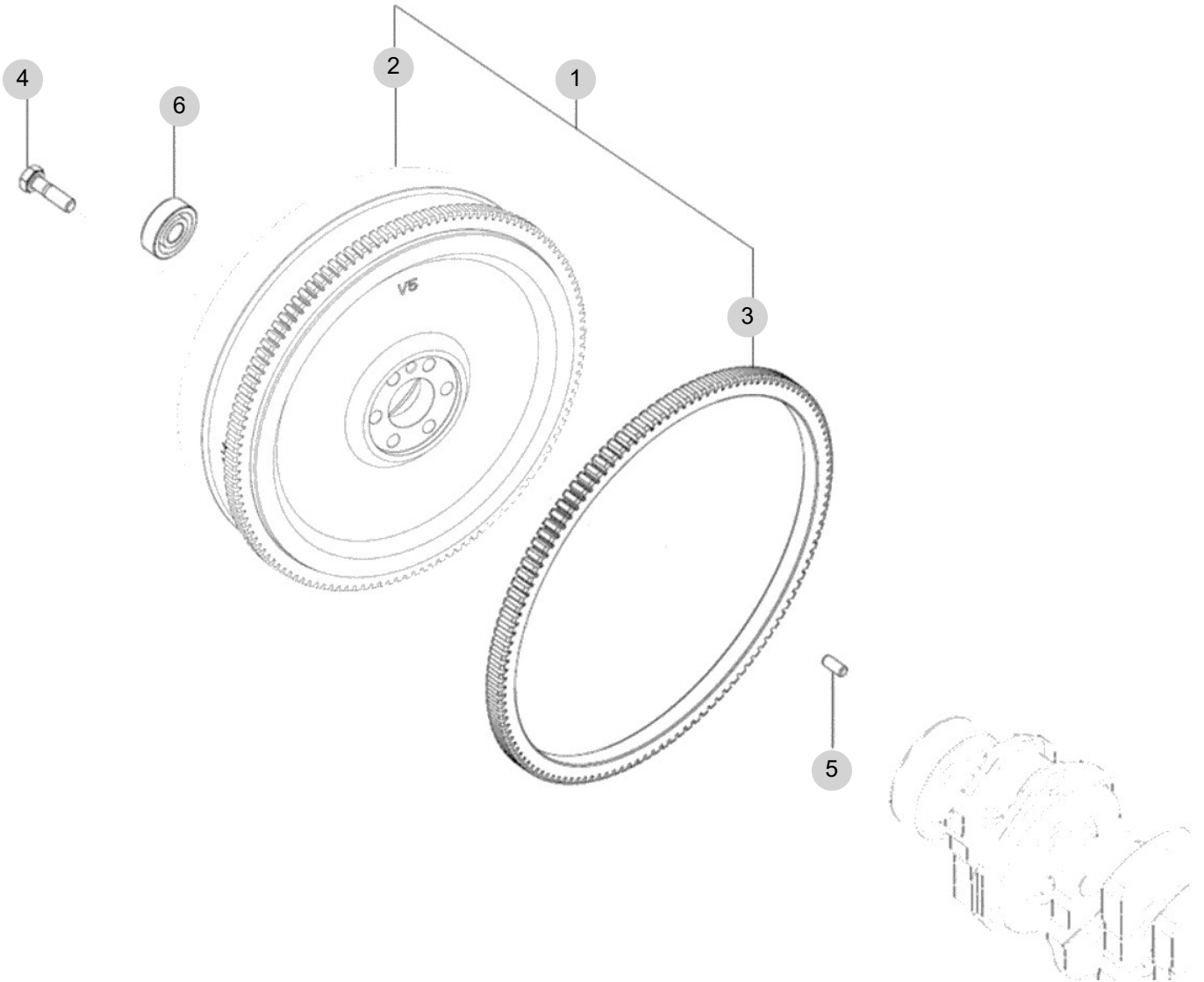
FIG 132

T574NC

FLYWHEEL

년/월
Year/Month

2022-12



NOTE

FIG 132		FLYWHEEL						년/월 Year/Month	REMARKS
								2022-12	
T574NC									
KEY NO	PART NO	DESCRIPTION	SPEC	QTY	REPAIR	EFFECTIVE DATE	REMARKS		
132	1	EA00005604A	FLYWHEEL ASSY		1				
132	2	EA00005605A	FLYWHEEL		1				
132	3	HA07070000A	RING GEAR		1				
132	4	HRC0801000A	BOLT, FLYWHEEL		6				
132	5	22312-080160	PIN, DOWEL		1				
132	6	24104-063024	BALL BEARING (#6302UU)		1				
NOTE									

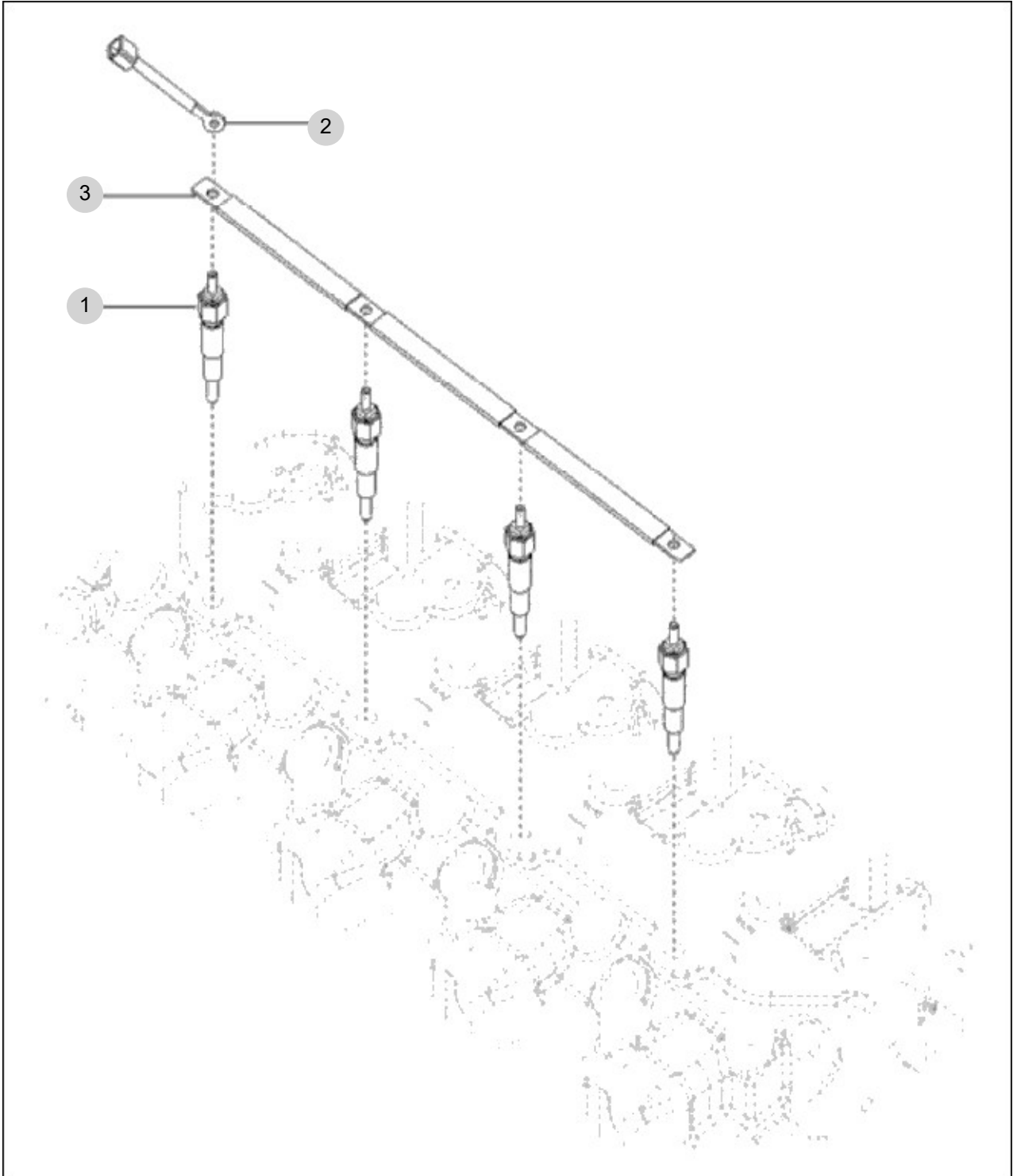
FIG 133

T574NC

GLOW PLUG ASS'Y OPTION

년/월
Year/Month

2022-12



NOTE

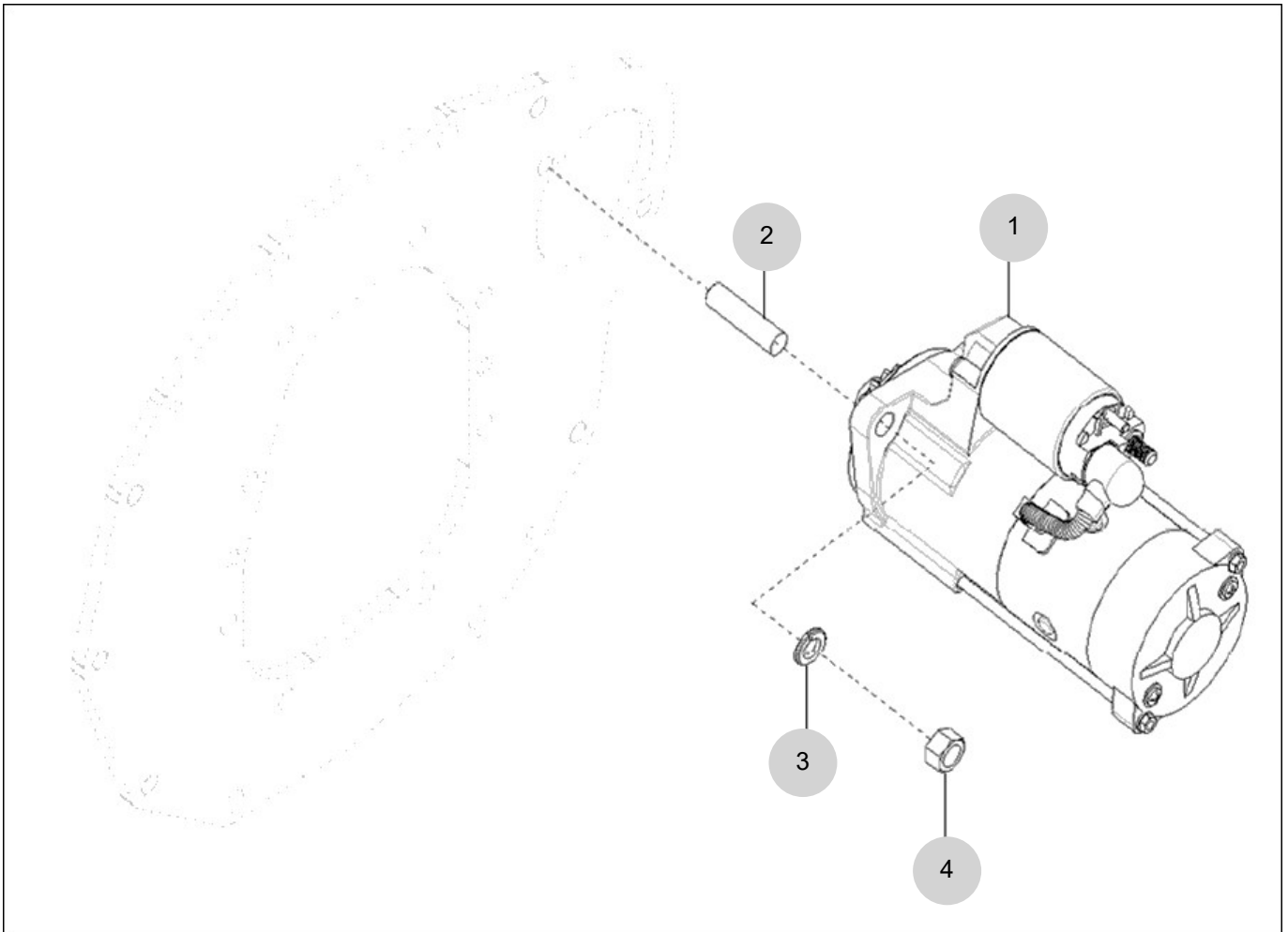
FIG 134

STARTING MOTOR

년/월
Year/Month

2022-12

T574NC



NOTE

FIG 134 T574NC		STARTING MOTOR						년/월 Year/Month	REMARKS
								2022-12	
KEY NO		PART NO	DESCRIPTION	SPEC	QTY	REPAIR	EFFECTIVE DATE		
134	1	EA00004194B	STARTING MOTOR	2.2kW	1				
134	2	26216-120302	STUD		2				
134	3	22217-120000	WASHER		2				
134	4	26716-120002	HEX. NUT		2				
NOTE									

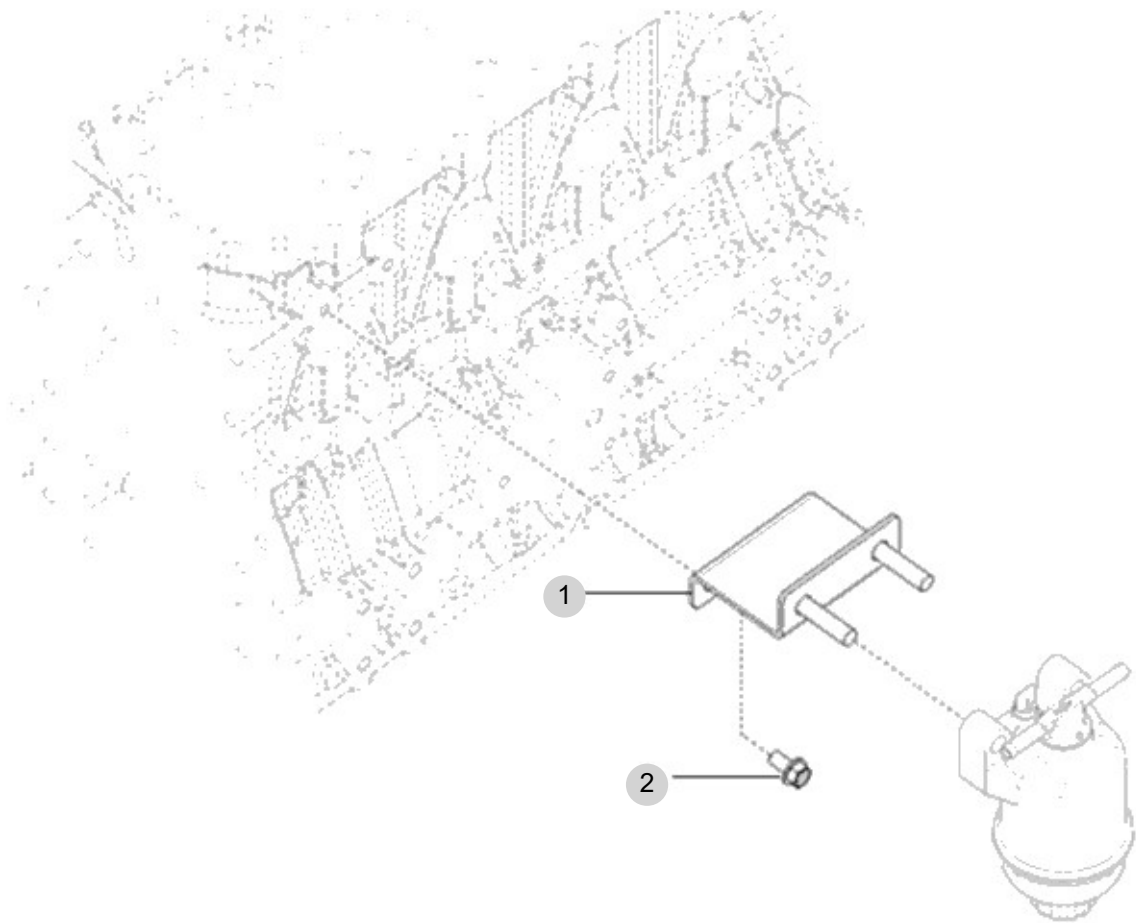
FIG 135

T574NC

FUEL FILTER BRACKET ASS'Y

년/월
Year/Month

2022-12



NOTE

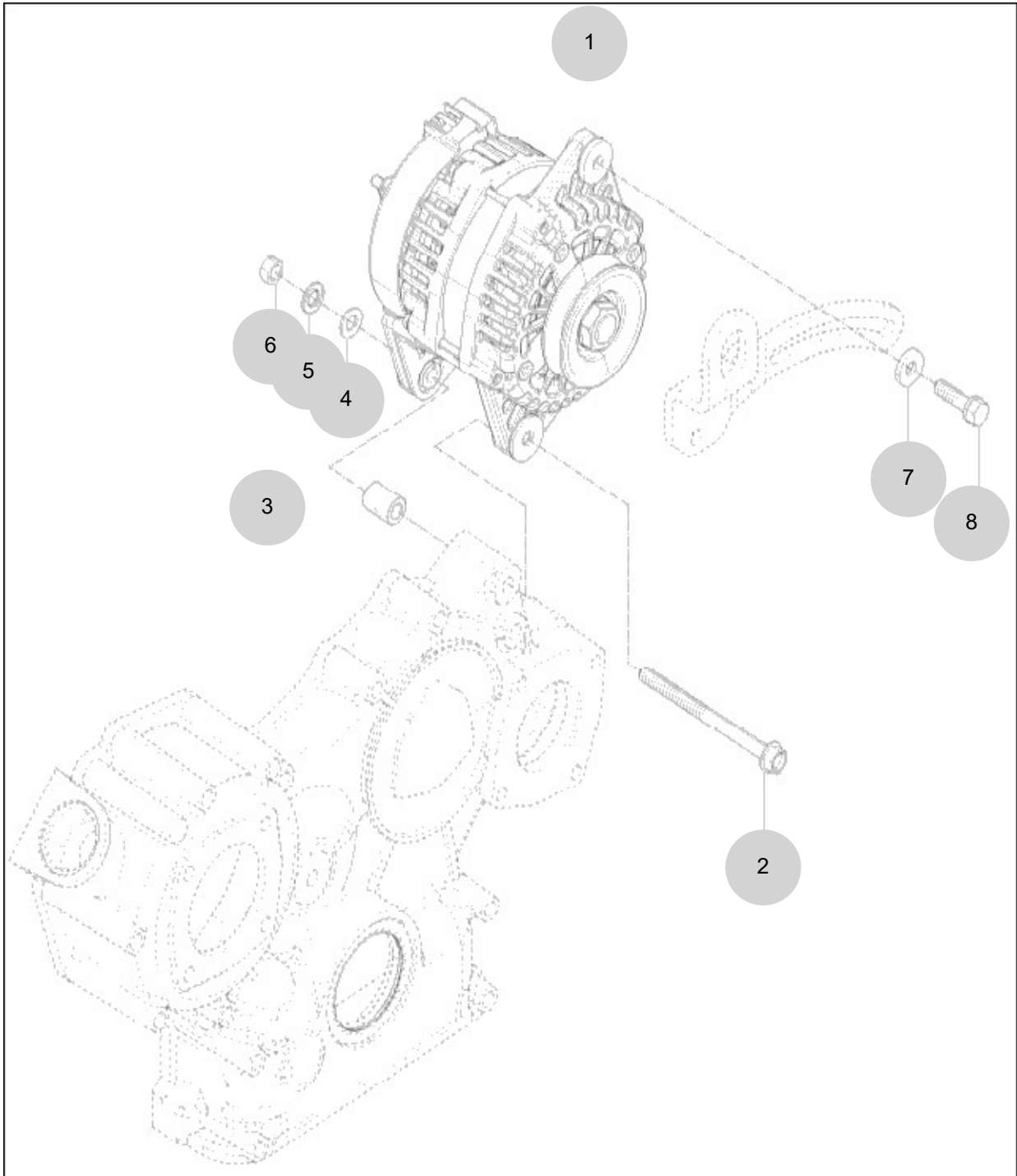
FIG 136

ALTERNATOR

년/월
Year/Month

T574NC

2022-12



NOTE

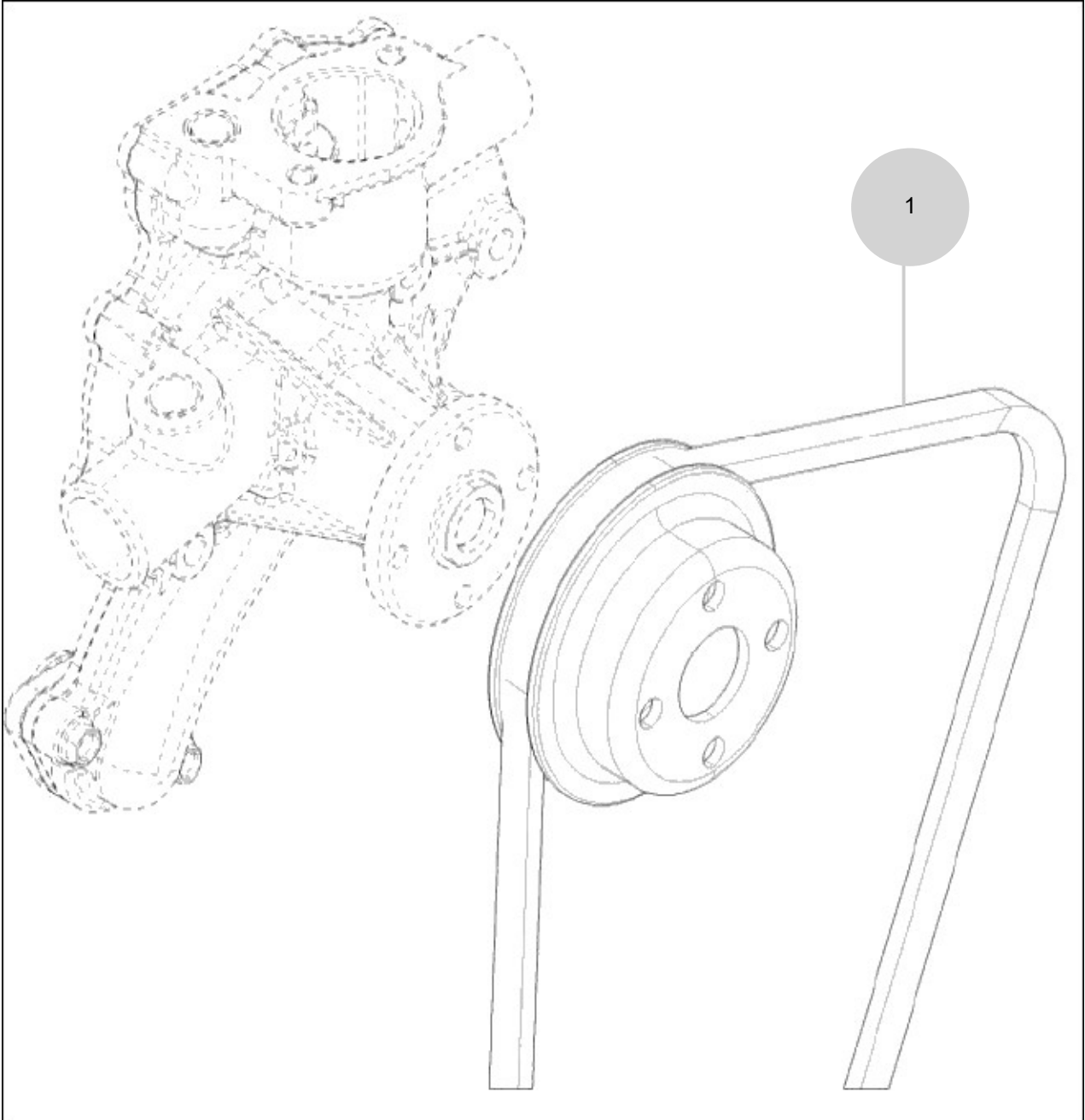
FIG 137

T574NC

V-BELT

년/월
Year/Month

2022-12



NOTE

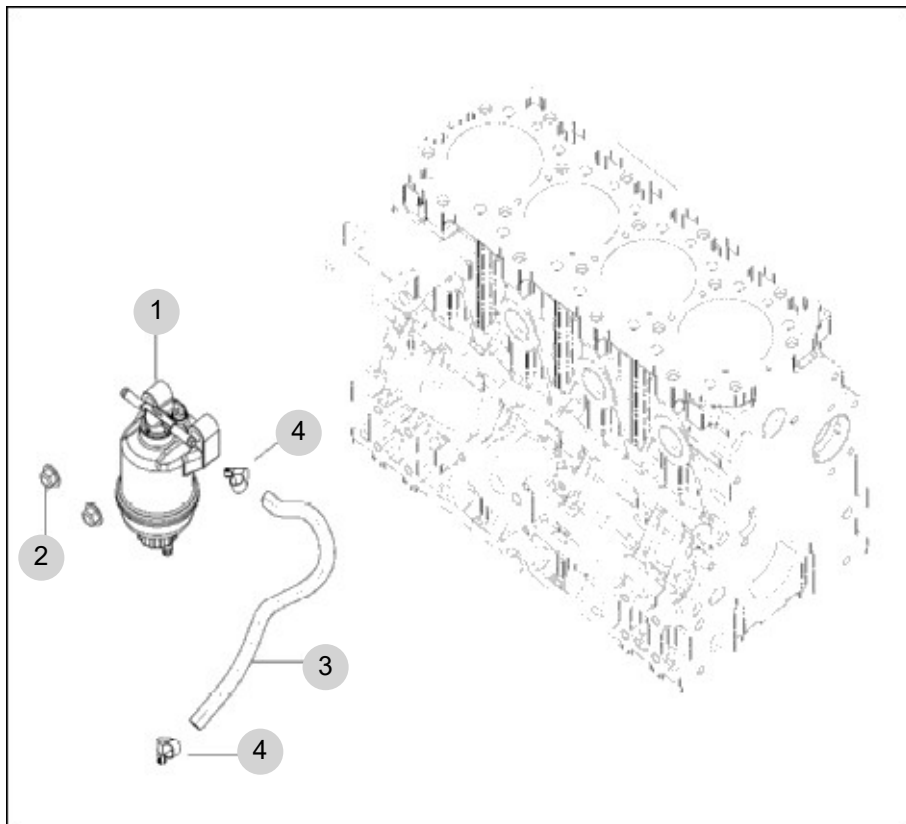
FIG 138

T574NC

FUEL FILTER

년/월
Year/Month

2022-12



NOTE

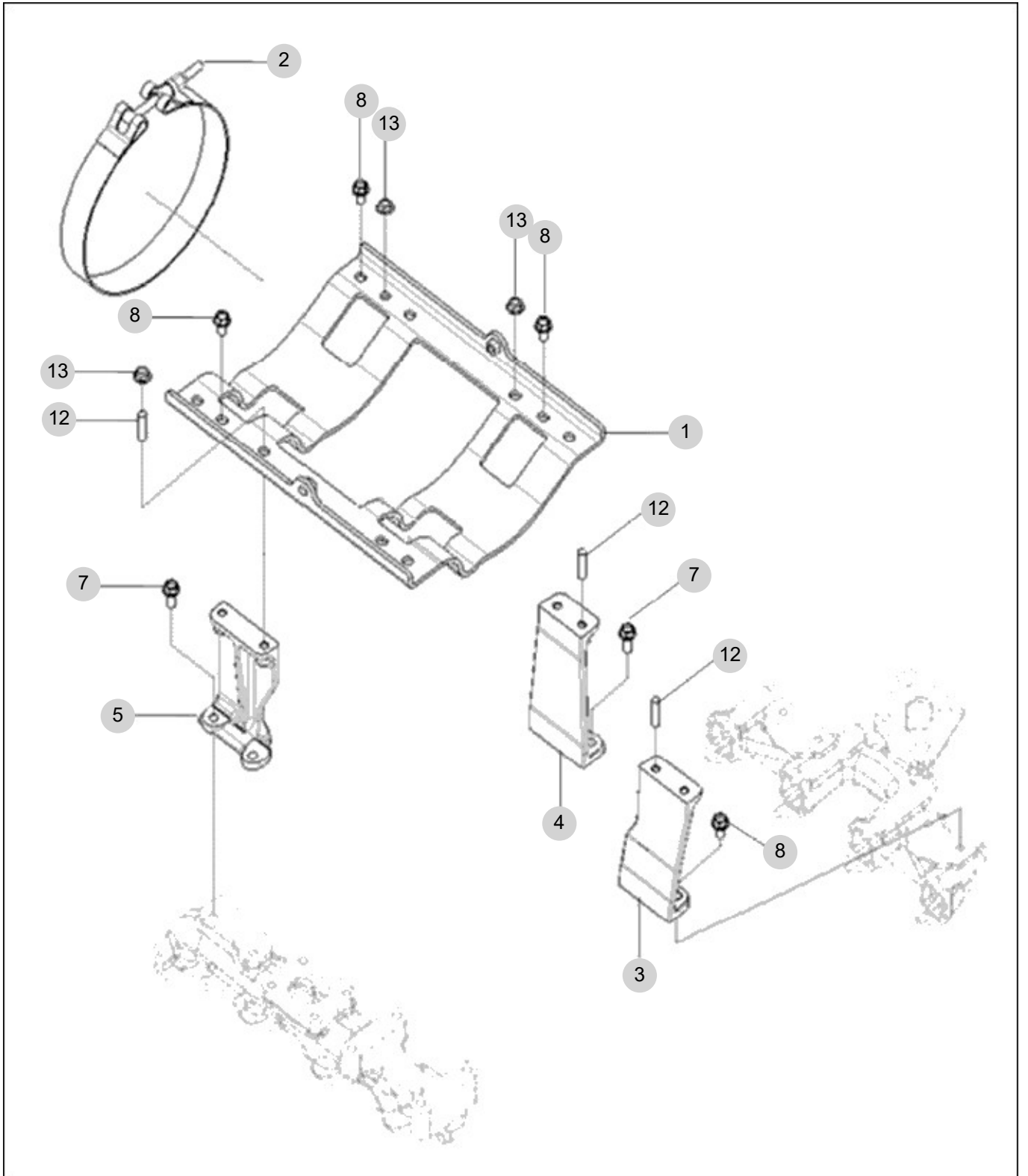
FIG 139A

DPF SUPPORT (T574)

년/월
Year/Month

T574NC

2022-12



NOTE

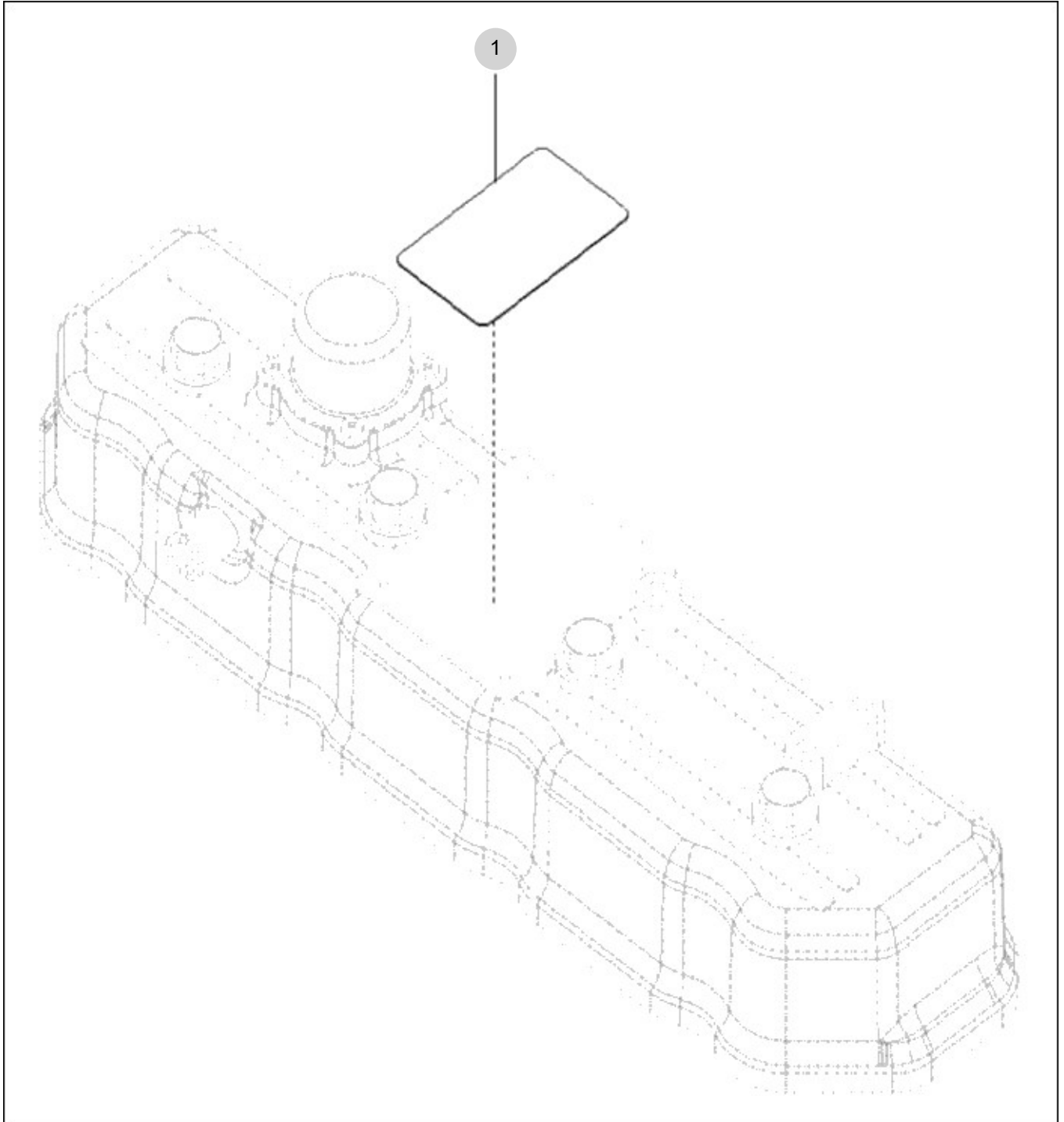
FIG 140

T574NC

DATAPLATE

년/월
Year/Month

2022-12



NOTE

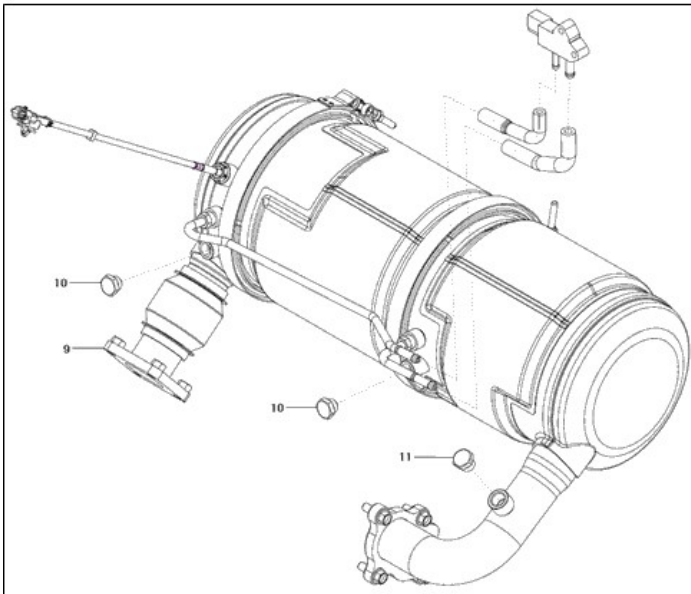
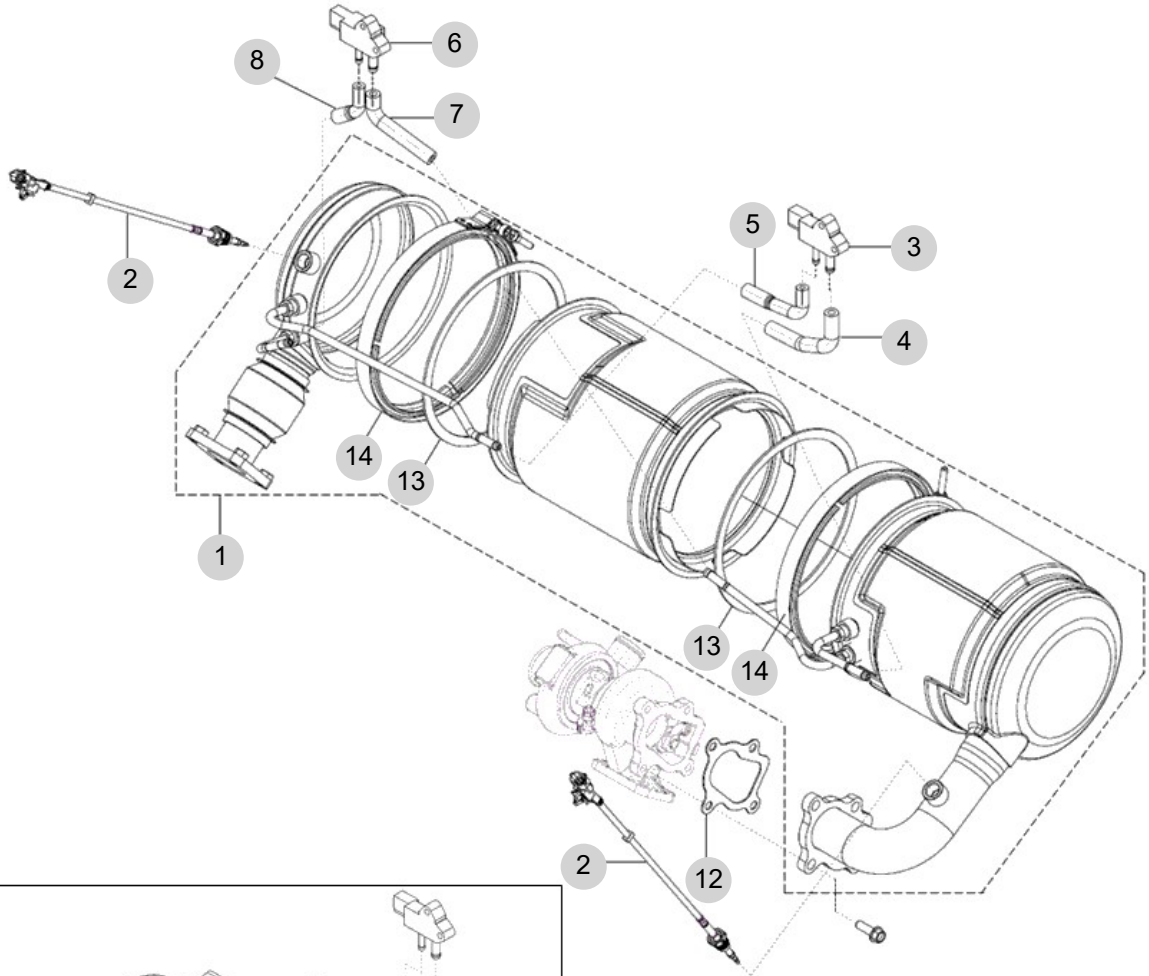
FIG 142A

DPF ASS'Y (T574)

년/월
Year/Month

2022-12

T574NC



NOTE

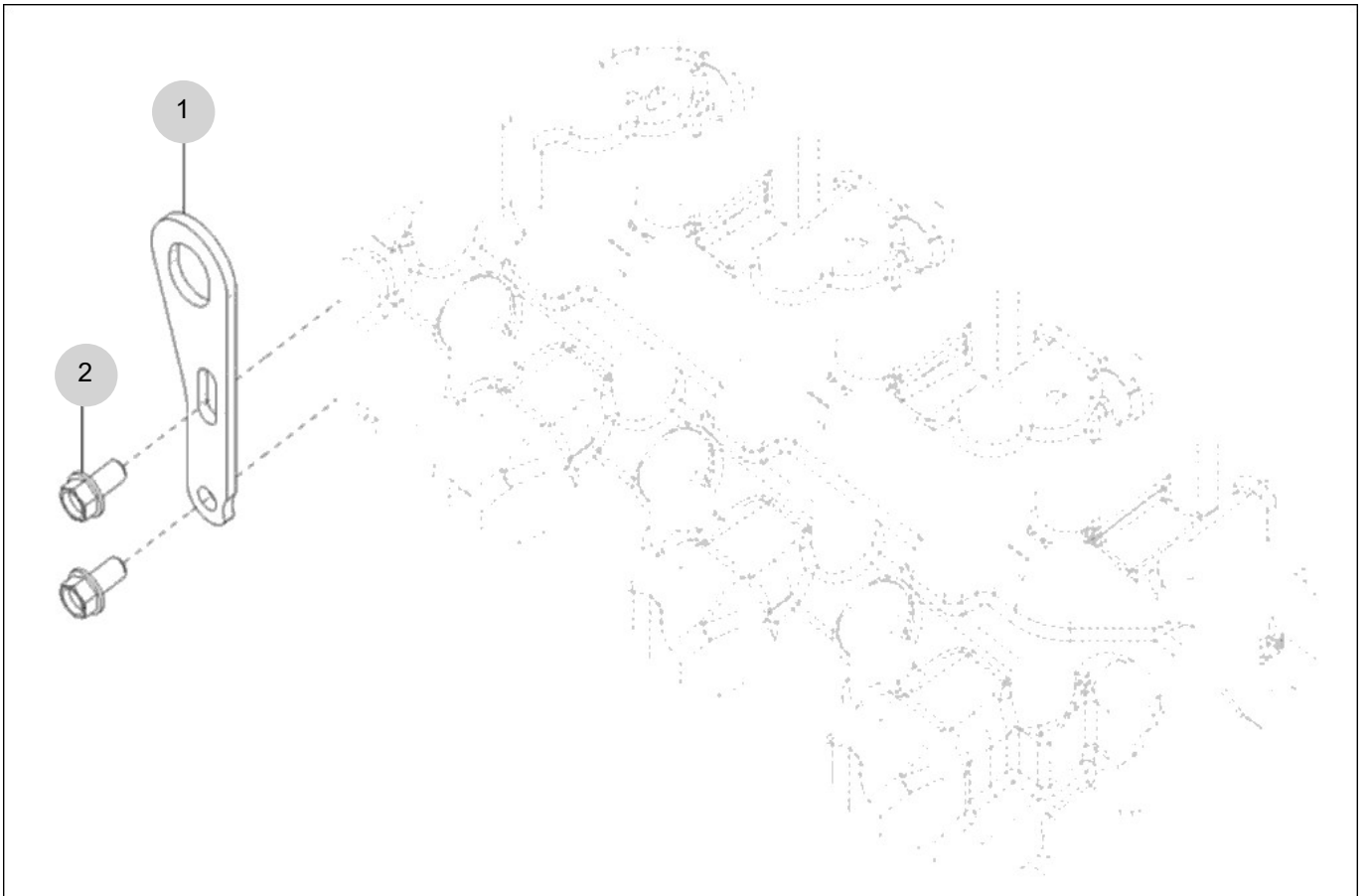
FIG 143

T574NC

LIFT ASS'Y

년/월
Year/Month

2022-12



NOTE

FIG 143 T574NC			LIFT ASS'Y				년/월 Year/Month 2022-12
KEY NO	PART NO	DESCRIPTION	SPEC	QTY	REPAIR	EFFECTIVE DATE	REMARKS
143	1	HK03530000B	BRACKET, LIFTING	1			
143	2	26106-080162	BOLT, M8X 16 PLATED	2			
NOTE							

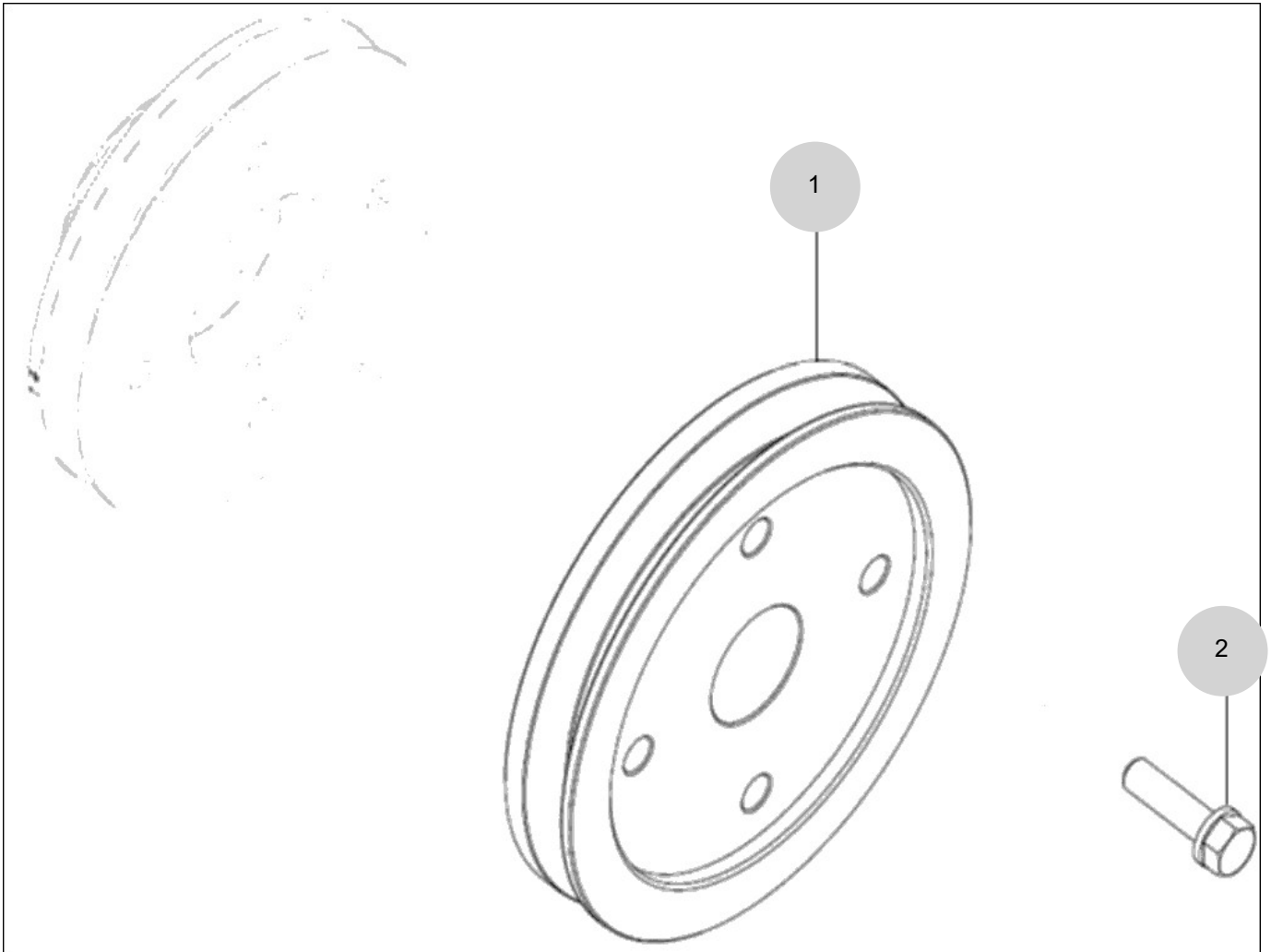
FIG 144

T574NC

COMP . DRIVE PULLEY ASS'Y OPTION

년/월
Year/Month

2022-12



NOTE

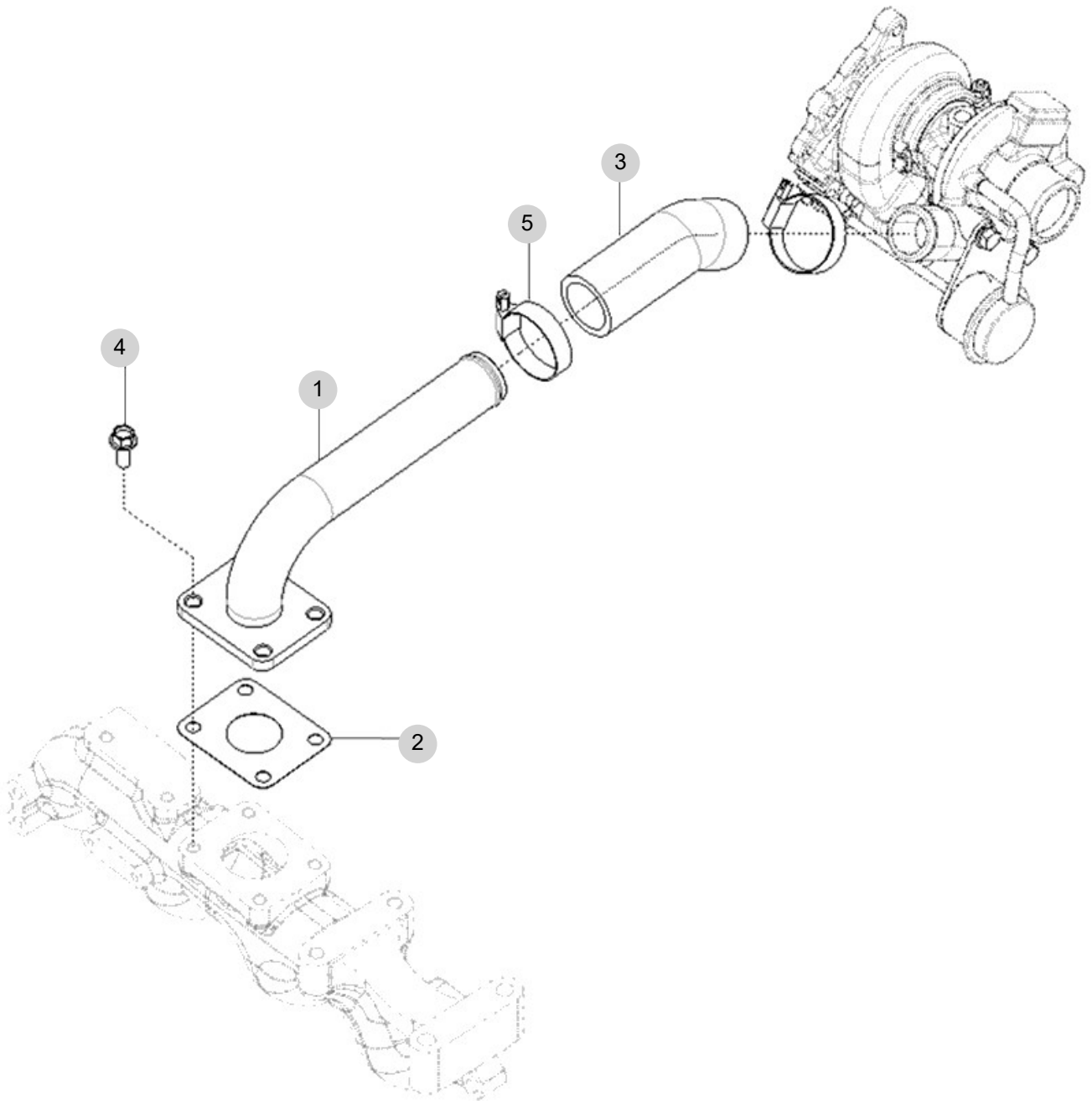
FIG 145

INTAKE PIPE

년/월
Year/Month

T574NC

2022-12



NOTE

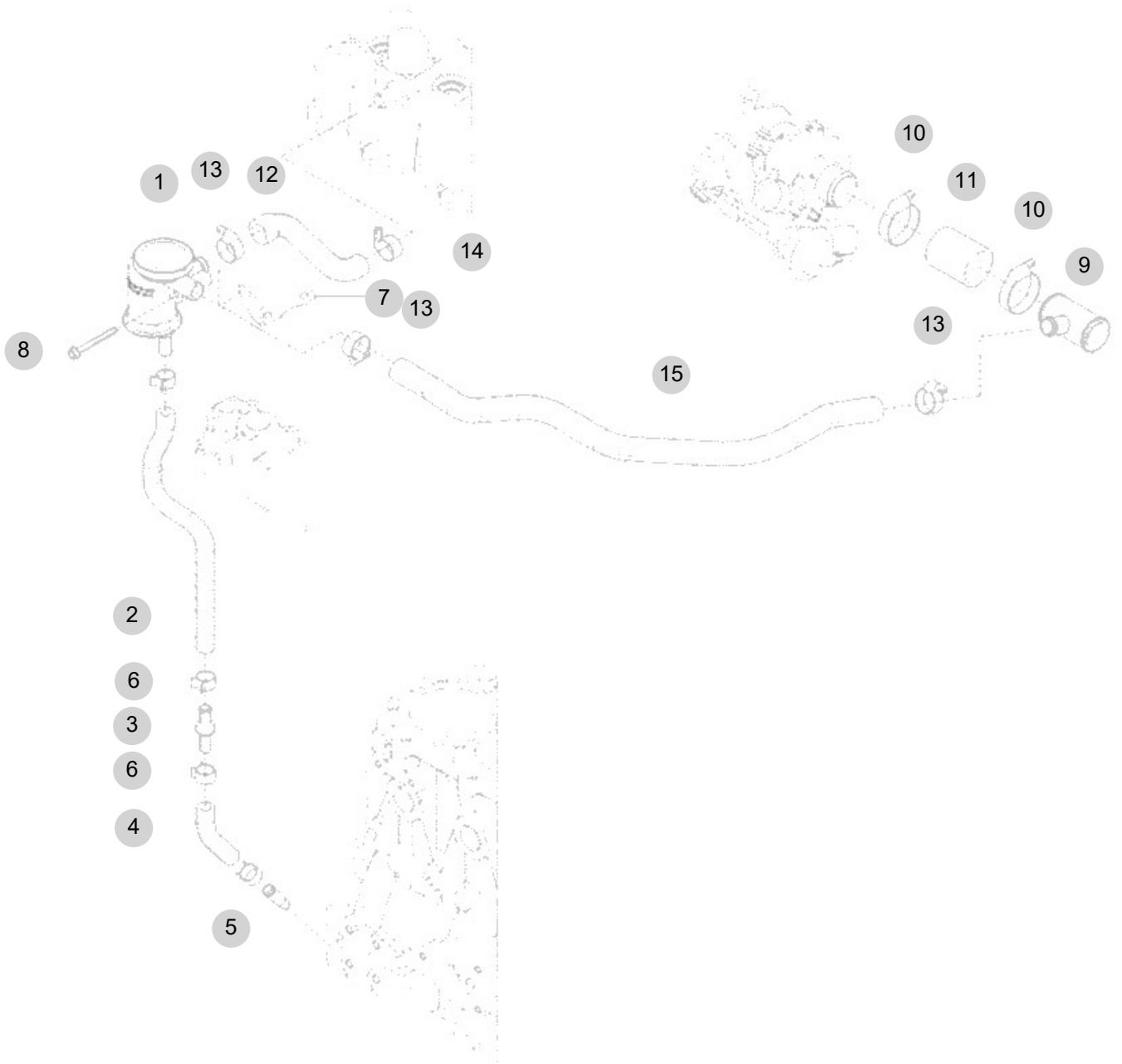
FIG 146

T574NC

CCV ASS'Y

년/월
Year/Month

2022-12



NOTE

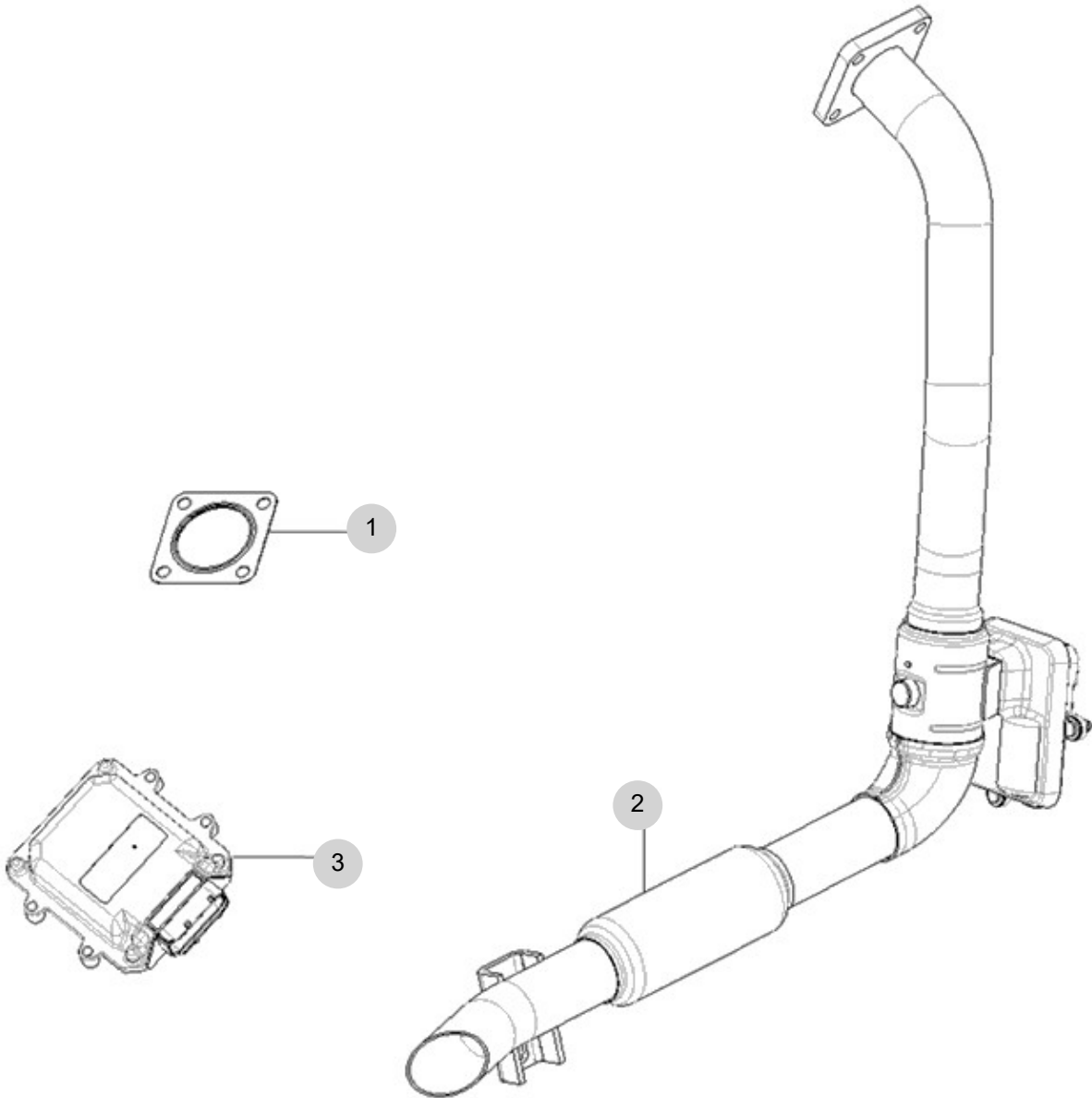
FIG 147

T574NC

LOOSED PARTS

년/월
Year/Month

2022-12



NOTE

2. Engine Accessories PART NO. T2

FIG 201A AIR CLEANER (T574)	109
FIG 202 RADIATOR	111
FIG 203 MUFFLER	113
FIG 204 FUEL HOSE & FILTER	115
FIG 205 FUEL TANK	117
FIG 206 ACCELERATOR	119

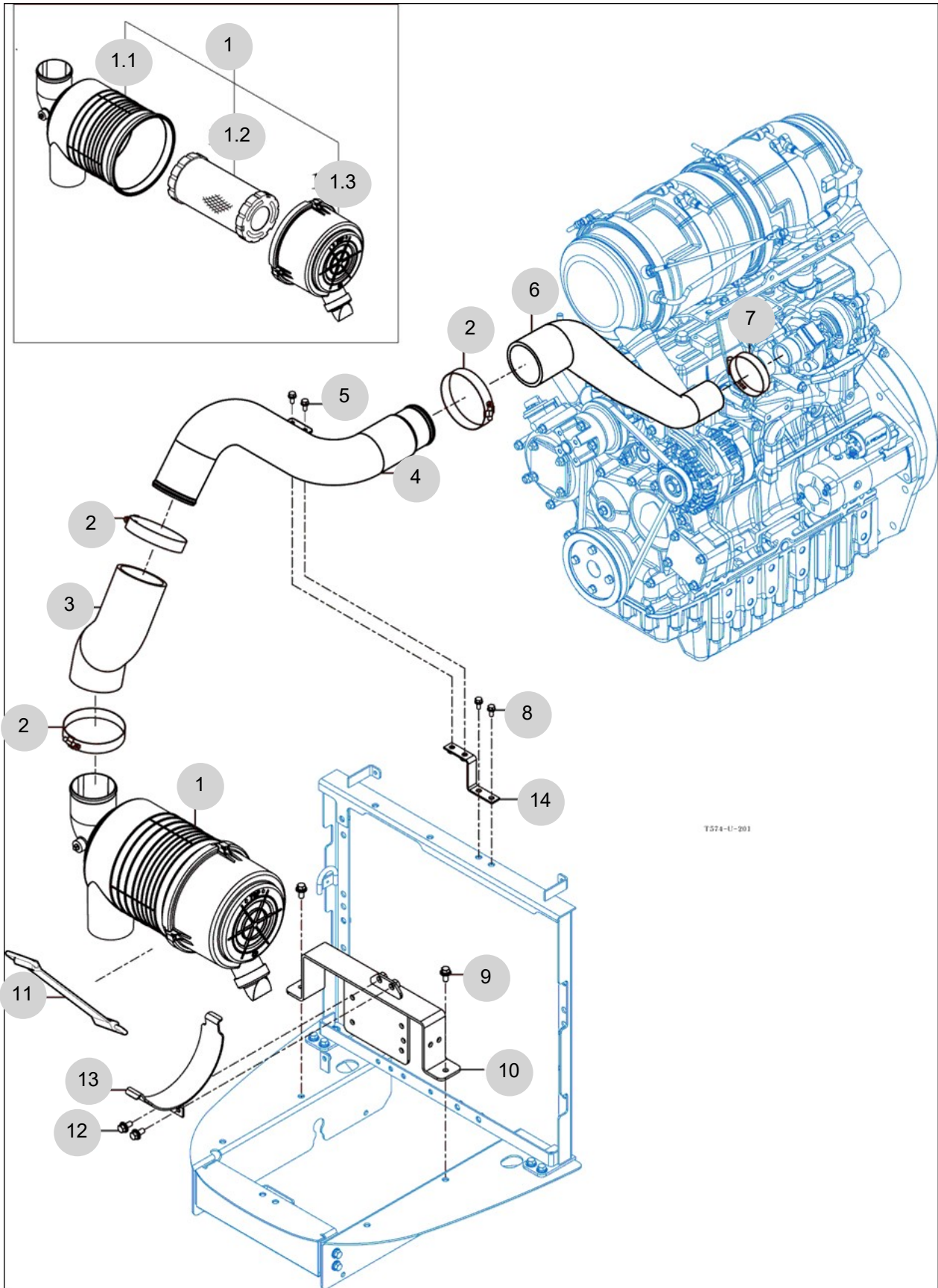
FIG 201A

AIR CLEANER (T574)

년/월
Year/Month

2022-12

T574NC



NOTE

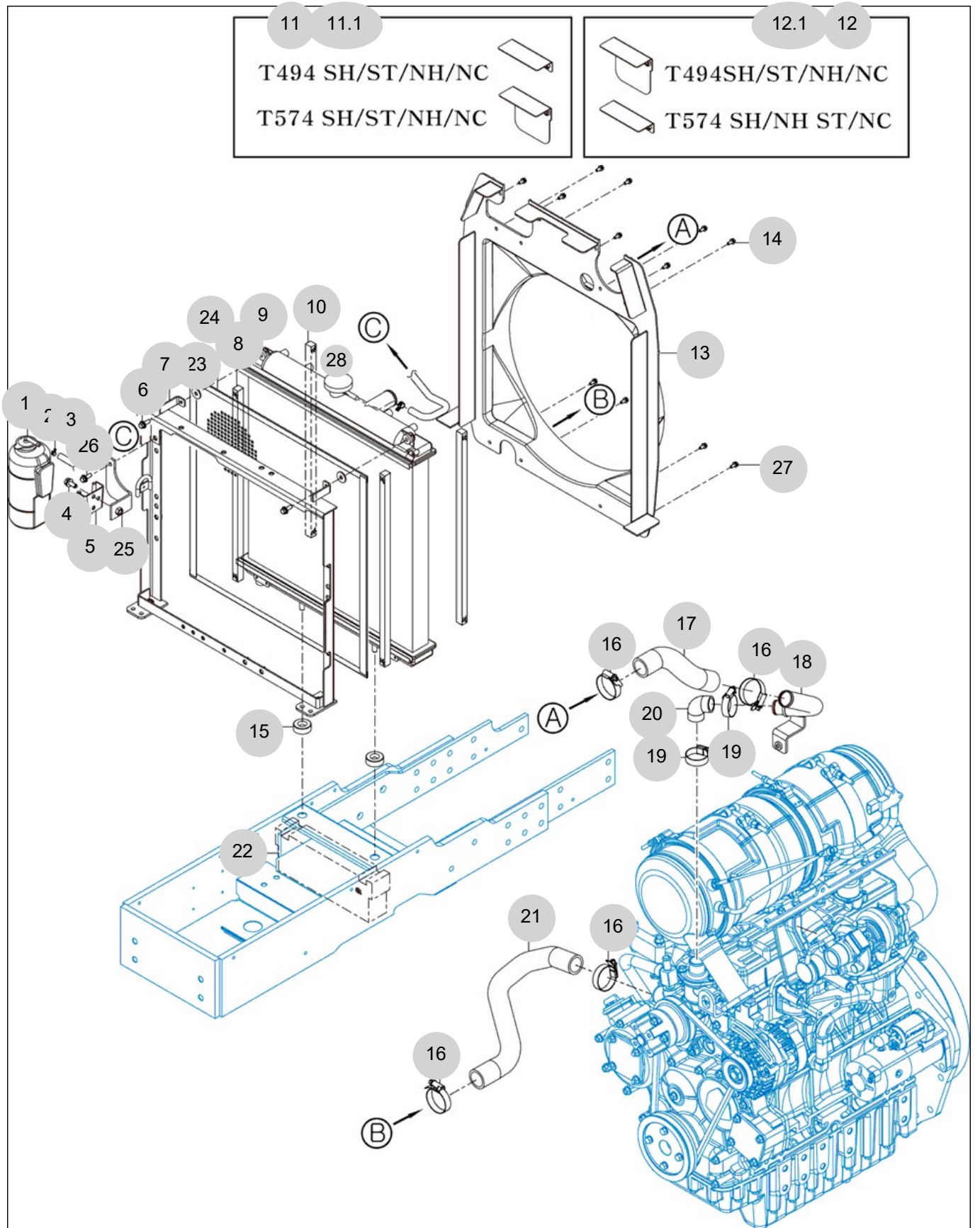
FIG 202

RADIATOR

년/월
Year/Month

2022-12

T574NC



NOTE

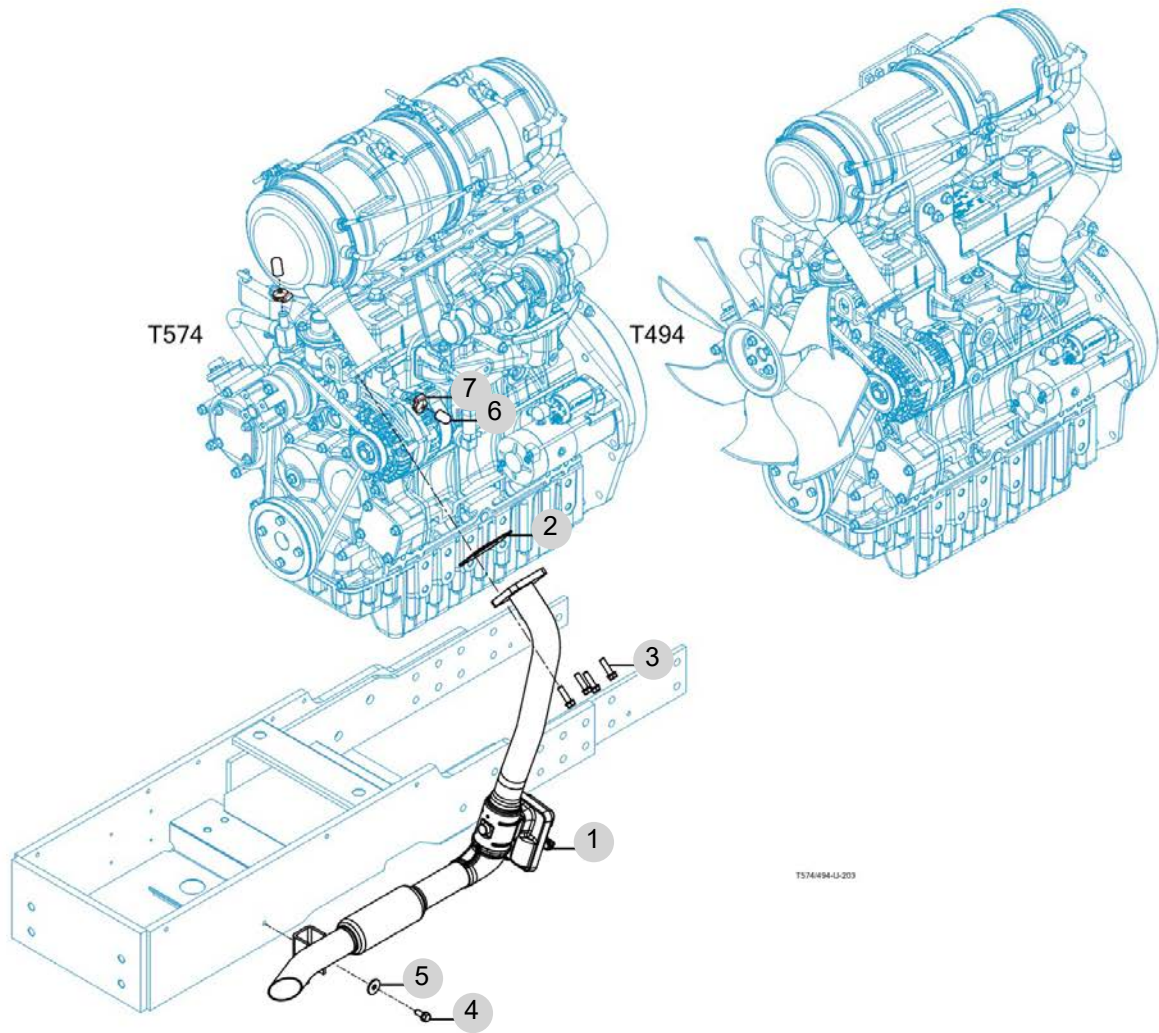
FIG 203

MUFFLER

년/월
Year/Month

2022-12

T574NC



NOTE

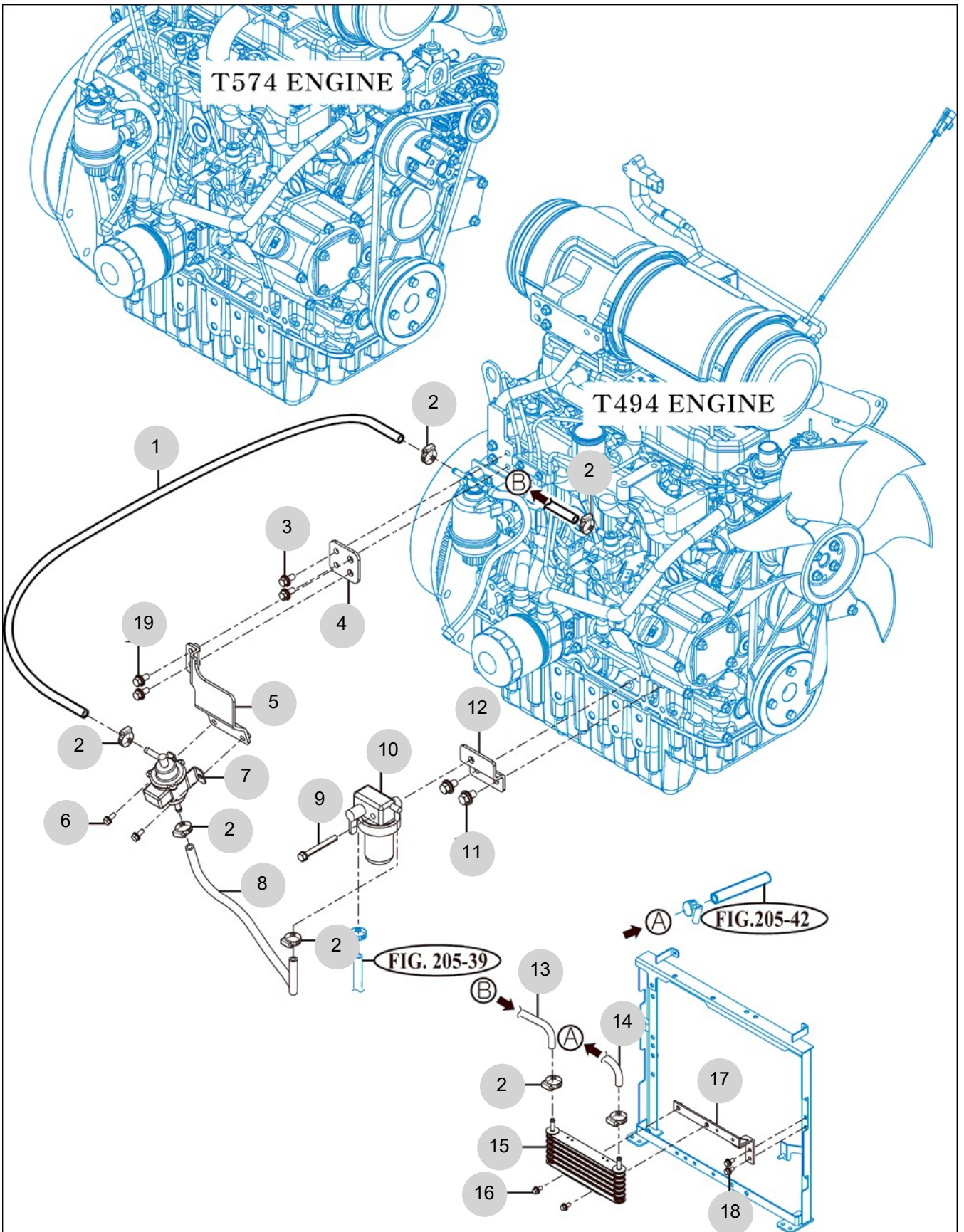
FIG 204

FUEL HOSE & FILTER

년/월
Year/Month

2022-12

T574NC



NOTE

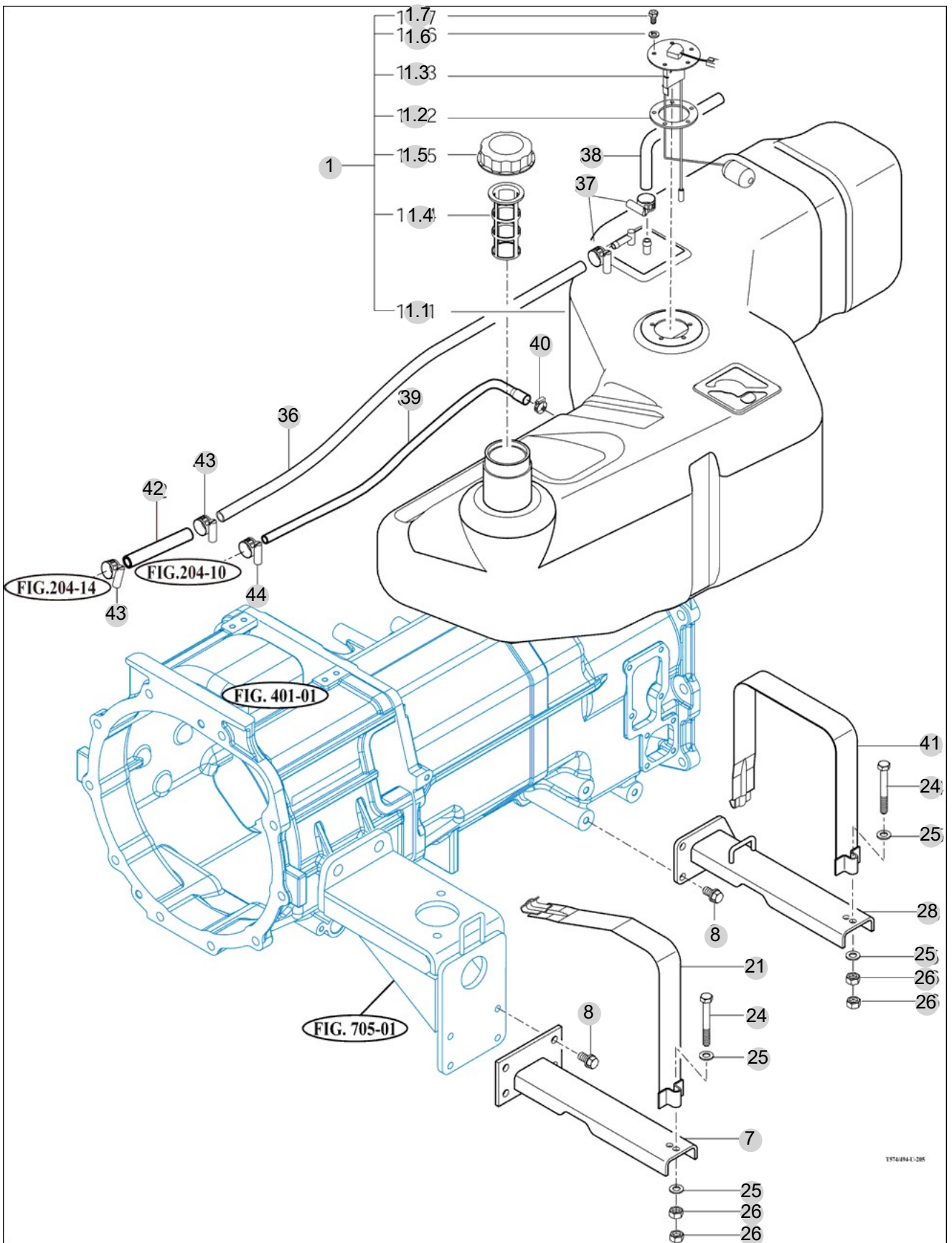
FIG 205

T574NC

FUEL TANK

년/월
Year/Month

2022-12



NOTE

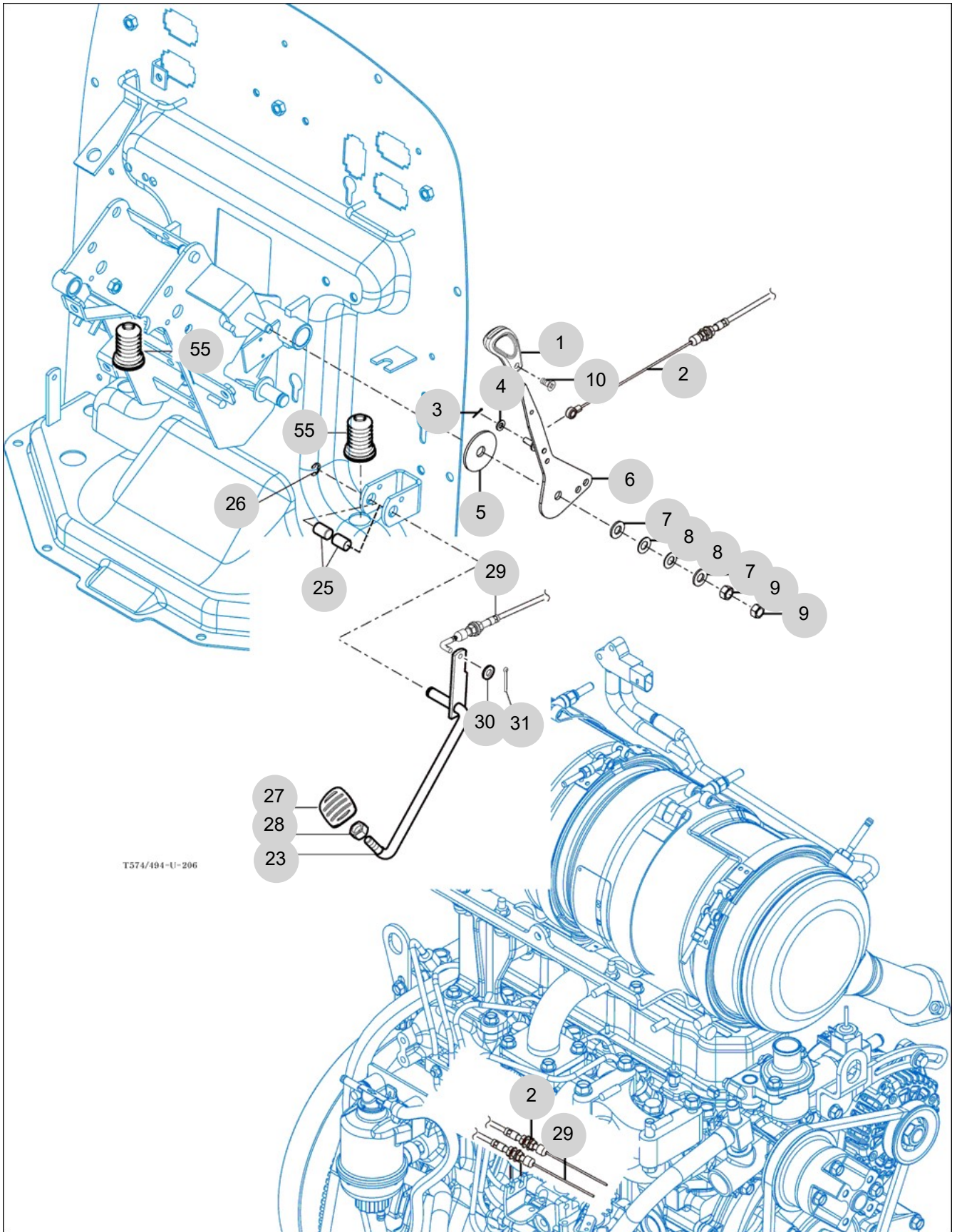
FIG 206

ACCELERATOR

년/월
Year/Month

2022-12

T574NC



NOTE

3. Clutch/Brake/Steering PART NO. T3

FIG 301 CLUTCH	122
FIG 302 CLUTCH PEDAL	124
FIG 303 BRAKE	127
FIG 304 BRAKE PEDAL & LINK	129
FIG 305 FRONT WHEEL	131
FIG 306 REAR WHEEL	133
FIG 307 POWER STEERING WHEEL	135
FIG 308 POWER STEERING VALVE	137
FIG 309 POWER STEERING CYLINDER	139

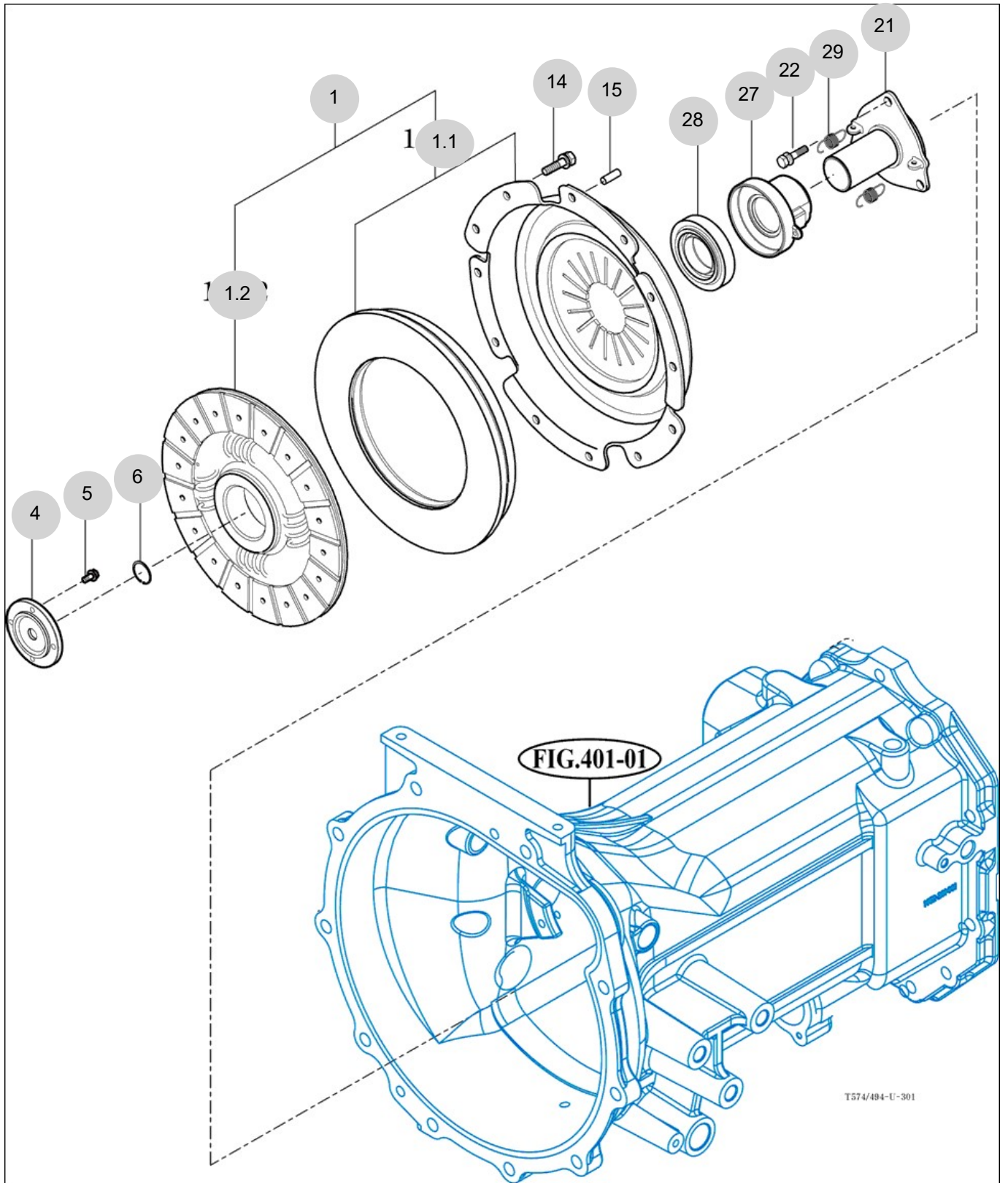
FIG 301

T574NC

CLUTCH

년/월
Year/Month

2022-12



T574/494-U-301

NOTE

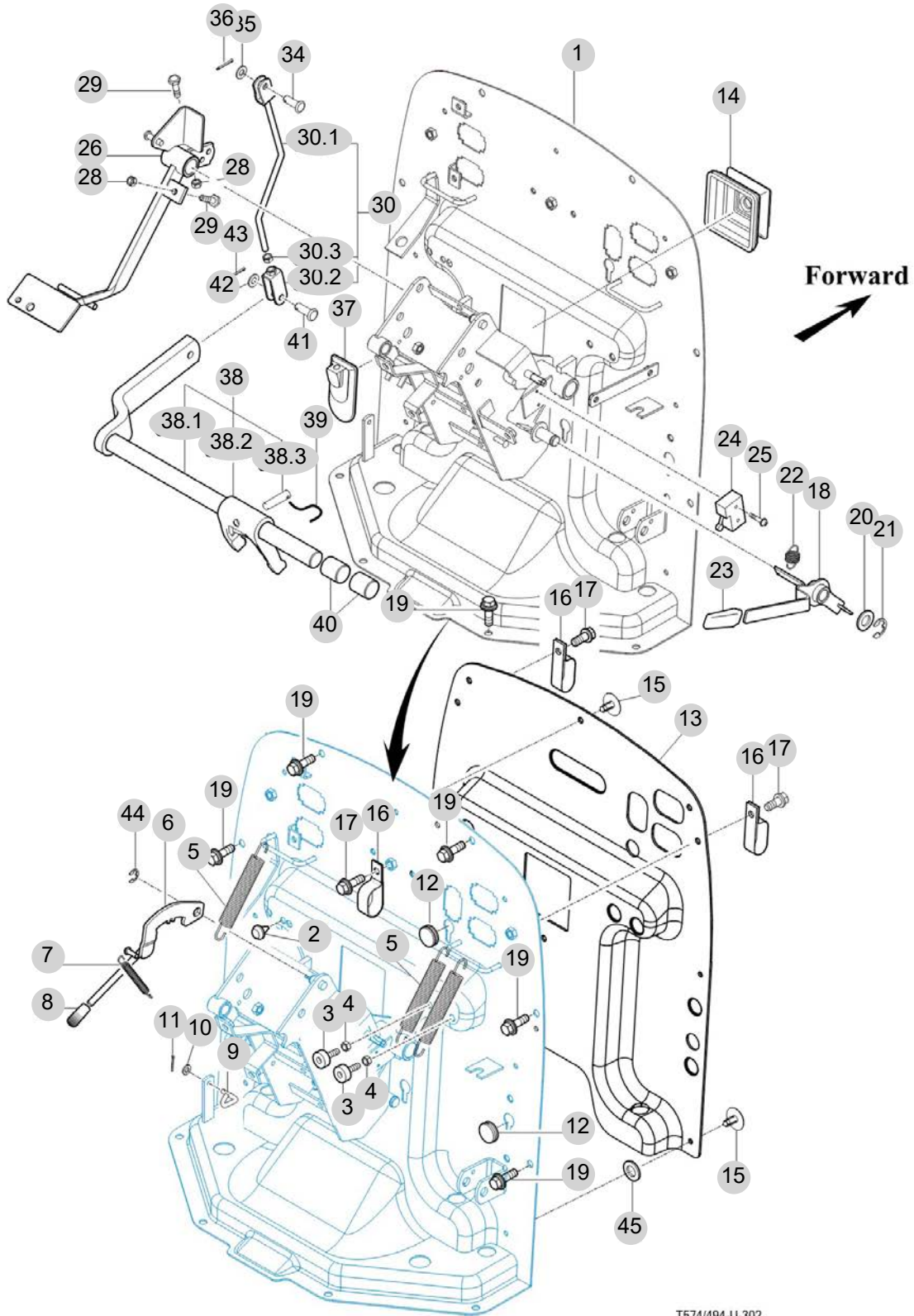
FIG 302

CLUTCH PEDAL

년/월
Year/Month

2022-12

T574NC



T574/494-U-302

NOTE

FIG 302		CLUTCH PEDAL						년/월 Year/Month	
								2022-12	
T574NC		KEY NO	PART NO	DESCRIPTION	SPEC	QTY	REPAIR	EFFECTIVE DATE	REMARKS
302	1	13866303200GB	DASH PANEL COMP			1			
302	1	13886303200GB				1			
302	2	14326160020	RUBBER , CUSHION	1X1X1		1			
302	3	14216020051	RUBBER , CUSHION B	1X1X1		2			
302	4	V3043600080	NUT , HEX/2	M8		2			
302	5	14041200080	RETURN SPRING , CLUTCH	HL2000공용		3			
302	6	14724042401GB	LEVER COMP , TILT	1X1X1		1			
302	7	16001200080	RETURN SPRING , BRAKE	1X1X1		1			
302	8	21615250020	GRIP , LEVER/RED			1			
302	9	15441230050	ROD	D=5.25 5.3		1			
302	10	V4111600060	WASHER , PLAIN	M6		1			
302	11	V5001920020	PIN , SPLIT	2X20		1			
302	12	14326510210	CAP , RUBBER 20	1X1X1		2			
302	13	17467071991	INSULATOR , DASH	T=10		1			
302	14	14526300011	BOOT,STEERING/HOSE	T=1.5		1			
302	15	17686040020	RIVET SET , black	SV625		9			
302	16	14441010161	CLAMP , RADIATOR HOSE	1X1X1		3			
302	17	V2183608020	BOLT , HEX/SP	M8X20		3			
302	18	14523293301GB	LEVER COMP,PARKING	1X1X1		1			
302	19	V2183608016	BOLT , HEX/SP	M8X16		10			
302	20	V4111600160	WASHER , PLAIN	M16		1			
302	21	V7081400150	E-RING	15		1			
302	22	14321200040	SPRING , TENSION 31	D=1.2		1			
302	23	34523030020	GRIP , THROTTLE	1X1X1		1			
302	24	16756214701	SWITCH ASSY , SAFETY	1X1X1		1			
302	25	V1222604025	SCREW , C/R PAN/SP	M4X25		2			
302	26	14571332100GB	PEDAL COMP , CLUTCH	1X1X1		1			
302	28	V3043600080	NUT , HEX/2	M8		2			
302	29	V2013608030	BOLT , HEX	M8X30		2			
302	30	14521330002GB	ROD SUB , CLUTCH			1			
302	30	14521330002	ROD SUB , CLUTCH	398*87		1			
302	30	14521330002	ROD SUB , CLUTCH			1			
302	30.1	14521333103	ROD COMP, CLUTCH	346*87		1			
302	30.2	14521333200	HOOK COMP	1X1X1		1			
302	30.3	V3042600080	NUT , HEX/2	M8		1			
302	34	14322420010	PIN	D=8		1			
302	35	V4111600080	WASHER , PLAIN	M8		1			
302	36	V5001925020	PIN D2.5x20	2.5X20		1			
302	37	14526300210	BOOT,CLUTCH PEDAL	1X1X1		1			
302	38	14521302000	BAR SET	1X1X1		1			
302	38.1	14521302101	BAR COMP			1			
302	38.2	14521300011	FORK , RELEASE	1X1X1		1			
302	38.3	15601300010	PIN , 08X40	1X1X1		1			
302	39	V5901012150	WIRE , STEEL	1.2X150		1			
302	40	14521302150	BUSH , BAR COMP	1X1X1		2			
NOTE									

FIG 302 T574NC		CLUTCH PEDAL					년/월 Year/Month	
							2022-12	
KEY NO		PART NO	DESCRIPTION	SPEC	QTY	REPAIR	EFFECTIVE DATE	REMARKS
302	41	14043120060	PIN , YOKE	D=8	1			
302	42	V4111600080	WASHER , PLAIN	M8	1			
302	43	V5001920020	PIN , SPLIT	2X20	1			
302	44	V7081400090	E-RING	9	1			
302	45	V4111600080	WASHER , PLAIN	M8	1			
NOTE								

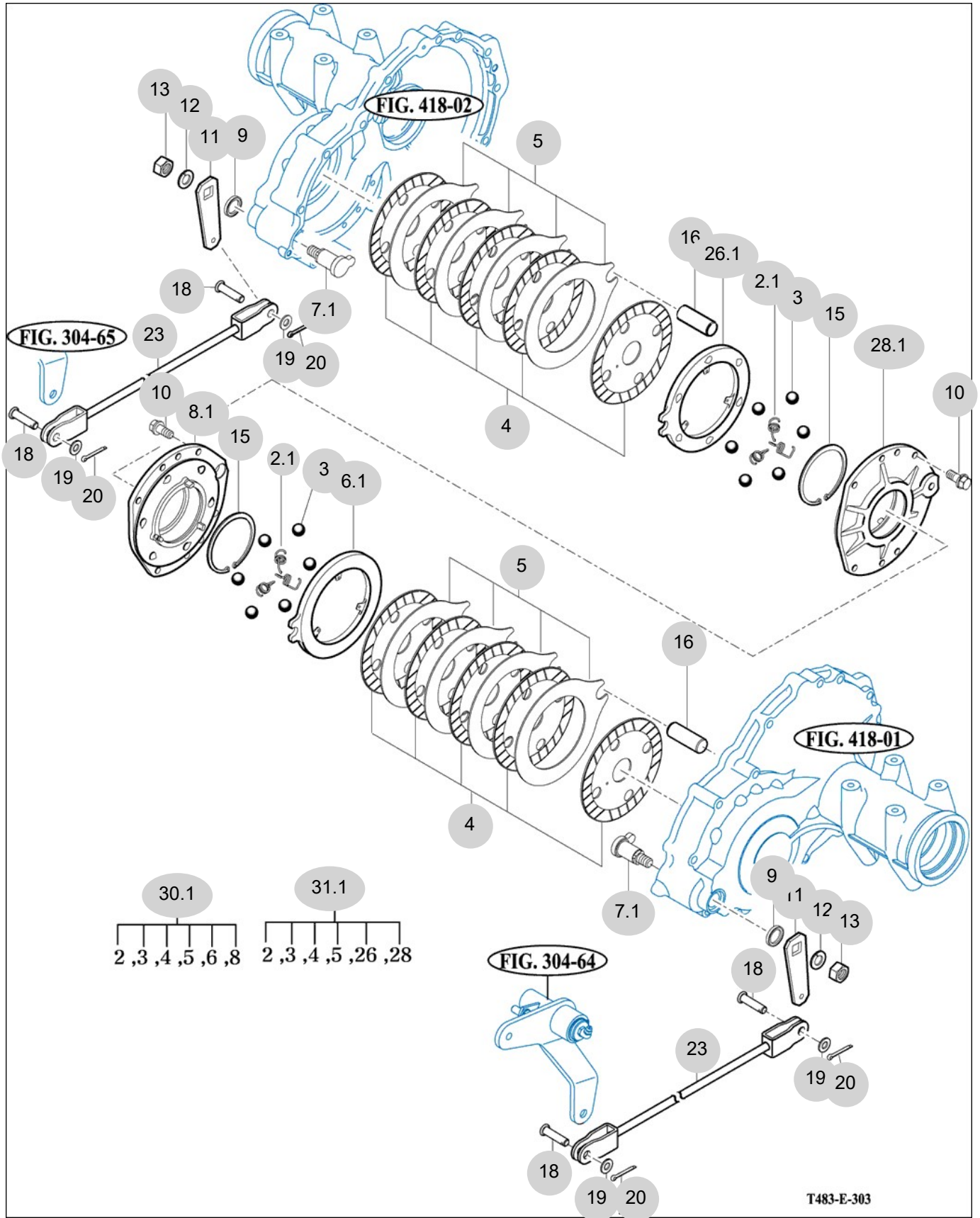
FIG 303

BRAKE

년/월
Year/Month

T574NC

2022-12



T483-E-303

NOTE

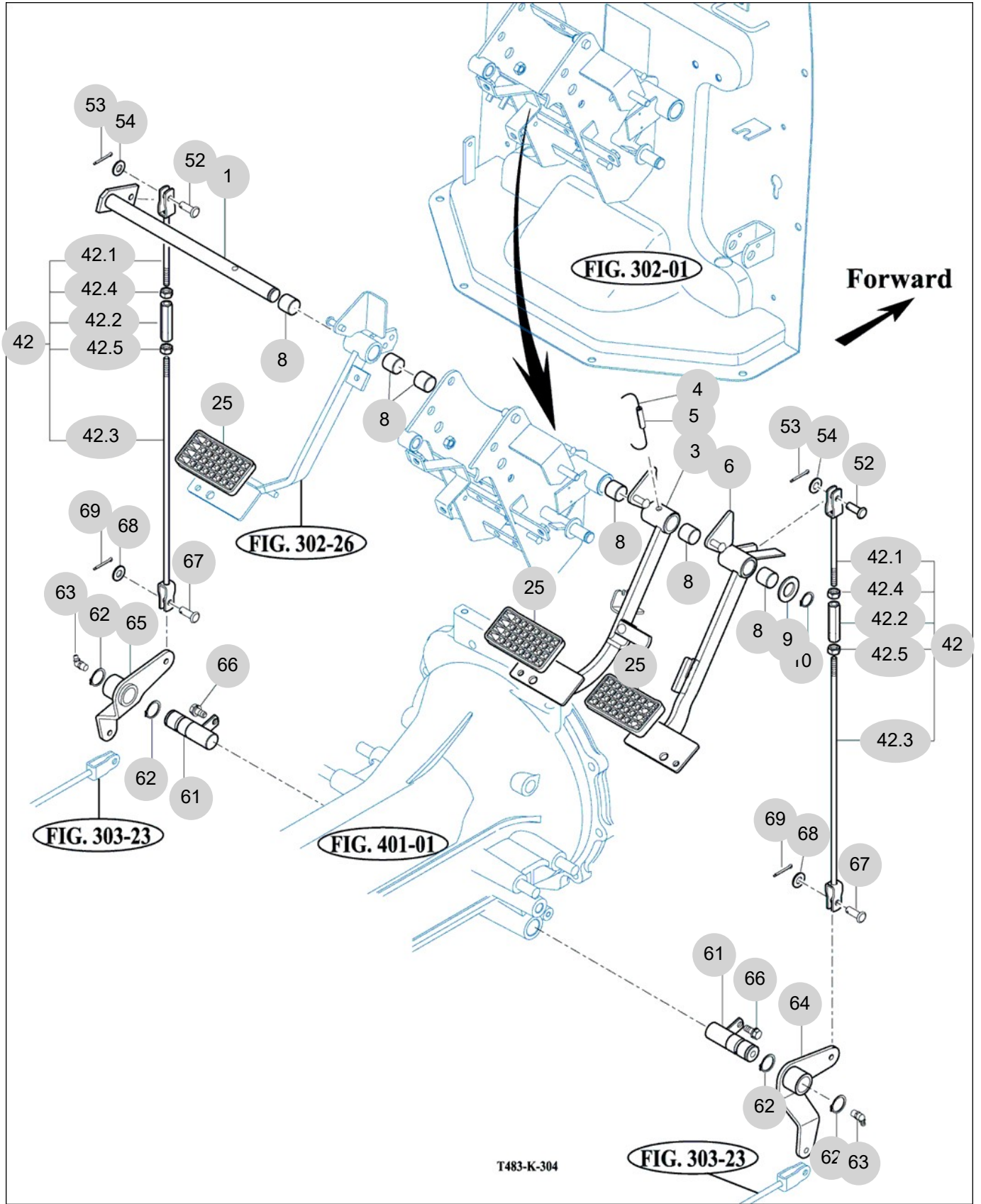
FIG 304

BRAKE PEDAL & LINK

년/월
Year/Month

2022-12

T574NC



T483-K-304

FIG. 303-23

NOTE

FIG 304 T574NC	BRAKE PEDAL & LINK	년/월 Year/Month 2022-12
-----------------------	-------------------------------	----------------------------------

KEY NO	PART NO	DESCRIPTION	SPEC	QTY	REPAIR	EFFECTIVE DATE	REMARKS
304	1	14523292100GB	ARM COMP,BRAKE	1X1X1	1		
304	3	14523292201GB	PEDAL COMP,LH/BRAKE	1X1X1	1		
304	4	V5901010150	WIRE , STEEL	1.0X150	1		
304	5	V5801408036	PIN , SPRING	8X36	1		
304	6	14523292300GB	PEDAL COMP , RH BRAKE	1X1X1	2		
304	8	36707030080	BUSH , 20X23X20	1X1X1	6		
304	9	V4111600200	WASHER , PLAIN	M20	1		
304	10	V7041400200	C-RING , SHAFT	20	1		
304	25	13153280050	PAD	1X1X1	3		
304	42	14521333501	ROD SUB,BRAKE	1X1X1	2		
304	42	14521333501GB	BRAKE , ROD SUB(LH)		2		
304	42.1	14521333600	ROD COMP.L	1X1X1	2		
304	42.2	16601220020	TURNBUCKLE , M8 L60		2		
304	42.3	14521333702	ROD COMP.R	400*25*15	1		
304	42.4	15601320073	NUT , HEX LH	"2종,M8"	2		
304	42.5	V3042600080	NUT , HEX/2	M8	2		
304	52	14322420010	PIN	D=8	2		
304	53	V5001925020	PIN D2.5x20	2.5X20	2		
304	54	V4111600080	WASHER , PLAIN	M8	2		
304	61	14523102100	PIN COMP , BRAKE		2		
304	62	V7041400250	C-RING , SHAFT	25	4		
304	63	V7631500000	NIPPLE , GREASE/B-PT	B-PT1/8	2		
304	64	14523102401GB	ARM COMP , BRAKE RH	140*120*56	1		
304	65	14523102301GB	ARM COMP , BRAKE LH	140*120*56	1		
304	66	V2173608020	BOLT , HEX/S	M8X20	2		
304	67	14322420010	PIN	D=8	2		
304	68	V4111600080	WASHER , PLAIN	M8	2		
304	69	V5001925020	PIN D2.5x20	2.5X20	2		

NOTE	
------	--

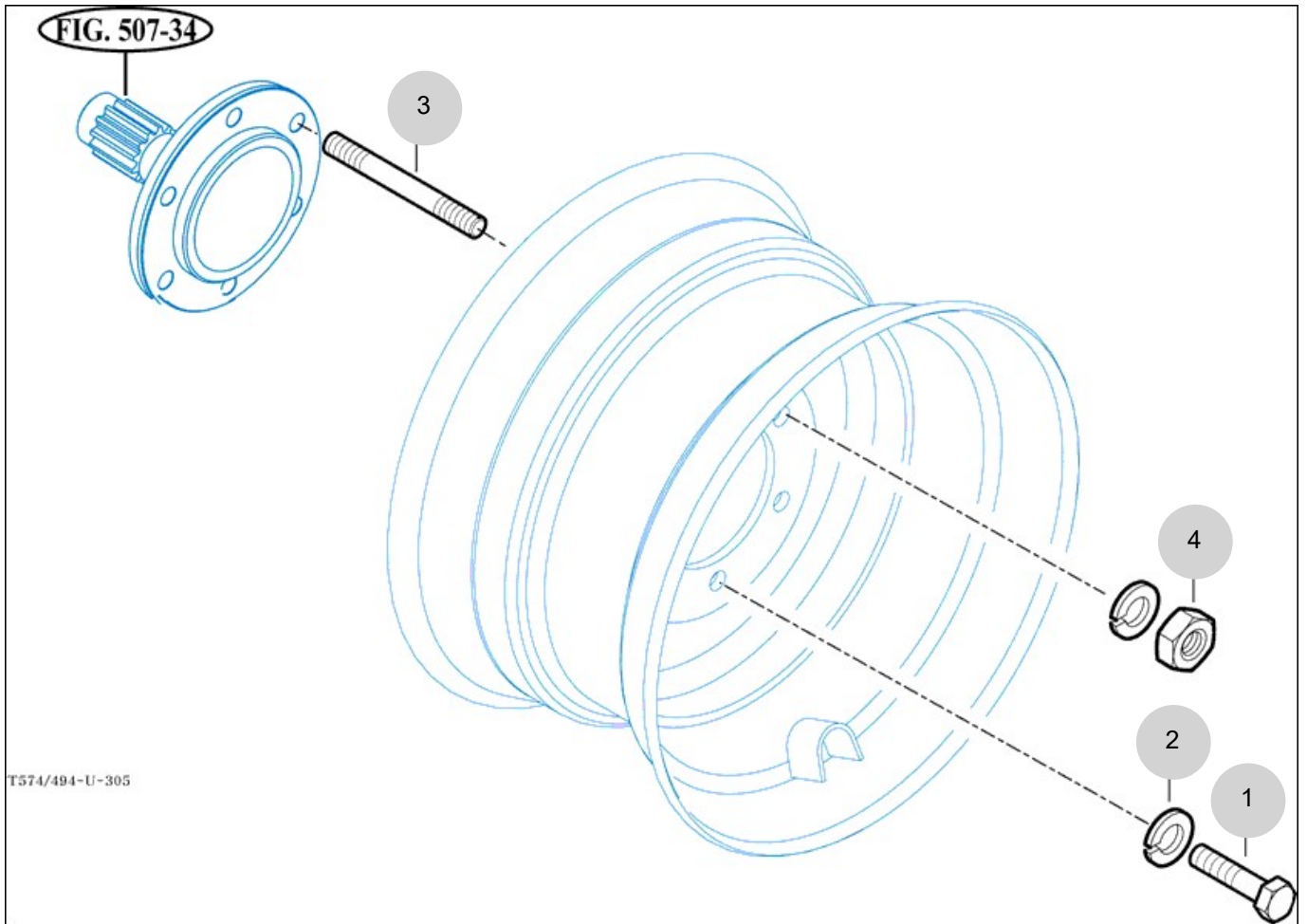
FIG 305

T574NC

FRONT WHEEL

년/월
Year/Month

2022-12



NOTE

FIG 305		FRONT WHEEL						년/월 Year/Month	
T574NC								2022-12	
KEY NO		PART NO	DESCRIPTION	SPEC	QTY	REPAIR	EFFECTIVE DATE	REMARKS	
305	1	V2014616030	BOLT , HEX	M16X30	8				
305	2	V4011600160	WASHER , SPRING	M16	12				
305	3	15603200010	BOLT , STUD M16X30	D=16	4				
305	4	V3043600160	NUT , HEX/2	M16	4				
NOTE									

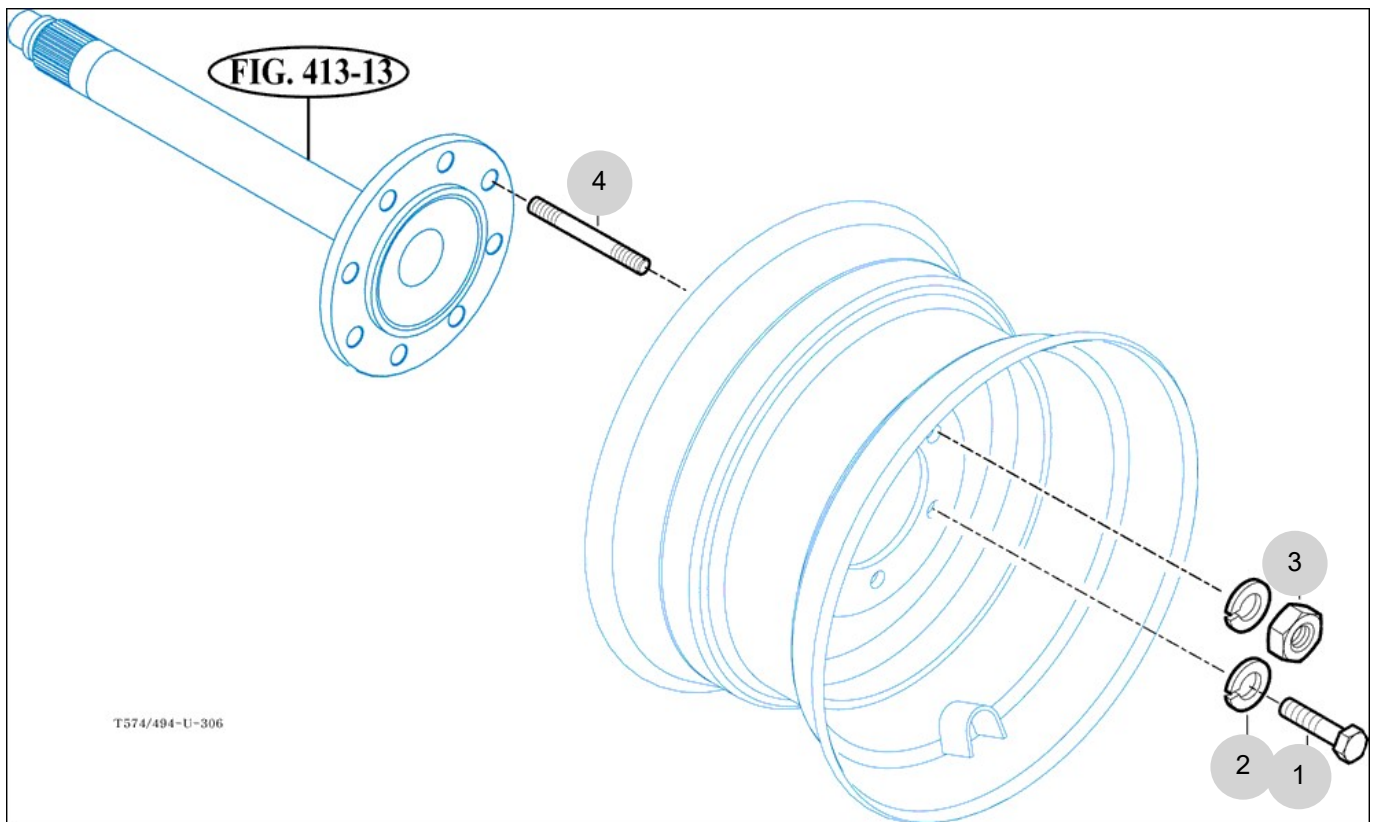
FIG 306

T574NC

REAR WHEEL

년/월
Year/Month

2022-12



NOTE

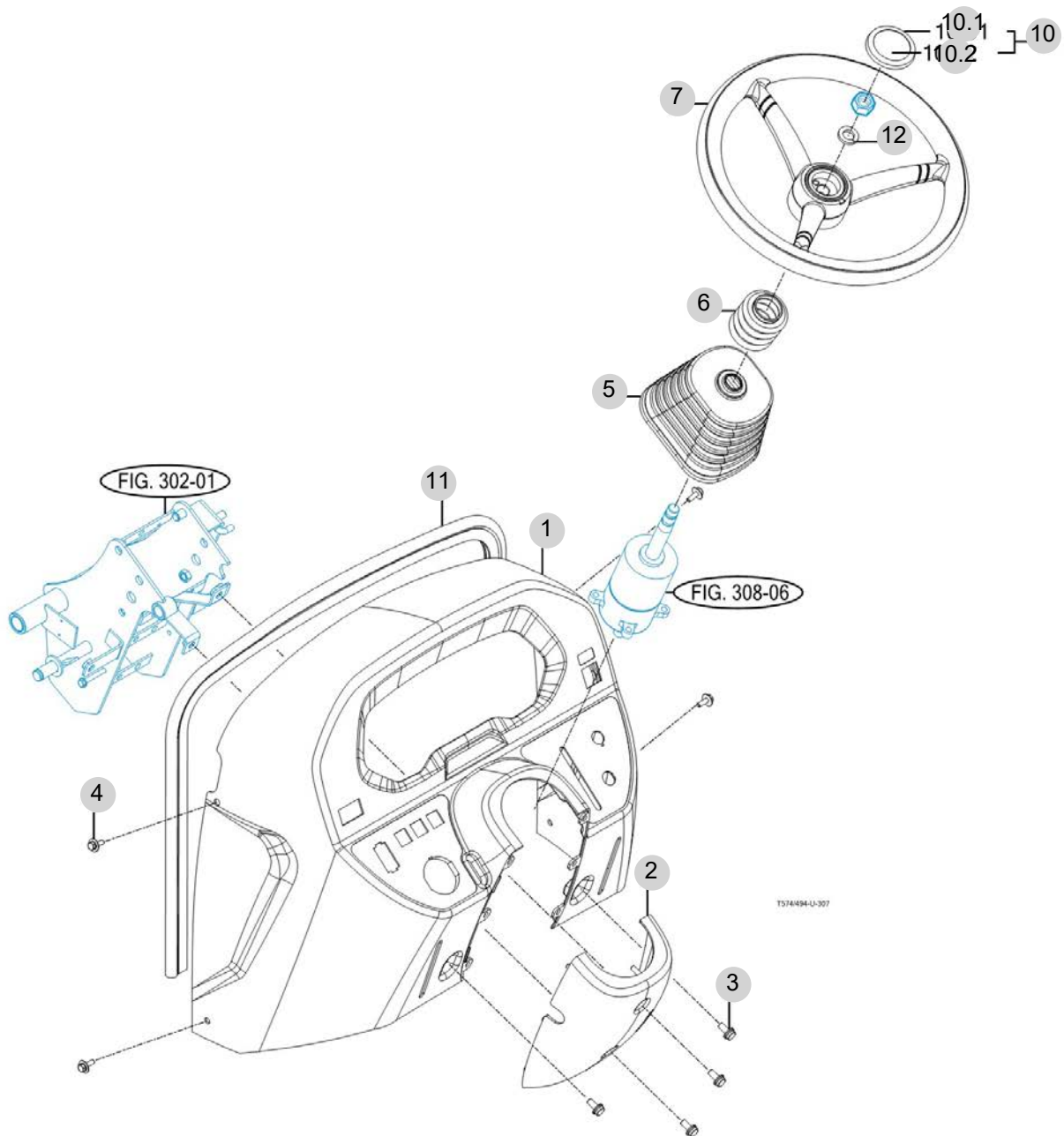
FIG 307

T574NC

POWER STEERING WHEEL

년/월
Year/Month

2022-12



T574494-U-307

NOTE

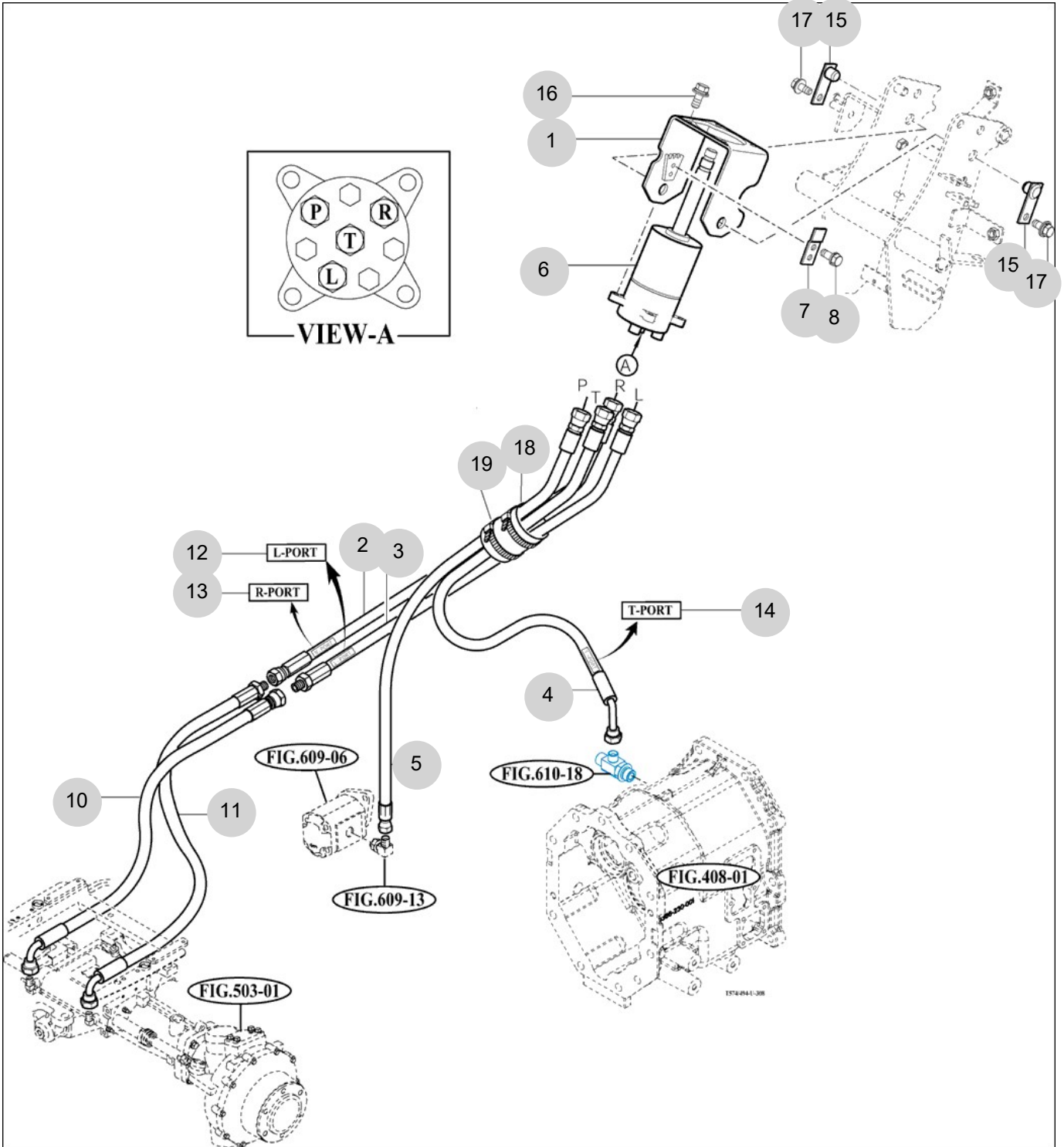
FIG 308

POWER STEERING VALVE

년/월
Year/Month

T574NC

2022-12



NOTE

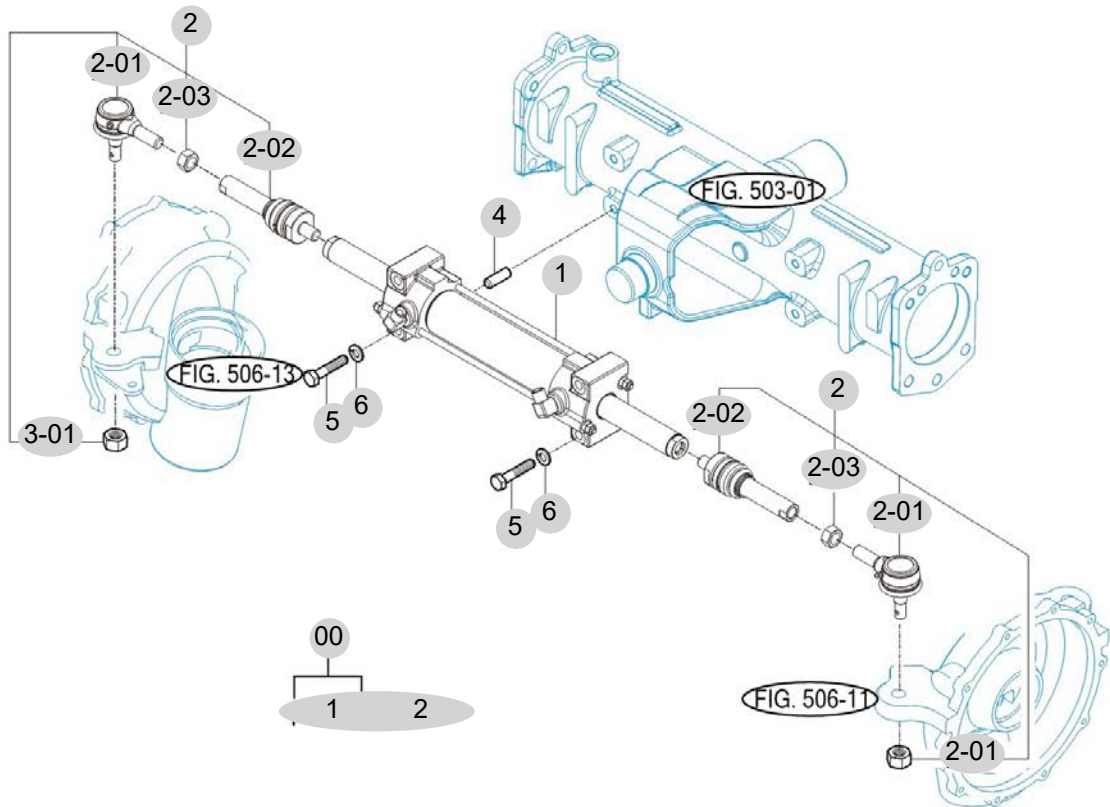
FIG 309

T574NC

POWER STEERING CYLINDER

년/월
Year/Month

2022-12



T55551/T4594C-E-309

NOTE

4. Transmission PART NO. T4

FIG 401 TRANSMISSION FRONT CASE	142
FIG 402 FORWARD & BACKWARD GEARS	144
FIG 403 IDLE & COUNTER GEARS	146
FIG 404 MAIN SHIFT GEARS	148
FIG 405 P.T.O DRIVE SHAFT	150
FIG 406 MAIN CHANGE LEVER	152
FIG 407 REVERSE CHANGE LEVER	154
FIG 408 TRANSMISSION MID CASE	156
FIG 409 TRANSMISSION REAR CASE	158
FIG 410 SUB CHANGE GEARS	160
FIG 411 SUB CHANGE SHIFTER	162
FIG 413 DRIVE GEARS	164
FIG 414 4WD CHANGE LEVER	166
FIG 415 P.T.O CHANGE GEARS	168
FIG 417 REAR DIFFERENTIAL GEARS	170
FIG 418 REAR AXLE HOUSING	173

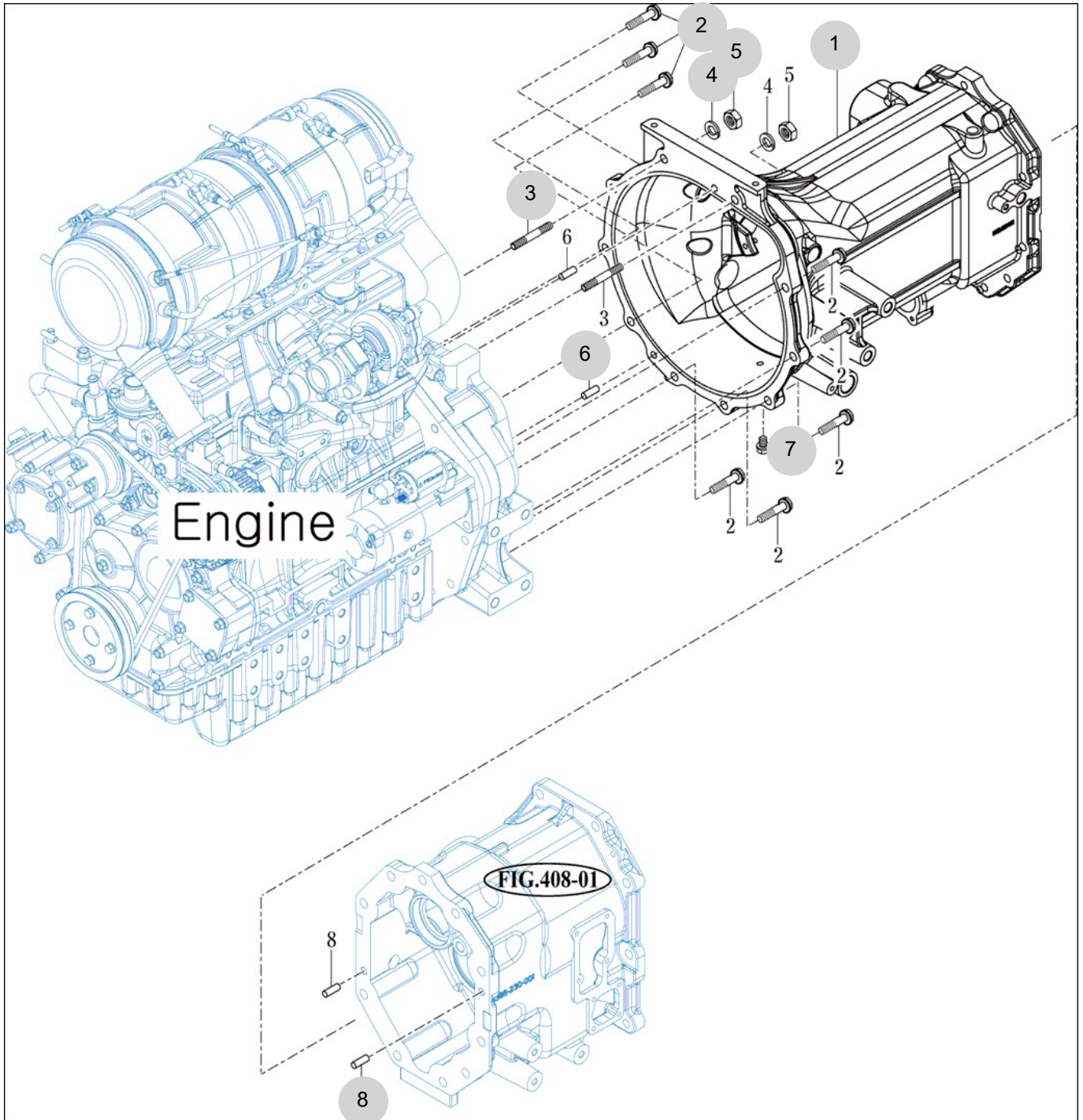
FIG 401

T574NC

TRANSMISSION FRONT CASE

년/월
Year/Month

2022-12



NOTE

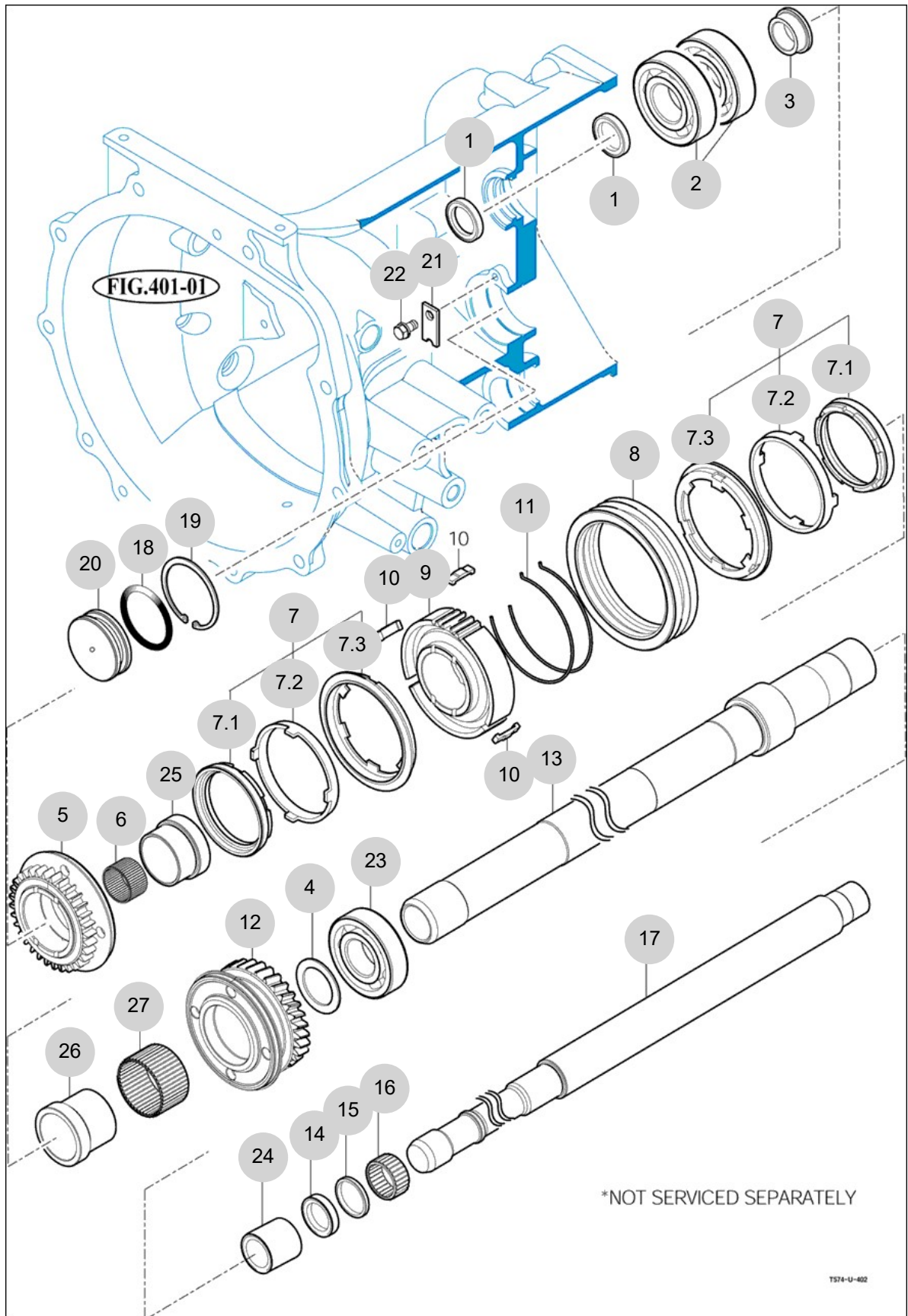
FIG 402

FORWARD & BACKWARD GEARS

년/월
Year/Month

T574NC

2022-12



NOTE

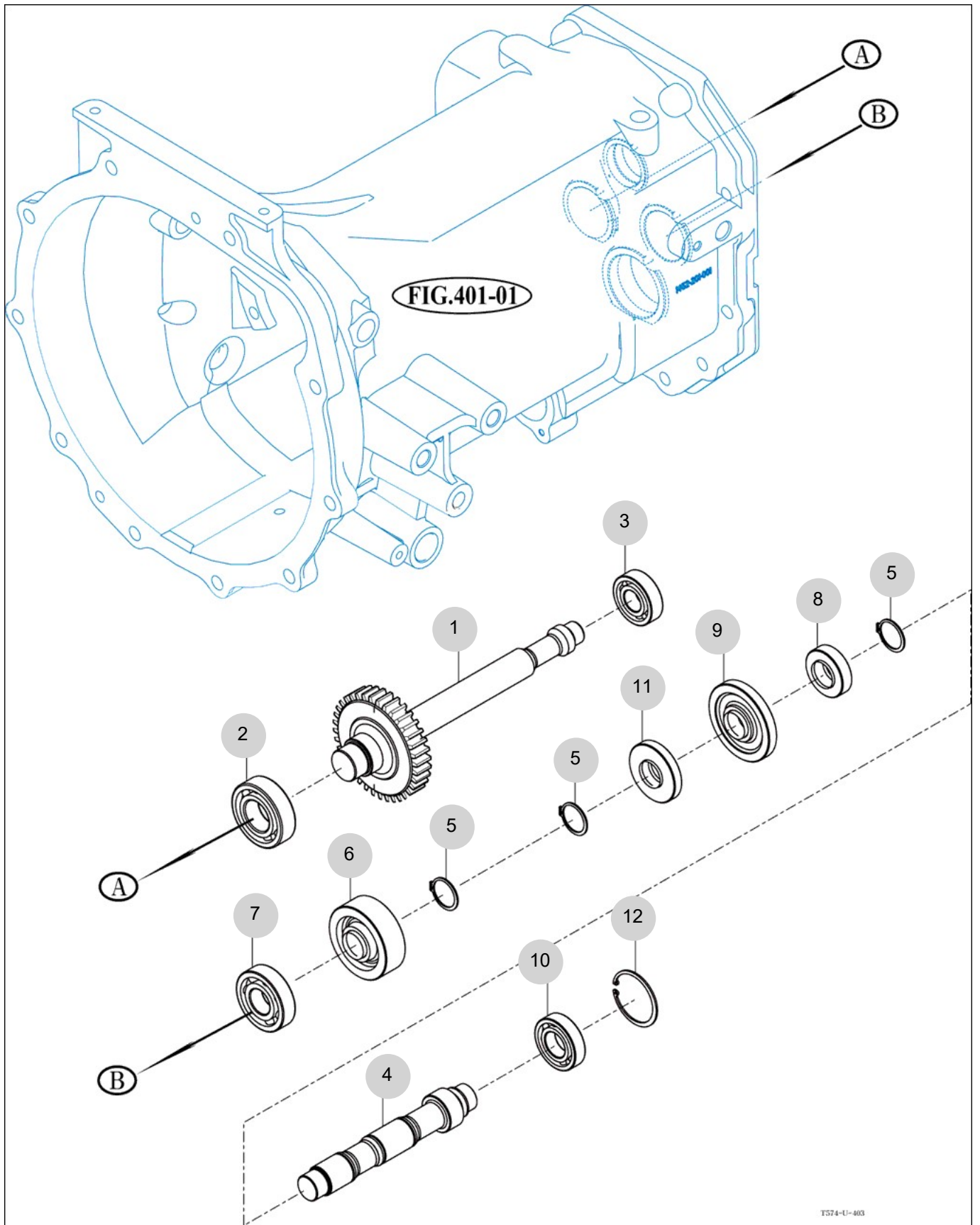
FIG 403

IDLE & COUNTER GEARS

년/월
Year/Month

T574NC

2022-12



NOTE

FIG 403		IDLE & COUNTER GEARS					년/월	REMARKS	
T574NC							Year/Month	2022-12	
KEY NO	PART NO	DESCRIPTION	SPEC	QTY	REPAIR	EFFECTIVE DATE			
403	1	13862210020	IDLE GEAR, SPUR 28T				1		
403	2	V6041106205	BEARING , BALL/HL1	6205HL1			1		
403	3	V6001106203	BEARING , BALL	6203			1		
403	4	13862130010	GEAR, HELICAL 14T				1		
403	5	V7041400350	C-RING , SHAFT	35			3		
403	6	13862130020	GEAR, SPUR 33T				1		
403	7	V6041106306	BEARING , BALL/HL1	6306HL1			1		
403	8	13862130040	GEAR, HELICAL 19T				1		
403	9	13862130030	GEAR, HELICAL 33T				1		
403	10	V6041106206	BEARING , BALL/HL1	6206HL1			1		
403	11	13862130050	GEAR, HELICAL 24T				1		
403	12	V7051400620	C-RING , HOLE	62			1		
NOTE									

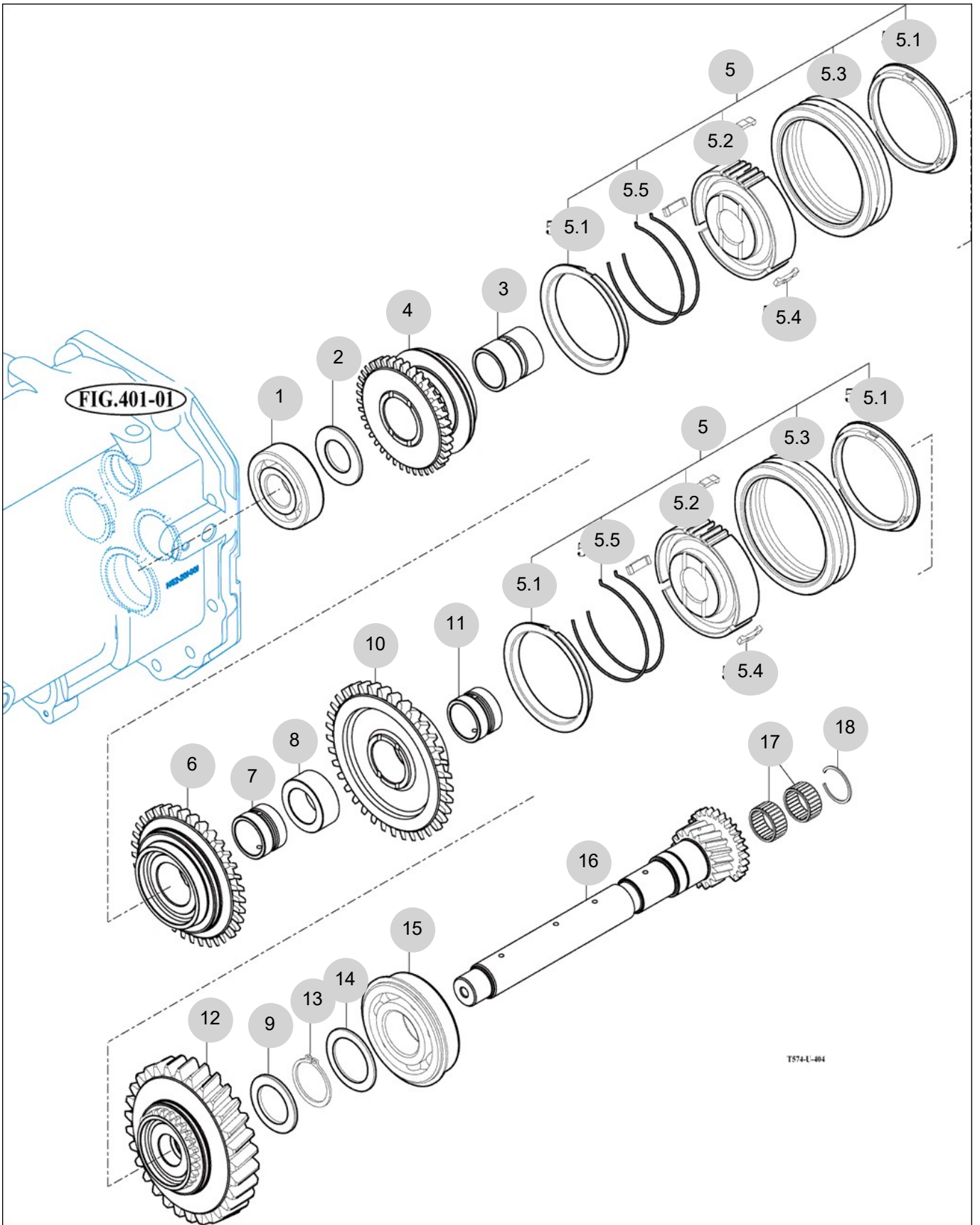
FIG 404

MAIN SHIFT GEARS

년/월
Year/Month

T574NC

2022-12



T574-U-404

NOTE

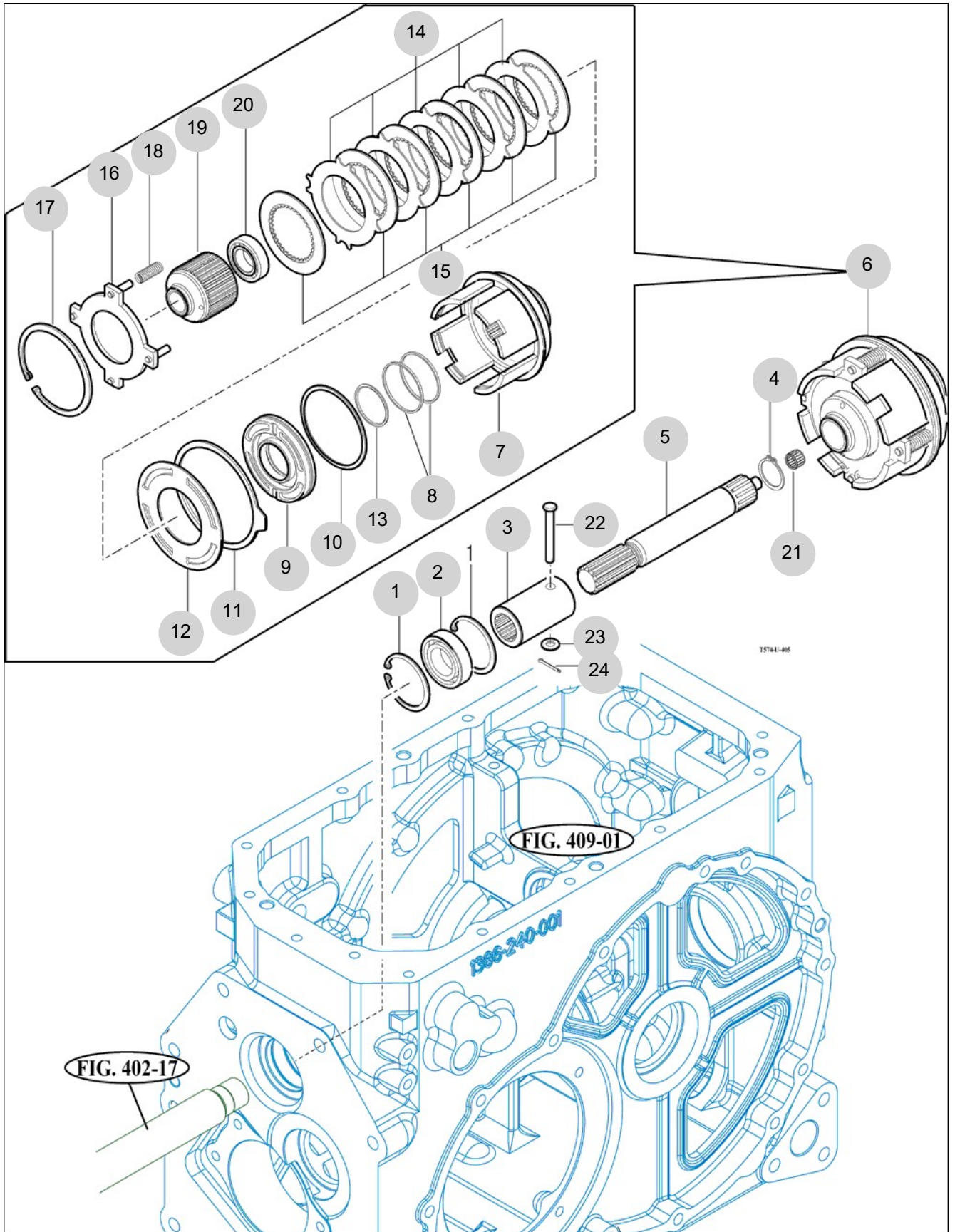
FIG 405

P.T.O DRIVE SHAFT

년/월
Year/Month

T574NC

2022-12



NOTE

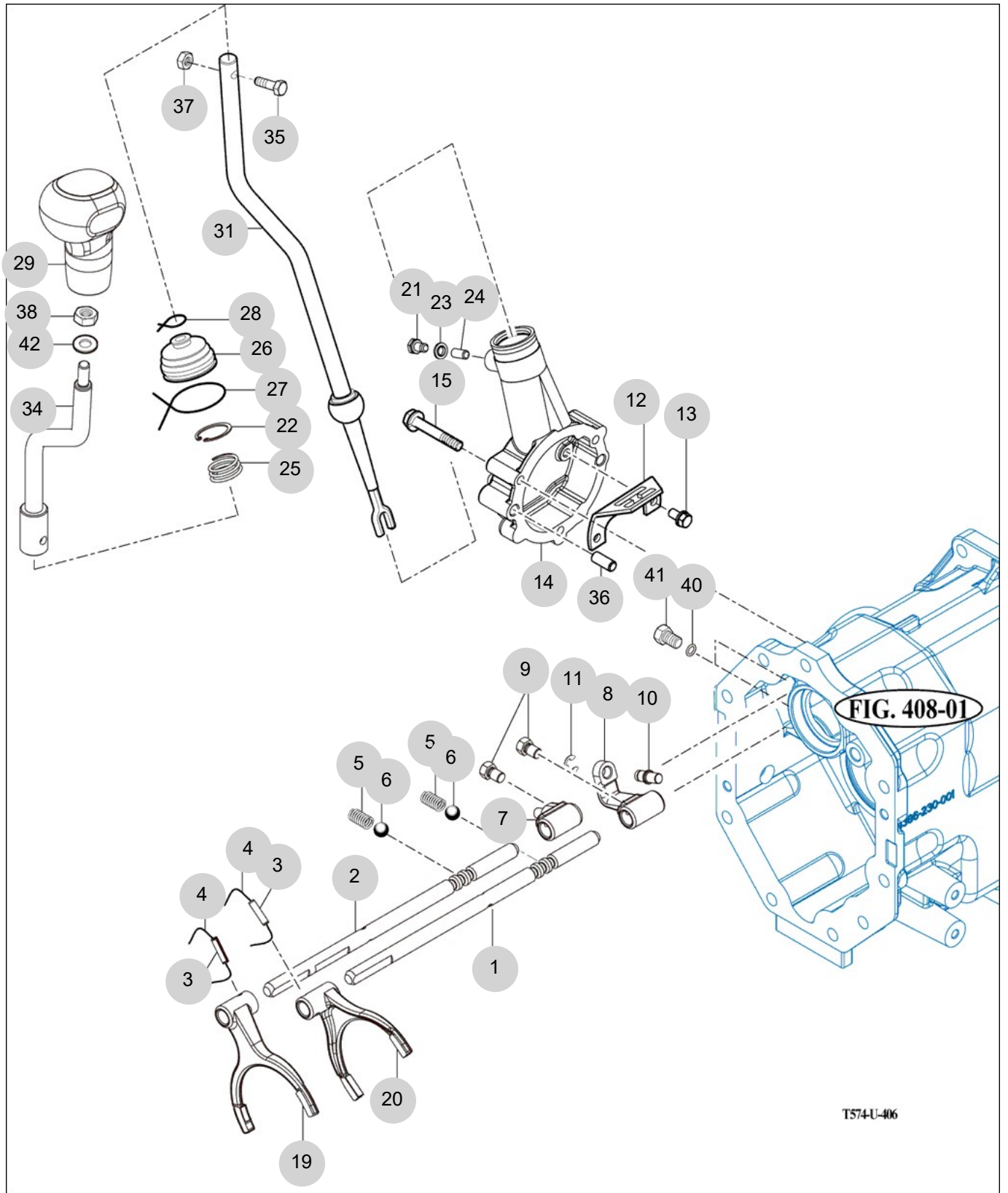
FIG 406

T574NC

MAIN CHANGE LEVER

년/월
Year/Month

2022-12



NOTE

FIG 406 T574NC	MAIN CHANGE LEVER	년/월 Year/Month
		2022-12

KEY NO	PART NO	DESCRIPTION	SPEC	QTY	REPAIR	EFFECTIVE DATE	REMARKS
406	1	13862230060	STAY, MAIN(1-2)				
406	2	13862230050	STAY, MAIN SHIFT 3-4				
406	3	V5801406025	PIN , SPRING	6X25	2		
406	4	V5901010150	WIRE , STEEL	1.0X150	2		
406	5	13022250030	SPRING , SHIFTER	D=1.4	2		
406	6	V6802000010	BALL , STEEL	5/16	2		
406	7	15642230043M	LINK		1		
406	8	15642230033M	LINK		1		
406	9	15602231600	BOLT , SET SEAL LOCK	M8X16	2		
406	9	15602231610	BOLT , SET M8X16		1		
406	10	15602230124	PIN , 10X28	D=13	1		
406	11	V7081400070	E-RING	7	1		
406	12	15602230074	GUIDE	T=3.5	1		
406	13	V2173608016	BOLT , HEX/S	M8X16	2		
406	14	15612230027M	METAL , MAIN		1		
406	15	V2173608050	BOLT . HEX/S	M8X50	3		
406	19	14522230022M	FORK , SHIFTER 3-4		1		
406	20	13862230010M	FORK , SHIFTER 1-2		1		
406	21	16007060020	BOLT . DRAIN	M8X12XP1.25	1		
406	22	V7051400320	C-RING , HOLE	32	1		
406	23	15602230085	SEAL	WF-8-15-1.WF-8-15-1.6	1		
406	24	V5201006016	PIN , PARALLEL/A	6X16	1		
406	25	15602900063	SPRING , C020	D=2.6	1		
406	26	14442180090	BOOT , CHANGE LEVER		1		
406	27	V5901010180	WIRE , STEEL	1.0X180	1		
406	28	V5901010070	WIRE , STEEL	1.0X70	1		
406	29	13862810200	GRIP , CHANGE RANGE	M10	1		
406	31	14522912001	LEVER COMP , SHIFT MAIN		1		
406	34	14522913101GB	LEVER COMP , BAR 16		1		
406	35	V2013608035	BOLT , HEX	M8X35	1		
406	36	V5201010022	PIN , PARALLEL/A	10X22	2		
406	37	V3042600080	NUT , HEX/2	M8	1		
406	38	V3342600100	NUT , HEX FINE/2	M10	1		
406	40	V7201019008	O-RING , P	P8	2		
406	41	14522081550	BOLT	M10XP1.5	2		
406	42	V4111600100	WASHER , PLAIN	M10	1		

NOTE	
------	--

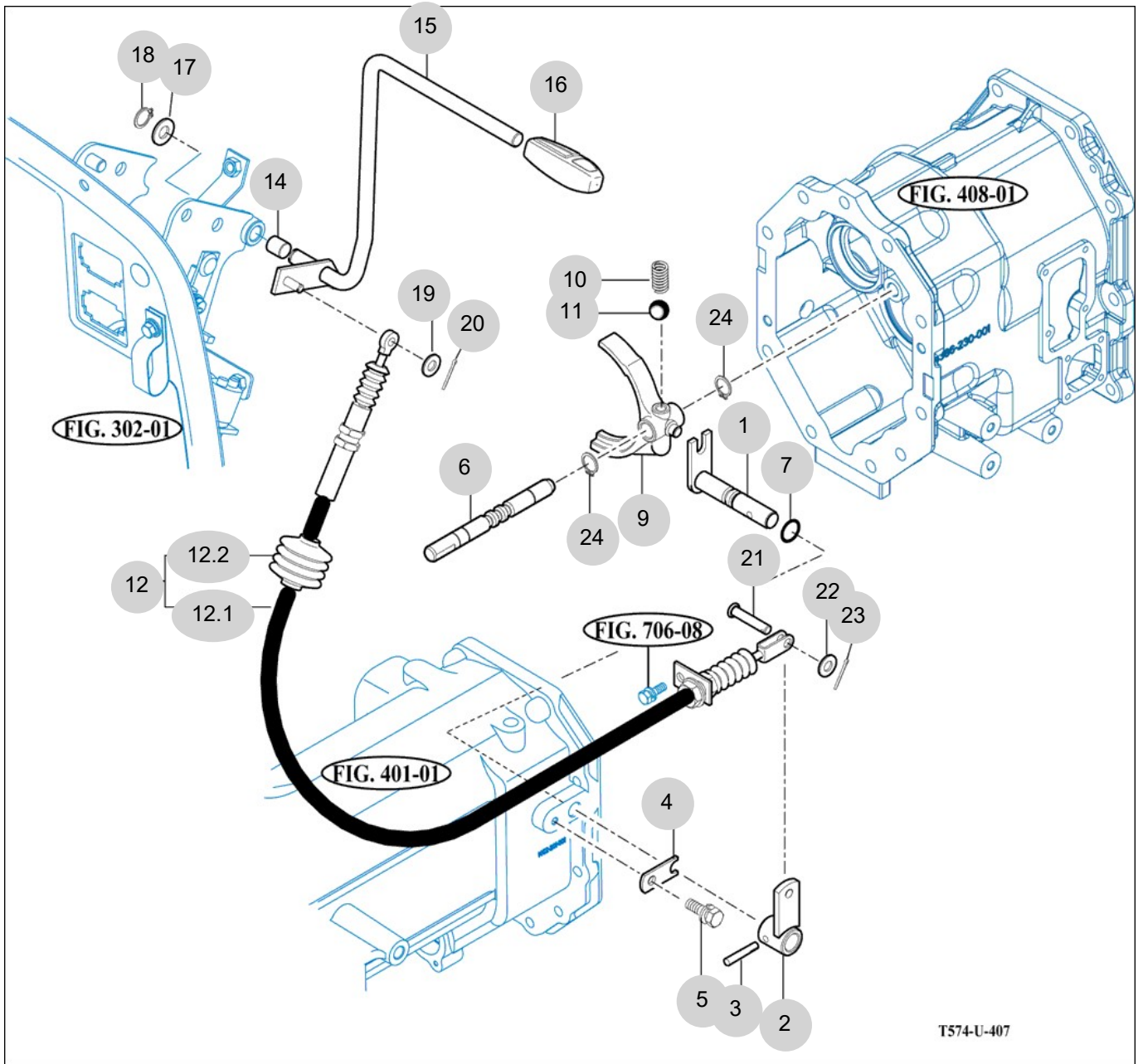
FIG 407

T574NC

REVERSE CHANGE LEVER

년/월
Year/Month

2022-12



NOTE

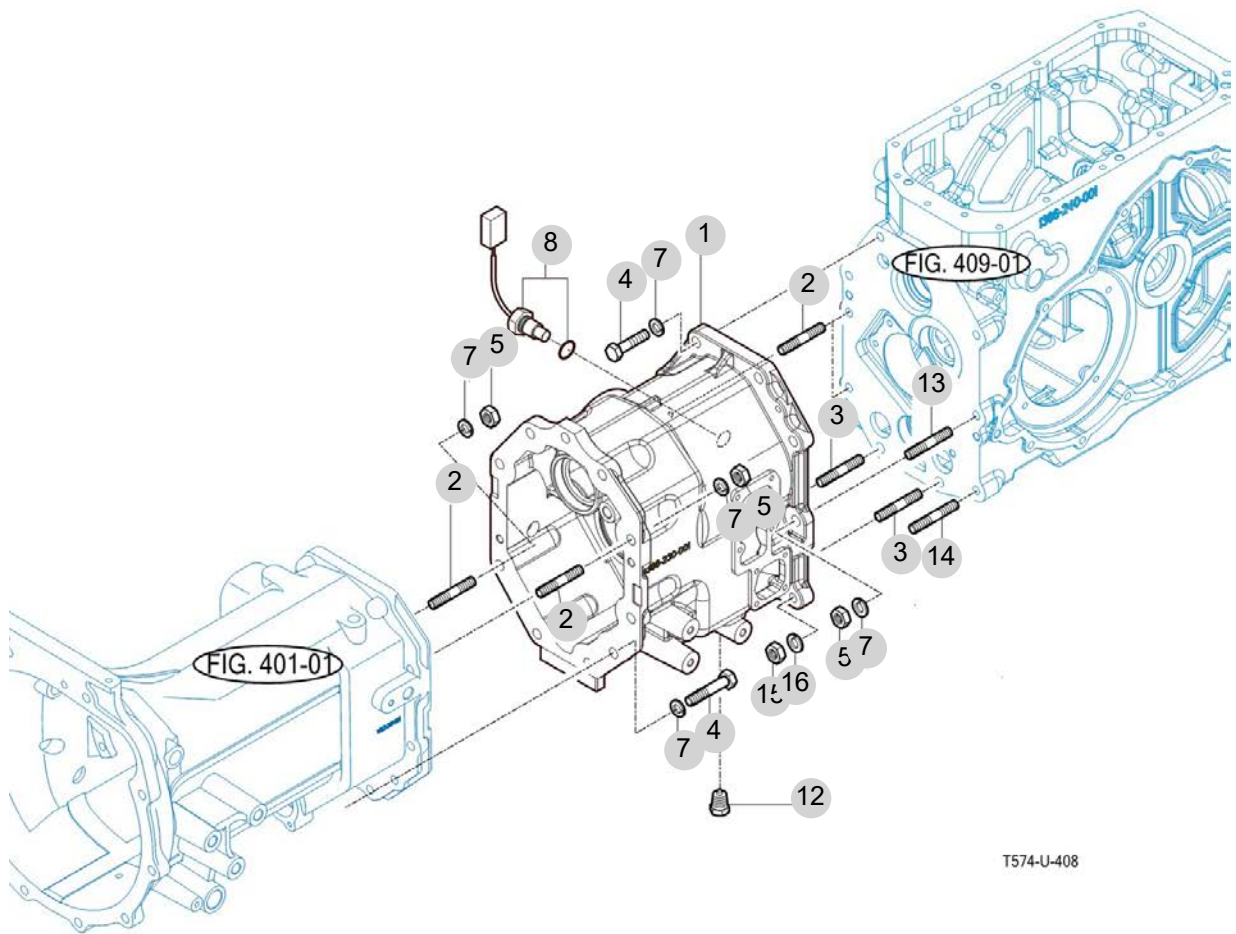
FIG 408

T574NC

TRANSMISSION MID CASE

년/월
Year/Month

2022-12



T574-U-408

NOTE

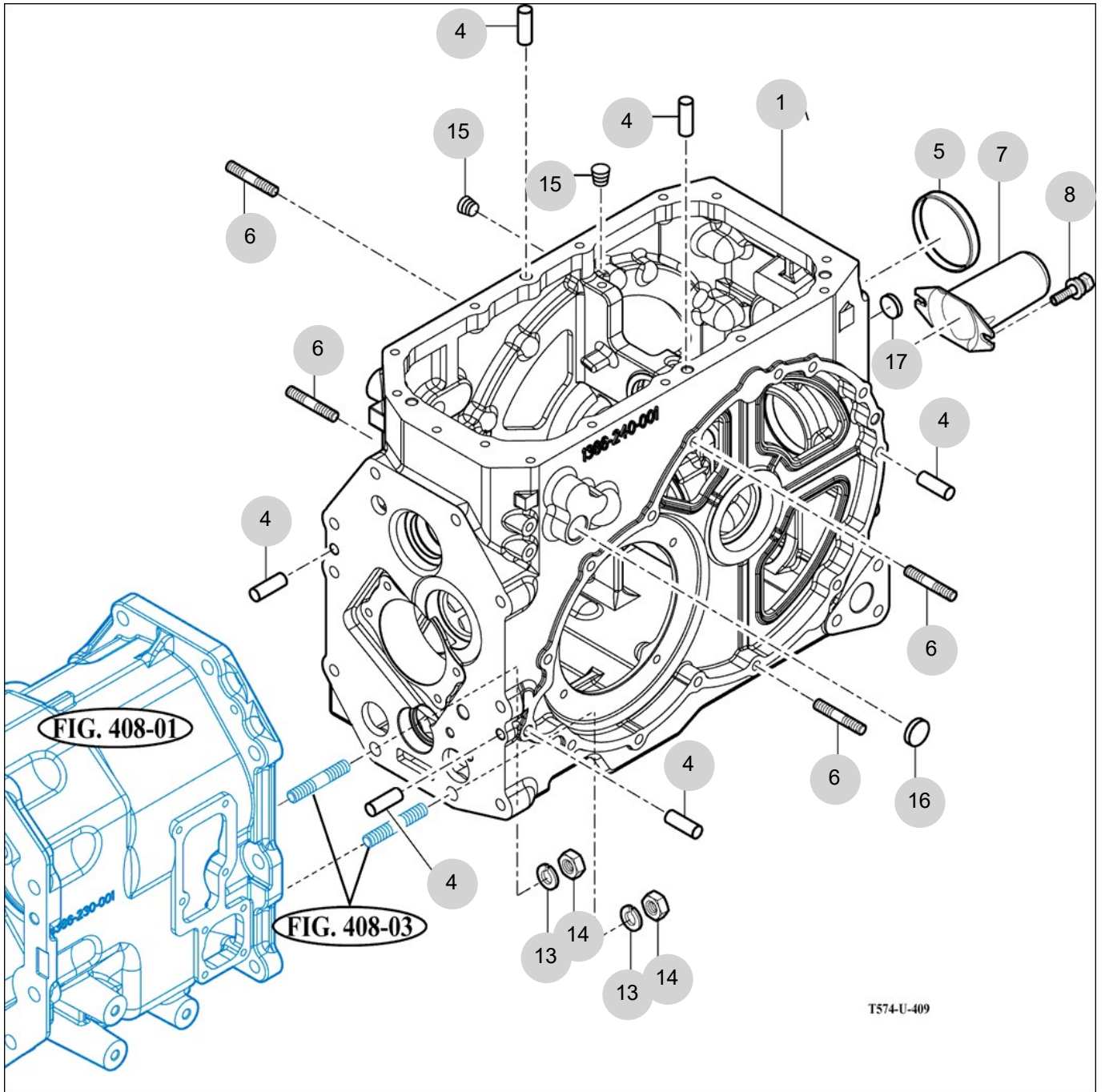
FIG 409

T574NC

TRANSMISSION REAR CASE

년/월
Year/Month

2022-12



T574-U-409

NOTE

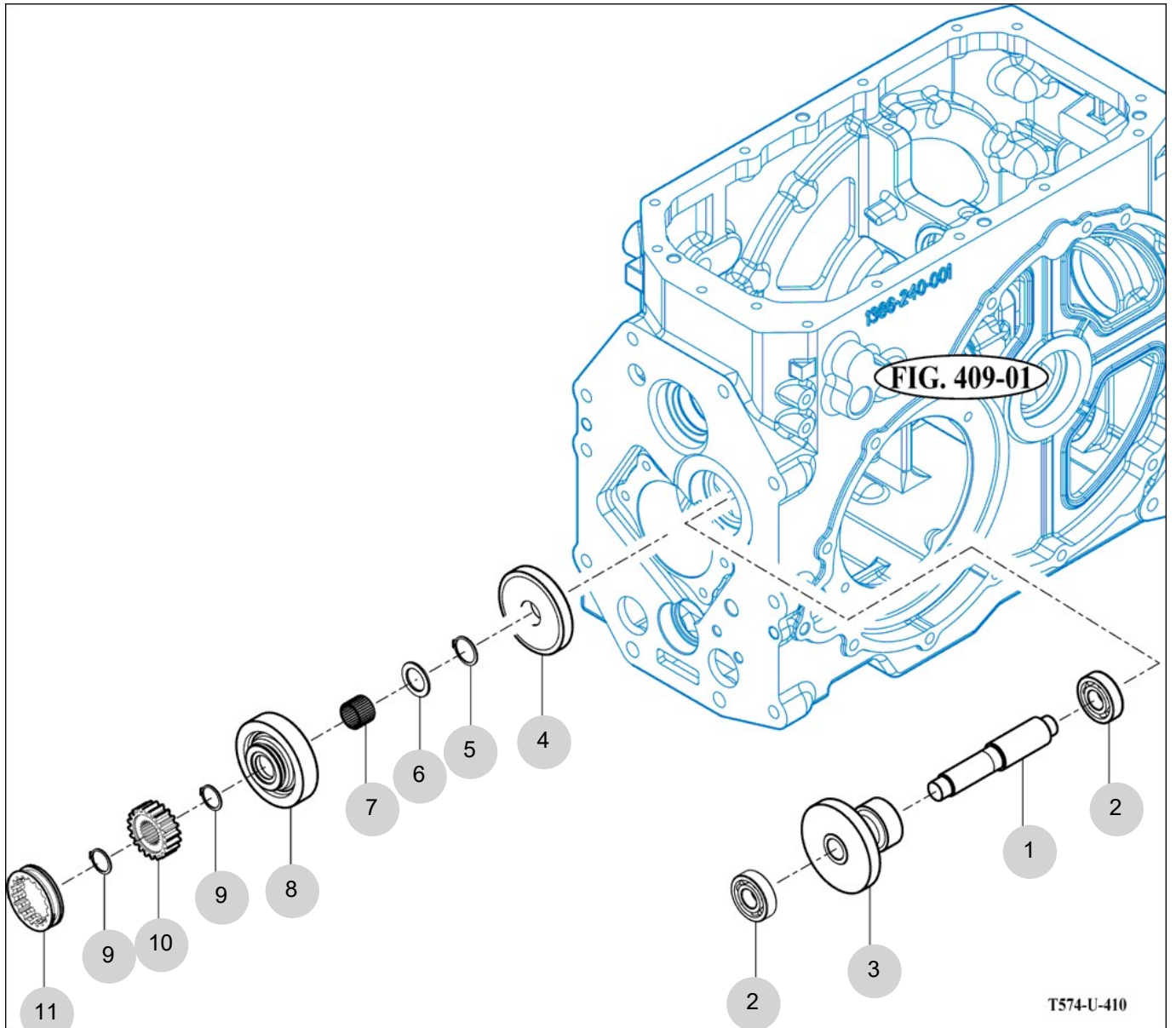
FIG 410

T574NC

SUB CHANGE GEARS

년/월
Year/Month

2022-12



T574-U-410

NOTE

FIG 411

SUB CHANGE SHIFTER

년/월
Year/Month

T574NC

2022-12

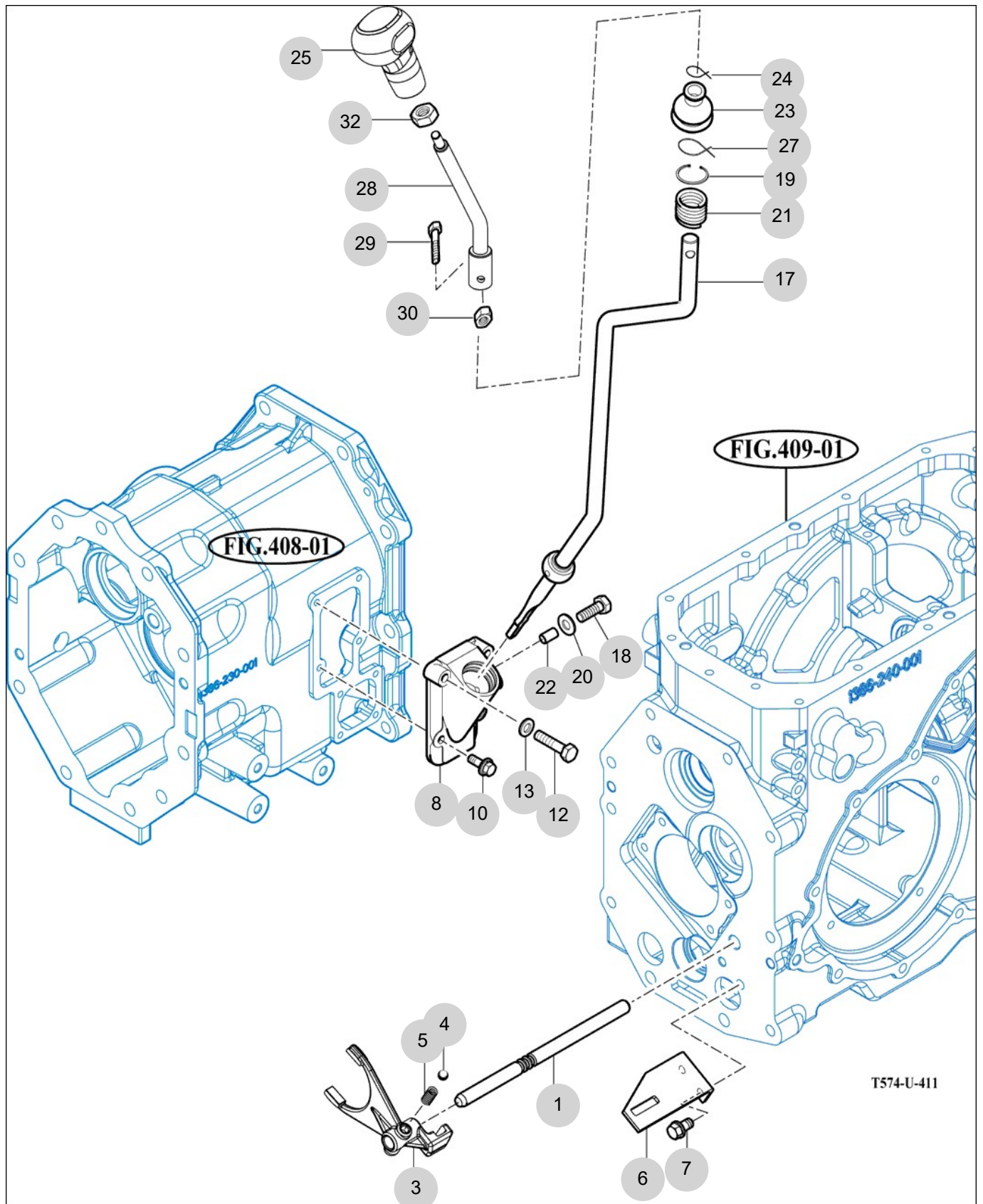


FIG.409-01

FIG.408-01

T574-U-411

NOTE

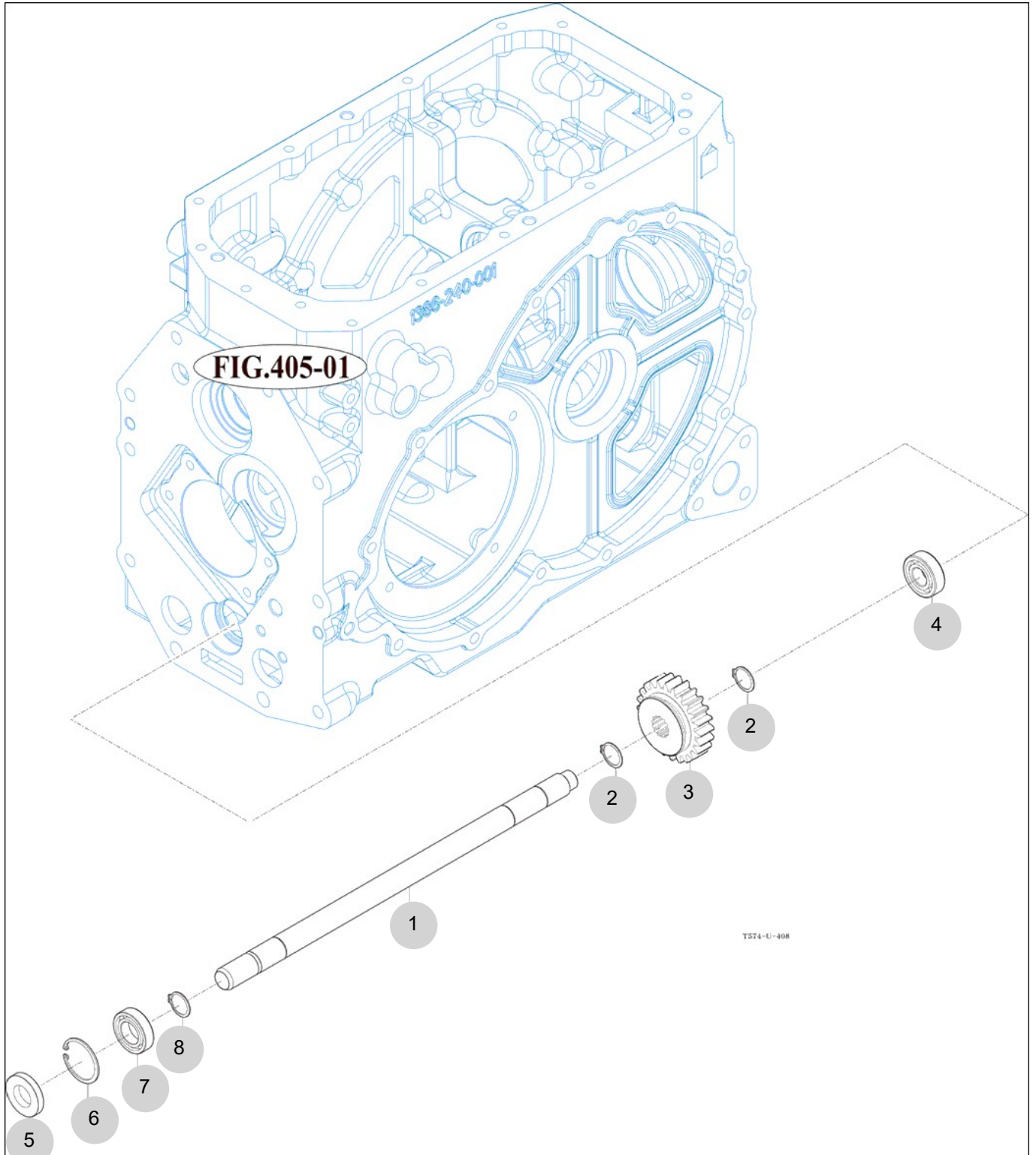
FIG 413

DRIVE GEARS

년/월
Year/Month

T574NC

2022-12



NOTE

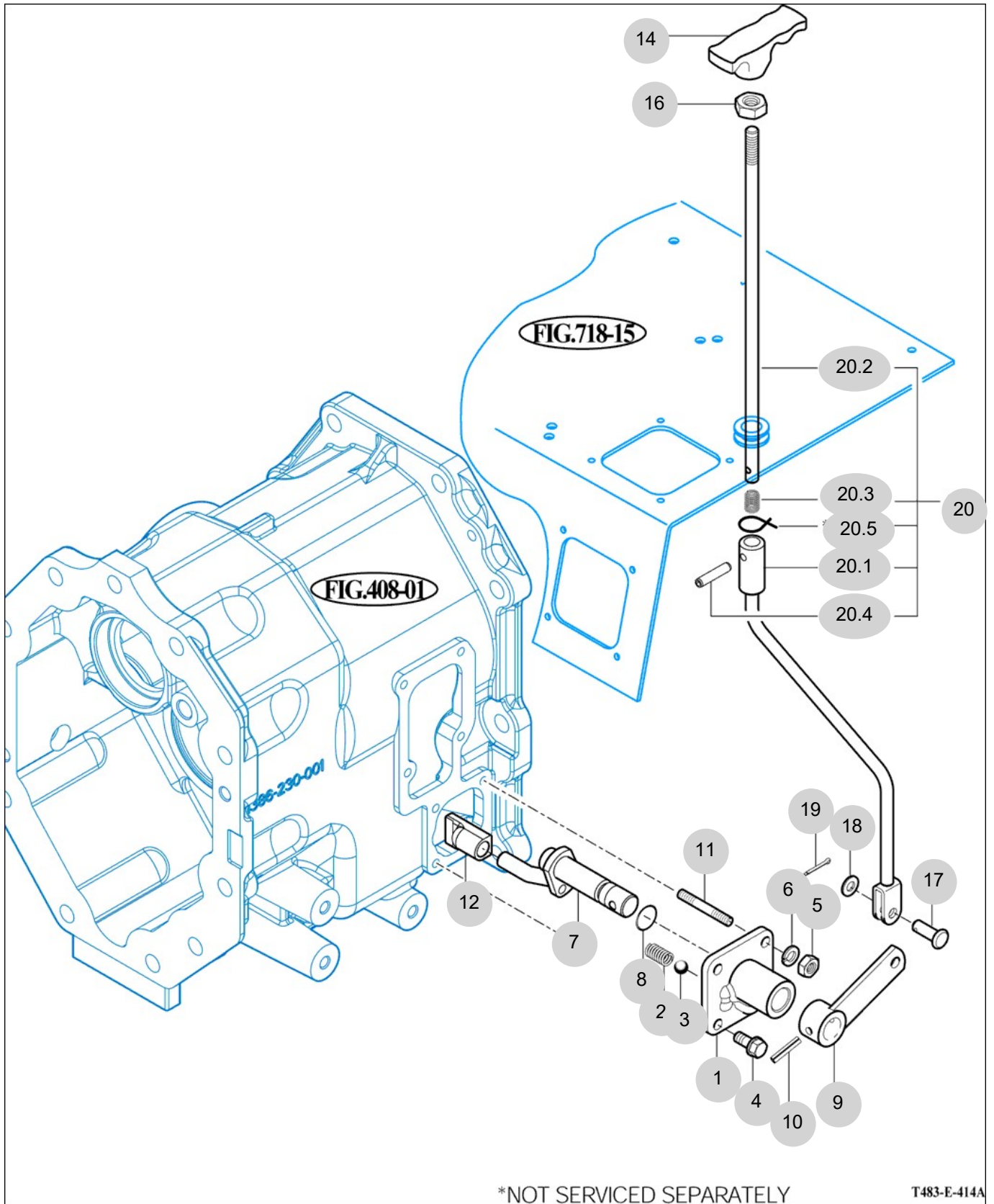
FIG 414

4WD CHANGE LEVER

년/월
Year/Month

T574NC

2022-12



*NOT SERVICED SEPARATELY

T483-E-414A

NOTE

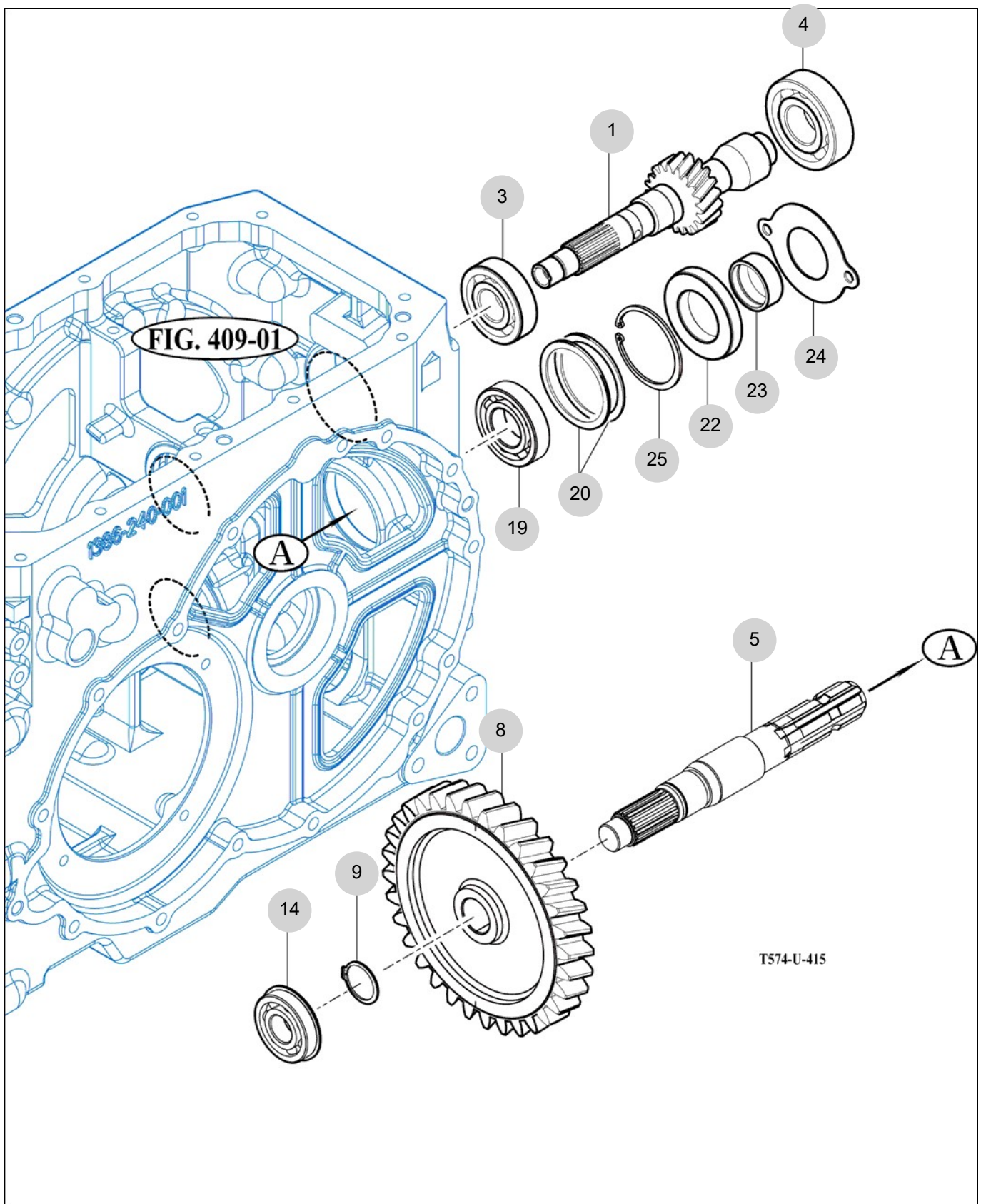
FIG 415

P.T.O CHANGE GEARS

년/월
Year/Month

T574NC

2022-12



NOTE

FIG 417

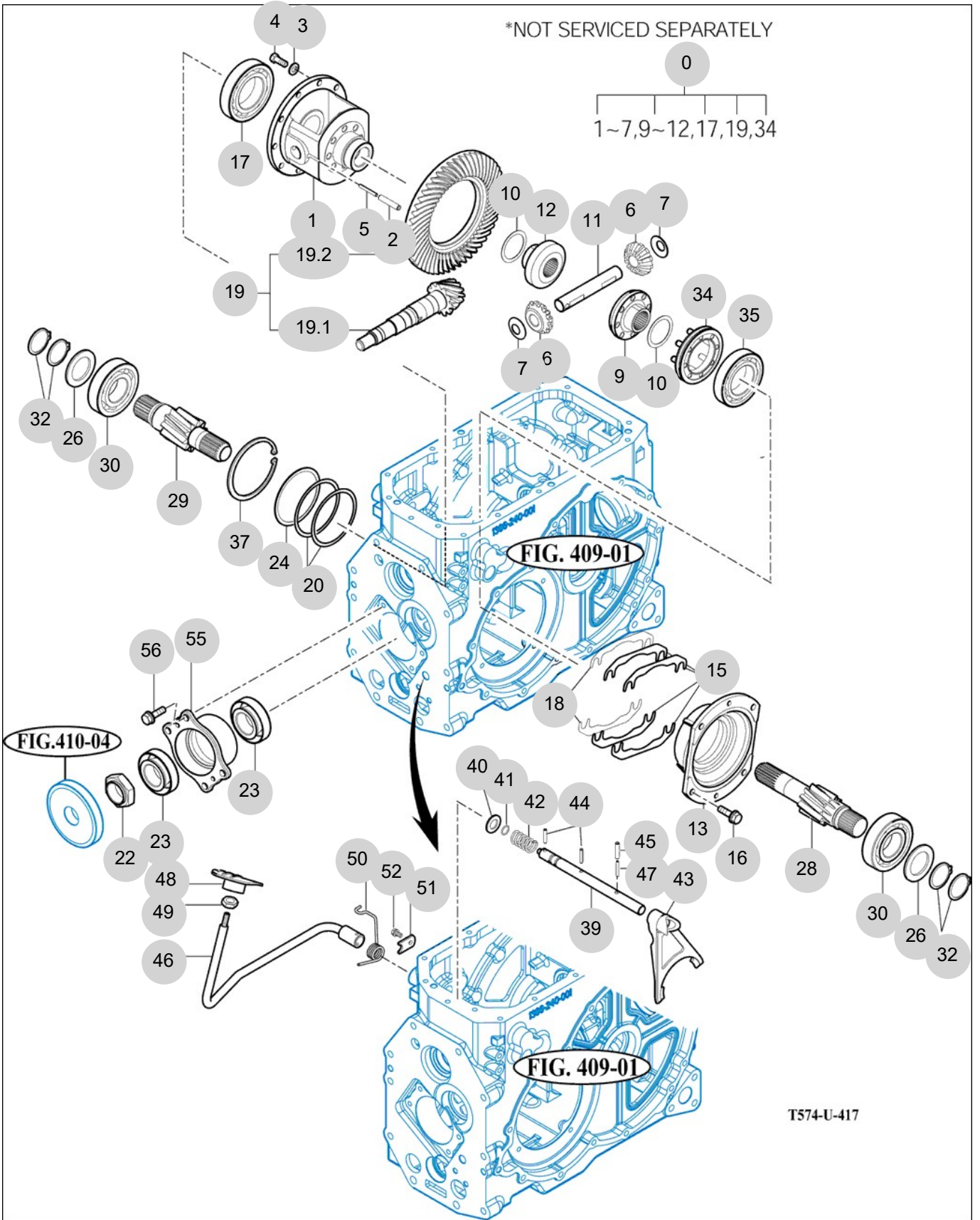
REAR DIFFERENTIAL GEARS

년/월
Year/Month

2022-12

T574NC

*NOT SERVICED SEPARATELY



T574-U-417

NOTE

FIG 417		REAR DIFFERENTIAL GEARS					년/월 Year/Month		
							2022-12		
T574NC		KEY NO	PART NO	DESCRIPTION	SPEC	QTY	REPAIR	EFFECTIVE DATE	REMARKS
417	0	13863031000	DIFF ASSY, RR			1			
417	1	14523030010M	CASE , DIFF			1			
417	2	V5801408040	PIN , SPRING	8X50		1			
417	3	V4011600100	WASHER , SPRING	M10		10			
417	4	V2024610025	BOLT , HEX FINE	M10X25		10			
417	5	V5801405036	PIN , SPRING	5X36		1			
417	6	14523180041	PINION , DIFF	1X1X1		2			
417	7	14523030080	COLLAR , PINION	T=1.0		2			
417	9	14523180061	PINION , BEVEL 16T LH	1X1X1		1			
417	10	14523030100	WASHER , THRUST	D=52.5		2			
417	11	14523030110	SHAFT , DIFF PINION	D=23		1			
417	12	14523180031	PINION , BEVEL 16T RH	1X1X1		1			
417	13	14523030131M	METAL , DIFF CASE LH			1			
417	15	14523010090	SHIM , B	T=0.2		4			
417	16	V2173610025	BOLT , HEX/S	M10X25		4			
417	17	V6001106212	BEARING , BALL	6212		1			
417	18	14523010080	SHIM , A	T=0.1		2			
417	19	13863022100	GEAR SET , 10-41T			1			
417	19.1	13863022110	PINION, BEVEL			1			
417	19.2	14523022120	GEAR , SPIRAL BEVEL			1			
417	20	14523010050	SHIM , 0.1	T=0.1		2			
417	22	15533030020	NUT , M40 P1,5	육각B=55		1			
417	23	V6321132208	BEARING , TAPER-ROLLER	32208CR		2			
417	24	14523010100	SHIM , 0.2	T=0.2		1			
417	26	15133060030	COLLAR , THRUST 45X68X4			2			
417	28	14523060010	PINION , LH HERICAL11T			1			
417	28	14523060011	PINION , LH HERICAL11T			1			
417	29	14523060020	PINION , RH HERICAL11T			1			
417	29	14523060021	PINION , RH HERICAL11T			1			
417	30	V6001106309	BEARING , BALL	6309		2			
417	30	V6041106309	BEARING , BALL/HL1			1			
417	32	V7041400450	C-RING , SHAFT	45		4			
417	34	14523033400	SLEEVE COMP			1			
417	35	V6001106211	BEARING , BALL	6211		1			
417	37	V7051401100	C-RING , HOLE	110		1			
417	39	14523032002	SHAFT , DIFF LOCK	D=20		1			
417	40	V4111600200	WASHER , PLAIN	M20		1			
417	41	V7201024016	O-RING , P	P16		1			
417	42	17973030420	SPRING	(D=3.6) X22.5X74.5		1			
417	43	14523190011M	FORK , DIFF LOCK			1			
417	44	V5801406032	PIN , SPRING	6X32		2			
417	45	V5801408036	PIN , SPRING	8X36		1			
417	46	14543162101	PEDAL COMP , DIFF LOCK			1			
417	47	V5801405036	PIN , SPRING	5X36		1			
417	48	14521220120	PEDAL COMP,ACCEL	1X1X1		1			
NOTE									

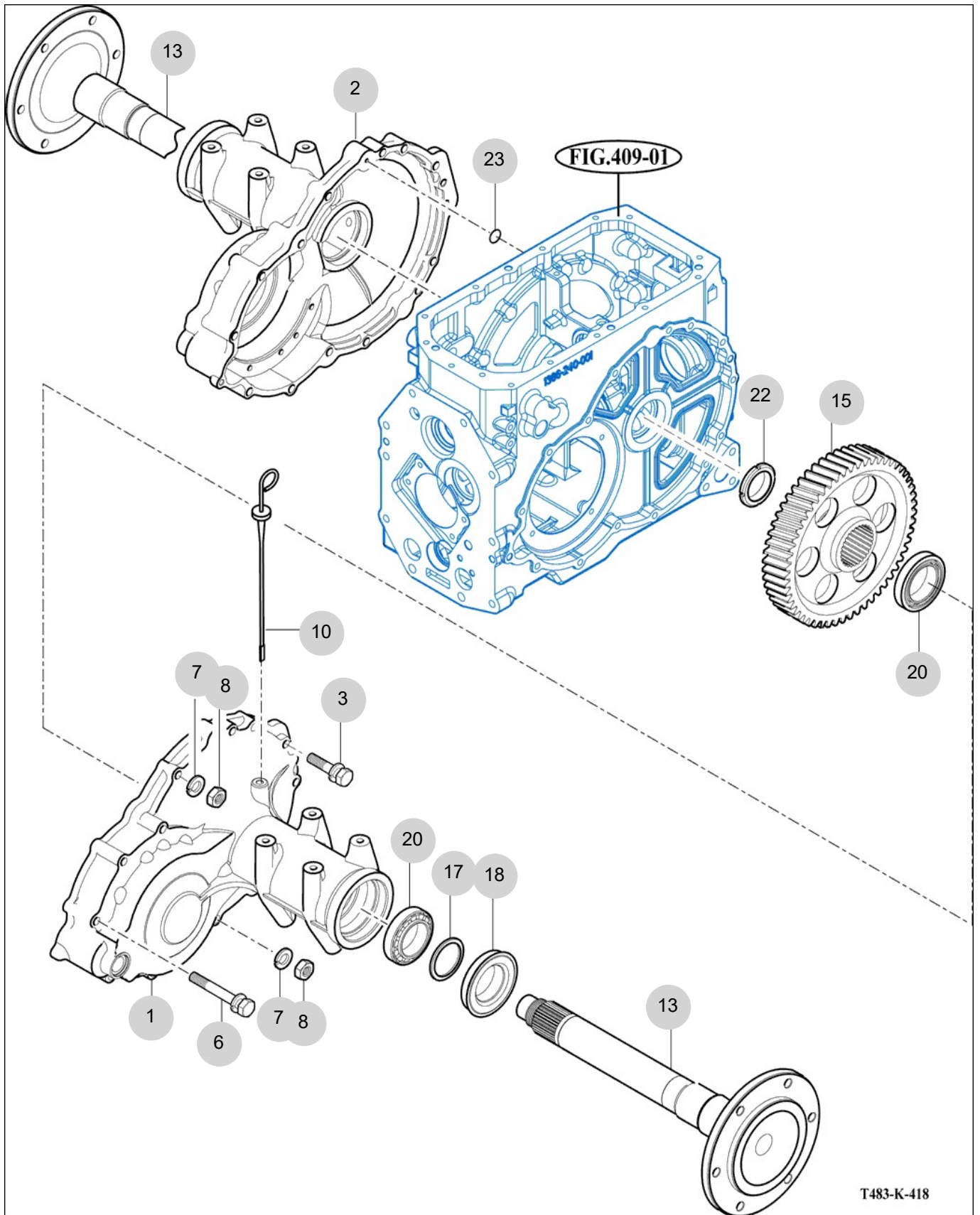
FIG 418

REAR AXLE HOUSING

년/월
Year/Month

T574NC

2022-12



NOTE

5. Front Axle PART NO. T5

FIG 501 FRONT AXLE SUPPORT	176
FIG 502 FRONT DRIVE SHAFT	178
FIG 503 FRONT AXLE HOUSING	180
FIG 504 FRONT DIFFERENTIAL GEARS	182
FIG 505 FRONT GEAR CASE (1)	184
FIG 506 FRONT GEAR CASE (2)	186
FIG 507 FRONT GEAR CASE (3)	188

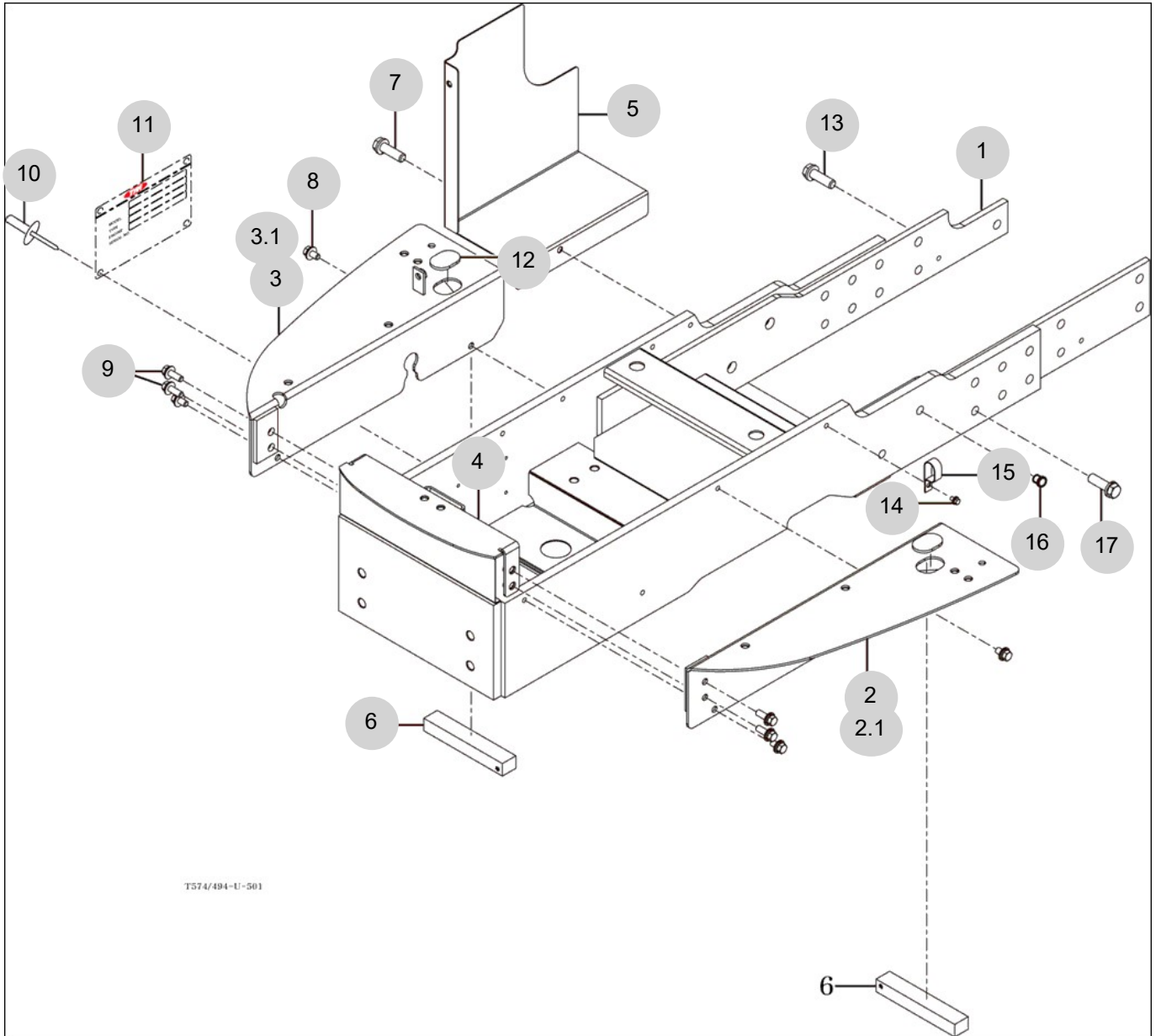
FIG 501

T574NC

FRONT AXLE SUPPORT

년/월
Year/Month

2022-12



NOTE

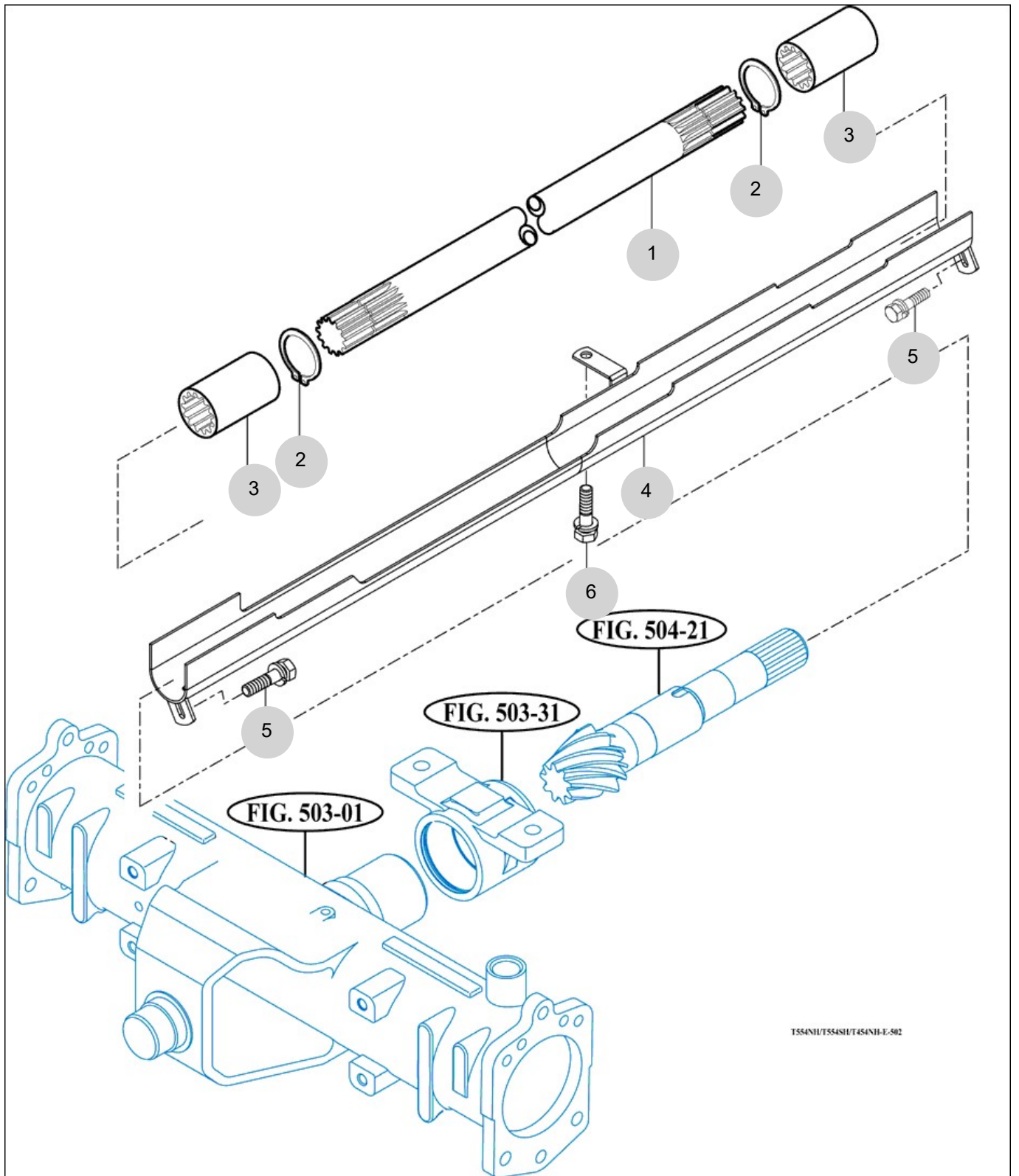
FIG 502

FRONT DRIVE SHAFT

년/월
Year/Month

T574NC

2022-12



T554NH/T554SH/T454NH-E-502

NOTE

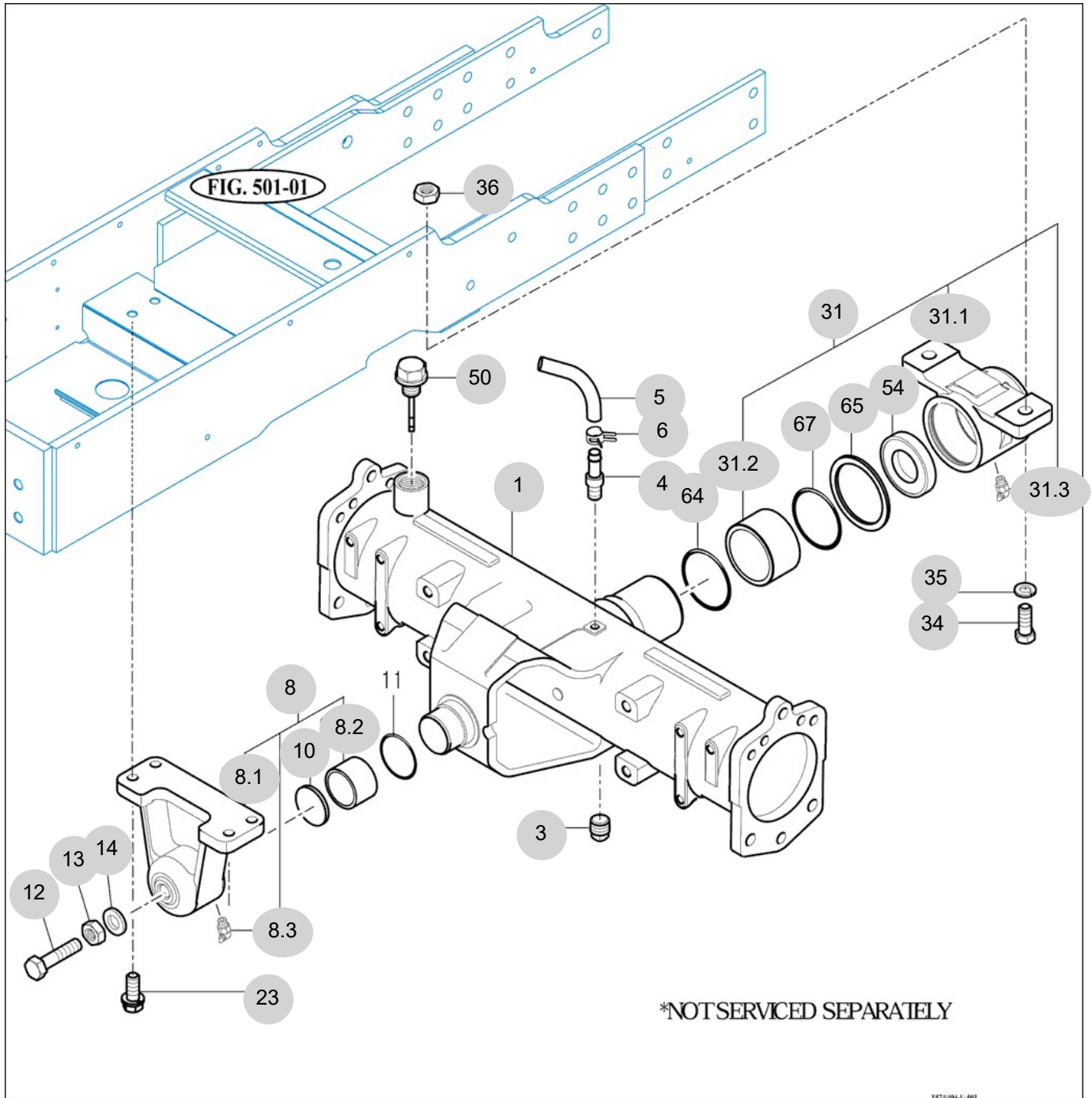
FIG 503

FRONT AXLE HOUSING

년/월
Year/Month

T574NC

2022-12



NOTE

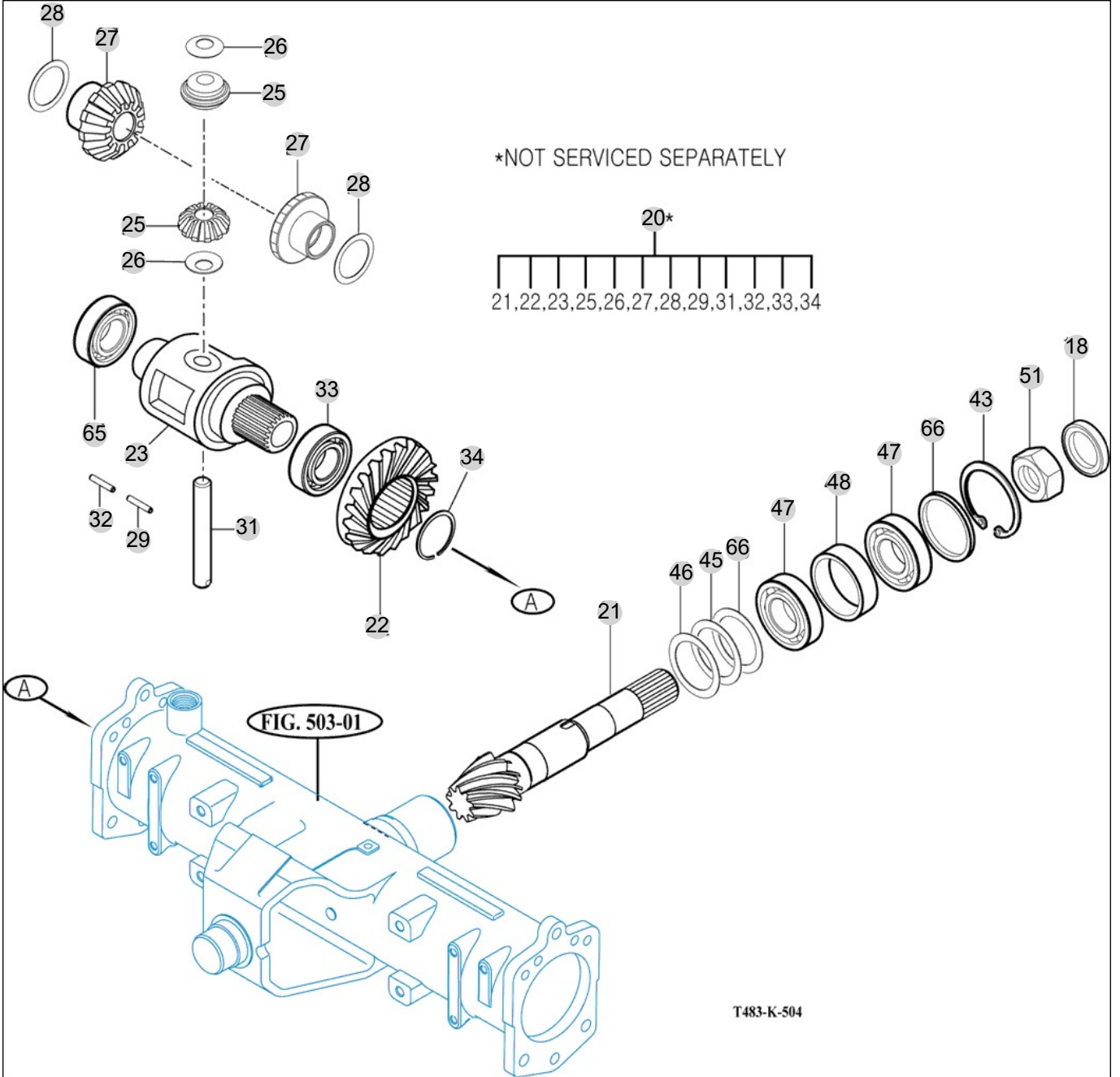
FIG 504

FRONT DIFFERENTIAL GEARS

년/월
Year/Month

2022-12

T574NC



NOTE

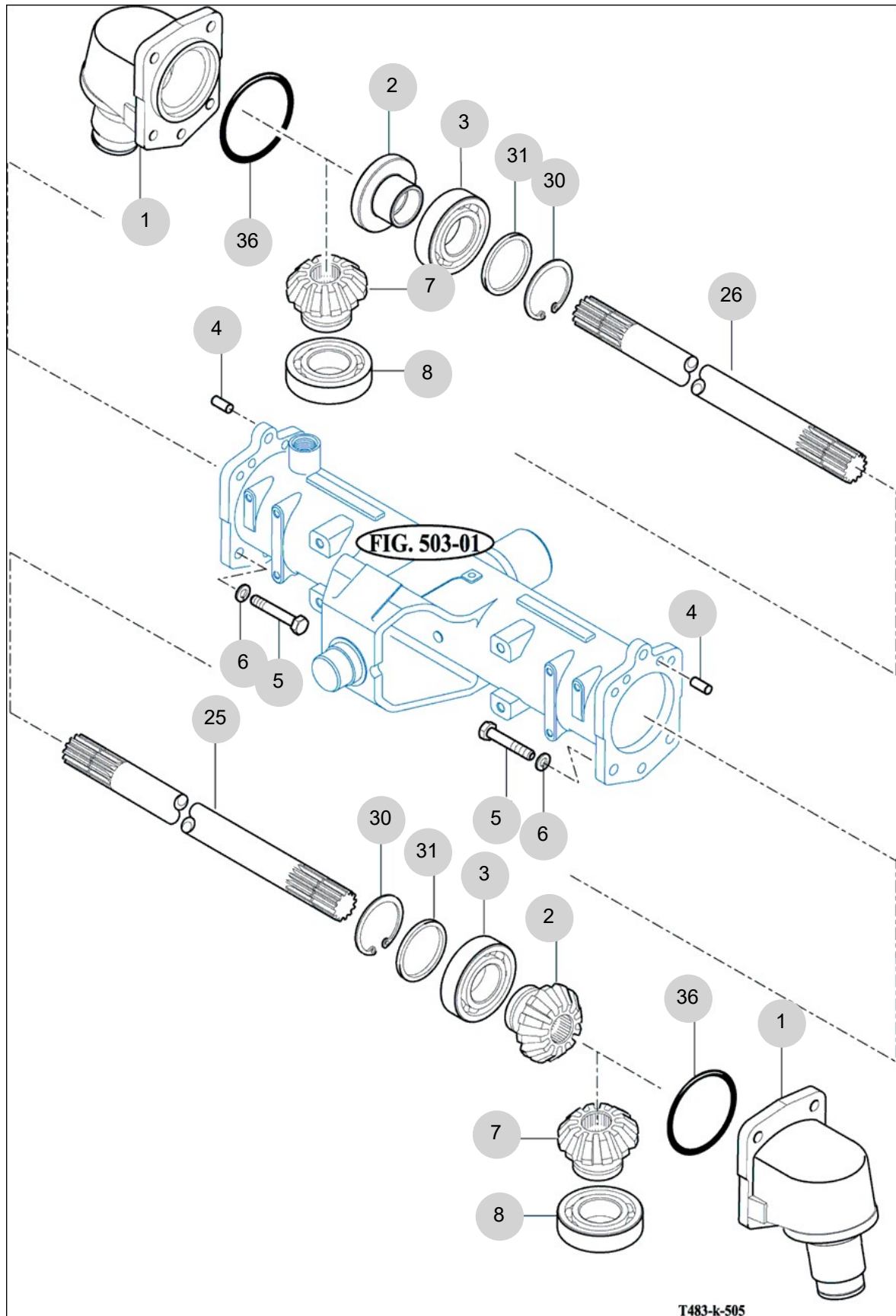
FIG 505

T574NC

FRONT GEAR CASE (1)

년/월
Year/Month

2022-12



T483-k-505

NOTE

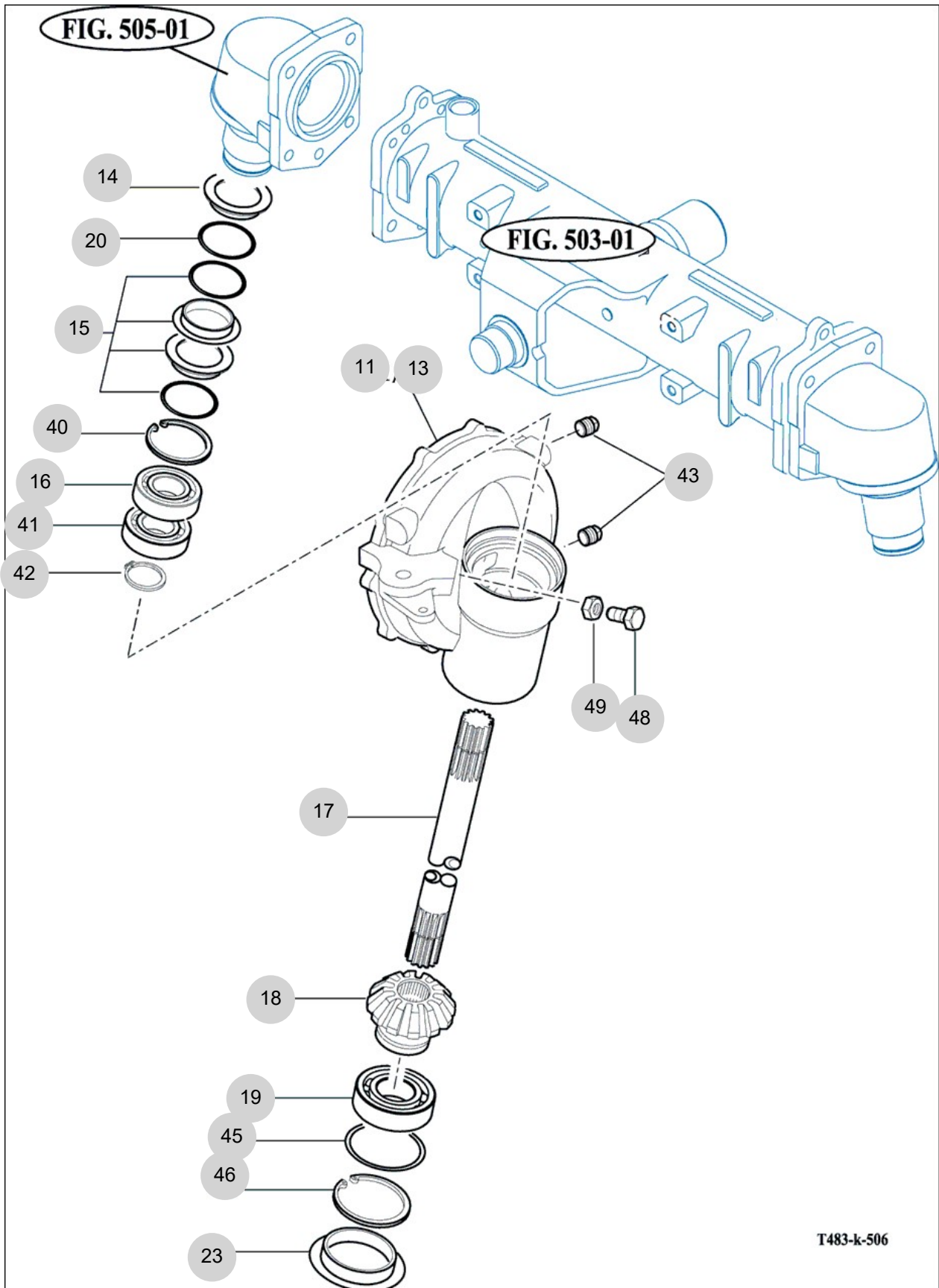
FIG 506

FRONT GEAR CASE (2)

년/월
Year/Month

2022-12

T574NC



T483-k-506

NOTE

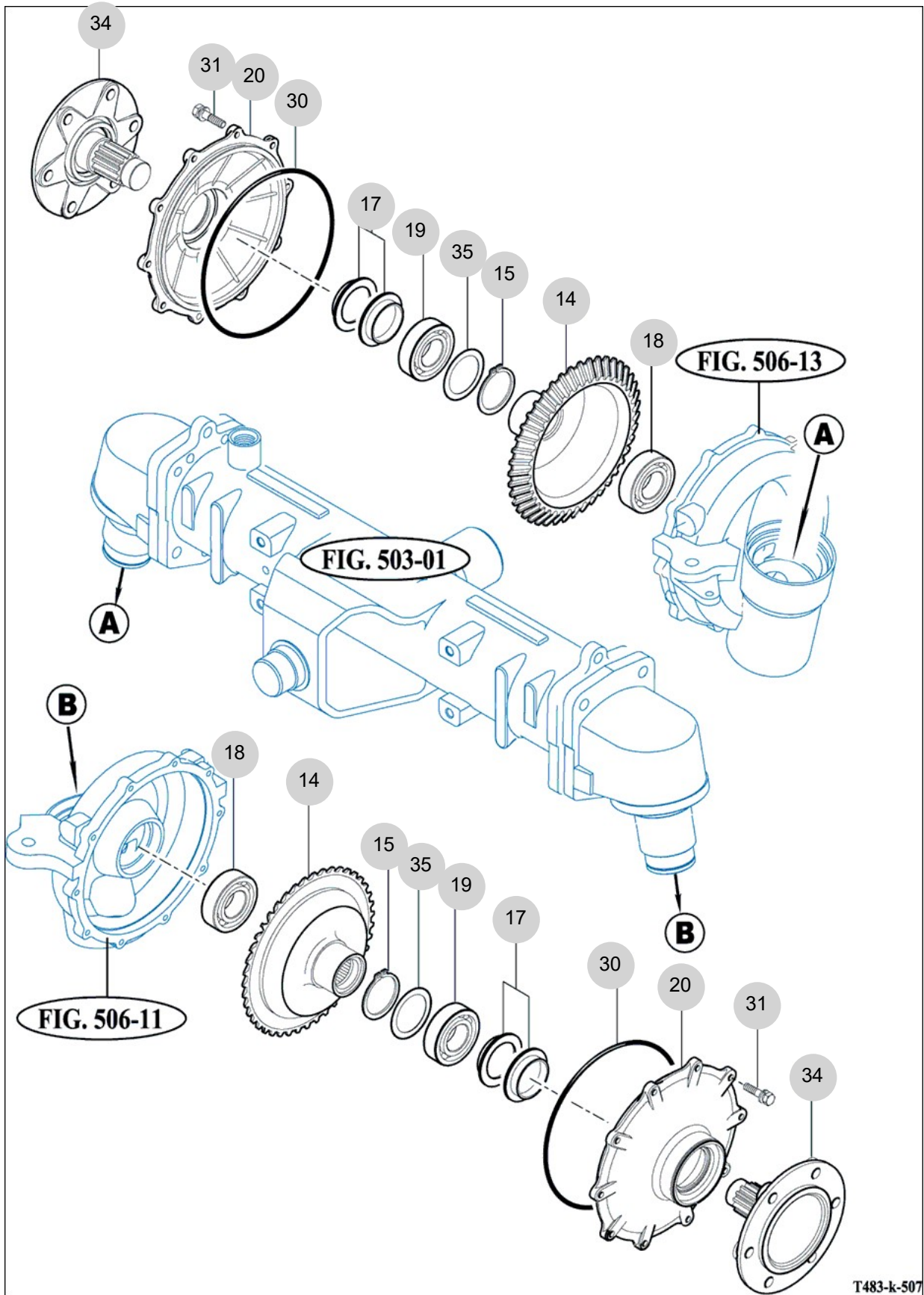
FIG 507

T574NC

FRONT GEAR CASE (3)

년/월
Year/Month

2022-12



T483-k-507

NOTE

6. Hydraulic/3P-Link PART NO. T6

FIG 601 CYLINDER CASE	191
FIG 602 LIFT ARM	193
FIG 603 CYLINDER	195
FIG 604 POSITION LINK	197
FIG 605 CONTROL VALVE	199
FIG 606 DRAFT LINK	201
FIG 607A POSITION & DRAFT LEVER (1)	203
FIG 607B POSITION & DRAFT LEVER (2)	205
FIG 608 EXTERIOR HYD. VALVE	207
FIG 609 HYDRAULIC PIPE	209
FIG 610 JOYSTICK	211
FIG 612 HITCH & 3-POINT LINK	214
FIG 613 LOWER LINK & LIFT ROD	217

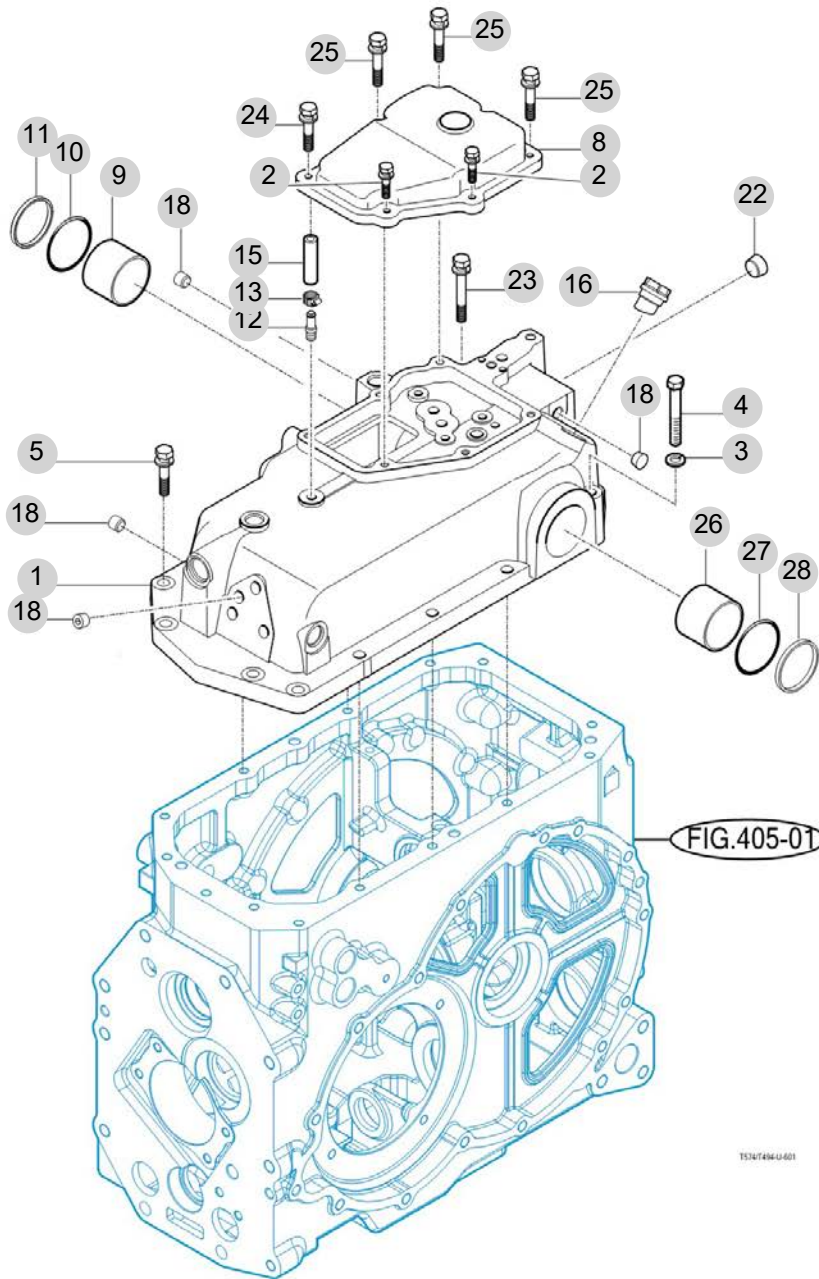
FIG 601

T574NC

CYLINDER CASE

년/월
Year/Month

2022-12



NOTE

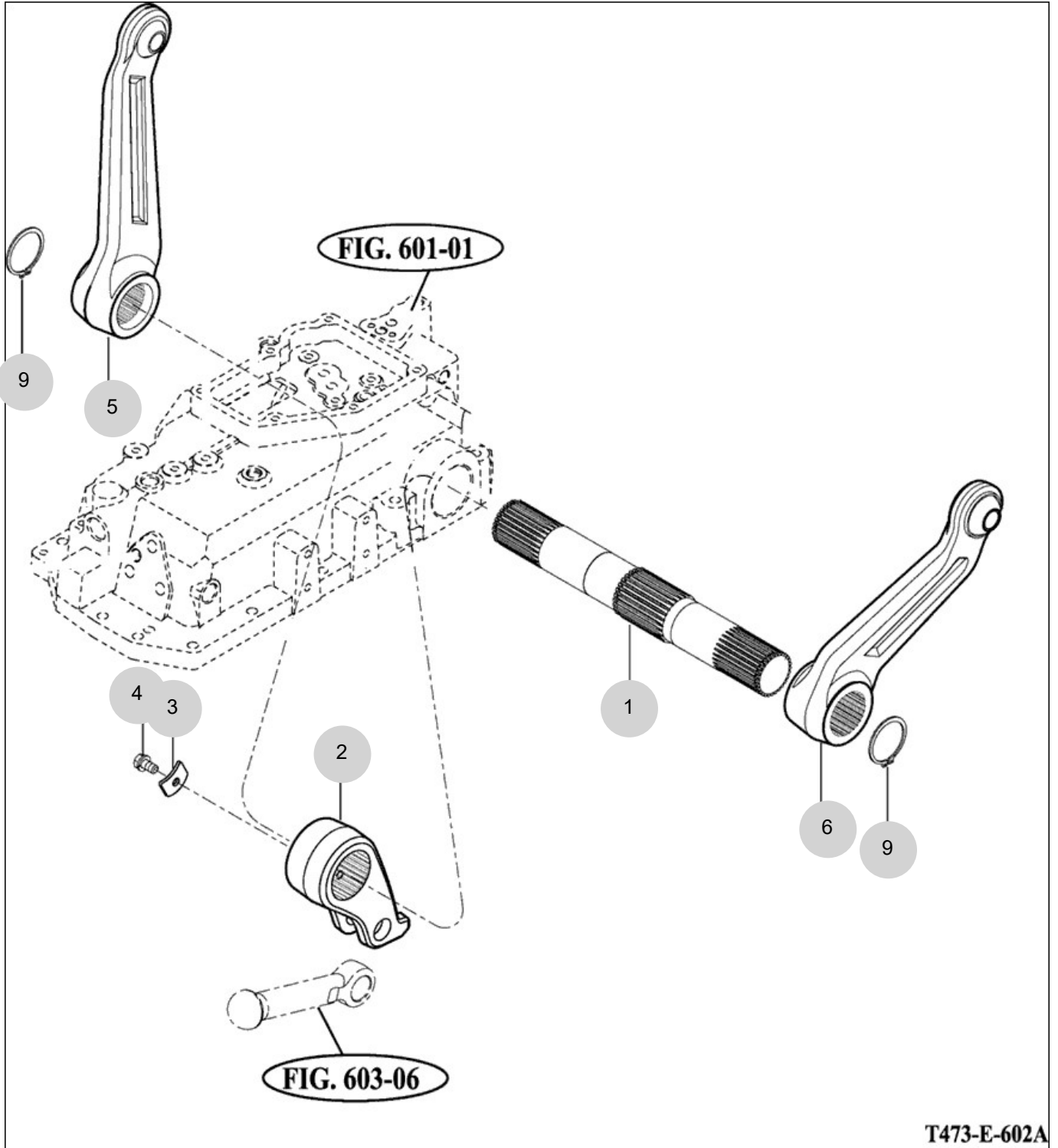
FIG 602

T574NC

LIFT ARM

년/월
Year/Month

2022-12



NOTE

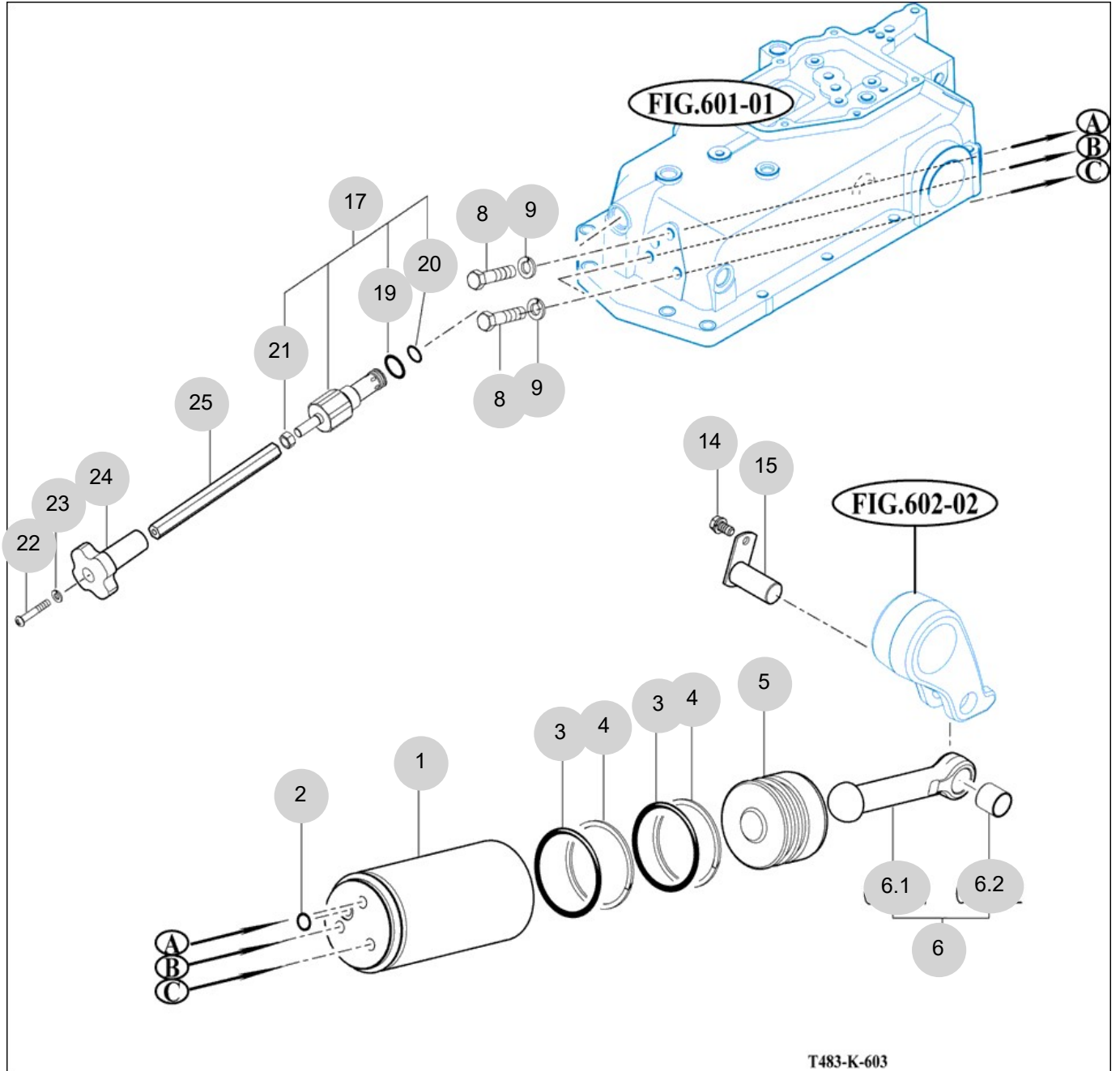
FIG 603

T574NC

CYLINDER

년/월
Year/Month

2022-12



NOTE

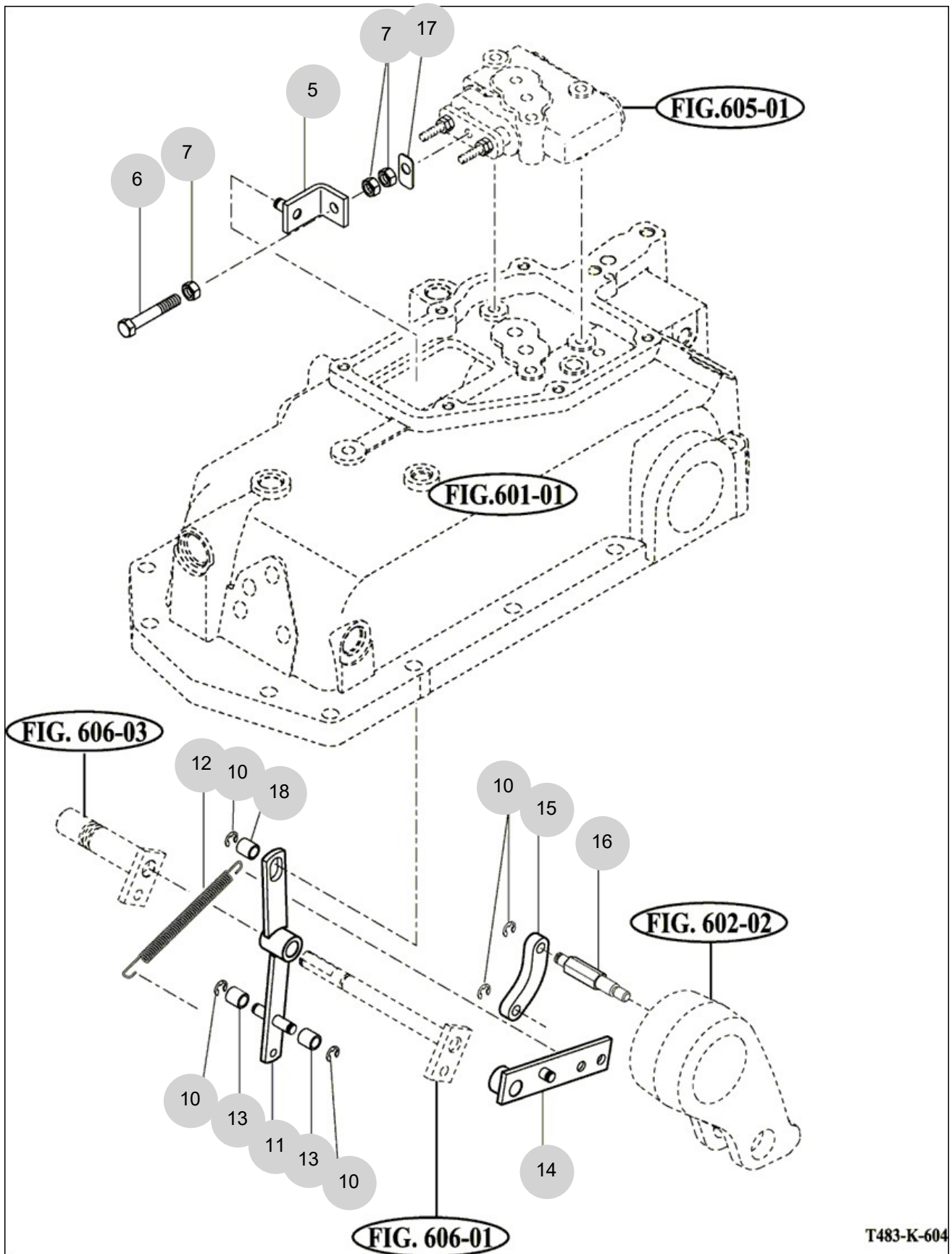
FIG 604

POSITION LINK

년/월
Year/Month

T574NC

2022-12



T483-K-604

NOTE

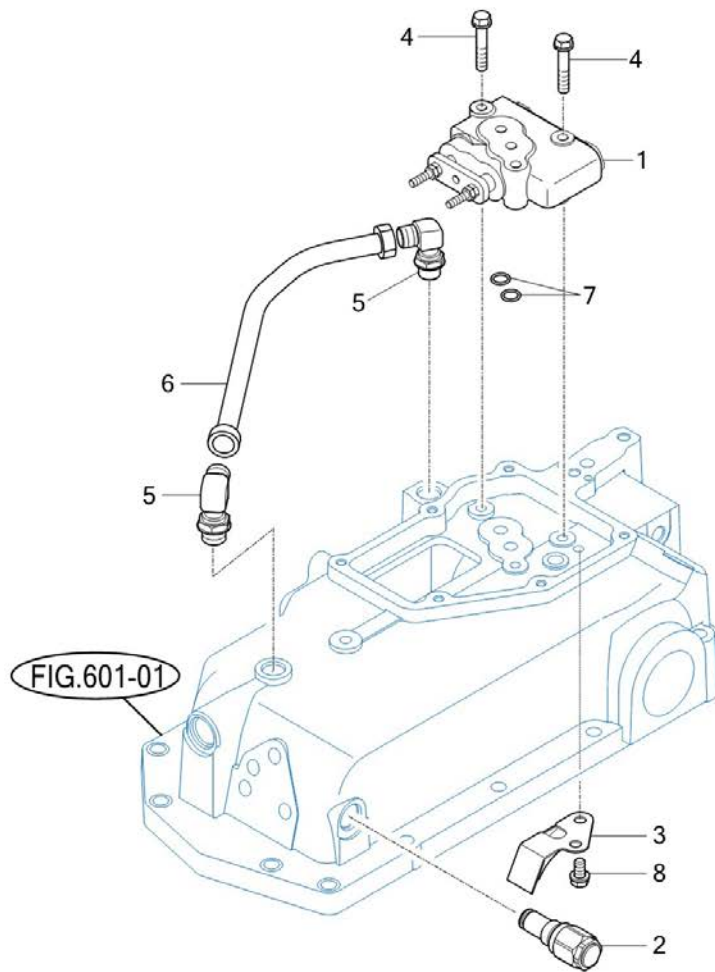
FIG 605

T574NC

CONTROL VALVE

년/월
Year/Month

2022-12



T574-U-605

NOTE

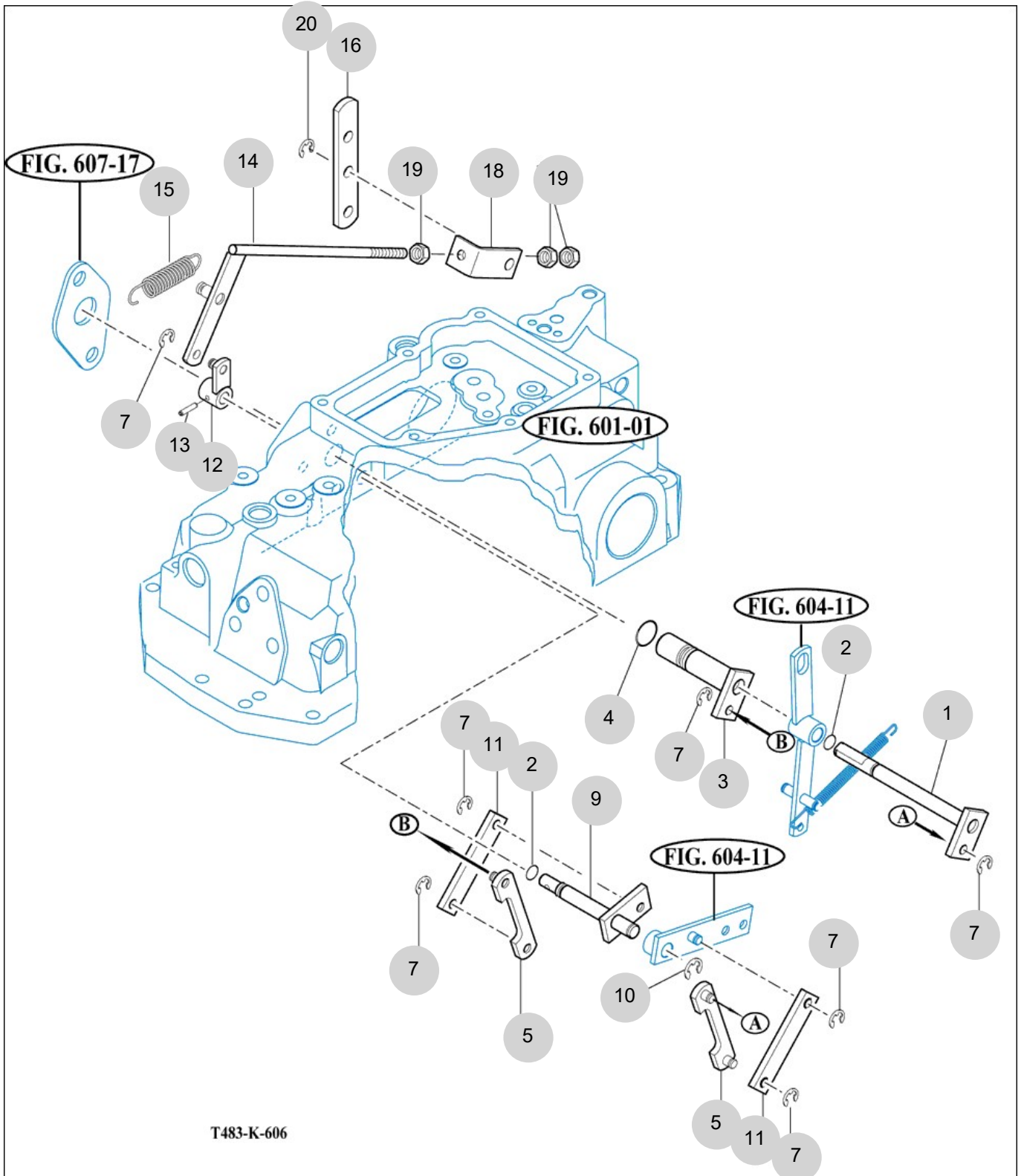
FIG 606

T574NC

DRAFT LINK

년/월
Year/Month

2022-12



NOTE

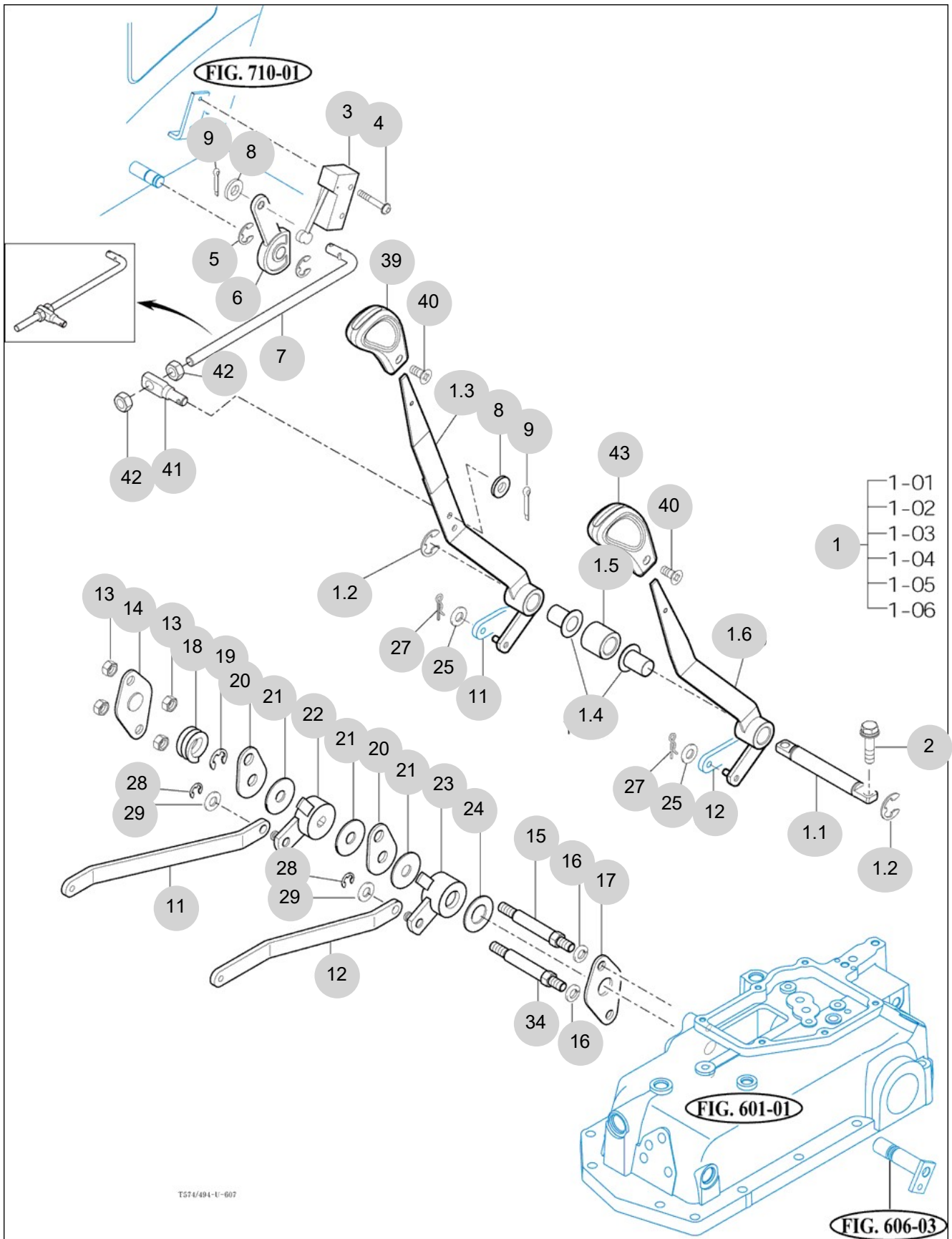
FIG 607A

POSITION & DRAFT LEVER (1)

년/월
Year/Month

2022-12

T574NC



T574/494-U-007

NOTE

FIG 607A T574NC		POSITION & DRAFT LEVER (1)					년/월 Year/Month	
							2022-12	
KEY NO	PART NO	DESCRIPTION	SPEC	QTY	REPAIR	EFFECTIVE DATE	REMARKS	
607A	1	13877092100	REVER SUB, POSITION/DRAFT		1			
607A	1.1	14527092110	SHAFT	D=16	1			
607A	1.2	V7081400150	E-RING	15	2			
607A	1.3	13877092200GB	LEVER COMP, POSITION		1			
607A	1.4	14527092120	BUSH, NYLON/16X18X27	1X1X1	2			
607A	1.5	14527092251	COLLER , SPACE	D=30	1			
607A	1.6	13877092300GB	LEVER COMP, DRAFT		1			
607A	2	V2183608020	BOLT , HEX/SP	M8X20	2			
607A	3	16606742301	SWITCH ASSY . LIMIT		1			
607A	4	V1222604025	SCREW , C/R PAN/SP	M4X25	2			
607A	5	V7081400080	E-RING	8	2			
607A	6	14527090020	CAM , SENSER	1X1X1	1			
607A	7	19997090010	ROD,SWITCH	6*150*28	1			
607A	8	V4111600060	WASHER , PLAIN	M6	2			
607A	9	V5001920020	PIN , SPLIT	2X20	2			
607A	11	14525070121	PLATE , POSITION	19X6T	1			
607A	12	14525070141	PLATE , DRAFTER	19X6T	1			
607A	13	V3043600100	NUT , HEX/2	M10	4			
607A	14	17995070140	PLATE , C	3.2T	1			
607A	15	17995070150	BOLT , SUPPORT	H14X108.9	1			
607A	16	V4011600100	WASHER , SPRING	M10	2			
607A	17	17995070170	PLATE , D	3.2TX90X50	1			
607A	18	17995070180	SPRING	33X23	1			
607A	19	V7081400120	E-RING	12	1			
607A	20	17995070200	PLATE , A	3.2TX40X62	2			
607A	21	17995070211	PLATE , FRICTION	13X40X2T	3			
607A	21	13835070210	PLATE , FRICTION		3			
607A	22	14525070221	ARM COMP , POSITION	1X1X1	1			
607A	23	14525070230	ARM COMP , DRAFT LEVER		1			
607A	24	17995070241	PLATE , FRICTION	21*40*2T	1			
607A	24	13835070220	PLATE , FRICTION		1			
607A	25	V4111600060	WASHER , PLAIN	M6	2			
607A	27	21306010180	PIN , SNAP/6	D=1.2	2			
607A	28	V7081400080	E-RING	8	2			
607A	29	V4111600100	WASHER , PLAIN	M10	2			
607A	34	17995070340	BOLT , SUPPORT		1			
607A	39	13877553400	GRIP , POSITION LEVER		1			
607A	40	V1122605012	SCREW , C/R FLAT	M5X12	2			
607A	41	19997090210	PIN , POSITION ROD	10.6*32*8	1			
607A	42	V3002600060	NUT , HEX/1	M6	2			
607A	43	13877553500	GRIP , DRAFT LEVER		1			
NOTE								

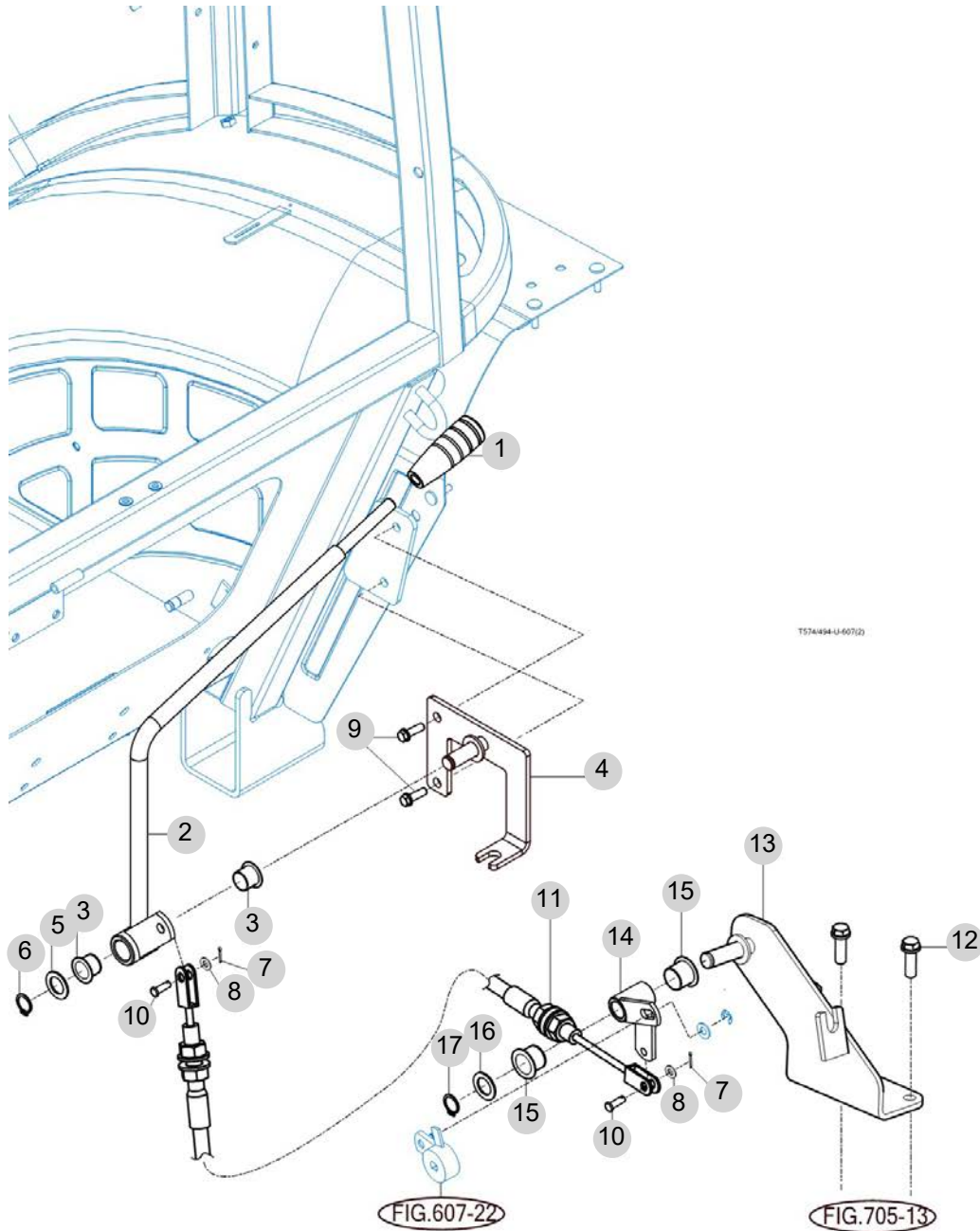
FIG 607B

T574NC

POSITION & DRAFT LEVER (2)

년/월
Year/Month

2022-12



NOTE

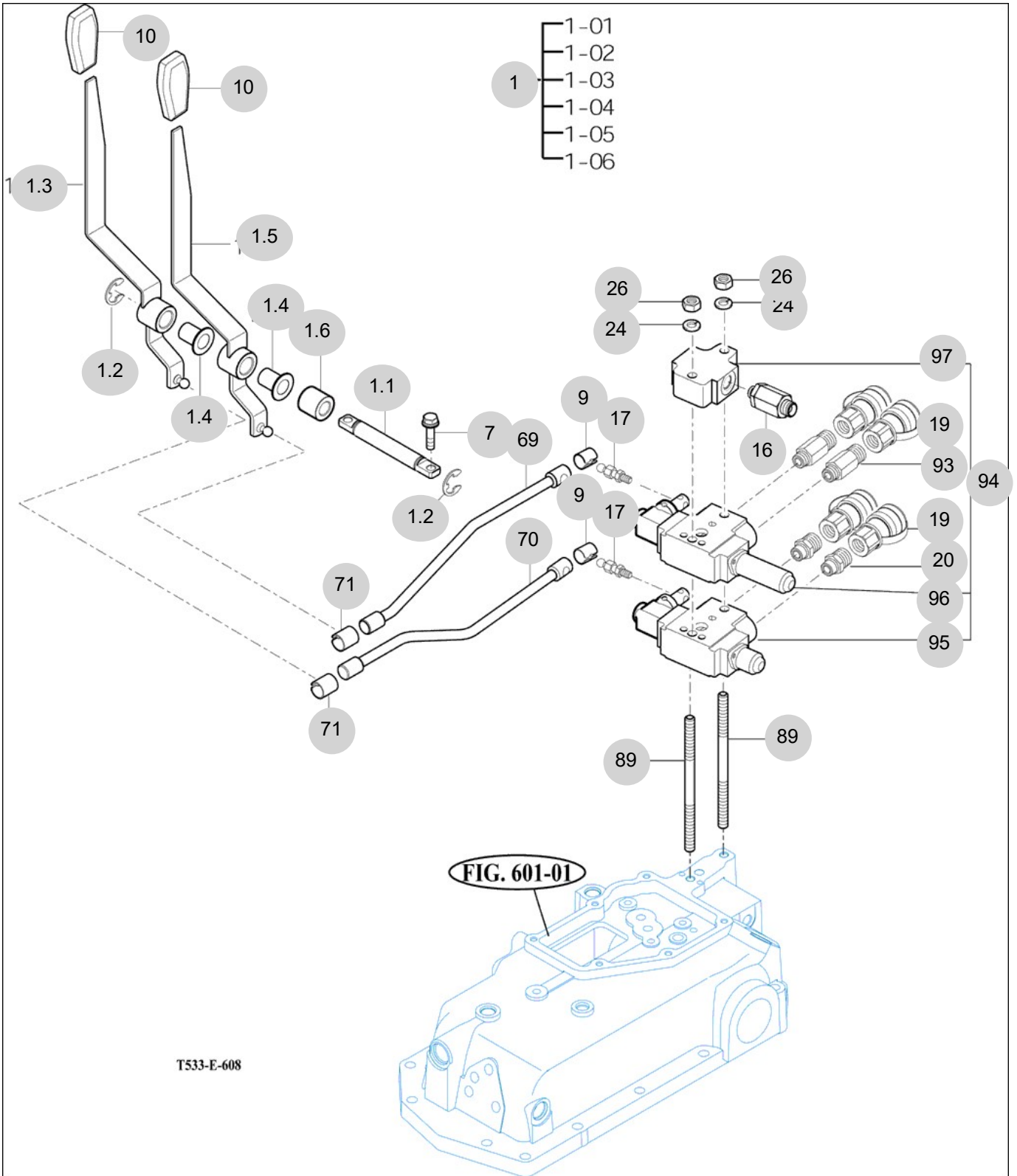
FIG 608

EXTERIOR HYD. VALVE

년/월
Year/Month

2022-12

T574NC



T533-E-608

NOTE

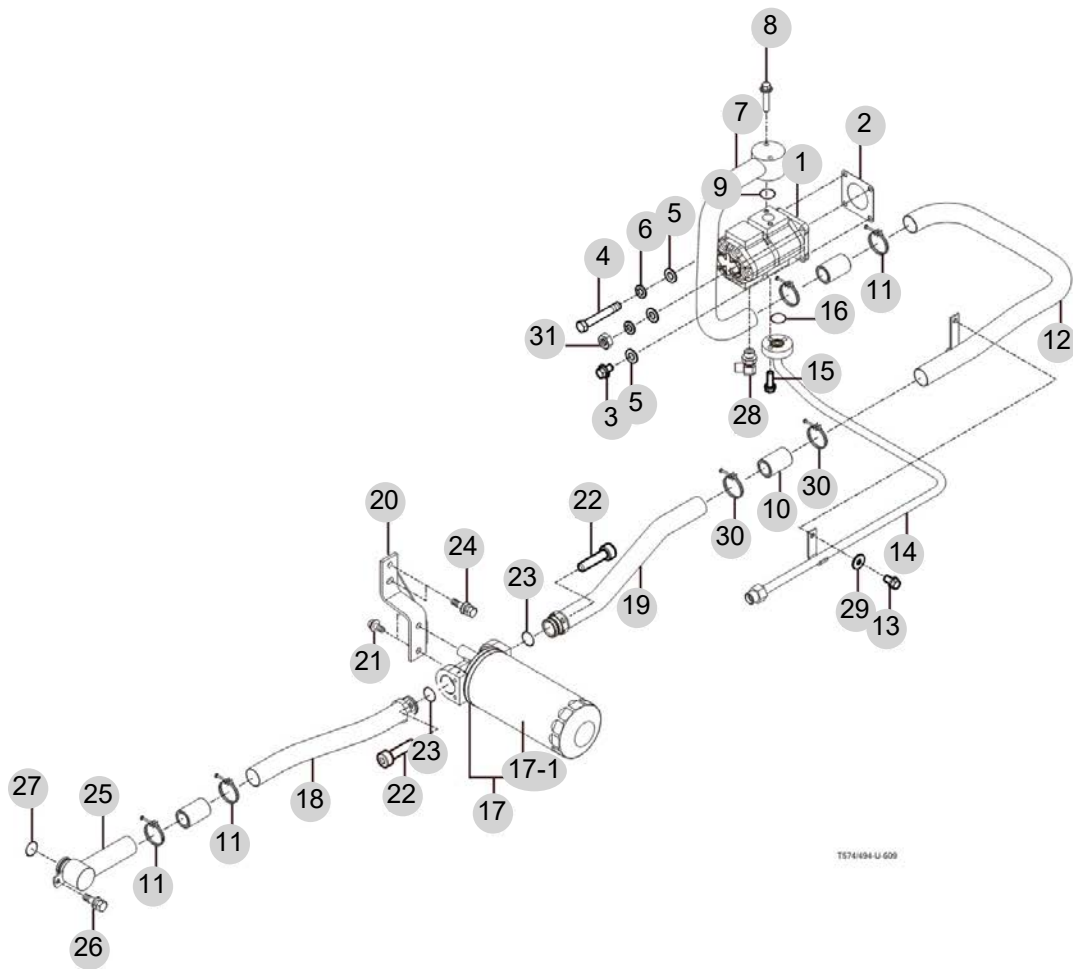
FIG 609

HYDRAULIC PIPE

년/월
Year/Month

2022-12

T574NC



T574694 U 609

NOTE

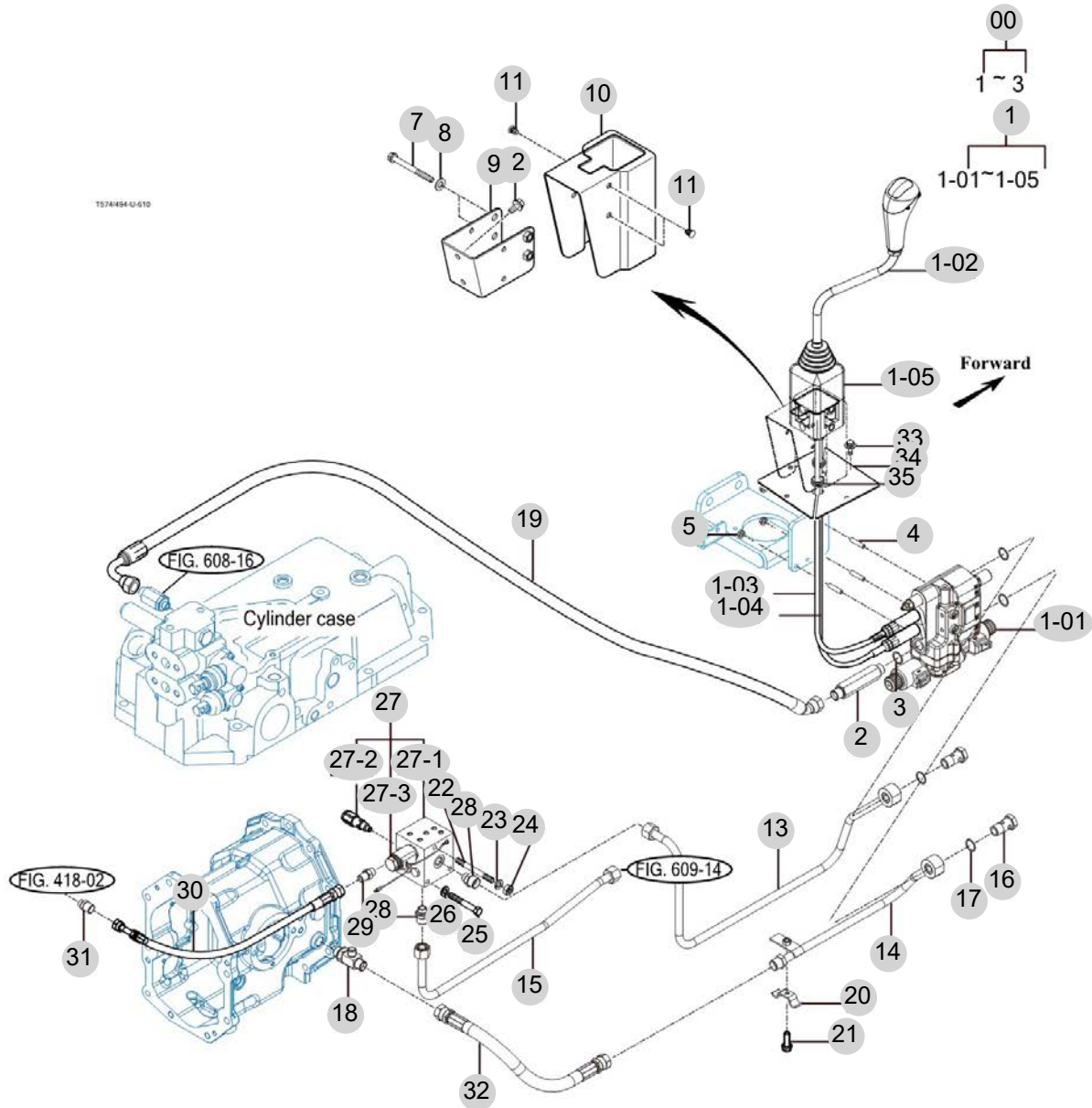
FIG 610

JOYSTICK

년/월
Year/Month

2022-12

T574NC



NOTE

FIG 610		JOYSTICK					년/월	
							Year/Month	
T574NC		2022-12						
KEY NO	PART NO	DESCRIPTION	SPEC	QTY	REPAIR	EFFECTIVE DATE	REMARKS	
610	0	13877753000	LOADER VALVE SUB		1			
610	1	13877752000	JOYSTIC ASSY , LOADER VALVE		1			
610	1.1	13877752100	LOADER VALVE ASSY		1			
610	1.2	13877752200	JOYSTIC LEVER ASSY		1			
610	1.3	13877752300	JOYSTIC CABLE ASSY ,UPR(720)		1			
610	1.4	13877752400	JOYSTIC CABLE ASSY ,LOW(770)		1			
610	1.5	13877752500	BOOT ASSY		1			
610	2	13805410050	UNION , PF1/2-130		1			
610	3	19557753010	BONDED SEAL , PF1/2		1			
610	4	V2513408025	BOLT , STUD/2	M8X25	3			
610	5	V3802600080	NUT , HEX FLANGE	M8	3			
610	7	V2173608085	BOLT , HEX/S	M8X85	2			
610	8	V4111600080	WASHER , PLAIN	M8	2			
610	9	14527103100GB	BRACKET , JOYSTICK	T=3.2	1			
610	10	14527100010	COVER , JOYSTICK T483	T=2.5	1			
610	11	15276040020	CLIP , TRIM	1X1X1	3			
610	12	V2183608020	BOLT , HEX/SP	M8X20	2			
610	13	13865412100GB	PIPE COMP , LOADER P		1			
610	13	13865412101GB	PIPE COMP , LOADER P		1			
610	14	13875412200GB	PIPE COMP , LOADER T		1			
610	14	13875412201GB	PIPE COMP , LOADER T		1			
610	15	13865102200	PIPE COMP , MAIN RR		1			
610	16	13875410081	BOLT , EYE JOINT(PF1/2)		2			
610	16	13875410080	BOLT , EYE JOINT(PF1/2)		2			
610	16	13875410082	BOLT , EYE JOINT(PF1/2)		2			
610	17	19555410060	WASHER , GASKET PF1/2		4			
610	17	19557753010	BONDED SEAL , PF1/2		4			
610	18	15165161130	ELBOW T (PF1/2,PF3/8)		1			
610	19	13875202300	HOSE ASSY , HYD 1550		1			
610	20	18715404700	CLIP		1			
610	21	V2173608016	BOLT , HEX/S	M8X16	1			
610	22	V2513408090	BOLT , STUD/2	M8X90	1			
610	23	V4011600080	WASHER , SPRING	M8	1			
610	24	V3042600080	NUT , HEX/2	M8	1			
610	25	V2013608090	BOLT , HEX	M8X90	2			
610	26	V4011600080	WASHER , SPRING	M8	1			
610	27	13875182000	VALVE ASSY , PTO		1			
610	27	17975182001	VALVE ASSY , PTO		1			
610	27-1	14725182100	VALVE , PTO		1			
610	27-2	16490110001	VALVE ASSY , RELIEF		1			
610	27-3	14725182210	SOLENOID COIL		1			
610	28	14135160010	UNION, PF3/8 M22		2			
610	29	37681850141	ADAPTER , STRAIGHT		1			
610	30	14525180361	HOSE ASSY . HYD 690	1X1X1	1			
610	31	17971850140	ADAPTER , STRAIGHT PF1/4	1X1X1	1			
NOTE								

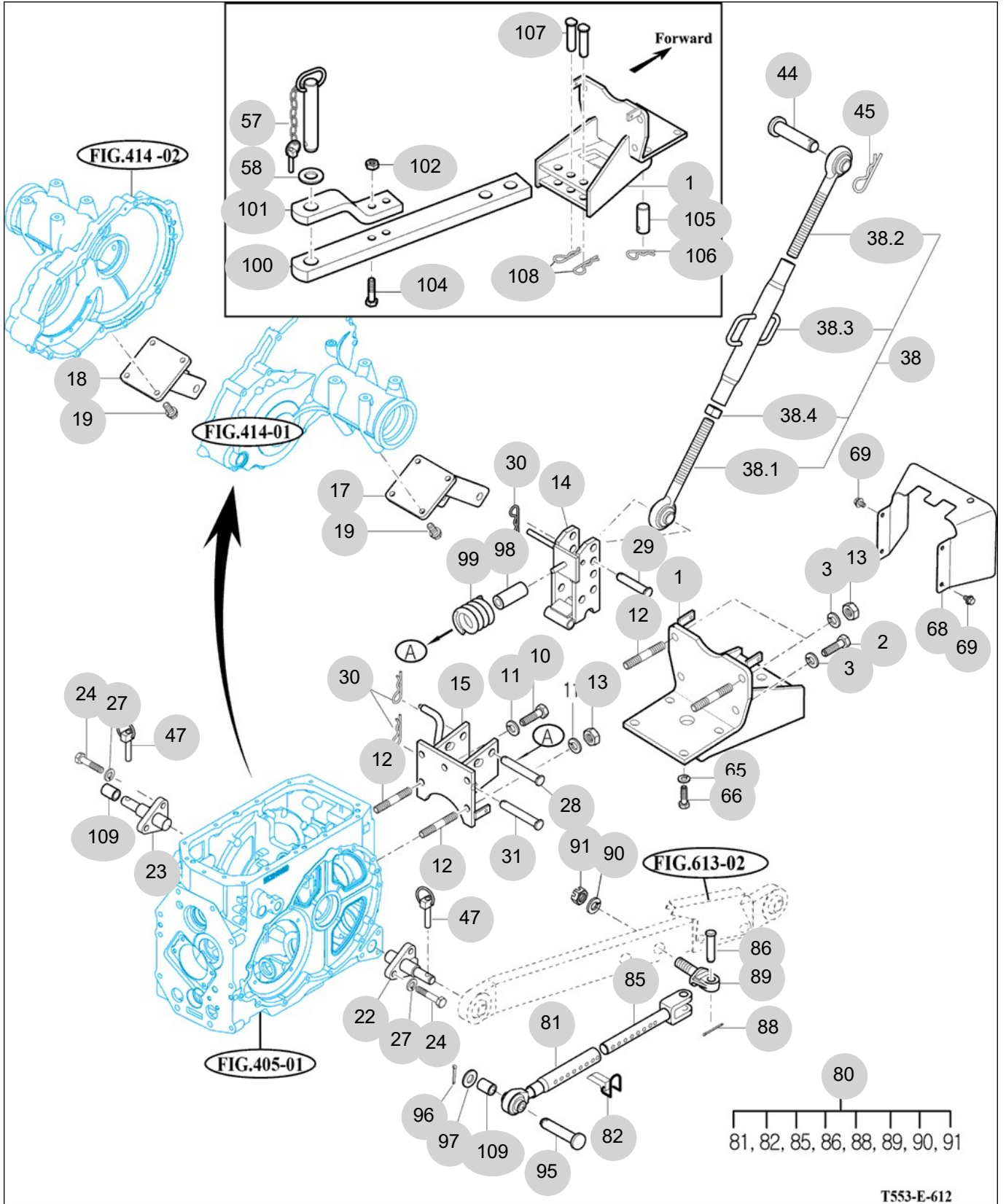
FIG 612

HITCH & 3-POINT LINK

년/월
Year/Month

2022-12

T574NC



T553-E-612

NOTE

FIG 612		HITCH & 3-POINT LINK					년/월 Year/Month		
							2022-12		
T574NC		KEY NO	PART NO	DESCRIPTION	SPEC	QTY	REPAIR	EFFECTIVE DATE	REMARKS
612	1	15175202001GB	BRACKET COMP, SWING DRAW BAR			1			
612	1	15175202002GB	BRACKET COMP, SWING DRAW BAR			1			
612	1	15175202003GB	BRACKET COMP, SWING DRAW BAR			1			
612	2	V2013616035	BOLT, HEX	M16X35		2			
612	3	V4011600160	WASHER, SPRING	M16		4			
612	10	V2013616035	BOLT, HEX	M16X35		3			
612	11	V4011600160	WASHER, SPRING	M16		5			
612	12	V2513416035	BOLT, STUD/2	M16X35		4			
612	13	V3043600160	NUT, HEX/2	M16		4			
612	14	16735222102GB	LINK COMP	1X1X1		1			
612	15	15185222000GB	BRACKET COMP			1			
612	17	14525254100GB	BRACKET COMP, RR			1			
612	18	14525254100GB	BRACKET COMP, RR			1			
612	19	V2173612030	BOLT, HEX/S	M12X30		8			
612	22	15685252204	PIN COMP, LH			1			
612	23	15685252801	PIN COMP, RH			1			
612	24	V2013614040	BOLT, HEX	M14X40		6			
612	27	V4011600140	WASHER, SPRING	M14		6			
612	28	15645250010	PIN, 19X122	D=19		1			
612	29	15645220020	PIN, 19X95	D=19		1			
612	30	14445140051	PIN, 19	D=4.5		3			
612	31	15645250010	PIN, 19X122	D=19		1			
612	38	16505245501GB	LINK ASSY, TOP LINK			1			
612	38	16505245502GB	TOP LINK ASSY			1			
612	38.1	16505245510	LINK COMP, RH TOP LINK	1X1X1		1			
612	38.2	16505245520	LINK COMP, LH TOP LINK	1X1X1		1			
612	38.3	14555140251	TURNBUCKLE COMP			1			
612	38.4	16505245530	NUT, HEX	1X1X1		1			
612	44	15645220011	PIN, 19X86	D=19		1			
612	45	14445140051	PIN, 19	D=4.5		1			
612	47	14215020020	PIN, LINK			2			
612	57	S0973063031	PIN ASSY	1X1X1		1			
612	58	15252470010	RUBBER, CUSHION			1			
612	65	V4011600140	WASHER, SPRING	M14		4			
612	66	V2013614035	BOLT, HEX	M14X35		4			
612	68	13605200012GB	COVER, SHIELD	1X1X1		1			
612	69	V2183608016	BOLT, HEX/SP	M8X16		4			
612	80	15155253000GB	LINK ASSY, ADJUSTER	570*60*50		2			
612	81	15155253100	ROD SUB, FR	44*320*60		2			
612	82	17705254200	PIN	1X1X1		2			
612	85	15155253300	ROD SUB, REAR	340*50*50		2			
612	86	15155253400	PIN, ø20X59	ø20X59		2			
612	88	V5001940035	PIN, SPLIT	4X35		2			
612	89	15155253500	EYEBOLT	66*60*40		2			
612	90	V4111600220	WASHER, PLAIN	M22		2			
NOTE									

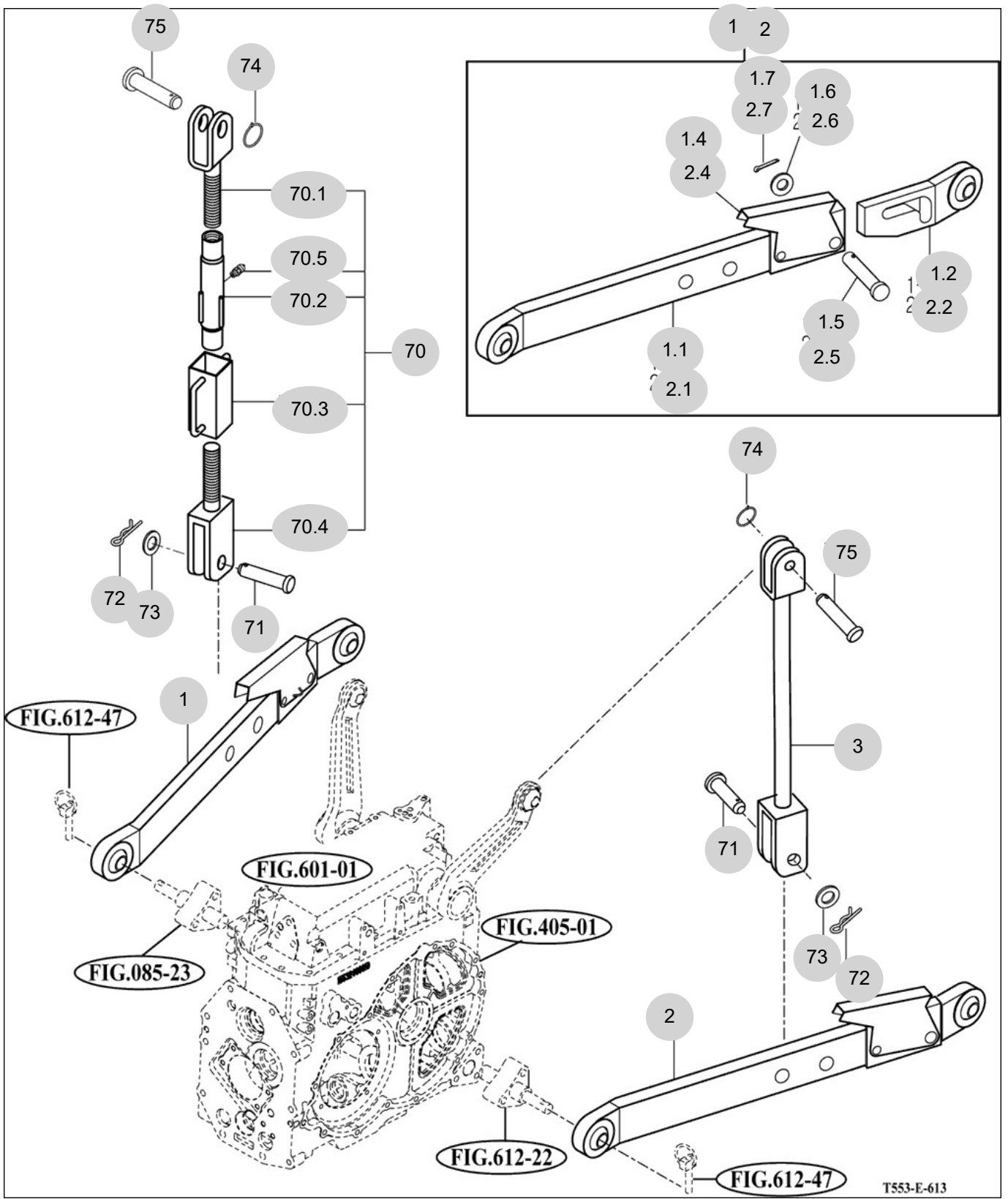
FIG 613

LOWER LINK & LIFT ROD

년/월
Year/Month

2022-12

T574NC



NOTE

7. Sheet Metal & Cabin PART NO. T7

FIG 701 BONNET FRAME	220
FIG 702A BONNET (1)	222
FIG 702B BONNET (2)	224
FIG 703 EXTENSION COVER	226
FIG 704B LEVER COVER & STEP-NON CAB	228
FIG 705 FRONT & REAR MOUNTING	230
FIG 706 SEAT & MAT	232
FIG 710B FRAME & 2POLES-ROPS-NON CAB	234
FIG 713B SUB FENDER & COVER-NON CAB	236
FIG 714B MIRROR&WORKING LAMP-NON CAB	238
FIG 718 CABIN INTERIOR	240

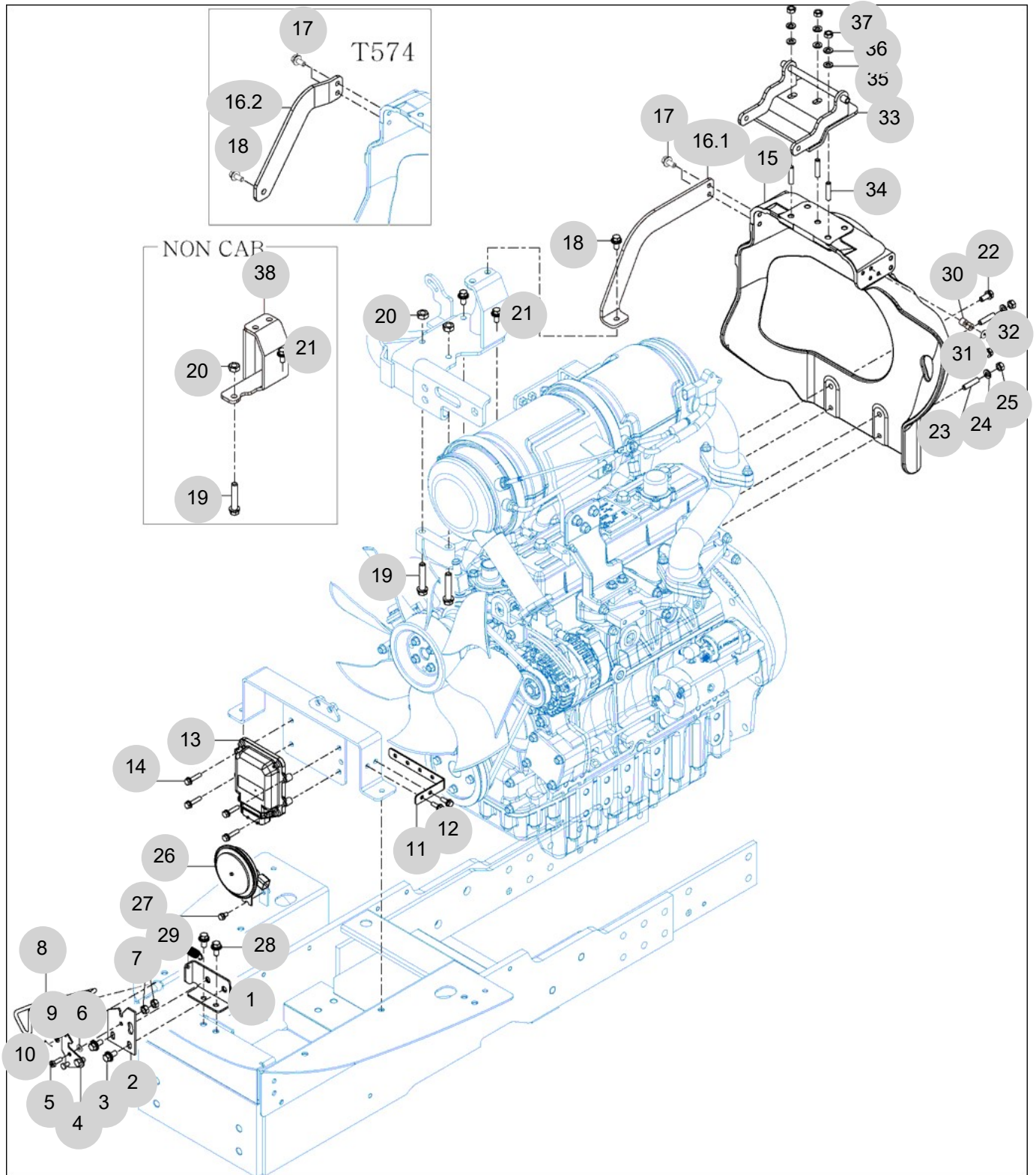
FIG 701

BONNET FRAME

년/월
Year/Month

T574NC

2022-12



NOTE

FIG 701 T574NC	BONNET FRAME	년/월 Year/Month
		2022-12

KEY NO	PART NO	DESCRIPTION	SPEC	QTY	REPAIR	EFFECTIVE DATE	REMARKS
701	1	14136011300GB	HOOD COMP , LOCK G		1		
701	2	11106024210	STAY , HOOD B		1		
701	3	V2183608020	BOLT , HEX/SP	M8X20	2		
701	4	11106024100	STAY COMP , HOOD A		1		
701	5	V2323606020	BOLT , C/R HEX/SP	M6X20	1		
701	6	V4111600060	WASHER , PLAIN	M6	1		
701	7	V3013600060	NUT .HEX NORMAL /2	M6	2		
701	8	14136024300	ROD COMP, OPEN		1		
701	9	V4111600060	WASHER , PLAIN	M6	1		
701	10	V5001925020	PIN D2.5x20	2.5X20	1		
701	11	13871613400GB	BRACKET , FUSE		1		
701	12	V2183606016	BOLT , HEX/SP	M6X16	2		
701	13	EA00005847A	DPF REGEN CONTROLLER		1		
701	14	V2123606030	BOLT . HEX /SP	M6X30	4		
701	15	13831811100GB	E/G REAR SUPPORTER		1		
701	16.2	13871811200GB	STRUT BAR		1		
701	17	V2183608020	BOLT , HEX/SP	M8X20	2		
701	18	V2183608025	BOLT , HEX/SP	M8X25	1		
701	19	V2173610055	BOLT , HEX/S	M10X55	2		
701	20	V3043600100	NUT , HEX/2	M10	2		
701	21	V2183610025	BOLT , HEX/SP	M10X25	2		
701	22	V2173608025	BOLT , HEX/S	M8X25	2		
701	23	V2513408025	BOLT , STUD/2	M8X25	2		
701	24	V4011600080	WASHER , SPRING	M8	2		
701	25	V3042600080	NUT , HEX/2	M8	2		
701	26	13266212003	HORN		1		
701	27	V2113606012	BOLT , HEX /S	M6X12	1		
701	28	V2183608020	BOLT , HEX/SP	M8X20	2		
701	29	11106020010	SPRING , TENSION 40		1		
701	30	13831811300	SPACER		2		
701	31	V4111600060	WASHER , PLAIN	M6	2		
701	32	V2113606040	BOLT , HEX /S	M6X40	2		
701	33	13876202800GB	PLATE COMP , BONNET HINGE		1		
701	34	V2513410025	BOLT , STUD/2		3		
701	34	V2514410025	BOLT , STUD/2	M10X25	3		
701	35	V4111600100	WASHER , PLAIN	M10	3		
701	36	V4011600100	WASHER , SPRING	M10	3		
701	37	V3013600100	NUT .HEX NORMAL /2	M10	3		
701	38	13801712100GB	STAND COMP		1		

NOTE

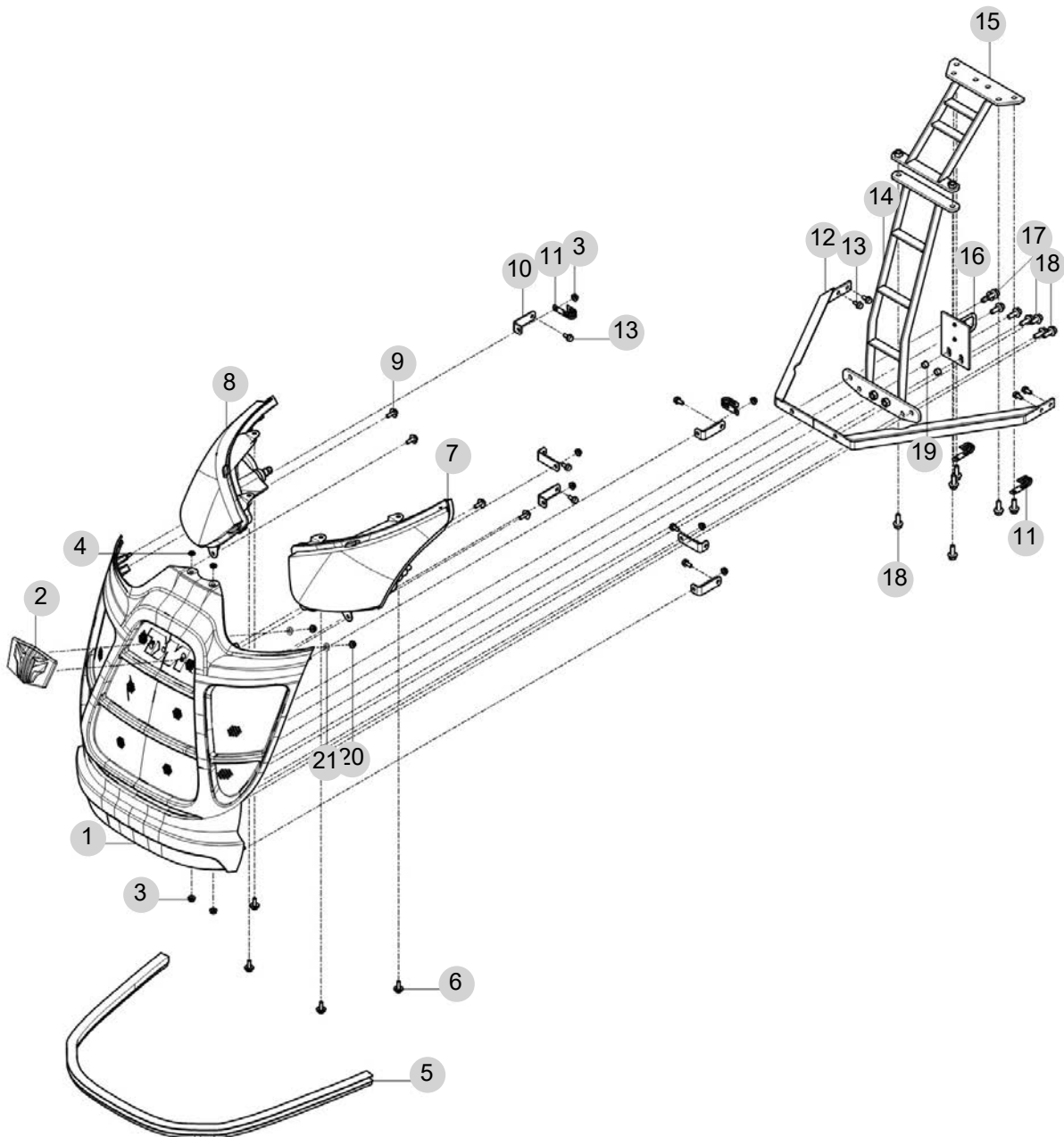
FIG 702A

BONNET (1)

년/월
Year/Month

2022-12

T574NC



NOTE

FIG 702A T574NC	BONNET (1)						년/월 Year/Month
							2022-12

KEY NO	PART NO	DESCRIPTION	SPEC	QTY	REPAIR	EFFECTIVE DATE	REMARKS
702A	1	14136206800	COVER COMP , FRONT	1			
702A	1	14136206801	COVER COMP , FRONT	1			
702A	2	19959010011	EMBLEM	1			
702A	2	19959010010	EMBLEM	1X1X1	1		
702A	2	19959010011	EMBLEM	1			
702A	2	17136010100	EMBLEM ASSY , HOOD	1			
702A	3	V3802600060	NUT , HEX FLANGE	M6	8		
702A	4	V4111600060	WASHER , PLAIN	M6	2		
702A	5	14136203900	INSULATOR, LOW/HOOD	1			
702A	6	V2193606020	BOLT , HEX/SPL	M6X20	4		
702A	7	14136206400	HEAD LAMP ASSY, LH	1			
702A	8	14136206700	HEAD LAMP ASSY, RH	1			
702A	9	V2193606020	BOLT , HEX/SPL	M6X20	4		
702A	10	17406203010GB	PLATE , UPR/SIDE	6			
702A	10	17406203011GB	PLATE , UPR/SIDE	6			
702A	10	17406203010GB	PLATE , UPR/SIDE	6			
702A	11	37371720090	CLAMP , W/HARNES	4			
702A	12	14136207100GB	FRAME COMP, FR/HOOD	1			
702A	13	V2123606016	BOLT , HEX /SP	M6X16	10		
702A	14	14136202500GB	PIN COMP, HOOK LOCK	1			
702A	15	14136202600GB	PIN COMP, HOOK LOCK	1			
702A	16	14136017300GB	BRACKET COMP, HOOD HINGE	1			
702A	16	14136017301GB	BRACKET COMP, HOOD HINGE	1			
702A	17	V2183608020	BOLT , HEX/SP	M8X20	2		
702A	18	V2183608025	BOLT , HEX/SP	M8X25	12		
702A	19	15991040050	COLLAR , 08X12X08	12X1.8	2		
702A	20	V3802600060	NUT , HEX FLANGE	M6	2		
702A	21	V4111600060	WASHER , PLAIN	2			

NOTE

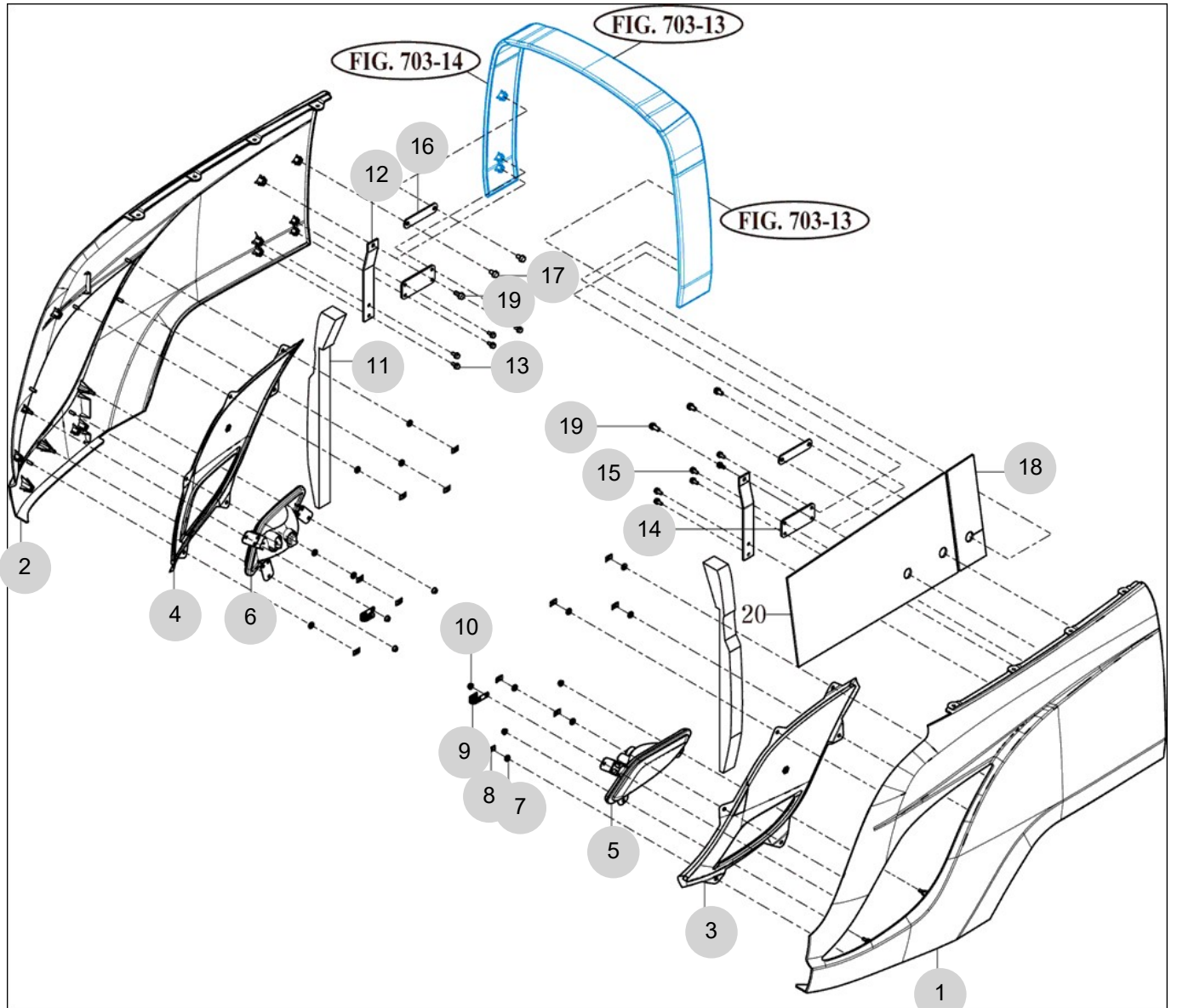
FIG 702B

T574NC

BONNET (2)

년/월
Year/Month

2022-12



NOTE

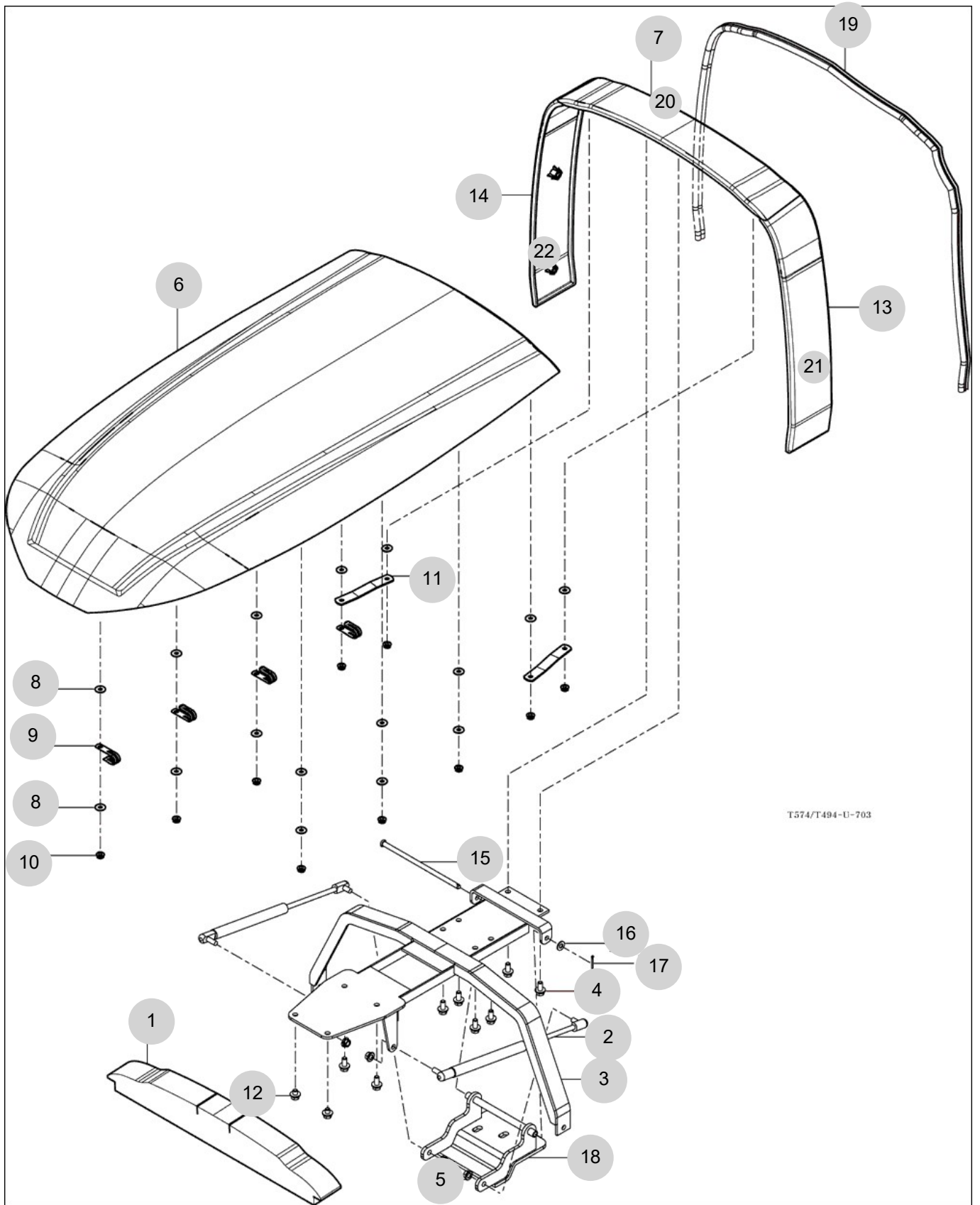
FIG 703

EXTENSION COVER

년/월
Year/Month

2022-12

T574NC



T574/T494-U-703

NOTE

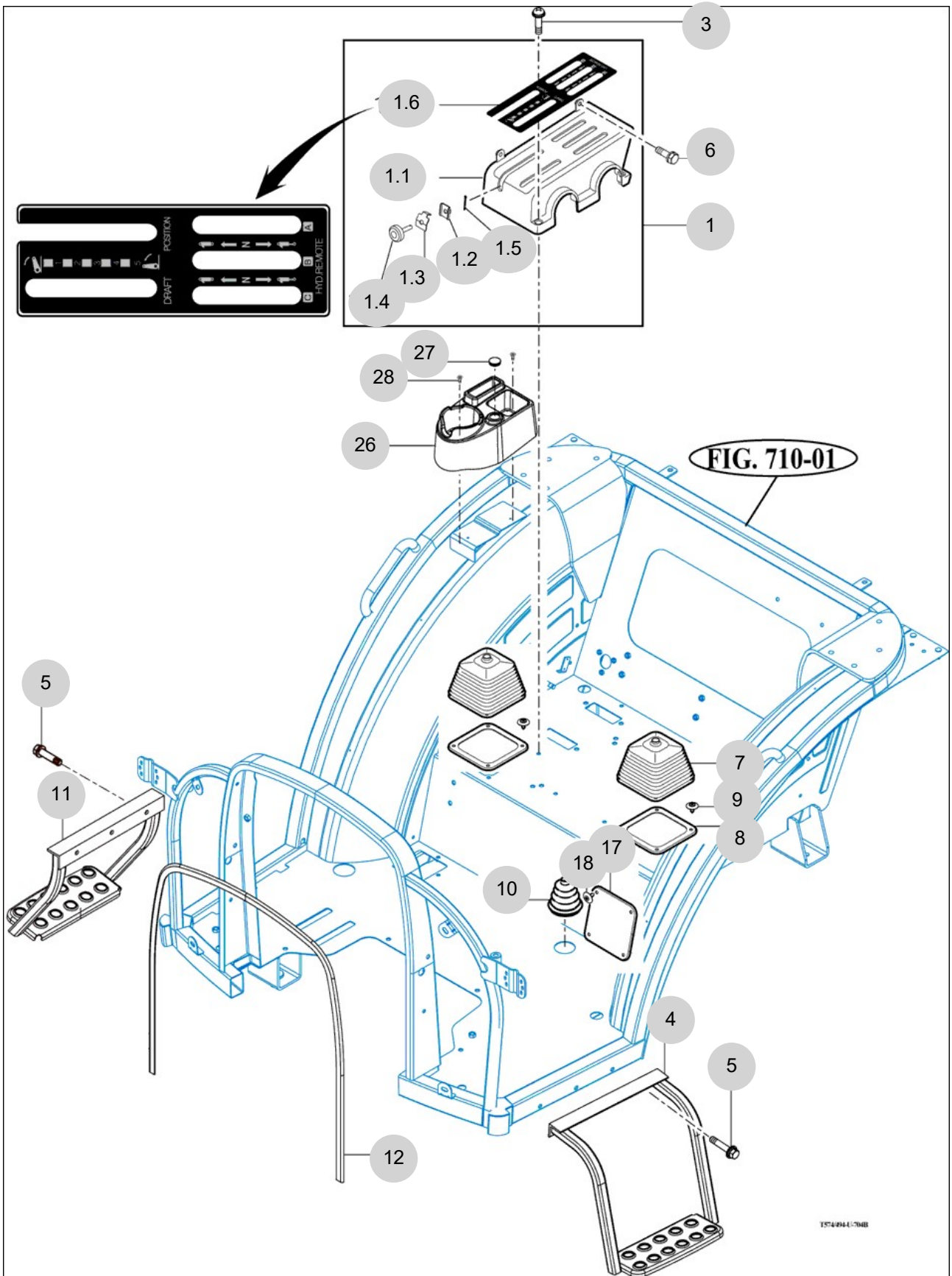
FIG 704B

LEVER COVER & STEP-NON CAB

년/월
Year/Month

2022-12

T574NC



T574944-704B

NOTE

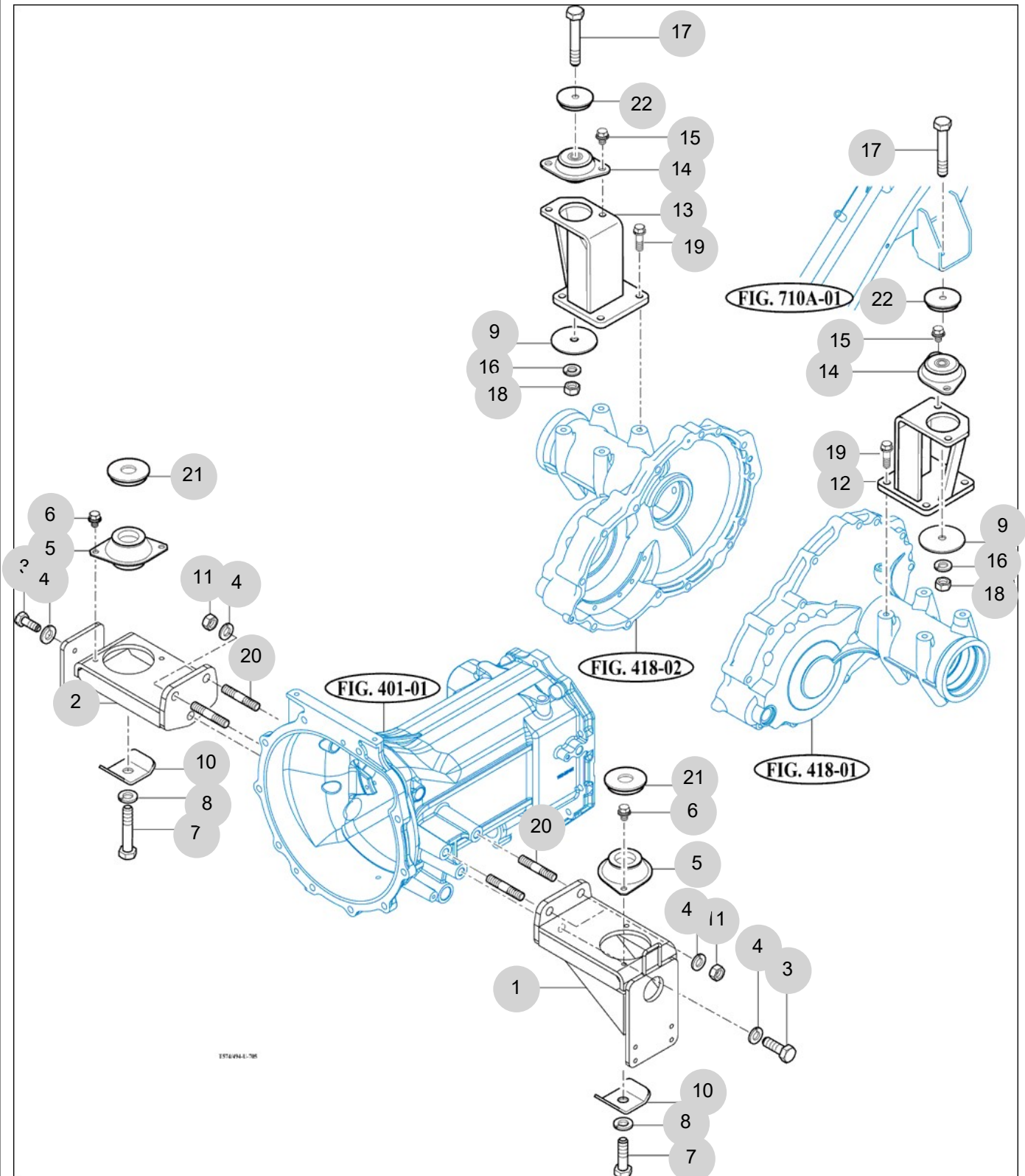
FIG 705

T574NC

FRONT & REAR MOUNTING

년/월
Year/Month

2022-12



NOTE

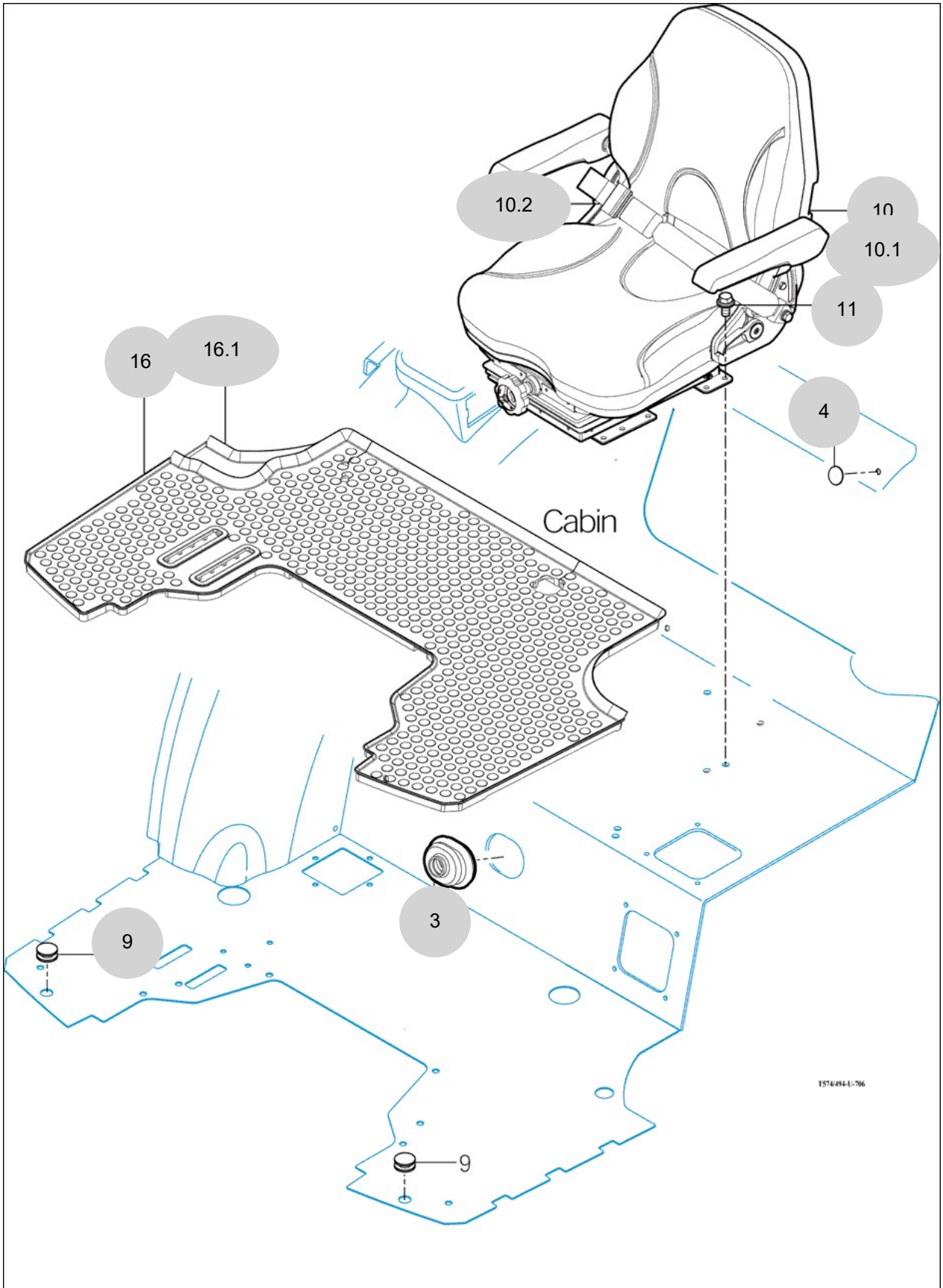
FIG 706

SEAT & MAT

년/월
Year/Month

T574NC

2022-12



NOTE

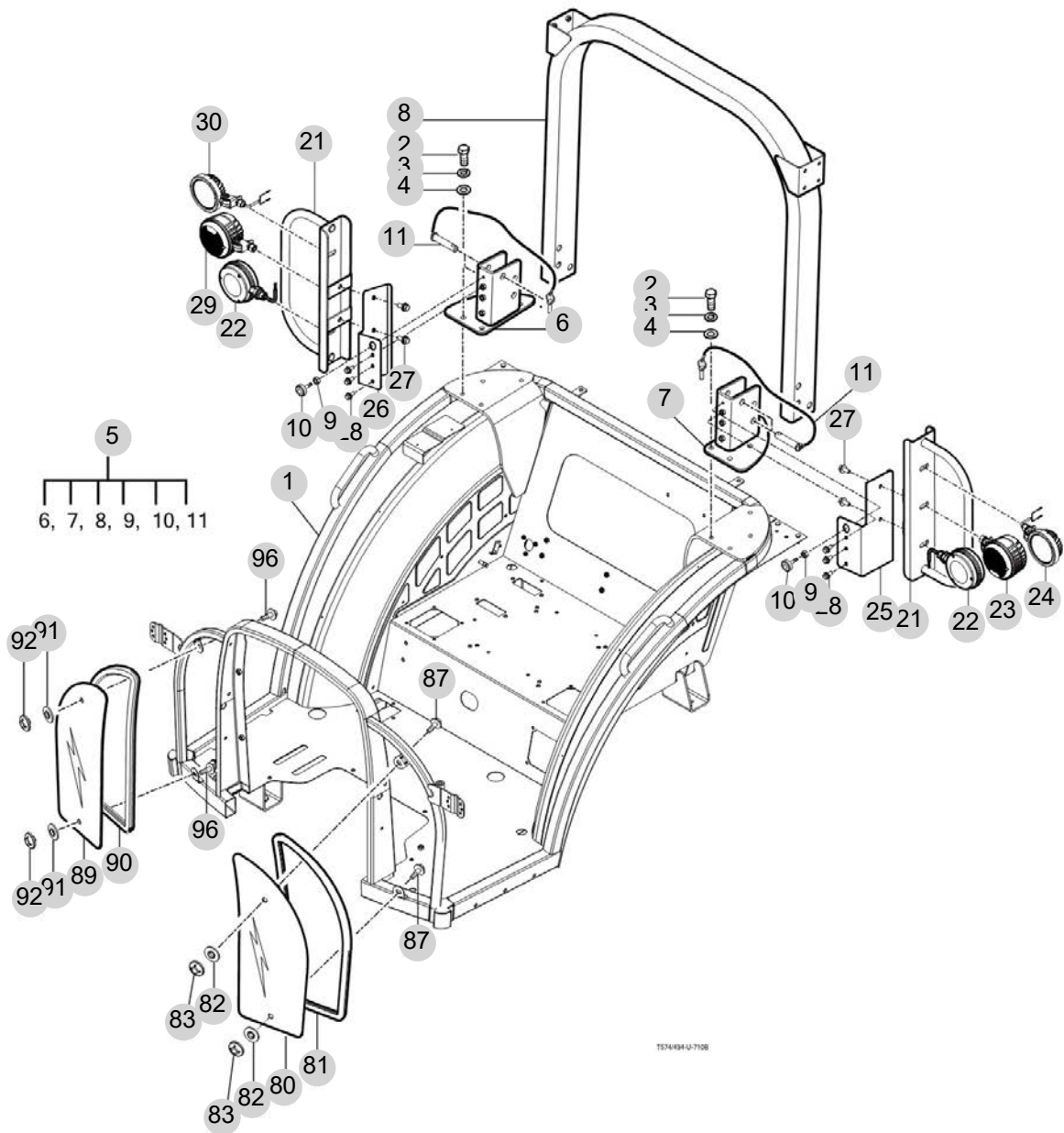
FIG 710B

FRAME & 2POLES-ROPS-NON CAB

년/월
Year/Month

2022-12

T574NC



T574NC(4)-710B

NOTE

FIG 710B T574NC		FRAME & 2POLES-ROPS-NON CAB						년/월 Year/Month
								2022-12
KEY NO		PART NO	DESCRIPTION	SPEC	QTY	REPAIR	EFFECTIVE DATE	REMARKS
710B	1	13847012100GB	FRAME COMP , ROPS		1			
710B	1	13847012101GB	FRAME COMP , ROPS		1			
710B	2	V2014612030	BOLT , HEX	M12X30	8			
710B	3	V4117600120	WASHER , PLAIN	M12	8			
710B	4	V4011600120	WASHER , SPRING	M12	8			
710B	5	14537078100	ROPS SUB,2POLSE	1X1X1	1			
710B	6	14537078200GB	FRAME COMP,LH/ROPS	1X1X1	1			
710B	6	14547078200GB			1			
710B	7	14537078300GB	FRAME COMP,RH/ROPS	1X1X1	1			
710B	7	14547078300GB			1			
710B	8	14537078400GB	FRAME COMP,ROPS	1X1X1	1			
710B	9	V3013600080	NUT .HEX NORMAL /2	M8	2			
710B	10	15186070020	BOLT , KNOB M8X31	3.4X3.4X4.4	2			
710B	11	16997078400	PIN ASSY		4			
710B	21	11817122100GB	BRACKET COMP , COMBI LAMP		2			
710B	22	11616562000	LAMP ASSY , DOUBLE-SIDE		2			
710B	23	11817025500	W.P SPEAKER ASSY(LH)		1			
710B	24	11817025700	LAMP ASSY , WORKING LH		1			
710B	25	14547120010GB			1			
710B	26	14547120020GB	PLATE , RH /COMBI		1			
710B	27	V2183610025	BOLT , HEX/SP		4			
710B	28	V2183608025	BOLT , HEX/SP		8			
710B	29	11817025600	W.P SPEAKER ASSY (RH)		1			
710B	30	11817025800	LAMP ASSY , WORKING RH		1			
710B	80	14537022311	GLASS ,FR/LOW/NON	5T	1			
710B	81	14537022321	INSULATOR , FR/LOW/NON	1X1X1	1			
710B	82	15817401130	GROMMET , 13X17X02		1			
710B	83	14527042500	NUT COMP , GLASS	1X1X1	1			
710B	87	V2193606012	BOLT , HEX/SPL	M6X12	1			
710B	89	14537022311	GLASS ,FR/LOW/NON	5T	1			
710B	90	14537022321	INSULATOR , FR/LOW/NON	1X1X1	1			
710B	91	15817401130	GROMMET , 13X17X02		1			
710B	92	14527042500	NUT COMP , GLASS	1X1X1	1			
710B	96	V2193606012	BOLT , HEX/SPL	M6X12	1			
NOTE								

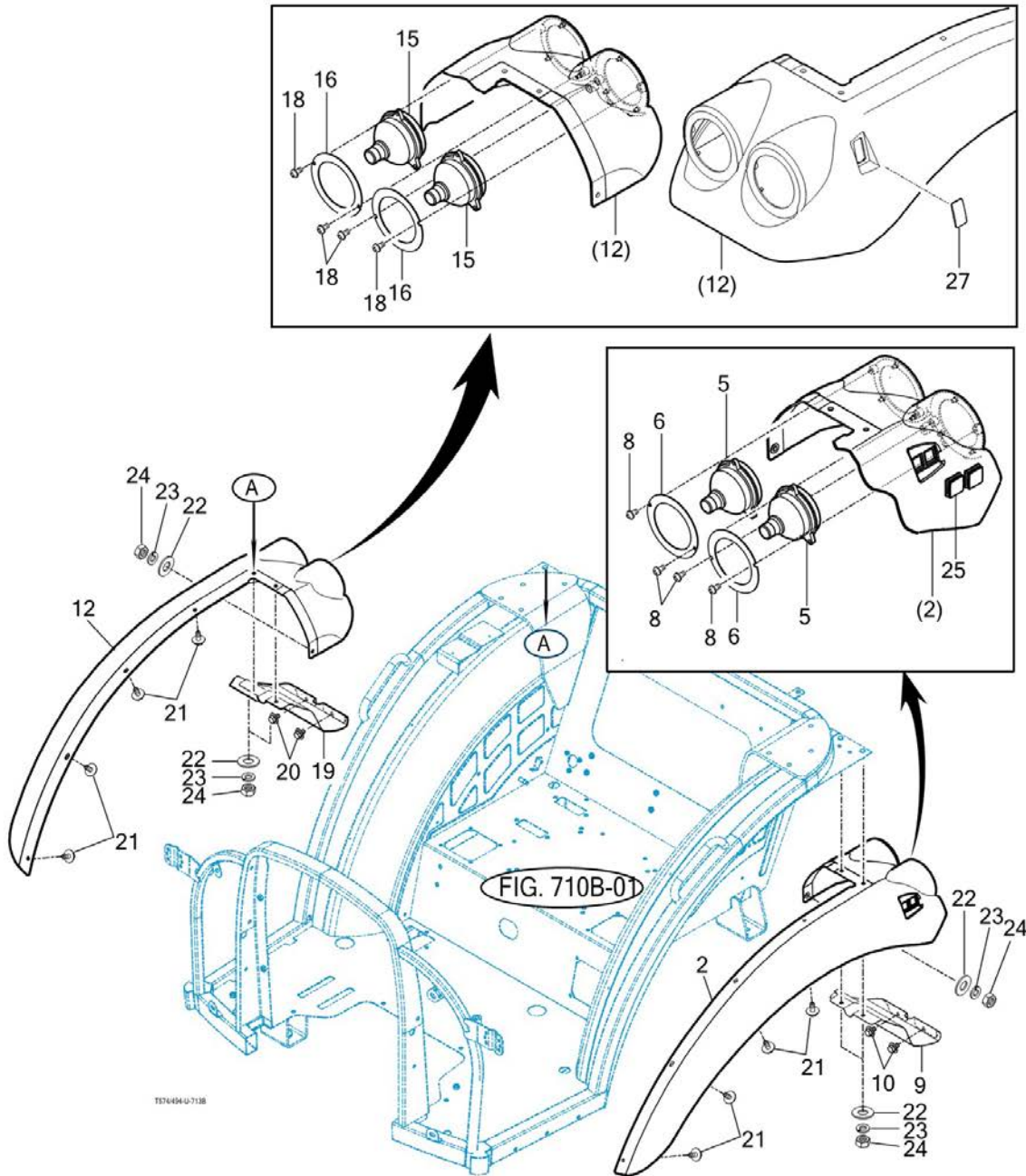
FIG 713B

SUB FENDER & COVER-NON CAB

년/월
Year/Month

2022-12

T574NC



NOTE

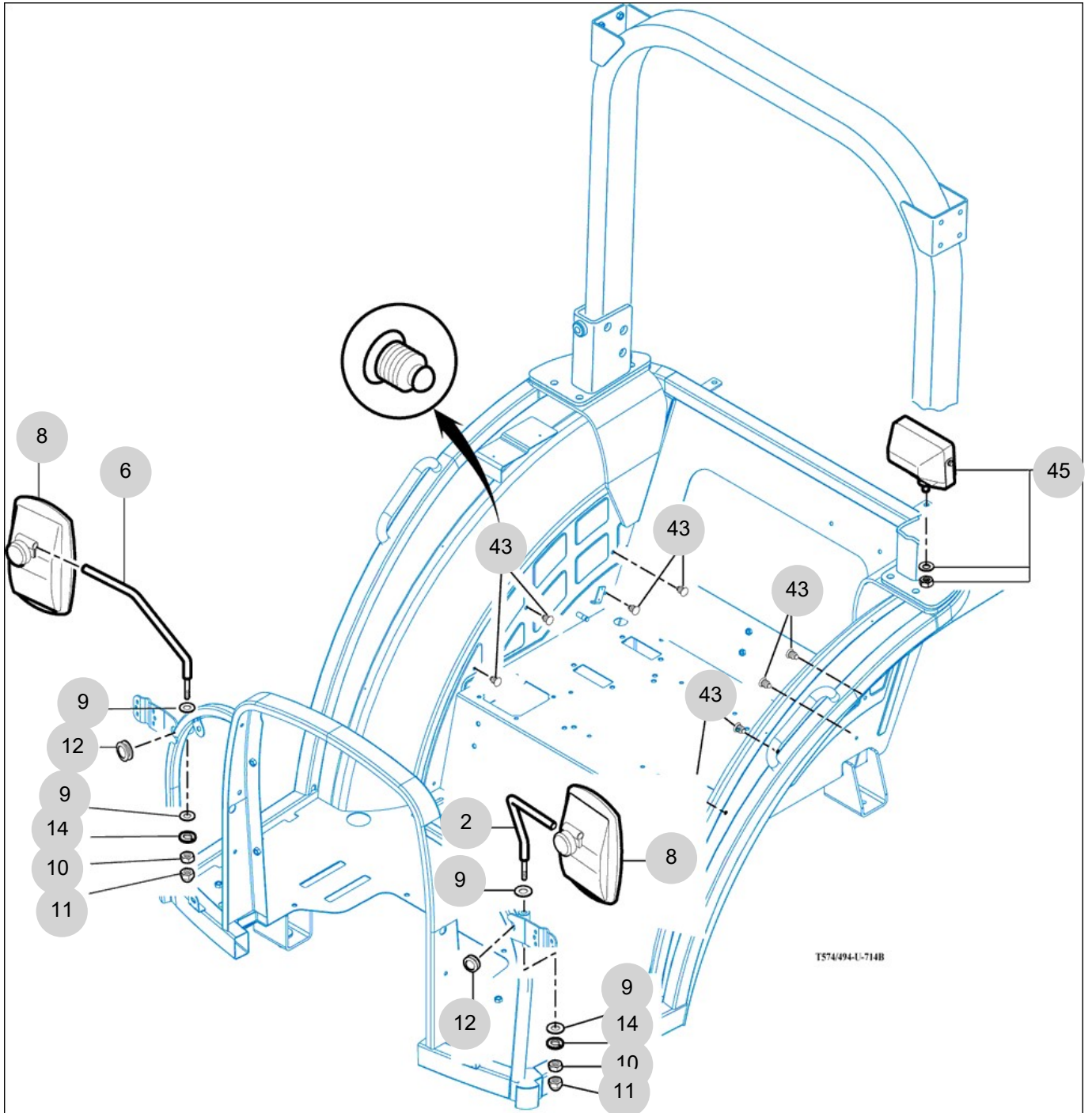
FIG 714B

MIRROR&WORKING LAMP-NON CAB

년/월
Year/Month

2022-12

T574NC



NOTE

FIG 714B		MIRROR&WORKING LAMP-NON CAB					년/월 Year/Month
T574NC							2022-12
KEY NO	PART NO	DESCRIPTION	SPEC	QTY	REPAIR	EFFECTIVE DATE	REMARKS
714B	2	14537062111GB	STAY , LH MIRROR/NON	1X1X1	1		
714B	6	14537062311GB	STAY , RH MIRROR/NON	1X1X1	1		
714B	8	15186313000	MIRROR ASSY	1X1X1	2		
714B	9	V4111600100	WASHER , PLAIN	M10	4		
714B	10	V3013600100	NUT .HEX NORMAL /2	M10	2		
714B	11	V3402700100	NUT , HEX CAP	M12	2		
714B	12	14046210300	GROMMET		2		
714B	14	V4011600100	WASHER , SPRING	M10	2		
714B	43	15276040020	CLIP , TRIM	1X1X1	8		
714B	45	14536549100	LAMP ASSY , WORKING	1X1X1	1		
714B	45	19021910500	LAMP ASSY , WORKING		1		
NOTE							

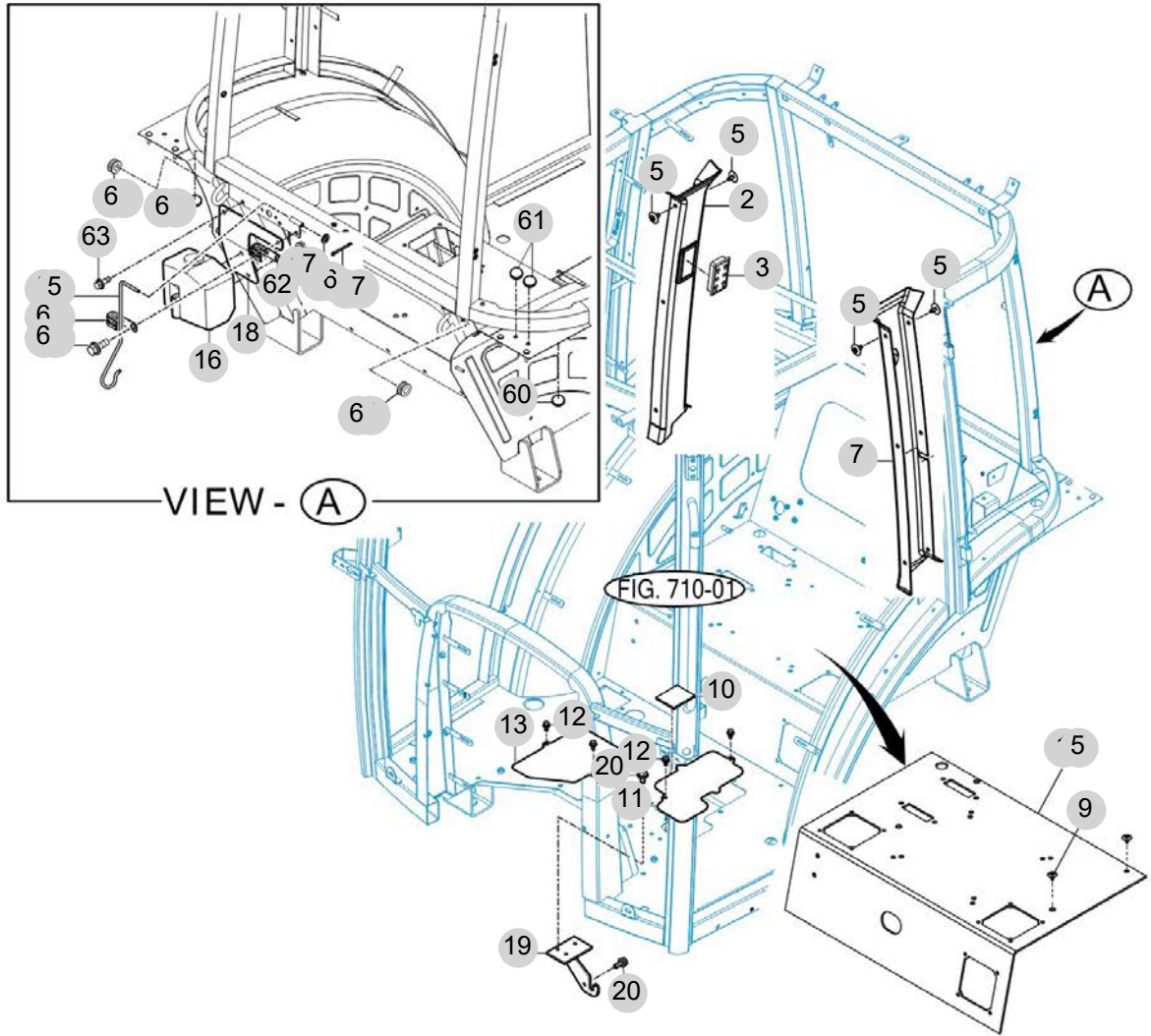
FIG 718

CABIN INTERIOR

년/월
Year/Month

T574NC

2022-12



T574NC-718

NOTE

8. Electrical System PART NO. T8

FIG 801 BATTERY & MOUNTING	243
FIG 802 HARNESS LAMP	245
FIG 803 INSTRUMENT PANEL	247
FIG 804 ELECTRIC SYSTEM (1)	249
FIG 805B ELECTRIC SYSTEM (2)-NON CAB	251
FIG 806 ELECTRIC SYSTEM (3)	253

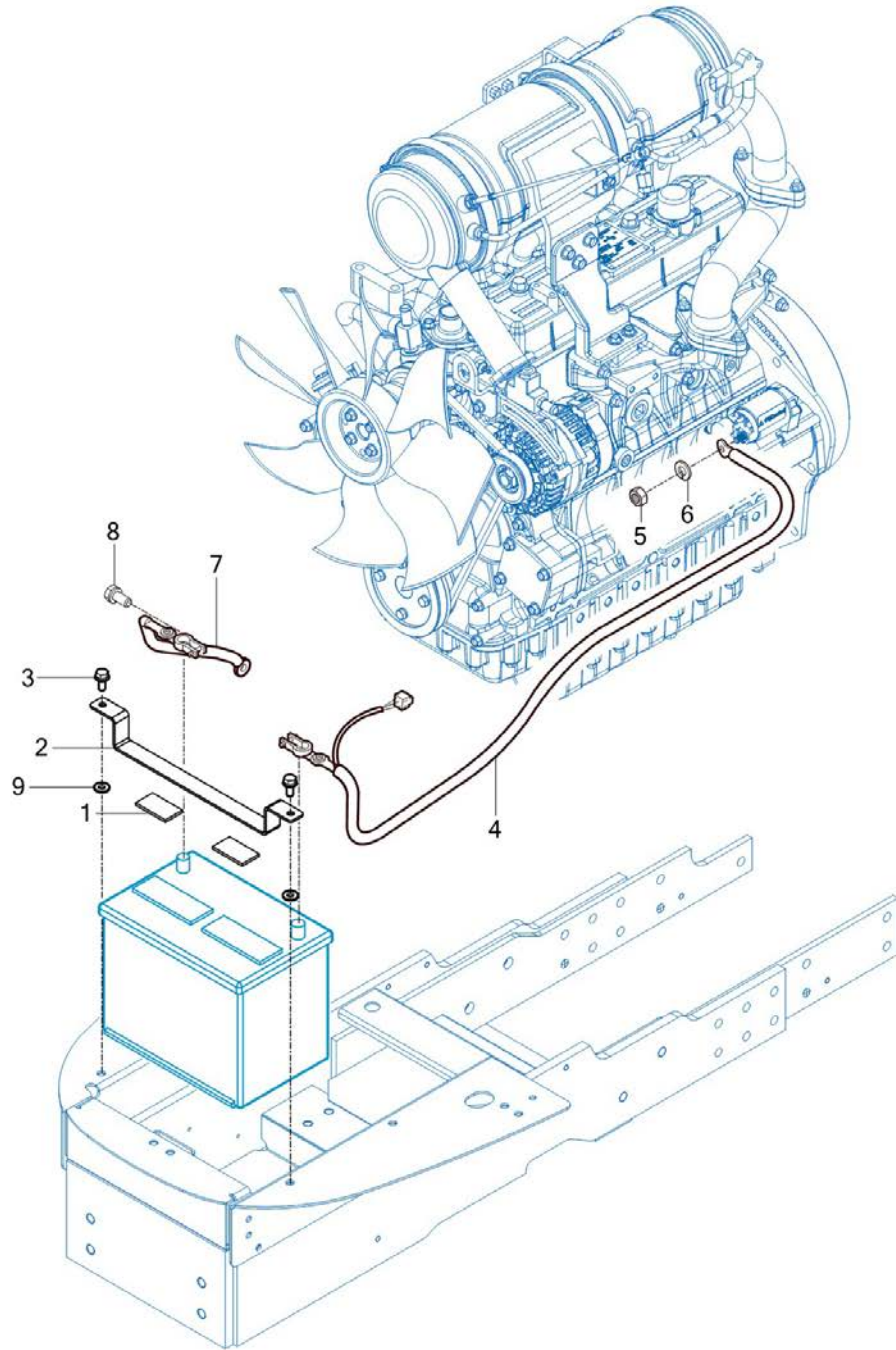
FIG 801

T574NC

BATTERY & MOUNTING

년/월
Year/Month

2022-12



NOTE

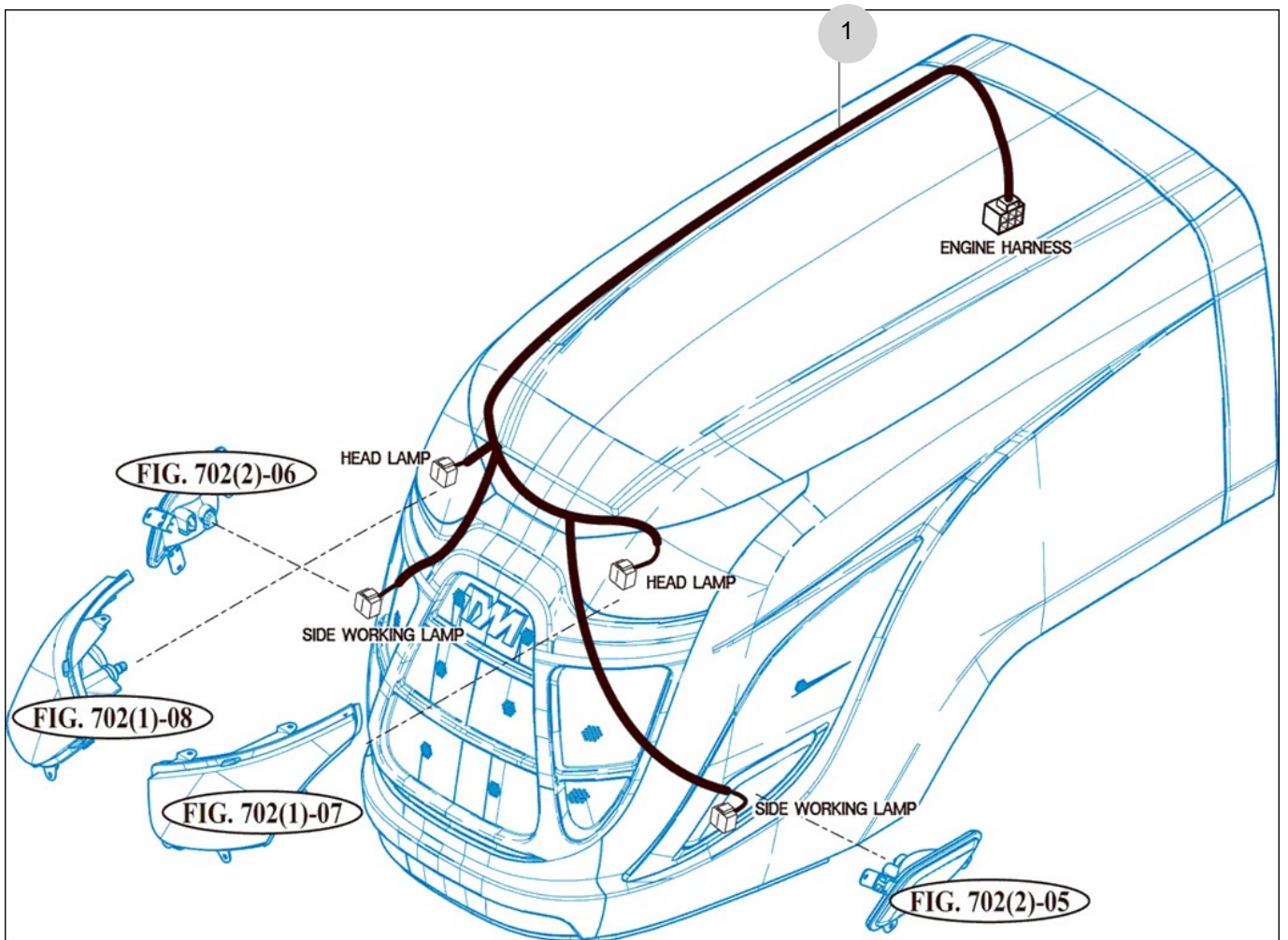
FIG 802

HARNESS LAMP

년/월
Year/Month

T574NC

2022-12



NOTE

FIG 802 T574NC		HARNESS LAMP						년/월 Year/Month	
								2022-12	
KEY NO		PART NO	DESCRIPTION	SPEC	QTY	REPAIR	EFFECTIVE DATE	REMARKS	
802	1	14136686001	HARNESS LAMP		1				
NOTE									

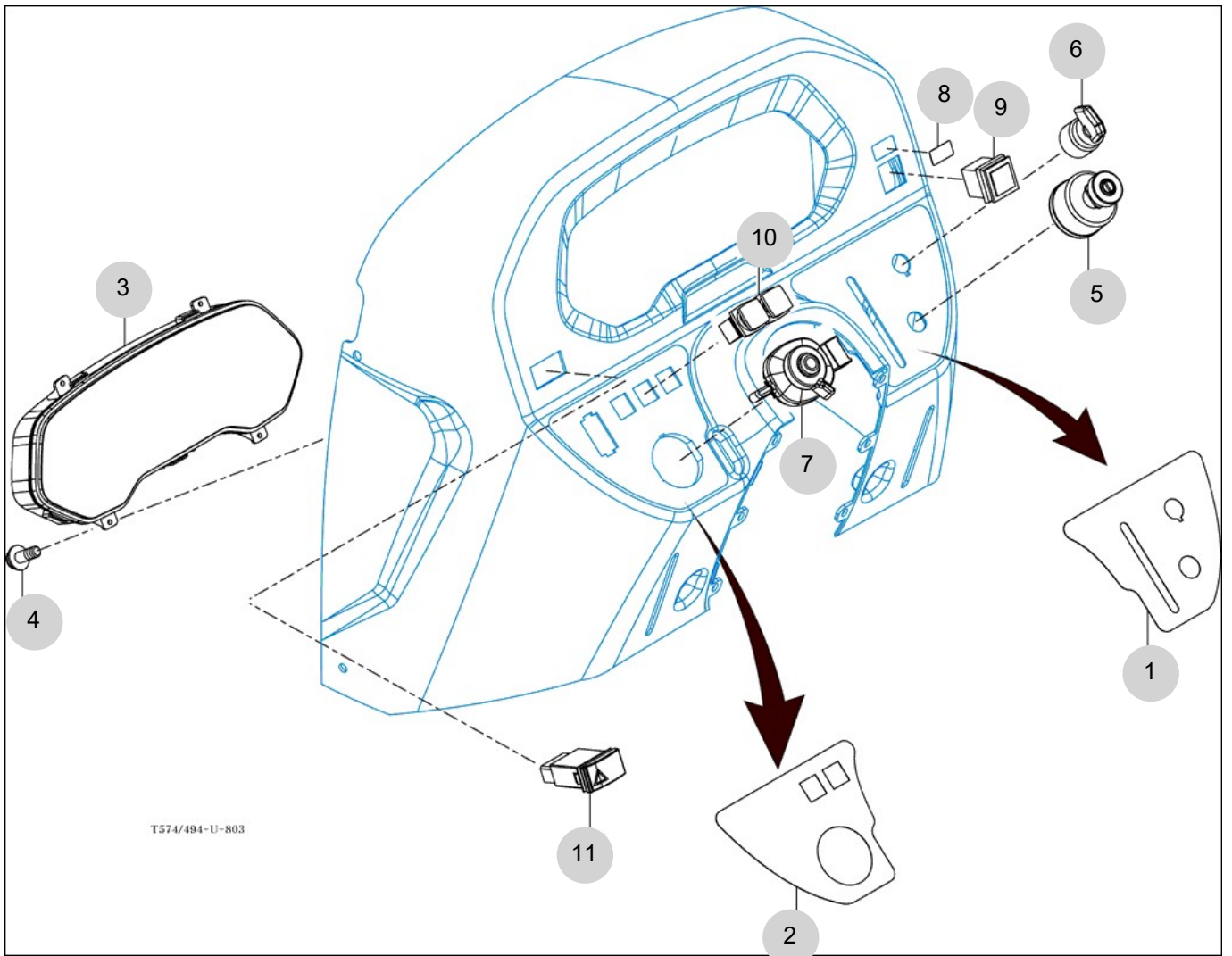
FIG 803

INSTRUMENT PANEL

년/월
Year/Month

T574NC

2022-12



NOTE

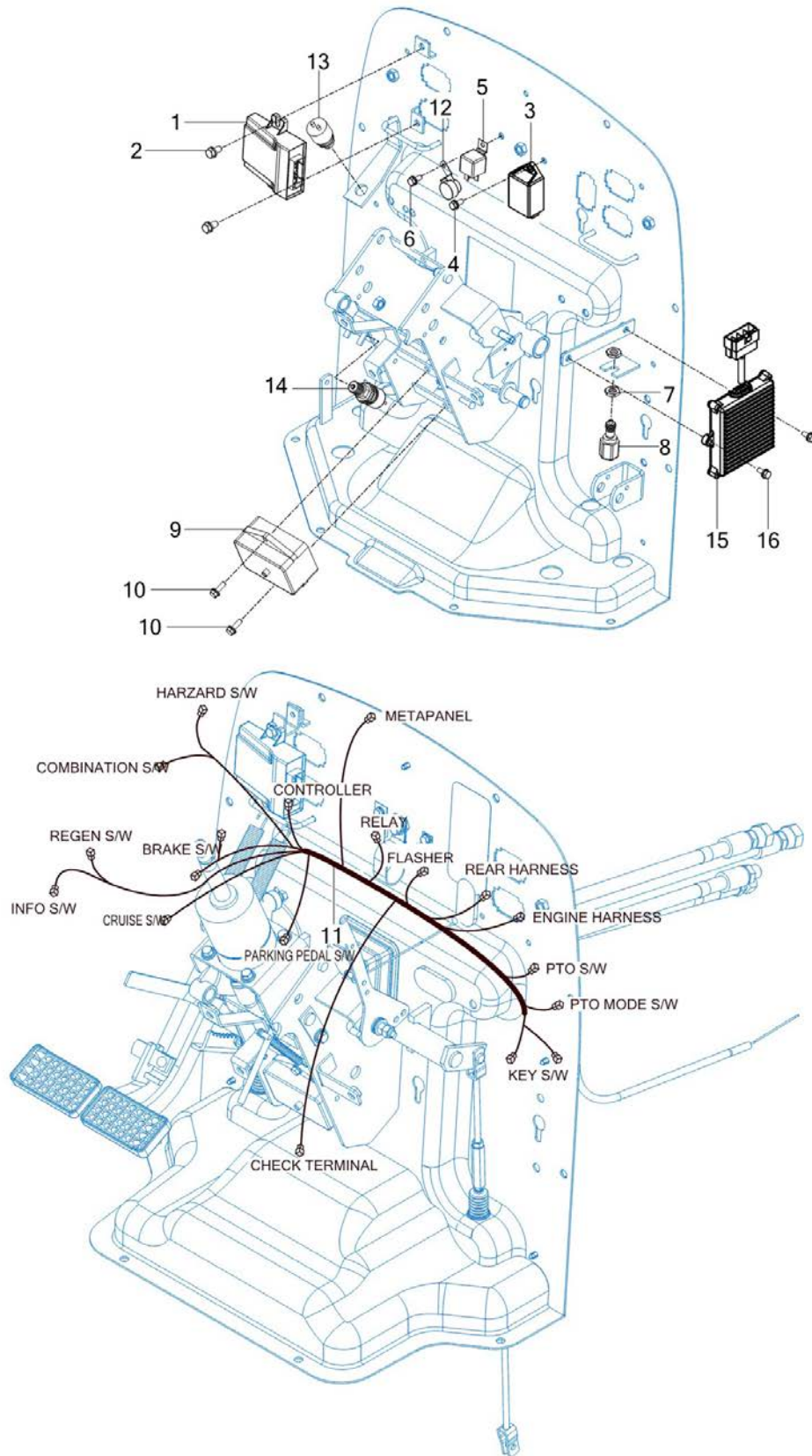
FIG 804

T574NC

ELECTRIC SYSTEM (1)

년/월
Year/Month

2022-12



NOTE

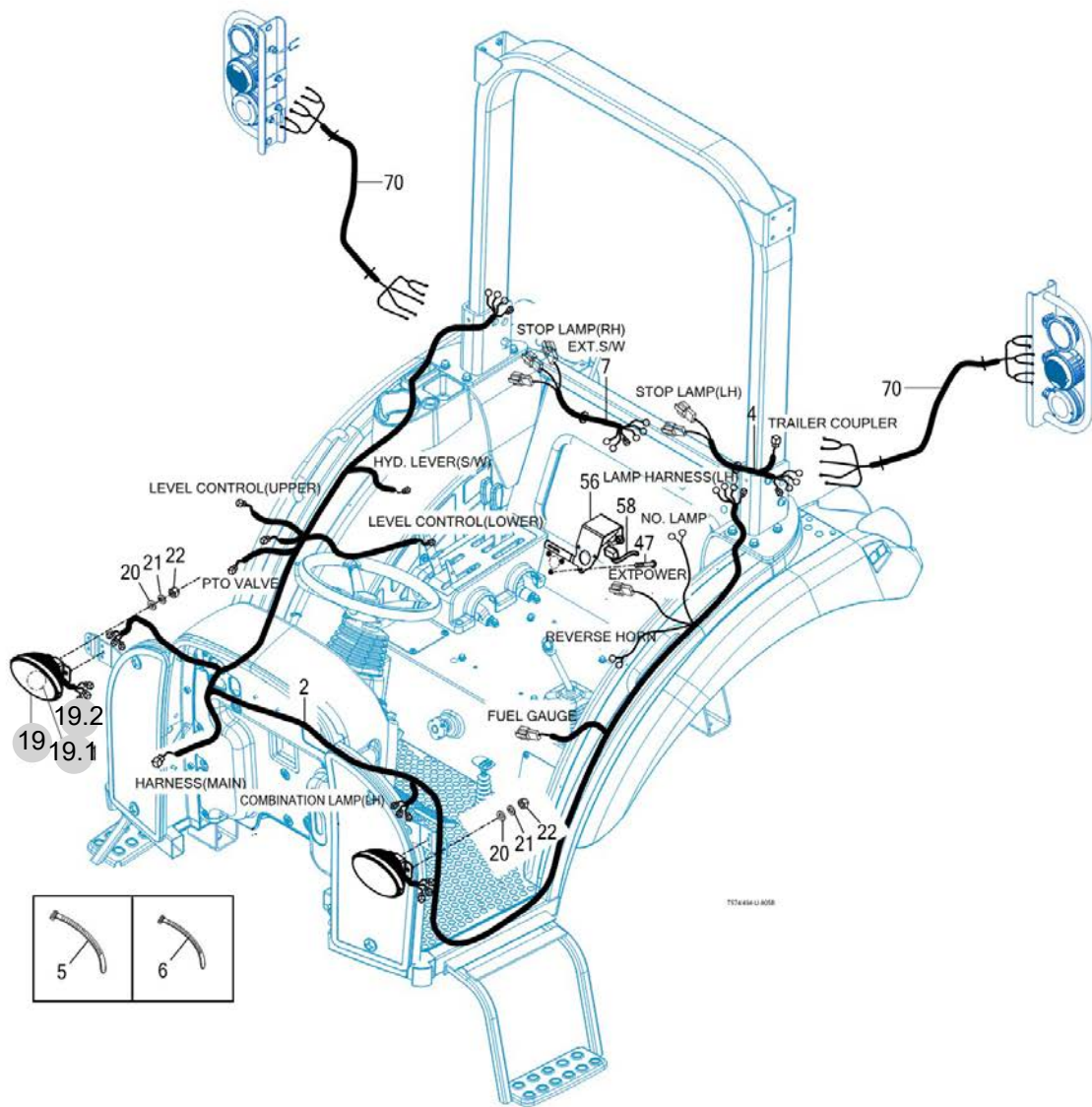
FIG 805B

ELECTRIC SYSTEM (2)-NON CAB

년/월
Year/Month

T574NC

2022-12



NOTE

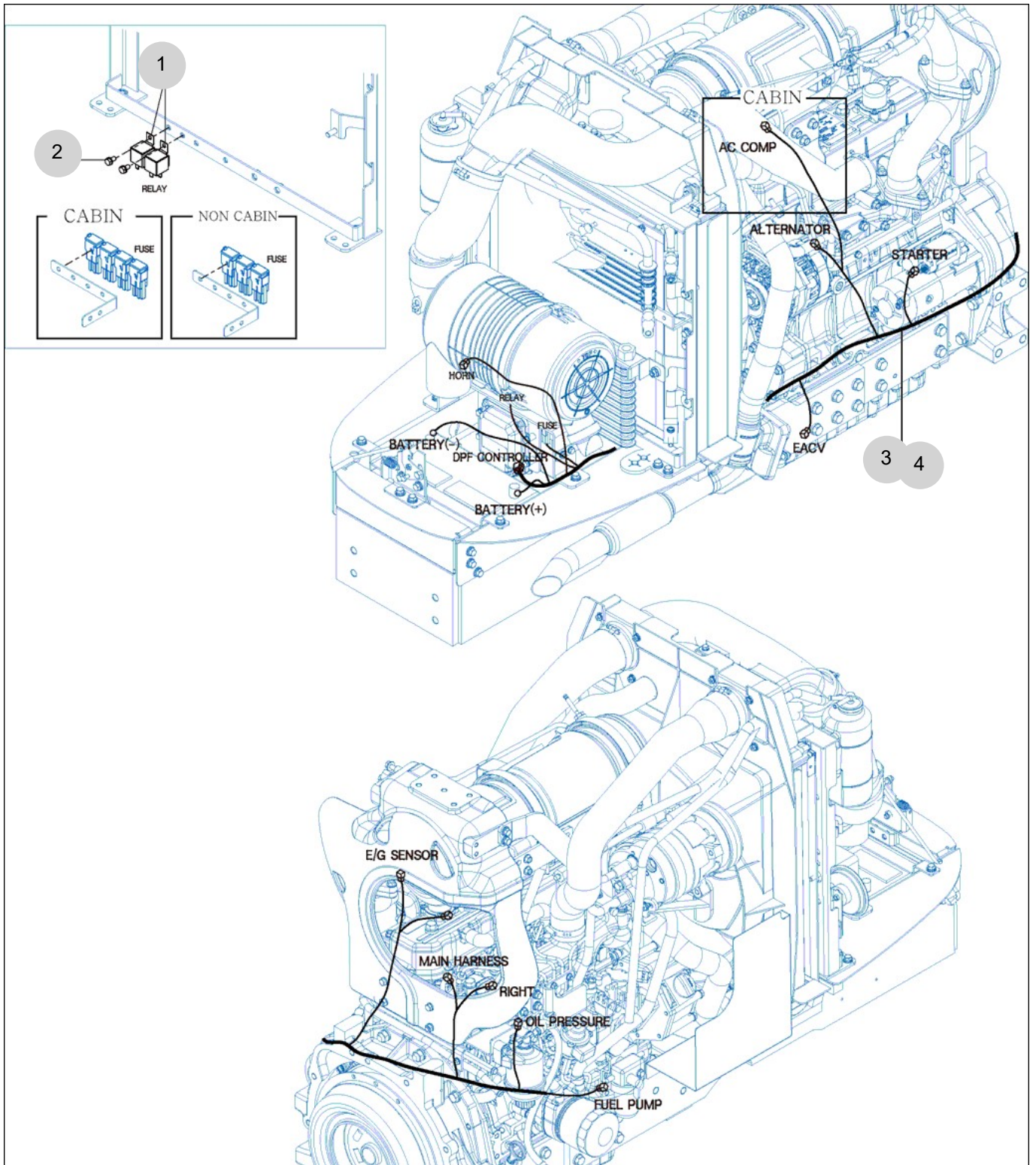
FIG 806

ELECTRIC SYSTEM (3)

년/월
Year/Month

T574NC

2022-12



NOTE

9. Label/Option PART NO. T9

FIG 901 TOOL & ACCESSORY	256
FIG 902 LABEL	258
FIG 902 LABEL	260
FIG 903 OPTION	262

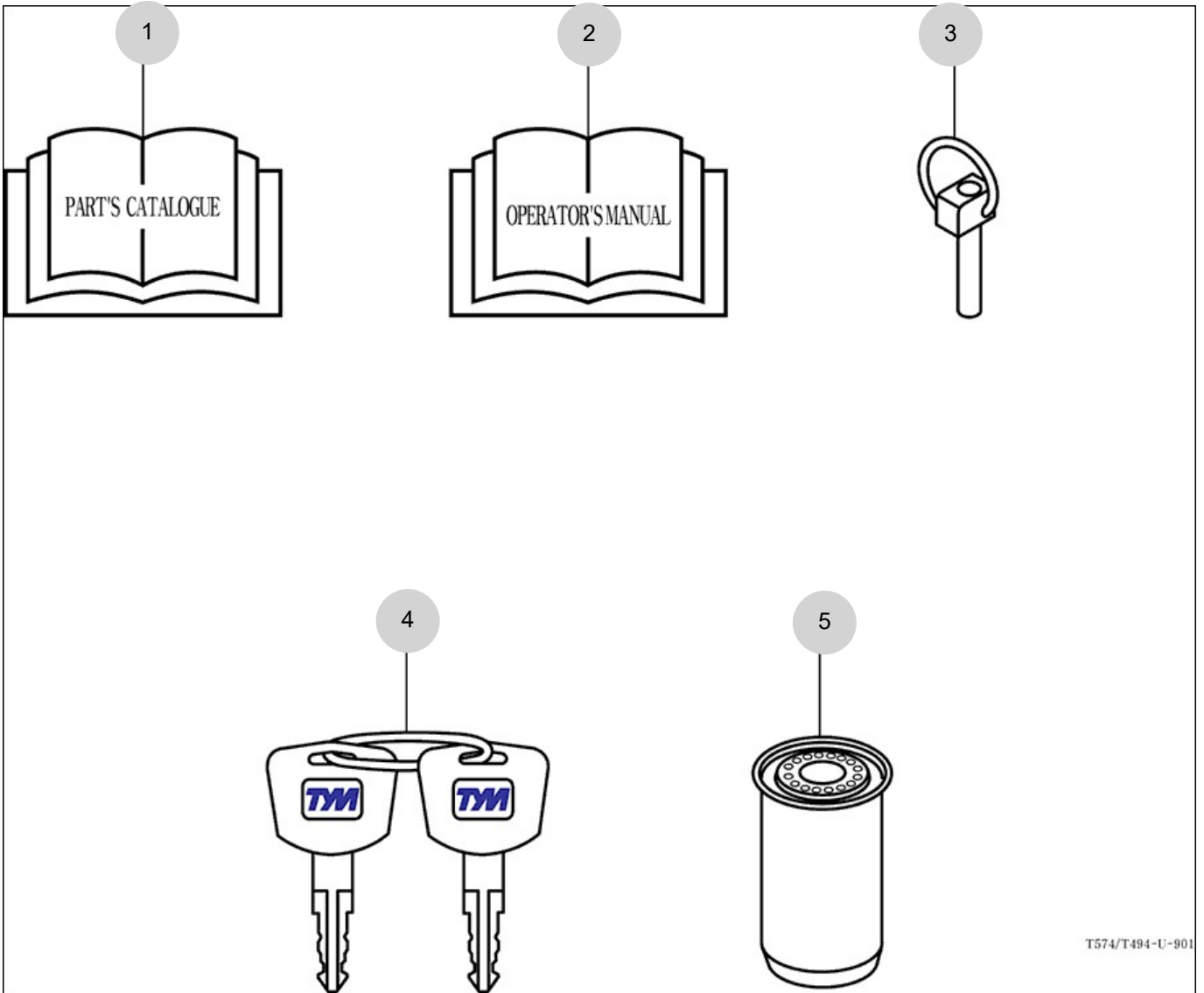
FIG 901

T574NC

TOOL & ACCESSORY

년/월
Year/Month

2022-12



NOTE

FIG 902

LABEL

년/월
Year/Month

T574NC

2022-12

WARNING
Do not remove radiator cap while engine is hot. Hot steam will injure you. 1200-910-015-0 24

CAUTION
Keep hands and clothing away from rotating fan and belts to prevent serious injury. 1200-910-012-0 23

Inner/Outer air Ventilation
• When grills of rear and both sides are opened, inner air will ventilate in.
• For effective use, open it when operate heater or air conditioner and close when ventilate fresh air. 1220-904-122 18

DANGER
Do not ride except operator. 1200-910-018-0 6

ON
4WD
OFF
5

SPEED TABLES

APPLICATION	REVERSE	1ST	2ND	3RD	4TH	5TH	6TH	7TH	8TH
FIELD	1	2	3	4	5	6	7	8	9
ROAD	1	2	3	4	5	6	7	8	9

* The proper driving speed and PTO RPM depend on the type of work, area and ground condition. For your safety, operate at the suitable speed. 1200-910-018-0 46

CAUTION
Do not touch while the system is hot. It cause serious burns. 1200-910-024-0 33

WARNING
Do not refuel the tractor while smoking or near naked flame or sparks. always stop engine before refueling tractors. 1200-910-009-0 17

WARNING
Do not use the sub shift lever at "H" position when driving backward. 1200-910-001-0 4

DANGER
This Tractor may tip over unexpectedly and quicker than an operator is able to jump free.
1. Never operate a tractor without a proper Roll Over Protection Structure.(ROPS)
2. Always wear your seat belt when operating this tractor equipped with roll over protection.
3. Never pull from above or from the rear axle.
4. Do not operate the tractor on steep slopes or near drop offs.
5. Avoid sharp high speed turns.
Serious injury or death may result from tractor upsets. 1200-910-001-0 39

WARNING
Stay clear of raised Boom and bucket. 1200-910-011-0 30

WARNING
Additions, alterations, cracking, damage or corrosion to this structure may adversely affect the performance of the ROPS. 1200-910-001-0 40

WARNING
Death or injury may result if this tractor over turns with the ROPS in the folded down position. Operate this tractor with the ROPS folded down only when necessary. Do not wear seat belt if operated with ROPS folded down. 1200-904-102-0 41

DPF regeneration procedure
When DPF lamp on and beep, follow below

Do this	Operate(about 30min)	Complete
1. Park outside safe location		
2. Stop all functions.		
3. Parking brake ON. Press clutch pedal(Mechanical)		
4. Engine speed to Max RPM		
5. Press the regen button		
6. Must remain with the vehicle		

DPF + EGT ON
+ Button blinking
Lamp off
For further details, consult your Dealer's Manual. 1200-910-001-0 49

TYM 50

T574 31
T494 31.1

NOTE

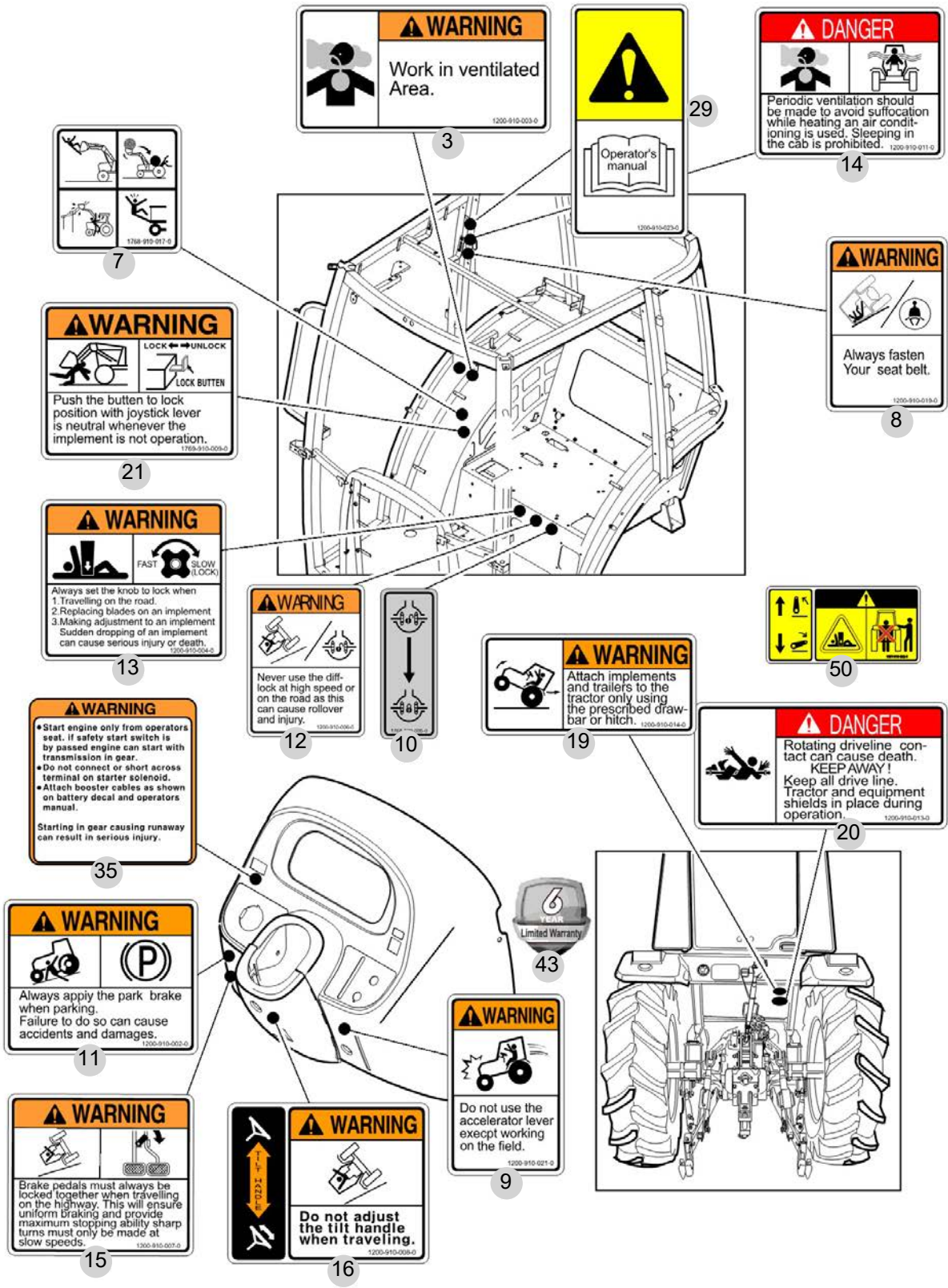
FIG 902

LABEL

년/월
Year/Month

T574NC

2022-12



NOTE

FIG 903

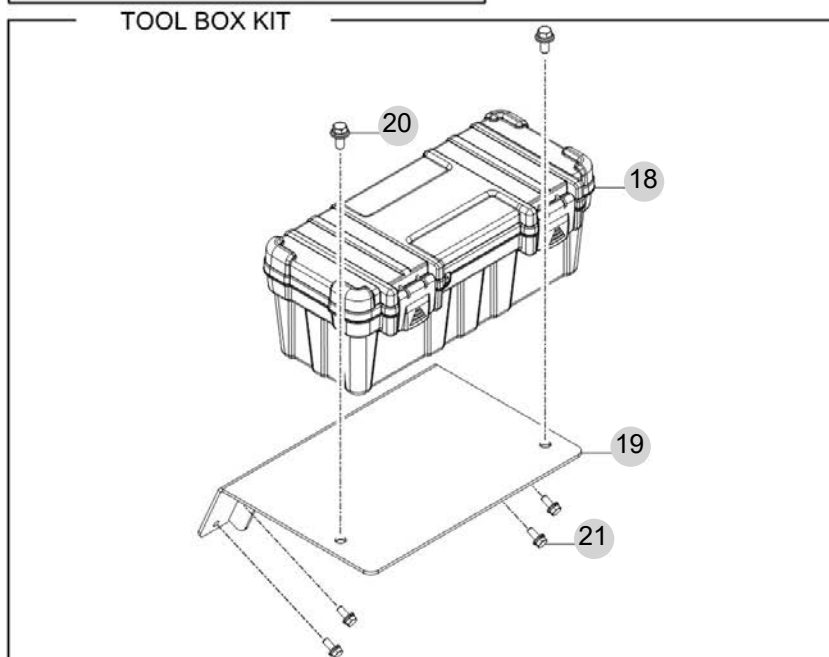
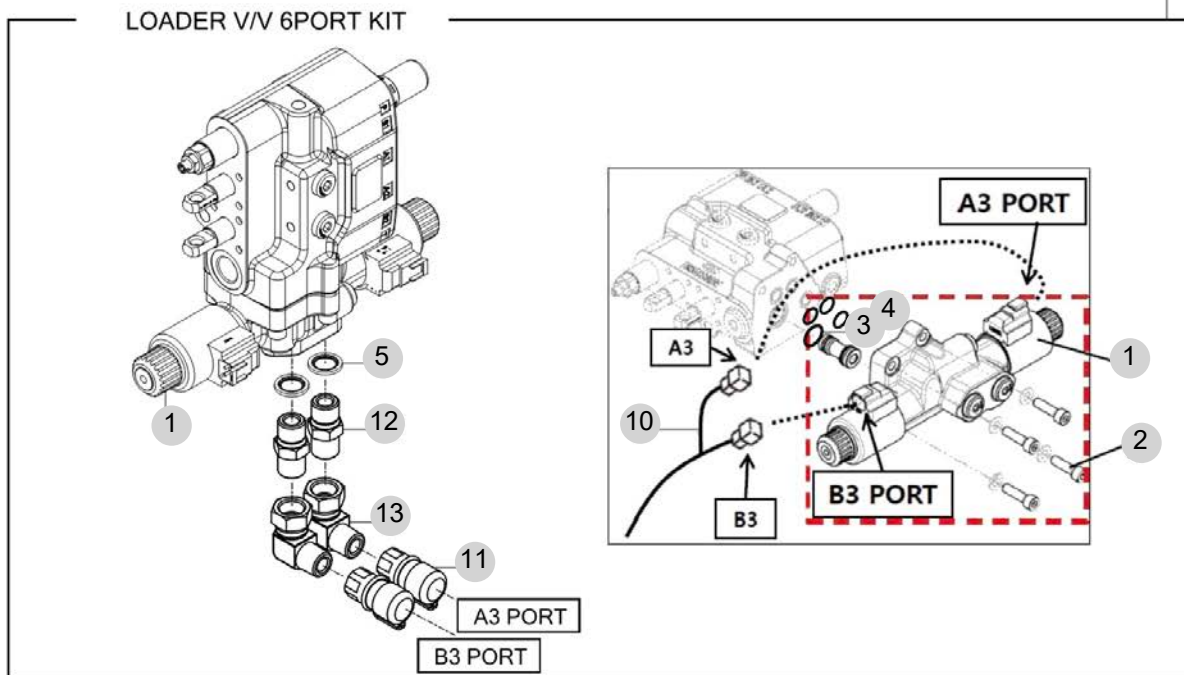
OPTION

년/월
Year/Month

2022-12

T574NC

0



NOTE

