

F50HN_EU_FL(AC02147) TRACTOR

Parts Catalogue



CONTENTS

GROUP NO	GROUP NAME	PAGE
G. ENGINE		
A01_007	CYLINDER BLOCK	6
A02_005	DRIVE PULLY	8
A03_004	CRANK SHAFT PULLEY	10
A04_005	GLOW PLUG ASS'Y OPTION	12
A05_005	CRANK SHAFT ASS'Y OPTION	14
A06_004	BREATHER OPTION	16
A07_005	CAMSHAFT	18
A08_003	ALTERNATOR	20
A09_003	COOLING WATER PUMP	22
A10_010	COOLING FAN SPACER	24
A11_007	INJECTOR	26
A12_017	FUEL INJECTON	28
A13_005	PLUMBING, FUEL	30
A14_003	FUEL FILTER BRACKET	33
A16_018	FUEL FILTER ASS'Y OPTION	35
A17_014	INTAKE MANIFOLD ASS'Y OPTION	37
A18_011	FLYWHEEL	39
A19_007	FLYWHEEL HOUSING	41
A20_010	HEAD, CYLINDER	43
A21_004	HEAD COVER	45
A23_009	TURBOCHARGER SUPPORT ASS'Y OPTION	47
A25_002	OIL JET ASS'Y OPTION	49
A26_005	COOLER, ENGINE OIL	51
A27_005	OIL PAN ASS'Y OPTION	53
A28_001	PUMP, LUBRICATING OIL	55
A29_005	FILTER, LUBRICATING OIL	57
A30_003	FRONT GEAR ACCESSORY DRIVE	59
A31_007	PISTON	61
A32_003	LEVER, LOCKER	63
A33_013	EXHAUST MANIFOLD	65
A35_002	IDLE GEAR	67
A36_004	COVER, FRONT GEAR	69
A37_001	BALANCE ASS'Y	71
A38_009	GAUGE, OIL LEVEL	73

CONTENTS

GROUP NO	GROUP NAME	PAGE
G. ENGINE		
A39_001	OIL FILLER CAP	75
A40_003	LIFT ASS'Y OPTION	77
A42_003	MOTER, STARTIONS	79
A43_001	DPF SUPPORT OPTION	81
A44_006	DPF MOUNTING OPTION	83
A45_011	DPF	85
A48_006	V-BELT	87
B. ENGINE ACCESSORIES		
B01010A	FUEL TANK	89
B02020B	RADIATOR	91
B03010B	AIR CLEANER	93
B05011	LEVER ACCELERATOR	95
C. CLUTCH, BREAK, LEVER		
C02010	BRAKE PEDAL	97
C02050	PARKING BRAKE	99
C03010	HYD SHIFT TRANSMISSION PEDAL	101
C04040	DIFFERENTIAL	104
C04060	SCV LEVER	106
D. HYDRAULIC		
D01010A	HYD PUMP	109
D01020-B	(LOW PRESSURE PIPE)	111
D01040	HYD FILTER	113
D02010	STEERING COLUMN	115
D02030	P.S.T HOSE	117
D02040A	P.S.T CYLINDER	119
D03010	OIL COOLER	121
E. FRONT AXLE		
E01010A	FRONT AXLE CASE	123
E01013	SPACER	125
E01030A	GEAR CASE, FRONT AXLE	127
E01070A	RING GEAR, DRIVEN GEAR	130
E01080A	TIE ROAD	132
F. TRANSMISSION		
F01010	CLUTCH HOUSING	134

CONTENTS

GROUP NO	GROUP NAME	PAGE
F. TRANSMISSION		
F01020	TRANSMISSION CASE	136
F01030	REAR AXLE HOUSING	138
F01050	HYD SHIFT TRANSMISSION HOUSING	141
F03040	RANGE SHIFT GEAR	143
F04010	FORNT DRIVE SHAFT	145
F05020	RING GEAR&DIFF.GEAR ASS'Y	147
F05020	RING GEAR&DIFF.GEAR ASS'Y	149
F07030	PTO DRIVE SHAFT	151
F07070	MAIN P.T.O SHAFT	153
F08060	FORK & LEVER, PTO	155
F10010	CASE, HYD CYLINDER	157
F10020	LIFT ARM	159
F10030	SAFETY VALVE	161
F10040	STOP VALVE	163
F10061	DRAFT/POSITION CONTROL LEVER	165
F10063	DRAFT CONTROL LEVER	167
F10064	POSITION CONTROL LEVER	169
F11020	LEVER ASS'Y, RANGE SHIFT	171
F11080	4WD LEVER	173
G. SHEET METAL, CABIN		
G01020	BONNET	175
G01021	BONNET URETHANE	177
G01040	LOCKING ASS'Y, BONNET	179
G01060A	FIXED BRACKET, BONNET	181
G01080	FRONT AXLE BRACKET	183
G04060	FOOT REST ASS'Y	185
G04070	SEAT	187
G04090	FENDER	189
G04120	ROPS FRAME ASS'Y	191
G05010	TOP LINK, LIFT LINK	194
G05030	LOWER LINK	196
G05070	DRAWBAR HITCH	198
H. ELECTRICALS, HARNESS		
H01030	BATTERY	200

CONTENTS

GROUP NO	GROUP NAME	PAGE
H. ELECTRICALS, HARNESS		
H03000A	HARNESS	202
H04051	SWITCH/DASHBOARD	204
I. WEIGHT, TOOLS, TIRE		
I01010	FRONT WEIGHT	206
I03000A	NAME PLATE	208
I05010	FRONT WHEEL&TIRE(AGRI)	210
I05020	REAR WHEEL&TIRE(AGRI)	212
I06010	SUN VISOR	214
I07020	SPARE TOOLS	216

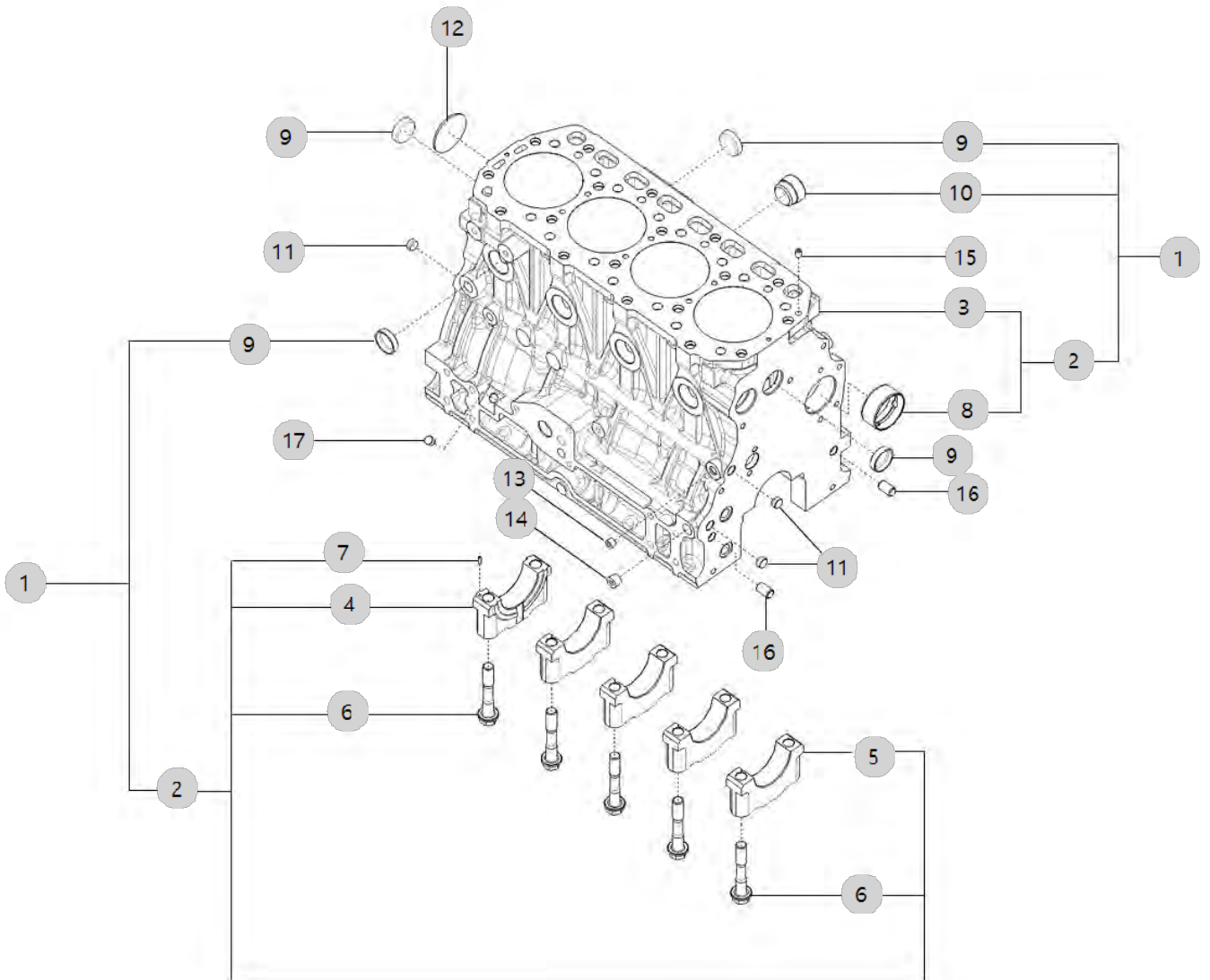
A01_007

A2300N4-ETR_5
(AB00330)

CYLINDER BLOCK

Year/Month

2023-01-18



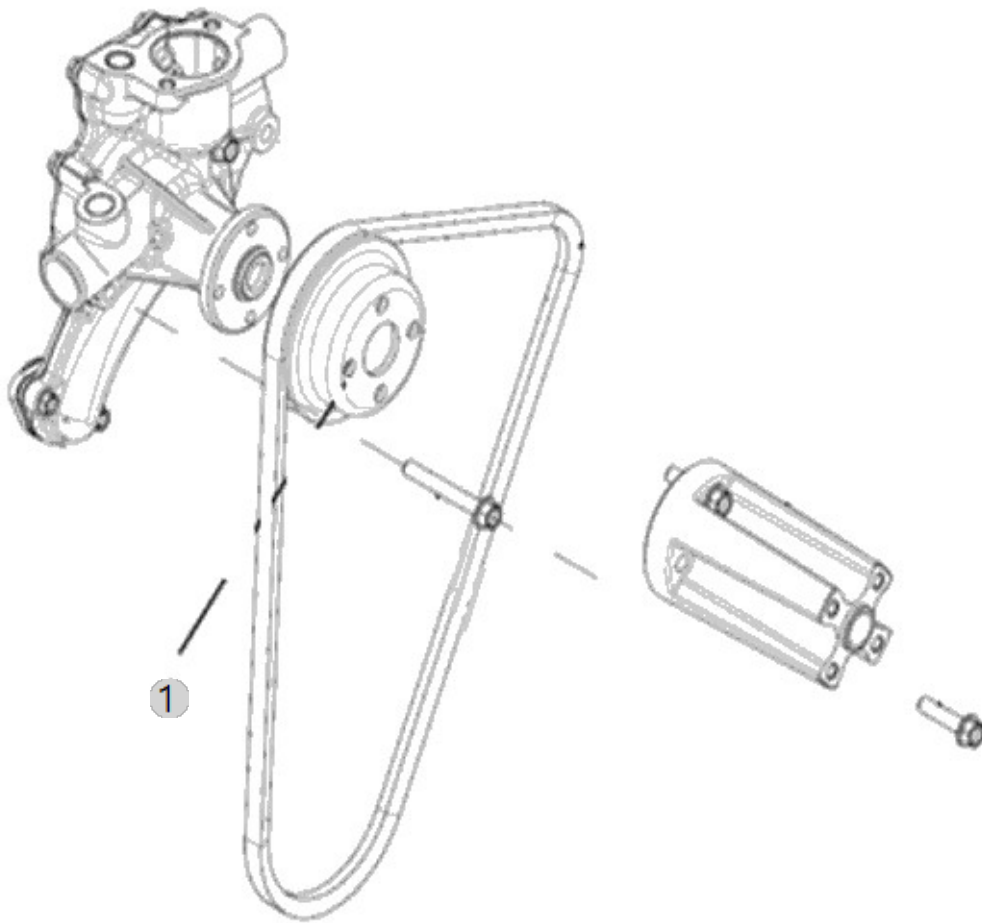
A02_005

A2300N4-ETR_5
(AB00330)

DRIVE PULLY

Year/Month

2023-01-18



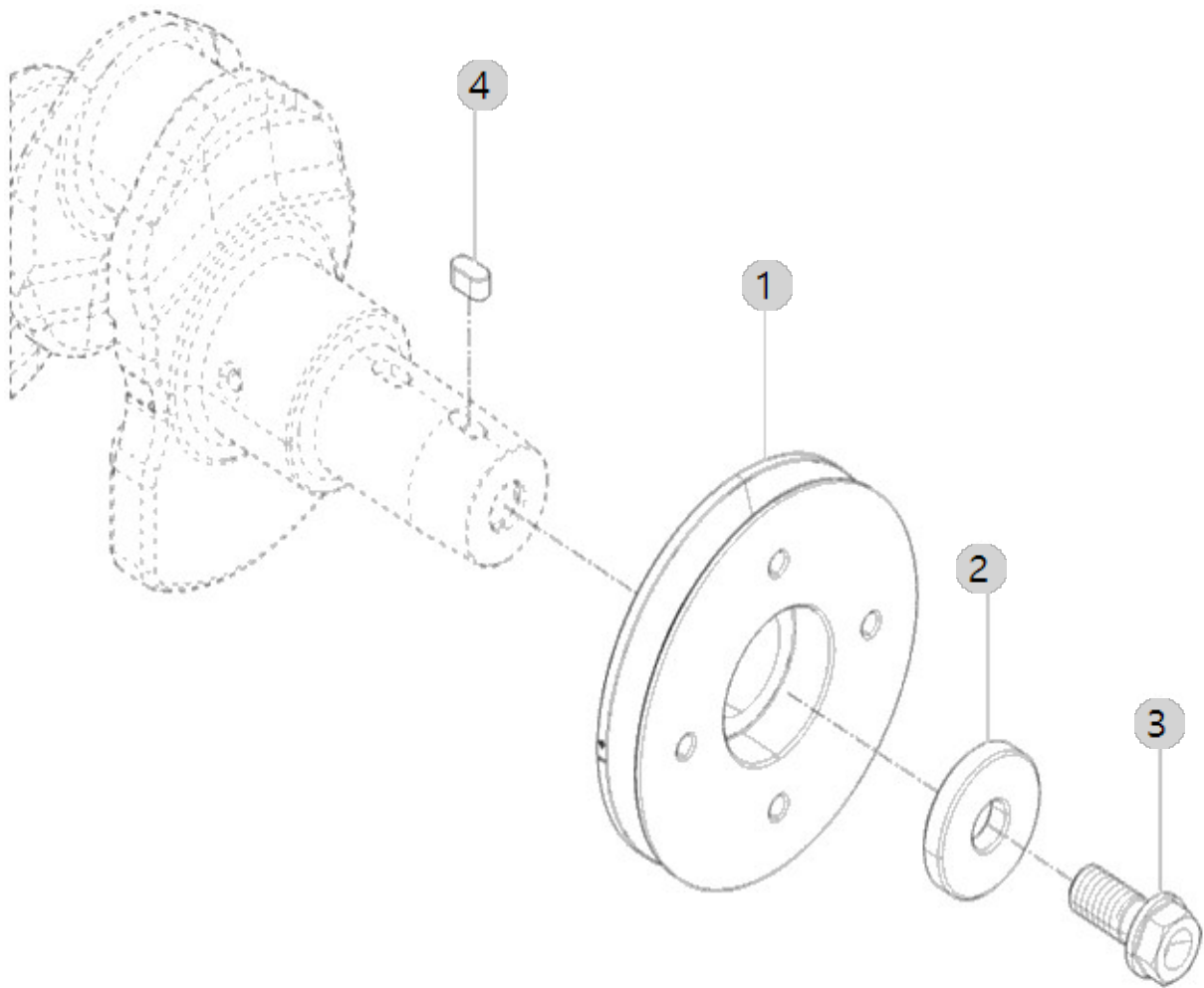
A03_004

A2300N4-ETR_5
(AB00330)

CRANK SHAFT PULLEY

Year/Month

2023-01-18



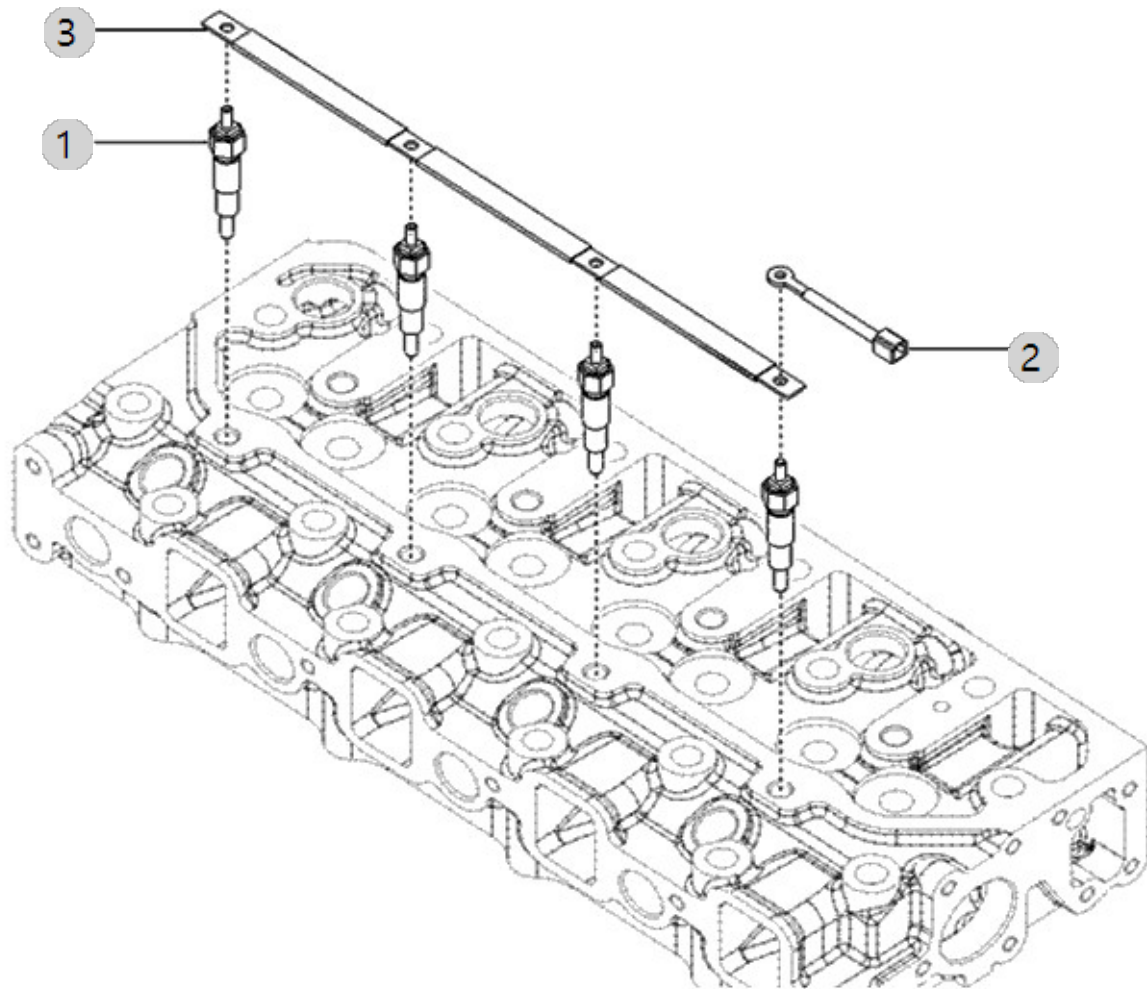
A04_005

A2300N4-ETR_5
(AB00330)

GLOW PLUG ASS'Y OPTION

Year/Month

2023-01-18



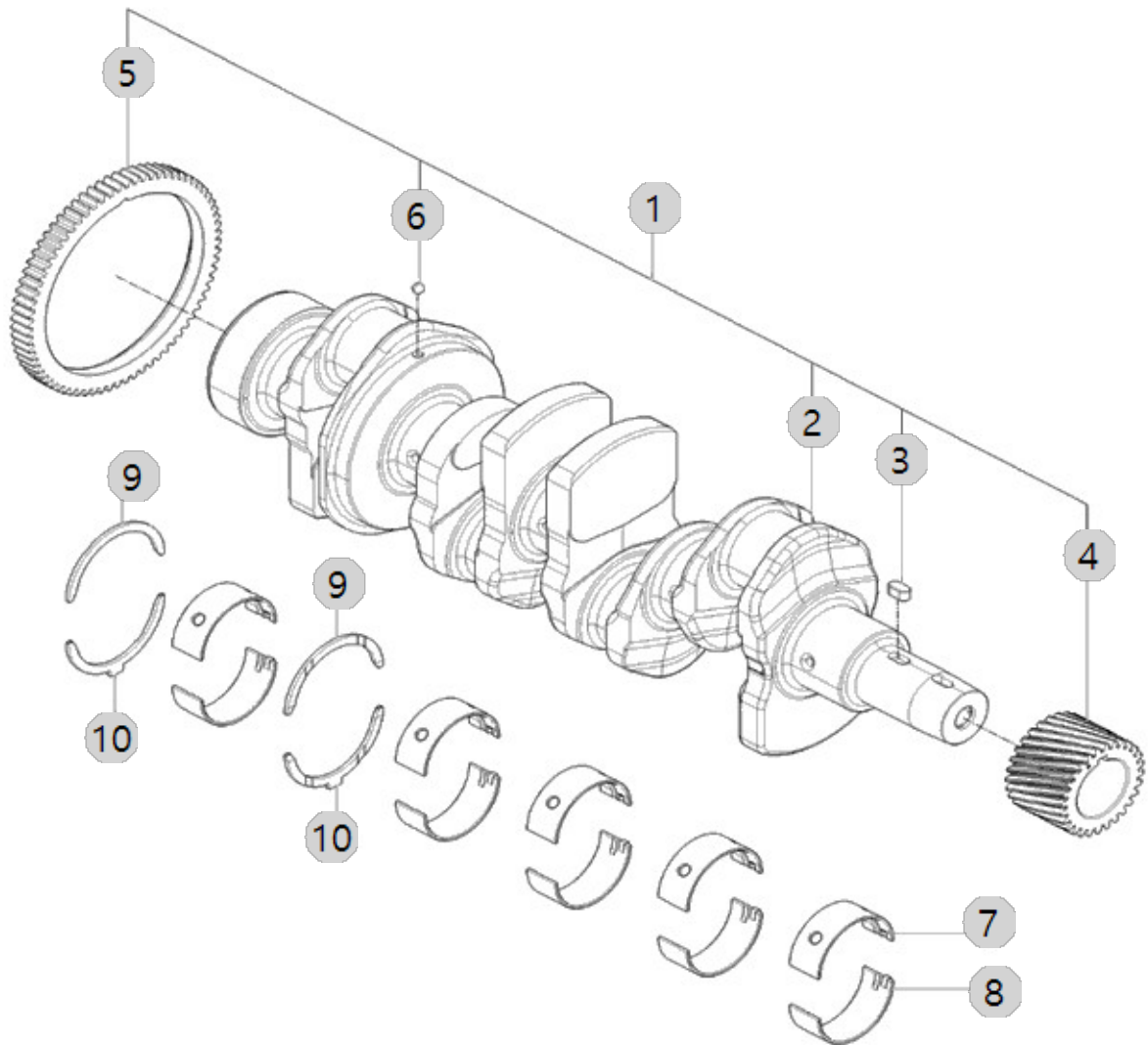
A05_005

A2300N4-ETR_5
(AB00330)

CRANK SHAFT ASS'Y OPTION

Year/Month

2023-01-18



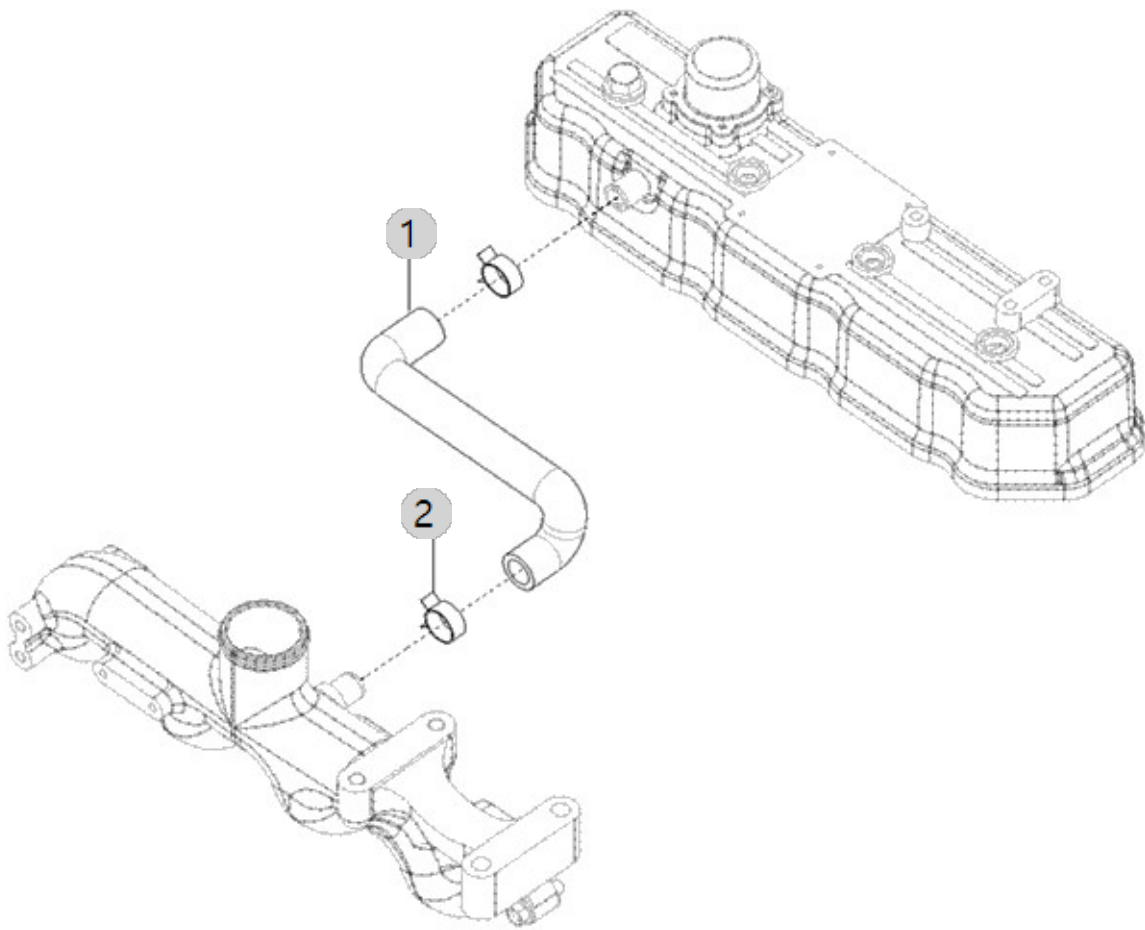
A06_004

A2300N4-ETR_5
(AB00330)

BREATHER OPTION

Year/Month

2023-01-18



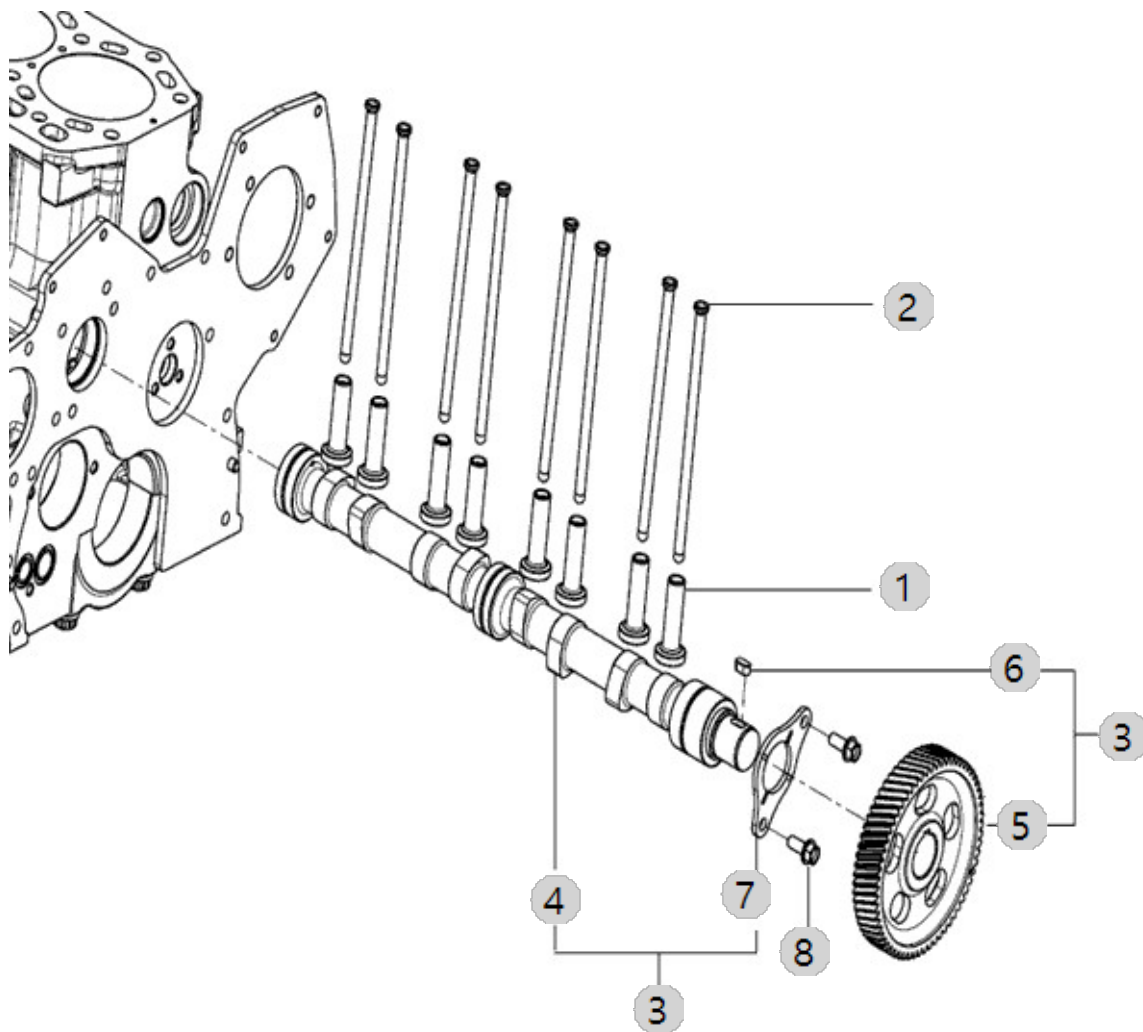
A07_005

A2300N4-ETR_5
(AB00330)

CAMSHAFT

Year/Month

2023-01-18



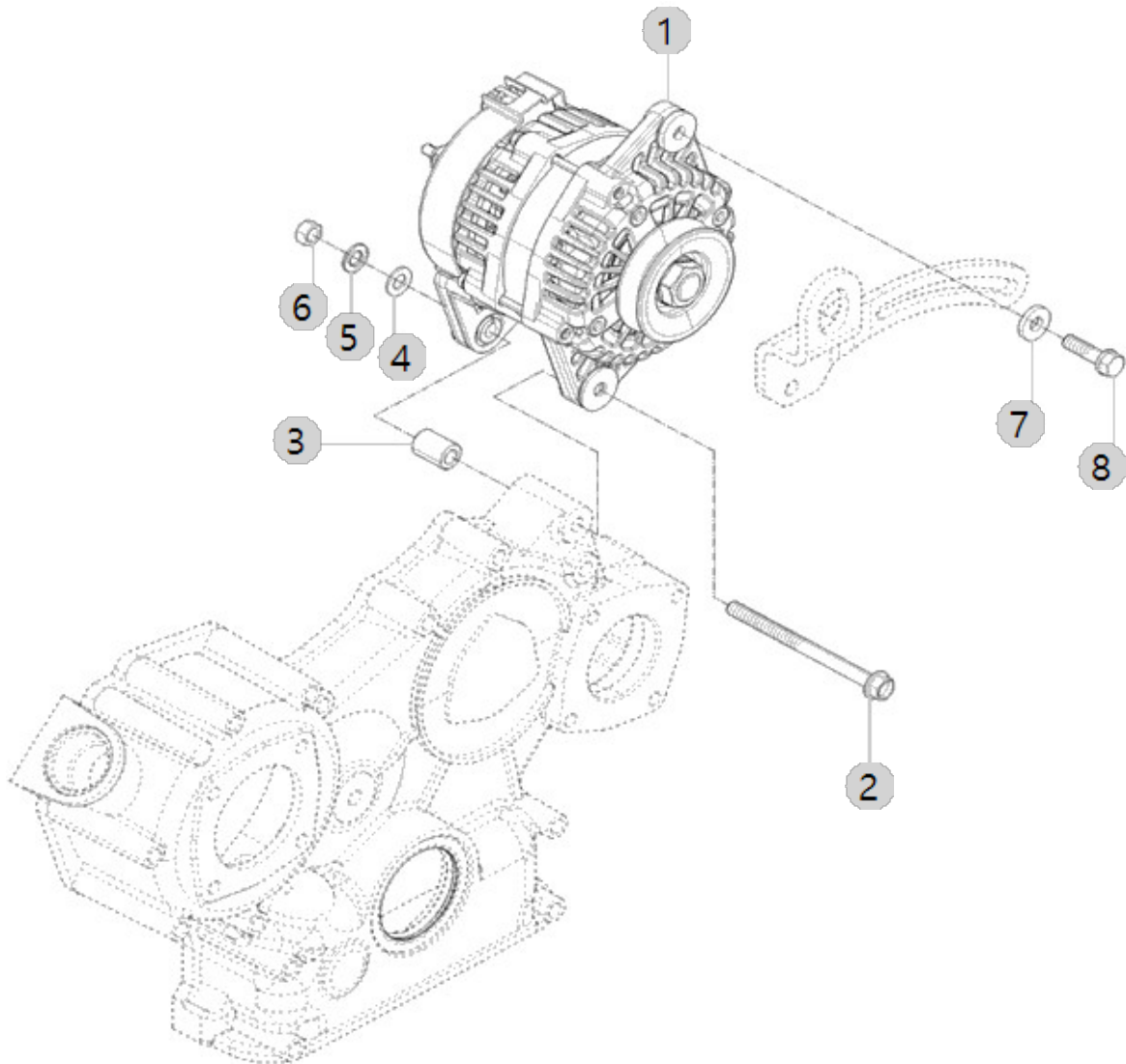
A08_003

A2300N4-ETR_5
(AB00330)

ALTERNATOR

Year/Month

2023-01-18



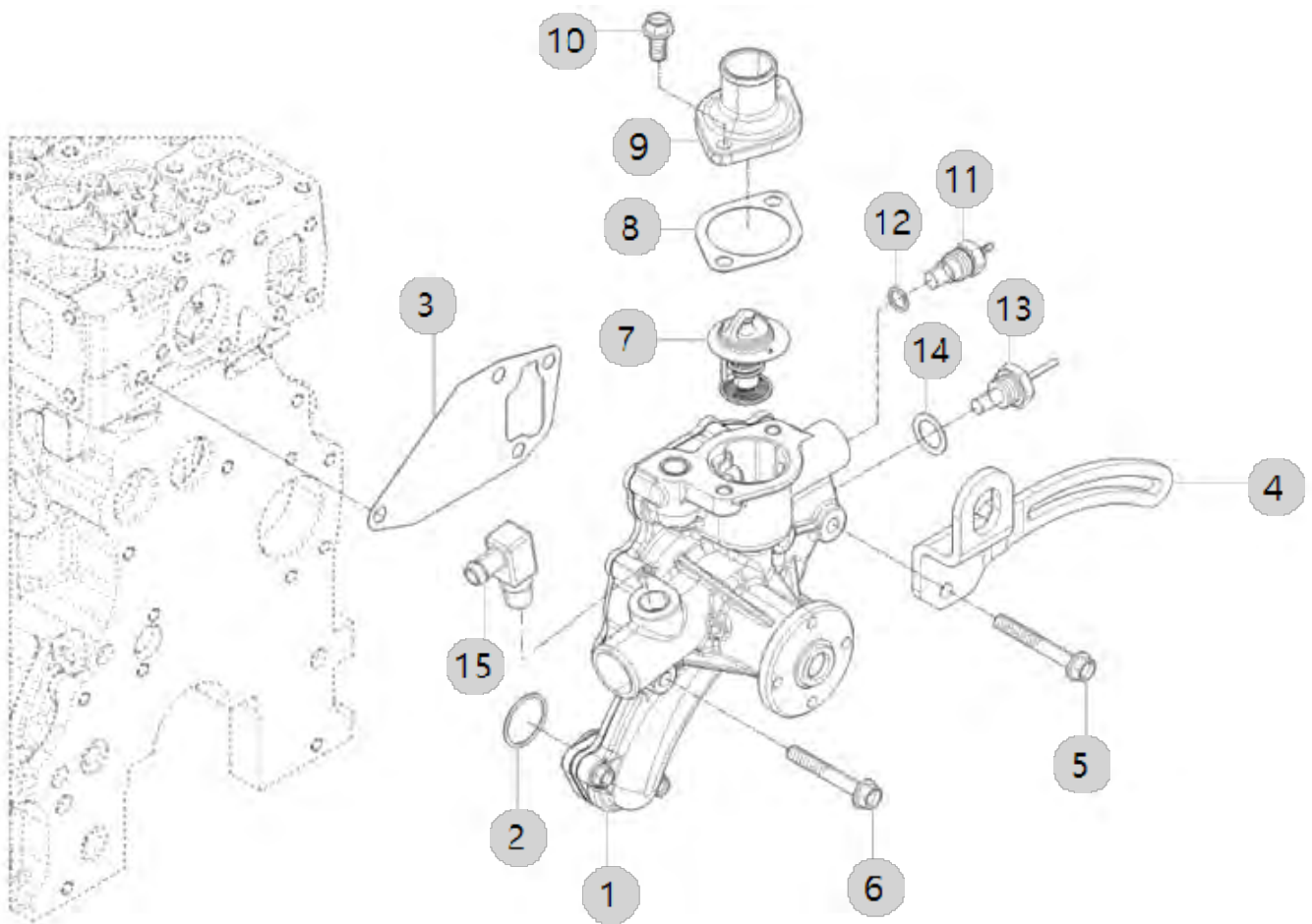
A09_003

A2300N4-ETR_5
(AB00330)

COOLING WATER PUMP

Year/Month

2023-01-18



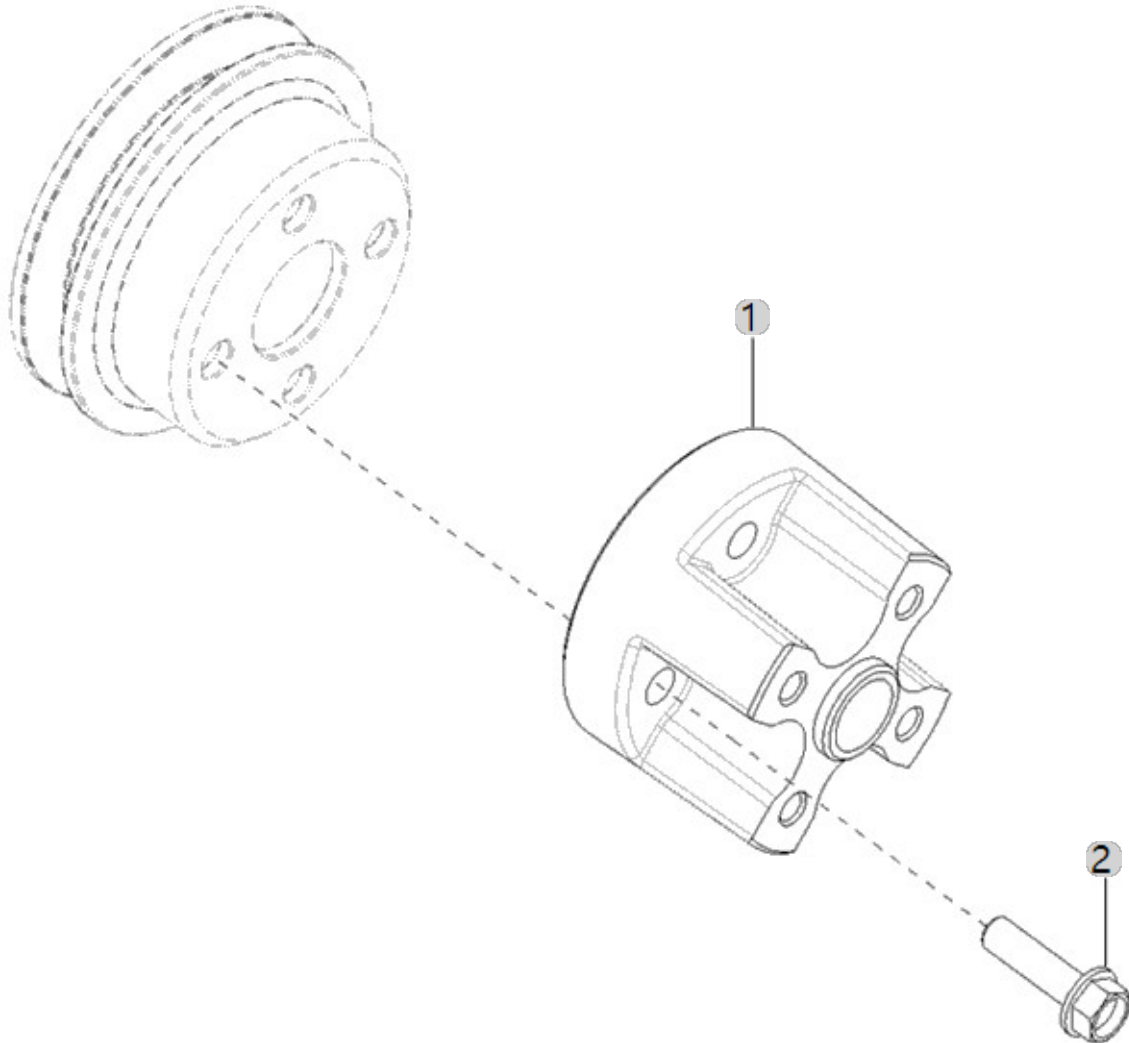
A10_010

A2300N4-ETR_5
(AB00330)

COOLING FAN SPACER

Year/Month

2023-01-18



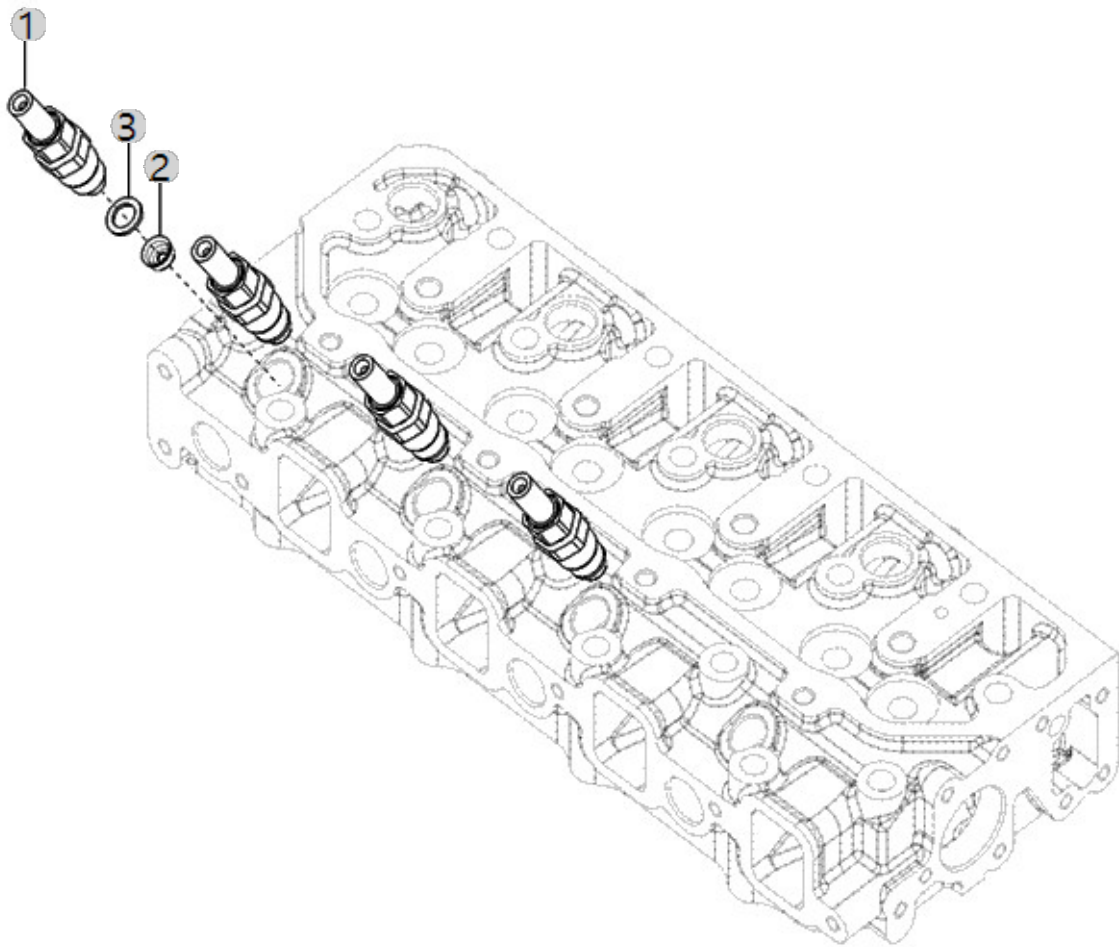
A11_007

A2300N4-ETR_5
(AB00330)

INJECTOR

Year/Month

2023-01-18



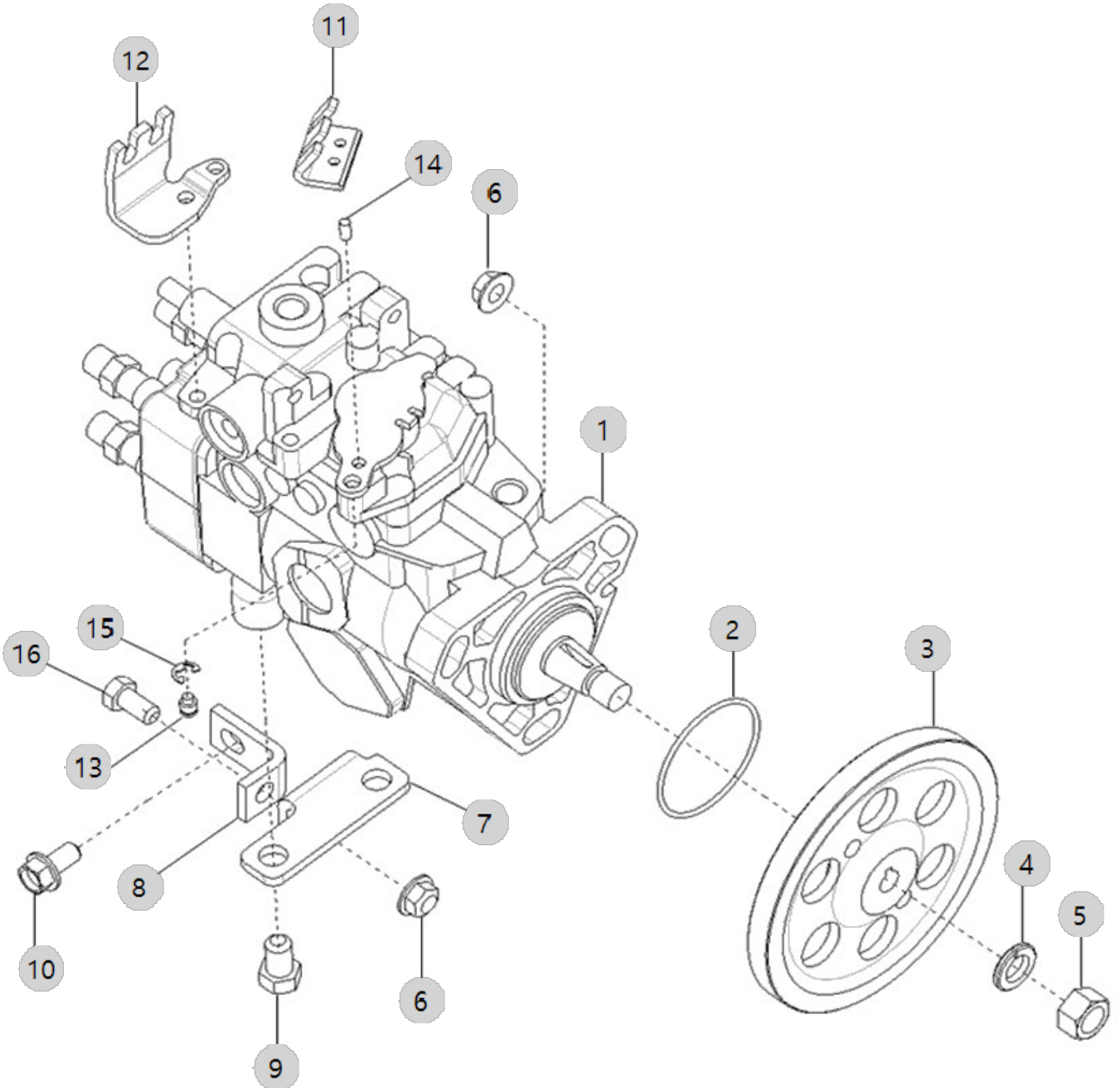
A12_017

A2300N4-ETR_5
(AB00330)

FUEL INJECTOR

Year/Month

2023-01-18



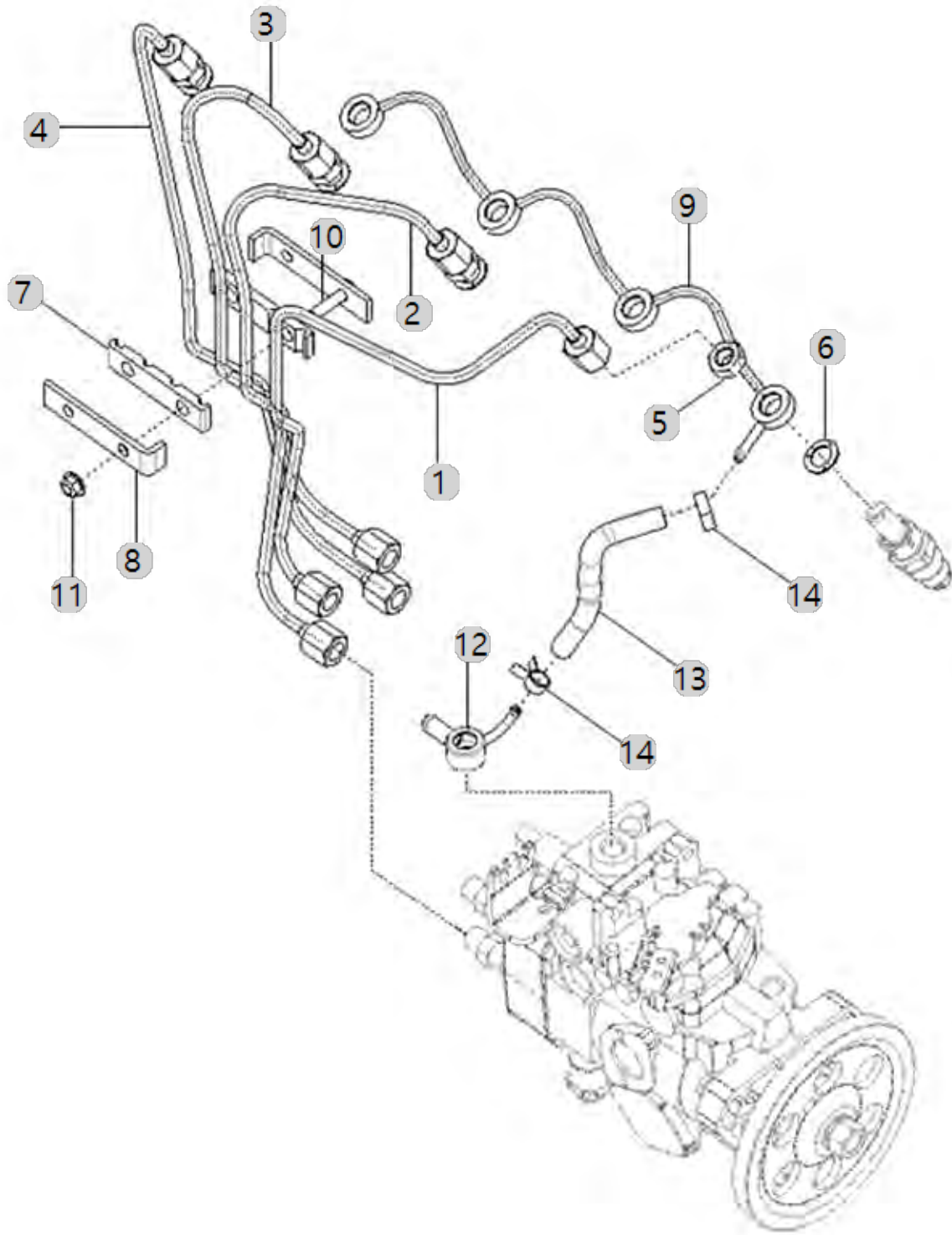
A13_005

A2300N4-ETR_5
(AB00330)

PLUMBING, FUEL

Year/Month

2023-01-18



A13_005 A2300N4-ETR_5 (AB00330)		PLUMBING, FUEL				Year/Month 2023-01-18
순번 (NO)	부품번호 (PART NO)	품명 (PART NAME)	품명 (PART NAME)	수량 (QTY)	규격 (SPEC)	비고 (REMARK)
1	HRA150050DB0	299,A202322,연료파이프조합(A)	PIPE ASSY, FUEL SUPPLY A	1		
1	HRA150050DB0	299,A202322,연료파이프조합(A)	PIPE ASSY, FUEL SUPPLY A	1		
1	HRA150050DB0	299,A202322,연료파이프조합(A)	PIPE ASSY, FUEL SUPPLY A	1		
1	HRA150050DC0	연료파이프조합(A)	TUBE,INJECTOR FUEL SUPPLY	1		
2	HRA150060DB0	300,A202322,연료파이프조합(B)	PIPE ASSY, FUEL SUPPLY (B)	1		
2	HRA150060DC0	연료파이프조합(B)	TUBE,INJECTOR FUEL SUPPLY	1		
2	HRA150060DB0	300,A202322,연료파이프조합(B)	PIPE ASSY, FUEL SUPPLY (B)	1		
2	HRA150060DB0	300,A202322,연료파이프조합(B)	PIPE ASSY, FUEL SUPPLY (B)	1		
3	HRA150070DB0	301,A202322,연료파이프조합(C)	PIPE ASSY, FUEL SUUPPLY C	1		
3	HRA150070DB0	301,A202322,연료파이프조합(C)	PIPE ASSY, FUEL SUUPPLY C	1		
3	HRA150070DC0	연료파이프조합(C)	TUBE,INJECTOR FUEL SUPPLY	1		
3	HRA150070DB0	301,A202322,연료파이프조합(C)	PIPE ASSY, FUEL SUUPPLY C	1		
4	HRA150080DC0	연료파이프조합(D)	TUBE,INJECTOR FUEL SUPPLY	1		
4	HRA150080DB0	302,A202322,연료파이프조합(D)	PIPE ASSY, FUEL SUPPLY D	1		
4	HRA150080DB0	302,A202322,연료파이프조합(D)	PIPE ASSY, FUEL SUPPLY D	1		
4	HRA150080DB0	302,A202322,연료파이프조합(D)	PIPE ASSY, FUEL SUPPLY D	1		
5	HK13450000A4	육각고정너트	NUT,REGULARHEXAGON	4	M12X1.5	
5	HK13450000A4	육각고정너트	NUT,REGULARHEXAGON	4	M12X1.5	
5	HK13450000A4	육각고정너트	NUT,REGULARHEXAGON	4	M12X1.5	
5	HK13450000A4	육각고정너트	NUT,REGULARHEXAGON	4	M12X1.5	
6	HK13440000A4	306,ALL,패킹(조인트)(와류실)	GASKET,FUELMANIFOLD	4		
6	HK13440000A4	306,ALL,패킹(조인트)(와류실)	GASKET,FUELMANIFOLD	4		
6	HK13440000A4	306,ALL,패킹(조인트)(와류실)	GASKET,FUELMANIFOLD	4		
6	HK13440000A4	306,ALL,패킹(조인트)(와류실)	GASKET,FUELMANIFOLD	4		
7	HRA1502700A4	462,ALL,브래킷고무	RUBBER,BRACKET	2		
7	HRA1502700A4	462,ALL,브래킷고무	RUBBER,BRACKET	2		
7	HRA1502700A4	462,ALL,브래킷고무	RUBBER,BRACKET	2		
7	HRA1502700A4	462,ALL,브래킷고무	RUBBER,BRACKET	2		
8	HRA1502800A4	브래킷판	CLAMP,TUBE	1	T 3.2	
8	HRA1502800A4	브래킷판	CLAMP,TUBE	2	T 3.2	
8	HRA1502800A4	브래킷판	CLAMP,TUBE	1	T 3.2	
8	HRA1502800A4	브래킷판	CLAMP,TUBE	1	T 3.2	
8	HRA1502800B4	브래킷판	CLAMP,TUBE	2	T 3.2	
9	HRA1500900C3	퇴유파이프조합	PIPE ASSY, FUEL RETURN	1		
9	HRA1500900C3	퇴유파이프조합	PIPE ASSY, FUEL RETURN	1		
9	HRA1500900D3	퇴유파이프조합	PIPE ASSY, FUEL	1		
9	HRA1500900C3	퇴유파이프조합	PIPE ASSY, FUEL RETURN	1		
10	HRA1502600B4	브래킷(연료파이프)	BRACKET,PIPE	1		
10	HRA1502600B4	브래킷(연료파이프)	BRACKET,PIPE	1		
10	HRA1502600B4	브래킷(연료파이프)	BRACKET,PIPE	1		
10	HRA1502600B4	브래킷(연료파이프)	BRACKET,PIPE	1		
11	26367-060002	플랜지너트	Nut, Hexa (Φ6)	2	M6XP1.0	
11	26367-060002	플랜지너트	Nut, Hexa (Φ6)	2	M6XP1.0	
11	26367-060002	플랜지너트	Nut, Hexa (Φ6)	2	M6XP1.0	
11	26367-060002	플랜지너트	Nut, Hexa (Φ6)	2	M6XP1.0	

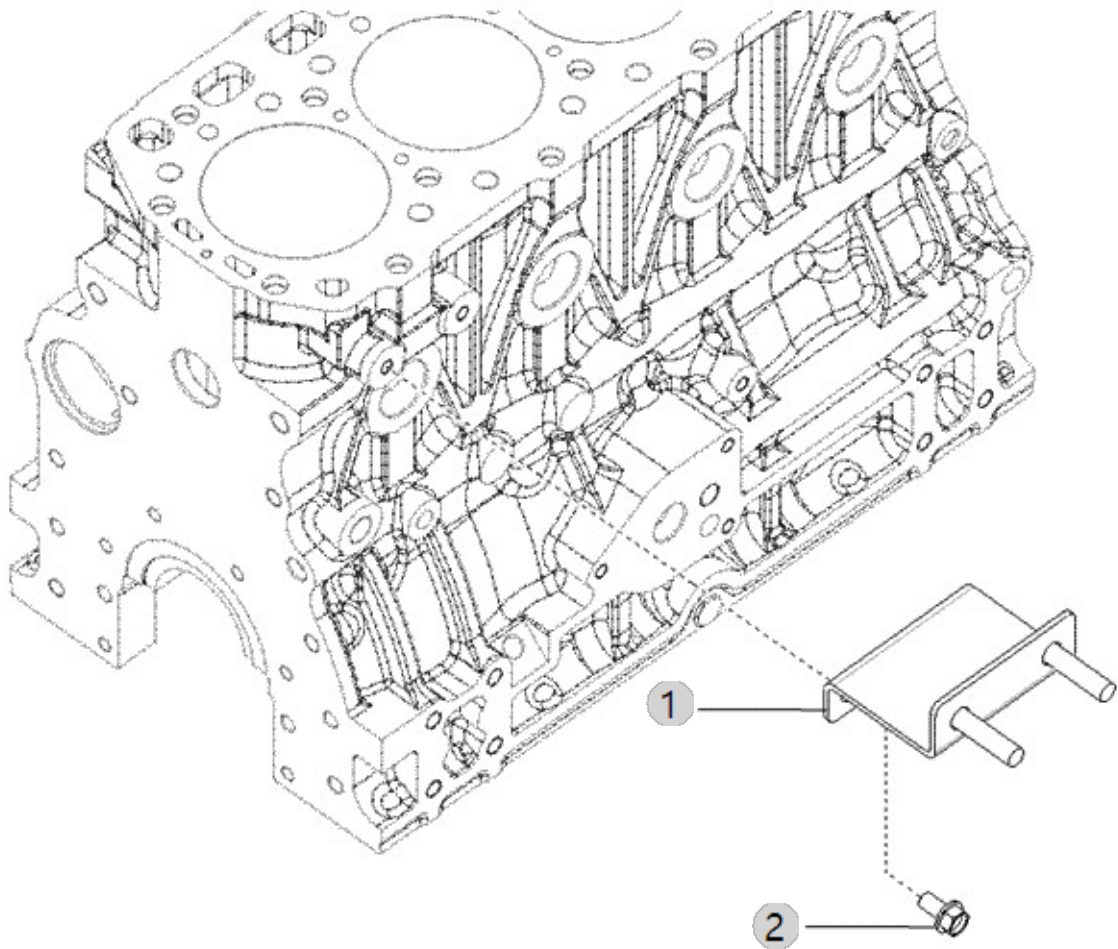
A14_003

A2300N4-ETR_5
(AB00330)

FUEL FILTER BRACKET

Year/Month

2023-01-18



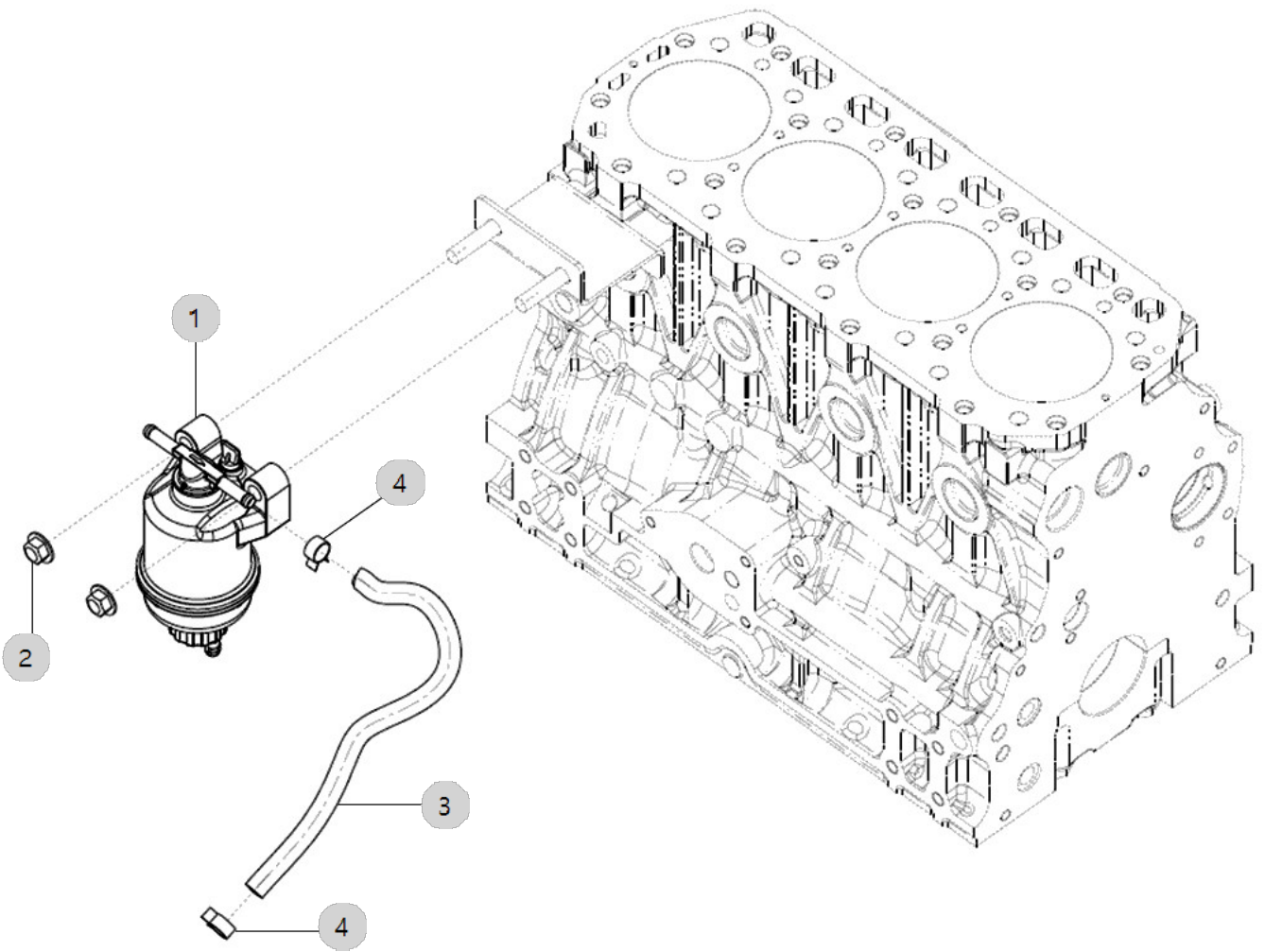
A16_018

A2300N4-ETR_5
(AB00330)

FUEL FILTER ASS'Y OPTION

Year/Month

2023-01-18



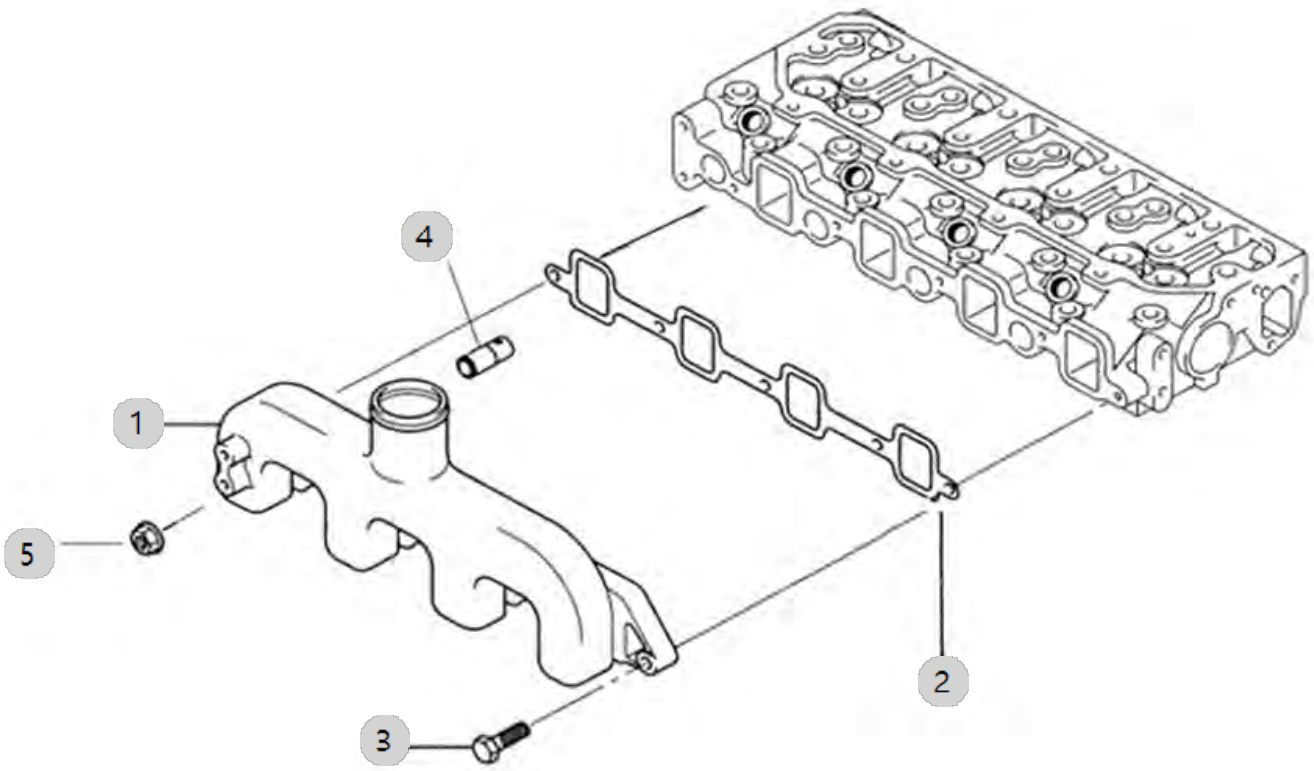
A17_014

A2300N4-ETR_5
(AB00330)

INTAKE MANIFOLD ASS'Y OPTION

Year/Month

2023-01-18



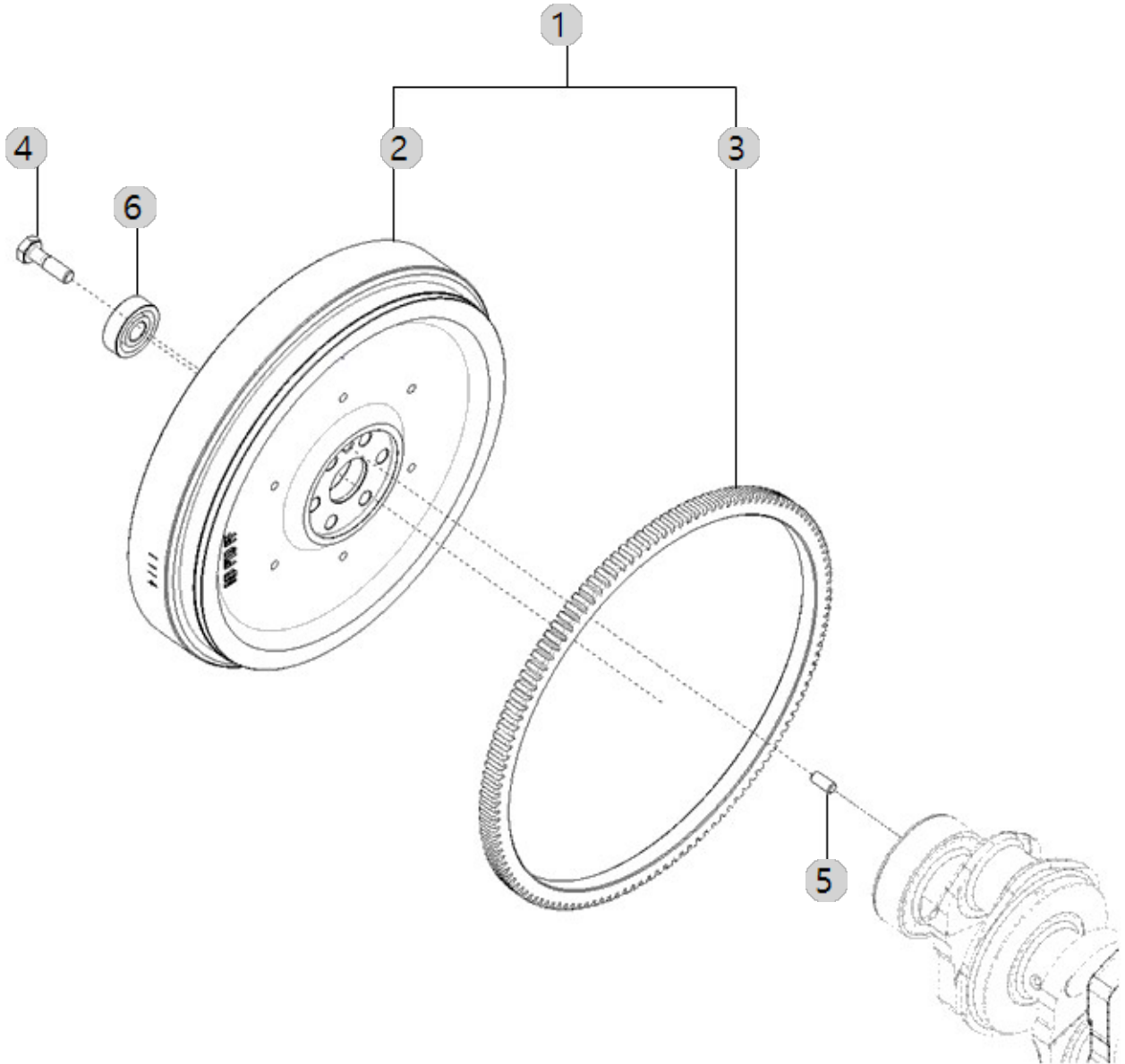
A18_011

A2300N4-ETR_5
(AB00330)

FLYWHEEL

Year/Month

2023-01-18



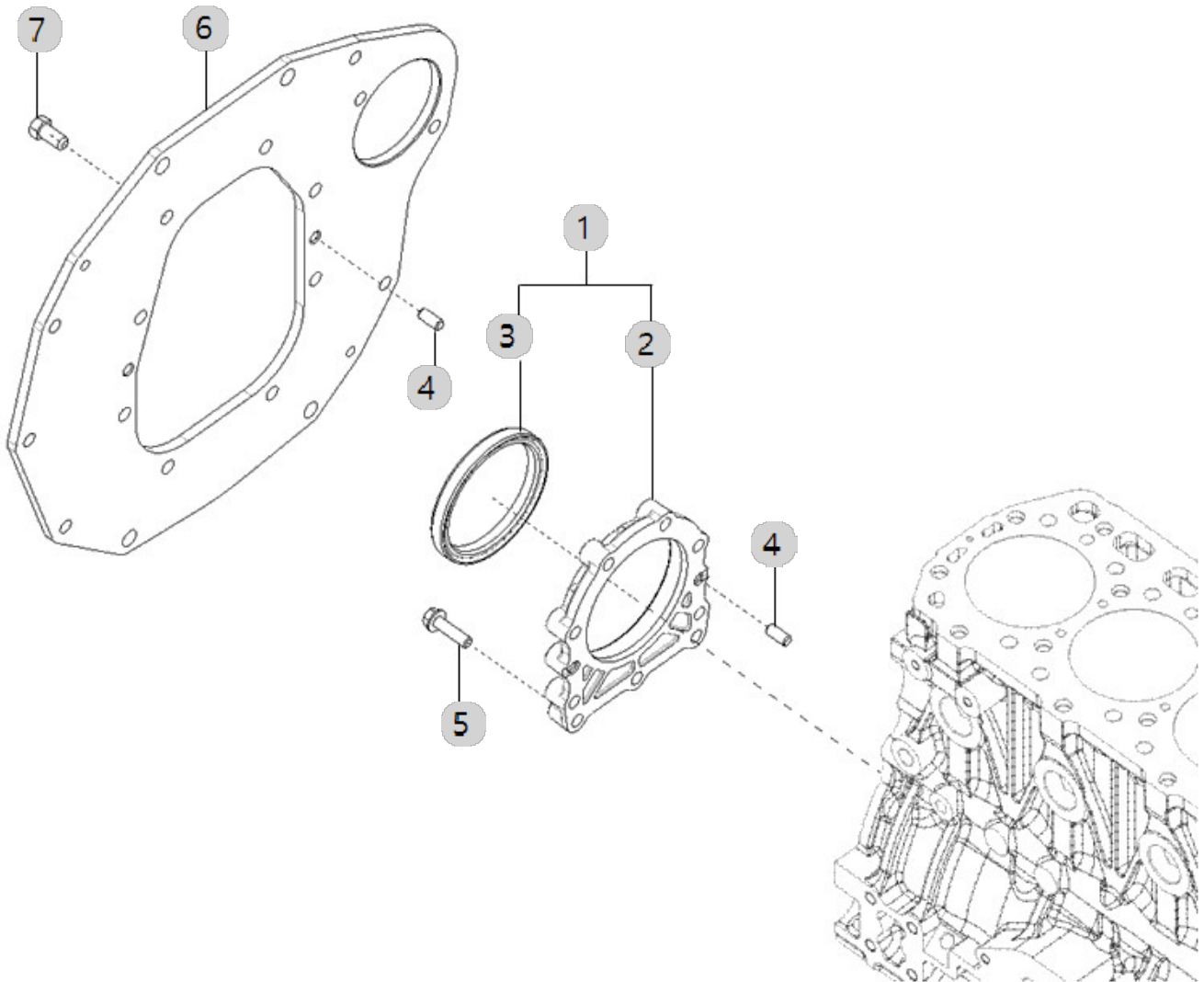
A19_007

A2300N4-ETR_5
(AB00330)

FLYWHEEL HOUSING

Year/Month

2023-01-18



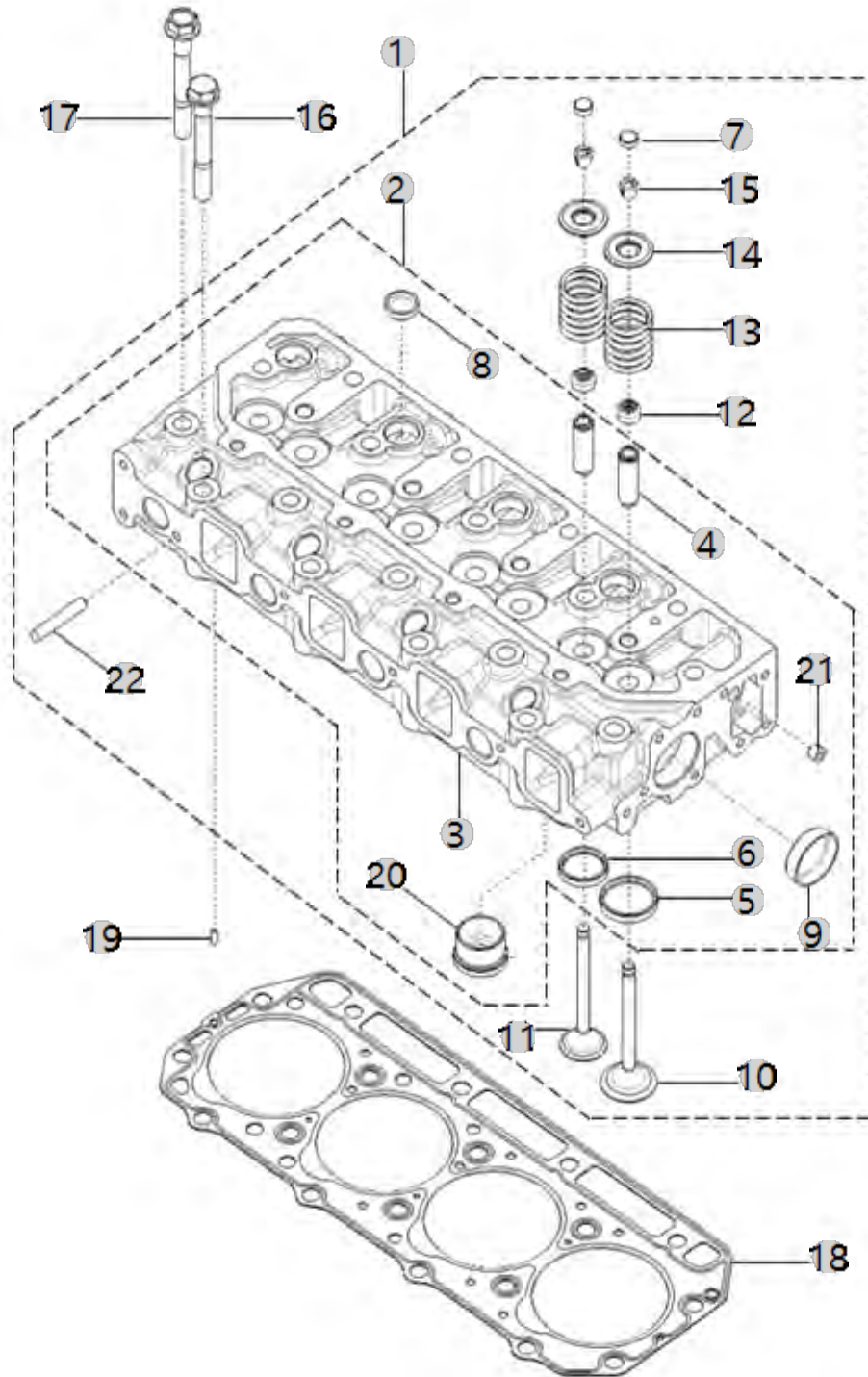
A20_010

A2300N4-ETR_5
(AB00330)

HEAD, CYLINDER

Year/Month

2023-01-18



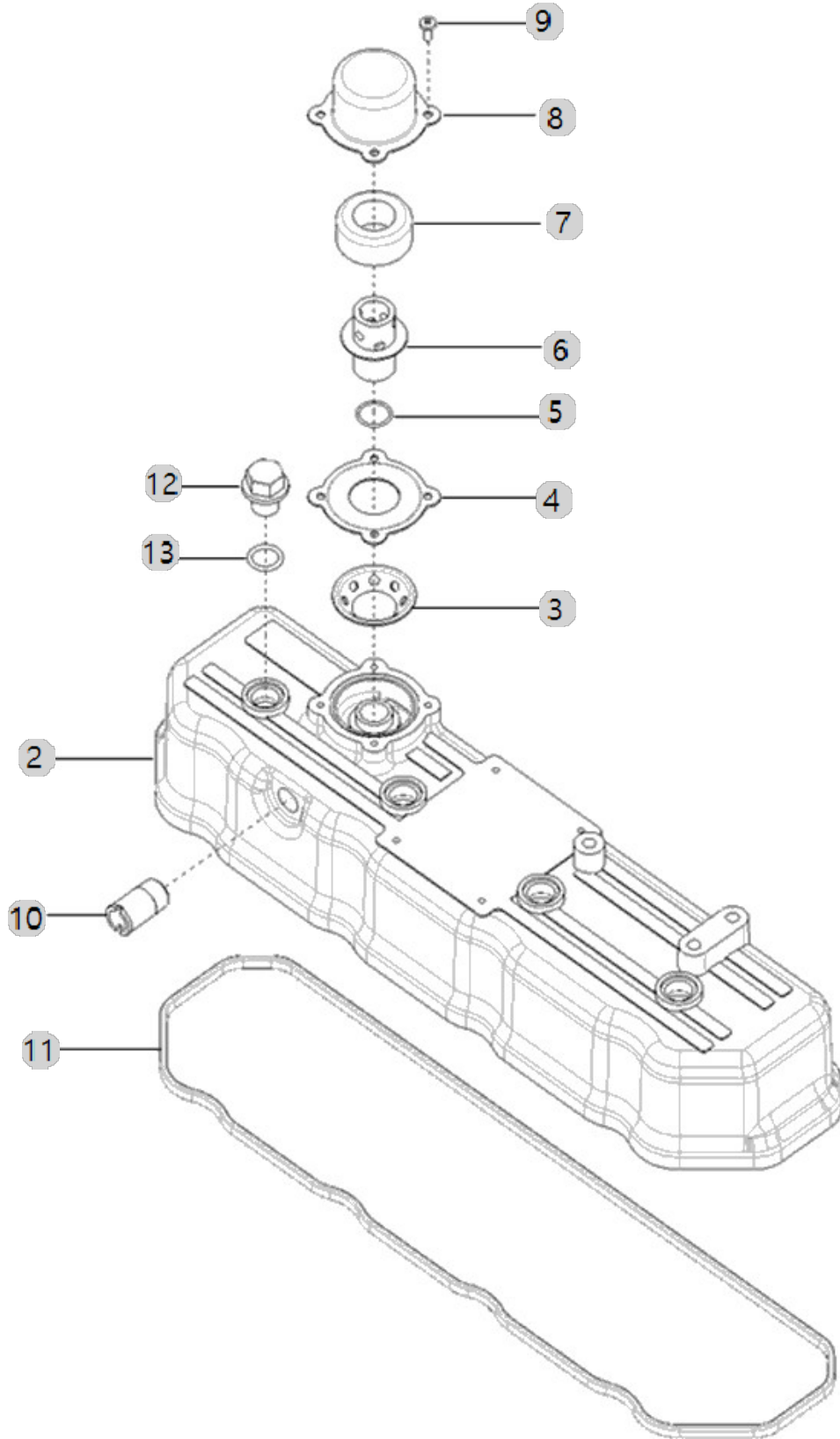
A21_004

A2300N4-ETR_5
(AB00330)

HEAD COVER

Year/Month

2023-01-18



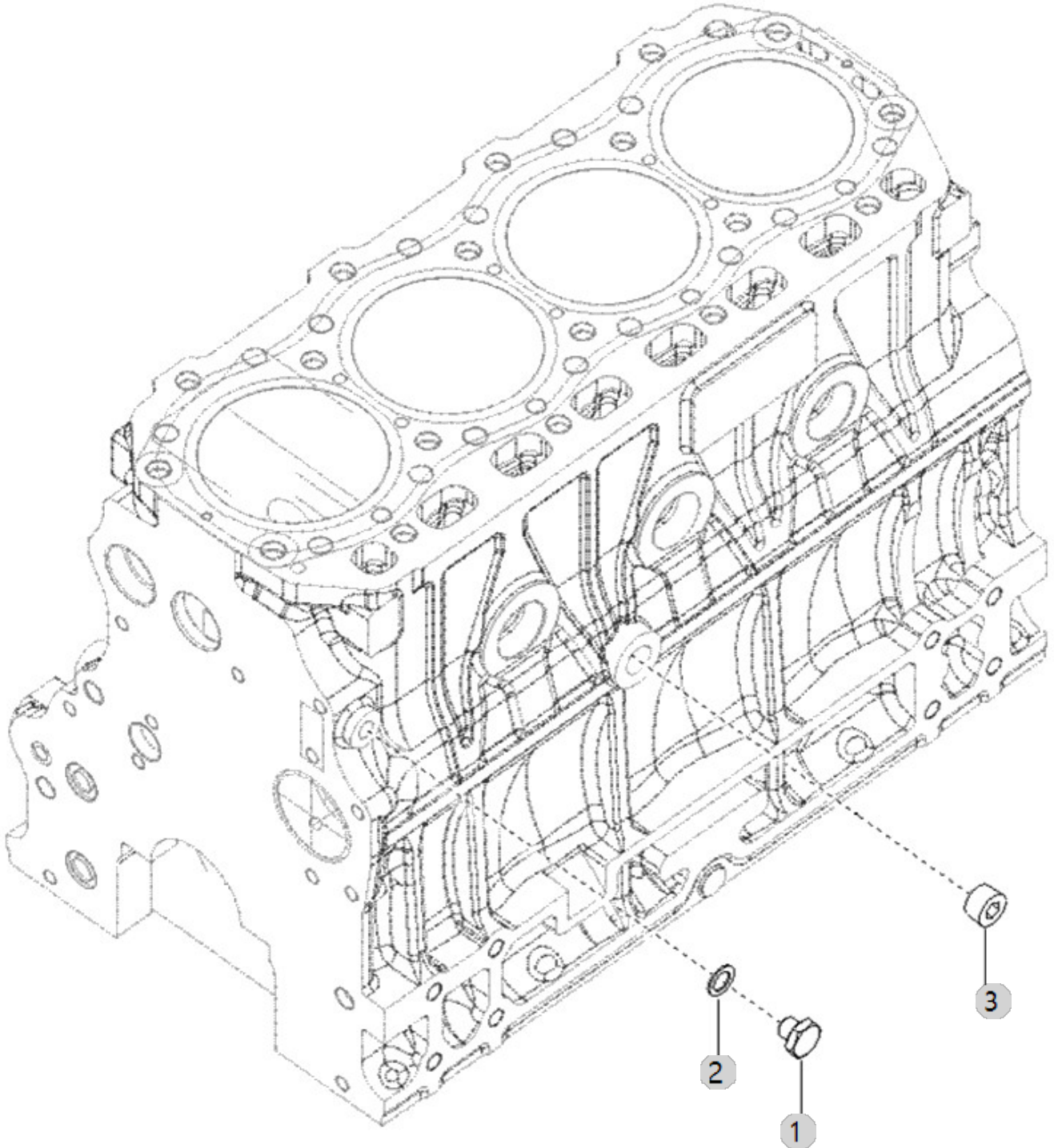
A23_009

A2300N4-ETR_5
(AB00330)

TURBOCHARGER SUPPORT ASS'Y OPTION

Year/Month

2023-01-18



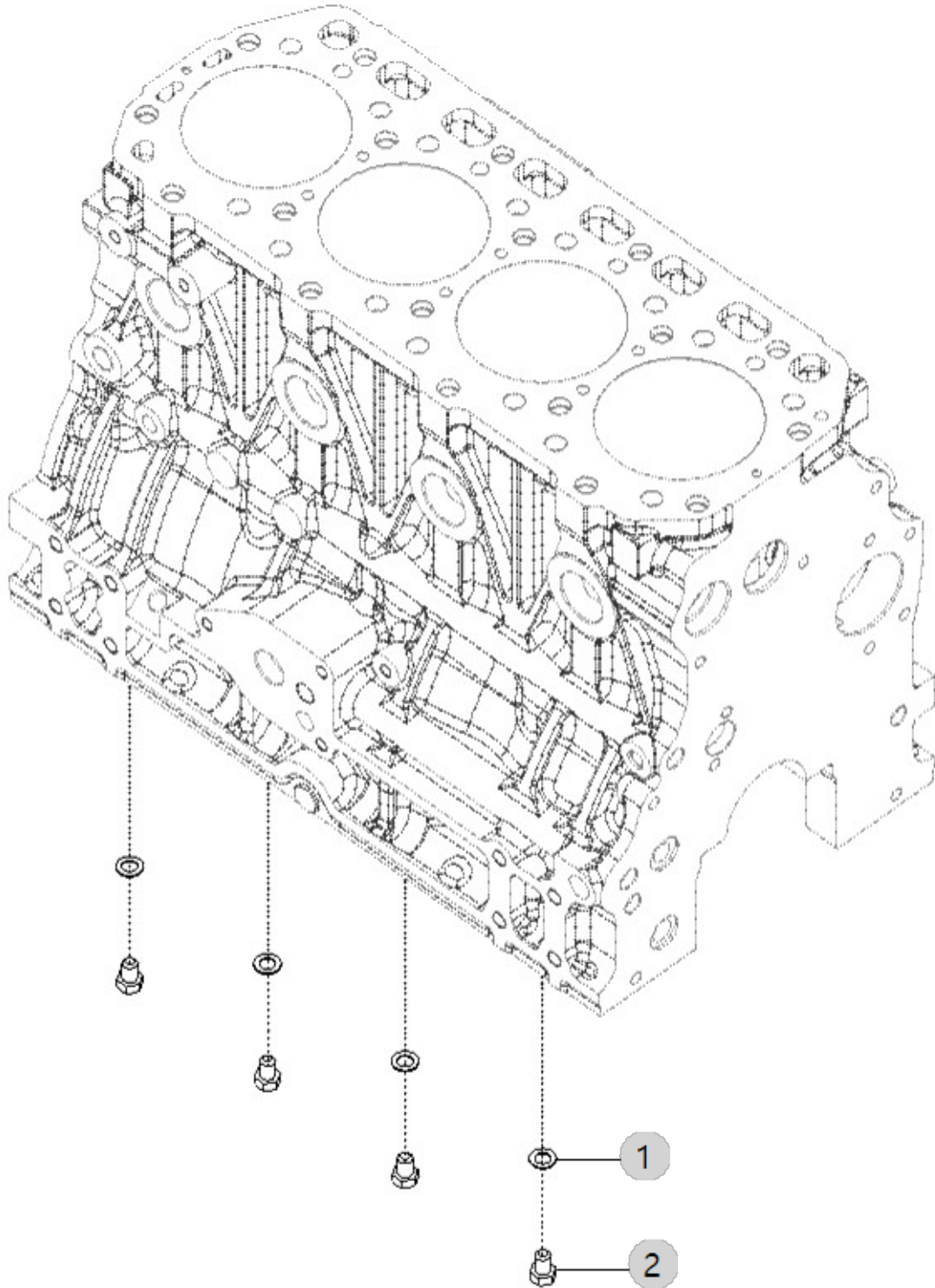
A25_002

A2300N4-ETR_5
(AB00330)

OIL JET ASS'Y OPTION

Year/Month

2023-01-18



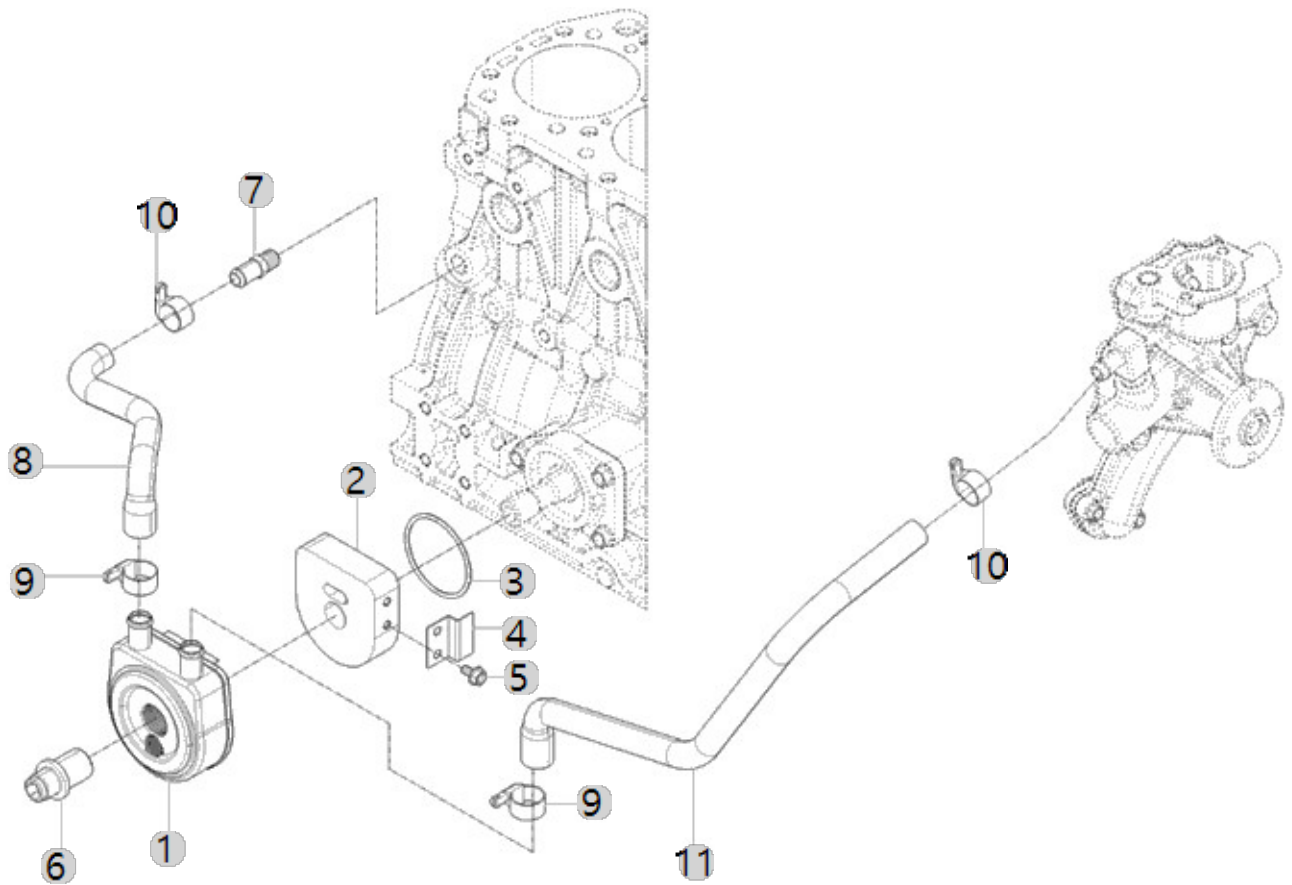
A26_005

A2300N4-ETR_5
(AB00330)

COOLER, ENGINE OIL

Year/Month

2023-01-18



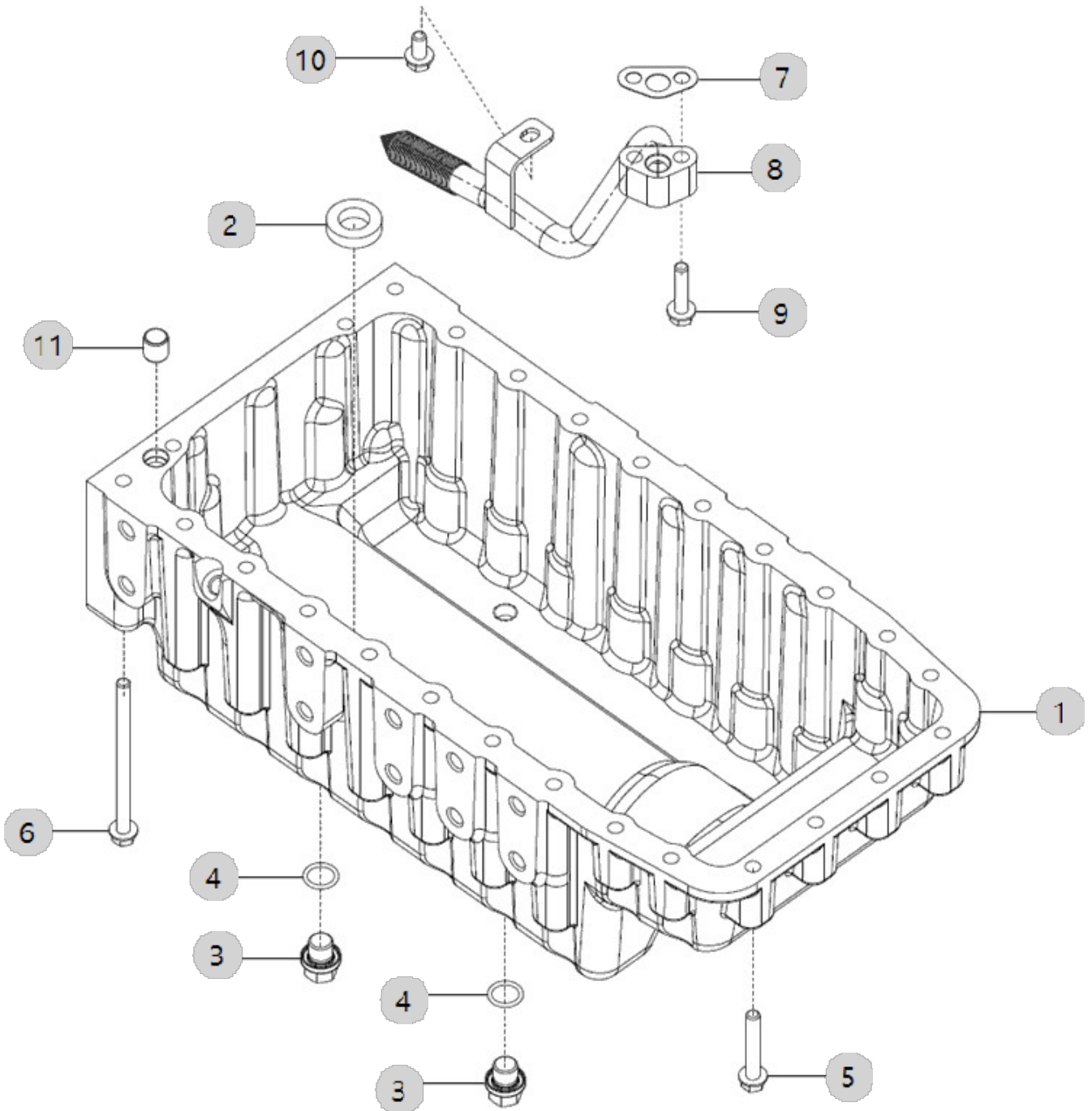
A27_005

A2300N4-ETR_5
(AB00330)

OIL PAN ASS'Y OPTION

Year/Month

2023-01-18



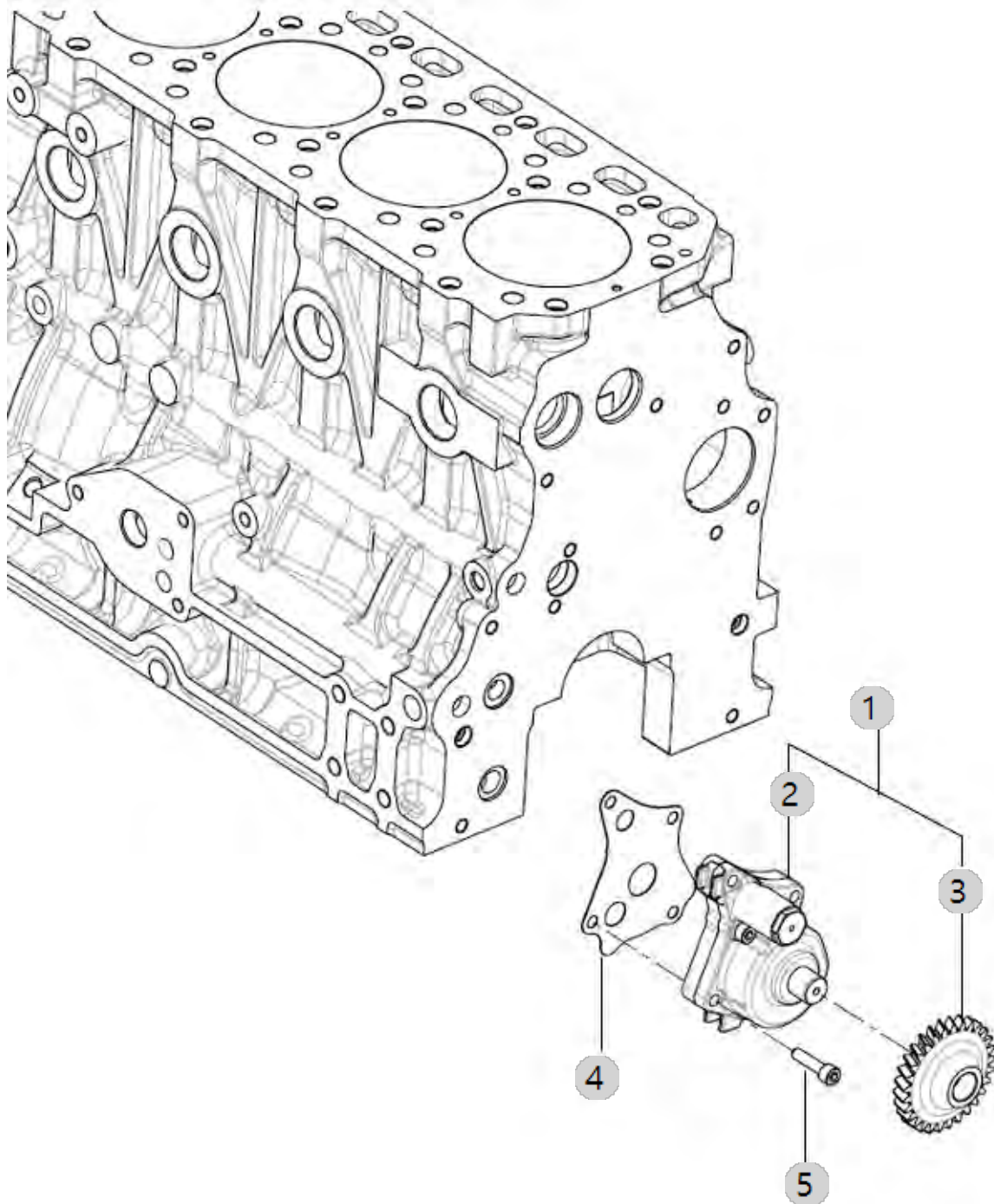
A28_001

A2300N4-ETR_5
(AB00330)

PUMP, LUBRICATING OIL

Year/Month

2023-01-18



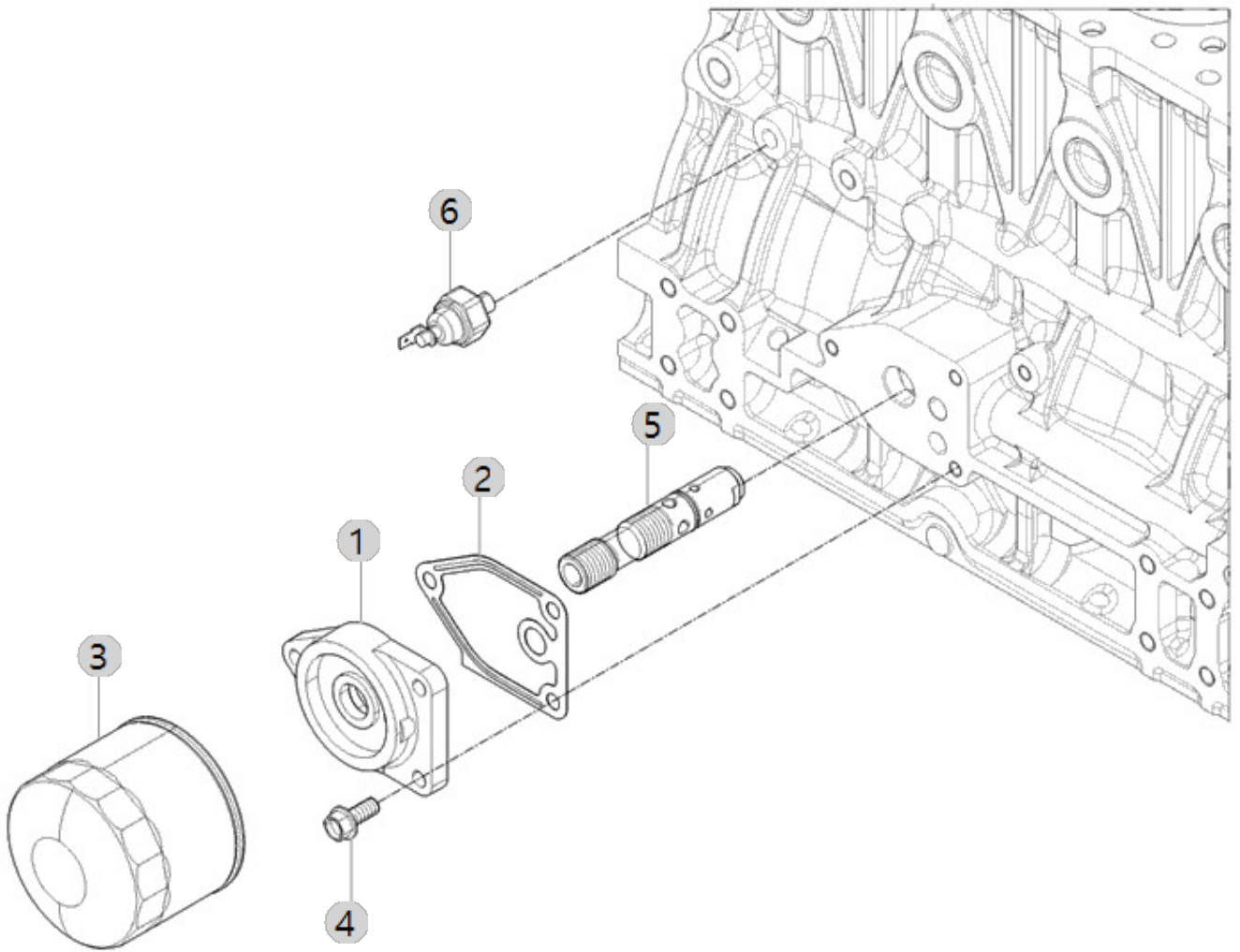
A29_005

A2300N4-ETR_5
(AB00330)

FILTER, LUBRICATING OIL

Year/Month

2023-01-18



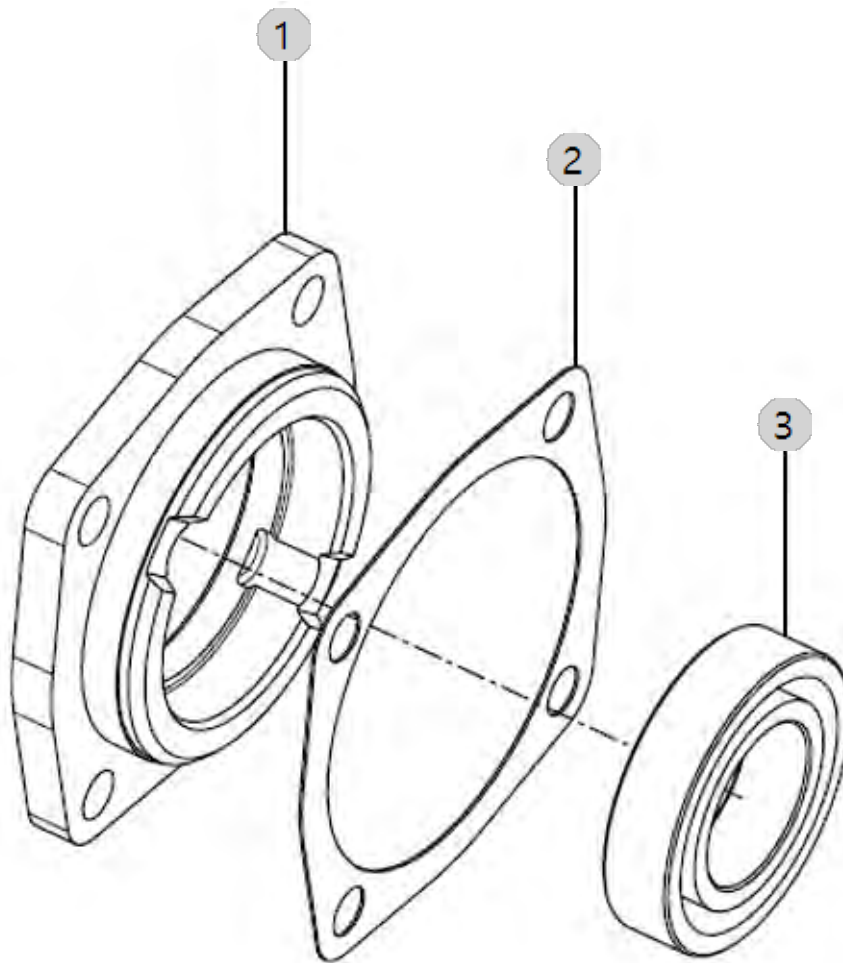
A30_003

A2300N4-ETR_5
(AB00330)

FRONT GEAR ACCESSORY DRIVE

Year/Month

2023-01-18



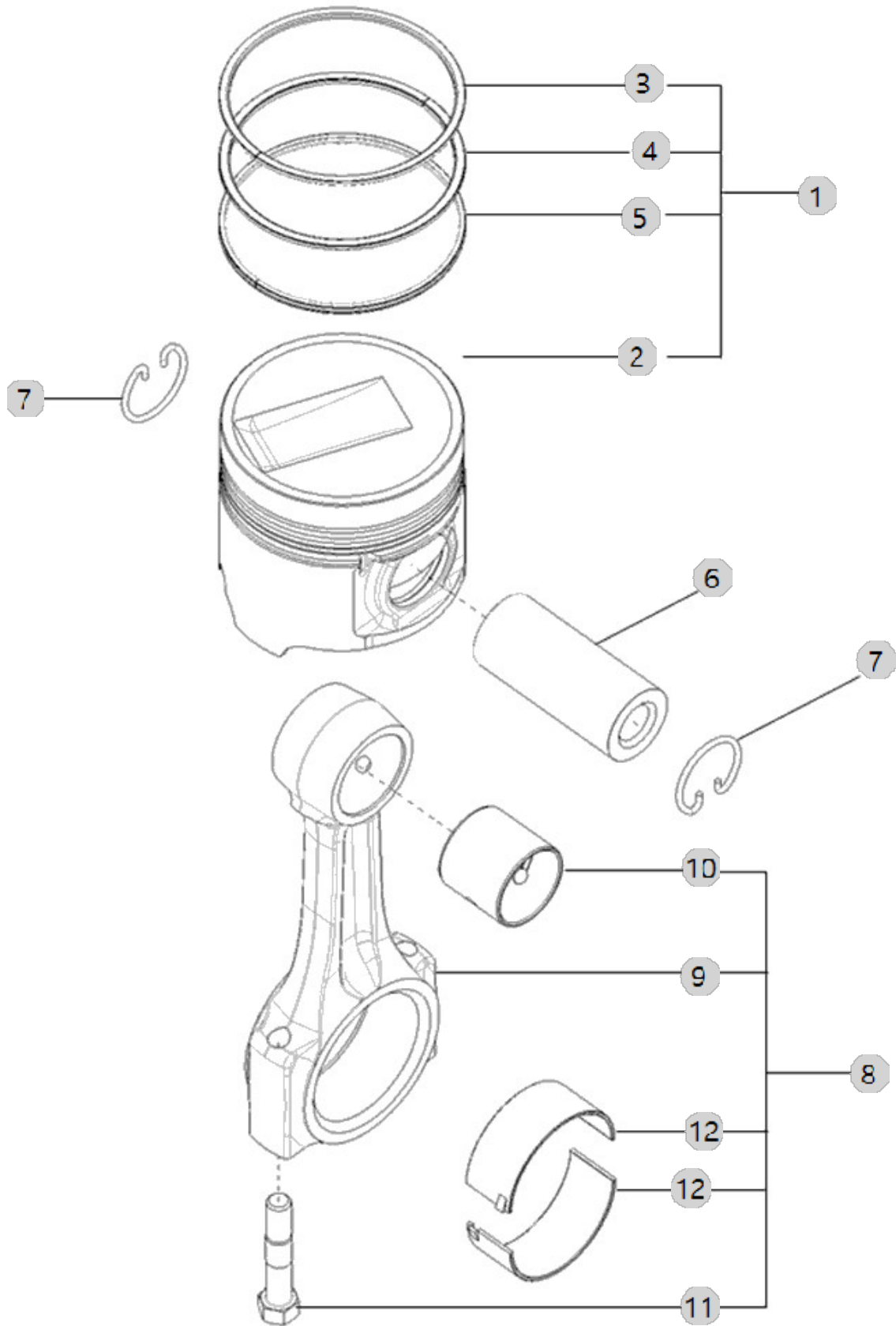
A31_007

A2300N4-ETR_5
(AB00330)

PISTON

Year/Month

2023-01-18



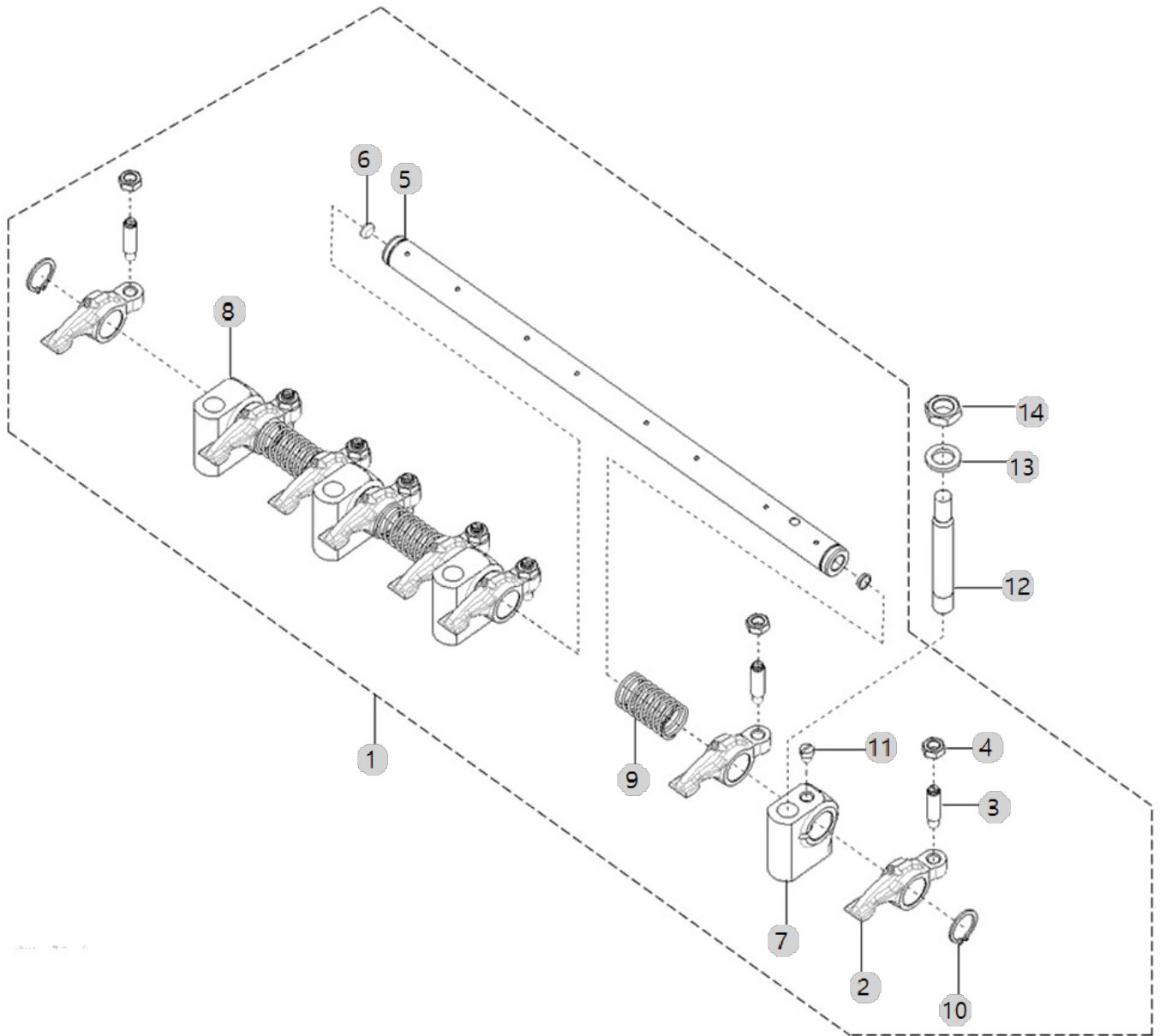
A32_003

A2300N4-ETR_5
(AB00330)

LEVER, LOCKER

Year/Month

2023-01-18



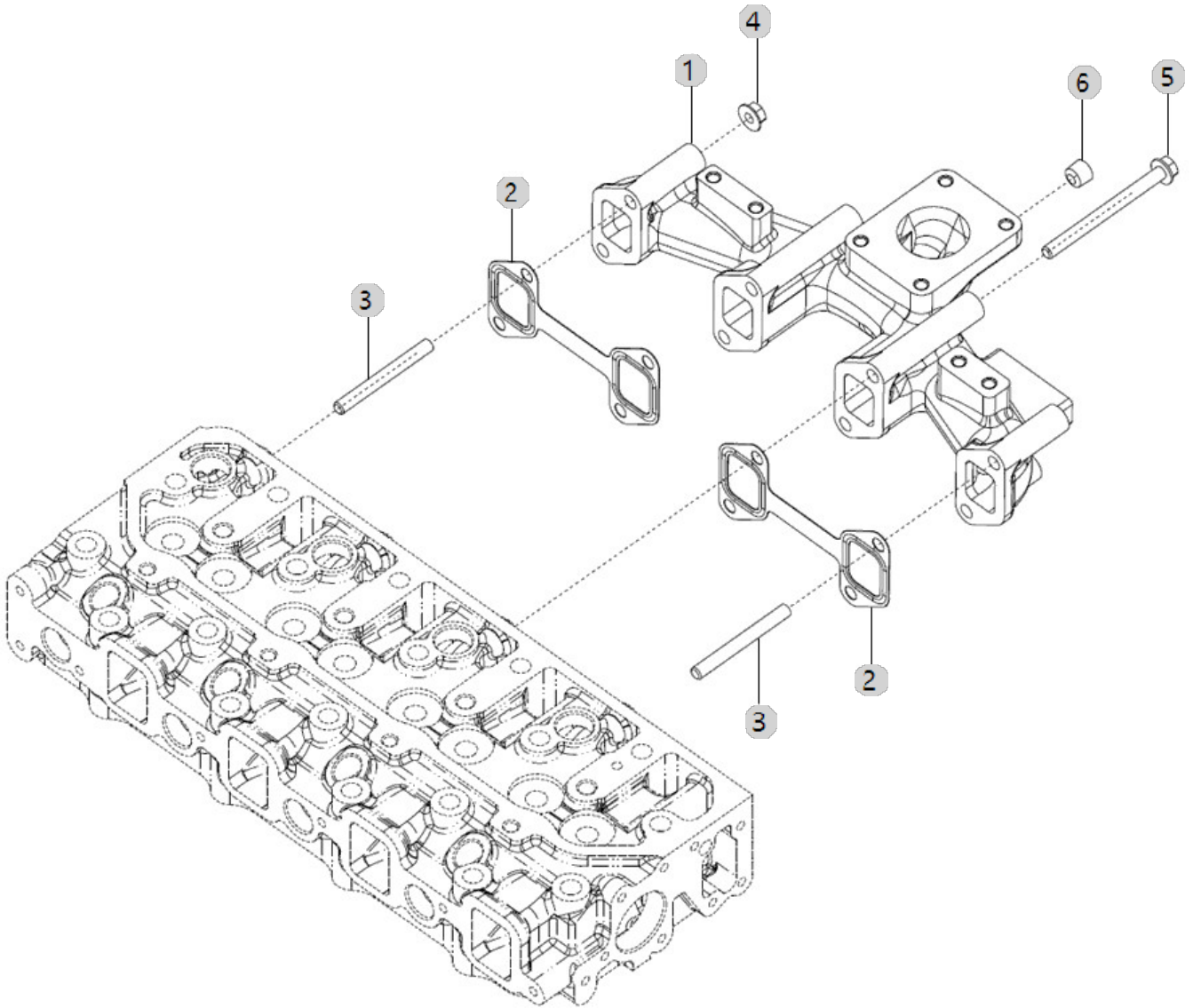
A33_013

A2300N4-ETR_5
(AB00330)

EXHAUST MANIFOLD

Year/Month

2023-01-18



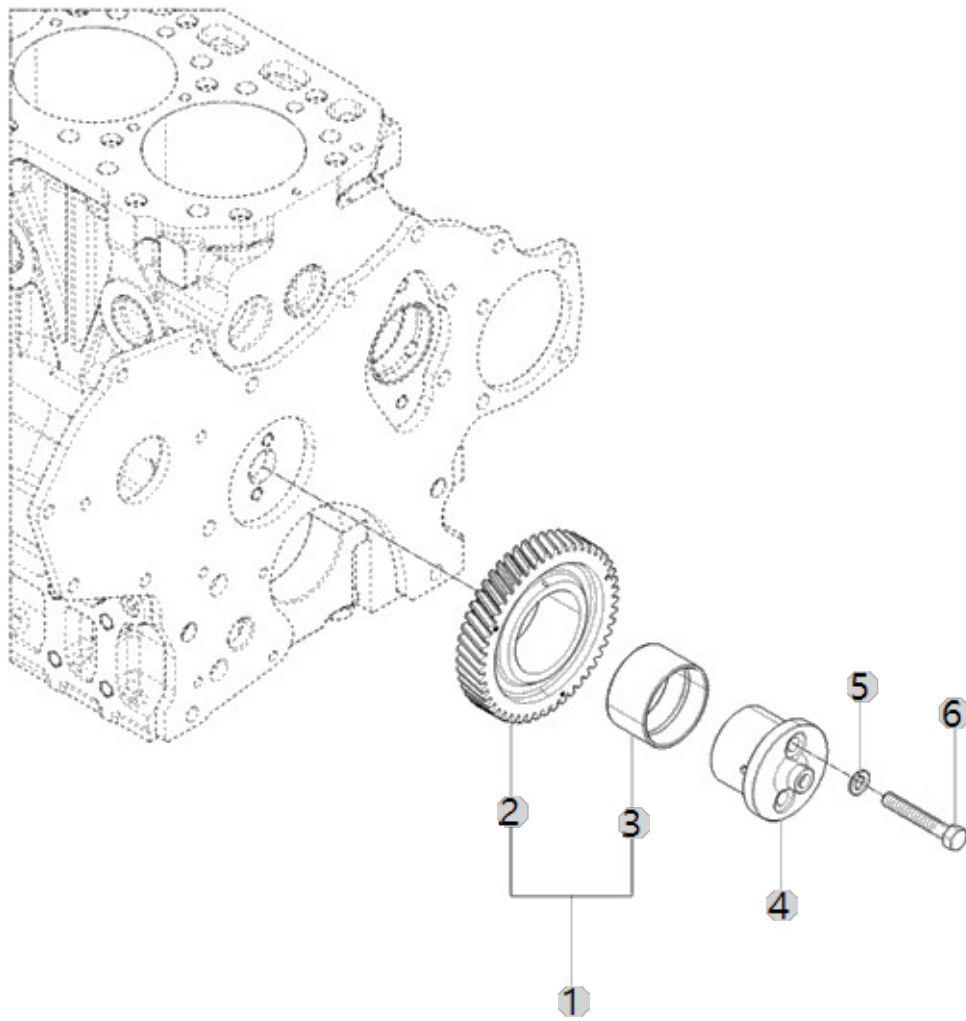
A35_002

A2300N4-ETR_5
(AB00330)

IDLE GEAR

Year/Month

2023-01-18



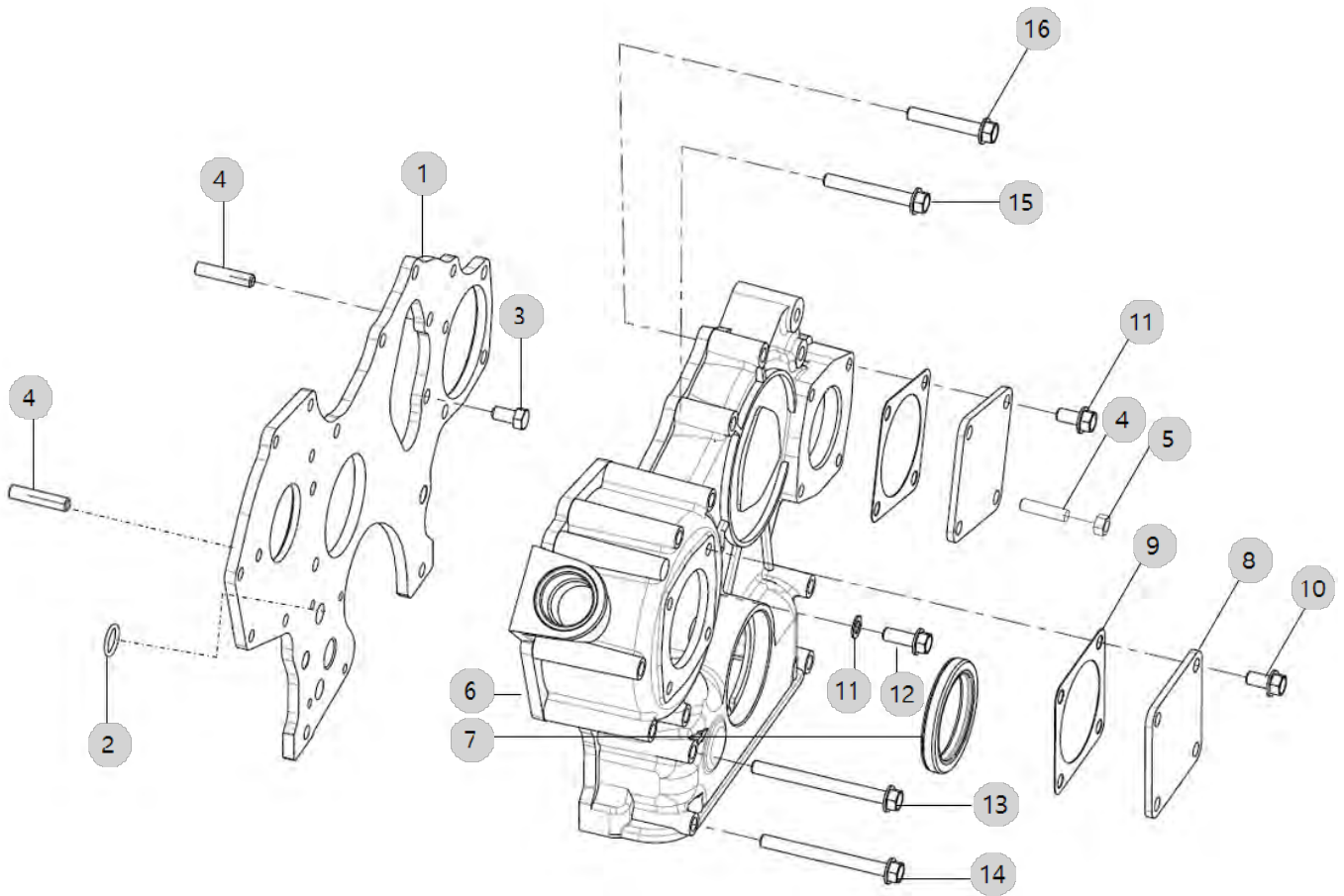
A36_004

A2300N4-ETR_5
(AB00330)

COVER, FRONT GEAR

Year/Month

2023-01-18



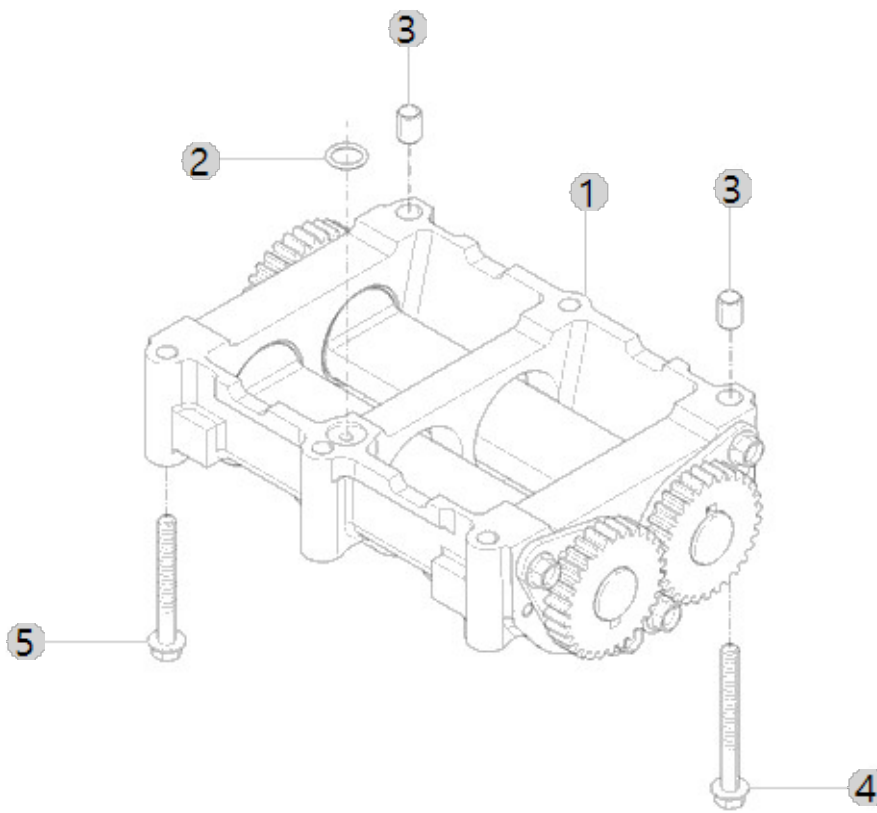
A37_001

A2300N4-ETR_5
(AB00330)

BALANCE ASS'Y

Year/Month

2023-01-18



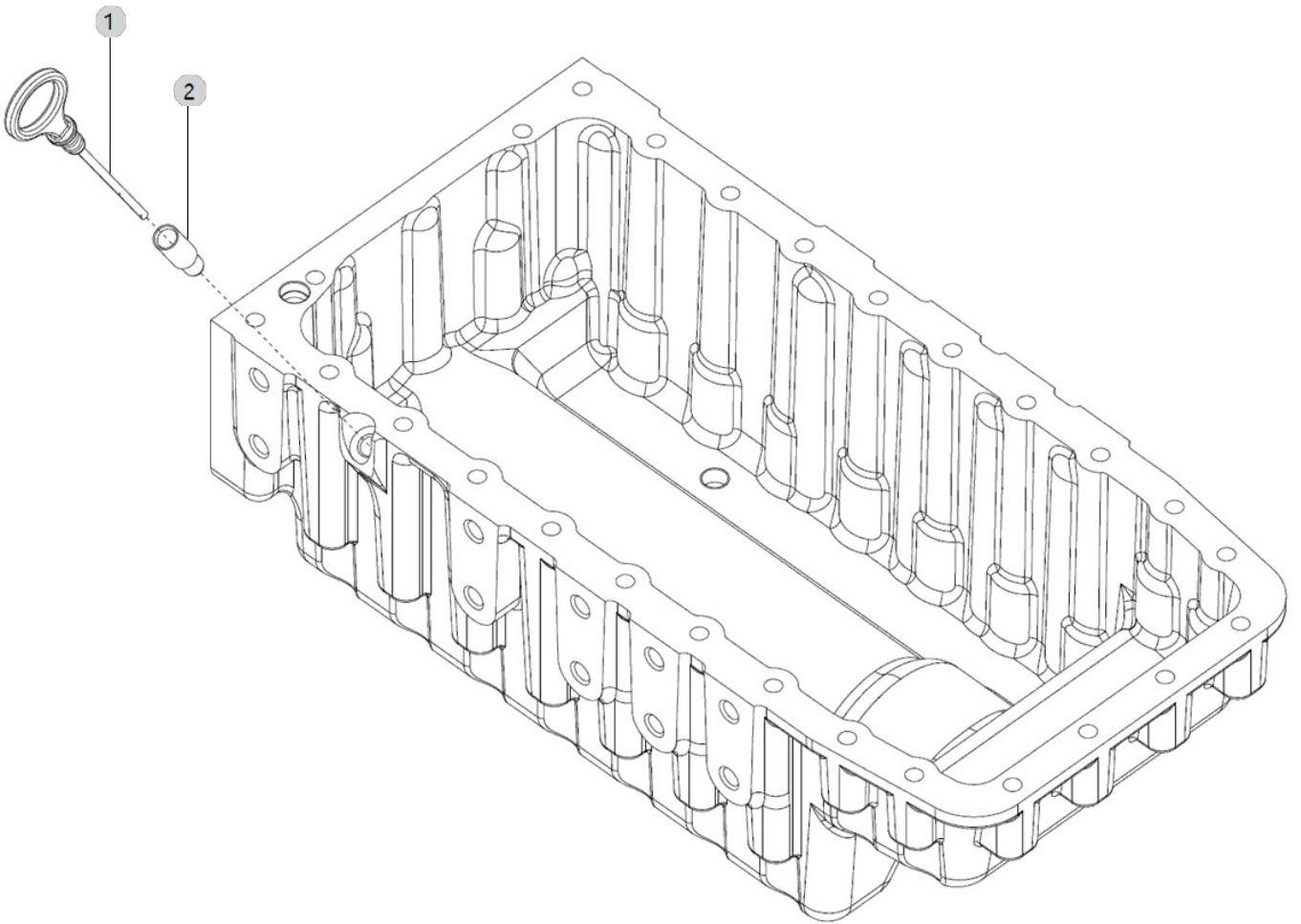
A38_009

A2300N4-ETR_5
(AB00330)

GAUGE, OIL LEVEL

Year/Month

2023-01-18



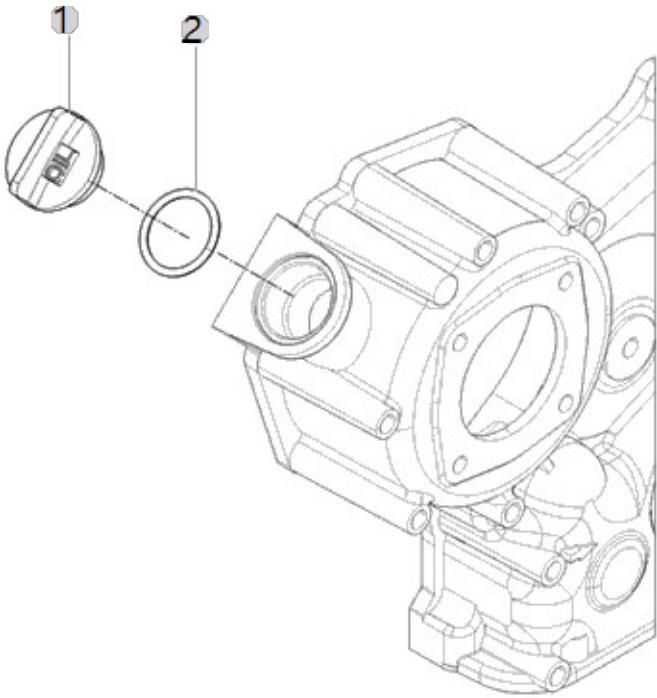
A39_001

A2300N4-ETR_5
(AB00330)

OIL FILLER CAP

Year/Month

2023-01-18



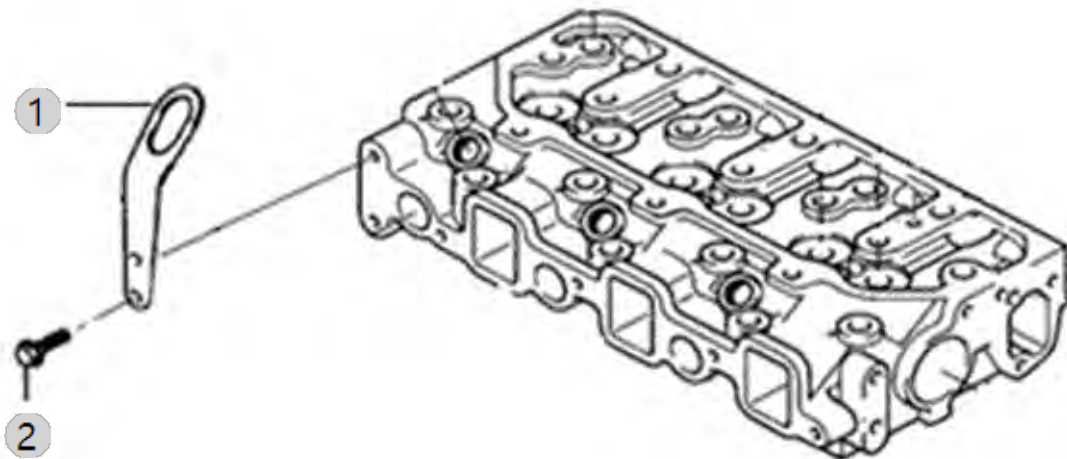
A40_003

A2300N4-ETR_5
(AB00330)

LIFT ASS'Y OPTION

Year/Month

2023-01-18



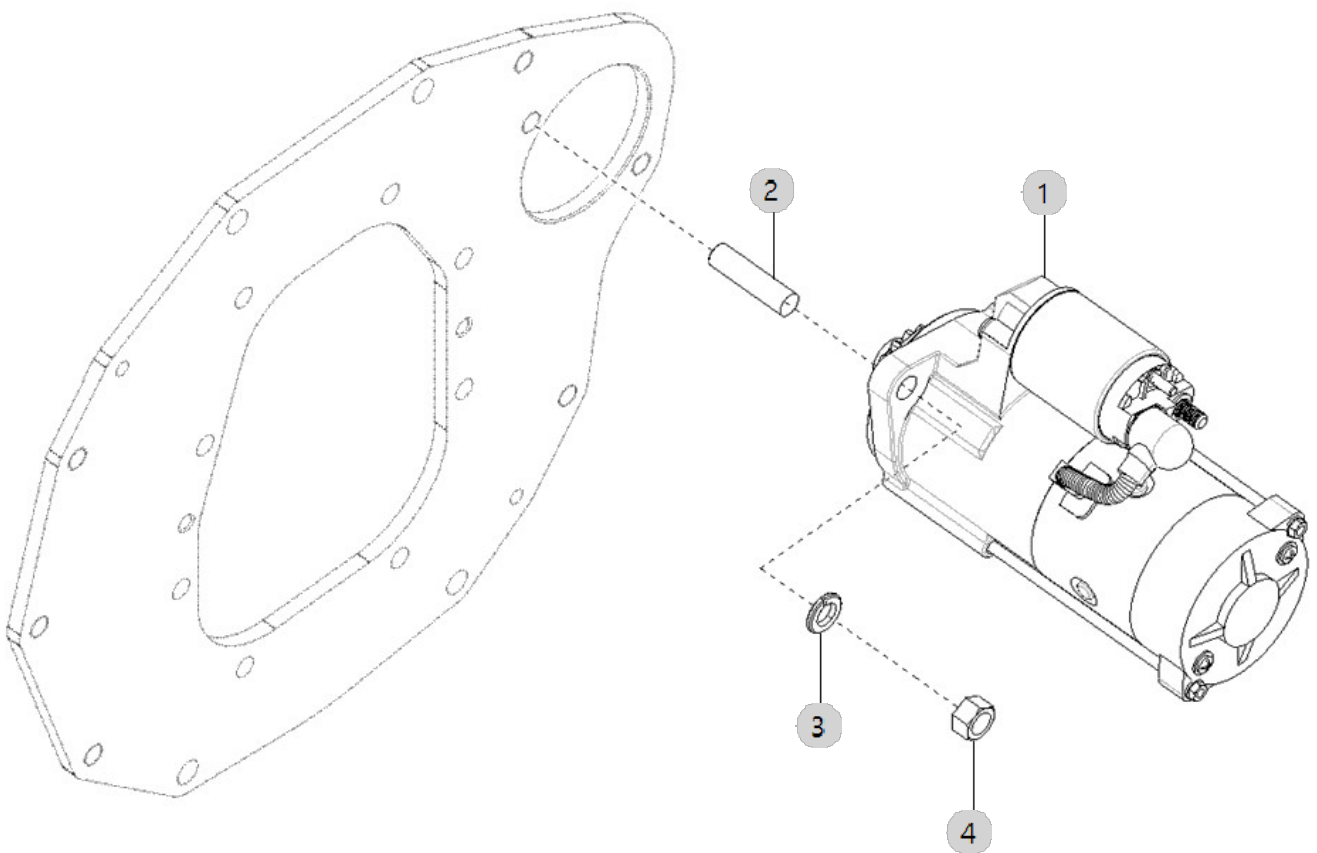
A42_003

A2300N4-ETR_5
(AB00330)

MOTER, STARTIONS

Year/Month

2023-01-18



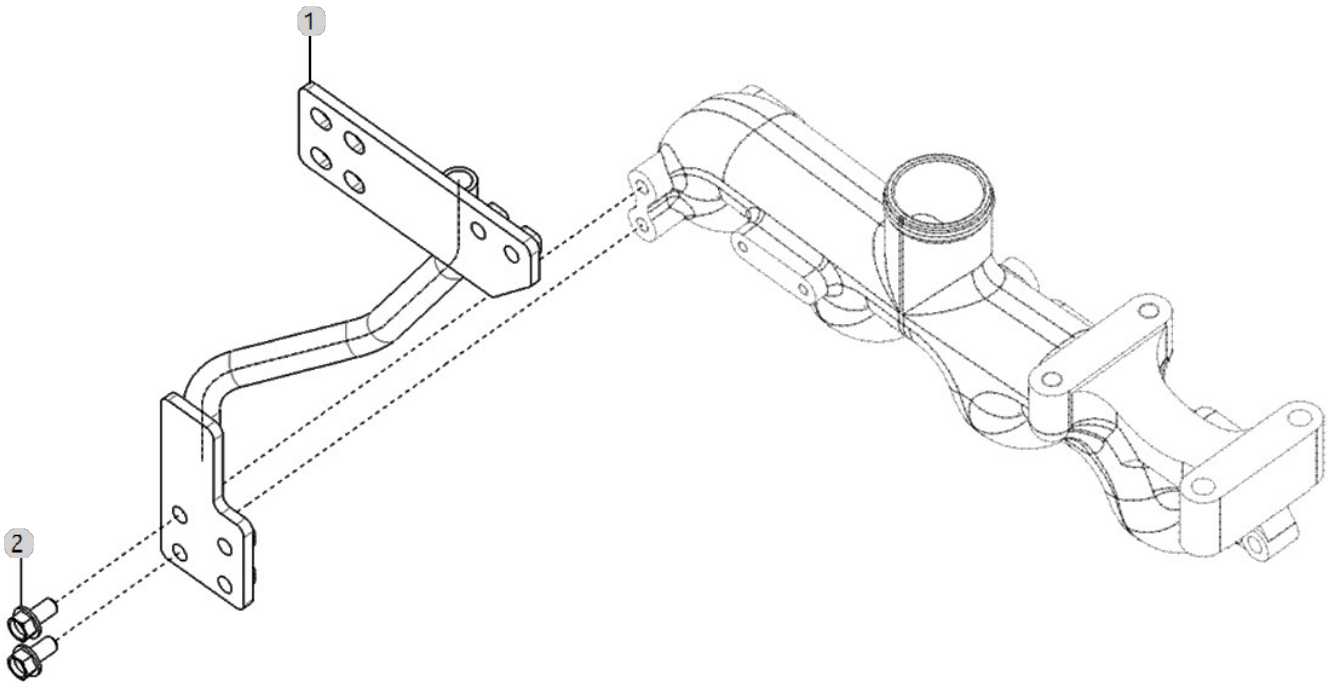
A43_001

A2300N4-ETR_5
(AB00330)

DPF SUPPORT OPTION

Year/Month

2023-01-18



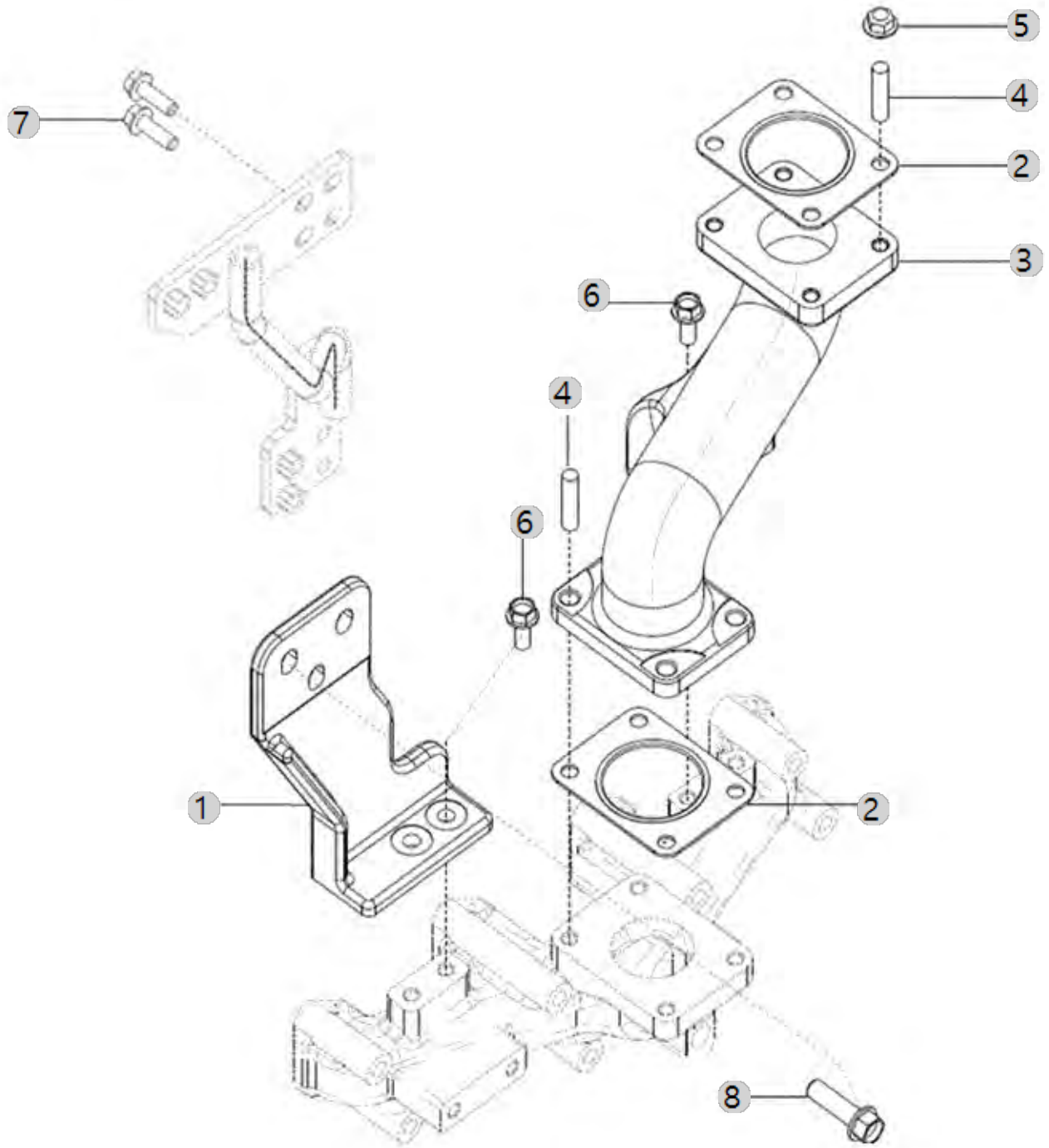
A44_006

A2300N4-ETR_5
(AB00330)

DPF MOUNTING OPTION

Year/Month

2023-01-18



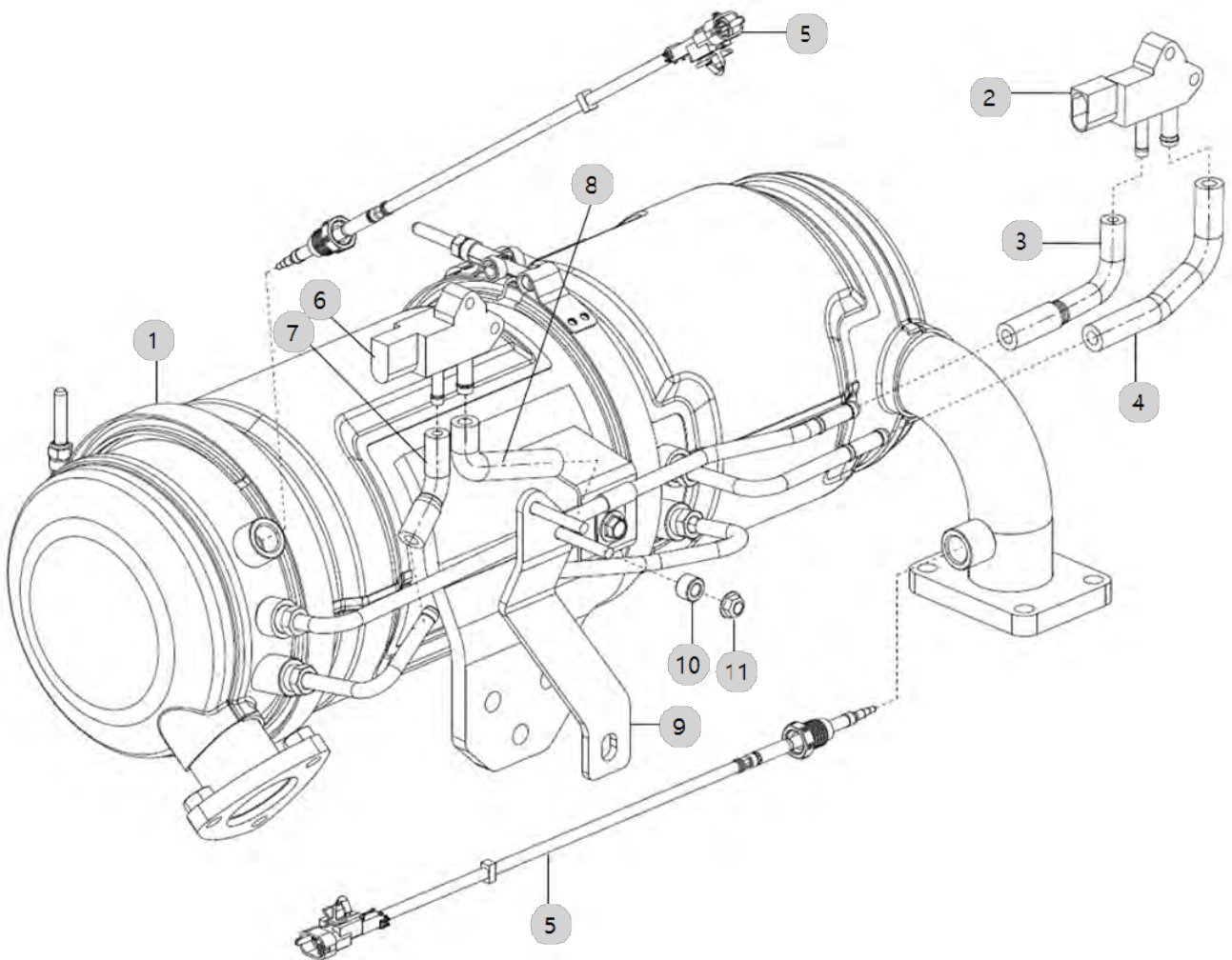
A45_011

A2300N4-ETR_5
(AB00330)

DPF

Year/Month

2023-01-18



A45_011 A2300N4-ETR_5 (AB00330)	DPF	Year/Month 2023-01-18
---------------------------------------	-----	--------------------------

순번 (NO)	부품번호 (PART NO)	품 명 (PART NAME)	품 명 (PART NAME)	수량 (QTY)	규격 (SPEC)	비고 (REMARK)
1	EA00006091A	DPF조합(5.66_수출)	DPF ASS'Y(5.66_EXPORT)	1		
2	EA00003291A	차압센서	DIFFERENTIAL PRESSURE SENSOR	1		
3	EA00003288A	차압센서 호스B	DIFFERENTIAL PRESSURE SENSOR HOSE B	1		
4	EA00003287A	차압센서 호스A	DIFFERENTIAL PRESSURE SENSOR HOSE A	1		
5	EA00005845A	온도 센서(DARTS)	TEMP SENSOR(DARTS)	2		
6	EA00005846A	차압센서(18kPa)	DIFF PRESSURE SENSOR(18KPA)	1		
7	EA00005872A	차압센서 호스D	HOSE D, DIFF. PRESS SENSOR	1		
8	EA00005871A	차압센서 호스C	HOSE C, DIFF. SENSOR	1		
9	EA00005867B	차압센서브래킷(NA)	DIFF. SENSOR BRACKET(NA)	1		
9	EA00005867A	차압센서브래킷(NA)	DIFF. SENSOR BRACKET(NA)	1		
10	EA00005886B	스페이서(차압센서)	SPACER(DIFF. SENSOR)	2		
10	EA00005886A	스페이서(차압센서)	SPACER(DIFF. SENSOR)	2		
11	26367-060002	플랜지너트	Nut, Hexa (Φ6)	2	M6XP1.0	

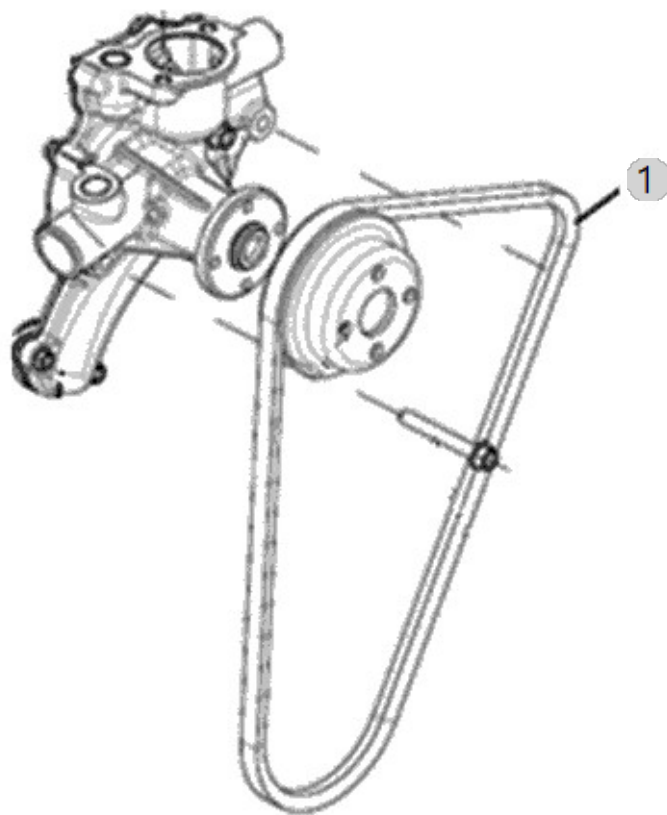
A48_006

A2300N4-ETR_5
(AB00330)

V-BELT

Year/Month

2023-01-18



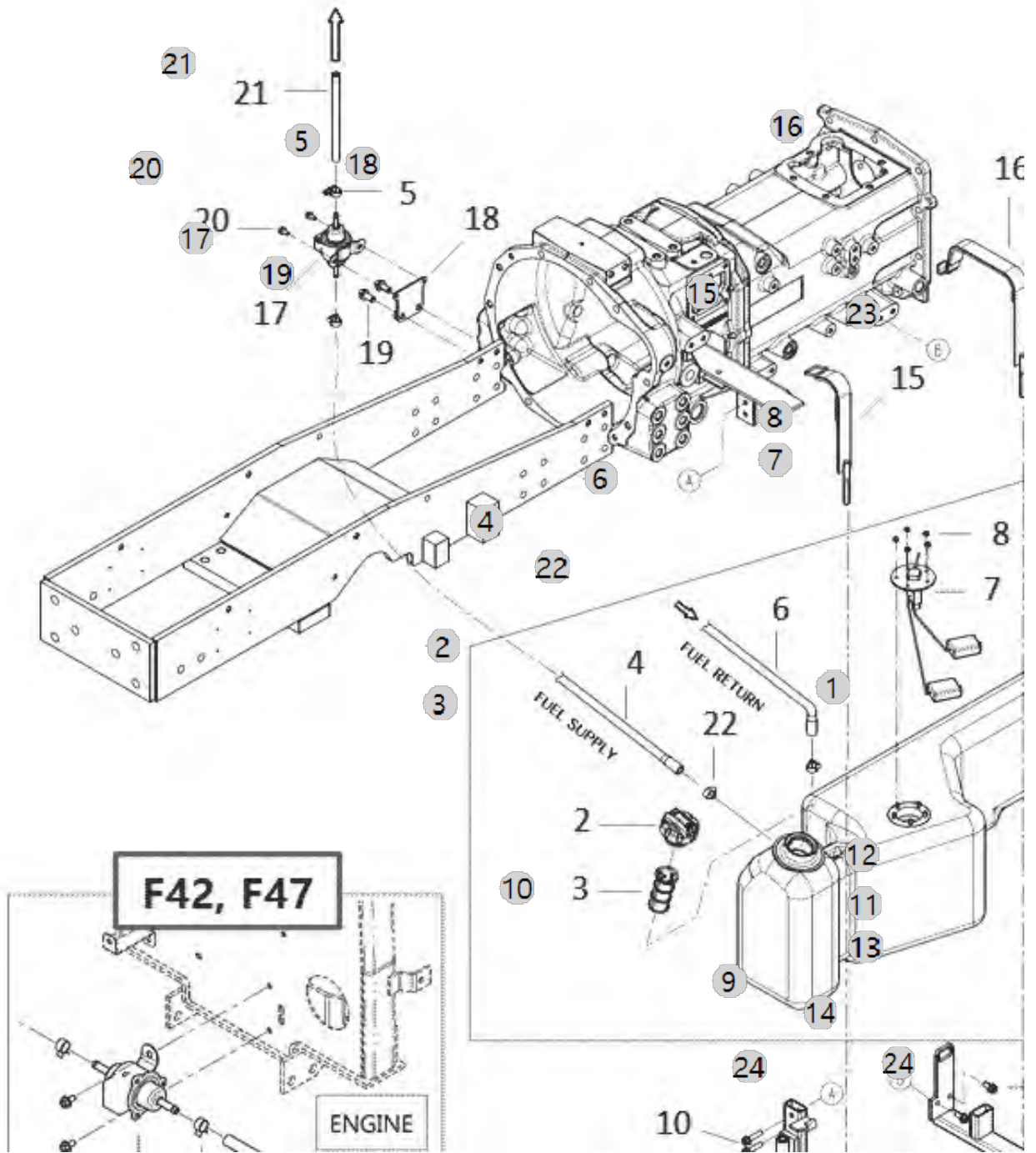
B01010A

F50HN_EU_FL
(AC02147)

FUEL TANK

Year/Month

2023-01-18



B01010A F50HN_EU_FL (AC02147)		FUEL TANK				Year/Month 2023-01-18
순번 (NO)	부품번호 (PART NO)	품명 (PART NAME)	품명 (PART NAME)	수량 (QTY)	규격 (SPEC)	비고 (REMARK)
1	TA00039460B	연료 탱크 조합	FUEL TANK	1		
2	TA00037880A	주유구 캡	FUEL CAP	1		
3	TA00056576A	연료여과망	FUEL TANK STRAINER	1		
4	TA00041750B	연료호스(800)조합	FUEL LINE(800)	1		
4	TA00041750A	연료호스(750)조합	FUEL LINE(750)	1		
5	23080-013000	호스 클립	Clamp, Hose (Φ13)	3	D13	
6	TA00041751A	연료호스(1000)조합	FUEL LINE(1000)	1		
6	TA00041751C	연료호스(1250)조합	FUEL LINE(1250)	1		
6	TA00041751B	연료호스(1200)조합	FUEL LINE(1000)	1		
7	HA00000977B	연료센서(K3)	FUEL SENSOR	1		
8	26712-050002	너트M5	NUTM5	5	M5	
9	TA00040157E	연료탱크 전방 서포트	FRONT SUPPORT	1		
9	TA00040157A	연료탱크 전방 서포트	FRONT SUPPORT	1		
9	TA00040157C	연료탱크 전방 서포트	FRONT SUPPORT	1		
9	TA00040157B	연료탱크 전방 서포트	FRONT SUPPORT	1		
10	26106-080352	육각플랜지볼트	SCREW,HEXFLANGEHEADCAP	2	M8XP1.25X35	
11	TA00040154C	연료탱크후방서포트	FUEL TANK SUPPORT, RR	1		
11	TA00040154F	연료탱크후방서포트	FUEL TANK SUPPORT, RR	1		
11	TA00040154B	연료탱크후방서포트	REAR SUPPORT	1		
11	TA00040154D	연료탱크후방서포트	FUEL TANK SUPPORT, RR	1		
12	26106-080182	444,ALL,플랜지볼트	SCREW,HEXFLANGEHEADCAP	2		
13	22137-100000	평와셔 10	WASHER, PLAIN (Φ 10)	2	M10	
14	26367-100002	263,ALL,고정너트(우나사)	NUT,HEXAGONFLANGE	2	M10X1025	
15	TA00040222D	전방 밴드 조합	FRONT BAND ASSY	1		
15	TA00040222B	전방 밴드 조합	FRONT BAND ASSY	1		
16	TA00040215B	후방 밴드 조합	REAR BAND	1		
16	TA00040215D	후방 밴드 조합	REAR BAND	1		
17	HF20190000A2	피드펌프	PUMP ASSY, FUEL FEED	1		
19	26106-100202	육각플랜지볼트	HEX BOLT, (10-20)	2	M10XP1.5X20	
20	26106-060122	육각플랜지볼트	HEX BOLT (6-12)	2	M6XP1.0X12	
21	TA00053805A	연료호스	HOSE, FUEL	1		
22	23080-015000	호스클램프	Clamp, Hose (Φ15)	2	D15	
23	TA00040370F	연료탱크 총조합	TANK, FUEL ASSY	1		
23	TA00040370C	연료탱크 총조합	TANK, FUEL ASSY	1		
23	TA00040370E	연료탱크 총조합	TANK, FUEL ASSY	1		
23	TA00040370G	연료탱크 총조합	FUEL TANK ASSY	1		
23	TA00040370B	연료탱크 총조합	TANK, FUEL ASSY	1		
23	TA00040370D	연료탱크 총조합	TANK, FUEL ASSY	1		
24	TA00062769A	사각 캡	CAP, PVC	2		

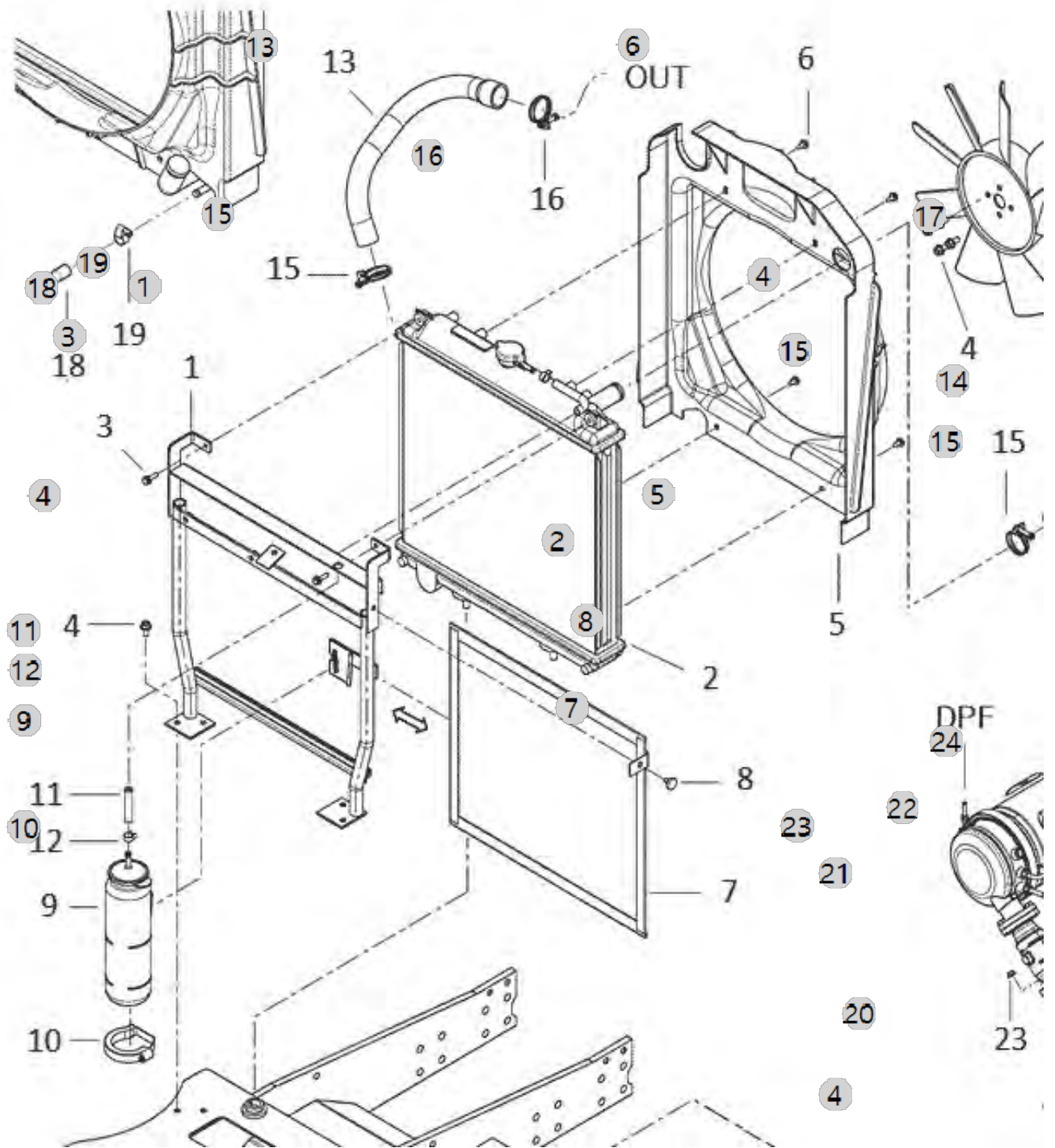
B02020B

F50HN_EU_FL
(AC02147)

RADIATOR

Year/Month

2023-01-18



B02020B F50HN_EU_FL (AC02147)	RADIATOR	Year/Month
		2023-01-18

순번 (NO)	부품번호 (PART NO)	품명 (PART NAME)	품명 (PART NAME)	수량 (QTY)	규격 (SPEC)	비고 (REMARK)
1	TA00054746B	라디에이터브래킷조합(H)	RADIATOR BRACKET ASS'Y, H	1		
1	TA00054746A	라디에이터브래킷조합(H)	RADIATOR BRACKET ASS'Y	1		
1	TA00054746C	라디에이터브래킷조합(H)	RADIATOR BRACKET ASS'Y, H	1		
2	HRE1203000B1	라디에이터조합	RADIATORASSY	1		
3	26014-060252	와셔조립육각볼트(+SW,PW)	Bolt, Hexa (6-25)	2	M06X1.00X02	
4	26106-080162	플랜지볼트8X16	SCREW,HEXFLANGEHEADCAP	9	M8XP1.25X16	
5	TA00040421C	슈라우드	SHROUD	1		
5	TA00040421B	슈라우드	SHROUD	1		
6	HRA1203200A4	태핑나사	TAPPINGSCREW	4		
7	TA00053642B	방진망조합	DUSTPROOF MESH ASS'Y	1		
7	TA00053642A	방진망조합	MESH, DUST	1		
8	CA00009493A	고정나사(검정)	FIX BOLT (BLACK)	1		
9	CA09270000C2	보조탱크조합	COOLANT RESERVOIR	1		
10	CA09310000A4	보조탱크부착밴드	STRAP,SUBTANKMTG	1		
11	23980-730330	플루우트호스	HOSE	2		
12	23080-013000	호스 클립	Clamp, Hose (Φ13)	1	D13	
13	TA00049957B	냉각수 호스B	COOLING WATER HOSE B	1		
13	TA00049957A	냉각수 호스B	COOLING WATER HOSE B	1		
14	TA00060726A	냉각수호스A	COOLING WATER HOSE A	1		
15	23010-038000	호스밴드	HOSEBAND	3	D38	
16	23010-040000	호스밴드40	HOSEBAND	1	D40	
17	TA00048457B	냉각팬(D385)	COOLING PAN(D385)	1		
17	TA00048457A	냉각팬(D385)	FAN, COOLING	1		
18	HRC1201200A4	오일쿨러캡	CAP,COOLER	1		
19	23000-016000	호스클립	Clip, Hose (Φ16)	1	D16	
20	TA00060420A	배기파이프 조합(RESONATOR)	EXHAUST PIPE ASSY(RESONATOR)	1		
21	EA00006088A	가스켓(배기밸브)	GASKET, ASSEMBLE TYPE ELECTRONIC EXHAUST VALVE	2	T2.0	
22	26106-080302	육각플랜지볼트	HEX BOLT, FLANGE	2	M8XP1.25X30	
23	26367-080002	259, 육각플랜지너트	HEX FLANGE NUT (Φ8)	2	M8XP1.25	
24	EA00005795B	전자식배기밸브ASS'Y(조립식)	ELECTRONIC EXHAUST VALVE ASS'Y (ASSEMBLE TYPE)	1		
24	EA00005795C	전자식배기밸브ASS'Y(조립식)	ELECTRONIC EXHAUST VALVE ASS'Y (ASSEMBLE TYPE)	1		

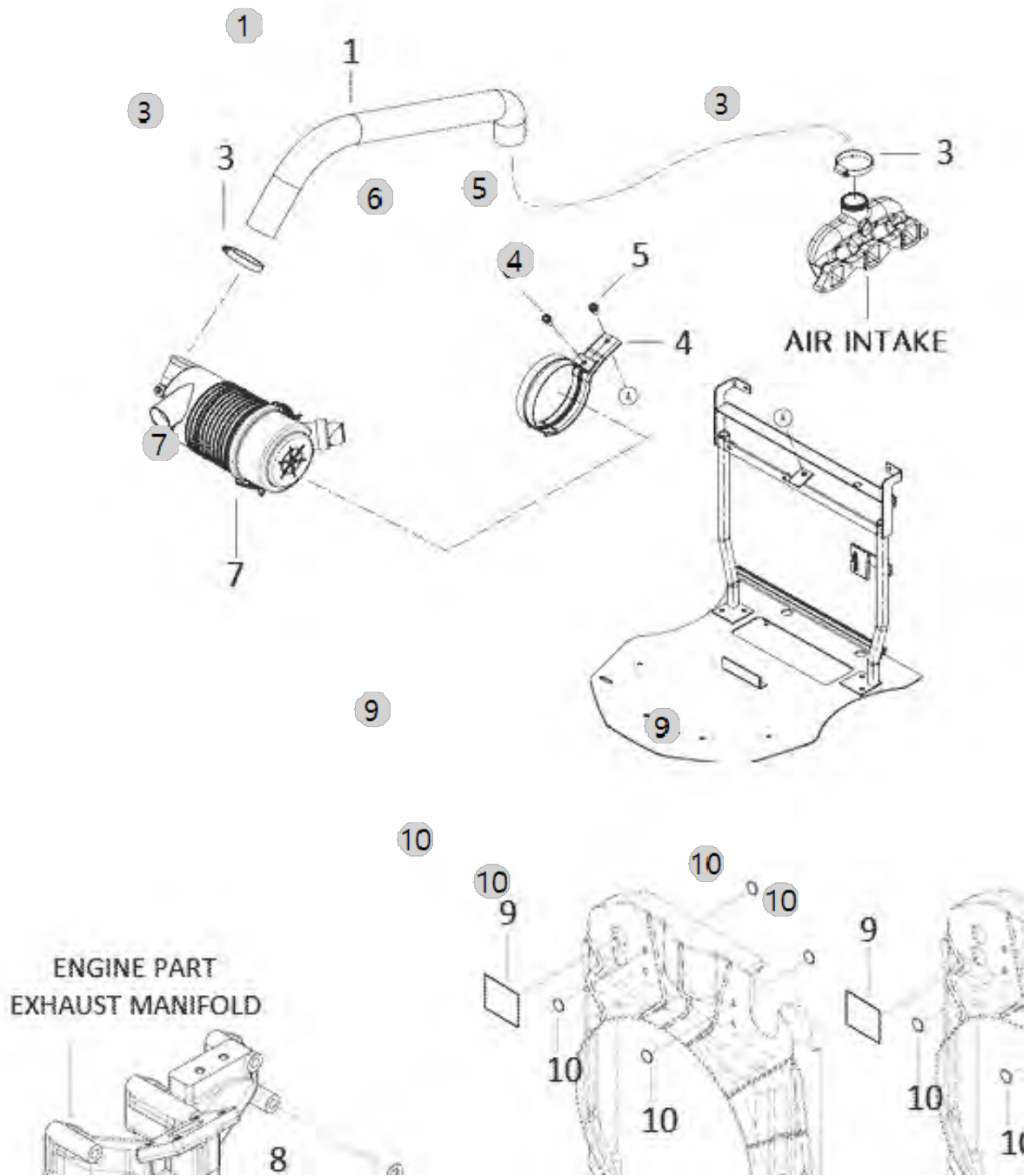
B03010B

F50HN_EU_FL
(AC02147)

AIR CLEANER

Year/Month

2023-01-18



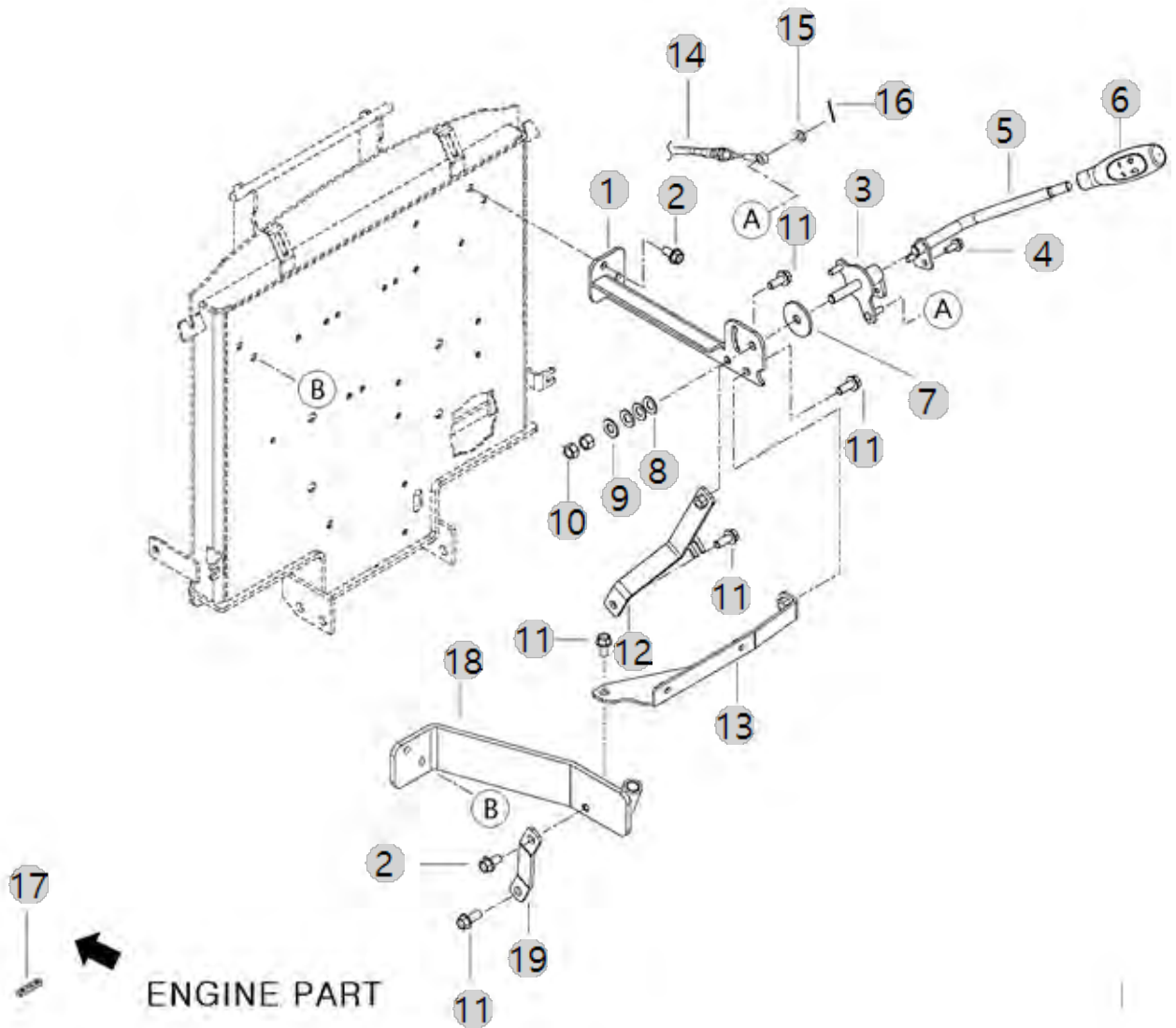
B05011

F50HN_EU_FL
(AC02147)

LEVER ACCELERATOR

Year/Month

2023-01-18



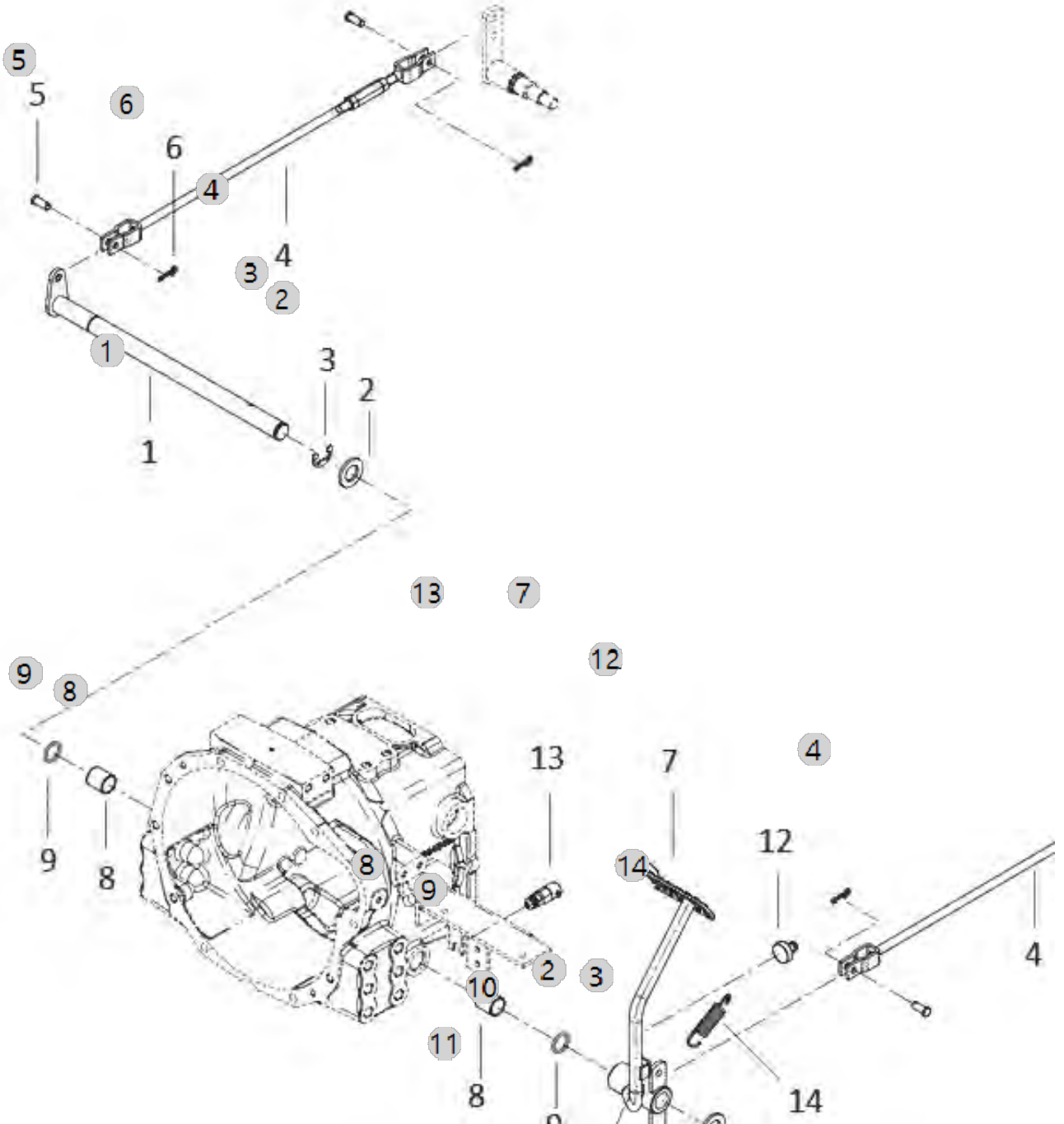
C02010

F50HN_EU_FL
(AC02147)

BRAKE PEDAL

Year/Month

2023-01-18



C02010 F50HN_EU_FL (AC02147)		BRAKE PEDAL				Year/Month 2023-01-18
순번 (NO)	부품번호 (PART NO)	품명 (PART NAME)	품명 (PART NAME)	수량 (QTY)	규격 (SPEC)	비고 (REMARK)
1	TA00042448A	브레이크 축	SHAFT, PEDAL ROD	1		
2	22137-240000	평washer	WASHER, PLAIN (Φ 24)	2		
3	22272-000190	E형스냅링	RING, CIRCLIP (Φ 19)	2	D19	
4	TA00038925D	브레이크 로드 조합	BRAKE ROD ASS'Y	2		
4	TA00038925A	브레이크 로드 조합	ROD ASSY	2		
4	TA00038925C	브레이크 로드 조합	BRAKE ROD ASS'Y	2		
4	TA00038925E	브레이크 로드 조합	BRAKE ROD ASS'Y	2		
4	TA00038925B	브레이크 로드 조합	ROD ASSY	2		
5	22487-100200	두부핀 10X20	PIN, HEAD (10-20)	4	D10X20	
6	RR51230000C4	빠짐방지 스톱핀 10	PIN 10, COME-OFF SNAP	4	D1.8	
6	RR51230000B4	빠짐방지 스톱핀 10	SNAP PIN	4	D1.8	
6	RR51230000D4	빠짐방지 스톱핀 10	PIN 10, COME-OFF SNAP	4	D1.8	
6	RR51230000C	빠짐방치 스톱핀 10	SNAP PIN	4		
7	TA00043905A	브레이크페달HST(EU)	BRAKE PEDAL	1		
7	TA00043905B	브레이크페달HST(EU)	BRAKE PEDAL, HST(EU)	1		
8	24550-025300	드라이부시	DRY BUSH	2	25X30	
9	24311-000250	O-RINGP25	O-RING, DYNAMIC (Φ25)	2		
10	22351-050040	스프링핀5X40	PIN, SPRING (5-04)	1	D5X40	
11	22351-080040	스프링핀8X40	PIN, SPRING (8-40)	1	D8X40	
12	TA00016153A	고무스토퍼	RUBBER STOPER	1	-	
13	TZC5110000A3	스톱밸브스위치	STOPLAMPSWITCH	1		
14	TC73090000A4	리턴스프링	RETURN SPRING	1		
14	TC73090000C4	리턴스프링	RETURN SPRING	1	D2.9	
14	TC73090000B4	리턴스프링	RETURNSPRING	1	D2.9	

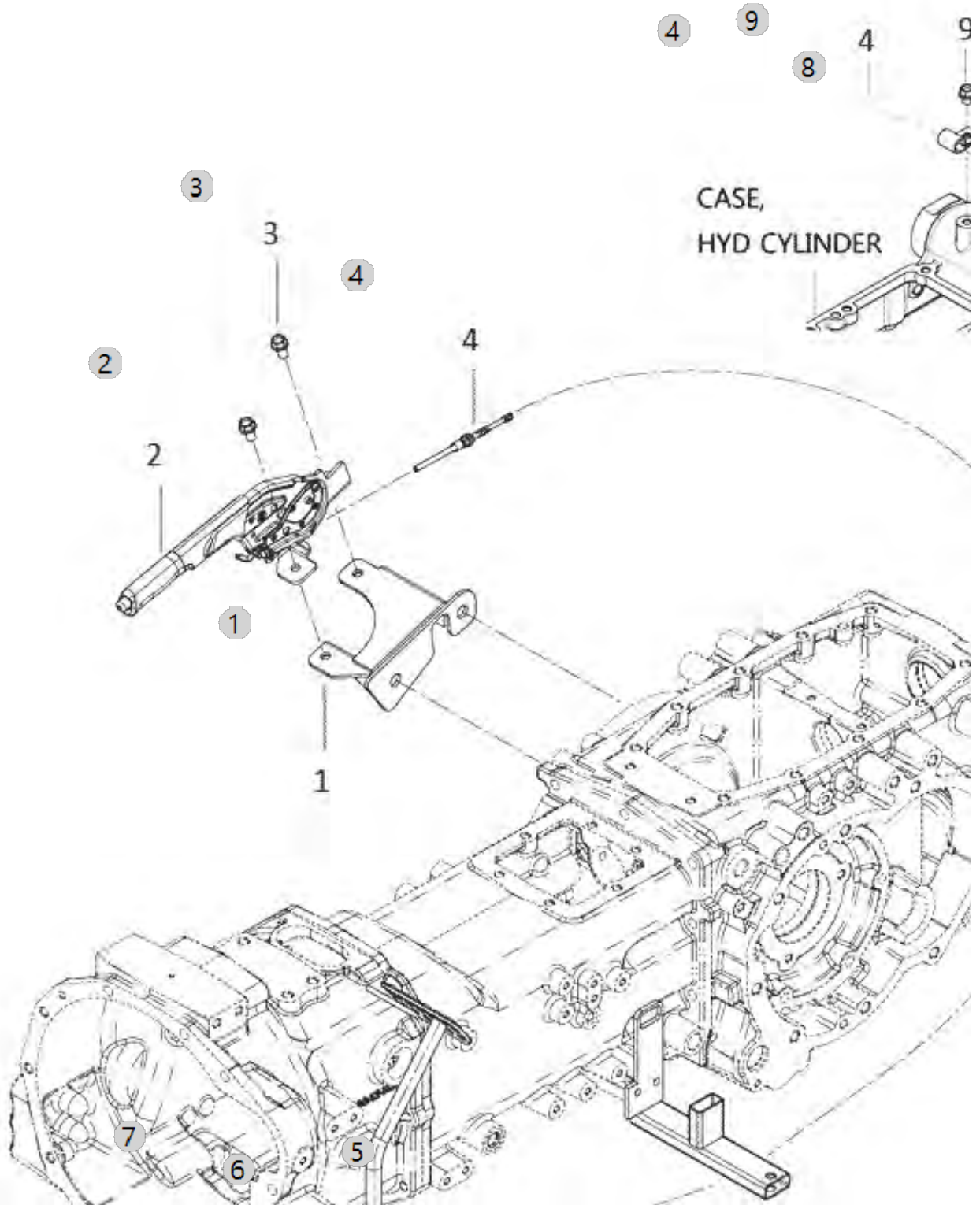
C02050

F50HN_EU_FL
(AC02147)

PARKING BRAKE

Year/Month

2023-01-18



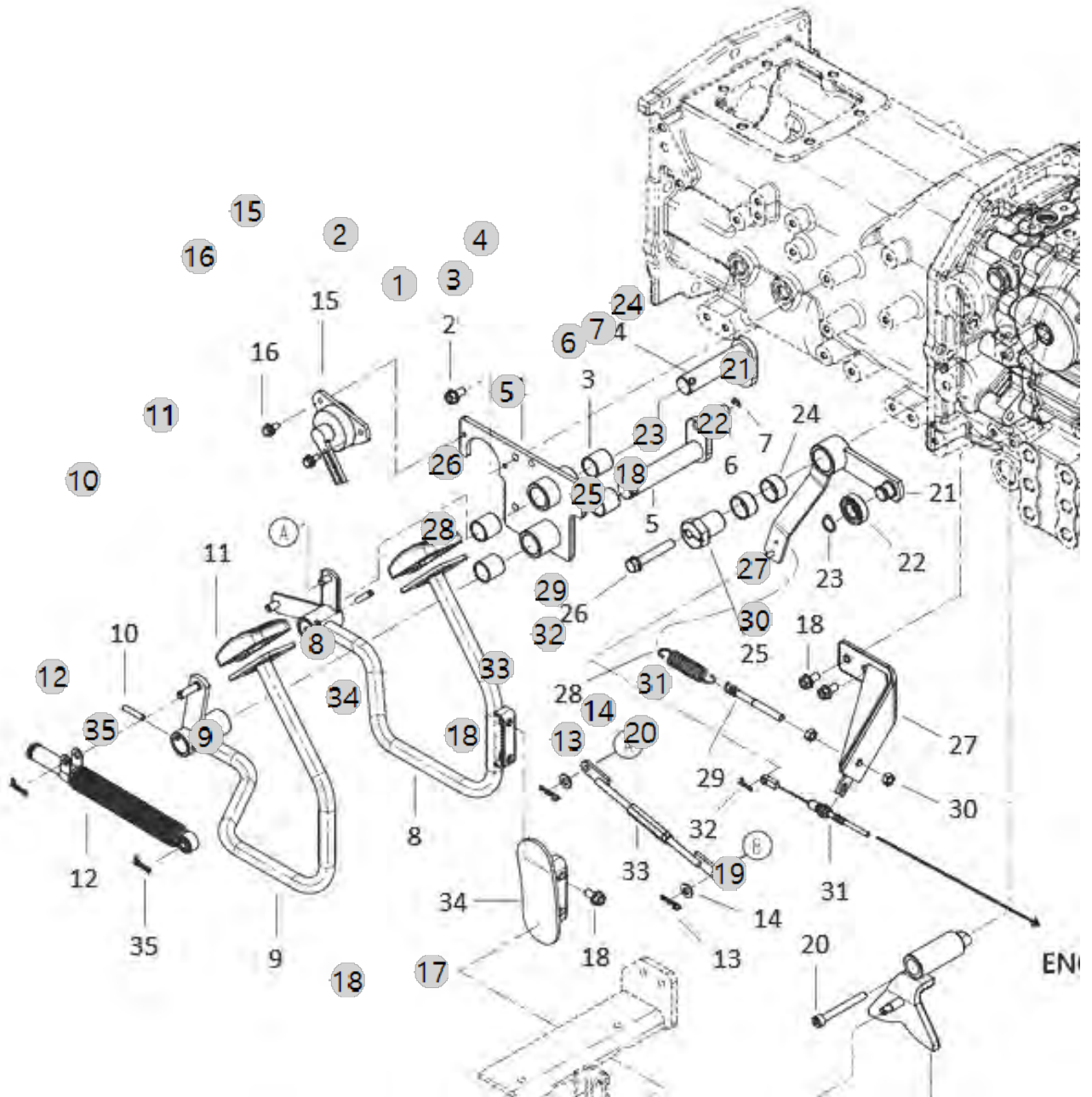
C03010

F50HN_EU_FL
(AC02147)

HYD SHIFT TRANSMISSION PEDAL

Year/Month

2023-01-18



C03010 F50HN_EU_FL (AC02147)		HYD SHIFT TRANSMISSION PEDAL				Year/Month 2023-01-18
순번 (NO)	부품번호 (PART NO)	품명 (PART NAME)	품명 (PART NAME)	수량 (QTY)	규격 (SPEC)	비고 (REMARK)
1	TA00042565C	페달브래킷 조합	PEDAL BRACKET ASS'Y	1		
1	TA00042565D	페달브래킷 조합	PEDAL BRACKET ASS'Y	1		
1	TA00042565B	페달브래킷 조합	BRACKET ASSY	1		
2	26106-080182	444,ALL,플랜지볼트	SCREW,HEXFLANGEHEADCAP	3		
3	24550-022250	드라이부시	BUSH	4		
4	TA00042599C	축조합(전진)	SHAFT ASSY(F)	1		
4	TA00042599B	축조합(전진)	SHAFT ASSY(F)	1		
5	TA00042600C	축조합(후진)	SHAFT ASSY(R)	1		
5	TA00042600B	축조합(후진)	SHAFT ASSY(R)	1		
6	TA00033126A	롤러	ROLLER	1		
7	22272-000060	SNAP RING	RING, CIRCLIP (Φ 06)	1	D6	
8	TA00042563E	전진페달 조합	FORWAHD PEDAL ASS'Y	1		
8	TA00042563B	전진페달 조합	HST ASSY PEDAL(F)	1		
8	TA00042563D	전진페달 조합	HST ASSY PEDAL(F)	1		
8	TA00042563C	전진페달 조합	HST ASSY PEDAL(F)	1		
9	TA00042564E	후진페달 조합	HST ASSY PEDAL(B)	1		
9	TA00042564C	후진페달 조합	HST ASSY PEDAL(B)	1		
9	TA00042564D	후진페달 조합	SHAFT, PEDAL ROD	1		
9	TA00042564F	후진페달 조합	REVERSE GEAR PEDAL ASS'Y	1		
9	TA00042564B	후진페달 조합	HST ASSY PEDAL(B)	1		
10	22351-060030	스프링핀	PIN, SPRING (6-30)	2		
11	TA00001508A	전후진페달커버	PEDAL COVER	2		
12	RA00007052A	오일댐퍼(한일)	OIL DAMPER(HANIL)	1		
13	RR64050000B4	빠짐방지 스톱핀 8	PIN 8, COME-OFF SNAP	2	D1.6	
13	RR64050000C4	빠짐방지 스톱핀 8	PIN 8, COME-OFF SNAP	2	D1.6	
13	RR64050000B4	빠짐방지 스톱핀 8	PIN 8, COME-OFF SNAP	2	D1.6	
14	22137-080000	와셔8	WASHER, PLAIN (Φ 08)	2	M8	
15	TCD9110000D2	스위치(FR)	SWITCH(FR)	1		
15	TCD9110000C2	스위치(FR)	SWITCH(FR)	1		
16	26014-060162	와셔조립육각볼트(+SW,PW)	Bolt, Hexa (6-16)	2	M6XP1.0X16	
17	HA00000037A	전자석	CRUISE MAGNET	1		
18	26106-080162	플랜지볼트8X16	SCREW,HEXFLANGEHEADCAP	6	M8XP1.25X16	
19	TA00042569C	연결조인트	JOINT	1		
19	TA00042569B	연결조인트	JOINT	1		
19	TA00042569D	연결조인트	JOINT	1		
20	26450-080702	육각구멍붙이볼트	BOLT	1		
21	TA00042567B	중립 조절 브래킷 조합	BRACKET ASSY	1		
21	TA00042567A	중립 조절 브래킷 조합	BRACKET ASSY	1		
22	24104-060034	볼베어링6003UU	Bearing, Ball (#6003) Dubble Cap	1	#6003UU	
23	22242-000170	축용스냅링17	SNAP RING, SHAFT (Φ 17)	1	D17(축용)	
24	24550-025150	BUSH25X15	BUSH 25X15	2	25X15	
25	TA00001830C	축	SHAFT	1	D36	
25	TA00001830B	축	SHAFT	1	D36	
25	TA00001830D	축	SHAFT	1	D36	
26	26013-100602	와셔조립육각볼트	BOLT	1		

C03010 F50HN_EU_FL (AC02147)	HYD SHIFT TRANSMISSION PEDAL				Year/Month
					2023-01-18

순번 (NO)	부품번호 (PART NO)	품명 (PART NAME)	품명 (PART NAME)	수량 (QTY)	규격 (SPEC)	비고 (REMARK)
27	TA00043738C	스프링 홀더 조합	HOLDER ASSY, SPRING	1		
27	TA00043738B	스프링 홀더 조합	HOLDER ASSY, SPRING	1		
27	TA00043738A	스프링 홀더 조합	HOLDER ASSY, SPRING	1		
28	CA45140000B4	스프링 2.3x17.3x74	SPRING2.3X17.3X74	1	D2.3	
28	CA45140000A4	스프링 2.3X17.3X74	SPRING2.3X17.3X74	1	D2.3	
29	CE78050000A4	텐션볼트 8X102	BOLT	1	D8	
30	26716-080002	육각너트	NUT,HEX (D8)	2	M8xP1.25	
31	TA00043014A	HST엑셀와이어	WIRE ASSY	1		
32	RR47070000B4	빠짐방지 스펙핀 6	PIN 6, COME-OFF SNAP	1	D1.2	
32	RR47070000C4	빠짐방지 스펙핀 6	PIN 6, COME-OFF SNAP	1	D1.2	
33	TA00043810B	HST연결로드조합	ROD ASSY	1		
34	TA00043533B	크루즈 브래킷 조합	BRACKET	1		
34	TA00043533D	크루즈 브래킷 조합	BRACKET	1		
34	TA00043533C	크루즈 브래킷 조합	CRUSE BRACKET	1		
35	RR64050000C4	빠짐방지 스펙핀 8	PIN 8, COME-OFF SNAP	2	D1.6	
35	RR64050000B4	빠짐방지 스펙핀 8	PIN 8, COME-OFF SNAP	2	D1.6	
35	RR64050000B	빠짐방지 스펙핀8	SNAP PIN	2		

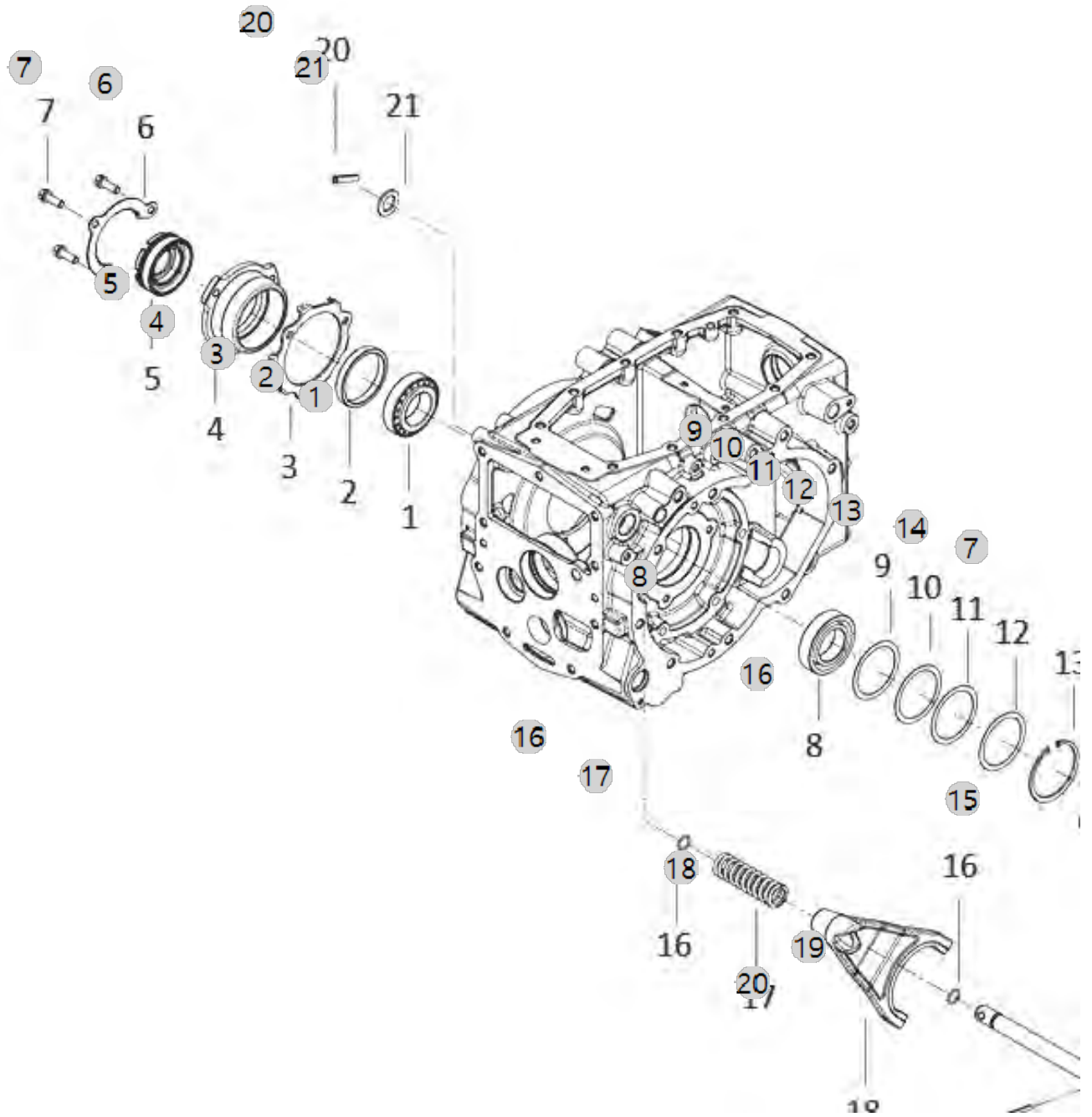
C04040

F50HN_EU_FL
(AC02147)

DIFFERENTIAL

Year/Month

2023-01-18



C04040		DIFFERENTIAL					Year/Month
F50HN_EU_FL (AC02147)							2023-01-18
순번 (NO)	부품번호 (PART NO)	품명 (PART NAME)	품명 (PART NAME)	수량 (QTY)	규격 (SPEC)	비고 (REMARK)	
1	FGH0220000A4	테이퍼롤러베어링(32210J)	BEARING(32210J)	1			
2	TA00038525A	스페이스	SPACER	1			
3	TA00038662B	스프링홀더	SPRING HOLDER	1			
4	TA00038533A	베어링 서포트	SUPPORT	1			
5	TA00038537A	스크류	SCREW	1			
6	TA00038665B	고정플레이트	FIX PLATE	1			
7	26013-100302	와셔조립육각볼트(+SW)	SCREW,CAPTIVEWASHERCAP	6	M10XP1.5X30		
8	24101-062104	볼베어링6210	BALL BEARING #6210 -> FGF4200000A4	1	#6210		
9	TA00038526A	심(0.1T)	SHIM(0.1T)	1			
10	TA00038527A	심(0.2T)	RANER(0.2T)	2			
11	TA00038528A	심(0.5T)	RANER(0.5T)	1			
12	TA00041806A	심(1.0T)	SEAM(1.0T)	1			
13	22252-000900	구멍용스냅링90	RING, CIRCLIP (Φ 90)	1	D90		
14	TA00038662B	스프링홀더	SPRING HOLDER	1			
15	TA00042500C	차동페달조합(HST)	PEDAL, ASSY	1			
15	TA00042500B	차동페달조합(HST)	PEDAL, ASSY	1			
16	24311-000160	O-링 P 16	O-RING, DYNAMIC (Φ16)	2	P16		
17	TA00038543A	차동장치 스프링	SPRING	1			
18	TA00038685B	차동포크	DIFFERENTIAL FORK	1			
18	TA00038685D	차동포크	DIFFERENTIAL FORK	1			
18	TA00038685C	차동포크	DIFFERENTIAL FORK	1			
19	22351-050040	스프링핀5X40	PIN, SPRING (5-04)	1	D5X40		
20	22351-080040	스프링핀8X40	PIN, SPRING (8-40)	2	D8X40		
21	22117-200000	평와셔	WASHER	1	M20		

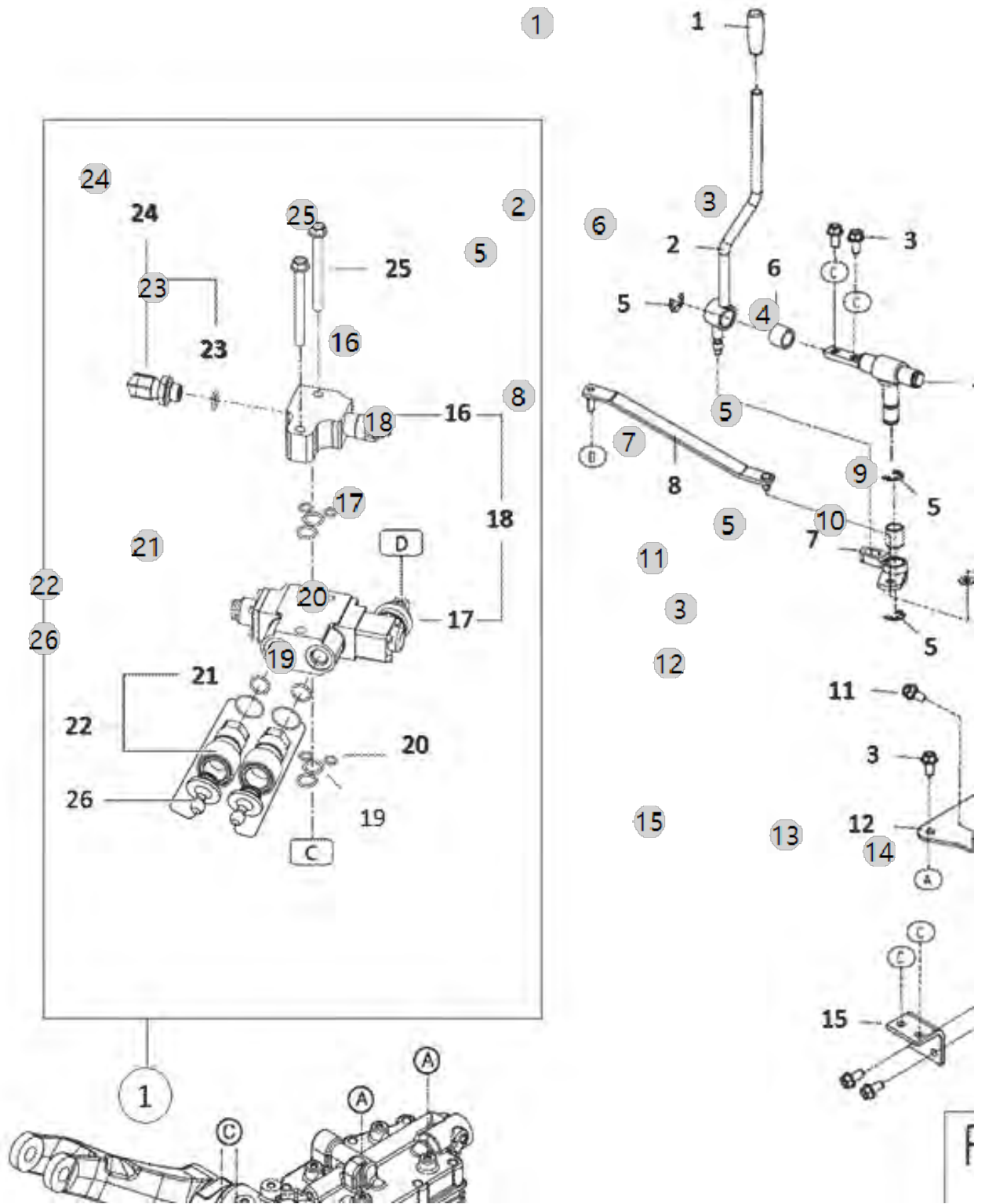
C04060

F50HN_EU_FL
(AC02147)

SCV LEVER

Year/Month

2023-01-18



C04060 F50HN_EU_FL (AC02147)		SCV LEVER				Year/Month
						2023-01-18
순번 (NO)	부품번호 (PART NO)	품명 (PART NAME)	품명 (PART NAME)	수량 (QTY)	규격 (SPEC)	비고 (REMARK)
1	VD05460000A4	손잡이(흑)	LEVER(BLACK)	1		
2	TA00041263B	레버A조합(K3)	LEVER ASS'Y(A)	1		
2	TA00041263A	레버A조합(K3)	LEVER ASS'Y(A)	1		
3	26106-080162	플랜지볼트8X16	SCREW,HEXFLANGEHEADCAP	6	M8XP1.25X16	
4	TA00034042B	축 조합	SHAFT ASS'Y	1		
4	TA00034042D	축 조합	SHAFT ASS'Y	1		
4	TA00034042A	축 조합	SHAFT ASS'Y	1		
4	TA00034042C	축 조합	SHAFT ASS'Y	1		
5	22272-000120	E형스냅링12	RING, CIRCLIP (Φ 12)	3	D12	
6	24550-016200	드라이부시16X20	DRY BUSH 16X20	2		
7	TA00036429A	보스 B 조합 PTO 3단	BOSS B ASS'Y PTO 3SD	1		
7	TA00036429B	보스 B 조합 PTO 3단	BOSS B ASS'Y PTO 3SD	1		
8	TA00034019A	링크1조합	LINK 1 ASS'Y	1		
8	TA00034019B	링크1조합	LINK 1 ASS'Y	1		
9	22417-200200	할핀	PIN , COTTER (2-20)	4	D1.8	
10	22137-080000	와셔8	WASHER, PLAIN (Φ 08)	4	M8	
11	26106-080182	444,ALL,플랜지볼트	SCREW,HEXFLANGEHEADCAP	4		
12	TA00036443C	브래킷	BRACKET	1		
12	TA00036443B	브래킷	BRACKET	1		
13	TA00036941B	SCV 고정 레버 브래킷 조합	HOLDING BRACKET, SCV LEVER	1		
13	TA00036941A	SCV 고정 레버 브래킷 조합	HOLDING BRACKET, SCV LEVER	1		
14	26106-100162	플랜지볼트M10X16	SCREW,HEXFLANGEHEADCAP	2	M10XP1.5X16	
15	TA00036949B	고정브라켓	BRACKET	1		
15	TA00036949A	고정브라켓	BRACKET	1		
16	TA00033977B	컨트롤 릴리프	COVER RELIEF	1		
16	TA00033977A	컨트롤 릴리프	COVER RELIEF	1		
16	TA00033977C	컨트롤 릴리프	COVER RELIEF	1		
17	TA00028226B	SCV 1	SCV	1		
17	TA00028226A	SCV 1	REAR SCV 1	1		
17	TA00028226C	SCV 1	SCV 1	1		
17	TA00048561A	SCV(FLOATING)	SCV(FLOATING)	1		
17	TA00048561C	SCV(FLOATING)	SCV(FLOATING)	1		
17	TA00048561B	SCV(FLOATING)	SCV(FLOATING)	1		
18	TA00042202A	SCV(2PORT)	SCV(2PORT)	1		
18	TA00042202C	SCV(2PORT)	SCV(2PORT)	1		
18	TA00042202B	SCV(2PORT)	SCV(2PORT)	1		
19	24311-000160	O-링 P 16	O-RING, DYNAMIC (Φ16)	4	P16	
20	24311-000100	O-링1AP10.0	O-RING, DYNAMIC (Φ10)	4	P10	
21	24311-000150	O-링(P형)	O-RING, DYNAMIC (Φ15)	2	P15	
22	TA00043300B	퀵커플러(1/2")	QUICK COUPLUNG(1/2")	2		
22	TA00043300A	퀵커플러(1/2")	QUICK COUPLUNG(1/2")	2		
23	24311-000140	운동용O링	SEAL,ORING	1	P14	
24	TA00035078B	90도 엘보 (PF3/8-1/2)	ELBOW	1		
24	TA00035078A	90도 엘보 (PF3/8-1/2)	ELBOW	1		
25	26106-100852	육각플랜지볼트	BOLT	2		

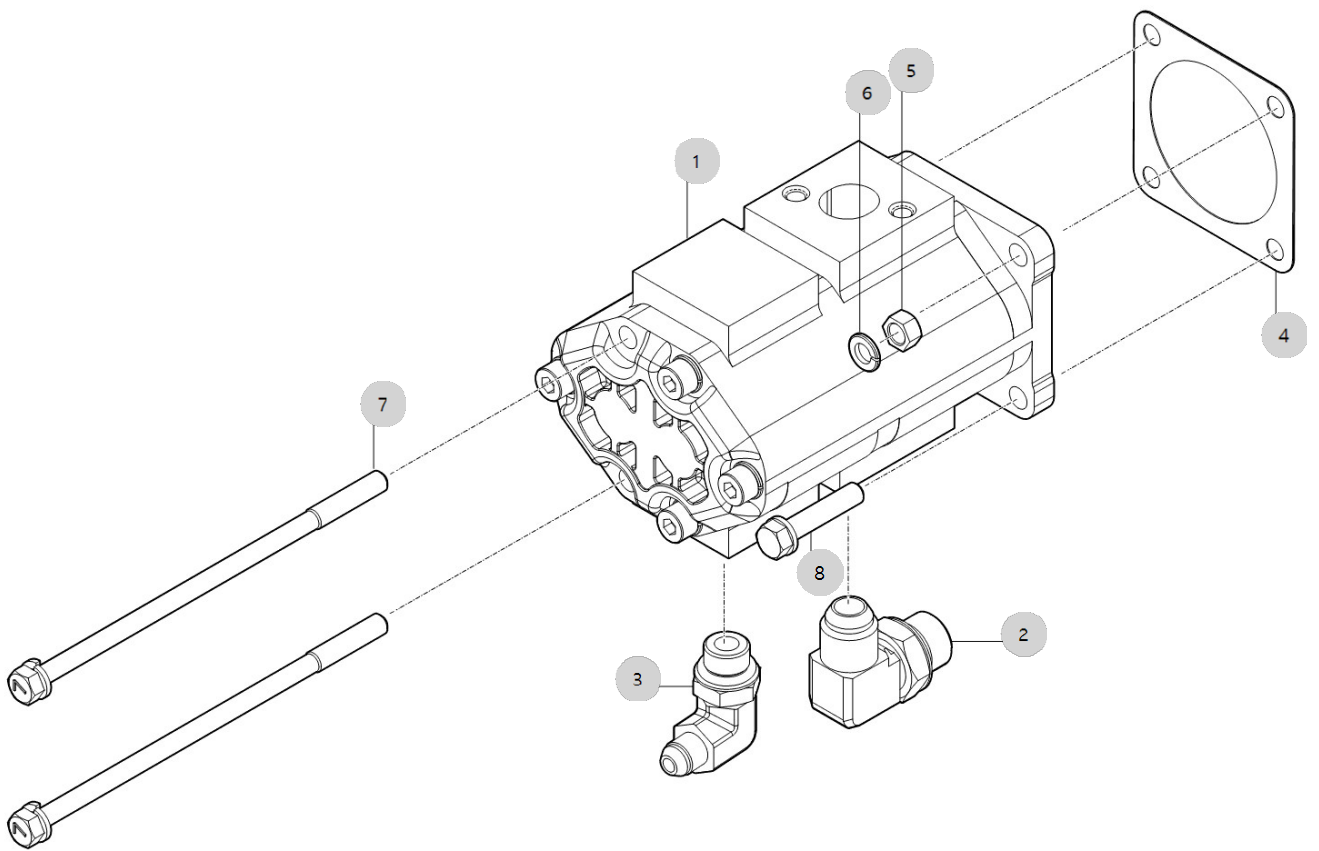
D01010A

F50HN_EU_FL
(AC02147)

HYD PUMP

Year/Month

2023-01-18



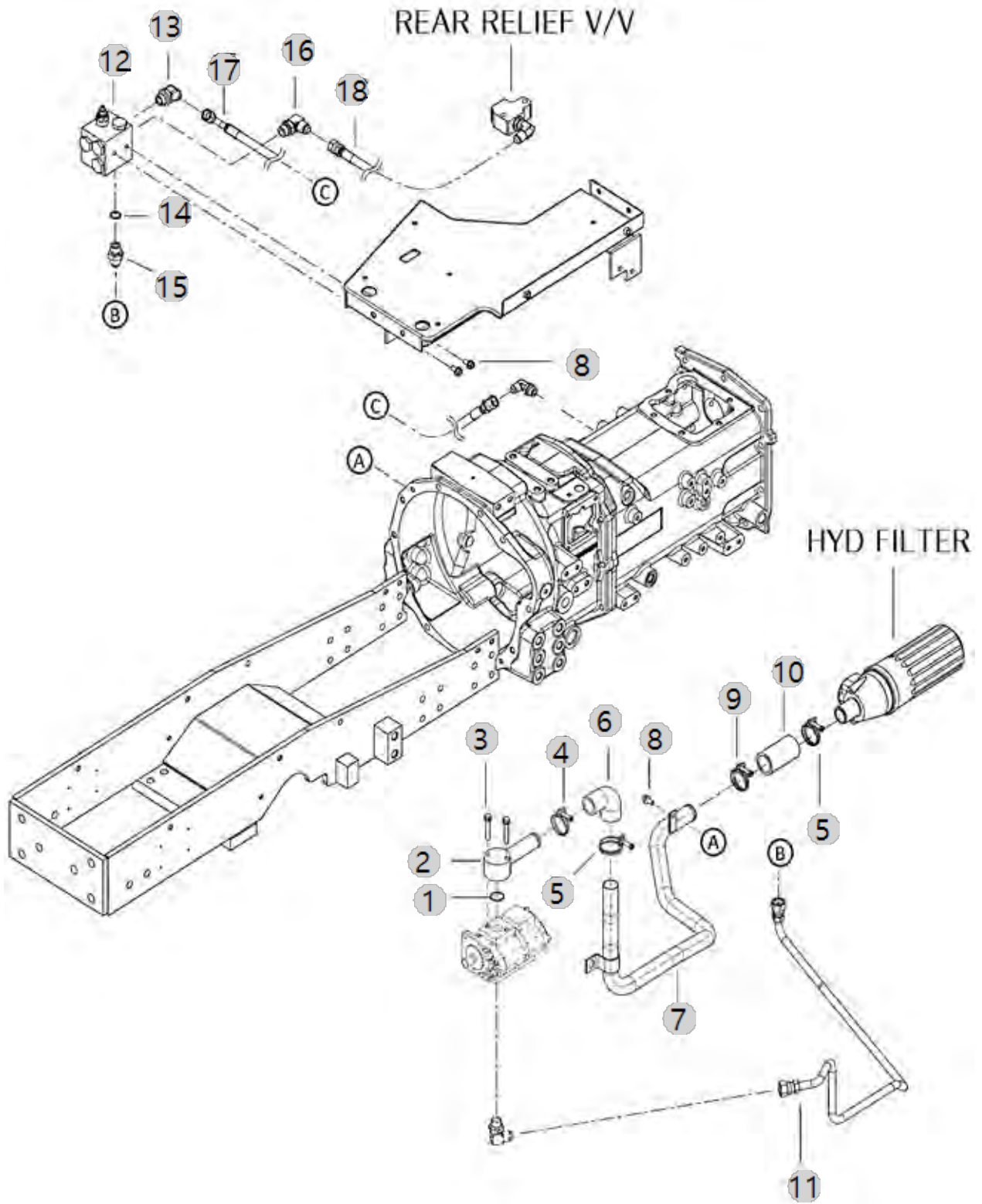
D01020-B

F50HN_EU_FL
(AC02147)

(LOW PRESSURE PIPE)

Year/Month

2023-01-18



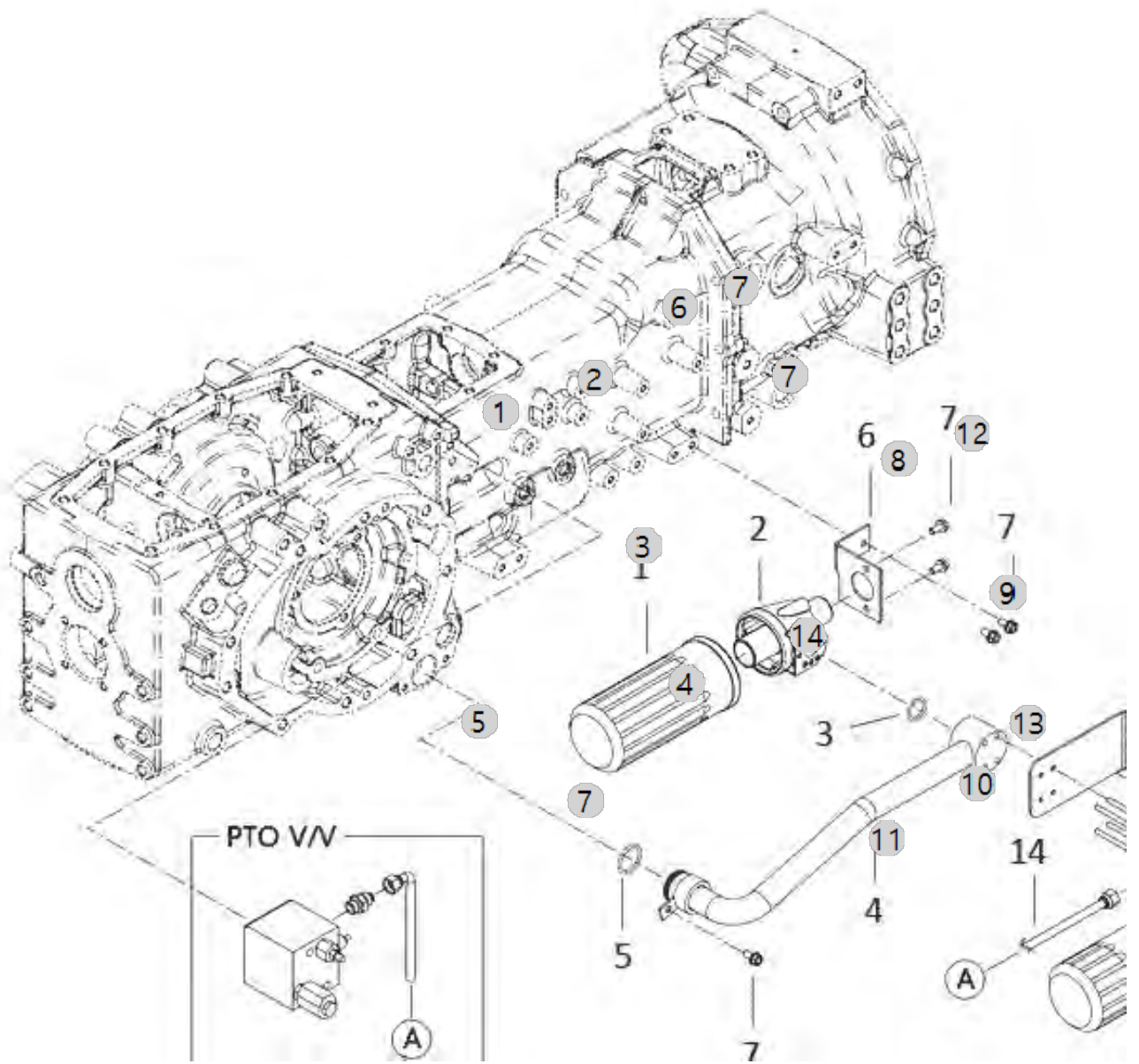
D01040

F50HN_EU_FL
(AC02147)

HYD FILTER

Year/Month

2023-01-18



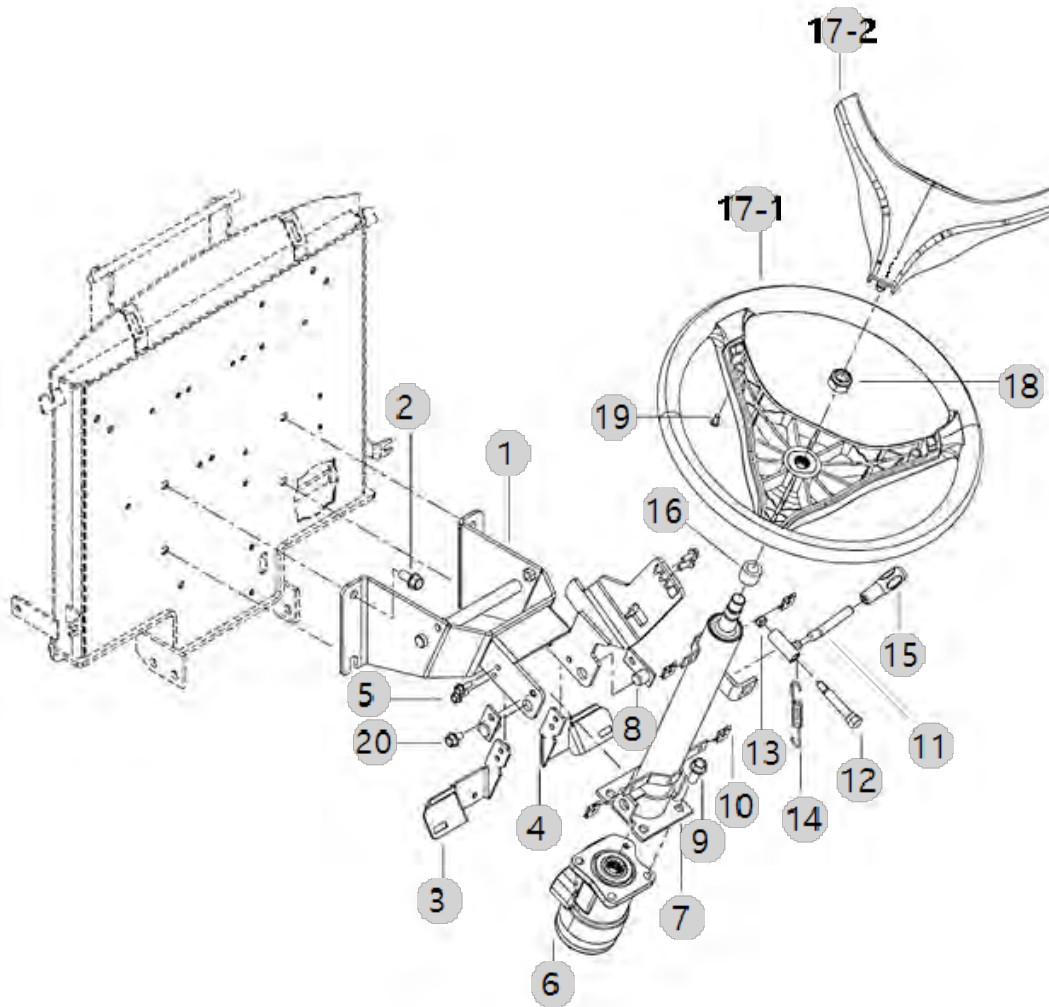
D02010

F50HN_EU_FL
(AC02147)

STEERING COLUMN

Year/Month

2023-01-18



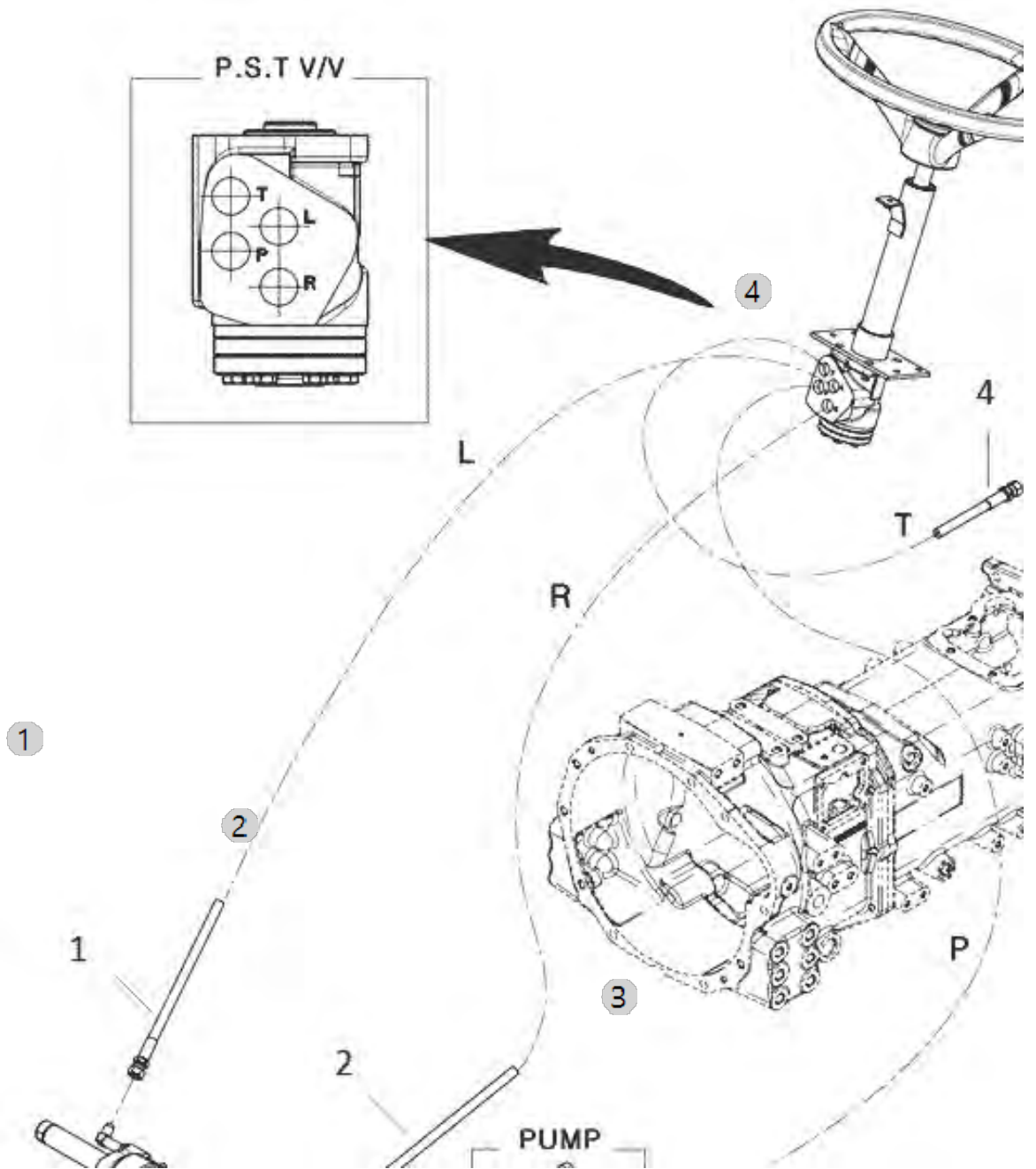
D02030

F50HN_EU_FL
(AC02147)

P.S.T HOSE

Year/Month

2023-01-18



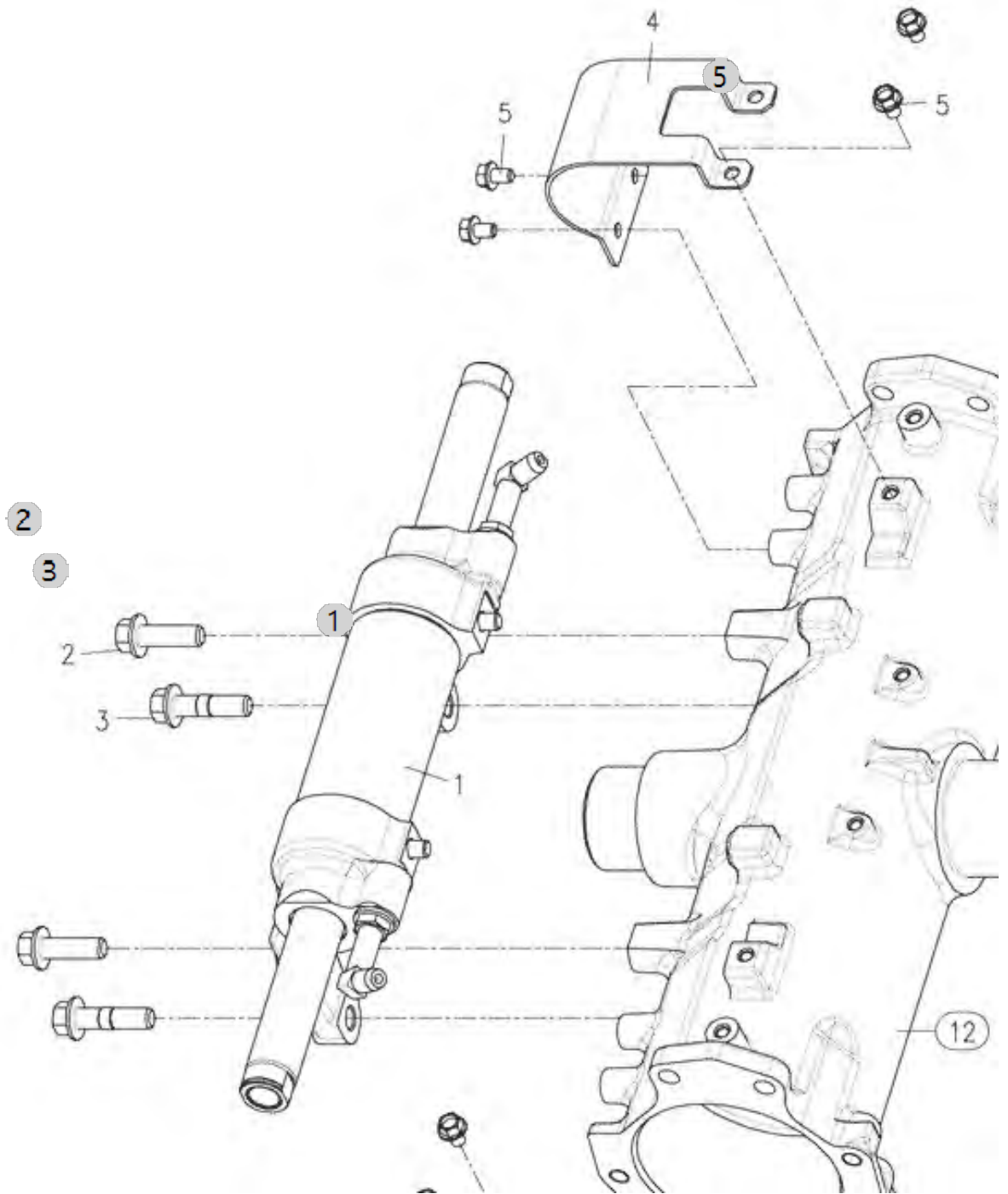
D02040A

F50HN_EU_FL
(AC02147)

P.S.T CYLINDER

Year/Month

2023-01-18



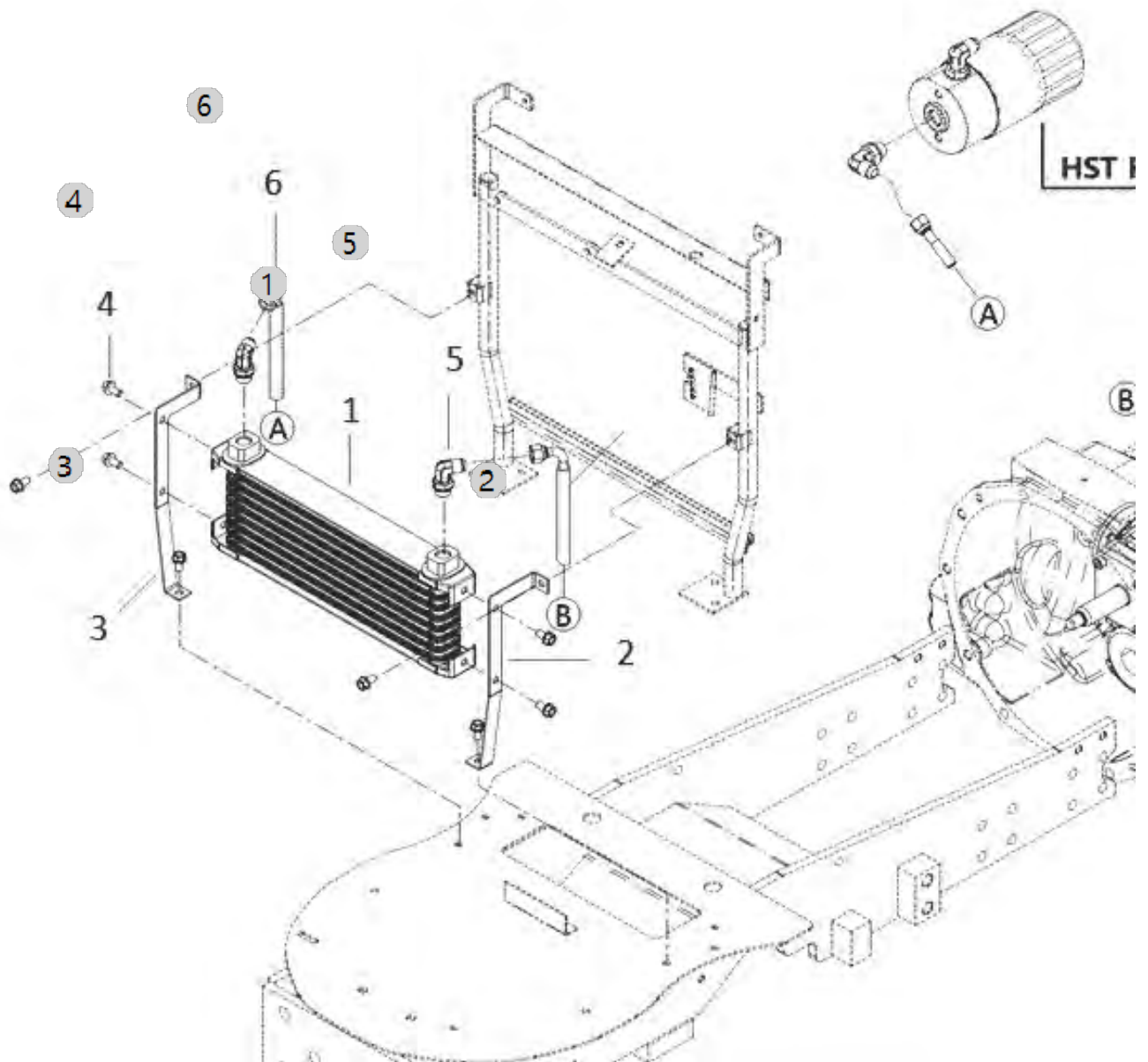
D03010

F50HN_EU_FL
(AC02147)

OIL COOLER

Year/Month

2023-01-18



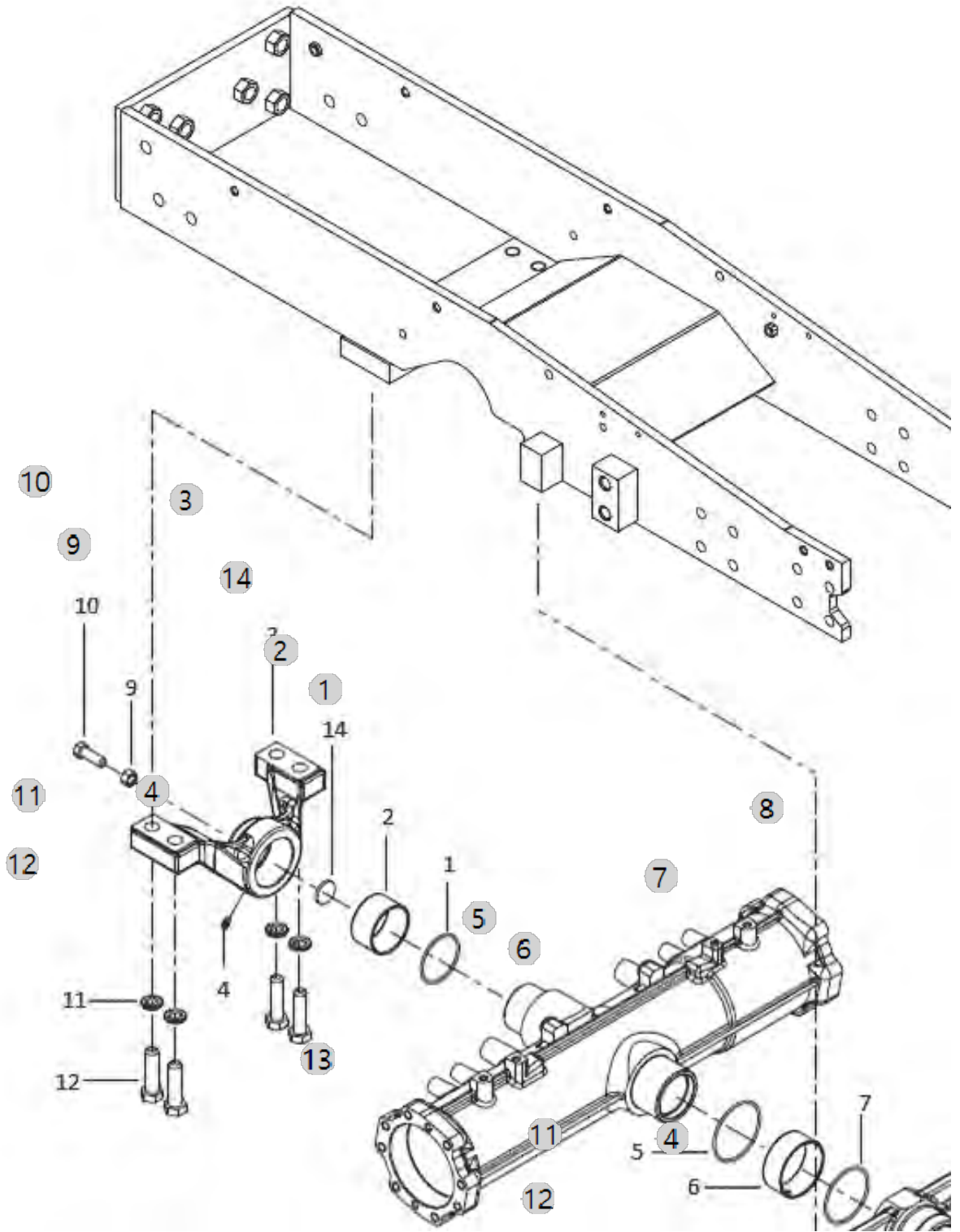
E01010A

F50HN_EU_FL
(AC02147)

FRONT AXLE CASE

Year/Month

2023-01-18



E01010A F50HN_EU_FL (AC02147)	FRONT AXLE CASE	Year/Month
		2023-01-18

순번 (NO)	부품번호 (PART NO)	품명 (PART NAME)	품명 (PART NAME)	수량 (QTY)	규격 (SPEC)	비고 (REMARK)
1	24321-000600	O-링1AG-60(국산)	SEAL,ORING	1	G60	
2	TA00034105A	서포트(전)부시	BUSH	1		
3	TA00048801B	액슬 전방 서포트 조합	FRONT AXLE SUPPROT ASS'Y	1		
3	TA00048801A	액슬 전방 서포트 조합	FRONT AXLE SUPPROT ASS'Y	1		
4	24764-060000	그리스니플	GREASE NIPPLE	2		
5	24321-000750	O-RING1AG-75	SEAL,ORING	1	G75	
6	TA00034103A	서포트(후)부시	BUSH	1		
7	24321-000700	O-링1AG-70(국산)D130공용	O-RING1AG-70	1	G70	
8	TA00034102D	액슬 서포트(후)조합	AXLE SUPPORT (REAR)	1		
8	TA00034102C	액슬 서포트(후)조합	AXLE SUPPORT (REAR)ASS'Y	1		
9	26716-120002	295,ALL,육각너트	HEXA NUT295	1	M12X1.75	
10	26116-120354	육각보울트	BOLT	1	M12X1.75X35	
11	22217-160000	스프링와셔	WASHER, SPRING (Φ 16)	6	M16	
12	26116-160602	육각볼트	HEX BOLT	6	M16XP2.0X60	
13	TA00054778A	전차축케이스(Narrow)	CASE, FRONT AXLE	1		
14	TA00048803A	와셔(D30X4T)	WASHER	1		

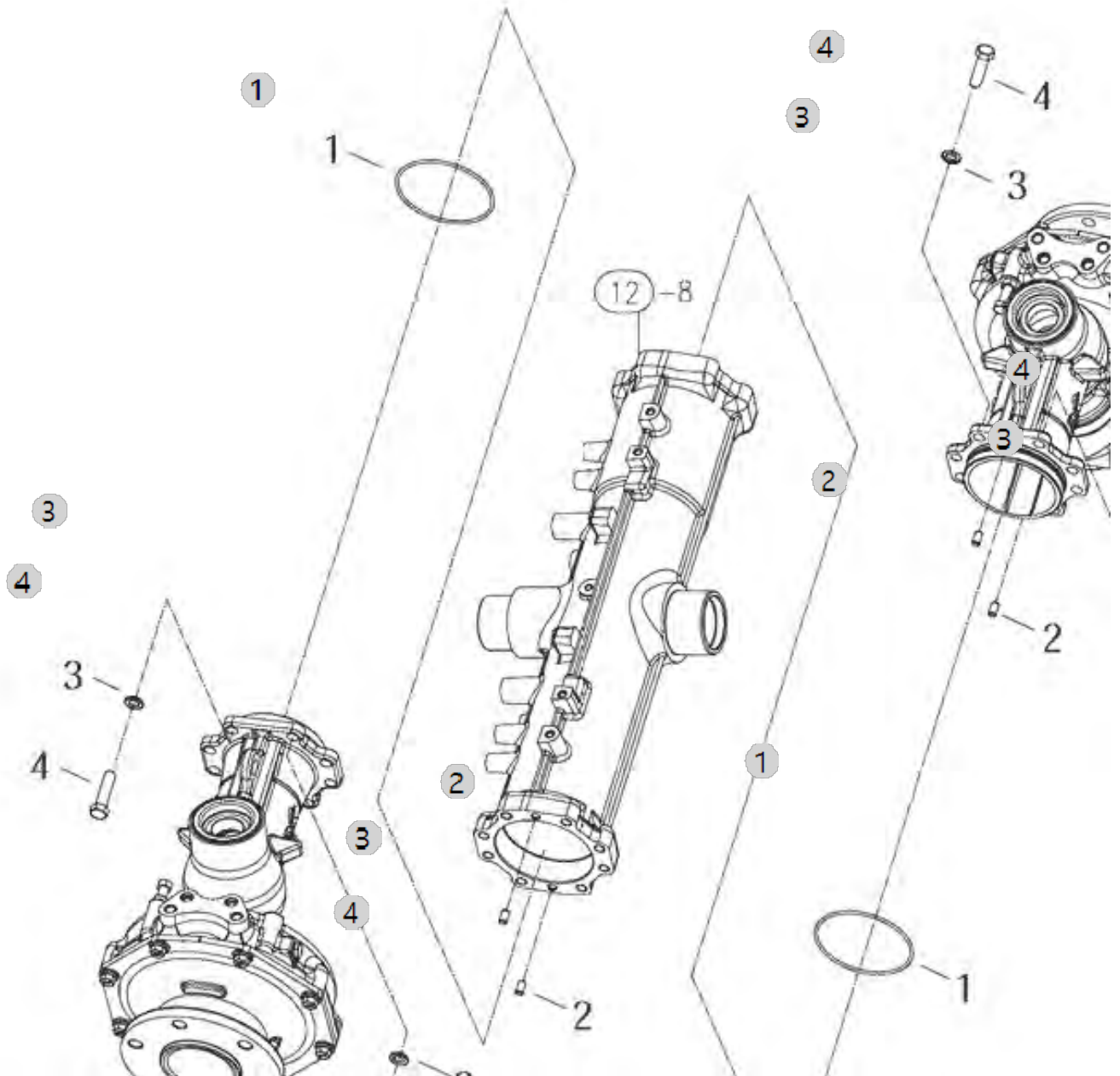
E01013

F50HN_EU_FL
(AC02147)

SPACER

Year/Month

2023-01-18



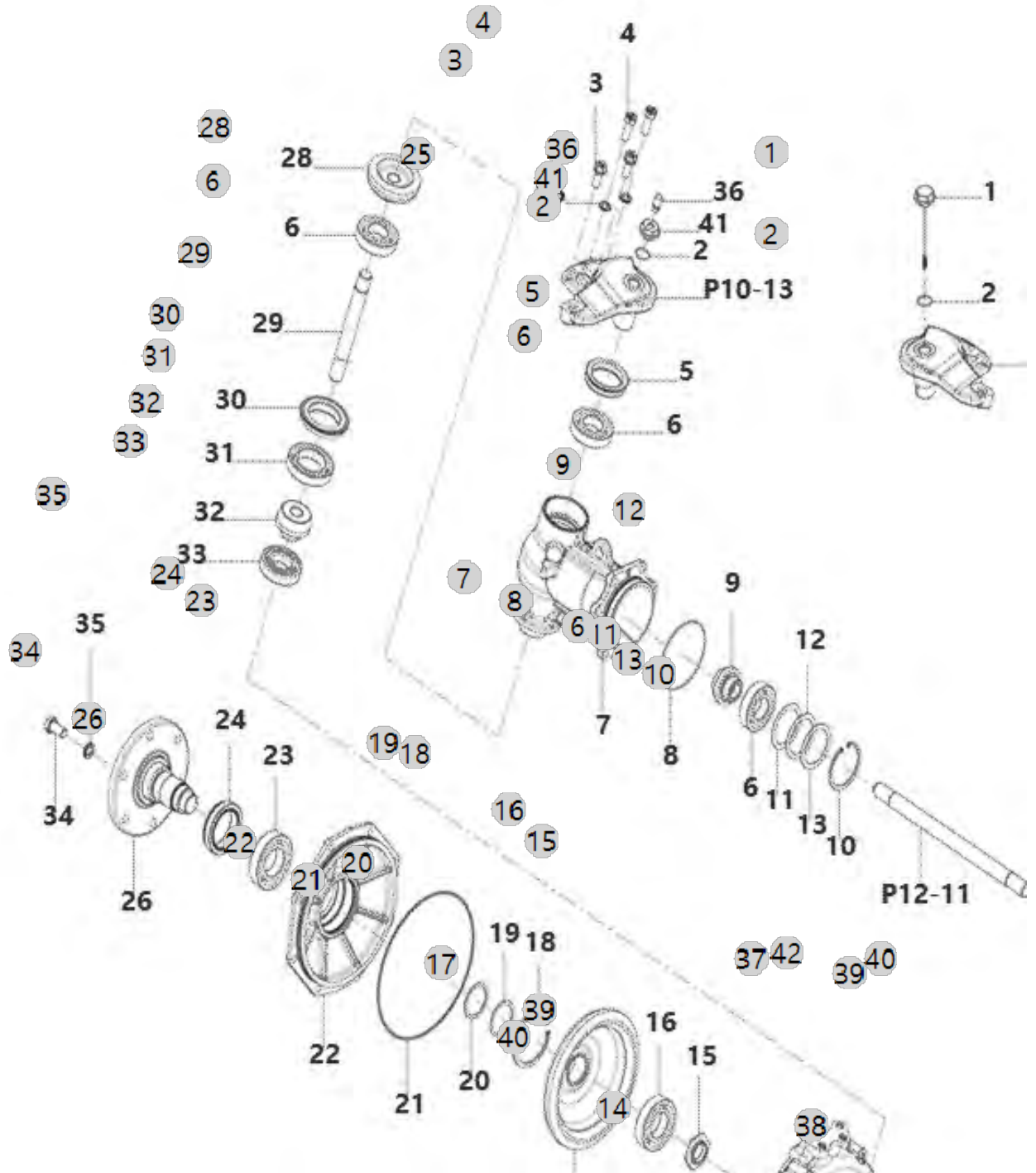
E01030A

F50HN_EU_FL
(AC02147)

GEAR CASE, FRONT AXLE

Year/Month

2023-01-18



E01030A F50HN_EU_FL (AC02147)		GEAR CASE, FRONT AXLE				Year/Month 2023-01-18
순번 (NO)	부품번호 (PART NO)	품명 (PART NAME)	품명 (PART NAME)	수량 (QTY)	규격 (SPEC)	비고 (REMARK)
1	TA00041646A	검유봉	DIP STICK	1		
2	24311-000220	O-RING1AP-22.0	O-RING, DYNAMIC (Φ22)	2	1A P22.0	
3	TA00033468B	와셔조립육각볼트	BOLT W/ WASHER	4		
3	TA00033468C	와셔조립육각볼트	BOLT W/ WASHER	4		
4	TA00033475B	리머볼트	SPACER	4		
4	TA00033475A	리머볼트	RIMER BOLT	4		
5	FE78010000B	오일실 (특수) 55x72x13.5	OIL SEAL (55X72X13.5)	2	55X72X13.5	
6	24101-062074	볼베어링6207	BALL BEARING (#6207)	6	#6207	
7	TA00041533B	프런트기어케이스	FRONT GEAR CASE L	2		
8	24321-001050	O-링	O-RING	2		
9	TA00033461B	전1축피니언9T	PINION, FRONT 1ST SHAFT	2		
9	TA00033461A	전1축피니언9T	PINION, FRONT 1ST SHAFT	2		
10	22252-000720	구멍용스냅링72	RING, CIRCLIP (Φ 72)	2	D72	
11	TA00033489A	심 0.2T	SHIM 0.2T	2		
12	TA00033488A	심 0.3T	SHIM 0.3T	2		
13	TA00033487A	심 0.5T	SHIM 0.5T	2		
14	TA00033458B	프런트기어박스	GEAR BOX, FRONT	2		
15	TA00033481A	로크너트	LOCK NUT	2		
16	24101-062084	볼베어링6208	Bearing, Ball (#6208)	2	#6208	
17	TA00033474A	베벨기어 49T	GEAR, BEVEL 49T	2		
18	22252-000850	써클립85H	RING, CIRCLIP (Φ 85)	2		
19	TA00033486A	심 0.2T	SHIM 0.2T	1		
20	TA00033485A	심 0.5T	SHIM 0.5T	1		
21	TA00033939A	O링	O RING	2		
22	TA00033459B	프런트베어링케이스	BEARING CASE, FRONT	1		
23	24101-062094	볼베어링6209	BALL BEARING (#6209)	2	#6209	
24	TA00041359A	오일실	OILSEAL	2		
25	22217-120000	스프링와셔	WASHER, SPRING (Φ 12)	2	M12	
26	TA00033460B	프런트스핀들	SPINDLE, FRONT	2		
26	TA00033460E	프런트스핀들	SPINDLE, FRONT	2		
26	TA00033460D	프런트스핀들	SPINDLE, FRONT	2		
27	TA00033469B	와셔조립육각볼트	BOLT W/ WASHER	16		
27	TA00033469A	와셔조립육각볼트	BOLT W/ WASHER	16		
28	TA00033463A	전2축기어	FRONT 2ND AXLE LH	2		
29	TA00033464A	전2축	FRONT 2ND SHAFT	2		
30	TC60110000A3	오일실(AJ)	SEAL, OIL	2		
31	24101-060104	볼베어링6010	Bearing, Ball (#6010)	2	#6010	
32	TA00033473A	베벨기어 11T	GEAR, BEVEL 11T	2		
33	TC60340000A4	베어링TM207C3	BEARING(TM207C3)	2	TM207C3	
34	TD23120000B4	프런트 허브 볼트(M14X28)	BOLT	12	M14XP1.5	
34	TD23120000A4	보울트(M14X28)	BOLT	12	M14XP1.5	
35	22217-140000	스프링와셔14	WASHER, SPRING (Φ 14)	12	M14	
36	TA00049842B	에어브리더(STEEL)	AIR BREATHER	1		
36	TA00049842A	에어브리더(STEEL)	AIR BREATHER	1		
37	TA00058613A	스톱퍼(25.5)	STOPPER(25.5)	2		

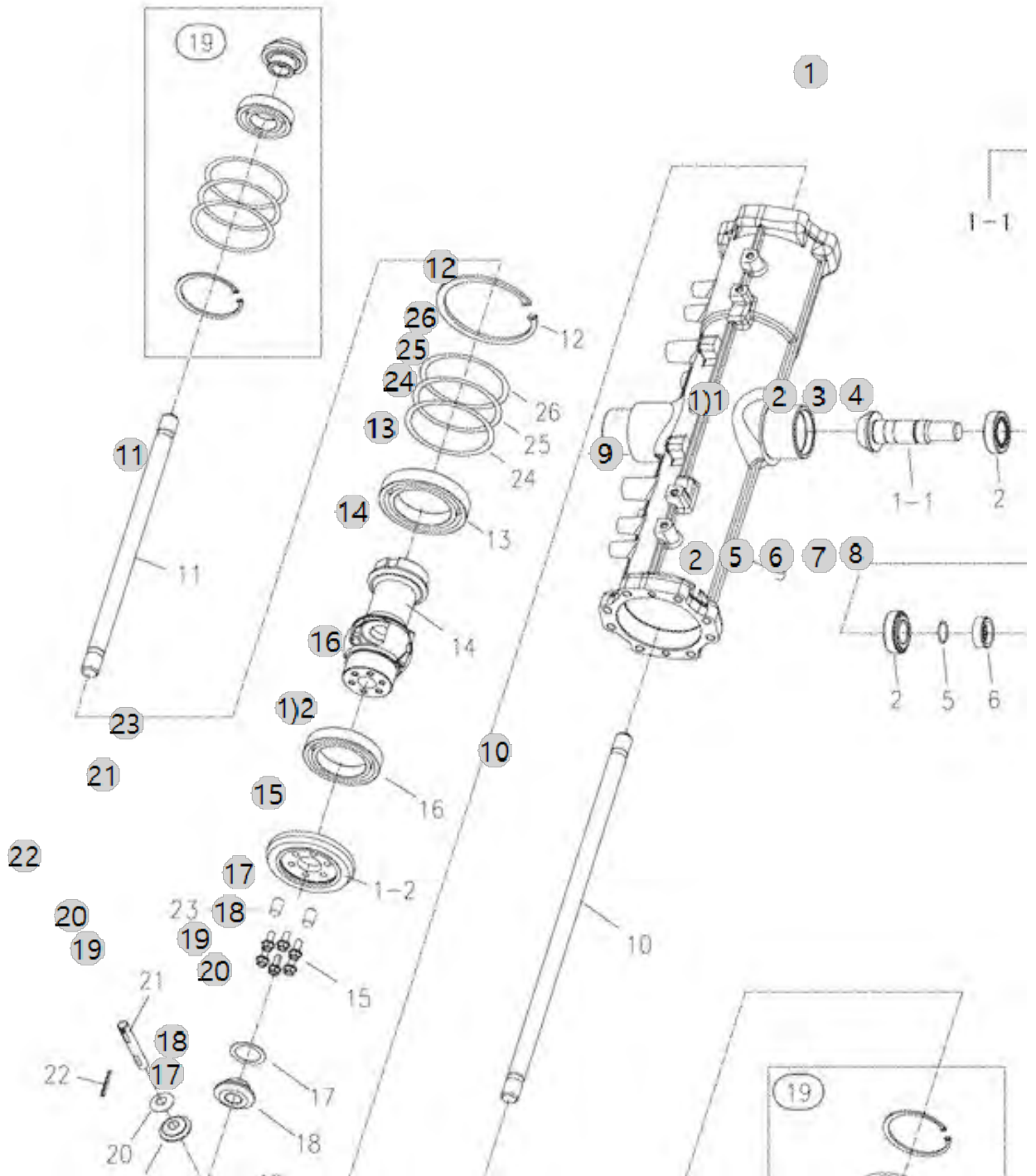
E01070A

F50HN_EU_FL
(AC02147)

RING GEAR, DRIVEN GEAR

Year/Month

2023-01-18



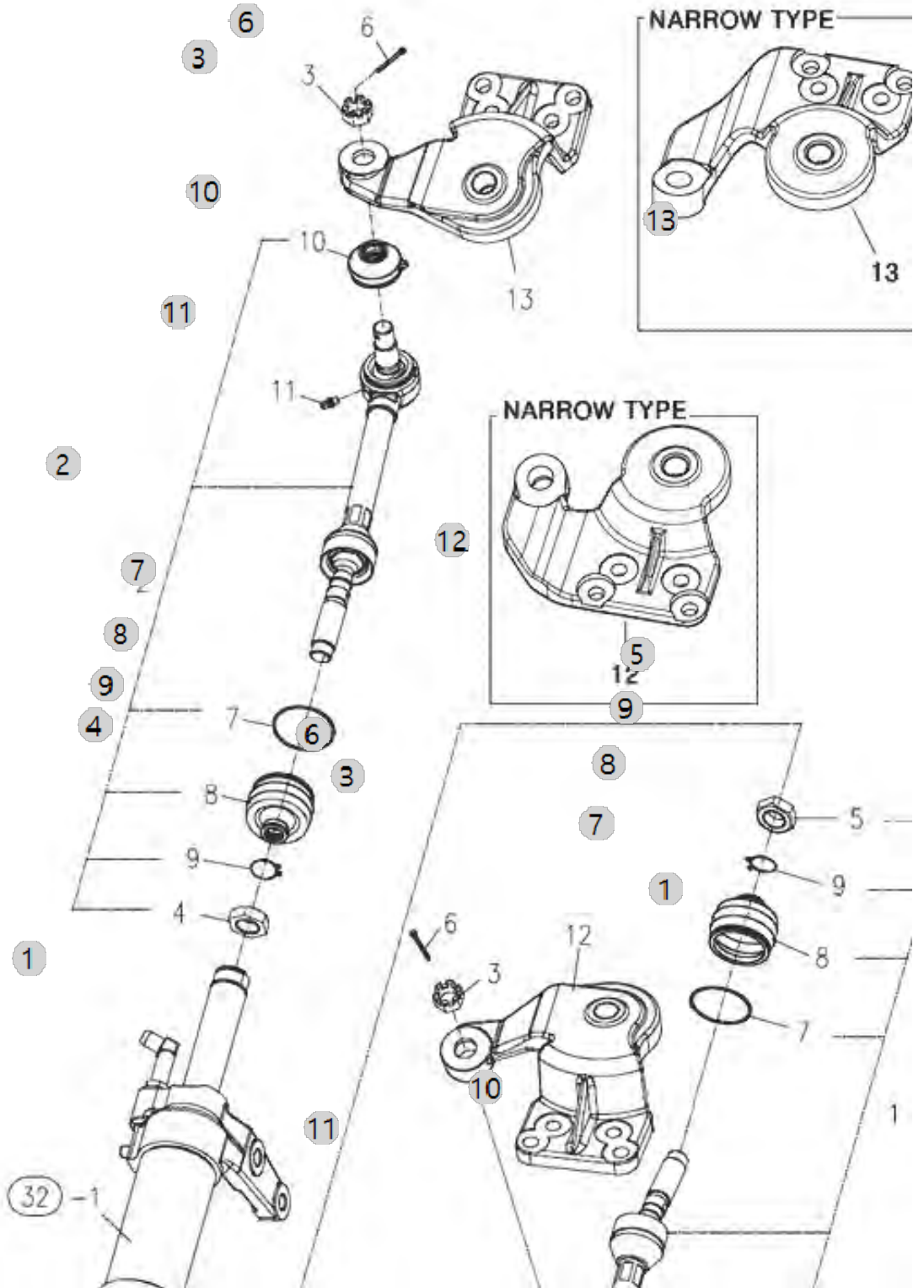
E01080A

F50HN_EU_FL
(AC02147)

TIE ROAD

Year/Month

2023-01-18



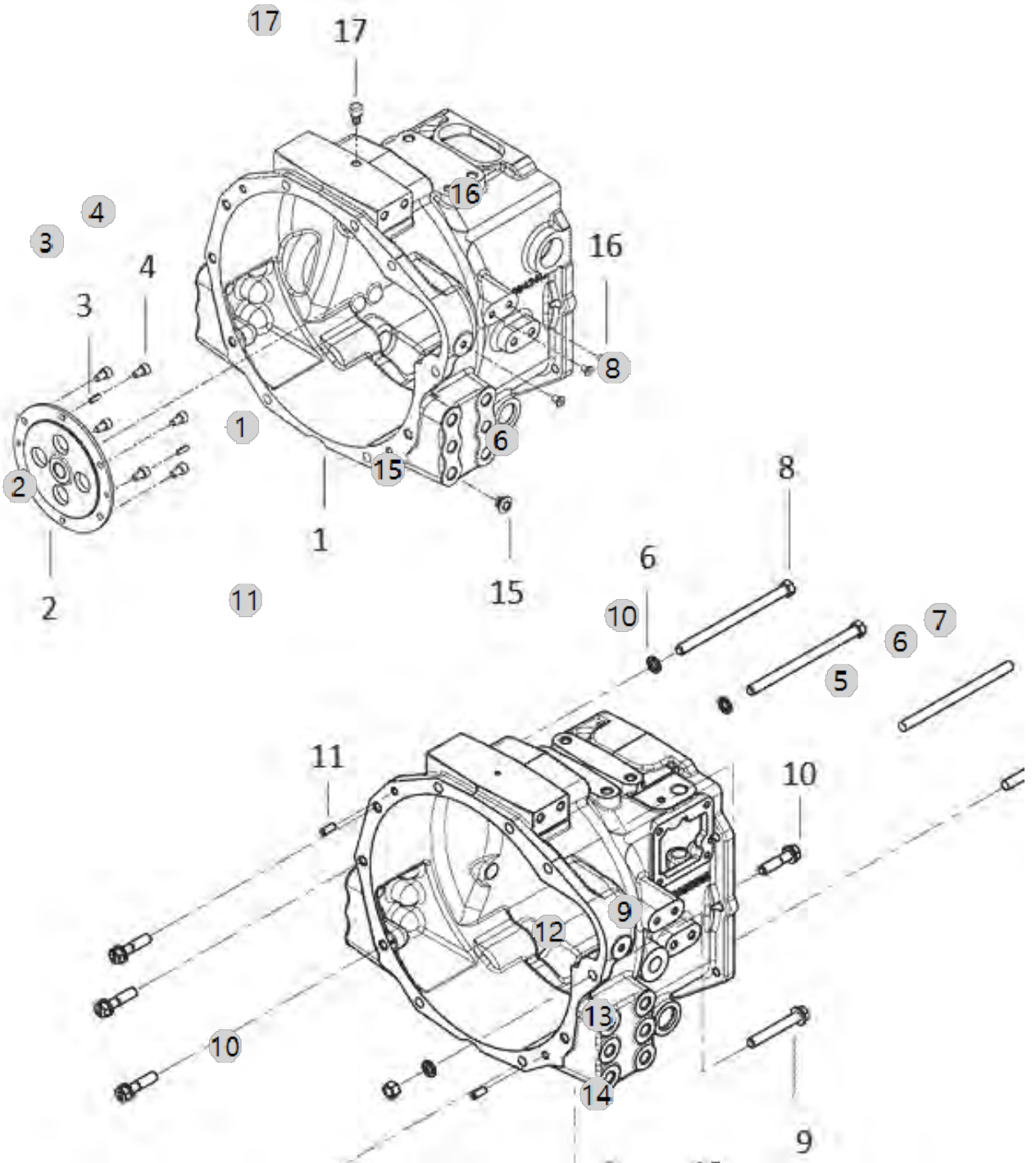
F01010

K3_HST_TM(EU)_NEC
(AC01492)

CLUTCH HOUSING

Year/Month

2023-01-18



F01010 K3_HST_TM(EU)_NEC (AC01492)		CLUTCH HOUSING				Year/Month 2023-01-18
순번 (NO)	부품번호 (PART NO)	품 명 (PART NAME)	품 명 (PART NAME)	수량 (QTY)	규격 (SPEC)	비고 (REMARK)
1	TA00042413B	클러치하우징	CLUTCH HOUSING	1		
1	TA00042413C	클러치하우징	CLUTCH HOUSING	1		
1	TA00042413D	클러치하우징	CLUTCH HOUSING	1		
1	TA00042413E	클러치하우징	CLUTCH HOUSING	1		
1	TA00042413F	클러치하우징	CLUTCH HOUSING	1		
1	TA00042413G	클러치하우징	CLUTCH HOUSING	1		
1	TA00042413H	클러치하우징	CLUTCH HOUSING	1		
1	TA00042413I	클러치하우징	CLUTCH HOUSING	1		
1	TA00042413J	클러치하우징	CLUTCH HOUSING	1		
2	TA00038871D	PTO슬리브	SLEEVE	1		
2	TA00038871C	PTO슬리브	SLEEVE	1		
2	TA00038871E	PTO슬리브	SLEEVE	1		
2	TA00038871B	PTO슬리브	SLEEVE	1		
3	22351-060016	스프링핀	PIN, SPRING (6-16)	2	D6X16	
4	26450-080142	육각소켓캡보울트	BOLT	6	M8X14	
5	TA00040214C	심음볼트(185mm)	BOLT	2		
5	TA00040214B	심음볼트(185mm)	BOLT	2		
6	22217-120000	스프링와셔	WASHER, SPRING (Φ 12)	5	M12	
7	26716-120002	295,ALL,육각너트	HEXA NUT295	3	M12X1.75	
8	TA00040213C	육각볼트(175mm)	HEX BOLT	2		
8	TA00040213B	육각볼트(175mm)	HEX BOLT	2		
9	TA00040292A	볼트(M12xP1.75)	HEX BOLT	1		
9	TA00040292B	볼트(M12xP1.75)	HEX BOLT	1		
10	FB36330000A4	와셔조립육각볼트(+SW)	Hex Bolt With Washer	5	M12XP1.75X5	
10	FB36330000B4	와셔조립육각볼트(+SW)	HEX BOLT WITH WASHER	5	M12XP1.75X5	
11	22312-080180	평행핀	PIN, DOWEL (8-18)	2	D8X18	
12	22417-300250	가름 핀3X25	PIN , COTTER (3-25)	1	D3.0X25	
13	TA00038610B	커버	COVER, CLUTCH HOUSING	1		
13	TA00038610A	커버	COVER, CLUTCH HOUSING	1		
14	26106-100202	육각플랜지볼트	HEX BOLT, (10-20)	4	M10XP1.5X20	
15	TA00055258A	고무플러그(14)	PLUG(14)	12		
16	TB26060000A4	플러그7.8	PLUGRUBBER	3		
17	TA00034078A	에어 브리더	AIR BREATHER	1		DEL.20220623

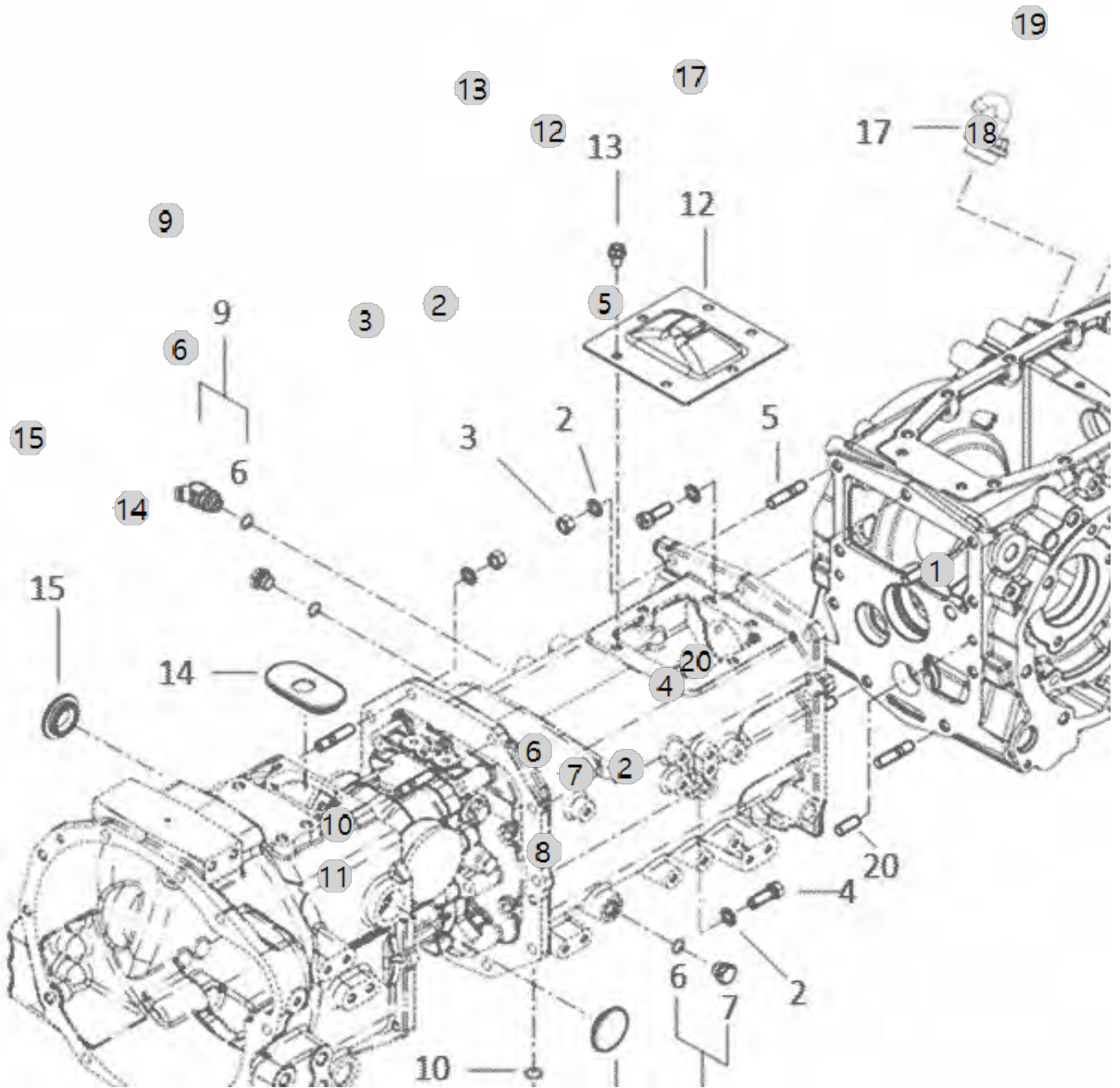
F01020

K3_HST_TM(EU)_NEC
(AC01492)

TRANSMISSION CASE

Year/Month

2023-01-18



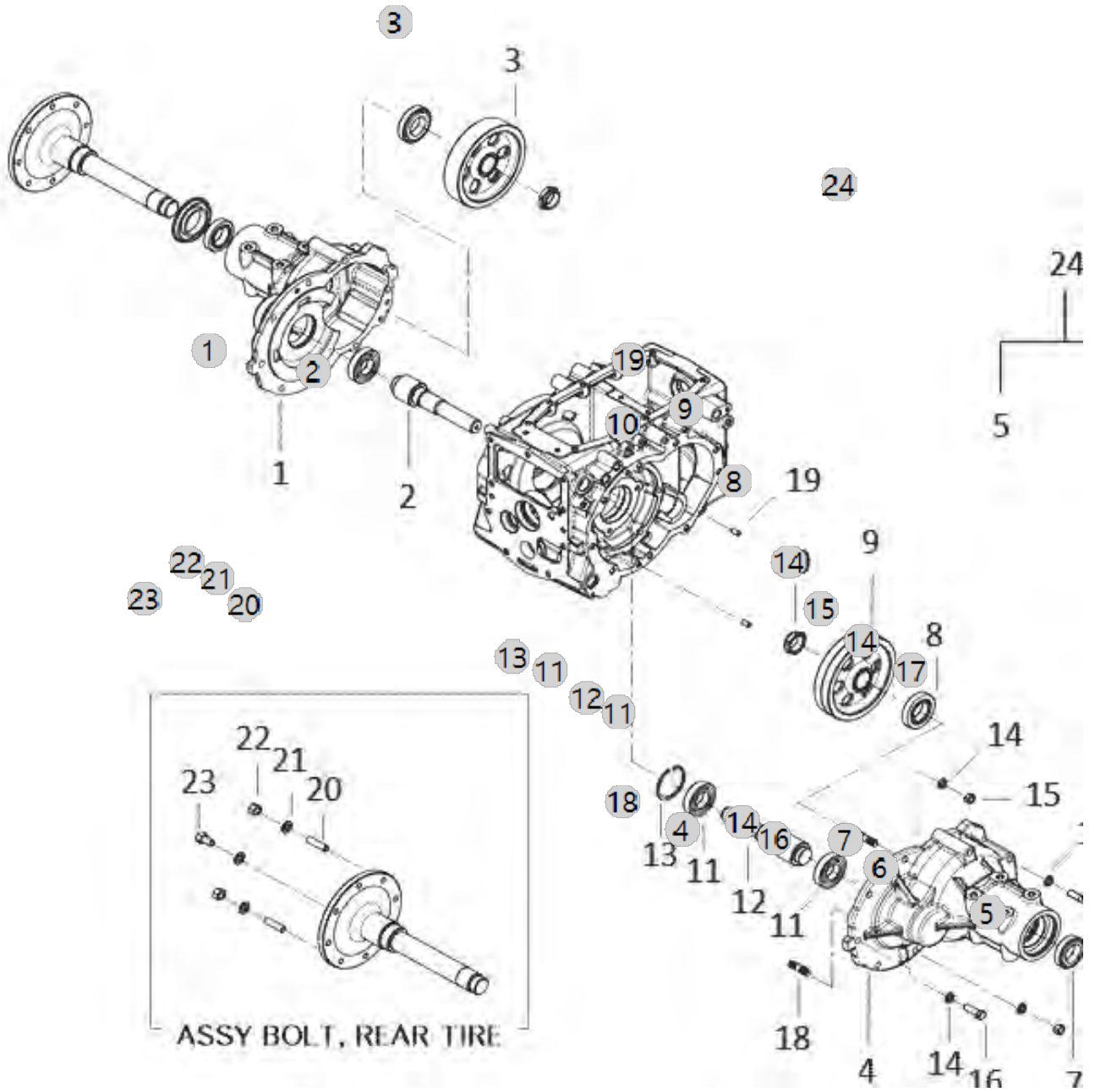
F01030

K3_HST_TM(EU)_NEC
(AC01492)

REAR AXLE HOUSING

Year/Month

2023-01-18



F01030 K3_HST_TM(EU)_NEC (AC01492)		REAR AXLE HOUSING				Year/Month 2023-01-18
순번 (NO)	부품번호 (PART NO)	품명 (PART NAME)	품명 (PART NAME)	수량 (QTY)	규격 (SPEC)	비고 (REMARK)
1	TA00038690D	후차축하우징(R)	REAR AXLE HOUSING R	1		
1	TA00038690C	후차축하우징(R)	REAR AXLE HOUSING R	1		
1	TA00038690B	후차축하우징(R)	REAR AXLE HOUSING R	1		
1	TA00038690E	후차축하우징(R)	REAR AXLE HOUSING R	1		
1	TA00038690F	후차축하우징(R)	REAR AXLE HOUSING R	1		
1	TA00038690G	후차축하우징(R)	REAR AXLE HOUSING R	1		
2	TA00038395B	파이널 피니언(우)	FINAL_REAR_PINION(R)	1		
2	TA00038395C	파이널 피니언(우)	FINAL_REAR_PINION(R)	1		
2	TA00038395D	파이널 피니언(우)	FINAL_REAR_PINION(R)	1		
2	TA00038395E	파이널 피니언(우)	FINAL_REAR_PINION(R)	1		
3	TA00038393B	파이널기어(우)	FINAL_REAR_GEAR (R)	1		
3	TA00038393C	파이널기어(우)	FINAL_REAR_GEAR (R)	1		
4	TA00038689D	후차축하우징(좌)	REAR AXLE HOUSING L	1		
4	TA00038689C	후차축하우징(좌)	REAR AXLE HOUSING L	1		
4	TA00038689B	후차축하우징(좌)	REAR AXLE HOUSING L	1		
4	TA00038689E	후차축하우징(좌)	REAR AXLE HOUSING L	1		
4	TA00038689F	후차축하우징(좌)	REAR AXLE HOUSING L	1		
4	TA00038689G	후차축하우징(좌)	REAR AXLE HOUSING L	1		
5	TA00038361C	후차축	REAR AXLE SHAFT	2		
5	TA00038361B	후차축	REAR AXLE SHAFT	2		
5	TA00038361D	후차축	REAR AXLE SHAFT	2		
6	TA00033423A	오일실(후차축)	SEAL, OIL (REAR AXLE)	2		
7	24141-320090	테이퍼롤러베어링	TAPER ROLLER BEARING	2	NONE	
8	24141-302090	테이퍼롤러베어링	BEARING	2	NONE	
9	TA00038359B	파이널기어(좌)	FINAL RING GEAR	1		
9	TA00038359C	파이널기어(좌)	FINAL RING GEAR	1		
10	TA00038354A	로크너트	LOCK NUT	2		
10	TA00038354B	락너트(K3)	LOCK NUT	2		
11	TT21040000A4	볼베어링(TMB208)	BEARING	4	TMB208	
12	TA00038394B	파이널 피니언(좌)	FINAL_REAR_PINION(L)	1		
12	TA00038394C	파이널 피니언(좌)	FINAL_REAR_PINION(L)	1		
12	TA00038394D	파이널 피니언(좌)	FINAL_REAR_PINION(L)	1		
12	TA00038394E	파이널 피니언(좌)	FINAL_REAR_PINION(L)	1		
13	22252-000800	구멍용스냅링80	RING, CIRCLIP (Φ 80)	2	D80	
14	22217-140000	스프링와셔14	WASHER, SPRING (Φ 14)	18	M14	
15	26716-140002	육각너트	NUT	4	M14X2.0	
16	FT08110000A4	볼트(M14X42)	BOLT(M14X42)	6	M14XP2.0X42	
16	FT08110000B4	볼트	BOLT(M14X42)	6	M14XP2.0X42	
17	TA00038428B	볼트(M14x130)	BOLT	8		
17	TA00038428C	볼트(M14x130)	BOLT	8		
18	FB80120000A4	심음볼트(M14X38)	STUD BOLT(M14X38)	4	M14XP2.0X38	
18	FB80120000B4	심음볼트(M14X38)	STUD BOLT(M14X38)	4		
19	22312-100180	평행핀	PIN, DOWEL (10-18)	4	D10X18	
20	TT85150000B4	심음볼트	BOLT	4	M14XP1.5	
20	TT85150000A4	심음볼트	Bolt	4	M14XP1.5	

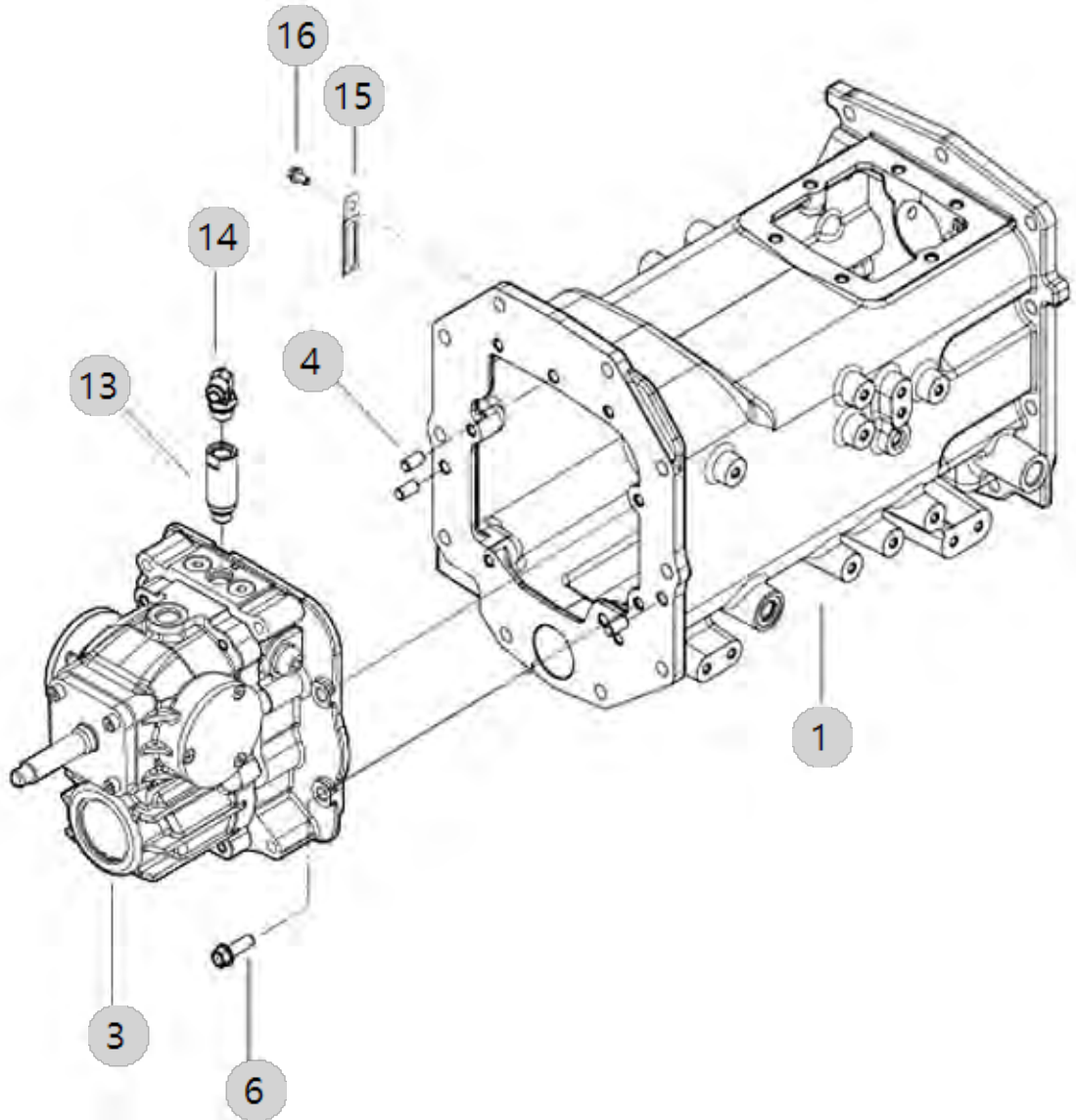
F01050

K3_HST_TM(EU)_NEC
(AC01492)

HYD SHIFT TRANSMISSION HOUSING

Year/Month

2023-01-18



F01050 K3_HST_TM(EU)_NEC (AC01492)		HYD SHIFT TRANSMISSION HOUSING				Year/Month 2023-01-18
순번 (NO)	부품번호 (PART NO)	품명 (PART NAME)	품명 (PART NAME)	수량 (QTY)	규격 (SPEC)	비고 (REMARK)
1	TA00042272B	미션케이스(HST)	CASE, MISSION	1		
1	TA00042272C	미션케이스(HST)	CASE, MISSION	1		
1	TA00042272D	미션케이스(HST)	CASE, MISSION	1		
1	TA00042272E	미션케이스(HST)	CASE, MISSION	1		
1	TA00042272F	미션케이스(HST)	MISSION CASE(HST)	1		
3	TA00059527A	HST조합(28cc)	HST PUMP ASSY	1		DEL.20220331
3	TA00069406B	HST조합(28cc)	HST ASS'Y, 28CC	1		
3	TA00069406C	HST조합(28cc)	HST ASS'Y, 28CC	1		
4	22312-100180	평행핀	PIN, DOWEL (10-18)	3	D10X18	
6	26106-100302	육각플랜지볼트	HEXFLANGE BOLT	3	M10XP1.5X30	
13	TA00042781A	아답터(3/8)	ADAPTOR(3/8)	1		
13	TA00042781B	아답터(3/8)	ADAPTOR(3/8)	1		
13	TA00042781C	아답터(3/8)	ADAPTOR(3/8)	1		
14	CEE4050000A4	자리부착엘보3/8	ELBOW (3/8)	1		
14	CEE4050000B4	자리부착엘보3/8	ELBOW(3/8)	1		
15	TT80180000A4	클램프 B	Clamp, B	1		
15	TT80180000C4	클램프 b	CLAMP B	1		
15	TT80180000B4	클램프 b	CLAMP B	1		
16	26106-080162	플랜지볼트 8X16	SCREW,HEXFLANGEHEADCAP	1	M8XP1.25X16	

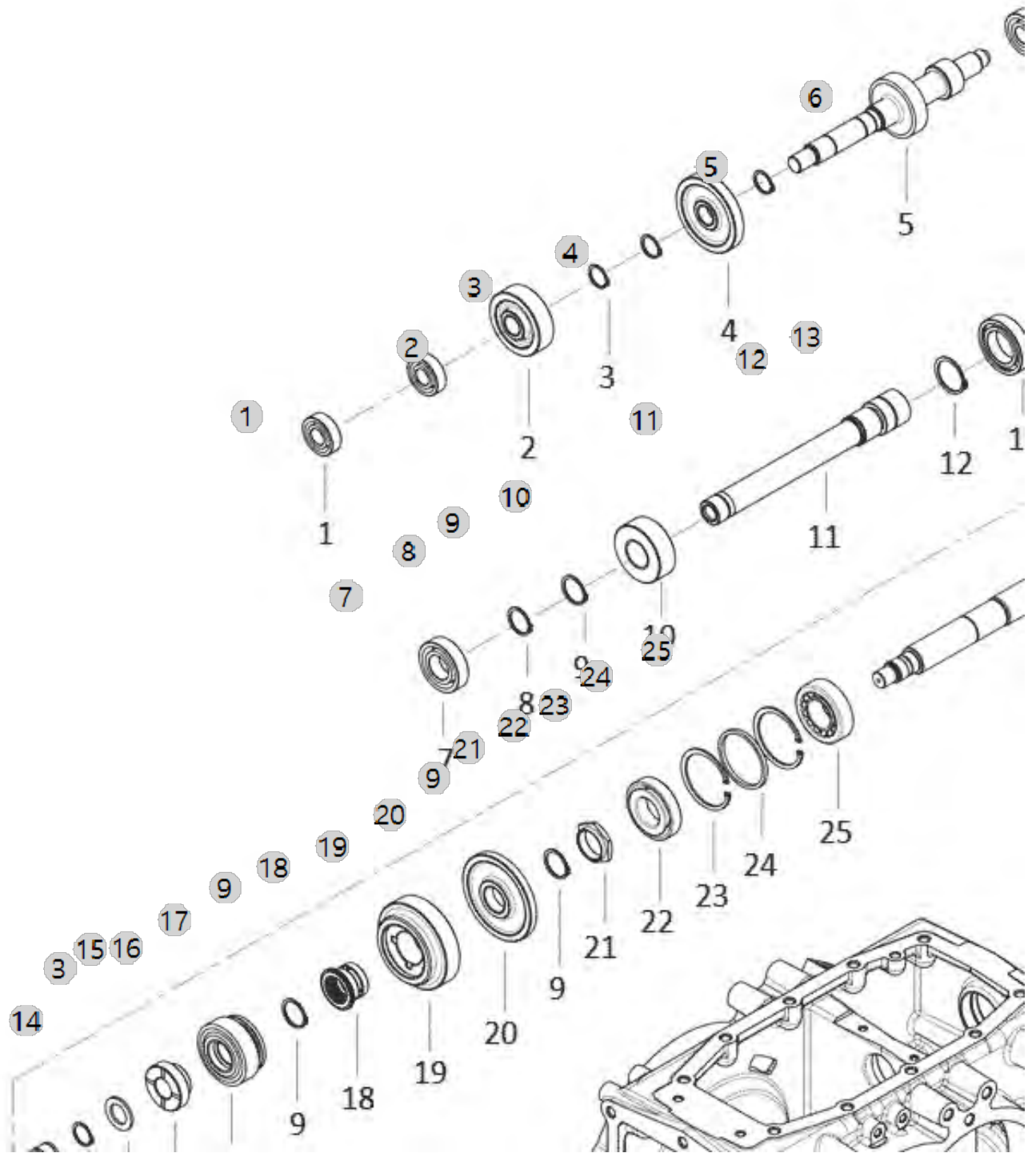
F03040

K3_HST_TM(EU)_NEC
(AC01492)

RANGE SHIFT GEAR

Year/Month

2023-01-18



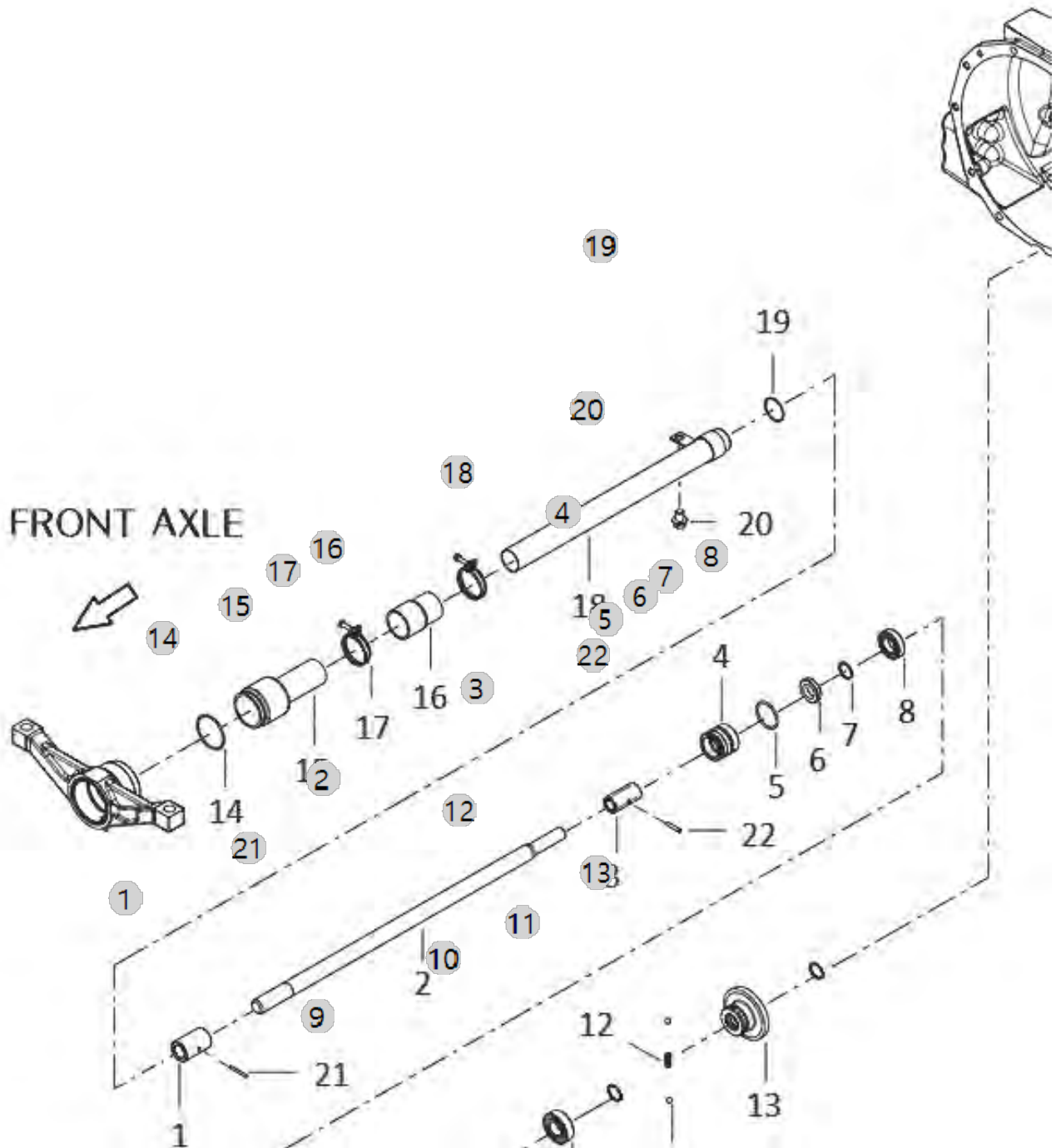
F04010

K3_HST_TM(EU)_NEC
(AC01492)

FORNT DRIVE SHAFT

Year/Month

2023-01-18



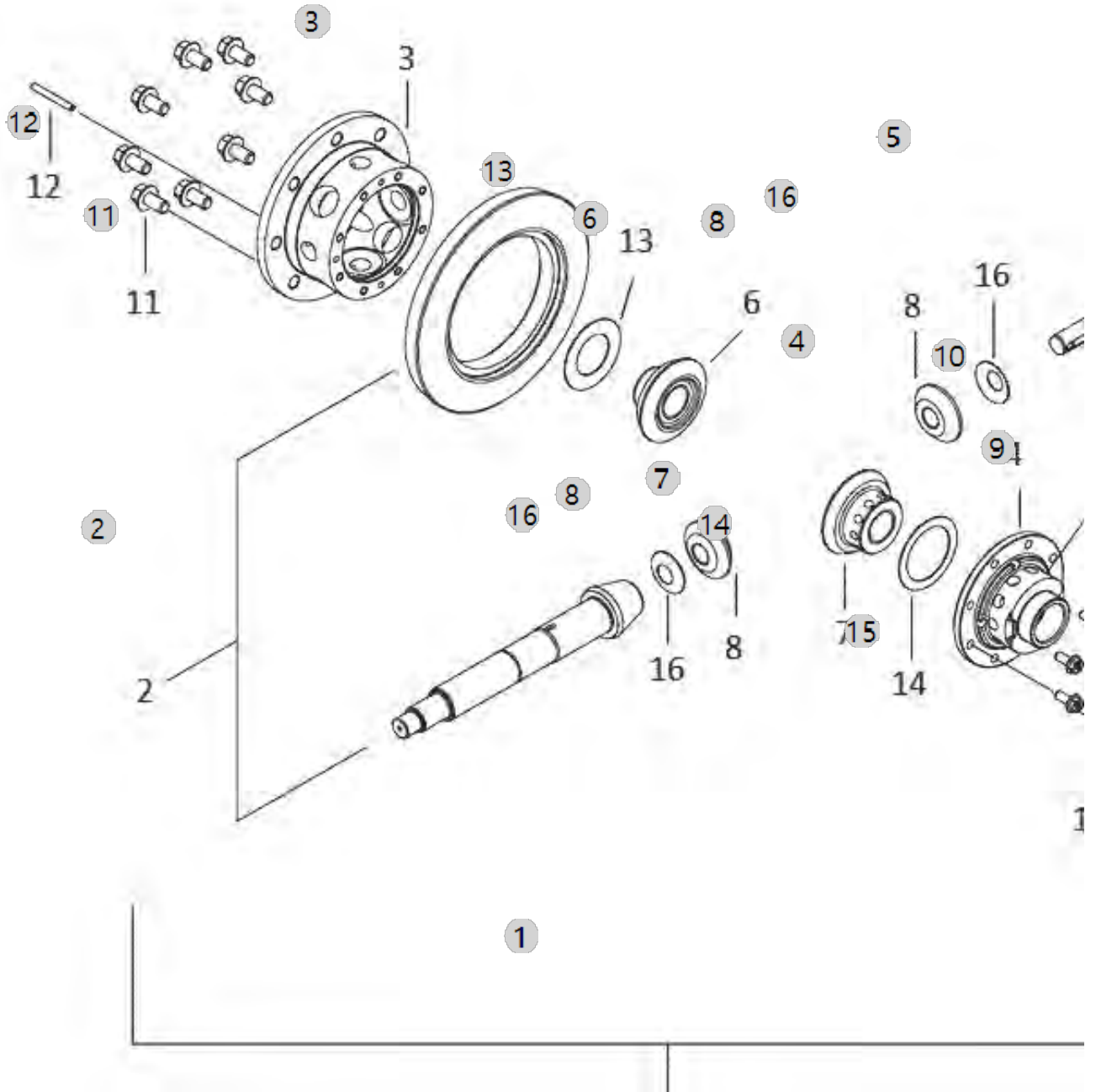
F05020

K3_HST_TM(EU)_NEC
(AC01492)

RING GEAR&DIFF.GEAR ASS'Y

Year/Month

2023-01-18



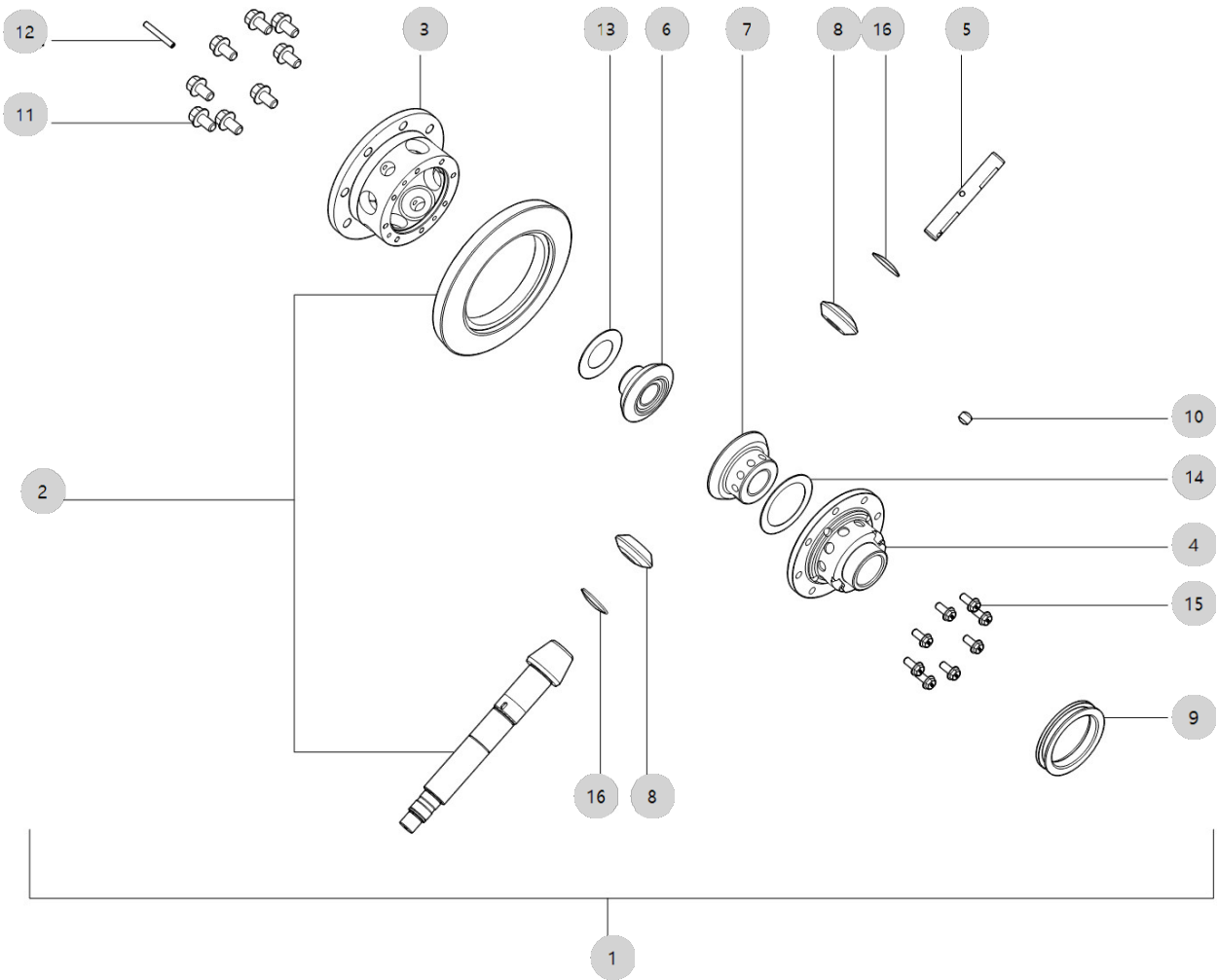
F05020

K3_HST_TM(EU)_NEC
(AC01492)

RING GEAR&DIFF.GEAR ASS'Y

Year/Month

2023-01-18



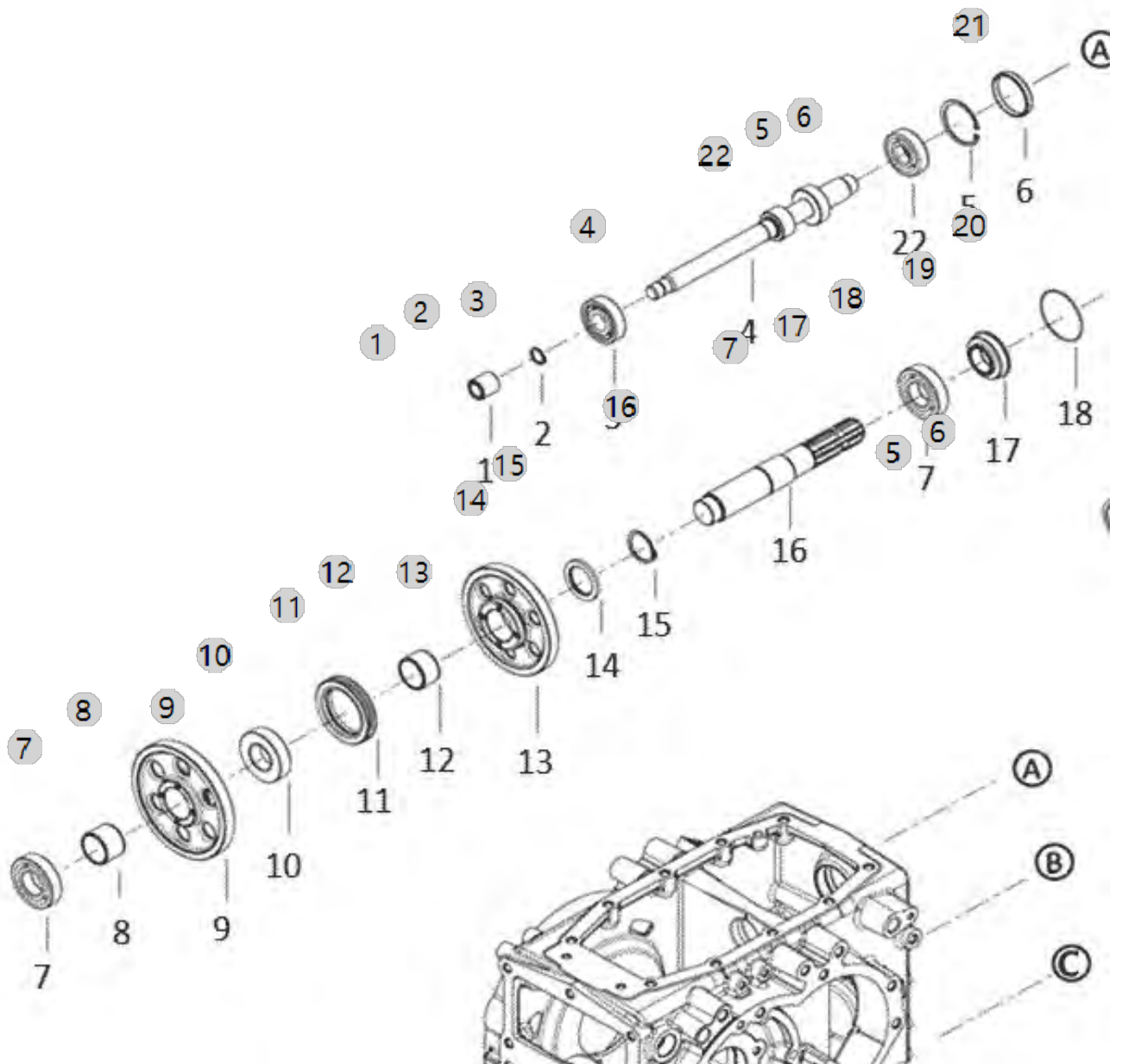
F07030

K3_HST_TM(EU)_NEC
(AC01492)

PTO DRIVE SHAFT

Year/Month

2023-01-18



F07030 K3_HST_TM(EU)_NEC (AC01492)	PTO DRIVE SHAFT	Year/Month
		2023-01-18

순번 (NO)	부품번호 (PART NO)	품명 (PART NAME)	품명 (PART NAME)	수량 (QTY)	규격 (SPEC)	비고 (REMARK)
1	TA00038269A	조인트	JOINT	1		
2	22242-000200	축용스냅링20	SNAP RING, SHAFT (Φ 20)	1	D20(축용)	
3	CT85150000A4	베어링6305HL	Bearing #6305	1	#6305	
4	TA00041006A	PTO구동기어축(1-2)	SHAFT, PTO DRIVE	1		
4	TA00041006B	PTO구동기어축(1-2)	SHAFT, PTO DRIVE	1		
5	22252-000620	구멍용스냅링62	RING, CIRCLIP (Φ 62)	1	D62(구멍용)	
6	27260-620000	실링캡	SEALING CAP	2		
7	24101-062074	볼베어링6207	BALL BEARING (#6207)	2	#6207	
8	TA00039162B	부시(PTO1단)	BUSH	1		
8	TA00039162C	부시(PTO1단)	BUSH	1		
9	TA00041007A	PTO피동기어1단	GEAR, PTO1	1		
10	TZ45100000A3	PTO허브	HUB,P.T.O	1		
10	TZ45100000B3	PTO허브	HUB,P.T.O	1		
11	TZ45110000C4	PTO슬리브	SLEEVE,P.T.O	1		
12	TA00040193B	부시(PTO2단)	SLEEVE	1		
12	TA00040193C	부시(PTO2단)	SLEEVE	1		
13	TA00041008A	PTO피동기어2단	GEAR, PTO2	1		
14	FGG8040000A4	와셔(40.5X57.1X4.5T)	WASHER(40.5X57.1X4.5T)	1		
14	FGG8040000B4	와셔(40X57.1X4.5T)	WASHER(40.5X57.1X4.5T)	1		
15	22242-000400	축용스냅링40	SNAP RING, SHAFT (Φ 40)	1	D40	
16	TA00038293B	PTO축	SHAFT, PTO	1		
16	TA00038293C	PTO축	SHAFT, PTO	1		
16	TA00038293D	PTO축	SHAFT, PTO	1		
17	TT62040000A3	PTO 오일실 QLF35X60X19	PTO OIL SEAL QLF35X60X19	1	35X60X19	
18	24341-000700	O링(70-S)	O-RING, FIX (Φ70)	1	1A S70.0	
19	TA00038449B	PTO축 커버	COVER	1		
20	22242-000350	축용스냅링35	SNAP RING, SHAFT (Φ 35)	1	D35	
21	26106-100202	육각플랜지볼트	HEX BOLT, (10-20)	4	M10XP1.5X20	
22	24101-063050	깊은홈볼베어링(63계열)	DEEP GROOVE BALL BEARING	1	#6305	

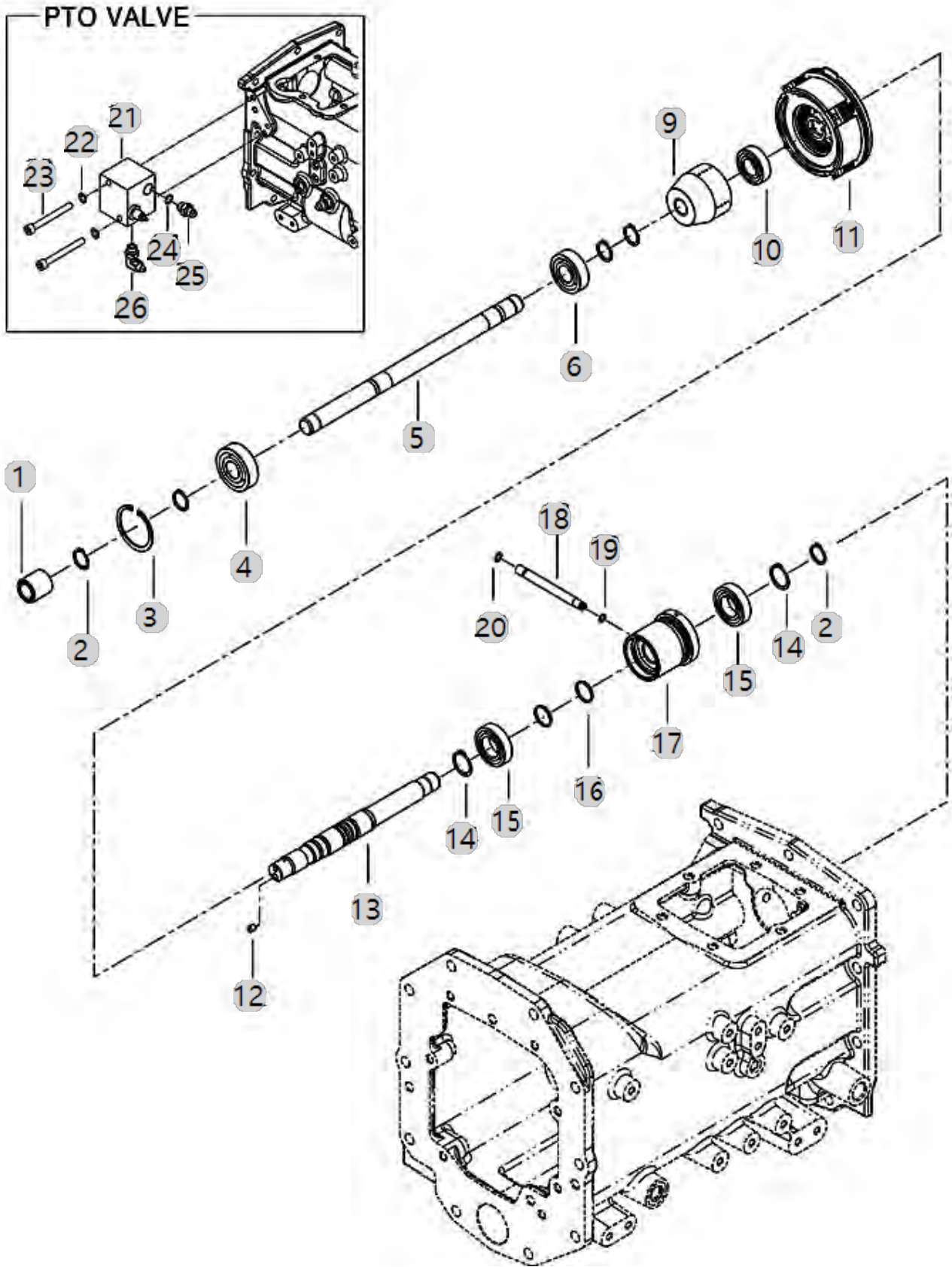
F07070

K3_HST_TM(EU)_NEC
(AC01492)

MAIN P.T.O SHAFT

Year/Month

2023-01-18



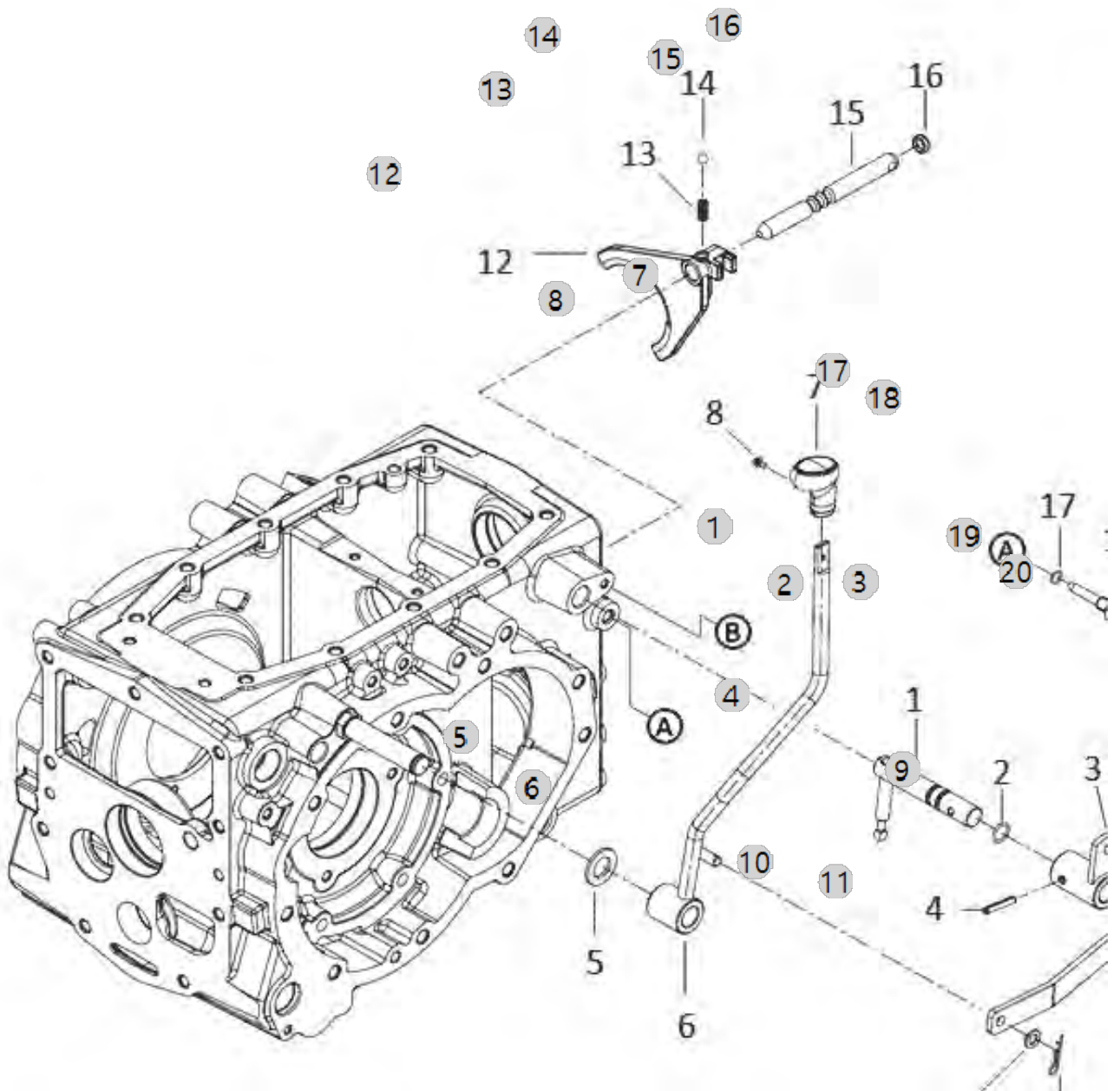
F08060

K3_HST_TM(EU)_NEC
(AC01492)

FORK & LEVER, PTO

Year/Month

2023-01-18



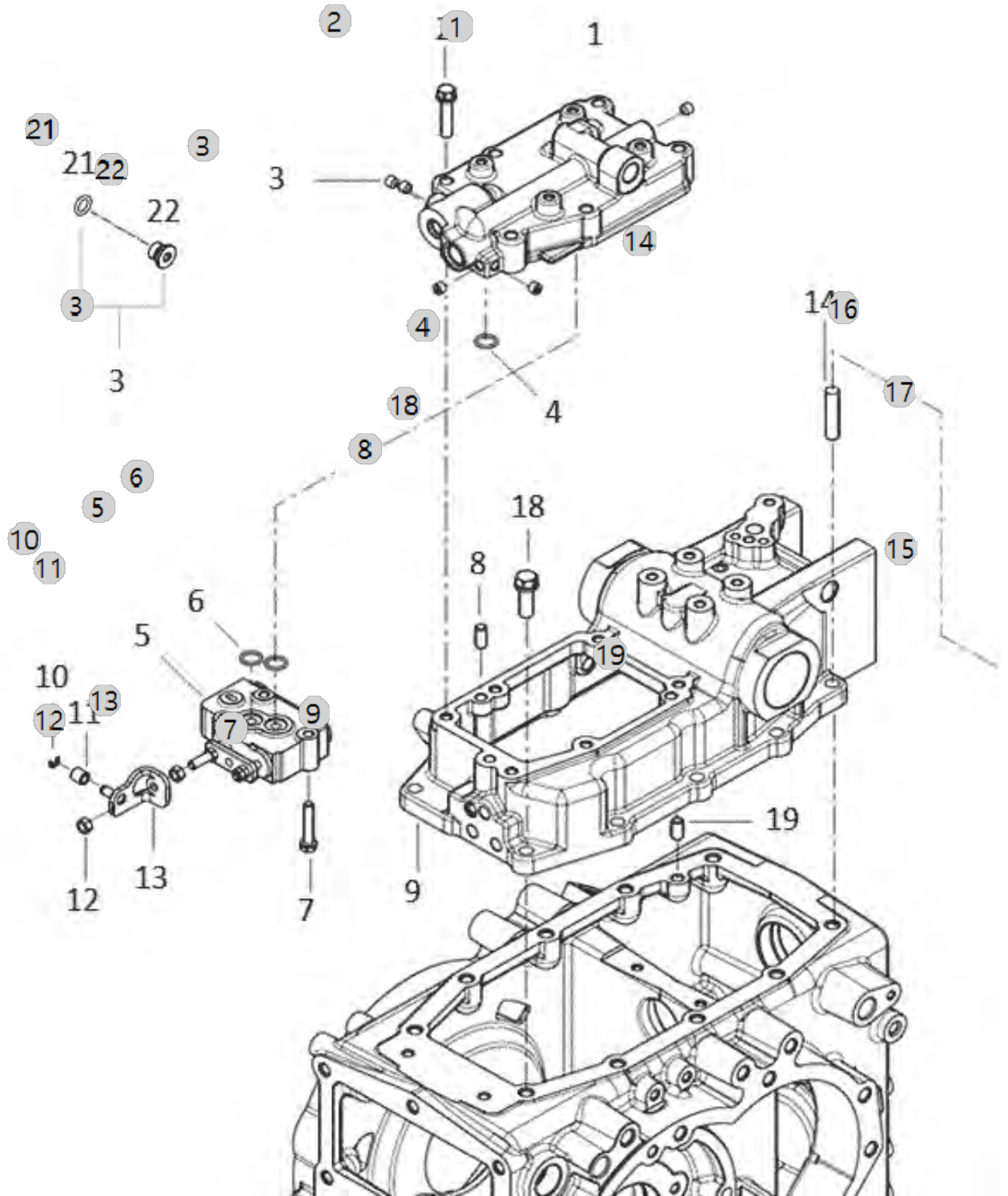
F10010

K3_HST_TM(EU)_NEC
(AC01492)

CASE, HYD CYLINDER

Year/Month

2023-01-18



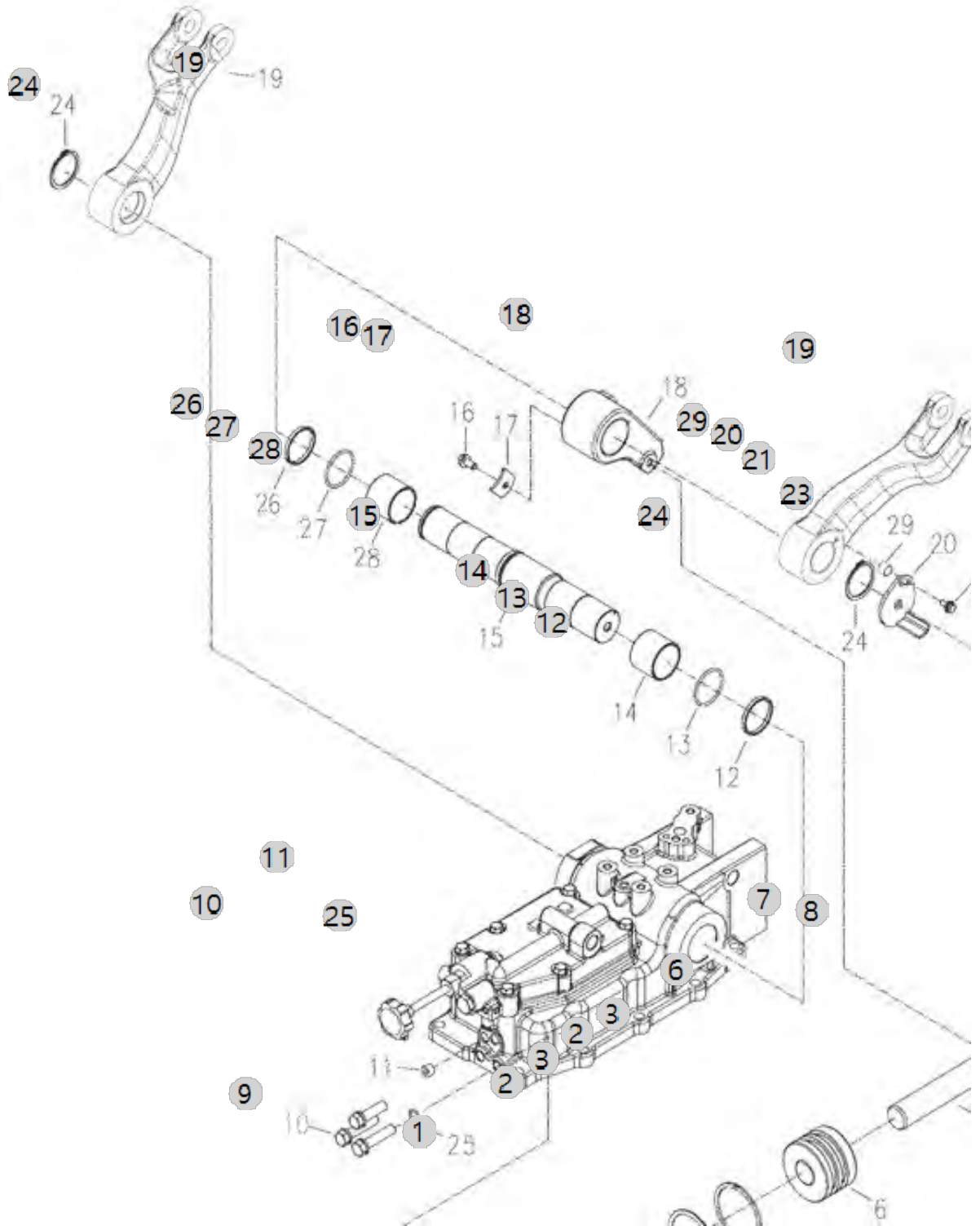
F10020

K3_HST_TM(EU)_NEC
(AC01492)

LIFT ARM

Year/Month

2023-01-18



F10020		LIFT ARM				Year/Month
K3_HST_TM(EU)_NEC (AC01492)						2023-01-18
순번 (NO)	부품번호 (PART NO)	품명 (PART NAME)	품명 (PART NAME)	수량 (QTY)	규격 (SPEC)	비고 (REMARK)
1	TA00046960B	실린더조합(ID90)	CYLINDER	1		
2	TA00046958A	O-링	O RING	2		
3	TA00046957A	백업링	BACKUP-RING	2		
6	TA00046959A	피스톤(OD90)	PISTON	1		
7	TA00033094A	피스톤로드	ROD, PISTON	1		
8	22351-080050	스프링핀	PIN, SPRING (8-50)	1		
9	34311-000140	O-링	O-RING	1		
10	26156-120552	육각볼트(세목)	HEXAGON HEAD BOLT	3		
11	TA00045690B	플러그조합	PLUG ASS'Y	1		
11	TA00045690A	플러그조합	PLUG ASS'Y	1		
12	TA00035651A	백업링	RING	1		
13	24321-000500	O링(G형)	O-RING (D50)	1	G50	
14	TA00035650A	부시(D55X40)	BUSH	1		
15	TA00033089C	리프트링크축	SHAFT, LIFT LINK	1		
16	26106-080162	플랜지볼트8X16	SCREW,HEXFLANGEHEADCAP	1	M8XP1.25X16	
17	TA00033095A	플레이트	PLATE	1		
18	TA00033093B	리프트크랭크	CRANK, LIFT	1		
19	TA00040302A	리프트암	LIFT ARM	2		
19	TA00040302B	리프트암	LIFT ARM	2		
20	TA00034082C	캠 조합	CAMP ASSY	1		
21	26106-060202	육각플랜지볼트(6*20)	HEXFLANGE BOLT	1	M6X1.0X20	
23	26106-100202	육각플랜지볼트	HEX BOLT, (10-20)	1	M10XP1.5X20	
24	22242-000450	축용스냅링45	SNAP RING, SHAFT (Φ 45)	2	D45	
25	TA00035675A	본디드실(M12)	BONDED SEAL	3		
26	TA00033100A	백업링	RING, BACK UP	1		
27	24321-000450	O링(G형)	O-RING, DYNAMIC (Φ45)	1	G45	
28	TA00033099A	부시	BUSH	1		
29	TA00035684A	칼라	COLLAR	1		
29	TA00035684B	칼라	COLLAR	1		

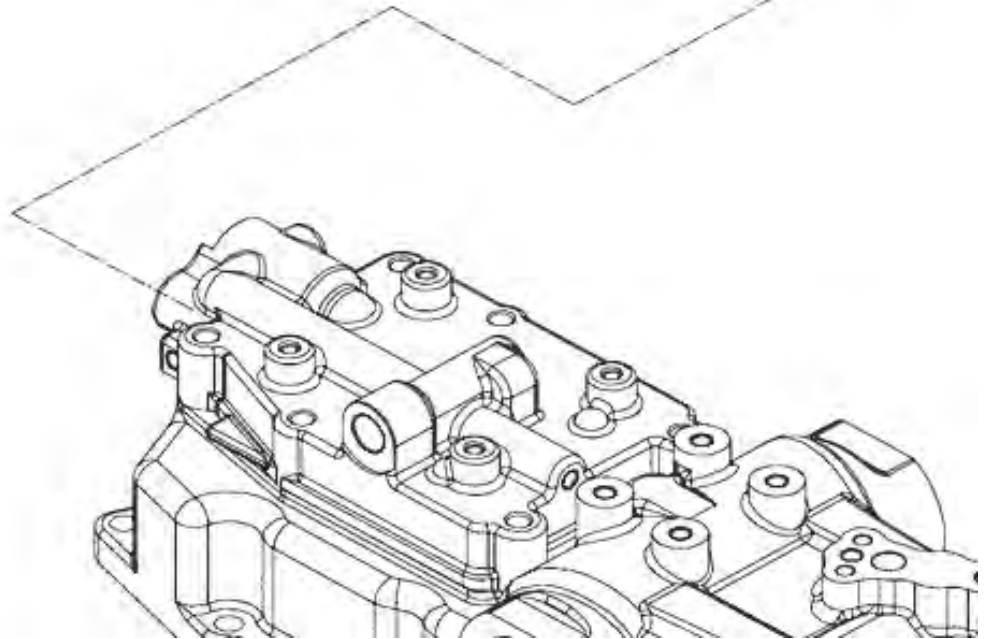
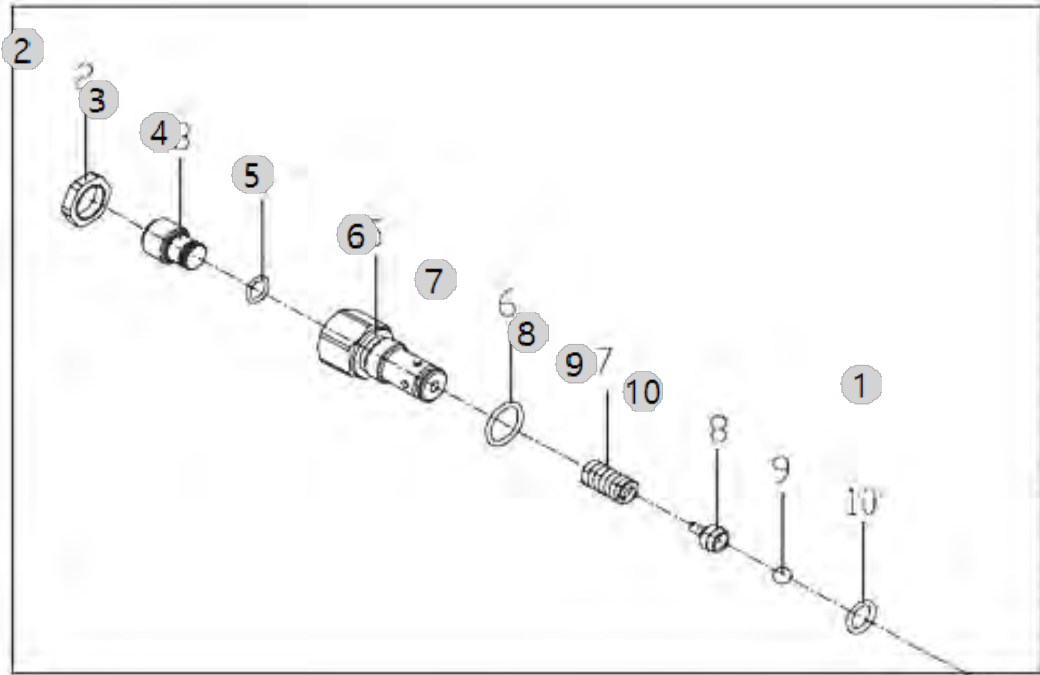
F10030

K3_HST_TM(EU)_NEC
(AC01492)

SAFETY VALVE

Year/Month

2023-01-18



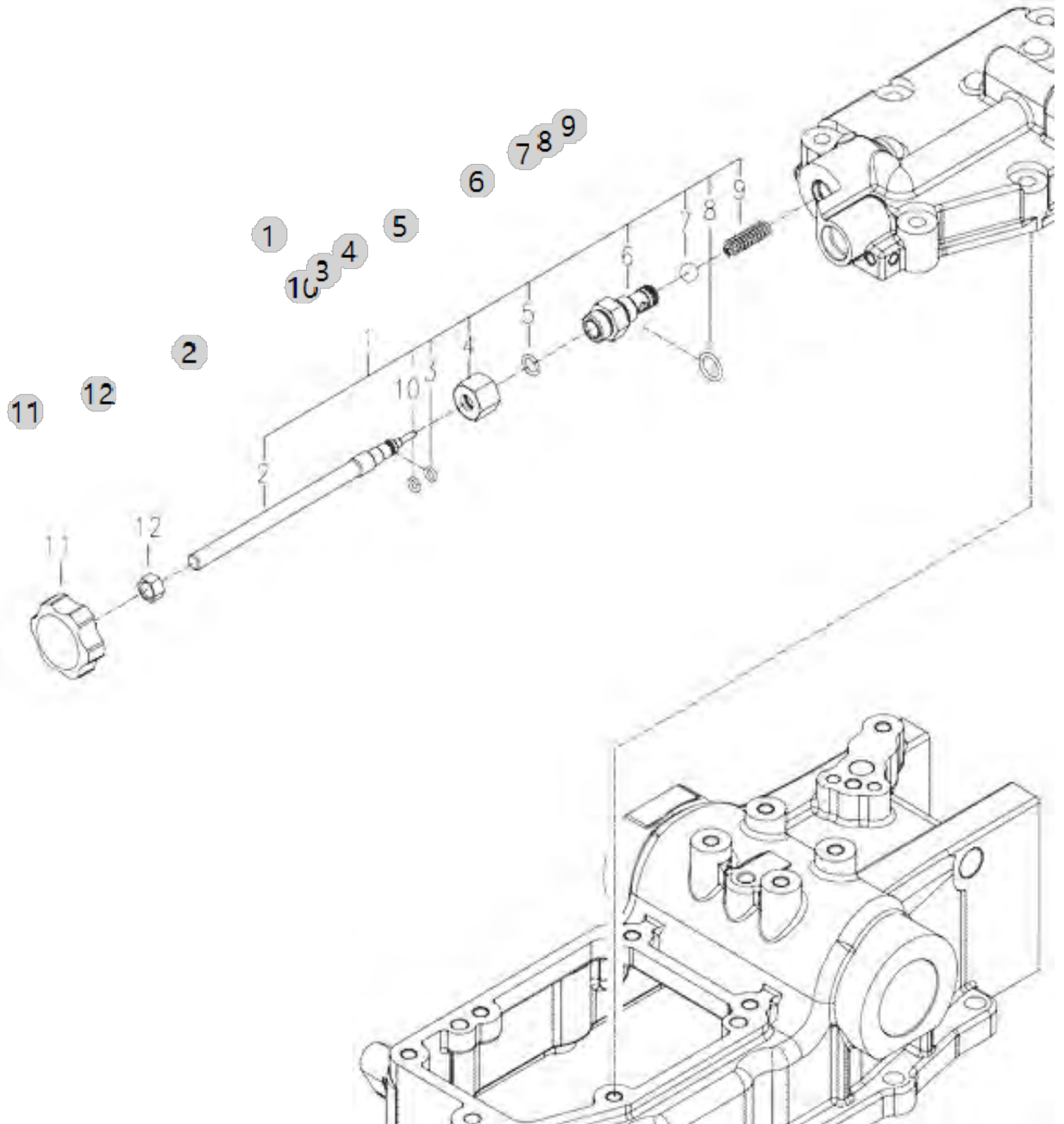
F10040

K3_HST_TM(EU)_NEC
(AC01492)

STOP VALVE

Year/Month

2023-01-18



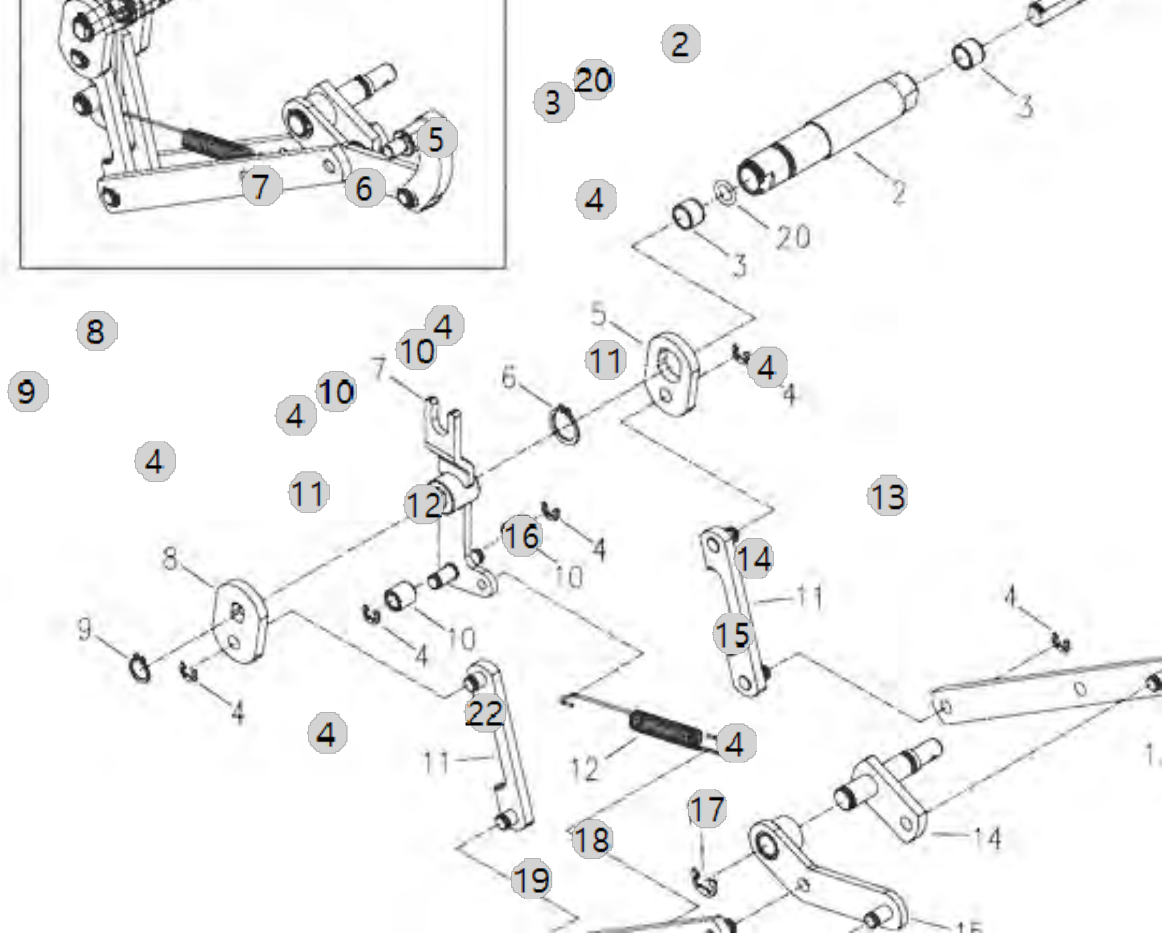
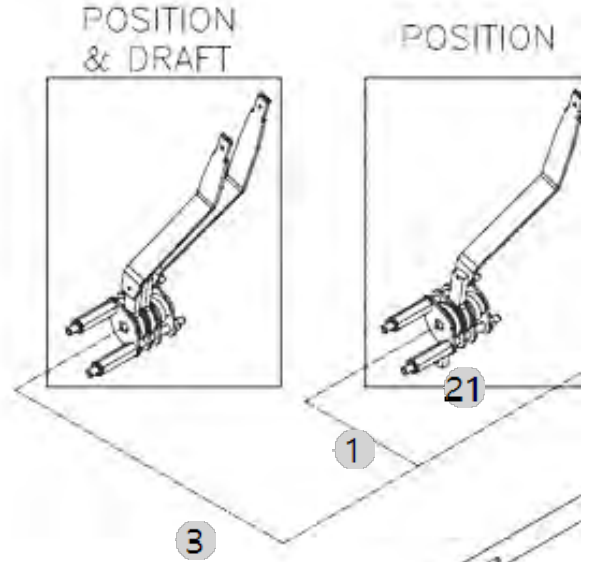
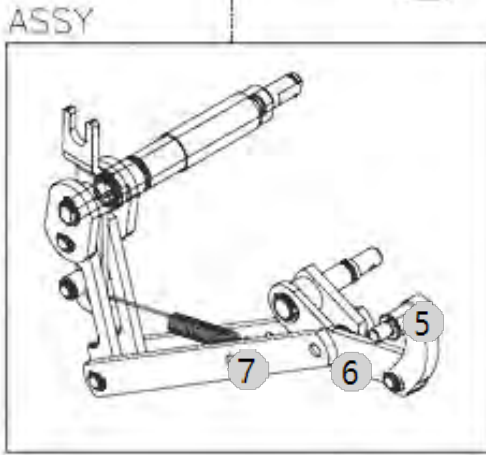
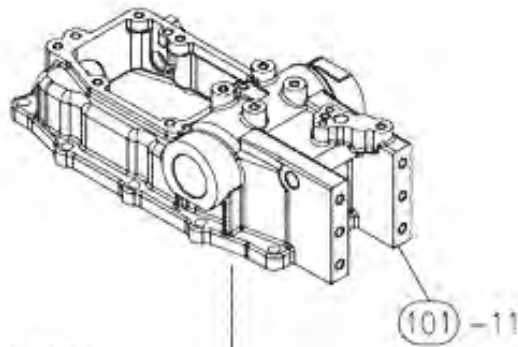
F10061

K3_HST_TM(EU)_NEC
(AC01492)

DRAFT/POSITION CONTROL LEVER

Year/Month

2023-01-18



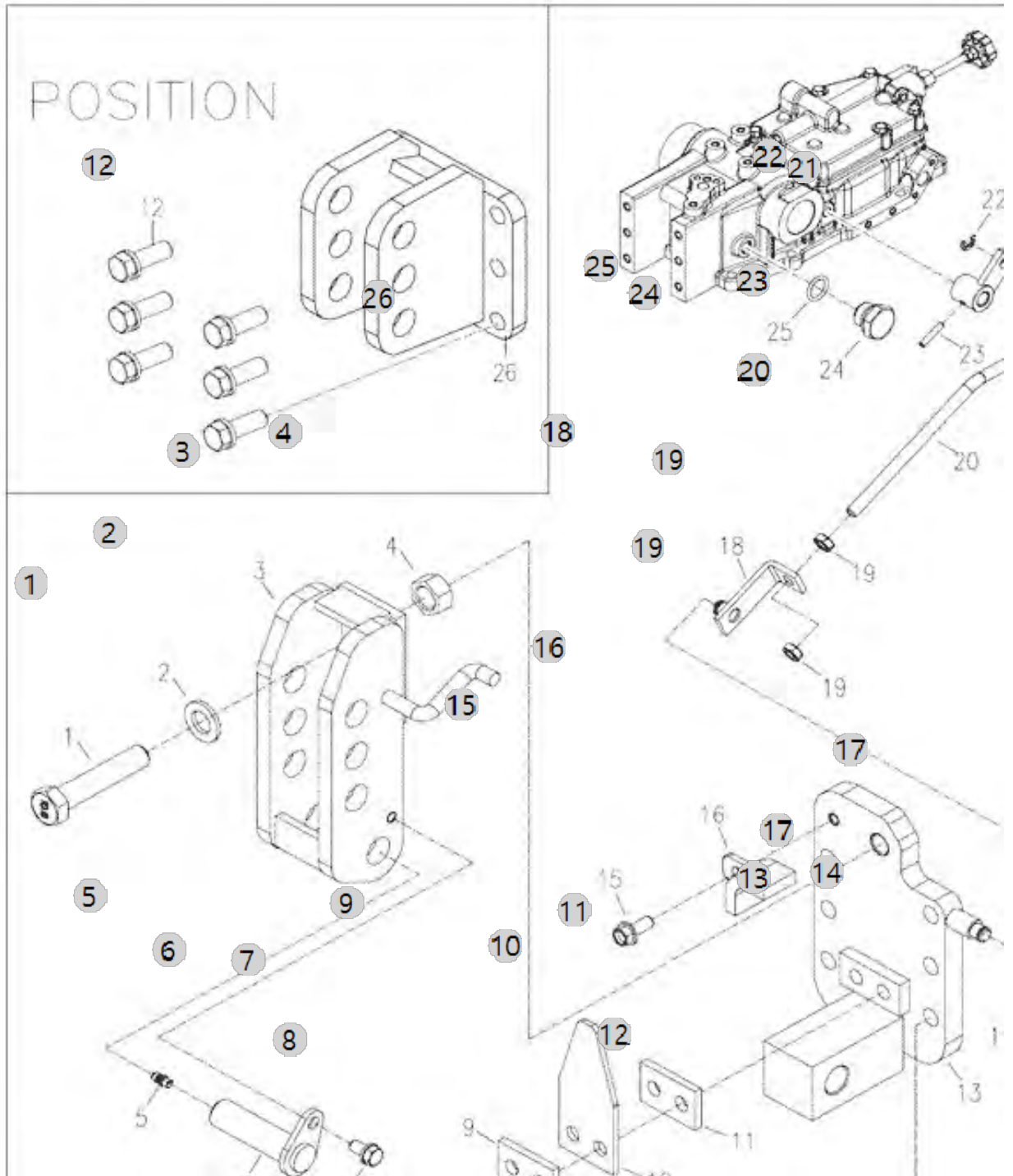
F10063

K3_HST_TM(EU)_NEC
(AC01492)

DRAFT CONTROL LEVER

Year/Month

2023-01-18



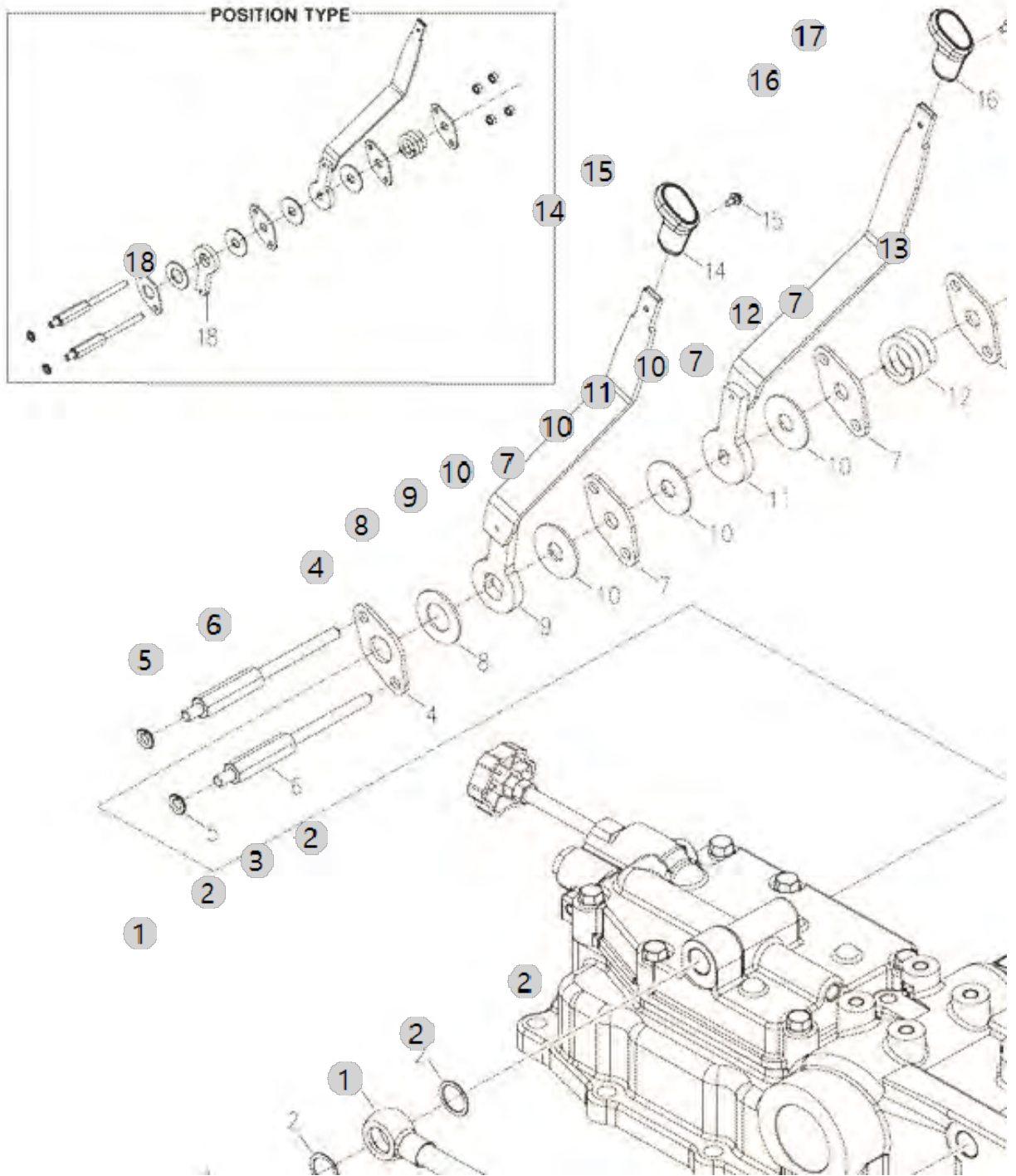
F10064

K3_HST_TM(EU)_NEC
(AC01492)

POSITION CONTROL LEVER

Year/Month

2023-01-18



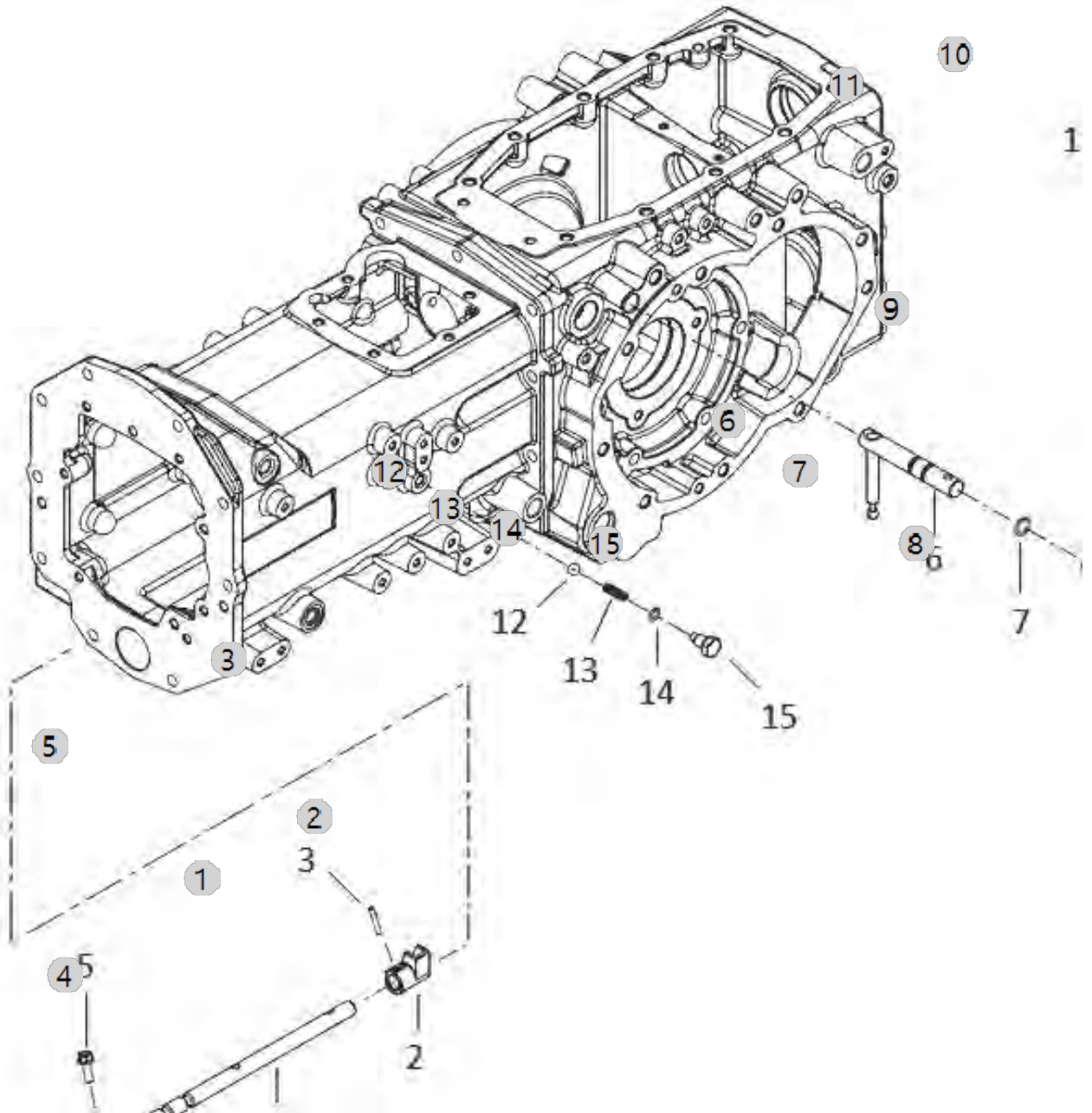
F11020

K3_HST_TM(EU)_NEC
(AC01492)

LEVER ASS'Y, RANGE SHIFT

Year/Month

2023-01-18



F11020 K3_HST_TM(EU)_NEC (AC01492)	LEVER ASS'Y, RANGE SHIFT	Year/Month
		2023-01-18

순번 (NO)	부품번호 (PART NO)	품명 (PART NAME)	품명 (PART NAME)	수량 (QTY)	규격 (SPEC)	비고 (REMARK)
1	TA00042214A	부변속 포크축(HST)	SHAFT FORK (HST)	1		
2	TA00038542B	부변속시프터	ADAPTOR, RANGE	1		
2	TA00038542C	부변속시프터	ADAPTOR, RANGE	1		
3	22351-060025	SPRINGPIN6X25	PIN, SPRING (6-25)	1	D6X25	
4	TA00038735B	부변속 포크	FORK, RANGE SHIFT	1		
4	TA00038735C	부변속 포크	FORK, RANGE SHIFT	1		
5	26013-080302	와셔조립육각볼트(+SW)	HEX BOLT W/WASHER	1	M8XP1.25X30	
6	TA00038546C	부변속변속축	SHIFT	1		
6	TA00038546D	부변속변속축	SHIFT	1		
6	TA00038546E	부변속변속축	SHIFT	1		
6	TA00038546F	부변속변속축	SHIFT	1		
7	24311-000160	O-링 P 16	O-RING, DYNAMIC (Φ16)	2	P16	DEL.20220331
8	TA00038640B	부변속레버	LEVER, RANGE SHIFT	1		
8	TA00038640C	부변속레버	LEVER, RANGE SHIFT	1		
8	TA00038640D	부변속레버	LEVER, RANGE SHIFT	1		
9	TA00059644A	코일스프링핀(6-35)	COIL SPRING PIS	1		
10	TA00062665A	부변속 노브 조합	KNOB	1		
10-1	TA00043530A	부변속 노브 조합(HST)	KNOB	1		
11	26023-040162	와셔조립납비작은나사(SW+PW)	SCREW	1	M4X16	
12	24190-110001	강구11/32	Ball, Steel (11/32)	1	11/32	
13	TA00038502A	스프링	SPRING	1		
14	24311-240100	O-링(P형)	SEAL, O-RING	1	P10	
15	TA00038540A	볼트	BOLT, RAIL	1		
15	TA00038540B	볼트	BOLT, RAIL	1		

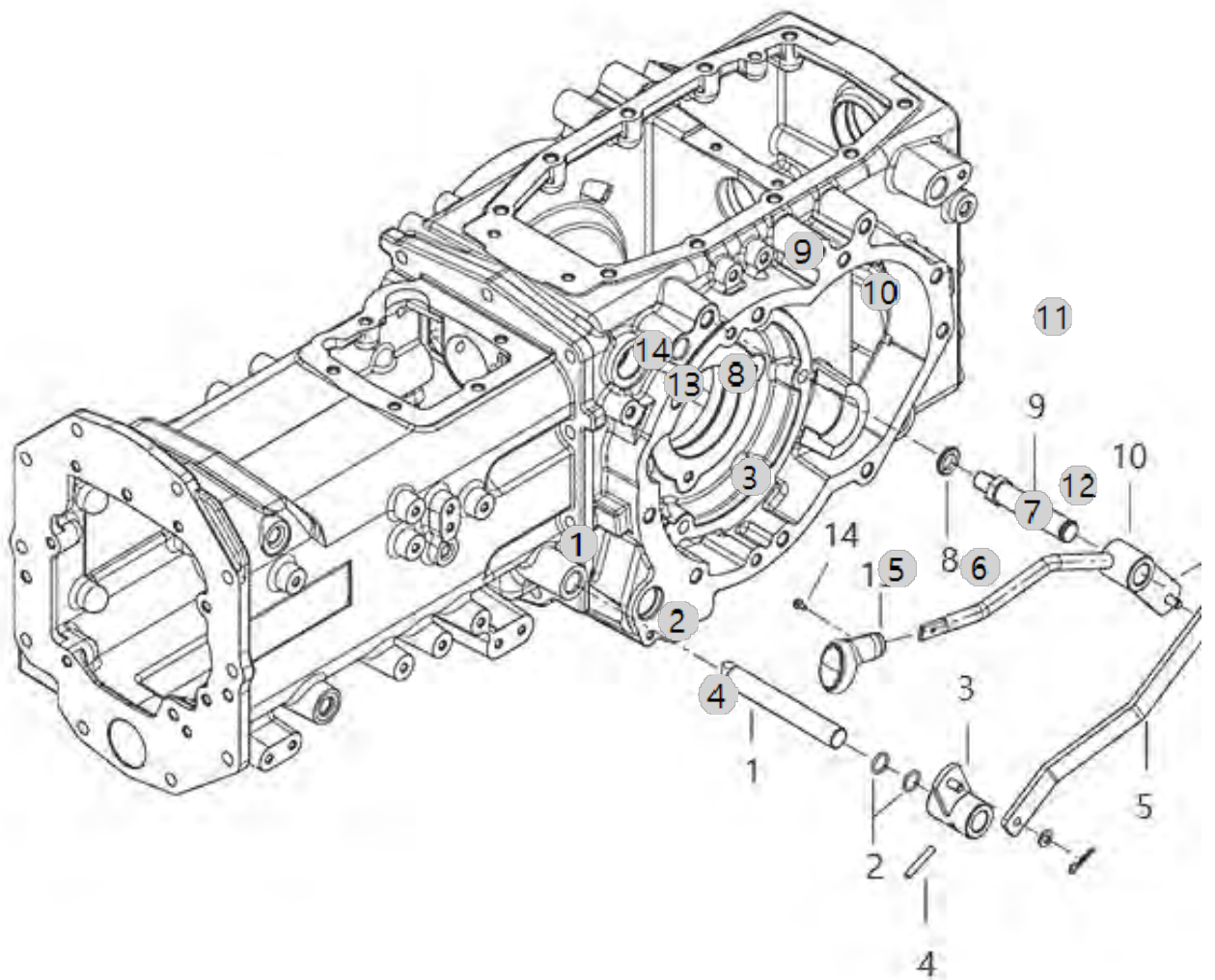
F11080

K3_HST_TM(EU)_NEC
(AC01492)

4WD LEVER

Year/Month

2023-01-18



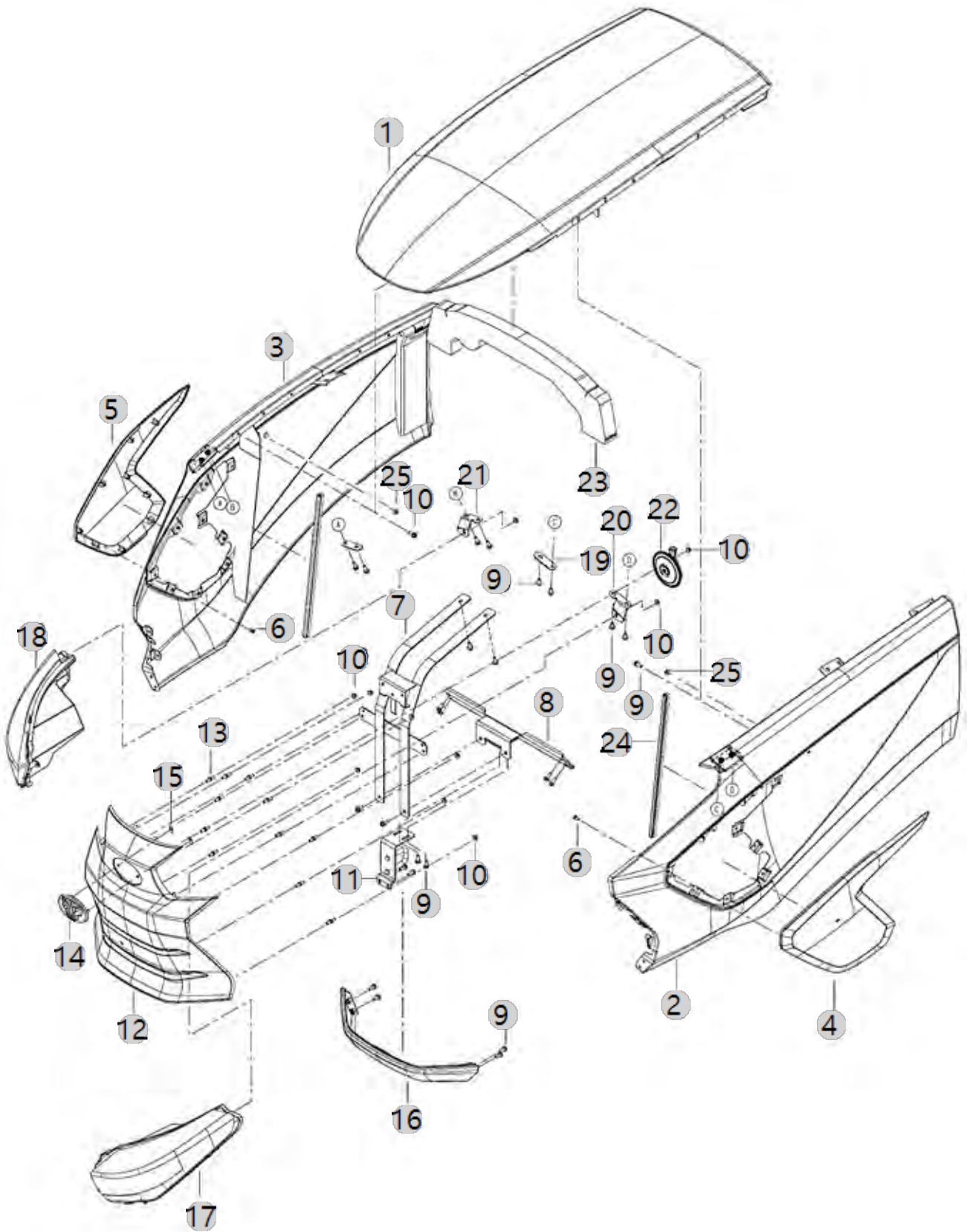
G01020

F50HN_EU_FL
(AC02147)

BONNET

Year/Month

2023-01-18



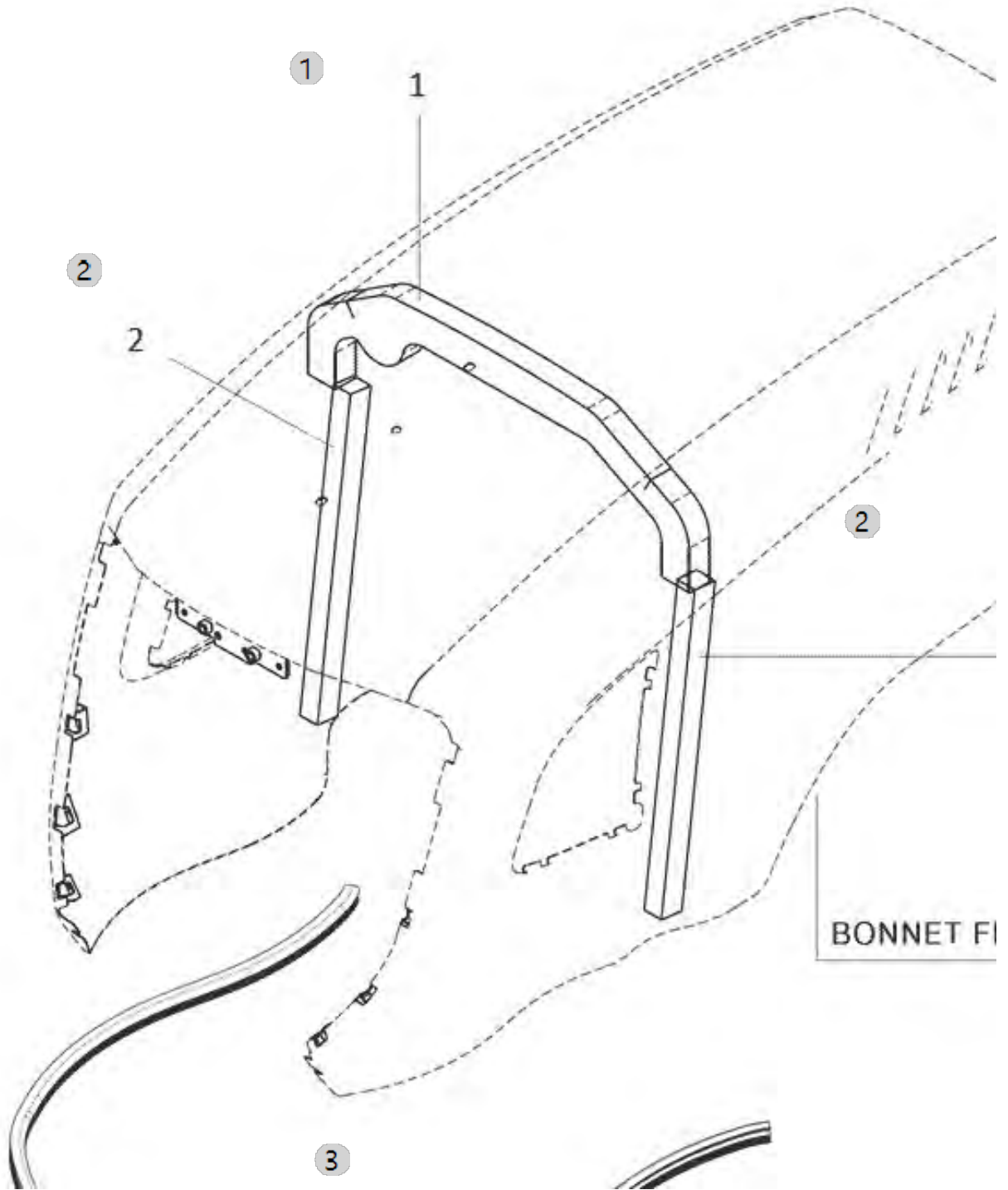
G01021

F50HN_EU_FL
(AC02147)

BONNET URETHANE

Year/Month

2023-01-18



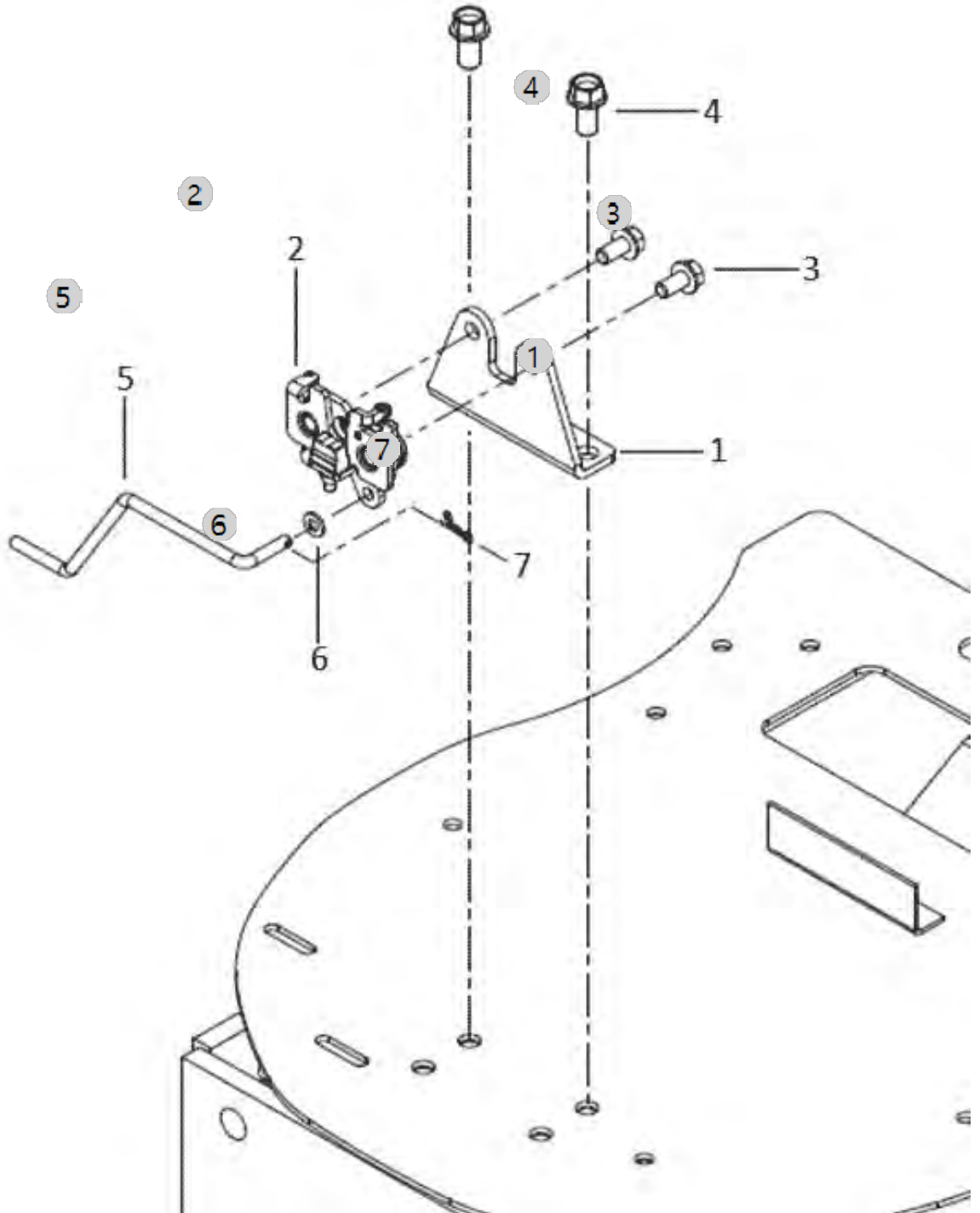
G01040

F50HN_EU_FL
(AC02147)

LOCKING ASS'Y, BONNET

Year/Month

2023-01-18



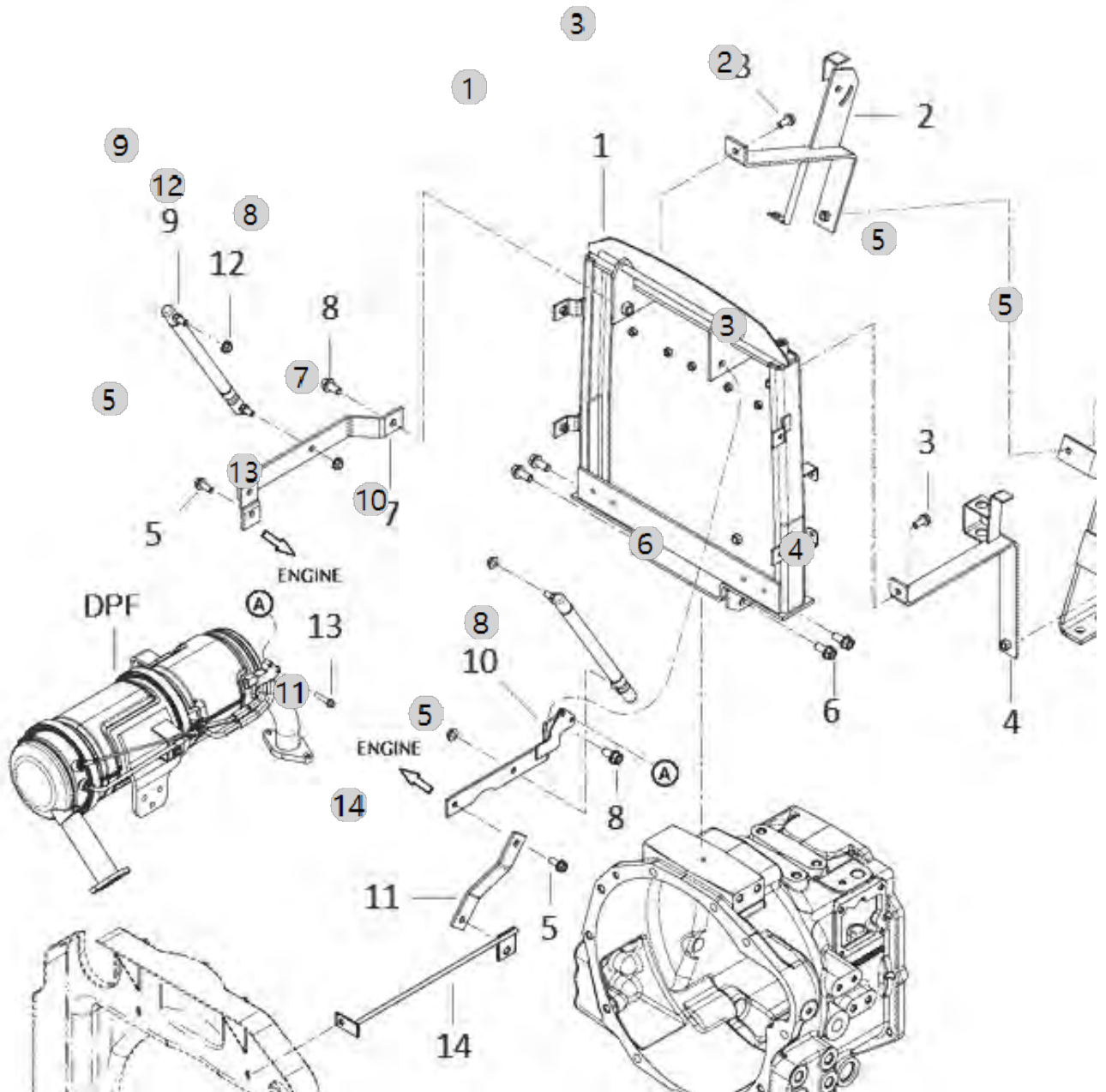
G01060A

F50HN_EU_FL
(AC02147)

FIXED BRACKET, BONNET

Year/Month

2023-01-18



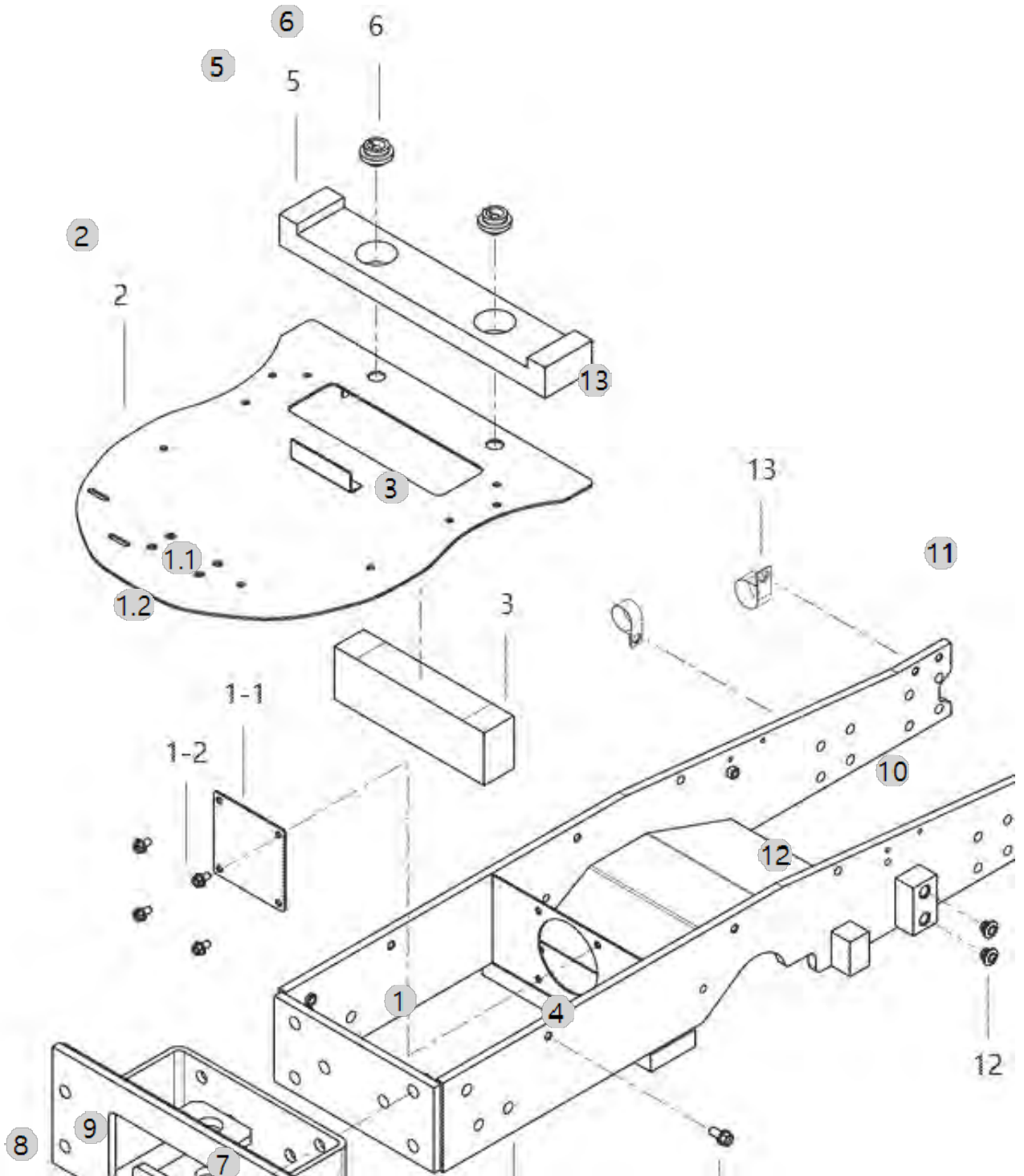
G01080

F50HN_EU_FL
(AC02147)

FRONT AXLE BRACKET

Year/Month

2023-01-18



G01080 F50HN_EU_FL (AC02147)	FRONT AXLE BRACKET				Year/Month
					2023-01-18

순번 (NO)	부품번호 (PART NO)	품명 (PART NAME)	품명 (PART NAME)	수량 (QTY)	규격 (SPEC)	비고 (REMARK)
1	TA00065383C	프런트 액슬 브래킷(4R)	BRACKET, FORNT AXLE	1		
1-1	TA00057575A	전방PTO면지커버	COVER	1		
1-2	26106-080142	BOLT	SCREW,HEXFLANGEHEADCAP	4		
2	TA00065258A	플레이트 조합(ROPS)	ASSY, PLATE	1		
2	TA00065258C	플레이트 조합(ROPS)	ASSY, PLATE	1		
2	TA00065258B	플레이트 조합(ROPS)	ASSY, PLATE	1		
2	TA00065258D	플레이트 조합(ROPS)	ASSY, PLATE	1		
3	TA00040607C	우레탄(프런트액슬)	URETHANE	1		
3	TA00040607B	우레탄(프런트액슬)	URETHANE	1		
4	26106-100202	육각플랜지볼트	HEX BOLT, (10-20)	4	M10XP1.5X20	
5	TA00040608B	우레탄(라디에이터)	URETHANE	1		
6	HRA1203300A4	방진고무	RUBBER, VIBRATION PROOF	2		
7	TA00040753C	프런트히치조합	FRONT HITCH ASS'Y	1		
7	TA00040753B	프런트히치조합	FRONT HITCH ASSY	1		
7	TA00040753D	프런트히치조합	FRONT HITCH ASS'Y	1		
8	26116-160502	볼트(16*2*50)	BOLT	6		
9	22217-160000	스프링와셔	WASHER, SPRING (Φ 16)	6	M16	
10	22217-120000	스프링와셔	WASHER, SPRING (Φ 12)	16	M12	
11	TC54220000B4	볼트 M12X30	BOLT_M12X30	16		
11	TC54220000A4	볼트 M12X30	TC54220000A4	16		
12	TA00055258A	고무플러그(14)	PLUG(14)	4		
13	TA00003081A	클립M12	CLIP	2		
13	TA00003081B	클립M12	CLIP	2		

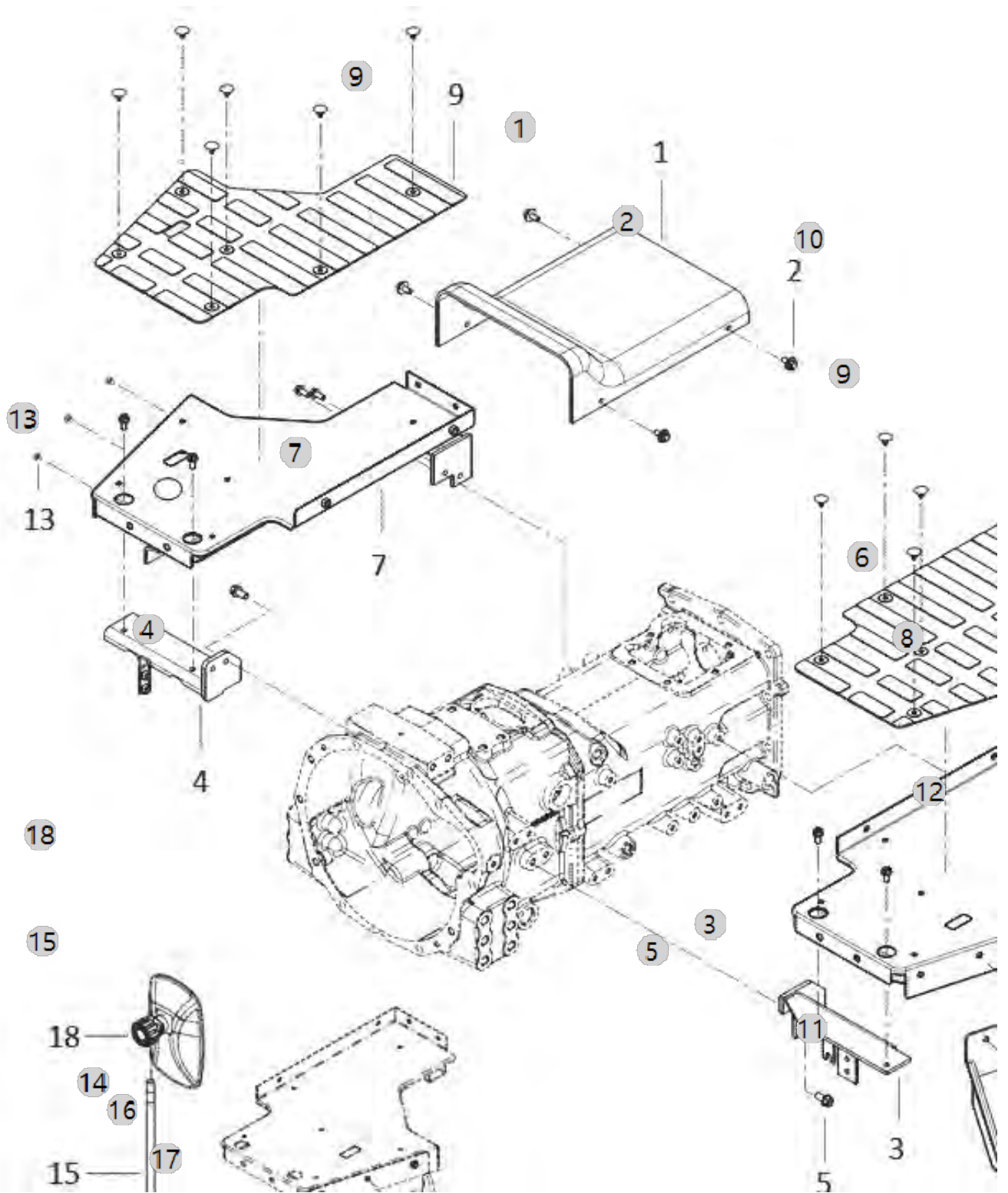
G04060

F50HN_EU_FL
(AC02147)

FOOT REST ASS'Y

Year/Month

2023-01-18



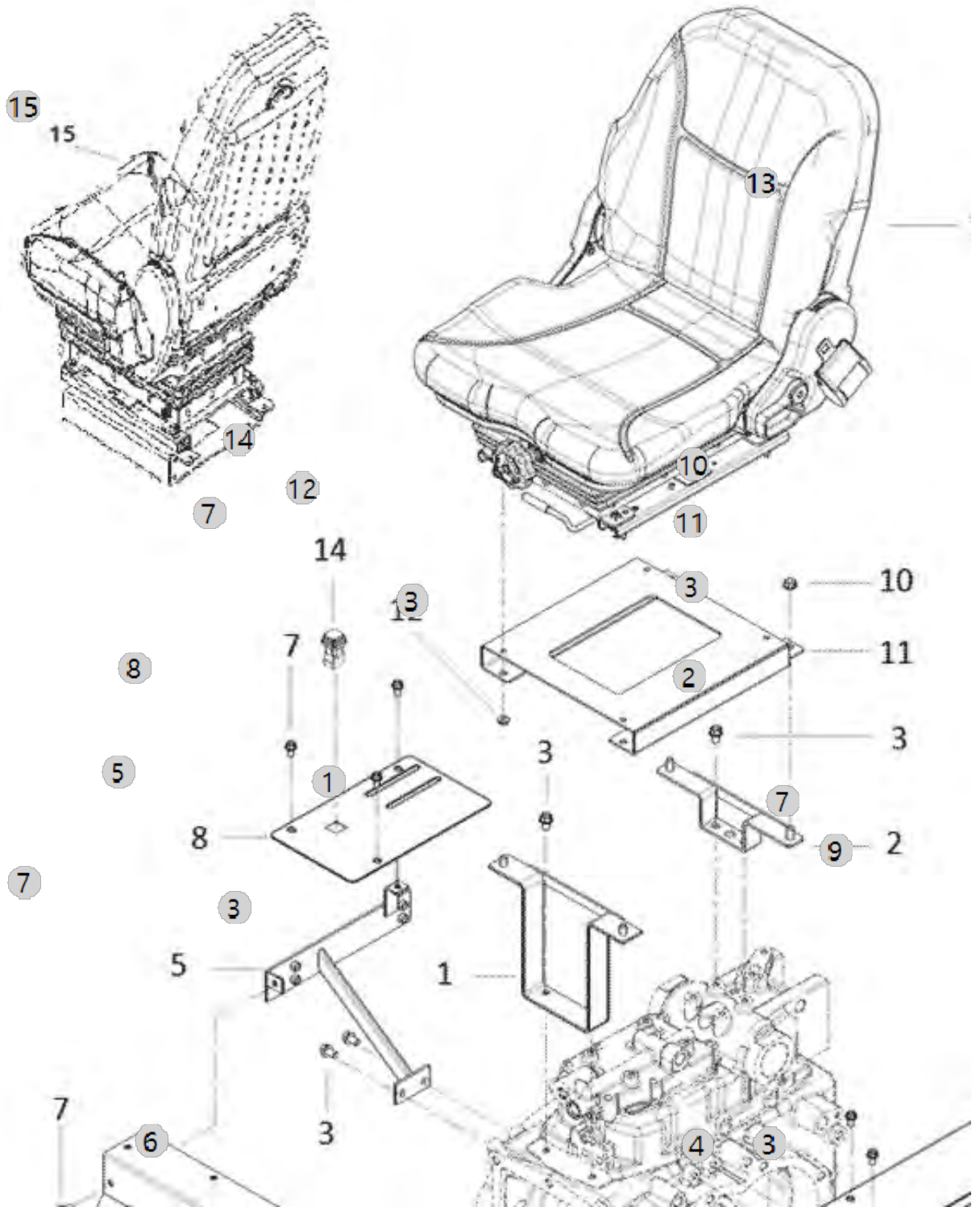
G04070

F50HN_EU_FL
(AC02147)

SEAT

Year/Month

2023-01-18



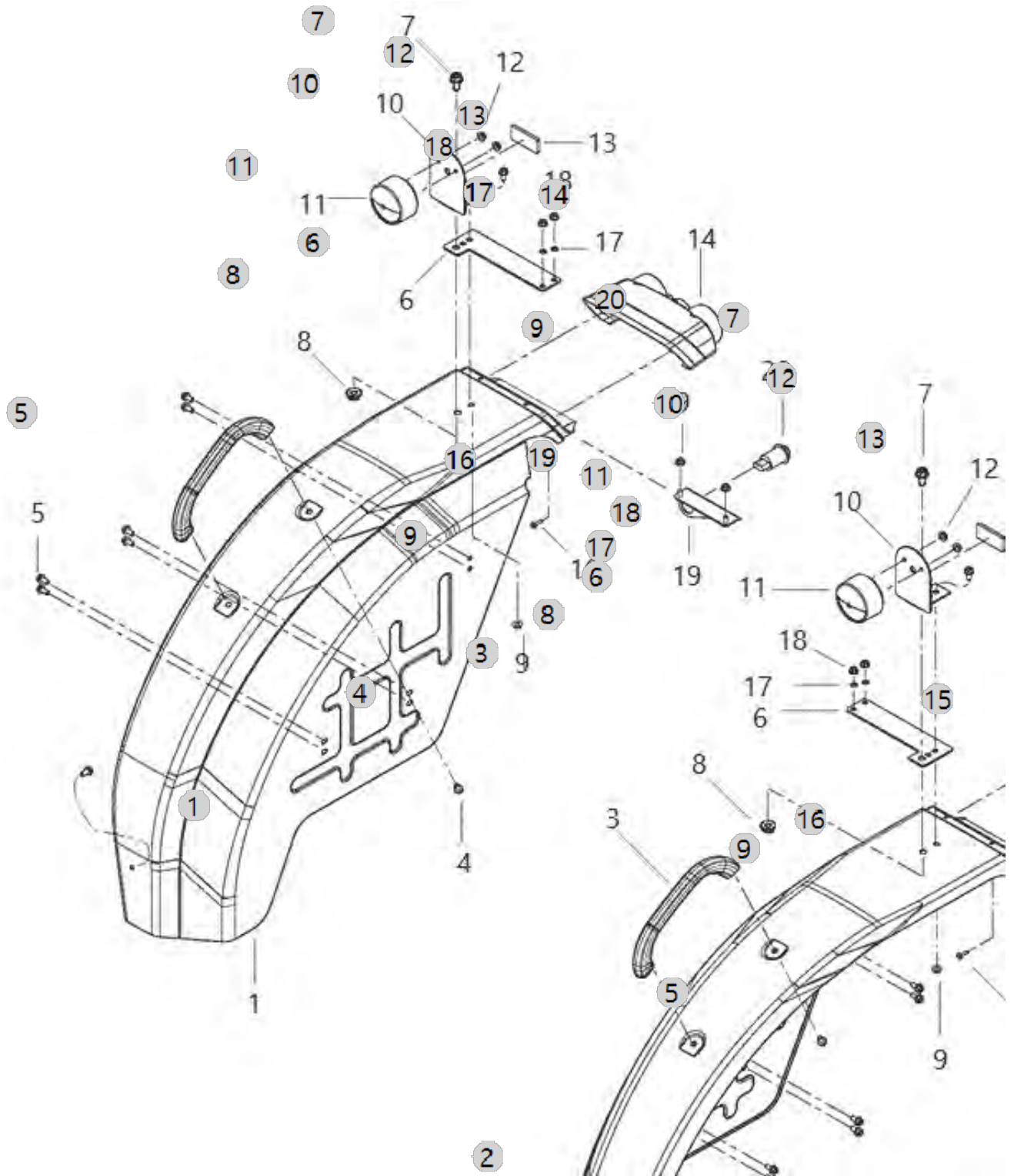
G04090

F50HN_EU_FL
(AC02147)

FENDER

Year/Month

2023-01-18



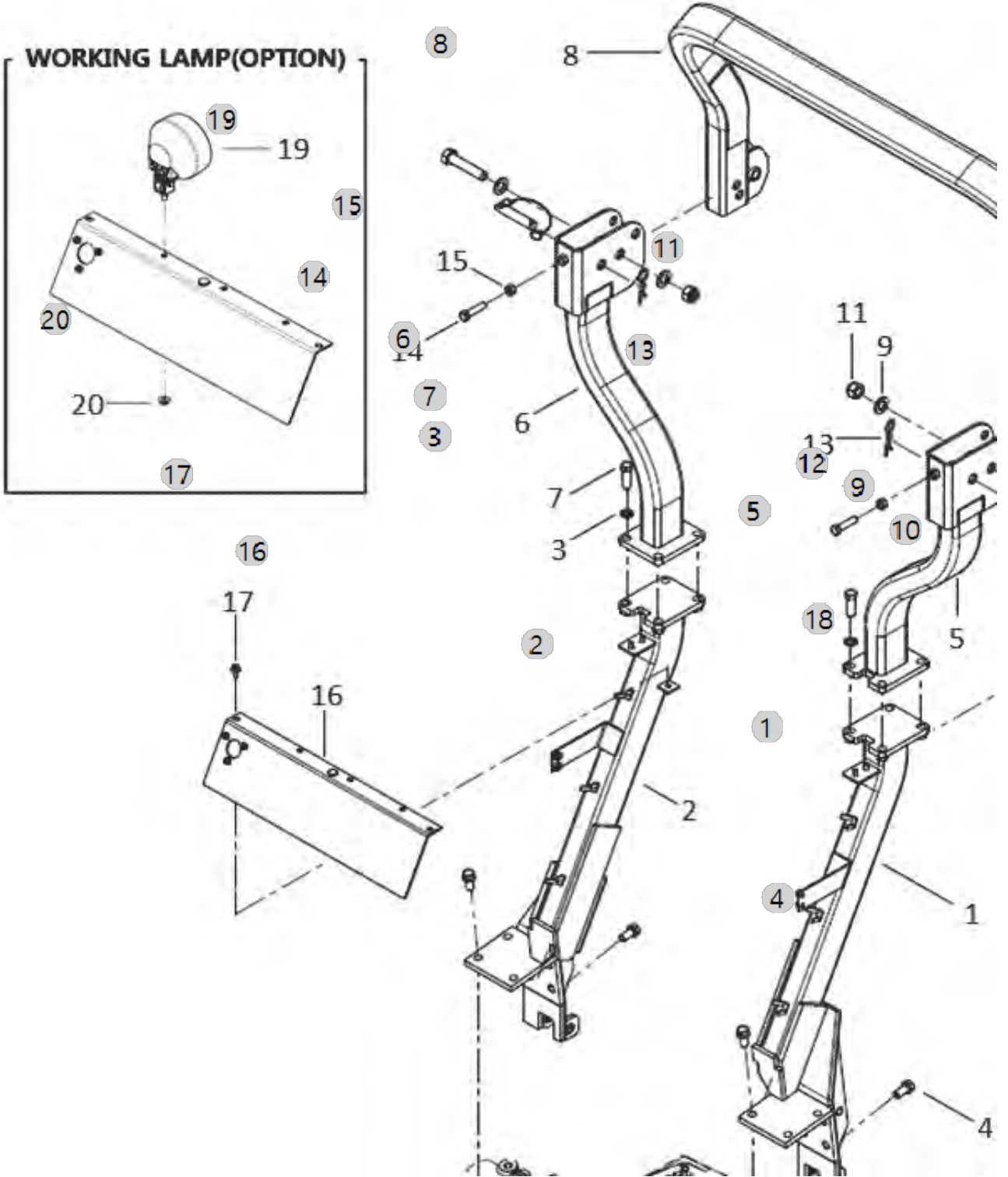
G04120

F50HN_EU_FL
(AC02147)

ROPS FRAME ASS'Y

Year/Month

2023-01-18



G04120 F50HN_EU_FL (AC02147)		ROPS FRAME ASS'Y				Year/Month 2023-01-18
순번 (NO)	부품번호 (PART NO)	품명 (PART NAME)	품명 (PART NAME)	수량 (QTY)	규격 (SPEC)	비고 (REMARK)
1	TA00040789H	하부프레임조합(내수)	LOWER FRAME ASSY	1		
1	TA00040789D	하부프레임조합(내수)	LOWER FRAME ASSY	1		
1	TA00040789J	하부프레임조합(내수)	LOWER FRAME ASSY	1		
1	TA00040789F	하부프레임조합(내수)	LOWER FRAME ASSY	1		
1	TA00040789C	하부프레임조합(내수)	LOWER FRAME ASSY	1		
1	TA00040789I	하부프레임조합(내수)	LOWER FRAME ASSY	1		
1	TA00040789E	하부프레임조합(내수)	LOWER FRAME ASSY	1		
1	TA00040789G	하부프레임조합 좌(내수)	LOWER FRAME ASSY (LH)	1		
1	TA00040789B	하부프레임조합(내수)	LOWER FRAME ASSY	1		
2	TA00040846I	하부프레임조합RH(내수)	FRAME ASS'Y(R), LOWER	1		
2	TA00040846D	하부프레임조합RH(내수)	FRAME ASS'Y(R), LOWER	1		
2	TA00040846F	하부프레임조합 우(내수)	LOWER FRAME ASSY (RH)	1		
2	TA00040846H	하부프레임조합RH(내수)	FRAME ASS'Y(R), LOWER	1		
2	TA00040846C	하부프레임조합RH(내수)	FRAME ASS'Y(R), LOWER	1		
2	TA00040846E	하부프레임조합RH(내수)	FRAME ASS'Y(R), LOWER	1		
2	TA00040846G	하부프레임조합RH(내수)	FRAME ASS'Y(R), LOWER	1		
2	TA00040846B	하부프레임조합RH(내수)	FRAME ASS'Y(R), LOWER	1		
3	22217-140000	스프링와셔14	WASHER, SPRING (Φ 14)	8	M14	
4	26013-140302	와셔조립육각볼트(+SW)	BOLT(+SW)	14	M14X2.00X03	
5	TA00039014C	중간프레임조합(좌)	LOWER FRMAE ASSY	1		
5	TA00039014E	중간프레임조합(좌)	LOWER FRMAE ASSY	1		
5	TA00039014G	중간프레임조합(좌)	LOWER FRMAE ASSY	1		
5	TA00039014B	중간프레임조합(좌)	LOWER FRMAE ASSY	1		
5	TA00039014D	중간프레임조합(좌)	LOWER FRMAE ASSY	1		
5	TA00039014F	중간프레임조합(좌)	MIDDLE ROPS FRAME (L)	1		
6	TA00039361B	중간프레임조합(우)	LOWER FRAME ASSY (RH)	1		
6	TA00039361D	중간프레임조합(우)	LOWER FRAME ASSY (RH)	1		
6	TA00039361F	중간프레임조합(우)	LOWER FRAME ASSY (RH)	1		
6	TA00039361C	중간프레임조합(우)	LOWER FRAME ASSY (RH)	1		
6	TA00039361E	중간프레임조합(우)	MIDDLE ROPS FRAME (R)	1		
7	26116-140452	볼트7T(14X45)	BOLT	8	M14X2X45	
8	TA00046791C	ROPS조합(US)	ROPS ASS'Y(US)	1		
8	TA00046791B	ROPS조합(US)	ROPS ASSY(US)	1		
9	22137-180000	평와셔	WASHER, PLAIN (Φ 18)	4		
10	26116-180902	육각볼트	BOLT	2	M18X90	
11	TA00047305B	U너트(나일론)	U-NUT	2		
11	TA00047305A	U너트(나일론)	U-NUT	2		
12	NTF8400000B3	ROPS 핀	ROPSPIN	2		
12	NTF8400000A3	ROPS핀	ROPSPIN	2		
13	TTE7010000C4	스냅핀	SNAP PIN	2	D3.2	
13	TTE7010000B4	스냅핀	SNAPPIN	2	D3.2	
13	TTE7010000A4	스냅핀	SNAPPIN	2		
14	26116-120504	육각볼트	BOLT	2	M12X1.75X50	
15	26716-120002	295,ALL,육각너트	HEXA NUT295	2	M12X1.75	
16	TA00041788C	후면커버조합(EU)	REAR COVER ASSY	1		

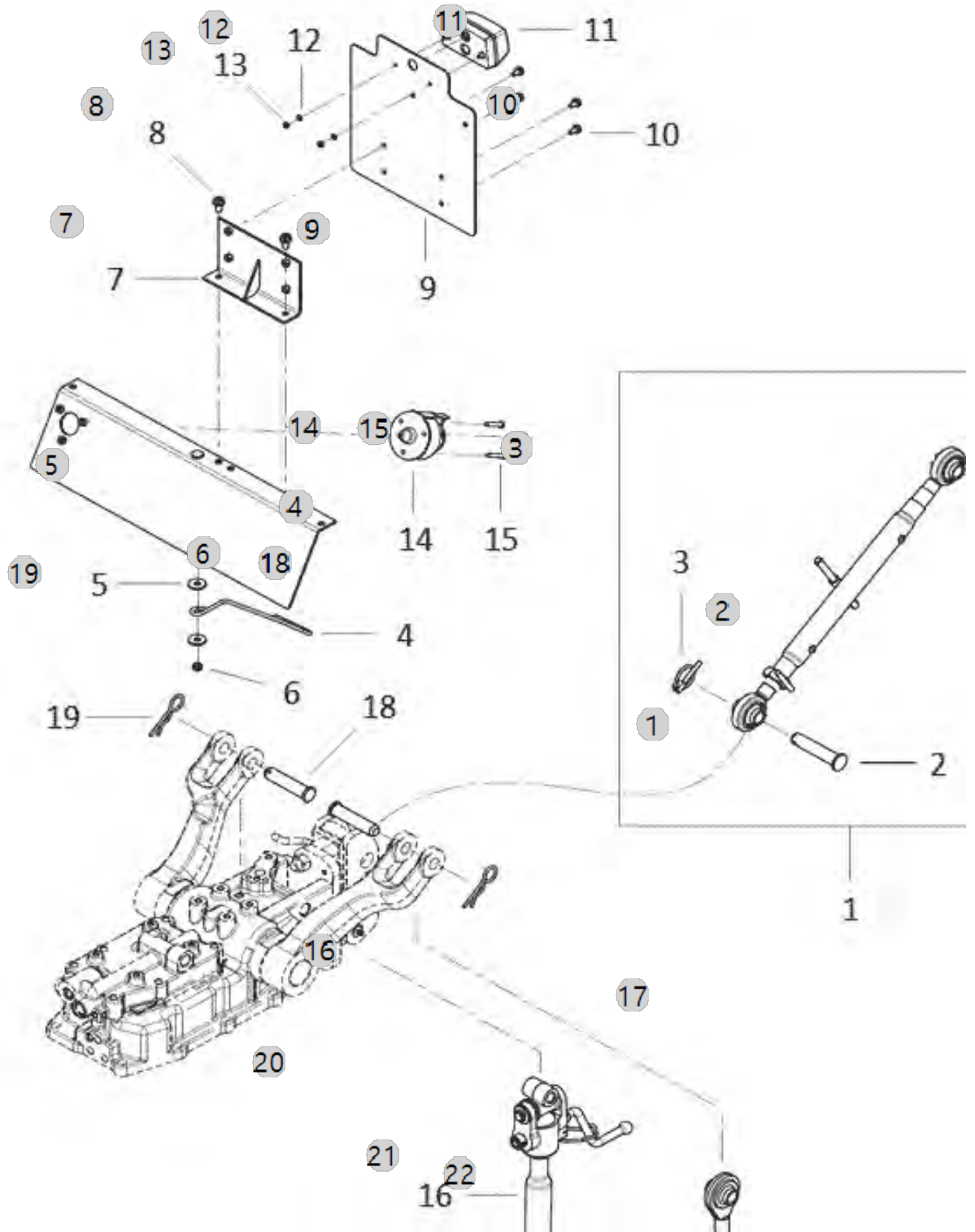
G05010

F50HN_EU_FL
(AC02147)

TOP LINK, LIFT LINK

Year/Month

2023-01-18



G05010 F50HN_EU_FL (AC02147)		TOP LINK, LIFT LINK				Year/Month 2023-01-18
순번 (NO)	부품번호 (PART NO)	품명 (PART NAME)	품명 (PART NAME)	수량 (QTY)	규격 (SPEC)	비고 (REMARK)
1	TA00039541B	탑링크 조합(하우스)	TOP LINK	1		
1	TA00039541E	탑링크 조합(하우스)	TOP LINK	1		
1	TA00039541C	탑링크 조합(하우스)	TOP LINK	1		
2	TTE6130000C4	두부핀	PIN	1	D19H10	
2	TTE6130000B4	두부핀	PIN	1	D19H10	
2	TTE6130000E4	두부핀	PIN	1	D19H10	
3	TJ30110000D4	링핀조합	RINGPINASS'Y	1		
3	TJ30110000B4	링핀조합	RINGPINASS'Y	1		
3	TJ30110000A	SUB TO TJ30110000D4	SUB TO TJ30110000D4	1		
4	TA00047007C	후크(톱링크)	HOOK(TOPLINK)	1		
4	TA00047007B	후크(톱링크)	HOOK(TOPLINK)	1		
5	22157-080000	평와셔8(대형)	WASHER, PLAIN (Φ 08)	2	M8	
6	26347-080002	U너트	Unut	1	M8XP1.25	
7	TA00040820B	번호판 브라켓 조합	BRACKET, NUMBER PLATE	1		
7	TA00040820C	번호판 브라켓 조합	BRACKET, NUMBER PLATE	1		
8	26106-080162	플랜지볼트8X16	SCREW,HEXFLANGEHEADCAP	2	M8XP1.25X16	
9	TA00018438C	번호판등 브래킷	BRACKET, NAME PLATE LAMP	1	T1.6	
9	TA00018438B	번호판등 브래킷	BRACKET NAMEPLATE LAMP	1	T1.6	
10	26106-060122	육각플랜지볼트	HEX BOLT (6-12)	4	M6XP1.0X12	
11	FBK182000EA3	번호판램프	NUMBER PLATE LAMP	1		
12	22217-050000	스프링와셔	WASHER, SPRING (Φ 05)	2	M5	
13	26716-050002	너트M5	Nut, Hexa (Φ5)	2	M5X0.8	
14	HA00000454A	트레일러 연결소켓	TRAILERSOCKET	1		
14	HA00000454C	트레일러 연결소켓	TRAILERSOCKET	1		
14	HA00000454B	트레일러 연결소켓	TRAILERSOCKET	1		
15	26557-060352	[+]자홈남비작은나사	SCREW,+GROOVE	3	M6XP1.0X35	
16	TA00040654A	리프트링크 조합(우)	LIFT LINK ASS'Y(R)	1		
17	TA00040653B	리프트링크조합(좌)	LIFT LINK ASS'Y	1		
17	TA00040653D	리프트링크조합(좌)	LIFT LINK ASS'Y	1		
17	TA00040653C	리프트링크조합(좌)	LIFT LINK ASS'Y	1		
18	TTE7290000B4	핀	PIN	2		
18	TTE7290000C4	핀	PIN	2	D19	
19	TA00059528A	빠짐방지 스톱핀16	SNAP PIN	2		
20	TTE7300000B4	리프트요크핀	LIFT YORK PIN	2		
20	TTE7300000A4	리프트요크핀	PIN	2		
20	TTE7300000C4	리프트요크핀	LIFT YORK PIN	2		
20-1	TTE730000INA4	리프트요크핀	LIFT YORK PIN	2		
20-1	TTE730000INB4	리프트요크핀	LIFT YORK PIN	2		
21	TTE7310000B4	스토퍼	STOPPER	2	6T	
21	TTE7310000A4	스토퍼	STOPPER	2	T6.0X55X35	
21	TTE7310000C4	스토퍼	STOPPER	2	6T	
22	TA00059528A	빠짐방지 스톱핀16	SNAP PIN	2		

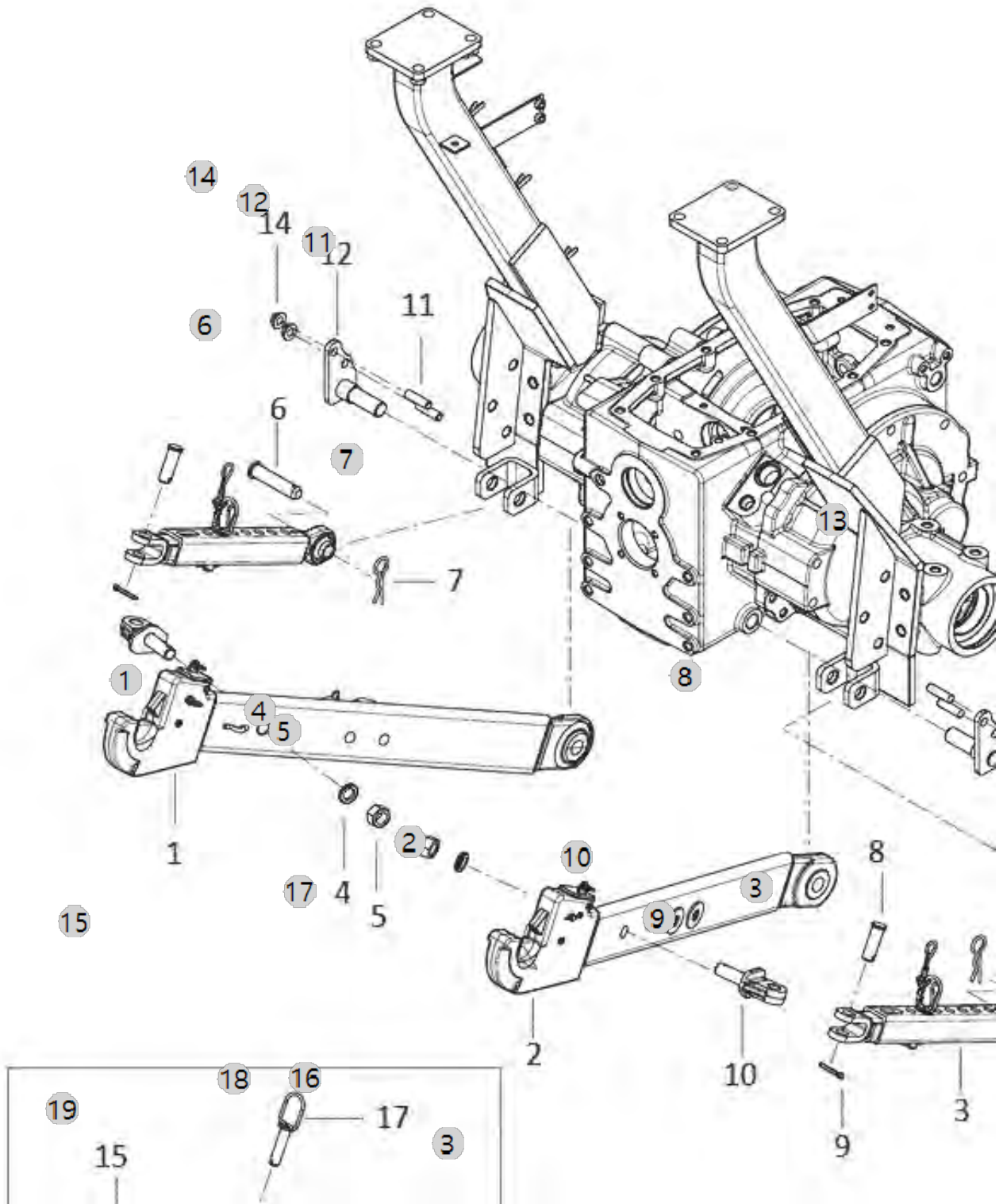
G05030

F50HN_EU_FL
(AC02147)

LOWER LINK

Year/Month

2023-01-18



G05030 F50HN_EU_FL (AC02147)		LOWER LINK				Year/Month 2023-01-18
순번 (NO)	부품번호 (PART NO)	품명 (PART NAME)	품명 (PART NAME)	수량 (QTY)	규격 (SPEC)	비고 (REMARK)
1	TA00055188B	하부링크조합(좌)	LOWER LINK(L)	1		
1	TA00055188D	하부링크조합(좌)	LOWER LINK ASS'Y L	1		
1	TA00055188C	하부링크조합(좌)	LOWER LINK ASS'Y L	1		
1	TA00055188E	하부링크조합(좌)	LOWER LINK ASS'Y L	1		
2	TA00055189E	하부링크조합(우)	LOWER LINK ASS'Y R	1		
2	TA00055189B	하부링크조합(우)	LOWER LINK(R)	1		
2	TA00055189D	하부링크조합(우)	LOWER LINK ASS'Y R	1		
2	TA00055189C	하부링크조합(우)	LOWER LINK ASS'Y R	1		
3	TA00041947C	체크-바(K3)	CHECK-BAR(K3)	2		
3	TA00041947E	체크-바(K3)	CHECK-BAR	2		
3	TA00041947B	체크-바(K3)	CHECK-BAR	2		
3	TA00041947D	체크-바(K3)	CHECK-BAR	2		
4	22217-180000	스프링와셔	WASHER, SPRING (Φ 18)	2	M18	
5	26736-180002	너트	NUT	2	M18	
6	TTE7290000B	핀	PIN	2		
6	TTE7290000C4	핀	PIN	2	D19	
7	TA00059528A	빠짐방지 스냅핀16	SNAP PIN	2		
8	FTF0090000C4	책체인 핀	PIN, CHECK CHAIN	2		
8	FTF0090000B4	책체인 핀	PIN, CHECK CHAIN	2		
8	FTF0090000D4	책체인 핀	PIN, CHECK CHAIN	2		
8	FTF0090000A4	책체인핀	PIN, CHECK CHAIN	2		
9	22417-500320	할핀	PIN , COTTER (5-32)	2	5X32	
10	TA00016119B	연결볼트(PF)	BOLT	2		
10	TA00016119A	연결볼트(PF)	EYE BOLT, LOWER LINK	2		
10	TA00016119C	연결볼트(PF)	BOLT	2		
11	26216-120252	심음볼트	STUD BOLT	4	12X25	
12	TA00039356C	하부링크핀(좌)	LOWER LINK PIN(LH)	1		
12	TA00039356B	하부링크 핀(좌)	LOWER LINK PIN(LH)	1		
13	TA00039490C	하부링크 핀(우) 조합	LOWER LINK PIN RH ASSY	1		
13	TA00039490B	하부링크 핀(우) 조합	LOWER LINK PIN RH ASSY	1		
14	26367-120002	플랜지너트	NUT	4		
15	TA00041949A	체크-바R	CHECKBAR R	2		
16	TA00041948C	체크-바F	CHECKBAR F	2		
16	TA00041948A	체크-바F	CHECKBAR F	2		
16	TA00041948B	체크-바F	CHECKBAR F	2		
17	FBF0050000B4	체크 핀	CONNECT PIN	2	-	
17	FBF0050000A4	체크 핀	CONNECT PIN -> FBF0020000A2	2	-	
17	FBF0050000C4	체크 핀	PIN	2	-	
18	FBF0060000B4	연결고리	HOOK	2	-	
18	FBF0060000A4	연결고리	CONNECT LINK	2	-	
19	22360-140000	스냅핀	PIN , SNAP (4Φ)	2	D14	

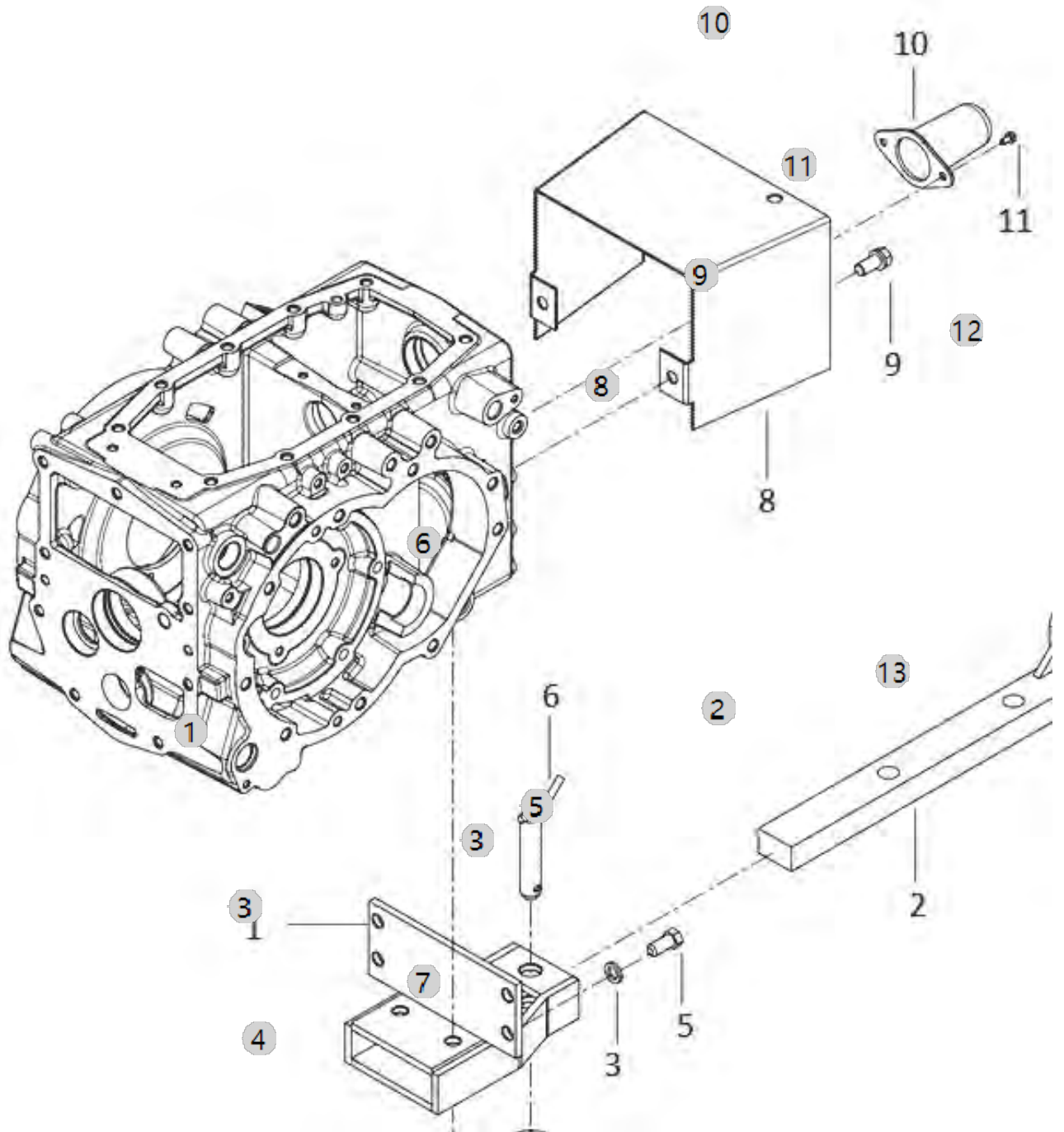
G05070

F50HN_EU_FL
(AC02147)

DRAWBAR HITCH

Year/Month

2023-01-18



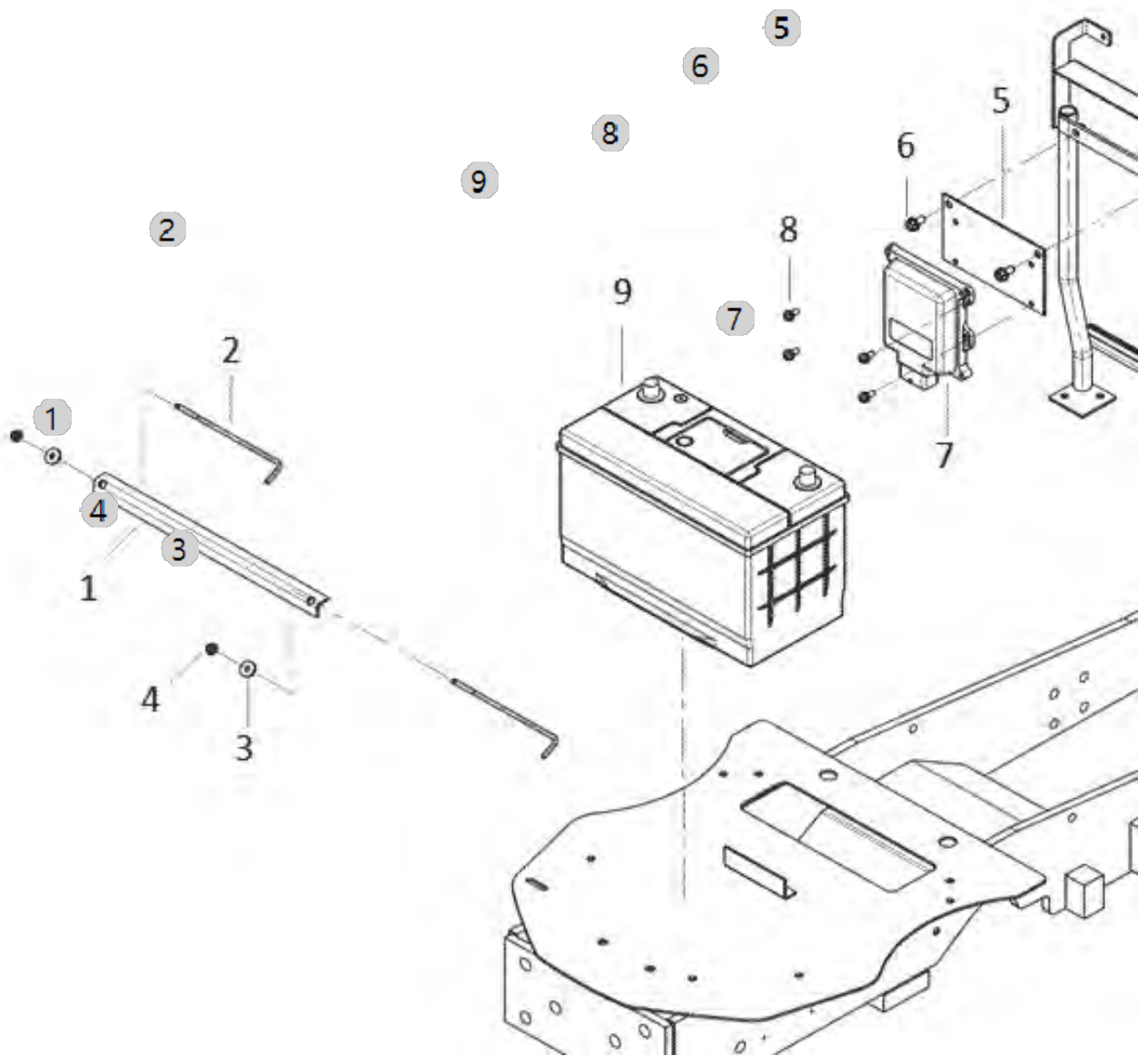
H01030

F50HN_EU_FL
(AC02147)

BATTERY

Year/Month

2023-01-18



H01030 F50HN_EU_FL (AC02147)		BATTERY				Year/Month 2023-01-18
순번 (NO)	부품번호 (PART NO)	품 명 (PART NAME)	품 명 (PART NAME)	수량 (QTY)	규격 (SPEC)	비고 (REMARK)
1	TA00039672C	배터리고정브라켓	BRACKET	1		
1	TA00039672B	배터리고정브라켓	BRACKET	1		
1	TA00039672D	배터리고정브라켓	BRACKET	1		
2	TA00039673B	고정로드	ROD	2		
2	TA00039673C	고정로드	ROD	2		
3	22157-060000	평와셔(대형)	WASHER, PLAIN (Φ 06)	2	2.3T	
4	26367-060002	플랜지너트	Nut, Hexa (Φ6)	2	M6XP1.0	
5	TA00059383B	DPF컨트롤러 브라켓	BRACKET ASS'Y, DPF CONTROLLER	1		
5	TA00059383A	DPF컨트롤러 브라켓	BRACKET ASSY, DPF CONTROLLER	1		
6	26106-080162	플랜지볼트8X16	SCREW,HEXFLANGEHEADCAP	2	M8XP1.25X16	
7	EA00006285A	DPF REGEN CONTROLLER	DPF REGEN CONTROLLER	1		
7	EA00006285C	DPF REGEN CONTROLLER	DPF REGEN CONTROLLER	1		
7	EA00006285B	DPF REGEN CONTROLLER	DPF REGEN CONTROLLER	1		
8	26106-060222	육각플랜지볼트	HEX FLANGE BOLT	4	M6X1.0X22	
9	CEH2060000A3	배터리75D-MF(90R)	BATTERY75D-MF	1	PT60-31FR M	

H03000A

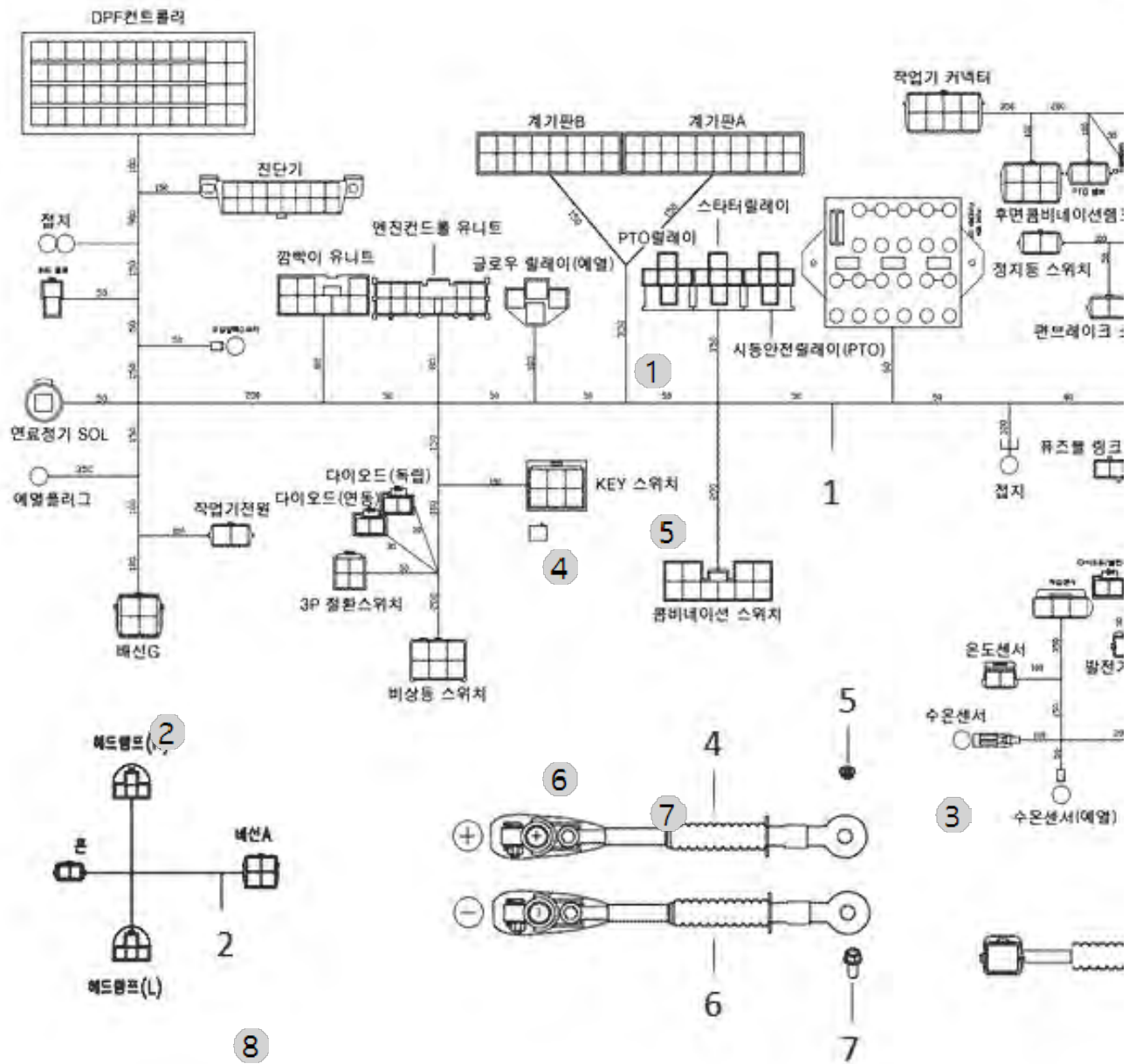
F50HN_EU_FL
(AC02147)

HARNESS

Year/Month

2023-01-18

후면



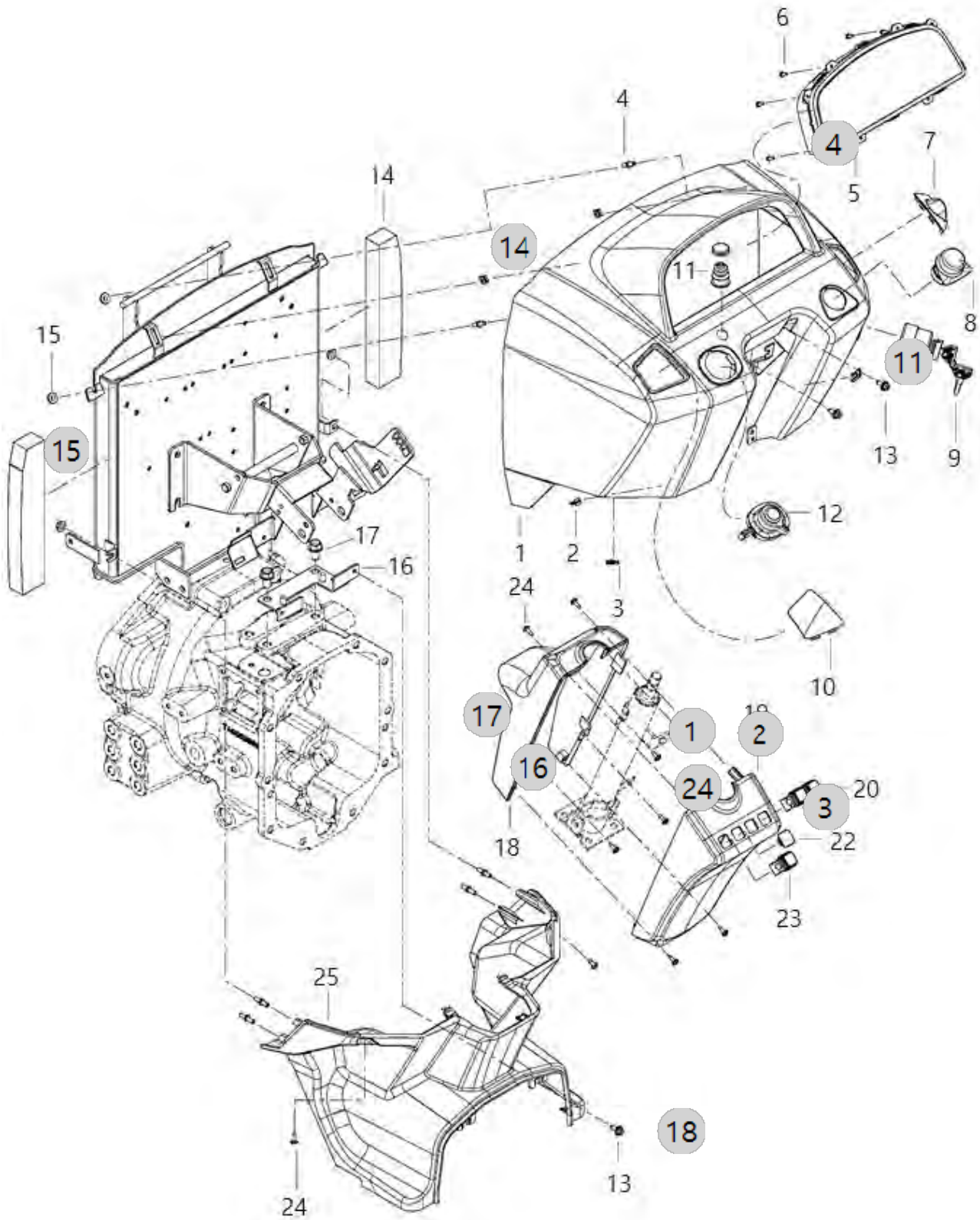
H04051

F50HN_EU_FL
(AC02147)

SWITCH/DASHBOARD

Year/Month

2023-01-18



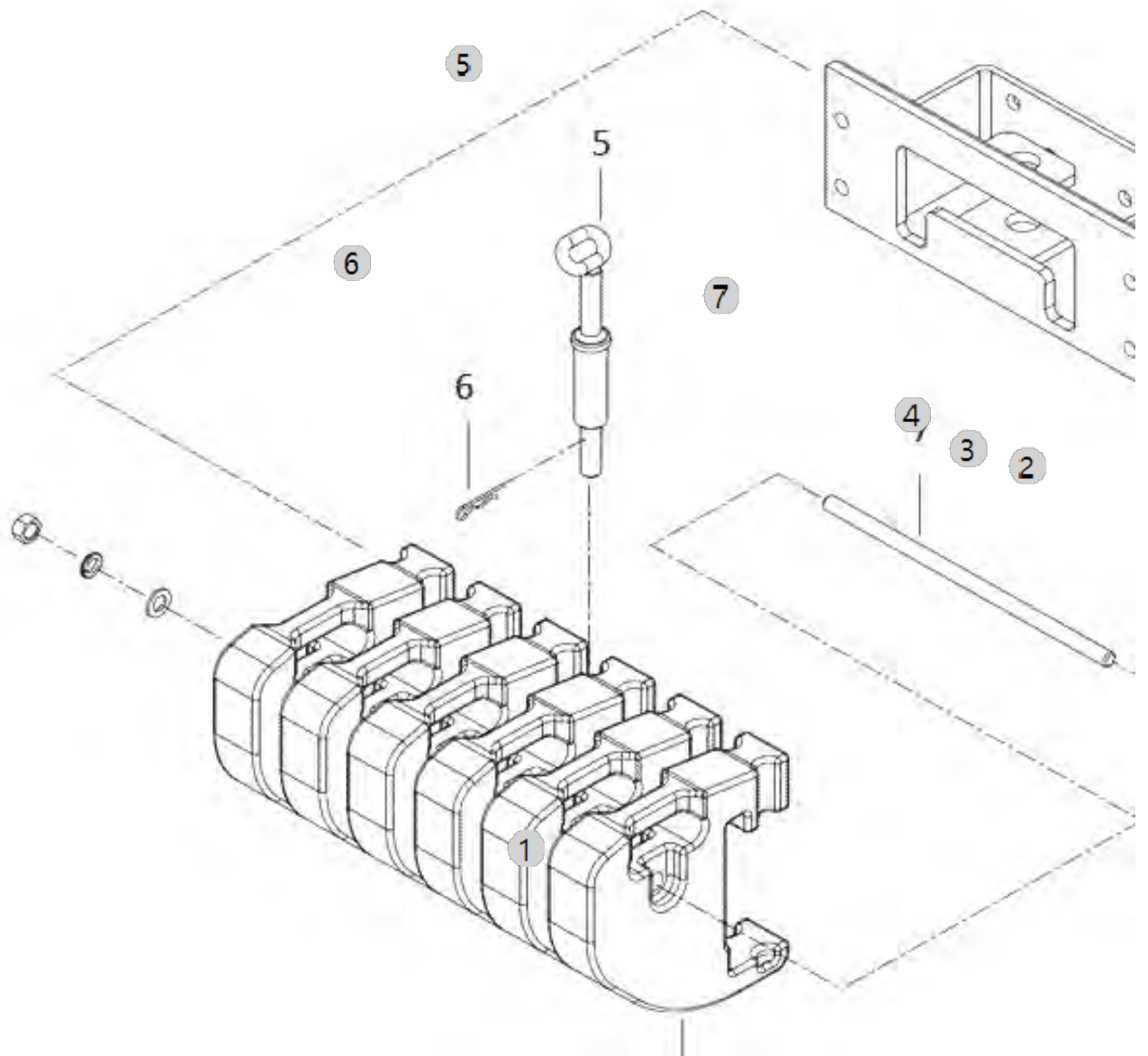
I01010

F50HN_EU_FL
(AC02147)

FRONT WEIGHT

Year/Month

2023-01-18



I03000A

F50HN_EU_FL
(AC02147)

NAME PLATE

Year/Month

2023-01-18

1-1 F36hn

1-2 F42hn

1-3 F50hn

2 TYM

3 GRASPING

4

5 780
560

6

7

8

9

10

11

12

13

14

15

16

17

18

19

20

21

22

23

24

25

26

27

28

29

30

31

32

33

How to use rear PTO
Lever Rear PTO Connect Line

CAUTION HOT SURFACE

WARNING DEATH OR INJURY MAY RESULT IF THE TRACTOR ROLLS OVER WITH THE ROPS IN THE FOLDED DOWN POSITION. OPERATE THIS TRACTOR WITH THE ROPS FOLDED DOWN ONLY WHEN NECESSARY.

WARNING Use seat belt

WARNING USING RAFT AFTER RELEASING A BOLT ASSEMBLE THE CONNECTING PLATE TOWARD UPSTREAM WHEN YOU DO NOT USE RAFT, YOU MUST RETURN CONNECTING PLATE TO THE ORIGINAL POSITION.

Vertical 700 Kg Horizontal 4,000 Kg e6 00099NS

BONNET OPEN

A B C

DANGER Start only from seat in park or neutral. Starting in gear kills.

CAUTION This structure's protective capability may be impaired by structural damage, overturn, or alteration. If any of these conditions occur, the structure must be replaced.

HYDRA LIFT M F W D DIS ENGAGE

WARNING TO AVOID PERSONAL INJURY 1. Attach pulled or towed loads to the drawbar only. 2. Use the 3-point hitch only with equipment designed for 3-point hitch usage.

전원차단 스위치 명판

WARNING Before detaching tractor, the air tank should be empty and the air valve should be closed.

CAUTION

WARNING

I05010

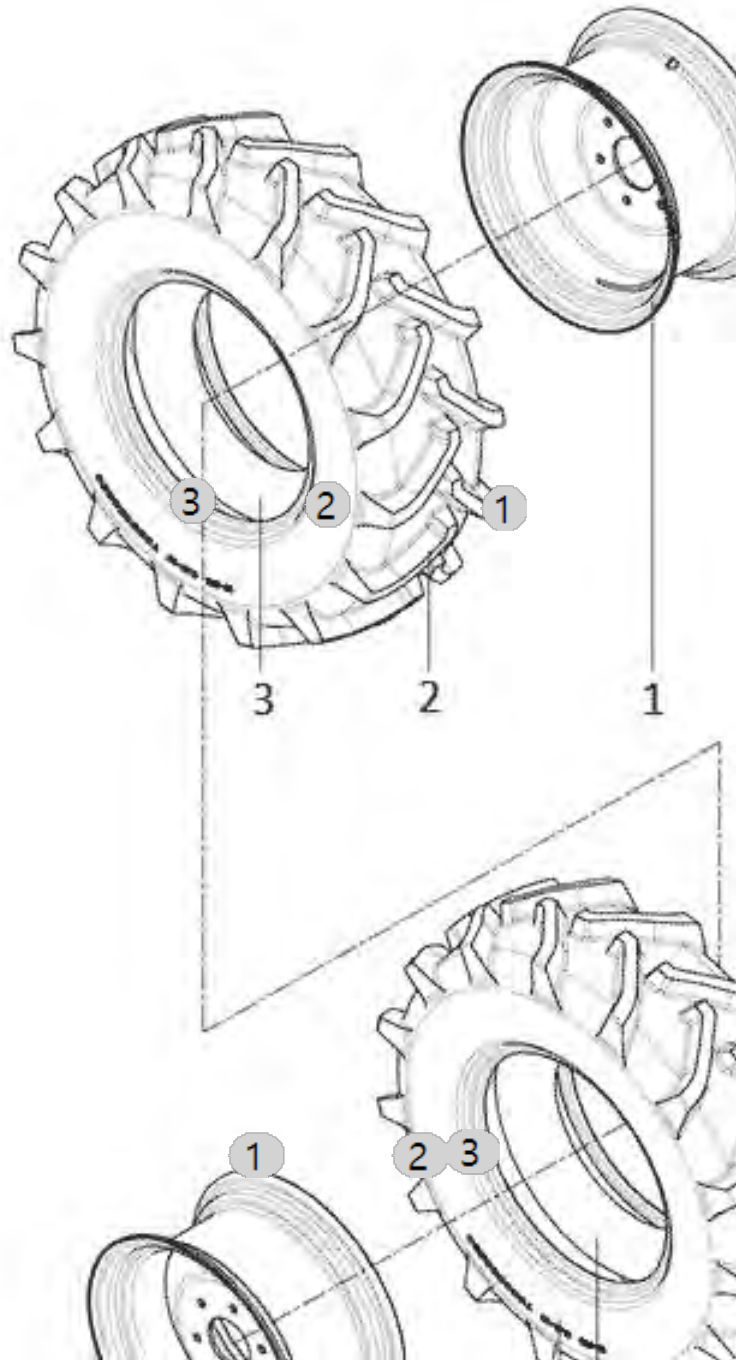
F50HN_EU_FL
(AC02147)

FRONT WHEEL&TIRE(AGRI)

Year/Month

2023-01-18

AGRI



I05020

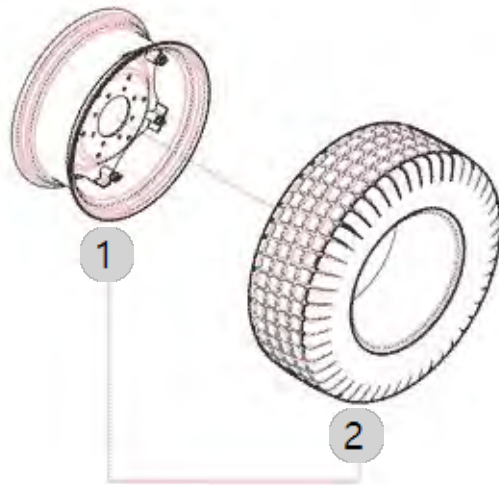
F50HN_EU_FL
(AC02147)

REAR WHEEL&TIRE(AGRI)

Year/Month

2023-01-18

TURF



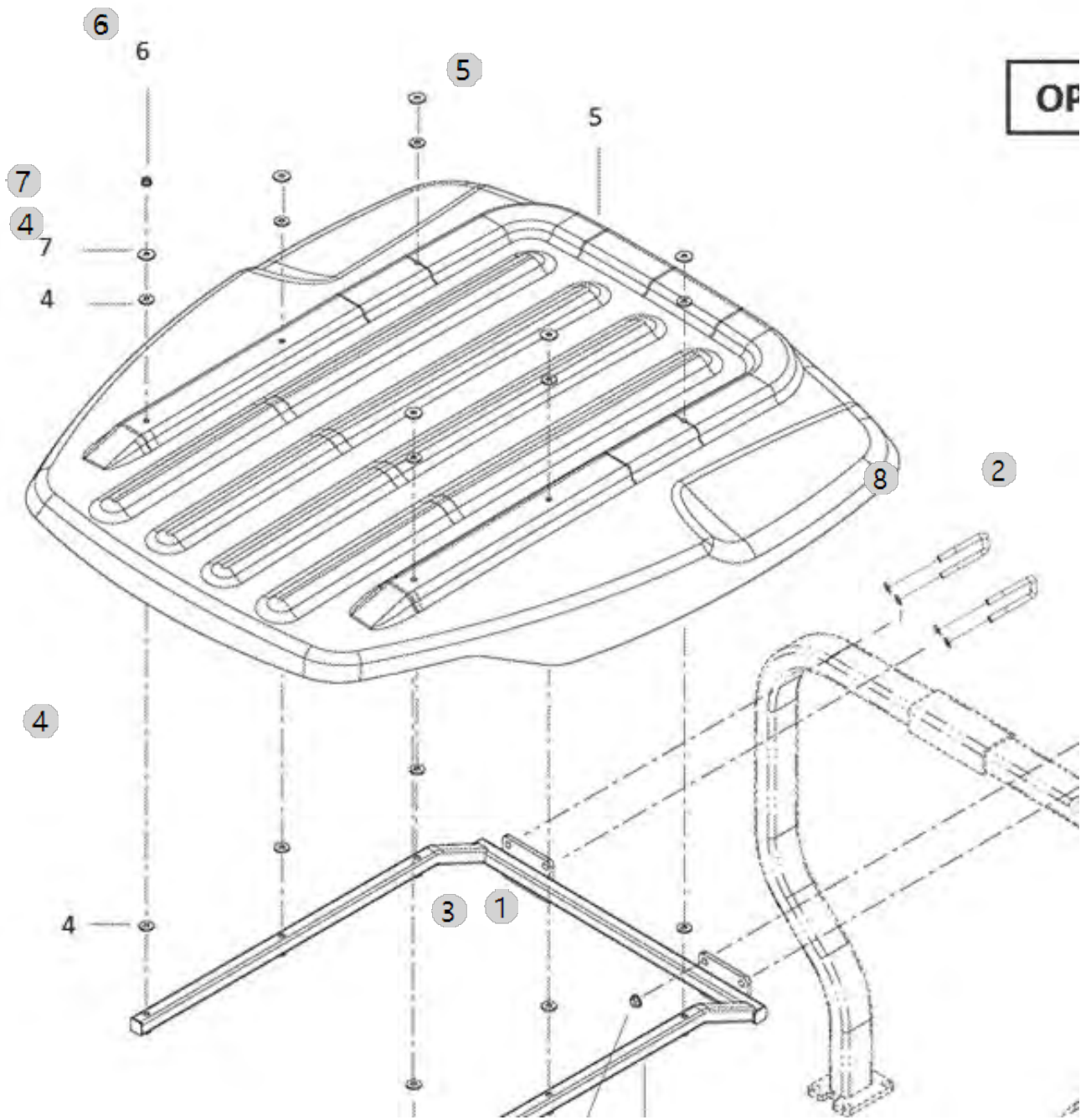
I06010

F50HN_EU_FL
(AC02147)

SUN VISOR

Year/Month

2023-01-18



I07020

F50HN_EU_FL
(AC02147)

SPARE TOOLS

Year/Month

2023-01-18

