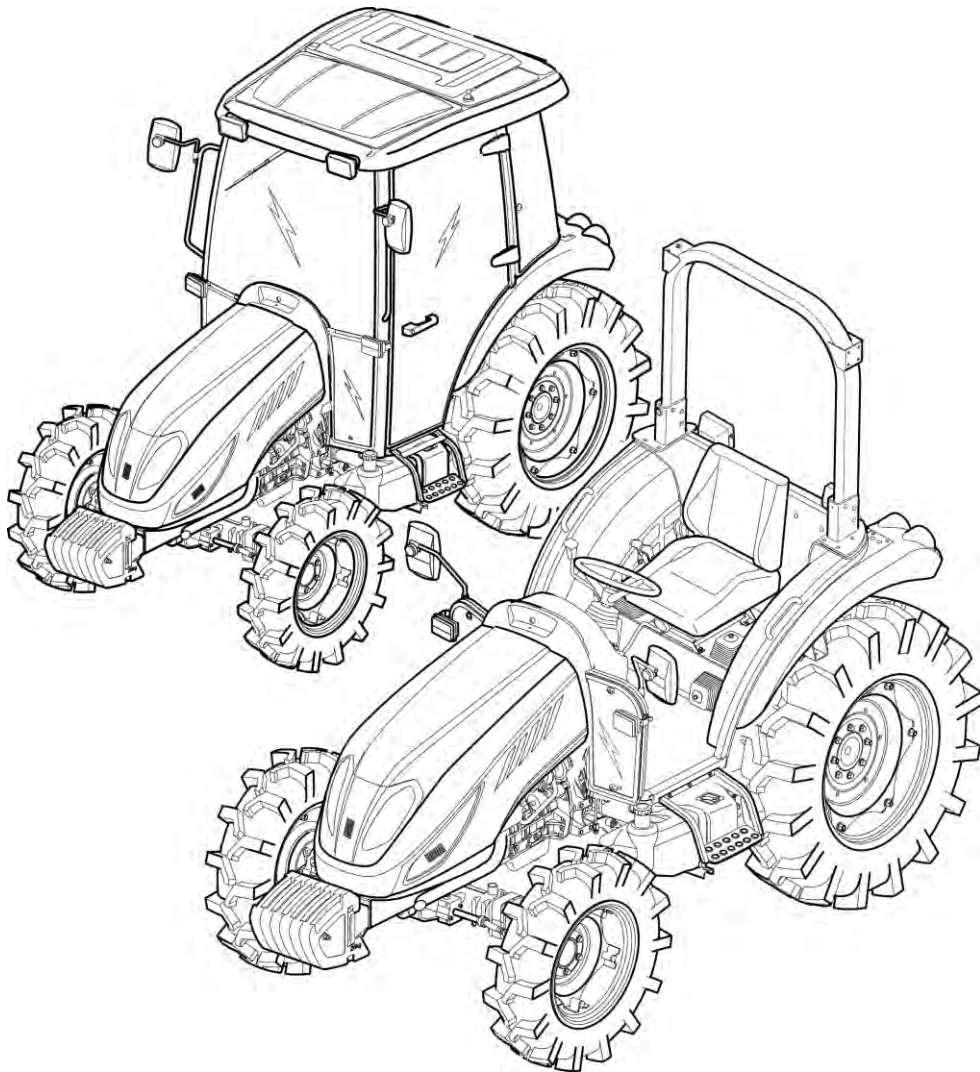


Parts Catalogue

Model :T554ST/NC /T454ST/NC



TVM 동양물산 기계사업부

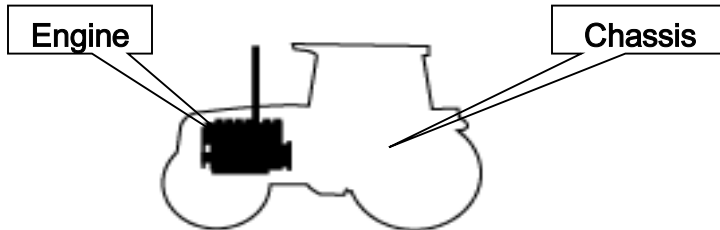
Important tips of Parts Catalogue

We thank you for your purchasing our product, manufactured under strict quality control, by gathering plenty of experiences and new technology, designed for a comfort and pleasant work.

1. Part Composition

This catalogue deals with engine and chassis.

Detailed classifications are listed in the following page.



2. For locating parts easily, Please Note:

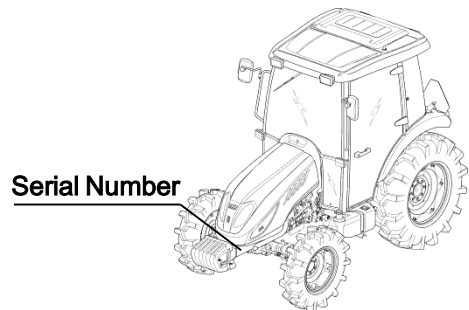
If you know the assembly where the part is used.

- Refer to the relevant figure from the identifying group symbol illustration,
- Locate the relevant chapter
- Refer to the particular chapter desired.

3. For ordering parts

To obtain spare parts please contact your nearest dealer and give him the details listed below.

- ① Tractor Model : Tractor T554
- ② Tractor Serial Number : H00001
- ③ Part Number : 17461039100
- ④ Description : AIR CLEANER ASSY
- ⑤ Quantity required: 1



4. For ordering PARTS CATALOGUE

This is Priced item and one is to order the same on part No. 1746 950 001 0

This supersedes all our editions.

Note) When replacing parts, please use original spare parts to be sure of the performance and the longer life of the product

※ The information in this catalogue may at any time be modified without a prior notice for the improvement of performance, please consult our spare parts dept. for the detailed inquiry.

5. How to use parts catalogue

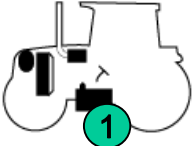
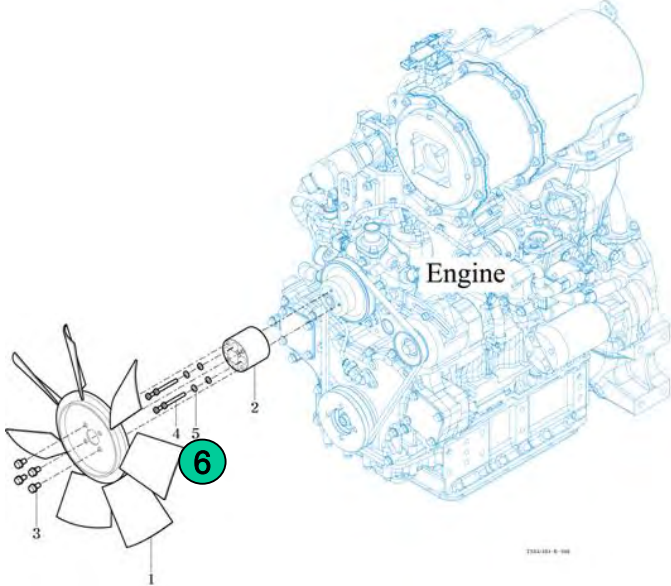

FIG 208 <small>T554ST / T554NC / T454ST / T454NC</small>	FAN , COOLING	P1 <small>4</small>	Year / Month <small>5</small> 2014 / 04	
				
NOTE <small>13</small>				

FIG 208 <small>T554ST / T554NC / T454ST / T454NC</small>	FAN , COOLING	P1 <small>4</small>	Year / Month <small>5</small> 2014 / 04				
KEY NO.	PART NO.	DESCRIPTION	SPEC.	QTY.	REPAIR	EFFECTIVE DATE	REMARKS
				<small>T554ST</small>	<small>T554NC</small>	<small>T454ST</small>	<small>T454NC</small>
208 001	19951030790	FAN , COOLING(412)		1	1	1	1
208 002	17461000060	SPACER , FAN		1	1	1	1
208 003	V2173608016	BOLT , HEX/S	M8X16	4	4	4	4
208 004	V2053000000	BOLT , HEX C/R	M8	4	4	4	4
208 005	V4011600060	WASHER , SPRING	Mo	4	4	4	4
NOTE <small>13</small>							

- ① Group Indication : Indicate the relevant location of the part with a symbol illustration.
- ② Figure Number: Indicate the relevant section of the machine with a figure number.
- ③ Section Name : Indicate the section name of the machine
- ④ Section Page : Page number of the section in this catalogue.
- ⑤ Date : Show the Year/Month of the section made or updated

⑥ Key number : Indicating number of each parts in the illustration.

⑦ Part Number : Unique part number maintained in our system

The part number starting with V or M means it is TYM s standard part

The alphabet at the end of part number means the status of material or the color of paint

Legend : M:Machining, DG:Dark Gray, BR:Bright Red, SW:Summer White, PB:Pure Black, GB:Glossy Black, SR:Super Red, MS:Metallic Silver DD:Heat proof Black, TY: Tangerine Yellow etc.

⑧ Description : Description of a part, Abbreviation means as follows.

- Indicate the mixture condition of a part

ASSY : Assembly with a mixture of several parts, so can be broke up retaining their original form

COMP : Assembly with a mixture of several parts, but can not be broke up retaining their original form

SUB : mean the same as ASSY but used in lower level in aid.

SET : Part consist of ASSY, COMP, and part(s) as a group

- Indicate the location of a part

LH: Left, RH: Right, FR: Front, RR: Rear, UPR: Upper, LOW: Lower

⑨ Spec : Type of the standard items like bolt or nut

⑩ Quantity : Total quantity of the part referred to in the page.

Symbol below indicate options. So, show the quantity of each option.

Note) AR means as requested quantity.

⑪ Repair Parts consumption frequency class: indicate the level of a part in aid of stocking spares, anticipating the service requirements.

A :Fast moving part(frequently required)

B :Medium moving part (sometimes required)

C :Slow moving part(rarely required)

⑫ EFFECTIVE DATE :

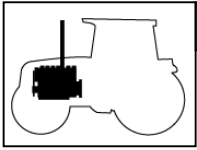
Year/Month~ : From which the change starts

~ Year/Month : To which the part installed

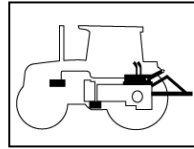
⑬ Notes : explain some reference data

⑭ Remark : indicate reference data or abbreviation in the content.

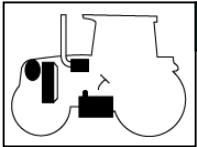
ENGINEERING GROUP INDEX



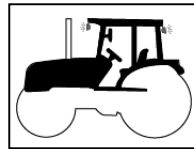
1 ENGINE



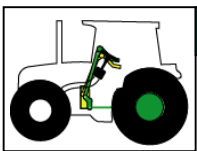
6 HYDRAULICS & 3-POINT LINK



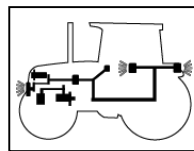
2 ENGINE ACCESSORIES & CONTROL



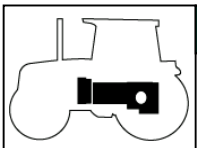
7 SHEET METAL & CABIN



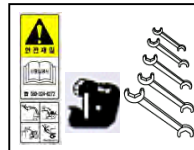
3 CLUTCH, BRAKE, STEERING



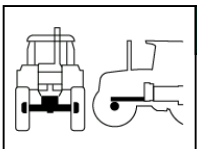
8 ELECTRICALS & HARNESS



4 TRANSMISSION & REAR AXLE



9 LABEL, TOOLS



5 FRONT AXLE, SUPPORTER & DRIVE SHAFT

067 020	12305180020
077 036	12403160020
036 005	13022250030
037 010	13022250131
041 005	13022250232
046 002	13022250333

10 NUMERICAL INDEX

CONTENTS

ENGINE

1 ENGINE

FIG 101A CYLINDER BLOCK (T554)-----	04
FIG 101B CYLINDER BLOCK (T454)-----	06
FIG 102 GEAR HOUSING-----	08
FIG 103 FLYWHEEL HOUSING & OIL SUMP-----	10
FIG 104A CYLINDER HEAD & BONNET (T554)-----	12
FIG 104B CYLINDER HEAD & BONNET (T454)-----	16
FIG 105A SUCTION MANIFOLD (T554)-----	20
FIG 105B SUCTION MANIFOLD (T454)-----	22
FIG 106A EXHAUST MANIFOLD (T554)-----	24
FIG 106B EXHAUST MANIFOLD (T454)-----	26
FIG 107A DIESEL PARTICULATE FILTER (T554)-----	28
FIG 107B DIESEL PARTICULATE FILTER (T454)-----	30
FIG 108 CAMSHAFT & DRIVING GEAR-----	32
FIG 109 TURBINE (T554)-----	34
FIG 110A CRANKSHAFT & PISTON (T554)-----	36
FIG 110B CRANKSHAFT & PISTON (T454)-----	38
FIG 111 BALANCER-----	40
FIG 112A LUB. OIL SYSTEM (T554)-----	42
FIG 112B LUB. OIL SYSTEM (T454)-----	44
FIG 113 LUB. OIL LINE (T554)-----	46
FIG 114 COOLING WATER SYSTEM-----	48
FIG 115 FUEL SUPPLY PUMP-----	50
FIG 116A FUEL INJECTION VALVE (T554)-----	52
FIG 116B FUEL INJECTION VALVE (T454)-----	54
FIG 117 FUEL LINE-----	56
FIG 118 STARTING MOTOR-----	58
FIG 119 GENERATOR-----	60
FIG 120A ELECTRONIC CONTROL UNIT (T554)-----	62
FIG 120B ELECTRONIC CONTROL UNIT (T454)-----	64
FIG 121A ELECTRIC PARTS (T554)-----	66
FIG 121B ELECTRIC PARTS (T454)-----	68
FIG 122A ACCESSORY (T554)-----	70
FIG 122B ACCESSORY (T454)-----	72

CHASSIS

2 ENGINE ACCESSORIES & CONTROL

FIG 201 AIR CLEANER-----	78
FIG 202 RADIATOR-----	80
FIG 203 MUFFLER-----	82
FIG 204 FUEL HOSE & FILTER-----	84
FIG 205 FUEL TANK-----	86
FIG 206 ACCELERATOR-----	88
FIG 208 FAN , COOLING-----	90

3 CLUTCH, BRAKE, STEERING

FIG 301 CLUTCH-----	96
FIG 302 CLUTCH PEDAL-----	98
FIG 303 BRAKE-----	100
FIG 304 BRAKE PEDAL & LINK-----	102
FIG 305A FRONT WHEEL-----	104
FIG 305B FRONT WHEEL (R4 OPTION)-----	106
FIG 306A REAR WHEEL-----	108
FIG 306B REAR WHEEL (R4 OPTION)-----	110
FIG 307 POWER STEERING WHEEL-----	112
FIG 308 POWER STEERING VALVE-----	114
FIG 309 POWER STEERING CYLINDER-----	116

4 TRANSMISSION & REAR AXLE

FIG 401 TRANSMISSION FRONT CASE-----	122
FIG 402 FORWARD & BACKWARD GEARS-----	124
FIG 403 IDLE & COUNTER GEARS-----	126
FIG 404 MAIN SHIFT GEARS-----	128
FIG 405 P.T.O DRIVE SHAFT-----	130
FIG 406 MAIN CHANGE LEVER-----	132

FIG 407 REVERSE CHANGE LEVER-----	134
FIG 408 TRANSMISSION MID CASE-----	136
FIG 409 TRANSMISSION REAR CASE-----	138
FIG 410 SUB CHANGE GEARS-----	140
FIG 411 SUB CHANGE SHIFTER-----	142
FIG 413 DRIVE GEARS-----	144
FIG 414 4WD CHANGE LEVER-----	146
FIG 415 P.T.O CHANGE GEARS-----	148
FIG 417 REAR DIFFERENTIAL GEARS-----	150
FIG 418 REAR AXLE HOUSING-----	152

5 FRONT AXLE,SUPPORTER & DRIVE SHAFT

FIG 501 FRONT AXLE SUPPORT-----	158
FIG 502 FRONT DRIVE SHAFT-----	160
FIG 503 FRONT AXLE HOUSING-----	162
FIG 504 FRONT DIFFERENTIAL GEARS-----	164
FIG 505 FRONT GEAR CASE (1)-----	166
FIG 506 FRONT GEAR CASE (2)-----	168
FIG 507 FRONT GEAR CASE (3)-----	170

6 HYDRAULICS & 3P-LINK

FIG 601 CYLINDER CASE-----	176
FIG 602 LIFT ARM-----	178
FIG 603 CYLINDER-----	180
FIG 604 POSITION LINK-----	182
FIG 605 CONTROL VALVE-----	184
FIG 606 DRAFT LINK-----	186
FIG 607 POSITION & DRAFT LEVER-----	188
FIG 608 EXTERIOR HYD. VALVE-----	190
FIG 609 HYDRAULIC PIPE-----	192
FIG 610 JOYSTICK-----	194
FIG 611 HYDRAULIC HOSE-----	196
FIG 612 HITCH & 3-POINT LINK-----	198
FIG 613 LOWER LINK & LIFT ROD-----	202

7**SHEET METAL & CABIN**

FIG 701 HOOD (1)-----	208
FIG 702 HOOD (2)-----	210
FIG 704A LEVER COVER & STEP-----	212
FIG 704B LEVER COVER & STEP-Non CAB-----	214
FIG 705 FRONT & REAR MOUNTING-----	216
FIG 706 SEAT & MAT-----	218
FIG 709 DOOR-----	220
FIG 710A FRONT GLASS-----	224
FIG 710B FRAME & 2POLES-ROPS-Non CAB-----	226
FIG 711 SIDE GLASS-----	228
FIG 712 REAR GLASS-----	230
FIG 713A SUB FENDER&COVER-----	232
FIG 713B SUB FENDER&COVER-Non CAB-----	234
FIG 714A MIRROR-----	236
FIG 714B MIRROR&WORKING LAMP-Non CAB-----	238
FIG 715A HEATER & AIR-CON-----	240
FIG 715B HEATER & AIR-CON-----	242
FIG 716 FENDER COVER-----	244
FIG 717 ROOF-----	246
FIG 718 CABIN INTERIOR-----	248

8**ELECTRICALS & HARNESS**

FIG 801 BATTERY & MOUNTING-----	254
FIG 802 LIGHT & BACK LAMP-----	256
FIG 803 INSTRUMENT PANEL-----	258
FIG 804 ELECTRIC SYSTEM (1)-----	260
FIG 805A ELECTRIC SYSTEM (2)-----	262
FIG 805B ELECTRIC SYSTEM (2)-Non CAB-----	264
FIG 806 ELECTRIC SYSTEM (3)-----	266

9 LABEL& TOOLS

FIG 901 TOOL & ACCESSORY-----272
FIG 902 LABEL-----274

10 NUMERICAL INDEX

ENGINE-----281
CHASSIS-----287

ENGINE

1 ENGINE

FIG 101A CYLINDER BLOCK (T554)-----	04
FIG 101B CYLINDER BLOCK (T454)-----	06
FIG 102 GEAR HOUSING-----	08
FIG 103 FLYWHEEL HOUSING & OIL SUMP-----	10
FIG 104A CYLINDER HEAD & BONNET (T554)-----	12
FIG 104B CYLINDER HEAD & BONNET (T454)-----	16
FIG 105A SUCTION MANIFOLD (T554)-----	20
FIG 105B SUCTION MANIFOLD (T454)-----	22
FIG 106A EXHAUST MANIFOLD (T554)-----	24
FIG 106B EXHAUST MANIFOLD (T454)-----	26
FIG 107A DIESEL PARTICULATE FILTER (T554)-----	28
FIG 107B DIESEL PARTICULATE FILTER (T454)-----	30
FIG 108 CAMSHAFT & DRIVING GEAR-----	32
FIG 109 TURBINE (T554)-----	34
FIG 110A CRANKSHAFT & PISTON (T554)-----	36
FIG 110B CRANKSHAFT & PISTON (T454)-----	38
FIG 111 BALANCER-----	40
FIG 112A LUB. OIL SYSTEM (T554)-----	42
FIG 112B LUB. OIL SYSTEM (T454)-----	44
FIG 113 LUB. OIL LINE (T554)-----	46
FIG 114 COOLING WATER SYSTEM-----	48
FIG 115 FUEL SUPPLY PUMP-----	50
FIG 116A FUEL INJECTION VALVE (T554)-----	52
FIG 116B FUEL INJECTION VALVE (T454)-----	54
FIG 117 FUEL LINE-----	56
FIG 118 STARTING MOTOR-----	58
FIG 119 GENERATOR-----	60
FIG 120A ELECTRONIC CONTROL UNIT (T554)-----	62
FIG 120B ELECTRONIC CONTROL UNIT (T454)-----	64
FIG 121A ELECTRIC PARTS (T554)-----	66
FIG 121B ELECTRIC PARTS (T454)-----	68
FIG 122A ACCESSORY (T554)-----	70
FIG 122B ACCESSORY (T454)-----	72

CHASSIS

2 ENGINE ACCESSORIES & CONTROL

FIG 201 AIR CLEANER-----	78
FIG 202 RADIATOR-----	80
FIG 203 MUFFLER-----	82
FIG 204 FUEL HOSE & FILTER-----	84
FIG 205 FUEL TANK-----	86
FIG 206 ACCELERATOR-----	88
FIG 208 FAN , COOLING-----	90

3 CLUTCH, BRAKE, STEERING

FIG 301 CLUTCH-----	96
FIG 302 CLUTCH PEDAL-----	98
FIG 303 BRAKE-----	100
FIG 304 BRAKE PEDAL & LINK-----	102
FIG 305A FRONT WHEEL-----	104
FIG 305B FRONT WHEEL (R4 OPTION)-----	106
FIG 306A REAR WHEEL-----	108
FIG 306B REAR WHEEL (R4 OPTION)-----	110
FIG 307 POWER STEERING WHEEL-----	112
FIG 308 POWER STEERING VALVE-----	114
FIG 309 POWER STEERING CYLINDER-----	116

4**TRANSMISSION & REAR AXLE**

FIG 401 TRANSMISSION FRONT CASE-----	122
FIG 402 FORWARD & BACKWARD GEARS-----	124
FIG 403 IDLE & COUNTER GEARS-----	126
FIG 404 MAIN SHIFT GEARS-----	128
FIG 405 P.T.O DRIVE SHAFT-----	130
FIG 406 MAIN CHANGE LEVER-----	132
FIG 407 REVERSE CHANGE LEVER-----	134
FIG 408 TRANSMISSION MID CASE-----	136
FIG 409 TRANSMISSION REAR CASE-----	138
FIG 410 SUB CHANGE GEARS-----	140
FIG 411 SUB CHANGE SHIFTER-----	142
FIG 413 DRIVE GEARS-----	144
FIG 414 4WD CHANGE LEVER-----	146
FIG 415 P.T.O CHANGE GEARS-----	148
FIG 417 REAR DIFFERENTIAL GEARS-----	150
FIG 418 REAR AXLE HOUSING-----	152

5**FRONT AXLE,SUPPORTER & DRIVE
SHAFT**

FIG 501 FRONT AXLE SUPPORT-----	158
FIG 502 FRONT DRIVE SHAFT-----	160
FIG 503 FRONT AXLE HOUSING-----	162
FIG 504 FRONT DIFFERENTIAL GEARS-----	164
FIG 505 FRONT GEAR CASE (1)-----	166
FIG 506 FRONT GEAR CASE (2)-----	168
FIG 507 FRONT GEAR CASE (3)-----	170

6 HYDRAULICS & 3P-LINK

FIG 601 CYLINDER CASE-----	176
FIG 602 LIFT ARM-----	178
FIG 603 CYLINDER-----	180
FIG 604 POSITION LINK-----	182
FIG 605 CONTROL VALVE-----	184
FIG 606 DRAFT LINK-----	186
FIG 607 POSITION & DRAFT LEVER-----	188
FIG 608 EXTERIOR HYD. VALVE-----	190
FIG 609 HYDRAULIC PIPE-----	192
FIG 610 JOYSTICK-----	194
FIG 611 HYDRAULIC HOSE-----	196
FIG 612 HITCH & 3-POINT LINK-----	198
FIG 613 LOWER LINK & LIFT ROD-----	202

7**SHEET METAL & CABIN**

FIG 701 HOOD (1)-----	208
FIG 702 HOOD (2)-----	210
FIG 704A LEVER COVER & STEP-----	212
FIG 704B LEVER COVER & STEP-Non CAB-----	214
FIG 705 FRONT & REAR MOUNTING-----	216
FIG 706 SEAT & MAT-----	218
FIG 709 DOOR-----	220
FIG 710A FRONT GLASS-----	224
FIG 710B FRAME & 2POLES-ROPS-Non CAB-----	226
FIG 711 SIDE GLASS-----	228
FIG 712 REAR GLASS-----	230
FIG 713A SUB FENDER&COVER-----	232
FIG 713B SUB FENDER&COVER-Non CAB-----	234
FIG 714A MIRROR-----	236
FIG 714B MIRROR&WORKING LAMP-Non CAB-----	238
FIG 715A HEATER & AIR-CON-----	240
FIG 715B HEATER & AIR-CON-----	242
FIG 716 FENDER COVER-----	244
FIG 717 ROOF-----	246
FIG 718 CABIN INTERIOR-----	248

8 ELECTRICALS & HARNESS

FIG 801 BATTERY & MOUNTING-----	254
FIG 802 LIGHT & BACK LAMP-----	256
FIG 803 INSTRUMENT PANEL-----	258
FIG 804 ELECTRIC SYSTEM (1)-----	260
FIG 805A ELECTRIC SYSTEM (2)-----	262
FIG 805B ELECTRIC SYSTEM (2)-Non CAB-----	264
FIG 806 ELECTRIC SYSTEM (3)-----	266

9 LABEL& TOOLS

FIG 901 TOOL & ACCESSORY-----272
FIG 902 LABEL-----274

10 NUMERICAL INDEX

ENGINE-----281
CHASSIS-----287

FIG 101A

CYLINDER BLOCK (T554)

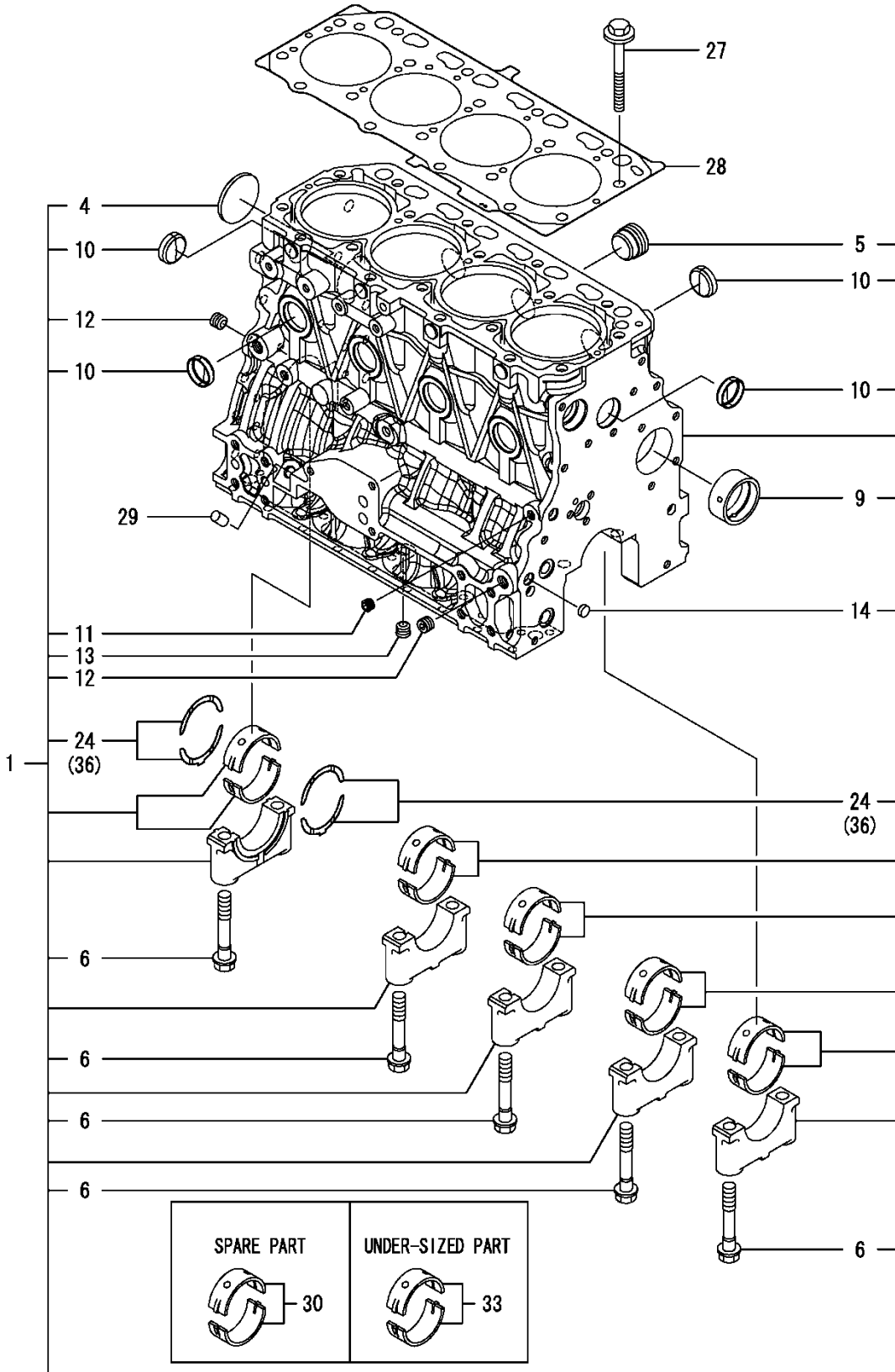
P1

Year / Month

2014 / 04



T554ST/NC/NH/SH / T454ST/NC/NH



NOTE

FIG 101B

CYLINDER BLOCK (T454)

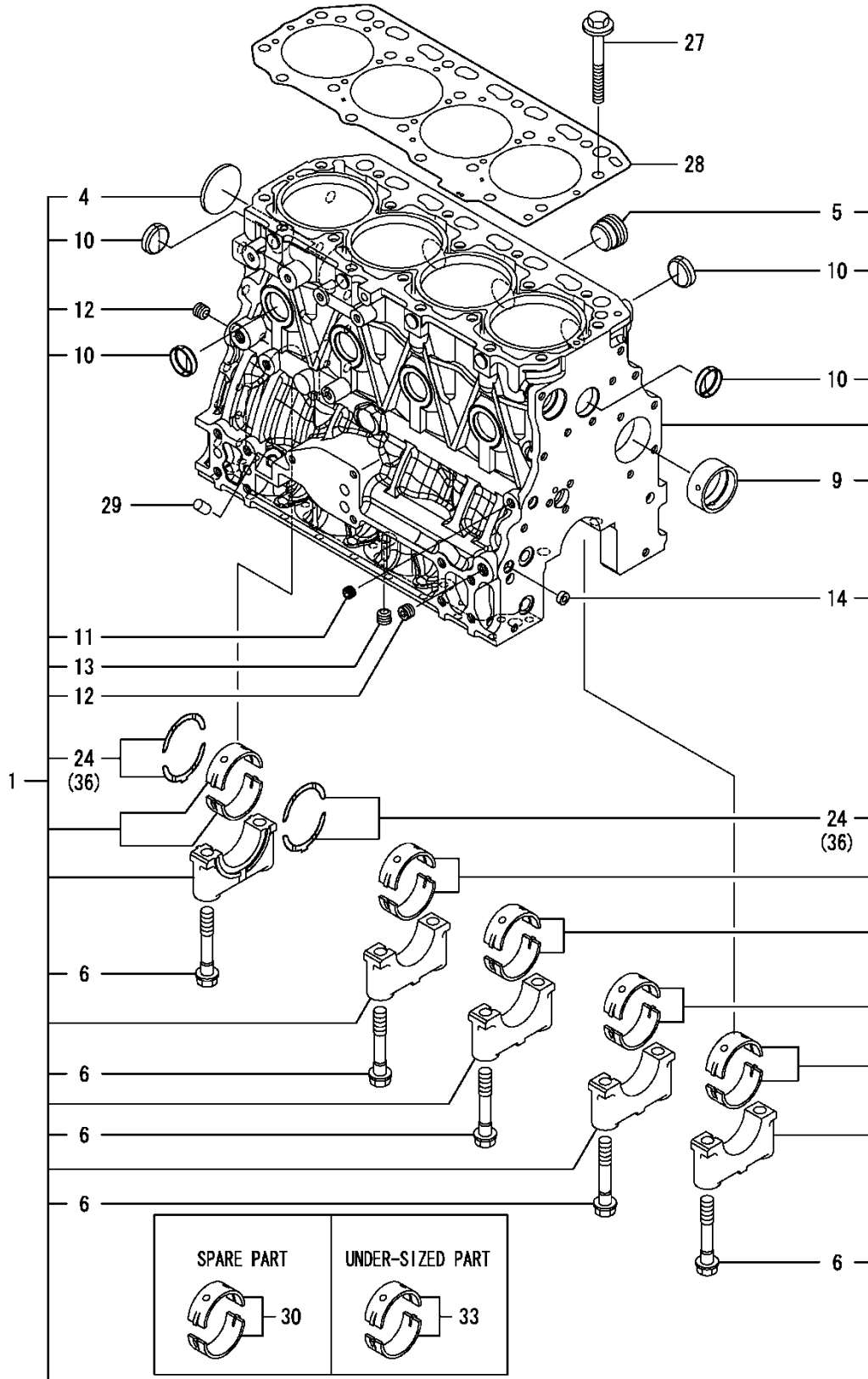
P1

Year / Month

2014 / 04



T554ST/NC/NH/SH / T454ST/NC/NH



NOTE

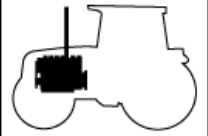
FIG 102

GEAR HOUSING

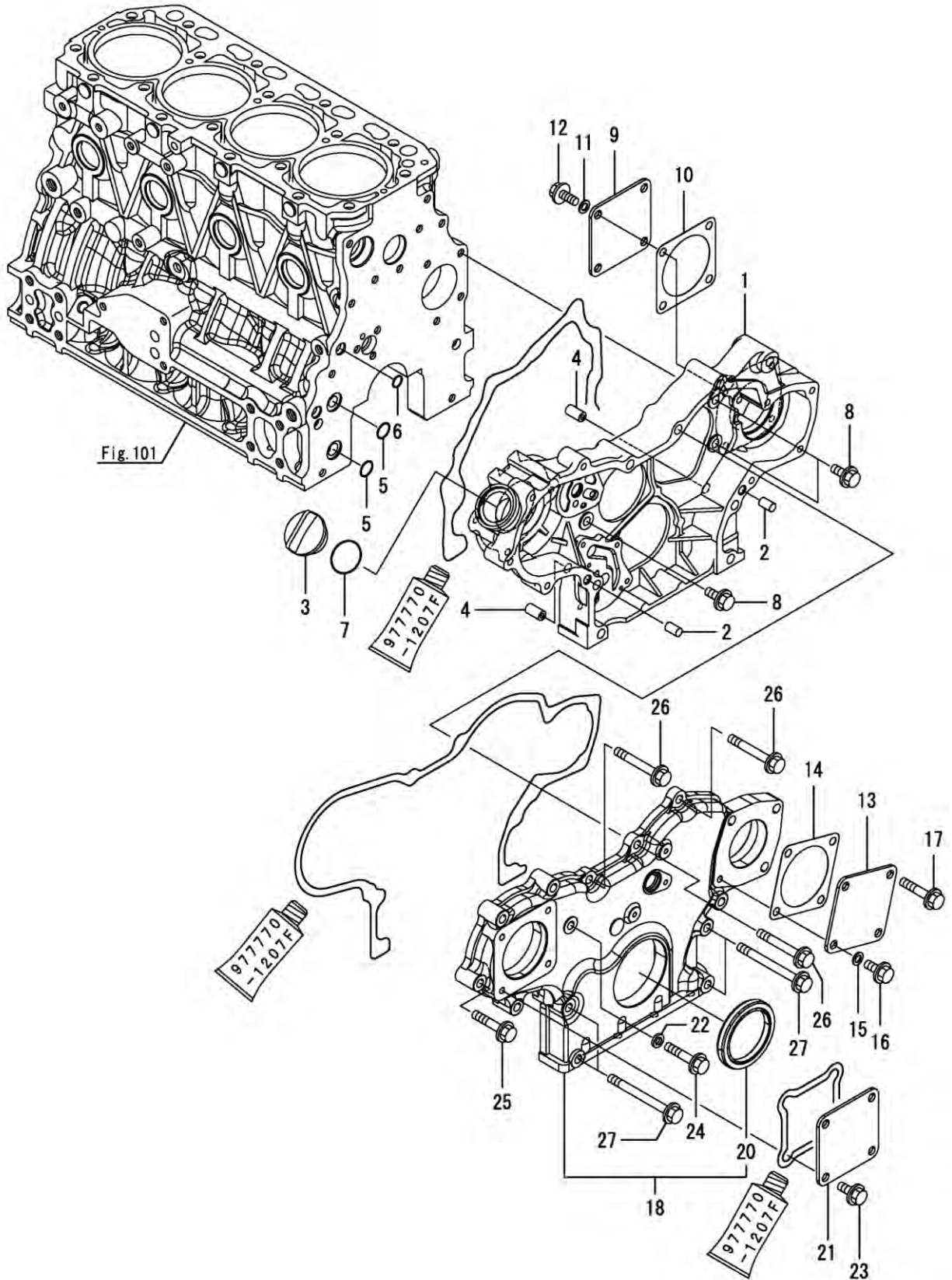
P1

Year / Month

2014 / 04



T554ST/NC/NH/SH / T454ST/NC/NH



NOTE

FIG 103

FLYWHEEL HOUSING & OIL SUMP

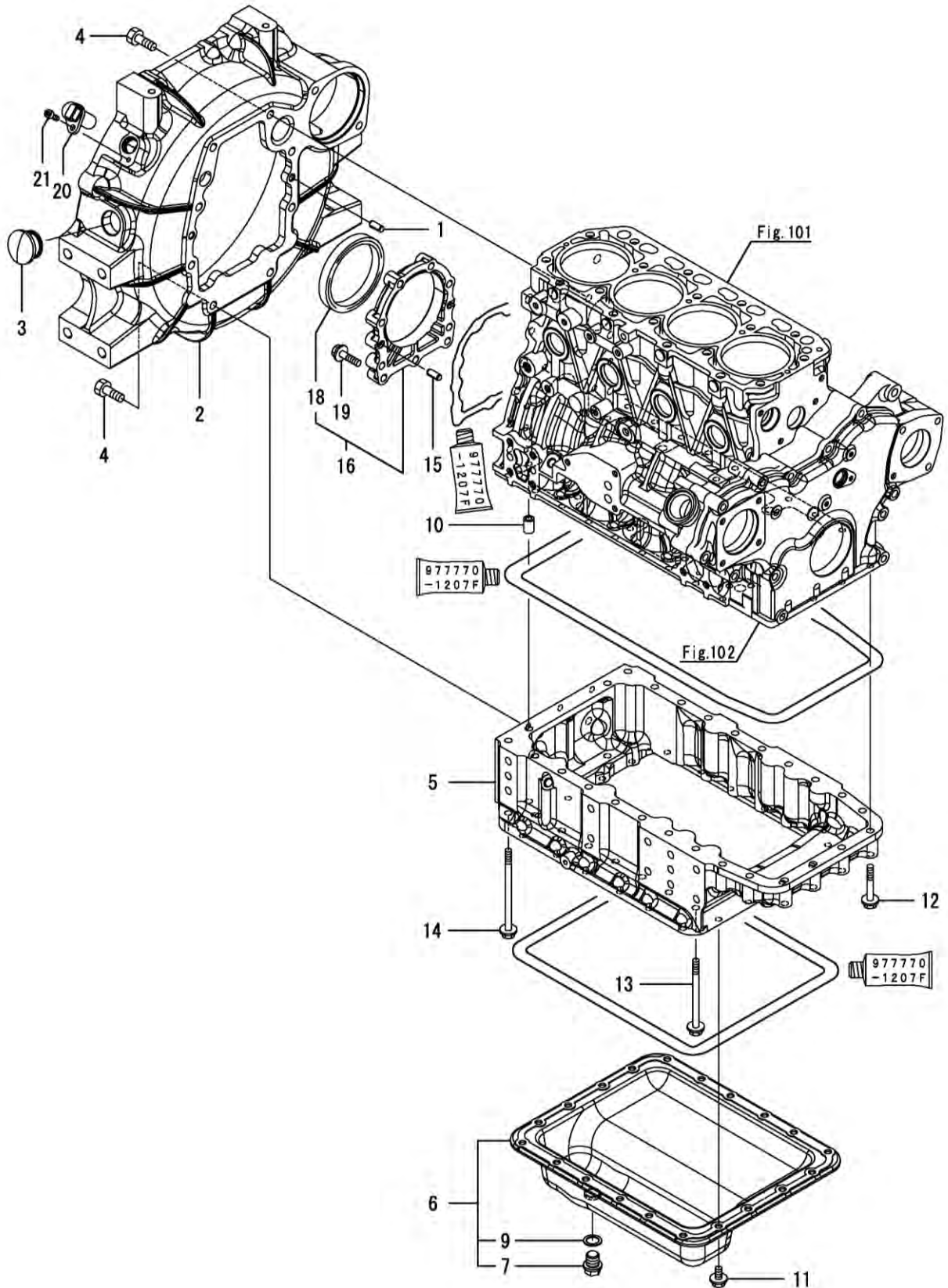
P1

Year / Month

2014 / 04



T554ST/NC/NH/SH / T454ST/NC/NH



NOTE

FIG 104A

CYLINDER HEAD & BONNET (T554)

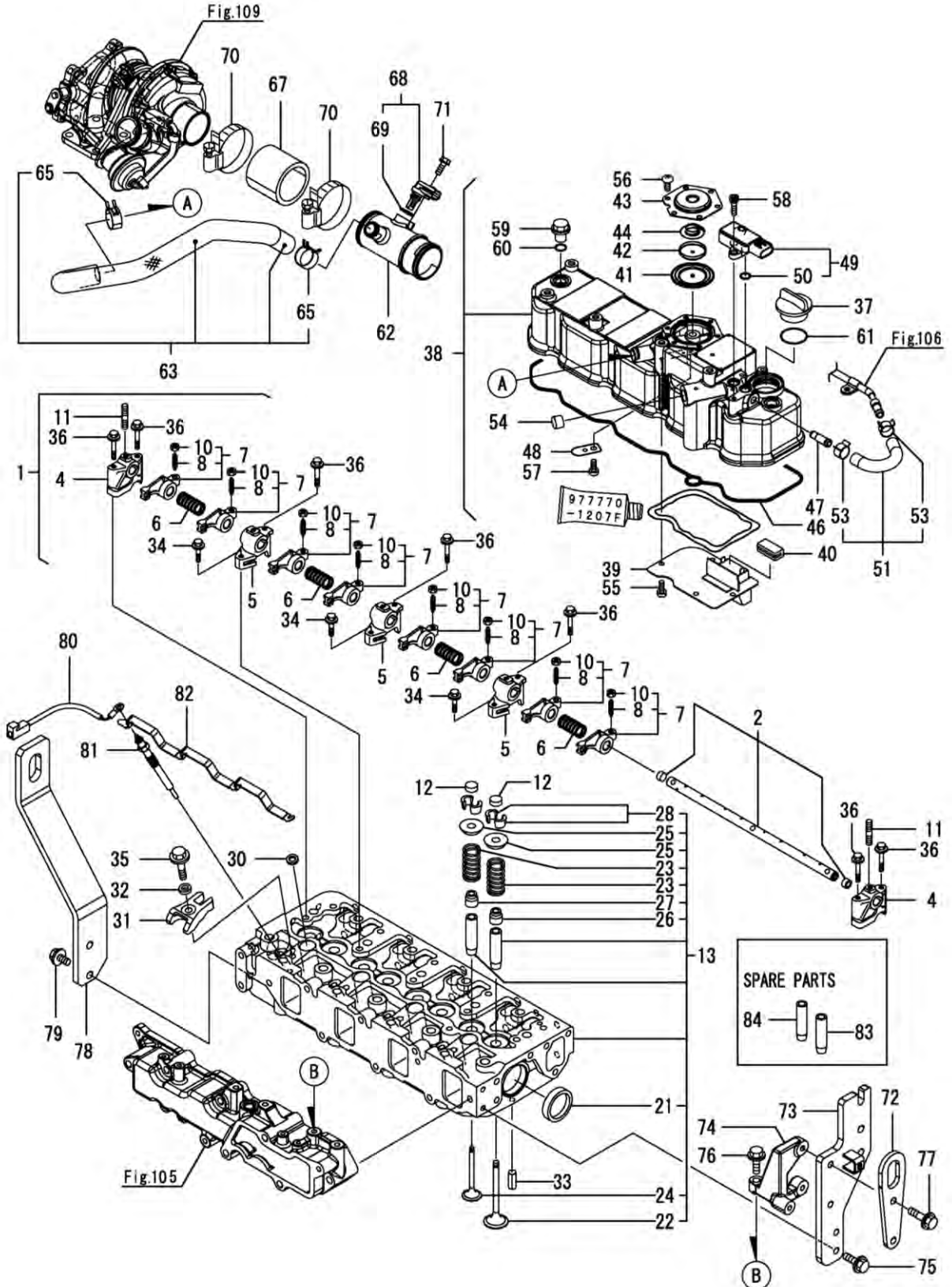
P1

Year / Month

2014 / 04



T554ST/NC/NH/SH / T454ST/NC/NH



SPARE PARTS

84 — 83

NOTE

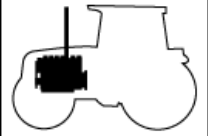
FIG 104A

CYLINDER HEAD & BONNET (T554)

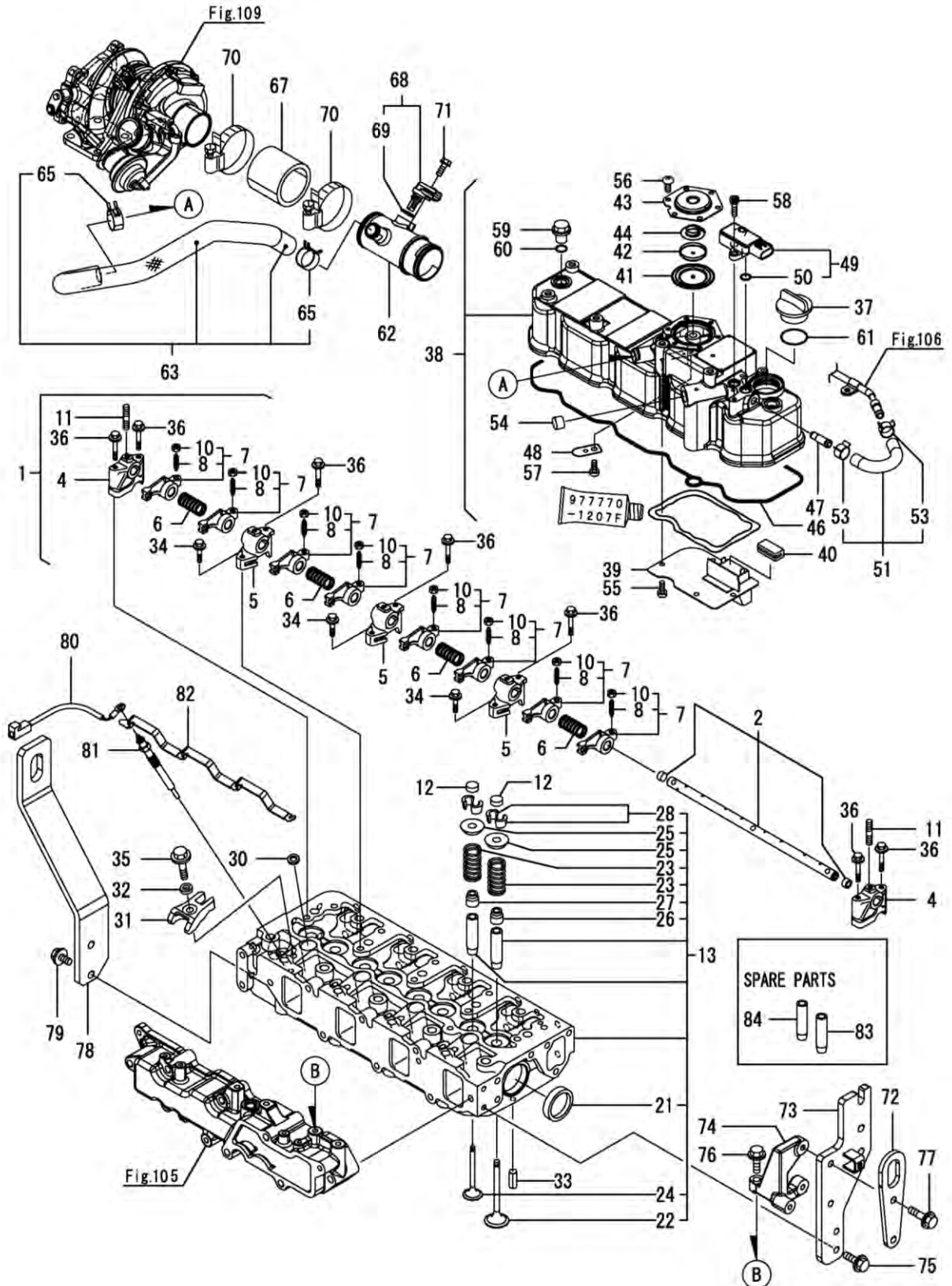
P2

Year / Month

2014 / 04



T554ST/NC/NH/SH / T454ST/NC/NH



NOTE

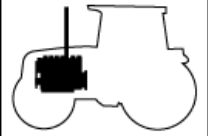
FIG 104B

CYLINDER HEAD & BONNET (T454)

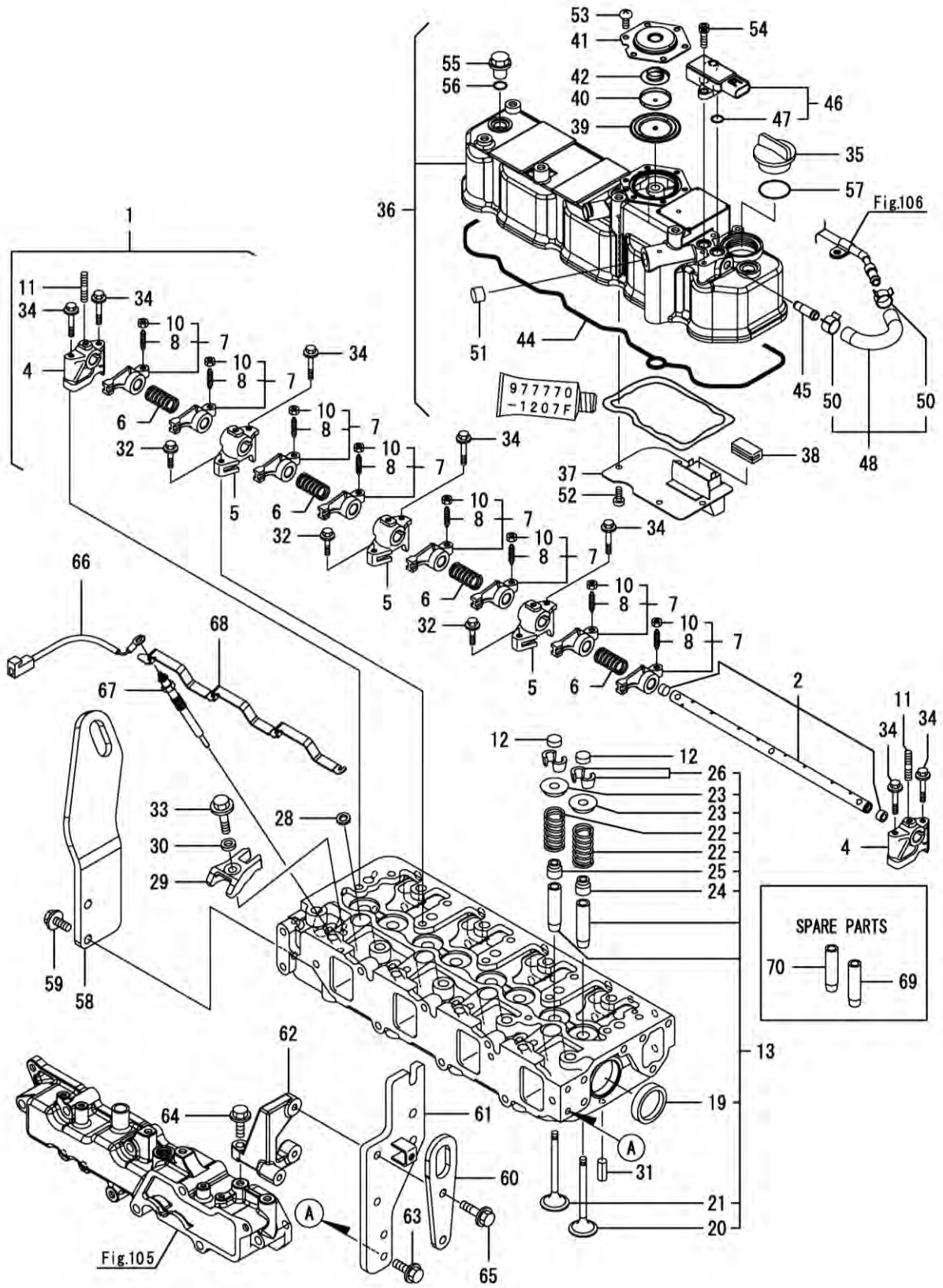
P1

Year / Month

2014 / 04



T554ST/NC/NH/SH / T454ST/NC/NH



NOTE

FIG 104B

CYLINDER HEAD & BONNET (T454)

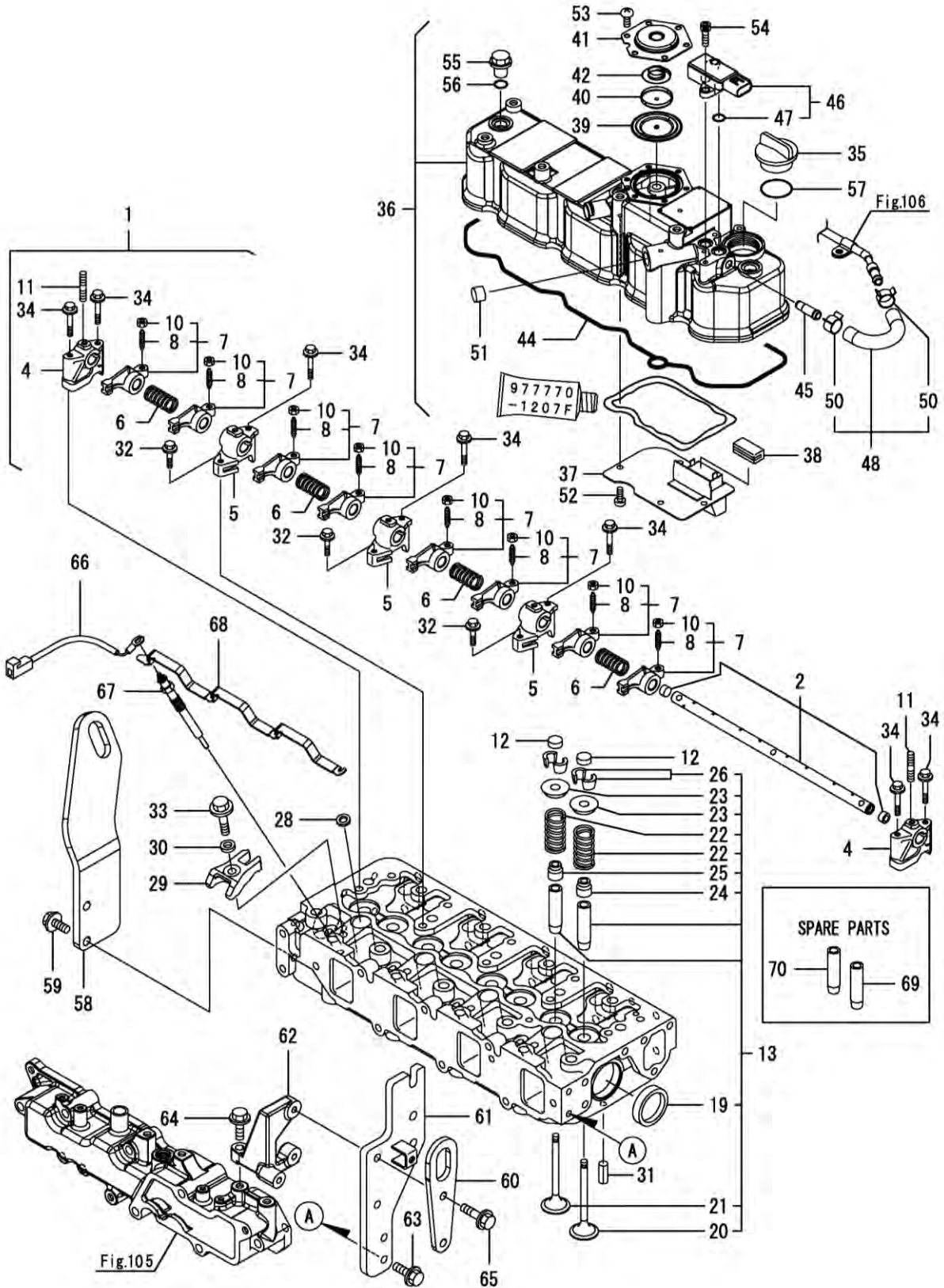
P2

Year / Month

2014 / 04



T554ST/NC/NH/SH / T454ST/NC/NH



NOTE

FIG 105A

SUCTION MANIFOLD (T554)

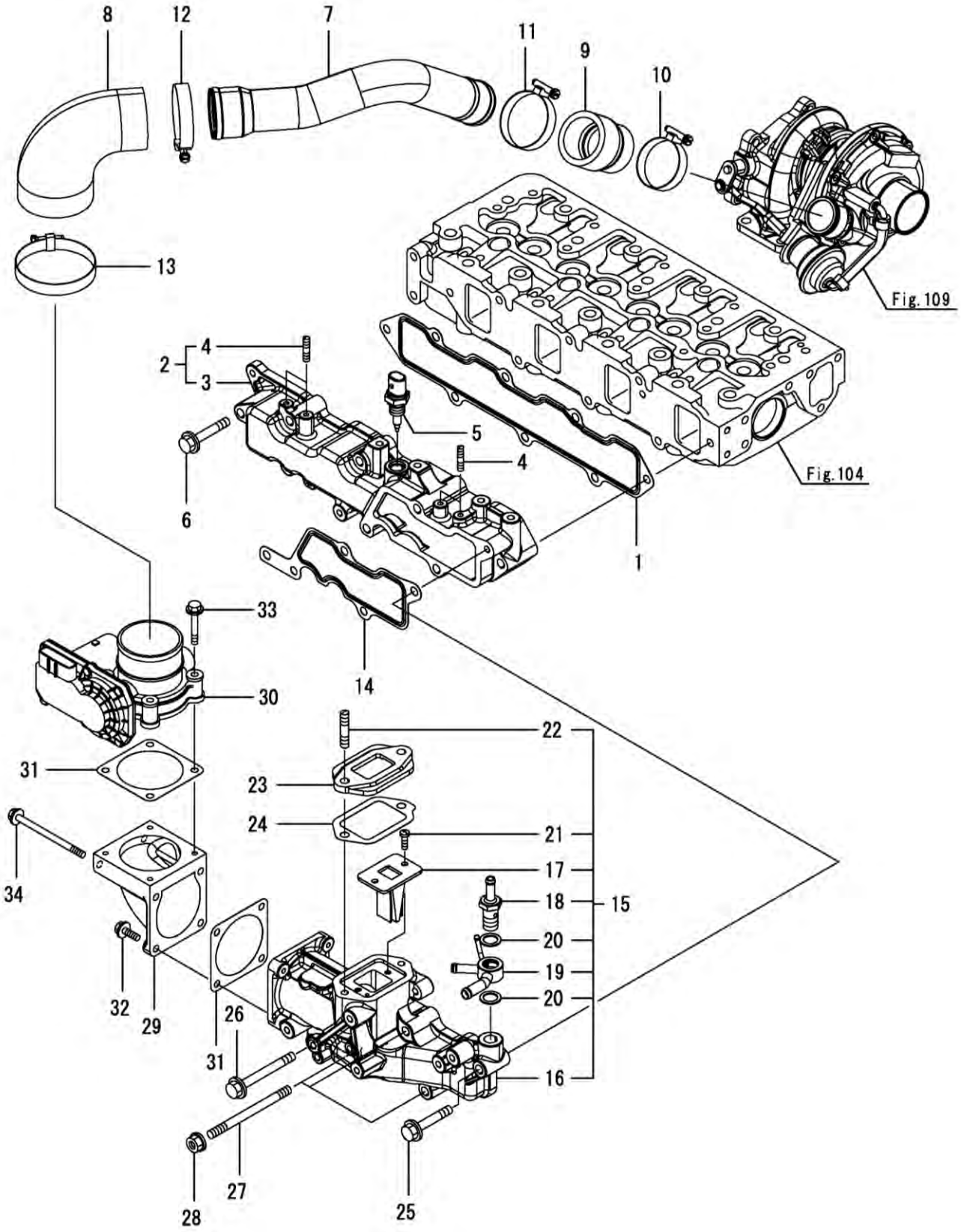
P1

Year / Month

2014 / 04



T554ST/NC/NH/SH / T454ST/NC/NH



NOTE

FIG 105B

SUCTION MANIFOLD (T454)

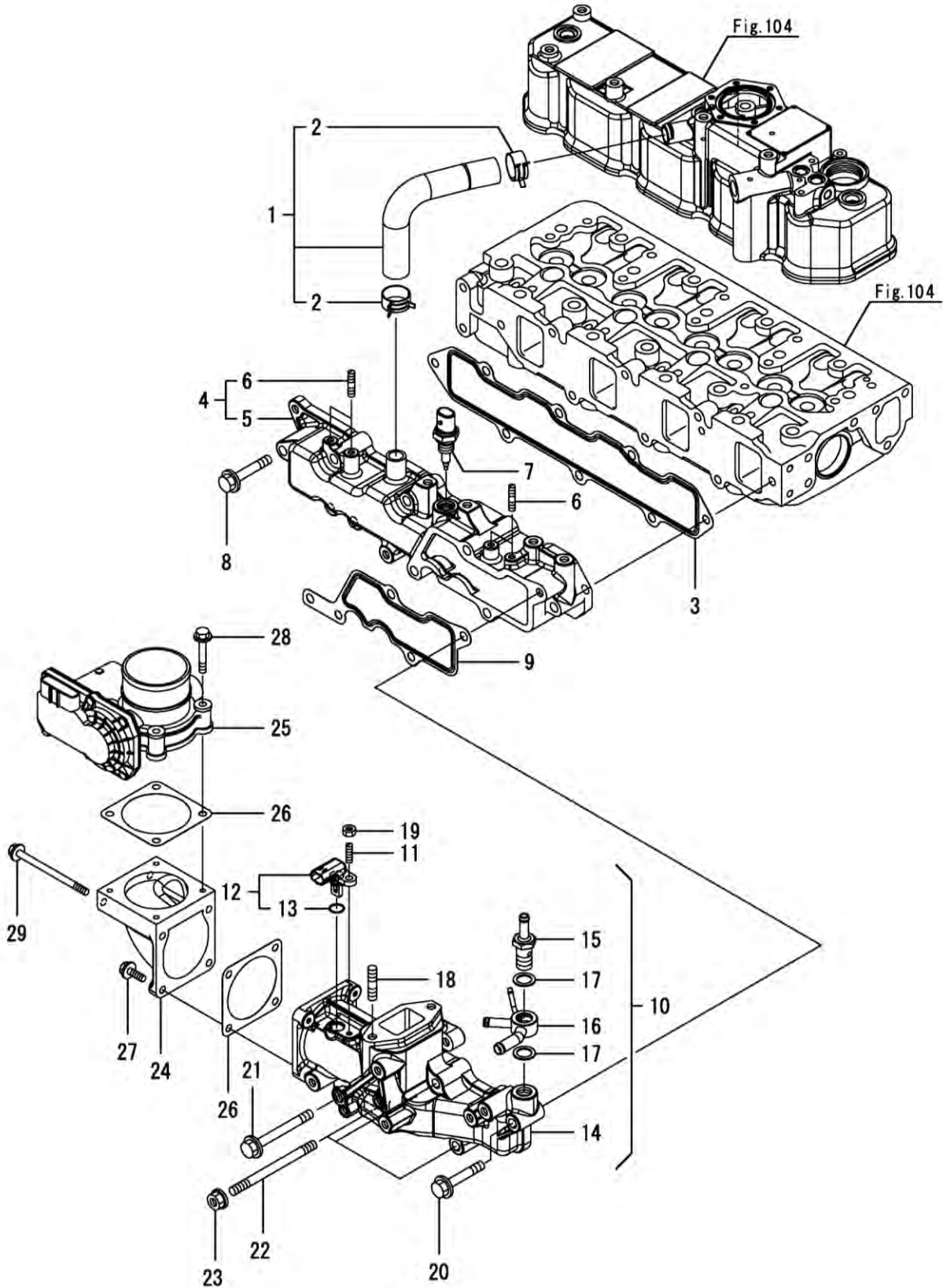
P1

Year / Month

2014 / 04



T554ST/NC/NH/SH / T454ST/NC/NH



NOTE

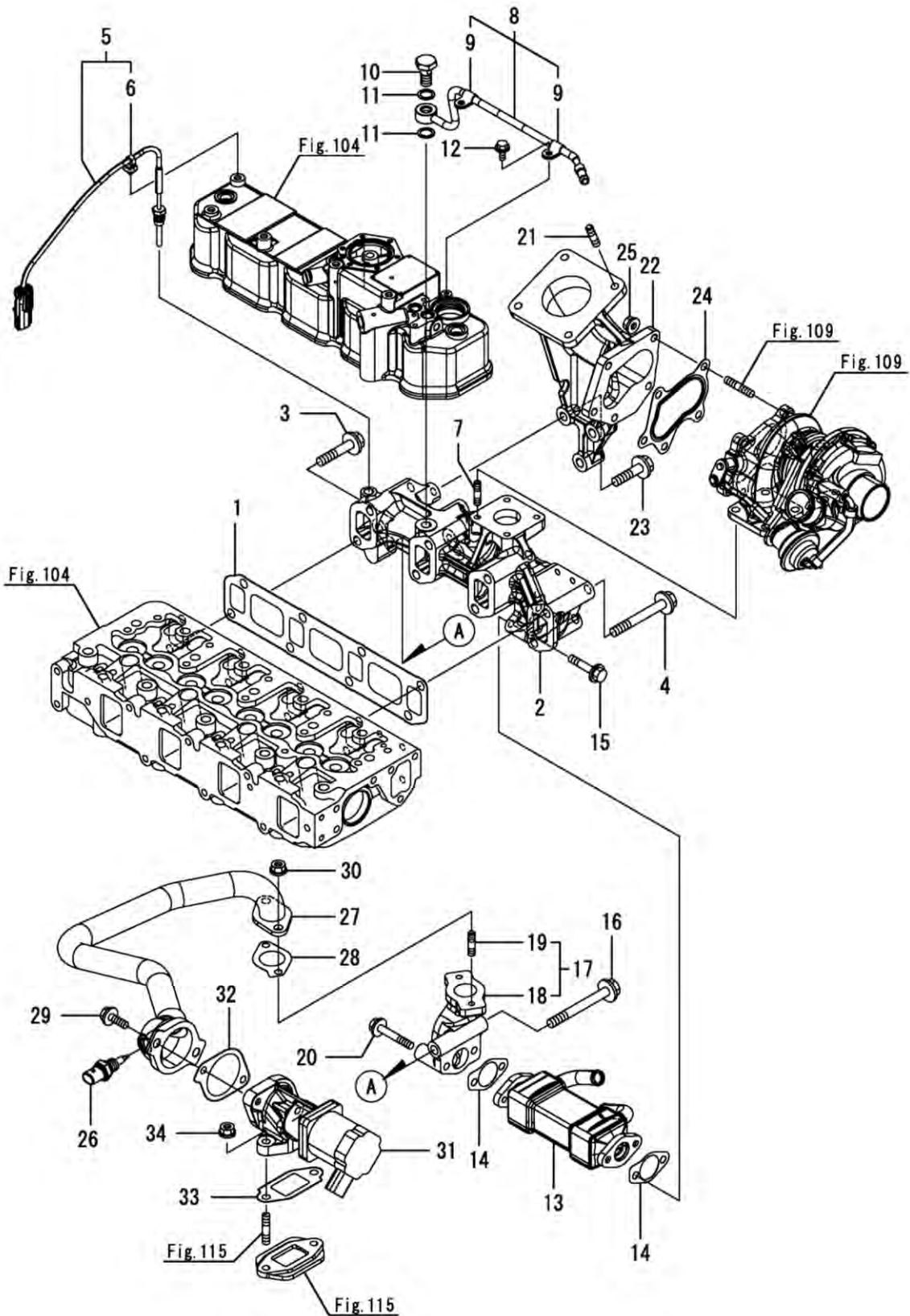
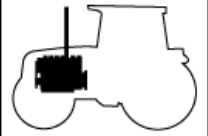
FIG 106A

EXHAUST MANIFOLD (T554)

P1

Year / Month

2014 / 04



NOTE

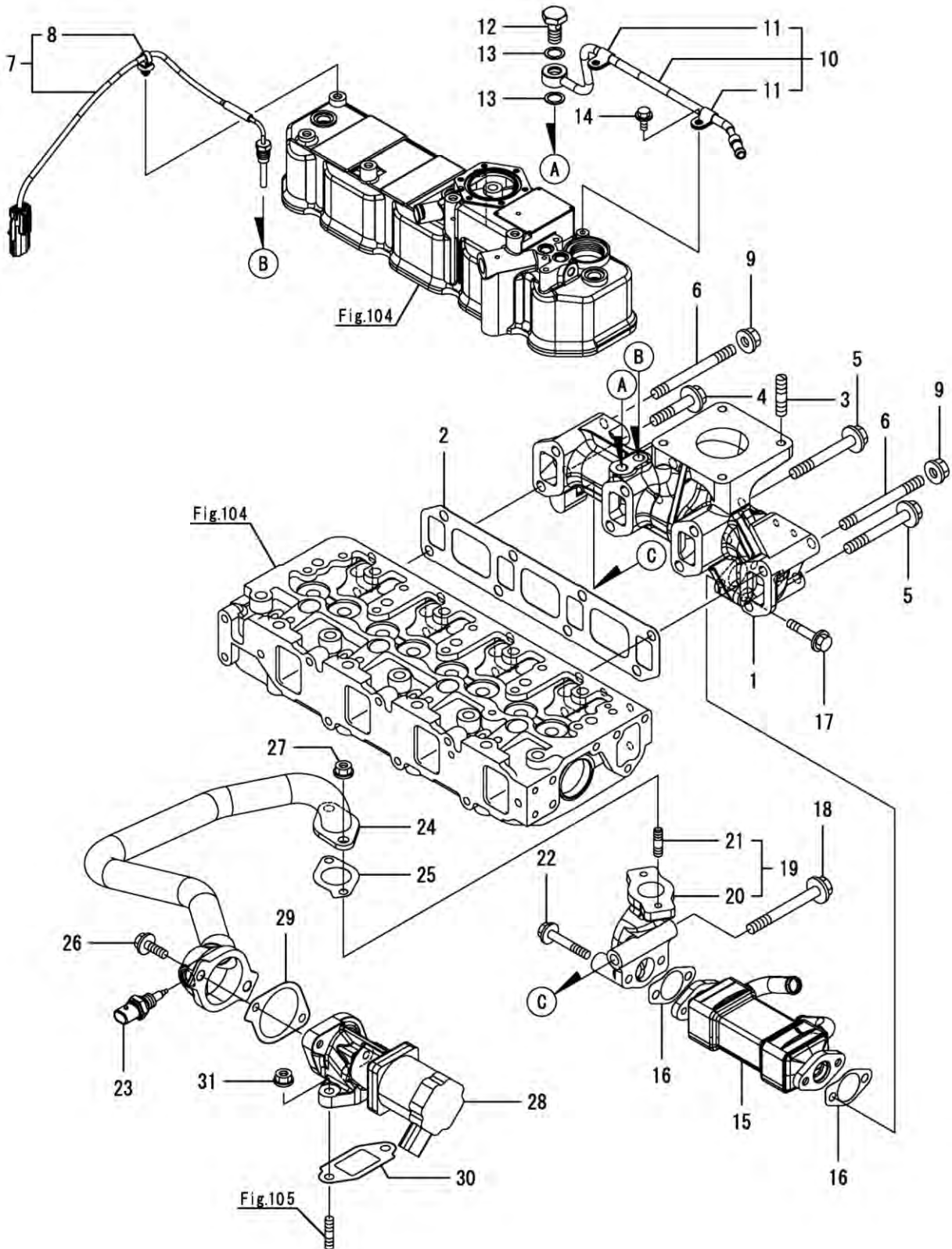
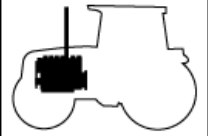
FIG 106B

EXHAUST MANIFOLD (T454)

P1

Year / Month

2014 / 04



NOTE

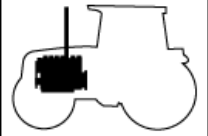
FIG 107A

DIESEL PARTICULATE FILTER (T554)

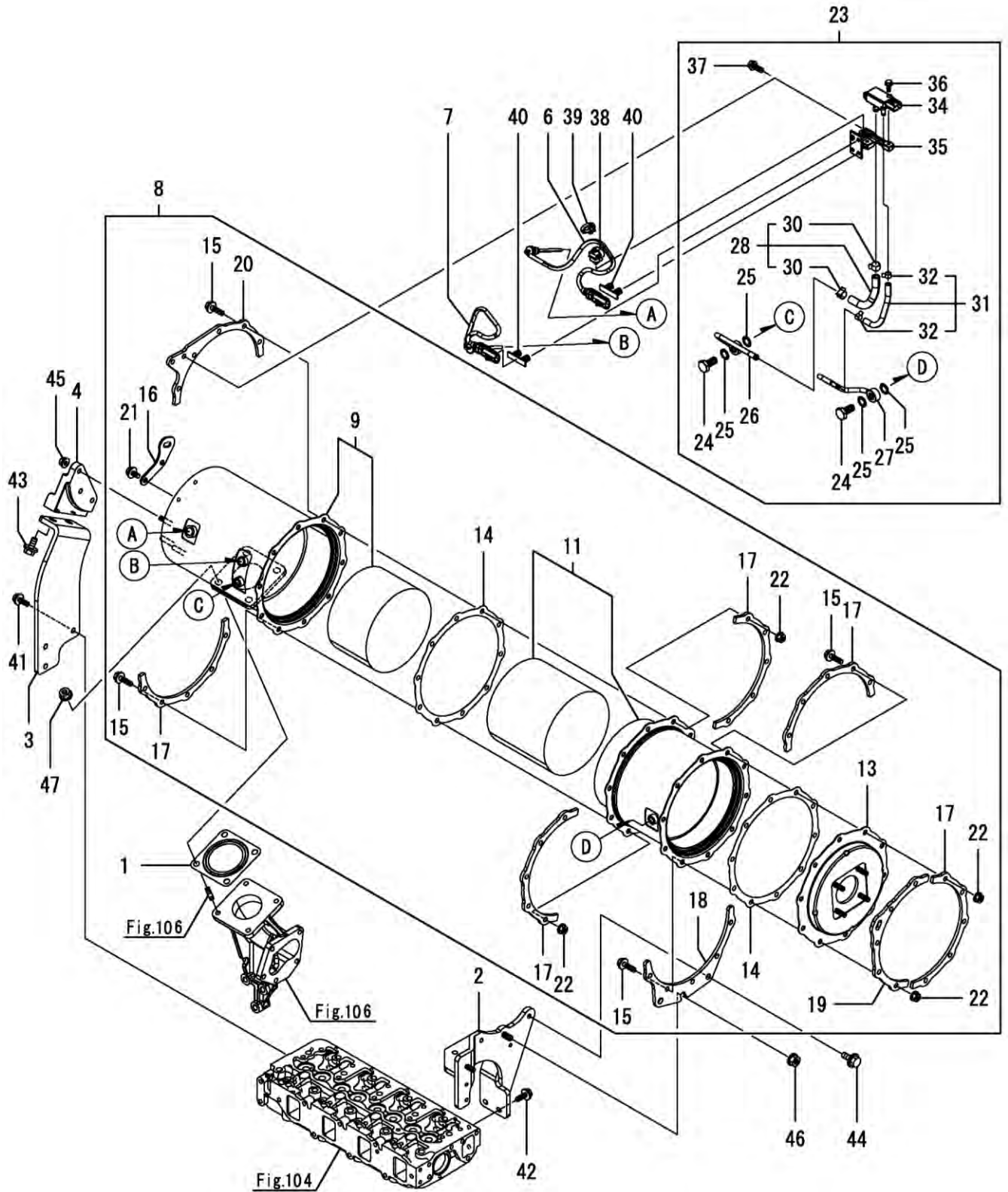
P1

Year / Month

2014 / 04



T554ST/NC/NH/SH / T454ST/NC/NH



NOTE

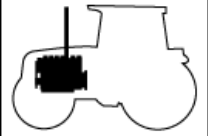
FIG 107B

DIESEL PARTICULATE FILTER (T454)

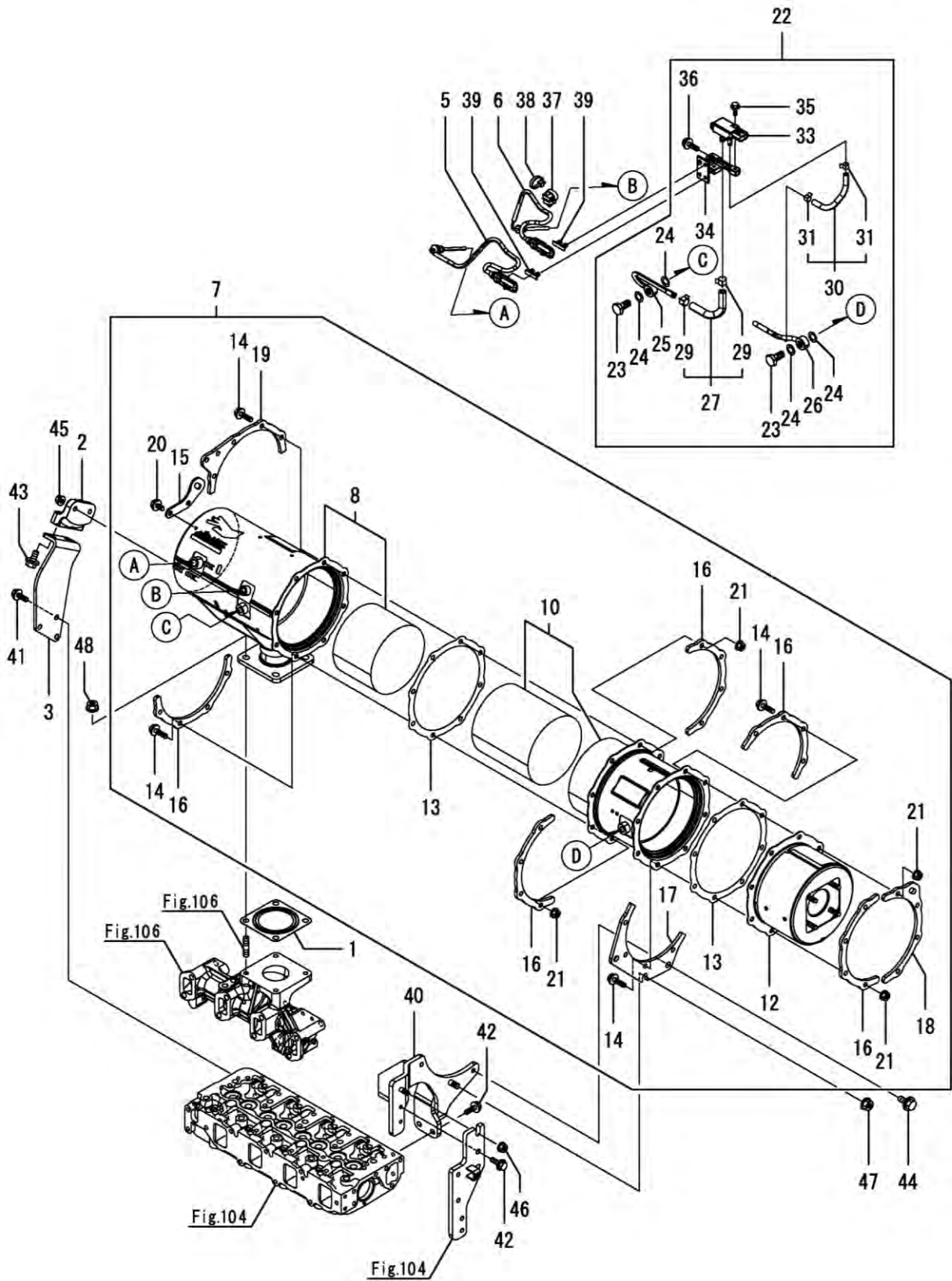
P1

Year / Month

2014 / 04



T554ST/NC/NH/SH / T454ST/NC/NH



NOTE

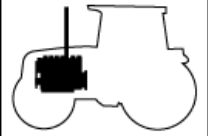
FIG 108

CAMSHAFT & DRIVING GEAR

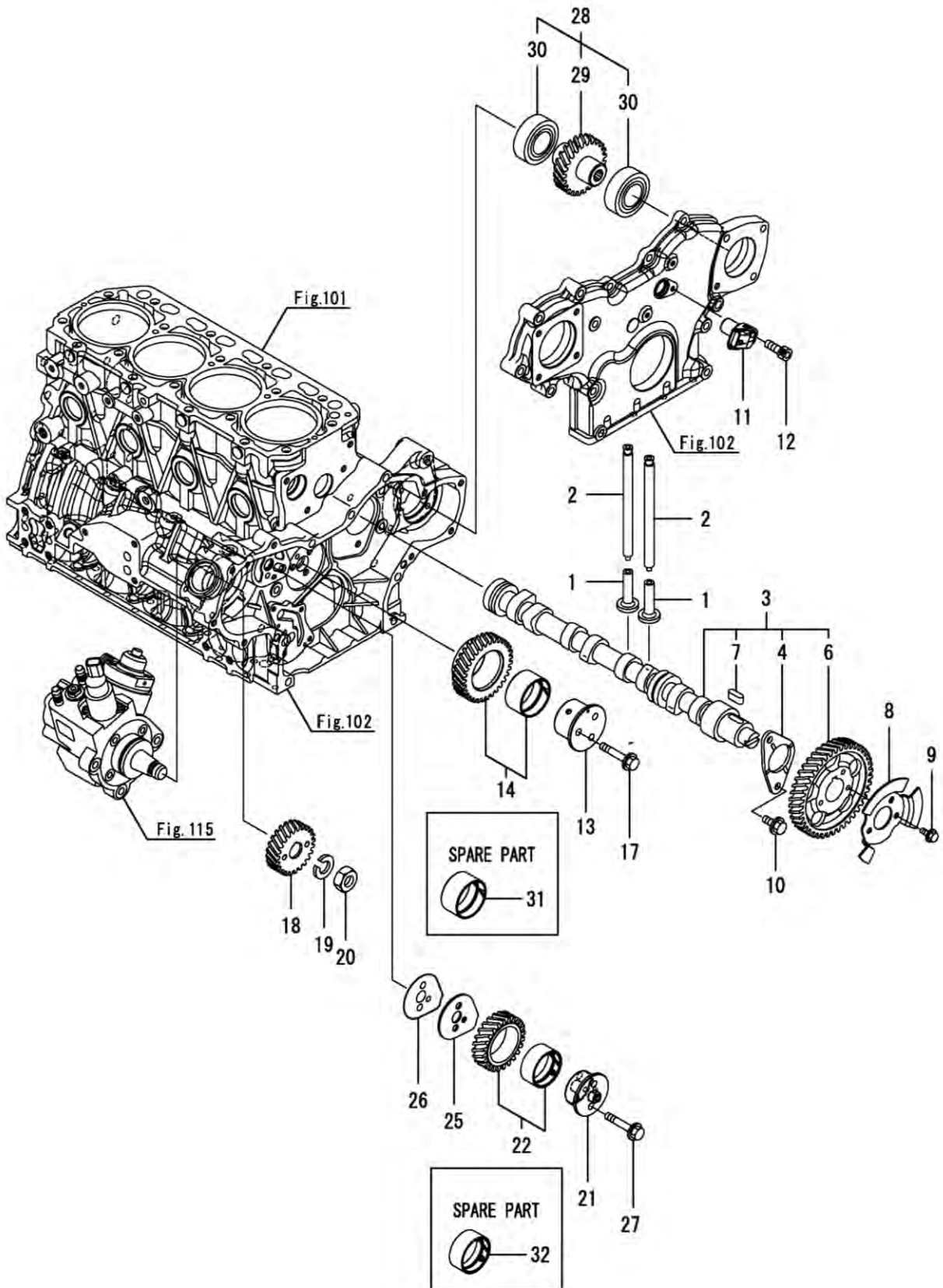
P1

Year / Month

2014 / 04



T554ST/NC/NH/SH / T454ST/NC/NH



NOTE

FIG 109

TURBINE (T554)

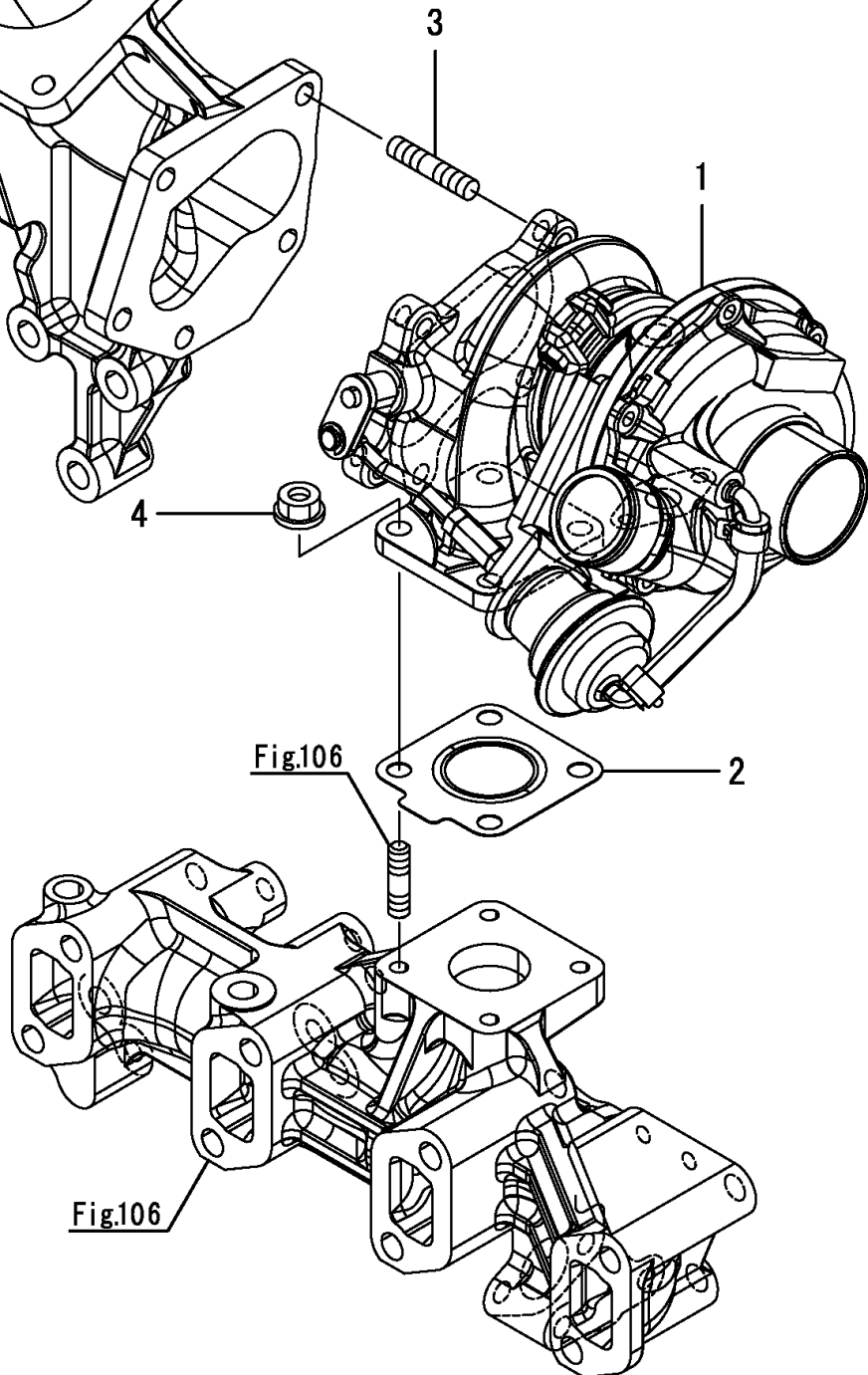
P1

Year / Month

2014 / 04



Fig.106



NOTE

FIG 110A

CRANKSHAFT & PISTON (T554)

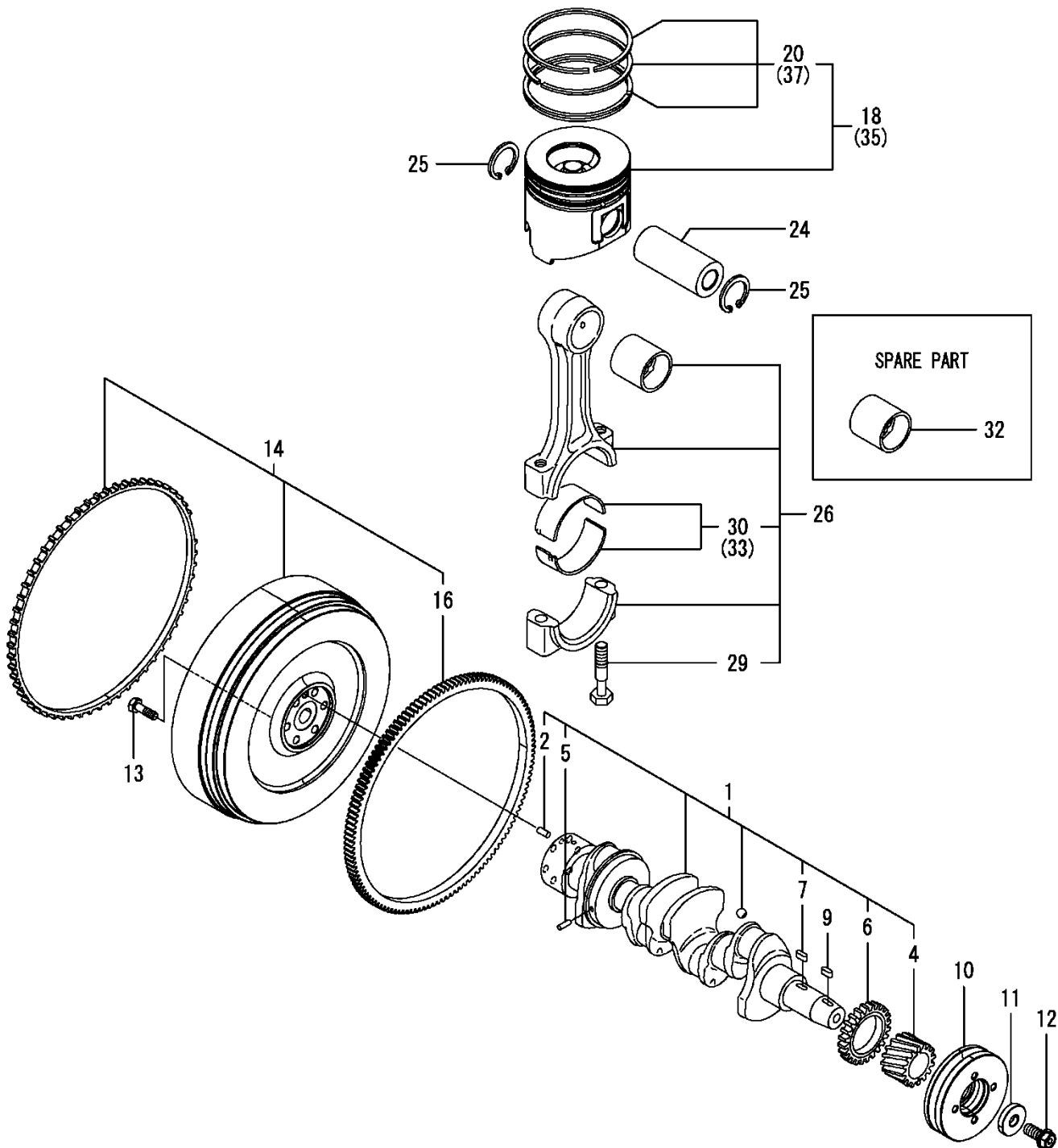
P1

Year / Month

2014 / 04



T554ST/NC/NH/SH / T454ST/NC/NH



NOTE

FIG 110B

CRANKSHAFT & PISTON (T454)

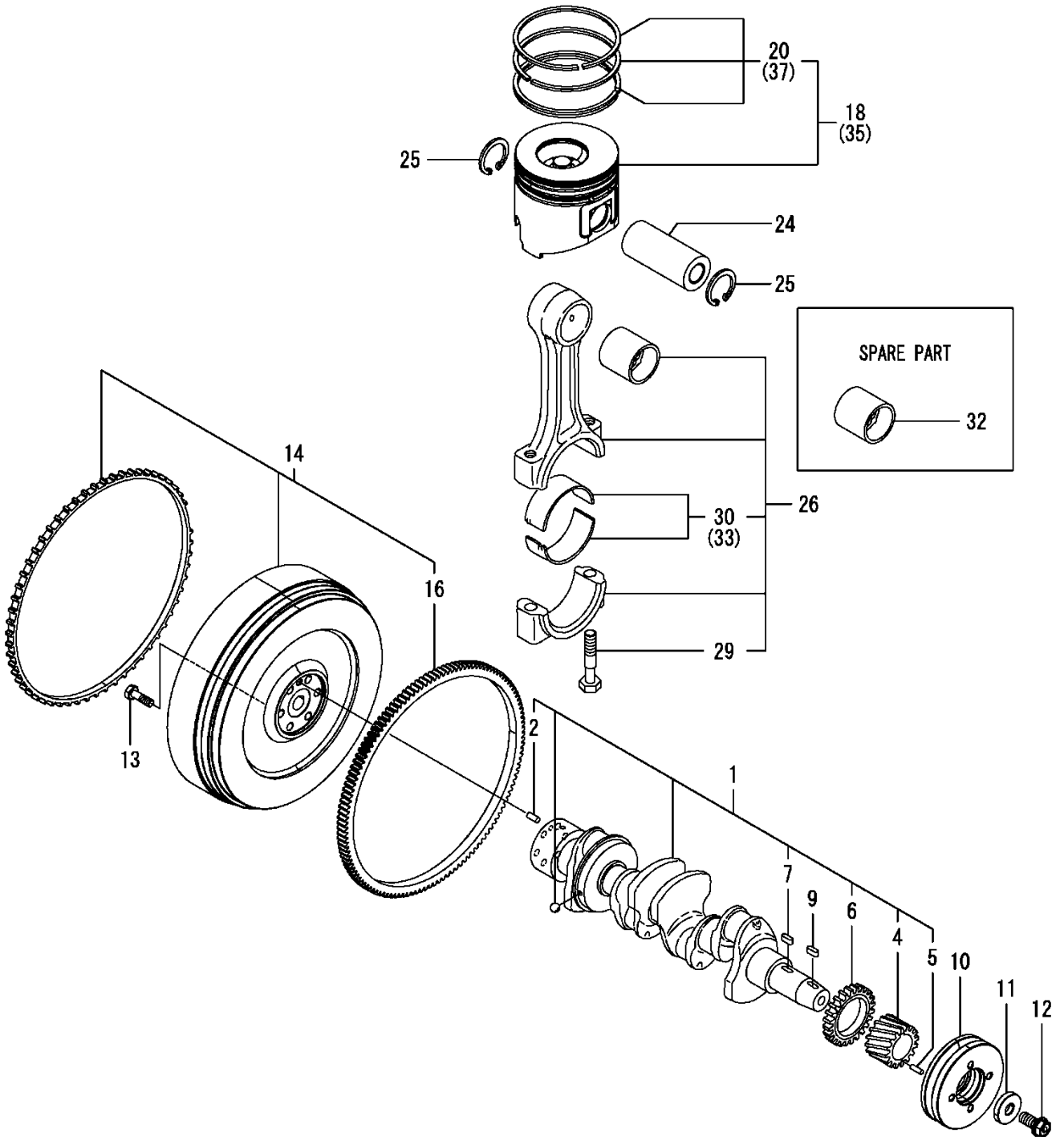
P1

Year / Month

2014 / 04



T554ST/NC/NH/SH / T454ST/NC/NH



NOTE

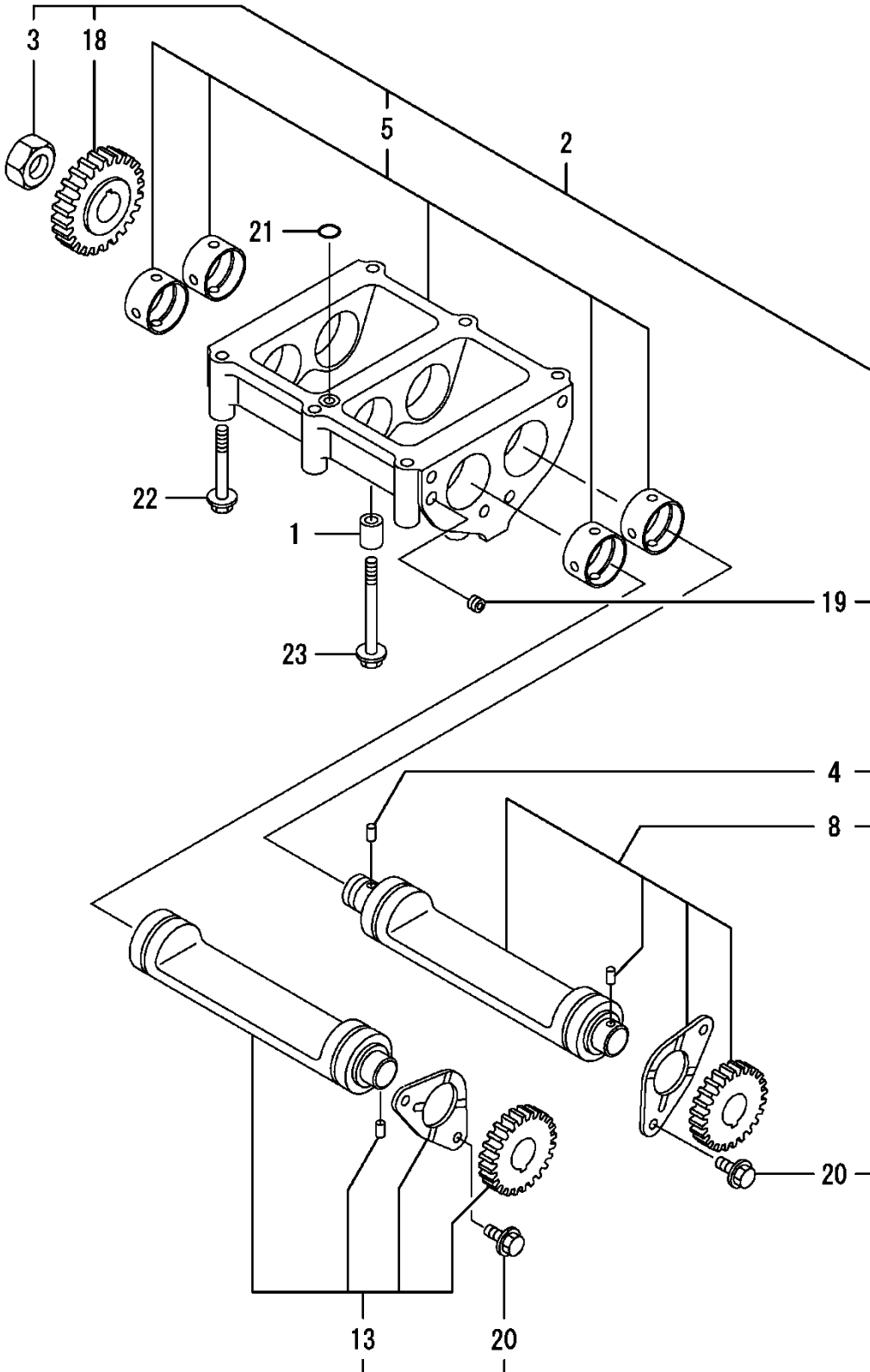
FIG 111

BALANCER

P1

Year / Month

2014 / 04



NOTE

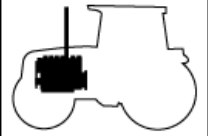
FIG 112A

LUB. OIL SYSTEM (T554)

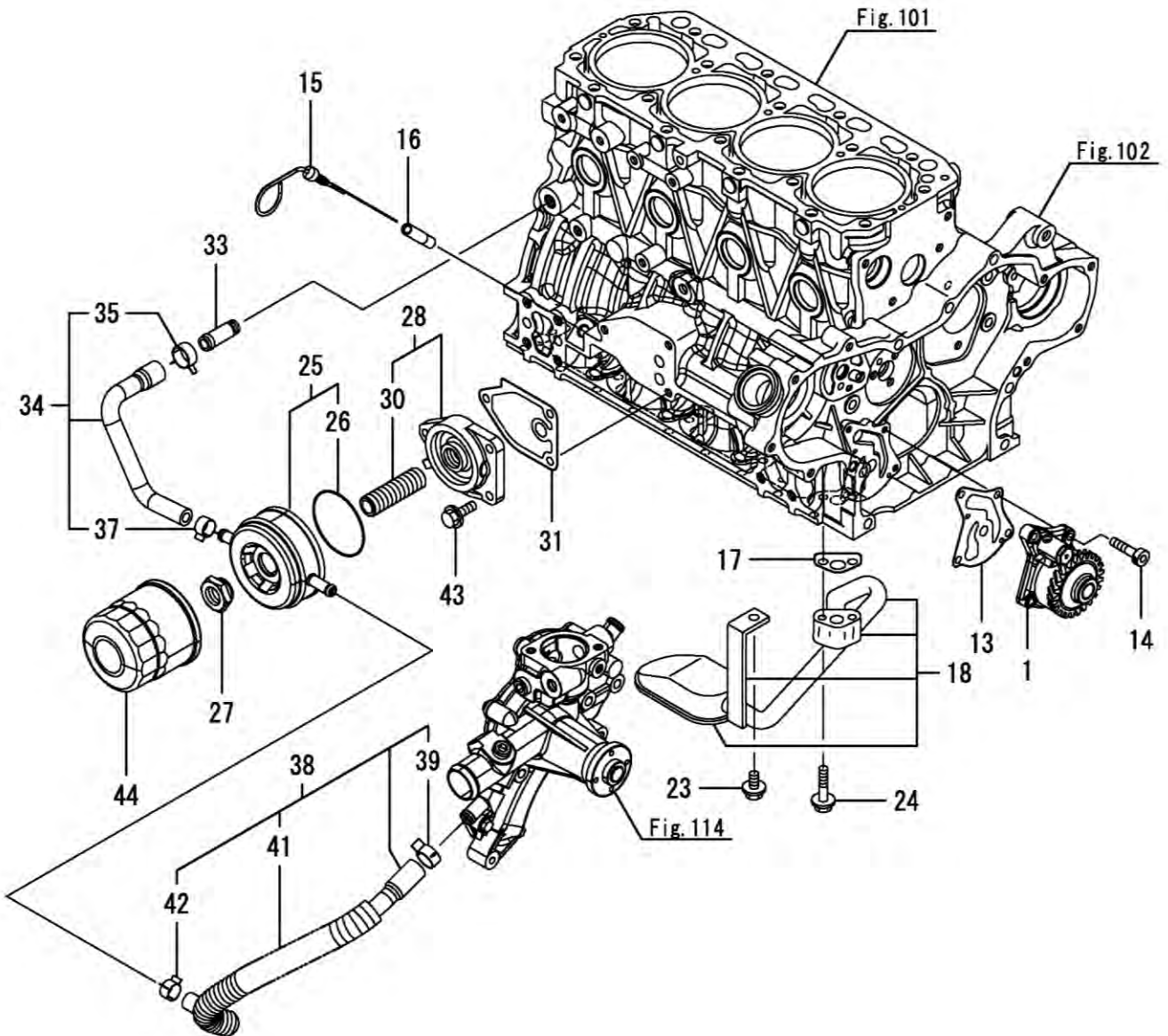
P1

Year / Month

2014 / 04



T554ST/NC/NH/SH / T454ST/NC/NH



NOTE

FIG 112B

LUB. OIL SYSTEM (T454)

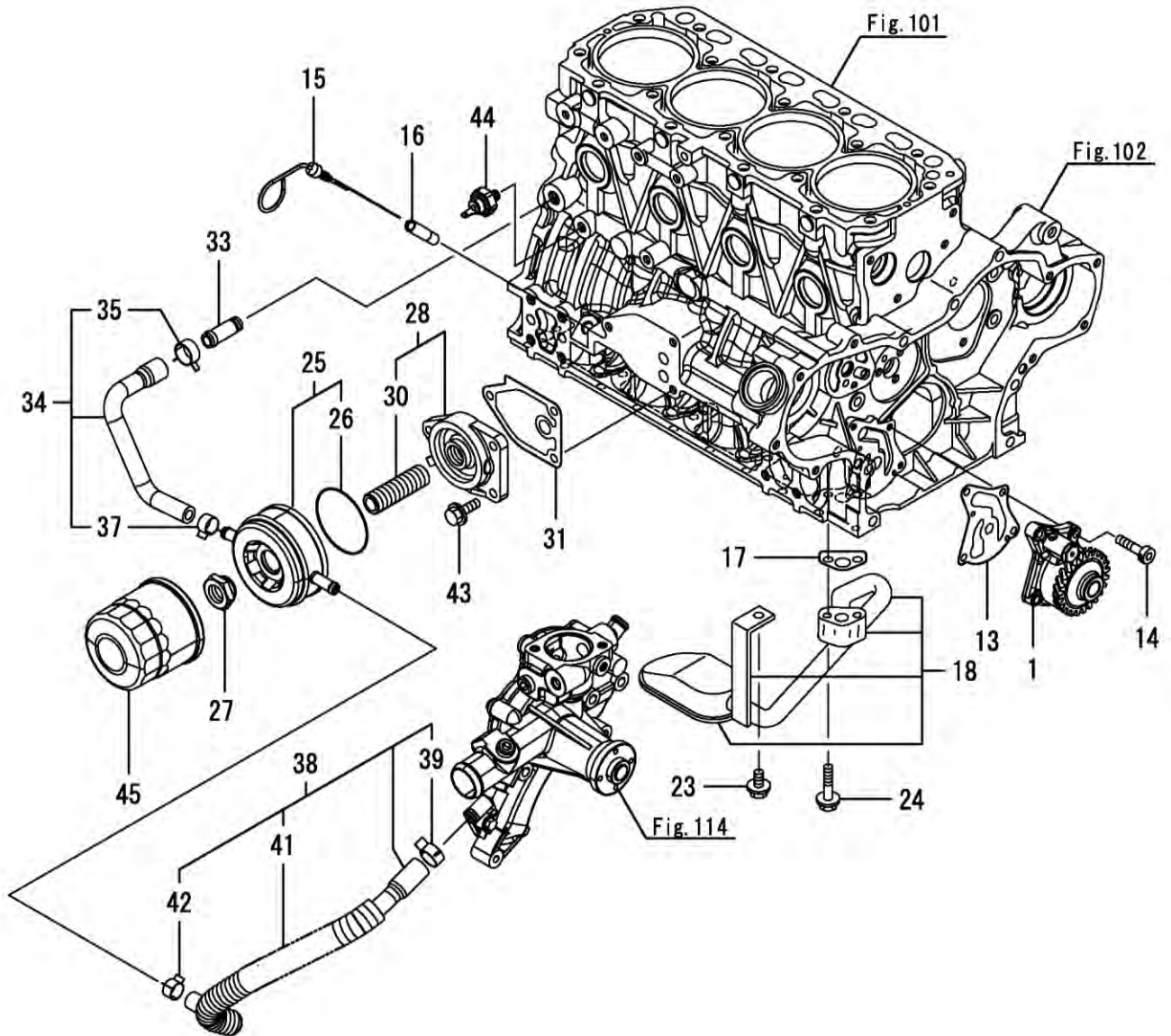
P1

Year / Month

2014 / 04



T554ST/NC/NH/SH / T454ST/NC/NH



NOTE

FIG 113

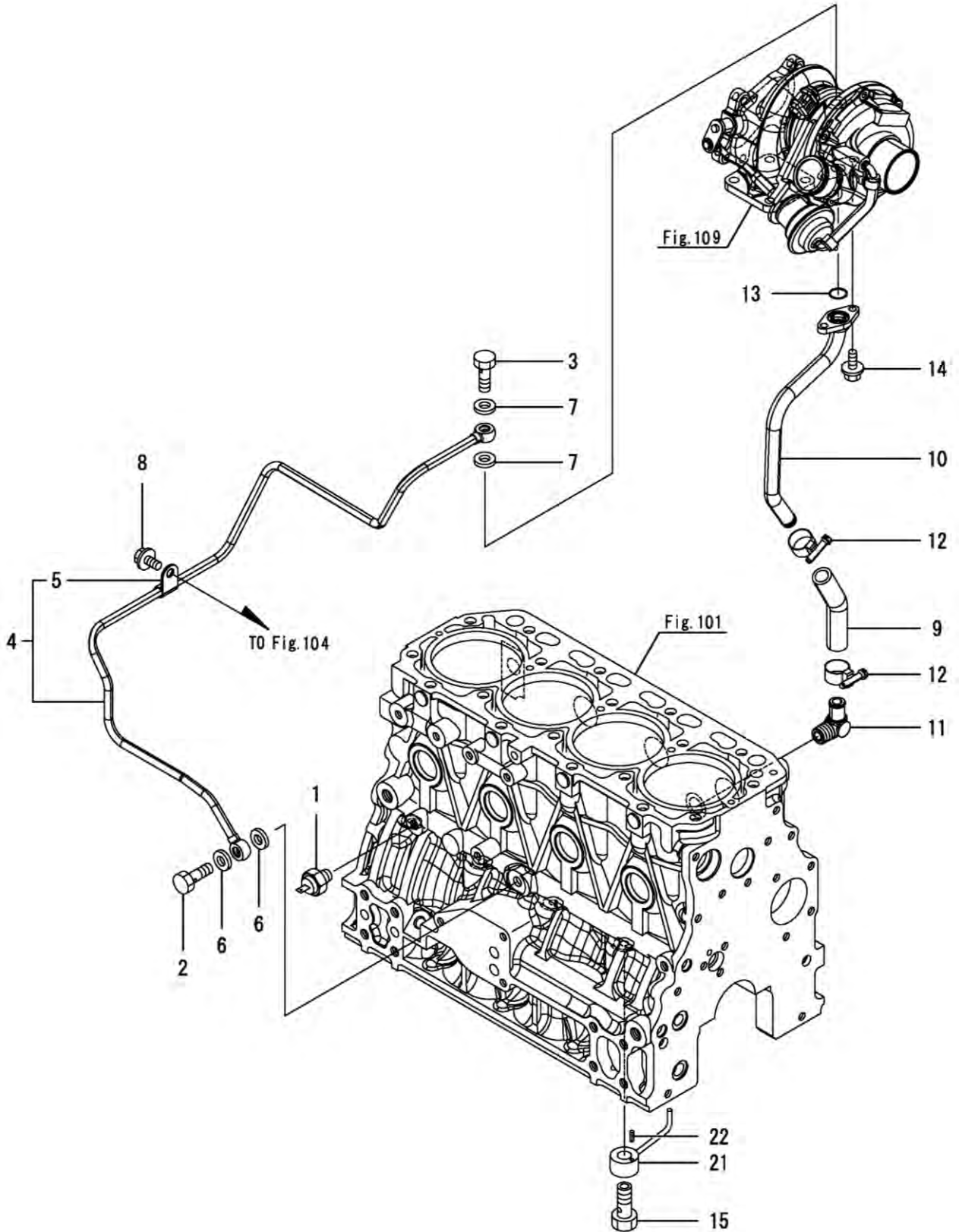
LUB. OIL LINE (T554)

T554ST/NC/NH/SH / T454ST/NC/NH

P1

Year / Month

2014 / 04



NOTE

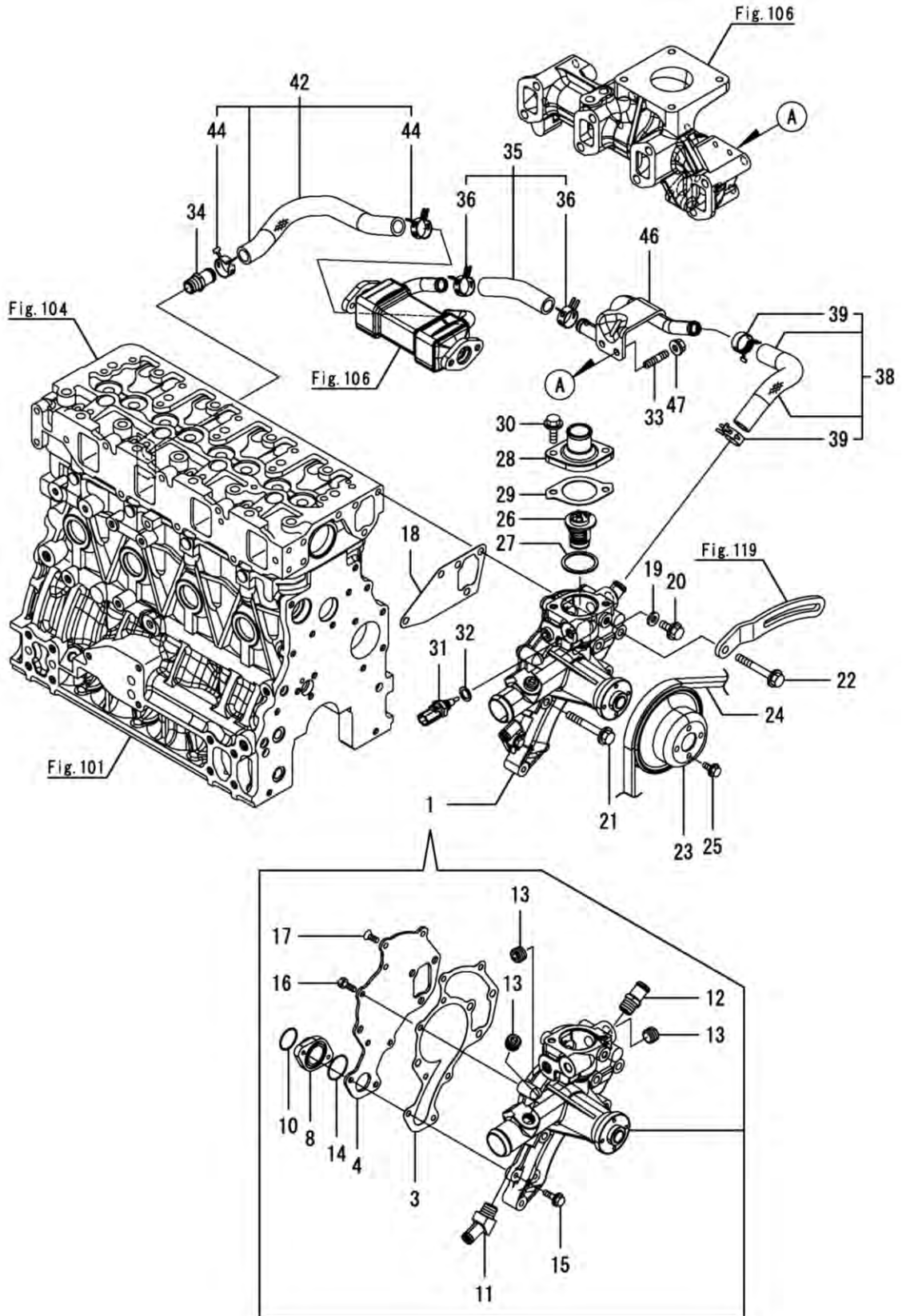
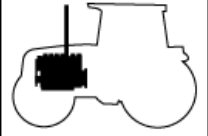
FIG 114

COOLING WATER SYSTEM

P1

Year / Month

2014 / 04



NOTE

FIG 115

FUEL SUPPLY PUMP

P1

Year / Month

2014 / 04



T554ST/NC/NH/SH / T454ST/NC/NH

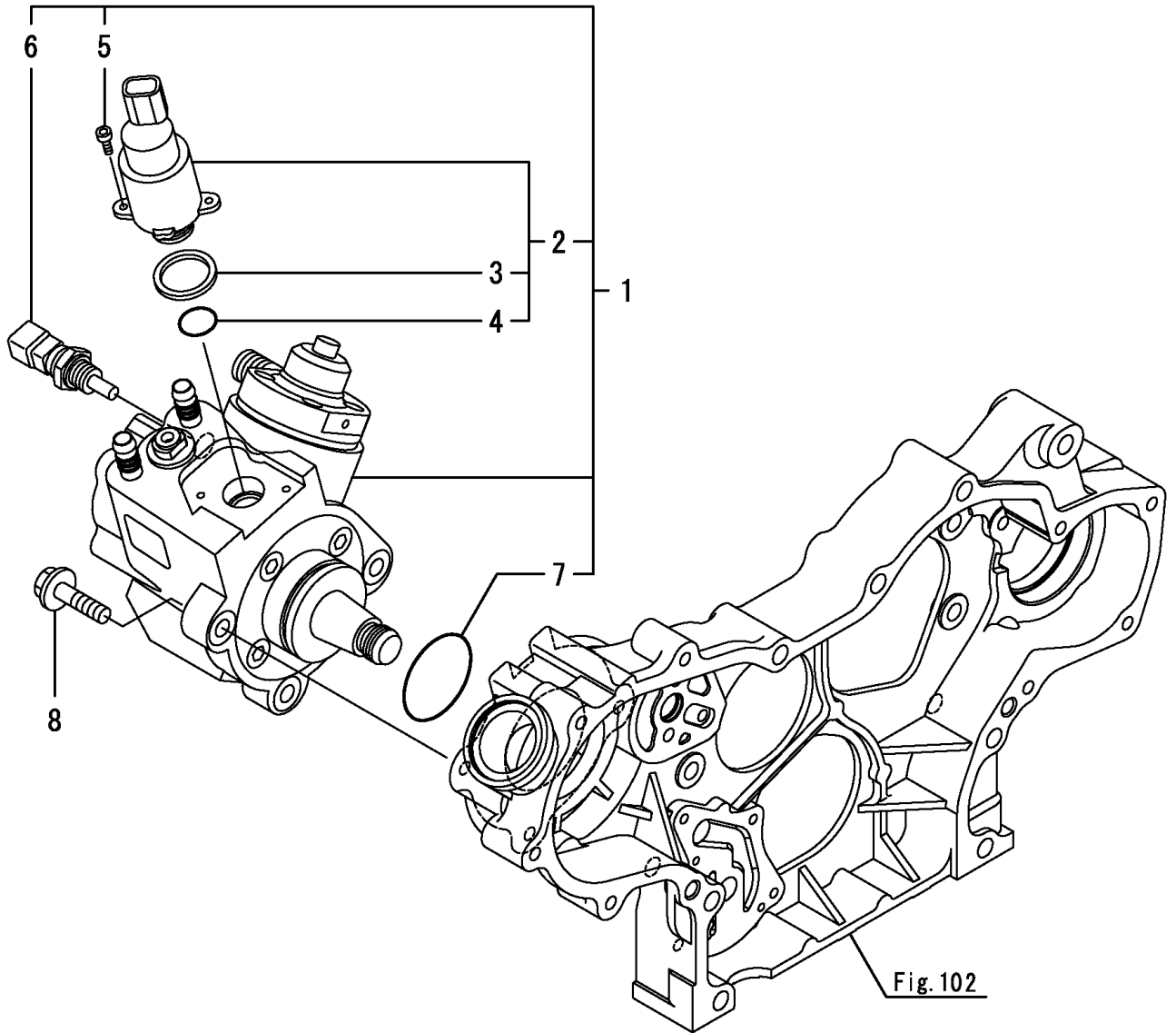


Fig.102

NOTE

FIG 116A

FUEL INJECTION VALVE (T554)

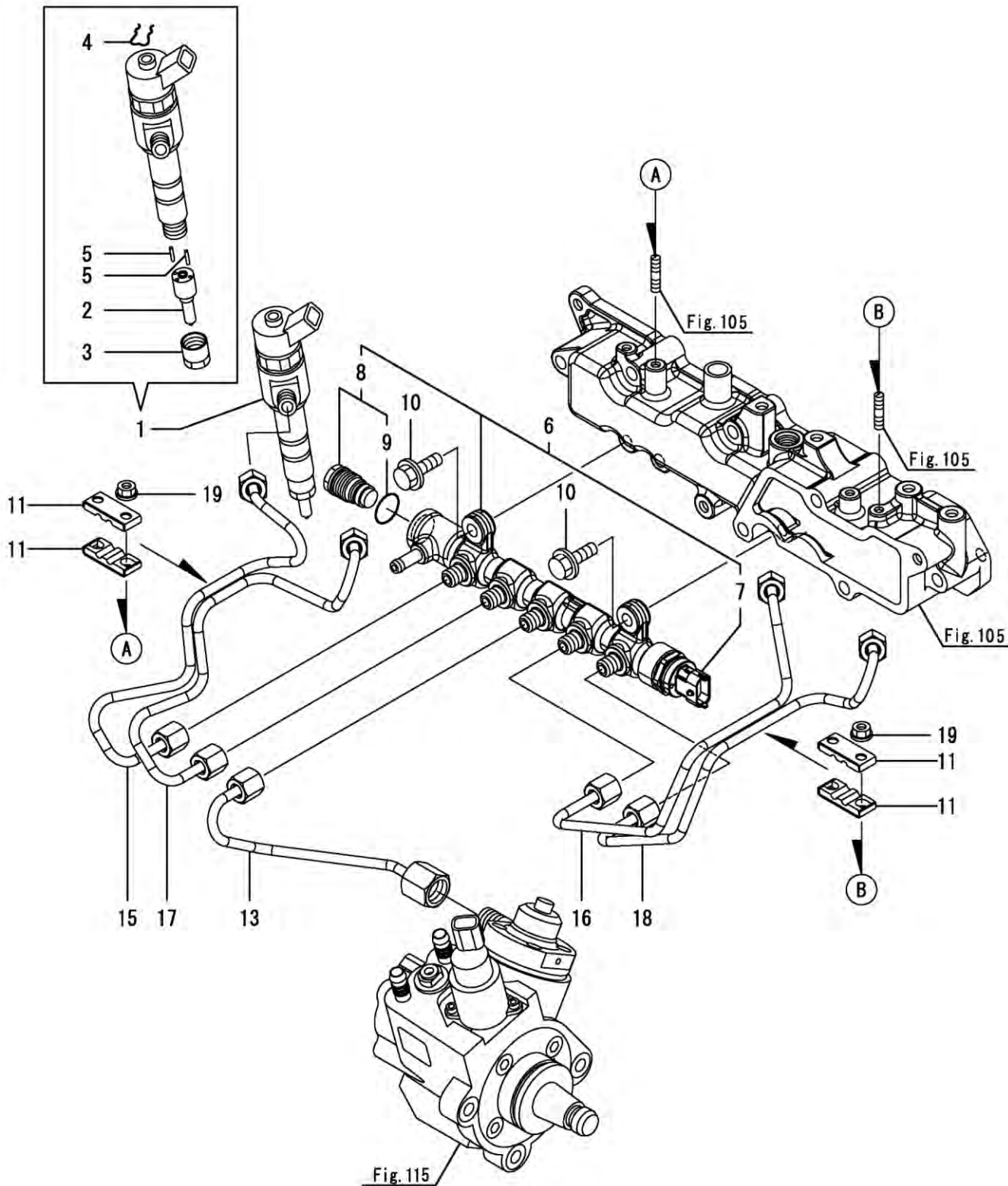
P1

Year / Month

2014 / 04



T554ST/NC/NH/SH / T454ST/NC/NH



NOTE

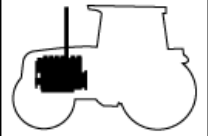
FIG 116B

FUEL INJECTION VALVE (T454)

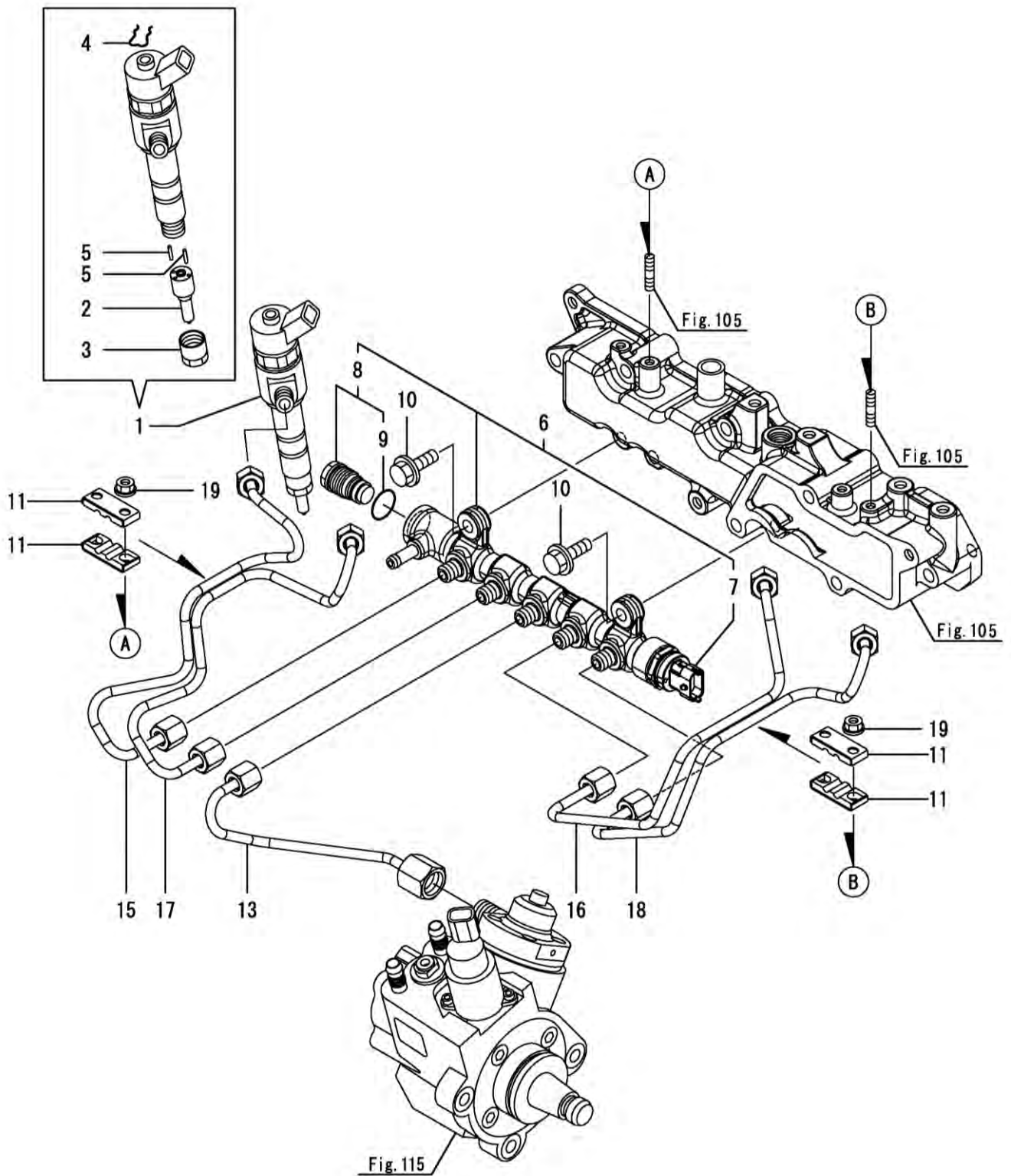
P1

Year / Month

2014 / 04



T554ST/NC/NH/SH / T454ST/NC/NH



NOTE

FIG 117

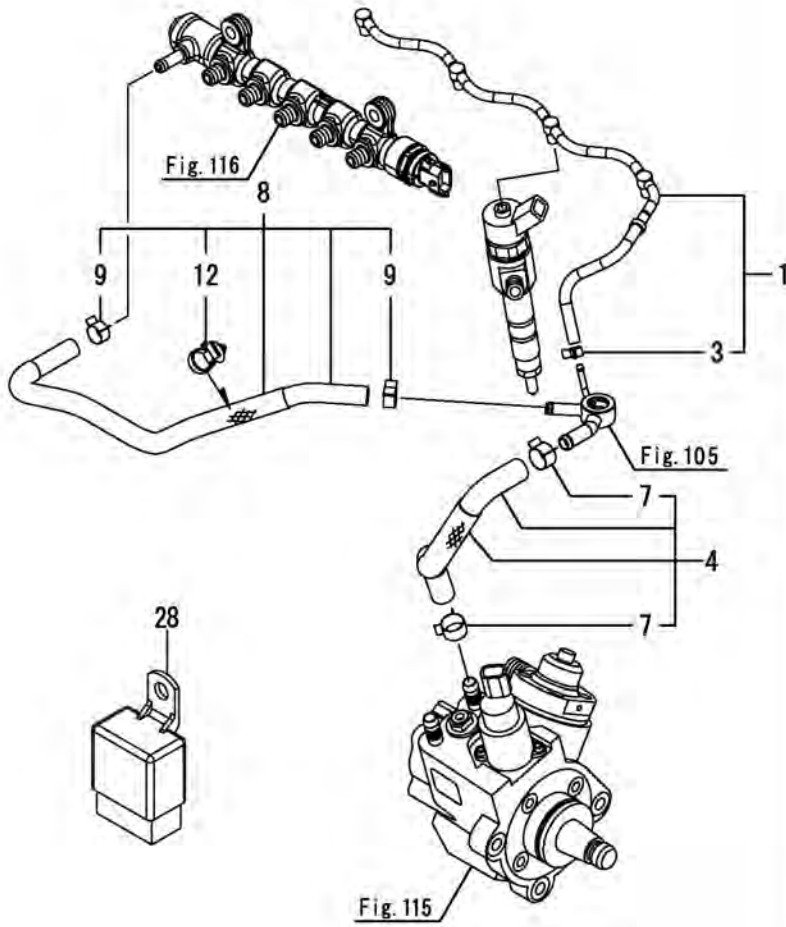
FUEL LINE

T554ST/NC/NH/SH / T454ST/NC/NH

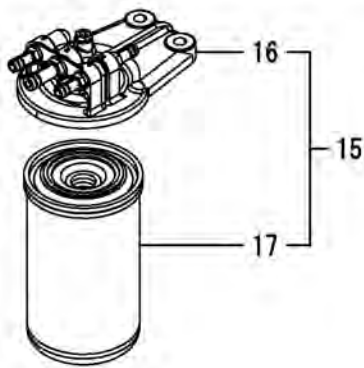
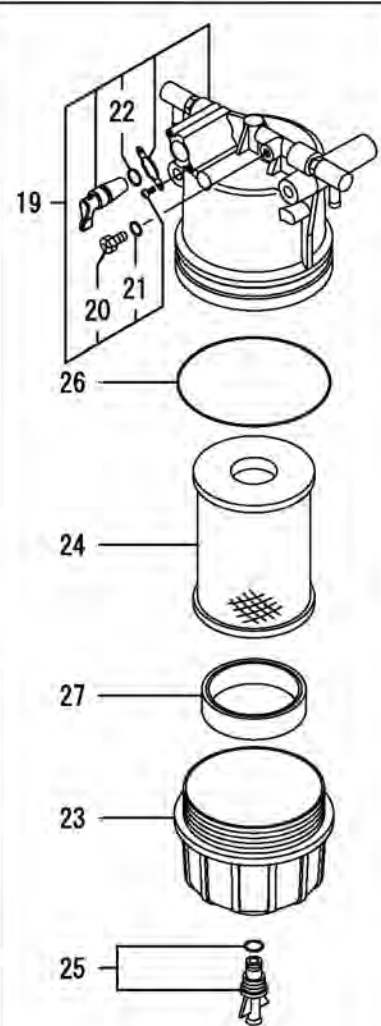
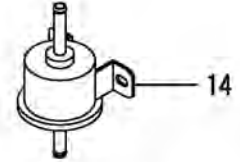
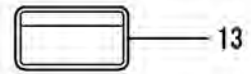
P1

Year / Month

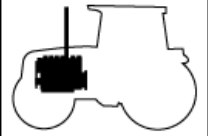
2014 / 04



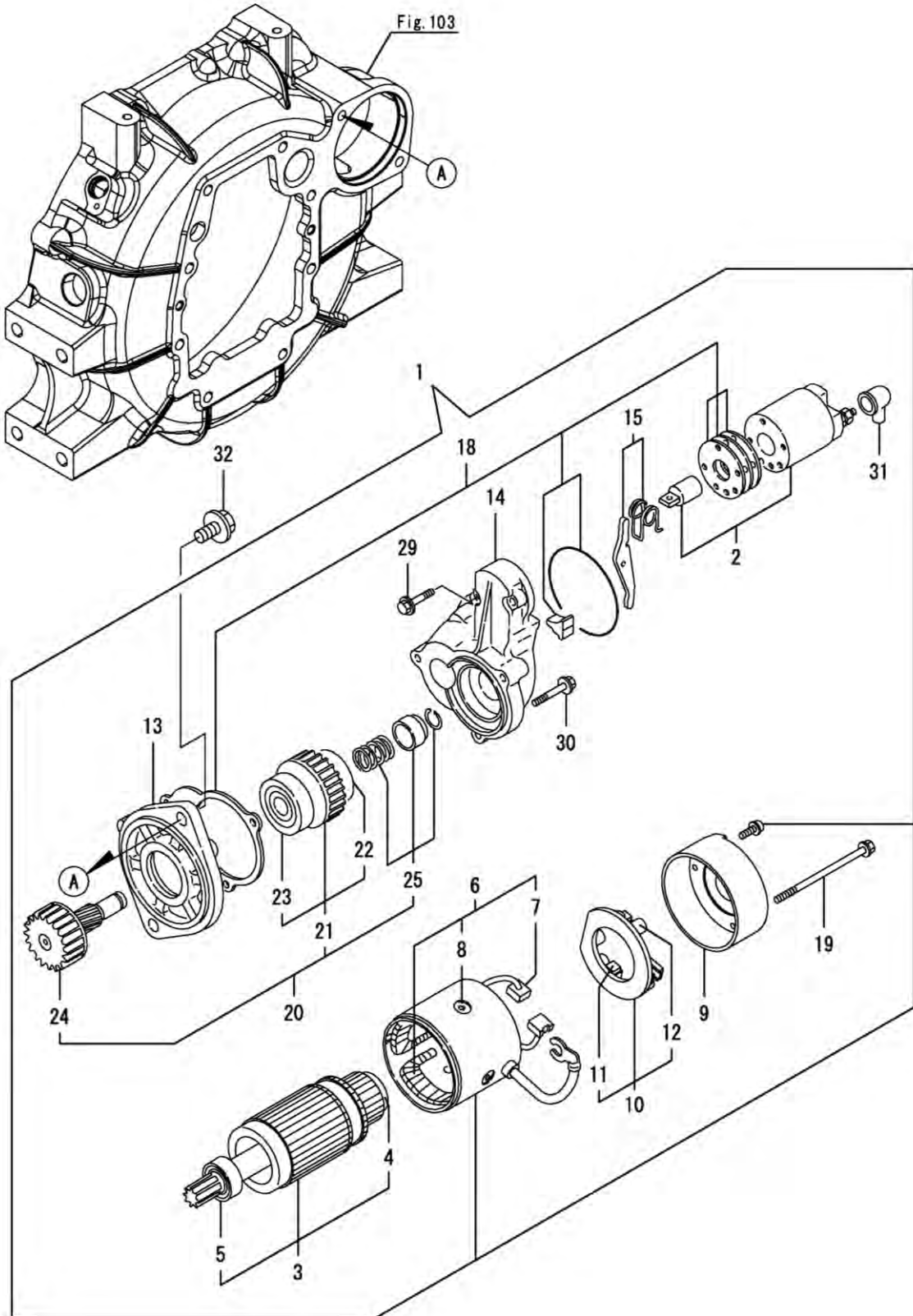
LOOSE PARTS



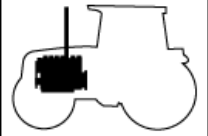
NOTE



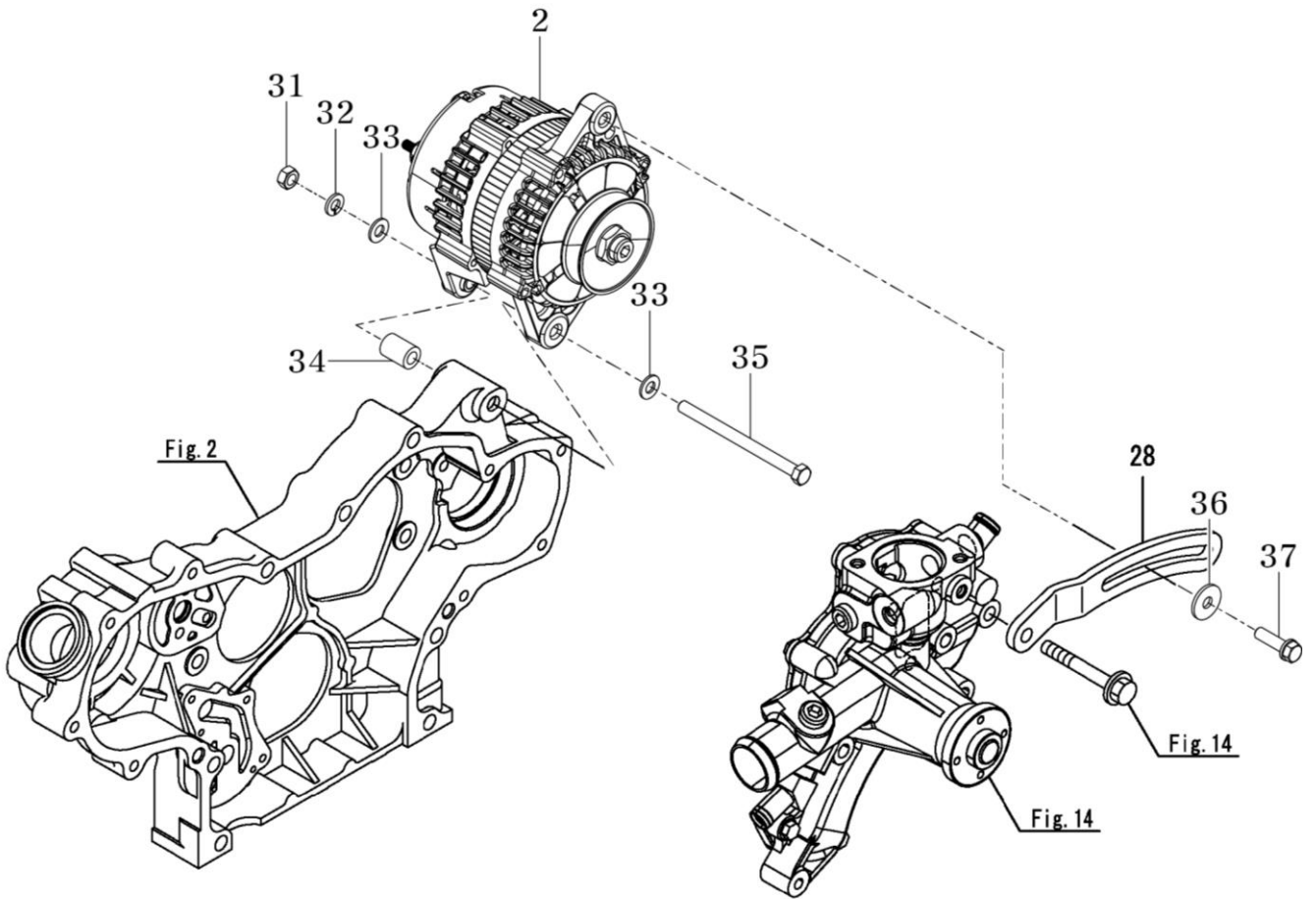
T554ST/NC/NH/SH / T454ST/NC/NH



NOTE



T554ST/NC/NH/SH / T454ST/NC/NH



NOTE

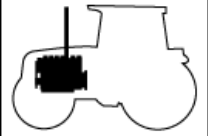
FIG 120A

ELECTRONIC CONTROL UNIT (T554)

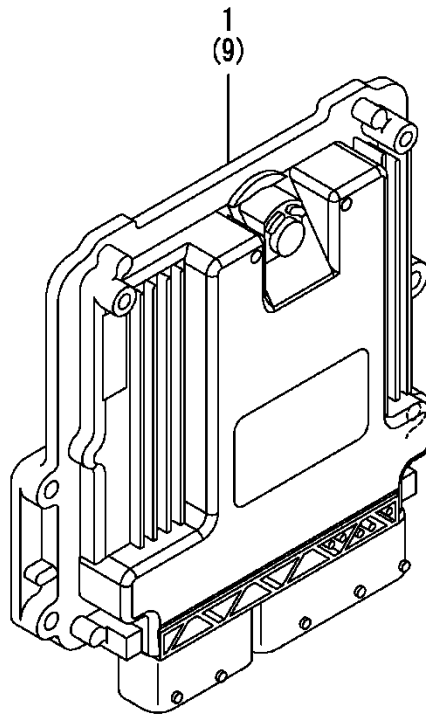
P1

Year / Month

2014 / 04



T554ST/NC/NH/SH / T454ST/NC/NH



NOTE

FIG 120B

ELECTRONIC CONTROL UNIT (T454)

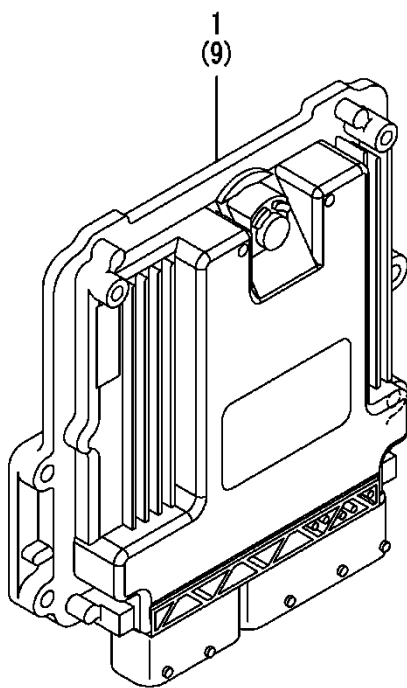
P1

Year / Month

2014 / 04



T554ST/NC/NH/SH / T454ST/NC/NH



NOTE

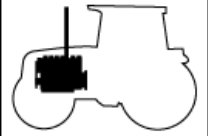
FIG 121A

ELECTRIC PARTS (T554)

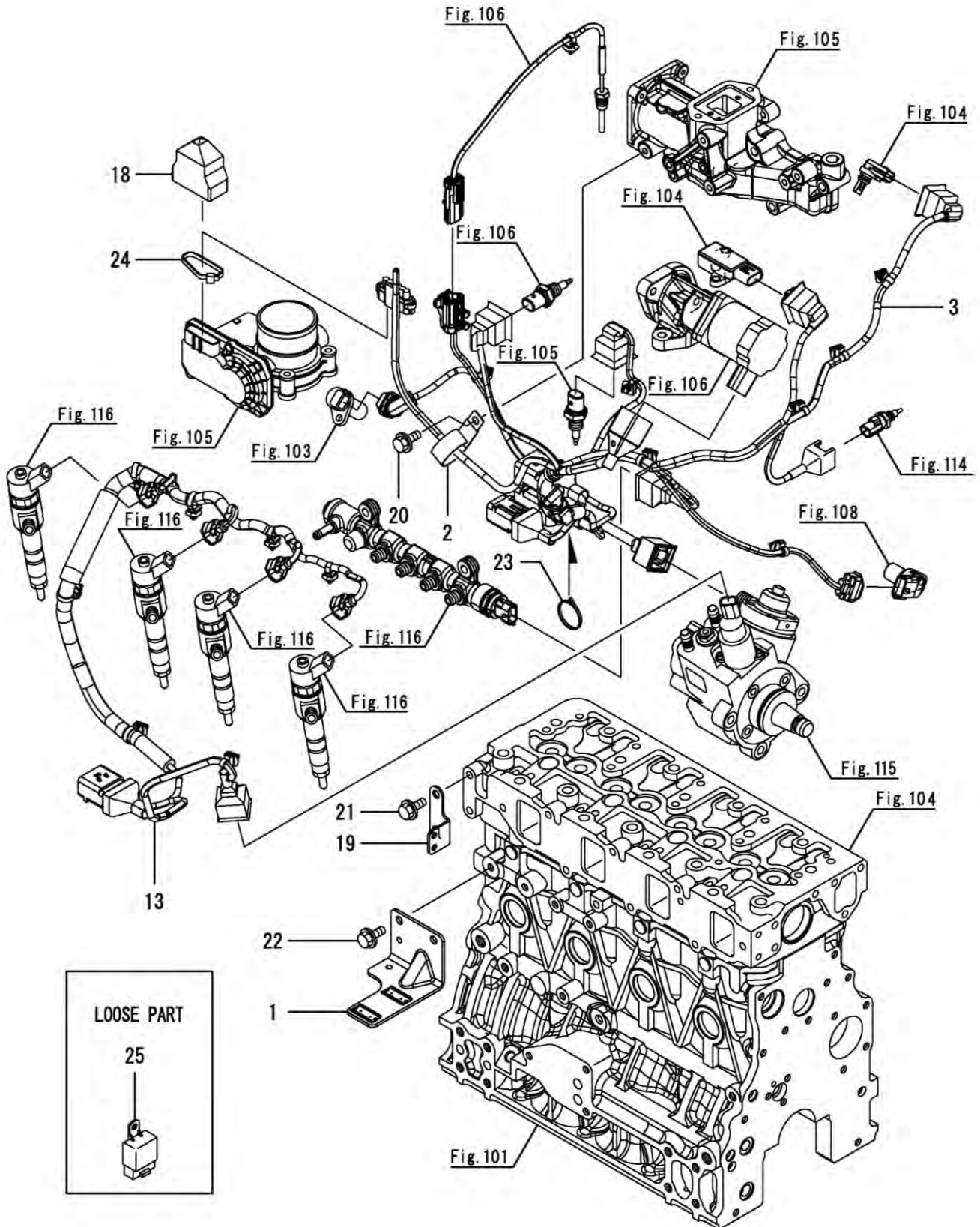
P1

Year / Month

2014 / 04



T554ST/NC/NH/SH / T454ST/NC/NH



NOTE

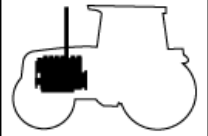
FIG 121B

ELECTRIC PARTS (T454)

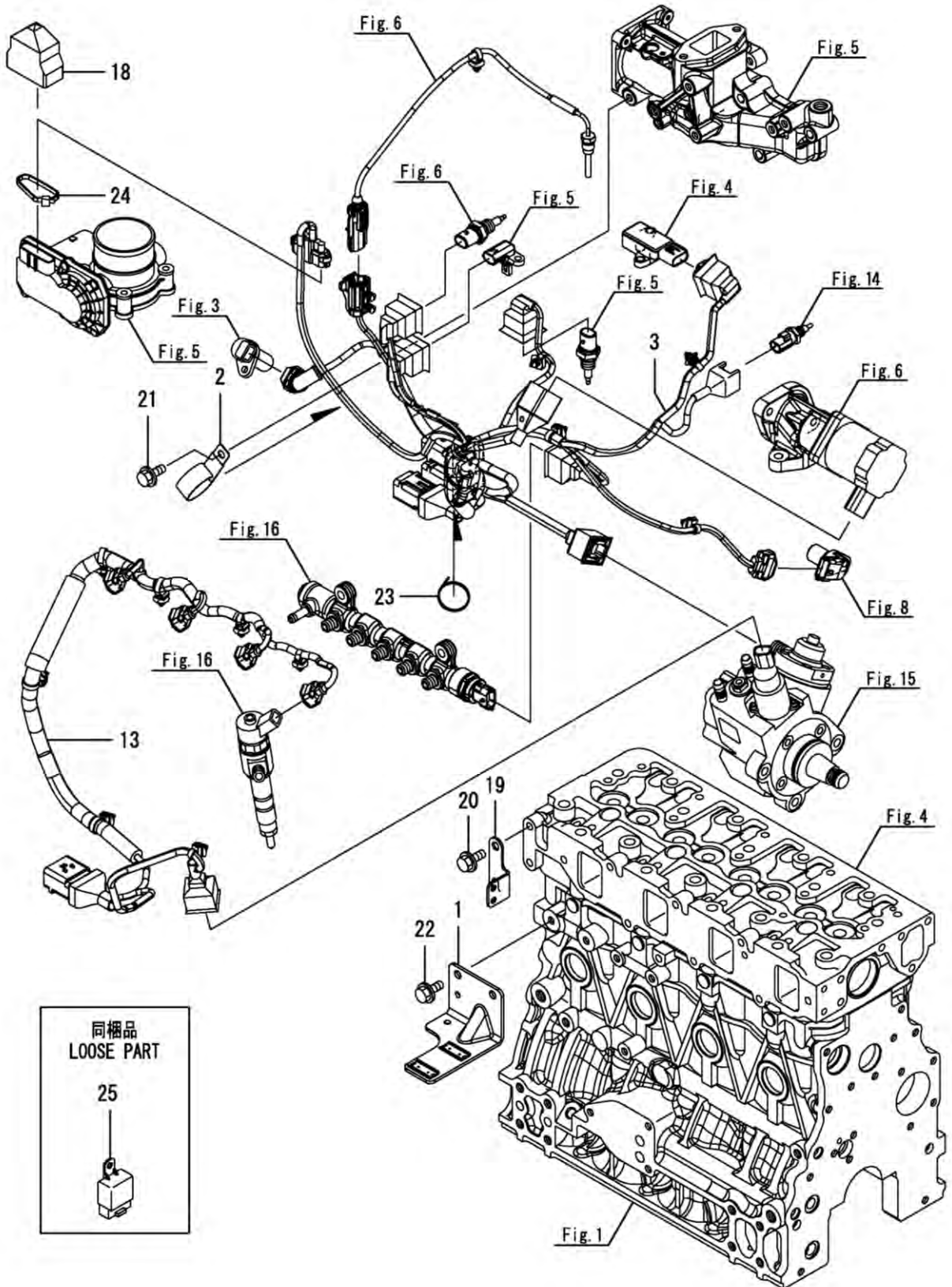
P1

Year / Month

2014 / 04



T554ST/NC/NH/SH / T454ST/NC/NH



同梱品
LOOSE PART

25



NOTE

FIG 122A

ACCESSORY (T554)

P1

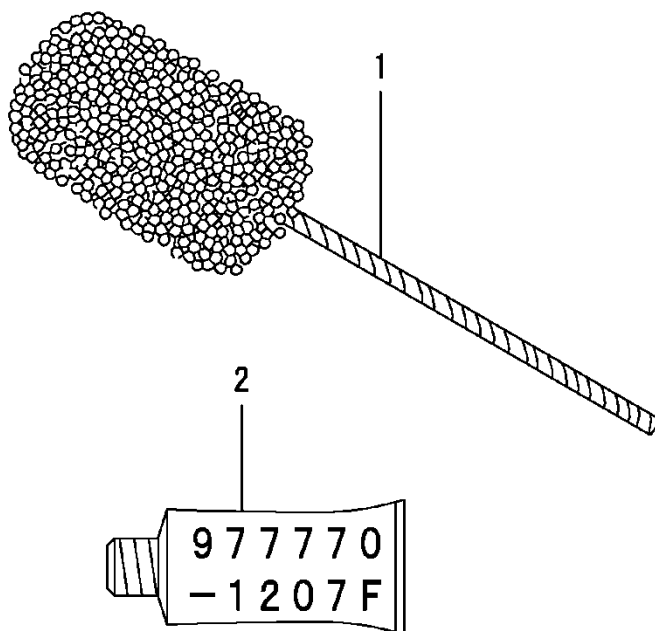
Year / Month

2014 / 04



T554ST/NC/NH/SH / T454ST/NC/NH

OPTIONAL PARTS



NOTE

FIG 122B

ACCESSORY (T454)

P1

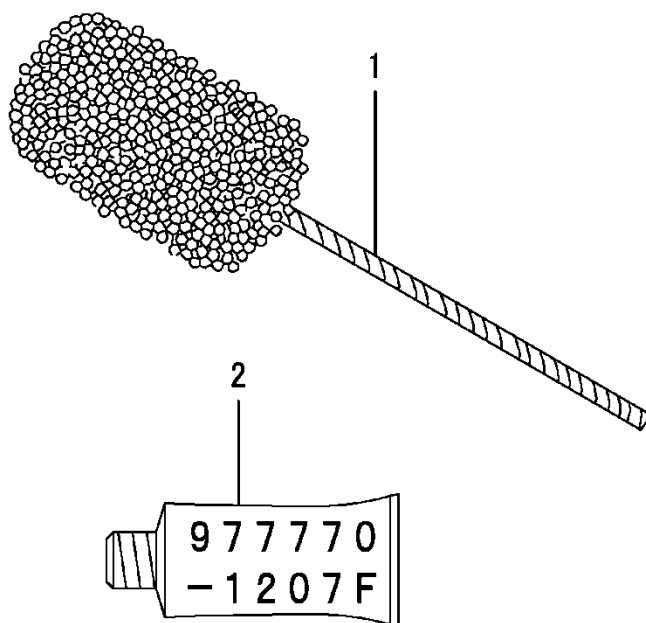
Year / Month

2014 / 04



T554ST/NC/NH/SH / T454ST/NC/NH

OPTIONAL PARTS



NOTE

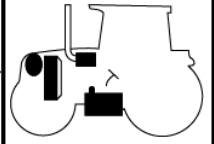
FIG 201

AIR CLEANER

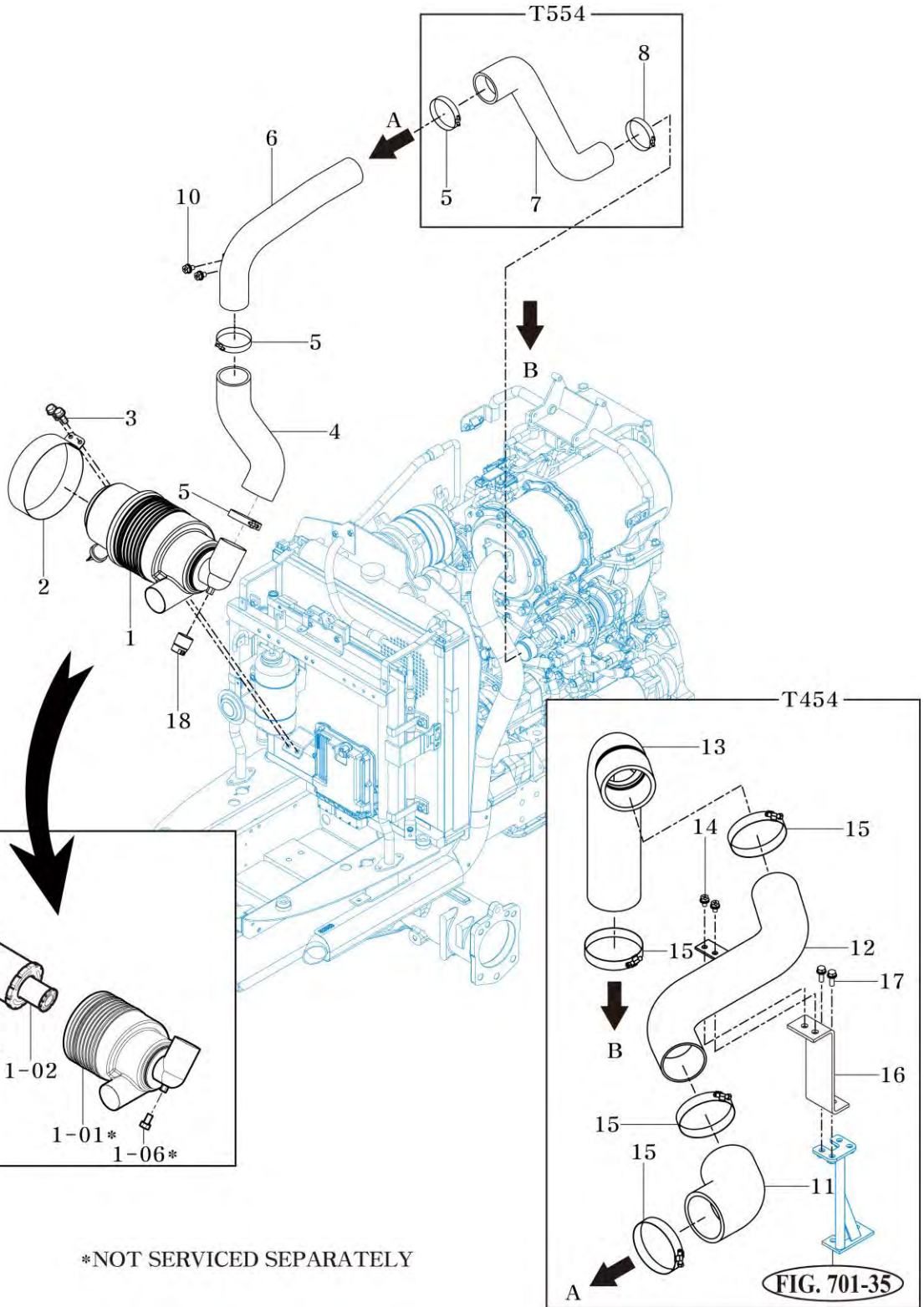
P1

Year / Month

2014 / 04



T554ST / T554NC / T454ST / T454NC



*NOT SERVICED SEPARATELY

NOTE

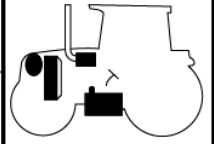
FIG 202

RADIATOR

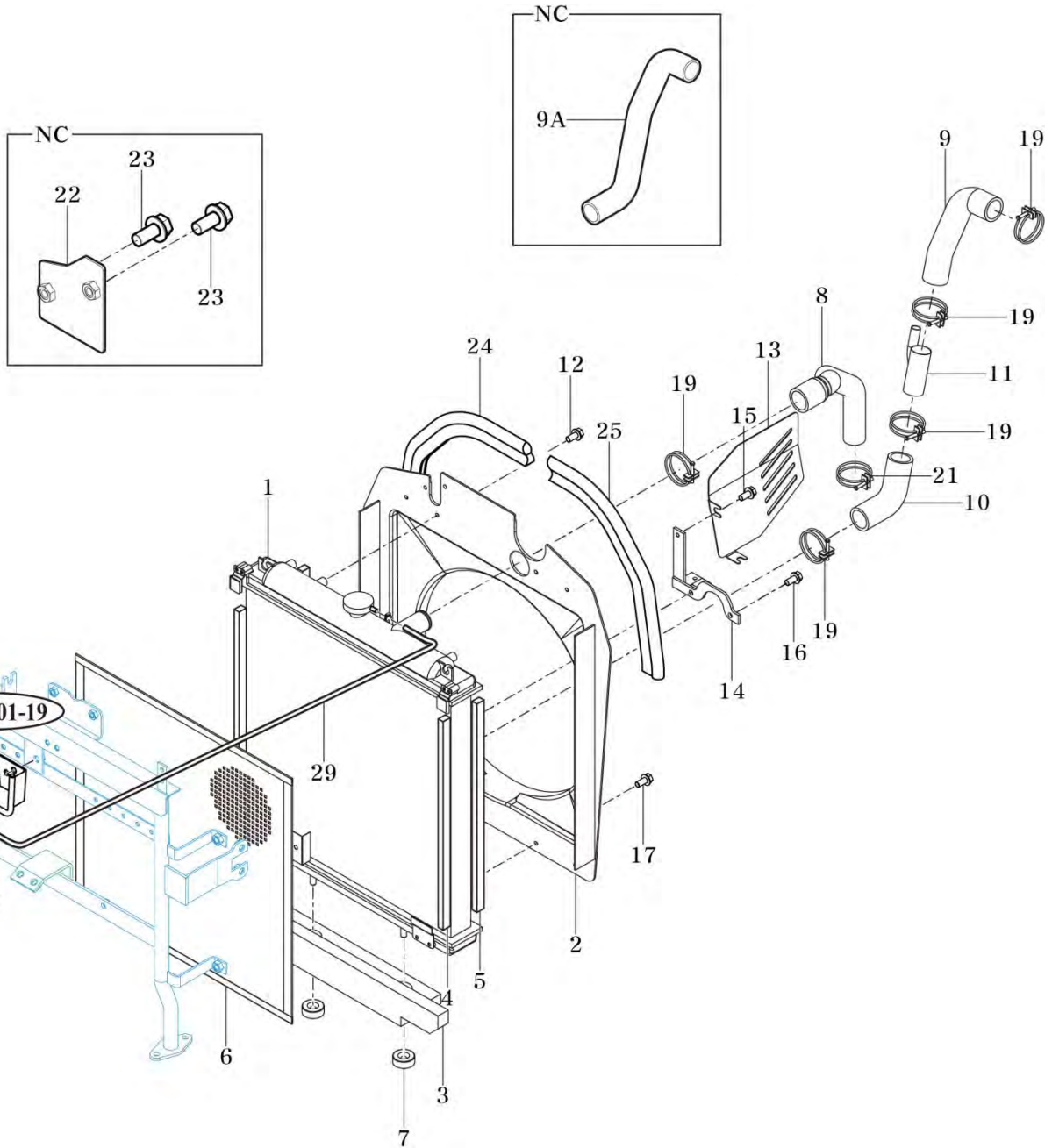
P1

Year / Month

2014 / 04



T554ST / T554NC / T454ST / T454NC



NOTE

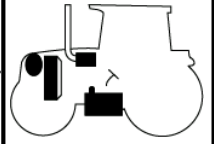
FIG 203

MUFFLER

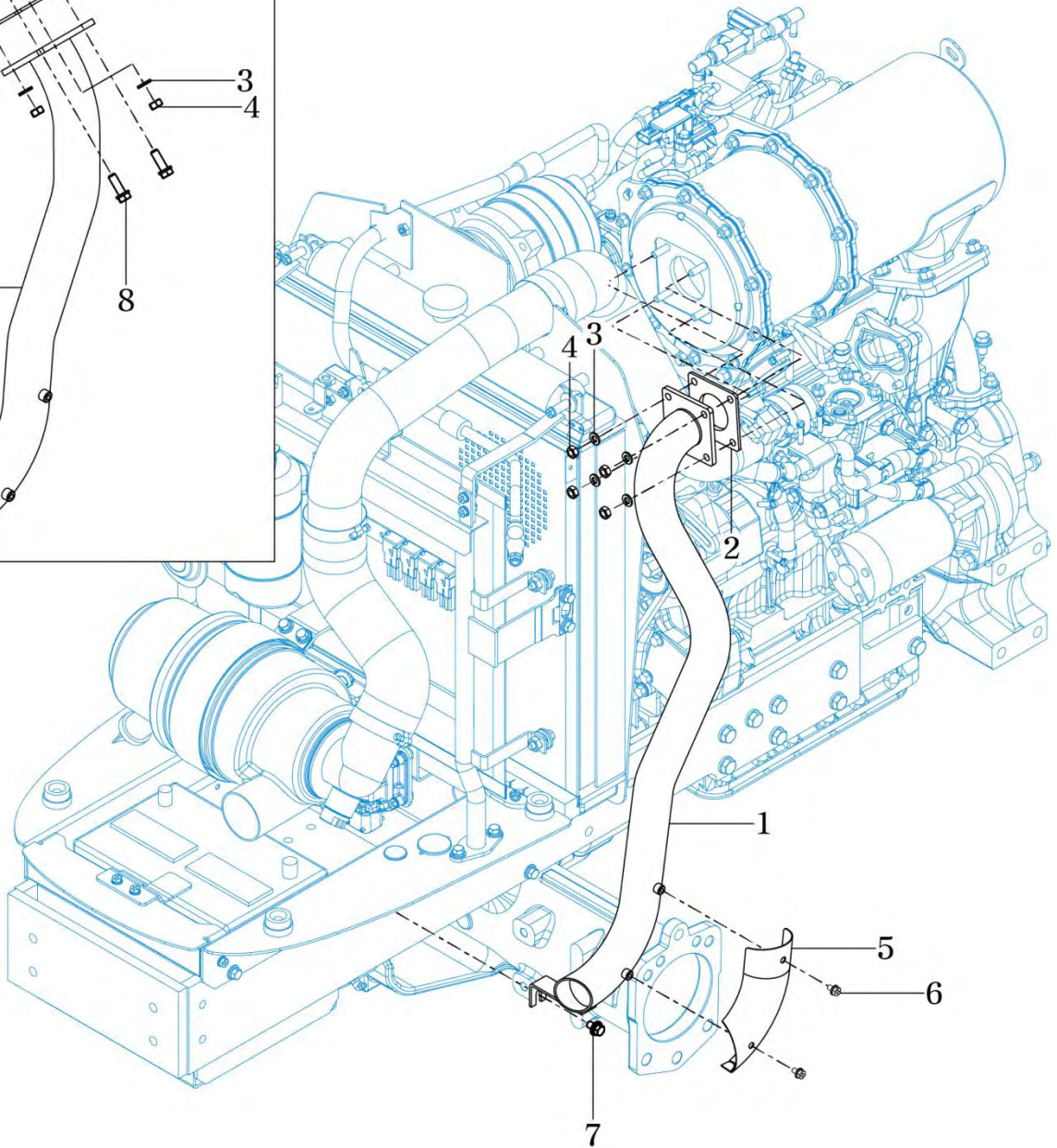
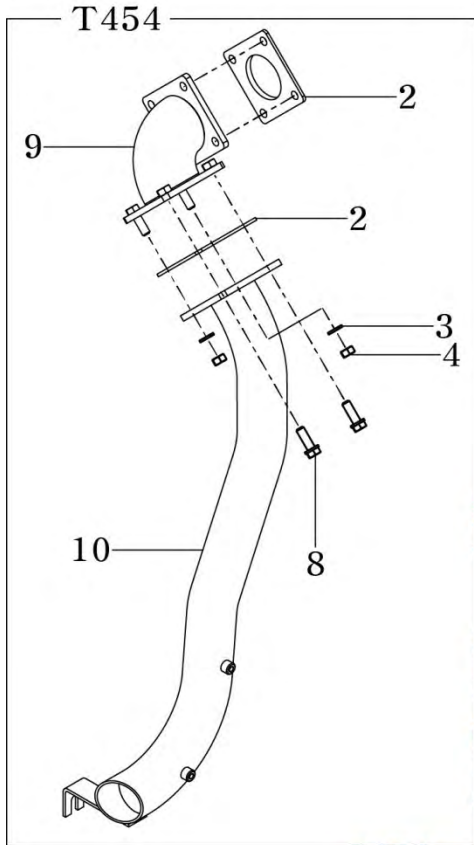
P1

Year / Month

2014 / 04



T554ST / T554NC / T454ST / T454NC



NOTE

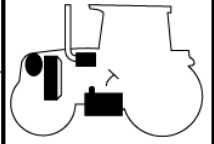
FIG 204

FUEL HOSE & FILTER

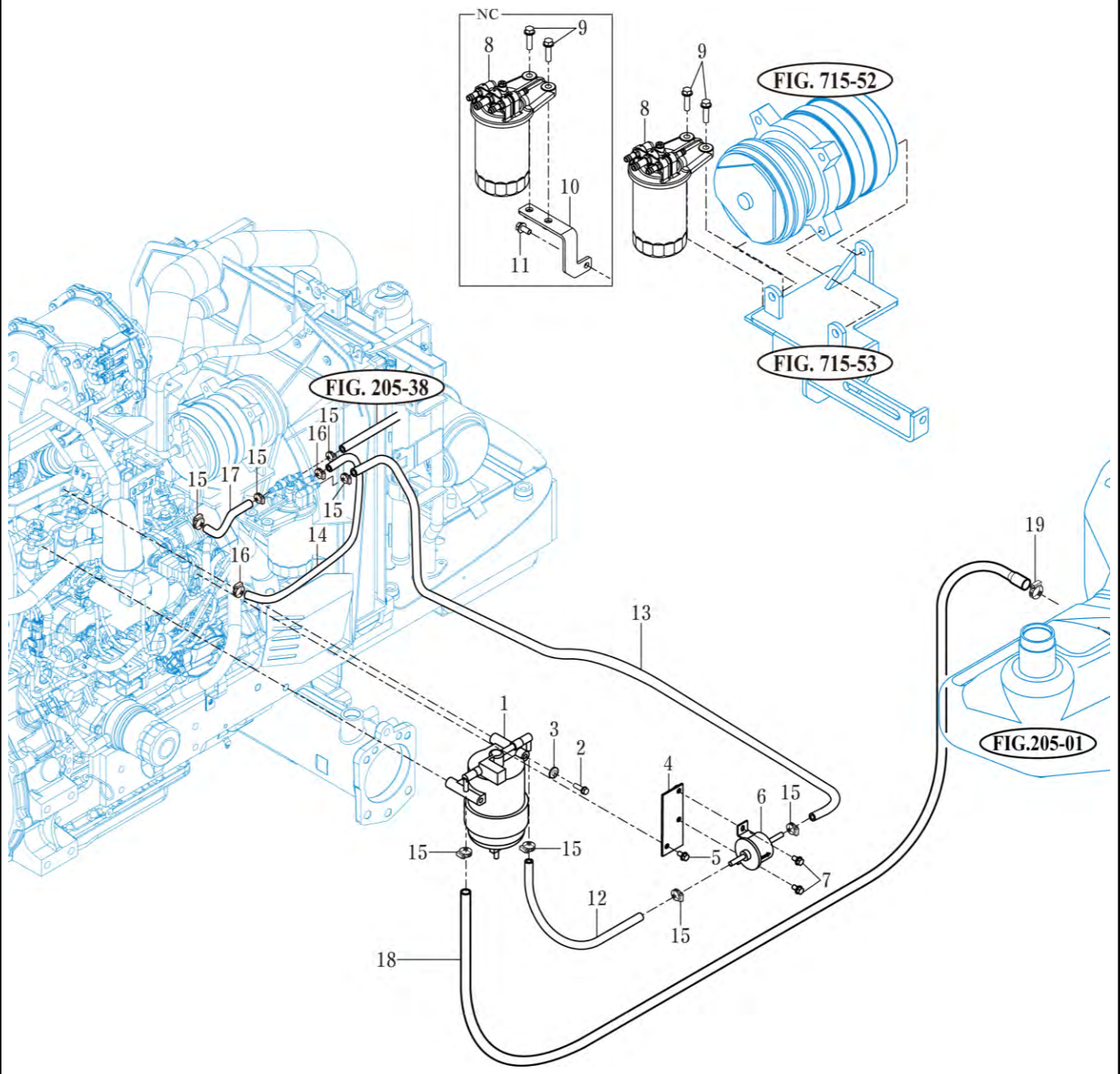
P1

Year / Month

2014 / 04



T554ST / T554NC / T454ST / T454NC



NOTE

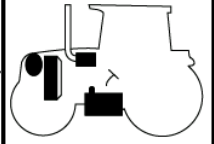
FIG 205

FUEL TANK

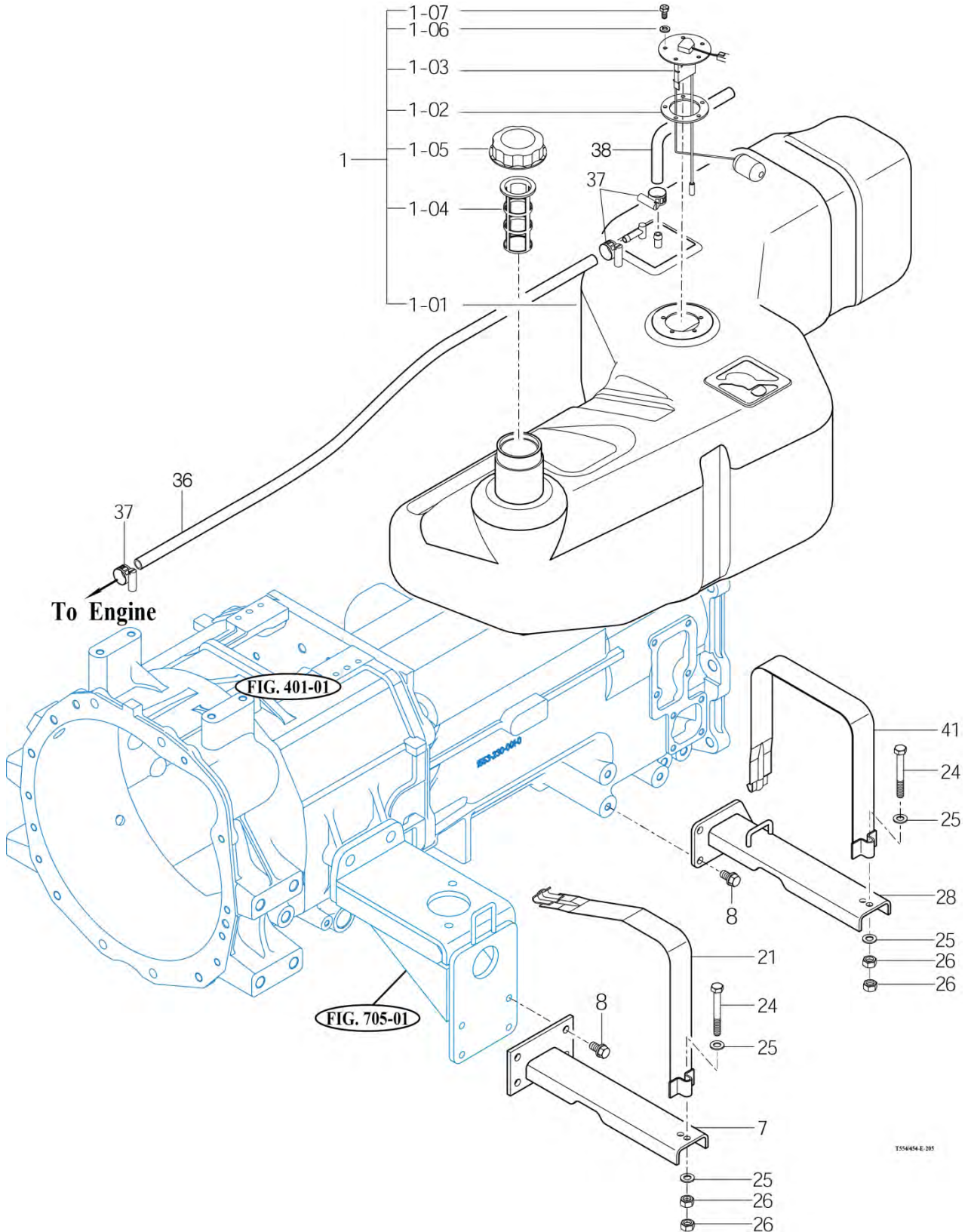
P1

Year / Month

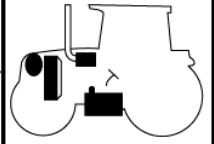
2014 / 04



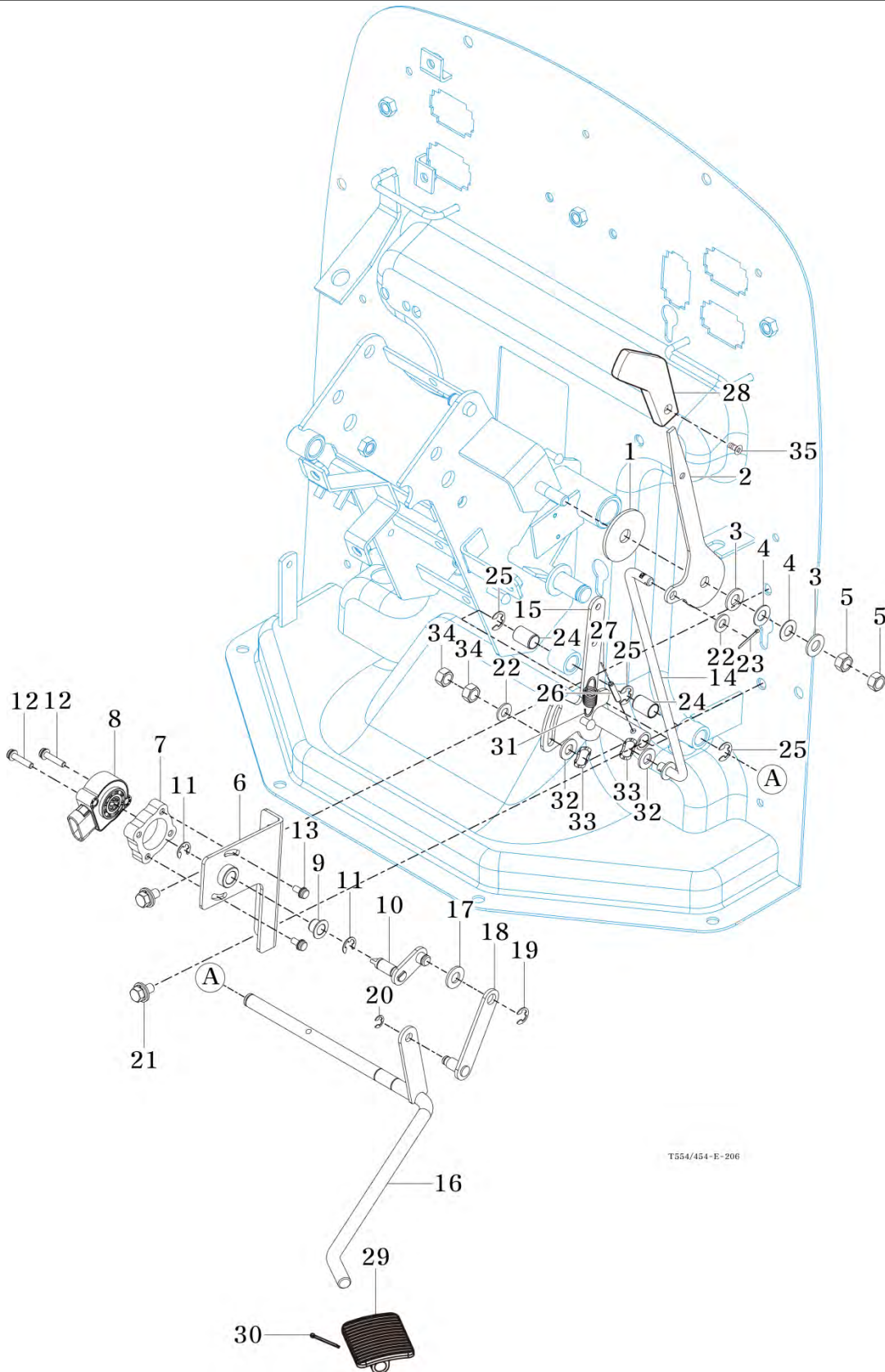
T554ST / T554NC / T454ST / T454NC



NOTE



T554ST / T554NC / T454ST / T454NC



T554/454-E-206

NOTE

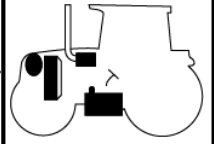
FIG 208

FAN , COOLING

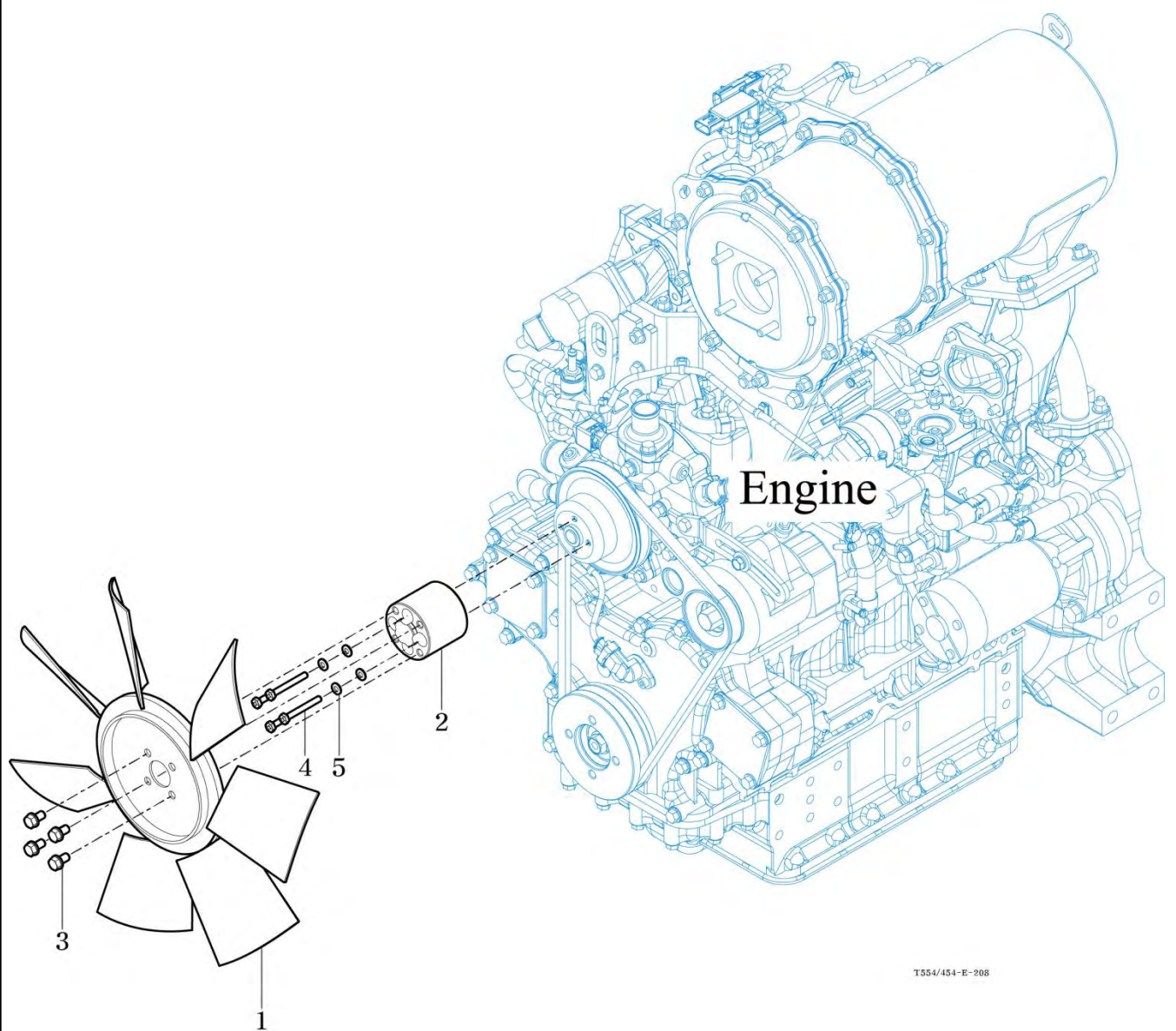
P1

Year / Month

2014 / 04



T554ST / T554NC / T454ST / T454NC



T554/454-E-208

NOTE

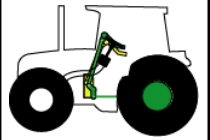
FIG 301

CLUTCH

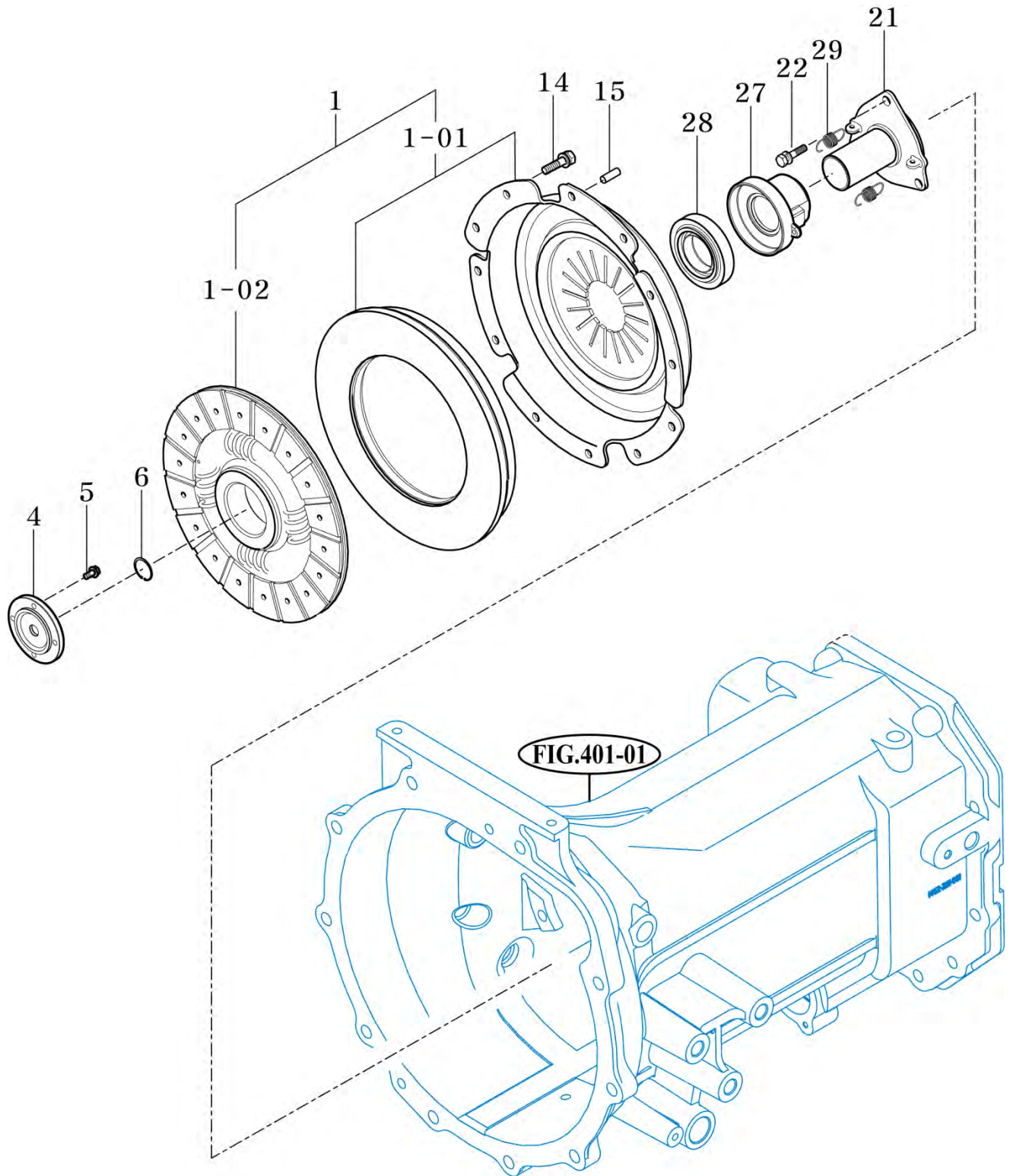
P1

Year / Month

2014 / 04



T554ST / T554NC / T454ST / T454NC



T554ST/T554NC/T454ST/T454NC-E-301

NOTE

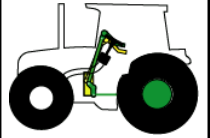
FIG 302

CLUTCH PEDAL

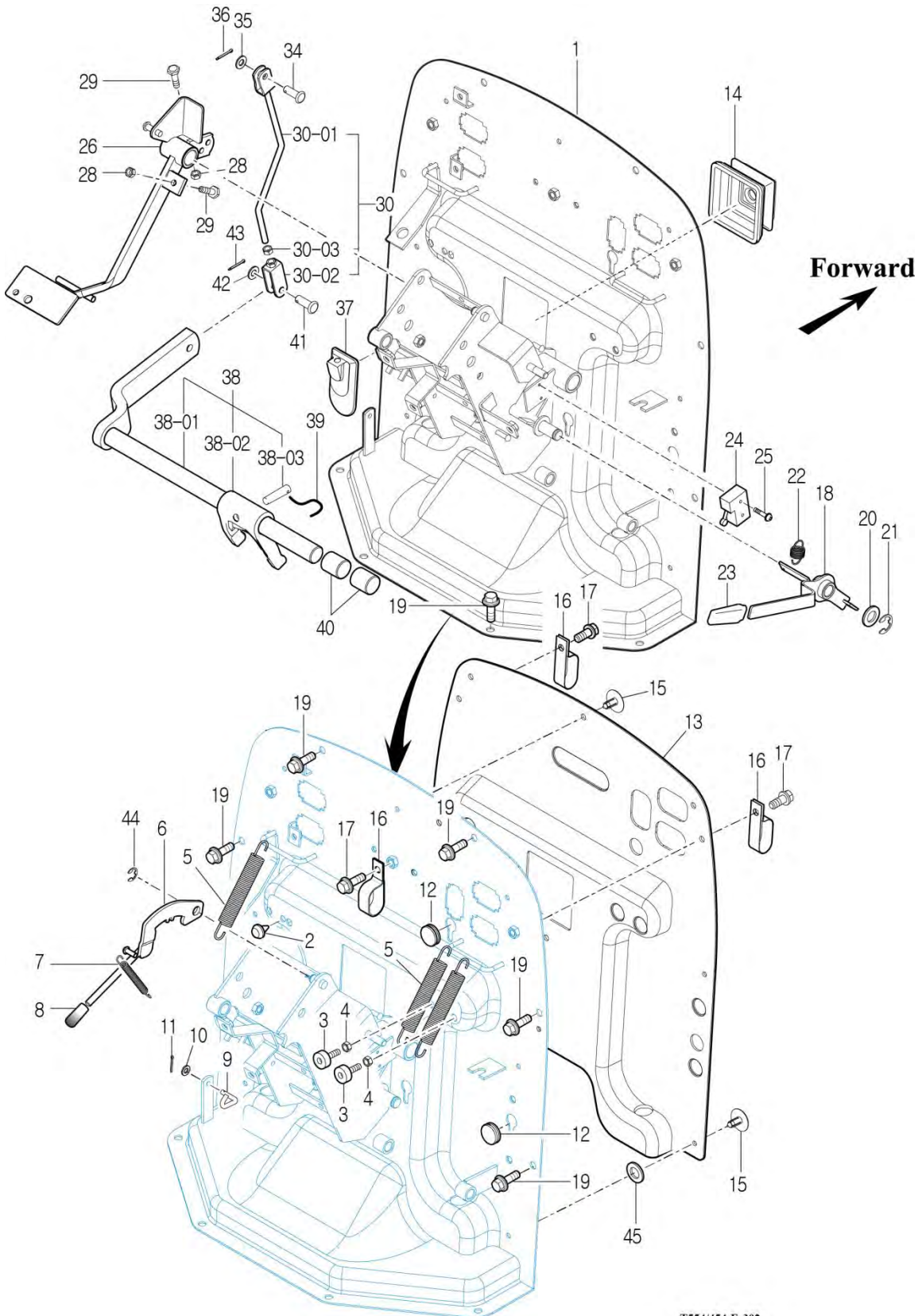
P1

Year / Month

2014 / 04



T554ST / T554NC / T454ST / T454NC



T554/454-E-302

NOTE

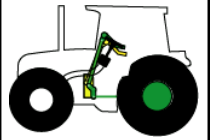
FIG 303

BRAKE

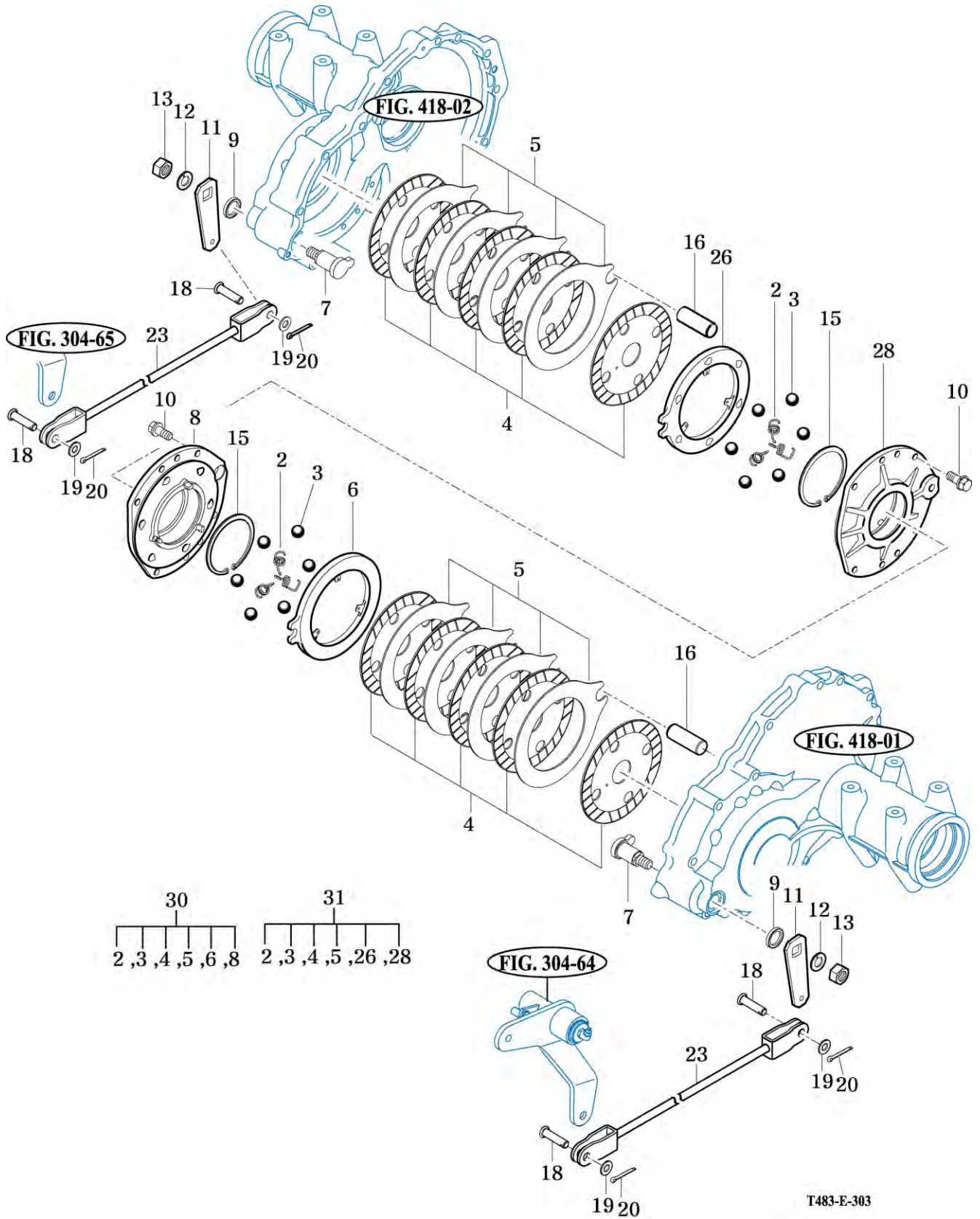
P1

Year / Month

2014 / 04



T554ST / T554NC / T454ST / T454NC



T483-E-303

NOTE

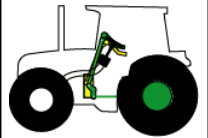
FIG 304

BRAKE PEDAL & LINK

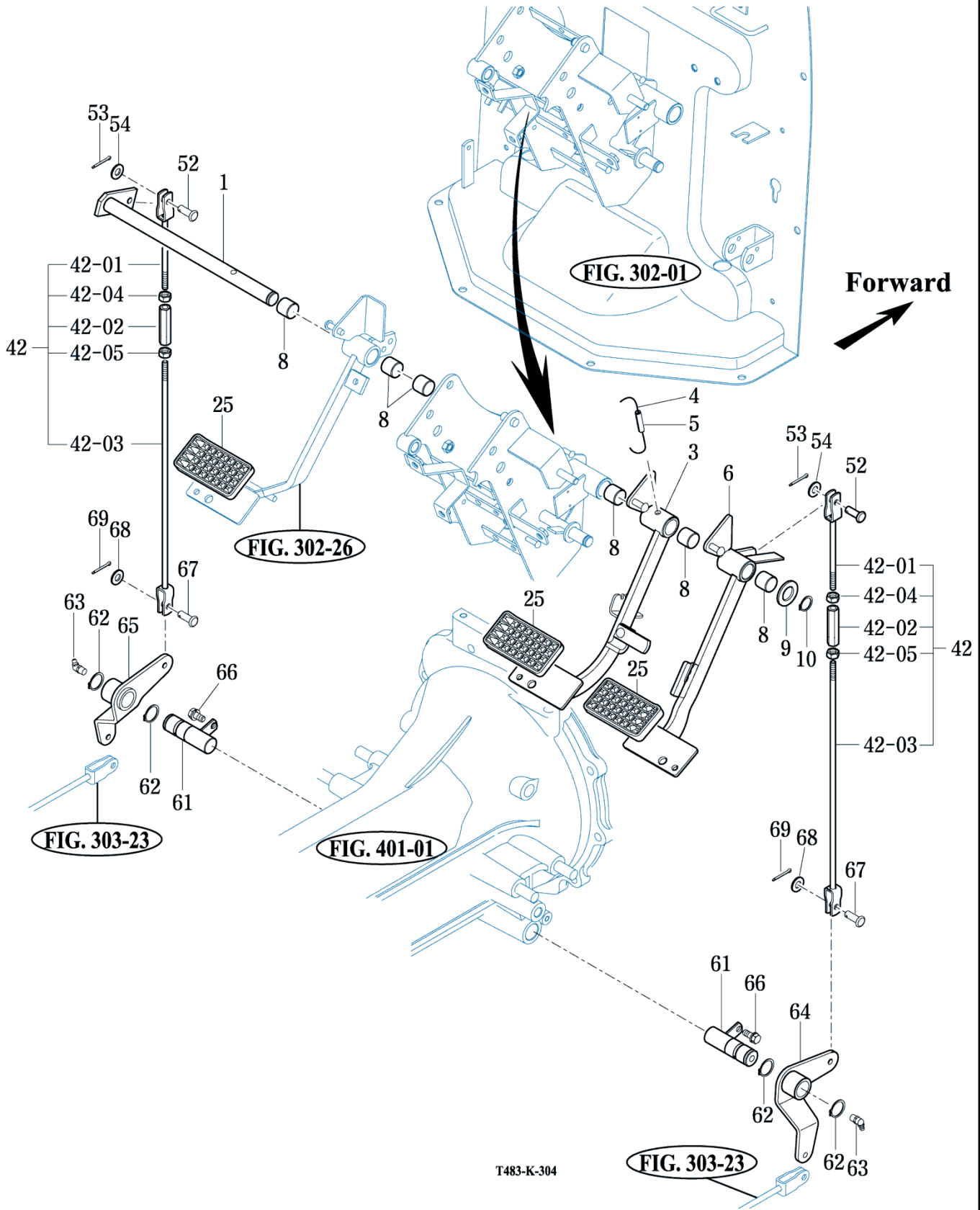
P1

Year / Month

2014 / 04



T554ST / T554NC / T454ST / T454NC



T483-K-304

NOTE

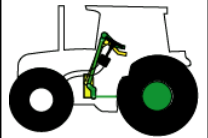
FIG 305A

FRONT WHEEL

P1

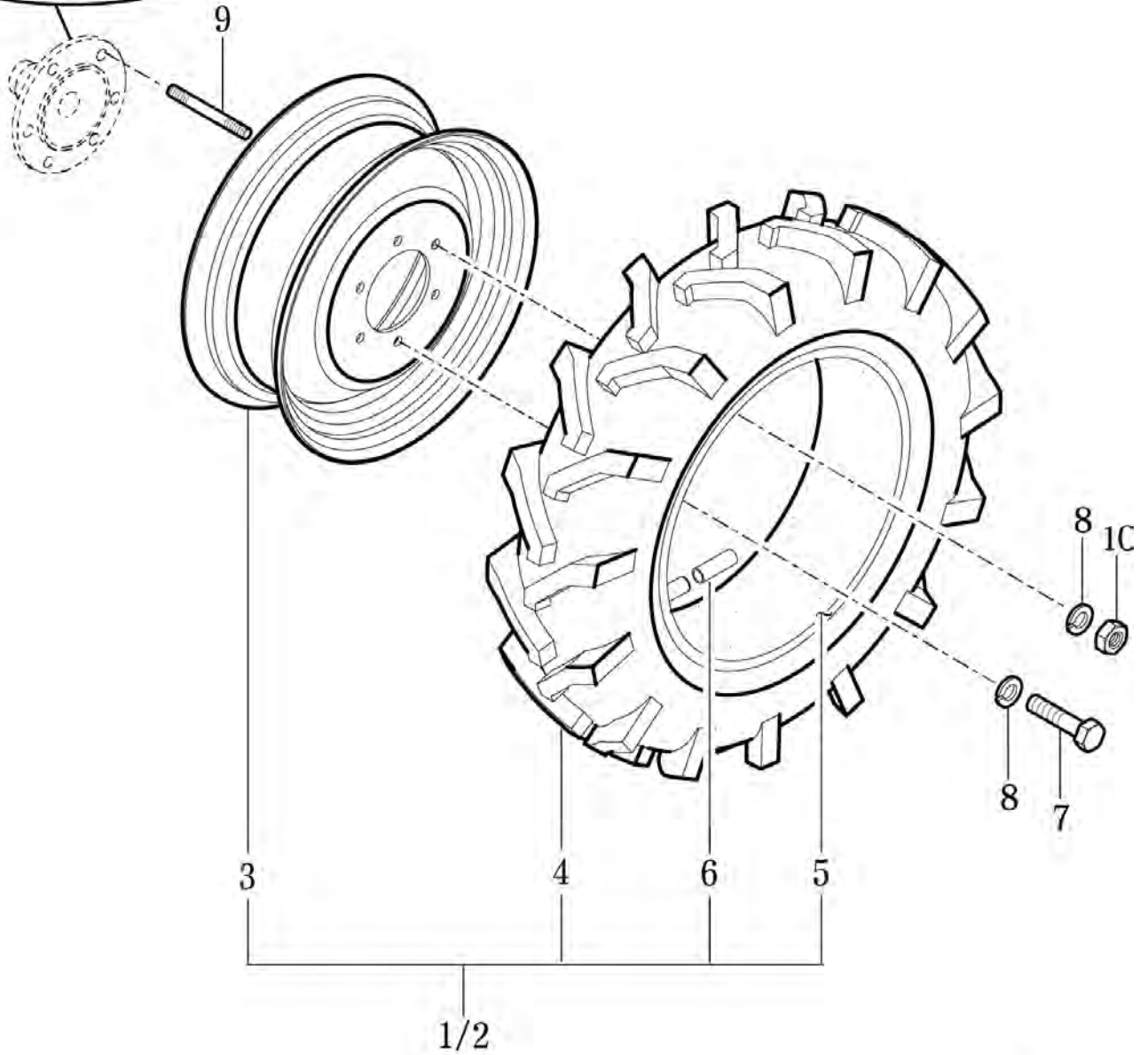
Year / Month

2014 / 04



T554ST / T554NC / T454ST / T454NC

FIG. 507-034



T50MIST E.305A

NOTE

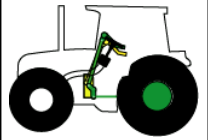
FIG 305B

FRONT WHEEL (R4 OPTION)

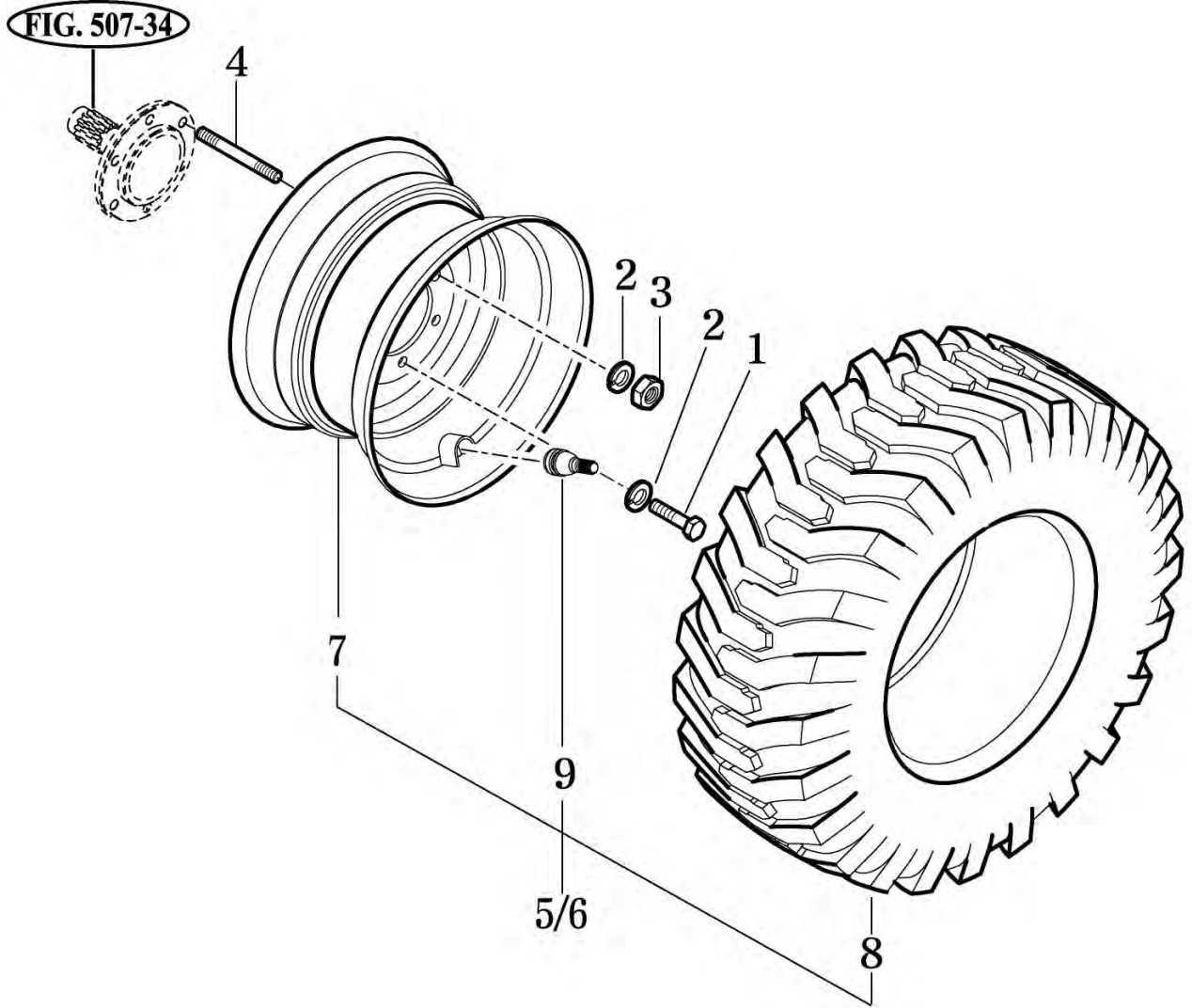
P1

Year / Month

2014 / 04



T554ST / T554NC / T454ST / T454NC



T553-E-305C

NOTE

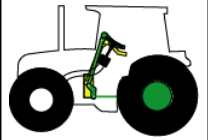
FIG 306A

REAR WHEEL

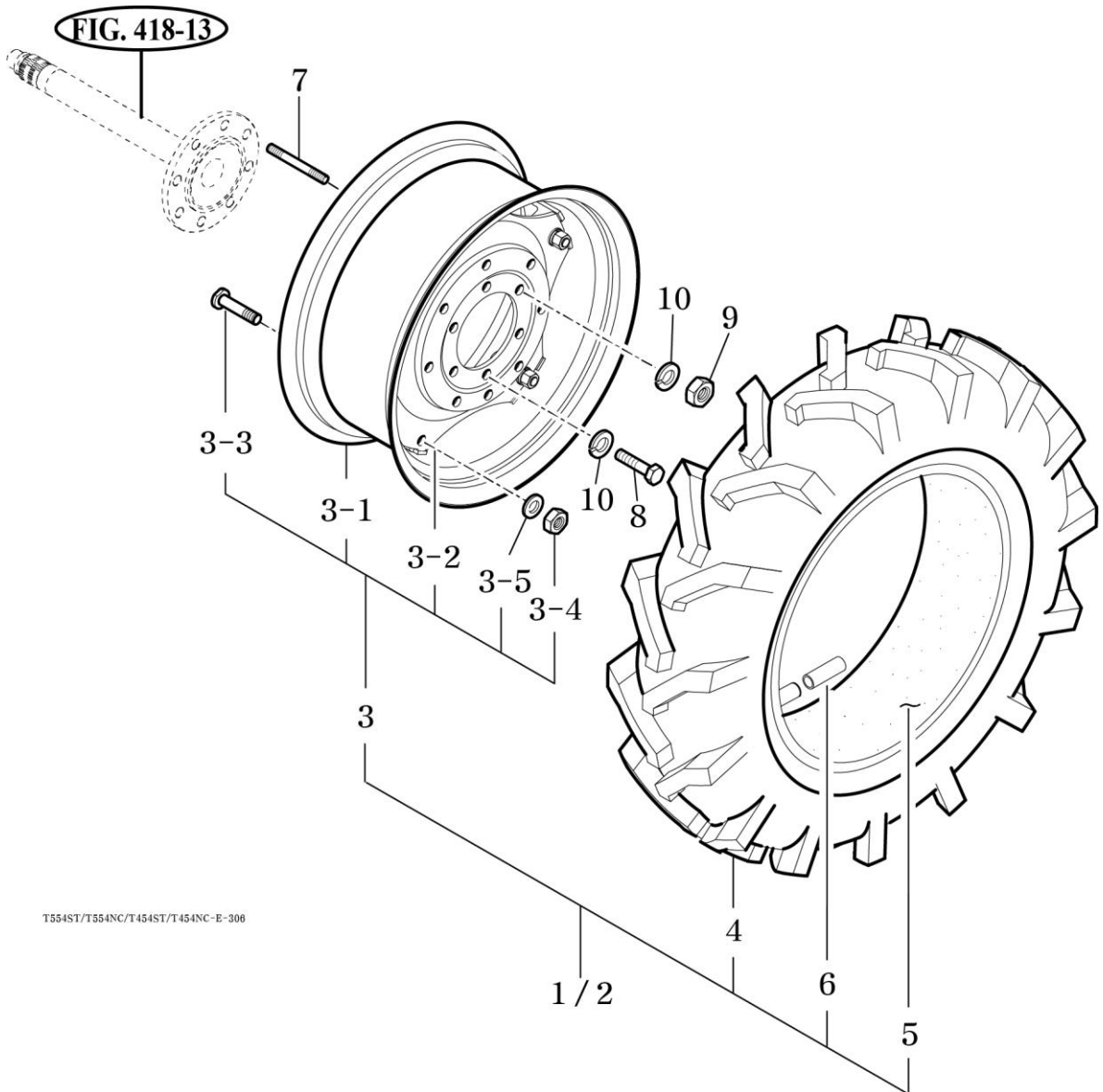
P1

Year / Month

2014 / 04



T554ST / T554NC / T454ST / T454NC



T554ST/T554NC/T454ST/T454NC-E-306

NOTE

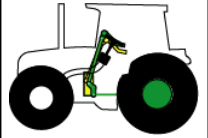
FIG 306B

REAR WHEEL (R4 OPTION)

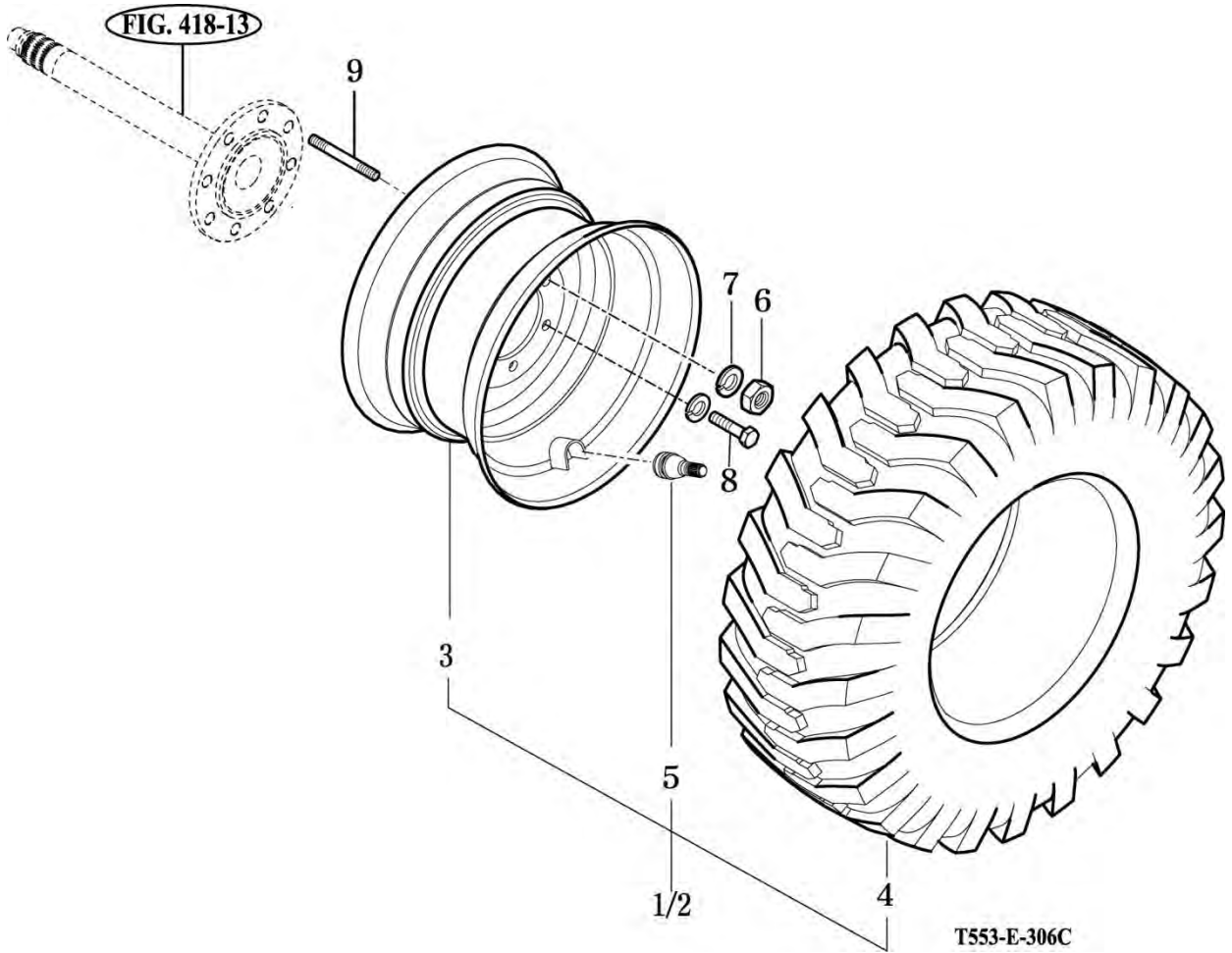
P1

Year / Month

2014 / 04



T554ST / T554NC / T454ST / T454NC



NOTE

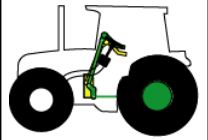
FIG 307

POWER STEERING WHEEL

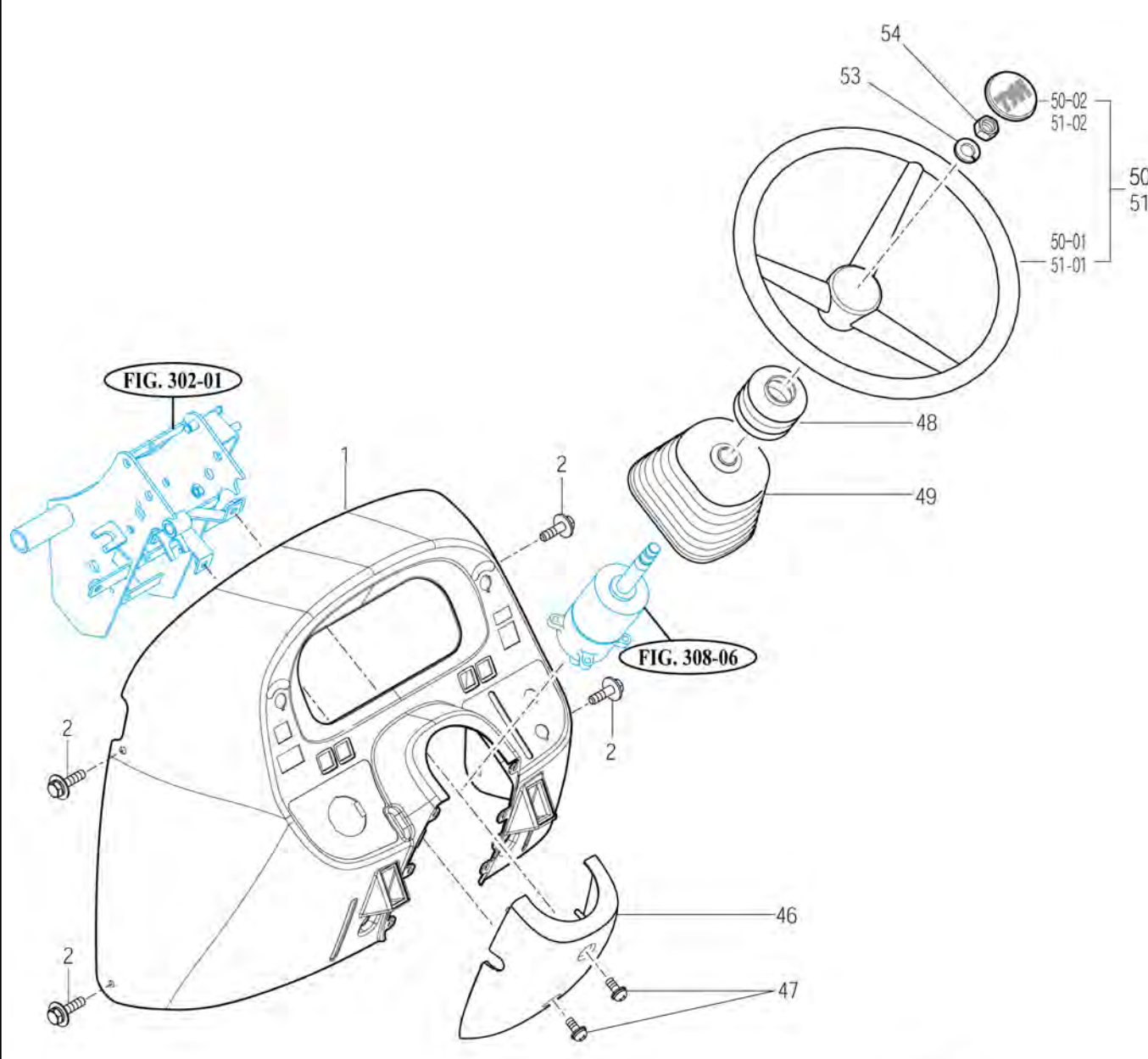
P1

Year / Month

2014 / 04



T554ST / T554NC / T454ST / T454NC



154-8541-307

NOTE

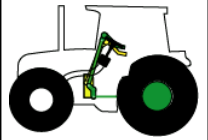
FIG 308

POWER STEERING VALVE

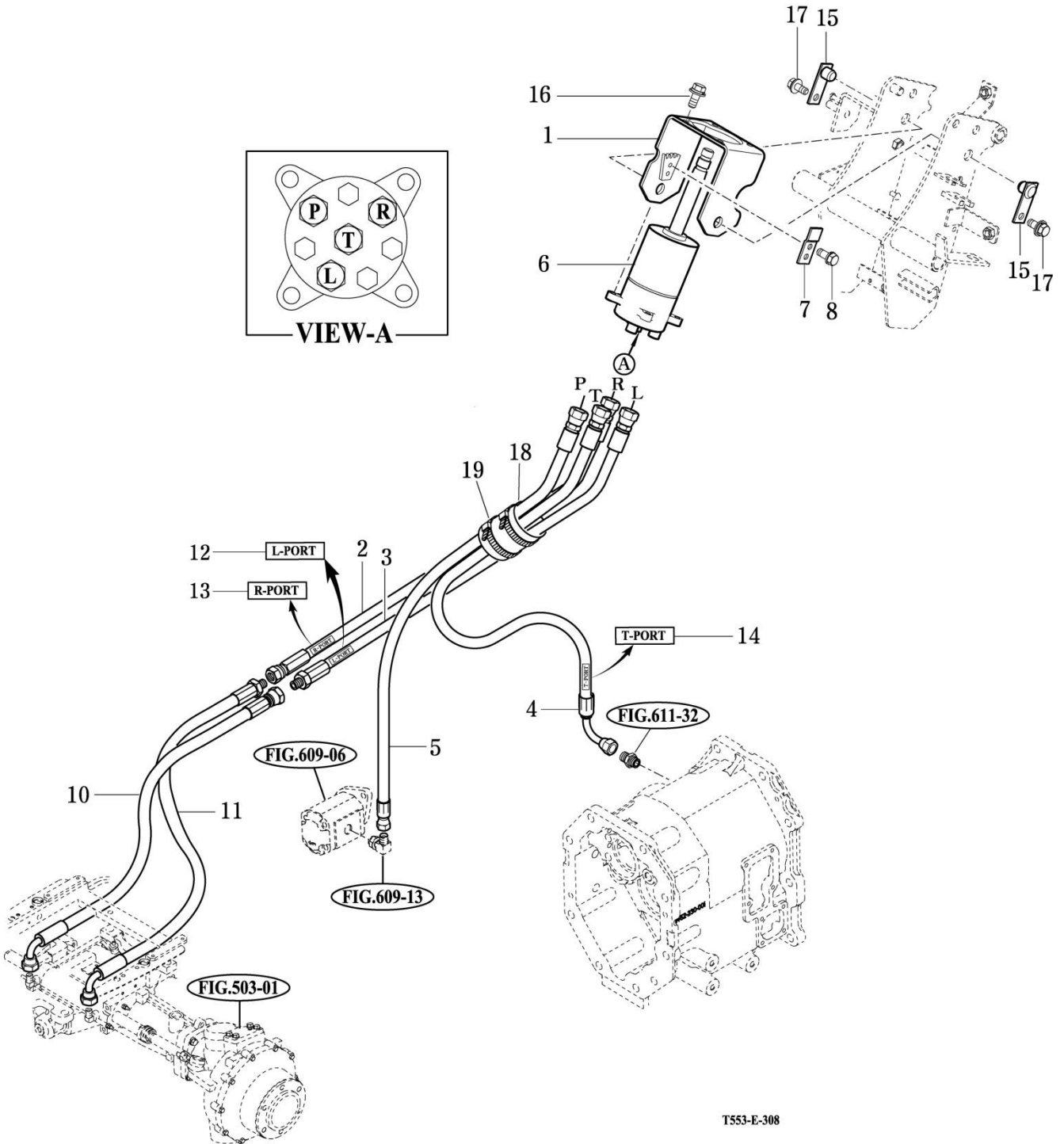
P1

Year / Month

2014 / 04



T554ST / T554NC / T454ST / T454NC



T553-E-308

NOTE

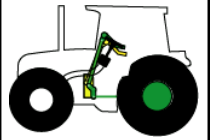
FIG 309

POWER STEERING CYLINDER

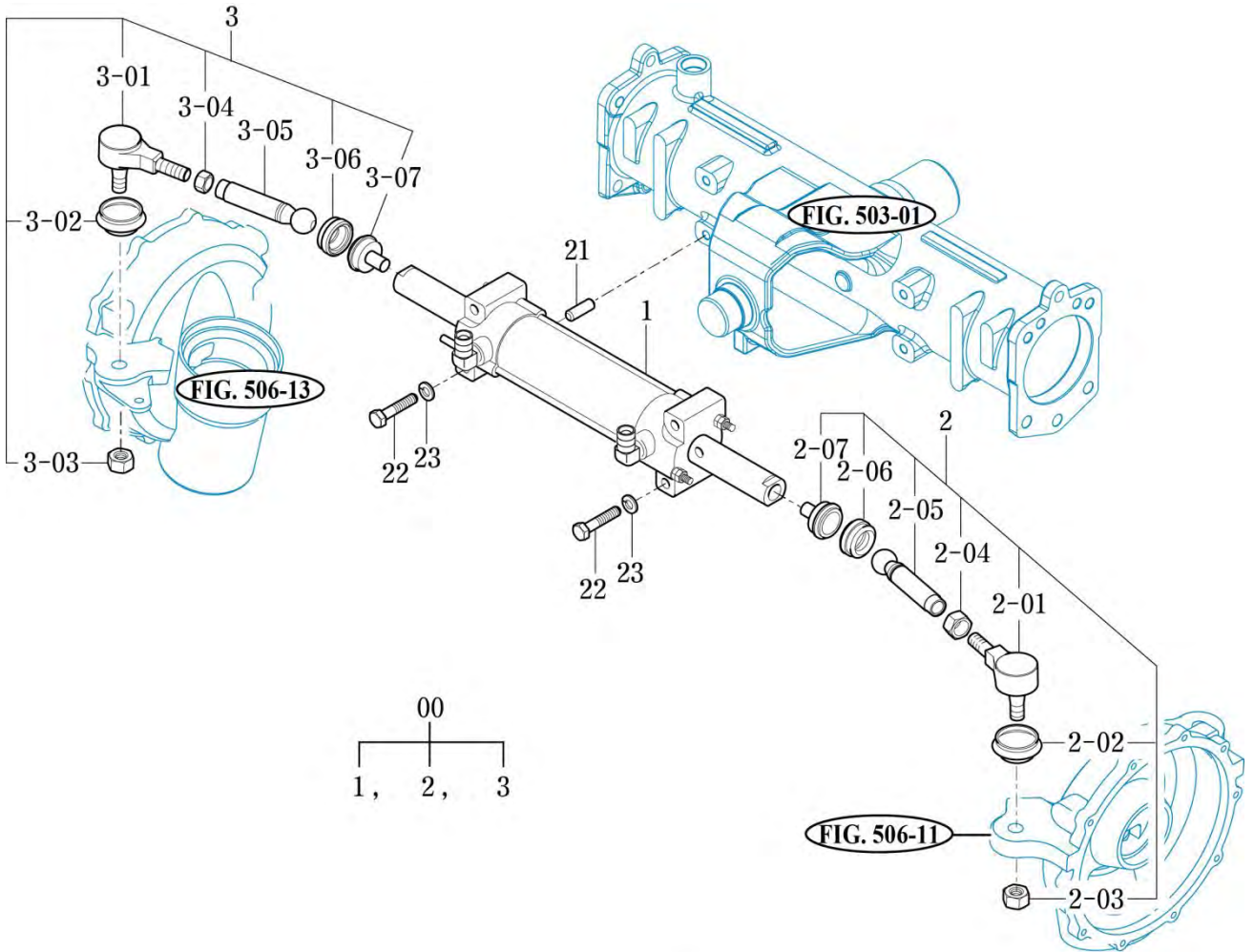
P1

Year / Month

2014 / 04



T554ST / T554NC / T454ST / T454NC



T554NH/T554SH/T454NH-E-309

NOTE

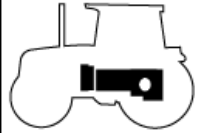
FIG 401

TRANSMISSION FRONT CASE

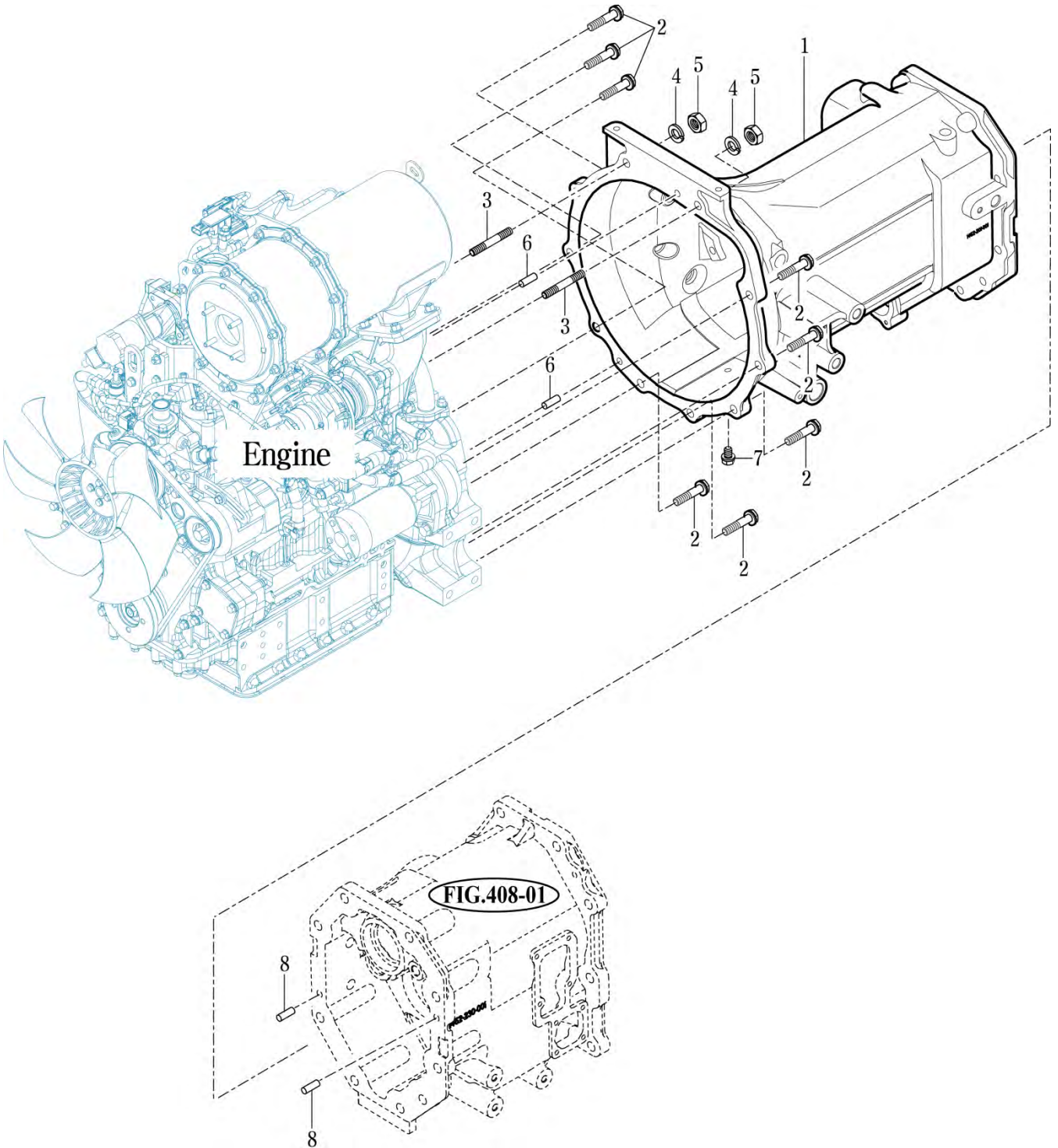
P1

Year / Month

2014 / 04



T554ST / T554NC / T454ST / T454NC



NOTE

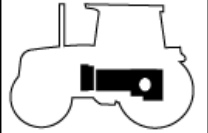
FIG 402

FORWARD & BACKWARD GEARS

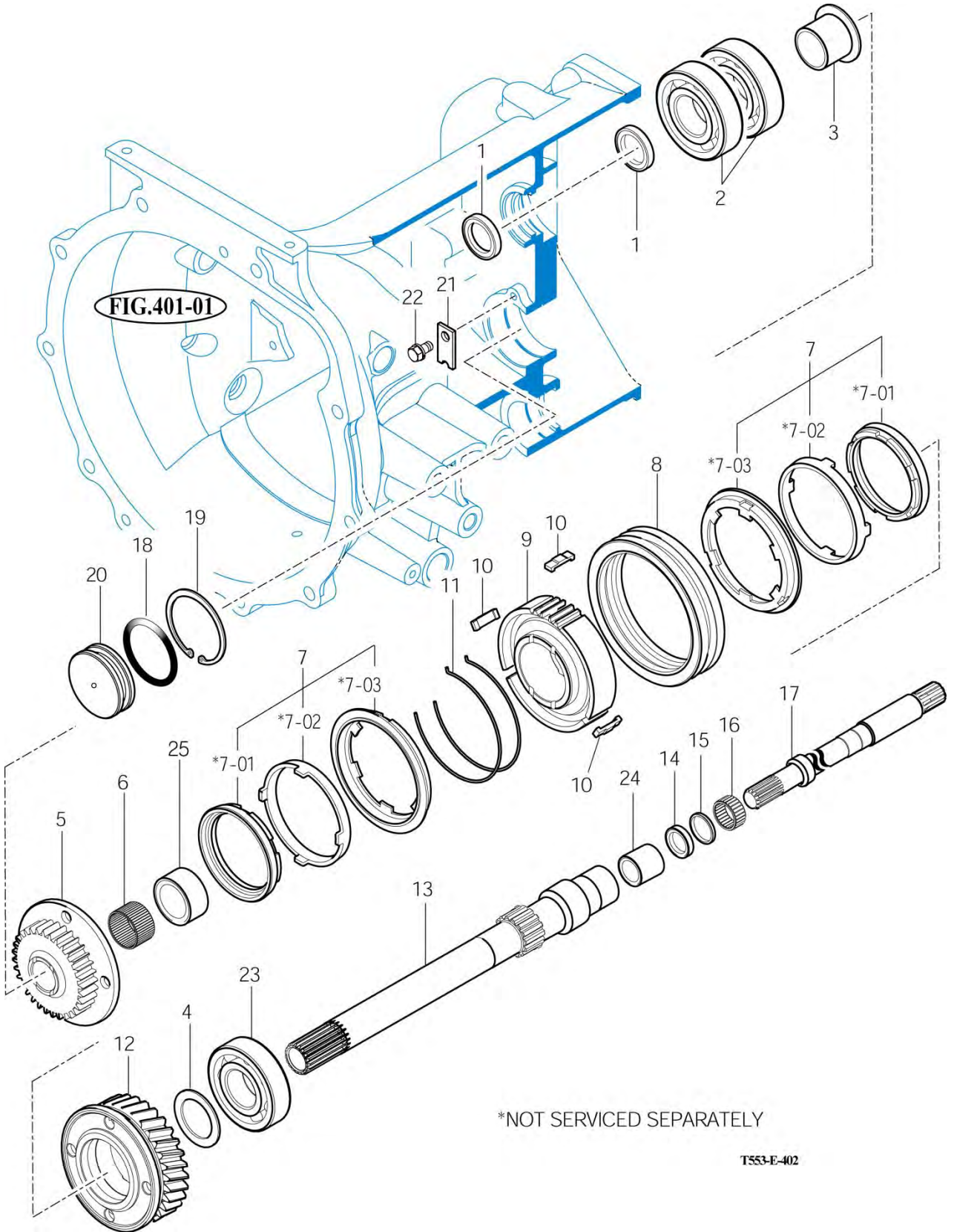
P1

Year / Month

2014 / 04



T554ST / T554NC / T454ST / T454NC



T553-E-402

NOTE

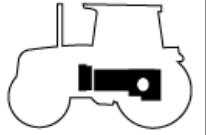
FIG 403

IDLE & COUNTER GEARS

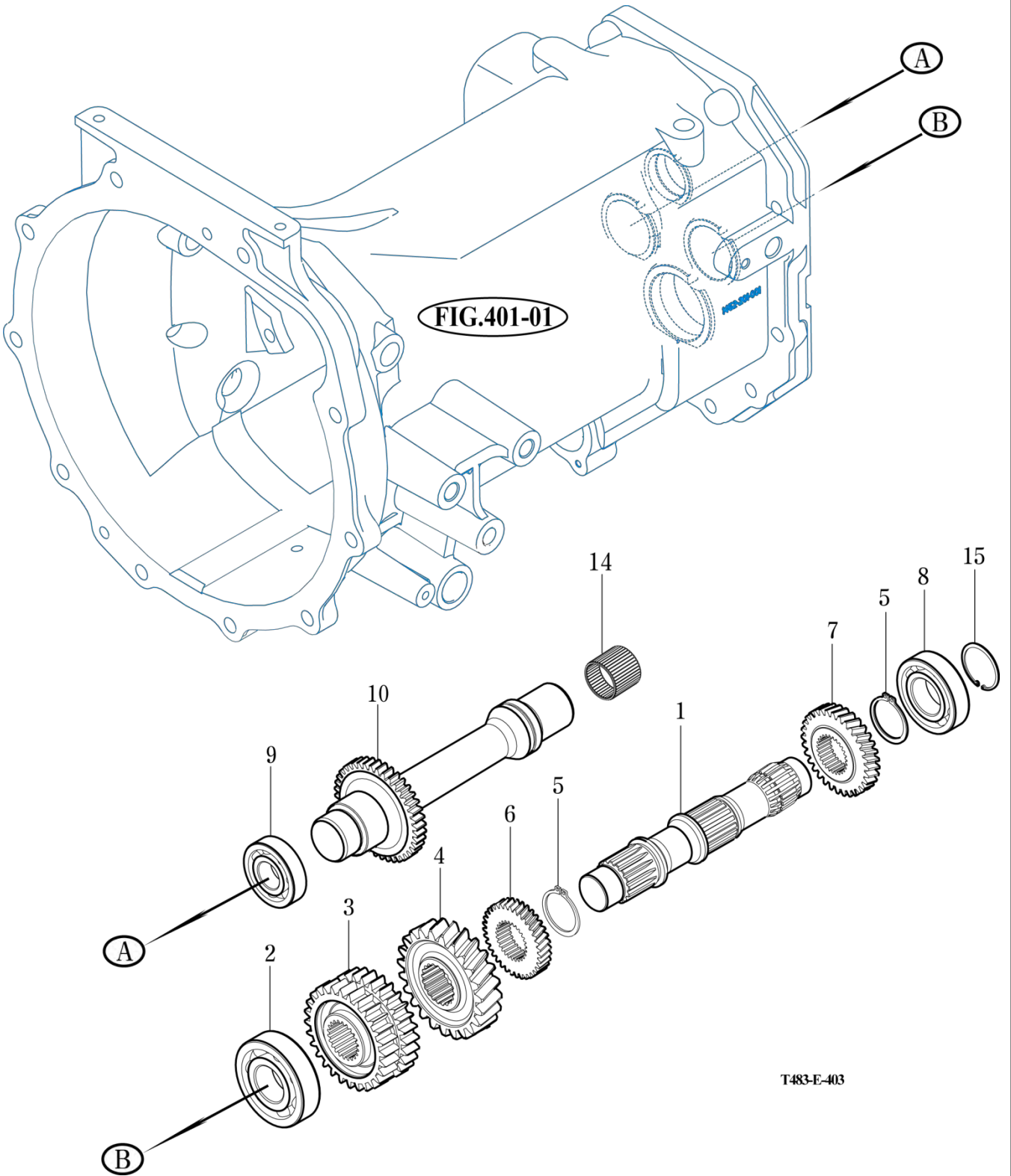
P1

Year / Month

2014 / 04



T554ST / T554NC / T454ST / T454NC



T483-E-403

NOTE

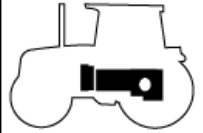
FIG 404

MAIN SHIFT GEARS

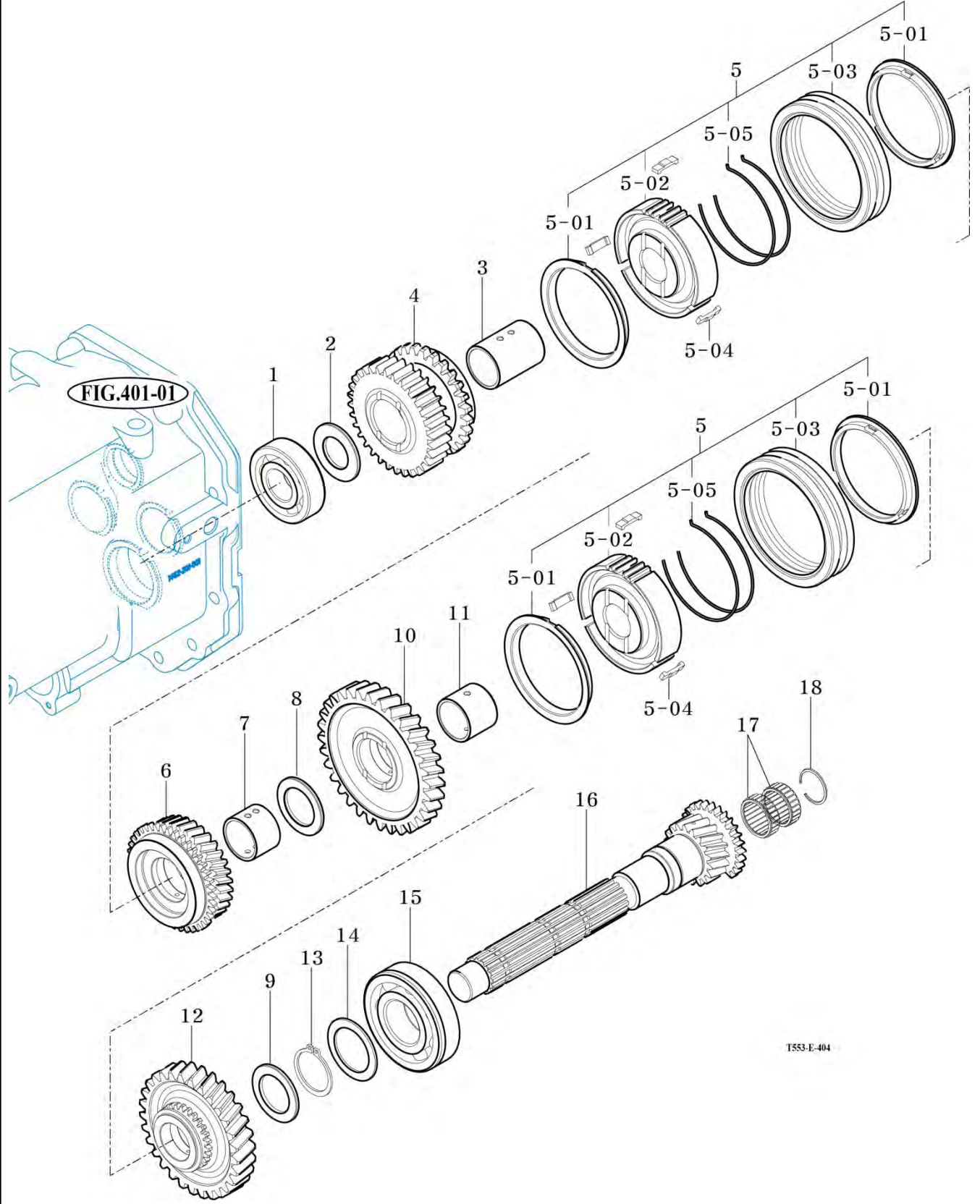
P1

Year / Month

2014 / 04



T554ST / T554NC / T454ST / T454NC



T553-E-404

NOTE

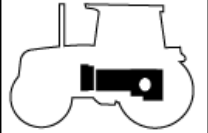
FIG 405

P.T.O DRIVE SHAFT

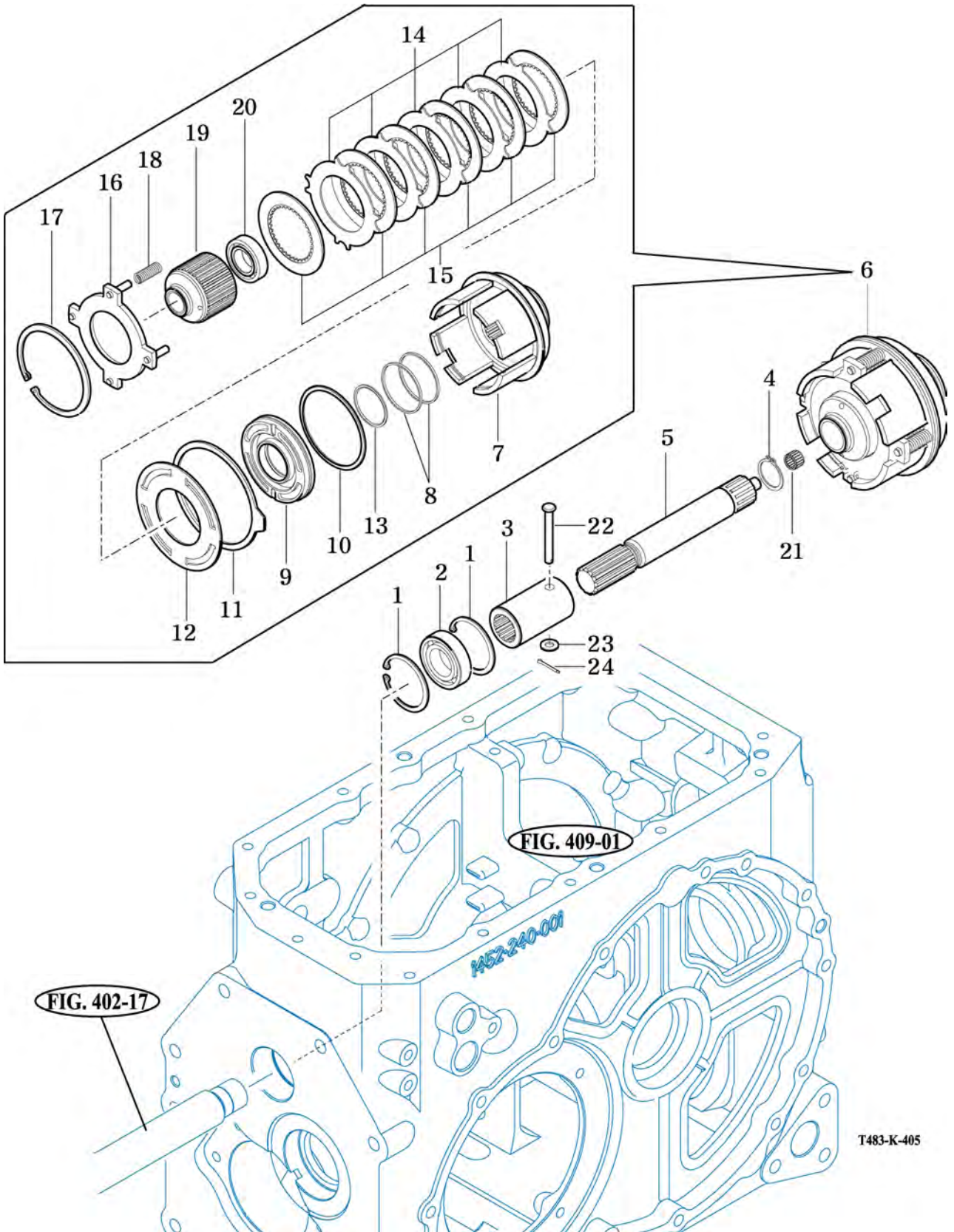
P1

Year / Month

2014 / 04



T554ST / T554NC / T454ST / T454NC



T483-K-405

NOTE

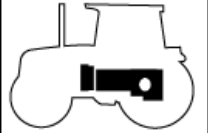
FIG 406

MAIN CHANGE LEVER

P1

Year / Month

2014 / 04



T554ST / T554NC / T454ST / T454NC

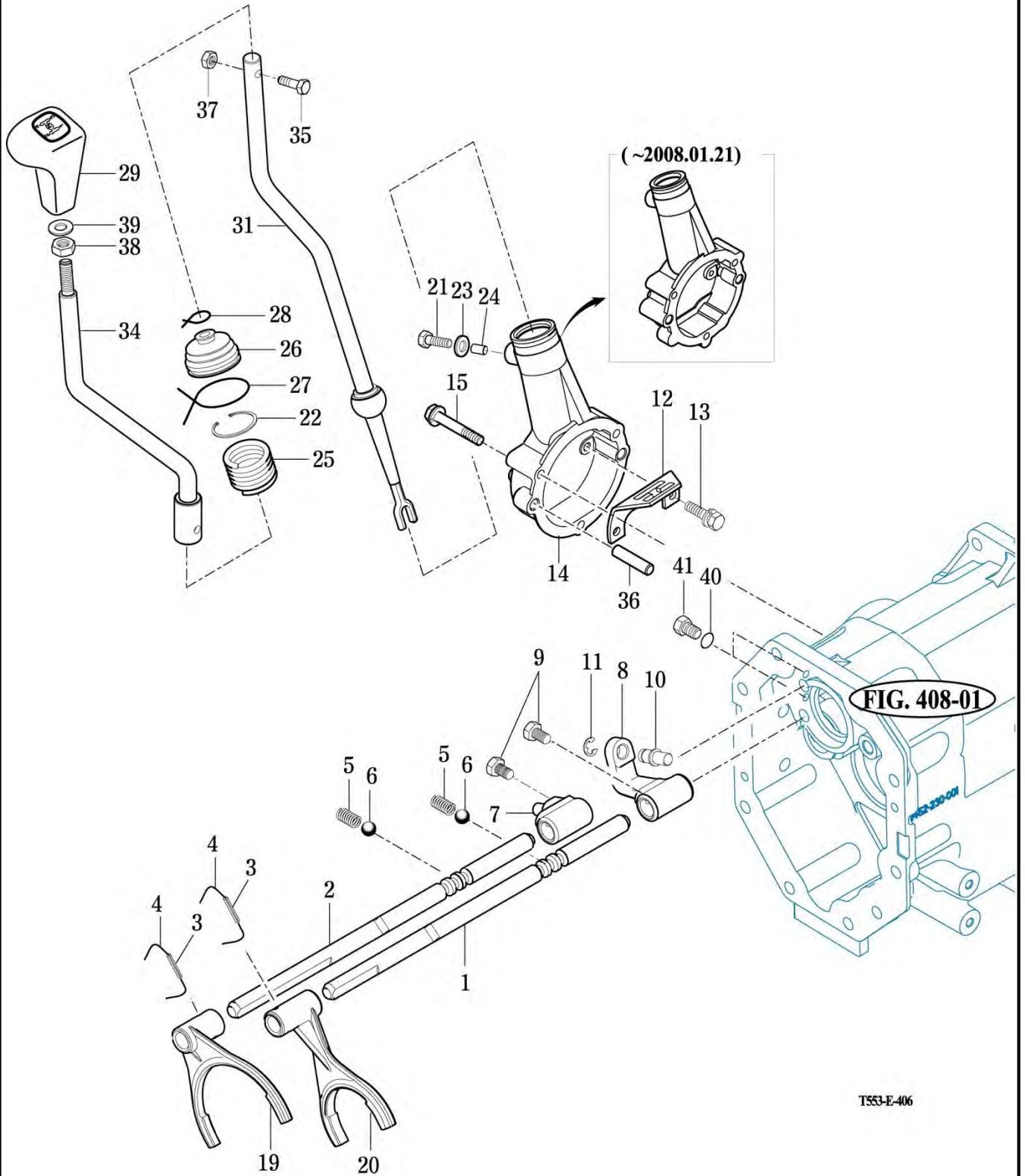


FIG. 408-01

T553-E-406

NOTE

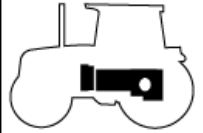
FIG 407

REVERSE CHANGE LEVER

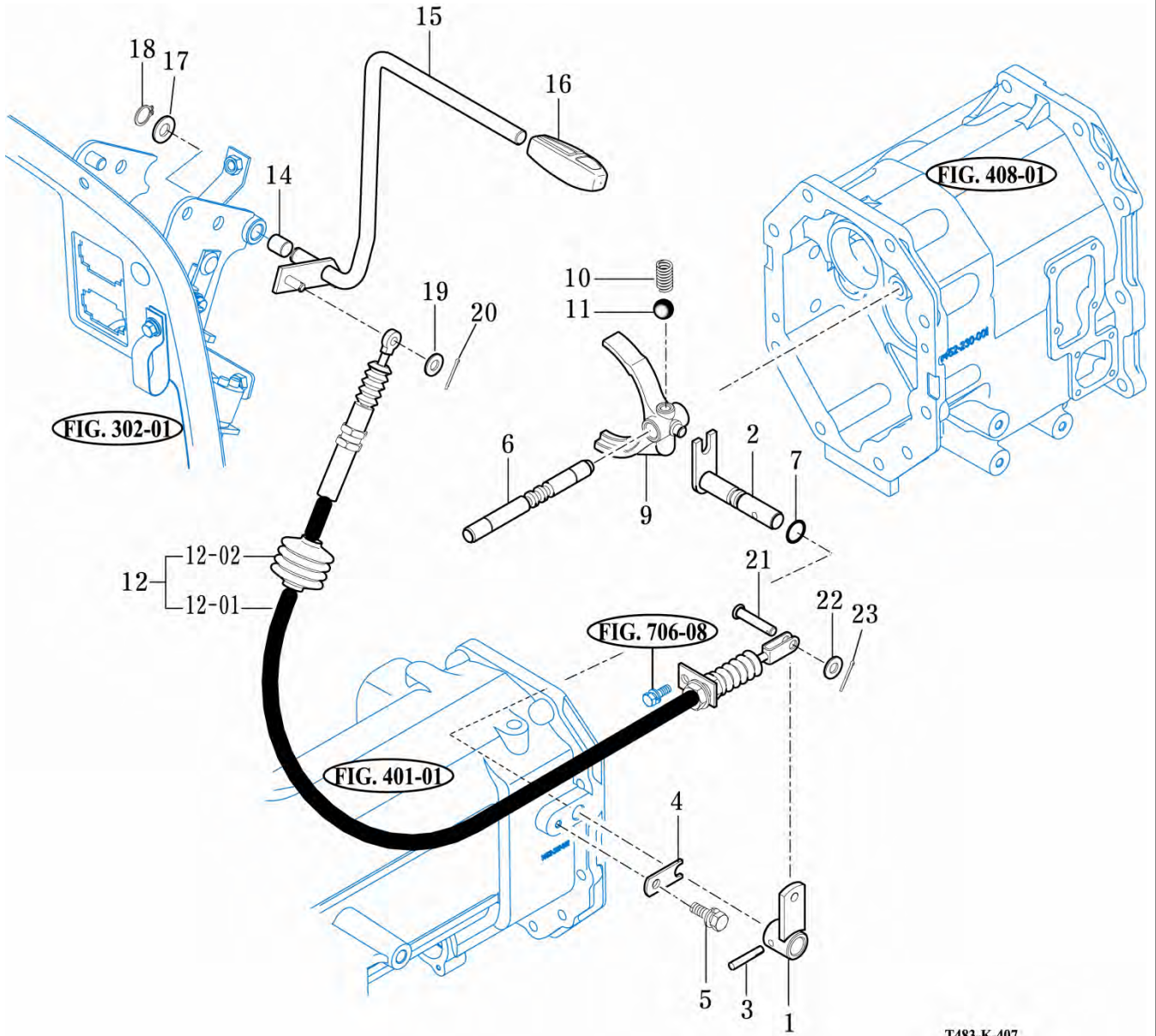
P1

Year / Month

2014 / 04



T554ST / T554NC / T454ST / T454NC



T483-K-407

NOTE

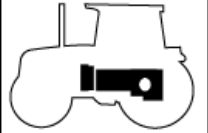
FIG 408

TRANSMISSION MID CASE

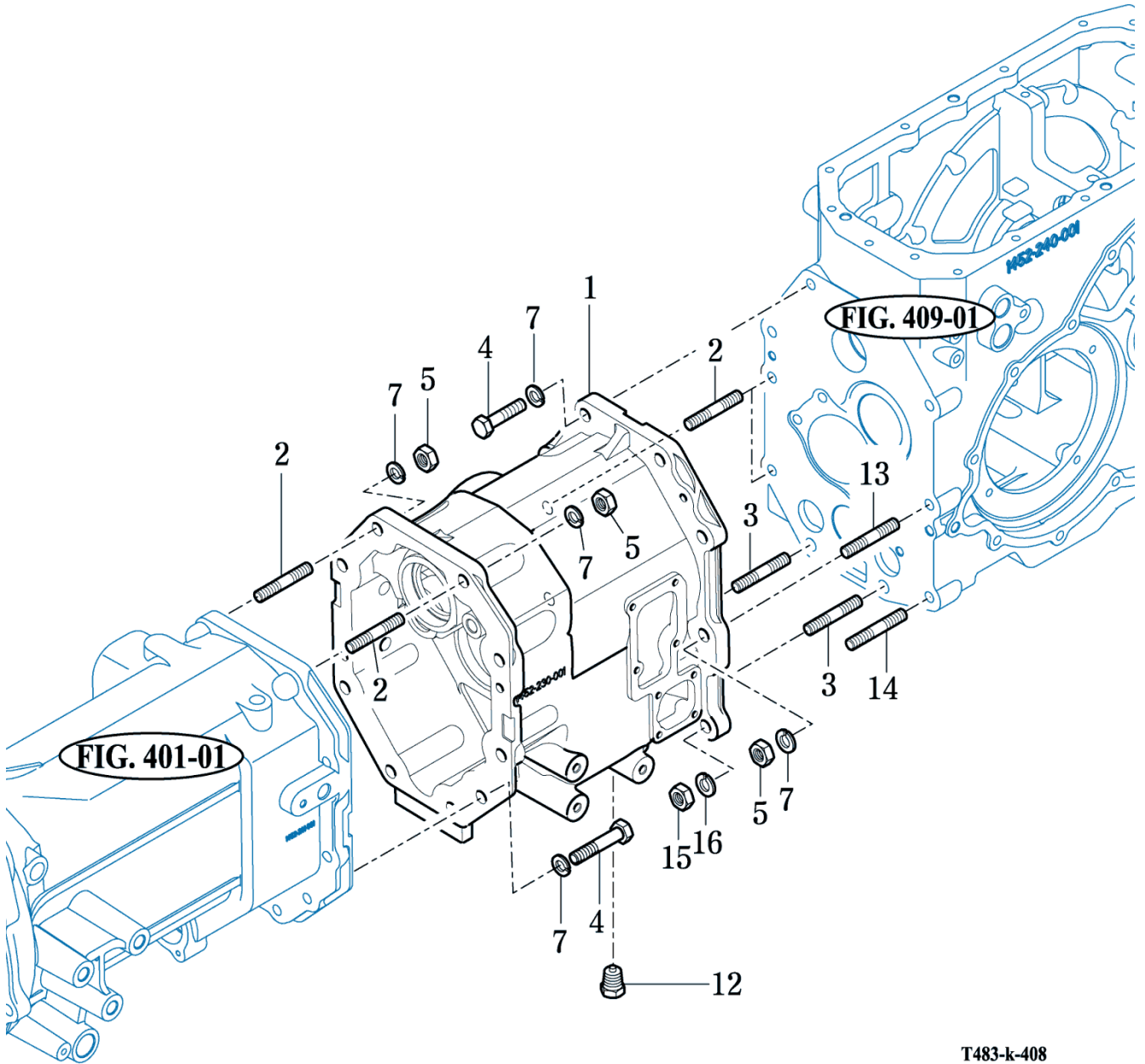
P1

Year / Month

2014 / 04



T554ST / T554NC / T454ST / T454NC



T483-k-408

NOTE

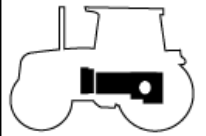
FIG 409

TRANSMISSION REAR CASE

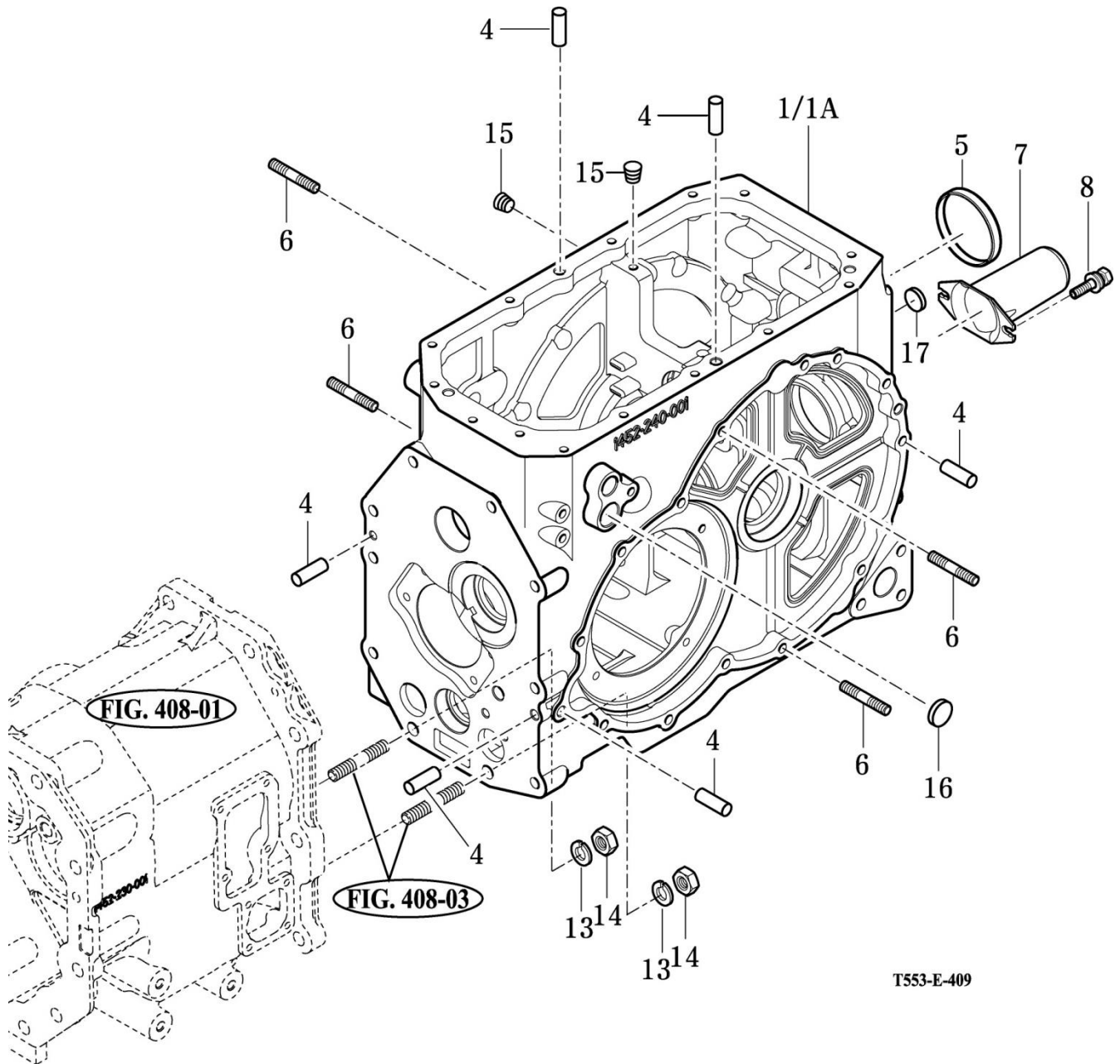
P1

Year / Month

2014 / 04



T554ST / T554NC / T454ST / T454NC



T553-E-409

NOTE

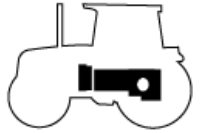
FIG 410

SUB CHANGE GEARS

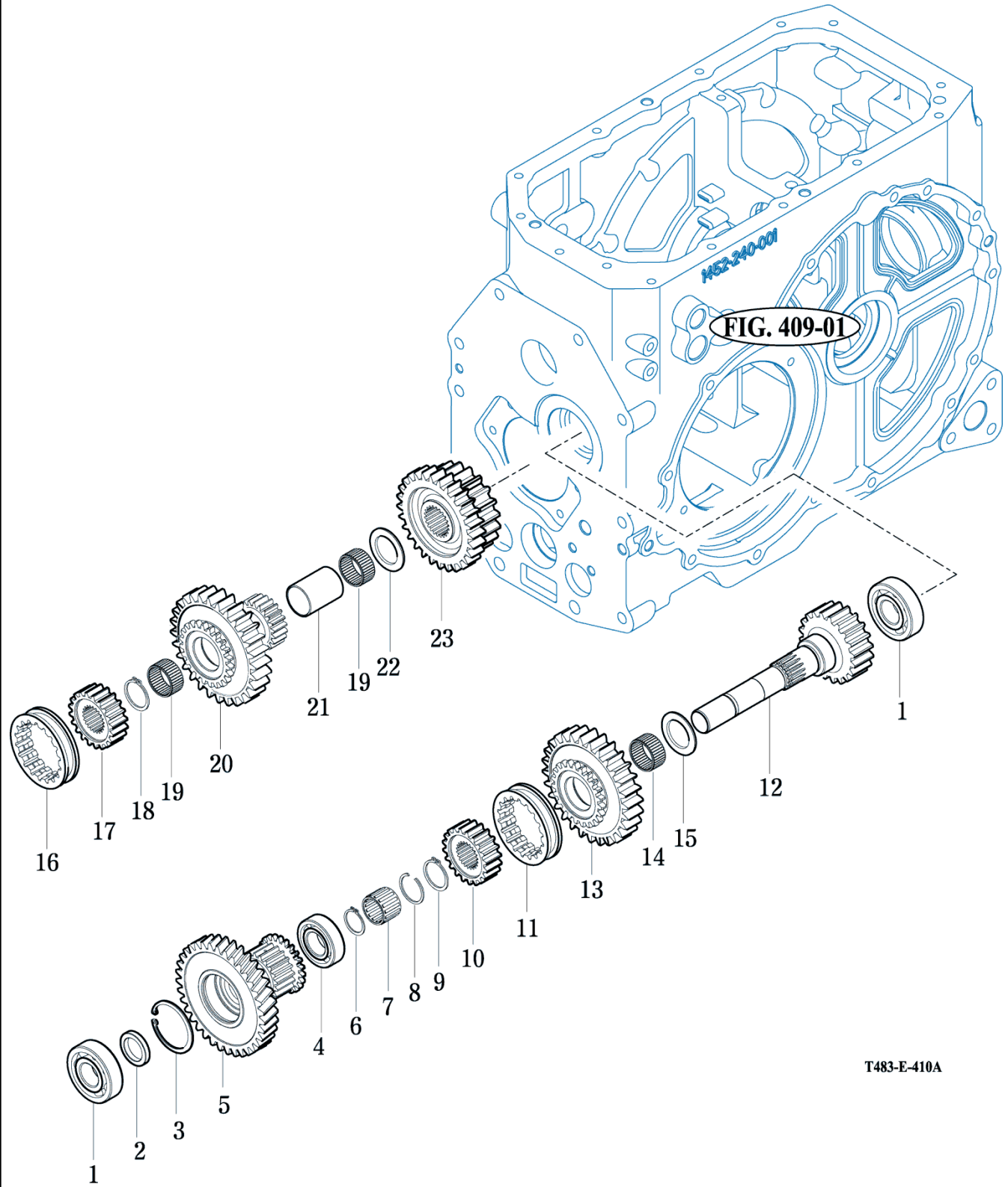
P1

Year / Month

2014 / 04



T554ST / T554NC / T454ST / T454NC



T483-E-410A

NOTE

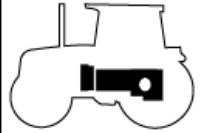
FIG 411

SUB CHANGE SHIFTER

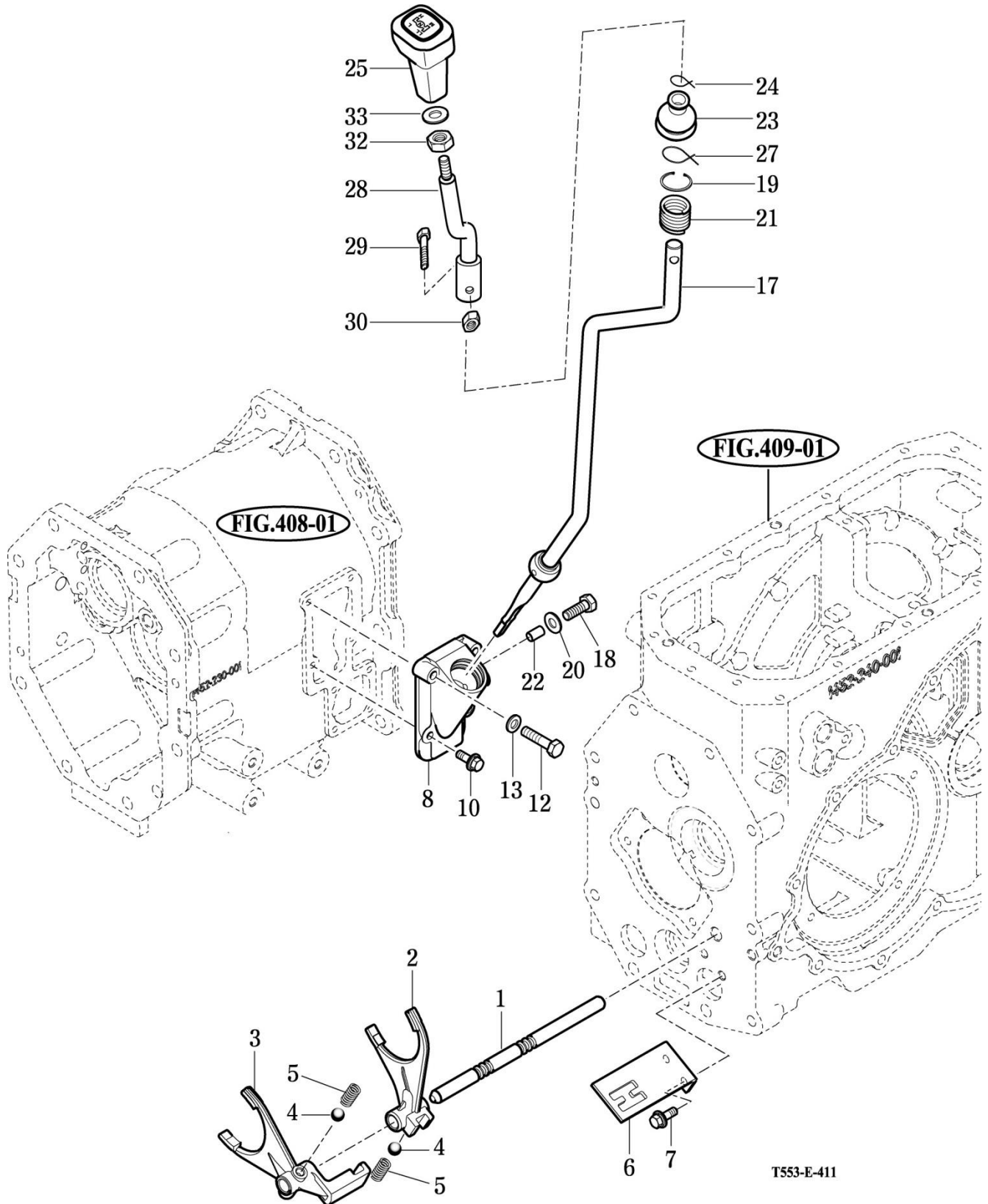
P1

Year / Month

2014 / 04



T554ST / T554NC / T454ST / T454NC



T553-E-411

NOTE

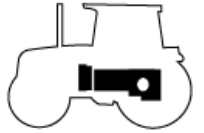
FIG 413

DRIVE GEARS

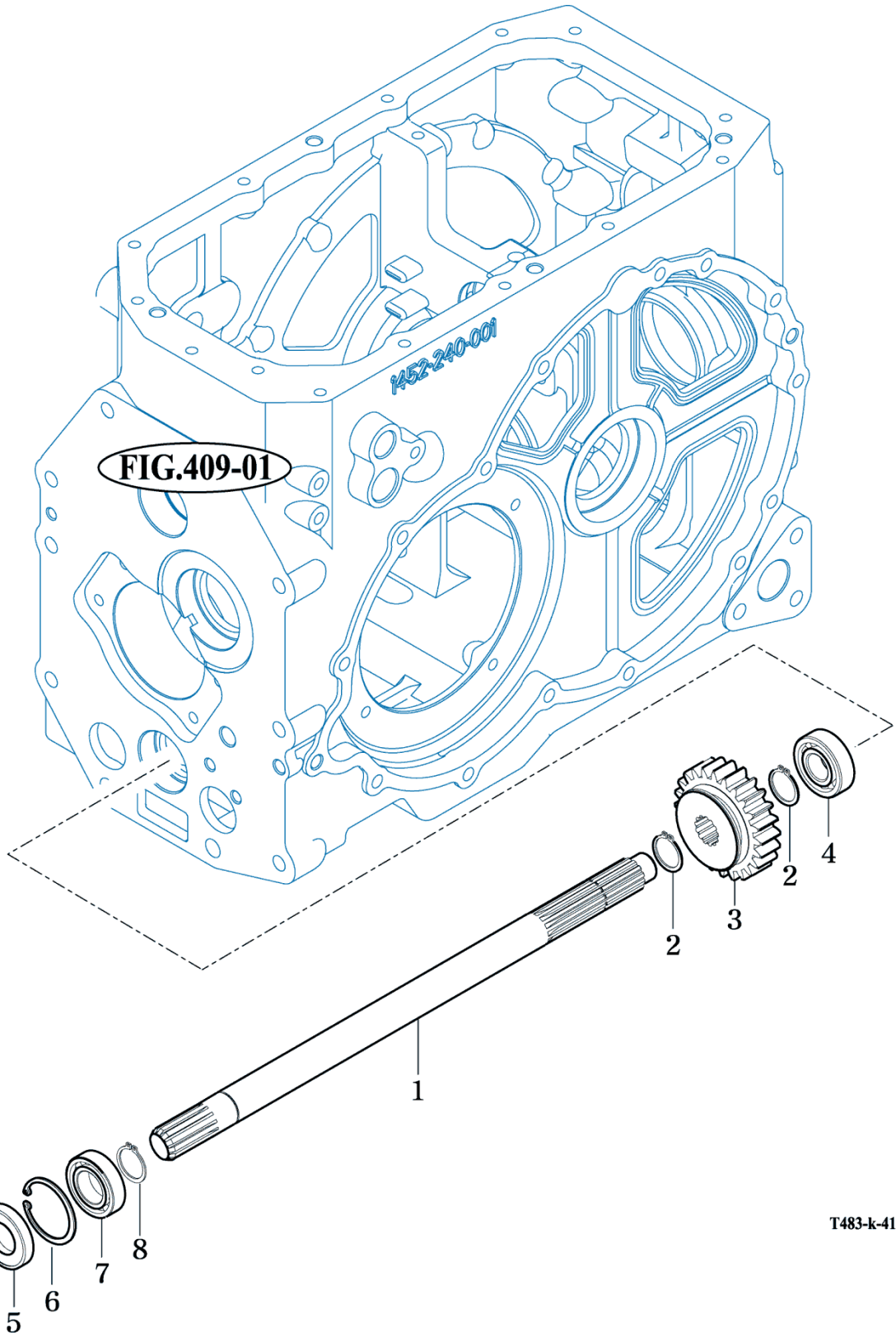
P1

Year / Month

2014 / 04



T554ST / T554NC / T454ST / T454NC



T483-k-413

NOTE

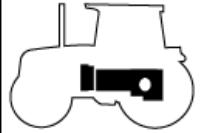
FIG 414

4WD CHANGE LEVER

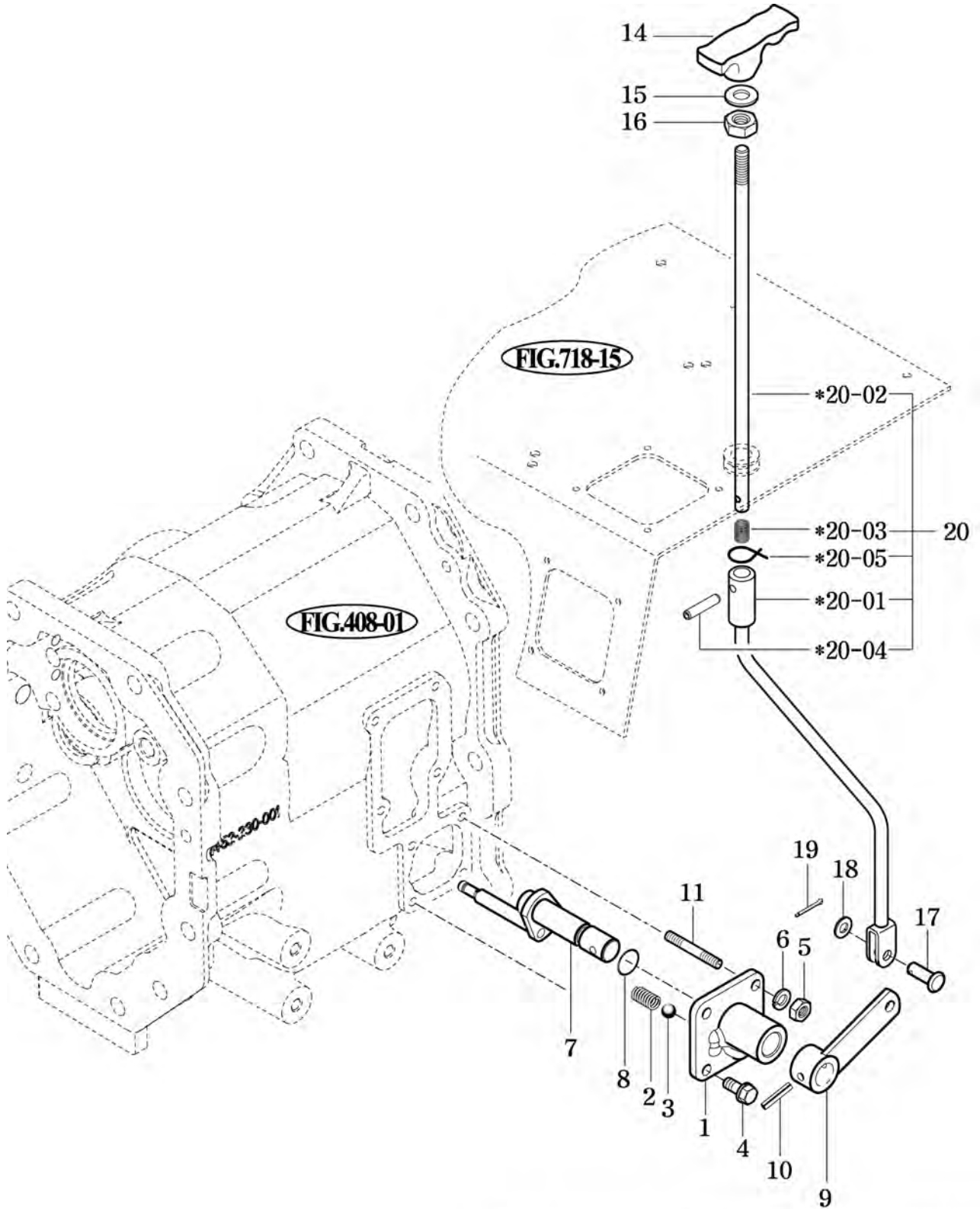
P1

Year / Month

2014 / 04



T554ST / T554NC / T454ST / T454NC



*NOT SERVICED SEPARATELY

T483-E-414A

NOTE

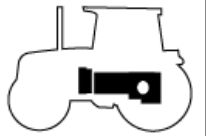
FIG 415

P.T.O CHANGE GEARS

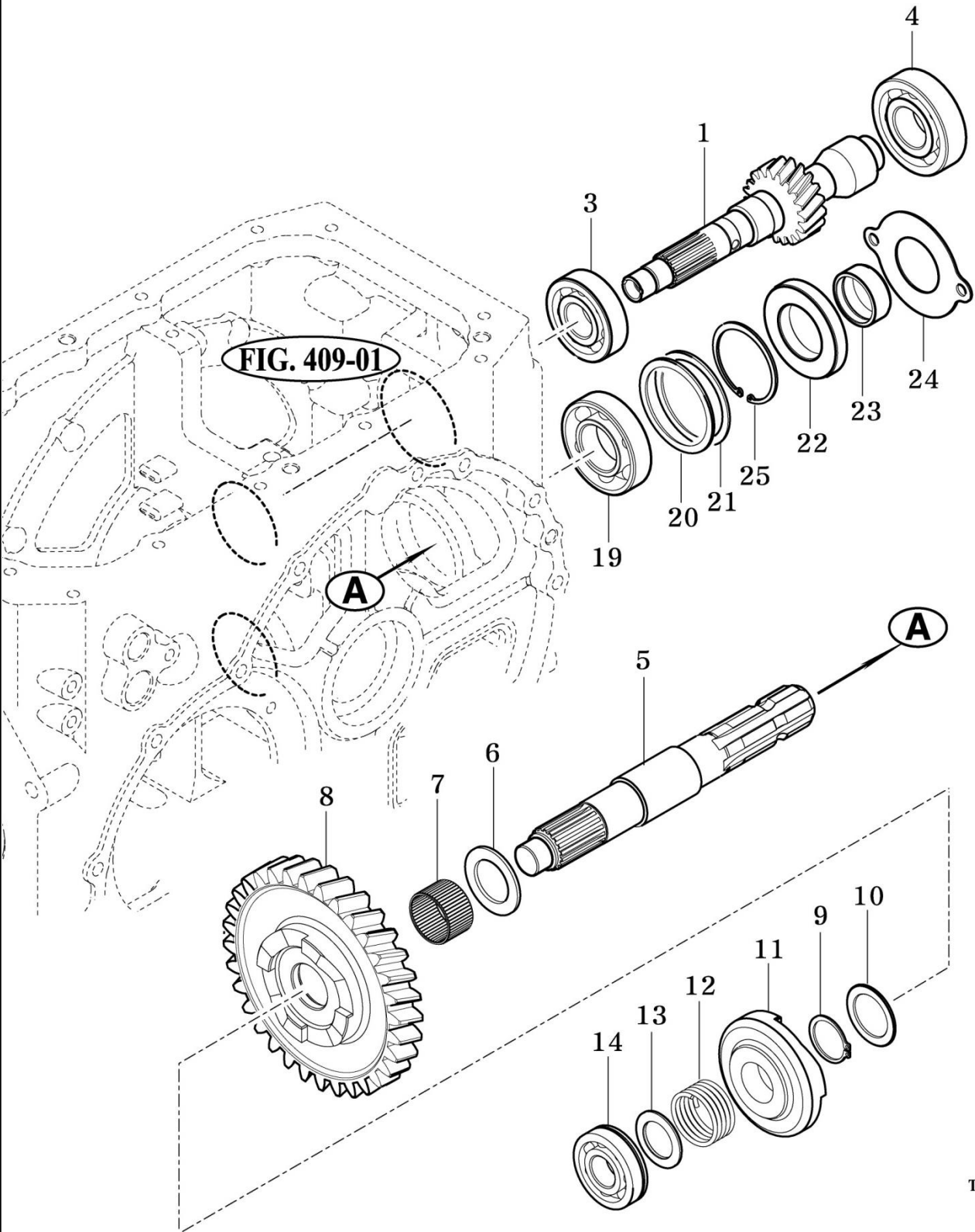
P1

Year / Month

2014 / 04



T554ST / T554NC / T454ST / T454NC



T553-E-415A

NOTE

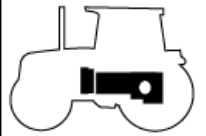
FIG 417

REAR DIFFERENTIAL GEARS

P1

Year / Month

2014 / 04

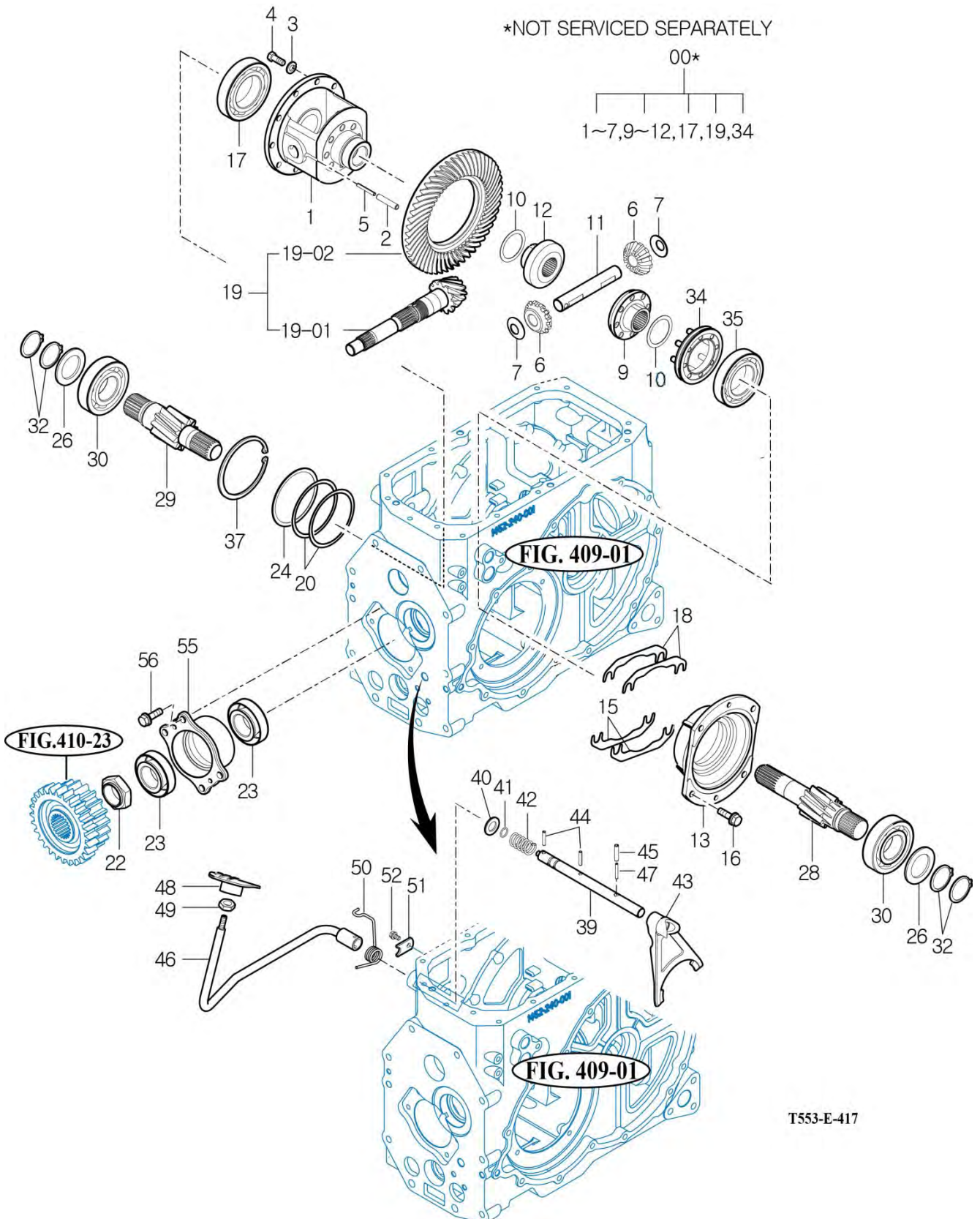


T554ST / T554NC / T454ST / T454NC

*NOT SERVICED SEPARATELY

00*

1~7,9~12,17,19,34



T553-E-417

NOTE

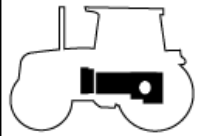
FIG 418

REAR AXLE HOUSING

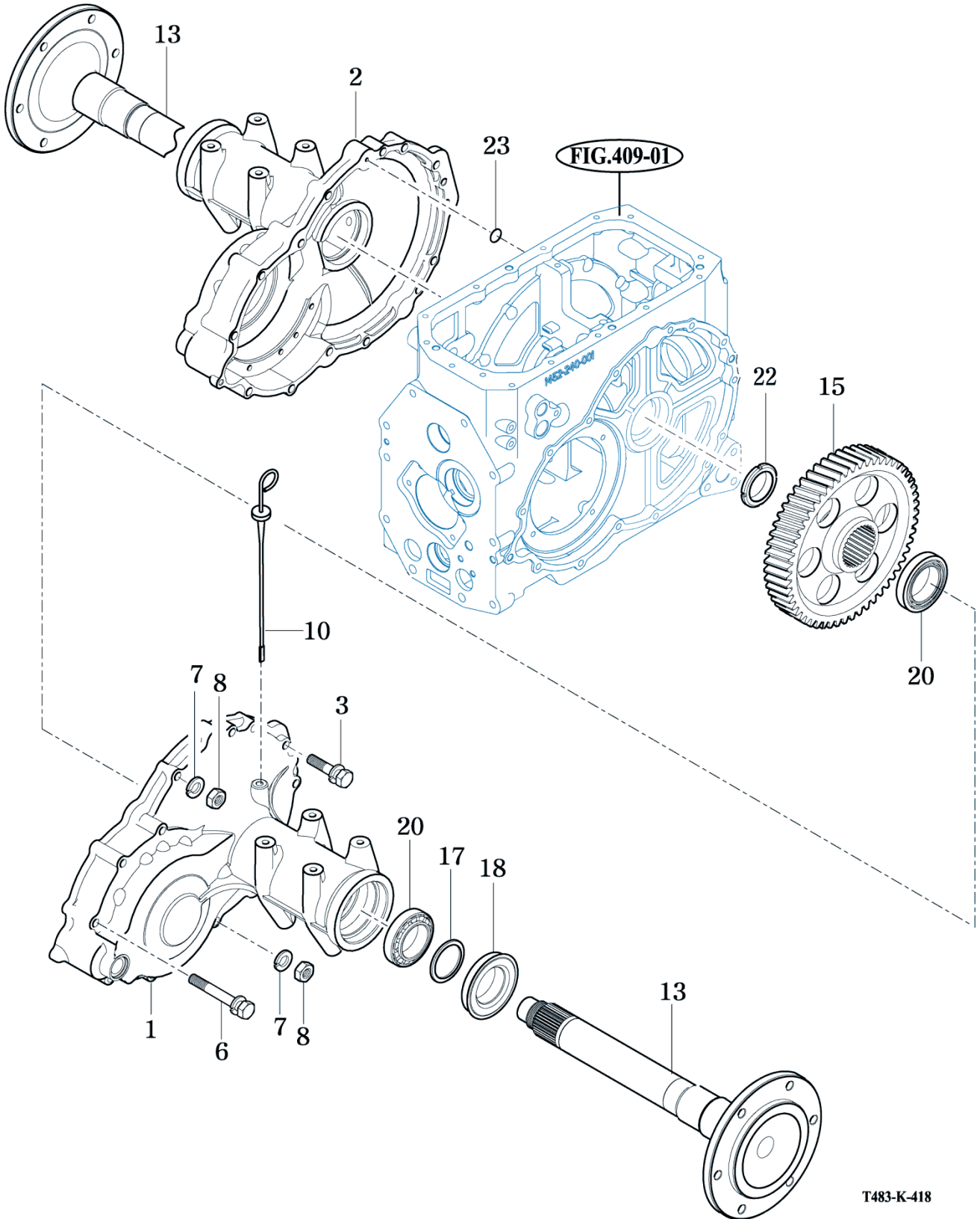
P1

Year / Month

2014 / 04



T554ST / T554NC / T454ST / T454NC



T483-K-418

NOTE

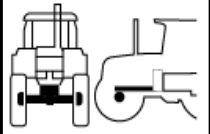
FIG 501

FRONT AXLE SUPPORT

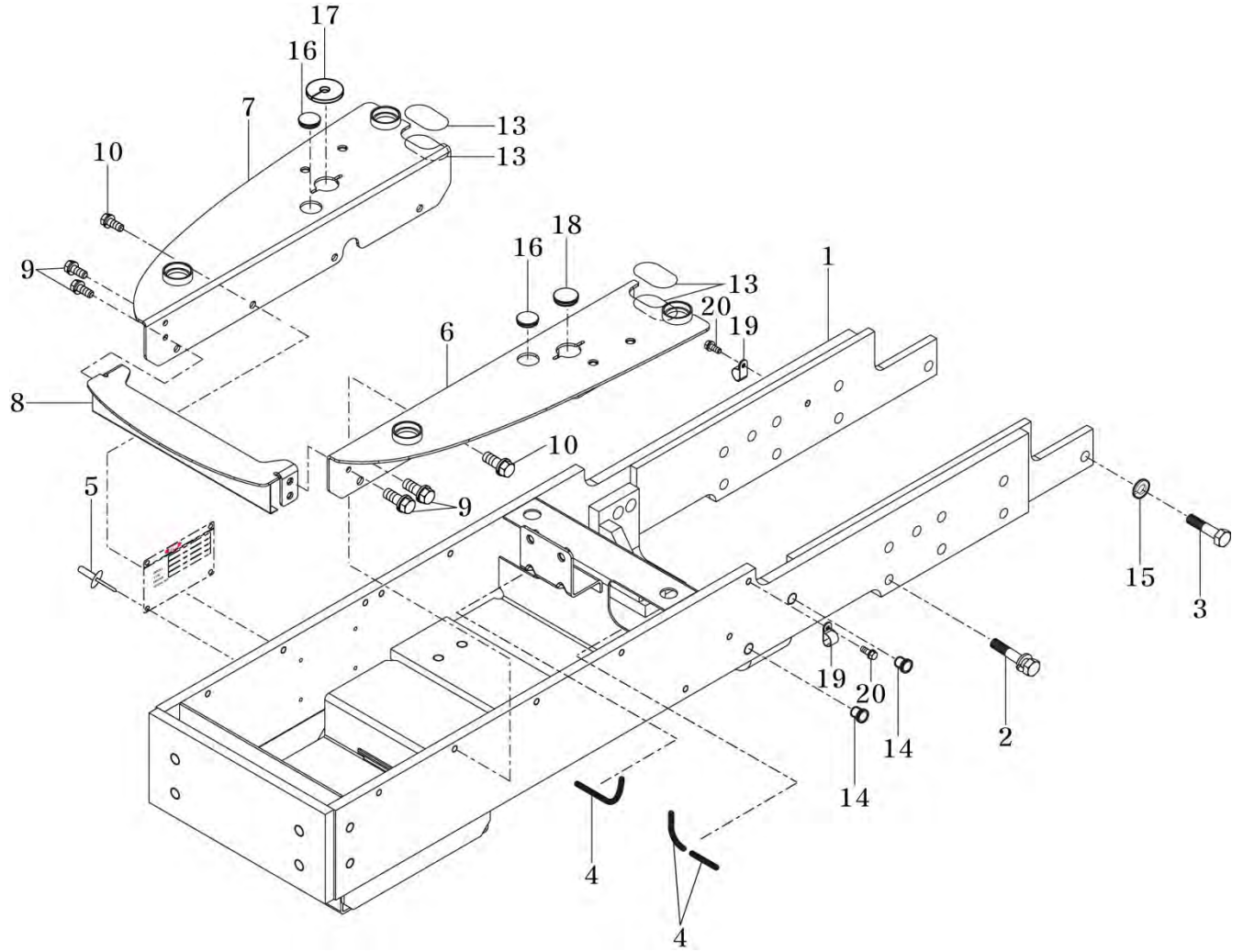
P1

Year / Month

2014 / 04



T554ST / T554NC / T454ST / T454NC



NOTE

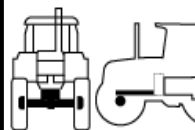
FIG 502

FRONT DRIVE SHAFT

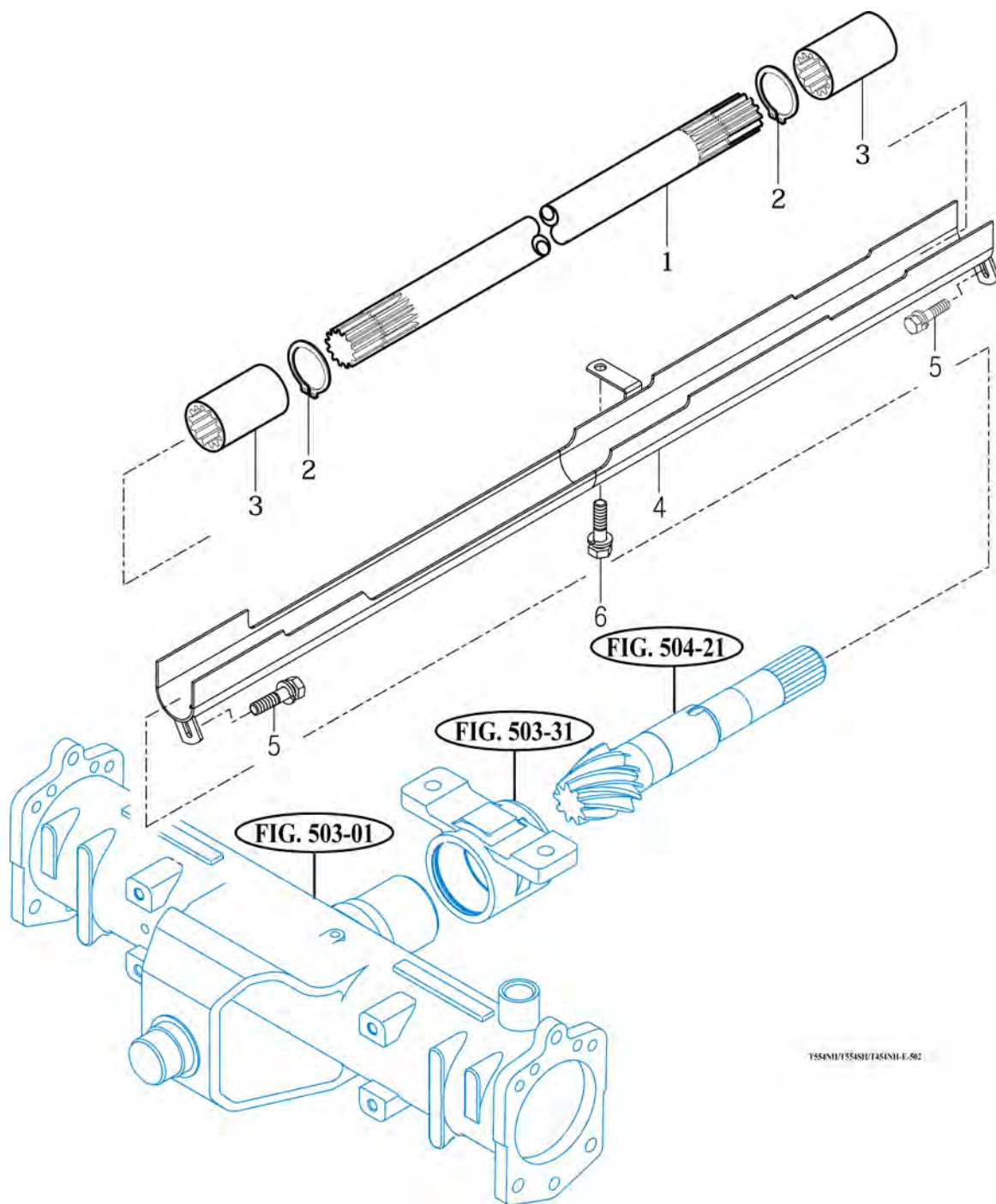
P1

Year / Month

2014 / 04



T554ST / T554NC / T454ST / T454NC



T554NI/T554SU/T454NI-E-502

NOTE

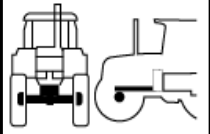
FIG 503

FRONT AXLE HOUSING

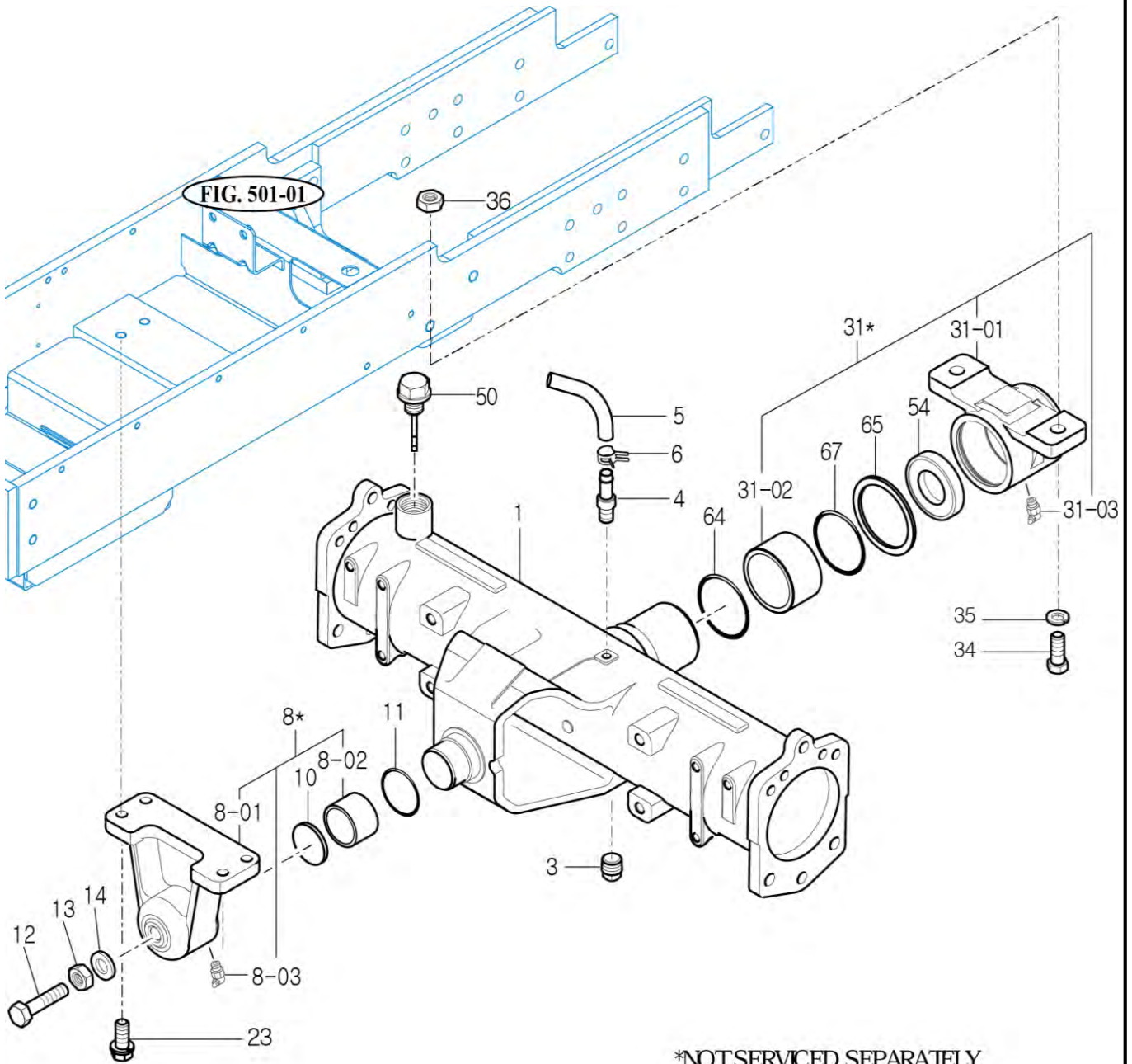
P1

Year / Month

2014 / 04



T554ST / T554NC / T454ST / T454NC



*NOT SERVICED SEPARATELY

T554454 E-503

NOTE

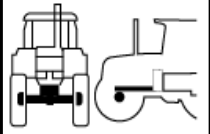
FIG 504

FRONT DIFFERENTIAL GEARS

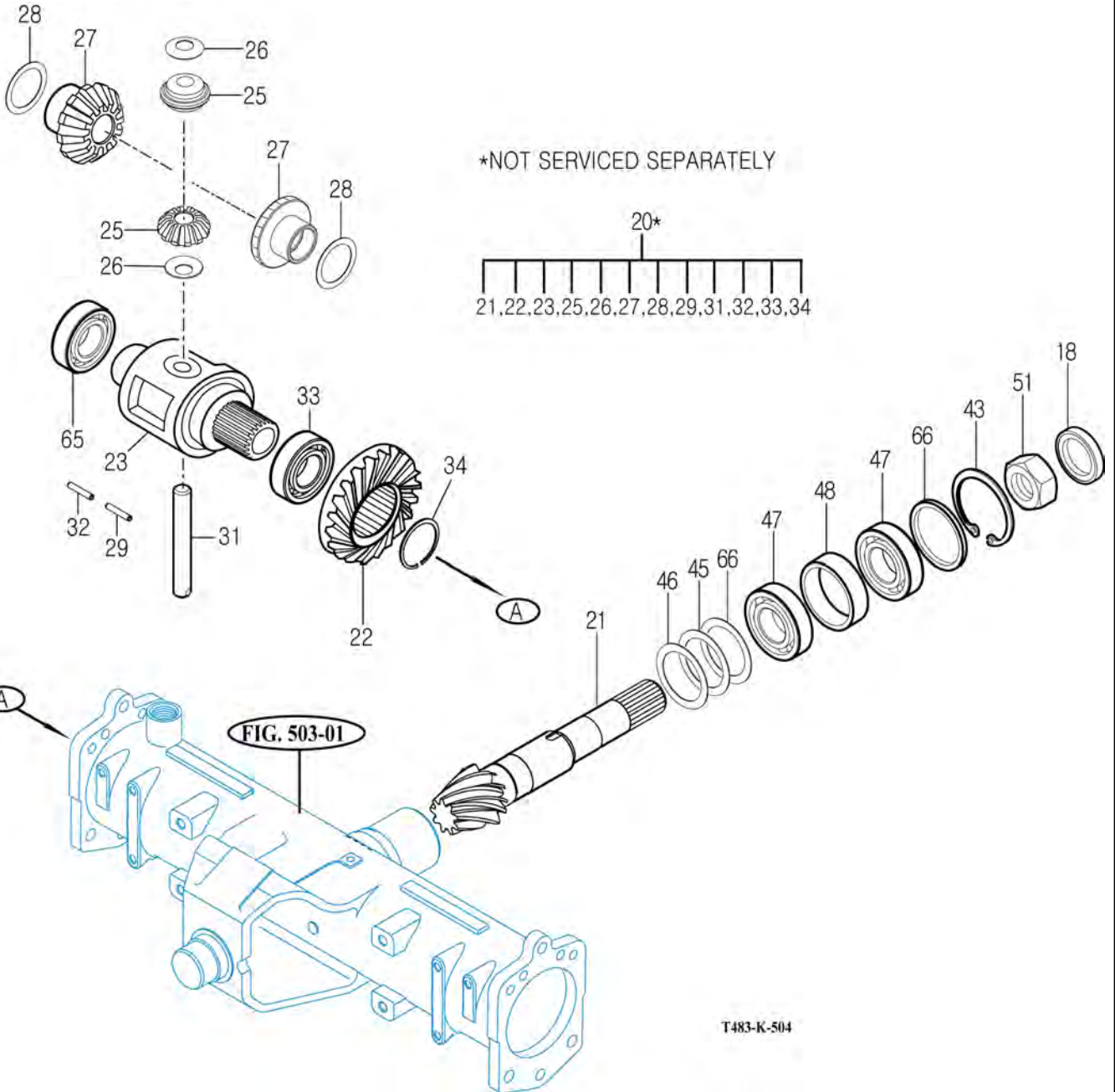
P1

Year / Month

2014 / 04



T554ST / T554NC / T454ST / T454NC



NOTE

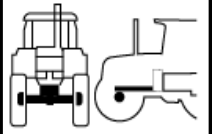
FIG 505

FRONT GEAR CASE (1)

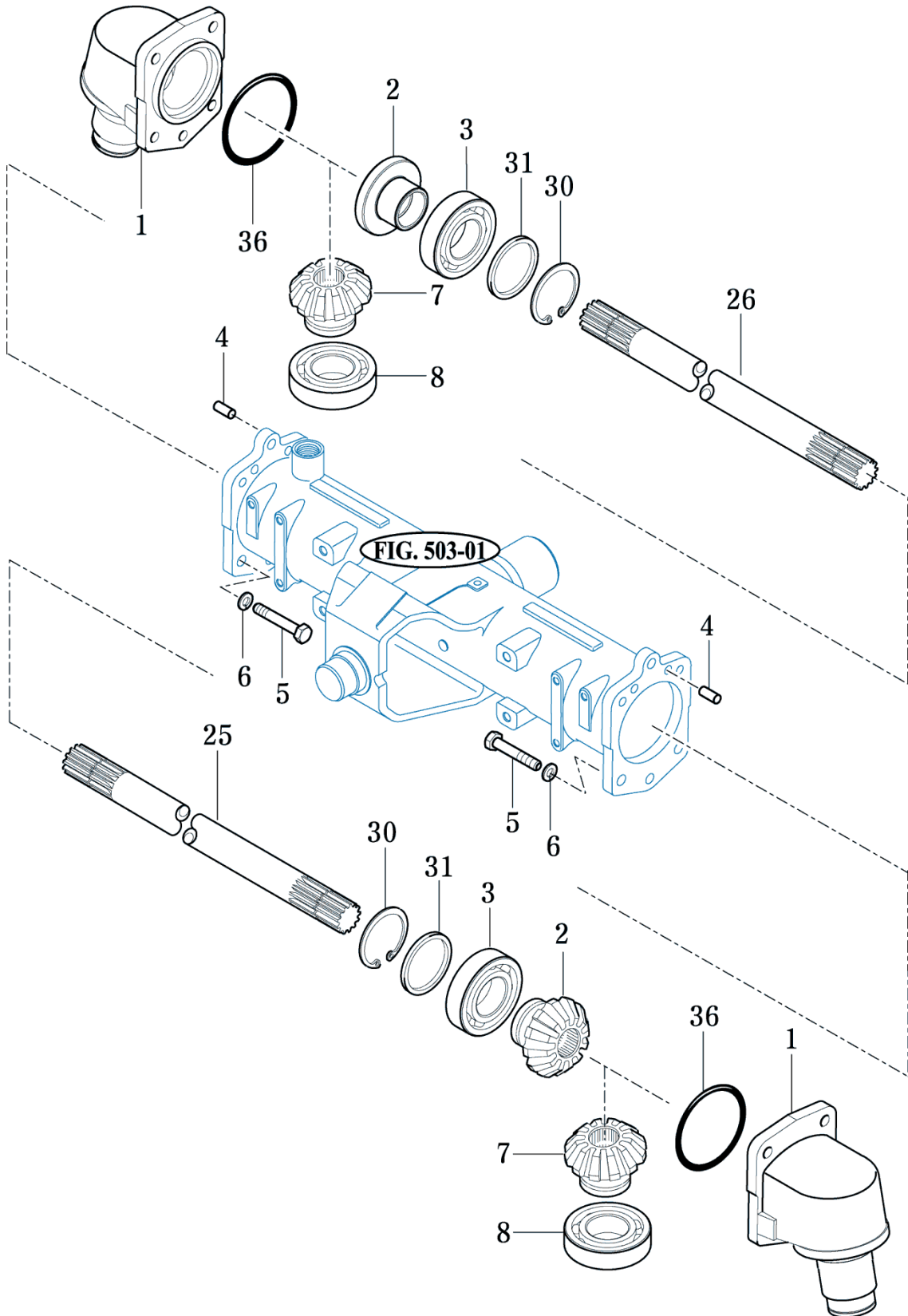
P1

Year / Month

2014 / 04



T554ST / T554NC / T454ST / T454NC



T483-k-505

NOTE

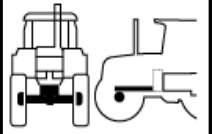
FIG 506

FRONT GEAR CASE (2)

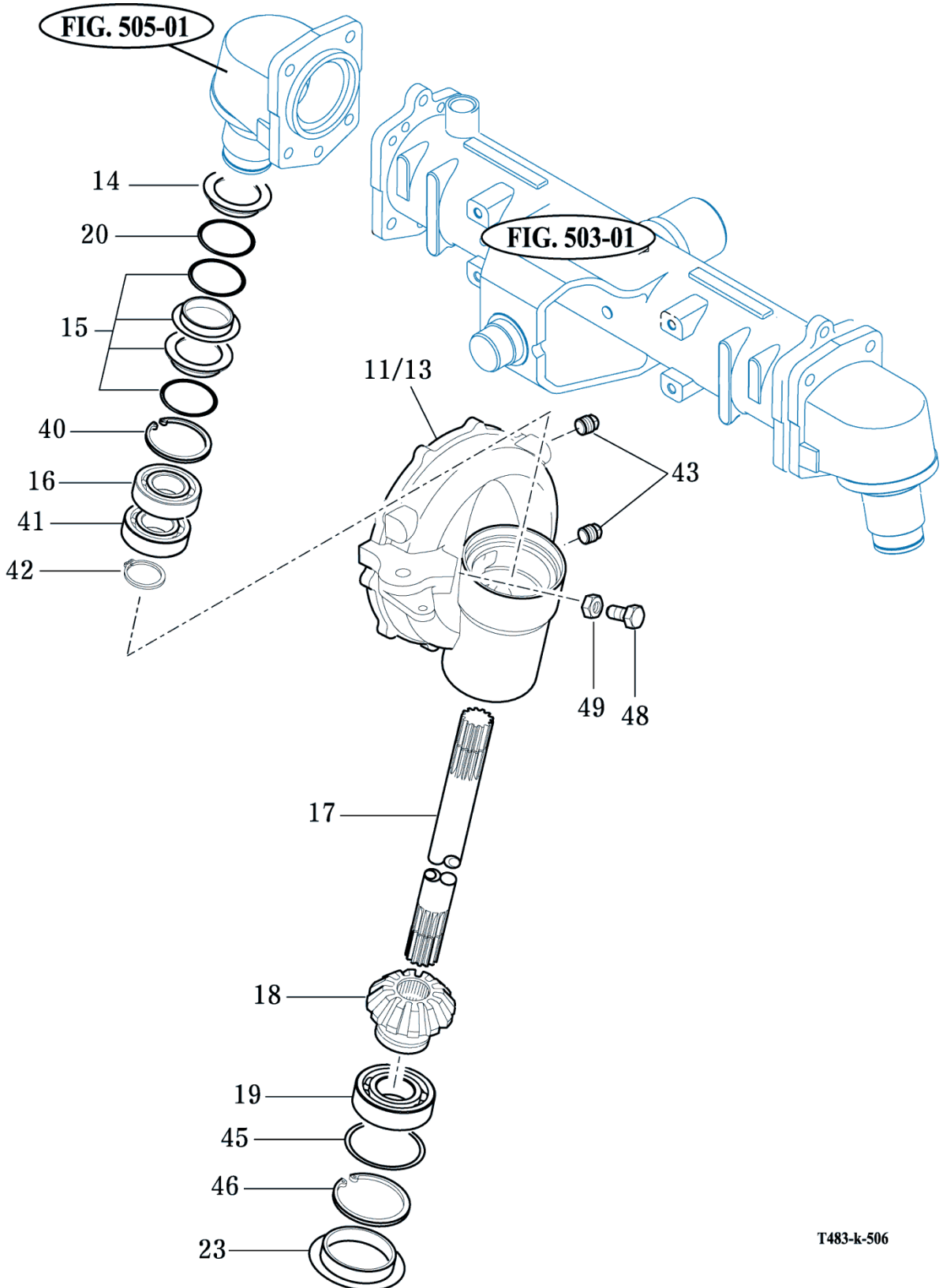
P1

Year / Month

2014 / 04



T554ST / T554NC / T454ST / T454NC



T483-k-506

NOTE

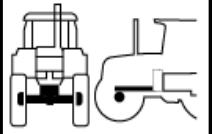
FIG 507

FRONT GEAR CASE (3)

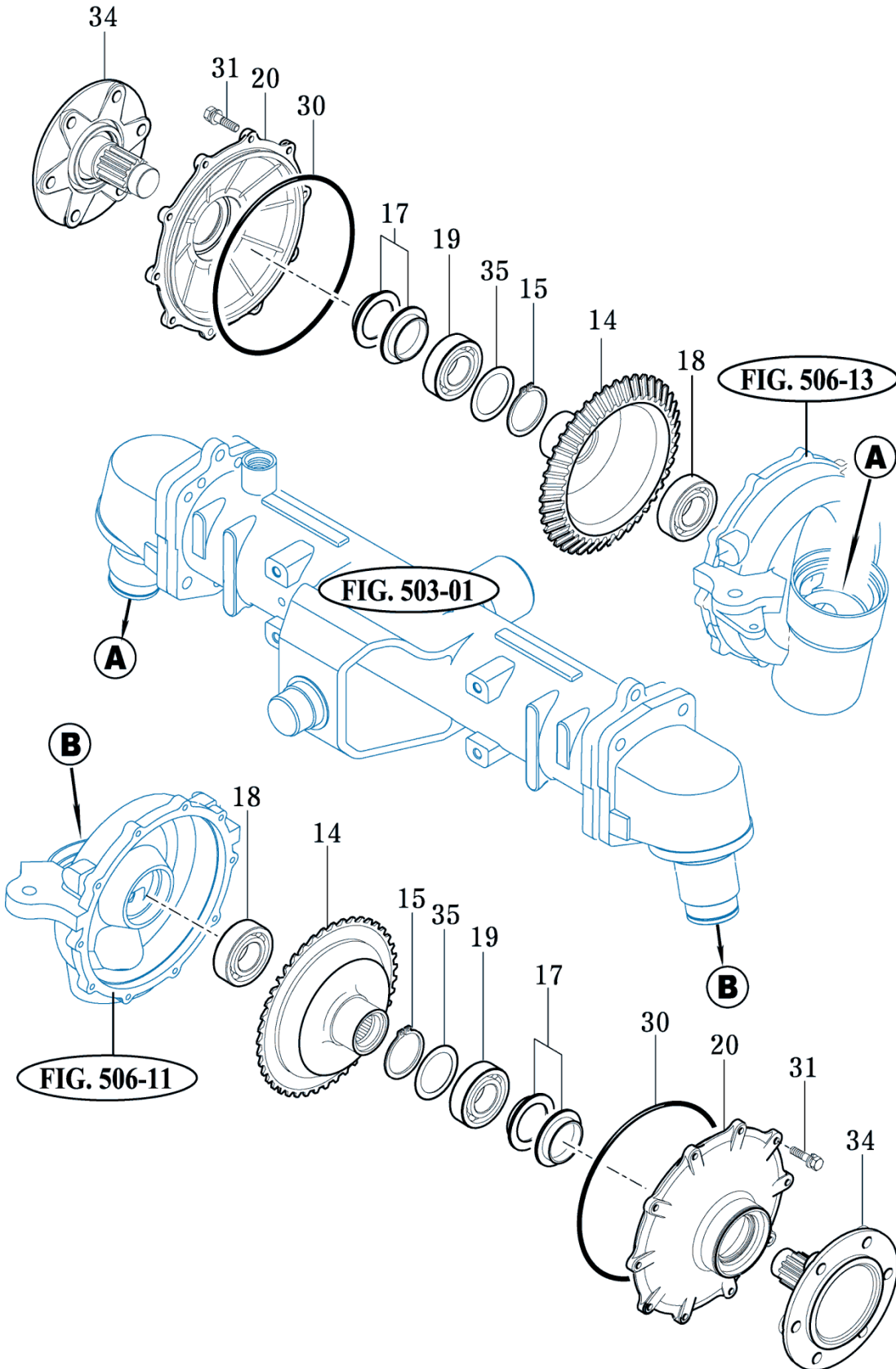
P1

Year / Month

2014 / 04



T554ST / T554NC / T454ST / T454NC



T483-k-507

NOTE

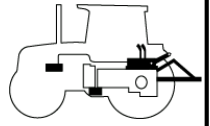
FIG 601

CYLINDER CASE

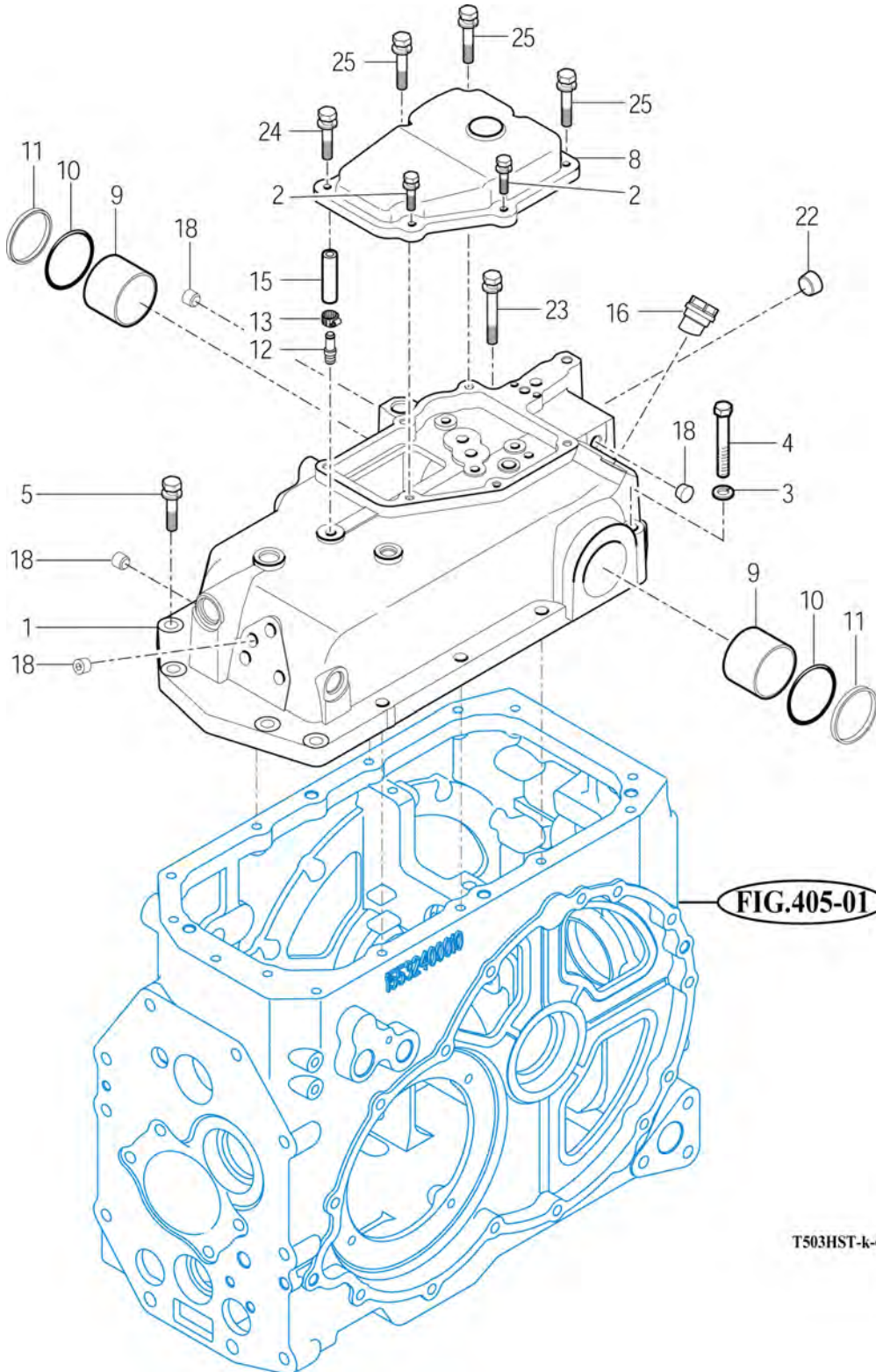
P1

Year / Month

2014 / 04



T554ST / T554NC / T454ST / T454NC



NOTE

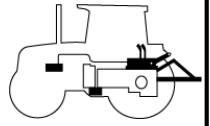
FIG 602

LIFT ARM

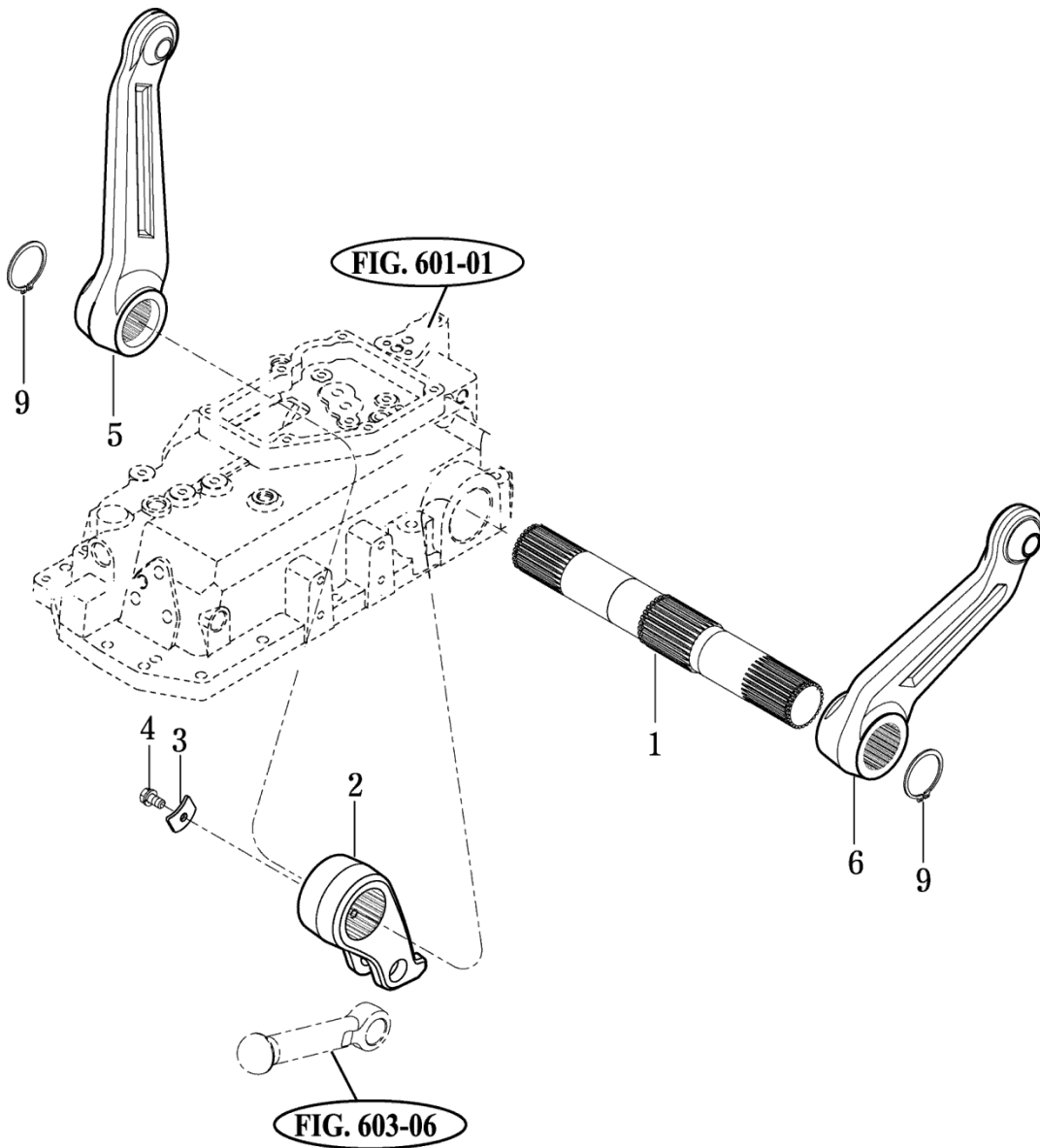
P1

Year / Month

2014 / 04



T554ST / T554NC / T454ST / T454NC



T473-E-602A

NOTE

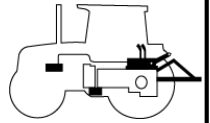
FIG 603

CYLINDER

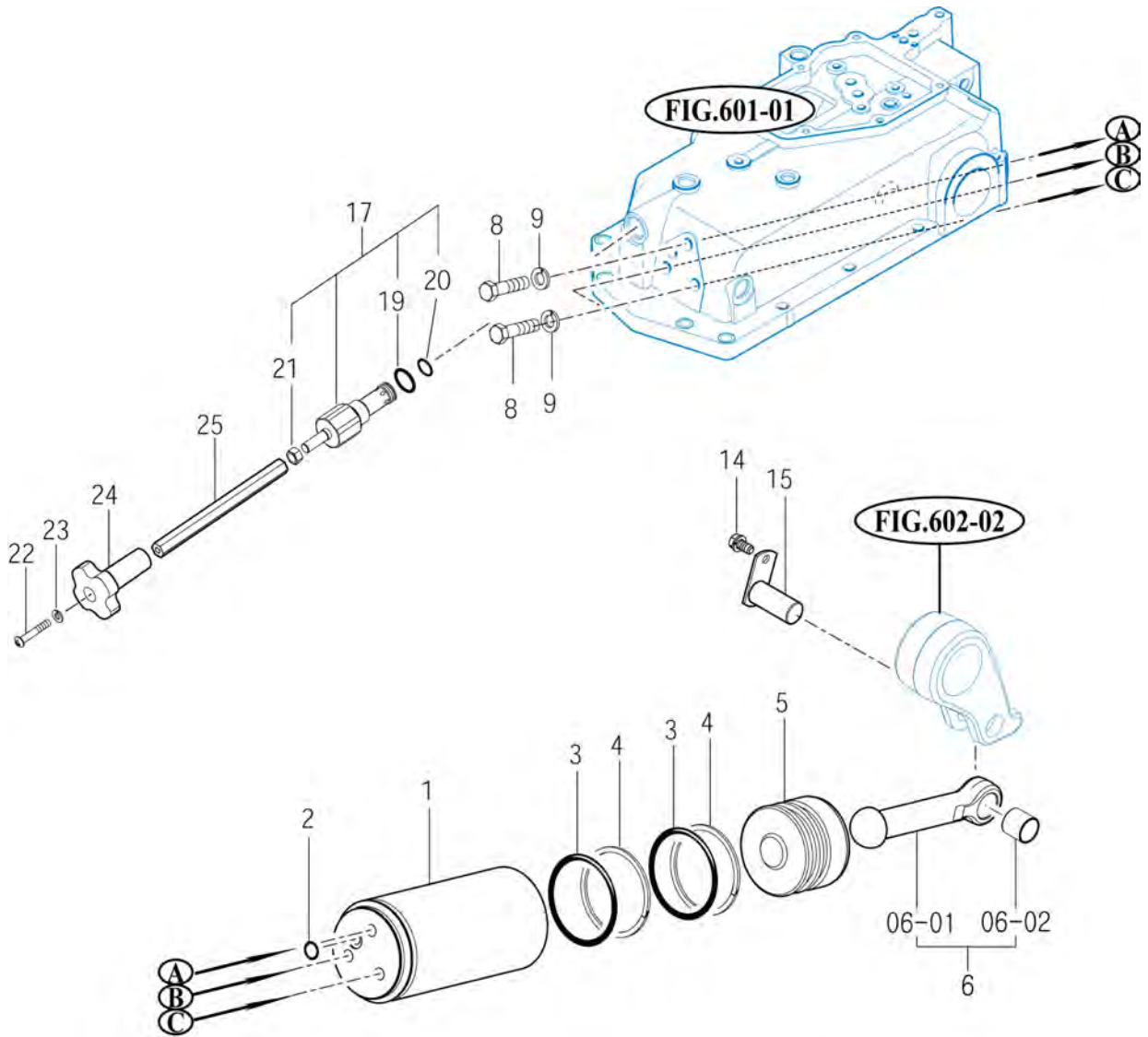
Year / Month

P1

2014 / 04



T554ST / T554NC / T454ST / T454NC



T483-K-603

NOTE

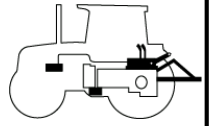
FIG 604

POSITION LINK

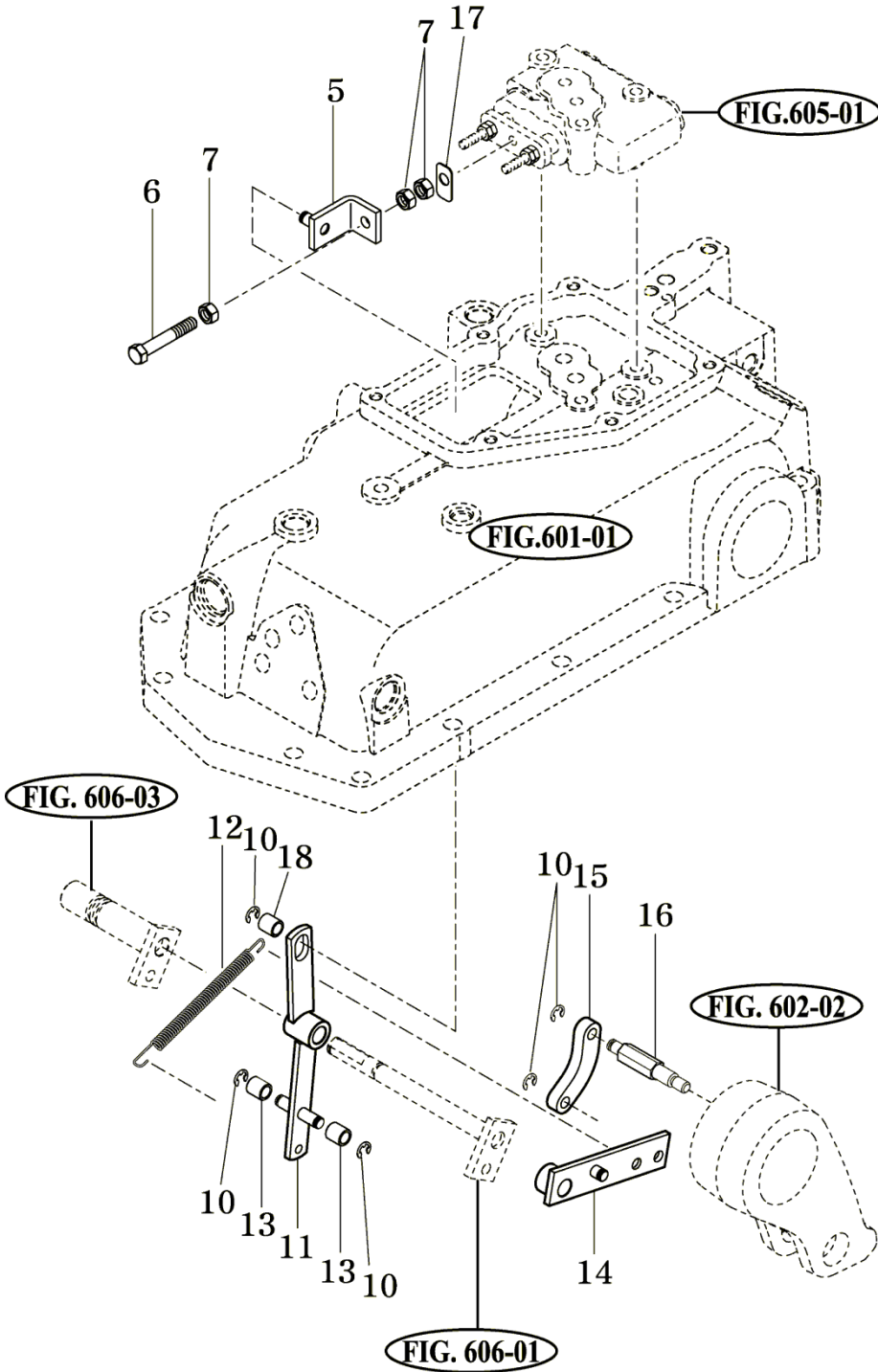
P1

Year / Month

2014 / 04



T554ST / T554NC / T454ST / T454NC



T483-K-604

NOTE

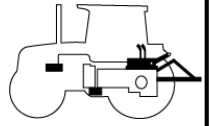
FIG 605

CONTROL VALVE

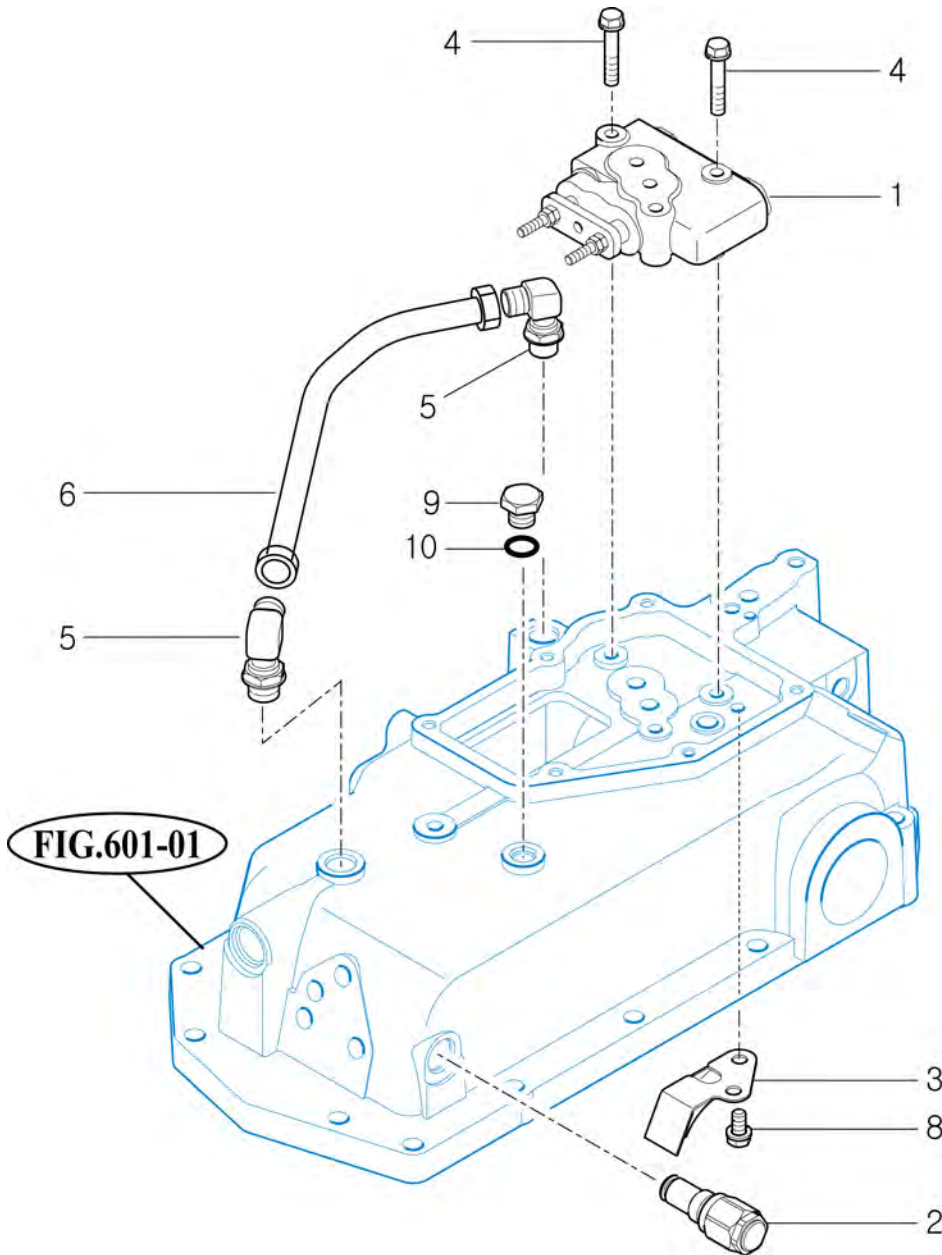
P1

Year / Month

2014 / 04



T554ST / T554NC / T454ST / T454NC



T503HST-K-605

NOTE

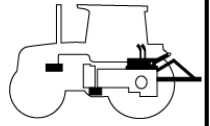
FIG 606

DRAFT LINK

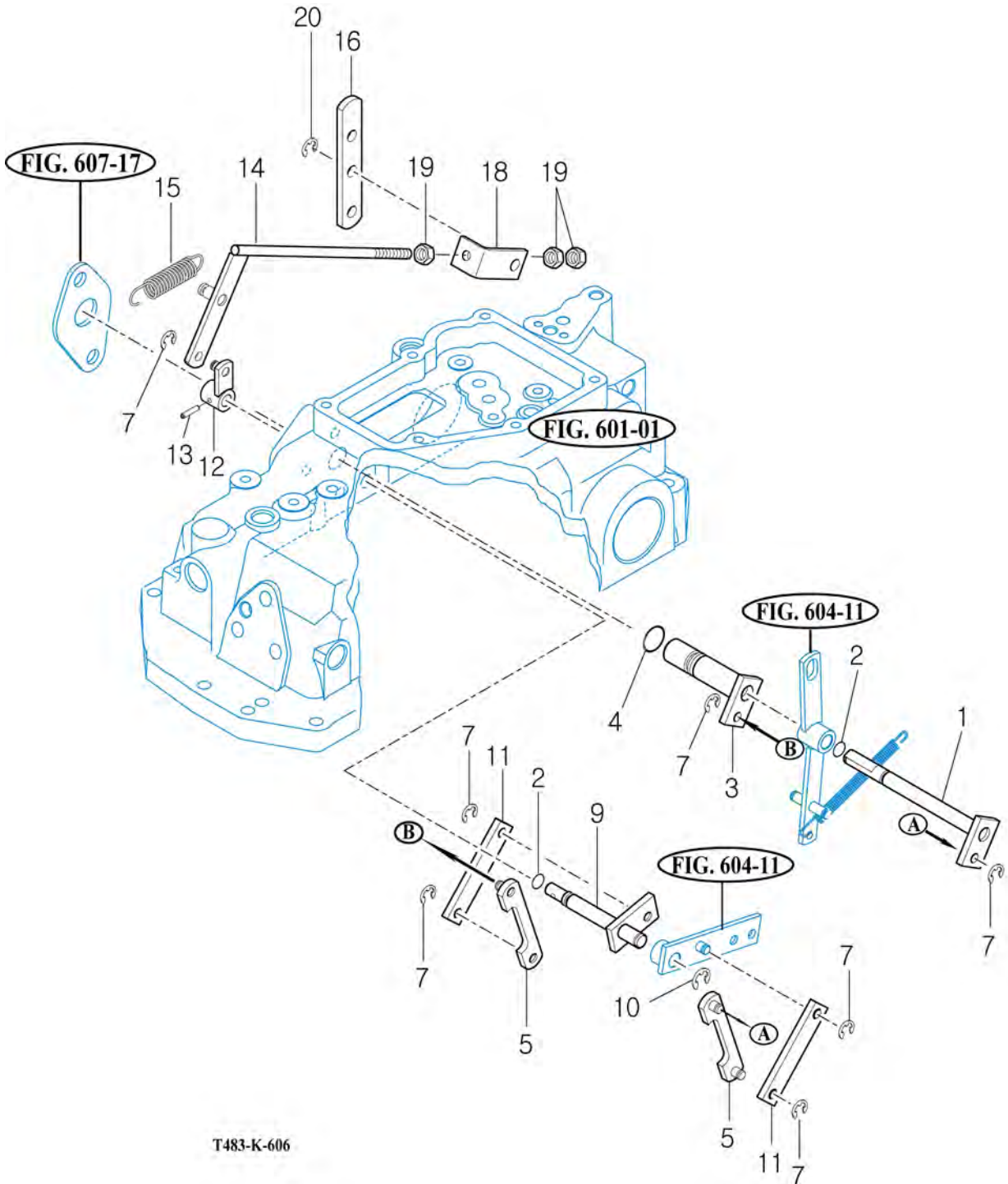
Year / Month

P1

2014 / 04



T554ST / T554NC / T454ST / T454NC



T483-K-606

NOTE

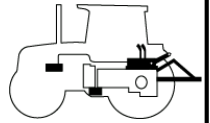
FIG 607

POSITION & DRAFT LEVER

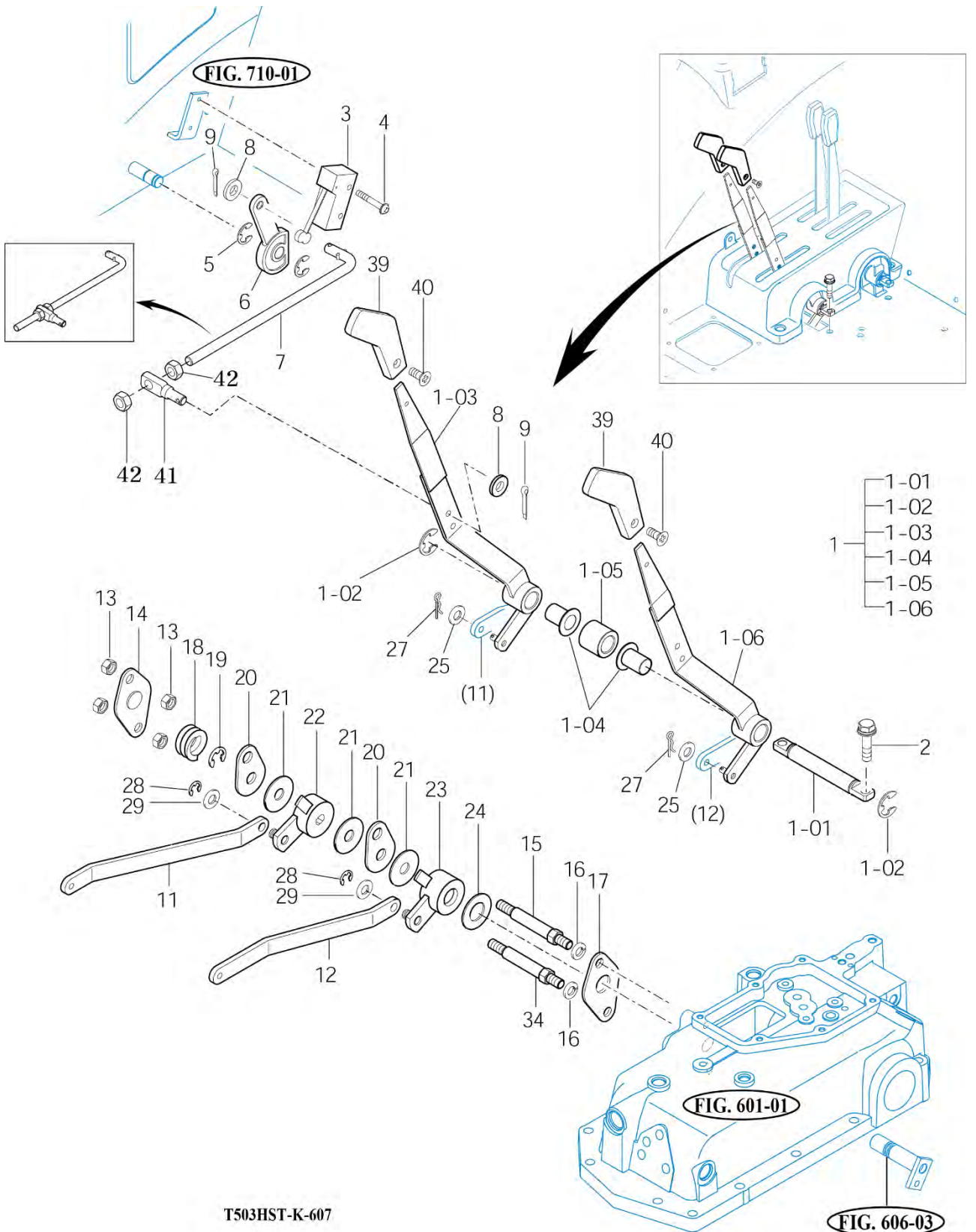
P1

Year / Month

2014 / 04



T554ST / T554NC / T454ST / T454NC



T503HST-K-607

NOTE

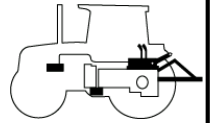
FIG 608

EXTERIOR HYD.VALVE

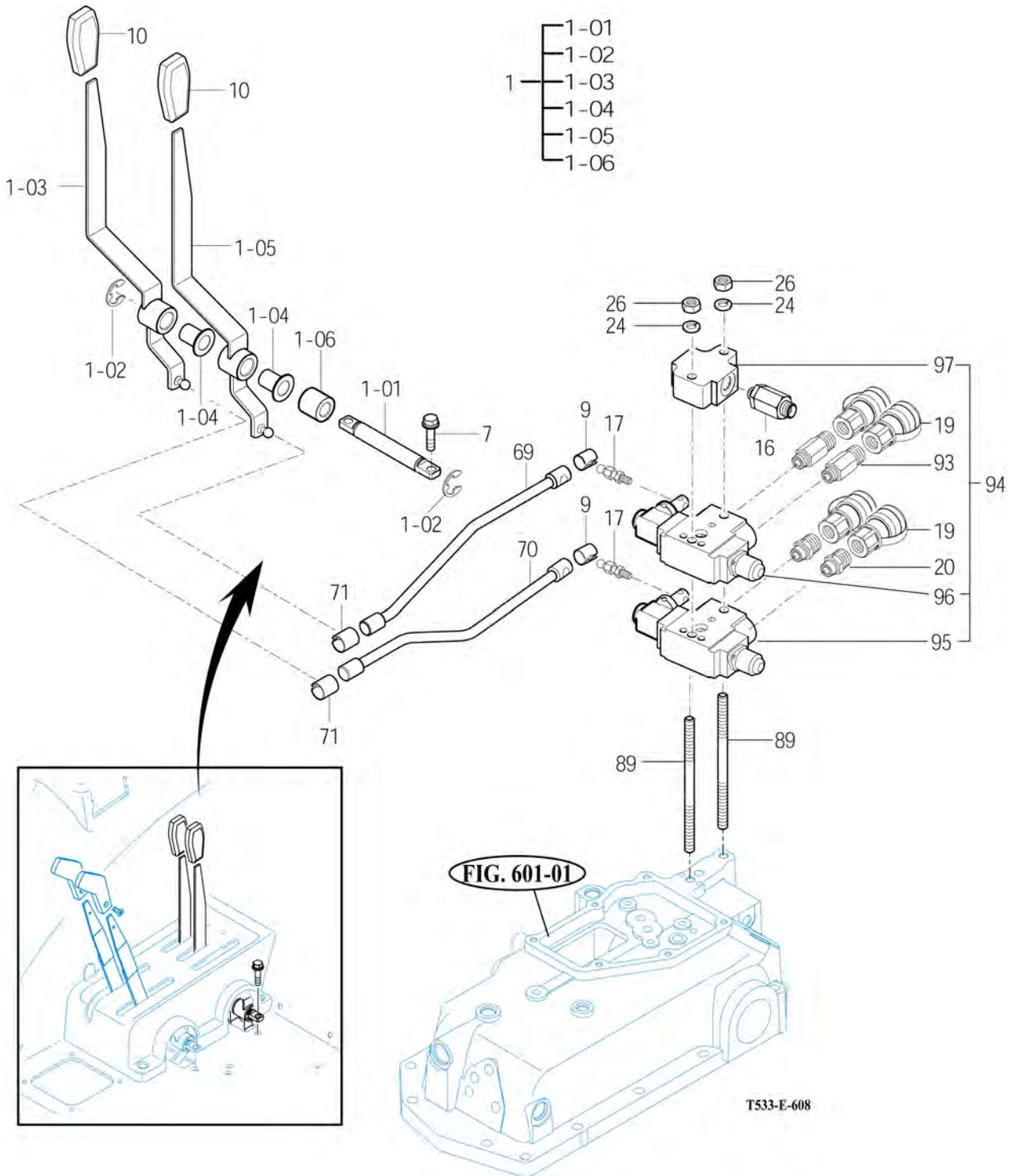
P1

Year / Month

2014 / 04



T554ST / T554NC / T454ST / T454NC



T533-E-608

NOTE

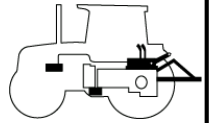
FIG 609

HYDRAULIC PIPE

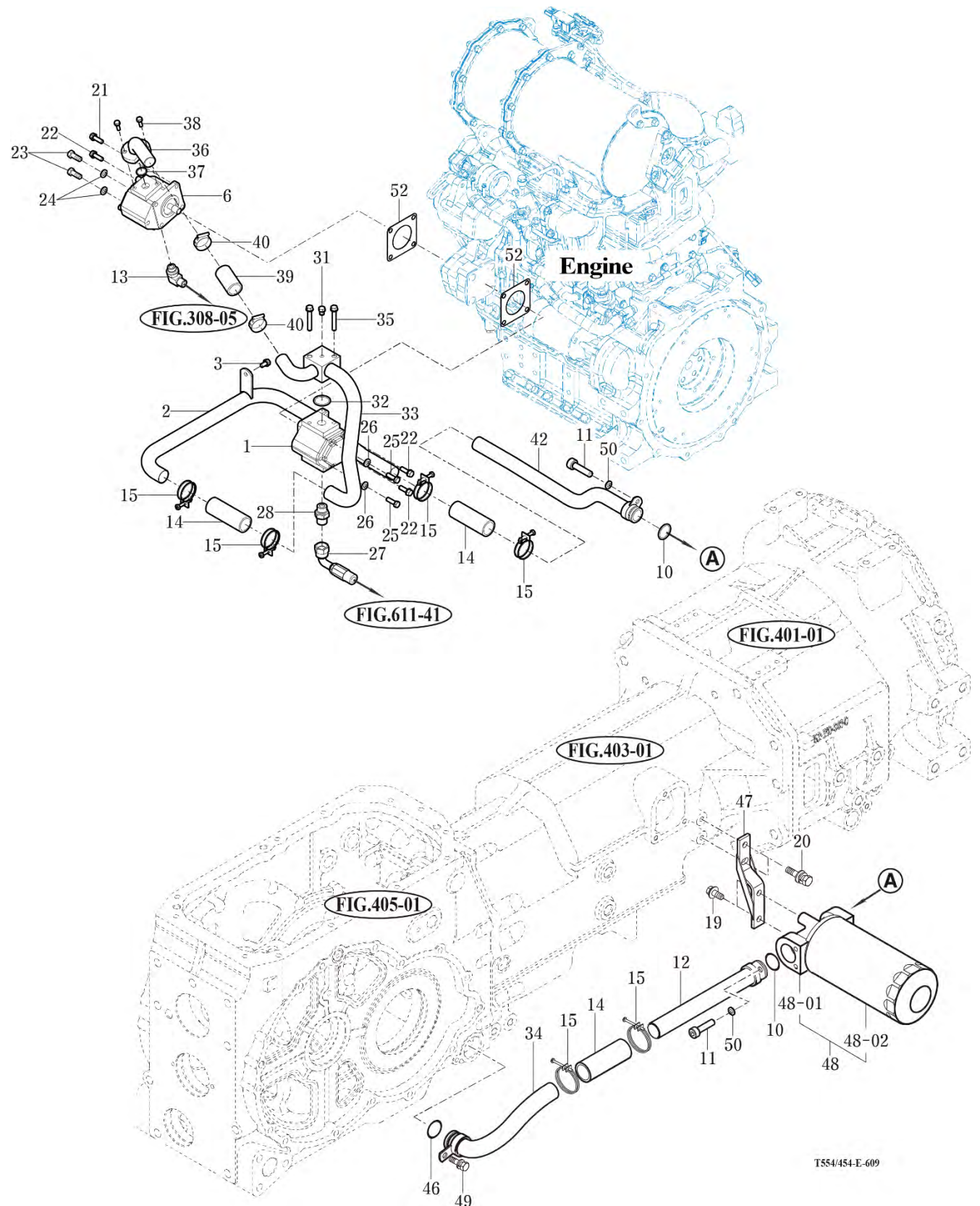
P1

Year / Month

2014 / 04



T554ST / T554NC / T454ST / T454NC



T554/454-E-609

NOTE

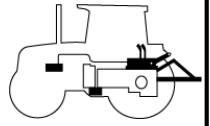
FIG 610

JOYSTICK

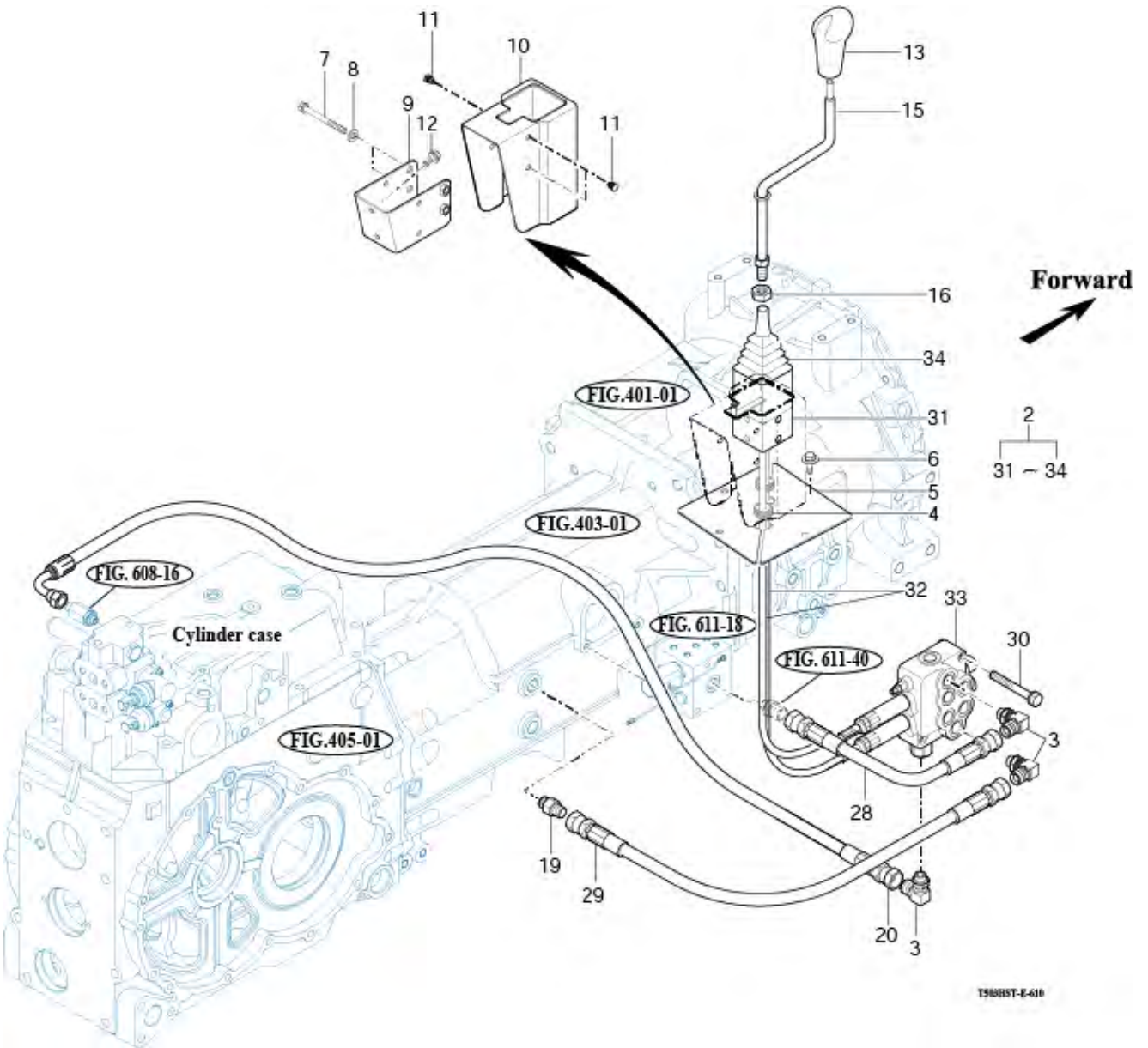
Year / Month

P1

2014 / 04



T554ST / T554NC / T454ST / T454NC



T554ST-E-610

NOTE

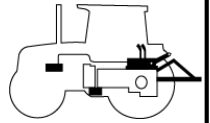
FIG 611

HYDRAULIC HOSE

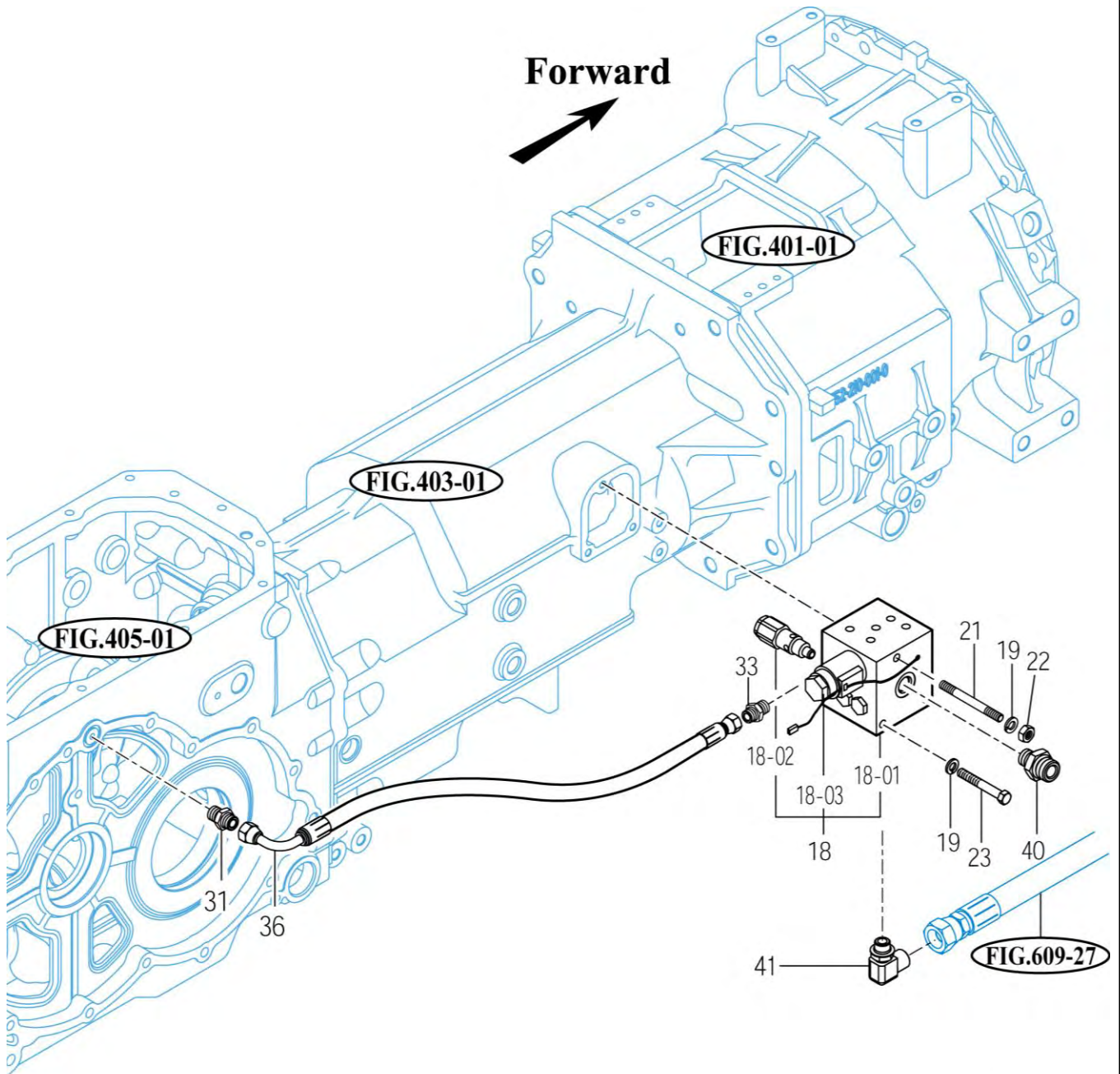
P1

Year / Month

2014 / 04



T554ST / T554NC / T454ST / T454NC



T554/454-E-611

NOTE

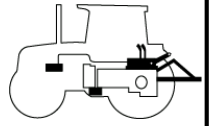
FIG 612

HITCH & 3-POINT LINK

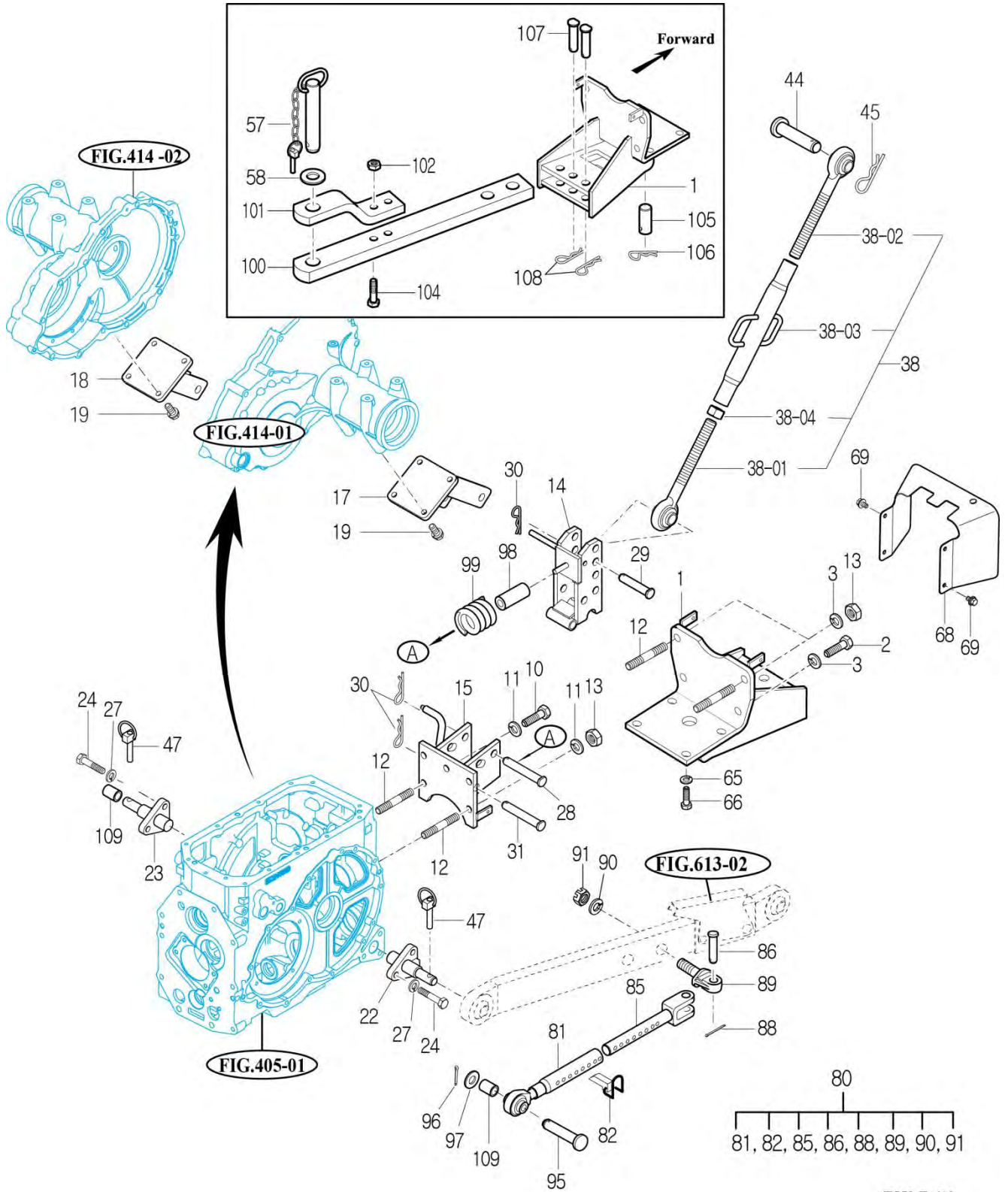
P1

Year / Month

2014 / 04



T554ST / T554NC / T454ST / T454NC



T553-E-612

NOTE

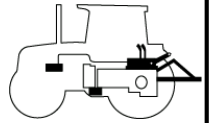
FIG 612

HITCH & 3-POINT LINK

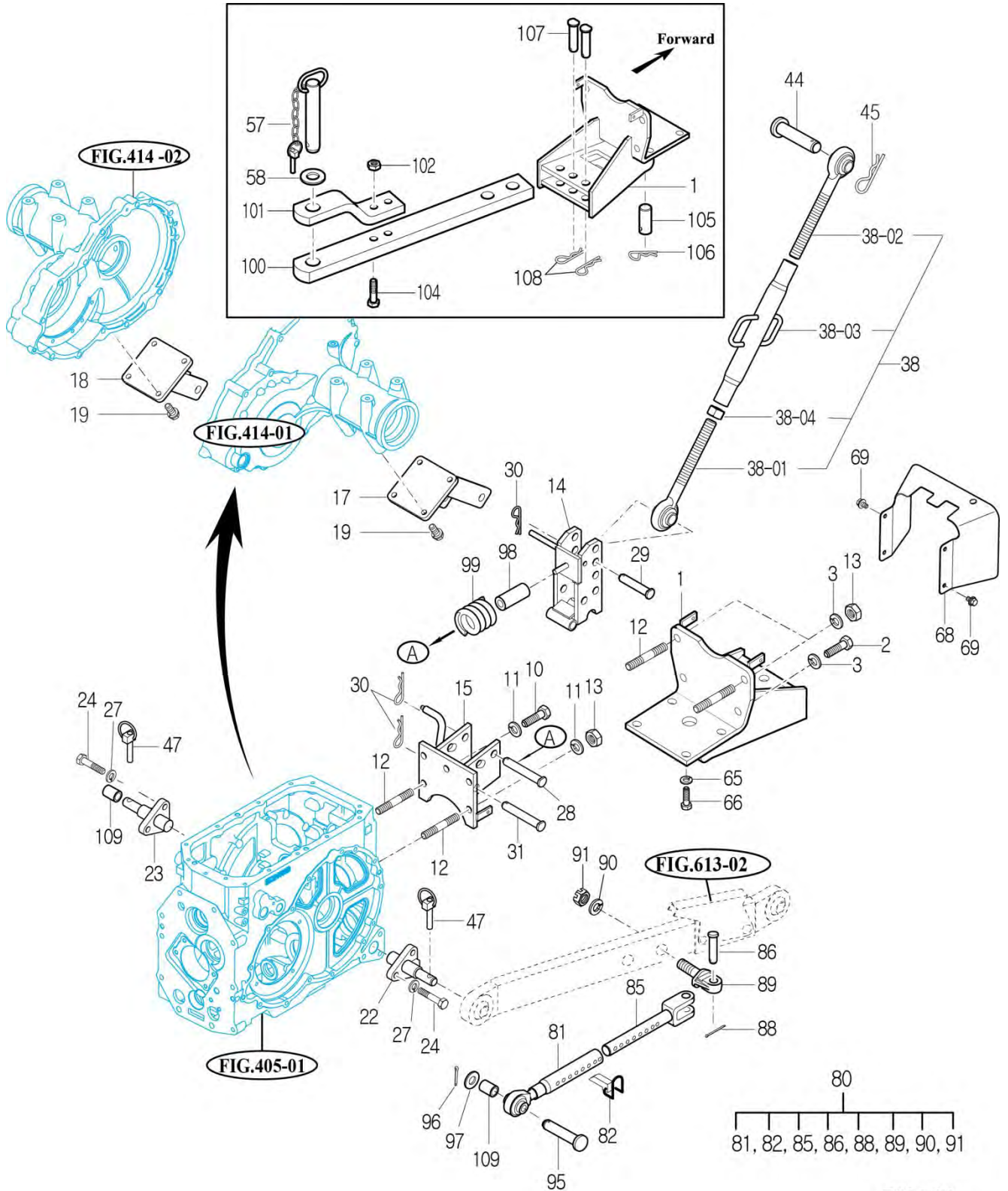
P2

Year / Month

2014 / 04



T554ST / T554NC / T454ST / T454NC



T553-E-612

NOTE

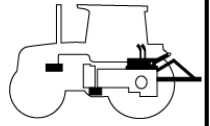
FIG 613

LOWER LINK & LIFT ROD

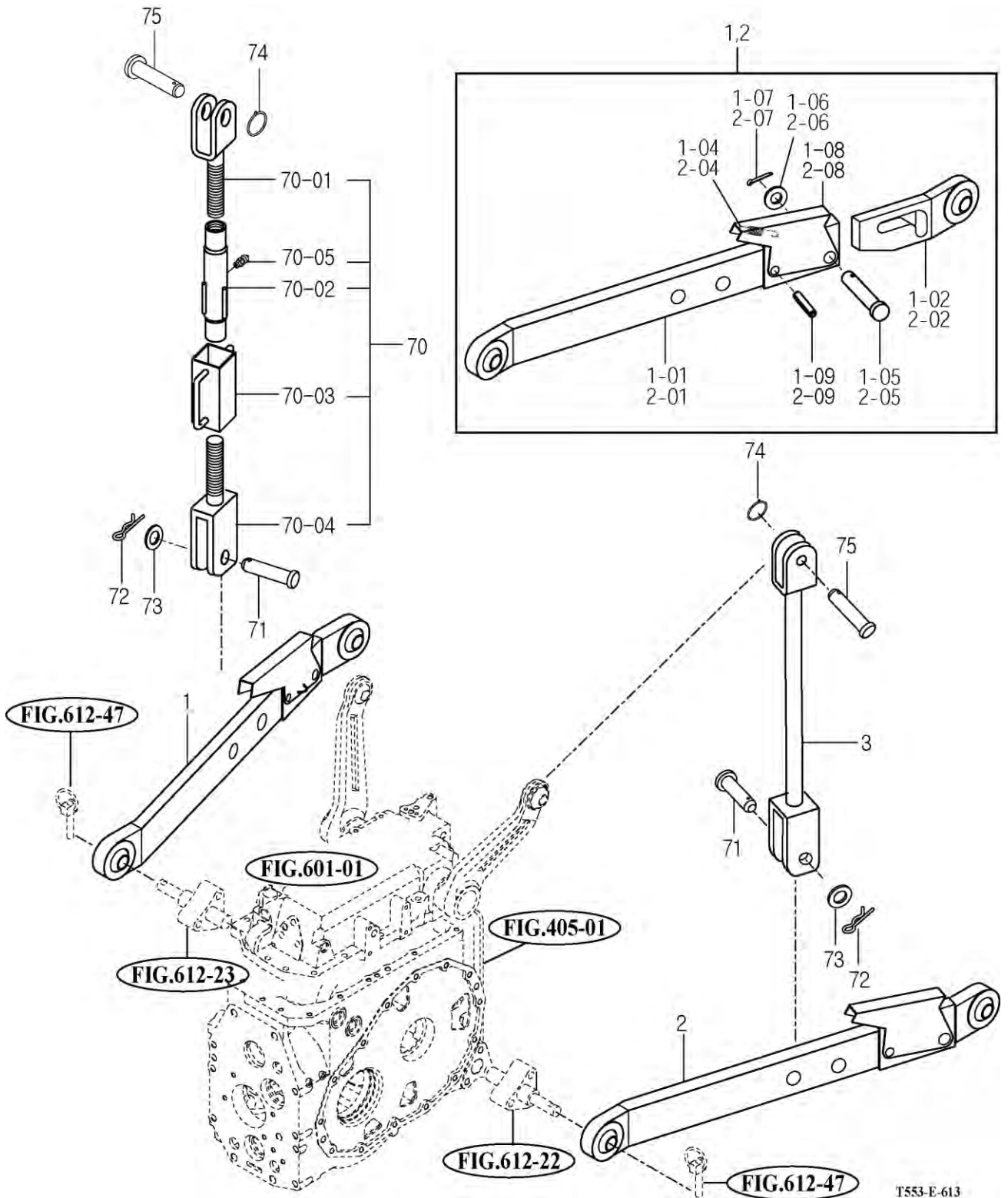
P1

Year / Month

2014 / 04



T554ST / T554NC / T454ST / T454NC



T553-E-613

NOTE

FIG 701

HOOD (1)

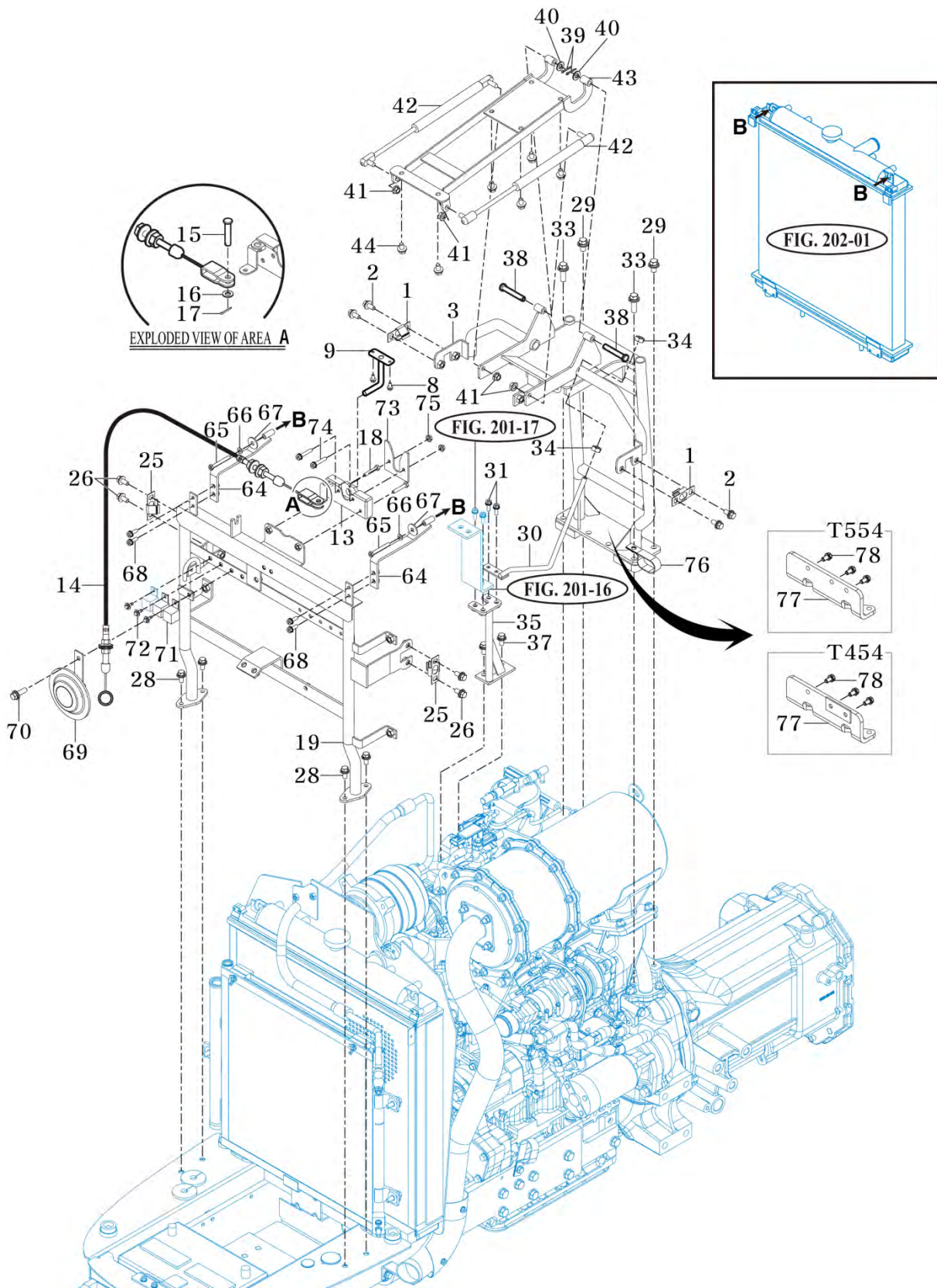
P1

Year / Month

2014 / 04



T554ST / T554NC / T454ST / T454NC



NOTE

FIG 702

HOOD (2)

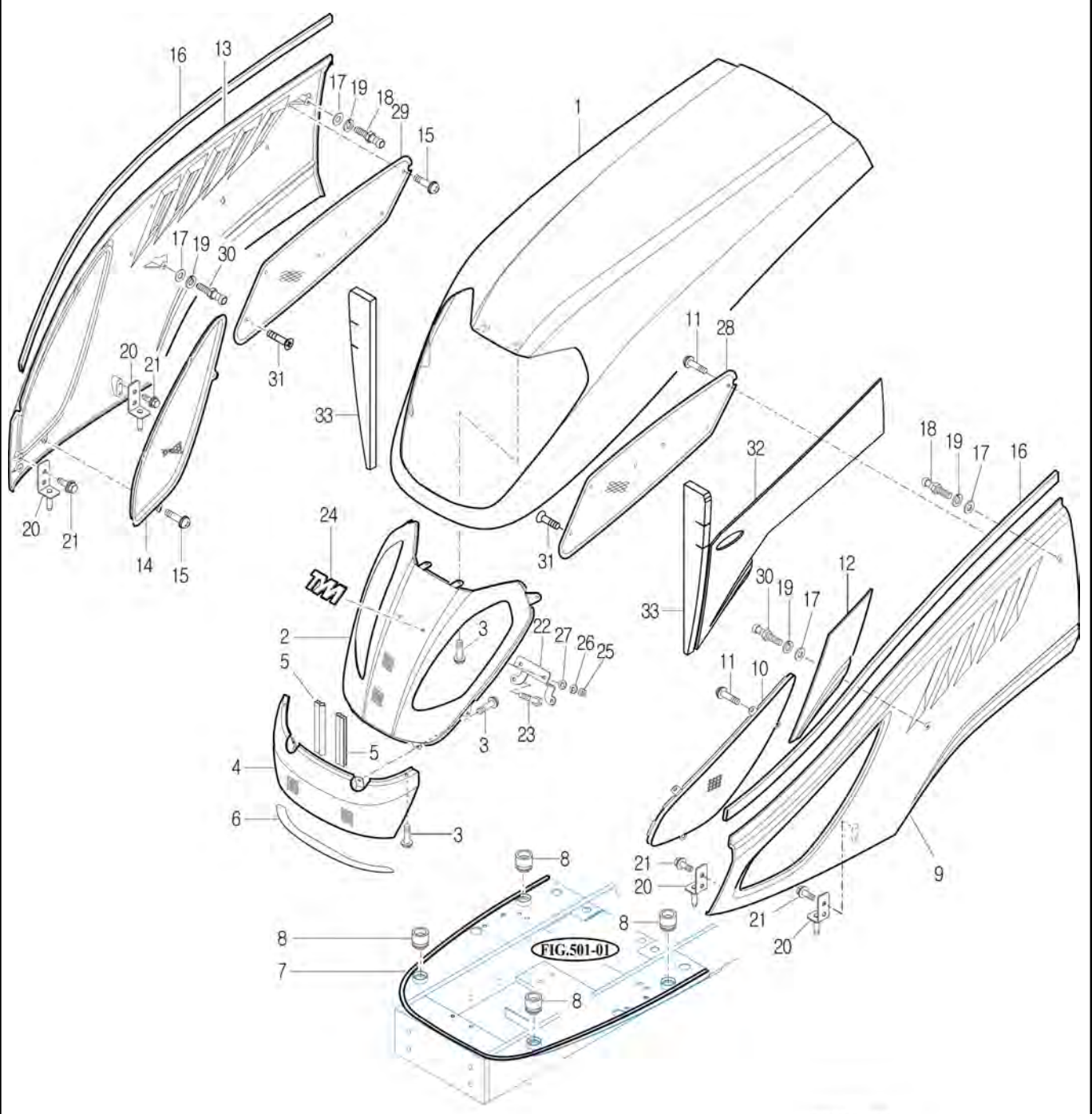
P1

Year / Month

2014 / 04



T554ST / T554NC / T454ST / T454NC



T554/454-E-702

NOTE

FIG 704A

LEVER COVER & STEP

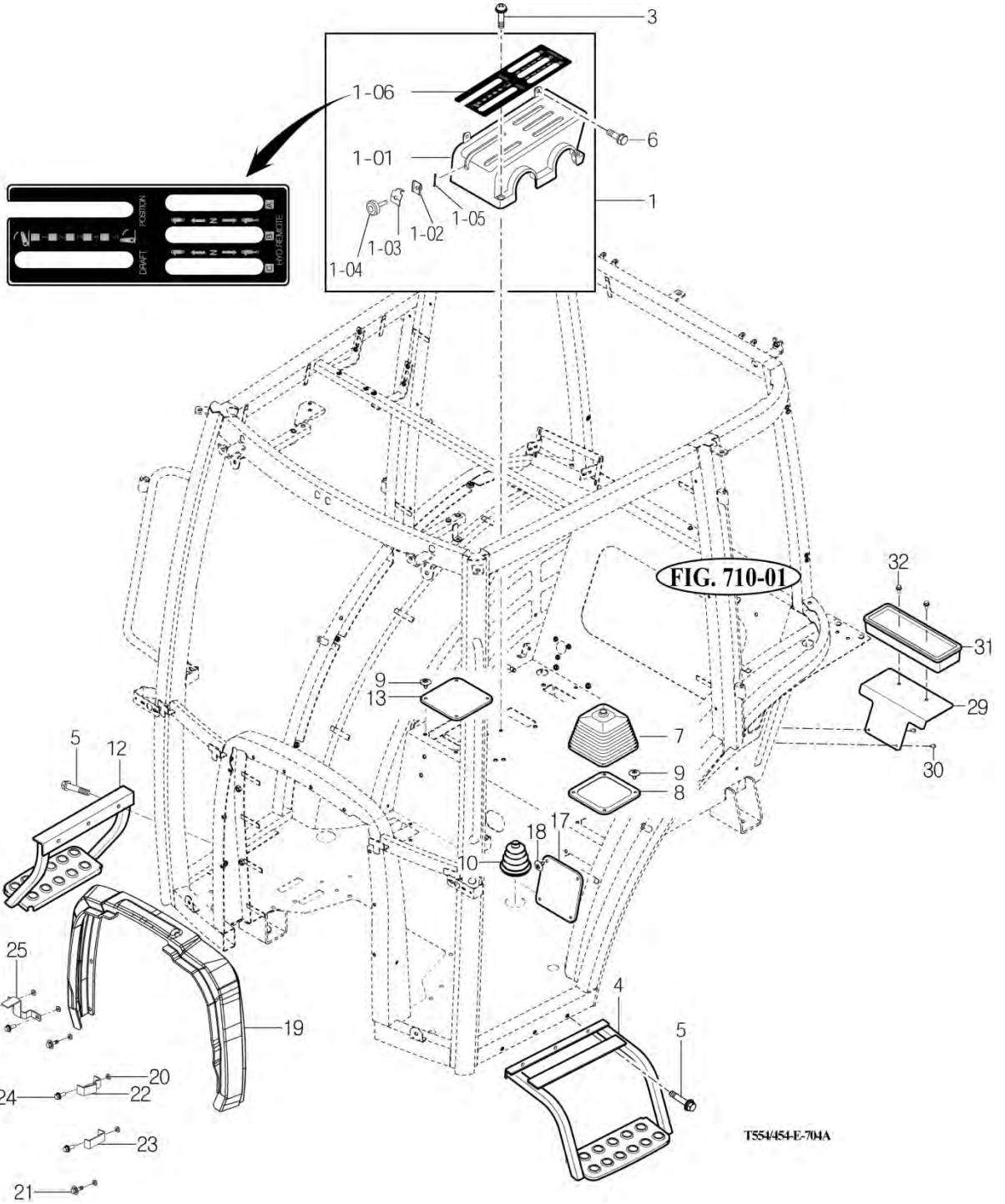
P1

Year / Month

2014 / 04



T554ST / T554NC / T454ST / T454NC



T554/454-E-704A

NOTE

FIG 704B

LEVER COVER & STEP-Non CAB

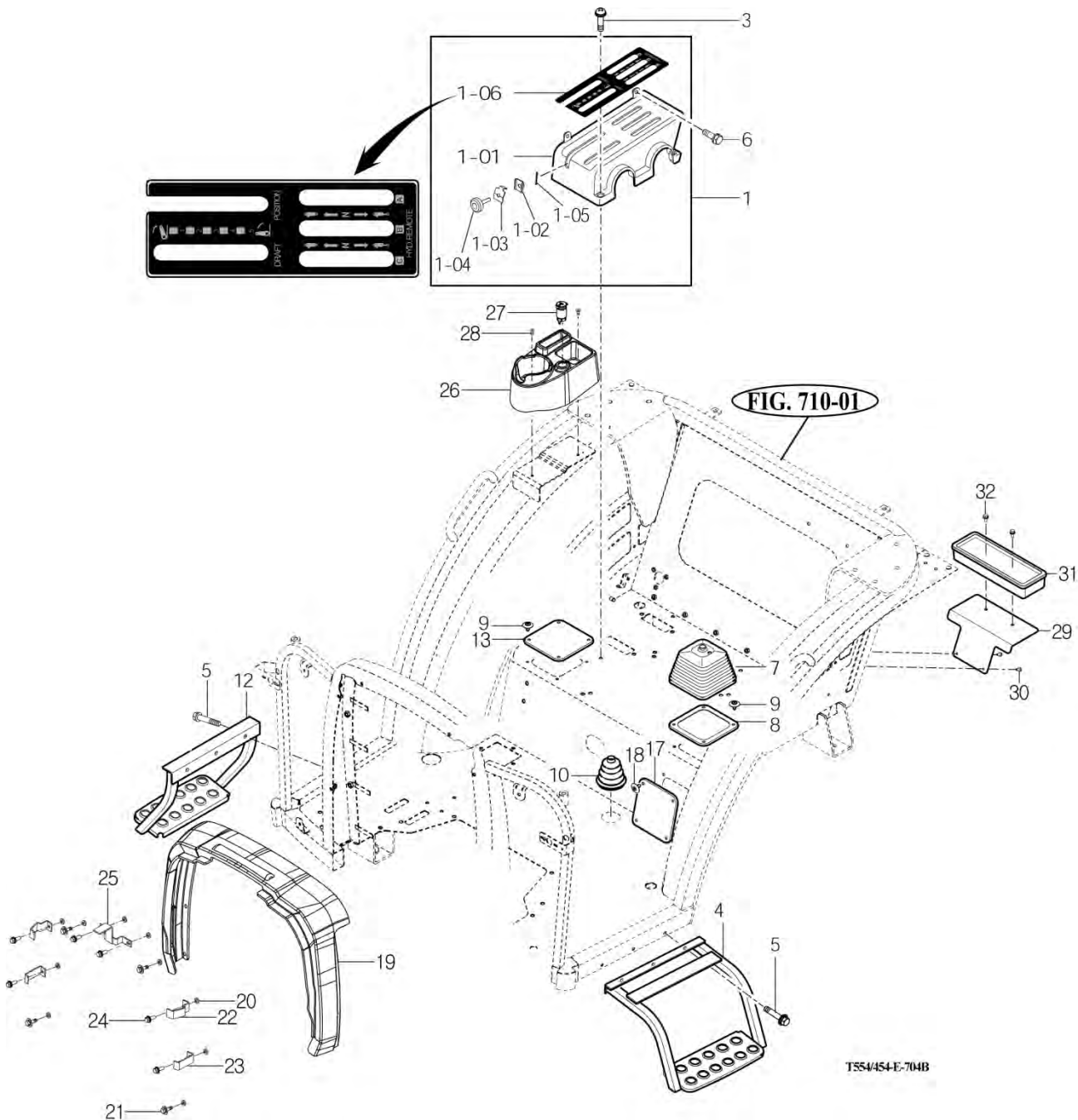
P1

Year / Month

2014 / 04



T554ST / T554NC / T454ST / T454NC



T554/454-E-704B

NOTE

FIG 705

FRONT & REAR MOUNTING

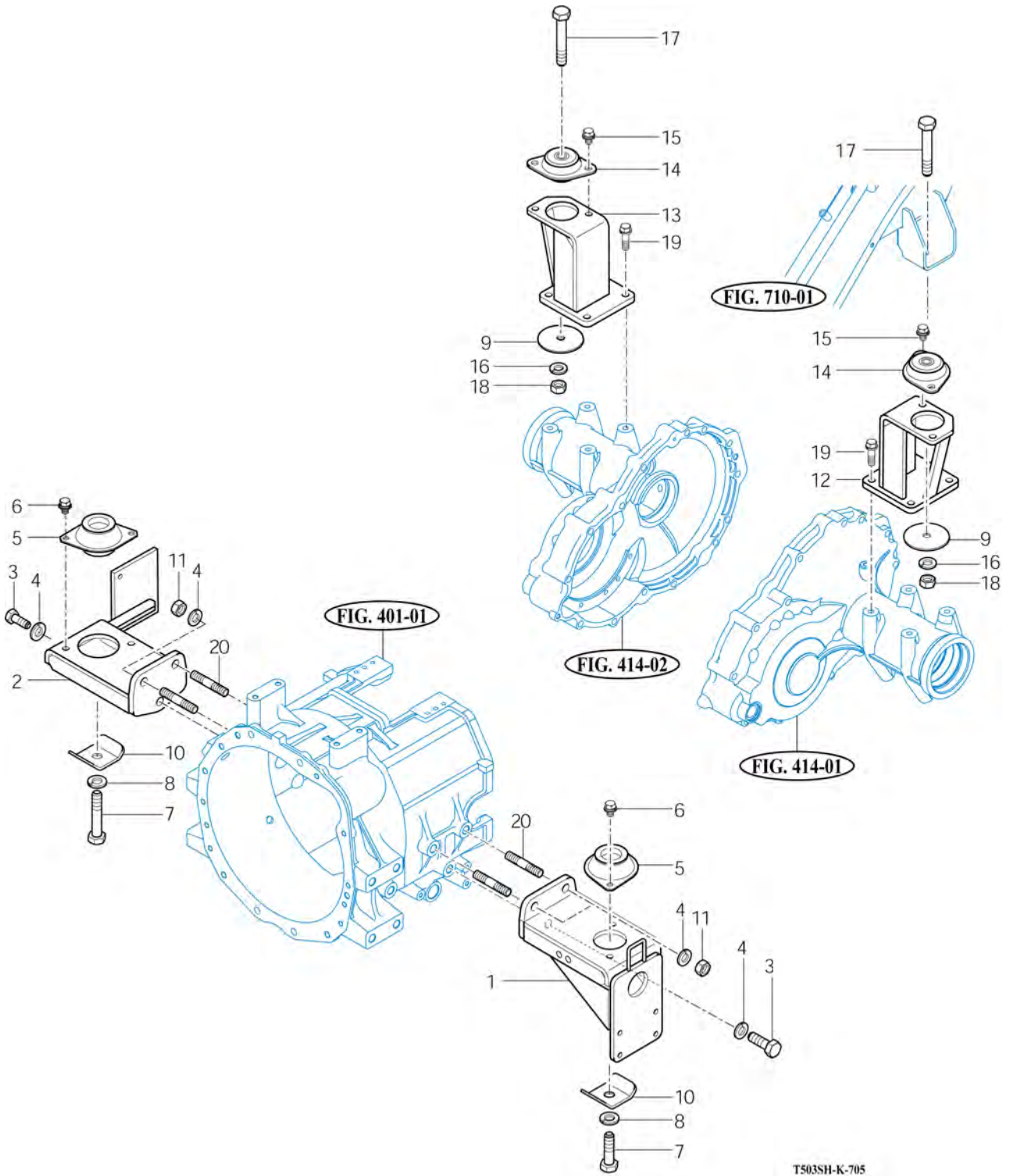
P1

Year / Month

2014 / 04



T554ST / T554NC / T454ST / T454NC



T503SH-K-705

NOTE

FIG 706

SEAT & MAT

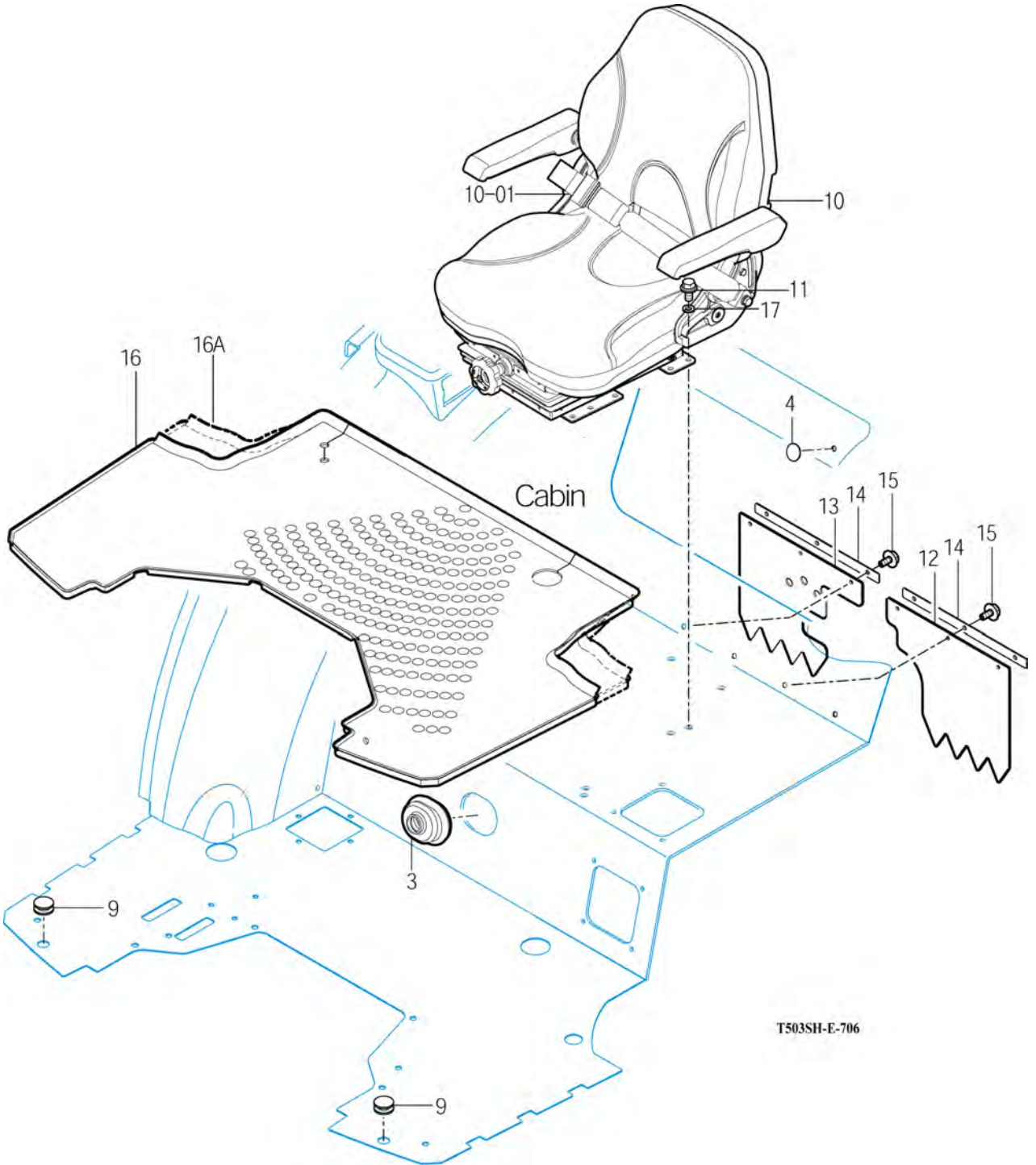
P1

Year / Month

2014 / 04



T554ST / T554NC / T454ST / T454NC



T503SH-E-706

NOTE

FIG 709

DOOR

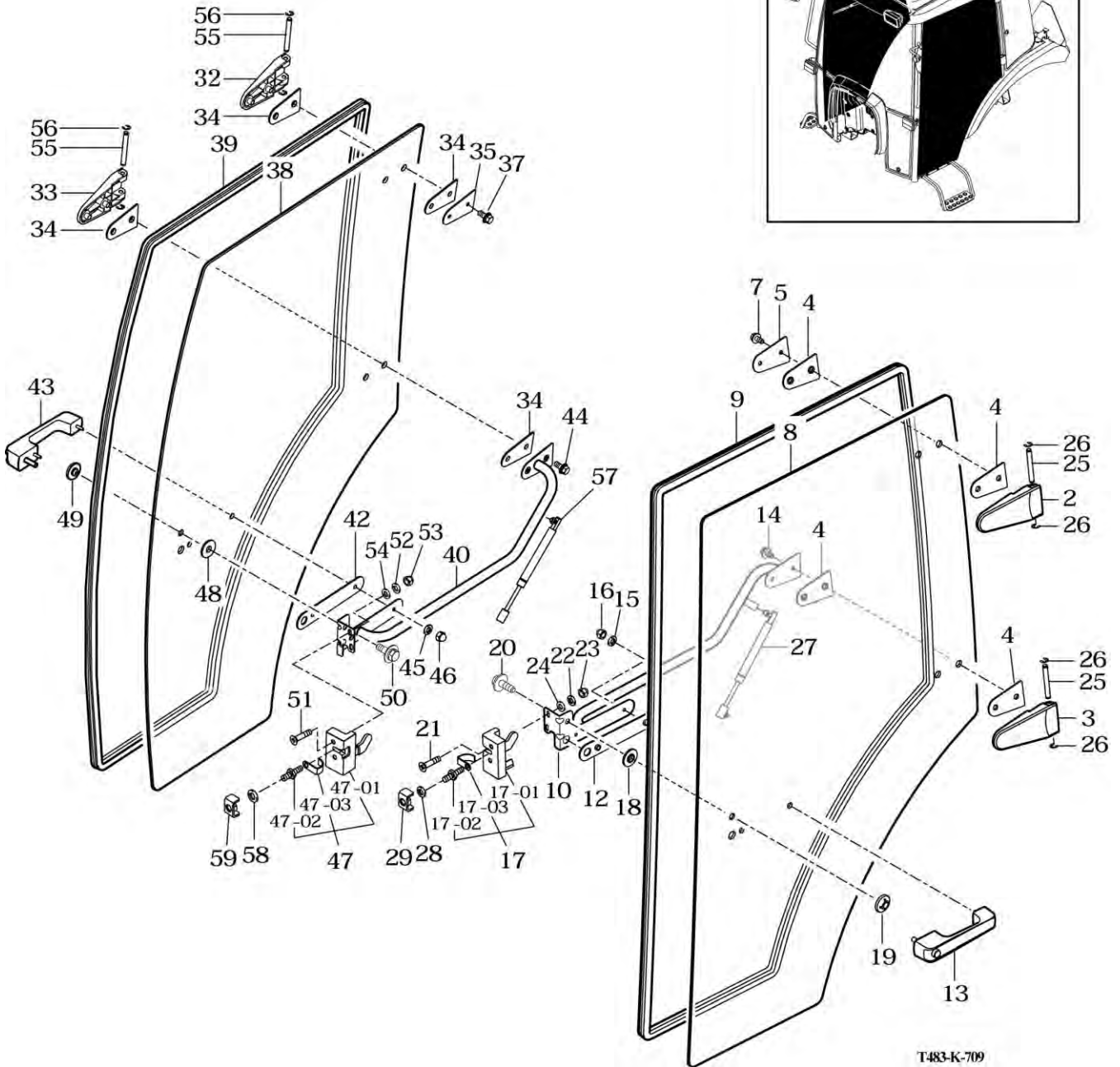
P1

Year / Month

2014 / 04



T554ST / T554NC / T454ST / T454NC



T483-K-709

NOTE

FIG 709

DOOR

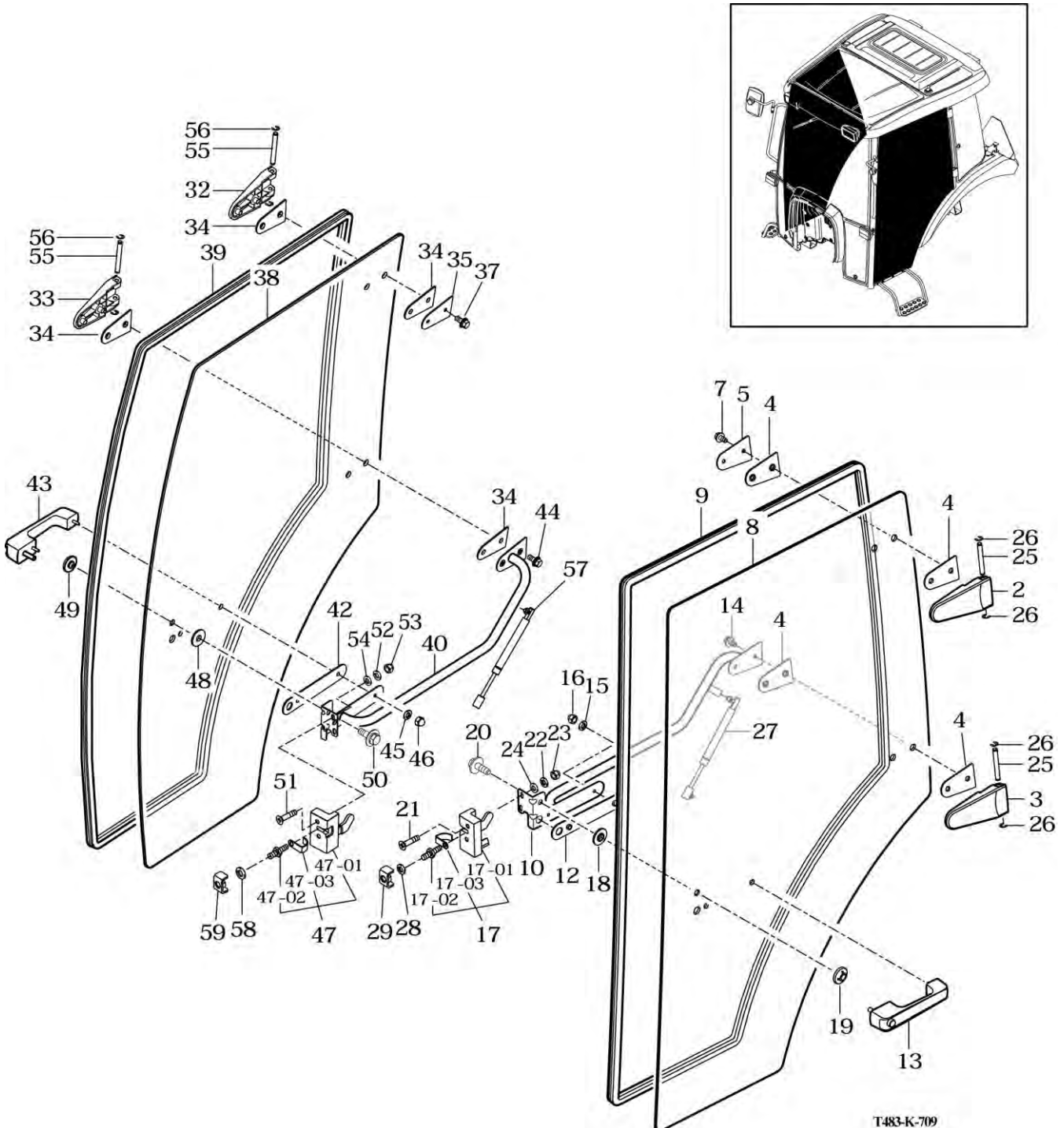
P2

Year / Month

2014 / 04



T554ST / T554NC / T454ST / T454NC



T483-K-709

NOTE

FIG 710A

FRONT GLASS

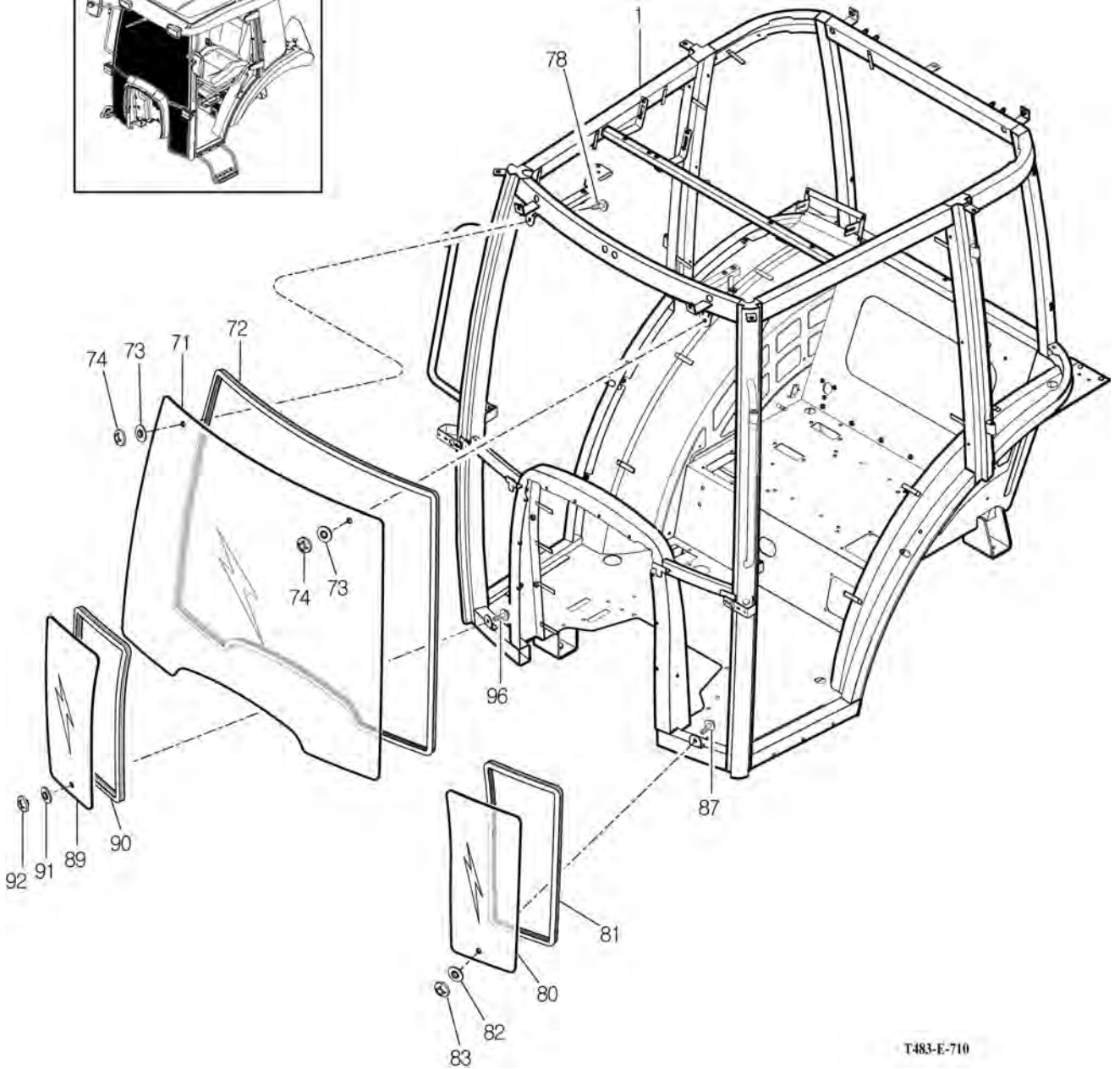
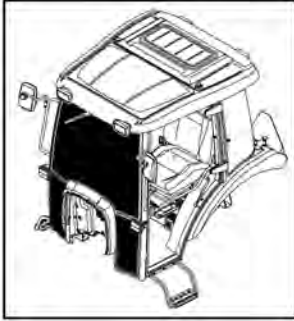
P1

Year / Month

2014 / 04



T554ST / T554NC / T454ST / T454NC



T483-E-710

NOTE

FIG 710B

FRAME&2POLES ROPS-Non CAB

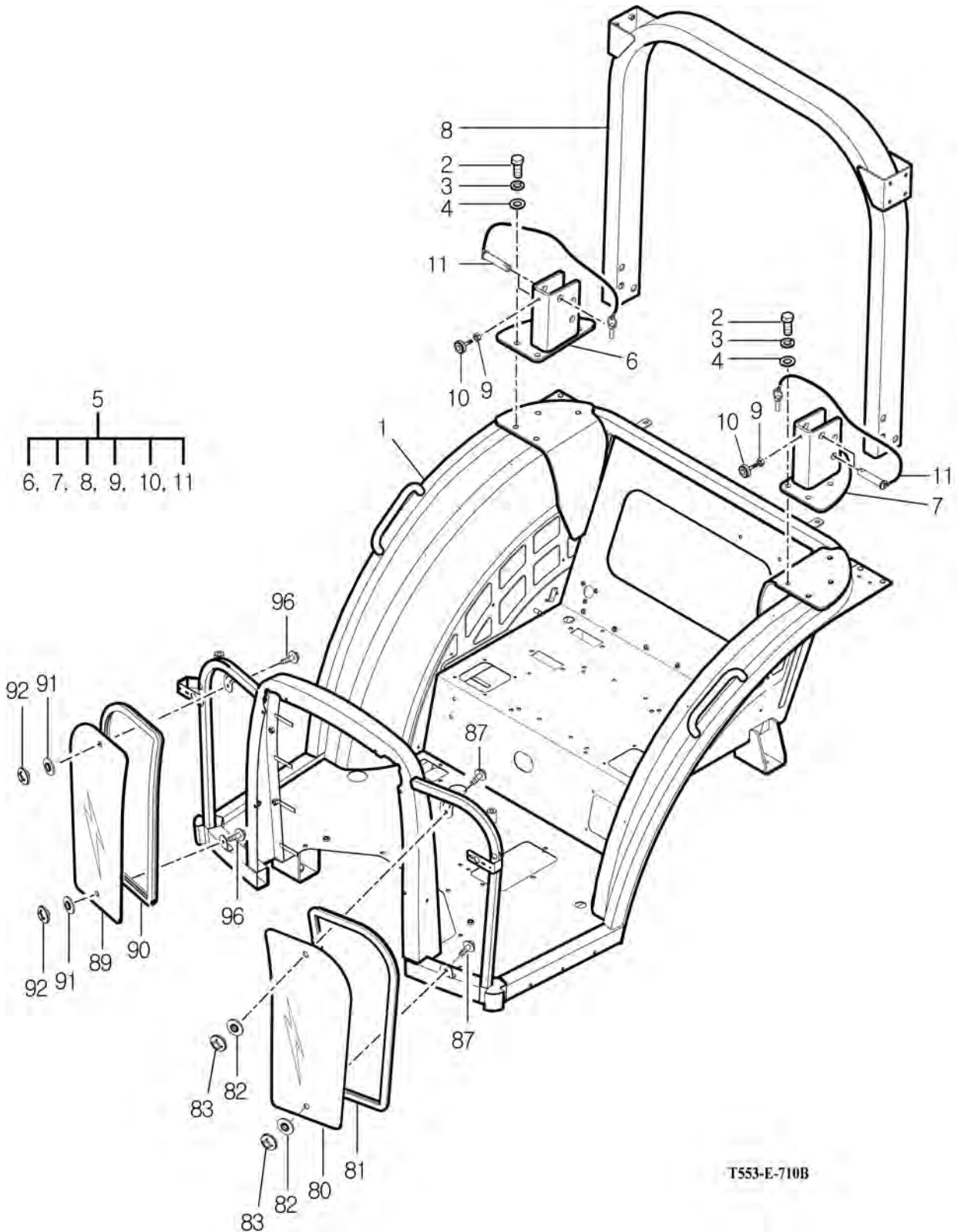
P1

Year / Month

2014 / 04



T554ST / T554NC / T454ST / T454NC



T553-E-710B

NOTE

FIG 711

SIDE GLASS

P1

Year / Month

2014 / 04



T554ST / T554NC / T454ST / T454NC

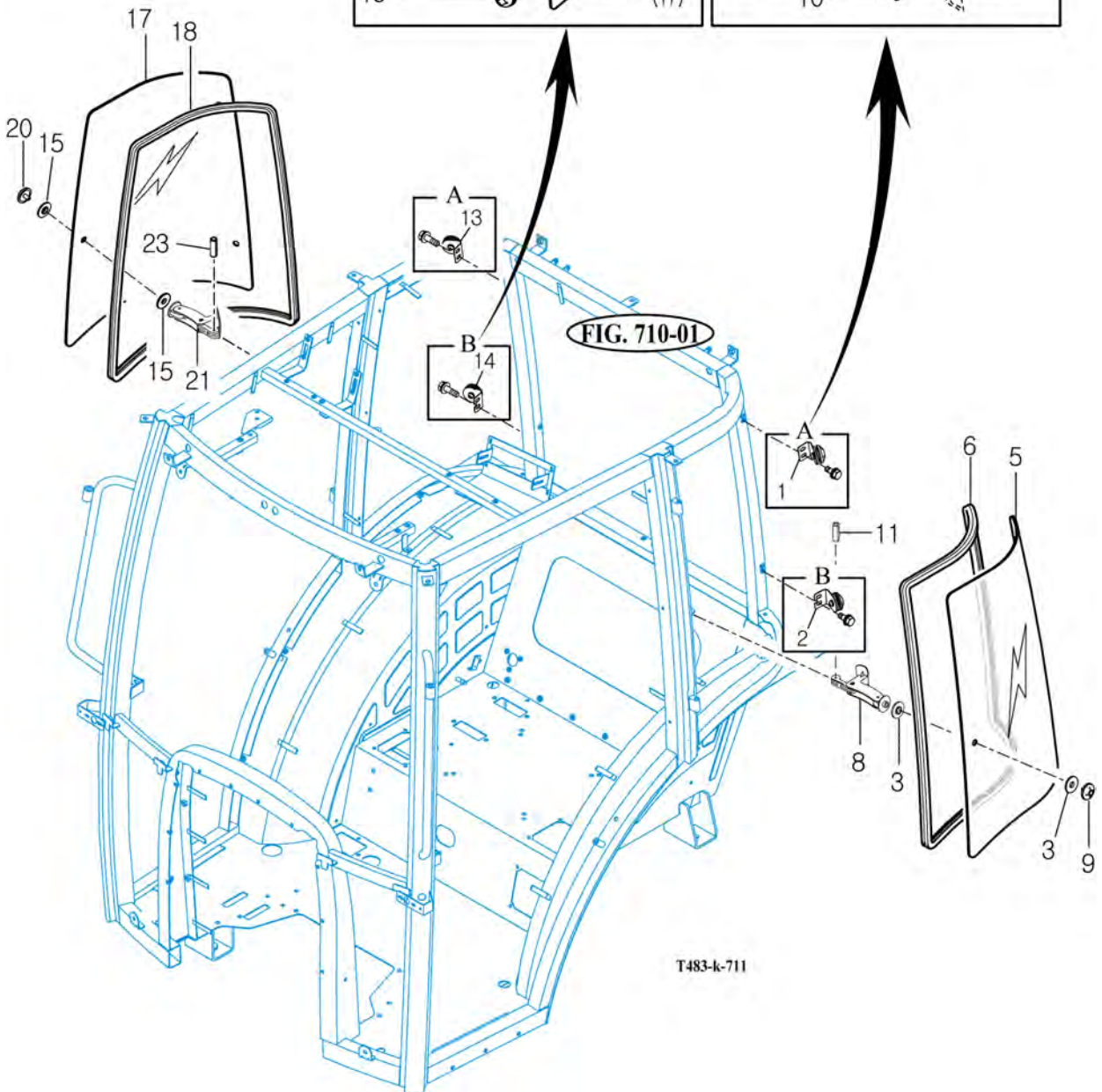
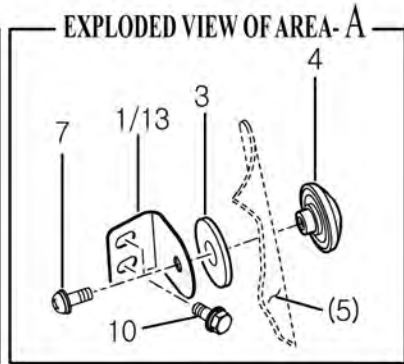
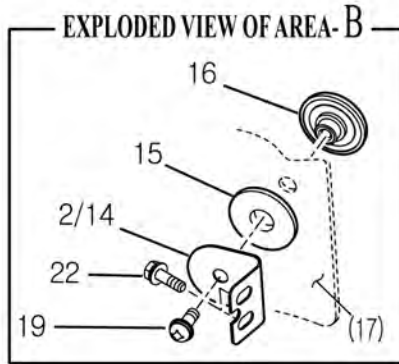
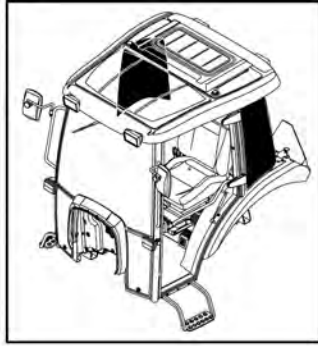


FIG. 710-01

T483-k-711

NOTE

FIG 712

REAR GLASS

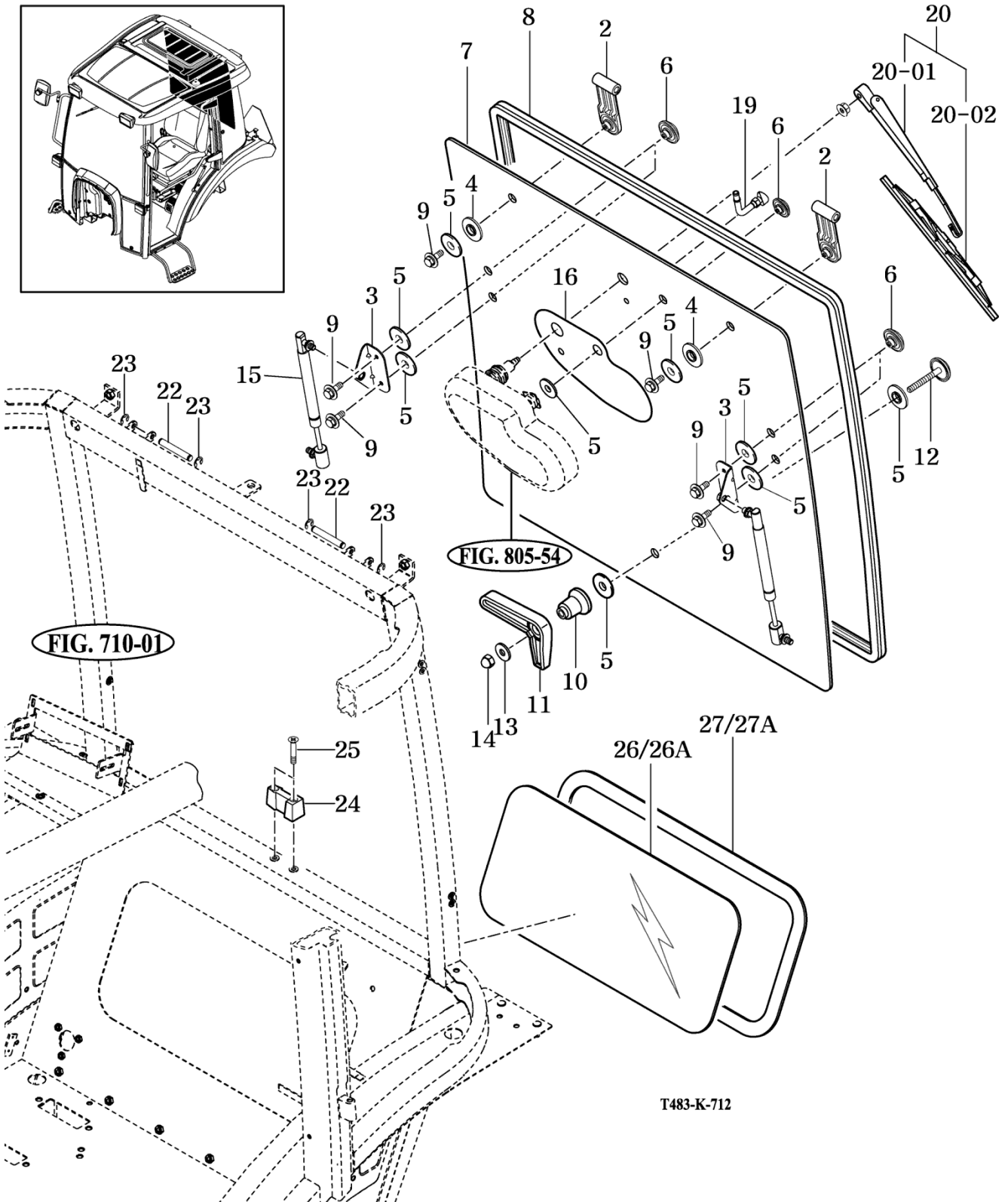
P1

Year / Month

2014 / 04



T554ST / T554NC / T454ST / T454NC



T483-K-712

NOTE

FIG 713A

SUB FENDER & COVER

P1

Year / Month

2014 / 04



T554ST / T554NC / T454ST / T454NC

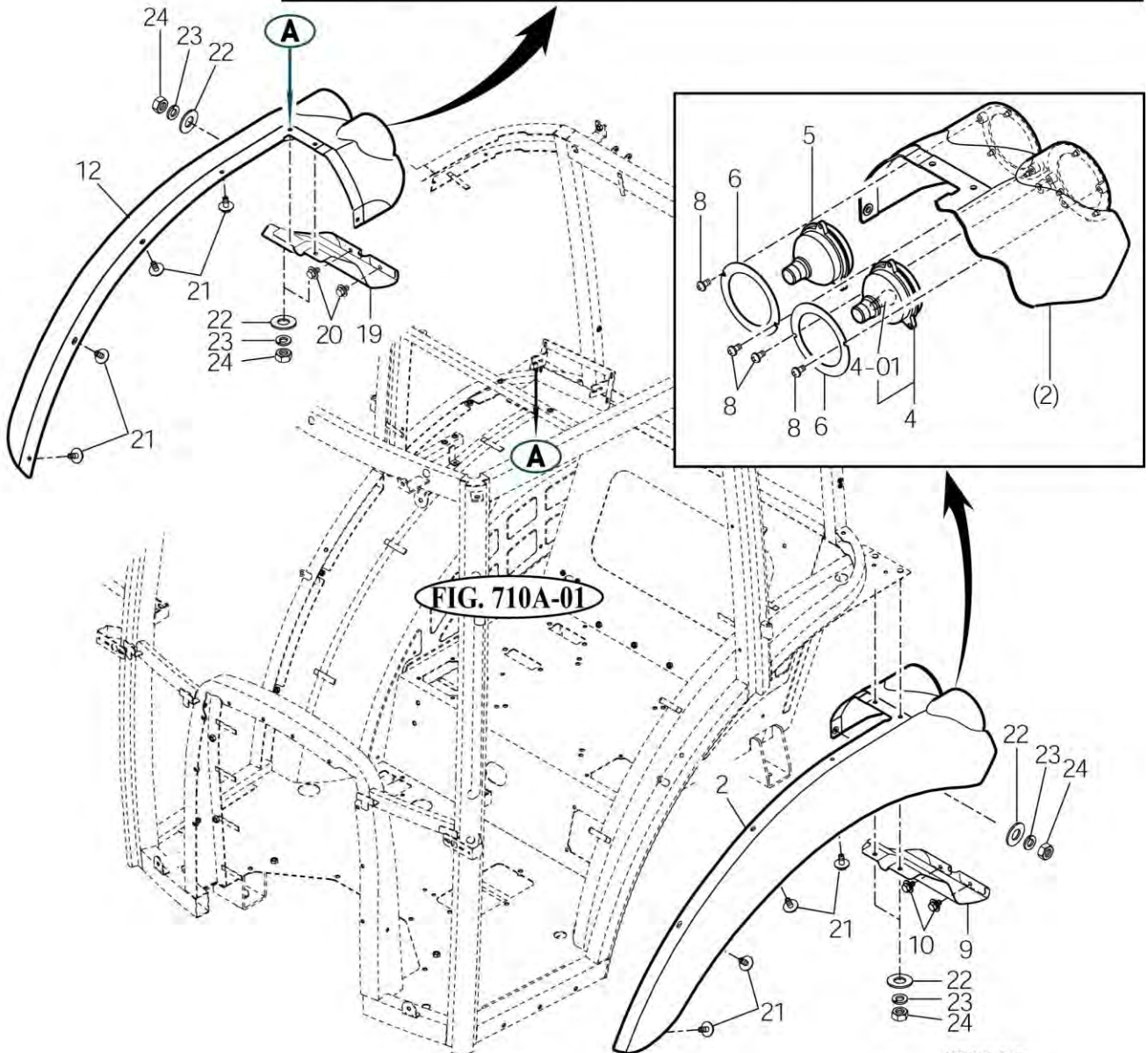
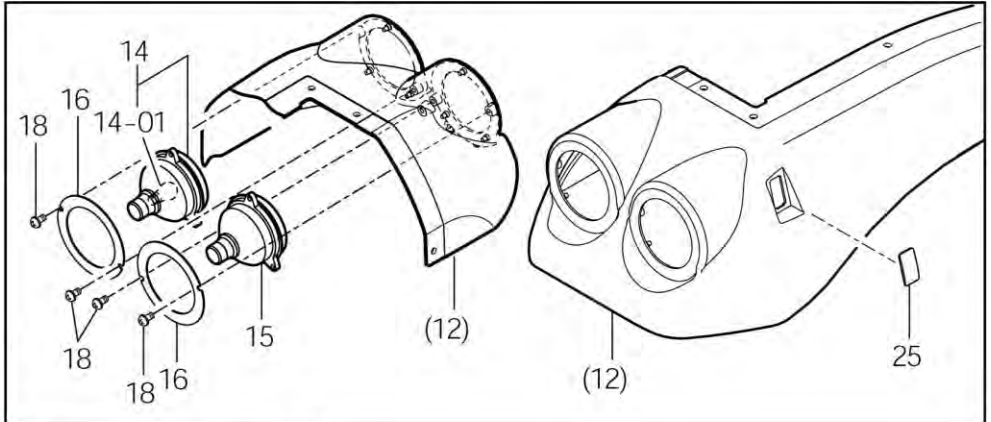
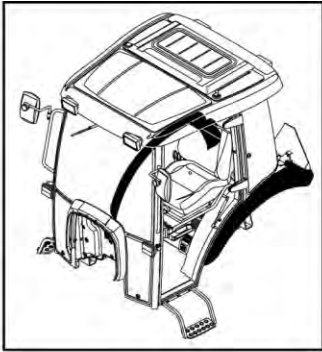


FIG. 710A-01

T553-E-713A

NOTE

FIG 713B

SUB FENDER&COVER-Non CAB

P1

Year / Month

2014 / 04



T554ST / T554NC / T454ST / T454NC

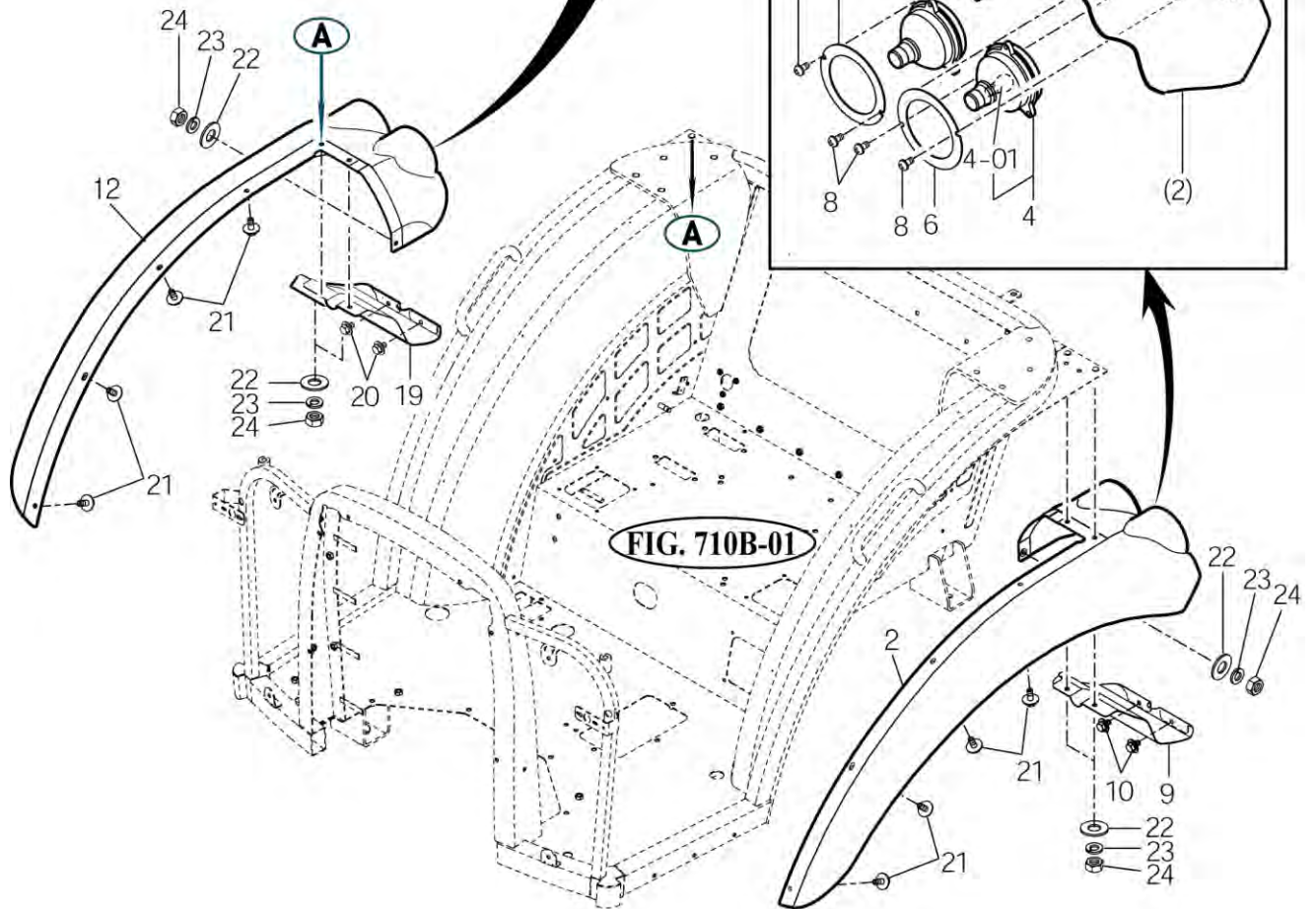
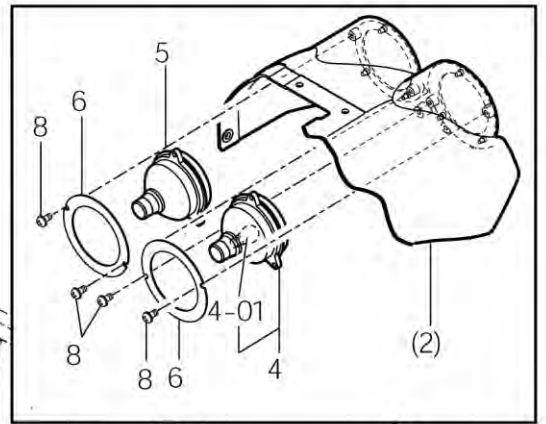
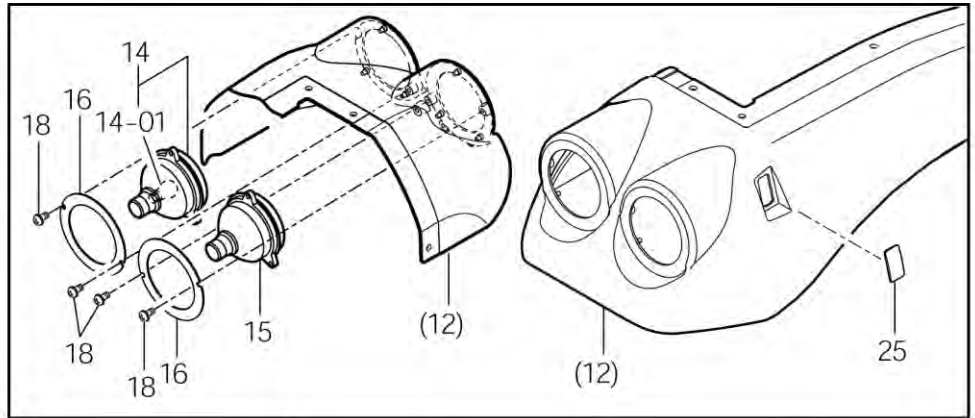


FIG. 710B-01

T553-E-713B

NOTE

FIG 714A

MIRROR

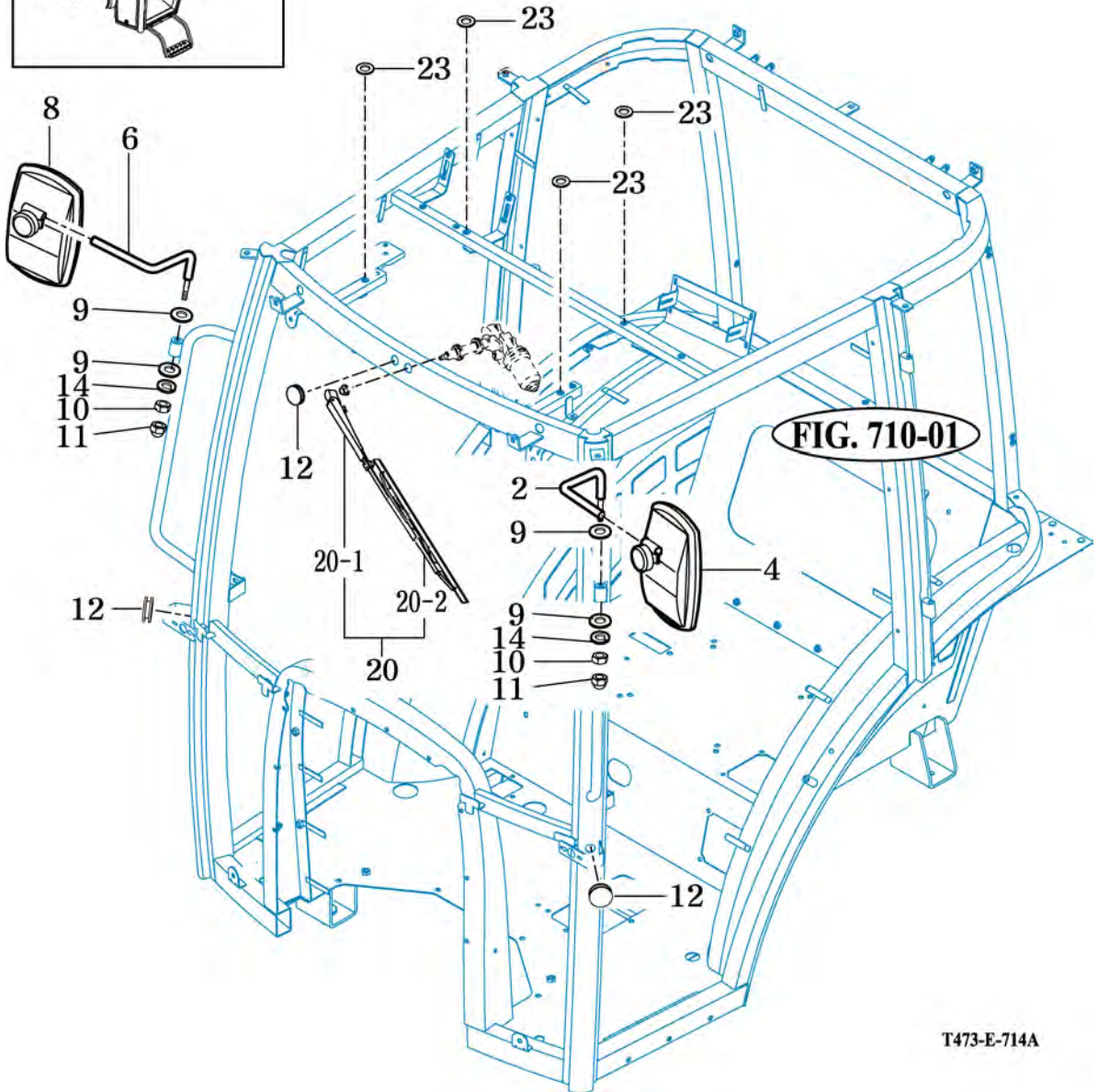
P1

Year / Month

2014 / 04



T554ST / T554NC / T454ST / T454NC



NOTE

FIG 714B

MIRROR&WORKING LAMP-Non CAB

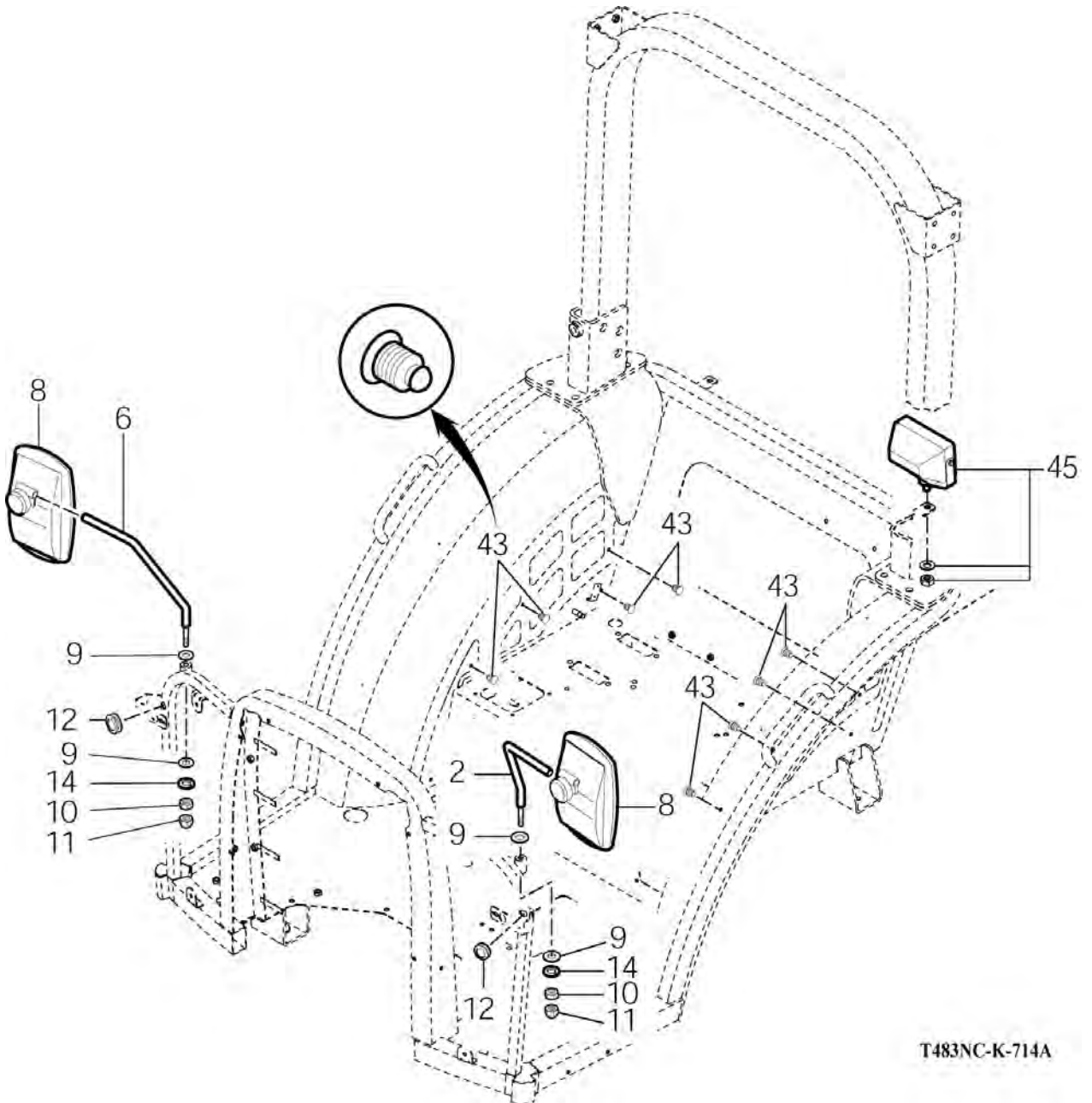
P1

Year / Month

2014 / 04



T554ST / T554NC / T454ST / T454NC



T483NC-K-714A

NOTE

FIG 715A

HEATER & AIR-CON

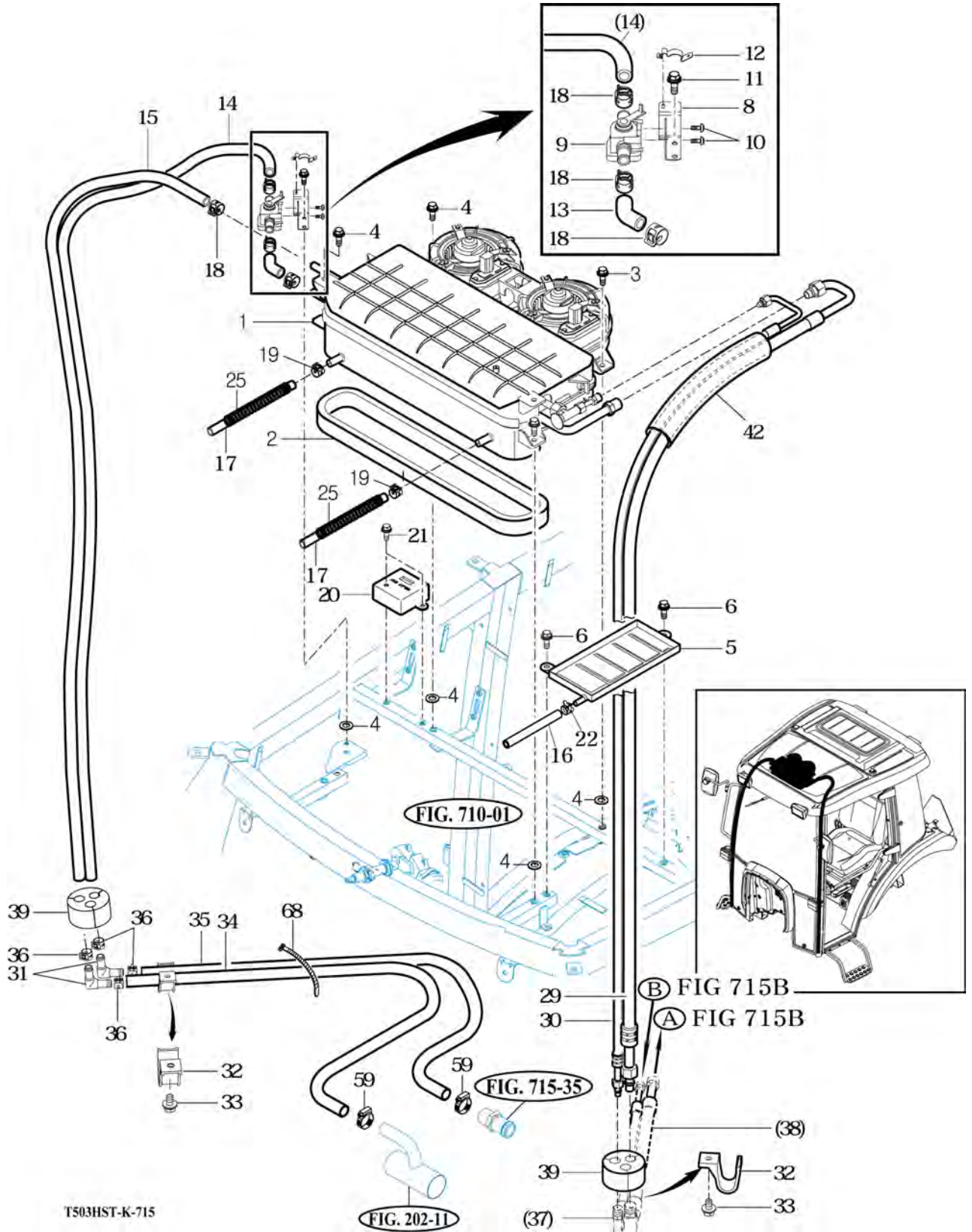
P1

Year / Month

2014 / 04



T554ST / T554NC / T454ST / T454NC

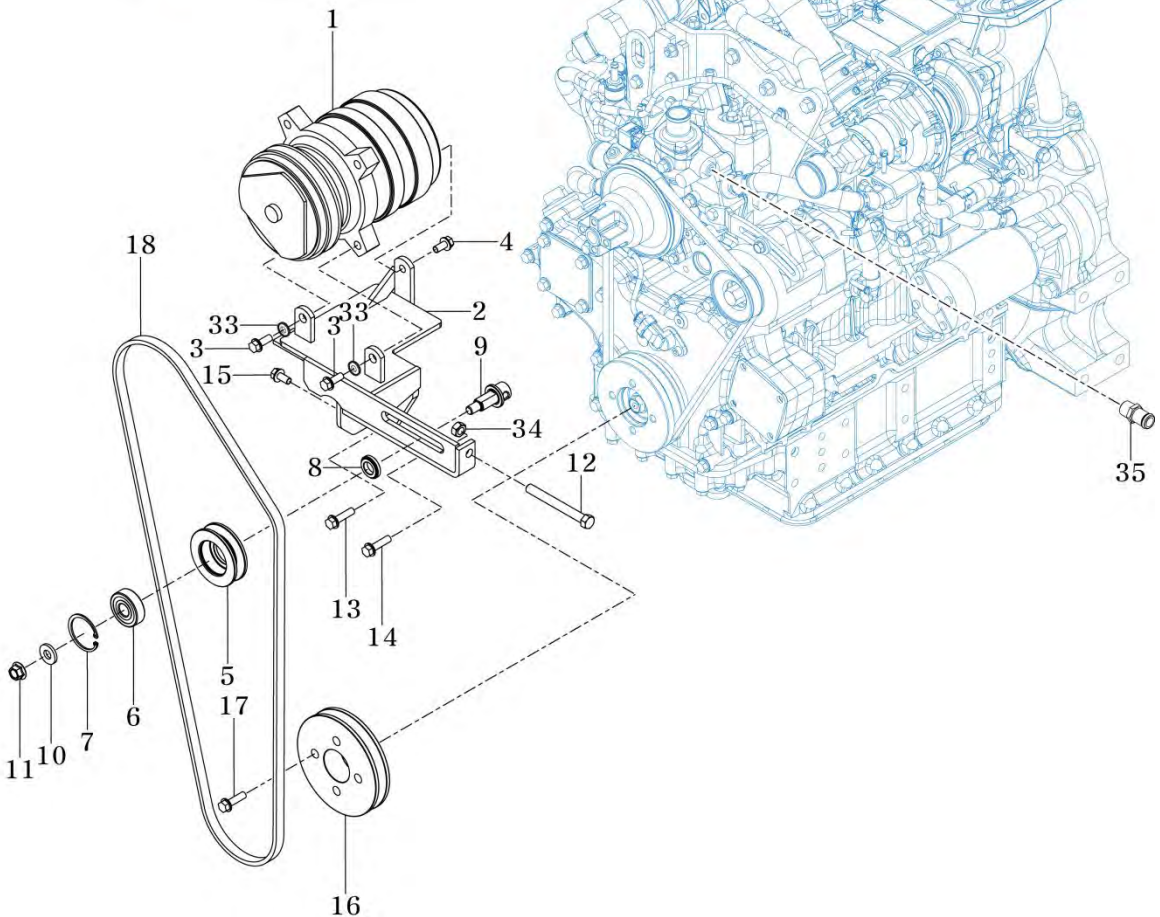
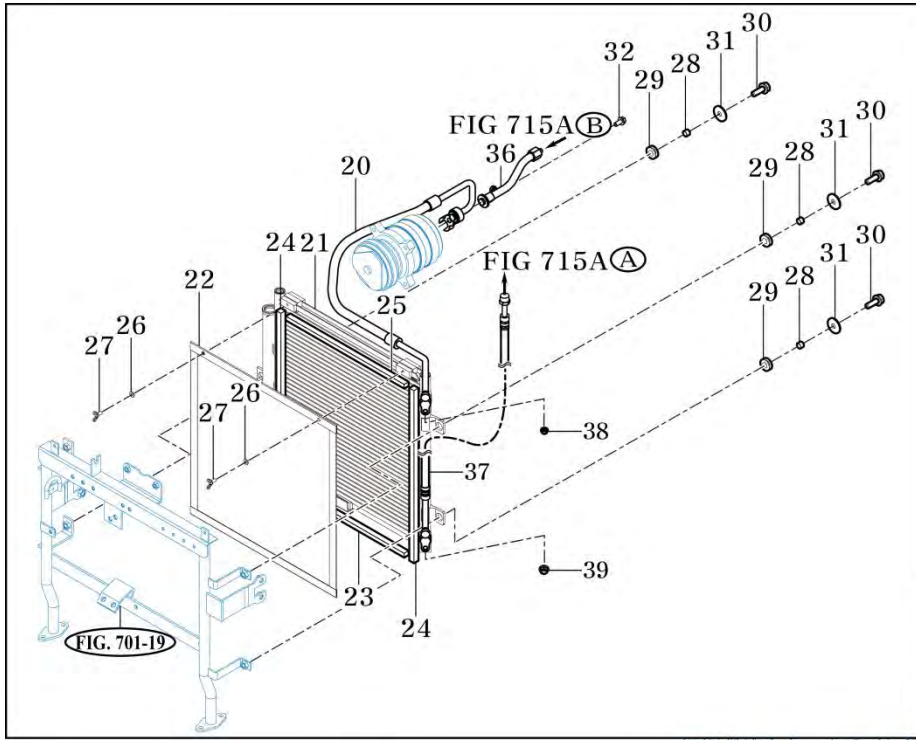


T503HST-K-715

NOTE



T554ST / T554NC / T454ST / T454NC



NOTE

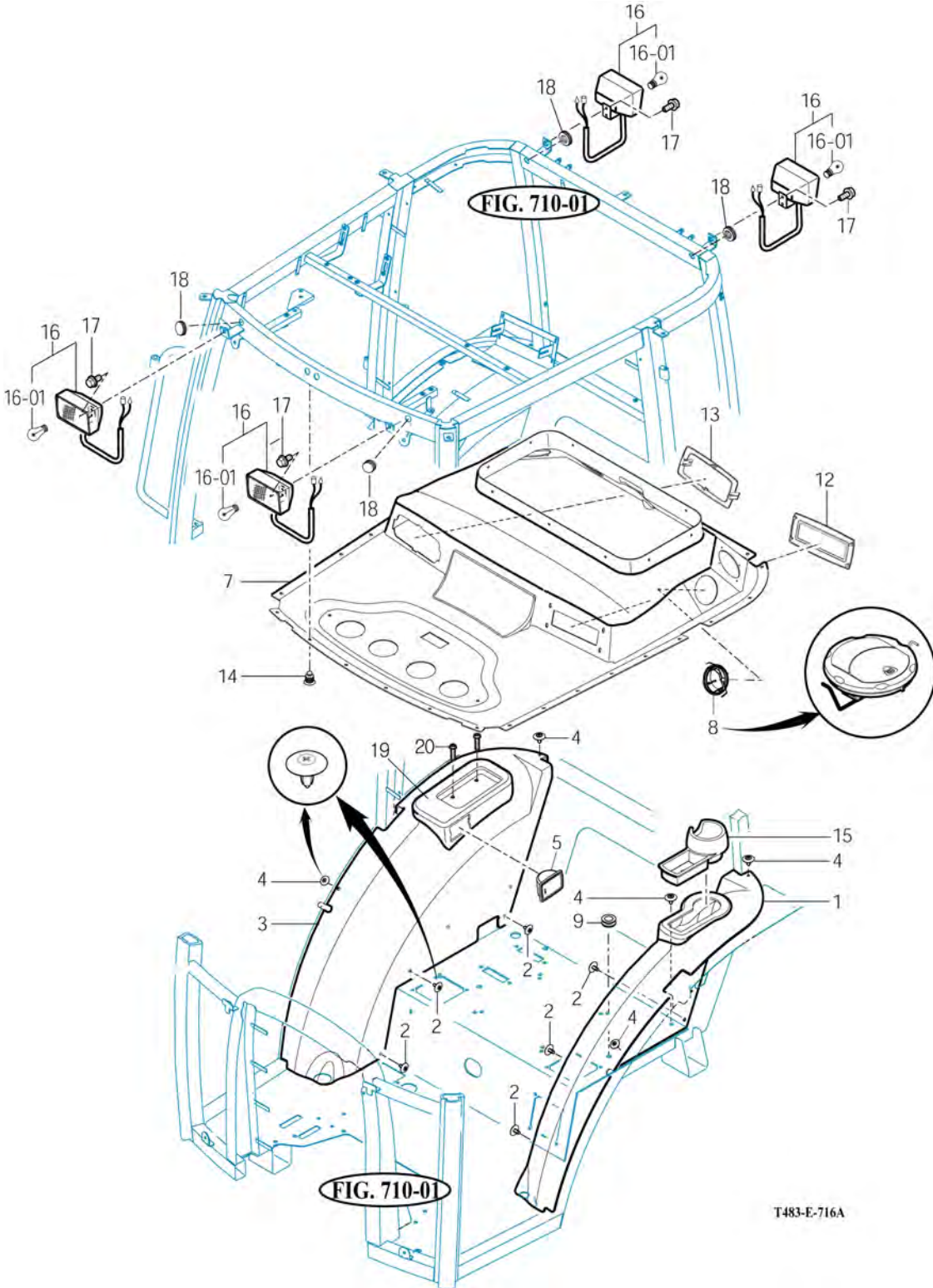
FIG 716

FENDER COVER

P1

Year / Month

2014 / 04



T483-E-716A

NOTE

FIG 717

ROOF

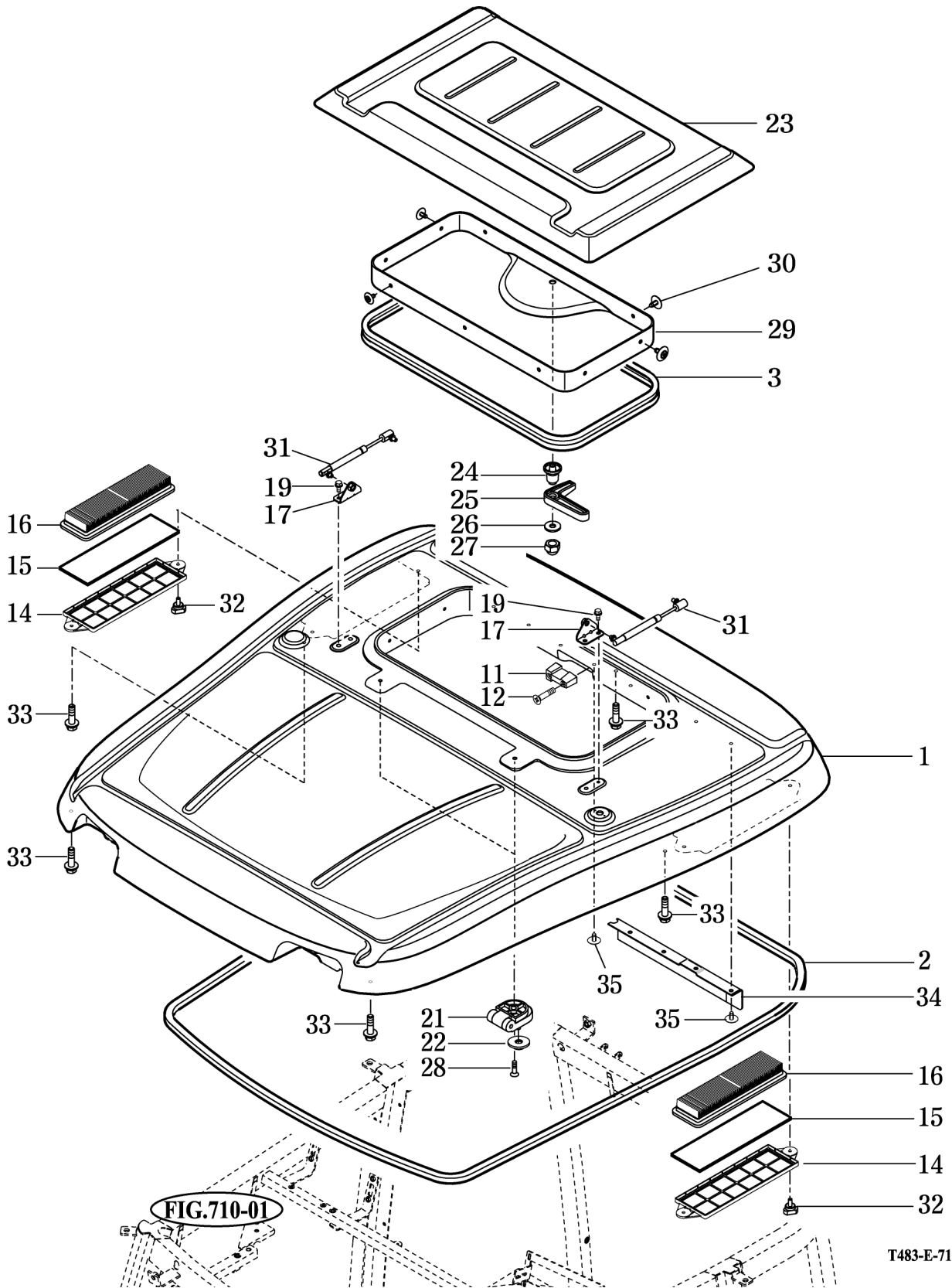
P1

Year / Month

2014 / 04



T554ST / T554NC / T454ST / T454NC



T483-E-717A

NOTE

FIG 718

CABIN INTERIOR

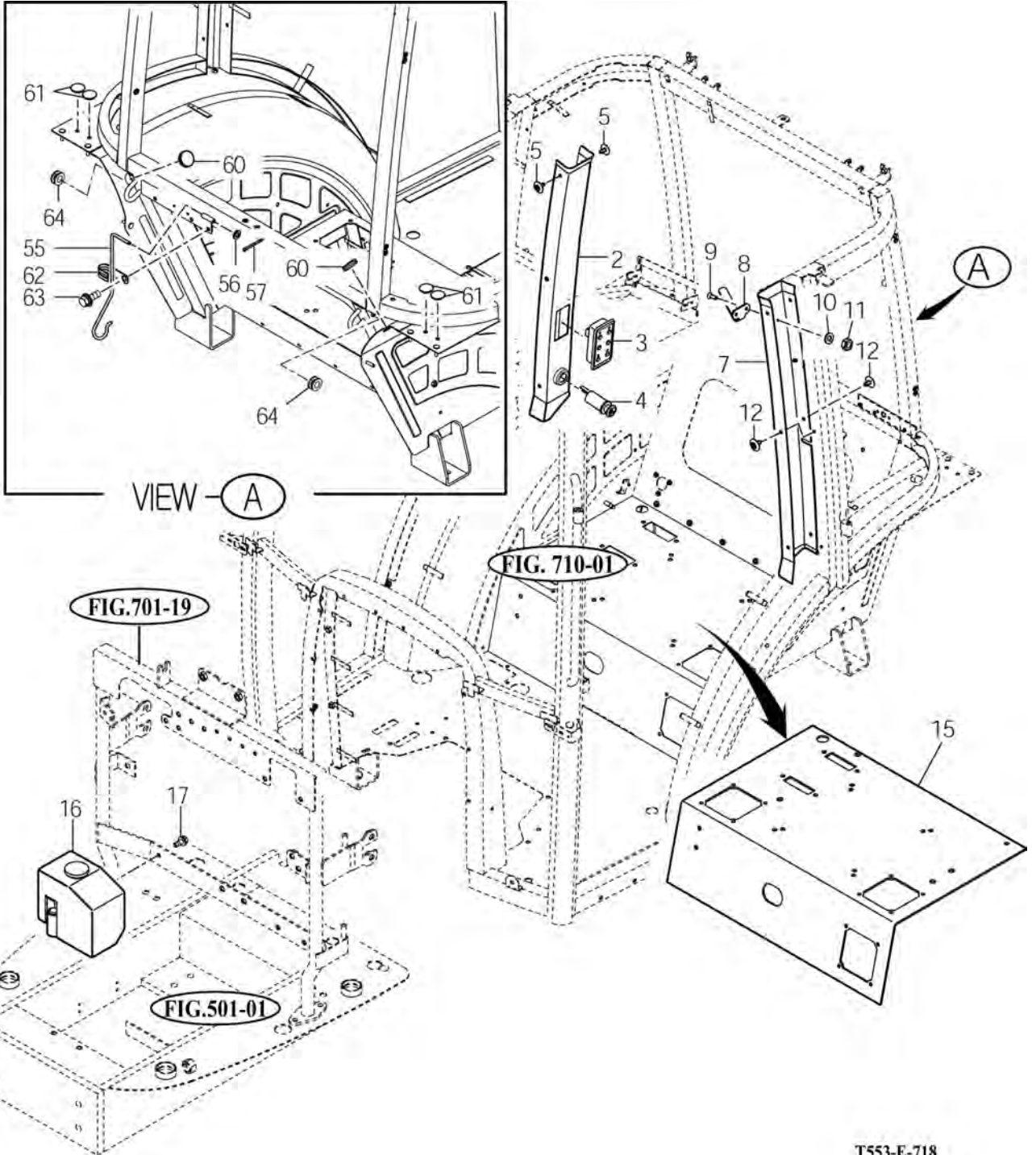
P1

Year / Month

2014 / 04



T554ST / T554NC / T454ST / T454NC



T553-E-718

NOTE

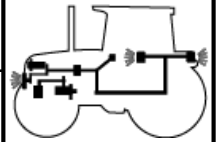
FIG 801

BATTERY & MOUNTING

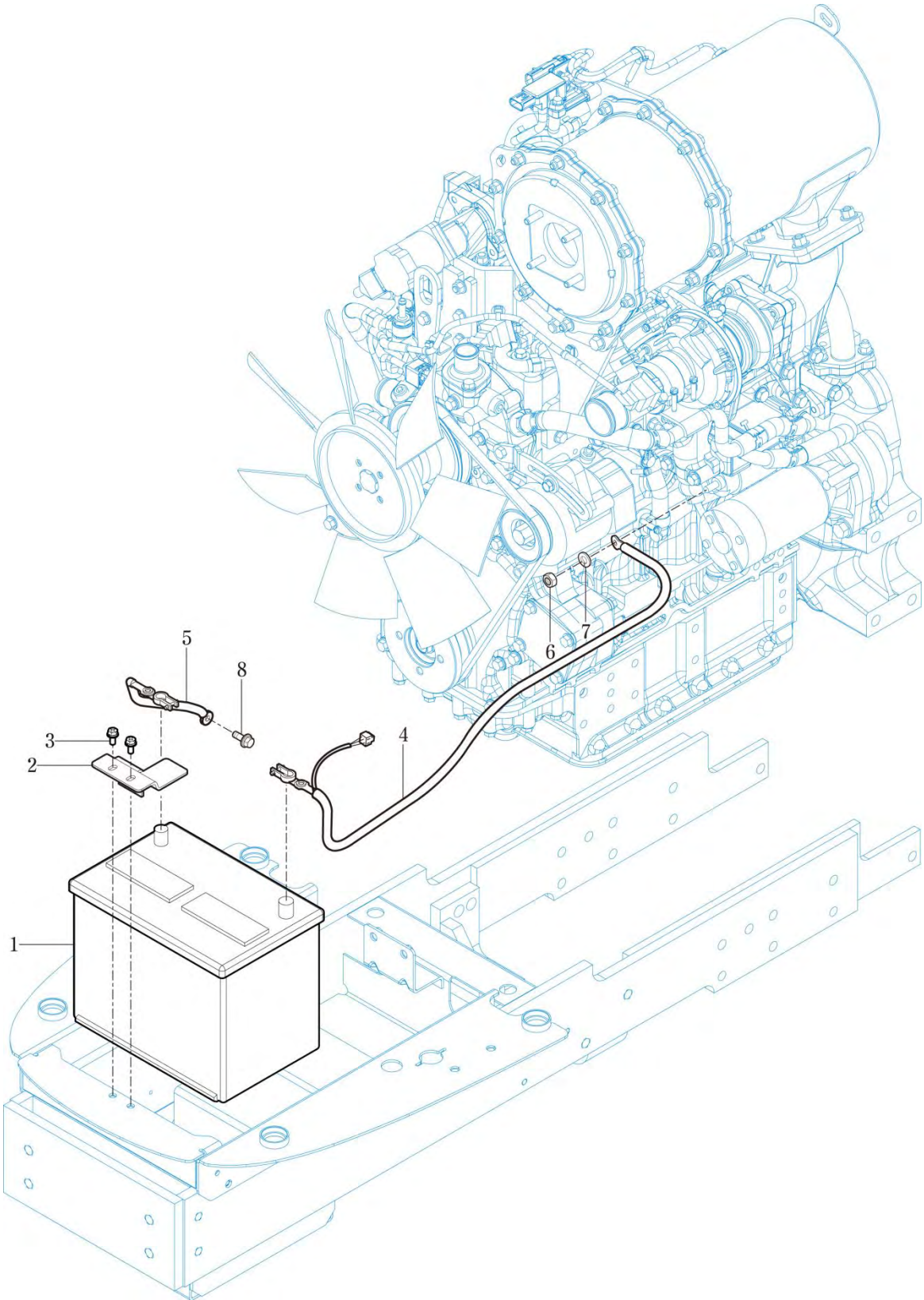
P1

Year / Month

2014 / 04



T554ST / T554NC / T454ST / T454NC



NOTE

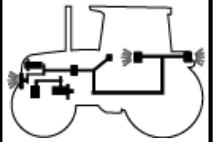
FIG 802

LIGHT & BACK LAMP

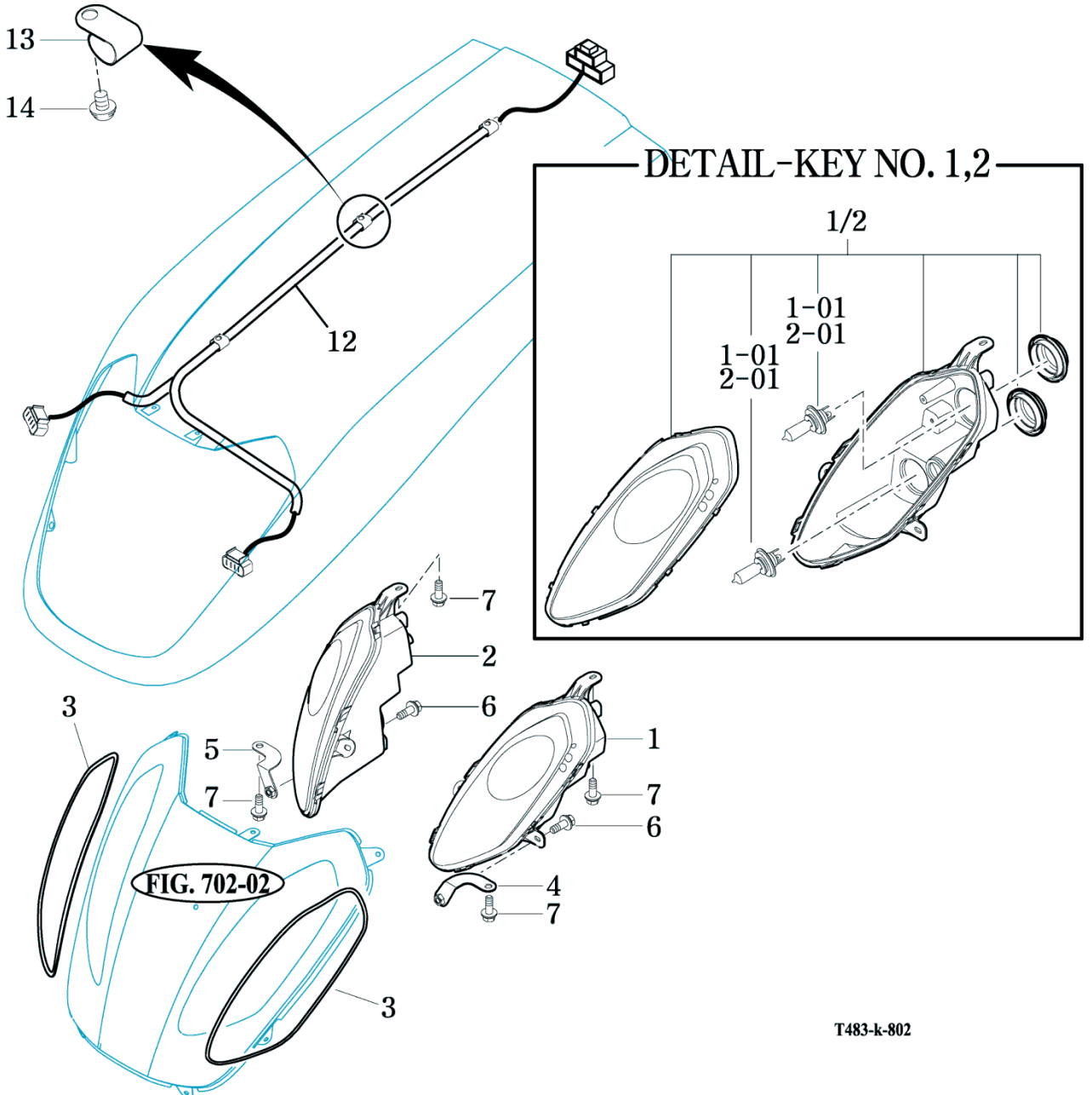
P1

Year / Month

2014 / 04



T554ST / T554NC / T454ST / T454NC



NOTE

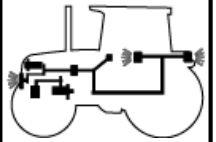
FIG 803

INSTRUMENT PANEL

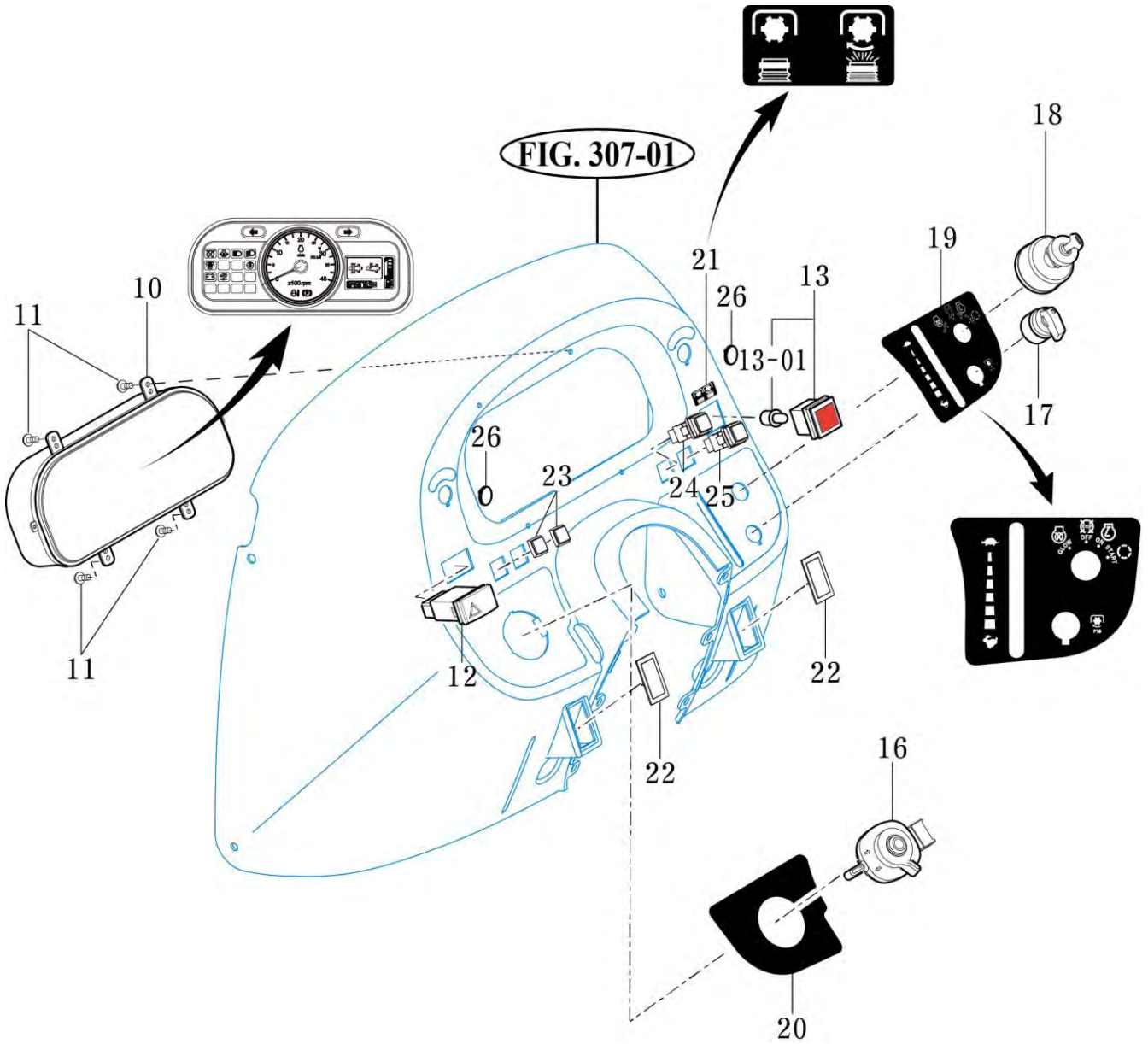
P1

Year / Month

2014 / 04



T554ST / T554NC / T454ST / T454NC



NOTE

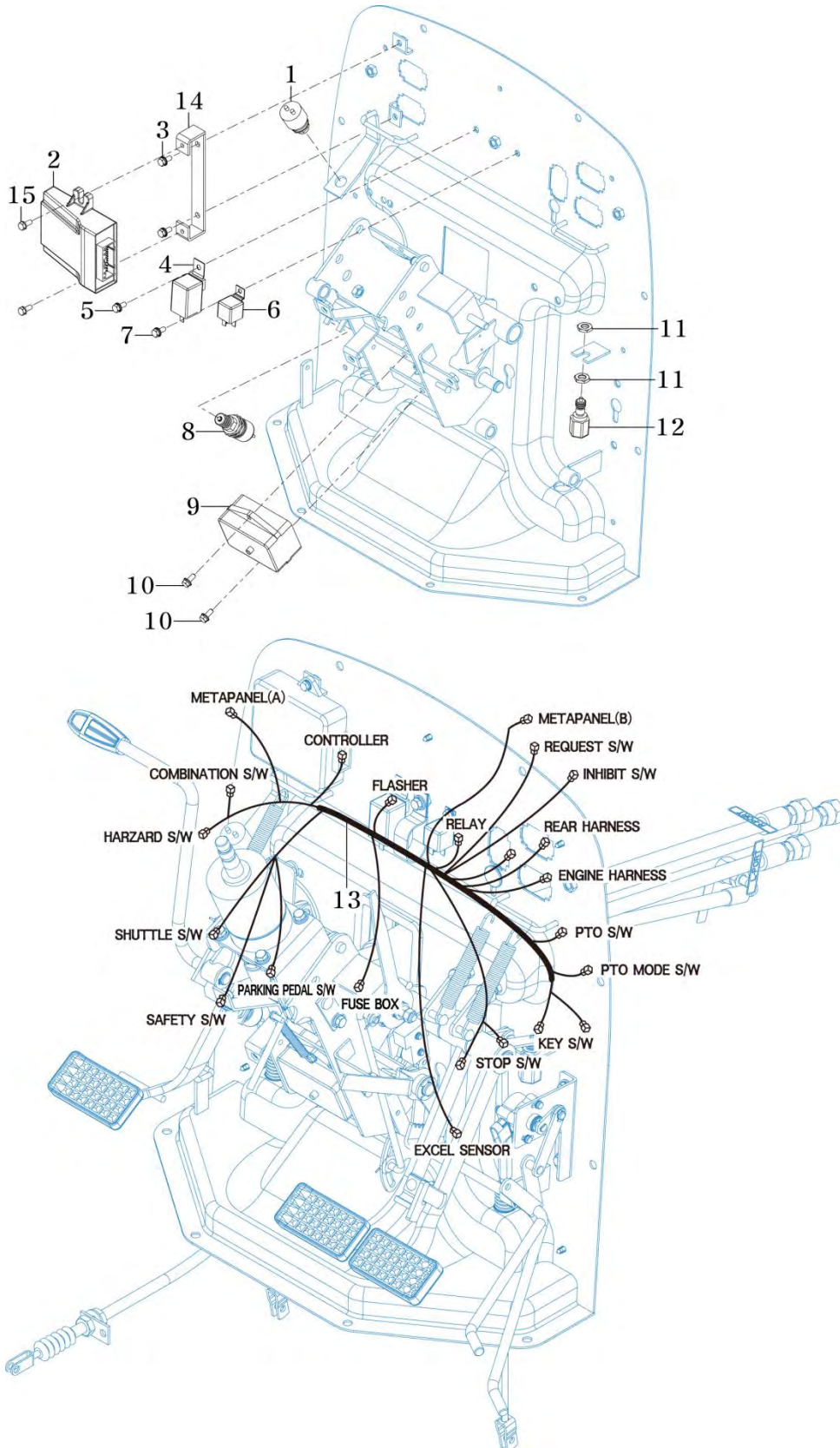
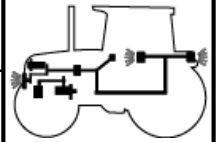
FIG 804

ELECTRIC SYSTEM (1)

P1

Year / Month

2014 / 04



NOTE

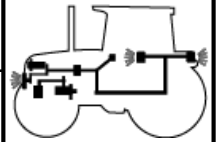
FIG 805A

ELECTRIC SYSTEM (2)

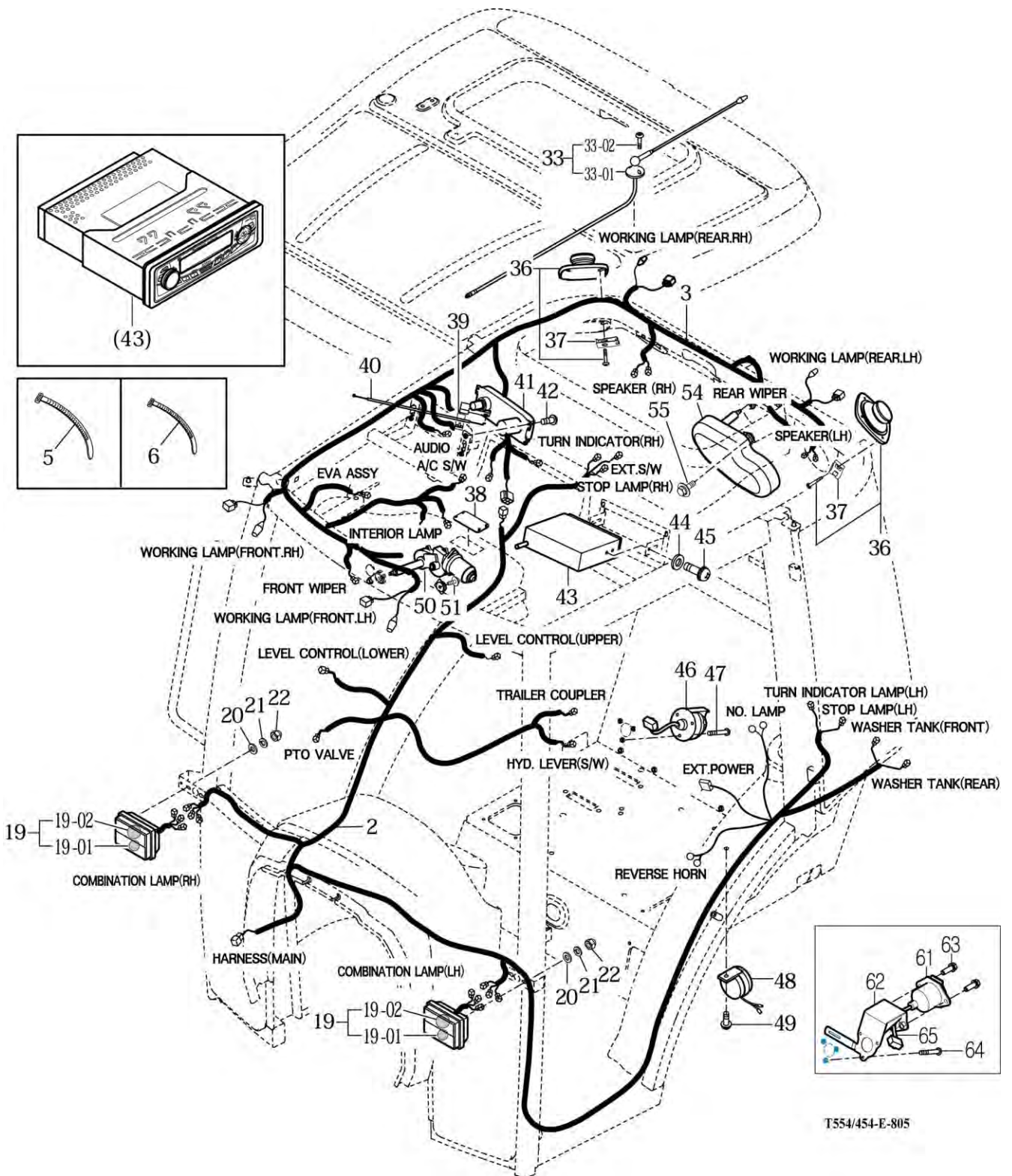
P1

Year / Month

2014 / 04



T554ST / T554NC / T454ST / T454NC



T554/454-E-805

NOTE

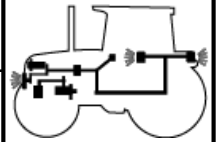
FIG 805B

ELECTRIC SYSTEM (2)-Non CAB

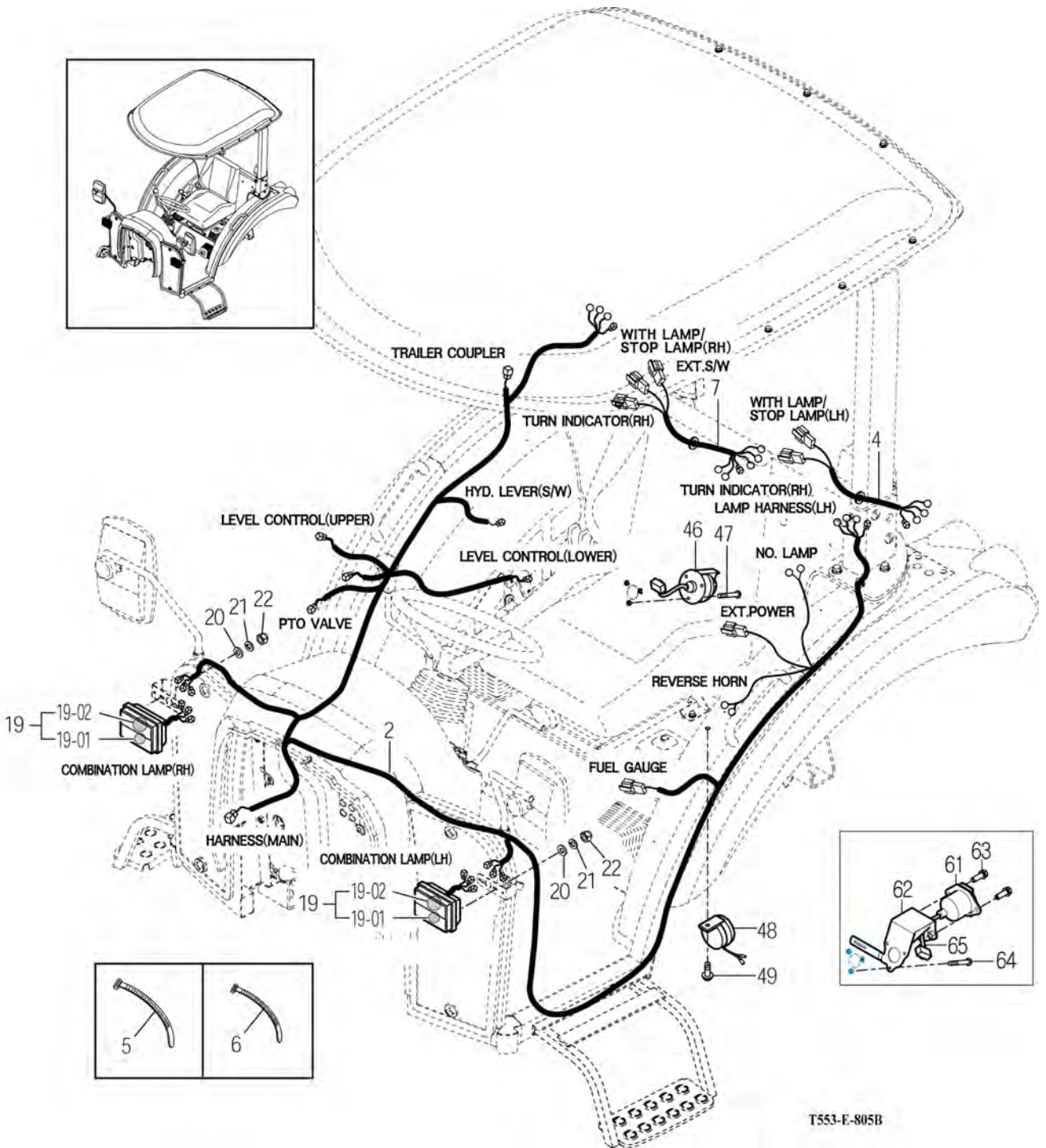
P1

Year / Month

2014 / 04



T554ST / T554NC / T454ST / T454NC



T553-E-805B

NOTE

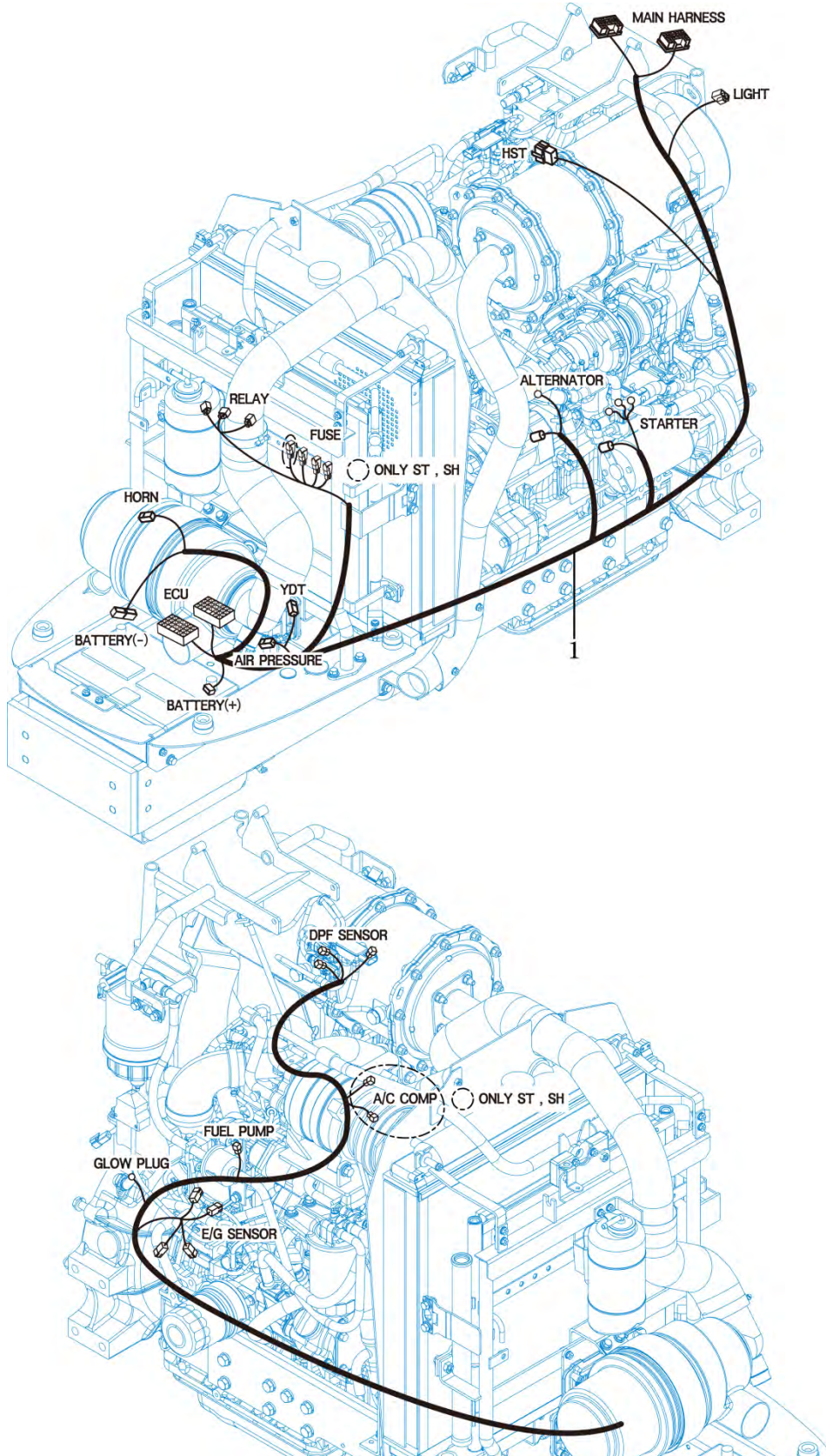
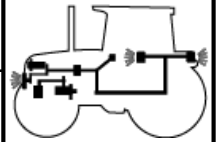
FIG 806

ELECTRIC SYSTEM (3)

P1

Year / Month

2014 / 04



NOTE

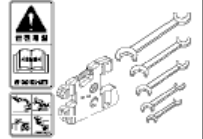
FIG 901

TOOL & ACCESSORY

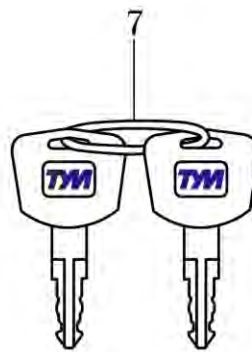
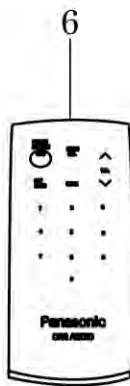
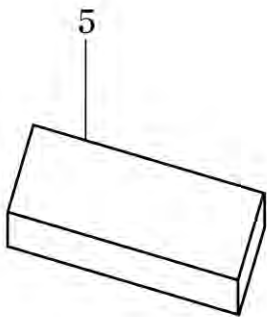
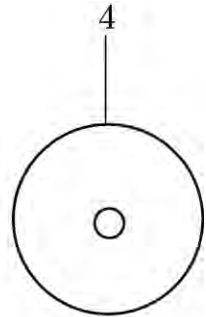
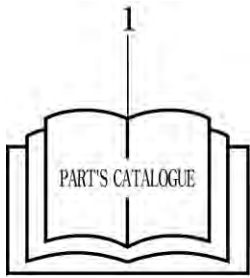
P1

Year / Month

2014 / 04



T554ST / T554NC / T454ST / T454NC



T554/T454-F-901

NOTE

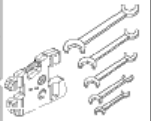
FIG 902

LABEL

P1

Year / Month

2014 / 04



T554ST / T554NC / T454ST / T454NC

WARNING

Do not remove radiator cap while engine is hot. Hot steam will injure you.

1200-910-015-0

24

CAUTION

Keep hands and clothing away from rotating fan and belts to prevent serious injury.

1200-910-012-0

23

Inner/Outer air Ventilation

- When grills of rear and both sides are opened, inner air will ventilate in.
- For effective use, open it when operate heater or air conditioner and close when ventilate fresh air.

1200-164-102-1

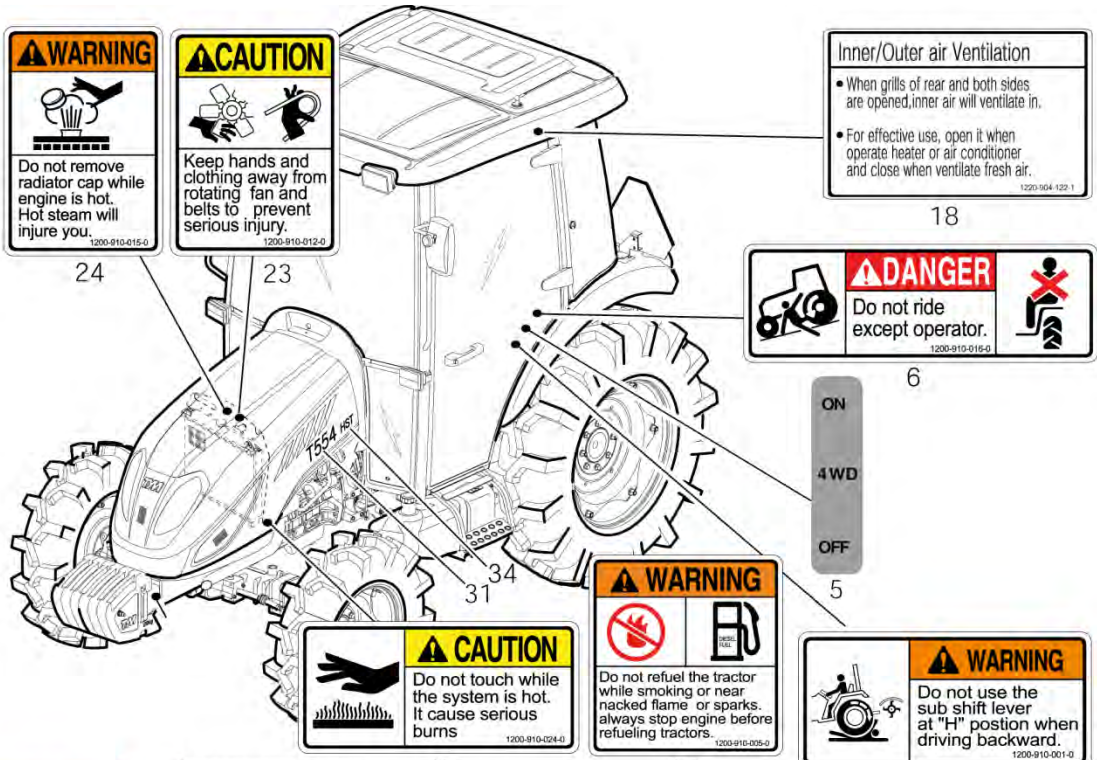
18

DANGER

Do not ride except operator.

1200-910-016-0

6



5

CAUTION

Do not touch while the system is hot. It cause serious burns

1200-910-024-0

33

WARNING

Do not refuel the tractor while smoking or near naked flame or sparks. always stop engine before refueling tractors.

1200-910-025-0

17

WARNING

Do not use the sub shift lever at "H" position when driving backward.

1200-910-001-0

4

DANGER

This Tractor may tip over unexpectedly and quicker than an operator is able to jump free

- Never operate a tractor without a proper Roll over Protection Structure (ROPS)
- Always wear your seat belt when operating this tractor equipped with roll over protection.
- Never pull from above or from the rear axle.
- Do not operate the tractor on steep slopes or near drop offs
- Avoid sharp high speed turns

Serious injury or death may result from tractor upsets.

1220-904-501-0

38

TONG YANG MOOLSAN

SERIAL NUMBER	TYPE
00001	T-PR2
REGISTRATION NO.	T-RR3-411/329
S e13 0210	
MODEL	T454C T554C T554S T554L T454L T554L

1200-910-014-0

41

TONG YANG MOOLSAN

SERIAL NUMBER	TYPE
00001	T-PR2
REGISTRATION NO.	410 594
S e13 0211	
MODEL	T454C T554C T554S T554L T454L T554L

1200-910-014-0

41

TYM

MODEL	
TYPE	
ENGINE	
SERIAL NO.	
MANUFACTURER: TONG YANG MOOLSAN CO.,LTD	
ADDRESS	: 81NOHEQ2-CONGNGWAI-GUSEU,UKOFEA
TEL	: 82-2-3014-2800

32



42

WARNING

Additions, alterations, cracking, damage or corrosion to this structure may adversely affect the performance of the ROPS.

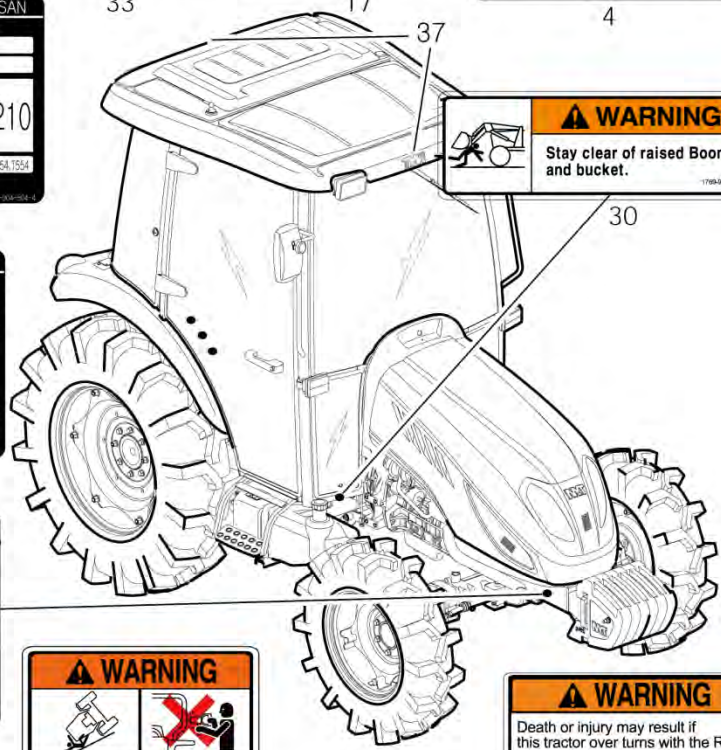
39

WARNING

Stay clear of raised Boom and bucket.

1788-300-016-0

30



WARNING

Death or injury may result if this tractor over turns with the ROPS in the folded down position. Operate this tractor with the ROPS folded down only when necessary. Do not wear seat belt if operated with ROPS folded down

1220-904-502-0

40

NOTE

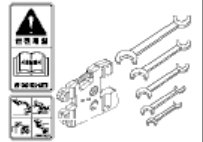
FIG 902

LABEL

P2

Year / Month

2014 / 04



T554ST / T554NC / T454ST / T454NC

SPEED TABLES

RESOLUTION	TRACTOR RANGE	PTO	REAR	FRONT	DRIVE
1000 RPM	2	3	4	5	10
1500 RPM	3	4	5	6	12
2000 RPM	4	5	6	7	15
2500 RPM	5	6	7	8	18
3000 RPM	6	7	8	9	20
3500 RPM	7	8	9	10	22
4000 RPM	8	9	10	11	24
4500 RPM	9	10	11	12	26
5000 RPM	10	11	12	13	28
5500 RPM	11	12	13	14	30
6000 RPM	12	13	14	15	32
6500 RPM	13	14	15	16	34
7000 RPM	14	15	16	17	36
7500 RPM	15	16	17	18	38
8000 RPM	16	17	18	19	40
8500 RPM	17	18	19	20	42
9000 RPM	18	19	20	21	44
9500 RPM	19	20	21	22	46
10000 RPM	20	21	22	23	48

*The data reported in this publication are also subject to variation and consequently are not

2



7



21



13



35



11



15



16



3



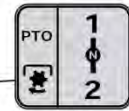
29



14



8



36



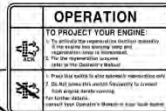
12



10



19



44



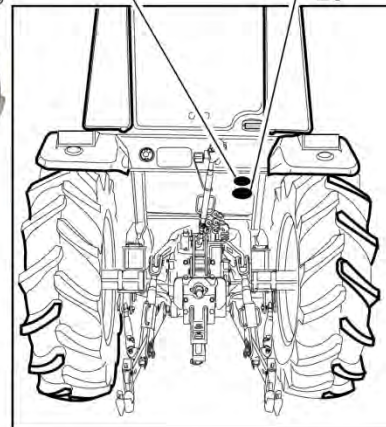
20



43



9



NOTE