

T25NH-B

Parts Catalog

목 차

0. Serial Number PART NO. SN

FIG T25NHR00397 ~ T25NHR00754 7

1. Engine PART NO. EG

FIG ENGINE ASSY	10
FIG CYLINDER BLOCK	12
FIG GEAR HOUSING	14
FIG OIL SUMP	16
FIG CYLINDER HEAD & BONNET	18
FIG EXHAUST MANIFOLD	21
FIG CAMSHAFT & DRIVING GEAR	23
FIG CRANKSHAFT & PISTON	25
FIG LUB. OIL SYSTEM	27
FIG COOLING WATER SYSTEM	29
FIG FUEL INJECTION PUMP	31
FIG GOVERNOR	33
FIG FUEL INJECTION VALVE	35
FIG FUEL FILTER	37
FIG STARTING MOTOR	39
FIG GENERATOR	41
FIG ACCESORY	43

2. Engine Accessories PART NO. T2

FIG AIR CLEANER	46
FIG RADIATOR	48
FIG MUFFLER	50
FIG FUEL TANK & FUEL LINE	52
FIG ACCELERATOR	54
FIG OIL COOLER	56

3. Clutch/Brake/Steering PART NO. T3

FIG FLYWHEEL COVER	59
--------------------	----

FIG SPEED CONTROL	61
FIG BRAKE	64
FIG BRAKE PEDAL & LINKAGE	66
FIG STEERING WHEEL & DASH COVER	68
FIG STEERING VALVE	70
FIG STEERING CYLINDER	72
FIG FRONT WHEEL	74
FIG REAR WHEEL	76

4. Transmission PART NO. T4

FIG INPUT SHAFT	79
FIG HST	81
FIG 4WD DRIVE GEAR	83
FIG RANGE GEARS	85
FIG P.T.O DRIVE SHAFT	87
FIG P.T.O SHAFT	89
FIG DIFF LOCK	91
FIG REAR TRANSMISSION CASE	93
FIG REAR AXLE HOUSINGS	95
FIG RANGE SHIFT LEVER	97
FIG P.T.O CHANGE LEVER	99
FIG 4WD CHANGE LEVER	101

5. Front Axle PART NO. T5

FIG FRAME	104
FIG FRONT DIFFERENTIAL GEARS & SHAFT	106
FIG FRONT AXLE HOUSING	108
FIG FRONT GEAR CASE (1)	110
FIG FRONT GEAR CASE (2)	112

6. Hydraulic/3P-Link PART NO. T6

FIG CYLINDER CASE	115
FIG LIFT ARM	117
FIG FLOW CONTROL VALVE	119
FIG CONTROL VALVE LINKAGE	121

FIG MAIN CONTROL VALVE	123
FIG POSITION LEVER LINKAGE	125
FIG GEAR PUMP	127
FIG HYDRAULIC HOSE (2)	129
FIG PTO VALVE	131
FIG 3-POINT LINKAGE	133
FIG HITCH & COVER	136
FIG HYDRAULIC HOSE (1)	138
FIG JOYSTICK LEVER	140
FIG REMOTE CONTROL VALVE	142

7. Sheet Metal & Cabin PART NO. T7

FIG BONNET	145
FIG DASH PANEL	147
FIG FLOOR	149
FIG SEAT	152
FIG ROPS	154
FIG CAB FRAME & DOOR(OPTION)	156
FIG FRONT GLASS(OPTION)	158
FIG SIDE & REAR GLASS(OPTION)	160
FIG ROOF(OPTION)	162
FIG HEATER(OPTION)	164
FIG INTERIOR PART(OPTION)	166
FIG SEAL(OPTION)	168
FIG FRONT & REAR MOUNTING(OPTION)	170

8. Electrical System PART NO. T8

FIG BATTERY & MOUNTING	173
FIG LIGHTS	175
FIG INSTRUMENT PANEL	177
FIG ELECTRIC SYSTEM	179
FIG HARNESS	181
FIG HARNESS	183

9. Label/Option PART NO. T9

FIG TOOL & ACCESSORY	186
----------------------	-----

FIG LABEL	188
FIG OPTION	190
FIG MID P.T.O OPTION	192

0. Serial Number PART NO. SN

FIG T25NHR00397 ~ T25NHR00754

7

FIG T25NH-B	T25NHR00397 ~ T25NHR00754	년/월 Year/Month
		2021-12

--	--

NOTE	
------	--

1. Engine PART NO. EG

FIG ENGINE ASSY	10
FIG CYLINDER BLOCK	12
FIG GEAR HOUSING	14
FIG OIL SUMP	16
FIG CYLINDER HEAD & BONNET	18
FIG EXHAUST MANIFOLD	21
FIG CAMSHAFT & DRIVING GEAR	23
FIG CRANKSHAFT & PISTON	25
FIG LUB. OIL SYSTEM	27
FIG COOLING WATER SYSTEM	29
FIG FUEL INJECTION PUMP	31
FIG GOVERNOR	33
FIG FUEL INJECTION VALVE	35
FIG FUEL FILTER	37
FIG STARTING MOTOR	39
FIG GENERATOR	41
FIG ACCESORY	43

FIG T25NH-B	ENGINE ASSY	년/월 Year/Month
		2021-12

ENGINE

NOTE	
------	--

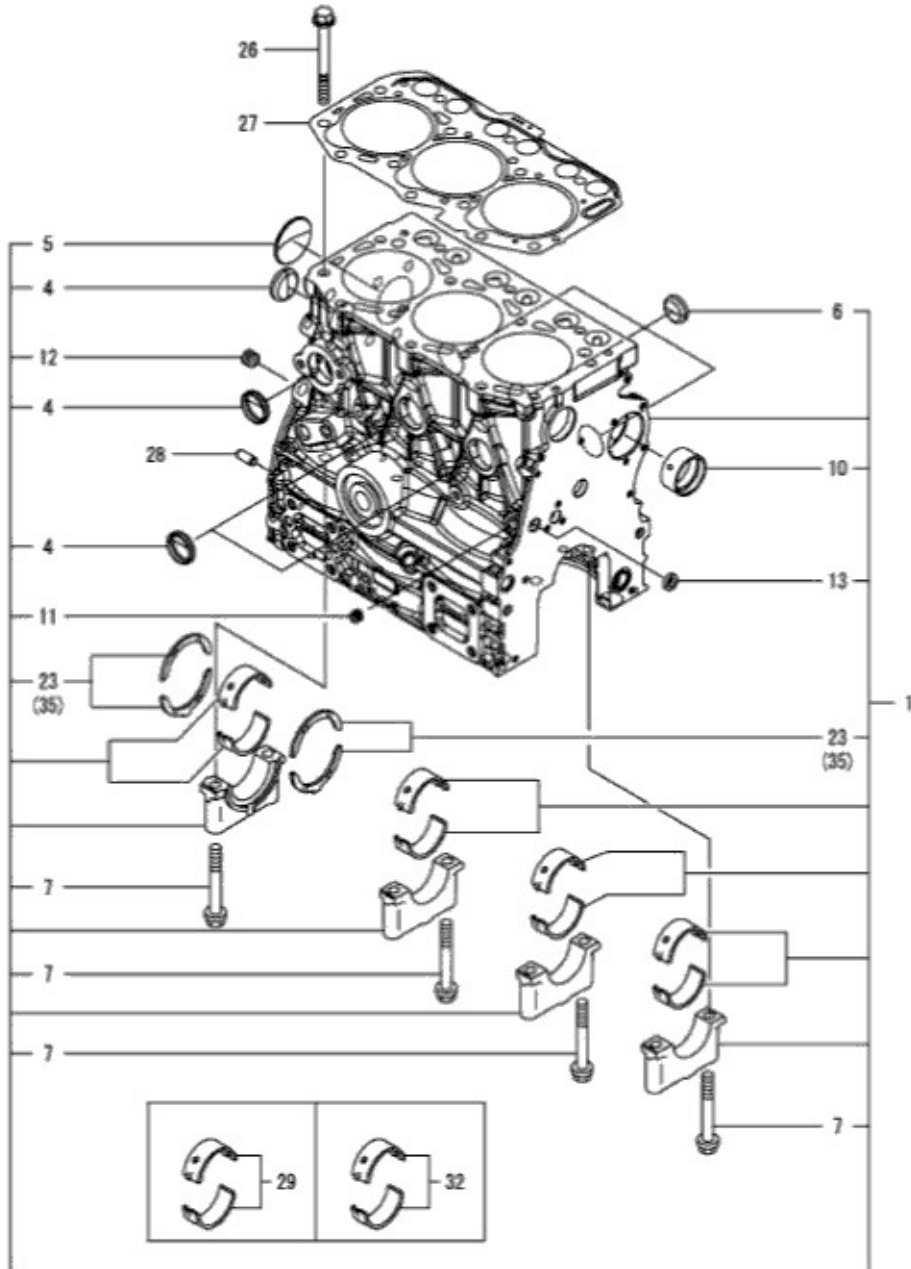
FIG

T25NH-B

CYLINDER BLOCK

년/월
Year/Month

2021-12



NOTE

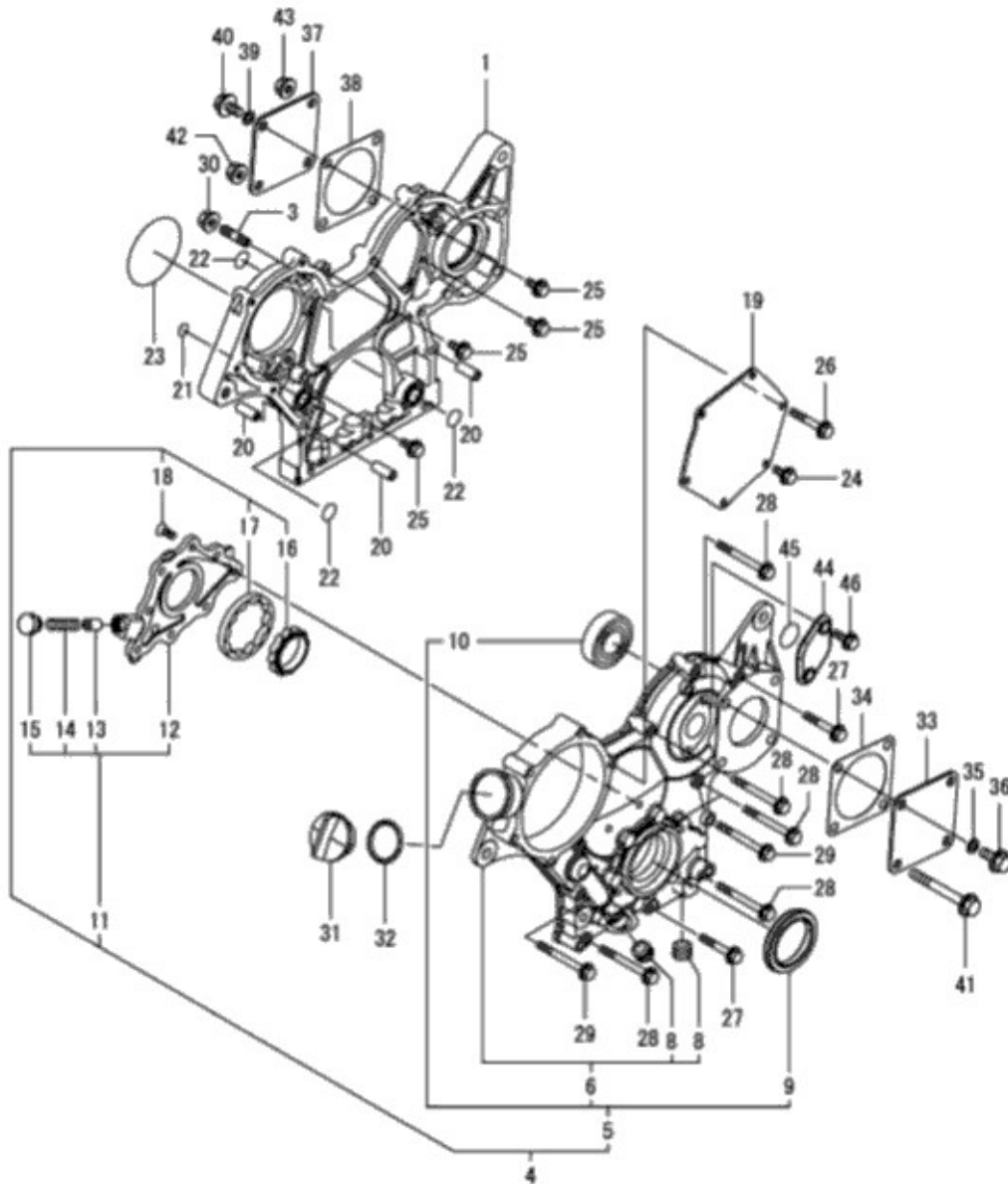
FIG

GEAR HOUSING

년/월
Year/Month

T25NH-B

2021-12



NOTE

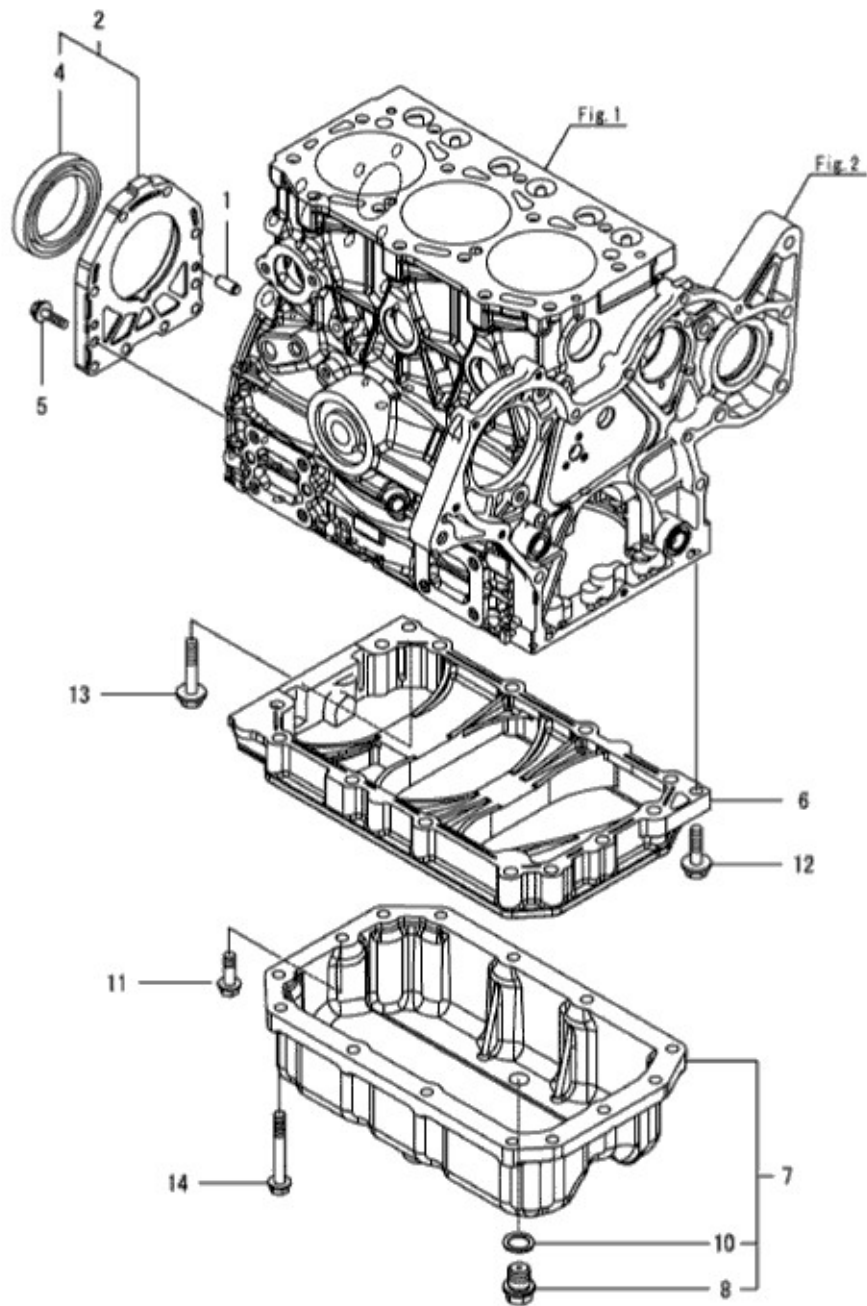
FIG

T25NH-B

OIL SUMP

년/월
Year/Month

2021-12



NOTE

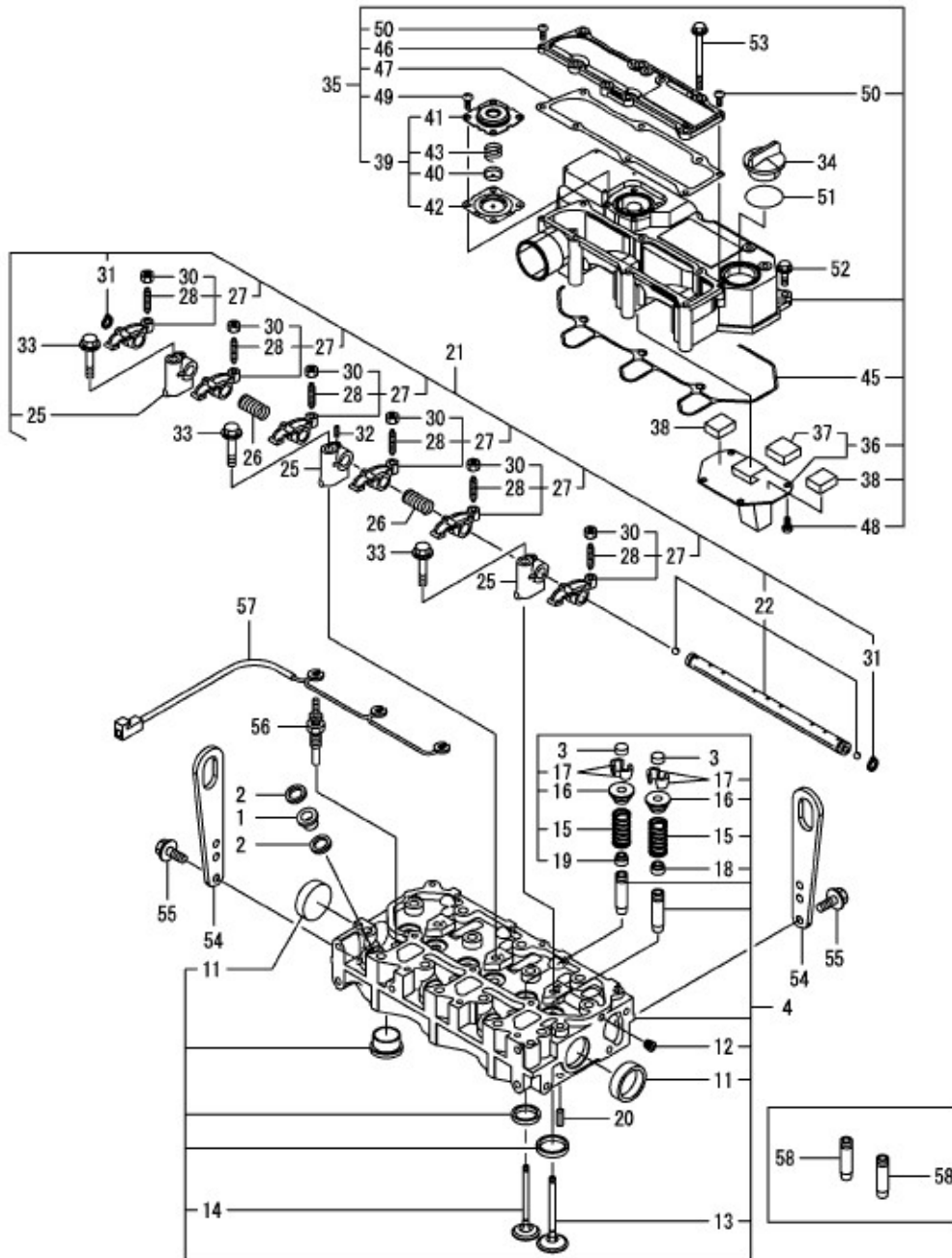
FIG

CYLINDER HEAD & BONNET

년/월
Year/Month

2021-12

T25NH-B



NOTE

FIG T25NH-B		CYLINDER HEAD & BONNET					년/월 Year/Month	
							2021-12	
KEY NO	PART NO	DESCRIPTION	SPEC	QTY	REPAIR	EFFECTIVE DATE	REMARKS	
1	129901-11450	PROTECTOR, NOZZLE		3				
2	119600-11460	GASKET, NOZZLE		6				
3	105010-11490	CAP, VALVE		6				
4	119E10-11750	HEAD ASSY, CYLINDER		1				
11	119285-11990	PLUG, 35		2				
12	23876-005000	PLUG, R005		1				
13	119E10-11100	VALVE, INTAKE		3				
14	119E10-11110	VALVE, EXHAUST		3				
15	119717-11131	SPRING, VALVE		6				
16	129508-11180	RETAINER, SPRING		6				
17	119717-11190	COTTER, VALVE		12				
18	119717-11340	SEAL, VALVE STEM		3				
19	119717-11350	SEAL, VALVE STEM		3				
20	22351-060012	"PIN, SPRING 6.0X12"		2				
21	119717-11200	SUPPORT ASSY, ROCKER		1				
22	119717-11240	SHAFT ASSY, ARM		1				
25	119717-11260	SUPPORT, ROCKER ARM		3				
26	119620-11280	SPRING, SHAFT		2				
27	119717-11650	ARM ASSY, ROCKER INT		6				
28	129150-11230	SCREW, VALVE ADJUST		6				
30	129150-11750	NUT, M8XP1.0		6				
31	22242-000120	RING, 12		2				
32	119260-11270	SCREW		1				
33	26106-080402	BOLT, M8X 40 PLATED		3				
34	124160-01751	CAP, FILLER		1				
35	119717-11381	BONNET ASSY, HEAD		1				
36	119717-03031	PLATE, BAFFLE		1				
37	119717-03070	BAFFLE, BREATHER		1				
38	119717-03070	BAFFLE, BREATHER		2				
39	119802-03100	DIAPHRAGM ASSY		1				
40	119802-03110	PLATE, DIAPHRAGM		1				
41	119802-03121	COVER, DIAPHRAGM		1				
42	119802-03131	DIAPHRAGM, BREATHER		1				
43	119802-03141	SPRING, DIAPHRAGM		1				
45	119718-11310	GASKET, BONNET		1				
46	119717-11320	COVER, BONNET		1				
47	119717-11331	GASKET, BONNET COVER		1				
48	22857-500100	SCREW, 5X10		4				
49	22857-500100	SCREW, 5X10		4				
50	22857-500160	SCREW, 5X16		2				
51	24311-000320	"O-RING, 1AP32.0"		1				
52	26106-060202	BOLT, M6X 20 PLATED		3				
53	26106-060752	BOLT, M6X 75 PLATED		6				
54	129900-07900	LIFTER, ENGINE		2				
55	26106-080162	"BOLT, M8X 16 PLATED"		4				
NOTE								

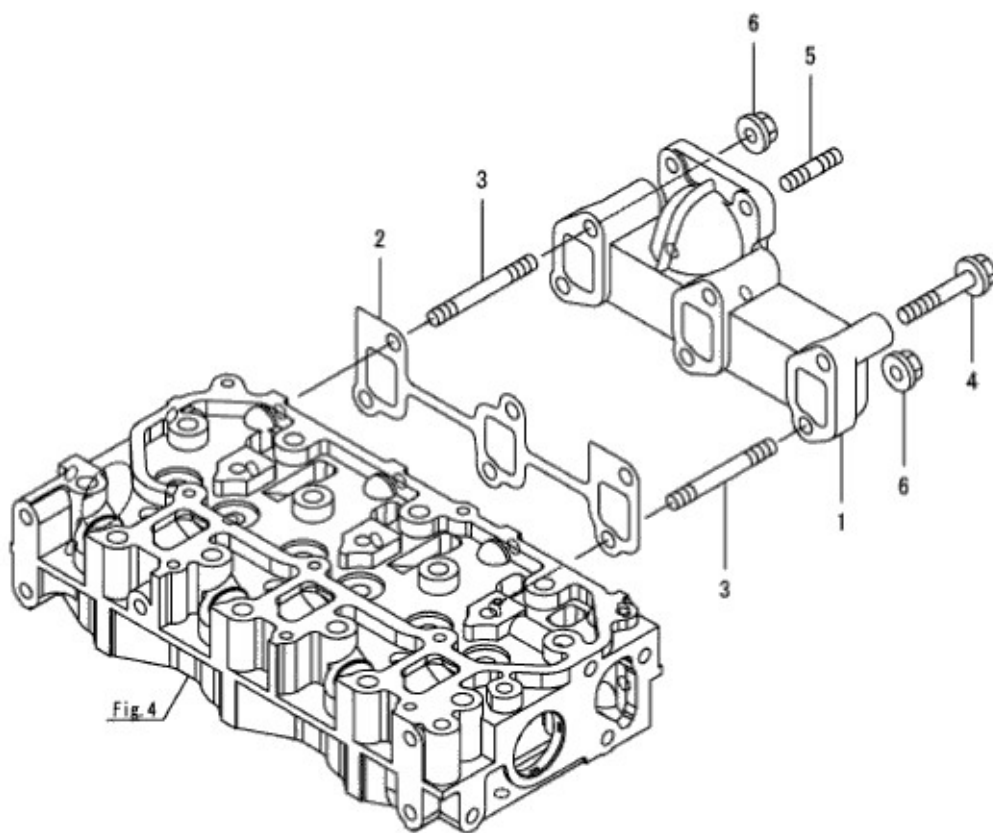
FIG

EXHAUST MANIFOLD

년/월
Year/Month

T25NH-B

2021-12



NOTE

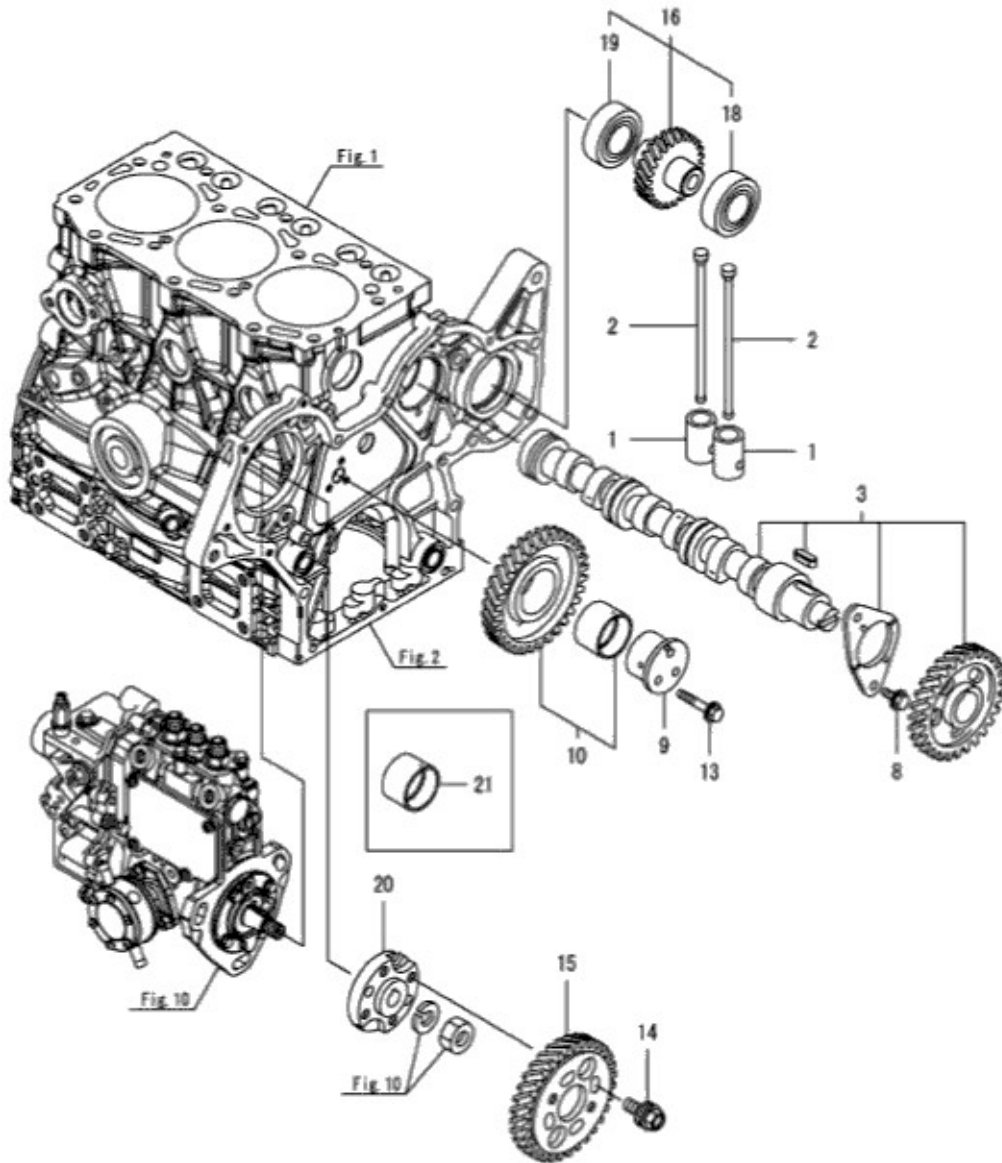
FIG

T25NH-B

CAMSHAFT & DRIVING GEAR

년/월
Year/Month

2021-12



NOTE

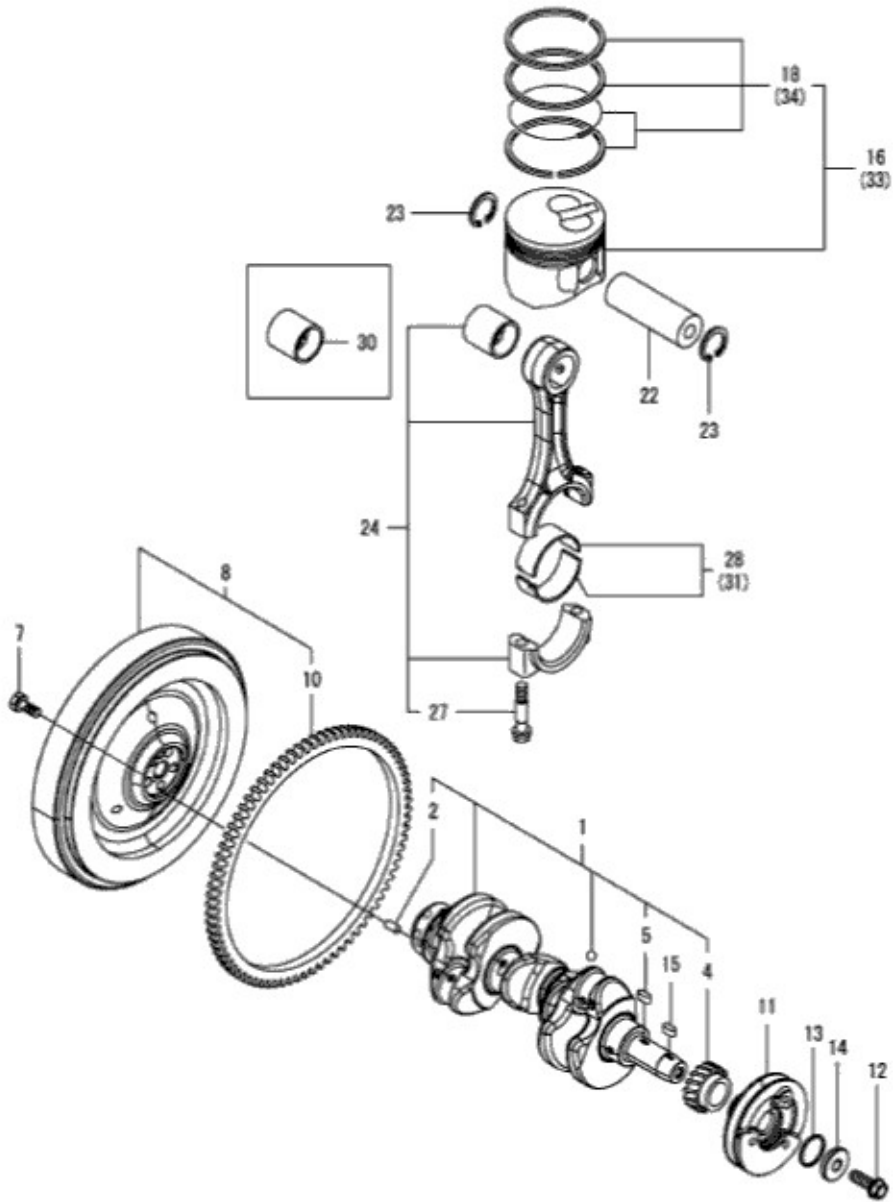
FIG

T25NH-B

CRANKSHAFT & PISTON

년/월
Year/Month

2021-12



NOTE

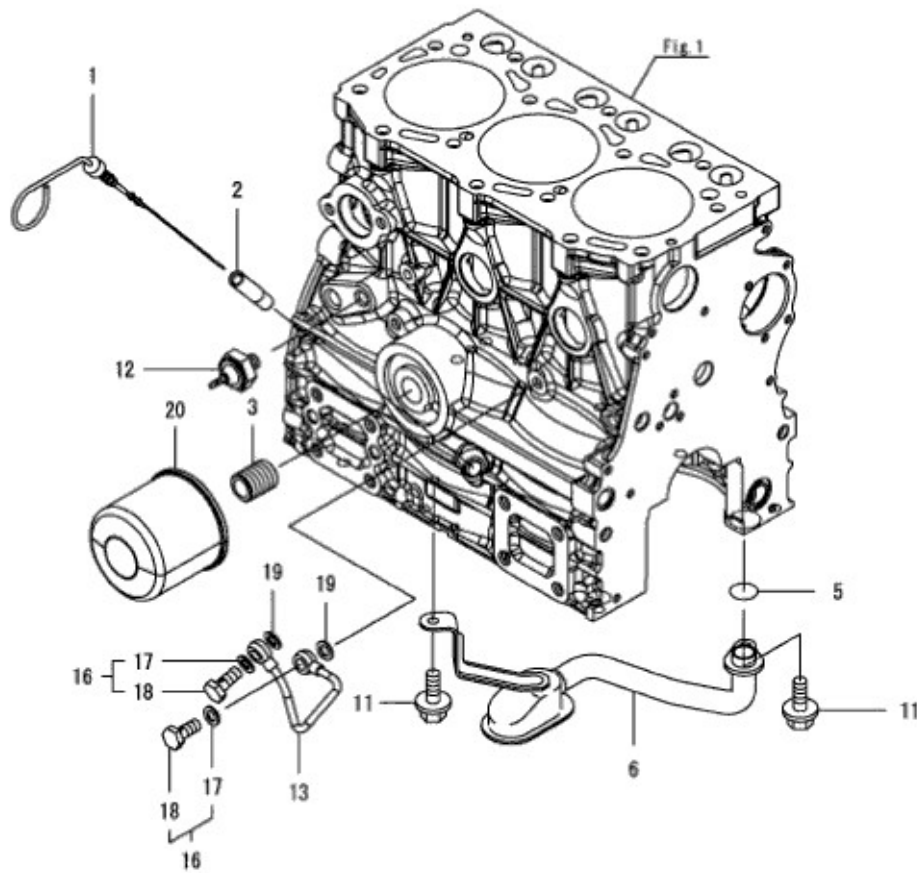
FIG

T25NH-B

LUB. OIL SYSTEM

년/월
Year/Month

2021-12



NOTE

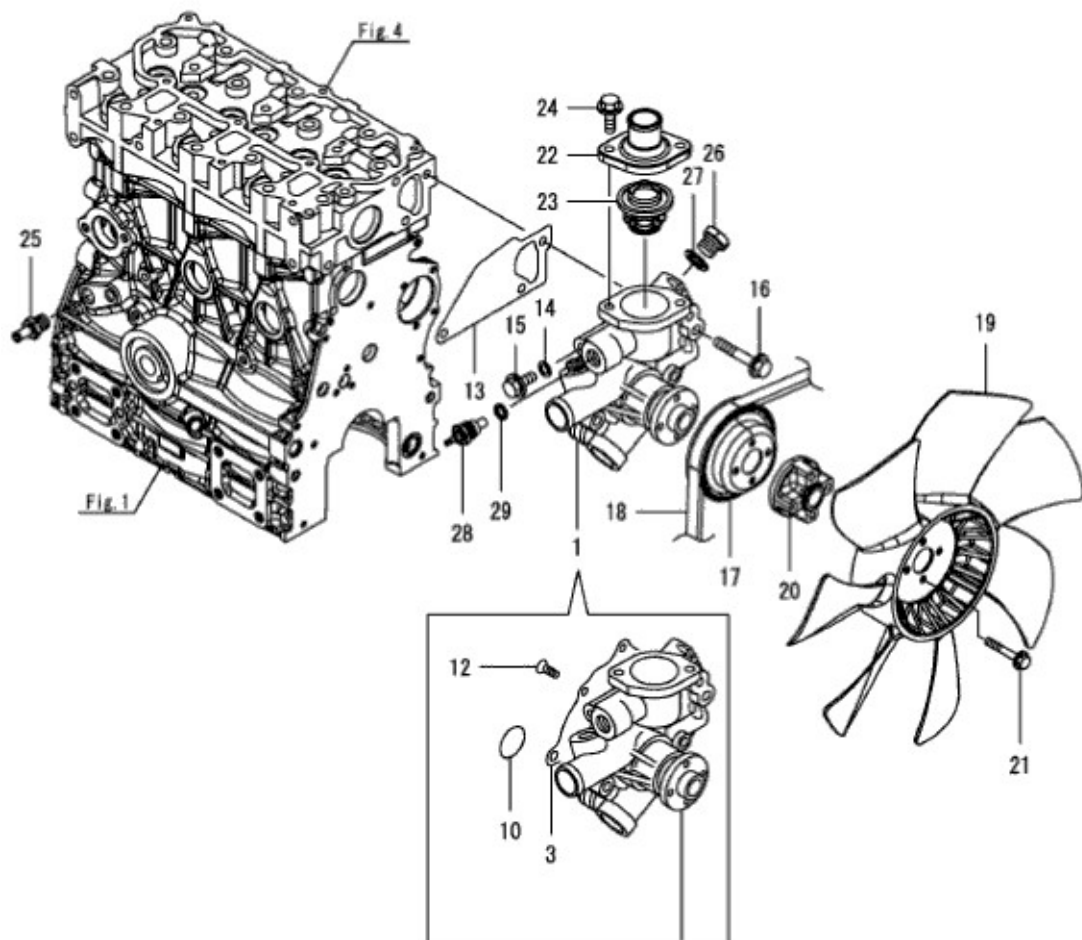
FIG

COOLING WATER SYSTEM

년/월
Year/Month

2021-12

T25NH-B



NOTE

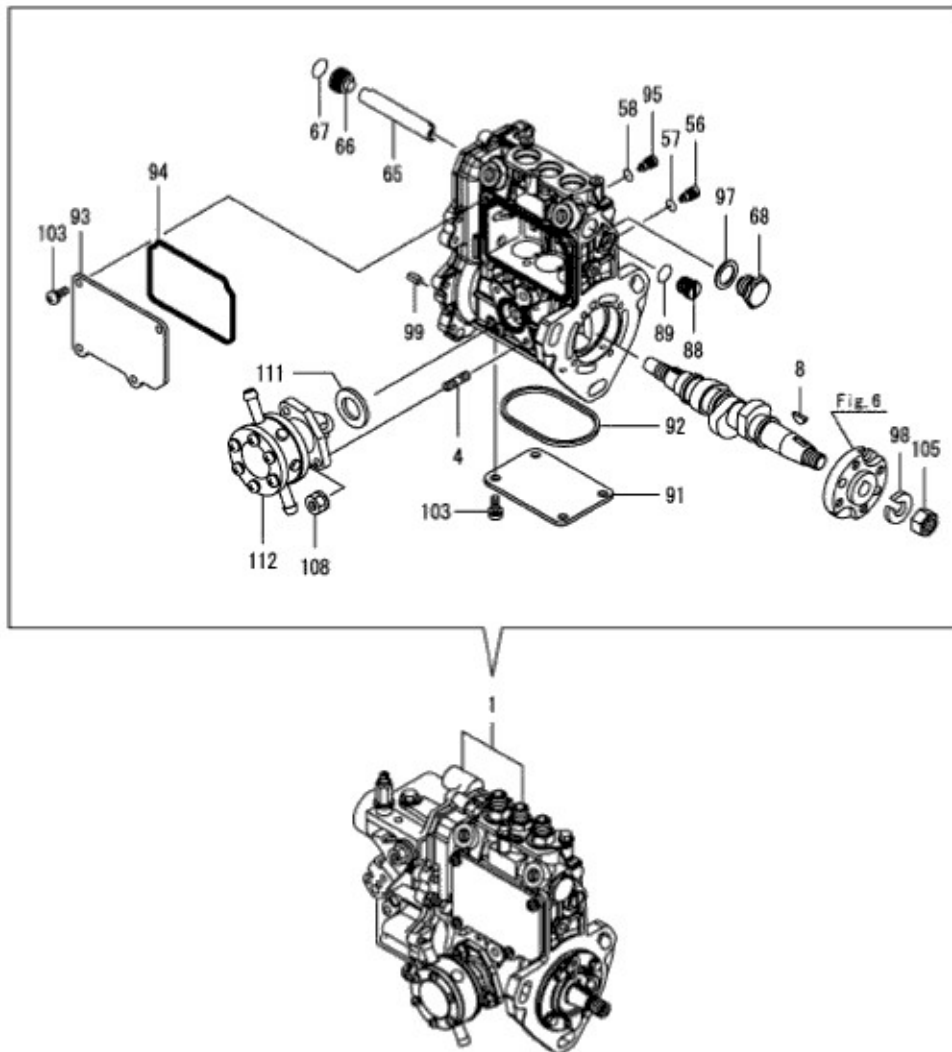
FIG

T25NH-B

FUEL INJECTION PUMP

년/월
Year/Month

2021-12



NOTE

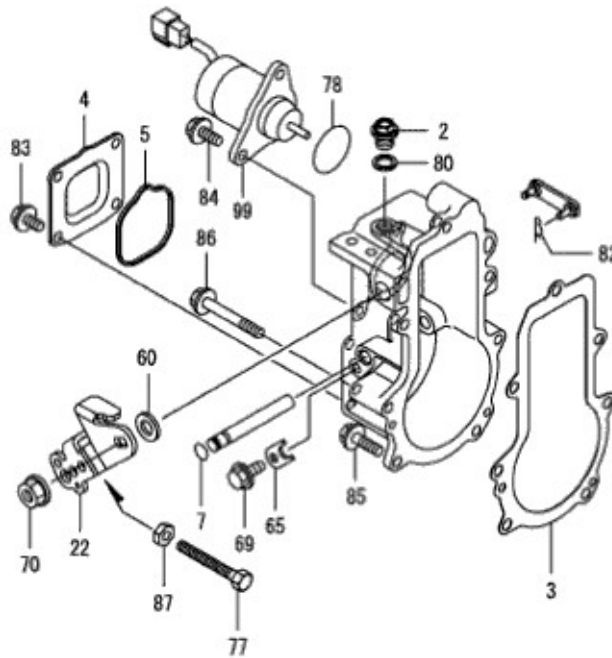
FIG

T25NH-B

GOVERNOR

년/월
Year/Month

2021-12



NOTE

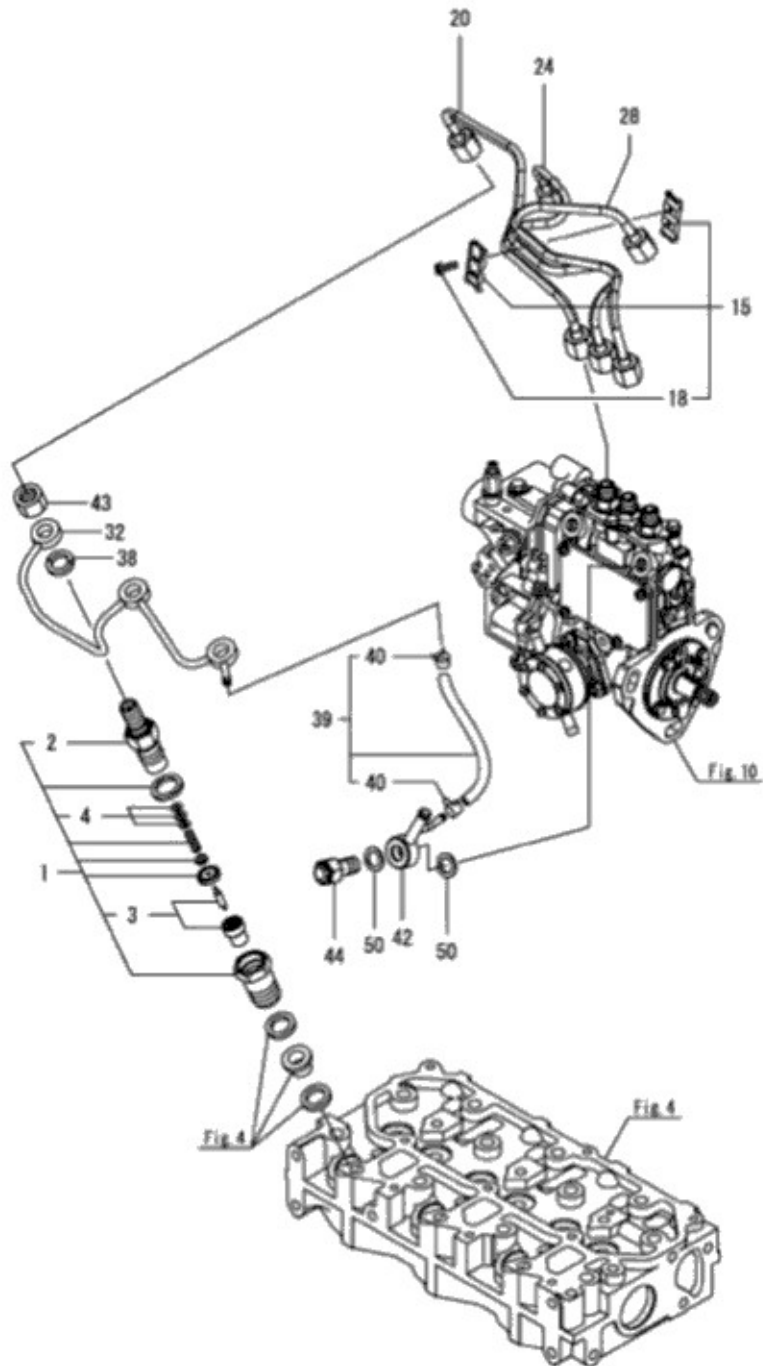
FIG

T25NH-B

FUEL INJECTION VALVE

년/월
Year/Month

2021-12



NOTE

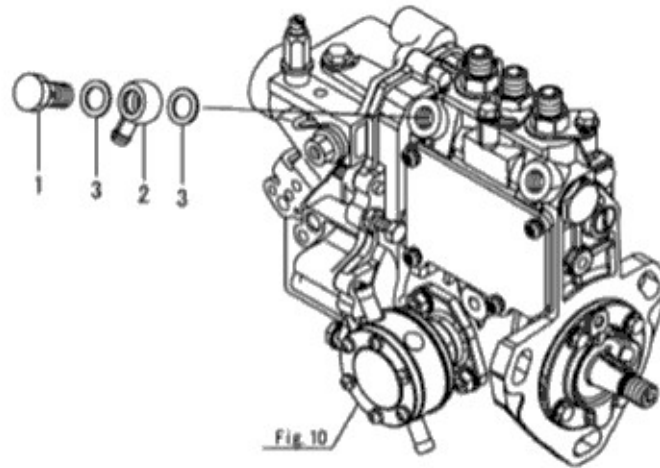
FIG

T25NH-B

FUEL FILTER

년/월
Year/Month

2021-12



NOTE

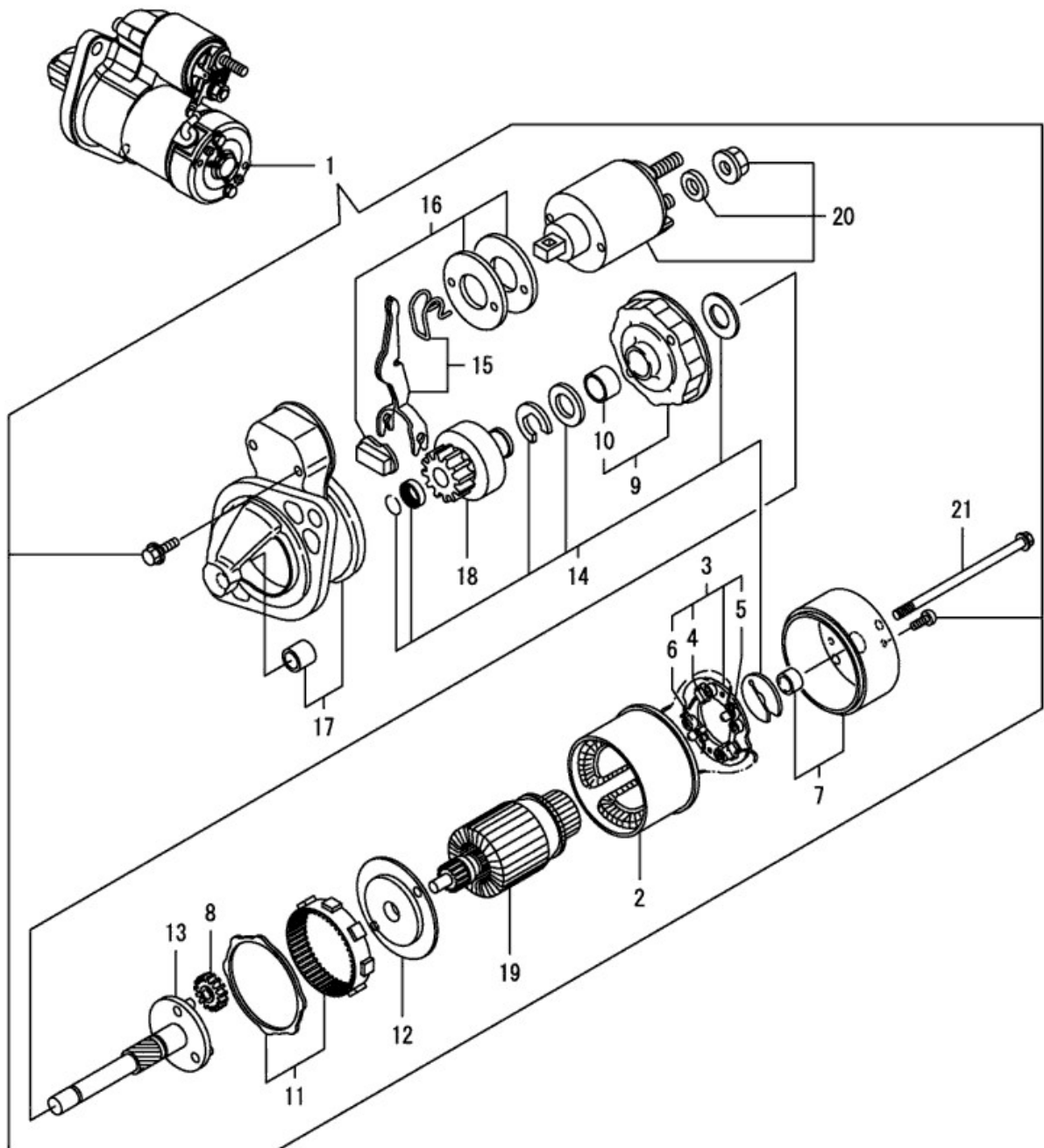
FIG

T25NH-B

STARTING MOTOR

년/월
Year/Month

2021-12



NOTE

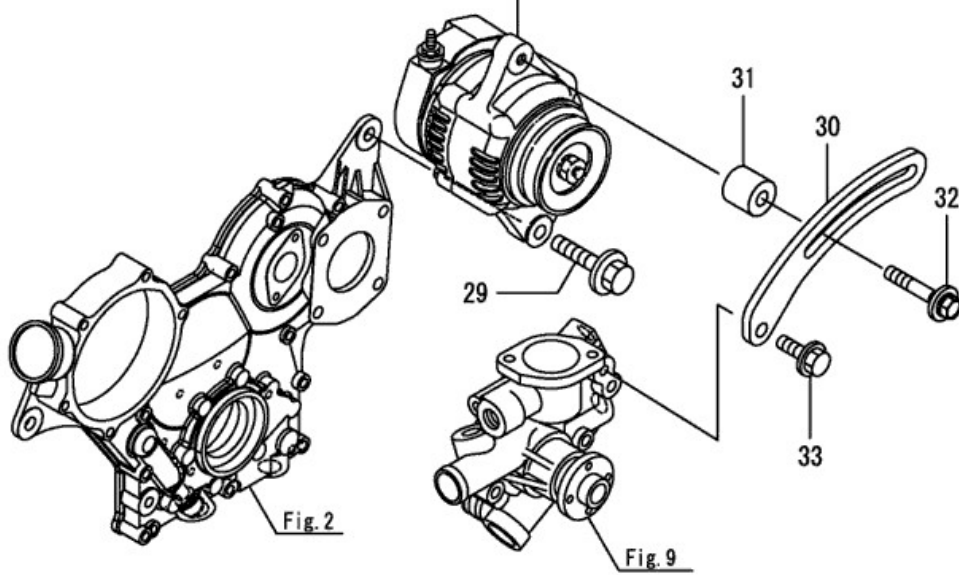
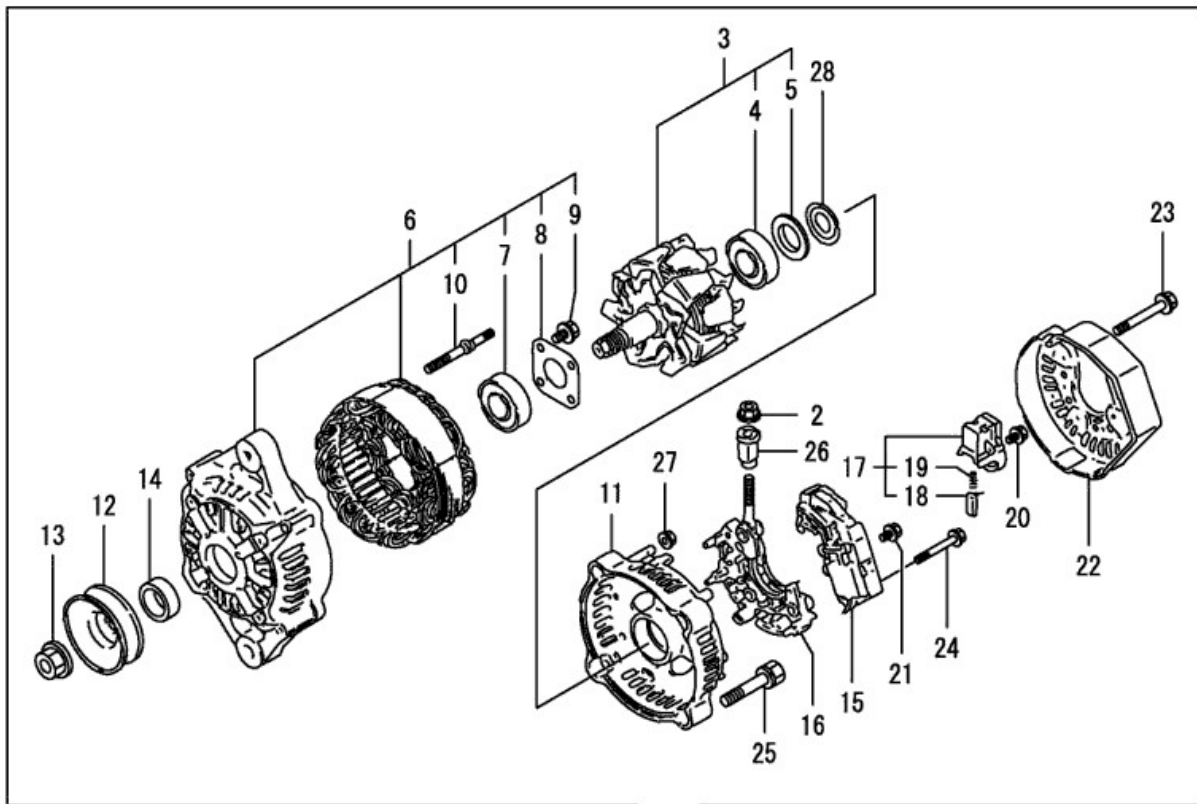
FIG

GENERATOR

년/월
Year/Month

T25NH-B

2021-12



NOTE

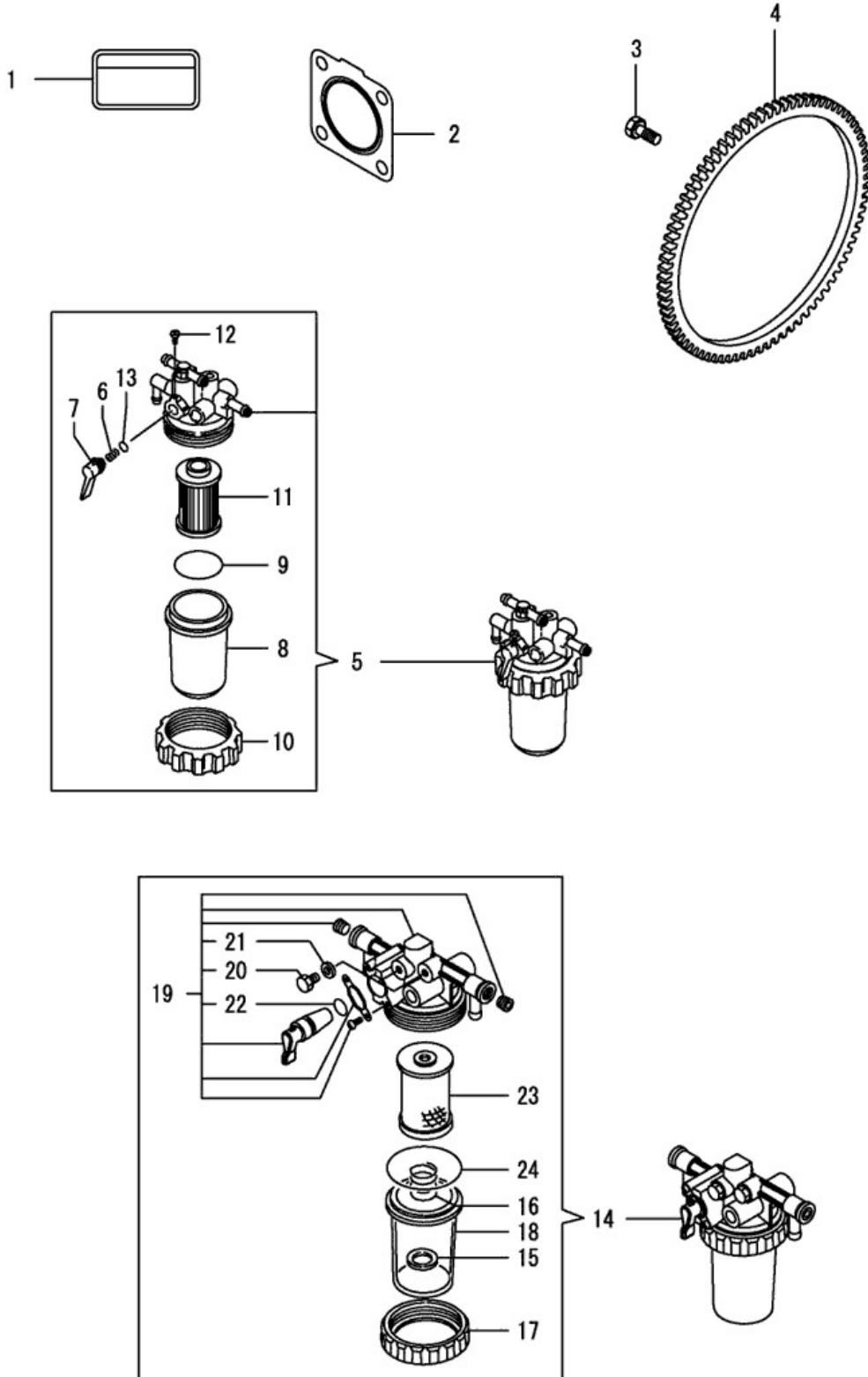
FIG

T25NH-B

ACCESSORY

년/월
Year/Month

2021-12



NOTE

2. Engine Accessories PART NO. T2

FIG AIR CLEANER	46
FIG RADIATOR	48
FIG MUFFLER	50
FIG FUEL TANK & FUEL LINE	52
FIG ACCELERATOR	54
FIG OIL COOLER	56

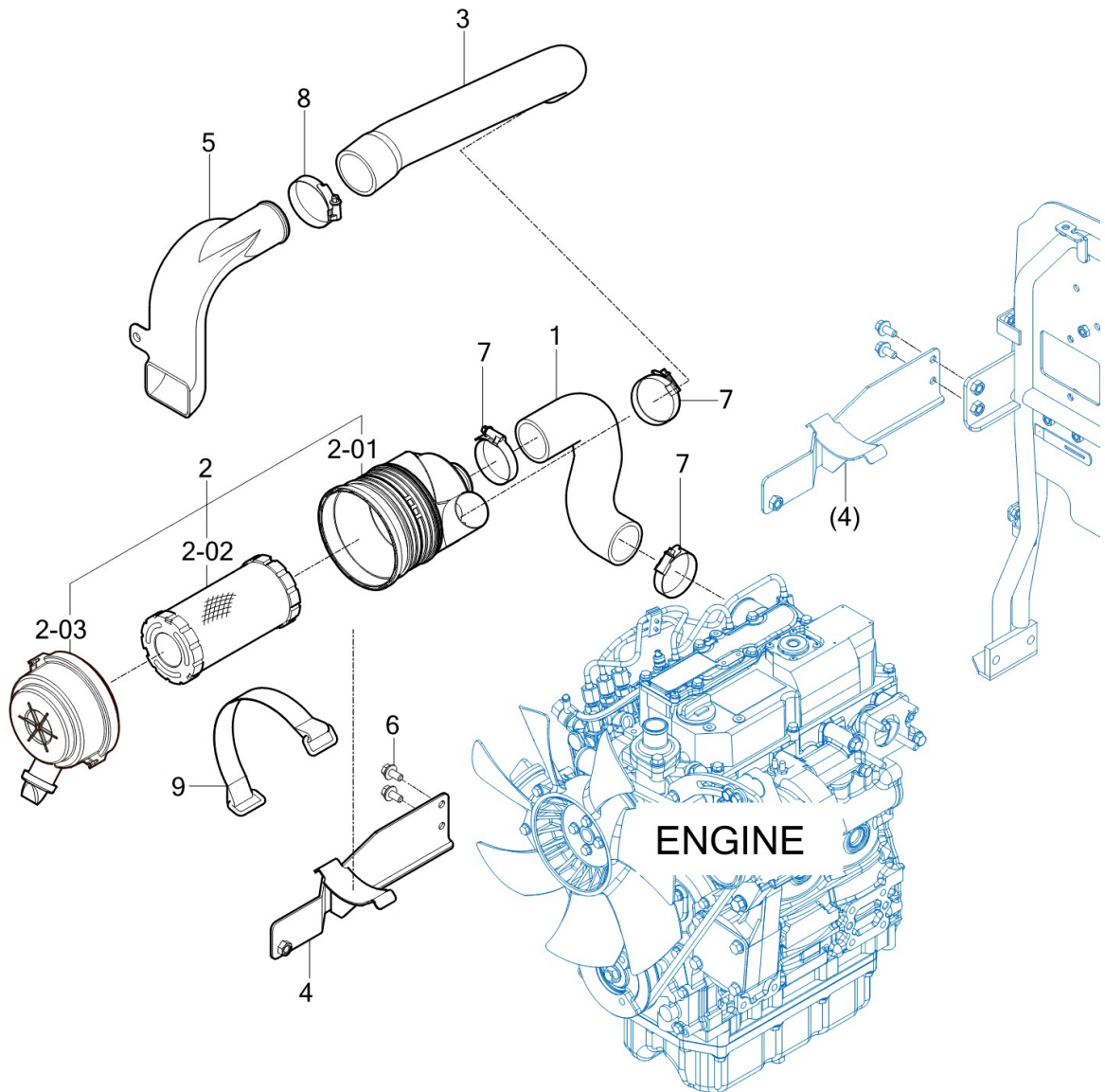
FIG

AIR CLEANER

년/월
Year/Month

T25NH-B

2021-12



NOTE

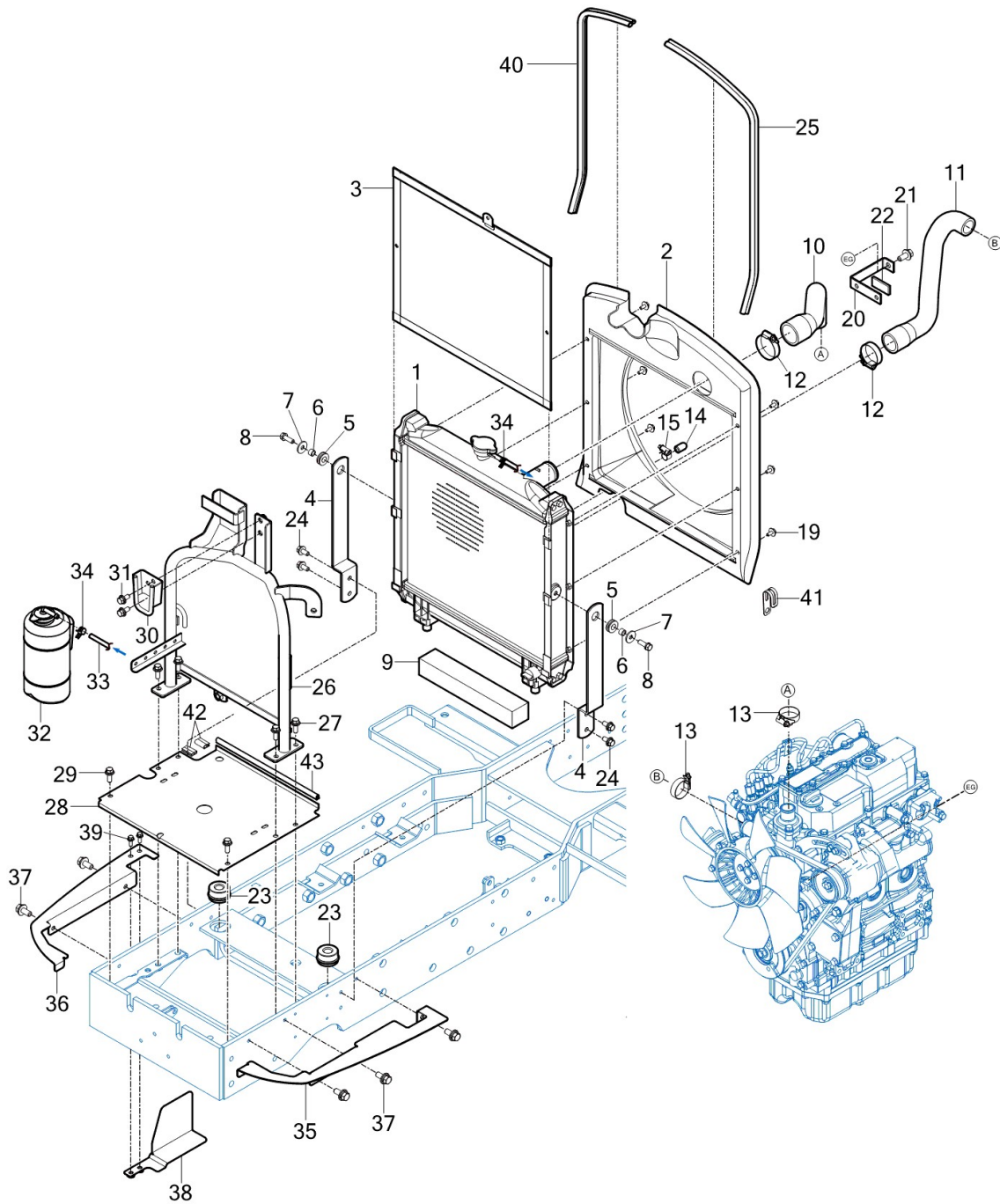
FIG

T25NH-B

RADIATOR

년/월
Year/Month

2021-12



NOTE

FIG		RADIATOR					년/월 Year/Month	
T25NH-B							2021-12	
KEY NO	PART NO	DESCRIPTION	SPEC	QTY	REPAIR	EFFECTIVE DATE	REMARKS	
1	13151043000	RADIATOR COMP		1				
2	11811521300	SHROUD		1				
3	13151042302GB	RADIATOR NET COMP		1				
4	13151040031GB	PLATE , RADIATOR FIX		2				
5	14046210300	GROMMET		2				
6	15991040050	COLLAR , 08X12X08		2				
7	35602010150	WASHER , BIND SHAFT		2				
8	V2173608025	BOLT , HEX/S		2				
9	11811030500	INSULATOR , RADIATOR		1				
10	11971511100	HOSE , RADIATOR INLET		1				
11	11971511200	HOSE , RADIATOR OUTLET		1				
12	18027090500	BAND CLAMP 50 EMBO TYPE		2				
13	18027090400	BAND CLAMP 40 EMBO TYPE		2				
14	12651040300	CAP , RADIATOR		1				
15	18027090160	BAND CLAMP 16 EMBO TYPE		1				
19	V2193606016	BOLT , HEX/SPL		6				
20	11111040120GB	BRACKET , RD HOSE FIX		1				
21	V2183610025	BOLT , HEX/SP		1				
22	11101032400	SPONGE , AIRCLEANER		1				
23	13151040040	CUSHION , RADIATOR		2				
24	V2183608020	BOLT , HEX/SP		4				
25	11811512300	INSULATOR , RH/SHROUD		1				
26	11811021100GB	FRAME COMP , FRONT		1				
27	V2183608025	BOLT , HEX/SP		4				
28	11811811210GB	BASE PLATE		1				
29	V2183608016	BOLT , HEX/SP		2				
30	36753302201GB	HOLDER COMP , TANK/RESERVE		1				
31	V2183608020	BOLT , HEX/SP		2				
32	16003302101	TANK ASSY , RESERVE		1				
33	11811513100	HOSE , 470/RESERVOIR TANK		1				
34	36423600080	CLIP , HOSE D=12.5		2				
35	11811811310GB	BASE PLATE , LH		1				
36	11811811410GB	BASE PLATE , RH		1				
37	V2183608016	BOLT , HEX/SP		5				
38	11811811600GB	BRACKET COMP , RH/WIND GUIDE		1				
39	V2123606016	BOLT , HEX /SP		2				
40	11811512400	INSULATOR , LH/SHROUD		1				
41	37371720090	CLAMP , W/HARNESS		1				
42	16991600090	PROTECTOR , 70		1				
42	12626010200	INSULATOR , SIDE COVER/LOWER		2				
42	11811811700	WEATHER STRIP , E40		2				
43	16997021960	INSULATOR , 32		1				
43	17136040050	INSULATOR , SUPPORT		1				
NOTE								

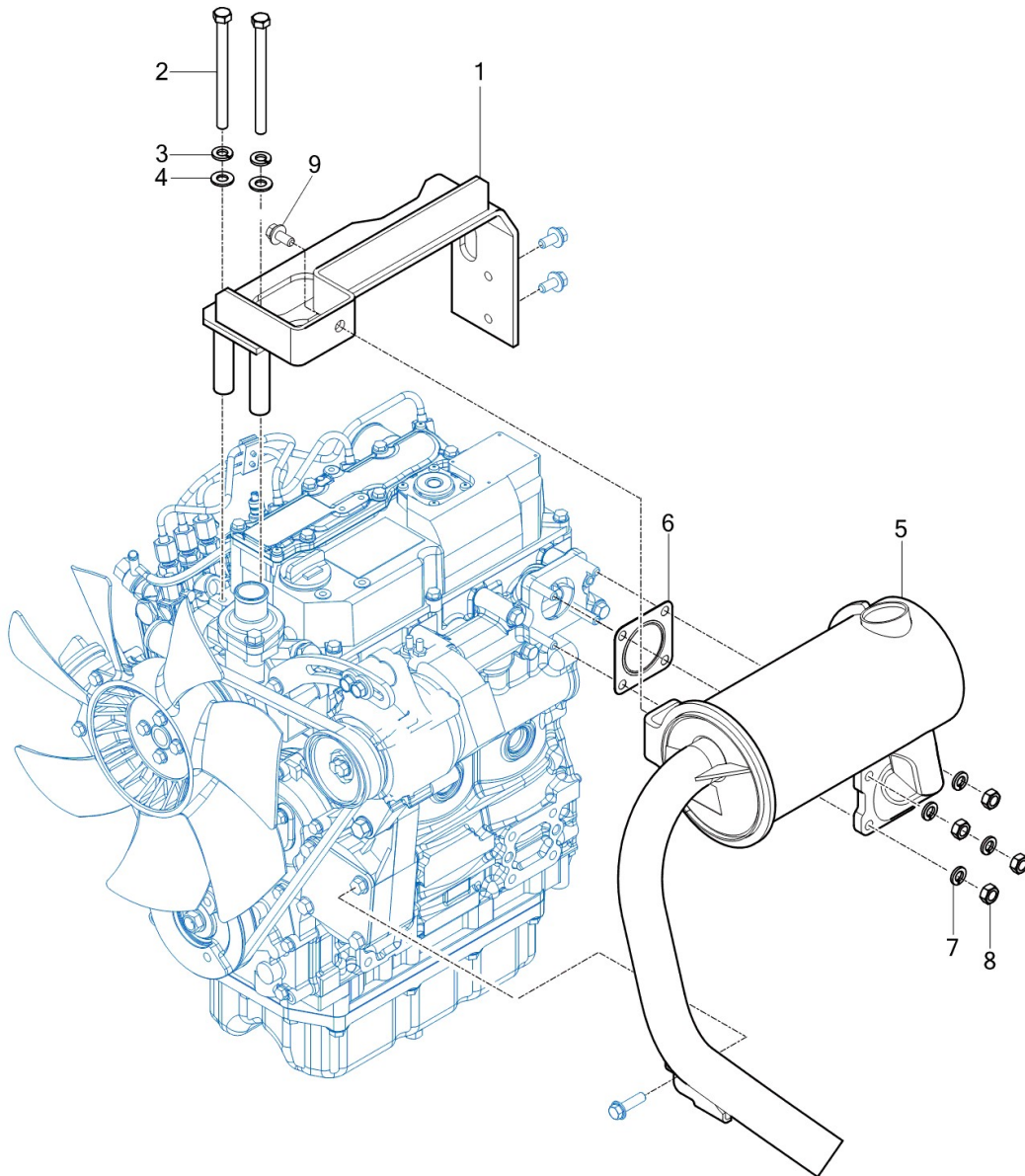
FIG

T25NH-B

MUFFLER

년/월
Year/Month

2021-12



NOTE

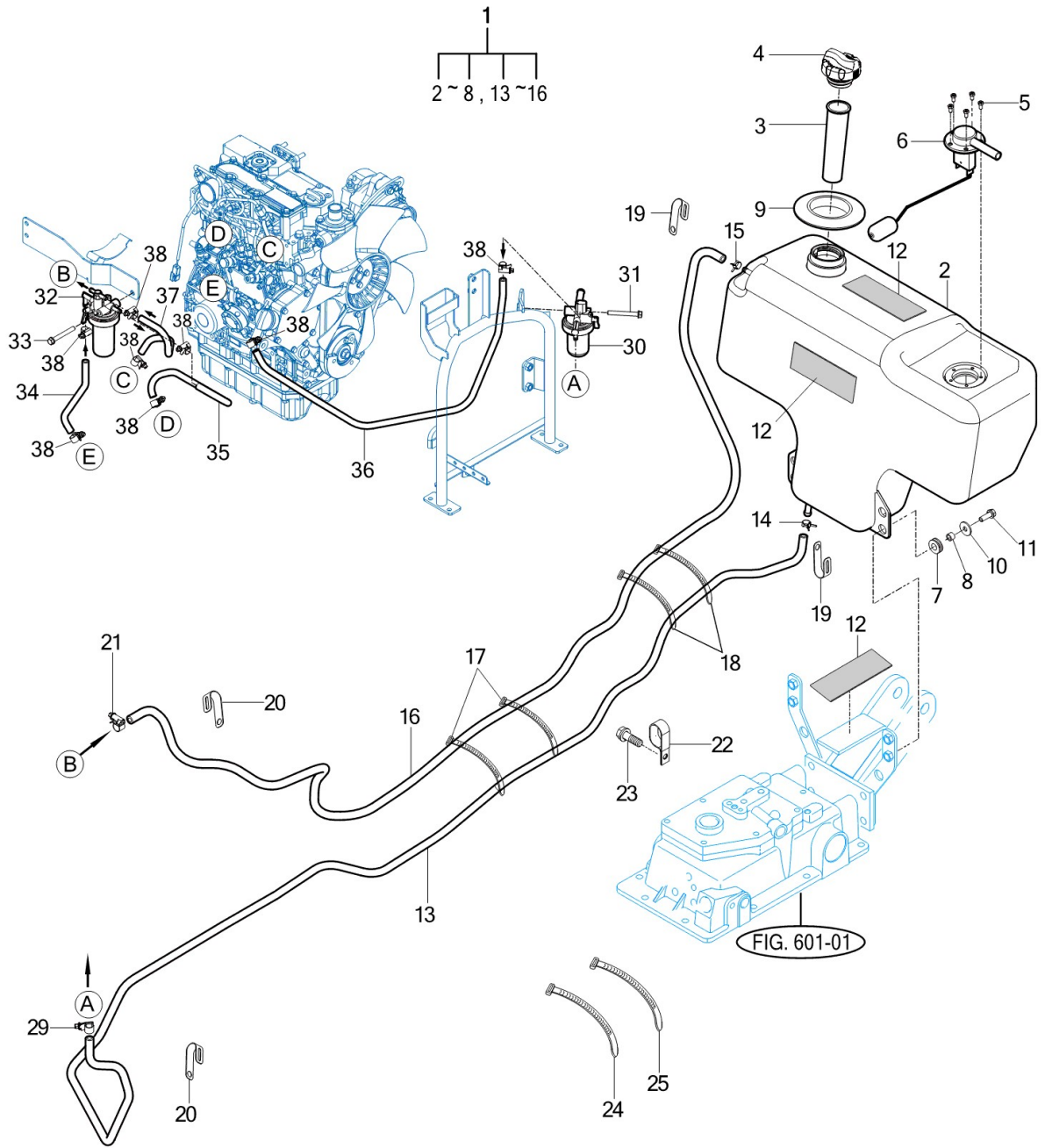
FIG

T25NH-B

FUEL TANK & FUEL LINE

년/월
Year/Month

2021-12



NOTE

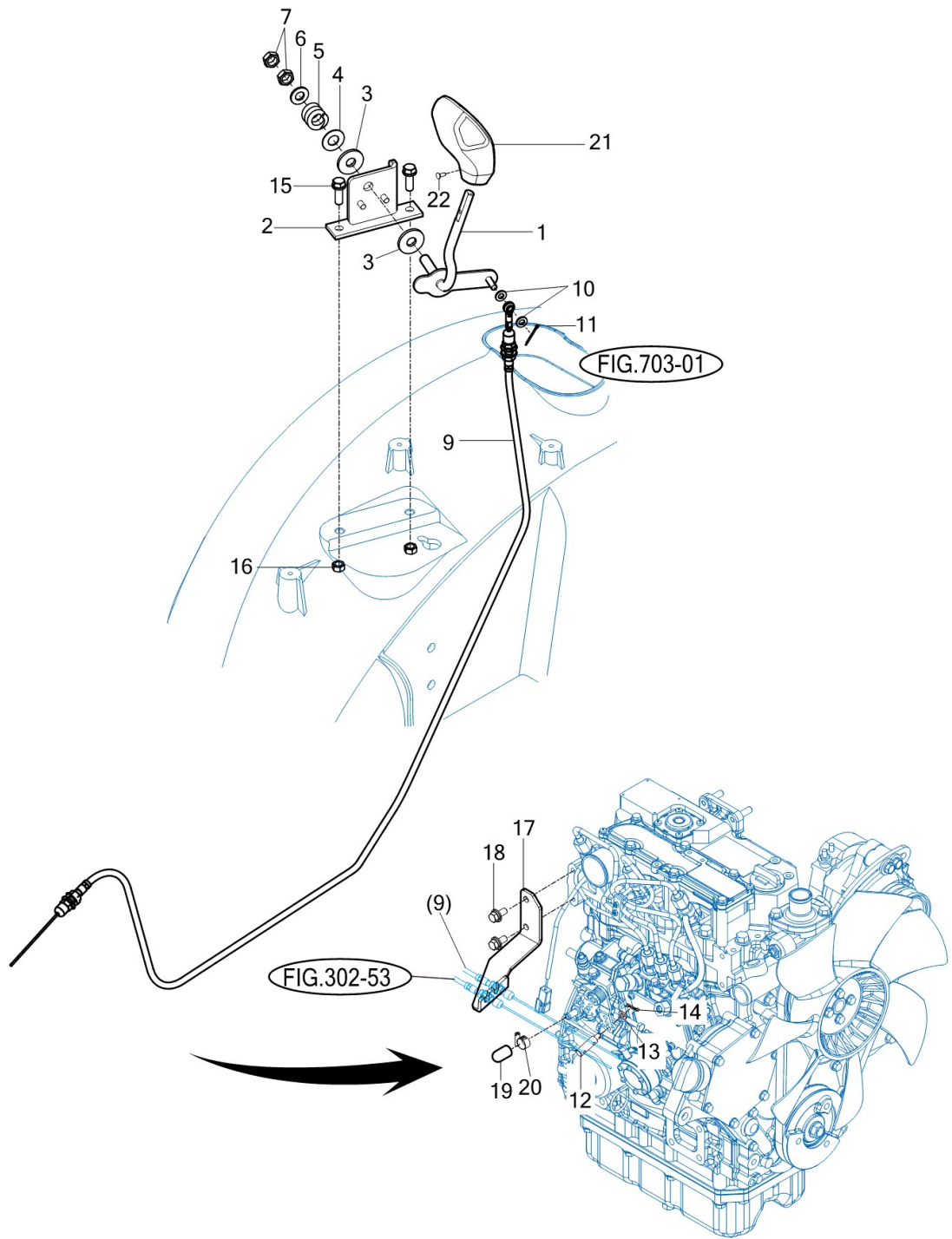
FIG

T25NH-B

ACCELERATOR

년/월
Year/Month

2021-12



NOTE

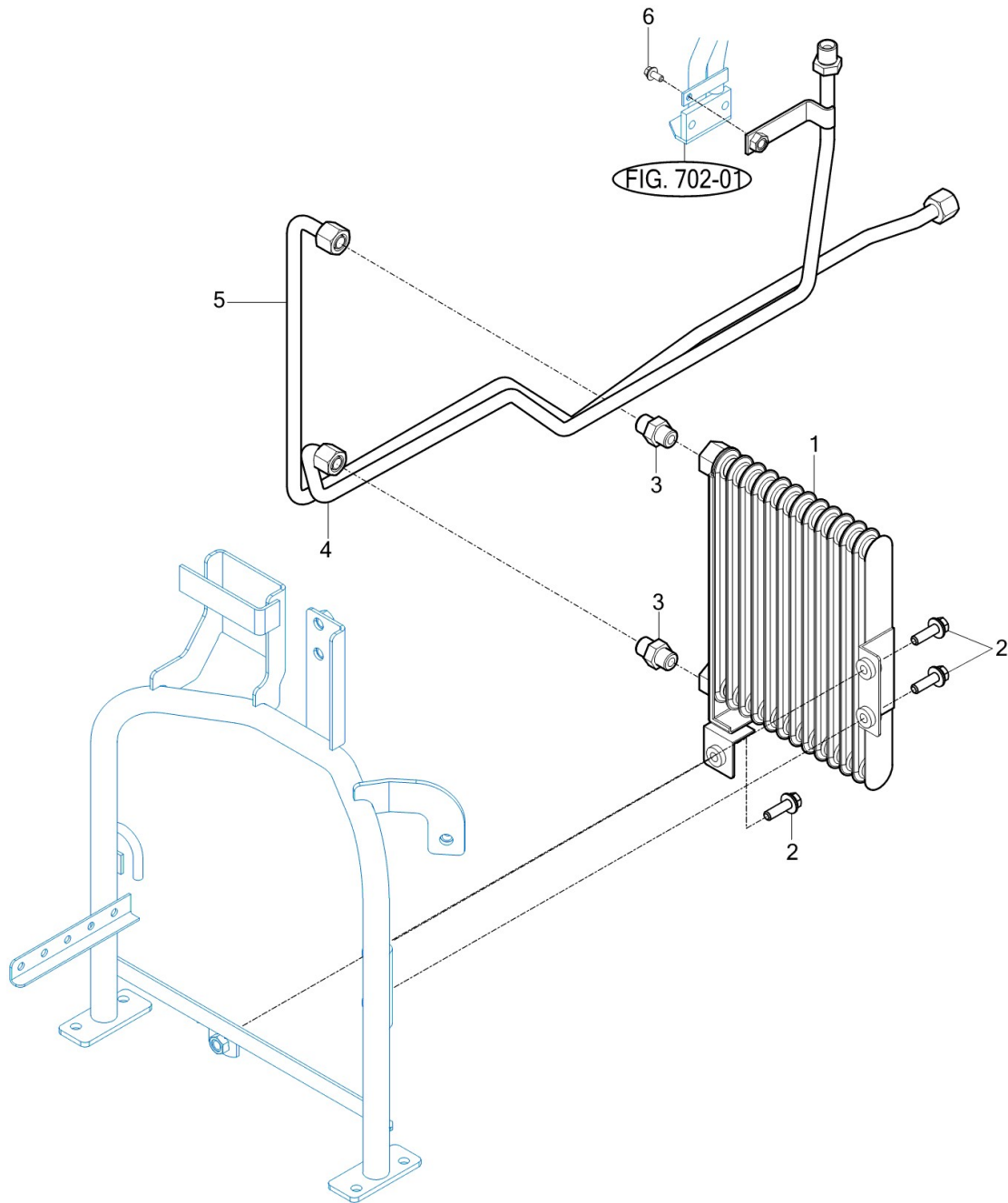
FIG

T25NH-B

OIL COOLER

년/월
Year/Month

2021-12



NOTE

3. Clutch/Brake/Steering PART NO. T3

FIG FLYWHEEL COVER	59
FIG SPEED CONTROL	61
FIG BRAKE	64
FIG BRAKE PEDAL & LINKAGE	66
FIG STEERING WHEEL & DASH COVER	68
FIG STEERING VALVE	70
FIG STEERING CYLINDER	72
FIG FRONT WHEEL	74
FIG REAR WHEEL	76

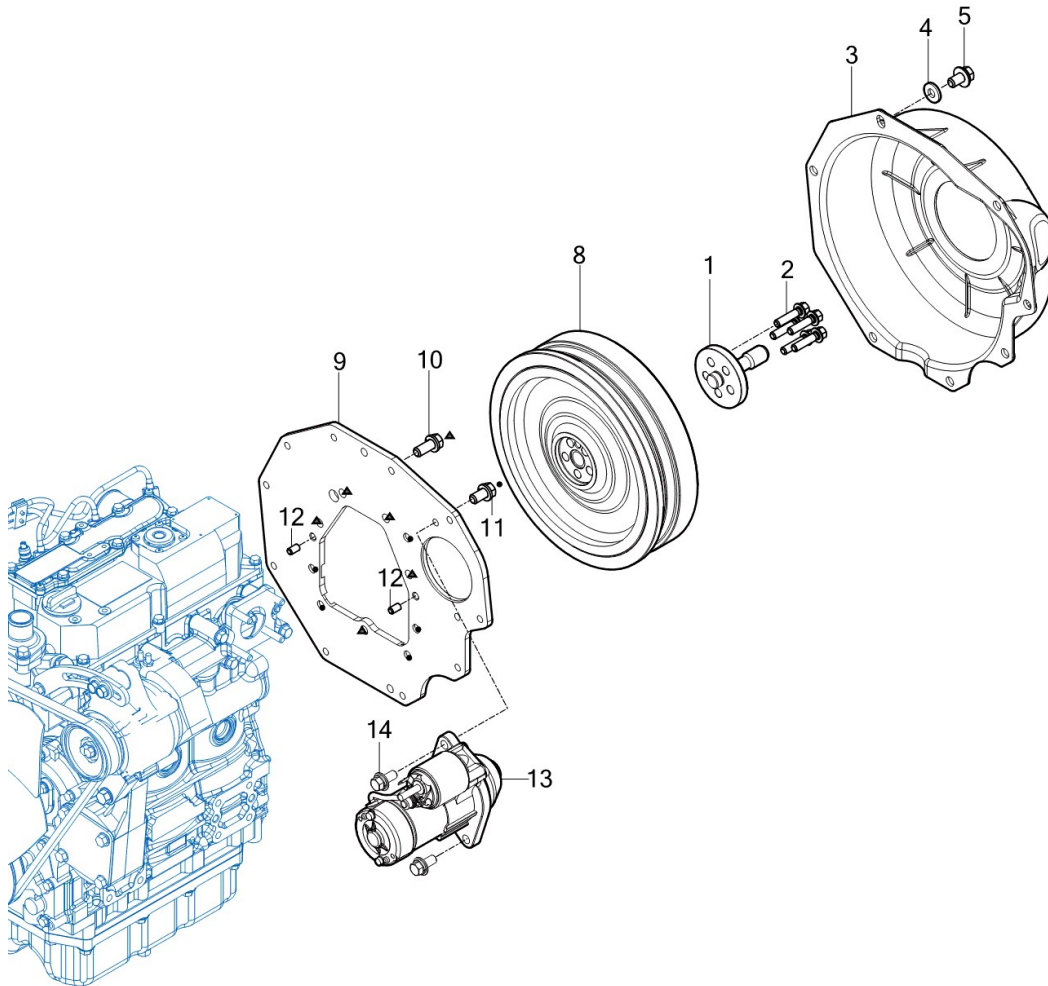
FIG

T25NH-B

FLYWHEEL COVER

년/월
Year/Month

2021-12



NOTE

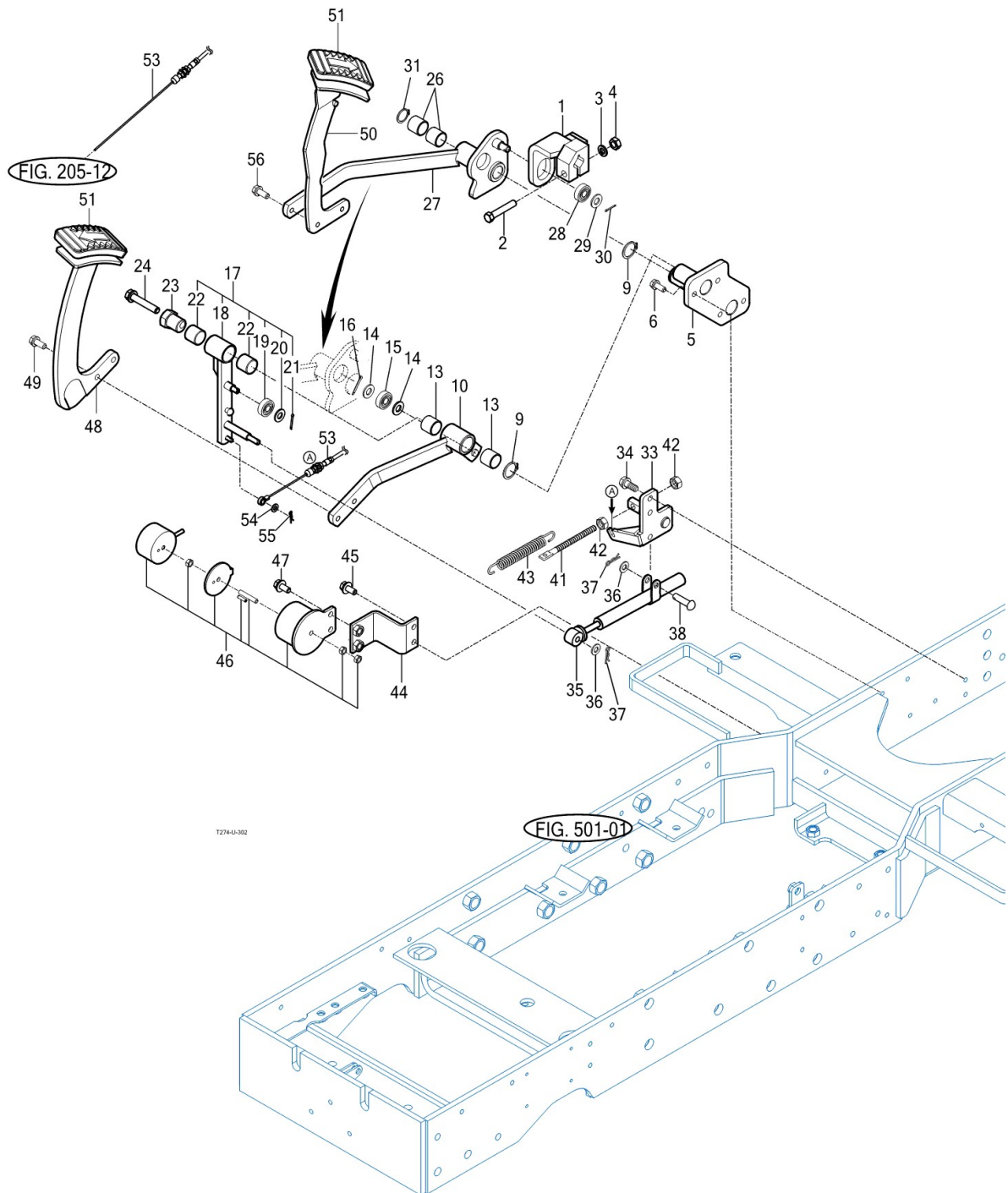
FIG

T25NH-B

SPEED CONTROL

년/월
Year/Month

2021-12



NOTE

FIG T25NH-B		SPEED CONTROL					년/월 Year/Month	
							2021-12	
KEY NO	PART NO	DESCRIPTION	SPEC	QTY	REPAIR	EFFECTIVE DATE	REMARKS	
1	11972322100	HOLDER COMP		1				
2	V2013610055	BOLT , HEX	M10X55	1				
3	V4011600100	WASHER , SPRING	M10	1				
4	V3042600100	NUT , HEX/2	M10	1				
5	11972322200GB	PIN COMP		1				
6	V2173608020	BOLT , HEX/S	M8X20	4				
9	V7041400200	C-RING , SHAFT	20	2				
10	11972323200GB	ARM COMP , FORWARD		1				
13	11972320030	DU BUSH , 25X28X20		2				
14	V4111600100	WASHER , PLAIN	M10	2				
15	V6001506000	BEARING , BALL	6000DD	1				
16	V5001920015	PIN , SPLIT	2X15	1				
17	11972324000	CAM SUB ASSY		1				
18	11972324100GB	ARM COMP , CAM		1				
19	14722310060	BEARING , BALL		1				
20	V4111600080	WASHER , PLAIN	M8	1				
21	V5001920015	PIN , SPLIT	2x15	1				
22	11972320030	DU BUSH , 25X28X20		2				
23	11972320020	PIN , NEUTRAL		1				
24	V2143610080	BOLT , HEX FINE /S	M10X50	1				
26	11972320040	DU BUSH , 25X28X30		2				
27	11972322300GB	ARM COMP, REVERSE		1				
28	V6001506000	BEARING , BALL	6000DD	1				
29	V4111600100	WASHER , PLAIN	M10	1				
30	V5001920015	PIN , SPLIT	2X15	1				
31	V7041400250	C-RING , SHAFT		1				
33	11972325100GB	PIN COMP , SPRING		1				
34	V2173608025	BOLT , HEX/S	M8X25	2				
35	13152312400	DAMPER , OIL		1				
36	V4111600080	WASHER , PLAIN	M8	4				
37	V5601600008	PIN , SNAP	8	4				
38	14043120060	PIN , YOKE		1				
41	34522150080	ROD , CHAIN(TENSION)(82)		1				
42	V3043600080	NUT , HEX/2	M8	2				
43	14722310033	SPRING , RETURN		1				
44	13152332103GB	BRACKET COMP , CRUISE		1				
45	V2173608020	BOLT , HEX/S	M8X20	2				
46	12382323000	MAGNETIC ASSY , CRUISE		1				
47	V2173608020	BOLT , HEX/S	M8X20	2				
48	13152323303	PEDAL COMP, FORWARD		1				
49	V2173608020	BOLT , HEX/S	M8X20	4				
49	V2173608020	BOLT , HEX/S		2				
50	11972322400GB	PEDAL COMP, REVERSE		1				
51	14722312730	PAD		2				
53	11971162000	CABLE ASSY , AUTO THROTTLE		1				
NOTE								

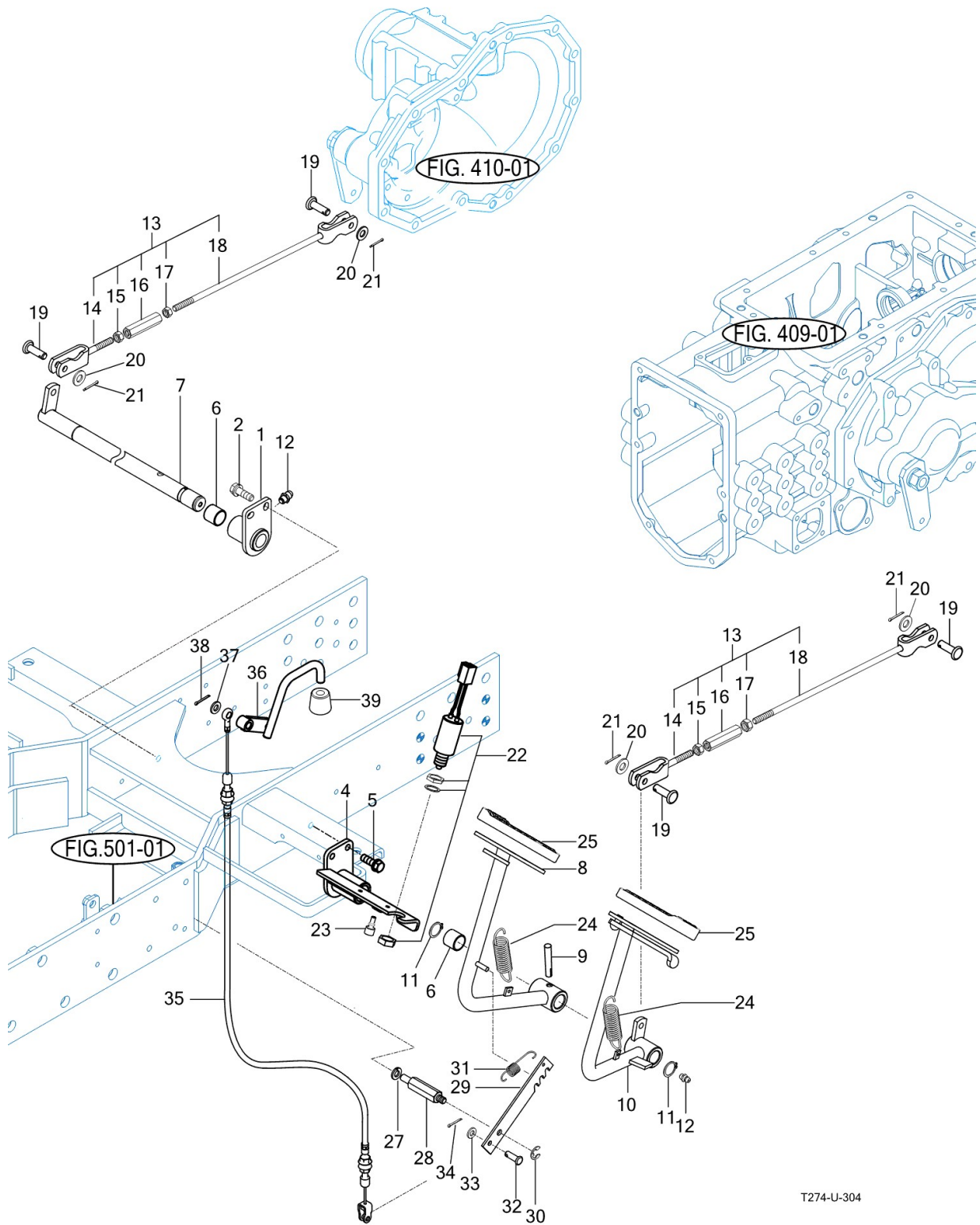
FIG

BRAKE PEDAL & LINKAGE

년/월
Year/Month

T25NH-B

2021-12



T274-U-304

NOTE

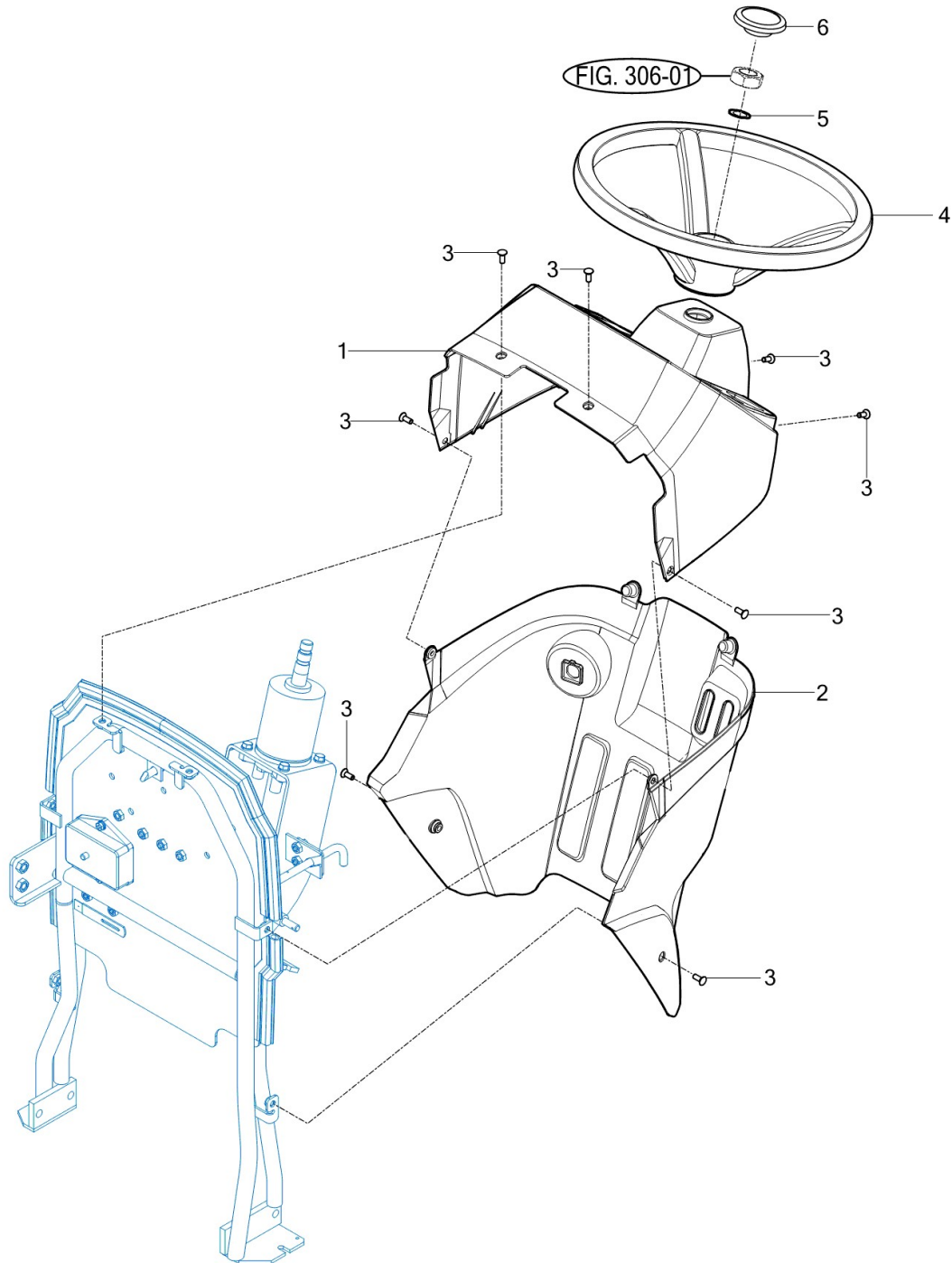
FIG

T25NH-B

STEERING WHEEL & DASH COVER

년/월
Year/Month

2021-12



NOTE

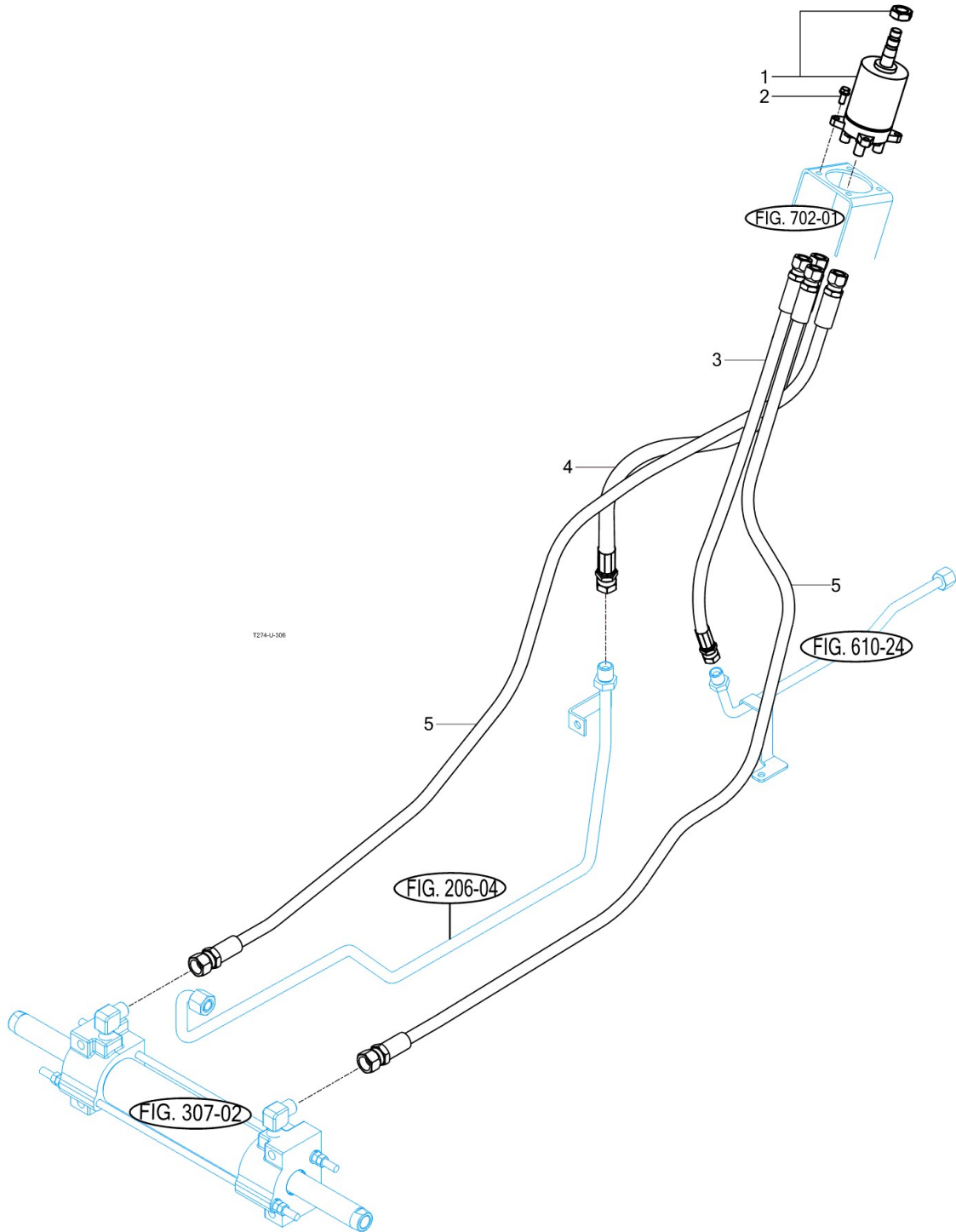
FIG

T25NH-B

STEERING VALVE

년/월
Year/Month

2021-12



NOTE

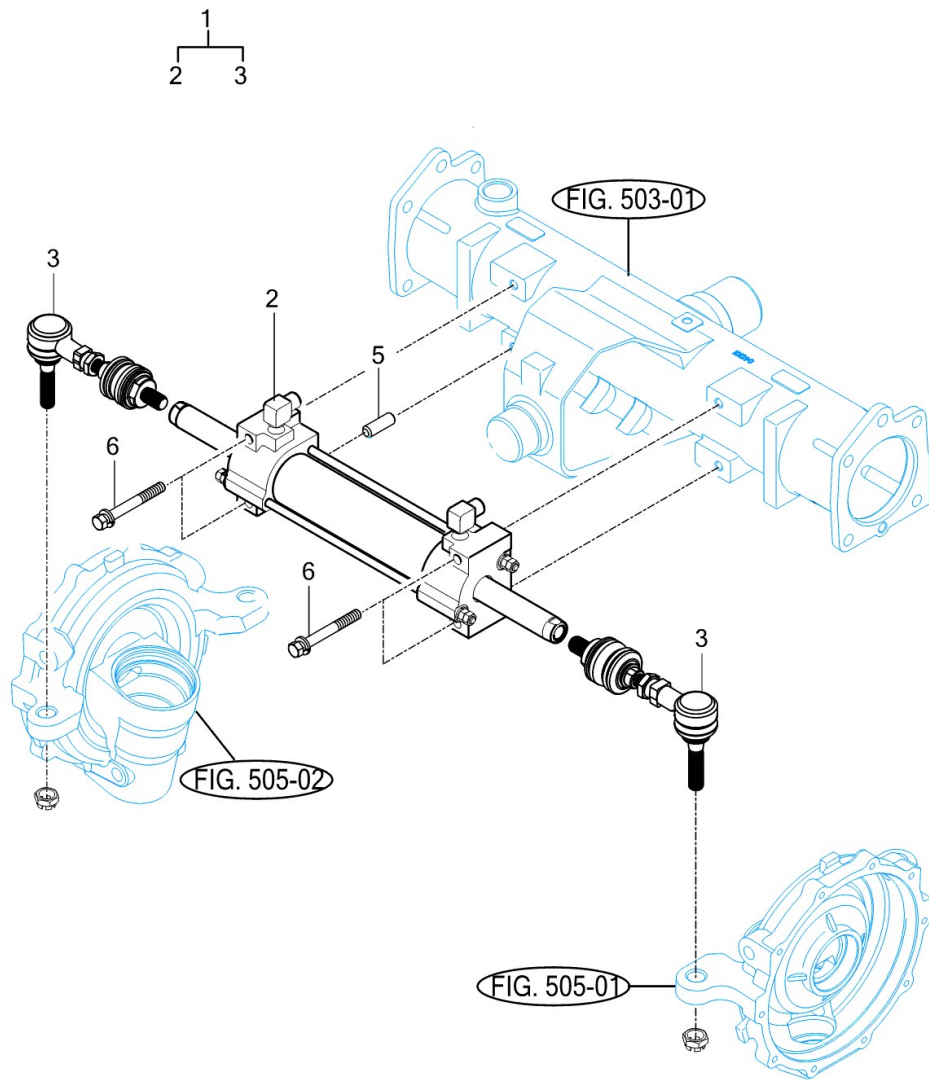
FIG

T25NH-B

STEERING CYLINDER

년/월
Year/Month

2021-12



NOTE

FIG T25NH-B		STEERING CYLINDER					년/월 Year/Month	REMARKS
							2021-12	
KEY NO	PART NO	DESCRIPTION	SPEC	QTY	REPAIR	EFFECTIVE DATE	REMARKS	
	1	13154055005	CYLINDER ASSY			1		
	2	13154055106	CYLINDER ASSY			1		
	3	13154055204	JOINT SET , BALL			2		
	5	V5201010020	PIN , PARALLEL/A	10X20		1		
	6	V2173610075	BOLT , HEX /S	M10X75		4		
NOTE								

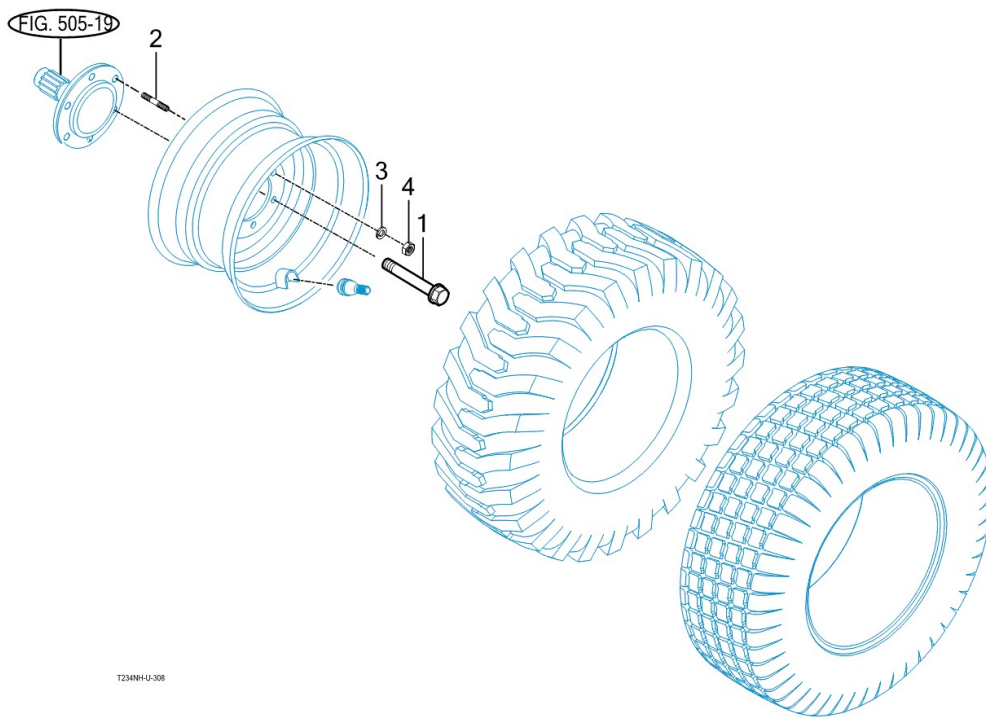
FIG

T25NH-B

FRONT WHEEL

년/월
Year/Month

2021-12



T25NH-UJ-308

NOTE

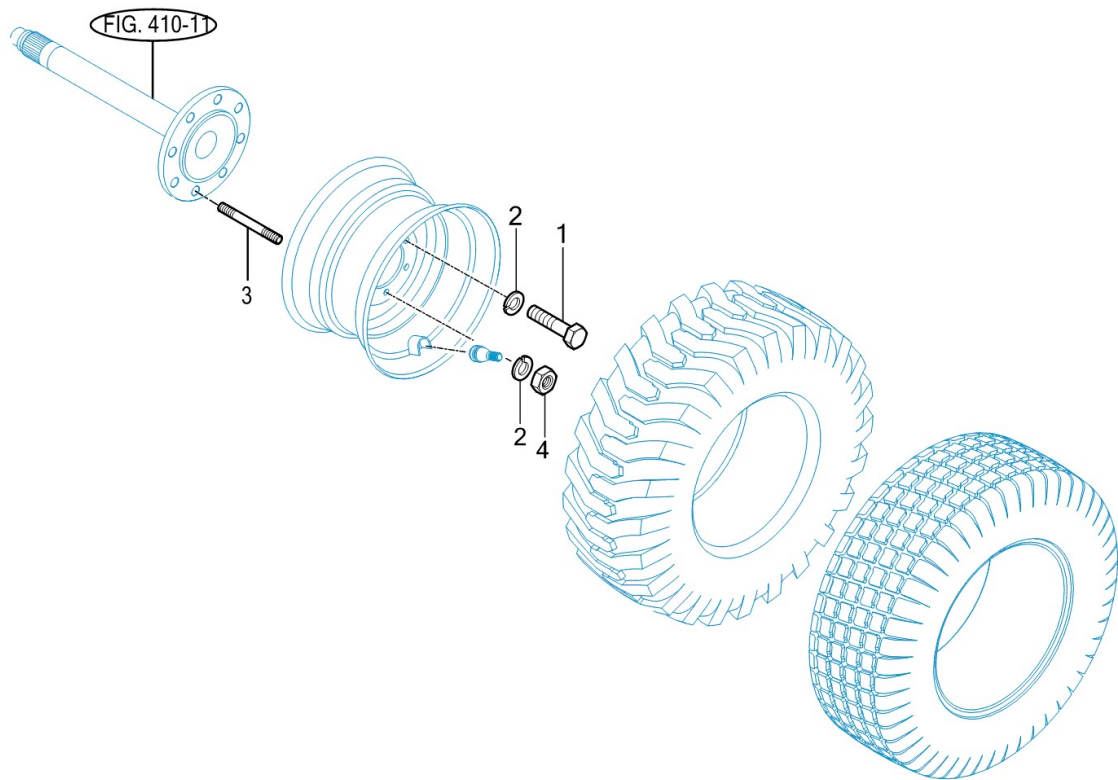
FIG

T25NH-B

REAR WHEEL

년/월
Year/Month

2021-12



NOTE

4. Transmission PART NO. T4

FIG INPUT SHAFT	79
FIG HST	81
FIG 4WD DRIVE GEAR	83
FIG RANGE GEARS	85
FIG P.T.O DRIVE SHAFT	87
FIG P.T.O SHAFT	89
FIG DIFF LOCK	91
FIG REAR TRANSMISSION CASE	93
FIG REAR AXLE HOUSINGS	95
FIG RANGE SHIFT LEVER	97
FIG P.T.O CHANGE LEVER	99
FIG 4WD CHANGE LEVER	101

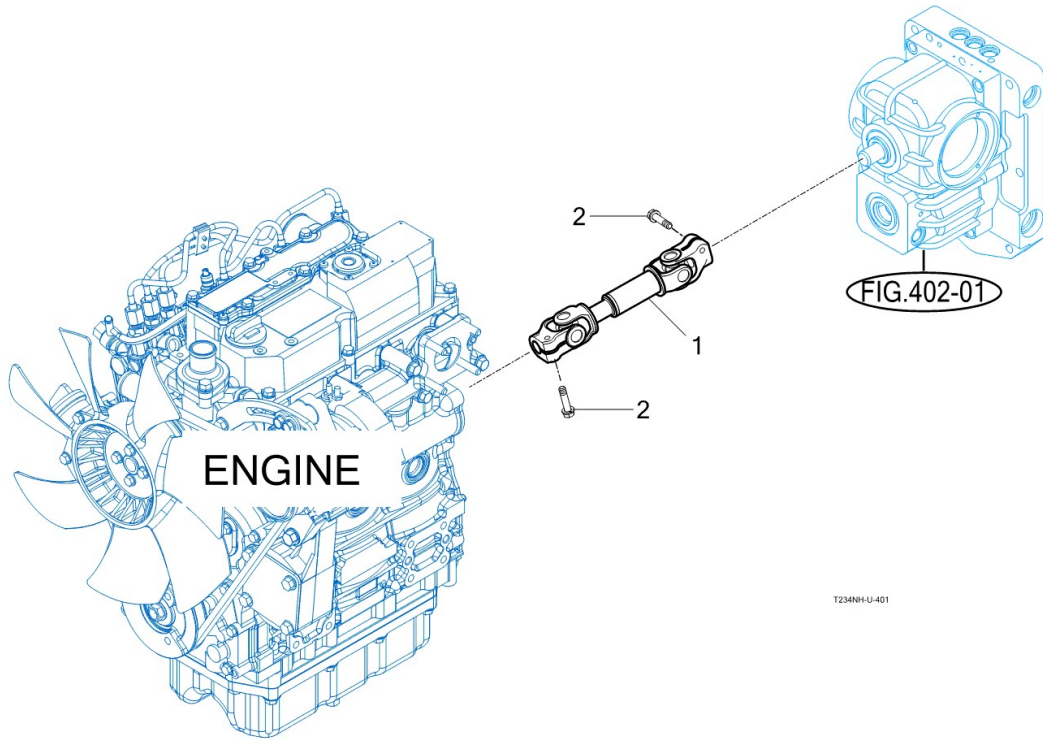
FIG

T25NH-B

INPUT SHAFT

년/월
Year/Month

2021-12



NOTE

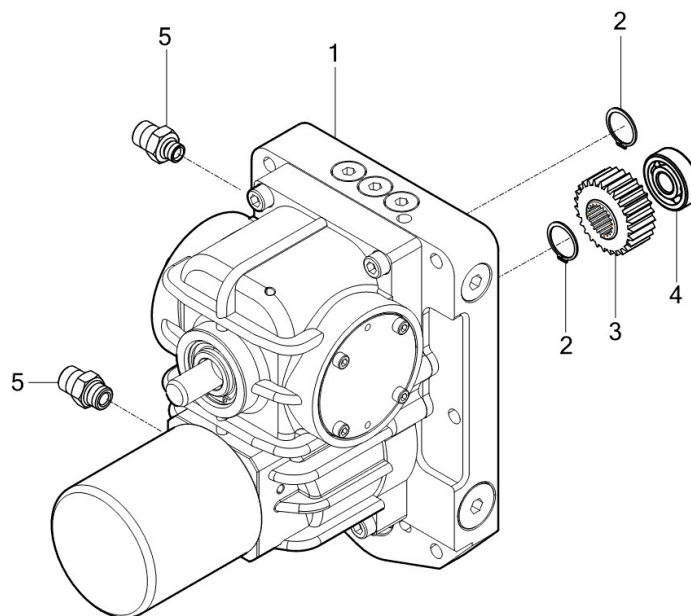
FIG

T25NH-B

HST

년/월
Year/Month

2021-12



NOTE

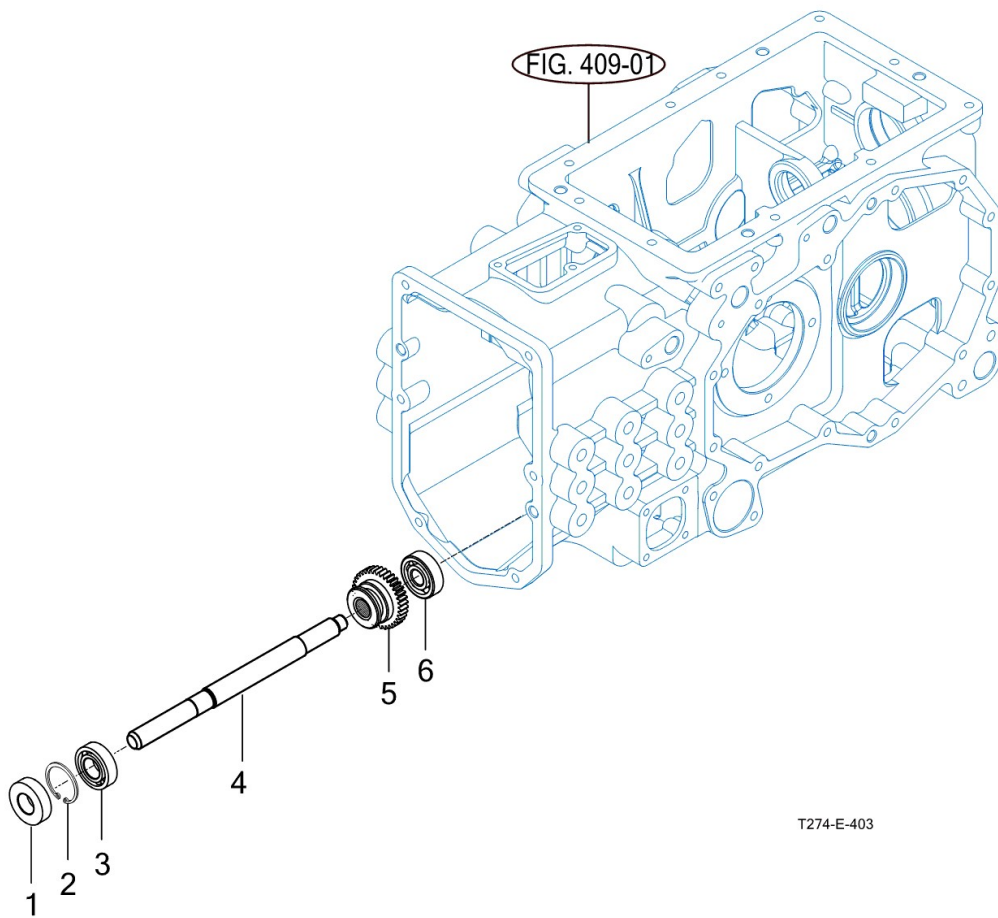
FIG

T25NH-B

4WD DRIVE GEAR

년/월
Year/Month

2021-12



T274-E-403

NOTE

FIG		4WD DRIVE GEAR						년/월	REMARKS
								Year/Month	
T25NH-B								2021-12	
KEY NO	PART NO	DESCRIPTION	SPEC	QTY	REPAIR	EFFECTIVE DATE			
1	V7441204208	SEAL , OIL/D	D20428	1					
2	V7051400420	C-RING , HOLE	42	1					
3	V6001106004	BEARING , BALL	6004	1					
4	13182610010	SHAFT , 4WD		1					
5	13152610021	GEAR , SPUR 16T		1					
6	V6001106302	BEARING , BALL	6302	1					
NOTE									

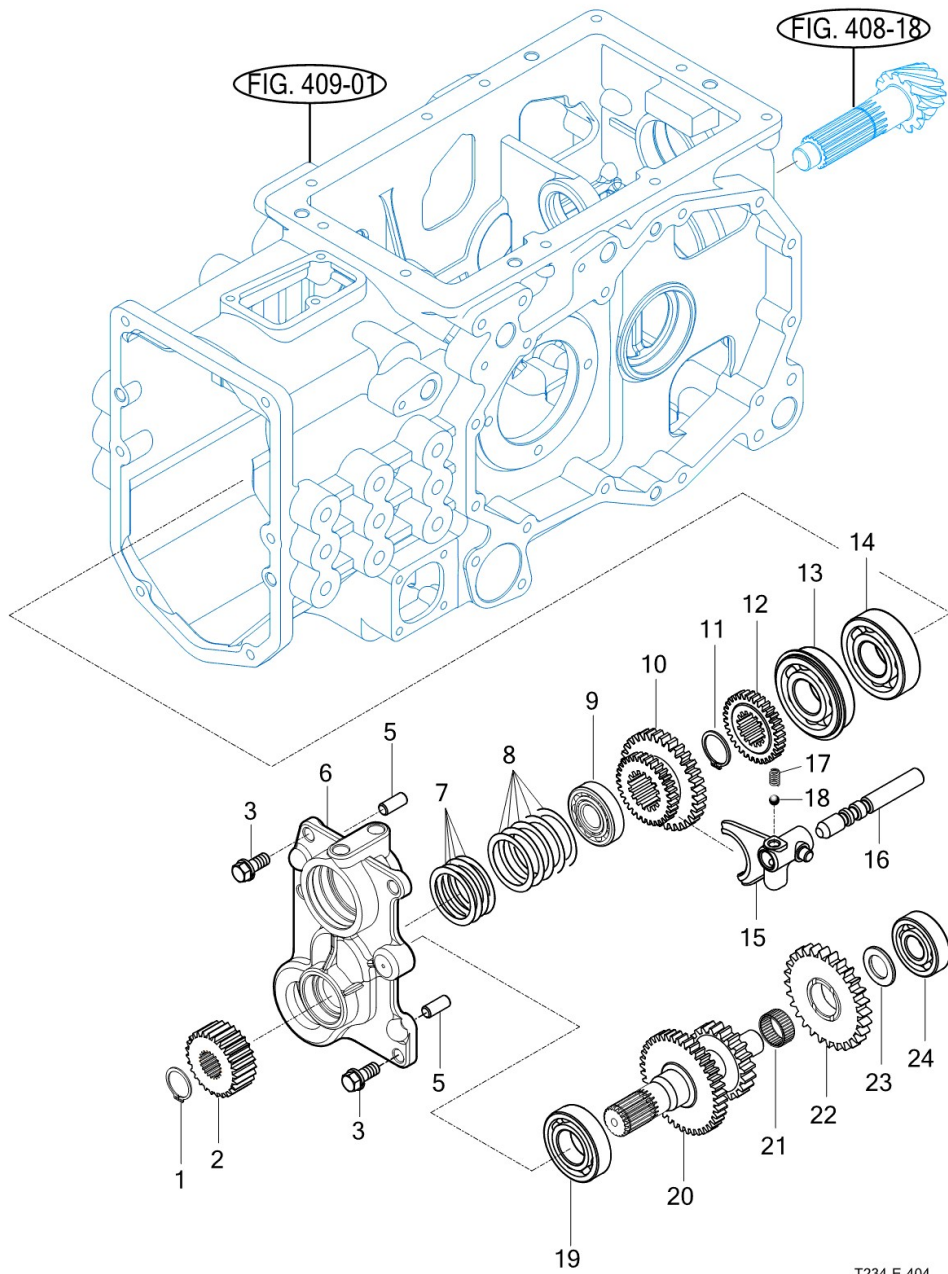
FIG

T25NH-B

RANGE GEARS

년/월
Year/Month

2021-12



T234-E-404

NOTE

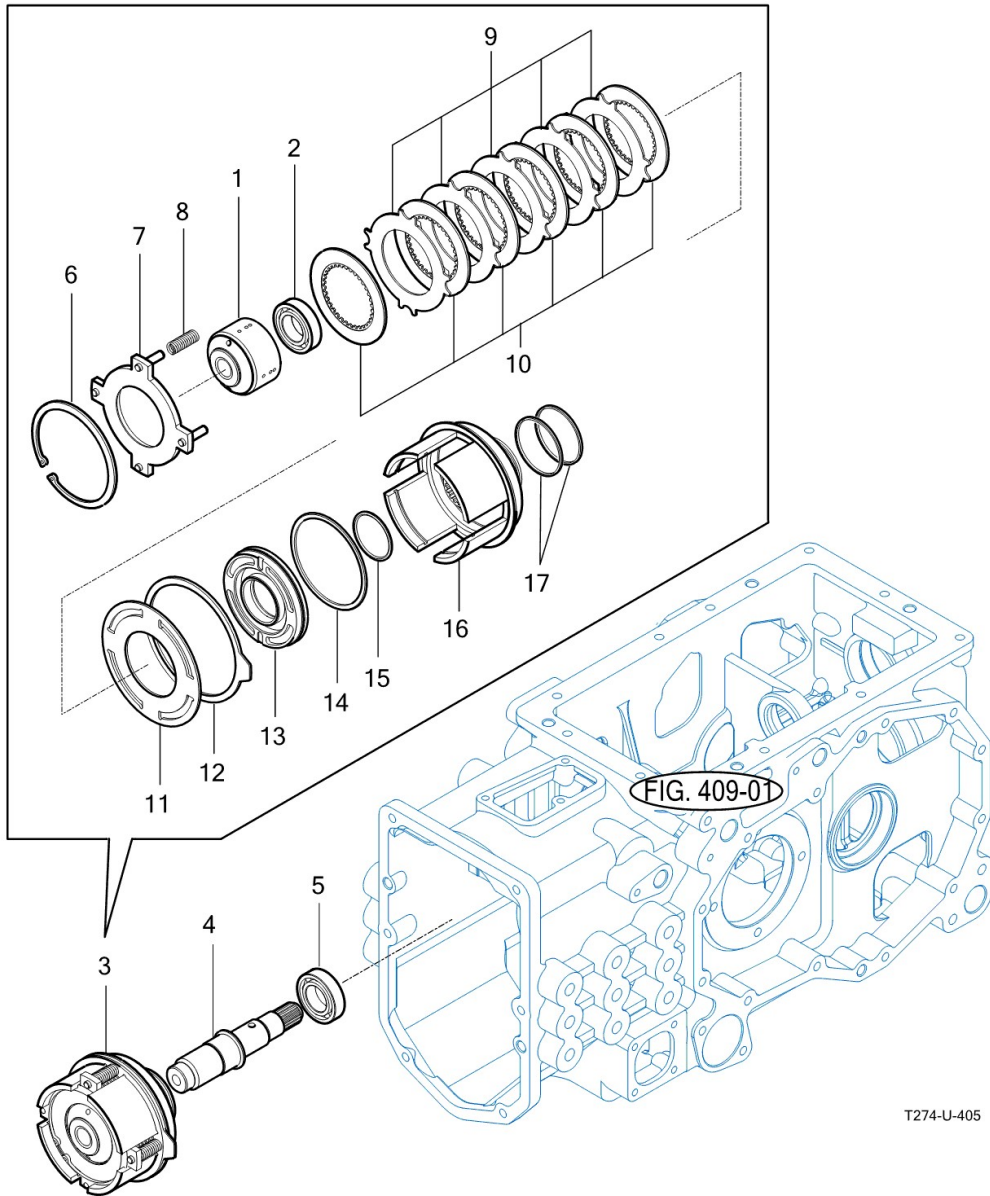
FIG

T25NH-B

P.T.O DRIVE SHAFT

년/월
Year/Month

2021-12



NOTE

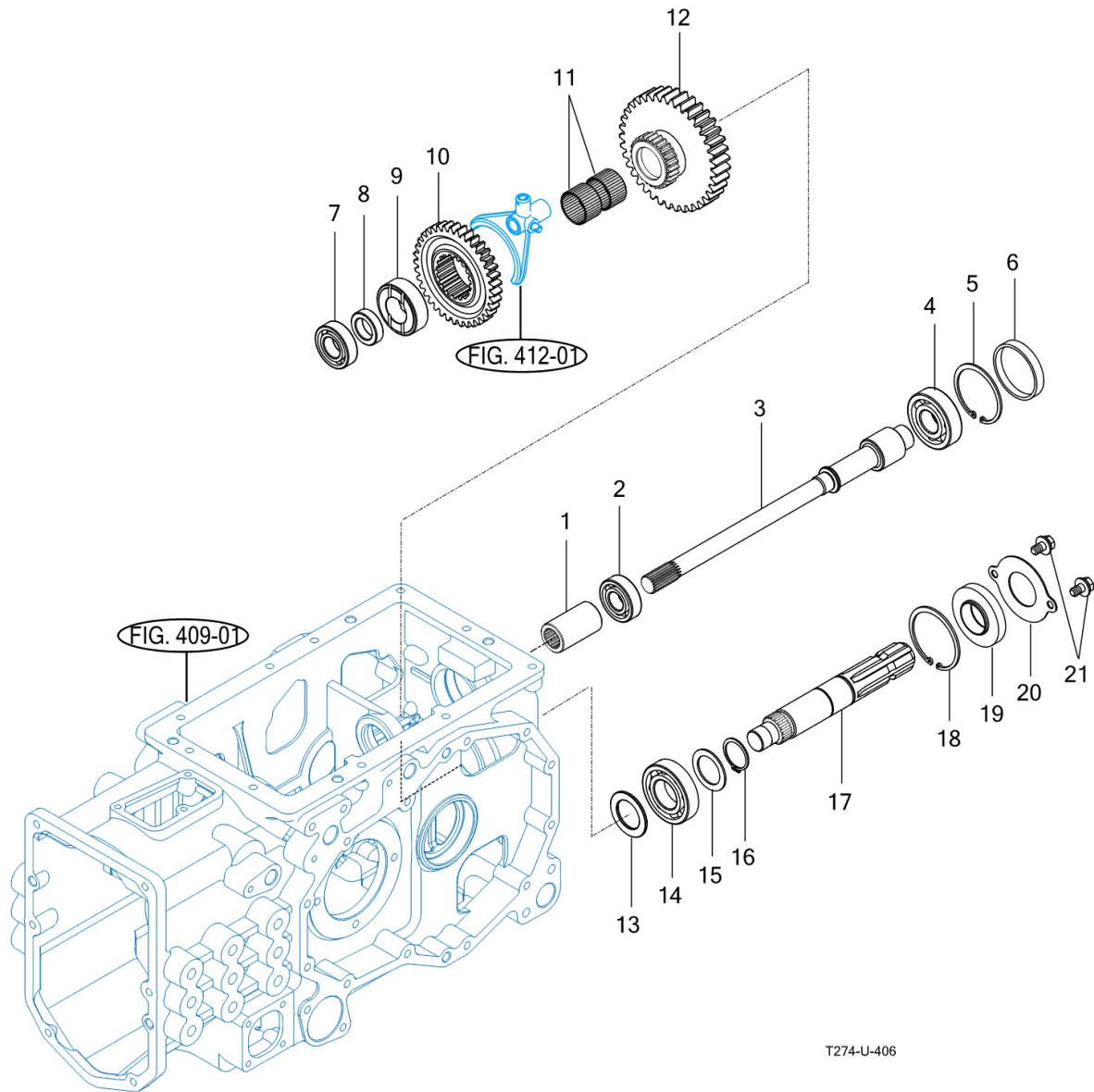
FIG

T25NH-B

P.T.O SHAFT

년/월
Year/Month

2021-12



T274-U-406

NOTE

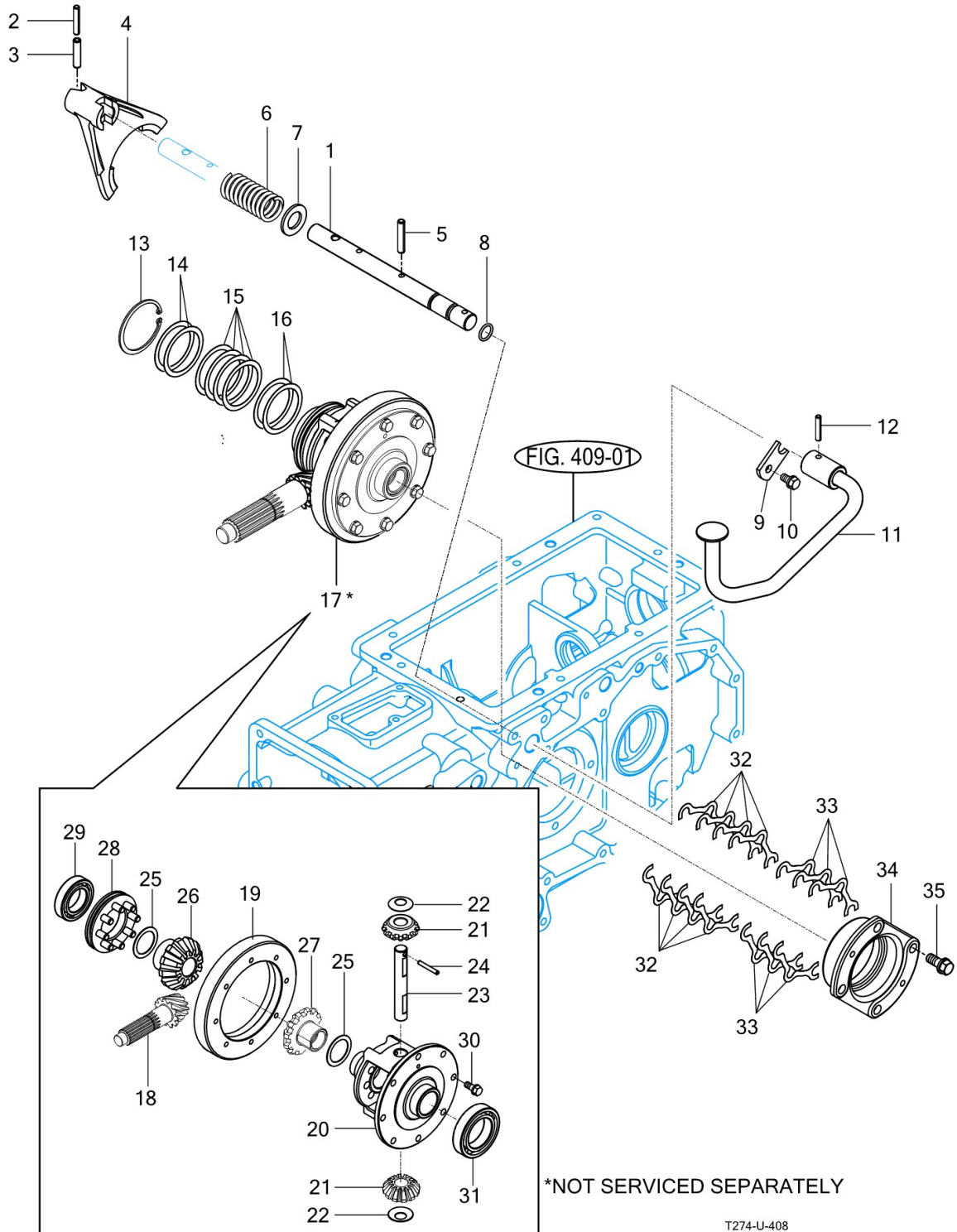
FIG

T25NH-B

DIFF LOCK

년/월
Year/Month

2021-12



NOTE

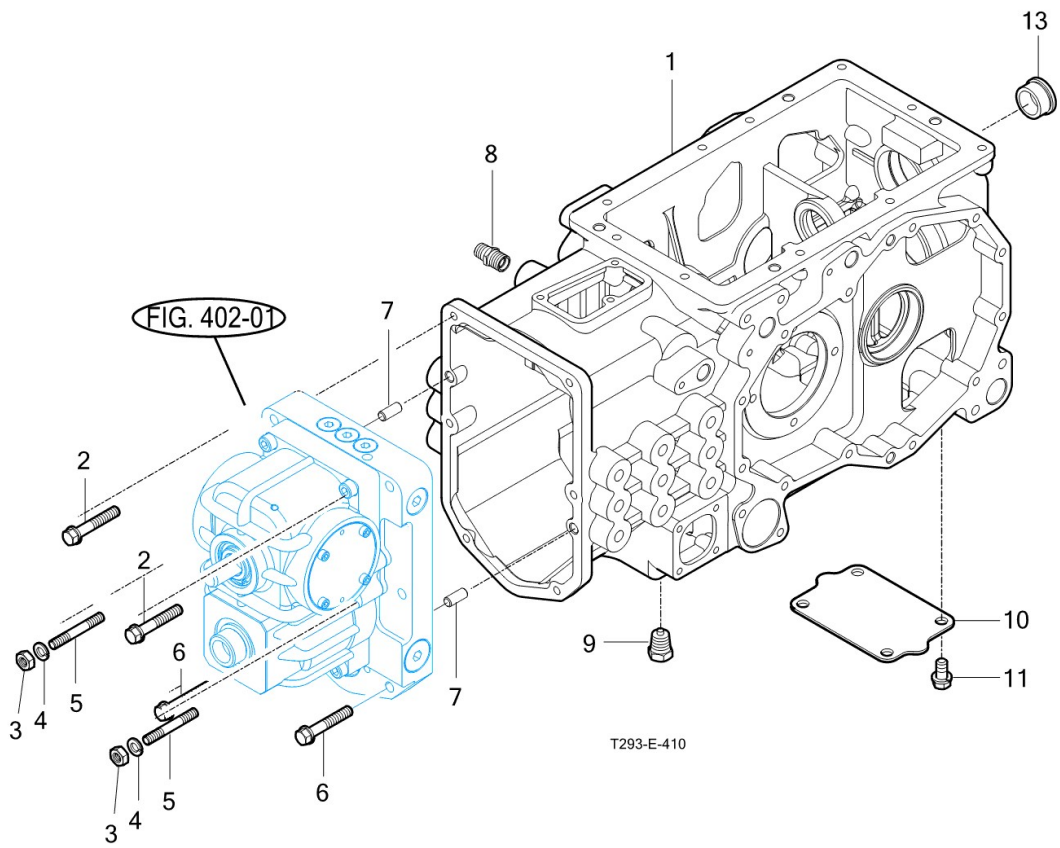
FIG

T25NH-B

REAR TRANSMISSION CASE

년/월
Year/Month

2021-12



NOTE

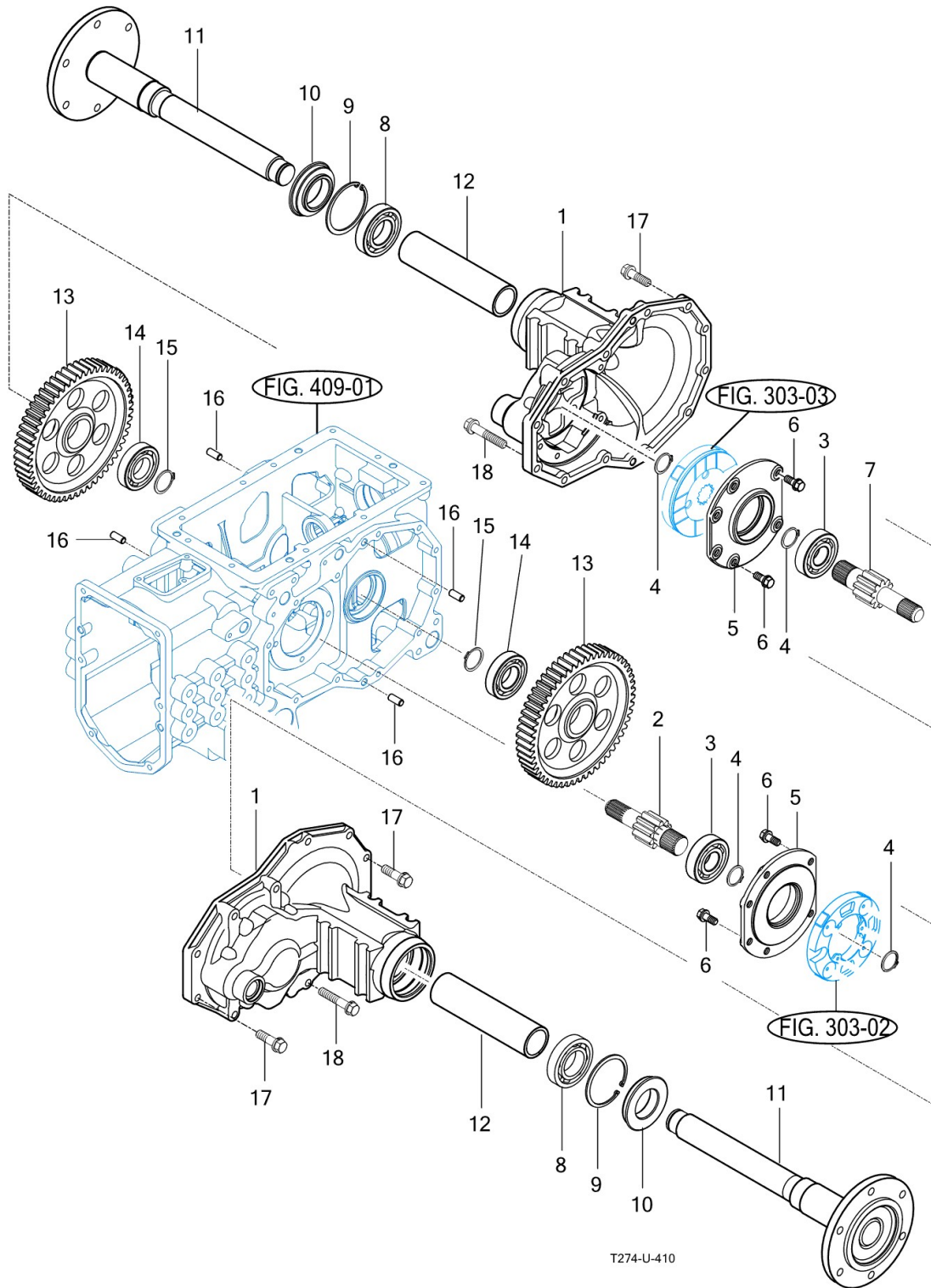
FIG

T25NH-B

REAR AXLE HOUSINGS

년/월
Year/Month

2021-12



T274-UJ-410

NOTE

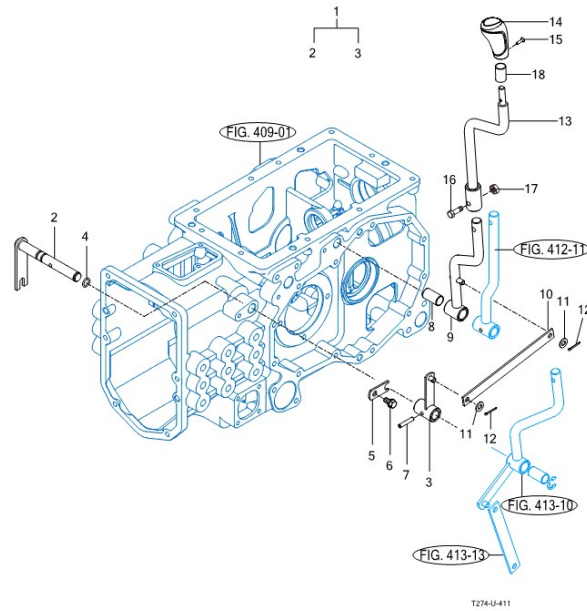
FIG

T25NH-B

RANGE SHIFT LEVER

년/월
Year/Month

2021-12



NOTE

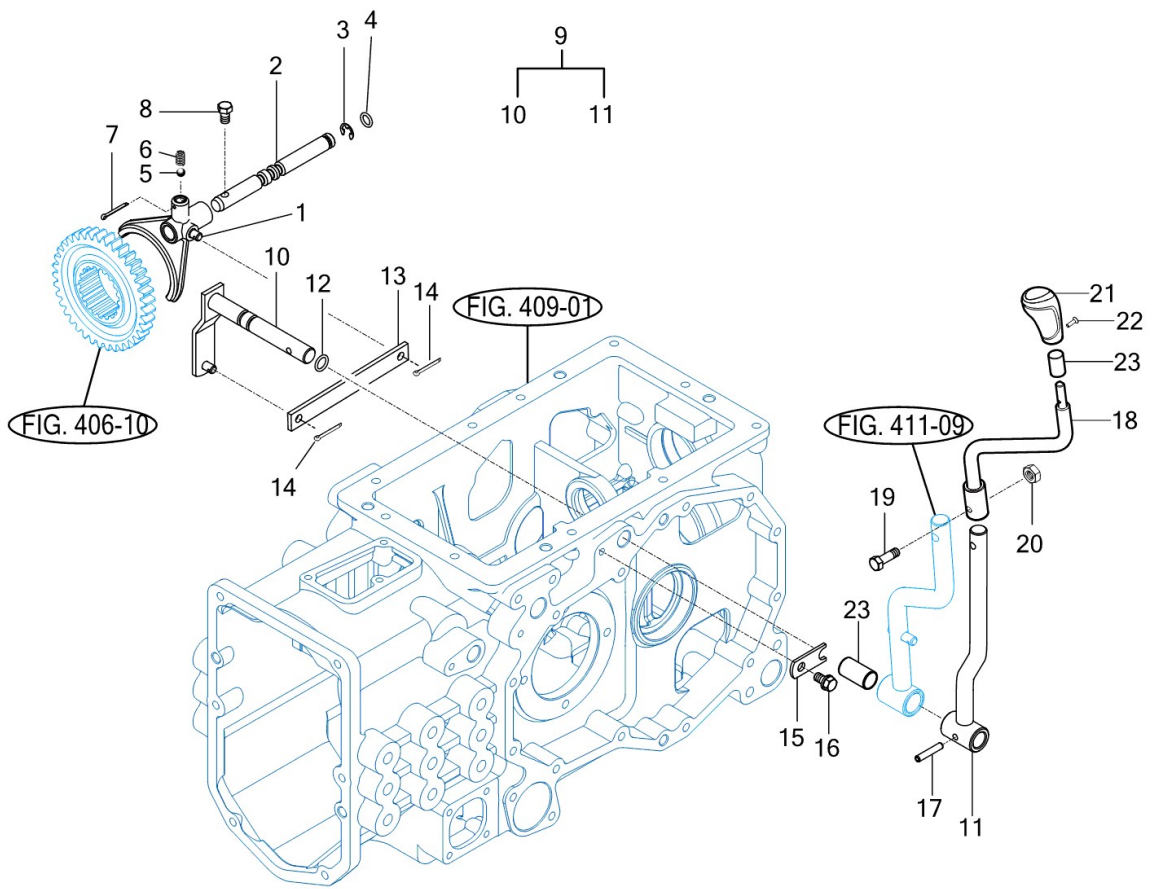
FIG

T25NH-B

P.T.O CHANGE LEVER

년/월
Year/Month

2021-12



T274-U-412

NOTE

FIG T25NH-B	P.T.O CHANGE LEVER	년/월 Year/Month
		2021-12

KEY NO	PART NO	DESCRIPTION	SPEC	QTY	REPAIR	EFFECTIVE DATE	REMARKS
1	13152540011M	FORK , PTO		1			
2	13152540022	STAY , PTO		1			
3	V7081400100	E-RING		1			
4	V7201024010	O-RING , P	P10A	1			
5	V6802000010	BALL , STEEL	5/16	1			
6	13022250030	SPRING , SHIFTER		1			
7	V5001930025	PIN , SPLIT	3X25	1			
8	15602231610	BOLT , SET M8X16		1			
9	13152542002	ARM SET , PTO		1			
10	13152542102	ARM COMP , PTO		1			
11	13152542201	LEVER COMP , PTO(LOW)		1			
12	V7201024012	O-RING , P	P12	1			
13	13152540030	PLATE , CHANGE		1			
14	V5001925020	PIN D2.5x20	2.5X20	2			
15	16702230371	PLATE		1			
16	V2173608016	BOLT , HEX/S	M8X16	1			
17	V5801406032	PIN , SPRING	6X32	1			
18	11812543100GB	PTO LEVER (UPR) COMP		1			
19	V2013608035	BOLT , HEX		1			
20	V3042600080	NUT , HEX/2		1			
21	11817513300	GRIP(PTO)		1			
22	V1122804012	SCREW , C/R FLAT		1			
23	11103160020	TUBE		1			
23	13632444620	HOSE , 60		1			

NOTE	
------	--

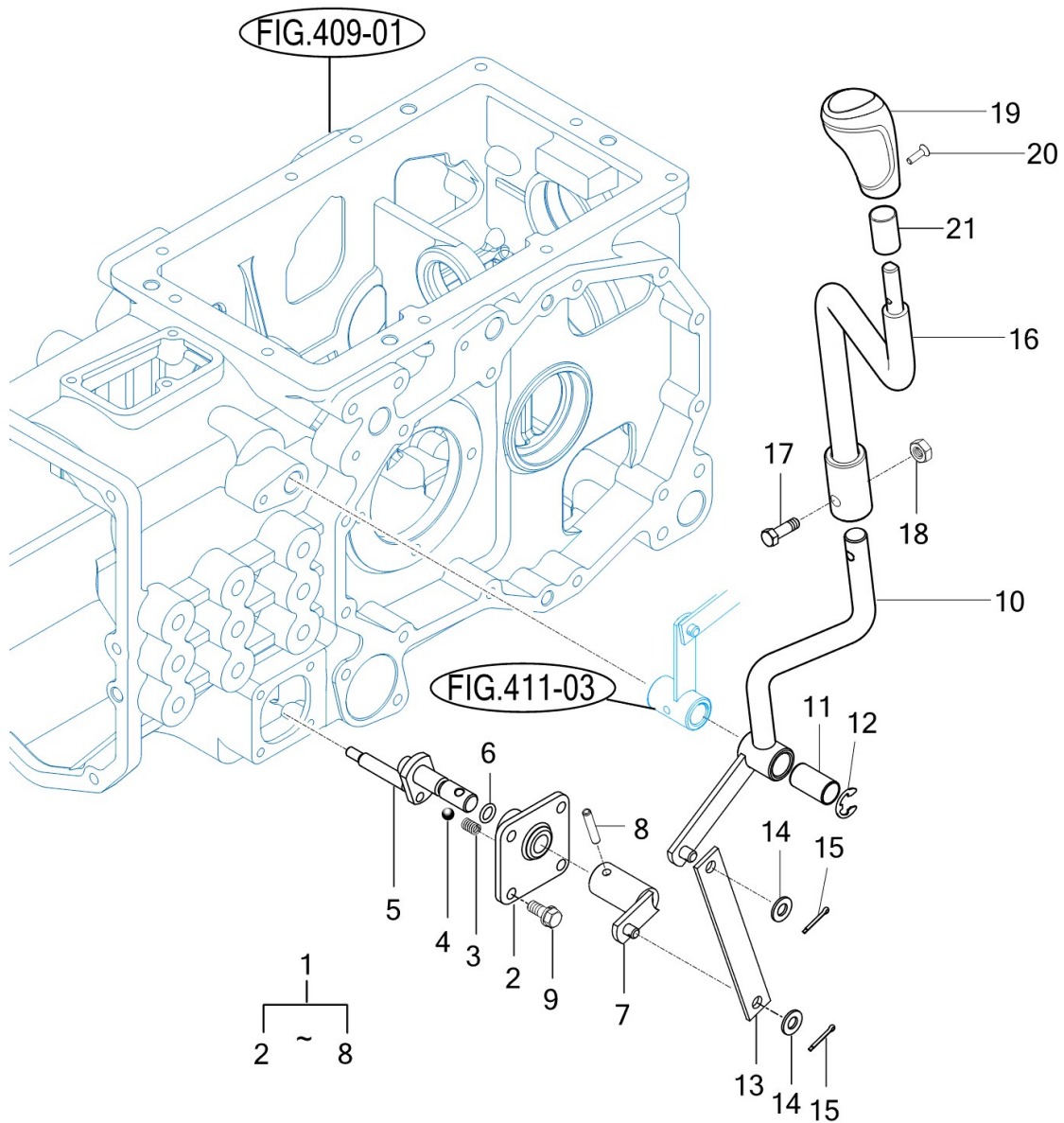
FIG

4WD CHANGE LEVER

년/월
Year/Month

T25NH-B

2021-12



T274-U-413

NOTE

5. Front Axle PART NO. T5

FIG FRAME	104
FIG FRONT DIFFERENTIAL GEARS & SHAFT	106
FIG FRONT AXLE HOUSING	108
FIG FRONT GEAR CASE (1)	110
FIG FRONT GEAR CASE (2)	112

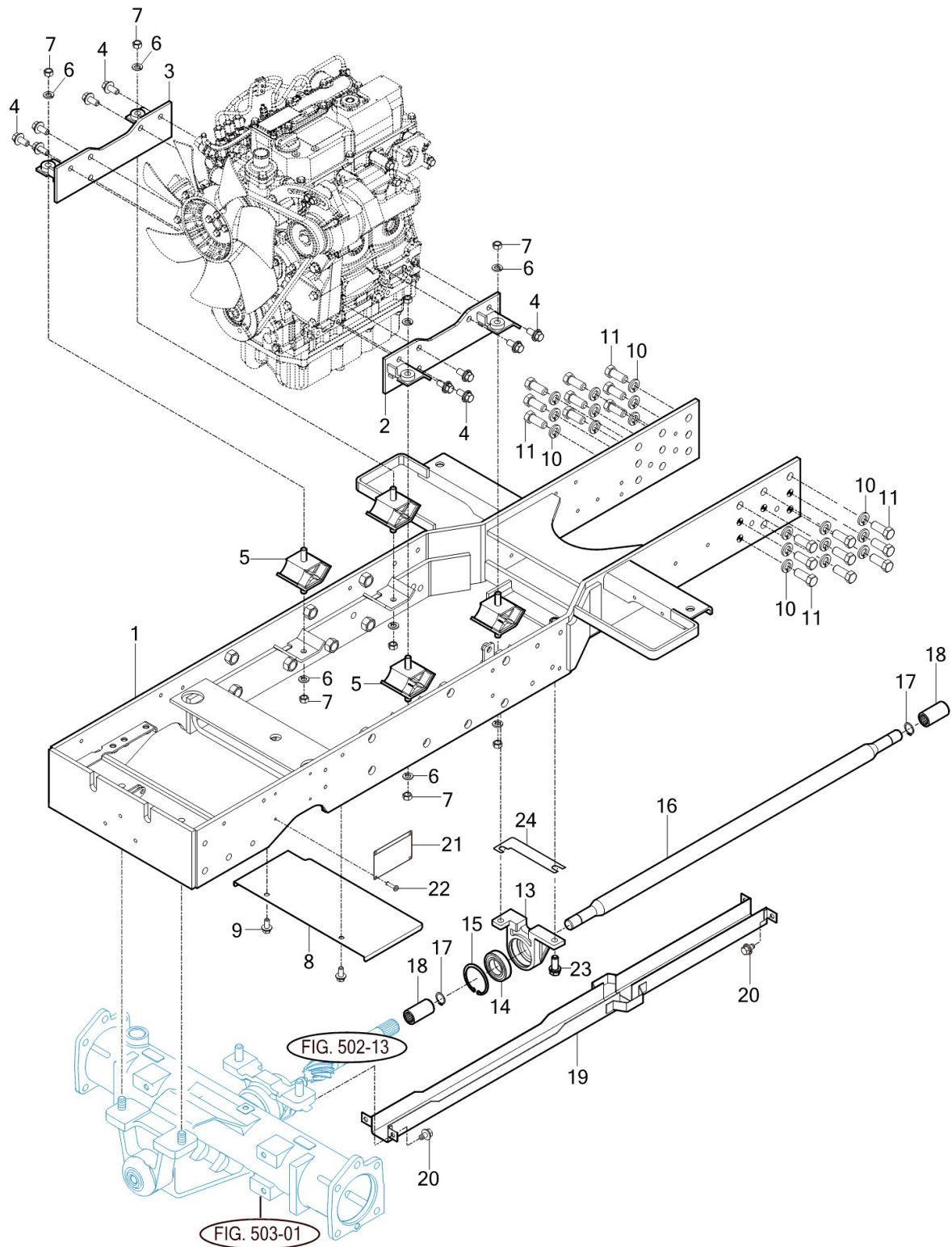
FIG

FRAME

년/월
Year/Month

T25NH-B

2021-12



NOTE

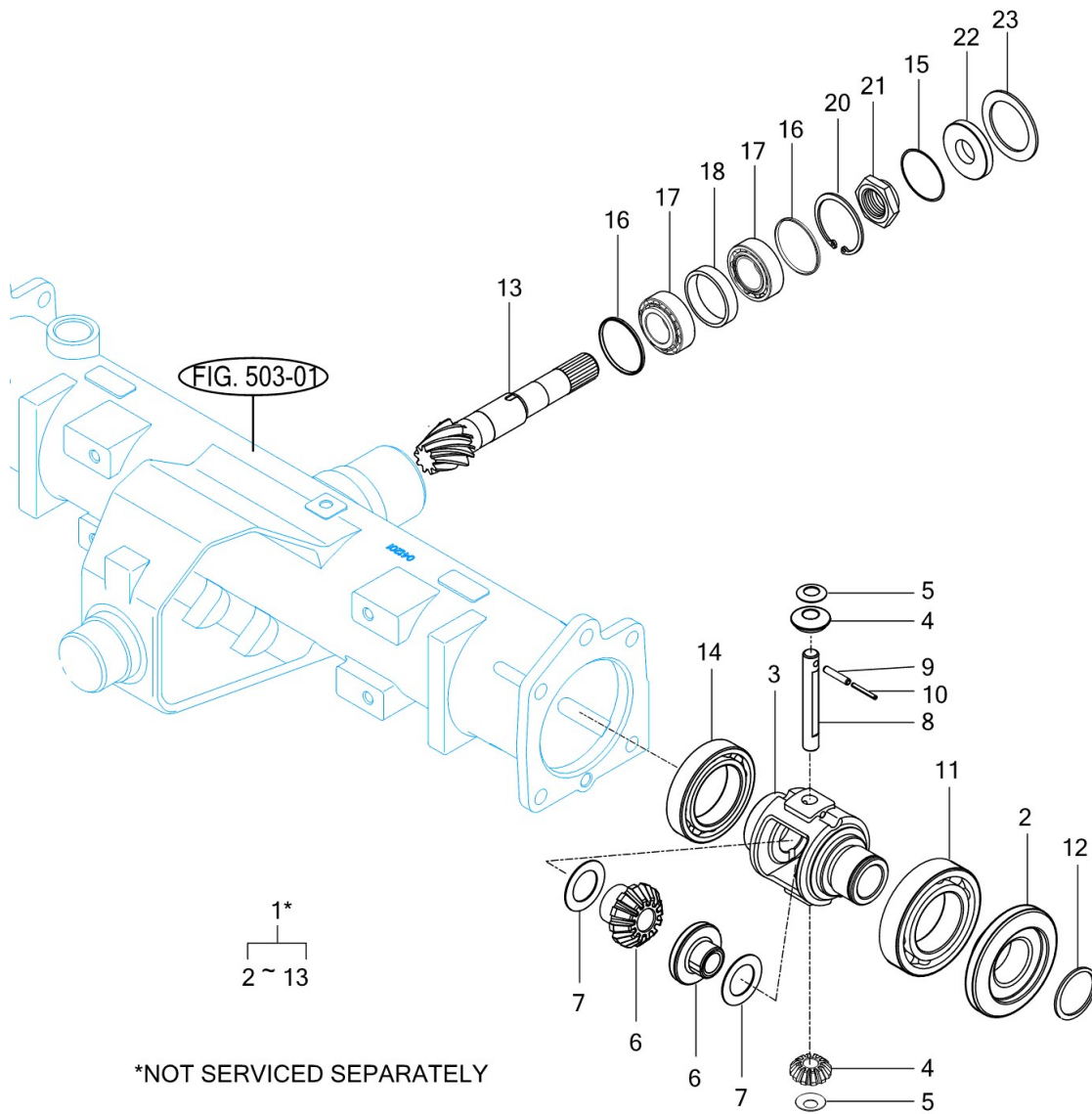
FIG

T25NH-B

FRONT DIFFERENTIAL GEARS & SHAFT

년/월
Year/Month

2021-12



*NOT SERVICED SEPARATELY

T293-E-502

NOTE

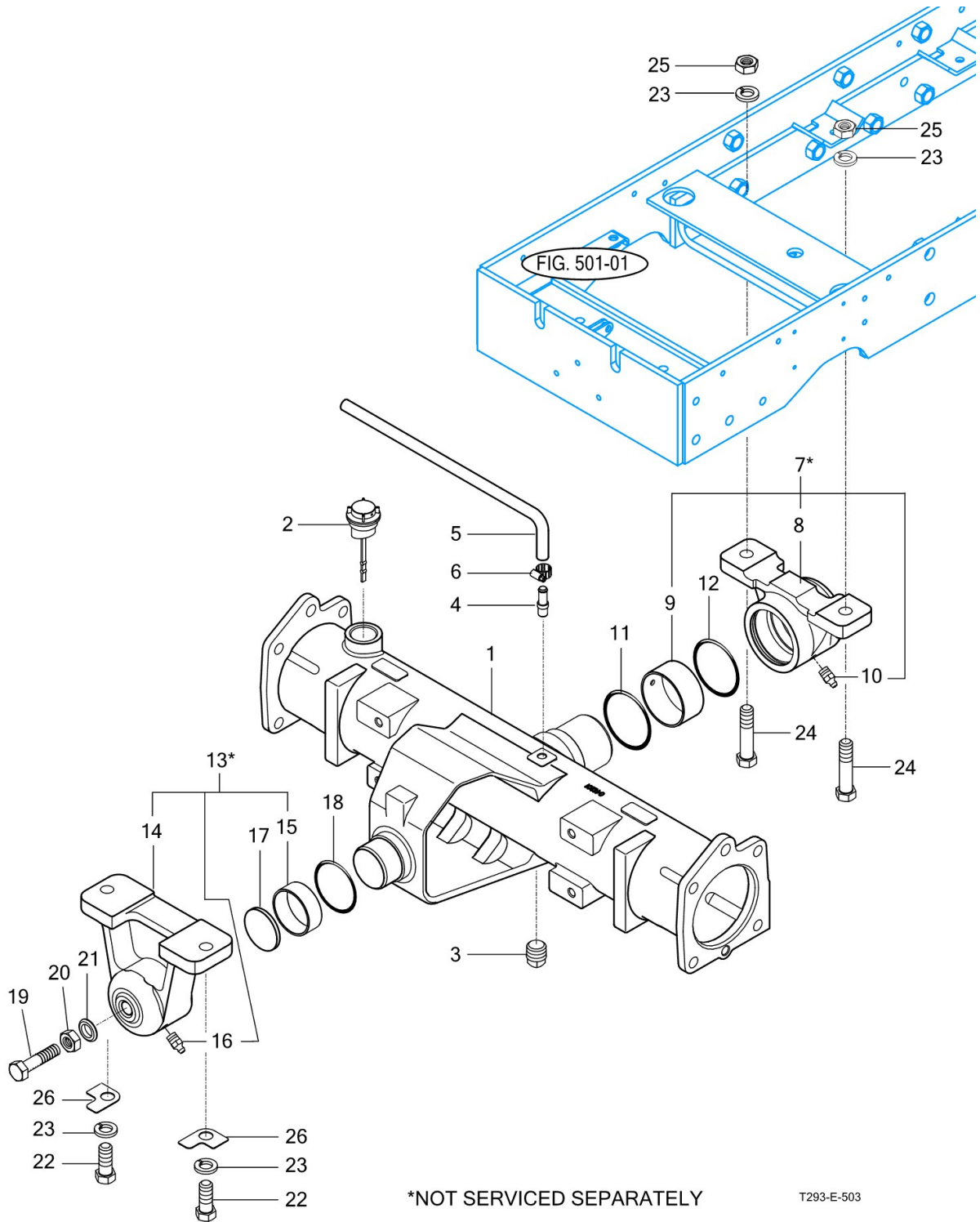
FIG

T25NH-B

FRONT AXLE HOUSING

년/월
Year/Month

2021-12



NOTE

FIG T25NH-B	FRONT AXLE HOUSING					년/월 Year/Month
						2021-12

KEY NO	PART NO	DESCRIPTION	SPEC	QTY	REPAIR	EFFECTIVE DATE	REMARKS
1	13154120014M	HOUSING , FRONT AXLE		1			
2	13154122300	CAP ASSY , OIL		1			
3	V7811600008	PLUG , SQUARE	R1/2	1			
4	17994360221	CONNECTOR		1			
5	19021024300	HOSE . 530		1			
6	17131049210	HOSE CLIP 11		1			
7	13754122200	METAL ASSY , RR PIVOT		1			
8	13154122211M	METAL , RR PIVOT		1			
9	13154122220	BUSH , 60X65X30		1			
10	V7631500000	NIPPLE , GREASE/B-PT		1			
11	V7211031065	O-RING , G	G65	1			
12	V7211031060	O-RING , G	G60	1			
13	13754122100	METAL ASSY , FR PIVOT		1			
14	13154122110M	METAL , FR PIVOT		1			
15	16704332220	BUSH , 50X55X20		1			
16	V7631500000	NIPPLE , GREASE/B-PT		1			
17	16704020020	SPACER (F)		1			
18	V7211031055	O-RING , G	G55	1			
19	V2004616050	BOLT , HEX	M16X50	1			
20	V3052600160	NUT , HEX/3	M16	1			
21	14444120090	WASHER , SEAL		1			
22	V2013614035	BOLT , HEX	M14X35	2			
23	V4011600140	WASHER , SPRING	M14	4			
24	V2013614050	BOLT , HEX	M14X50	2			
25	V3043600140	NUT , HEX/2	M14	2			
26	14151060010	WASHER		2			

NOTE							
------	--	--	--	--	--	--	--

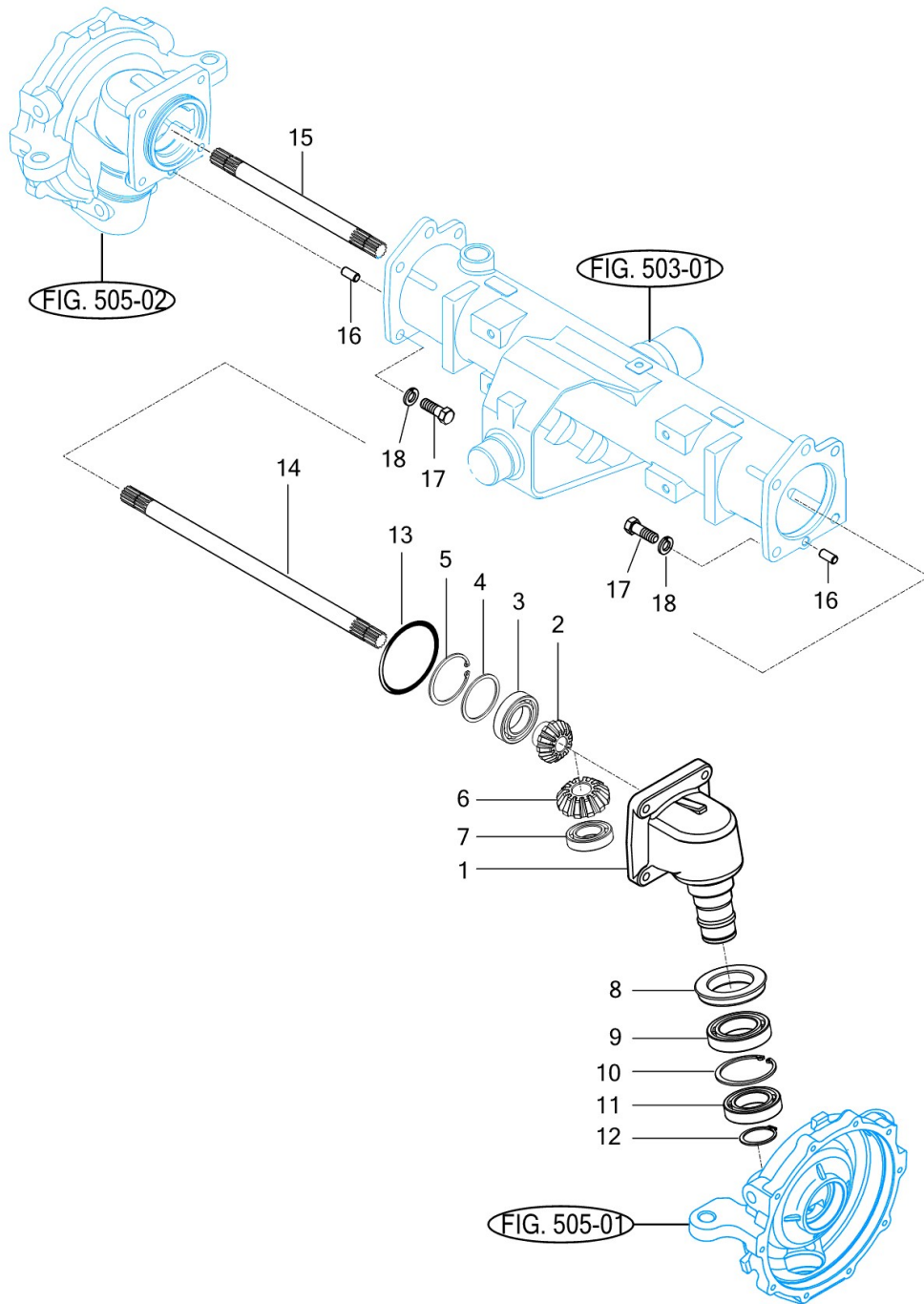
FIG

T25NH-B

FRONT GEAR CASE (1)

년/월
Year/Month

2021-12



T293-E-504

NOTE

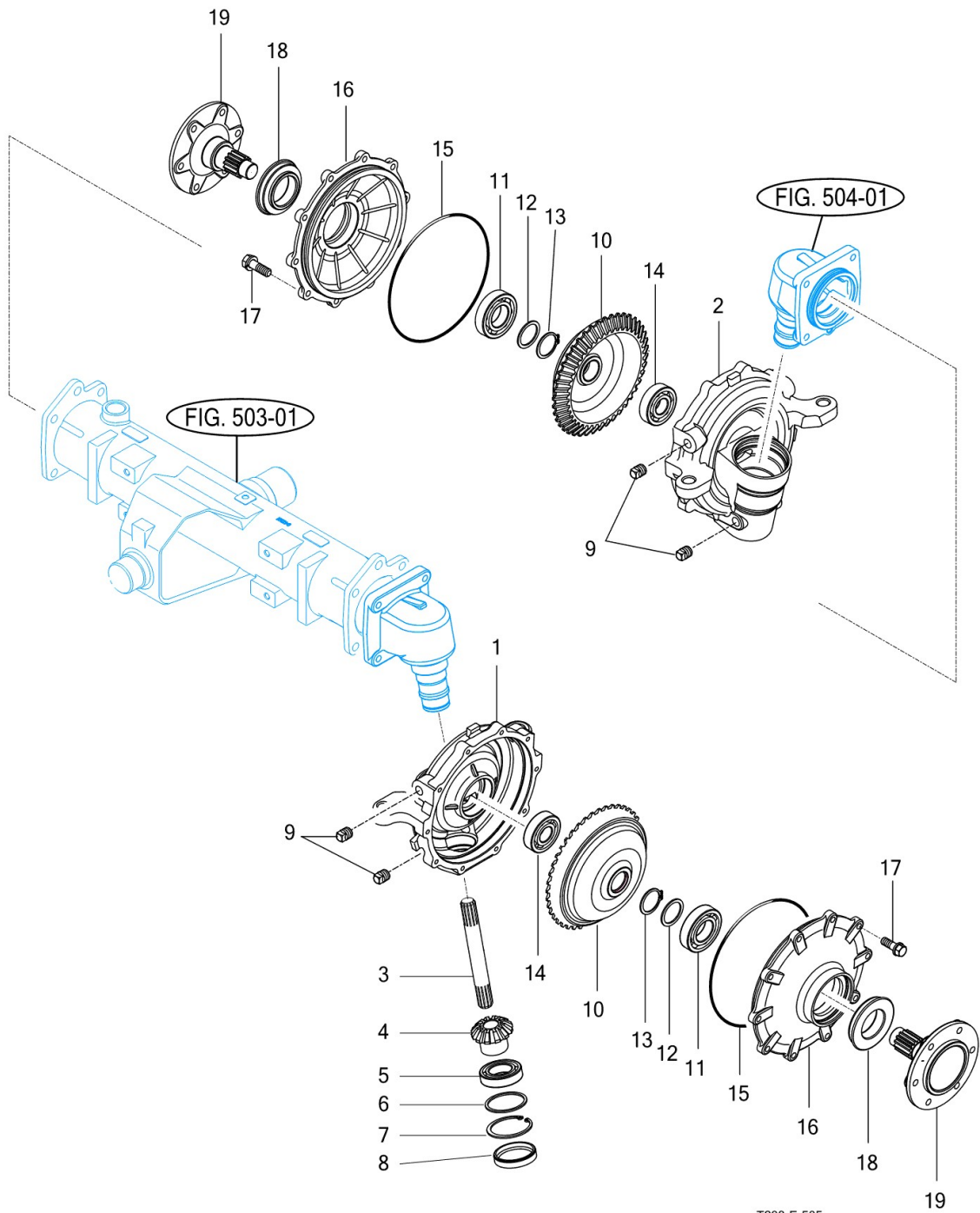
FIG

T25NH-B

FRONT GEAR CASE (2)

년/월
Year/Month

2021-12



NOTE

6. Hydraulic/3P-Link PART NO. T6

FIG CYLINDER CASE	115
FIG LIFT ARM	117
FIG FLOW CONTROL VALVE	119
FIG CONTROL VALVE LINKAGE	121
FIG MAIN CONTROL VALVE	123
FIG POSITION LEVER LINKAGE	125
FIG GEAR PUMP	127
FIG HYDRAULIC HOSE (2)	129
FIG PTO VALVE	131
FIG 3-POINT LINKAGE	133
FIG HITCH & COVER	136
FIG HYDRAULIC HOSE (1)	138
FIG JOYSTICK LEVER	140
FIG REMOTE CONTROL VALVE	142

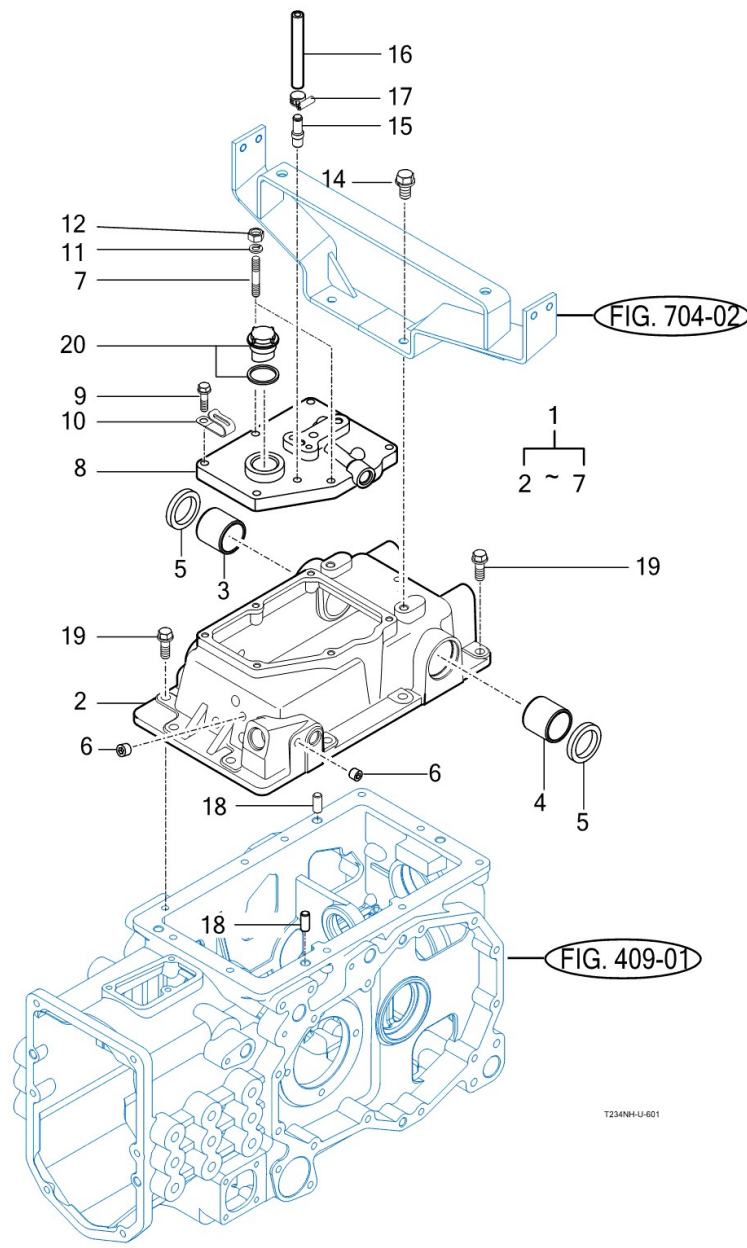
FIG

T25NH-B

CYLINDER CASE

년/월
Year/Month

2021-12



NOTE

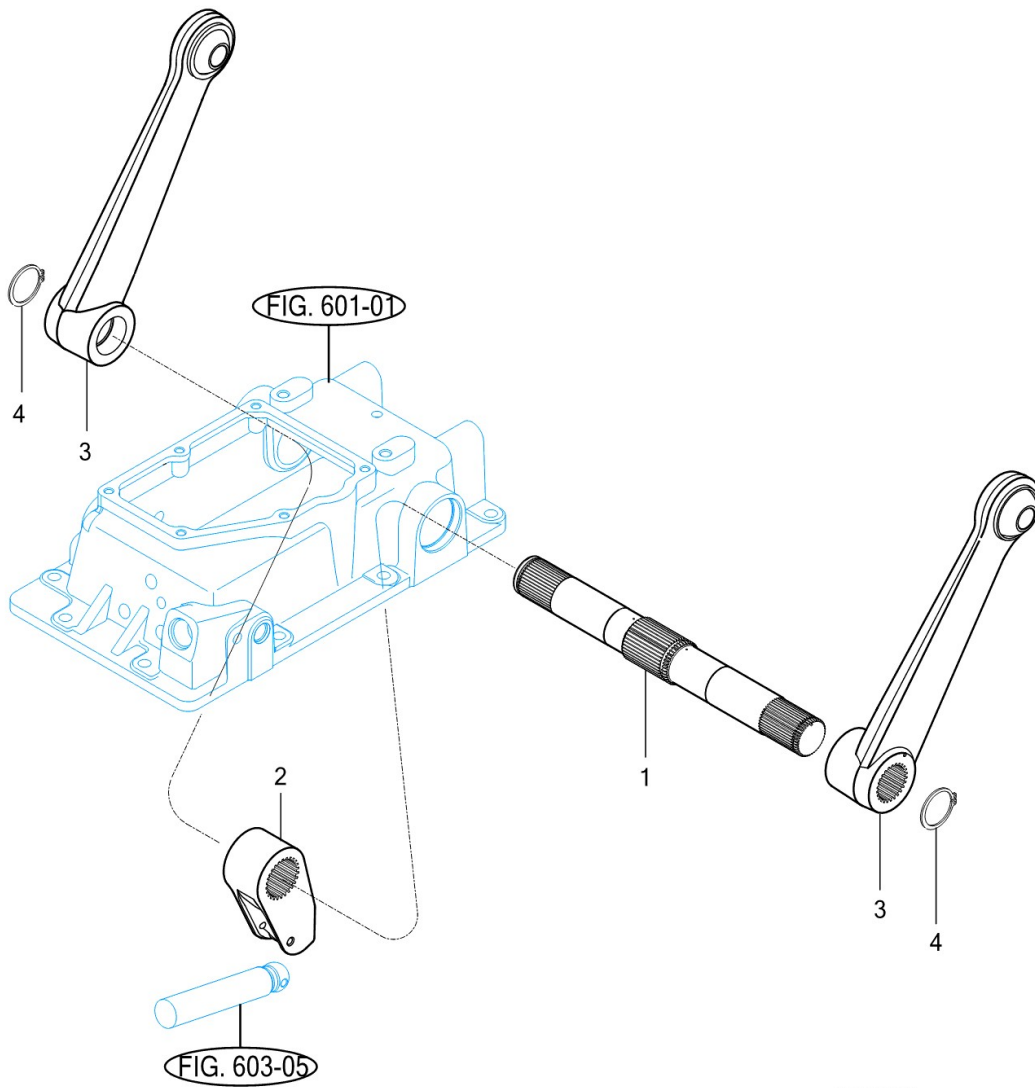
FIG

T25NH-B

LIFT ARM

년/월
Year/Month

2021-12



T293-E-602

NOTE

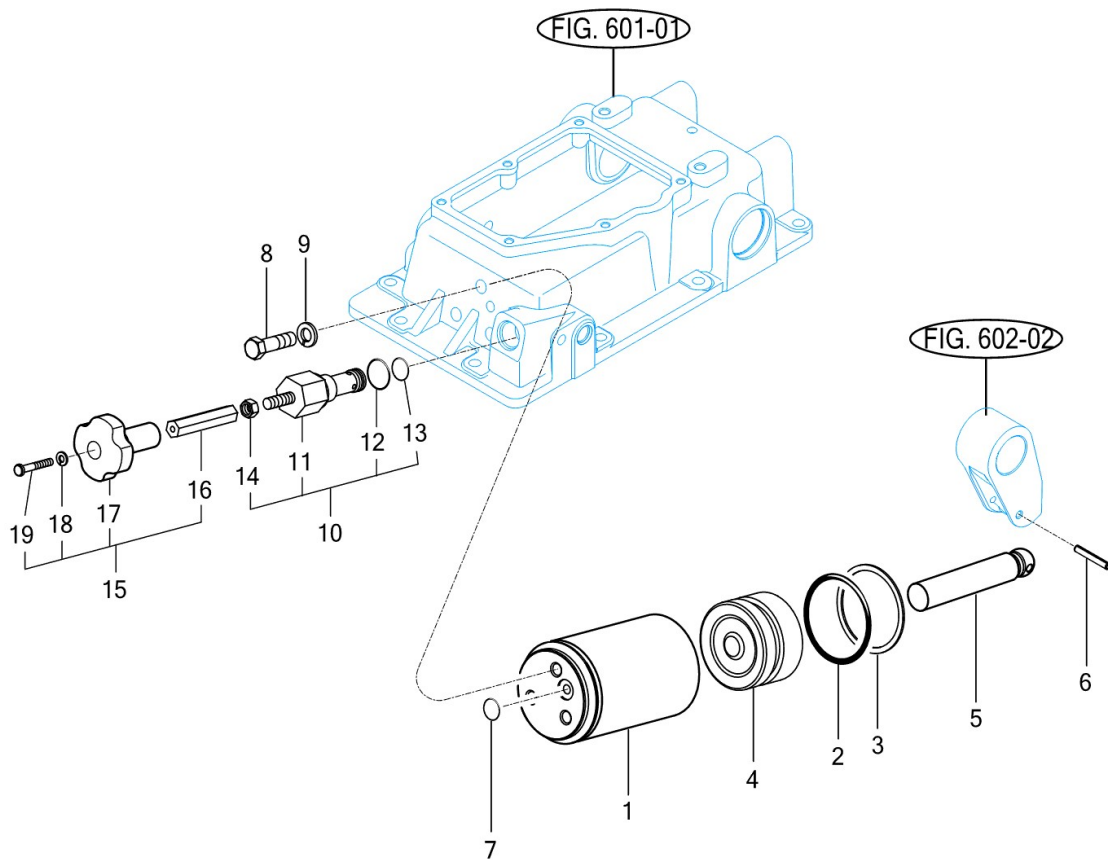
FIG

T25NH-B

FLOW CONTROL VALVE

년/월
Year/Month

2021-12



T293-E-603

NOTE

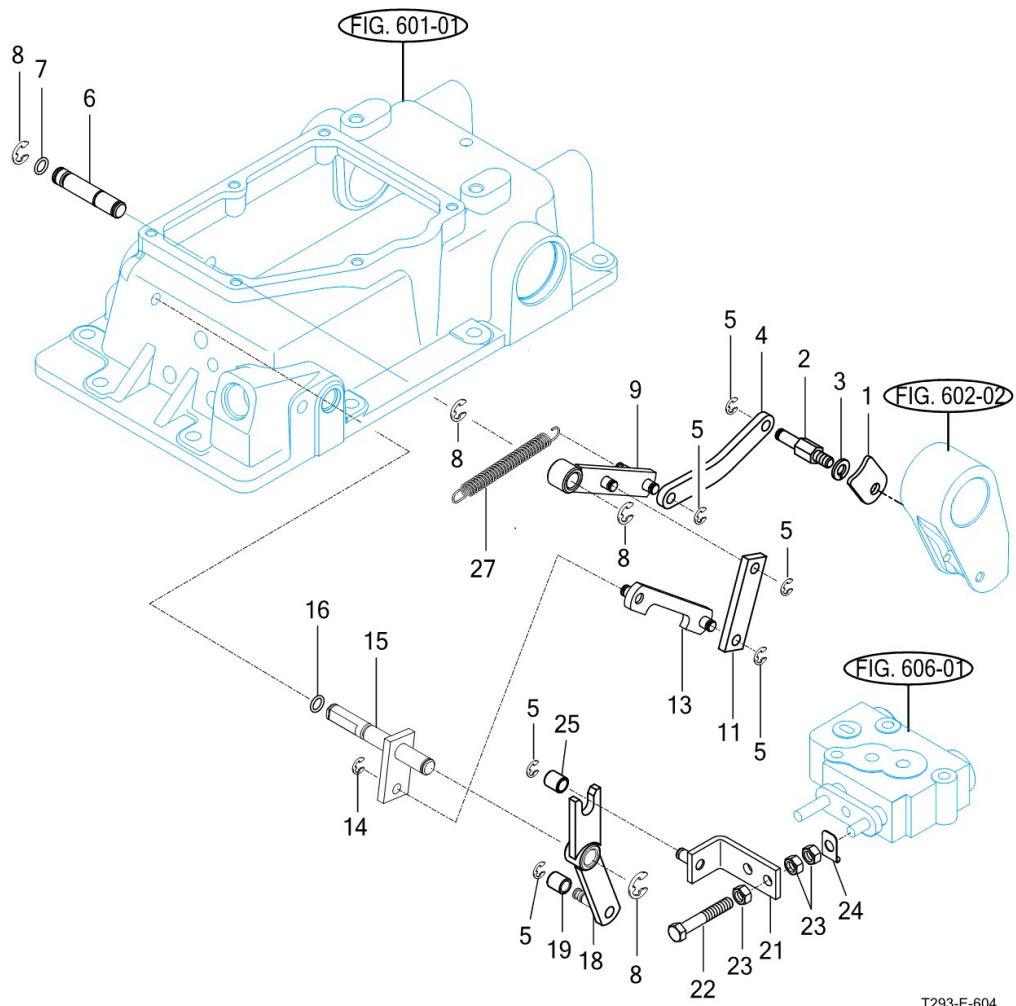
FIG

T25NH-B

CONTROL VALVE LINKAGE

년/월
Year/Month

2021-12



T293-E-604

NOTE

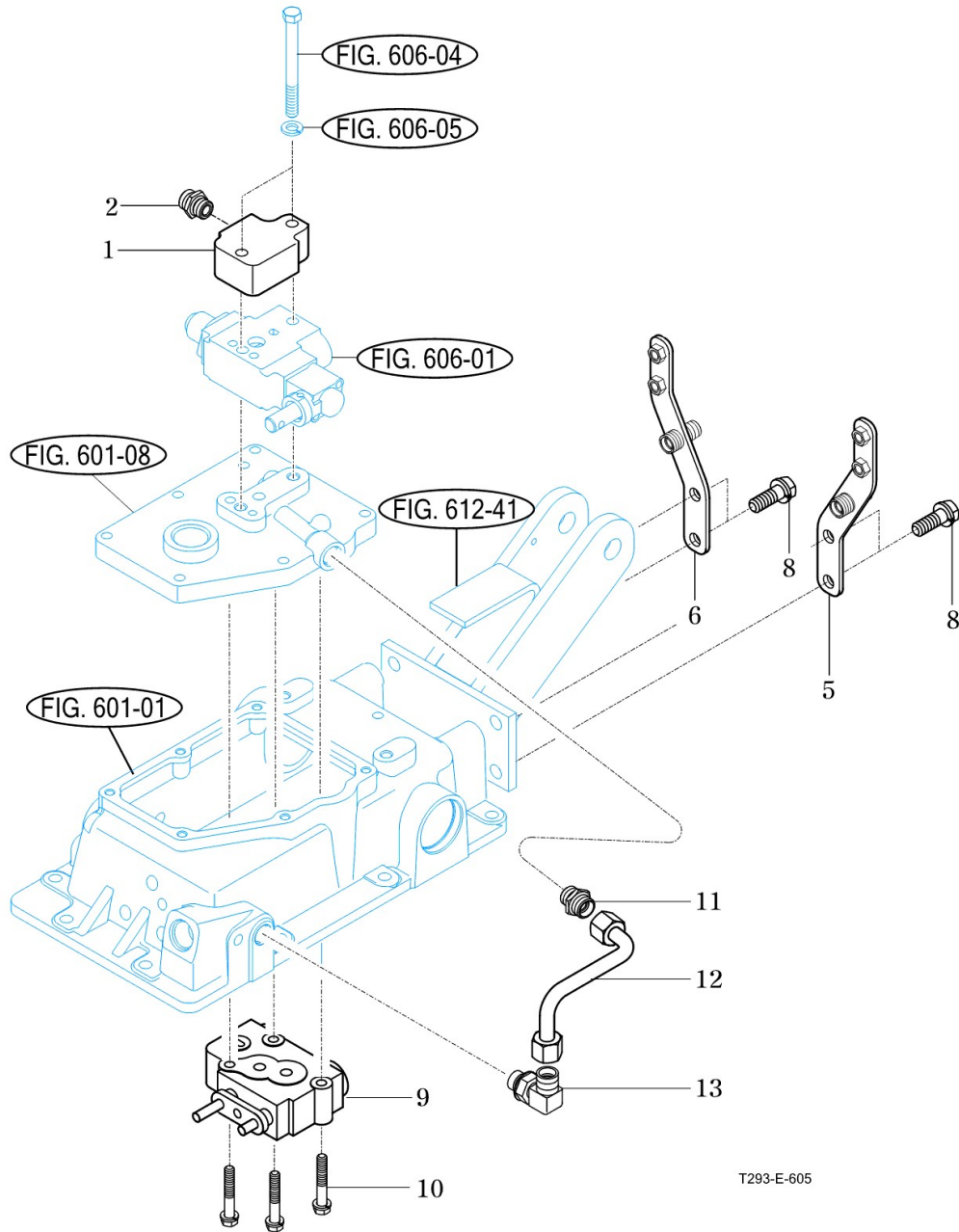
FIG

T25NH-B

MAIN CONTROL VALVE

년/월
Year/Month

2021-12



NOTE

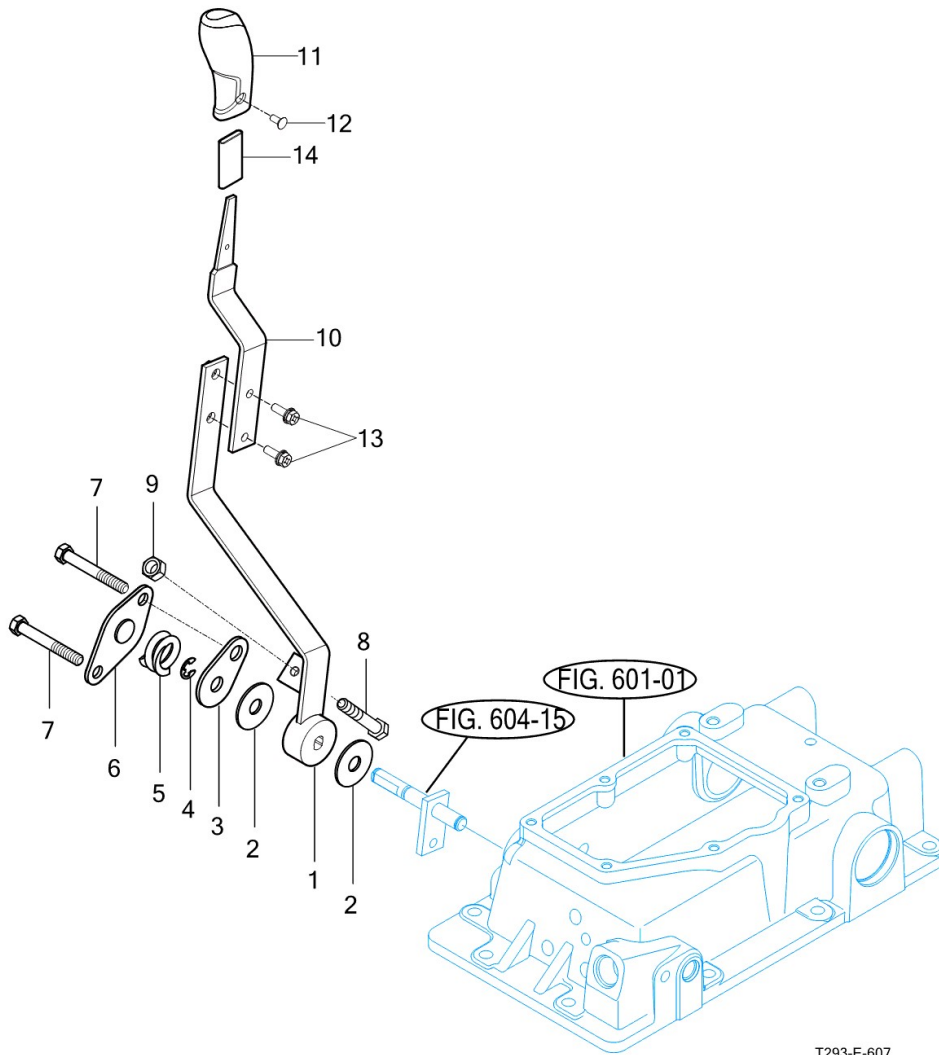
FIG

T25NH-B

POSITION LEVER LINKAGE

년/월
Year/Month

2021-12



T293-E-607

NOTE

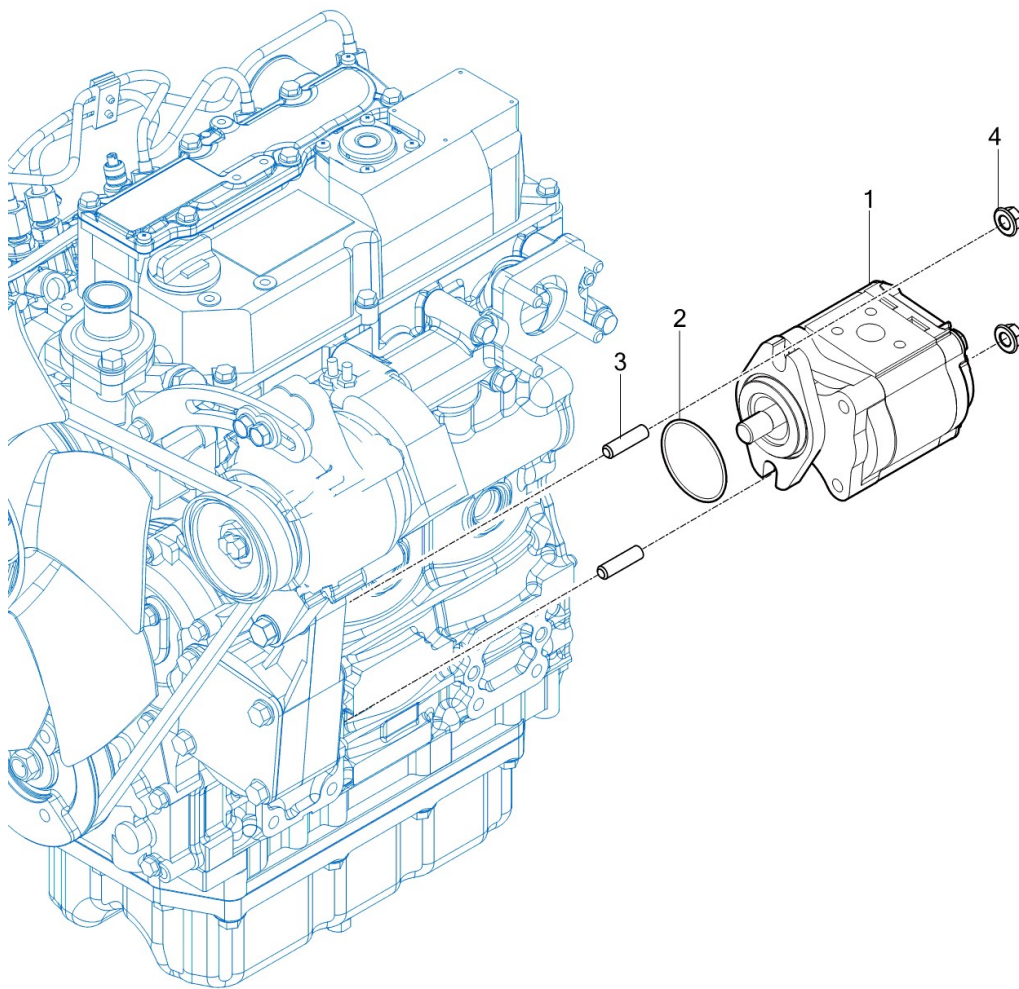
FIG

T25NH-B

GEAR PUMP

년/월
Year/Month

2021-12



NOTE

FIG T25NH-B		GEAR PUMP					년/월 Year/Month	
							2021-12	
KEY NO	PART NO	DESCRIPTION	SPEC	QTY	REPAIR	EFFECTIVE DATE		
1	11115182200	GEAR PUMP ASSY , 11cc		1				
2	V7231020055	O-RING , S		1				
3	V2513408020	BOLT , STUD/2		2				
4	V3802600080	NUT , HEX FLANGE		2				
NOTE								

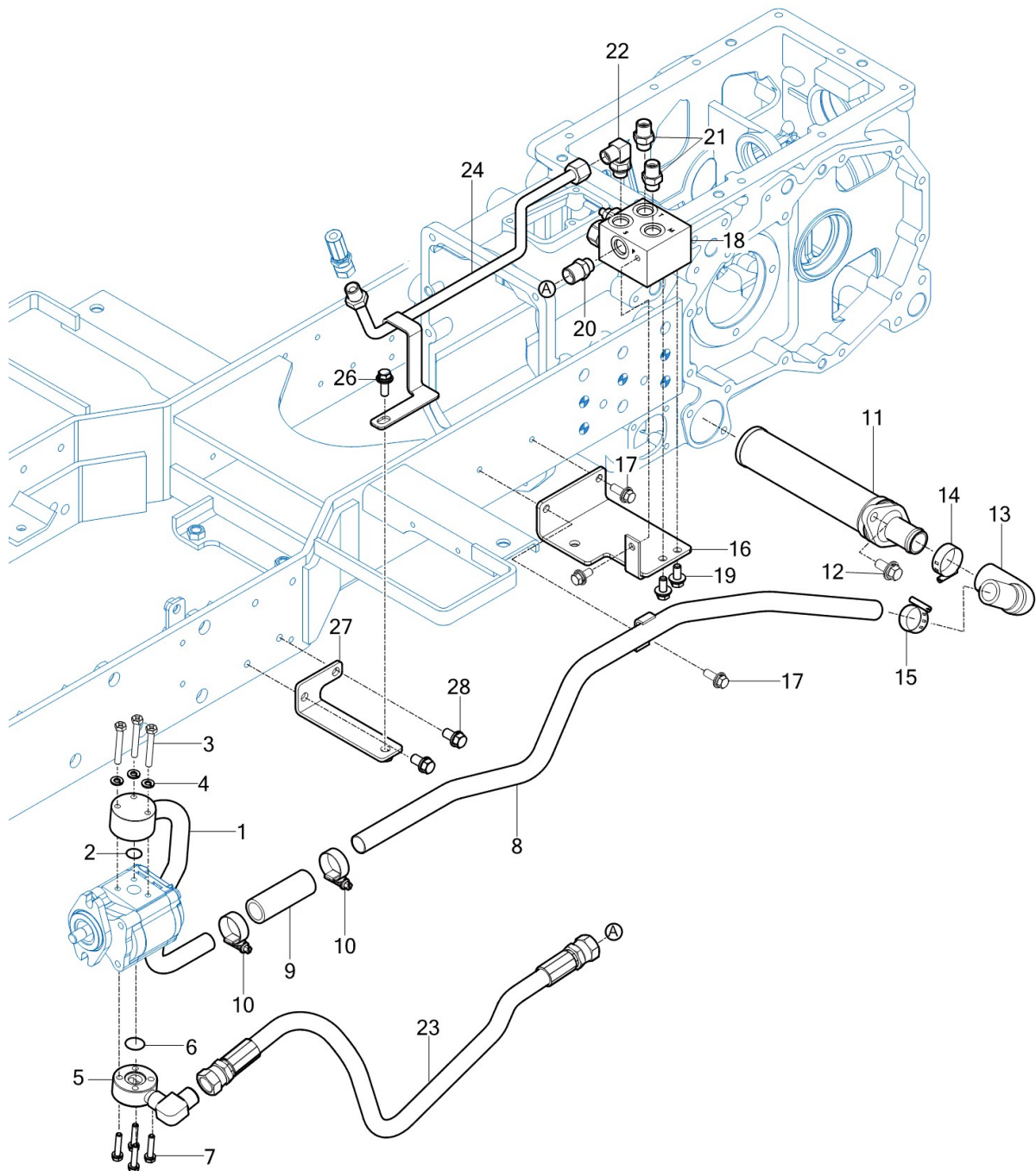
FIG

T25NH-B

HYDRAULIC HOSE (2)

년/월
Year/Month

2021-12



NOTE

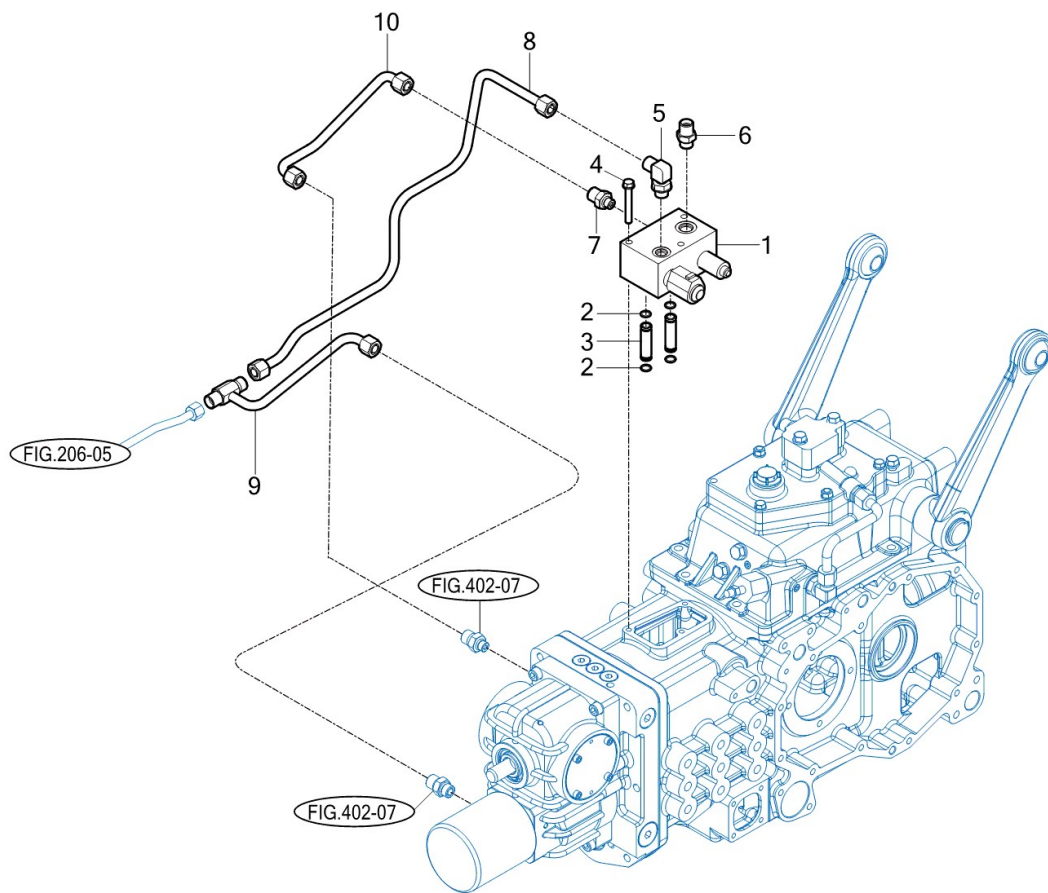
FIG

T25NH-B

PTO VALVE

년/월
Year/Month

2021-12



NOTE

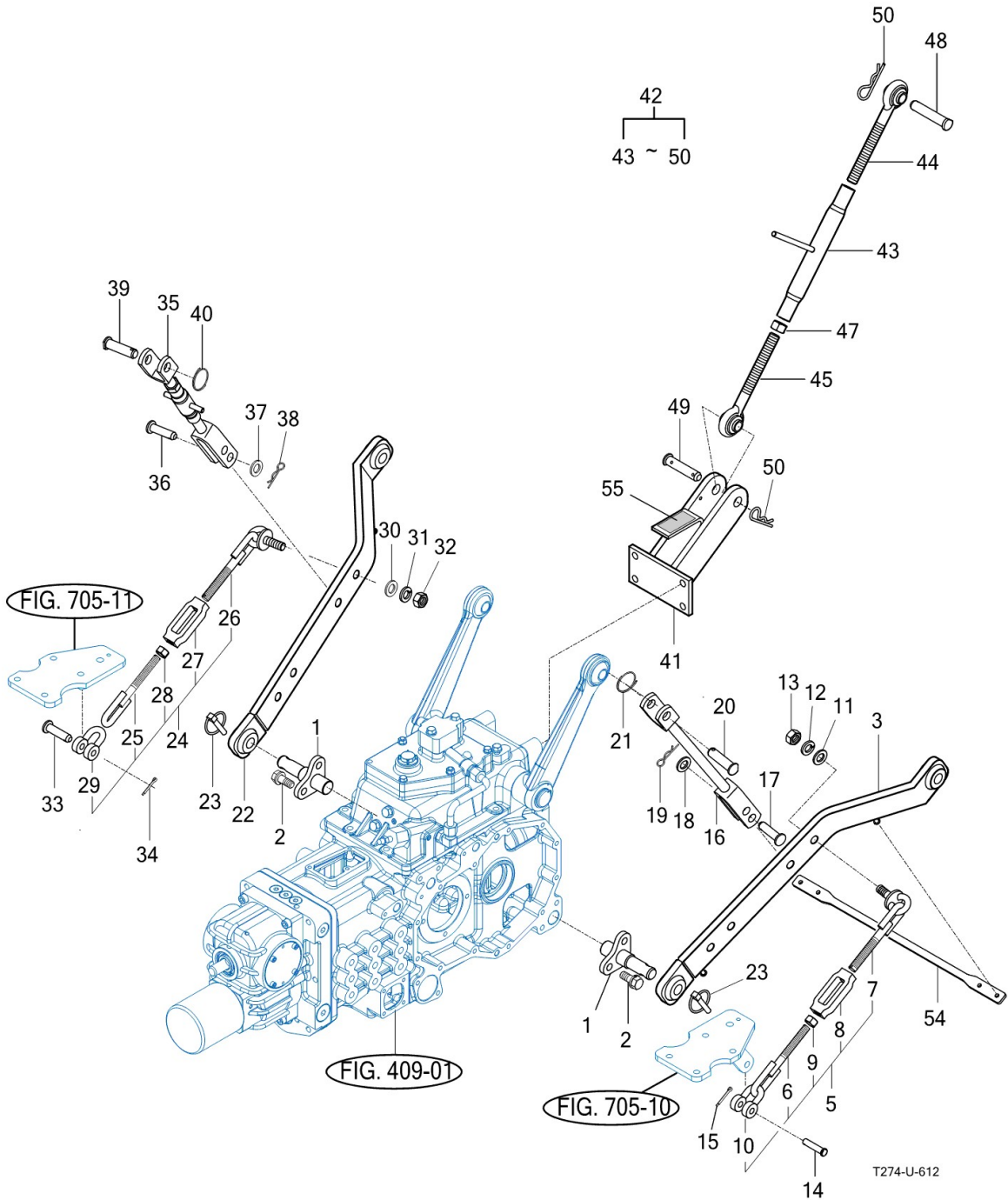
FIG

T25NH-B

3-POINT LINKAGE

년/월
Year/Month

2021-12



NOTE

FIG T25NH-B		3-POINT LINKAGE					년/월 Year/Month	
							2021-12	
KEY NO	PART NO	DESCRIPTION	SPEC	QTY	REPAIR	EFFECTIVE DATE	REMARKS	
1	13155205100	PIN COMP, 115		2				
2	V2173612030	BOLT , HEX/S	M12X30	4				
3	13155202202	LOWER LINK COMP , LH		1				
5	13155202501	CHAIN ASSY , CHECK		1				
6	14585142600	CHAIN COMP , RH CHECK		1				
7	14585142700	CHAIN COMP , LH CHECK		1				
8	13155202511	TURNBUCKLE		1				
9	V3012600140	NUT , HEX/2	M14	1				
10	14585142520	SHACKLE , CHECK CHAIN		1				
11	V4111600160	WASHER , PLAIN	M16	1				
12	V4011600160	WASHER , SPRING	M16	1				
13	V3313600160	NUT , HEX FINE/2	M16	1				
14	79636110030	PIN , 12X48		1				
15	V5001930020	PIN , SPLIT	3X20	1				
16	13155202401	LIFT ROD COMP , LH		1				
17	79636130050	PIN , 16X60		1				
18	V4111600160	WASHER , PLAIN	M16	1				
19	13059310030	PIN		1				
20	12505243500	PIN		1				
21	12505240060	Spring		1				
22	13155203102	LOWER LINK COMP , RH		1				
23	14215020020	PIN , LINK		2				
24	13155202501	CHAIN ASSY , CHECK		1				
25	14585142600	CHAIN COMP , RH CHECK		1				
26	14585142700	CHAIN COMP , LH CHECK		1				
27	13155202511	TURNBUCKLE		1				
28	V3012600140	NUT , HEX/2	M14	1				
29	14585142520	SHACKLE , CHECK CHAIN		1				
30	V4111600160	WASHER , PLAIN	M16	1				
31	V4011600160	WASHER , SPRING	M16	1				
32	V3313600160	NUT , HEX FINE/2	M16	1				
33	79636110030	PIN , 12X48		1				
34	V5001930020	PIN , SPLIT	3X20	1				
35	13155203201	LIFT ROD ASSY , RH		1				
36	79636130050	PIN , 16X60		1				
37	V4111600160	WASHER , PLAIN	M16	1				
38	13059310030	PIN		1				
39	12505243500	PIN		1				
40	12505240060	Spring		1				
41	13155204104	BRACKET COMP, TOP LINK		1				
42	13155206003	TOP LINK ASSY		1				
43	13155206111	TURN BUCKLE		1				
44	13155206121	JOINT , LH		1				
45	13155206131	JOINT , RH		1				
47	V3042600200	NUT , HEX/2	M20	1				
NOTE								

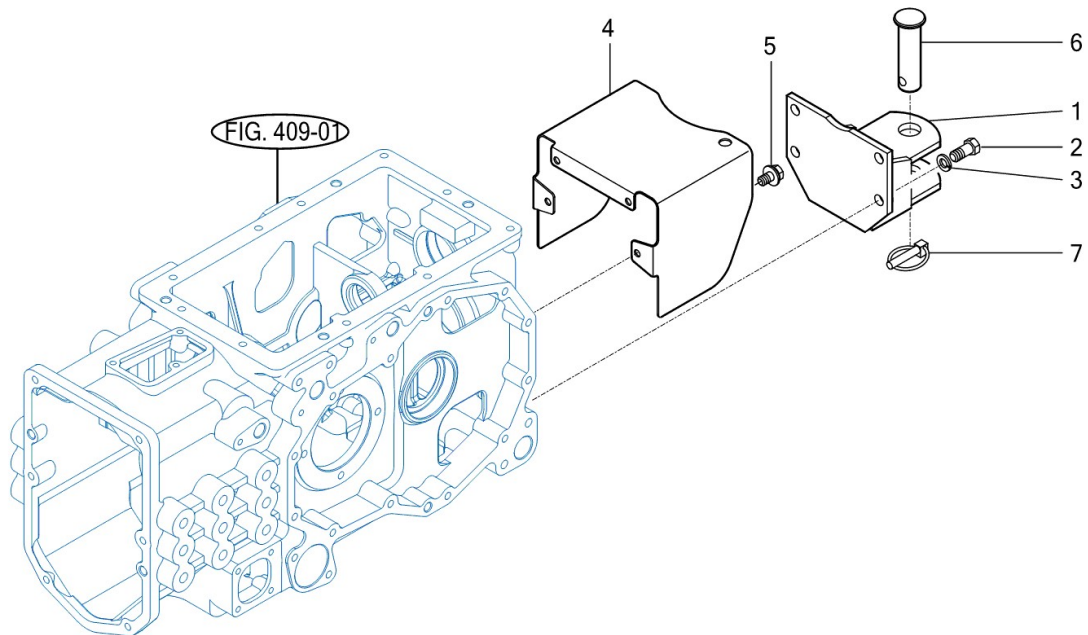
FIG

T25NH-B

HITCH & COVER

년/월
Year/Month

2021-12



NOTE

FIG T25NH-B		HITCH & COVER					년/월 Year/Month	2021-12
KEY NO	PART NO	DESCRIPTION	SPEC	QTY	REPAIR	EFFECTIVE DATE	REMARKS	
1	13155212100	HITCH COMP, TRAILER		1				
2	V2013614030	BOLT , HEX	M14X30	4				
3	V4011600140	WASHER , SPRING	M14	4				
4	13155201011	SHIELD, PTO		1				
5	V2183608016	BOLT , HEX/SP	M8X16	4				
6	14882472502	PIN ASSY , TRAILER		1				
7	14215020020	PIN , LINK		1				
NOTE								

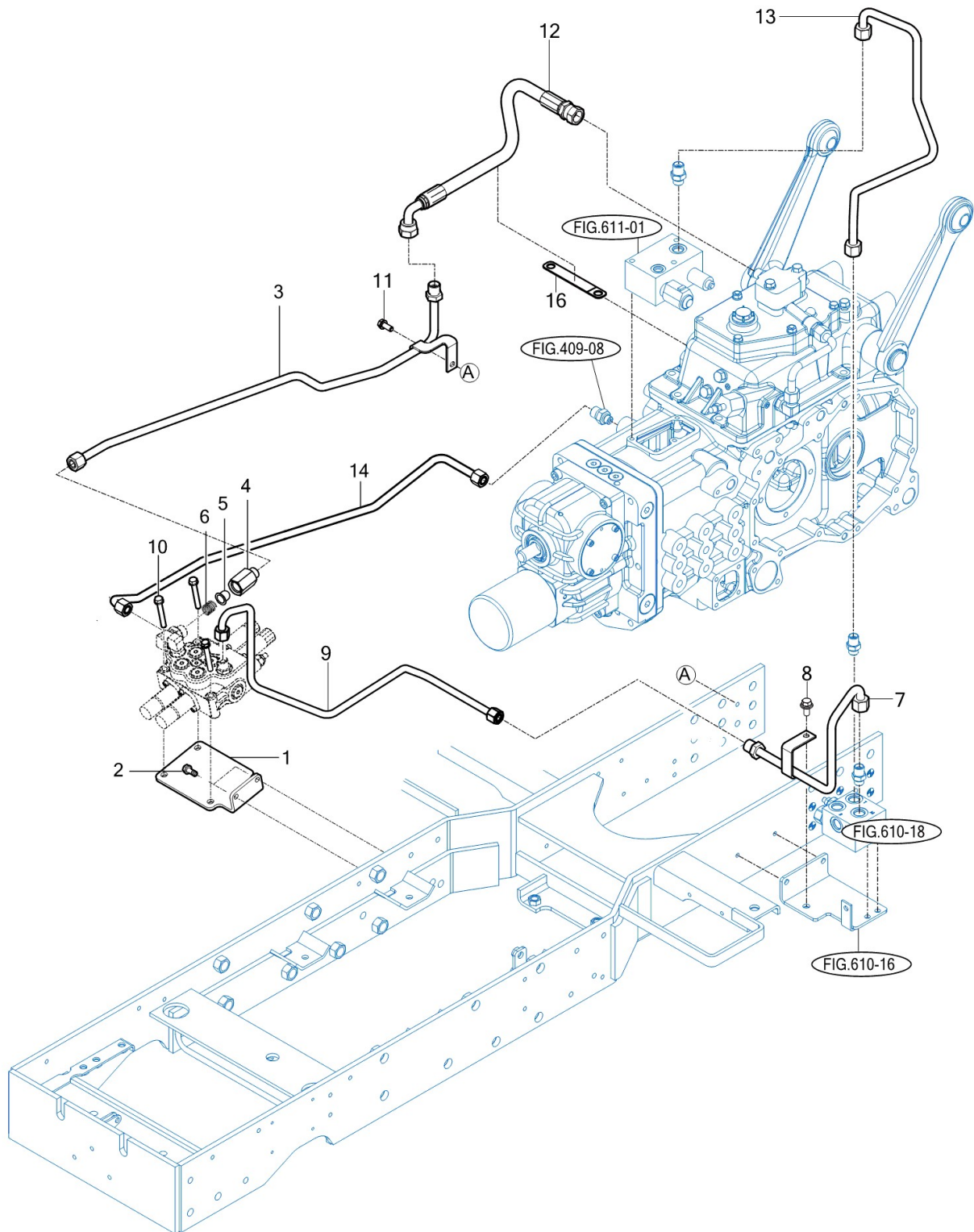
FIG

T25NH-B

HYDRAULIC HOSE (1)

년/월
Year/Month

2021-12



NOTE

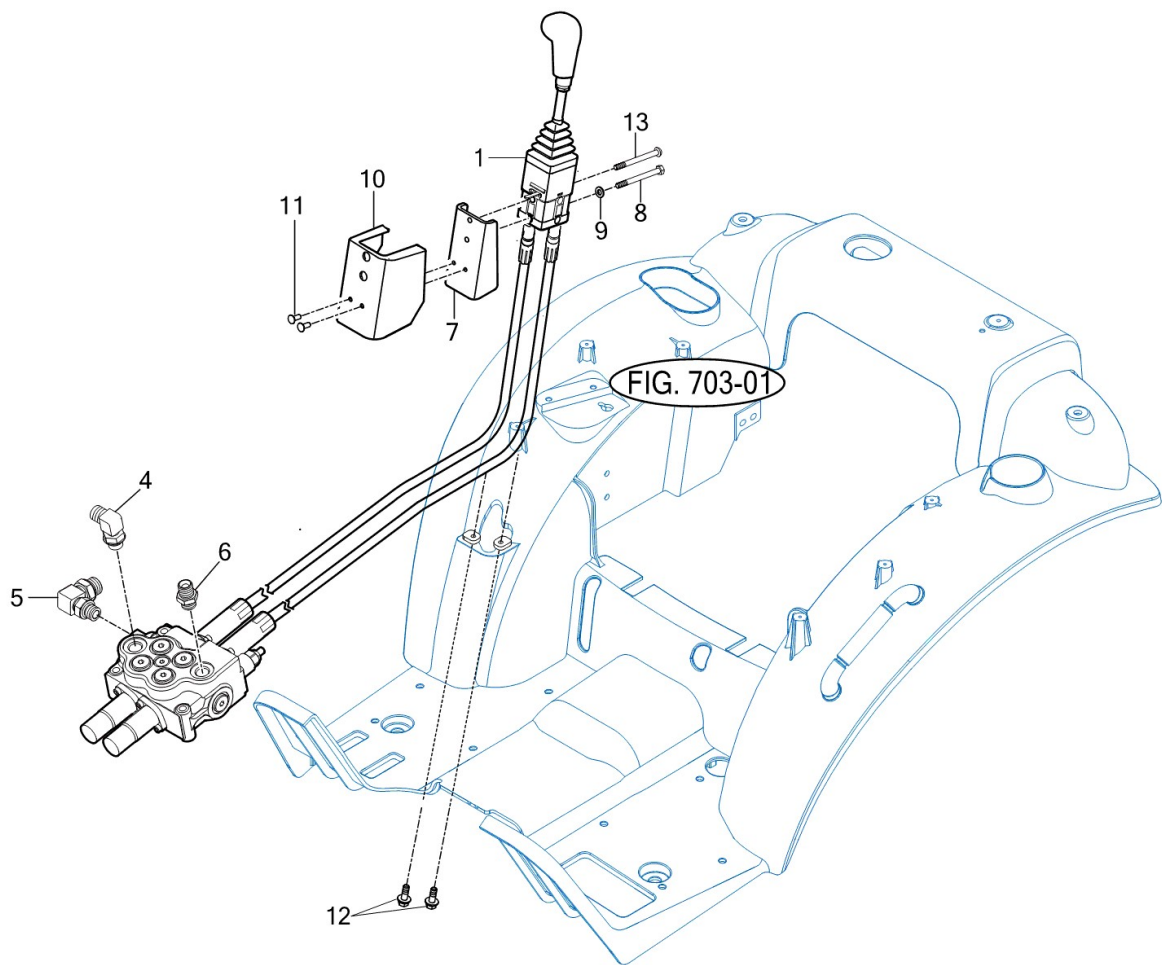
FIG

T25NH-B

JOYSTICK LEVER

년/월
Year/Month

2021-12



RK25-U-613

NOTE

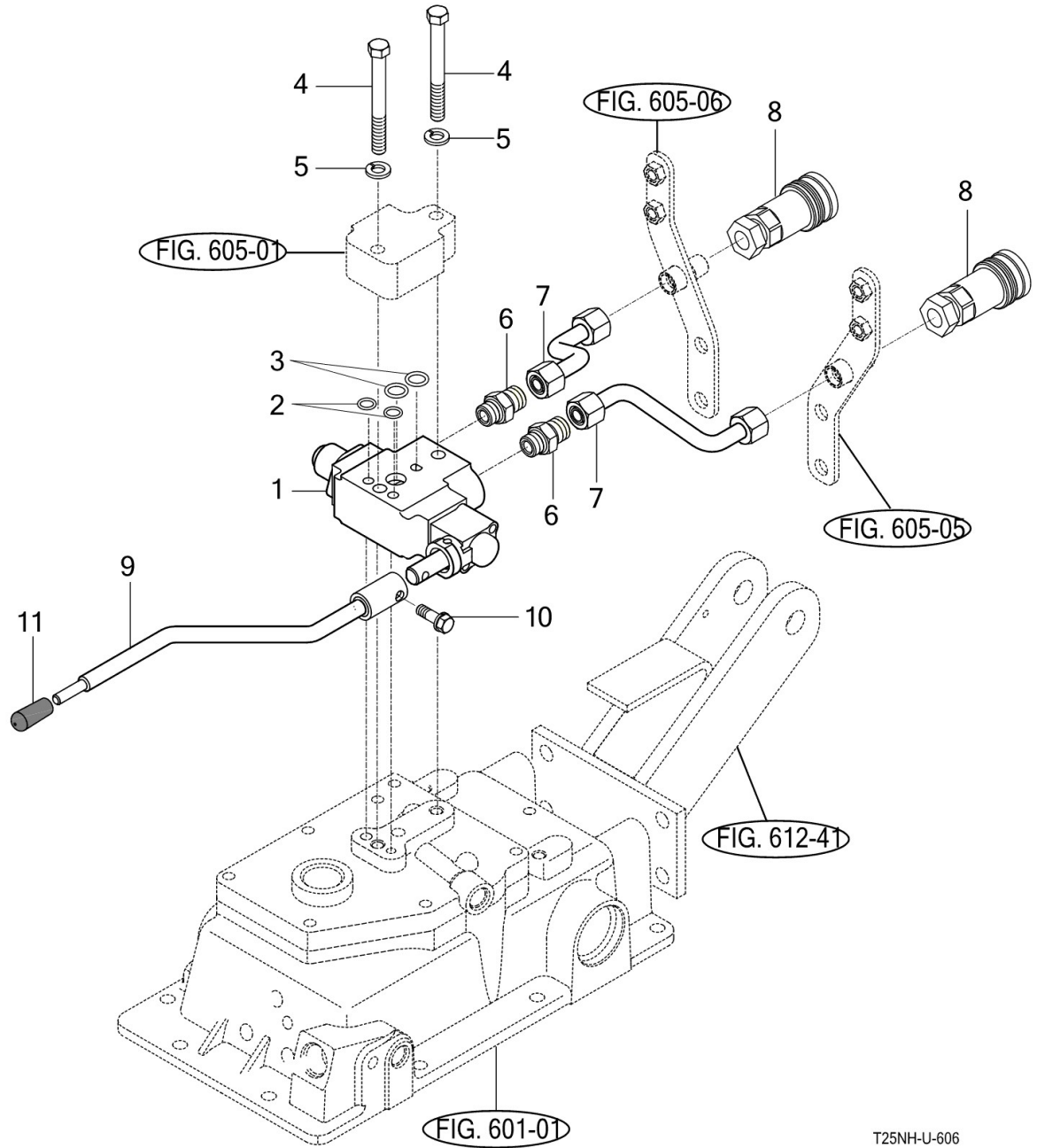
FIG

T25NH-B

REMOTE CONTROL VALVE

년/월
Year/Month

2021-12



T25NH-U-606

NOTE

7. Sheet Metal & Cabin PART NO. T7

FIG BONNET	145
FIG DASH PANEL	147
FIG FLOOR	149
FIG SEAT	152
FIG ROPS	154
FIG CAB FRAME & DOOR(OPTION)	156
FIG FRONT GLASS(OPTION)	158
FIG SIDE & REAR GLASS(OPTION)	160
FIG ROOF(OPTION)	162
FIG HEATER(OPTION)	164
FIG INTERIOR PART(OPTION)	166
FIG SEAL(OPTION)	168
FIG FRONT & REAR MOUNTING(OPTION)	170

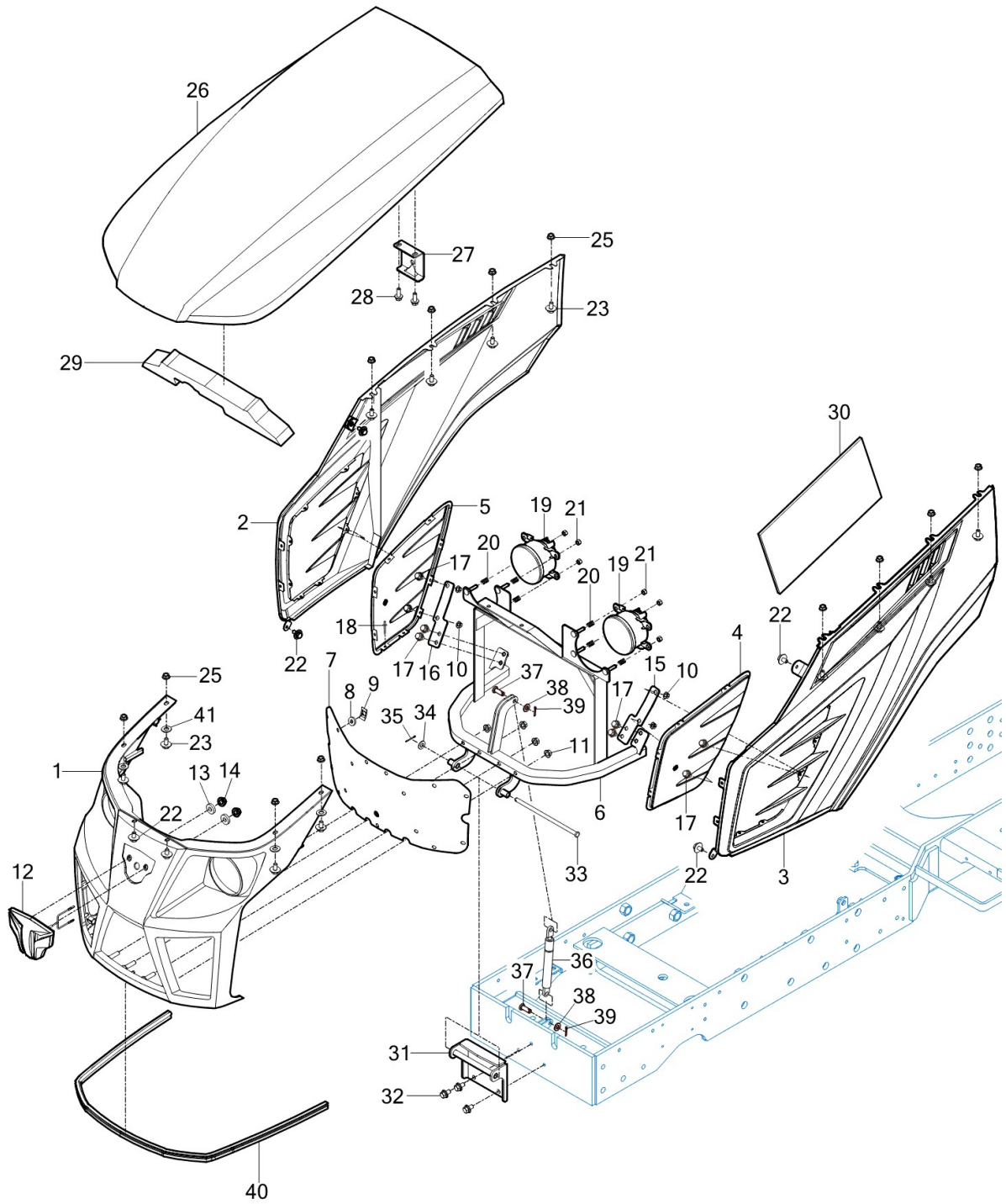
FIG

T25NH-B

BONNET

년/월
Year/Month

2021-12



NOTE

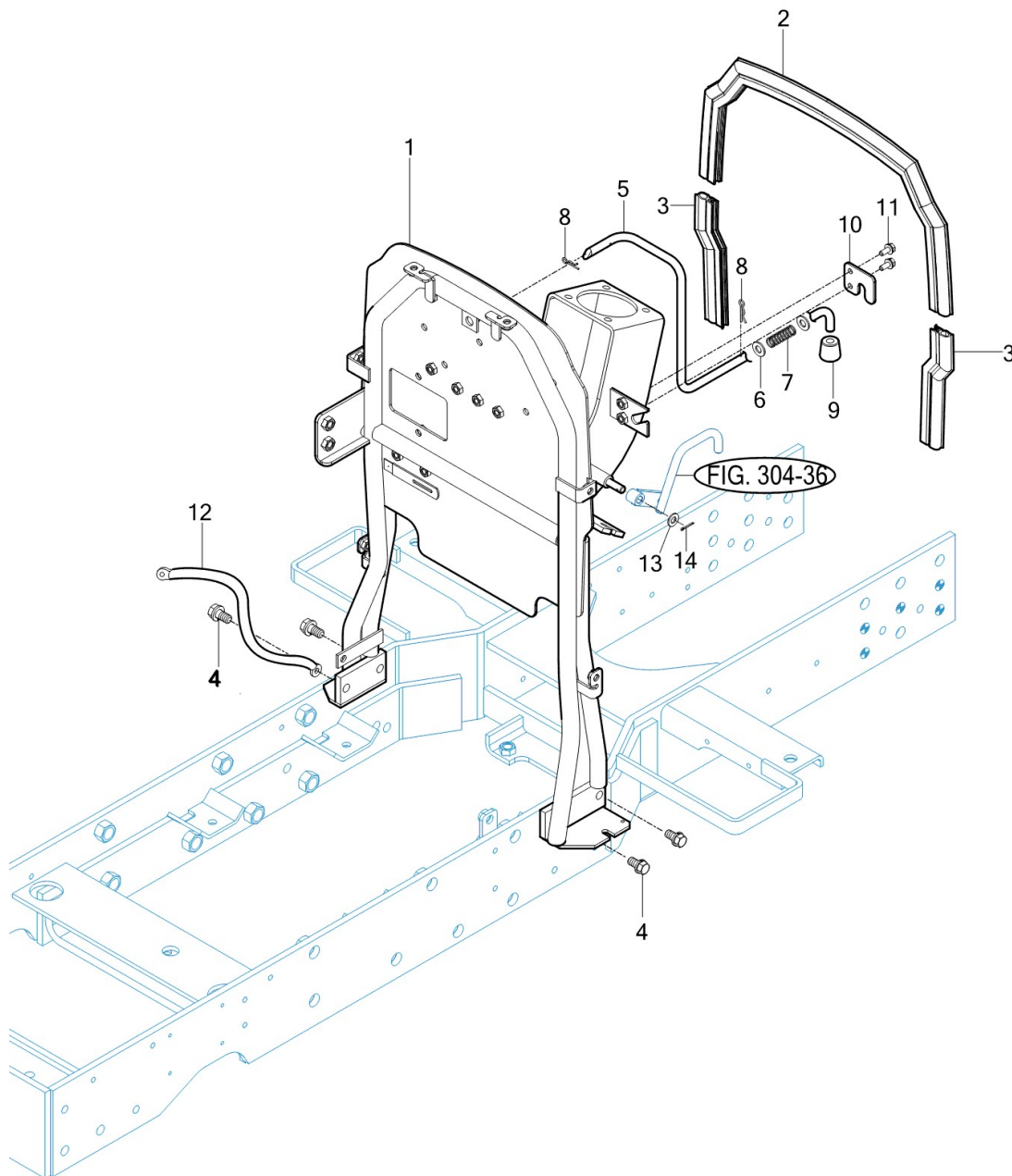
FIG

T25NH-B

DASH PANEL

년/월
Year/Month

2021-12



NOTE

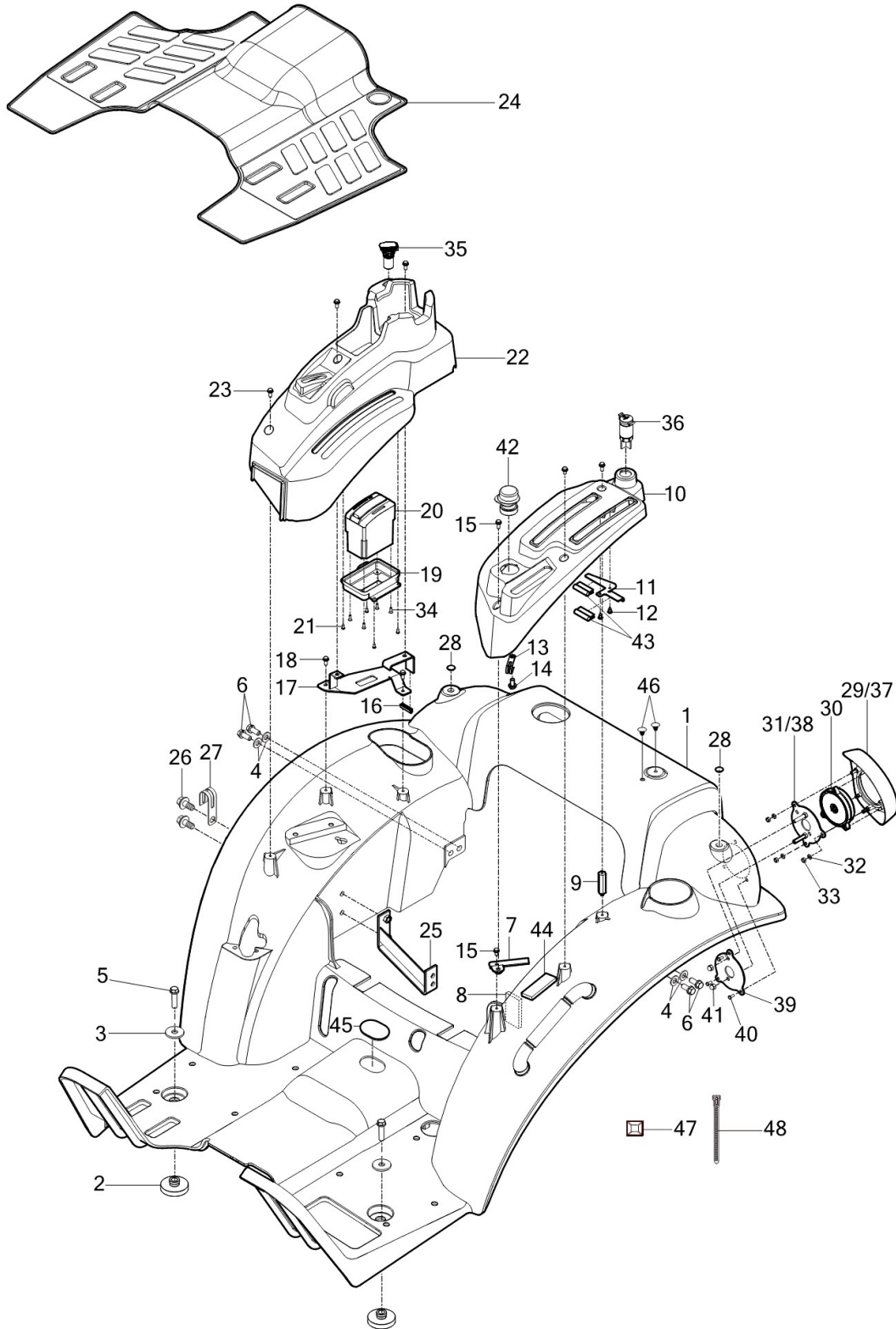
FIG

T25NH-B

FLOOR

년/월
Year/Month

2021-12



NOTE

FIG T25NH-B		FLOOR					년/월 Year/Month	
							2021-12	
KEY NO	PART NO	DESCRIPTION	SPEC	QTY	REPAIR	EFFECTIVE DATE	REMARKS	
1	13156402114SR	PANEL , FLOOR		1				
2	13156252121	INSULATOR		2				
3	13156252110	PLATE		2				
4	V4111600100	WASHER , PLAIN	M10	4				
5	V2173612040	BOLT , HEX/S	M12X40	2				
6	V2173610040	BOLT , HEX/S	M10X40	4				
7	11817082300GB	BRACKET COMP , FR/LEVER COVER		1				
8	11816400010	INSULATOR , 4WD		1				
9	11817095440	BOLT , COVER		1				
10	11817082100	LEVERCOVER SUB , LH		1				
11	11816400020GB	PLATE, PTO LEVER		1				
12	V1902605012	SCREW , TAPPING C/R PAN/3		2				
13	37371720090	CLAMP , W/HARNESS		1				
14	19406110080	TAPPING SCREW , TRUSS/6X16		1				
15	V1222806012	SCREW , C/R PAN/SP		4				
16	11816030020	INSULATOR , RH / LEVER COVER		1				
17	11817082400GB	BRACKET COMP , LEVER COVER		1				
18	V1222806012	SCREW , C/R PAN/SP		2				
19	11817082220NG	LEVER COVER , LOW / RH		1				
20	11816602300	WIRELESS CHARGE ASSY		1				
21	V1922604012	SCREW , TAPPING		4				
22	11817082210NG	LEVER COVER , UPPER /RH		1				
23	V1222806012	SCREW , C/R PAN/SP		3				
24	13186412110	MAT , FLOOR		1				
25	13196253100GB	PLATE COMP, RH SUPPROT FENDER		1				
26	V2183608025	BOLT , HEX/SP		2				
27	14256210040	CLAMP , 9		1				
28	16606070031	CAP , 9		2				
29	11817023500NG	STOP LAMP COVER , LH		1				
30	11817023400	LAMP ASSY . STOP		2				
31	11817023700	FIX PLATE COMP , LH / STOP LAMP		1				
32	V4011600060	WASHER , SPRING		6				
33	V3412700080	NUT , SMALL CAP		6				
34	V1122804012	SCREW , C/R FLAT		4				
35	11817018500	USB SOCKET ASSY		1				
36	10037018500	SOCKET ASSY , POWER		1				
37	11817023600NG	STOP LAMP COVER , RH		1				
38	11817023800	FIX PLATE COMP , RH / STOP LAMP		1				
39	11817023710	FIX PLATE , STOP LAMP		2				
40	13366050120	SCREW , TAPPING C/R PAN/4		6				
40	V1922605012	SCREW , TAPPING		6				
41	V3412700080	NUT , SMALL CAP		4				
42	11106644000	SWITCH ASSY , PTO		1				
43	11816400030	INSULATOR , 40 / LEVERCOVER		2				
44	11816400040	INSULATOR , LOW /4WD LEVER		1				
NOTE								

FIG T25NH-B		FLOOR						년/월 Year/Month
								2021-12
KEY NO	PART NO	DESCRIPTION	SPEC	QTY	REPAIR	EFFECTIVE DATE	REMARKS	
45	14706300020	CAP , SLOW RETURN		1				
46	15276040020	CLIP , TRIM		2				
47	14536680010	MOUNT , TIE		2				
48	13764020030	CABLE TIE , 140		2				
NOTE								

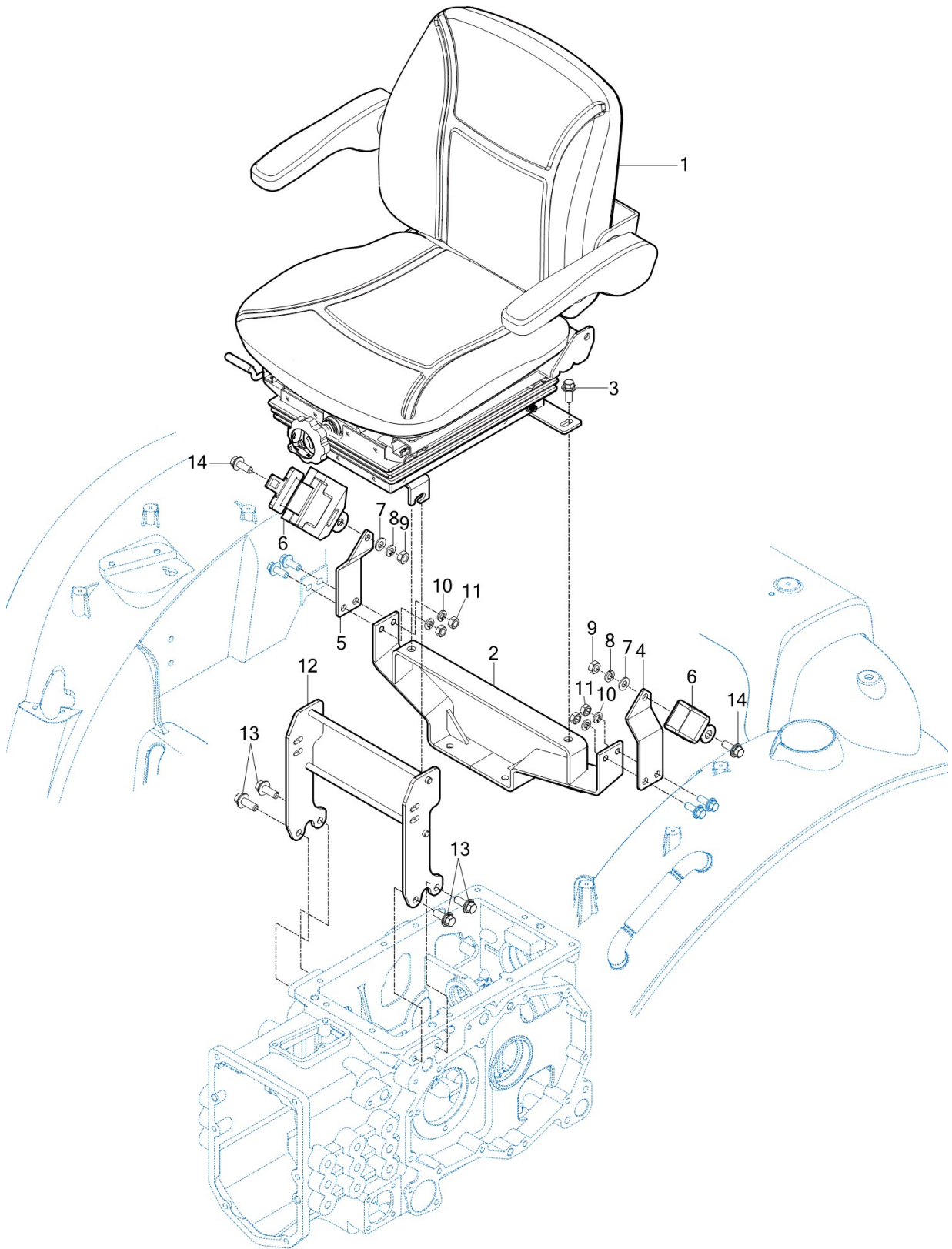
FIG

T25NH-B

SEAT

년/월
Year/Month

2021-12



NOTE

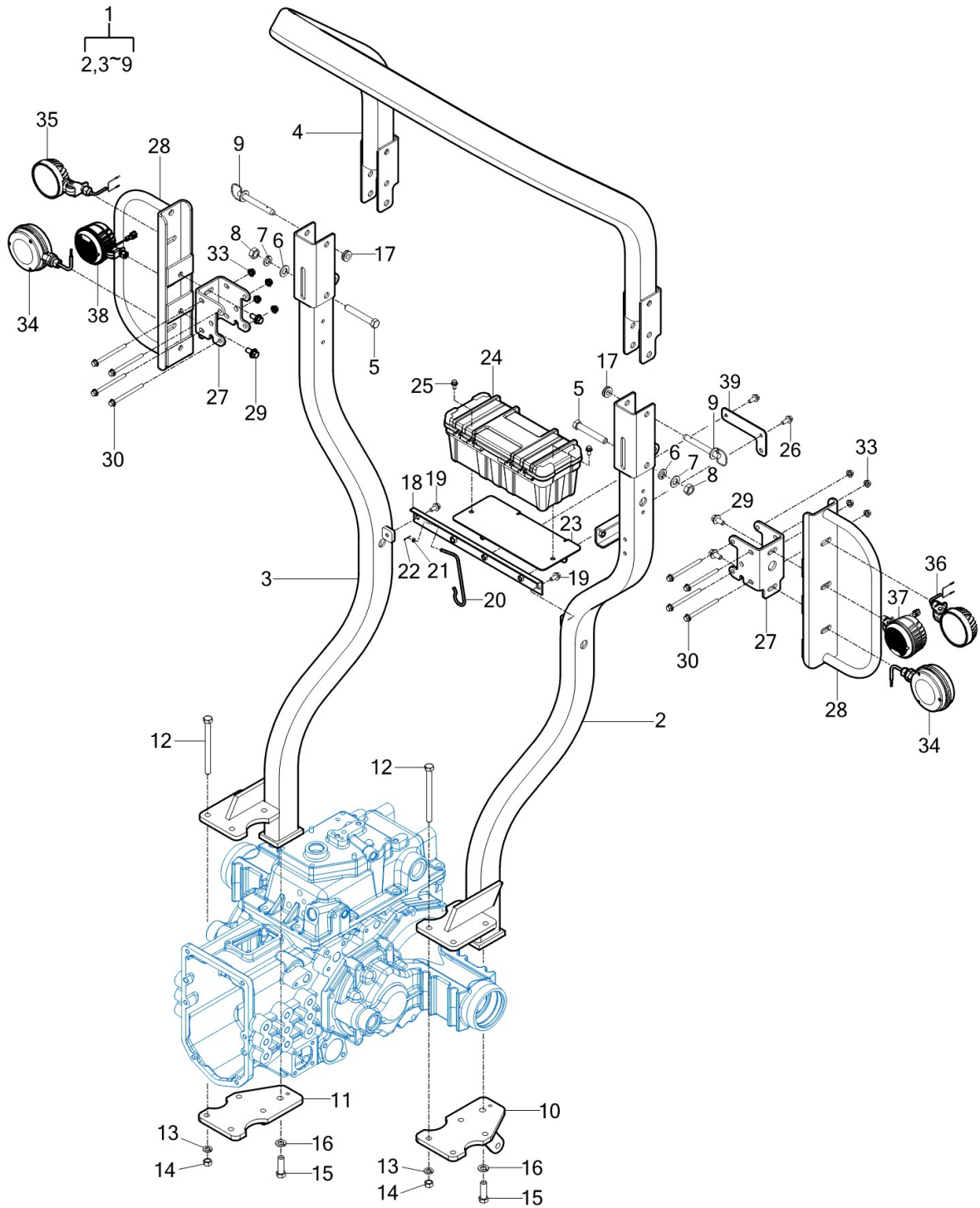
FIG

T25NH-B

ROPS

년/월
Year/Month

2021-12



NOTE

FIG		ROPS						년/월	Year/Month
								2021-12	
T25NH-B		KEY NO	PART NO	DESCRIPTION	SPEC	QTY	REPAIR	EFFECTIVE DATE	REMARKS
	1	11817022000	ROPS ASSY			1			
	2	11817022100GB	FRAME COMP , LH			1			
	3	11817023100GB	FRAME COMP , RH			1			
	4	13397024100GB	FRAME COMP , UPR			1			
	5	V2004614090	BOLT , HEX			2			
	6	V4111600140	WASHER , PLAIN			2			
	7	V4011600140	WASHER , SPRING			2			
	8	V3043600140	NUT , HEX/2			2			
	9	16507027500	PIN COMP , FIXED			2			
	10	11817022201GB	BRACKET COMP , LH			1			
	11	11817023201GB	BRACKET COMP , RH			1			
	12	V2004612150	BOLT , HEX			8			
	13	V4011600120	WASHER , SPRING			8			
	14	V3043600120	NUT , HEX/2			8			
	15	V2013614045	BOLT , HEX			2			
	16	V4011600120	WASHER , SPRING			2			
	17	14046210300	GROMMET			2			
	18	13197035401GB	BRACKET COMP			1			
	19	V2183608025	BOLT , HEX/SP			2			
	20	16705251100	HOOK , TOPLINK			1			
	21	V4111600050	WASHER , PLAIN			1			
	22	V5001920015	PIN , SPLIT			1			
	23	11817011100GB	BRACKET COMP , TOOLBOX			1			
	24	13836081180	TOOL BOX			1			
	25	V2183608020	BOLT , HEX/SP			2			
	26	V2183606020	BOLT , HEX/SP			2			
	27	11817120010GB	PLATE , COMBI			2			
	28	11817122100GB	BRACKET COMP , COMBI LAMP			2			
	29	V2183610025	BOLT , HEX/SP			4			
	30	V2013608100	BOLT , HEX			8			
	31	V4111600080	WASHER , PLAIN			8			
	32	V4011600080	WASHER , SPRING			8			
	33	V3802600080	NUT , HEX FLANGE			8			
	34	11616562000	LAMP ASSY , DOUBLE-SIDE			2			
	35	11817025800	LAMP ASSY , WORKING RH			1			
	36	11817025700	LAMP ASSY , WORKING LH			1			
	37	11817025500	W.P SPEAKER ASSY(LH)			1			
	38	11817025600	W.P SPEAKER ASSY (RH)			1			
	39	11817012010GB	BRACKET , SMV			1			
NOTE									

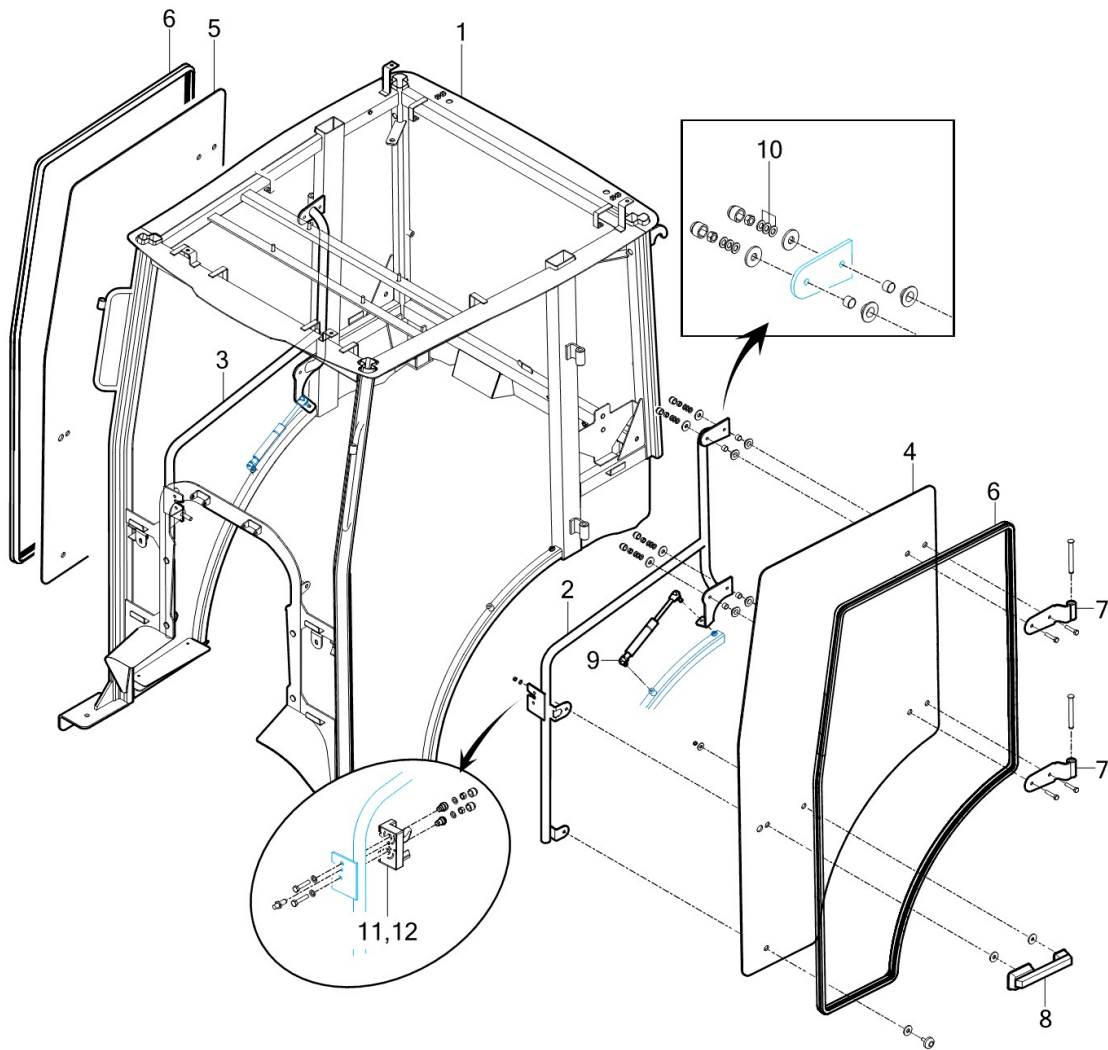
FIG

T25NH-B

CAB FRAME & DOOR(OPTION)

년/월
Year/Month

2021-12



NOTE

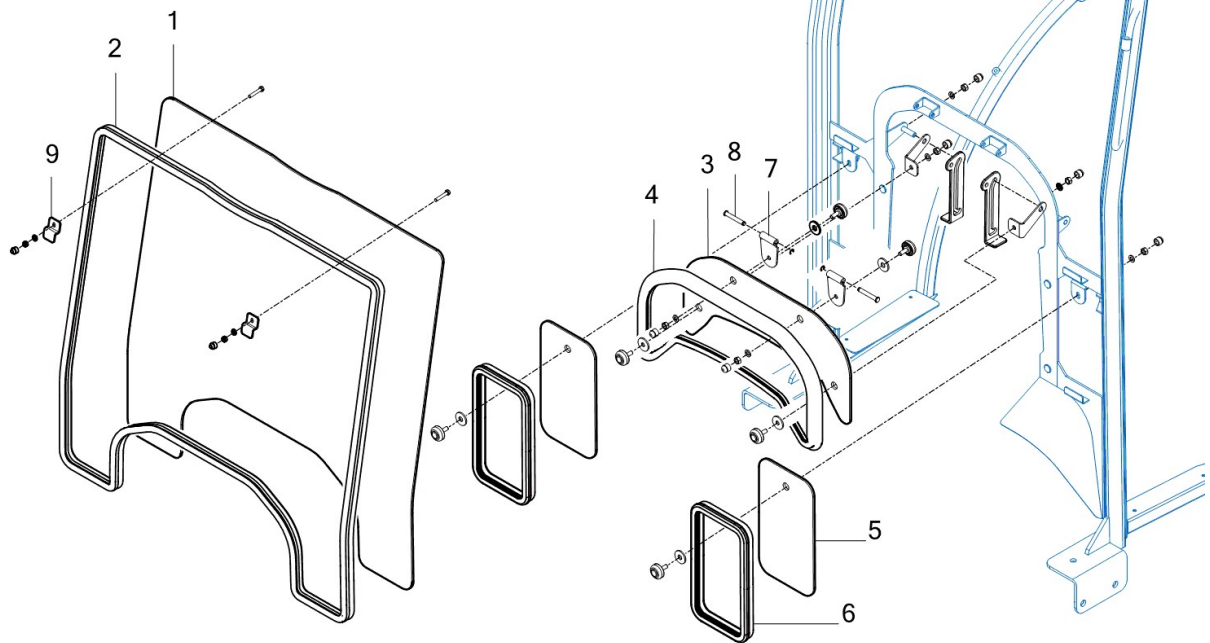
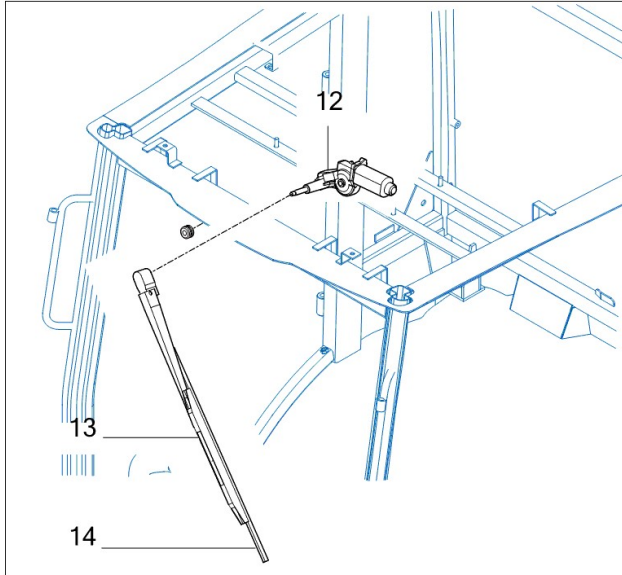
FIG

T25NH-B

FRONT GLASS(OPTION)

년/월
Year/Month

2021-12



NOTE

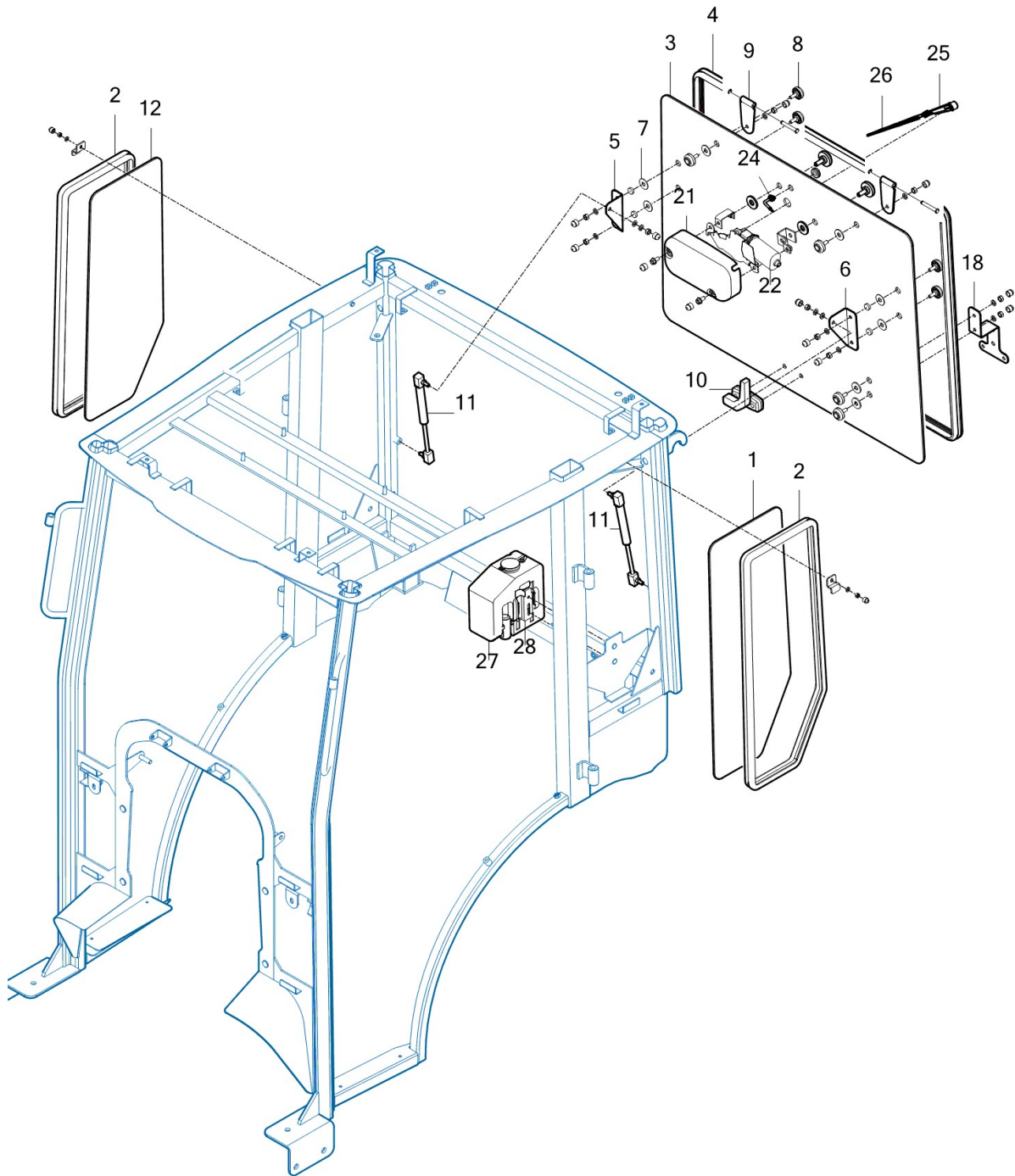
FIG

T25NH-B

SIDE & REAR GLASS(OPTION)

년/월
Year/Month

2021-12



NOTE

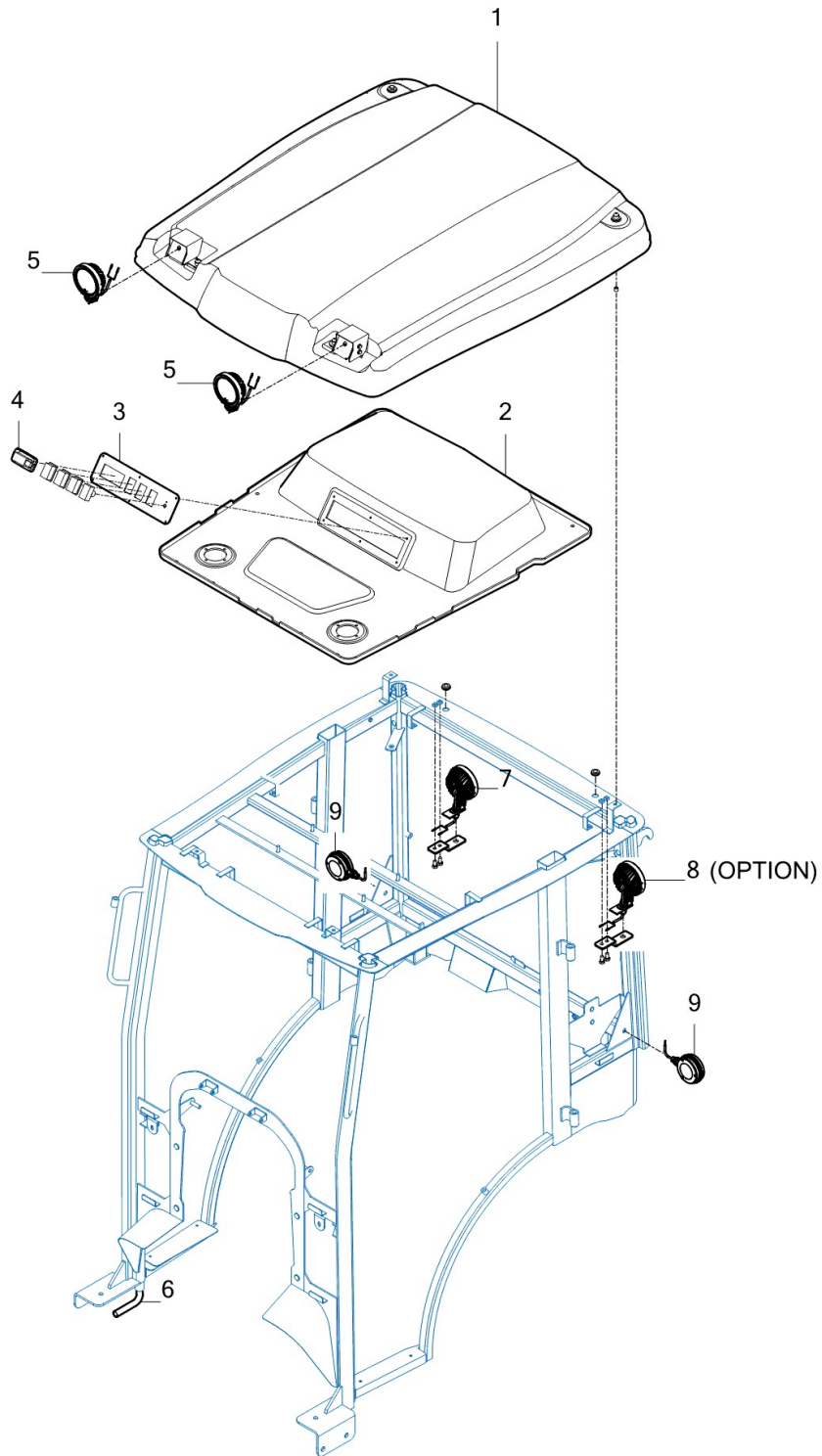
FIG

T25NH-B

ROOF(OPTION)

년/월
Year/Month

2021-12



NOTE

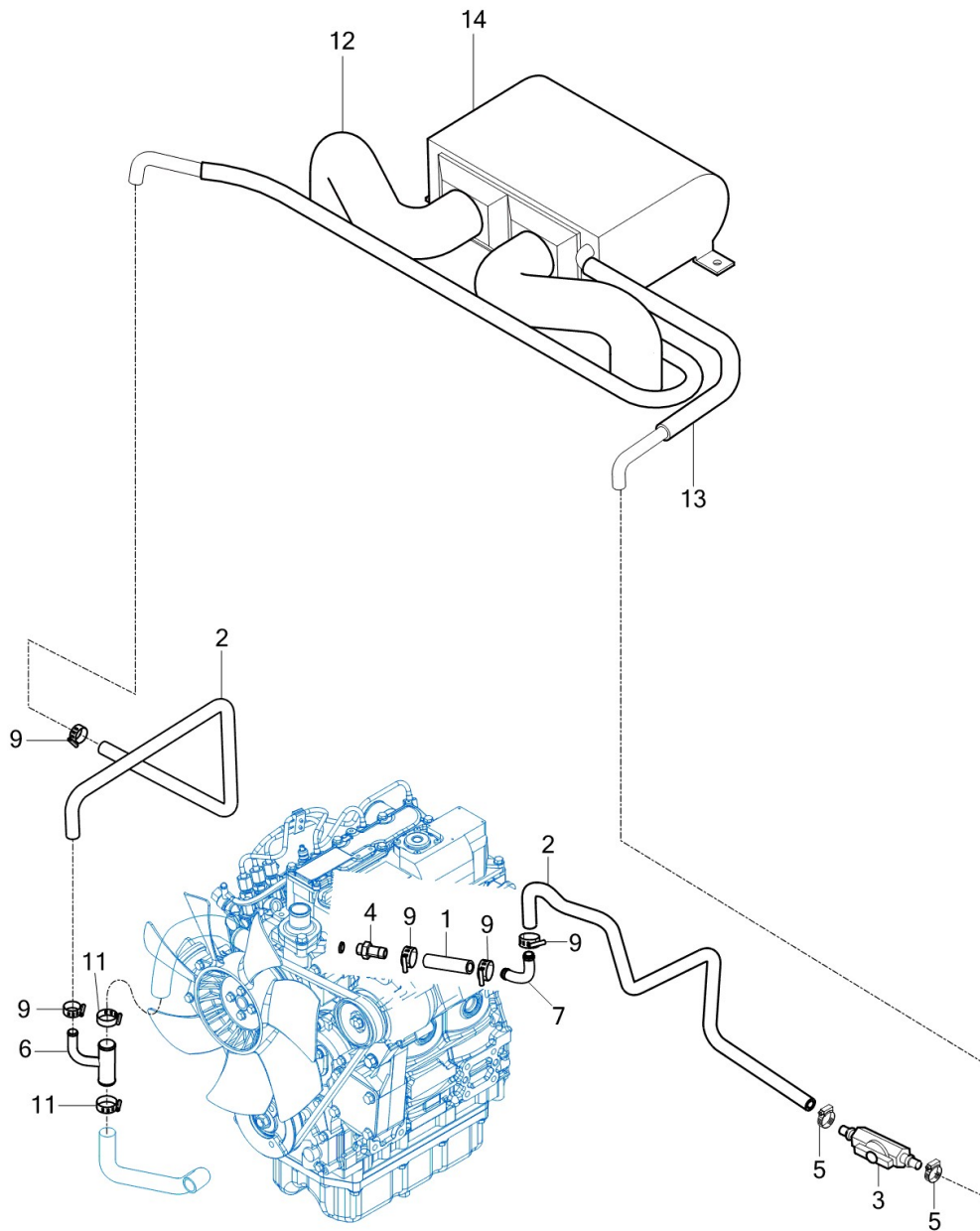
FIG

T25NH-B

HEATER(OPTION)

년/월
Year/Month

2021-12



NOTE

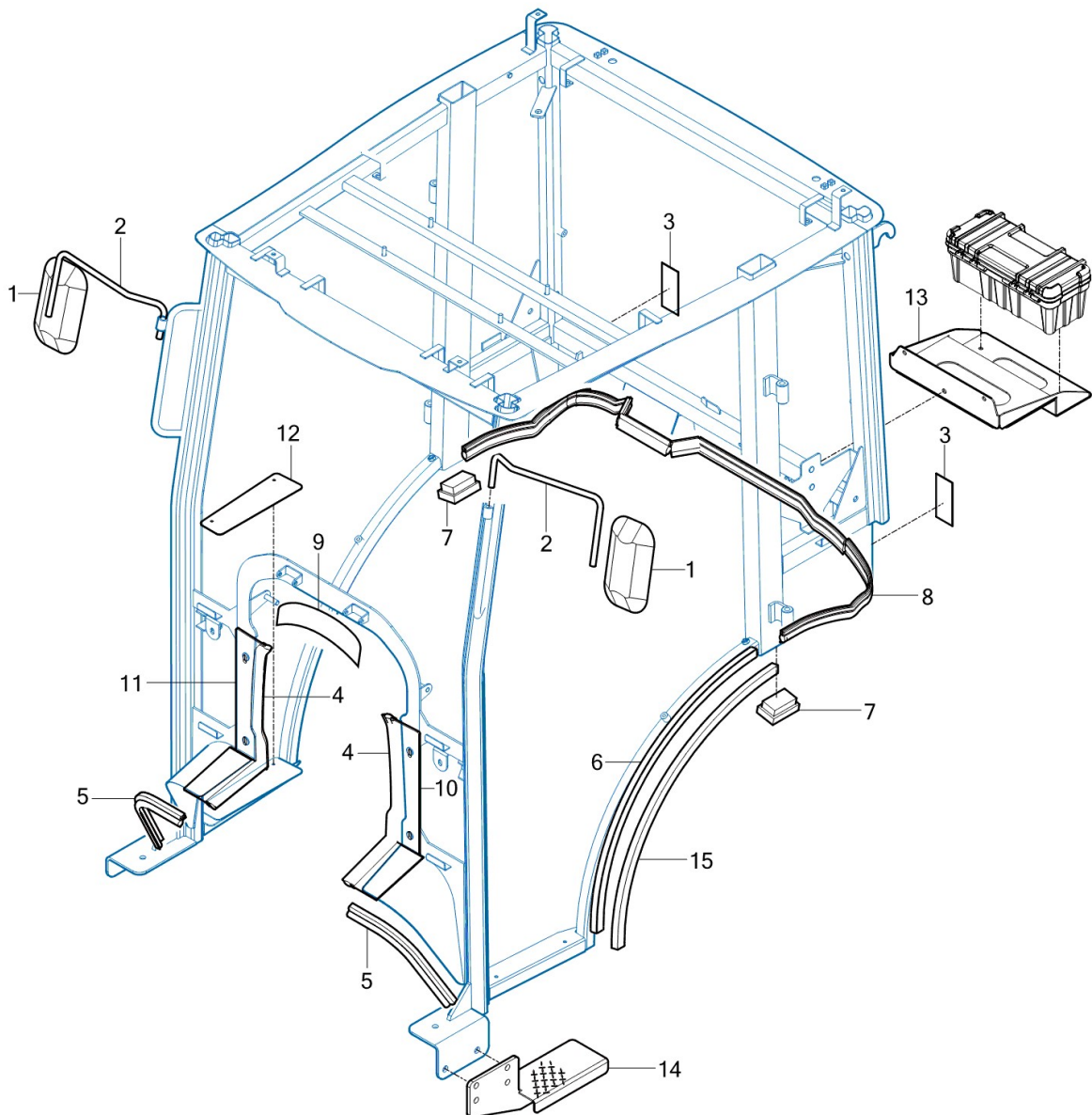
FIG

T25NH-B

INTERIOR PART(OPTION)

년/월
Year/Month

2021-12



NOTE

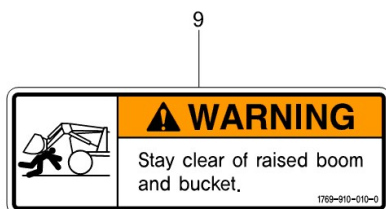
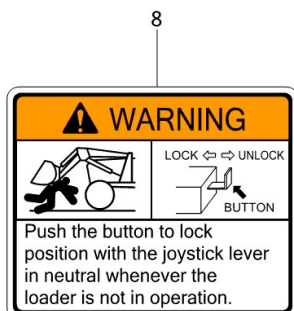
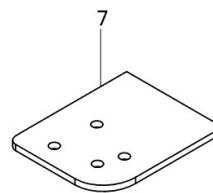
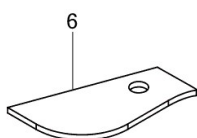
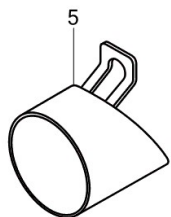
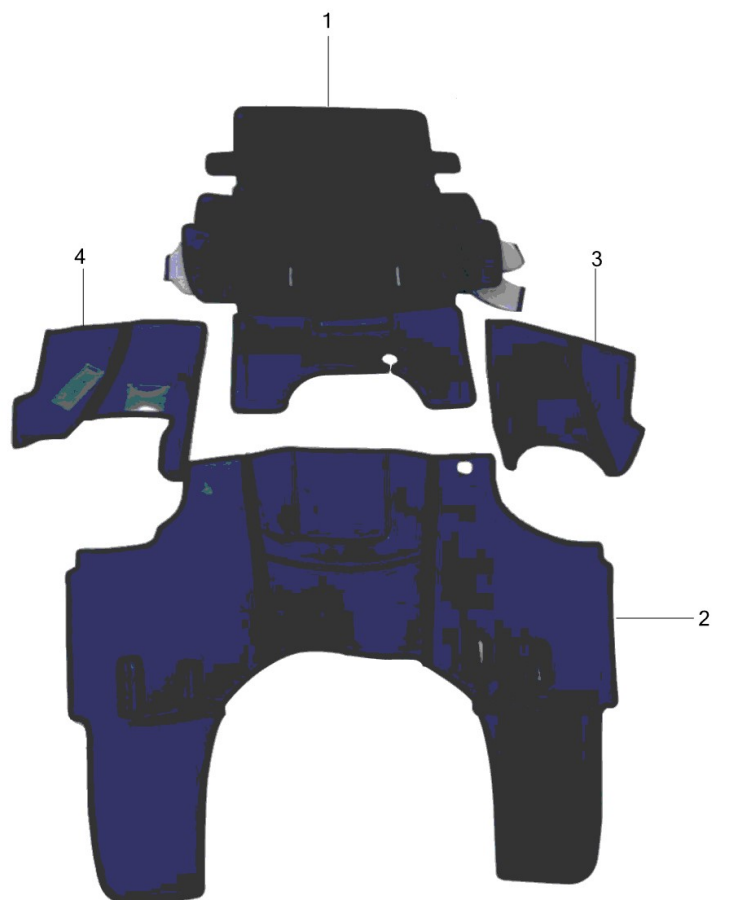
FIG

T25NH-B

SEAL(OPTION)

년/월
Year/Month

2021-12



NOTE

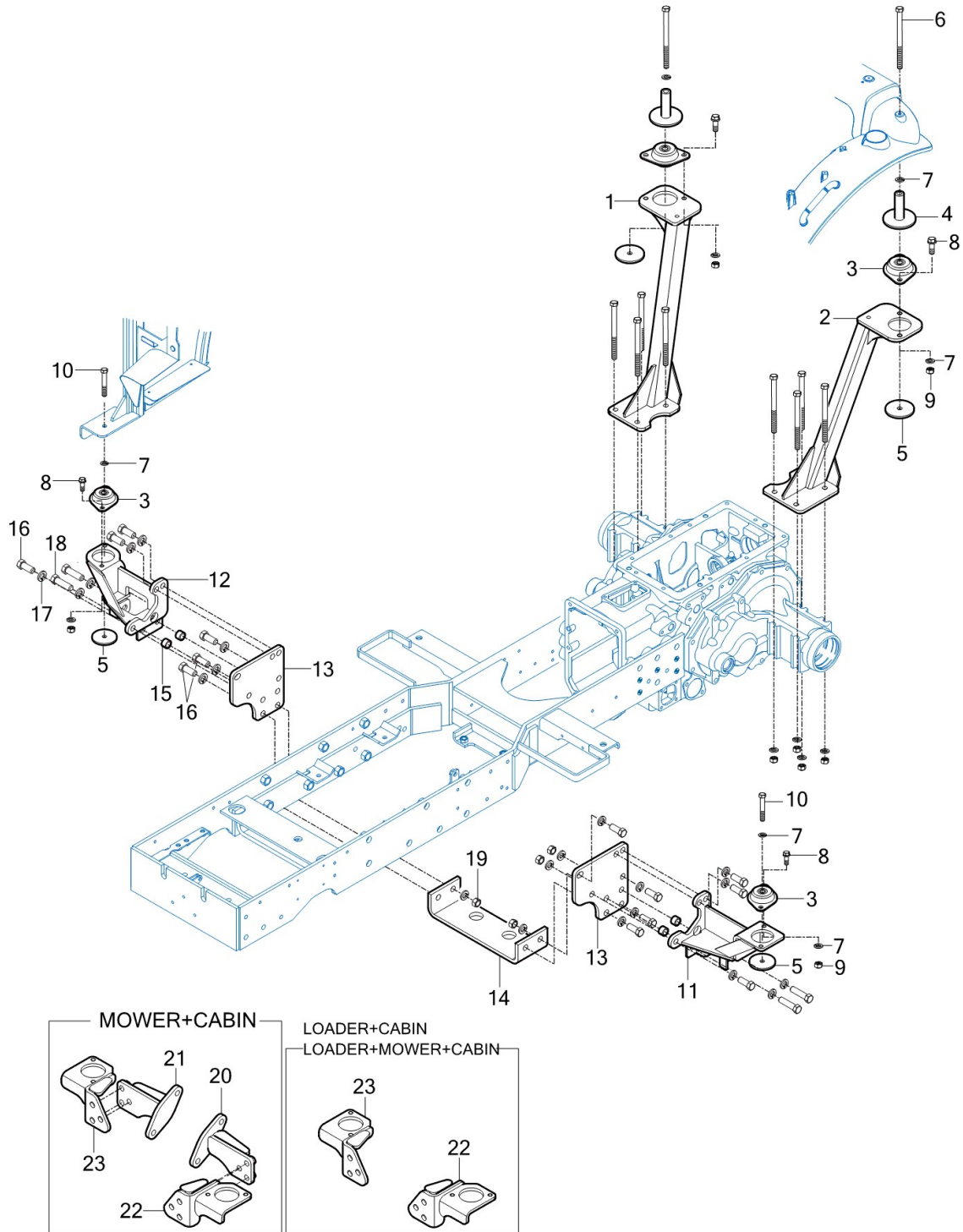
FIG

T25NH-B

FRONT & REAR MOUNTING(OPTION)

년/월
Year/Month

2021-12



NOTE

8. Electrical System PART NO. T8

FIG BATTERY & MOUNTING	173
FIG LIGHTS	175
FIG INSTRUMENT PANEL	177
FIG ELECTRIC SYSTEM	179
FIG HARNESS	181
FIG HARNESS	183

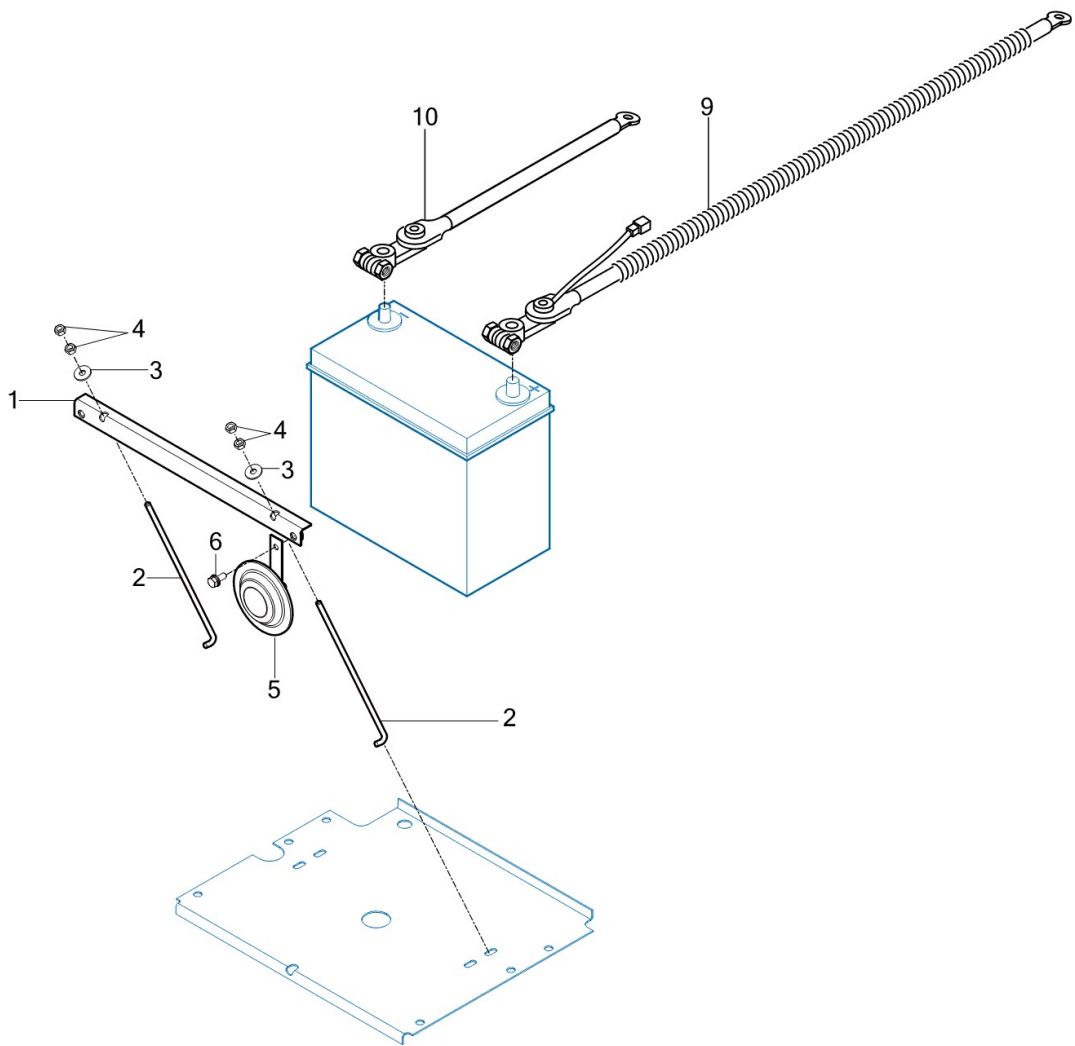
FIG

T25NH-B

BATTERY & MOUNTING

년/월
Year/Month

2021-12



NOTE

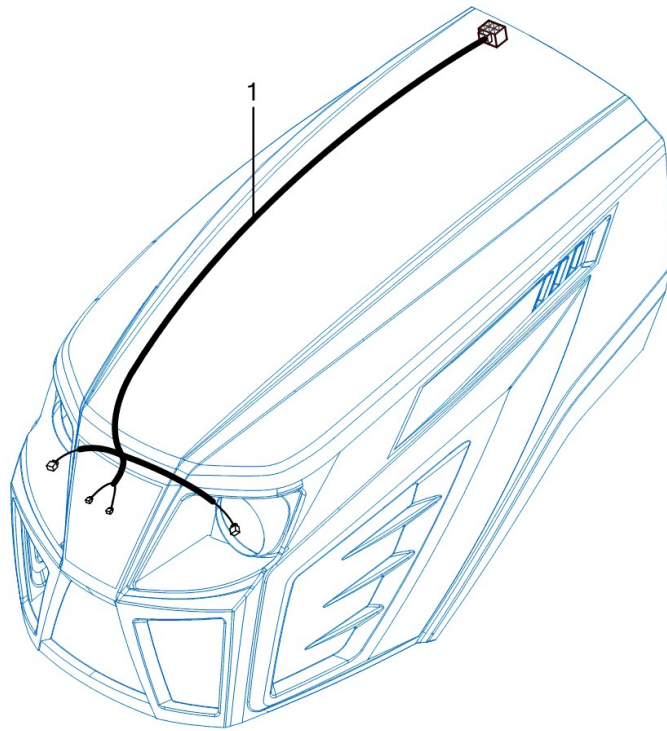
FIG

T25NH-B

LIGHTS

년/월
Year/Month

2021-12



NOTE

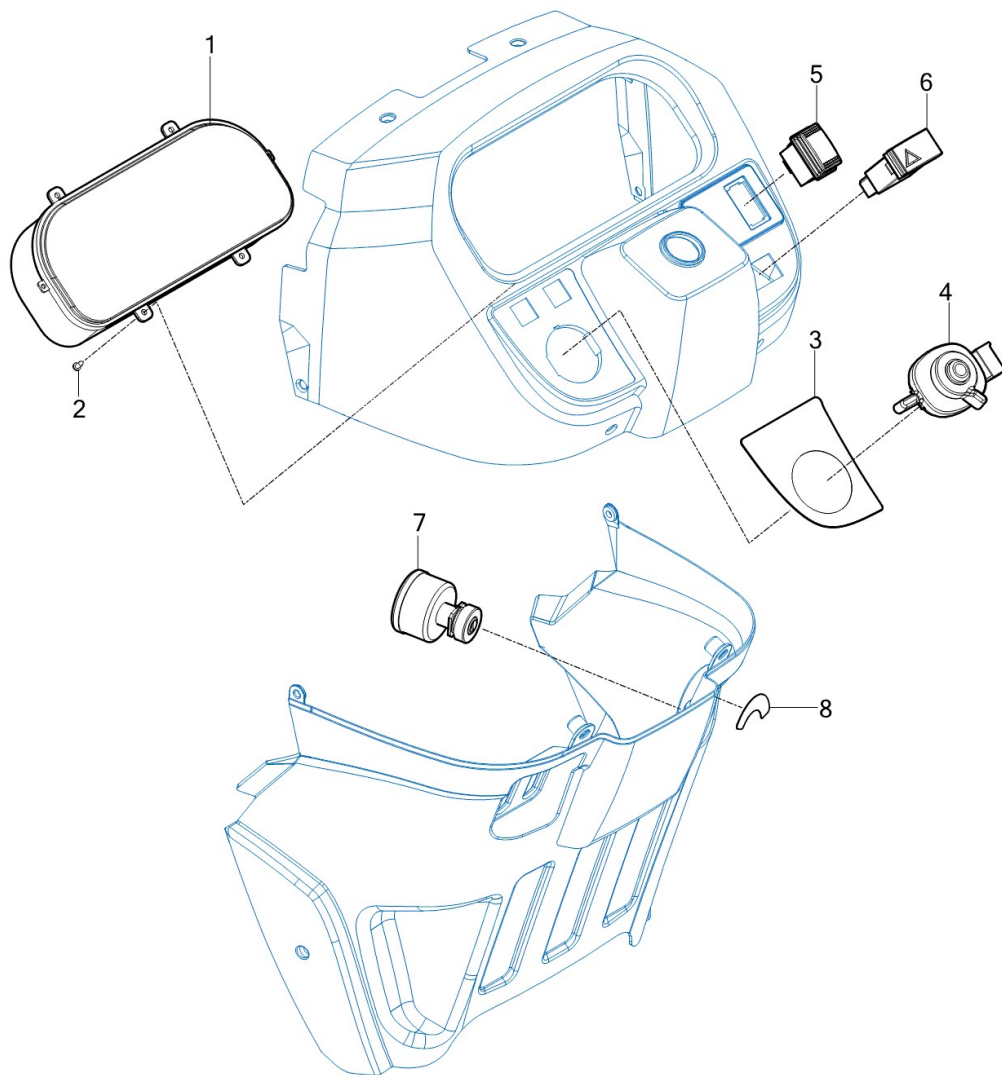
FIG

T25NH-B

INSTRUMENT PANEL

년/월
Year/Month

2021-12



NOTE

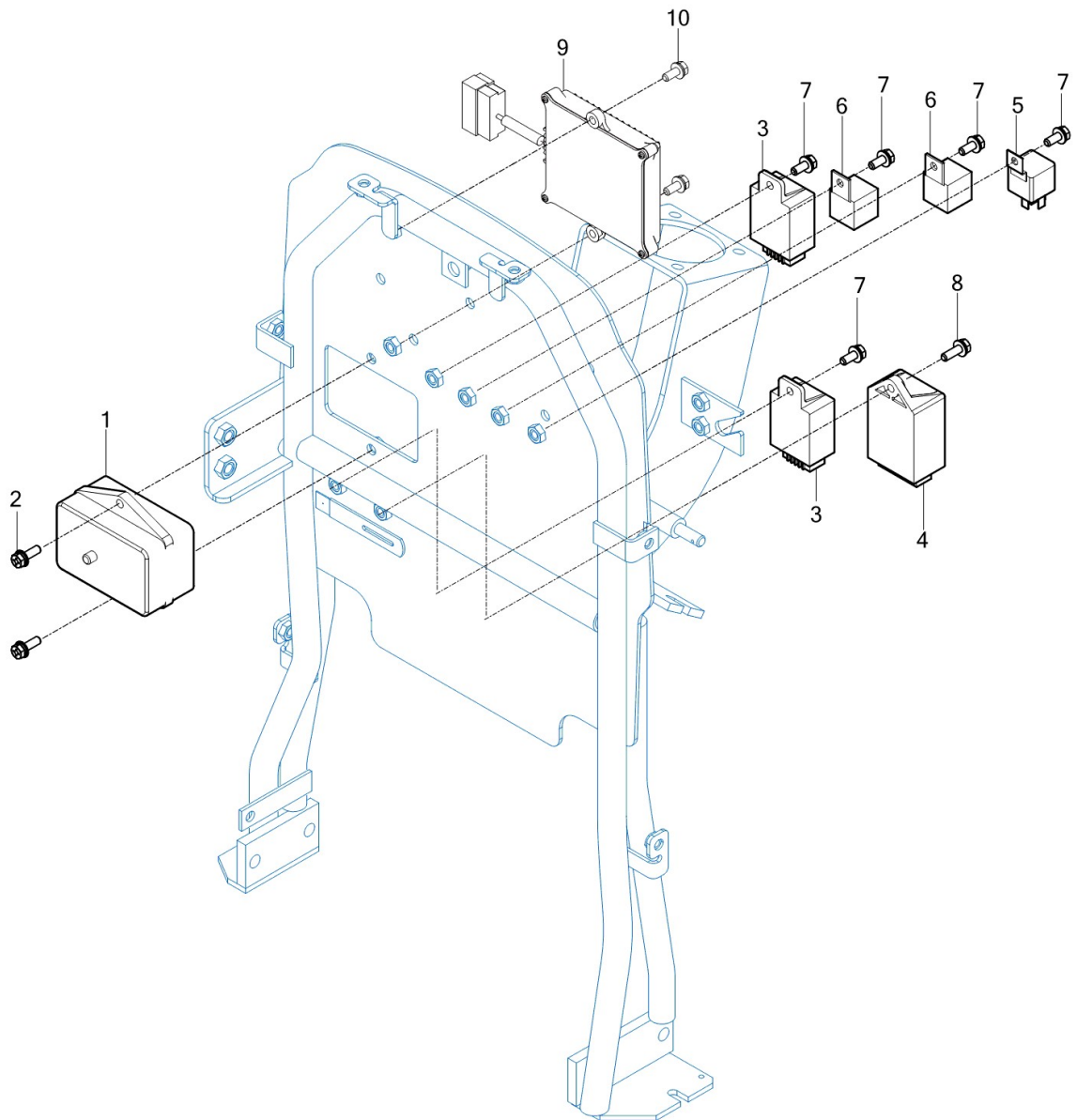
FIG

T25NH-B

ELECTRIC SYSTEM

년/월
Year/Month

2021-12



NOTE

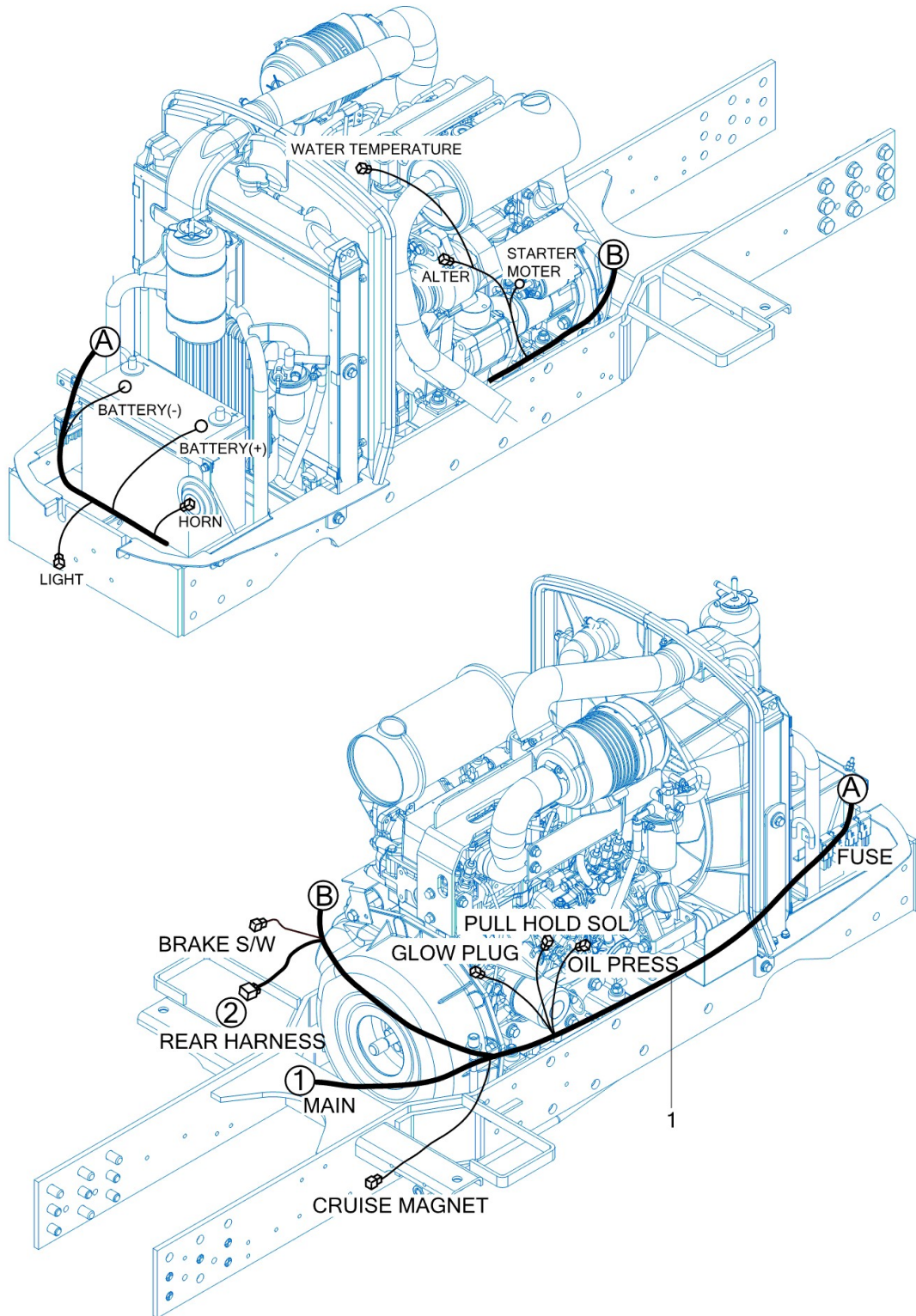
FIG

T25NH-B

HARNESS

년/월
Year/Month

2021-12



NOTE

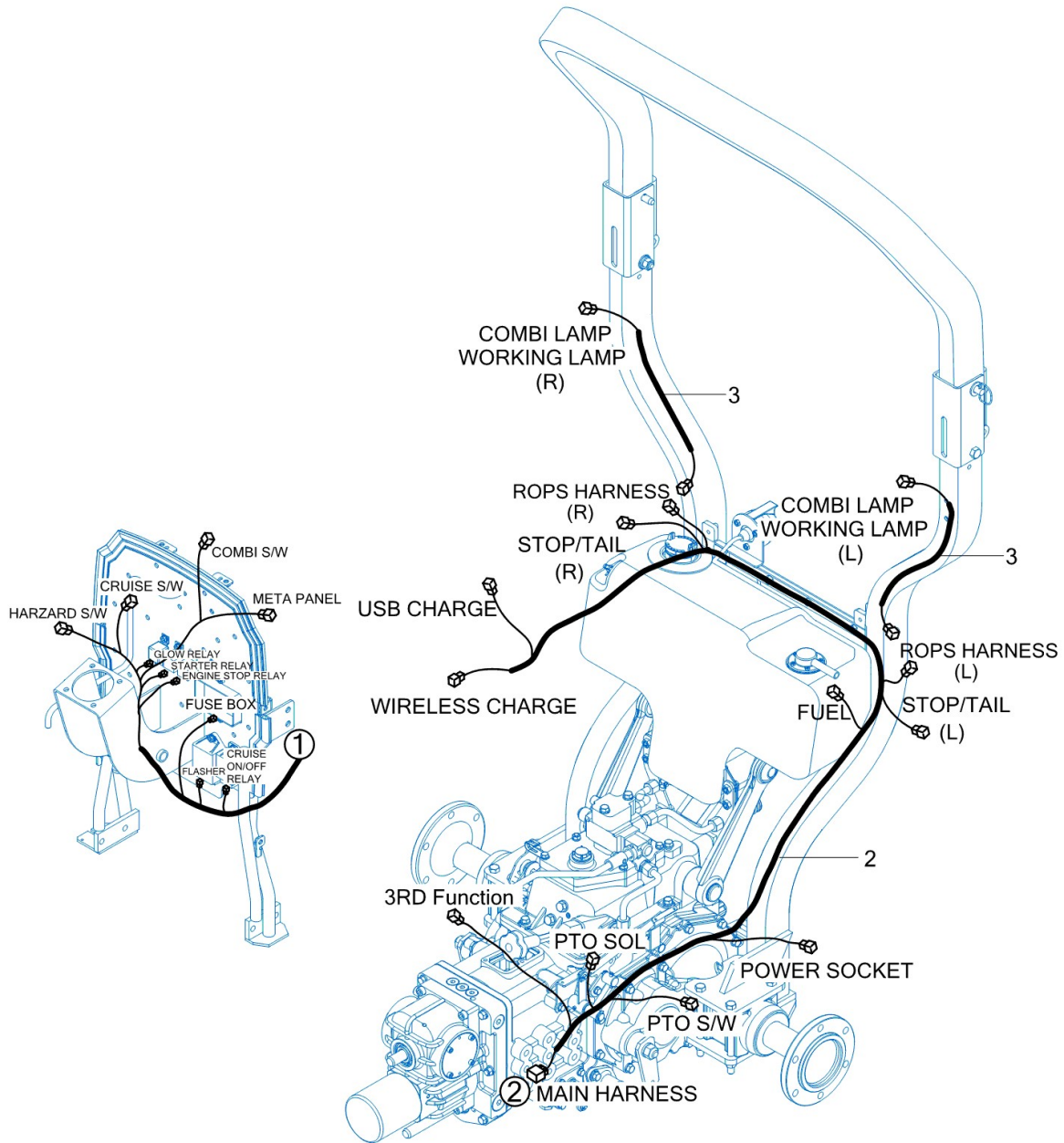
FIG

T25NH-B

HARNESS

년/월
Year/Month

2021-12



NOTE

FIG T25NH-B		HARNESS					년/월 Year/Month	
							2021-12	
KEY NO	PART NO	DESCRIPTION	SPEC	QTY	REPAIR	EFFECTIVE DATE	REMARKS	
2	11816683600	HARNESS ASSY , RR		1				
3	11816683700	HARNESS ASSY , ROPS		2				
NOTE								

9. Label/Option PART NO. T9

FIG TOOL & ACCESSORY	186
FIG LABEL	188
FIG OPTION	190
FIG MID P.T.O OPTION	192

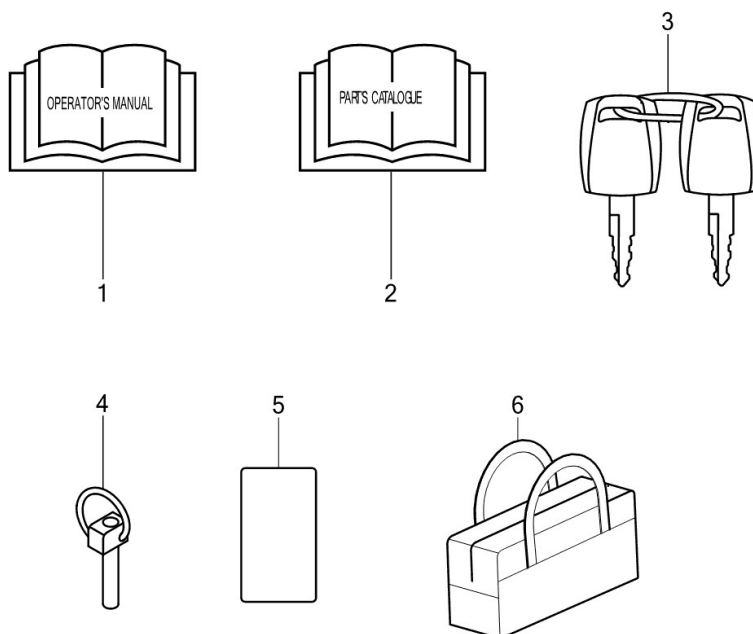
FIG

T25NH-B

TOOL & ACCESSORY

년/월
Year/Month

2021-12



T2744-001

NOTE

FIG T25NH-B		TOOL & ACCESSORY						년/월 Year/Month
								2021-12
KEY NO	PART NO	DESCRIPTION	SPEC	QTY	REPAIR	EFFECTIVE DATE	REMARKS	
1	11819120020	OPERATOR'S MANUAL , K2X		1				
2	11819120030	PARTS CATALOGUE , K2X		1				
3	12147078721	KEY SET		1				
4	14215020020	PIN , LINK		2				
5	11506571000	REAR REFLECTOR		2				
6	94009050020	BAG , ACCESSORY/MIDDLE		1				
NOTE								

FIG

T25NH-B

LABEL

년/월
Year/Month

2021-12

WARNING

Always apply the park brake when parking. Failure to do so can cause accidents and damages.

1200-910-002-0

1

WARNING

Always set the knob to lock when

1. Travelling on the road.
2. Replacing blades on an implement
3. Making adjustment to an implement

Sudden dropping of an implement can cause serious injury or death.

1200-910-004-0

3

WARNING

Do not refuel the tractor while smoking or near naked flame or sparks. Always stop engine before refueling tractors.

1200-910-005-0

4

WARNING

Never use the differential lock at high speed or on the road as this can cause rollover and injury.

1200-910-006-0

5

WARNING

Brake pedals must always be locked together when travelling on the highway. This will ensure uniform braking and provide maximum stopping ability sharp turns must only be made at slow speeds.

1200-910-007-0

6

CAUTION

Keep hands and clothing away from rotating fan and belts to prevent serious injury.

1200-910-012-0

7

DANGER

Rotating driveline contact can cause death. KEEP AWAY! Keep all drive line. Tractor and equipment shields in place during operation.

1200-910-013-0

8

WARNING

Attach implements and trailers to the tractor only using the prescribed drawbar or hitch.

1200-910-014-0

9

WARNING

Do not remove radiator cap while engine is hot. Hot steam will injure you.

1200-910-015-0

10

DANGER

Do not ride except operator.

1200-910-016-0

11

WARNING

Always fasten Your seat belt.

1200-910-019-0

12

CAUTION

Do not touch while the system is hot. It cause serious burns.

1200-910-024-0

14

T25

18

Operator's manual

1200-910-023-0

13

1768-920-005-0

15

1768-910-017-0

16

PARKING BRAKE

Press down the master brake pedal and lock the parking lever at the same time

1477-904-010-0

21

EPA REGULATION

USE ULTRA LOW SULFUR FUEL ONLY

26



WARNING

Additions, alterations, cracking, damage or corrosion to this structure may adversely affect the performance of the ROPS.

23

WARNING

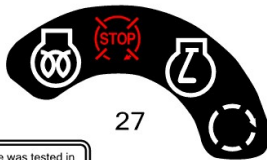
Do not use the accelerator lever except working on the field.

1200-910-021-0

31

6 YEAR Limited Warranty

35



27

This ROPS frame was tested in accordance with OECD standard (Code7) for use on TYM tractor model T25 with a reference mass of 965kg. Manufactured by TYM, KOREA

1181-910-005-0

36

WARNING

Cancer and Reproductive Harm
www.P65Warnings.ca.gov

158-P65-011

39

DANGER

This Tractor may tip over unexpectedly and quicker than an operator is able to jump free

1. Never operate a tractor without a proper Roll over Protection Structure. (ROPS)
2. Always wear your seat belt when operating this tractor equipped with roll over protection.
3. Never pull from above or from the rear axle.
4. Do not operate the tractor on steep slopes or near drop offs
5. Avoid sharp high speed turns

Serious injury or death may result from tractor upsets.

1220-904-501-0

24

WARNING

Death or injury may result if this tractor over turns with the ROPS in the folded down position. Operate this tractor with the ROPS folded down only when necessary. Do not wear seat belt if operated with ROPS folded down

1220-904-502-0

25

WARNING

Push the button to lock position with joystick lever is neutral whenever the implement is not operation.

1200-910-003-0

32

WARNING

Stay clear of raised Boom and bucket.

1768-910-110-0

33

WARNING

Exhausting diesel engine exhaust exposes you to chemicals known to the State of California to cause cancer and birth defects or other reproductive harm. Always shut and operate the engine in a well-ventilated area. If in an enclosed area, use the exhaust to the outside. Do not modify or tamper with the exhaust system. Do not idle the engine except as necessary. For more information go to www.P65Warnings.ca.gov/diesel

1748-910-902-0

38

NOTE

FIG

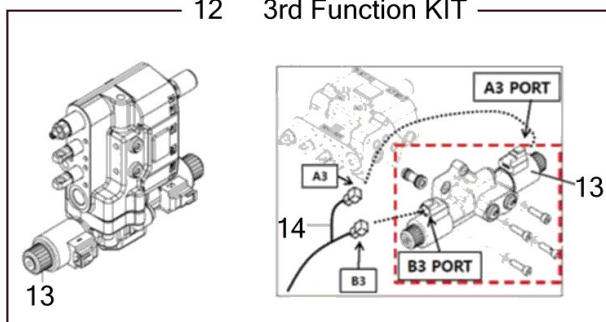
T25NH-B

OPTION

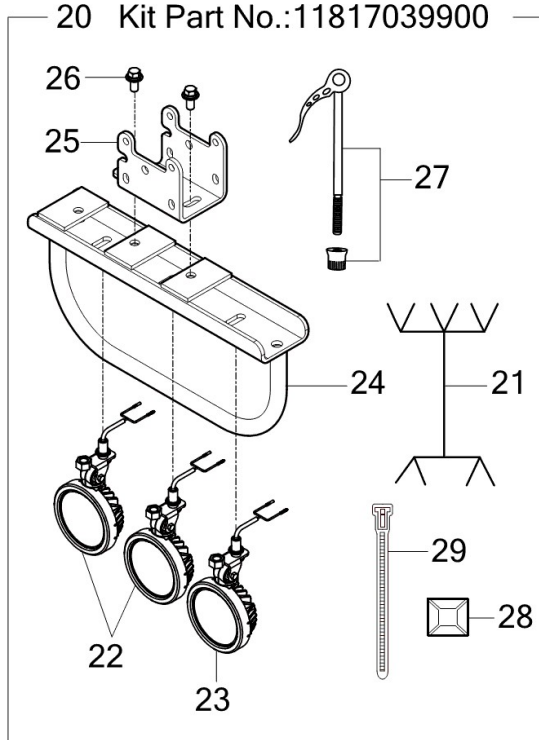
년/월
Year/Month

2021-12

12 3rd Function KIT



20 Kit Part No.:11817039900



NOTE

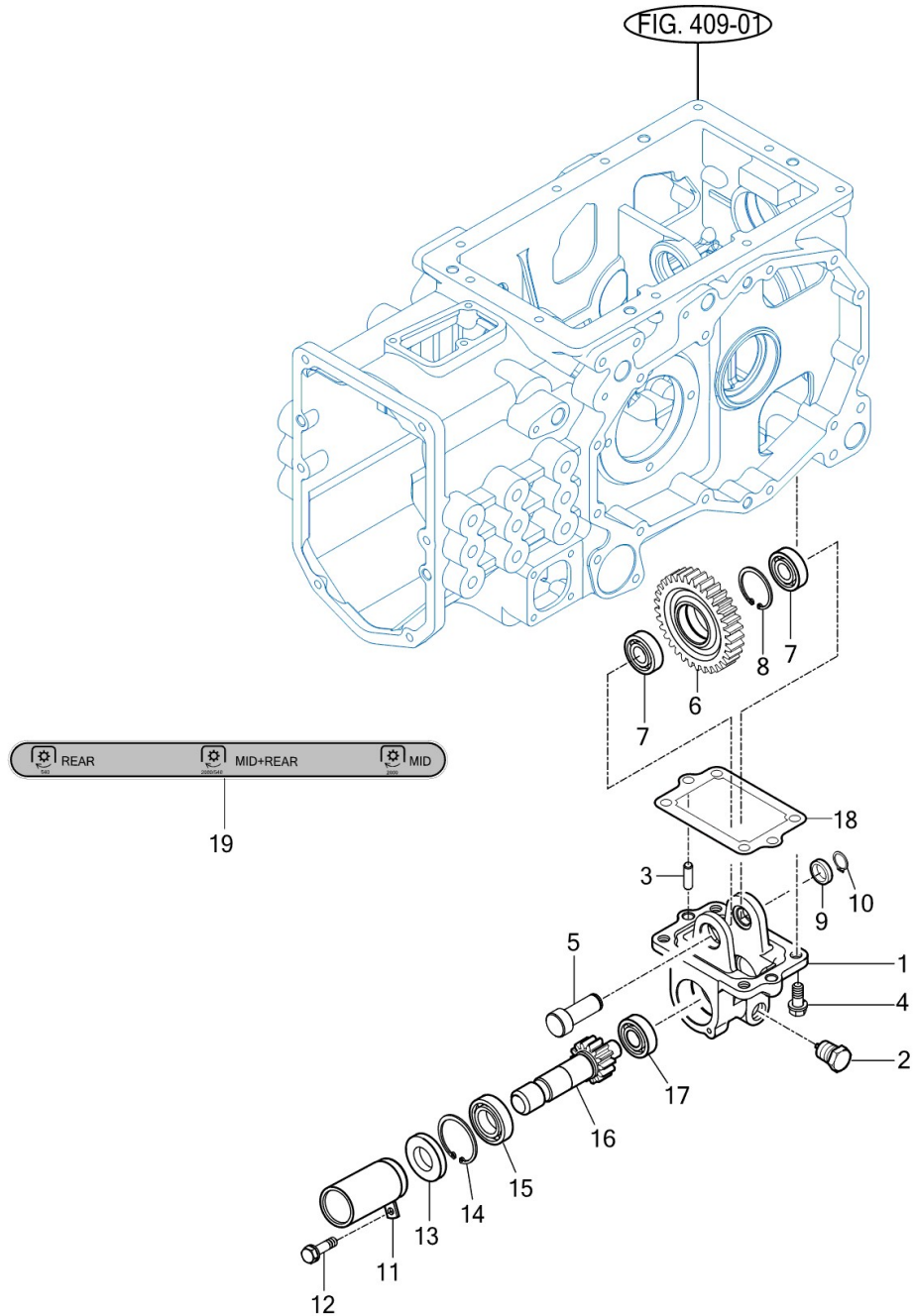
FIG

MID P.T.O OPTION

년/월
Year/Month

T25NH-B

2021-12



NOTE

