

6225CH(EU)(AC02124) TRACTOR

Parts Catalogue



CONTENTS

GROUP NO	GROUP NAME	PAGE
G. ENGINE		
A01_021	CYLINDER BLOCK	6
A02_005	DRIVE PULLY	8
A03_004	CRANK SHAFT PULLEY	10
A04_005	GLOW PLUG ASS'Y OPTION	12
A05_005	CRANK SHAFT ASS'Y OPTION	14
A06_006	BREATHER OPTION	16
A07_005	CAMSHAFT	18
A08_006	ALTERNATOR	20
A09_007	COOLING WATER PUMP	22
A10_008	COOLING FAN SPACER	24
A11_007	INJECTOR	26
A12_014	FUEL INJECTON	28
A13_005	PLUMBING, FUEL	30
A14_003	FUEL FILTER BRACKET	33
A16_003	FUEL FILTER ASS'Y OPTION	35
A17_008	INTAKE MANIFOLD ASS'Y OPTION	37
A18_011	FLYWHEEL	39
A19_009	FLYWHEEL HOUSING	41
A20_011	HEAD, CYLINDER	43
A21_004	HEAD COVER	45
A23_008	TURBOCHARGER SUPPORT ASS'Y OPTION	47
A24_003	TURBOCHARGER	49
A25_003	OIL JET ASS'Y OPTION	51
A26_005	COOLER, ENGINE OIL	53
A27_010	OIL PAN ASS'Y OPTION	55
A28_001	PUMP, LUBRICATING OIL	57
A29_005	FILTER, LUBRICATING OIL	59
A30_003	FRONT GEAR ACCESSORY DRIVE	61
A31_007	PISTON	63
A32_003	LEVER, LOCKER	65
A33_011	EXHAUST MANIFOLD	67
A35_002	IDLE GEAR	69
A36_004	COVER, FRONT GEAR	71
A37_001	BALANCE ASS'Y	73

CONTENTS

GROUP NO	GROUP NAME	PAGE
G. ENGINE		
A38_007	GAUGE, OIL LEVEL	75
A39_001	OIL FILLER CAP	77
A40_003	LIFT ASS'Y OPTION	79
A41_001	COMP,DRIVE PULLEY ASS'Y OPTION	81
A42_003	MOTER, STARTIONS	83
A43_001	DPF SUPPORT OPTION	85
A44_008	DPF MOUNTING OPTION	87
A45_012	DPF	89
A48_006	V-BELT	91
A50_001	COMPRESSOR BRACKET ASS'Y	93
A51_006	INTAKE HOSE ASSY OPTION	95
A52_007	CCV ASS'Y	97
B. ENGINE ACCESSORIES		
B01010	FUEL TANK	99
B02020	RADIATOR	101
B05011	LEVER ACCELERATOR	103
C. CLUTCH, BREAK, LEVER		
C01050	PTO DAMPER	105
C02050B	PARKING BRAKE	107
C03010	HYD SHIFT TRANSMISSION PEDAL	109
C04060	SCV LEVER	112
C04071	LEVER ASS'Y, PTO SPEED CHANGE	114
D. HYDRAULIC		
D01010	HYD PUMP	116
D01020	LOW PRESSURE PIPE	118
D01040	HYD FILTER	120
D02010	STEERING WHEEL	122
D02030	PST HOSE	125
D02040	PST CYLINDER	127
D03010	OIL COOLER	129
D04000	HYDRAULIC CYLINDER	131
E. FRONT AXLE		
E01010	FRONT AXLE CASE	133
E01013	FRONT AXLE CASE/SPACER	135

CONTENTS

GROUP NO	GROUP NAME	PAGE
E. FRONT AXLE		
E01020	SHAFT COVER	137
E01030	GEAR CASE, FRONT AXLE	139
E01070	FORNT DRIVE SHAFT	142
E01080	TIE ROD	144
F. TRANSMISSION		
F01011	FLY WHEEL HOUSING	146
F01030	HOUSING, REAR AXLE	148
F01050	HYD SHIFT TRANSMISSION HOUSING	150
F03030	HYD SHIFT TRANSMISSION GEAR	152
F04000	FRONT DRIVE & RANGE SHIFT GEAR	154
F05000	DIFFERENTIAL ASS'Y	156
F06030	BRAKE	159
F06031	SUPPORT, BRAKE	161
F06033	BRAKE LINK	163
F07000	GEAR, IND PTO SPEED CHANGE	165
F07050	PTO VALVE	168
F07120	ROD ASSY, PTO & 4WD	170
F08060	FORK, PTO SHIFT	172
F10020	LIFT ARM	174
F10030	SAFTY VALVE	176
F10040	STOP VALVE	178
F10061	DRAFT/ POSITION CONTROL LEVER	180
F10063	DRAFT CONTROL	182
F10064	POSITION CONTROL LEVER	184
F10120	REAR SCV	186
F11020	FRONT DRIVE & RANGE SHIFT LEVER	189
G. SHEET METAL, CABIN		
G01020	BONNET	192
G01040	LATCHING DEVICE, BONNET	194
G01060	FIXED BRACKET, BONNET	196
G01080	FRONT AXLE BRACKET	198
G02010	CABIN FRAME	200
G02011	PILLAR COVER	203
G02020	DASH BOARD	205

CONTENTS

GROUP NO	GROUP NAME	PAGE
G. SHEET METAL, CABIN		
G02030	SIDE MIRROR	207
G02050	DOOR ASS'Y	209
G02071	FRONT WINDOWS	212
G02072	REAR WINDOWS	214
G02131	ROOF/OUTER	216
G02132	ROOF/INNER	218
G02140	DRIVER'S SEAT	220
G02150	FLOOR MAT	222
G02181	FENDER COVER/LH	224
G02190	FENDER ASS'Y	226
G03010	AIR CONDITIONER	228
G03020	A/C DUCT	230
G03080	A.C HOSE/CONDENSER HOSE	232
G03091	COMPRESSOR	234
G05000	TOP LINK, LIFT LINK	237
G05020	TOP LINK	239
G05030	LOWER LINK	241
G05050	LIFT LINK/LH,RH	243
G05070	DRAWBAR	245
H. ELECTRICALS, HARNESS		
H01030	BATTERY	247
H02020	COMBINATION LAMP	249
H03000	HARNESS	251
H04030	INSTRUMENT PANEL	253
H04050	SWITCH	255
H04052	SWITCH	257
H04090	HORN	259
H05040	WASHER LIQUID TANK	261
I. WEIGHT, TOOLS, TIRE		
I01010	FRONT WEIGHT(Optional)	263
I03000	NAME PLATE	265
I05010	FRONT WHEEL&TIRE	267
I05020	REAR WHEEL&TIRE ASSY	269
I07010	SPARE TOOLS	271

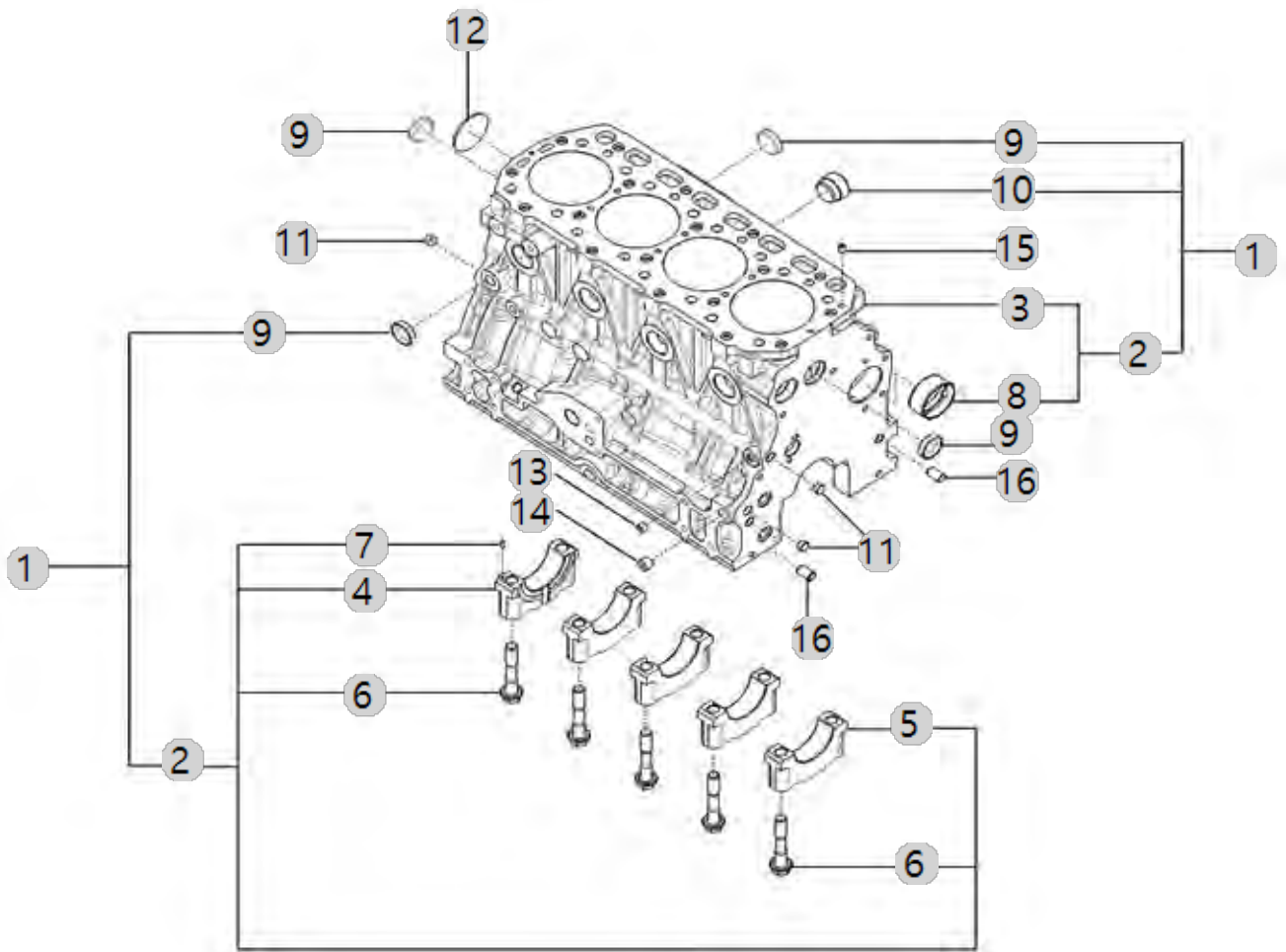
A01_021

A2300T3-ETC_5
(AB00333)

CYLINDER BLOCK

Year/Month

2023-01-18



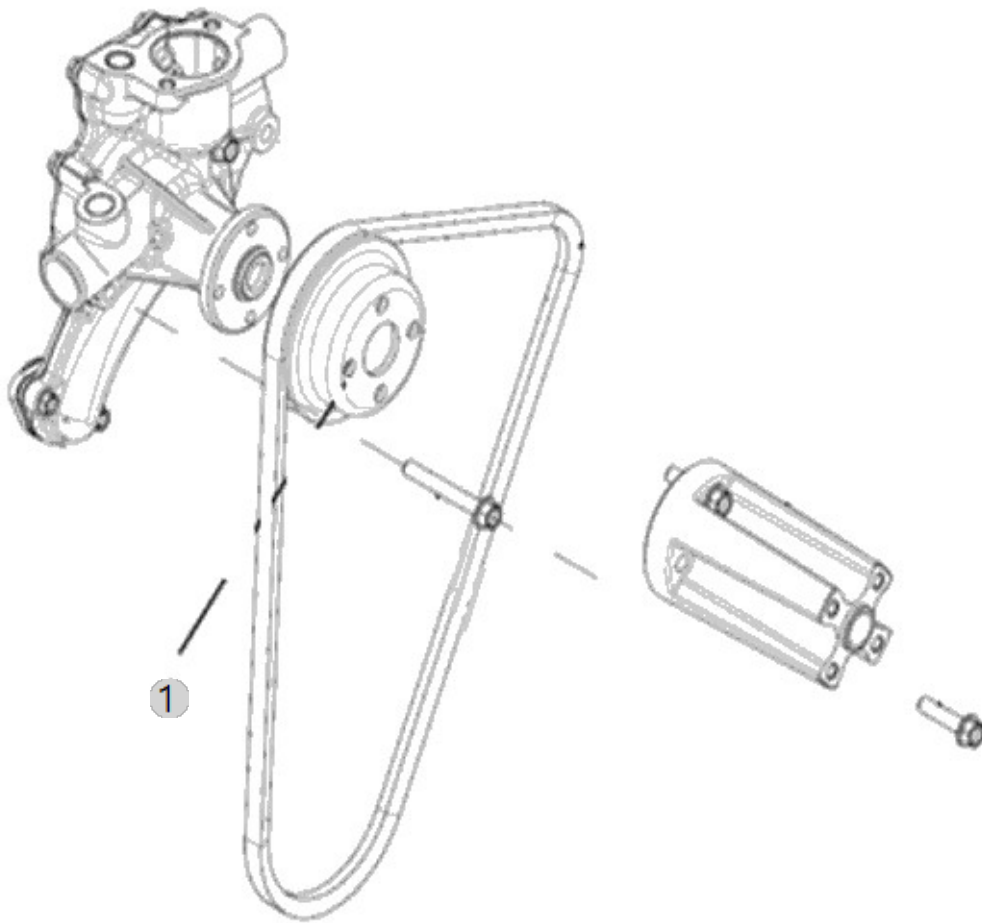
A02_005

A2300T3-ETC_5
(AB00333)

DRIVE PULLY

Year/Month

2023-01-18



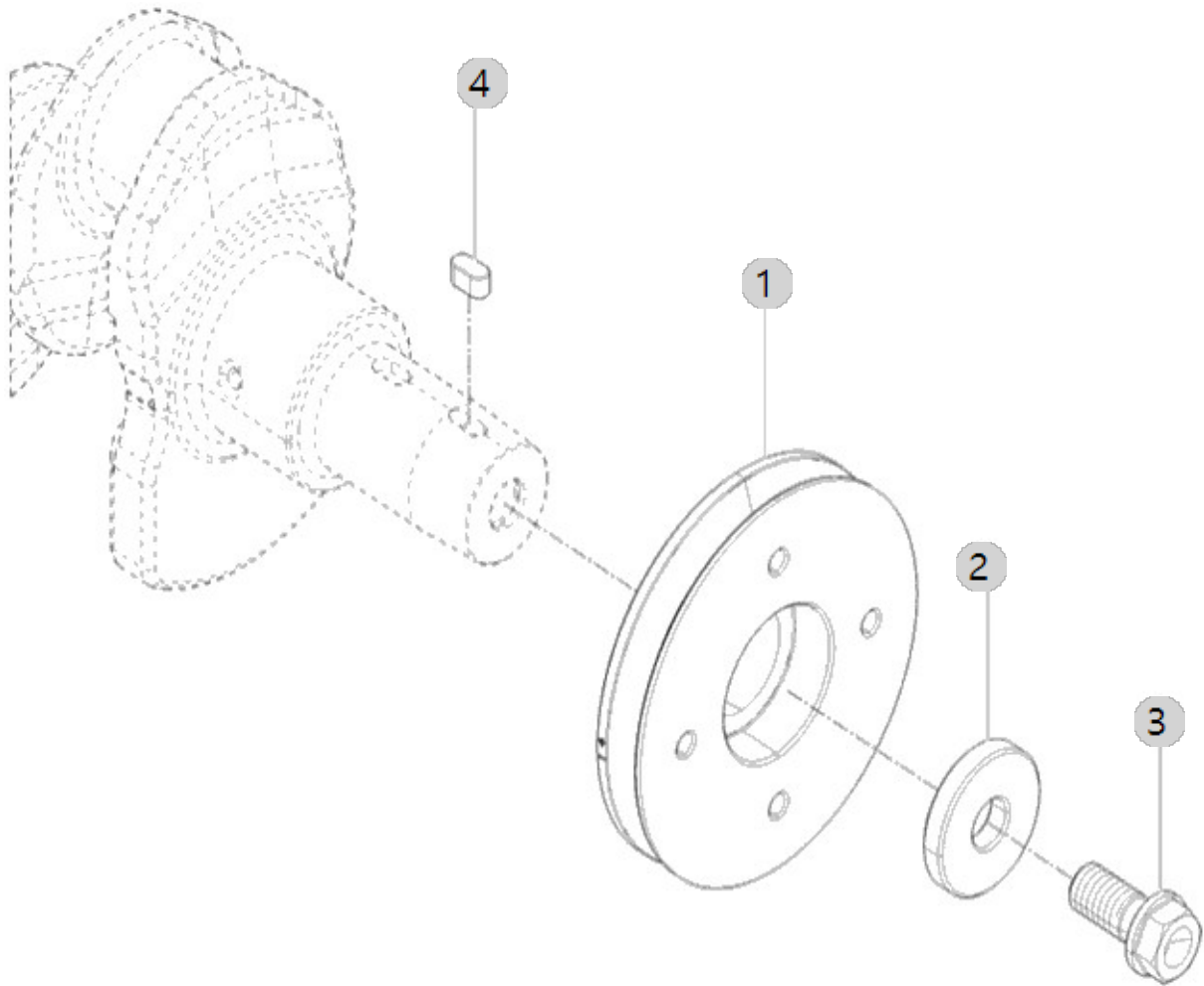
A03_004

A2300T3-ETC_5
(AB00333)

CRANK SHAFT PULLEY

Year/Month

2023-01-18



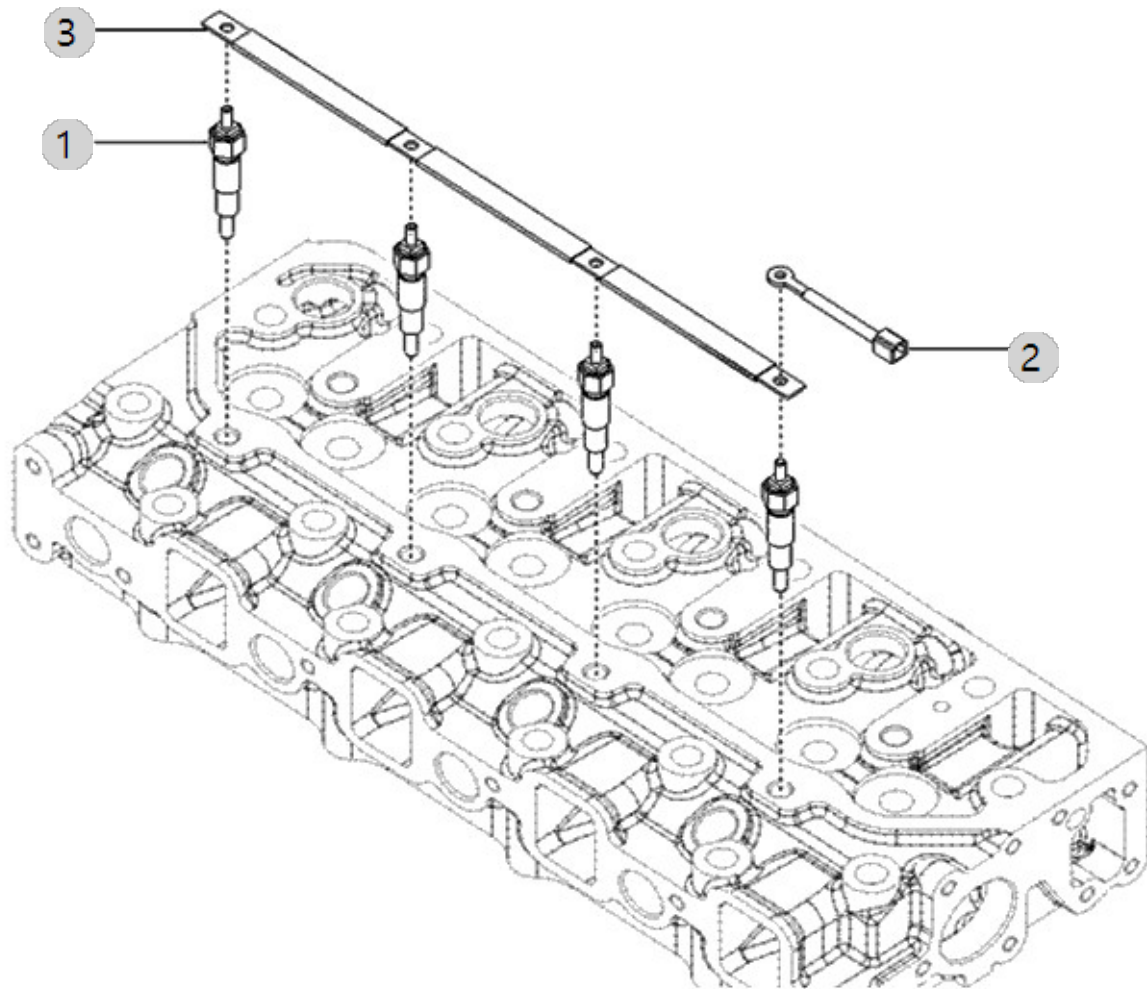
A04_005

A2300T3-ETC_5
(AB00333)

GLOW PLUG ASS'Y OPTION

Year/Month

2023-01-18



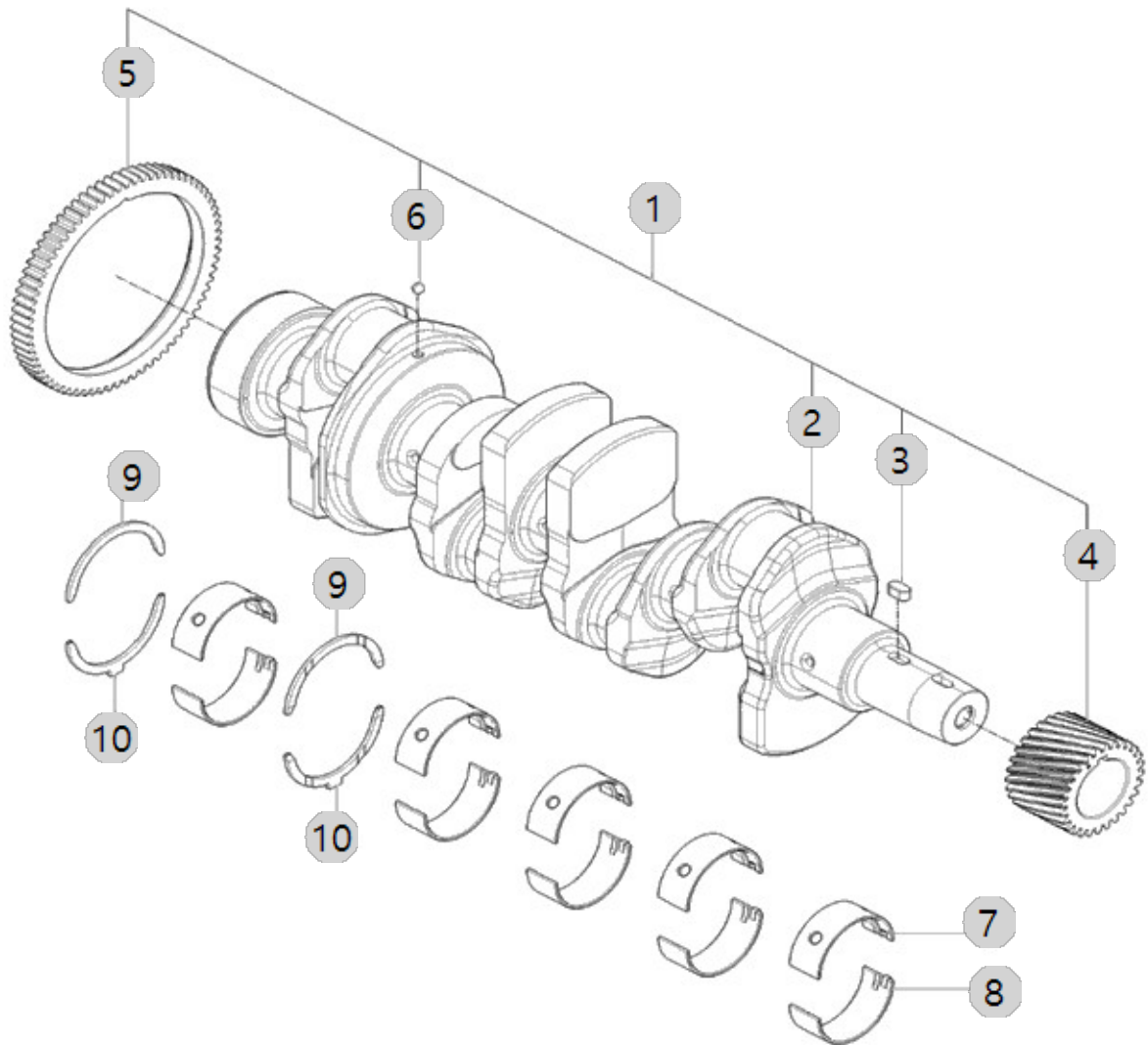
A05_005

A2300T3-ETC_5
(AB00333)

CRANK SHAFT ASS'Y OPTION

Year/Month

2023-01-18



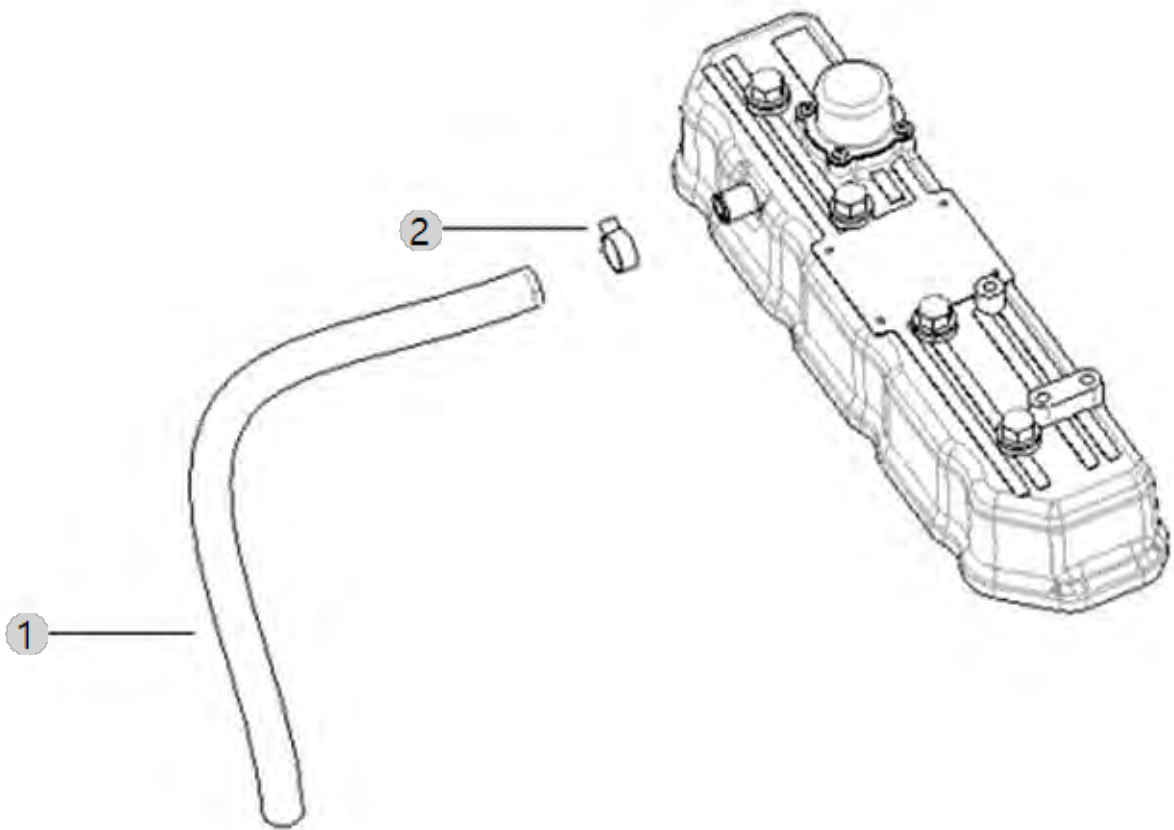
A06_006

A2300T3-ETC_5
(AB00333)

BREATHER OPTION

Year/Month

2023-01-18



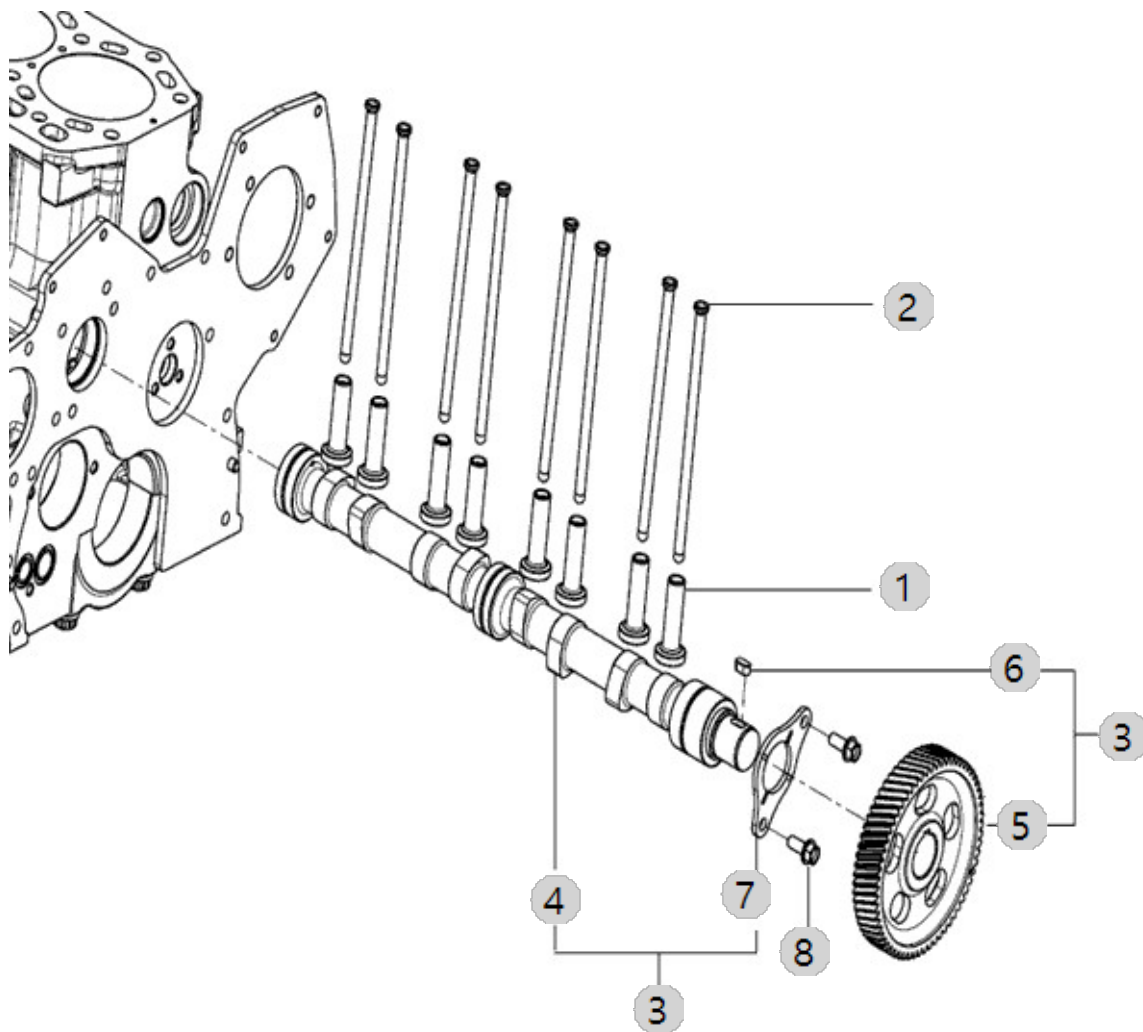
A07_005

A2300T3-ETC_5
(AB00333)

CAMSHAFT

Year/Month

2023-01-18



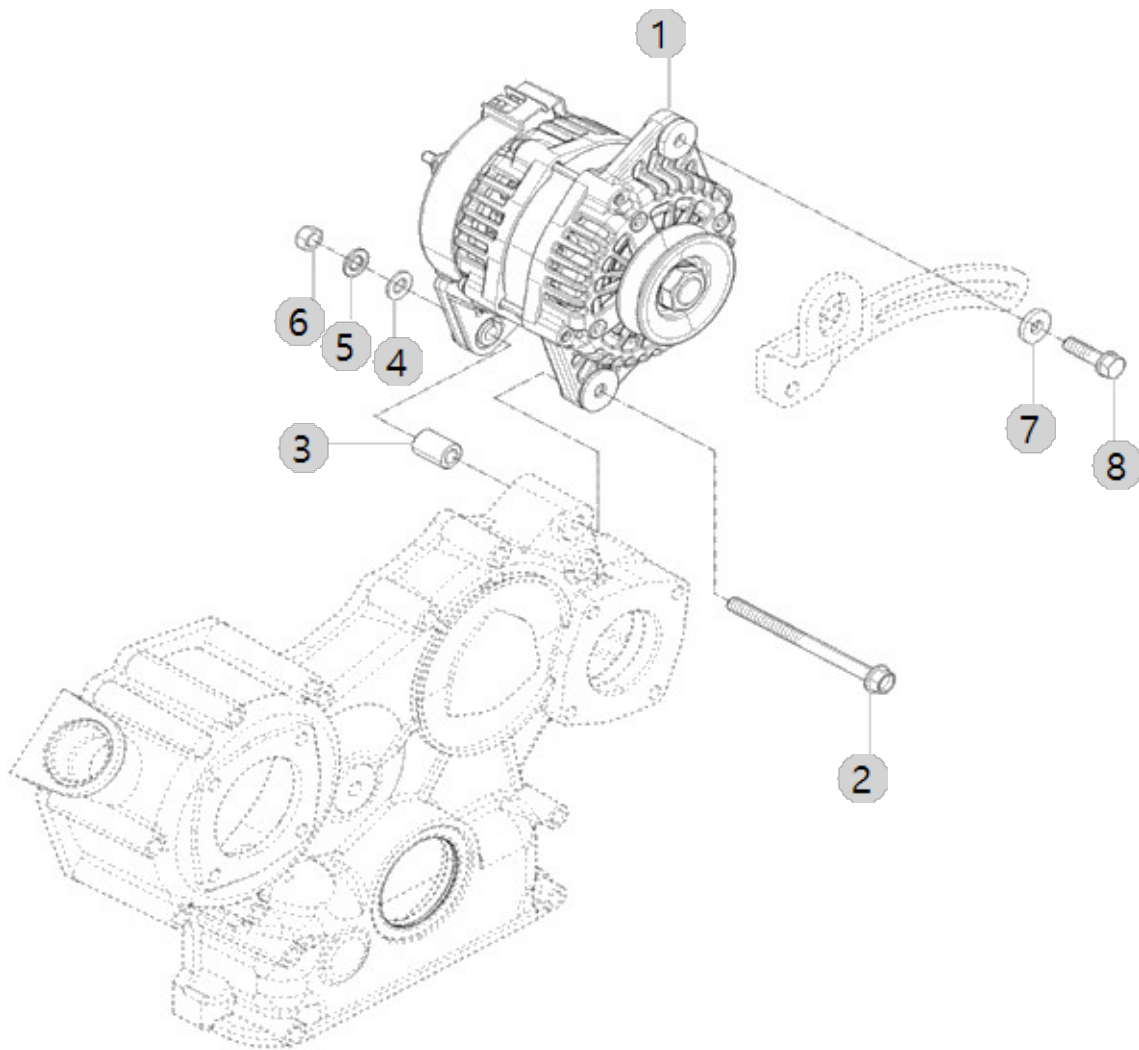
A08_006

A2300T3-ETC_5
(AB00333)

ALTERNATOR

Year/Month

2023-01-18



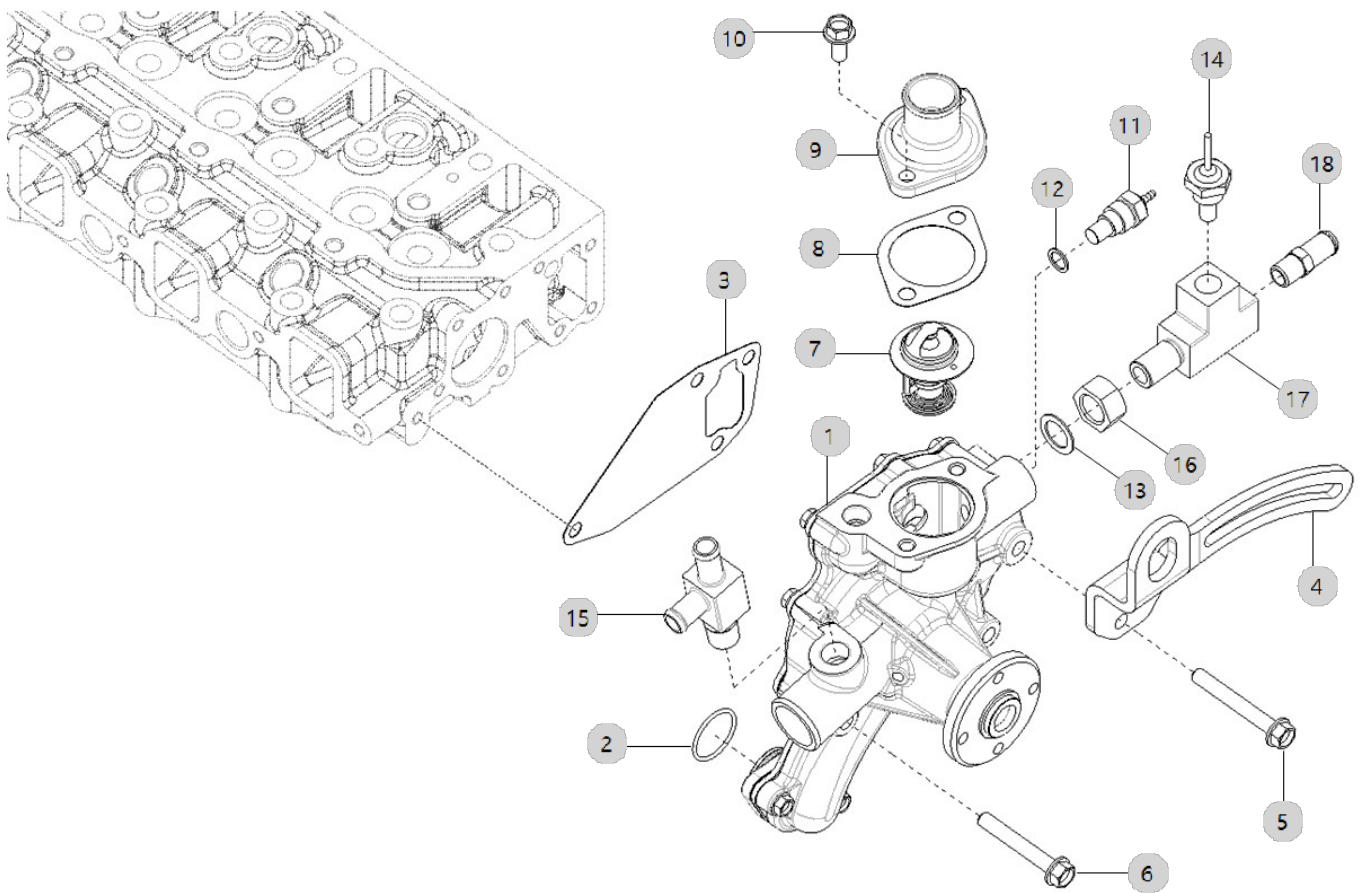
A09_007

A2300T3-ETC_5
(AB00333)

COOLING WATER PUMP

Year/Month

2023-01-18



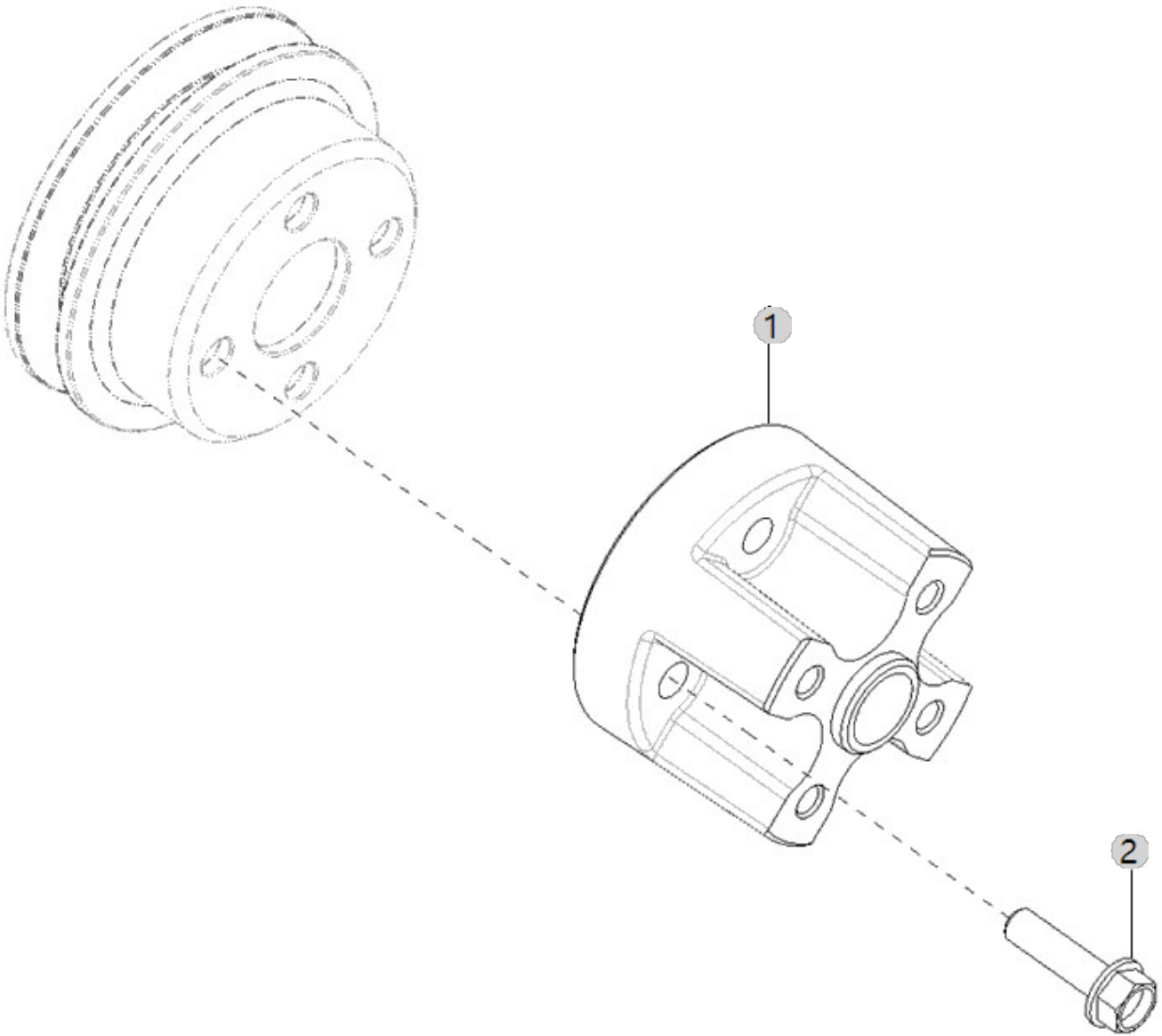
A10_008

A2300T3-ETC_5
(AB00333)

COOLING FAN SPACER

Year/Month

2023-01-18



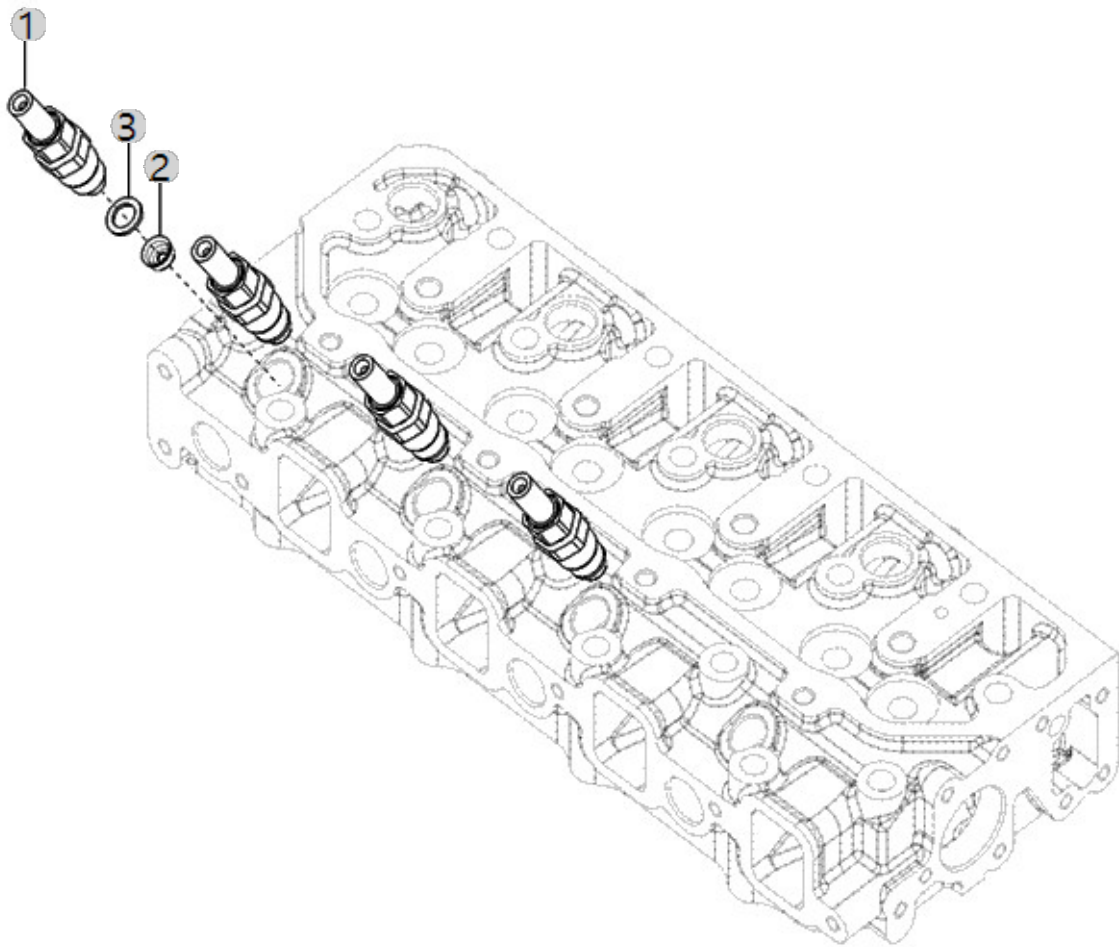
A11_007

A2300T3-ETC_5
(AB00333)

INJECTOR

Year/Month

2023-01-18



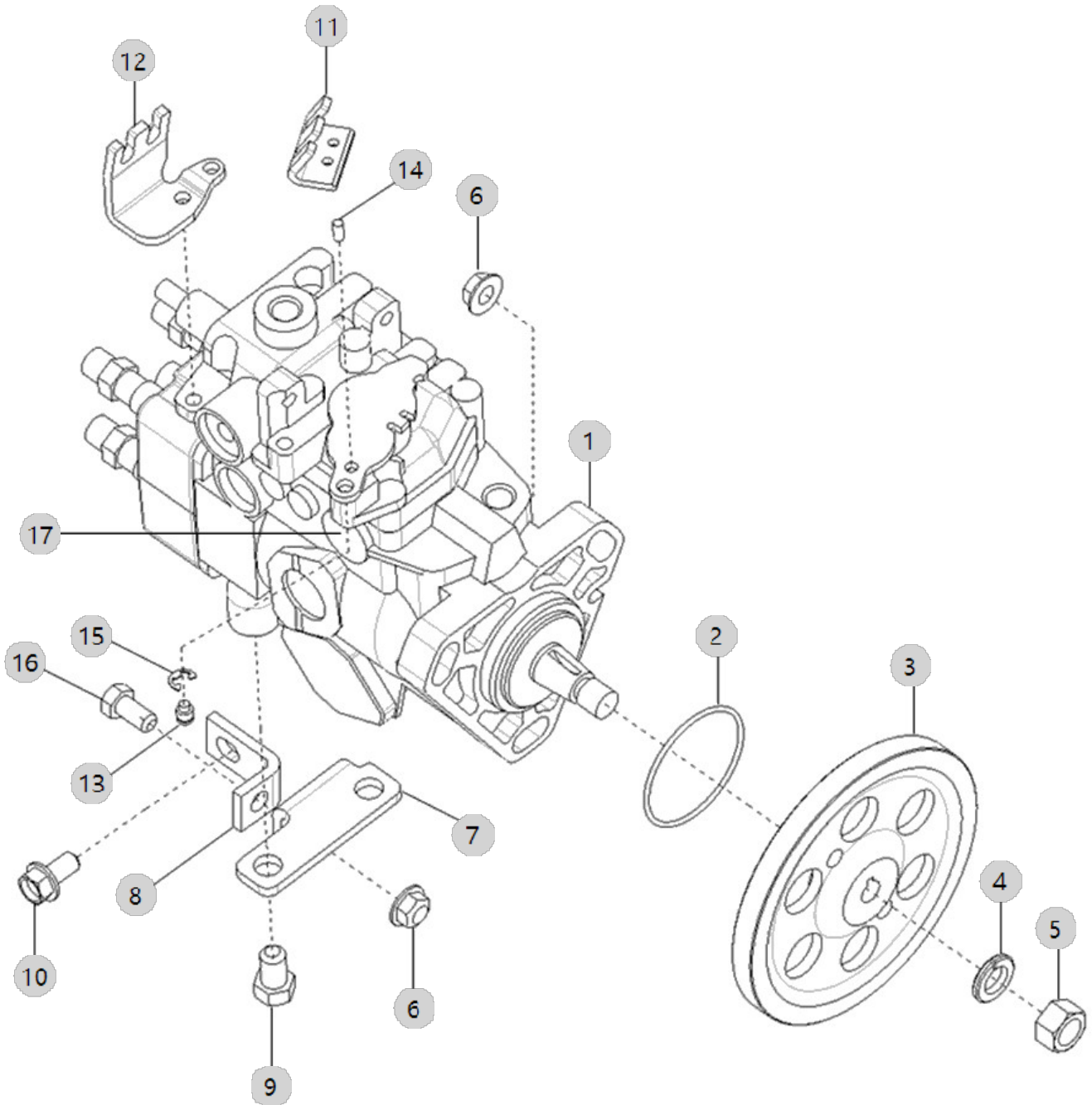
A12_014

A2300T3-ETC_5
(AB00333)

FUEL INJECTOR

Year/Month

2023-01-18



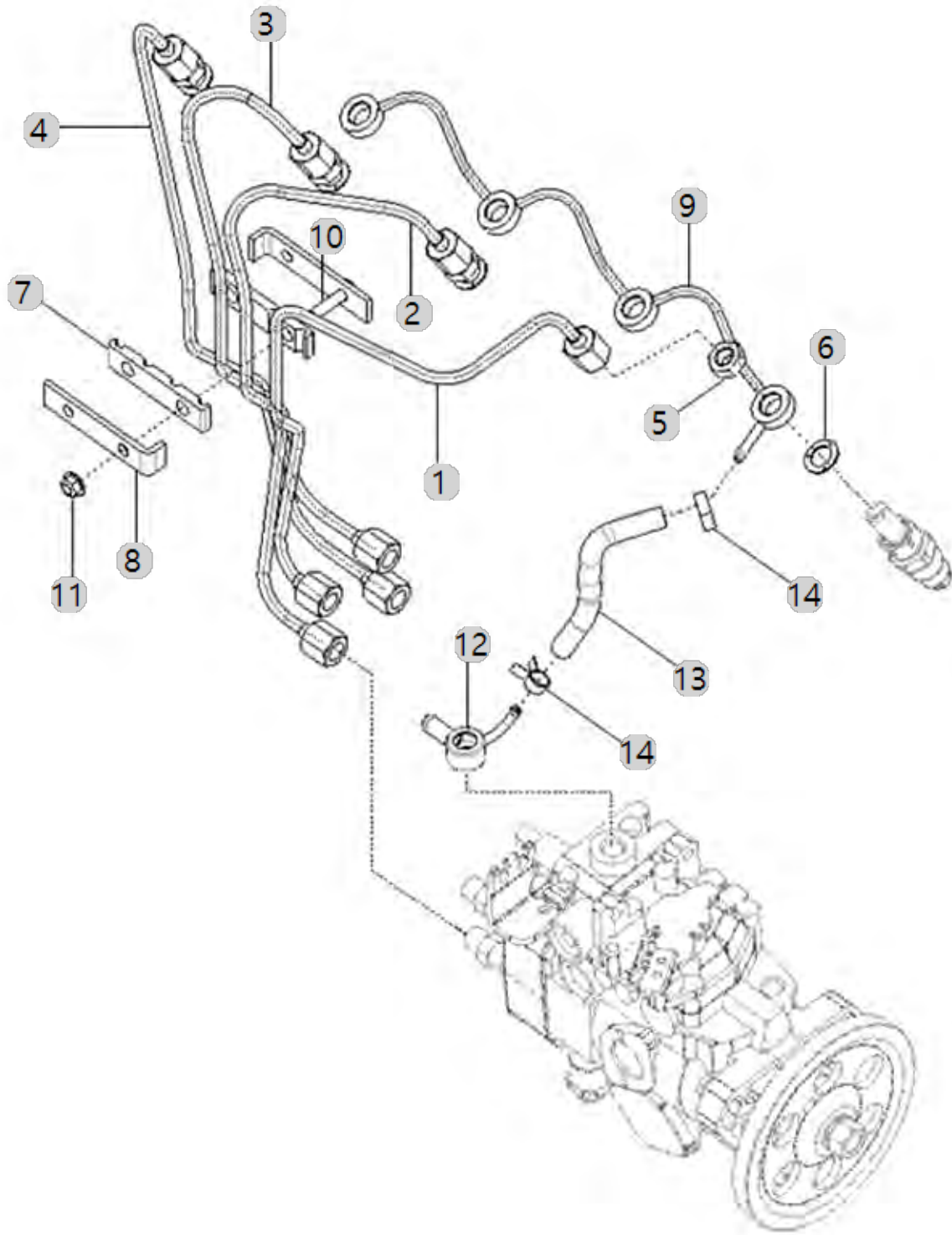
A13_005

A2300T3-ETC_5
(AB00333)

PLUMBING, FUEL

Year/Month

2023-01-18



A13_005 A2300T3-ETC_5 (AB00333)		PLUMBING, FUEL				Year/Month 2023-01-18
순번 (NO)	부품번호 (PART NO)	품명 (PART NAME)	품명 (PART NAME)	수량 (QTY)	규격 (SPEC)	비고 (REMARK)
1	HRA150050DB0	299,A202322,연료파이프조합(A)	PIPE ASSY, FUEL SUPPLY A	1		
1	HRA150050DB0	299,A202322,연료파이프조합(A)	PIPE ASSY, FUEL SUPPLY A	1		
1	HRA150050DB0	299,A202322,연료파이프조합(A)	PIPE ASSY, FUEL SUPPLY A	1		
1	HRA150050DC0	연료파이프조합(A)	TUBE,INJECTOR FUEL SUPPLY	1		
2	HRA150060DB0	300,A202322,연료파이프조합(B)	PIPE ASSY, FUEL SUPPLY (B)	1		
2	HRA150060DC0	연료파이프조합(B)	TUBE,INJECTOR FUEL SUPPLY	1		
2	HRA150060DB0	300,A202322,연료파이프조합(B)	PIPE ASSY, FUEL SUPPLY (B)	1		
2	HRA150060DB0	300,A202322,연료파이프조합(B)	PIPE ASSY, FUEL SUPPLY (B)	1		
3	HRA150070DB0	301,A202322,연료파이프조합(C)	PIPE ASSY, FUEL SUUPPLY C	1		
3	HRA150070DB0	301,A202322,연료파이프조합(C)	PIPE ASSY, FUEL SUUPPLY C	1		
3	HRA150070DC0	연료파이프조합(C)	TUBE,INJECTOR FUEL SUPPLY	1		
3	HRA150070DB0	301,A202322,연료파이프조합(C)	PIPE ASSY, FUEL SUUPPLY C	1		
4	HRA150080DC0	연료파이프조합(D)	TUBE,INJECTOR FUEL SUPPLY	1		
4	HRA150080DB0	302,A202322,연료파이프조합(D)	PIPE ASSY, FUEL SUPPLY D	1		
4	HRA150080DB0	302,A202322,연료파이프조합(D)	PIPE ASSY, FUEL SUPPLY D	1		
4	HRA150080DB0	302,A202322,연료파이프조합(D)	PIPE ASSY, FUEL SUPPLY D	1		
5	HK13450000A4	육각고정너트	NUT,REGULARHEXAGON	4	M12X1.5	
5	HK13450000A4	육각고정너트	NUT,REGULARHEXAGON	4	M12X1.5	
5	HK13450000A4	육각고정너트	NUT,REGULARHEXAGON	4	M12X1.5	
5	HK13450000A4	육각고정너트	NUT,REGULARHEXAGON	4	M12X1.5	
6	HK13440000A4	306,ALL,패킹(조인트)(와류실)	GASKET,FUELMANIFOLD	4		
6	HK13440000A4	306,ALL,패킹(조인트)(와류실)	GASKET,FUELMANIFOLD	4		
6	HK13440000A4	306,ALL,패킹(조인트)(와류실)	GASKET,FUELMANIFOLD	4		
6	HK13440000A4	306,ALL,패킹(조인트)(와류실)	GASKET,FUELMANIFOLD	4		
7	HRA1502700A4	462,ALL,브래킷고무	RUBBER,BRACKET	2		
7	HRA1502700A4	462,ALL,브래킷고무	RUBBER,BRACKET	2		
7	HRA1502700A4	462,ALL,브래킷고무	RUBBER,BRACKET	2		
7	HRA1502700A4	462,ALL,브래킷고무	RUBBER,BRACKET	2		
8	HRA1502800A4	브래킷판	CLAMP,TUBE	2	T 3.2	
8	HRA1502800A4	브래킷판	CLAMP,TUBE	1	T 3.2	
8	HRA1502800A4	브래킷판	CLAMP,TUBE	1	T 3.2	
8	HRA1502800A4	브래킷판	CLAMP,TUBE	1	T 3.2	
8	HRA1502800B4	브래킷판	CLAMP,TUBE	2	T 3.2	
9	HRA1500900C3	퇴유파이프조합	PIPE ASSY, FUEL RETURN	1		
9	HRA1500900D3	퇴유파이프조합	PIPE ASSY, FUEL	1		
9	HRA1500900C3	퇴유파이프조합	PIPE ASSY, FUEL RETURN	1		
9	HRA1500900C3	퇴유파이프조합	PIPE ASSY, FUEL RETURN	1		
10	HRA1502600B4	브래킷(연료파이프)	BRACKET,PIPE	1		
10	HRA1502600B4	브래킷(연료파이프)	BRACKET,PIPE	1		
10	HRA1502600B4	브래킷(연료파이프)	BRACKET,PIPE	1		
10	HRA1502600B4	브래킷(연료파이프)	BRACKET,PIPE	1		
11	26367-060002	플랜지너트	Nut, Hexa (Φ6)	2	M6XP1.0	
11	26367-060002	플랜지너트	Nut, Hexa (Φ6)	2	M6XP1.0	
11	26367-060002	플랜지너트	Nut, Hexa (Φ6)	2	M6XP1.0	
11	26367-060002	플랜지너트	Nut, Hexa (Φ6)	2	M6XP1.0	

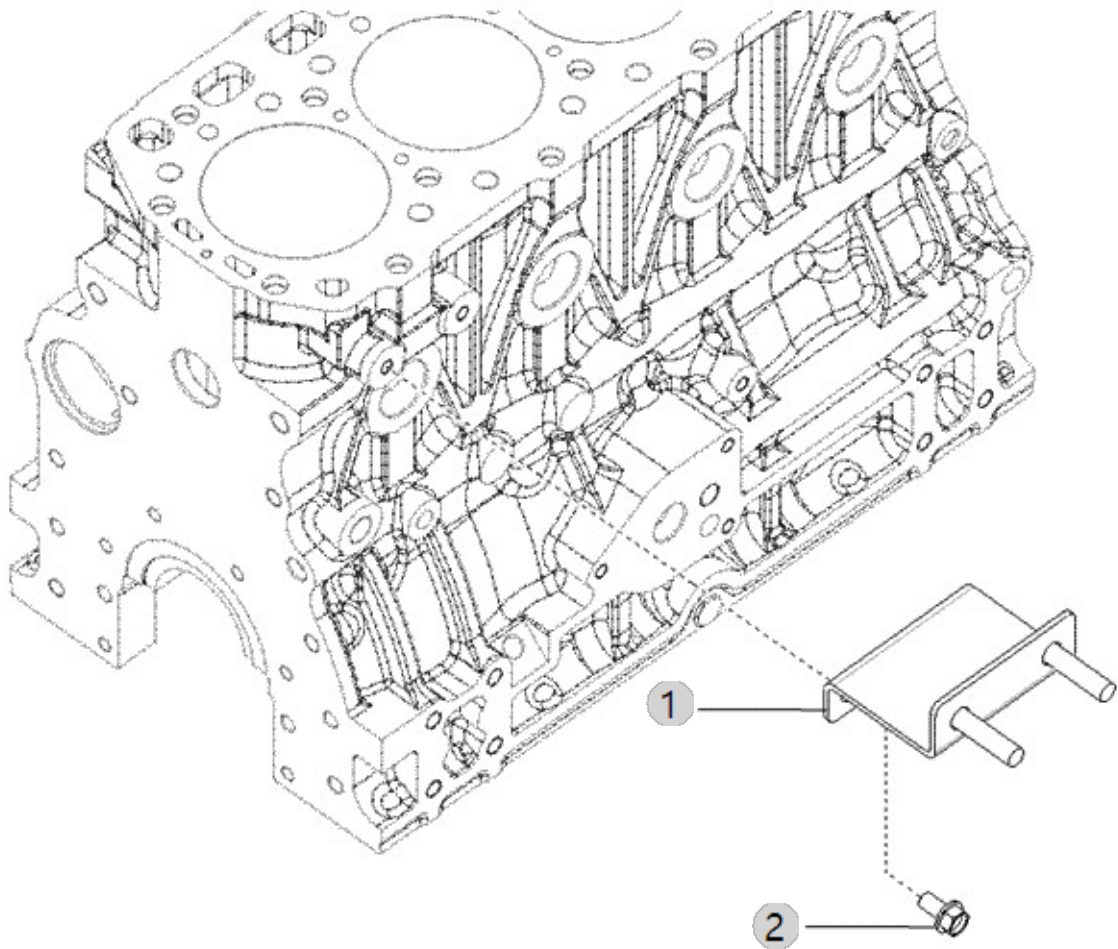
A14_003

A2300T3-ETC_5
(AB00333)

FUEL FILTER BRACKET

Year/Month

2023-01-18



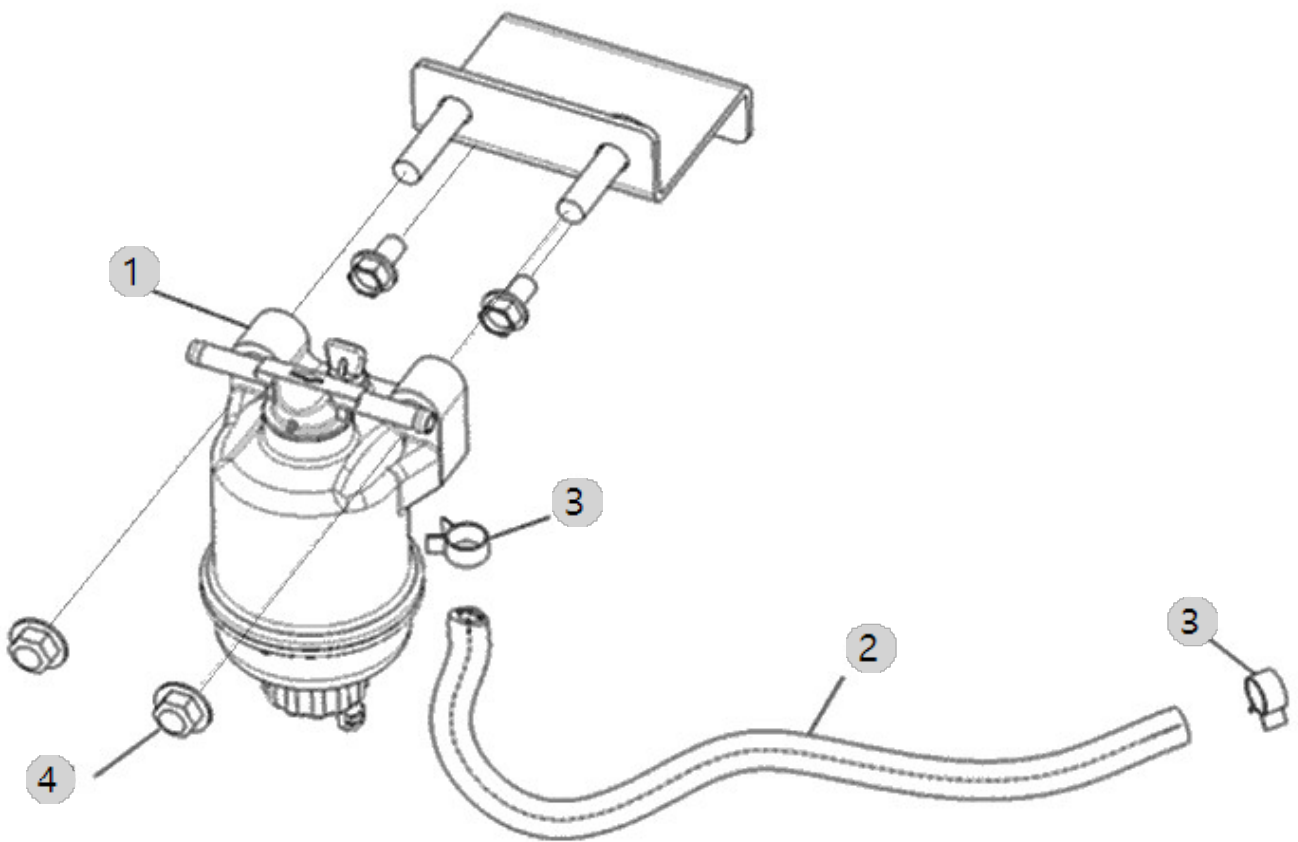
A16_003

A2300T3-ETC_5
(AB00333)

FUEL FILTER ASS'Y OPTION

Year/Month

2023-01-18



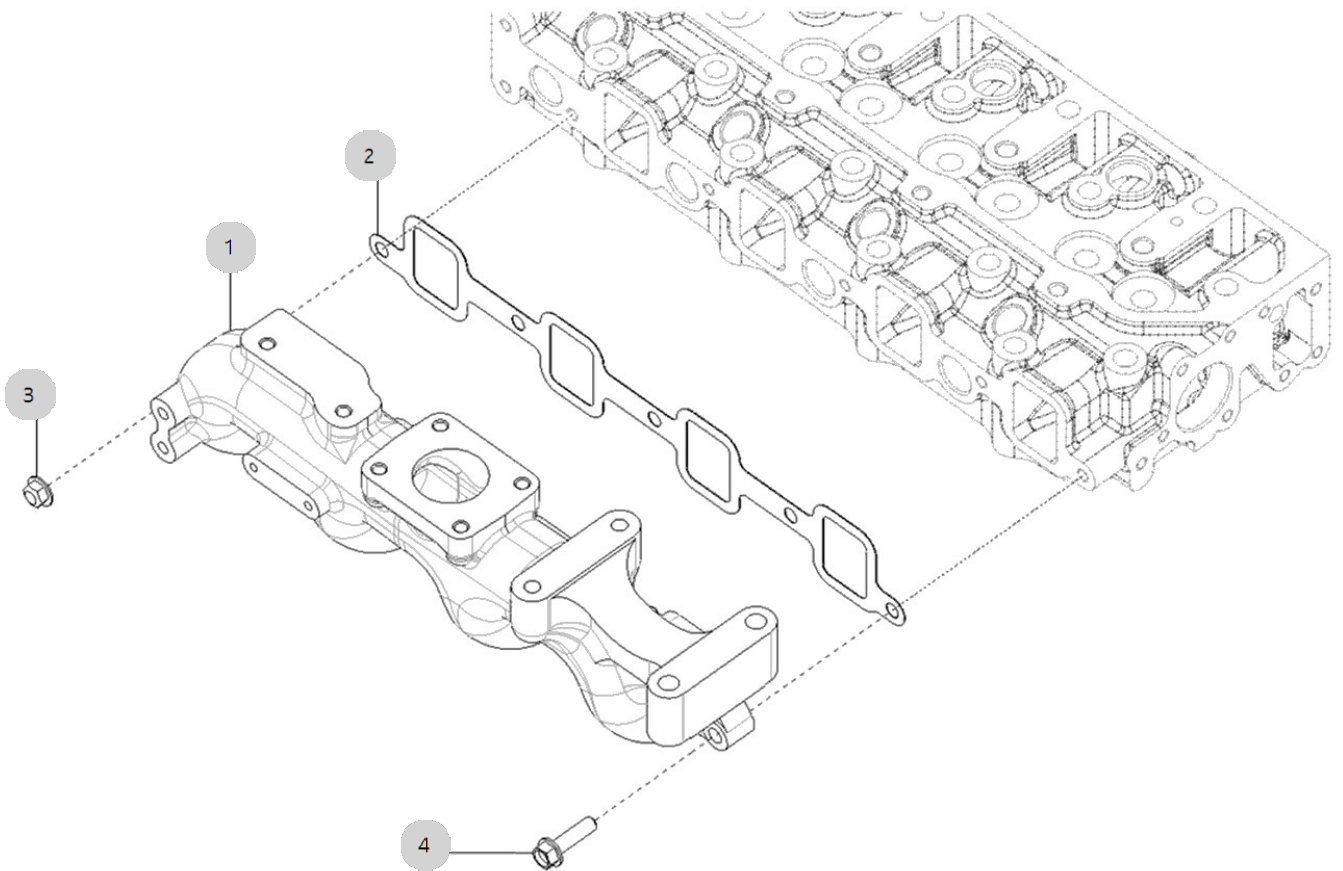
A17_008

A2300T3-ETC_5
(AB00333)

INTAKE MANIFOLD ASS'Y OPTION

Year/Month

2023-01-18



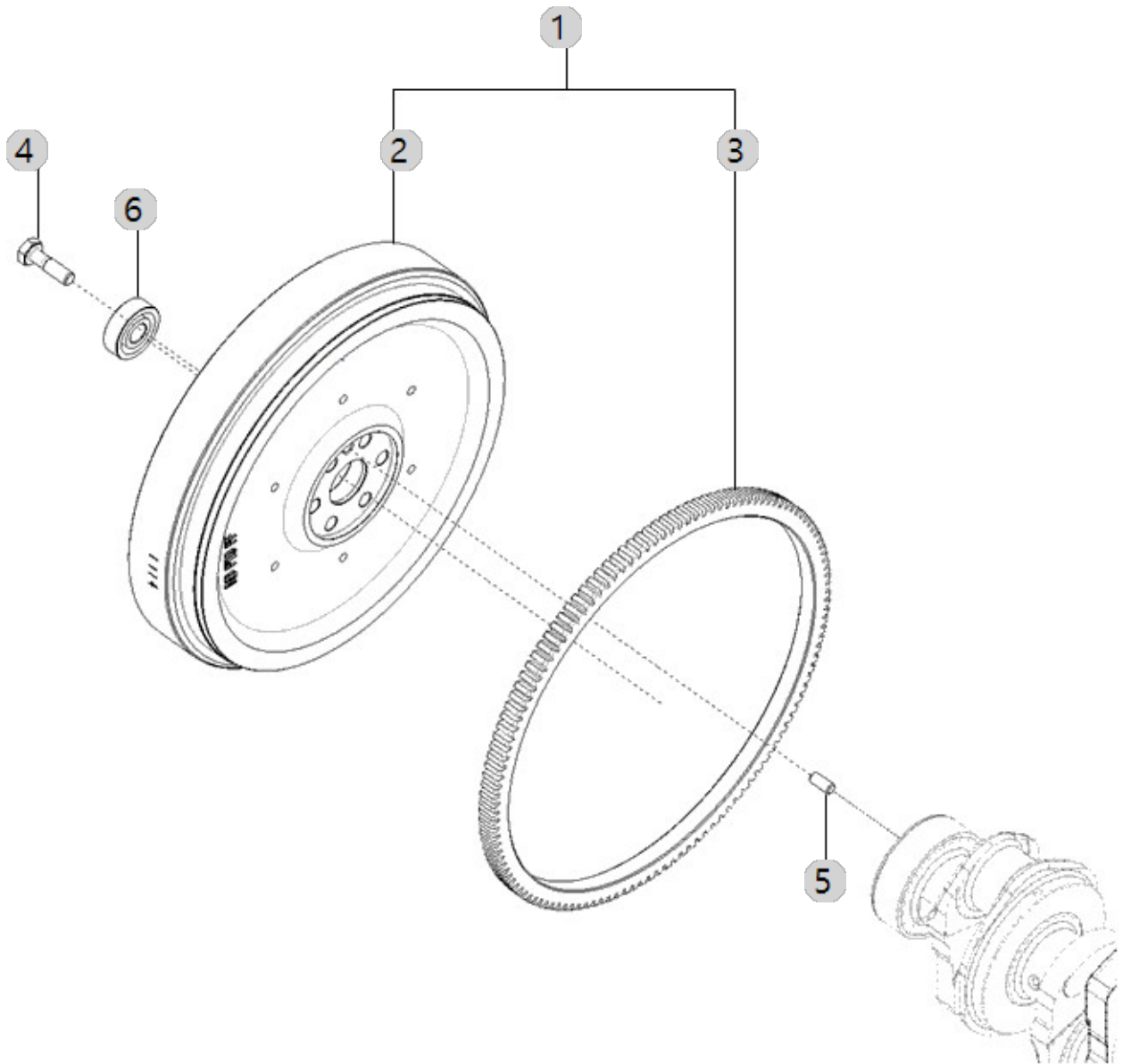
A18_011

A2300T3-ETC_5
(AB00333)

FLYWHEEL

Year/Month

2023-01-18



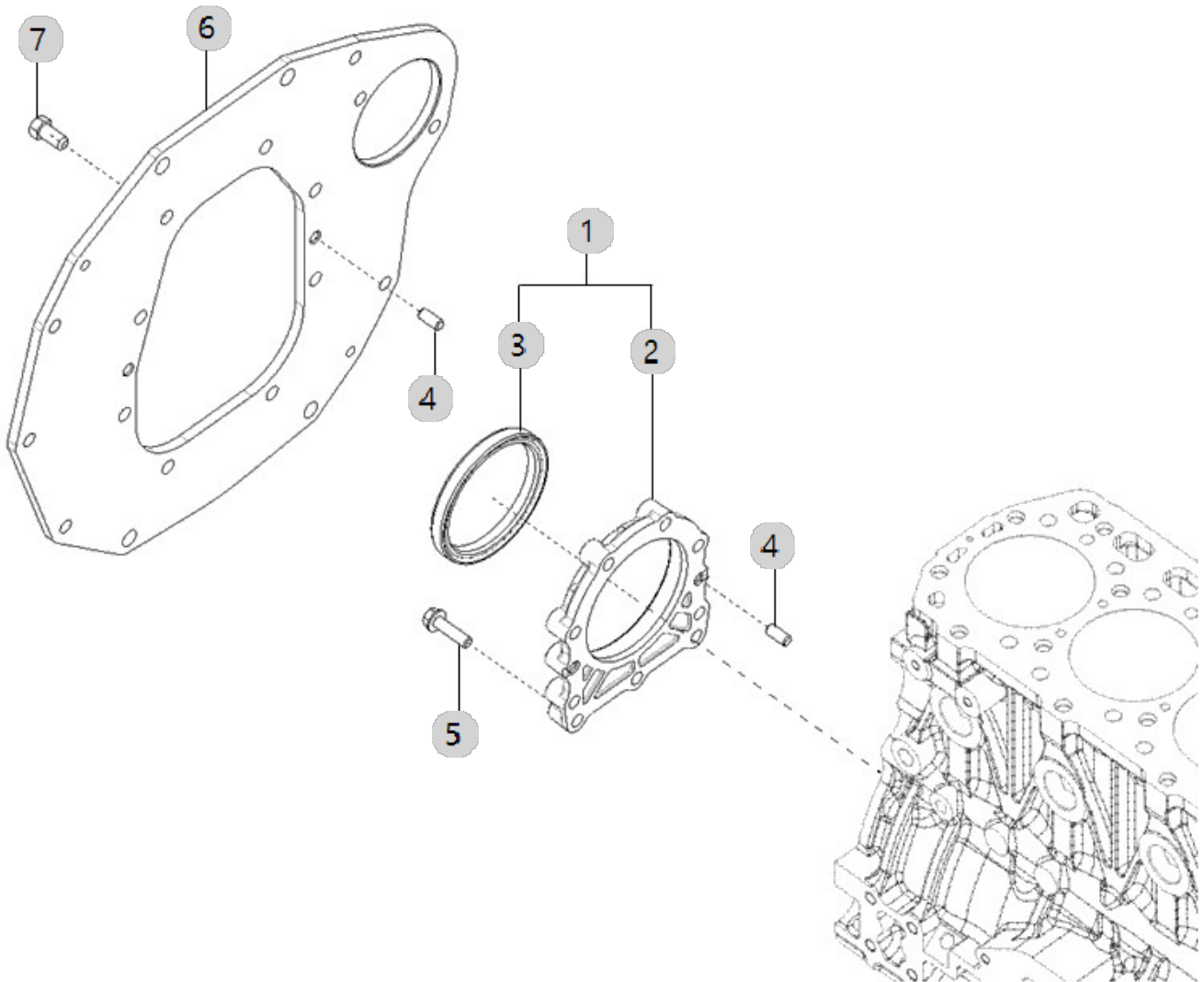
A19_009

A2300T3-ETC_5
(AB00333)

FLYWHEEL HOUSING

Year/Month

2023-01-18



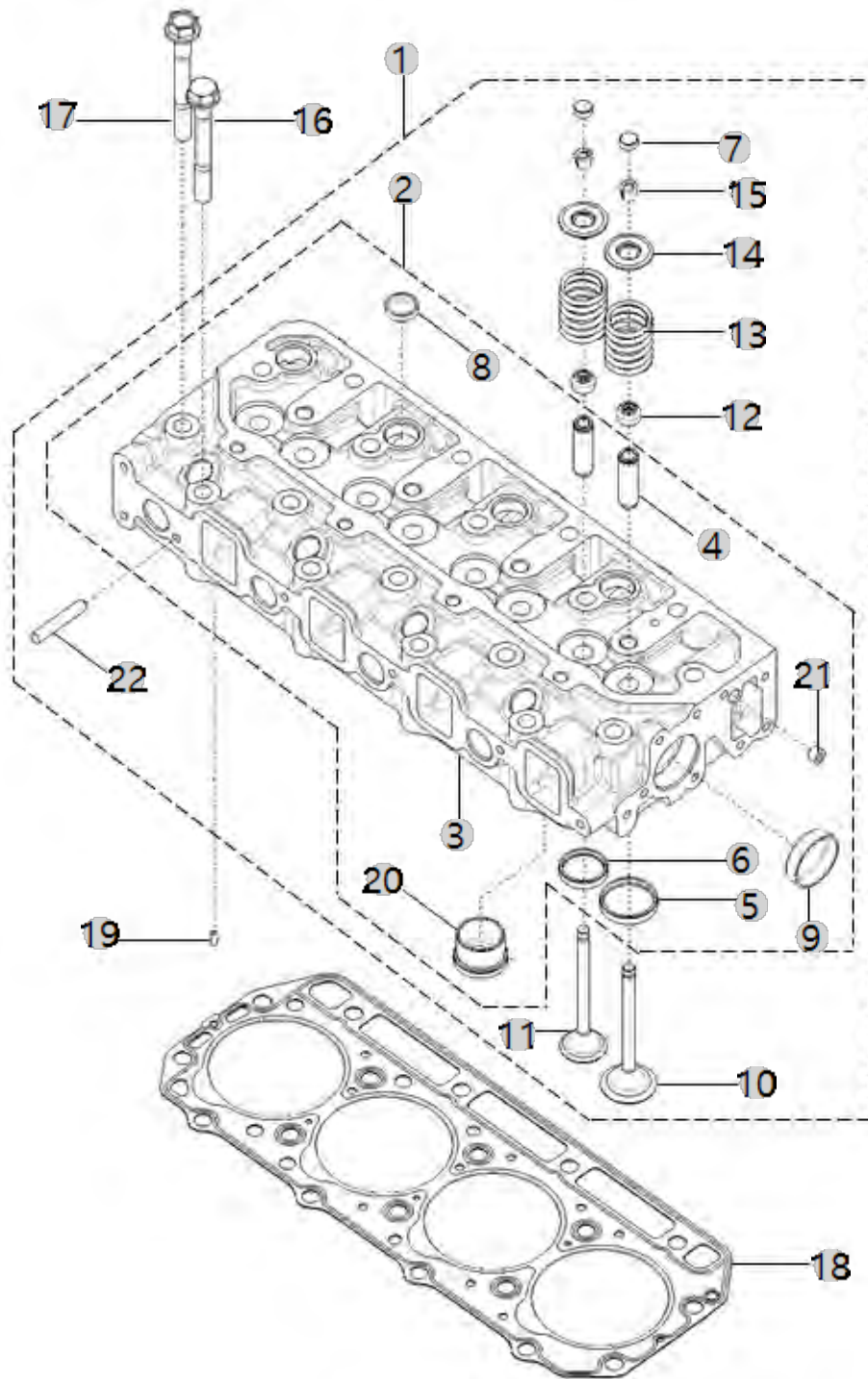
A20_011

A2300T3-ETC_5
(AB00333)

HEAD, CYLINDER

Year/Month

2023-01-18



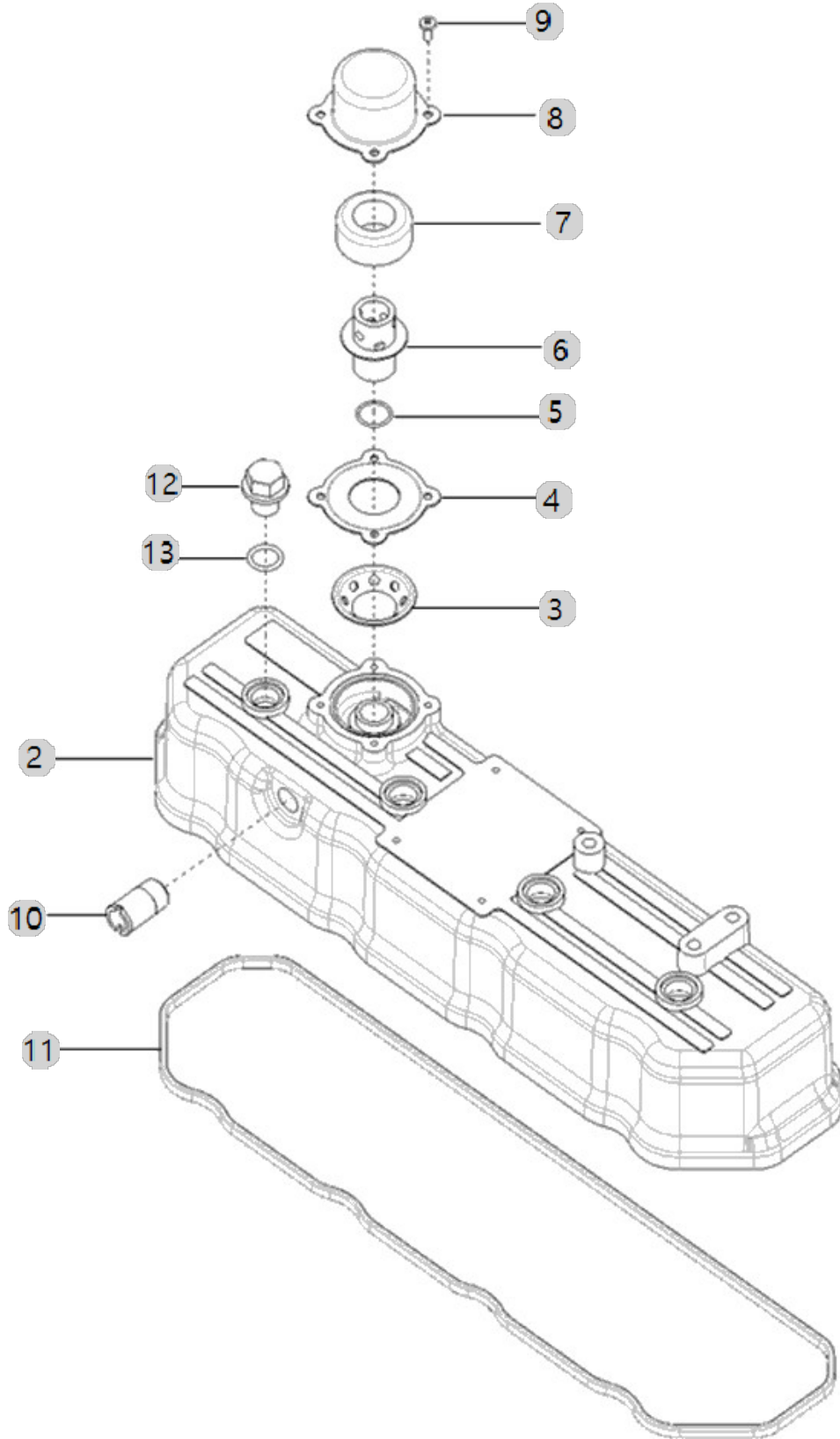
A21_004

A2300T3-ETC_5
(AB00333)

HEAD COVER

Year/Month

2023-01-18



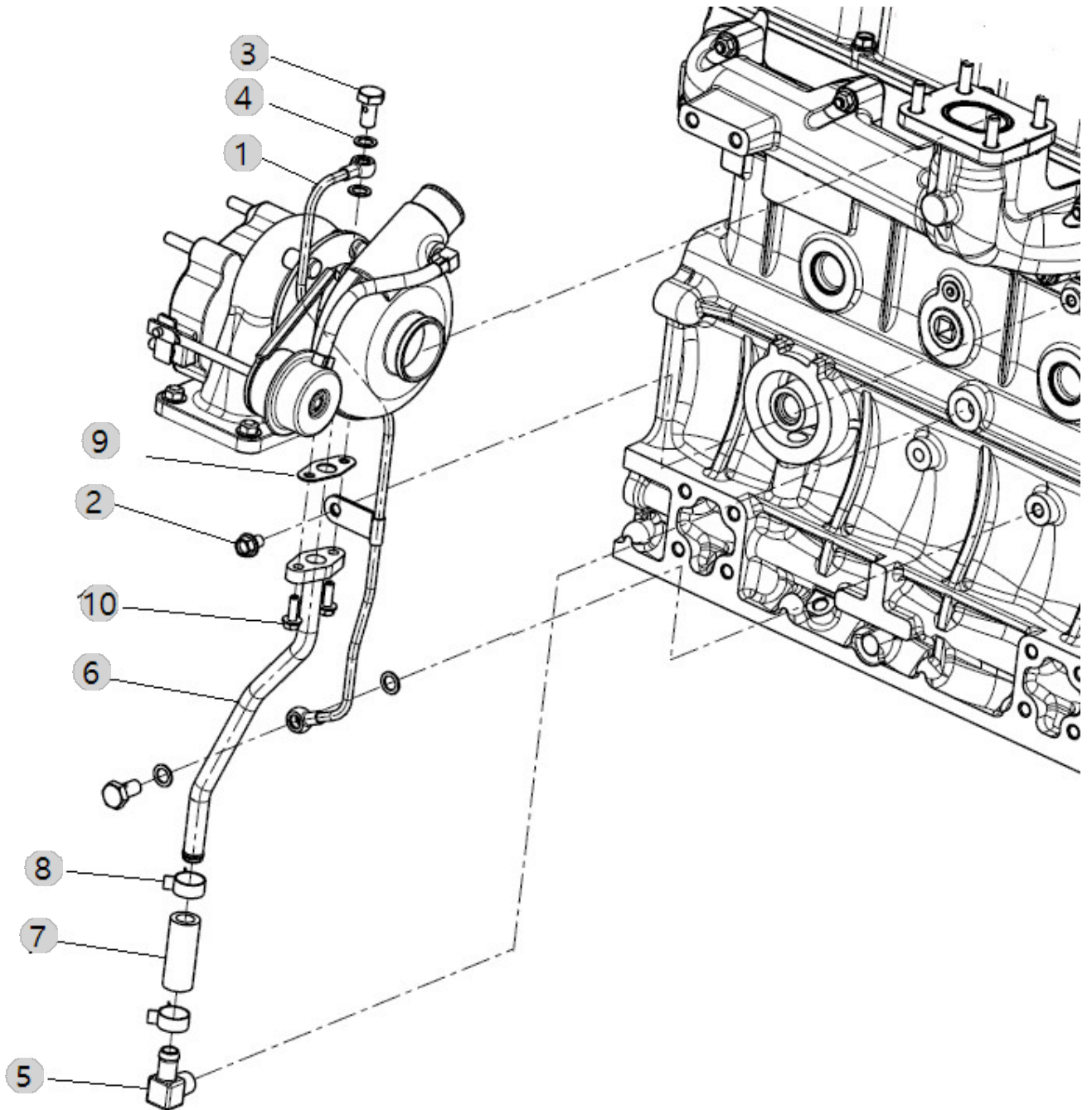
A23_008

A2300T3-ETC_5
(AB00333)

TURBOCHARGER SUPPORT ASS'Y OPTION

Year/Month

2023-01-18



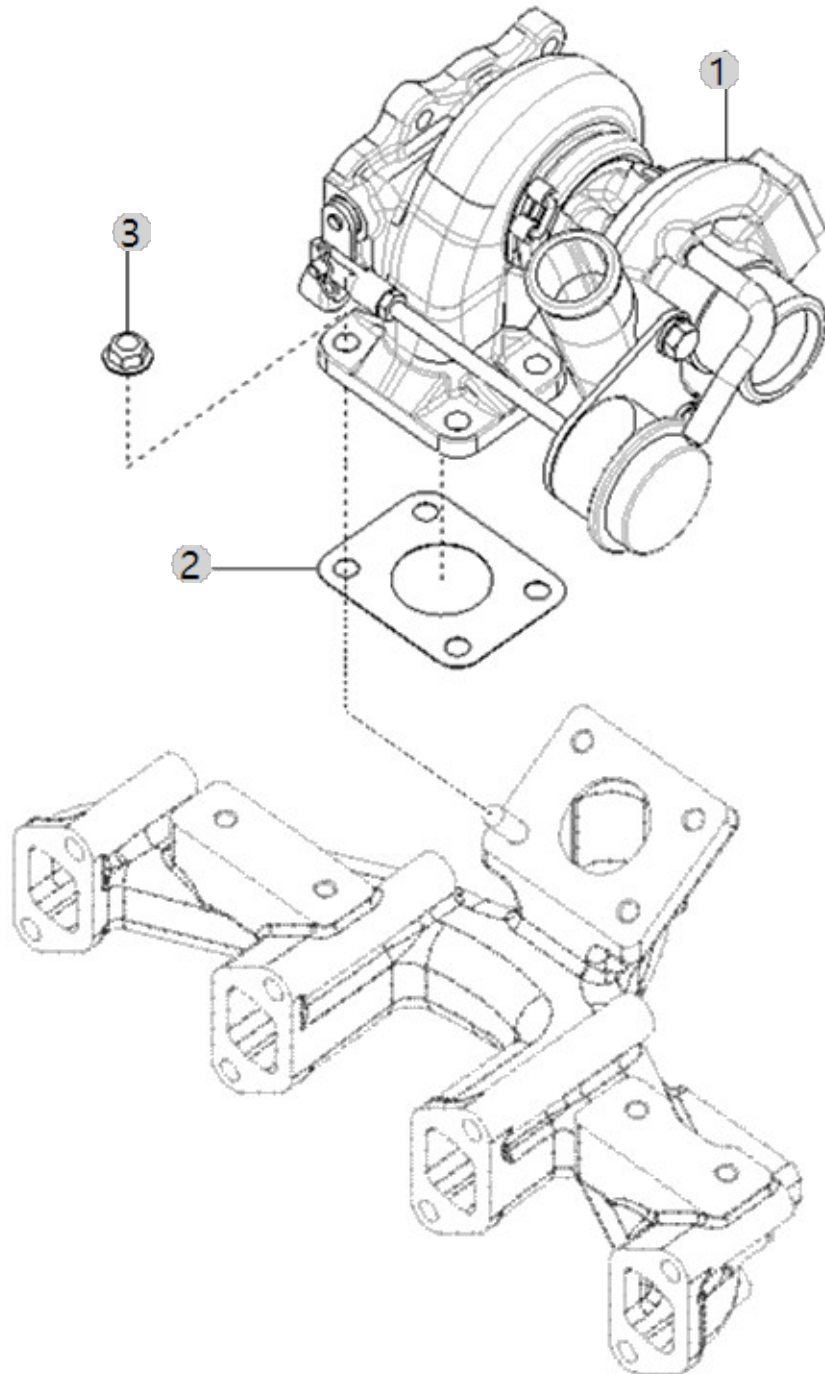
A24_003

A2300T3-ETC_5
(AB00333)

TURBOCHARGER

Year/Month

2023-01-18



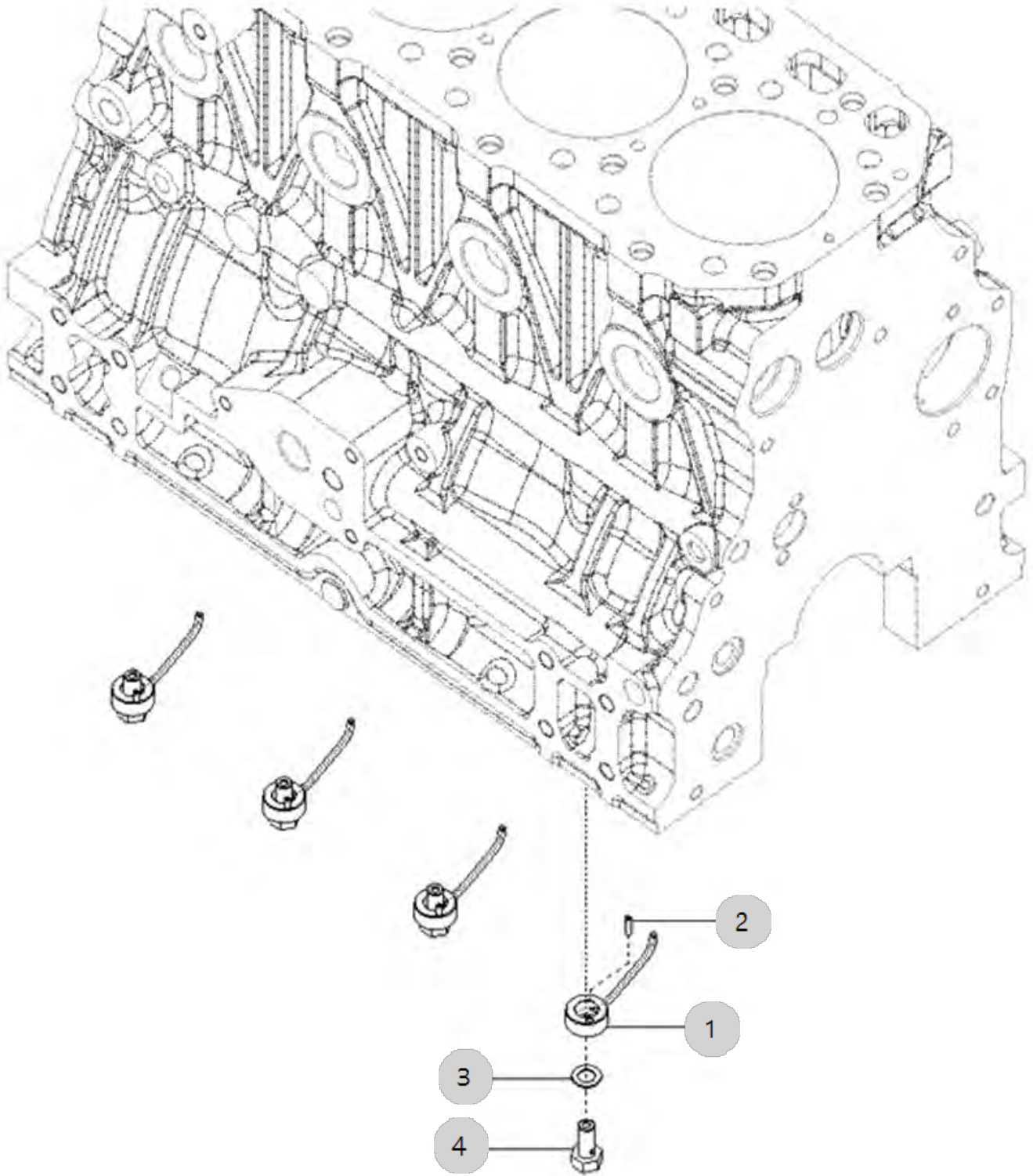
A25_003

A2300T3-ETC_5
(AB00333)

OIL JET ASS'Y OPTION

Year/Month

2023-01-18



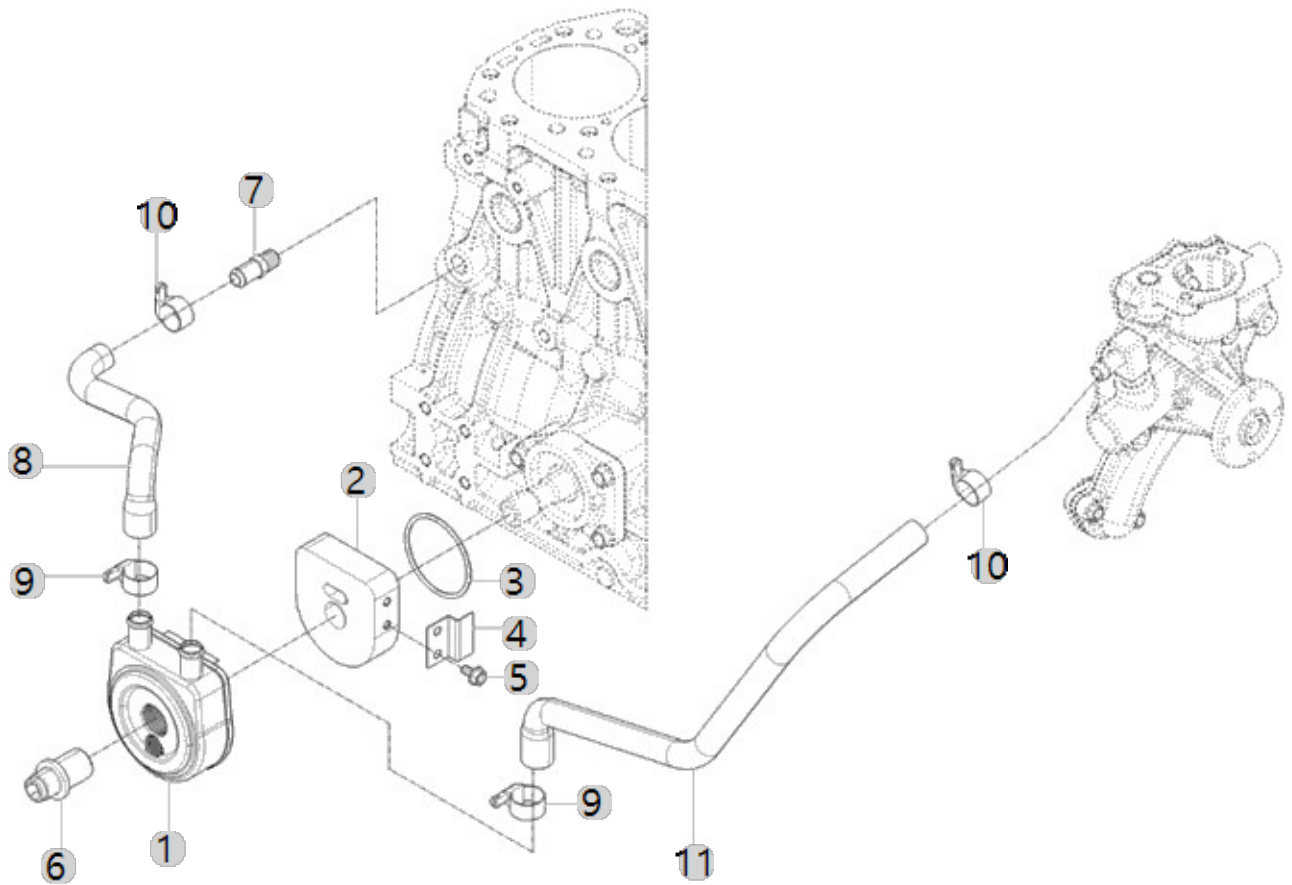
A26_005

A2300T3-ETC_5
(AB00333)

COOLER, ENGINE OIL

Year/Month

2023-01-18



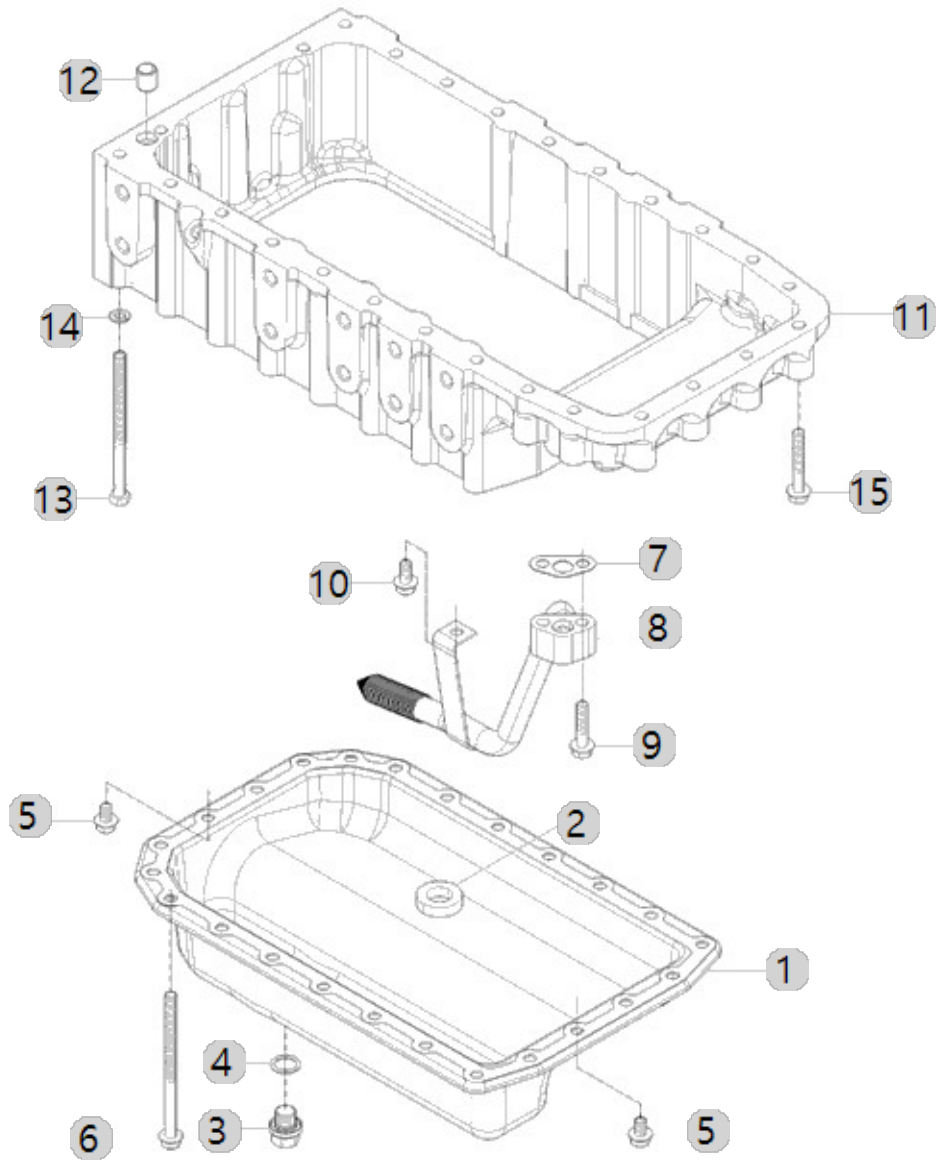
A27_010

A2300T3-ETC_5
(AB00333)

OIL PAN ASS'Y OPTION

Year/Month

2023-01-18



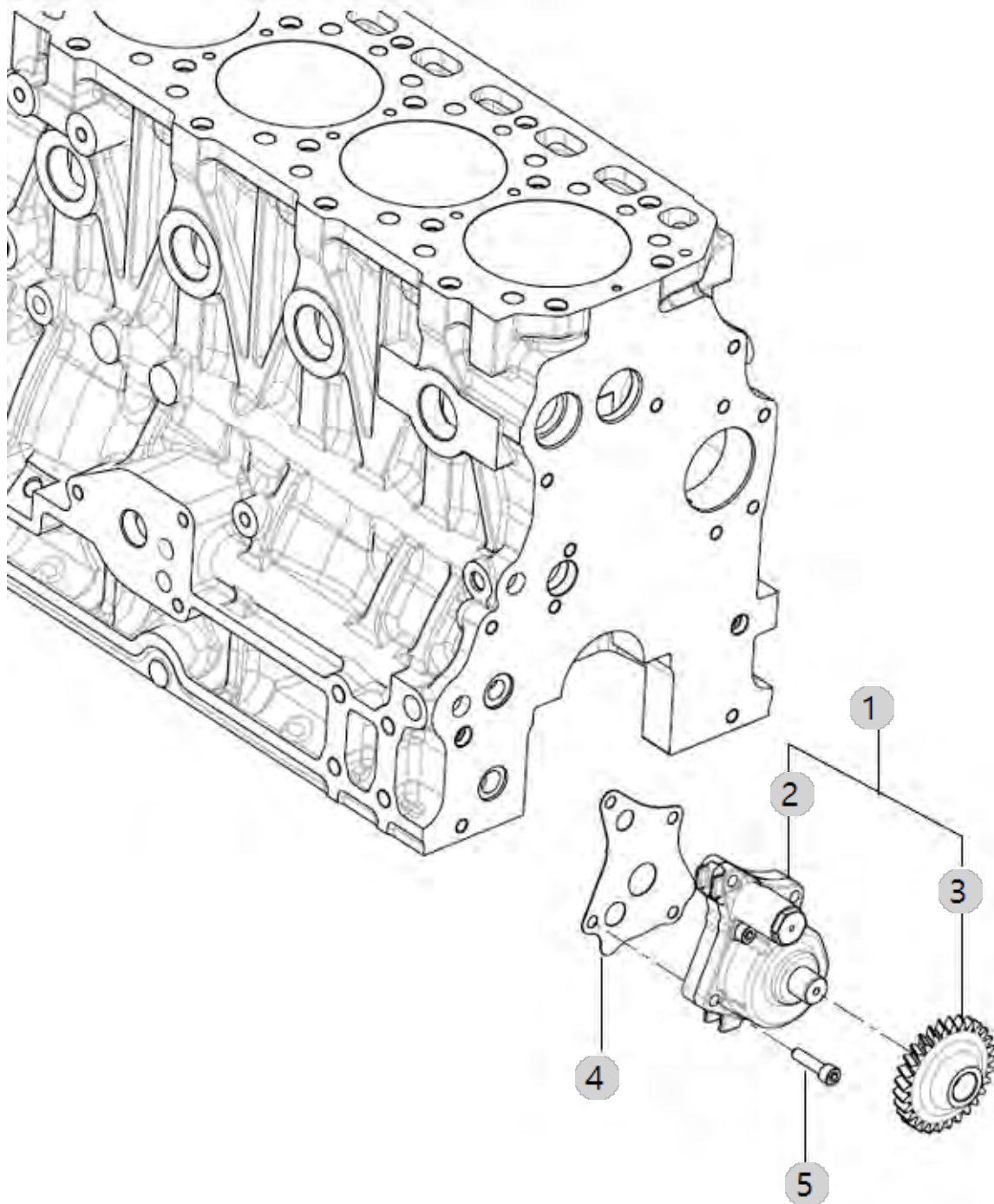
A28_001

A2300T3-ETC_5
(AB00333)

PUMP, LUBRICATING OIL

Year/Month

2023-01-18



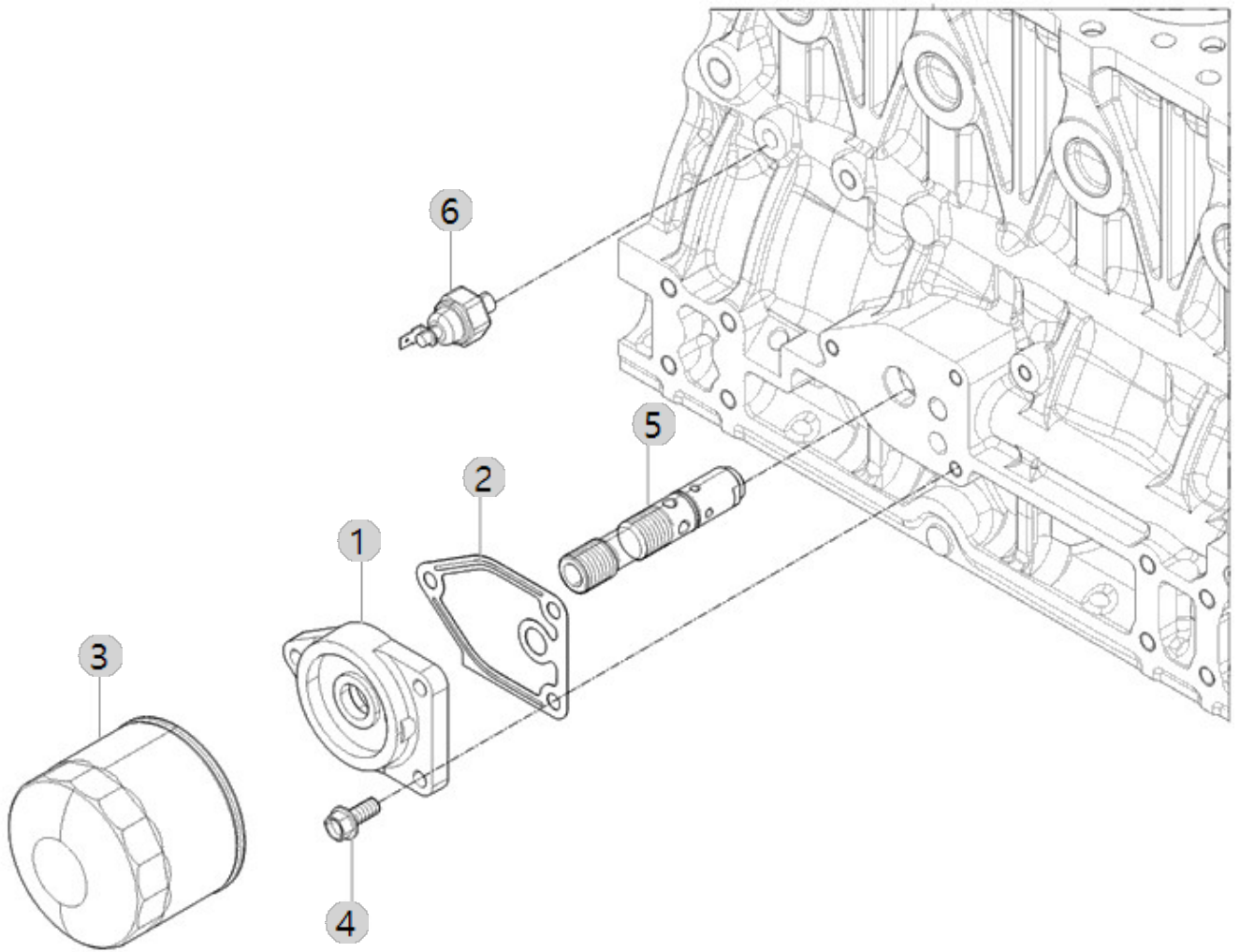
A29_005

A2300T3-ETC_5
(AB00333)

FILTER, LUBRICATING OIL

Year/Month

2023-01-18



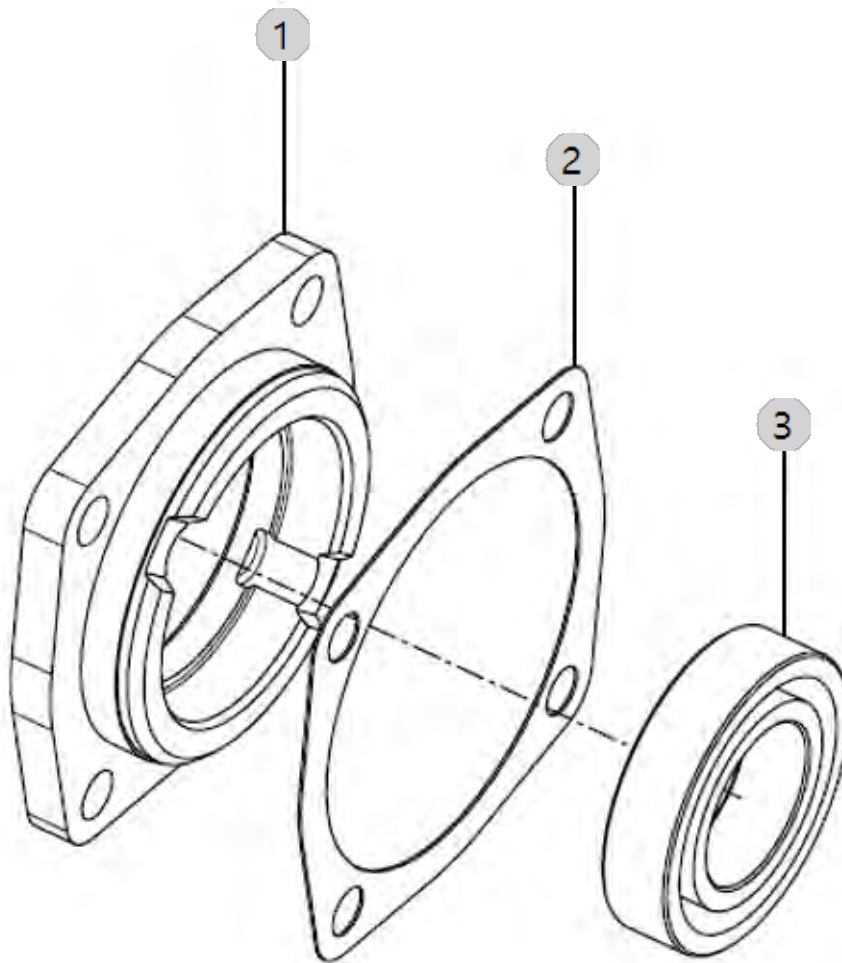
A30_003

A2300T3-ETC_5
(AB00333)

FRONT GEAR ACCESSORY DRIVE

Year/Month

2023-01-18



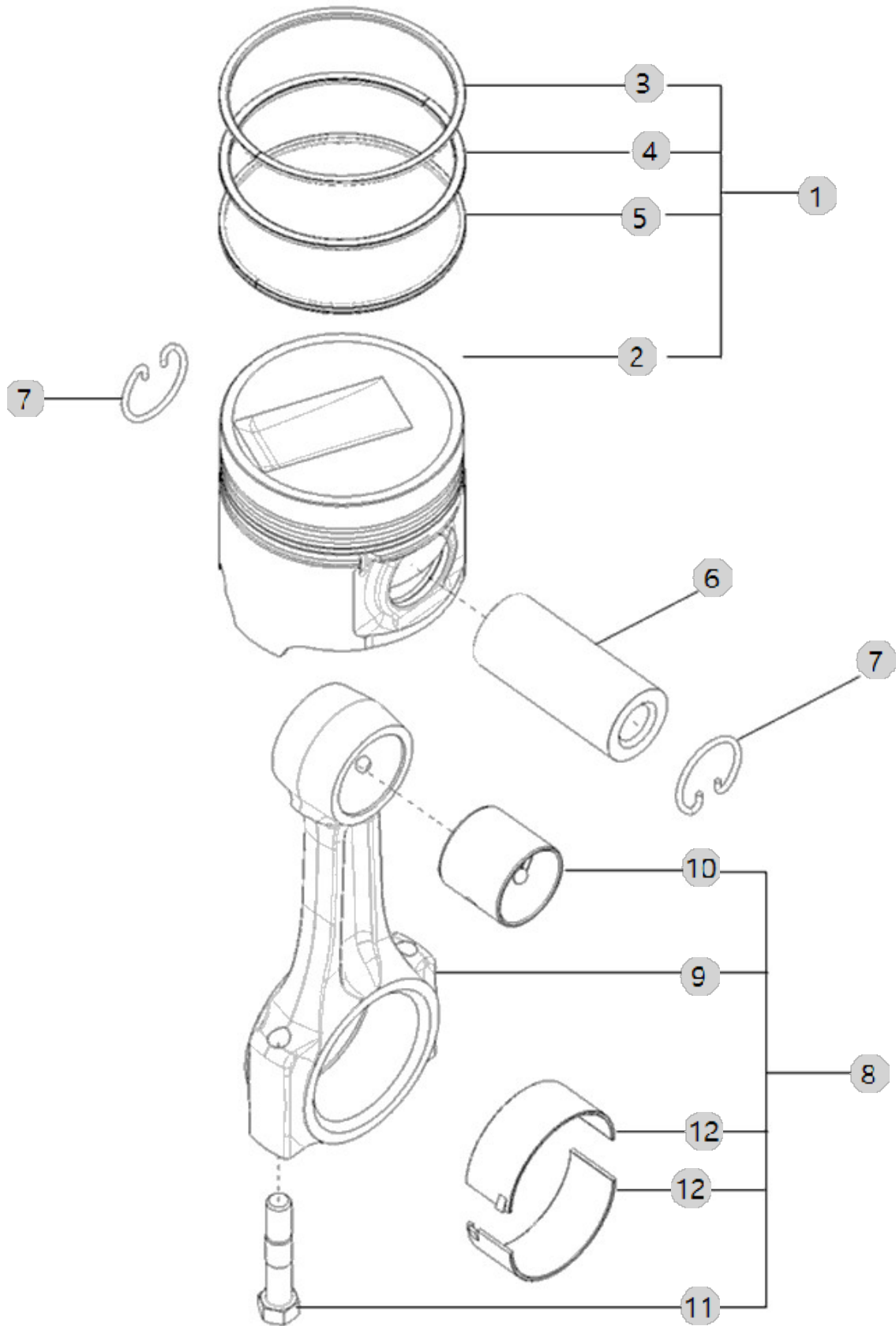
A31_007

A2300T3-ETC_5
(AB00333)

PISTON

Year/Month

2023-01-18



<p>A31_007</p> <p>A2300T3-ETC_5 (AB00333)</p>	<p>PISTON</p>				Year/Month
					2023-01-18

순번 (NO)	부품번호 (PART NO)	품명 (PART NAME)	품명 (PART NAME)	수량 (QTY)	규격 (SPEC)	비고 (REMARK)
1	HRA0801300A9	피스톤조합	PISTON ASS'Y	4		
2	HRA0801301B1	피스톤 A2300(T),A1700	PISTON,ENGINE	4		
2	HRA0801301C1	피스톤A2300(T),A1700	PISTON,ENGINE A2300(T),A1700	4		
3	HRA0801303A4	401,A172322,피스톤링(1ST)	RING,1STCOMPRESSIONPISTON	4		
4	HRA0801304B4	739,A172322,피스톤링(2ND)	RING,2NDCOMPRESSIONPISTON	4		
5	HRA0801305B4	740,A172322,피스톤링(OIL)	RING,OILPISTON	4		
6	HK27150000C4	피스톤핀	PIN,PISTON	4		
6	HK27150000D4	피스톤핀	PIN,PISTON	4		
7	HA08070000A4	468,ALL,멈춤링	RING,RETAINING	8		
8	HRA0801600B9	커넥팅로드조합	ROD,ENGINE CONNECTING	4		
8	HRA0801600C9	커넥팅로드조합	ROD,ENGINE CONNECTING	4		
9	HRA0801601B2	커넥팅로드	ROD,ENGINE CONNECTING	4		
9	HRA0801601C2	커넥팅로드	ROD,ENGINE CONNECTING	4		
10	HRA0801603B4	부시(피스톤핀)	BUSHING	4		
10	HRA0801603A4	409,ALL,부시(피스톤핀)	BUSHING	4		
11	HRA0801602A4	408,ALL,볼트(커넥팅로드)	SCREW,HEXAGONHEADCAP	8		
12	HRA0801700A3	커넥팅로드 베어링	CONNECTING ROD BEARING	8		

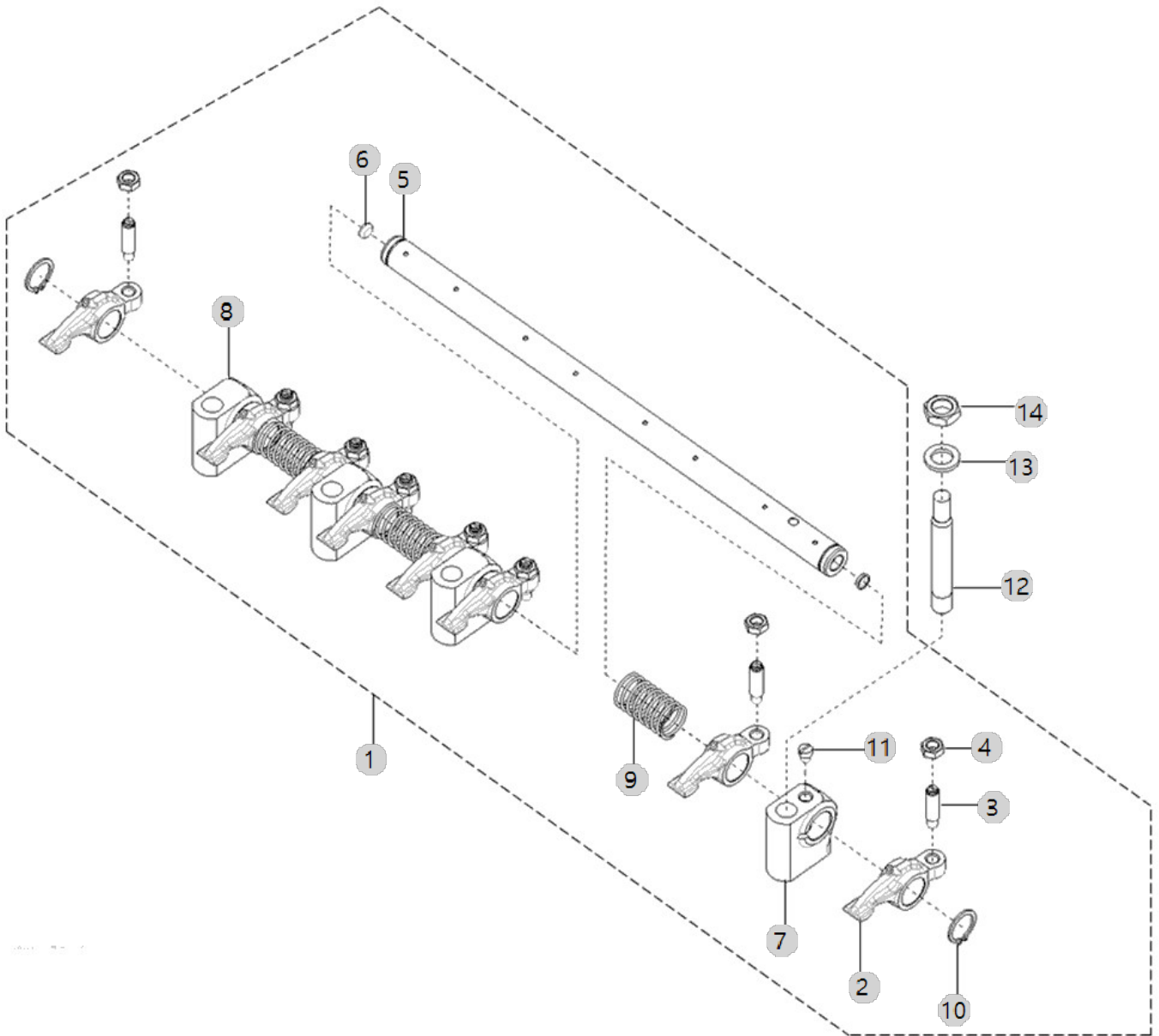
A32_003

A2300T3-ETC_5
(AB00333)

LEVER, LOCKER

Year/Month

2023-01-18



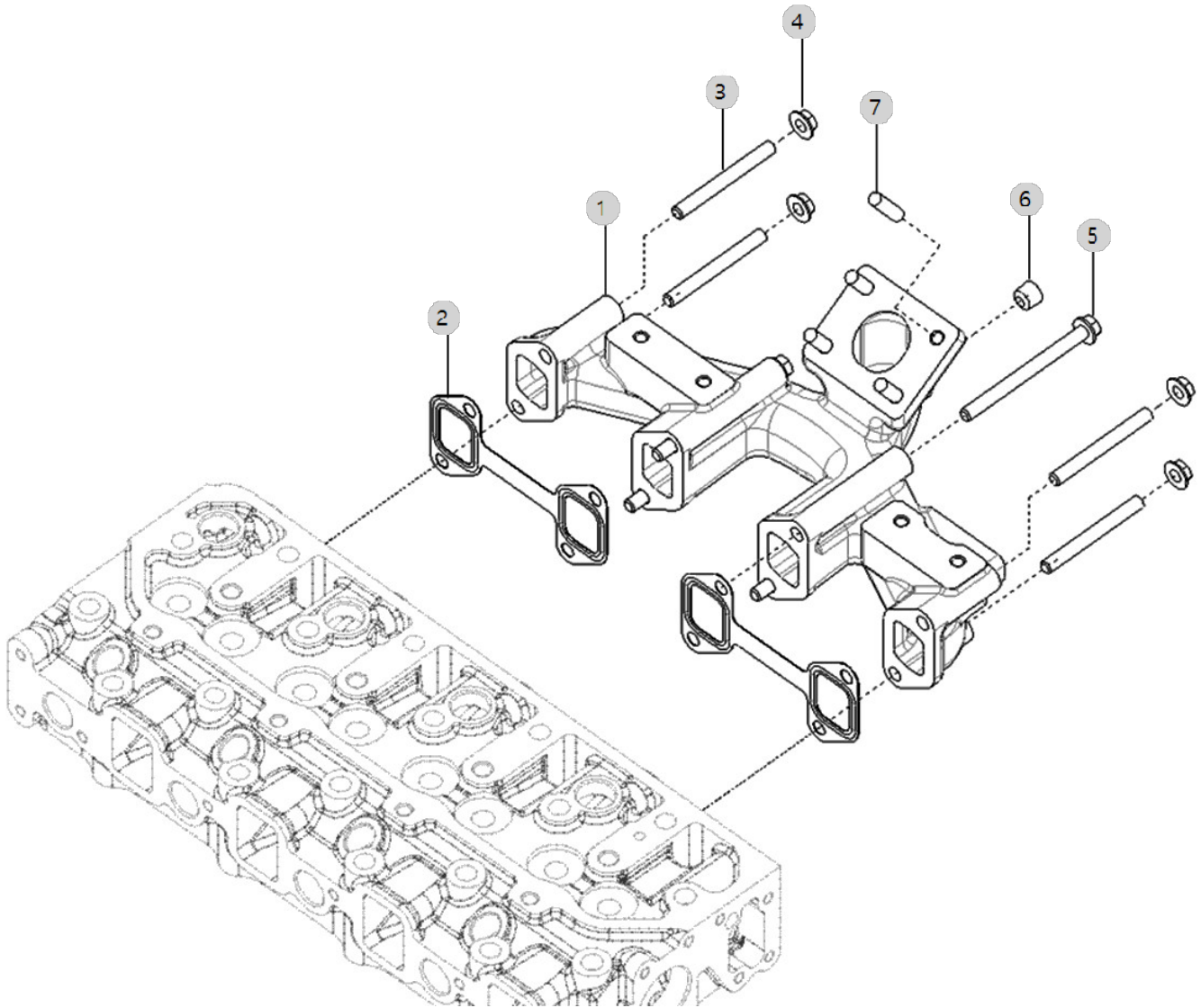
A33_011

A2300T3-ETC_5
(AB00333)

EXHAUST MANIFOLD

Year/Month

2023-01-18



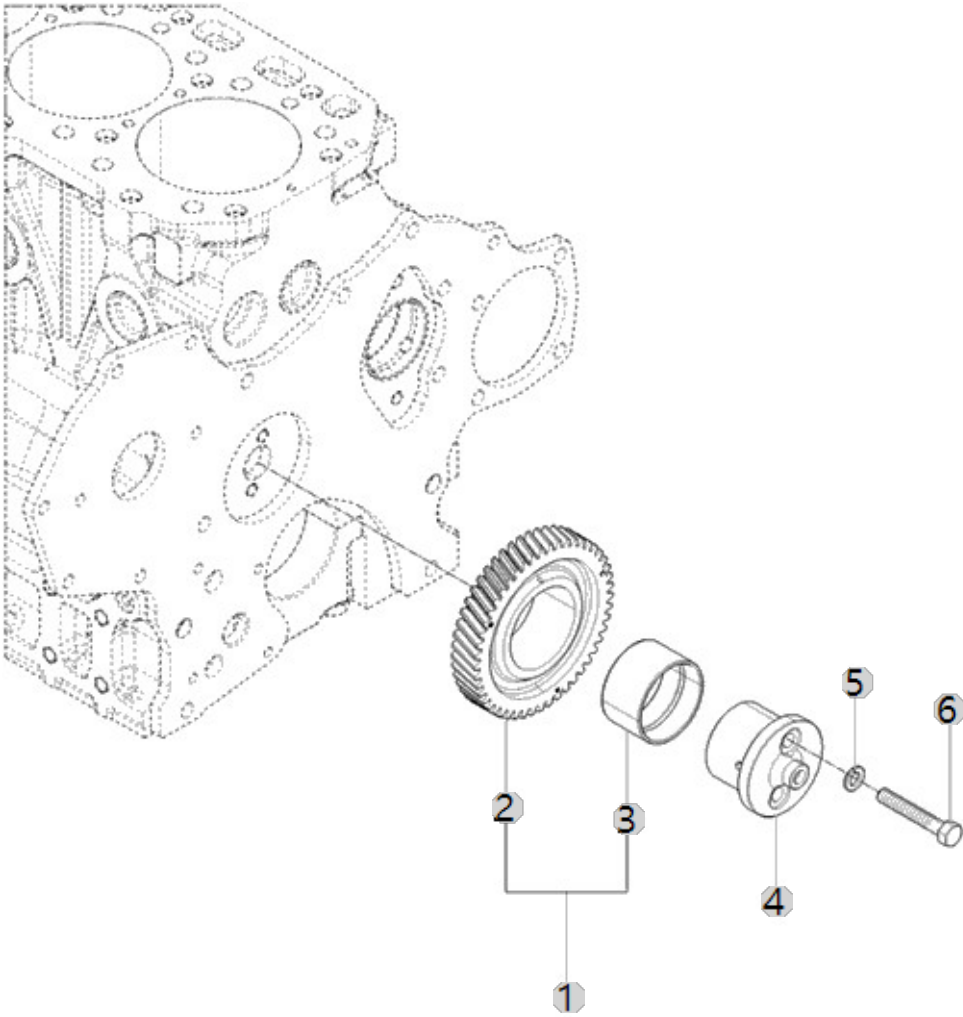
A35_002

A2300T3-ETC_5
(AB00333)

IDLE GEAR

Year/Month

2023-01-18



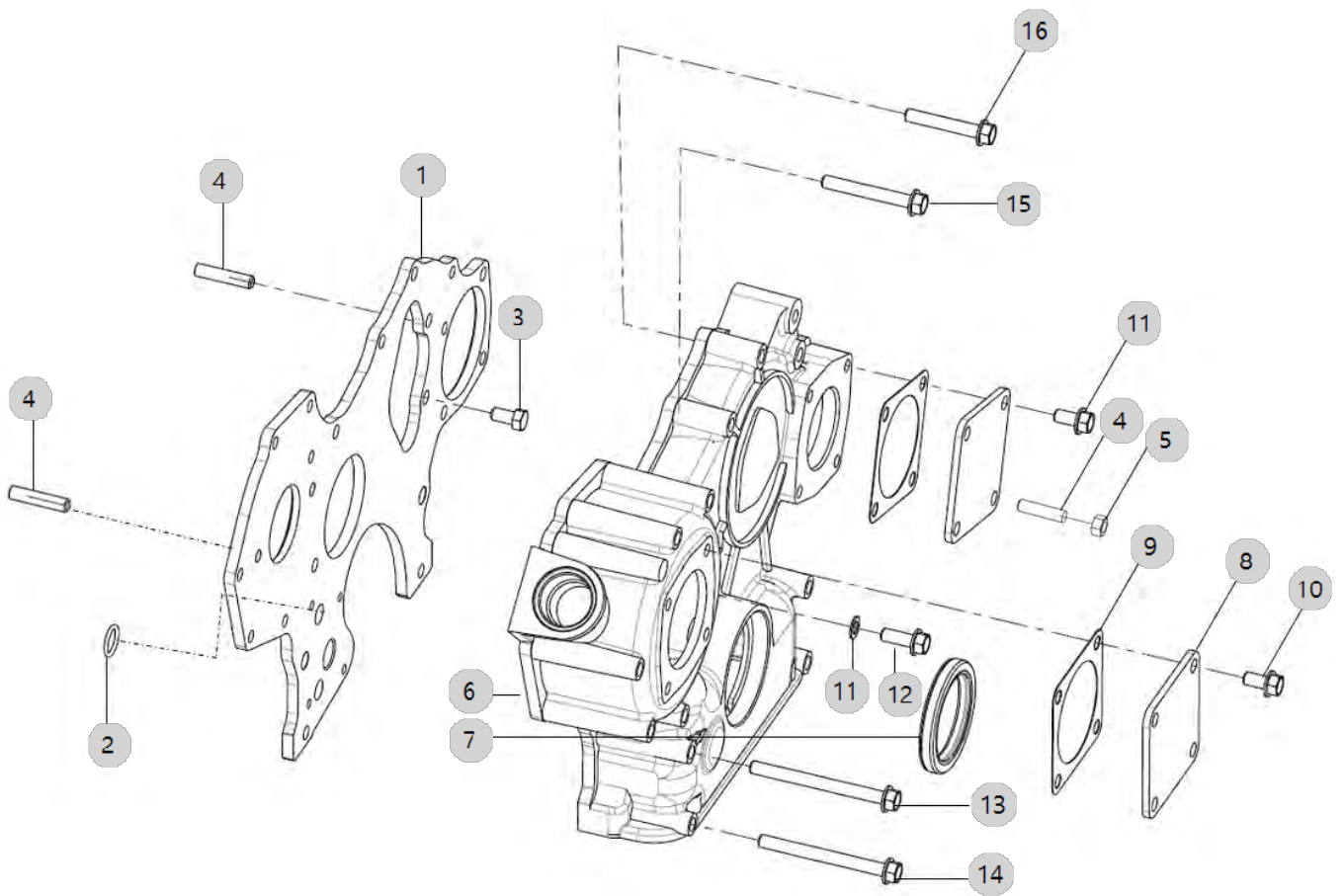
A36_004

A2300T3-ETC_5
(AB00333)

COVER, FRONT GEAR

Year/Month

2023-01-18



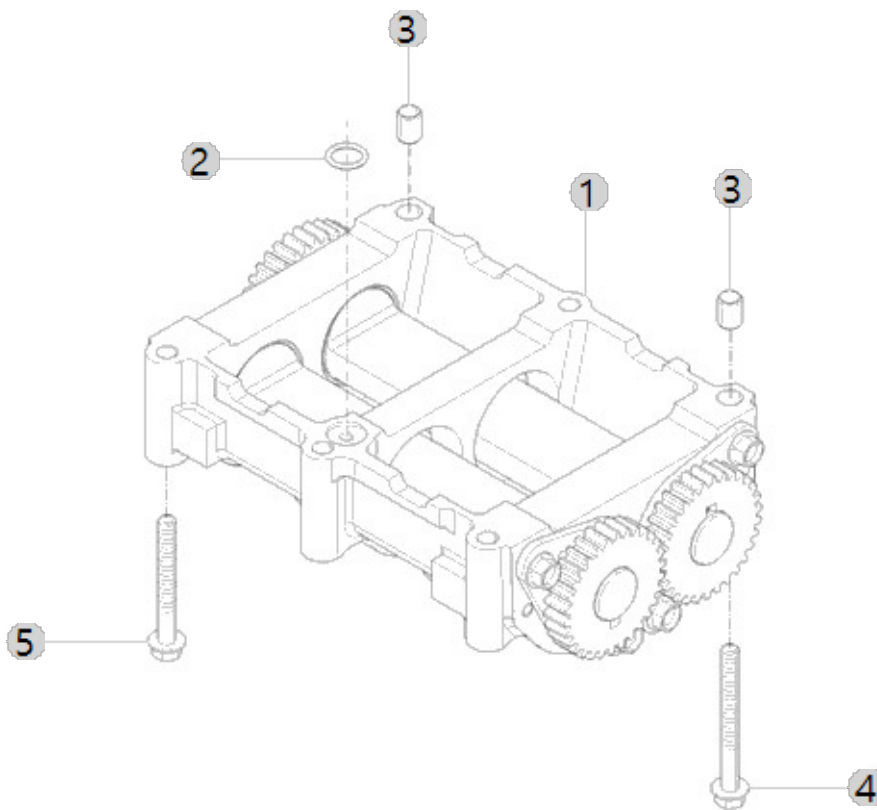
A37_001

A2300T3-ETC_5
(AB00333)

BALANCE ASS'Y

Year/Month

2023-01-18



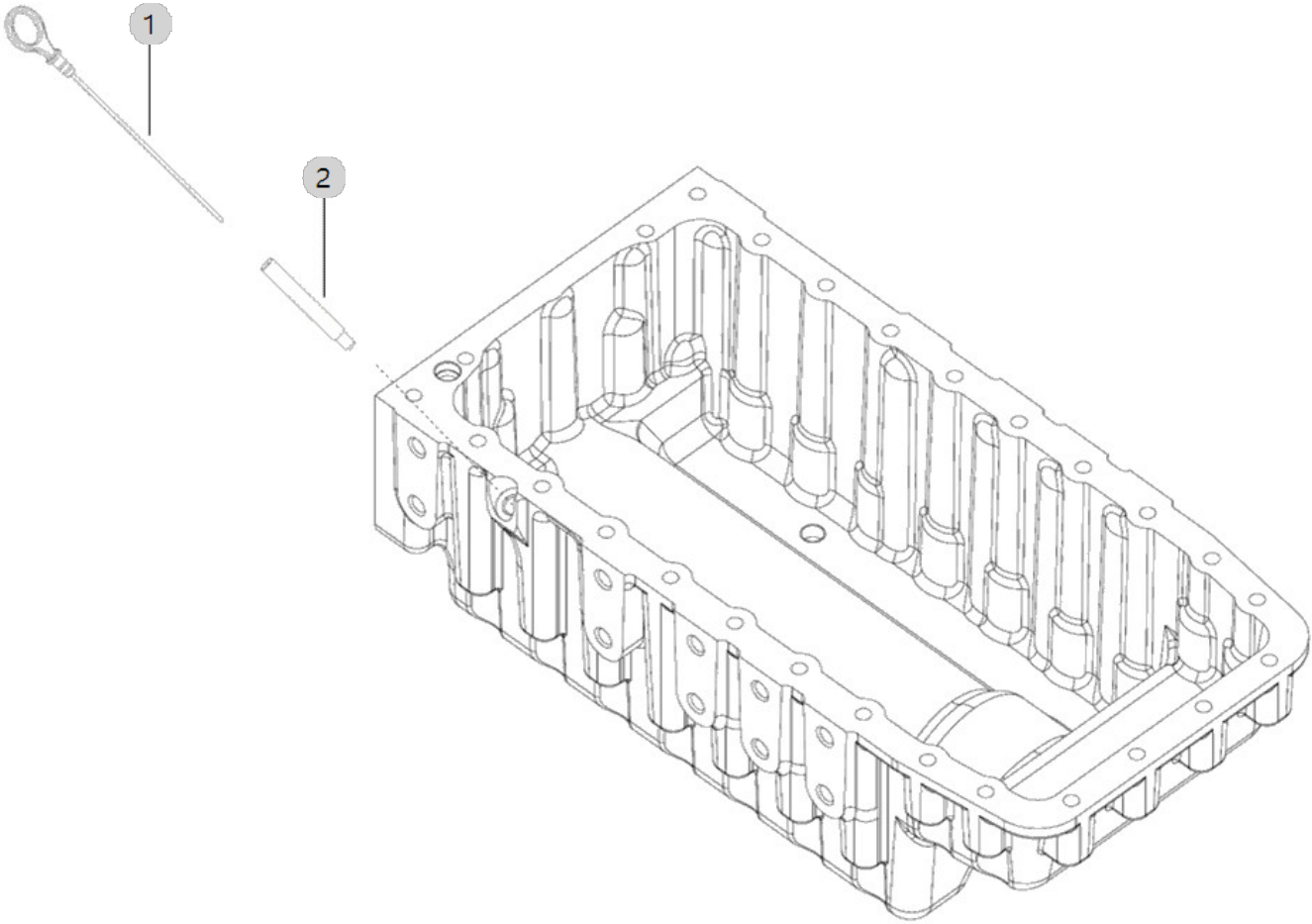
A38_007

A2300T3-ETC_5
(AB00333)

GAUGE, OIL LEVEL

Year/Month

2023-01-18



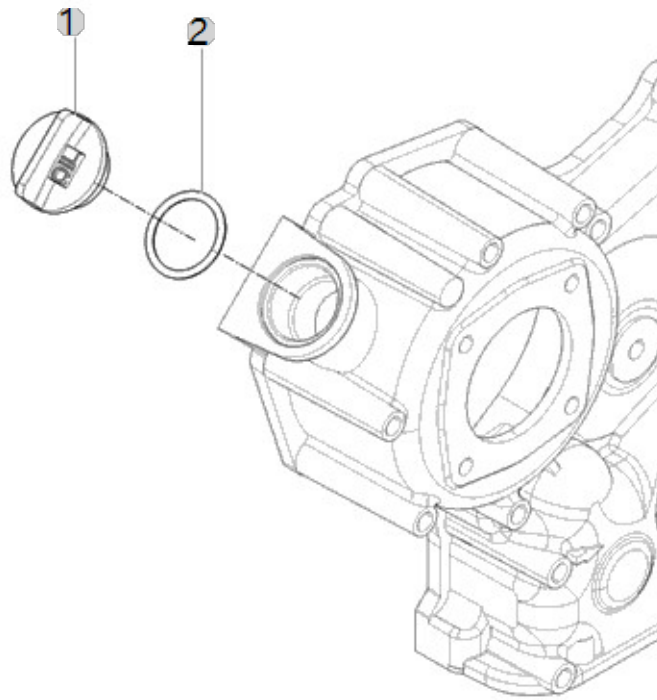
A39_001

A2300T3-ETC_5
(AB00333)

OIL FILLER CAP

Year/Month

2023-01-18



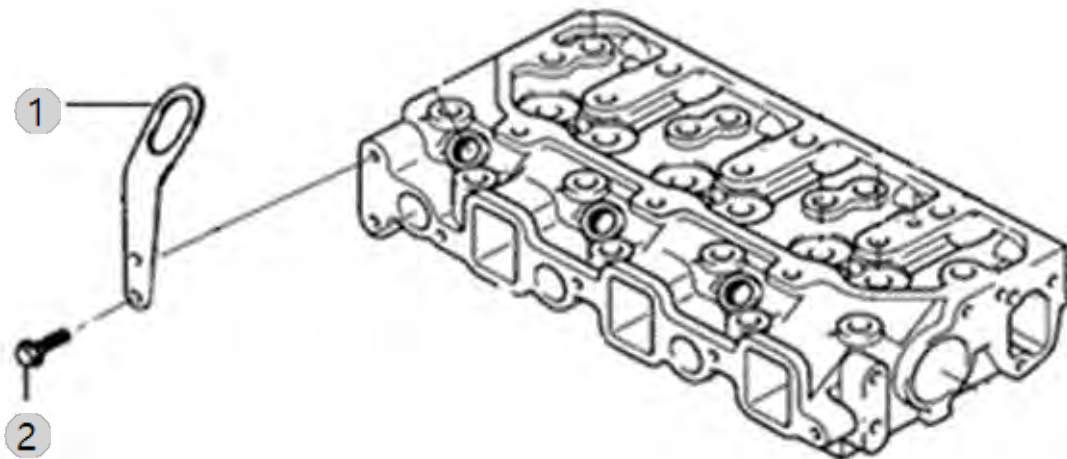
A40_003

A2300T3-ETC_5
(AB00333)

LIFT ASS'Y OPTION

Year/Month

2023-01-18



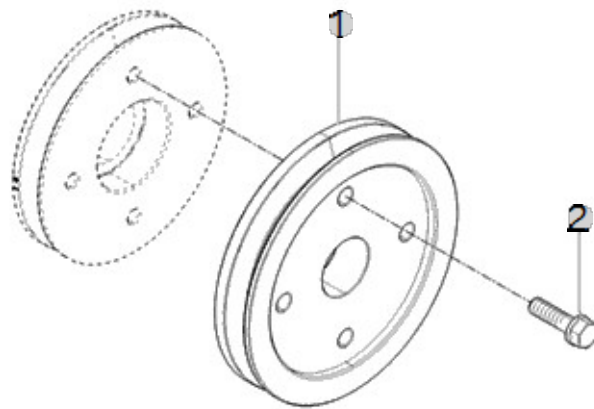
A41_001

A2300T3-ETC_5
(AB00333)

COMP,DRIVE PULLEY ASS'Y OPTION

Year/Month

2023-01-18



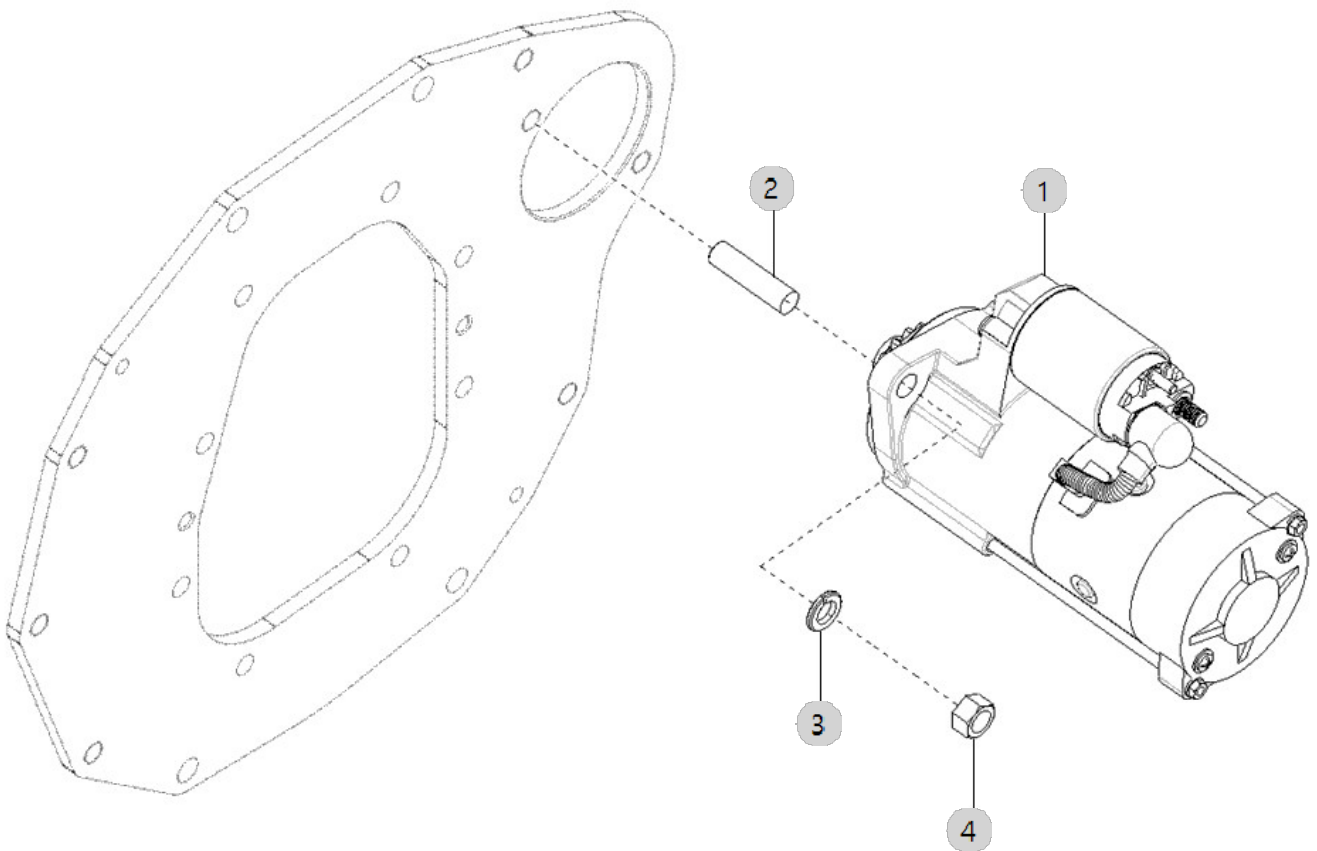
A42_003

A2300T3-ETC_5
(AB00333)

MOTER, STARTIONS

Year/Month

2023-01-18



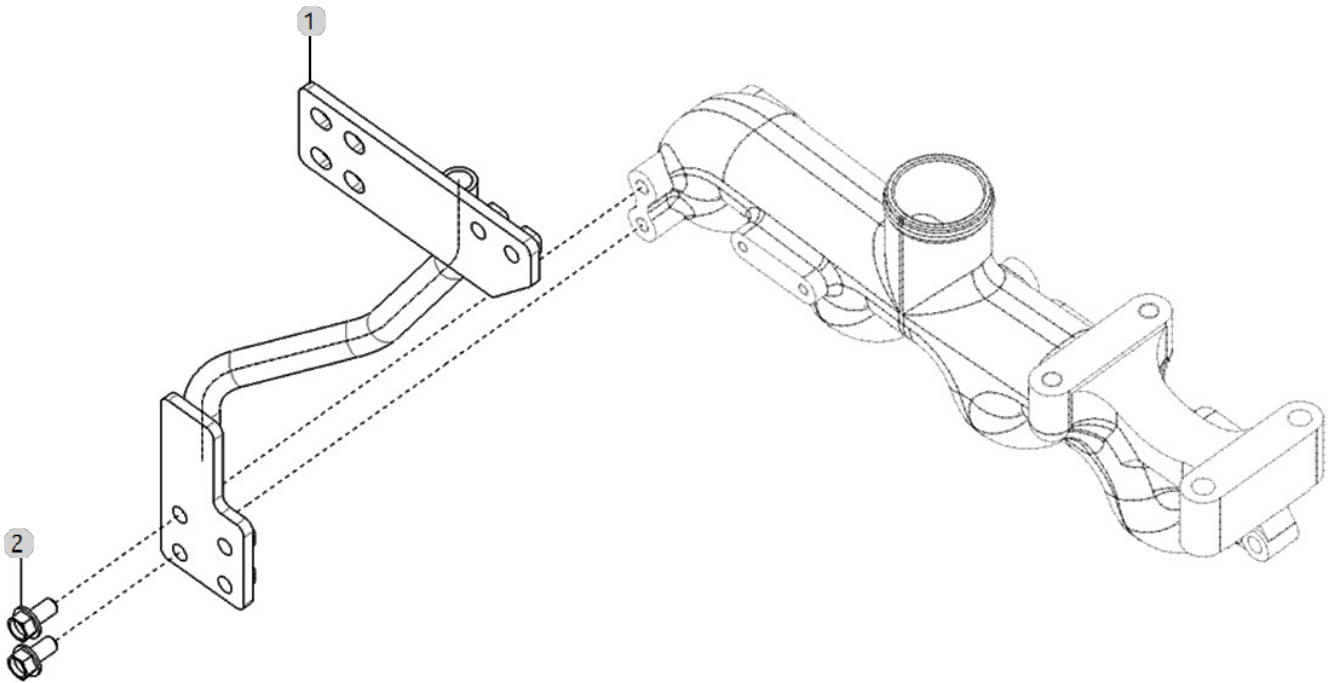
A43_001

A2300T3-ETC_5
(AB00333)

DPF SUPPORT OPTION

Year/Month

2023-01-18



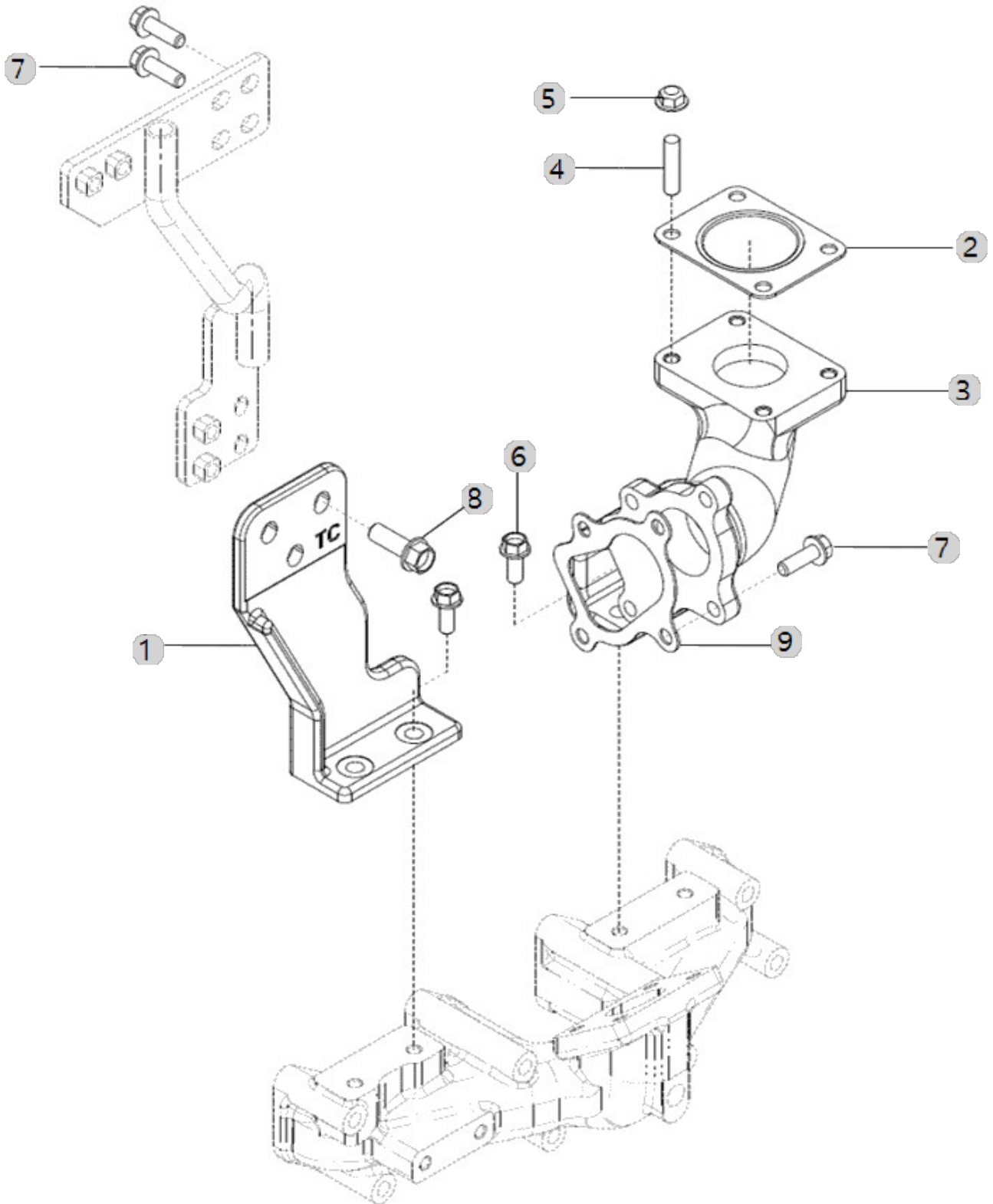
A44_008

A2300T3-ETC_5
(AB00333)

DPF MOUNTING OPTION

Year/Month

2023-01-18



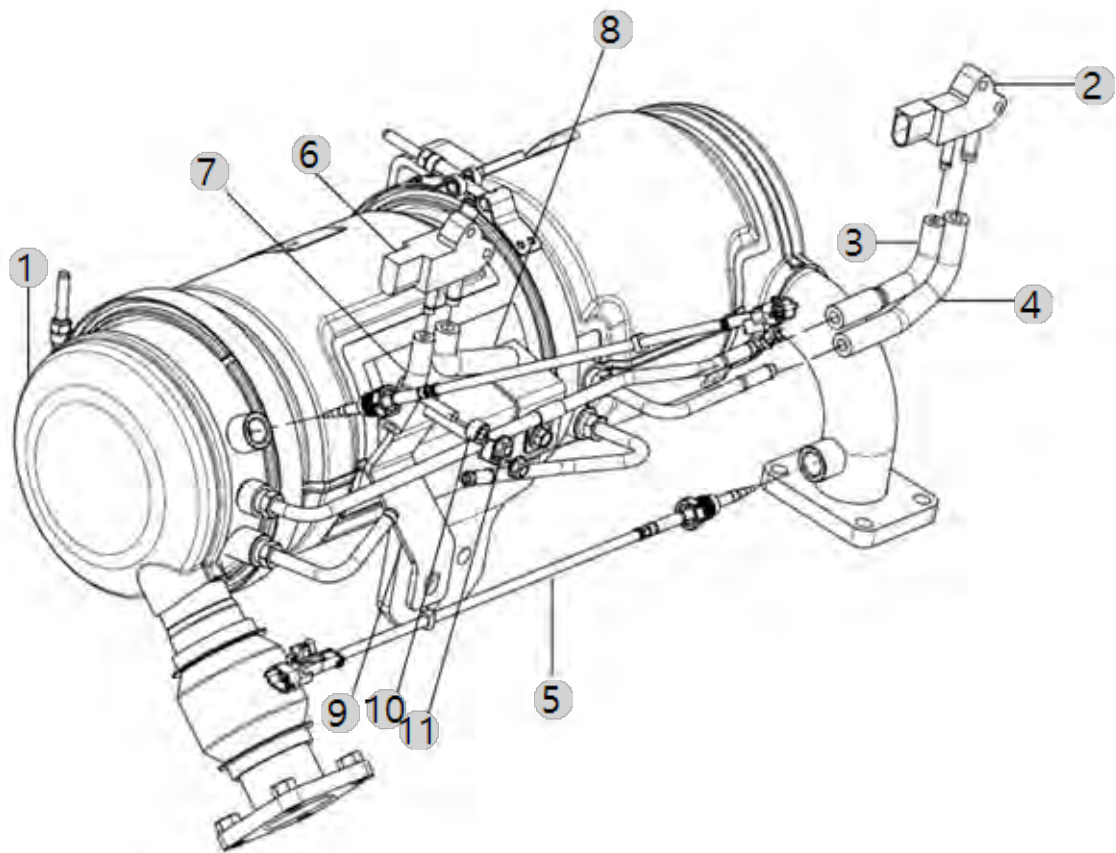
A45_012

A2300T3-ETC_5
(AB00333)

DPF

Year/Month

2023-01-18



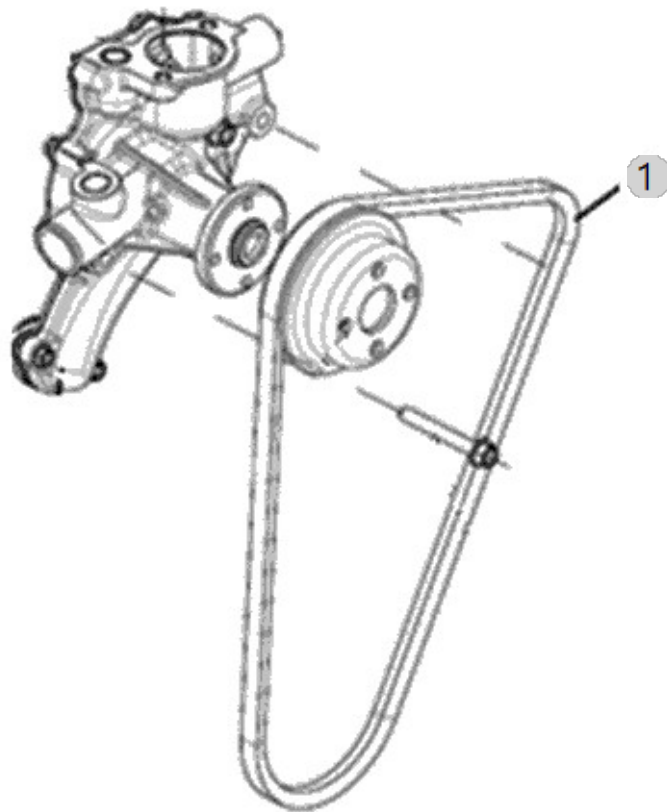
A48_006

A2300T3-ETC_5
(AB00333)

V-BELT

Year/Month

2023-01-18



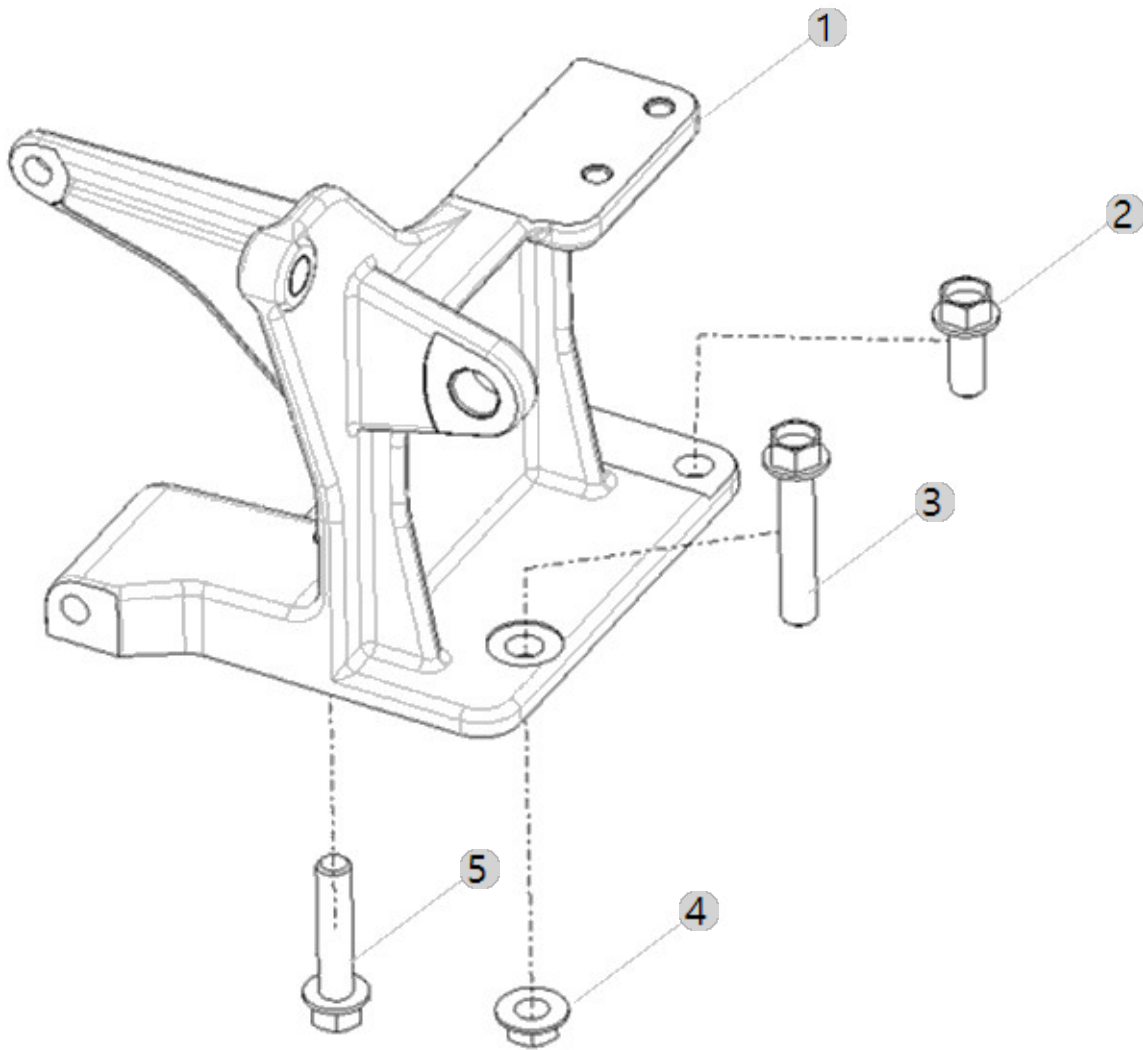
A50_001

A2300T3-ETC_5
(AB00333)

COMPRESSOR BRACKET ASS'Y

Year/Month

2023-01-18



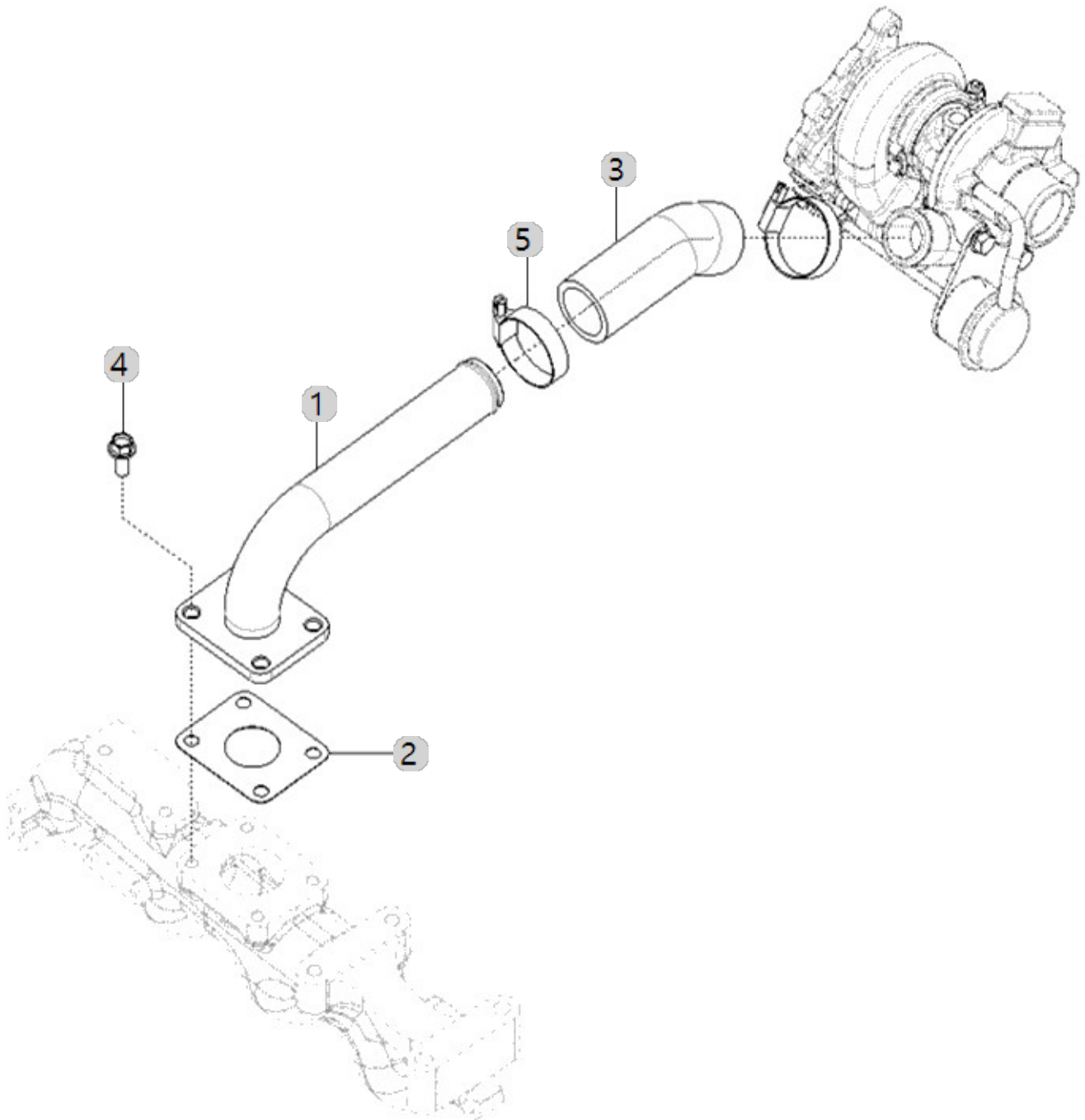
A51_006

A2300T3-ETC_5
(AB00333)

INTAKE HOSE ASSY OPTION

Year/Month

2023-01-18



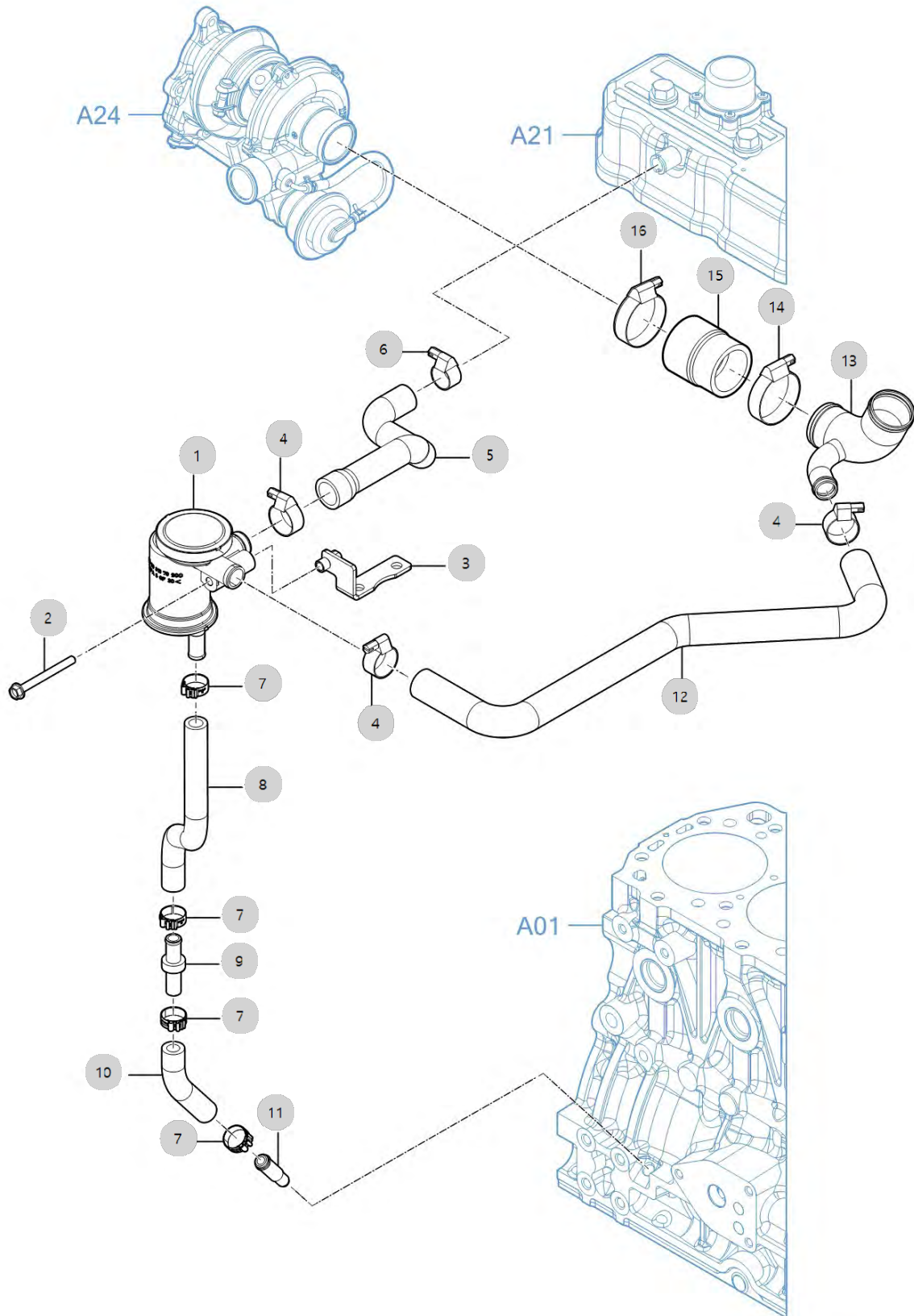
A52_007

A2300T3-ETC_5
(AB00333)

CCV ASS'Y

Year/Month

2023-01-18



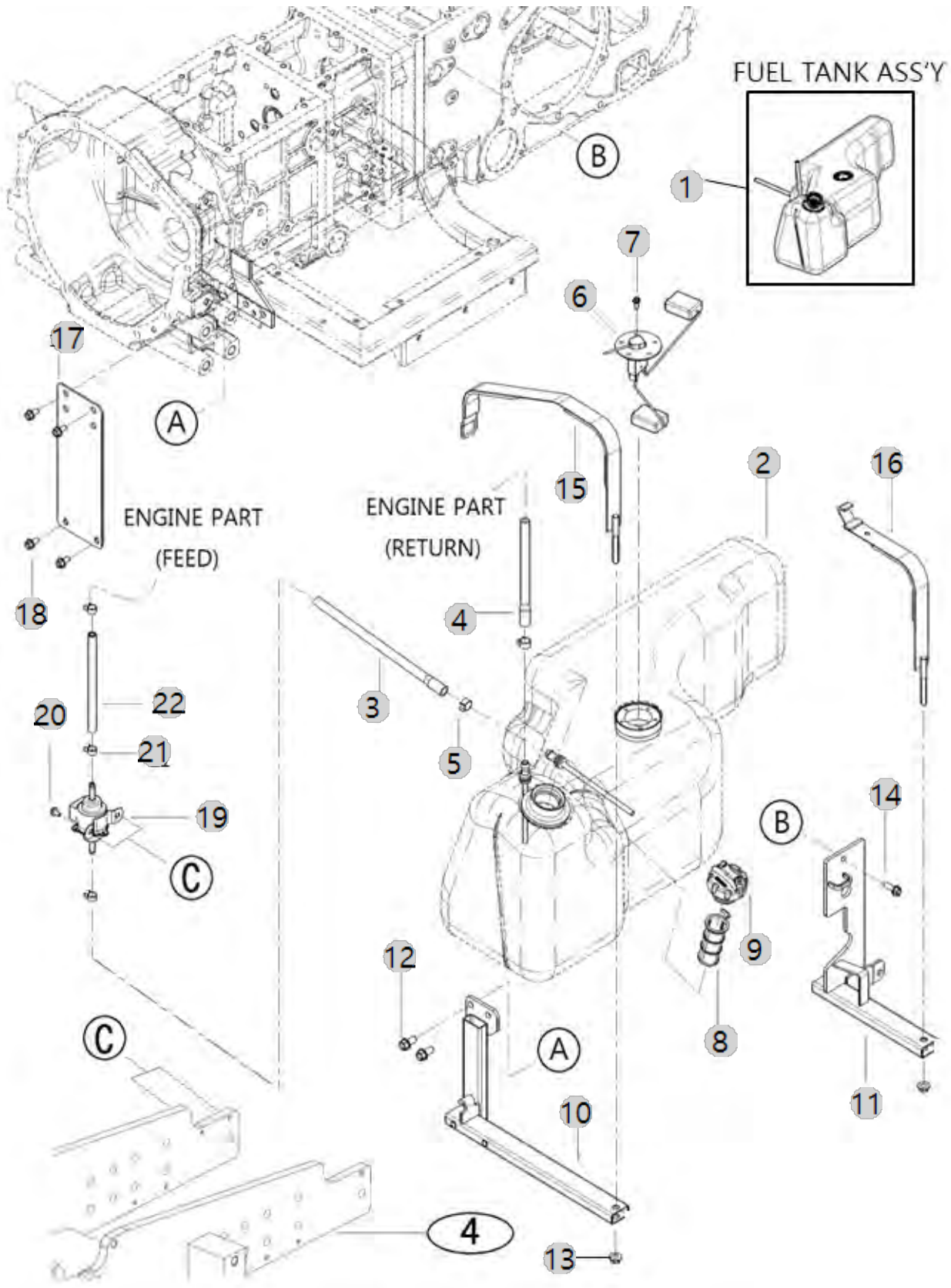
B01010

6225CH(EU)(AC02124)

FUEL TANK

Year/Month

2023-01-18



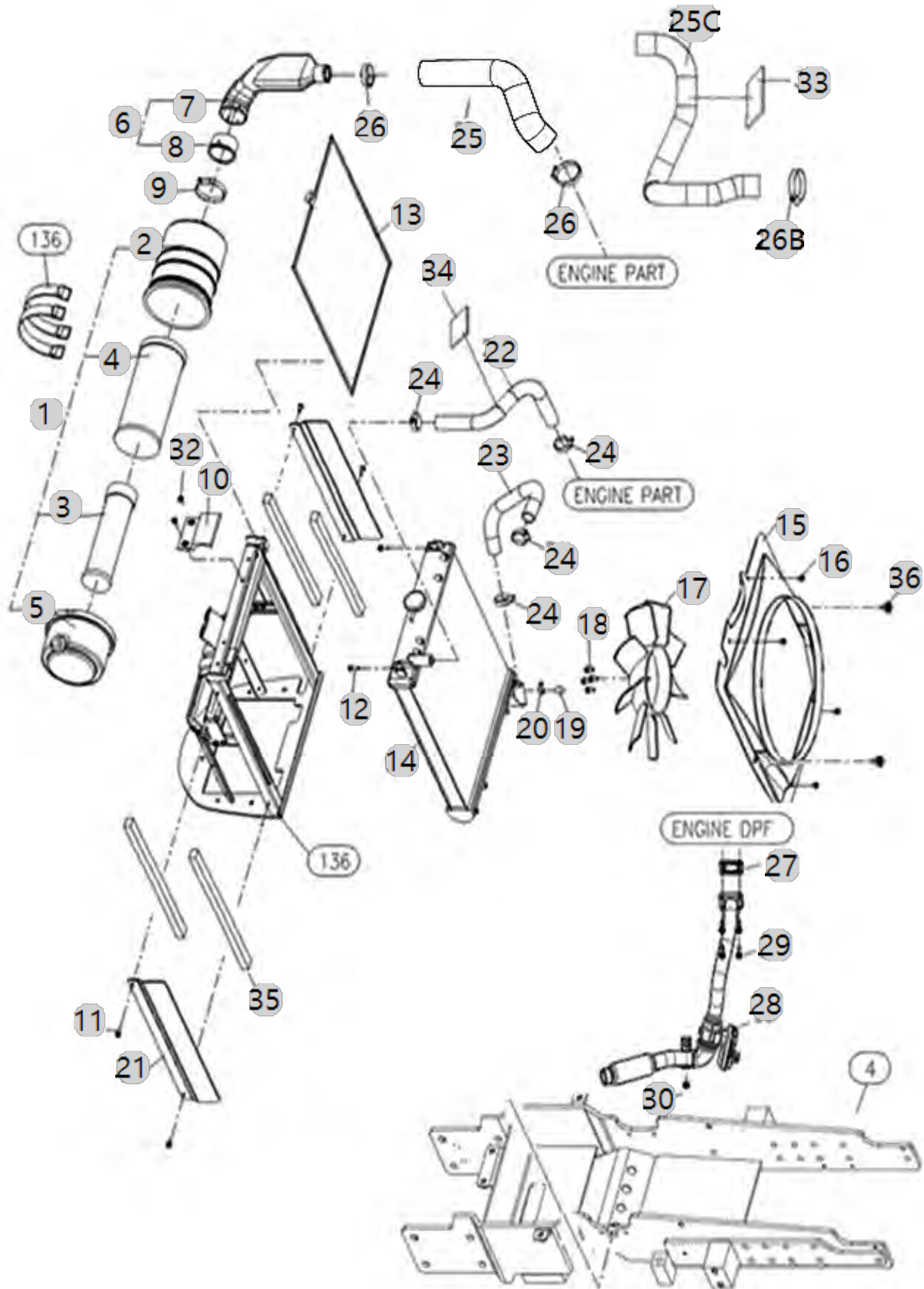
B02020

6225CH(EU)(AC02124)

RADIATOR

Year/Month

2023-01-18



B02020 6225CH(EU)(AC02124)	RADIATOR	Year/Month 2023-01-18
--------------------------------------	-----------------	--------------------------

순번 (NO)	부품번호 (PART NO)	품명 (PART NAME)	품명 (PART NAME)	수량 (QTY)	규격 (SPEC)	비고 (REMARK)
1	HLT0621000A2	에어크리너 조합	AIRCLEANER ASSY	1		
2	HLT0621010A9	에어크리너본체	BODY, AIRCLEANER	1		
3	HLT0621020A9	에어크리너엘레먼트(외)	ELEMENT AIR CLEANER (OUTER)	1		
4	HLT0621030A9	에어크리너엘레먼트(내)	ELEMENT, AIR CLEANER (INNER)	1		
5	HLT0621040A9	커버(에어크리너)	COVER	1		
6	TA00034859A	흡기 파이프 조합	INTAKE PIPE ASSY	1		
7	TA00034847A	흡기 파이프	INTAKE PIPE	1		
8	TA00021622A	흡기파이프시일	SEAL	1	-	
9	23000-080000	호스클램프80	HOSECLAMP80	1	D80	
10	TA00025591A	방진 고무	CUSHION RUBBER	1		
11	26106-060162	육각플랜지 볼트	HEXFLANGE BOLT	4	M6XP1.0X16	
12	26014-060252	와셔조립육각볼트(+SW,PW)	Bolt, Hexa (6-25)	2	M06X1.00X02	
13	TA00024833C	방진망 조합	DUSTPROOF NET ASSY	1		
13	TA00024833B	방진망	NET	1		
14	EA00003972A	라디에이터(3.5mm피치)	RADIATOR	1		
15	TA00032760F	슈라우드	SHROUD	1		
16	HRA1203200A4	태핑나사	TAPPINGSCREW	4		
17	TA00043900A	냉각팬	FAN	1		
18	26106-080162	플랜지볼트8X16	SCREW,HEXFLANGEHEADCAP	4	M8XP1.25X16	
19	HRC1201200A4	오일쿨러캡	CAP,COOLER	1		
20	23000-016000	호스클립	Clip, Hose (Φ16)	1	D16	
21	TA00049446B	라디에이터브래킷 조합	BRACKET ASSY, RADIATOR	2		
21	TA00049446A	라디에이터브래킷 조합	BRACKET ASSY, RADIATOR	2		
22	TA00060727A	냉각수호스A	COOLING WATER HOSE A	1		
2	TA00036682A	냉각수 호스 A	HOSE A, COOLING	1		
2	HRE1203400A2	냉각수호스A	WATER HOSE A	1		
23	TA00025609C	냉각수 호스 (B)	HOSE IN COOLING	1		
24	23010-038000	호스밴드	HOSEBAND	4	D38	
25	TA00072194A	흡기호스	INTAKE HOSE	1		
26	23000-054000	호스클램프54	HOSECLAMP54	2	D54	
27	EA00004235A	가스켓(TC_IN)	GASKET(TC_IN)	1		
28	EA00005796C	전자식배기밸브ASSY(20(S))	ELECTRONIC EXHAUST VALVE ASSY	1		
28	EA00005796A	전자식 배기밸브 ASSY(20(S))	ELECTRONIC EXHAUST VALVE ASSY	1		
28	EA00005796B	전자식배기밸브ASSY(20(S))	ELECTRONIC EXHAUST VALVE ASSY	1		
29	26106-080252	육각플랜지볼트	SCREW,HEXFLANGEHEADCAP	4	M8XP1.25X25	
30	26106-080122	육각플랜지볼트	Bolt, Hexa (8-12)	1	M8XP1.25X12	
31	TA00026821A	커버	COVER	1	T1.6	
32	26015-060162	와셔조립육각볼트(S+PW)	BOLT	2	M6XP1.0X16	
33	TA00036162C	흡기호스(Turbo)방열판	INSULATOR	2		
34	TA00036163C	냉각수 호스A 방열판	GUIDE(L),FOOT REST	3		
35	TA00036707A	시일(RD)	SEAL(RD)	4		
36	26106-080162	플랜지볼트8X16	SCREW,HEXFLANGEHEADCAP	2	M8XP1.25X16	

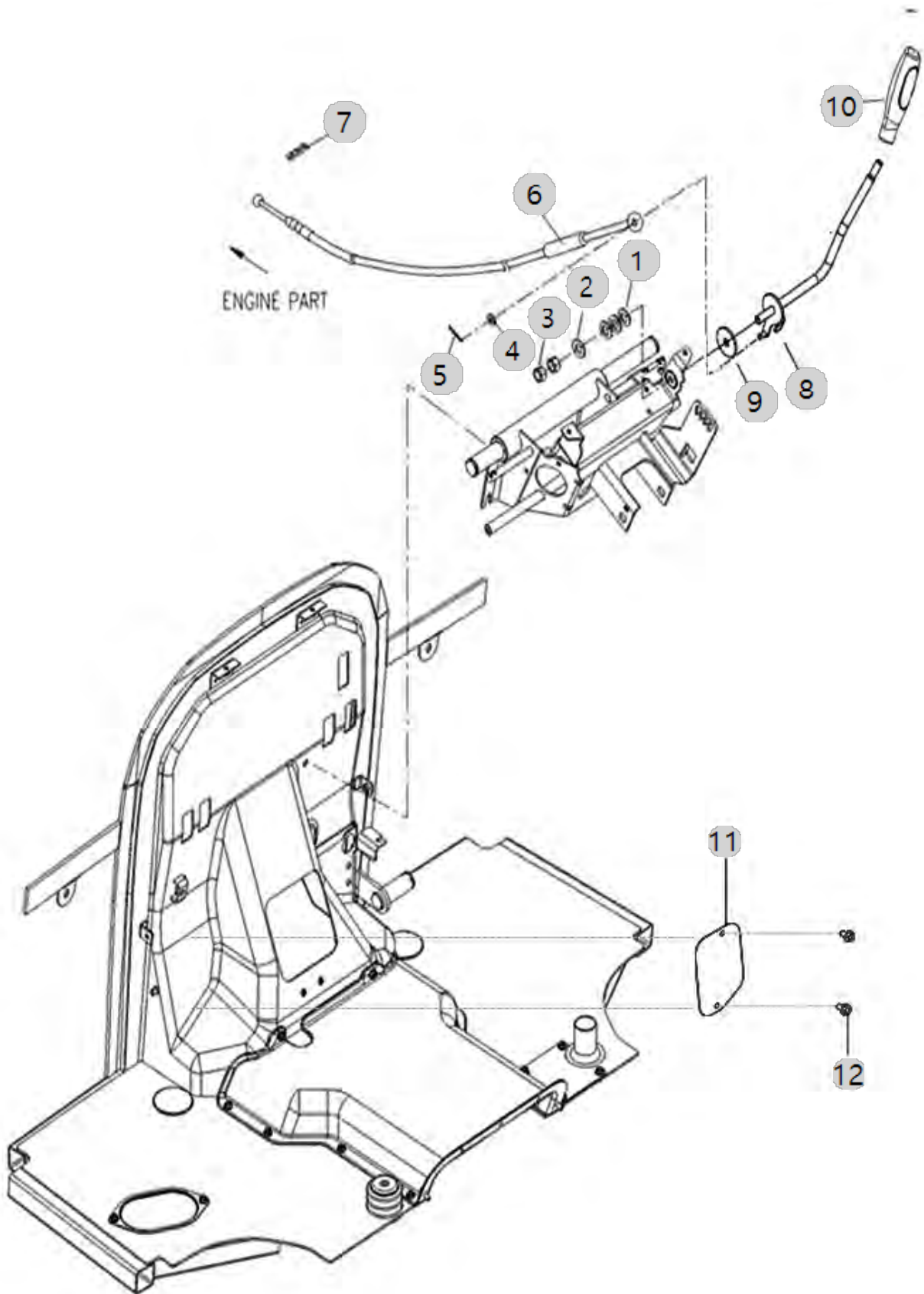
B05011

6225CH(EU)(AC02124)

LEVER ACCELERATOR

Year/Month

2023-01-18



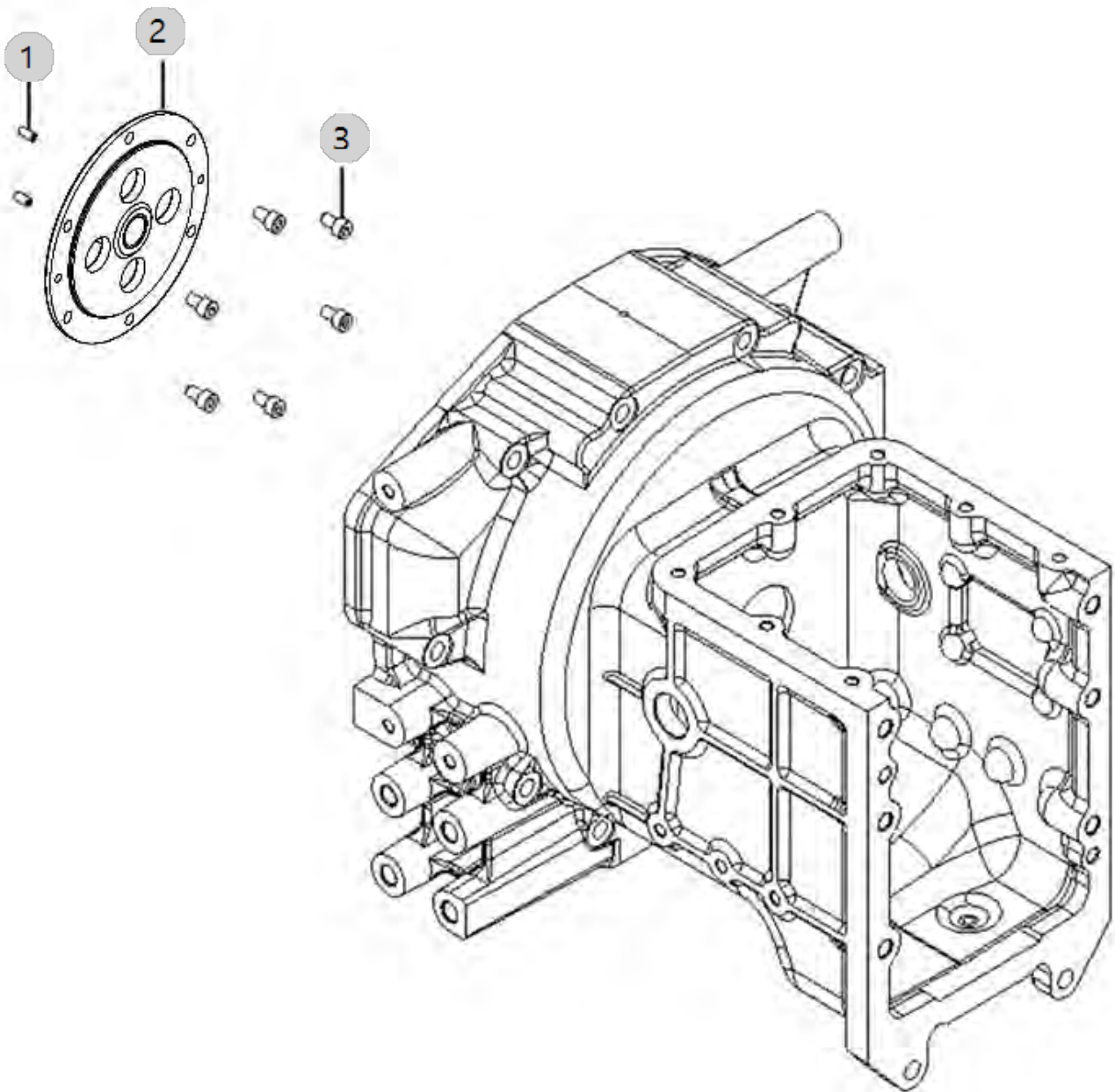
C01050

6225CH(EU)(AC02124)

PTO DAMPER

Year/Month

2023-01-18



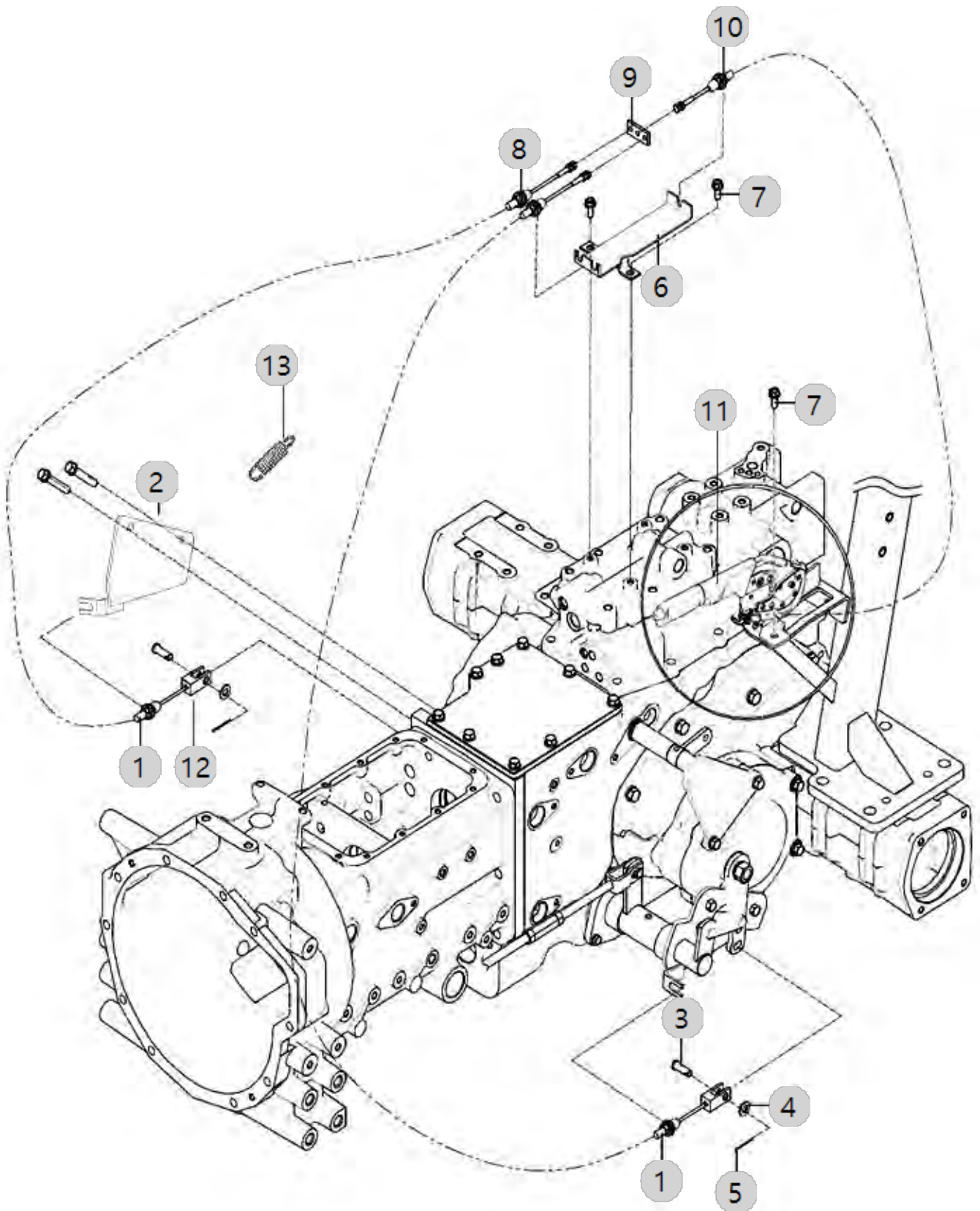
C02050B

6225CH(EU)(AC02124)

PARKING BRAKE

Year/Month

2023-01-18



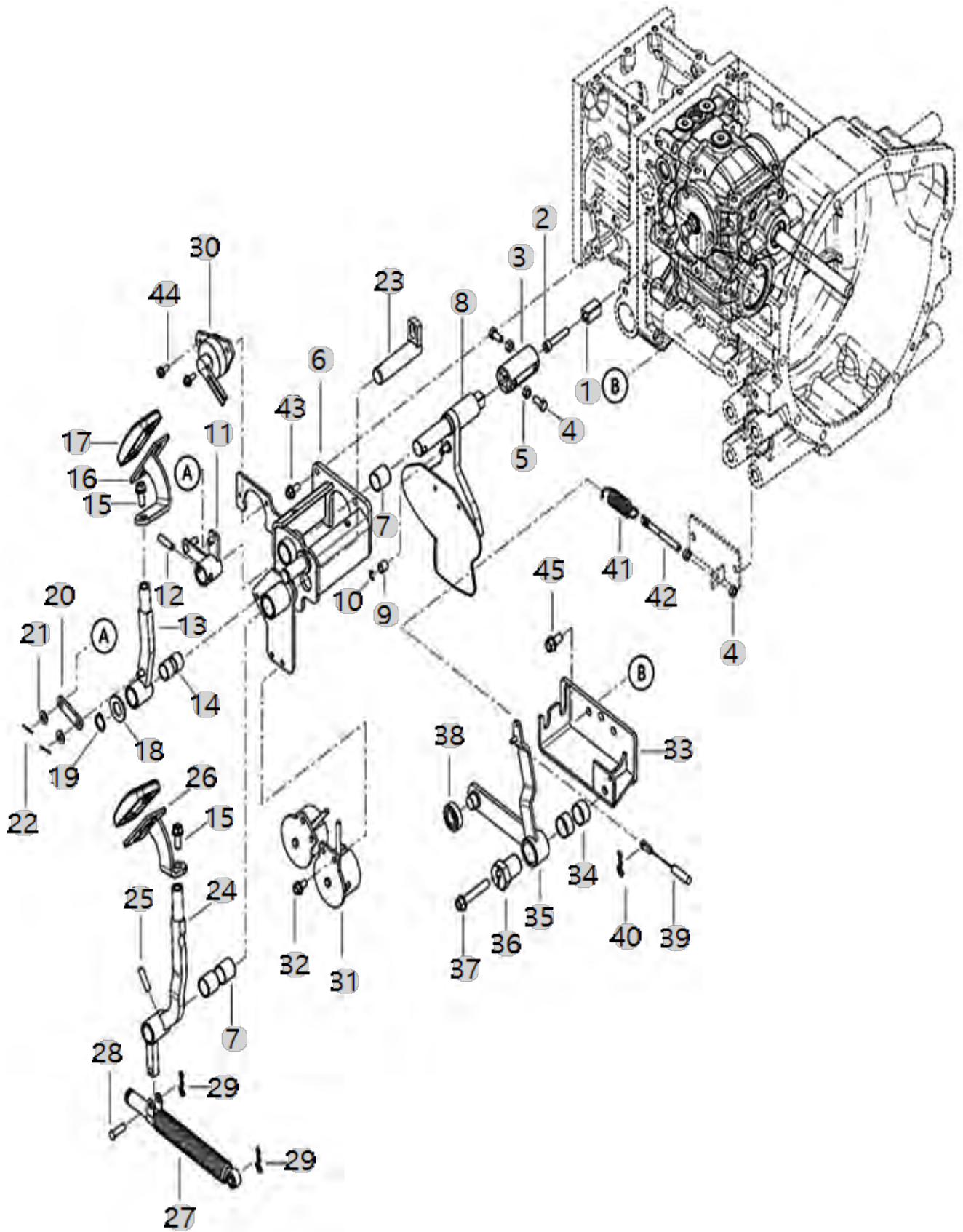
C03010

6225CH(EU)(AC02124)

HYD SHIFT TRANSMISSION PEDAL

Year/Month

2023-01-18



C03010 6225CH(EU)(AC02124)	HYD SHIFT TRANSMISSION PEDAL	Year/Month 2023-01-18
-------------------------------	------------------------------	--------------------------

순번 (NO)	부품번호 (PART NO)	품명 (PART NAME)	품명 (PART NAME)	수량 (QTY)	규격 (SPEC)	비고 (REMARK)
1	TA00040896D	HST 축	HST SHAFT	1		
1	TA00040896C	HST 축	HST SHAFT	1		
2	26453-080452	육각구멍볼이볼트	BOLT	1		
3	TA00039621B	연결조인트(cabin)	JOINT	1		
3	TA00039621A	연결조인트(cabin)	JOINT(CABIN)	1		
4	26116-080182	CAPSCREW(19M7139)	CAPSCREW(19M7139)	2	M8X1.25X18	
5	26716-080002	육각너트	NUT,HEX (D8)	4	M8xP1.25	
6	TA00044797D	HST페달 브래킷조합	BRACKET ASS'Y, HST PEDAL	1		
6	TA00044797B	HST페달 브래킷조합	BRACKET ASSY, HST PEDAL	1		
7	24550-022250	드라이부시	BUSH	3		
8	TA00044792D	전진페달 축 조합	SHAFT ASSY, FORWARD PEDAL	1		
8	TA00044792C	전진페달 축 조합	PEDAL ASSY, FRONT	1		
9	TA00033126A	롤러	ROLLER	1		
10	22272-000060	SNAP RING	RING, CIRCLIP (Φ 06)	1	D6	
11	TA00044804A	전진페달축	SAHFT	1		
11	TA00044804B	전진페달축	SHAFT, FORWARD PEDAL	1		
12	22351-080030	스프링핀	PIN, SPRING (8-30)	1		
13	TA00044802A	전진페달 조합	PEDAL ASS'Y(F)	1		
13	TA00044802B	전진페달 조합	FORWARD PEDAL ASS'Y	1		
14	24550-019150	드라이부시	BUSH	2		
15	26106-120202	육각플랜지볼트	BOLT	2		
16	TA00050506B	전진페달조합(F)	FORWARD PEDAL ASS'Y, F	1		
16	TA00050506A	전진페달조합(F)	PEADAL ASSY, FRONT	1		
17	TA00001508A	전후진페달커버	PEDAL COVER	2		
18	22137-180000	평와셔	WASHER, PLAIN (Φ 18)	1		
19	22242-000190	축용스냅링19	SNAP RING, SHAFT (Φ 19)	1	D19	
20	TA00040409B	플레이트	PLATE	1		
21	22137-080000	와셔8	WASHER, PLAIN (Φ 08)	2	M8	
22	22417-160180	할핀1.6X18	PIN , COTTER (1-18)	2	D1.6X18	
23	TA00044834A	후진페달축 조합	SHAFT ASSY	1		
24	TA00044806B	후진페달 조합	PEDAL ASS'Y(R)	1		
24	TA00044806C	후진페달 조합	PEDAL ASS'Y(R)	1		
25	22351-080030	스프링핀	PIN, SPRING (8-30)	1		
26	TA00050508B	후진페달조합(R)	PEADAL ASSY, REAR	1		
27	RA00007052A	오일댐퍼(한일)	OIL DAMPER(HANIL)	1		
28	22486-080240	두부핀	HEAD PIN	1	D8X24	
29	RR51230000D4	빠짐방지 스톱핀 10	PIN 10, COME-OFF SNAP	2	D1.8	
30	TCD9110000C2	스위치(FR)	SWITCH(FR)	1		
30	TCD9110000B2	스위치(FR)	SWITCH ASS'Y	1		
30	TCD9110000D2	스위치(FR)	SWITCH(FR)	1		
31	HA00000037A	전자석	CRUISE MAGNET	2		
32	26106-080162	플랜지볼트8X16	SCREW,HEXFLANGEHEADCAP	4	M8XP1.25X16	
33	TA00044862B	와이어 브래킷(캐빈)	BRACKET ASS'Y	1		
33	TA00044862A	와이어 브래킷(캐빈)	BRACKET ASSY	1		
34	24550-025150	BUSH25X15	BUSH 25X15	2	25X15	

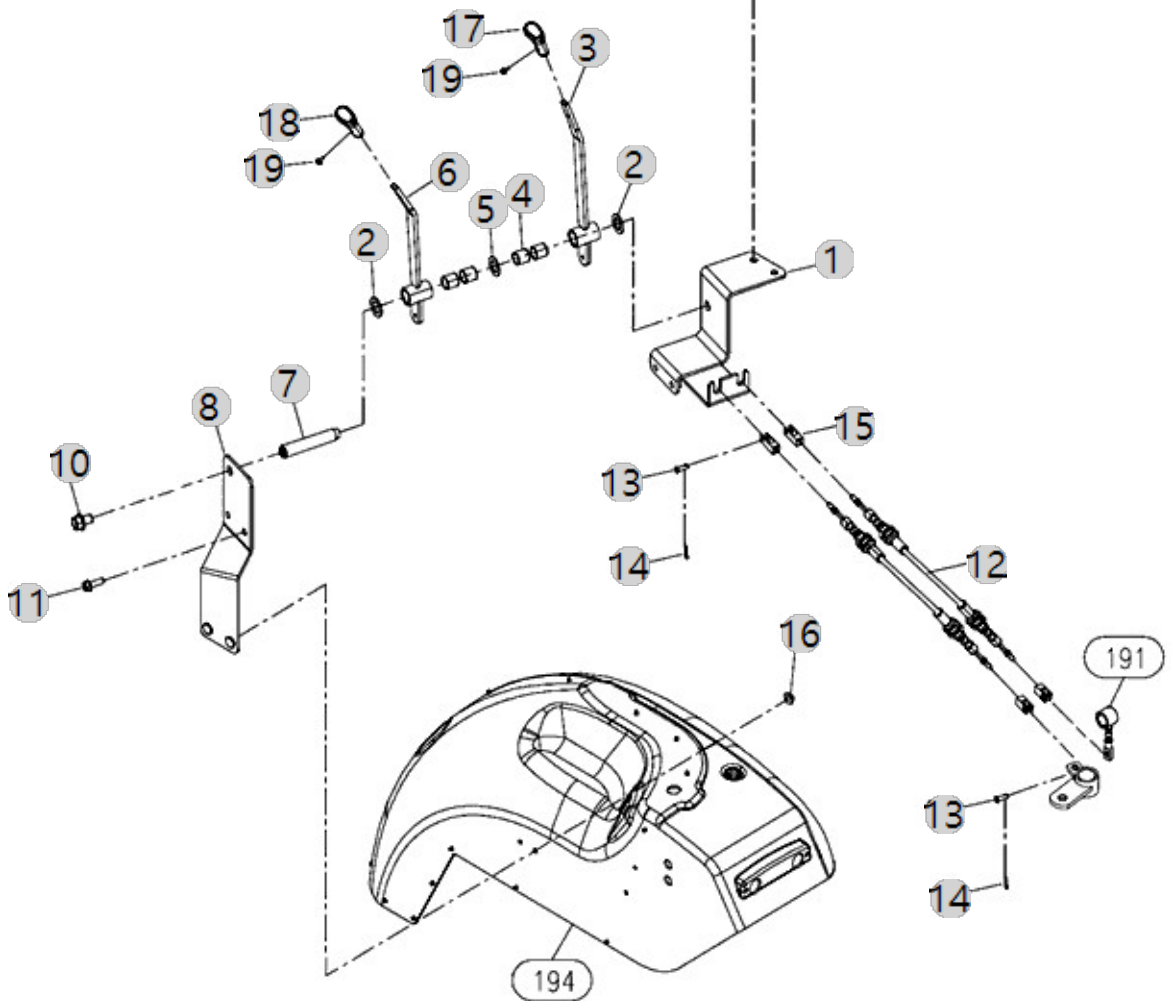
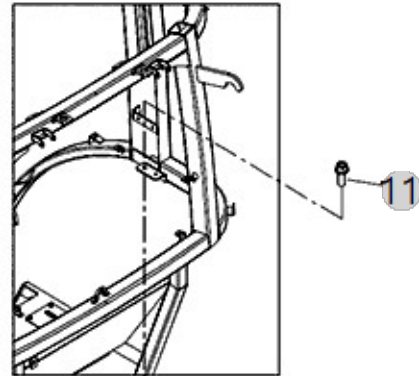
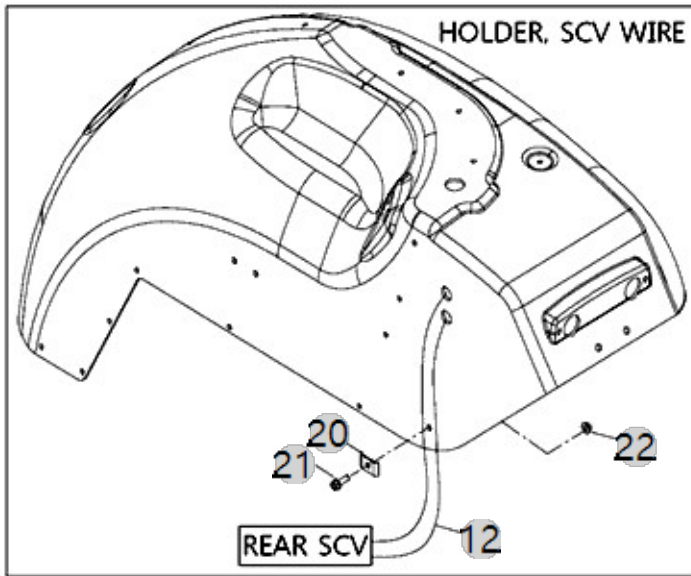
C04060

6225CH(EU)(AC02124)

SCV LEVER

Year/Month

2023-01-18



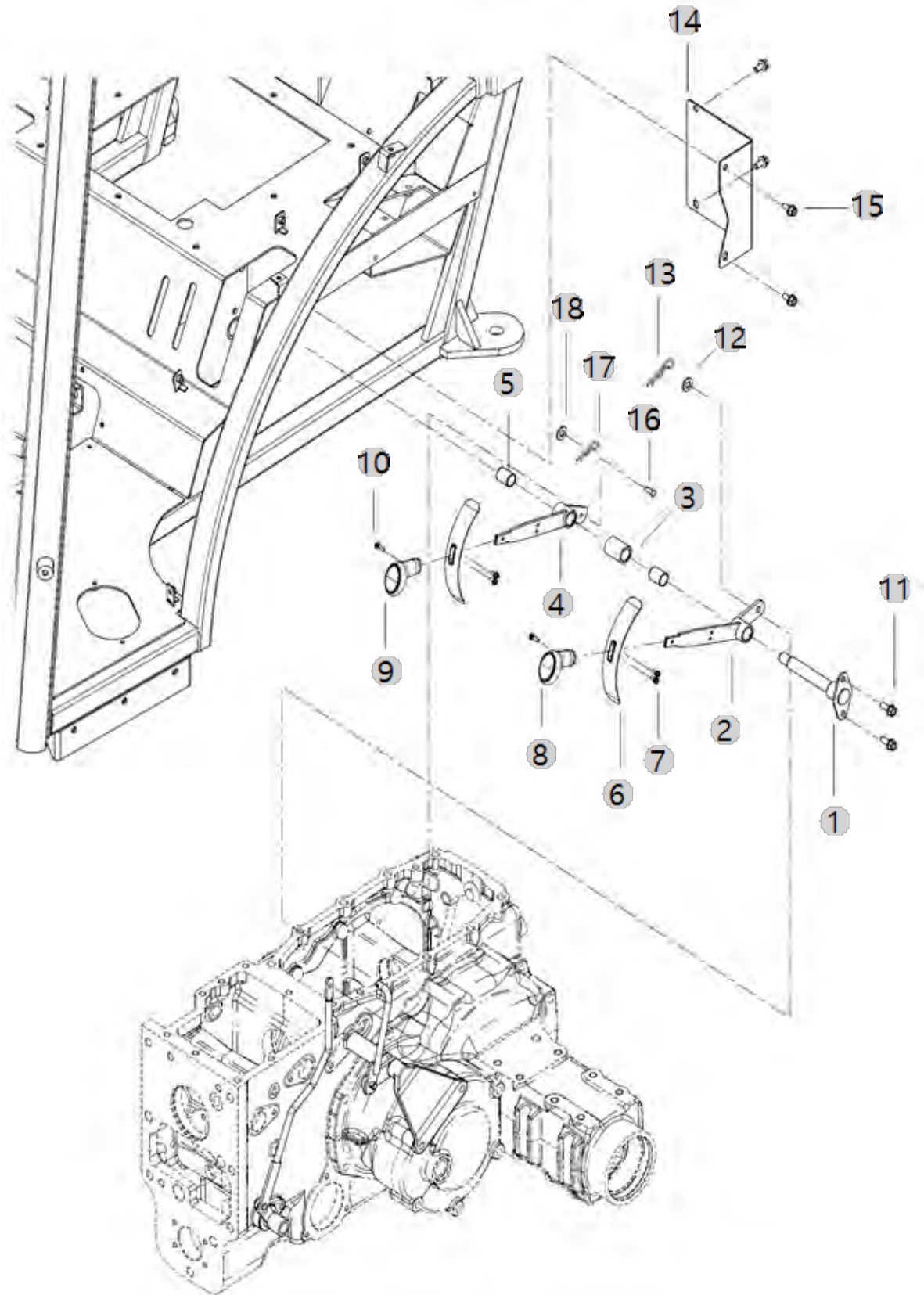
C04071

6225CH(EU)(AC02124)

LEVER ASS'Y, PTO SPEED CHANGE

Year/Month

2023-01-18



C04071 6225CH(EU)(AC02124)	LEVER ASS'Y, PTO SPEED CHANGE	Year/Month
		2023-01-18

순번 (NO)	부품번호 (PART NO)	품명 (PART NAME)	품명 (PART NAME)	수량 (QTY)	규격 (SPEC)	비고 (REMARK)
1	TA00046818D	레버 축 조합(수출)	ASS'Y, LAVER SHAFT	1		
1	TT71010000A4	어저스트	ADJUST	1	M10	
2	TT71020000A4	좌너트10	NUT (LH)	1	M10	
2	TA00046810C	PTO 레버(25_수출)	ASS'Y, LAVER	1		
2	TA00046810D	PTO 레버(25_수출)	PTO LEVER ASS'Y	1		
3	TA00046817A	간격 칼라	COLLAR	1		
3	TA00003044A	PTO변속로드B	PTO CHANGE ROD B	1	D8.9	
4	TA00056007A	PTO노브조합	LEVER, PTO	1		
4	TA00046807F	전륜구동 레버(25)	FWD LEVER ASS'Y	1		
4	TA00046807E	전륜구동 레버(25)	ASS'Y, LAVER	1		
5	24550-018250	드라이부시18X25	DRYBUSH	2	18X20X25	
5	26756-100002	고정너트	FIXEDNUT	1	M10XP1.5	
6	22417-250250	가름핀2.5X25	PIN , COTTER (2-25)	4	D2.5X25	
6	TA00019913A	가이드	GUIDE	2		
7	TZ47140000A4	칼라	COLLAR	2		
8	TA00001122C	PTO변속레버(HST)	LEVER, PTO	1		
8	TA00001122B	PTO변속레버(HST)	LEVER, PTO	1		
9	TA00034059A	PTO 2단 브래킷 조합	PTO 2ND BRACKET ASS'Y	1		
9	TA00062657A	전륜구동 노브 조합	LEVER, FRONT DRIVE KNOB	1		
9	TA00034059B	PTO 2단 브래킷 조합	PTO 2ND BRACKET ASS'Y	1		
10	NT4720000B4	PTO 로드	P.T.O ROD	1		
10	26023-040122	SCREW4X12	SCREW 4X12	2		
11	TT70080000A4	부시	BUSH	1	17X20X29	
11	26106-080202	육각플랜지볼트	SQR FLANGE BOLT	2	M8XP1.25X20	
12	22137-100000	평와셔 10	WASHER, PLAIN (Φ 10)	4	M10	
13	22272-000150	E형스냅링15	RING, CIRCLIP (Φ 15)	1	D15	
13	22360-100000	스냅핀 10	PIN , SNAP (10Φ)	1	D10	
14	26023-040162	와셔조립납비작은나사(SW+PW)	SCREW	1	M4X16	
14	TA00049154C	커버B(수출)	COVER	1		
14	TA00049154B	커버B(수출)	COVER	1		
15	26013-120352	와셔조립육각볼트(+SW)	SCREW,CAPTIVEWASHERCAP	2	M12XP1.75X0	
15	26106-080162	플랜지볼트8X16	SCREW,HEXFLANGEHEADCAP	4	M8XP1.25X16	
16	22487-060120	두부핀 6X12	PIN, HEAD (06-12)	1	D6X12	
17	22360-080000	스냅핀8	PIN , SNAP (8Φ)	1	D8	
18	22137-080000	와셔8	WASHER, PLAIN (Φ 08)	1	M8	
21	TT70080000A4	부시	BUSH	1	17X20X29	

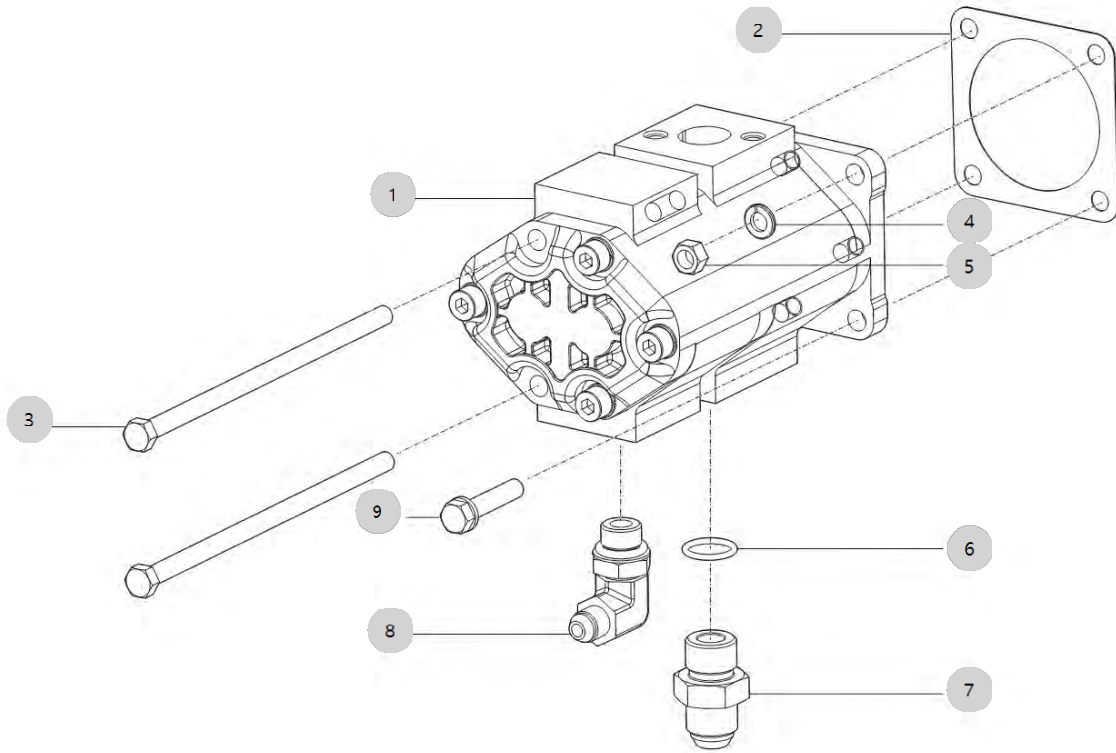
D01010

6225CH(EU)(AC02124)

HYD PUMP

Year/Month

2023-01-18



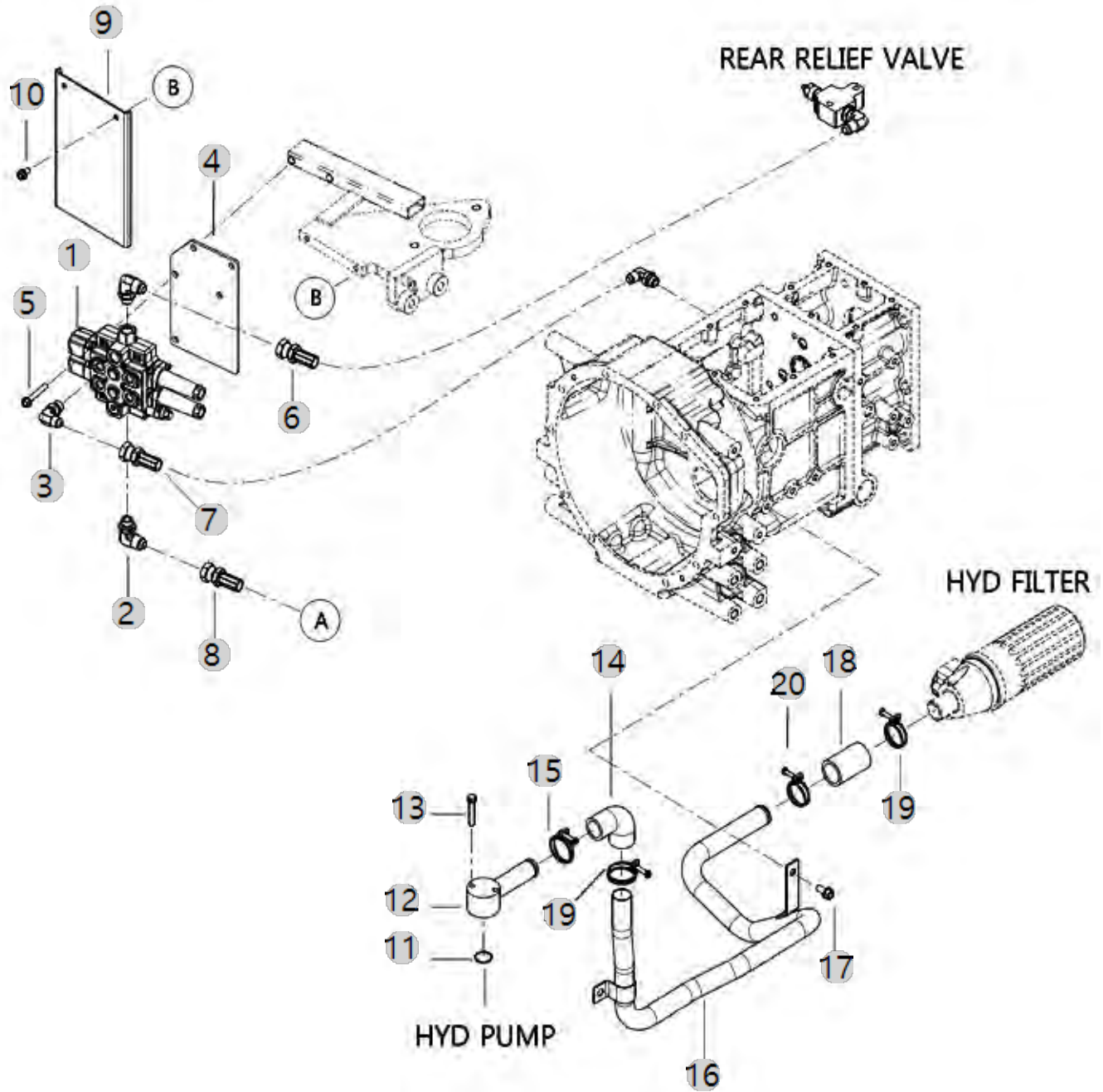
D01020

6225CH(EU)(AC02124)

LOW PRESSURE PIPE

Year/Month

2023-01-18



D01020 6225CH(EU)(AC02124)	LOW PRESSURE PIPE	Year/Month
		2023-01-18

순번 (NO)	부품번호 (PART NO)	품명 (PART NAME)	품명 (PART NAME)	수량 (QTY)	규격 (SPEC)	비고 (REMARK)
1	TA00056803A	SCV조합(20h/Ch)	SCV ASSY(20H/CH)	1		
2	TA00026065A	90도 엘보 3/8-1/2	ELBOW 90 3/8-1/2	2		
2	CEE4050000B4	자리부착엘보3/8	ELBOW(3/8)	2		
3	TA00035078B	90도 엘보 (PF3/8-1/2)	ELBOW	1		
4	TA00044944B	SCV브래킷 조합	BRACKET ASSY, SCV	1		
4	TA00044944C	SCV브래킷 조합	BRACKET ASSY, SCV	1		
5	26106-080602	육각플랜지볼트	SCREW,HEXFLANGEHEADCAP	3	M8XP1.25X60	
6	TA00045238A	고압호스(1/2)	HOSE	1		
7	TA00044644A	유압호스(SCV_T)	HOSE	1		
8	TA00001408B	고압호스 1/2" (전)	HIGH PRESSURE HOSE 1/2" (F)	1		
9	TA00044836A	SCV커버(캐빈)	COVER	1		
10	26106-080162	플랜지볼트 8X16	SCREW,HEXFLANGEHEADCAP	4	M8XP1.25X16	
11	24341-000260	O링(S형)	O-RING, FIX (Φ26)	1	1AS26.0	
12	NTB4490000A4	저압플랜지조합	FLANGE,LOWPRESSUREPIPE	1		
13	26013-080502	와셔조립육각볼트(+SW)	Bolt, Hexa (8-50)	2	M8XP1.25X05	
14	TA00017334A	저압호스 C	HOSE C	1		
15	23010-040000	호스밴드40	HOSEBAND	2	D40	
16	TA00044094D	저압파이프 조합(HST)	PIPE ASSY	1		
17	26106-100202	육각플랜지볼트	HEX BOLT, (10-20)	1	M10XP1.5X20	
18	TA00040493C	저압호스	HOSE	1		
19	23010-040000	호스밴드40	HOSEBAND	2	D40	
20	TA00045083B	호스밴드	HOSE BAND	1		
20	TA00045083A	호스밴드	HOSE BAND	1		

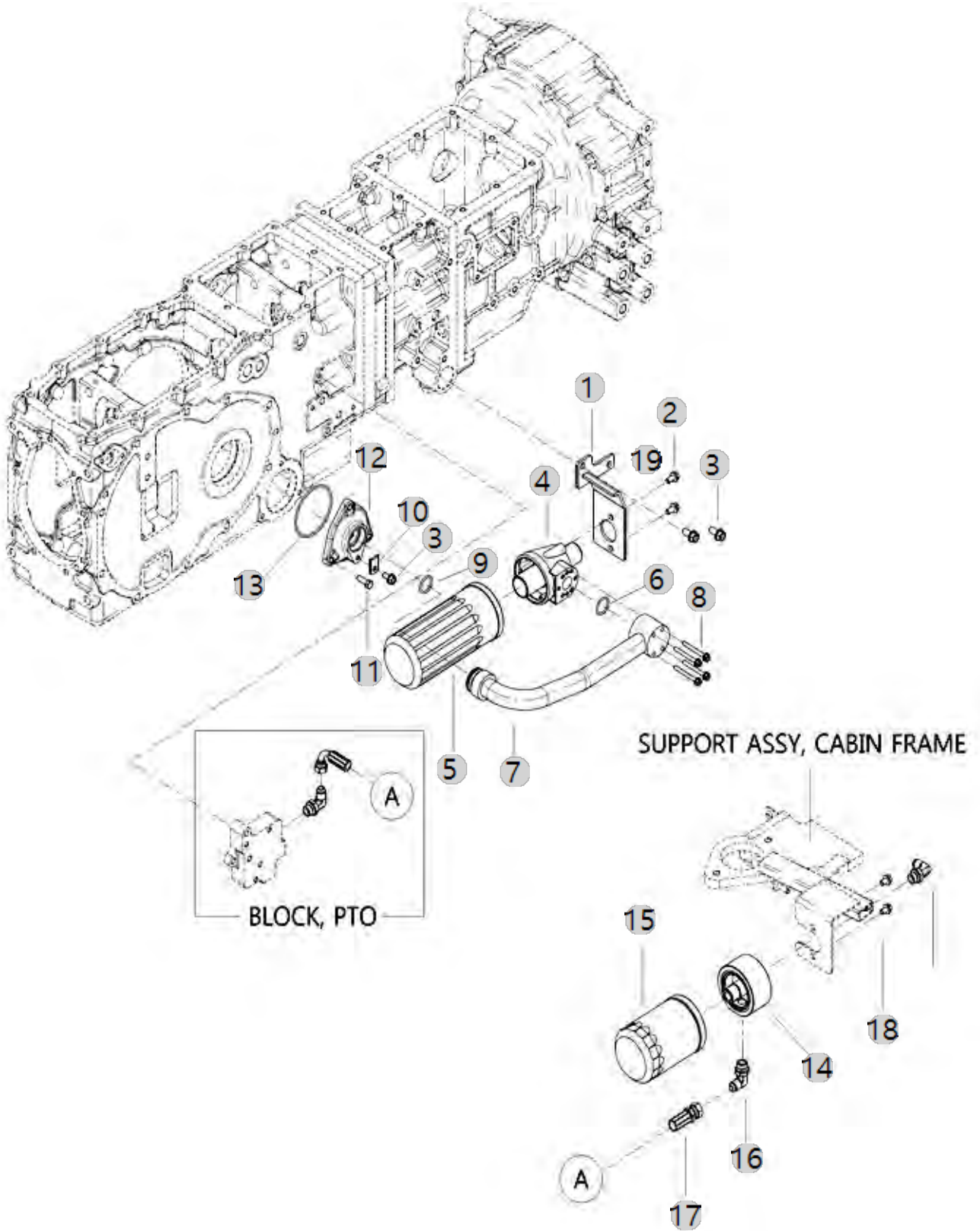
D01040

6225CH(EU)(AC02124)

HYD FILTER

Year/Month

2023-01-18



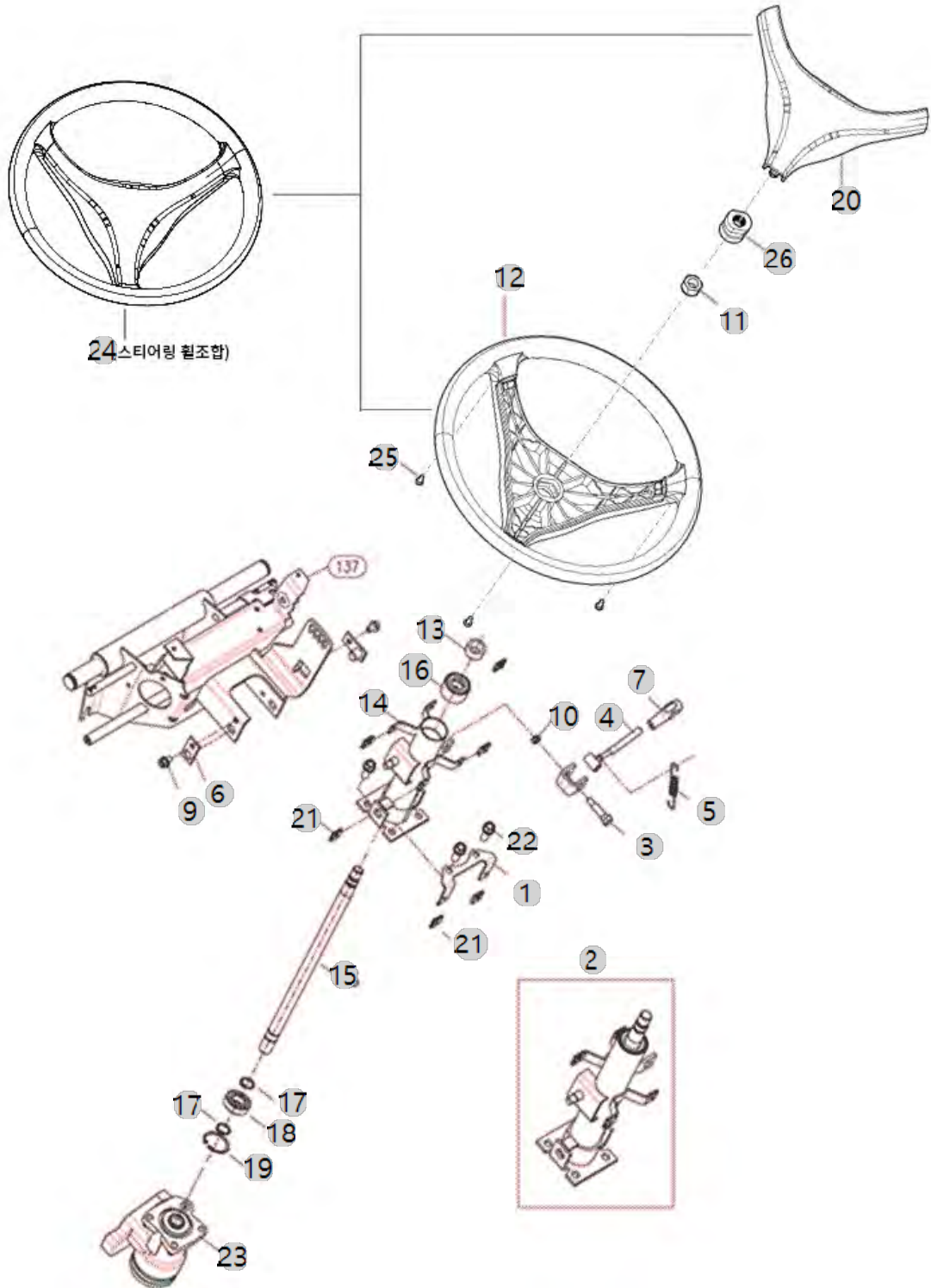
D02010

6225CH(EU)(AC02124)

STEERING WHEEL

Year/Month

2023-01-18



D02010	STEERING WHEEL	Year/Month
6225CH(EU)(AC02124)		2023-01-18

순번 (NO)	부품번호 (PART NO)	품명 (PART NAME)	품명 (PART NAME)	수량 (QTY)	규격 (SPEC)	비고 (REMARK)
1	TC65010000A4	브래킷(컬럼커버R)	BRACKET(COLUMCOVERR)	1	T=2.3	
1	TC65010000B4	브래킷(컬럼커버R)	BRACKET(COLUMCOVERR)	1	2.3T	
1	TC65010000B4	브래킷(컬럼커버R)	BRACKET(COLUMCOVERR)	1	2.3T	
2	TA00058976D	컬럼조합	COLUMN ASS'Y	1		
2	TA00058976C	컬럼조합	COLUMN ASS'Y	1		
2	TA00058976E	컬럼조합	COLUMN ASS'Y	1		
3	TC65030000B4	틸트레버핀	TILTLEVERPIN	1		
3	TC65030000B4	틸트레버핀	TILTLEVERPIN	1		
3	TC65030000A4	틸트레버핀	TILTLEVERPIN	1		
4	TC65040000B4	틸트레버	TILTLEVER	1	NONE	
4	TC65040000B4	틸트레버	TILTLEVER	1	NONE	
4	TC65040000A4	틸트레버	TILTLEVER	1		
4	TC65040000C4	틸트레버	TILT LEVER	1	NONE	
5	TC65050000A4	틸트스프링	TILTSPRING	1		
6	TC65060000B4	틸트핀조합	TILTPINASS'Y	2		
6	TC65060000B4	틸트핀조합	TILTPINASS'Y	2		
6	TC65060000A4	틸트핀조합	TILTPINASS'Y	2		
7	TA00015785A	스탠드 손잡이	LEVER, STAND	1		
9	26106-080122	육각플랜지볼트	Bolt, Hexa (8-12)	2	M8XP1.25X12	
10	26347-080002	U너트	Unut	1	M8XP1.25	
11	TA00048436B	U너트(M16XP1.5)	U-NUT	1		
11	TA00048436A	U너트(M16XP1.5)	U-NUT	1		
12	TA00048049B	스티어링 휠	STEERING WHEEL	1		
12	TA00048049B	스티어링 휠	STEERING WHEEL	1		
13	TC65130000A4	커버(축)	COVER,SHAFT	1		
14	NT0141A100D2	스티어링컬럼	STEERING COLUMN	1		
14	NT0141A100B2	스티어링컬럼	STEERINGCOLUMN	1		
14	NT0141A100B2	스티어링컬럼	STEERINGCOLUMN	1		
14	NT0141A100B2	스티어링컬럼	STEERINGCOLUMN	1		
14	NT0141A100C2	스티어링컬럼	STEERING COLUMN	1		
15	TA00054109C	스티어링축(수출)	SHAFT, STEERING	1		
16	TC65020400A9	컬럼부츠	COLUMNBUSH	1		
17	22242-000200	축용스냅링20	SNAP RING, SHAFT (Φ 20)	1	D20(축용)	
18	TA00060975A	캡 로울러	CAP ROLLER	1		
19	22252-000450	구멍용스냅링45	RING, CIRCLIP (Φ 45)	1	D45	
20	TA00048050B	커버	COVER	1		
20	TA00048050B	커버	COVER	1		
21	TTD7110000B4	스피드 너트 5008	SPEED NUT NS5008	6	0.7T	
21	TTD7110000A4	스피드 너트 NS5008	SPEEDNUTNS5008	6	0.7TX17X55	
21	TTD7110000C4	스피드 너트 5008	SPEED NUT NS5008	6	0.7T	
22	26136-100252	육각플랜지볼트(세목)	SCREW, HEX FLANGE HEAD CAP	3	M10X25	
24	TA00048048C	스티어링 휠조합	STEERING WHEEL ASS'Y	1		
24	TA00048048C	스티어링 휠조합	STEERING WHEEL ASS'Y	1		
25	22587-480124	냄비머리태핑나사	TAPPING SCREW	3	4.8X12	
25	22587-480124	냄비머리태핑나사	TAPPING SCREW	3	4.8X12	

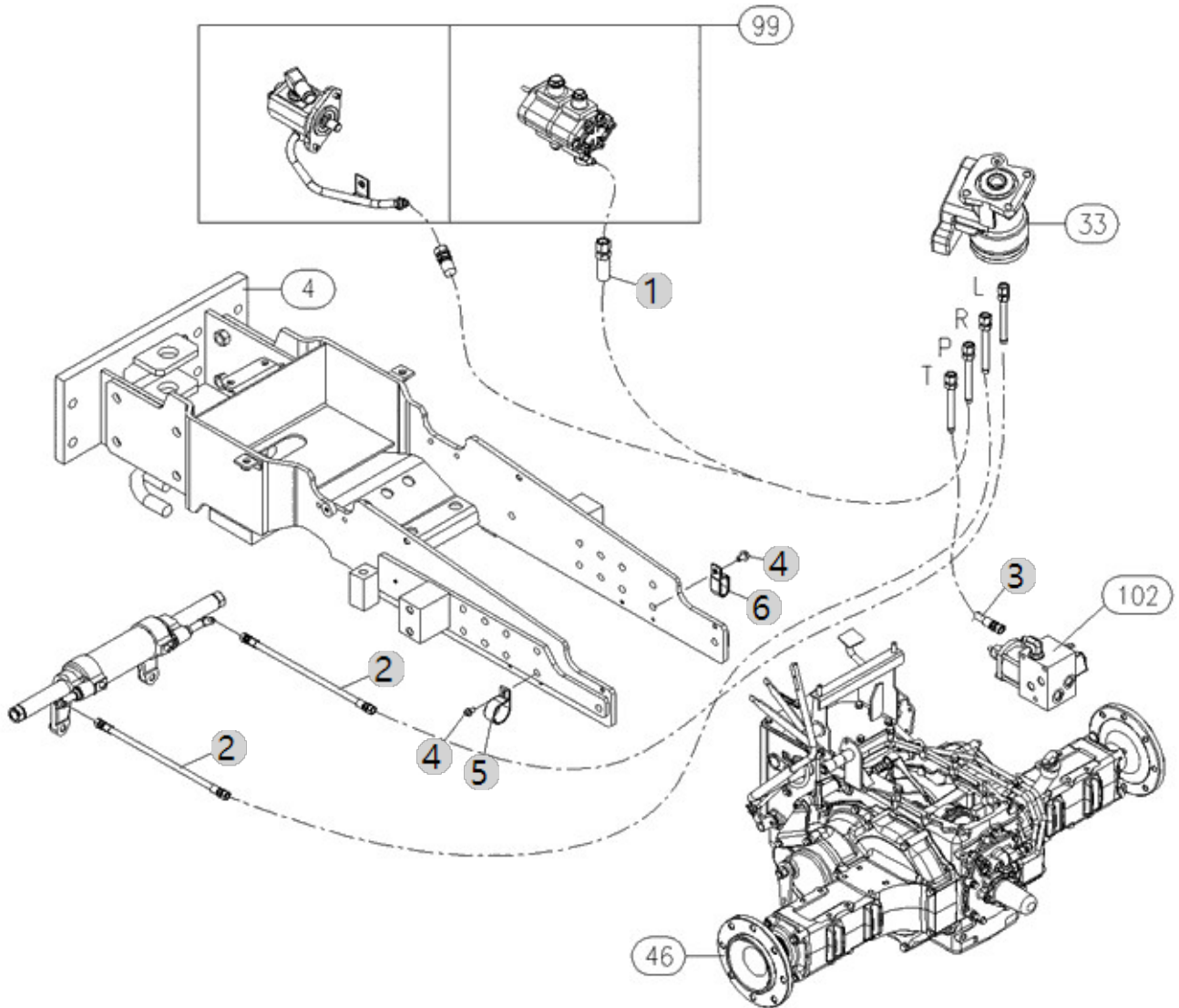
D02030

6225CH(EU)(AC02124)

PST HOSE

Year/Month

2023-01-18



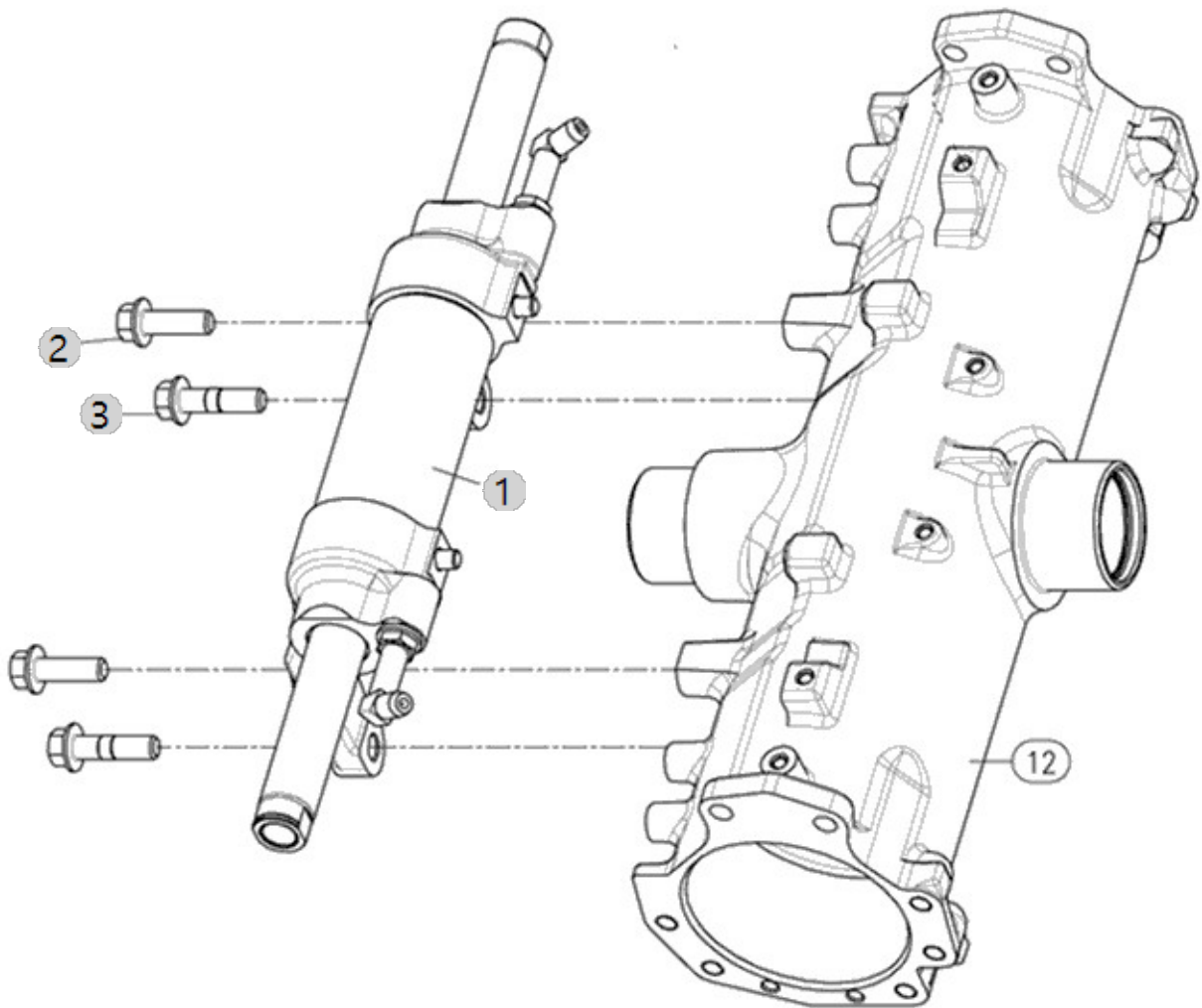
D02040

6225CH(EU)(AC02124)

PST CYLINDER

Year/Month

2023-01-18



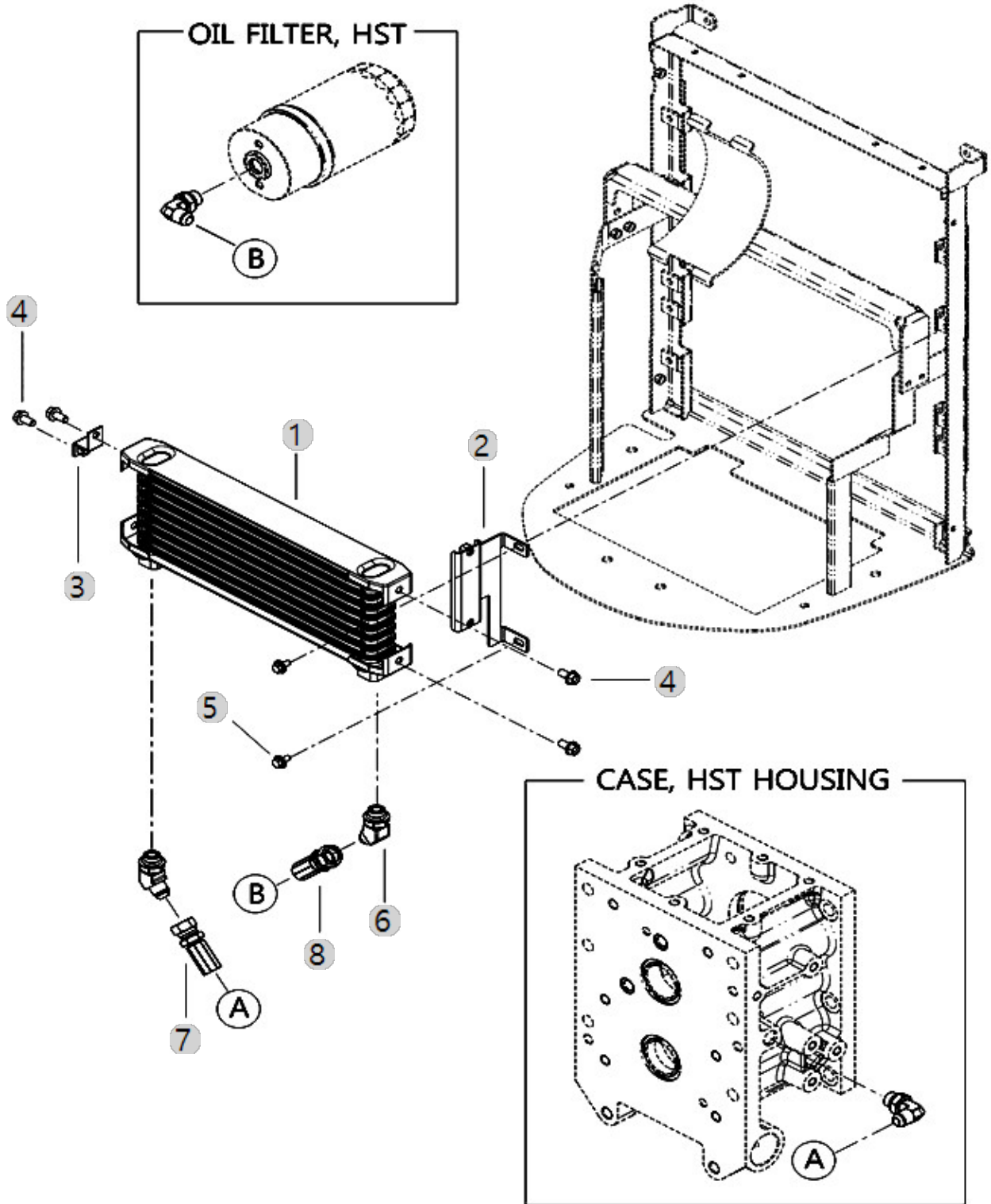
D03010

6225CH(EU)(AC02124)

OIL COOLER

Year/Month

2023-01-18



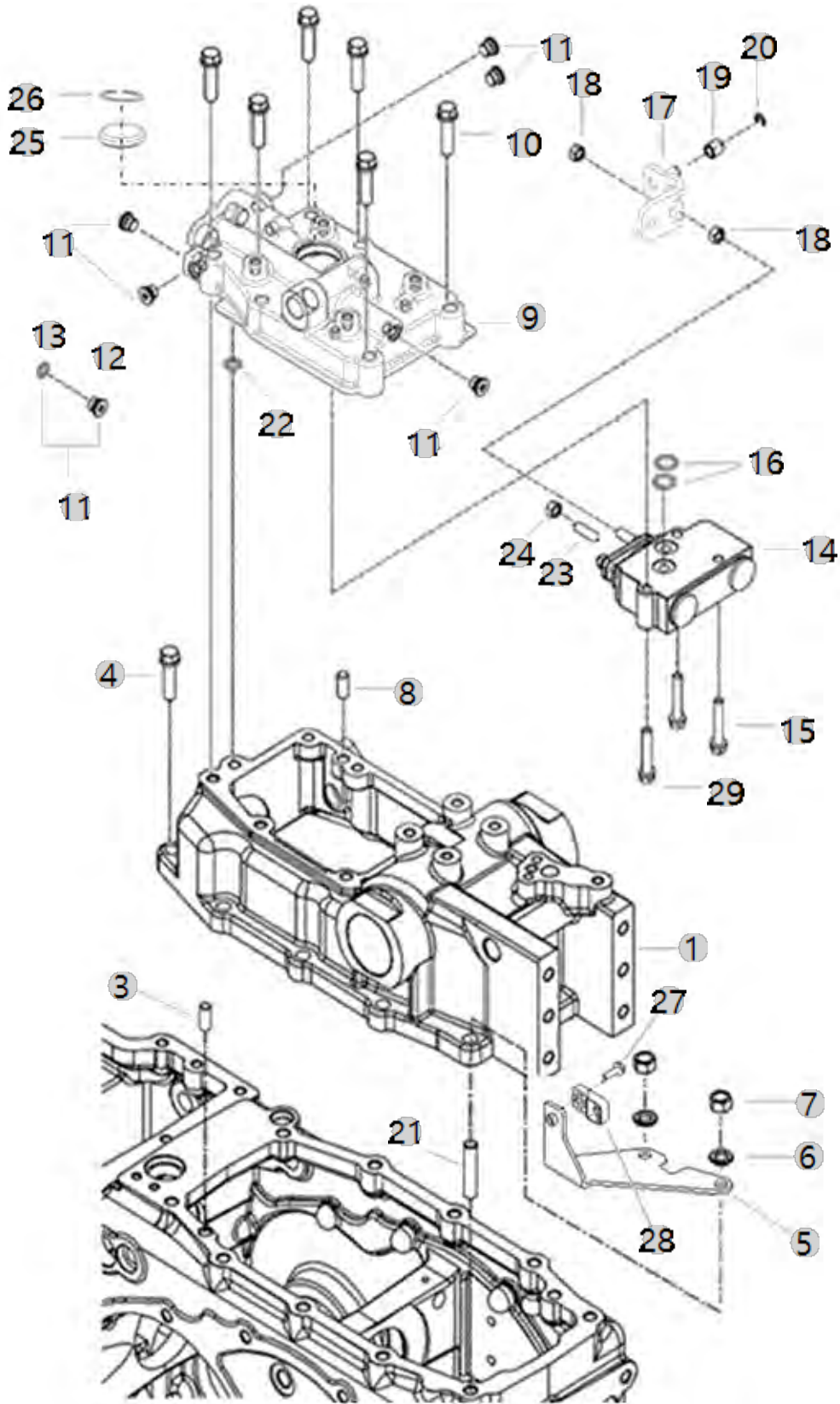
D04000

6225CH(EU)(AC02124)

HYDRAULIC CYLINDER

Year/Month

2023-01-18



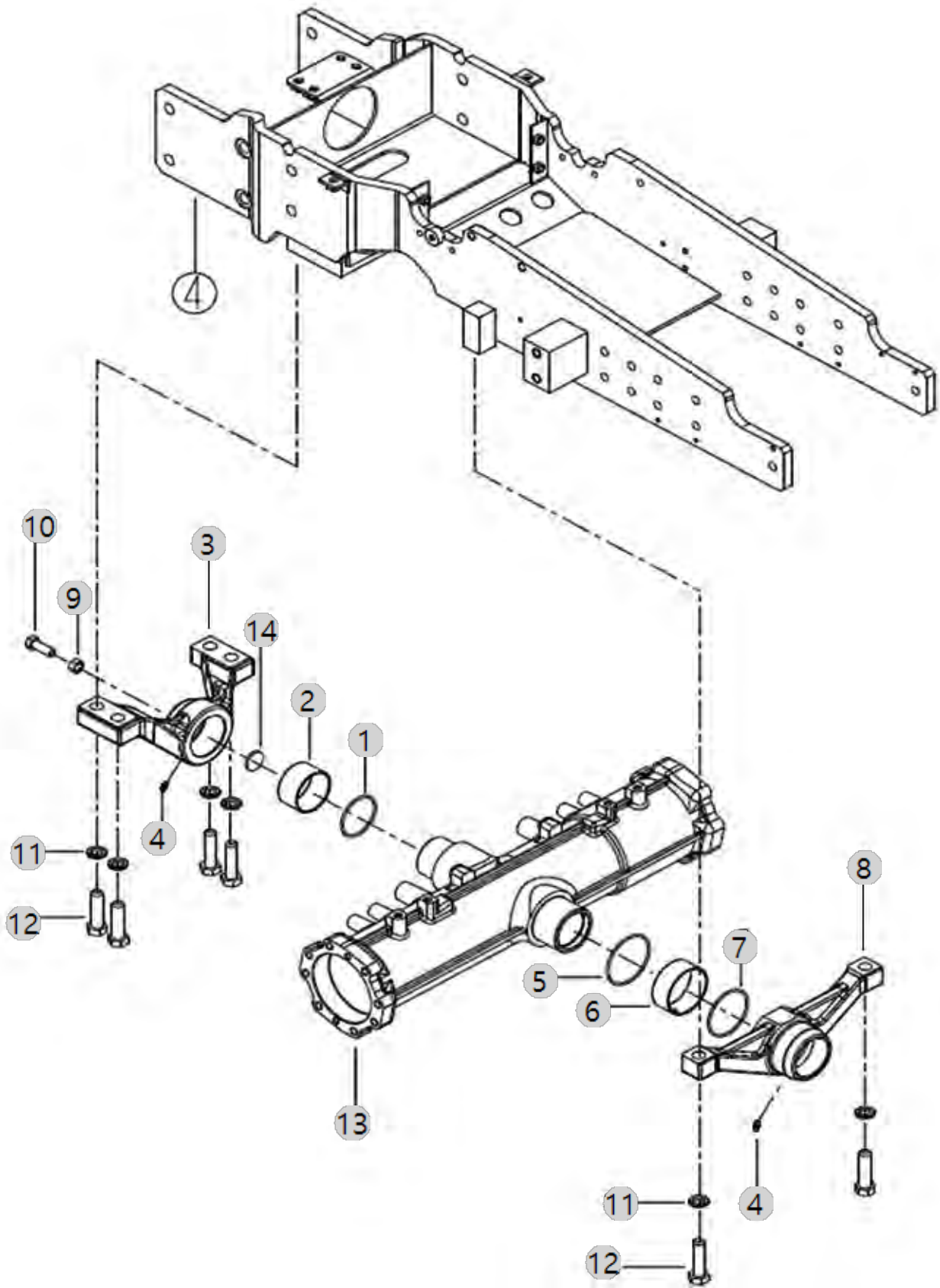
E01010

6225CH(EU)(AC02124)

FRONT AXLE CASE

Year/Month

2023-01-18



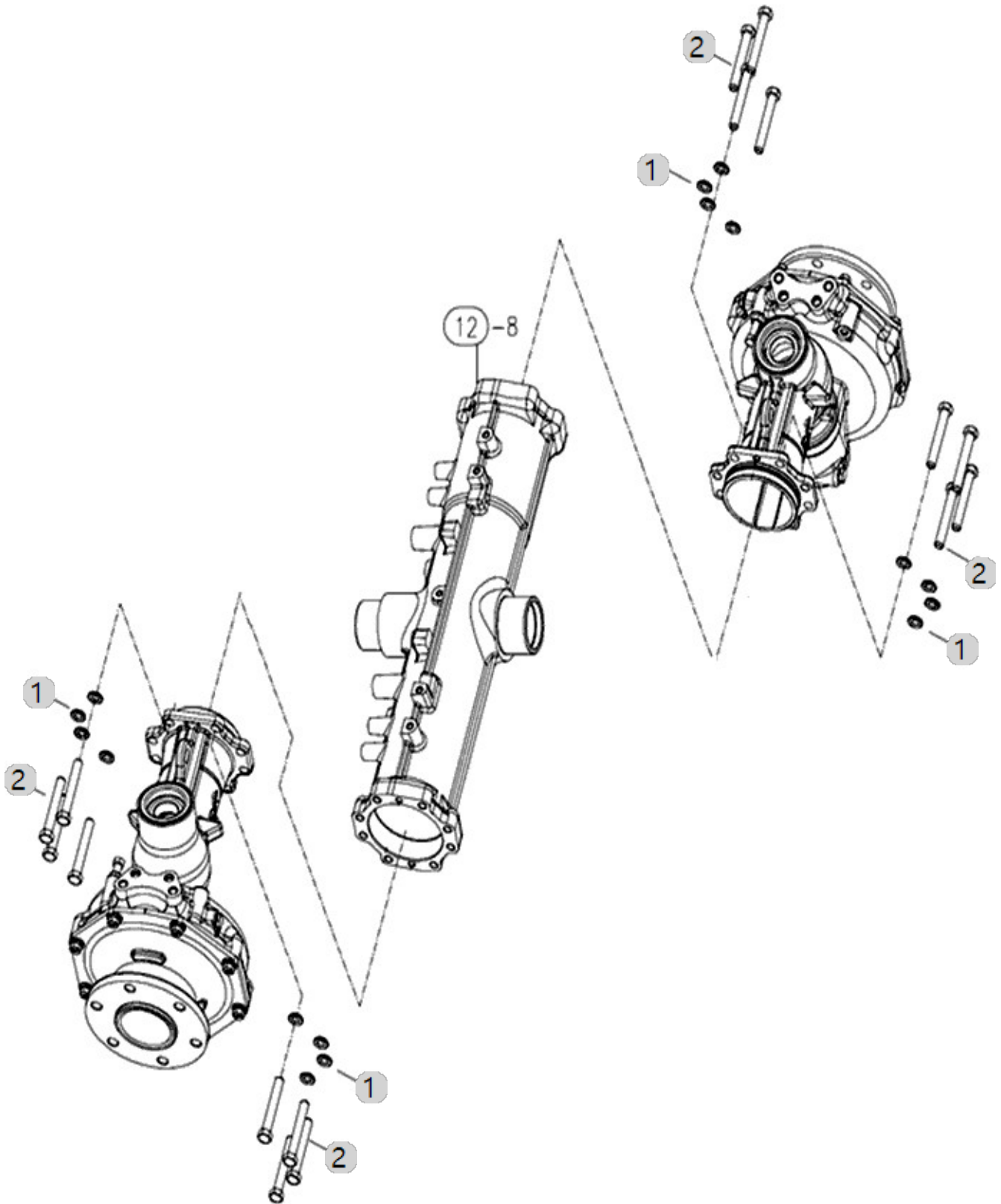
E01013

6225CH(EU)(AC02124)

FRONT AXLE CASE/SPACER

Year/Month

2023-01-18



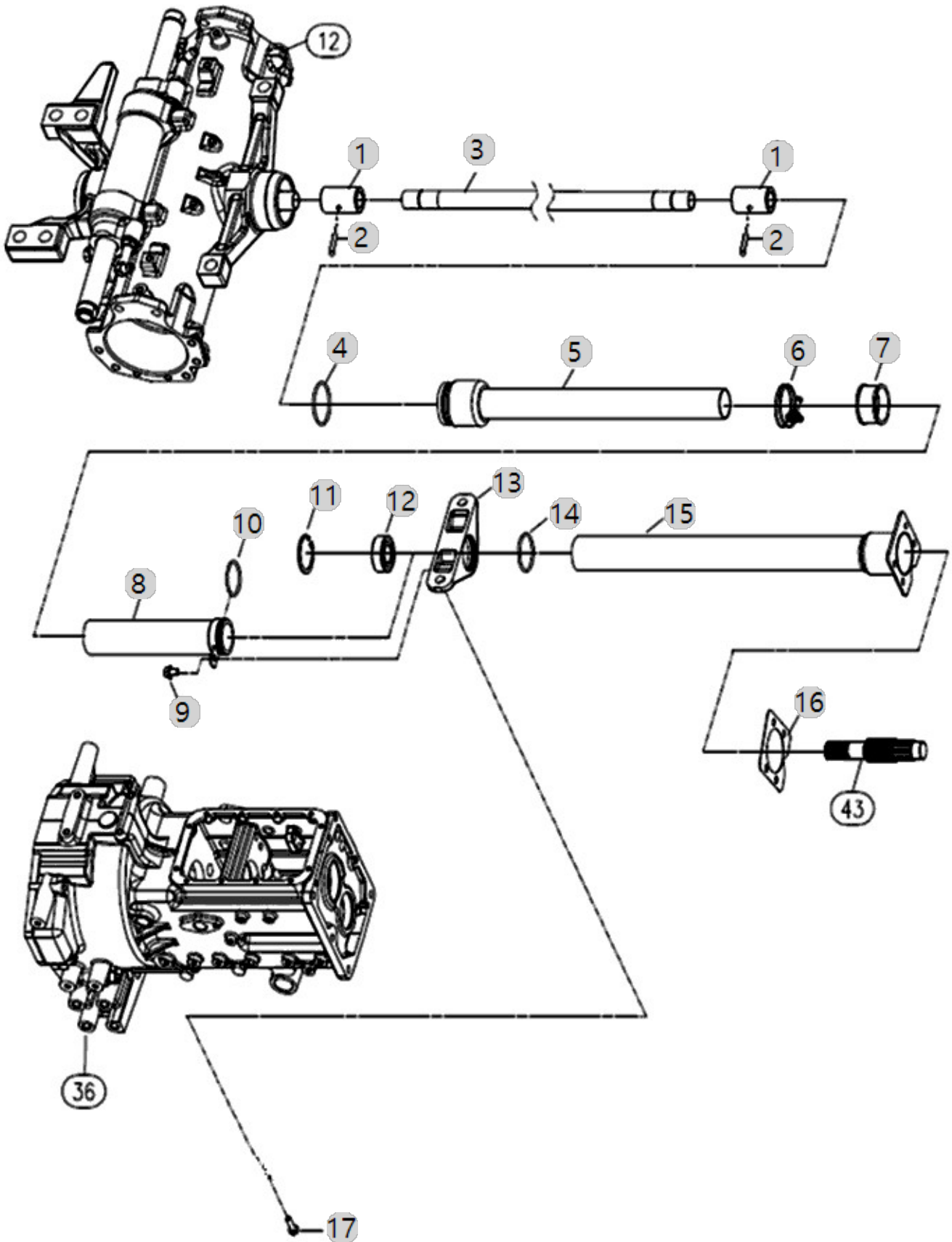
E01020

6225CH(EU)(AC02124)

SHAFT COVER

Year/Month

2023-01-18



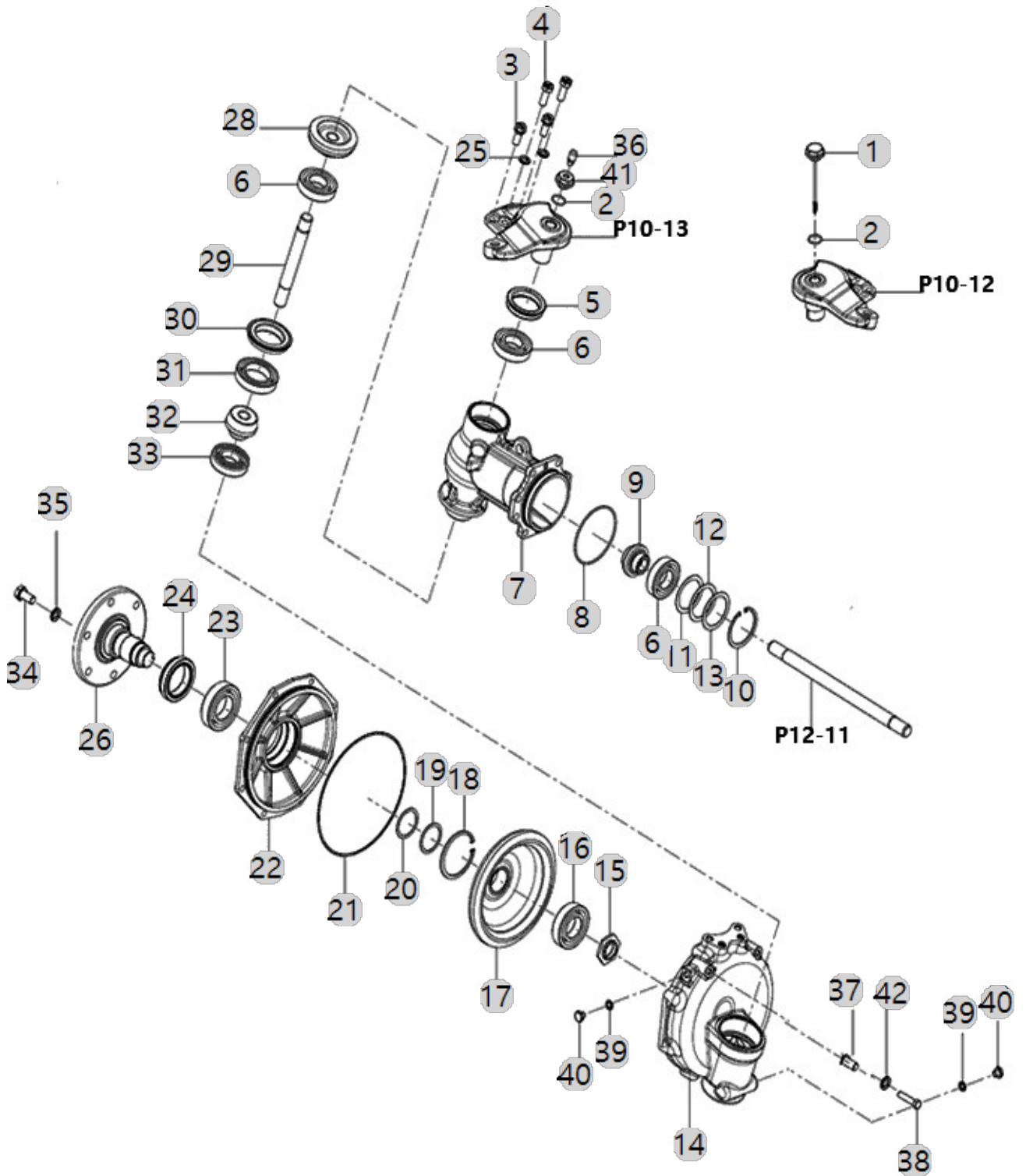
E01030

6225CH(EU)(AC02124)

GEAR CASE, FRONT AXLE

Year/Month

2023-01-18



E01030		GEAR CASE, FRONT AXLE				Year/Month
6225CH(EU)(AC02124)						2023-01-18
순번 (NO)	부품번호 (PART NO)	품명 (PART NAME)	품명 (PART NAME)	수량 (QTY)	규격 (SPEC)	비고 (REMARK)
1	TA00033805A	검유봉	OIL GUAGE	1		
2	24311-000220	O-RING1AP-22.0	O-RING, DYNAMIC (Φ22)	2	1A P22.0	
3	TA00033468C	와셔조립육각볼트	BOLT W/ WASHER	4		
3	TA00033468B	와셔조립육각볼트	BOLT W/ WASHER	4		
4	TA00033475A	리머볼트	RIMER BOLT	4		
4	TA00033475B	리머볼트	SPACER	4		
5	FE78010000B	오일씰 (특수) 55x72x13.5	OIL SEAL (55X72X13.5)	2	55X72X13.5	
6	24101-062074	볼베어링6207	BALL BEARING (#6207)	6	#6207	
7	TA00048728A	프런트기어케이스(20)	CASE, FRONT GEAR	2		
7	TA00041533B	프런트기어케이스	FRONT GEAR CASE L	2		
8	24321-001050	O-링	O-RING	2		
9	TA00033461B	전1축피니언9T	PINION, FRONT 1ST SHAFT	2		
9	TA00033461A	전1축피니언9T	PINION, FRONT 1ST SHAFT	2		
10	22252-000720	구멍용스냅링72	RING, CIRCLIP (Φ 72)	2	D72	
11	TA00033489A	심 0.2T	SHIM 0.2T	2		
12	TA00033488A	심 0.3T	SHIM 0.3T	2		
13	TA00033487A	심 0.5T	SHIM 0.5T	2		
14	TA00033458B	프런트기어박스	GEAR BOX, FRONT	2		
14	TA00033458C	프런트기어박스	GEAR BOX, FRONT	2		
15	TA00033481A	로크너트	LOCK NUT	2		
16	24101-062084	볼베어링6208	Bearing, Ball (#6208)	2	#6208	
17	TA00033474A	베벨기어 49T	GEAR, BEVEL 49T	2		
18	22252-000850	써클립85H	RING, CIRCLIP (Φ 85)	2		
19	TA00033486A	심 0.2T	SHIM 0.2T	1		
20	TA00033485A	심 0.5T	SHIM 0.5T	1		
21	TA00033939A	O링	O RING	2		
22	TA00033459B	프런트베어링케이스	BEARING CASE, FRONT	1		
22	TA00033459C	프런트베어링케이스	BEARING CASE, FRONT	2		
23	24101-062094	볼베어링6209	BALL BEARING (#6209)	2	#6209	
24	TA00041359A	오일씰	OILSEAL	2		
25	22217-120000	스프링와셔	WASHER, SPRING (Φ 12)	2	M12	
26	TA00033460B	프런트스핀들	SPINDLE, FRONT	2		
26	TA00033460D	프런트스핀들	SPINDLE, FRONT	2		
26	TA00033460C	프런트스핀들	SPINDLE, FRONT	2		
26	TA00033460E	프런트스핀들	SPINDLE, FRONT	2		
27	TA00033469A	와셔조립육각볼트	BOLT W/ WASHER	16		
27	TA00033469B	와셔조립육각볼트	BOLT W/ WASHER	16		
28	TA00033463A	전2축기어	FRONT 2ND AXLE LH	2		
29	TA00033464A	전2축	FRONT 2ND SHAFT	2		
30	TC60110000A3	오일실(AJ)	SEAL, OIL	2		
31	24101-060104	볼베어링6010	Bearing, Ball (#6010)	2	#6010	
32	TA00033473A	베벨기어 11T	GEAR, BEVEL 11T	2		
33	TC60340000A4	베어링TM207C3	BEARING(TM207C3)	2	TM207C3	
34	TD23120000A4	보울트(M14X28)	BOLT	12	M14XP1.5	
34	TD23120000B4	프런트 허브 볼트(M14X28)	BOLT	8	M14XP1.5	

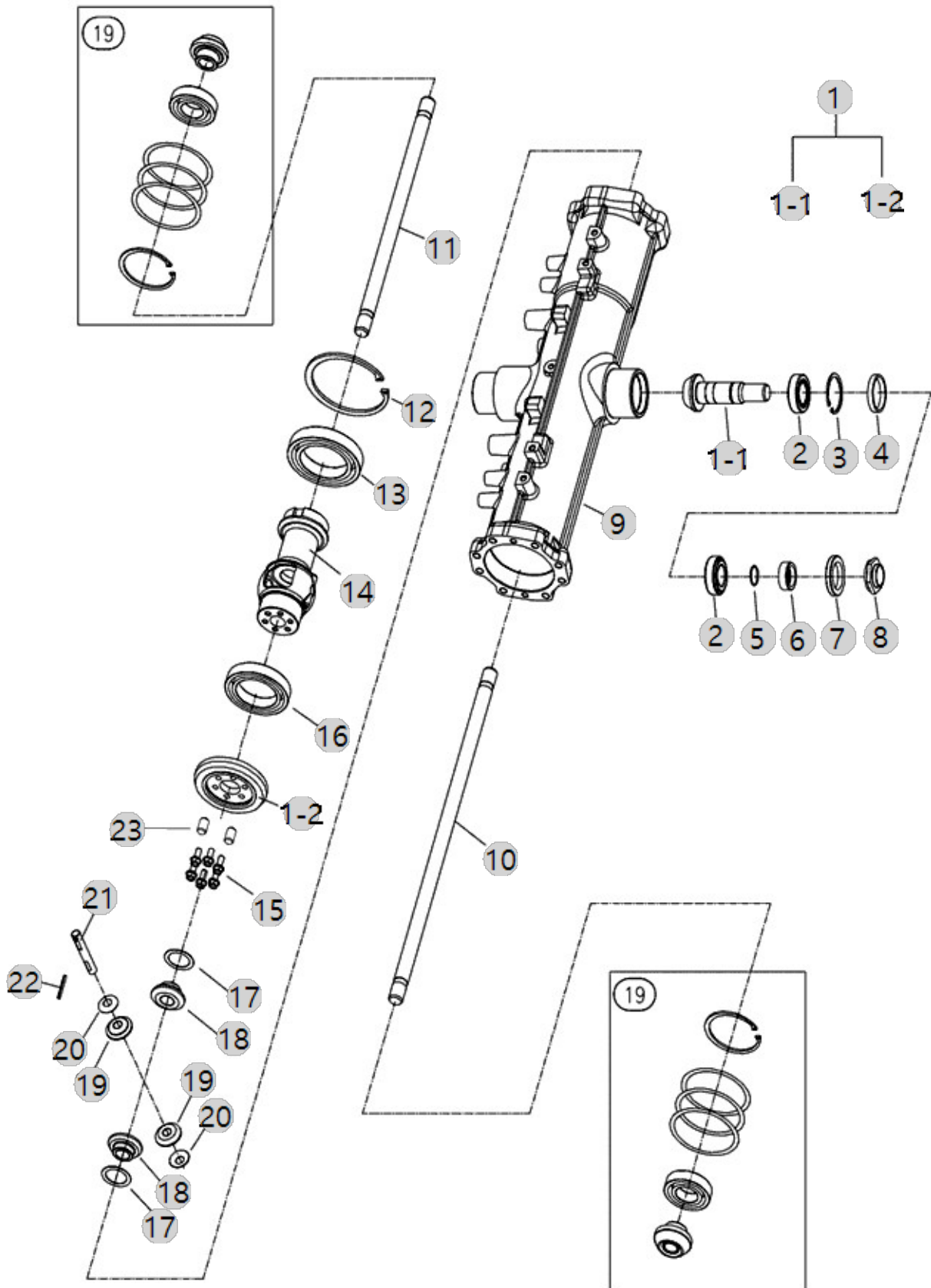
E01070

6225CH(EU)(AC02124)

FORNT DRIVE SHAFT

Year/Month

2023-01-18



E01070 6225CH(EU)(AC02124)	FORNT DRIVE SHAFT	Year/Month
		2023-01-18

순번 (NO)	부품번호 (PART NO)	품명 (PART NAME)	품명 (PART NAME)	수량 (QTY)	규격 (SPEC)	비고 (REMARK)
1	TA00033454C	링기어조합	RING GEAR ASSY	1		
1-1	TA00033455B	카운터축	COUNT SHAFT	1		
1-2	TA00033456C	링기어	RING GEAR	1		
2	24141-320060	테이퍼롤러베어링320060	BEARING, ROLLER (#32-00-60)	2	32006	
3	22252-000550	구멍용스냅링(C형)	RING, CIRCLIP (Φ 55)	1	D55	
4	TA00033478A	간격판	PLATE	1		
5	24311-000300	O링(P형)	O RING(P TYPE)	1	P30	
6	TA00033471A	부시	BUSH	1		
7	24421-405508	오일실TC405508	OIL SEAL	1		
8	TA00033472A	너트	NUT	1		
9	TA00033449A	전차축케이스	CASE, FRONT AXLE	1		
10	TA00033827A	전1축LH_20h	1ST SHAFT	1		
11	TA00033828A	전1축RH_20h	1ST SHAFT	1		
12	22252-001100	구멍용스냅링	RING, CIRCLIP (Φ110)	2	D110	
13	24101-060144	볼베어링6014	BALL BEARING (#6014)	1	#6014	
14	TA00033451C	차동케이스	DIFF. CASE	1		
15	TA00054318B	볼트(M8X1.0)	BOLT	6		
15	TA00054318A	볼트(M8X1.0)	BOLT	6		
16	24101-060134	볼베어링6013	BALL BEARING (#6013)	2		
17	TC57120000A4	차동사이드기어라이너	LINER, DIFFERENTIAL GEAR	2		
18	TC57090000A4	차동사이드기어14	GEAR, DIFFERENTIAL 14	2		
19	TC57100000A4	차동피니언기어10	DIFFERENTIAL PINION GEAR 10	2		
20	TC57130000A4	차동피니언라이너	LINER, DIFFERENTIAL PINION	2		
21	TC57110000B4	차동피니언축	SHAFT, PINION	1		
22	22351-040040	스프링핀	PIN, SPRING (4-04)	1	D4X40	
23	22312-080140	평행핀	PIN, DOWEL (8-14)	2	D8X14	
24	TA00033482A	심 0.5T	SHIM 0.5T	1		
25	TA00033483A	심 0.3T	SHIM 0.3T	1		
26	TA00033484A	심 0.2T	SHIM 0.2T	1		

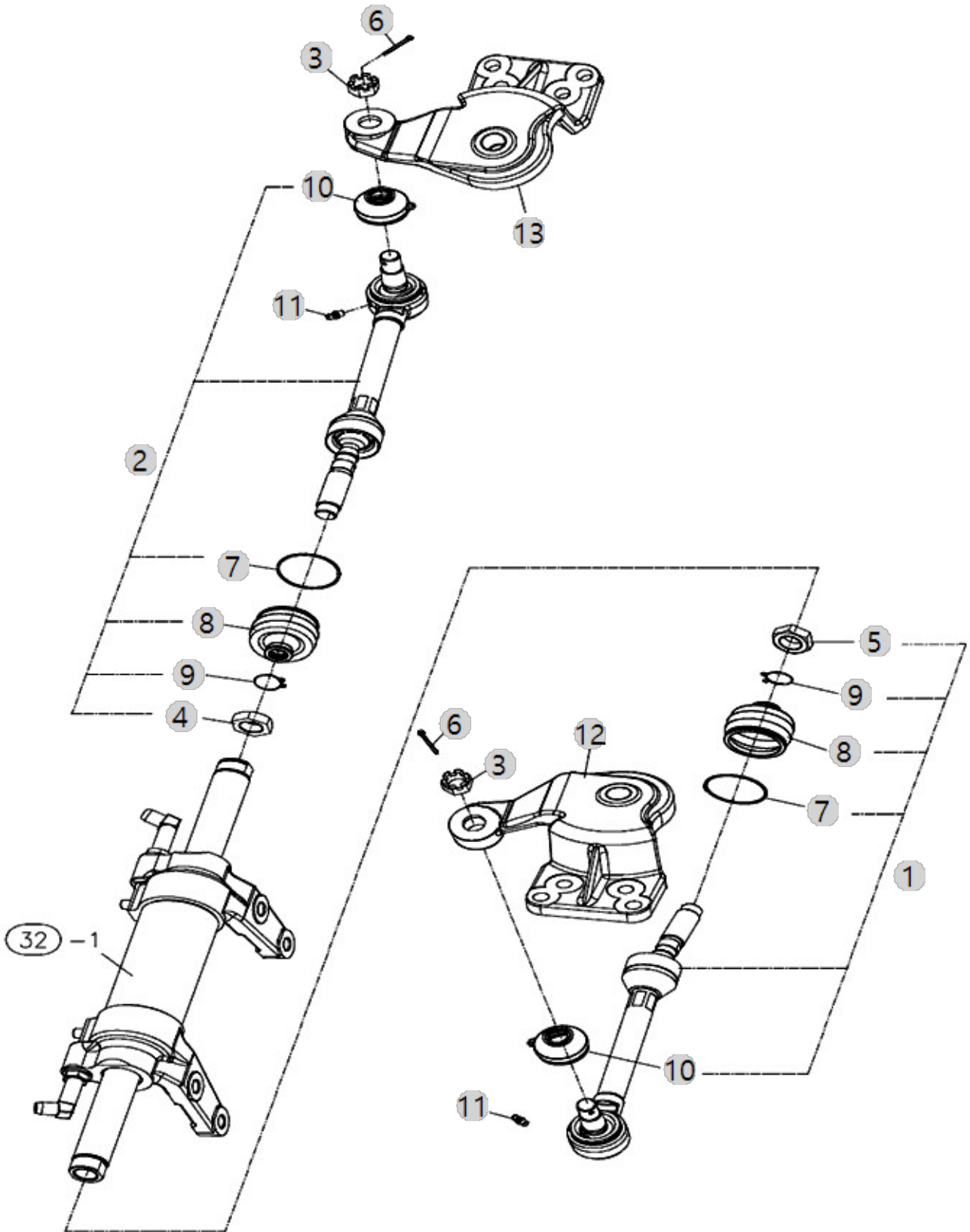
E01080

6225CH(EU)(AC02124)

TIE ROD

Year/Month

2023-01-18



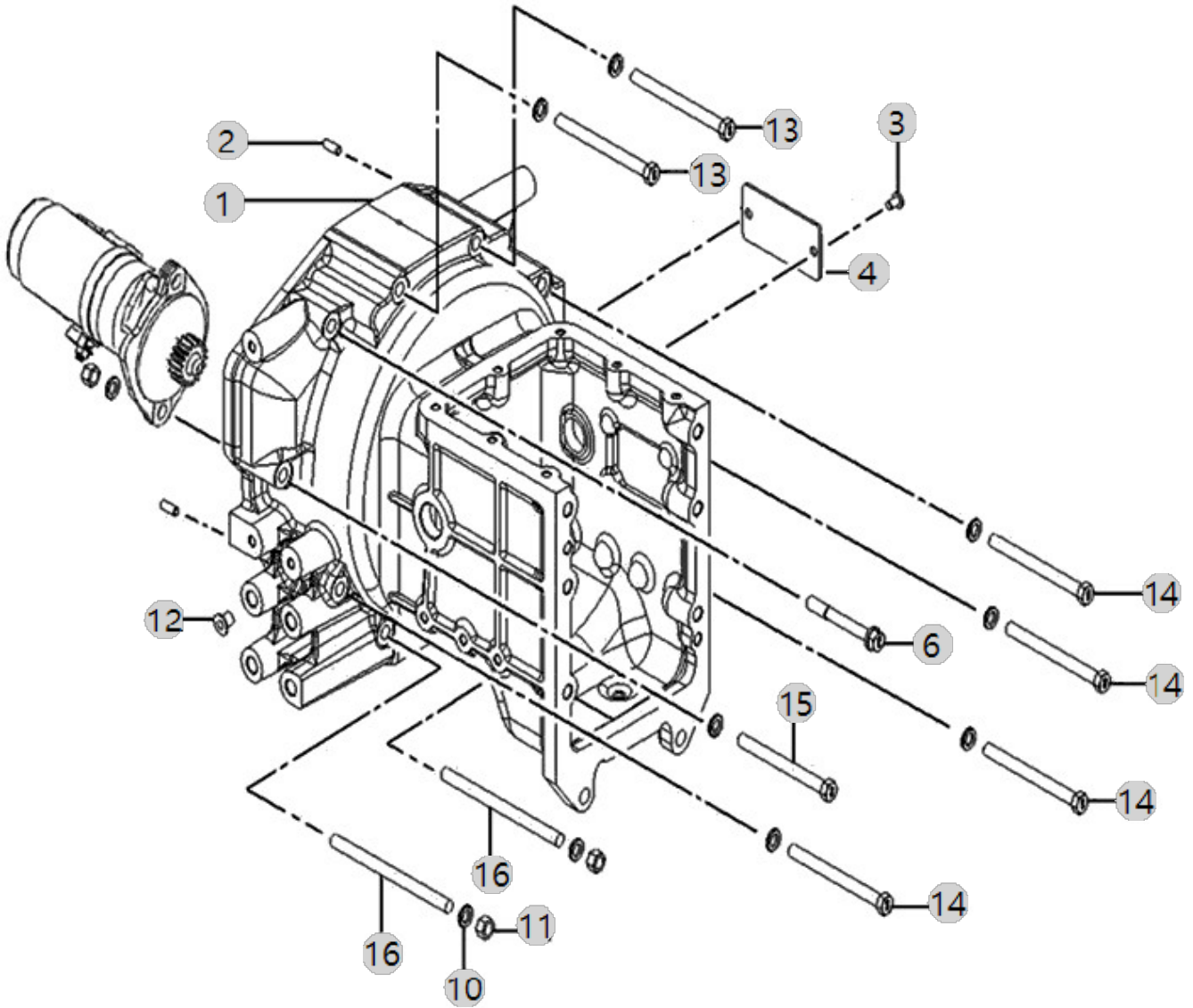
F01011

25CH TM ASSY(NEC)
(AC01458)

FLY WHEEL HOUSING

Year/Month

2023-01-18



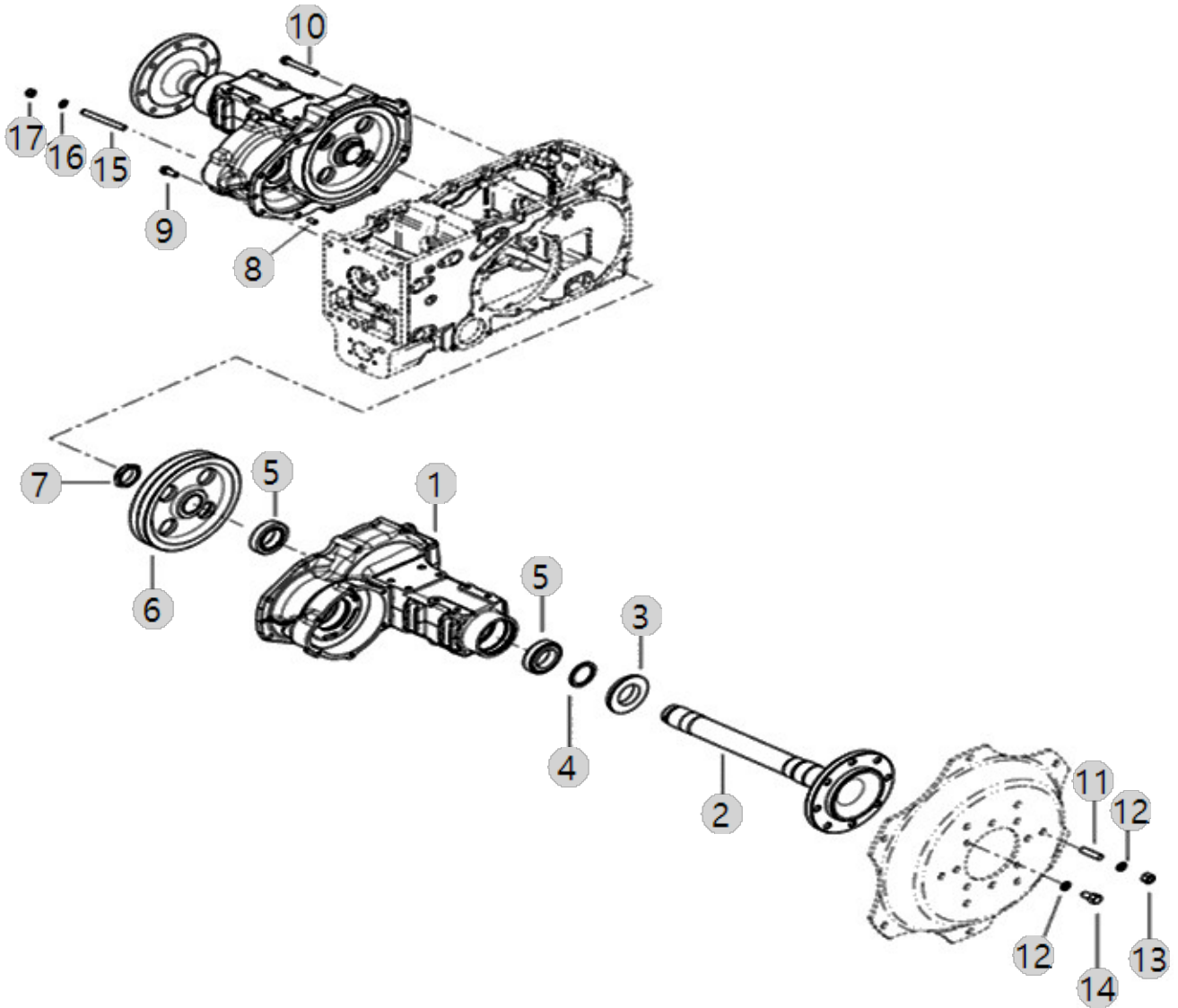
F01030

25CH TM ASSY(NEC)
(AC01458)

HOUSING, REAR AXLE

Year/Month

2023-01-18



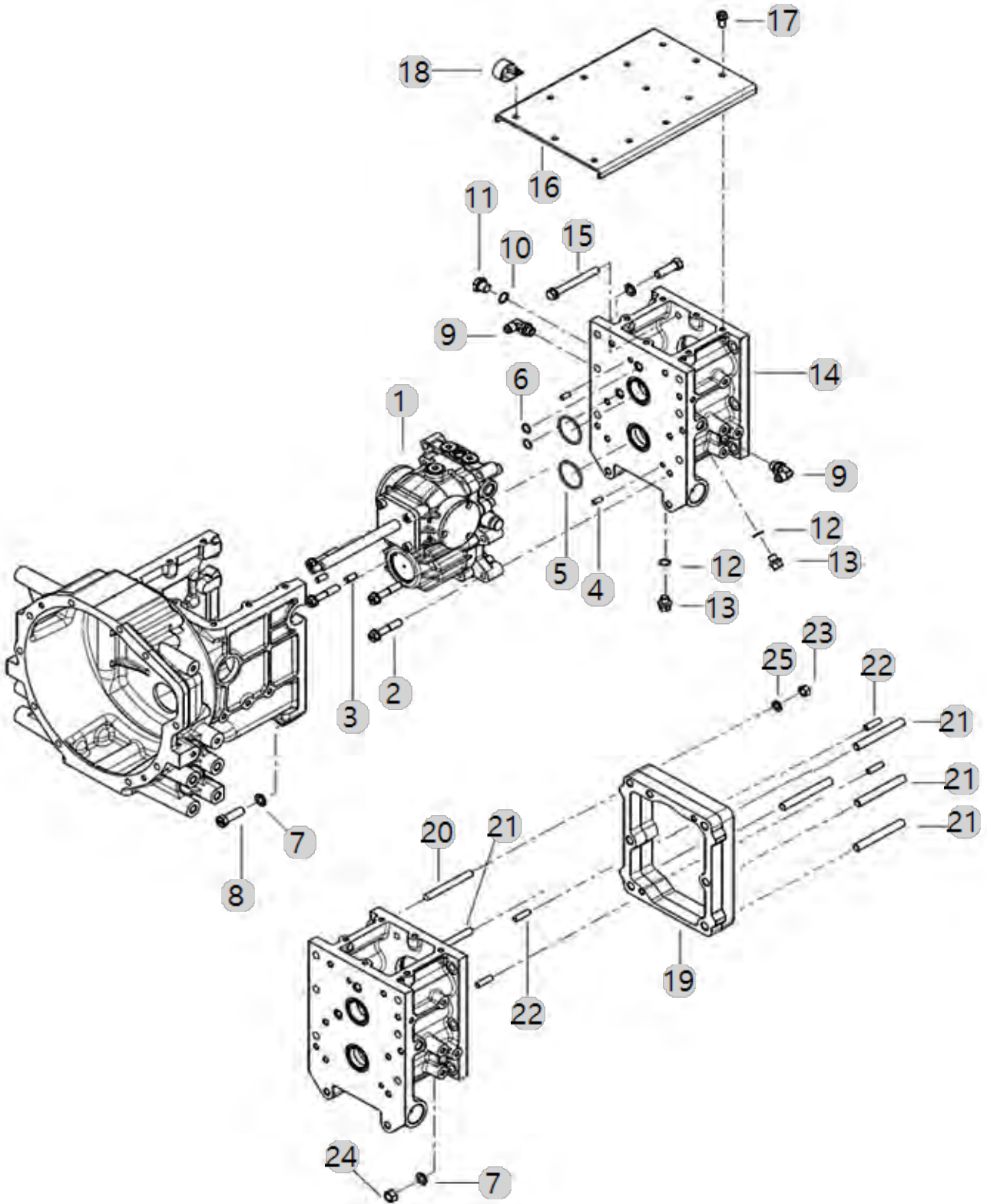
F01050

25CH TM ASSY(NEC)
(AC01458)

HYD SHIFT TRANSMISSION HOUSING

Year/Month

2023-01-18



F01050 25CH TM ASSY(NEC) (AC01458)	HYD SHIFT TRANSMISSION HOUSING	Year/Month
		2023-01-18

순번 (NO)	부품번호 (PART NO)	품명 (PART NAME)	품명 (PART NAME)	수량 (QTY)	규격 (SPEC)	비고 (REMARK)
1	TA00056348A	40cc_HST	40CC_HST	1		
1	TA00056348B	40cc_HST	40CC_HST	1		
1	TA00056348C	40cc_HST	40CC_HST	1		
1	TA00056348D	40cc_HST	40CC_HST	1		
2	TA00000957C	와셔조립육각볼트	HEX BOLT, W/WASHER	4		
2	TA00000957B	와셔조립 육각볼트(+SW)	HEX BOLT, W/WASHER	4	M12XP1.75X6	
3	22312-100200	평행핀	PIN, DOWEL (10-20)	2	D10X20	
4	22312-080180	평행핀	PIN, DOWEL (8-18)	2	D8X18	
5	24311-000500	O링	O-RING, DYNAMIC (Φ50)	2	P50	
6	24311-000150	O-링(P형)	O-RING, DYNAMIC (Φ15)	2	P15	
7	22217-140000	스프링와셔14	WASHER, SPRING (Φ 14)	13	M14	
8	FT08090000C4	볼트(M14X45)	BOLT	8	M12X45	
8	FT08090000A4	볼트(M14X45)	BOLT (M14X45)	8	M4X2.0X45	
8	FT08090000D4	볼트(M14X45)		8	M12X45	
9	CEE4050000A4	자리부착엘보3/8	ELBOW (3/8)	2		
9	CEE4050000B4	자리부착엘보3/8	ELBOW(3/8)	2		
10	TTA1140000A4	동패킹	PACKING	1		
11	TTA1130000A4	플러그	PLUG	1	PF3/8	
12	24311-000160	O-링 P 16	O-RING, DYNAMIC (Φ16)	2	P16	
13	23491-140002	플러그	PLUG, DRAIN -> 23490-140002	2	M14	
14	TA00000503H	하우징 케이스	HOUSING CASE	1	NONE	
14	TA00000503I	하우징 케이스	HOUSING CASE	1	NONE	
15	26013-121102	보울트12X110	BOLT12X110	1	M12X1.75X11	
16	TA00001059A	커버	COVER	1	4.5T	
17	26106-100202	육각플랜지볼트	HEX BOLT, (10-20)	10	M10XP1.5X20	
18	TA00003081A	클립M12	CLIP	1		
18	TA00003081B	클립M12	CLIP	1		
19	NT36200000E	스페이서(미션케이스)	SPACER	1		
19	NT36200000E3	스페이서(미션케이스)	SPACER(MISSION CASE)	1		
20	26216-120952	심음볼트(M12*95)	BOLT	1		
21	26216-140952	심음볼트(M14*95)	STUD BOLT	5		
22	NT41430000A4	평행핀	PARALLEL PIN	4	D10X36	
23	26716-120002	295,ALL,육각너트	HEXA NUT295	1	M12X1.75	
24	26716-140002	육각너트	NUT	5	M14X2.0	
25	22217-120000	스프링와셔	WASHER, SPRING (Φ 12)	1	M12	

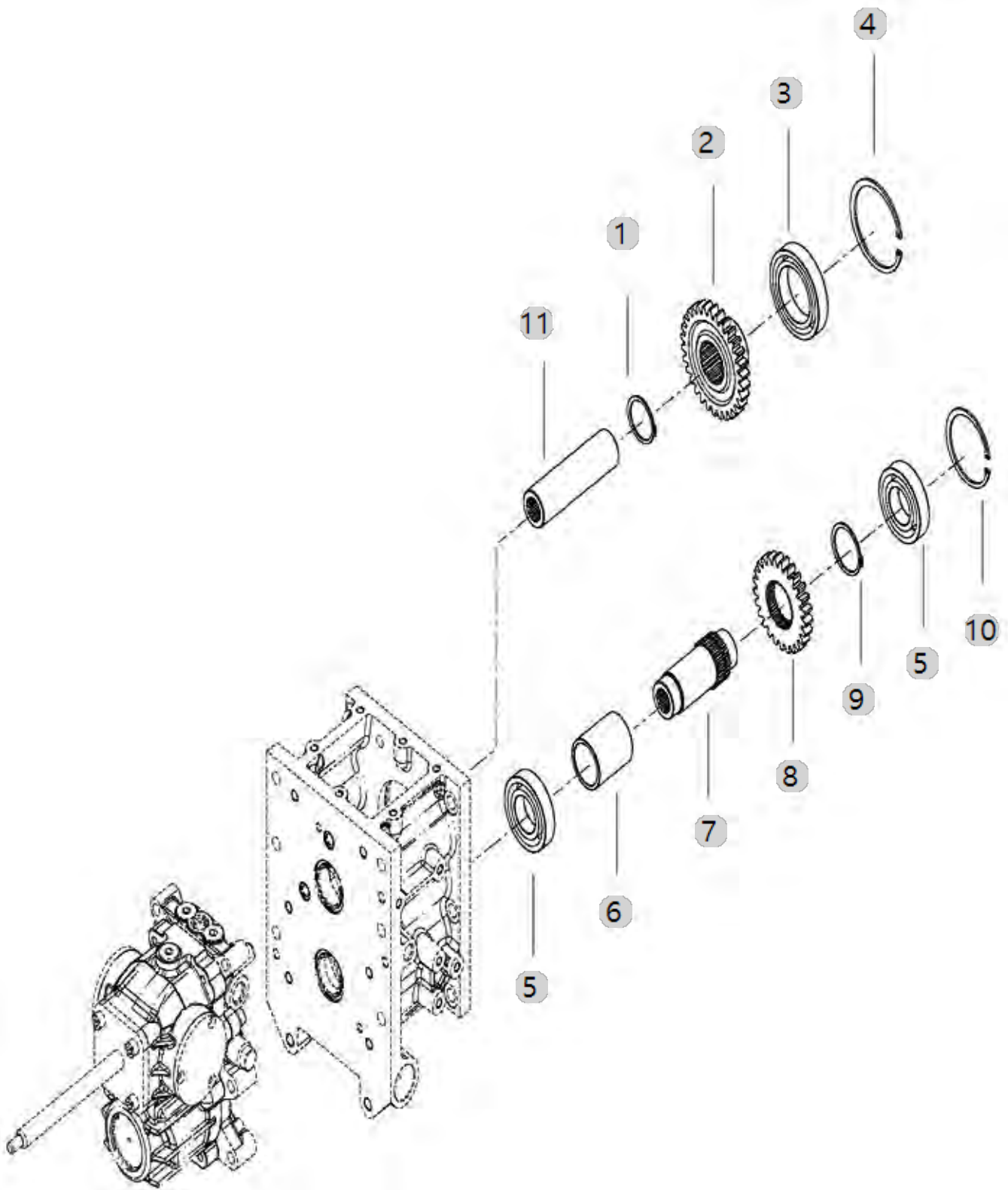
F03030

25CH TM ASSY(NEC)
(AC01458)

HYD SHIFT TRANSMISSION GEAR

Year/Month

2023-01-18



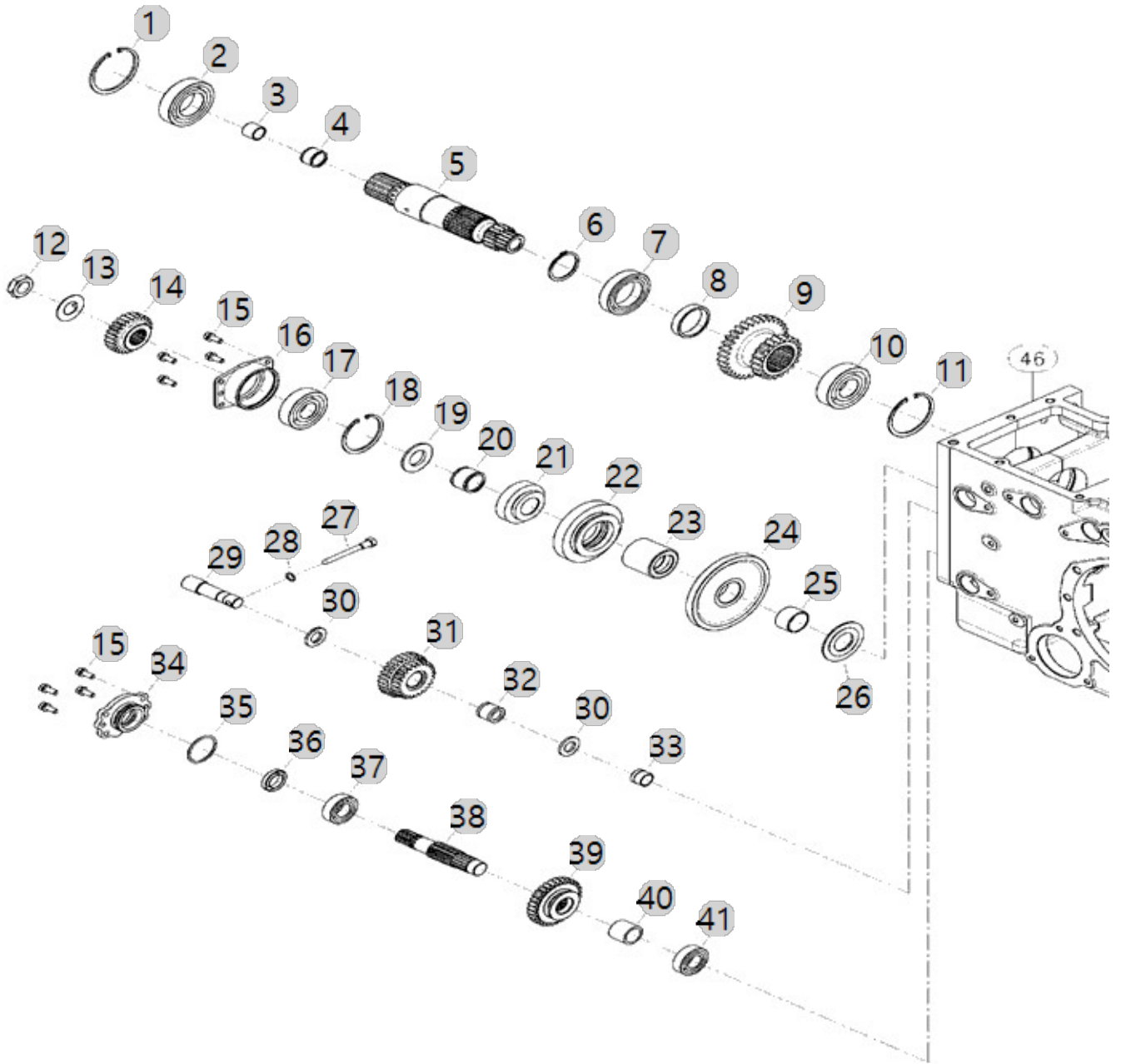
F04000

25CH TM ASSY(NEC)
(AC01458)

FRONT DRIVE & RANGE SHIFT GEAR

Year/Month

2023-01-18



F04000 25CH TM ASSY(NEC) (AC01458)		FRONT DRIVE & RANGE SHIFT GEAR				Year/Month 2023-01-18
순번 (NO)	부품번호 (PART NO)	품명 (PART NAME)	품명 (PART NAME)	수량 (QTY)	규격 (SPEC)	비고 (REMARK)
1	22242-000500	축용스냅링50	SNAP RING, SHAFT (Φ50)	1	D50	
2	24101-062094	볼베어링6209	BALL BEARING (#6209)	1	#6209	DEL.20220323
3	TN45180000A4	베어링부시	BUSH, BEARING	1		
4	24161-253020	니들베어링	Bearing, Needle (#25-30-20)	1		
5	TA00015849A	부변속기어16T(HST)20	SHAFT GEAR 16T(HST)	1		
6	22242-000500	축용스냅링50	SNAP RING, SHAFT (Φ50)	1	D50	
7	24101-060104	볼베어링6010	Bearing, Ball (#6010)	1	#6010	DEL.20220323
8	TN43060000A4	칼라	COLLAR	1	D60XT7	
9	TA00050157A	부변속3단피동기어(18T)	RANGE SHIFT DRIVEN GEAR 3ND	1		
10	24101-063074	볼베어링6307	Bearing, Ball (#6307)	1	#6307	DEL.20220323
11	22252-000800	구멍용스냅링80	RING, CIRCLIP (Φ 80)	1	D80	
12	TN43110000B4	로크너트	LOCKNUT	1	M24X2.0	
13	TT57020000A4	턱볼이와셔	WASHER	1	T1.2	
14	TN43130000A3	전륜기어25T	GEAR25FRONTDRIVE	1		
15	26013-080202	와셔조림육각볼트(+SW)	Bolt, Hexa (8-20)	8	M8XP1.25X20	
16	TN43150000A3	베어링케이스	CASEBEARING	1		
17	24101-063064	볼베어링6306	Bearing, Ball (#6306)	1	#6306	DEL.20220323
18	22252-000720	구멍용스냅링72	RING, CIRCLIP (Φ 72)	1	D72	
19	TN43190000A4	쓰러스트와셔	THRUSTWASHER	1		
20	24161-323826	니들베어링	BEARING	1		
21	TA00050156A	부변속2-3단구동기어	RANGE SHIFT DRIVE GEAR 3ND	1		
22	TN43220000C3	부변속2단기어30T	2ND GEAR, RANGE SHIFT(30T)	1		
23	TN43230000D3	스플라인칼라	CALLAR	1		
24	TN43240000B3	부변속1단기어56T	GEAR 56T,SUB SHIFT 1ST	1		
25	TT57080000B4	부시	BUSH	1	35X40X21	
26	TT57100000B4	쓰러스트와셔	WASHER, THRUST	1	35X75X3	
27	TN43330000B4	단볼이볼트	BOLT	1		
28	23414-100000	429,A202322,패킹10	PLAIN WASHER (D10)	1	M10	
29	TN43260000B4	전륜아이들축	SHAFTFRONTDRIVEIDLE	1		
30	TN43270000A4	쓰러스트와셔	THRUSTWASHER	1	D36XT3.5	
31	TN43290000A3	전륜아이들기어	GEARFRONTDRIVEIDLE	1		
32	24161-202825	니들베어링	NEEDLE BEARIN (#20-28-25)	1		
33	TN43300000A4	칼라	COLLAR	1	D25XT2.3	
34	TN43350000B3	오일시일케이스	CASEOILSEAL	1		
35	TN43360000A4	O-링(G형)	O-RING	2	45G	
36	24421-254008	오일실TC254008(E810,86-13)	Seal, Oil (#25-40-08)	1	TC25X40X8	
37	24101-062054	볼베어링6205	Bearing, Ball (#6205)	1	#6205UU	DEL.20220323
38	TN43390000A3	전륜구동축	SHAFTFRONTDRIVELINE	1		
39	TN43400000A3	전륜변속기어	GEARFRONTDRIVE	1		
40	TN43450000A4	칼라	COLLAR	1		
41	24101-062054	볼베어링6205	Bearing, Ball (#6205)	1	#6205UU	DEL.20220323

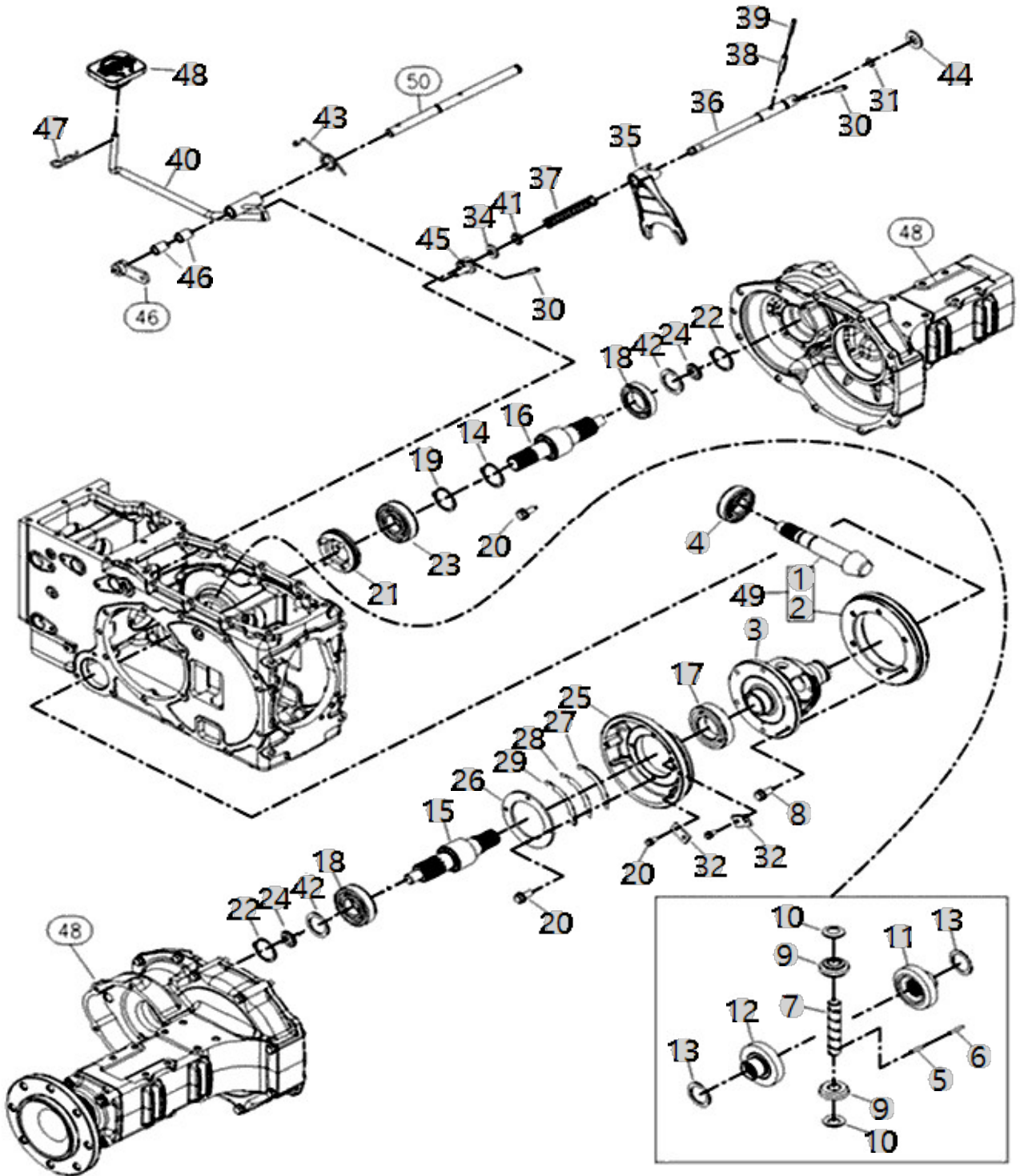
F05000

25CH TM ASSY(NEC)
(AC01458)

DIFFERENTIAL ASS'Y

Year/Month

2023-01-18



F05000 25CH TM ASSY(NEC) (AC01458)		DIFFERENTIAL ASS'Y				Year/Month
						2023-01-18
순번 (NO)	부품번호 (PART NO)	품명 (PART NAME)	품명 (PART NAME)	수량 (QTY)	규격 (SPEC)	비고 (REMARK)
1	TN49510000B2	카운터축	COUNTERSAHFT	1		
2	TN49520000D2	링기어	RINGGEAR	1		
3	TN49030000E2	차동케이스	CASE,DIFFERENTIAL	1		
4	TT78020000A3	베어링NJ307R	BEARINGNJ307R	1	NJ307R	DEL.20220323
5	22312-060360	평행핀	PIN, DOWEL (6-36)	1	D6X36	
6	22351-060032	스프링핀	PIN, SPRING (6-32)	1	D6X32	
7	TF64080000A4	피니언축	PINIONSHAFT	1		
8	TF64090000A4	볼트	BOLT	6	M10X1.25X25	
8	TF64090000B4	볼트	BOLT	6		
9	TF64100000B3	차동피니언	PINION	2		
10	TF64110000A4	피니언라이너	PINIONLINER	2	T1.0	
11	TF64120000C3	차동사이드기어(A)	차동사이드기어(A)	1		
11	TF64120000A3	차동사이드기어(A)	DIFF.SIDEGEAR(A)	1		
12	TF64130000A3	차동사이드기어(B)	DIFF.SIDEGEAR(B)	1		
13	TF64140000B4	사이드기어라이너	SIDEGEARLINER	2		
14	22252-000800	구멍용스냅링80	RING, CIRCLIP (Φ 80)	1	D80	
15	TA00032603E	파이널 피니언(좌)	FINAL PINION(L)	1		
16	TA00032596E	파이널 피니언(우)	FINAL PINION(R)	1		
17	24101-062114	볼베어링6211	Bearing, Ball (#6211)	1	#6211	
18	TF64190000A4	베어링6308HL1	BALL BEARING (#6308HL1) -> TF64190000A3	2	NJ307R	DEL.20220323
19	22242-000500	축용스냅링50	SNAP RING, SHAFT (Φ50)	1	D50	
20	26013-080202	와셔조립육각볼트(+SW)	Bolt, Hexa (8-20)	4	M8XP1.25X20	
21	TF64250000B3	데프록스러스트	THRUST, DIFF-LOCK ASSY	1		
22	22252-000900	구멍용스냅링90	RING, CIRCLIP (Φ 90)	2	D90	
23	24101-060104	볼베어링6010	Bearing, Ball (#6010)	1	#6010	
24	22242-000400	축용스냅링40	SNAP RING, SHAFT (Φ 40)	2	D40	
25	TN49550000B2	캐리어	CARRIOR	1		
26	TN49590000A4	리테이너	RETAINER	1		
27	TZ49560000A4	심A(0.5)	SHIMA	3		
28	TZ49570000A4	심B(0.3)	SHIMB	3		
29	TZ49580000A4	심C(0.1)	SHIMC	2		
30	22351-080032	스프링핀	PIN, SPRING (8-32)	2	D8X32	
31	24311-000160	O-링 P 16	O-RING, DYNAMIC (Φ16)	1	P16	
32	TB32360000A4	리테이너	RETAINER	2	T4.5X25X50	
34	TN49380000A4	와셔	WASHER	1	T4.2X30X30	
35	TN49400000B2	차동포크	FORKDIFFERENTIALLOCK	1		
36	TA00027271B	포크축	SHAFT	1		
36	TA00027271C	포크축	SHAFT	1		
37	TN49430000A4	스프링	SPRING	1	D4.0	
38	22351-080040	스프링핀8X40	PIN, SPRING (8-40)	1	D8X40	DEL.20221012
39	22351-050040	스프링핀5X40	PIN, SPRING (5-04)	1	D5X40	DEL.20221012
40	TA00027273C	차동페달조합	DIFFERENTIAL PEDAL ASS'Y	1	NONE	
40	TA00027273B	차동페달조합	DIFFERENTIAL PEDAL	1	NONE	
41	24421-152507	오일실TC152507	Seal, Oil (#15-25-07)	1	TC15X25X7	
42	TA00044074A	스페이서(50X40X3T)	SPACER (50x40x3T)	2		

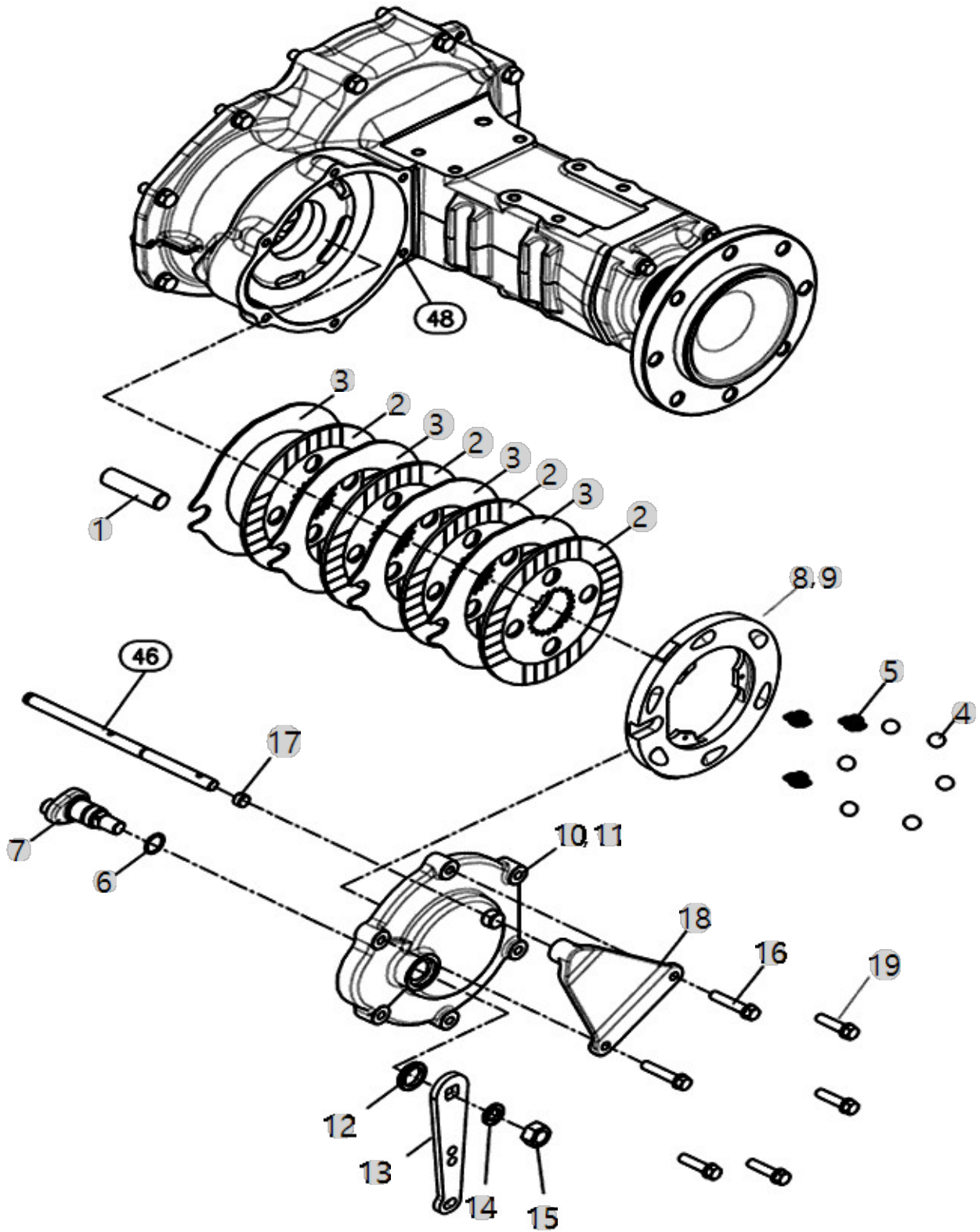
F06030

25CH TM ASSY(NEC)
(AC01458)

BRAKE

Year/Month

2023-01-18



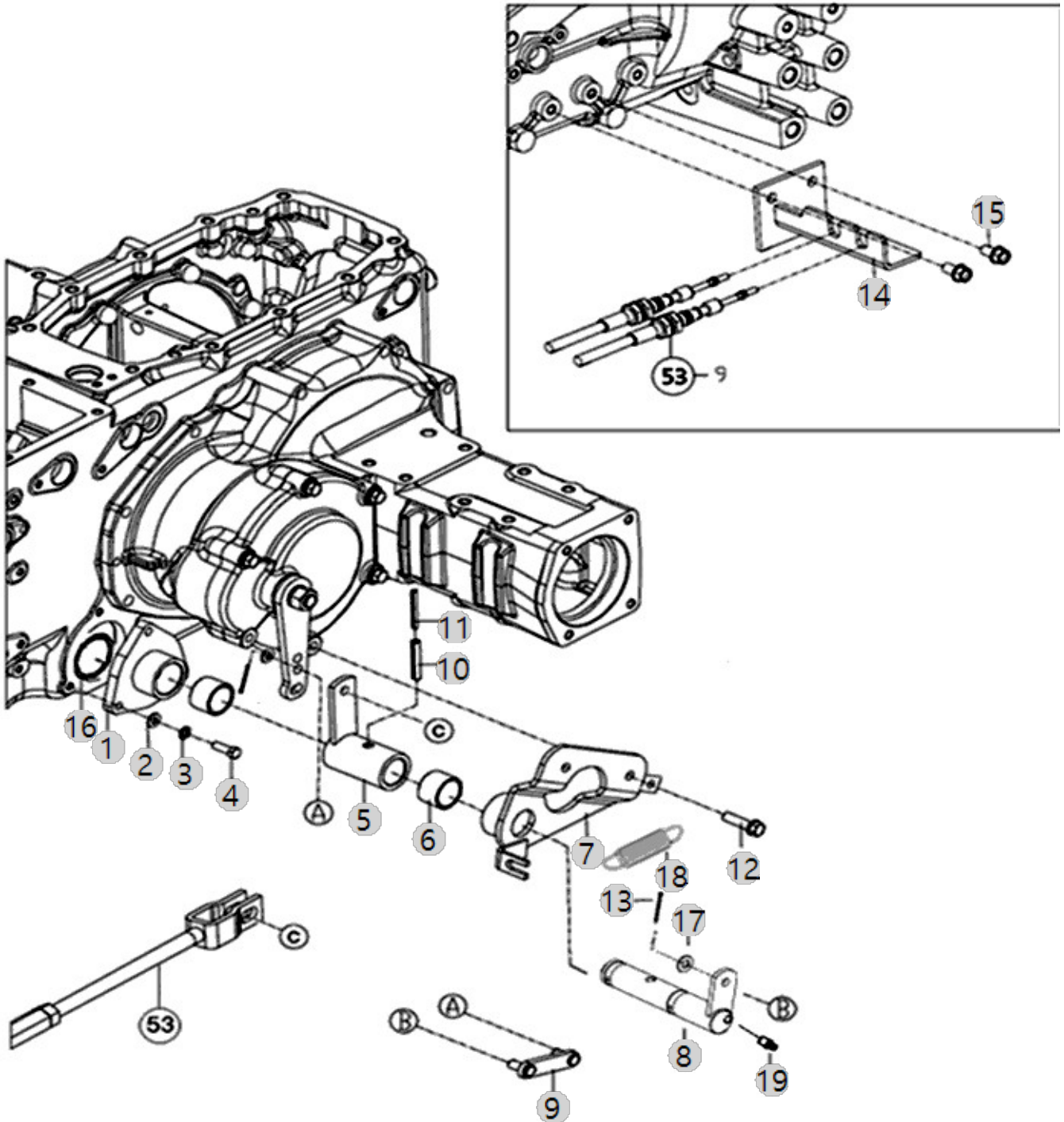
F06031

25CH TM ASSY(NEC)
(AC01458)

SUPPORT, BRAKE

Year/Month

2023-01-18



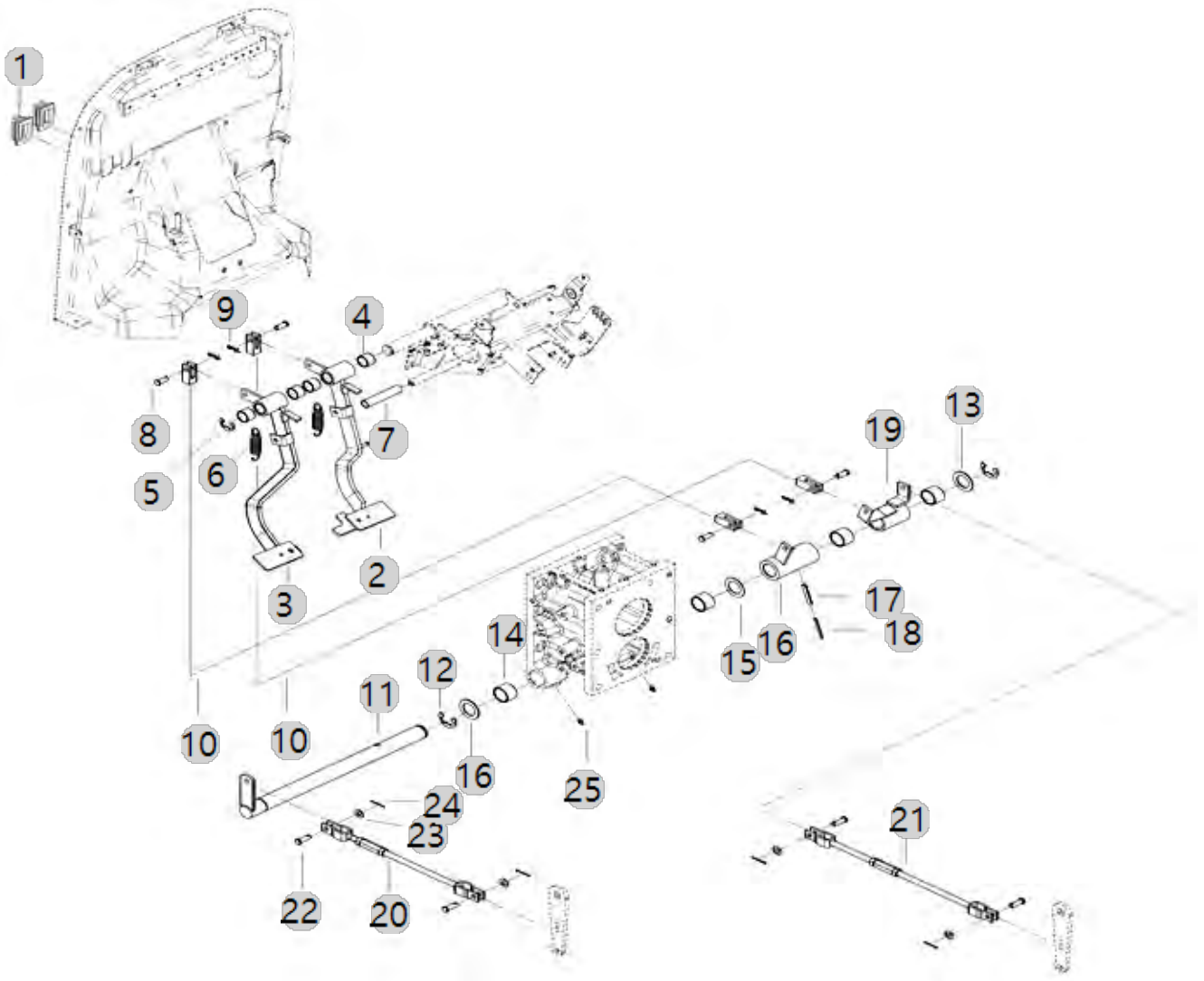
F06033

25CH TM ASSY(NEC)
(AC01458)

BRAKE LINK

Year/Month

2023-01-18



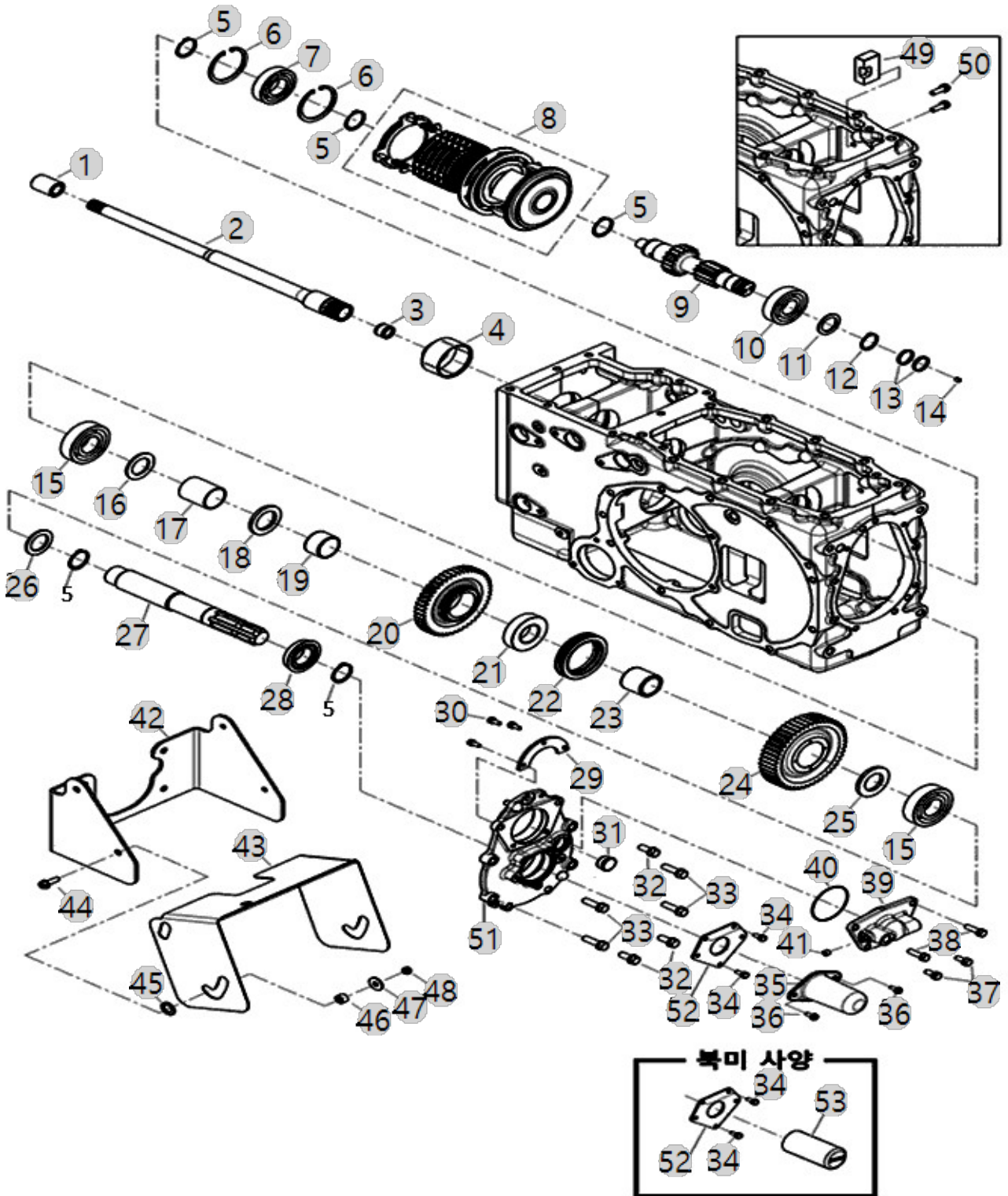
F07000

25CH TM ASSY(NEC)
(AC01458)

GEAR, IND PTO SPEED CHANGE

Year/Month

2023-01-18



F07000 25CH TM ASSY(NEC) (AC01458)		GEAR, IND PTO SPEED CHANGE				Year/Month 2023-01-18
순번 (NO)	부품번호 (PART NO)	품명 (PART NAME)	품명 (PART NAME)	수량 (QTY)	규격 (SPEC)	비고 (REMARK)
1	TN4520000A4	조인트	JOINT	1		
2	TA00015484A	FLOODLAMP(AL156627)	FLOODLAMP	1		
3	24161-182417	니들베어링	Bearing, Needle (#18-24-17)	1	KT182417	
4	NT4548000A3	PTO커플링	PTO COUPLING	1		
5	22242-000350	축용스냅링35	SNAP RING, SHAFT (Φ 35)	5	D35	
6	22252-000720	구멍용스냅링72	RING, CIRCLIP (Φ 72)	2	D72	
7	24101-062074	볼베어링6207	BALL BEARING (#6207)	1	#6207	
8	TA00026514D	PTO클러치팩	PTO CLUTCH PACK	1		
9	NT4592000A2	PTO변속축	SHAFT, PTO SHIFT	1		
10	24101-063064	볼베어링6306	Bearing, Ball (#6306)	1	#6306	
11	TN4552000A4	칼라	COLLAR	1		
12	22242-000300	축용스냅링30	SNAP RING, SHAFT (Φ 30)	1	D30	
13	TT64070000B	시일링	SEALING	2		
13	TT64070000B4	시일링	SEAL RING	2	26X30X3	
14	TT64080000A4	멈춤나사 M7X1	RETAININGSCREWM7X1	1	M7XP1.0	
15	24101-063074	볼베어링6307	Bearing, Ball (#6307)	2	#6307	
16	NT45670000B	스러스트와셔	THRUST WASHER	1		
16	NT45670000B4	스러스트와셔	THRUST WASHER	1	3.0T	
17	NT45680000B	스페이서	SPACER	1		
17	NT45680000B4	스페이서	SPACER	1	D45XT2.6	
18	NT45440000B	칼라	COLLAR	1		
18	NT45440000C4	칼라	COLLAR	1		
19	TA00033210A	니들부시D	NEEDLE BUSH D	2		
20	TA00033211B	PTO기어46T	GEAR 46T, PTO	1		
20	TA00033211C	PTO기어46T	GEAR 46T, PTO	1		
21	TZ4510000A3	PTO허브	HUB,P.T.O	2		
21	TZ4510000B3	PTO허브	HUB,P.T.O	2		
22	TZ4511000C4	PTO슬리브	SLEEVE,P.T.O	2		
23	TA00033209A	니들부시B	NEEDLE BUSH B	1		
24	TA00033212B	PTO기어49T	GEAR 49T, PTO	1		
24	TA00033212C	PTO기어49T	GEAR 49T, PTO	1		
25	TZ4514000A4	칼라	COLLAR	1		
25	TZ4514000B4	칼라	COLLAR	1	5T	
26	TN4512000A4	와셔	WASHER	1	T3.0X60X60	
27	TA00031577A	PTO축 (3단)	SHAFT, PTO	1		
27	NT45130000B3	PTO축	shaft, PTO	1		
28	TT6204000A3	PTO 오일실 QLF35X60X19	PTO OIL SEAL QLF35X60X19	1	35X60X19	
29	NT4564000A4	베어링커버	Bearing Cover	1		
30	26013-060162	와셔조립육각볼트(+SW)	Bolt, Hexa (6-16)	3	M6XP1.0X16	
31	TCA813000A4	검유창	SIGHTGLASS -> NT45690000A4	1		
32	26013-100252	와셔조립육각볼트(+SW)	SCREW, CAPTIVE WASHER CAP	3	M10X1.50X02	
33	26013-100352	볼트	Bolt, Hexa (10-35)	4		
34	26013-060162	와셔조립육각볼트(+SW)	Bolt, Hexa (6-16)	3	M6XP1.0X16	
35	TT8003000A3	P.T.O커버	P.T.OCOVER	1		
36	26106-060162	육각플랜지 볼트	HEXFLANGE BOLT	2	M6XP1.0X16	

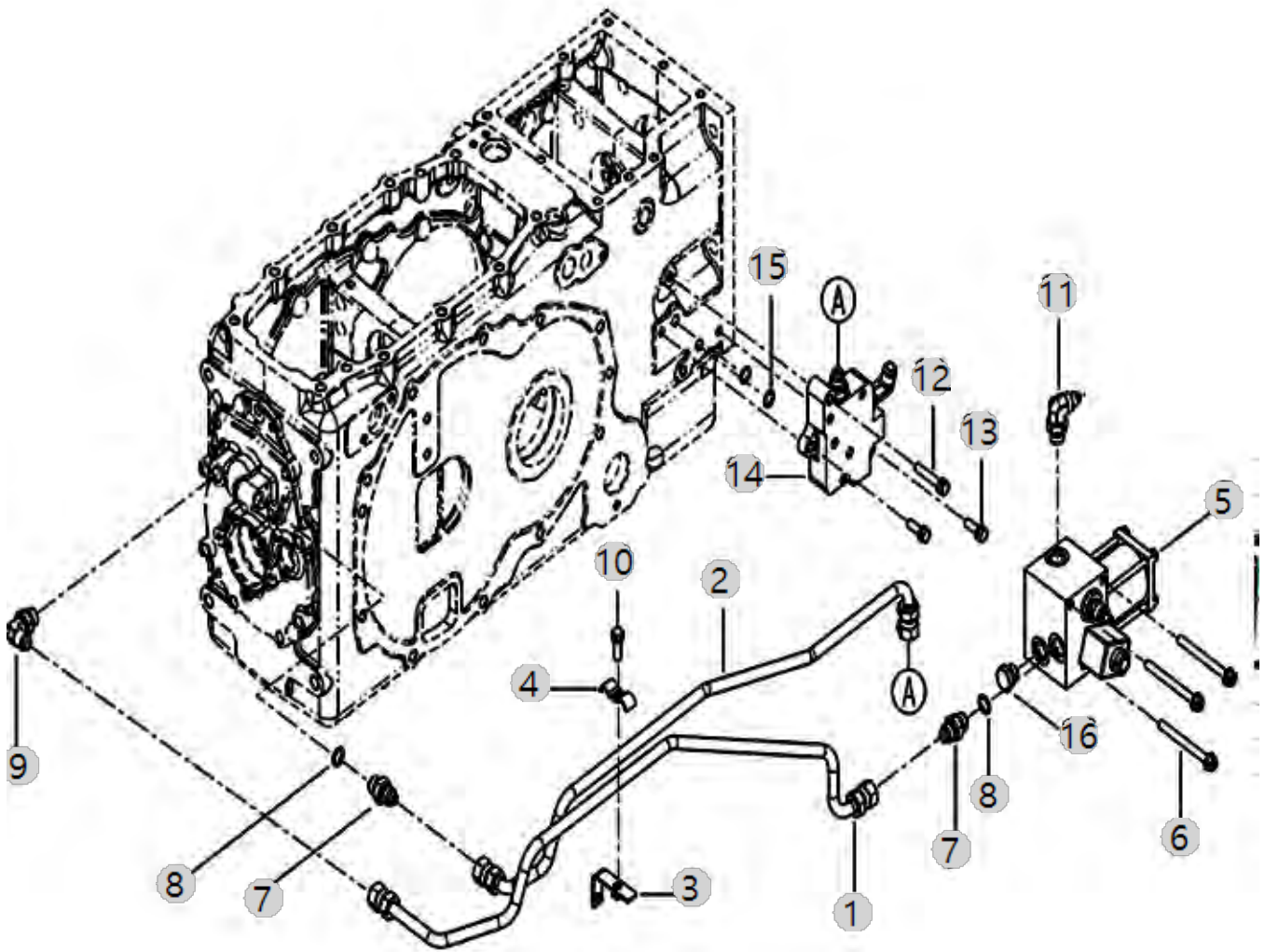
F07050

25CH TM ASSY(NEC)
(AC01458)

PTO VALVE

Year/Month

2023-01-18



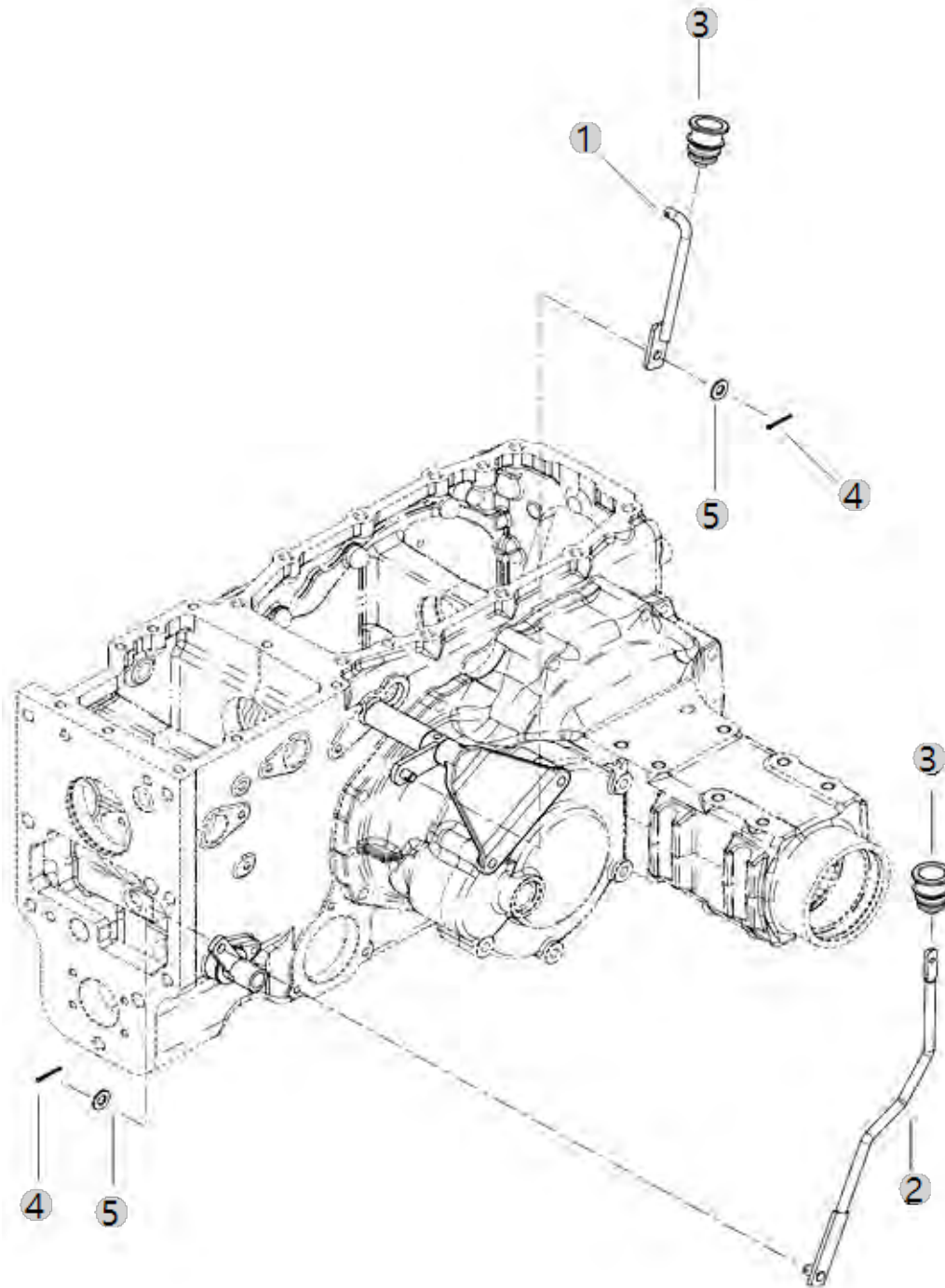
F07120

25CH TM ASSY(NEC)
(AC01458)

ROD ASSY, PTO & 4WD

Year/Month

2023-01-18



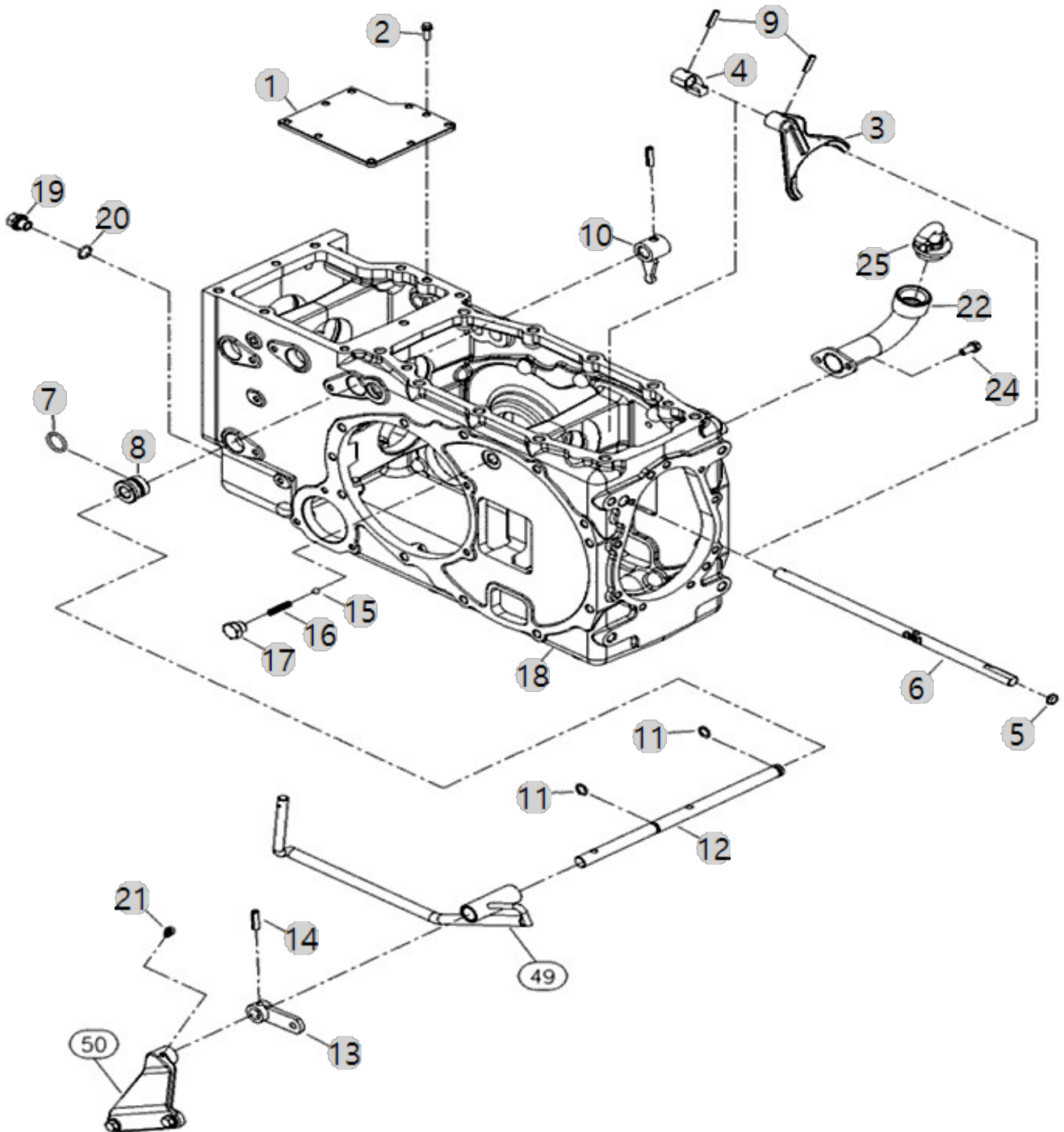
F08060

25CH TM ASSY(NEC)
(AC01458)

FORK, PTO SHIFT

Year/Month

2023-01-18



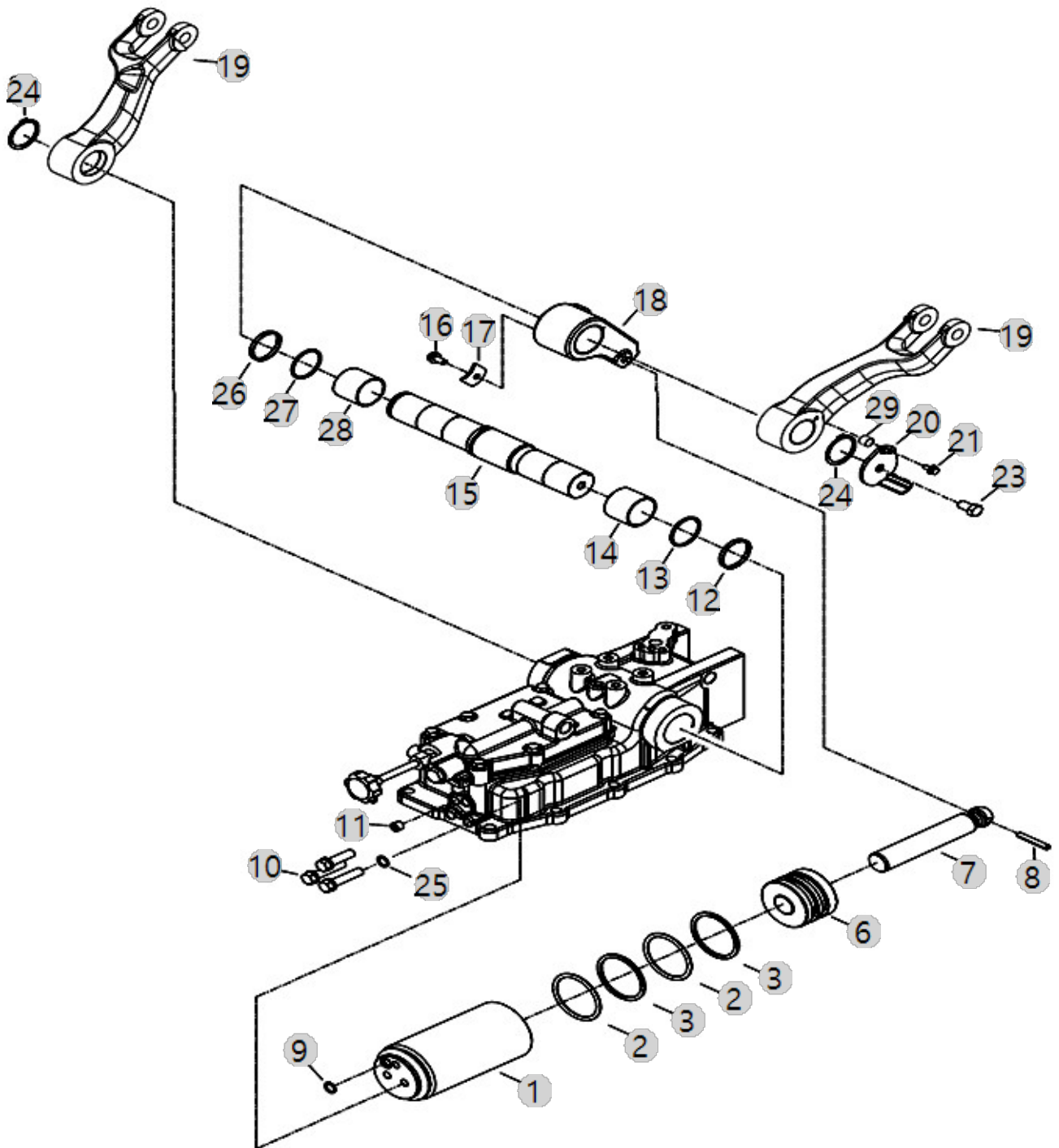
F10020

25CH TM ASSY(NEC)
(AC01458)

LIFT ARM

Year/Month

2023-01-18



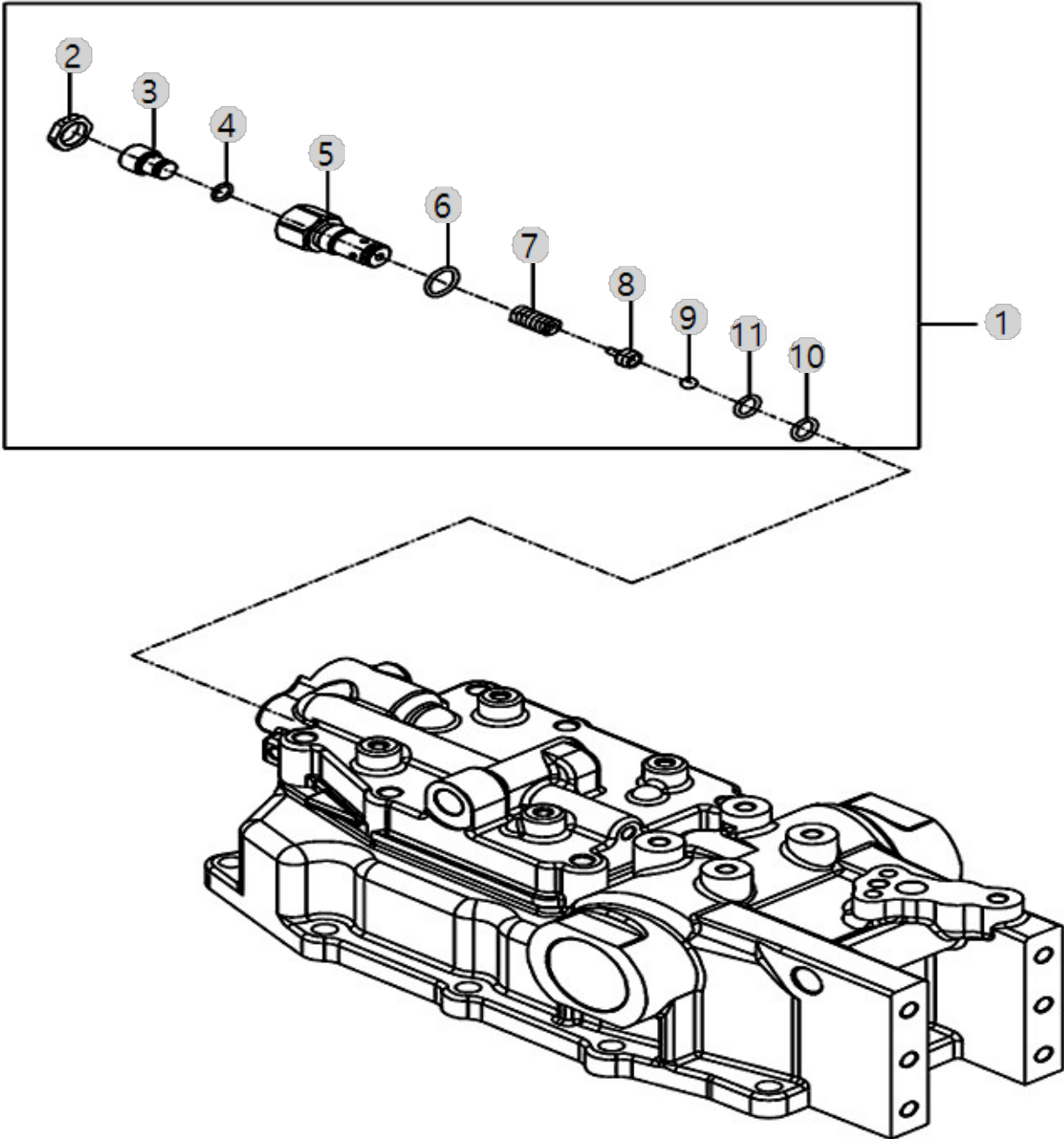
F10030

25CH TM ASSY(NEC)
(AC01458)

SAFTY VALVE

Year/Month

2023-01-18



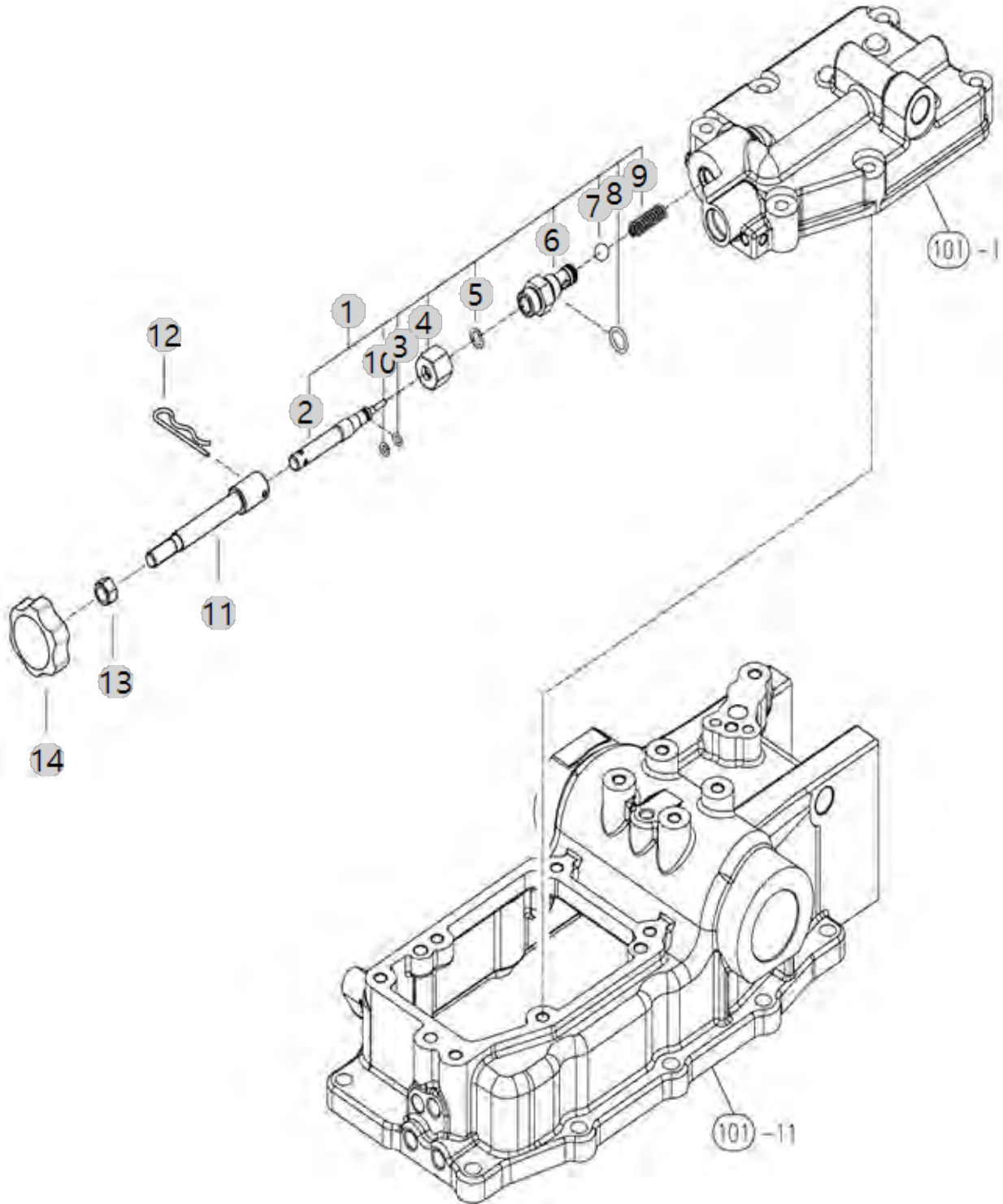
F10040

25CH TM ASSY(NEC)
(AC01458)

STOP VALVE

Year/Month

2023-01-18



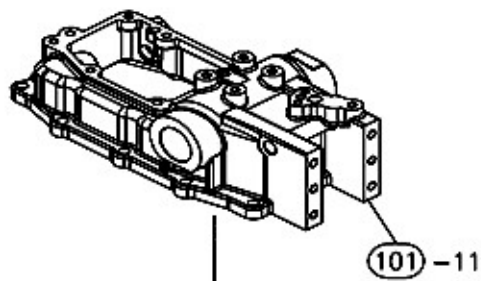
F10061

25CH TM ASSY(NEC)
(AC01458)

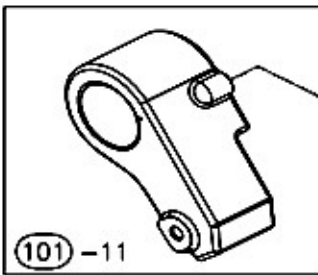
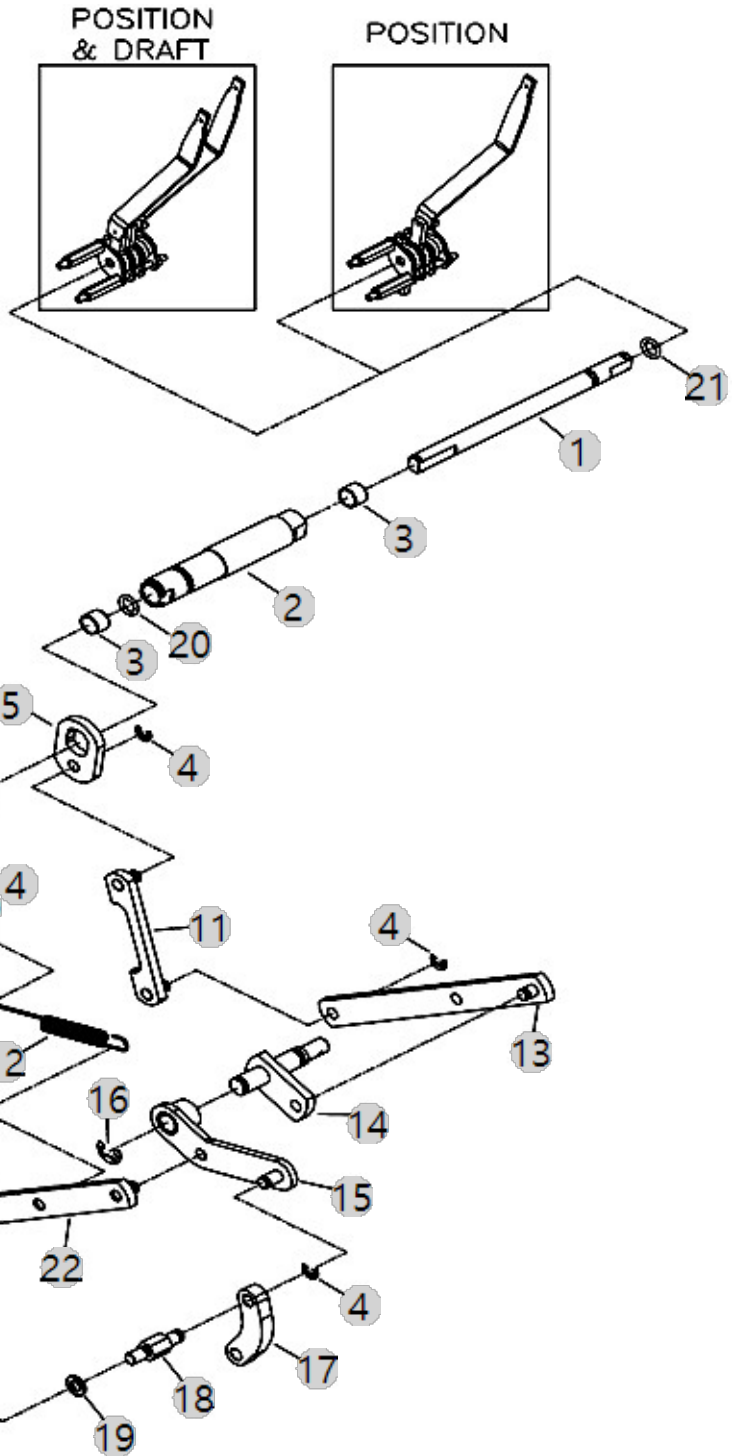
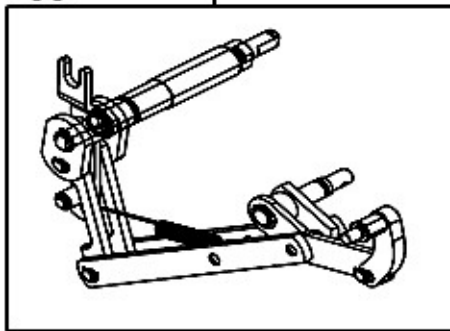
DRAFT/ POSITION CONTROL LEVER

Year/Month

2023-01-18



ASSY



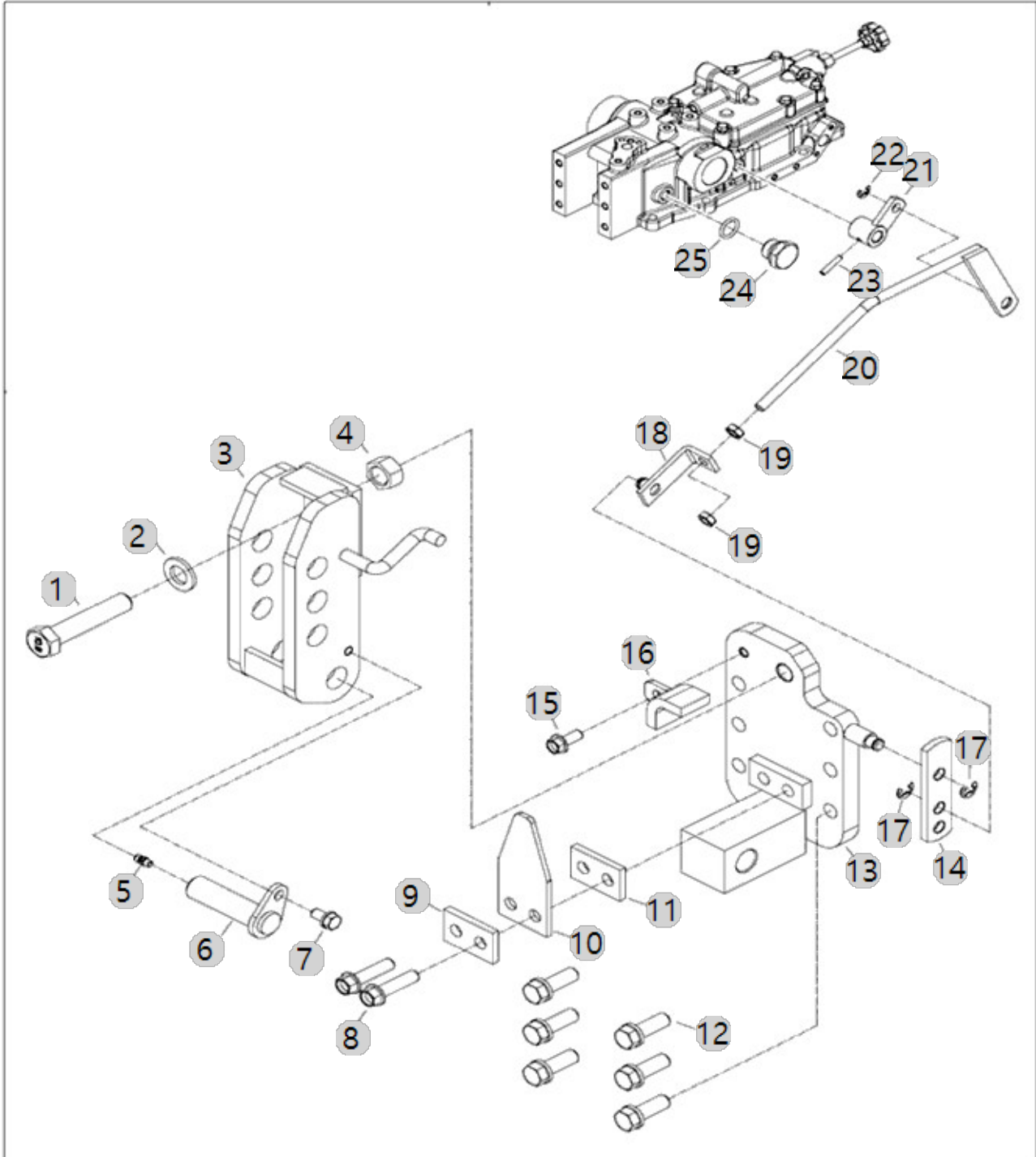
F10063

25CH TM ASSY(NEC)
(AC01458)

DRAFT CONTROL

Year/Month

2023-01-18



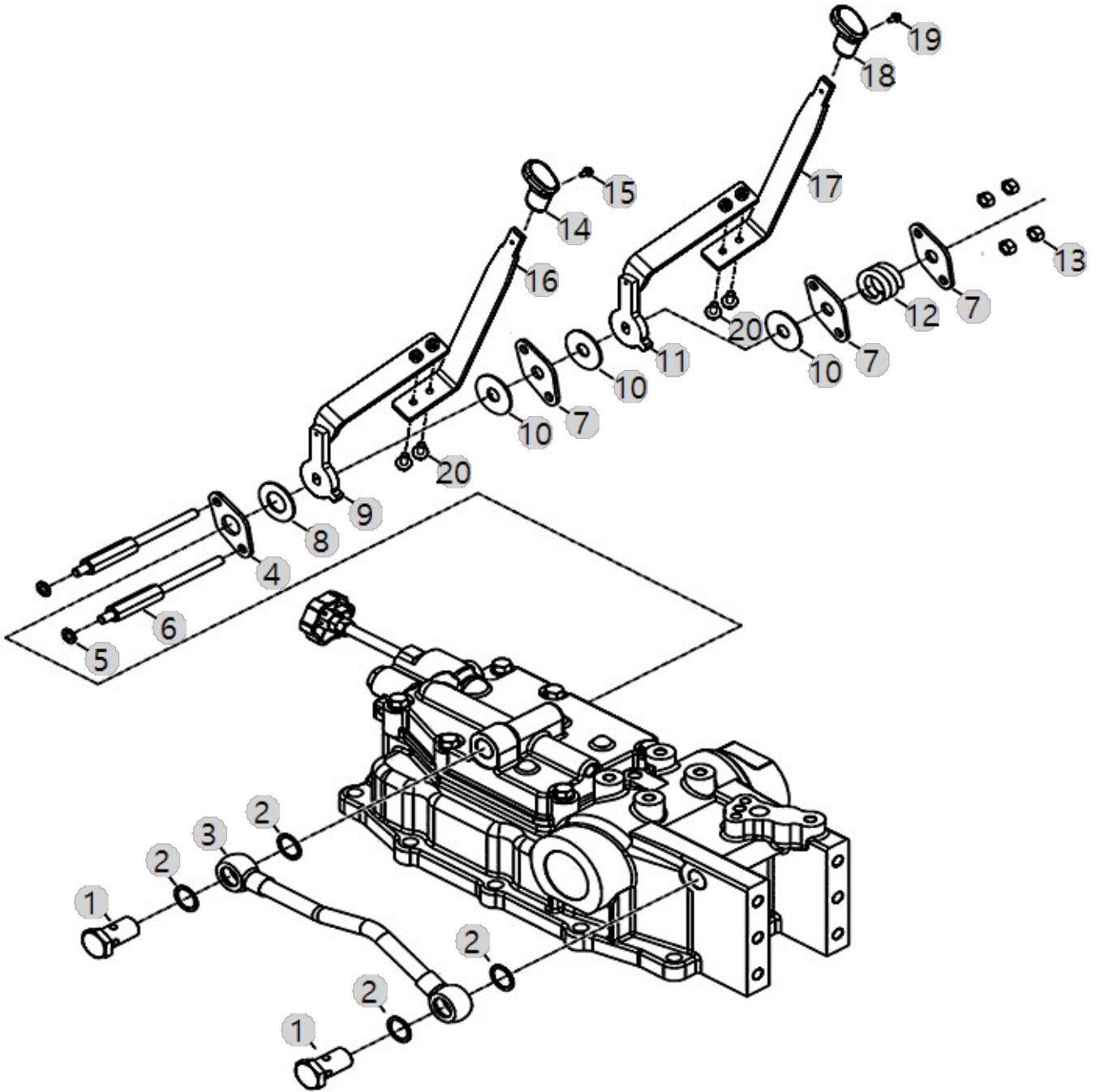
F10064

25CH TM ASSY(NEC)
(AC01458)

POSITION CONTROL LEVER

Year/Month

2023-01-18



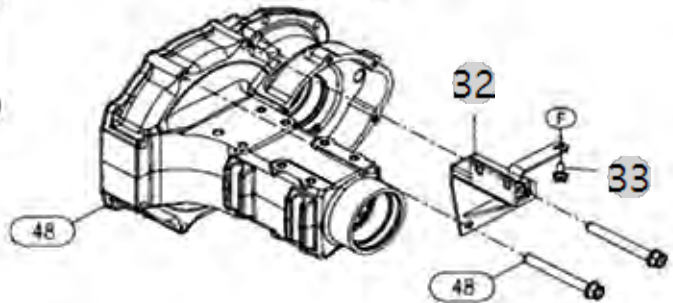
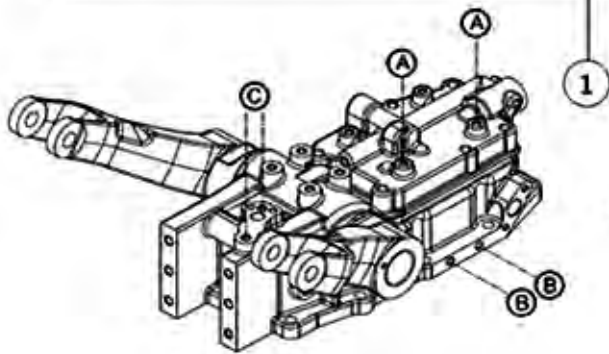
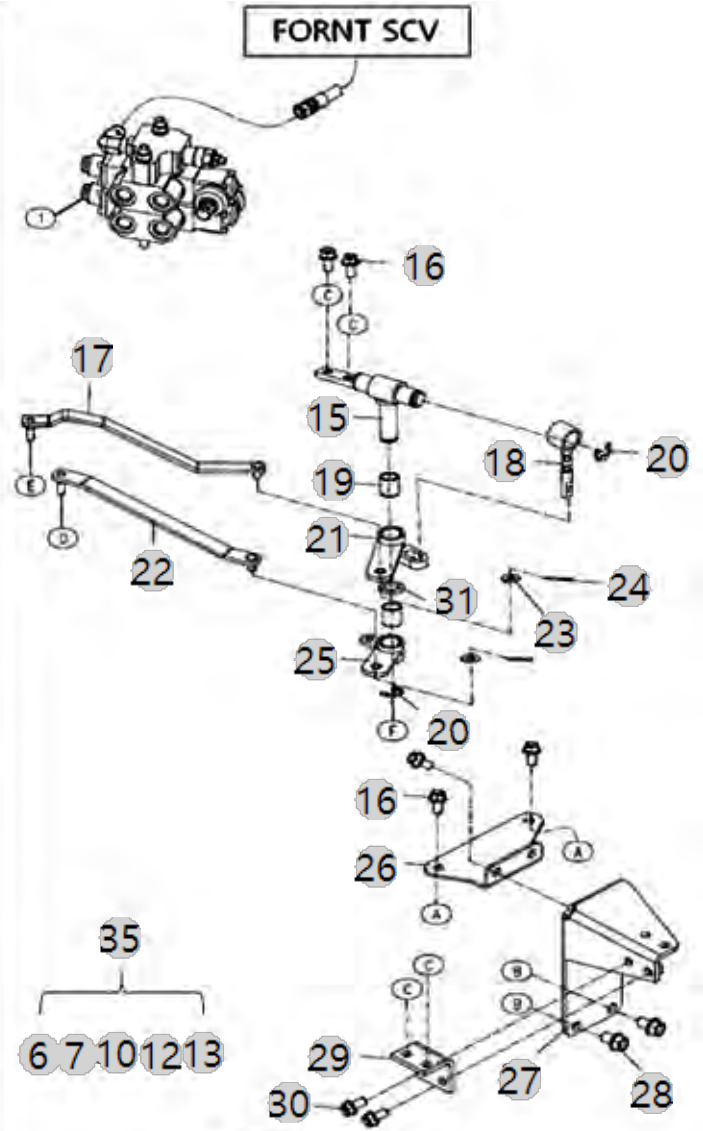
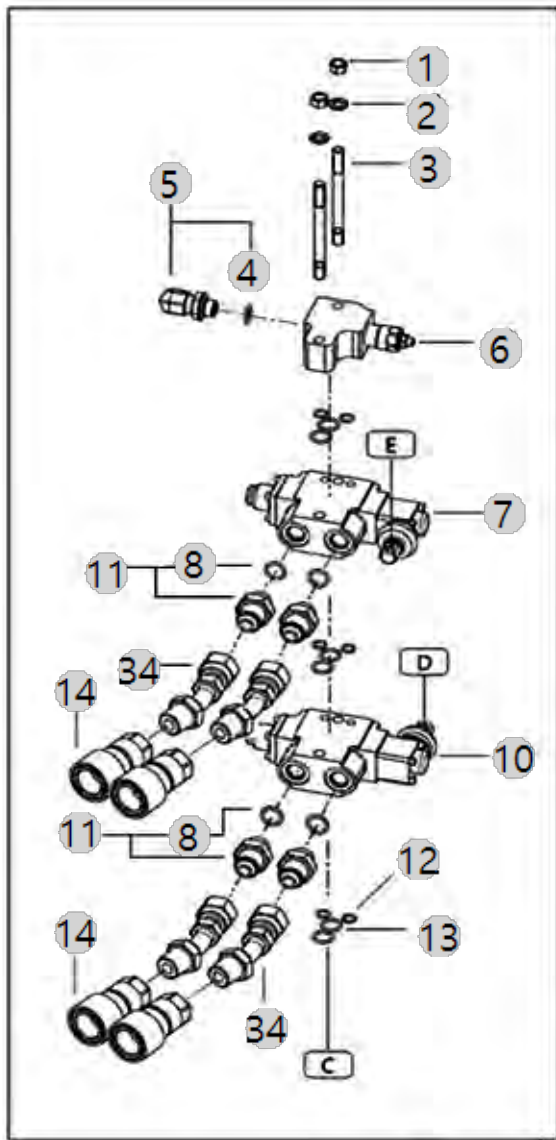
F10120

25CH TM ASSY(NEC)
(AC01458)

REAR SCV

Year/Month

2023-01-18



F10120 25CH TM ASSY(NEC) (AC01458)		REAR SCV				Year/Month 2023-01-18
순번 (NO)	부품번호 (PART NO)	품명 (PART NAME)	품명 (PART NAME)	수량 (QTY)	규격 (SPEC)	비고 (REMARK)
1	26716-100002	육각너트	Nut, Hexa (Φ10)	2	M10XP1.5	
2	22217-100000	스프링와셔	WASHER, SPRING (Φ 10)	2	M10	
3	TA00034089C	심음 볼트	BOLT	2		
3	TA00034089A	심음 볼트	BOLT	2		
4	24311-000140	운동용O링	SEAL,ORING	1	P14	
5	TA00035078B	90도 엘보 (PF3/8-1/2)	ELBOW	1		
5	TA00035078A	90도 엘보 (PF3/8-1/2)	ELBOW	1		
6	TA00033977C	컨트롤 릴리프	COVER RELIEF	1		
6	TA00033977B	컨트롤 릴리프	COVER RELIEF	1		
7	TA00037393A	SCV2(D)	SCV2(D)	1		
7	TA00034056C	SCV 2	BLOCK 2	1		
8	24311-000160	O-링 P 16	O-RING, DYNAMIC (Φ16)	4	P16	
10A	TA00028226C	SCV 1	SCV 1	1		
10A	TA00028226A	SCV 1	REAR SCV 1	1		
10B	TA00048561C	SCV(FLOATING)	SCV(FLOATING)	1		
10B	TA00048561A	SCV(FLOATING)	SCV(FLOATING)	1		
11	TA00042245C	아댑터(PF1/2)	ADAPTER	4		
11	TA00042245B	아댑터(PF1/2)	ADAPTER	4		
12	24311-000100	O-링1AP10.0	O-RING, DYNAMIC (Φ10)	6	P10	
13	24311-000160	O-링 P 16	O-RING, DYNAMIC (Φ16)	6	P16	
14	FBA3150000A4	조인트(1/2")	ARM, JOINT(1/2") -> FBA3150000A3	4		
14	FBA3150000B3	조인트암(1/2")	"ARM, JOINT(1/2")"	4		
15	TA00034042D	축 조합	SHAFT ASS'Y	1		
15	TA00034042C	축 조합	SHAFT ASS'Y	1		
16	26106-080162	플랜지볼트8X16	SCREW,HEXFLANGEHEADCAP	4	M8XP1.25X16	
17	TA00034039A	링크 2 조합	LINK 2 ASS'Y	1		
17	TA00036297C	링크 2 조합	LINK ASSY 2	1		
18	TA00036917A	SCV_ROD_B	SCV_ROD_B	1		
18	TA00036917C	SCV_ROD_B	SCV_ROD_B	1		
19	24550-016200	드라이부시16X20	DRY BUSH 16X20	2		
20	22272-000120	E형스냅링12	RING, CIRCLIP (Φ 12)	3	D12	
21	TA00037361C	보스A조합(캐빈)	BOSS_A_ASS'Y	1		
21	TA00037361B	보스A조합(캐빈)	BOSS_A_ASS'Y	1		
22	TA00034019B	링크1조합	LINK 1 ASS'Y	1		
22	TA00034019A	링크1조합	LINK 1 ASS'Y	1		
23	22137-080000	와셔8	WASHER, PLAIN (Φ 08)	4	M8	
24	22417-200200	할핀	PIN , COTTER (2-20)	4	D1.8	
25	TA00037363C	보스B조합(캐빈)	BOSS_B_ASS'Y	1		
25	TA00037363A	보스B조합(캐빈)	BOSS_B_ASS'Y	1		
26	TA00036443C	브래킷	BRACKET	1		
26	TA00036443B	브래킷	BRACKET	1		
27	TA00036941B	SCV 고정 레버 브래킷 조합	HOLDING BRACKET, SCV LEVER	1		
27	TA00036941A	SCV 고정 레버 브래킷 조합	HOLDING BRACKET, SCV LEVER	1		
28	26106-100162	플랜지볼트M10X16	SCREW,HEXFLANGEHEADCAP	2	M10XP1.5X16	
29	TA00036949B	고정브라켓	BRACKET	1		

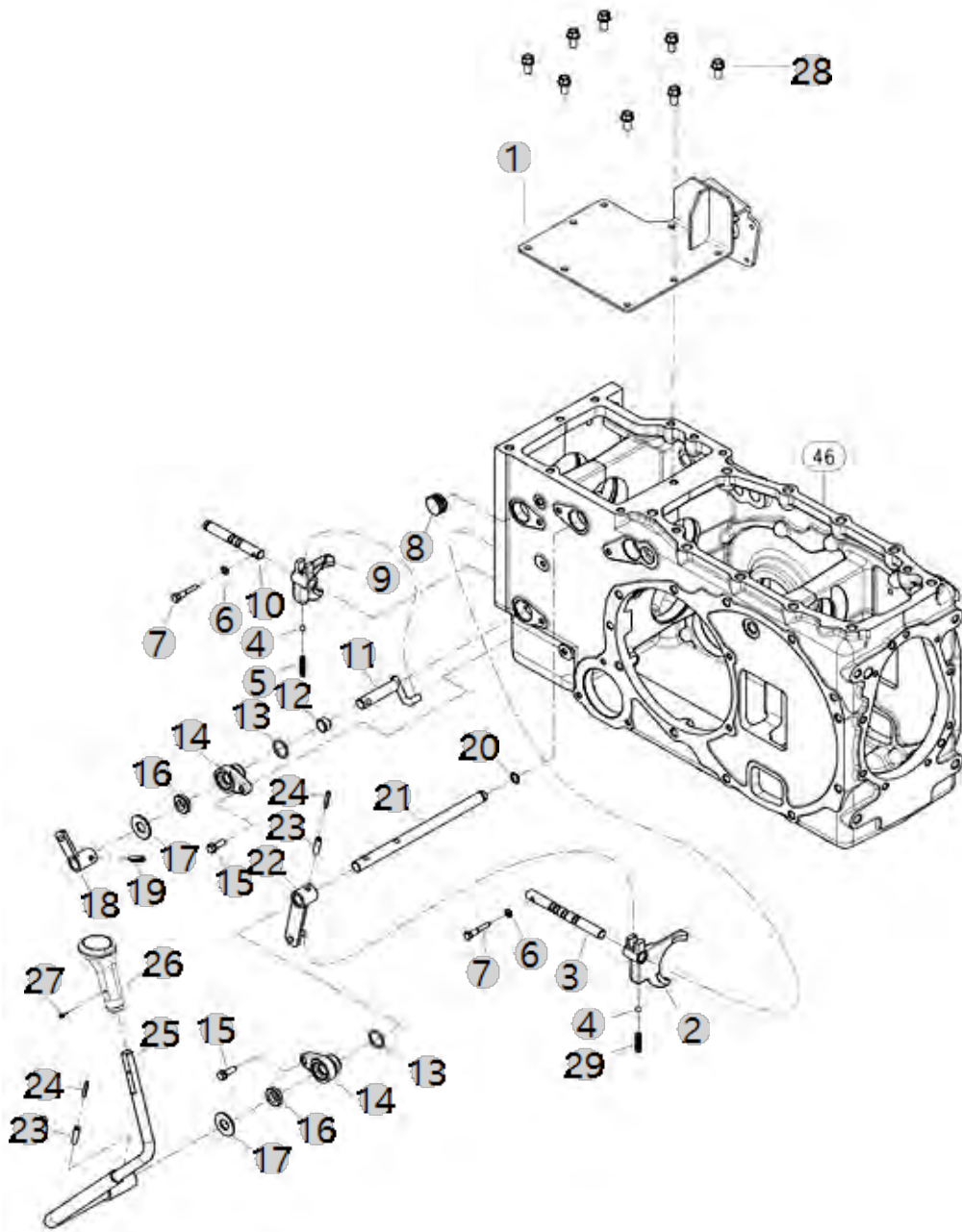
F11020

25CH TM ASSY(NEC)
(AC01458)

FRONT DRIVE & RANGE SHIFT LEVER

Year/Month

2023-01-18



F11020 25CH TM ASSY(NEC) (AC01458)		FRONT DRIVE & RANGE SHIFT LEVER				Year/Month 2023-01-18
순번 (NO)	부품번호 (PART NO)	품명 (PART NAME)	품명 (PART NAME)	수량 (QTY)	규격 (SPEC)	비고 (REMARK)
1	TA00046840C	주변속 고정브래킷 조합	ASSY, MAIN SHIFT BRACKET	1		
1	TA00027503C	의자레일스테인 조합	ASSY CHAIR RAIL STAY	1		
2	TT65120000A4	칼라B	COLLARB	3	T2.3X45X45	
3	TZ44080000A4	초저속레버보스	BOSSCREEPER	1		
3	TN44410000D3	부변속 포크축	SHAFT,RANGESHIFTFORK	1	D15X160	
4	TT70080000A4	부시	BUSH	1	17X20X29	
5	NT44100000C3	전륜구동 레버	FWD LEVER	1	-	
5	NT44100000B3	전륜구동 레버	Lever, Front Drive	1	-	
6	TA00056015A	전륜구동노브조합	LEVER, FRONT DRIVE	1		
7	22272-000150	E형스냅링15	RING, CIRCLIP (Φ 15)	1	D15	
7	TN44400000B4	단불이볼트	BOLT	2		
8	TA00036164A	전륜구동로드조합	LEVER ASSY	1		
9	22137-100000	평와셔 10	WASHER, PLAIN (Φ 10)	4	M10	
10	22417-250250	가름핀2.5X25	PIN , COTTER (2-25)	4	D2.5X25	
11	TZ44610000A4	플러그	PLUG	1		
12	TN44400000A4	단불이볼트	BOLT	2		
13	23414-080000	320,ALL,패킹8	WASHER, PLAIN (Φ8)	2	M8	
14	TN44230000A3	전륜구동포오크축	SHAFTFRONTDRIVEFORK	1	D15X120	
15	TN44220000B3	전륜구동포오크	FORKFRONTDRIVE	1		
16	24190-100001	강구5/16	Ball, Steel (5/16)	2	5/16"	
17	TT42020000A4	스프링	SPRING	1		
18	TN44380000A4	전륜구동레버조합A	LEVERASS'YF.DRIVE	1		
19	TT70090000A4	부시	BUSH	1	17X20X12	
20	24321-000250	O-링	O-RING	3	25G	
21	TN44300000A4	시프터아암홀더	Holder, Shift Arm	2		
22	24421-173007	오일실TC173007	Seal, Oil (#17-30-07)	2	TC17X30X7	
23	TA00036167A	전륜구동레버조합B	LEVER ASSY	1		
24	22351-080030	스프링핀	PIN, SPRING (8-30)	1		
25	26013-080252	와셔조립육각볼트(+SW)	Bolt, Hexa (8-25)	2	M8XP1.25X25	
26	TA00062665A	부변속 노브 조합	KNOB	1		
26	TN44440000D4	부변속레버조합B	LEVERASS'Y(B),RANGESHAF	1		
26	TN44440000E4	부변속레버조합B	LEVER ASS'Y(B),RANGE SHIFT	1		
27	22351-080030	스프링핀	PIN, SPRING (8-30)	2		
28	26106-100202	육각플랜지볼트	HEX BOLT, (10-20)	8	M10XP1.5X20	
28	22351-050030	스프링핀F형5X30	PIN, SPRING (5-03)	2	D5X30	
29	TA00048409B	포크 스프링	SPRING, FORK	1		
29	TN44520000B3	시프터레버(축랜지)	SHAFT,RANGESHIFTLEVER	1		
29	TN44520000C3	부변속레버축	SHAFT, RANGE SHIFT LEVER	1	D15	
30	TN46180000A4	O-링	O-RING	1		
31	TA00028280A	부변속 레버	LEVER RANGE SHIFT	1		
32	TA00058723A	부변속 노브 조합	KNOB	1		
33	TN44410000D3	부변속 포크축	SHAFT,RANGESHIFTFORK	1	D15X160	
34	TN44420000B3	부변속포오크	FORKRANGESHIFT	1		
35	26023-040162	와셔조립납비작은나사(SW+PW)	SCREW	1	M4X16	
36	26023-040082	와셔조립납비작은나사(SW+PW)	SCREW AND WASHER ASSEMBLY	1	M4X8	

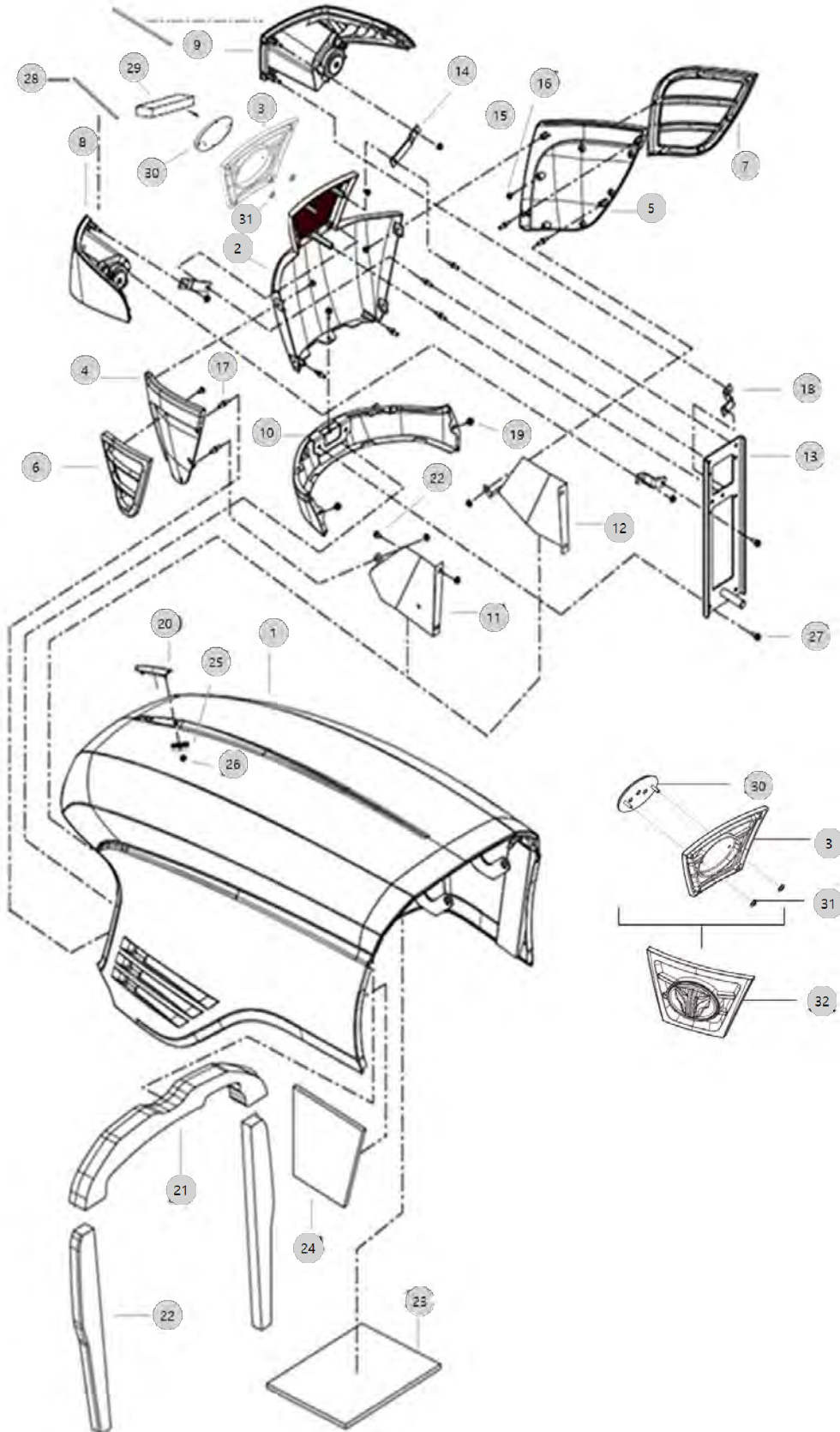
G01020

6225CH(EU)(AC02124)

BONNET

Year/Month

2023-01-18



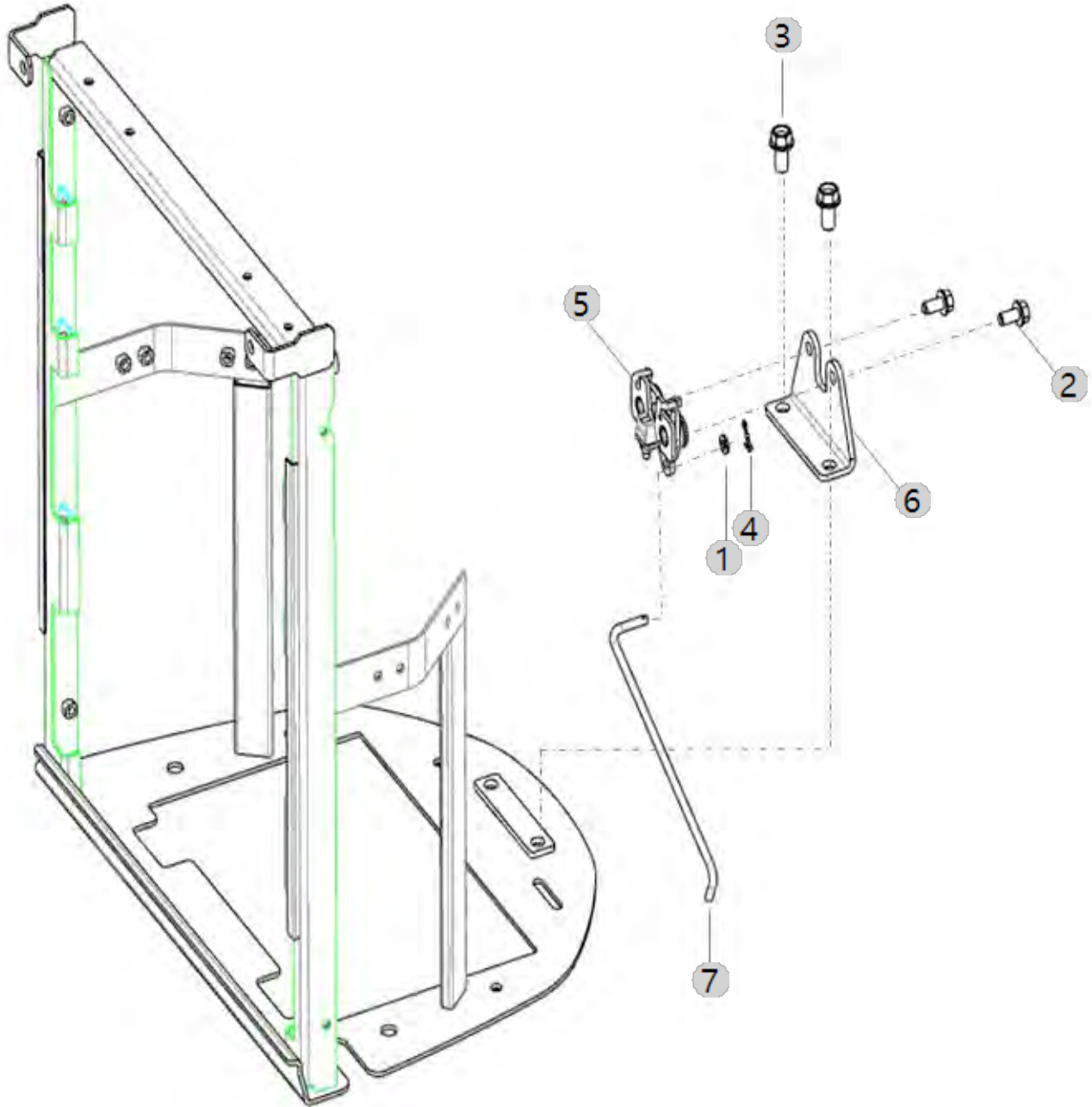
G01040

6225CH(EU)(AC02124)

LATCHING DEVICE, BONNET

Year/Month

2023-01-18



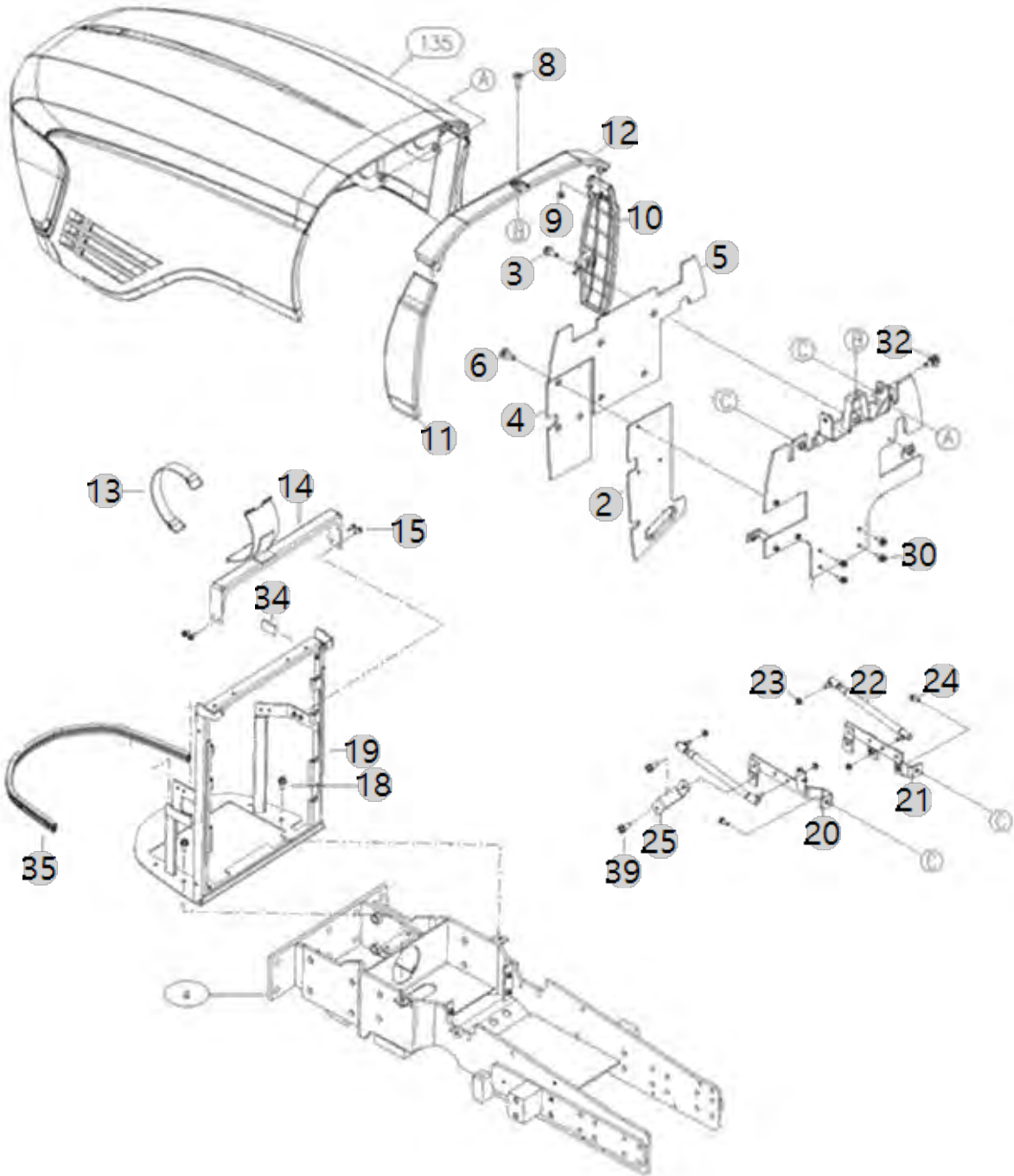
G01060

6225CH(EU)(AC02124)

FIXED BRACKET, BONNET

Year/Month

2023-01-18



<p>G01060 6225CH(EU)(AC02124)</p>	<p>FIXED BRACKET, BONNET</p>	<p>Year/Month 2023-01-18</p>
--	-------------------------------------	---------------------------------------

순번 (NO)	부품번호 (PART NO)	품명 (PART NAME)	품명 (PART NAME)	수량 (QTY)	규격 (SPEC)	비고 (REMARK)
1	TA00028152G	막이판 조합	PLATE ASS'Y	1	-	
2	TA00028165C	플레이트	PLATE	1	2.3T	
3	26106-080162	플랜지볼트8X16	SCREW,HEXFLANGEHEADCAP	2	M8XP1.25X16	
4	TA00028206B	막이판 스폰지 B (좌)	SPONGE B	1	5T	
5	TA00028205A	막이판 스폰지 A	SPONGE A	1	T5.0	
6	26106-060142	육각플랜지볼트	BOLT	3	M6X1.0X14	
8	26106-060120	육각플랜지볼트	HEX FLANGE BOLT	1		
9	26367-060002	플랜지너트	Nut, Hexa (Φ6)	4	M6XP1.0	
10	TA00072442A	후부 본넷 R	REAR BONNET R	1		
10	TA00062359A	후부본넷R	REAR BONNET_R	1		
11	TA00072441A	후부 본넷 L	REAR BONNET L	1		
11	TA00062358A	후부본넷L	REAR BONNET_L	1		
12	TA00072440A	후부 본넷	REAR BONNET	1		
12	TA00062357A	후부본넷	REAR BONNET	1		
13	TZD6890000B4	에어클리너 취부 밴드	BAND, AIR CLEANER	2		
14B	TA00034921D	에어 크리너 브래킷 조합	BRACKET, AIR-CLEANER	1		
15	26106-060162	육각플랜지 볼트	HEXFLANGEBOLT	8	M6XP1.0X16	
17	TA00053140A	래치조합	LATCH ASSY	1		
18	26106-100202	육각플랜지볼트	HEX BOLT, (10-20)	4	M10XP1.5X20	
19	TA00053540D	그릴프레임조합(25C유럽)	GRILL FRAME ASS'Y(25C EU)	1		
20	TA00034874D	브래킷 조합 (좌)	BRACKET A	1		
21	TA00034873D	브래킷 조합	BRACKET ASS'Y	1		
22	TA00023455B	가스 스프링	GAS SPRING	2	NONE	
23	26367-080002	259, 육각플랜지너트	HEX FLANGE NUT (Φ8)	4	M8XP1.25	
24	26106-100202	육각플랜지볼트	HEX BOLT, (10-20)	6	M10XP1.5X20	
30	26106-080182	444,ALL,플랜지볼트	SCREW,HEXFLANGEHEADCAP	4		
32	TA00022981B	본넷취부볼트	BONNET BOLT	2	M10XP1.5	
34	TA00031097A	흡기파이프 방진고무	RUBBER	1	6.0T	
35	TA00038101A	스트립	STRIP	1	A	
38	TA00036648A	브래킷 조합	BRACKET ASS'Y	2		
39	26106-080162	플랜지볼트8X16	SCREW,HEXFLANGEHEADCAP	4	M8XP1.25X16	
40	TA00025691A	브래킷 조합	BRACKET ASS'Y	1		
41	TA00022470C	본넷 지지대 조합	BRACKET ASSY	1		
42	TA00027025A	냉각수보조탱크 방열스폰	SPONGE	1		
43	TA00023210C	보조탱크브라켓조합	BRACKET ASS'Y, AUX. TANK	1	-	
44	26106-060142	육각플랜지볼트	BOLT	4	M6X1.0X14	
45	26106-080122	육각플랜지볼트	Bolt, Hexa (8-12)	3	M8XP1.25X12	
46	TA00023608C	냉각수보조탱크	RESERVOIR TANK, COOLING WATER	1		
47	TA00053544B	래치브라켓	LATCH BRACKET	1		
48	22137-060000	평와셔	WASHER , PLAIN	1	M6	
49	RR47070000C4	빠짐방지 스냅핀 6	PIN 6, COME-OFF SNAP	1	D1.2	
50	TA00051291B	로드(25Se)	ROD (25SE)	1		

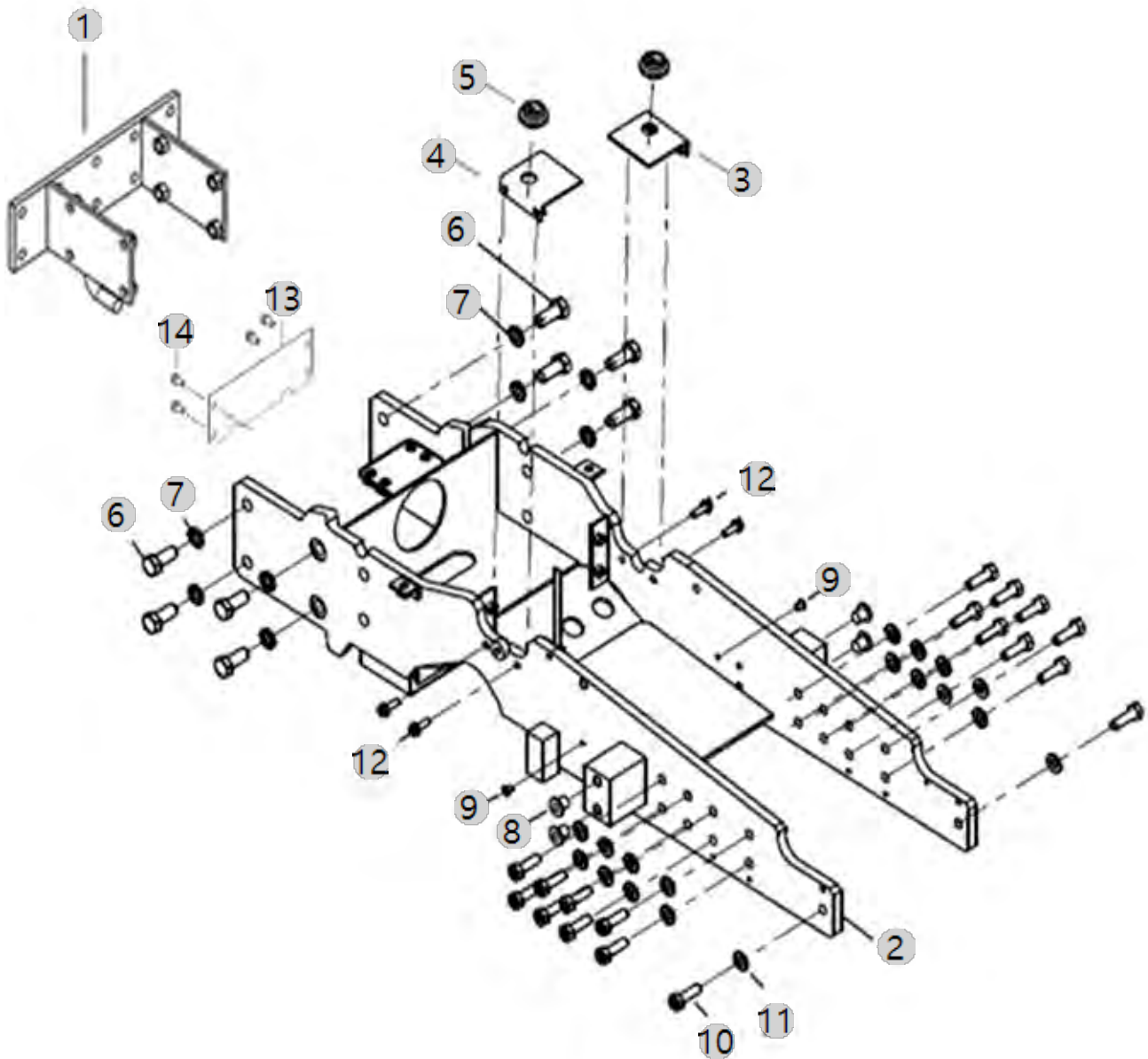
G01080

6225CH(EU)(AC02124)

FRONT AXLE BRACKET

Year/Month

2023-01-18



G01080 6225CH(EU)(AC02124)		FRONT AXLE BRACKET				Year/Month 2023-01-18
순번 (NO)	부품번호 (PART NO)	품명 (PART NAME)	품명 (PART NAME)	수량 (QTY)	규격 (SPEC)	비고 (REMARK)
1-1	TA00001548C	프런트 히치판 조립	FRONT HITCH ASSY	1	NONE	
1-1	TA00001548D	프런트 히치판 조립	FRONT HITCH ASS'Y	1	NONE	
2	TA00053520G	프런트액슬브라켓조립_유	FRONT AXLE BRACKET ASS'Y	1		
2	TA00053520I	프런트액슬브라켓조립_유	FRONT AXLE BRACKET ASS'Y	1		
2	TA00053520F	프런트액슬브라켓조립_유	FRONT AXLE BRACKET ASSY	1		
2	TA00053520H	프런트액슬브라켓조립_유	FRONT AXLE BRACKET ASS'Y	1		
3	TA00037418A	라디에이터브라켓(우)조립	RADIATOR_BRK	1		
3	TA00037418B	라디에이터브라켓(우)조립	RADIATOR_BRK	1		
4	TA00037416A	라디에이터브라켓(좌)조립	RADIATOR_BRK	1		
4	TA00037416B	라디에이터브라켓(좌)조립	RADIATOR_BRK	1		
5	HRA1203300A4	방진고무	RUBBER, VIBRATION PROOF	2		
6	26116-160402	볼트	BOLT	8		
7	22217-160000	스프링와셔	WASHER, SPRING (Φ 16)	8	M16	
8	TA00055258A	고무플러그(14)	PLUG(14)	4		
9	TB26060000A4	플러그7.8	PLUGRUBBER	6		
10	TT08230000B4	볼트	BOLT	18	M12XP1.75X4	
10	TT08230000A4	보울트	BOLT	18	M12X1.75X40	
10	TT08230000C4	볼트	BOLT	18	M12XP1.75X4	
11	TT08220000A4	로크스프링와셔	LOCKSPRINGWASHER	18	M12	
11	TT08220000C4	로크스프링와셔	LOCKSPRINGWASHER	18	M12	
11	TT08220000B4	로크스프링와셔	LOCKSPRINGWASHER	18	M12	
12	26106-080252	육각플랜지볼트	SCREW,HEXFLANGEHEADCAP	4	M8XP1.25X25	
13	TA00049891A	방풍플레이트(HST)	COVER	1		
13	TA00043292C	방풍플레이트	WINDSHILED PLATE	1		
13	TA00043292B	방풍플레이트	PLATE	1		
13	TA00049891B	방풍플레이트(HST)	WINDSHIELD (HST)	1		
14	26106-080162	플랜지볼트8X16	SCREW,HEXFLANGEHEADCAP	1	M8XP1.25X16	

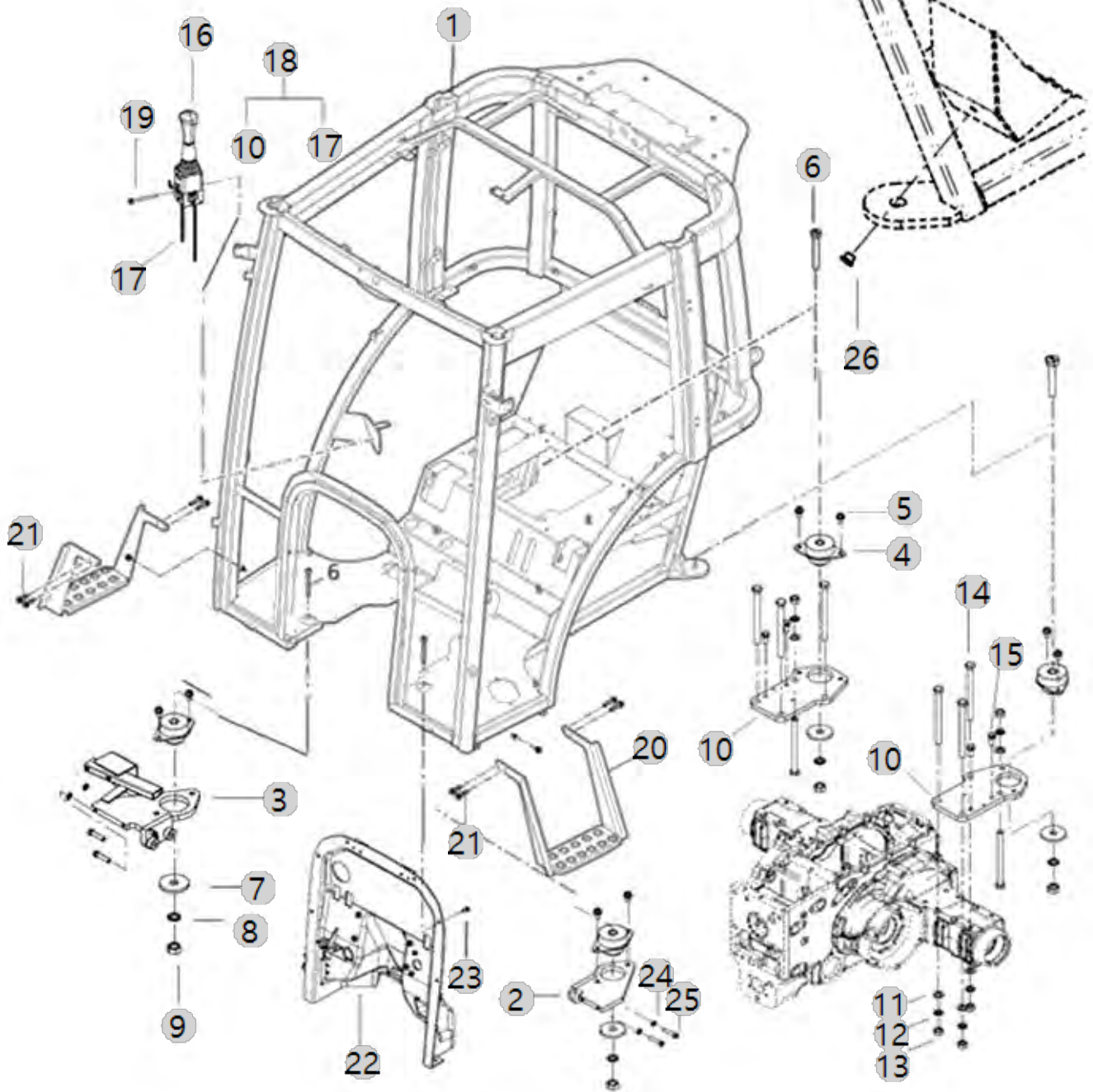
G02010

6225CH(EU)(AC02124)

CABIN FRAME

Year/Month

2023-01-18



G02010		CABIN FRAME				Year/Month
6225CH(EU)(AC02124)						2023-01-18
순번 (NO)	부품번호 (PART NO)	품명 (PART NAME)	품명 (PART NAME)	수량 (QTY)	규격 (SPEC)	비고 (REMARK)
1	TA00046885I	25Ch 프레임 총조합	25CH FRAME ASS'Y	1		
1	TA00064835A	25Ch(EU)_NEC_S5_캐빈총조합	SB62HC_CABIN ASSY	1		
1	TA00064835B	25Ch(EU)_NEC_S5_캐빈총조합	SB62HC_CABIN ASSY	1		
2	TA00035953B	방진 고무 지지대 앞 조합 (좌)	SUPPORT ASS'Y	1		
2	TA00035953A	방진 고무 지지대 앞 조합 (좌)	SUPPORT ASSY	1		
3	TA00044856B	방진고무지지대(우)	BRACKET, FRONT(R)	1		
3	TA00044856D	방진고무지지대(우)	BRACKET, FRONT(R)	1		
3	TA00044856C	방진고무지지대(우)	BRACKET, FRONT(R)	1		
4	TA00017825B	방진고무조합	CUSHION RUBBER, FRONT	4		
5	26106-120202	육각플랜지볼트	BOLT	8		
6	FTK1320000A4	캐빈취부볼트	BOLT	4	M20XP2.0X12	
6	FTK1320000C4	캐빈취부볼트	BOLT	4	M20XP2.0X12	
6	FTK1320000B4	캐빈취부볼트	BOLT	4	M20XP2.0X12	
7	TH51050000A4	와셔	WASHER	4	8.0T	
7	TH51050000B4	와셔	WASHER	4	8T	
8	22217-200000	스프링 와셔	WASHER, SPRING (Φ 20)	4	M20 X 60 X P	
9	26716-200002	육각너트	NUT	4	M20XP2.5	
9	26716-20002	육각너트	HEX NUT	4		
10	TA00027276C	캐빈 취부 브래킷 후	BRACKET REAR	2	16T	
10	TA00027276B	캐빈 취부 브래킷 후	BRACKET REAR	2	16T	
11	22137-160000	와셔	WASHER, PLAIN (Φ 16)	8	M16	
12	22217-160000	스프링와셔	WASHER, SPRING (Φ 16)	8	M16	
13	26716-160002	육각너트	NUT	8	M16XP2.0	
14	TTF8170000B4	볼트	BOLT	8	M16X2.0	
14	TTF8170000A4	보울트	BOLT	8	M16X200	
15	26013-120322	BOLT.W/WASHER	HEX BOLT W/WASHER	4		
16	TA00035126A	조이스틱	JOY-STICK	1		
17	TA00038396A	조이스틱 케이블(1400)	JOY-STICK CABLE	2		
17	TA00035127A	조이스틱 케이블	JOYSTICK CABLE	2		
18	TA00035125A	조이스틱 조합	JOY-STICK ASS'Y	1		
18	TA00019275A	조이스틱 레버조합	.	1	NONE	
19	26106-080802	572,A1417,플랜지볼트8X80	SCREW,HEXFLANGEHEADCAP	2	M8X1.25X80	
20	TA00072966A	발판조합_C	STEP ASS'Y	2		
20	TA00072996A	보조발판관계(20C)	STEP ASSY	2		
21	26106-080162	플랜지볼트8X16	SCREW,HEXFLANGEHEADCAP	8	M8XP1.25X16	
22	TA00028579I	방풍판 조합	WINDSHIELD ASS'Y	1		
22	TA00044891G	방풍판 조합(HST)	WINDSHIELD ASS'Y(HST)	1		
22	TA00028579J	방풍판 조합	WINDSHIELD ASS'Y	1		
22	TA00044891F	방풍판 조합(HST)	HEAT INSULATOR ASS'Y	1		
23	26106-060162	육각플랜지 볼트	HEXFLANGE BOLT	8	M6XP1.0X16	
24	22217-100000	스프링와셔	WASHER, SPRING (Φ 10)	4	M10	
24	22217-10000	스프링와셔	SPRING WASHER	4		
25	CA00001686B	육각볼트M10X45	BOLT HEXAGON M10X45	4	M10X45(10.9T)	
25	CA00001686A	육각볼트M10X45	BOLT HEXAGON M10X45	4		
26	TB18040000A4	플러그	PLUG13	1	D13	

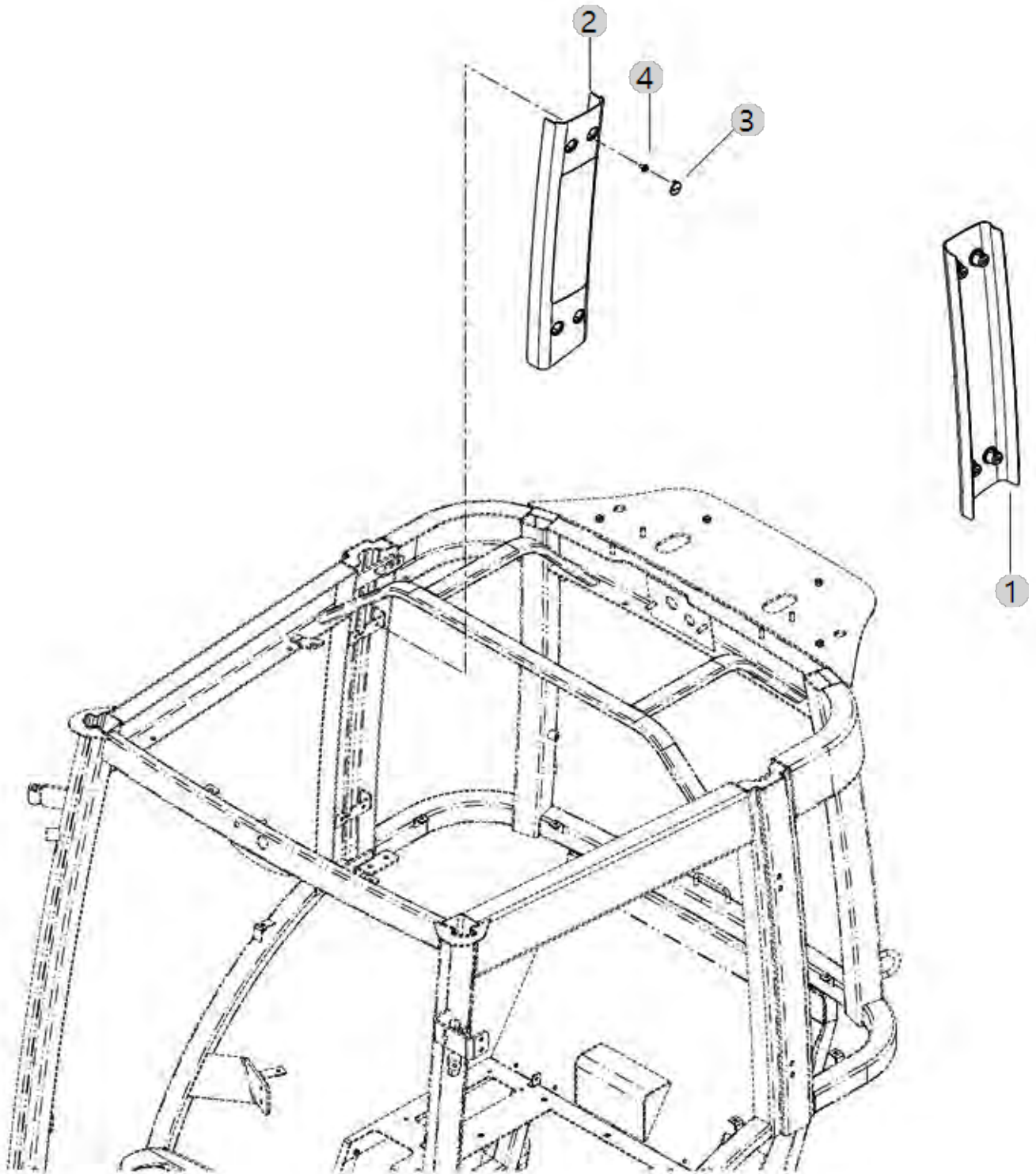
G02011

6225CH(EU)(AC02124)

PILLAR COVER

Year/Month

2023-01-18



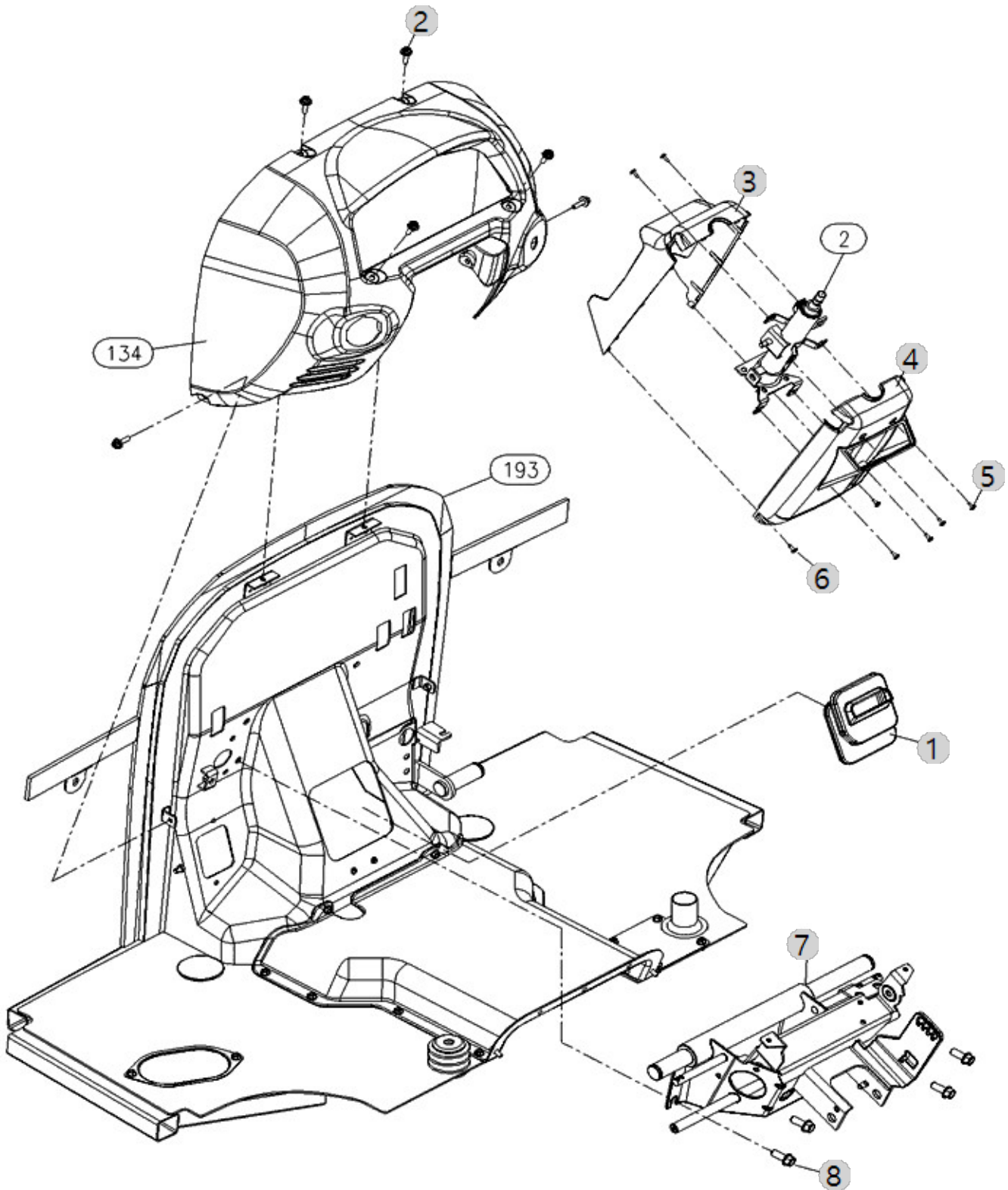
G02020

6225CH(EU)(AC02124)

DASH BOARD

Year/Month

2023-01-18



G02020		DASH BOARD				Year/Month
6225CH(EU)(AC02124)						2023-01-18
순번 (NO)	부품번호 (PART NO)	품명 (PART NAME)	품명 (PART NAME)	수량 (QTY)	규격 (SPEC)	비고 (REMARK)
1	TA00002039A	PST 부츠	PST BOOT	1	NONE	
2	TCE9020000C4	볼트(BC)6x20	BOLT(BC)	2	M6XP1.0X25	
2	TCE9020000B4	볼트(BC)6x20	BOLT(BC)	6	M6XP1.0X25	
3	TA00047998B	컬럼커버_전(실버)	COLUMN COVER F	1		
3	TA00023577B	컬럼 커버(전)	COLUM COVER(FRONT)	1		
4	TA00047997B	컬럼커버_후(실버)	COLUMN COVER R	1		
4	TA00023578C	컬럼커버(후)	COLUMN COVER(REAR)	1	T3.0	
5	TTD7100000A4	(+)자 홈붙이 탭핑 나사	CROSSRCESSEDTAPPINGSCREW	4	M5X25	
6	TTD7090000B4	(+)자 홈붙이 탭핑 나사	CROSS RECESSED HEAD TAPPING SCREW	4	M5X16	
6	TTD7090000A4	(+)자 홈붙이 탭핑 나사	CROSSRECESSEDHEADTAPPINGSCREW	4	M5X16	
6	TTD7090000C4	(+)자 홈붙이 탭핑 나사	CROSS RECESSED HEAD TAPPING SCREW	4	M5X16	
7	TA00051442A	스테인조합(H)	STAY ASSY, PEDAL SHAFT	1		
7	TA00048934B	스테인 조합	STAY ASS'Y	1		
7	TA00048934A	스테인 조합	STAY ASSY	1		
7	TA00051442B	스테인조합(H)	STAY ASSY, PEDAL SHAFT	1		
8	26106-100252	육각플랜지볼트	SCREW,HEXFLANGEHEADCAP	4	M10XP1.5X25	

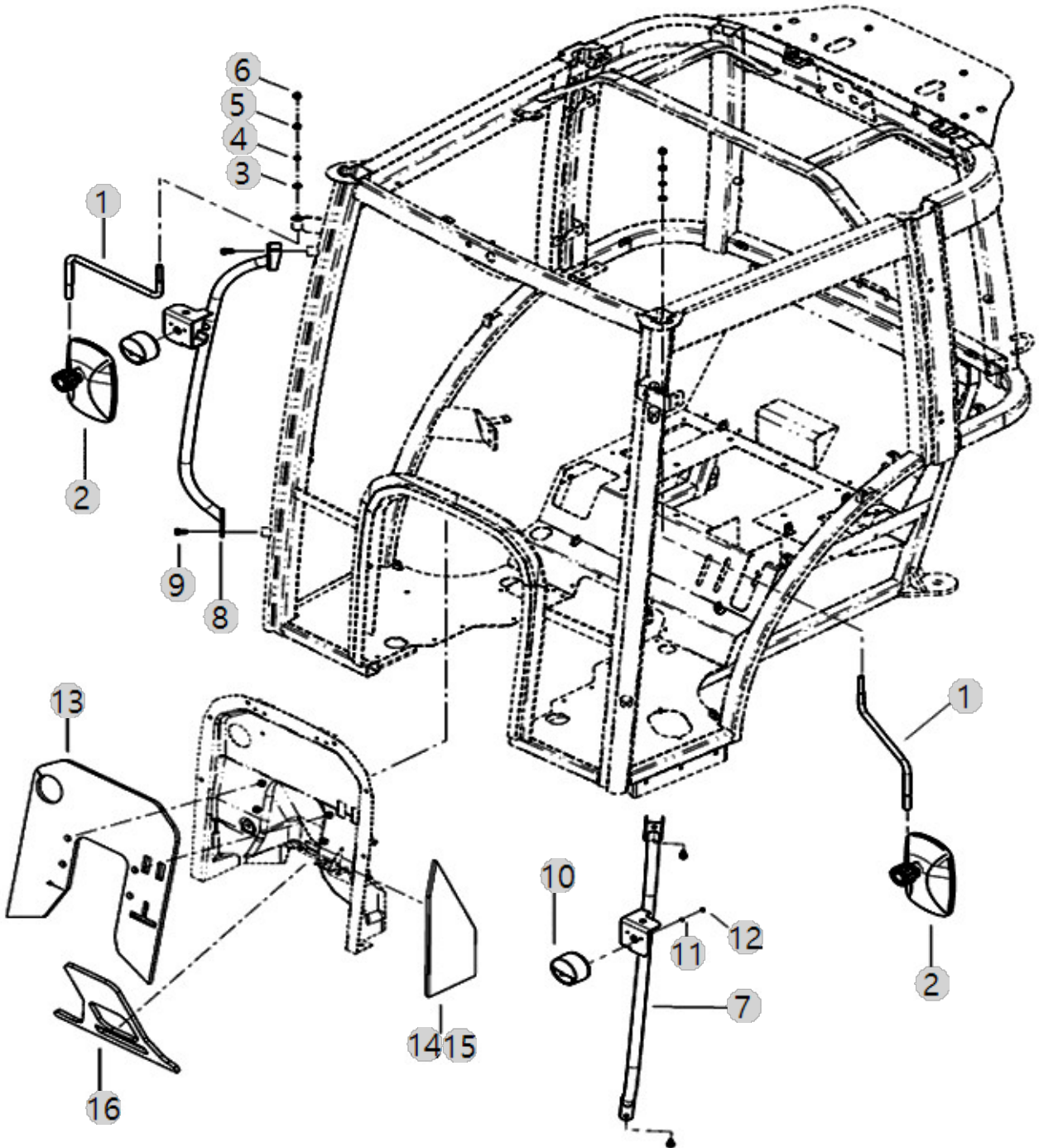
G02030

6225CH(EU)(AC02124)

SIDE MIRROR

Year/Month

2023-01-18



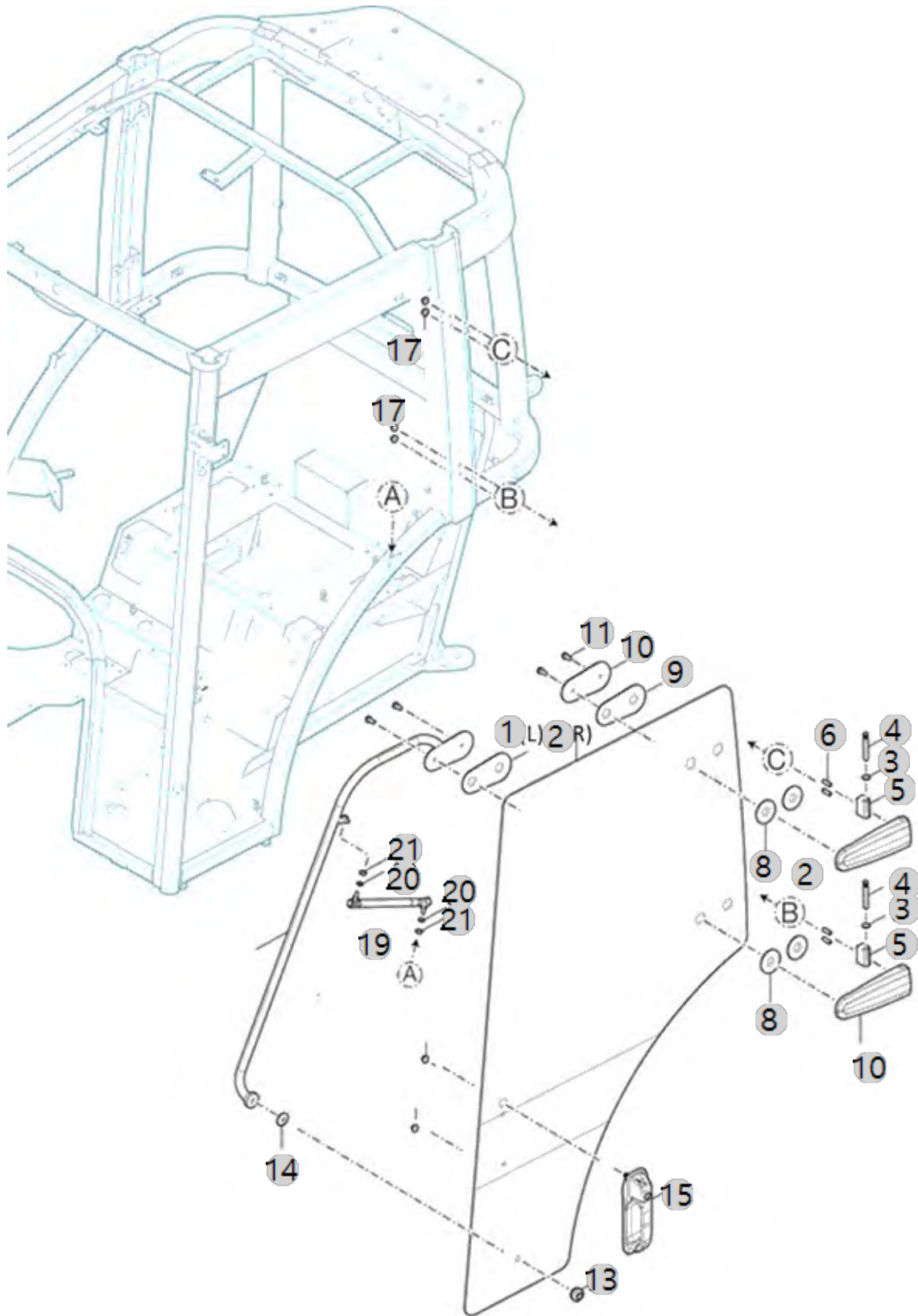
G02050

6225CH(EU)(AC02124)

DOOR ASS'Y

Year/Month

2023-01-18



G02050		DOOR ASS'Y				Year/Month
6225CH(EU)(AC02124)						2023-01-18
순번 (NO)	부품번호 (PART NO)	품명 (PART NAME)	품명 (PART NAME)	수량 (QTY)	규격 (SPEC)	비고 (REMARK)
1	TA00062868A	출입문 유리_좌(신형)	DOOR GLASS_LH	1		
1	TA00046117A	출입문 유리(좌)	DOOR GLASS(L)	1		
1	TA00046119A	출입문 유리(우)	DOOR GLASS(R)	1		
1	TA00062869A	출입문 유리_우(신형)	DOOR GLASS_RH	1		
2	TA00020155A	4각 너트	NUT	2		
3	TA00020156A	와셔	WASHER	2		
4	TA00020157A	볼트	BOLT	2		
5	TA00046256C	힌지 A	HINGE	1		
5	TA00046256C	힌지 A	HINGE	2		
5	TA00046256C	힌지 A	HINGE	1		
5	TA00046256D	힌지 A	HINGE	2		
6	TA00046259B	볼트	BOLT	8		
6	TA00046257A	부시	BUSH	4		
7	TA00047044C	힌지 B	HINGE B	2		
7	TA00046258C	핀	PIN	4		
7	TA00046258B	핀	PIN	4		
7	TA00047044D	힌지 B	HINGE B	2		
8	TA00046263B	서포트	SUPPORT	4		
9	TA00046259B	볼트	BOLT	2		
9	TA00046259A	볼트	BOLT	8		
10	TA00047044D	힌지 B	HINGE B	2		
10	TA00047044A	힌지 B	HINGE B	2		
11	TA00048408A	와셔조립남비작은나사(8x20)	SCREW	8		
11	TA00046260A	고무패킹A	PACKING A, RUBBER	8		
12	TA00046261A	고무패킹B	PACKING B, RUBBER	4		
13	TA00046262B	플레이트	PLATE	2		
13	TA00046262A	플레이트	PLATE	2		
14	THA4904000A9	패킹1	PACKING 1	2		
14	26022-080162	와셔조립남비작은나사(SW)	SCREW AND WASHER ASSEMBLY	8	M8X16	
15	TA00046120B	손잡이 조합(좌)	HANDLE ASS'Y	1		
15	TA00062177B	출입문손잡이조합(좌)	DOOR LATCH ASSY, LH	1		
15	TA00046120A	출입문 (내) 손잡이 (좌)	INNER DOOR HANDLE (LH)	1		
15	TA00062178B	출입문손잡이조합(우)	DOOR LATCH ASSY, RH	1		
15	TA00046129A	출입문 (내) 손잡이 (우)	INNER DOOR HANDLE (RH)	1		
15	TA00046129B	손잡이 조합(우)	HANDLE ASS'Y	1		
16	TA00020714A	쿠션볼트	CUSHION BOLT -> THA4903000A9	2		
17	THA4904000A	패킹	PACKING	2		
18	TA00044197A	손잡이 패킹	HANDLE PACKING	2		
19	TA00044198A	손잡이	HANDLE	2		
20	TA00029055A	패킹 A	PACKING A	2		
21	TA00046820A	도어래치 브래킷(좌)	BRACKET L	1		
21	TA00046821A	도어래치 브래킷(우)	BRACKET R	1		
22	26367-060002	플랜지너트	Nut, Hexa (Φ6)	2	M6XP1.0	
23	TA00044195A	도어래치(좌)	DOOR LATCH(L)	1		
23	TA00044196A	도어래치(우)	DOOR LATCH(R)	1		

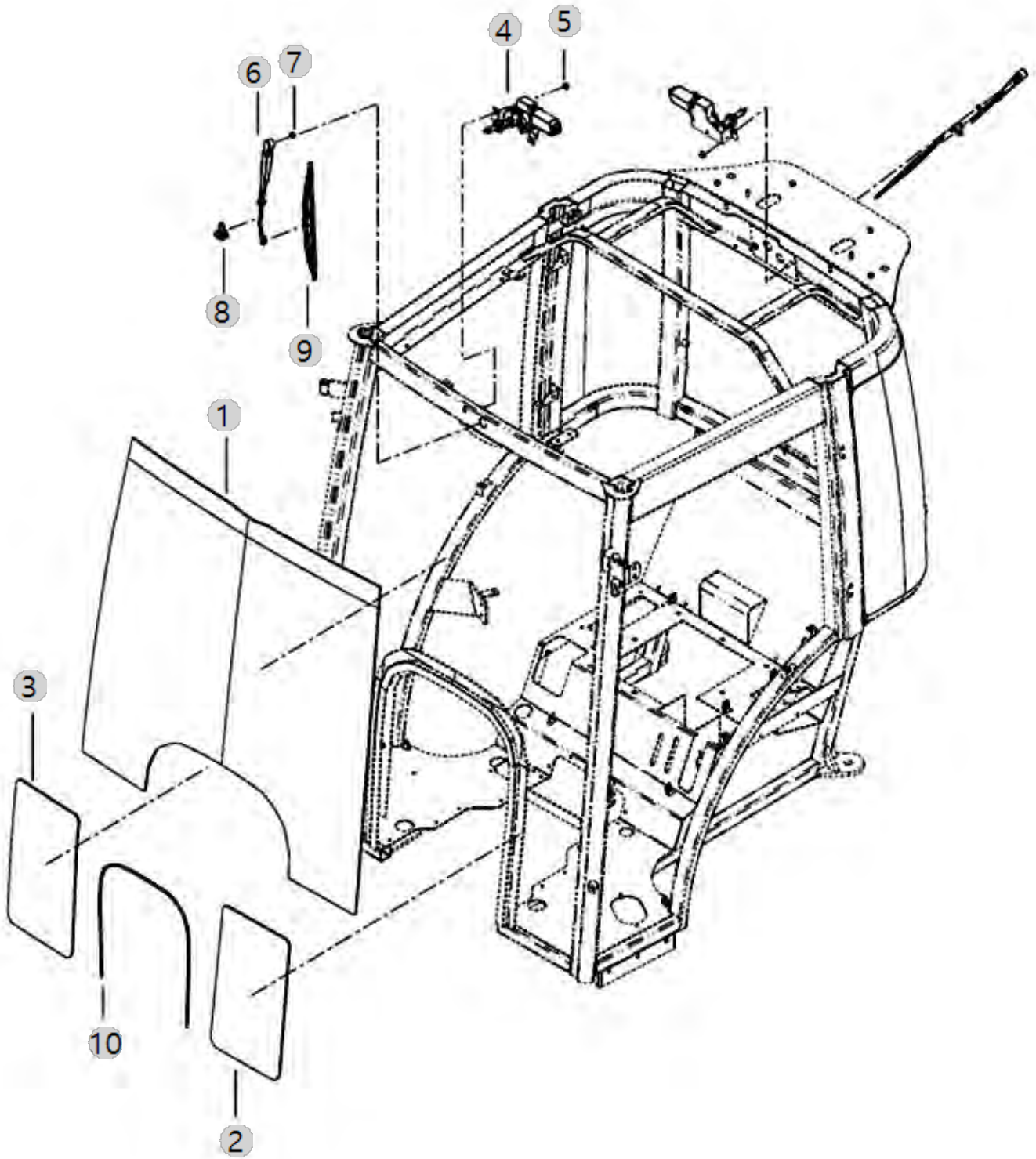
G02071

6225CH(EU)(AC02124)

FRONT WINDOWS

Year/Month

2023-01-18



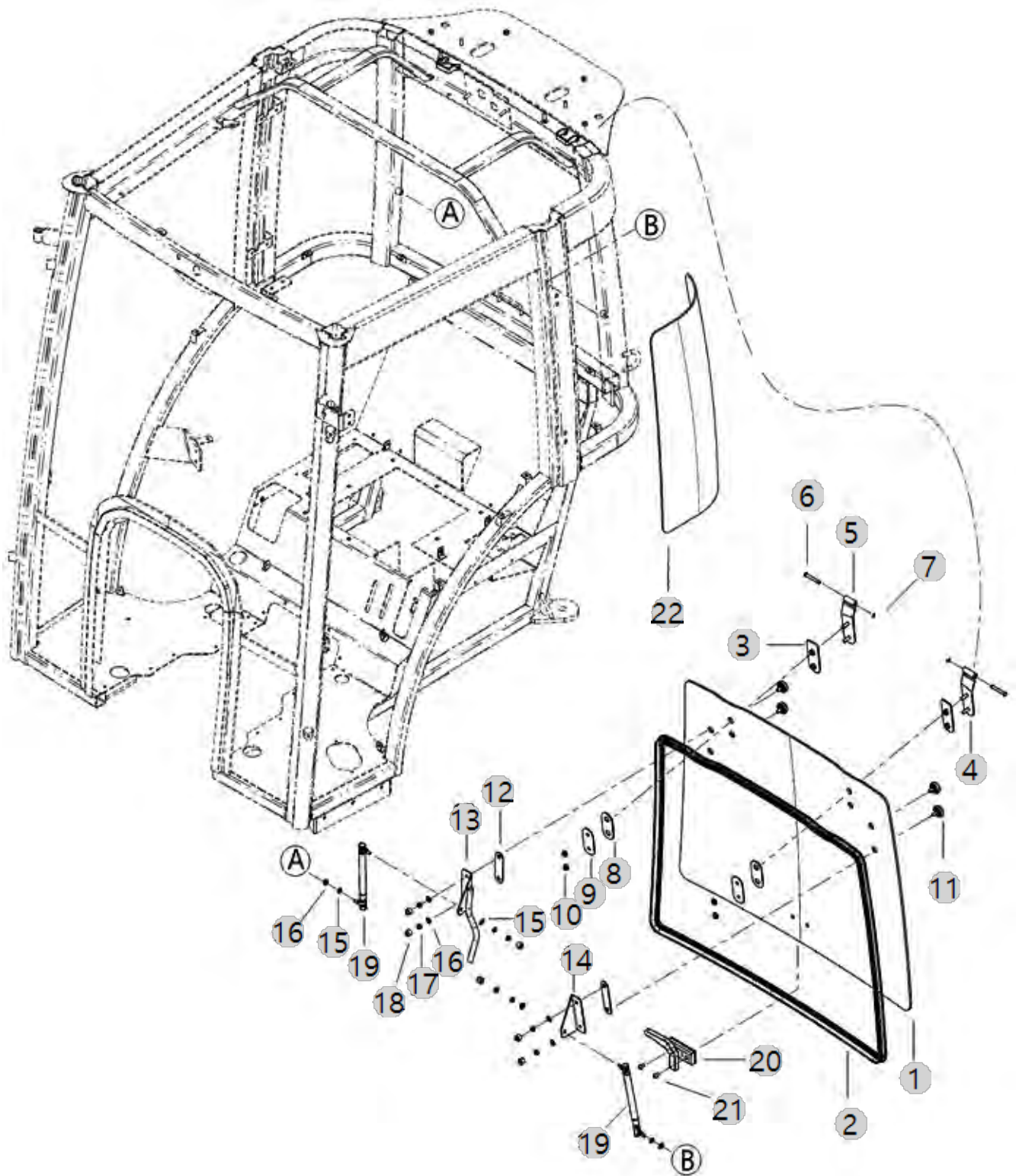
G02072

6225CH(EU)(AC02124)

REAR WINDOWS

Year/Month

2023-01-18



G02072	REAR WINDOWS	Year/Month
6225CH(EU)(AC02124)		2023-01-18

순번 (NO)	부품번호 (PART NO)	품명 (PART NAME)	품명 (PART NAME)	수량 (QTY)	규격 (SPEC)	비고 (REMARK)
1	TA00046134A	후면 유리	REAR GLASS	1		
2	TA00046661B	후면유리 패킹	PACKING, REAR DOOR	1		
3	TA00046715A	패킹 A	PACKING	2		
4	TA00046712B	후면장식(좌)	HINGE L	1		
4	TA00046712A	후면장식(좌)	HINGE L	1		
5	TA00046714B	후면장식(우)	HINGE R	1		
5	TA00046714A	후면장식(우)	HINGE R	1		
6	THA4917000A9	두부핀	PIN	2		
6	THA4917000A9	두부핀	PIN	2		
6	THA4917000A9	두부핀	PIN	2		
7	22272-000060	SNAP RING	RING, CIRCLIP (Φ 06)	2	D6	
8	TA00046716A	패킹 B	PACKING	2		
9	TA00046127B	플레이트	PLATE	2		
9	TA00046127A	플레이트	PLATE	2		
10	26367-080002	259, 육각플랜지너트	HEX FLANGE NUT (Φ8)	8	M8XP1.25	
11	TA00020714A	쿠션볼트	CUSHION BOLT -> THA4903000A9	4		
12	TA00029044A	패킹	PACKING	2		
13	TA00028703B	손잡이 조합	HANDLE ASS'Y	1		
13	TA00028703A	손잡이 조합	HANDLE ASS'Y	1		
14	TA00020736B	손잡이 브래킷(좌)	HANDLE BRACKET(L)	1		
14	TA00020736A	손잡이 브래킷(좌)	HANDLE BRACKET(L)	1		
15	22217-080000	스프링와셔8	WASHER, SPRING (Φ 08)	4	M8	
16	22127-080000	플라인과셔8	WASHER, PLAIN (D80)	8	M8	
17	26717-080002	고정너트8	NUTM8	4	M8X1.25	
18	THA4912000A9	너트캡M8	CAP NUT	4		
18	THA4912000A9	너트캡M8	CAP NUT	4		
18	THA4912000A9	너트캡M8	CAP NUT	4		
19	TA00030934A	가스스프링[후방유리]	GAS SPRING (REAR WINDOW)	2		
19	THA4303004A	가스스프링	GAS SPRING	2		
20	TCJ1022800A3	뒷문손잡이	DOOR LOCK	1		
20	TCJ1022800A3	뒷문손잡이	DOOR LOCK	1		
20	TCJ1022800A3	뒷문손잡이	DOOR LOCK	1		
21	26557-080122	바인딩작은나사(8X12)	BOLT(8X12)	2		
22	TA00046131A	측면 유리(좌)	SIDE GLASS	1		
22	TA00046132A	측면 유리(우)	SIDE GLASS	1		
23	TA00046133B	후면 유리 조합	REAR GLASS ASS'Y	1		
23	TA00046133B	후면 유리 조합	REAR GLASS ASS'Y	1		
23	TA00046133B	후면 유리 조합	REAR GLASS ASS'Y	1		

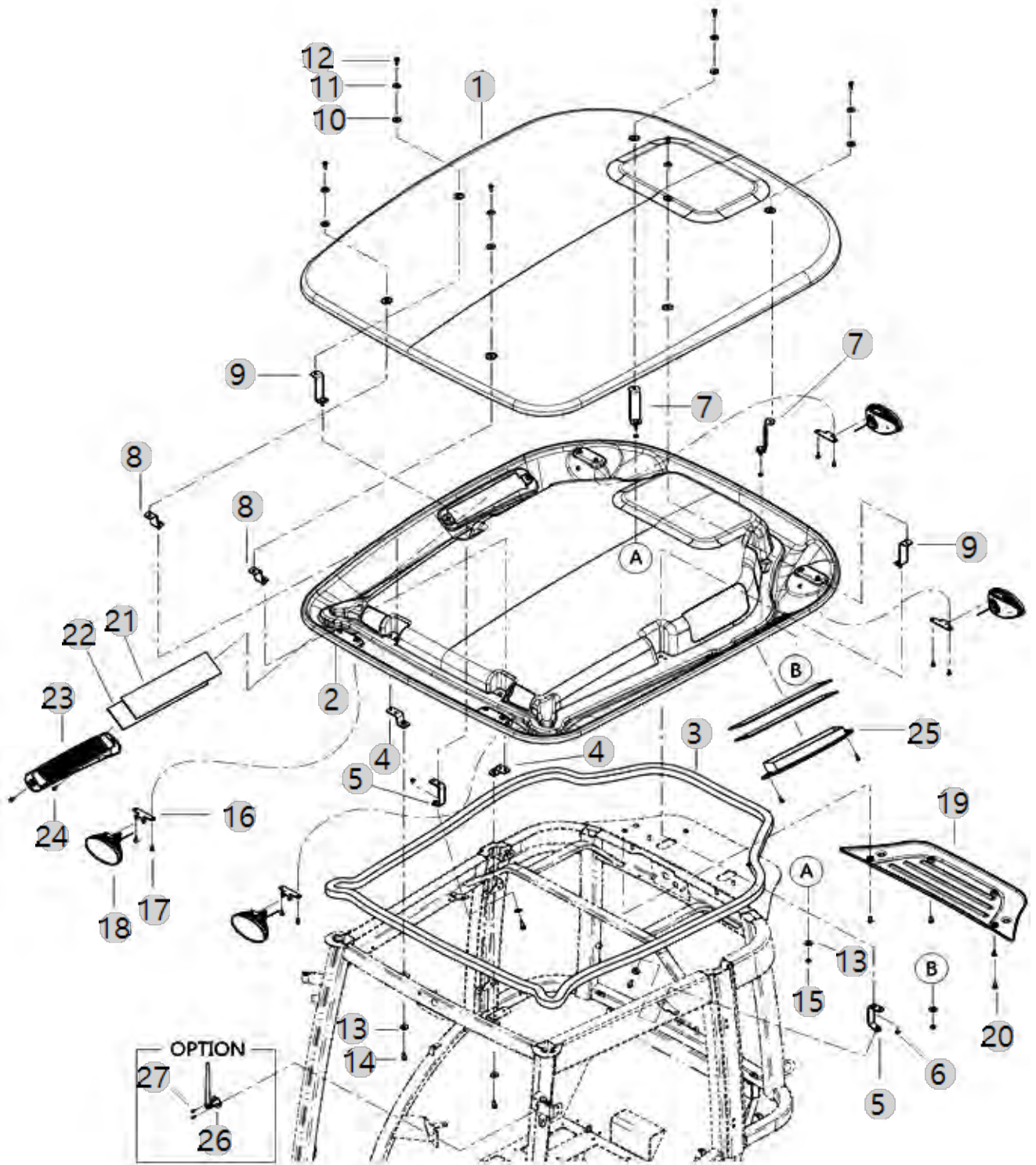
G02131

6225CH(EU)(AC02124)

ROOF/OUTER

Year/Month

2023-01-18



G02131		ROOF/OUTER				Year/Month
6225CH(EU)(AC02124)						2023-01-18
순번 (NO)	부품번호 (PART NO)	품명 (PART NAME)	품명 (PART NAME)	수량 (QTY)	규격 (SPEC)	비고 (REMARK)
1	TA00046110B	지붕(상)	ROOF	1		
1	TA00046110B	지붕(상)	ROOF	1		
1	TA00046110B	지붕(상)	ROOF	1		
2	TA00046102B	지붕(하) 조합	ROOF ASS'Y	1		
2	TA00046102B	지붕(하) 조합	ROOF ASS'Y	1		
2	TA00046102B	지붕(하) 조합	ROOF ASS'Y	1		
3	TA00061697A	지붕실링패드-F(2000)	ROOF SPONGE(2000)	2		
3	TA00061698A	지붕실링패드-H(1000)	ROOF SPONGE(1000)	1		
4	TA00046572A	연결브래킷 조합(FRONT)	BRACKET	2		
4	TA00046572B	연결브래킷 조합(FRONT)	BRACKET	2		
5	TA00046573B	연결브래킷 조합(REAR)	BRACKET	2		
5	TA00046573A	연결브래킷 조합(REAR)	BRACKET	2		
6	26716-080002	육각너트	NUT,HEX (D8)	2	M8xP1.25	
7	TA00046108B	간격 브래킷 조합 C	BRACKET ASS'Y	2		
7	TA00046108B	간격 브래킷 조합 C	BRACKET ASS'Y	2		
7	TA00046108B	간격 브래킷 조합 C	BRACKET ASS'Y	2		
8	TA00046104A	간격 브래킷 조합 A	BRACKET ASS'Y	2		
9	TA00046106A	간격 브래킷 조합 B	BRACKET ASS'Y	2		
10	THA4904000A9	패킹1	PACKING 1	6		
10	THA4904000A9	패킹1	PACKING 1	6		
10	THA4904000A9	패킹1	PACKING 1	6		
11	TA00045850A	와셔	WASHER	6		
12	26577-080252	(+)자홈접시작은나사	SCREW	6		
13	22157-080000	평와셔8(대형)	WASHER, PLAIN (Φ 08)	6	M8	
14	26106-080252	육각플랜지볼트	SCREW,HEXFLANGEHEADCAP	4	M8XP1.25X25	
15	26367-080002	259, 육각플랜지너트	HEX FLANGE NUT (Φ8)	2	M8XP1.25	
16	TA00047138A	전방 작업등 브래킷	FRONT LIGHT BRACKET	4		
17	26023-060182	와셔조립납땜작은나사(Sw+Pw)	Screw, (6-18)	8	M6X18	
18	HA00001106A	작업등(K5)	WORKING LAMP	4		
19	TA00046111A	에어컨 커버	COVER	1		
20	26577-080202	접시머리나사(8X20)	SCREW FLAT HEAD	4	M8X1.25X20	
21	TA00025479A	엘리먼트(캐빈_외기)	ELEMENT(CABIN_OUT)	2		
22	TA00025436A	걸름망	MESH	2		
23	TA00015590A	외기흡입덕트(우)	COVER(OUT)_RH	1		
24	26023-060202	와셔조립납땜작은나사(SW+PW)	BOLT	4	M6X20	
24	26023-060252	와셔조립납땜작은나사(SW+PW)	SCREW AND WASHER ASSEMBLY	4	M6X25	
25	TA00015589A	외기흡입덕트(좌)	COVER(OUT)_LH	1		
26	TA00045641A	안테나 조합	ANTENNA ASSY	1		
27	26023-040122	SCREW4X12	SCREW 4X12	2		

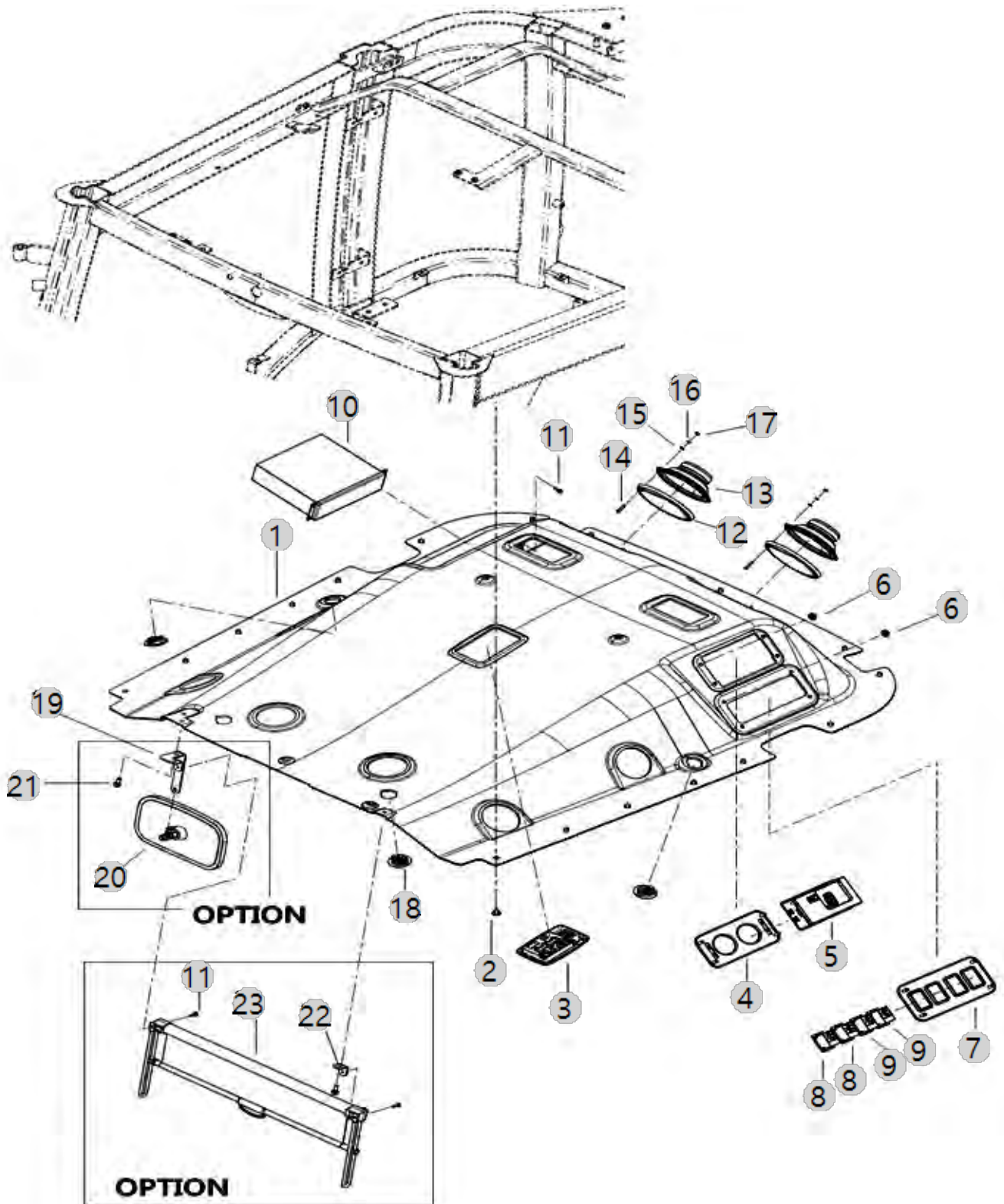
G02132

ROOF/INNER

Year/Month

6225CH(EU)(AC02124)

2023-01-18



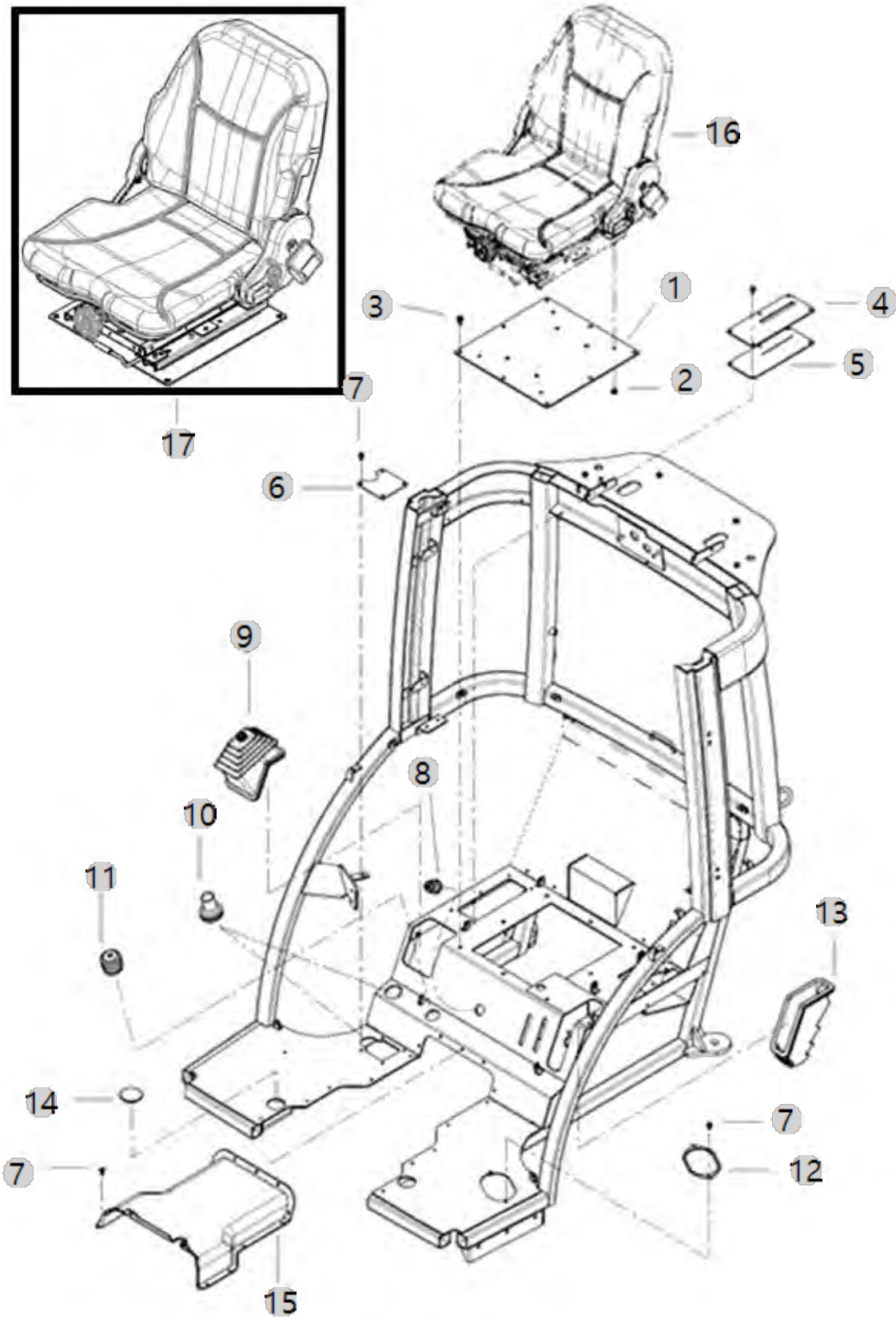
G02140

6225CH(EU)(AC02124)

DRIVER'S SEAT

Year/Month

2023-01-18



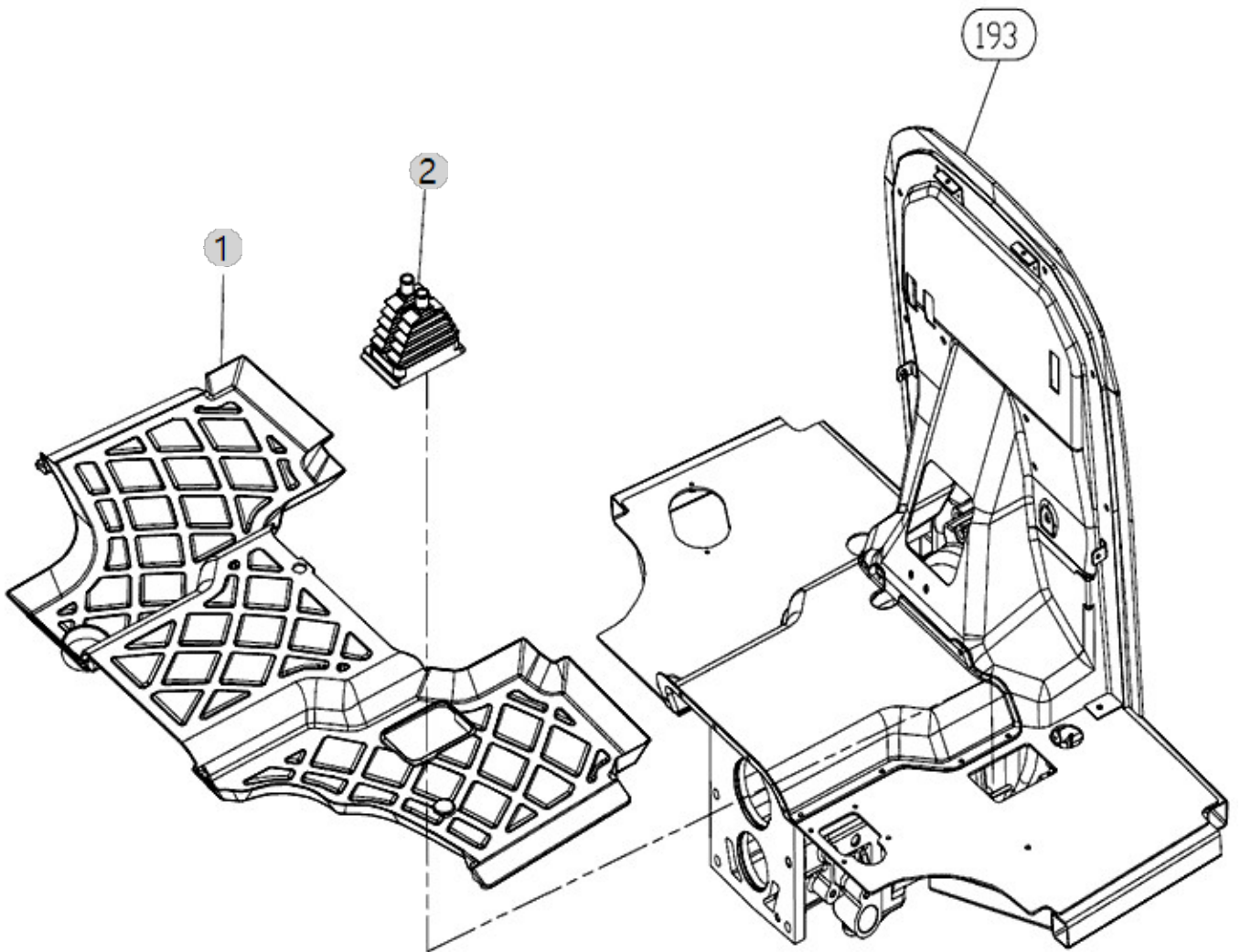
G02150

6225CH(EU)(AC02124)

FLOOR MAT

Year/Month

2023-01-18



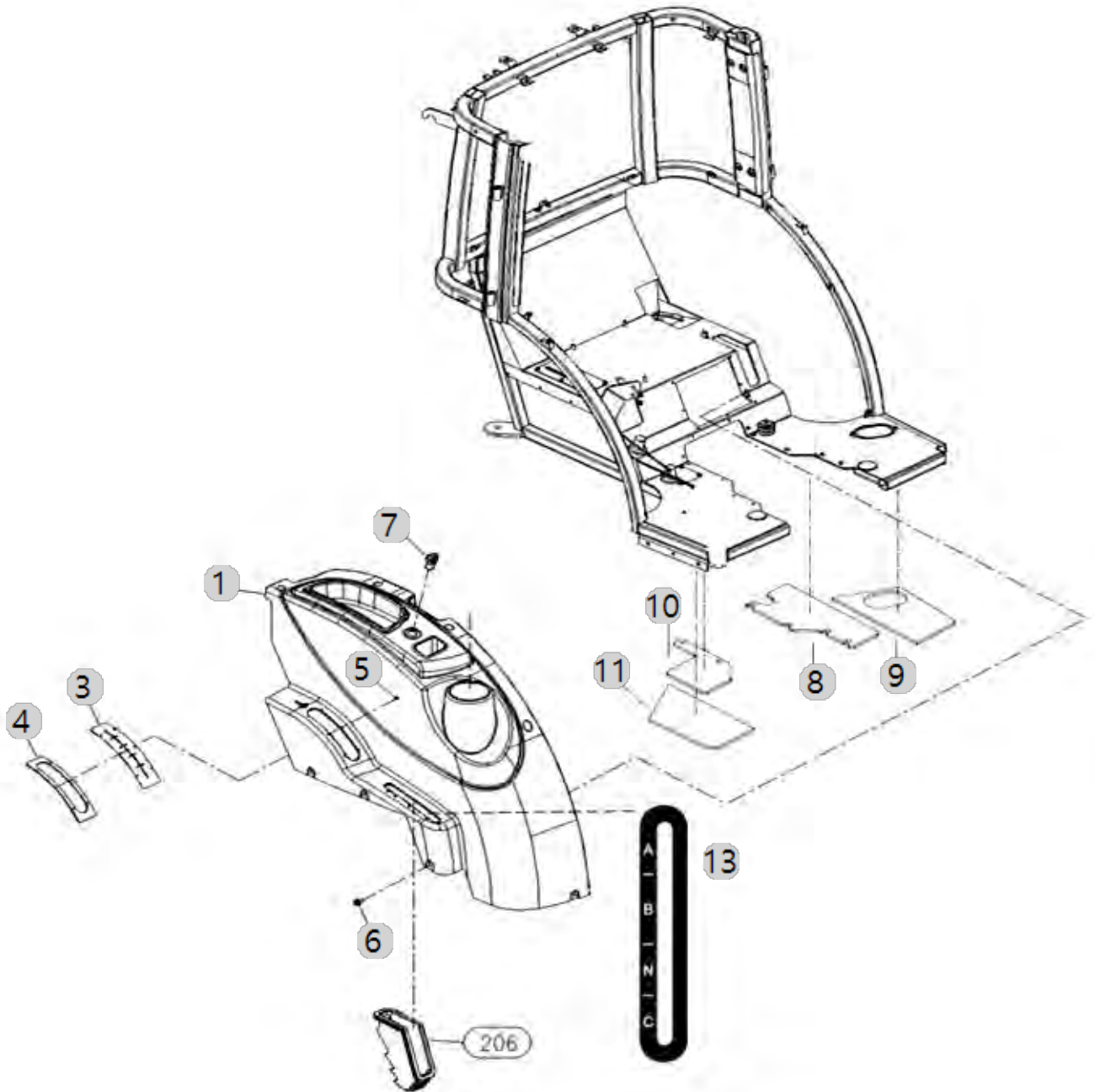
G02181

6225CH(EU)(AC02124)

FENDER COVER/LH

Year/Month

2023-01-18



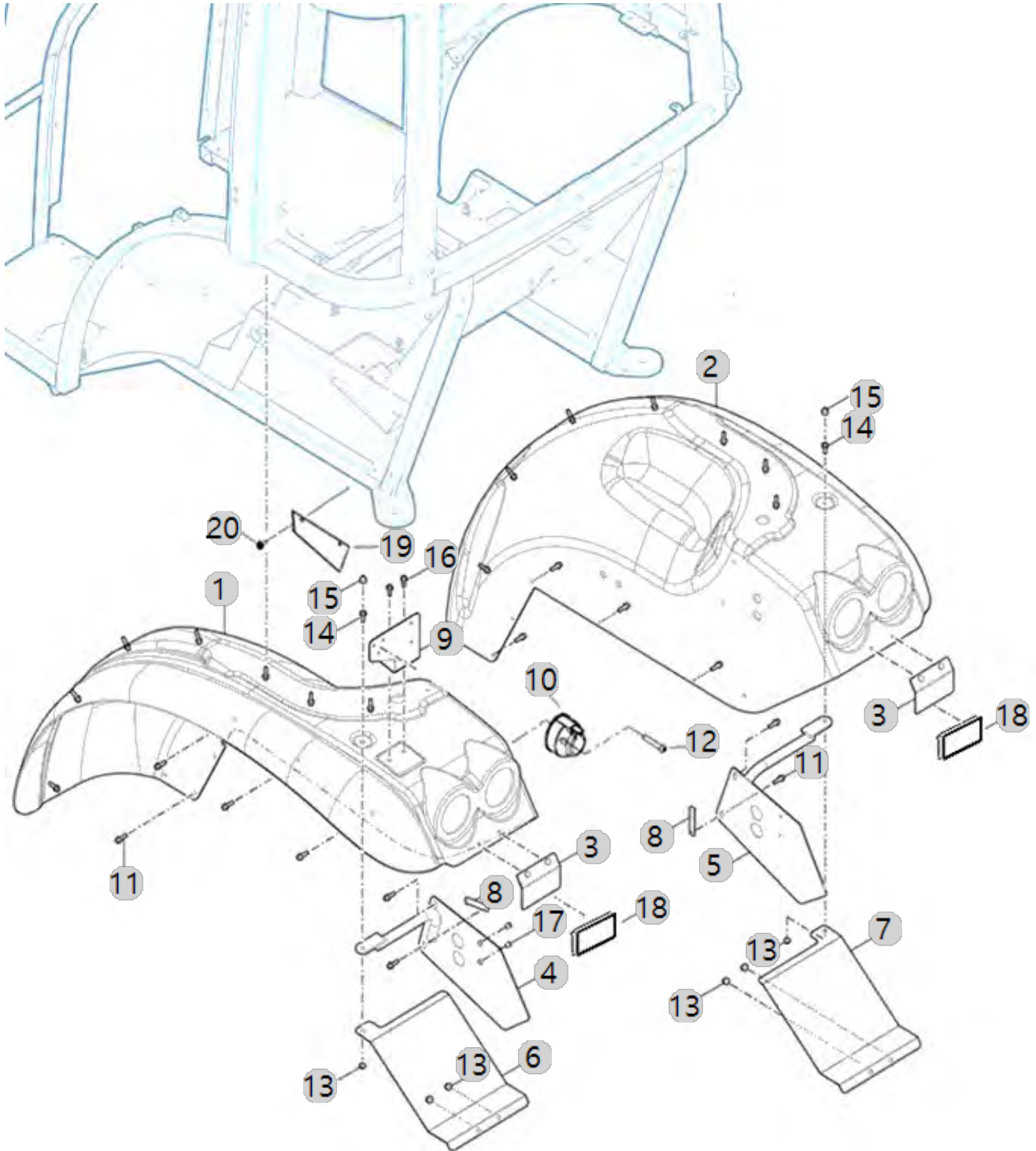
G02190

6225CH(EU)(AC02124)

FENDER ASS'Y

Year/Month

2023-01-18



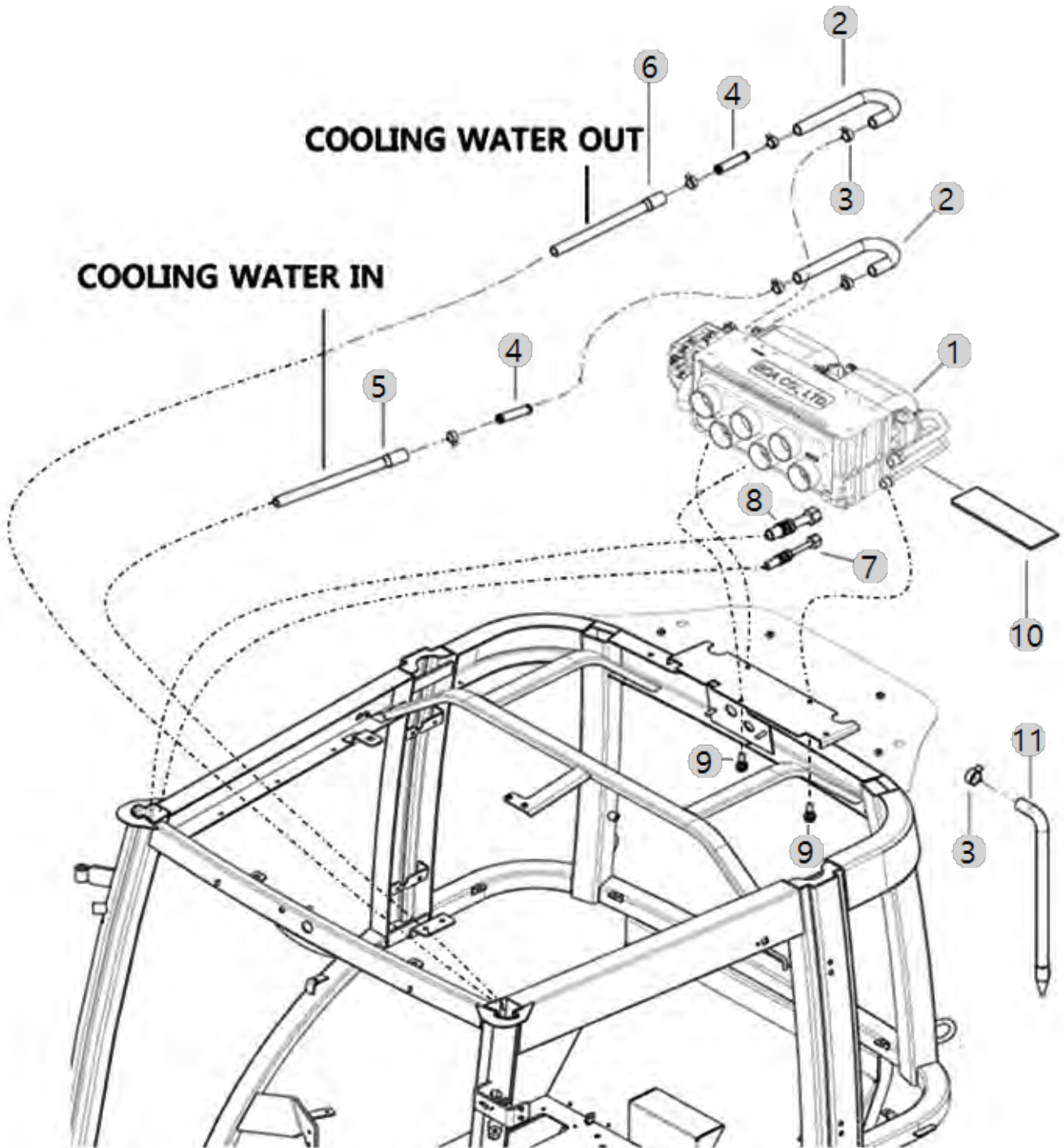
G03010

6225CH(EU)(AC02124)

AIR CONDITIONER

Year/Month

2023-01-18



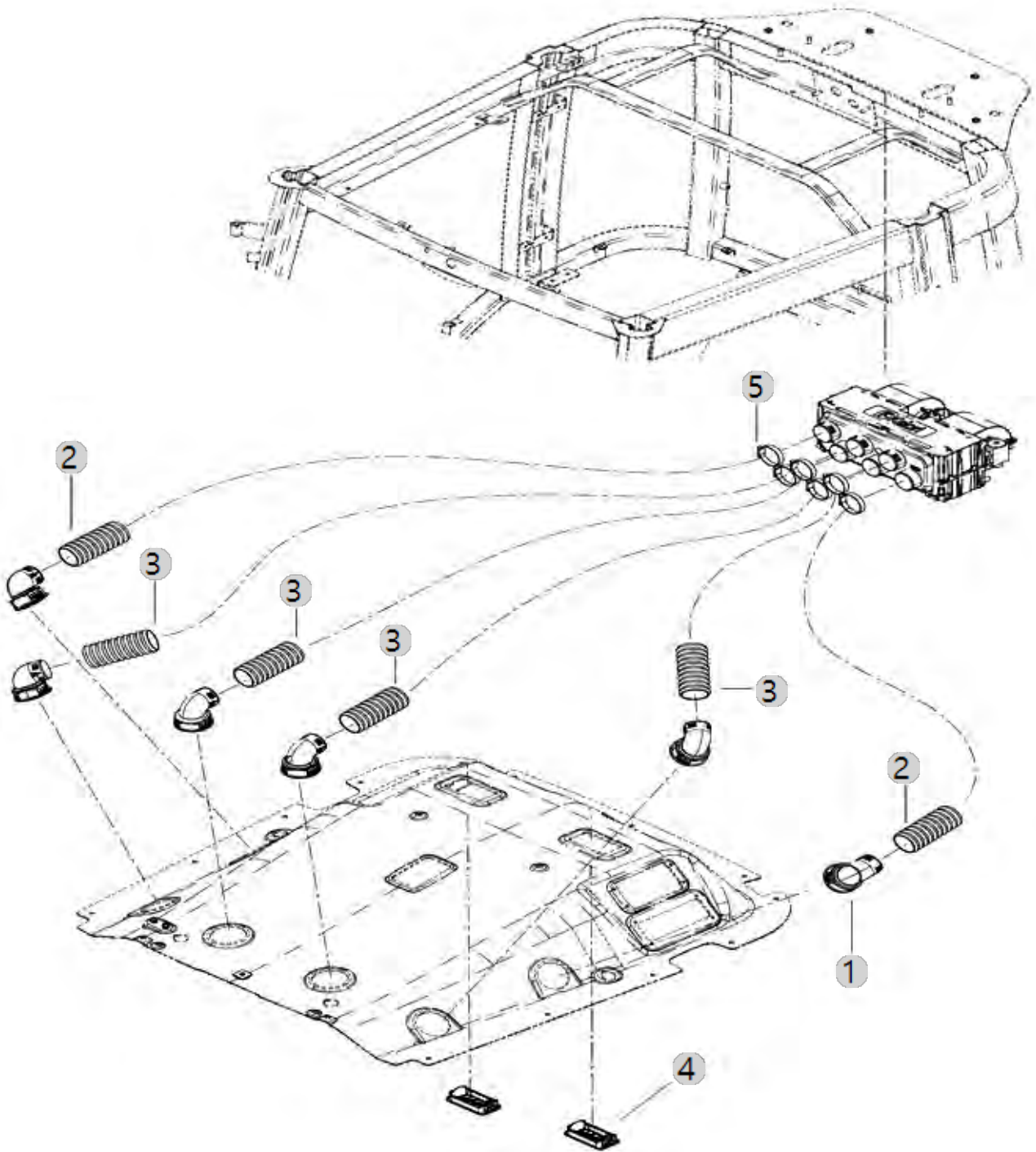
G03020

6225CH(EU)(AC02124)

A/C DUCT

Year/Month

2023-01-18



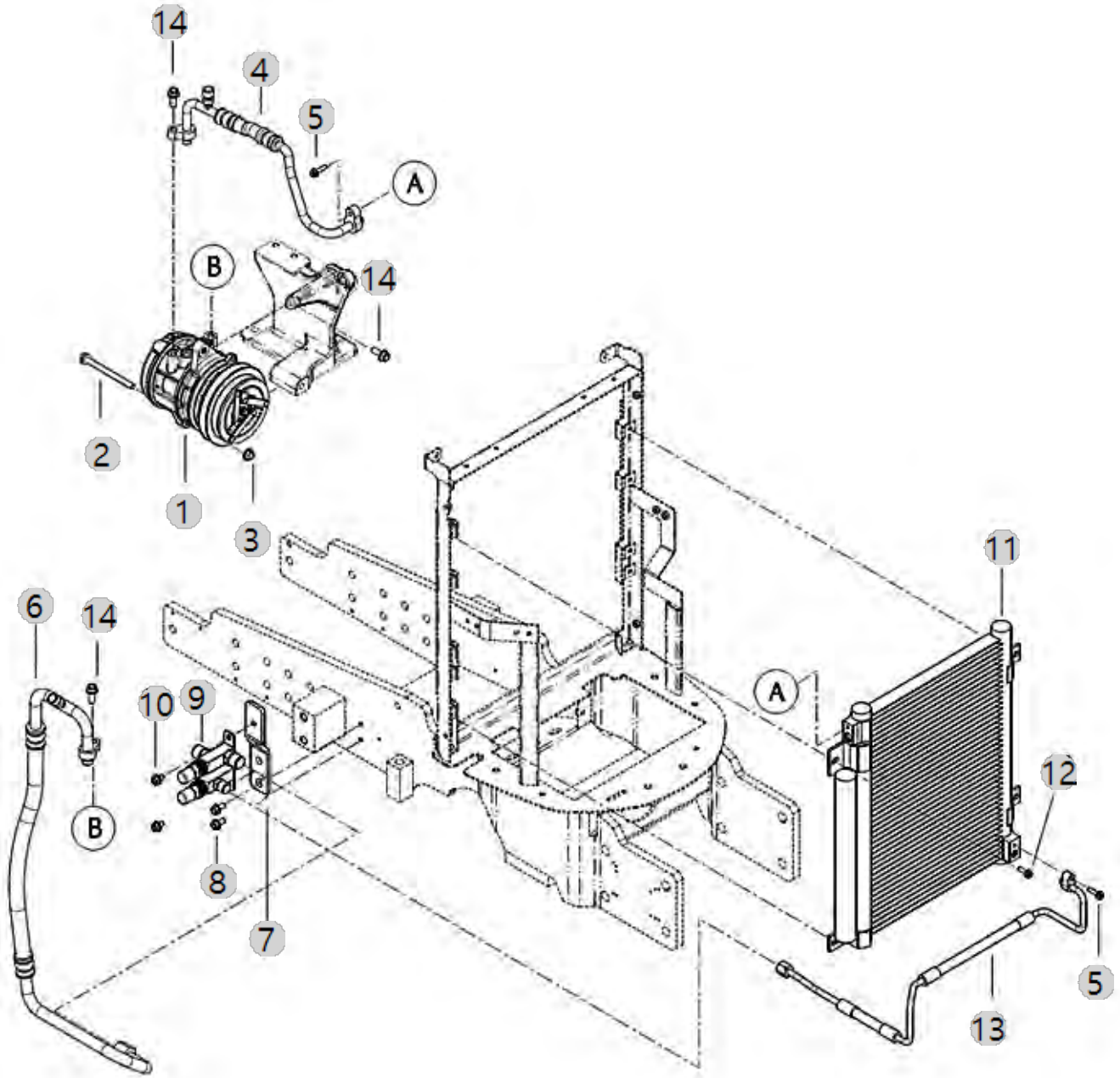
G03080

6225CH(EU)(AC02124)

A.C HOSE/CONDENSER HOSE

Year/Month

2023-01-18



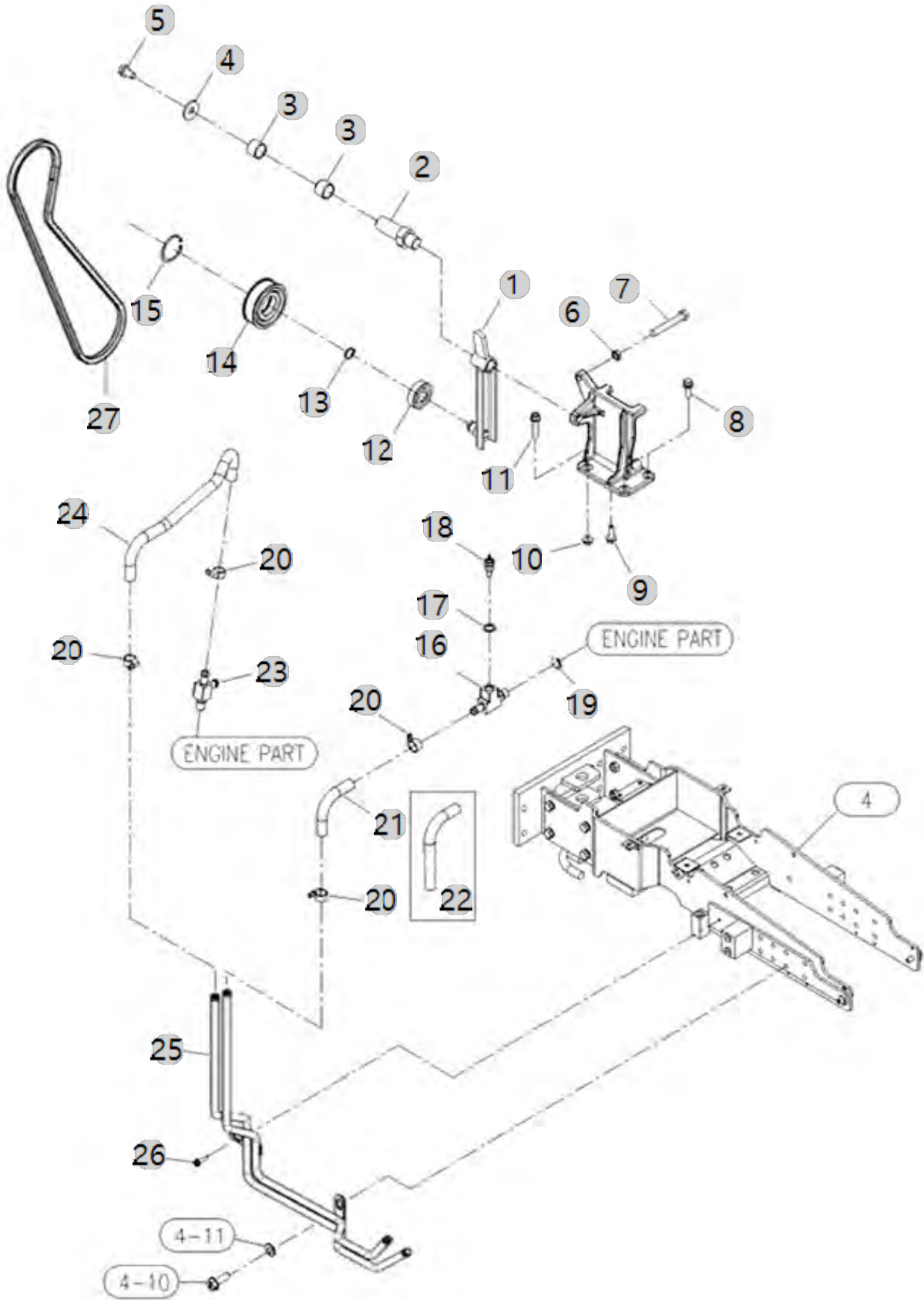
G03091

6225CH(EU)(AC02124)

COMPRESSOR

Year/Month

2023-01-18



G03091		COMPRESSOR				Year/Month
6225CH(EU)(AC02124)						2023-01-18
순번 (NO)	부품번호 (PART NO)	품명 (PART NAME)	품명 (PART NAME)	수량 (QTY)	규격 (SPEC)	비고 (REMARK)
1	TA00019843A	컴프레서	COMPRESSOR	1		
2	26106-080852	327,ALL,플랜지볼트8X85	SCREW,HEXFLANGEHEADCAP	4	M8X1.25X85	
3	TA00025553A	컴프레서 고정 브라켓	BRACKET COMPRESSOR	1	NONE	
4	26106-100252	육각플랜지볼트	SCREW,HEXFLANGEHEADCAP	2	M10XP1.5X25	
5	TA00022828C	스토퍼볼트	STOPPER BOLT	1	M12XP1.25	
5	TA00022828B	스토퍼볼트	STOPPER BOLT	1	M12XP1.25	
5	TA00022828A	스토퍼볼트	STOPPER BOLT	1	M12*P1.25	
6	26777-120002	육각고정너트(세목)	NUT	1	M12XP1.25	
7	26106-100552	육각플랜지볼트	BOLT	1	M10X1.5X55	
7	TA00022828C	스토퍼볼트	STOPPER BOLT	1	M12XP1.25	
8	26367-100002	263,ALL,고정너트(우나사)	NUT,HEXAGONFLANGE	1	M10X1025	
9	TA00025611A	저압 호스 B	LOW PRESSURE HOSE B	1	NONE	
10	TA00036485B	콘덴서 호스 조합	CONDENSER HOSE	1		
11	26106-080252	육각플랜지볼트	SCREW,HEXFLANGEHEADCAP	2	M8XP1.25X25	
11	26106-080252	육각플랜지볼트	SCREW,HEXFLANGEHEADCAP	2	M8XP1.25X25	
11	26106-080252	육각플랜지볼트	SCREW,HEXFLANGEHEADCAP	2	M8XP1.25X25	
12	TA00054374B	텐션암 조합	TENSION ARM ASSY	1		
13	TA00021764B	텐션축	SHAFT	1	O.D25X67	
13	TA00021764D	텐션축	SHAFT	1	O.D25X67	
13	TA00021764A	텐션축	SHAFT,TENSION	1	O.D25X67	
13	TA00021764C	텐션축	SHAFT	1	O.D25X67	
13	TA00021764E	텐션축	SHAFT	1	O.D25X67	
14	TA00023184C	아이들러	IDLER	1	D92	
14	24550-018150	드라이부시	DRY BUSH	2		
15	22157-080000	평와셔8(대형)	WASHER, PLAIN (Φ 08)	1	M8	
16	26013-080162	와셔조립육각볼트(+SW)	Bolt, Hexa (8-16)	1	M8XP1.25X16	
16	TA00025596A	T-조인트 -> FLW5100000A3	T-JOINT	1		
17	22252-000520	CIRCLIP52	RING, CIRCLIP (Φ 52)	1	D52(구멍용)	
18	TA00023184A	아이들러	TENSION PULLEY	1		
18	TA00023184C	아이들러	IDLER	1	D92	
18	TA00023184B	아이들러	IDLER	1	D92	
18	HH12190000A	수온 센서	WATER SENSER	1		
19	22242-000200	축용스냅링20	SNAP RING, SHAFT (Φ 20)	1	D20(축용)	
20	24104-063044	볼베어링6304UU	BALLBEARING	1		
21	TA00025598C	히터호스 A	HEATER HOSE A	1		
22	HH12190000A3	수온센서	WATER TEMP SENSOR	1		
23	23414-160000	동패킹	WASHER,SEALING	2	M16	
23	FLW5110000A	T조인트	T JOINT	1		
24	TA00025596B	T-조인트	T-JOINT	1		
25	23000-022000	호오스클립	CLAMP,HOSE	4	D22	
25	TA00037544E	히터파이프 조합	HEATER PIPE ASSY	1		
25	TA00037544D	히터파이프 조합	HEATER PIPE ASSY	1		
26	TA00025597A	히터 호스 B	HEATER HOSE B	1	NONE	
27	TA00047448A	V-벨트 REC A55.5 (동일)	V-BELT	1		
27	FLW5110000B3	T-조인트	T-JOINT	1		

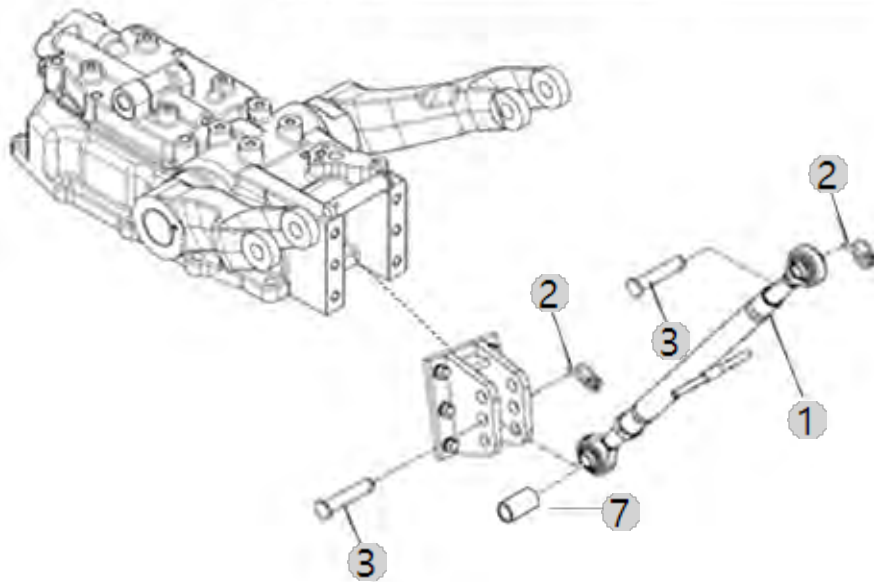
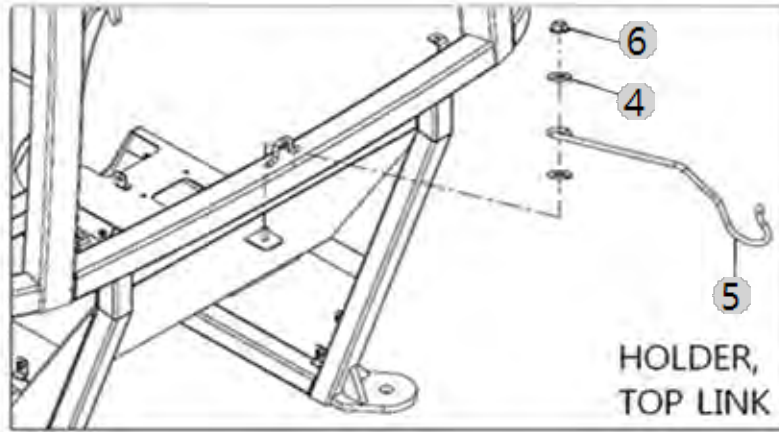
G05000

6225CH(EU)(AC02124)

TOP LINK, LIFT LINK

Year/Month

2023-01-18



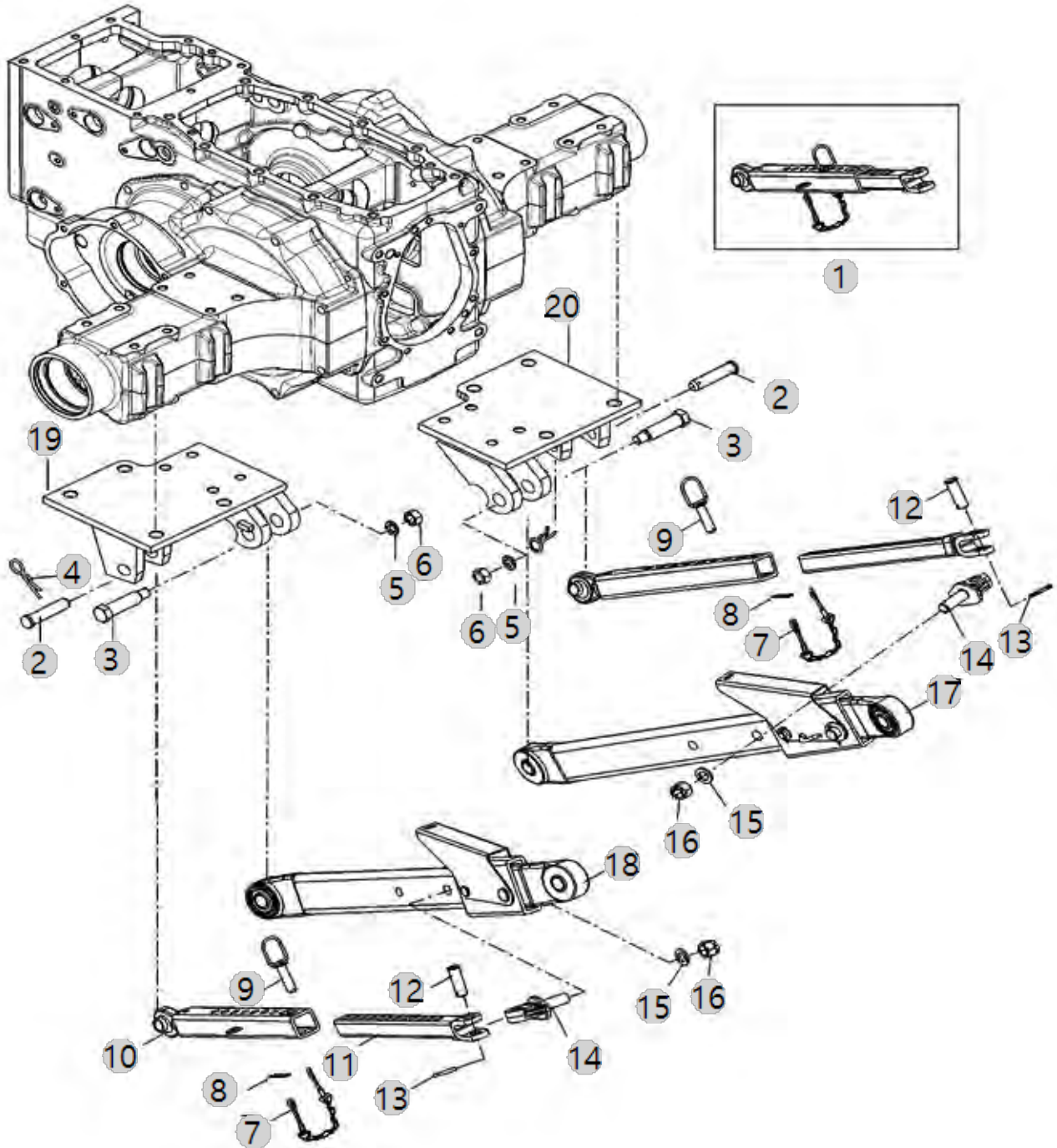
G05020

6225CH(EU)(AC02124)

TOP LINK

Year/Month

2023-01-18



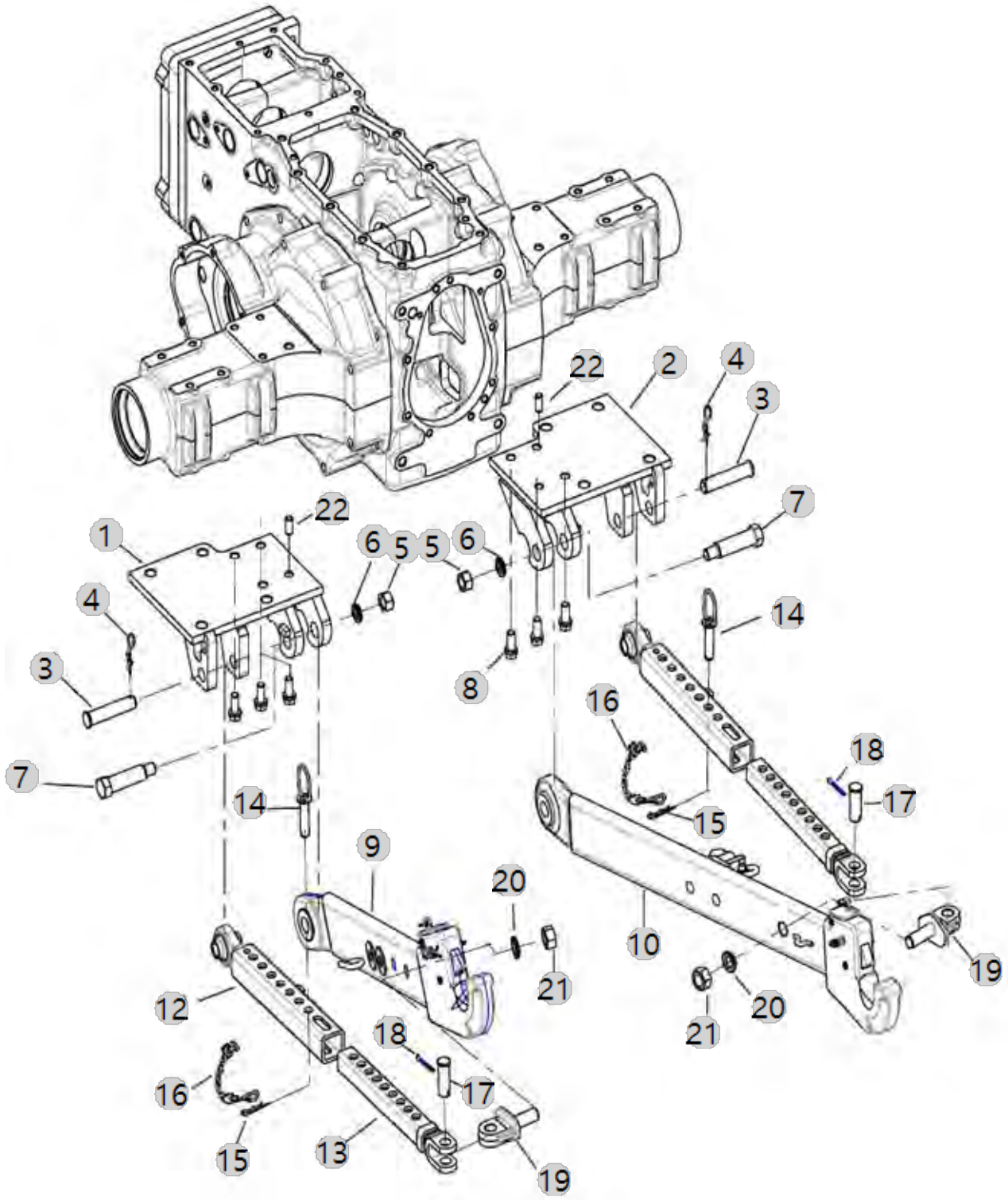
G05030

6225CH(EU)(AC02124)

LOWER LINK

Year/Month

2023-01-18



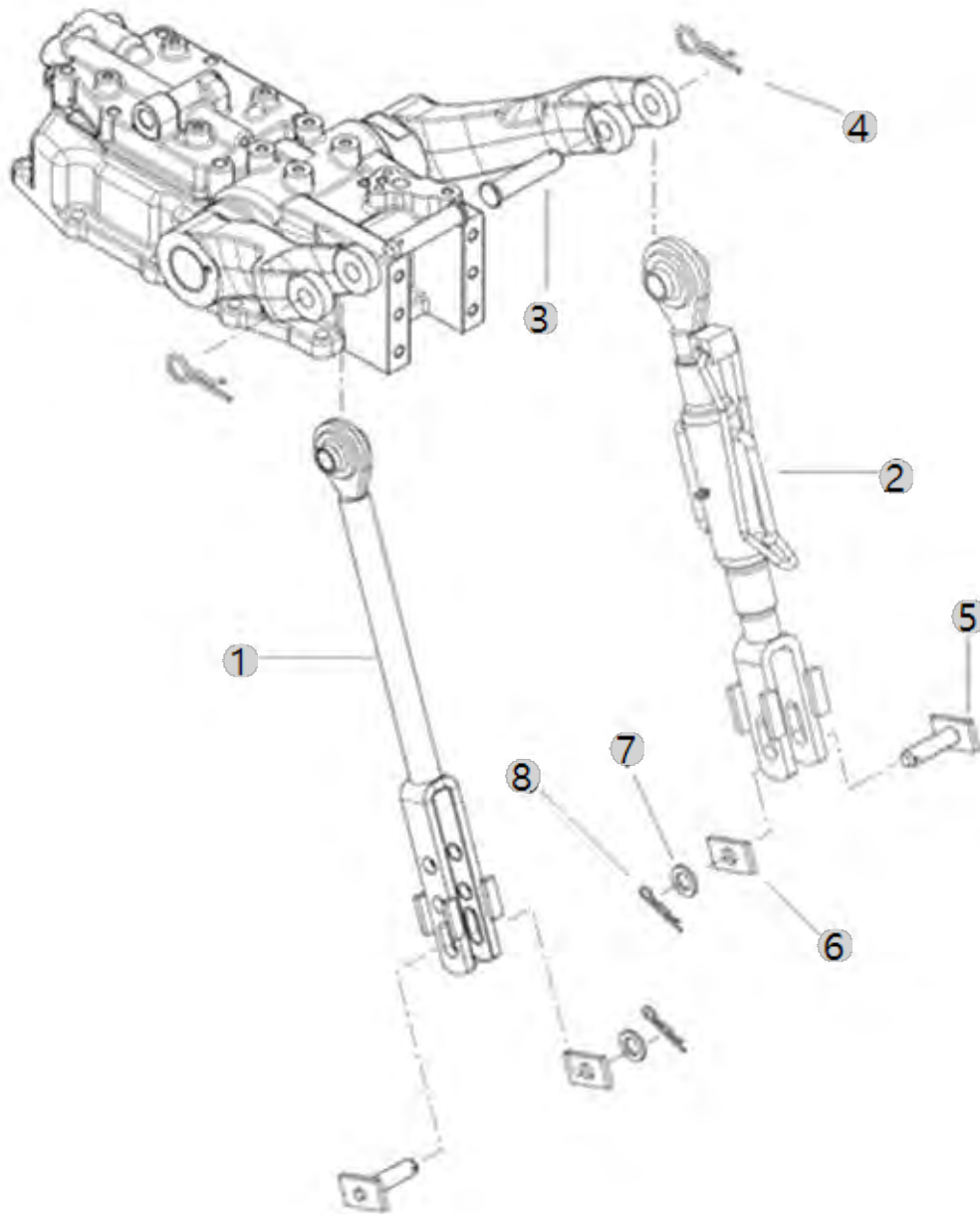
G05050

6225CH(EU)(AC02124)

LIFT LINK/LH,RH

Year/Month

2023-01-18



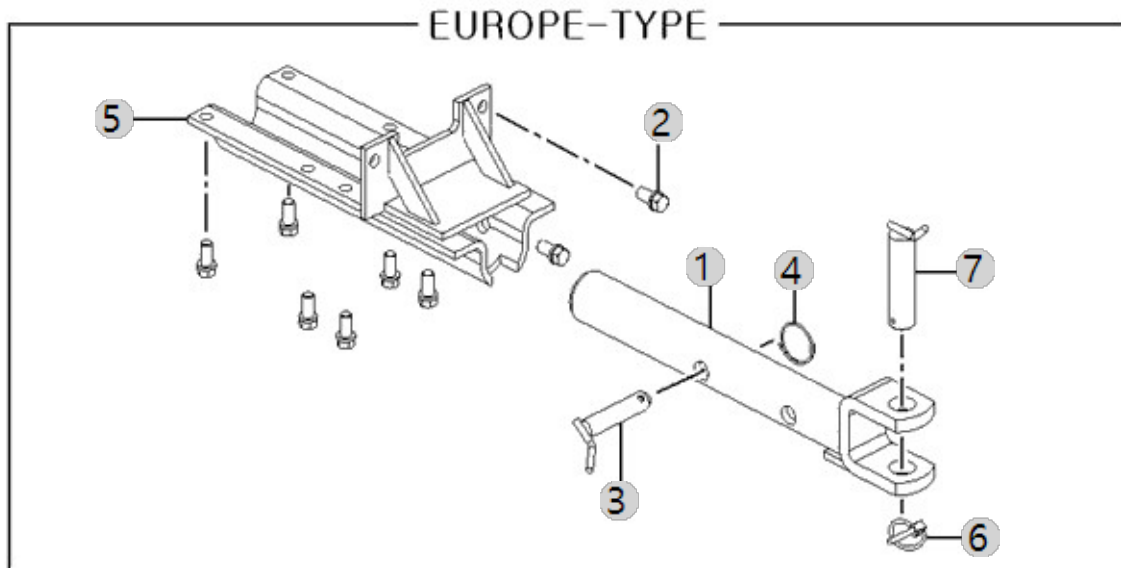
G05070

6225CH(EU)(AC02124)

DRAWBAR

Year/Month

2023-01-18



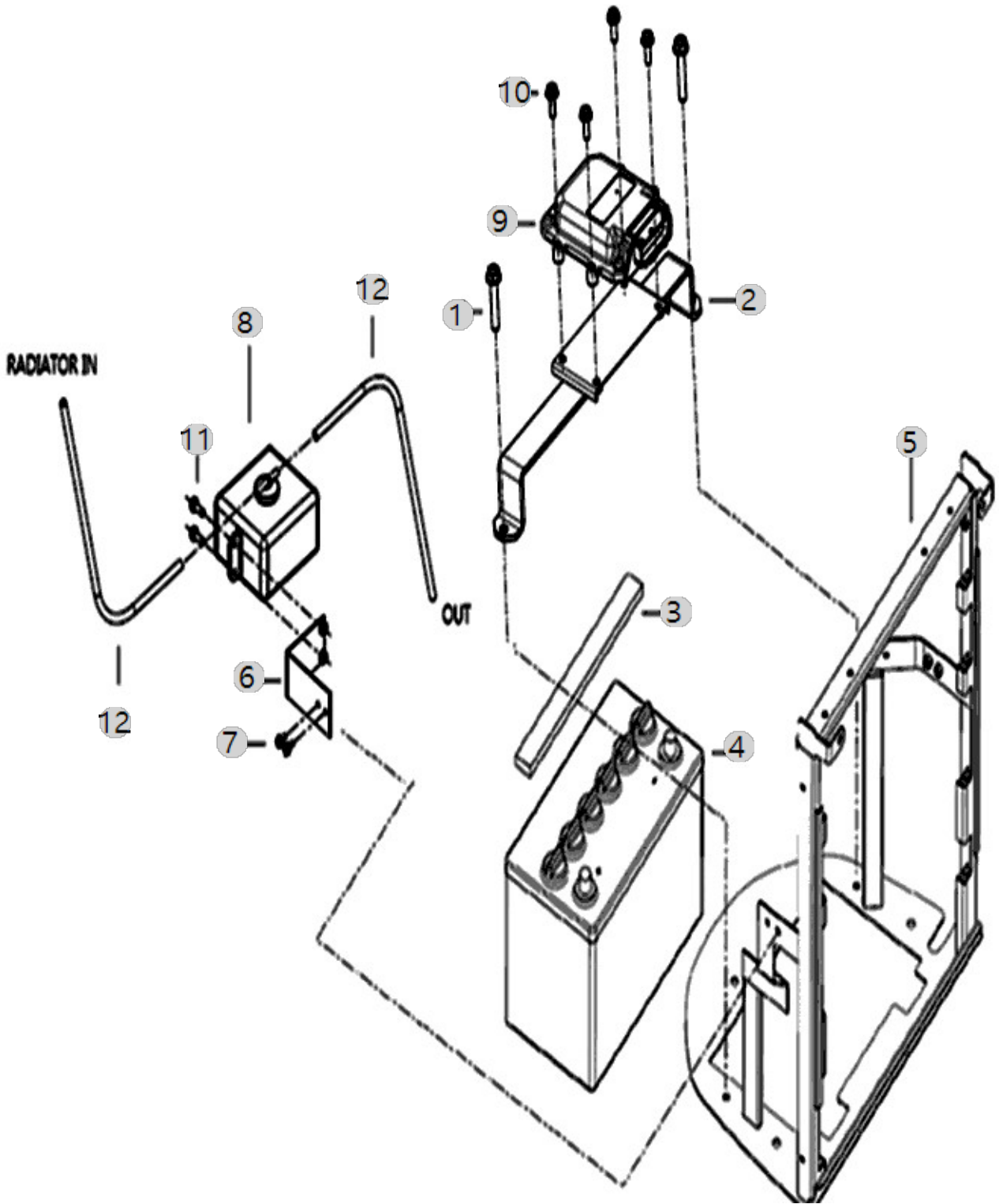
H01030

6225CH(EU)(AC02124)

BATTERY

Year/Month

2023-01-18



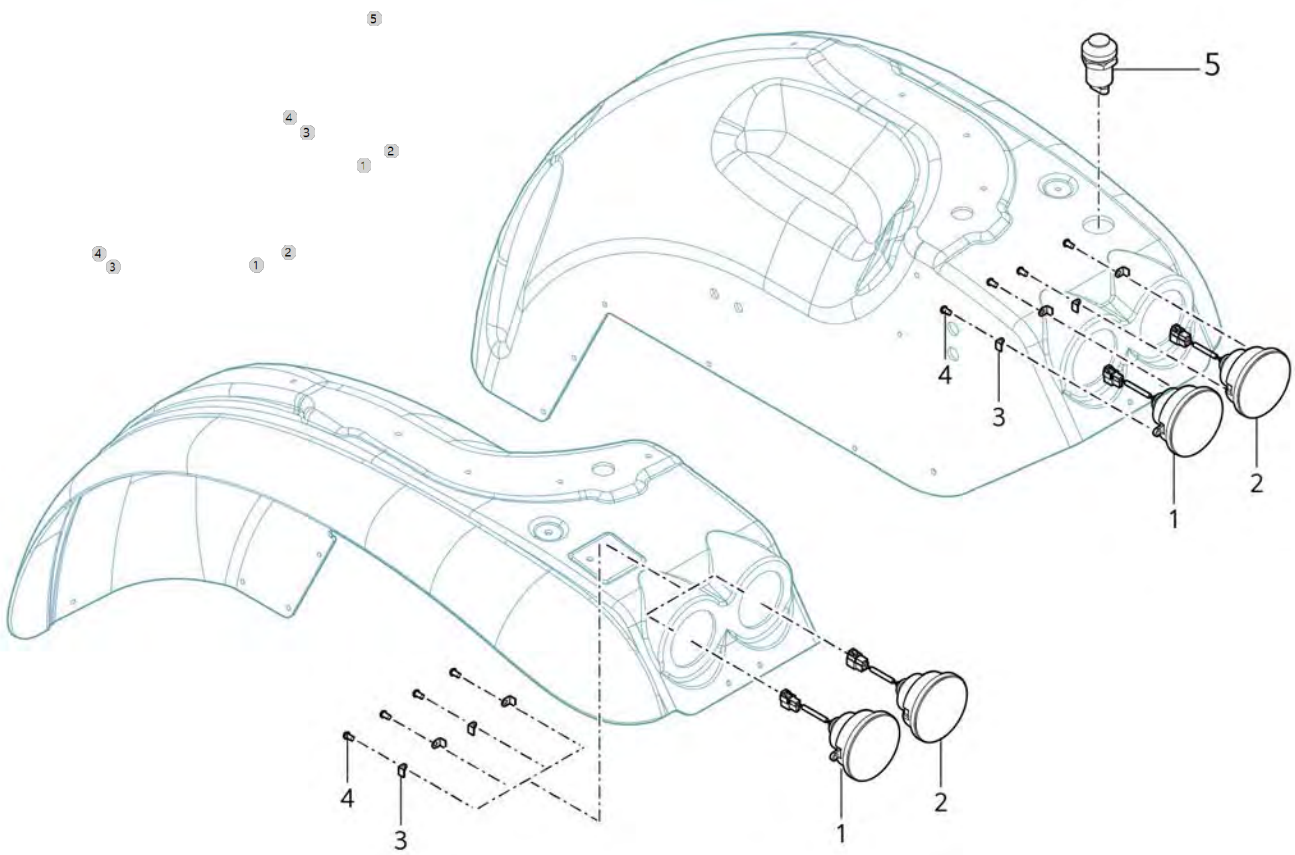
H02020

6225CH(EU)(AC02124)

COMBINATION LAMP

Year/Month

2023-01-18



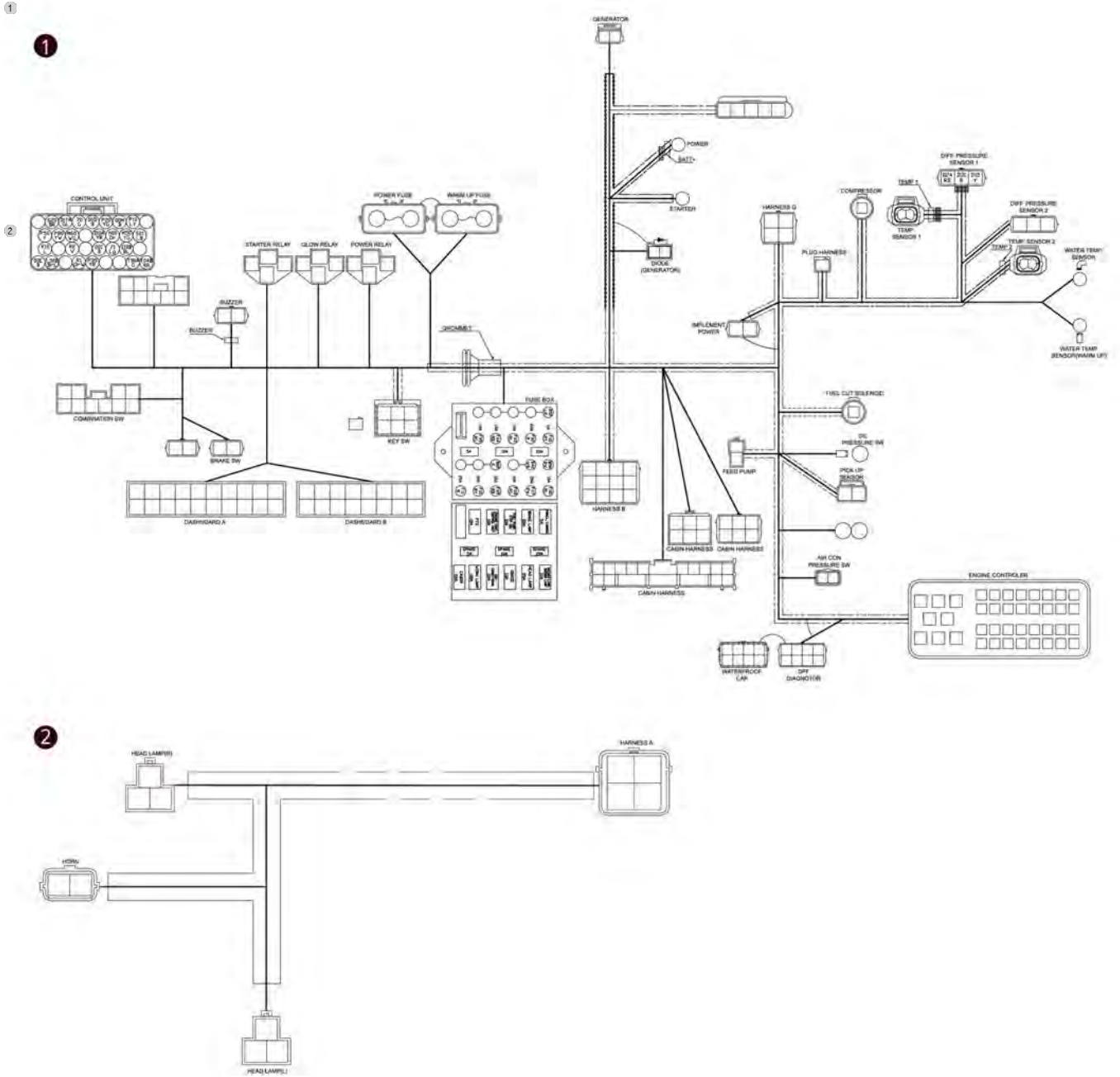
H03000

6225CH(EU)(AC02124)

HARNESS

Year/Month

2023-01-18



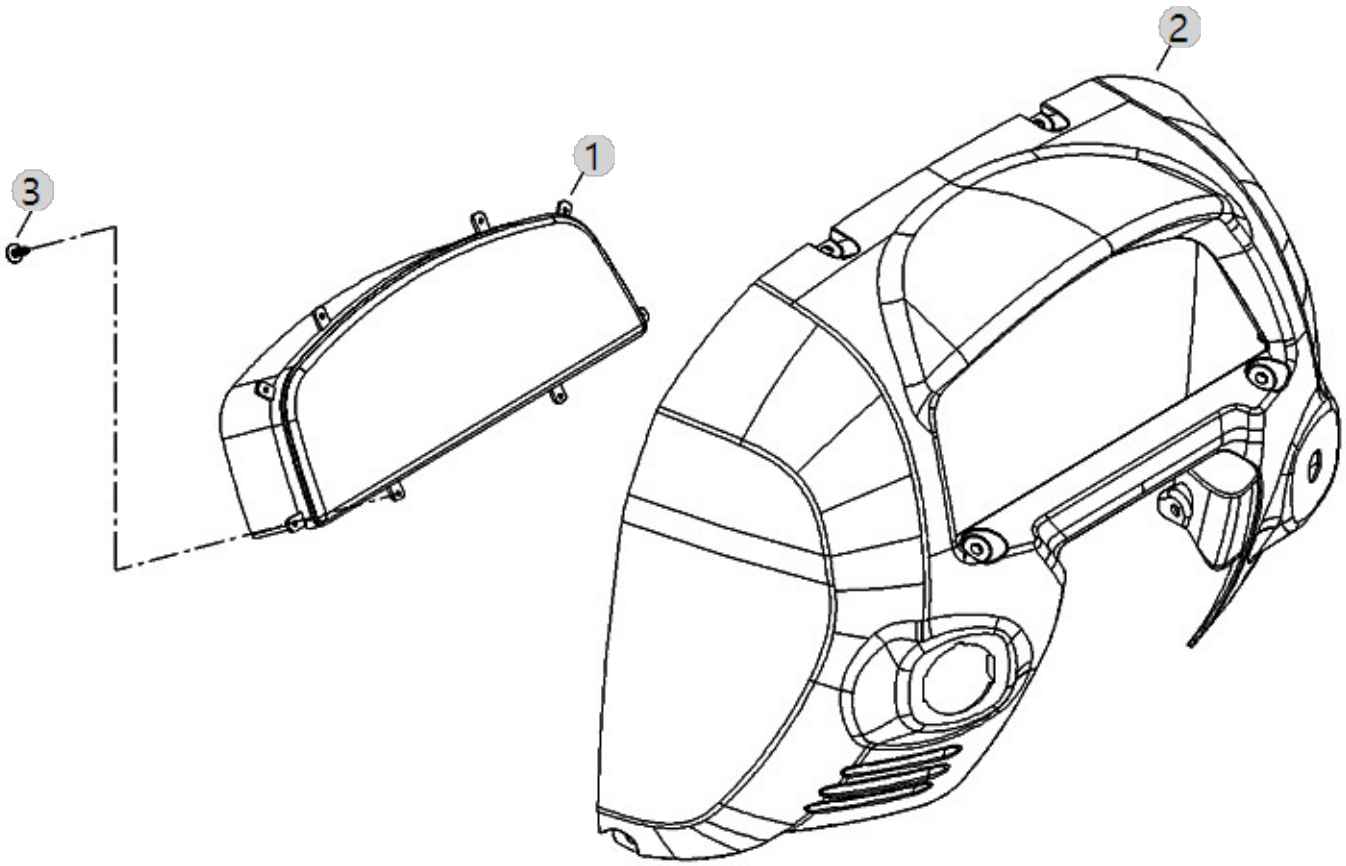
H04030

6225CH(EU)(AC02124)

INSTRUMENT PANEL

Year/Month

2023-01-18



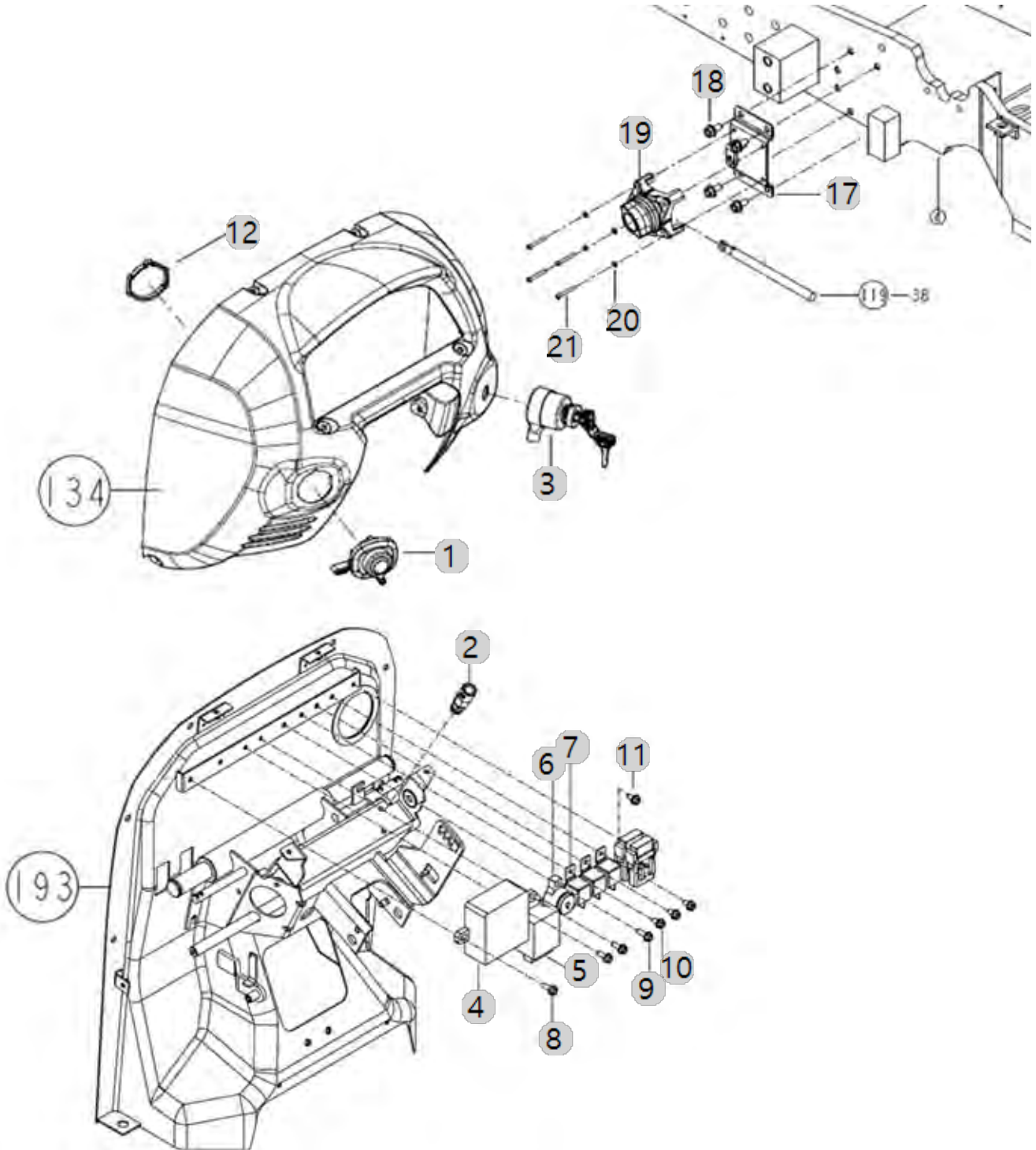
H04050

6225CH(EU)(AC02124)

SWITCH

Year/Month

2023-01-18



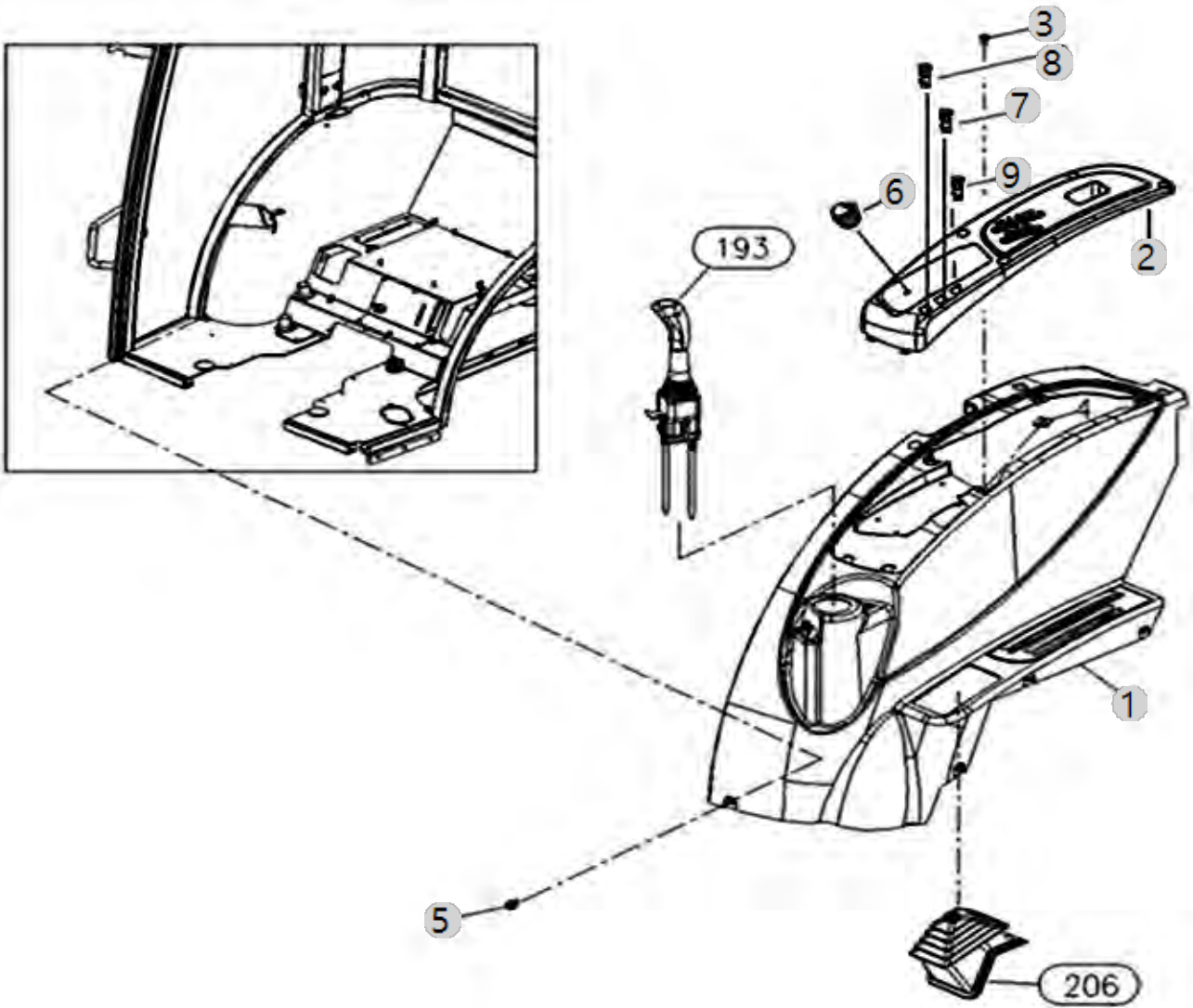
H04052

6225CH(EU)(AC02124)

SWITCH

Year/Month

2023-01-18



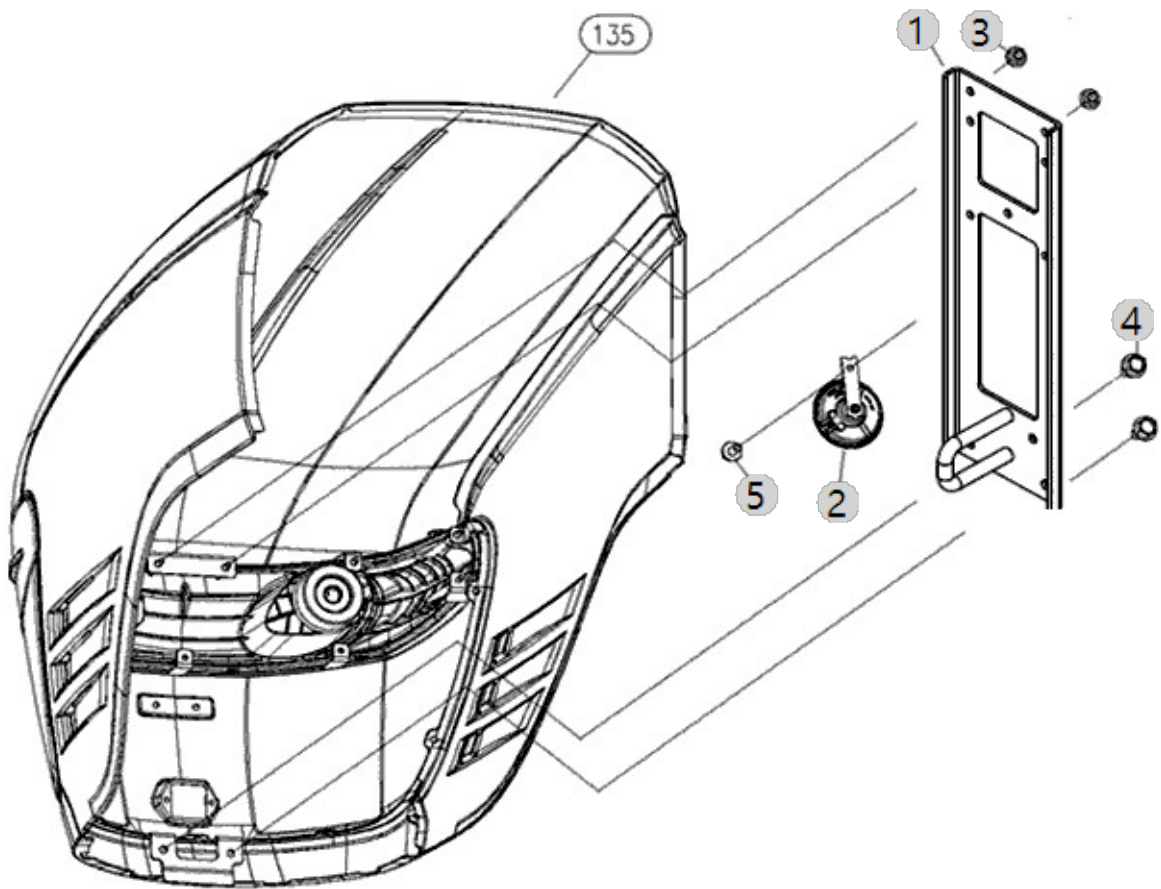
H04090

6225CH(EU)(AC02124)

HORN

Year/Month

2023-01-18



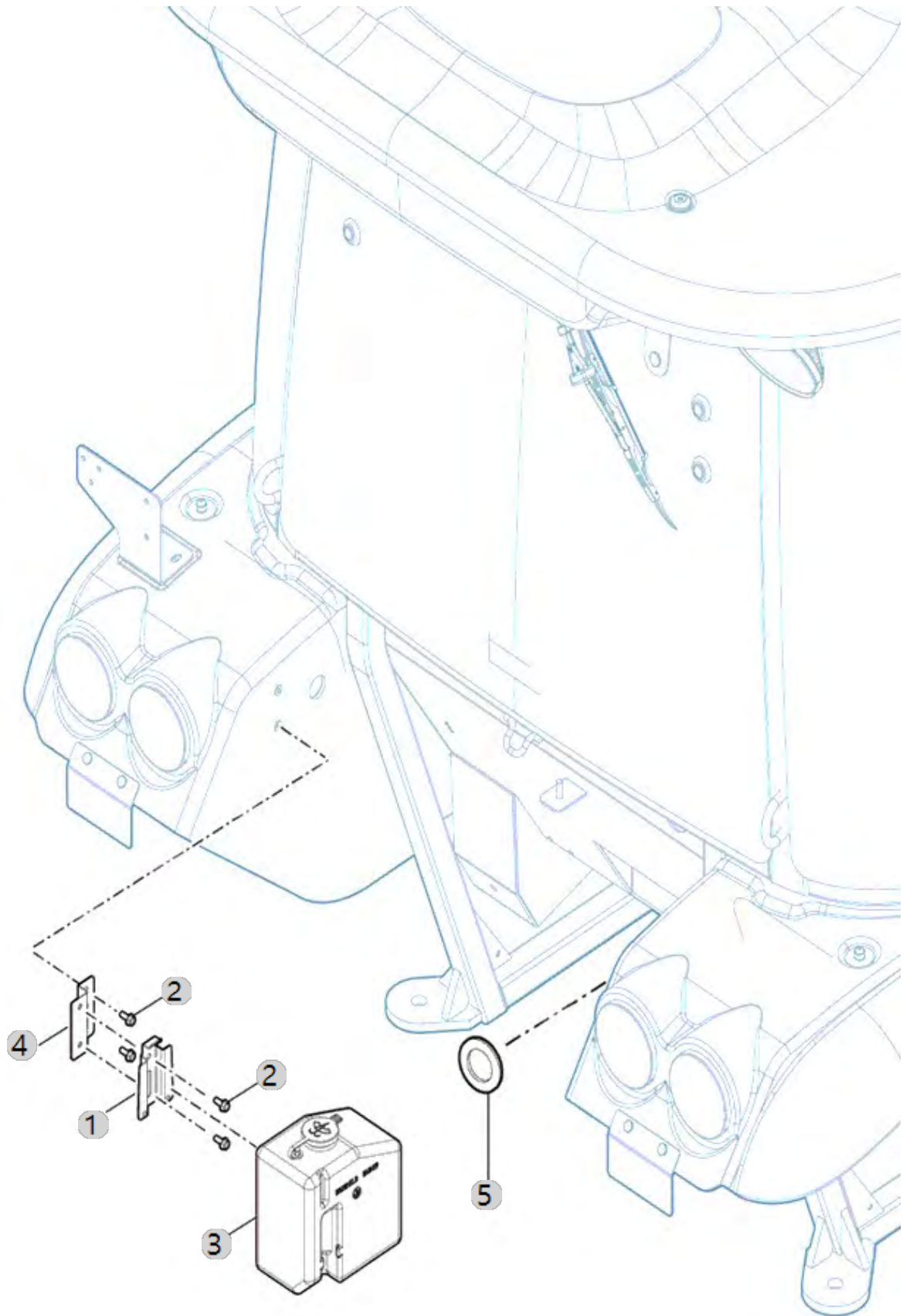
H05040

6225CH(EU)(AC02124)

WASHER LIQUID TANK

Year/Month

2023-01-18



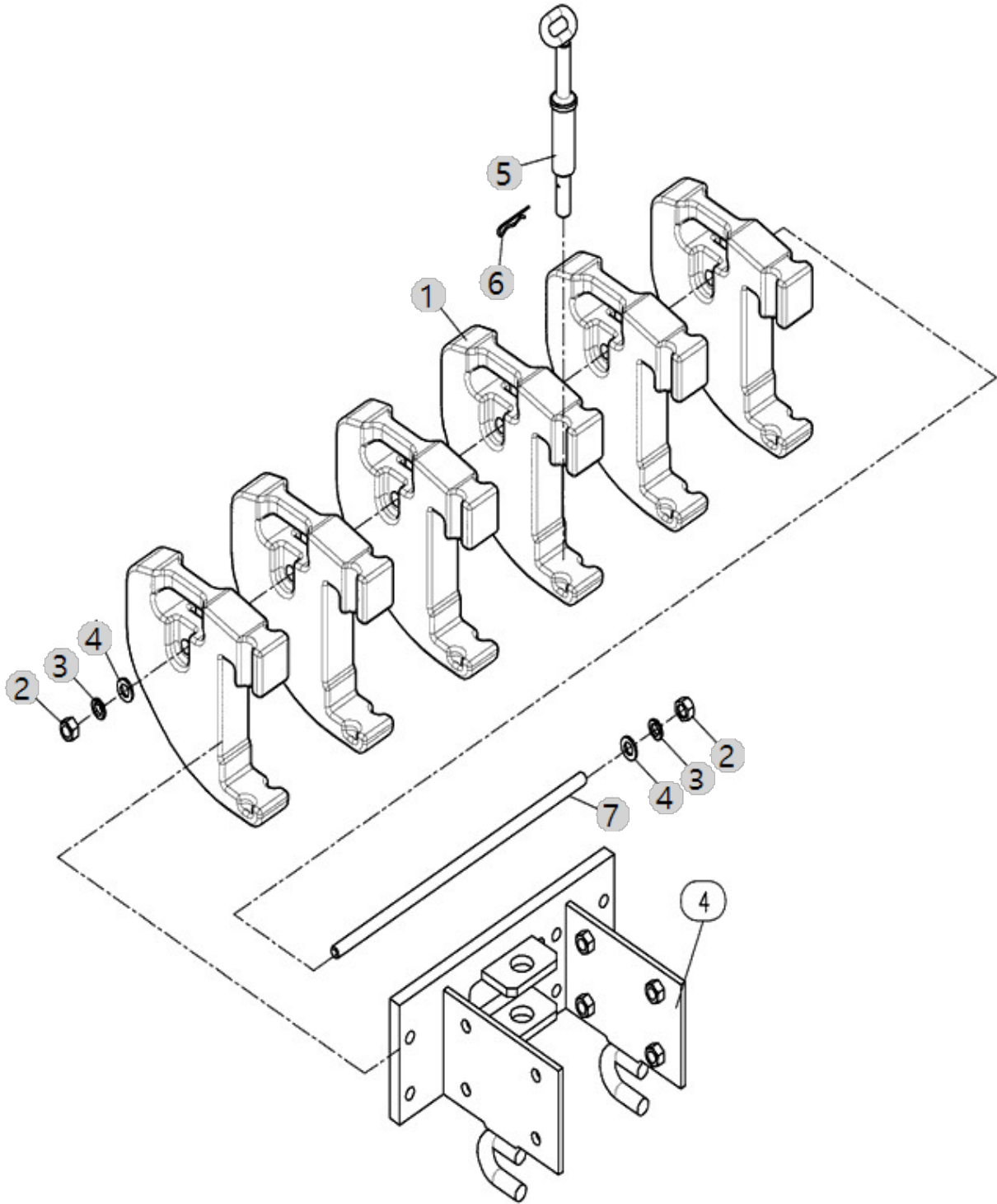
I01010

6225CH(EU)(AC02124)

FRONT WEIGHT(Optional)

Year/Month

2023-01-18



103000

6225CH(EU)(AC02124)

NAME PLATE

Year/Month

2023-01-18

6225Ch

1



TYM

2

WARNING

TO AVOID PERSONAL INJURY:

1. Keep PTO shield in place at all times.
2. Do not operate the PTO at speeds faster than the speed recommended by the implement manufacturer.
3. For towing PTO-driven implements set drawbar at towing position (see operator's manual).
4. Keep hands, feet and clothing away.

TAD0015536B

3

WARNING

TO AVOID PERSONAL INJURY OR DEATH FROM ROLL-OVER:

1. TYM recommends the use of a Roll-Over Protection Structure (ROPS) and seat belt in almost all applications.
2. Remove the ROPS only when a substantially interference with operation or load presents a safety risk. (Examples: vehicle work in embankments and vineyards.) ALWAYS REINSTALL IT BEFORE USING THE TRACTOR IN OTHER APPLICATIONS.
3. Never step just the seat left or just the ROPS. They must be used together. For further details, consult your Operator's Manual or your local dealer.

TZ21700002

4

Warning

Read an instruction plate on each tool before using it. Do not use tools unless you have been trained to do so. Do not use tools unless you are qualified to do so. Do not use tools unless you are qualified to do so. Do not use tools unless you are qualified to do so.

Caution

Do not use tools unless you are qualified to do so. Do not use tools unless you are qualified to do so. Do not use tools unless you are qualified to do so. Do not use tools unless you are qualified to do so.

Caution

Do not use tools unless you are qualified to do so. Do not use tools unless you are qualified to do so. Do not use tools unless you are qualified to do so. Do not use tools unless you are qualified to do so.

5

Caution

Use the Parking Brake

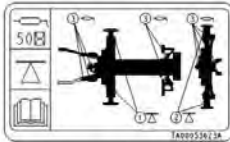
Caution

Use the Parking Brake

Caution

Use the Parking Brake

6



7

USING RAFT

AFTER RELEASING A BOLT, ASSEMBLE THE CONNECTING PLATE TOWARD UPSIDE. WHEN YOU DO NOT USE DRAFT, YOU MUST RETURN CONNECTING PLATE TO THE ORIGINAL POSITION.

TAD0005725A

8

WARNING

CONNECT THE LEFT BRAKE WITH RIGHT BRAKE WHILE ON THE ROAD.

DISCONNECT CONNECT

TZE41000084

9

CAUTION

DIESEL ONLY

TZE4190000C4

10

Vertical 700 Kg
Horizontal 4,000 Kg

e6

TAD007388A 00099NS

11

DANGER

Start only from seat in park or neutral. Starting in reverse.

12

12



13

CAUTION

While stored for a long period, not in use, keep the clutch pedal depressed so that the clutch is disengaged.

ATE4150000C4

14

e6

00058U3

Type of Tractor: 2005

Make: TYM

TYM CORPORATION

THIS SPECIAL LABEL BE KEPT IN FORCE BY ALL USERS

EUROPEAN UNION MADE IN KOREA

15

WARNING

Use seat belt

NTS3150000C4

16

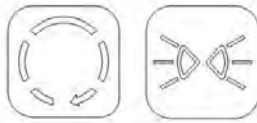
BONNET OPEN

TAD0053139

17

18

18



19



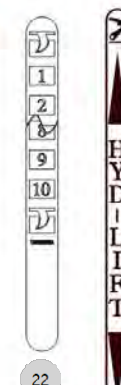
20

WARNING

This structure's protective capability may be impaired by structural damage, overturn, or alteration. If any of these conditions occur, the structure must be replaced.

NTS320000C4

21



22

WARNING

To avoid personal injury:

1. Attach pulled or towed loads to the drawbar only.
2. Use the 3-point hitch only with equipment designed for 3-point hitch usage.

TZ2000000

24

CAUTION

TZE4100000C4

25

WARNING

Before dismounting tractor:

1. Park on level ground wherever possible, or parking on a gradient, position tractor at right angles to the slope.
2. Always set parking brake.
3. Lowering transmission to gear with the engine stopped will not prevent tractor from rolling.
4. Never sit on top of the tractor.
5. Always use proper tie-down technique when securing the tractor to a vehicle, and could cause injury or death.
6. Make sure the tractor is in neutral position and stop the engine.

TZ2000000

26

TYM CORPORATION

EU NO. TYPE: P/N NUMBER

TOTAL	KG A1	KG A2	KG
B-1	T1	T2	T3
B-2			
B-3			
B-4			

08 & 1000

27

23

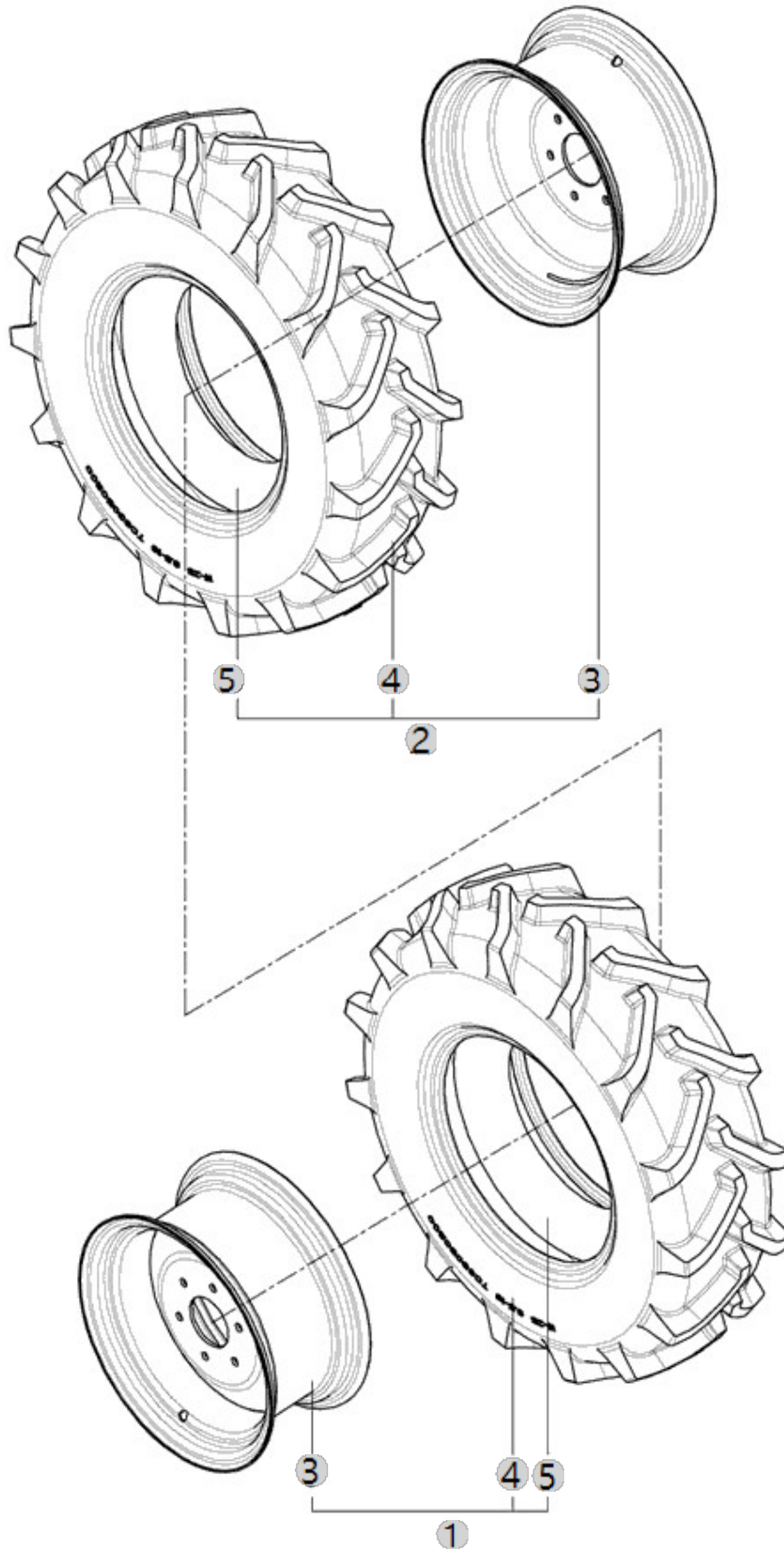
I05010

6225CH(EU)(AC02124)

FRONT WHEEL&TIRE

Year/Month

2023-01-18



I07010

6225CH(EU)(AC02124)

SPARE TOOLS

Year/Month

2023-01-18

