

T575STEU1

Parts Catalog

# 목 차

---

---

## 1. 엔진 PART NO. EG

FIG 100 ENGINE	9
FIG 101 CYLINDER BLOCK	11
FIG 102A OILJET ASS'Y OPTION(T574)	13
FIG 103 CRANK SHAFT	15
FIG 104 PISTON	17
FIG 105 CYLINDER HEAD	19
FIG 106 ROCKER LEVER	21
FIG 107 HEAD COVER	23
FIG 108 GEAR CASE	25
FIG 109 IDLE GEAR	27
FIG 110 CAM SHAFT	29
FIG 111 OIL PUMP	31
FIG 112 HYD. PUMP DRIVE	33
FIG 113 2ND BALANCE	35
FIG 114 OIL PAN	37
FIG 115A INTAKE MANIFOLD(T574)	39
FIG 116A EXHAUST MANIFOLD(T574)	41
FIG 117A TURBOCHARGER ASS'Y(T574)	43
FIG 118A TURBOCHARGER PLUMBING OPTION(T574)	45
FIG 119A BREATHER(T574)	47
FIG 120 FUEL INJECTION PUMP	49
FIG 121 FUEL INJECTION VALVE	51
FIG 122 FUEL PIPE ASS'Y	53
FIG 123 OIL FILTER	55
FIG 124 OIL COOLER	57
FIG 125 OIL GAUGUE	59
FIG 126 OIL FILLER CAP	61
FIG 127 COOLING WATER PUMP	63
FIG 128 CRANK SHAFT PULLEY	65
FIG 129 V-PULLEY	67
FIG 130 COOLING FAN	69

FIG 131 FLYWHEEL HOUSING	71
FIG 132 FLYWHEEL	73
FIG 133 GLOW PLUG ASS'Y OPTION	75
FIG 134 STARTING MOTOR	77
FIG 135 FUEL FILTER BRACKET ASS'Y	79
FIG 136 ALTERNATOR	81
FIG 137 V-BELT	83
FIG 138 FUEL FILTER	85
FIG 139A DPF SUPPORT (T574)	87
FIG 140 DATAPLATE	89
FIG 142A DPF ASS'Y (T574)	91
FIG 143 LIFT ASS'Y	93
FIG 144 COMP . DRIVE PULLEY ASS'Y OPTION	95
FIG 145 INTAKE PIPE	97
FIG 146 CCV ASS'Y	99
FIG 147 LOOSED PARTS	101

## 2. 엔진보기품 PART NO. T2

FIG 201A AIR CLEANER(T575)	104
FIG 202 RADIATOR	106
FIG 203 MUFFLER	108
FIG 204 FUEL HOSE & FILTER	110
FIG 205 FUEL TANK	112
FIG 206 ACCELERATOR	114

## 3. 클러치/브레이크/스티어링 PART NO. T3

FIG 301 CLUTCH	117
FIG 302 CLUTCH PEDAL	119
FIG 303 BRAKE	121
FIG 304 BRAKE PEDAL & LINKAGE	123
FIG 305A FRONT WHEEL	125
FIG 305B FRONT WHEEL (R4 OPTION)	127
FIG 306A REAR WHEEL	129
FIG 306B REAR WHEEL (R4 OPTION)	131
FIG 307 POWER STEERING WHEEL	133
FIG 308 POWER STEERING VALVE	135

FIG 309 POWER STEERING CYLINDER	137
FIG 310 HAND BRAKE	139
<b>4. 트랜스미션 PART NO. T4</b>	
FIG 401 TRANSMISSION FRONT CASE	142
FIG 402 FORWARD & BACKWARD GEARS	144
FIG 403 IDLE & COUNTER GEARS	146
FIG 404 MAIN SHIFT GEARS	148
FIG 405 P.T.O DRIVE SHAFT	150
FIG 406 MAIN CHANGE LEVER	152
FIG 407 REVERSE CHANGE LEVER	154
FIG 408 TRANSMISSION MID CASE	156
FIG 409 TRANSMISSION REAR CASE	158
FIG 410 SUB CHANGE GEARS	160
FIG 411 SUB CHANGE SHIFTER	162
FIG 413 DRIVE GEARS	164
FIG 414 4WD CHANGE LEVER	166
FIG 415 P.T.O CHANGE GEARS	168
FIG 417 REAR DIFFERENTIAL GEARS	170
FIG 418 REAR AXLE HOUSING	173
<b>5. 프론트 액슬 PART NO. T5</b>	
FIG 501 FRONT AXLE SUPPORT	176
FIG 502 FRONT DRIVE SHAFT	178
FIG 503 FRONT AXLE HOUSING	180
FIG 504 FRONT DIFFERENTIAL GEARS	182
FIG 505 FRONT GEAR CASE (1)	184
FIG 506 FRONT GEAR CASE (2)	186
FIG 507 FRONT GEAR CASE (3)	188
<b>6. 유압/3점링크 PART NO. T6</b>	
FIG 601 CYLINDER CASE	191
FIG 602 LIFT ARM	193
FIG 603 CYLINDER	195
FIG 604 POSITION LINK	197



FIG 605 CONTROL VALVE	199
FIG 606 DRAFT LINK	201
FIG 607 POSITION & DRAFT LEVER (1)	203
FIG 607-2 POSITION & DRAFT LEVER (2)[SAP 가져오기]에서 생성함.	205
FIG 608 EXTERIOR HYD.VALVE	207
FIG 609 HYDRAULIC PIPE	209
FIG 610 JOYSTICK	211
FIG 612 HITCH & 3-POINT LINK	213
FIG 613 LOWER LINK & LIFT ROD	216

## 7. 시트메탈/캐빈 PART NO. T7

FIG 701 BONNET FRAME	219
FIG 702A BONNET (1)	221
FIG 702B BONNET (2)	223
FIG 703 EXTENSION COVER	225
FIG 704A LEVER COVER & STEP	227
FIG 705 FRONT & REAR MOUNTING	229
FIG 706 SEAT & MAT	231
FIG 709 DOOR	233
FIG 710A FRONT GLASS	236
FIG 711 SIDE GLASS	238
FIG 712 REAR GLASS	240
FIG 713A SUB FENDER & COVER	242
FIG 714A MIRROR	244
FIG 715A HEATER & AIR-CON	246
FIG 715B HEATER & AIR-CON	248
FIG 716 FENDER COVER	250
FIG 717 ROOF	252
FIG 718 CABIN INTERIOR	254

## 8. 전장 PART NO. T8

FIG 801 BATTERY MOUNTING	257
FIG 802 HARNESS LAMP	259
FIG 803 INSTRUMENT PANEL	261
FIG 804 ELECTRIC SYSTEM (1)	263
FIG 805A ELECTRIC SYSTEM (2)	265

FIG 806 ELECTRIC SYSTEM (3)

267

## 9. 라벨/옵션 PART NO. T9

FIG 901 TOOL & ACCESSORY

270

FIG 902 WEIGHT

272

FIG 903 LABEL

274

## 1. 엔진 PART NO. EG

FIG 100 ENGINE	9
FIG 101 CYLINDER BLOCK	11
FIG 102A OILJET ASS'Y OPTION(T574)	13
FIG 103 CRANK SHAFT	15
FIG 104 PISTON	17
FIG 105 CYLINDER HEAD	19
FIG 106 ROCKER LEVER	21
FIG 107 HEAD COVER	23
FIG 108 GEAR CASE	25
FIG 109 IDLE GEAR	27
FIG 110 CAM SHAFT	29
FIG 111 OIL PUMP	31
FIG 112 HYD. PUMP DRIVE	33
FIG 113 2ND BALANCE	35
FIG 114 OIL PAN	37
FIG 115A INTAKE MANIFOLD(T574)	39
FIG 116A EXHAUST MANIFOLD(T574)	41
FIG 117A TURBOCHARGER ASS'Y(T574)	43
FIG 118A TURBOCHARGER PLUMBING OPTION(T574)	45
FIG 119A BREATHER(T574)	47
FIG 120 FUEL INJECTION PUMP	49
FIG 121 FUEL INJECTION VALVE	51
FIG 122 FUEL PIPE ASS'Y	53
FIG 123 OIL FILTER	55
FIG 124 OIL COOLER	57
FIG 125 OIL GAUGUE	59
FIG 126 OIL FILLER CAP	61
FIG 127 COOLING WATER PUMP	63
FIG 128 CRANK SHAFT PULLEY	65
FIG 129 V-PULLEY	67
FIG 130 COOLING FAN	69
FIG 131 FLYWHEEL HOUSING	71
FIG 132 FLYWHEEL	73
FIG 133 GLOW PLUG ASS'Y OPTION	75
FIG 134 STARTING MOTOR	77
FIG 135 FUEL FILTER BRACKET ASS'Y	79
FIG 136 ALTERNATOR	81
FIG 137 V-BELT	83

FIG 138 FUEL FILTER	85
FIG 139A DPF SUPPORT (T574)	87
FIG 140 DATAPLATE	89
FIG 142A DPF ASS'Y (T574)	91
FIG 143 LIFT ASS'Y	93
FIG 144 COMP . DRIVE PULLEY ASS'Y OPTION	95
FIG 145 INTAKE PIPE	97
FIG 146 CCV ASS'Y	99
FIG 147 LOOSED PARTS	101

FIG 100 T575STEU1	ENGINE	년/월 Year/Month 2022-12
----------------------	--------	------------------------------

--	--

NOTE	
------	--

FIG 100 T575STEU1		ENGINE						년/월 Year/Month	
									2022-12
KEY NO		PART NO	DESCRIPTION	SPEC	QTY	REPAIR	EFFECTIVE DATE	REMARKS	
100	6	13871001100	엔진 , A2300T3-TUTC_4		1				
NOTE									

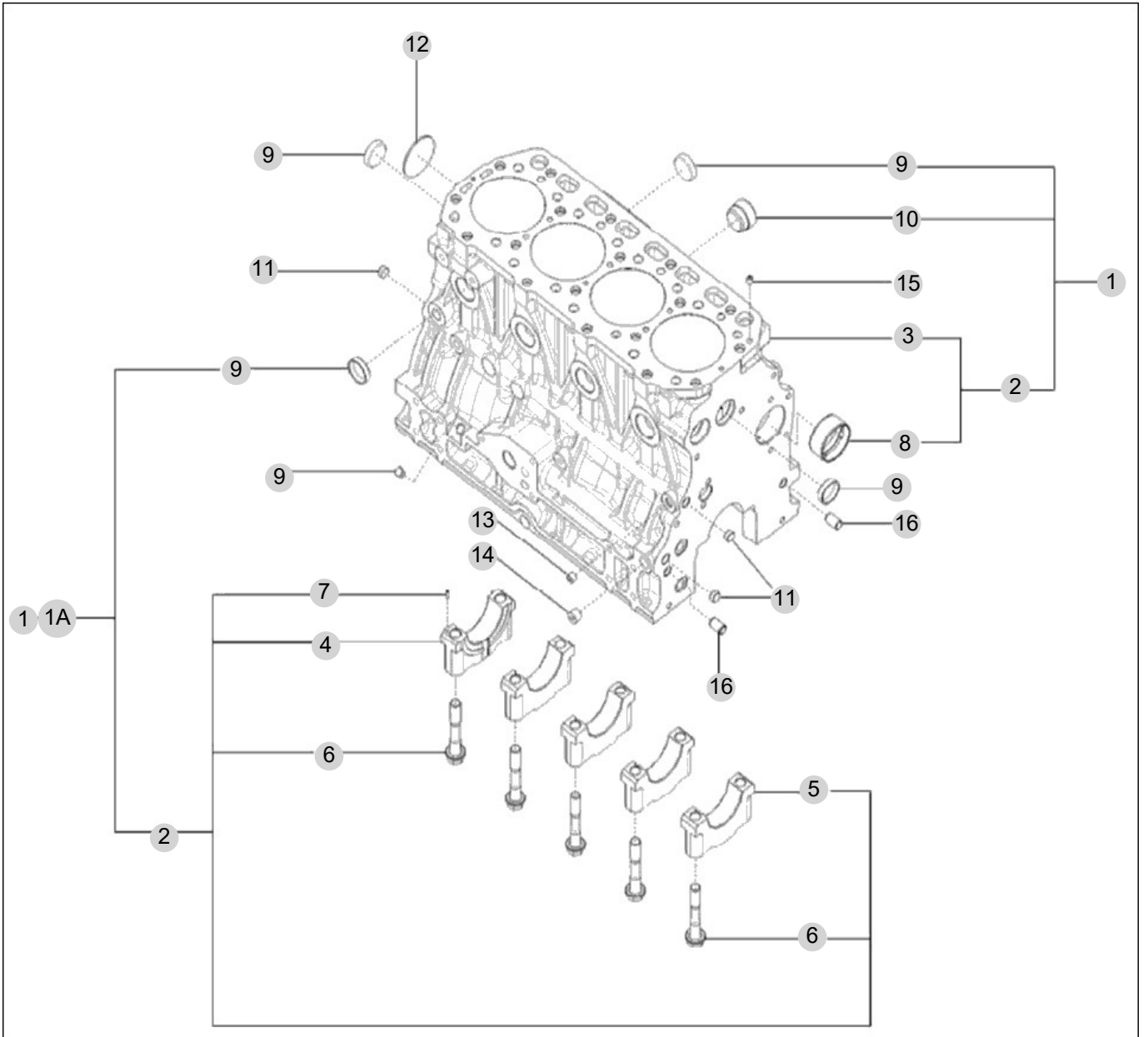
FIG 101

T575STEU1

CYLINDER BLOCK

년/월  
Year/Month

2022-12



NOTE





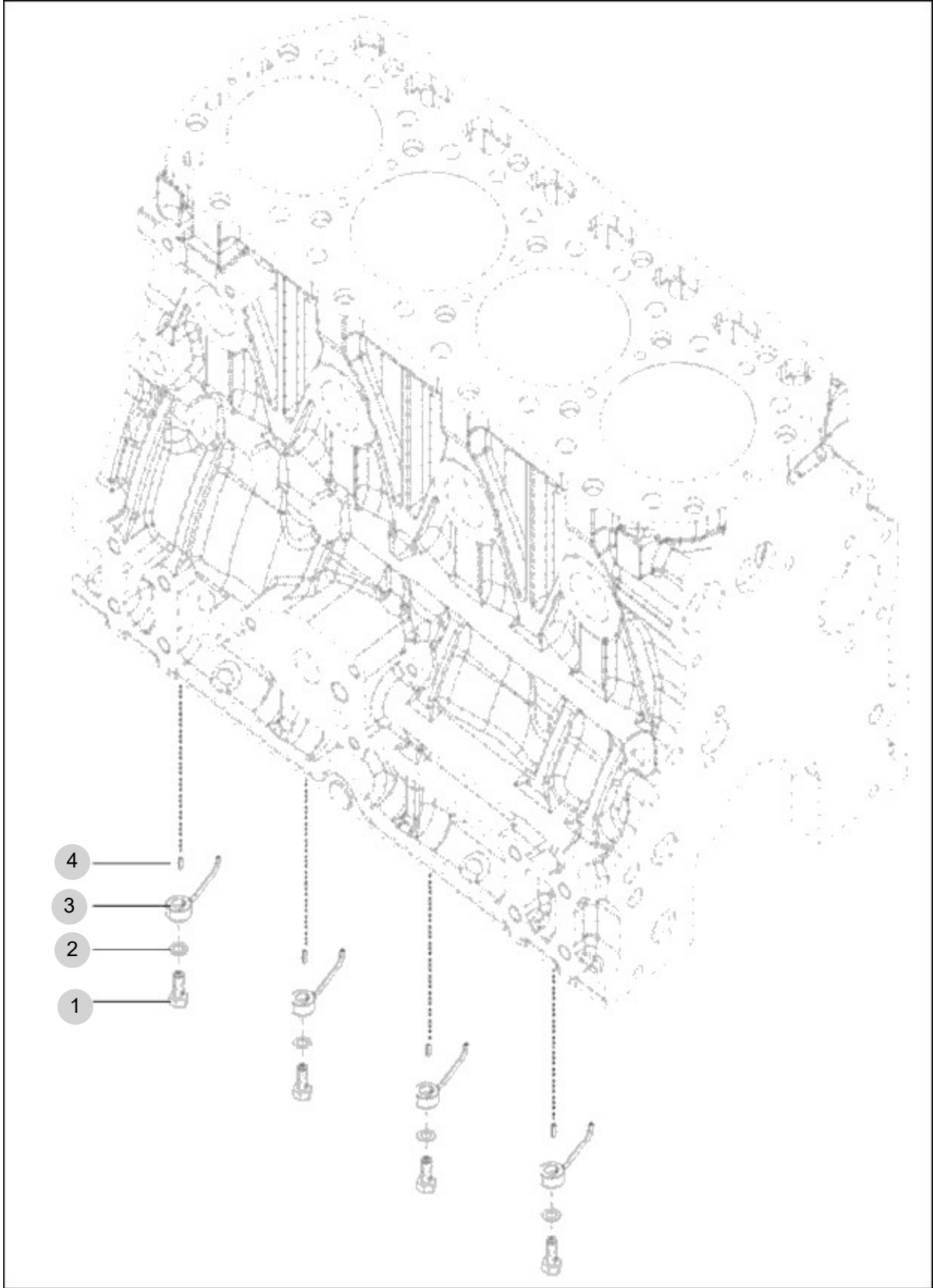
FIG 102A

OILJET ASS'Y OPTION(T574)

년/월  
Year/Month

2022-12

T575STEU1



NOTE



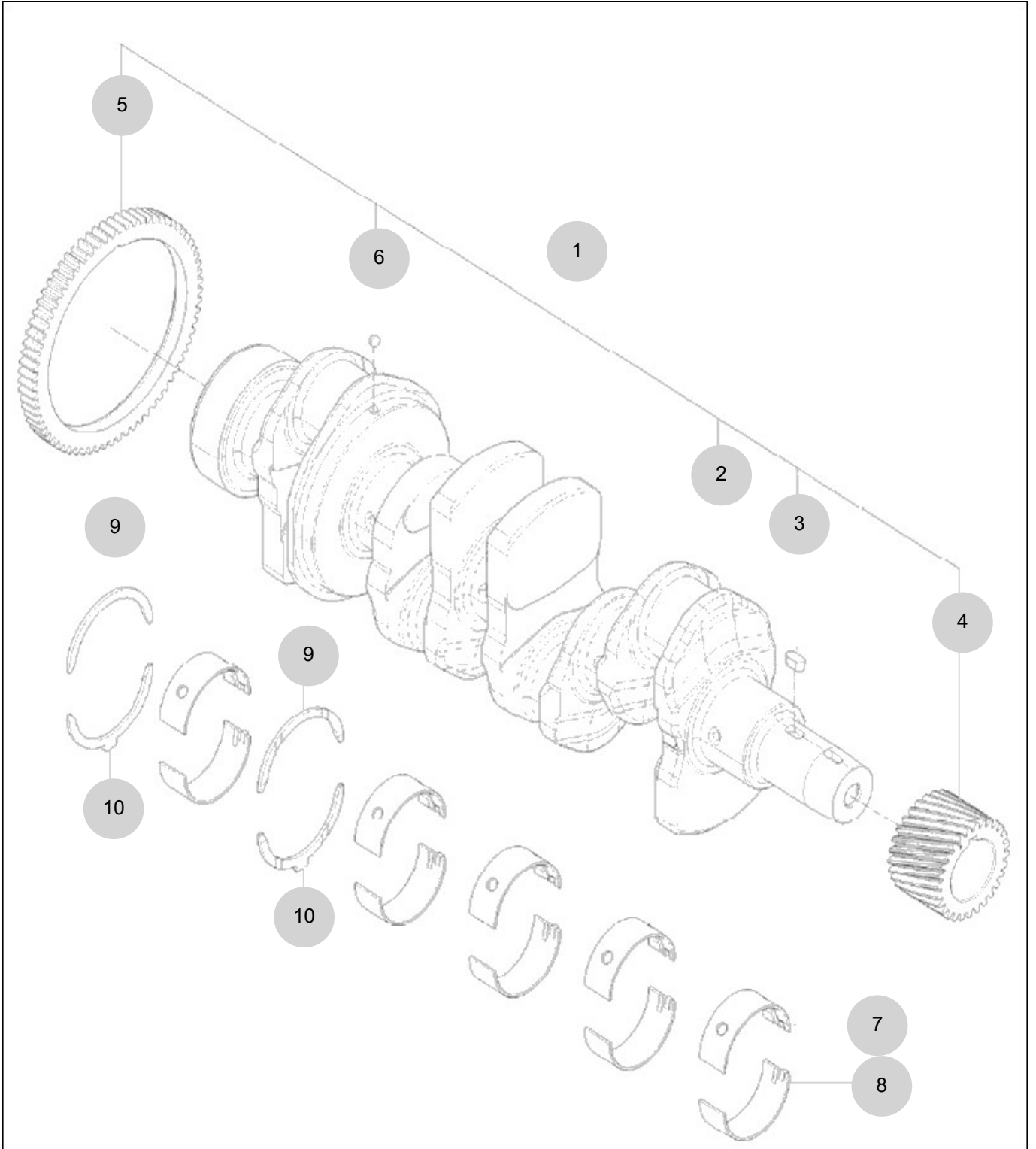
FIG 103

CRANK SHAFT

년/월  
Year/Month

2022-12

T575STEU1



NOTE



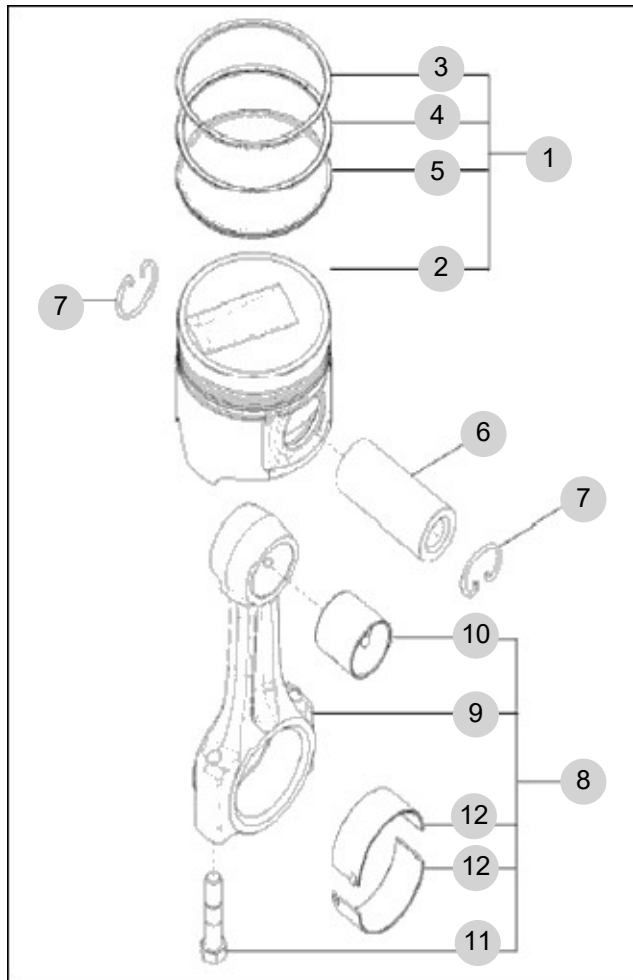
FIG 104

T575STEU1

PISTON

년/월  
Year/Month

2022-12



NOTE



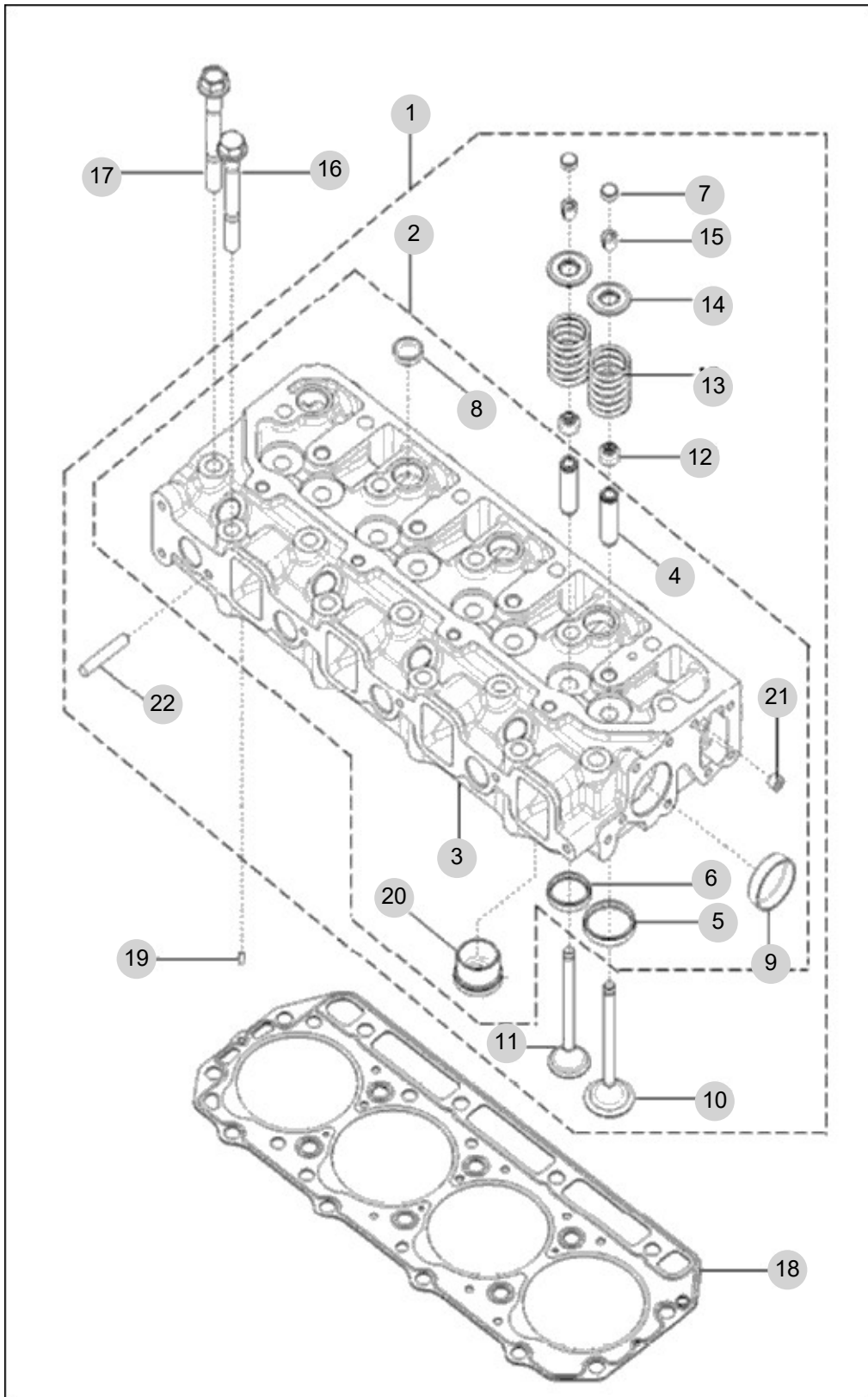
FIG 105

CYLINDER HEAD

년/월  
Year/Month

2022-12

T575STEU1



NOTE





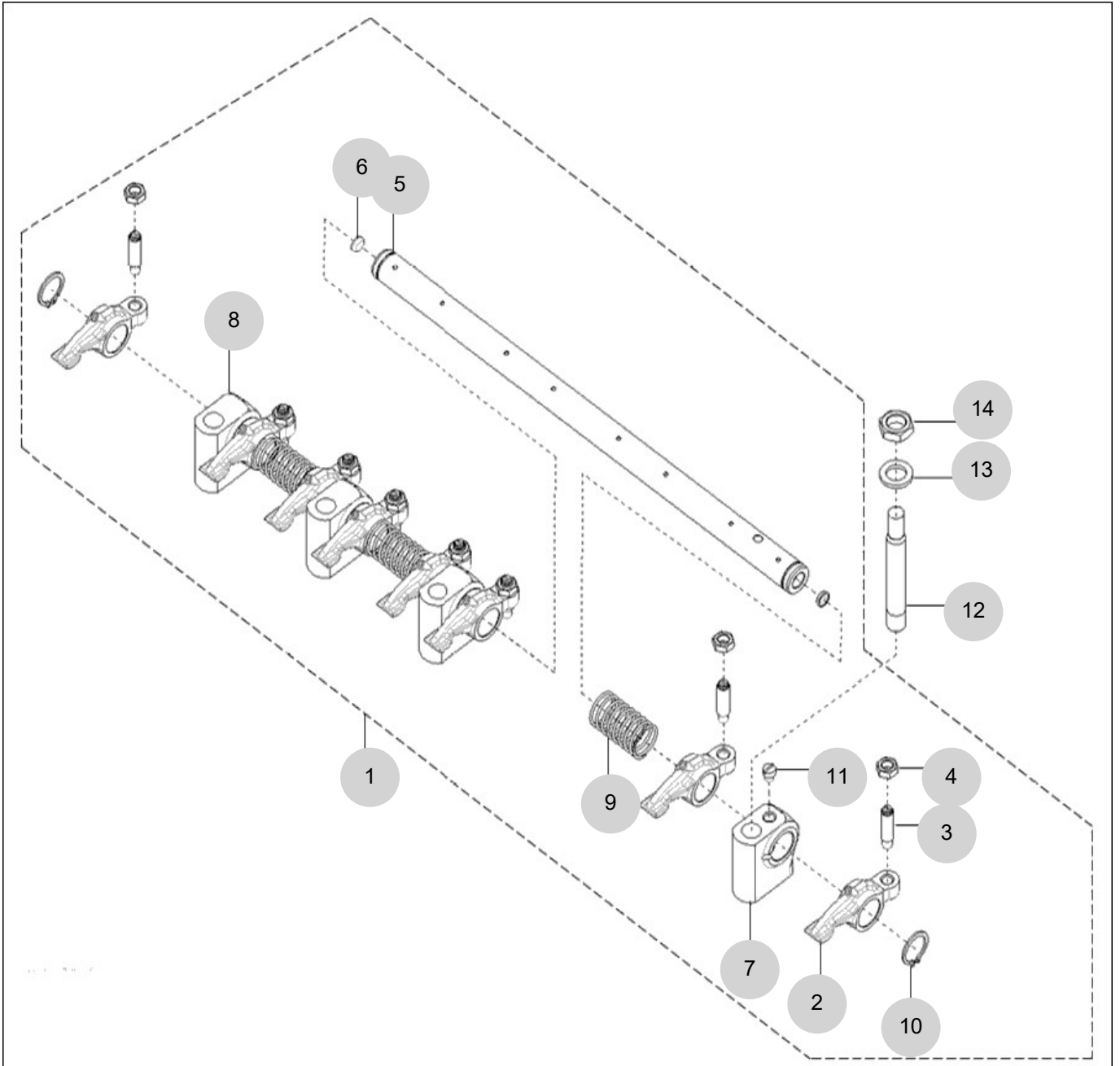
FIG 106

T575STEU1

ROCKER LEVER

년/월  
Year/Month

2022-12



NOTE



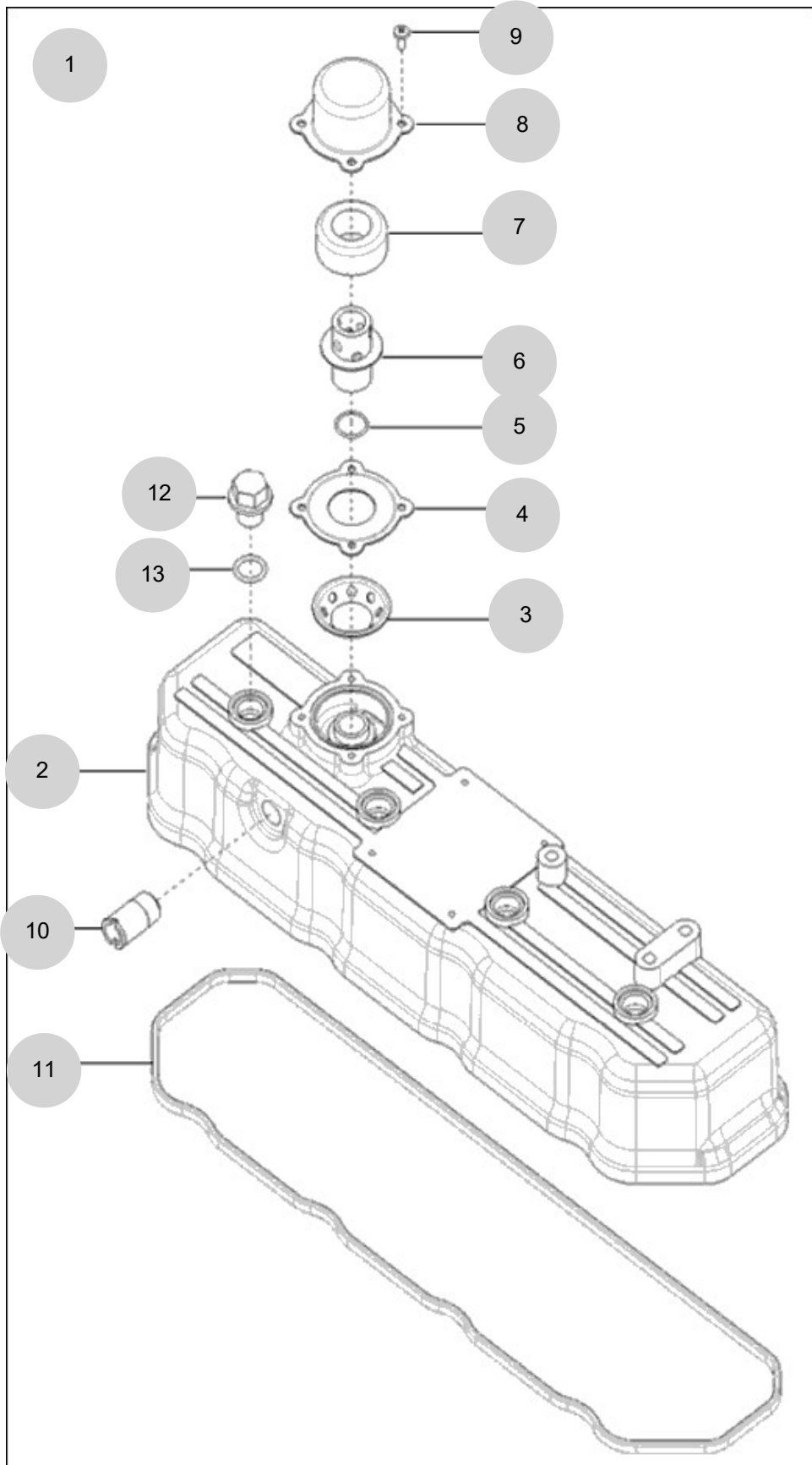
FIG 107

T575STEU1

HEAD COVER

년/월  
Year/Month

2022-12



NOTE



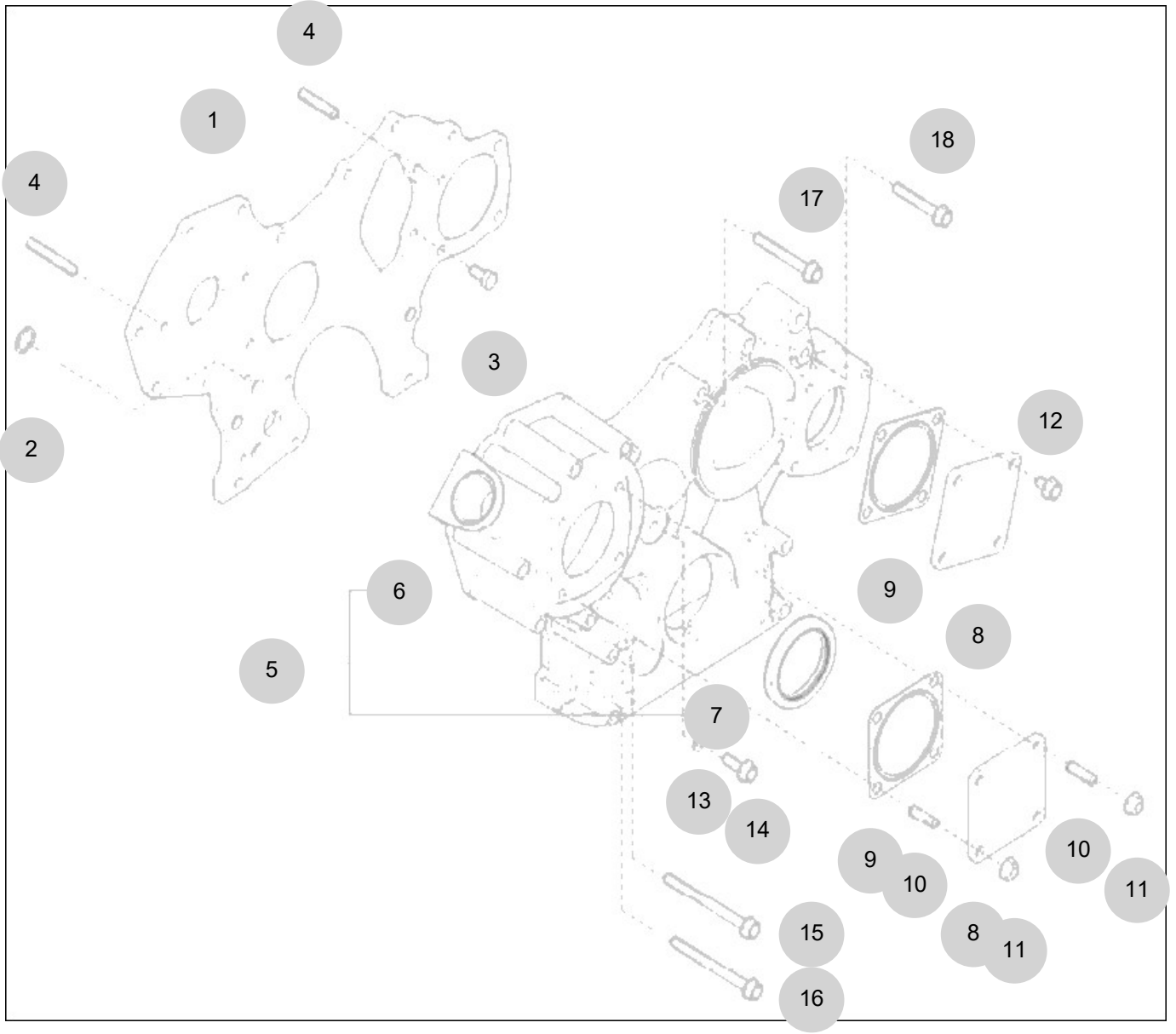
FIG 108

GEAR CASE

년/월  
Year/Month

2022-12

T575STEU1



NOTE



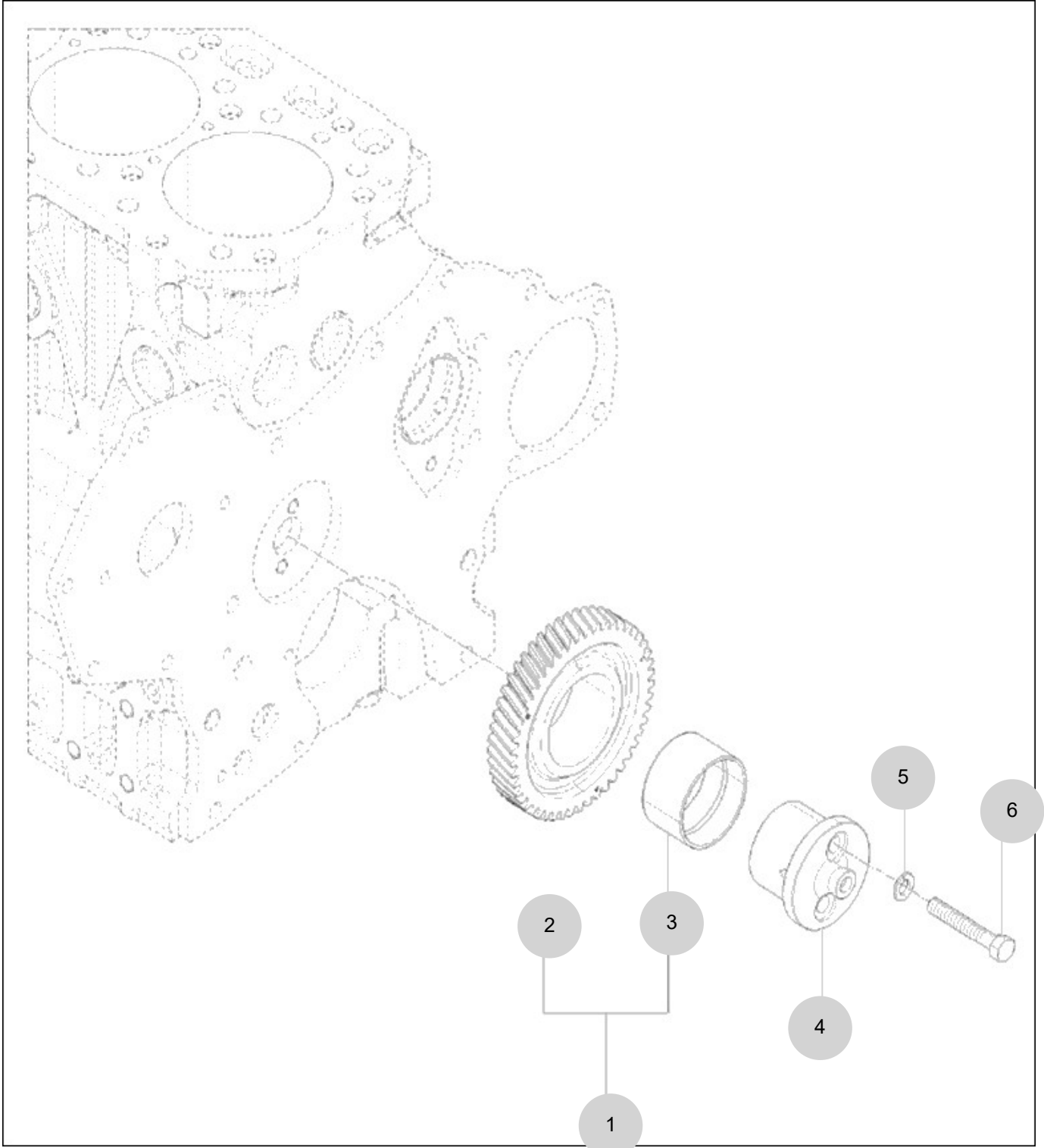
FIG 109

IDLE GEAR

년/월  
Year/Month

T575STEU1

2022-12



NOTE

FIG 109		IDLE GEAR						년/월 Year/Month
T575STEU1								2022-12
KEY NO	PART NO	DESCRIPTION	SPEC	QTY	REPAIR	EFFECTIVE DATE	REMARKS	
109	1	HRA0700600A	IDLE GEAR ASS'Y	1				
109	2	HRA0700601A	IDLE GEAR	1				
109	3	HH08120000A	BUSH(IDLE GEAR)	1				
109	4	EA00000848B	SHAFT, IDLE GEAR	1				
109	5	22217-080000	스프링와셔	2				
109	6	HRU0700700A	BOLT(IDLE SHAFT)	2				
NOTE								



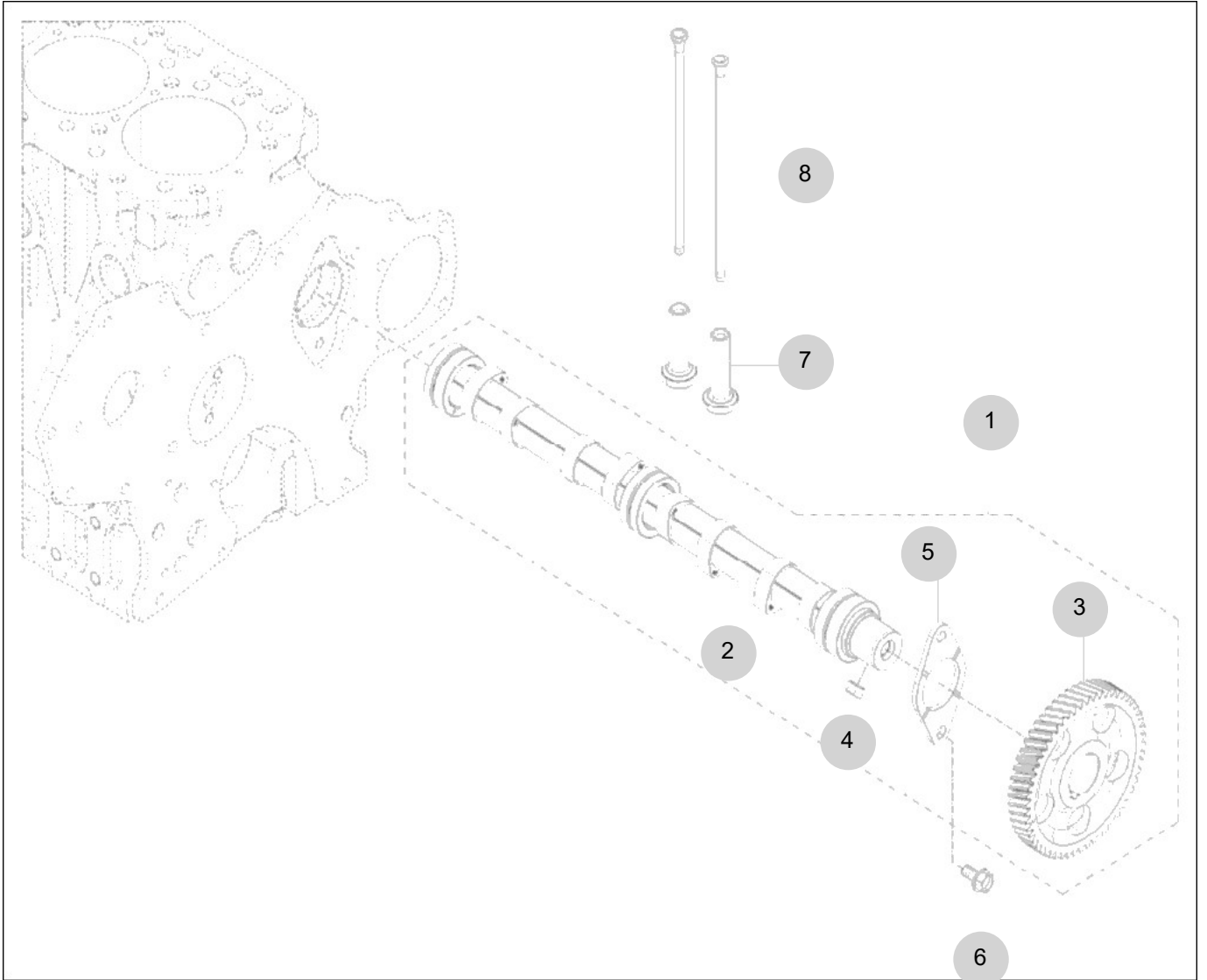
FIG 110

CAM SHAFT

년/월  
Year/Month

2022-12

T575STEU1



NOTE



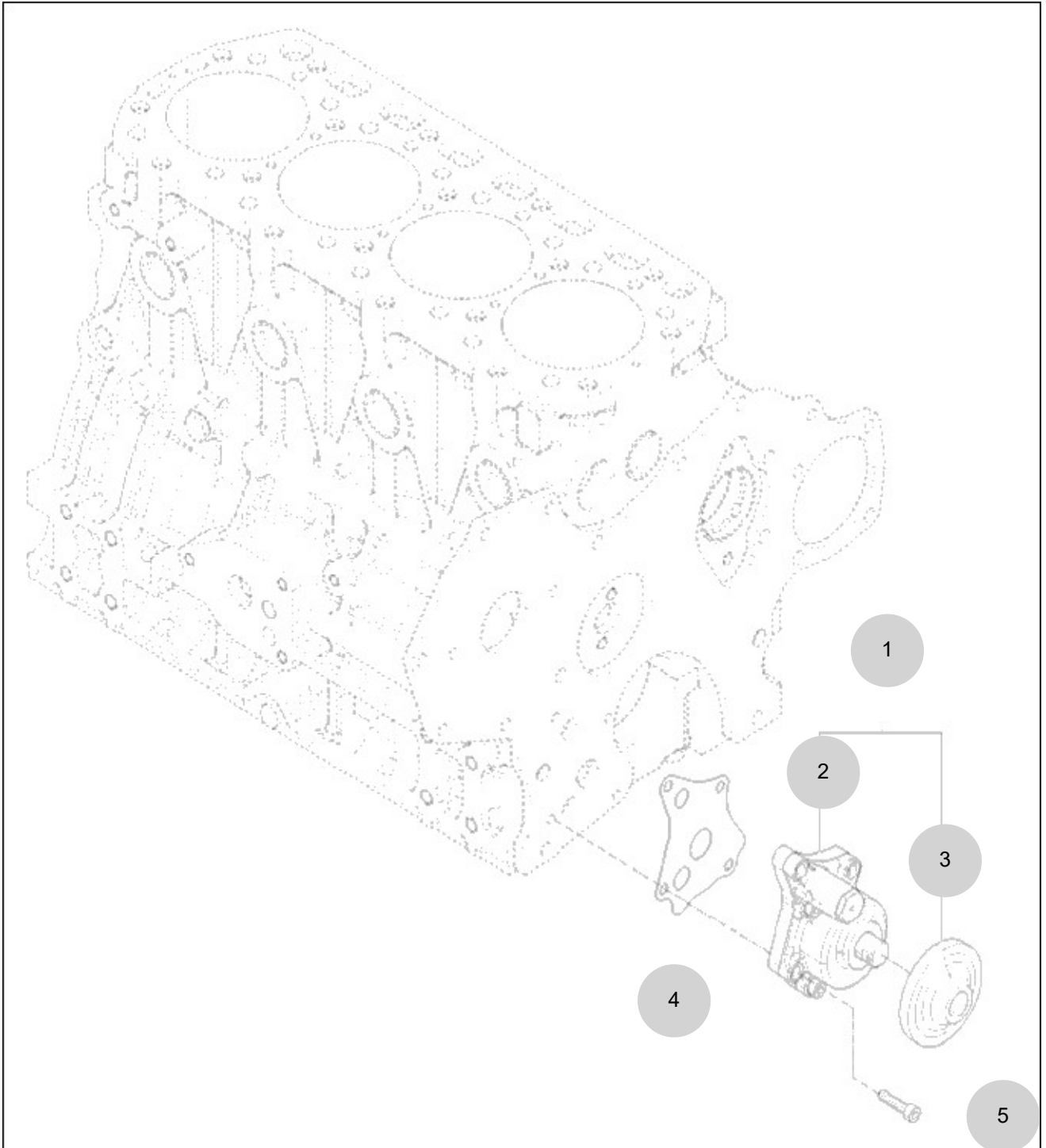
FIG 111

OIL PUMP

년/월  
Year/Month

T575STEU1

2022-12



NOTE



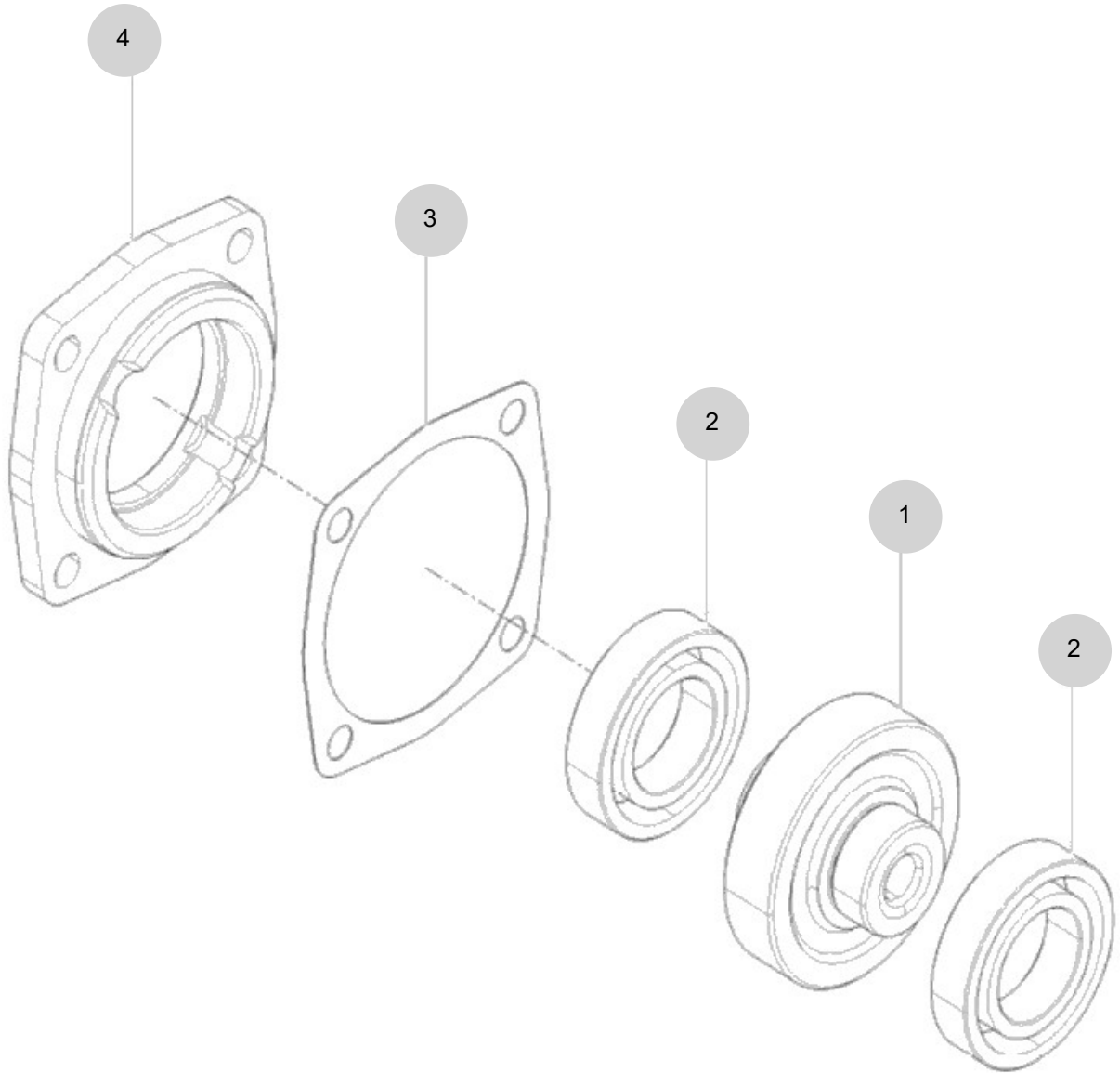
FIG 112

HYD. PUMP DRIVE

년/월  
Year/Month

T575STEU1

2022-12



NOTE

FIG 112 T575STEU1		HYD. PUMP DRIVE					년/월 Year/Month	
							2022-12	
KEY NO	PART NO	DESCRIPTION	SPEC	QTY	REPAIR	EFFECTIVE DATE	REMARKS	
112	1	HRA4000300A	HYD. PUMP DRIVE GEA	1				
112	2	24101-060064	볼베어링	2				
112	3	HK02350000A	PACKING	1				
112	4	HK02340000B	유압펌프기어커버	1				
NOTE								

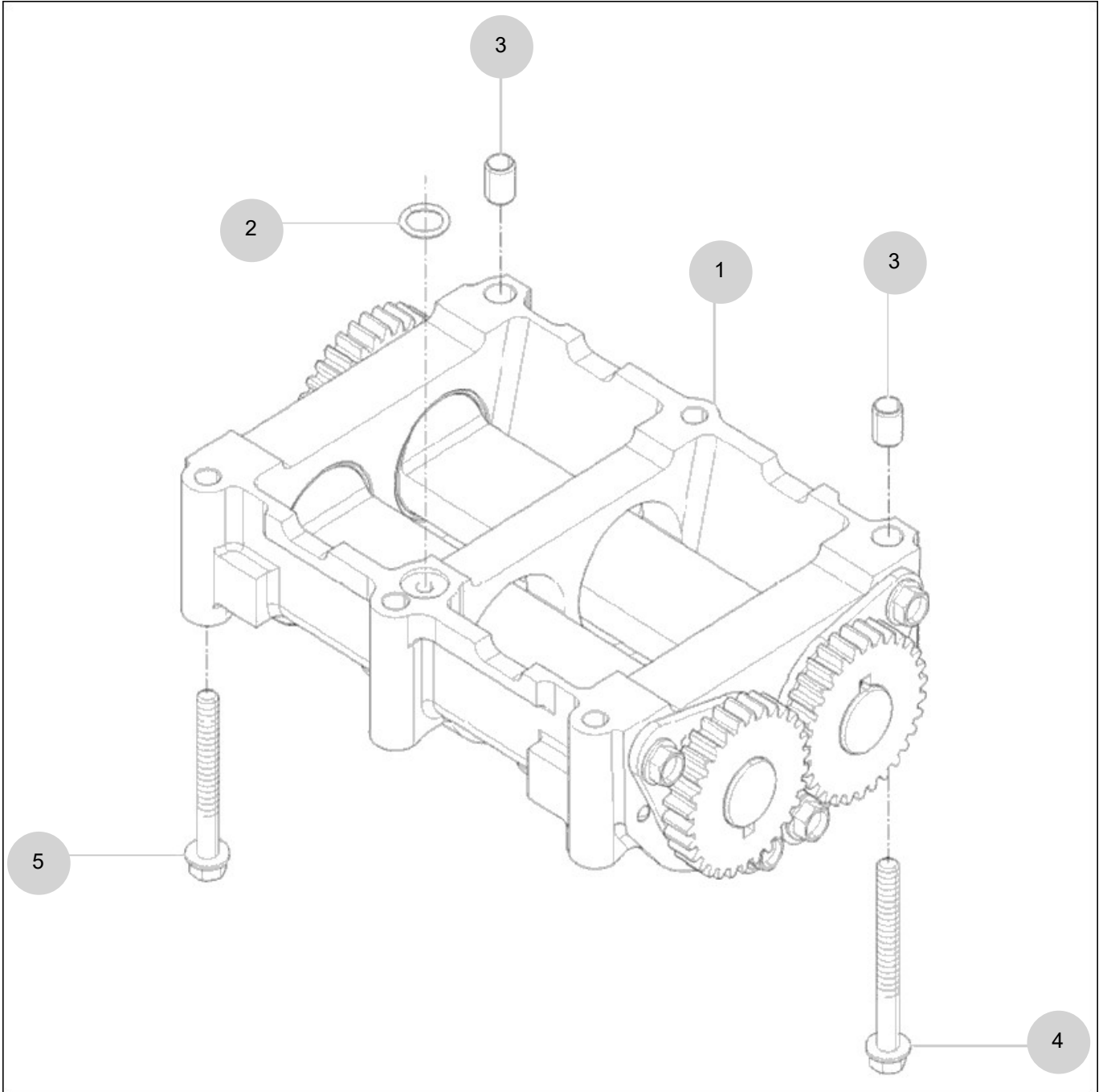
FIG 113

2ND BALANCE

년/월  
Year/Month

T575STEU1

2022-12



NOTE





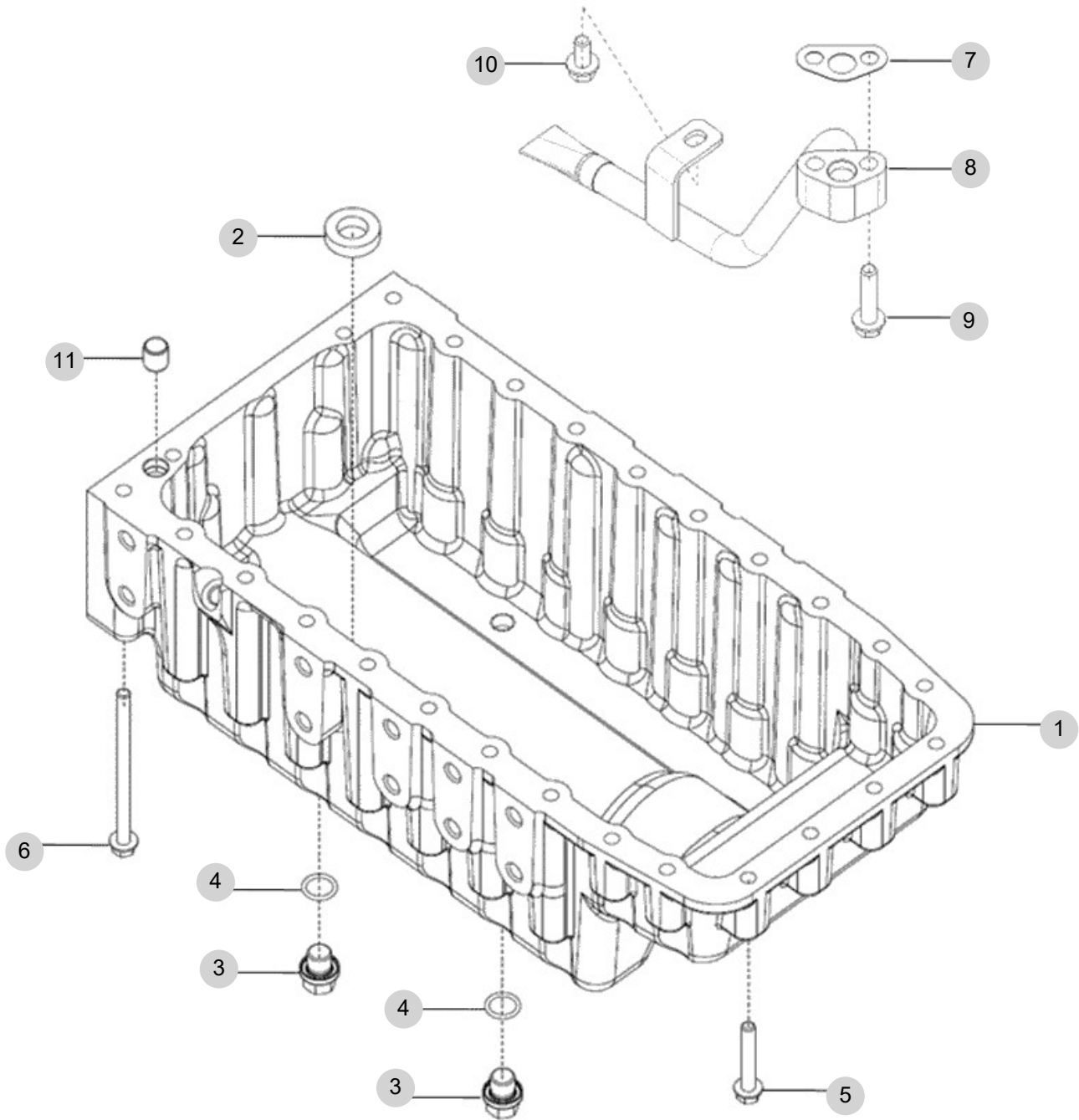
FIG 114

T575STEU1

OIL PAN

년/월  
Year/Month

2022-12



NOTE



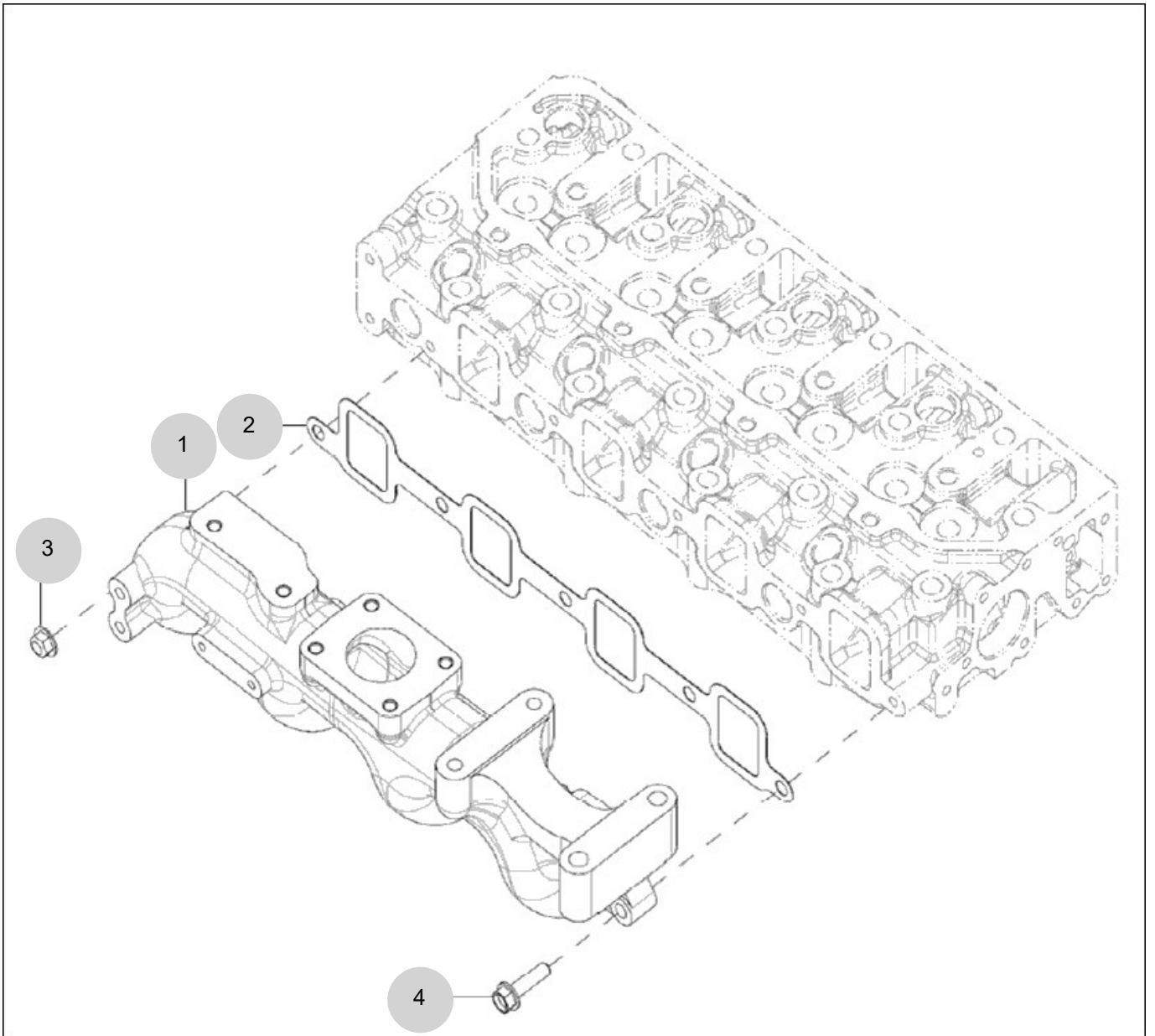
FIG 115A

INTAKE MANIFOLD(T574)

년/월  
Year/Month

2022-12

T575STEU1



NOTE



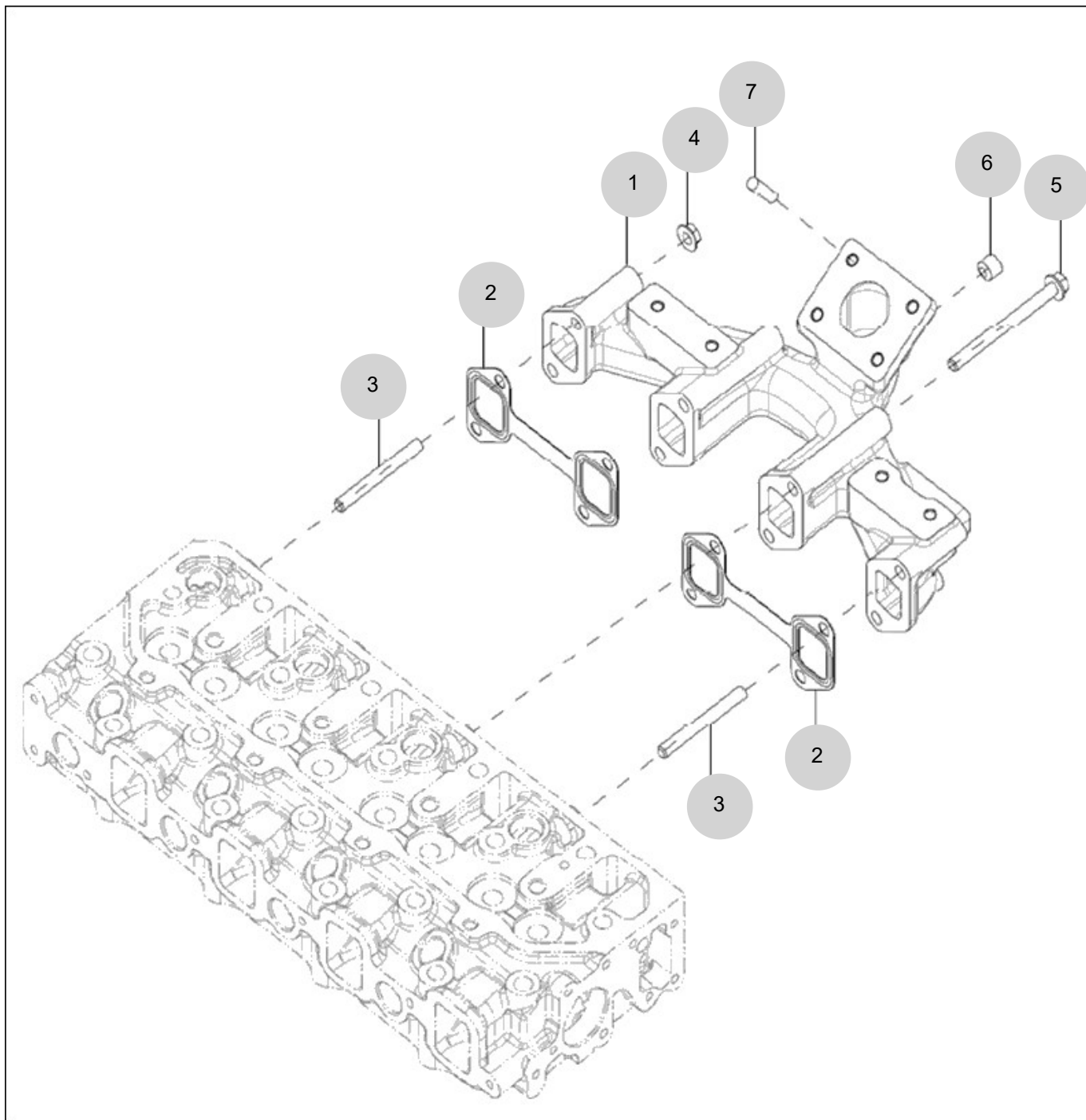
FIG 116A

EXHAUST MANIFOLD(T574)

년/월  
Year/Month

2022-12

T575STEU1



NOTE

FIG 116A T575STEU1		EXHAUST MANIFOLD(T574)						년/월 Year/Month	
								2022-12	
KEY NO	PART NO	DESCRIPTION	SPEC	QTY	REPAIR	EFFECTIVE DATE	REMARKS		
116A	1	EA00003510B	EXHAUST MANIFOLD		1				
116A	2	HRA0600200A	GASKET(EXHAUST MANIFOLD)		2				
116A	3	26216-080652	STUD BOLT		4				
116A	4	EA00000645A	HEX. FLANGE NUT		4				
116A	5	26106-080952	HEX. FLANGE BOLT		4				
116A	6	23871-020000	테이퍼나사플러그		1				
116A	7	26213-080222	STUD BOLT		4				
116A	7	EA00006124A	심음볼트		4				
NOTE									

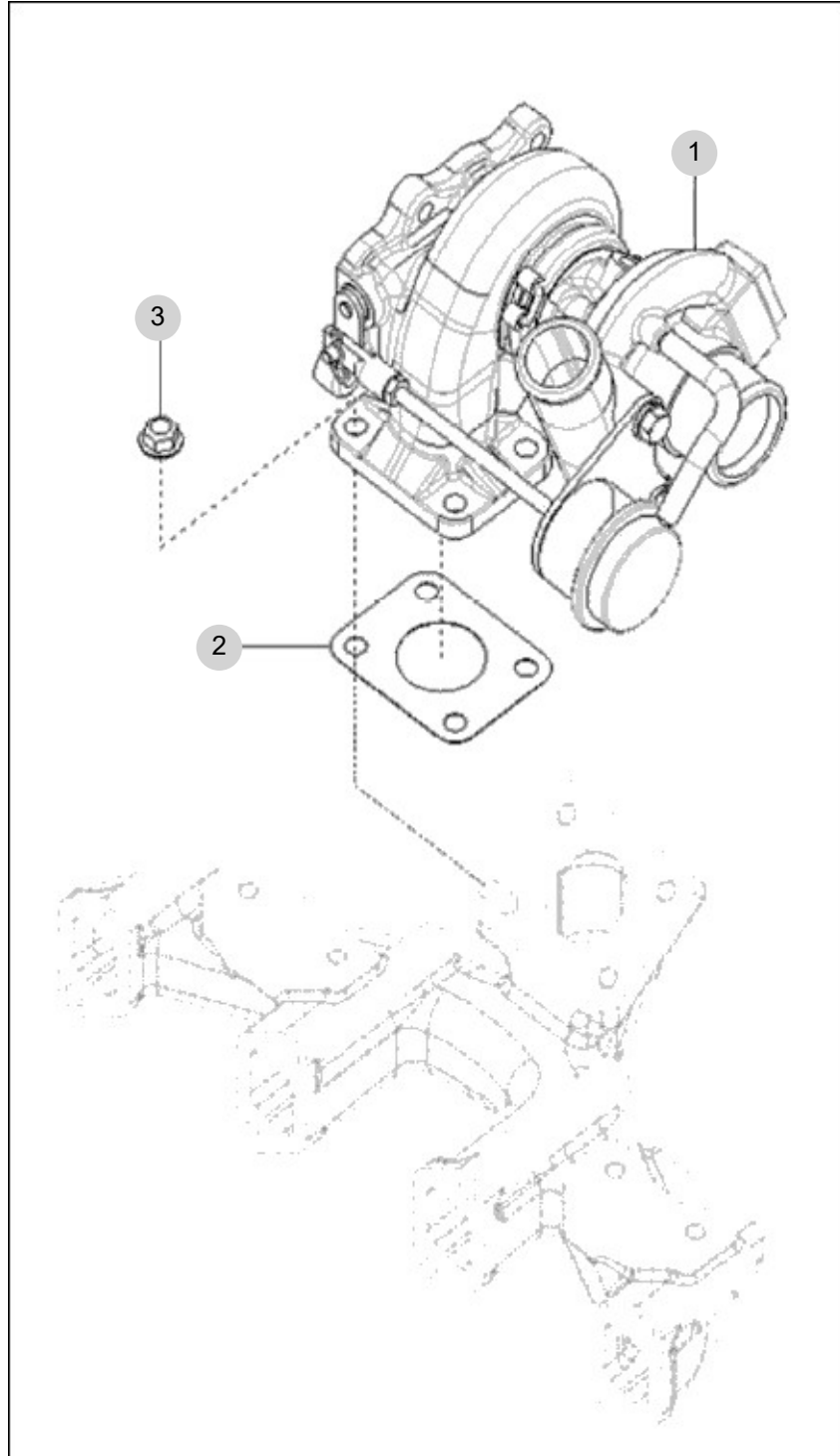
FIG 117A

TURBOCHARGER ASS'Y(T574)

년/월  
Year/Month

2022-12

T575STEU1



NOTE





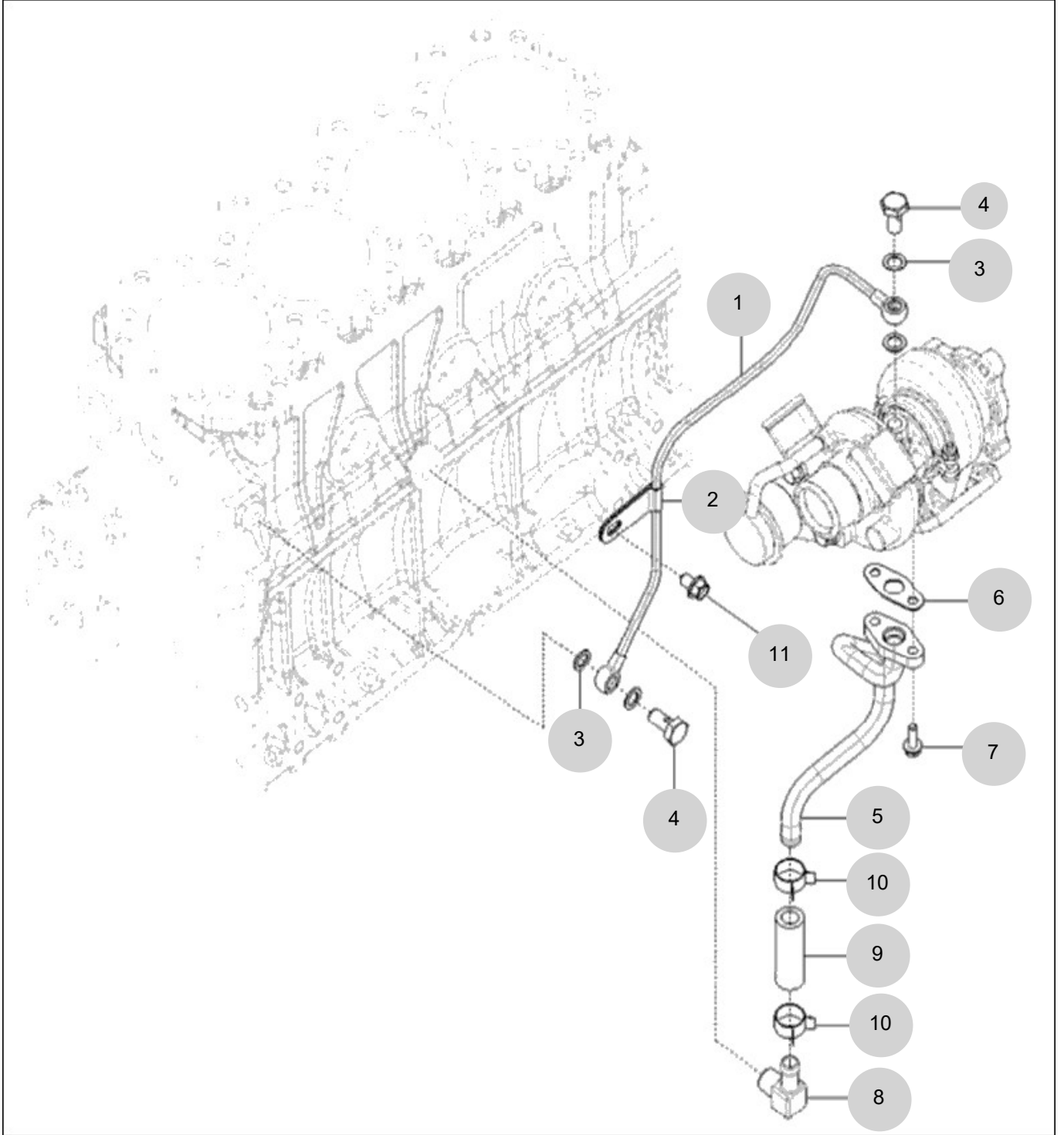
FIG 118A

TURBOCHARGER PLUMBING OPTION(T574)

년/월  
Year/Month

2022-12

T575STEU1



NOTE



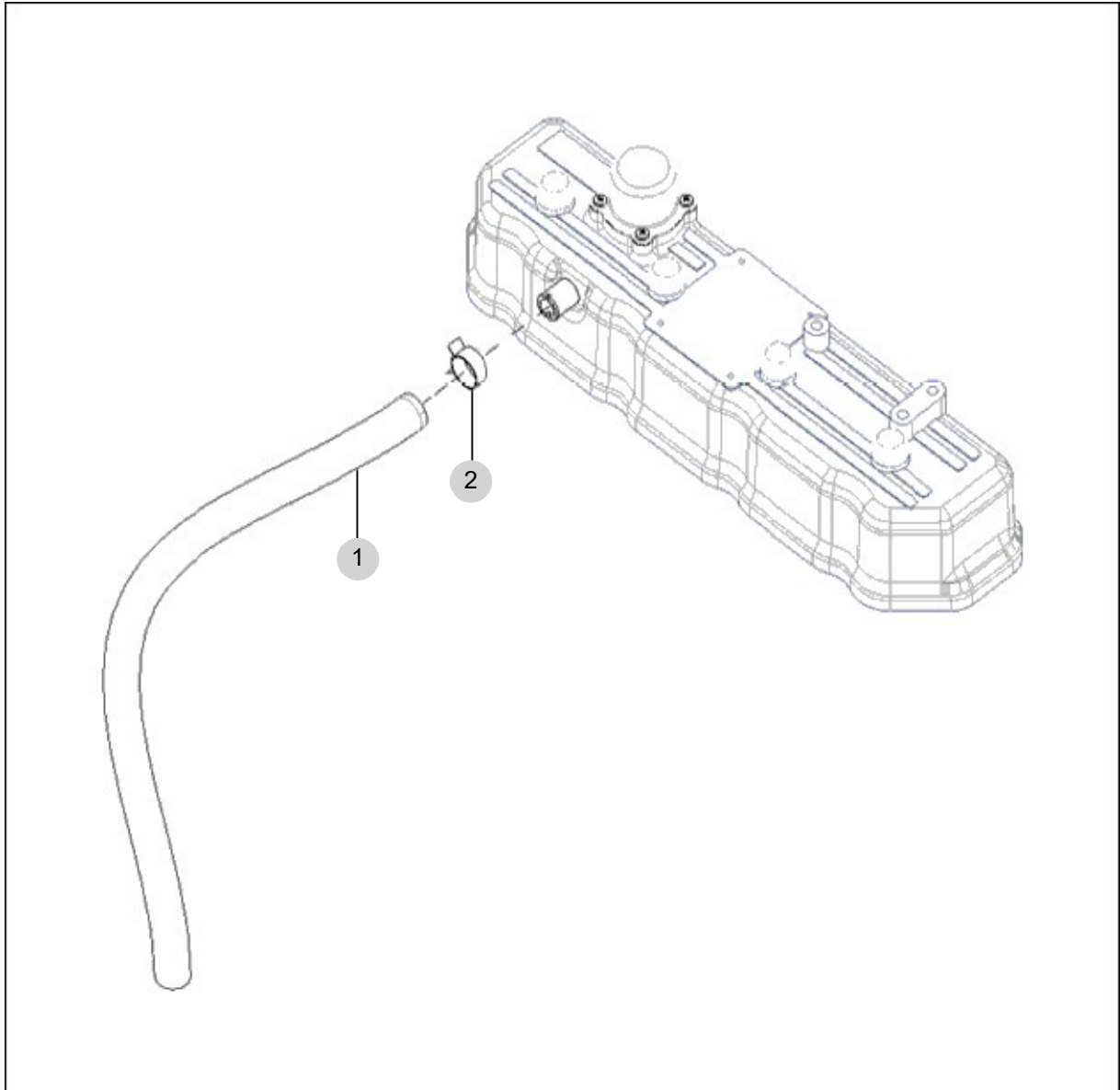
FIG 119A

BREATHER(T574)

년/월  
Year/Month

2022-12

T575STEU1



NOTE



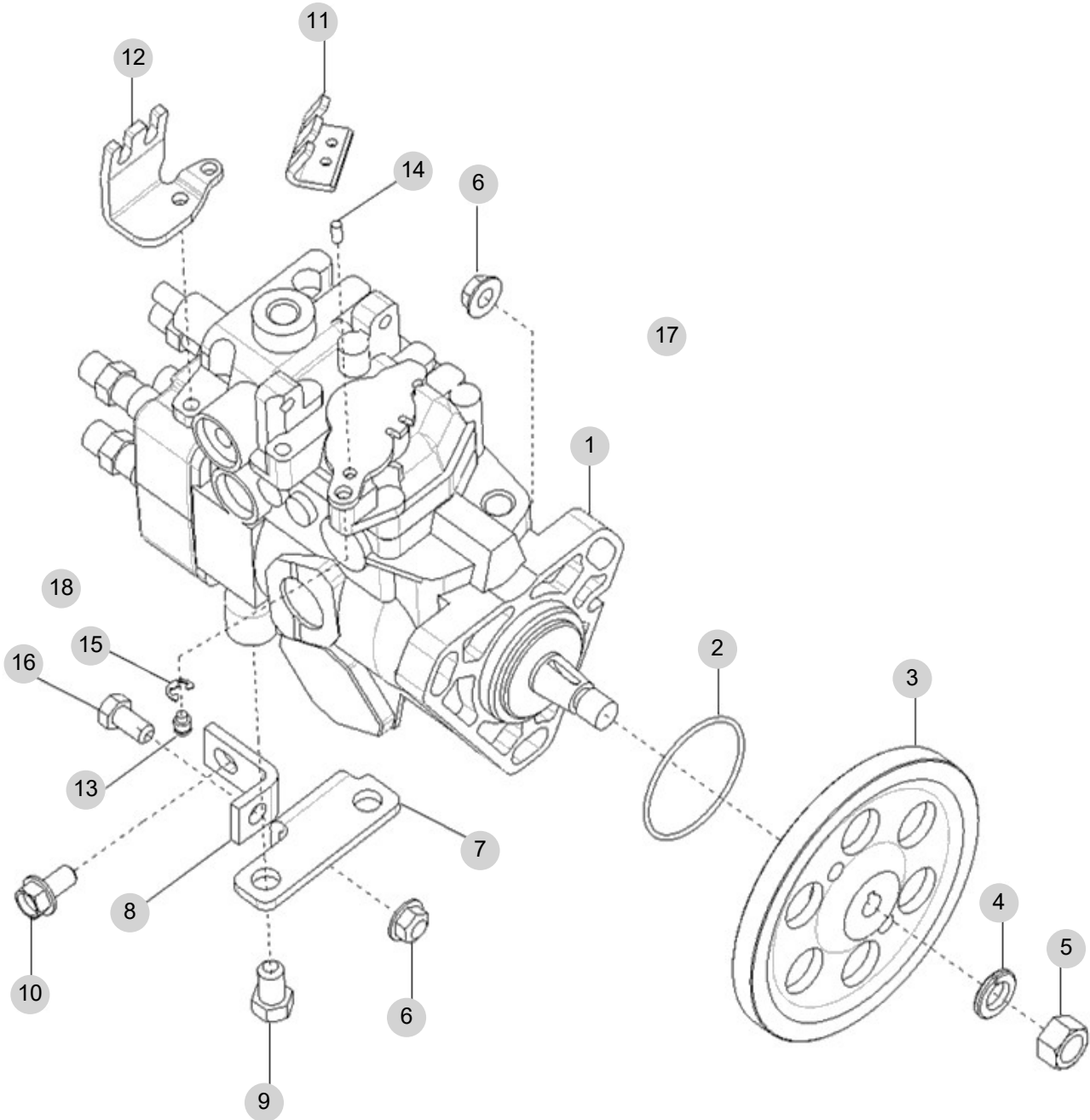
FIG 120

FUEL INJECTION PUMP

년/월  
Year/Month

2022-12

T575STEU1



NOTE



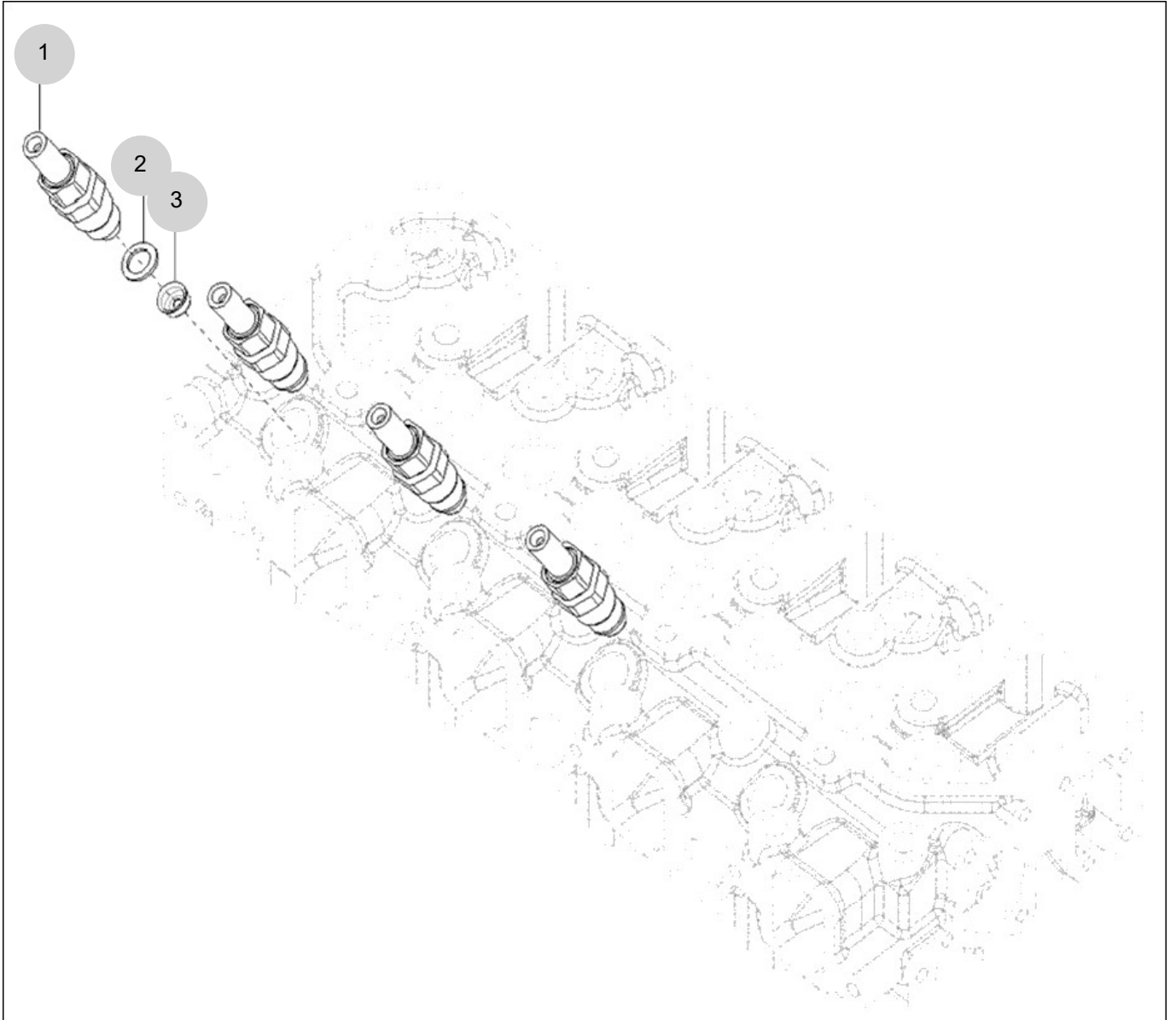
FIG 121

FUEL INJECTION VALVE

년/월  
Year/Month

2022-12

T575STEU1



NOTE





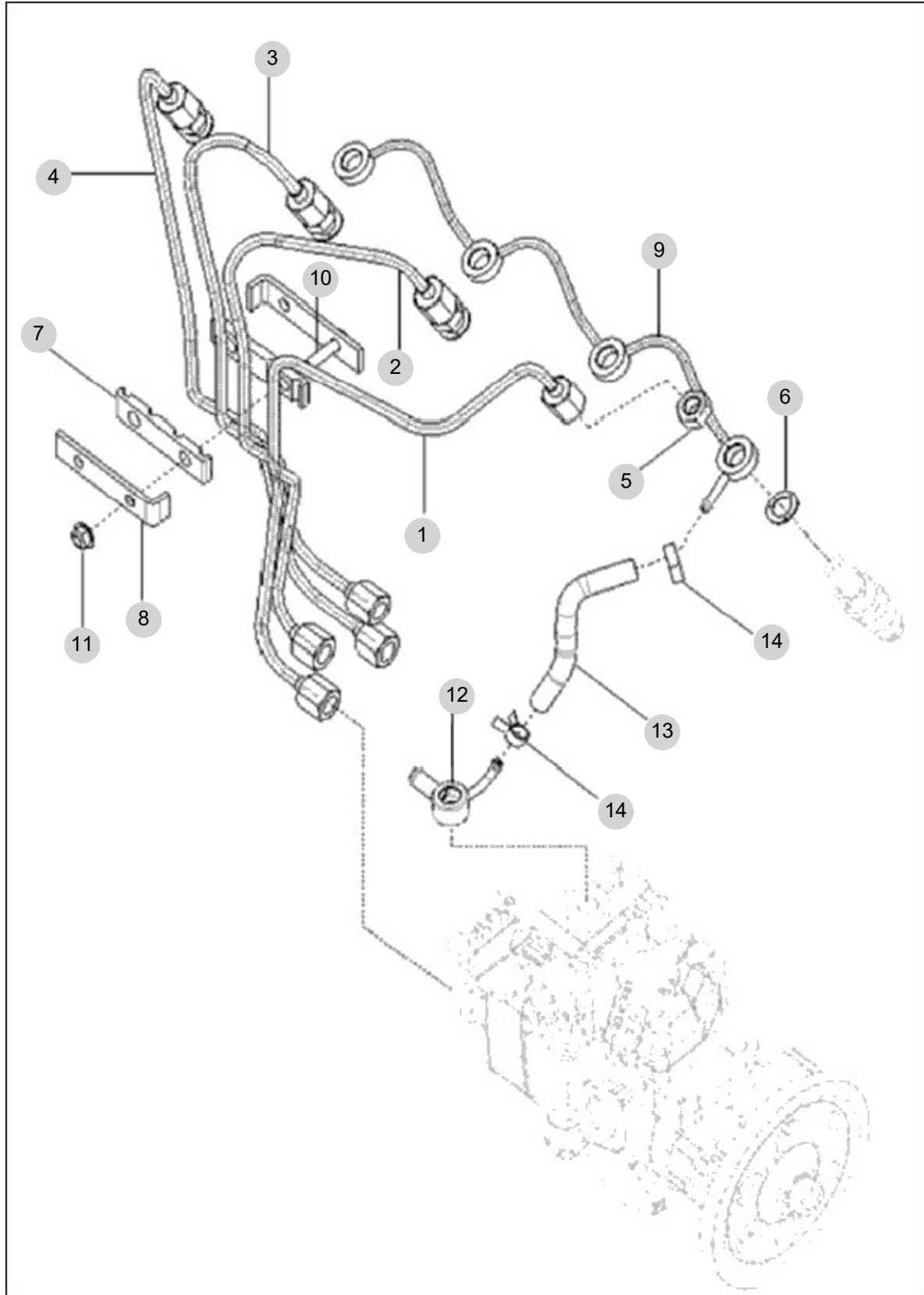
FIG 122

FUEL PIPE ASS'Y

년/월  
Year/Month

2022-12

T575STEU1



NOTE



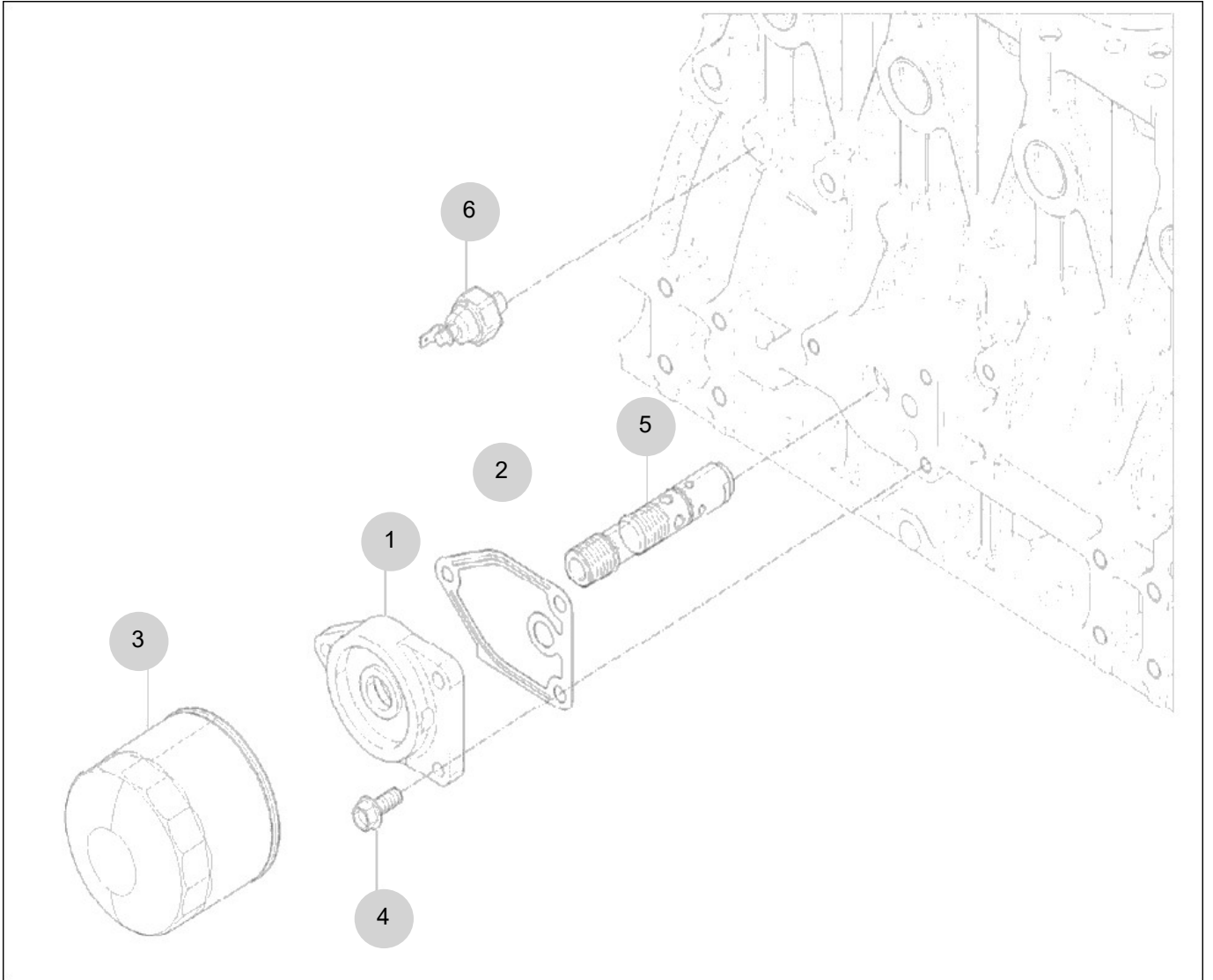
FIG 123

T575STEU1

OIL FILTER

년/월  
Year/Month

2022-12



NOTE



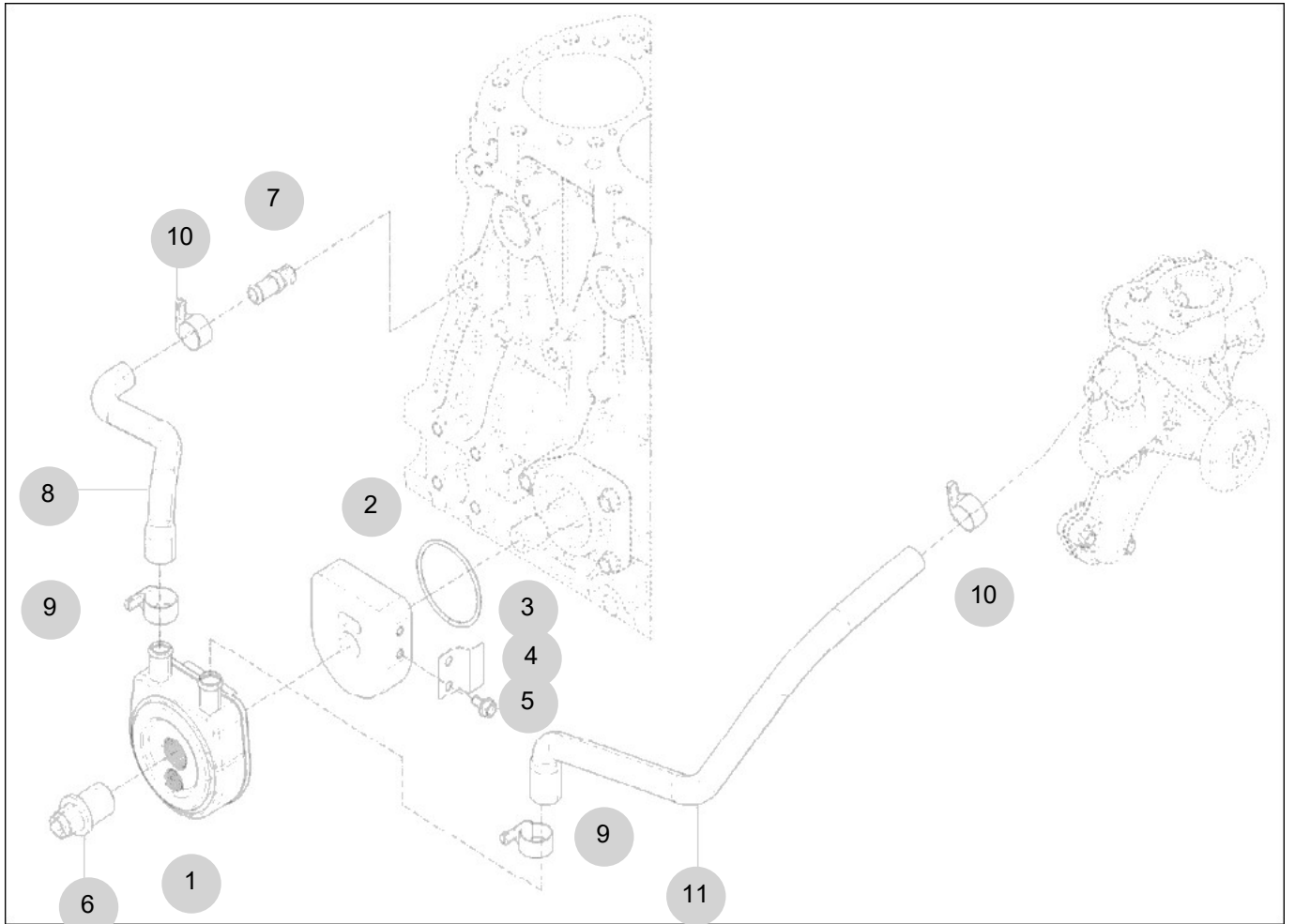
FIG 124

OIL COOLER

년/월  
Year/Month

T575STEU1

2022-12



NOTE



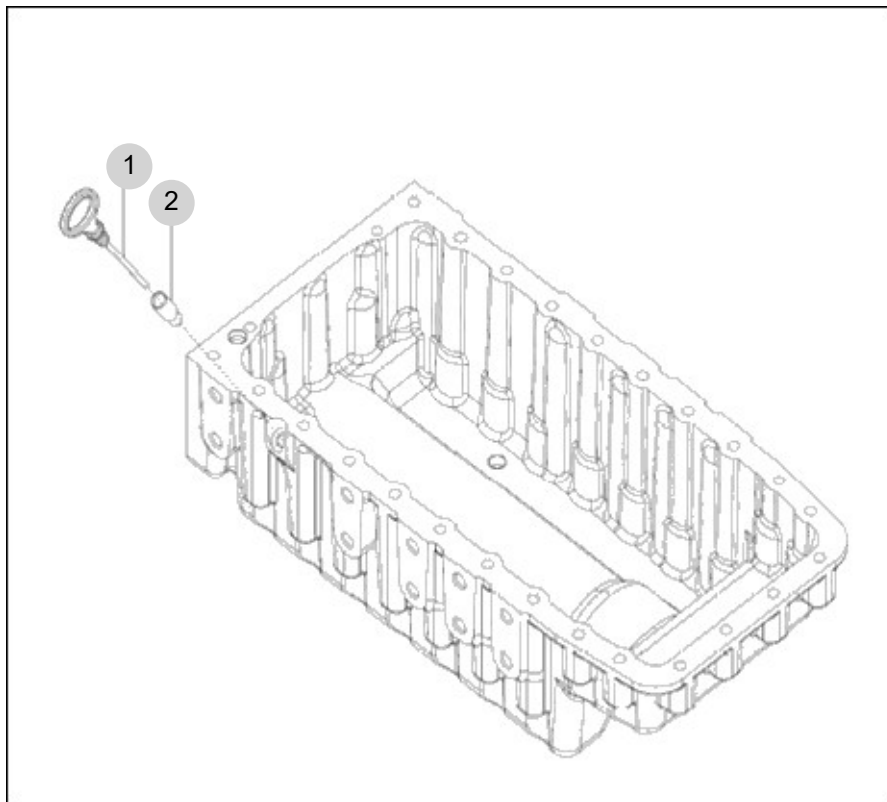
FIG 125

OIL GAUGUE

년/월  
Year/Month

2022-12

T575STEU1



NOTE





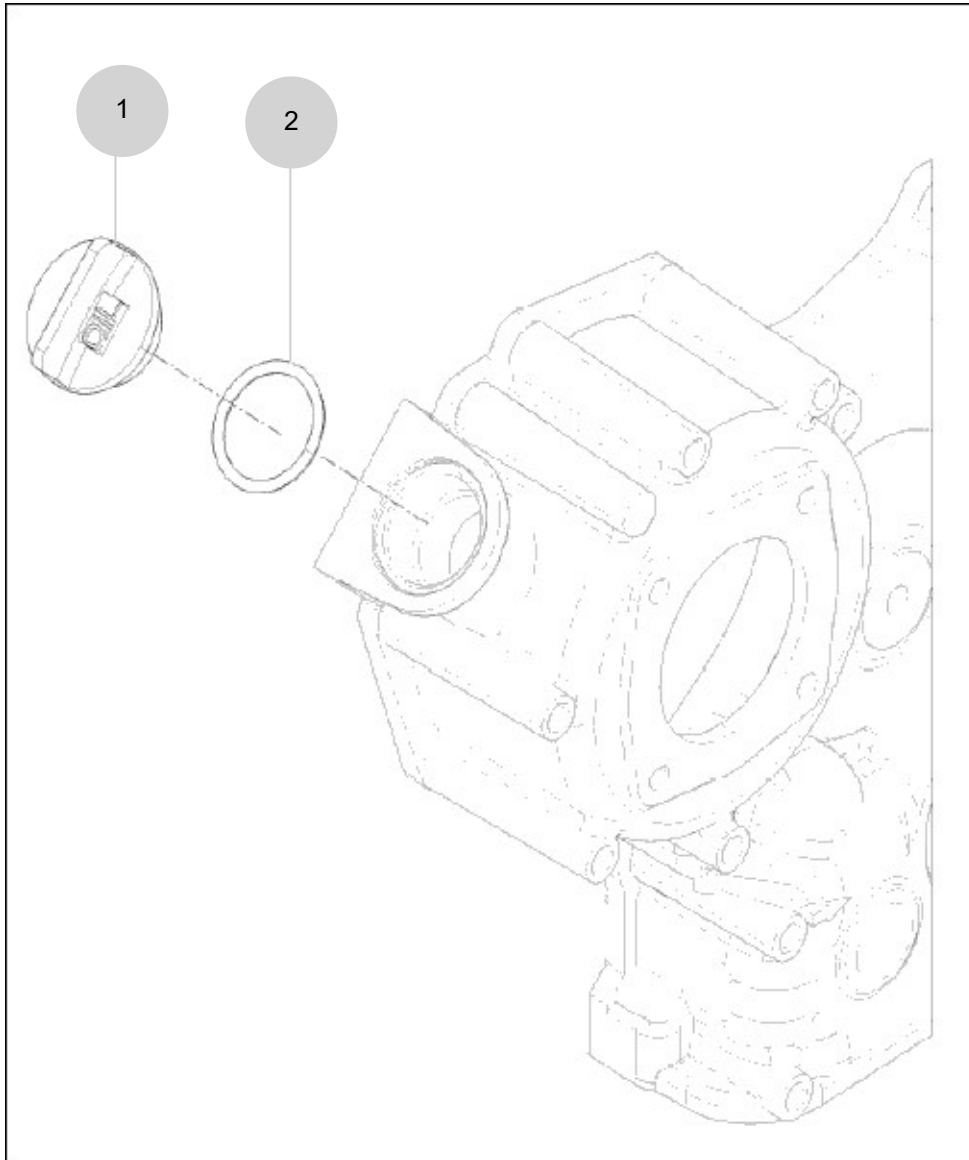
FIG 126

T575STEU1

OIL FILLER CAP

년/월  
Year/Month

2022-12



NOTE



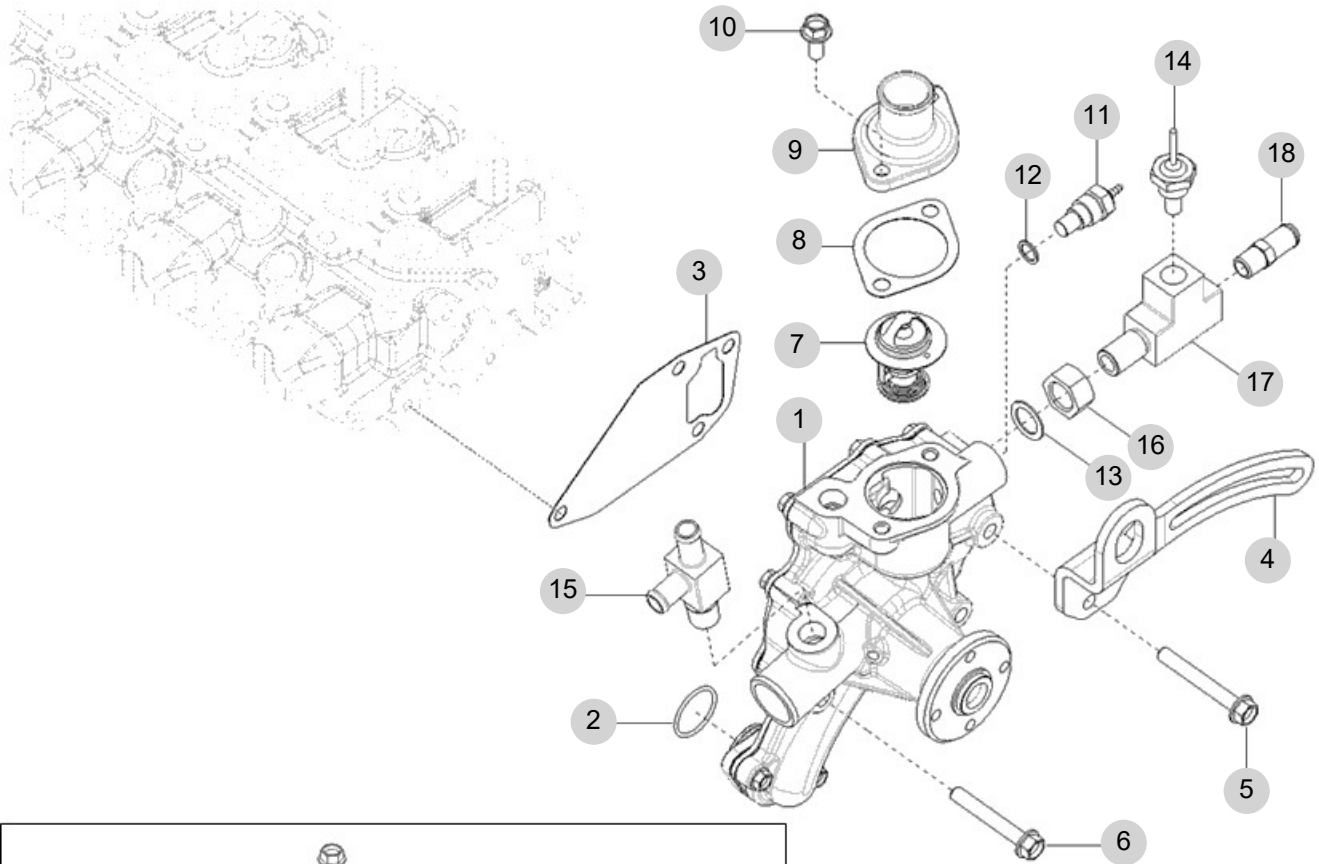
FIG 127

COOLING WATER PUMP

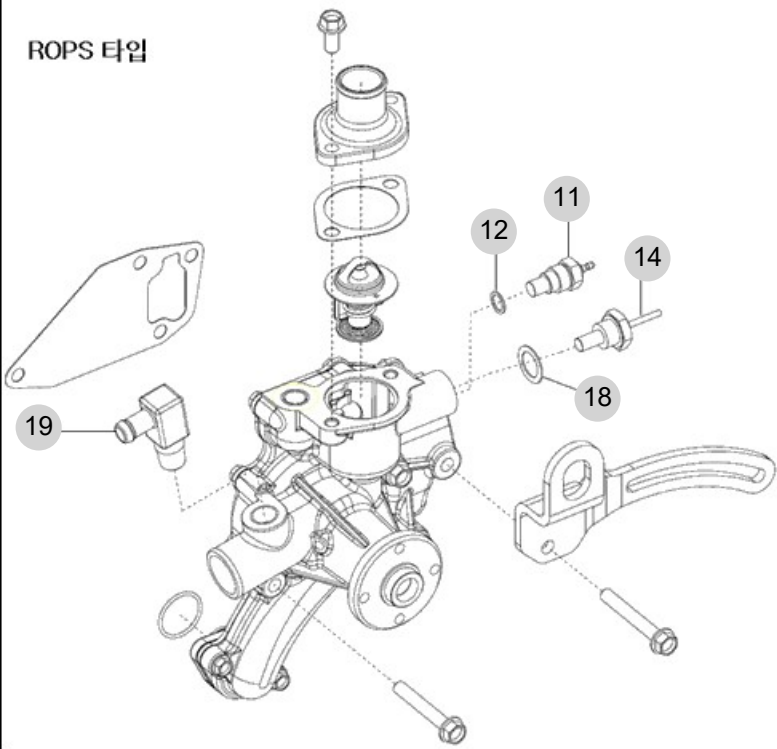
년/월  
Year/Month

2022-12

T575STEU1



ROPS 타입



NOTE



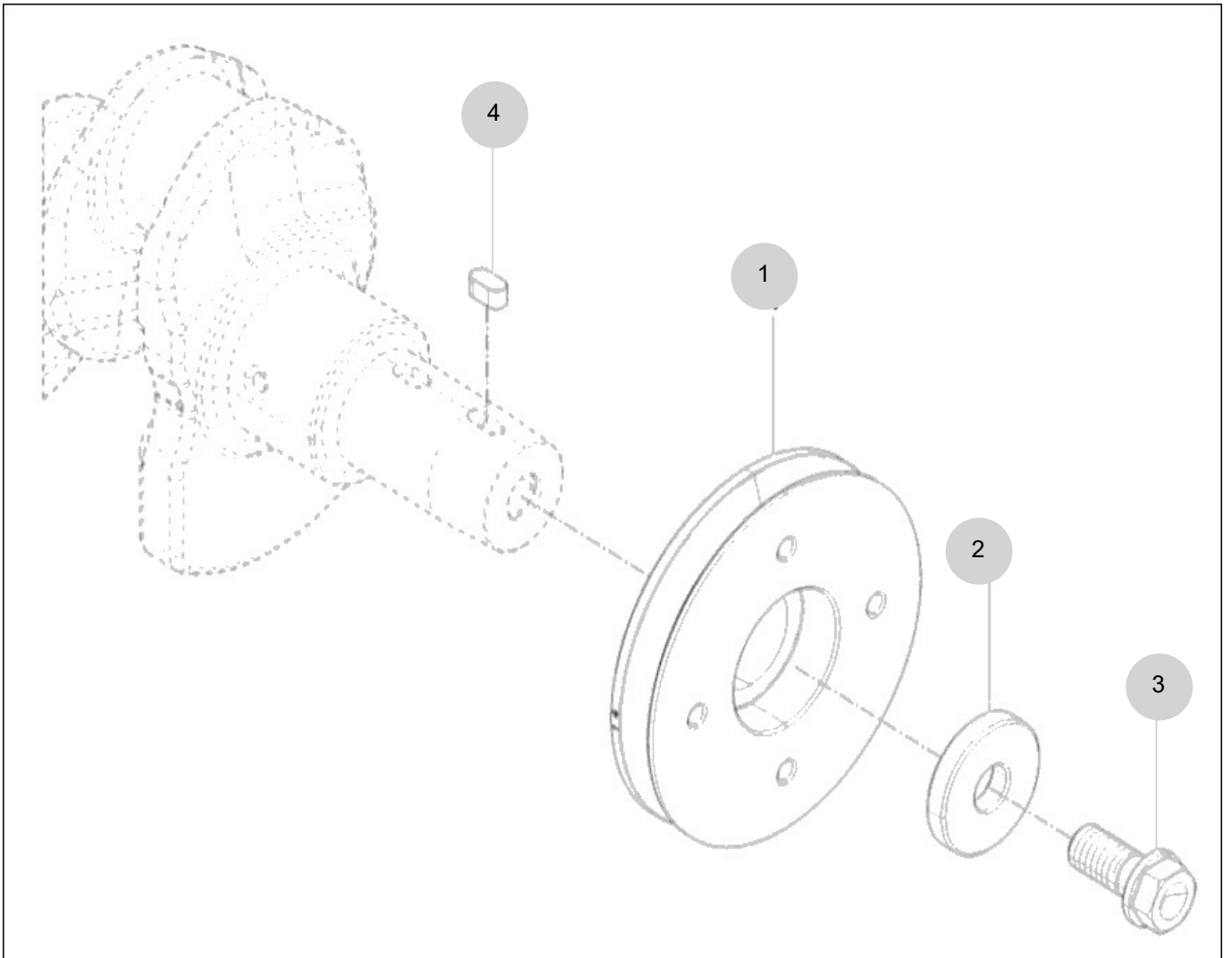
FIG 128

CRANK SHAFT PULLEY

년/월  
Year/Month

2022-12

T575STEU1



NOTE



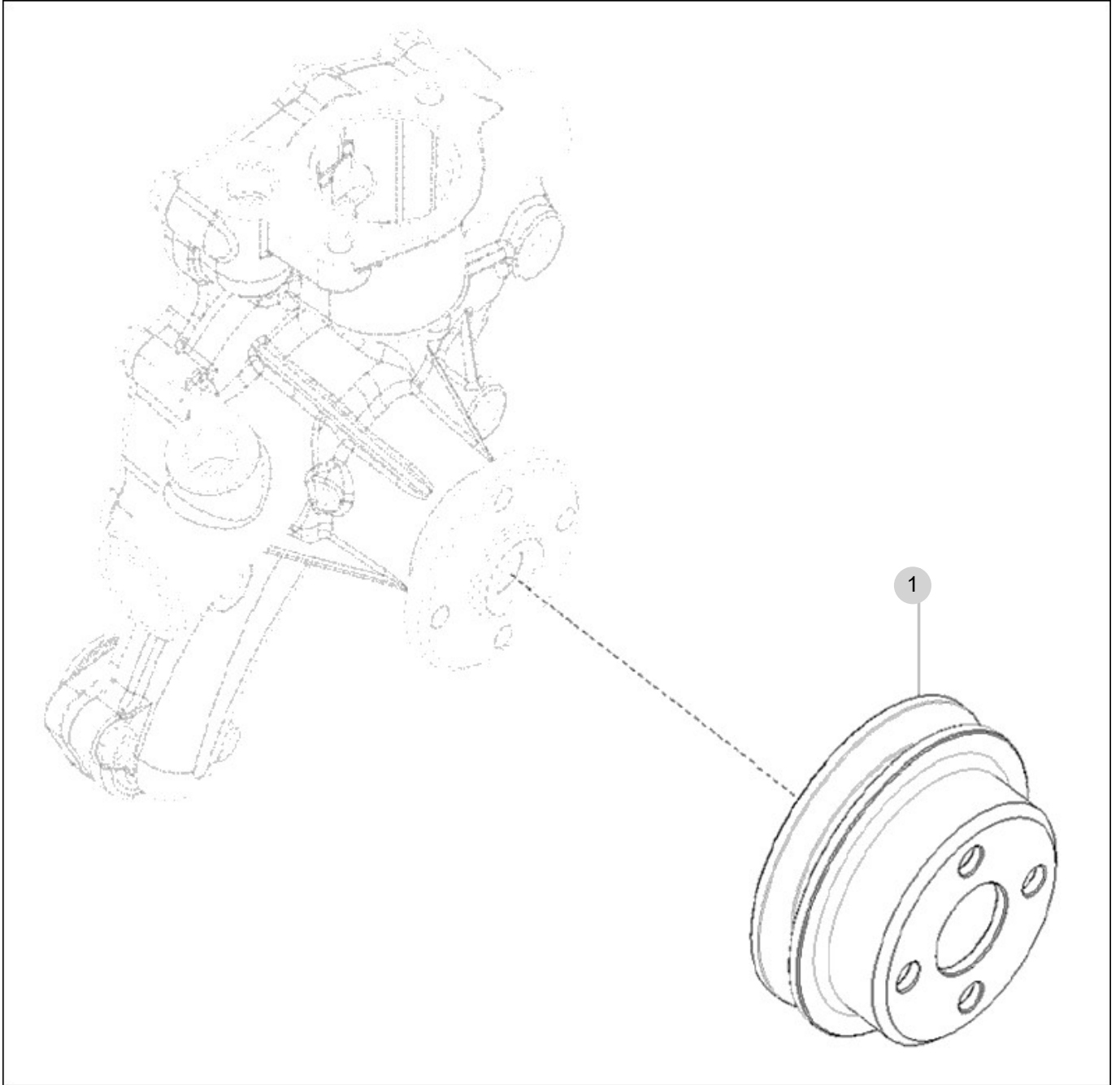
FIG 129

V-PULLEY

년/월  
Year/Month

2022-12

T575STEU1



NOTE





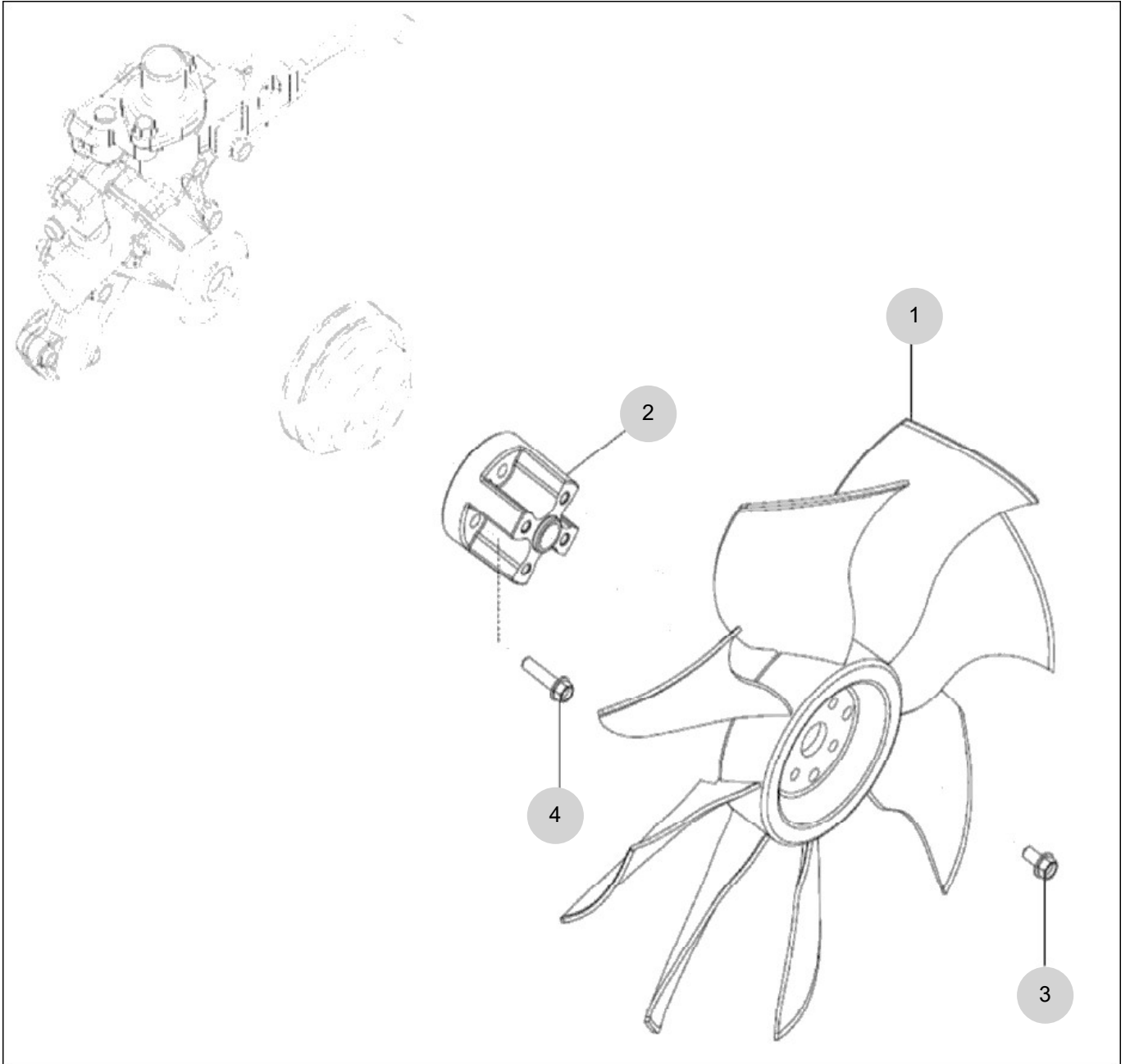
FIG 130

COOLING FAN

년/월  
Year/Month

2022-12

T575STEU1



NOTE

FIG 130 T575STEU1		COOLING FAN						년/월 Year/Month	
								2022-12	
KEY NO	PART NO	DESCRIPTION	SPEC	QTY	REPAIR	EFFECTIVE DATE	REMARKS		
130	1	EA00005866A	냉각팬(웁팬/442)	Ø442		1			
130	2	EA00004968A	SPACER	60 mm		1			
130	3	26106-080162	육각플랜지볼트			4			
130	4	26106-080322	육각플랜지볼트			4			
NOTE									

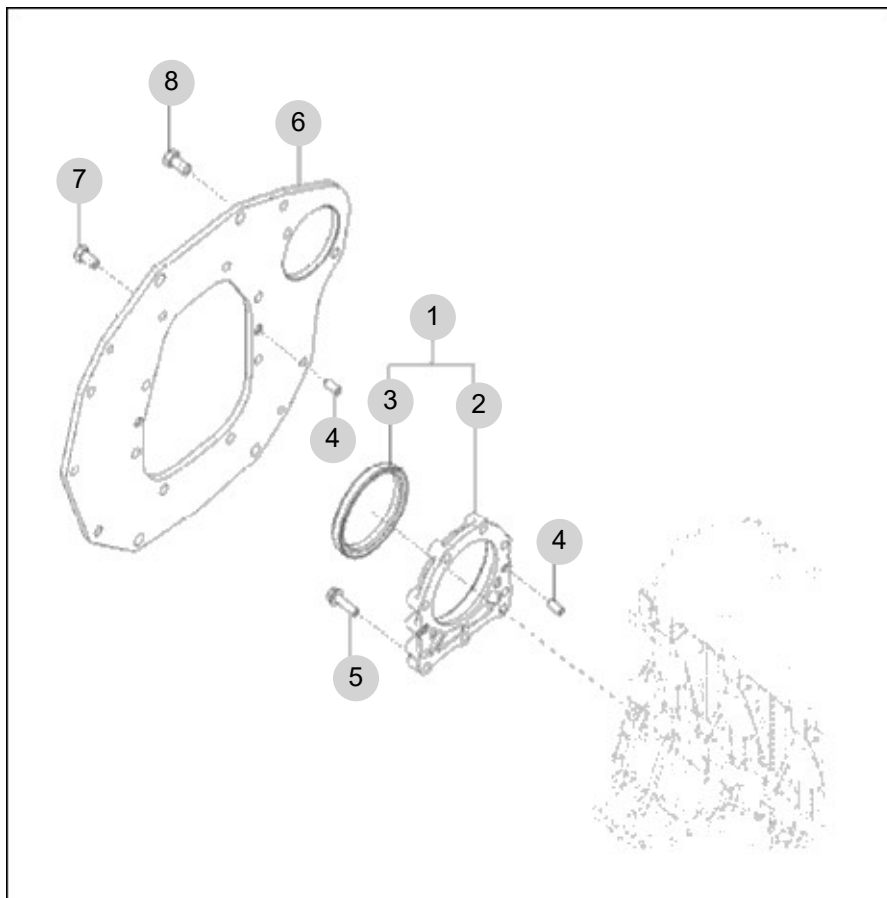
FIG 131

T575STEU1

FLYWHEEL HOUSING

년/월  
Year/Month

2022-12



NOTE



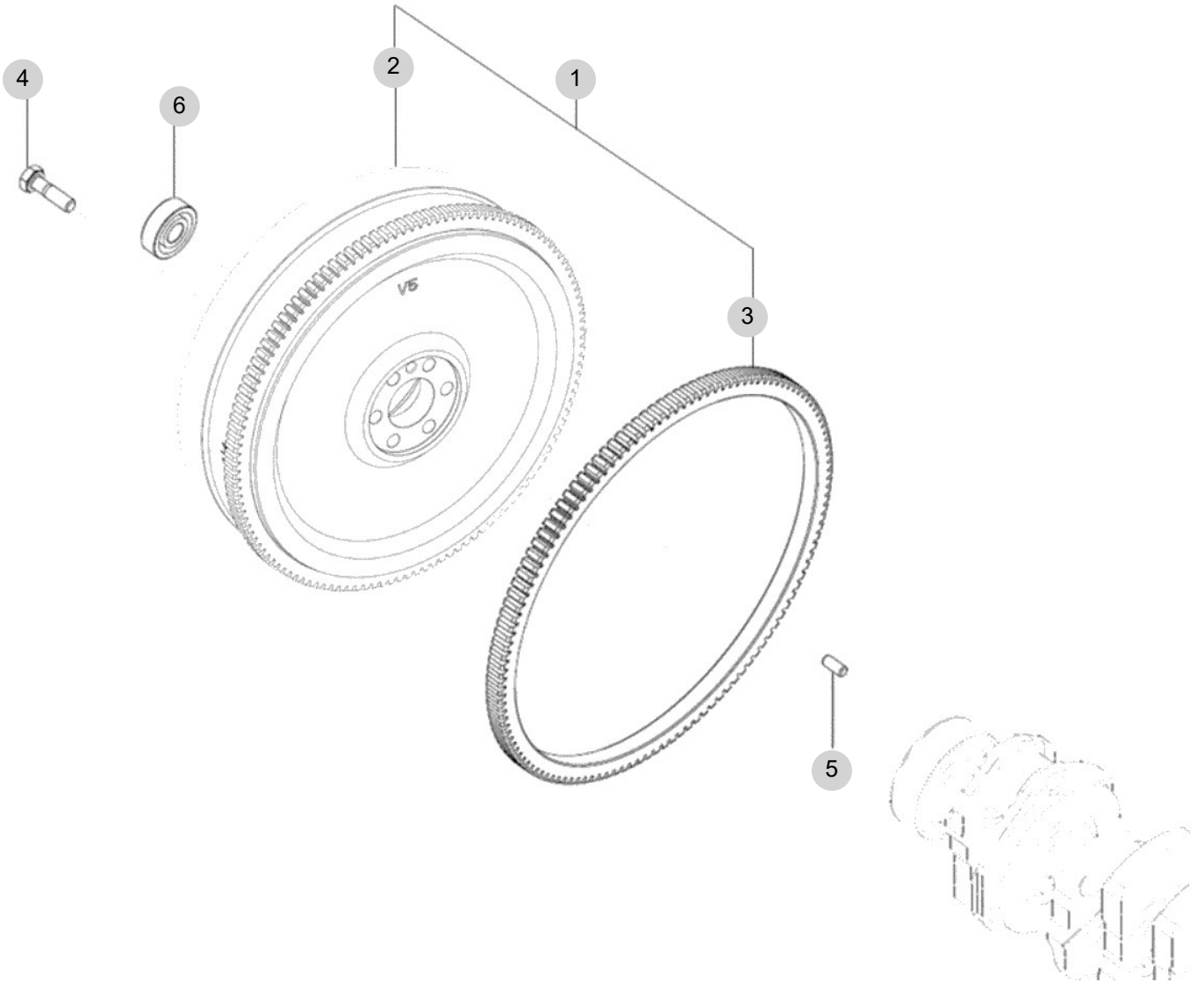
FIG 132

T575STEU1

FLYWHEEL

년/월  
Year/Month

2022-12



NOTE



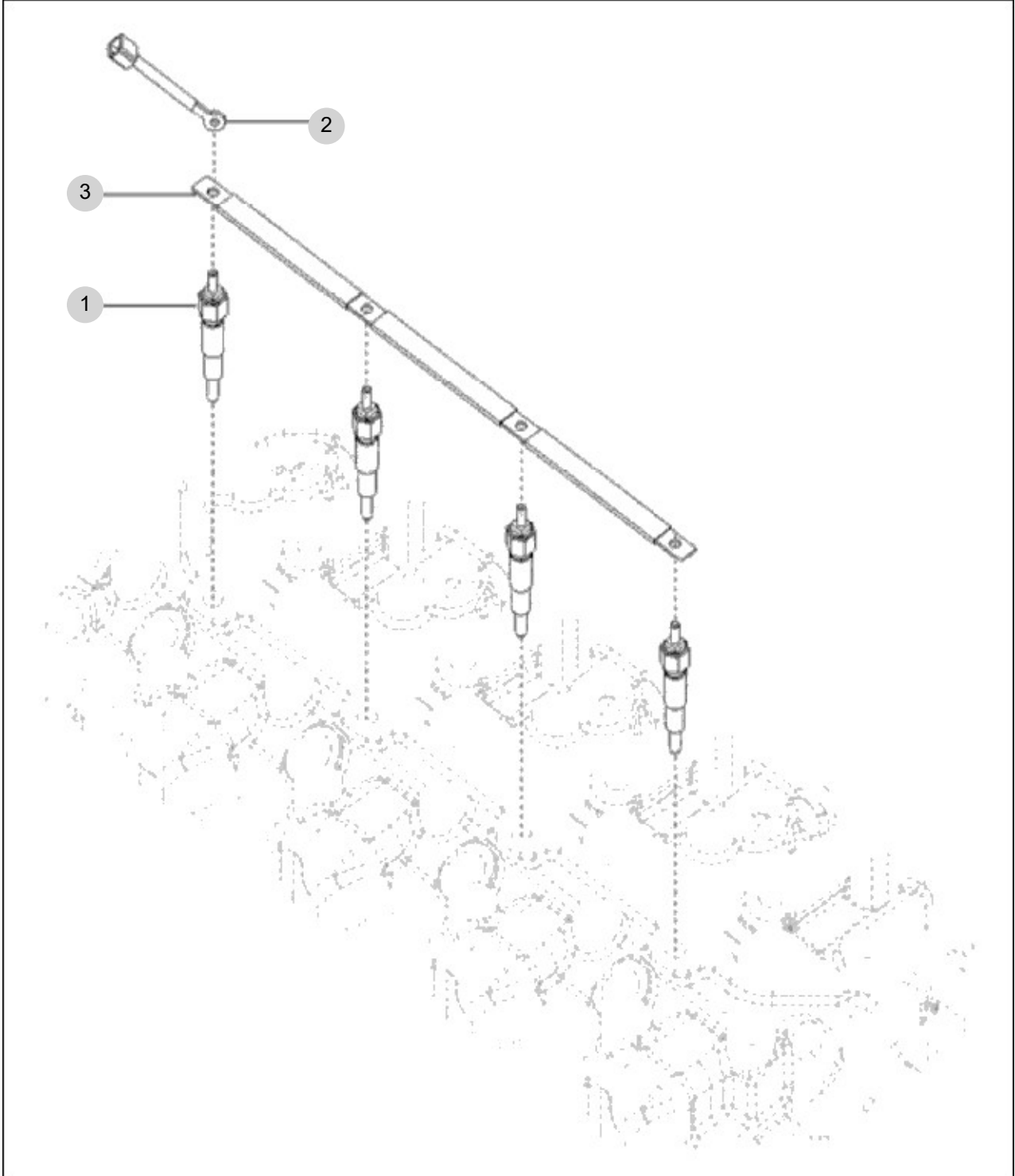
FIG 133

T575STEU1

GLOW PLUG ASS'Y OPTION

년/월  
Year/Month

2022-12



NOTE





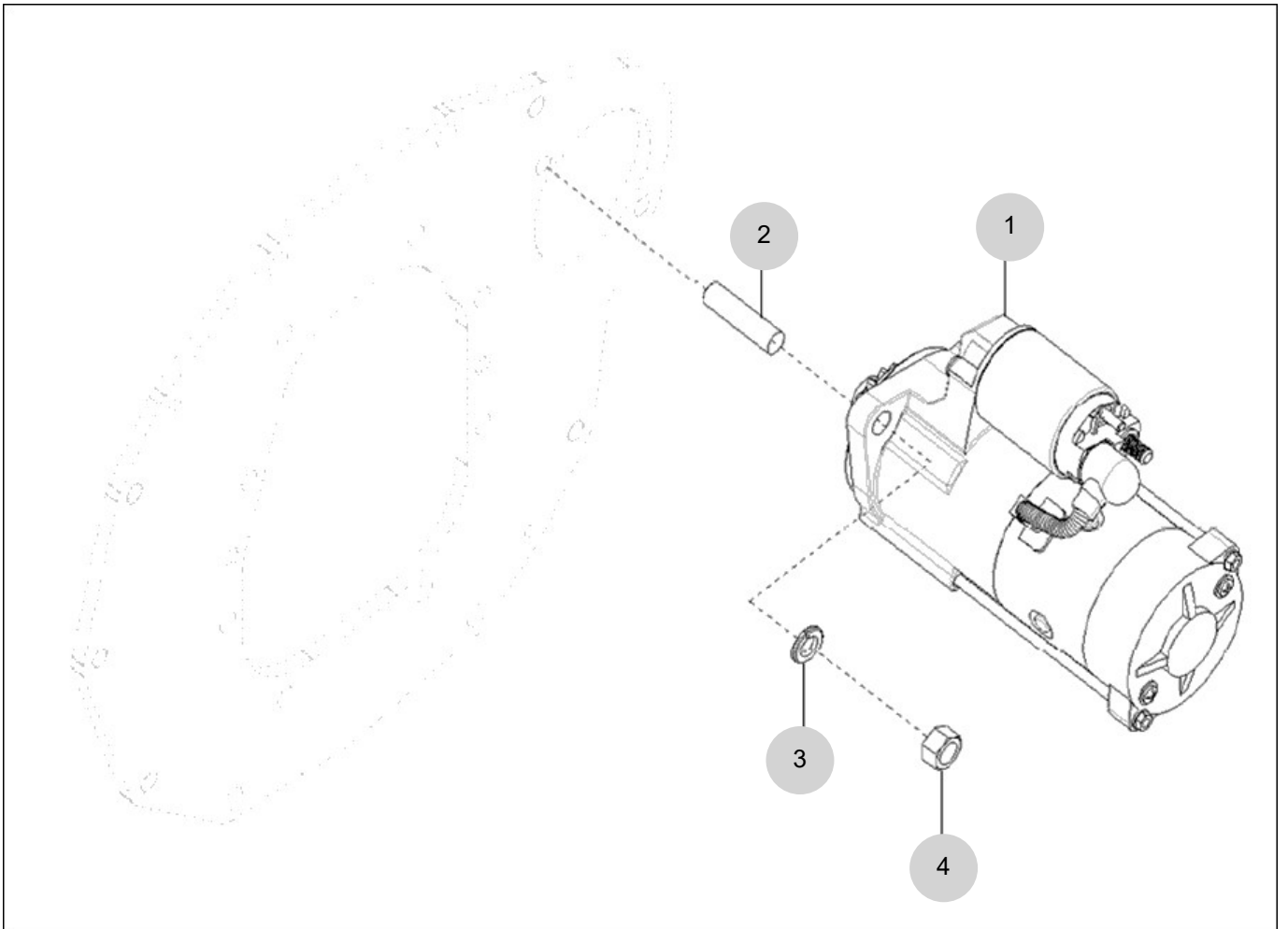
FIG 134

T575STEU1

STARTING MOTOR

년/월  
Year/Month

2022-12



NOTE



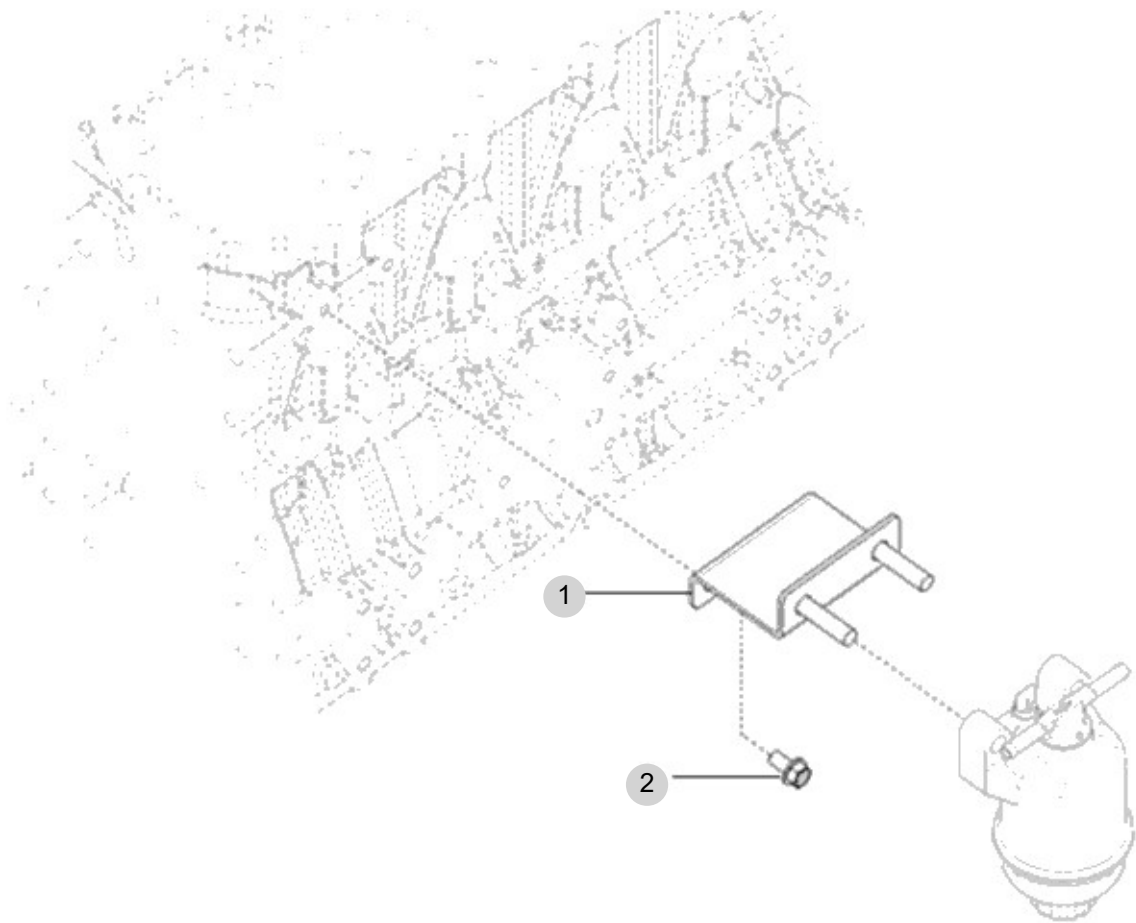
FIG 135

FUEL FILTER BRACKET ASS'Y

년/월  
Year/Month

2022-12

T575STEU1



NOTE





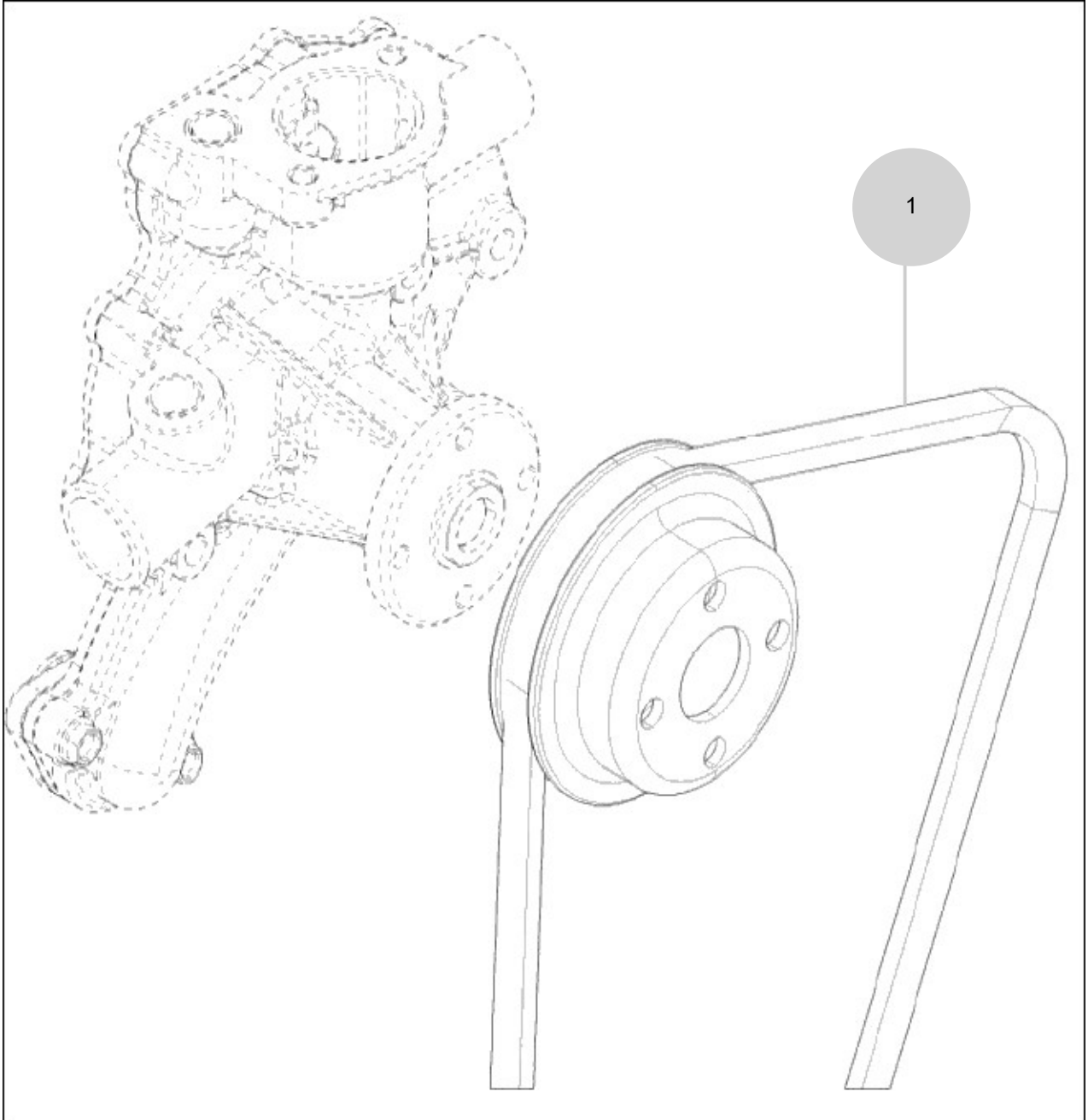
FIG 136 T575STEU1		ALTERNATOR						년/월 Year/Month
								2022-12
KEY NO	PART NO	DESCRIPTION	SPEC	QTY	REPAIR	EFFECTIVE DATE	REMARKS	
136	1	EA00004190B	발전기조합(12V-70A)	1				
136	2	26106-081102	HEX. FLANGE BOLT	1				
136	3	HN21240000B	스페이서	1				
136	3	HN21240000A	스페이서	1				
136	4	22127-080000	PLAIN WASHER	1				
136	5	22217-080000	스프링와셔	1				
136	6	26716-080002	HEX. NUT	1				
136	7	RR15170000B	와셔	1				
136	7	RR15170000A	WASHER	1				
136	8	26013-080302	와셔조립육각볼트	1				
NOTE								

FIG 137

V-BELT

년/월  
Year/Month

2022-12



NOTE





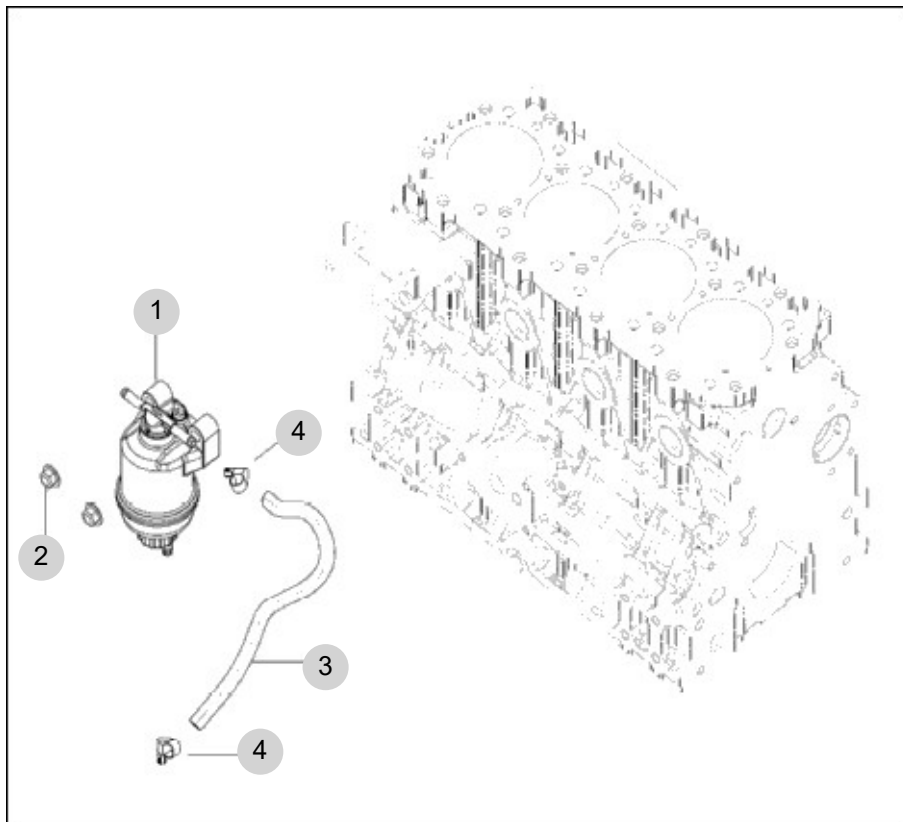
FIG 138

FUEL FILTER

년/월  
Year/Month

2022-12

T575STEU1



NOTE

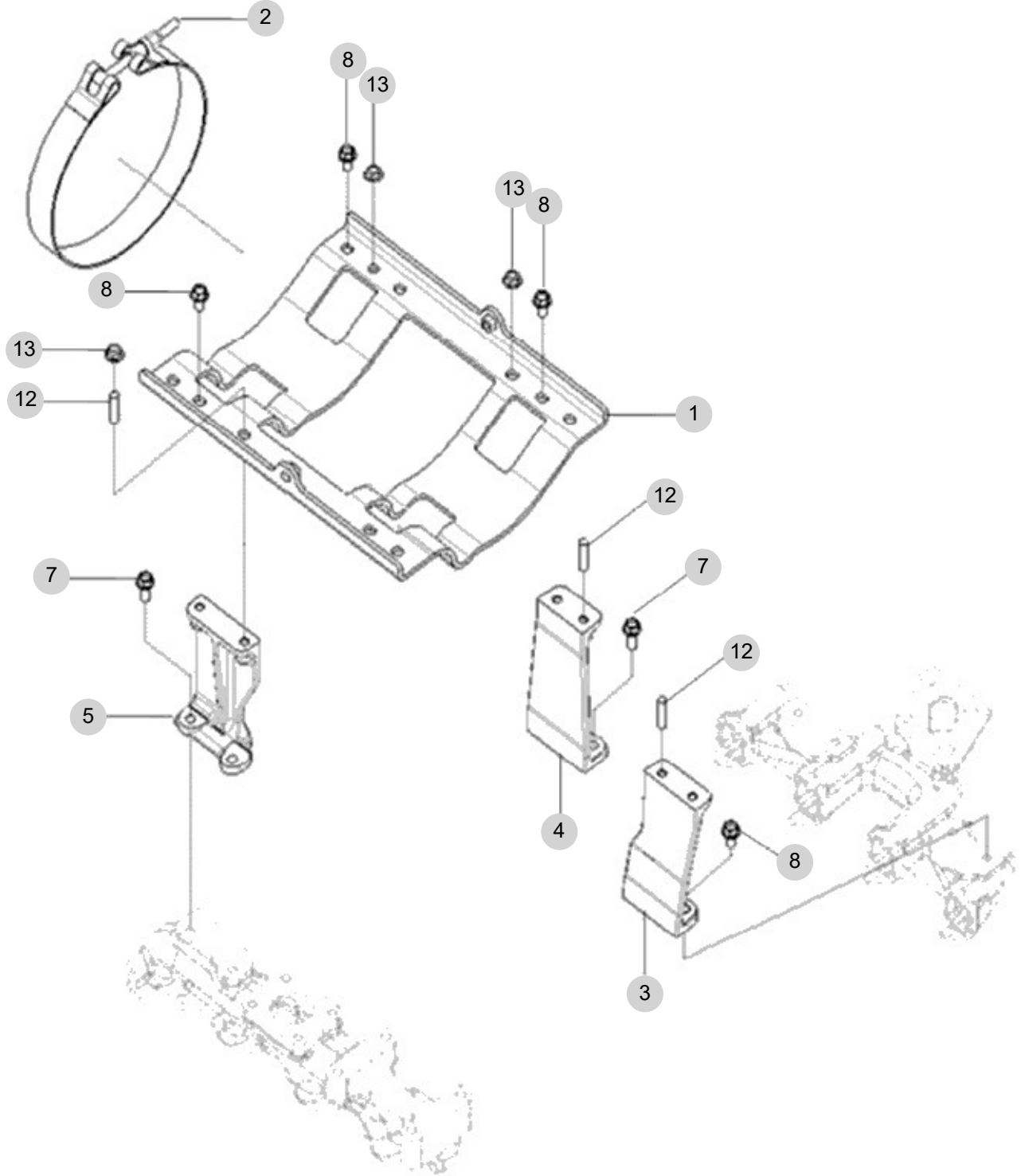


FIG 139A

DPF SUPPORT (T574)

년/월  
Year/Month

2022-12



NOTE



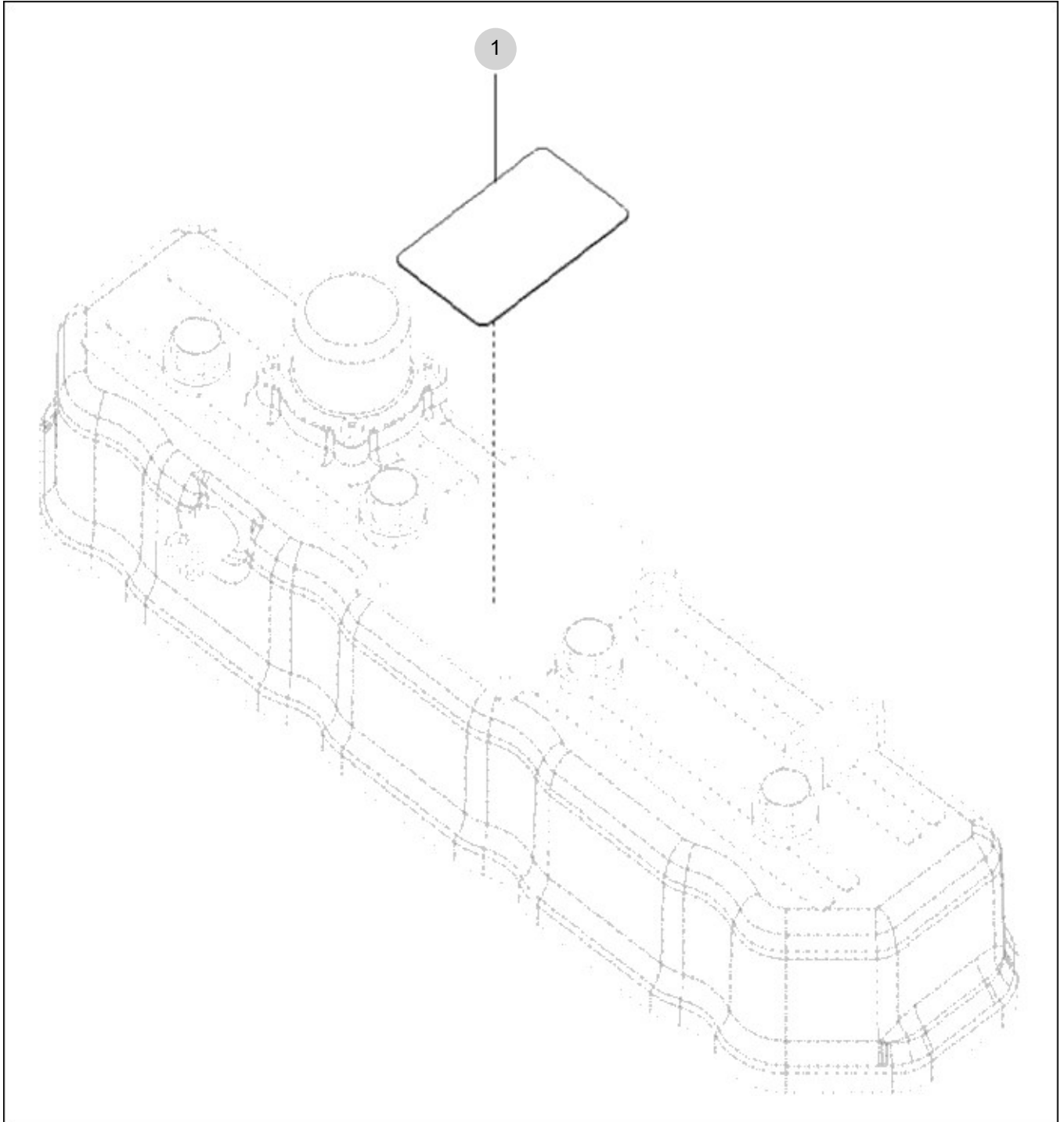
FIG 140

T575STEU1

DATAPLATE

년/월  
Year/Month

2022-12



NOTE



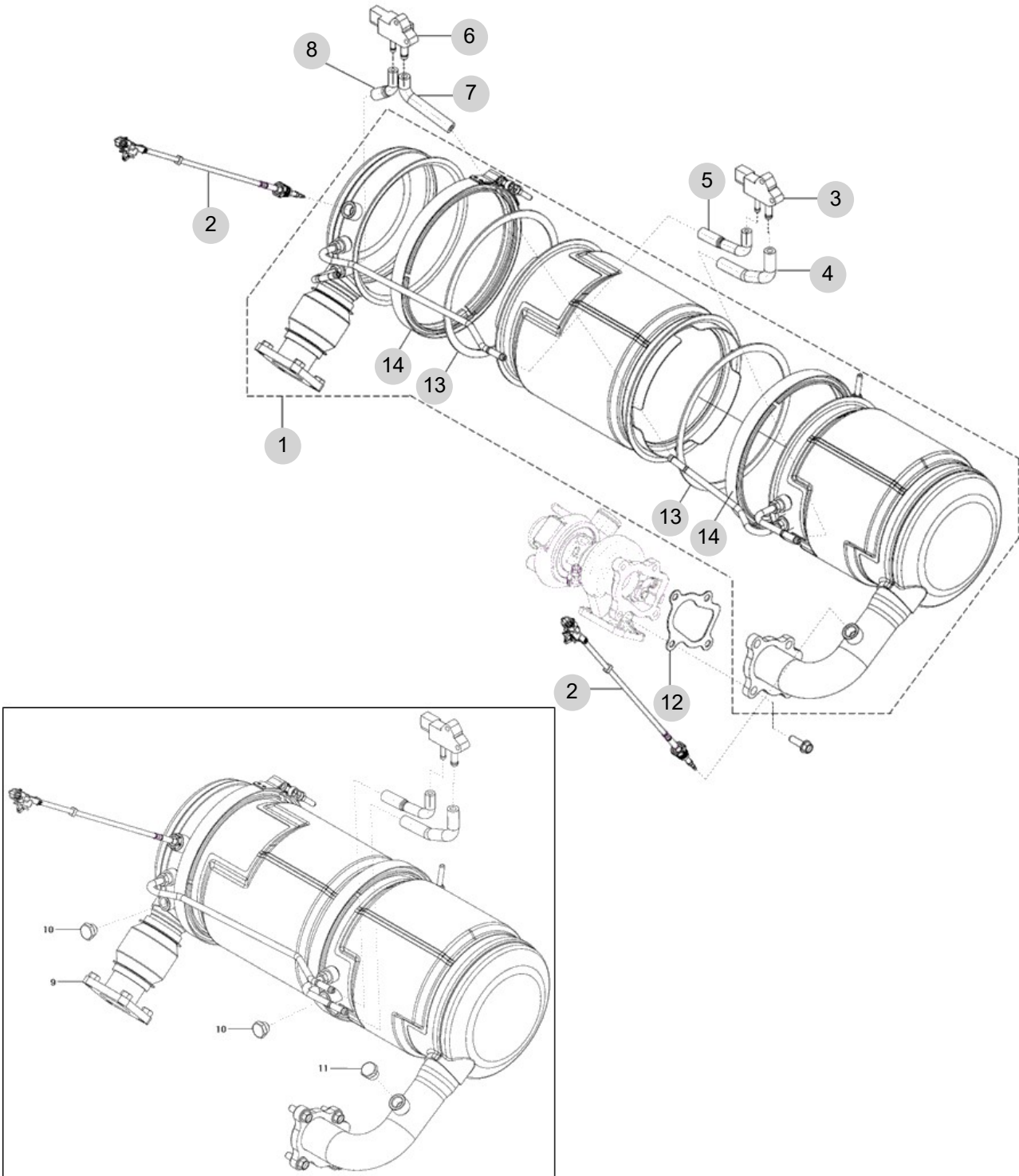
FIG 142A

DPF ASS'Y (T574)

년/월  
Year/Month

2022-12

T575STEU1



NOTE





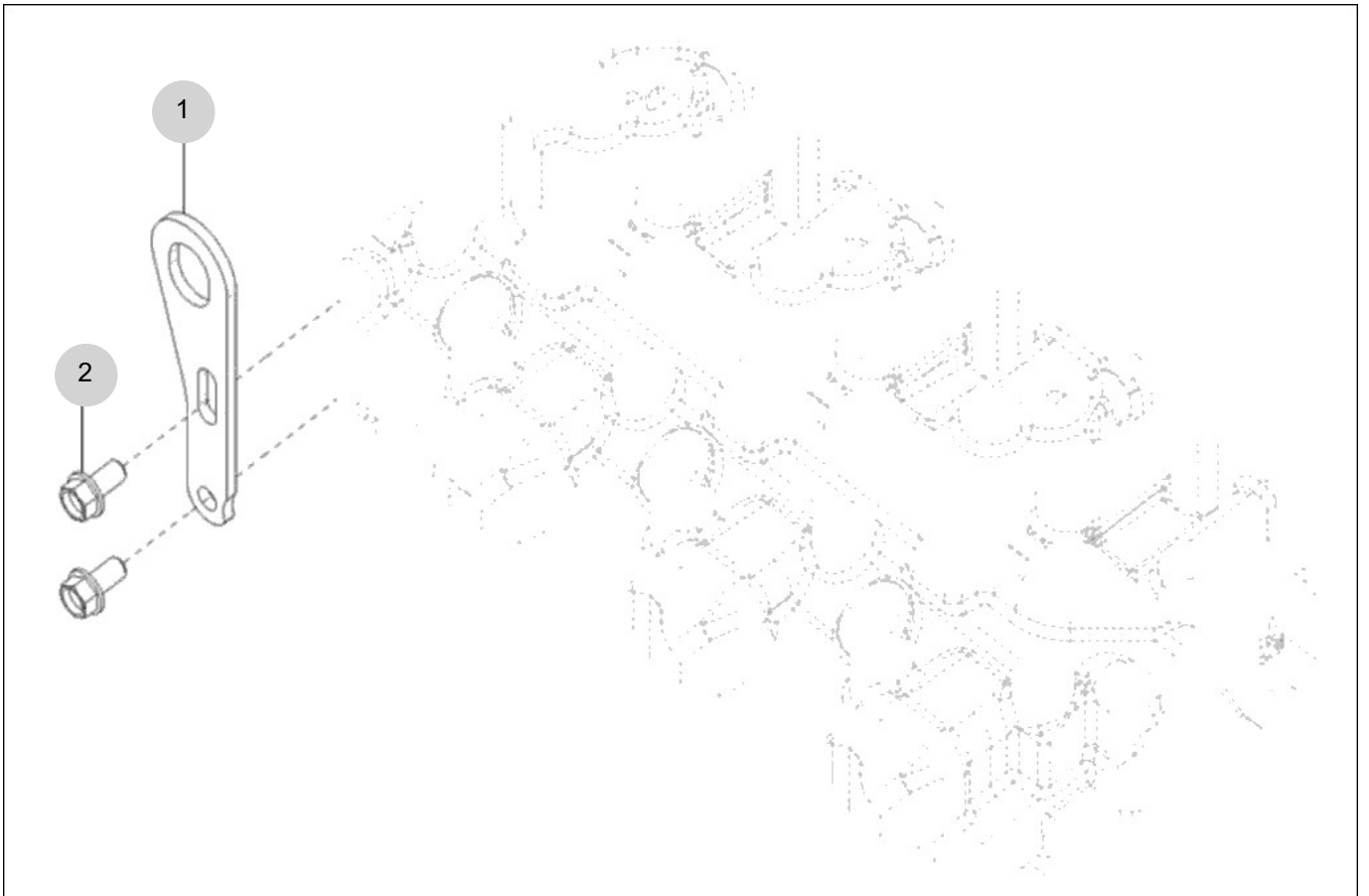
FIG 143

LIFT ASS'Y

년/월  
Year/Month

2022-12

T575STEU1



NOTE



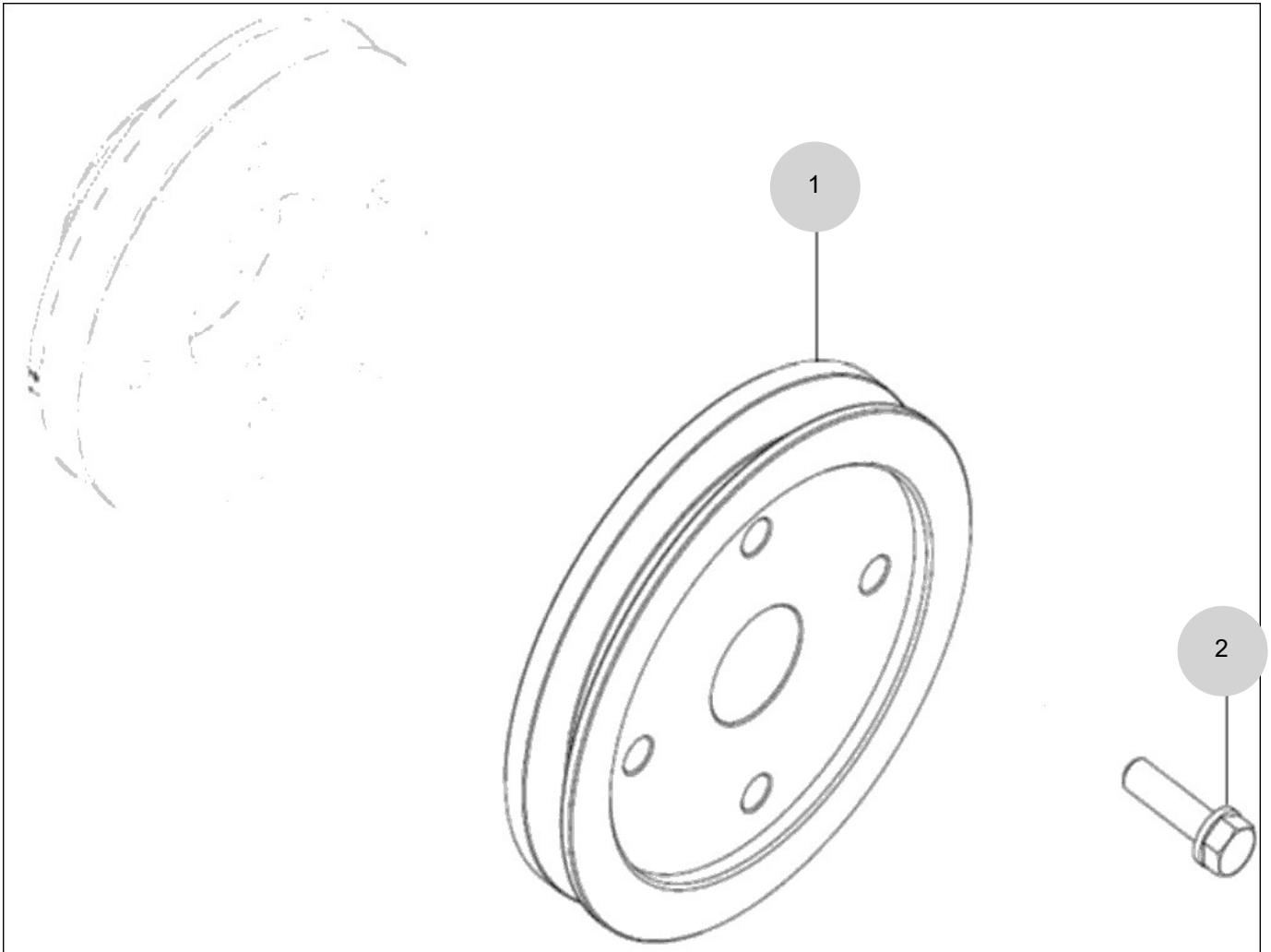
FIG 144

COMP . DRIVE PULLEY ASS'Y OPTION

년/월  
Year/Month

2022-12

T575STEU1



NOTE



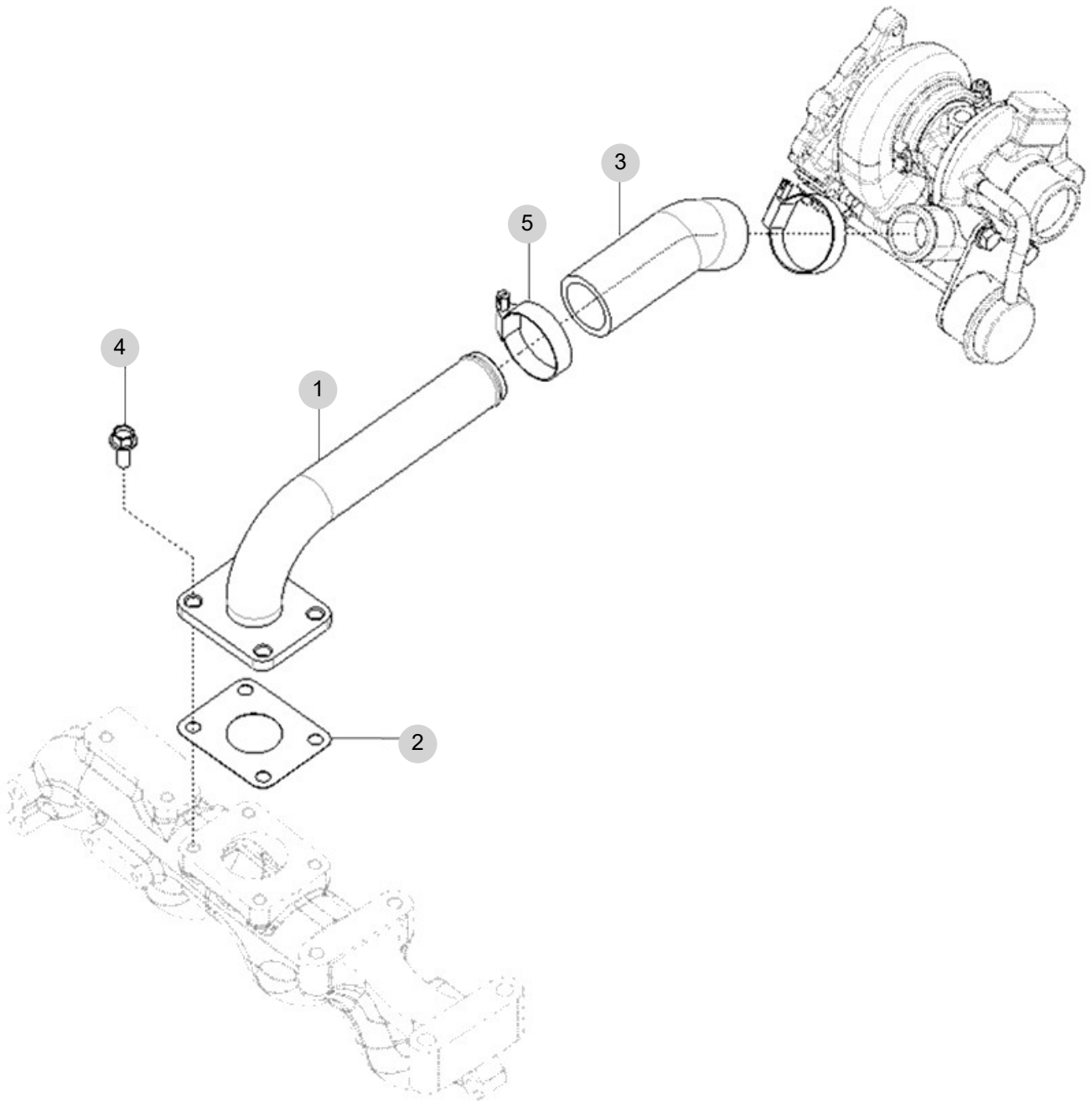
FIG 145

T575STEU1

INTAKE PIPE

년/월  
Year/Month

2022-12



NOTE



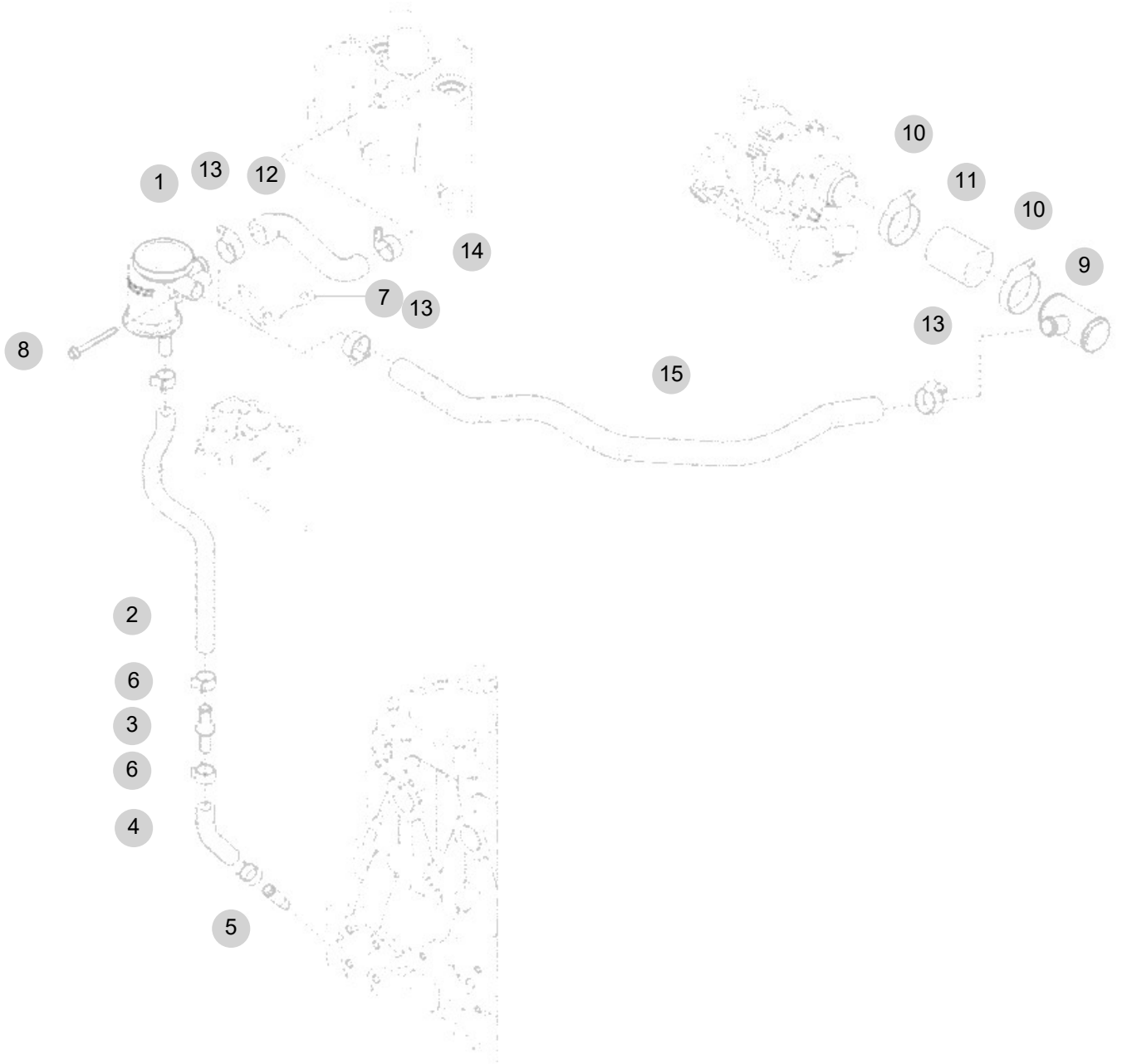
FIG 146

CCV ASS'Y

년/월  
Year/Month

2022-12

T575STEU1



NOTE





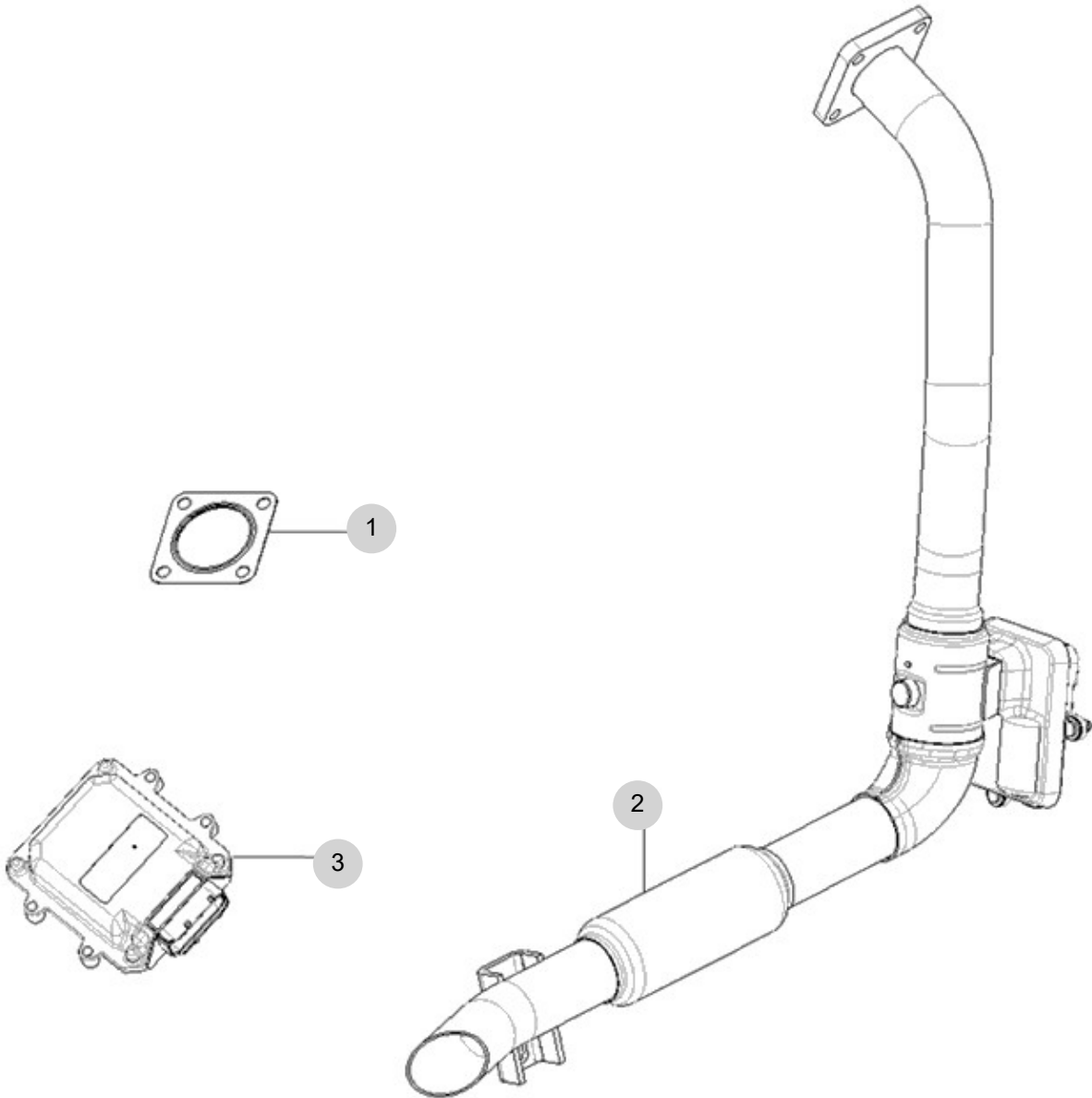
FIG 147

T575STEU1

LOOSED PARTS

년/월  
Year/Month

2022-12



NOTE



## 2. 엔진보기품 PART NO. T2

FIG 201A AIR CLEANER(T575)	104
FIG 202 RADIATOR	106
FIG 203 MUFFLER	108
FIG 204 FUEL HOSE & FILTER	110
FIG 205 FUEL TANK	112
FIG 206 ACCELERATOR	114

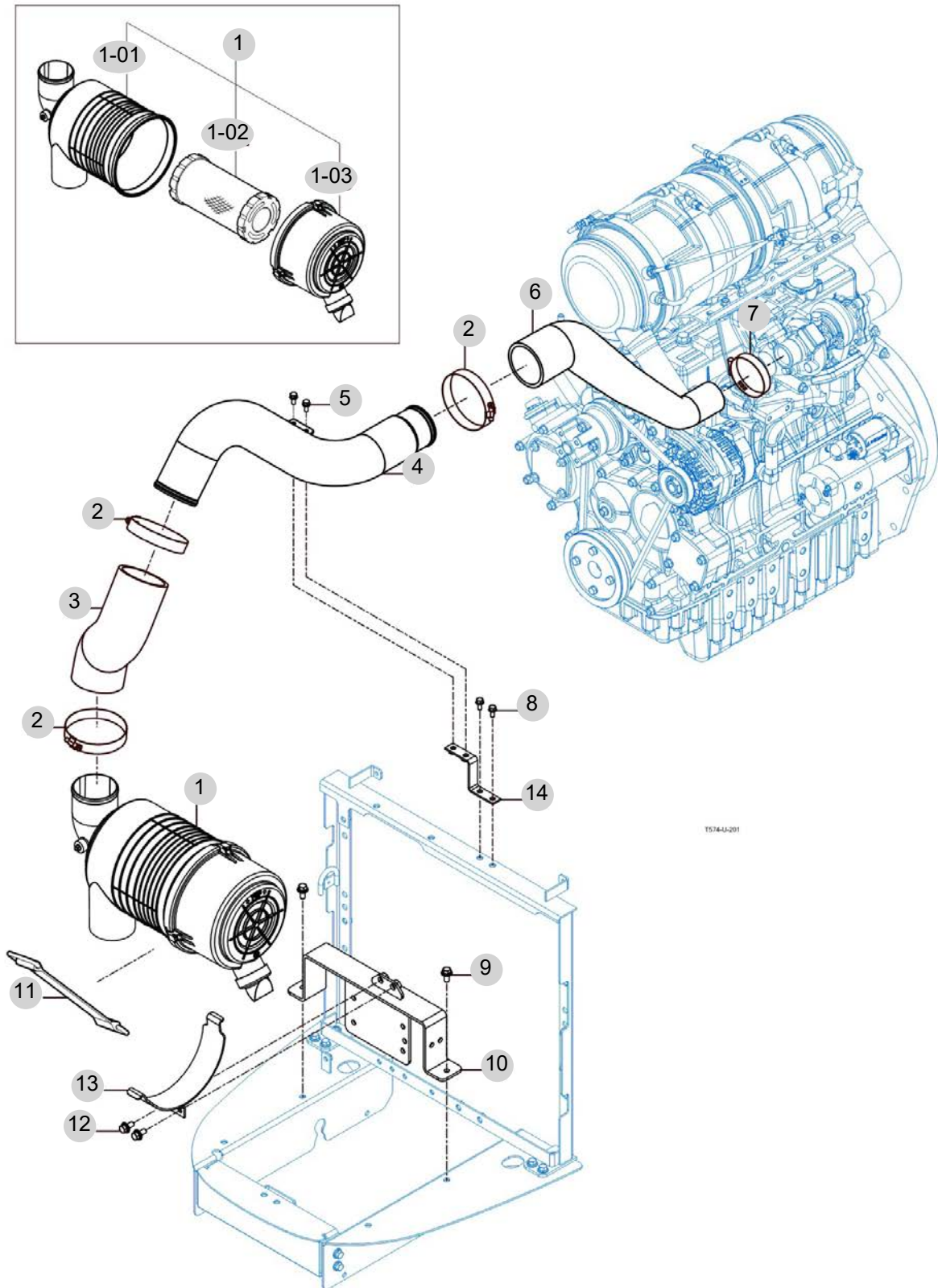
FIG 201A

AIR CLEANER(T575)

년/월  
Year/Month

2022-12

T575STEU1



T574-U-201

NOTE



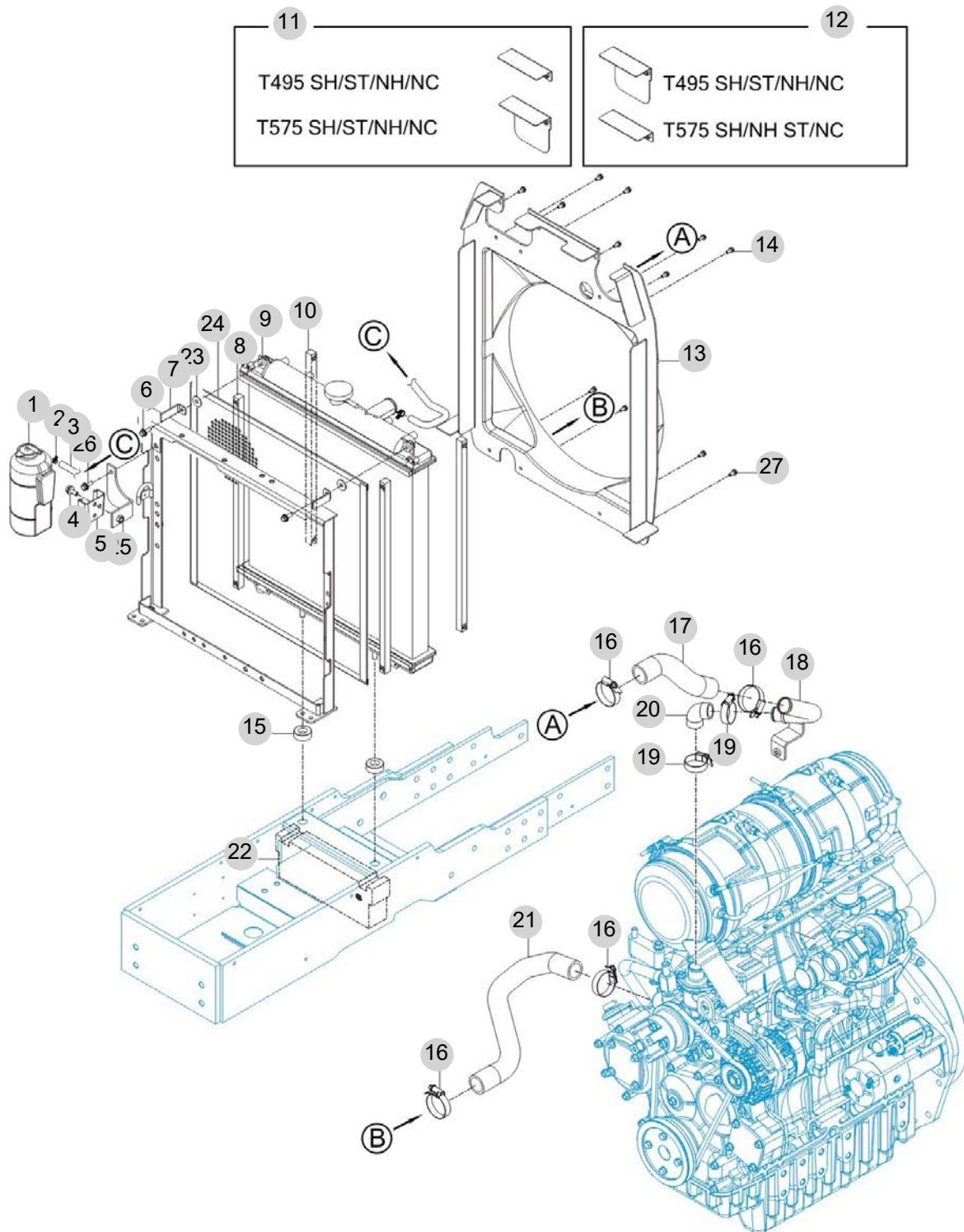
FIG 202

RADIATOR

년/월  
Year/Month

2022-12

T575STEU1



NOTE



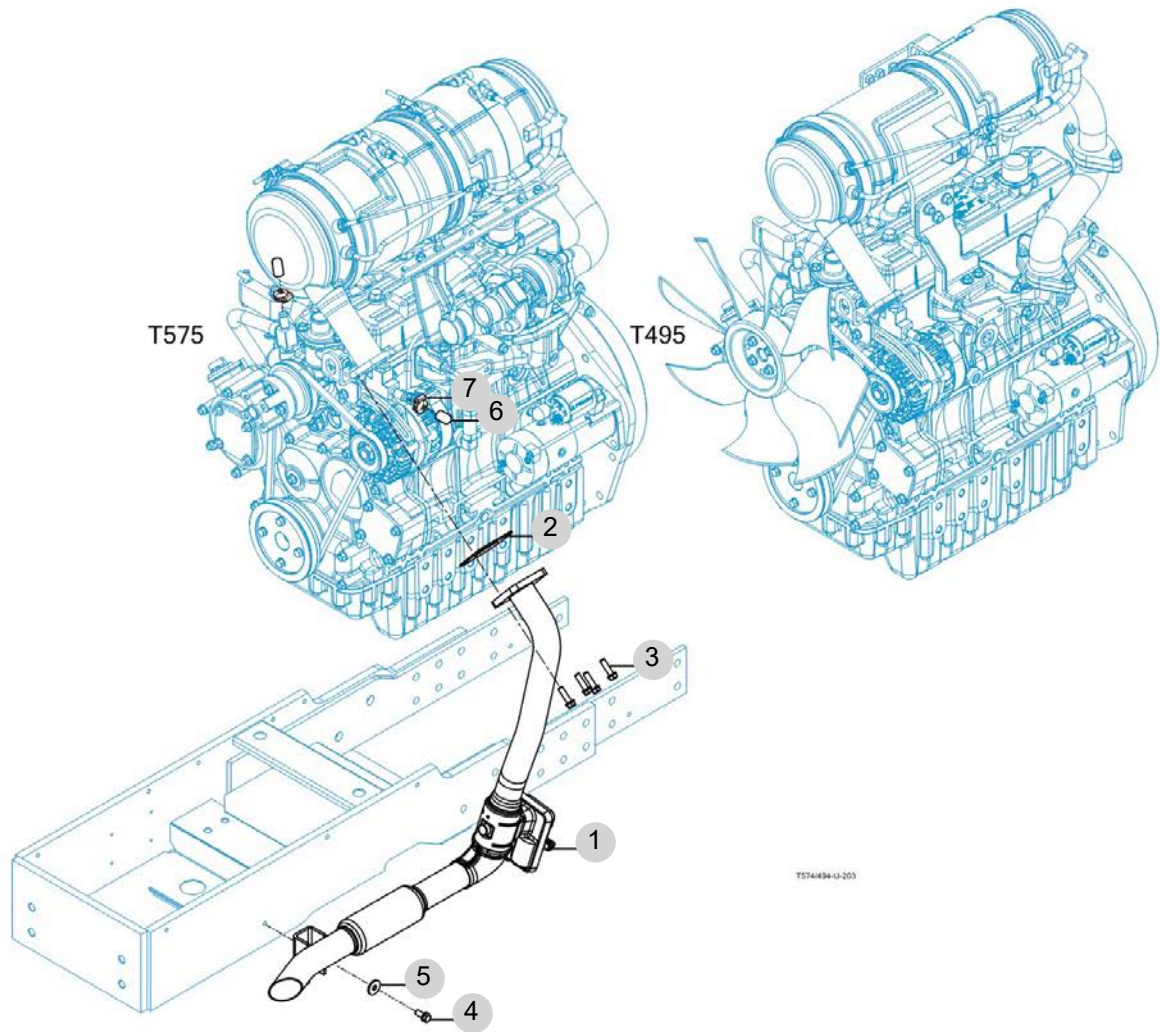
FIG 203

MUFFLER

년/월  
Year/Month

2022-12

T575STEU1



NOTE





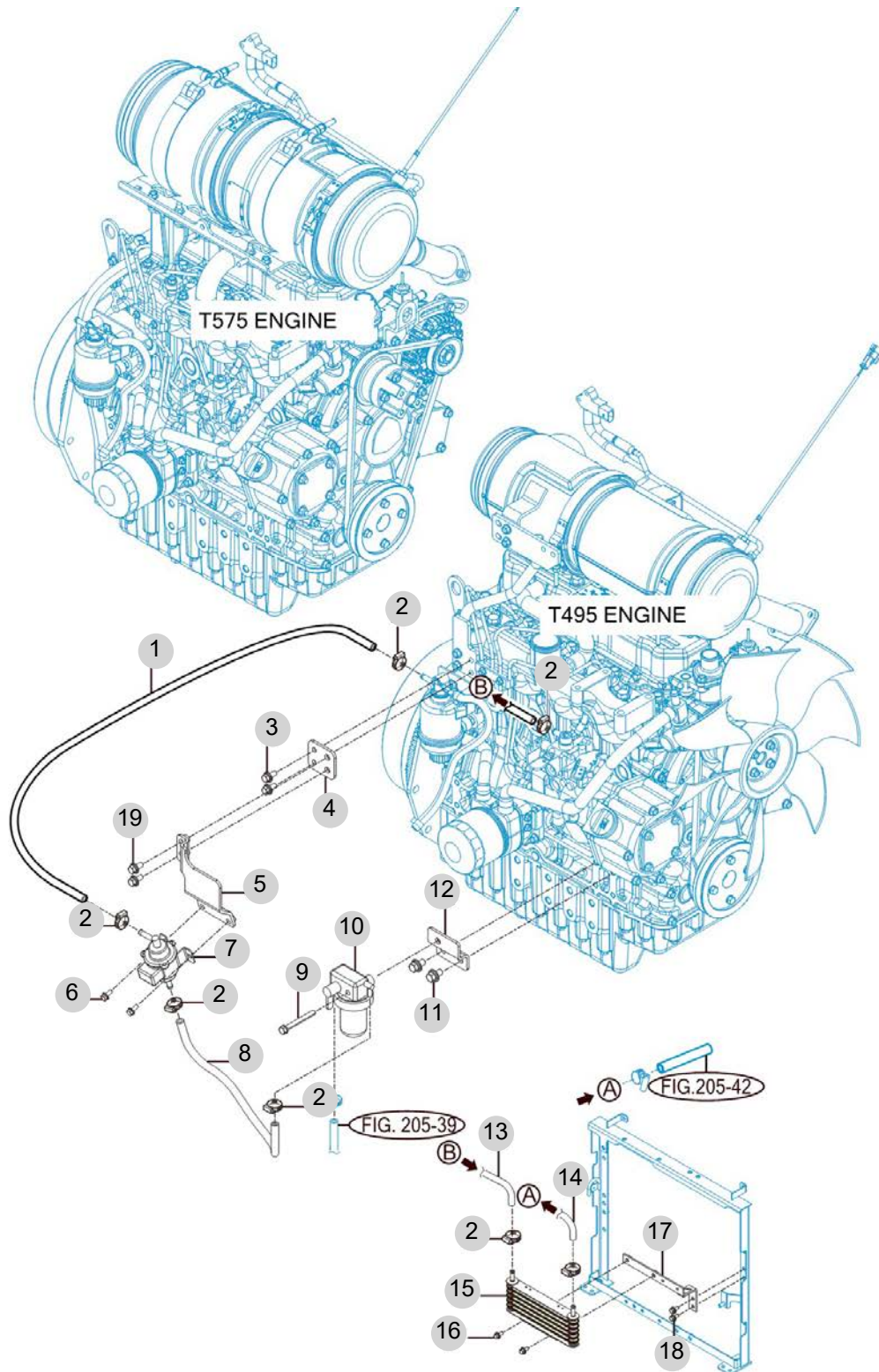
FIG 204

FUEL HOSE & FILTER

년/월  
Year/Month

2022-12

T575STEU1



NOTE



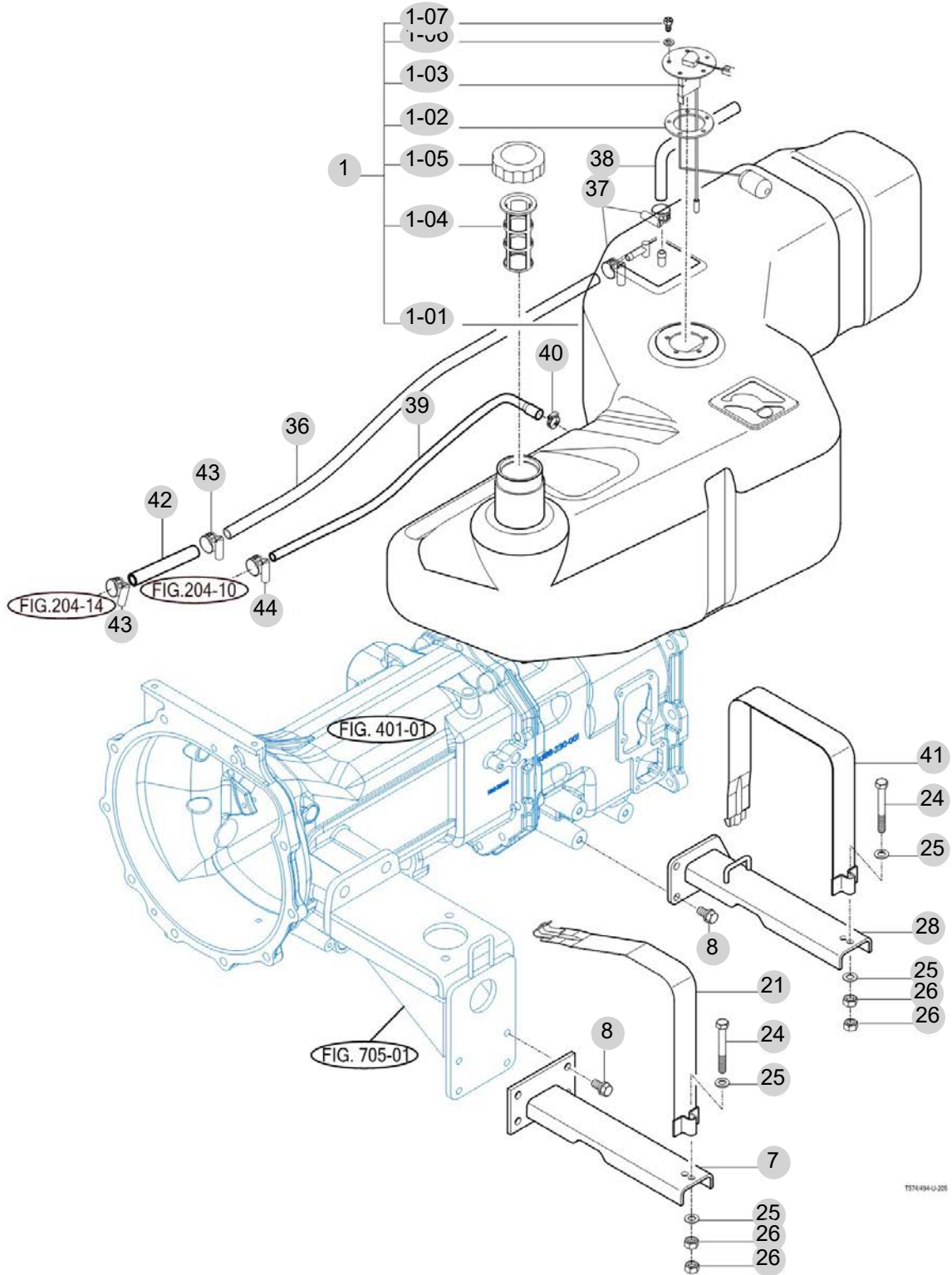
FIG 205

T575STEU1

FUEL TANK

년/월  
Year/Month

2022-12



NOTE



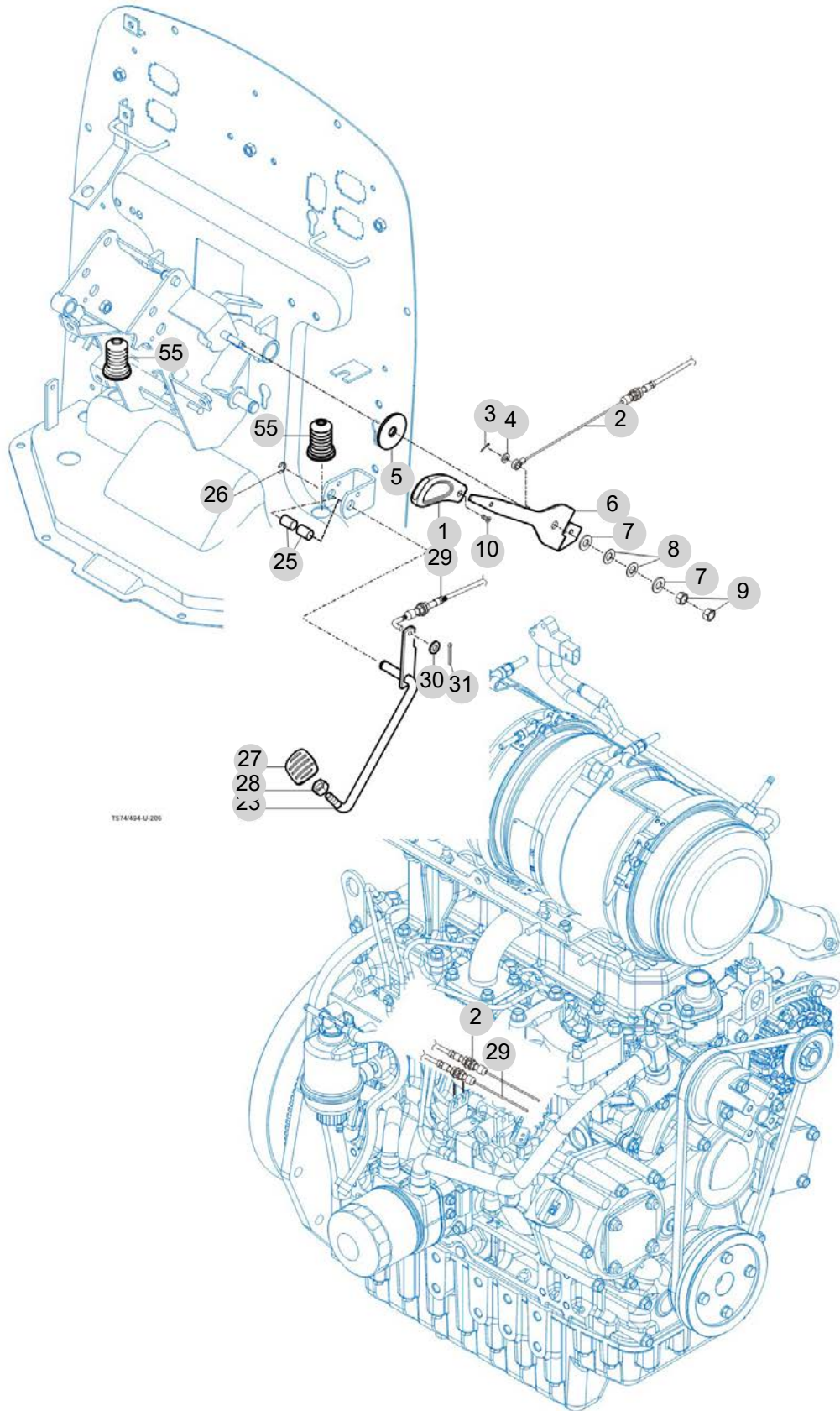
FIG 206

ACCELERATOR

년/월  
Year/Month

2022-12

T575STEU1



NOTE

<b>FIG 206</b> T575STEU1	<b>ACCELERATOR</b>						년/월 Year/Month
							2022-12

KEY NO	PART NO	DESCRIPTION	SPEC	QTY	REPAIR	EFFECTIVE DATE	REMARKS
206	1	13837553300	그림 , 스로틀		1		
206	2	13831162200	케이블(H스로틀)ASSY		1		
206	3	V5001916010	분할핀		1		
206	4	V4111600060	평와셔	M6	1		
206	5	14141170050	라이닝 (13X50X3)		1		
206	6	11061162200	레버 COMP , 스로틀		1		
206	7	V4111600100	평와셔	M10	2		
206	8	14527060010	접시 스프링와셔/M10		2		
206	9	V3342600100	소형육각너트가는2종	M10	2		
206	10	V1122605012	심자흡접시작은나사		1		
206	23	13861162000GB	페달COMP,액셀		1		
206	25	36707030080	부시(20X23X20)		2		
206	26	V7081400090	E형멤츰링		1		
206	27	14521220120	페달COMP,액셀		1		
206	28	V3342600100	소형육각너트가는2종	M10	1		
206	29	13861162300	케이블 ASSY, 페달(F)		1		
206	30	V4111600060	평와셔	M6	1		
206	31	V5001920020	분할핀	2X20	1		
206	55	14521160090	부츠,브레이크로드		2		

NOTE	
------	--

### 3. 클러치/브레이크/스티어링 PART NO. T3

FIG 301 CLUTCH	117
FIG 302 CLUTCH PEDAL	119
FIG 303 BRAKE	121
FIG 304 BRAKE PEDAL & LINKAGE	123
FIG 305A FRONT WHEEL	125
FIG 305B FRONT WHEEL (R4 OPTION)	127
FIG 306A REAR WHEEL	129
FIG 306B REAR WHEEL (R4 OPTION)	131
FIG 307 POWER STEERING WHEEL	133
FIG 308 POWER STEERING VALVE	135
FIG 309 POWER STEERING CYLINDER	137
FIG 310 HAND BRAKE	139



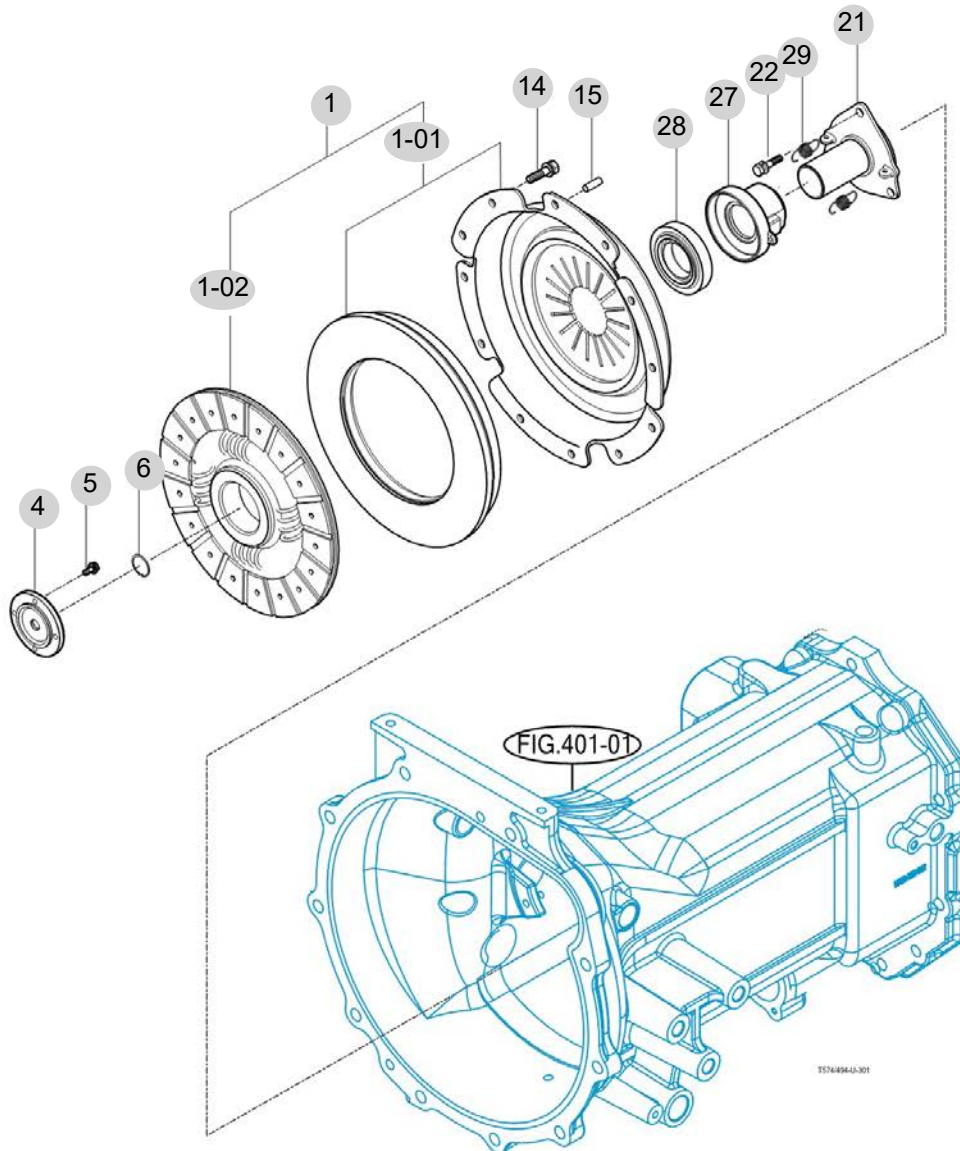
FIG 301

T575STEU1

CLUTCH

년/월  
Year/Month

2022-12



NOTE



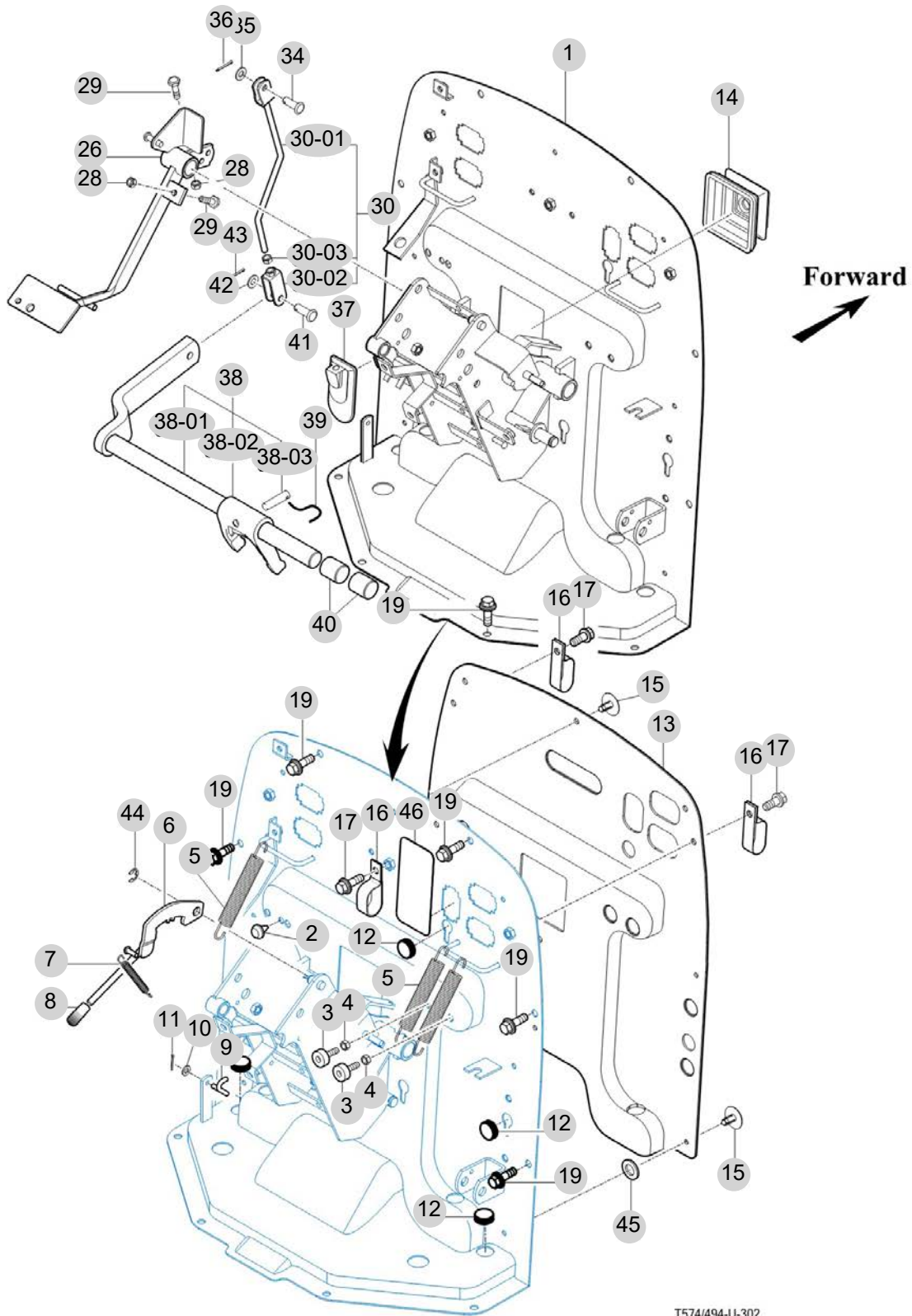
FIG 302

CLUTCH PEDAL

년/월  
Year/Month

2022-12

T575STEU1



T574/494-U-302

NOTE

FIG 302 T575STEU1		CLUTCH PEDAL					년/월 Year/Month	
							2022-12	
KEY NO	PART NO	DESCRIPTION	SPEC	QTY	REPAIR	EFFECTIVE DATE	REMARKS	
302	1	11066303200GB	대시 패널 COMP		1			
302	2	14326160020	콧션고무		1			
302	3	14216020051	콧션고무(B)		2			
302	4	V3043600080	소형육각너트보통2종	M8	2			
302	5	14041200080	클러치리턴스프링	D=2.3	3			
302	6	14724042401GB	틸트레버 COMP		1			
302	7	16001200080	브레이크리턴스프링	D=1.6	1			
302	8	14445070030	레버손잡이		1			
302	9	15441230050	컷오프로드		1			
302	10	V4111600060	평와셔	M6	1			
302	11	V5001920020	분할핀	2X20	1			
302	12	14326510210	고무캡(20)		4			
302	13	17467071991	인슐레이터, 대시	T=10	1			
302	14	14526300011	부츠,스티어링호스	T=1.5	1			
302	15	17686040020	리벳 SET(흑색)	SV302	9			
302	16	14441010161	라디에이터호스클램프		3			
302	17	V2183608020	소형육각볼트보통(SP)	M8X20	3			
302	19	V2183608016	소형육각볼트보통(SP)	M8X16	10			
302	25	V1222604025	심자흡냄비작은나사(SP)	M4X25	2			
302	26	14571332100GB	페달(클러치)COMP		1			
302	28	V3043600080	소형육각너트보통2종	M8	2			
302	29	V2013608030	소형육각볼트(보통)	M8X30	2			
302	30	14521330002GB	로드서브, 클러치		1			
302	30	14521330002	로드서브, 클러치		1			
302	30	14521330002	로드서브, 클러치		1			
302	30-01	14521333103	로드조합, 클러치		1			
302	30-02	14521333200	후크 조합		1			
302	30-03	V3042600080	소형육각너트보통2종		1			
302	34	14322420010	핀	D=8	1			
302	35	V4111600080	평와셔	M8	1			
302	36	V5001925020	핀	2.5X20	1			
302	37	14526300210	부츠,클러치 페달		1			
302	38	14521302000	바 SET		1			
302	38-01	14521302101	바 COMP		1			
302	38-02	14521300011	포크(릴리스)		1			
302	38-03	15601300010	핀(테이퍼,08X40)		1			
302	39	V5901012150	철선		1			
302	40	14521302150	부시(바COMP)		2			
302	41	14043120060	요오크핀 (A)	D=8	1			
302	42	V4111600080	평와셔	M8	1			
302	43	V5001920020	분할핀	2X20	1			
302	44	V7081400090	E형멈춤링		1			
302	45	V4111600080	평와셔	M8	1			
302	46	12386400011	막음라벨, 클러치		1			
NOTE								

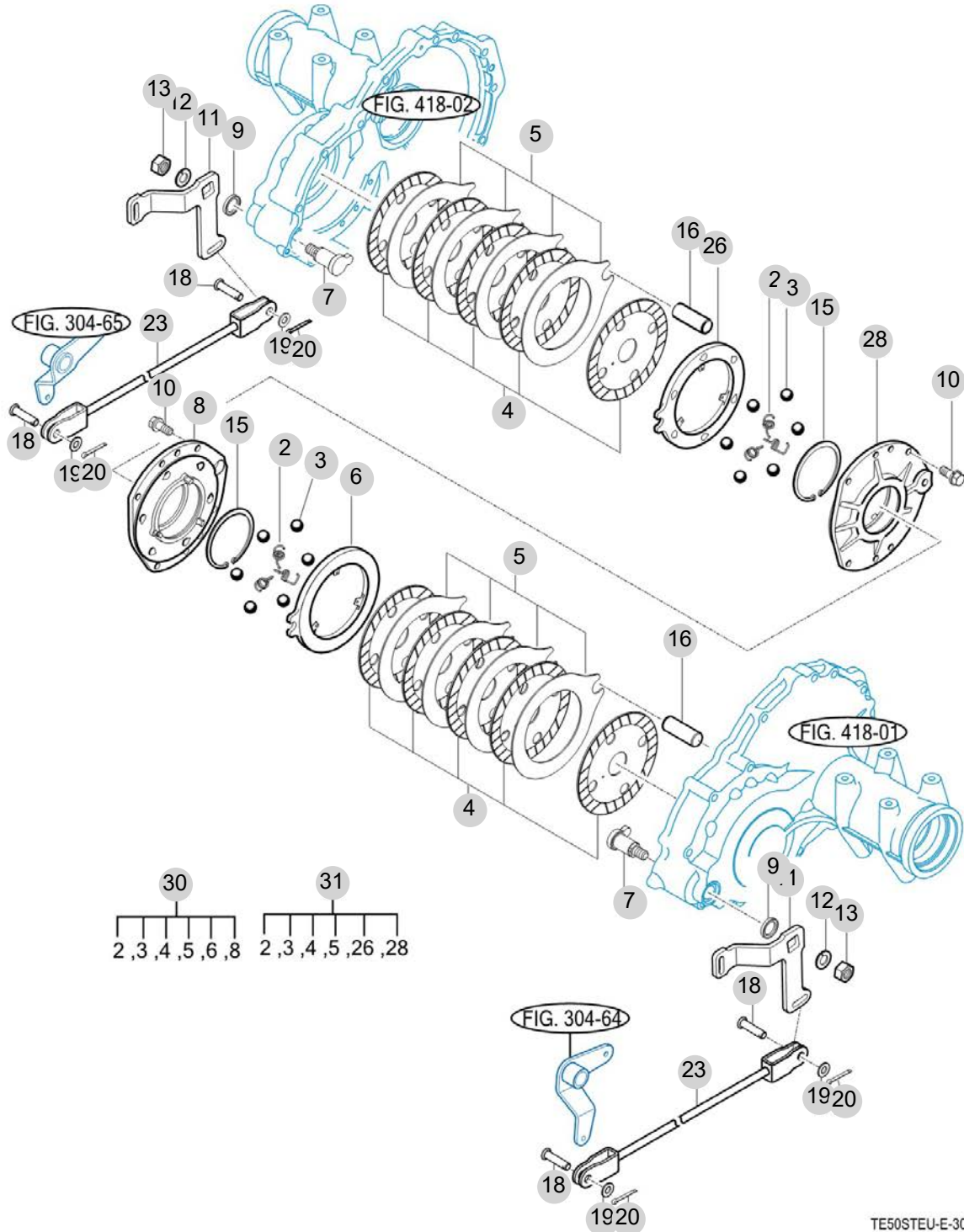
FIG 303

T575STEU1

BRAKE

년/월  
Year/Month

2022-12



NOTE





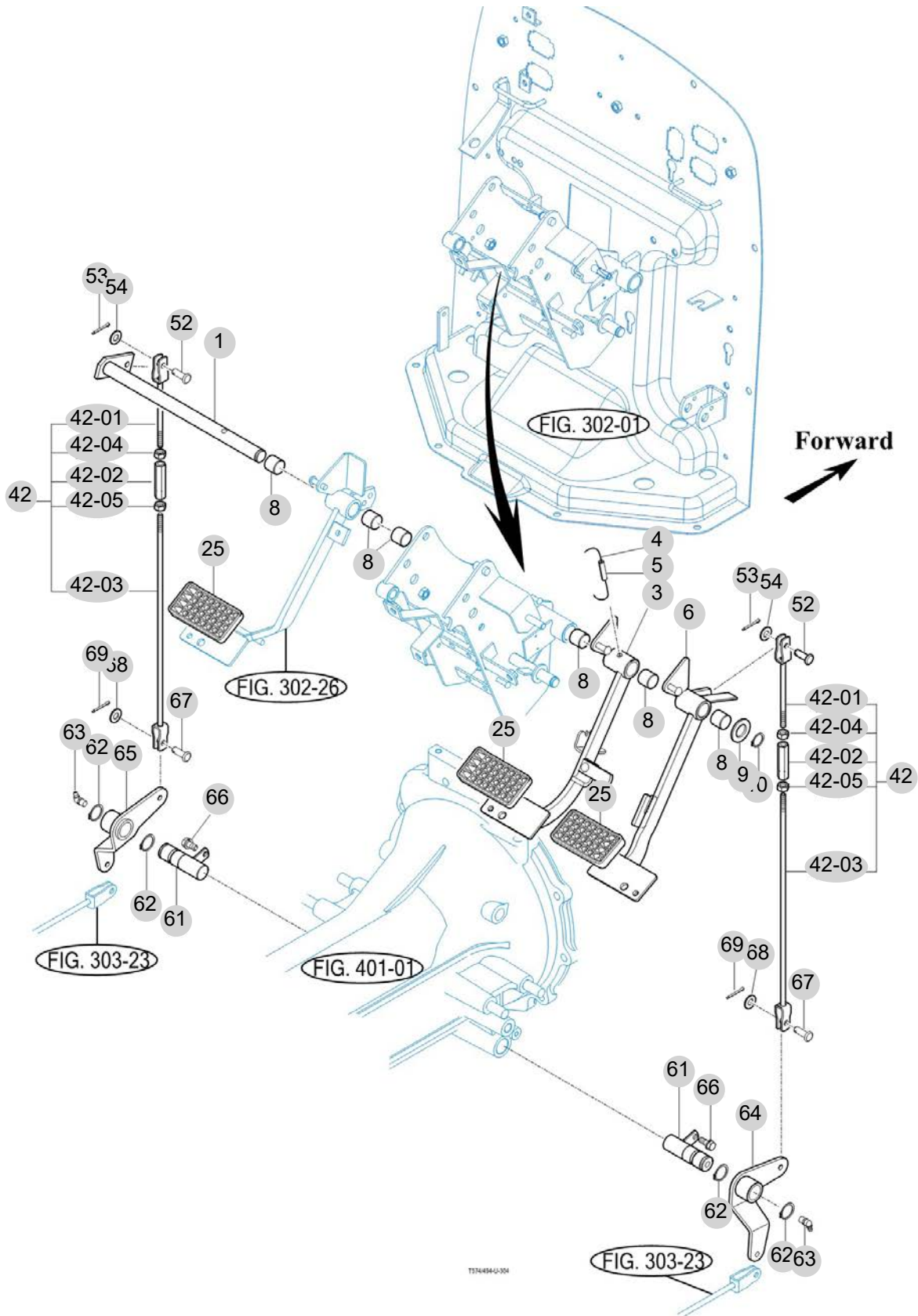
FIG 304

BRAKE PEDAL & LINKAGE

년/월  
Year/Month

2022-12

T575STEU1



NOTE





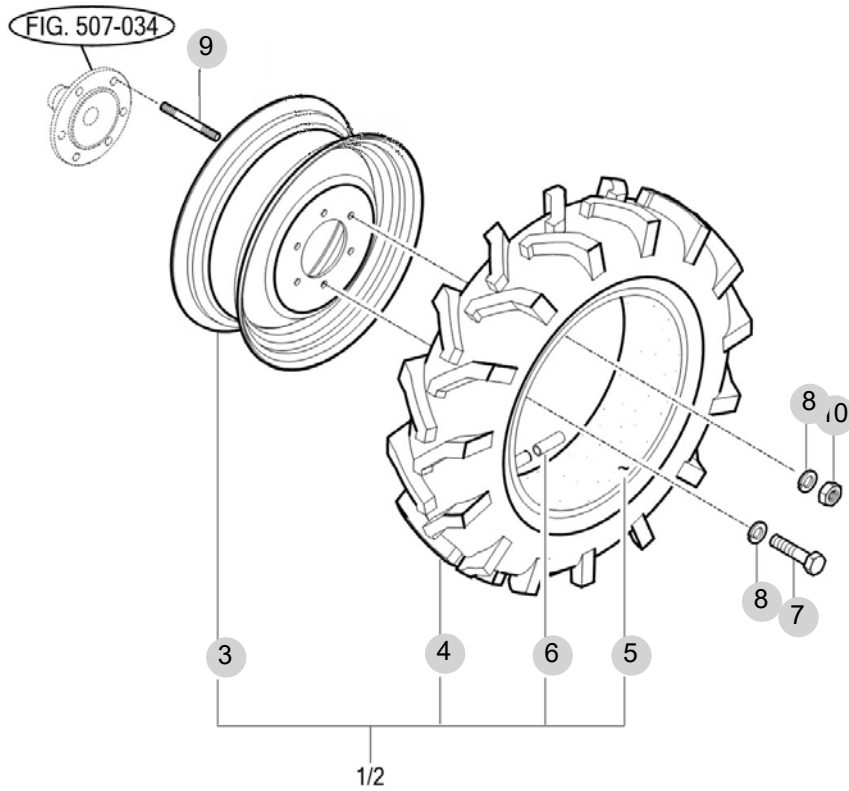
FIG 305A

FRONT WHEEL

년/월  
Year/Month

2022-12

T575STEU1



NOTE



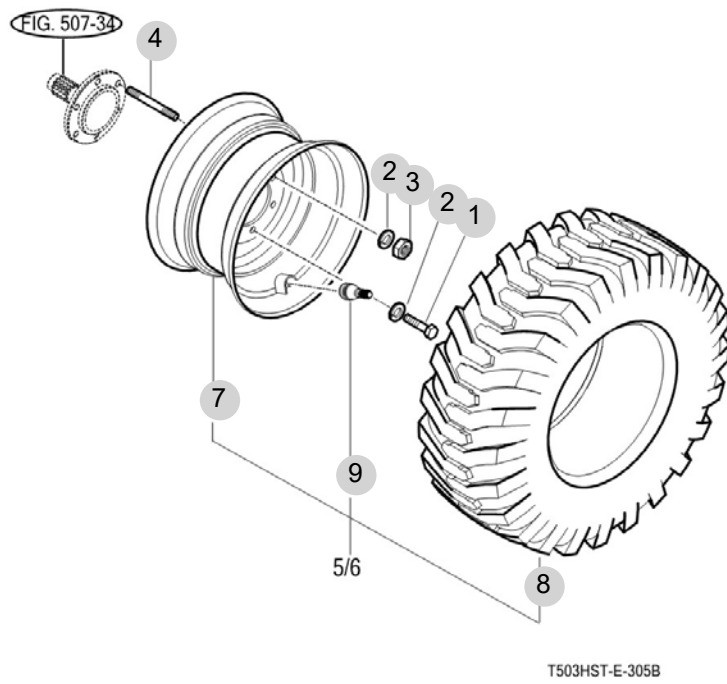
FIG 305B

T575STEU1

FRONT WHEEL (R4 OPTION)

년/월  
Year/Month

2022-12



NOTE



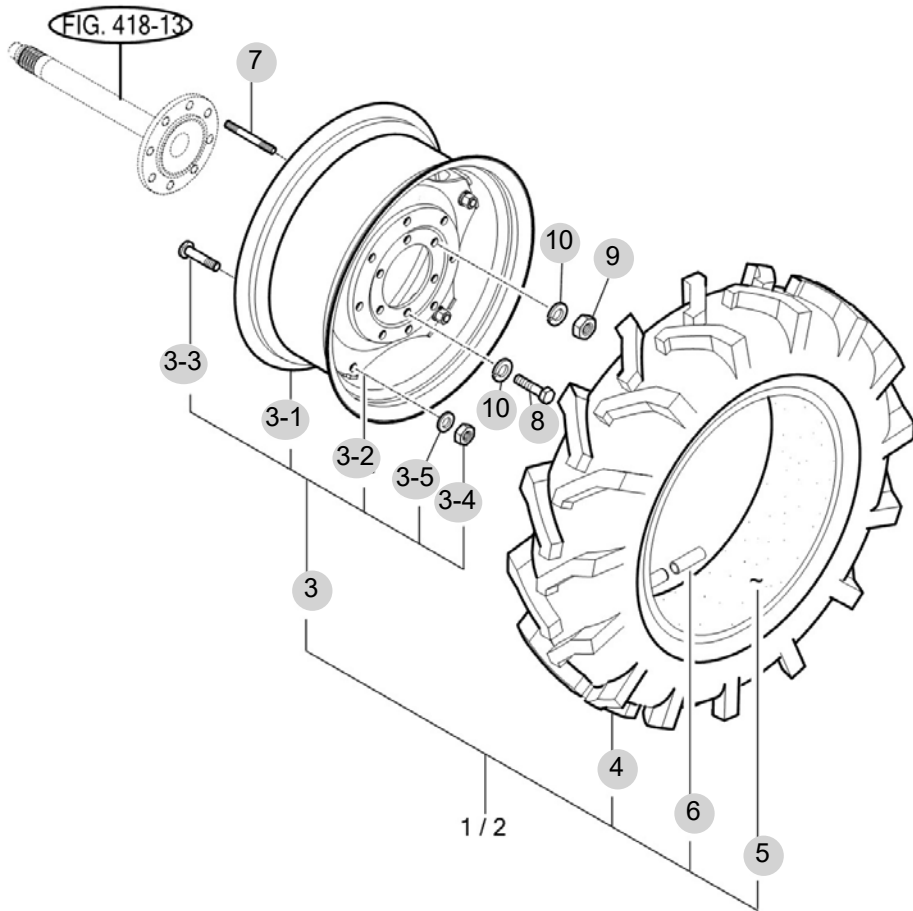
FIG 306A

REAR WHEEL

년/월  
Year/Month

2022-12

T575STEU1



NOTE



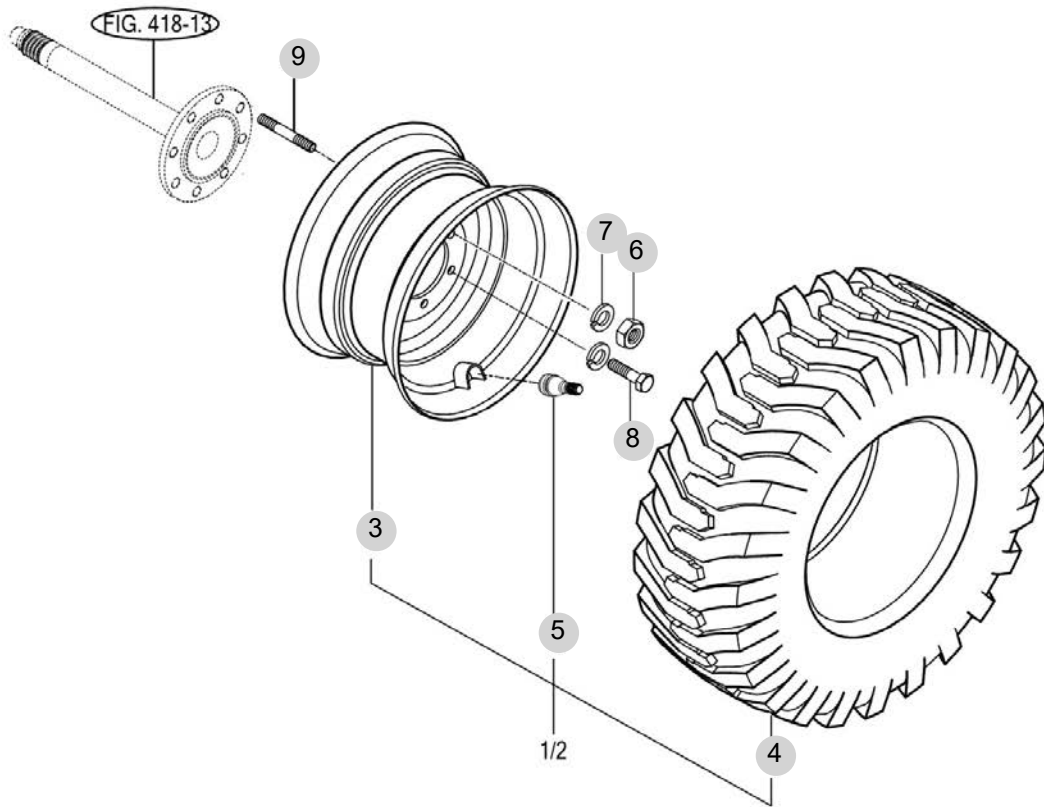
FIG 306B

REAR WHEEL (R4 OPTION)

년/월  
Year/Month

2022-12

T575STEU1



NOTE





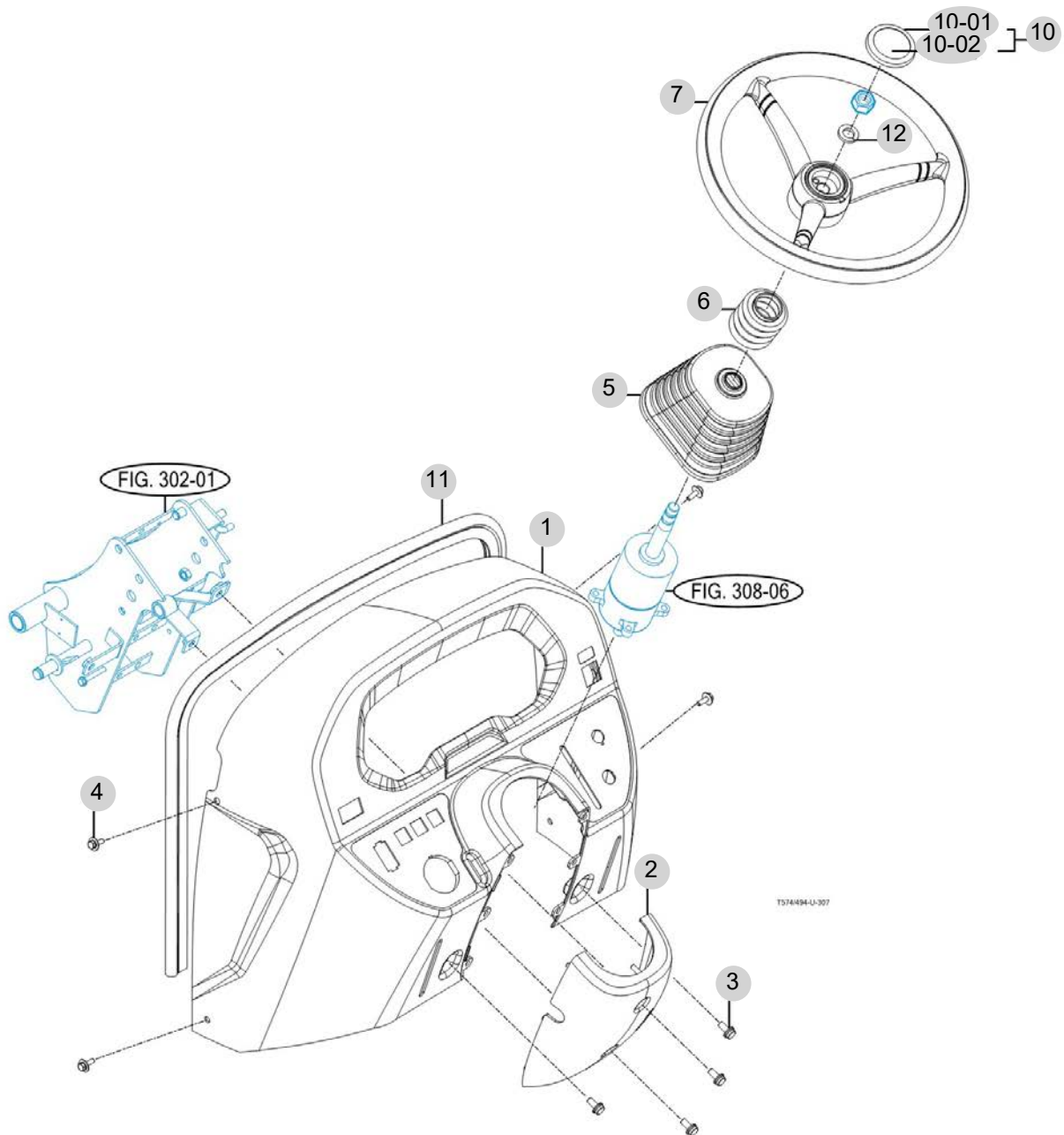
FIG 307

T575STEU1

POWER STEERING WHEEL

년/월  
Year/Month

2022-12



NOTE

FIG 307 T575STEU1		POWER STEERING WHEEL						년/월 Year/Month
								2022-12
KEY NO		PART NO	DESCRIPTION	SPEC	QTY	REPAIR	EFFECTIVE DATE	REMARKS
307	1	13877078510	커버, 대시/리어		1			
307	2	14527078522	대시 커버, 전		1			
307	3	V2163608020	소형육각볼트보통(P)	M8X20	4			
307	4	V2193606020	육각볼트(SPL)	M6X20	4			
307	5	14724010052	부츠(틸트)		1			
307	6	16994011990	부츠(스티어링)		1			
307	7	11614012100	스티어링 휠		1			
307	10	11644012300	캠(TYM), 스티어링 휠		1			
307	10	11644012301	캠(TYM), 스티어링 휠		1			
307	10	11644012302	캠(TYM), 스티어링 휠		1			
307	10-01	16994012020	커버(스티어링)		1			
307	10-02	19027322130	오나먼트		1			
307	10-02	19027322140	오나먼트		1			
307	10-02	11817322130	오나먼트		1			
307	12	V4111600240	평와셔	M24	1			
NOTE								

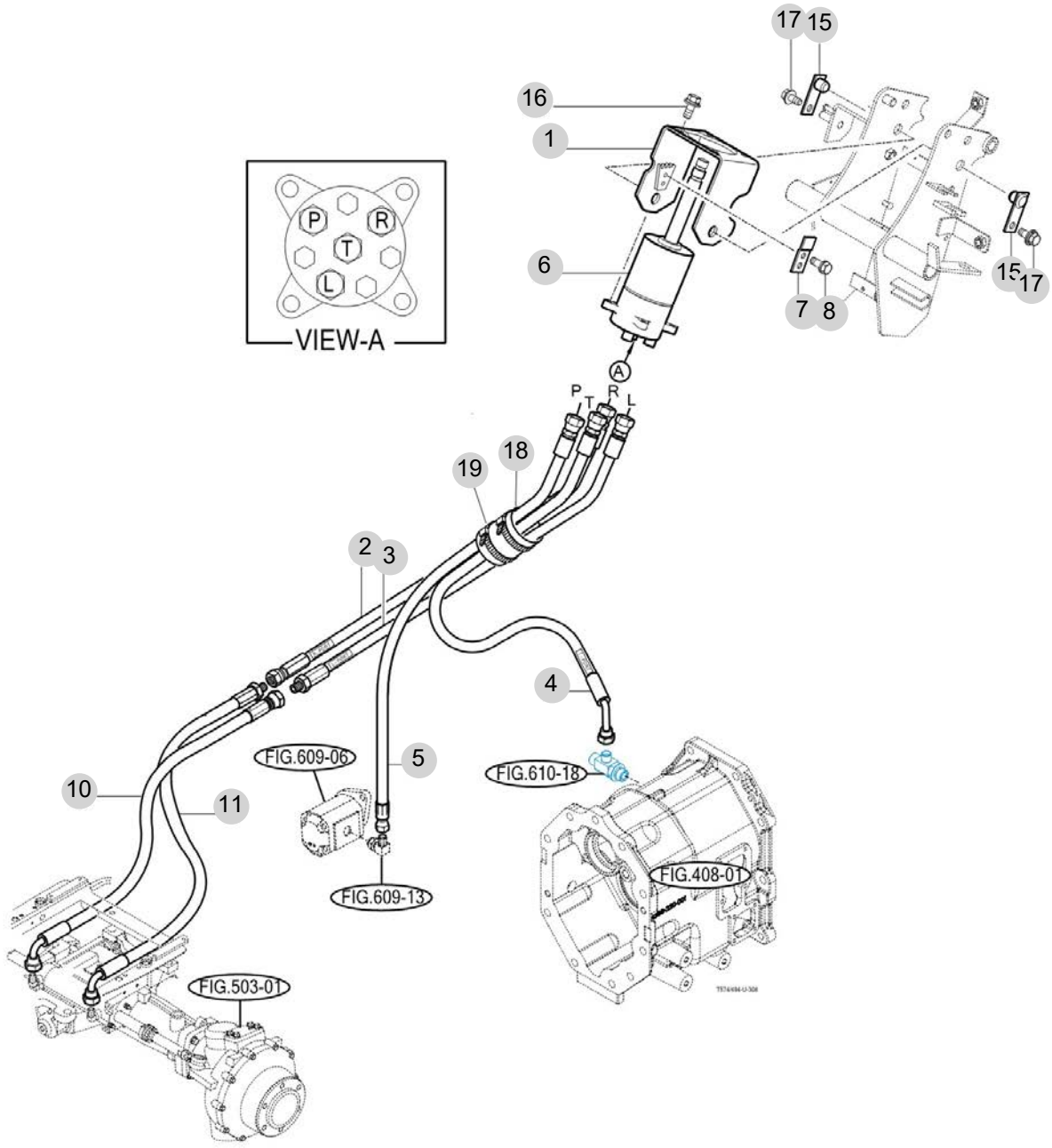
FIG 308

POWER STEERING VALVE

년/월  
Year/Month

2022-12

T575STEU1



NOTE

FIG 308 T575STEU1		POWER STEERING VALVE						년/월 Year/Month					
								2022-12		REPAIR		EFFECTIVE DATE	
								KEY NO	PART NO	DESCRIPTION	SPEC	QTY	REMARKS
308	1	14524043302GB	브래킷조합,스티어링밸브		1								
308	2	13874072600	유압호스(950)ASSY		1								
308	3	13874072501	유압호스(880)ASSY		1								
308	4	14524073502	유압호스ASSY,1350/T		1								
308	5	17415103400	유압호스(1130)ASSY		1								
308	6	14524054002	스티어링밸브 유닛		1								
308	6	13874042100	스티어링밸브 유닛		1								
308	7	14724040201	플레이트(가이드)		1								
308	8	V2113606010	육각볼트(S)	M6X10	1								
308	10	13874072701	유압호스(820)ASSY		1								
308	11	17484052800	유압호스(820)ASSY		1								
308	15	16754042100GB	핀(16X21/LH)COMP		2								
308	16	V2183608020	소형육각볼트보통(SP)	M8X20	4								
308	17	V2183608020	소형육각볼트보통(SP)	M8X20	2								
308	18	14524041110	패드, 호스		1								
308	19	13424020060	케이블타이(300)		5								
NOTE													

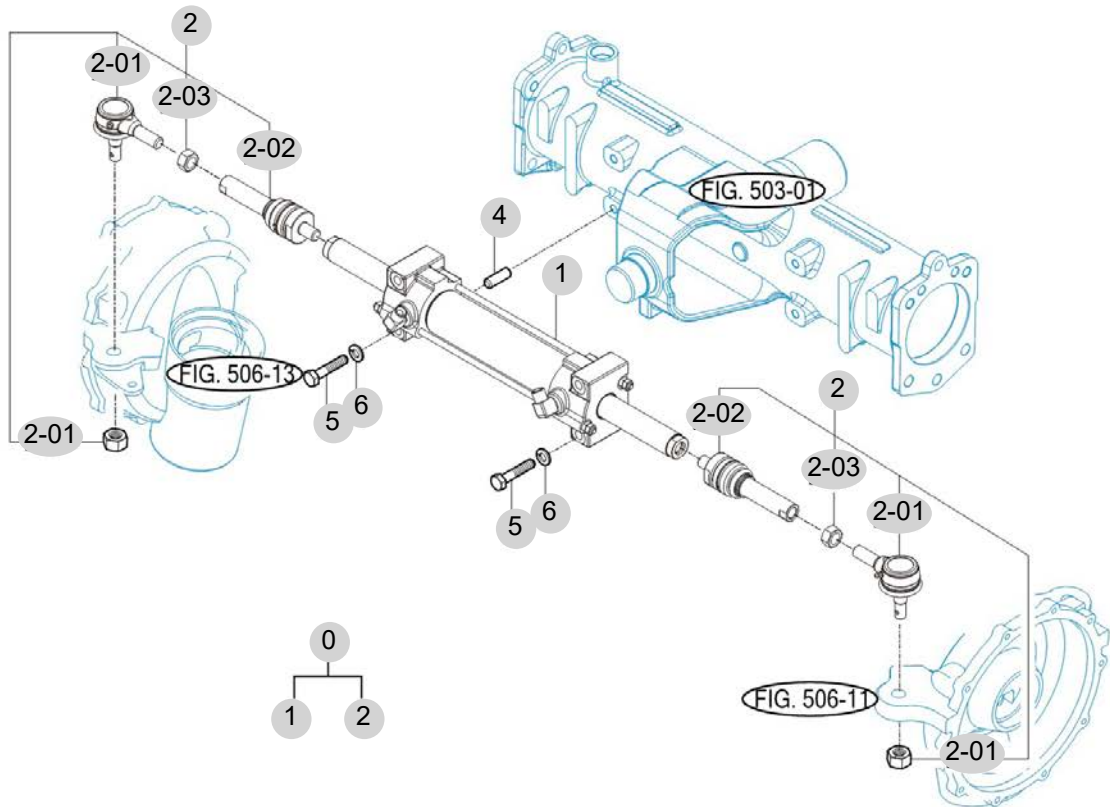
FIG 309

POWER STEERING CYLINDER

년/월  
Year/Month

2022-12

T575STEU1



T55551/T45551-E-309

NOTE



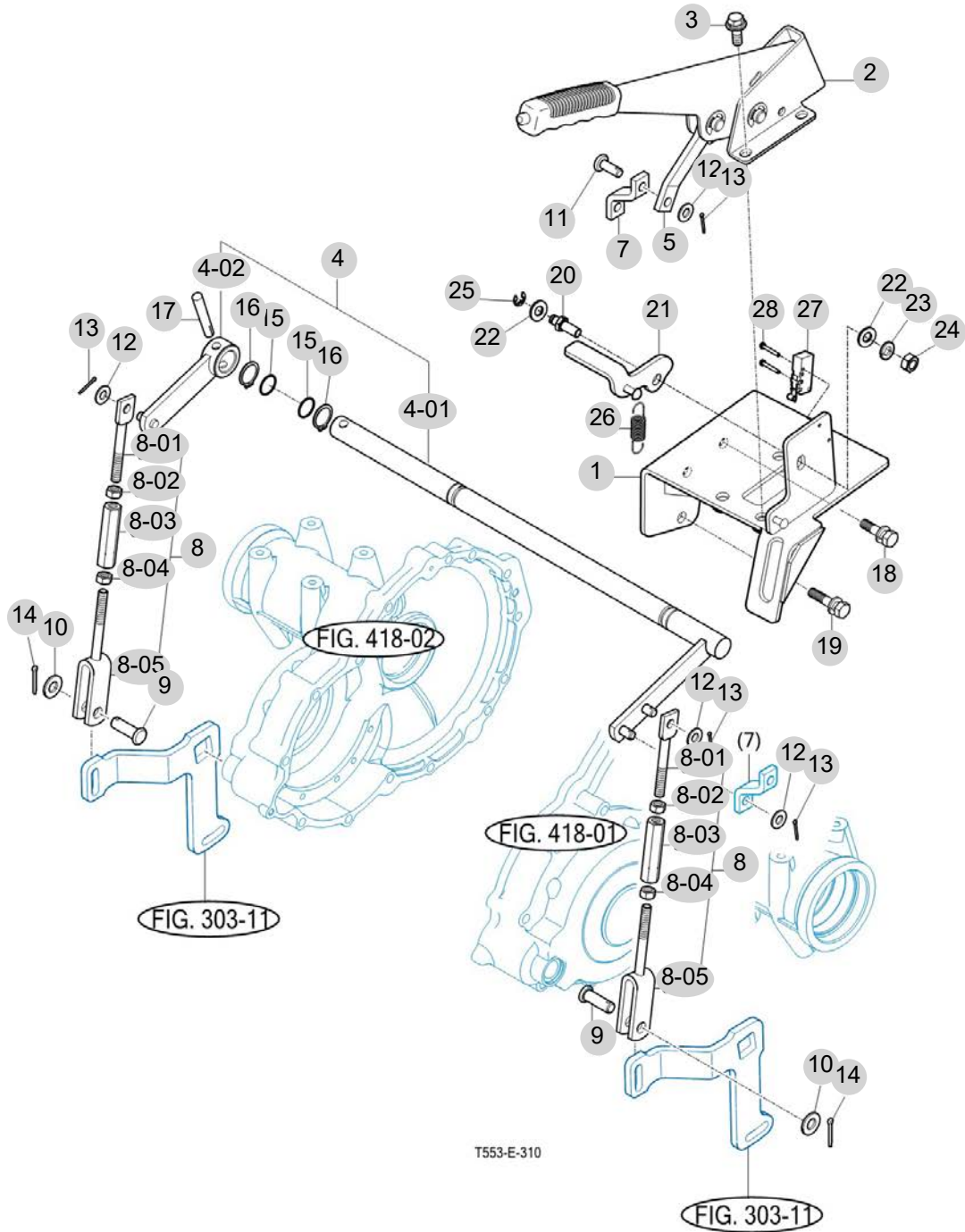
FIG 310

T575STEU1

HAND BRAKE

년/월  
Year/Month

2022-12



NOTE





#### 4. 트랜스미션 PART NO. T4

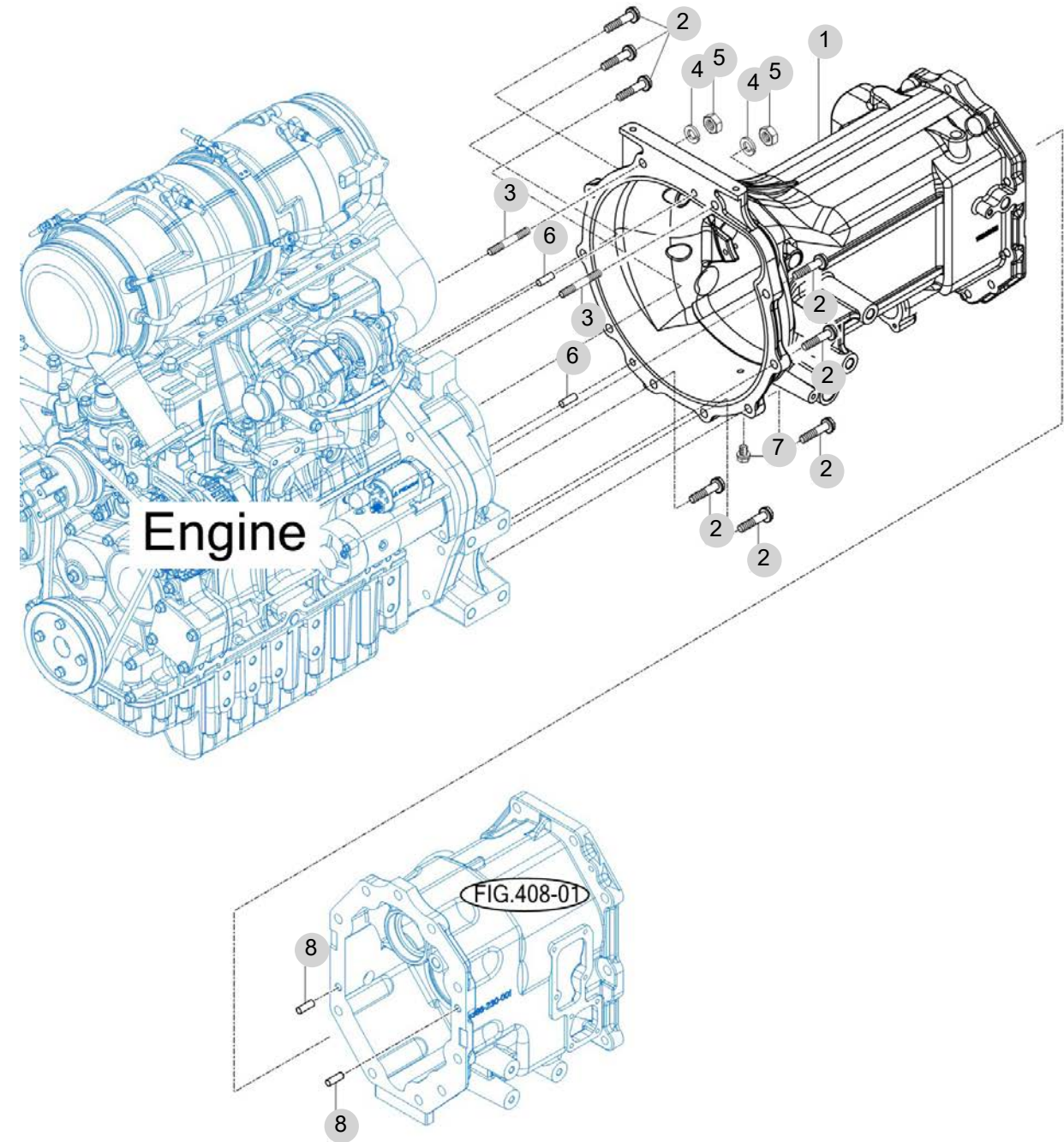
FIG 401 TRANSMISSION FRONT CASE	142
FIG 402 FORWARD & BACKWARD GEARS	144
FIG 403 IDLE & COUNTER GEARS	146
FIG 404 MAIN SHIFT GEARS	148
FIG 405 P.T.O DRIVE SHAFT	150
FIG 406 MAIN CHANGE LEVER	152
FIG 407 REVERSE CHANGE LEVER	154
FIG 408 TRANSMISSION MID CASE	156
FIG 409 TRANSMISSION REAR CASE	158
FIG 410 SUB CHANGE GEARS	160
FIG 411 SUB CHANGE SHIFTER	162
FIG 413 DRIVE GEARS	164
FIG 414 4WD CHANGE LEVER	166
FIG 415 P.T.O CHANGE GEARS	168
FIG 417 REAR DIFFERENTIAL GEARS	170
FIG 418 REAR AXLE HOUSING	173

FIG 401

TRANSMISSION FRONT CASE

년/월  
Year/Month

2022-12



NOTE

FIG 401		TRANSMISSION FRONT CASE					년/월 Year/Month	
T575STEU1							2022-12	
KEY NO	PART NO	DESCRIPTION	SPEC	QTY	REPAIR	EFFECTIVE DATE	REMARKS	
401	1	14522010018M	프런트미션케이스		1			
401	2	V2173612040	소형육각볼트보통(S)	M12X40	8			
401	3	V2513412045	스터드볼트2종	M12X45	2			
401	4	V4011600120	스프링와셔	M12	2			
401	5	V3043600120	소형육각너트보통2종	M12	2			
401	6	V5201010022	평행핀(A)	10X22	2			
401	7	12507060020	드레인플러그		1			
401	8	V5201010022	평행핀(A)	10X22	2			
NOTE								

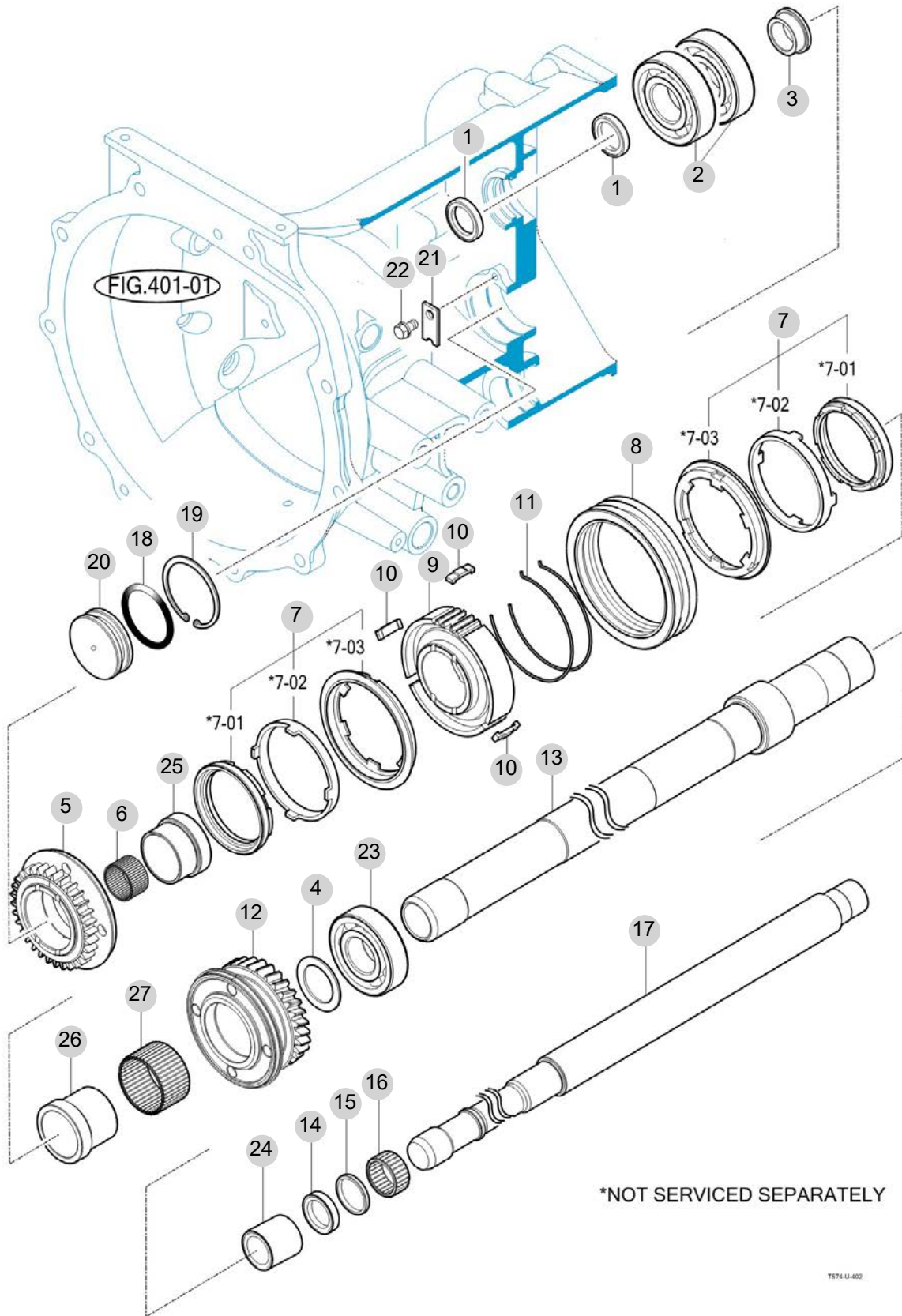
FIG 402

T575STEU1

FORWARD & BACKWARD GEARS

년/월  
Year/Month

2022-12



T574-U-402

NOTE



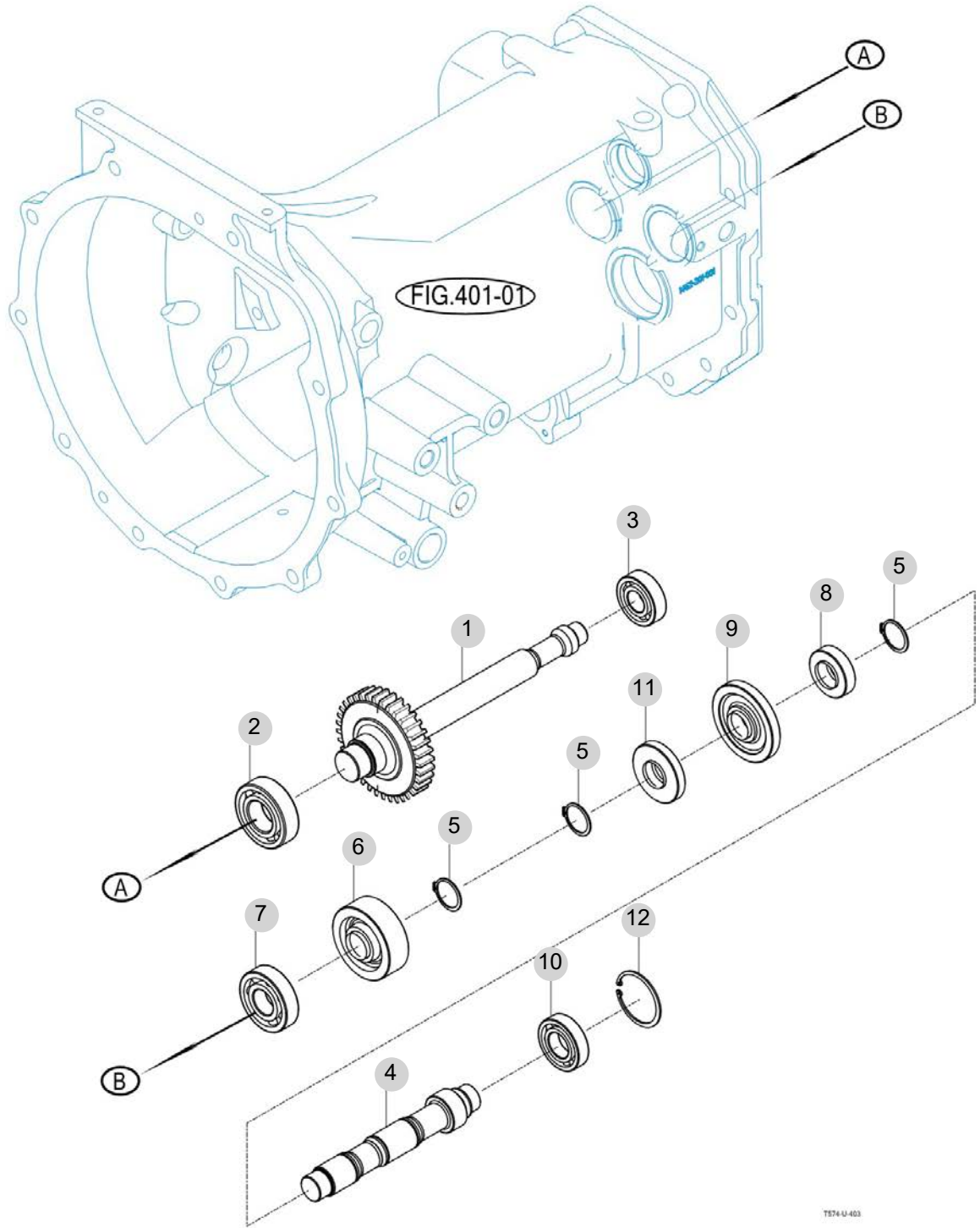
FIG 403

T575STEU1

IDLE & COUNTER GEARS

년/월  
Year/Month

2022-12



NOTE





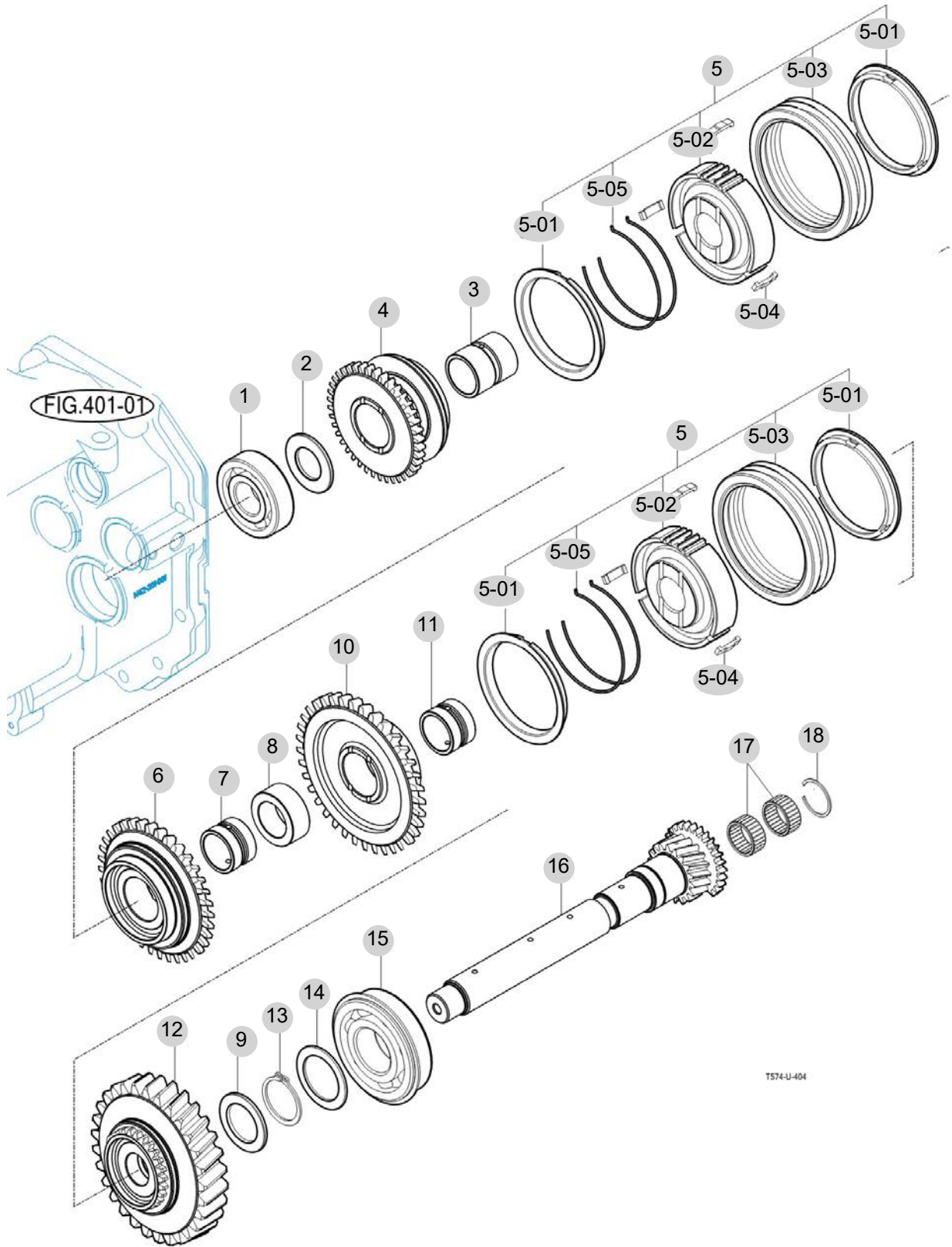
FIG 404

MAIN SHIFT GEARS

년/월  
Year/Month

T575STEU1

2022-12



T574-U-404

NOTE





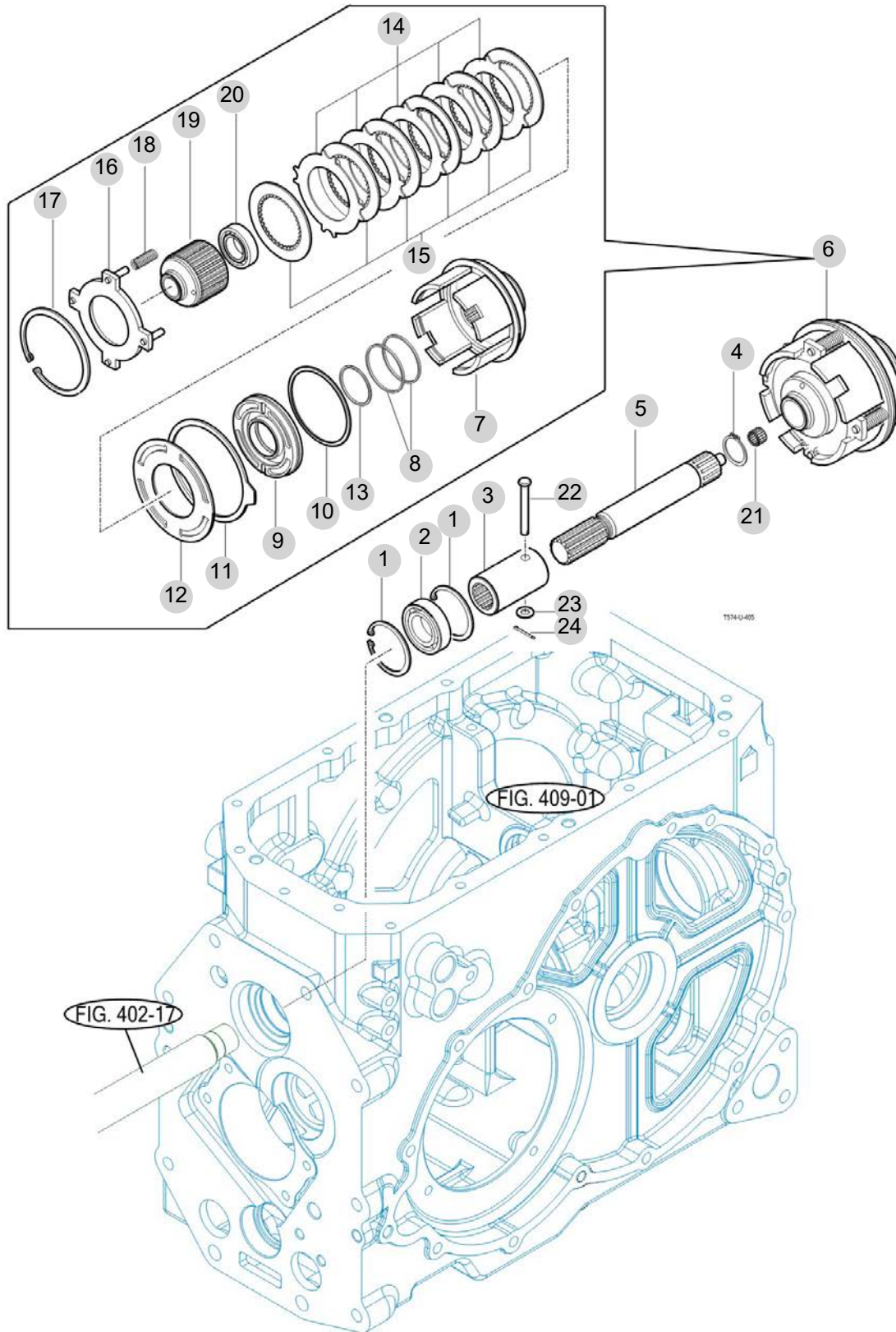
FIG 405

P.T.O DRIVE SHAFT

년/월  
Year/Month

T575STEU1

2022-12



NOTE

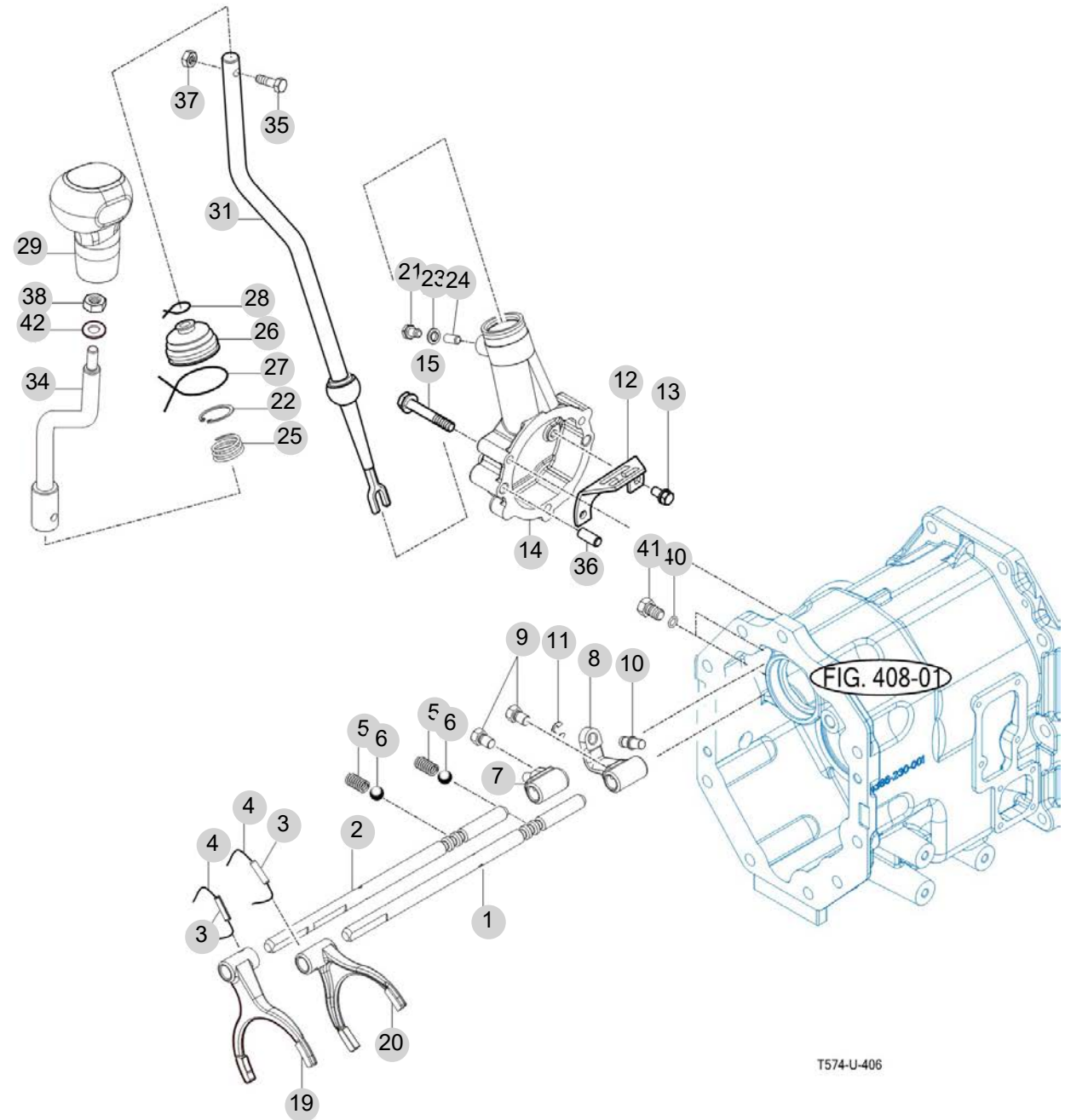


FIG 406

MAIN CHANGE LEVER

년/월  
Year/Month

2022-12



T574-U-406

NOTE



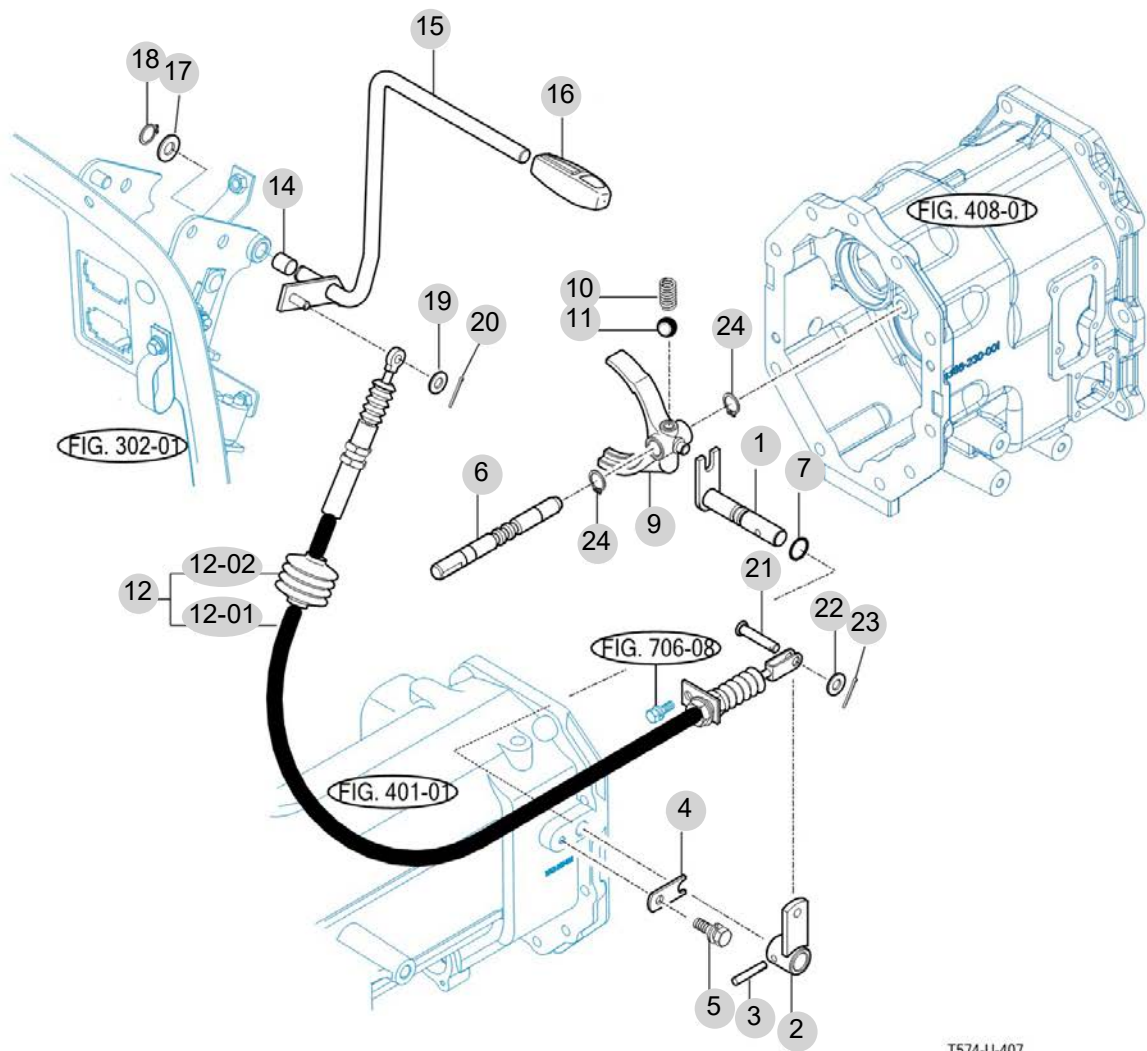
FIG 407

REVERSE CHANGE LEVER

년/월  
Year/Month

2022-12

T575STEU1



T574-U-407

NOTE



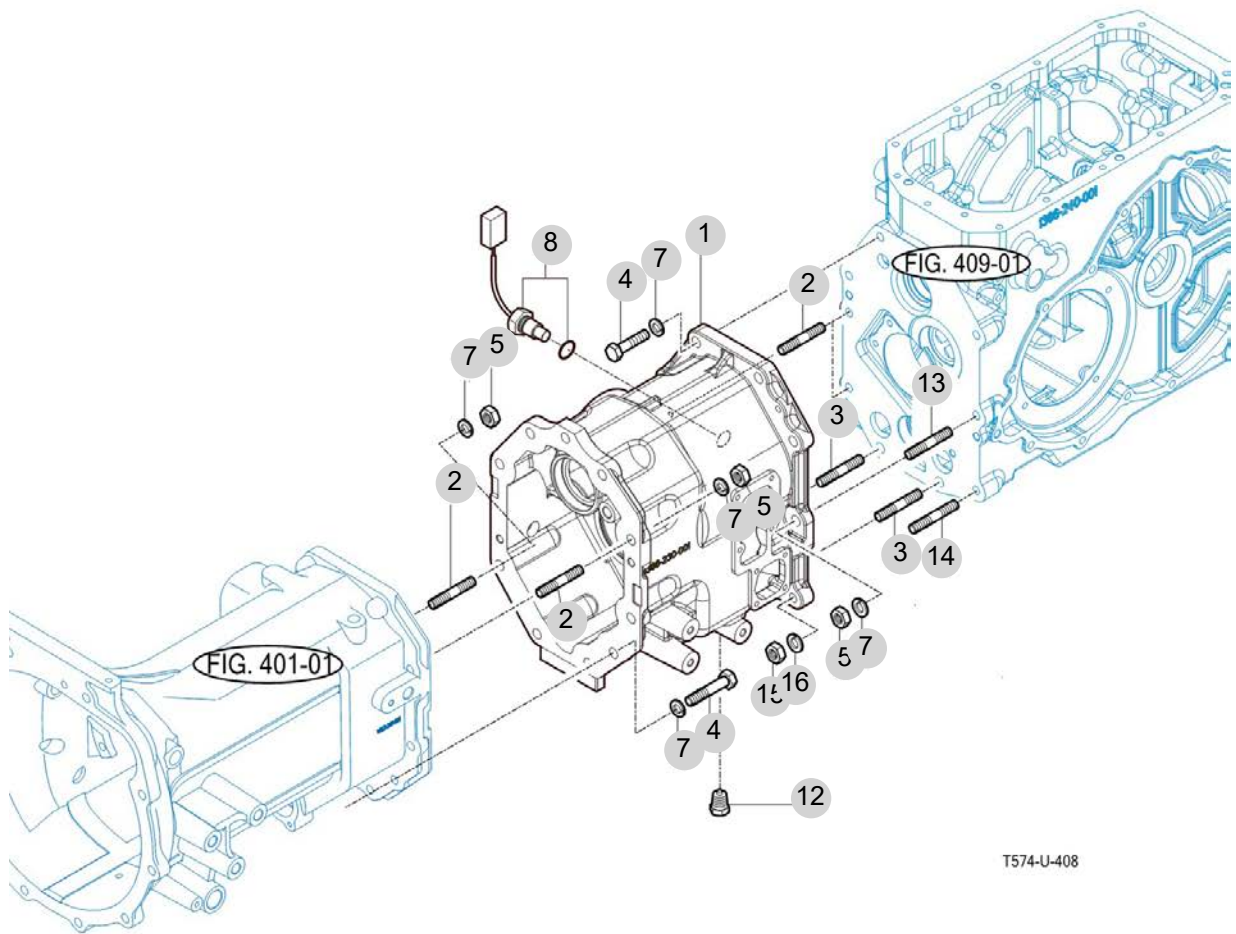
FIG 408

T575STEU1

TRANSMISSION MID CASE

년/월  
Year/Month

2022-12



T574-U-408

NOTE





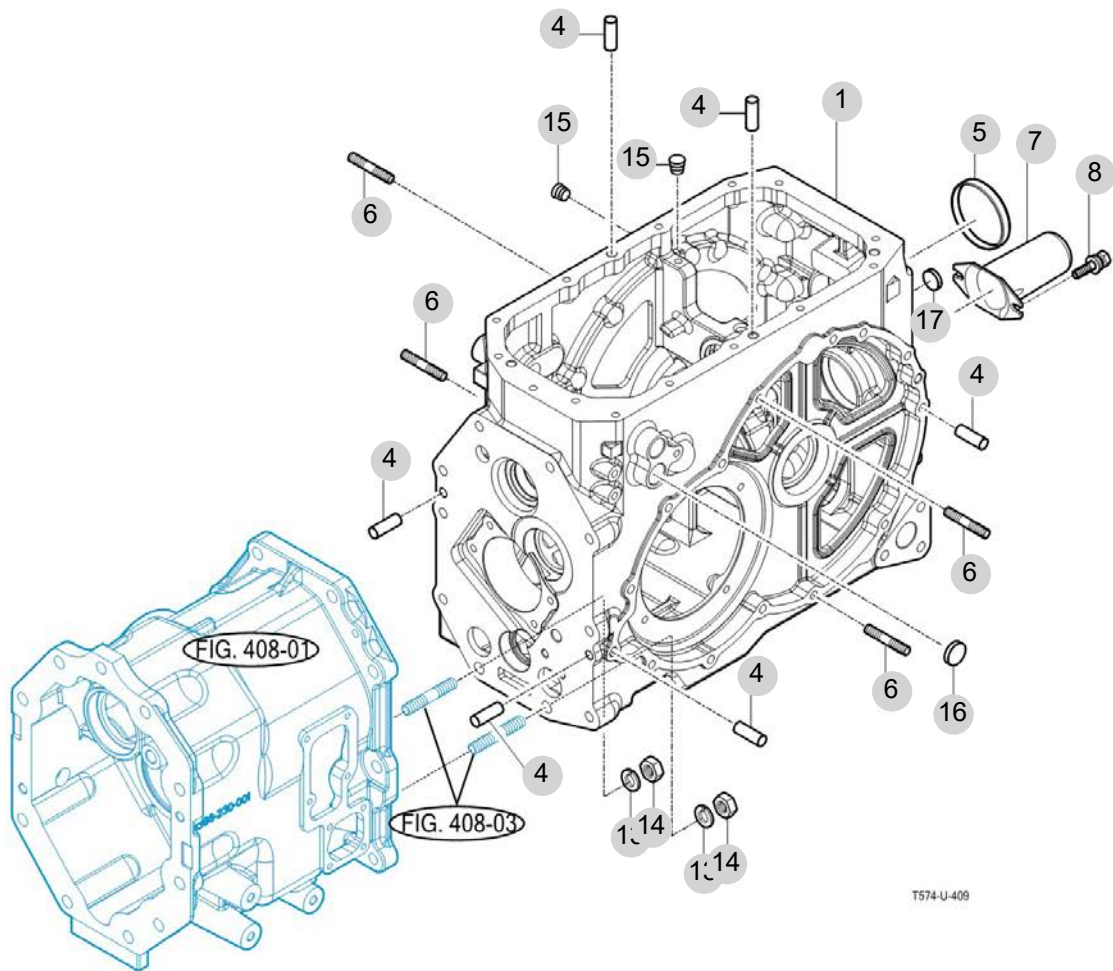
FIG 409

T575STEU1

TRANSMISSION REAR CASE

년/월  
Year/Month

2022-12



T574-U-409

NOTE



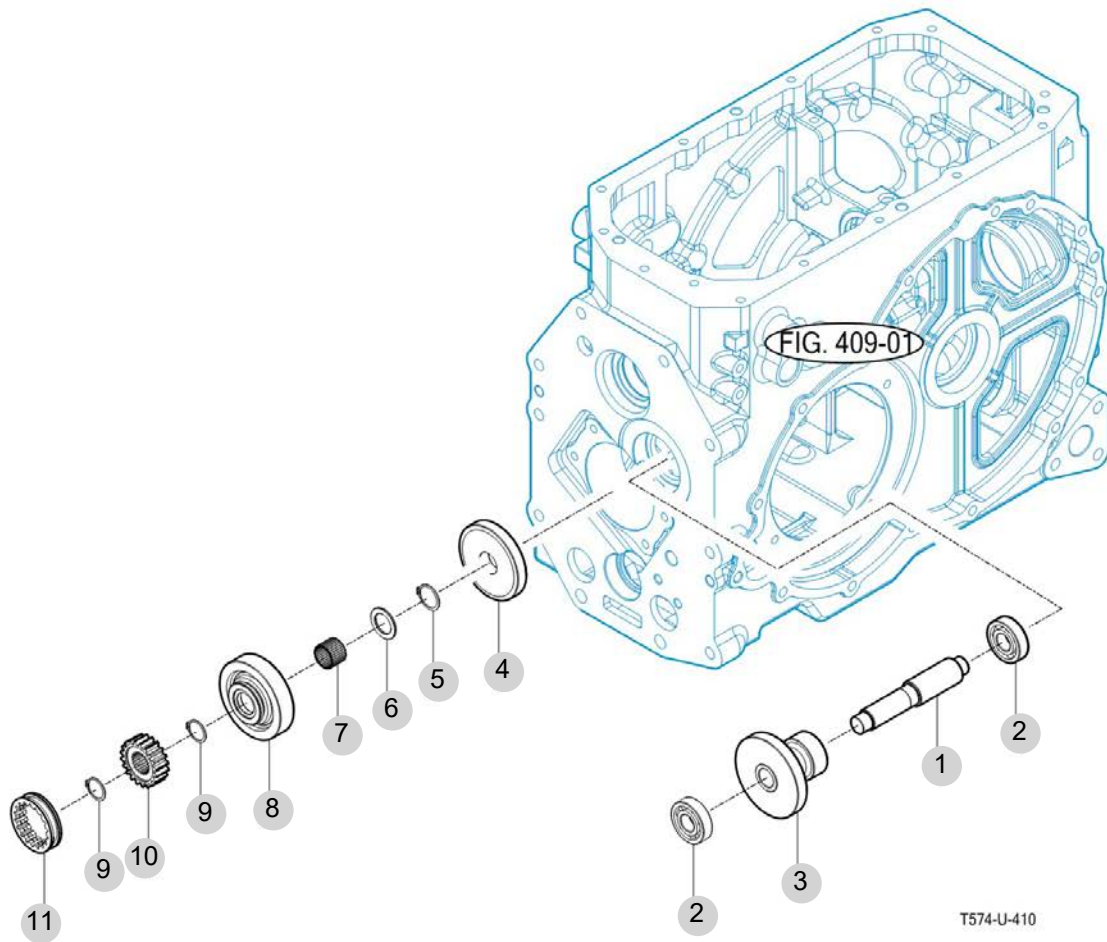
FIG 410

SUB CHANGE GEARS

년/월  
Year/Month

2022-12

T575STEU1



T574-U-410

NOTE



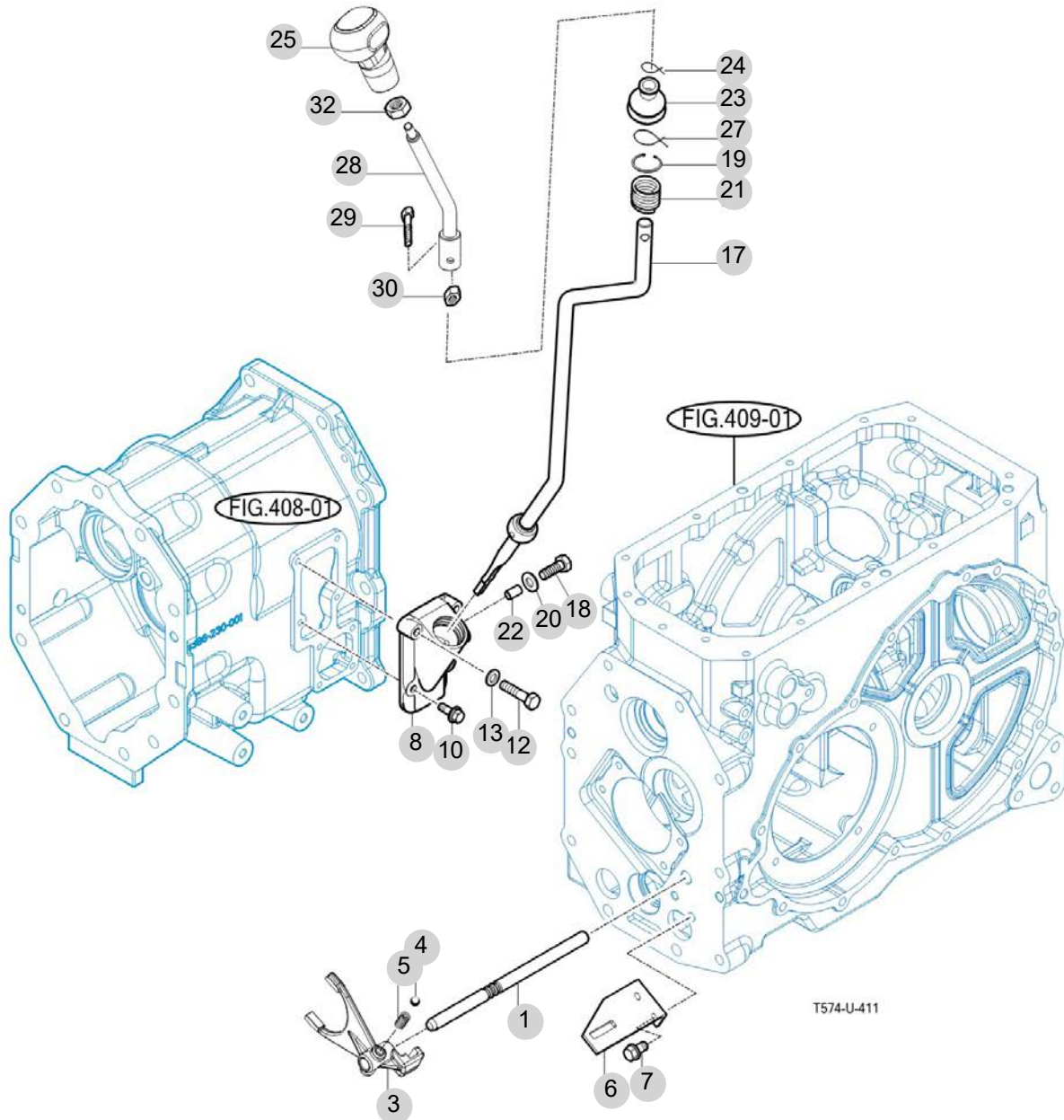
FIG 411

SUB CHANGE SHIFTER

년/월  
Year/Month

2022-12

T575STEU1



NOTE



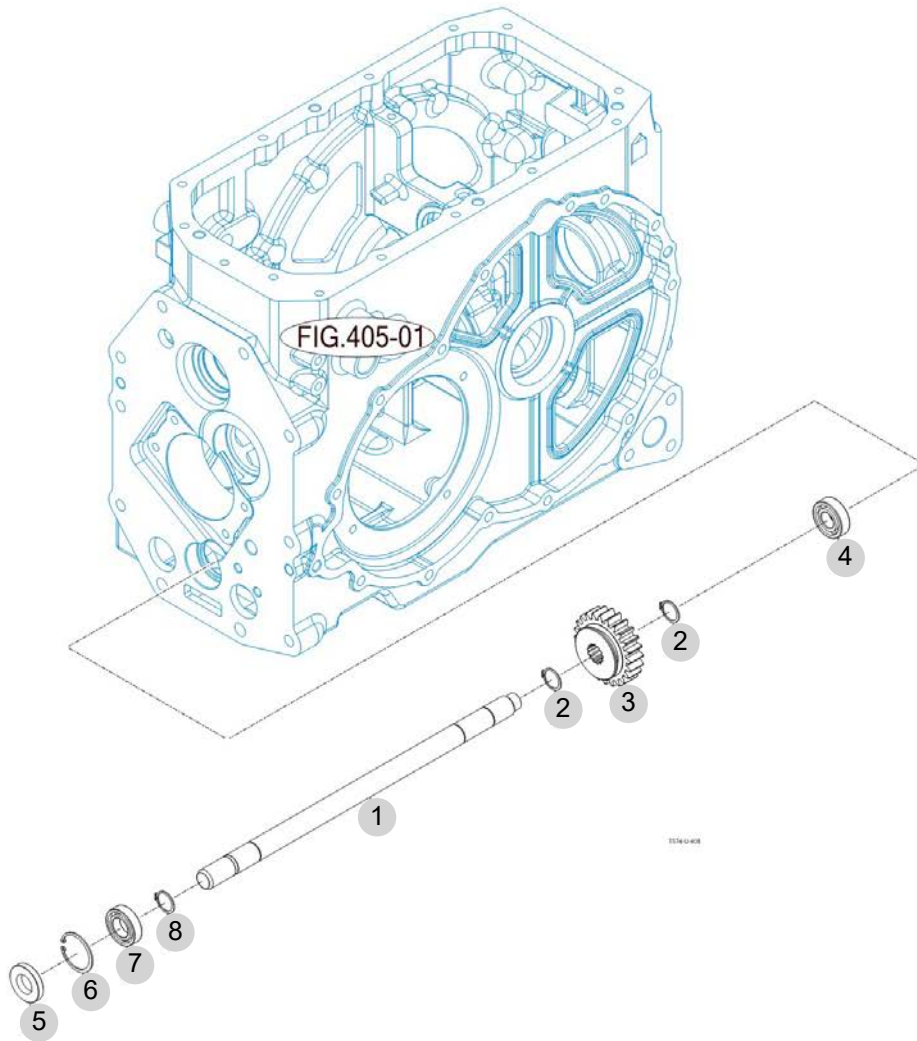
FIG 413

T575STEU1

DRIVE GEARS

년/월  
Year/Month

2022-12



NOTE



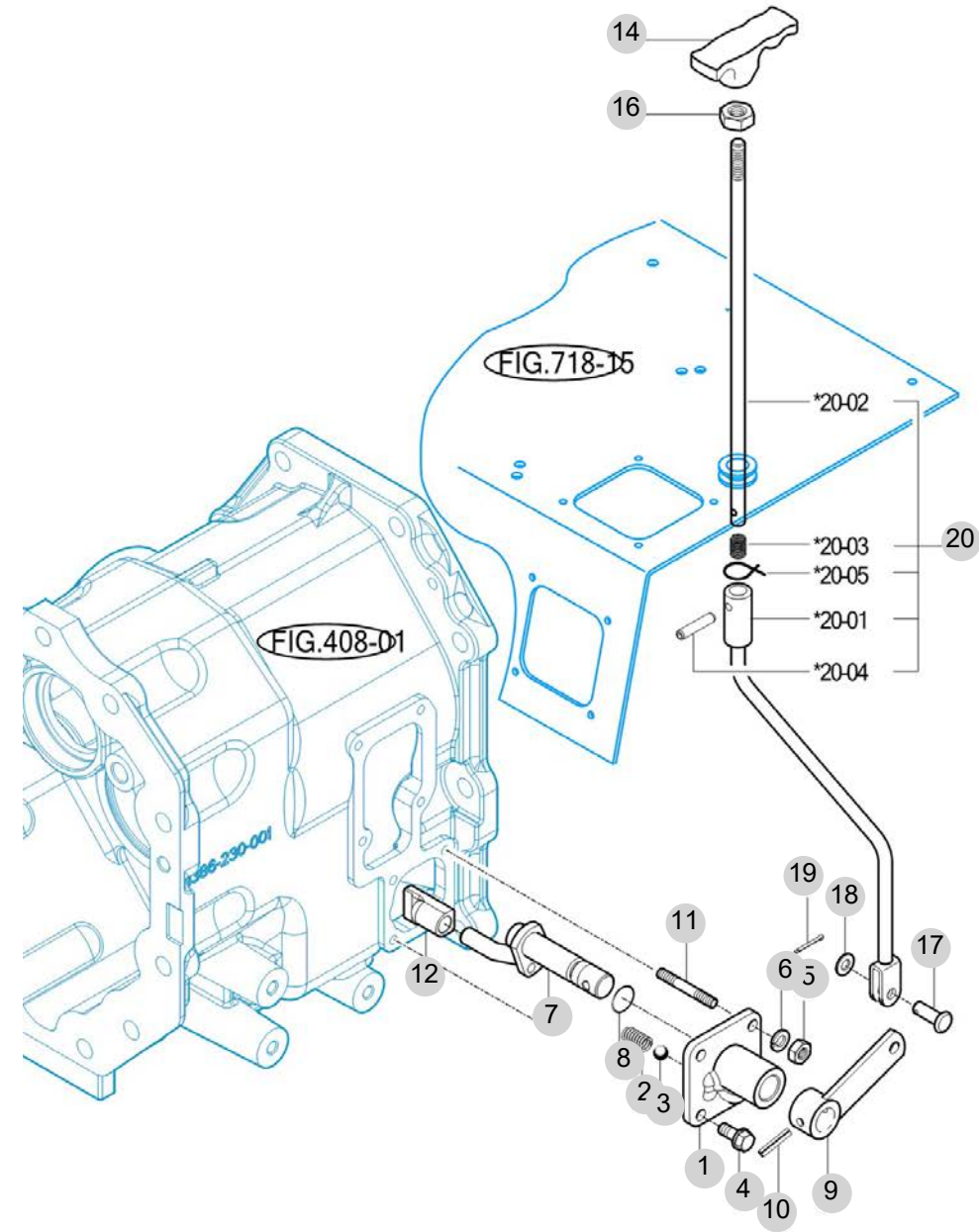


FIG 414

4WD CHANGE LEVER

년/월  
Year/Month

2022-12



\*NOT SERVICED SEPARATELY

T483-E-414A

NOTE



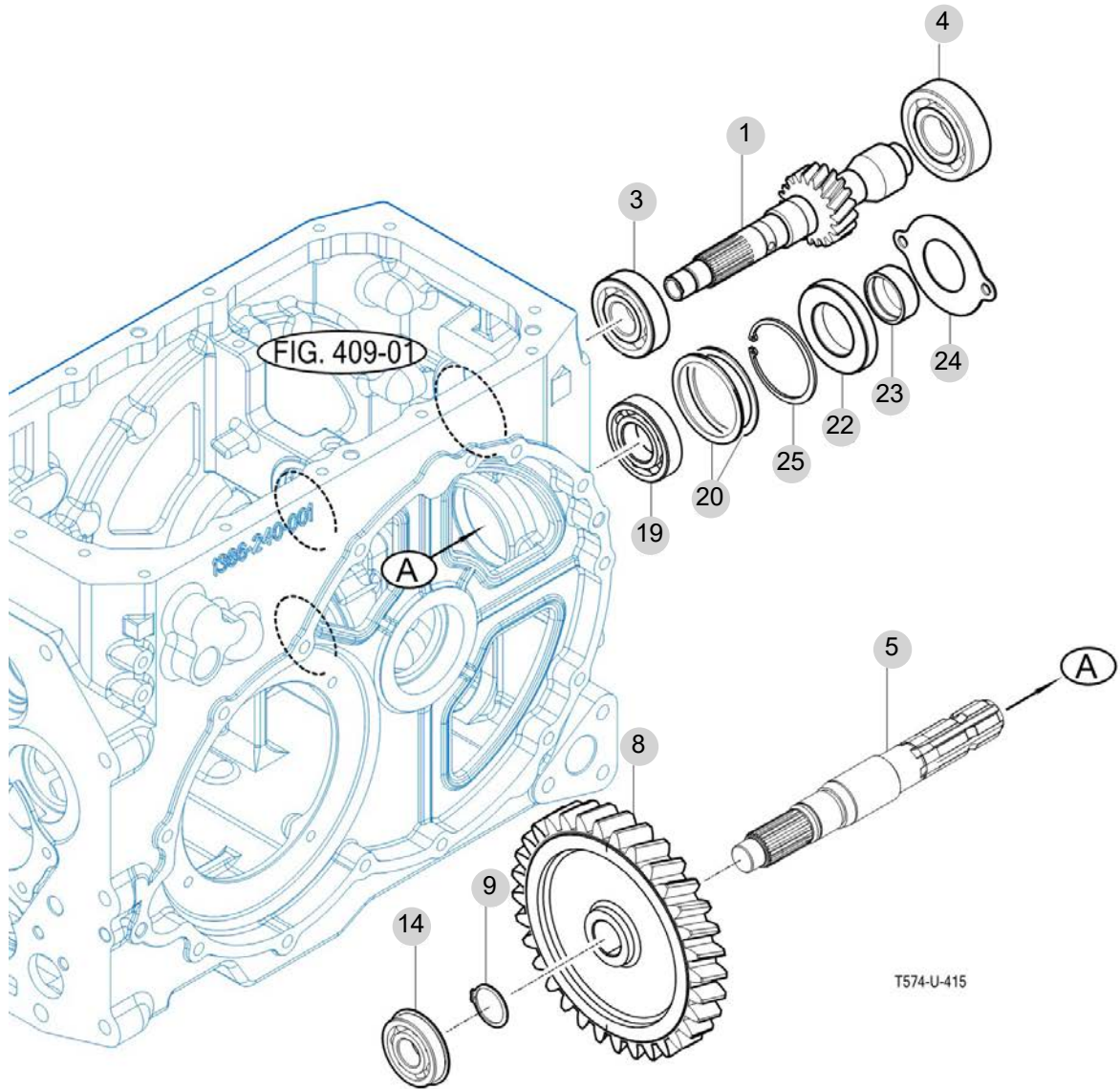
FIG 415

P.T.O CHANGE GEARS

년/월  
Year/Month

2022-12

T575STEU1



NOTE



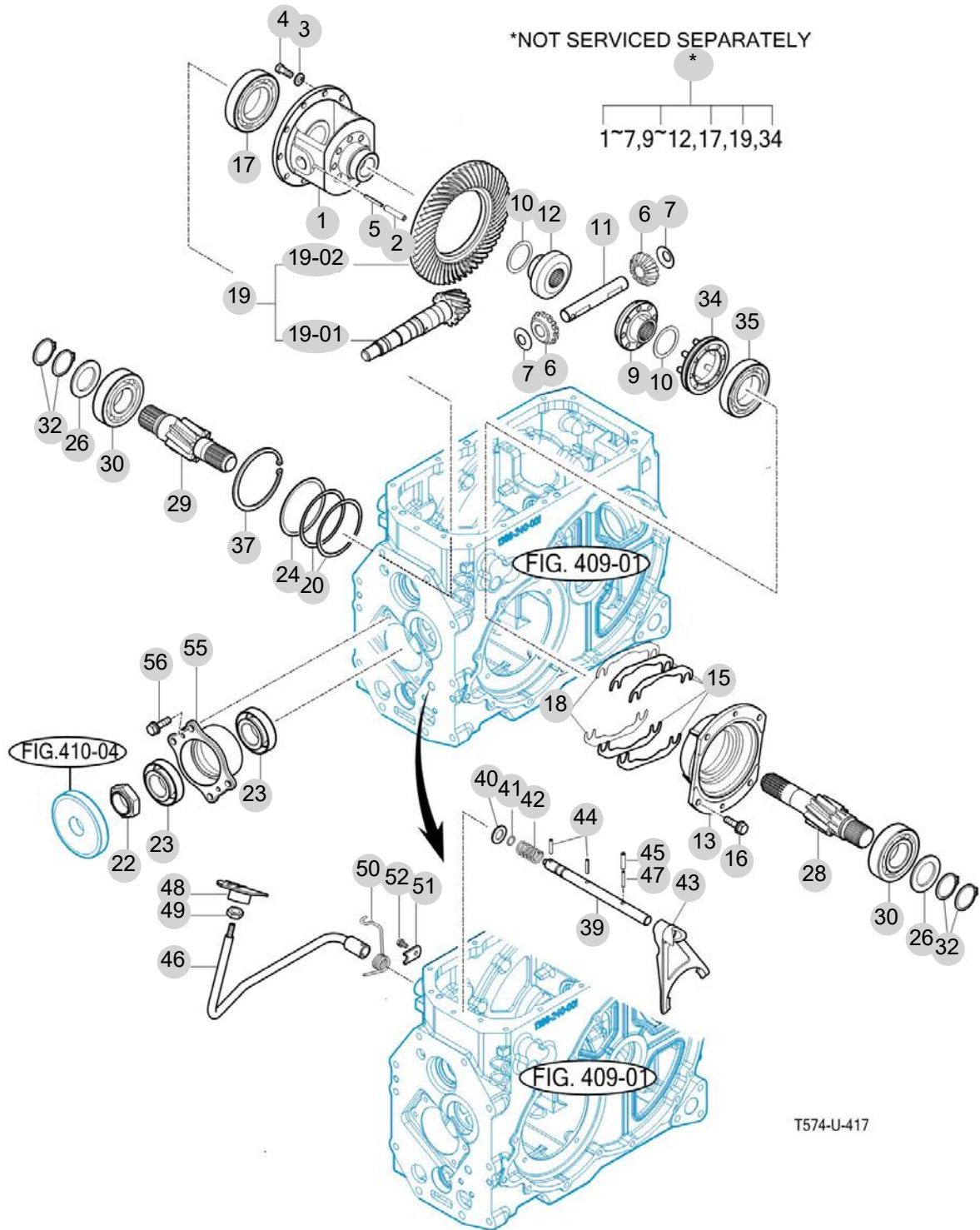
FIG 417

T575STEU1

REAR DIFFERENTIAL GEARS

년/월  
Year/Month

2022-12



NOTE

FIG 417 T575STEU1		REAR DIFFERENTIAL GEARS					년/월 Year/Month	
							2022-12	
KEY NO	PART NO	DESCRIPTION	SPEC	QTY	REPAIR	EFFECTIVE DATE	REMARKS	
417	0	13863031000	리어 차동장치 ASSY		1			
417	1	14523030010M	케이스(디프)		1			
417	2	V5801408040	스프링핀	8X50	1			
417	3	V4011600100	스프링와셔	M10	10			
417	4	V2024610025	소형육각볼트(가는)	M10X25	10			
417	5	V5801405036	스프링핀	5X36	1			
417	6	14523180041	피니언(차동)		2			
417	7	14523030080	칼라(피니언)	T=1.0	2			
417	9	14523180061	피니언(베벨/16 LH)		1			
417	10	14523030100	와셔(스러스트)	D=52.5	2			
417	11	14523030110	디프피니언샤프트	D=23	1			
417	12	14523180031	피니언(베벨/16 RH)		1			
417	13	14523030131M	메탈(LH/디프케이스)		1			
417	15	14523010090	심(B)	T=0.2	4			
417	16	V2173610025	소형육각볼트보통(S)	M10X25	4			
417	17	V6001106212	볼베어링	6212	1			
417	18	14523010080	심(A)	T=0.1	2			
417	19	13863022100	기어(10X41)SET		1			
417	19-01	13863022110	베벨 피니언		1			
417	19-02	14523022120	스파이럴베벨기어		1			
417	20	14523010050	심(0.1)	T=0.1	2			
417	22	15533030020	너트(M40XP1.5)		1			
417	23	V6321132208	테이퍼롤러베어링(보통)	32208CR	2			
417	24	14523010100	심(0.2)	T=0.2	1			
417	26	15133060030	스러스트칼라(45X68X4)		2			
417	28	14523060011	피니언(헬리컬/11/LH)		1			
417	29	14523060021	피니언(헬리컬/11/RH)		1			
417	30	V6041106309	볼베어링(HL1)	HL1	2			
417	32	V7041400450	C형멈춤링(축용)	45	4			
417	34	14523033400	슬리브COMP		1			
417	35	V6001106211	볼베어링	6211	1			
417	37	V7051401100	C형멈춤링(구멍용)	R110	1			
417	39	14523032002	샤프트(디프록)	D=20	1			
417	40	V4111600200	평와셔	M20	1			
417	41	V7201024016	O링(P)	P16	1			
417	42	17973030420	스프링	D=3.6	1			
417	43	14523190011M	포크(디프록)		1			
417	44	V5801406032	스프링핀	6X32	2			
417	45	V5801408036	스프링핀	8X36	1			
417	46	14543162101	디프록페달COMP		1			
417	47	V5801405036	스프링핀	5X36	1			
417	48	14521220120	페달COMP,액셀		1			
417	49	V3342600100	소형육각너트가는2종	M10	1			
417	50	14523160020	스프링(디프 페달)		1			
417	51	16703180191	플레이트	25X4.5T	1			
NOTE								





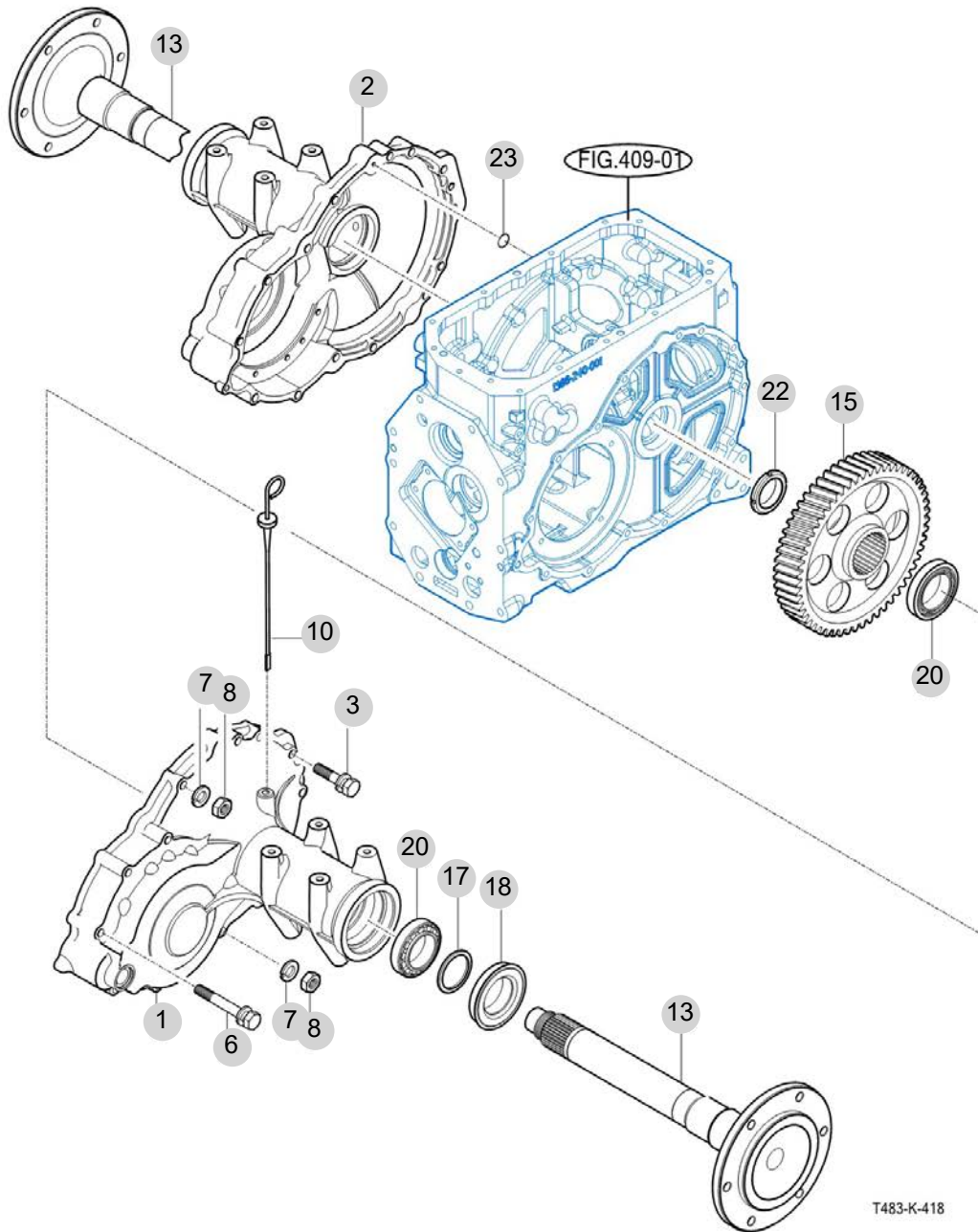
FIG 418

REAR AXLE HOUSING

년/월  
Year/Month

2022-12

T575STEU1



T483-K-418

NOTE



## 5. 프런트 액슬 PART NO. T5

FIG 501 FRONT AXLE SUPPORT	176
FIG 502 FRONT DRIVE SHAFT	178
FIG 503 FRONT AXLE HOUSING	180
FIG 504 FRONT DIFFERENTIAL GEARS	182
FIG 505 FRONT GEAR CASE (1)	184
FIG 506 FRONT GEAR CASE (2)	186
FIG 507 FRONT GEAR CASE (3)	188

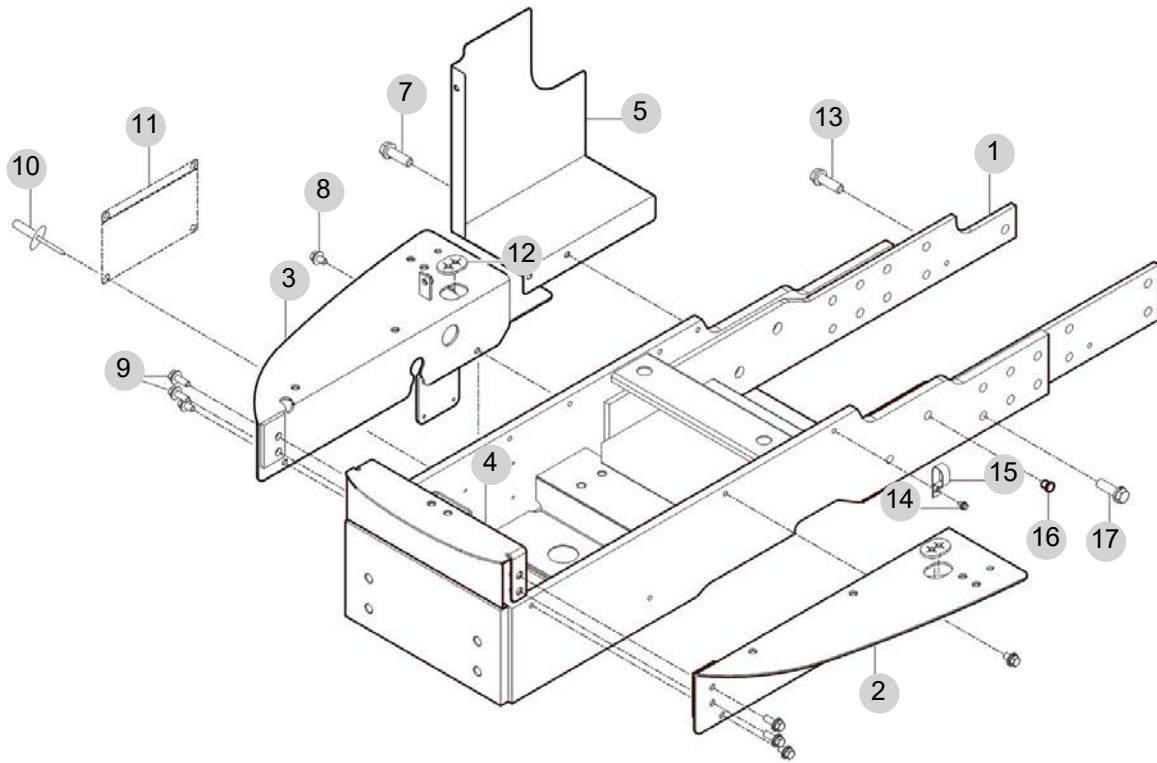
FIG 501

FRONT AXLE SUPPORT

년/월  
Year/Month

2022-12

T575STEU1



T574494-U-501

NOTE



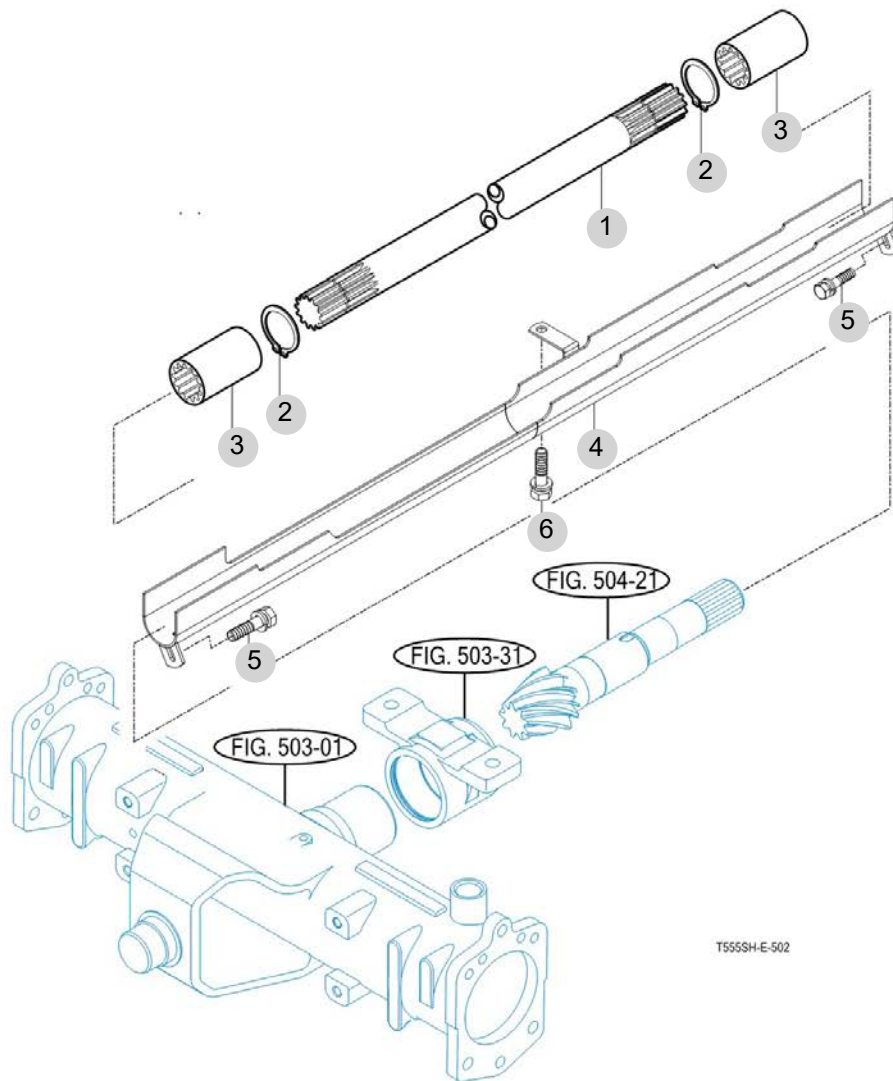
FIG 502

T575STEU1

FRONT DRIVE SHAFT

년/월  
Year/Month

2022-12



NOTE



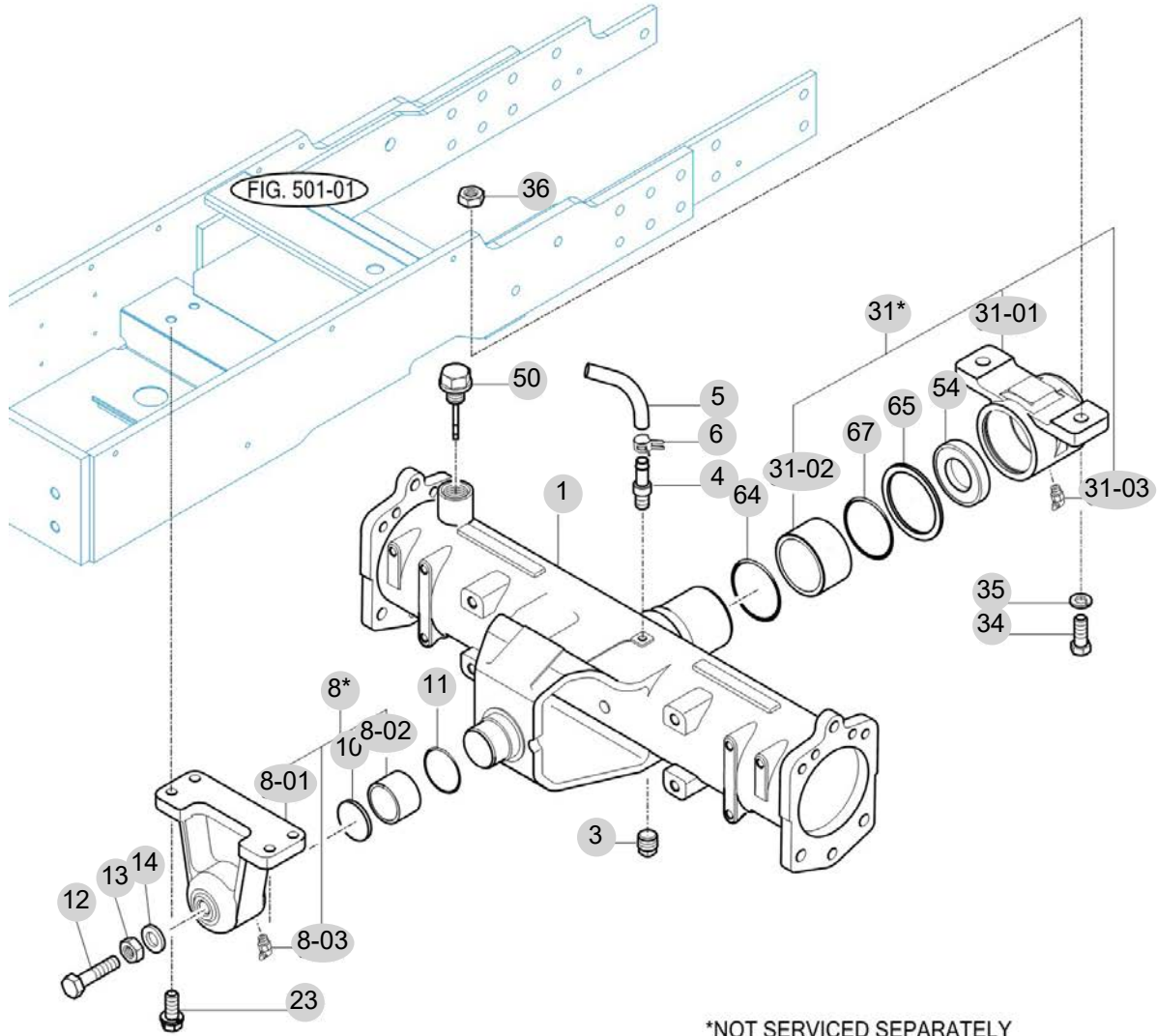
FIG 503

FRONT AXLE HOUSING

년/월  
Year/Month

2022-12

T575STEU1



T574494-U-503

NOTE





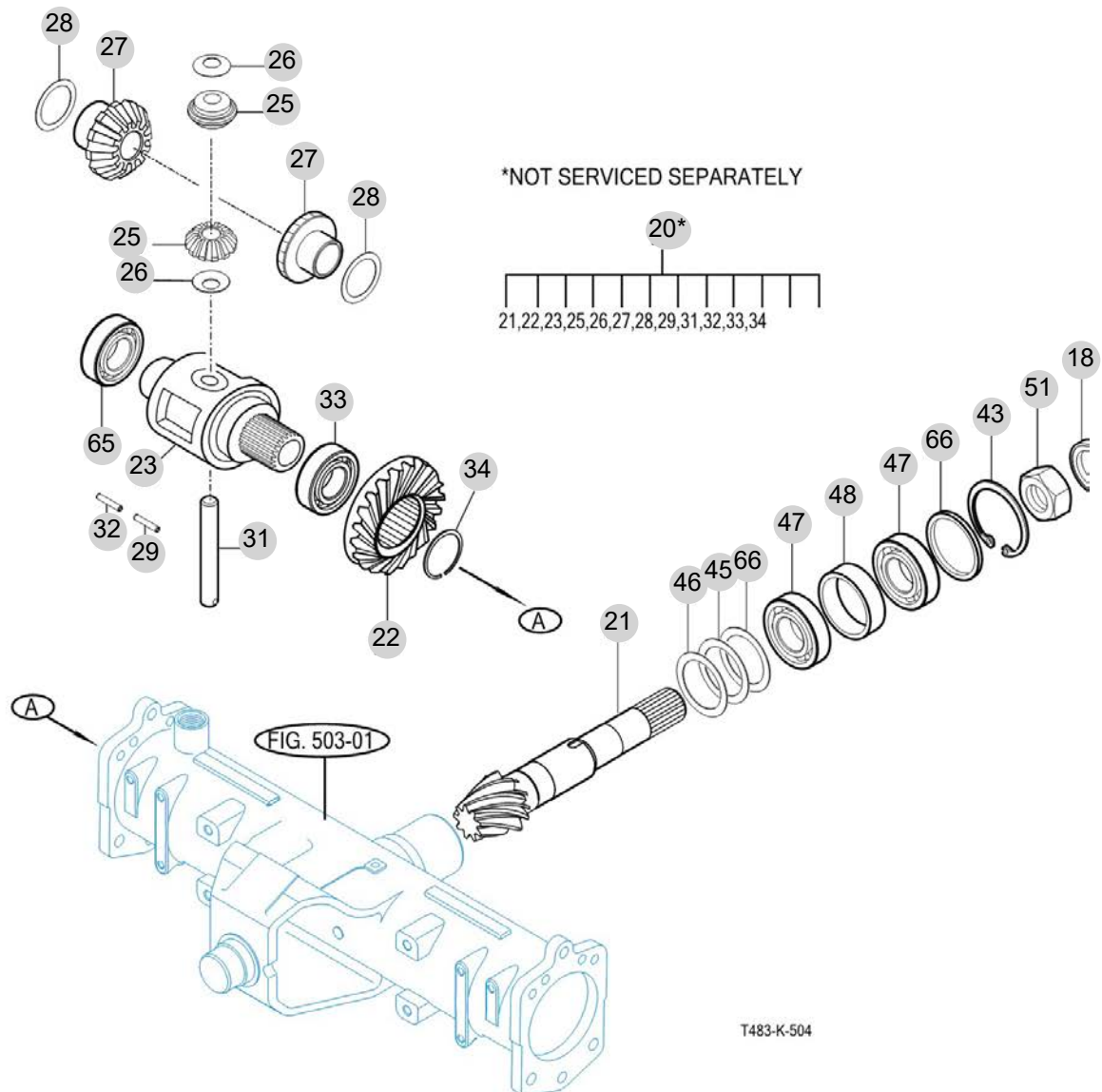
FIG 504

FRONT DIFFERENTIAL GEARS

년/월  
Year/Month

2022-12

T575STEU1



NOTE



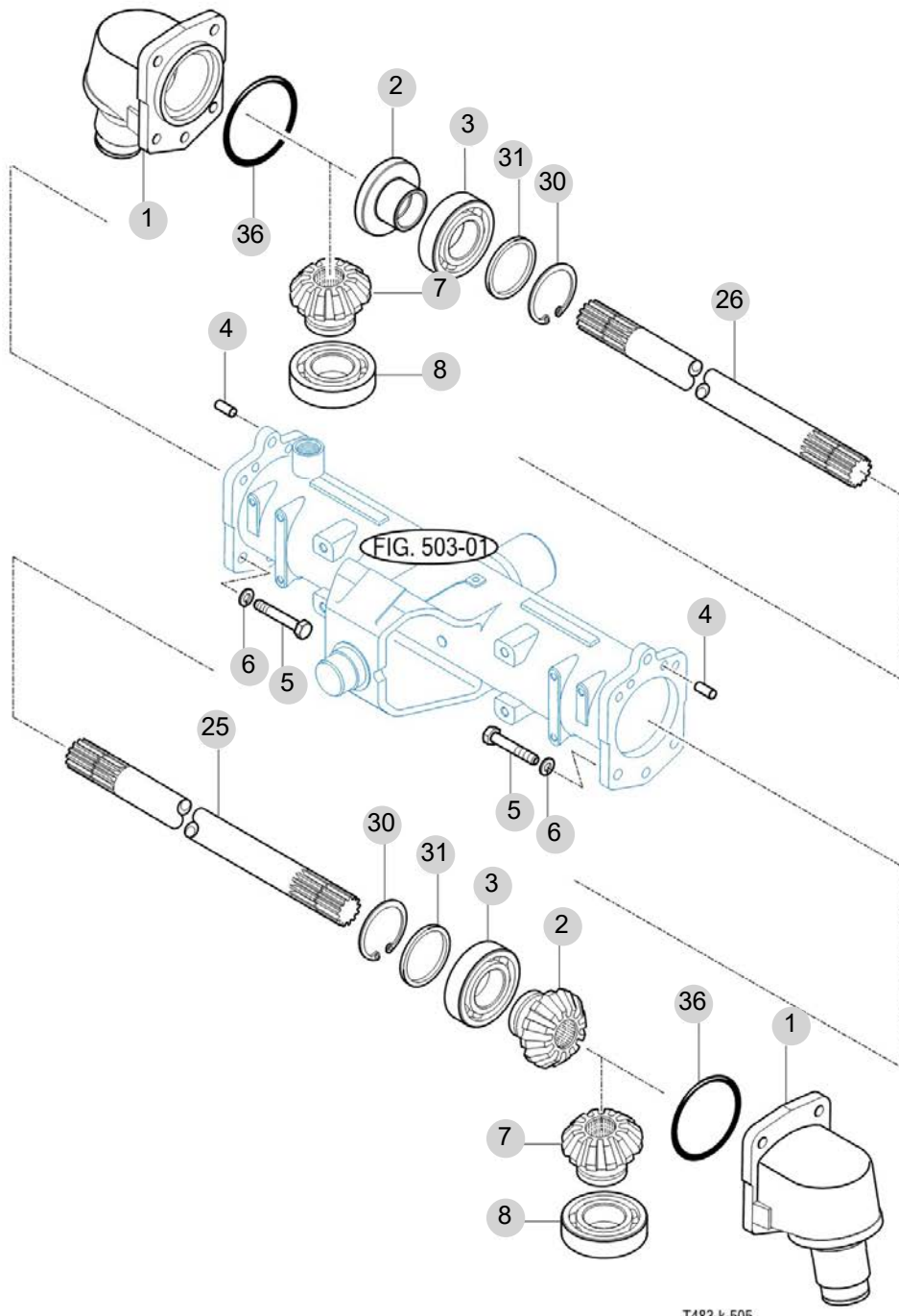
FIG 505

T575STEU1

FRONT GEAR CASE (1)

년/월  
Year/Month

2022-12



T483-k-505

NOTE



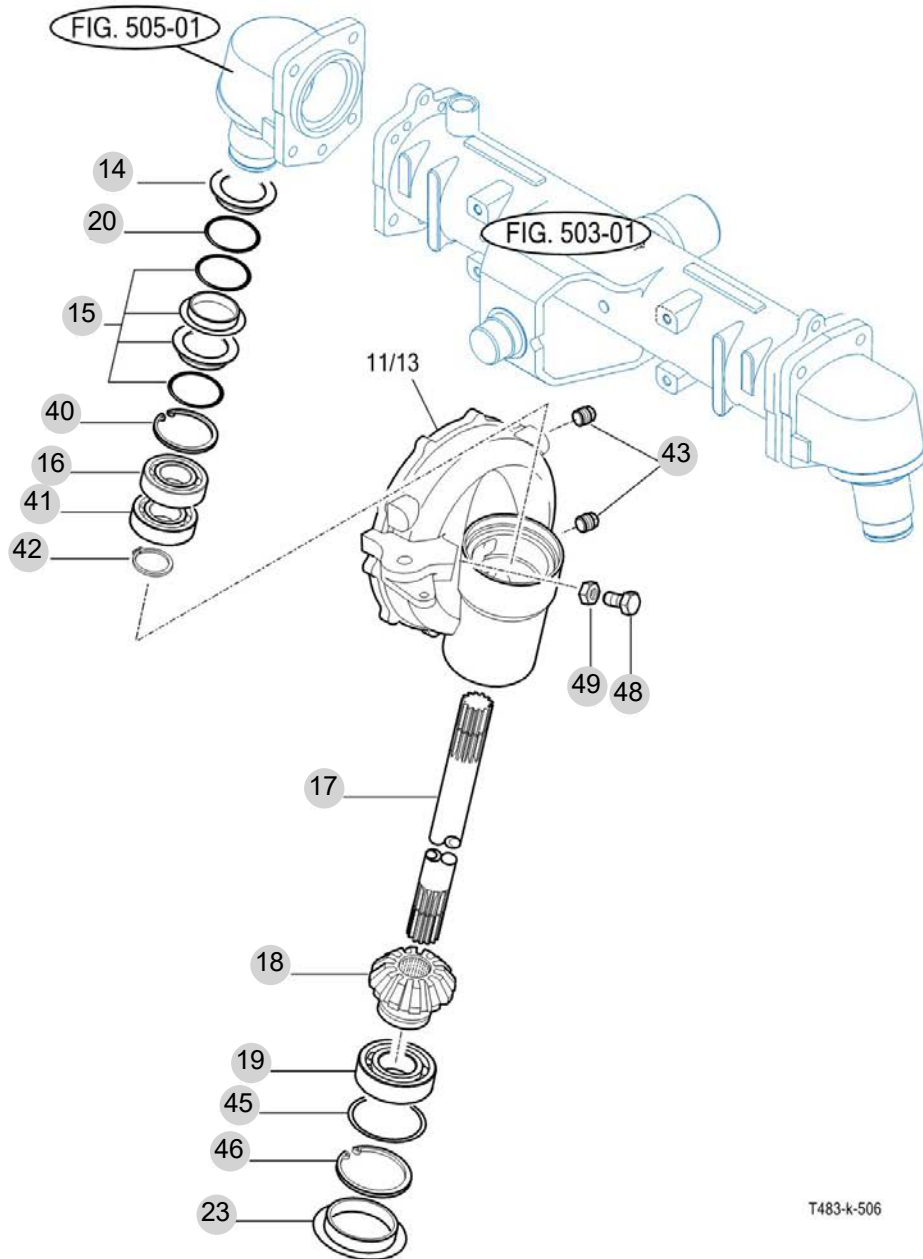
FIG 506

T575STEU1

FRONT GEAR CASE (2)

년/월  
Year/Month

2022-12



T483-k-506

NOTE



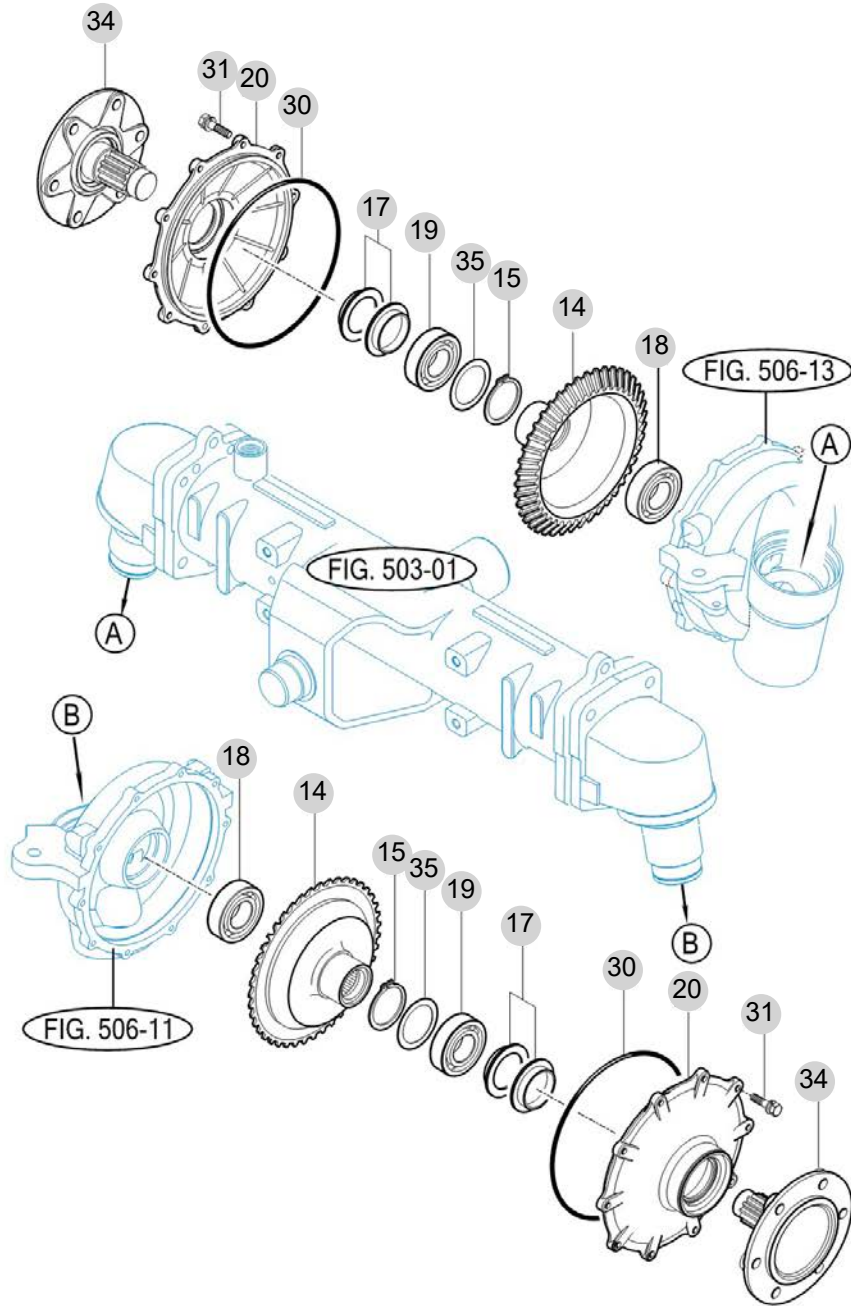
FIG 507

T575STEU1

FRONT GEAR CASE (3)

년/월  
Year/Month

2022-12



T483-k-507

NOTE





## 6. 유압/3점링크 PART NO. T6

FIG 601 CYLINDER CASE	191
FIG 602 LIFT ARM	193
FIG 603 CYLINDER	195
FIG 604 POSITION LINK	197
FIG 605 CONTROL VALVE	199
FIG 606 DRAFT LINK	201
FIG 607 POSITION & DRAFT LEVER (1)	203
FIG 607-2 POSITION & DRAFT LEVER (2)[SAP 가져오기]에서 생성함.	205
FIG 608 EXTERIOR HYD.VALVE	207
FIG 609 HYDRAULIC PIPE	209
FIG 610 JOYSTICK	211
FIG 612 HITCH & 3-POINT LINK	213
FIG 613 LOWER LINK & LIFT ROD	216

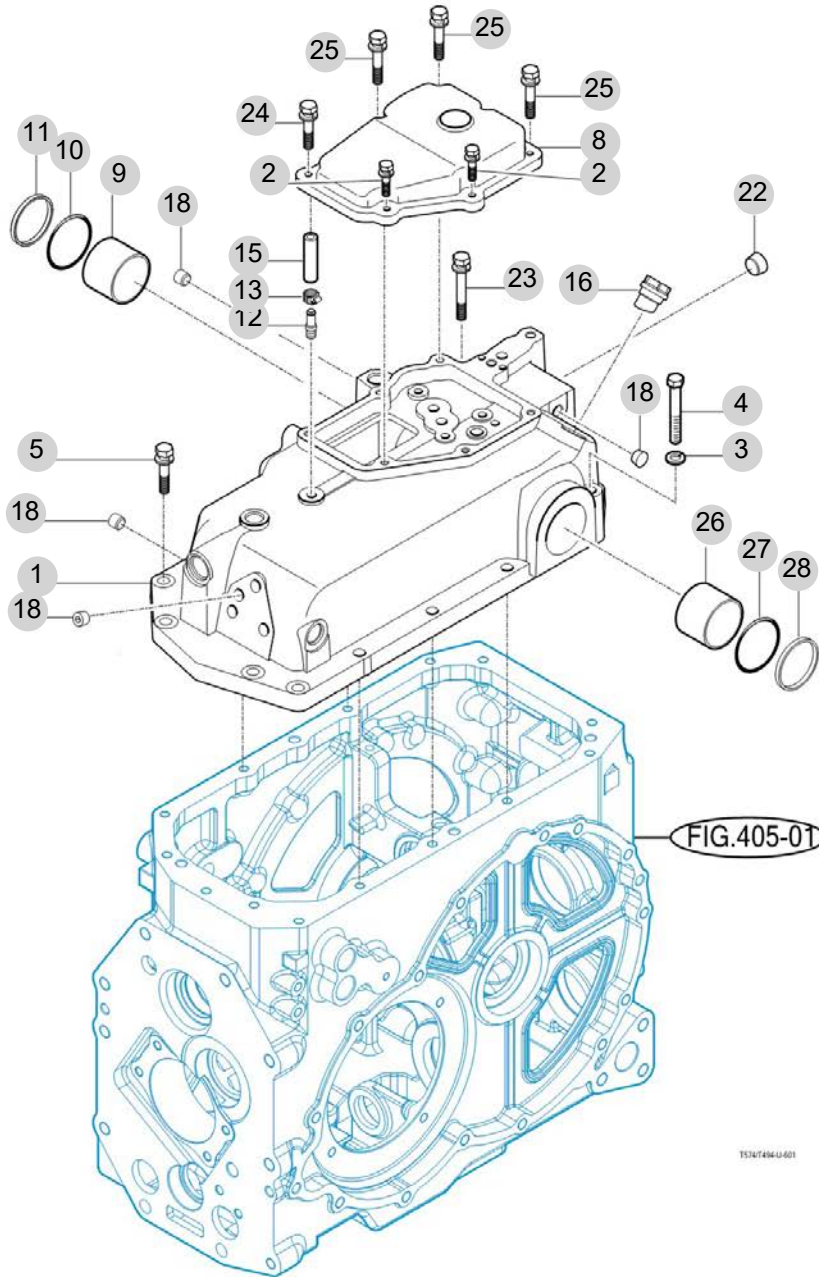
FIG 601

CYLINDER CASE

년/월  
Year/Month

2022-12

T575STEU1



T575T406U-001

NOTE



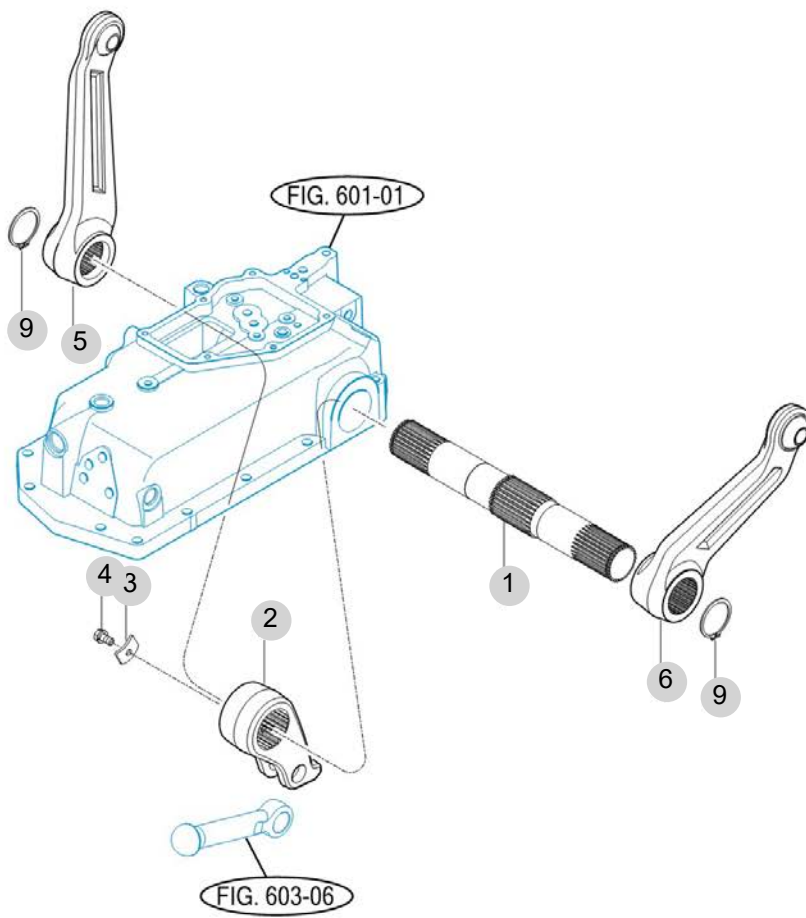
FIG 602

T575STEU1

LIFT ARM

년/월  
Year/Month

2022-12



NOTE



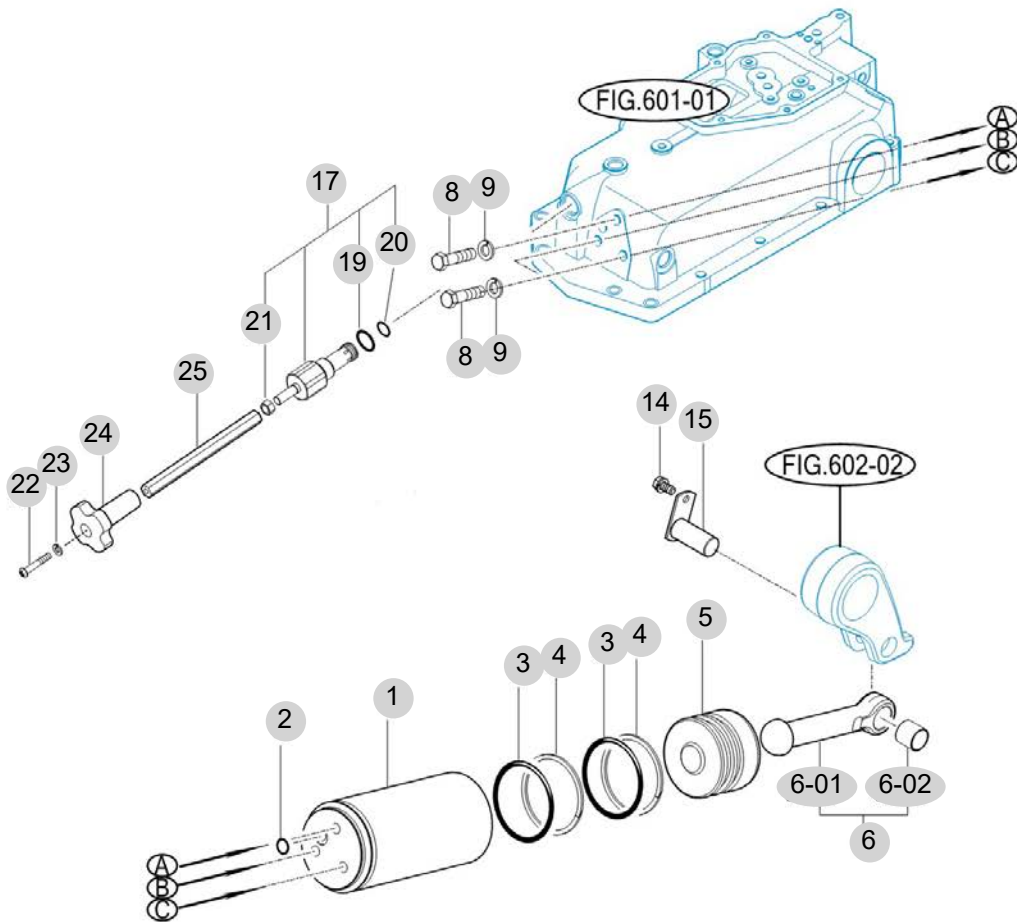
FIG 603

T575STEU1

CYLINDER

년/월  
Year/Month

2022-12



T483-K-603

NOTE





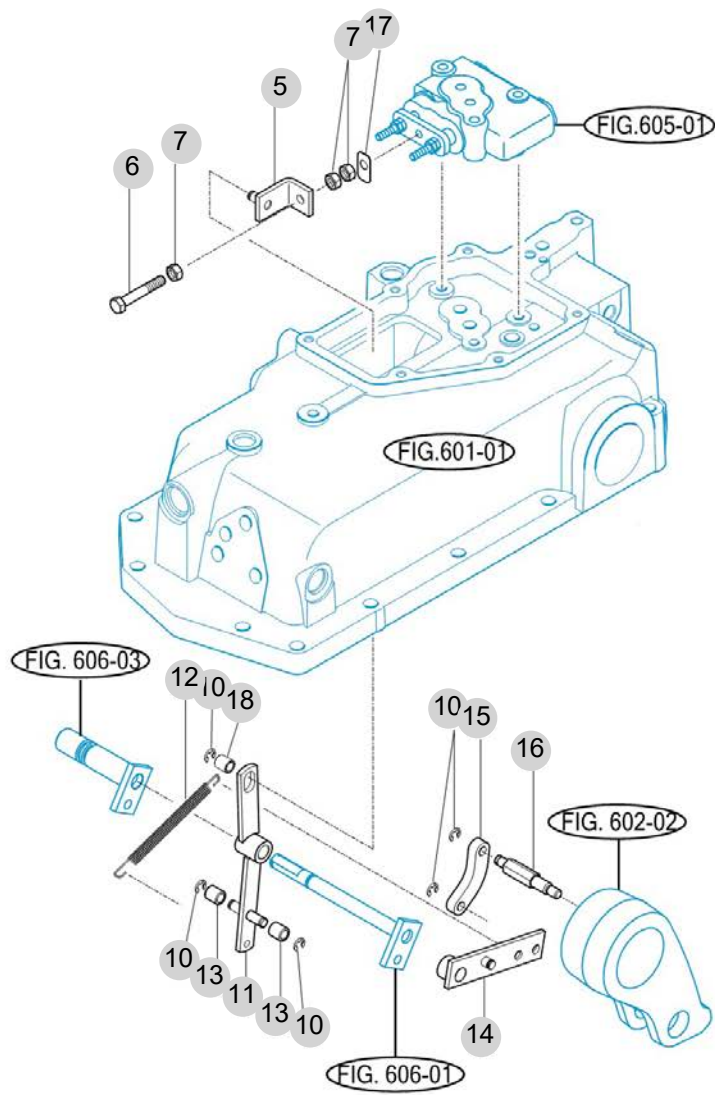
FIG 604

T575STEU1

POSITION LINK

년/월  
Year/Month

2022-12



T483-K-604

NOTE



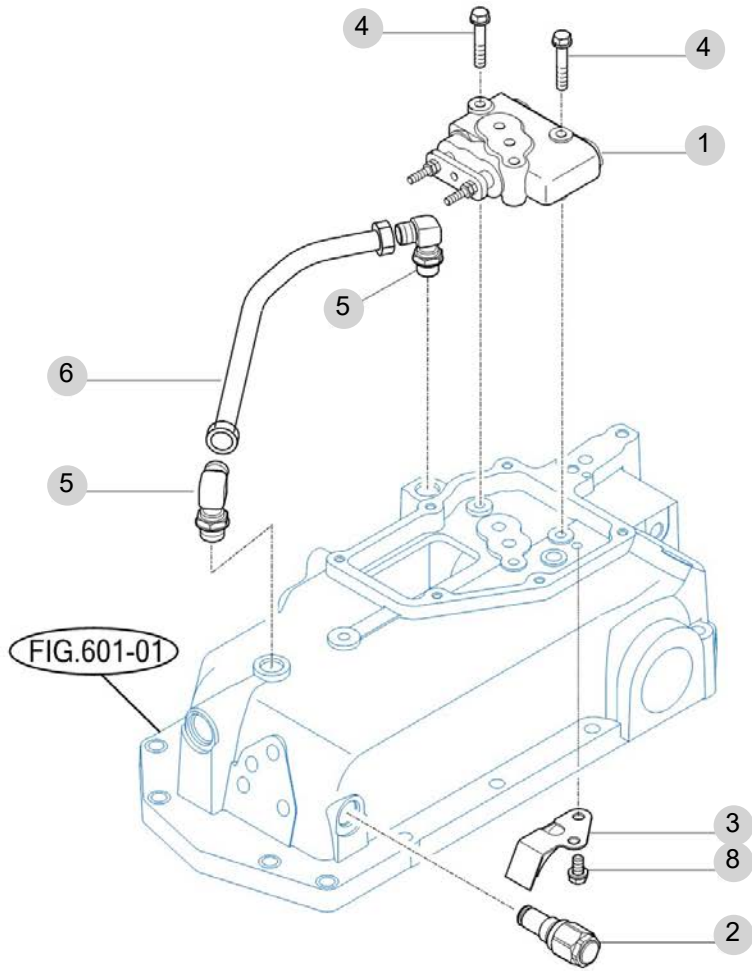
FIG 605

T575STEU1

CONTROL VALVE

년/월  
Year/Month

2022-12



T483-K-605

NOTE



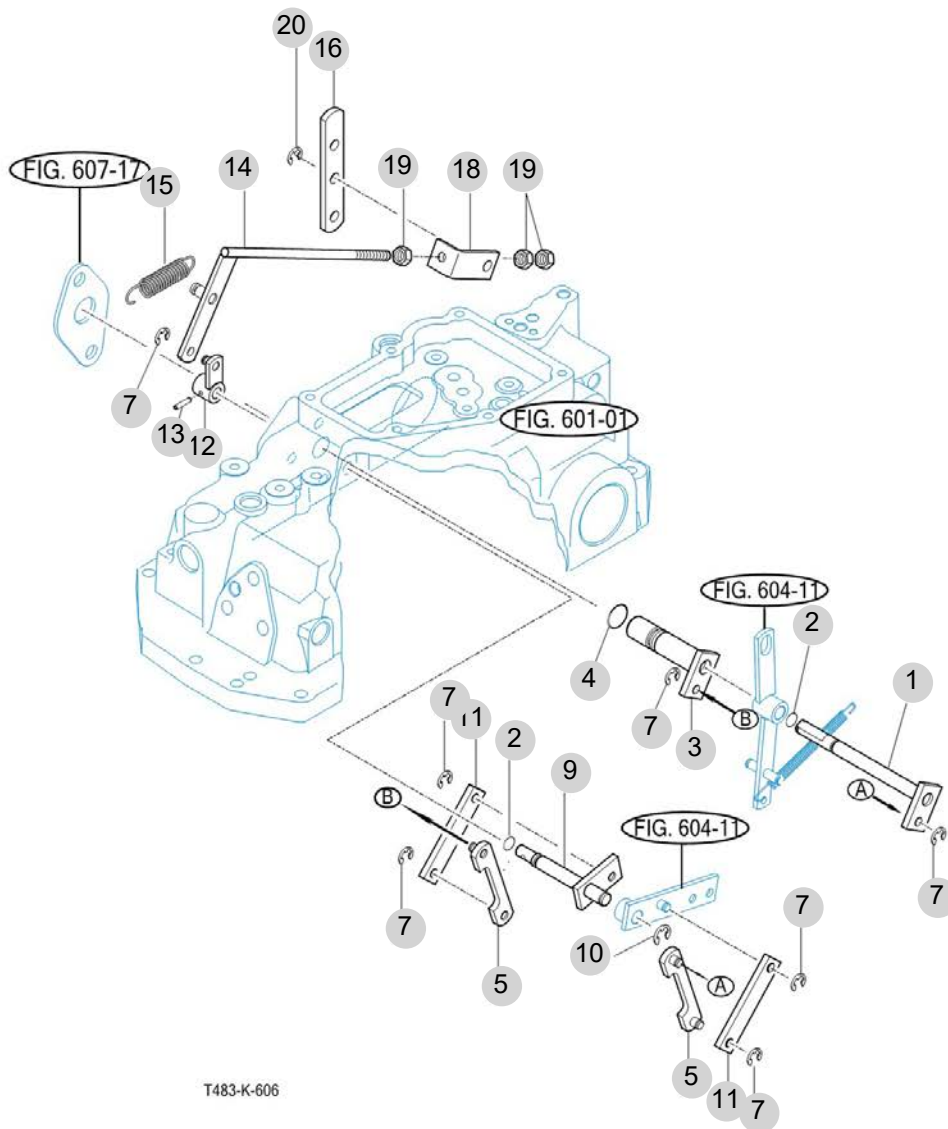
FIG 606

T575STEU1

DRAFT LINK

년/월  
Year/Month

2022-12



NOTE



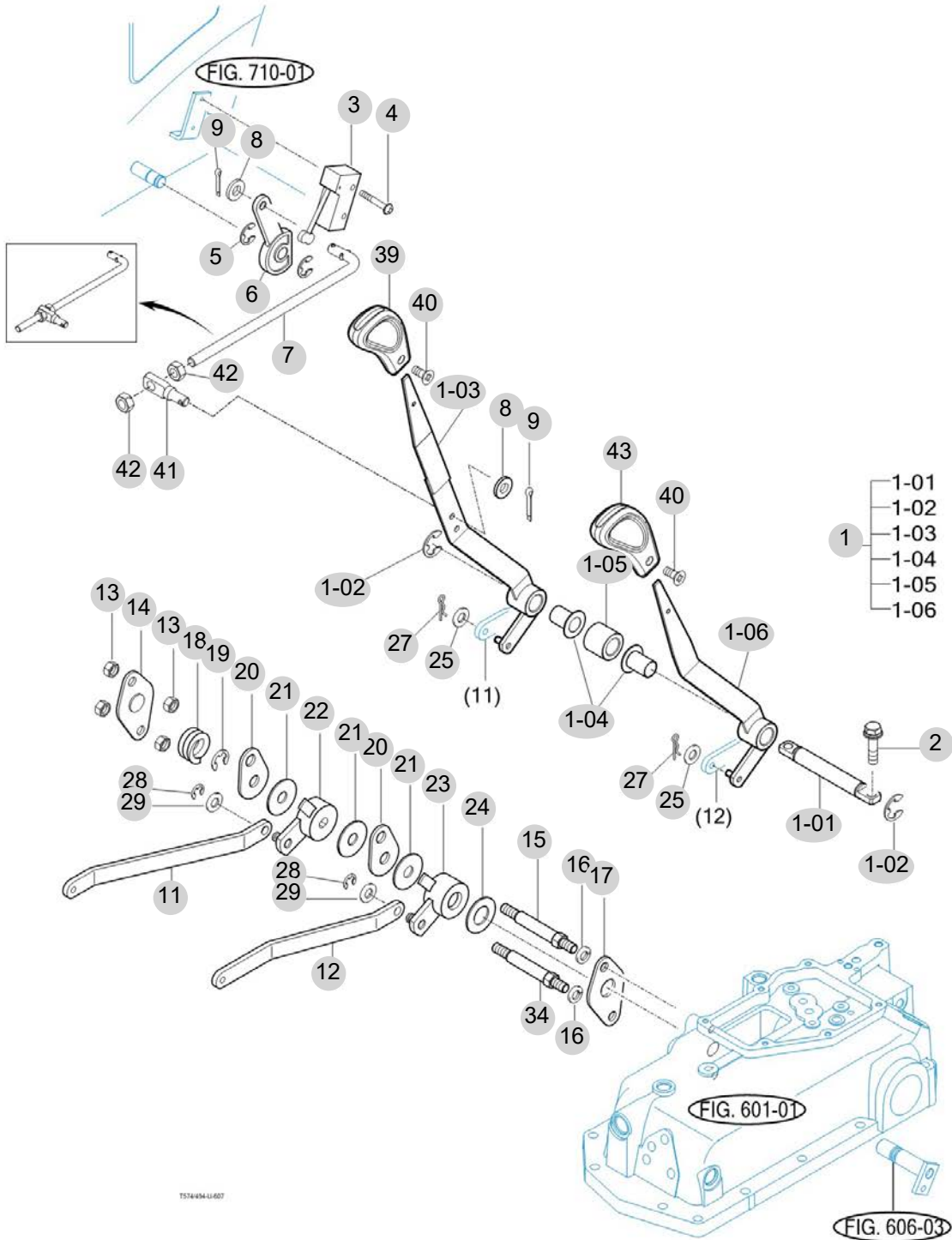
FIG 607

POSITION & DRAFT LEVER (1)

년/월  
Year/Month

2022-12

T575STEU1



NOTE



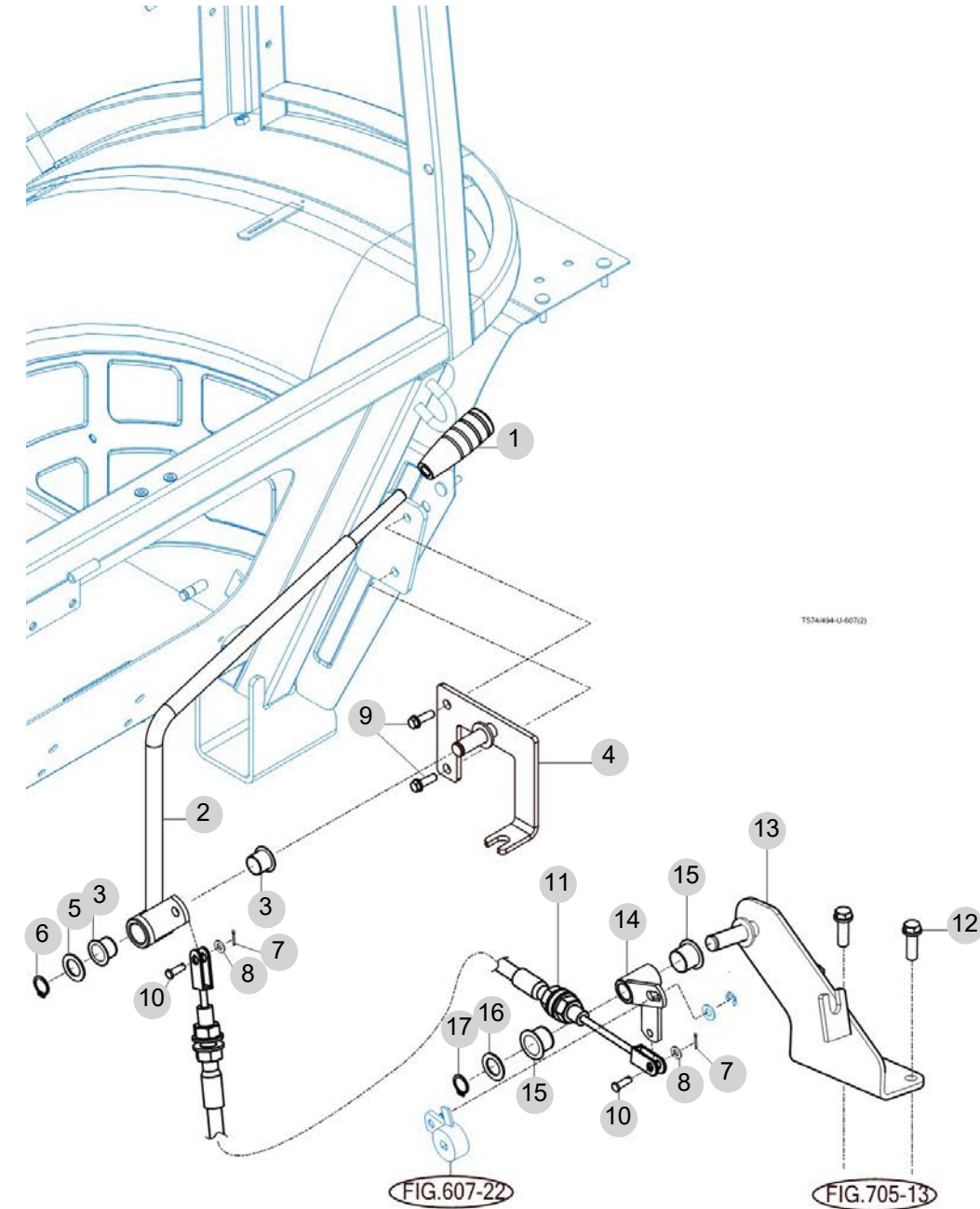


FIG 607-2

POSITION & DRAFT LEVER (2)[SAP 가져오기]  
에서 생성함.

년/월  
Year/Month

2022-12



NOTE



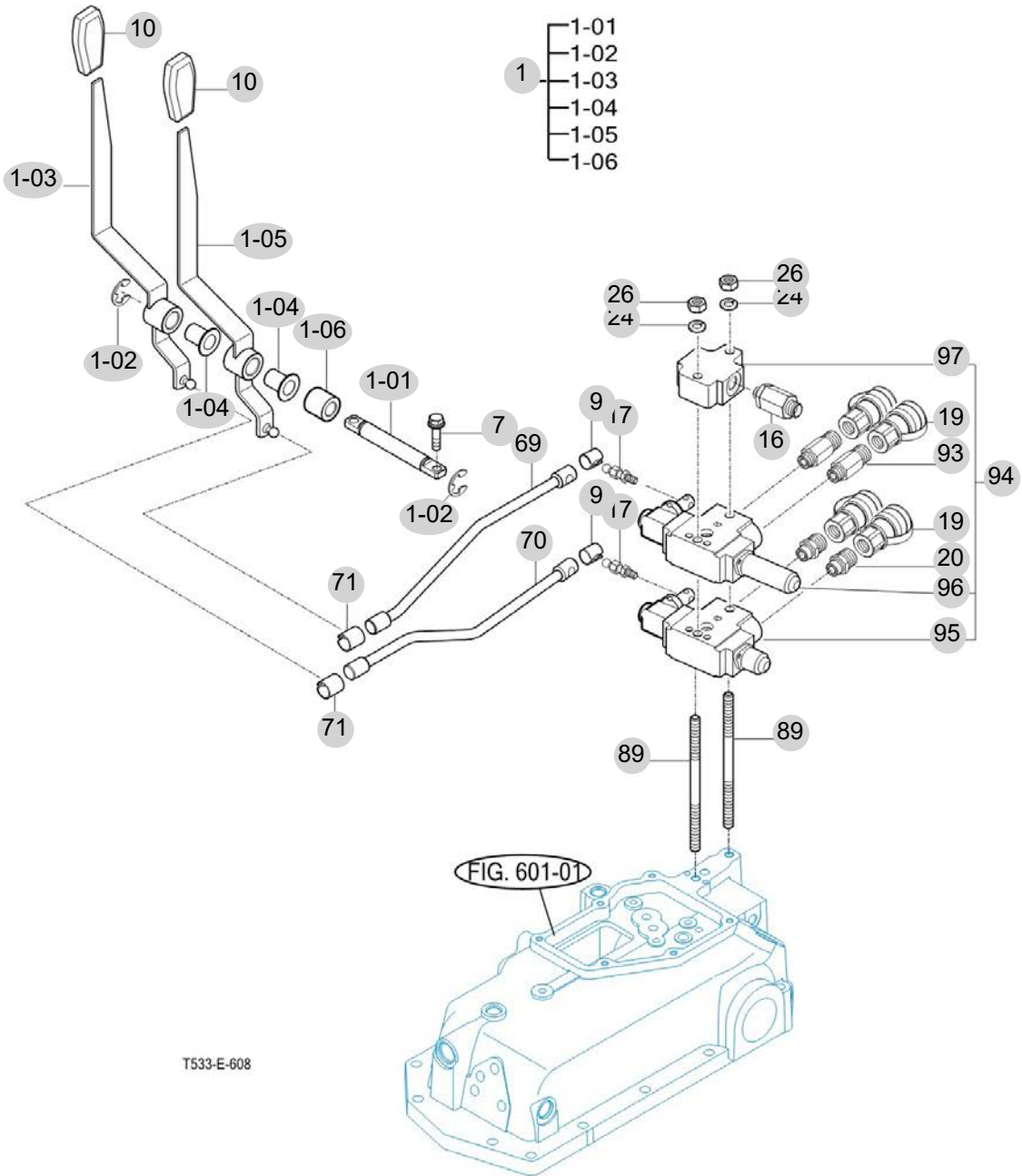
FIG 608

T575STEU1

EXTERIOR HYD.VALVE

년/월  
Year/Month

2022-12



NOTE



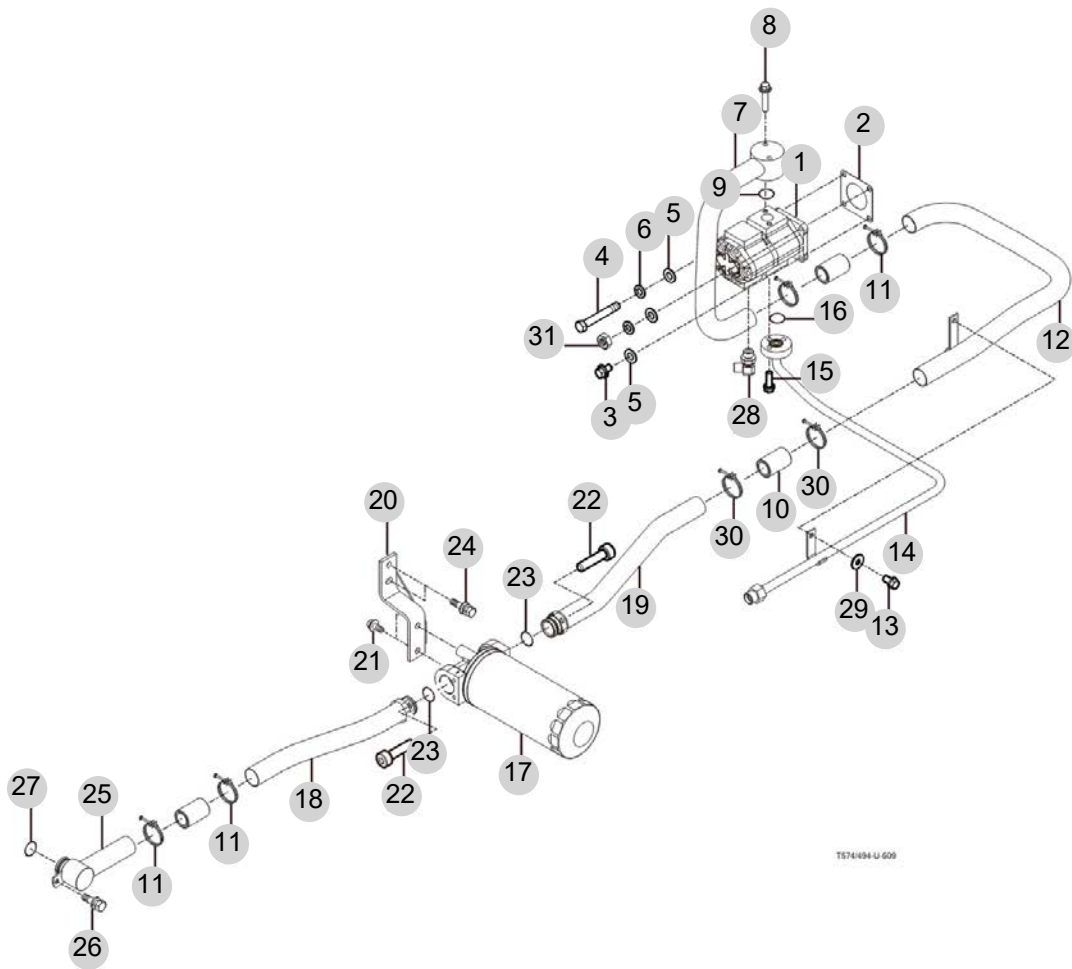
FIG 609

HYDRAULIC PIPE

년/월  
Year/Month

2022-12

T575STEU1



NOTE



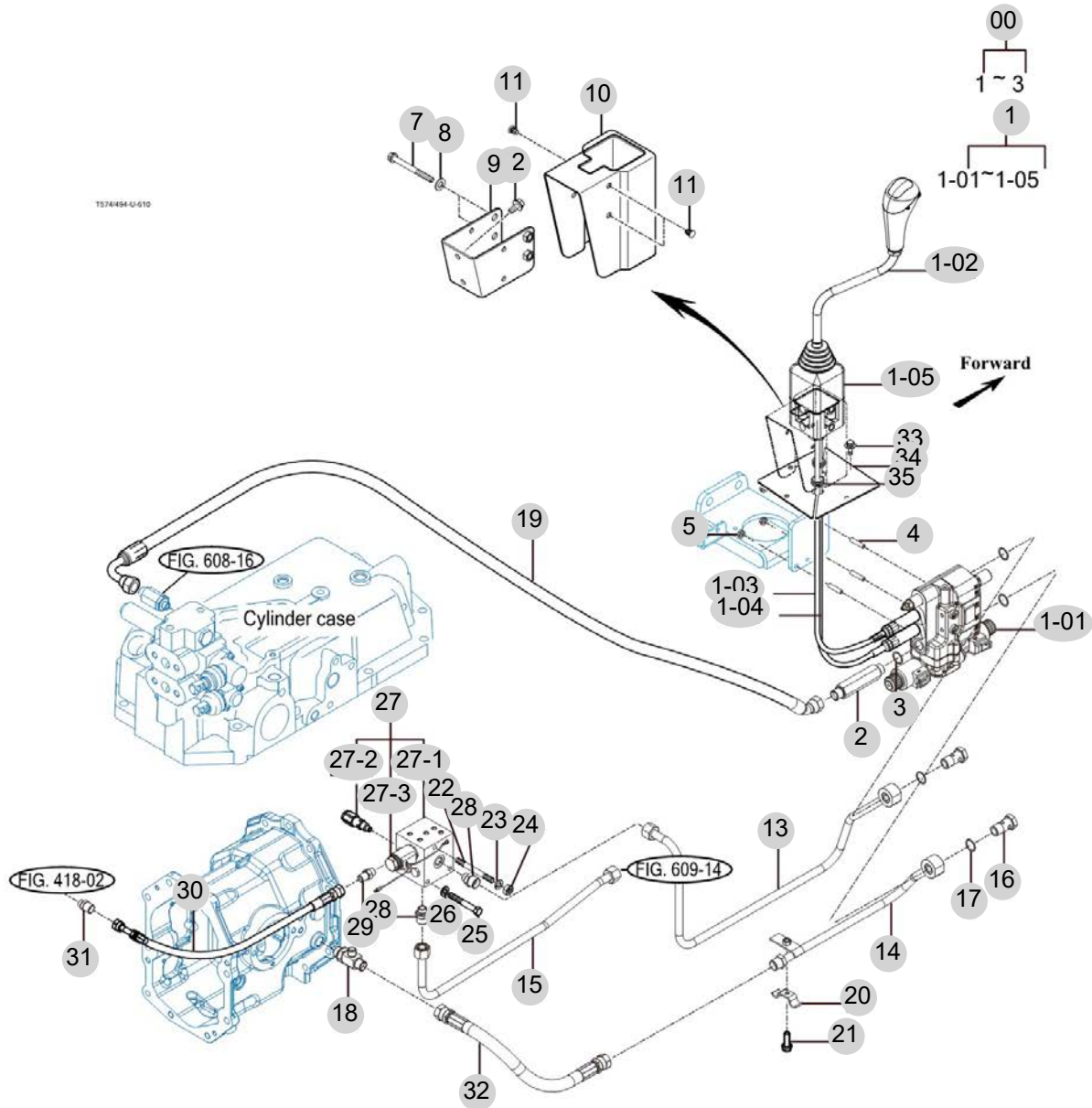
FIG 610

JOYSTICK

년/월  
Year/Month

2022-12

T574H54-U-610



NOTE

FIG 610 T575STEU1		JOYSTICK					년/월 Year/Month	
							2022-12	
KEY NO	PART NO	DESCRIPTION	SPEC	QTY	REPAIR	EFFECTIVE DATE	REMARKS	
610	0	13877753000	로더밸브 SUB		1			
610	1	13877752000	로더밸브 조이스틱 ASSY		1			
610	1-01	13877752100	로더밸브 ASSY		1			
610	1-02	13877752200	조이스틱 레버 ASSY		1			
610	1-03	13877752300	조이스틱 케이블 ASSY ,상(720)		1			
610	1-04	13877752400	조이스틱 케이블 ASSY ,하(770)		1			
610	1-05	13877752500	부츠 ASSY		1			
610	2	13805410050	유니온(PF1/2-130)		1			
610	3	19557753010	본디드 썬 , PF1/2		1			
610	4	V2513408025	스터드볼트2종	8X25	3			
610	5	V3802600080	플랜지볼이육각너트	M8	3			
610	7	V2173608085	소형육각볼트보통(S)	M8X85	2			
610	8	V4111600080	평와셔	M8	2			
610	9	14527103100GB	조이스틱브래킷		1			
610	10	14527100010	커버(조이스틱/T483)		1			
610	11	15276040020	트림 클립(8)		3			
610	12	V2183608020	소형육각볼트보통(SP)	M8X20	2			
610	13	13865412101	로더파이프 COMP , P		1			
610	14	13875412201	로더파이프 COMP , T		1			
610	15	13865102200	메인파이프 COMP , 후		1			
610	16	13875410081	아이 조인트 볼트 (PF1/2)		2			
610	17	19557753010	본디드 썬 , PF1/2		4			
610	18	15165161130	T엘보 (PF1/2,PF3/8)		1			
610	19	13875202300	유압호스(1550)ASSY		1			
610	20	18715404700	클립		1			
610	21	V2173608016	소형육각볼트보통(S)	M8X16	1			
610	22	V2513408090	스터드볼트2종	8X90	1			
610	23	V4011600080	스프링와셔	M8	1			
610	24	V3042600080	소형육각너트보통2종	M8	1			
610	25	V2013608090	소형육각볼트(보통)	M8X90	2			
610	26	V4011600080	스프링와셔	M8	1			
610	27	13875182000	PTO밸브ASSY		1			
610	27	17975182001	PTO밸브ASSY		1			
610	27-1	14725182100	PTO 밸브		1			
610	27-2	16490110001	릴리프밸브ASSY		1			
610	27-3	14725182210	슬레노이드 코일		1			
610	28	14135160010	유니온 , PF3/8 M22		2			
610	29	37681850141	어댑터(직선)		1			
610	30	14525180361	유압호스(690)ASSY		1			
610	31	17971850140	어댑터(직선, PF1/4)		1			
610	32	13865202200	유압호스(450)ASSY		1			
610	33	V2193606016	육각볼트(SPL)	M6X16	4			
610	34	17685161810GB	플레이트(썬)		2			
610	35	14526300530	인술레이터(조이스틱)		2			
NOTE								



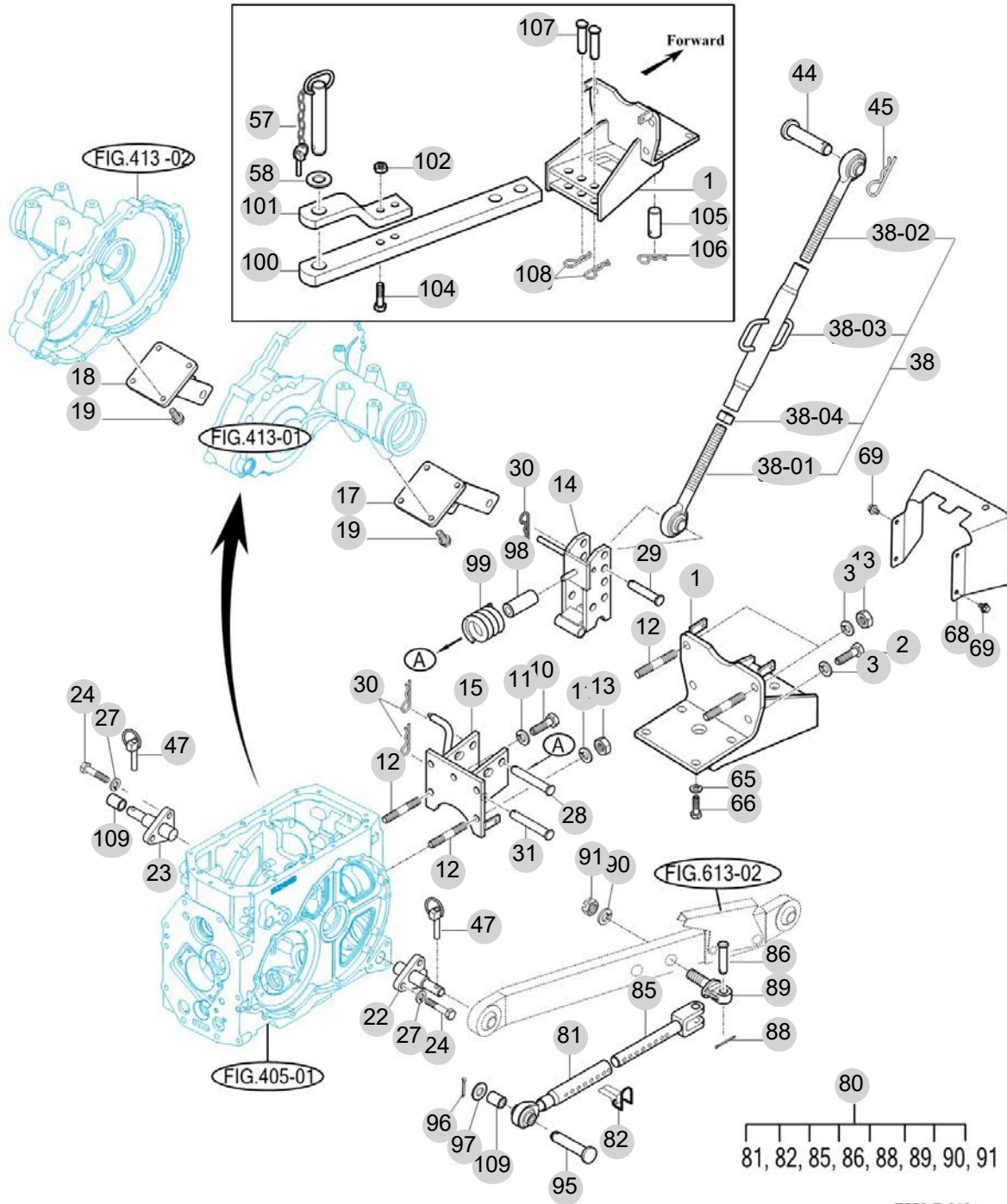
FIG 612

HITCH & 3-POINT LINK

년/월  
Year/Month

2022-12

T575STEU1



T553-E-612

NOTE

FIG 612 T575STEU1		HITCH & 3-POINT LINK					년/월 Year/Month	
							2022-12	
KEY NO	PART NO	DESCRIPTION	SPEC	QTY	REPAIR	EFFECTIVE DATE	REMARKS	
612	1	15535202001GB	스윙드로바 브래킷, COMP		1			
612	1	15535202002GB	스윙드로바 브래킷, COMP		1			
612	1	15535202003GB	스윙드로바 브래킷, COMP		1			
612	1	15175202003GB	브래킷COMP, 스윙드로바		1			
612	2	V2013616035	소형육각볼트(보통)	M16X35	2			
612	3	V4011600160	스프링와셔	M16	4			
612	10	V2013616035	소형육각볼트(보통)	M16X35	3			
612	11	V4011600160	스프링와셔	M16	5			
612	12	V2513416035	스터드볼트2종	M16X35	4			
612	13	V3043600160	소형육각너트보통2종	M16	4			
612	14	16735222102GB	링크 COMP		1			
612	15	15185222000GB	브래킷 COMP		1			
612	17	14525254100GB	브래킷(후)COMP		1			
612	18	14525254100GB	브래킷(후)COMP		1			
612	19	V2173612030	소형육각볼트보통(S)	M12X30	8			
612	22	15685252204	핀(L) COMP		1			
612	23	15685252801	핀(R) COMP		1			
612	24	V2013614040	소형육각볼트(보통)	M14X40	6			
612	27	V4011600140	스프링와셔	M14	6			
612	28	15645250010	핀(19X122)		1			
612	29	15645220020	핀(19X95)		1			
612	30	14445140051	헤어핀(19)		3			
612	31	15645250010	핀(19X122)		1			
612	38	16505245501GB	톱링크ASSY		1			
612	38	16505245502GB	톱링크 ASSY		1			
612	38-01	16505245510	톱링크COMP(RH)		1			
612	38-02	16505245520	톱링크COMP(LH)		1			
612	38-03	14555140251	턴버클 조합(톱링크)		1			
612	38-04	16505245530	육각너트		1			
612	44	15645220011	핀(19X86)		1			
612	45	14445140051	헤어핀(19)		1			
612	47	14215020020	링크핀		2			
612	57	S0973063031	핀ASSY		1			
612	58	15252470010	쿠션고무		1			
612	65	V4011600140	스프링와셔	M14	4			
612	66	V2013614035	소형육각볼트(보통)	M14X35	4			
612	68	13605200012GB	커버(씰드)		1			
612	69	V2183608016	소형육각볼트보통(SP)		4			
612	80	15155253000GB	조정링크(완)ASSY		2			
612	81	15155253100	로드 SUB, FR		2			
612	82	17705254200	린치핀		2			
612	85	15155253300	로드 SUB, RR		2			
612	86	15155253400	핀, ø20X59		2			
612	88	V5001940035	분할핀	4.0X35	2			
612	89	15155253500	아이볼트		2			
NOTE								



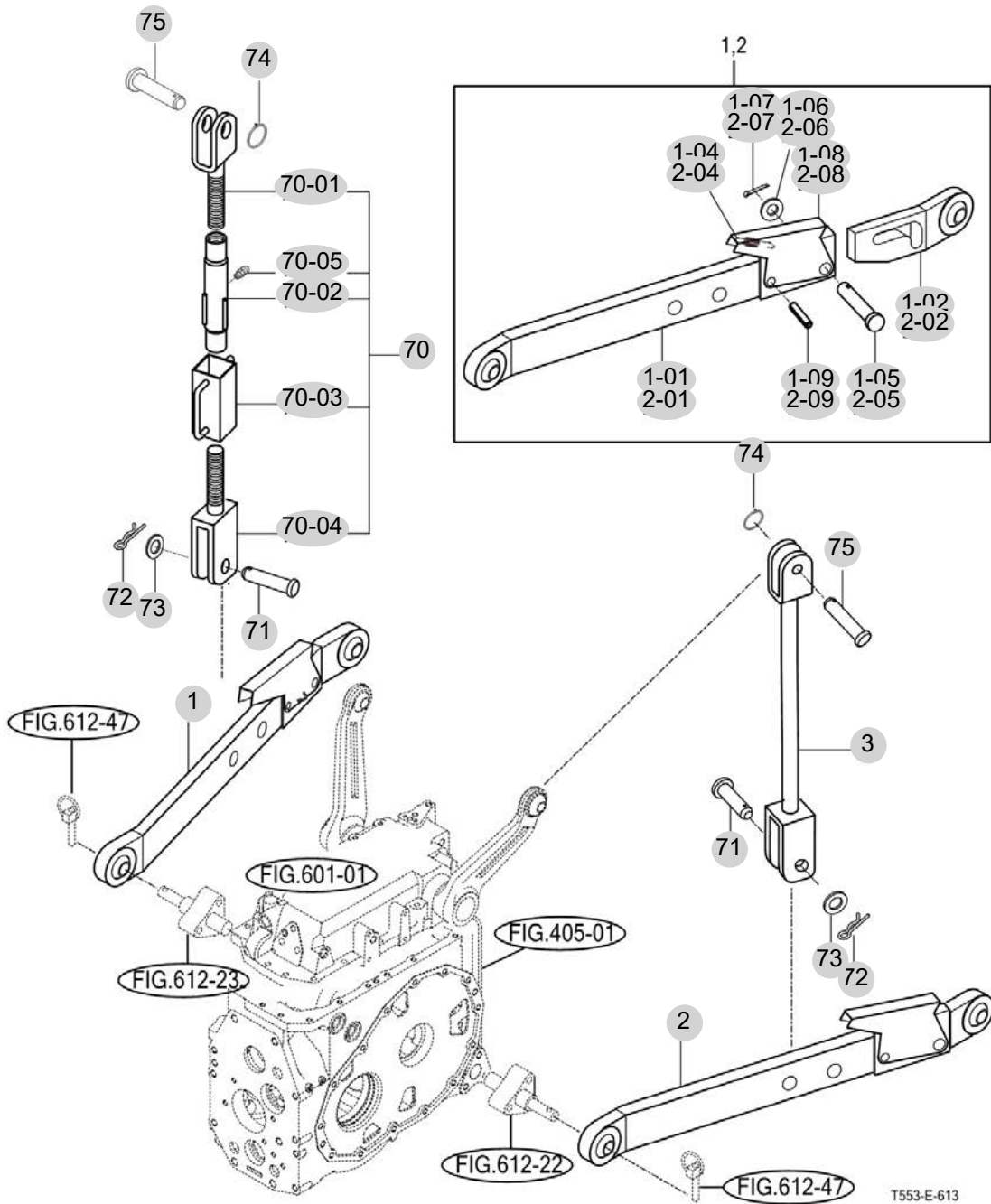
FIG 613

LOWER LINK & LIFT ROD

년/월  
Year/Month

2022-12

T575STEU1



NOTE



## 7. 시트메탈/캐빈 PART NO. T7

FIG 701 BONNET FRAME	219
FIG 702A BONNET (1)	221
FIG 702B BONNET (2)	223
FIG 703 EXTENSION COVER	225
FIG 704A LEVER COVER & STEP	227
FIG 705 FRONT & REAR MOUNTING	229
FIG 706 SEAT & MAT	231
FIG 709 DOOR	233
FIG 710A FRONT GLASS	236
FIG 711 SIDE GLASS	238
FIG 712 REAR GLASS	240
FIG 713A SUB FENDER & COVER	242
FIG 714A MIRROR	244
FIG 715A HEATER & AIR-CON	246
FIG 715B HEATER & AIR-CON	248
FIG 716 FENDER COVER	250
FIG 717 ROOF	252
FIG 718 CABIN INTERIOR	254

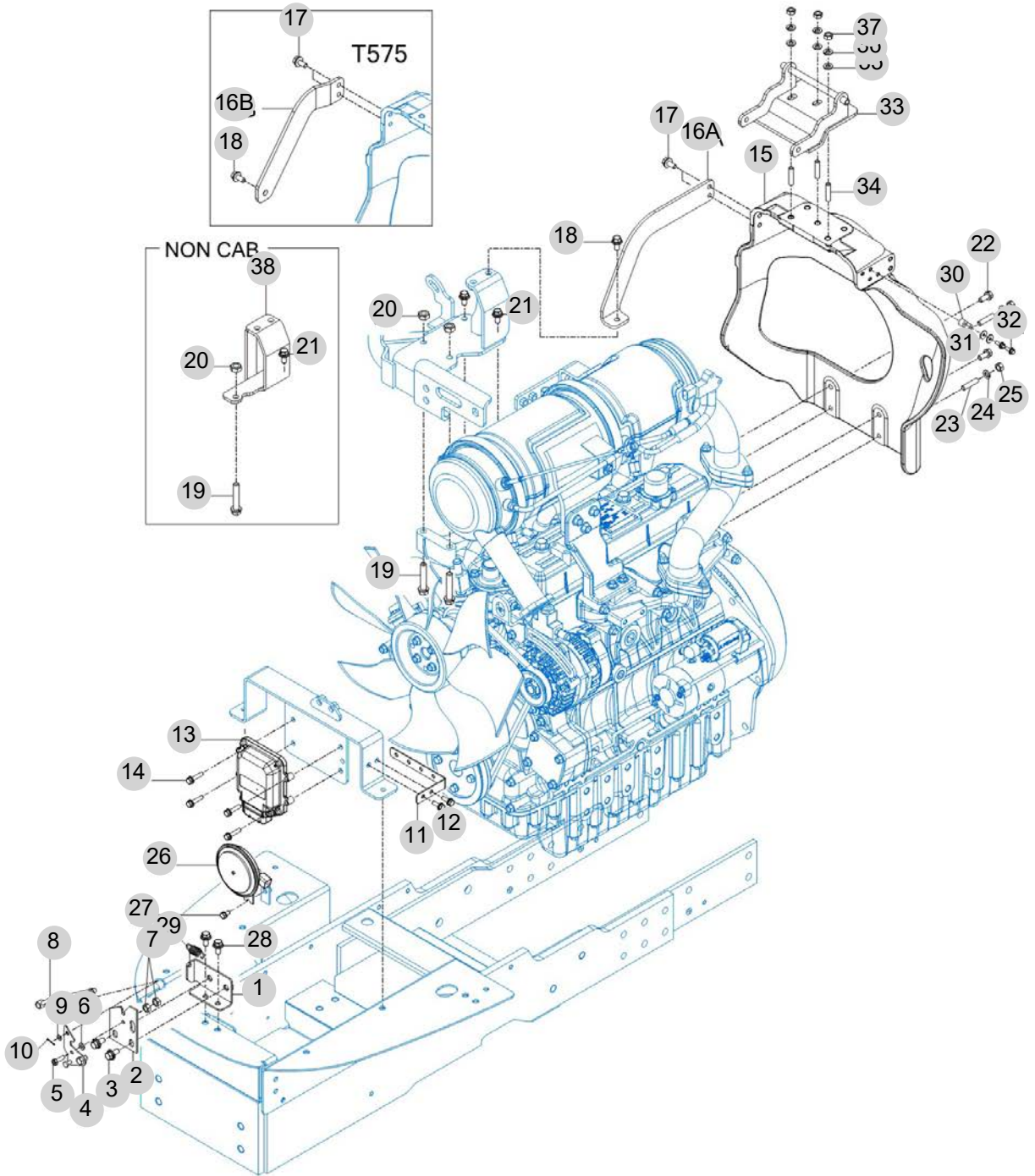
FIG 701

BONNET FRAME

년/월  
Year/Month

2022-12

T575STEU1



NOTE

FIG 701 T575STEU1		BONNET FRAME						년/월 Year/Month	
								2022-12	
KEY NO	PART NO	DESCRIPTION		SPEC	QTY	REPAIR	EFFECTIVE DATE	REMARKS	
701	1	14136011300GB	후드(잠금/G) COMP			1			
701	2	11106024210	후드 스테이(B)			1			
701	3	V2183608020	소형 육각볼트보통(SP)		M8X20	2			
701	4	11106024100	스테이(후드 A) COMP			1			
701	5	V2323606020	심자 홈육각볼트(SP)		M6X20	1			
701	6	V4111600060	평와셔		M6	1			
701	7	V3013600060	육각너트보통2종		M6	2			
701	8	11066024300	로드 COMP, OPEN			1			
701	9	V4111600060	평와셔		M6	1			
701	10	V5001925020	핀			1			
701	11	13871613400GB	브래킷 , 퓨즈			1			
701	12	V2183606016	소형육각볼트보통(SP)		M6X16	2			
701	13	EA00005847A	DPF REGEN 컨트롤러(EA00005847B)			1			
701	14	V2123606030	육각볼트(SP)		M6X30	4			
701	15	13831811100GB	엔진 리어 서포트			1			
701	16B	13871811200GB	지지대			1			
701	17	V2183608020	소형육각볼트보통(SP)		M8X20	2			
701	18	V2183608025	소형육각볼트보통(SP)		M8X25	1			
701	19	V2173610055	소형육각볼트보통(S)		M10X55	2			
701	20	V3043600100	소형육각너트보통2종		M10	2			
701	21	V2183610025	소형육각볼트보통(SP)		M10X25	2			
701	22	V2173608025	소형육각볼트보통(S)		M8X25	2			
701	23	V2513408025	스터드볼트2종		M8X25	2			
701	24	V4011600080	스프링와셔		M8	2			
701	25	V3042600080	소형육각너트보통2종		M8	2			
701	26	13266212003	훈			1			
701	27	V2113606012	육각볼트(S)		M6X12	1			
701	28	V2183608020	소형육각볼트보통(SP)		M8X20	2			
701	29	11106020010	인장스프링(40)			1			
701	30	13831811300	스페이서			2			
701	31	V4111600060	평와셔		M6	2			
701	32	V2113606040	육각볼트(S)		M6X40	2			
701	33	13876202800GB	플레이트 COMP , 본넷 힌지			1			
701	34	V2514410025	스터드볼트2종			3			
701	35	V4111600100	평와셔		M10	3			
701	36	V4011600100	스프링와셔		M10	3			
701	37	V3013600100	육각너트보통2종		M10	3			
NOTE									



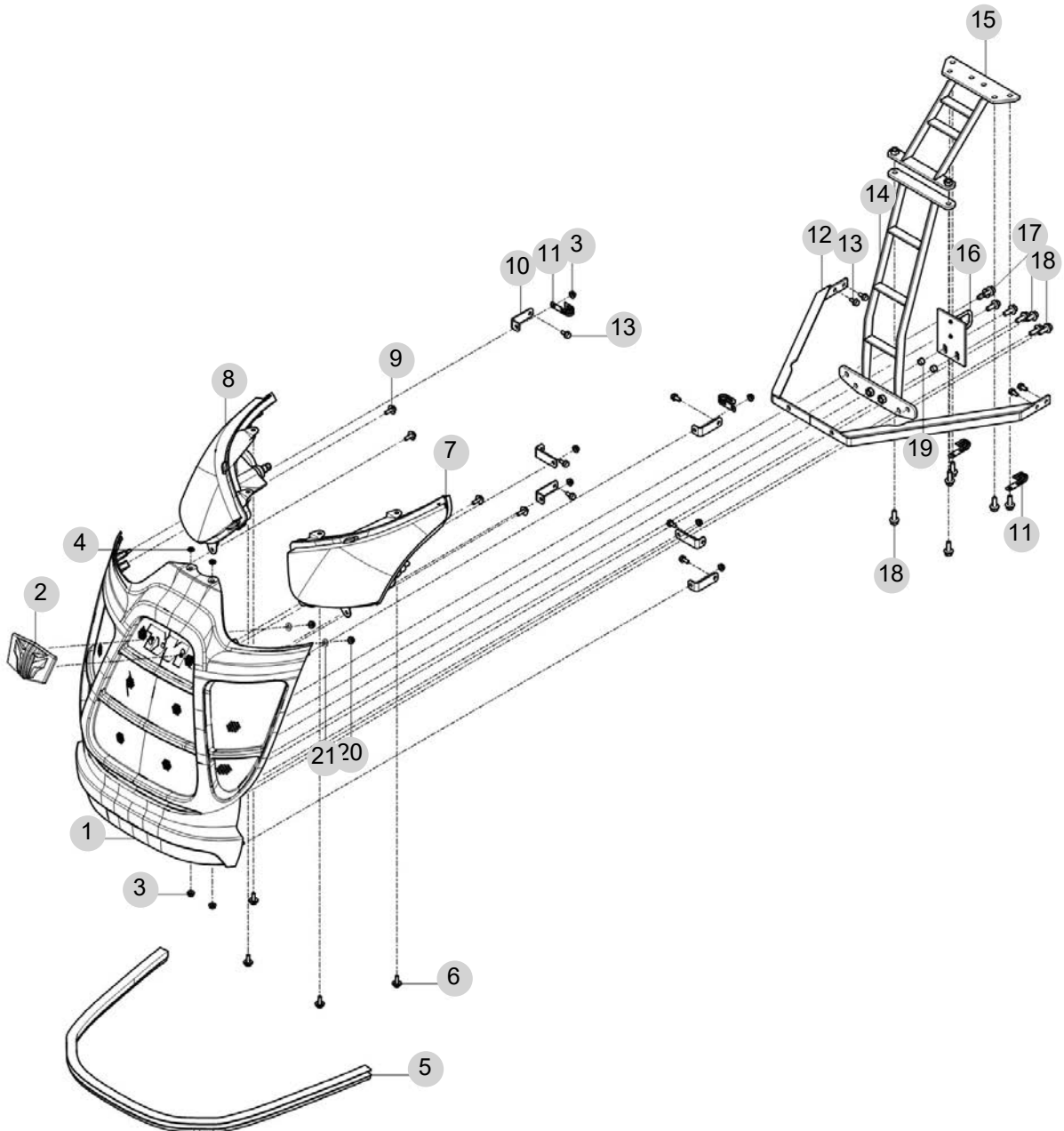
FIG 702A

BONNET (1)

년/월  
Year/Month

2022-12

T575STEU1



NOTE

FIG 702A T575STEU1	BONNET (1)						년/월 Year/Month	
							2022-12	

KEY NO	PART NO	DESCRIPTION	SPEC	QTY	REPAIR	EFFECTIVE DATE	REMARKS
702A	1	14136206800	커버 COMP , 프론트그릴		1		
702A	1	14136206801	커버 COMP , 프론트그릴		1		
702A	2	19959010010	엠블럼		1		
702A	2	19959010011	엠블럼		1		
702A	2	17136010100	엠블럼 ASSY , 후드		1		
702A	3	V3802600060	플랜지붙이육각너트	M6	8		
702A	4	V4111600060	평와셔	M6	2		
702A	5	14136203900	인슐레이터 , 하/후드		1		
702A	6	V2193606020	육각볼트(SPL)	M6X20	4		
702A	7	14136206400	전조등 조합 , 좌		1		
702A	8	14136206700	전조등 조합 , 우		1		
702A	9	V2193606020	육각볼트(SPL)	M6X20	4		
702A	10	17406203011GB	플레이트 , 상/사이드		6		
702A	10	17406203010GB	플레이트 , 상/사이드		6		
702A	11	37371720090	메인 하니스 클램프(하)		4		
702A	12	14136207100GB	프레임 COMP , 전/후드		1		
702A	13	V2123606016	육각볼트(SP)	M6X16	10		
702A	14	14136202500GB	핀(후드 록) COMP		1		
702A	15	14136202600GB	브래킷 COMP , 그릴		1		
702A	16	14136017301GB	브래킷(전/후드) COMP		1		
702A	17	V2183608020	소형육각볼트보통(SP)	M8X20	2		
702A	18	V2183608025	소형육각볼트보통(SP)	M8X25	12		
702A	19	15991040050	칼라(08X12X08)		2		
702A	20	V3802600060	플랜지붙이육각너트	M6	2		
702A	21	V4111600060	평와셔	M6	2		

NOTE

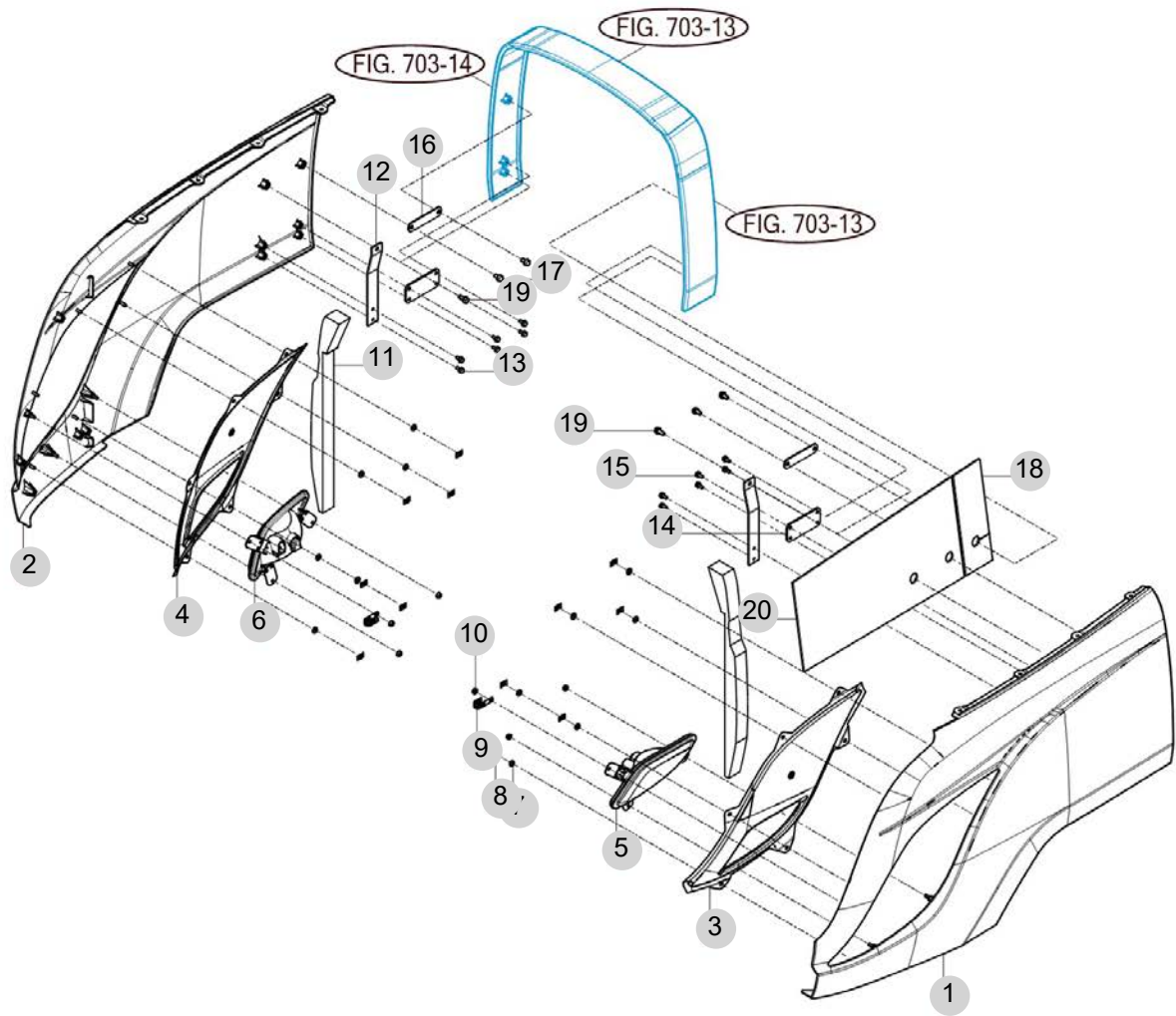
FIG 702B

BONNET (2)

년/월  
Year/Month

2022-12

T575STEU1



NOTE



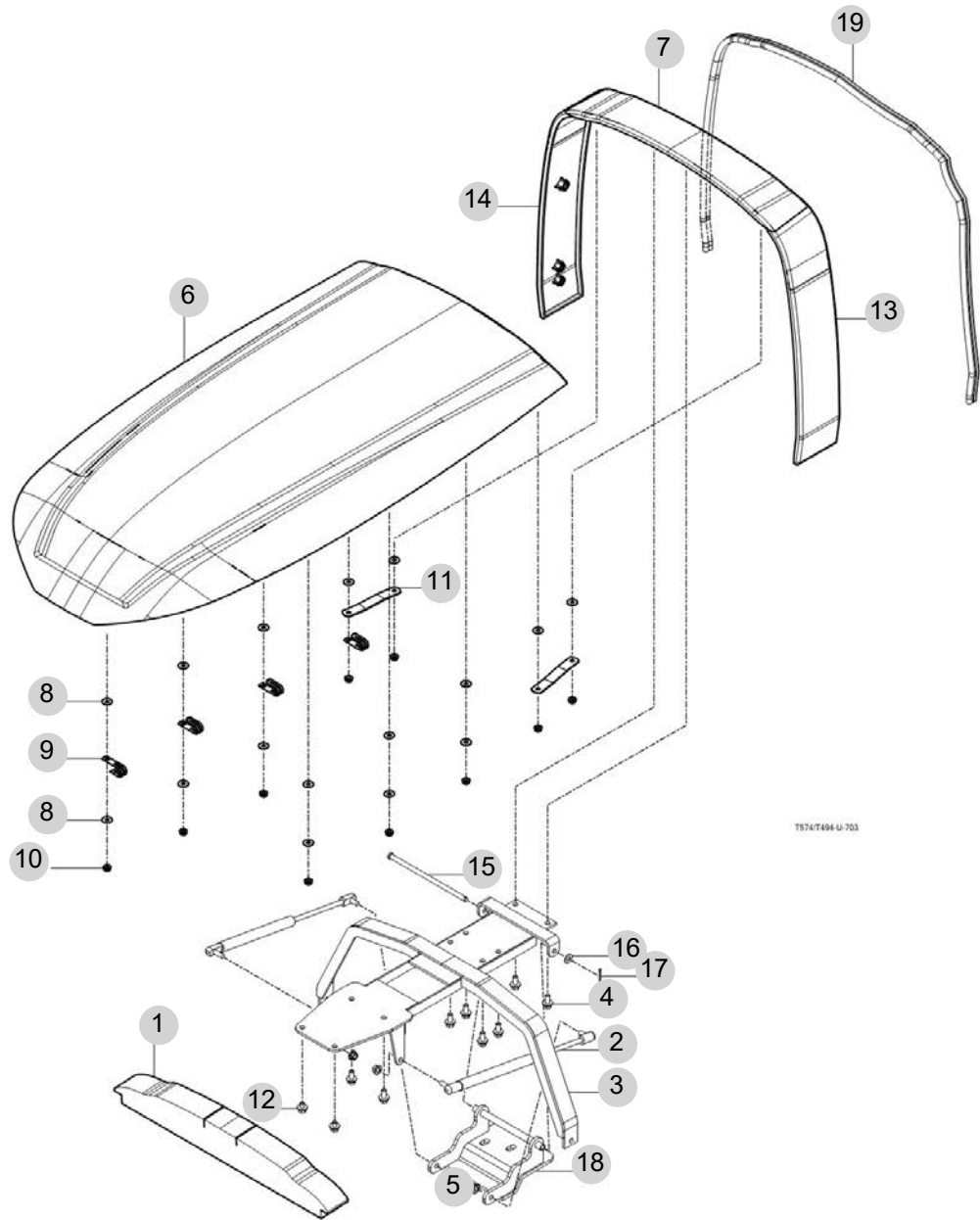
FIG 703

EXTENSION COVER

년/월  
Year/Month

2022-12

T575STEU1



NOTE



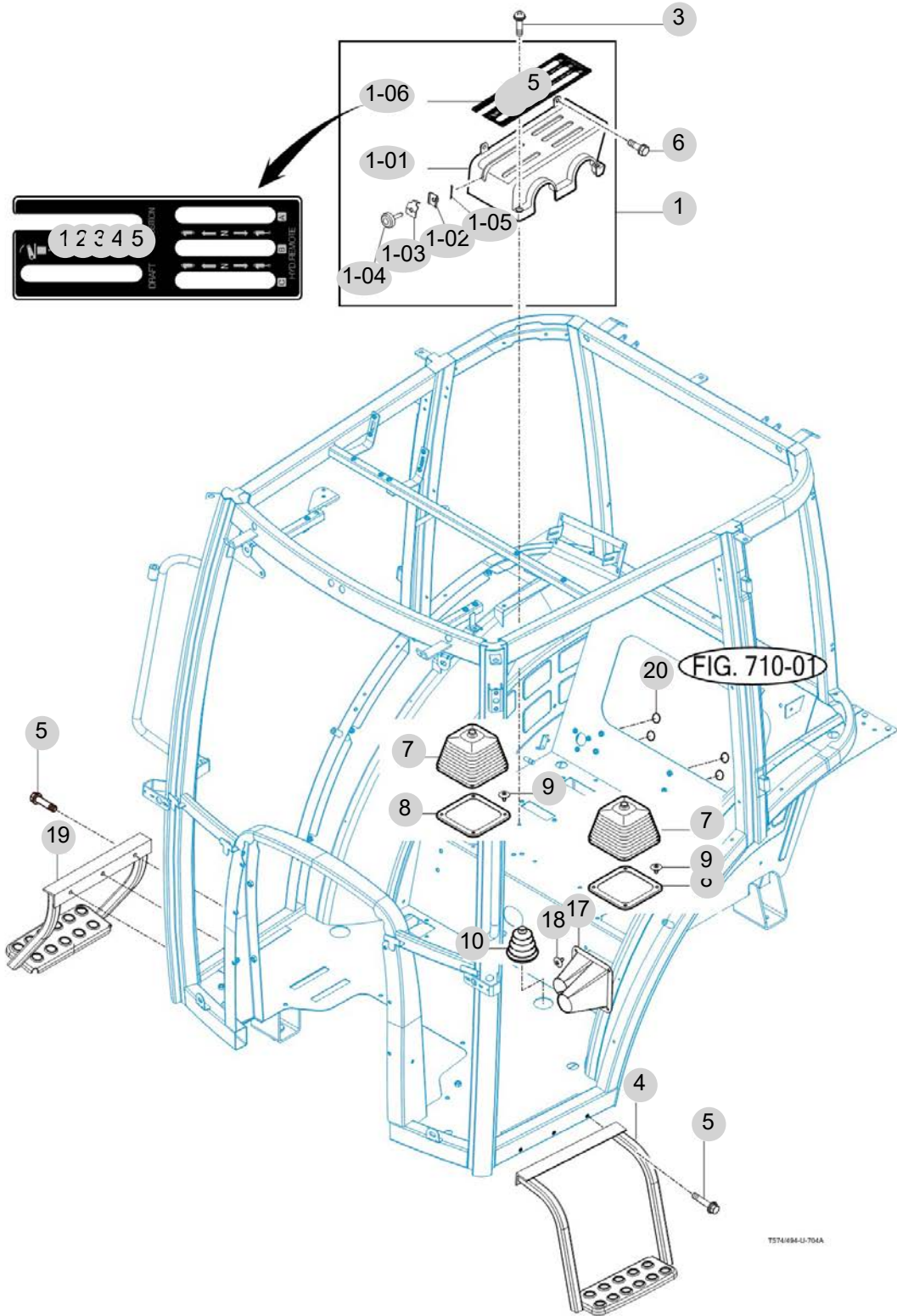
FIG 704A

LEVER COVER & STEP

년/월  
Year/Month

2022-12

T575STEU1



NOTE





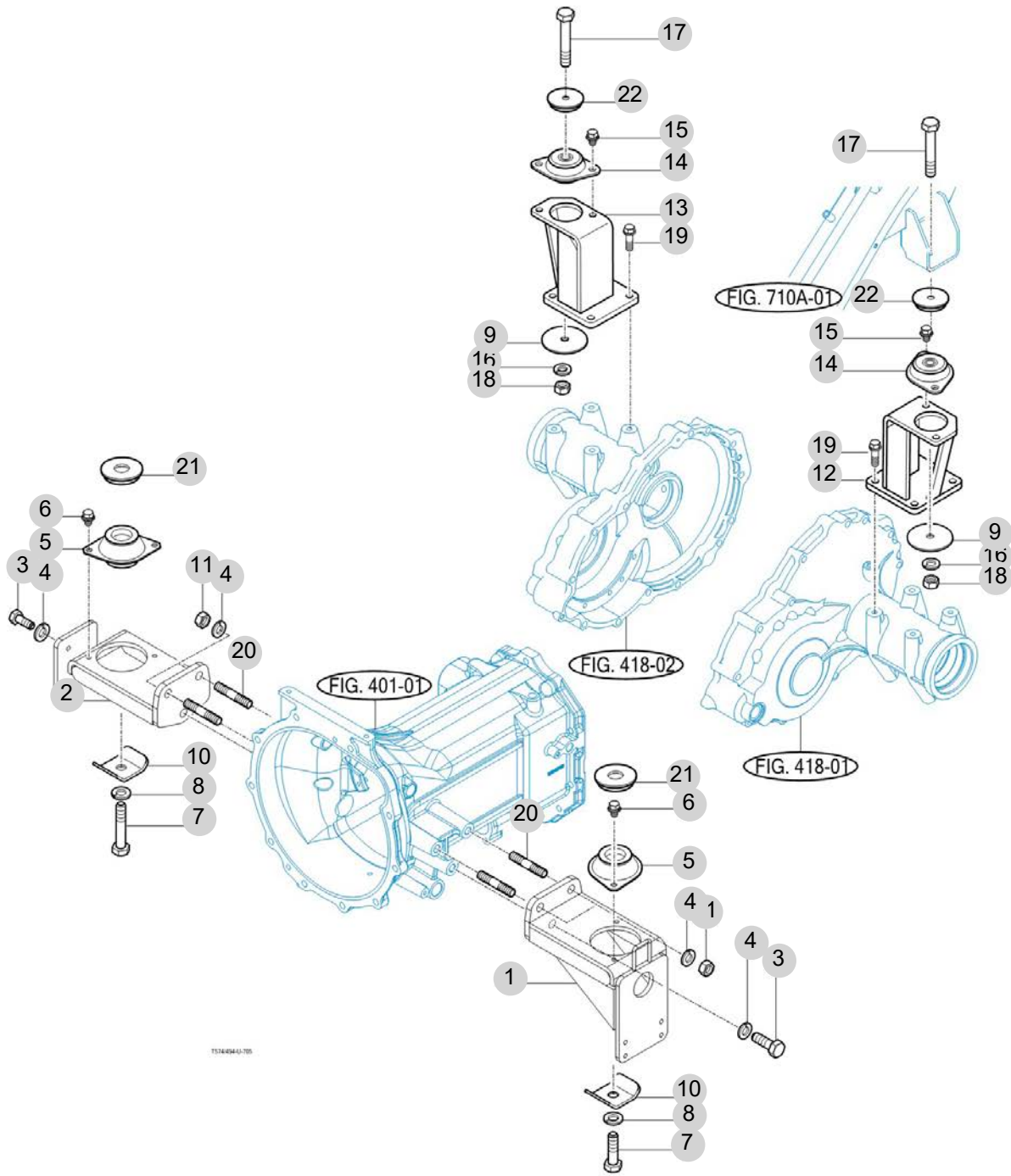
FIG 705

T575STEU1

FRONT & REAR MOUNTING

년/월  
Year/Month

2022-12



NOTE



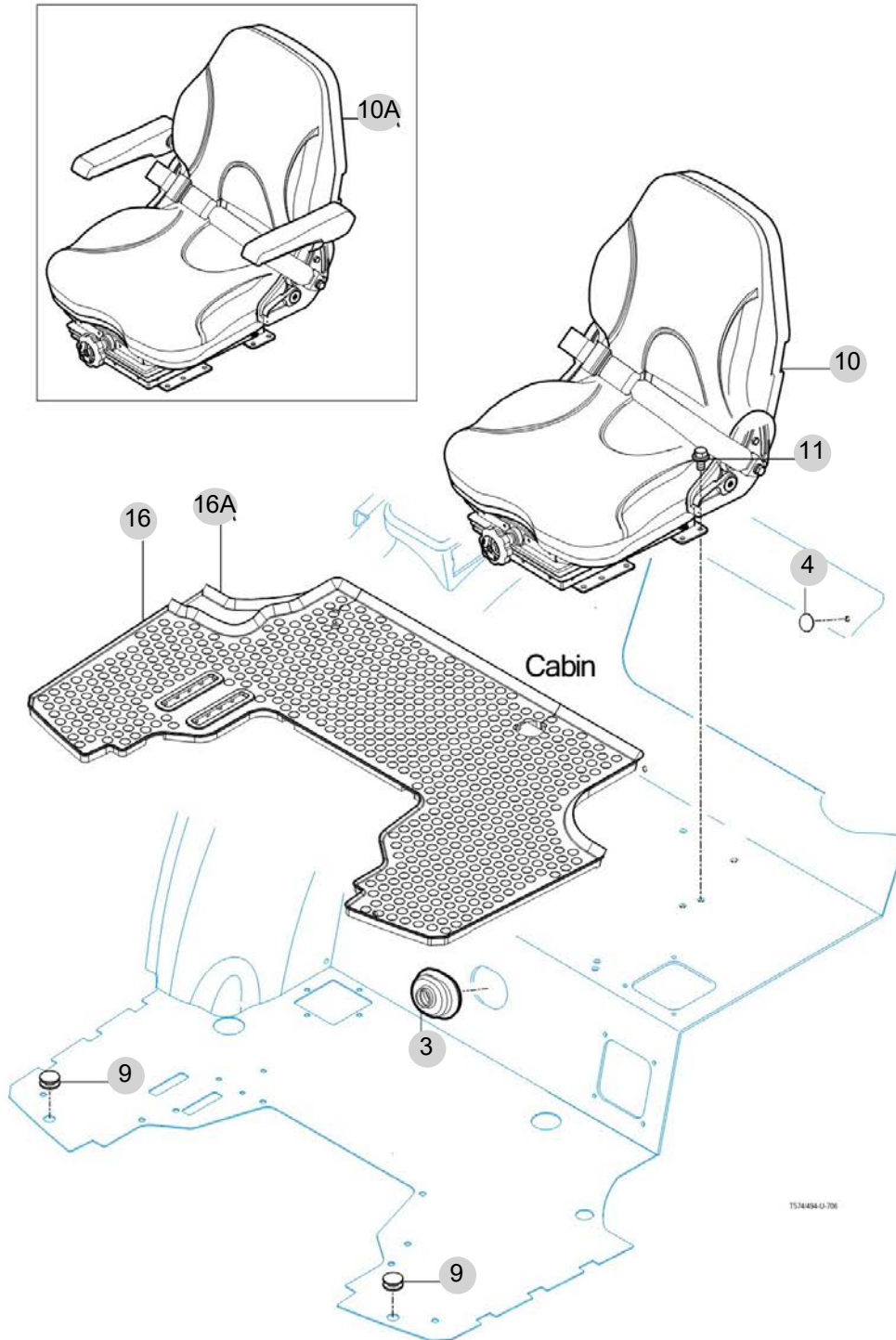
FIG 706

SEAT & MAT

년/월  
Year/Month

2022-12

T575STEU1



NOTE



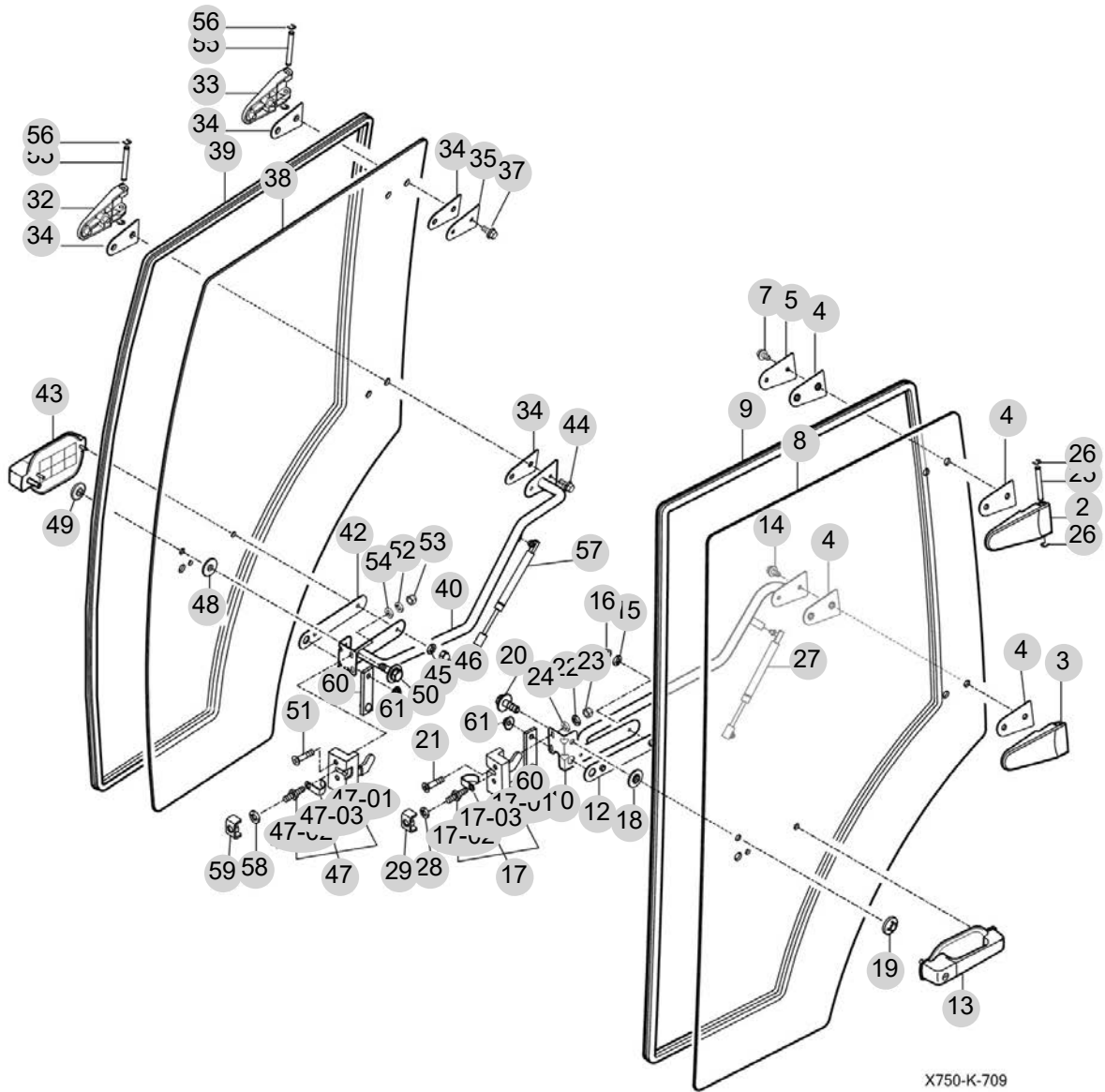
FIG 709

DOOR

년/월  
Year/Month

T575STEU1

2022-12



NOTE

FIG 709 T575STEU1		DOOR					년/월 Year/Month	
							2022-12	
KEY NO	PART NO	DESCRIPTION	SPEC	QTY	REPAIR	EFFECTIVE DATE	REMARKS	
709	2	14527052300	도어힌지조합, 상/LH		1			
709	3	14527052400	도어힌지조합, 상/RH		1			
709	4	14527052110	개스킷, 도어힌지		4			
709	5	14527052120GB	플레이터,도어힌지		1			
709	7	V2183608020	소형육각볼트보통(SP)	M8X20	2			
709	8	14527052131	그라스, 도어/LH	6t	1			
709	9	14527052140	인슐레이터 / 도어		1			
709	10	14527052500GB	가이드 조합/LH/도어		1			
709	12	14527052150	개스킷, 도어손잡이		1			
709	13	17827052600	손잡이 ASSY, 잠금장치		1			
709	14	V2183608020	소형육각볼트보통(SP)	M8X20	2			
709	15	V4011600060	스프링와셔	M6	2			
709	16	V3402700060	육각캡너트	M6	2			
709	17	17827052700	라쳇 ASSY, 좌/도어		1			
709	17-01	17827052710	록 ASSY, 좌/도어		1			
709	17-02	14527052720	스트라이크		1			
709	17-03	14527052730	가이드		1			
709	18	15817401130	크로메트(13X17X02)		1			
709	19	14527042500	그라스너트조합		1			
709	20	V2193606012	육각볼트(SPL)	M6X12	1			
709	21	V1122608040	심자흡점시작은나사	M8X40	2			
709	22	V4011600080	스프링와셔	M8	2			
709	23	V3412700080	소형육각캡너트	M8	2			
709	24	V4111600080	평와셔		2			
709	25	14527041110	핀, 도어힌지	D=8	2			
709	26	V7082400070	E형멈춤링(sus)	7	4			
709	27	14527301080	댐퍼(도어)ASSY_20kg	20KG	1			
709	28	V4011600100	스프링와셔	M10	1			
709	29	14527062500GB	브래킷 조합,도어록		1			
709	32	14527052300	도어힌지조합, 상/LH		1			
709	33	14527052400	도어힌지조합, 상/RH		1			
709	34	14527052110	개스킷, 도어힌지		4			
709	35	14527052120GB	플레이터,도어힌지		1			
709	37	V2183608020	소형육각볼트보통(SP)	M8X20	2			
709	38	14527053131	그라스, 도어/RH	6t	1			
709	39	14527052140	인슐레이터 / 도어		1			
709	40	17827053500GB	가이드 COMP, 우/도어		1			
709	42	14527052150	개스킷, 도어손잡이		1			
709	43	17827052600	손잡이 ASSY, 잠금장치		1			
709	44	V2183608020	소형육각볼트보통(SP)	M8X20	2			
709	45	V4011600060	스프링와셔	M6	2			
709	46	V3402700060	육각캡너트	M6	2			
709	47	17827053700	라쳇 ASSY, 우/도어		1			
709	47-01	17827053710	록 ASSY, 우/도어		1			
709	47-02	14527052720	스트라이크		1			
NOTE								



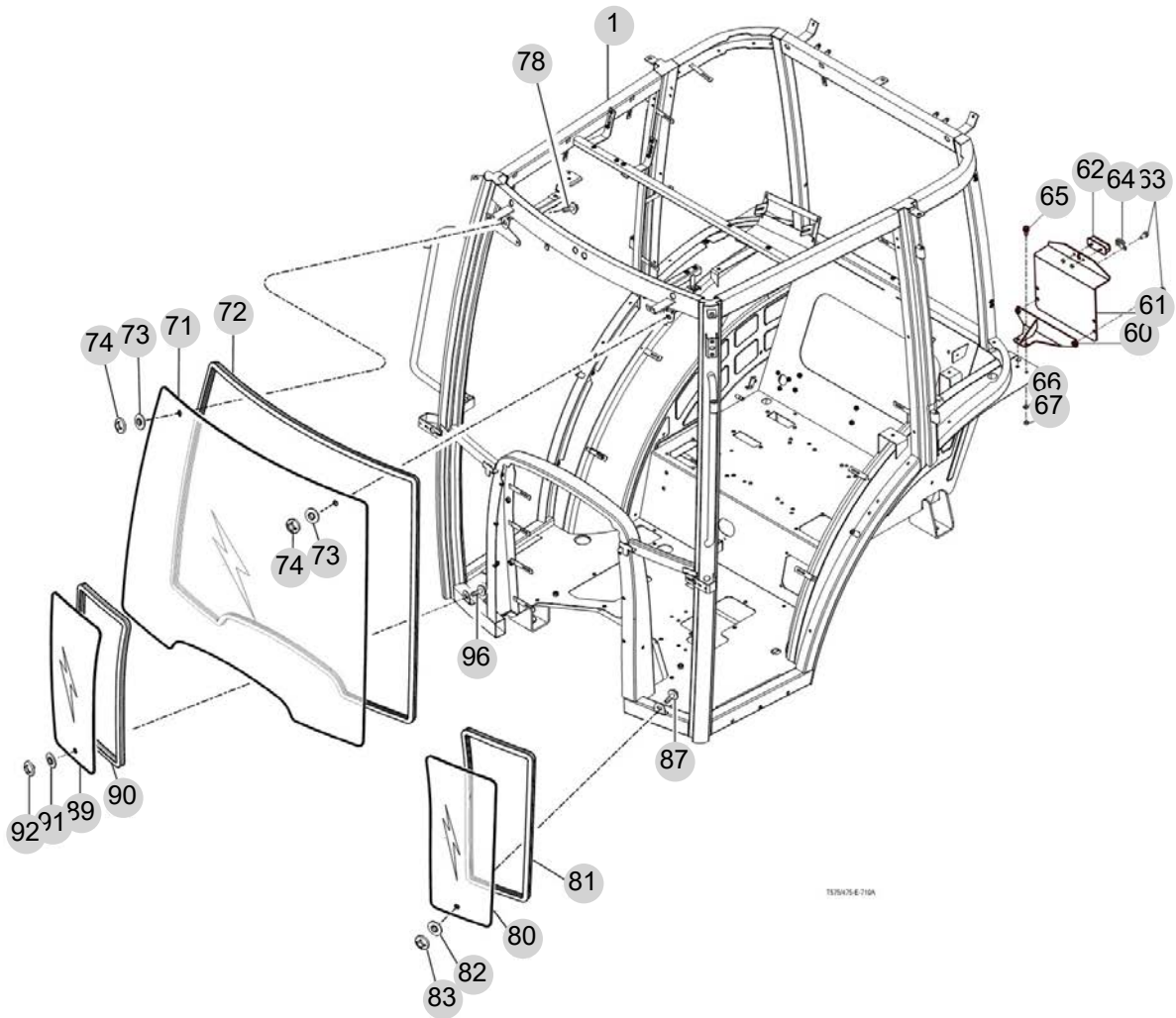
FIG 710A

FRONT GLASS

년/월  
Year/Month

2022-12

T575STEU1



T575STEU1-710A

NOTE





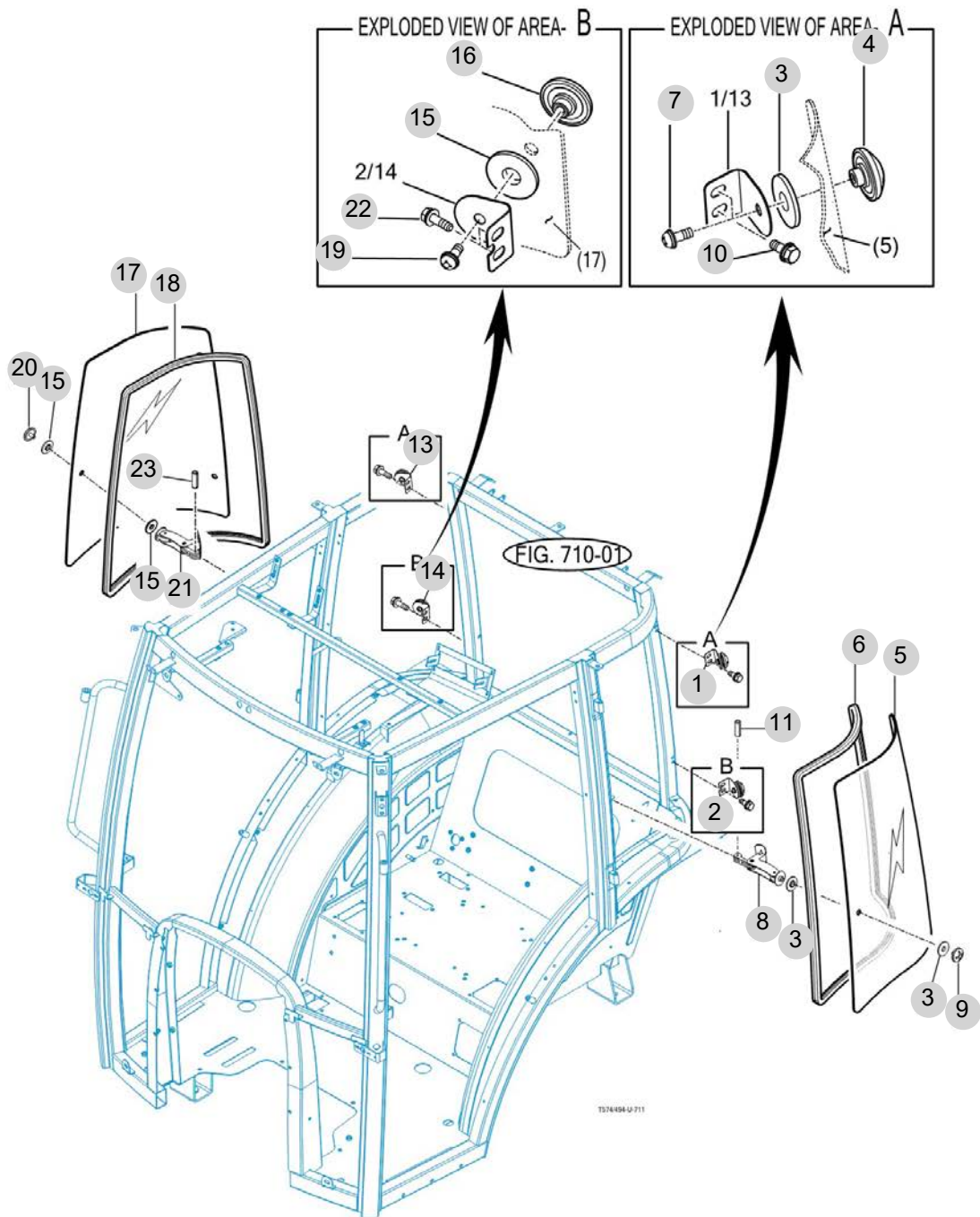
FIG 711

T575STEU1

SIDE GLASS

년/월  
Year/Month

2022-12



NOTE



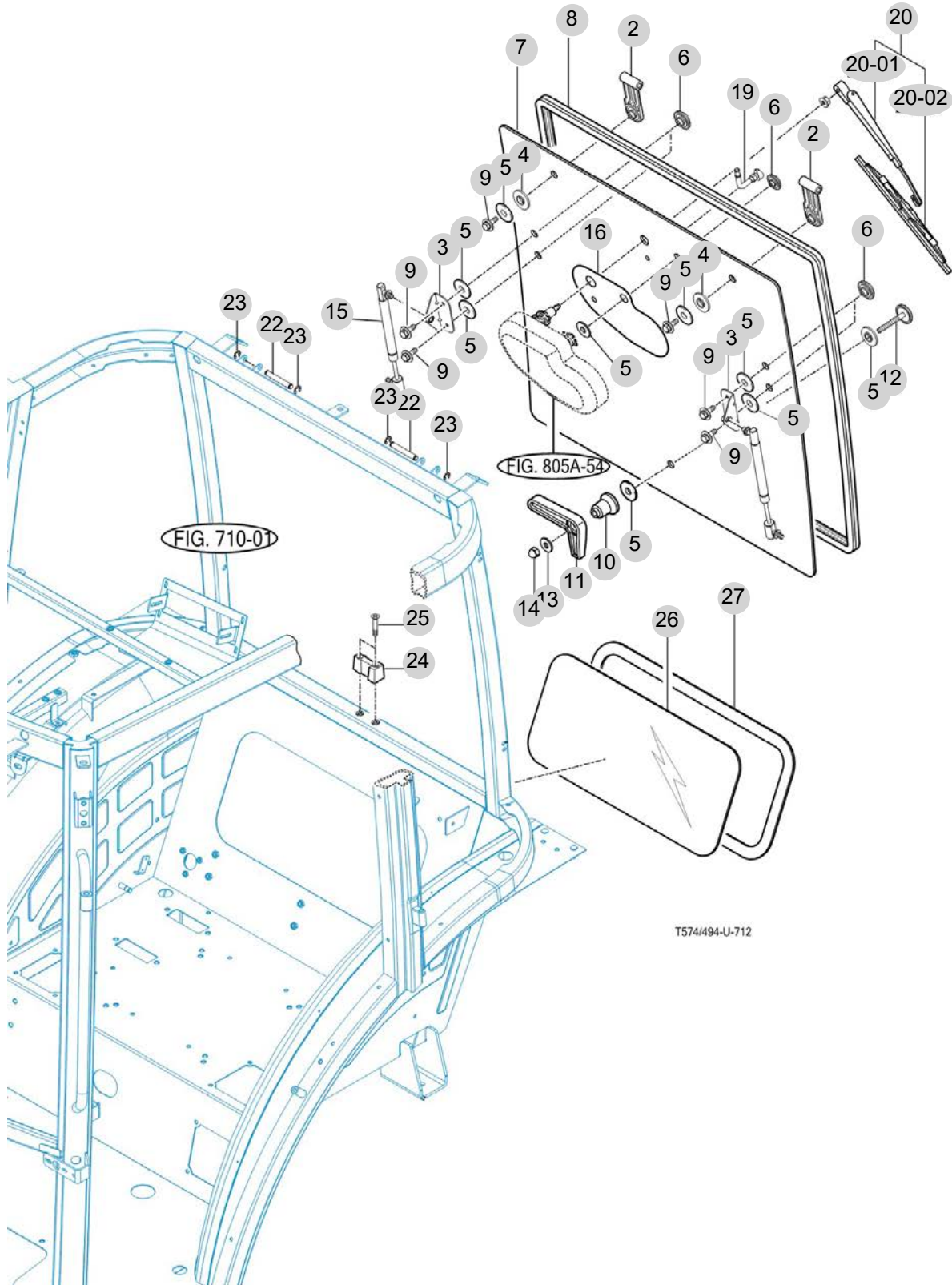
FIG 712

REAR GLASS

년/월  
Year/Month

2022-12

T575STEU1



NOTE



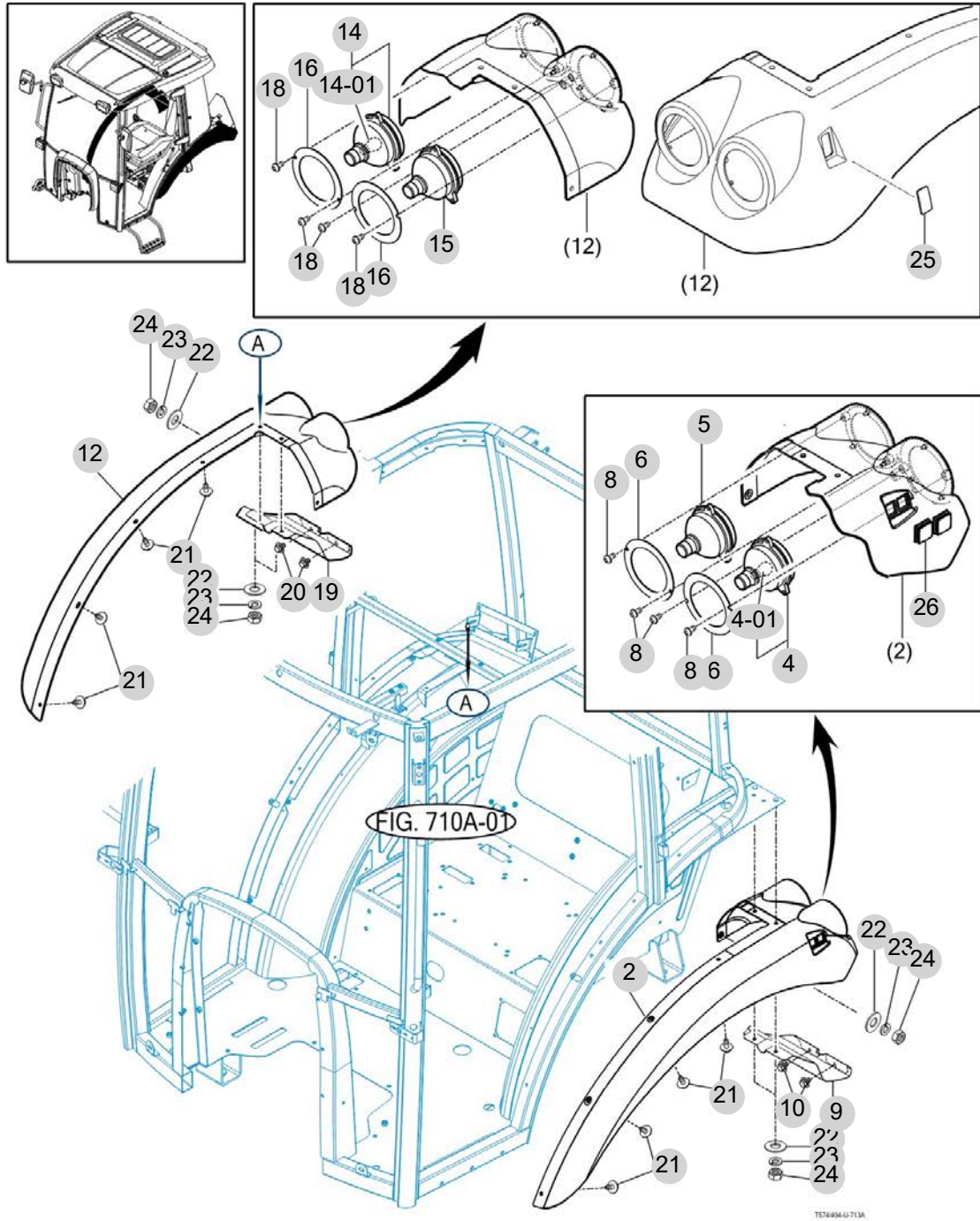
FIG 713A

SUB FENDER & COVER

년/월  
Year/Month

2022-12

T575STEU1



NOTE





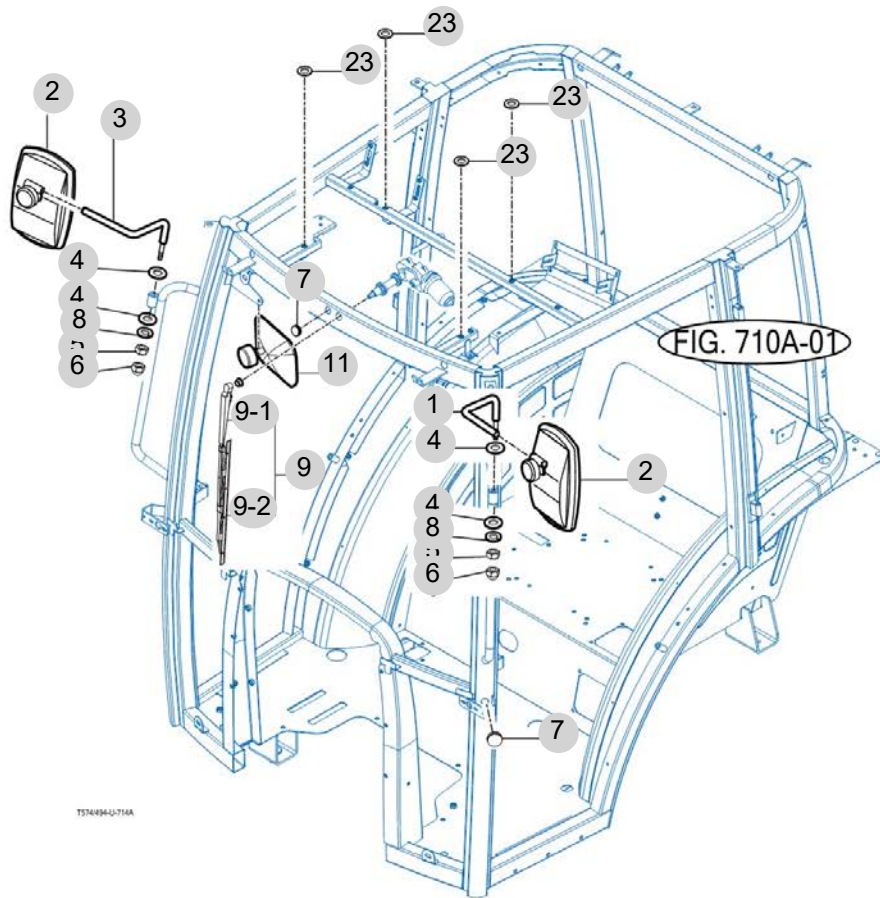
FIG 714A

MIRROR

년/월  
Year/Month

2022-12

T575STEU1



NOTE





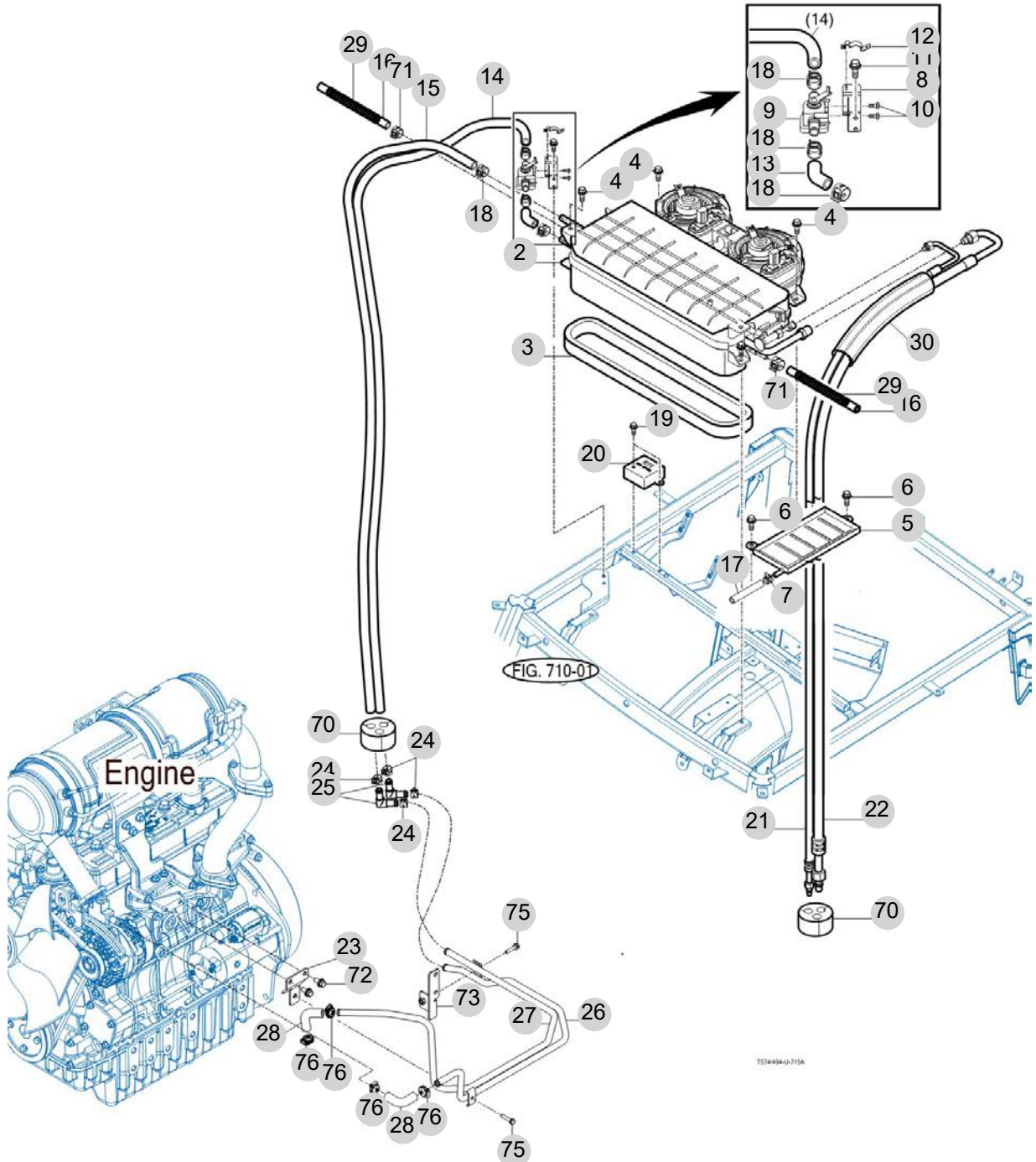
FIG 715A

HEATER & AIR-CON

년/월  
Year/Month

2022-12

T575STEU1



NOTE



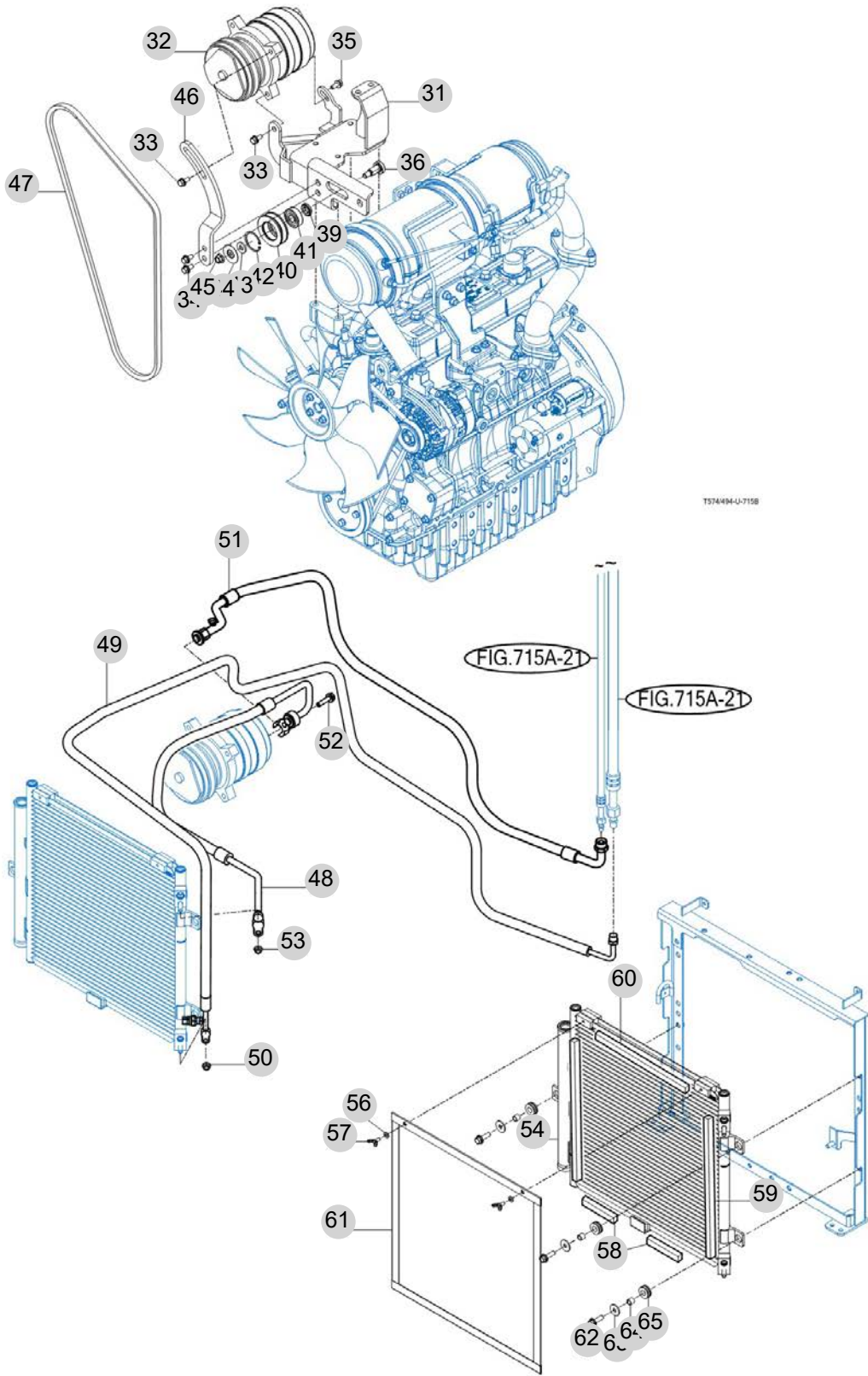
FIG 715B

HEATER & AIR-CON

년/월  
Year/Month

2022-12

T575STEU1



NOTE



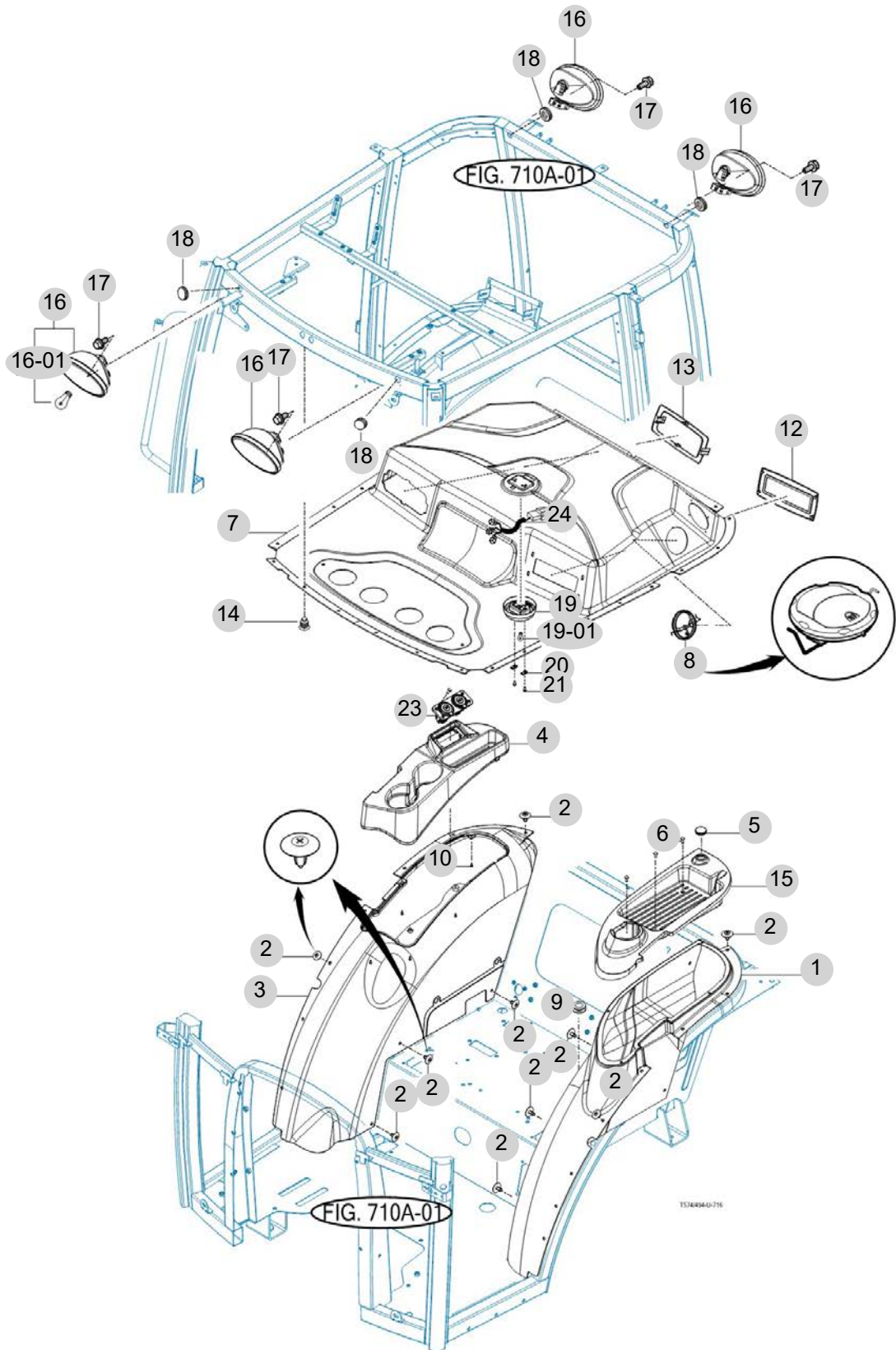
FIG 716

T575STEU1

FENDER COVER

년/월  
Year/Month

2022-12



NOTE





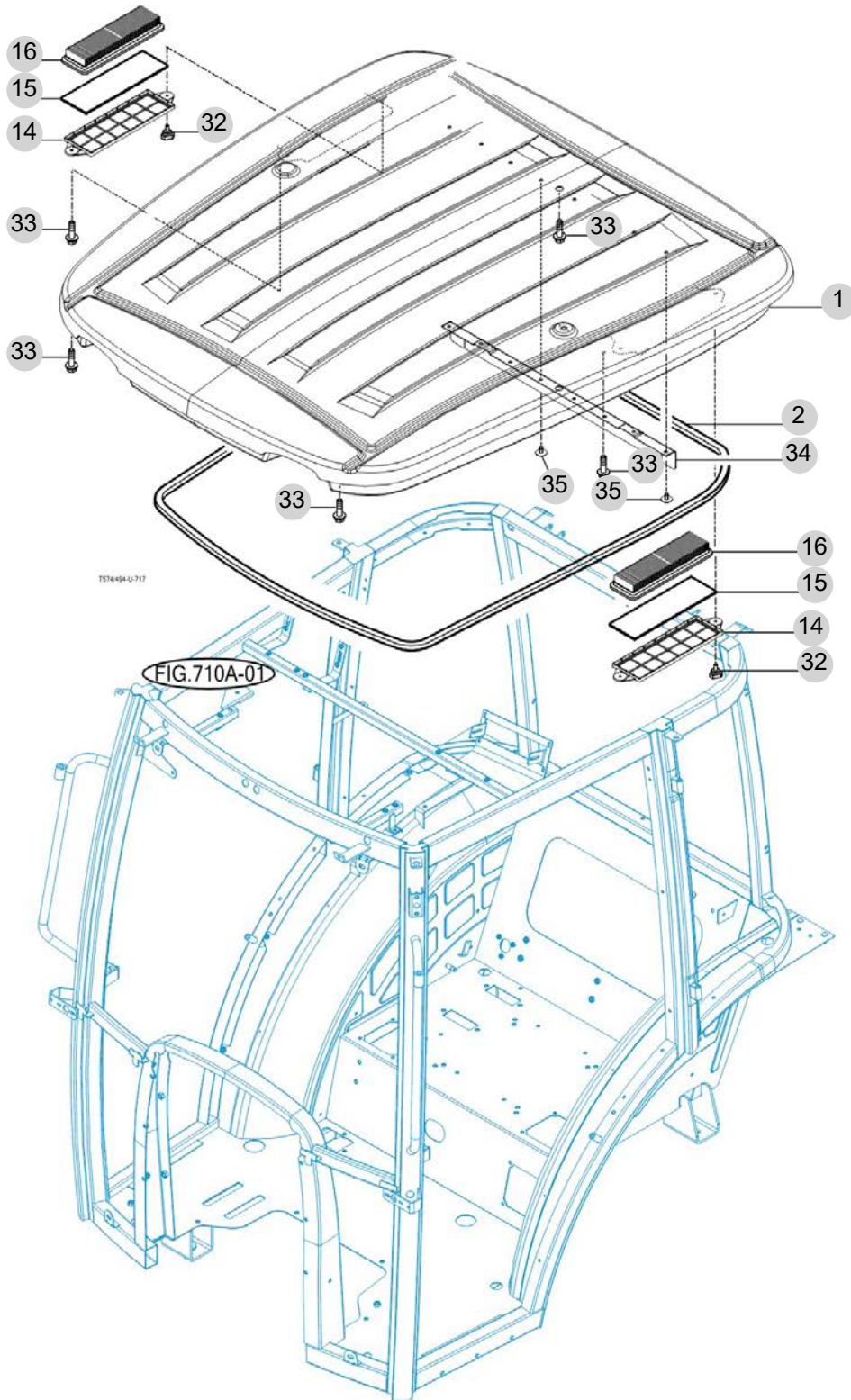
FIG 717

T575STEU1

ROOF

년/월  
Year/Month

2022-12



NOTE





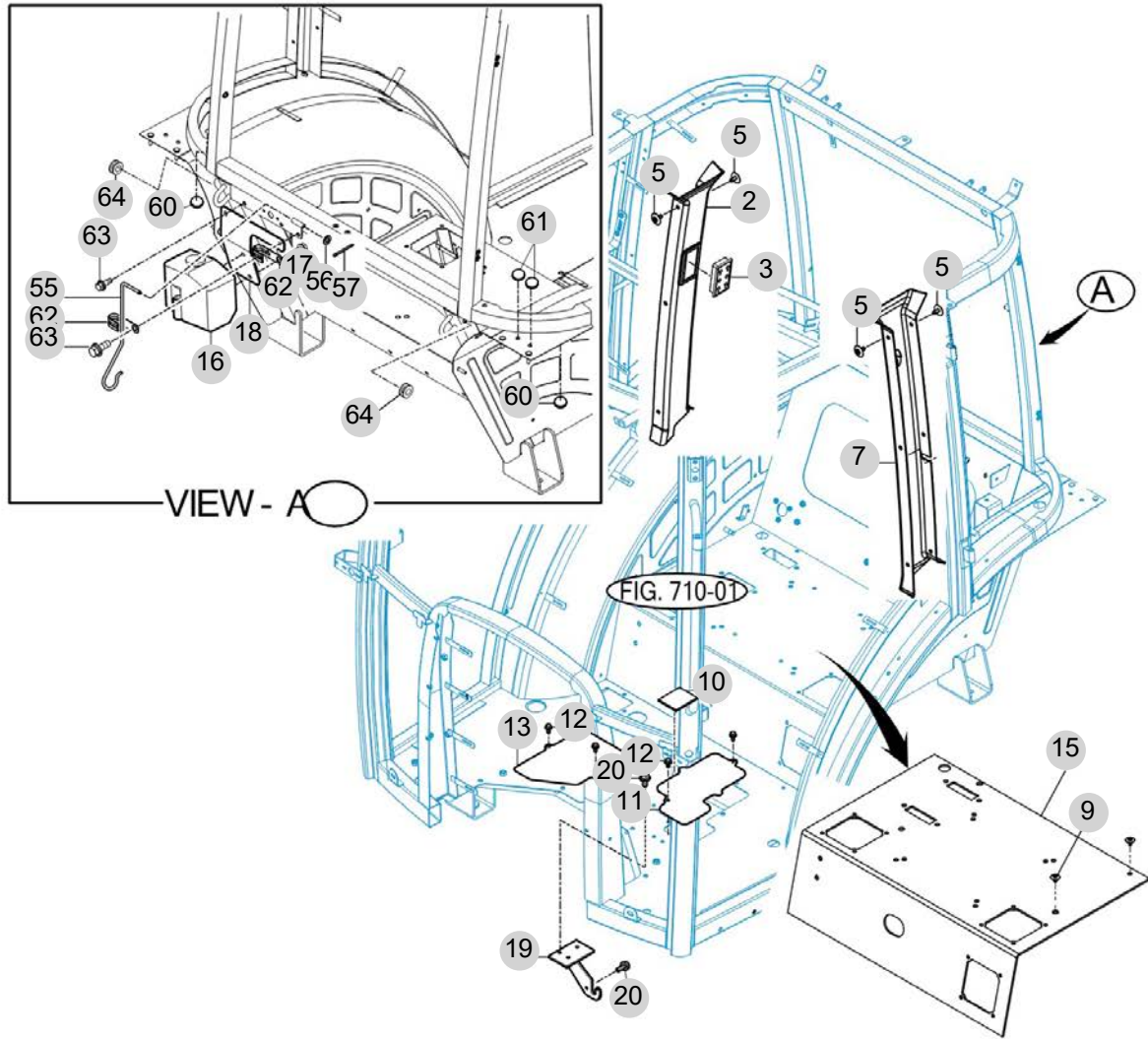
FIG 718

CABIN INTERIOR

년/월  
Year/Month

T575STEU1

2022-12



NOTE



## 8. 전장 PART NO. T8

FIG 801 BATTERY MOUNTING	257
FIG 802 HARNESS LAMP	259
FIG 803 INSTRUMENT PANEL	261
FIG 804 ELECTRIC SYSTEM (1)	263
FIG 805A ELECTRIC SYSTEM (2)	265
FIG 806 ELECTRIC SYSTEM (3)	267

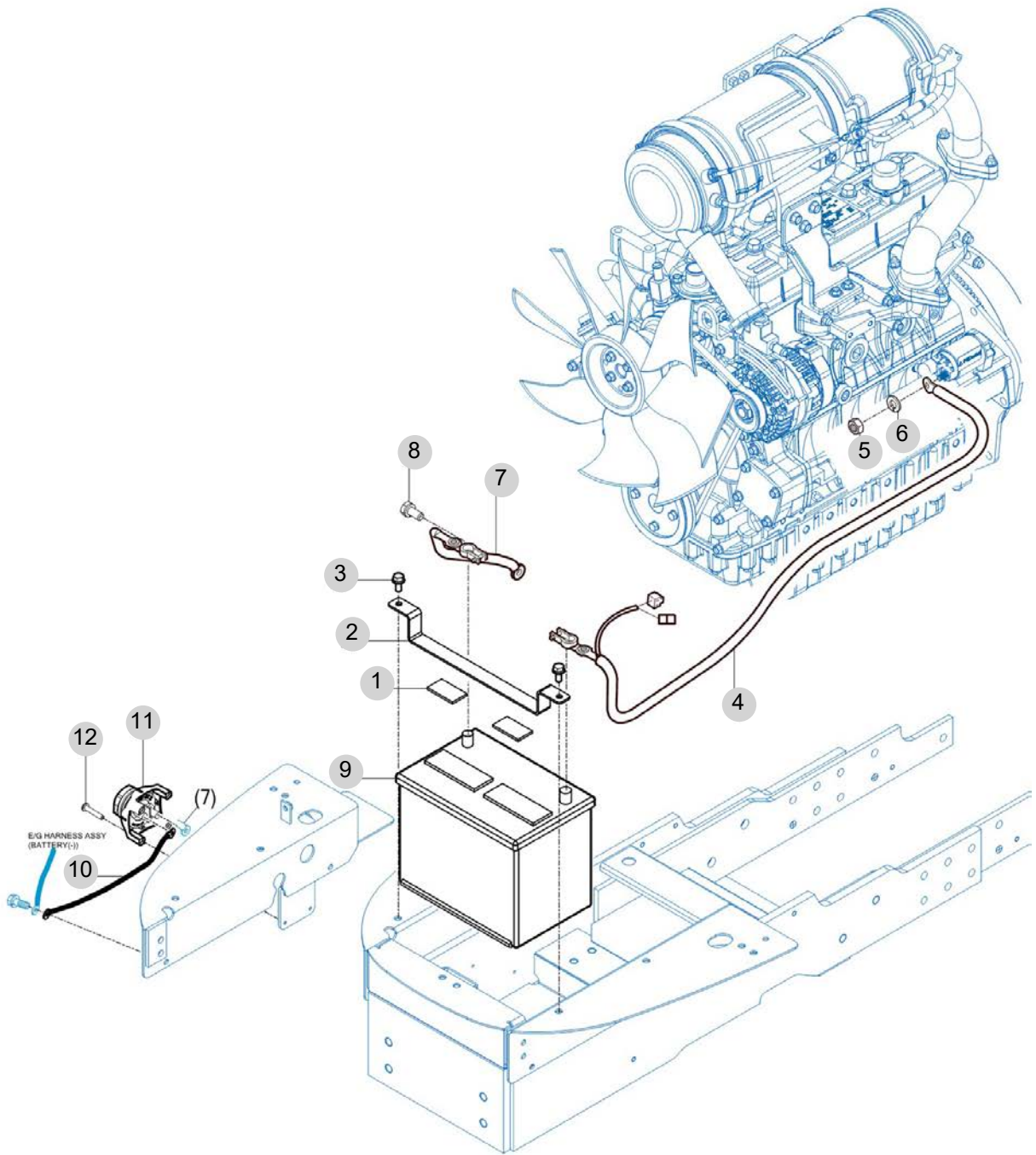
FIG 801

BATTERY MOUNTING

년/월  
Year/Month

2022-12

T575STEU1



NOTE



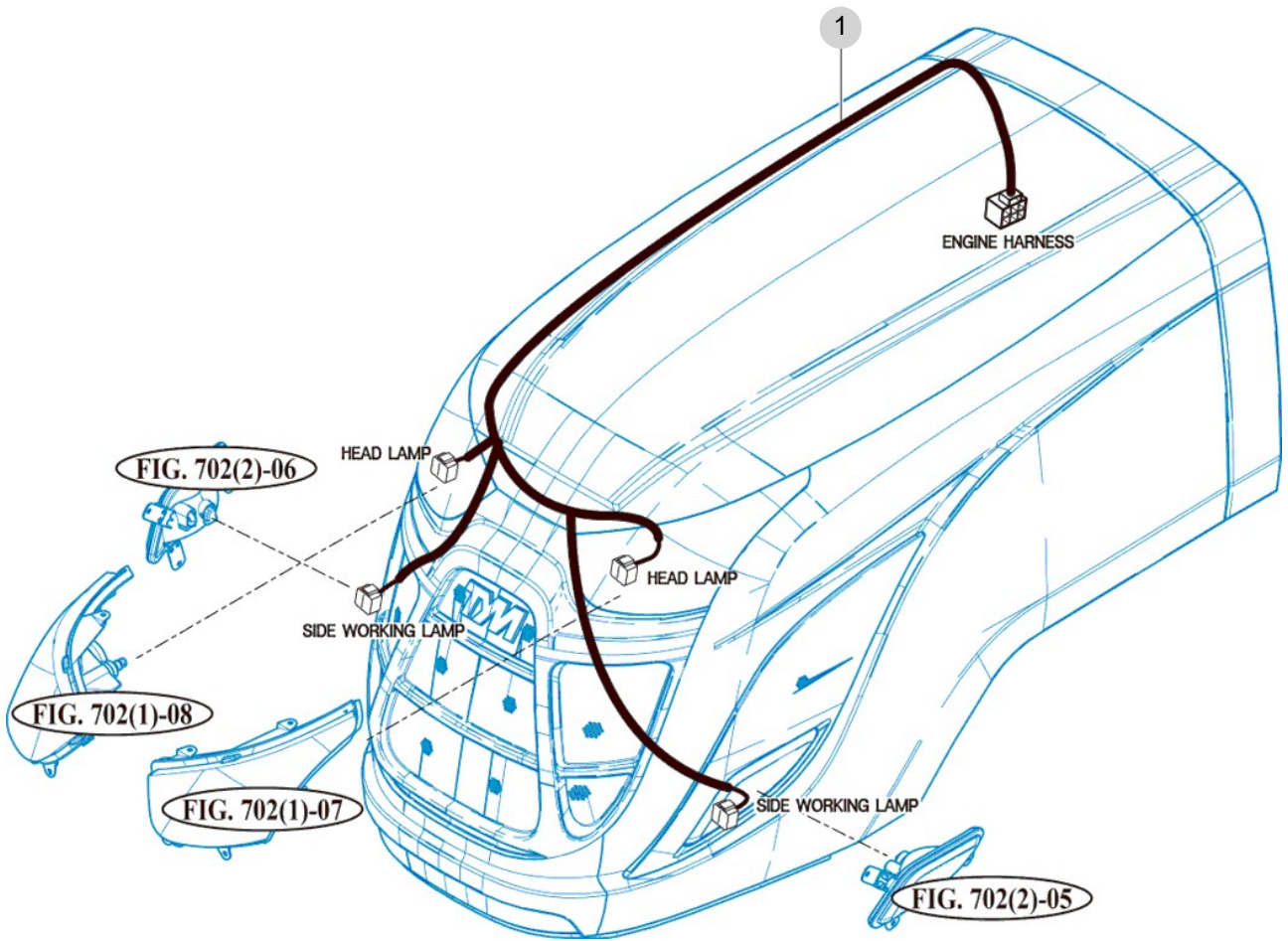
FIG 802

HARNESS LAMP

년/월  
Year/Month

2022-12

T575STEU1



NOTE





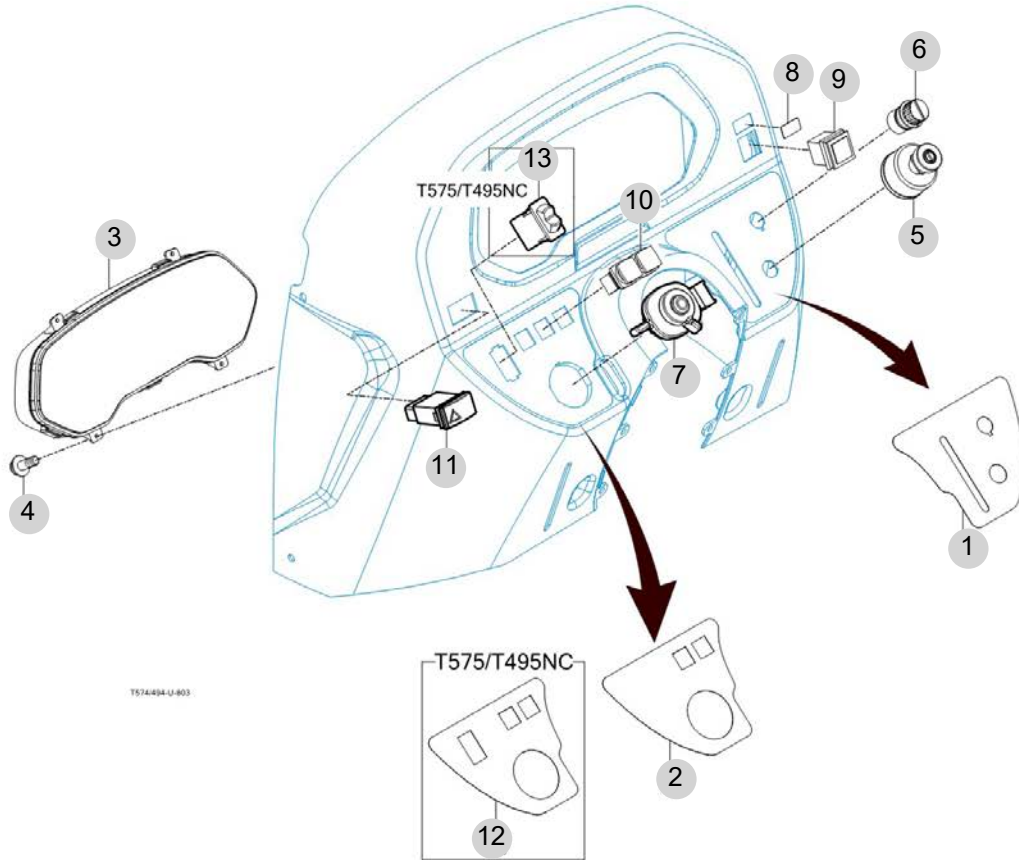
FIG 803

INSTRUMENT PANEL

년/월  
Year/Month

2022-12

T575STEU1



NOTE

FIG 803 T575STEU1		INSTRUMENT PANEL						년/월 Year/Month	
								2022-12	
KEY NO	PART NO	DESCRIPTION		SPEC	QTY	REPAIR	EFFECTIVE DATE	REMARKS	
803	1	11067078530 라벨, 우/키			1				
803	2	13867078540 라벨, 좌/콤비 스위치			1				
803	3	13876602102 패널, 메타			1				
803	3	13876602103 패널, 메타			1				
803	4	V1222604012 십자 홈냄비작은나사(SP)			4				
803	5	14527078701 스위치셋트,키			1				
803	6	13746462600 스위치 ASSY, 4단 PTO 모드			1				
803	7	13156642202 콤비 스위치			1				
803	8	14527078550 라벨,PTO			1				
803	9	12516743300 스위치(PTO)ASSY			1				
803	10	20085312600 마커스위치 ASSY			2				
803	11	14537072501 캡형비상점멸스위치ASSY			1				
NOTE									

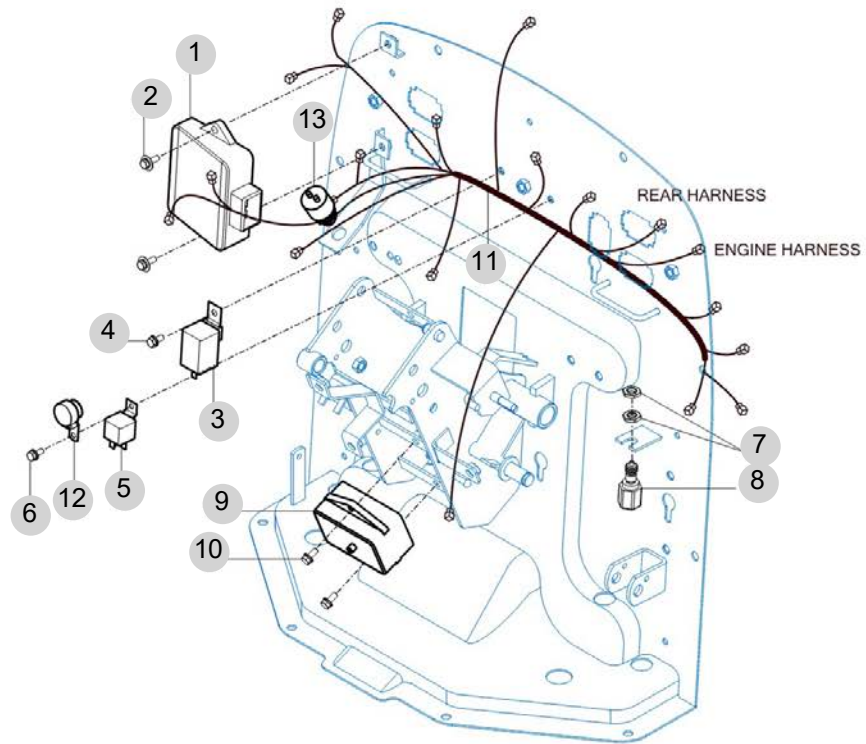
FIG 804

T575STEU1

ELECTRIC SYSTEM (1)

년/월  
Year/Month

2022-12



NOTE



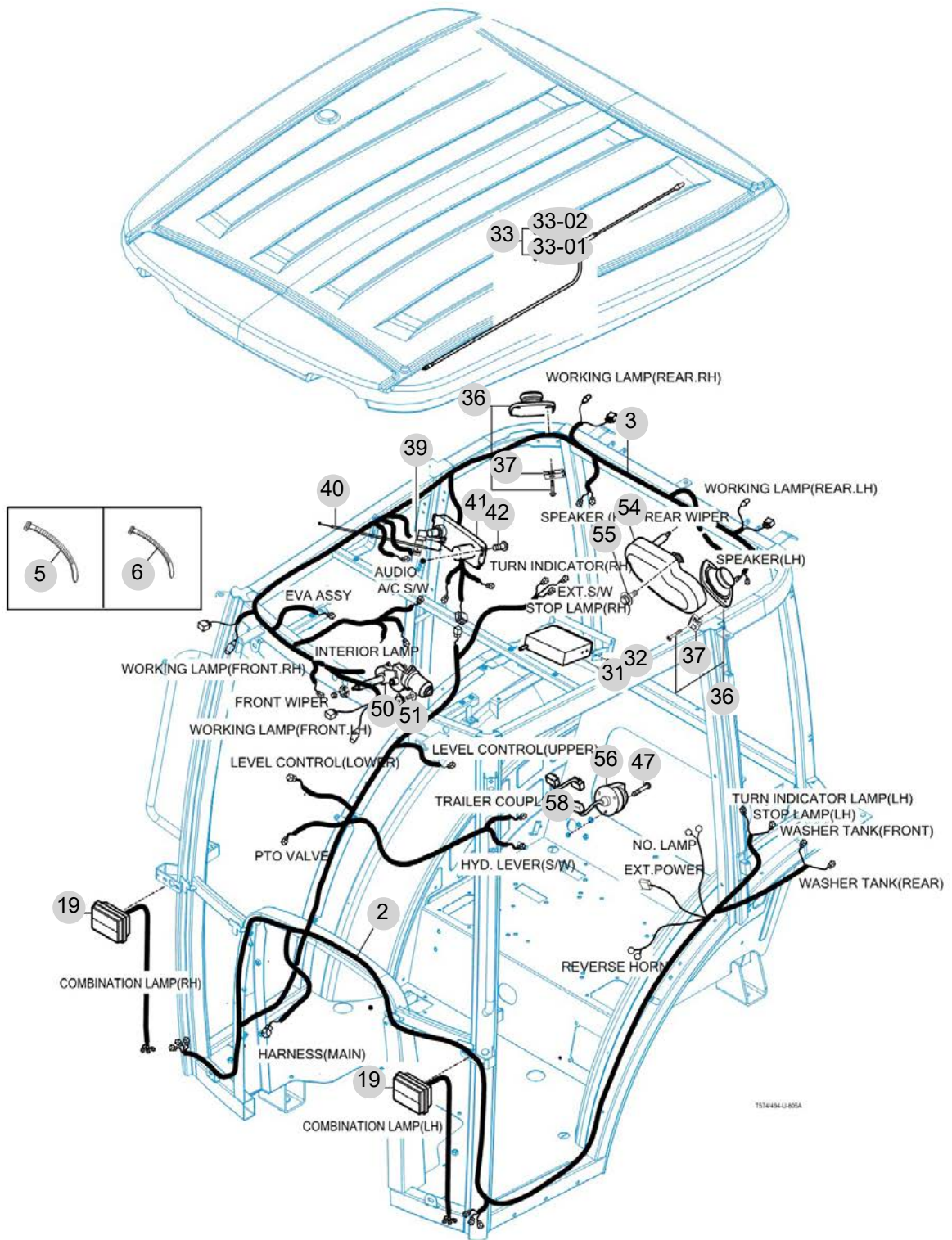
FIG 805A

ELECTRIC SYSTEM (2)

년/월  
Year/Month

2022-12

T575STEU1



NOTE





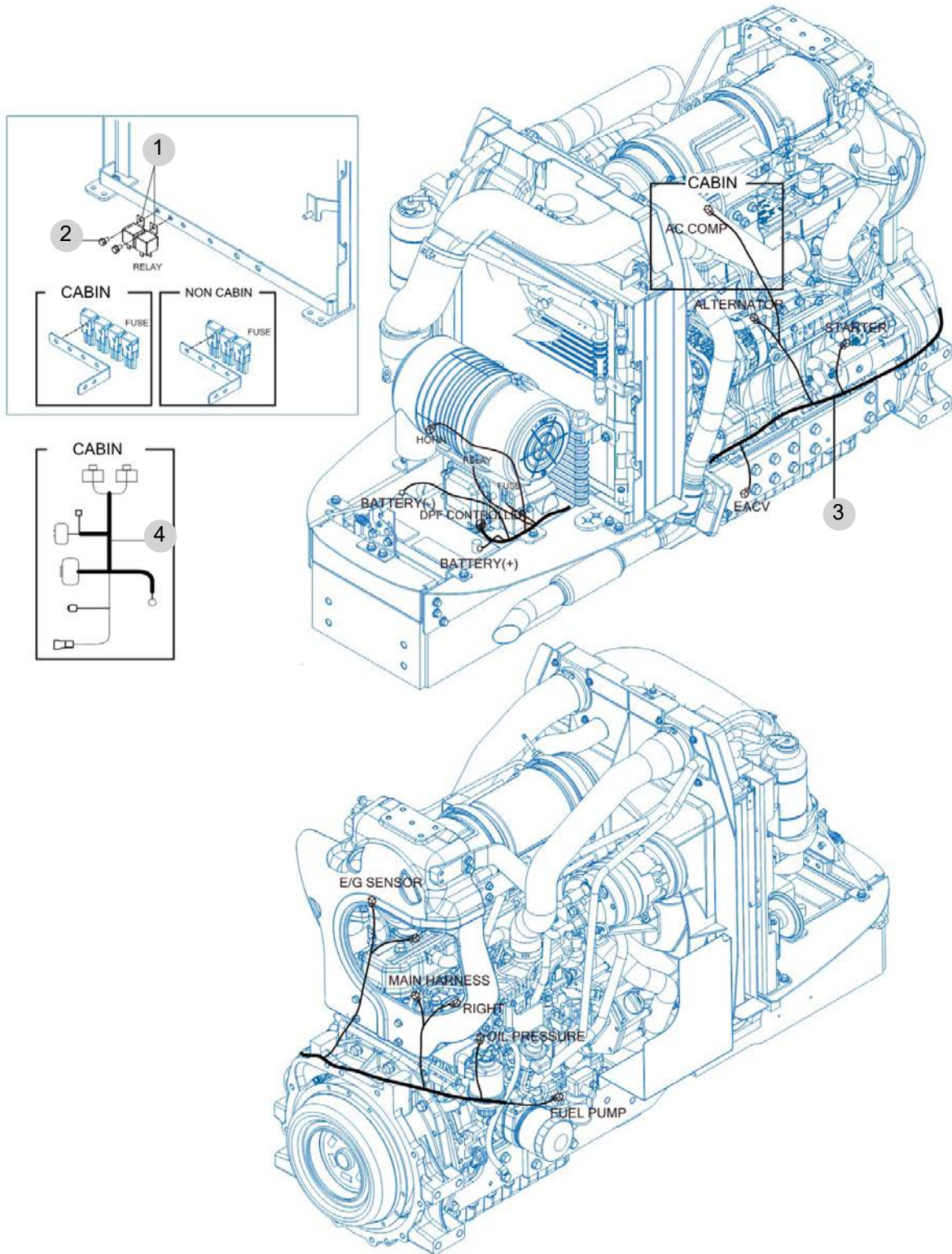
FIG 806

ELECTRIC SYSTEM (3)

년/월  
Year/Month

T575STEU1

2022-12



NOTE





## 9. 라벨/옵션 PART NO. T9

FIG 901 TOOL & ACCESSORY	270
FIG 902 WEIGHT	272
FIG 903 LABEL	274
FIG 903-2 LABEL	276

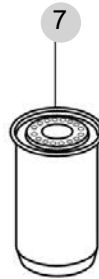
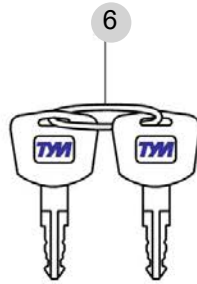
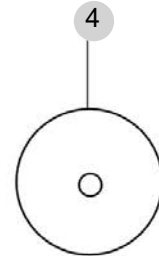
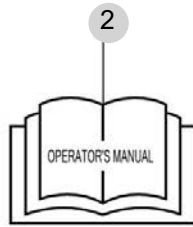
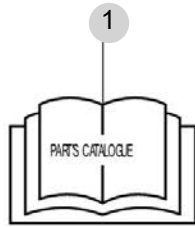
FIG 901

T575STEU1

TOOL & ACCESSORY

년/월  
Year/Month

2022-12



NOTE



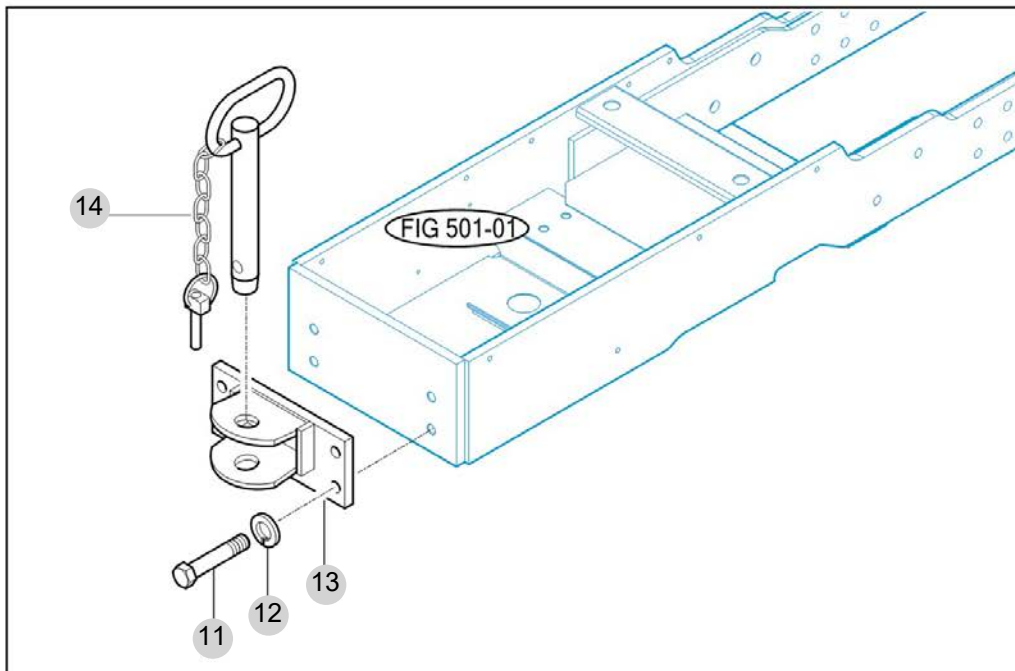
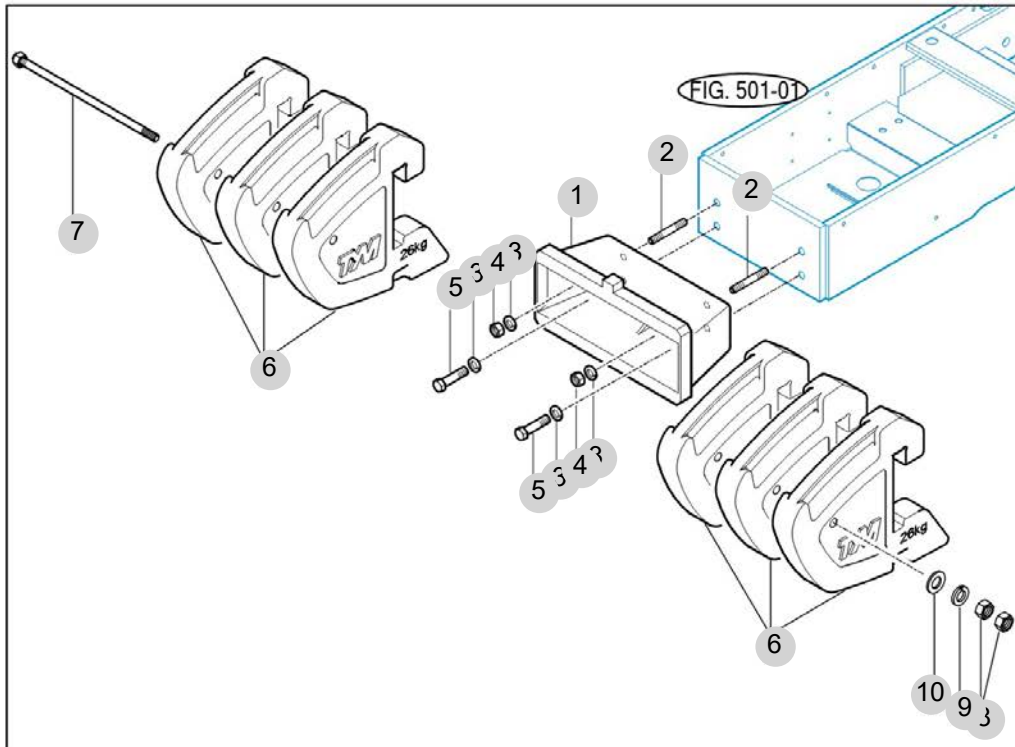
FIG 902

WEIGHT

년/월  
Year/Month

T575STEU1

2022-12



T575-E-902

NOTE



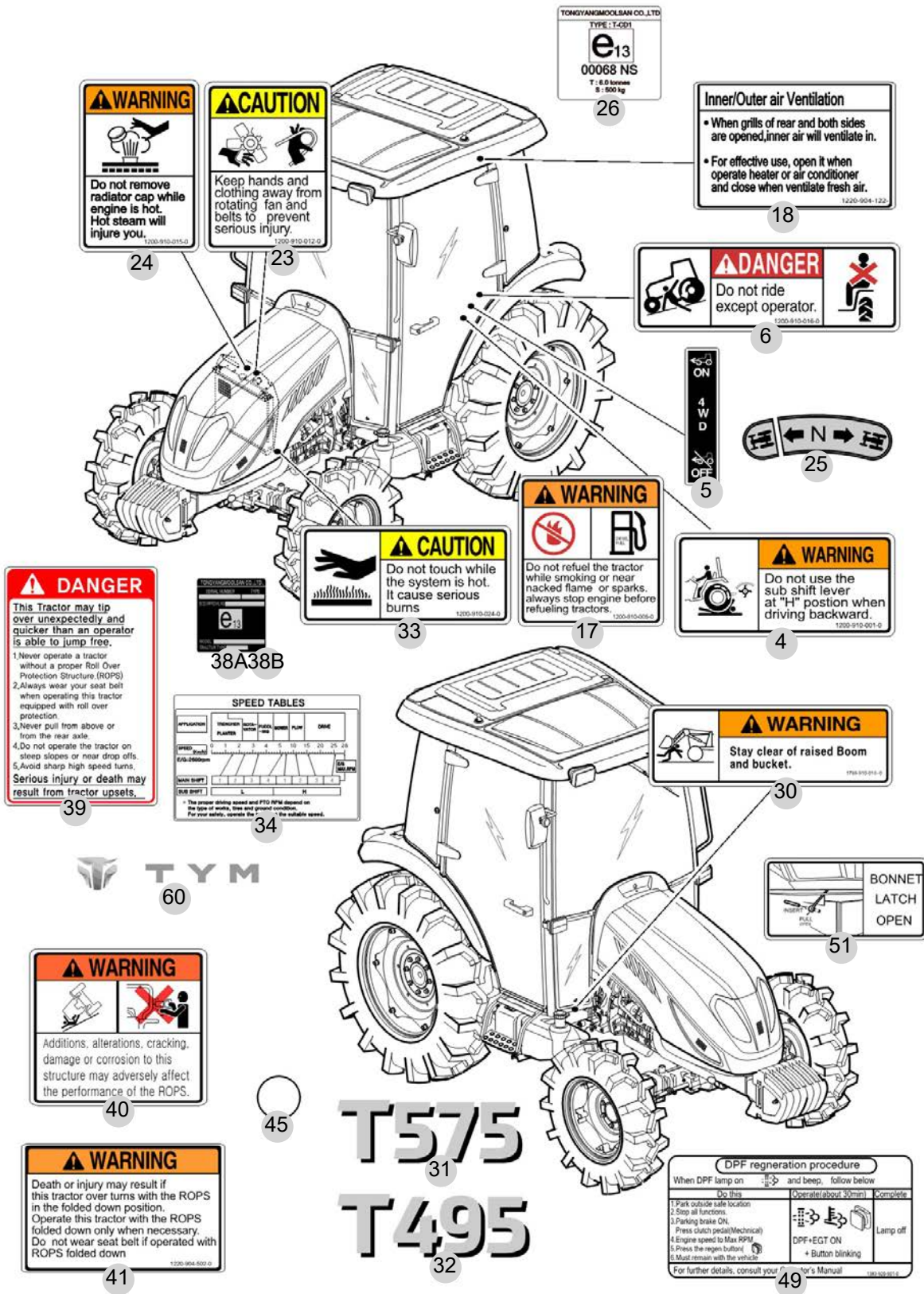
FIG 903

T575STEU1

LABEL

년/월  
Year/Month

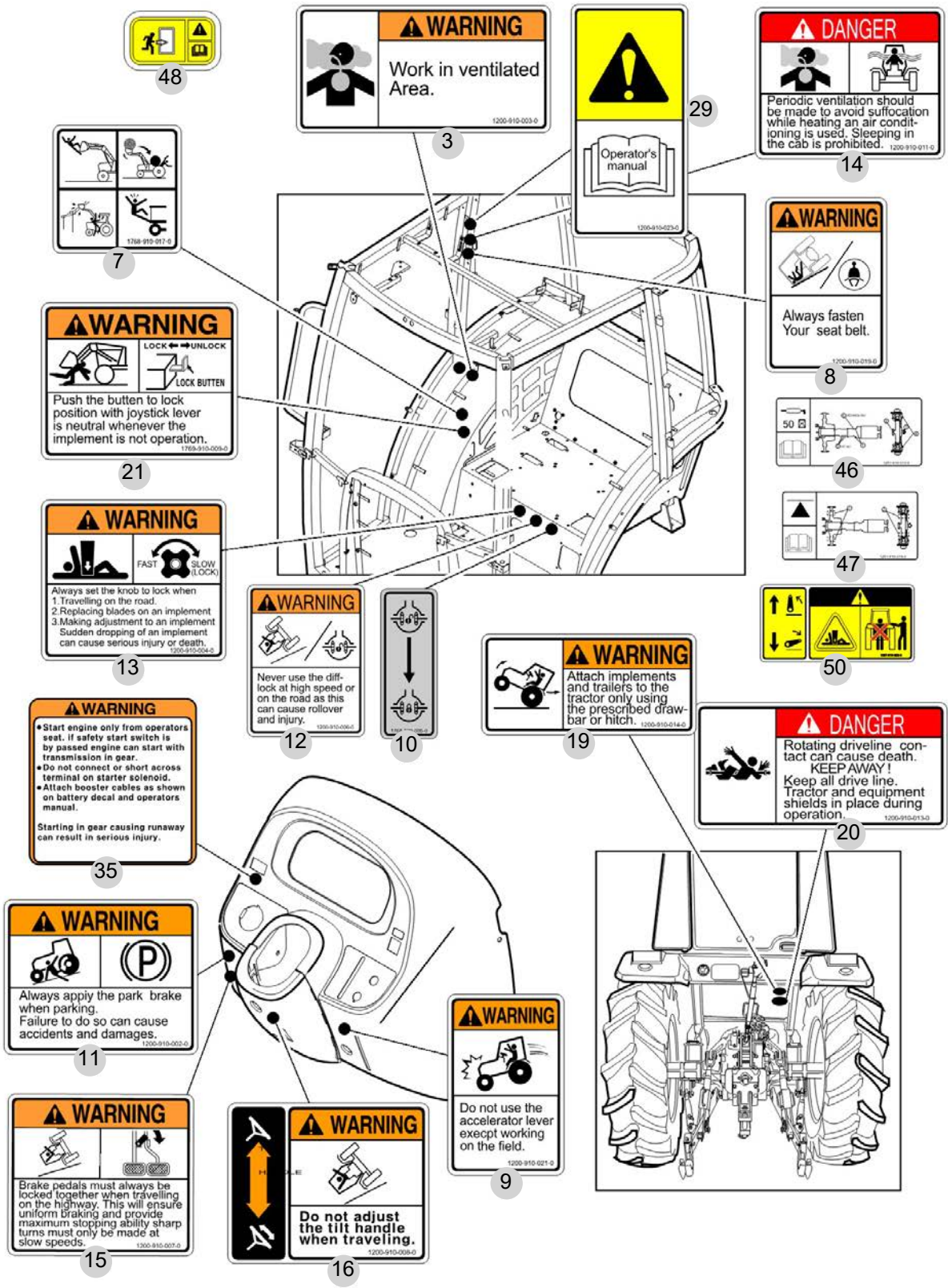
2022-12



NOTE







NOTE



