

T494NC

Parts Catalog

# 목 차

---

## 0. TRACTOR KIT PART NO. TK1

FIG 000 TRAILER SOCKET KIT 7

## 1. Engine PART NO. EG

FIG 100 ENGINE	11
FIG 101 CYLINDER BLOCK	13
FIG 102B OILJET ASS'Y OPTION(T494)	15
FIG 103 CRANK SHAFT	17
FIG 104 PISTON	19
FIG 105 CYLINDER HEAD	21
FIG 106 ROCKER LEVER	23
FIG 107 HEAD COVER	25
FIG 108 GEAR CASE	27
FIG 109 IDLE GEAR	29
FIG 110 CAM SHAFT	31
FIG 111 OIL PUMP	33
FIG 112 HYD. PUMP DRIVE	35
FIG 113 2ND BALANCE	37
FIG 114 OIL PAN	39
FIG 115B INTAKE MANIFOLD(T494)	41
FIG 116B EXHAUST MANIFOLD(T494)	43
FIG 117B TURBOCHARGER ASS'Y(T494)	45
FIG 118B TURBOCHARGER PLUMBING OPTION(T494)	47
FIG 119B BREATHER(T494)	49
FIG 120 FUEL INJECTION PUMP	51
FIG 121 FUEL INJECTION VALVE	53
FIG 122 FUEL PIPE ASS'Y	55
FIG 123 OIL FILTER	57
FIG 124 OIL COOLER	59
FIG 125 OIL GAUGUE	61
FIG 126 OIL FILLER CAP	63

FIG 127 COOLING WATER PUMP	65
FIG 128 CRANK SHAFT PULLEY	67
FIG 129 V-PULLEY	69
FIG 130 COOLING FAN	71
FIG 131 FLYWHEEL HOUSING	73
FIG 132 FLYWHEEL	75
FIG 133 GLOW PLUG ASS'Y OPTION	77
FIG 134 STARTING MOTOR	79
FIG 135 FUEL FILTER BRACKET ASS'Y	81
FIG 136 ALTERNATOR	83
FIG 137 V-BELT	85
FIG 138 FUEL FILTER	87
FIG 139B DPF SUPPORT (T494)	89
FIG 140 DATAPLATE	91
FIG 142B DPF ASS'Y (T494)	93
FIG 143 LIFT ASS'Y	95
FIG 144 COMP . DRIVE PULLEY ASS'Y OPTION	97
FIG 147 LOOSED PARTS	99

## 2. Engine Accessories PART NO. T2

FIG 201B AIR CLEANER (T494)	102
FIG 202 RADIATOR	104
FIG 203 MUFFLER	106
FIG 204 FUEL HOSE & FILTER	108
FIG 205 FUEL TANK	110
FIG 206 ACCELERATOR	112

## 3. Clutch/Brake/Steering PART NO. T3

FIG 301 CLUTCH	115
FIG 302 CLUTCH PEDAL	117
FIG 303 BRAKE	120
FIG 304 BRAKE PEDAL & LINK	122
FIG 305 FRONT WHEEL	124
FIG 306 REAR WHEEL	126
FIG 307 POWER STEERING WHEEL	128
FIG 308 POWER STEERING VALVE	130

FIG 309 POWER STEERING CYLINDER	132
---------------------------------	-----

#### 4. Transmission PART NO. T4

FIG 401 TRANSMISSION FRONT CASE	135
FIG 402 FORWARD & BACKWARD GEARS	137
FIG 403 IDLE & COUNTER GEARS	139
FIG 404 MAIN SHIFT GEARS	141
FIG 405 P.T.O DRIVE SHAFT	143
FIG 406 MAIN CHANGE LEVER	145
FIG 407 REVERSE CHANGE LEVER	147
FIG 408 TRANSMISSION MID CASE	149
FIG 409 TRANSMISSION REAR CASE	151
FIG 410 SUB CHANGE GEARS	153
FIG 411 SUB CHANGE SHIFTER	155
FIG 413 DRIVE GEARS	157
FIG 414 4WD CHANGE LEVER	159
FIG 415 P.T.O CHANGE GEARS	161
FIG 417 REAR DIFFERENTIAL GEARS	163
FIG 418 REAR AXLE HOUSING	166

#### 5. Front Axle PART NO. T5

FIG 501 FRONT AXLE SUPPORT	169
FIG 502 FRONT DRIVE SHAFT	171
FIG 503 FRONT AXLE HOUSING	173
FIG 504 FRONT DIFFERENTIAL GEARS	175
FIG 505 FRONT GEAR CASE (1)	177
FIG 506 FRONT GEAR CASE (2)	179
FIG 507 FRONT GEAR CASE (3)	181

#### 6. Hydraulic/3P-Link PART NO. T6

FIG 601 CYLINDER CASE	184
FIG 602 LIFT ARM	186
FIG 603 CYLINDER	188
FIG 604 POSITION LINK	190
FIG 605 CONTROL VALVE	192

FIG 606 DRAFT LINK	194
FIG 607A POSITION & DRAFT LEVER (1)	196
FIG 607B POSITION & DRAFT LEVER (2)	198
FIG 608 EXTERIOR HYD. VALVE	200
FIG 609 HYDRAULIC PIPE	202
FIG 610 JOYSTICK	204
FIG 612 HITCH & 3-POINT LINK	207
FIG 613 LOWER LINK & LIFT ROD	210

## 7. Sheet Metal & Cabin PART NO. T7

FIG 701 BONNET FRAME	213
FIG 702A BONNET (1)	215
FIG 702B BONNET (2)	217
FIG 703 EXTENSION COVER	219
FIG 704B LEVER COVER & STEP-NON CAB	221
FIG 705 FRONT & REAR MOUNTING	223
FIG 706 SEAT & MAT	225
FIG 710B FRAME & 2POLES-ROPS-NON CAB	227
FIG 713B SUB FENDER & COVER-NON CAB	229
FIG 714B MIRROR&WORKING LAMP-NON CAB	231
FIG 718 CABIN INTERIOR	233

## 8. Electrical System PART NO. T8

FIG 801 BATTERY & MOUNTING	236
FIG 802 HARNESS LAMP	238
FIG 803 INSTRUMENT PANEL	240
FIG 804 ELECTRIC SYSTEM (1)	242
FIG 805B ELECTRIC SYSTEM (2)-NON CAB	244
FIG 806 ELECTRIC SYSTEM (3)	246

## 9. Label/Option PART NO. T9

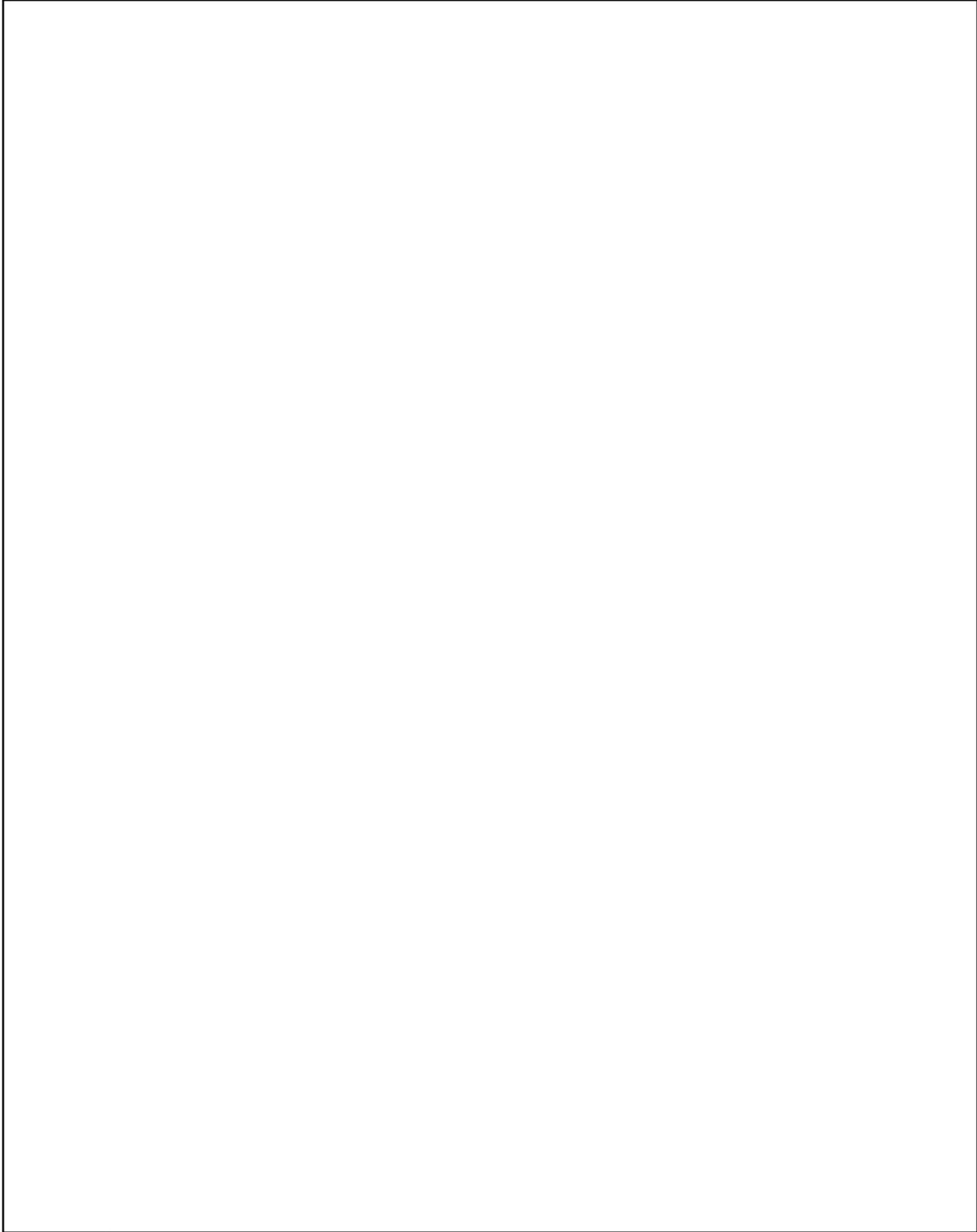
FIG 901 TOOL & ACCESSORY	249
FIG 902 LABEL	251
FIG 902 LABEL	253

0. TRACTOR KIT PART NO. TK1

FIG 000 TRAILER SOCKET KIT

7

FIG 000 T494NC	TRAILER SOCKET KIT	년/월 Year/Month 2022-12
-------------------	--------------------	------------------------------



NOTE	
------	--



## 1. Engine PART NO. EG

FIG 100 ENGINE	11
FIG 101 CYLINDER BLOCK	13
FIG 102B OILJET ASS'Y OPTION(T494)	15
FIG 103 CRANK SHAFT	17
FIG 104 PISTON	19
FIG 105 CYLINDER HEAD	21
FIG 106 ROCKER LEVER	23
FIG 107 HEAD COVER	25
FIG 108 GEAR CASE	27
FIG 109 IDLE GEAR	29
FIG 110 CAM SHAFT	31
FIG 111 OIL PUMP	33
FIG 112 HYD. PUMP DRIVE	35
FIG 113 2ND BALANCE	37
FIG 114 OIL PAN	39
FIG 115B INTAKE MANIFOLD(T494)	41
FIG 116B EXHAUST MANIFOLD(T494)	43
FIG 117B TURBOCHARGER ASS'Y(T494)	45
FIG 118B TURBOCHARGER PLUMBING OPTION(T494)	47
FIG 119B BREATHER(T494)	49
FIG 120 FUEL INJECTION PUMP	51
FIG 121 FUEL INJECTION VALVE	53
FIG 122 FUEL PIPE ASS'Y	55
FIG 123 OIL FILTER	57
FIG 124 OIL COOLER	59
FIG 125 OIL GAUGUE	61
FIG 126 OIL FILLER CAP	63
FIG 127 COOLING WATER PUMP	65
FIG 128 CRANK SHAFT PULLEY	67
FIG 129 V-PULLEY	69
FIG 130 COOLING FAN	71
FIG 131 FLYWHEEL HOUSING	73
FIG 132 FLYWHEEL	75
FIG 133 GLOW PLUG ASS'Y OPTION	77
FIG 134 STARTING MOTOR	79
FIG 135 FUEL FILTER BRACKET ASS'Y	81
FIG 136 ALTERNATOR	83
FIG 137 V-BELT	85

FIG 138 FUEL FILTER	87
FIG 139B DPF SUPPORT (T494)	89
FIG 140 DATAPLATE	91
FIG 142B DPF ASS'Y (T494)	93
FIG 143 LIFT ASS'Y	95
FIG 144 COMP . DRIVE PULLEY ASS'Y OPTION	97
FIG 147 LOOSED PARTS	99

FIG 100 T494NC	ENGINE	년/월 Year/Month
		2022-12
NOTE		



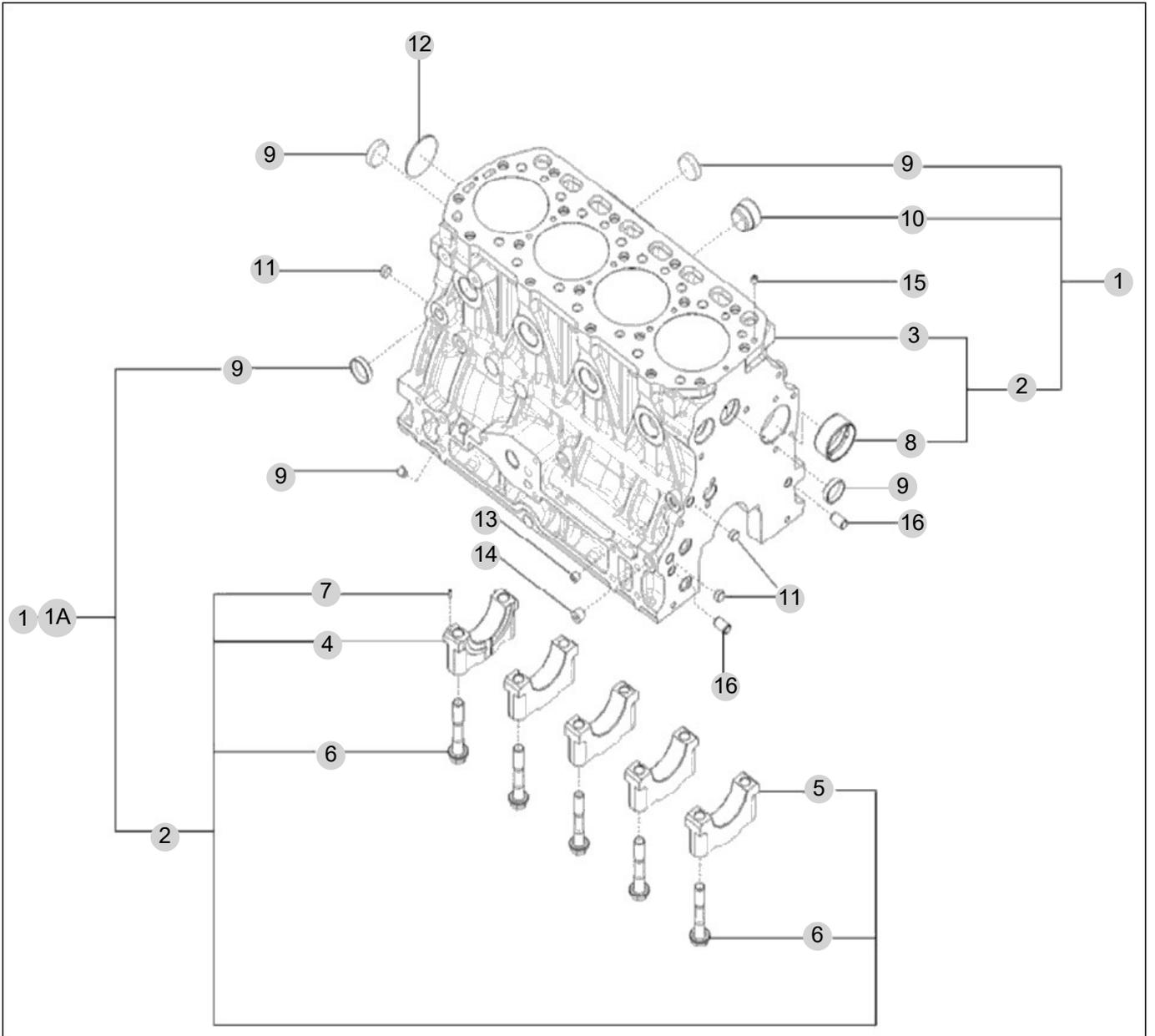
FIG 101

CYLINDER BLOCK

년/월  
Year/Month

2022-12

T494NC



NOTE



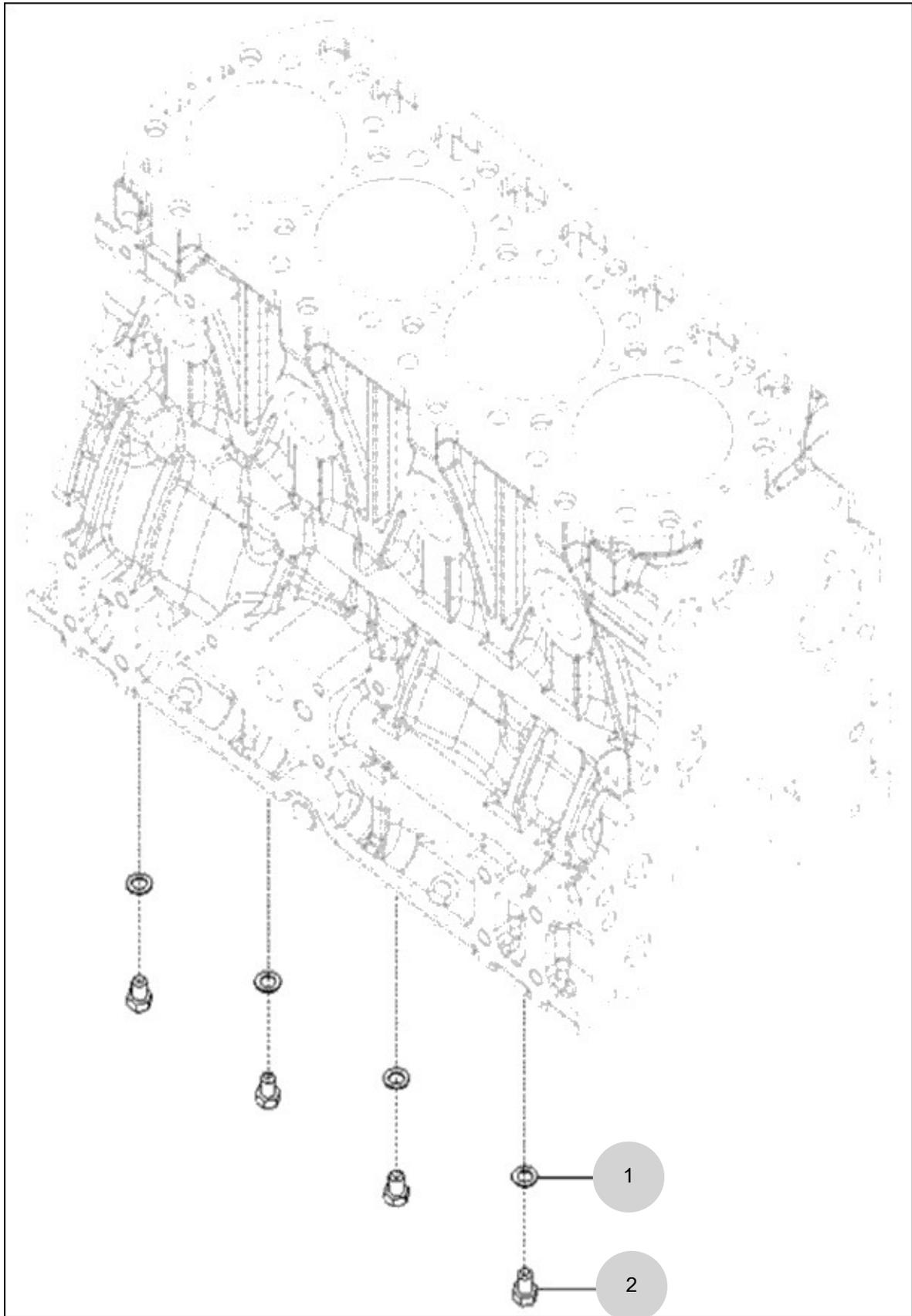
FIG 102B

OILJET ASS'Y OPTION(T494)

년/월  
Year/Month

2022-12

T494NC



NOTE



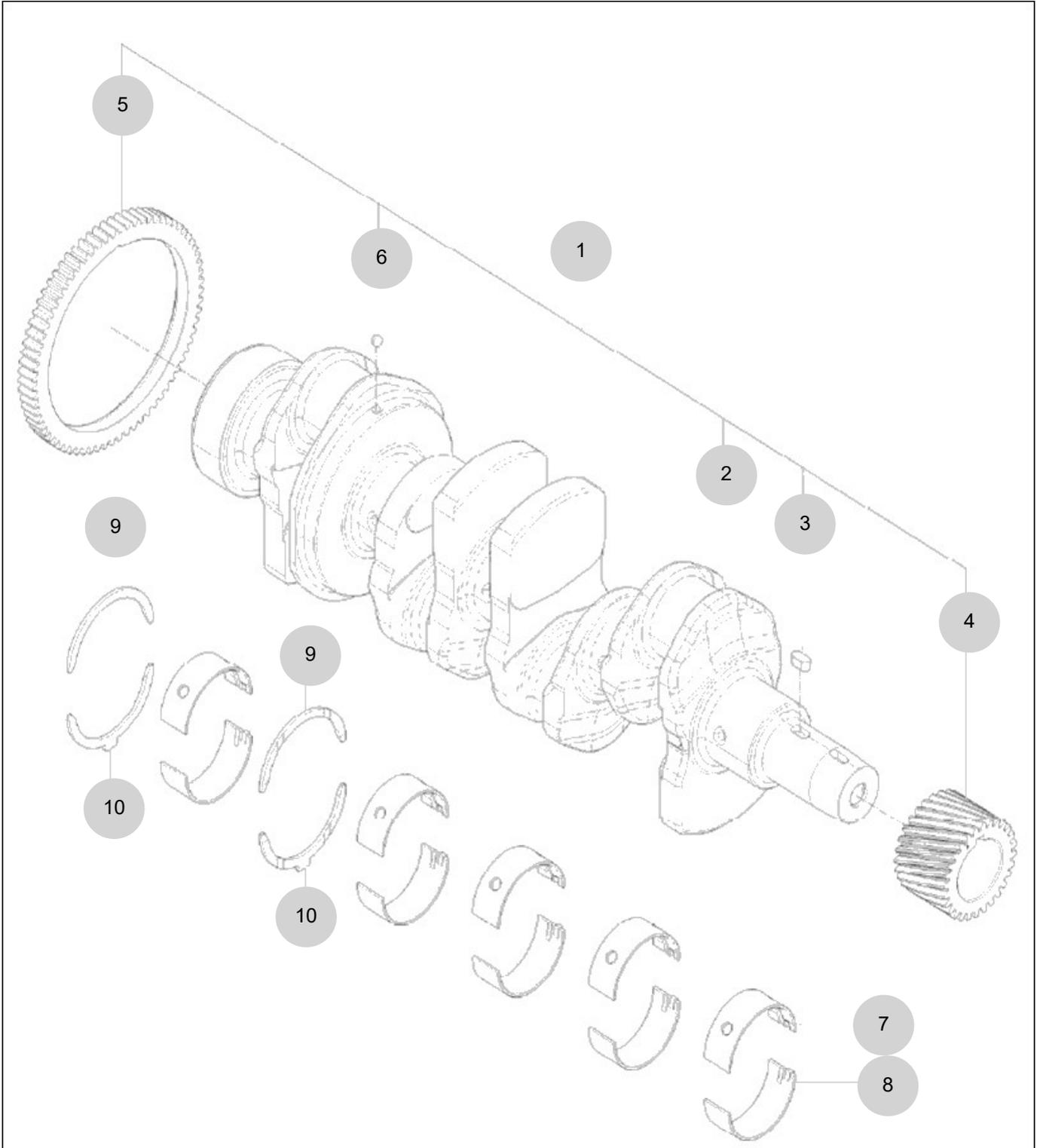
FIG 103

CRANK SHAFT

년/월  
Year/Month

2022-12

T494NC



NOTE



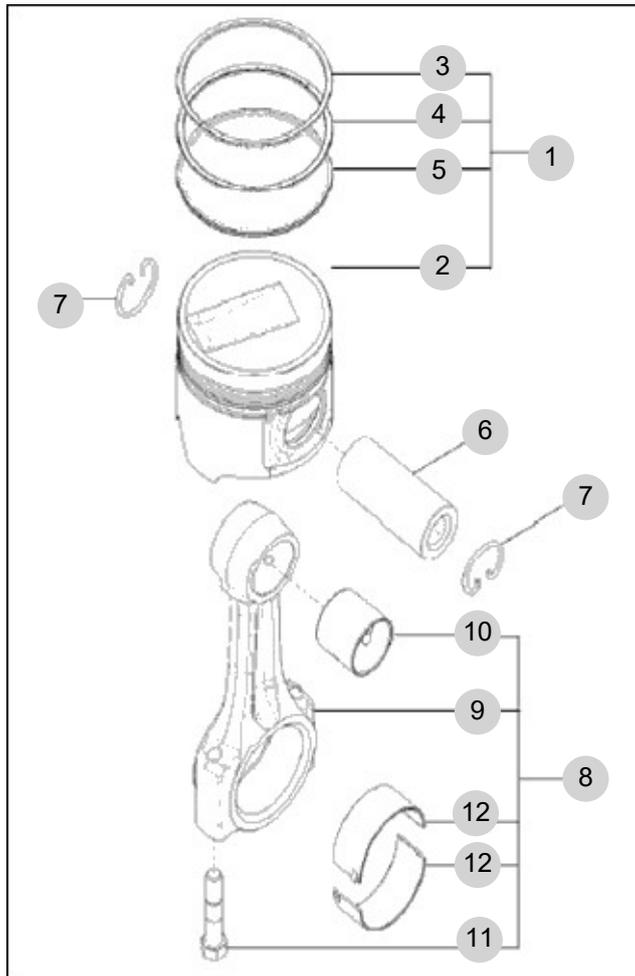
FIG 104

T494NC

PISTON

년/월  
Year/Month

2022-12



NOTE



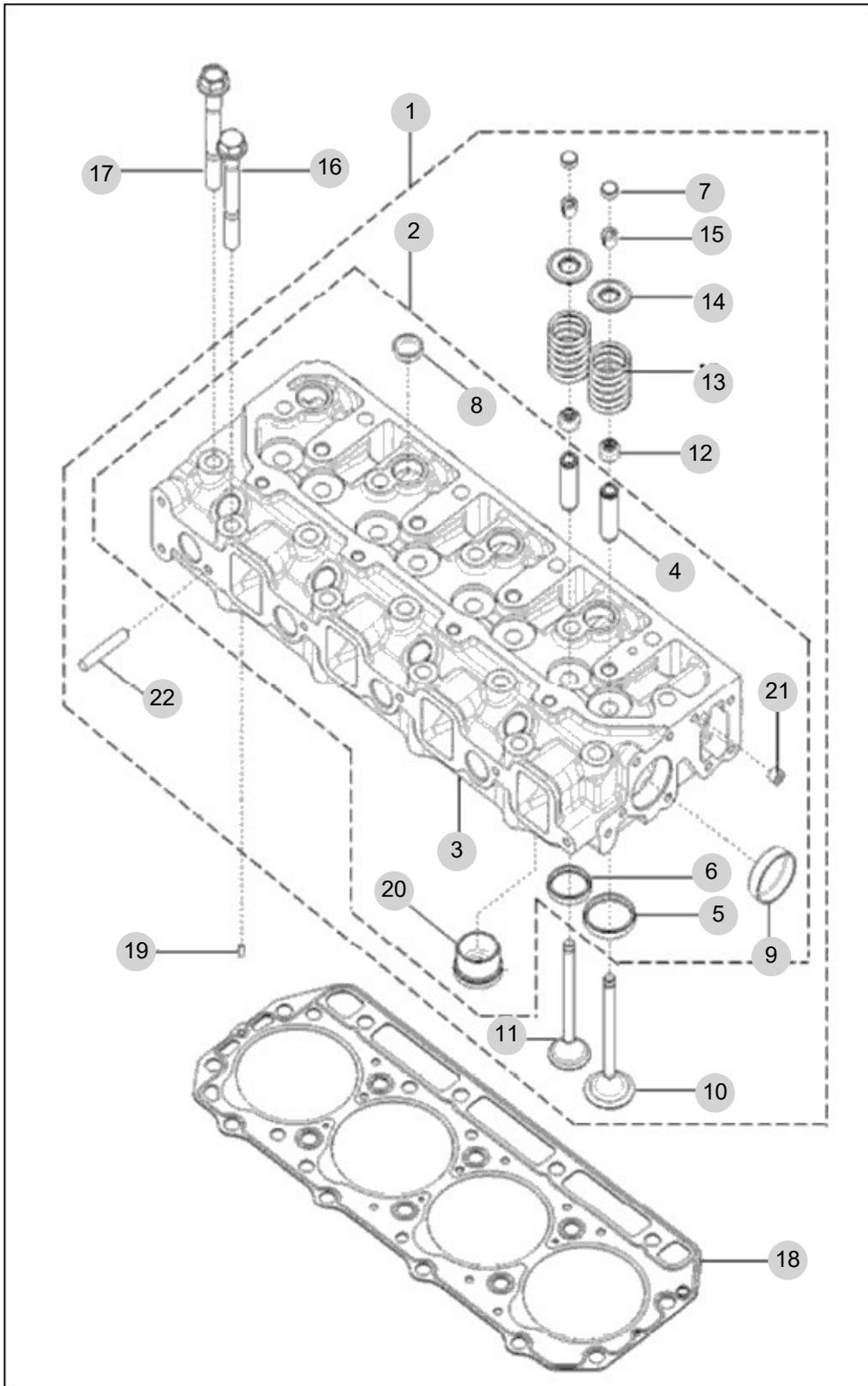
FIG 105

CYLINDER HEAD

년/월  
Year/Month

2022-12

T494NC



NOTE



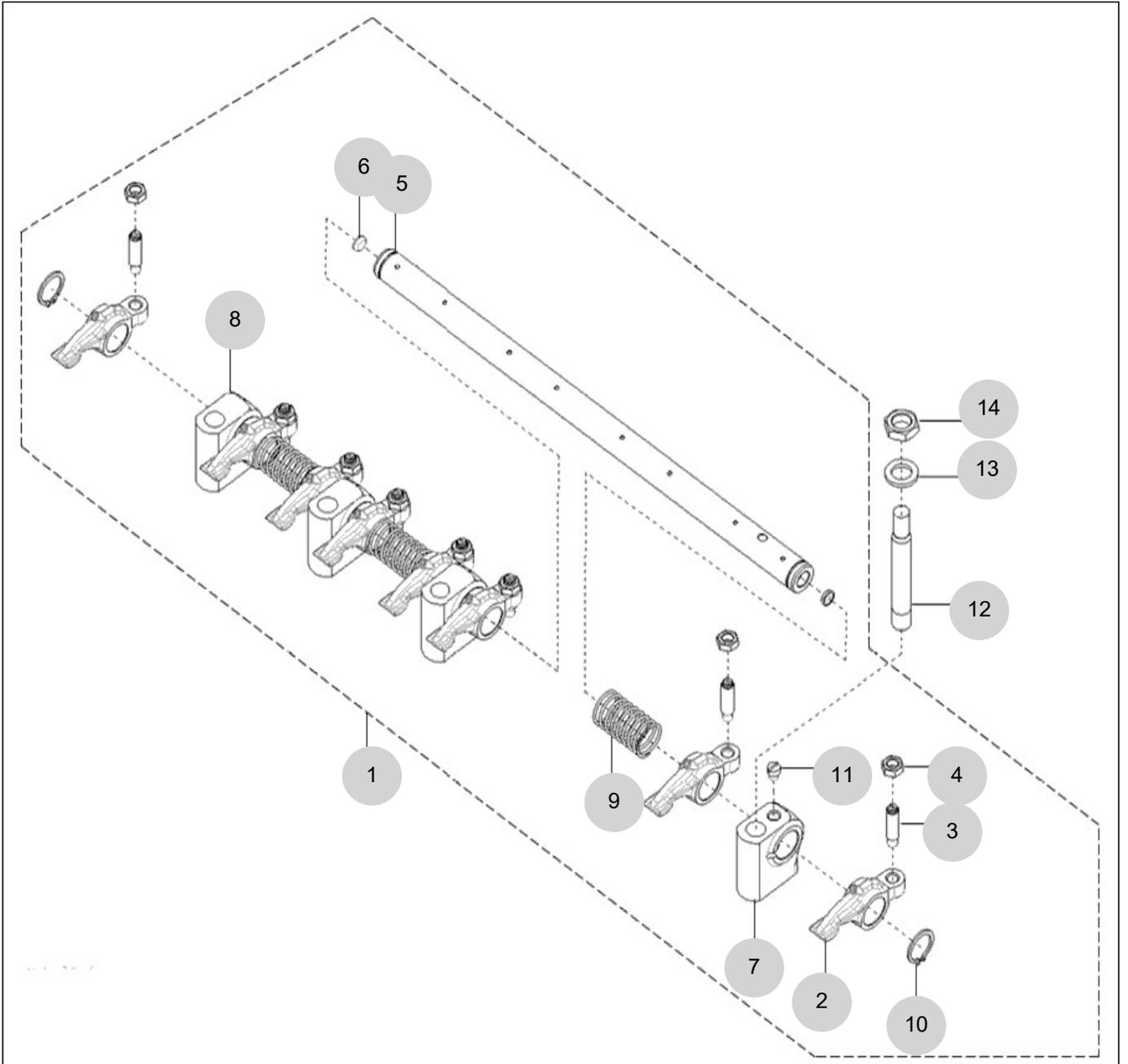
FIG 106

ROCKER LEVER

년/월  
Year/Month

T494NC

2022-12



NOTE



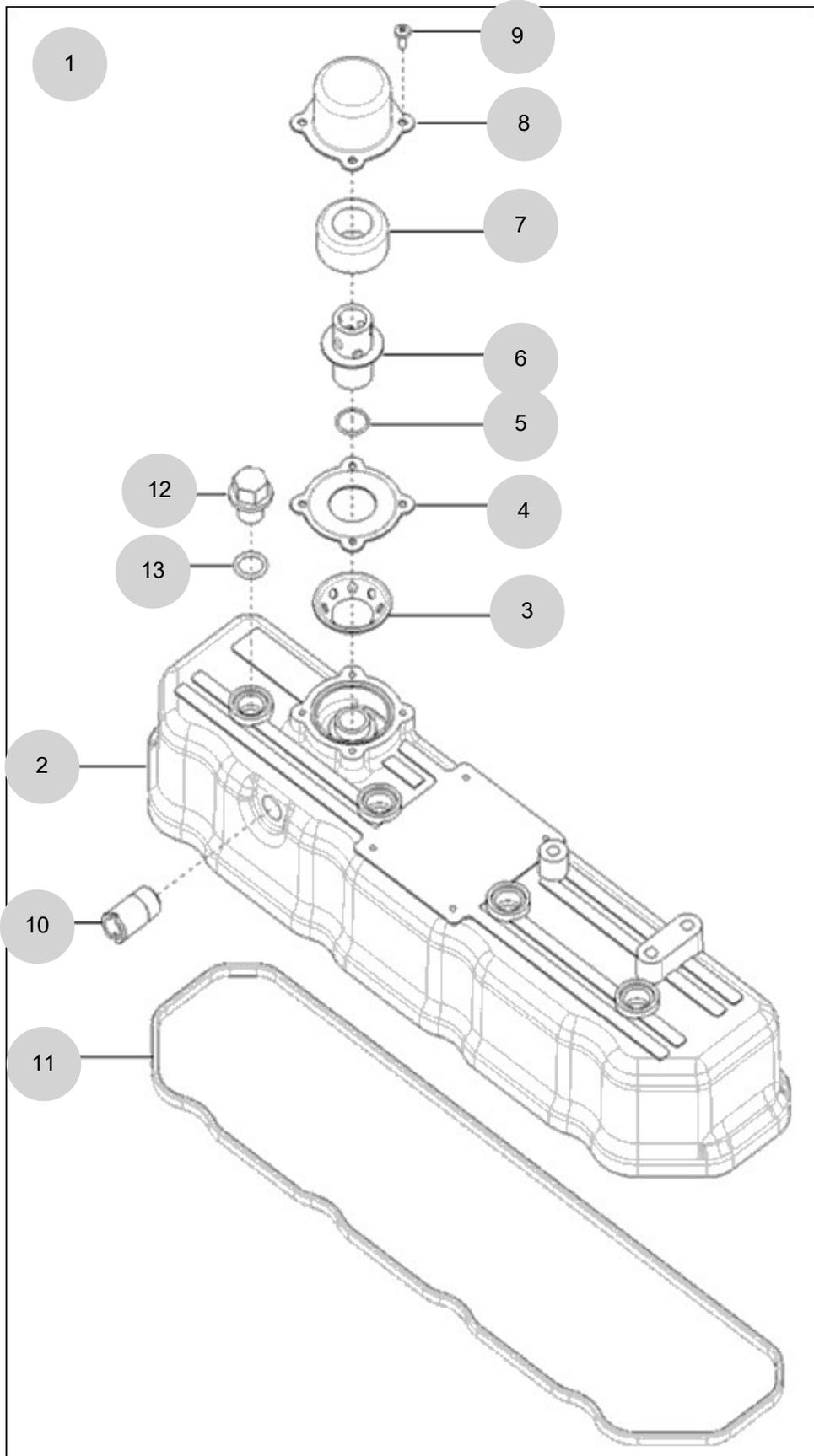
FIG 107

T494NC

HEAD COVER

년/월  
Year/Month

2022-12



NOTE



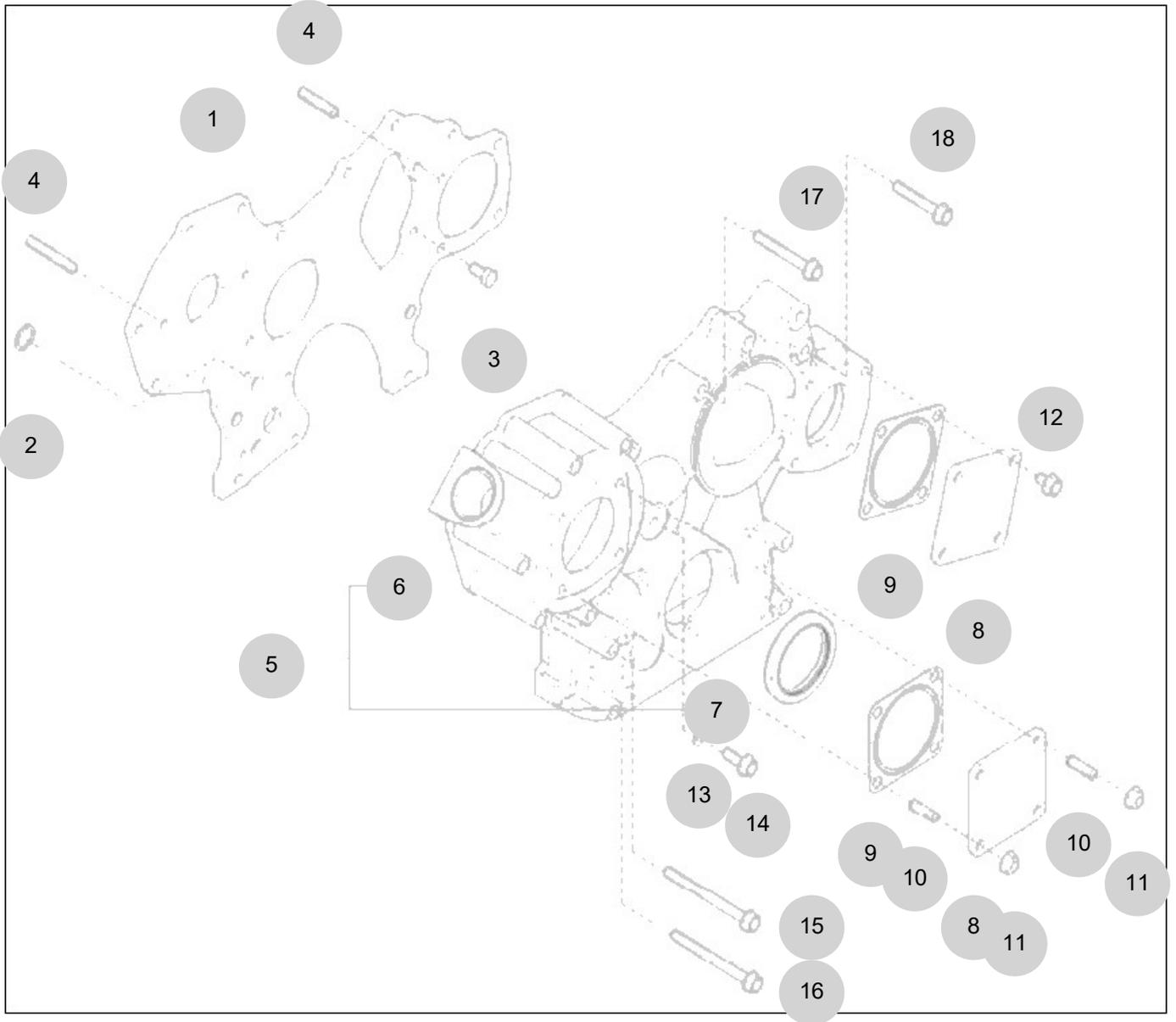
FIG 108

T494NC

GEAR CASE

년/월  
Year/Month

2022-12



NOTE



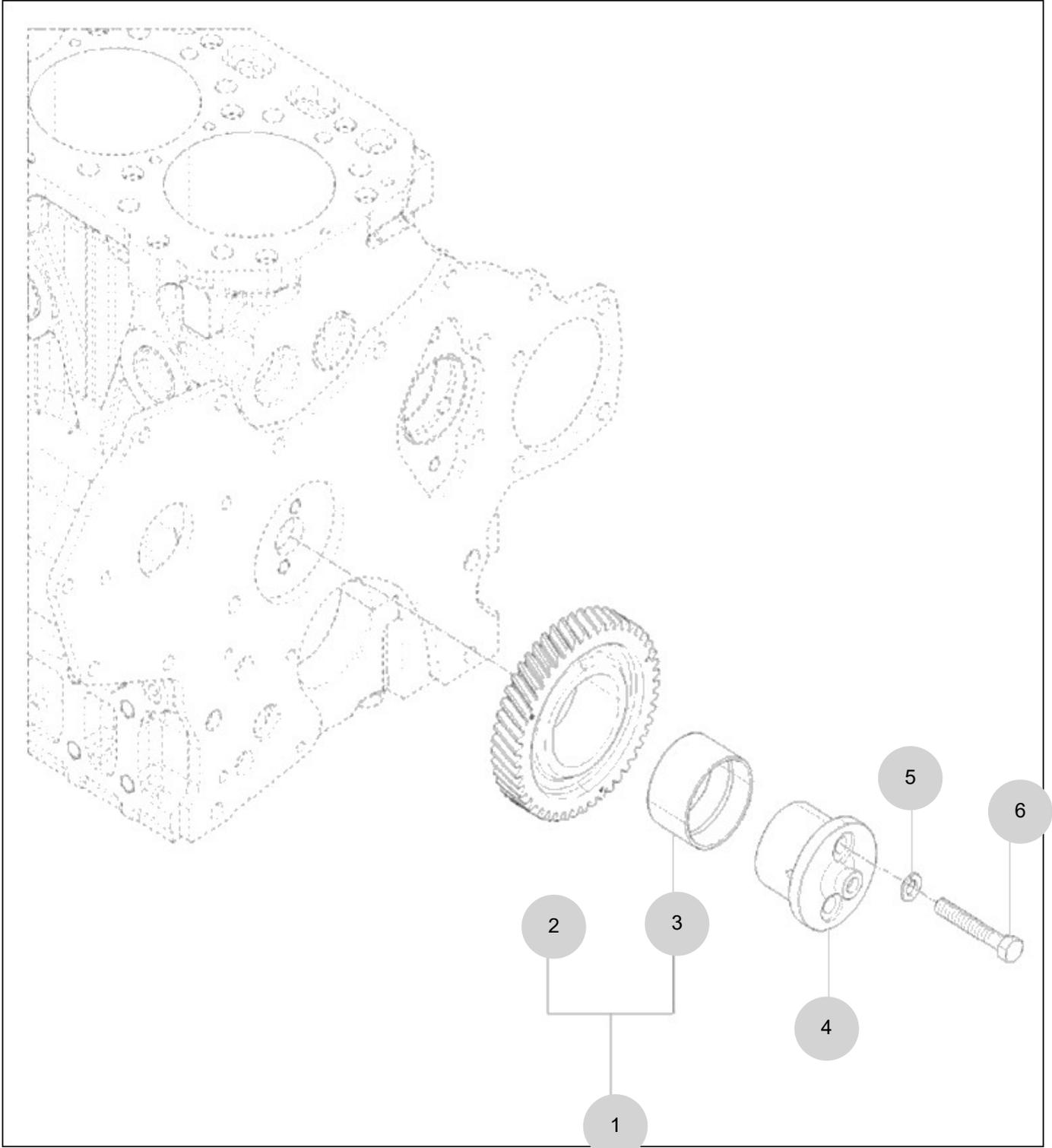
FIG 109

T494NC

IDLE GEAR

년/월  
Year/Month

2022-12



NOTE



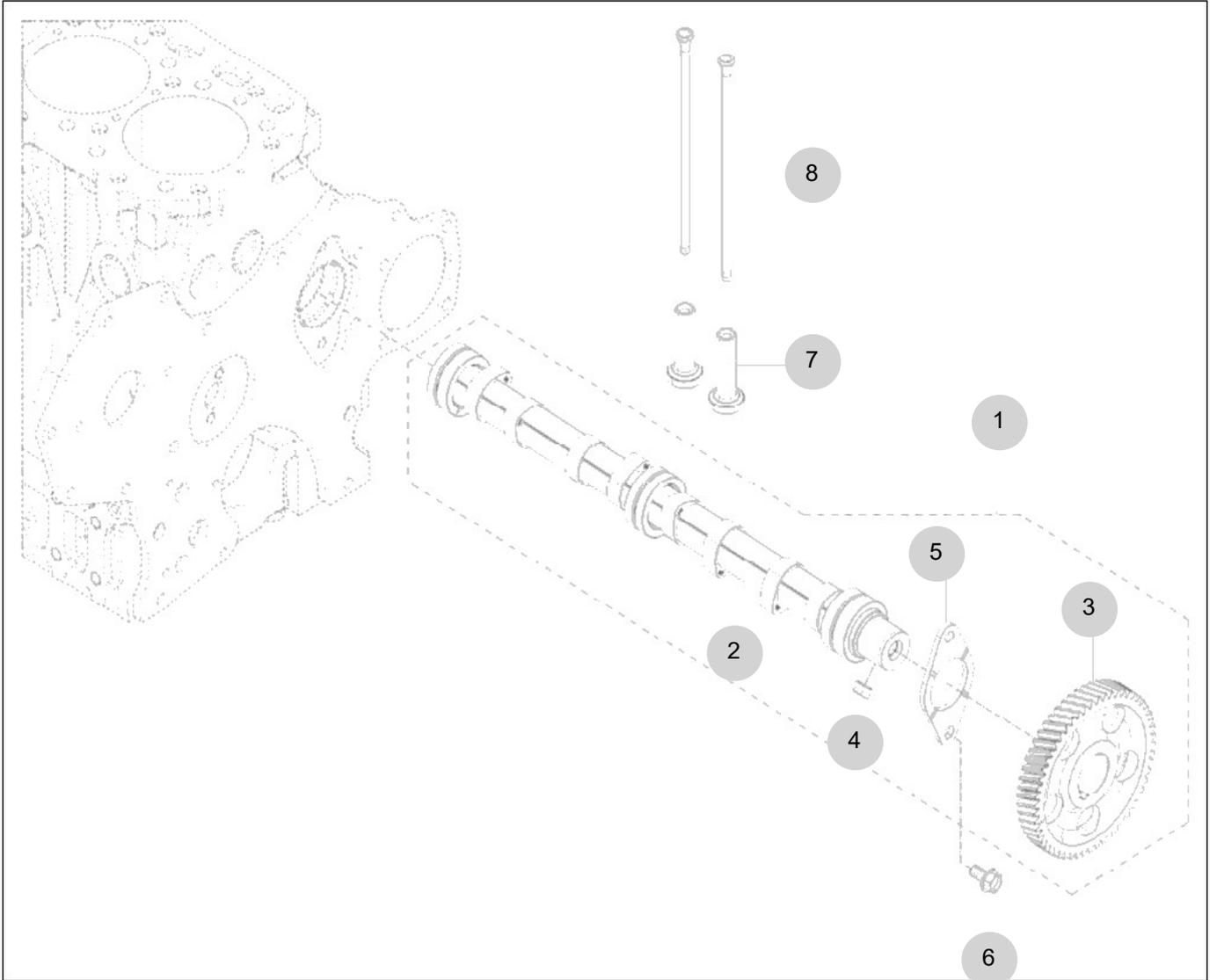
FIG 110

T494NC

CAM SHAFT

년/월  
Year/Month

2022-12



NOTE



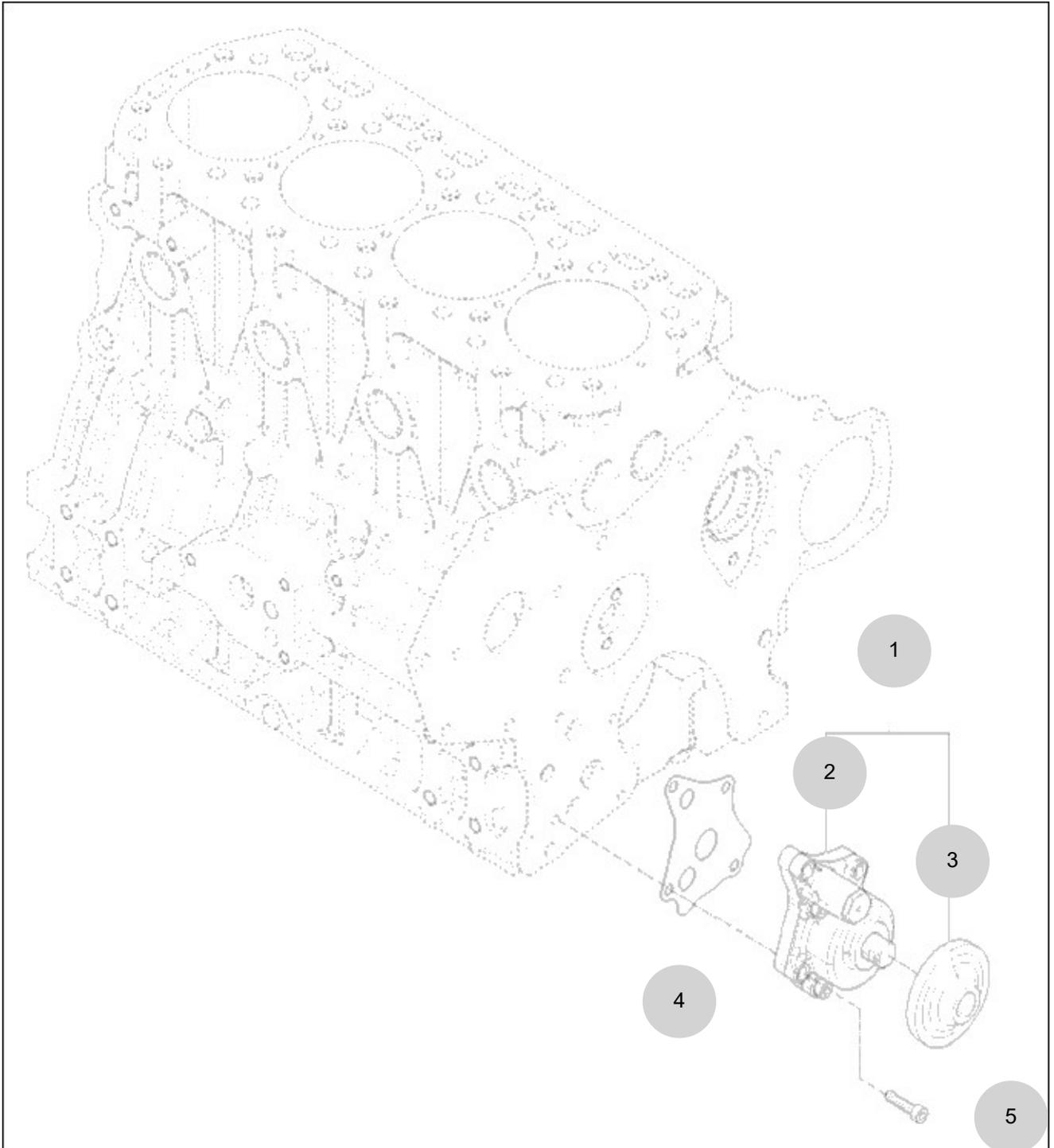
FIG 111

OIL PUMP

년/월  
Year/Month

T494NC

2022-12



NOTE



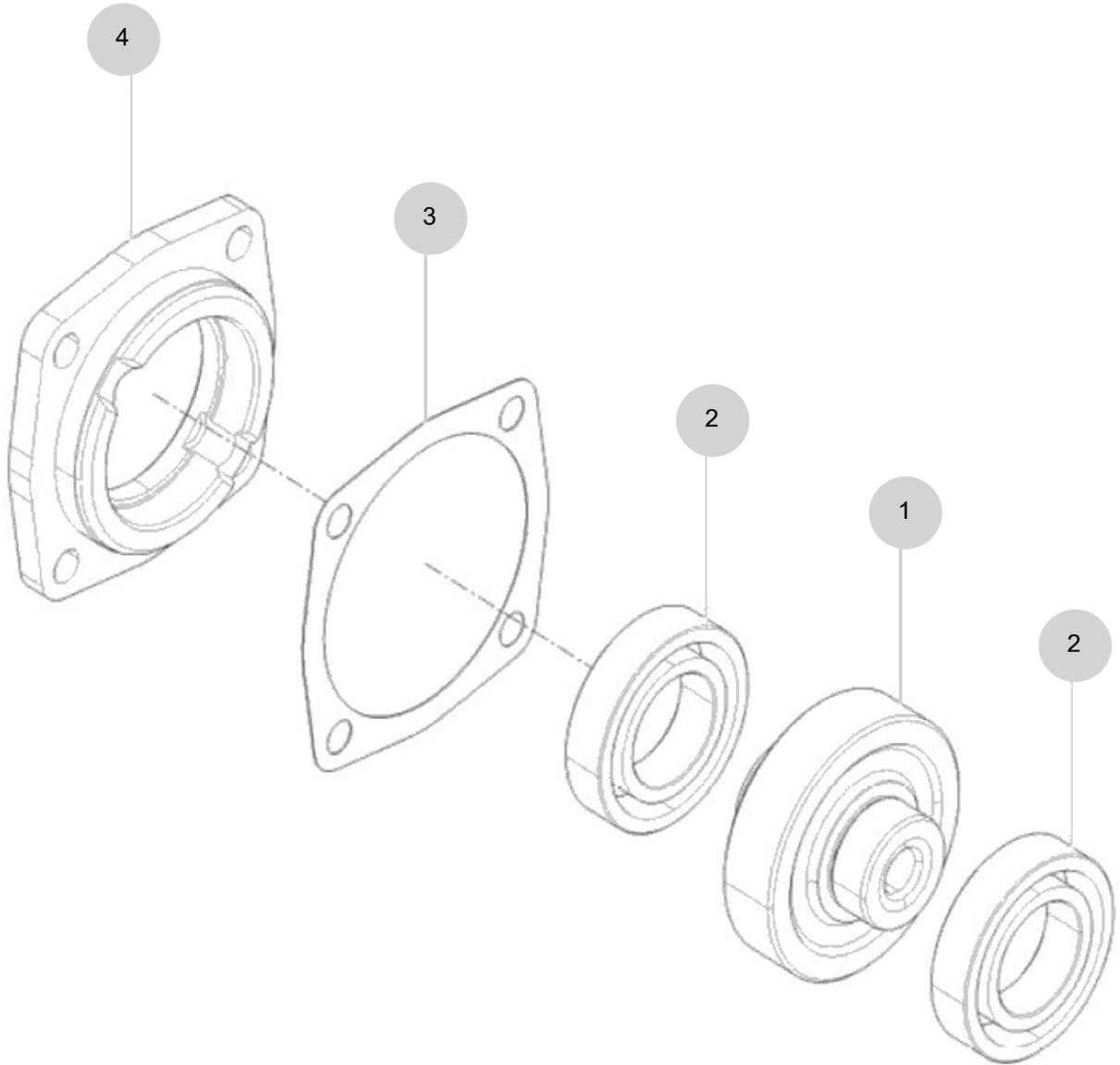
FIG 112

HYD. PUMP DRIVE

년/월  
Year/Month

T494NC

2022-12



NOTE



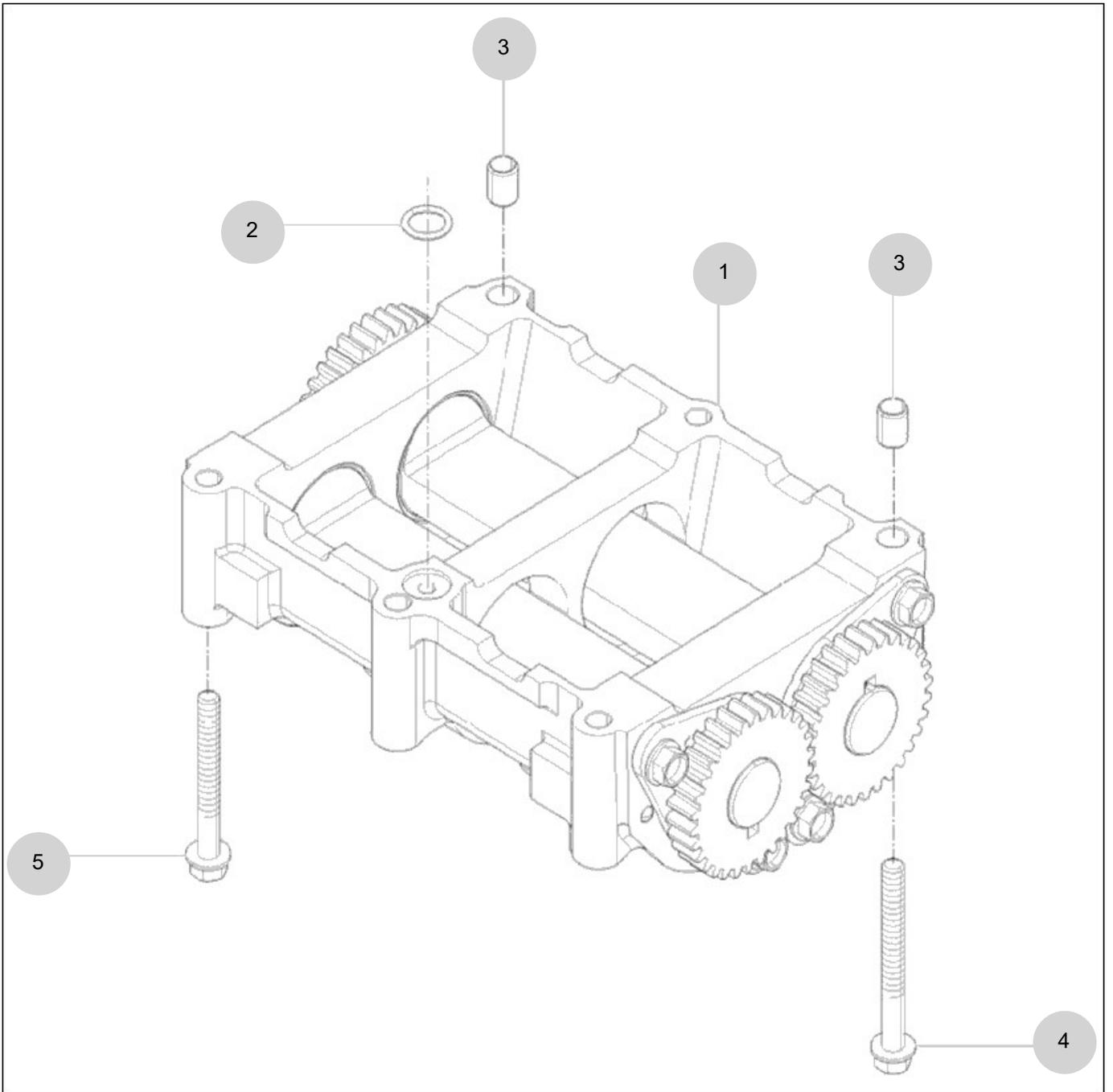
FIG 113

T494NC

2ND BALANCE

년/월  
Year/Month

2022-12



NOTE



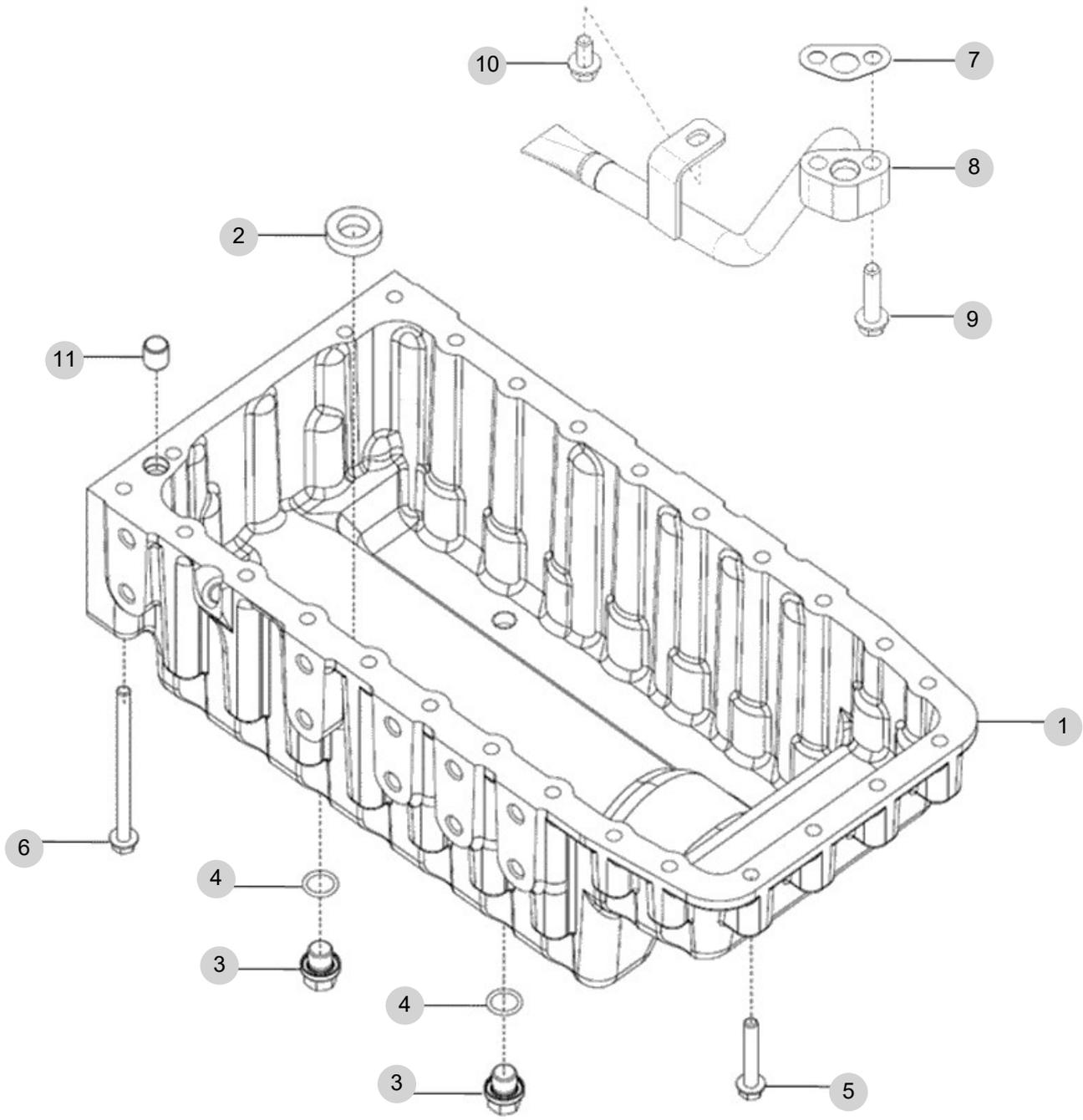
FIG 114

T494NC

OIL PAN

년/월  
Year/Month

2022-12



NOTE



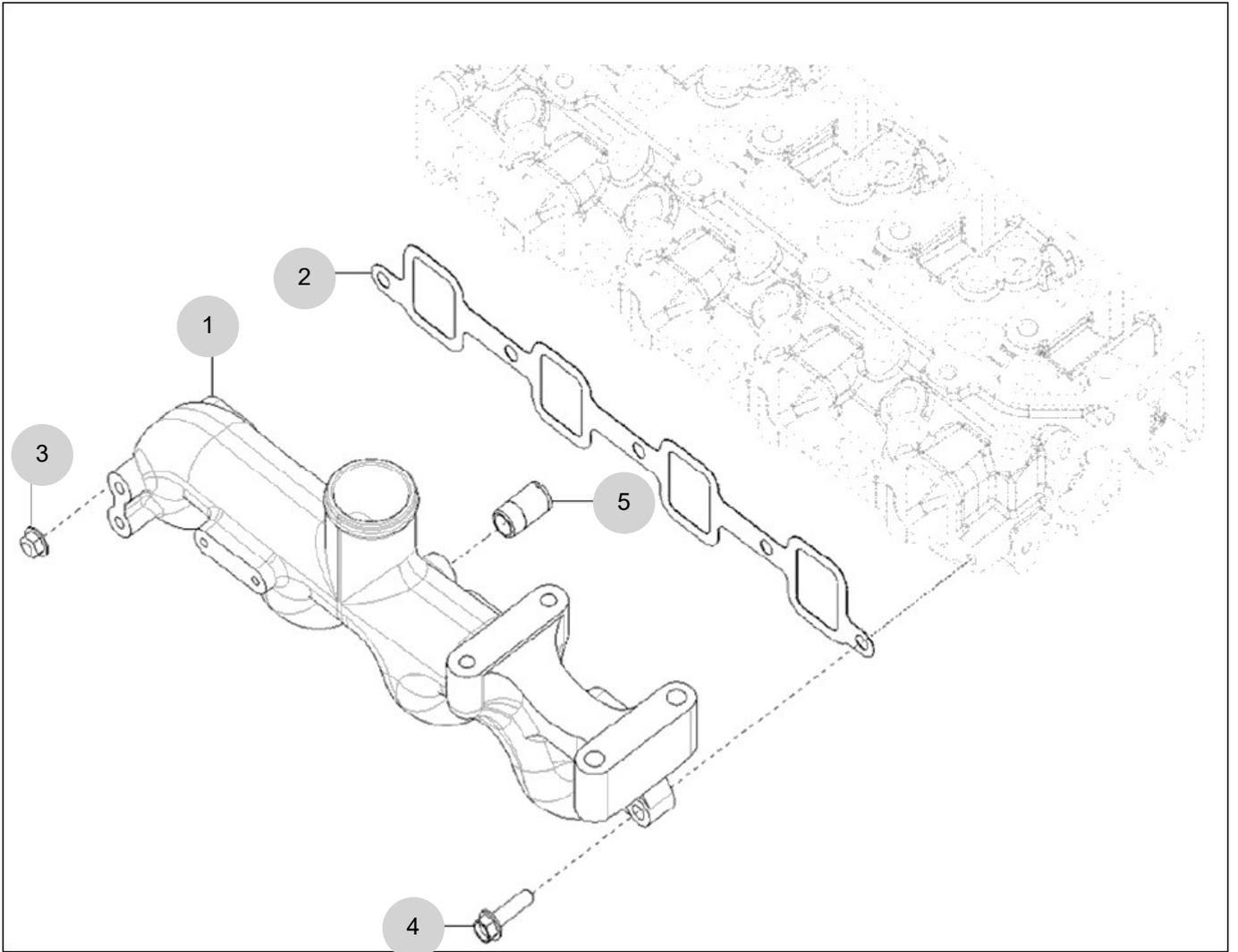
FIG 115B

T494NC

INTAKE MANIFOLD(T494)

년/월  
Year/Month

2022-12



NOTE



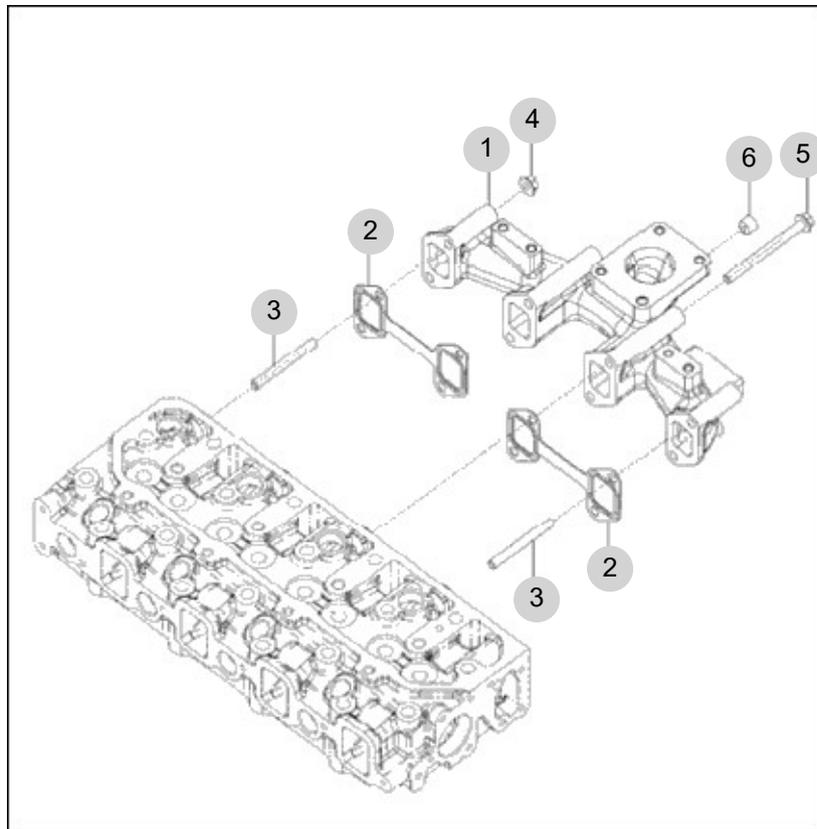
FIG 116B

T494NC

EXHAUST MANIFOLD(T494)

년/월  
Year/Month

2022-12



NOTE

FIG 116B		EXHAUST MANIFOLD(T494)						년/월	REMARKS
								Year/Month	
T494NC								2022-12	
KEY NO	PART NO	DESCRIPTION	SPEC	QTY	REPAIR	EFFECTIVE DATE	REMARKS		
116B	1	EA00003142A	EXHAUST MANIFOLD		1				
116B	1	EA00003142B	EXHAUST MANIFOLD		1				
116B	2	HRA0600200A	GASKET(EXHAUST MANIFOLD)		2				
116B	3	26216-080652	STUD BOLT		4				
116B	4	EA00000645A	HEX. FLANGE NUT		4				
116B	4	2636A-080002	HEX. FLANGE NUT		4				
116B	5	26106-080952	HEX. FLANGE BOLT		4				
116B	6	23871-020000	PLUG, PIPE		1				
NOTE									

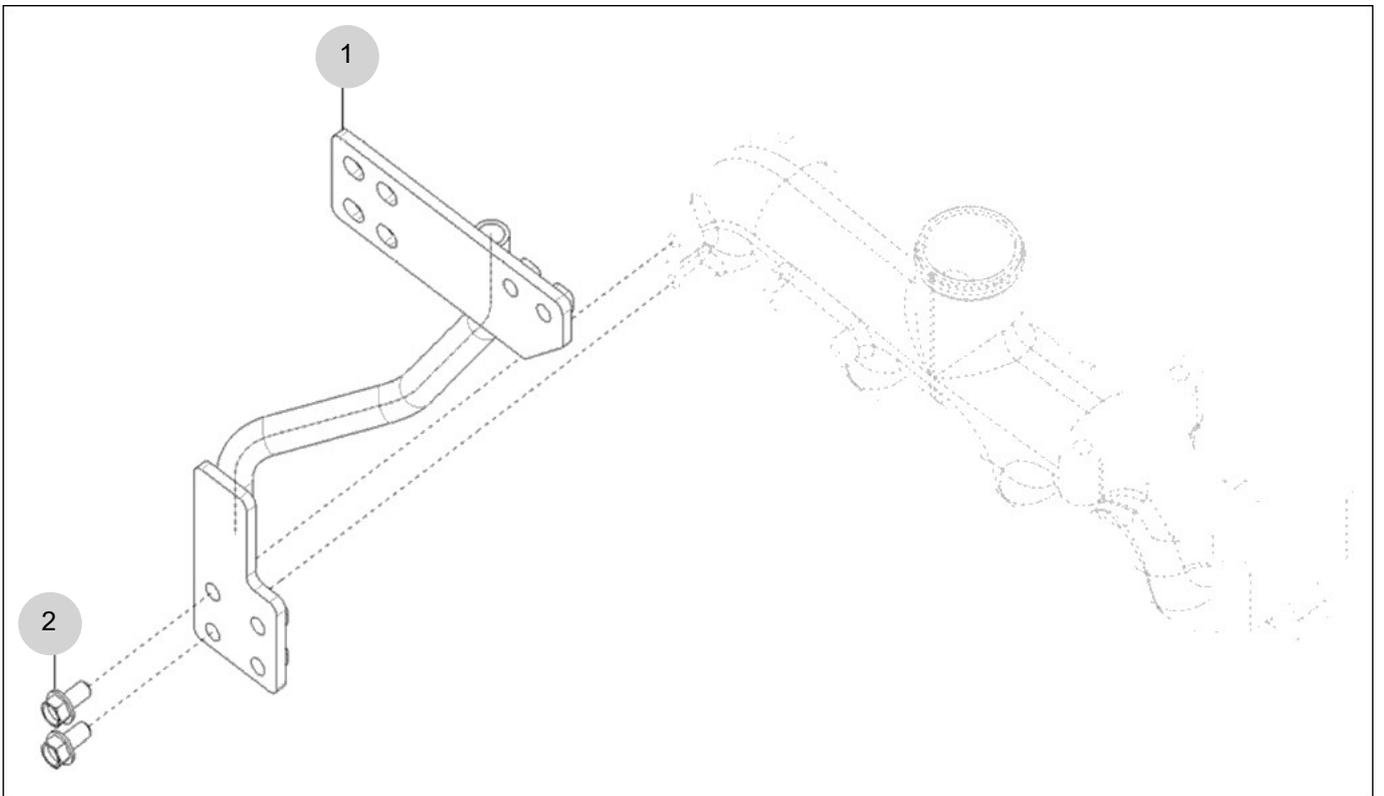
FIG 117B

T494NC

TURBOCHARGER ASS'Y(T494)

년/월  
Year/Month

2022-12



NOTE



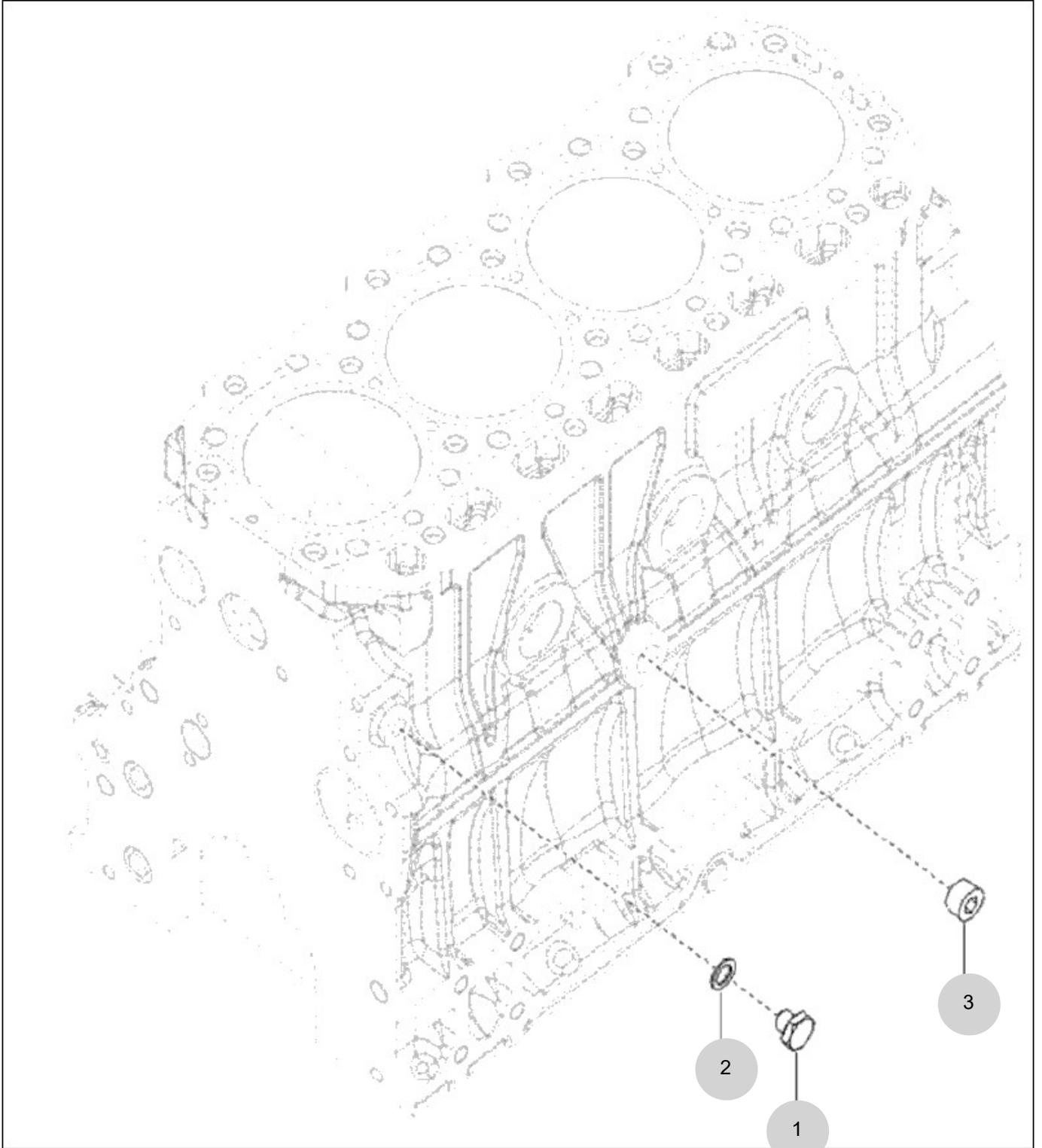
FIG 118B

TURBOCHARGER PLUMBING OPTION(T494)

년/월  
Year/Month

2022-12

T494NC



NOTE



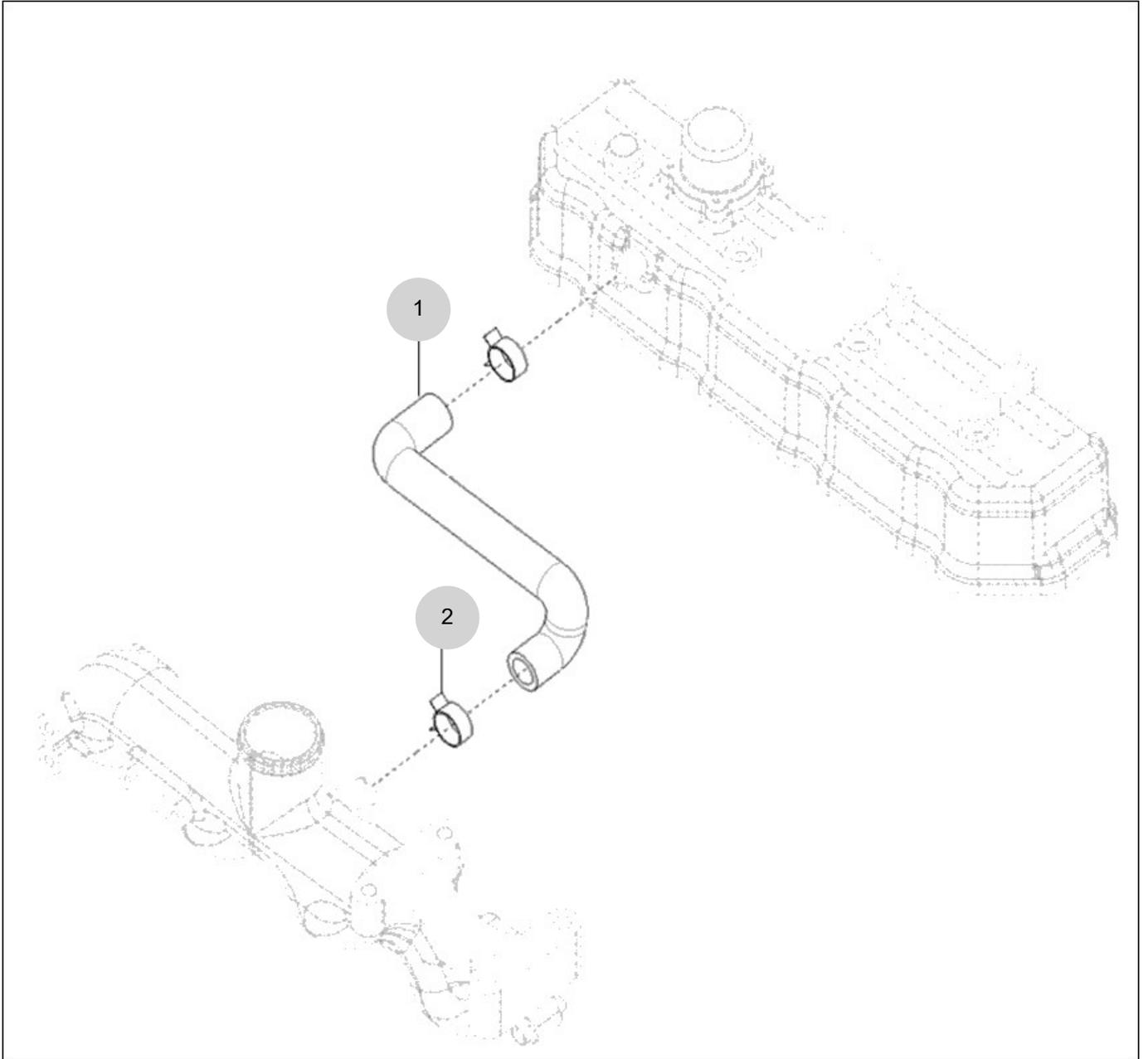
FIG 119B

BREATHER(T494)

년/월  
Year/Month

T494NC

2022-12



NOTE



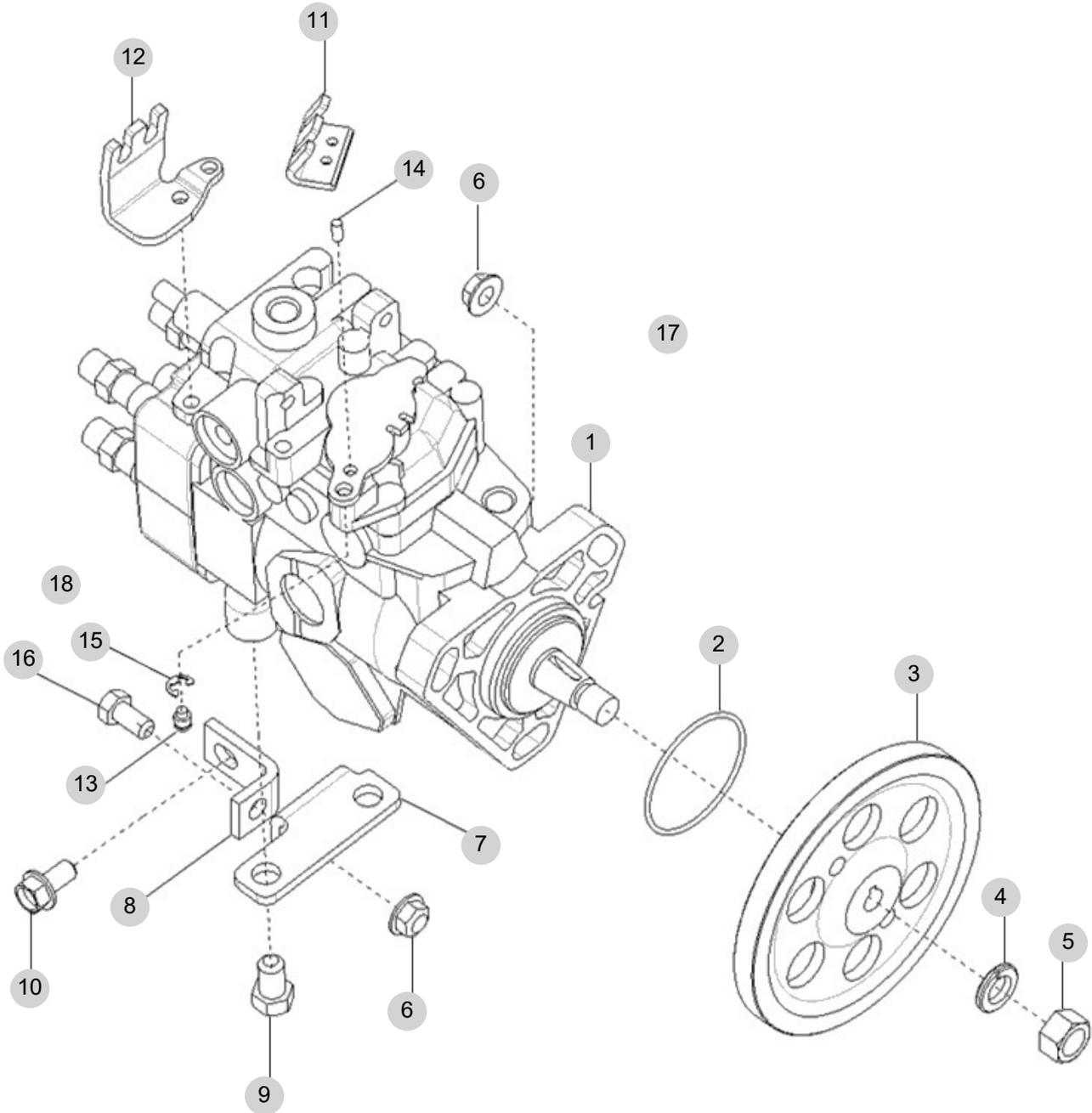
FIG 120

FUEL INJECTION PUMP

년/월  
Year/Month

2022-12

T494NC



NOTE



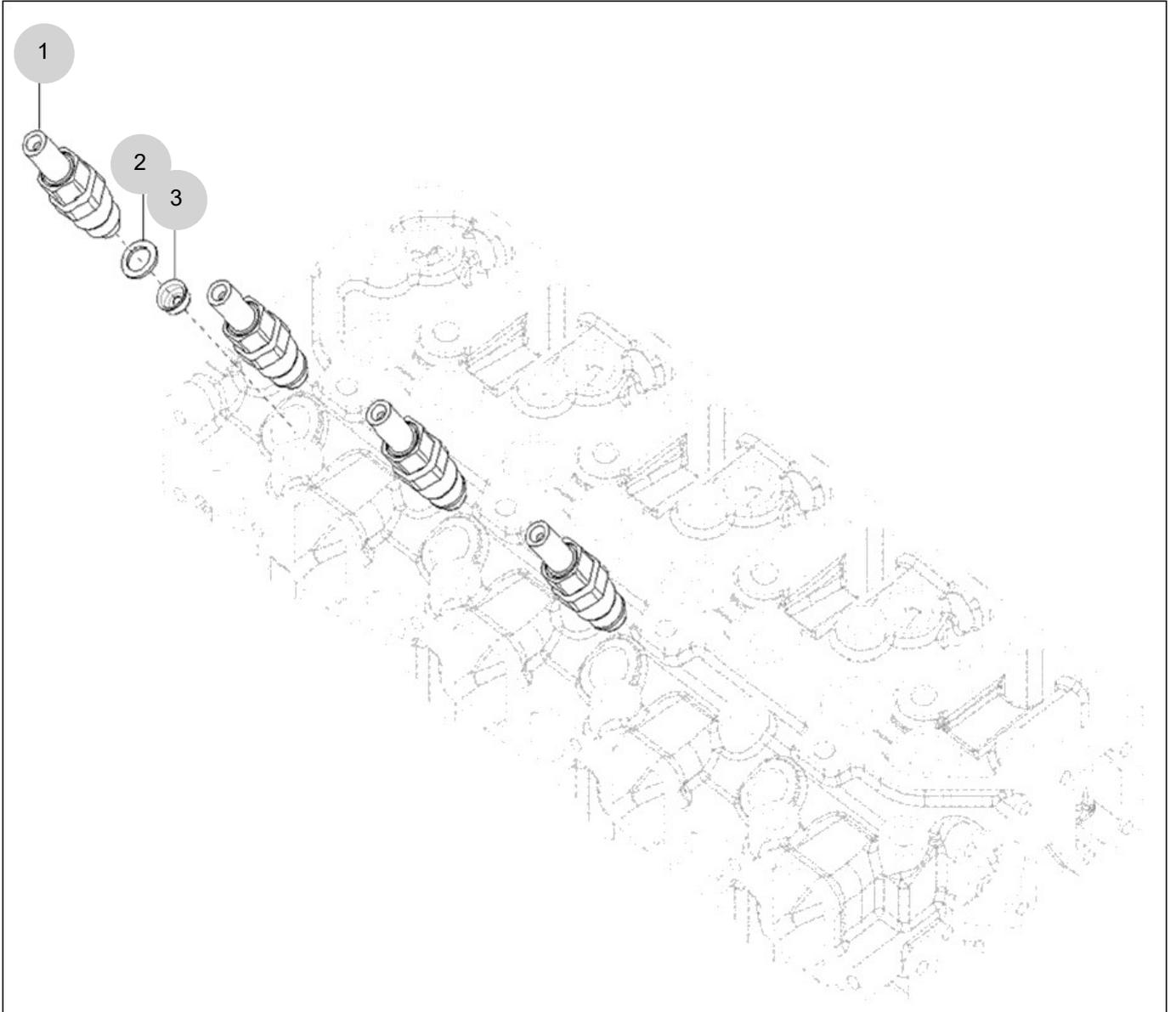
FIG 121

T494NC

FUEL INJECTION VALVE

년/월  
Year/Month

2022-12



NOTE



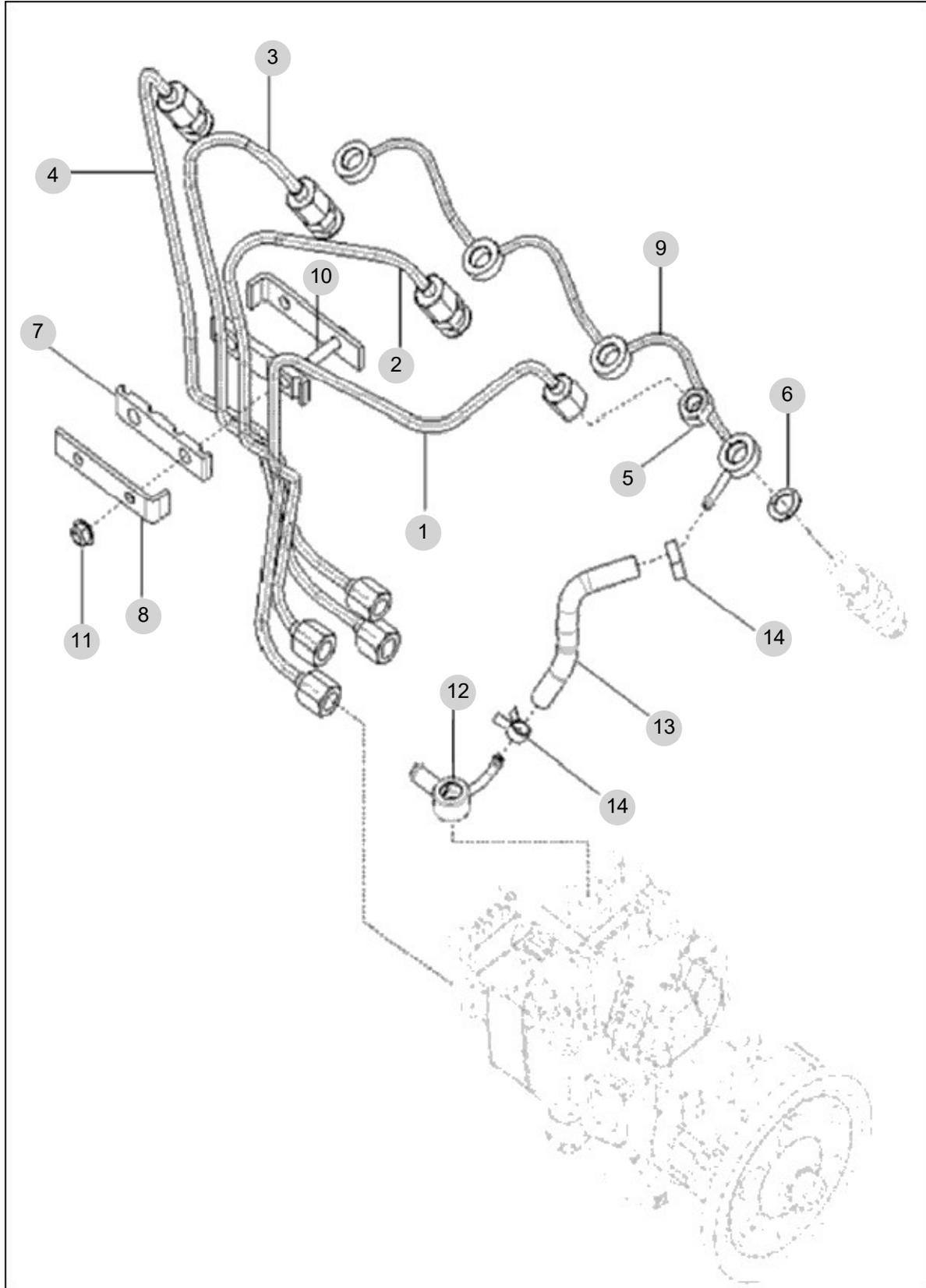
FIG 122

FUEL PIPE ASS'Y

년/월  
Year/Month

2022-12

T494NC



NOTE



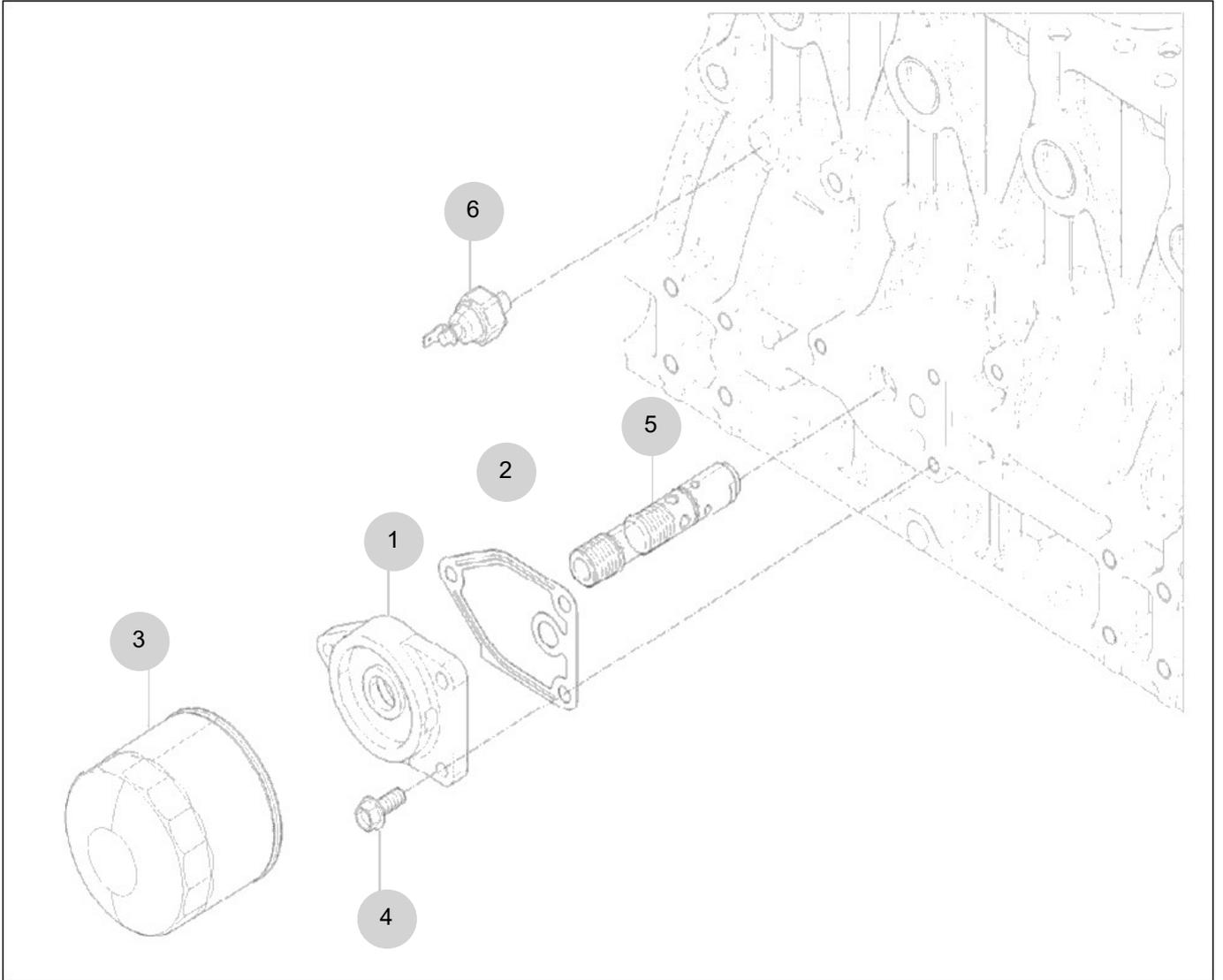
FIG 123

T494NC

OIL FILTER

년/월  
Year/Month

2022-12



NOTE



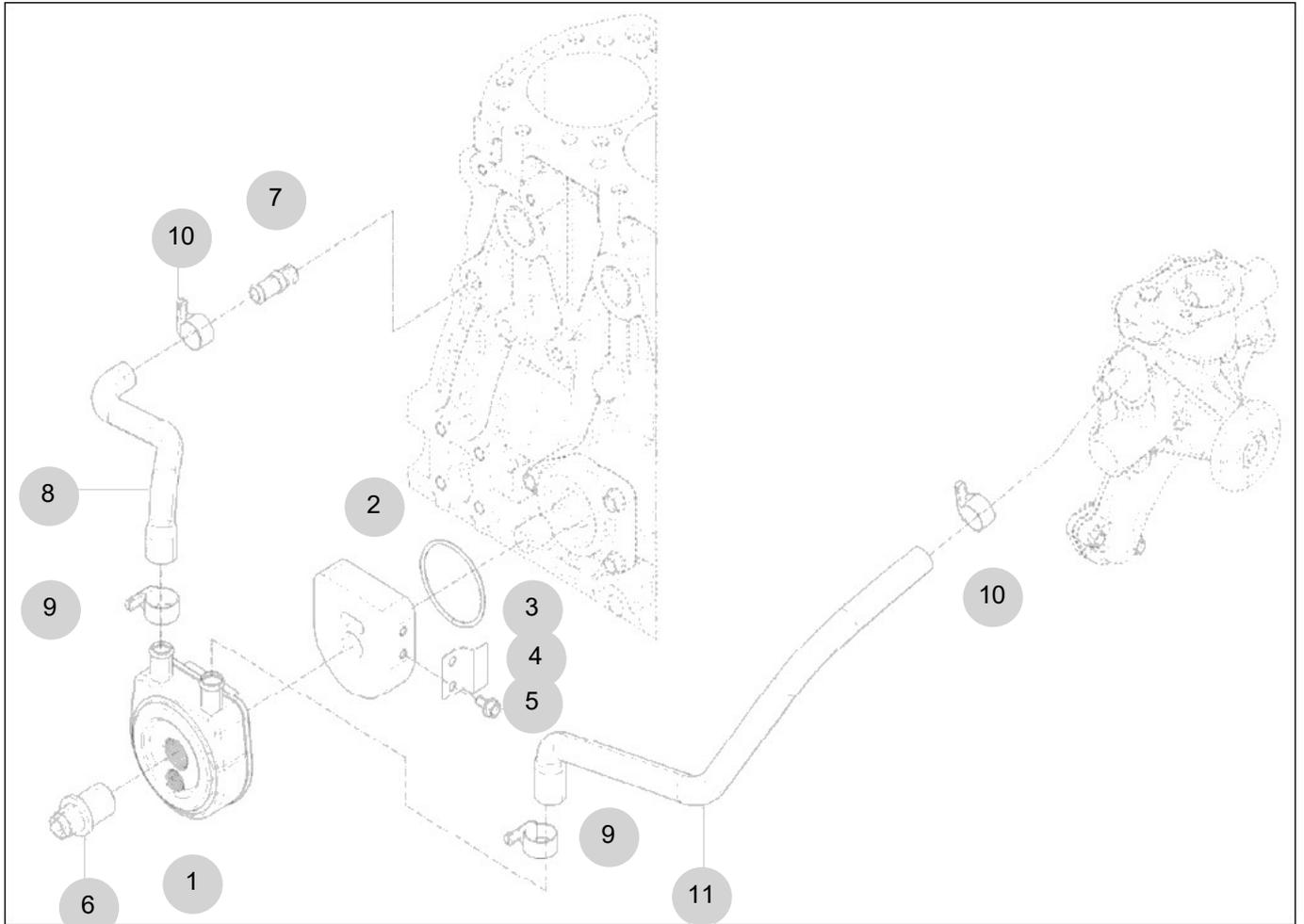
FIG 124

OIL COOLER

년/월  
Year/Month

2022-12

T494NC



NOTE



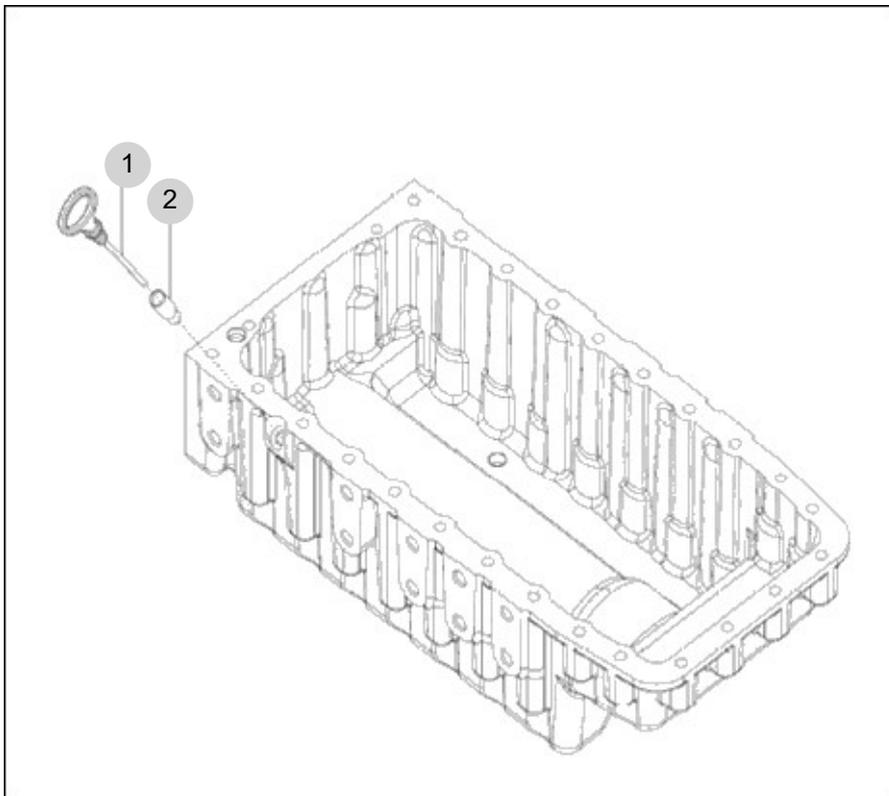
FIG 125

OIL GAUGUE

년/월  
Year/Month

T494NC

2022-12



NOTE



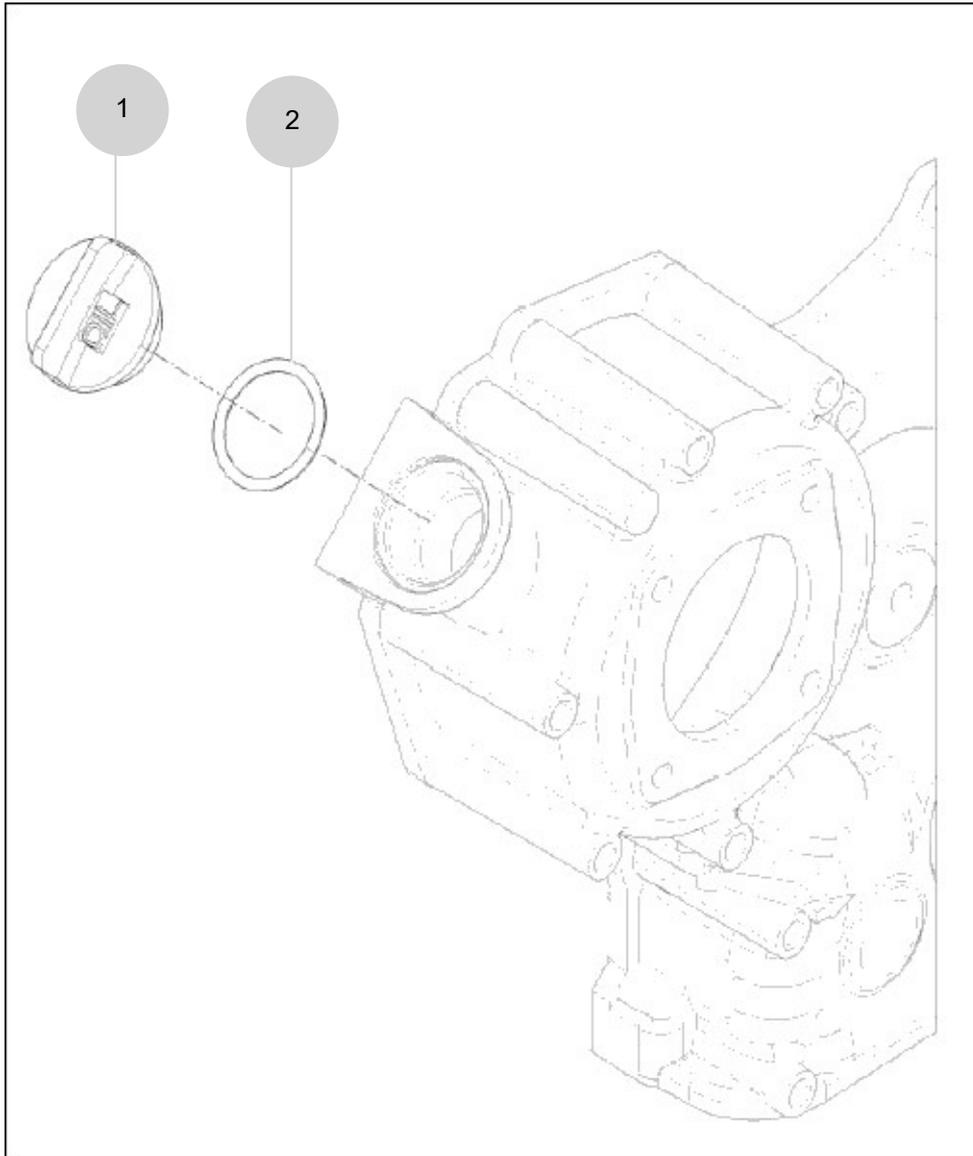
FIG 126

T494NC

OIL FILLER CAP

년/월  
Year/Month

2022-12



NOTE



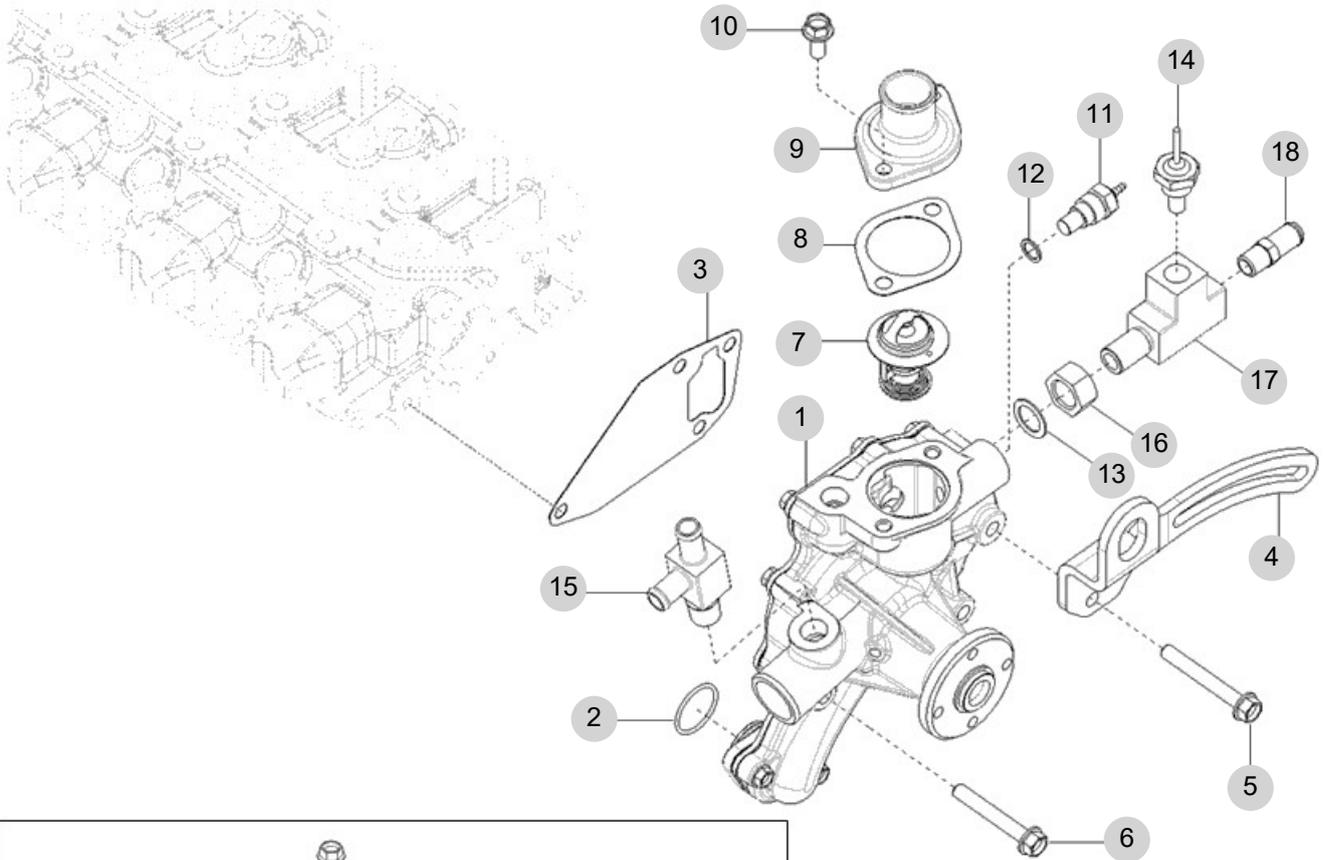
FIG 127

COOLING WATER PUMP

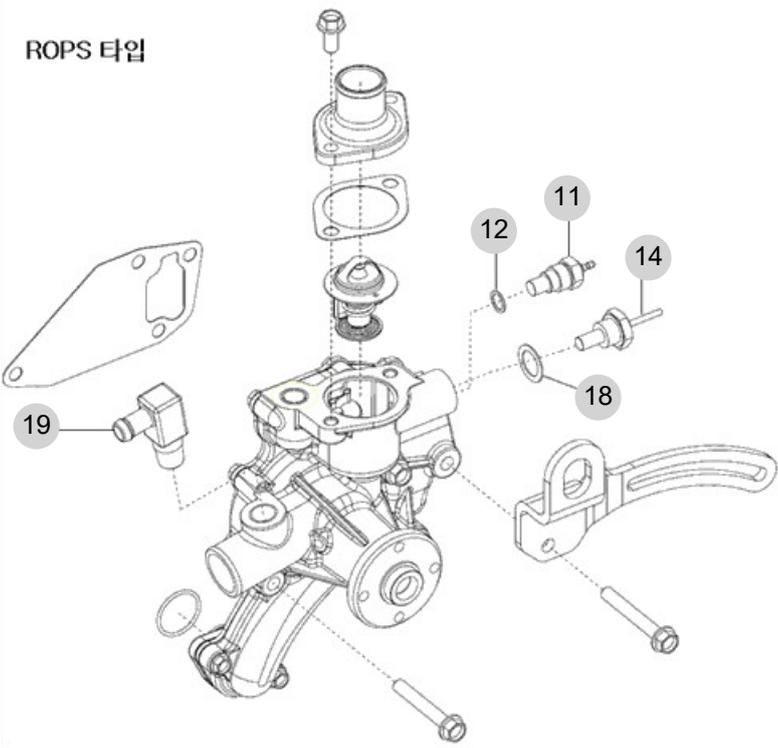
년/월  
Year/Month

2022-12

T494NC



ROPS 타입



NOTE



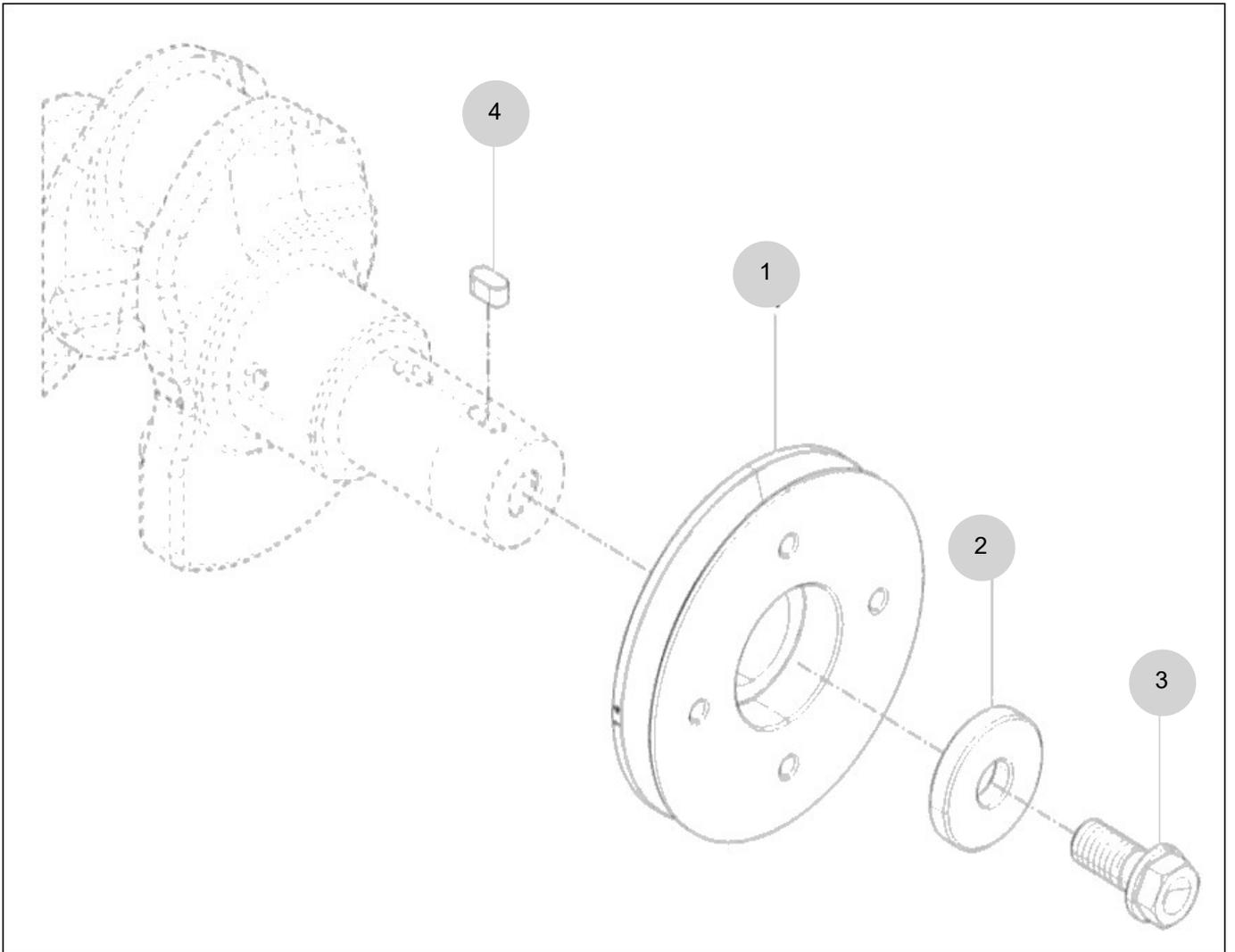
FIG 128

T494NC

CRANK SHAFT PULLEY

년/월  
Year/Month

2022-12



NOTE



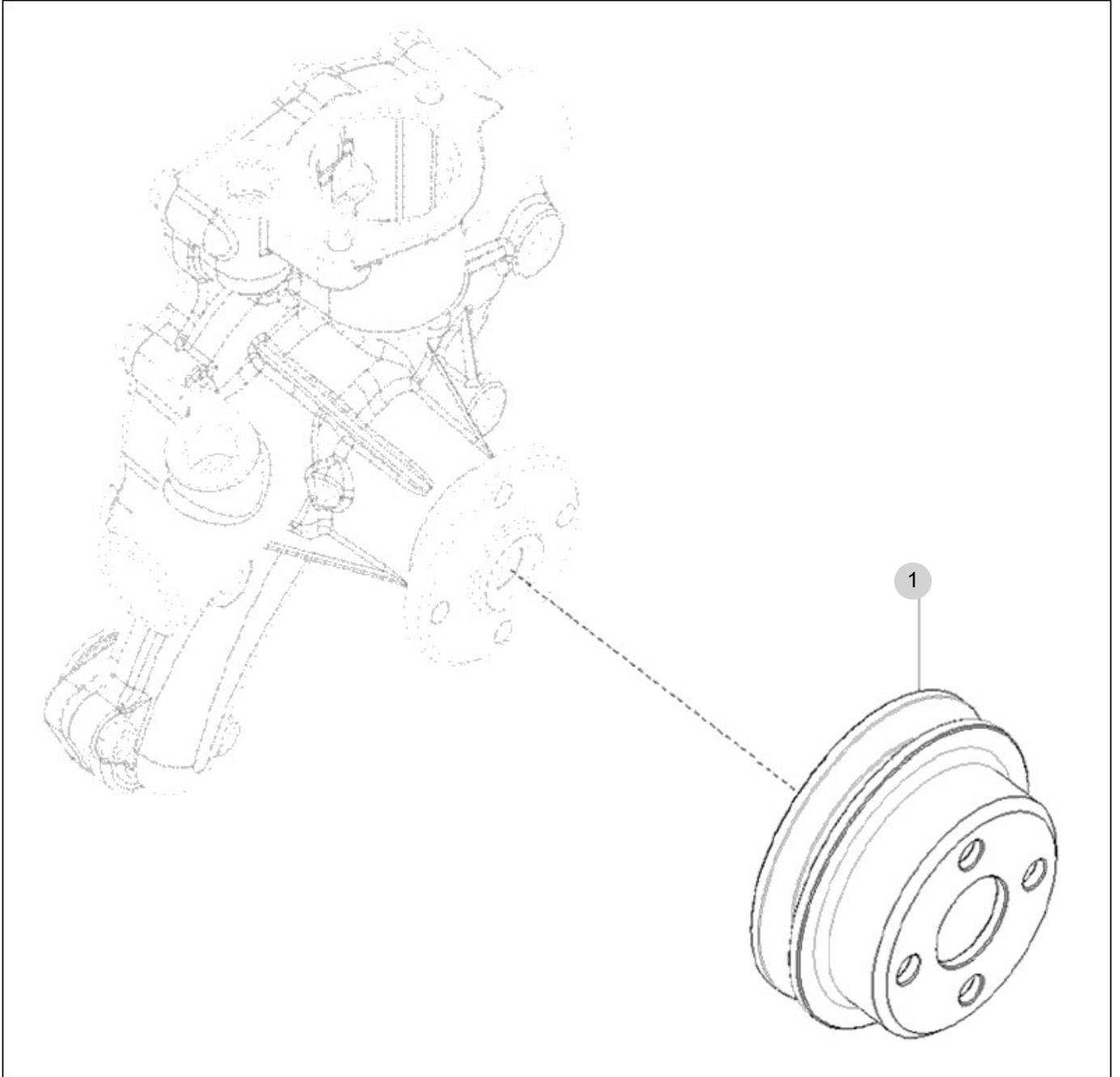
FIG 129

V-PULLEY

년/월  
Year/Month

T494NC

2022-12



NOTE



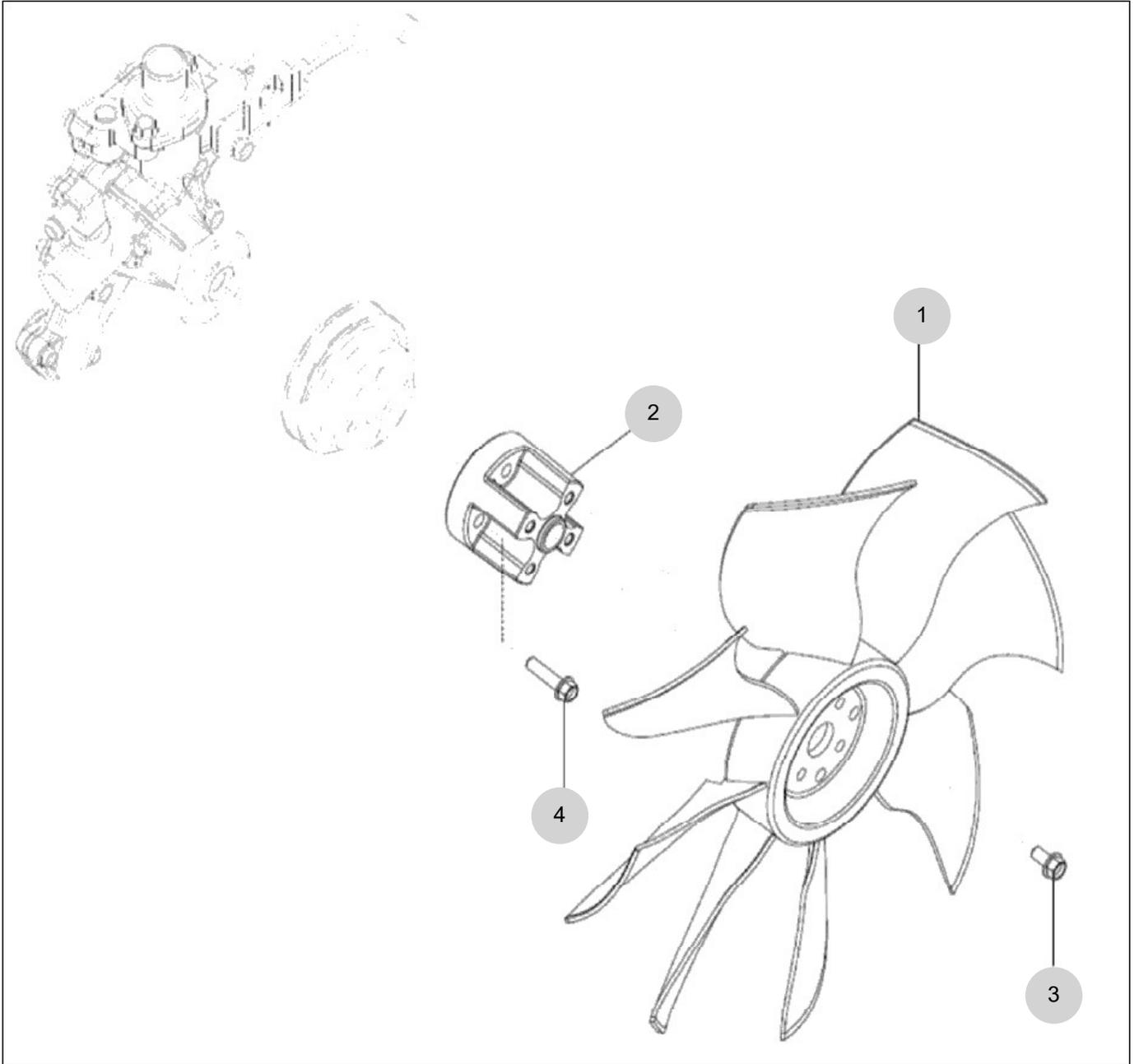
FIG 130

T494NC

COOLING FAN

년/월  
Year/Month

2022-12



NOTE



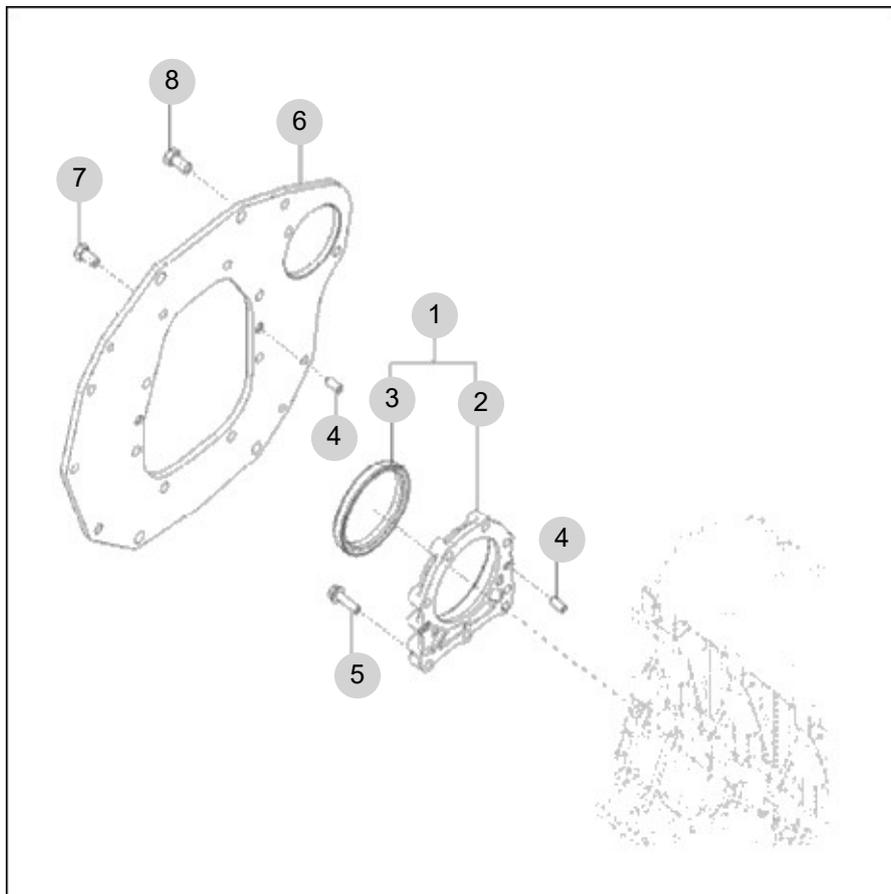
FIG 131

T494NC

FLYWHEEL HOUSING

년/월  
Year/Month

2022-12



NOTE



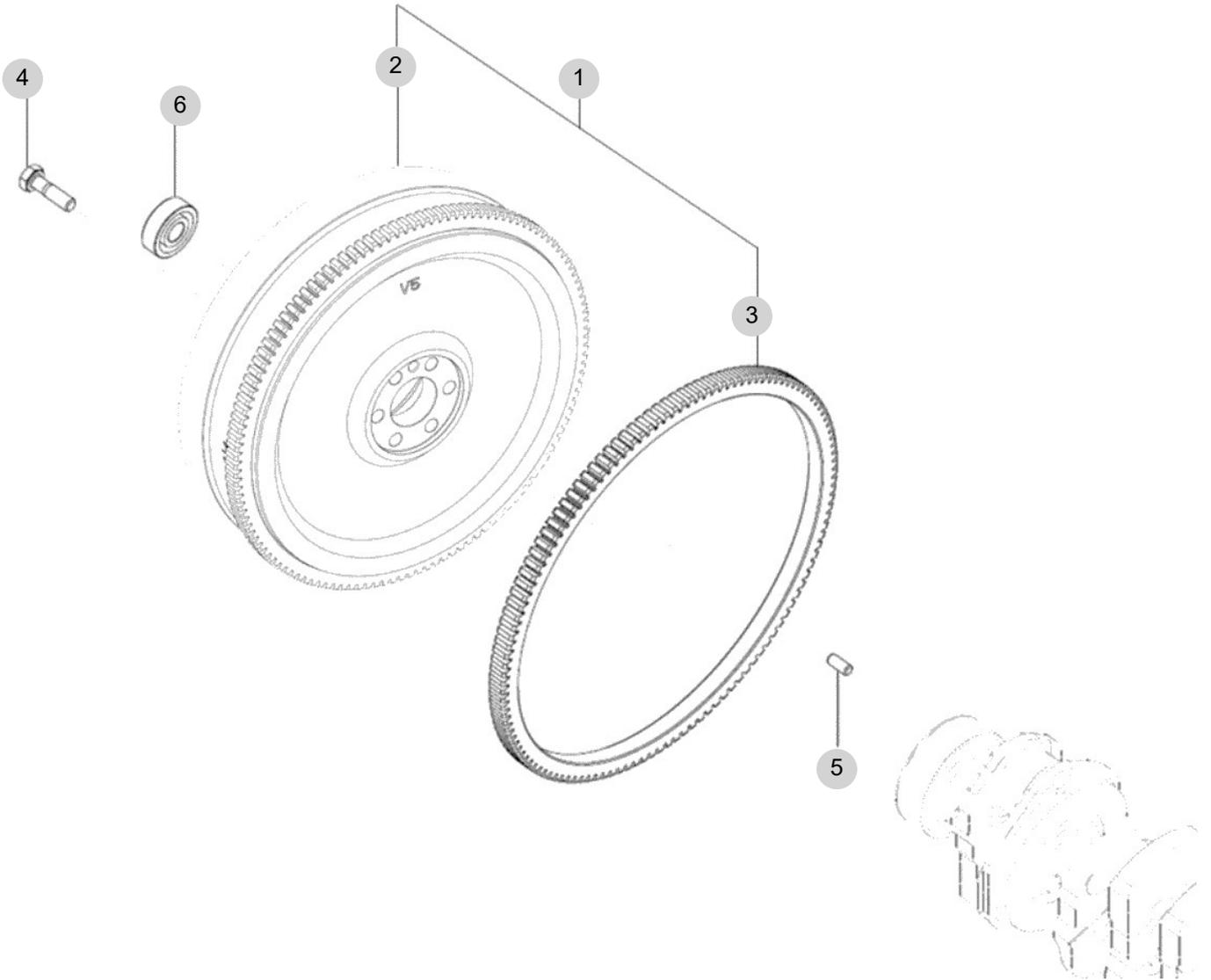
FIG 132

T494NC

FLYWHEEL

년/월  
Year/Month

2022-12



NOTE

FIG 132 T494NC		FLYWHEEL						년/월 Year/Month	REMARKS
								2022-12	
KEY NO	PART NO	DESCRIPTION	SPEC	QTY	REPAIR	EFFECTIVE DATE	REMARKS		
132	1	EA00005604A	FLYWHEEL ASSY			1			
132	2	EA00005605A	FLYWHEEL			1			
132	3	HA07070000A	RING GEAR			1			
132	4	HRC0801000A	BOLT, FLYWHEEL			6			
132	5	22312-080160	PIN, DOWEL			1			
132	6	24104-063024	BALL BEARING (#6302UU)			1			
NOTE									

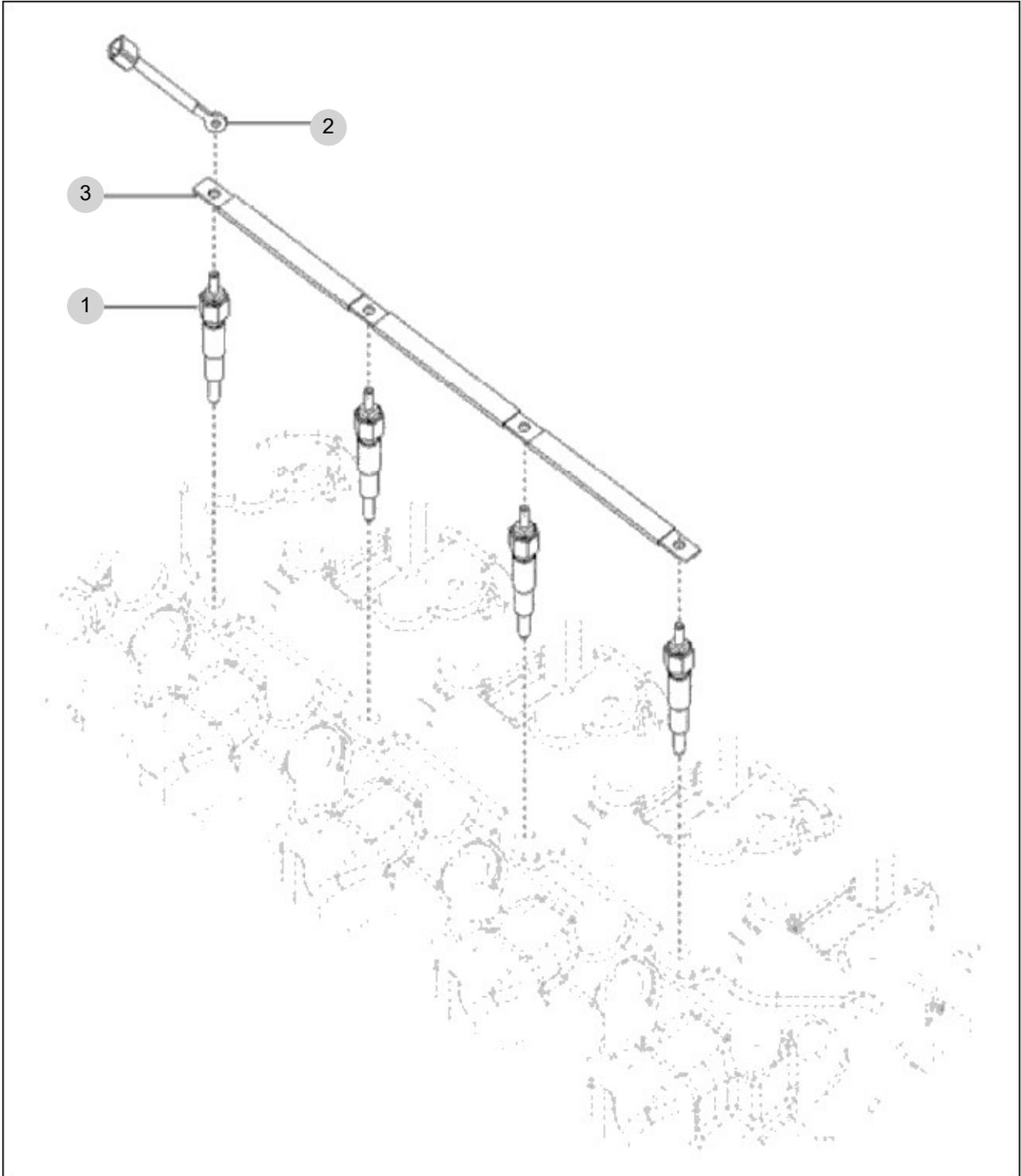
FIG 133

T494NC

GLOW PLUG ASS'Y OPTION

년/월  
Year/Month

2022-12



NOTE



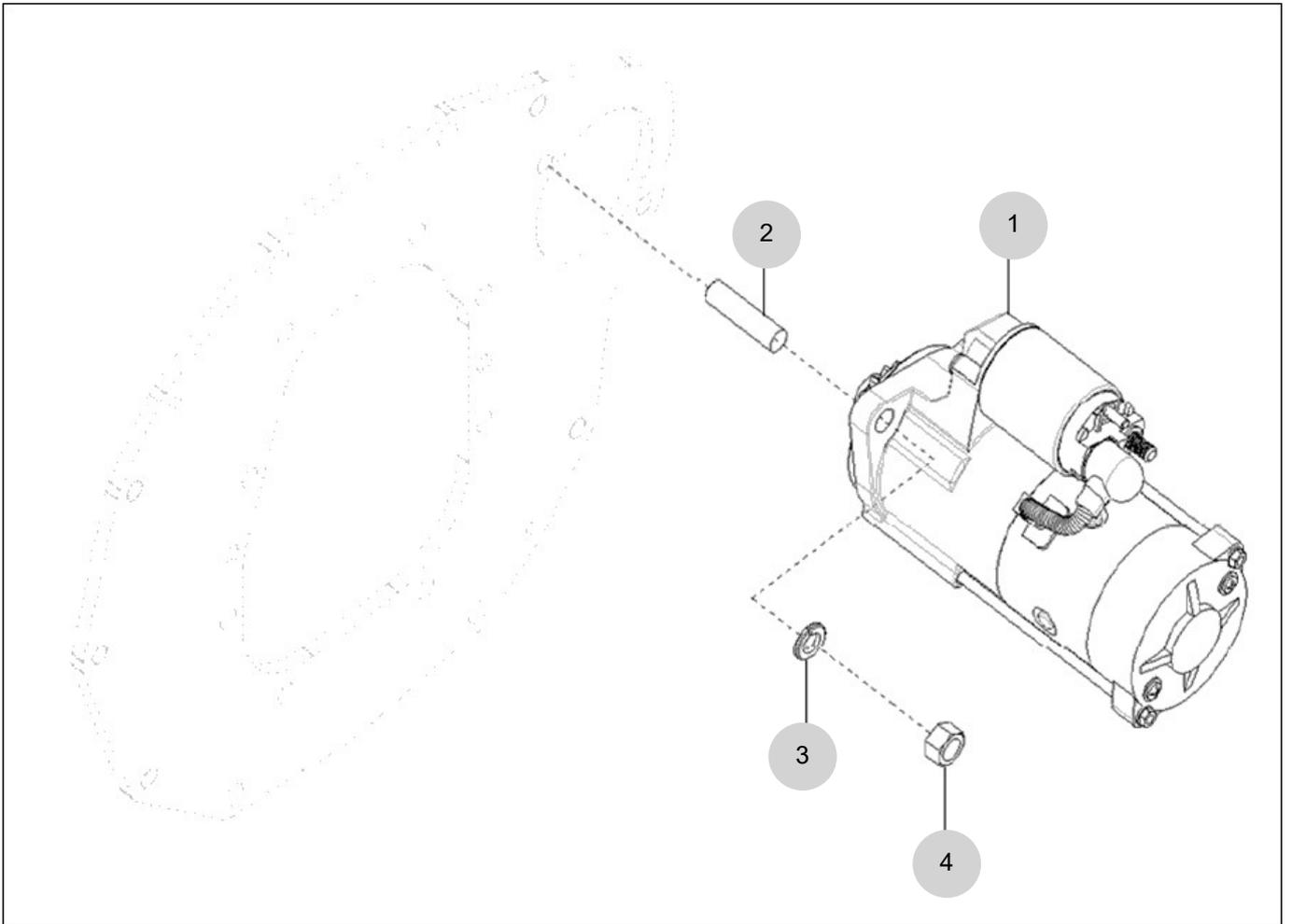
FIG 134

STARTING MOTOR

년/월  
Year/Month

2022-12

T494NC



NOTE



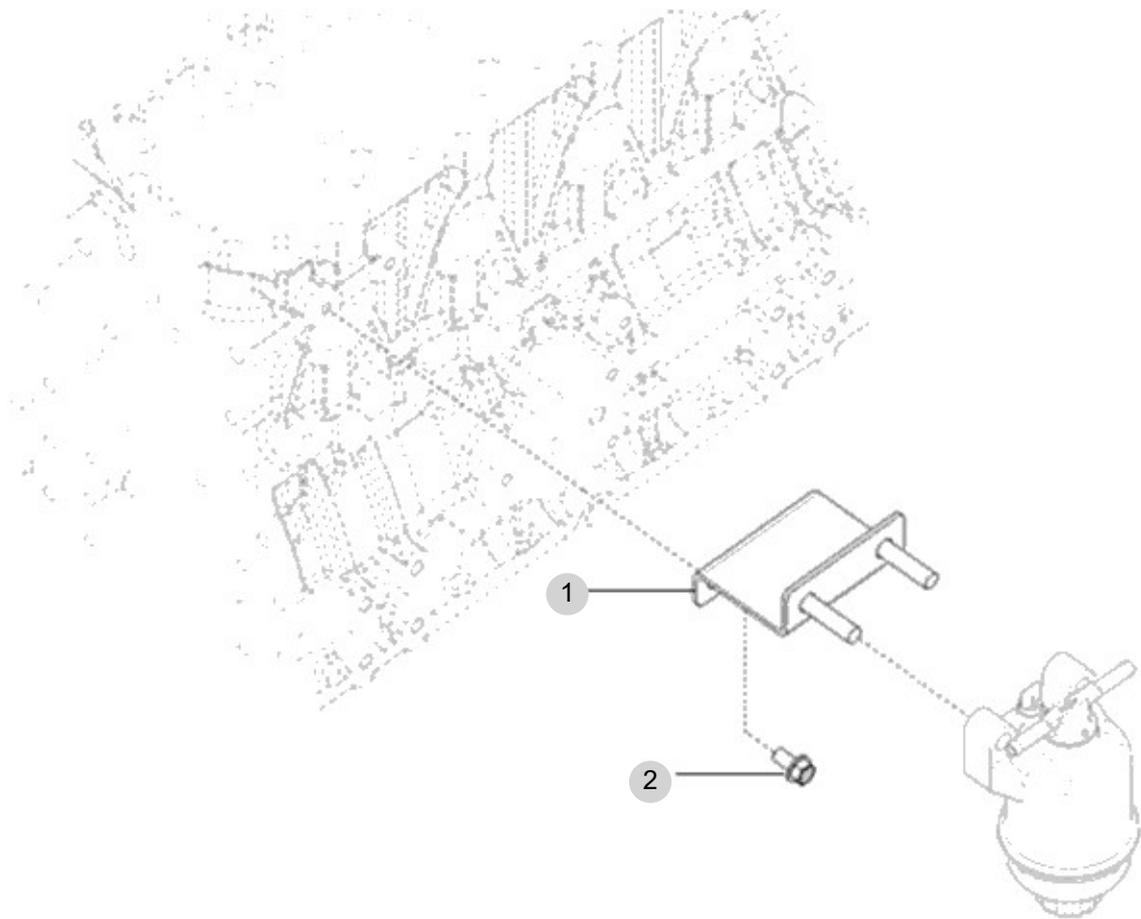
FIG 135

T494NC

FUEL FILTER BRACKET ASS'Y

년/월  
Year/Month

2022-12



NOTE



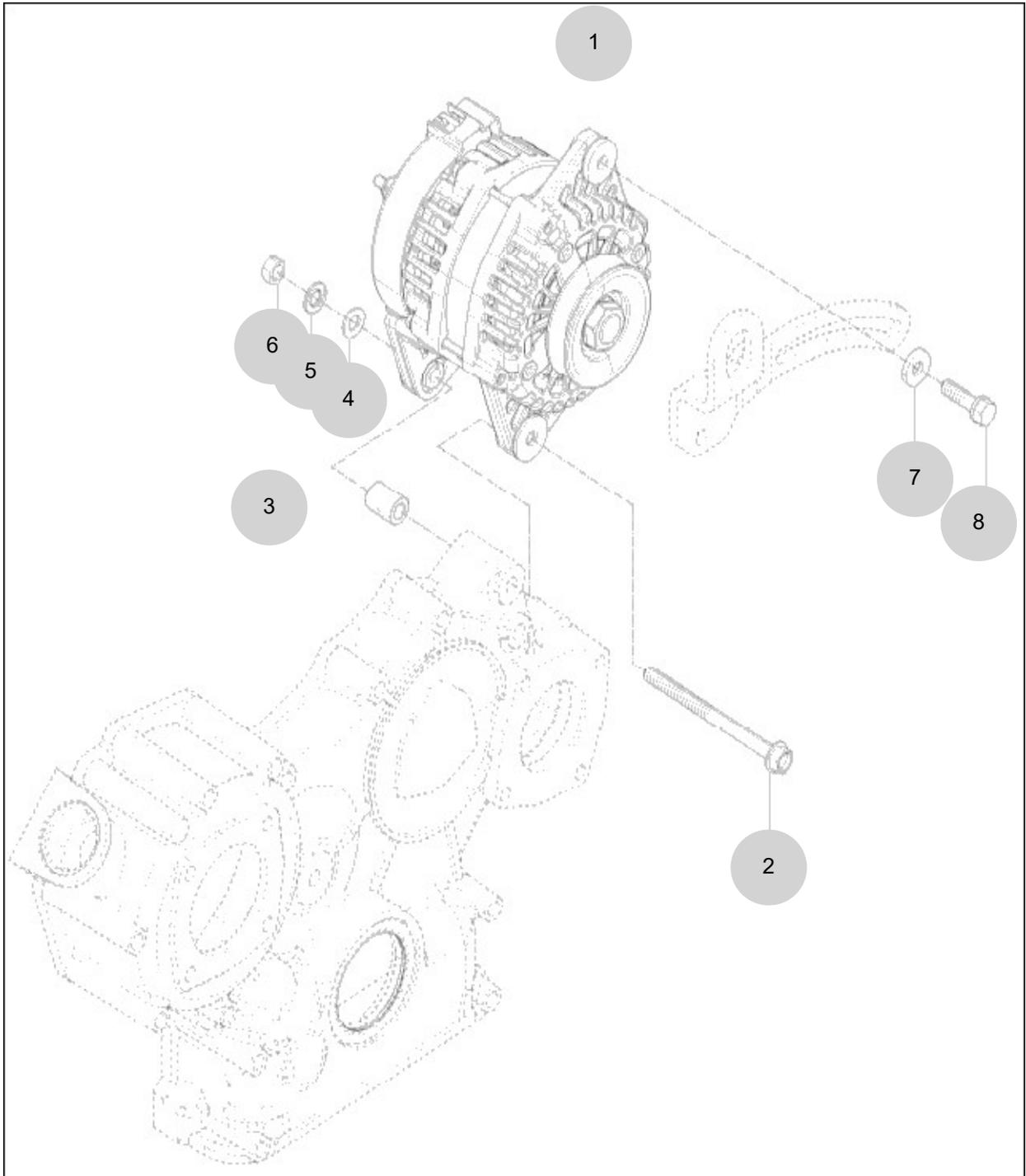
FIG 136

ALTERNATOR

년/월  
Year/Month

T494NC

2022-12



NOTE



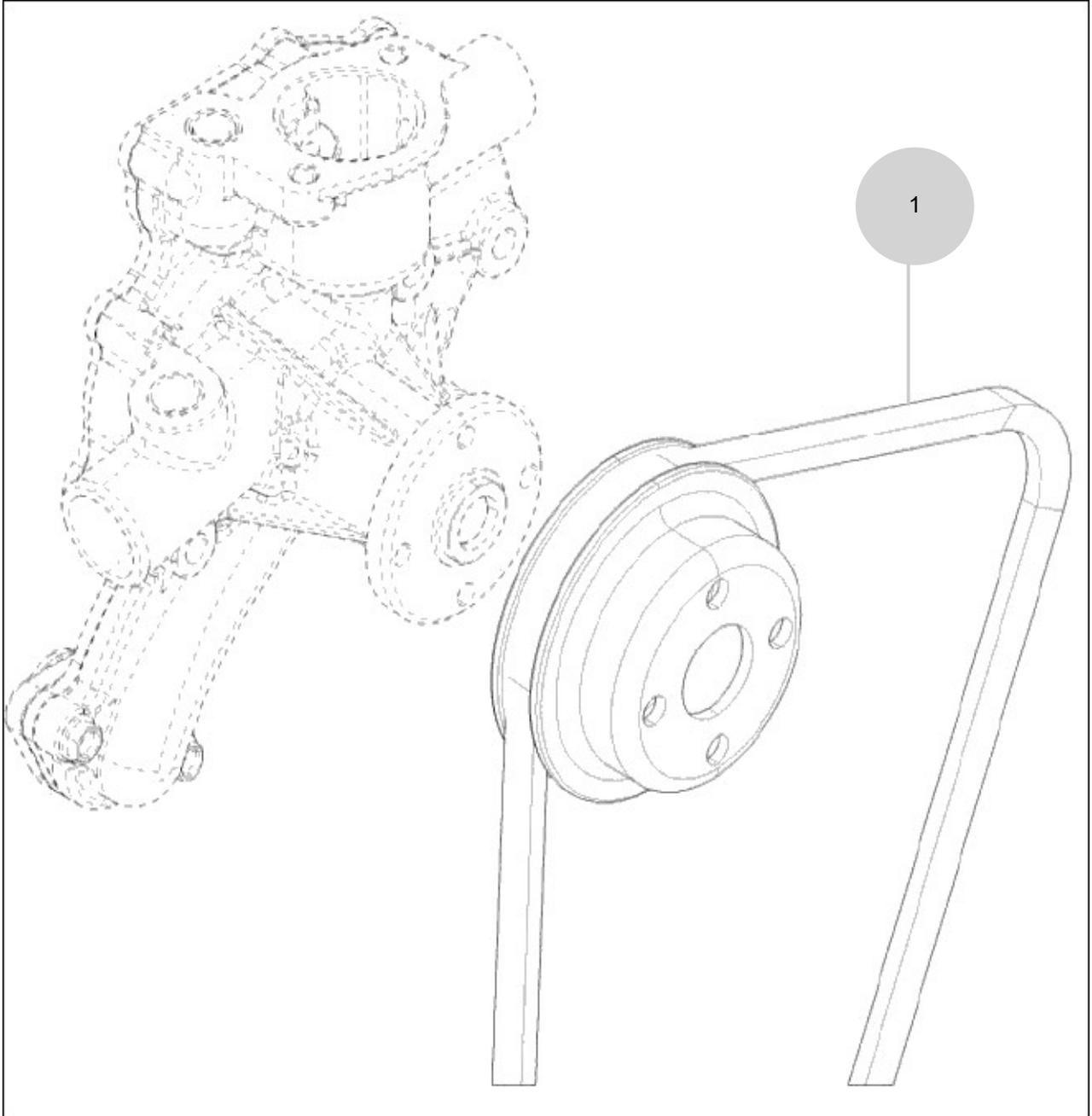
FIG 137

T494NC

V-BELT

년/월  
Year/Month

2022-12



NOTE



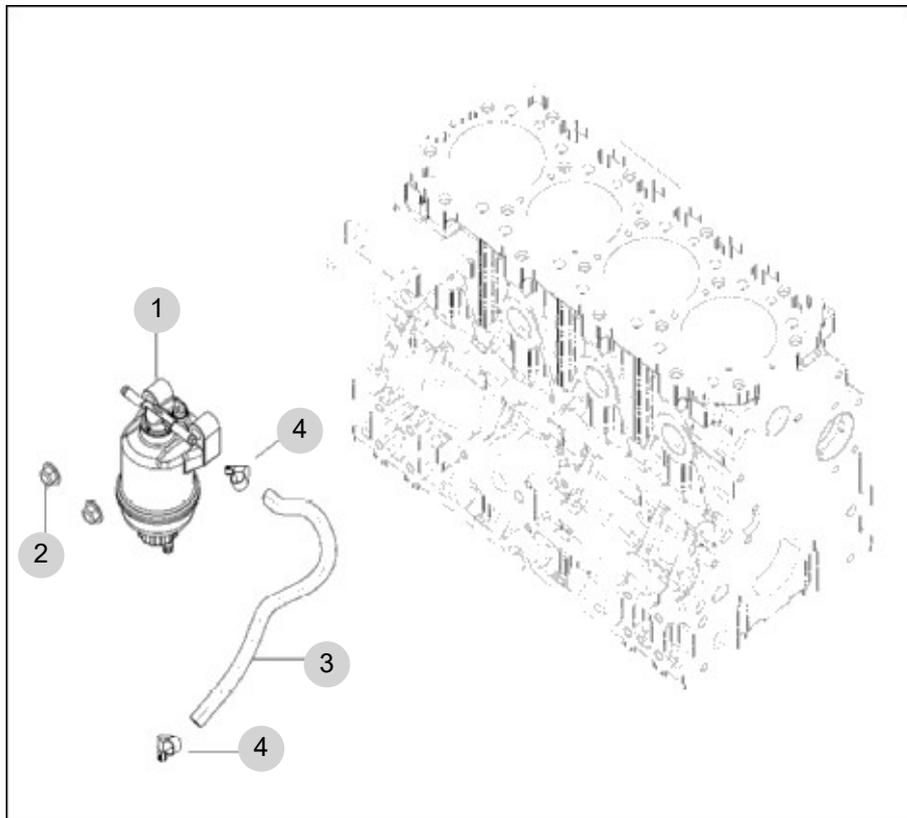
FIG 138

T494NC

FUEL FILTER

년/월  
Year/Month

2022-12



NOTE



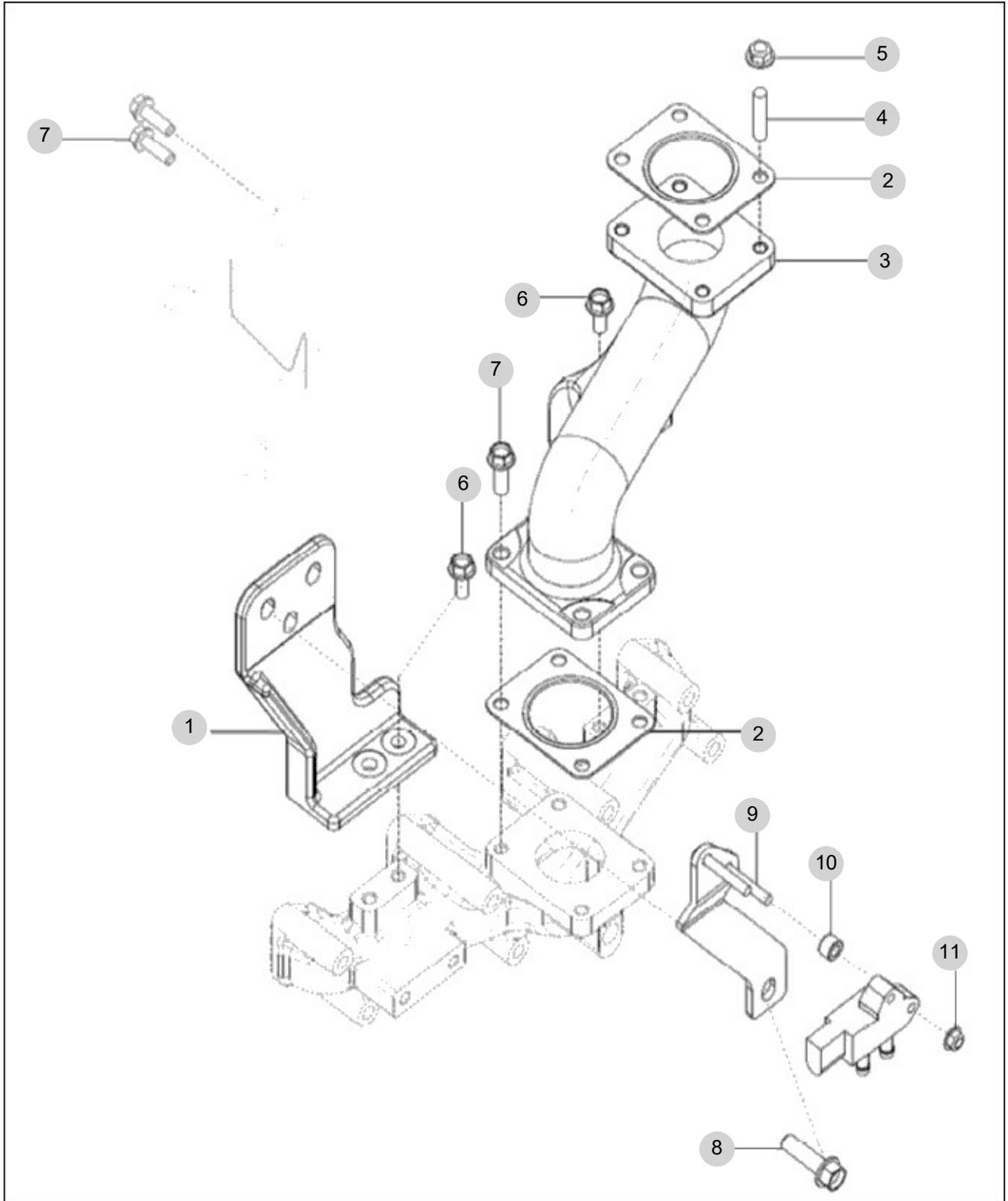
FIG 139B

DPF SUPPORT (T494)

년/월  
Year/Month

T494NC

2022-12



NOTE



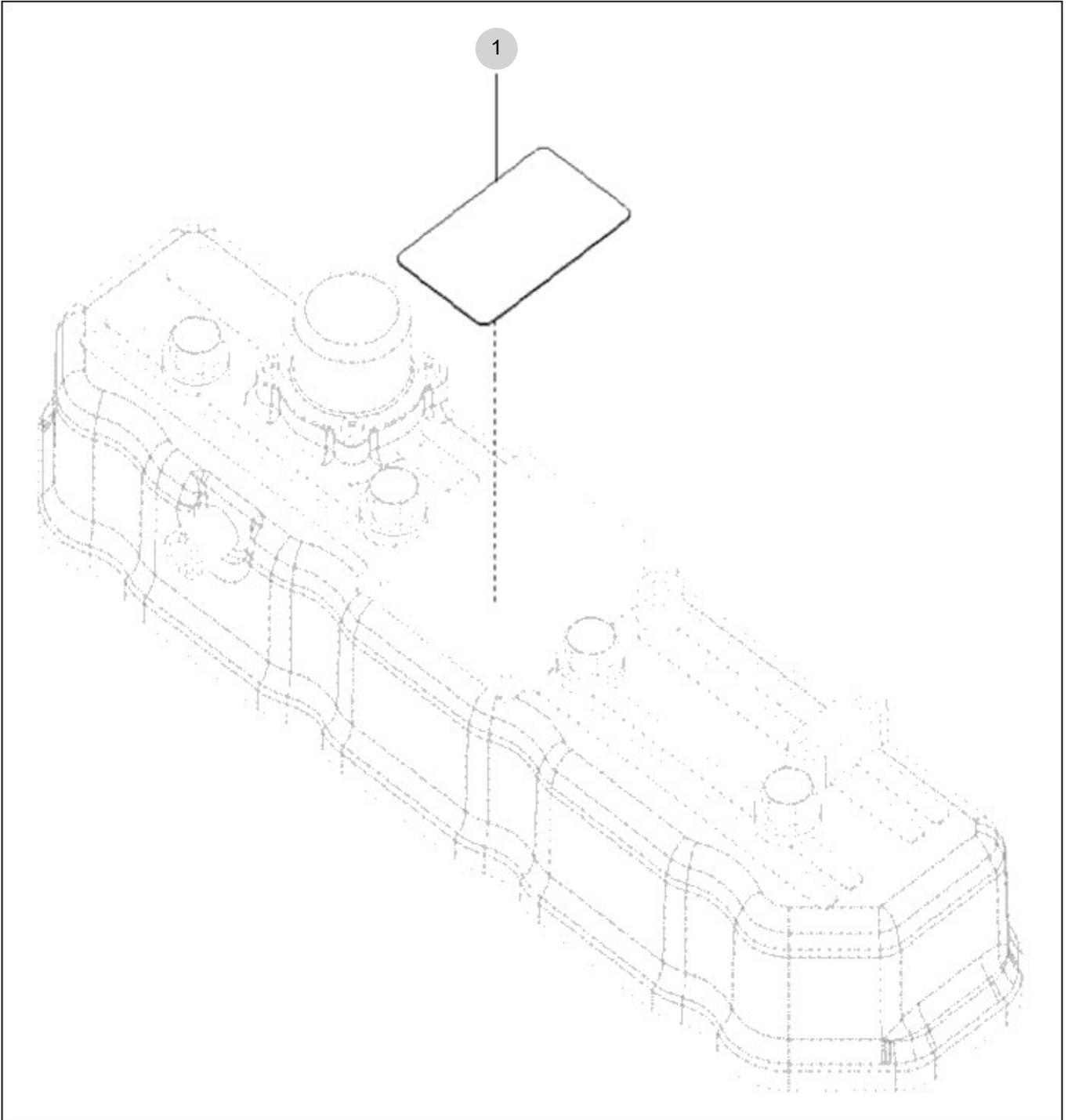
FIG 140

T494NC

DATAPLATE

년/월  
Year/Month

2022-12



NOTE



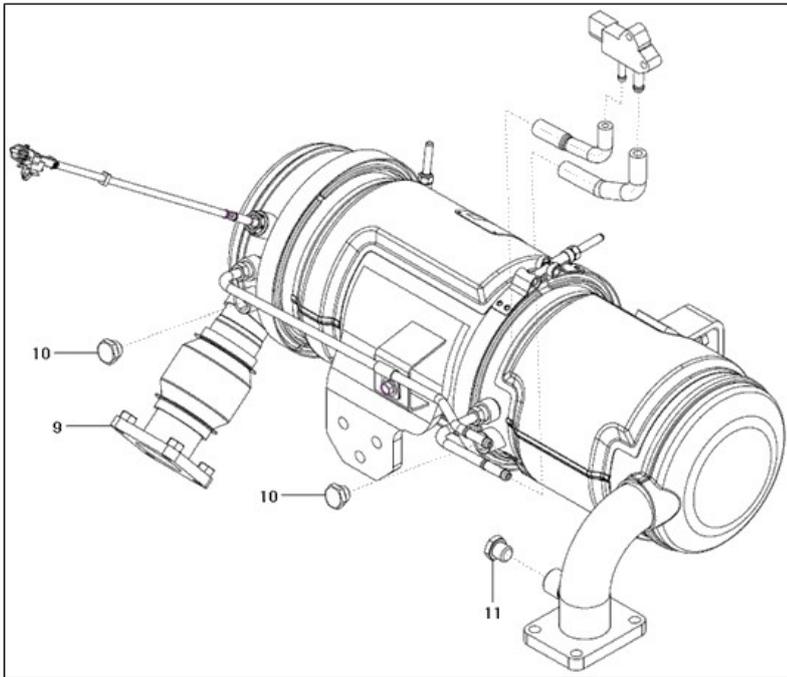
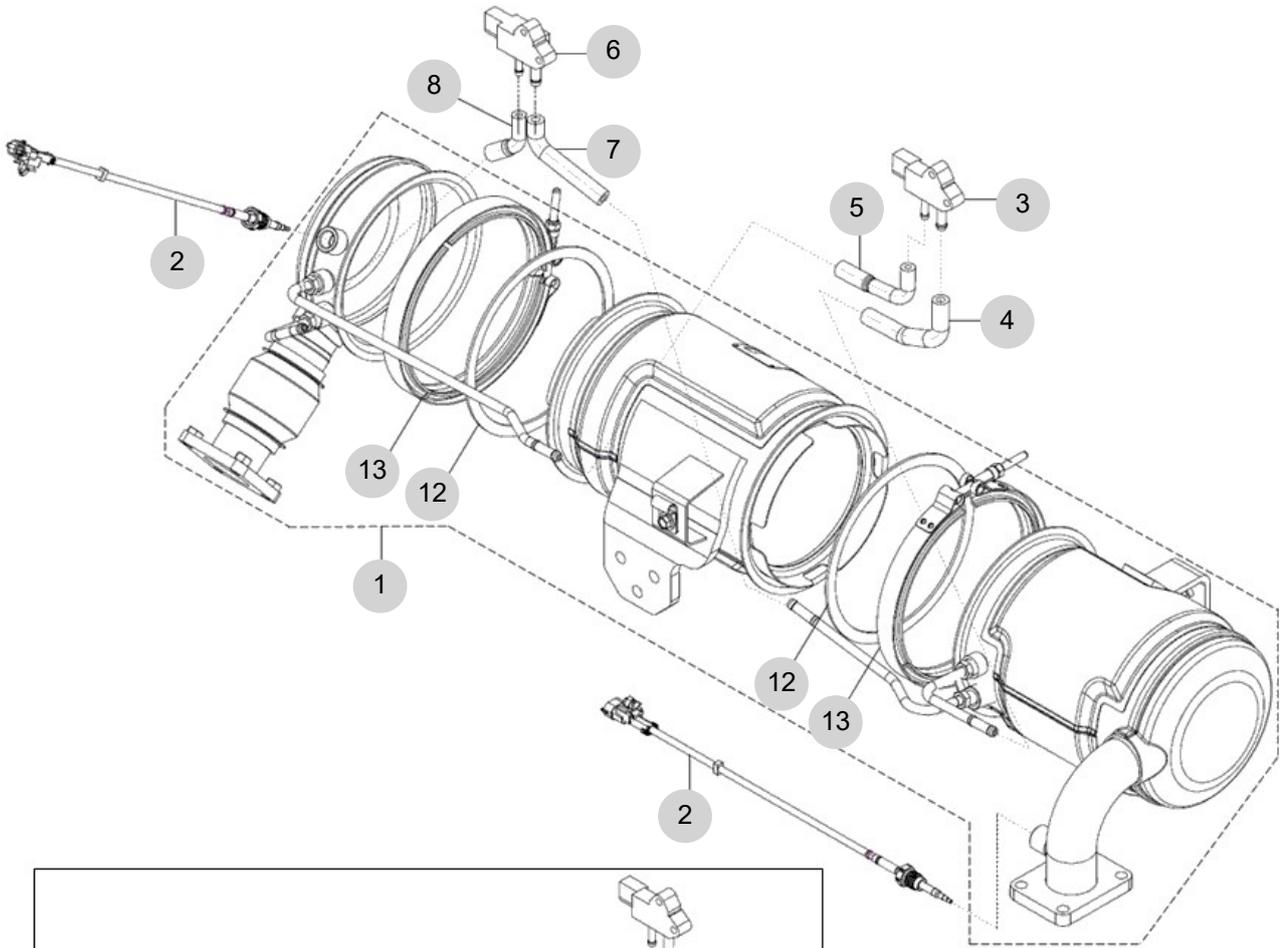
FIG 142B

DPF ASS'Y (T494)

년/월  
Year/Month

2022-12

T494NC



NOTE



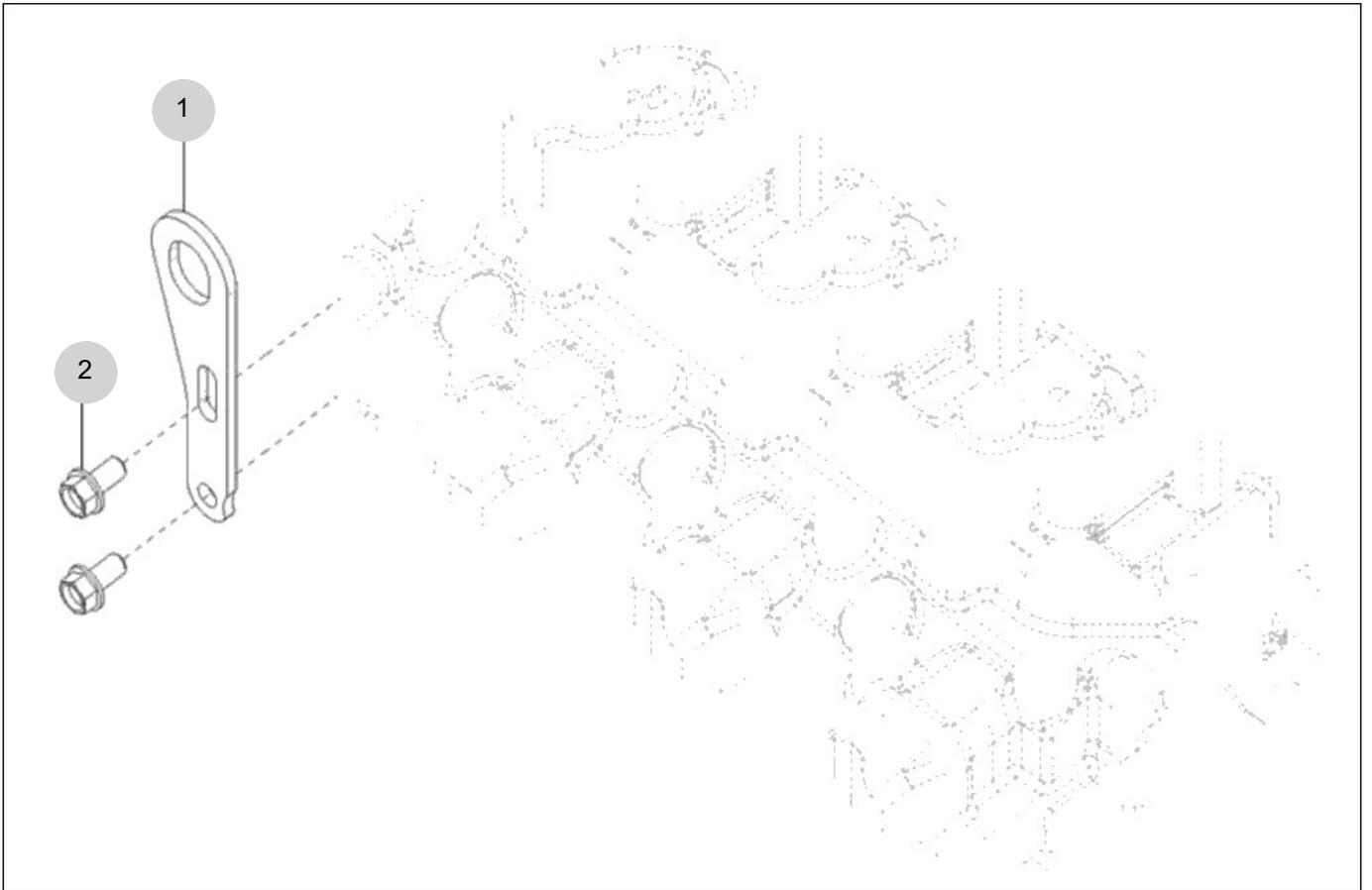
FIG 143

T494NC

LIFT ASS'Y

년/월  
Year/Month

2022-12



NOTE



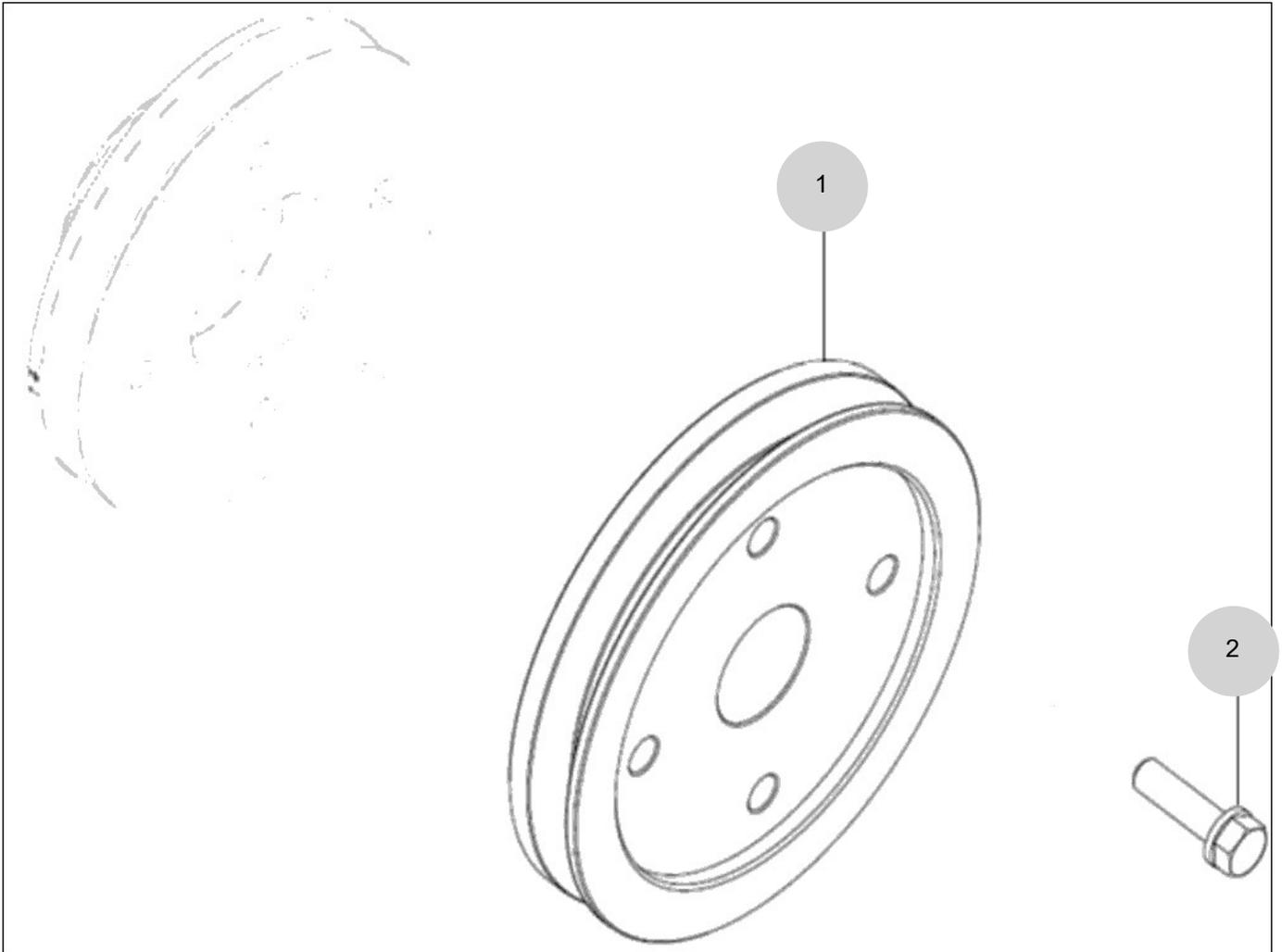
FIG 144

T494NC

COMP . DRIVE PULLEY ASS'Y OPTION

년/월  
Year/Month

2022-12



NOTE



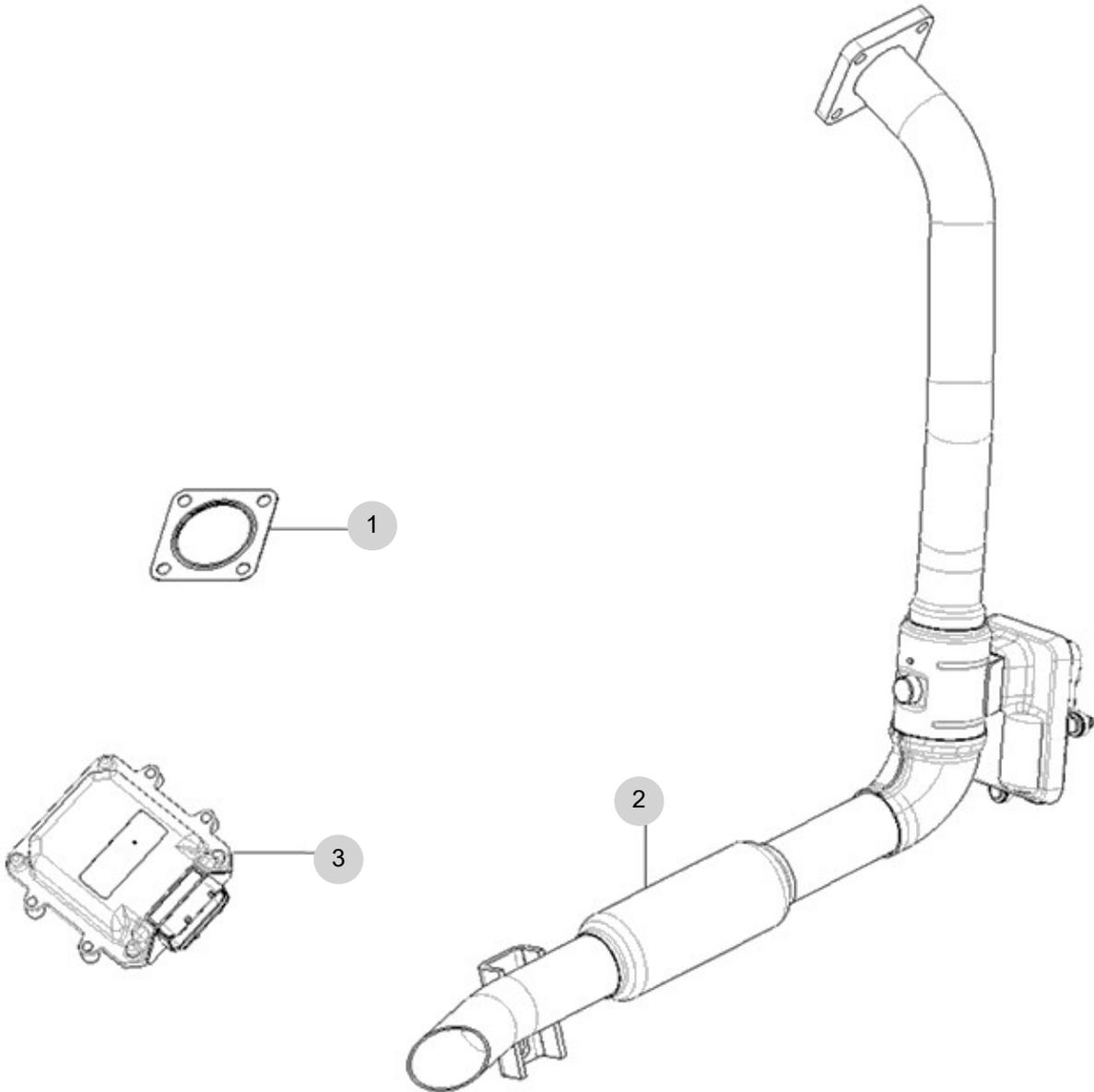
FIG 147

T494NC

LOUSED PARTS

년/월  
Year/Month

2022-12



NOTE



## 2. Engine Accessories PART NO. T2

FIG 201B AIR CLEANER (T494)	102
FIG 202 RADIATOR	104
FIG 203 MUFFLER	106
FIG 204 FUEL HOSE & FILTER	108
FIG 205 FUEL TANK	110
FIG 206 ACCELERATOR	112

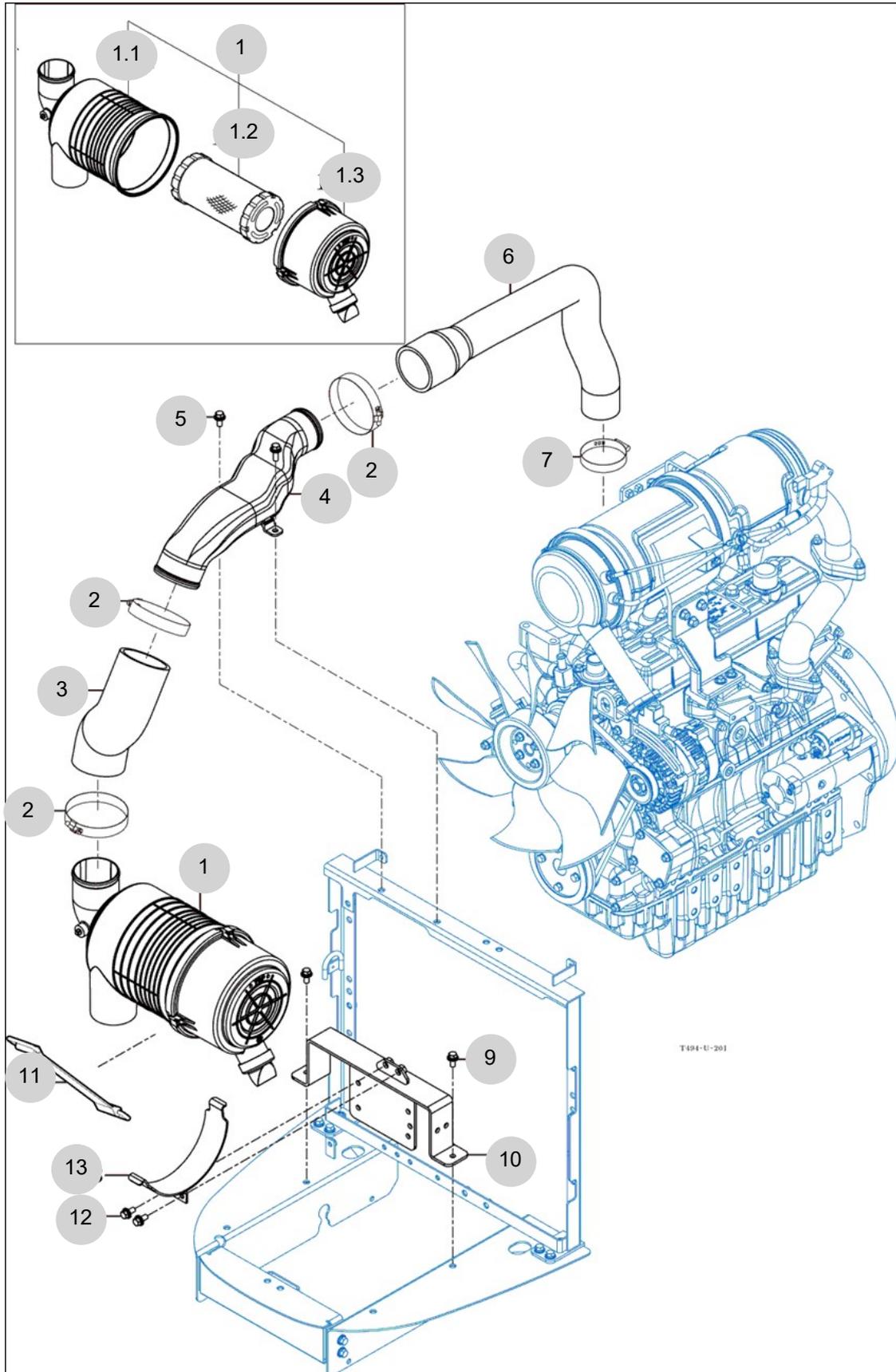
FIG 201B

AIR CLEANER (T494)

년/월  
Year/Month

2022-12

T494NC



NOTE



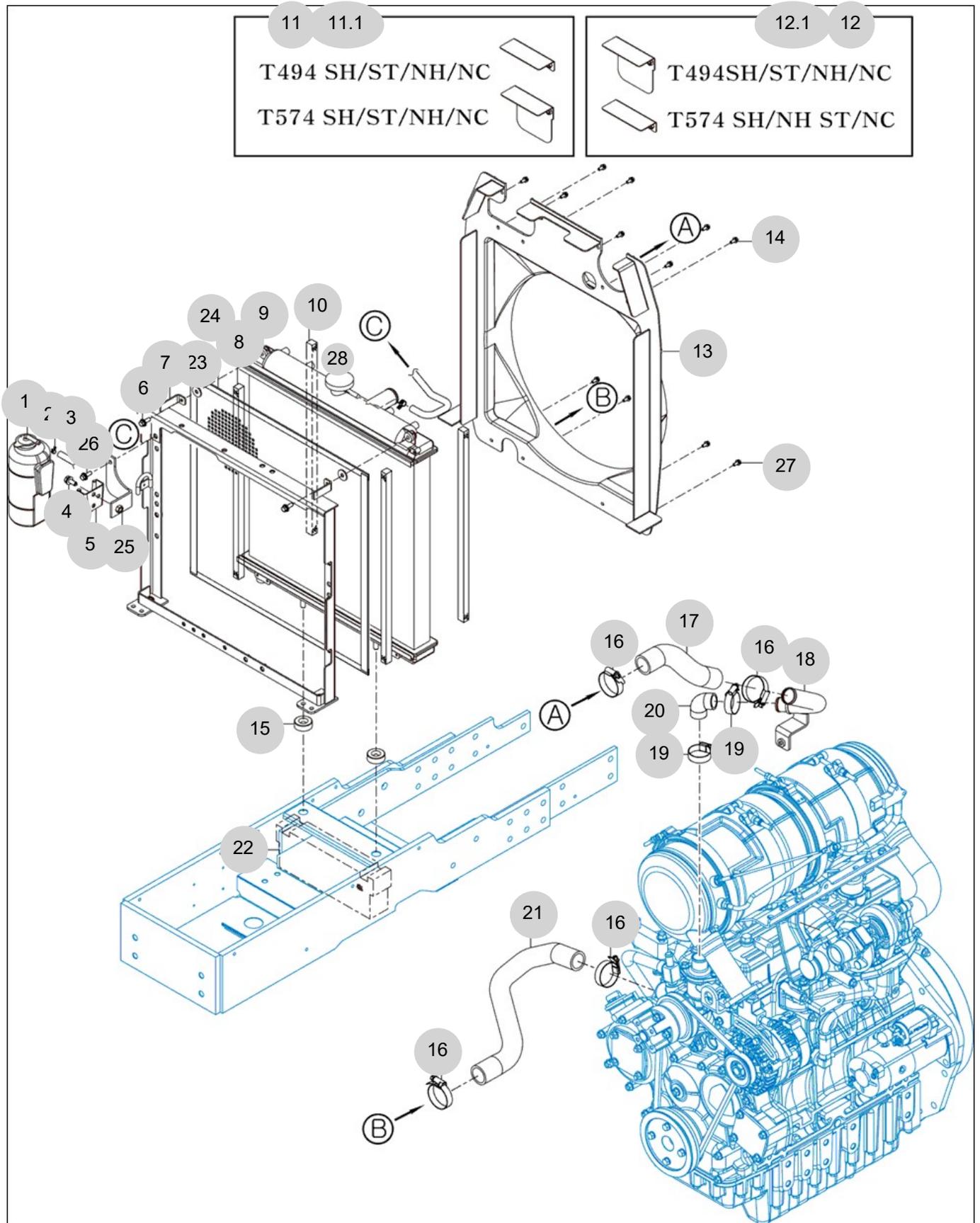
FIG 202

RADIATOR

년/월  
Year/Month

2022-12

T494NC



NOTE



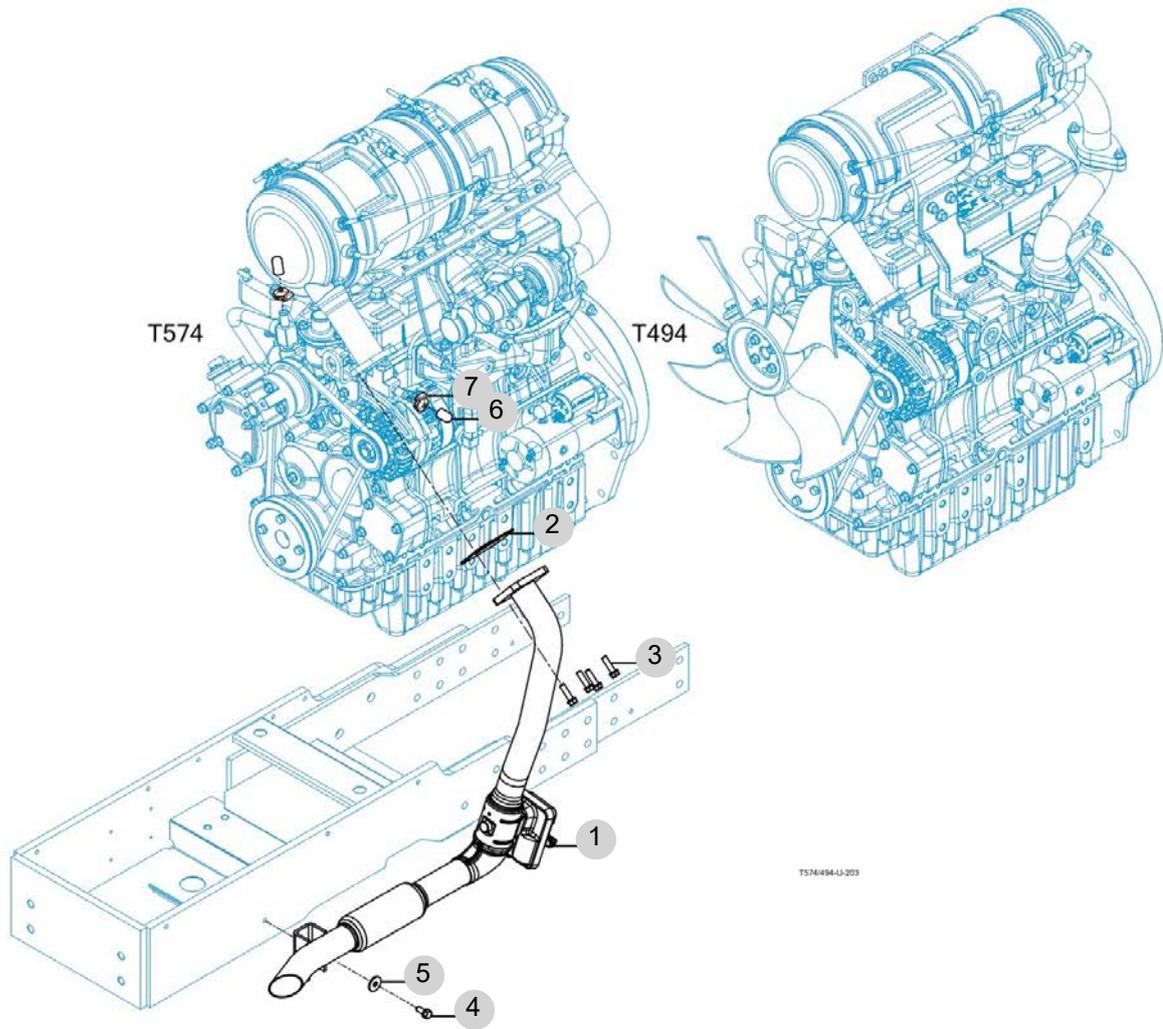
FIG 203

MUFFLER

년/월  
Year/Month

2022-12

T494NC



NOTE



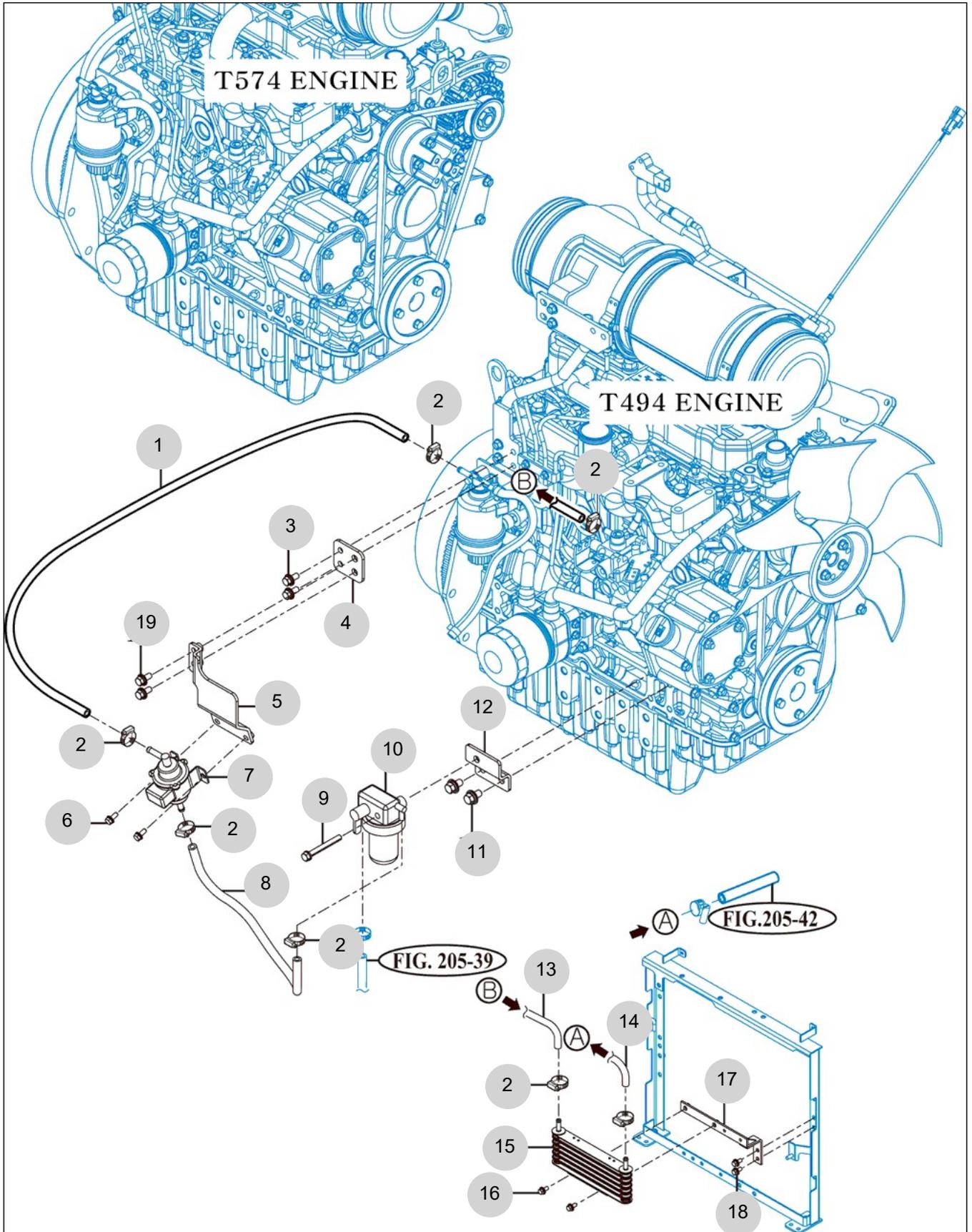
FIG 204

FUEL HOSE & FILTER

년/월  
Year/Month

T494NC

2022-12



NOTE



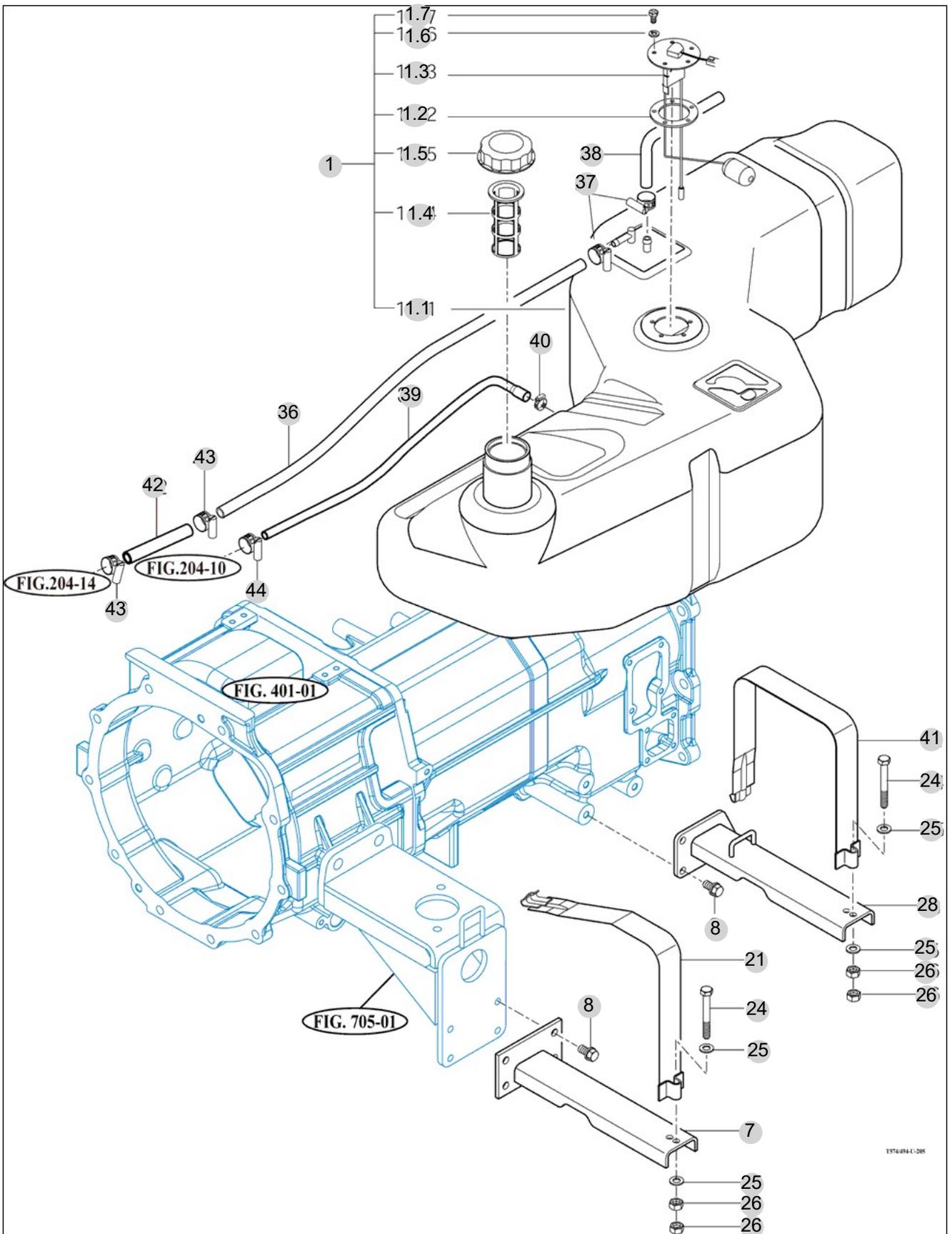
FIG 205

T494NC

FUEL TANK

년/월  
Year/Month

2022-12



1574-094-L-205

NOTE



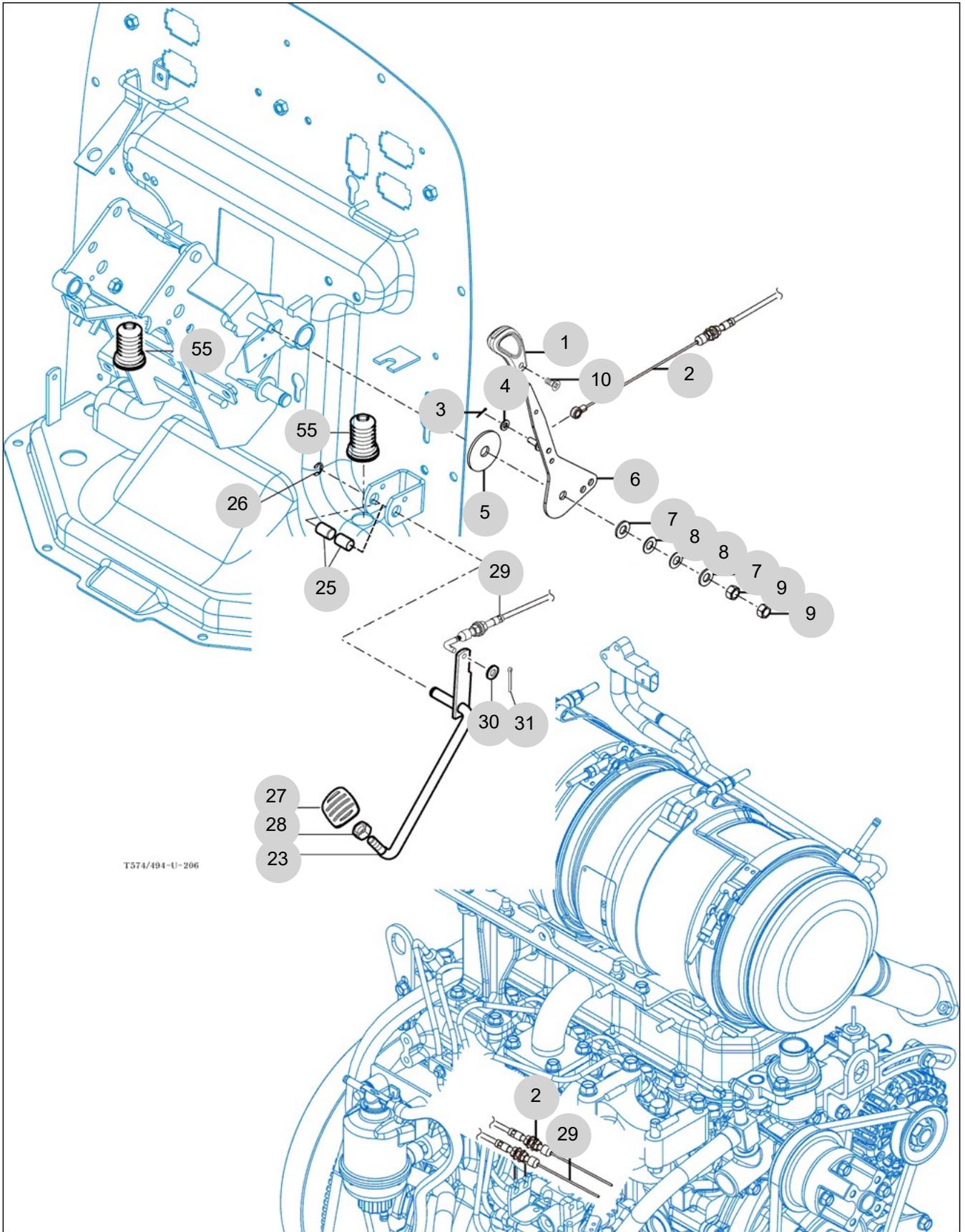
FIG 206

ACCELERATOR

년/월  
Year/Month

2022-12

T494NC



NOTE



### 3. Clutch/Brake/Steering PART NO. T3

FIG 301 CLUTCH	115
FIG 302 CLUTCH PEDAL	117
FIG 303 BRAKE	120
FIG 304 BRAKE PEDAL & LINK	122
FIG 305 FRONT WHEEL	124
FIG 306 REAR WHEEL	126
FIG 307 POWER STEERING WHEEL	128
FIG 308 POWER STEERING VALVE	130
FIG 309 POWER STEERING CYLINDER	132

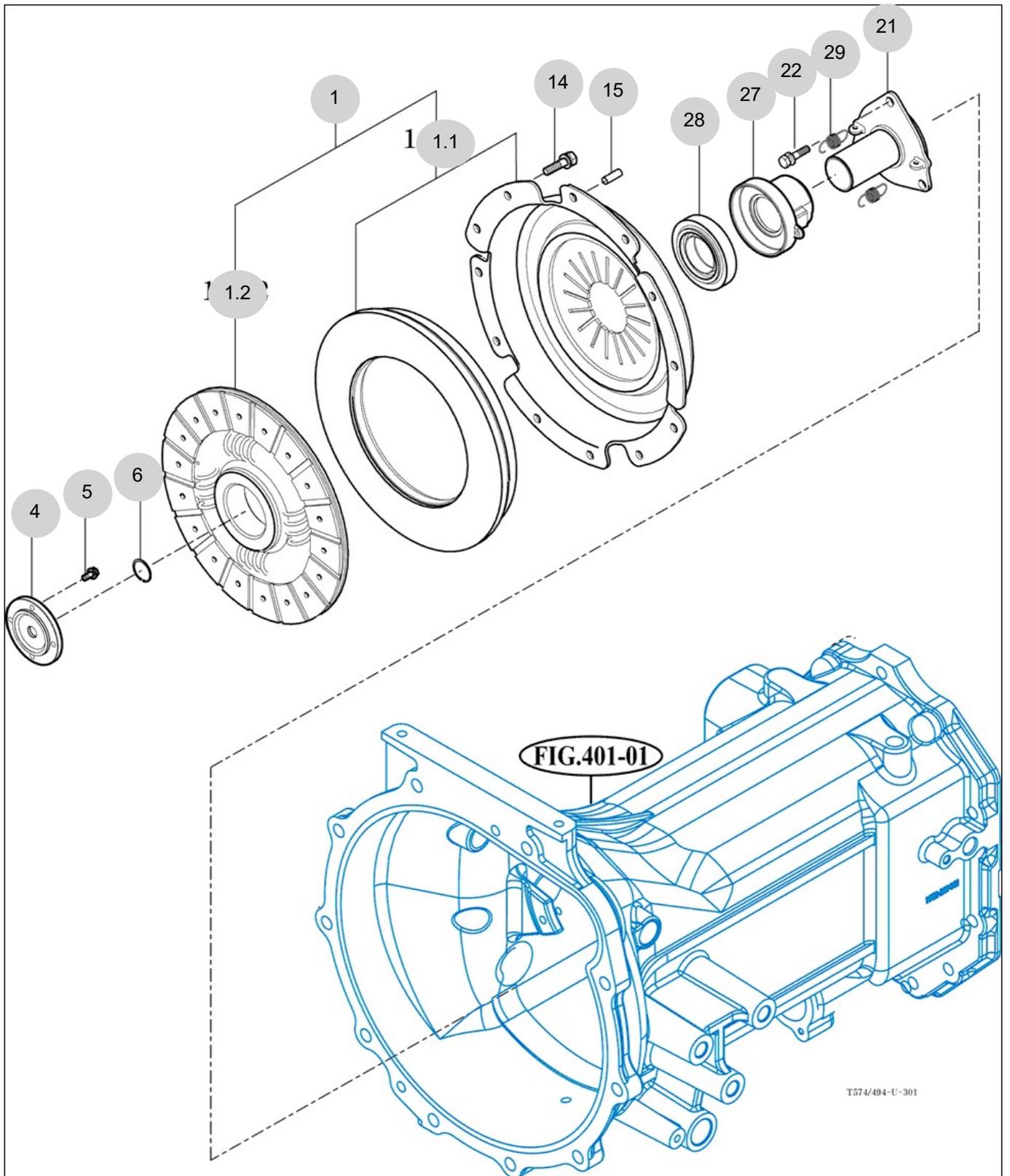
FIG 301

T494NC

CLUTCH

년/월  
Year/Month

2022-12



T574/494-U-301

NOTE



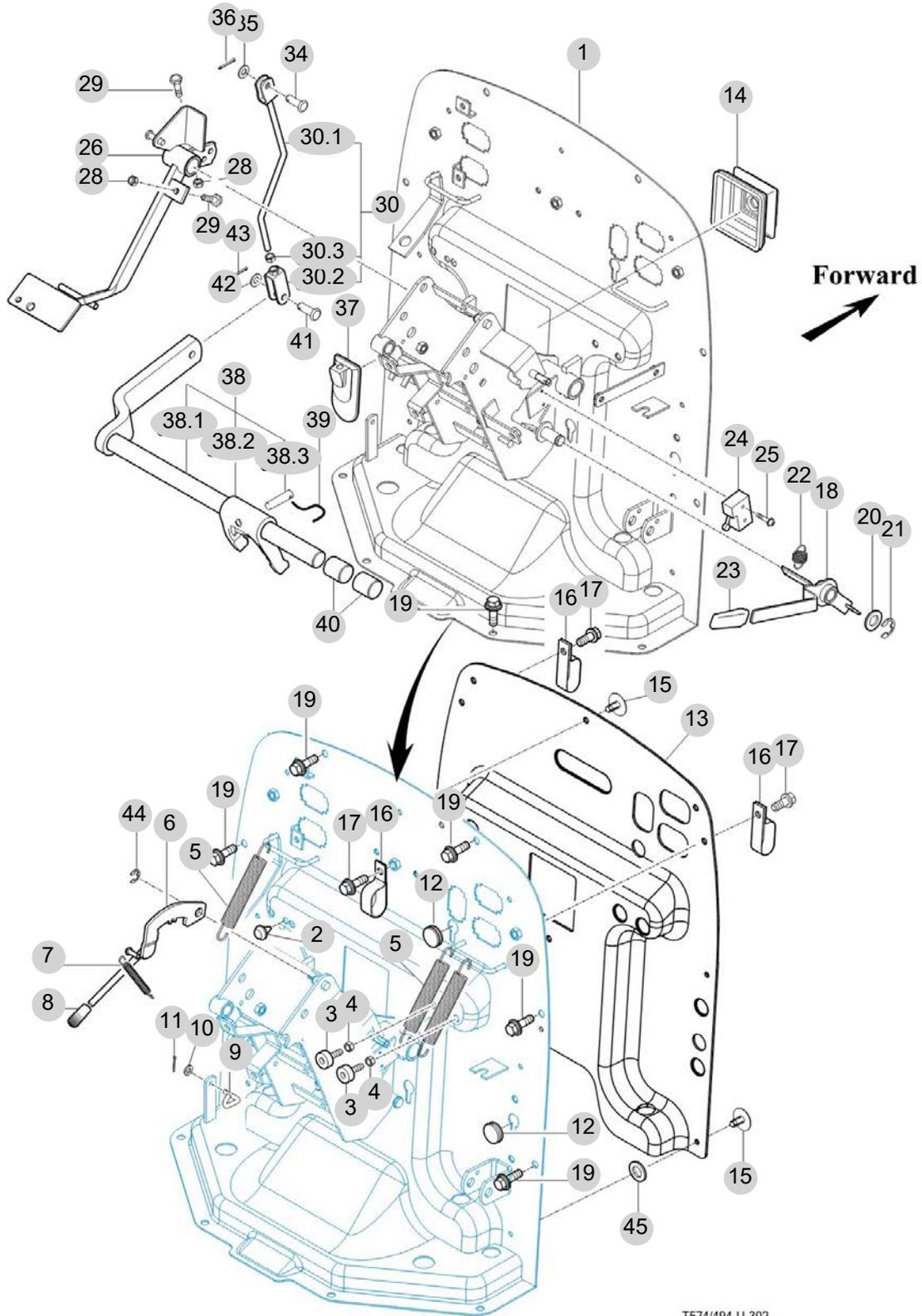
FIG 302

CLUTCH PEDAL

년/월  
Year/Month

2022-12

T494NC



T574/494-U-302

NOTE

FIG 302		CLUTCH PEDAL					년/월 Year/Month		
							2022-12		
T494NC		KEY NO	PART NO	DESCRIPTION	SPEC	QTY	REPAIR	EFFECTIVE DATE	REMARKS
302	1	13886303200GB				1			
302	1	13866303200GB	DASH PANEL COMP			1			
302	2	14326160020	RUBBER , CUSHION	1X1X1		1			
302	3	14216020051	RUBBER , CUSHION B	1X1X1		2			
302	4	V3043600080	NUT , HEX/2	M8		2			
302	5	14041200080	RETURN SPRING , CLUTCH	HL2000공용		3			
302	6	14724042401GB	LEVER COMP , TILT	1X1X1		1			
302	7	16001200080	RETURN SPRING , BRAKE	1X1X1		1			
302	8	21615250020	GRIP , LEVER/RED			1			
302	9	15441230050	ROD	D=5.25 5.3		1			
302	10	V4111600060	WASHER , PLAIN	M6		1			
302	11	V5001920020	PIN , SPLIT	2X20		1			
302	12	14326510210	CAP , RUBBER 20	1X1X1		2			
302	13	17467071991	INSULATOR , DASH	T=10		1			
302	14	14526300011	BOOT,STEERING/HOSE	T=1.5		1			
302	15	17686040020	RIVET SET , black	SV625		9			
302	16	14441010161	CLAMP , RADIATOR HOSE	1X1X1		3			
302	17	V2183608020	BOLT , HEX/SP	M8X20		3			
302	18	14523293301GB	LEVER COMP,PARKING	1X1X1		1			
302	19	V2183608016	BOLT , HEX/SP	M8X16		10			
302	20	V4111600160	WASHER , PLAIN	M16		1			
302	21	V7081400150	E-RING	15		1			
302	22	14321200040	SPRING , TENSION 31	D=1.2		1			
302	23	34523030020	GRIP , THROTTLE	1X1X1		1			
302	24	16756214701	SWITCH ASSY , SAFETY	1X1X1		1			
302	25	V1222604025	SCREW , C/R PAN/SP	M4X25		2			
302	26	14571332100GB	PEDAL COMP , CLUTCH	1X1X1		1			
302	28	V3043600080	NUT , HEX/2	M8		2			
302	29	V2013608030	BOLT , HEX	M8X30		2			
302	30	14521330002GB	ROD SUB , CLUTCH			1			
302	30	14521330002	ROD SUB , CLUTCH	398*87		1			
302	30	14521330002	ROD SUB , CLUTCH			1			
302	30.1	14521333103	ROD COMP, CLUTCH	346*87		1			
302	30.2	14521333200	HOOK COMP	1X1X1		1			
302	30.3	V3042600080	NUT , HEX/2	M8		1			
302	34	14322420010	PIN	D=8		1			
302	35	V4111600080	WASHER , PLAIN	M8		1			
302	36	V5001925020	PIN D2.5x20	2.5X20		1			
302	37	14526300210	BOOT,CLUTCH PEDAL	1X1X1		1			
302	38	14521302000	BAR SET	1X1X1		1			
302	38.1	14521302101	BAR COMP			1			
302	38.2	14521300011	FORK , RELEASE	1X1X1		1			
302	38.3	15601300010	PIN , 08X40	1X1X1		1			
302	39	V5901012150	WIRE , STEEL	1.2X150		1			
302	40	14521302150	BUSH , BAR COMP	1X1X1		2			
NOTE									



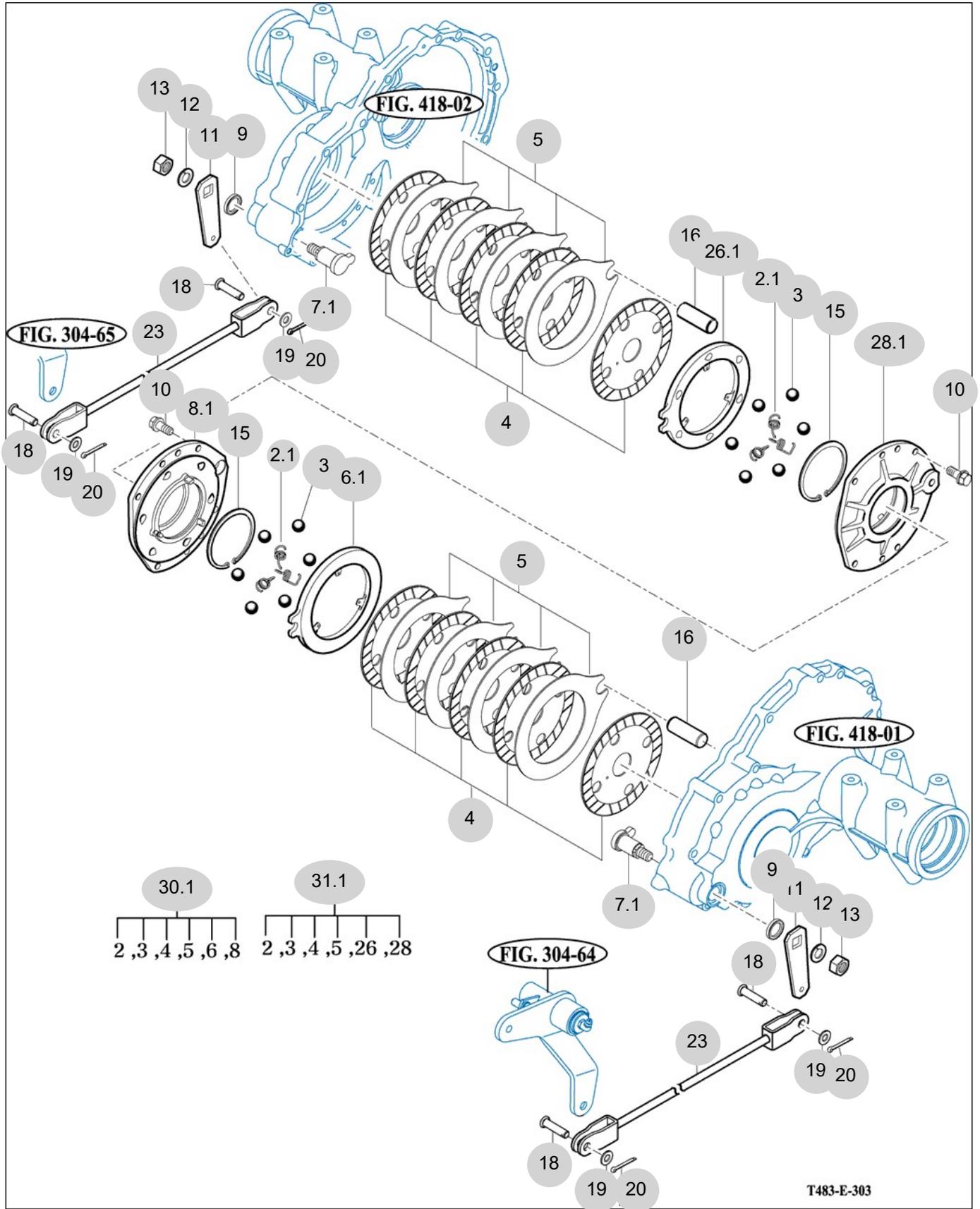
FIG 303

BRAKE

년/월  
Year/Month

T494NC

2022-12



T483-E-303

NOTE



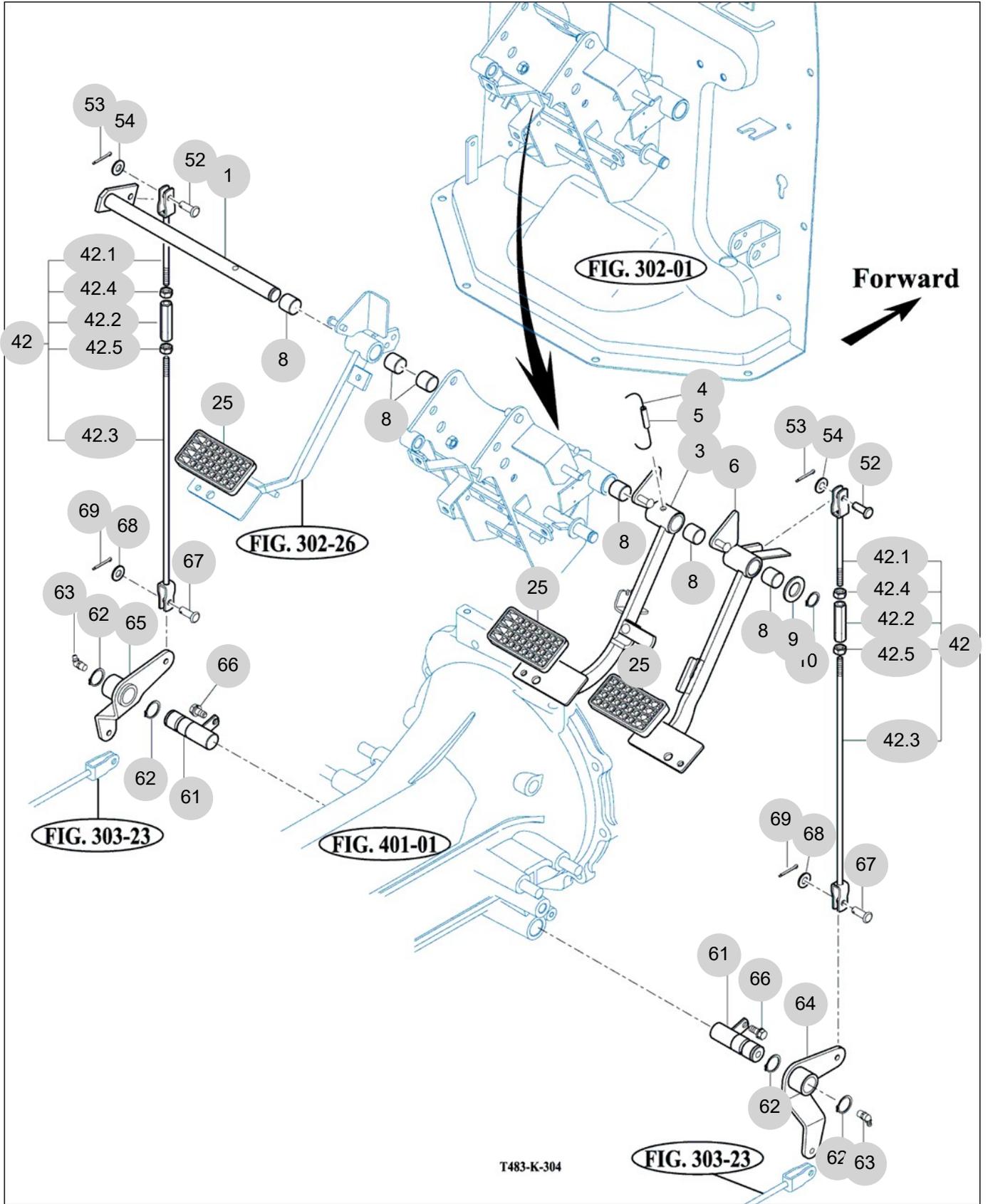
FIG 304

BRAKE PEDAL & LINK

년/월  
Year/Month

2022-12

T494NC



T483-K-304

FIG. 303-23

NOTE



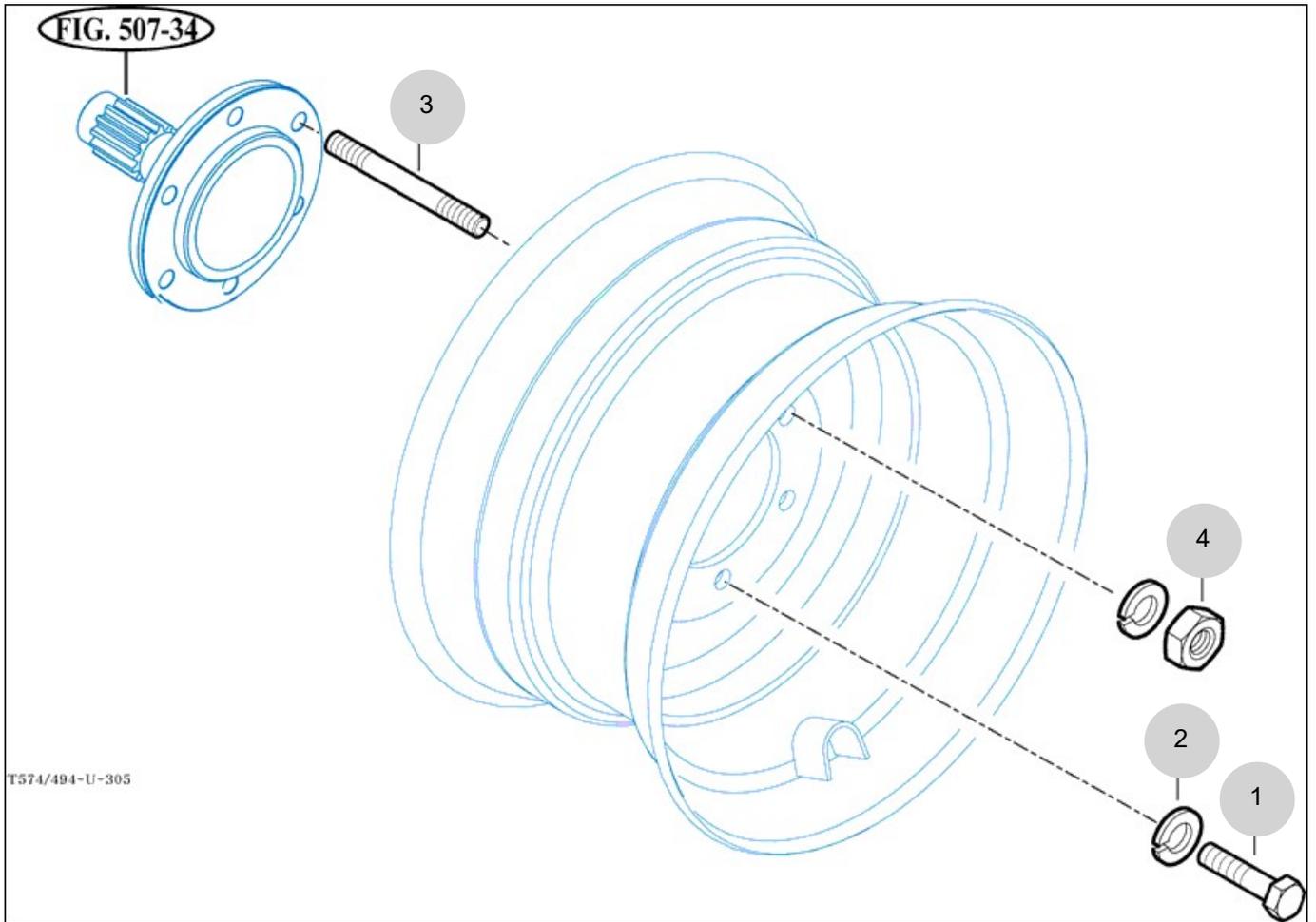
FIG 305

T494NC

FRONT WHEEL

년/월  
Year/Month

2022-12



T574/494-U-305

NOTE



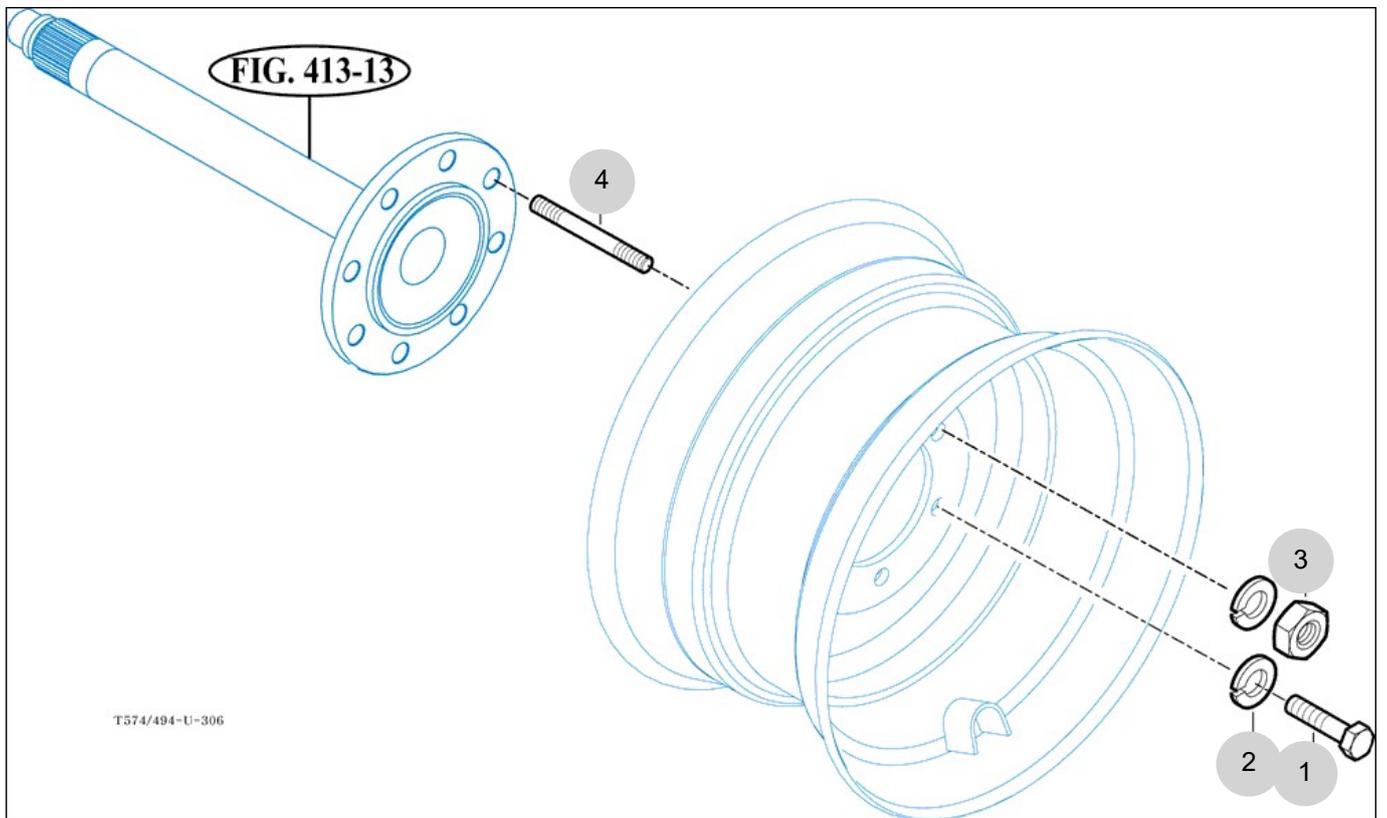
FIG 306

T494NC

REAR WHEEL

년/월  
Year/Month

2022-12



NOTE



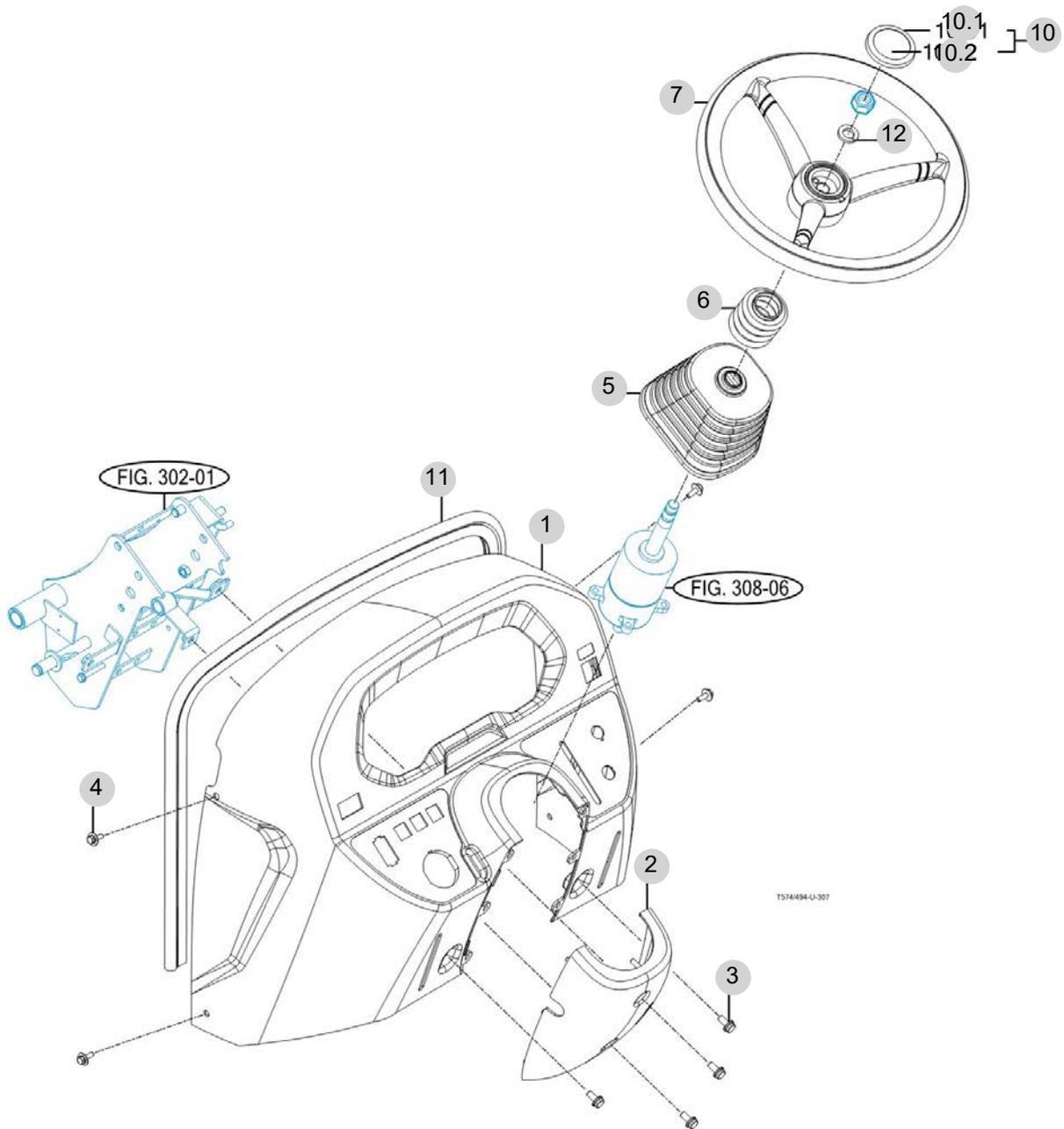
FIG 307

T494NC

POWER STEERING WHEEL

년/월  
Year/Month

2022-12



NOTE



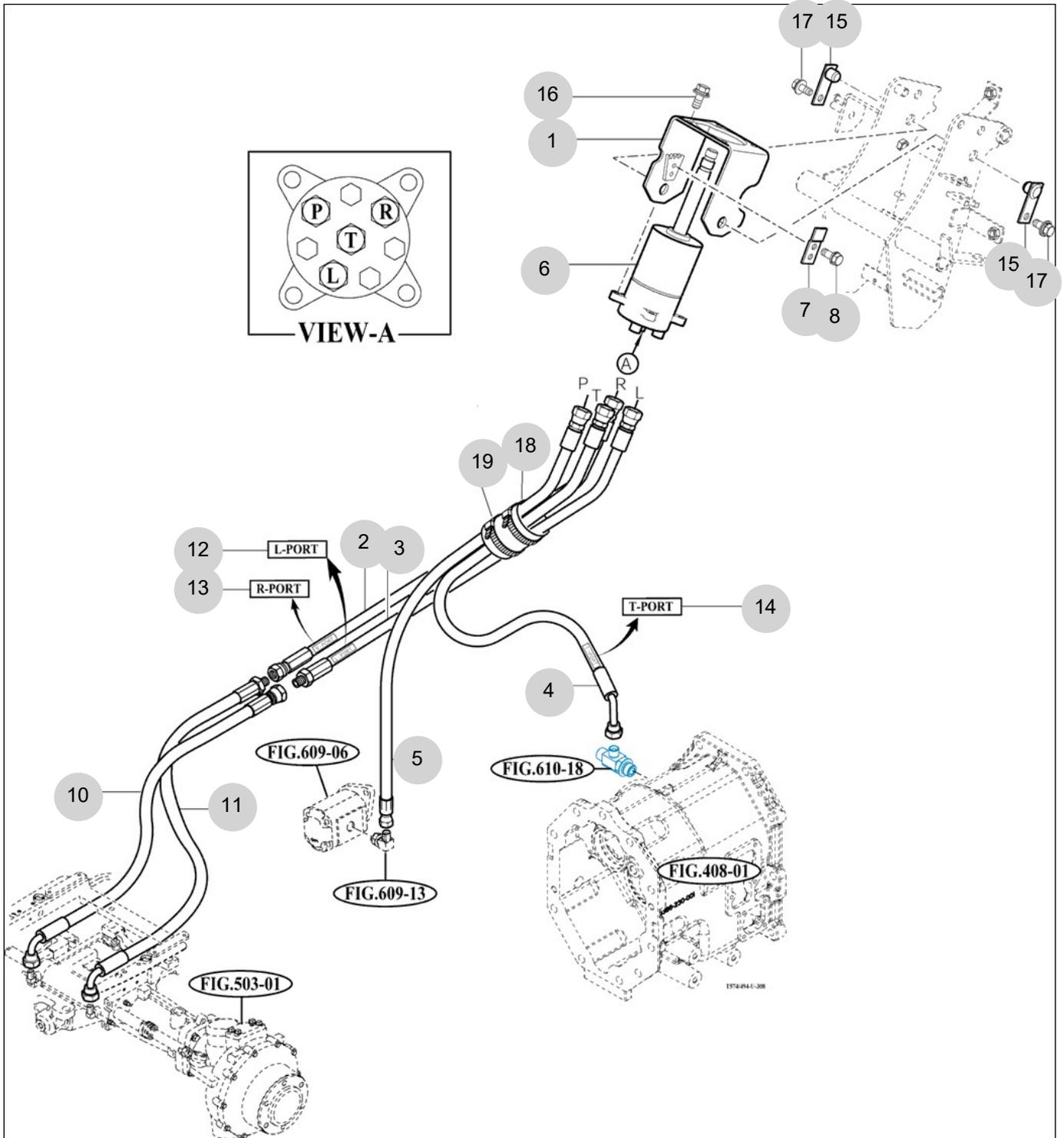
FIG 308

POWER STEERING VALVE

년/월  
Year/Month

T494NC

2022-12



NOTE



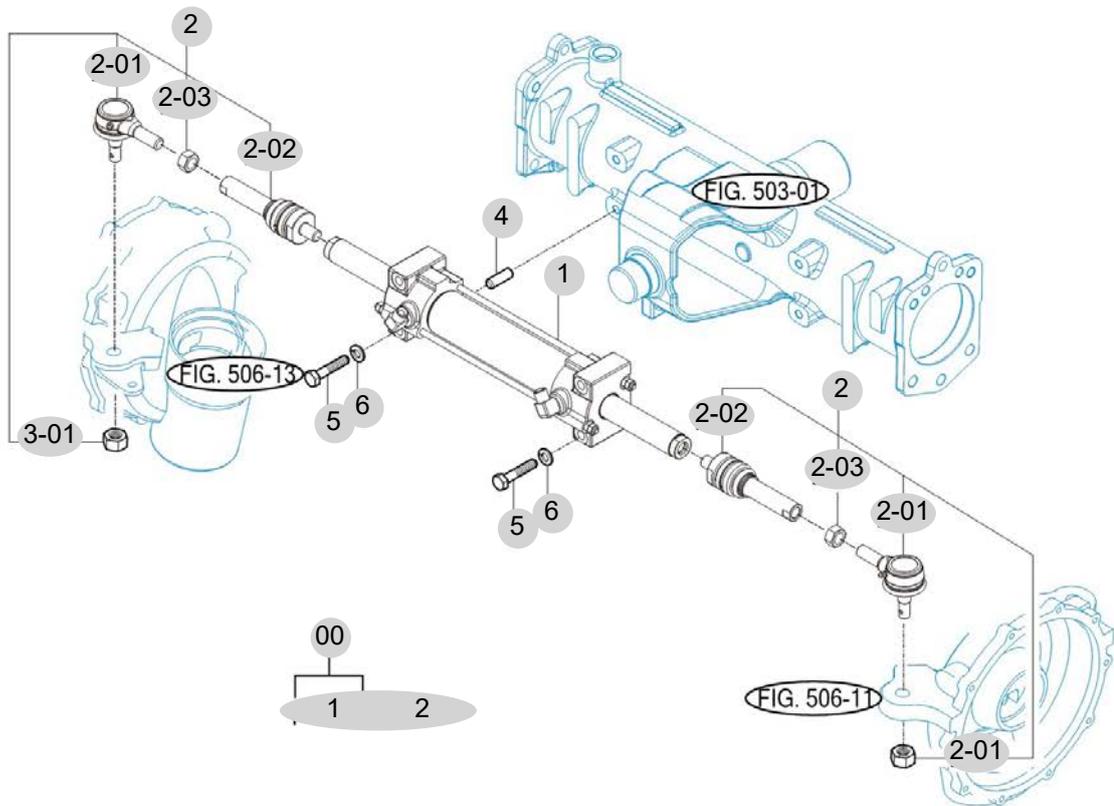
FIG 309

T494NC

POWER STEERING CYLINDER

년/월  
Year/Month

2022-12



T55551/T494NC-E-309

NOTE



## 4. Transmission PART NO. T4

FIG 401 TRANSMISSION FRONT CASE	135
FIG 402 FORWARD & BACKWARD GEARS	137
FIG 403 IDLE & COUNTER GEARS	139
FIG 404 MAIN SHIFT GEARS	141
FIG 405 P.T.O DRIVE SHAFT	143
FIG 406 MAIN CHANGE LEVER	145
FIG 407 REVERSE CHANGE LEVER	147
FIG 408 TRANSMISSION MID CASE	149
FIG 409 TRANSMISSION REAR CASE	151
FIG 410 SUB CHANGE GEARS	153
FIG 411 SUB CHANGE SHIFTER	155
FIG 413 DRIVE GEARS	157
FIG 414 4WD CHANGE LEVER	159
FIG 415 P.T.O CHANGE GEARS	161
FIG 417 REAR DIFFERENTIAL GEARS	163
FIG 418 REAR AXLE HOUSING	166

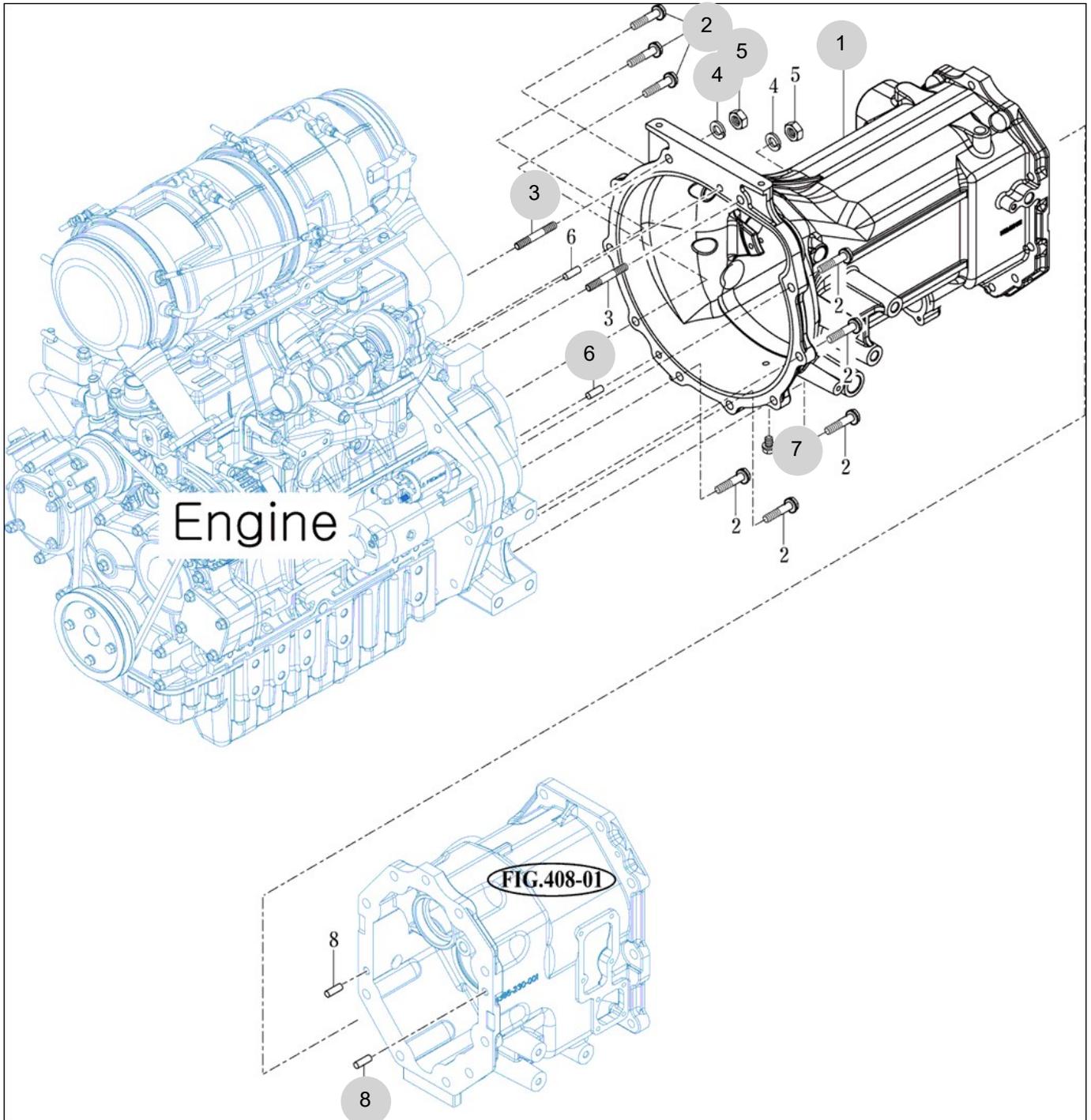
FIG 401

T494NC

TRANSMISSION FRONT CASE

년/월  
Year/Month

2022-12



NOTE



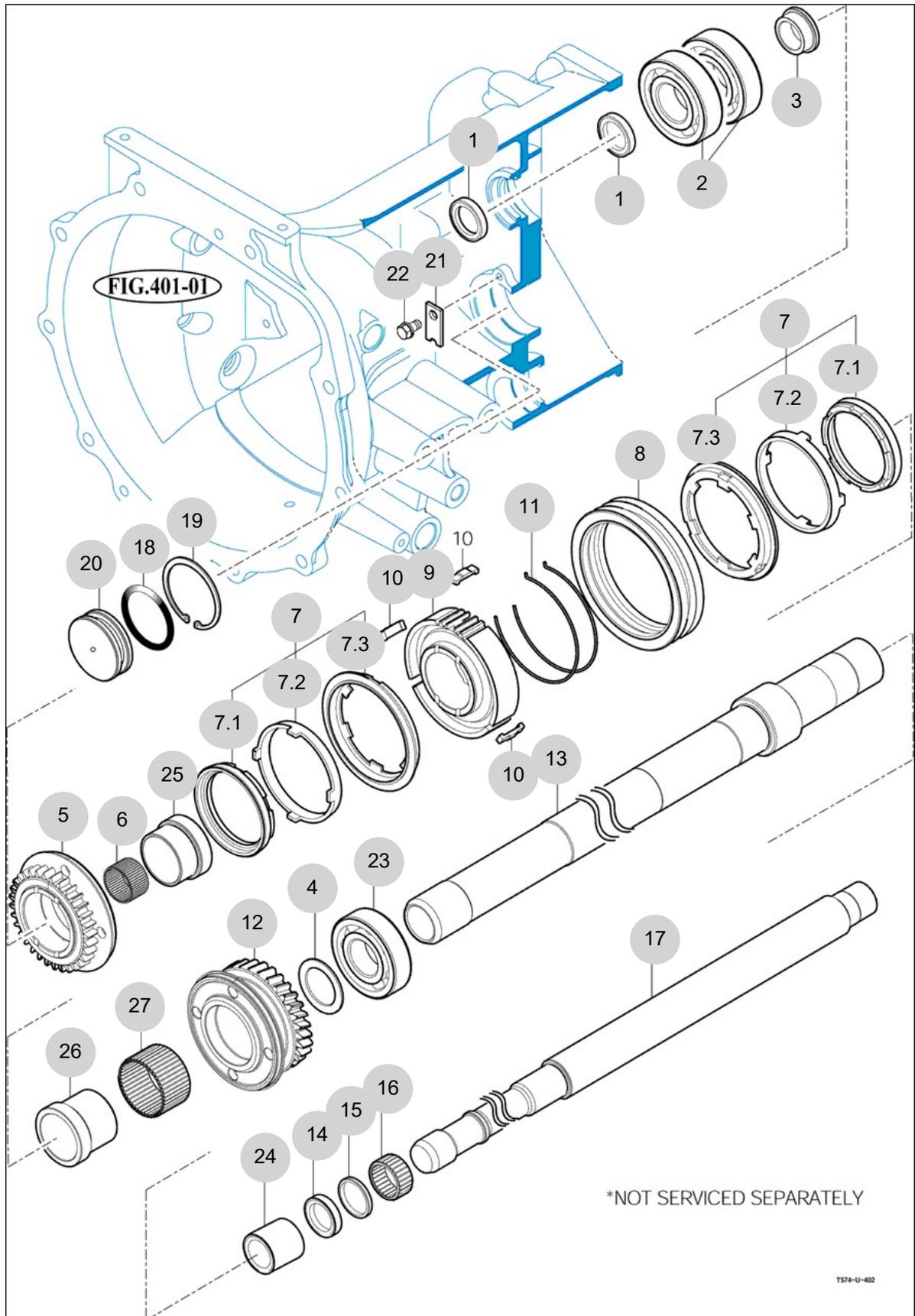
FIG 402

T494NC

FORWARD & BACKWARD GEARS

년/월  
Year/Month

2022-12



NOTE



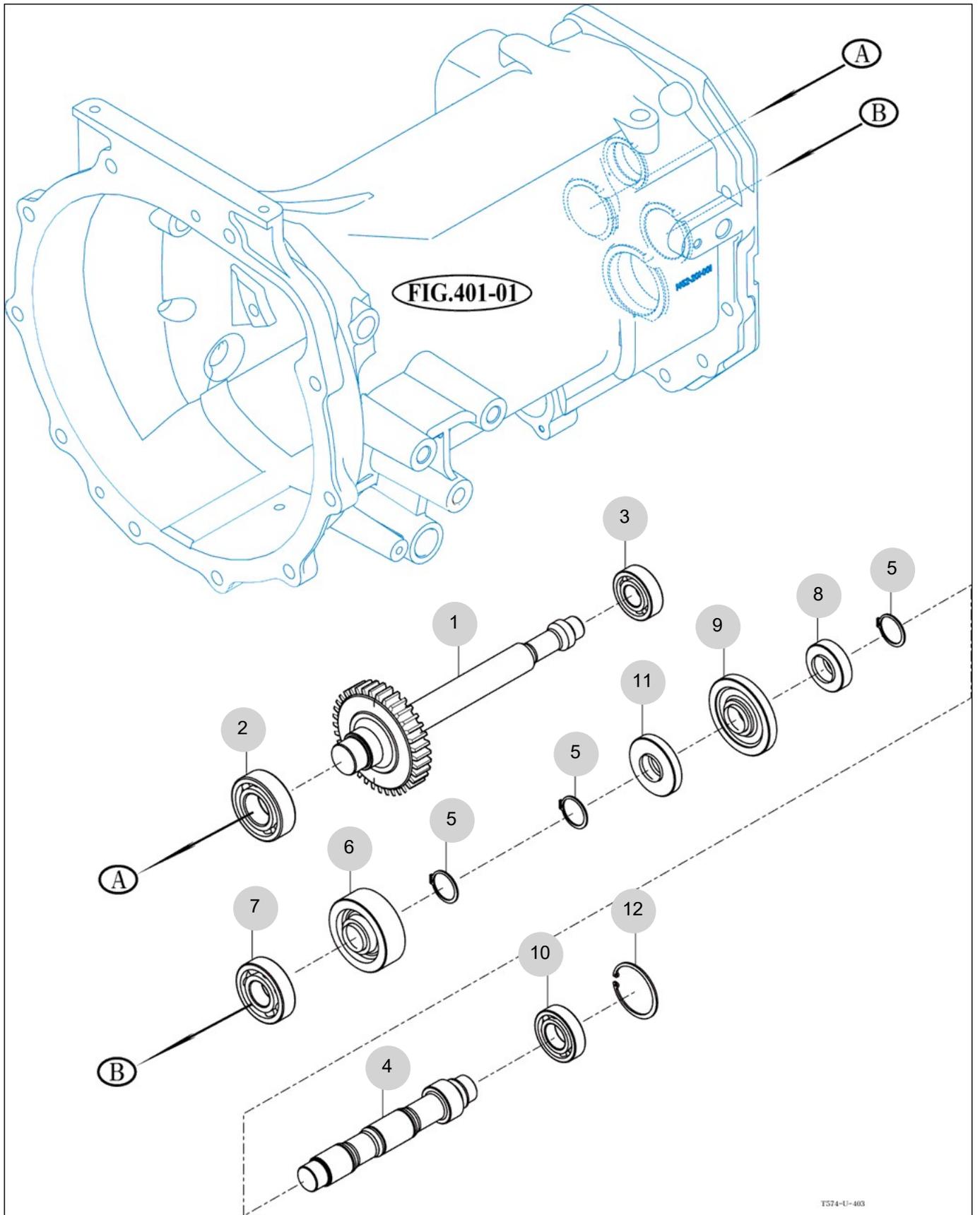
FIG 403

T494NC

IDLE & COUNTER GEARS

년/월  
Year/Month

2022-12



NOTE



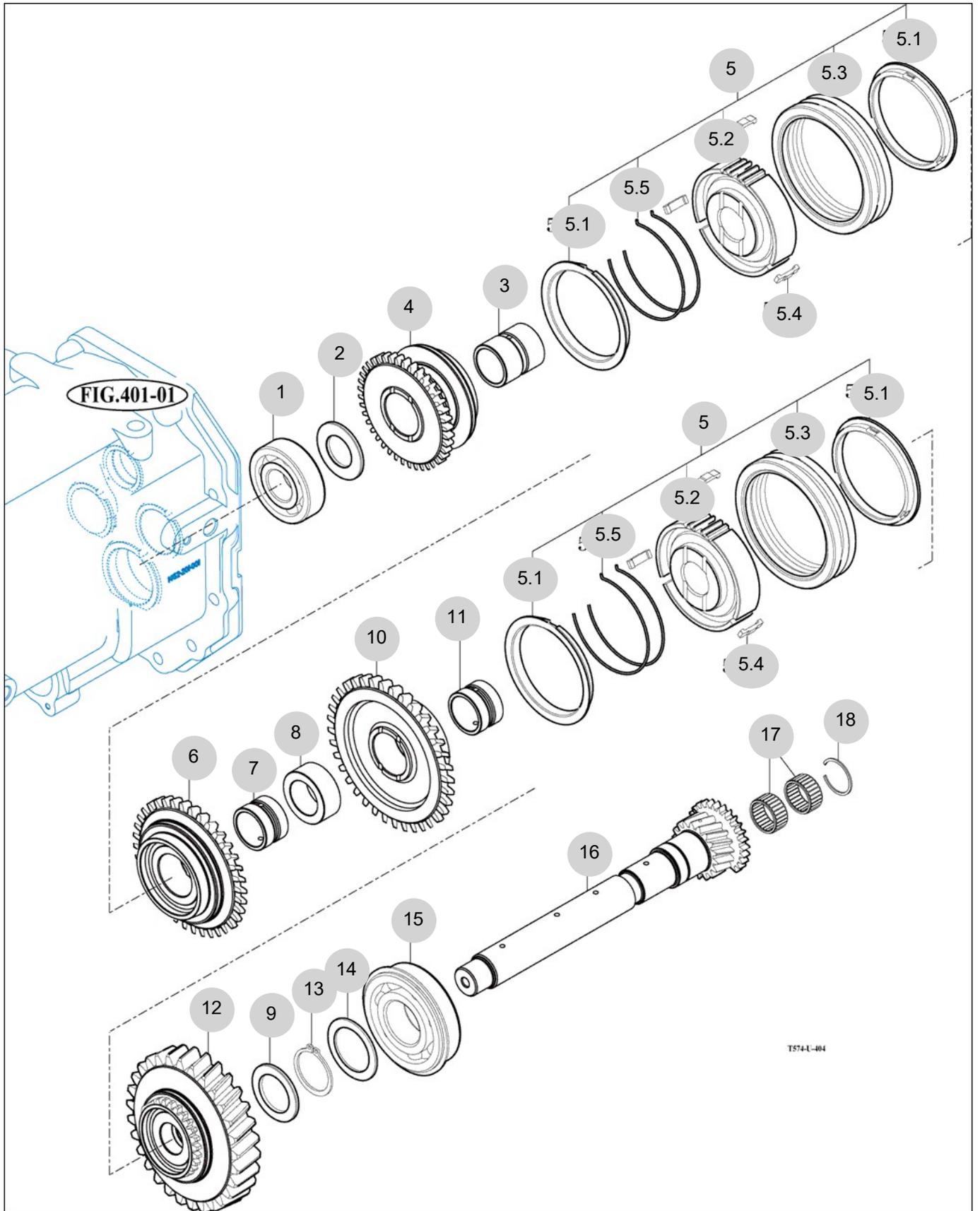
FIG 404

MAIN SHIFT GEARS

년/월  
Year/Month

T494NC

2022-12



T574-U-404

NOTE



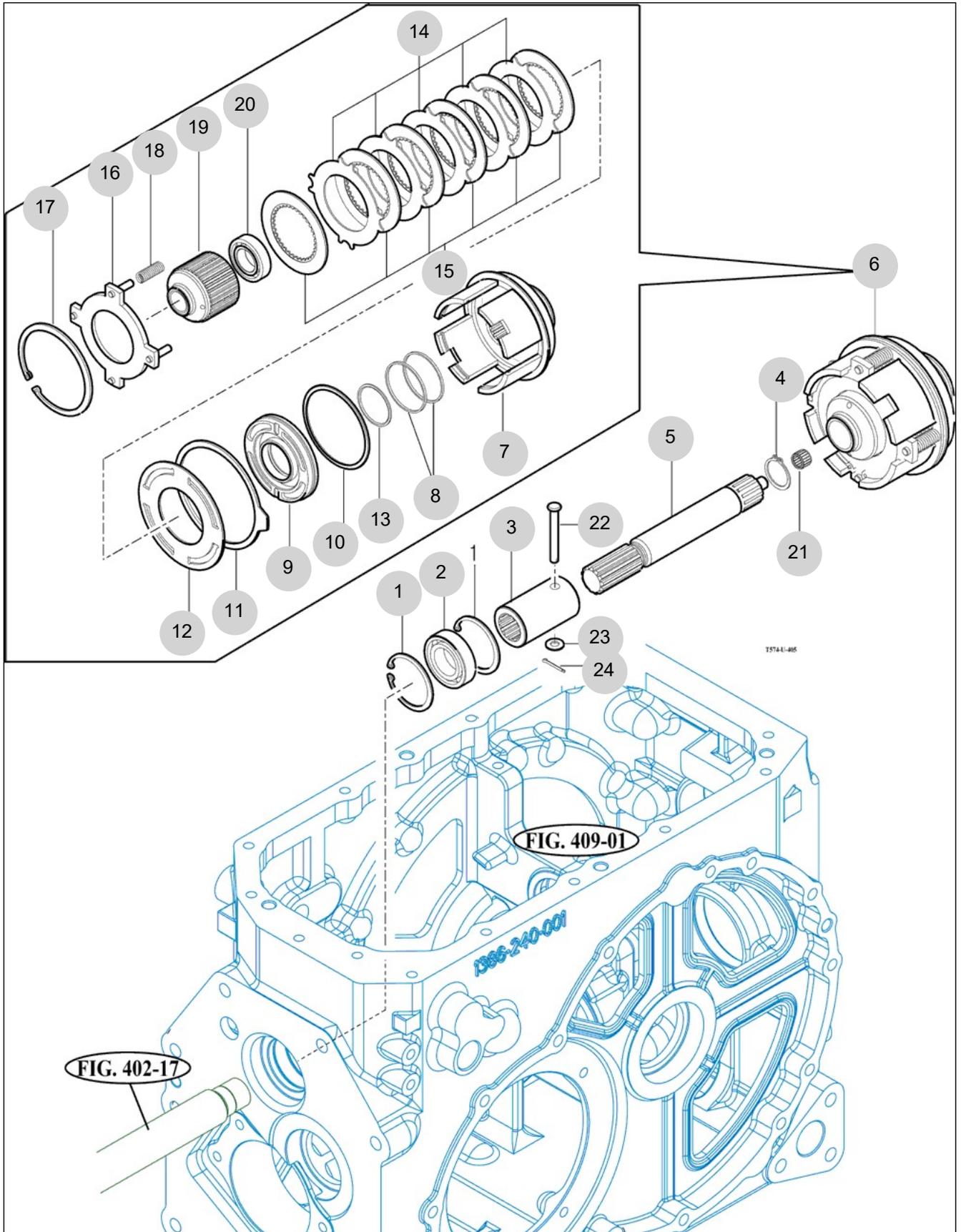
FIG 405

P.T.O DRIVE SHAFT

년/월  
Year/Month

T494NC

2022-12



NOTE



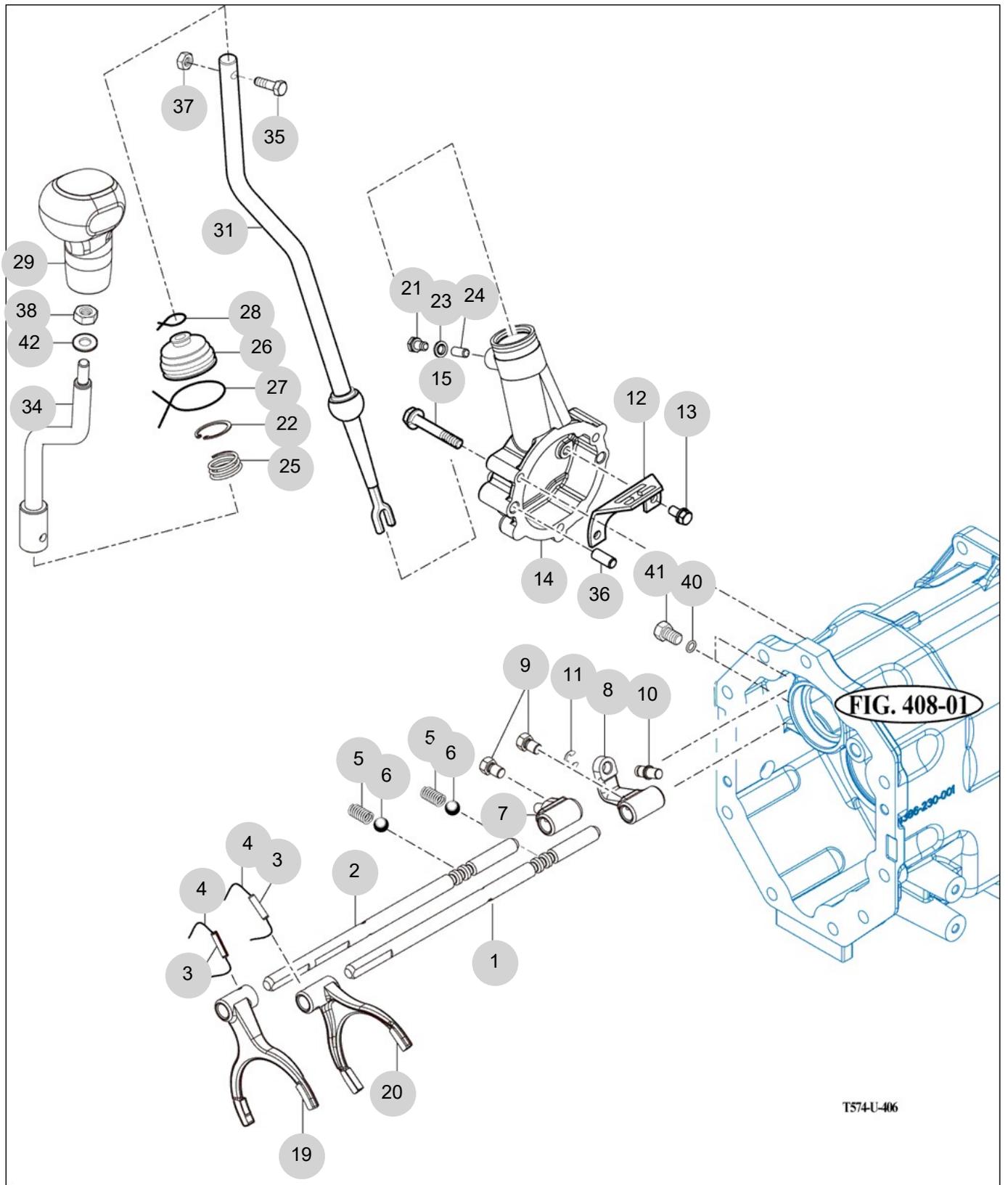
FIG 406

T494NC

MAIN CHANGE LEVER

년/월  
Year/Month

2022-12



NOTE



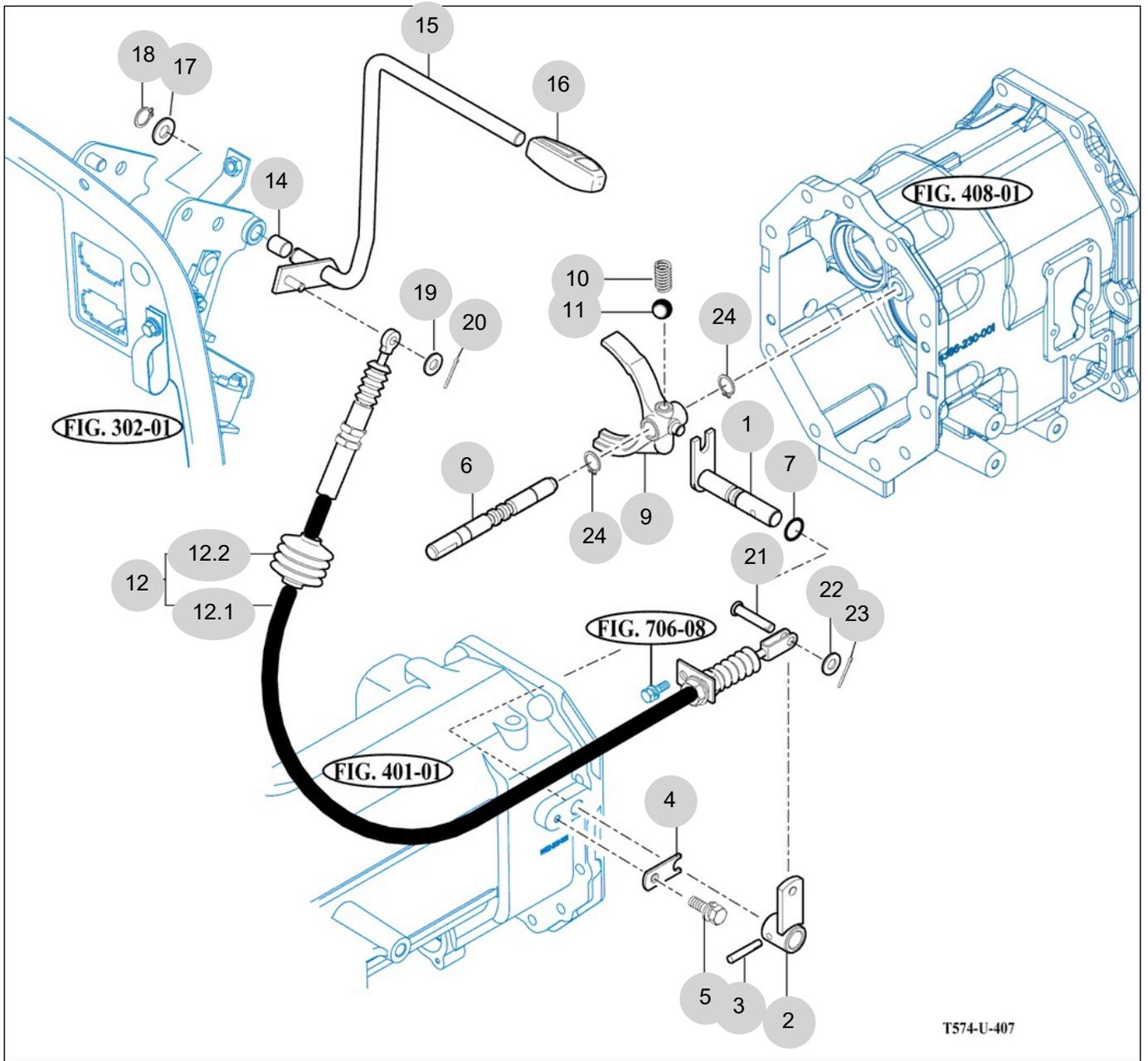
FIG 407

T494NC

REVERSE CHANGE LEVER

년/월  
Year/Month

2022-12



NOTE



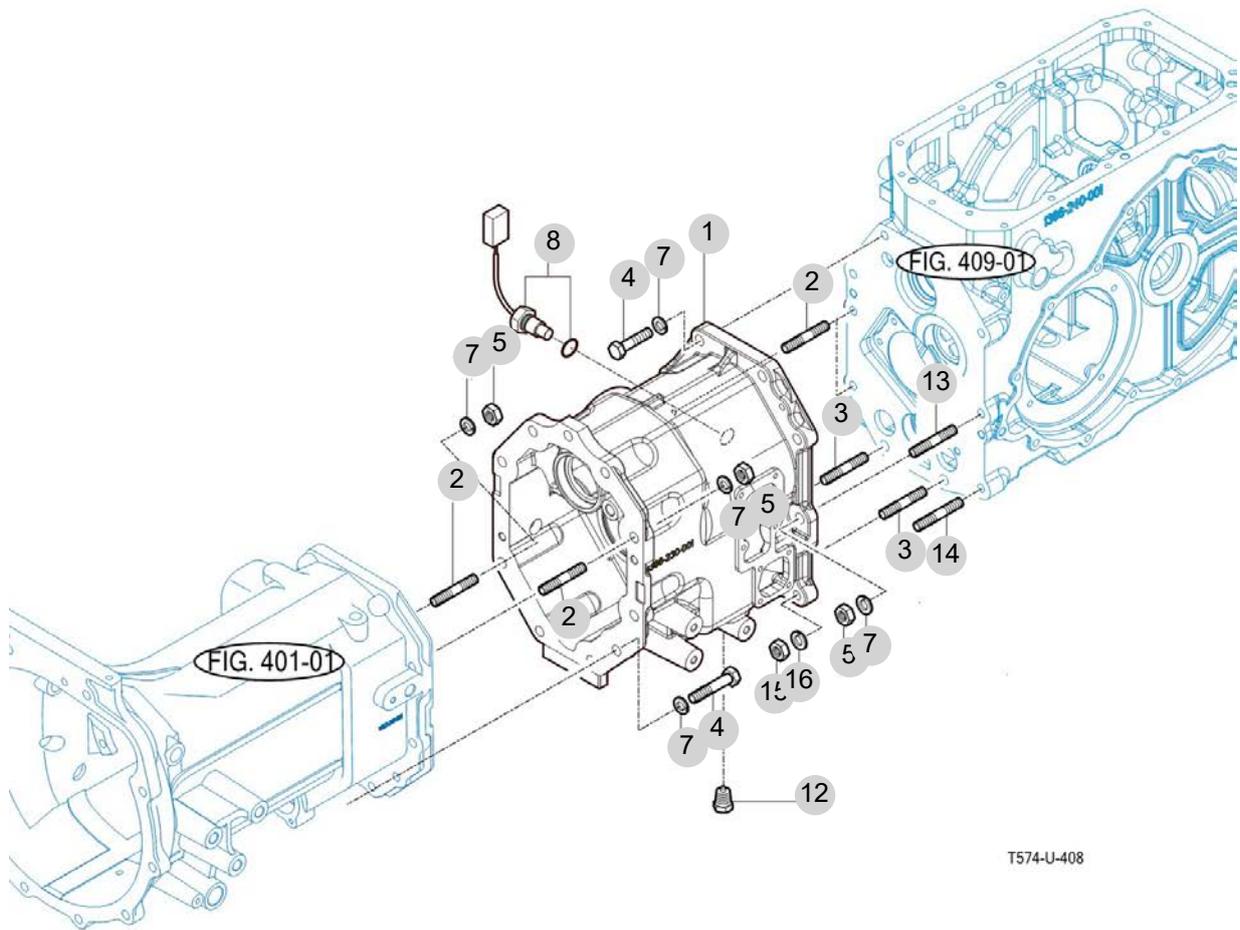
FIG 408

T494NC

TRANSMISSION MID CASE

년/월  
Year/Month

2022-12



T574-U-408

NOTE



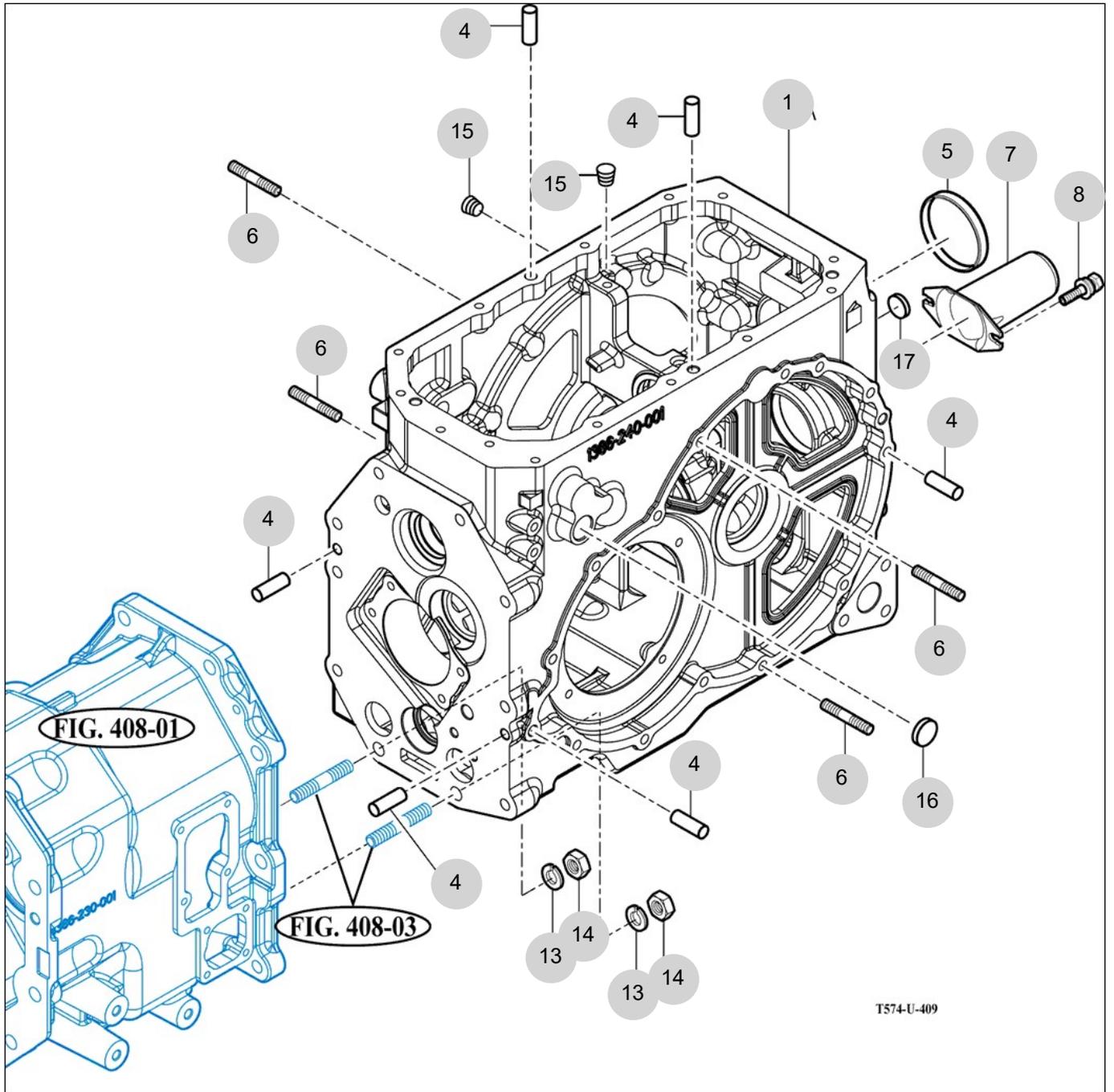
FIG 409

T494NC

TRANSMISSION REAR CASE

년/월  
Year/Month

2022-12



NOTE



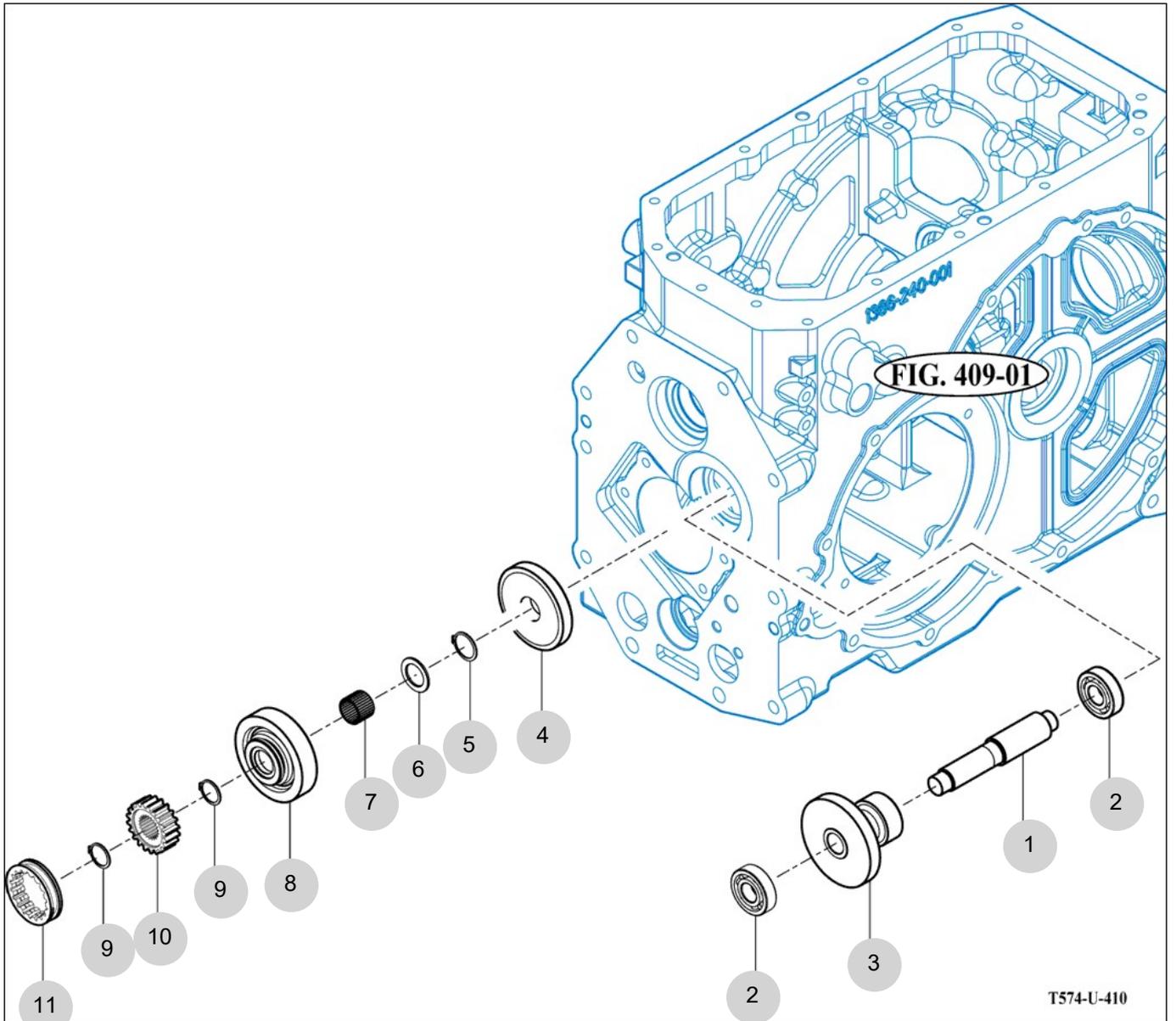
FIG 410

T494NC

SUB CHANGE GEARS

년/월  
Year/Month

2022-12



NOTE



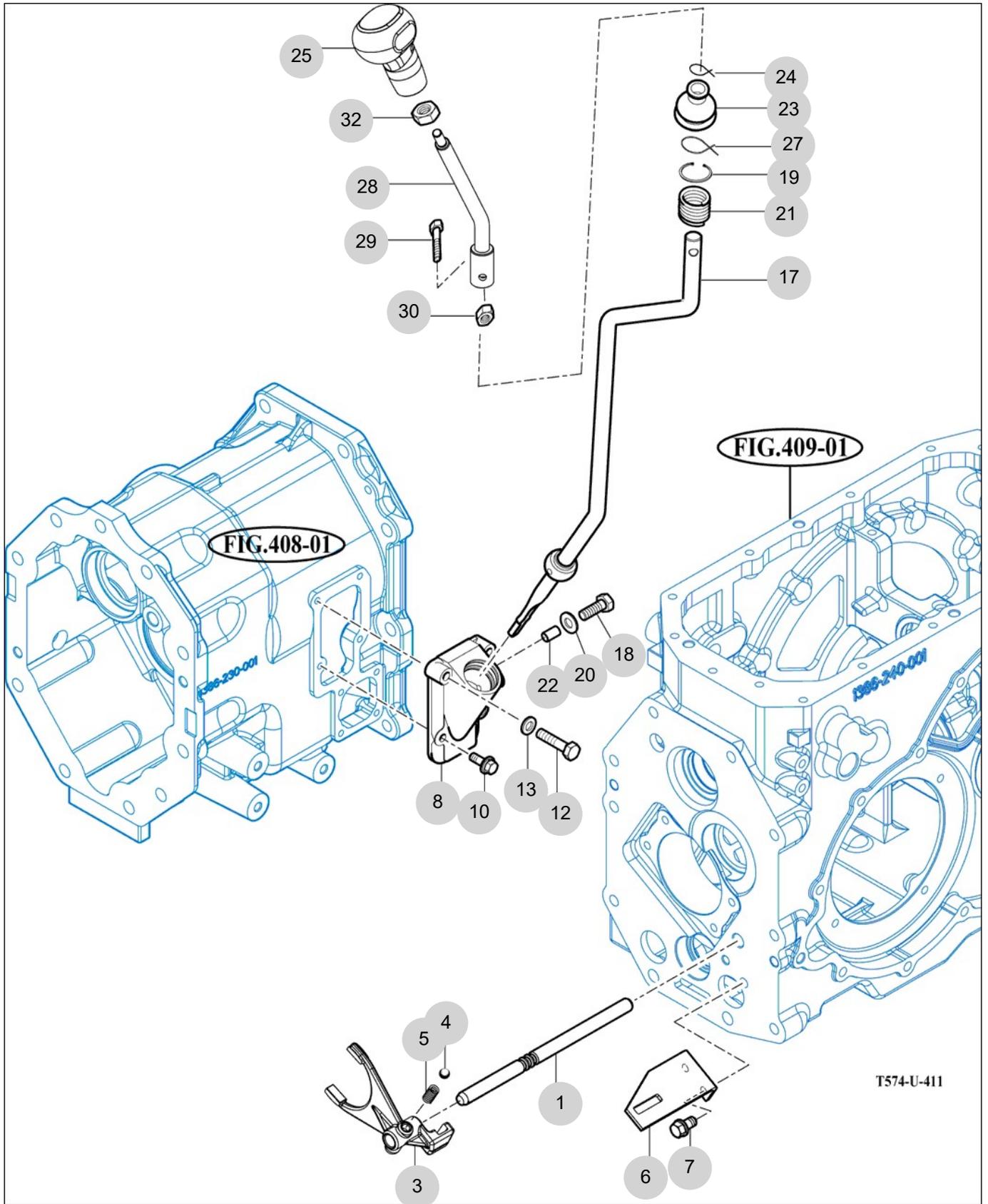
FIG 411

SUB CHANGE SHIFTER

년/월  
Year/Month

T494NC

2022-12



NOTE



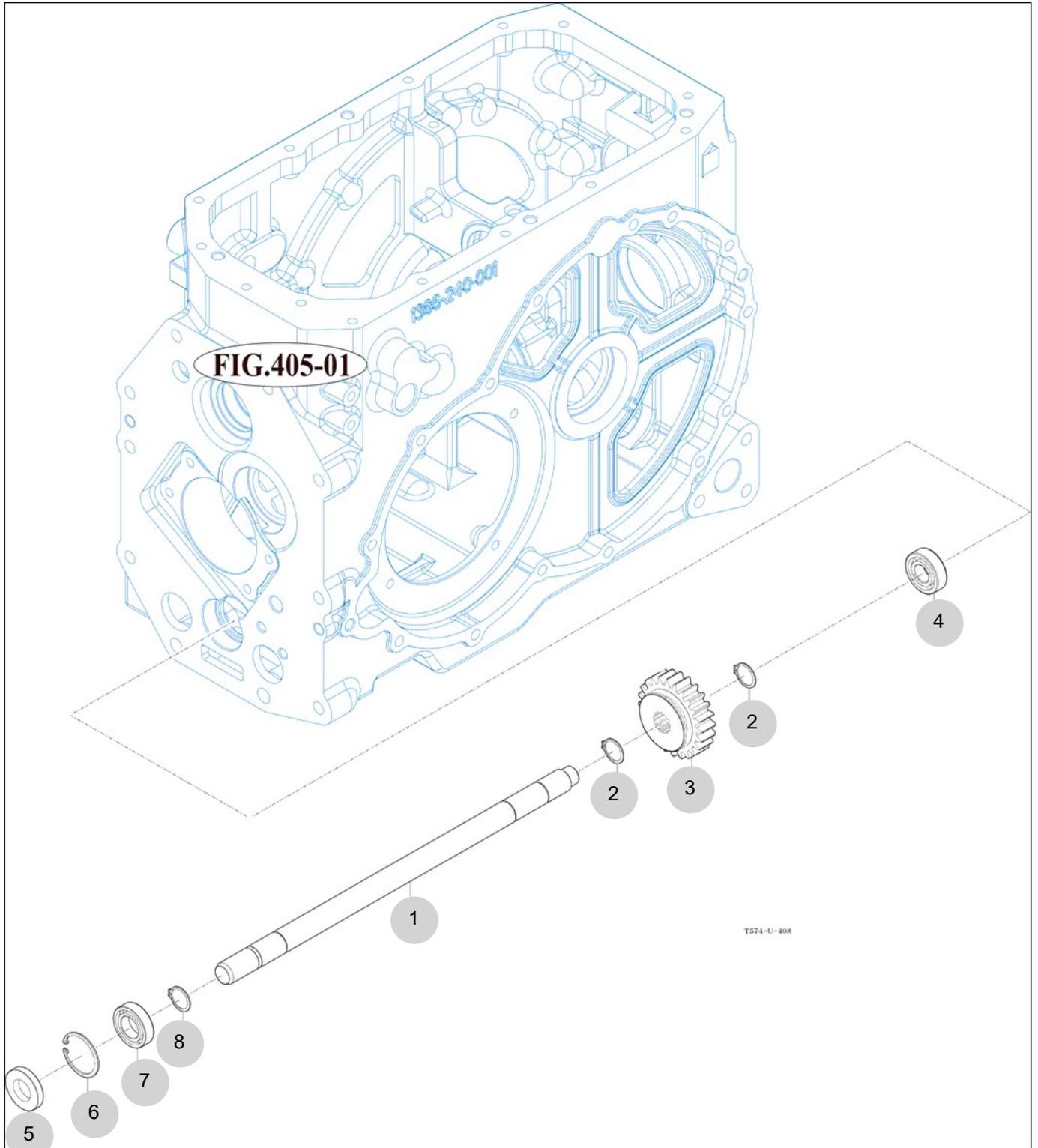
FIG 413

DRIVE GEARS

년/월  
Year/Month

T494NC

2022-12



NOTE



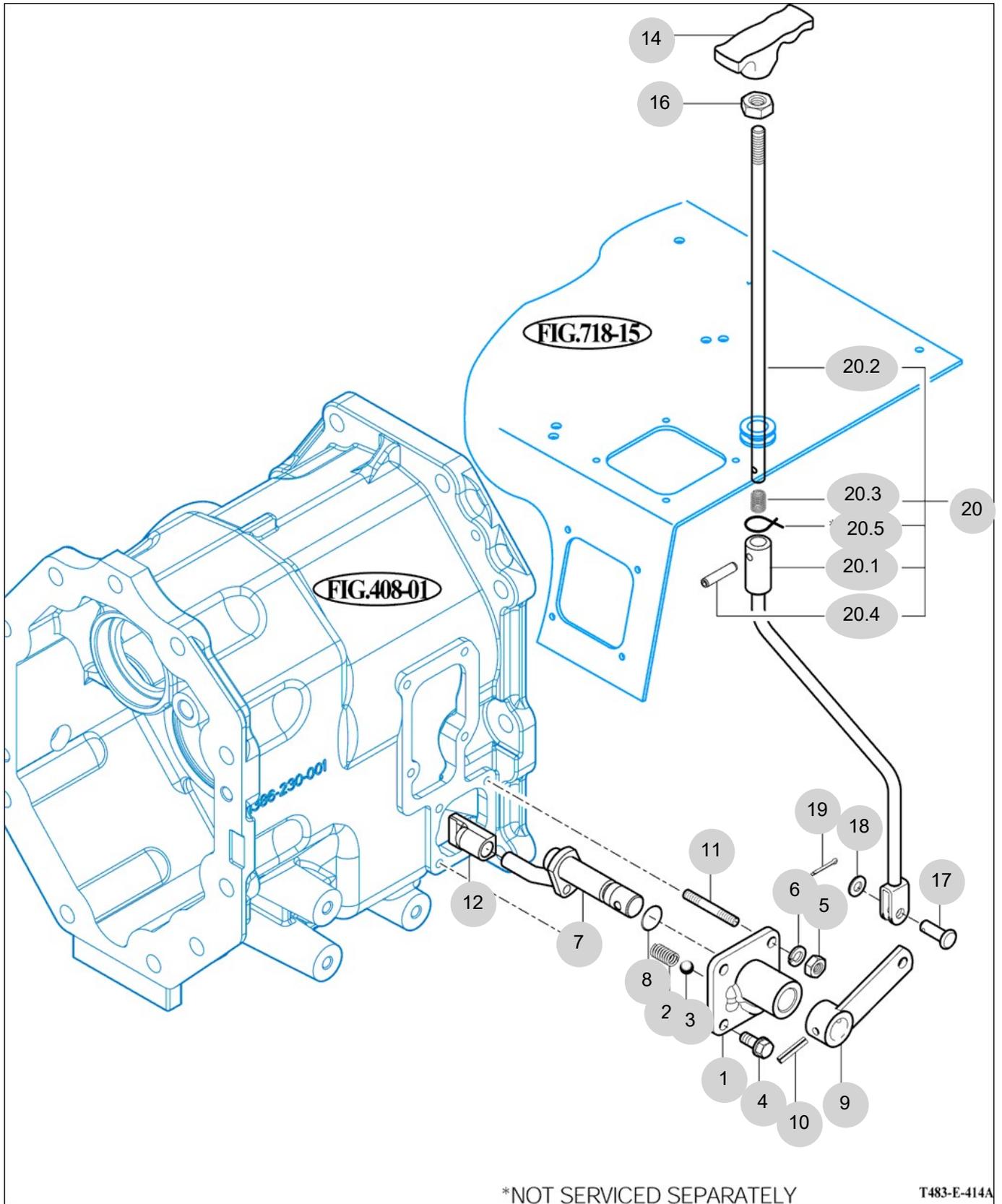
FIG 414

4WD CHANGE LEVER

년/월  
Year/Month

T494NC

2022-12



\*NOT SERVICED SEPARATELY

T483-E-414A

NOTE



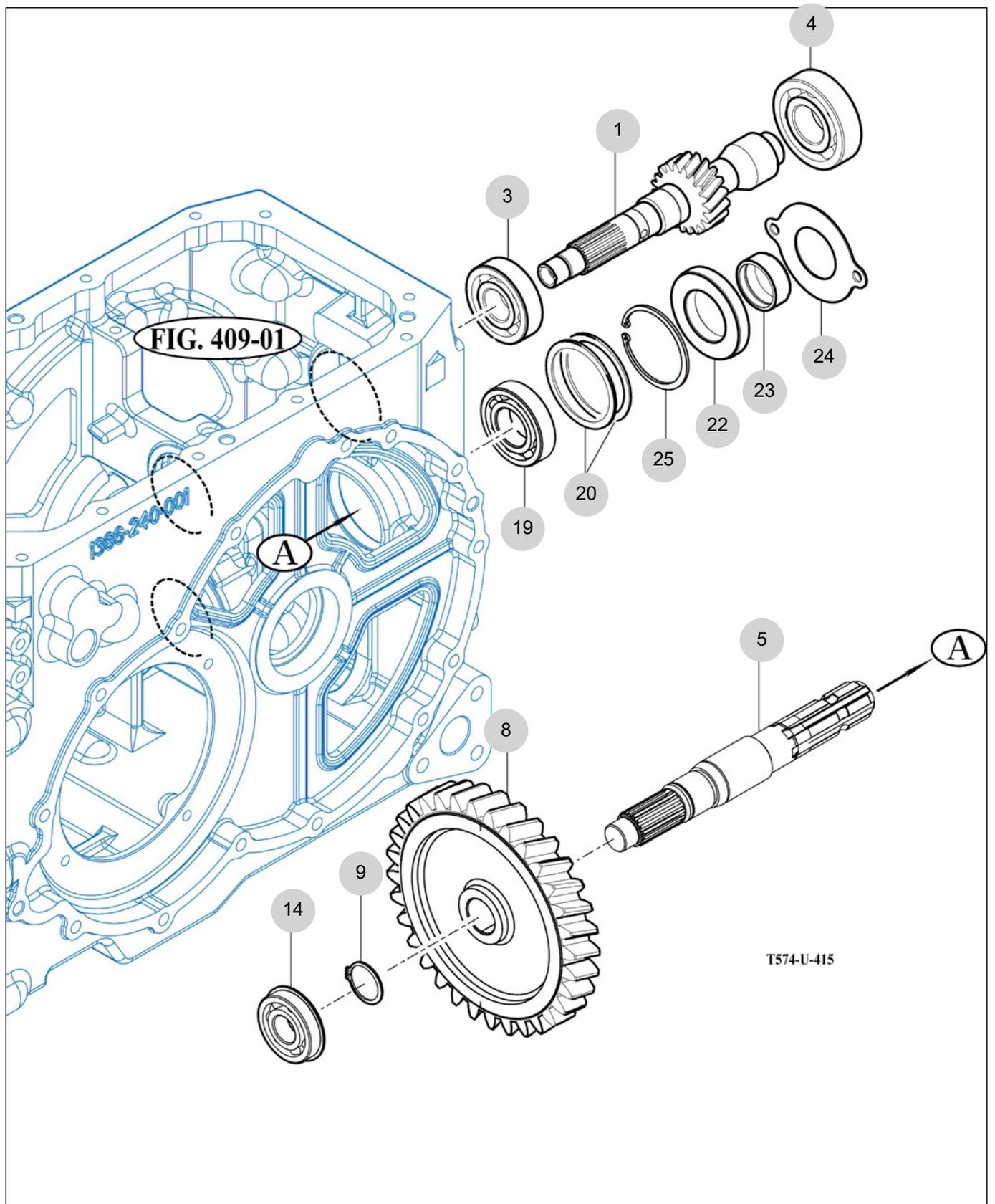
FIG 415

P.T.O CHANGE GEARS

년/월  
Year/Month

T494NC

2022-12



NOTE



FIG 417

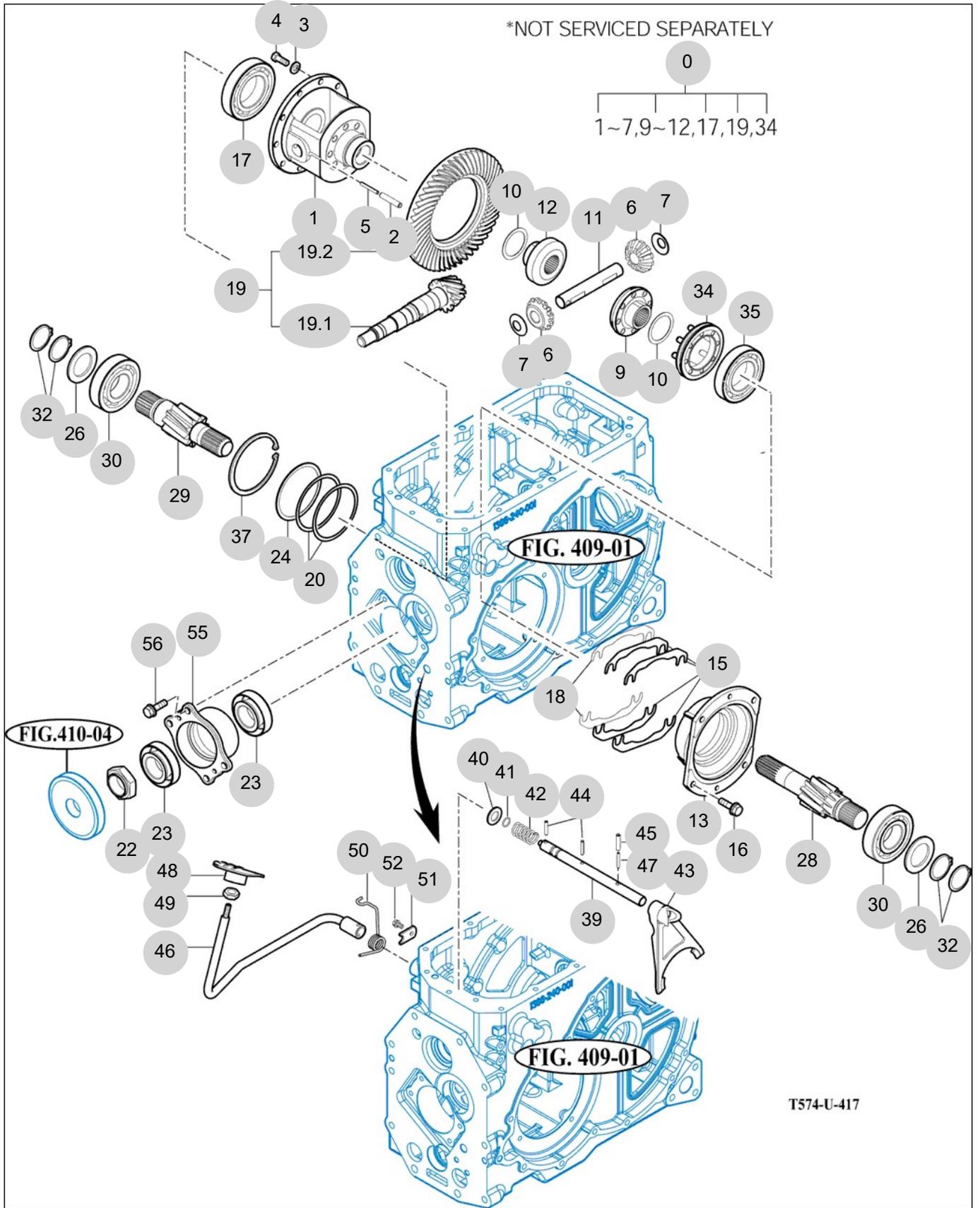
REAR DIFFERENTIAL GEARS

년/월  
Year/Month

2022-12

T494NC

\*NOT SERVICED SEPARATELY



T574-U-417

NOTE

FIG 417		REAR DIFFERENTIAL GEARS					년/월 Year/Month		
							2022-12		
T494NC		KEY NO	PART NO	DESCRIPTION	SPEC	QTY	REPAIR	EFFECTIVE DATE	REMARKS
417	0	13863031000	DIFF ASSY, RR			1			
417	1	14523030010M	CASE , DIFF			1			
417	2	V5801408040	PIN , SPRING	8X50		1			
417	3	V4011600100	WASHER , SPRING	M10		10			
417	4	V2024610025	BOLT , HEX FINE	M10X25		10			
417	5	V5801405036	PIN , SPRING	5X36		1			
417	6	14523180041	PINION , DIFF	1X1X1		2			
417	7	14523030080	COLLAR , PINION	T=1.0		2			
417	9	14523180061	PINION , BEVEL 16T LH	1X1X1		1			
417	10	14523030100	WASHER , THRUST	D=52.5		2			
417	11	14523030110	SHAFT , DIFF PINION	D=23		1			
417	12	14523180031	PINION , BEVEL 16T RH	1X1X1		1			
417	13	14523030131M	METAL , DIFF CASE LH			1			
417	15	14523010090	SHIM , B	T=0.2		4			
417	16	V2173610025	BOLT , HEX/S	M10X25		4			
417	17	V6001106212	BEARING , BALL	6212		1			
417	18	14523010080	SHIM , A	T=0.1		2			
417	19	13863022100	GEAR SET , 10-41T			1			
417	19.1	13863022110	PINION, BEVEL			1			
417	19.2	14523022120	GEAR , SPIRAL BEVEL			1			
417	20	14523010050	SHIM , 0.1	T=0.1		2			
417	22	15533030020	NUT , M40 P1,5	육각B=55		1			
417	23	V6321132208	BEARING , TAPER-ROLLER	32208CR		2			
417	24	14523010100	SHIM , 0.2	T=0.2		1			
417	26	15133060030	COLLAR , THRUST 45X68X4			2			
417	28	14523060010	PINION , LH HERICAL11T			1			
417	28	14523060011	PINION , LH HERICAL11T			1			
417	29	14523060020	PINION , RH HERICAL11T			1			
417	29	14523060021	PINION , RH HERICAL11T			1			
417	30	V6001106309	BEARING , BALL	6309		2			
417	30	V6041106309	BEARING , BALL/HL1			1			
417	32	V7041400450	C-RING , SHAFT	45		4			
417	34	14523033400	SLEEVE COMP			1			
417	35	V6001106211	BEARING , BALL	6211		1			
417	37	V7051401100	C-RING , HOLE	110		1			
417	39	14523032002	SHAFT , DIFF LOCK	D=20		1			
417	40	V4111600200	WASHER , PLAIN	M20		1			
417	41	V7201024016	O-RING , P	P16		1			
417	42	17973030420	SPRING	(D=3.6) X22.5X74.5		1			
417	43	14523190011M	FORK , DIFF LOCK			1			
417	44	V5801406032	PIN , SPRING	6X32		2			
417	45	V5801408036	PIN , SPRING	8X36		1			
417	46	14543162101	PEDAL COMP , DIFF LOCK			1			
417	47	V5801405036	PIN , SPRING	5X36		1			
417	48	14521220120	PEDAL COMP,ACCEL	1X1X1		1			
NOTE									



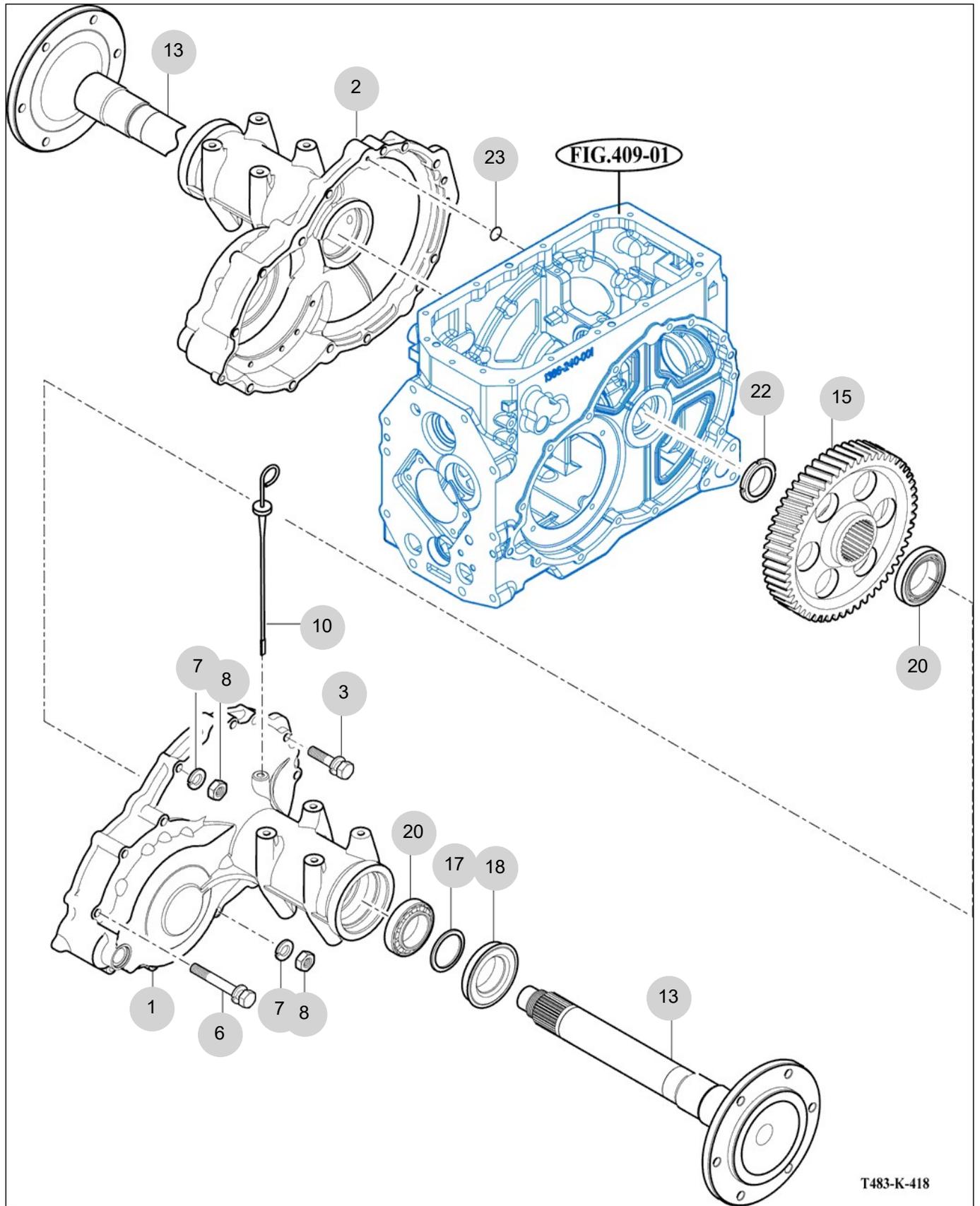
FIG 418

REAR AXLE HOUSING

년/월  
Year/Month

T494NC

2022-12



T483-K-418

NOTE



## 5. Front Axle PART NO. T5

FIG 501 FRONT AXLE SUPPORT	169
FIG 502 FRONT DRIVE SHAFT	171
FIG 503 FRONT AXLE HOUSING	173
FIG 504 FRONT DIFFERENTIAL GEARS	175
FIG 505 FRONT GEAR CASE (1)	177
FIG 506 FRONT GEAR CASE (2)	179
FIG 507 FRONT GEAR CASE (3)	181

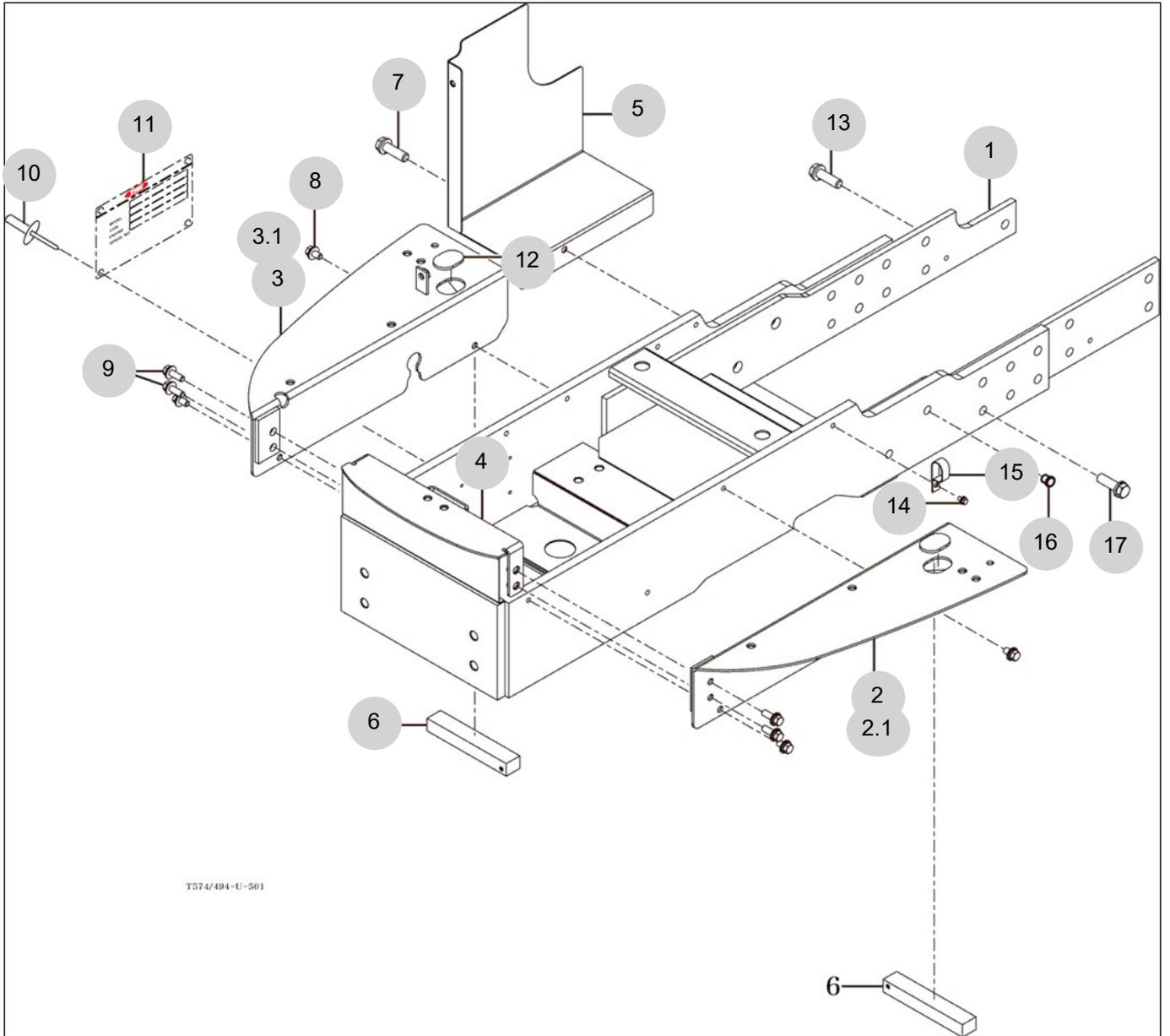
FIG 501

T494NC

FRONT AXLE SUPPORT

년/월  
Year/Month

2022-12



NOTE



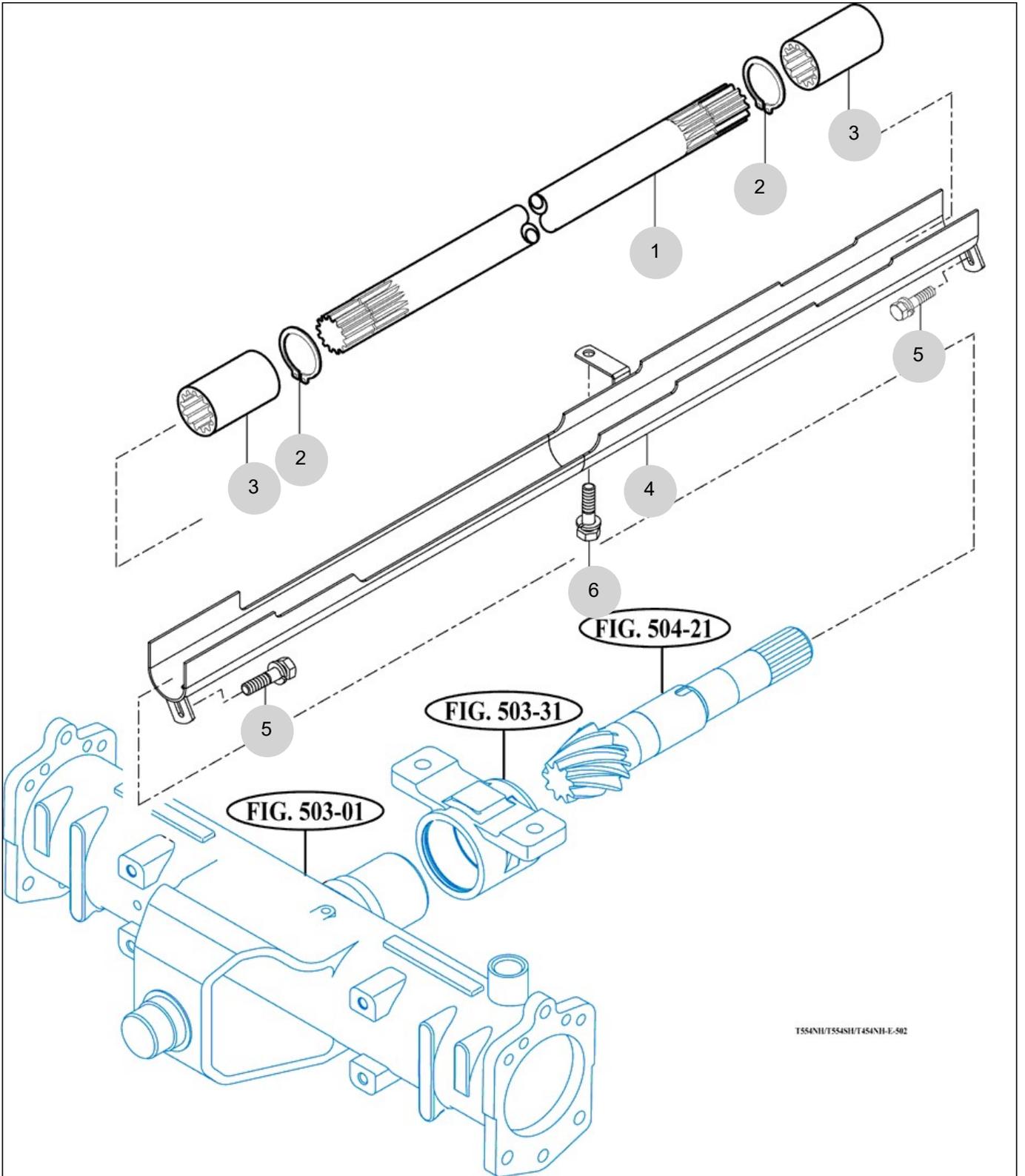
FIG 502

FRONT DRIVE SHAFT

년/월  
Year/Month

T494NC

2022-12



T554NH/T554SH/T454NH-E-502

NOTE



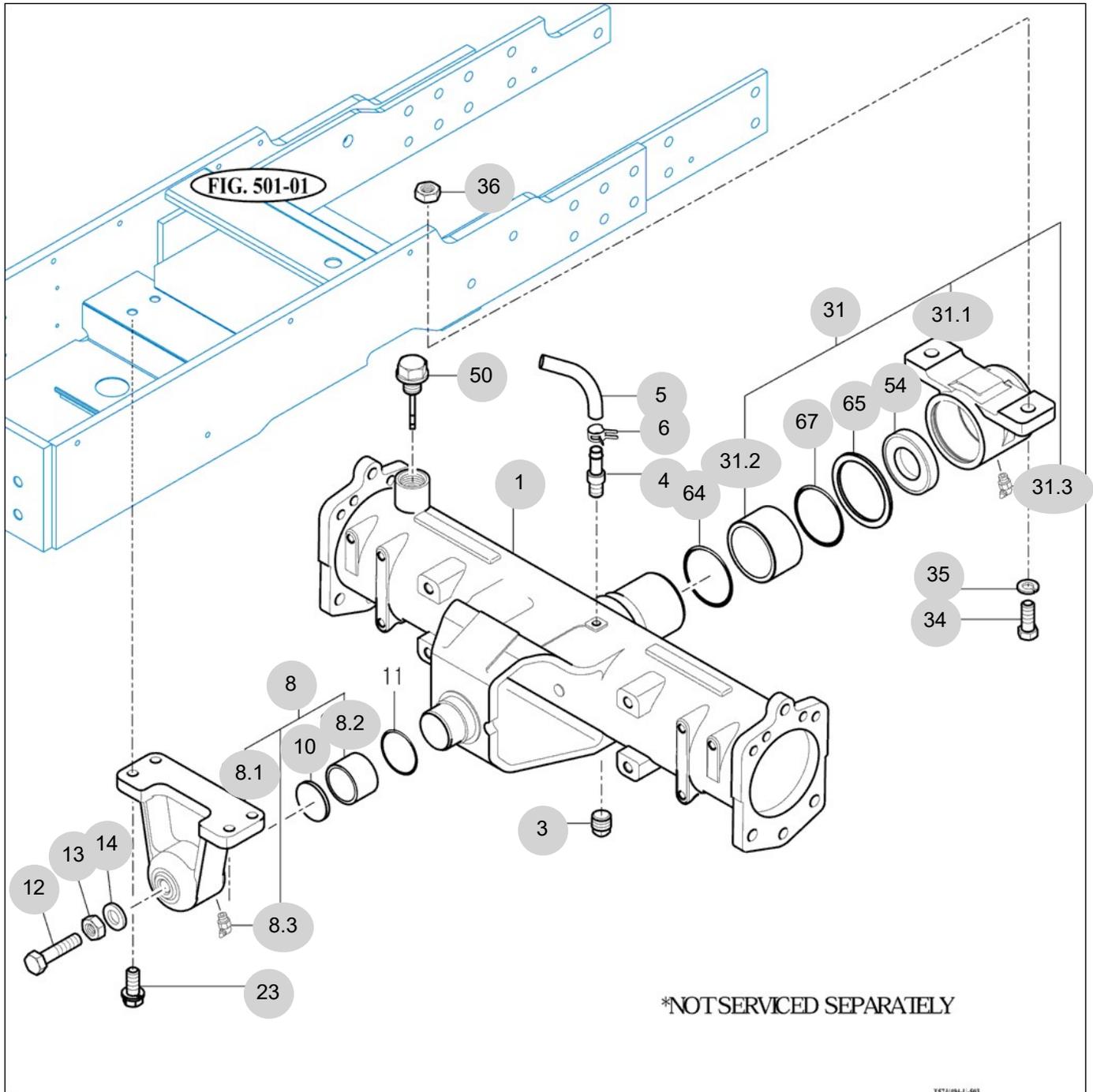
FIG 503

FRONT AXLE HOUSING

년/월  
Year/Month

T494NC

2022-12



NOTE



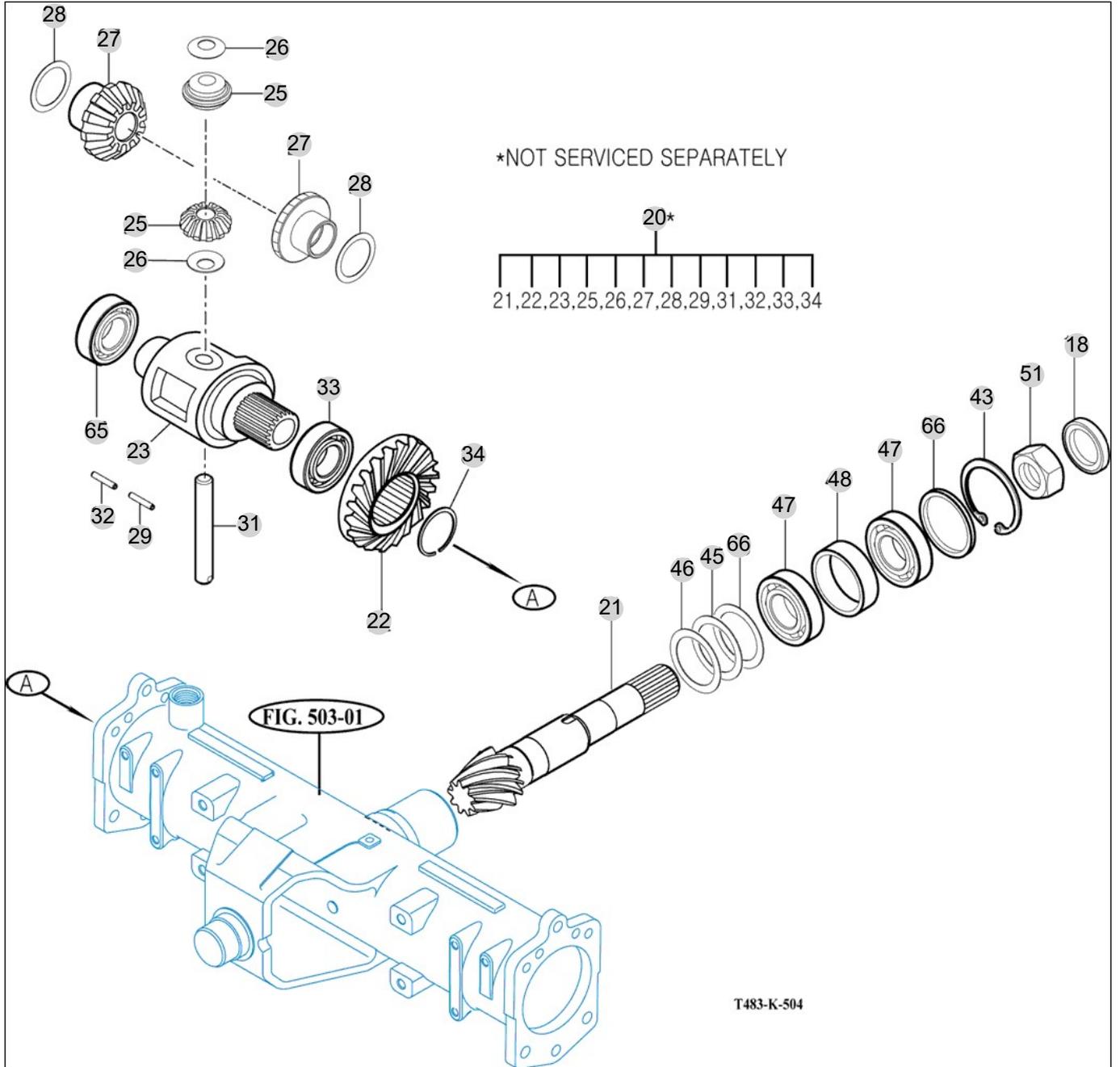
FIG 504

FRONT DIFFERENTIAL GEARS

년/월  
Year/Month

2022-12

T494NC



NOTE



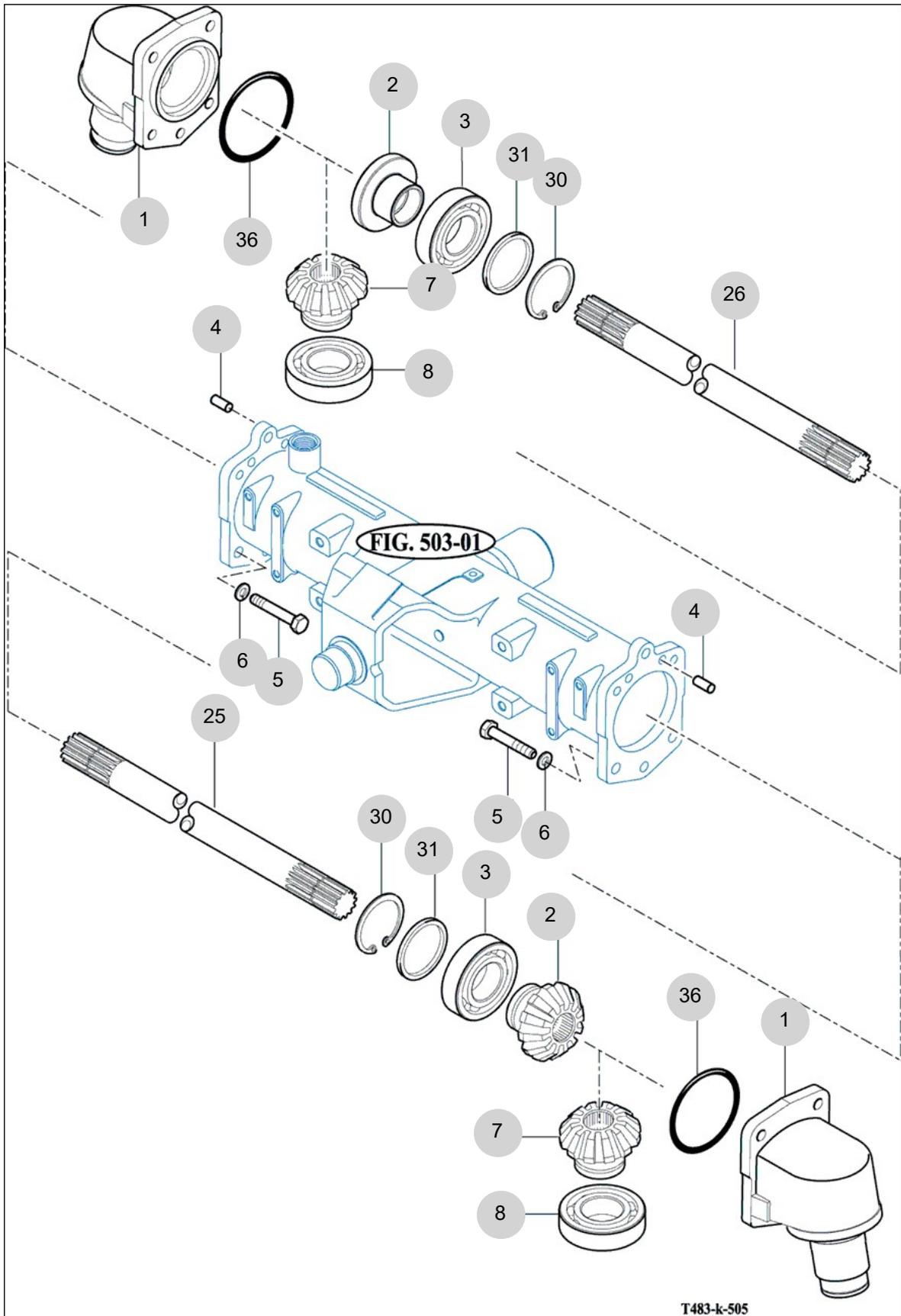
FIG 505

T494NC

FRONT GEAR CASE (1)

년/월  
Year/Month

2022-12



T483-k-505

NOTE



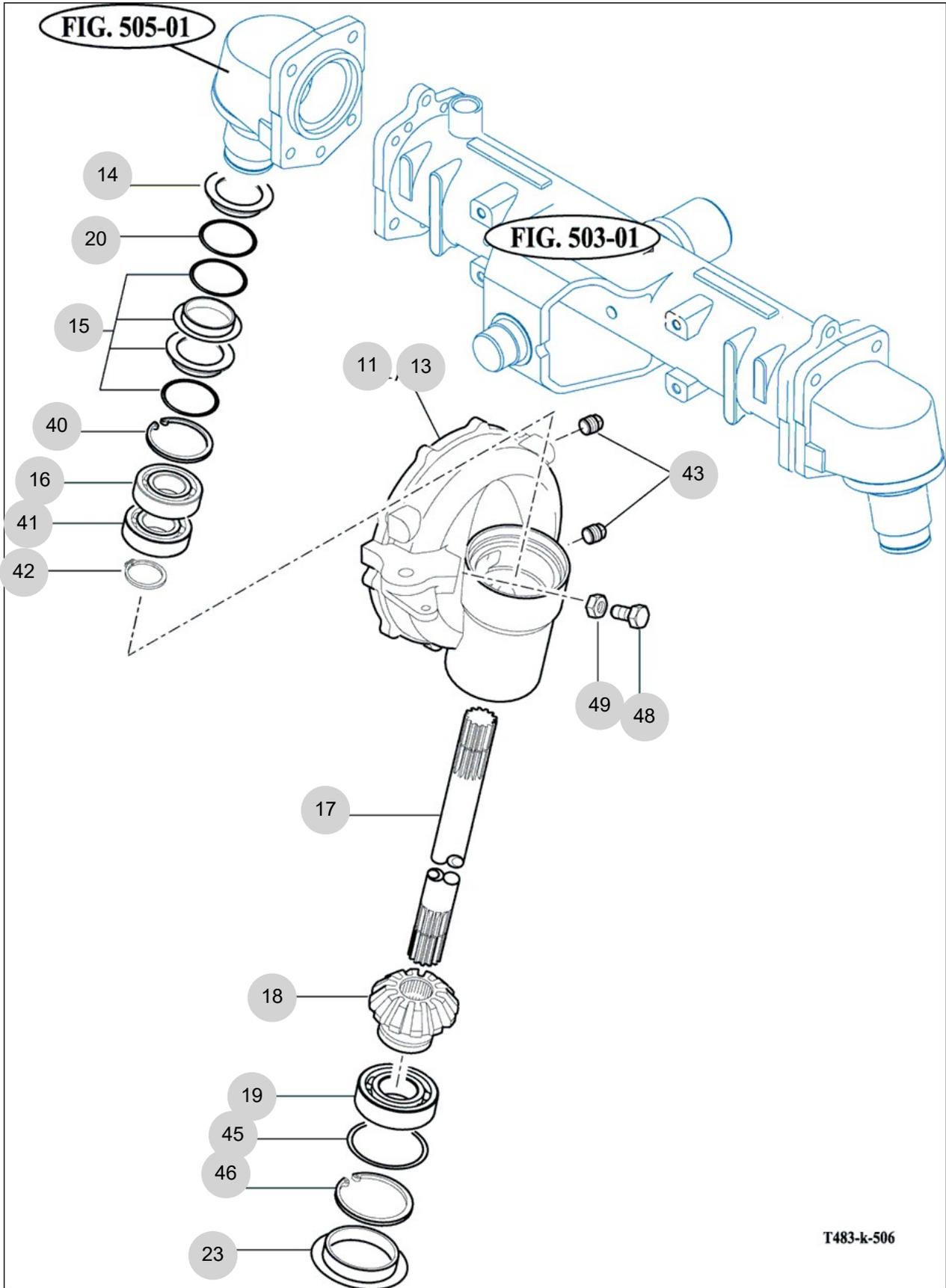
FIG 506

FRONT GEAR CASE (2)

년/월  
Year/Month

2022-12

T494NC



T483-k-506

NOTE



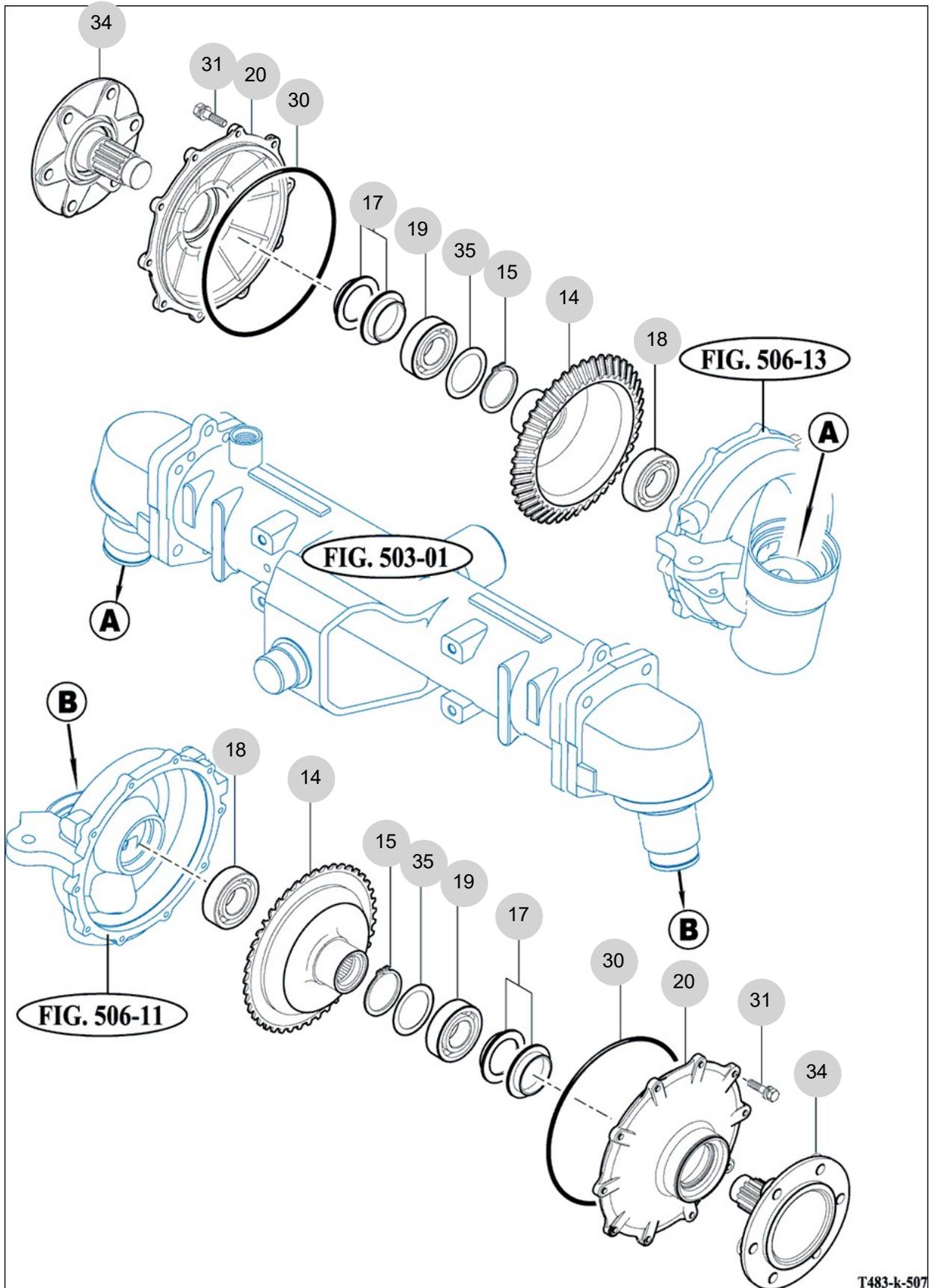
FIG 507

FRONT GEAR CASE (3)

년/월  
Year/Month

2022-12

T494NC



NOTE



## 6. Hydraulic/3P-Link PART NO. T6

FIG 601 CYLINDER CASE	184
FIG 602 LIFT ARM	186
FIG 603 CYLINDER	188
FIG 604 POSITION LINK	190
FIG 605 CONTROL VALVE	192
FIG 606 DRAFT LINK	194
FIG 607A POSITION & DRAFT LEVER (1)	196
FIG 607B POSITION & DRAFT LEVER (2)	198
FIG 608 EXTERIOR HYD. VALVE	200
FIG 609 HYDRAULIC PIPE	202
FIG 610 JOYSTICK	204
FIG 612 HITCH & 3-POINT LINK	207
FIG 613 LOWER LINK & LIFT ROD	210

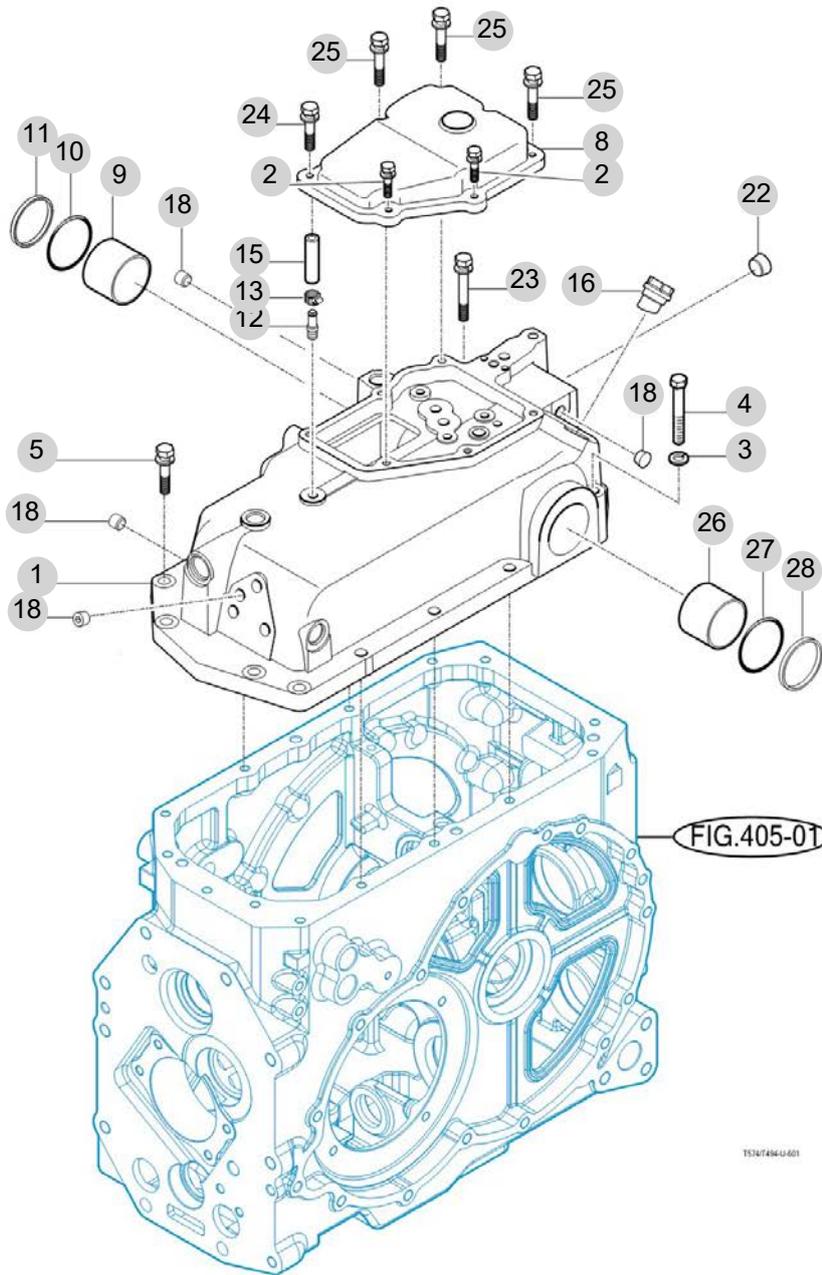
FIG 601

T494NC

CYLINDER CASE

년/월  
Year/Month

2022-12



NOTE



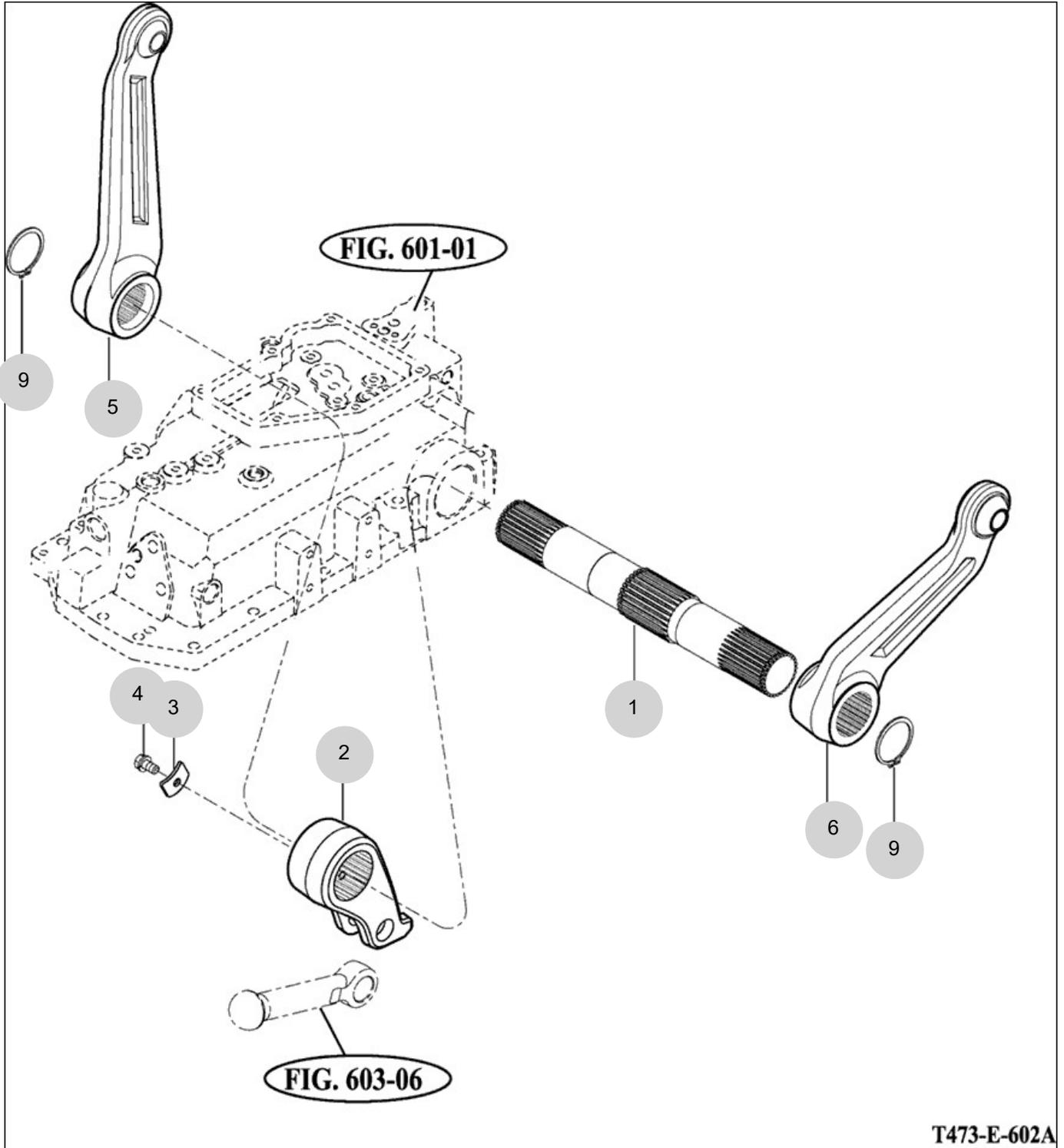
FIG 602

T494NC

LIFT ARM

년/월  
Year/Month

2022-12



NOTE



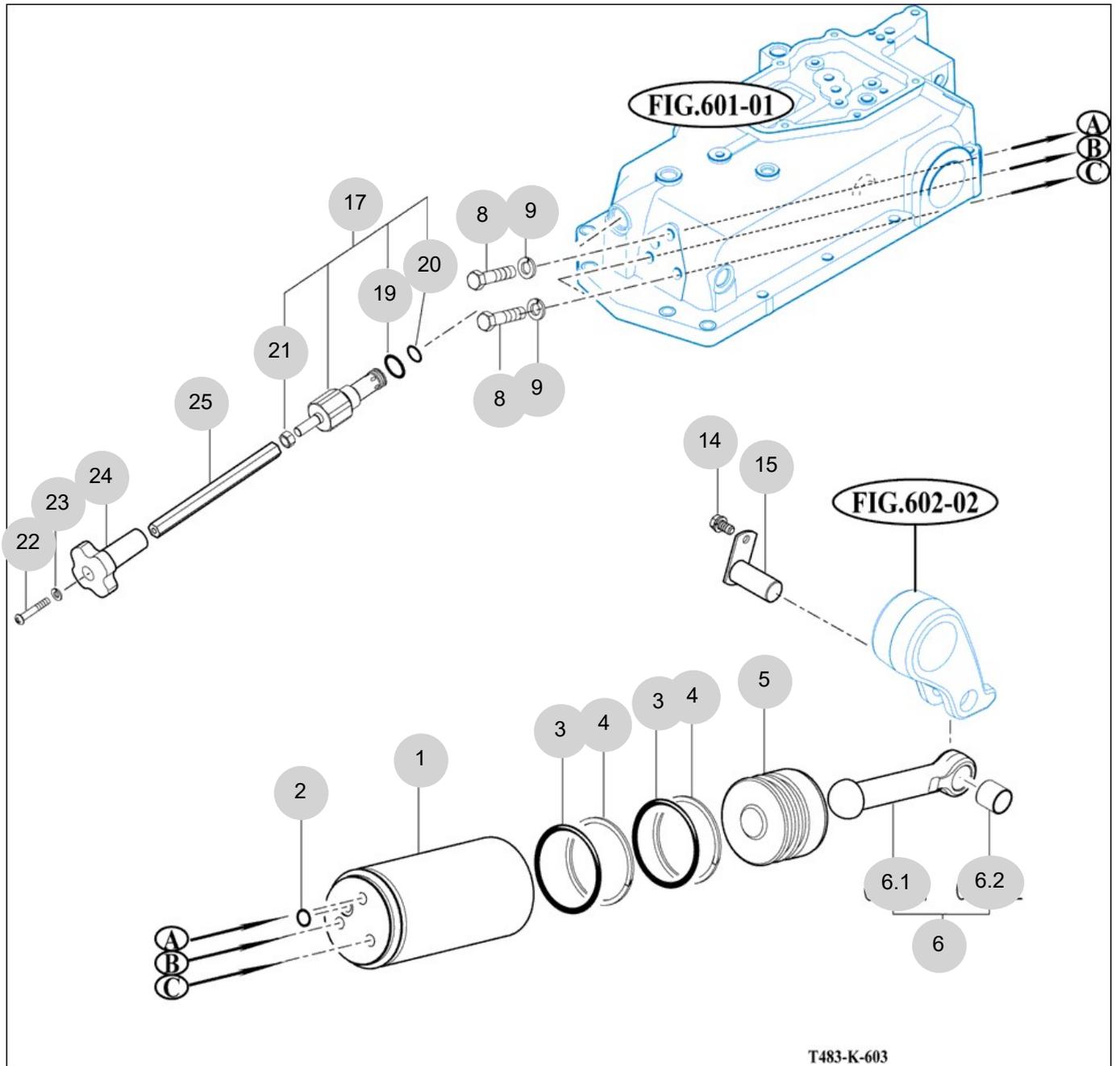
FIG 603

T494NC

CYLINDER

년/월  
Year/Month

2022-12



T483-K-603

NOTE



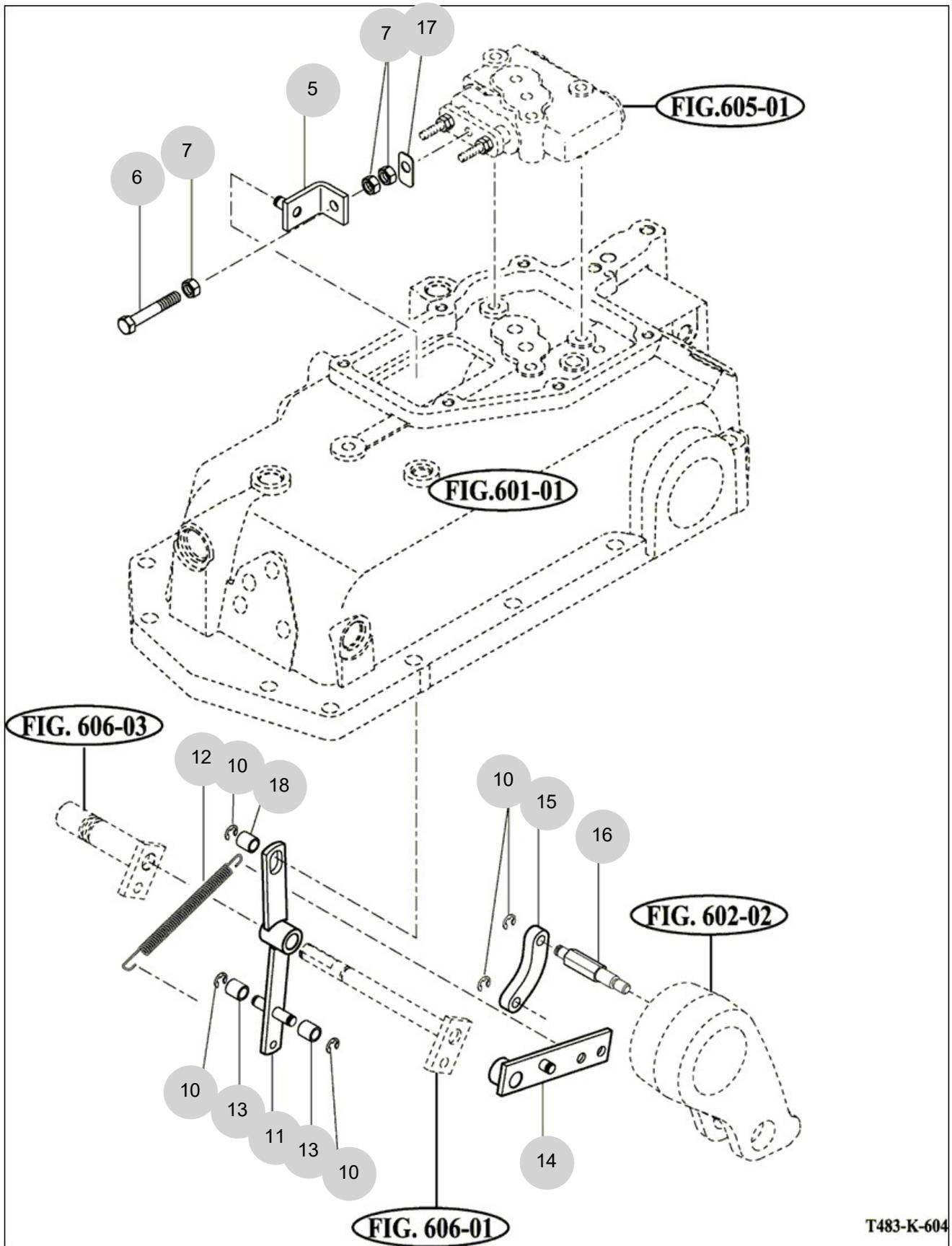
FIG 604

POSITION LINK

년/월  
Year/Month

T494NC

2022-12



T483-K-604

NOTE



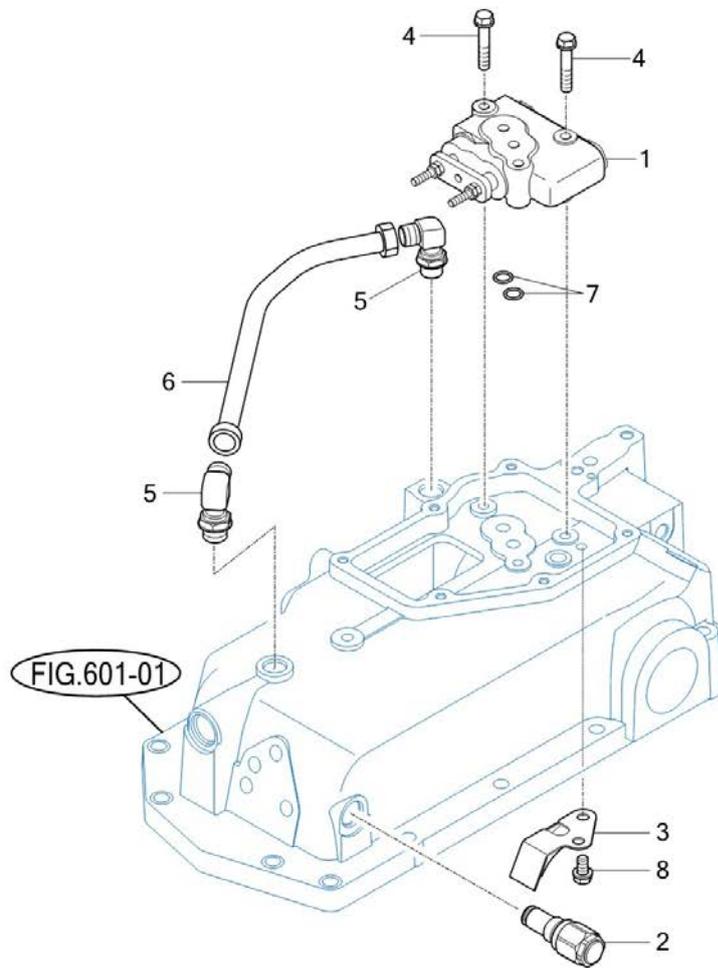
FIG 605

T494NC

CONTROL VALVE

년/월  
Year/Month

2022-12



T374-U-605

NOTE



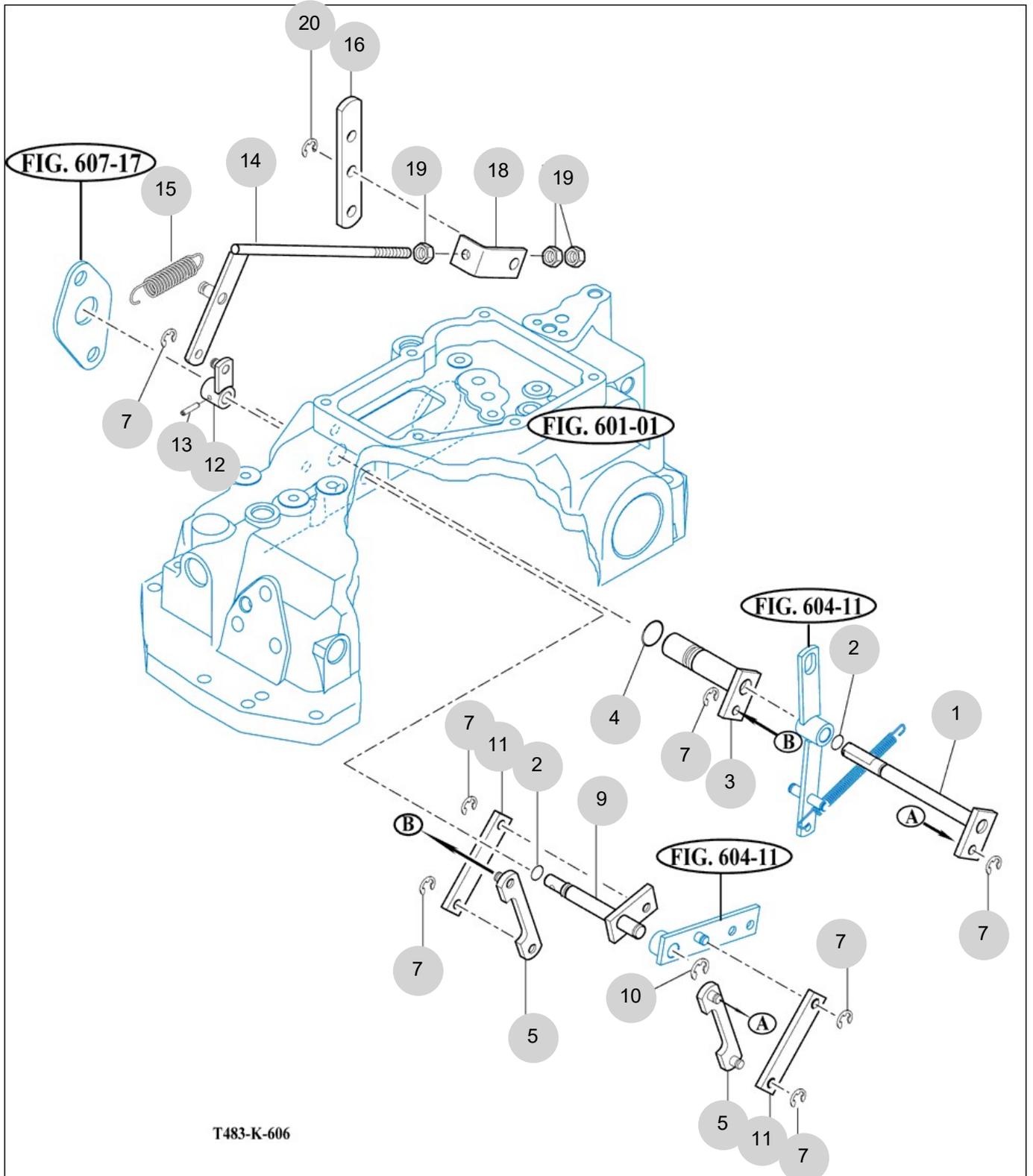
FIG 606

T494NC

DRAFT LINK

년/월  
Year/Month

2022-12



NOTE



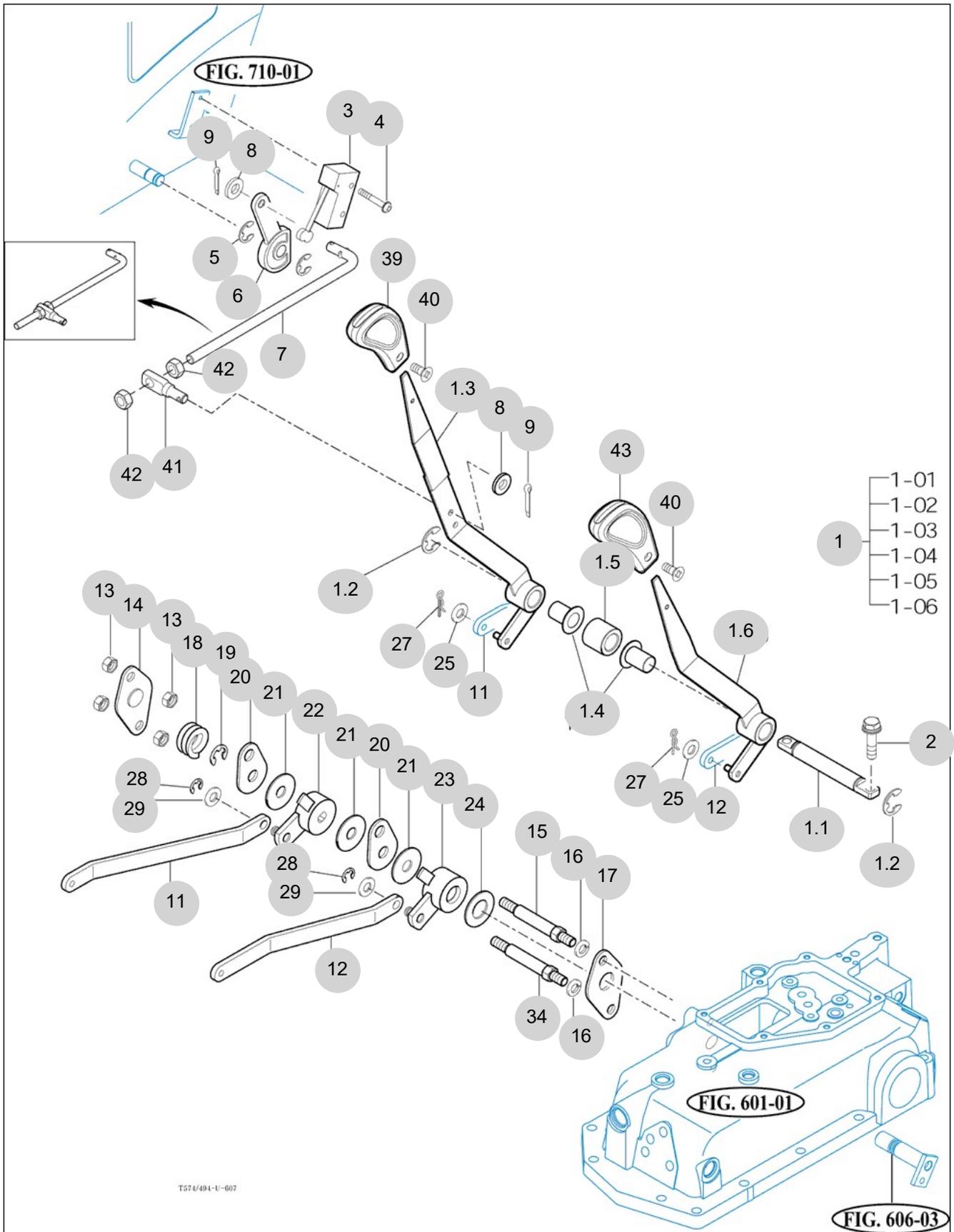
FIG 607A

POSITION & DRAFT LEVER (1)

년/월  
Year/Month

2022-12

T494NC



NOTE



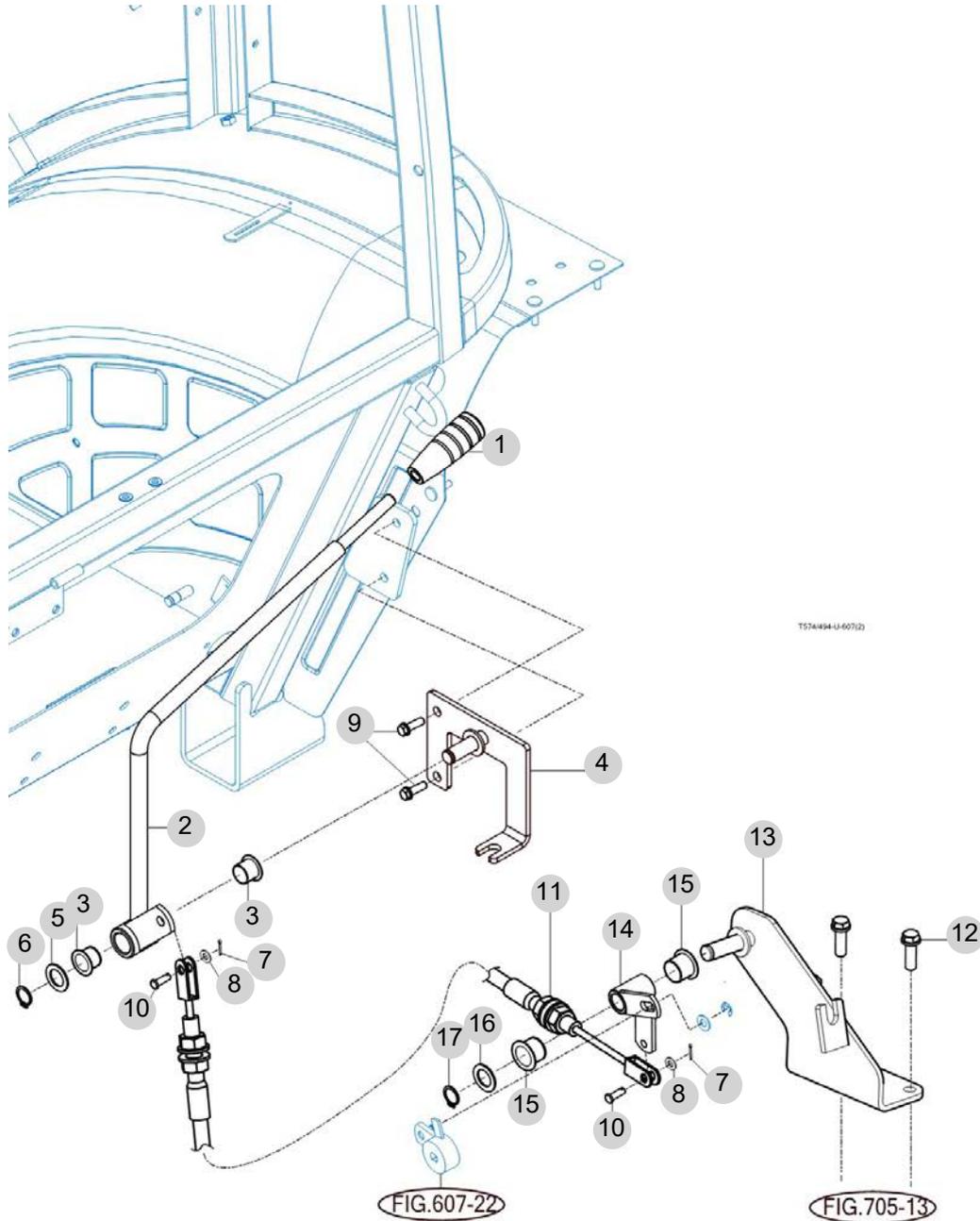
FIG 607B

T494NC

POSITION & DRAFT LEVER (2)

년/월  
Year/Month

2022-12



NOTE



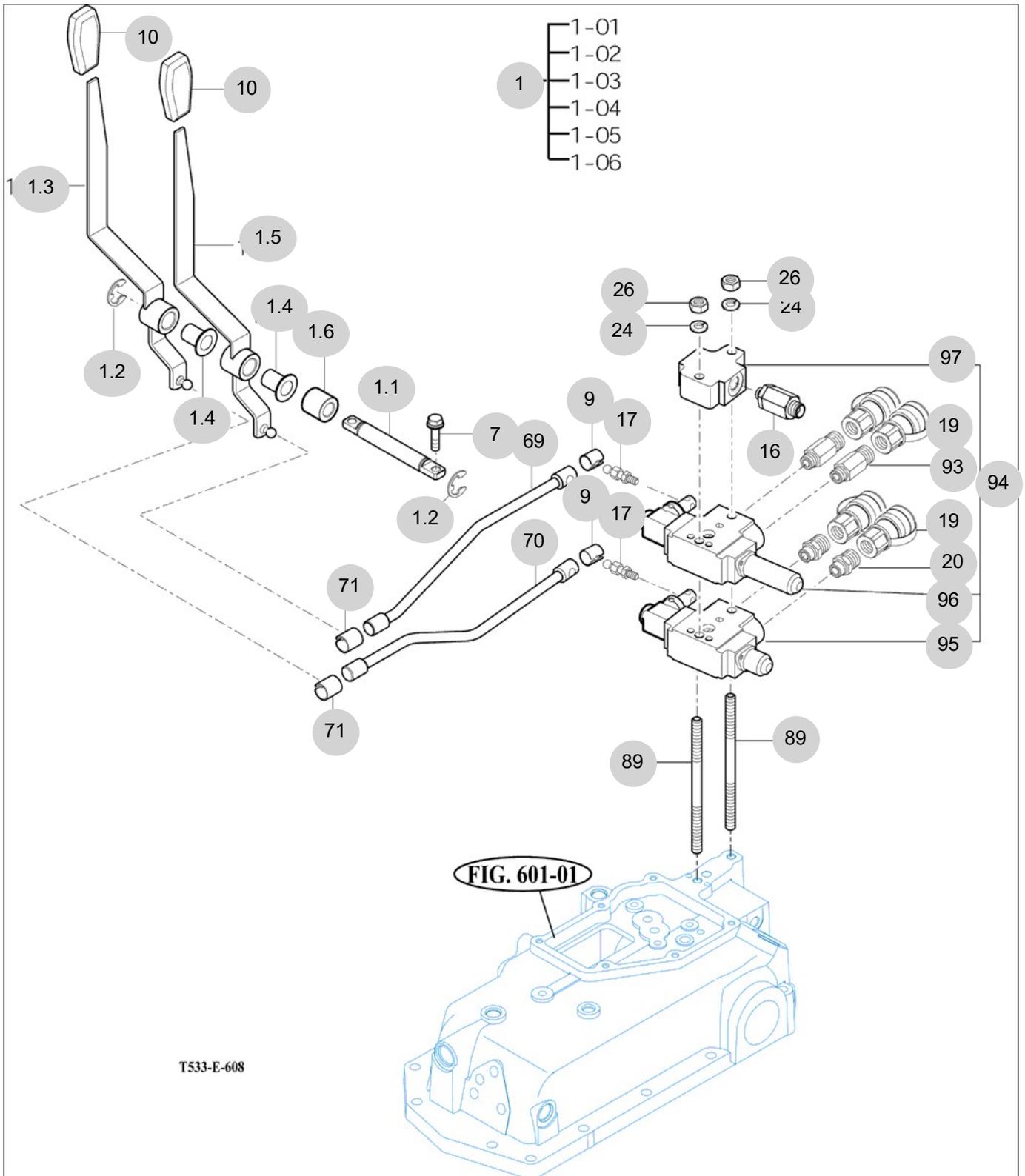
FIG 608

T494NC

EXTERIOR HYD. VALVE

년/월  
Year/Month

2022-12



NOTE



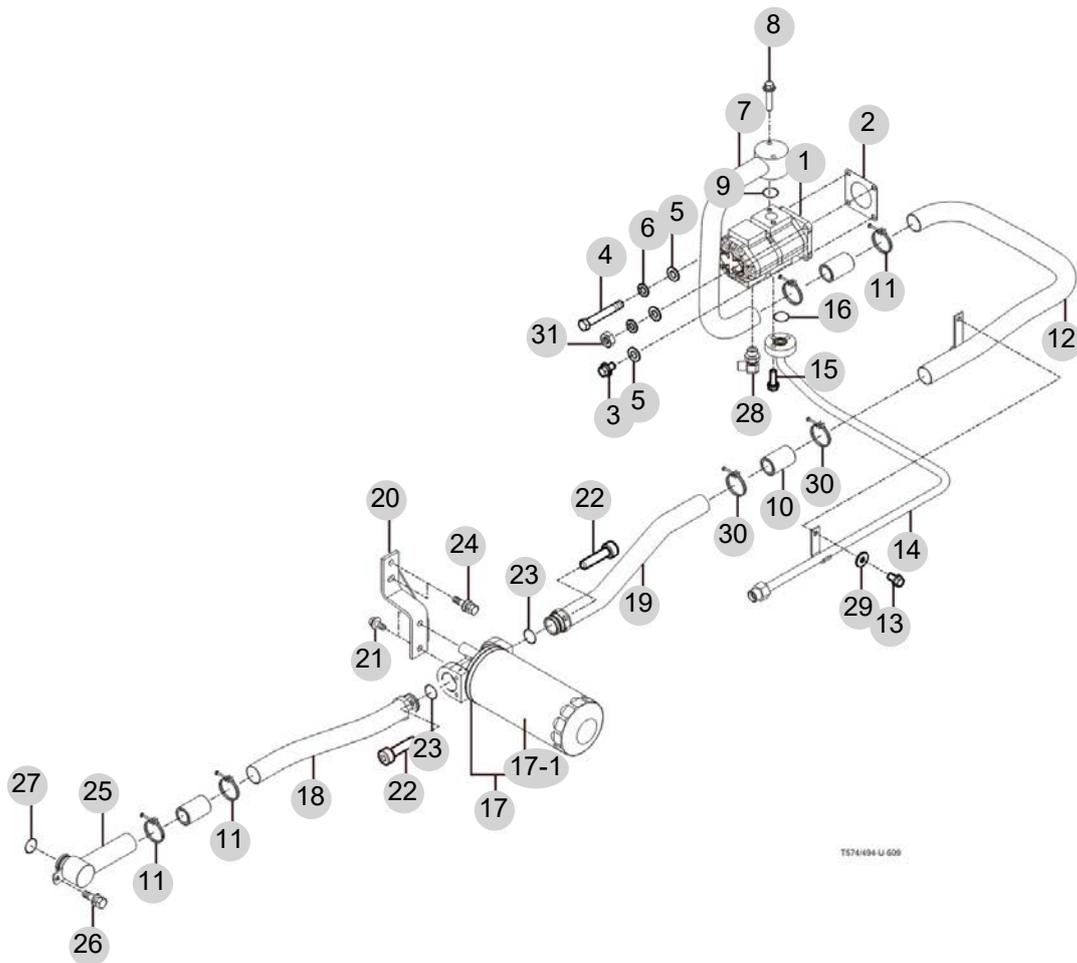
FIG 609

HYDRAULIC PIPE

년/월  
Year/Month

2022-12

T494NC



NOTE



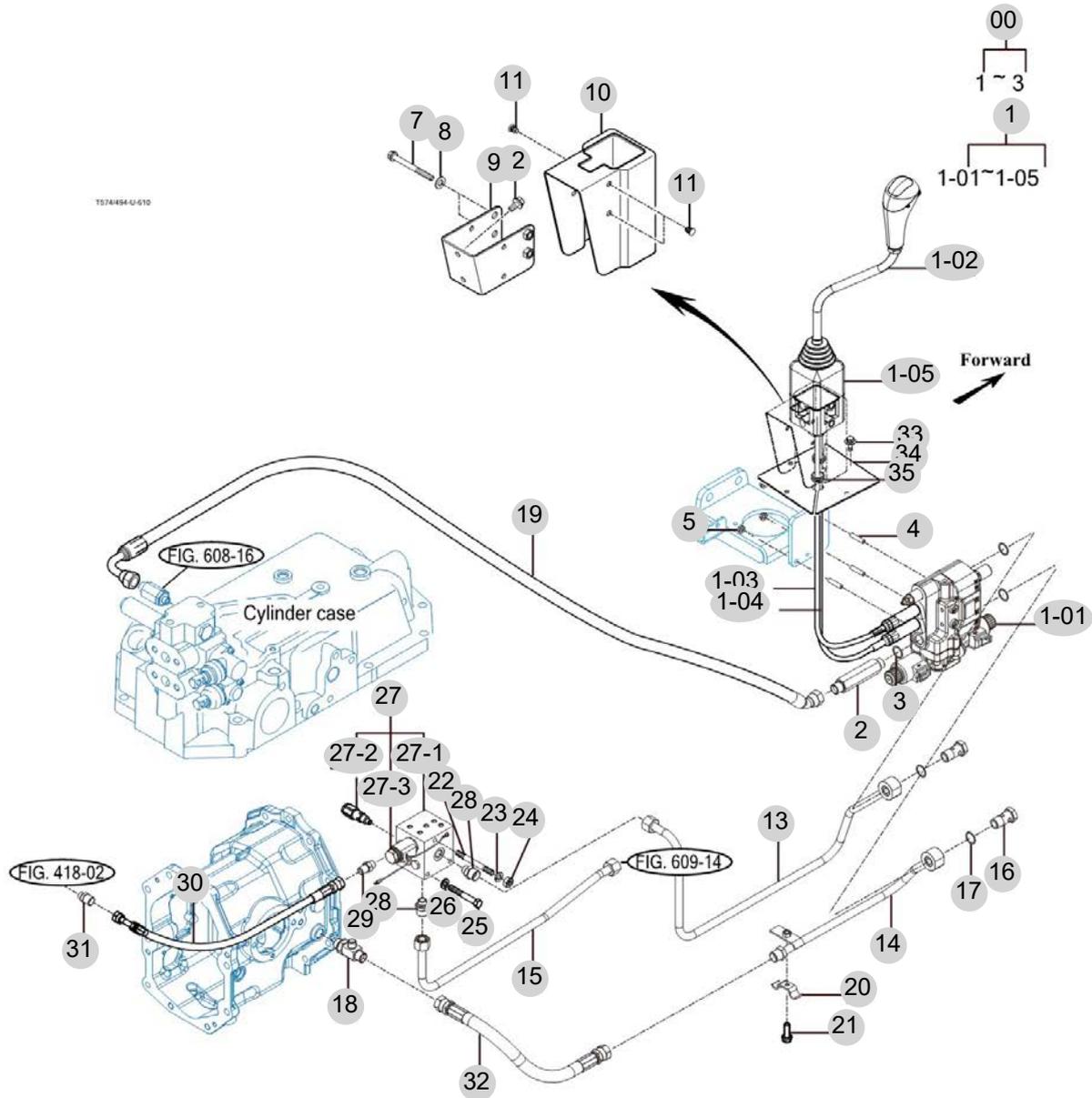
FIG 610

JOYSTICK

년/월  
Year/Month

2022-12

T494NC



NOTE

FIG 610		JOYSTICK					년/월	
							Year/Month	
T494NC		2022-12						
KEY NO	PART NO	DESCRIPTION	SPEC	QTY	REPAIR	EFFECTIVE DATE	REMARKS	
610	0	13877753000	LOADER VALVE SUB		1			
610	1	13877752000	JOYSTIC ASSY , LOADER VALVE		1			
610	1.1	13877752100	LOADER VALVE ASSY		1			
610	1.2	13877752200	JOYSTIC LEVER ASSY		1			
610	1.3	13877752300	JOYSTIC CABLE ASSY ,UPR(720)		1			
610	1.4	13877752400	JOYSTIC CABLE ASSY ,LOW(770)		1			
610	1.5	13877752500	BOOT ASSY		1			
610	2	13805410050	UNION , PF1/2-130		1			
610	3	19557753010	BONDED SEAL , PF1/2		1			
610	4	V2513408025	BOLT , STUD/2	M8X25	3			
610	5	V3802600080	NUT , HEX FLANGE	M8	3			
610	7	V2173608085	BOLT , HEX/S	M8X85	2			
610	8	V4111600080	WASHER , PLAIN	M8	2			
610	9	14527103100GB	BRACKET , JOYSTICK	T=3.2	1			
610	10	14527100010	COVER , JOYSTICK T483	T=2.5	1			
610	11	15276040020	CLIP , TRIM	1X1X1	3			
610	12	V2183608020	BOLT , HEX/SP	M8X20	2			
610	13	13865412100GB	PIPE COMP , LOADER P		1			
610	13	13865412101GB	PIPE COMP , LOADER P		1			
610	14	13875412200GB	PIPE COMP , LOADER T		1			
610	14	13875412201GB	PIPE COMP , LOADER T		1			
610	15	13865102200	PIPE COMP , MAIN RR		1			
610	16	13875410081	BOLT , EYE JOINT(PF1/2)		2			
610	16	13875410080	BOLT , EYE JOINT(PF1/2)		2			
610	16	13875410082	BOLT , EYE JOINT(PF1/2)		2			
610	17	19555410060	WASHER , GASKET PF1/2		4			
610	17	19557753010	BONDED SEAL , PF1/2		4			
610	18	15165161130	ELBOW T (PF1/2,PF3/8)		1			
610	19	13875202300	HOSE ASSY , HYD 1550		1			
610	20	18715404700	CLIP		1			
610	21	V2173608016	BOLT , HEX/S	M8X16	1			
610	22	V2513408090	BOLT , STUD/2	M8X90	1			
610	23	V4011600080	WASHER , SPRING	M8	1			
610	24	V3042600080	NUT , HEX/2	M8	1			
610	25	V2013608090	BOLT , HEX	M8X90	2			
610	26	V4011600080	WASHER , SPRING	M8	1			
610	27	13875182000	VALVE ASSY , PTO		1			
610	27	17975182001	VALVE ASSY , PTO		1			
610	27-1	14725182100	VALVE , PTO		1			
610	27-2	16490110001	VALVE ASSY , RELIEF		1			
610	27-3	14725182210	SOLENOID COIL		1			
610	28	14135160010	UNION, PF3/8 M22		2			
610	29	37681850141	ADAPTER , STRAIGHT		1			
610	30	14525180361	HOSE ASSY . HYD 690	1X1X1	1			
610	31	17971850140	ADAPTER , STRAIGHT PF1/4	1X1X1	1			
NOTE								



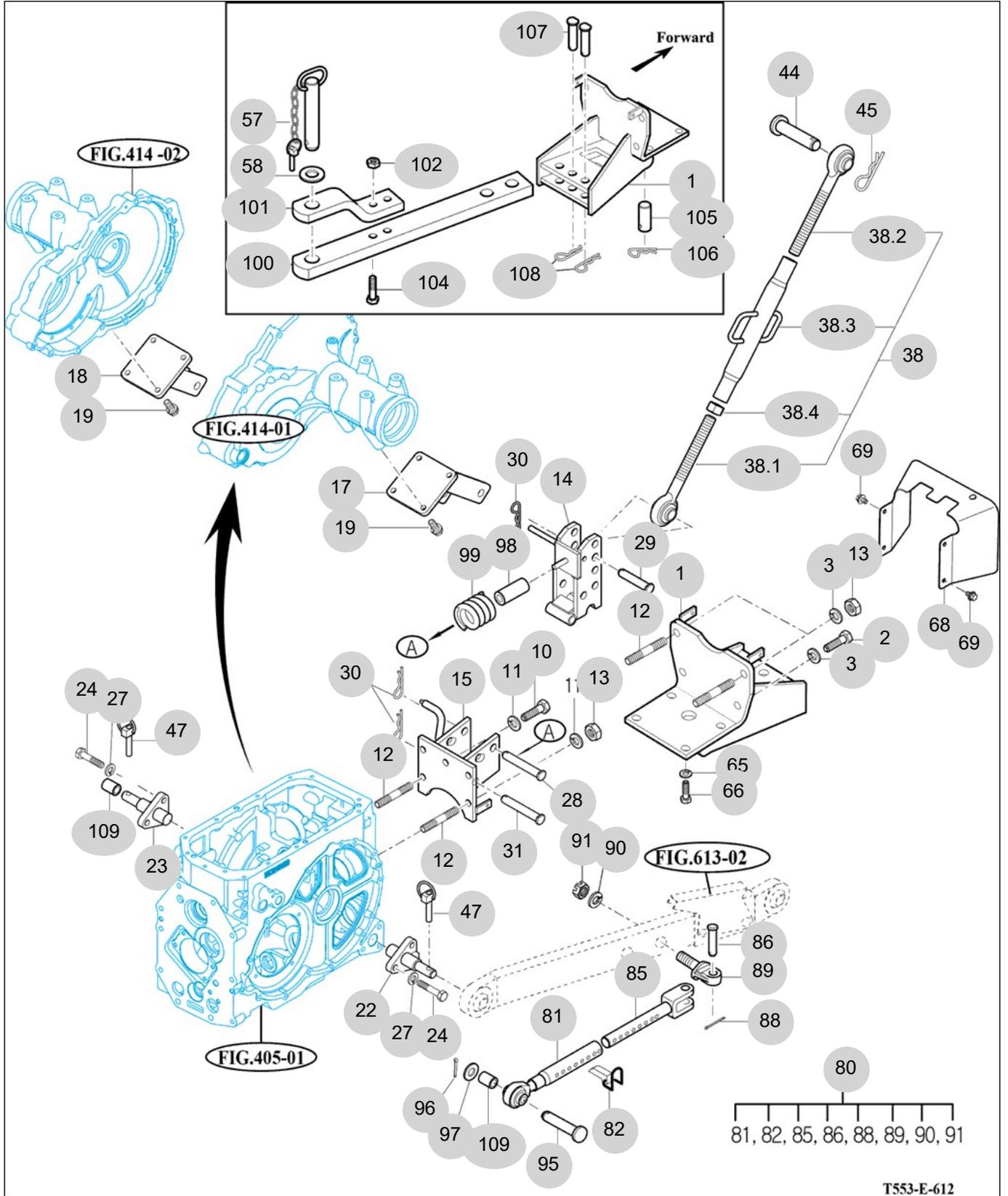
FIG 612

HITCH & 3-POINT LINK

년/월  
Year/Month

2022-12

T494NC



T553-E-612

NOTE

FIG 612		HITCH & 3-POINT LINK					년/월 Year/Month		
							2022-12		
T494NC		KEY NO	PART NO	DESCRIPTION	SPEC	QTY	REPAIR	EFFECTIVE DATE	REMARKS
612	1	15175202001GB	BRACKET COMP, SWING DRAW BAR			1			
612	1	15175202002GB	BRACKET COMP, SWING DRAW BAR			1			
612	1	15175202003GB	BRACKET COMP, SWING DRAW BAR			1			
612	2	V2013616035	BOLT, HEX	M16X35		2			
612	3	V4011600160	WASHER, SPRING	M16		4			
612	10	V2013616035	BOLT, HEX	M16X35		3			
612	11	V4011600160	WASHER, SPRING	M16		5			
612	12	V2513416035	BOLT, STUD/2	M16X35		4			
612	13	V3043600160	NUT, HEX/2	M16		4			
612	14	16735222102GB	LINK COMP	1X1X1		1			
612	15	15185222000GB	BRACKET COMP			1			
612	17	14525254100GB	BRACKET COMP, RR			1			
612	18	14525254100GB	BRACKET COMP, RR			1			
612	19	V2173612030	BOLT, HEX/S	M12X30		8			
612	22	15685252204	PIN COMP, LH			1			
612	23	15685252801	PIN COMP, RH			1			
612	24	V2013614040	BOLT, HEX	M14X40		6			
612	27	V4011600140	WASHER, SPRING	M14		6			
612	28	15645250010	PIN, 19X122	D=19		1			
612	29	15645220020	PIN, 19X95	D=19		1			
612	30	14445140051	PIN, 19	D=4.5		3			
612	31	15645250010	PIN, 19X122	D=19		1			
612	38	16505245501GB	LINK ASSY, TOP LINK			1			
612	38	16505245502GB	TOP LINK ASSY			1			
612	38.1	16505245510	LINK COMP, RH TOP LINK	1X1X1		1			
612	38.2	16505245520	LINK COMP, LH TOP LINK	1X1X1		1			
612	38.3	14555140251	TURNBUCKLE COMP			1			
612	38.4	16505245530	NUT, HEX	1X1X1		1			
612	44	15645220011	PIN, 19X86	D=19		1			
612	45	14445140051	PIN, 19	D=4.5		1			
612	47	14215020020	PIN, LINK			2			
612	57	S0973063031	PIN ASSY	1X1X1		1			
612	58	15252470010	RUBBER, CUSHION			1			
612	65	V4011600140	WASHER, SPRING	M14		4			
612	66	V2013614035	BOLT, HEX	M14X35		4			
612	68	13605200012GB	COVER, SHIELD	1X1X1		1			
612	69	V2183608016	BOLT, HEX/SP	M8X16		4			
612	80	15155253000GB	LINK ASSY, ADJUSTER	570*60*50		2			
612	81	15155253100	ROD SUB, FR	44*320*60		2			
612	82	17705254200	PIN	1X1X1		2			
612	85	15155253300	ROD SUB, REAR	340*50*50		2			
612	86	15155253400	PIN, ø20X59	ø20X59		2			
612	88	V5001940035	PIN, SPLIT	4X35		2			
612	89	15155253500	EYEBOLT	66*60*40		2			
612	90	V4111600220	WASHER, PLAIN	M22		2			
NOTE									



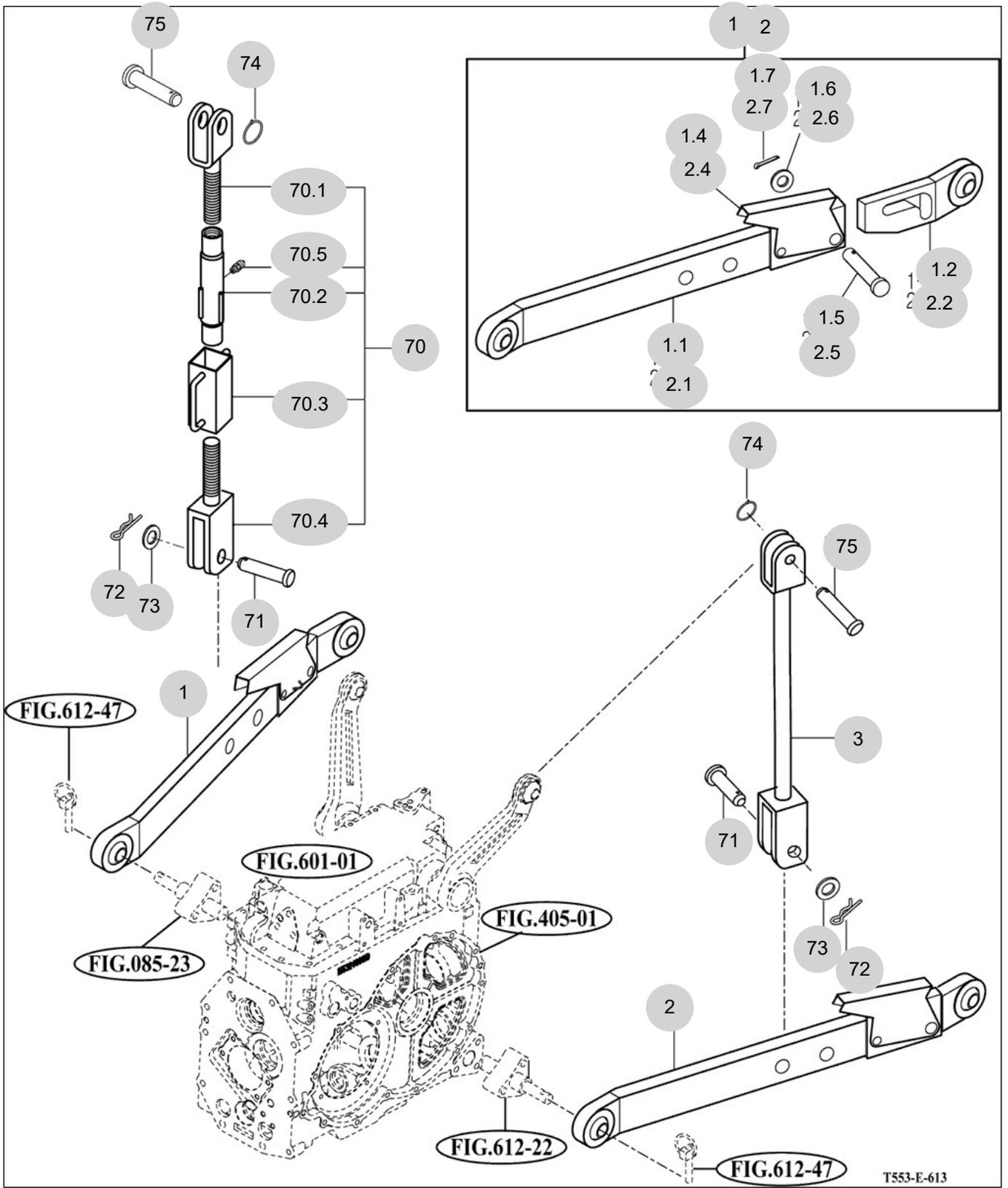
FIG 613

LOWER LINK & LIFT ROD

년/월  
Year/Month

2022-12

T494NC



NOTE



## 7. Sheet Metal & Cabin PART NO. T7

FIG 701 BONNET FRAME	213
FIG 702A BONNET (1)	215
FIG 702B BONNET (2)	217
FIG 703 EXTENSION COVER	219
FIG 704B LEVER COVER & STEP-NON CAB	221
FIG 705 FRONT & REAR MOUNTING	223
FIG 706 SEAT & MAT	225
FIG 710B FRAME & 2POLES-ROPS-NON CAB	227
FIG 713B SUB FENDER & COVER-NON CAB	229
FIG 714B MIRROR&WORKING LAMP-NON CAB	231
FIG 718 CABIN INTERIOR	233

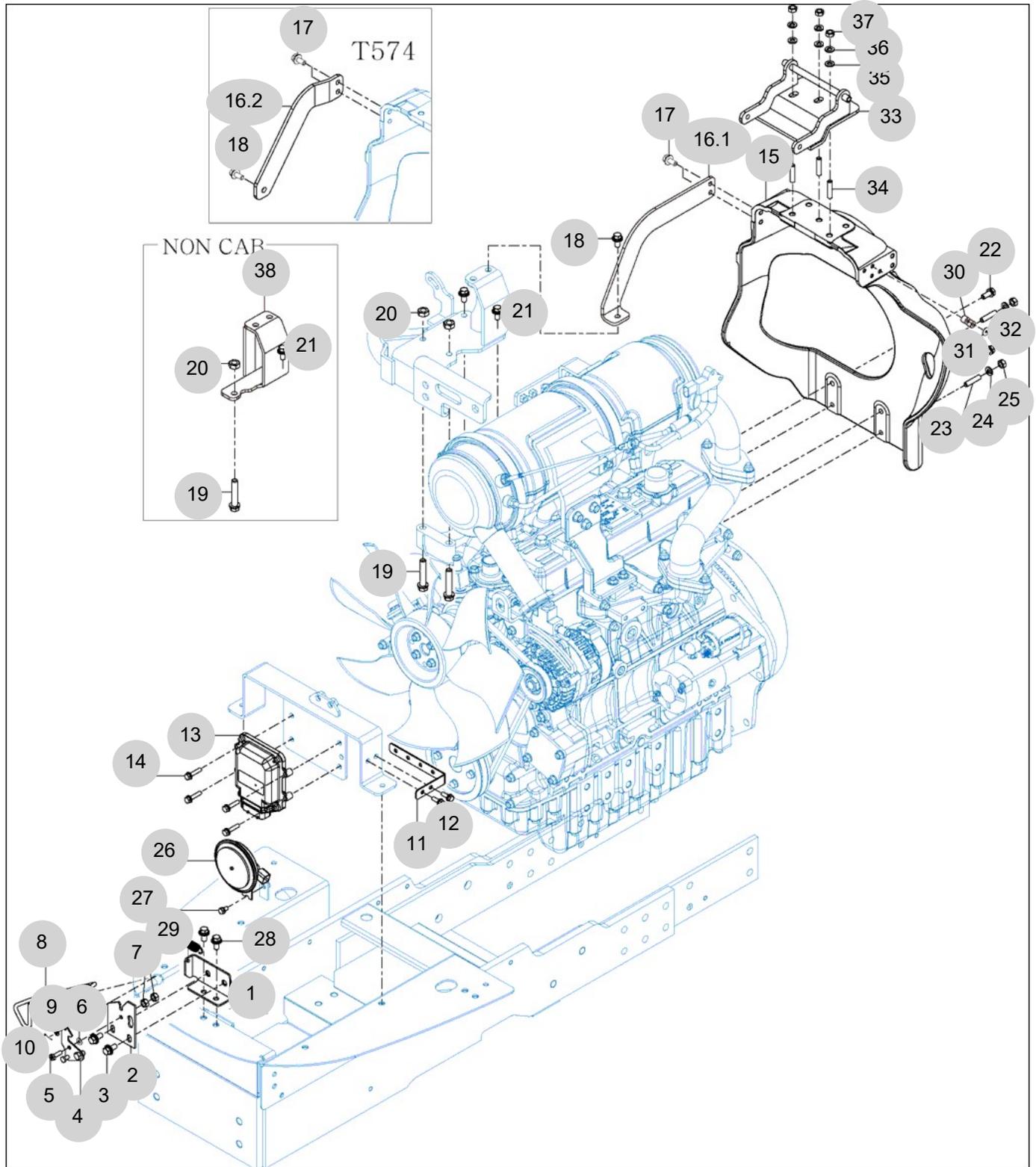
FIG 701

BONNET FRAME

년/월  
Year/Month

T494NC

2022-12



NOTE



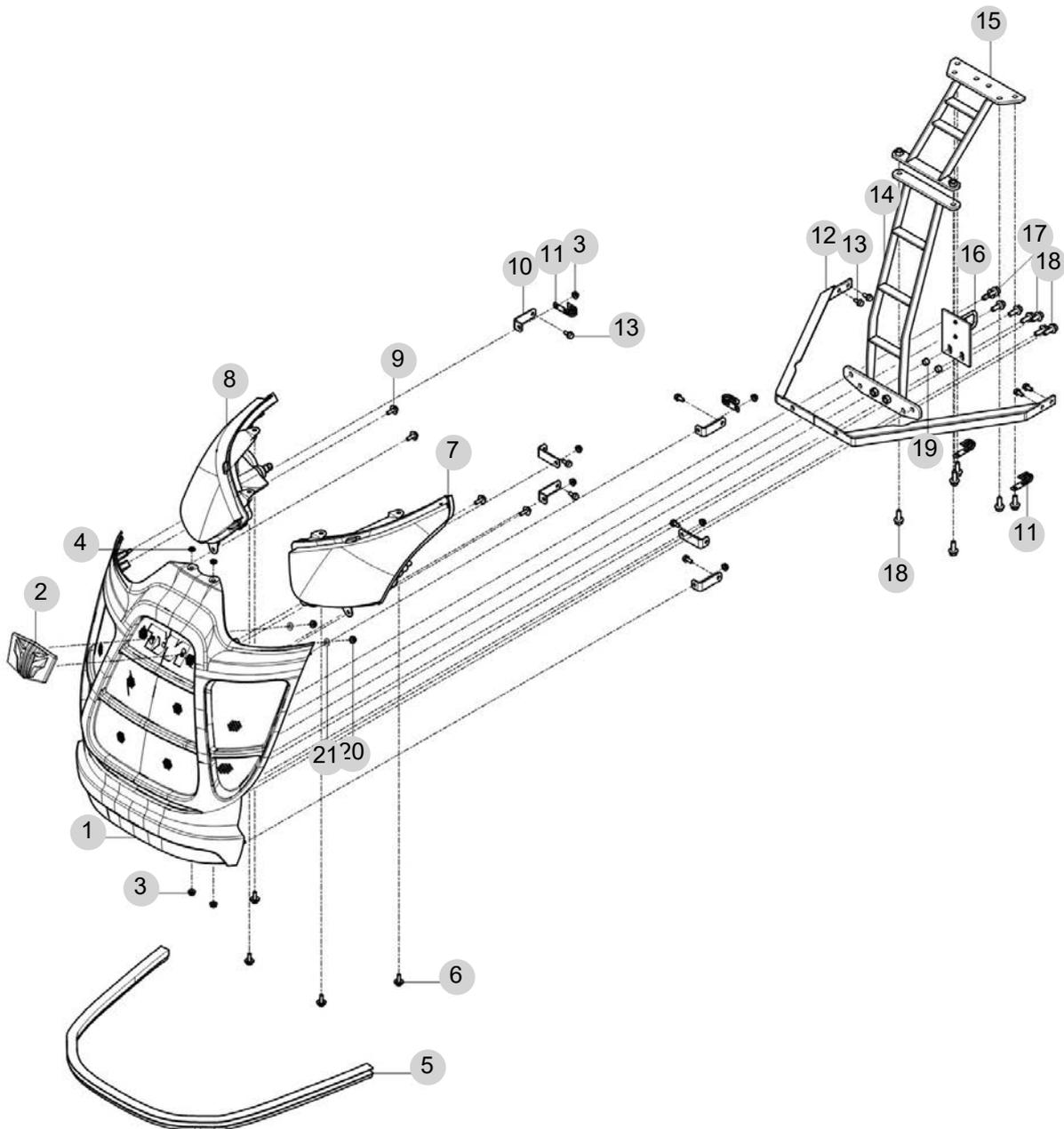
FIG 702A

T494NC

BONNET (1)

년/월  
Year/Month

2022-12



NOTE



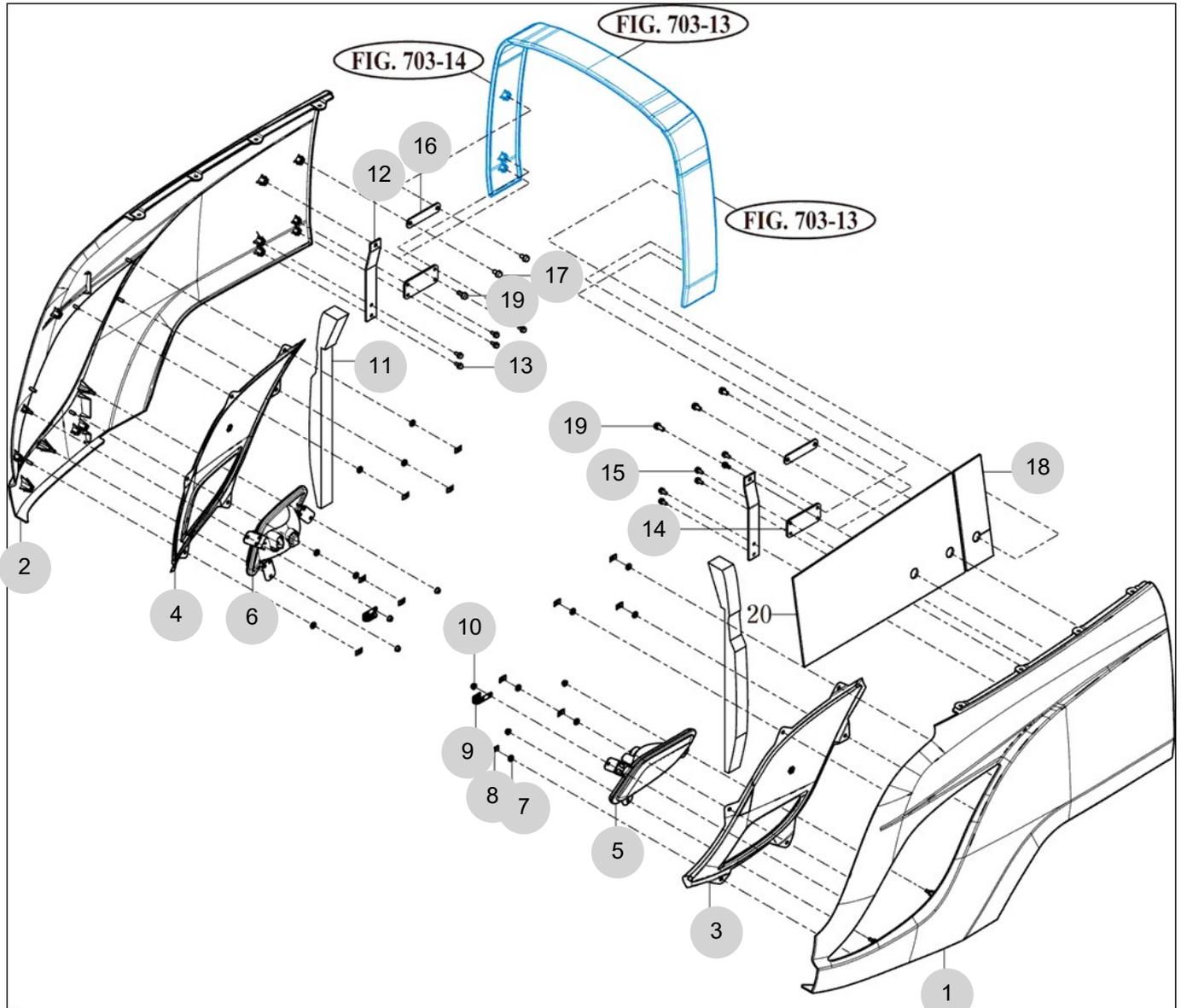
FIG 702B

BONNET (2)

년/월  
Year/Month

2022-12

T494NC



NOTE



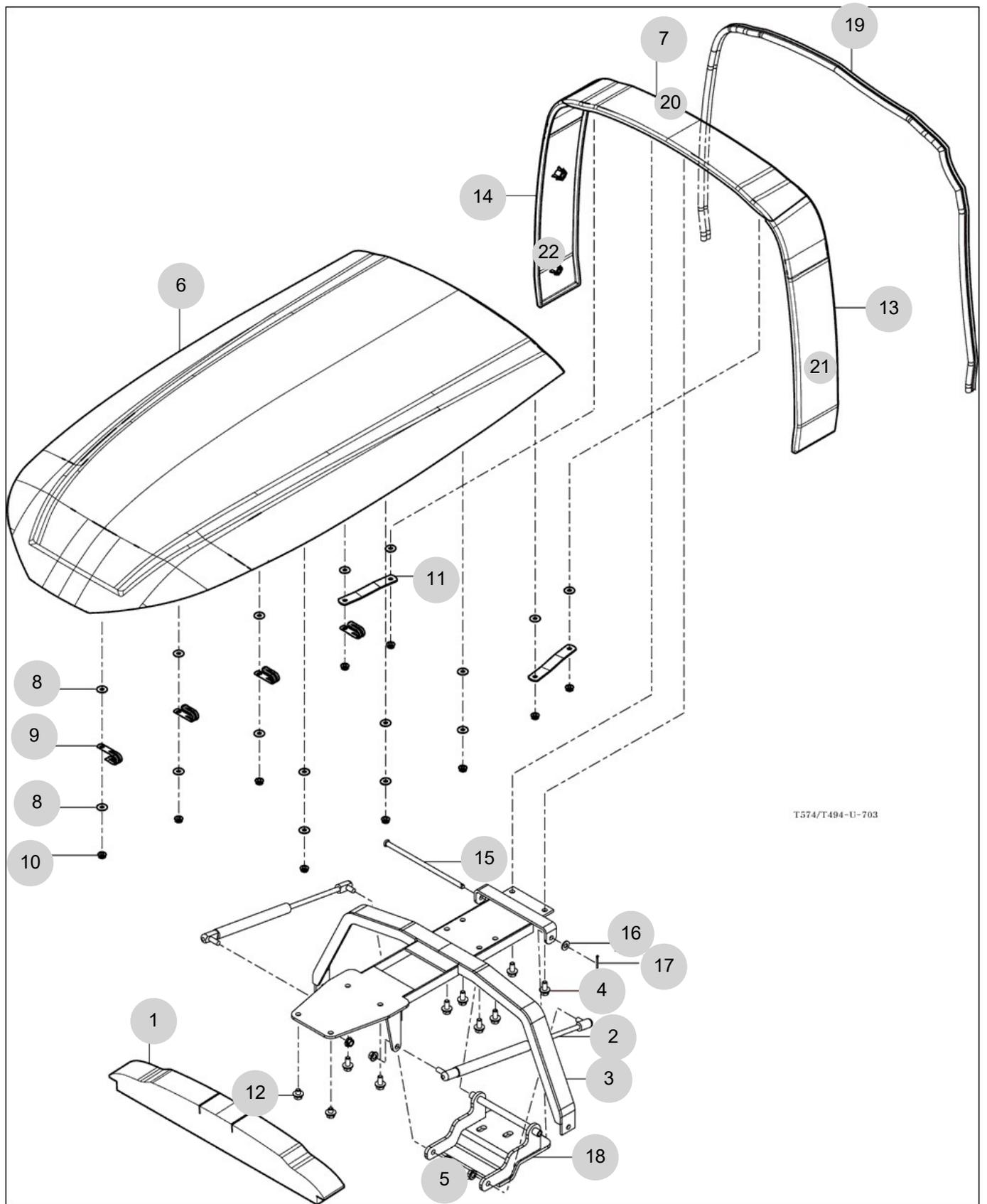
FIG 703

EXTENSION COVER

년/월  
Year/Month

2022-12

T494NC



T574/T494-U-703

NOTE



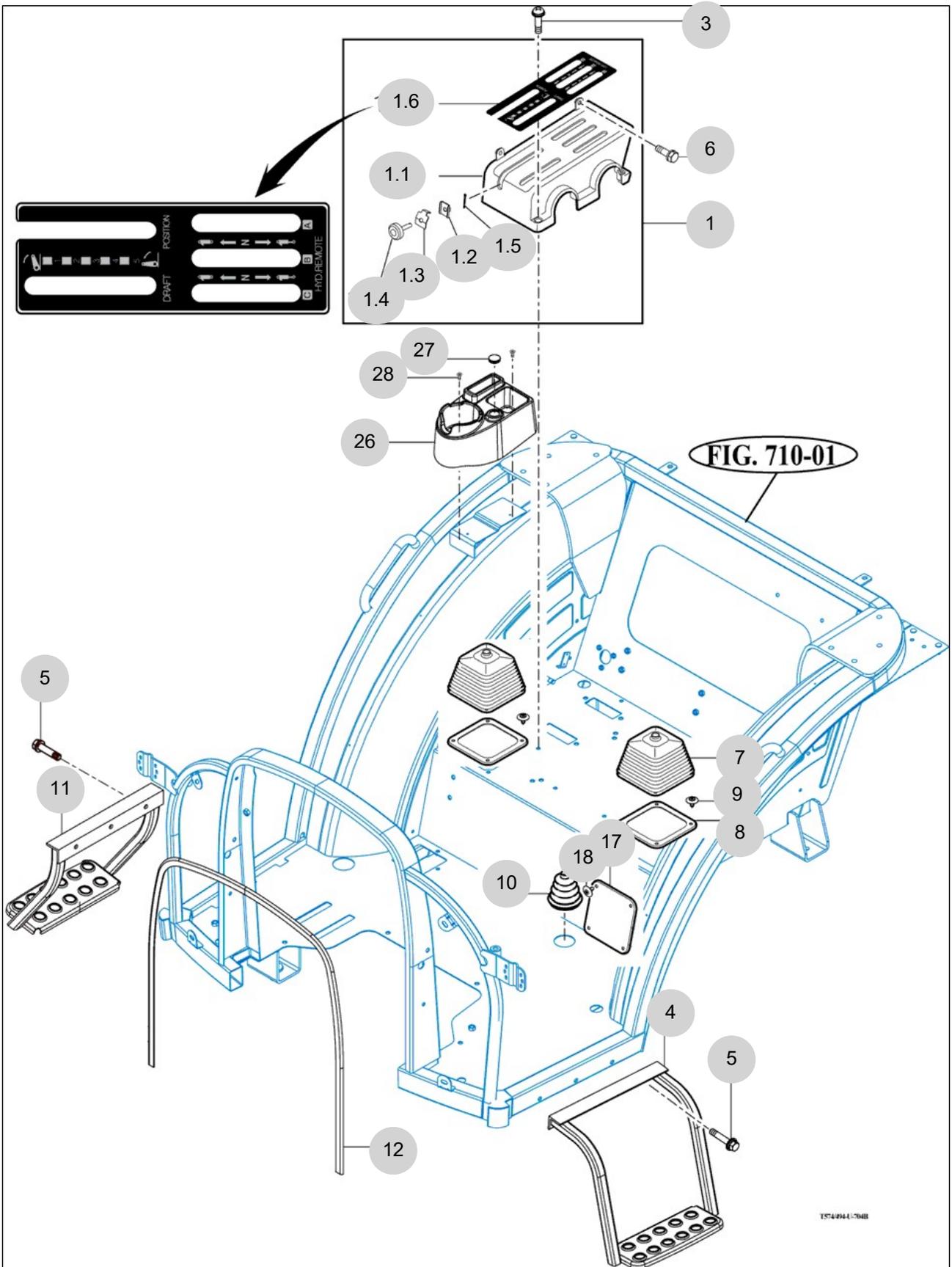
FIG 704B

LEVER COVER & STEP-NON CAB

년/월  
Year/Month

2022-12

T494NC



NOTE



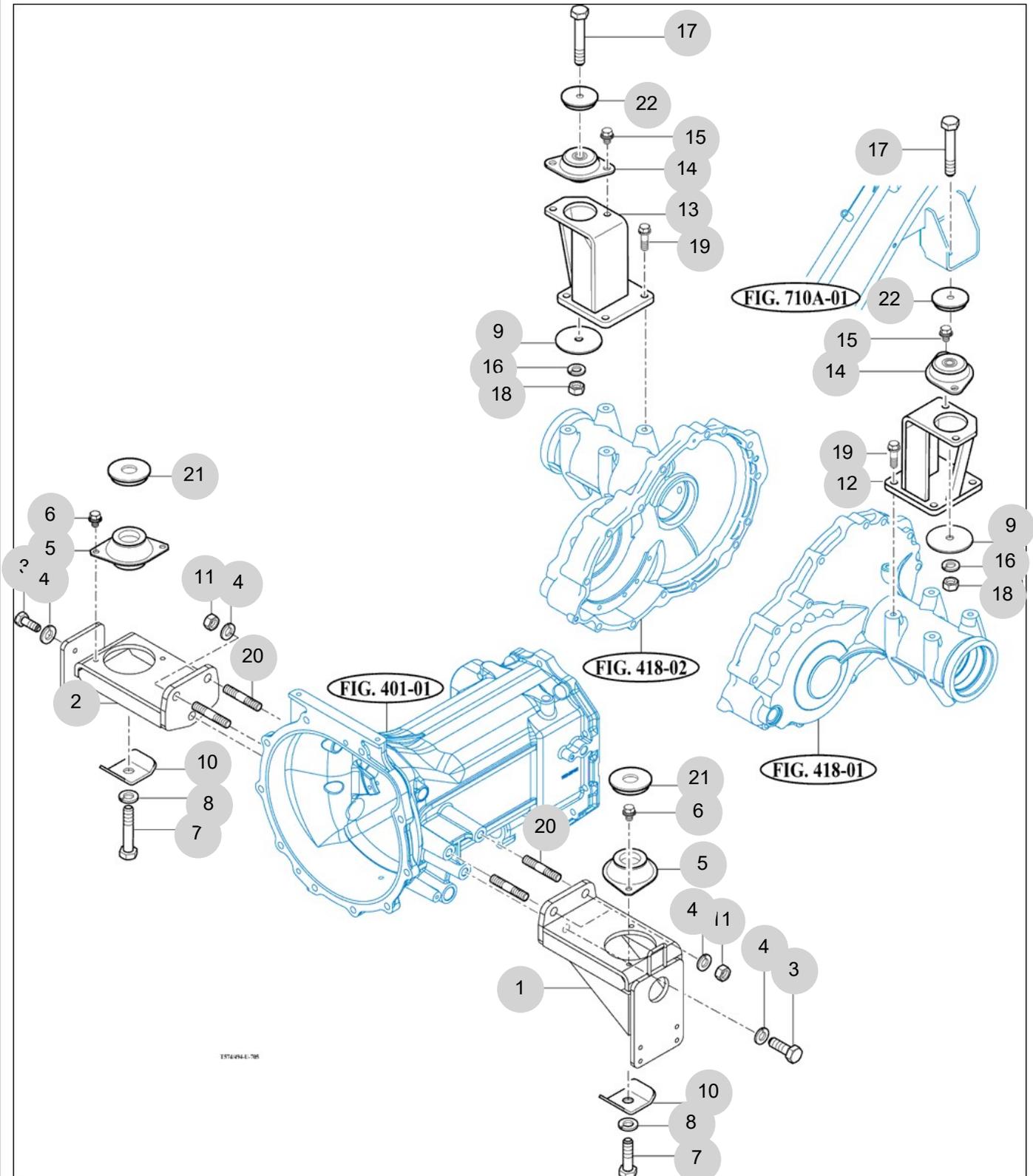
FIG 705

T494NC

FRONT & REAR MOUNTING

년/월  
Year/Month

2022-12



NOTE



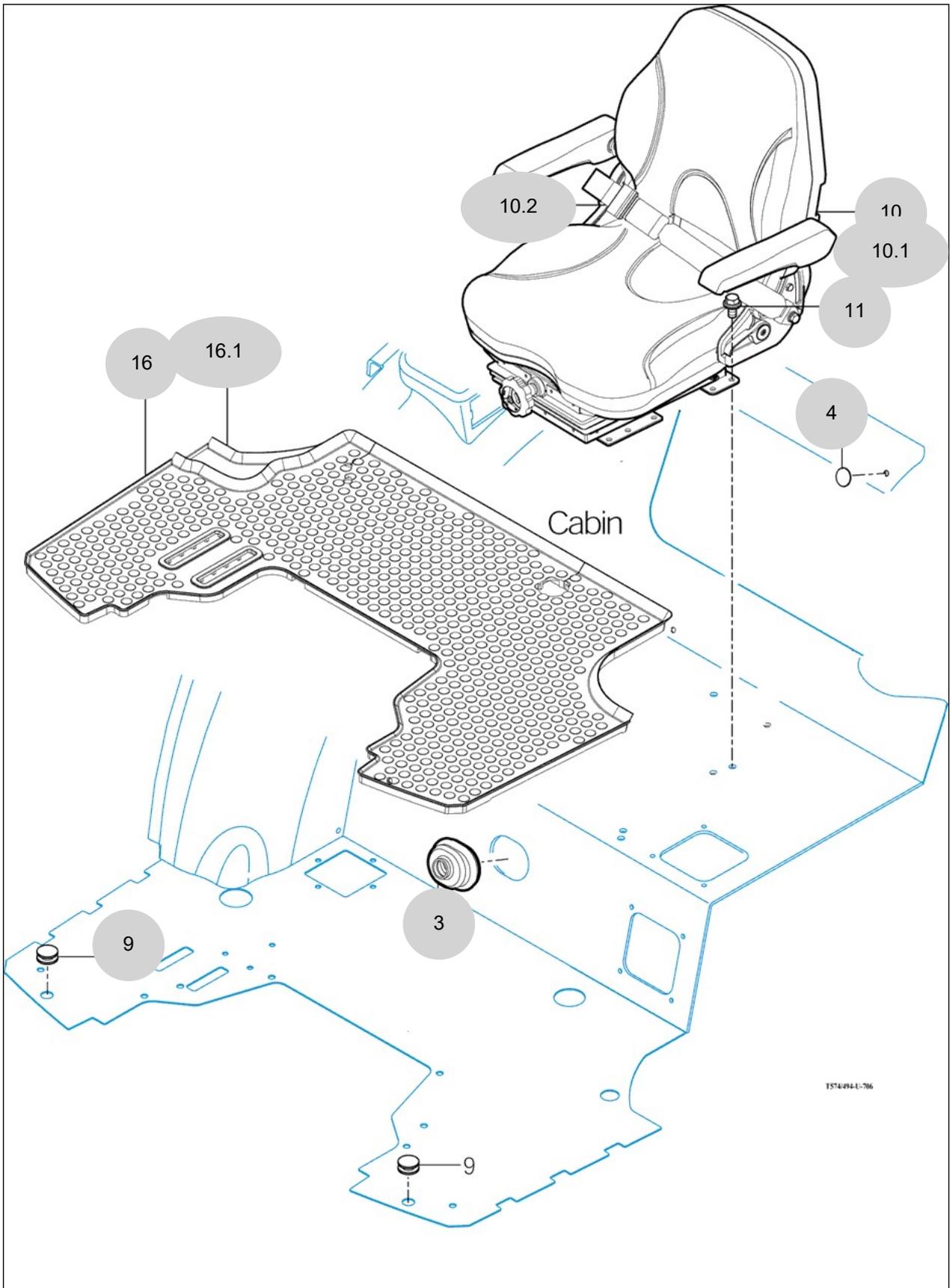
FIG 706

SEAT & MAT

년/월  
Year/Month

T494NC

2022-12



T57494L-706

NOTE



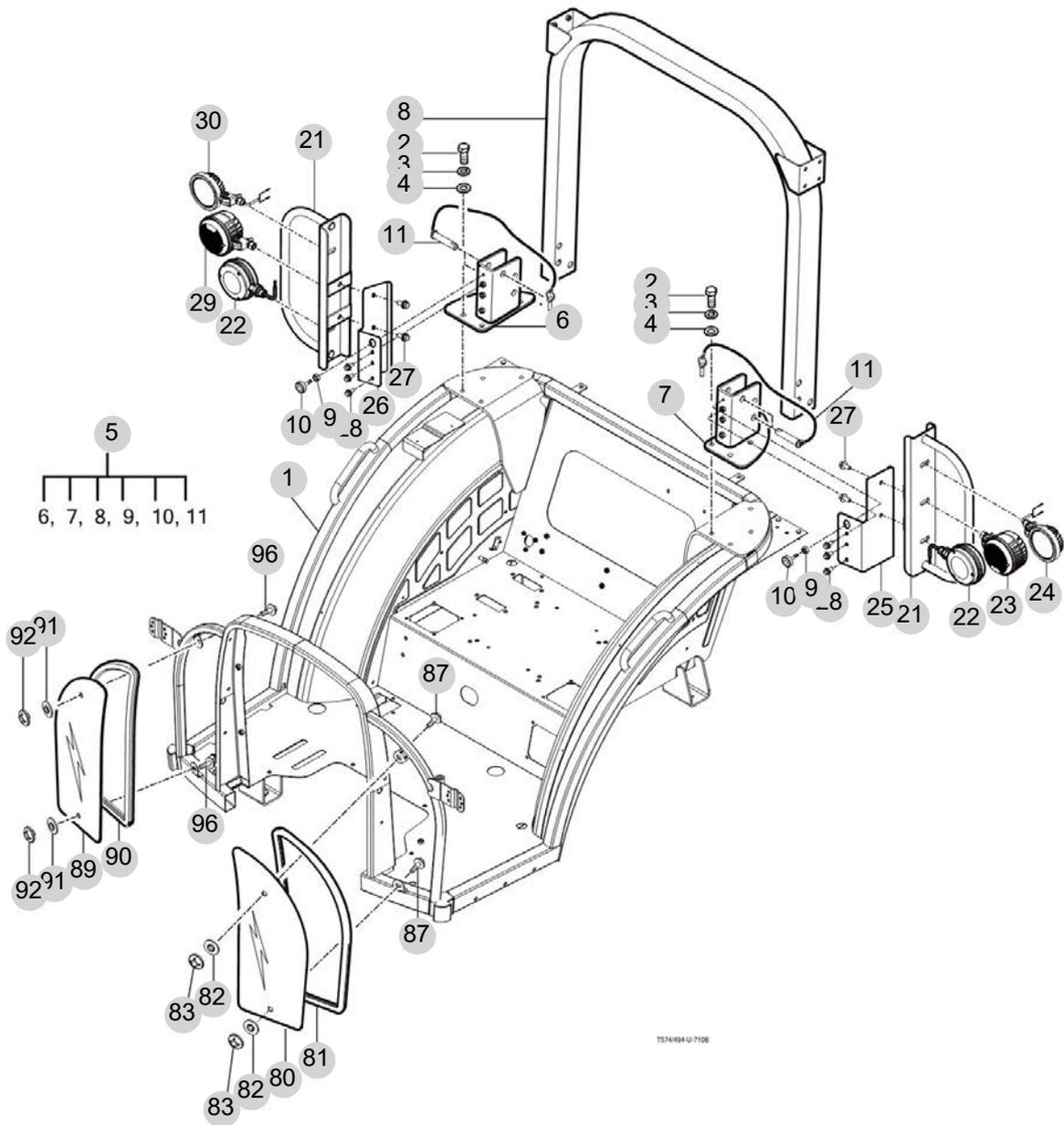
FIG 710B

FRAME & 2POLES-ROPS-NON CAB

년/월  
Year/Month

2022-12

T494NC



NOTE



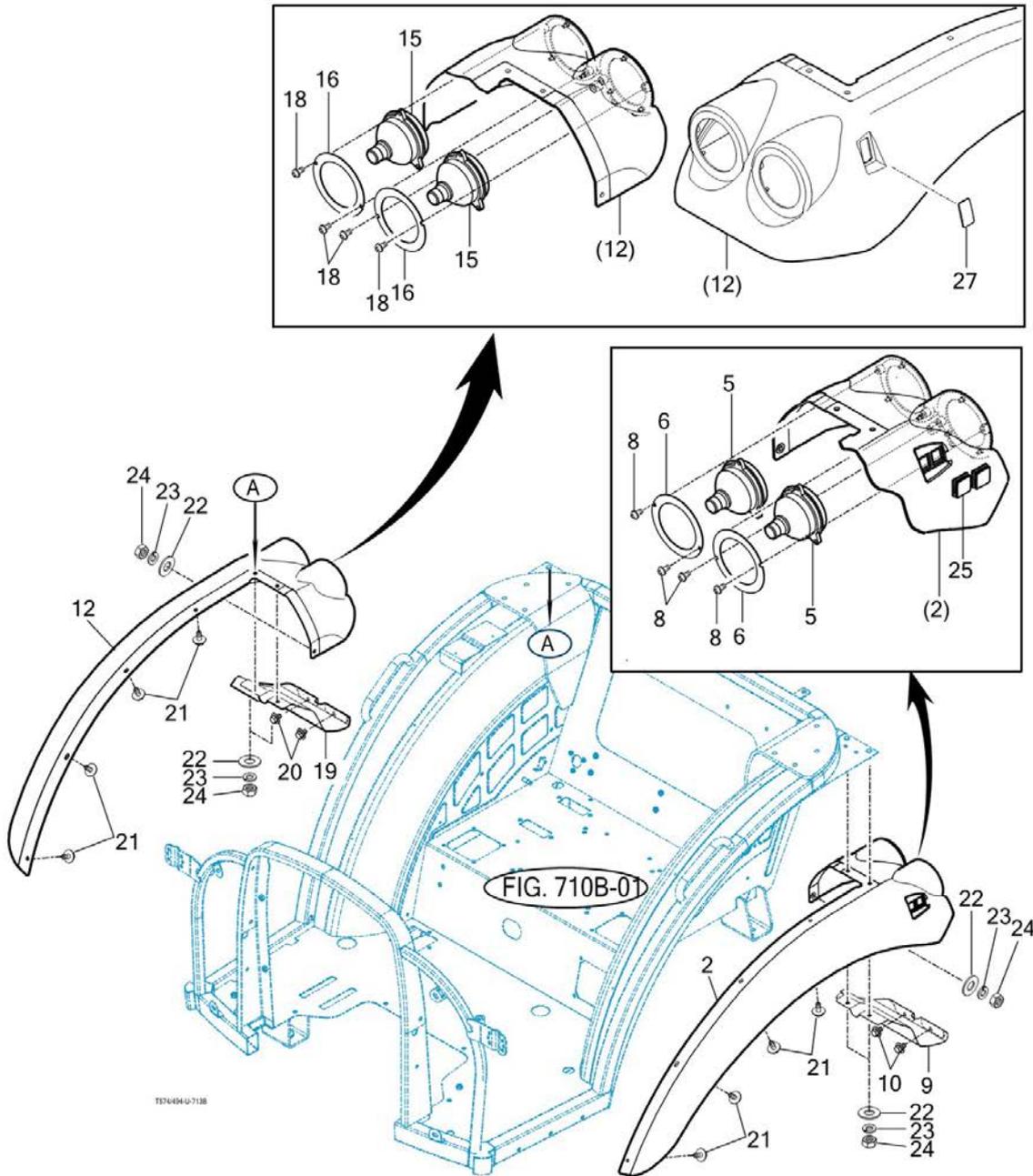
FIG 713B

SUB FENDER & COVER-NON CAB

년/월  
Year/Month

2022-12

T494NC



NOTE



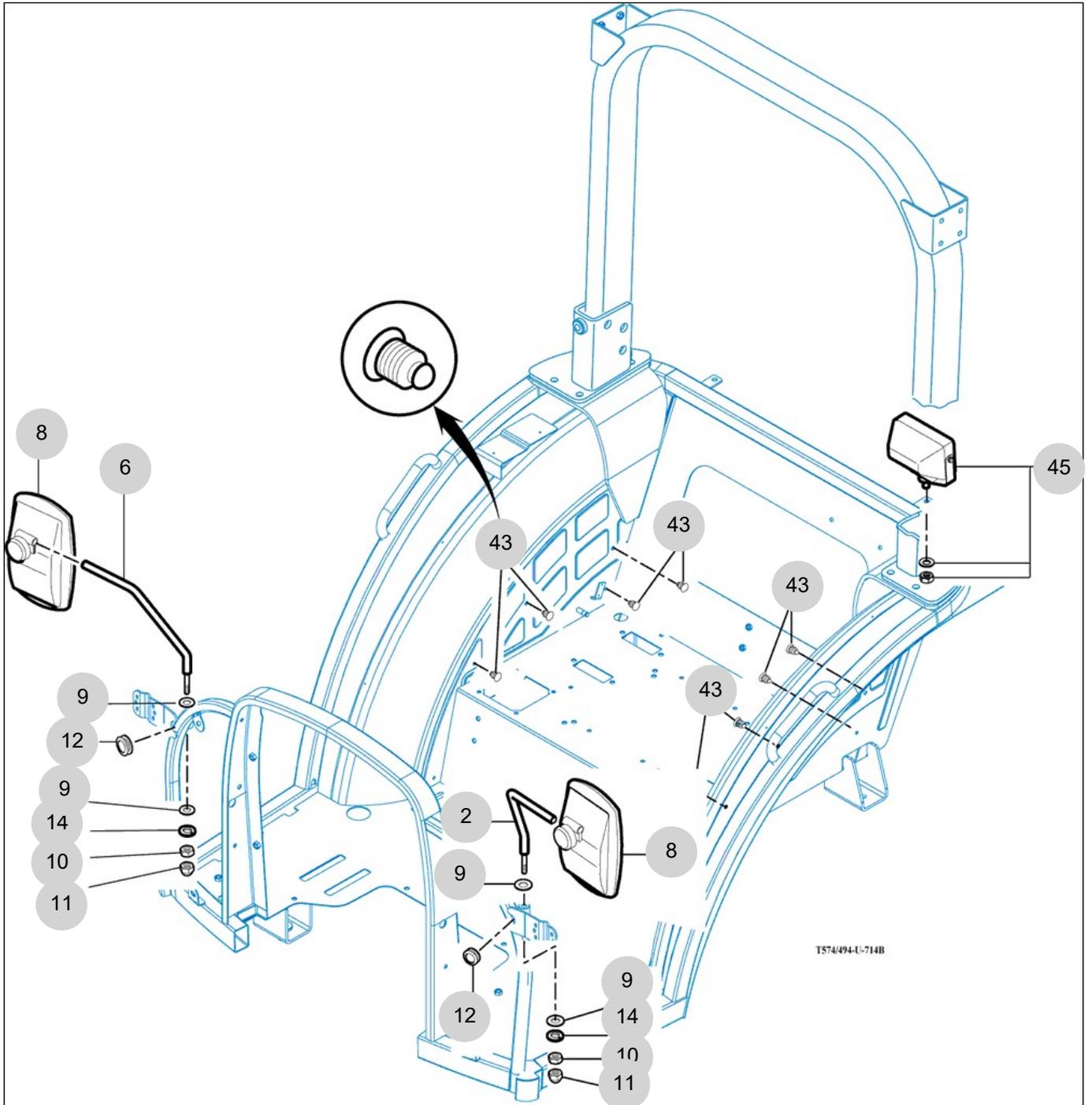
FIG 714B

MIRROR&WORKING LAMP-NON CAB

년/월  
Year/Month

2022-12

T494NC



NOTE



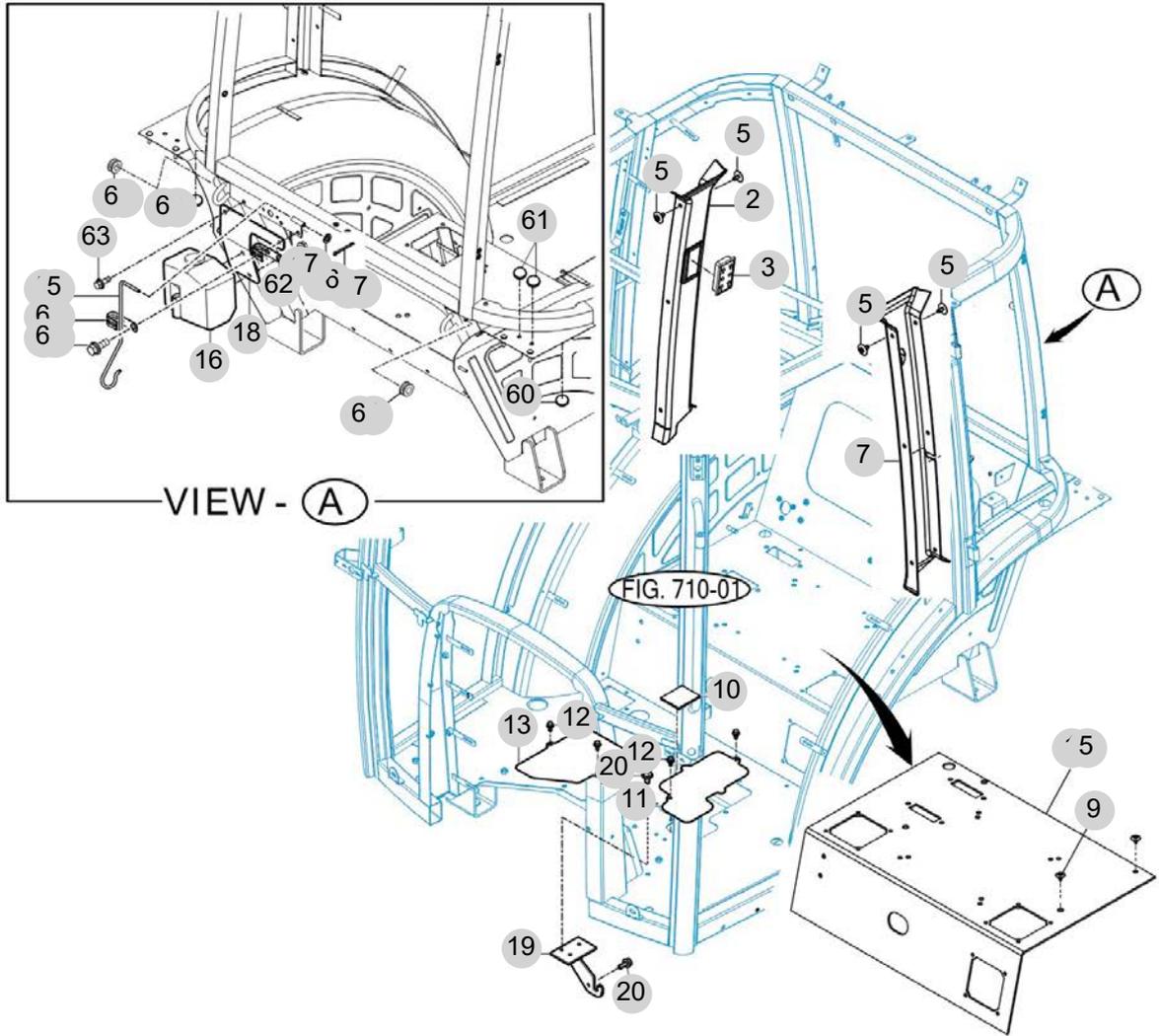
FIG 718

CABIN INTERIOR

년/월  
Year/Month

T494NC

2022-12



T374494-0-718

NOTE



## 8. Electrical System PART NO. T8

FIG 801 BATTERY & MOUNTING	236
FIG 802 HARNESS LAMP	238
FIG 803 INSTRUMENT PANEL	240
FIG 804 ELECTRIC SYSTEM (1)	242
FIG 805B ELECTRIC SYSTEM (2)-NON CAB	244
FIG 806 ELECTRIC SYSTEM (3)	246

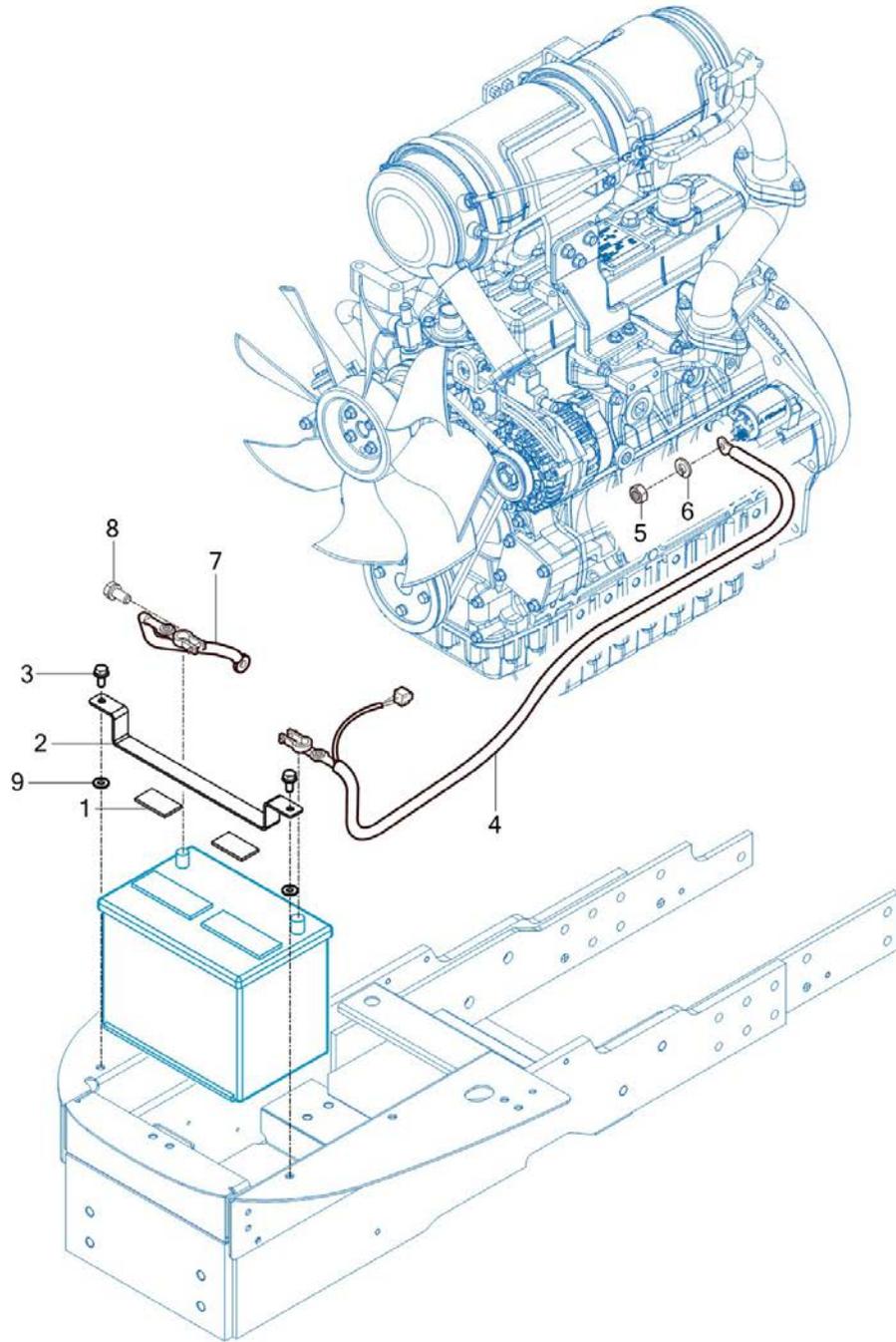
FIG 801

T494NC

BATTERY & MOUNTING

년/월  
Year/Month

2022-12



NOTE



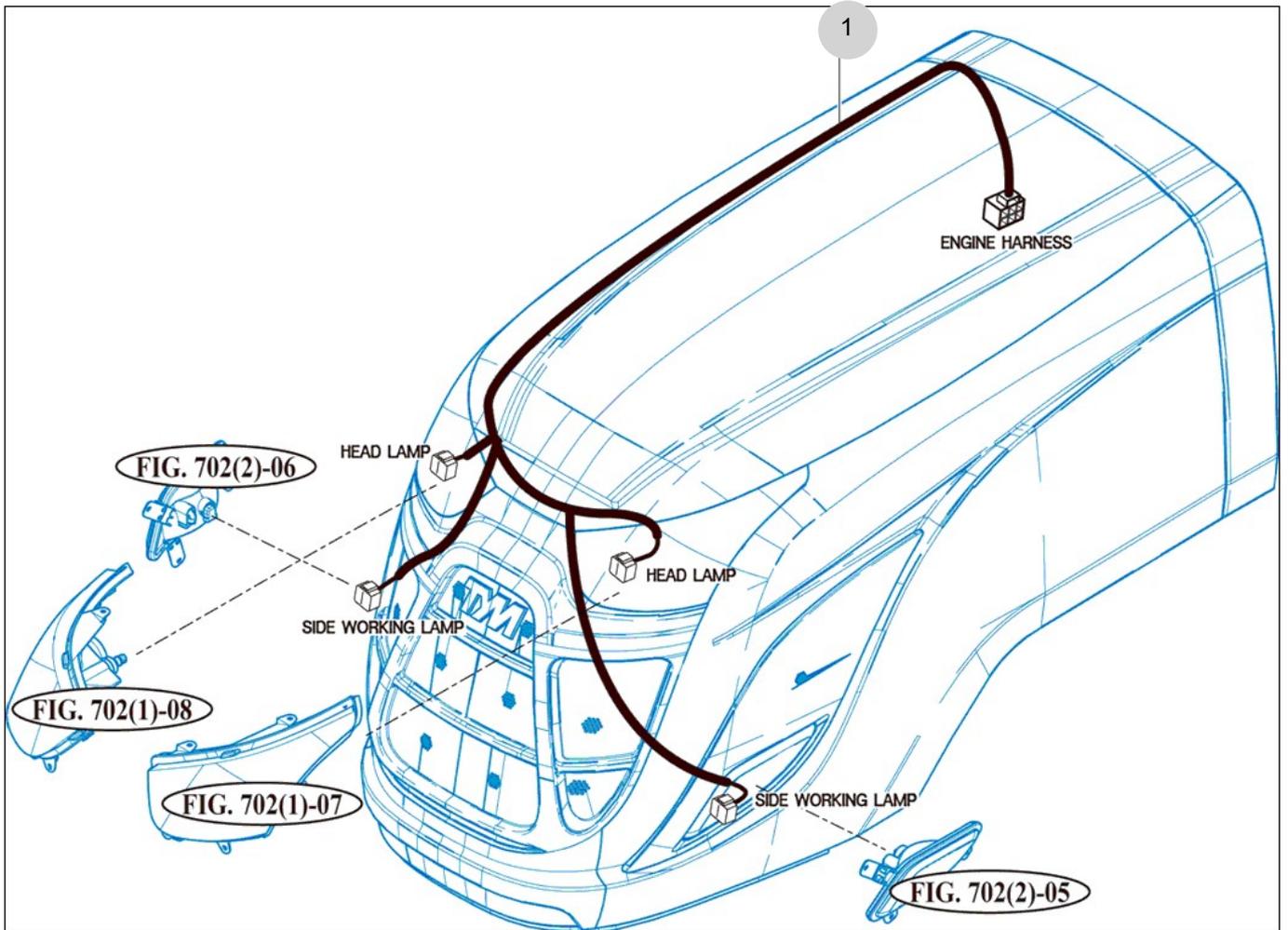
FIG 802

HARNESS LAMP

년/월  
Year/Month

T494NC

2022-12



NOTE



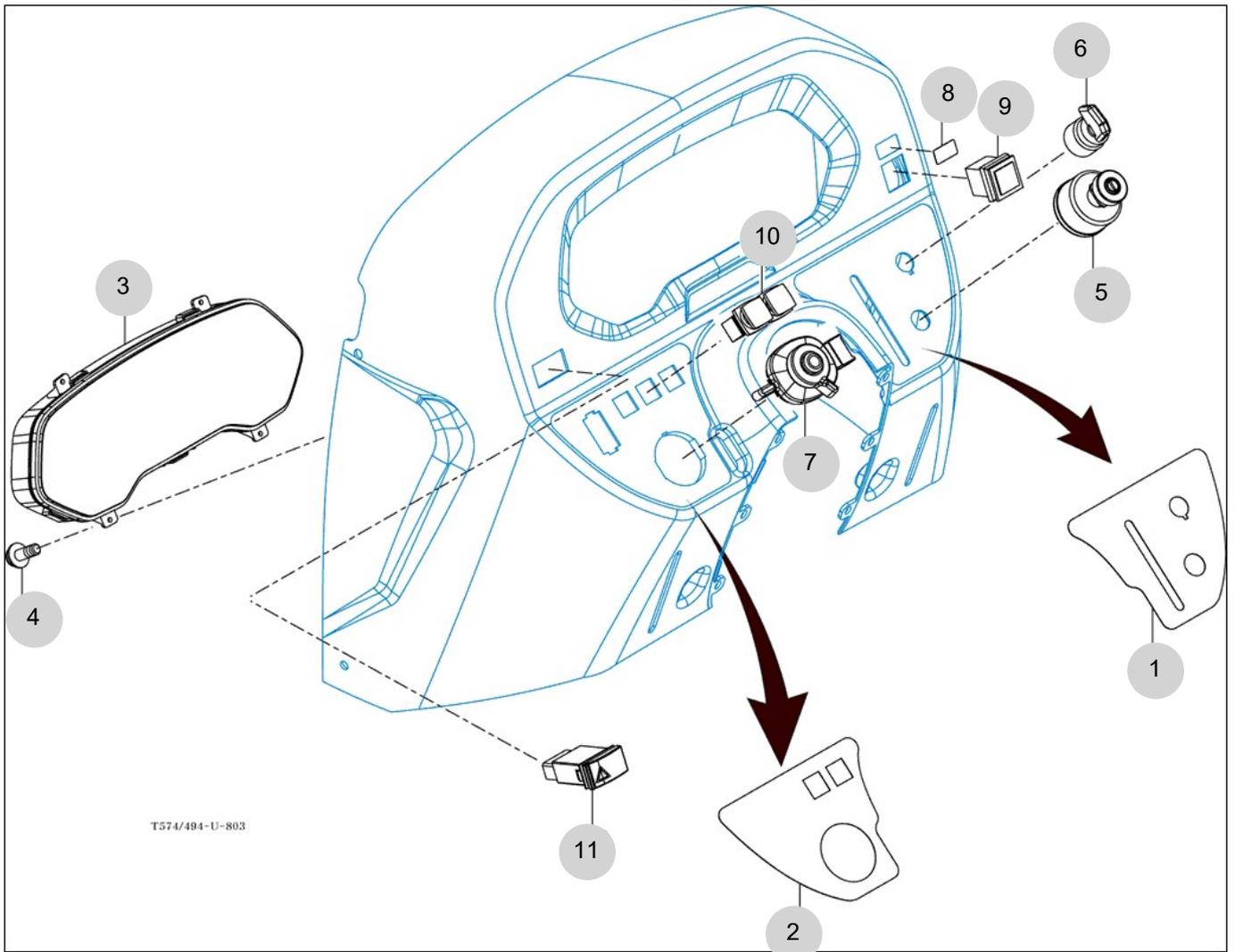
FIG 803

INSTRUMENT PANEL

년/월  
Year/Month

T494NC

2022-12



NOTE



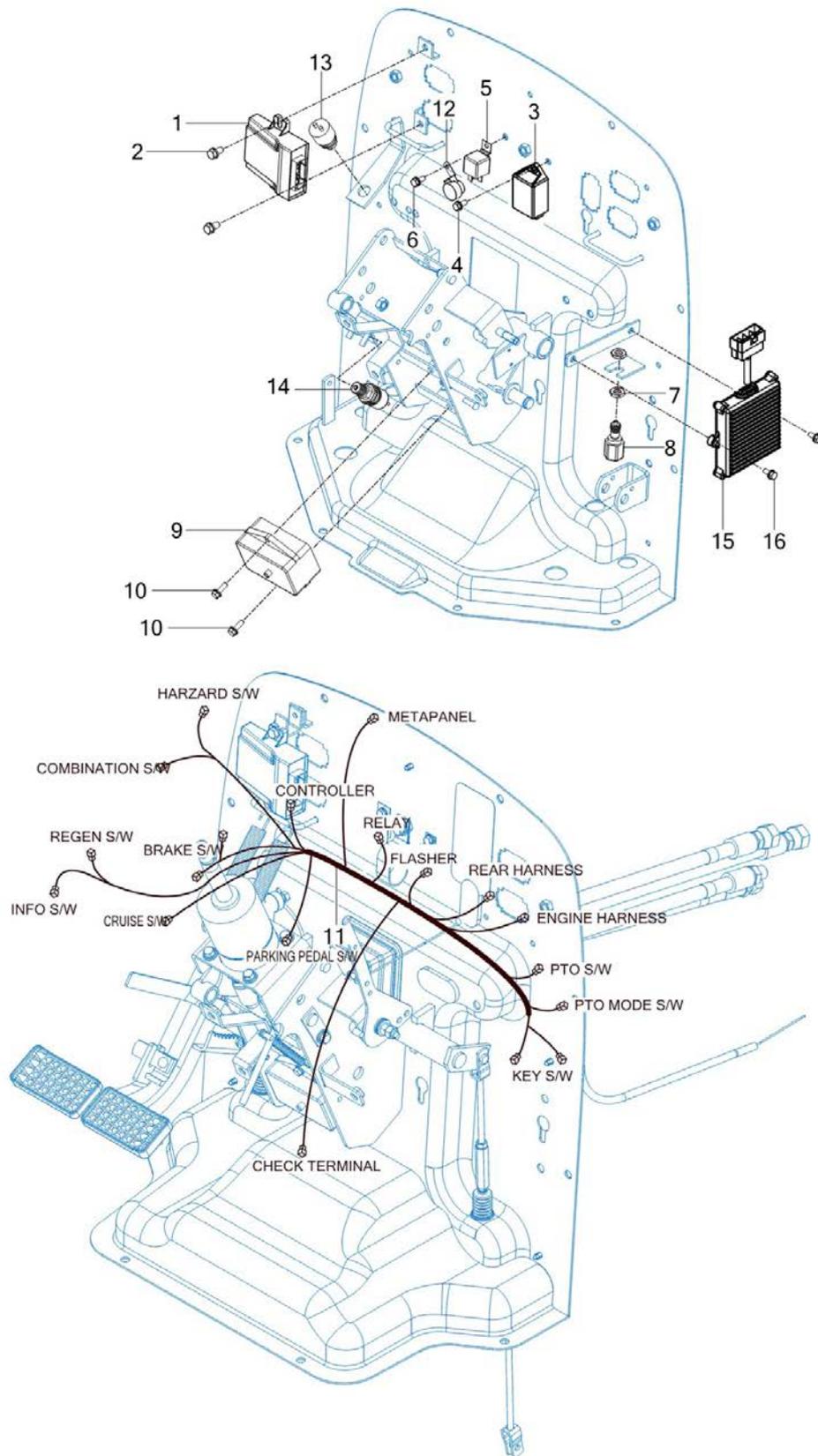
FIG 804

T494NC

ELECTRIC SYSTEM (1)

년/월  
Year/Month

2022-12



NOTE



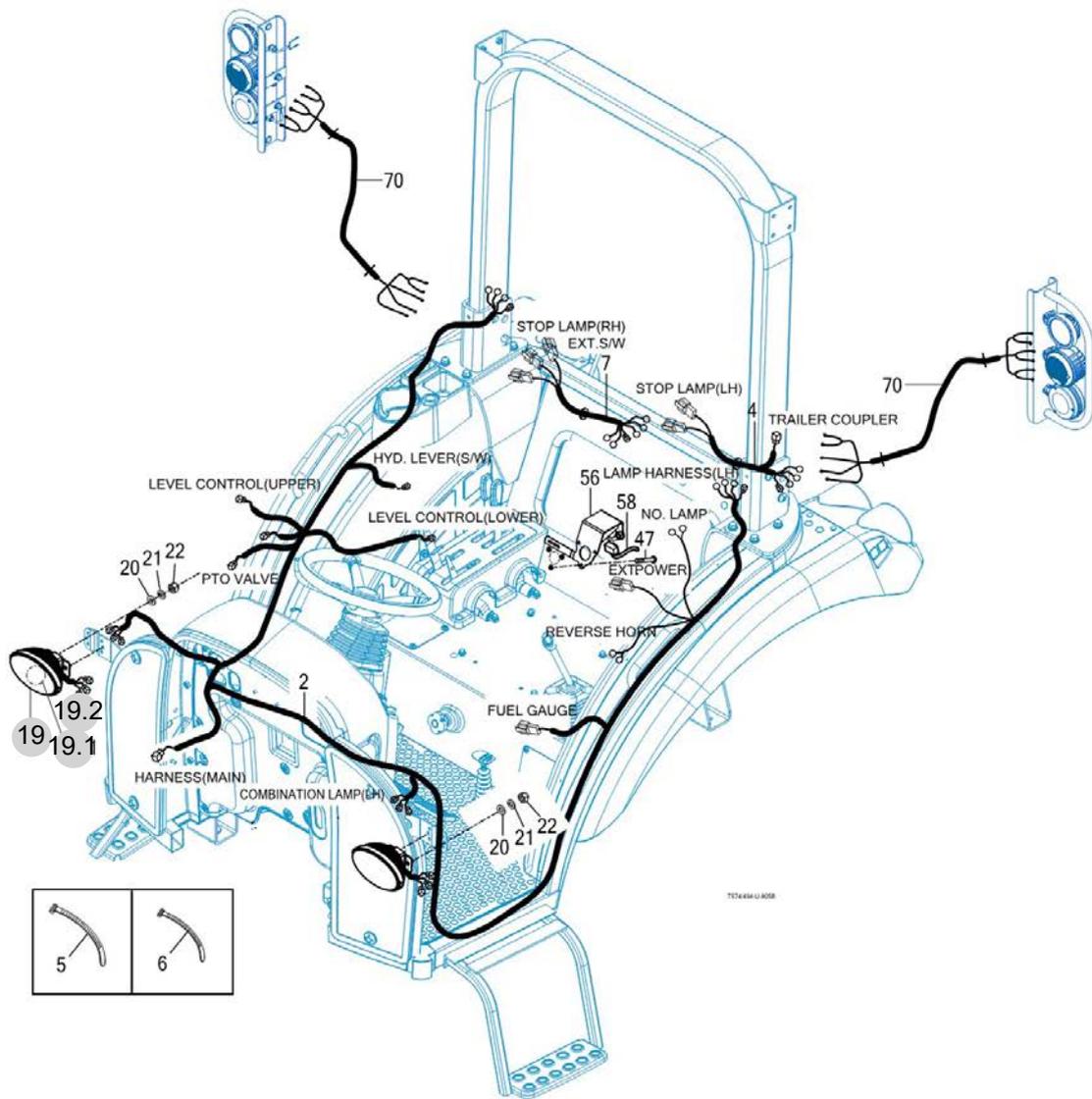
FIG 805B

ELECTRIC SYSTEM (2)-NON CAB

년/월  
Year/Month

T494NC

2022-12



NOTE



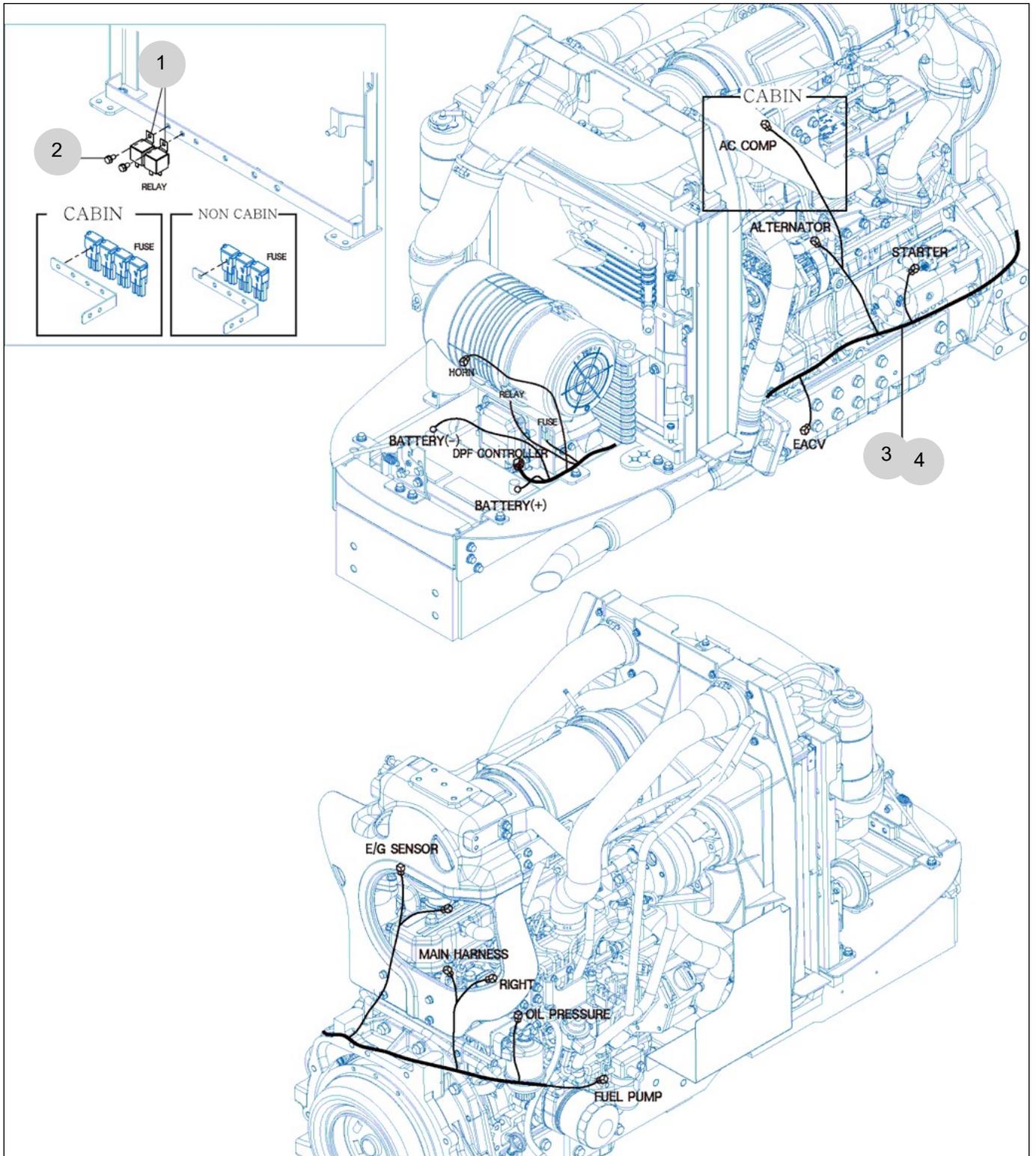
FIG 806

ELECTRIC SYSTEM (3)

년/월  
Year/Month

T494NC

2022-12



NOTE



## 9. Label/Option PART NO. T9

FIG 901 TOOL & ACCESSORY	249
FIG 902 LABEL	251
FIG 902 LABEL	253
FIG 903 OPTION	255

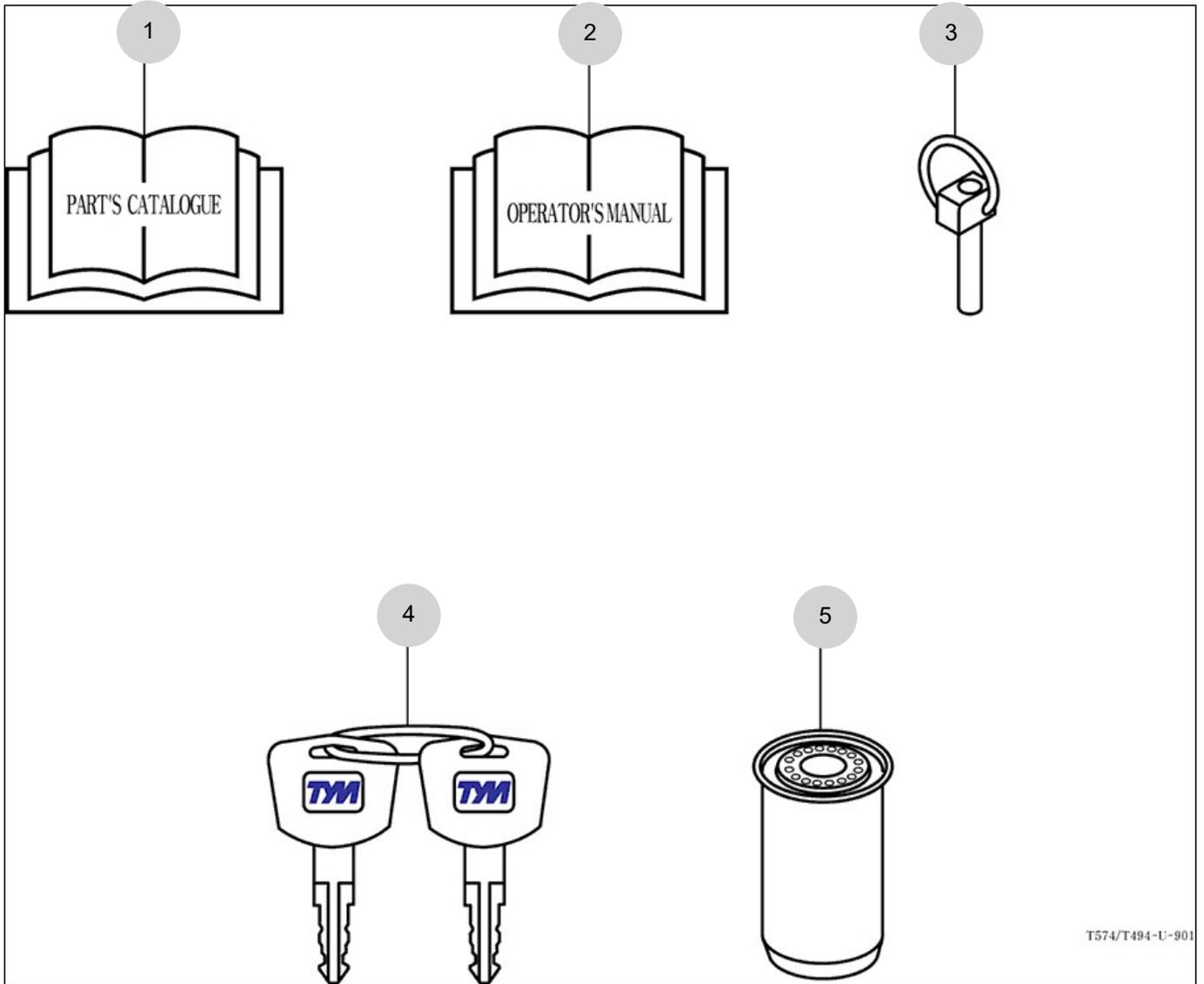
FIG 901

T494NC

TOOL & ACCESSORY

년/월  
Year/Month

2022-12



NOTE



FIG 902

LABEL

년/월  
Year/Month

T494NC

2022-12

**WARNING**  
Do not remove radiator cap while engine is hot. Hot steam will injure you.

**CAUTION**  
Keep hands and clothing away from rotating fan and belts to prevent serious injury.

**Inner/Outer air Ventilation**  
• When grills of rear and both sides are opened, inner air will ventilate in.  
• For effective use, open it when operate heater or air conditioner and close when ventilate fresh air.

**DANGER**  
Do not ride except operator.

**ON**  
**4WD**  
**OFF**

**SPEED TABLES**

APPLICATION	REVERSE	1ST	2ND	3RD	4TH	5TH	6TH	7TH	8TH
FIELD	1	2	3	4	5	6	7	8	9
ROAD	1	2	3	4	5	6	7	8	9

**CAUTION**  
Do not touch while the system is hot. It cause serious burns.

**WARNING**  
Do not refuel the tractor while smoking or near naked flame or sparks. always stop engine before refueling tractors.

**WARNING**  
Do not use the sub shift lever at "H" position when driving backward.

**DANGER**  
This Tractor may tip over unexpectedly and quicker than an operator is able to jump free.  
1.Never operate a tractor without a proper Roll Over Protection Structure.(ROPS)  
2.Always wear your seat belt when operating this tractor equipped with roll over protection.  
3.Never pull from above or from the rear axle.  
4.Do not operate the tractor on steep slopes or near drop offs.  
5.Avoid sharp high speed turns.  
Serious injury or death may result from tractor upsets.

**WARNING**  
Stay clear of raised Boom and bucket.

**WARNING**  
Additions, alterations, cracking, damage or corrosion to this structure may adversely affect the performance of the ROPS.

**WARNING**  
Death or injury may result if this tractor over turns with the ROPS in the folded down position. Operate this tractor with the ROPS folded down only when necessary. Do not wear seat belt if operated with ROPS folded down.

**DPF regeneration procedure**

When DPF lamp on	Do this	Operate(about 30min)	Complete
1.Park outside safe location			
2.Stop all functions.			
3.Parking brake ON. Press clutch pedal(Mechanical)			
4.Engine speed to Max RPM			
5.Press the regen button			
6.Must remain with the vehicle			

DPF + EGT ON  
+ Button blinking

NOTE



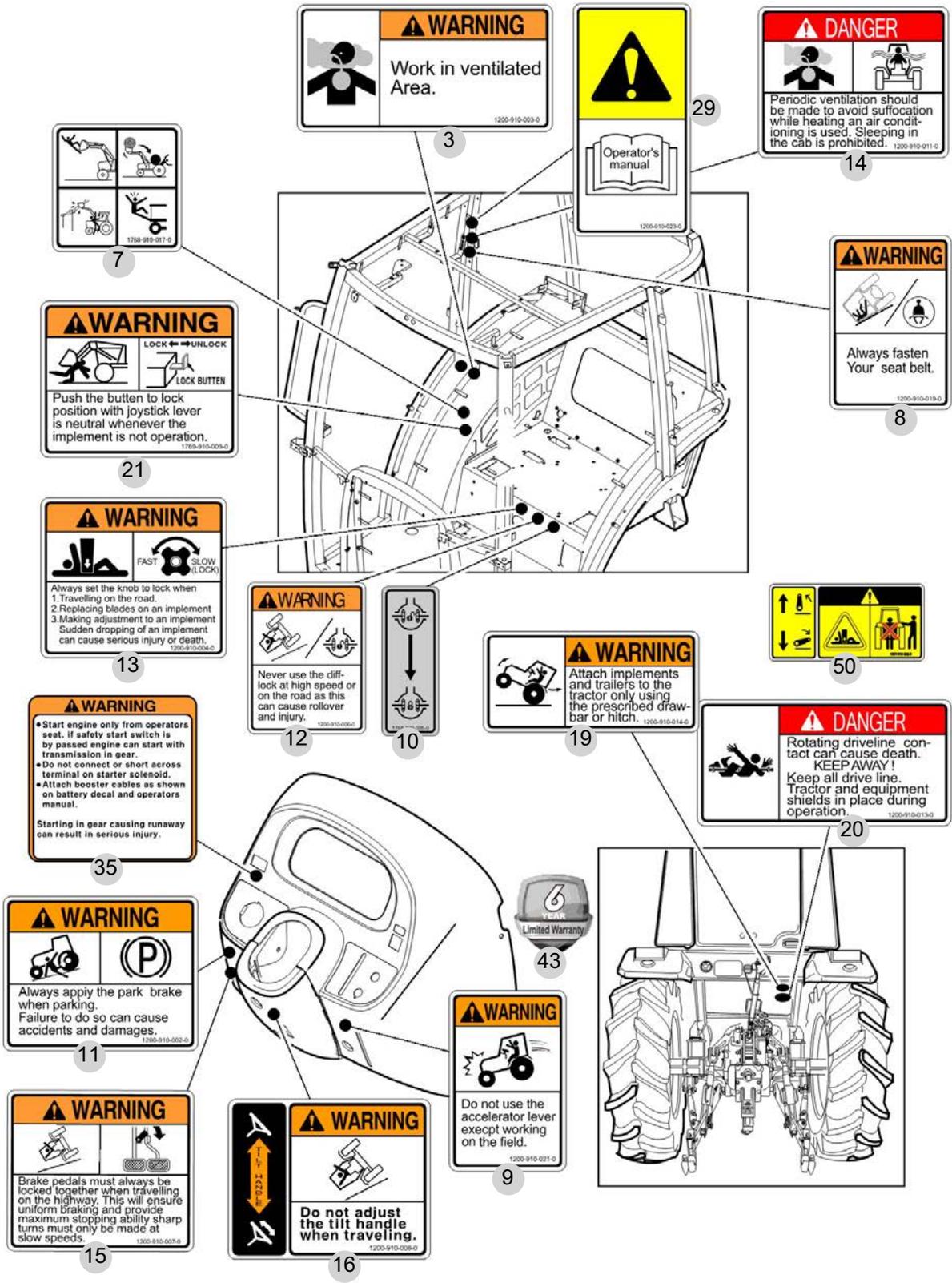
FIG 902

LABEL

년/월  
Year/Month

T494NC

2022-12



NOTE



FIG 903

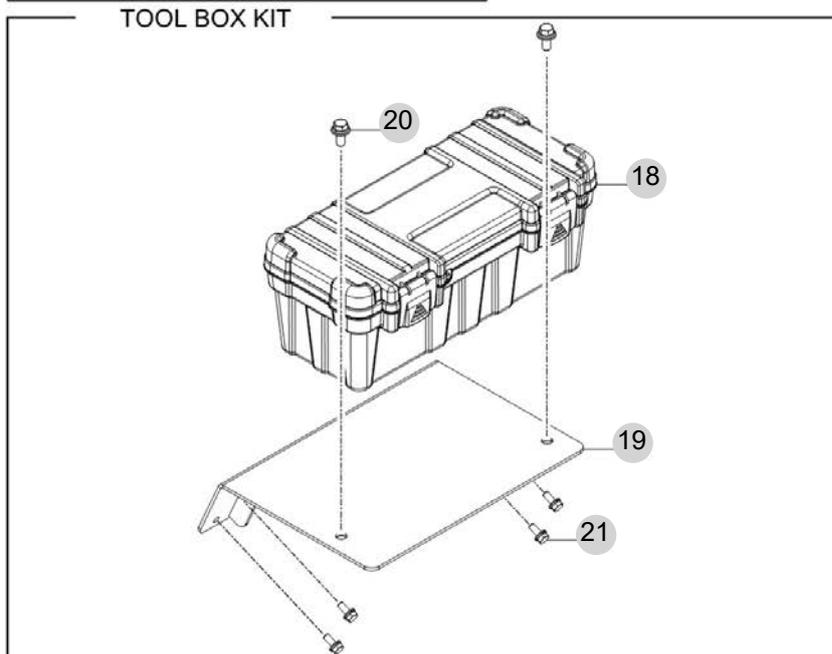
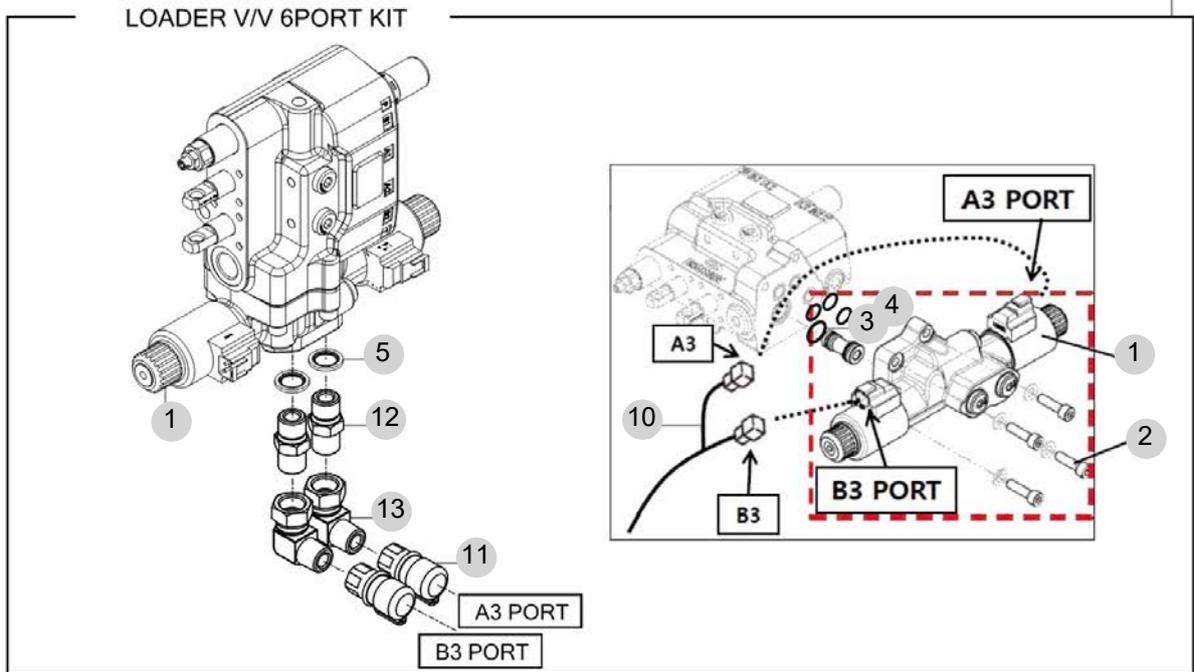
OPTION

년/월  
Year/Month

2022-12

T494NC

0



NOTE

