

T554SH

Parts Catalog

목 차

0. TRACTOR KIT PART NO. TK1

FIG 001 ADAPTER KIT	7
FIG 001 EXTERNAL POSITION LEVER KIT	9

1. Engine PART NO. EG

FIG 100 ENGINE	12
FIG 101A CYLINDER BLOCK (T554)	14
FIG 102 GEAR HOUSING	16
FIG 103 FLYWHEEL HOUSING & OIL SUMP	18
FIG 104A CYLINDER HEAD & BONNET (T554)	20
FIG 105A SUCTION MANIFOLD (T554)	23
FIG 106A EXHAUST MANIFOLD (T554)	25
FIG 107A DIESEL PARTICULATE FILTER (T554)	27
FIG 108 CAMSHAFT & DRIVING GEAR	29
FIG 109 TURBINE (T554)	31
FIG 110A CRANKSHAFT & PISTON (T554)	33
FIG 111 BALANCER	35
FIG 112A LUB. OIL SYSTEM (T554)	37
FIG 113 LUB. OIL LINE (T554)	39
FIG 114 COOLING WATER SYSTEM	41
FIG 115 FUEL SUPPLY PUMP	43
FIG 116A FUEL INJECTION VALVE (T554)	45
FIG 117 FUEL LINE	47
FIG 118 STARTING MOTOR	49
FIG 119 GENERATOR	51
FIG 120A ELECTRONIC CONTROL UNIT (T554)	53
FIG 121A ELECTRIC PARTS (T554)	55
FIG 122A ACCESSORY (T554)	57

2. Engine Accessories PART NO. T2

FIG 201 AIR CLEANER	60
---------------------	----

FIG 202 RADIATOR	62
FIG 203 MUFFLER	64
FIG 204 FUEL HOSE & FILTER	66
FIG 205 FUEL TANK	68
FIG 206 ACCELERATOR	70
FIG 207 OIL COOLER	72
FIG 208 FAN , COOLING	74

3. Clutch/Brake/Steering PART NO. T3

FIG 301 CLUTCH	77
FIG 302 CLUTCH PEDAL	79
FIG 303 BRAKE	81
FIG 304 BRAKE PEDAL & LINK	83
FIG 305A FRONT WHEEL	85
FIG 305B FRONT WHEEL (R4 OPTION)	87
FIG 306A REAR WHEEL	89
FIG 306B REAR WHEEL (R4 OPTION)	91
FIG 307 POWER STEERING WHEEL	93
FIG 308 POWER STEERING VALVE	95
FIG 309 POWER STEERING CYLINDER	97

4. Transmission PART NO. T4

FIG 401 TRANSMISSION FRONT CASE	100
FIG 402 HST	102
FIG 402-1 HST	104
FIG 403 MID TRANSMISSION CASE	106
FIG 404 TRANSTER GEAR SET	108
FIG 405 TRANSMISSION REAR CASE	110
FIG 406 SUB CHANGE GEARS	112
FIG 407 SUB CHANGE SHIFTER	114
FIG 408 DRIVE GEARS	116
FIG 409 4WD CHANGE LEVER	118
FIG 410 P.T.O DRIVE SHAFT	120
FIG 411 P.T.O CHANGE GEARS	122
FIG 412 REAR DIFFERENTIAL GEARS	124
FIG 413 REAR AXLE HOUSING	127

5. Front Axle PART NO. T5

FIG 501 FRONT AXLE SUPPORT	130
FIG 502 FRONT DRIVE SHAFT	132
FIG 503 FRONT AXLE HOUSING	134
FIG 504 FRONT DIFFERENTIAL GEARS	136
FIG 505 FRONT GEAR CASE (1)	138
FIG 506 FRONT GEAR CASE (2)	140
FIG 507 FRONT GEAR CASE (3)	142

6. Hydraulic/3P-Link PART NO. T6

FIG 601 CYLINDER CASE	145
FIG 602 LIFT ARM	147
FIG 603 CYLINDER	149
FIG 604 POSITION LINK	151
FIG 605 CONTROL VALVE	153
FIG 606 DRAFT LINK	155
FIG 607 POSITION & DRAFT LEVER	157
FIG 607 POSITION & DRAFT LEVER	159
FIG 609 HYDRAULIC PIPE	161
FIG 610 JOYSTICK	164
FIG 611 HYDRAULIC HOSE	166
FIG 612 HITCH & 3-POINT LINK	168
FIG 613 LOWER LINK & LIFT ROD	171
FIG 614 EXTERNAL POSITION LEVER KIT	173

7. Sheet Metal & Cabin PART NO. T7

FIG 701 HOOD (1)	176
FIG 702 HOOD (2)	179
FIG 704A LEVER COVER & STEP	181
FIG 705 FRONT & REAR MOUNTING	183
FIG 706 SEAT & MAT	185
FIG 709 DOOR	187
FIG 710A FRONT GLASS	190
FIG 711 SIDE GLASS	192

FIG 712 REAR GLASS	194
FIG 713A SUB FENDER&COVER	196
FIG 714A MIRROR	198
FIG 715A HEATER & AIR-CON	200
FIG 715B HEATER & AIR-CON	202
FIG 716 FENDER COVER	204
FIG 717 ROOF	206
FIG 718 CABIN INTERIOR	208
FIG 719 PEDAL SUB ASSY	210

8. Electrical System PART NO. T8

FIG 801 BATTERY & MOUNTING	213
FIG 802 LIGHT & BACK LAMP	215
FIG 803 INSTRUMENT PANEL	217
FIG 804 ELECTRIC SYSTEM (1)	219
FIG 805A ELECTRIC SYSTEM (2)	221
FIG 806 INSTRUMENT PANEL	223

9. Label/Option PART NO. T9

FIG 901 TOOL & ACCESSORY	226
FIG 902A LABEL	228

0. TRACTOR KIT PART NO. TK1

FIG 001 ADAPTER KIT

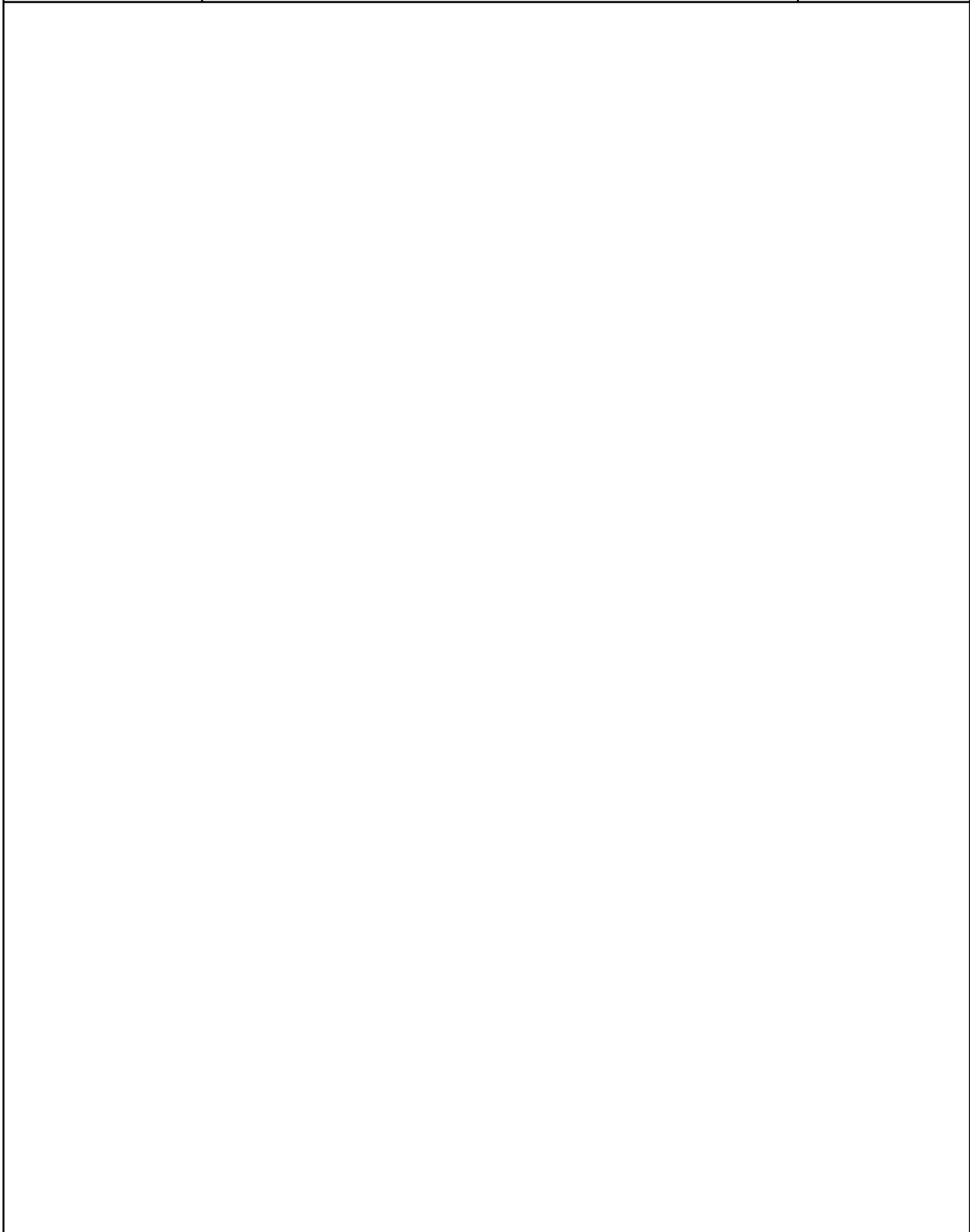
7

FIG 001 EXTERNAL POSITION LEVER KIT

9

FIG 001 T554SH	ADAPTER KIT	년/월 Year/Month
		2022-12
NOTE		

FIG 001 T554SH	EXTERNAL POSITION LEVER KIT	년/월 Year/Month 2022-12
-------------------	-----------------------------	------------------------------

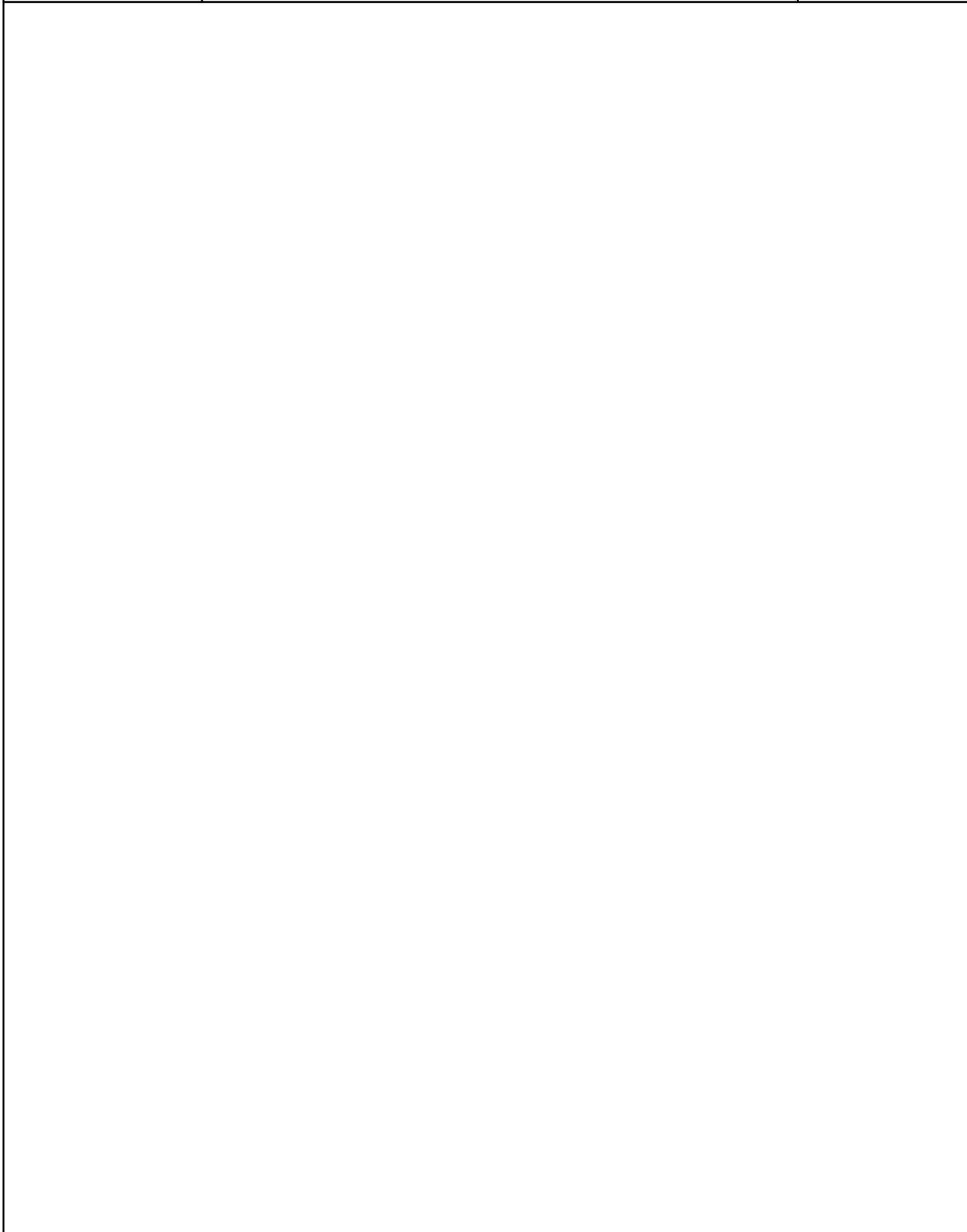


NOTE	
------	--

1. Engine PART NO. EG

FIG 100 ENGINE	12
FIG 101A CYLINDER BLOCK (T554)	14
FIG 102 GEAR HOUSING	16
FIG 103 FLYWHEEL HOUSING & OIL SUMP	18
FIG 104A CYLINDER HEAD & BONNET (T554)	20
FIG 105A SUCTION MANIFOLD (T554)	23
FIG 106A EXHAUST MANIFOLD (T554)	25
FIG 107A DIESEL PARTICULATE FILTER (T554)	27
FIG 108 CAMSHAFT & DRIVING GEAR	29
FIG 109 TURBINE (T554)	31
FIG 110A CRANKSHAFT & PISTON (T554)	33
FIG 111 BALANCER	35
FIG 112A LUB. OIL SYSTEM (T554)	37
FIG 113 LUB. OIL LINE (T554)	39
FIG 114 COOLING WATER SYSTEM	41
FIG 115 FUEL SUPPLY PUMP	43
FIG 116A FUEL INJECTION VALVE (T554)	45
FIG 117 FUEL LINE	47
FIG 118 STARTING MOTOR	49
FIG 119 GENERATOR	51
FIG 120A ELECTRONIC CONTROL UNIT (T554)	53
FIG 121A ELECTRIC PARTS (T554)	55
FIG 122A ACCESSORY (T554)	57

FIG 100 T554SH	ENGINE	년/월 Year/Month 2022-12
-------------------	--------	------------------------------



NOTE	
------	--

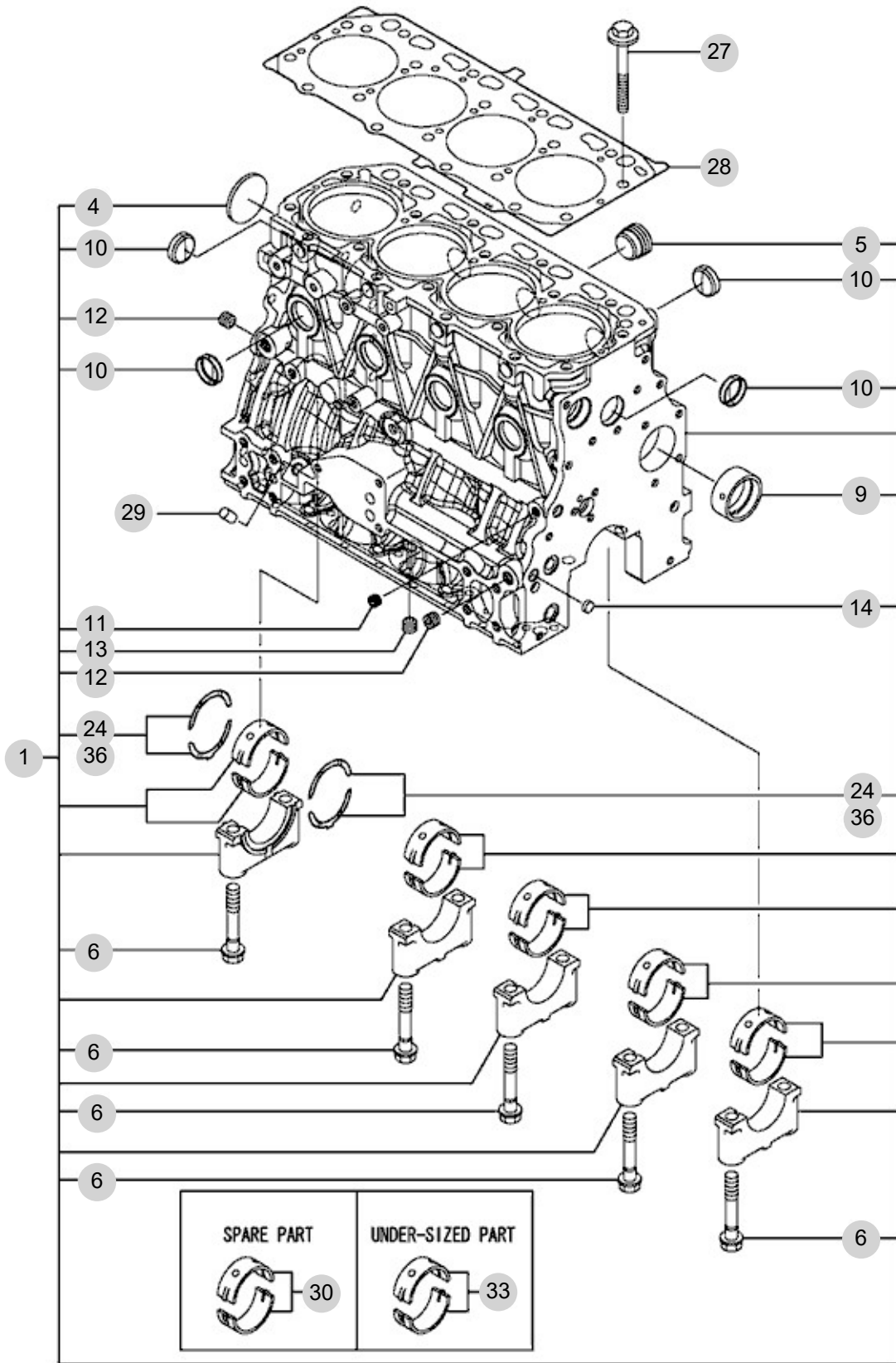
FIG 101A

CYLINDER BLOCK (T554)

년/월
Year/Month

2022-12

T554SH



NOTE

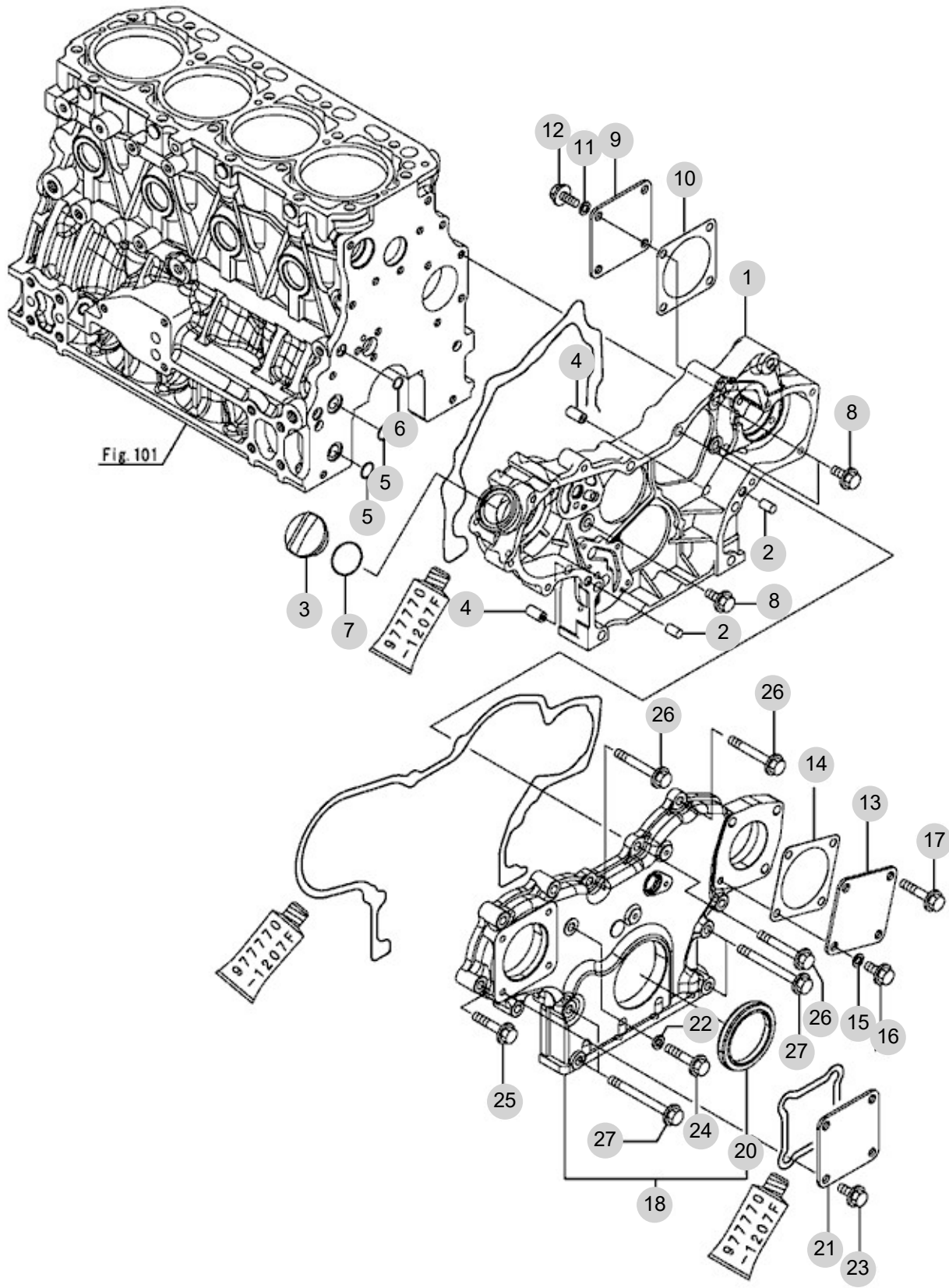
FIG 102

GEAR HOUSING

년/월
Year/Month

2022-12

T554SH



NOTE

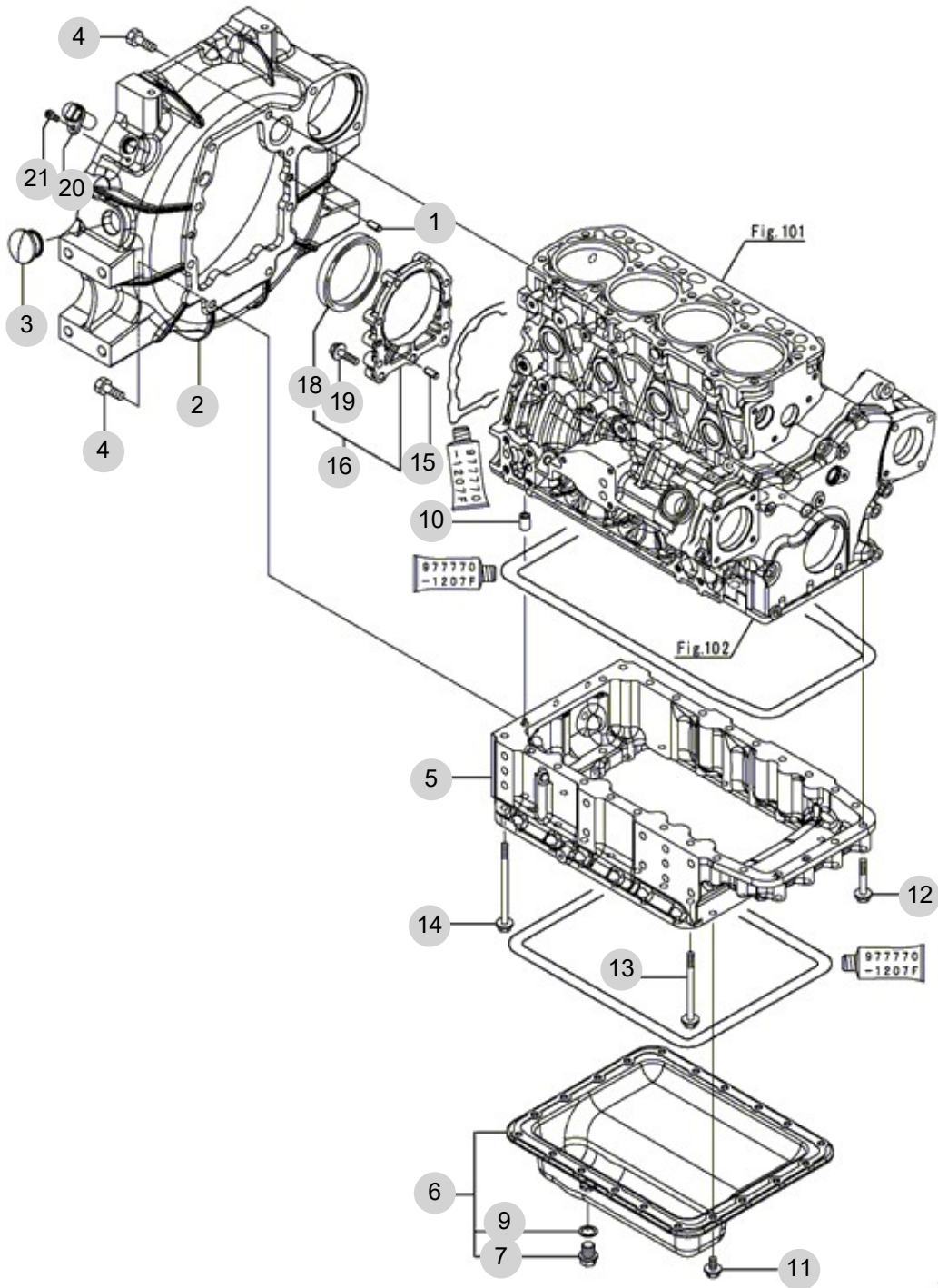
FIG 103

T554SH

FLYWHEEL HOUSING & OIL SUMP

년/월
Year/Month

2022-12



NOTE

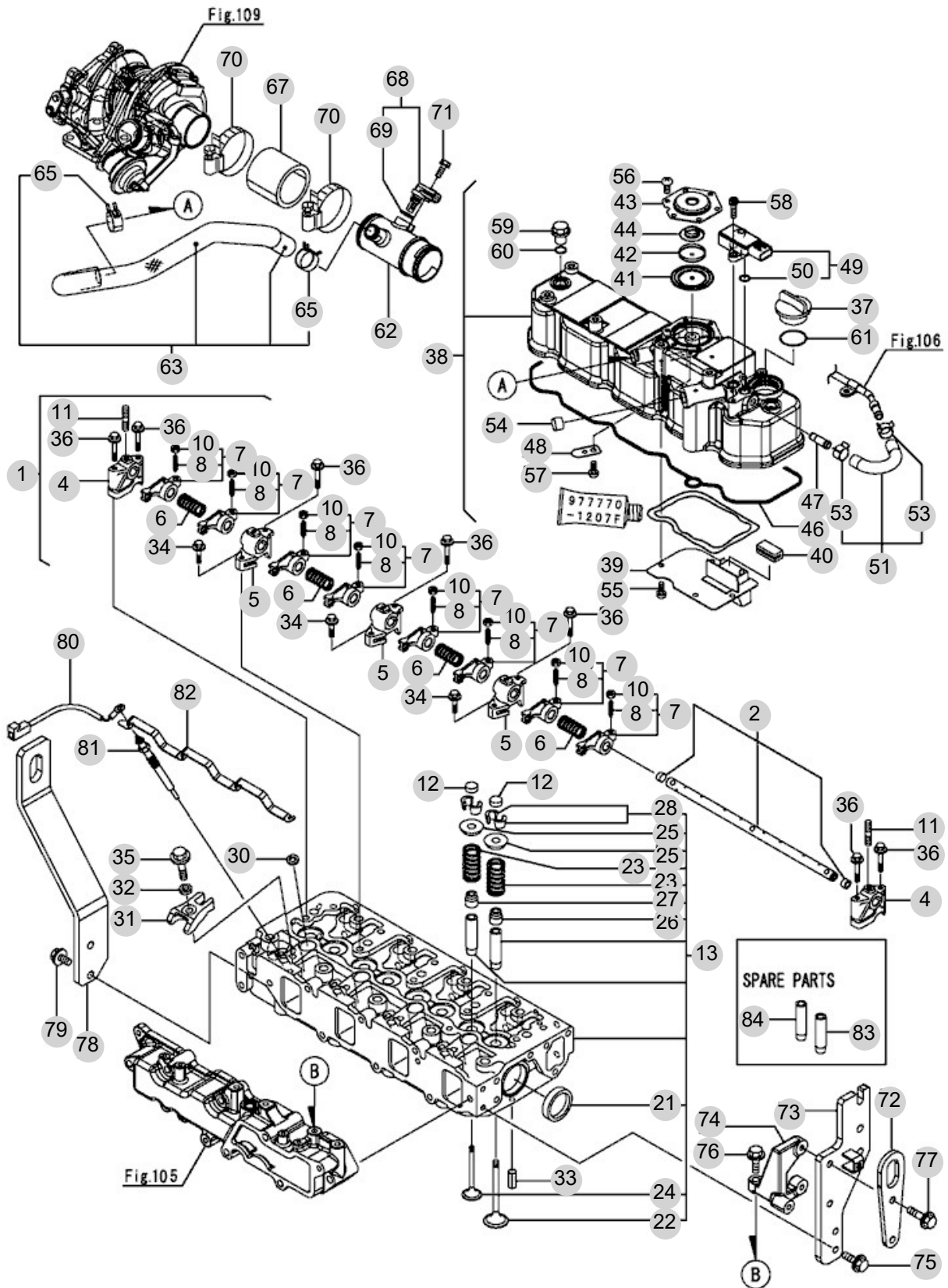
FIG 104A

CYLINDER HEAD & BONNET (T554)

년/월
Year/Month

2022-12

T554SH



NOTE

FIG 104A		CYLINDER HEAD & BONNET (T554)					년/월 Year/Month		
							2022-12		
T554SH		KEY NO	PART NO	DESCRIPTION	SPEC	QTY	REPAIR	EFFECTIVE DATE	REMARKS
104A	1	129601-11241	SHAFT ASSY, ROCKER			1			
104A	2	129601-11251	SHAFT, ROCKER ARM			1			
104A	4	119802-11260	SUPPORT, ?ROCKER?ARM			2			
104A	5	119802-11270	SUPPORT, ROCKER ARM			3			
104A	6	129150-11280	SPRING			4			
104A	7	129004-11650	ARM, ?ROCKER			8			
104A	8	129150-11230	SCREW, VALVE ADJUST			8			
104A	10	129150-11750	NUT, M8			8			
104A	11	26226-080182	STUD, ?M8X18			3			
104A	12	129150-11370	CAP, VALVE			8			
104A	13	129C01-11700	HEAD ASSY, CYLINDER			1			
104A	21	27241-400000	PLUG, ?40			2			
104A	22	129005-11100	VALVE, INTAKE			4			
104A	23	129795-11120	SPRING, VALVE			8			
104A	24	129100-11130	VALVE, ?EXHAUST			4			
104A	25	129795-11180	RETAINER, SPRING			8			
104A	26	124460-11340	SEAL, VALVE STEM			4			
104A	27	129A00-11340	SEAL, ?VALVE?STEM			4			
104A	28	27310-080001	COTTER, 8			8			
104A	30	129978-11871	GASKET, INJECTOR			4			
104A	31	129A00-11900	RETAINER, ?INJECTOR			4			
104A	32	120270-54410	WASHER, INJECTOR			4			
104A	33	22351-060012	PIN, SPRING 6.0X12			2			
104A	34	26106-080252	SCREW , HEX FLANGE HEAD CAP			3			
104A	35	26106-080352	BOLT			4			
104A	36	26106-080502	BOLT, M8X50 PLATED			7			
104A	37	124160-01751	COVER, ?FILLER			1			
104A	38	129C01-11351	BONNET ASSY			1			
104A	39	129004-03010	PLATE			1			
104A	40	129150-03070	BAFFLE, ?BREATHER			1			
104A	41	123907-03100	DIAPHRAGM			1			
104A	42	123907-03110	PLATE			1			
104A	43	123907-03120	PLATE, ?BREATHER			1			
104A	44	123907-03140	SPRING, DIAPHRAGM			1			
104A	46	129C00-11310	GASKET, COVER			1			
104A	47	129A00-11330	JOINT			1			
104A	48	129009-11340	SPRING			1			
104A	49	129A00-12703	SENSOR, PRESSURE			1			
104A	50	129A00-12780	O-RING, PRES?SENSOR			2			
104A	51	129A00-13360	HOSE ASSY, PRES EXH			1			
104A	53	129A00-13380	CLIP, HOSE 14			2			
104A	54	119640-61400	PLUG			1			
104A	55	22857-500100	SCREW, 5X10			4			
104A	56	22857-500100	SCREW, 5X10			6			
104A	57	22857-500100	SCREW, ?5X10			1			
NOTE									

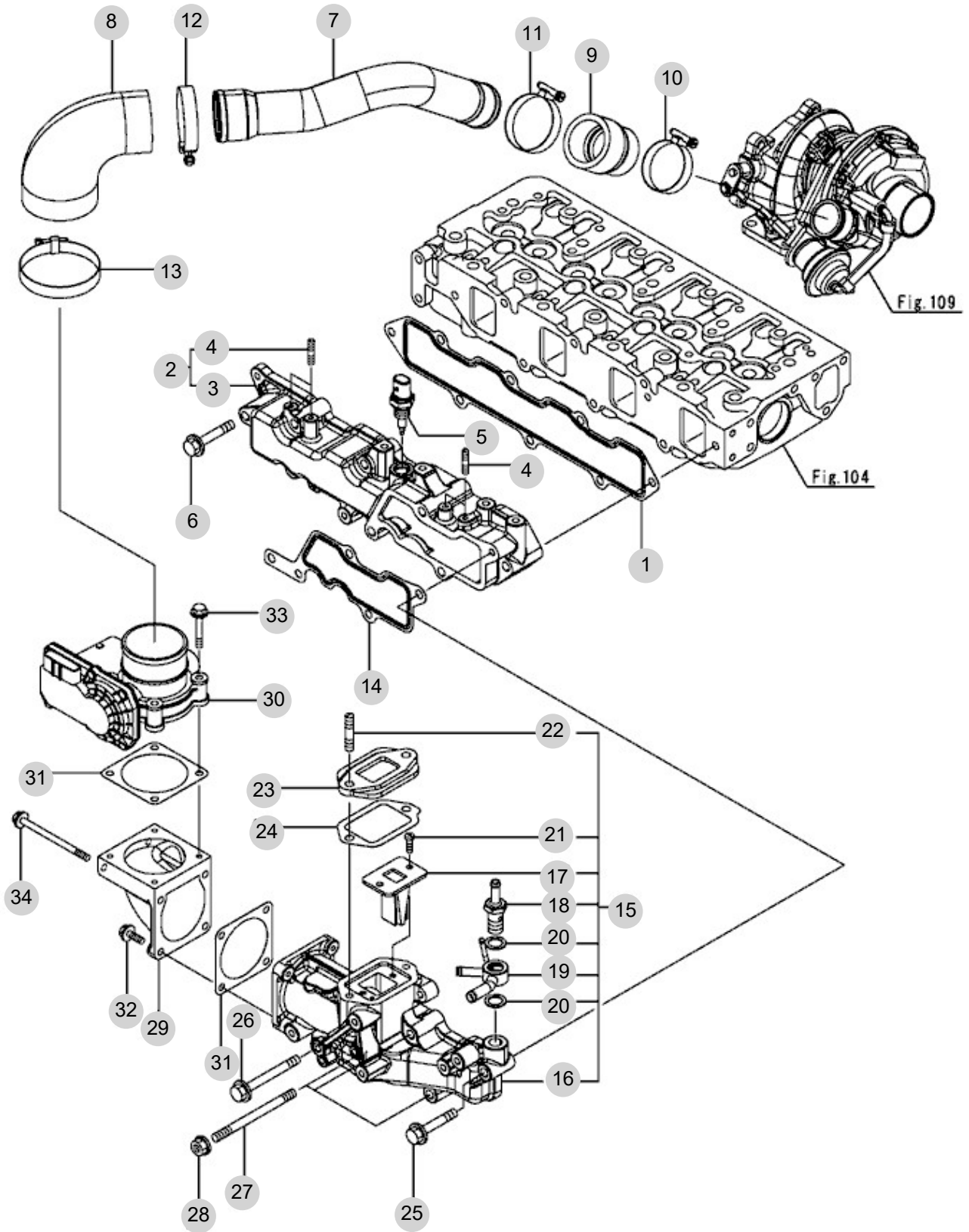
FIG 105A

SUCTION MANIFOLD (T554)

년/월
Year/Month

2022-12

T554SH



NOTE

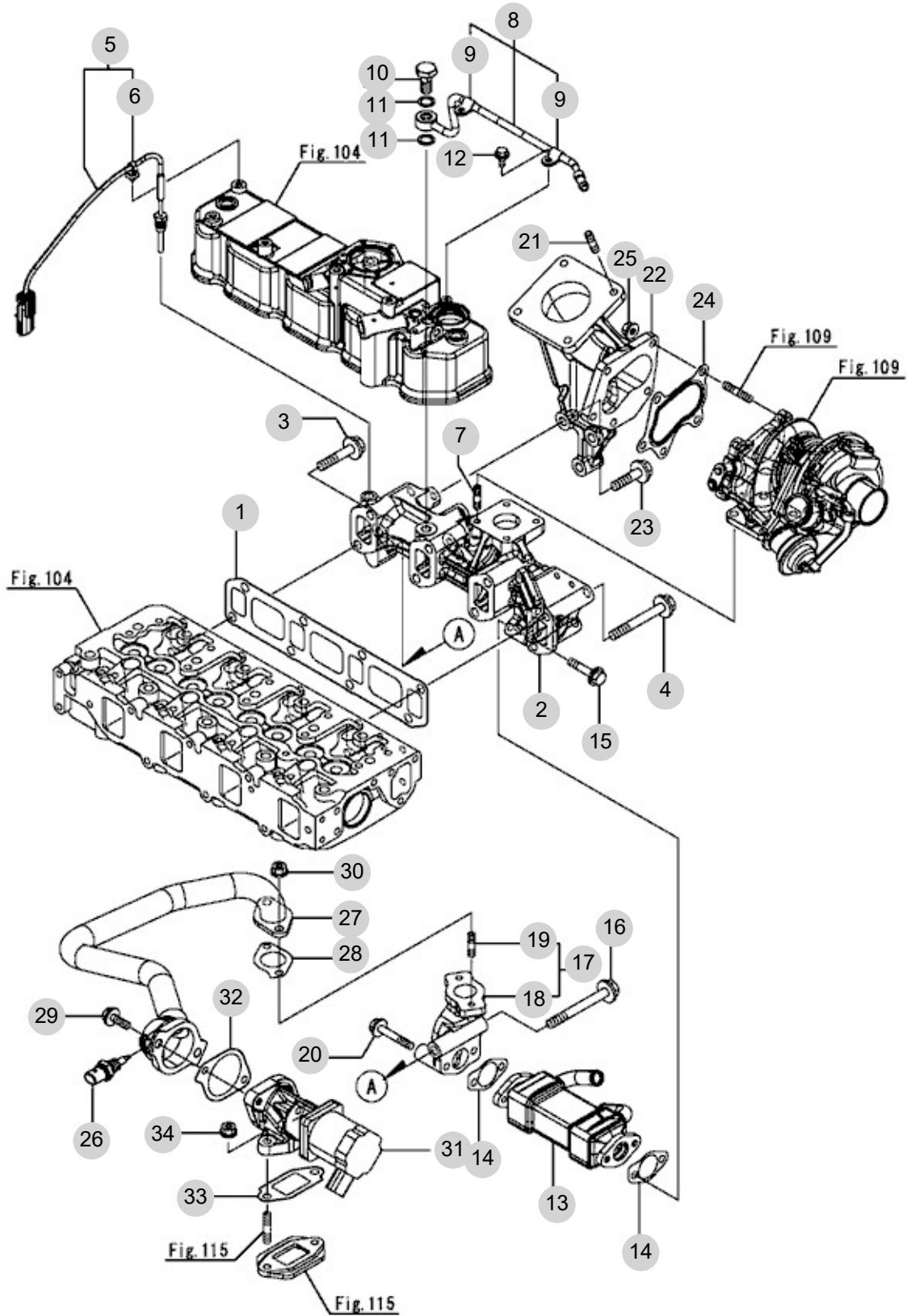
FIG 106A

EXHAUST MANIFOLD (T554)

년/월
Year/Month

2022-12

T554SH



NOTE

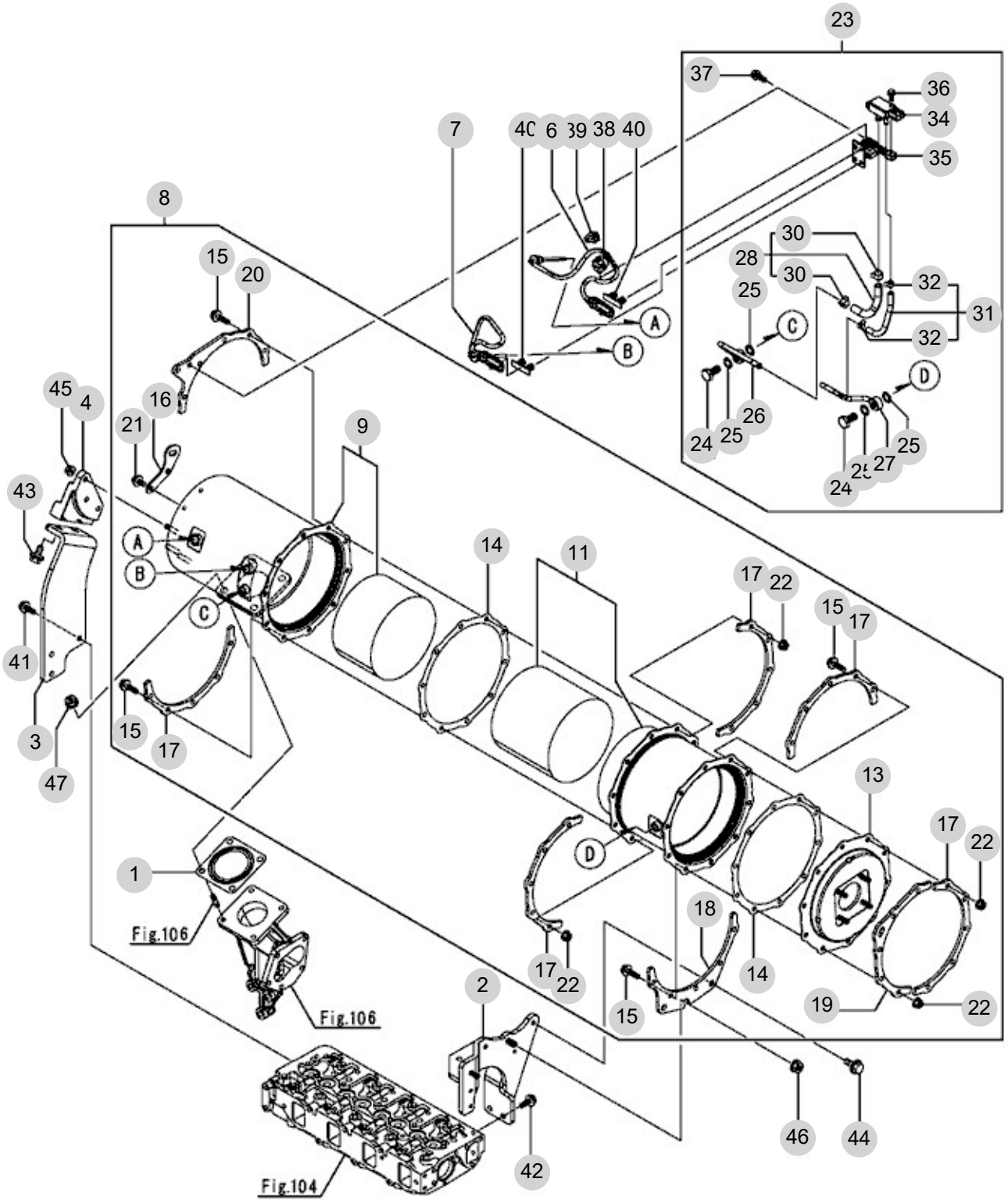
FIG 107A

DIESEL PARTICULATE FILTER (T554)

년/월
Year/Month

T554SH

2022-12



NOTE

FIG 107A		DIESEL PARTICULATE FILTER (T554)					년/월 Year/Month		
							2022-12		
T554SH		KEY NO	PART NO	DESCRIPTION	SPEC	QTY	REPAIR	EFFECTIVE DATE	REMARKS
107A	1	128300-13230	GASKET,SILENCER			1			
107A	2	129C01-16811	STAY,DPF			1			
107A	3	129C01-16820	STAY,DPF			1			
107A	4	129C01-16830	STAY,DPF			1			
107A	6	129C00-13940	SENSOR,EXH.TEMP			1			
107A	7	129C00-13950	SENSOR,EXH.TEMP			1			
107A	8	129C01-16011	DPFASSY			1			
107A	9	129C01-16210	CASE,DOC			1			
107A	11	129C01-16410	CASE,SOOT FILTER			1			
107A	13	129C01-16550	FLANGE,OUTLET			1			
107A	14	129E00-16600	GASKET,DPF			2			
107A	15	129A00-16610	BOLT,M8X28 10.9T			20			
107A	16	129C01-16680	LIFTER,DPF			1			
107A	17	129C01-16700	STIFFENER,DPF A			5			
107A	18	129C01-16721	STIFFENER,DPF B			1			
107A	19	129C01-16740	STIFFENER,DPF C			1			
107A	20	129C01-16750	STIFFENER,DPF C			1			
107A	21	26106-080142	BOLT,M8X14 PLATED			2			
107A	22	26306-080002	NUT,M8			20			
107A	23	129E01-17220	SENSORUNIT, PRESSURE			1			
107A	24	129A00-13350	BOLT, PIPE JOINT			2			
107A	25	129A00-17311	GASKET,SENSOR			4			
107A	26	129E00-17310	PIPEASSY,PRES EXH			1			
107A	27	129E00-17360	PIPEASSY,PRES EXH			1			
107A	28	129C01-17610	HOSEASSY,PRES EXH			1			
107A	30	129A00-17520	CLIP,HOSE			2			
107A	31	129A00-17670	HOSEASSY,PRES EXH			1			
107A	32	129A00-17570	CLIP,HOSE			2			
107A	34	129A00-17702	SENSOR,PRESSURE			1			
107A	35	129A00-17780	BRACKET,SENSOR			1			
107A	36	26106-060162	BOLT,M6X16 PLATED			2			
107A	37	26106-080202	볼트	8X20		2			
107A	38	129A00-91200	BAND CLIP			1			
107A	39	129C00-91200	BAND			1			
107A	40	129A00-91430	CLIP,CONNECTOR			2			
107A	41	26106-080202	볼트	8X20		3			
107A	42	26106-080202	볼트	8X20		2			
107A	43	26106-100202	FLANGE BOLT			2			
107A	44	26106-100202	FLANGE BOLT			2			
107A	45	26306-080002	NUT,M8			3			
107A	46	26306-100002	NUT,M10			1			
107A	47	26306-100002	NUT,M10			4			
NOTE									

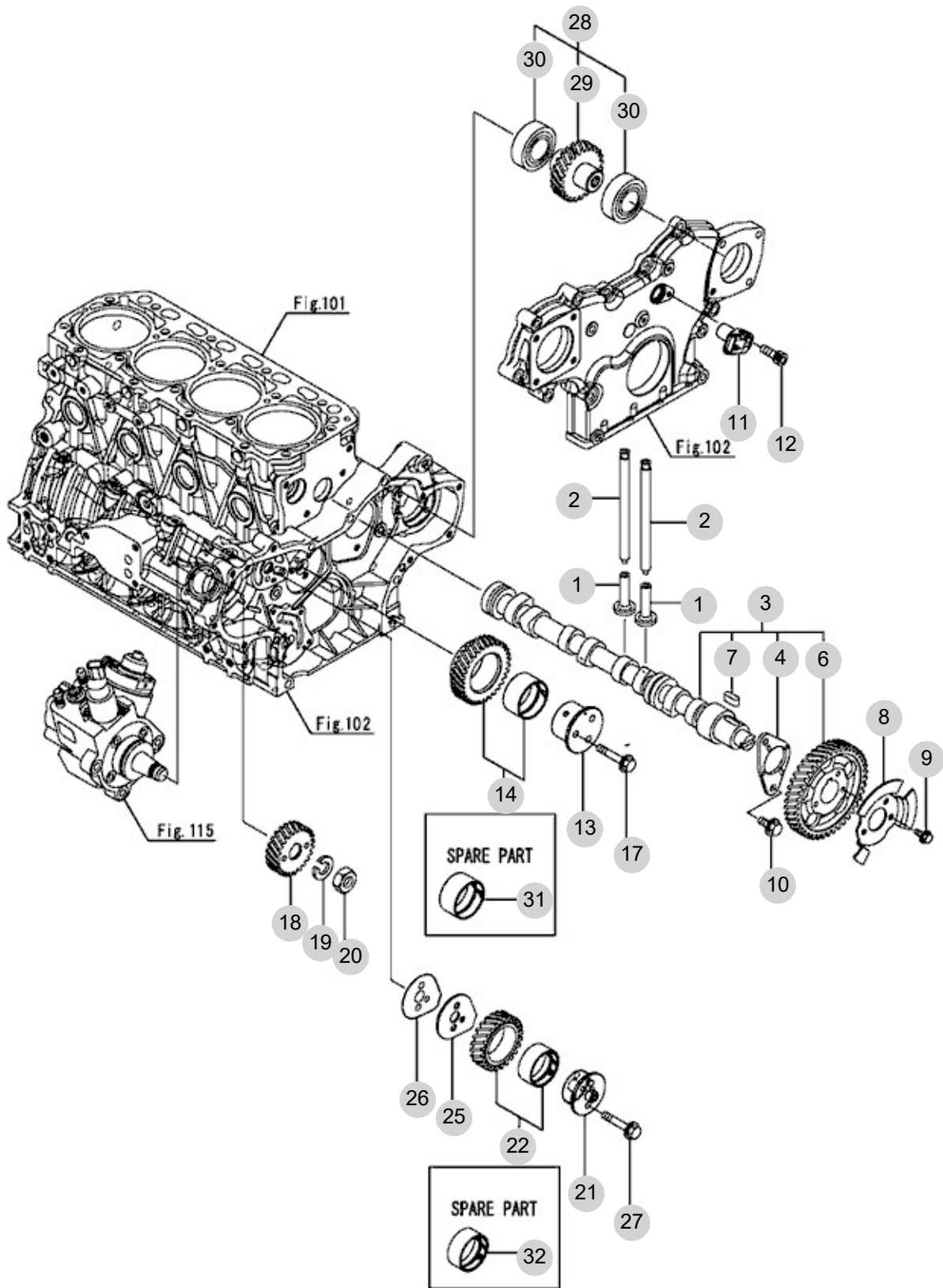
FIG 108

T554SH

CAMSHAFT & DRIVING GEAR

년/월
Year/Month

2022-12



NOTE

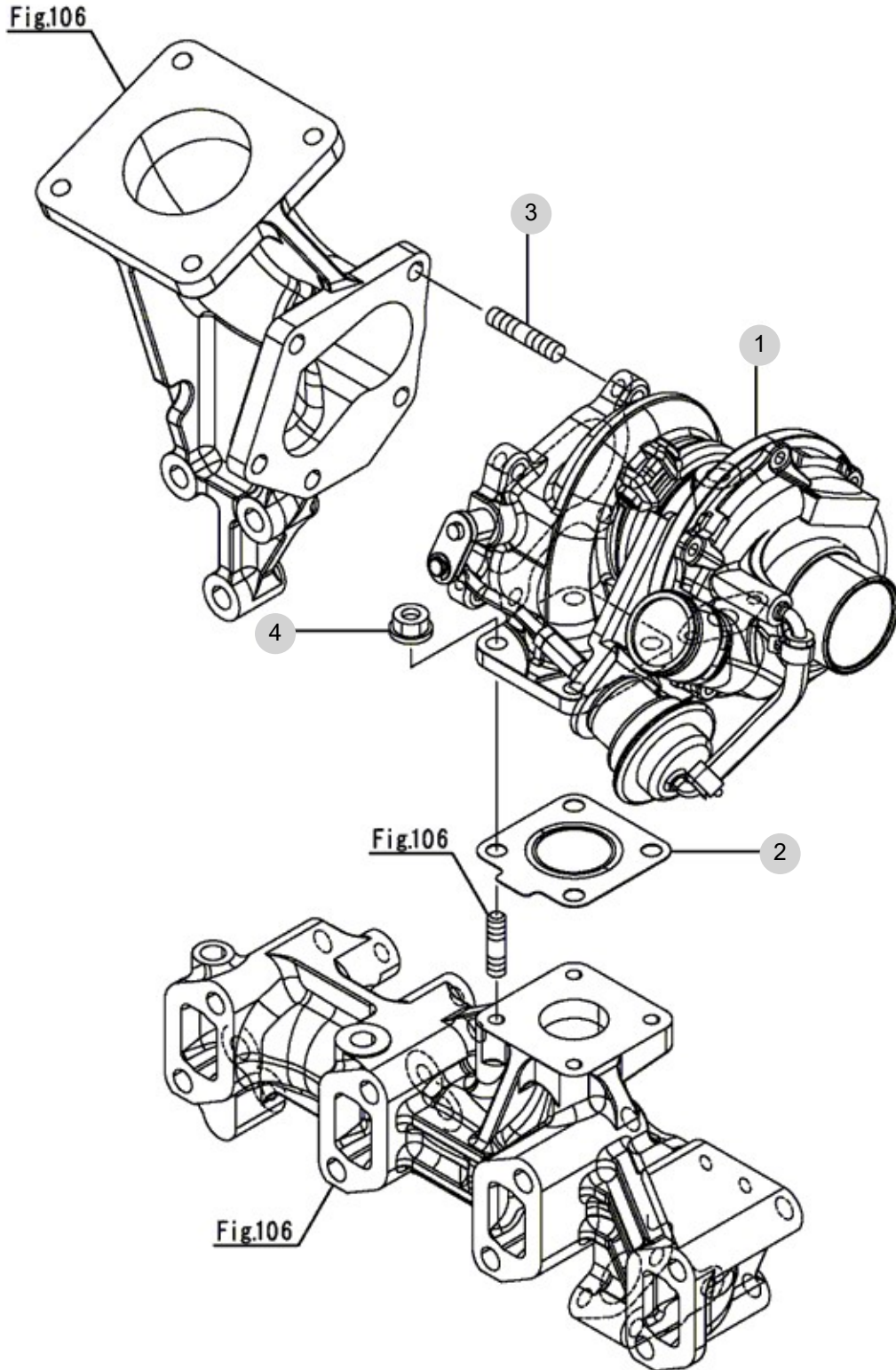
FIG 109

TURBINE (T554)

년/월
Year/Month

2022-12

T554SH



NOTE

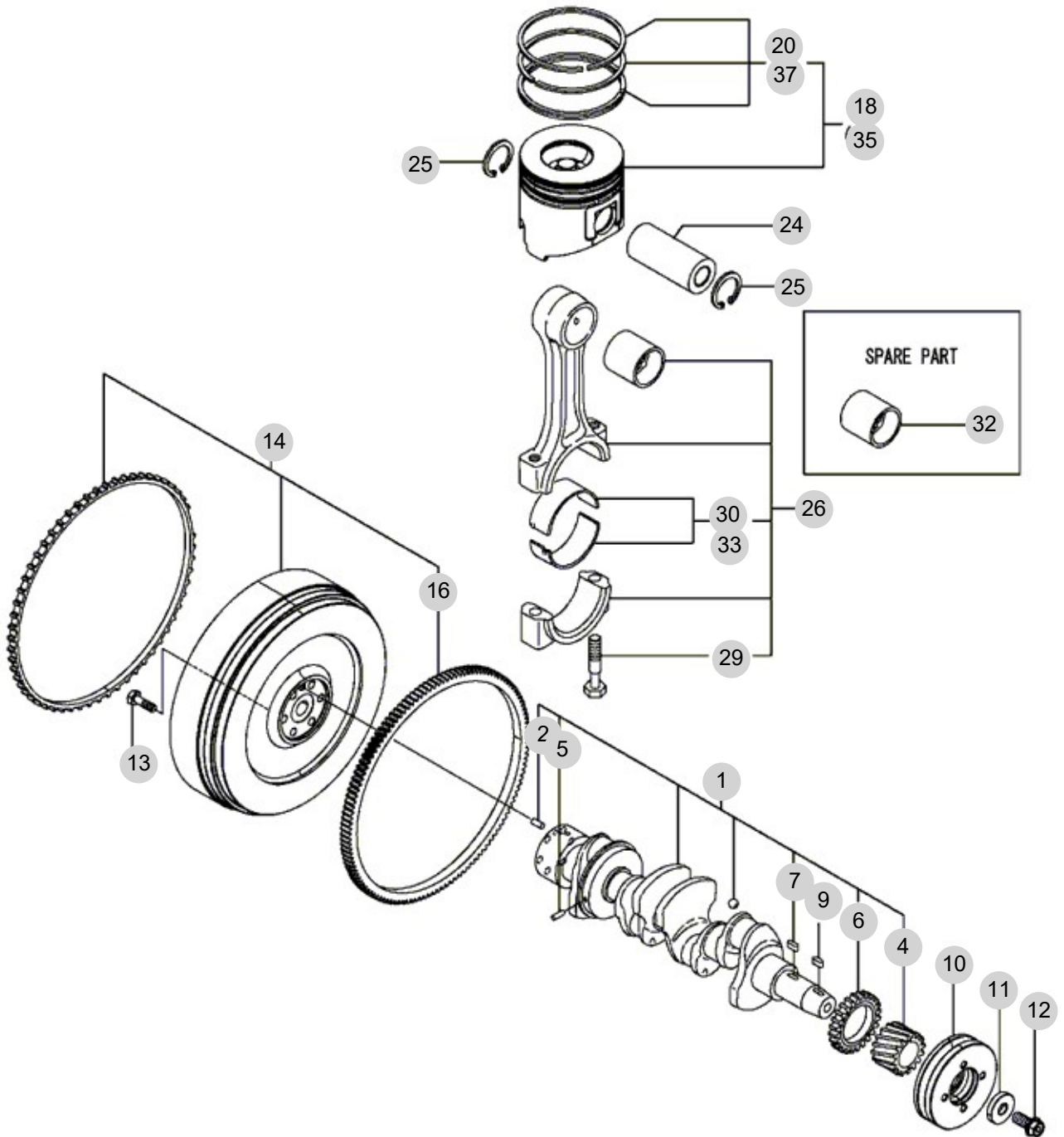
FIG 110A

CRANKSHAFT & PISTON (T554)

년/월
Year/Month

2022-12

T554SH



NOTE

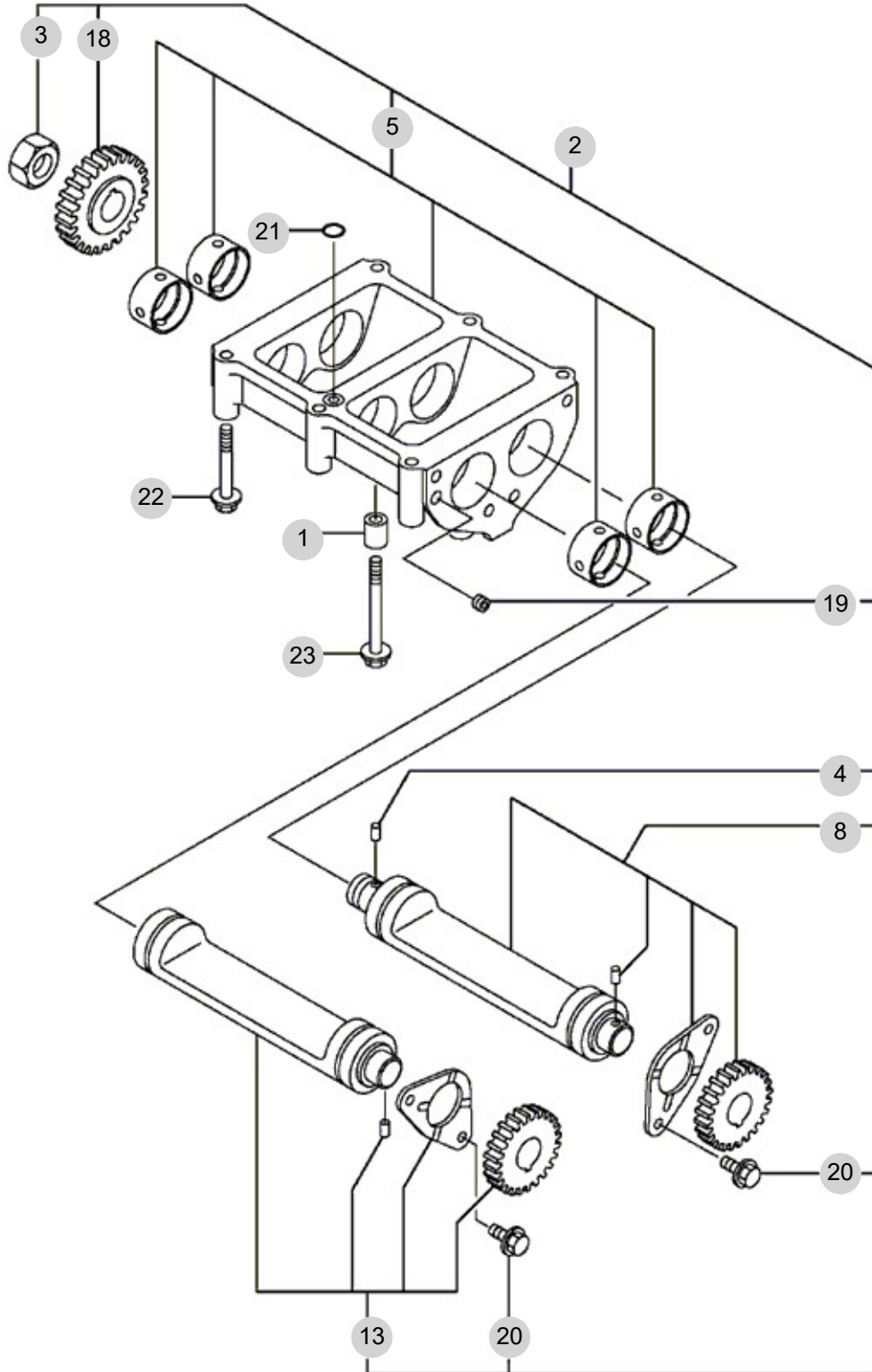
FIG 111

BALANCER

년/월
Year/Month

2022-12

T554SH



NOTE

FIG 111		BALANCER					년/월 Year/Month	
T554SH						2022-12		
KEY NO	PART NO	DESCRIPTION	SPEC	QTY	REPAIR	EFFECTIVE DATE	REMARKS	
111	1	129795-01960	PIPE , KNOCK					
111	2	129457-28000	BALANCER ASSY					
111	3	128170-14150	NUT					
111	4	121850-21290	PIN					
111	5	129457-28011	CASE ASSY , BALANCER					
111	8	729490-28510	SHAFT ASSY , BALANCER					
111	13	729490-28520	SHAFT ASSY , BALANCER					
111	18	129400-28150	GEAR , BALANCER					
111	19	23876-005000	PLUG , R005					
111	20	26106-080142	BOLT , M8X14 PLATED					
111	21	24311-000140	O-RING, DYNAMIC (Φ14)					
111	22	26106-080602	BOLT , M8X60 PLATED					
111	23	26106-080802	BOLT , M8X80 PLATED					
NOTE								

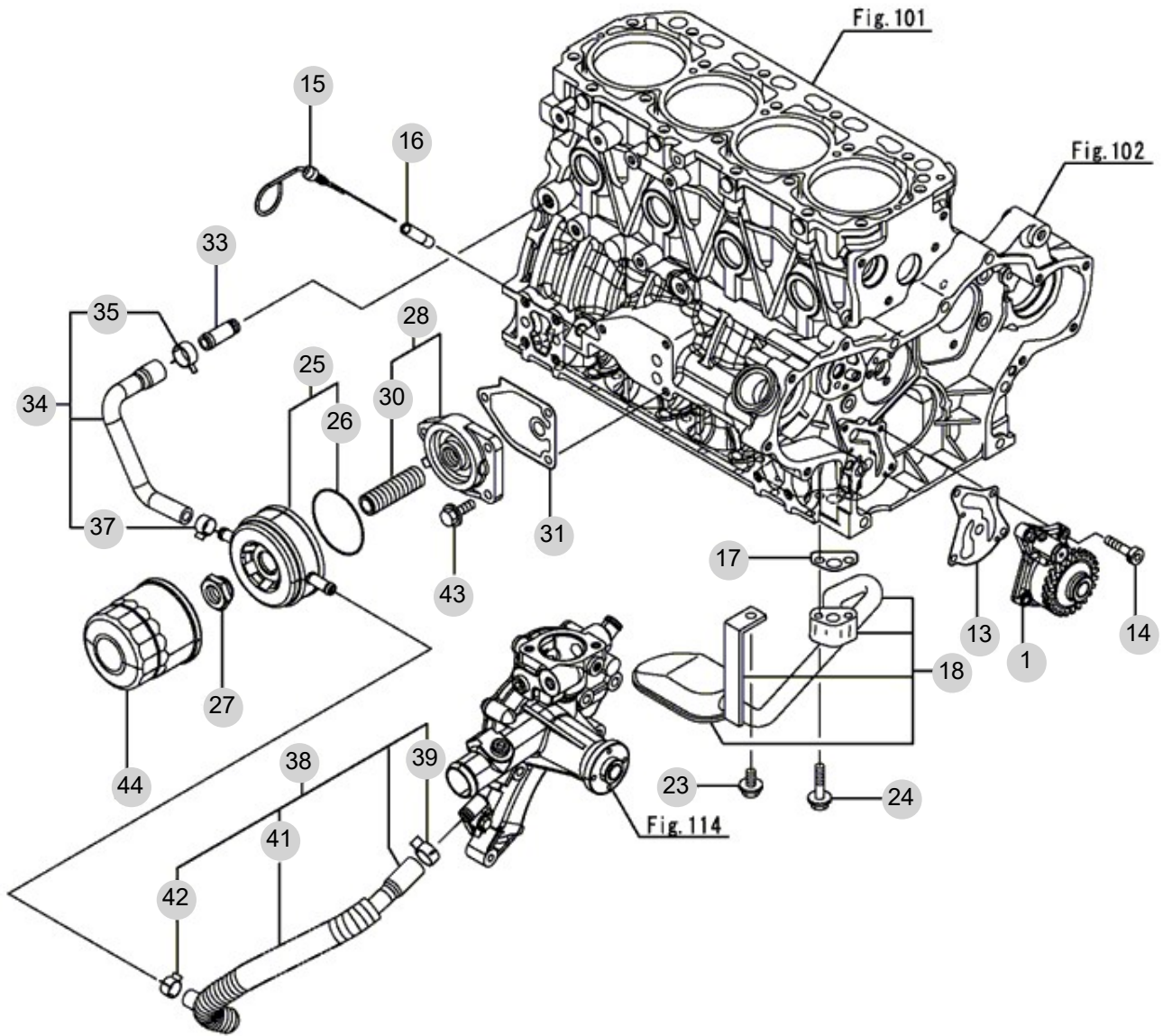
FIG 112A

T554SH

LUB. OIL SYSTEM (T554)

년/월
Year/Month

2022-12



NOTE

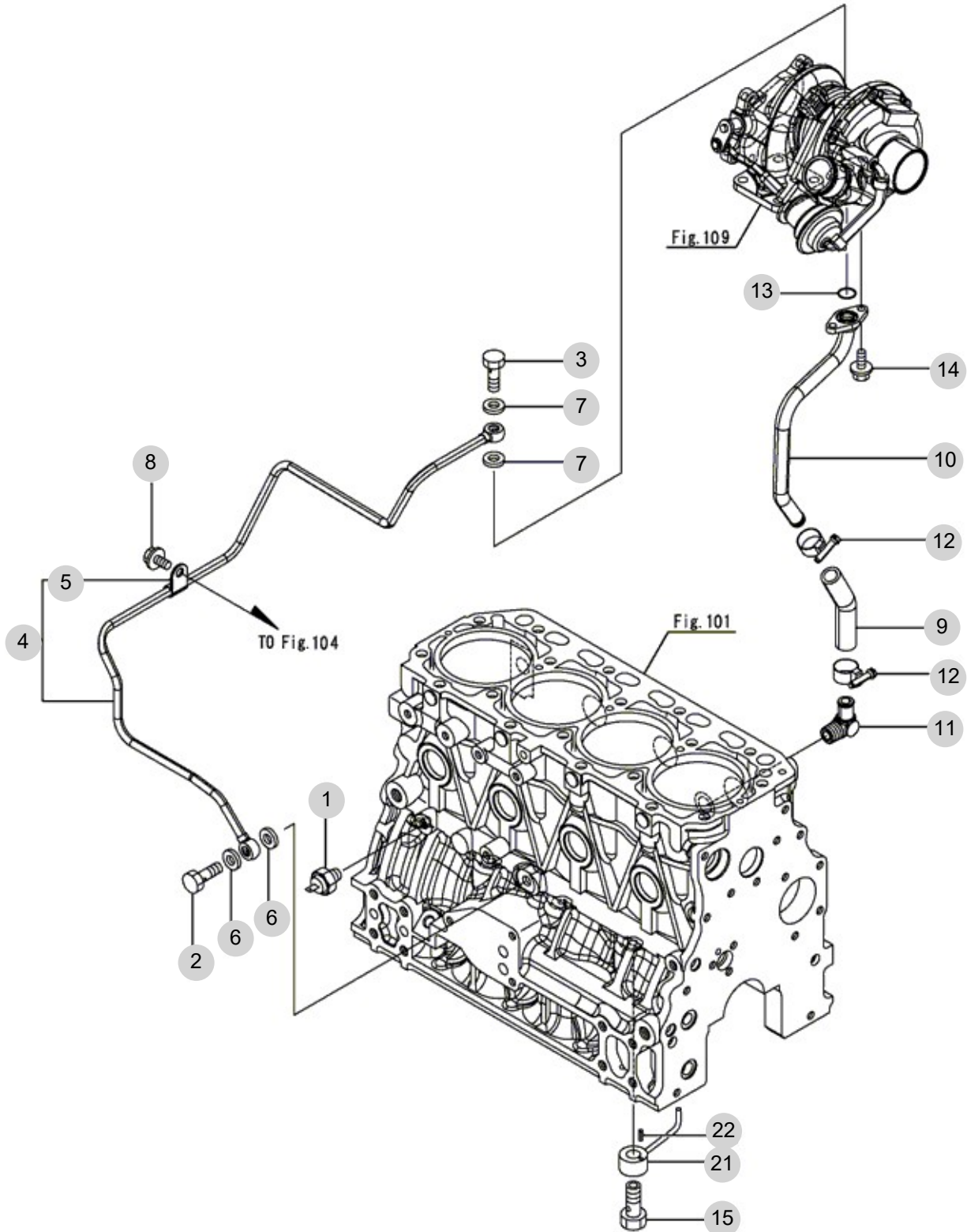
FIG 113

T554SH

LUB. OIL LINE (T554)

년/월
Year/Month

2022-12



NOTE

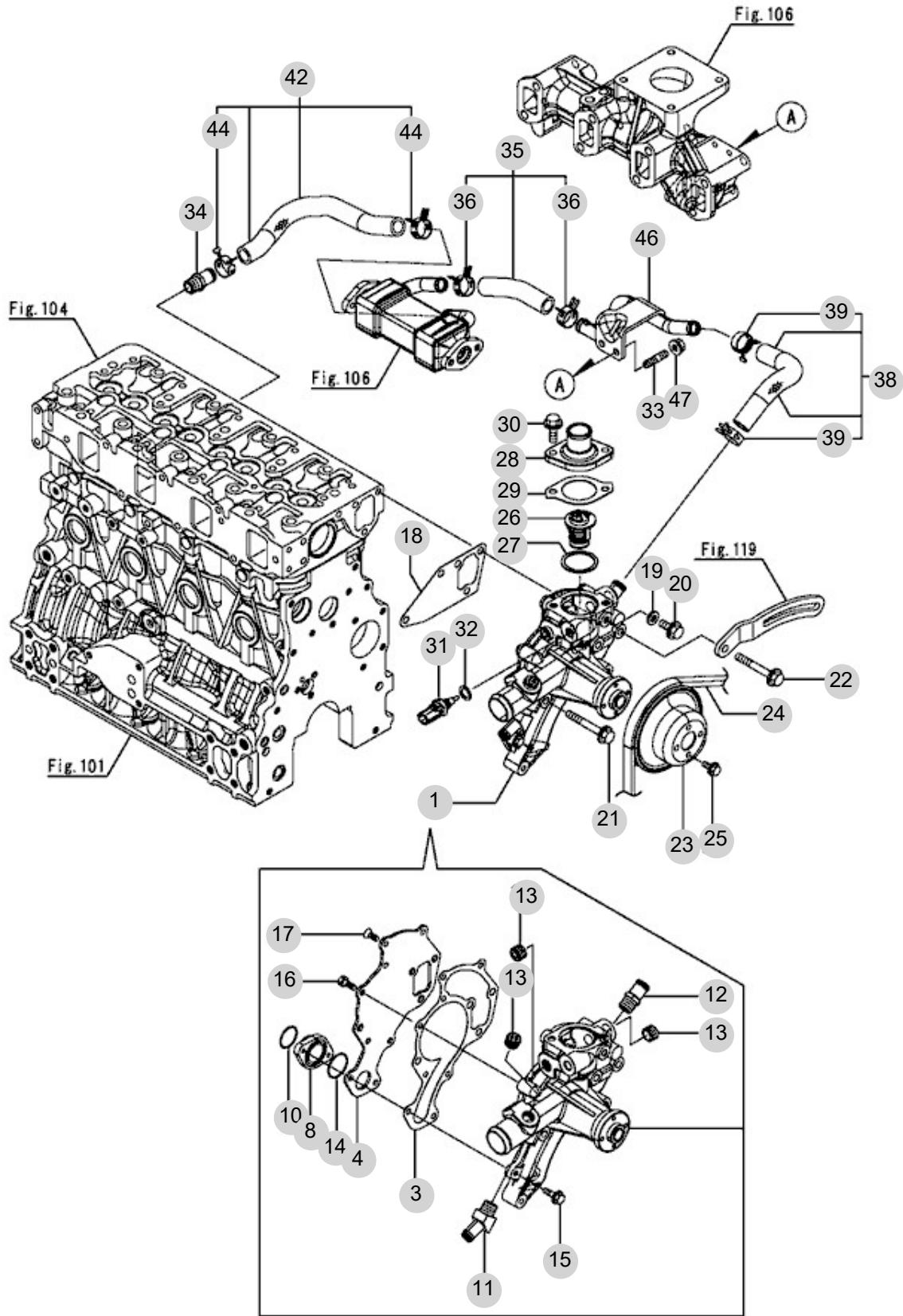
FIG 114

COOLING WATER SYSTEM

년/월
Year/Month

2022-12

T554SH



NOTE

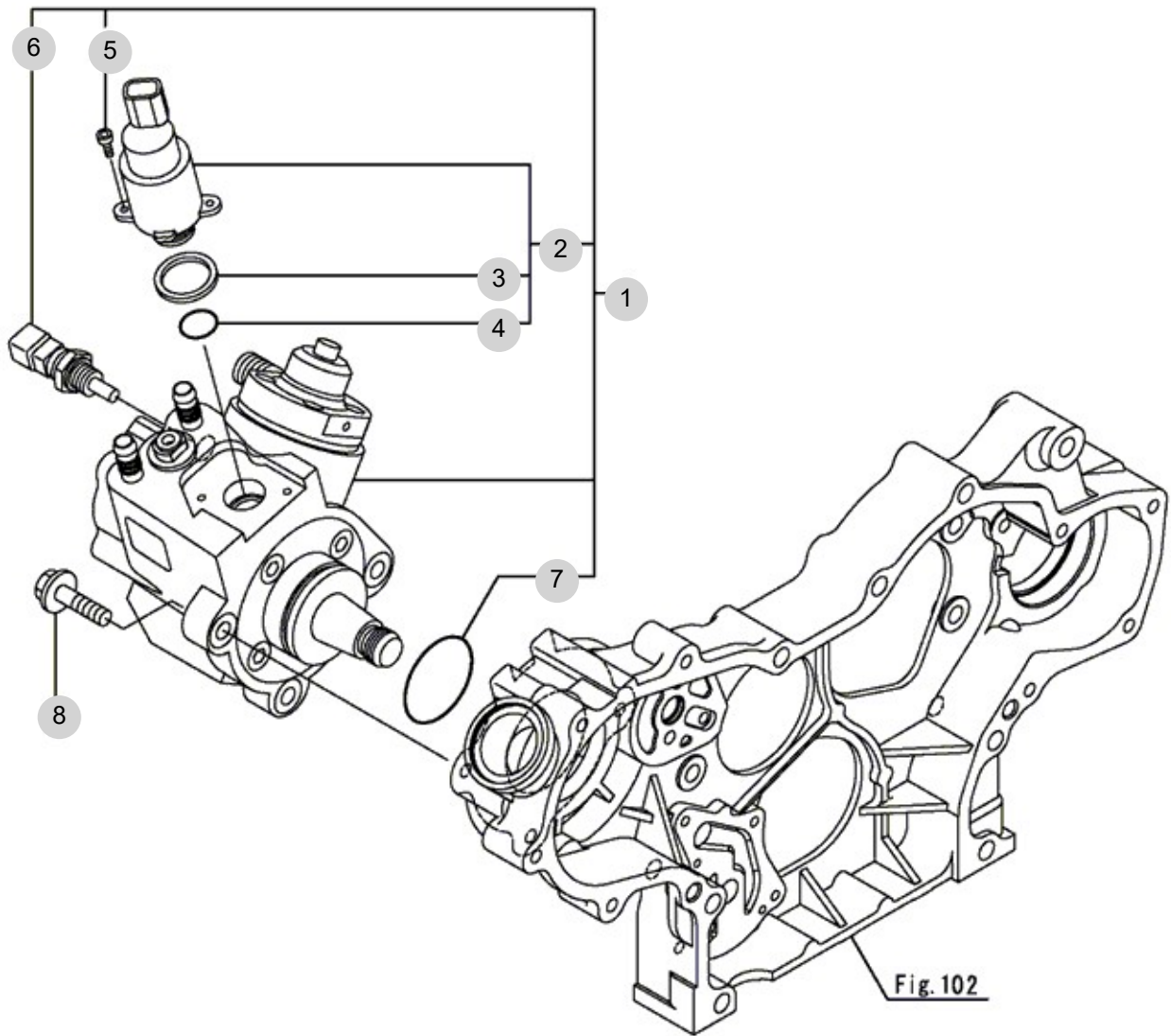
FIG 115

T554SH

FUEL SUPPLY PUMP

년/월
Year/Month

2022-12



NOTE

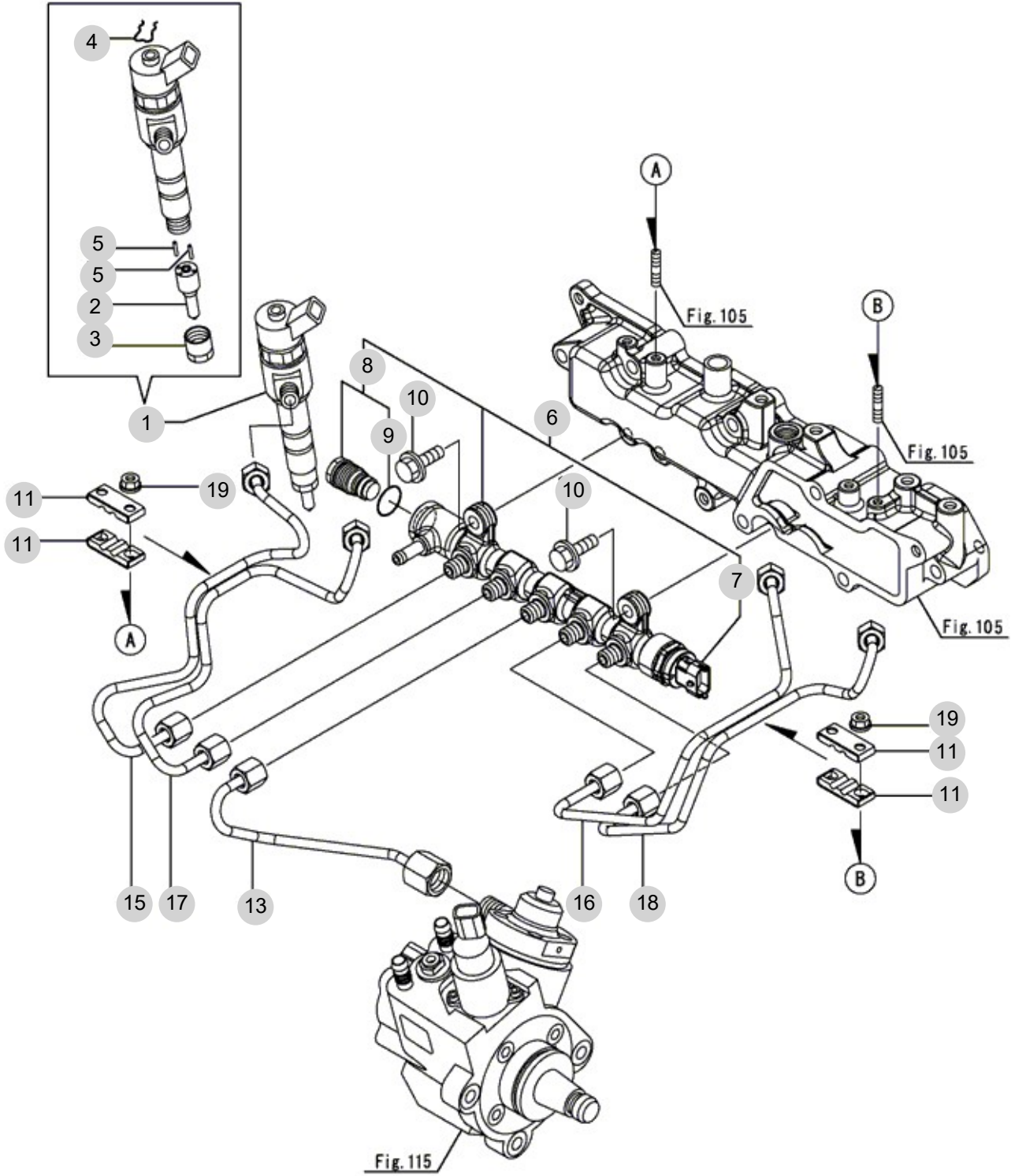
FIG 116A

FUEL INJECTION VALVE (T554)

년/월
Year/Month

2022-12

T554SH



NOTE

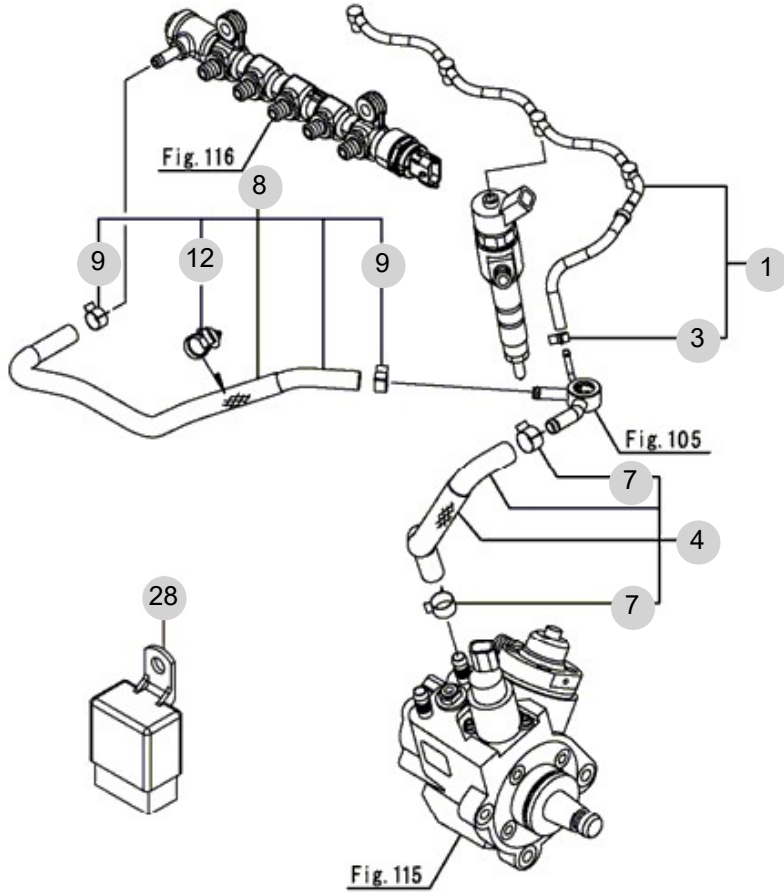
FIG 117

T554SH

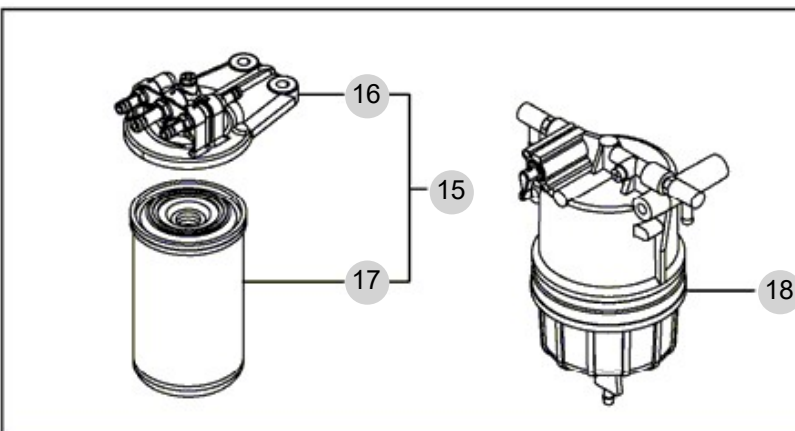
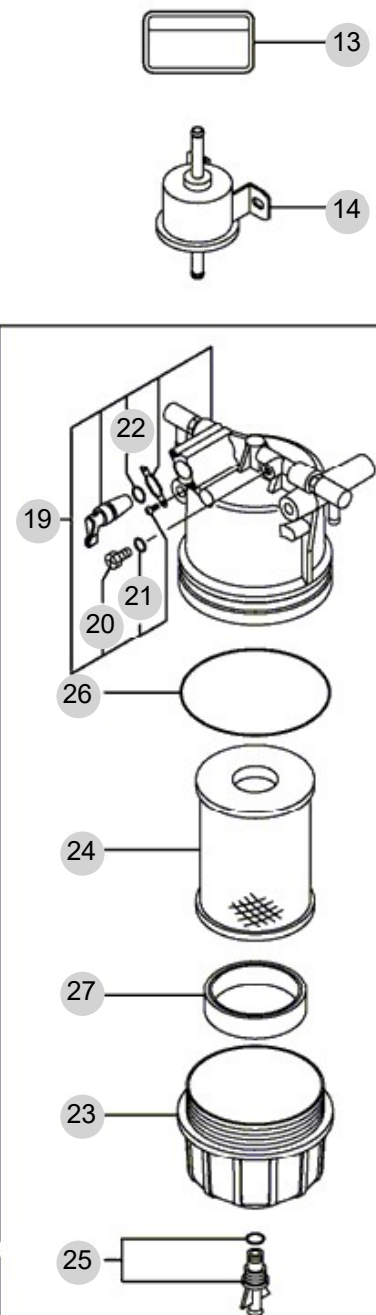
FUEL LINE

년/월
Year/Month

2022-12



LOOSE PARTS



NOTE

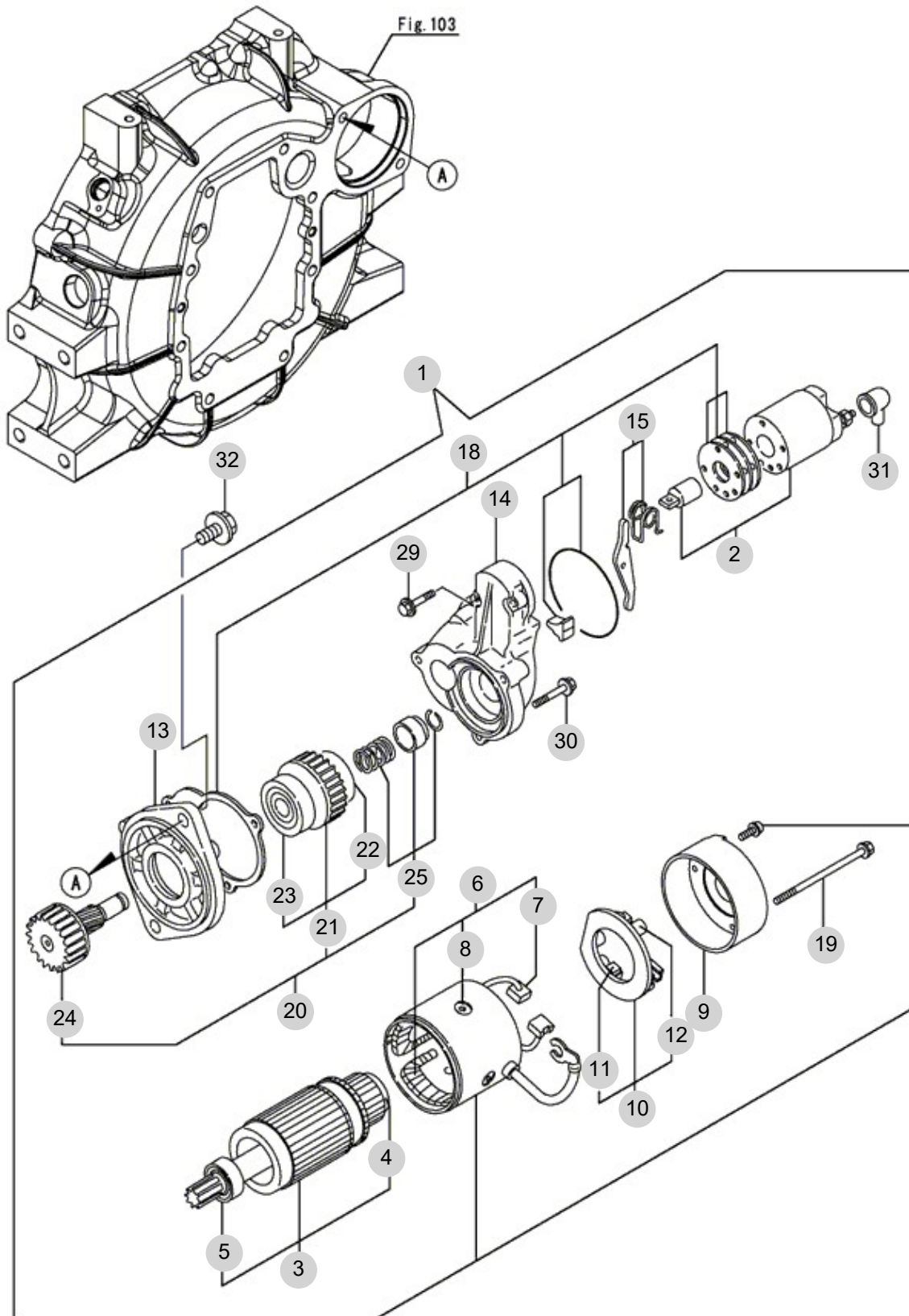
FIG 118

STARTING MOTOR

년/월
Year/Month

2022-12

T554SH



NOTE

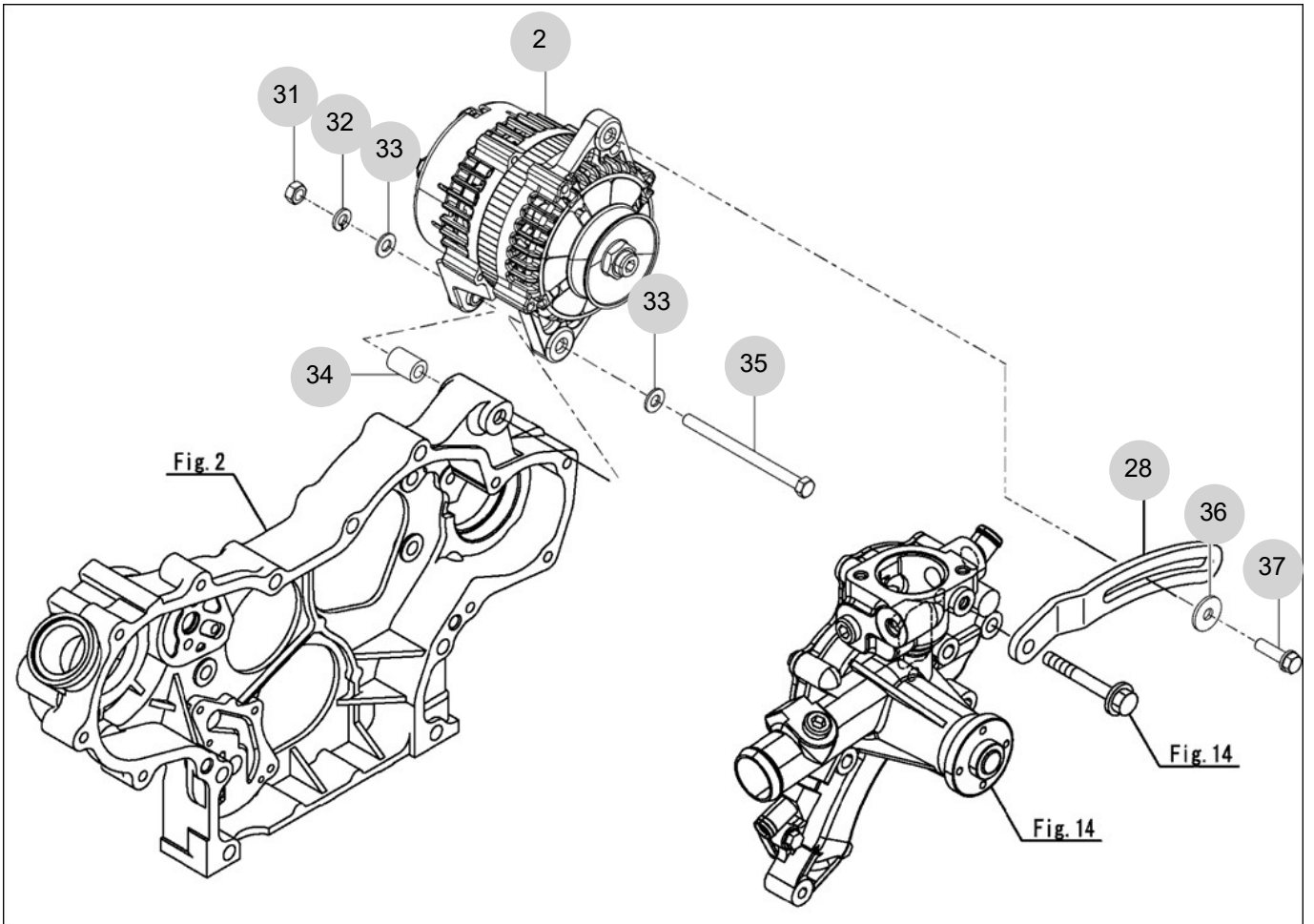
FIG 119

GENERATOR

년/월
Year/Month

2022-12

T554SH



NOTE

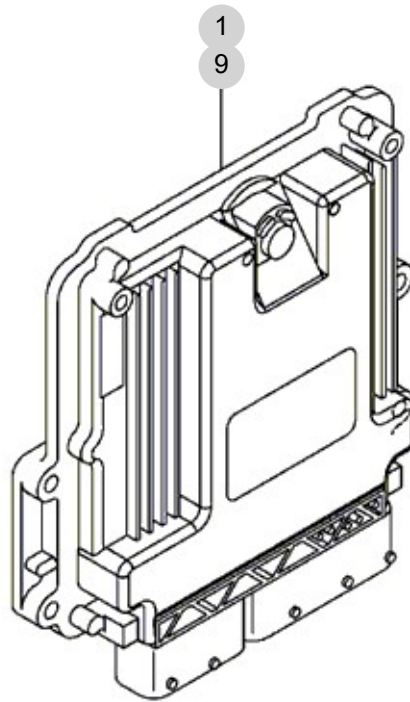
FIG 120A

T554SH

ELECTRONIC CONTROL UNIT (T554)

년/월
Year/Month

2022-12



NOTE

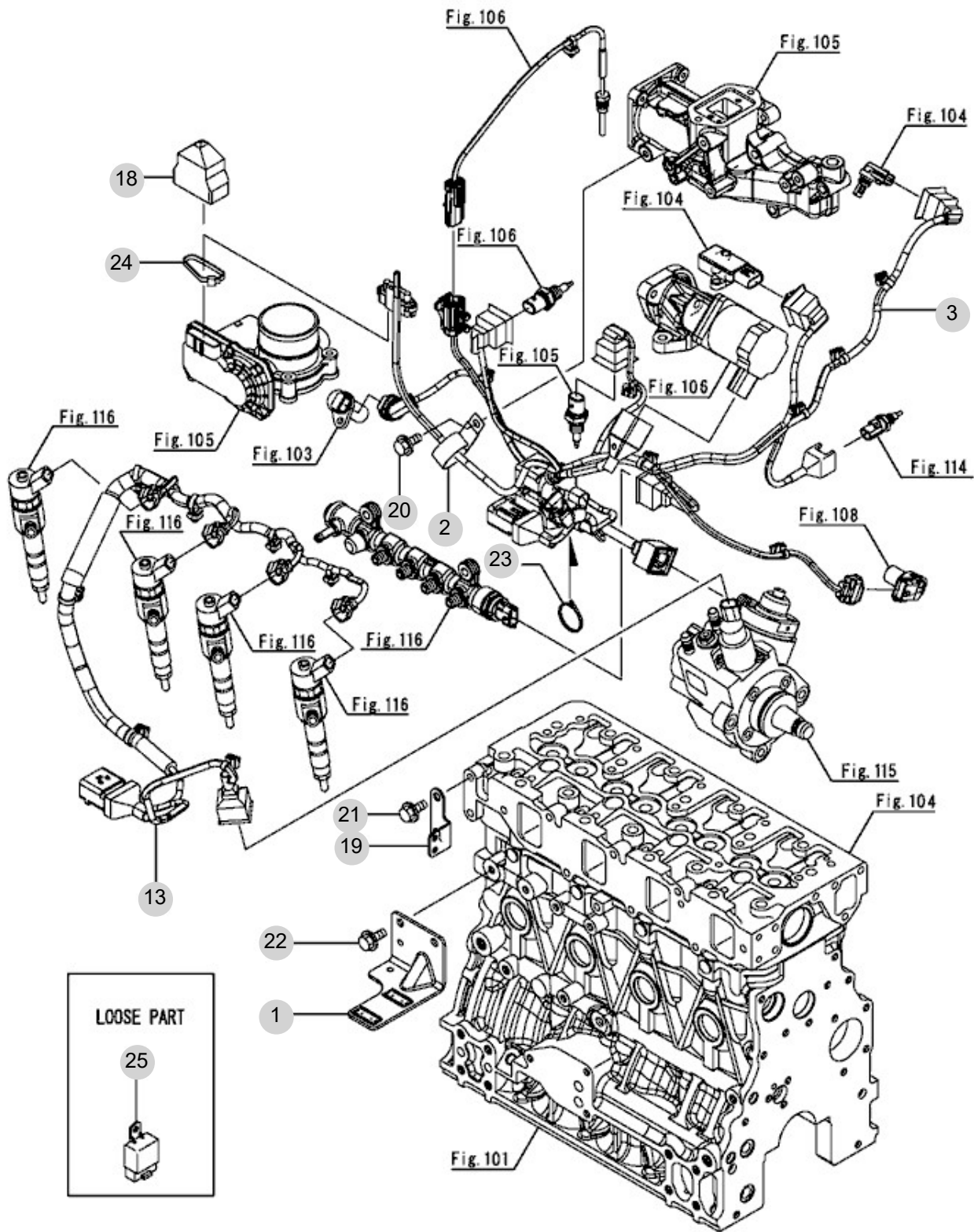
FIG 121A

ELECTRIC PARTS (T554)

년/월
Year/Month

2022-12

T554SH



NOTE

FIG 122A

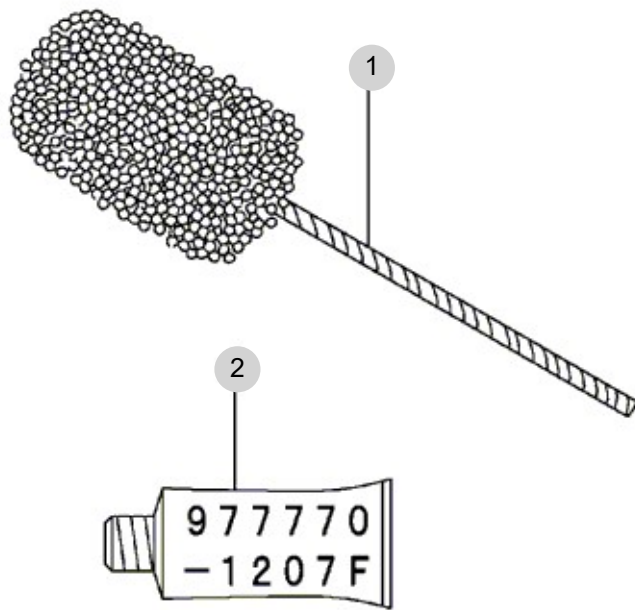
ACCESSORY (T554)

년/월
Year/Month

2022-12

T554SH

OPTIONAL PARTS



NOTE

2. Engine Accessories PART NO. T2

FIG 201 AIR CLEANER	60
FIG 202 RADIATOR	62
FIG 203 MUFFLER	64
FIG 204 FUEL HOSE & FILTER	66
FIG 205 FUEL TANK	68
FIG 206 ACCELERATOR	70
FIG 207 OIL COOLER	72
FIG 208 FAN , COOLING	74

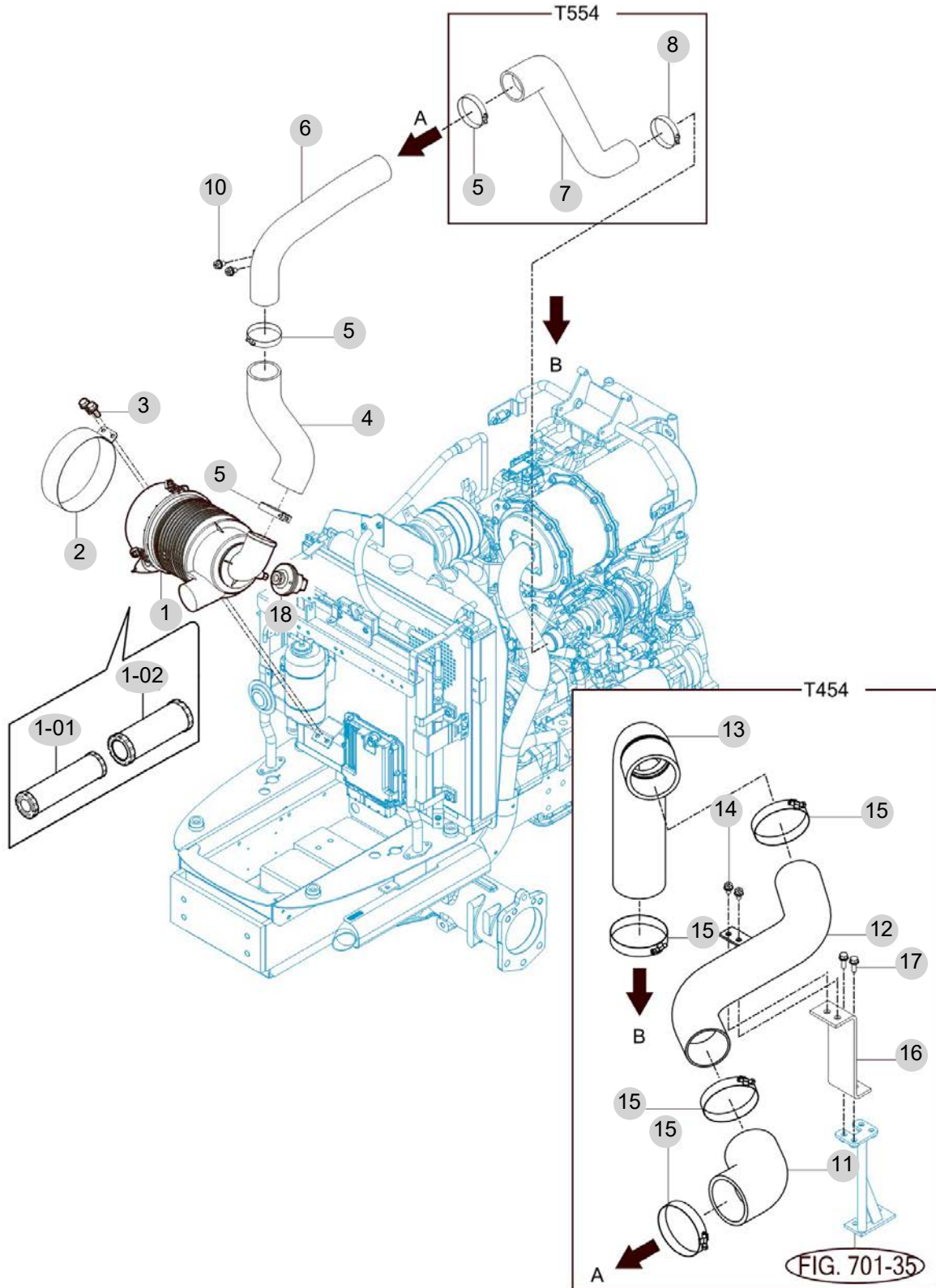
FIG 201

AIR CLEANER

년/월
Year/Month

2022-12

T554SH



NOTE

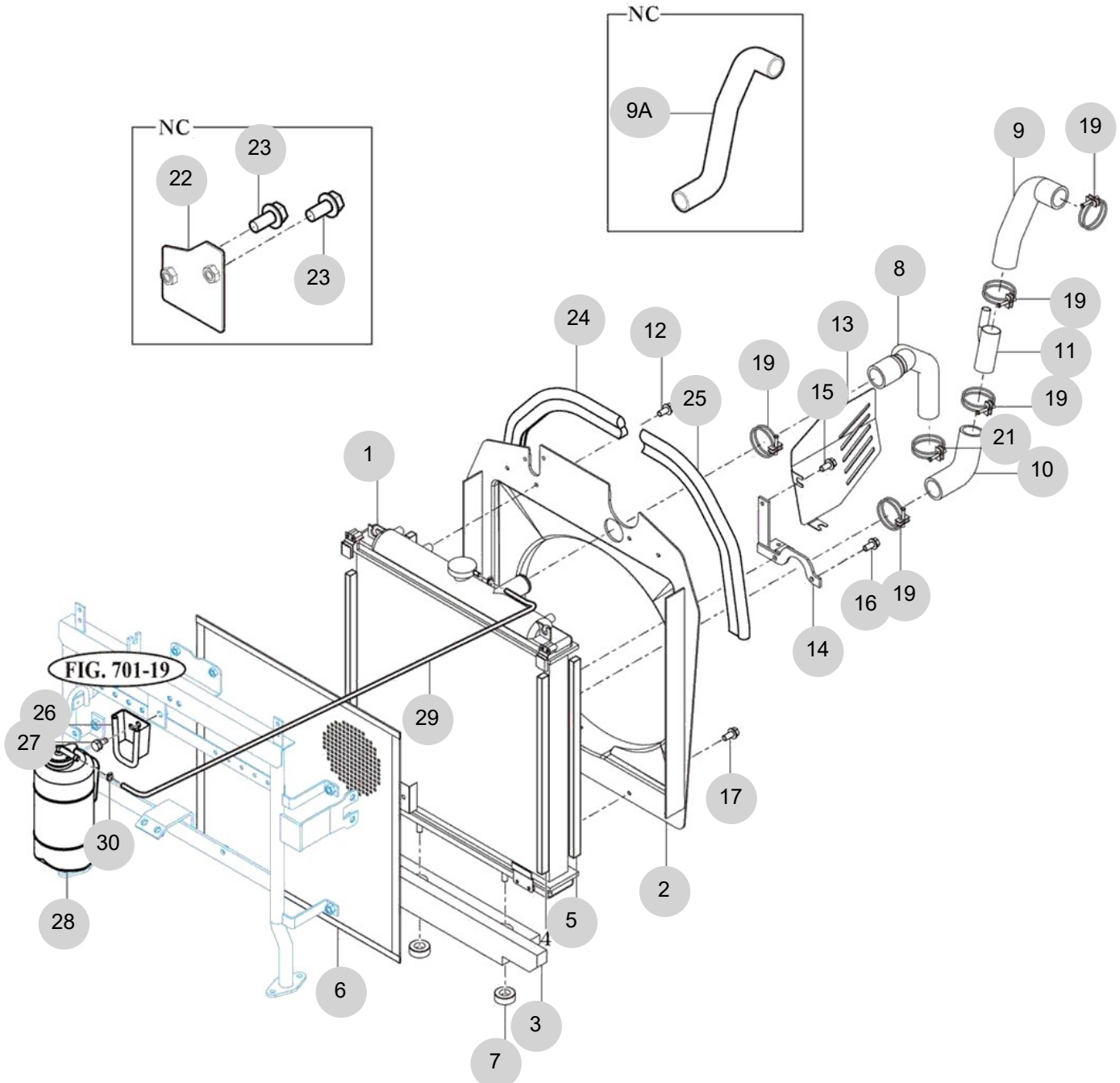
FIG 202

RADIATOR

년/월
Year/Month

2022-12

T554SH



NOTE

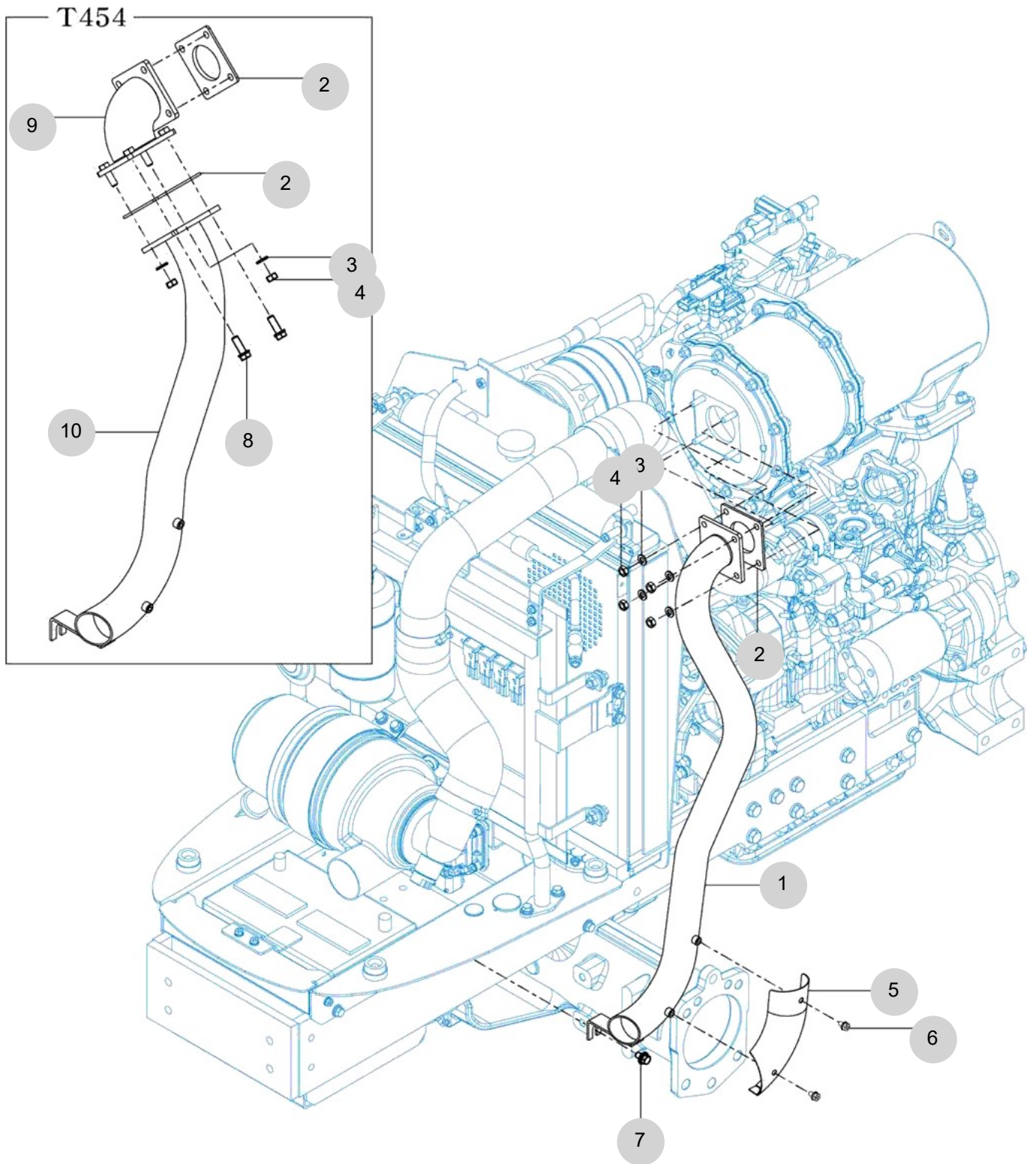
FIG 203

MUFFLER

년/월
Year/Month

2022-12

T554SH



NOTE

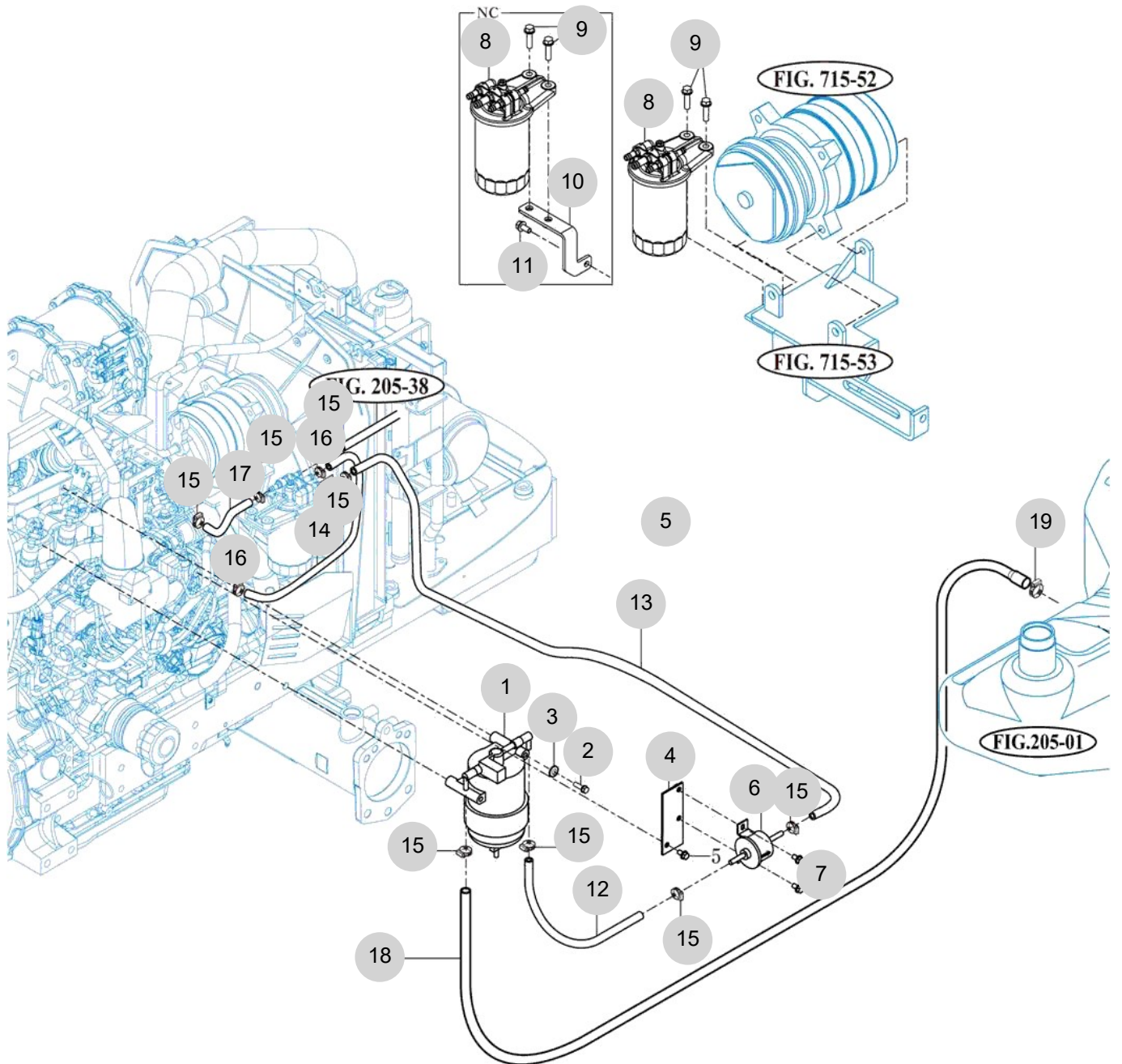
FIG 204

T554SH

FUEL HOSE & FILTER

년/월
Year/Month

2022-12



NOTE

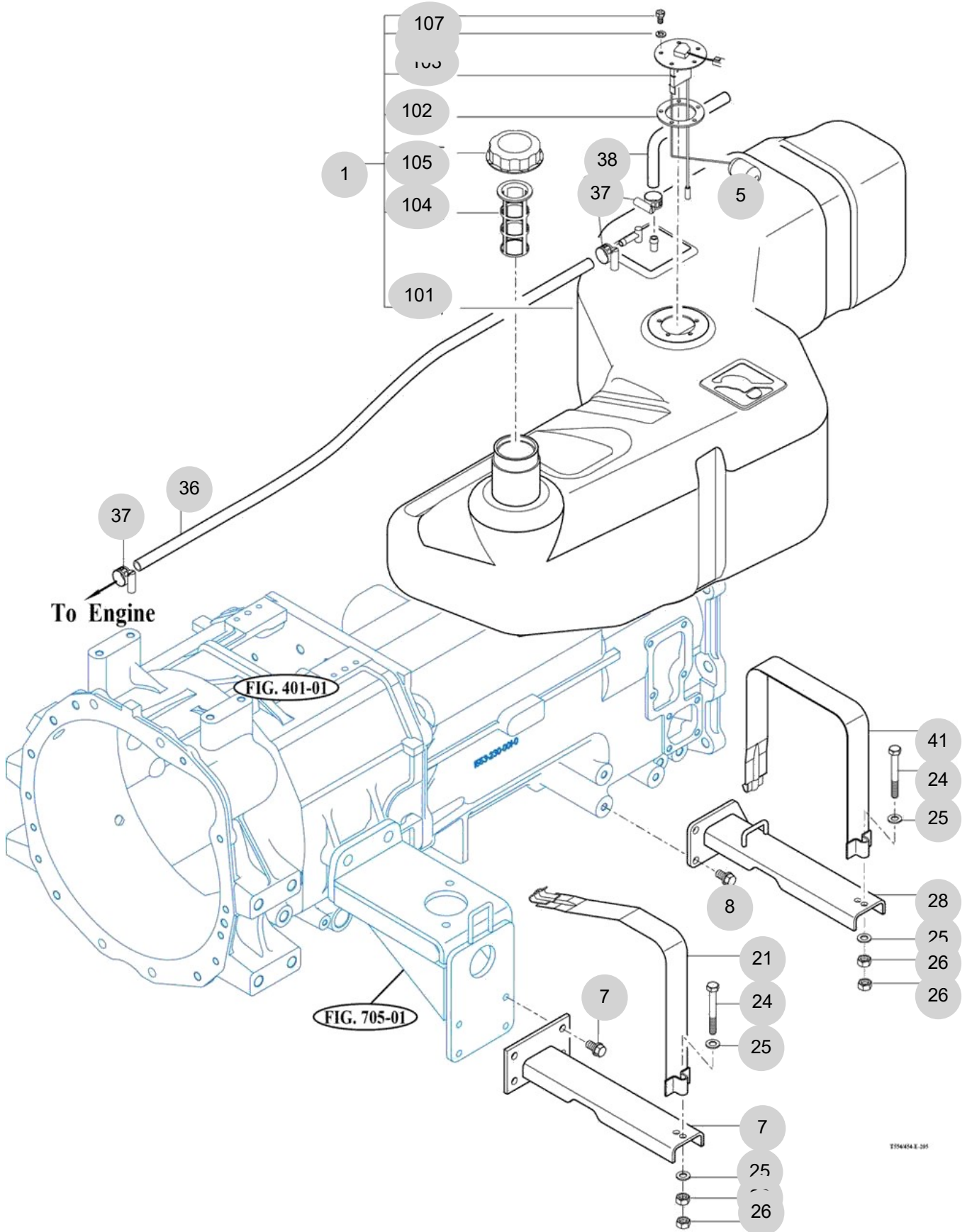
FIG 205

T554SH

FUEL TANK

년/월
Year/Month

2022-12



NOTE

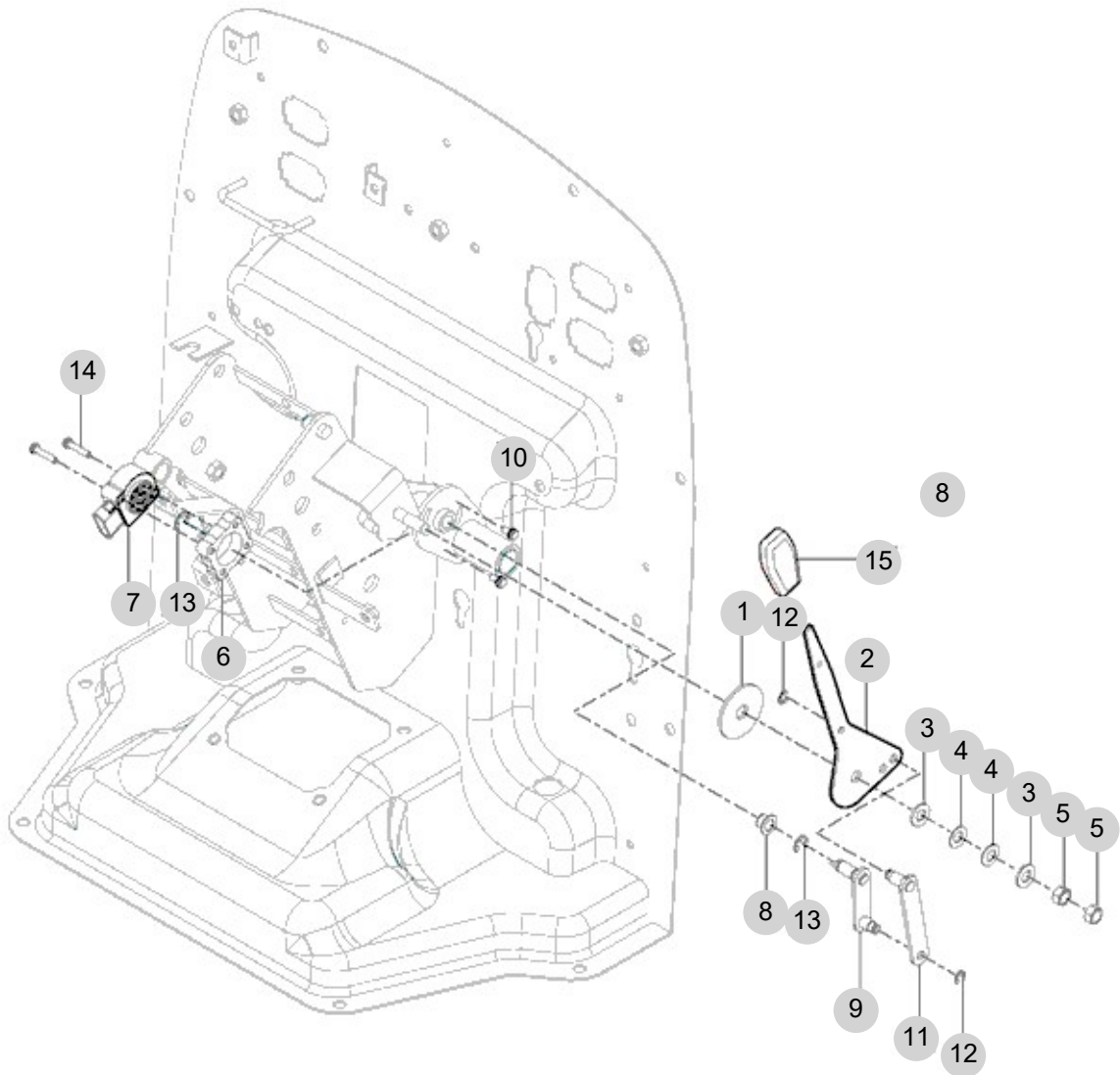
FIG 206

ACCELERATOR

년/월
Year/Month

2022-12

T554SH



NOTE

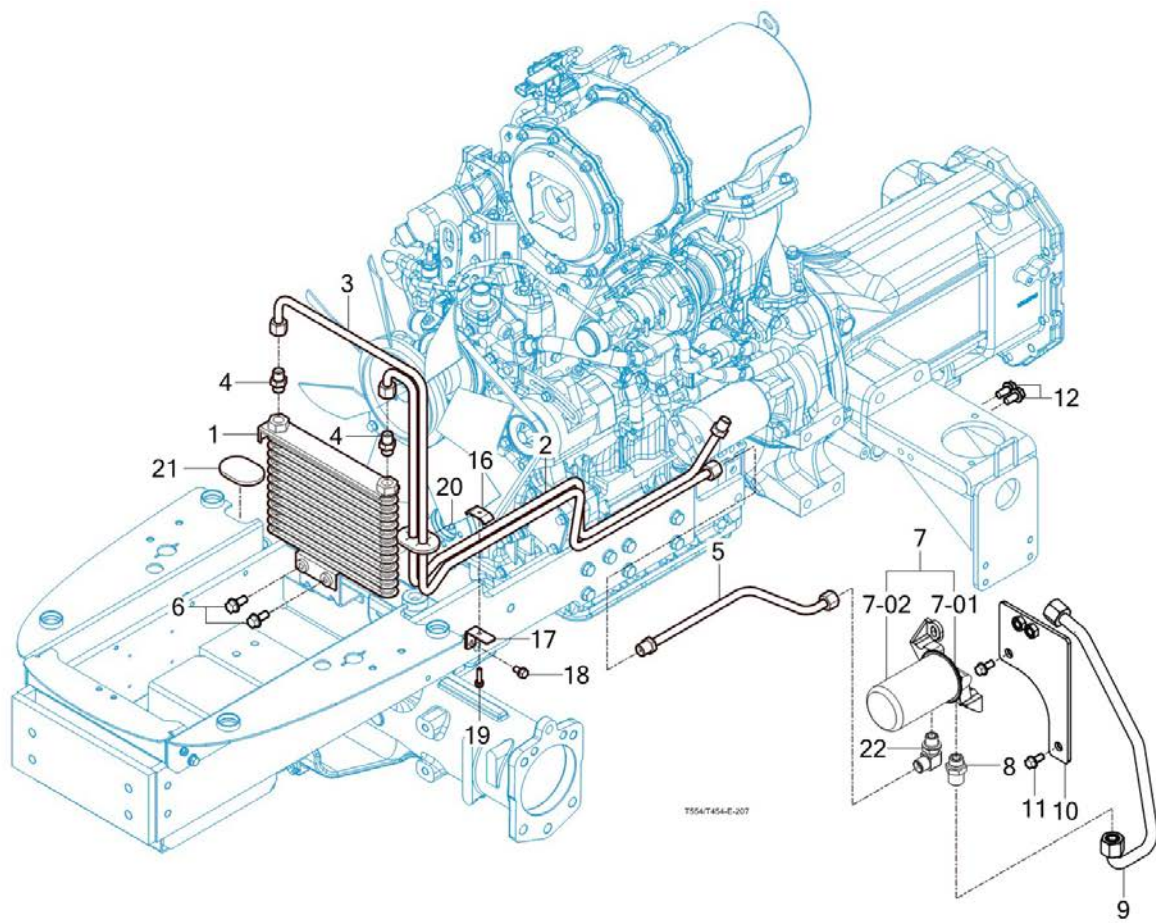
FIG 207

OIL COOLER

년/월
Year/Month

T554SH

2022-12



NOTE

FIG 207 T554SH			OIL COOLER					년/월 Year/Month	
								2022-12	
KEY NO	PART NO	DESCRIPTION	SPEC	QTY	REPAIR	EFFECTIVE DATE	REMARKS		
207	1	14541062000	COOLER COMP , OIL	1X1X1	1				
207	2	17481063001GB	PIPE COMP, COOLER IN (FR)		1				
207	3	17481063101GB	PIPE COMP, COOLER OUT (FR)		1				
207	4	14721062300	UNION UNIT , OIL COOLER	육각B=22	2				
207	5	17481063201GB	PIPE COMP, COOLER OUT (RR)		1				
207	5	17481063202GB	PIPE COMP, COOLER OUT (RR)		1				
207	5	17465154200GB	PIPE COMP , OUT /COOLER RR		1				
207	6	V2173608025	BOLT , HEX/S	M8X25	2				
207	7	15535152000	FILTER ASSY , HST	1X1X1	1				
207	7	19265154100	FILTER SUB , LINE		1				
207	7-01	35543542410	FILTER HEAD	1X1X1	1				
207	7-01	19265154120	HEAD , FILTER	1X1X1	1				
207	7-02	15532302100	FILTER COMP , HST		1				
207	7-02	19265154110	FILTER COMP , HST		1				
207	8	15535152401	UNION(PT1, M18)	1X1X1	2				
207	8	16995304000	UNION , O-RING	1X1X1	1				
207	9	15535105202GB	PIPE COMP, HST IN	1X1X1	1				
207	9	17465154500GB	PIPE COMP , IN HST		1				
207	10	15535153100GB	BRACKET COMP , FILTER	1X1X1	1				
207	10	17465154400GB	BRACKET COMP , FILTER	1X1X1	1				
207	11	V2183608025	BOLT , HEX/SP	M8X25	2				
207	11	V2173608020	BOLT , HEX/S	M8X20	2				
207	12	V2173608030	BOLT , HEX/S	M8X30	2				
207	12	V2173608030	BOLT , HEX/S	M8X30	4				
207	12	V2173608030	BOLT , HEX/S		2				
207	16	15945170040	CLIP	19X3	1				
207	17	17481063301GB	BRACKET , COOLER PIPE		1				
207	18	V2173608016	BOLT , HEX/S	M8X16	1				
207	19	V2113606025	BOLT , HEX /S	M6X25	1				
207	20	14541063050	SEAL , PIPE	1X1X1	1				
207	21	14541063080	SEAL , LH	1X1X1	1				
207	22	14725100100	ELBOW , PF3/8 M18	1X1X1	1				
NOTE									

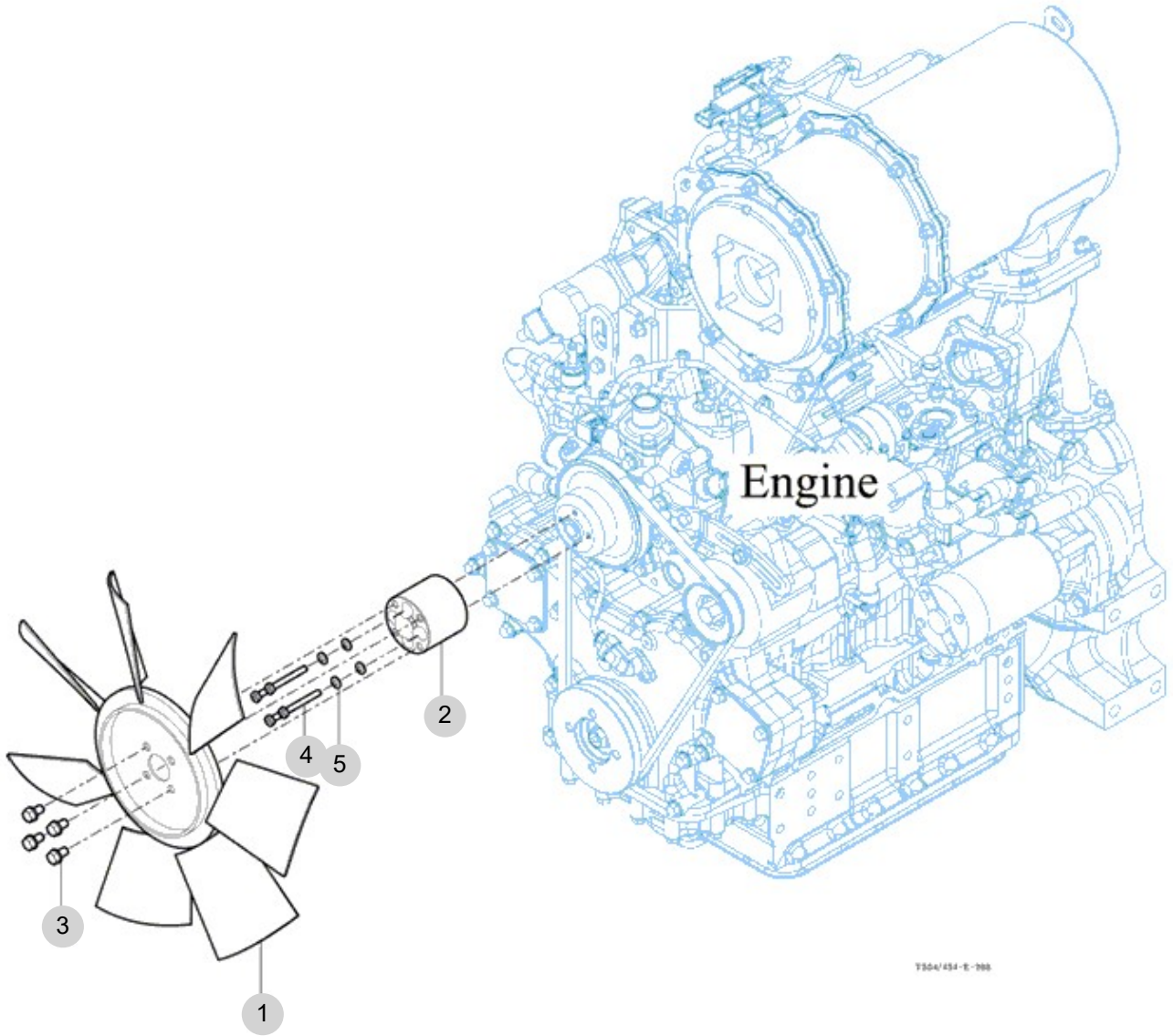
FIG 208

T554SH

FAN , COOLING

년/월
Year/Month

2022-12



NOTE

3. Clutch/Brake/Steering PART NO. T3

FIG 301 CLUTCH	77
FIG 302 CLUTCH PEDAL	79
FIG 303 BRAKE	81
FIG 304 BRAKE PEDAL & LINK	83
FIG 305A FRONT WHEEL	85
FIG 305B FRONT WHEEL (R4 OPTION)	87
FIG 306A REAR WHEEL	89
FIG 306B REAR WHEEL (R4 OPTION)	91
FIG 307 POWER STEERING WHEEL	93
FIG 308 POWER STEERING VALVE	95
FIG 309 POWER STEERING CYLINDER	97

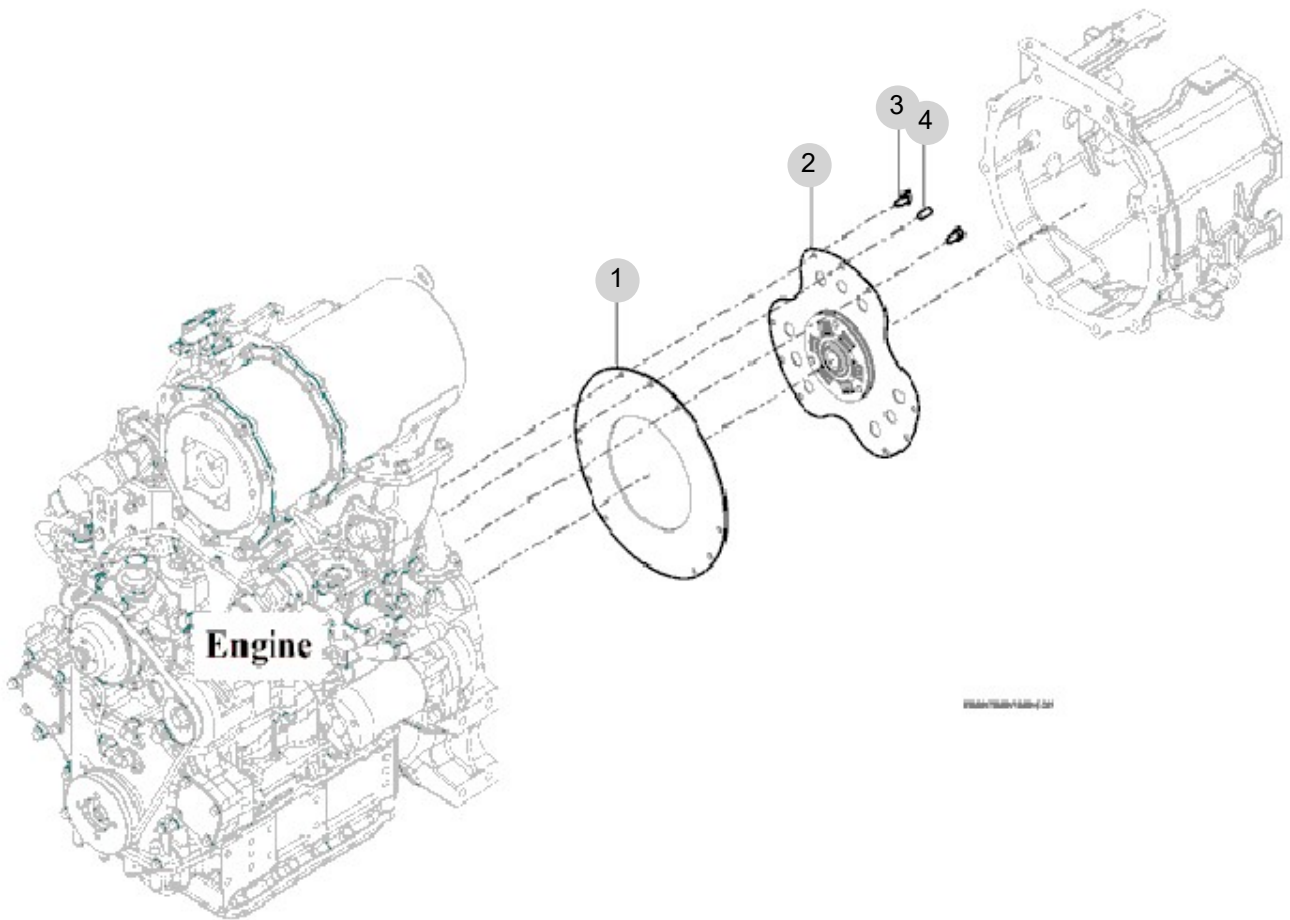
FIG 301

T554SH

CLUTCH

년/월
Year/Month

2022-12



NOTE

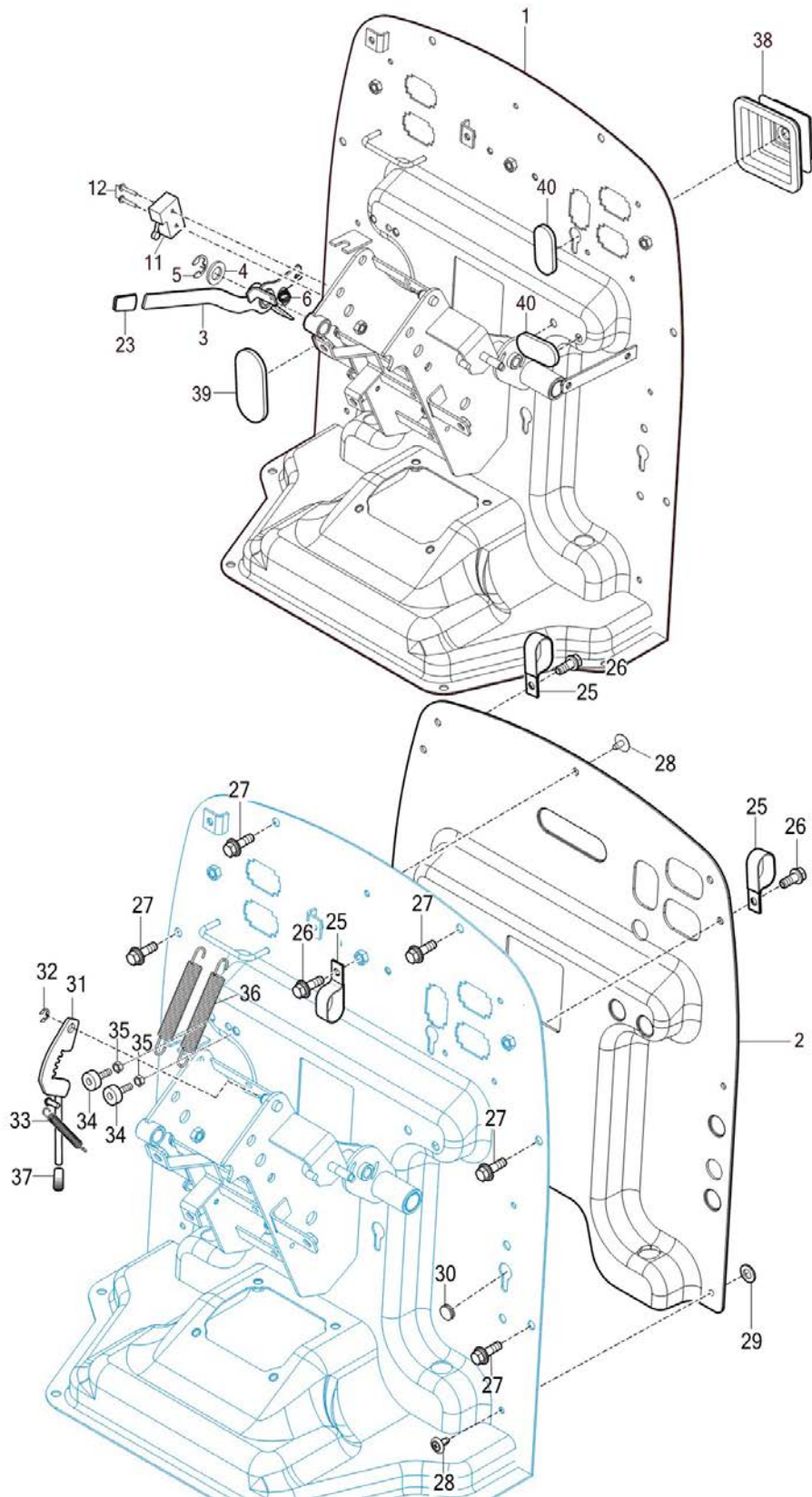
FIG 302

CLUTCH PEDAL

년/월
Year/Month

2022-12

T554SH



NOTE

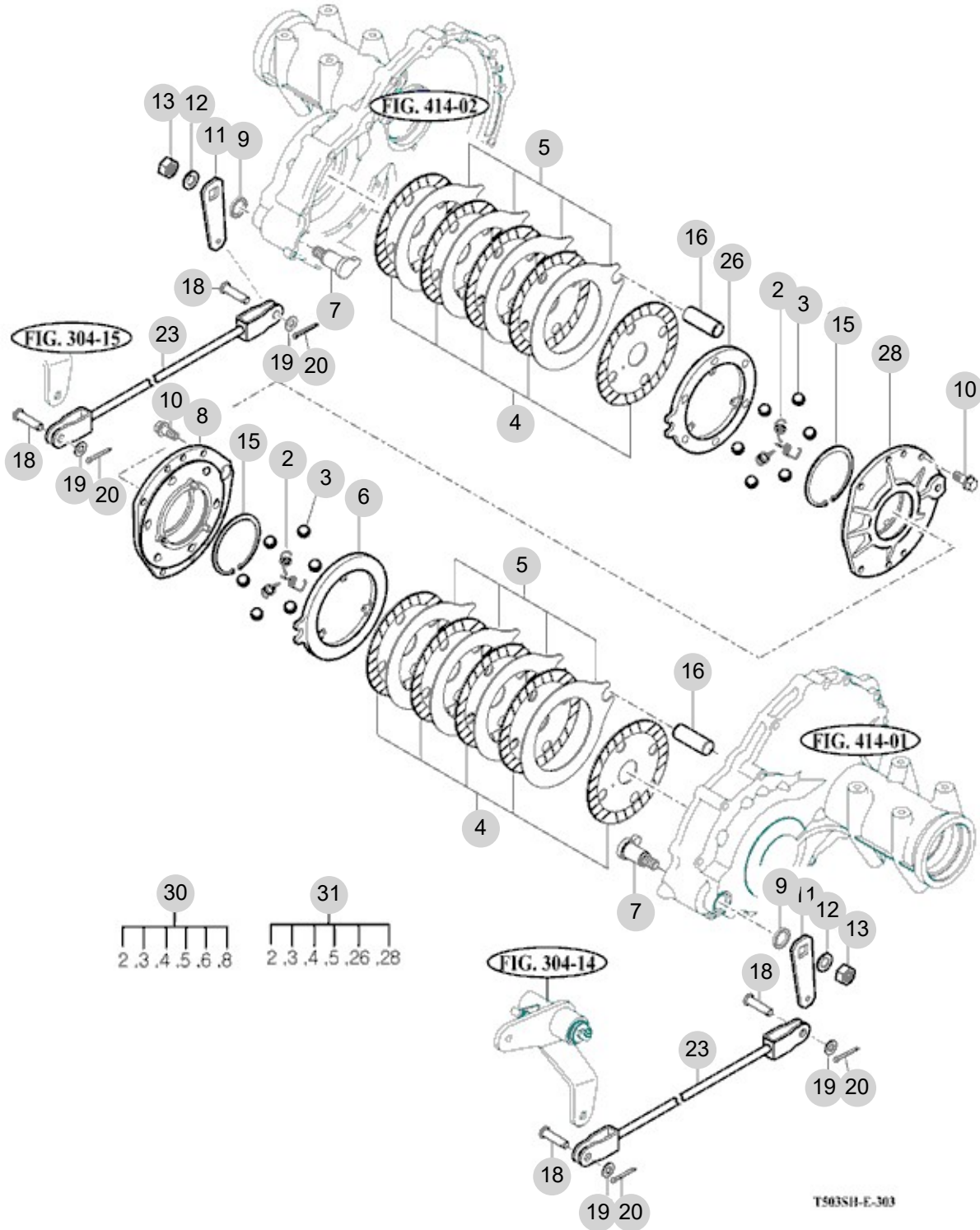
FIG 303

T554SH

BRAKE

년/월
Year/Month

2022-12



NOTE

FIG 303	BRAKE							년/월 Year/Month
T554SH								2022-12

KEY NO	PART NO	DESCRIPTION	SPEC	QTY	REPAIR	EFFECTIVE DATE	REMARKS
303	2	14523272030	SPRING	1.6	6		
303	2	14523272031	SPRING	22.1*11*11	6		
303	3	V6802000019	BALL , STEEL	19/32	12		
303	4	15643102611	DISK COMP , BRAKE	11.3X18.2X1.5	8		
303	5	15133102020	PLATE	1X1X1	6		
303	6	14523100060M	METAL , BRAKE LOW LH	1X1X1	1		
303	6	14523100061M	METAL , BRAKE LOW LH	160X15	1		
303	7	14523270010	CAM	1X1X1	2		
303	7	14523270011	CAM	80*34*55	2		
303	8	14523100010M	METAL , BRAKE UPR LH	1X1X1	1		
303	8	14523100011M	METAL , BRAKE UPR LH	235*220*37	1		
303	9	V7421253505	SEAL .OIL	G253505	2		
303	10	V2173610025	BOLT , HEX/S	M10X25	16		
303	11	14523270090	CAM , BRAKE	T=6	2		
303	12	V4011600160	WASHER , SPRING	M16	2		
303	13	V3003600160	NUT , HEX/1	M16	2		
303	15	V7051401000	C-RING , HOLE	100	2		
303	16	14523100160	PIN , TORQUE	D=25	2		
303	18	14322420010	PIN	D=8	4		
303	19	V4111600080	WASHER , PLAIN	M8	4		
303	20	V5001925020	PIN D2.5x20	2.5X20	4		
303	23	14523292501	ROD COMP , HOOK		2		
303	26	14523100070M	METAL , BRAKE LOW RH	1X1X1	1		
303	26	14523100071M	METAL , BRAKE LOW RH	160X15	1		
303	28	14523100020M	METAL , BRAKE UPR RH	1X1X1	1		
303	28	14523100021M	METAL , BRAKE UPR RH	235*220*37	1		
303	30	14523102000	BRAKE ASSY , LH SUB	1X1X1	1		
303	30	14523102001	BRAKE ASSY , LH SUB	1X1X1	1		
303	31	14523102700	BRAKE ASSY , RH SUB	1X1X1	1		
303	31	14523102701	BRAKE ASSY , RH SUB	1X1X1	1		

NOTE

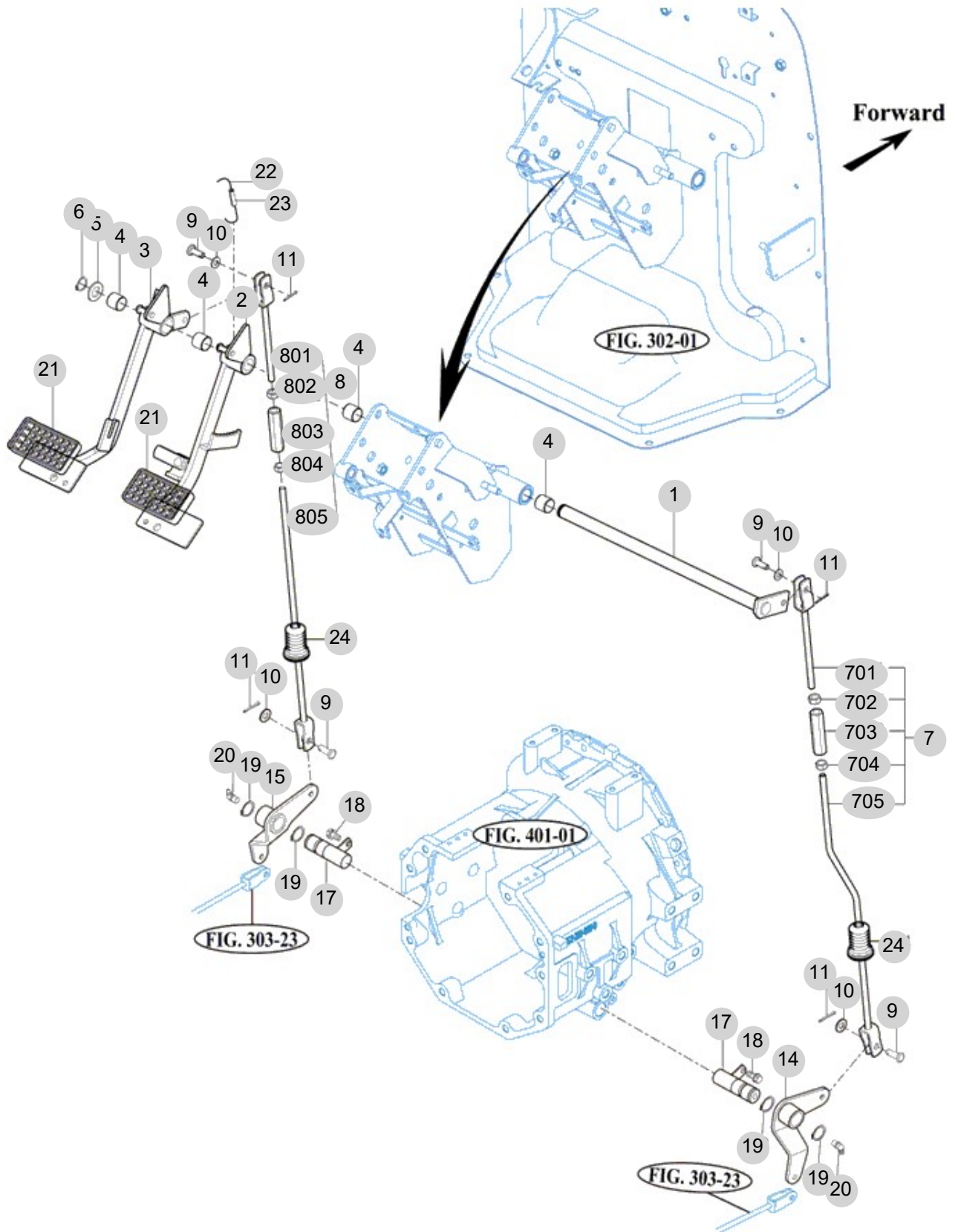
FIG 304

BRAKE PEDAL & LINK

년/월
Year/Month

2022-12

T554SH



NOTE

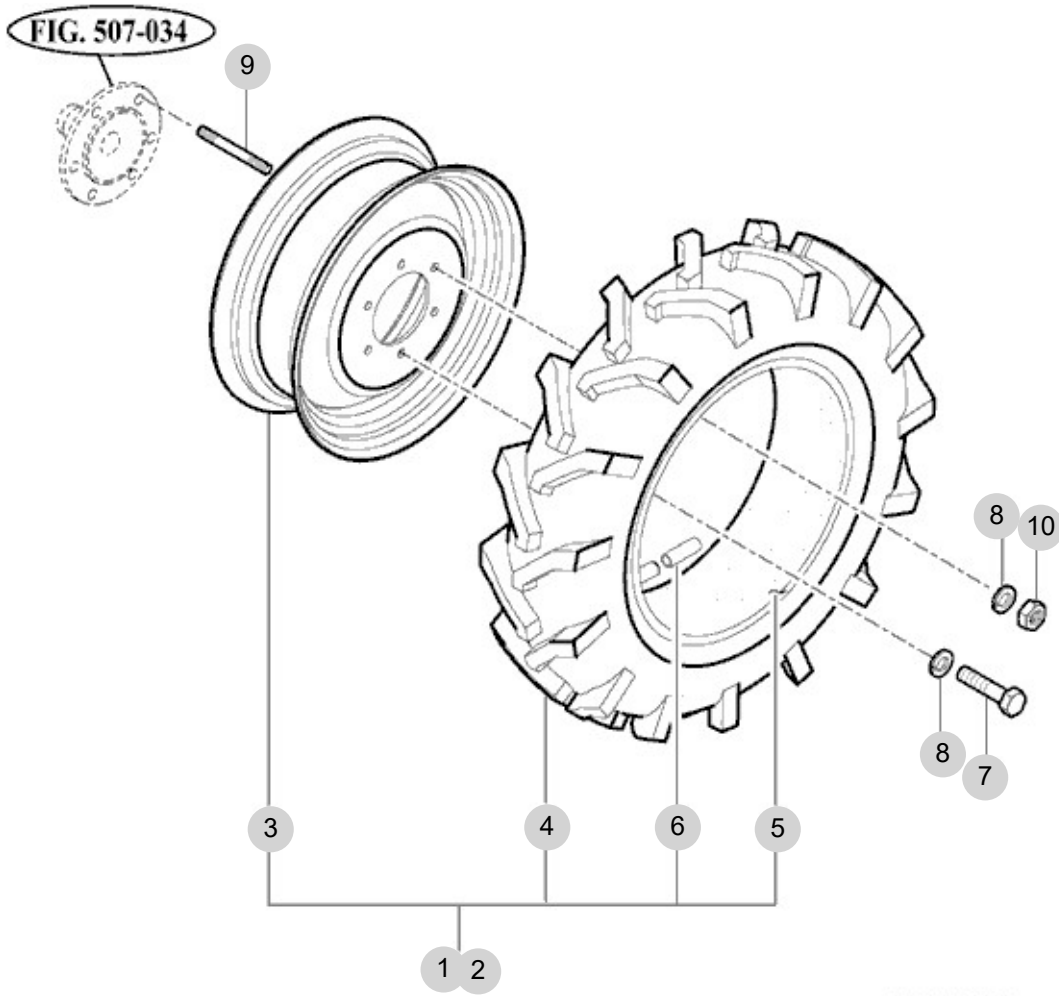
FIG 305A

FRONT WHEEL

년/월
Year/Month

2022-12

T554SH



T503HST-E-305A

NOTE

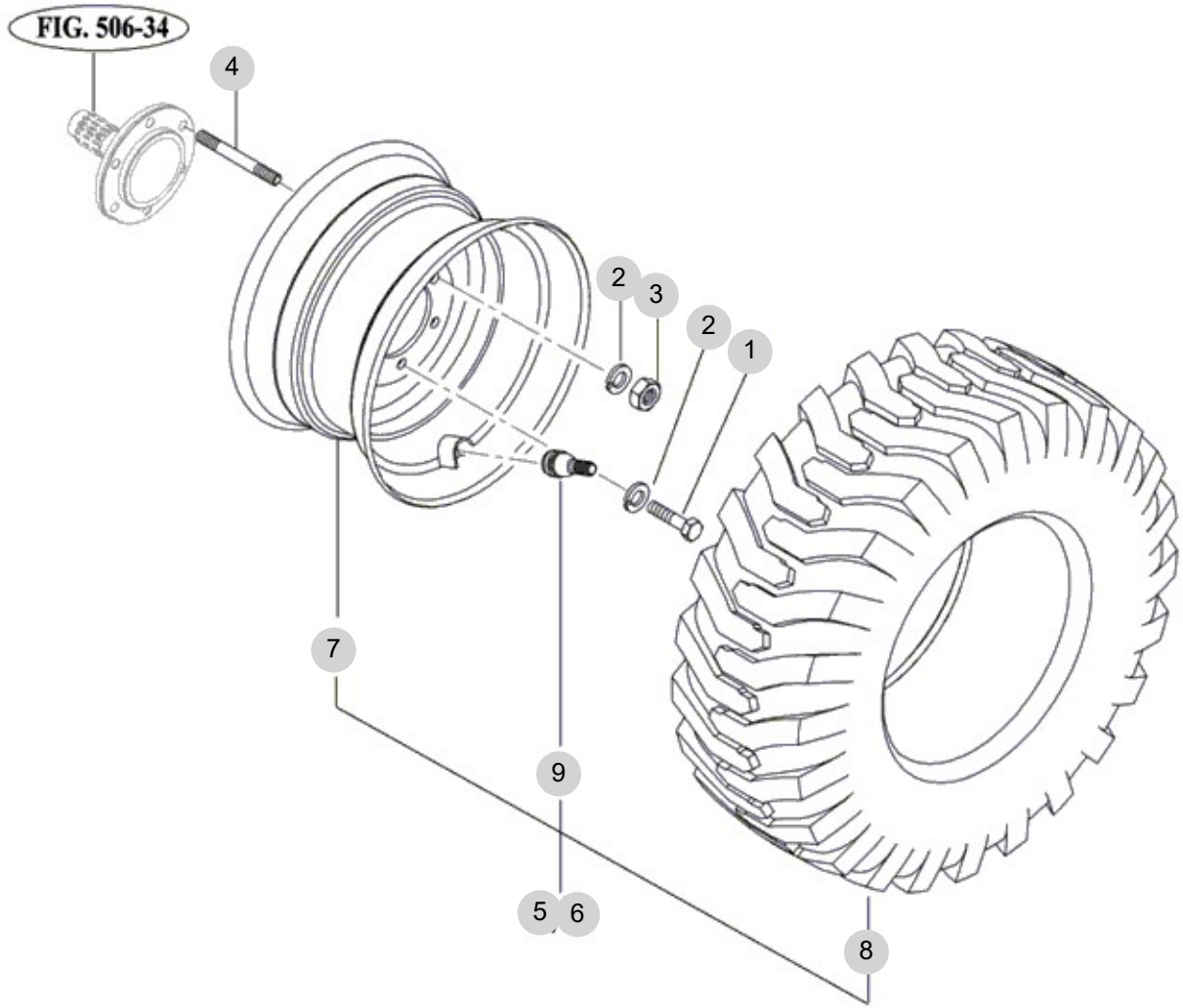
FIG 305B

T554SH

FRONT WHEEL (R4 OPTION)

년/월
Year/Month

2022-12



T503-E-305C

NOTE

FIG 305B T554SH	FRONT WHEEL (R4 OPTION)	년/월 Year/Month
		2022-12

KEY NO	PART NO	DESCRIPTION	SPEC	QTY	REPAIR	EFFECTIVE DATE	REMARKS
305B	1	V2014616030	BOLT , HEX	M16X30	8		
305B	2	V4011600160	WASHER , SPRING	M16	12		
305B	3	V3043600160	NUT , HEX/2	M16	4		
305B	4	15603200010	BOLT , STUD M16X30	D=16	4		
305B	5	15174402100	TIRE ASSY , LH 12.-16.5	1X1X1	1		
305B	6	15174402200	TIRE ASSY , RH 12-16.5	1X1X1	1		
305B	7	15173172200SR	RIM , 16.5-9.75	16.5X9.75	2		
305B	7	15173172200MS	RIM , 16.5-9.75	16.5X9.75	2		
305B	8	13153402100	TIRE , 12-16.5	12-16.5,6PR,R4	2		
305B	9	13153409000	VALVE SUB(415) , TIRE	415	2		
NOTE							

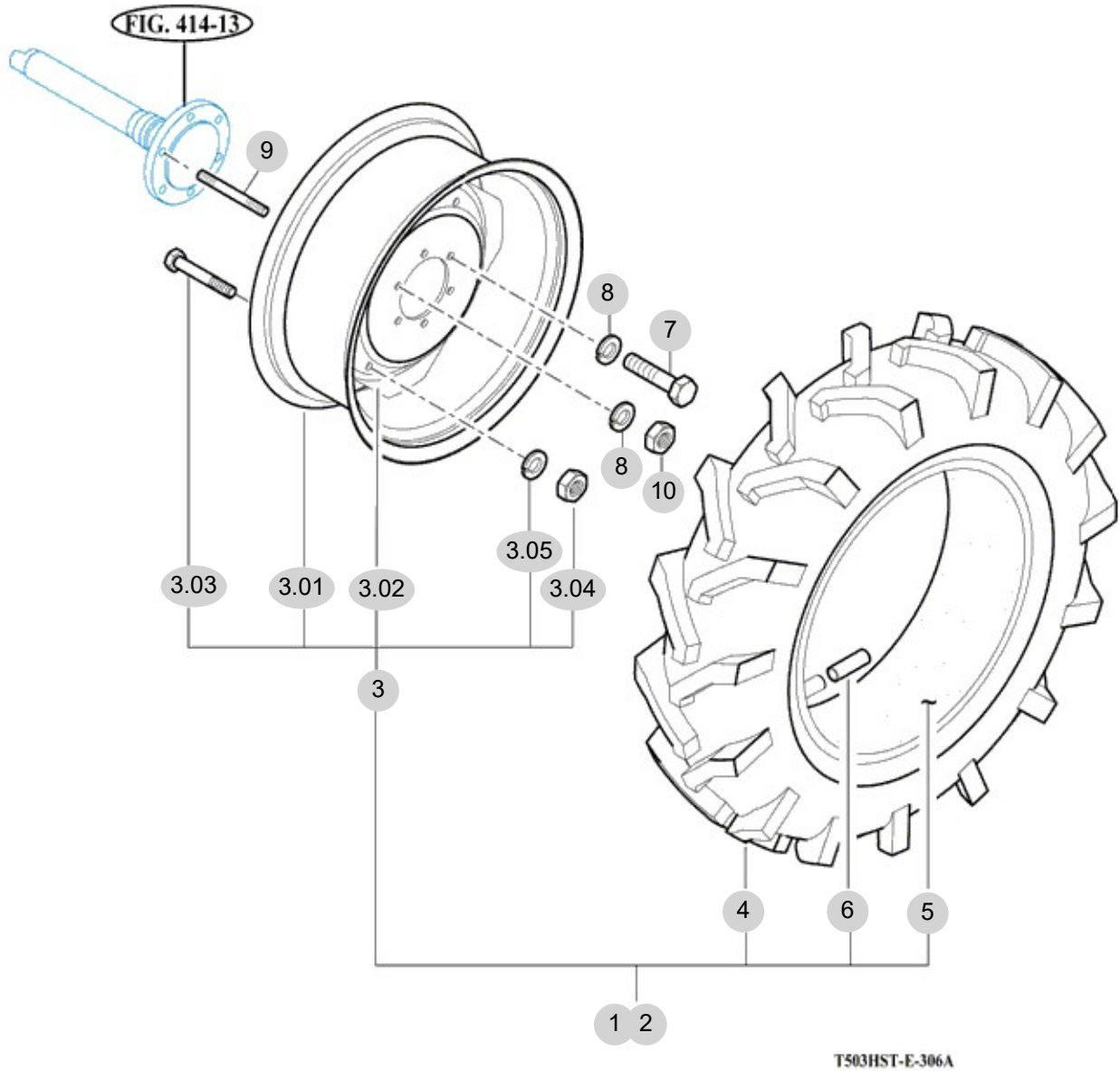
FIG 306A

REAR WHEEL

년/월
Year/Month

2022-12

T554SH



NOTE

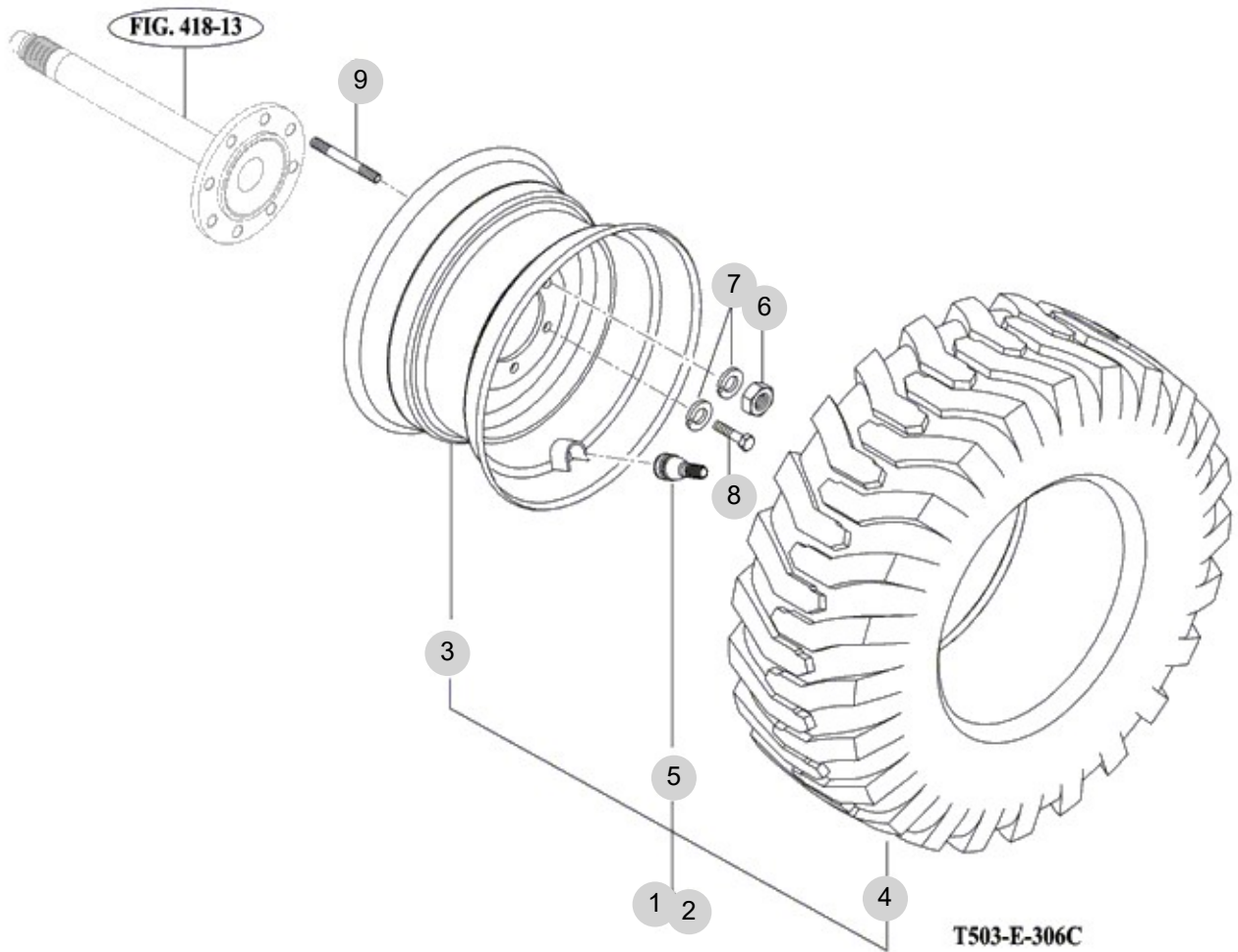
FIG 306B

T554SH

REAR WHEEL (R4 OPTION)

년/월
Year/Month

2022-12



NOTE

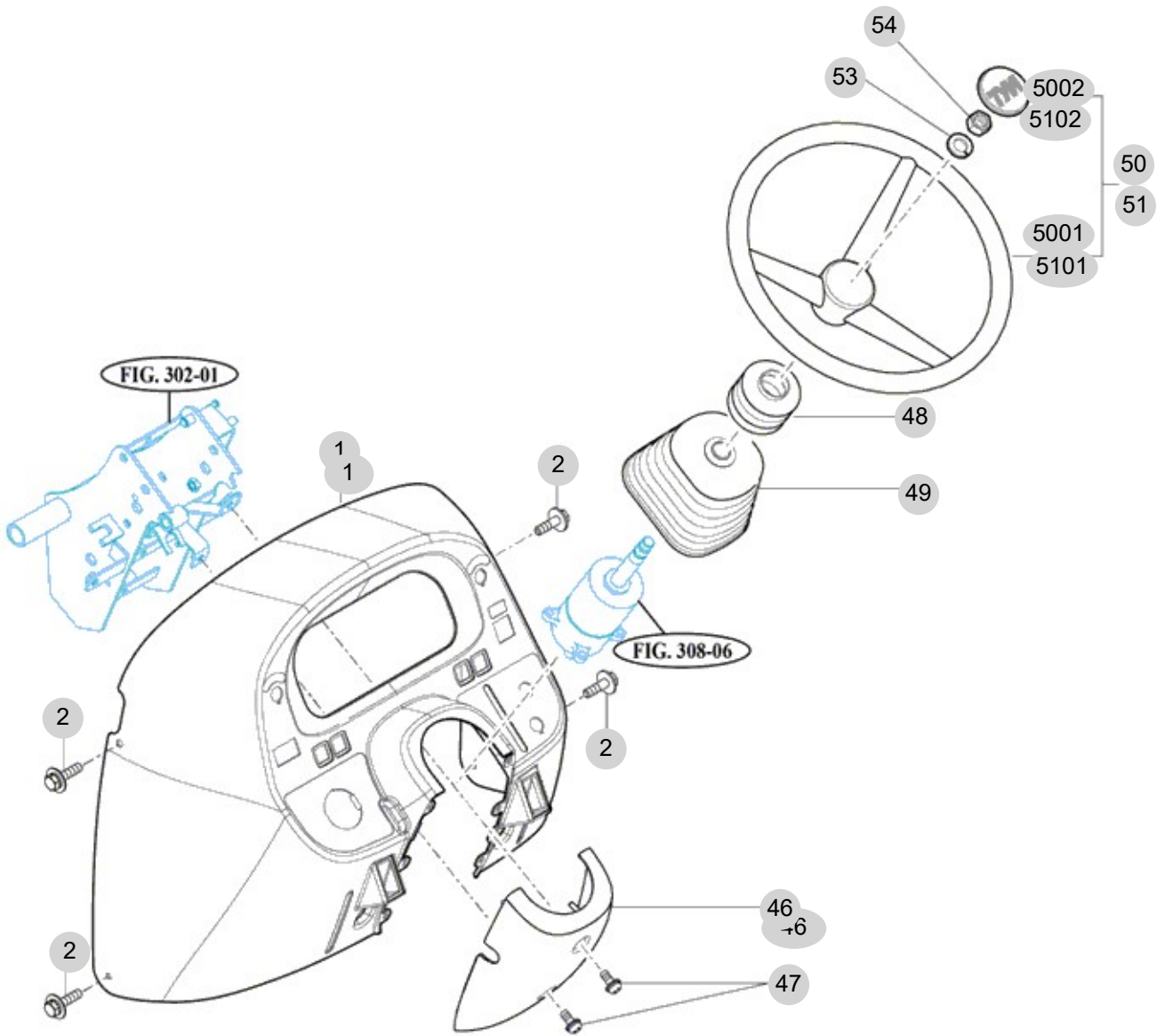
FIG 307

T554SH

POWER STEERING WHEEL

년/월
Year/Month

2022-12



NOTE

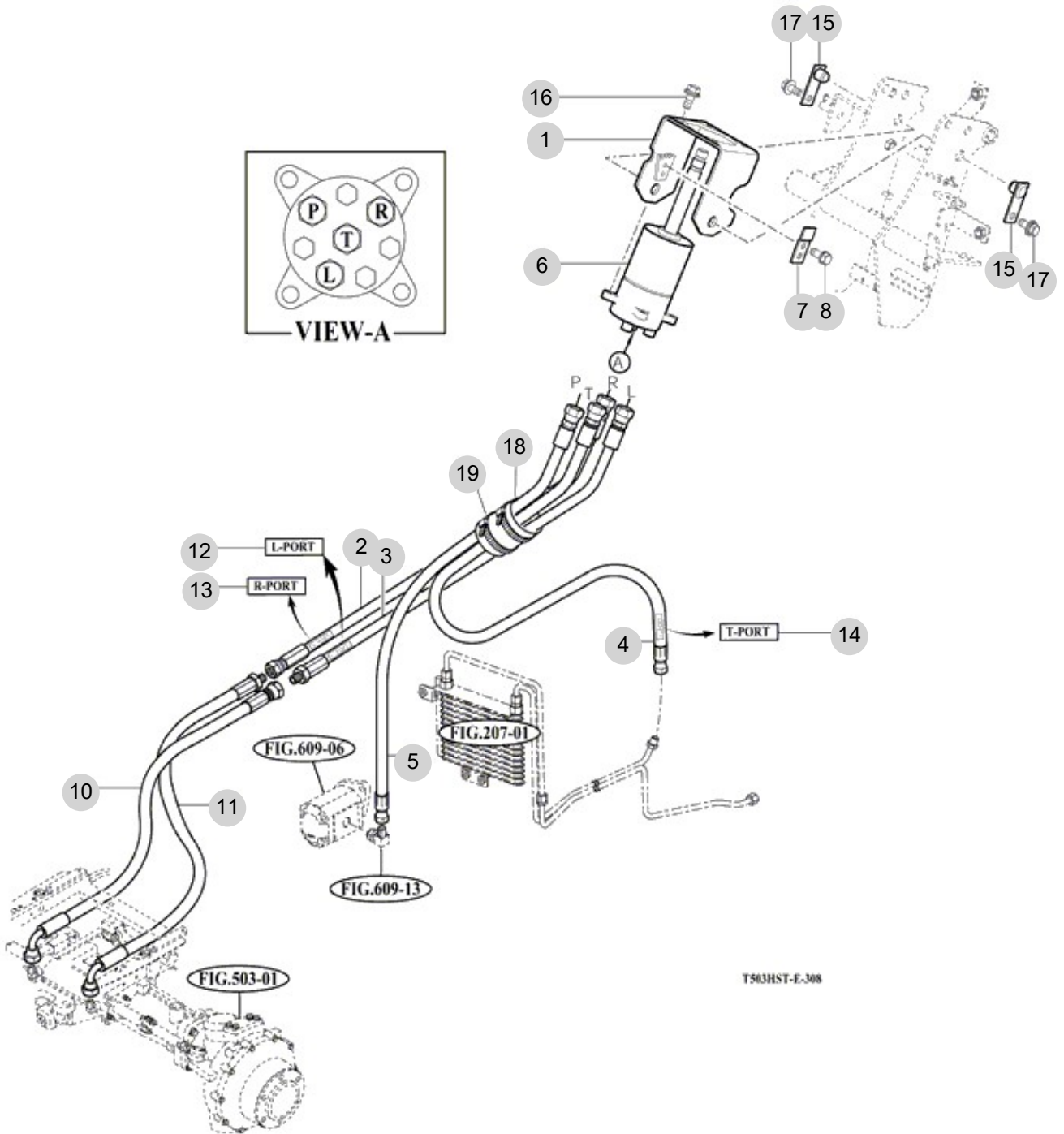
FIG 308

POWER STEERING VALVE

년/월
Year/Month

T554SH

2022-12



NOTE

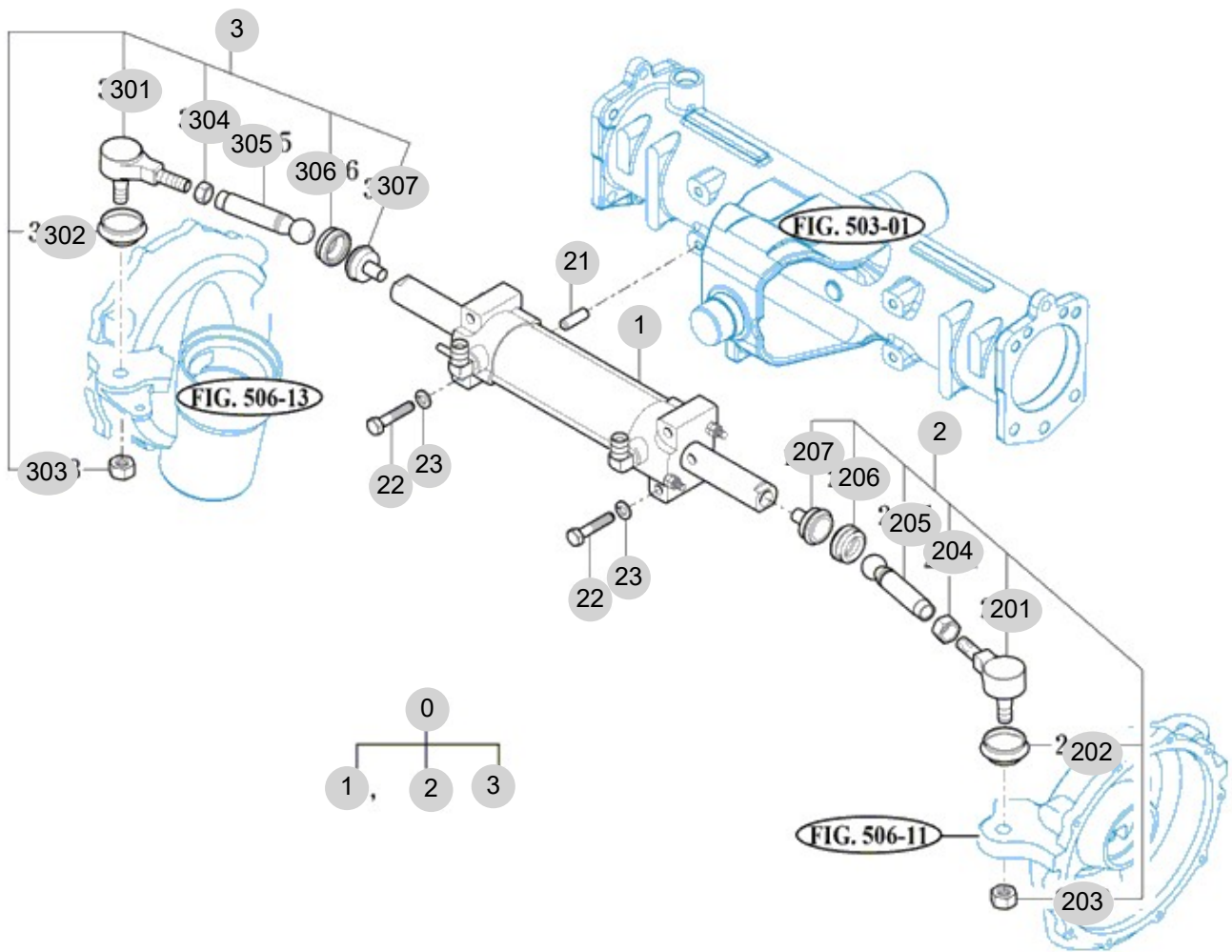
FIG 309

T554SH

POWER STEERING CYLINDER

년/월
Year/Month

2022-12



TINOTSHHET445L.RR

NOTE

4. Transmission PART NO. T4

FIG 401 TRANSMISSION FRONT CASE	100
FIG 402 HST	102
FIG 402-1 HST	104
FIG 403 MID TRANSMISSION CASE	106
FIG 404 TRANSTER GEAR SET	108
FIG 405 TRANSMISSION REAR CASE	110
FIG 406 SUB CHANGE GEARS	112
FIG 407 SUB CHANGE SHIFTER	114
FIG 408 DRIVE GEARS	116
FIG 409 4WD CHANGE LEVER	118
FIG 410 P.T.O DRIVE SHAFT	120
FIG 411 P.T.O CHANGE GEARS	122
FIG 412 REAR DIFFERENTIAL GEARS	124
FIG 413 REAR AXLE HOUSING	127

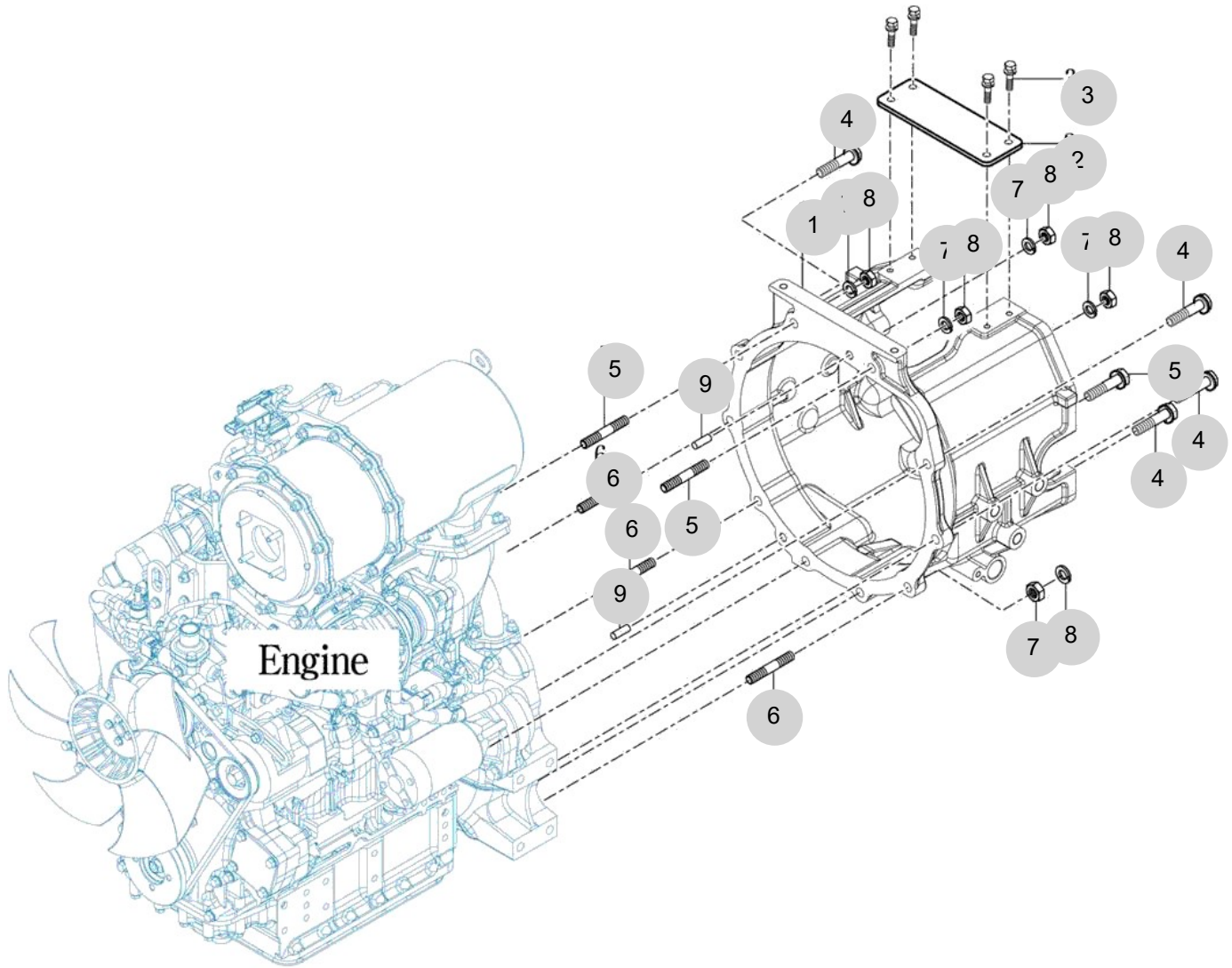
FIG 401

TRANSMISSION FRONT CASE

년/월
Year/Month

2022-12

T554SH



NOTE

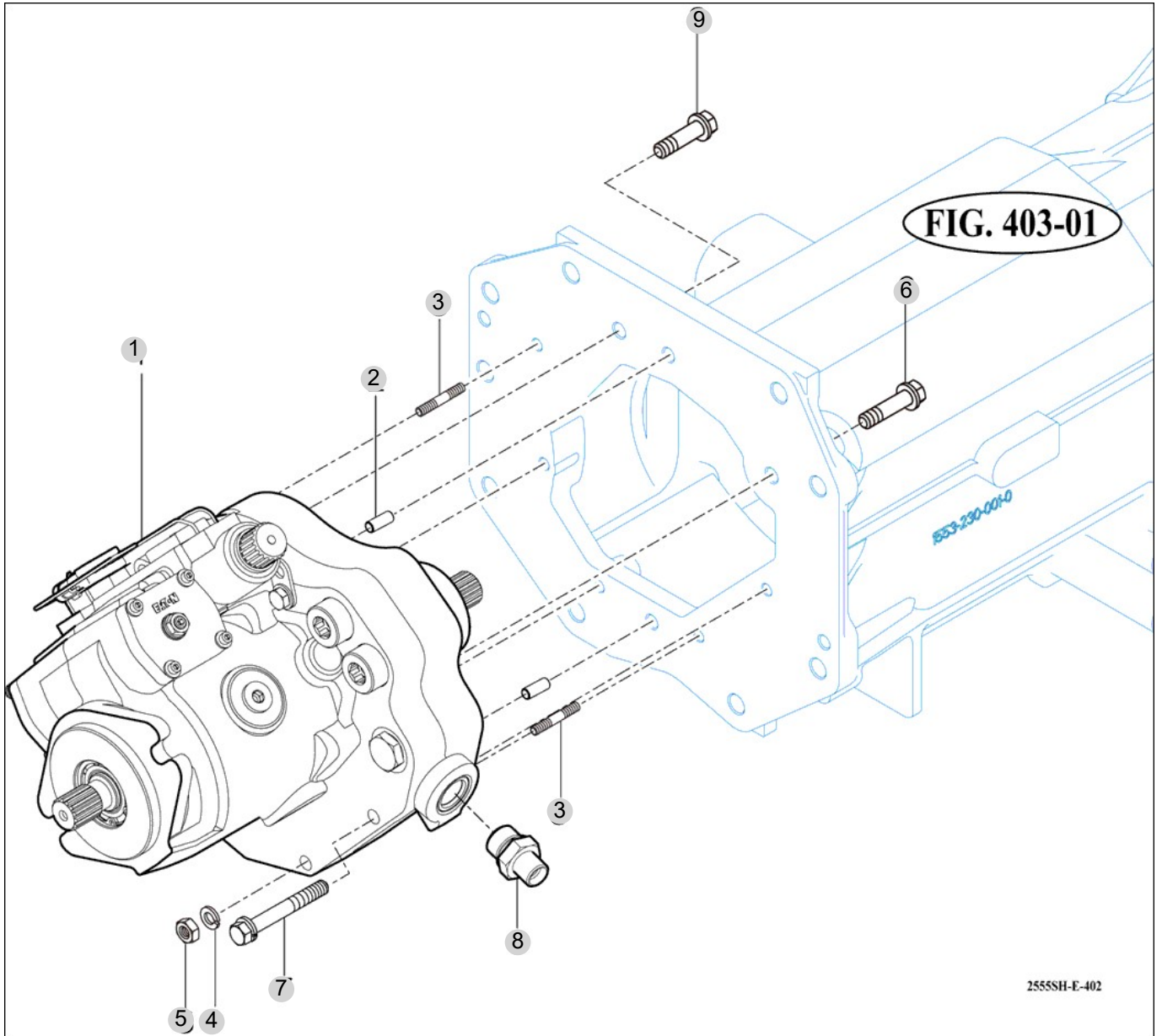
FIG 402

T554SH

HST

년/월
Year/Month

2022-12



NOTE

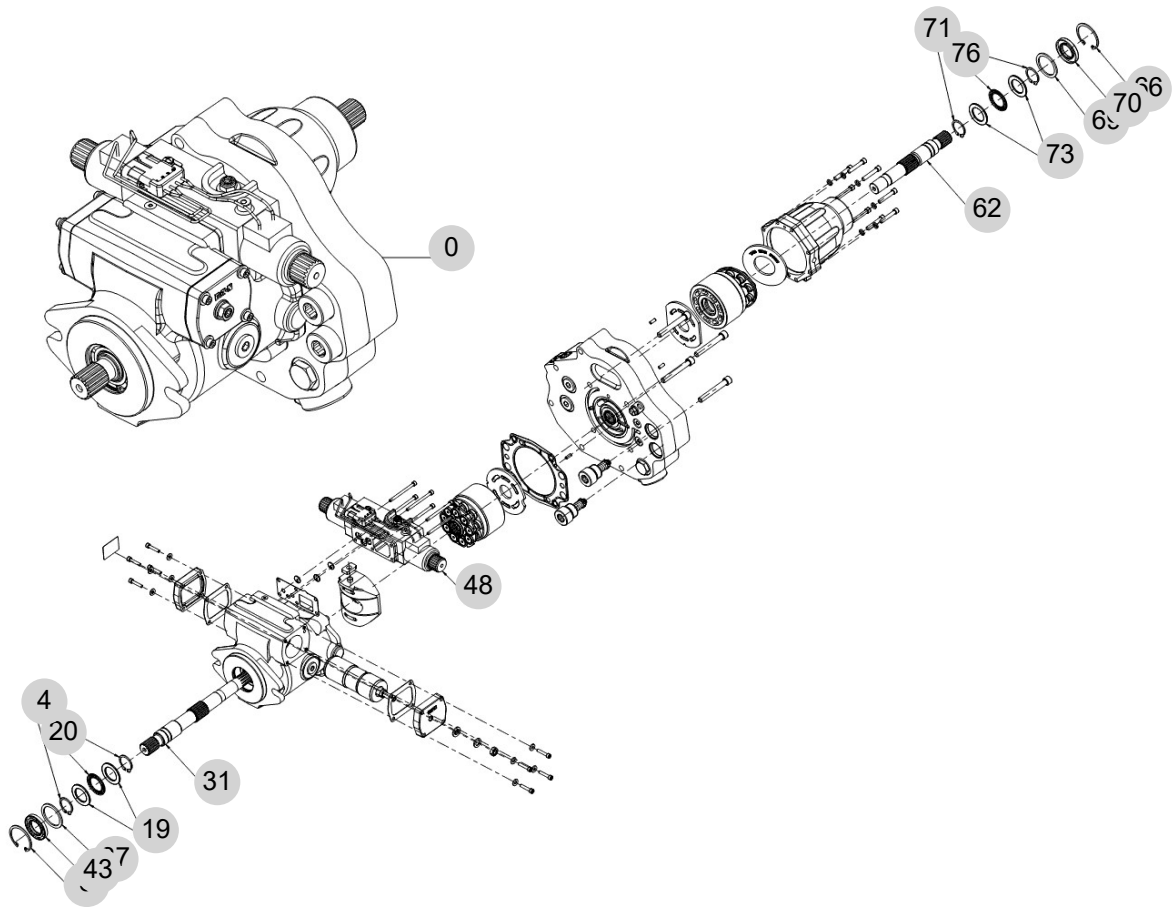
FIG 402-1

HST

년/월
Year/Month

T554SH

2022-12



NOTE

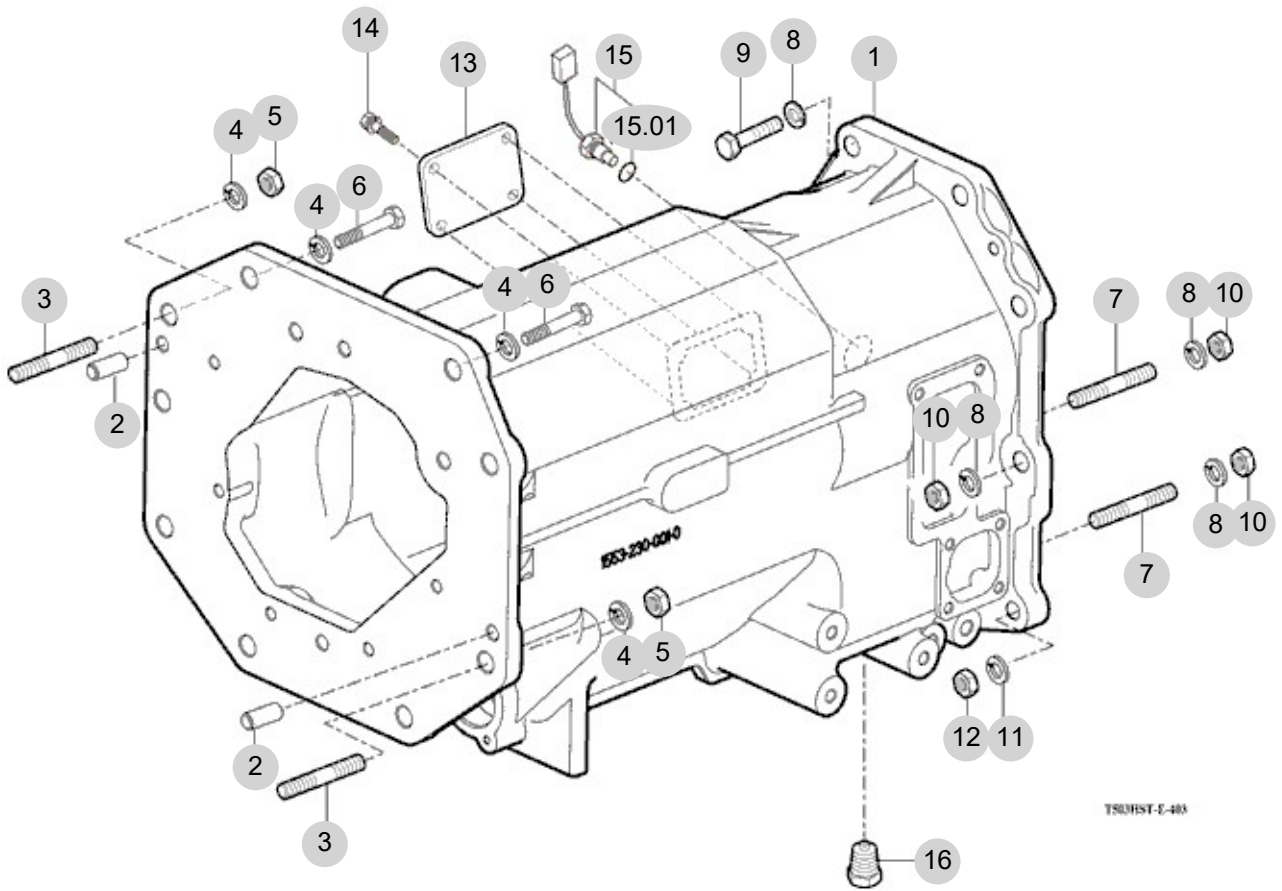
FIG 403

T554SH

MID TRANSMISSION CASE

년/월
Year/Month

2022-12



NOTE

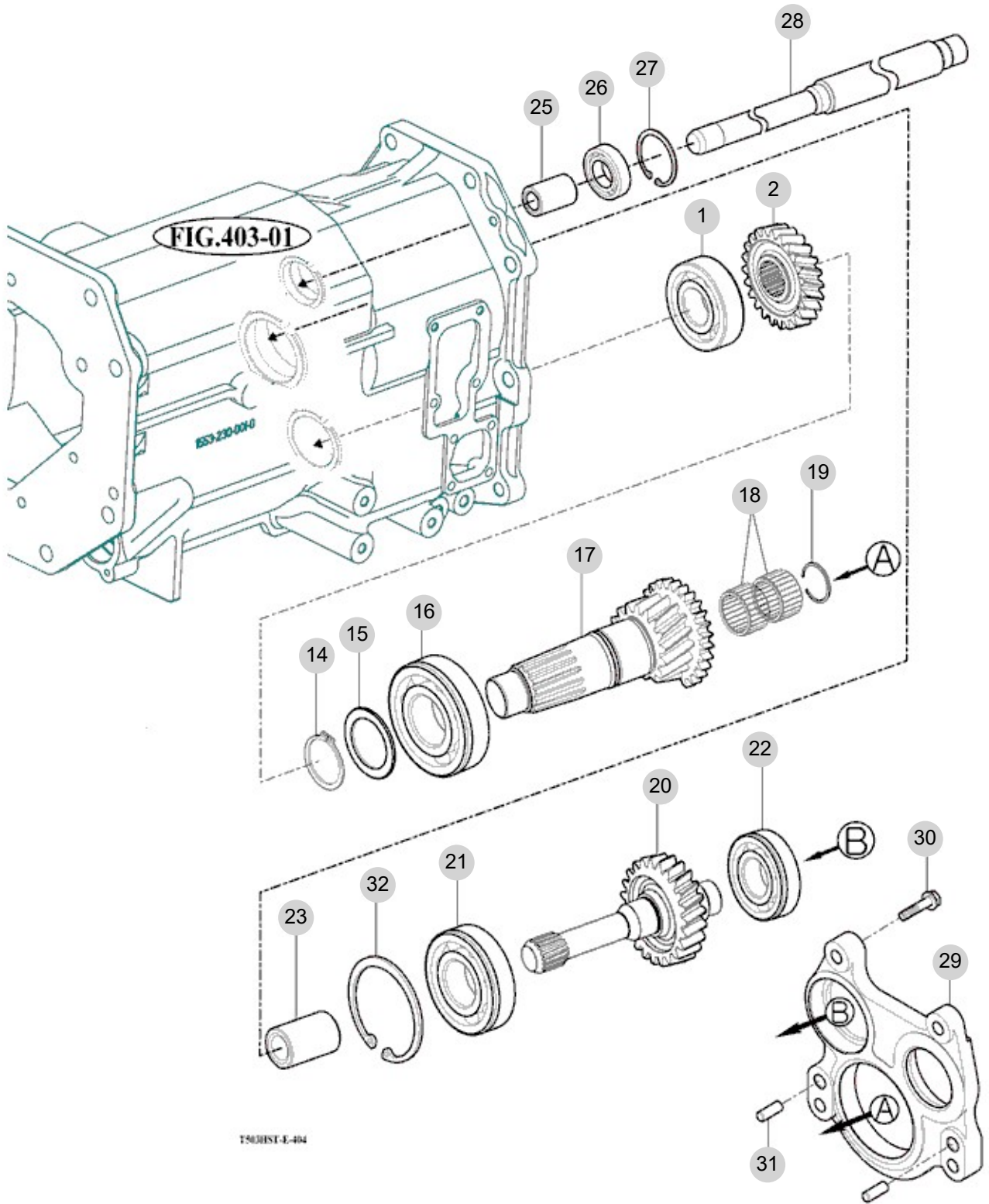
FIG 404

TRANSFER GEAR SET

년/월
Year/Month

2022-12

T554SH



NOTE

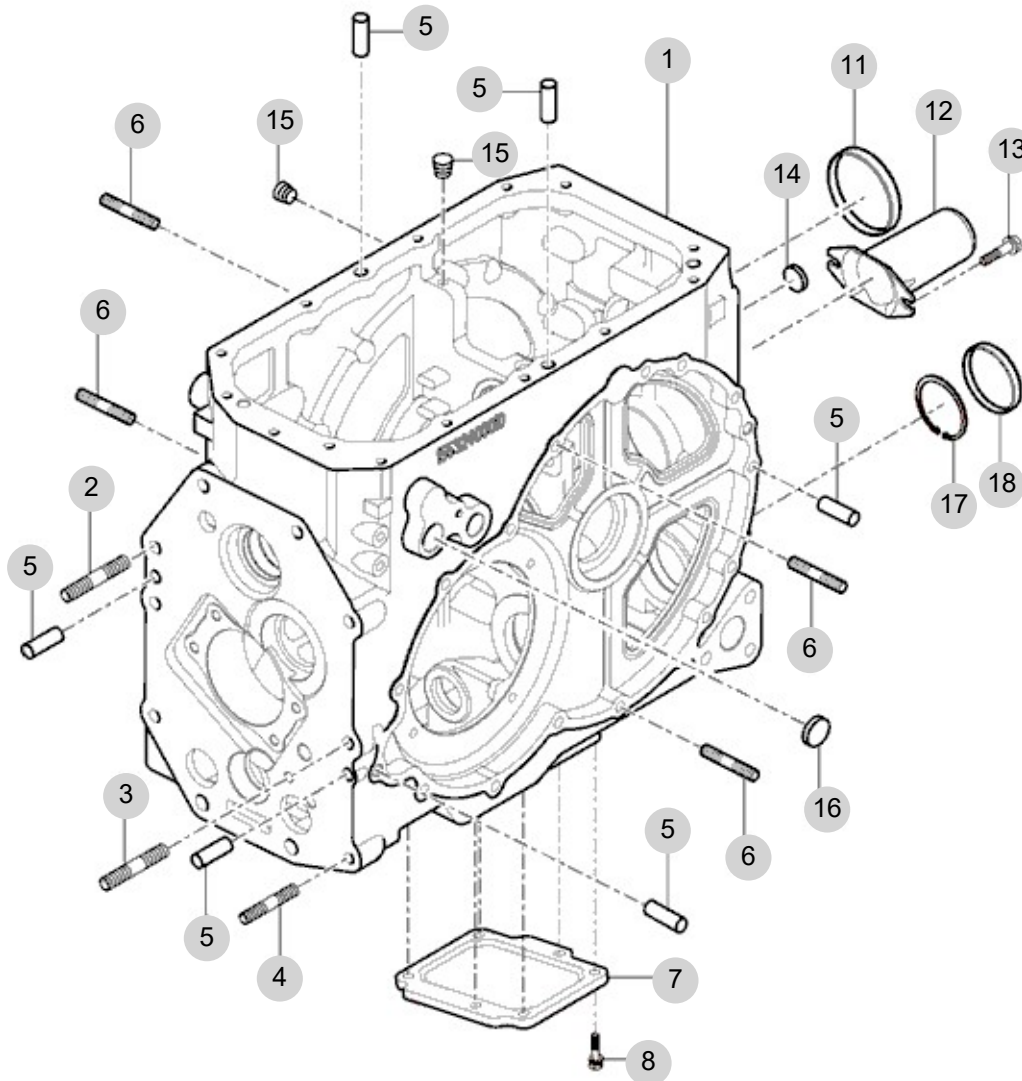
FIG 405

TRANSMISSION REAR CASE

년/월
Year/Month

2022-12

T554SH



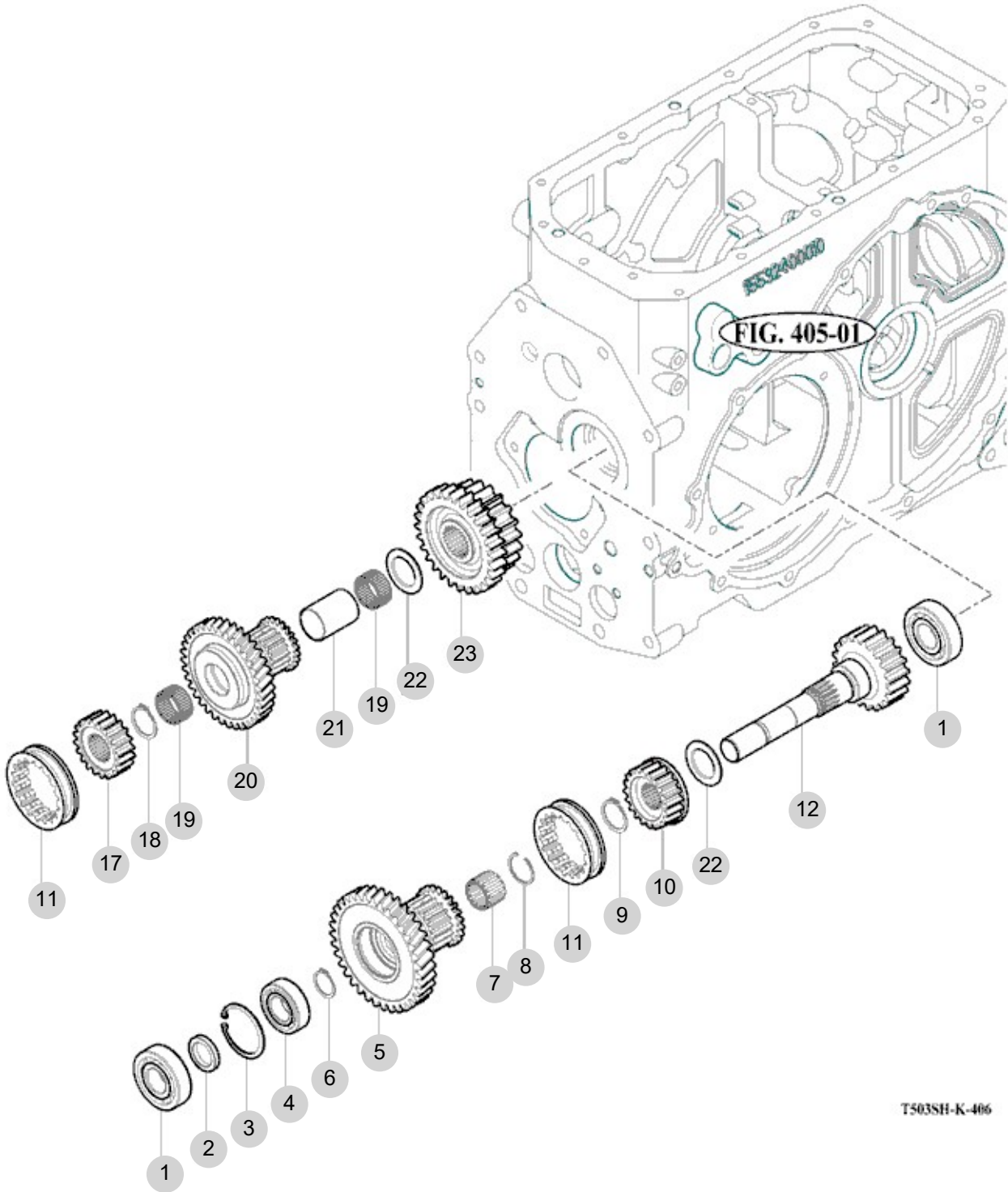
NOTE

FIG 406

SUB CHANGE GEARS

년/월
Year/Month

2022-12



NOTE

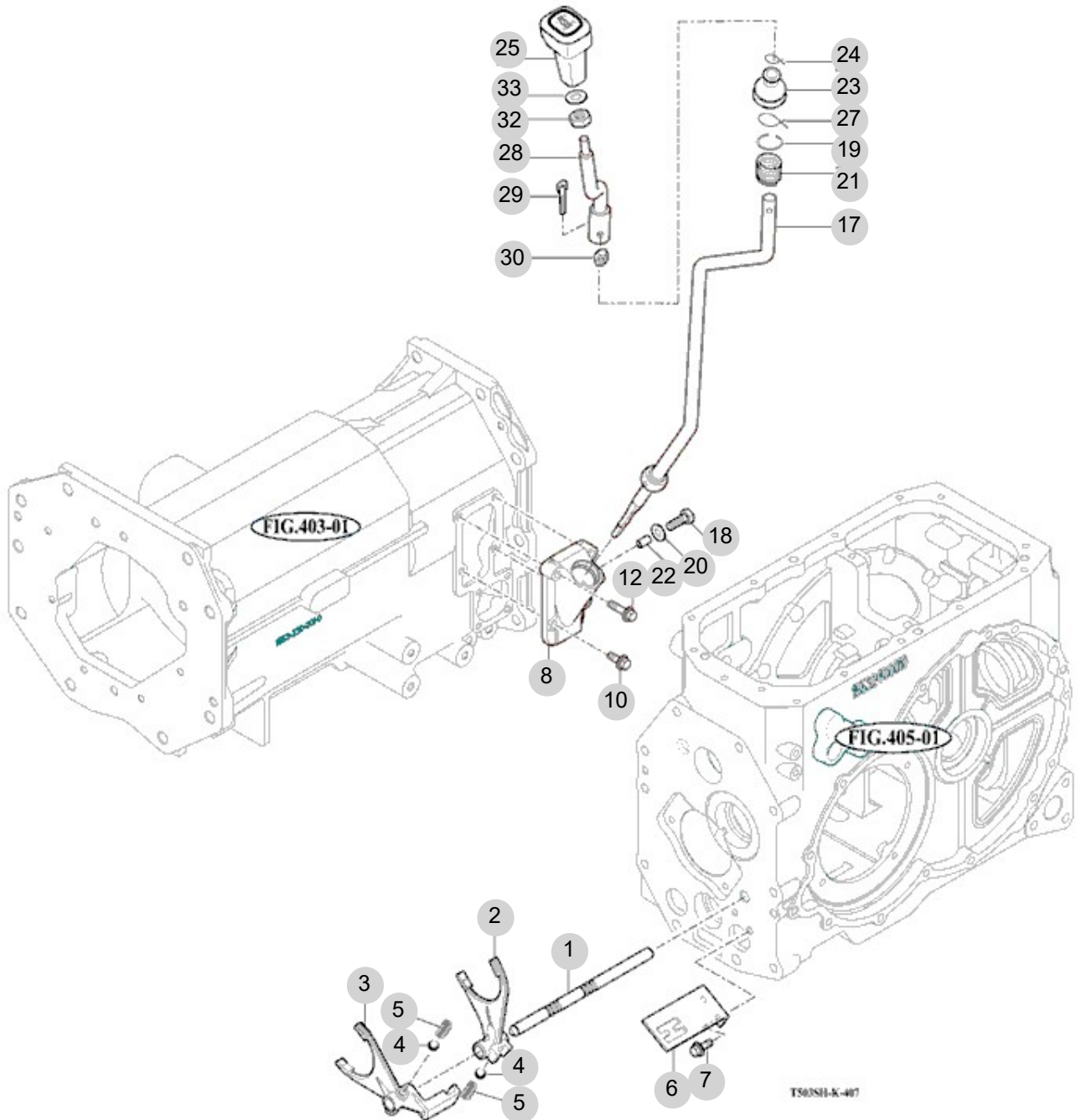
FIG 407

SUB CHANGE SHIFTER

년/월
Year/Month

2022-12

T554SH



NOTE

FIG 407 T554SH	SUB CHANGE SHIFTER						년/월 Year/Month	REMARKS
							2022-12	

KEY NO	PART NO	DESCRIPTION	SPEC	QTY	REPAIR	EFFECTIVE DATE	REMARKS
407	1	14522590021	STAY , SHIFTER RANGE		1		
407	2	14522590053M	FORK , SHIFTER M-LL		1		
407	3	14522590032M	FORK , SHIFTER H-L		1		
407	4	V6802000010	BALL , STEEL	5/16	2		
407	5	13022250030	SPRING , SHIFTER	D=1.4	2		
407	6	14522590120	GUIDE		1		
407	7	V2173610020	BOLT , HEX/S	M10X20	2		
407	8	14522590011M	METAL SUB	1X1X1	1		
407	10	V2183608025	BOLT , HEX/SP	M8X25	2		
407	12	14523608035	STUD BOLT , M8X30		2		
407	12	V2013608030	BOLT , HEX	M8X30	2		
407	13	15602230085	SEAL	WF-8-15-1.WF-8-15-1.6	2		
407	17	14522812001	LEVER COMP , SHIFT SUB		1		
407	18	16007060020	BOLT . DRAIN	M8X12XP1.25	1		
407	19	V7051400320	C-RING , HOLE	32	1		
407	20	15602230085	SEAL	WF-8-15-1.WF-8-15-1.6	1		
407	21	15602900063	SPRING , C020	D=2.6	1		
407	22	V5201006016	PIN , PARALLEL/A	6X16	1		
407	23	15602800044	BOOT		1		
407	24	V5901010070	WIRE , STEEL	1.0X70	1		
407	25	14132810101	GRIP , RANGE		1		
407	27	V5901010180	WIRE , STEEL	1.0X180	1		
407	28	14522913101GB	LEVER COMP , BAR 16		1		
407	29	V2013608035	BOLT , HEX	M8X35	1		
407	30	V3042600080	NUT , HEX/2	M8	1		
407	32	V3342600100	NUT , HEX FINE/2	M10	1		
407	33	V4111600100	WASHER , PLAIN	M10	1		

NOTE	
------	--

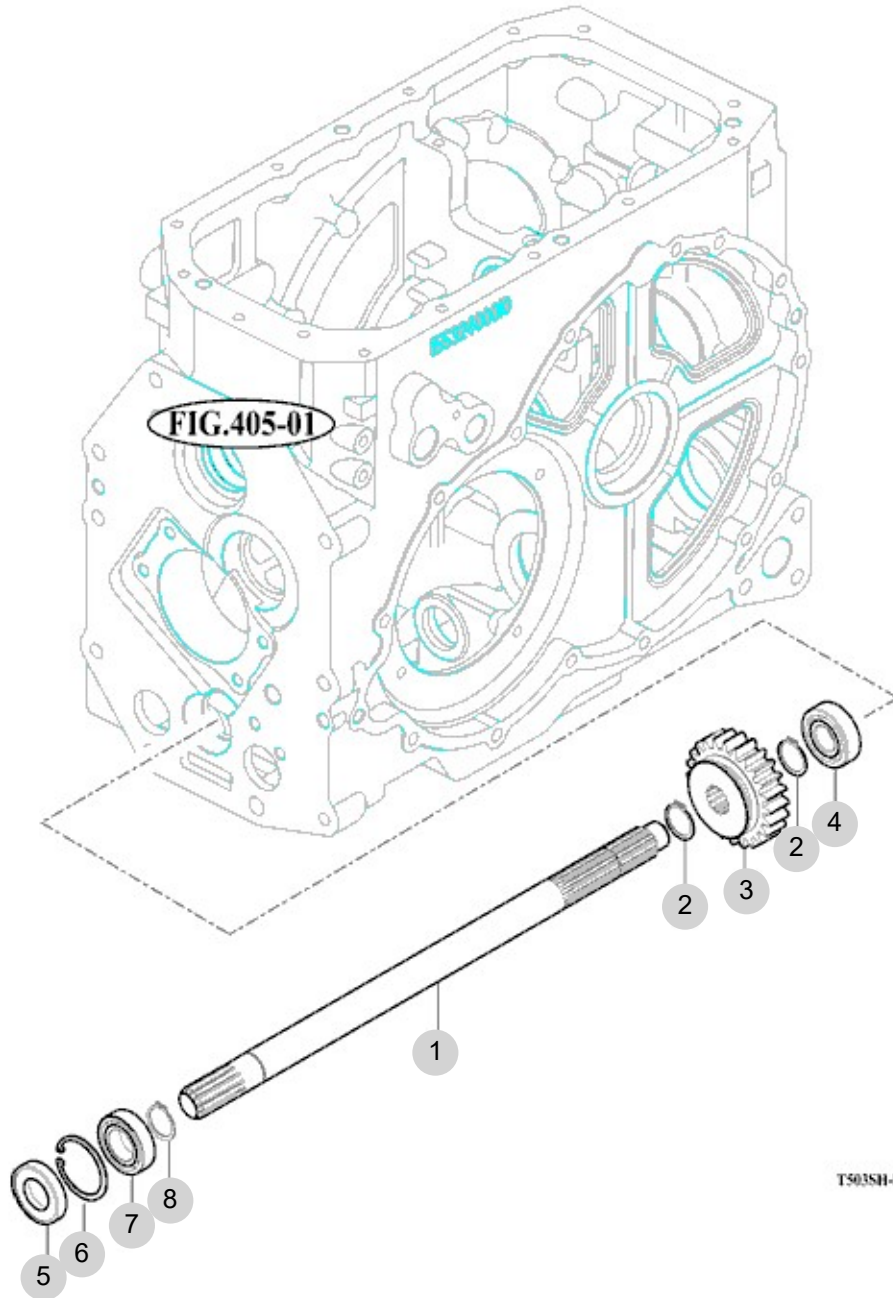
FIG 408

DRIVE GEARS

년/월
Year/Month

2022-12

T554SH



NOTE

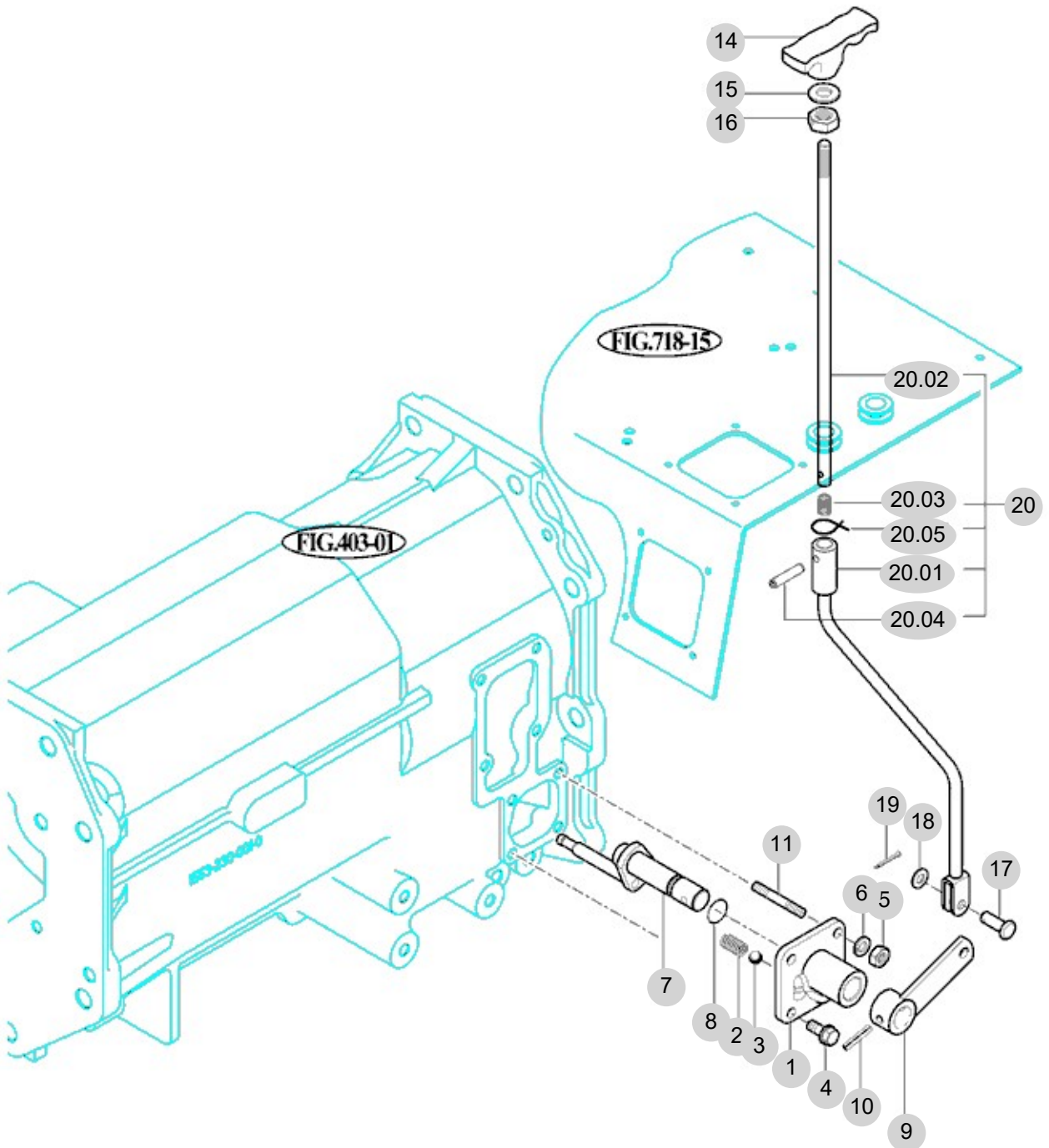
FIG 409

T554SH

4WD CHANGE LEVER

년/월
Year/Month

2022-12



*NOT SERVICED SEPARATELY

T503SH-E-409

NOTE

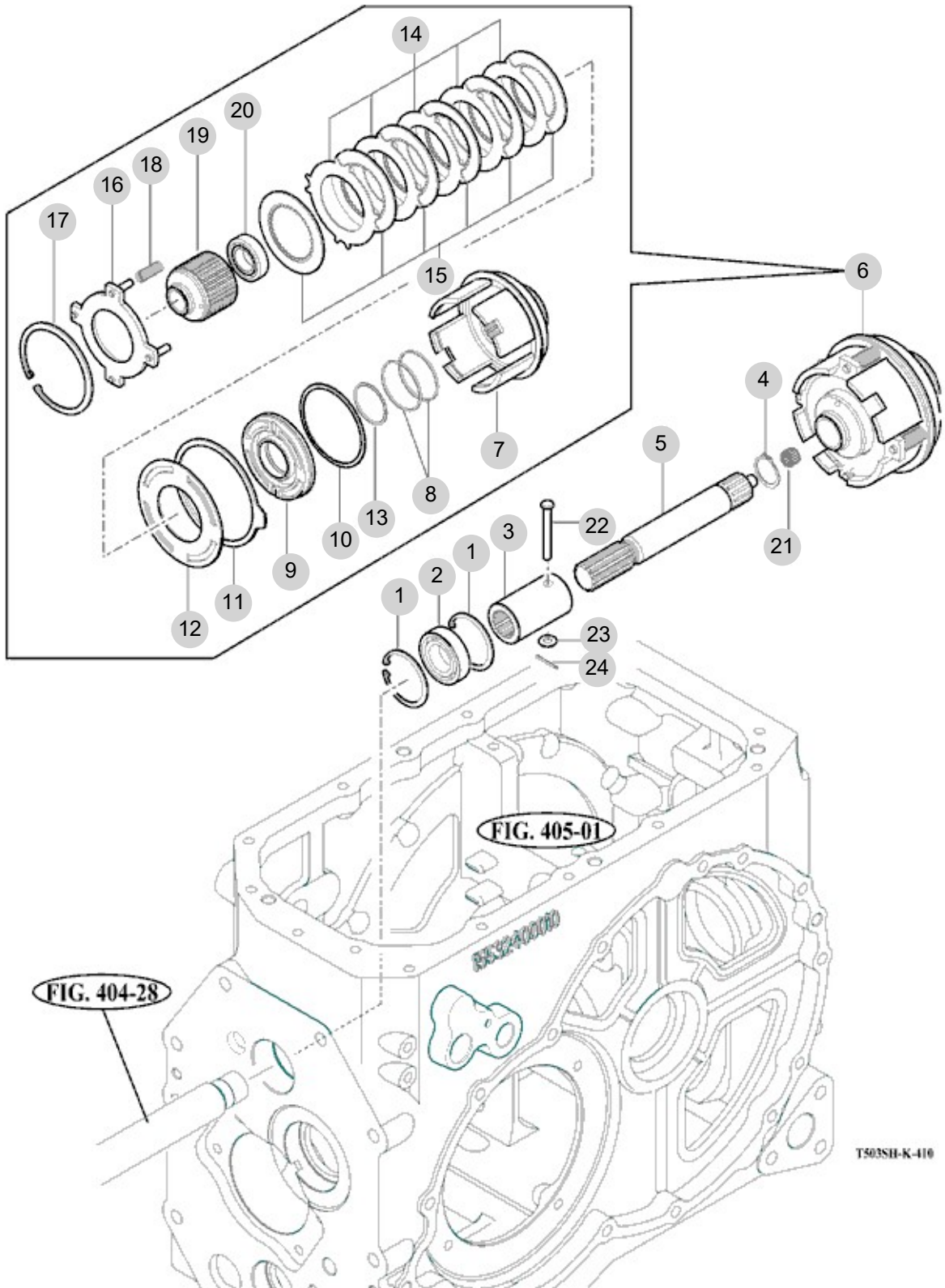
FIG 410

T554SH

P.T.O DRIVE SHAFT

년/월
Year/Month

2022-12



NOTE

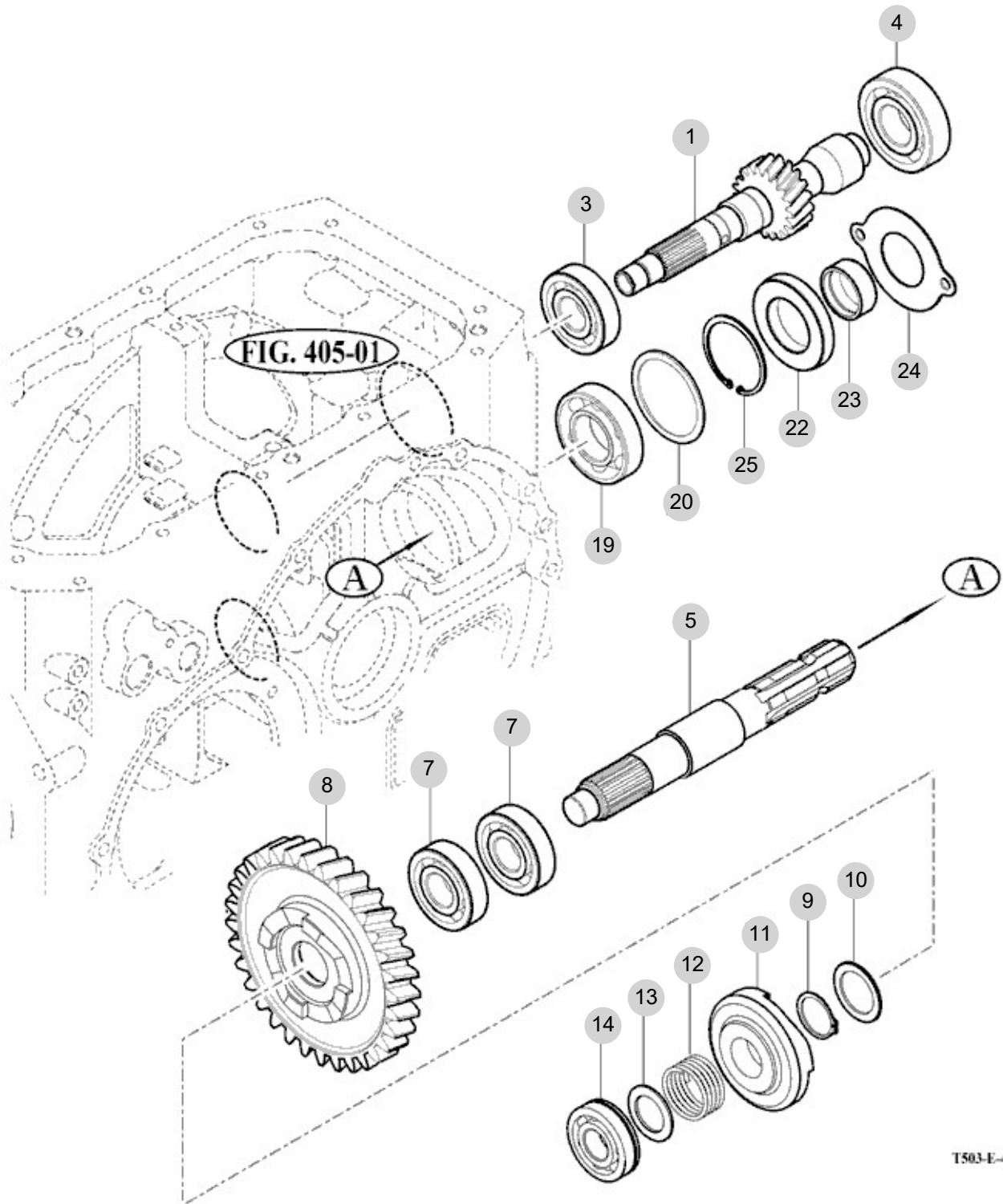
FIG 411

T554SH

P.T.O CHANGE GEARS

년/월
Year/Month

2022-12



T503-E-411A

NOTE

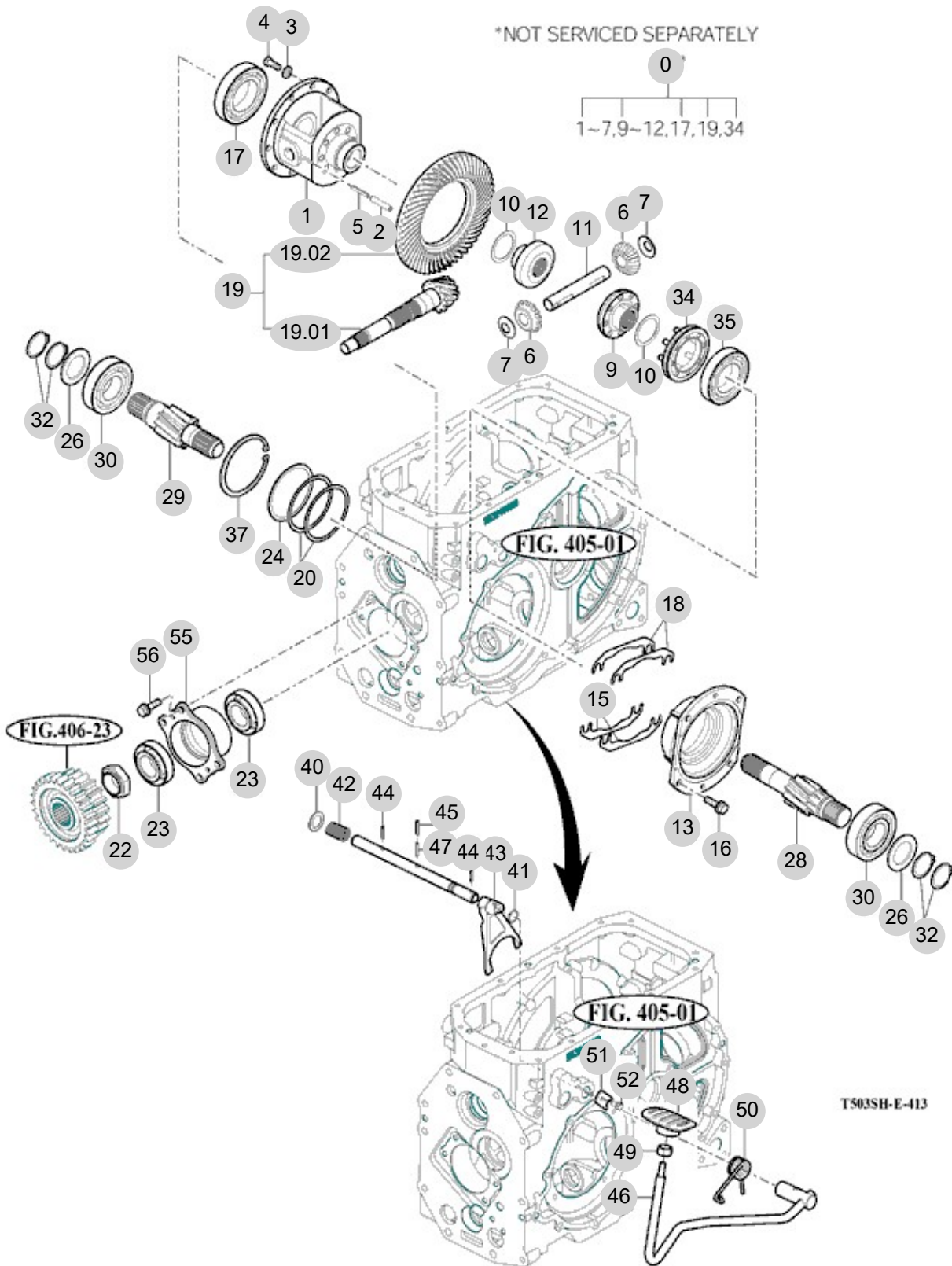
FIG 412

REAR DIFFERENTIAL GEARS

년/월
Year/Month

2022-12

T554SH



NOTE

FIG 412		REAR DIFFERENTIAL GEARS					년/월 Year/Month		
							2022-12		
T554SH		KEY NO	PART NO	DESCRIPTION	SPEC	QTY	REPAIR	EFFECTIVE DATE	REMARKS
412	0	14523031001	DIFF ASSY, RR 47PS			1			
412	1	14523030010M	CASE , DIFF			1			
412	2	V5801408040	PIN , SPRING	8X50		1			
412	3	V4011600100	WASHER , SPRING	M10		10			
412	4	V2024610025	BOLT , HEX FINE	M10X25		10			
412	5	V5801405036	PIN , SPRING	5X36		1			
412	6	14523180041	PINION , DIFF	1X1X1		2			
412	7	14523030080	COLLAR , PINION	T=1.0		2			
412	9	14523180061	PINION , BEVEL 16T LH	1X1X1		1			
412	10	14523030100	WASHER , THRUST	D=52.5		2			
412	11	14523030110	SHAFT , DIFF PINION	D=23		1			
412	12	14523180031	PINION , BEVEL 16T RH	1X1X1		1			
412	13	14523030131M	METAL , DIFF CASE LH			1			
412	15	14523010090	SHIM , B	T=0.2		4			
412	16	V2173610025	BOLT , HEX/S	M10X25		4			
412	17	V6001106212	BEARING , BALL	6212		1			
412	18	14523010080	SHIM , A	T=0.1		2			
412	19	14523022100	GEAR SET , 10-41T			1			
412	20	14523010050	SHIM , 0.1	T=0.1		1			
412	22	15533030020	NUT , M40 P1,5	육각B=55		1			
412	23	V6321132208	BEARING , TAPER-ROLLER	32208CR		2			
412	24	14523010100	SHIM , 0.2	T=0.2		2			
412	26	15133060030	COLLAR , THRUST 45X68X4			2			
412	28	14523060010	PINION , LH HERICAL11T			1			
412	29	14523060020	PINION , RH HERICAL11T			1			
412	30	V6001106309	BEARING , BALL	6309		2			
412	32	V7041400450	C-RING , SHAFT	45		4			
412	34	14523033400	SLEEVE COMP			1			
412	35	V6001106211	BEARING , BALL	6211		1			
412	37	V7051401100	C-RING , HOLE	110		1			
412	39	15533193010	SHAFT , DIFF LOCK	D=20		1			
412	40	V4111600200	WASHER , PLAIN	M20		1			
412	41	V7201024016	O-RING , P	P16		1			
412	42	17973030420	SPRING	(D=3.6) X22.5X74.5		1			
412	43	14523190011M	FORK , DIFF LOCK			1			
412	44	V5801406032	PIN , SPRING	6X32		2			
412	45	V5801408036	PIN , SPRING	8X36		1			
412	46	15533193100	PEDAL COMP , DIFF LOCK			1			
412	47	V5801405036	PIN , SPRING	5X36		1			
412	48	14521220120	PEDAL COMP,ACCEL	1X1X1		1			
412	49	V3342600100	NUT , HEX FINE/2	M10		1			
412	50	15533190020	SPRING , DIFF PEDAL			1			
412	50	15533190021	SPRING , DIFF PEDAL	D=5.5		1			
412	51	16703180191	PLATE , STOP	25X4.5T		1			
412	52	V2173608016	BOLT , HEX/S	M8X16		1			
NOTE									

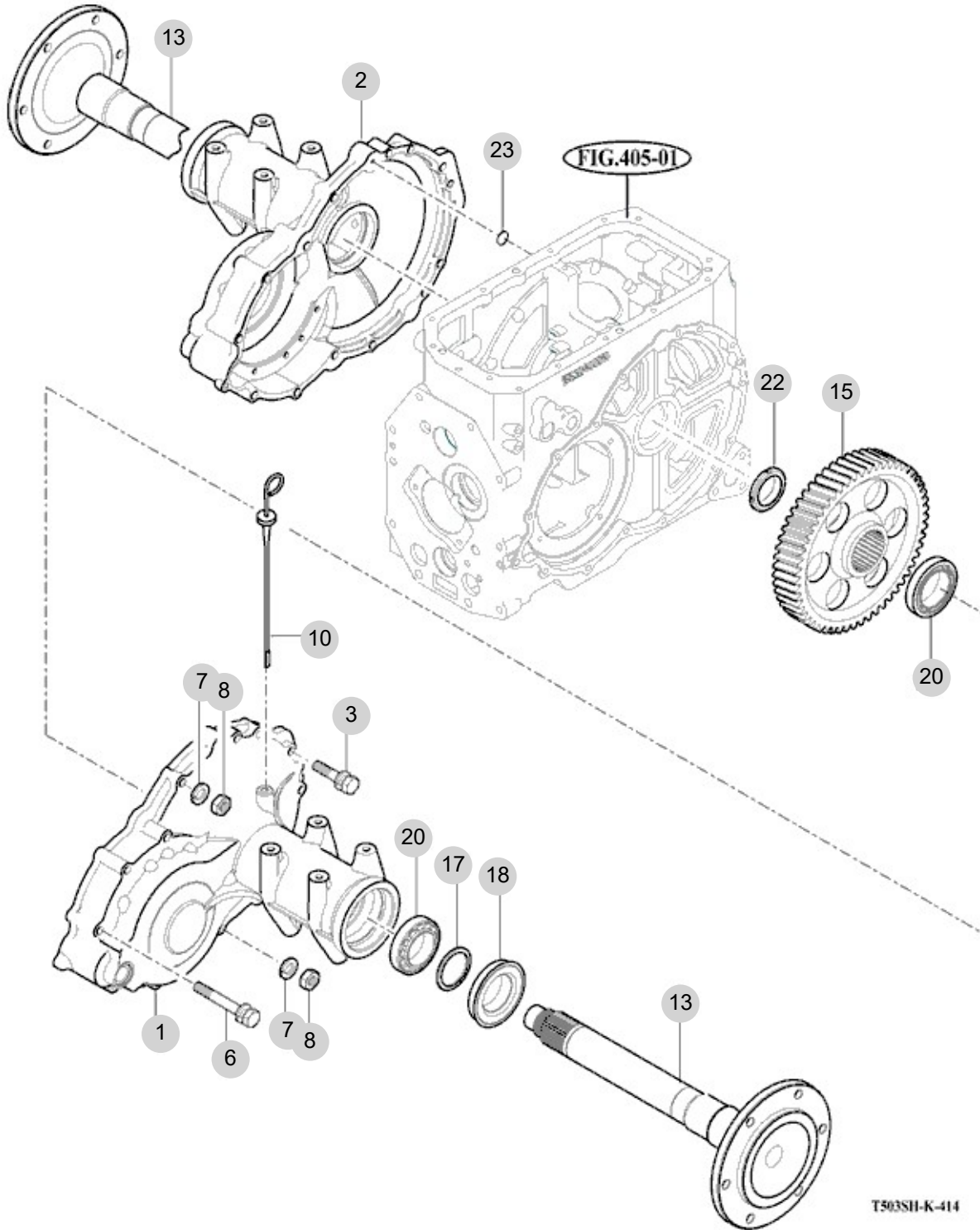
FIG 413

T554SH

REAR AXLE HOUSING

년/월
Year/Month

2022-12



NOTE

FIG 413		REAR AXLE HOUSING					년/월 Year/Month	
T554SH						2022-12		
KEY NO		PART NO	DESCRIPTION	SPEC	QTY	REPAIR	EFFECTIVE DATE	REMARKS
413	1	14523040011M	HOUSING , AXLE L		1			
413	2	14523040021M	HOUSING , AXLE R		1			
413	3	V2173610055	BOLT , HEX/S	M10X55	12			
413	6	V2173610075	BOLT , HEX /S	M10X75	12			
413	7	V4011600100	WASHER , SPRING	M10	4			
413	8	V3043600100	NUT , HEX/2	M10	4			
413	10	14523040030	GAUGE , OIL		1			
413	13	14523070010M	SHAFT , REAR WHEEL		2			
413	15	14523070020	GEAR , HELICAL 54T		2			
413	17	14153070020	COLLAR , 55X70X4	D=70	2			
413	18	15643072001	SEAL ASSY , OIL	60X100X26	2			
413	18	15643072002	SEAL ASSY , OIL		1			
413	20	V6321132011	BEARING , TAPER-ROLLER(32012XQ)	32011DJ	4			
413	22	16603070010	NUT , M50 P1.5	1X1X1	2			
413	23	V7201024020	O-RING , P		1			
413	23	V7201124020	O-RING , P	P20	1			
NOTE								

5. Front Axle PART NO. T5

FIG 501 FRONT AXLE SUPPORT	130
FIG 502 FRONT DRIVE SHAFT	132
FIG 503 FRONT AXLE HOUSING	134
FIG 504 FRONT DIFFERENTIAL GEARS	136
FIG 505 FRONT GEAR CASE (1)	138
FIG 506 FRONT GEAR CASE (2)	140
FIG 507 FRONT GEAR CASE (3)	142

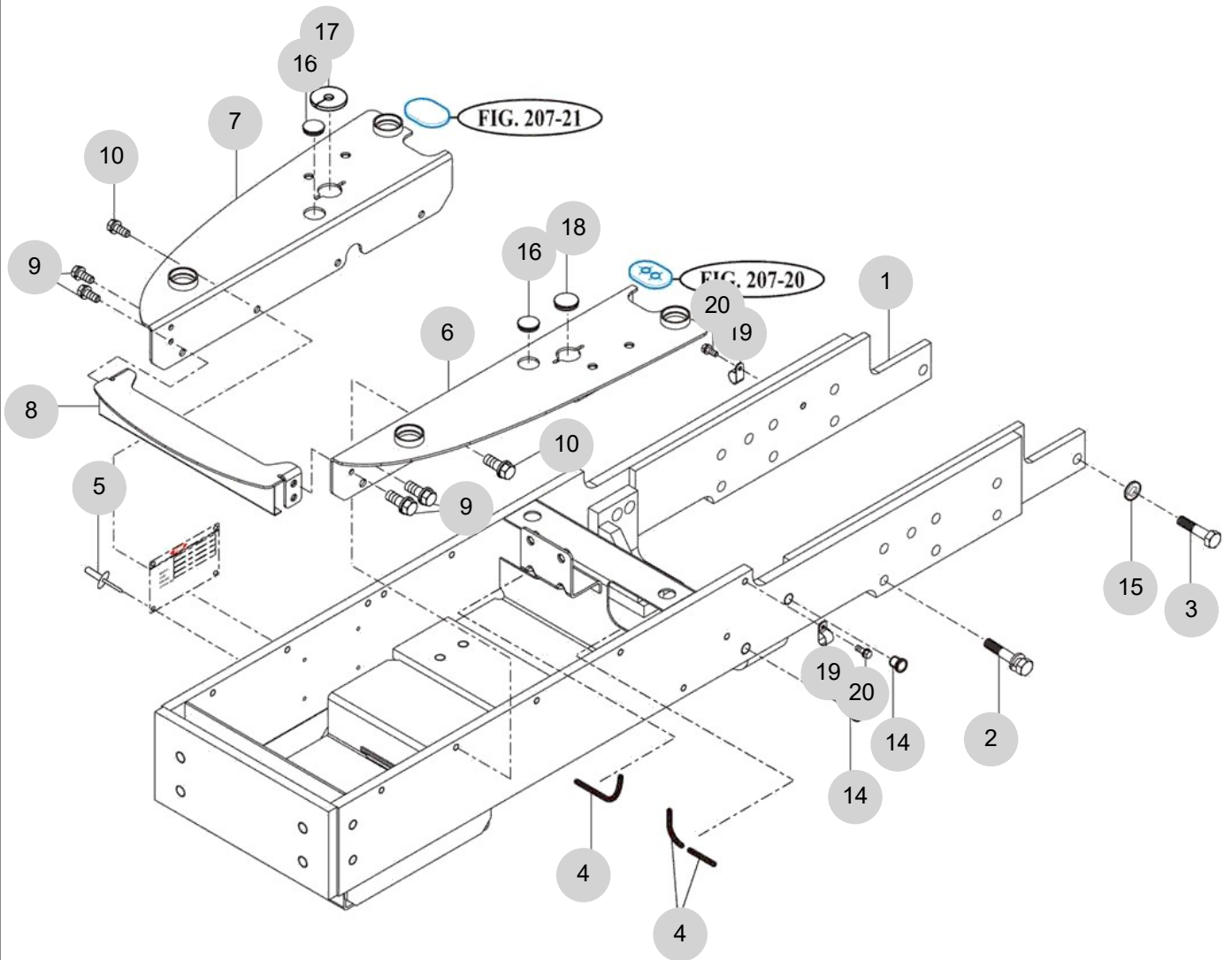
FIG 501

T554SH

FRONT AXLE SUPPORT

년/월
Year/Month

2022-12



NOTE

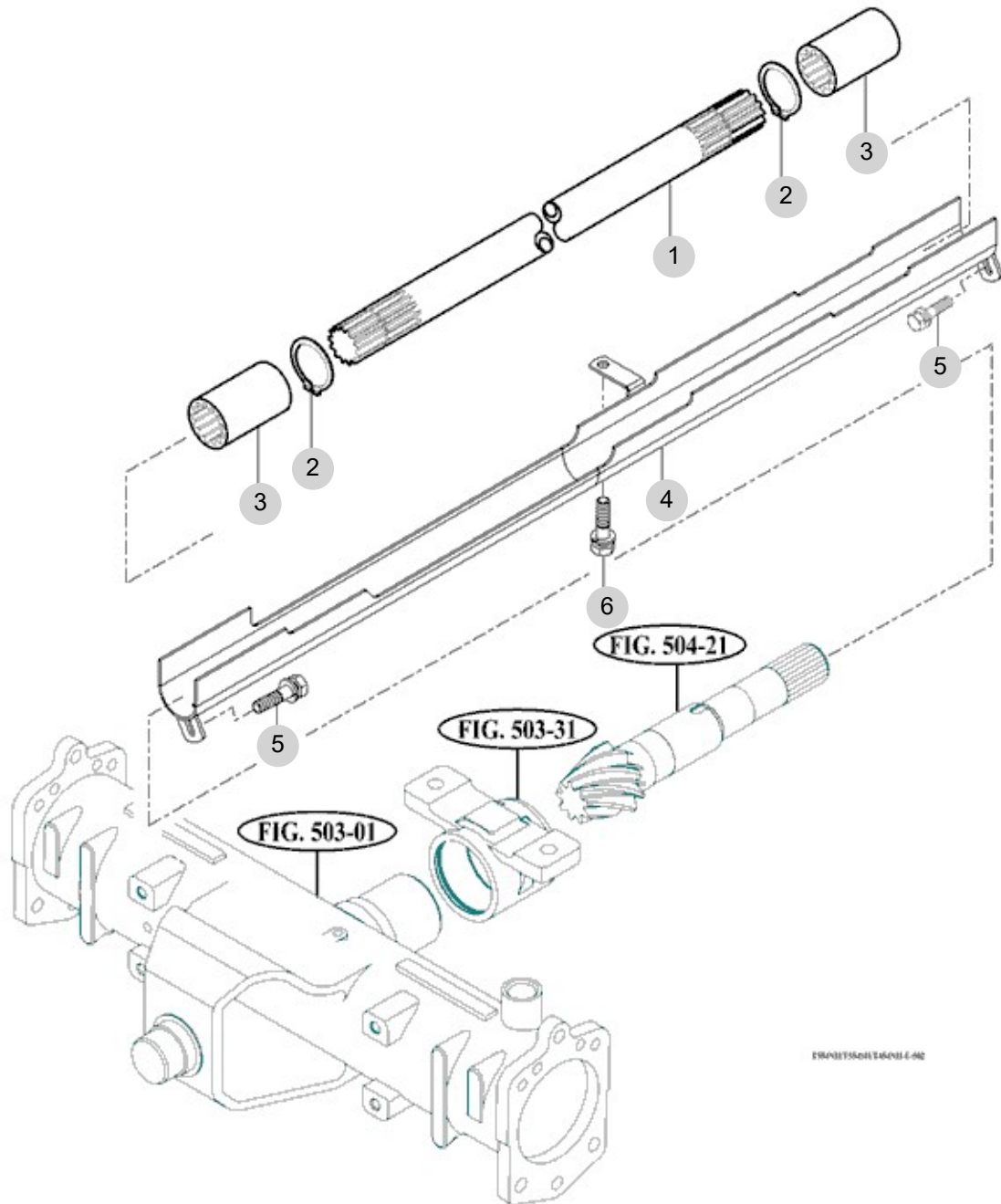
FIG 502

T554SH

FRONT DRIVE SHAFT

년/월
Year/Month

2022-12



NOTE

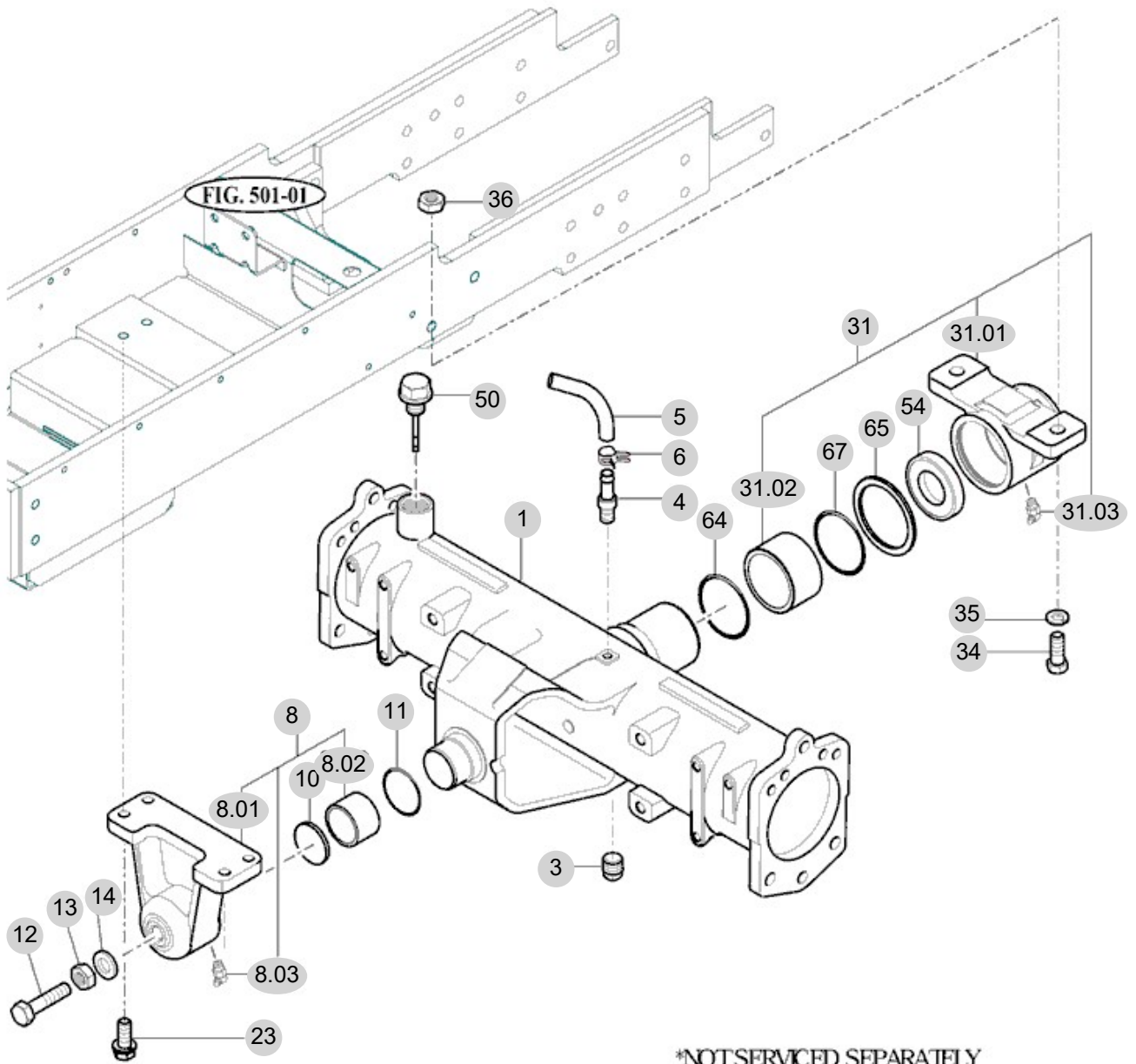
FIG 503

T554SH

FRONT AXLE HOUSING

년/월
Year/Month

2022-12



T194/04 E-001

NOTE

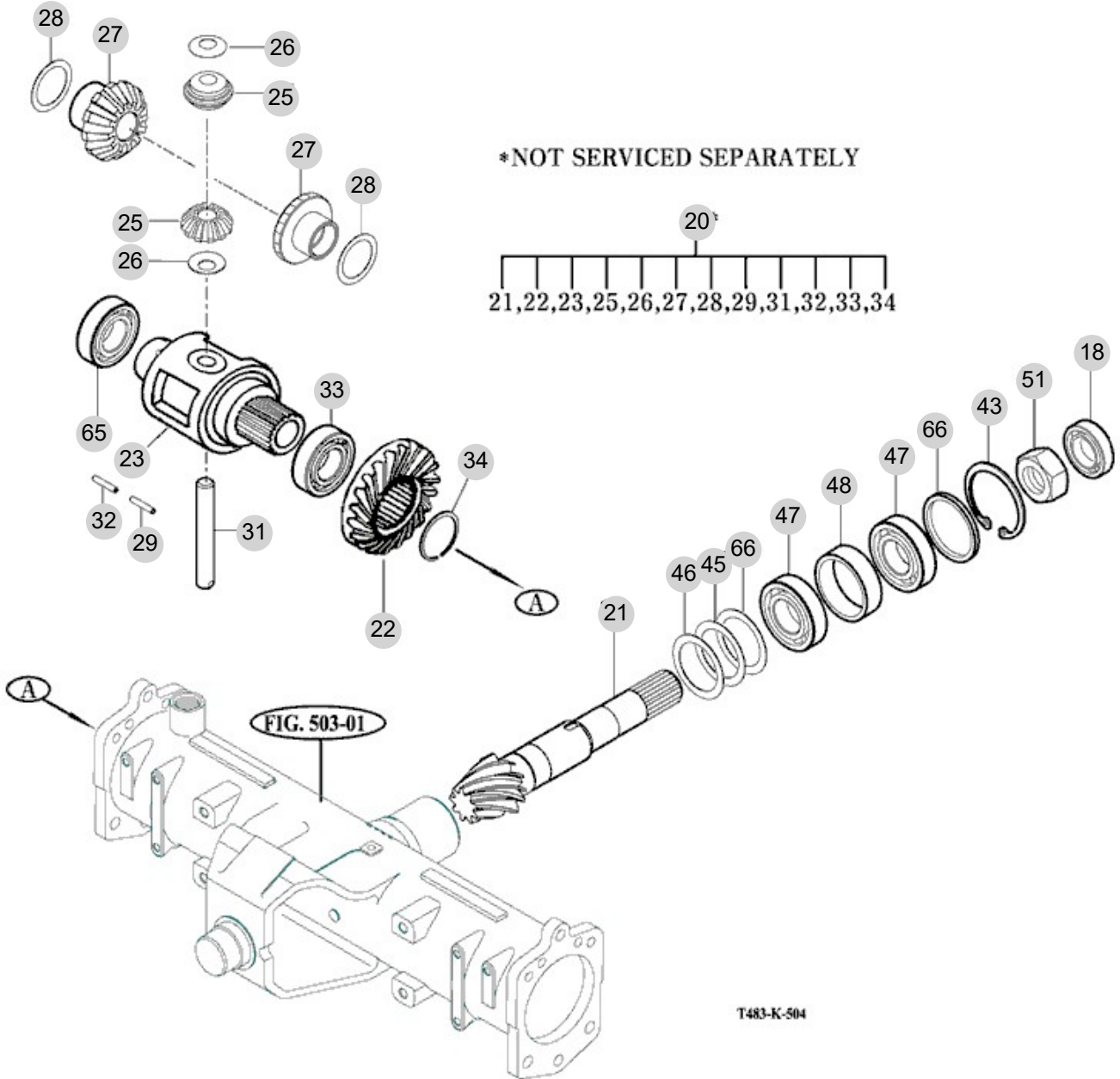
FIG 504

FRONT DIFFERENTIAL GEARS

년/월
Year/Month

2022-12

T554SH



NOTE

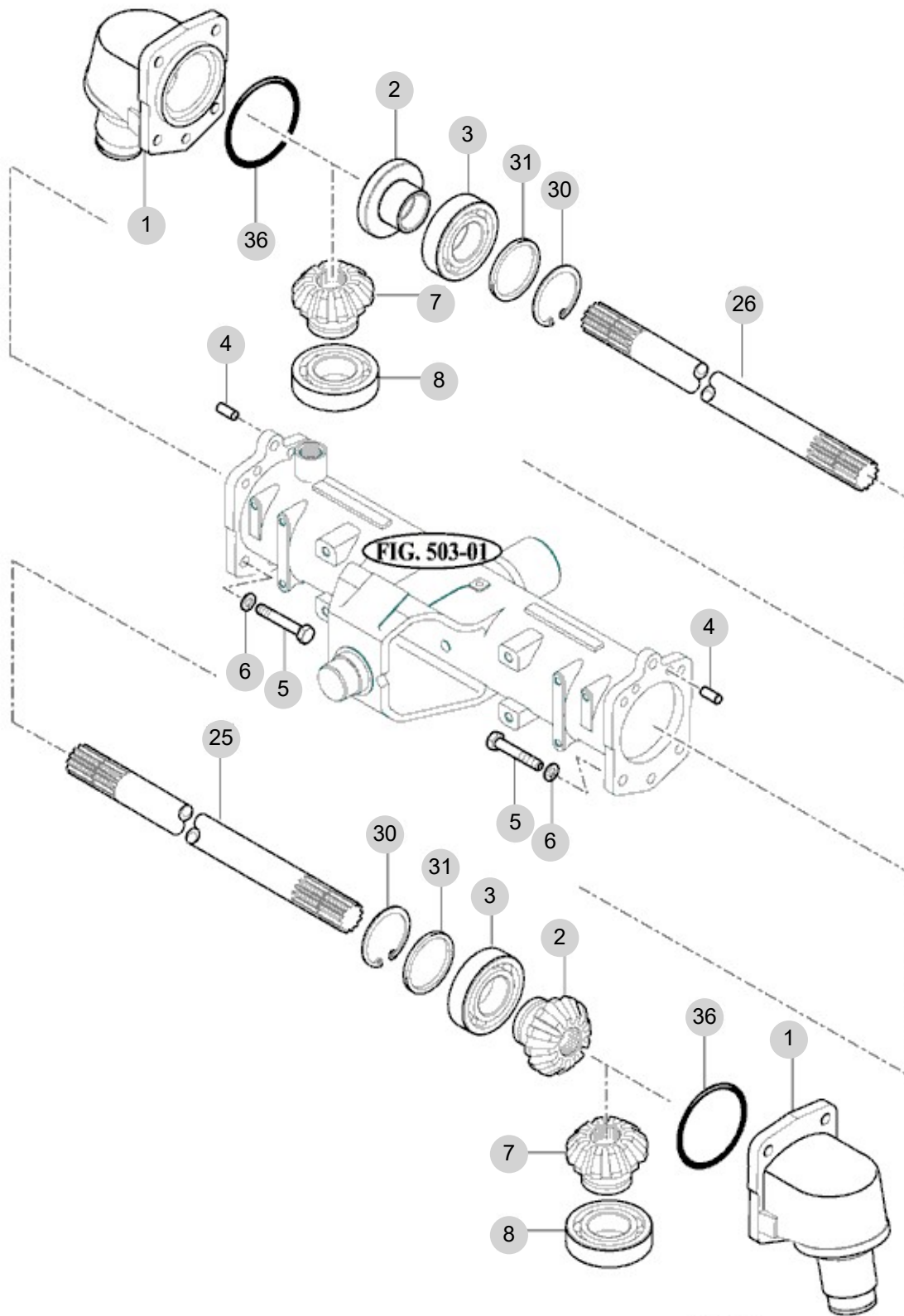
FIG 505

T554SH

FRONT GEAR CASE (1)

년/월
Year/Month

2022-12



T483-k-505

NOTE

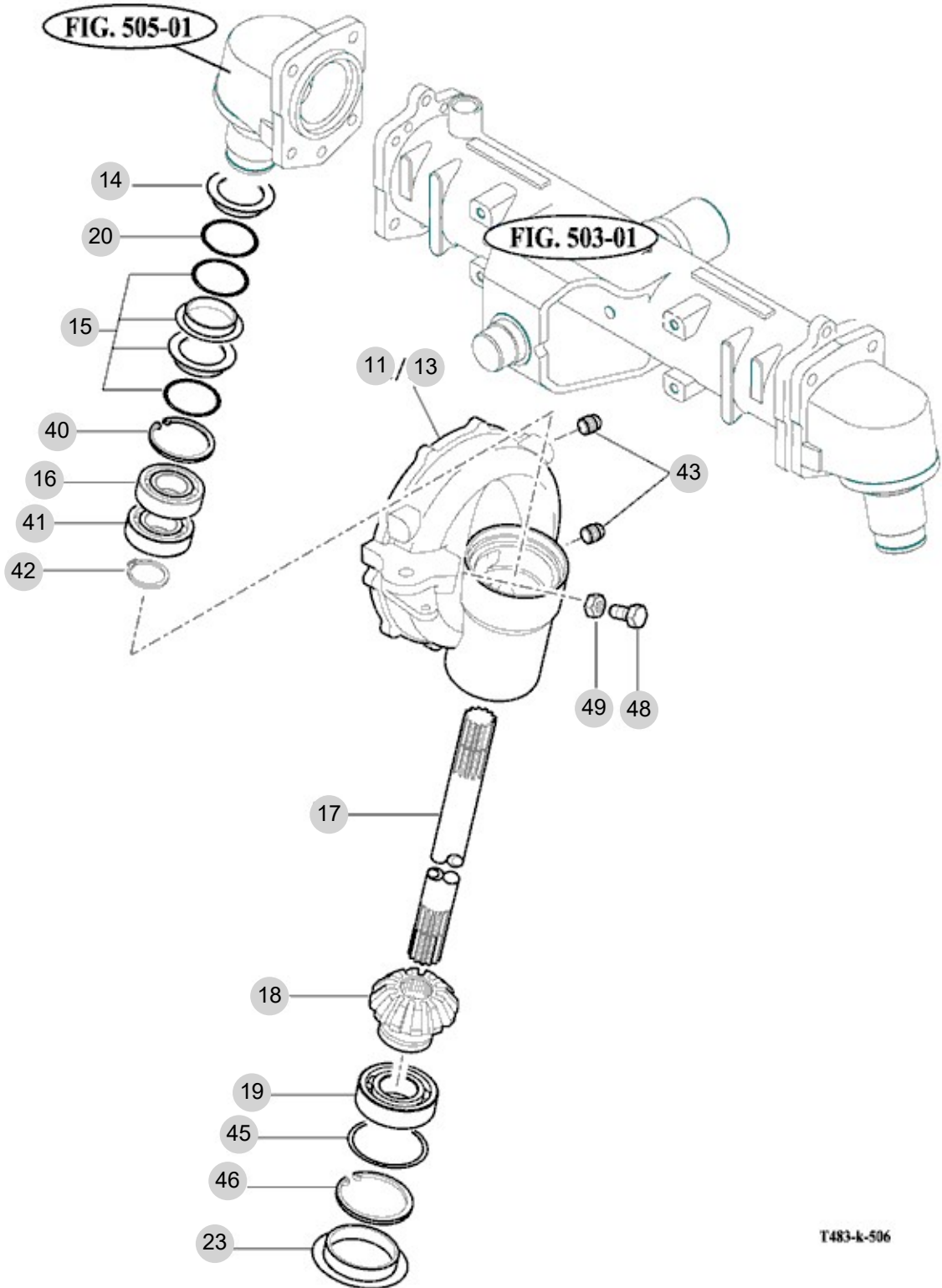
FIG 506

T554SH

FRONT GEAR CASE (2)

년/월
Year/Month

2022-12



T483-k-506

NOTE

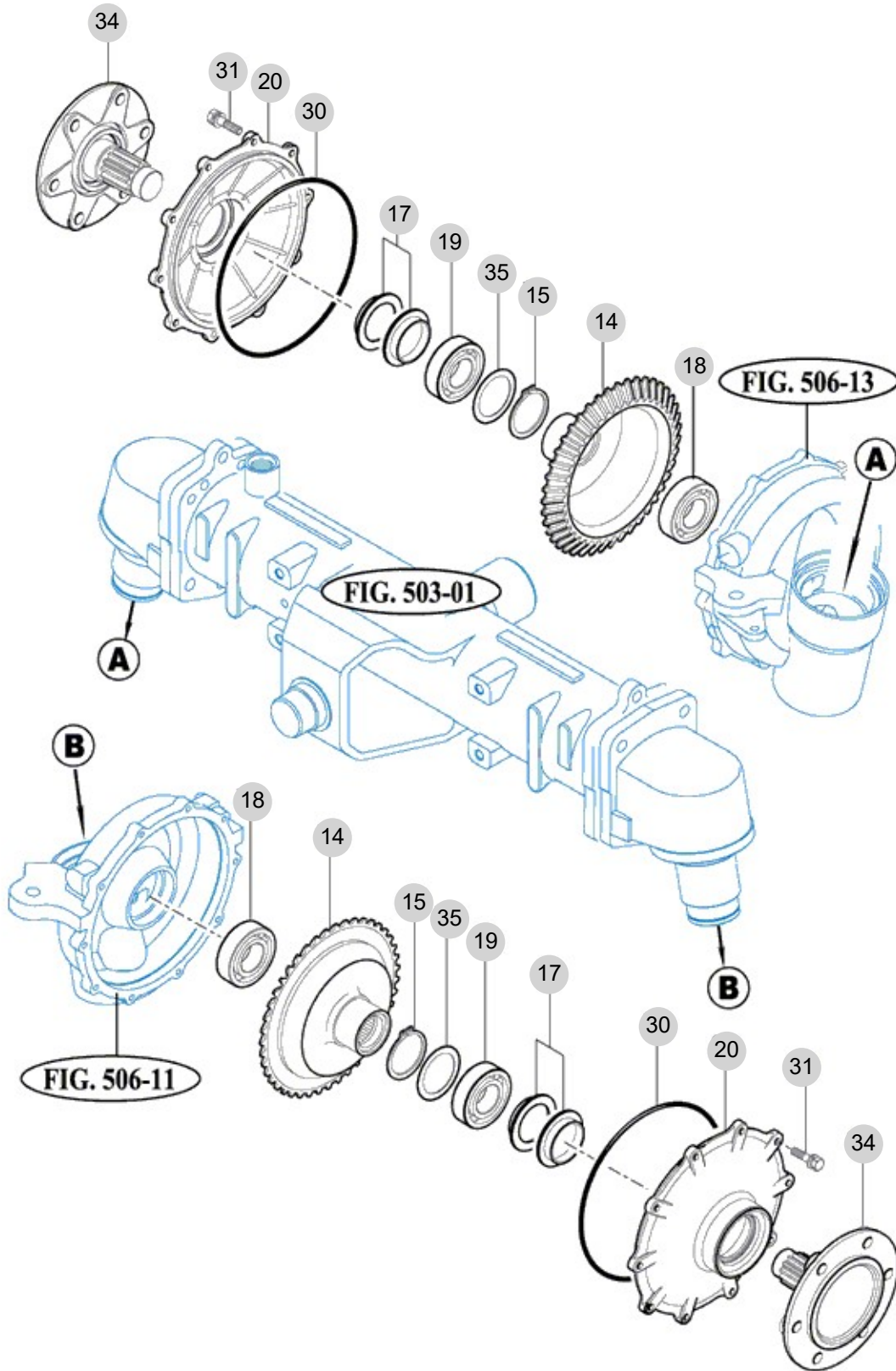
FIG 507

T554SH

FRONT GEAR CASE (3)

년/월
Year/Month

2022-12



T483-k-507

NOTE

6. Hydraulic/3P-Link PART NO. T6

FIG 601 CYLINDER CASE	145
FIG 602 LIFT ARM	147
FIG 603 CYLINDER	149
FIG 604 POSITION LINK	151
FIG 605 CONTROL VALVE	153
FIG 606 DRAFT LINK	155
FIG 607 POSITION & DRAFT LEVER	157
FIG 607 POSITION & DRAFT LEVER	159
FIG 609 HYDRAULIC PIPE	161
FIG 610 JOYSTICK	164
FIG 611 HYDRAULIC HOSE	166
FIG 612 HITCH & 3-POINT LINK	168
FIG 613 LOWER LINK & LIFT ROD	171
FIG 614 EXTERNAL POSITION LEVER KIT	173

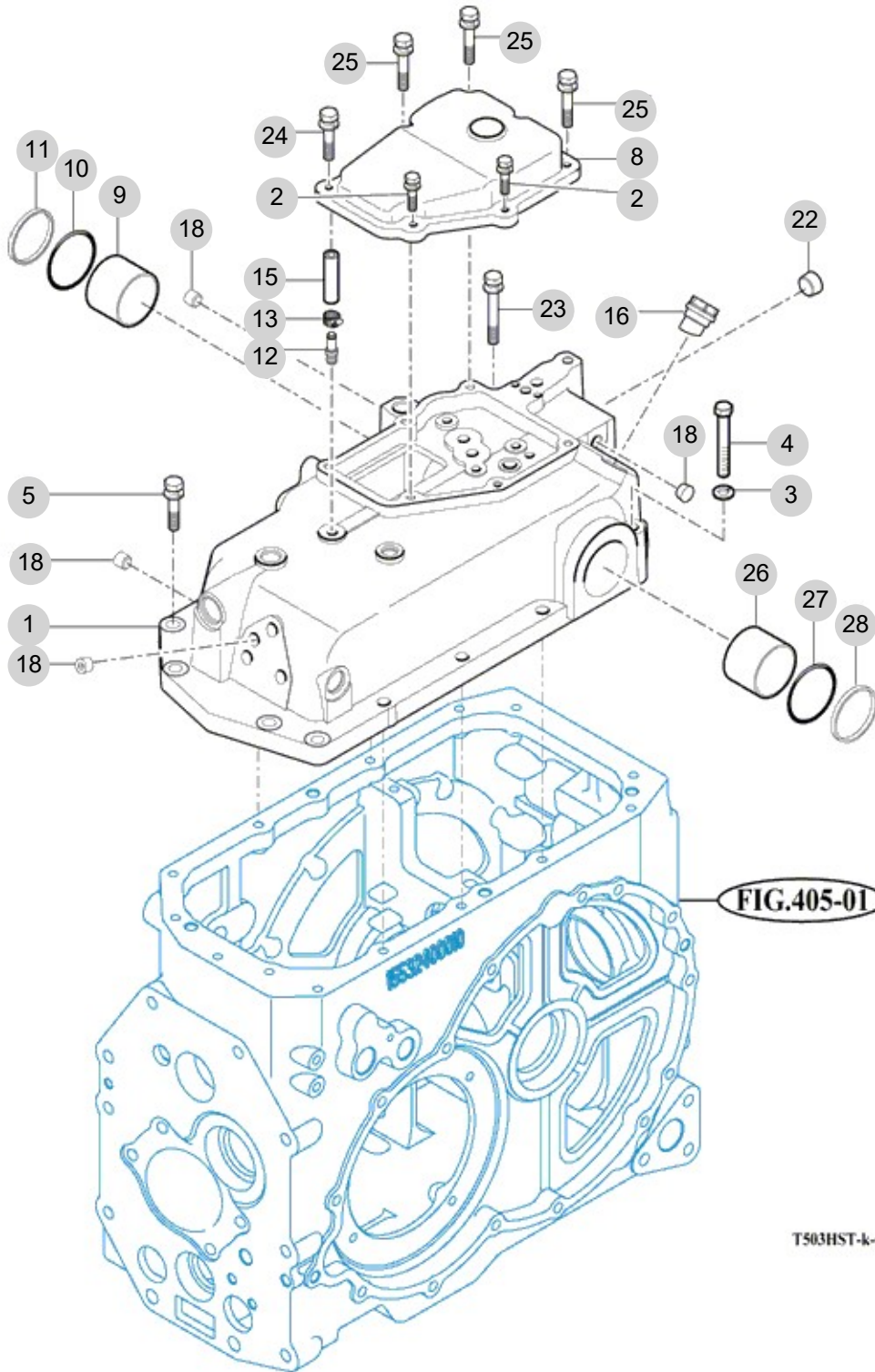
FIG 601

CYLINDER CASE

년/월
Year/Month

2022-12

T554SH



NOTE

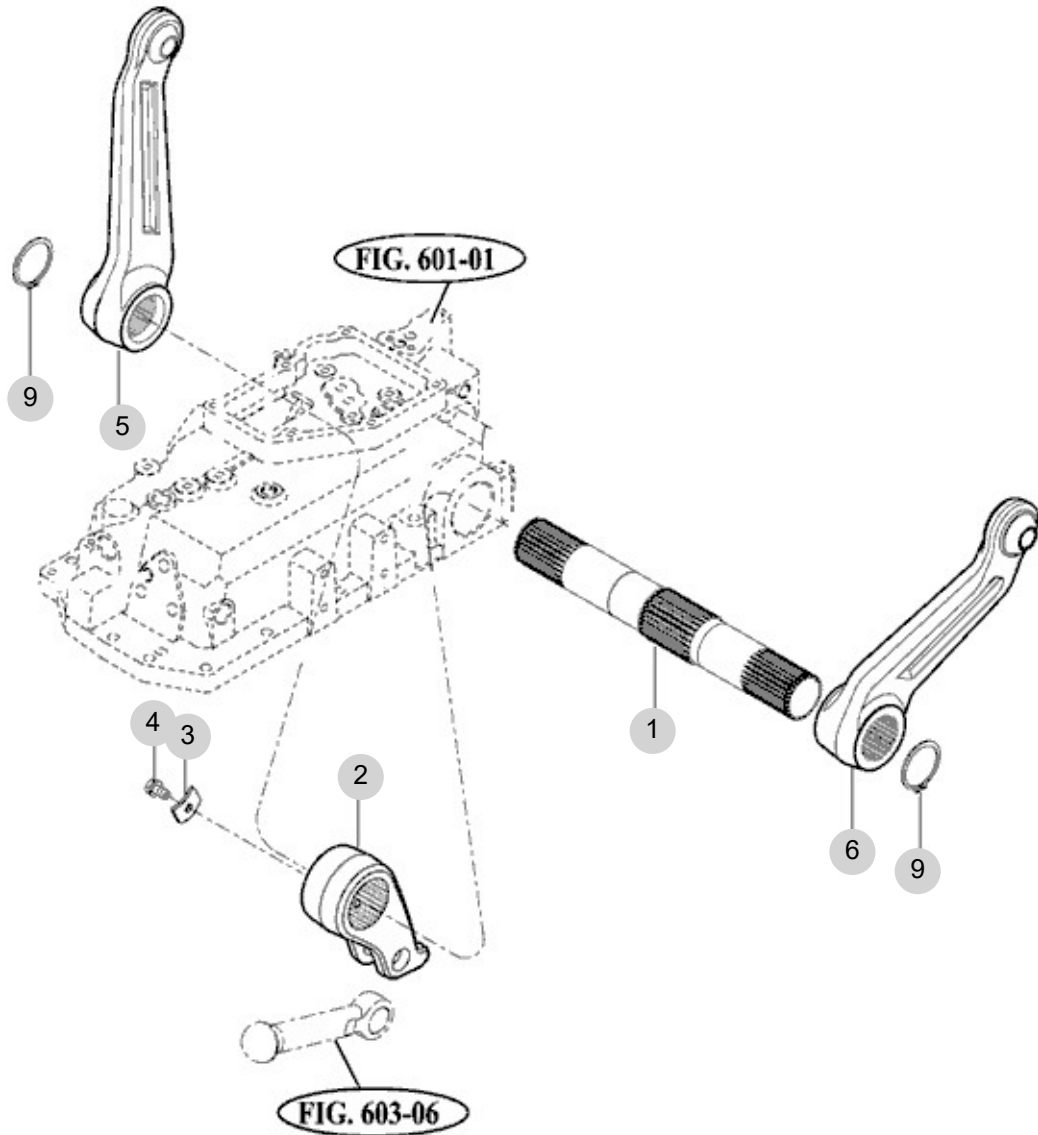
FIG 602

T554SH

LIFT ARM

년/월
Year/Month

2022-12



T473-E-602A

NOTE

FIG 602 T554SH		LIFT ARM						년/월 Year/Month	
								2022-12	
KEY NO	PART NO	DESCRIPTION	SPEC	QTY	REPAIR	EFFECTIVE DATE	REMARKS		
602	1	17995020010M	BAR	1					
602	1	17995020011M	BAR	1					
602	2	17995020021M	LIFT , CRANK	T=0.08	1				
602	3	17995020030	PLATE	T=3.2	1				
602	4	V2173608016	BOLT , HEX/S	M8X16	1				
602	5	17995020200M	ARM ASSY , LIFT	7.8X12.1X32.4	1				
602	6	17995020200M	ARM ASSY , LIFT	7.8X12.1X32.4	1				
602	9	V7041400480	C-RING , SHAFT	48	2				
NOTE									

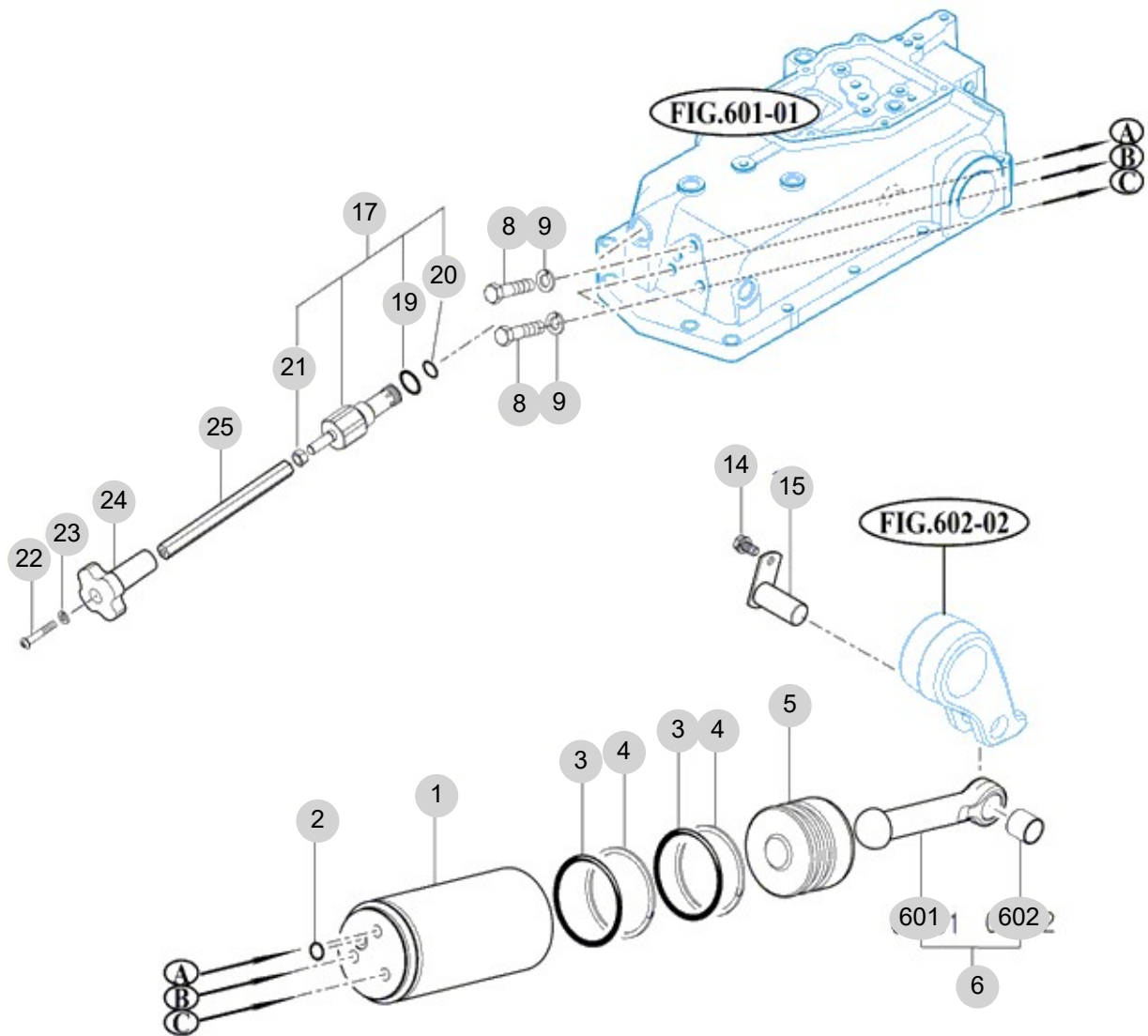
FIG 603

T554SH

CYLINDER

년/월
Year/Month

2022-12



T483-K-603

NOTE

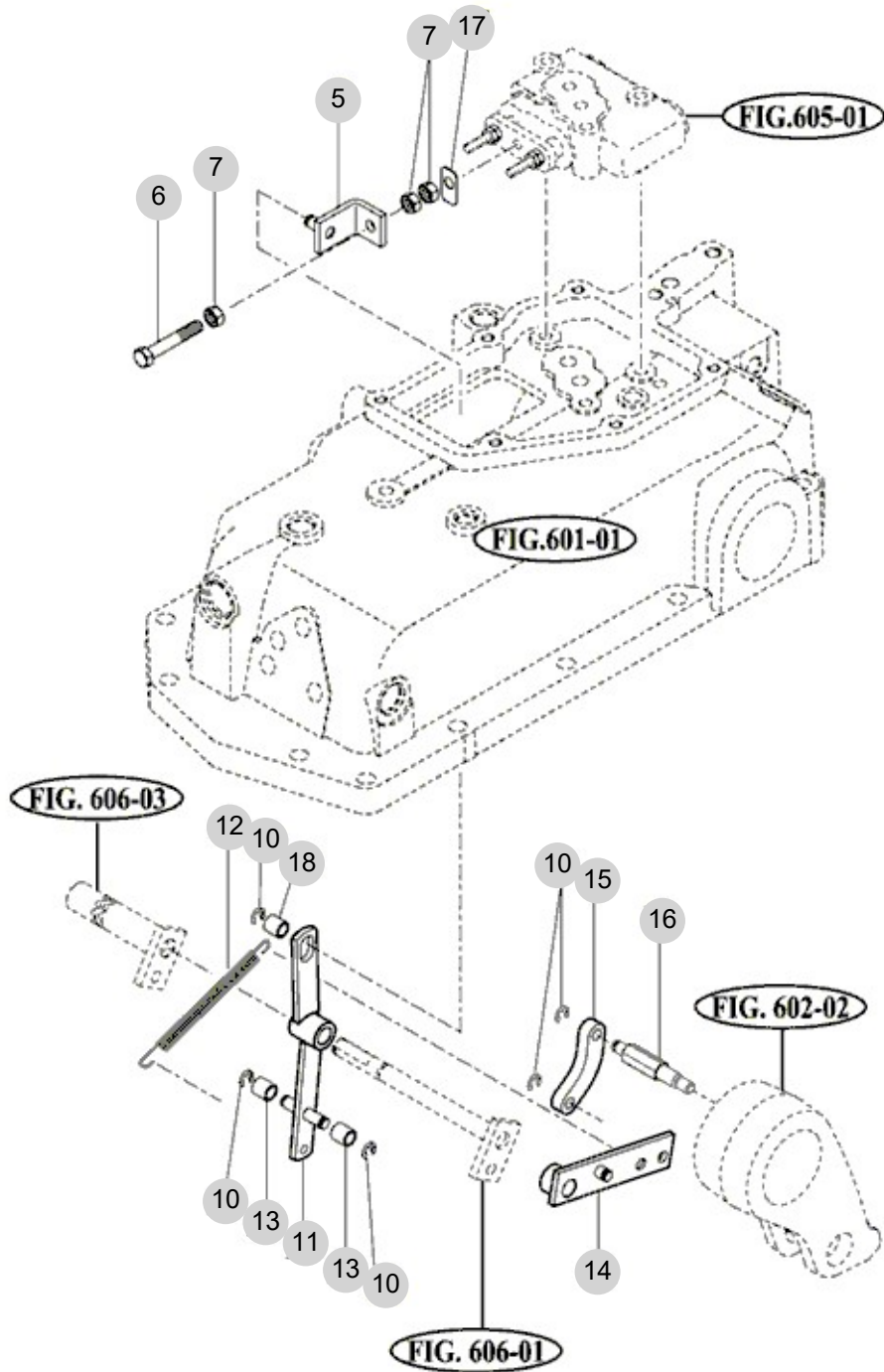
FIG 604

T554SH

POSITION LINK

년/월
Year/Month

2022-12



T483-K-604

NOTE

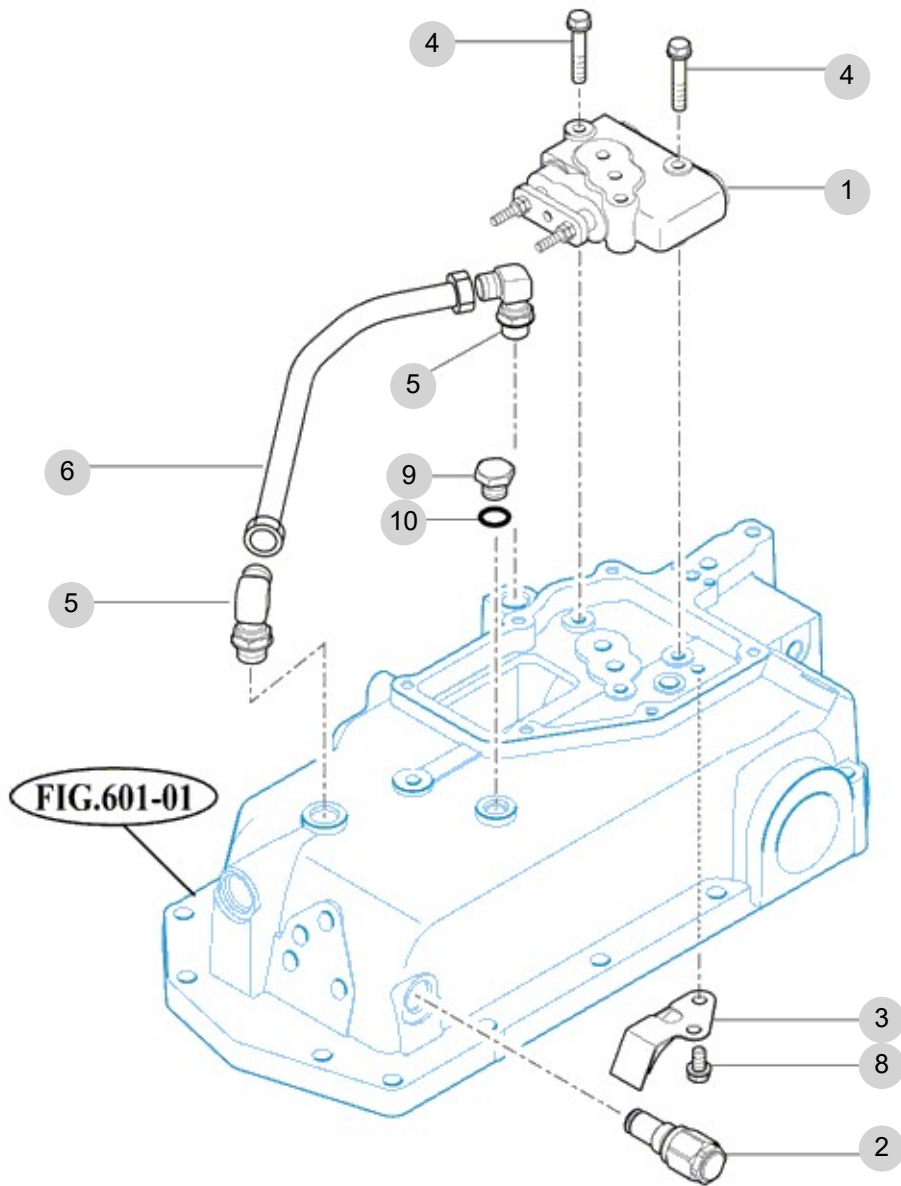
FIG 605

T554SH

CONTROL VALVE

년/월
Year/Month

2022-12



T503HST-K-605

NOTE

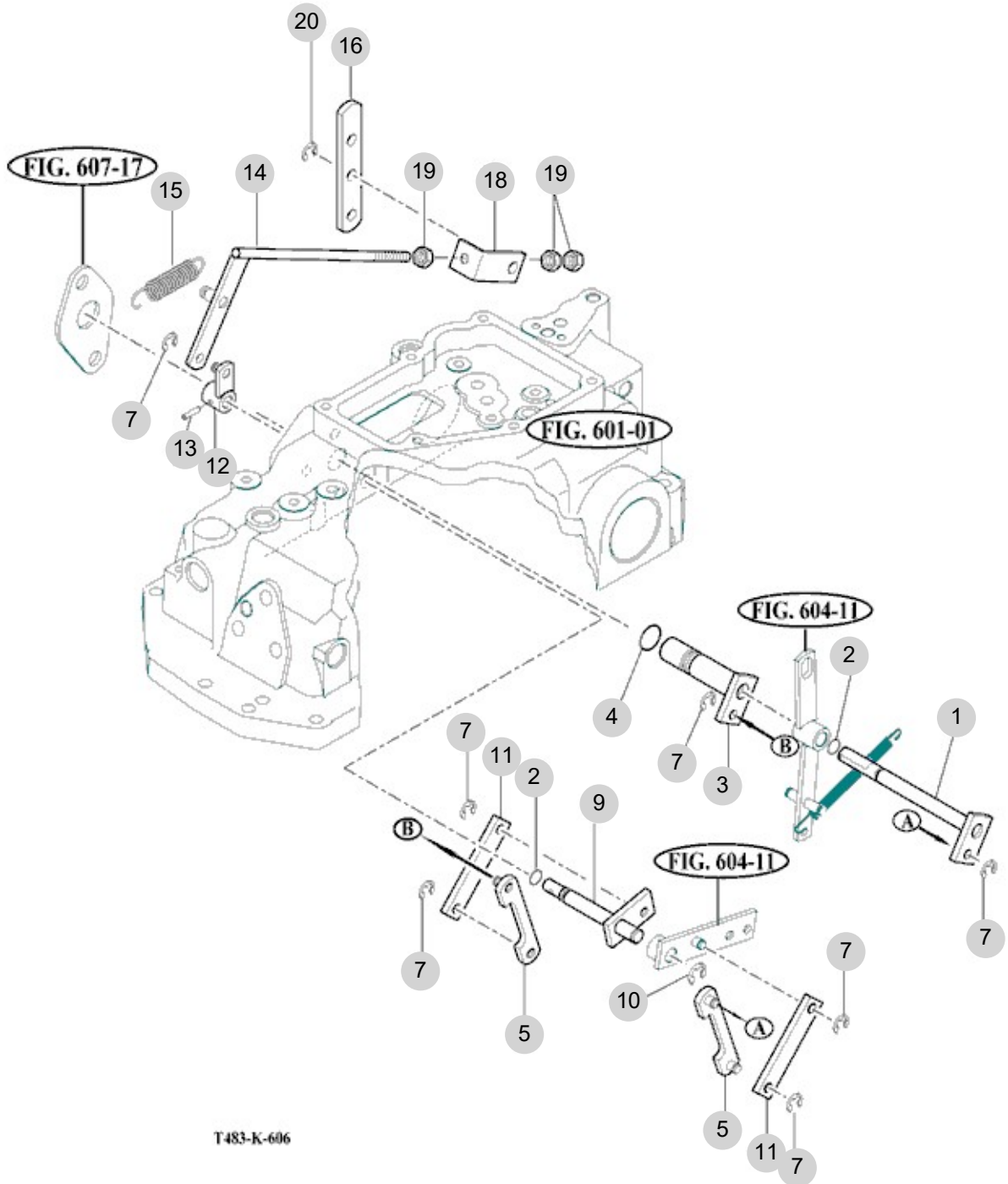
FIG 606

T554SH

DRAFT LINK

년/월
Year/Month

2022-12



NOTE

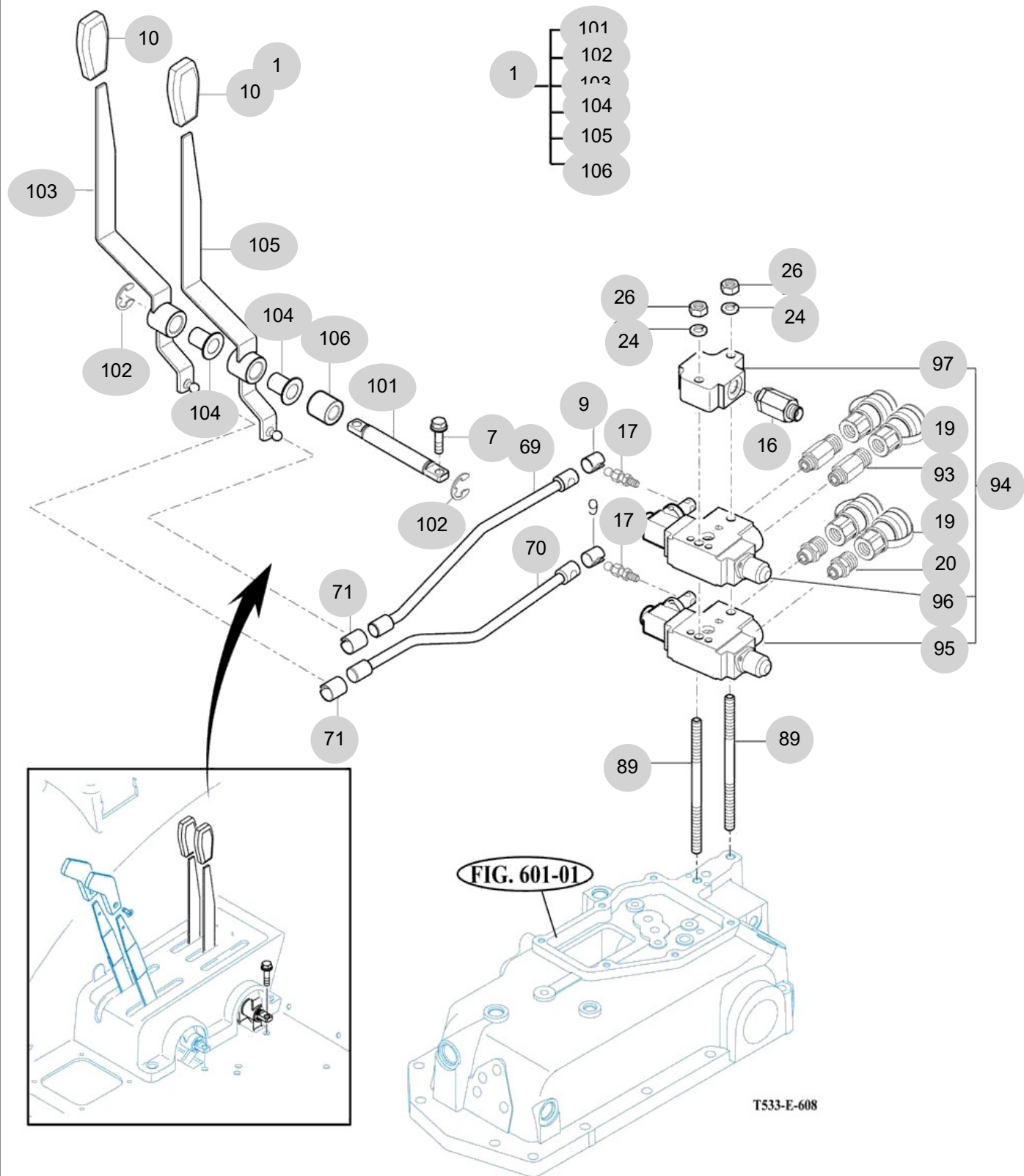
FIG 607

POSITION & DRAFT LEVER

년/월
Year/Month

2022-12

T554SH



NOTE

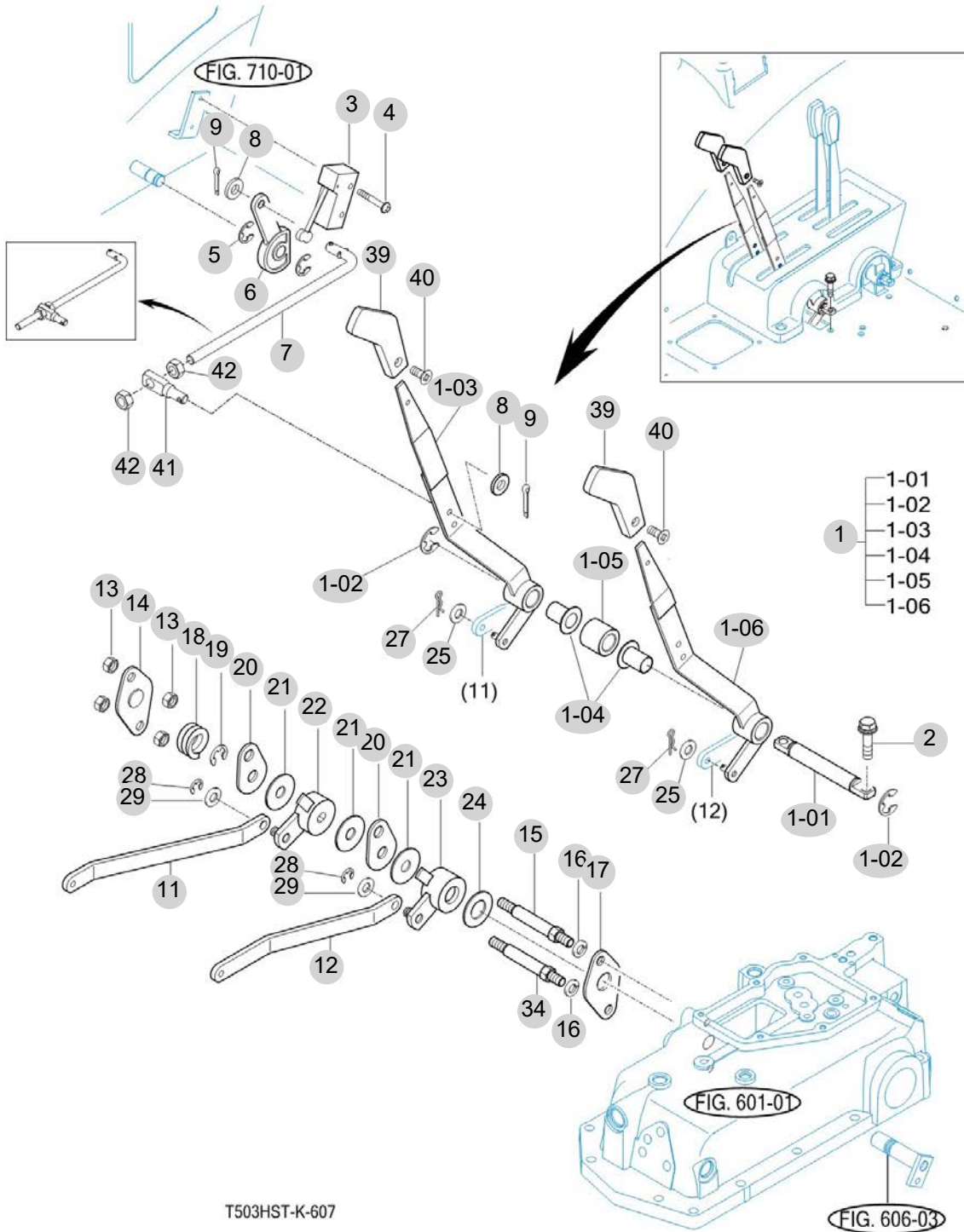
FIG 607

POSITION & DRAFT LEVER

년/월
Year/Month

2022-12

T554SH



NOTE

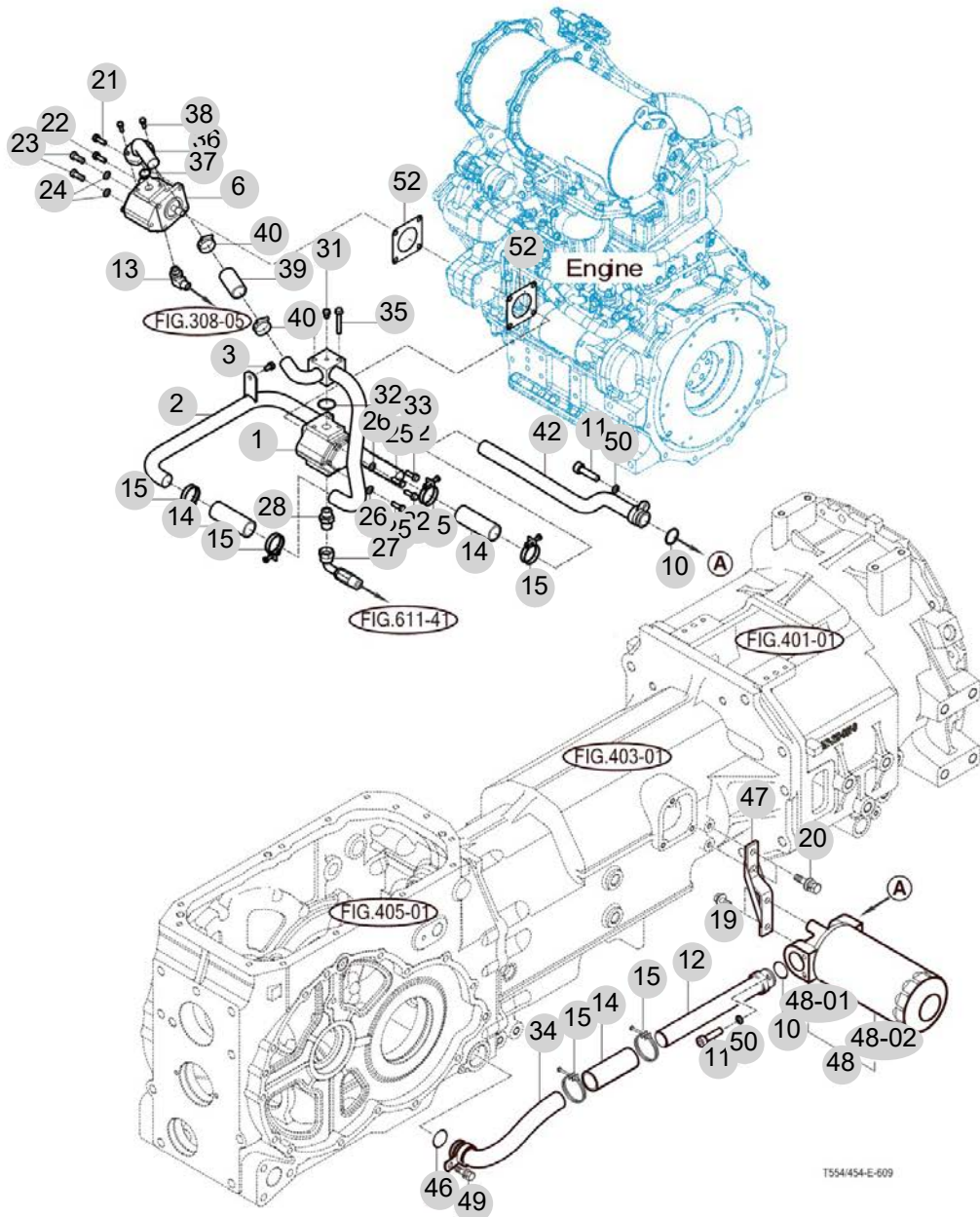
FIG 609

HYDRAULIC PIPE

년/월
Year/Month

2022-12

T554SH



T554/454-E-609

NOTE

FIG 609		HYDRAULIC PIPE					년/월 Year/Month		
							2022-12		
T554SH		KEY NO	PART NO	DESCRIPTION	SPEC	QTY	REPAIR	EFFECTIVE DATE	REMARKS
609	1	15115100001	PUMP ASSY , GEAR (MAIN)			1			
609	2	17465152201GB	PIPE COMP , SUCTION FR/RR			1			
609	2	17465152202GB	PIPE COMP , SUCTION FR/RR			1			
609	3	V2173608016	BOLT , HEX/S	M8X16		1			
609	6	15115200000	PUMP ASSY , GEAR	7.5CC/REV		1			
609	10	V7211031030	O-RING , G			2			
609	11	V2205408016	BOLT , HEX-SOCKET	M8X16		2			
609	12	14525153401	PIPE COMP , FR SUCTION			1			
609	12	14525153401PC	PIPE COMP , FR SUCTION			1			
609	12	14525153401	PIPE COMP , FR SUCTION			1			
609	13	36313530021	ADAPTER , HIGH-PRESSURE	25XC112X39		1			
609	14	15605150031	HOSE , 100			3			
609	15	18027090400	BAND CLAMP 40 EMBO TYPE	D=40		6			
609	19	V2183610025	BOLT , HEX/SP	M10X25		2			
609	20	V2183608020	BOLT , HEX/SP	M8X20		2			
609	21	V2173608040	BOLT , HEX/S	M8X40		1			
609	22	V2173608025	BOLT , HEX/S	M8X25		3			
609	23	V2013608110	BOLT , HEX	M8X110		2			
609	24	V4011600080	WASHER , SPRING	M8		2			
609	25	V2013608110	BOLT , HEX	M8X110		2			
609	26	V4011600080	WASHER , SPRING	M8		2			
609	27	14525152331	HOSE ASSY , HYD 1560	1X1X1		1			
609	28	16582630620	CONNECTOR , PF1/2	C3236-0808		1			
609	31	13267060022	PLUG , DRAIN	육각 B=12		1			
609	32	V7211031030	O-RING , G			1			
609	33	17465153301GB	PIPE COMP , SUCTION FR			1			
609	33	17465153302GB	PIPE COMP , SUCTION FR			1			
609	33	17465153303GB	PIPE COMP , SUCTION FR			1			
609	34	14525162402PC	PIPE COMP , SUCTION RR			1			
609	34	14525162403	PIPE COMP , SUCTION RR			1			
609	35	V2173608055	BOLT , HEX/S	M8X55		2			
609	36	15155152901GB	PIPE COMP , FR SUCTION			1			
609	37	V7201024018	O-RING , P	P18		1			
609	38	V2113606020	BOLT , HEX /S	M6X20		2			
609	39	19955100010	HOSE , 26X34X60			1			
609	40	18027090400	BAND CLAMP 40 EMBO TYPE			2			
609	42	14525152101	PIPE COMP , SUCTION IN			1			
609	42	14525152102	PIPE COMP , SUCTION IN			1			
609	42	14525152102PC	PIPE COMP , SUCTION IN			1			
609	42	14525152103	PIPE COMP , SUCTION IN			1			
609	46	V7211031030	O-RING , G	G30		1			
609	47	14525150000GB	BRACKET , OIL FILTER			1			
609	47	14525150000	BRACKET , OIL FILTER			1			
609	47	14525150001	BRACKET , OIL FILTER			1			
609	48	17975152001	FILTER ASSY , SUCTION 43	1X1X1		1			
NOTE									

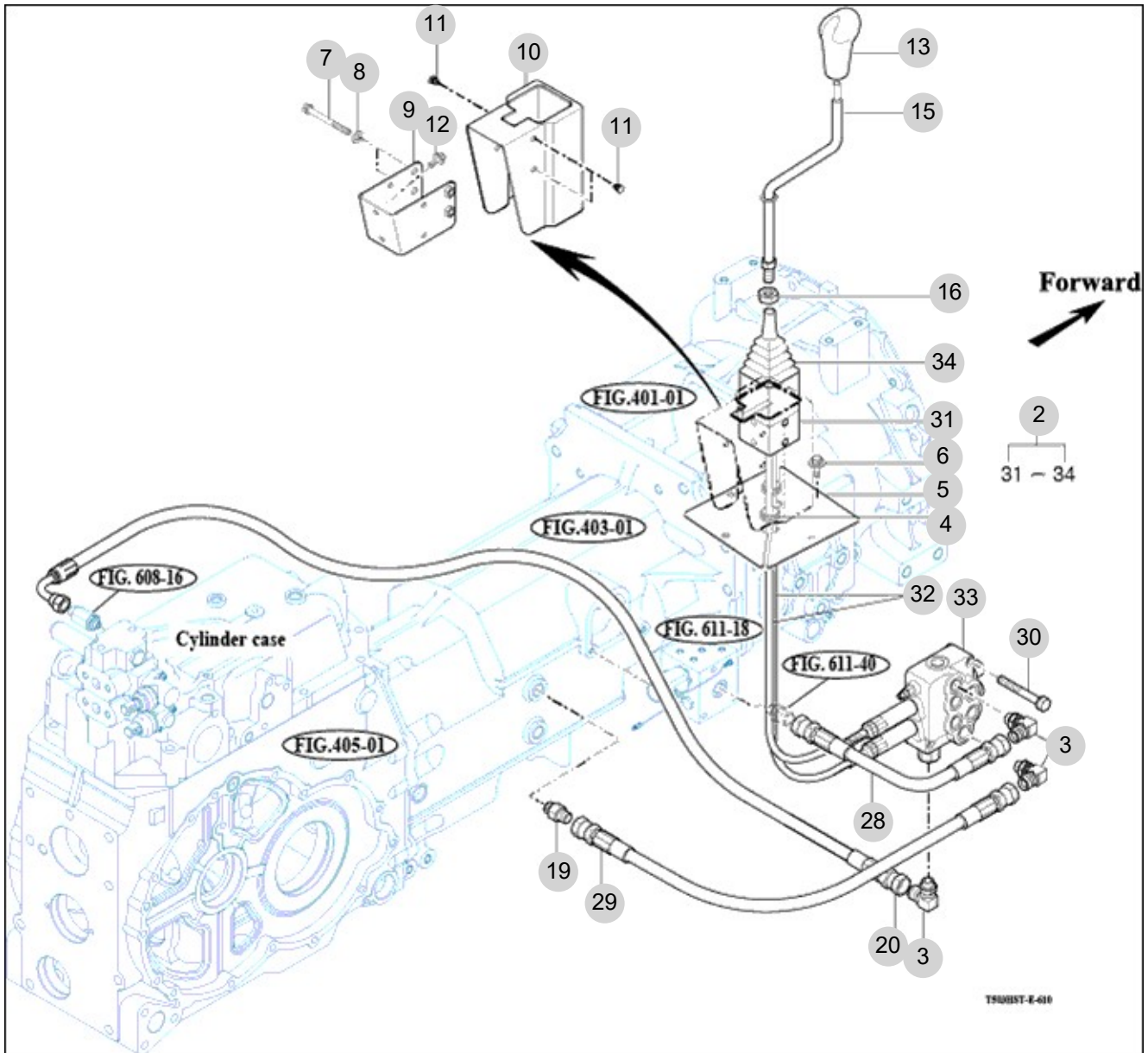
FIG 610

T554SH

JOYSTICK

년/월
Year/Month

2022-12



NOTE

FIG 610		JOYSTICK					년/월 Year/Month	
T554SH								2022-12
KEY NO	PART NO	DESCRIPTION	SPEC	QTY	REPAIR	EFFECTIVE DATE	REMARKS	
610	2	15155162502	JOYSTICK ASSY , LOADER VV					
610	3	17407362300	ELBOW , PF3/8 PF1/2	"PF3/8,PF1/2"	3			
610	4	14526300530	INSULATOR . JOYSTICK	1X1X1	2			
610	5	17685161810GB	PLATE , SEAL	1X1X1	2			
610	6	V2193606016	BOLT , HEX/SPL	M6X16	4			
610	7	V2173608085	BOLT , HEX/S	M8X85	2			
610	8	V4111600080	WASHER , PLAIN	M8	2			
610	9	14527103100GB	BRACKET , JOYSTICK	T=3.2	1			
610	10	14527100010	COVER , JOYSTICK T483	T=2.5	1			
610	11	15276040020	CLIP , TRIM	1X1X1	3			
610	12	V2183608020	BOLT , HEX/SP	M8X20	2			
610	13	4IMP500707	GRIP , JOYSTICK	1X1X1	1			
610	13	10896013800	GRIP , JOYSTICK		1			
610	15	15157103901GB	LEVER COMP . JOYSTICK		1			
610	16	V3302600140	NUT , HEX FINE/2	M14	1			
610	19	17995161130	UNION , PF3/8 PF1/2		1			
610	20	14525152331	HOSE ASSY , HYD 1560	1X1X1	1			
610	28	14524070010	HOSE ASSY , HYD 390		1			
610	29	17685162202	HOSE ASSY , HYD 530		1			
610	30	V2173608060	BOLT , HEX/S	M8X60	3			
610	31	14527103600	BODY ASSY , JOYSTICK	T=12	1			
610	32	14527103700	CABLE ASSY , JOYSTICK (620)	T=12	1			
610	32	14527103701	CABLE ASSY , JOYSTICK (620)		2			
610	33	15157103802	VALVE ASSY , LOADER(DUKIN)		2			
610	34	14527103610	BOOTS , JOYSTICK VALVE		1			
NOTE								

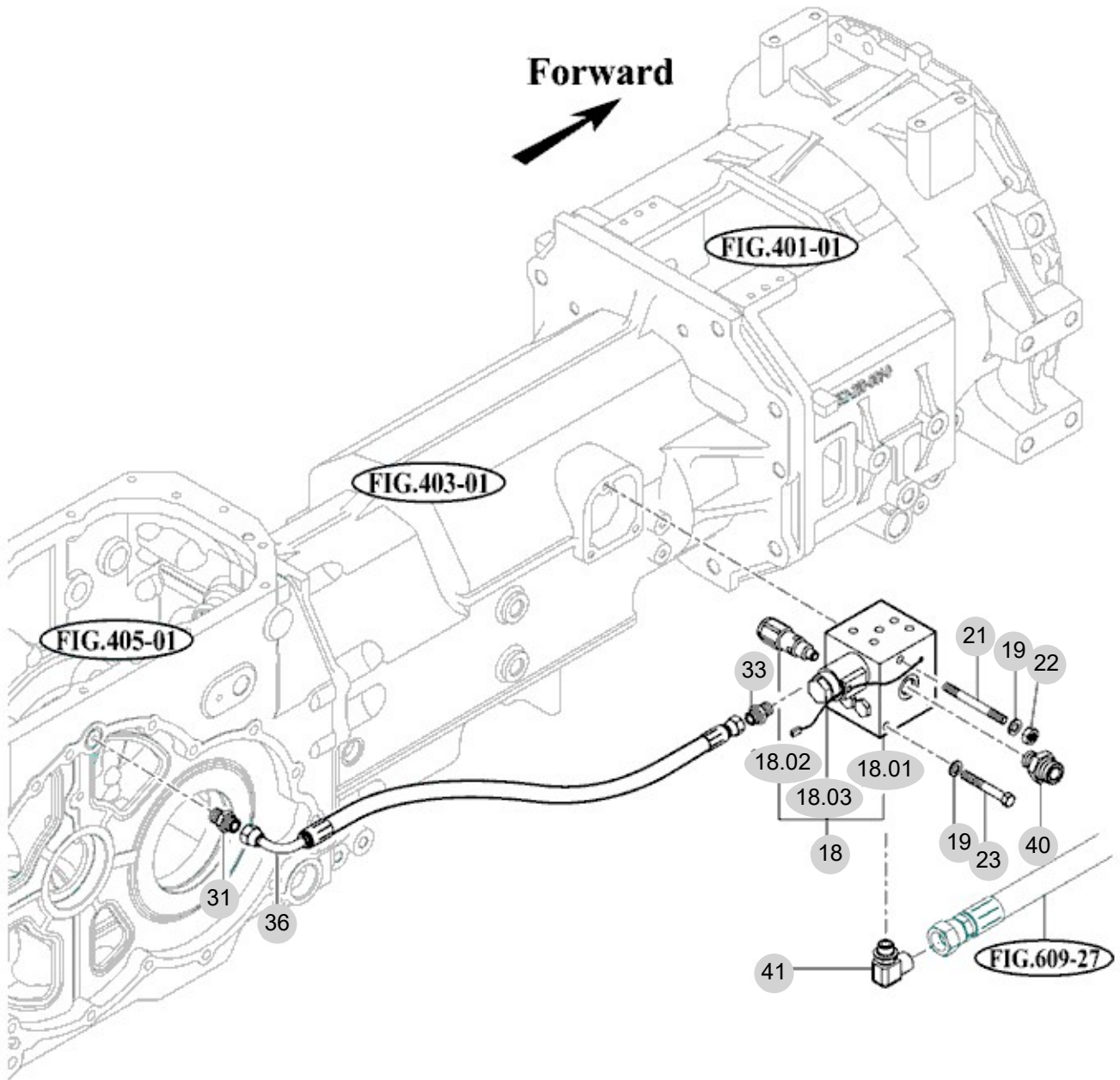
FIG 611

T554SH

HYDRAULIC HOSE

년/월
Year/Month

2022-12



T554/454-E-611

NOTE

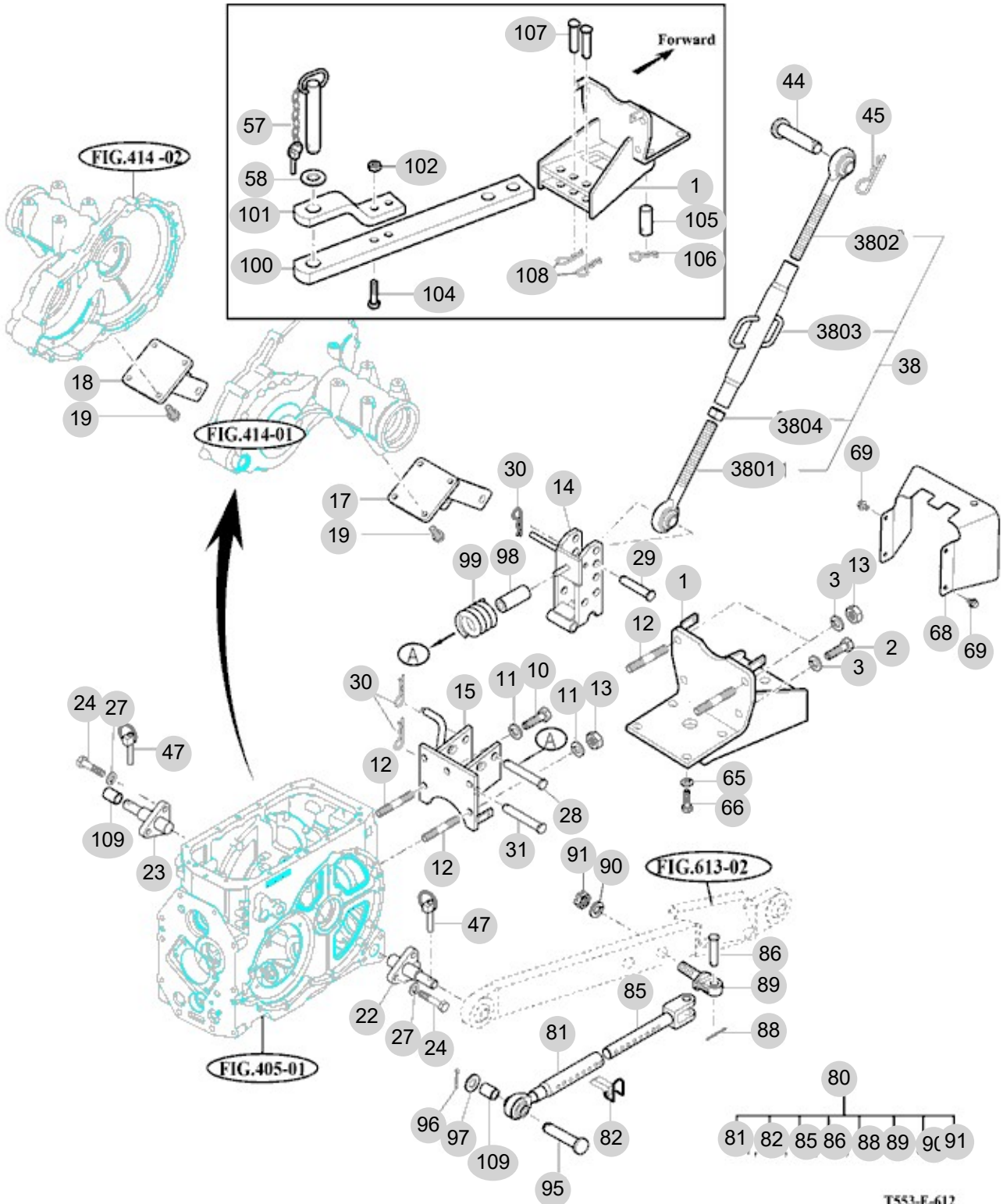
FIG 612

HITCH & 3-POINT LINK

년/월
Year/Month

2022-12

T554SH



T553-E-612

NOTE

FIG 612		HITCH & 3-POINT LINK					년/월 Year/Month		
							2022-12		
T554SH		KEY NO	PART NO	DESCRIPTION	SPEC	QTY	REPAIR	EFFECTIVE DATE	REMARKS
612	1	15535202001GB	BRACKET COMP, SWING DRAWBAR			1			
612	1	15535202002GB	BRACKET COMP, SWING DRAWBAR			1			
612	1	15535202003GB	BRACKET COMP, SWING DRAWBAR			1			
612	2	V2013616035	BOLT, HEX	M16X35		2			
612	3	V4011600160	WASHER, SPRING	M16		4			
612	10	V2013616035	BOLT, HEX	M16X35		3			
612	11	V4011600160	WASHER, SPRING	M16		5			
612	12	V2513416035	BOLT, STUD/2	M16X35		4			
612	13	V3043600160	NUT, HEX/2	M16		4			
612	14	16735222102GB	LINK COMP	1X1X1		1			
612	15	15185222000GB	BRACKET COMP			1			
612	17	14525254100GB	BRACKET COMP, RR			1			
612	18	14525254100GB	BRACKET COMP, RR			1			
612	19	V2173612030	BOLT, HEX/S	M12X30		8			
612	22	15685252204	PIN COMP, LH			1			
612	23	15685252801	PIN COMP, RH			1			
612	24	V2013614040	BOLT, HEX	M14X40		6			
612	27	V4011600140	WASHER, SPRING	M14		6			
612	28	15645250010	PIN, 19X122	D=19		1			
612	29	15645220020	PIN, 19X95	D=19		1			
612	30	14445140051	PIN, 19	D=4.5		3			
612	31	15645250010	PIN, 19X122	D=19		1			
612	38	16505245501GB	LINK ASSY, TOP LINK			1			
612	38	16505245502GB	TOP LINK ASSY			1			
612	44	15645220011	PIN, 19X86	D=19		1			
612	45	14445140051	PIN, 19	D=4.5		1			
612	47	14215020020	PIN, LINK			2			
612	57	S0973063031	PIN ASSY	1X1X1		1			
612	58	15252470010	RUBBER, CUSHION			1			
612	65	V4011600140	WASHER, SPRING	M14		4			
612	66	V2013614035	BOLT, HEX	M14X35		4			
612	68	13605200012GB	COVER, SHIELD	1X1X1		1			
612	69	V2183608016	BOLT, HEX/SP	M8X16		4			
612	80	15155253000GB	LINK ASSY, ADJUSTER	570*60*50		2			
612	81	15155253100	ROD SUB, FR	44*320*60		2			
612	82	17705254200	PIN	1X1X1		2			
612	85	15155253300	ROD SUB, REAR	340*50*50		2			
612	86	15155253400	PIN, ø20X59	ø20X59		2			
612	88	V5001940035	PIN, SPLIT	4X35		2			
612	89	15155253500	EYEBOLT	66*60*40		2			
612	90	V4111600220	WASHER, PLAIN	M22		2			
612	91	V3343600220	NUT, HEX FINE/2	M22		2			
612	95	15645220020	PIN, 19X95	D=19		2			
612	96	14445140051	PIN, 19	D=4.5		2			
612	97	V4111600200	WASHER, PLAIN	M20		2			
NOTE									

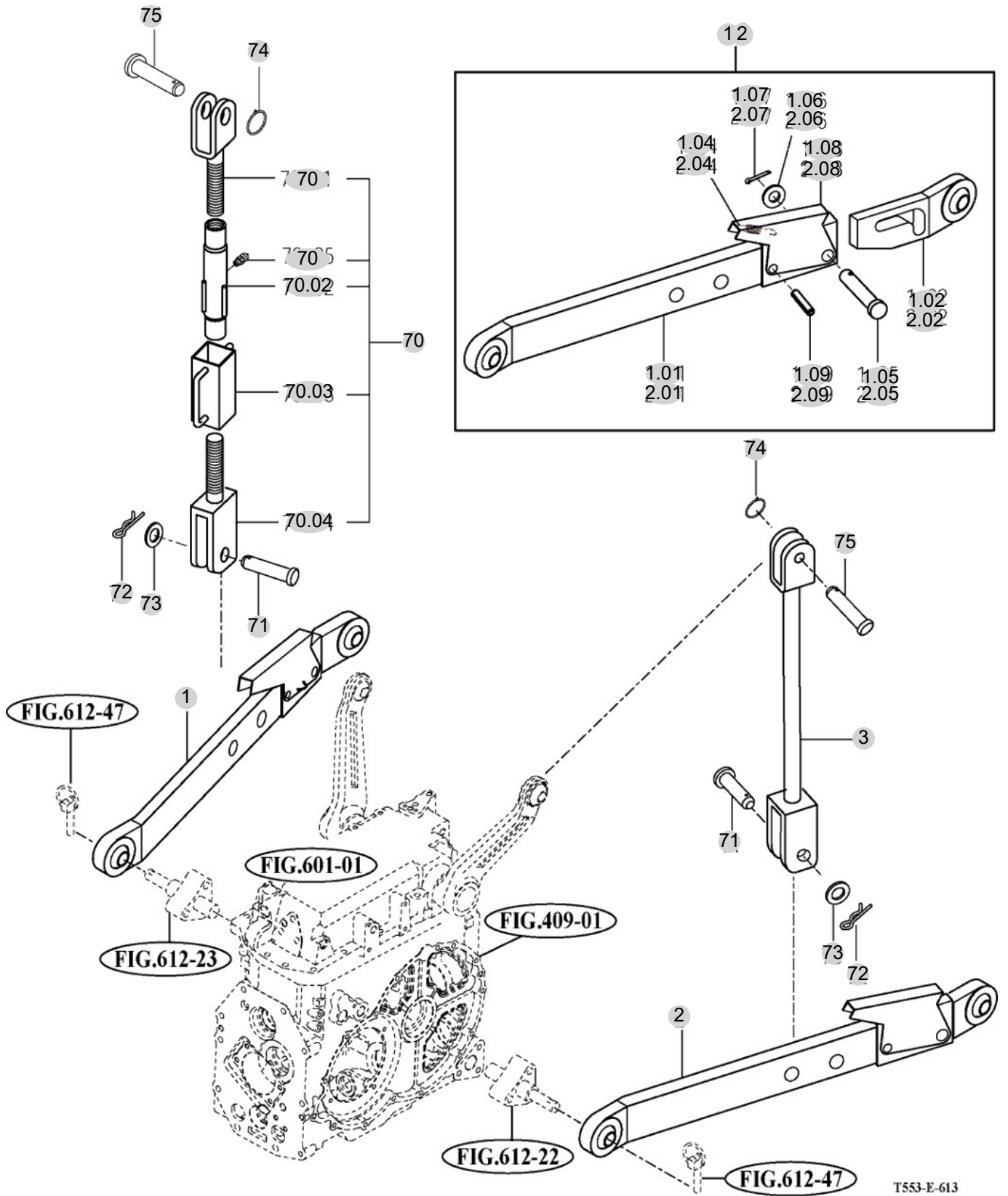
FIG 613

LOWER LINK & LIFT ROD

년/월
Year/Month

T554SH

2022-12



NOTE

FIG 613		LOWER LINK & LIFT ROD					년/월 Year/Month		
							2022-12		
T554SH		KEY NO	PART NO	DESCRIPTION	SPEC	QTY	REPAIR	EFFECTIVE DATE	REMARKS
613	1	15175262200GB	LINK ASSY , RH LOWER	1X1X1	1				
613	1	15155262200GB	LINK ASSY , RH LOWER	1X1X1	1				
613	2	15175262300GB	LINK ASSY , LOWER LH	1X1X1	1				
613	2	15155262300GB	LINK ASSY , LH LOWER	870*100*55	1				
613	3	15175243000GB	ROD ASSY , LIFT	1X1X1	1				
613	3	12185243000GB	ROD ASSY , LIFT		1				
613	3	15155243000GB	ROD ASSY , LIFT	535*55*50	1				
613	3	12175243000GB	ROD ASSY , LIFT		1				
613	70	15175244000GB	LINK ASSY , LIFT RH	1X1X1	1				
613	70	15155244000GB	LIFT ROD ASSY , RH	1X1X1	1				
613	70	V7601500000	NIPPLE , GREASE/A-M6F		1				
613	71	15175250010	PIN , 22X63	D=22	2				
613	71	15605260014	PIN , 16X51	D=16	2				
613	72	S2169908420	PIN , SNAP/28	1X1X1	2				
613	72	V5601600160	PIN , SNAP	160	2				
613	73	V4111600220	WASHER , PLAIN	M22	2				
613	73	V4111600160	WASHER , PLAIN	M16	2				
613	74	16735240060	Spring	D48	2				
613	75	16735243500	PIN	1X1X1	2				
613	101	15175262210	LINK SUB, LOWER RH/FR	810*75*56	1				
613	101	15155262210	LINK SUB, LOWER RH/FR	810*70*56	1				
613	102	15175262220	LINK SUB , LOWER RH/RR	220*80*42	1				
613	102	15155262220	LINK SUB , LOWER RH/RR	220*75*42	1				
613	104	15155262330	SPRING , EXTENSION	T=3.0	1				
613	105	15155262340	PIN , 22X56	22X56	1				
613	106	V4111600220	WASHER , PLAIN	M22	1				
613	107	V5001940035	PIN , SPLIT	4X35	1				
613	108	15155262350	GRIP		1				
613	109	15155262360	PIN , SPRING		1				
613	201	15175262310	LINK SUB, LOWER LH/FR	810*75*56	1				
613	201	15155262310	LINK SUB, LOWER LH/FR	810*70*56	1				
613	202	15175262320	LINK SUB , LOWER LH/RR	220*80*42	1				
613	202	15155262320	LINK SUB , LOWER LH/RR	220*75*42	1				
613	204	15155262330	SPRING , EXTENSION	T=3.0	1				
613	205	15155262340	PIN , 22X56	22X56	1				
613	206	V4111600220	WASHER , PLAIN	M22	1				
613	207	V5001940035	PIN , SPLIT	4X35	1				
613	208	15155262350	GRIP		1				
613	209	15155262360	PIN , SPRING		1				
613	7001	15155244100	LIFT SUB , UPR	212*59*38	1				
613	7002	15155244200	SLEEVE	ø35*225	1				
613	7003	15155244300	HANDLE	120*40*106	1				
613	7004	15175244400	LIFT SUB , LOW	50*55*267.5	1				
613	7004	15155244400	LIFT SUB , LOW	38*44*238	1				
NOTE									

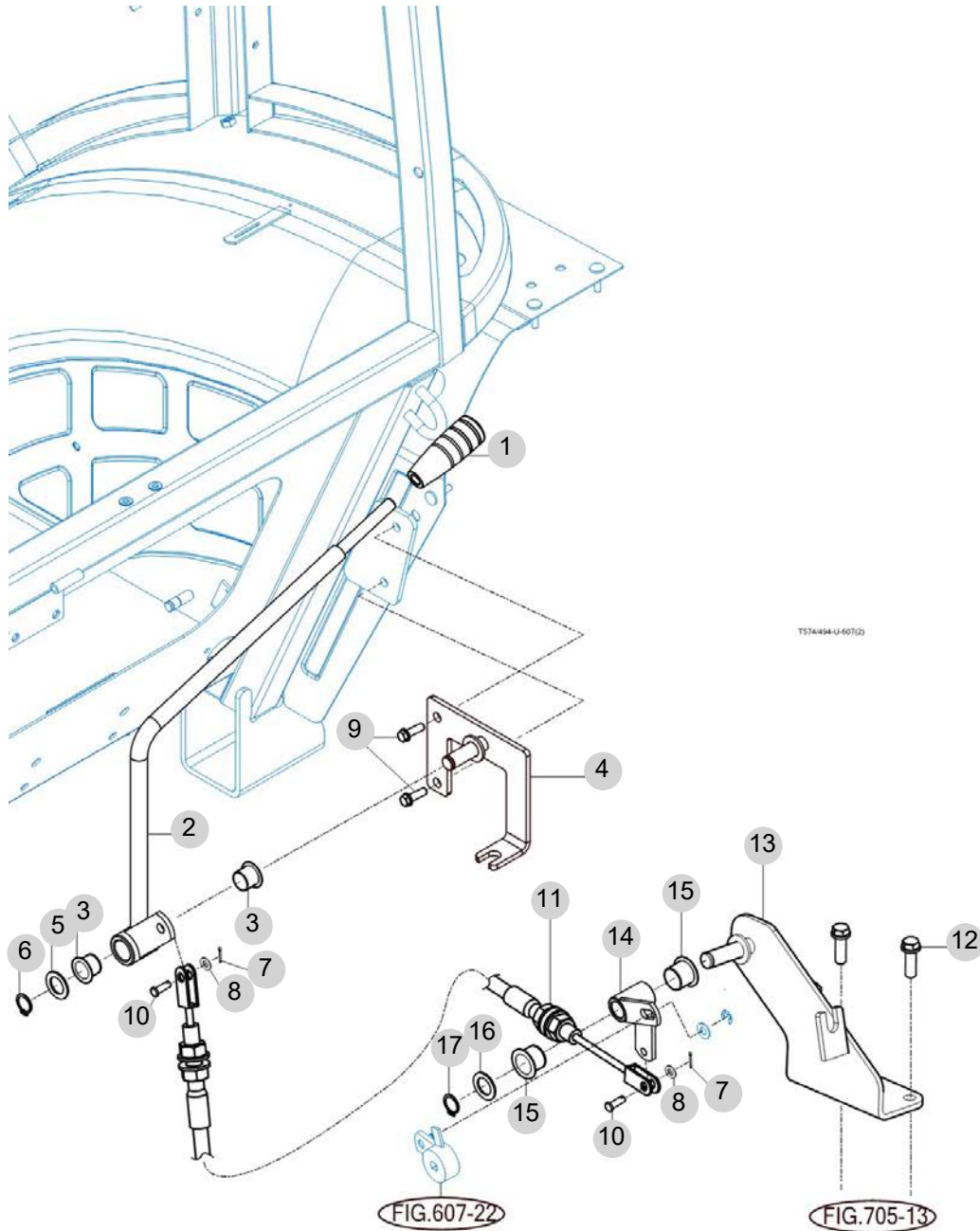
FIG 614

EXTERNAL POSITION LEVER KIT

년/월
Year/Month

T554SH

2022-12



NOTE

7. Sheet Metal & Cabin PART NO. T7

FIG 701 HOOD (1)	176
FIG 702 HOOD (2)	179
FIG 704A LEVER COVER & STEP	181
FIG 705 FRONT & REAR MOUNTING	183
FIG 706 SEAT & MAT	185
FIG 709 DOOR	187
FIG 710A FRONT GLASS	190
FIG 711 SIDE GLASS	192
FIG 712 REAR GLASS	194
FIG 713A SUB FENDER&COVER	196
FIG 714A MIRROR	198
FIG 715A HEATER & AIR-CON	200
FIG 715B HEATER & AIR-CON	202
FIG 716 FENDER COVER	204
FIG 717 ROOF	206
FIG 718 CABIN INTERIOR	208
FIG 719 PEDAL SUB ASSY	210

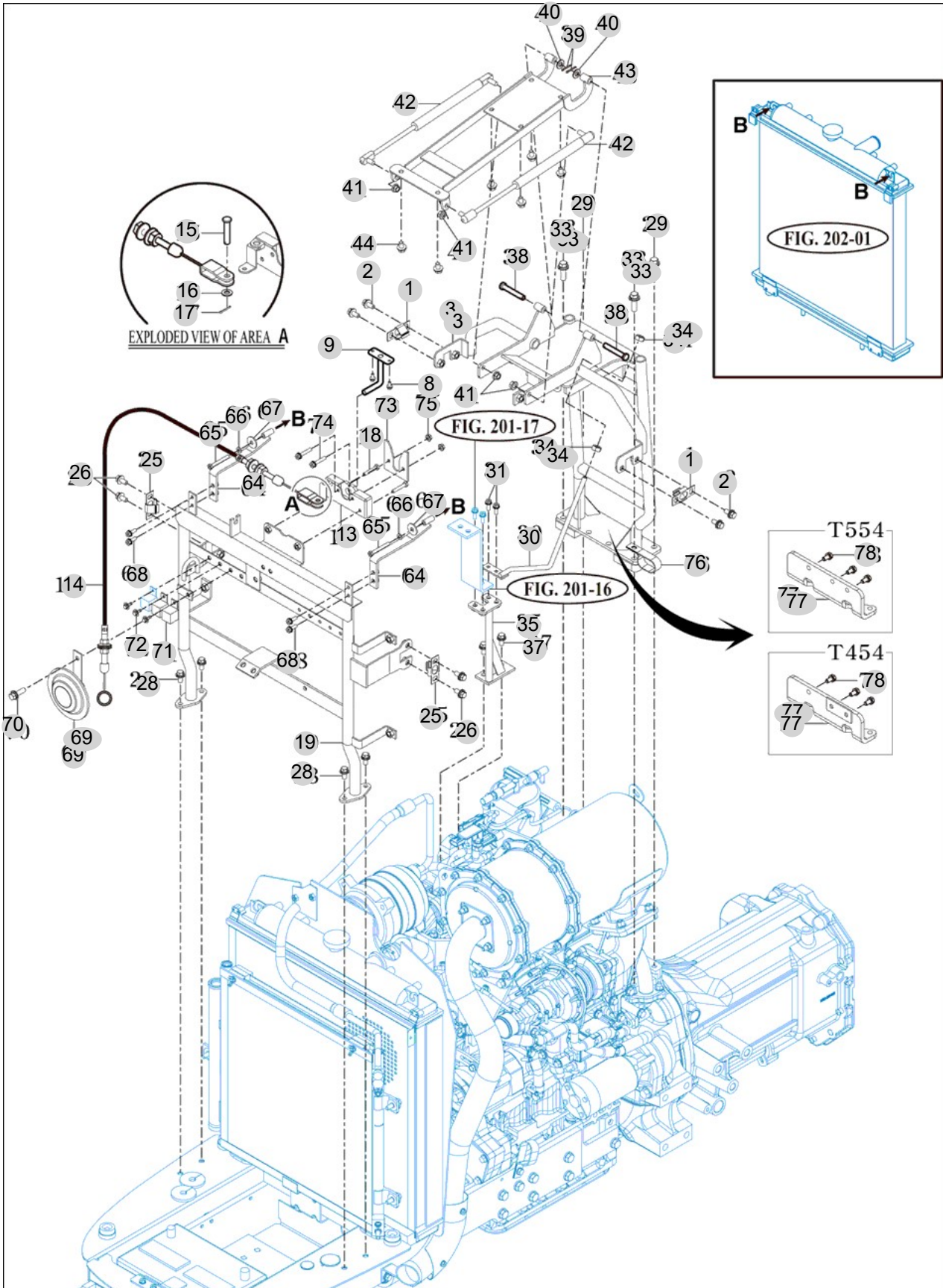
FIG 701

HOOD (1)

년/월
Year/Month

T554SH

2022-12



NOTE

FIG 701		HOOD (1)					년/월 Year/Month		
							2022-12		
T554SH		KEY NO	PART NO	DESCRIPTION	SPEC	QTY	REPAIR	EFFECTIVE DATE	REMARKS
701	1	17686013502	SPRING	T=1.0	2				
701	2	V2183608020	BOLT , HEX/SP	M8X20	4				
701	3	17466019400	HOOD FRAME SUB ASSY		1				
701	3	17476019400	HOOD FRAME SUB ASSY		1				
701	8	V2183608016	BOLT , HEX/SP	M8X16	2				
701	9	17466022100	BRACKET COMP , HOOD LOCK		1				
701	13	17686020600	LOCK COMP . HOOD	1X1X1	1				
701	14	14526020650	CABLE ASSY , HOOD	1X1X1	1				
701	15	15601160083	PIN , 06X16	D=6	1				
701	16	V4111600060	WASHER , PLAIN	M6	1				
701	17	V5001920020	PIN , SPLIT	2X20	1				
701	18	V2053606035	BOLT , HEX C/R	M6X35	2				
701	19	17466029000	FRAME , FR HOOD		1				
701	25	17686013502	SPRING	T=1.0	2				
701	26	V2183608020	BOLT , HEX/SP	M8X20	4				
701	28	V2183608020	BOLT , HEX/SP	M8X20	4				
701	29	V2183610020	BOLT , HEX/SP	M10X20	2				
701	30	17463282200	ROD COMP		1				
701	31	V2123606020	BOLT , HEX /SP	M6X20	2				
701	33	V2183610035	BOLT , HEX/SP	M10X35	2				
701	33	V2174610050	BOLT , HEX/S	M10X50	2				
701	34	V3342600100	NUT , HEX FINE/2	M10	2				
701	34	V3013600100	NUT .HEX NORMAL /2	M10	2				
701	35	17466052300GB	SUPPORT COMP		1				
701	37	V2183608020	BOLT , HEX/SP	M8X20	2				
701	38	16996024552	PIN	D=8	2				
701	39	V5001920020	PIN , SPLIT	2X20	2				
701	40	V4111600080	WASHER , PLAIN	M8	2				
701	41	V3802600080	NUT , HEX FLANGE	M8	4				
701	42	19957022201	DAMPER ASSY,HOOD	1X1X1	2				
701	43	19956054600GB	HOOD OPEN BRACKET COMP	1X1X1	1				
701	44	V2183608016	BOLT , HEX/SP	M8X16	6				
701	64	17466012100GB	PLATE COMP , RADIATOR FIX		2				
701	65	V2053606050	BOLT , HEX C/R	M6X50	2				
701	66	V4011600060	WASHER , SPRING	M6	2				
701	67	35602010150	WASHER , BIND SHAFT	T=2.3	2				
701	68	V2123606020	BOLT , HEX /SP	M6X20	4				
701	69	13266212002	HORN		1				
701	69	13266212003	HORN		1				
701	70	V2113606012	BOLT , HEX /S	M6X12	1				
701	71	17686641110	RELAY , PREHEAT	1X1X1	2				
701	72	V2193606016	BOLT , HEX/SPL	M6X16	2				
701	72	V2193606016	BOLT , HEX/SPL	M6X16	3				
701	73	17406014300	GUIDE, HOOD PIN		1				
701	74	V2123606035	BOLT , HEX /SP	M6X35	2				
NOTE									

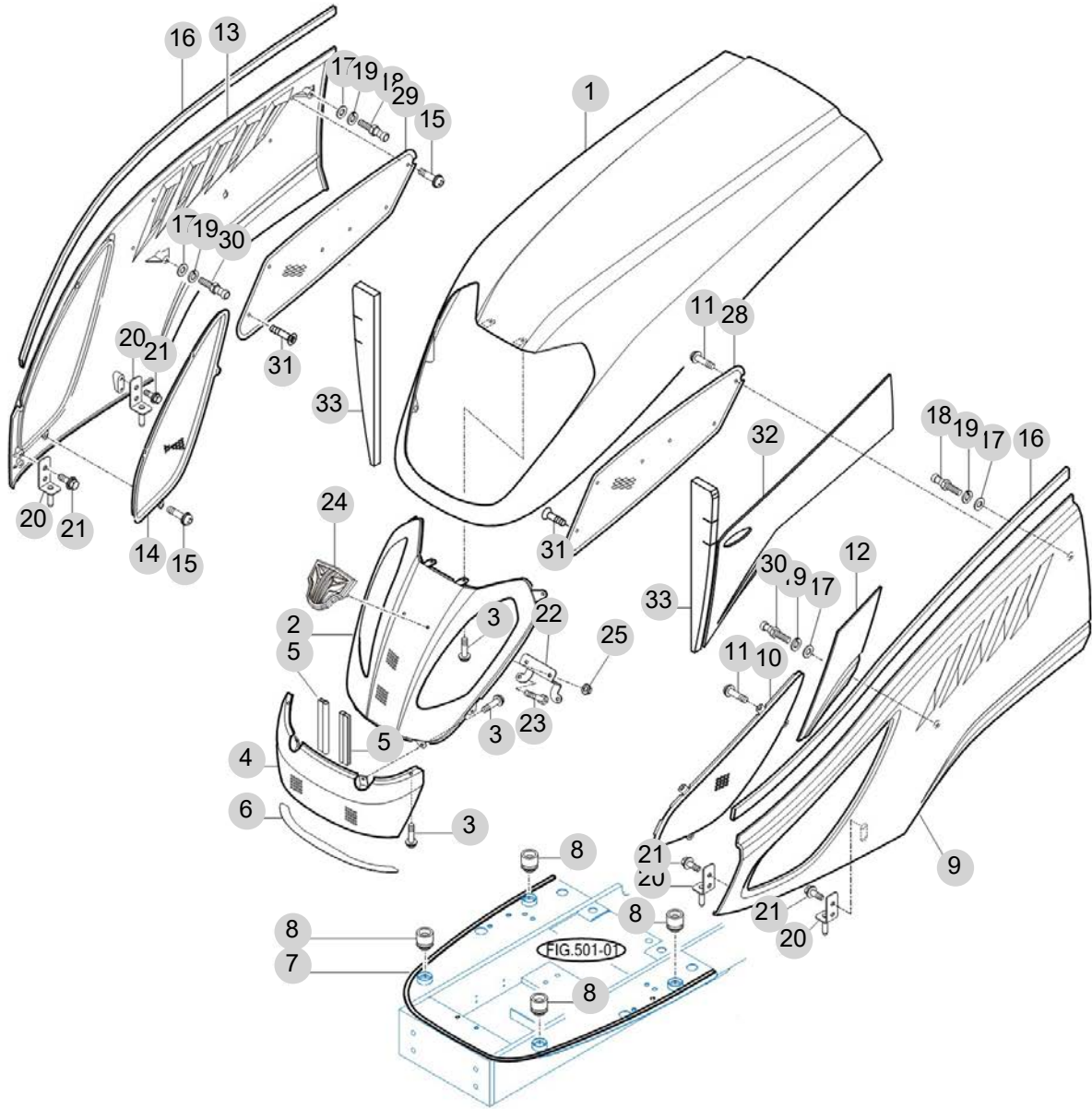
FIG 702

T554SH

HOOD (2)

년/월
Year/Month

2022-12



T554/454-E-702

NOTE

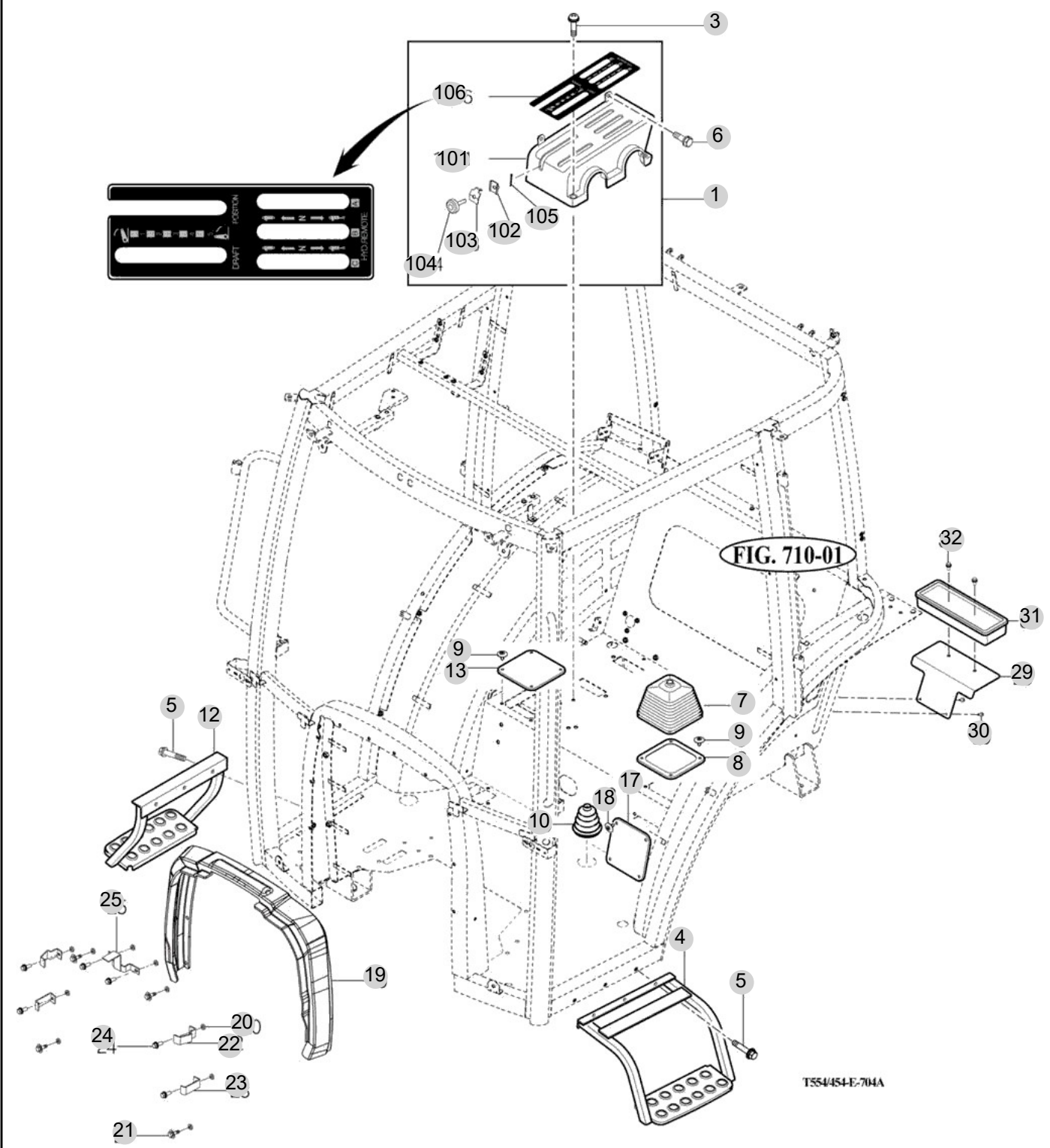
FIG 704A

LEVER COVER & STEP

년/월
Year/Month

2022-12

T554SH



NOTE

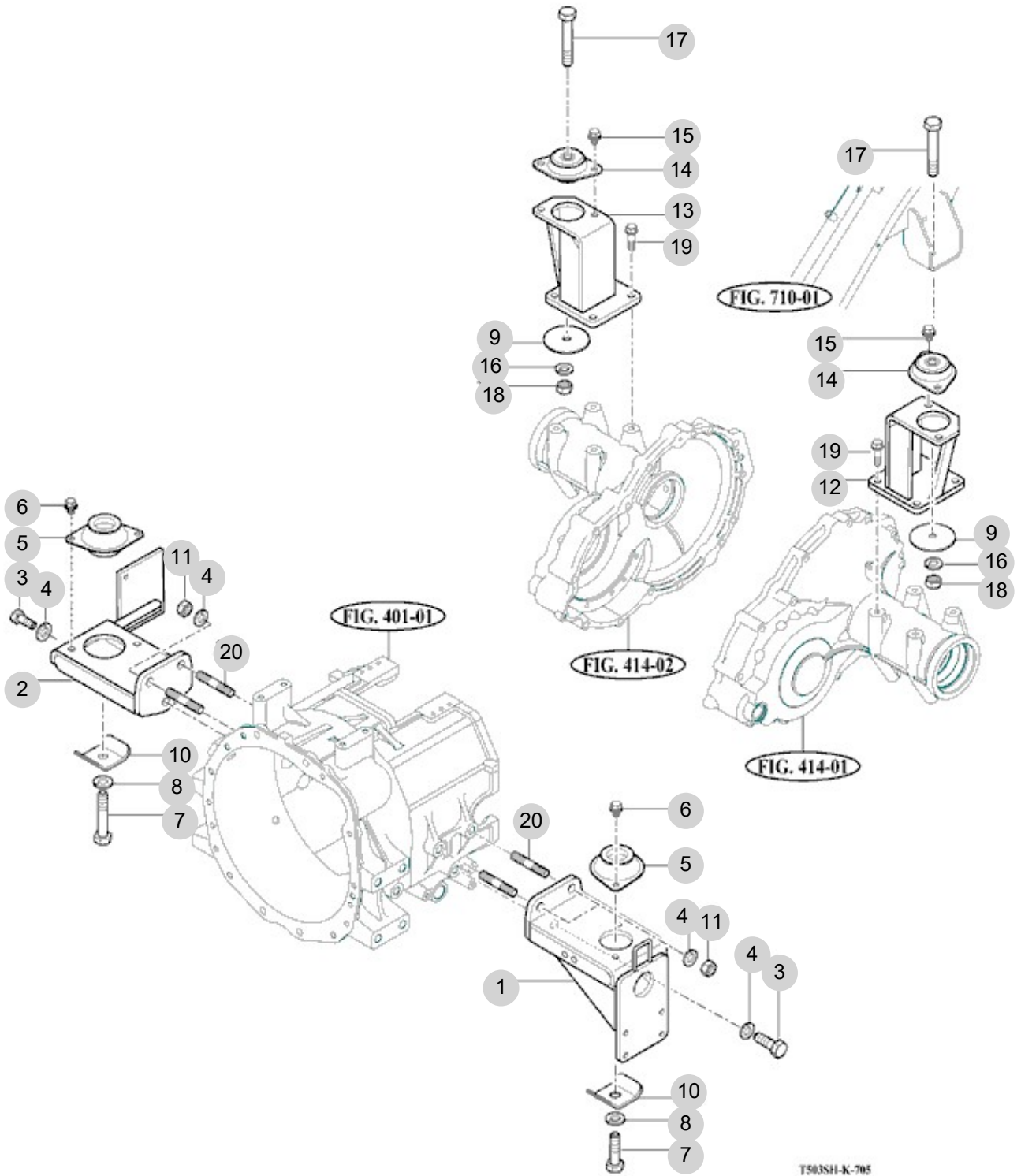
FIG 705

T554SH

FRONT & REAR MOUNTING

년/월
Year/Month

2022-12



T503SH-K-705

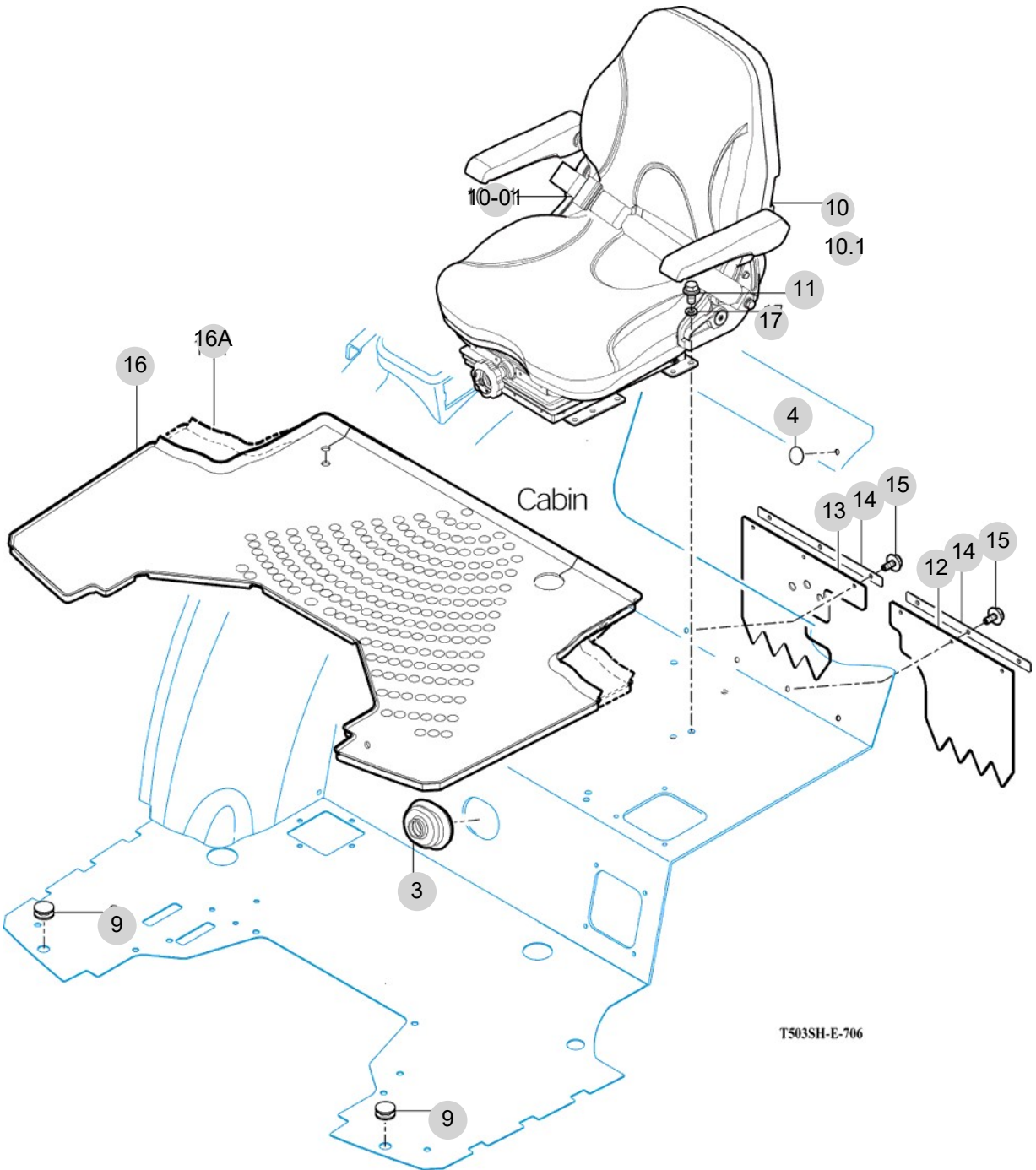
NOTE

FIG 706

SEAT & MAT

년/월
Year/Month

2022-12



NOTE

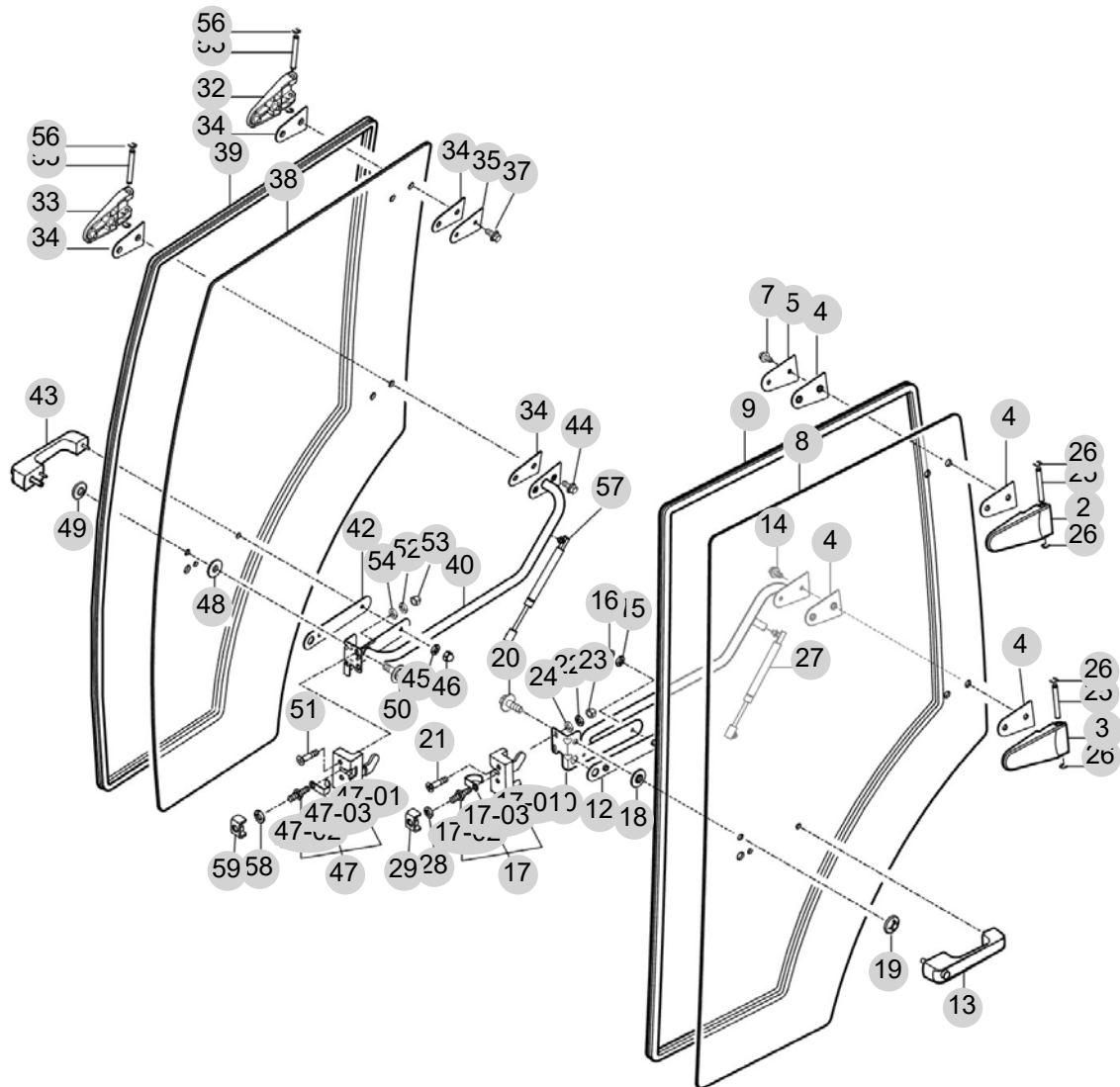
FIG 709

DOOR

년/월
Year/Month

2022-12

T554SH



T554-U-709

NOTE

FIG 709		DOOR					년/월 Year/Month		
							2022-12		
T554SH		KEY NO	PART NO	DESCRIPTION	SPEC	QTY	REPAIR	EFFECTIVE DATE	REMARKS
709	2	14527052300	HINGE COMP , UPR/LH			1			
709	3	14527052400	HINGE COMP , UPR/RH			1			
709	4	14527052110	GASKET , DOOR HINGE			4			
709	5	14527052120GB	PLATE , DOOR HINGE			1			
709	7	V2183608020	BOLT , HEX/SP	M8X20		2			
709	8	14527052131	GLASS , LH/ DOOR	6t		1			
709	9	14527052140	INSULATOR/DOOR			1			
709	10	14527052500GB	GUIDE COMP ,LH/ DOOR			1			
709	12	14527052150	GASKET,DOOR GRIP			1			
709	13	14527052600	GRIP ASSY, LOCK/HANDLE			1			
709	14	V2183608020	BOLT , HEX/SP	M8X20		2			
709	15	V4011600060	WASHER , SPRING	M6		2			
709	16	V3402700060	NUT , HEX CAP	M6		2			
709	17	14527052700	LOCK SET , LH/DOOR			1			
709	17-01	14527052710	LOCK ASSY, LH/DOOR			1			
709	17-02	14527052720	STRIKER			1			
709	17-03	14527052730	GUARD			1			
709	18	15817401130	GROMMET , 13X17X02			1			
709	19	14527042500	NUT COMP , GLASS			1			
709	20	V2193606012	BOLT , HEX/SPL	M6X12		1			
709	21	V1122608040	SCREW , C/R FLAT	M8X40		2			
709	22	V4011600080	WASHER , SPRING	M8		2			
709	23	V3412700080	NUT , SMALL CAP	M8		2			
709	24	V4111600080	WASHER , PLAIN			2			
709	25	14527041110	PIN, HINGE DOOR	D=8		2			
709	26	V7082400070	E-RING	7		4			
709	27	14527301080	DAMPER ASSY , DOOR	20KG		1			
709	28	V4011600100	WASHER , SPRING	M10		1			
709	29	14527062500GB	BRACKET COMP , DOOR LOCK			1			
709	32	14527052300	HINGE COMP , UPR/LH			1			
709	33	14527052400	HINGE COMP , UPR/RH			1			
709	34	14527052110	GASKET , DOOR HINGE			4			
709	35	14527052120GB	PLATE , DOOR HINGE			1			
709	37	V2183608020	BOLT , HEX/SP	M8X20		2			
709	38	14527053131	GLASS , RH/ DOOR	6t		1			
709	39	14527052140	INSULATOR/DOOR			1			
709	40	14527053500GB	GUIDE COMP ,RH/DOOR			1			
709	42	14527052150	GASKET,DOOR GRIP			1			
709	43	14527052600	GRIP ASSY, LOCK/HANDLE			1			
709	44	V2183608020	BOLT , HEX/SP	M8X20		2			
709	45	V4011600060	WASHER , SPRING	M6		2			
709	46	V3402700060	NUT , HEX CAP	M6		2			
709	47	14527053700	LOCK SET , RH/DOOR			1			
709	47-01	14527053710	LOCK ASSY, RH/DOOR			1			
709	47-02	14527052720	STRIKER			1			
NOTE									

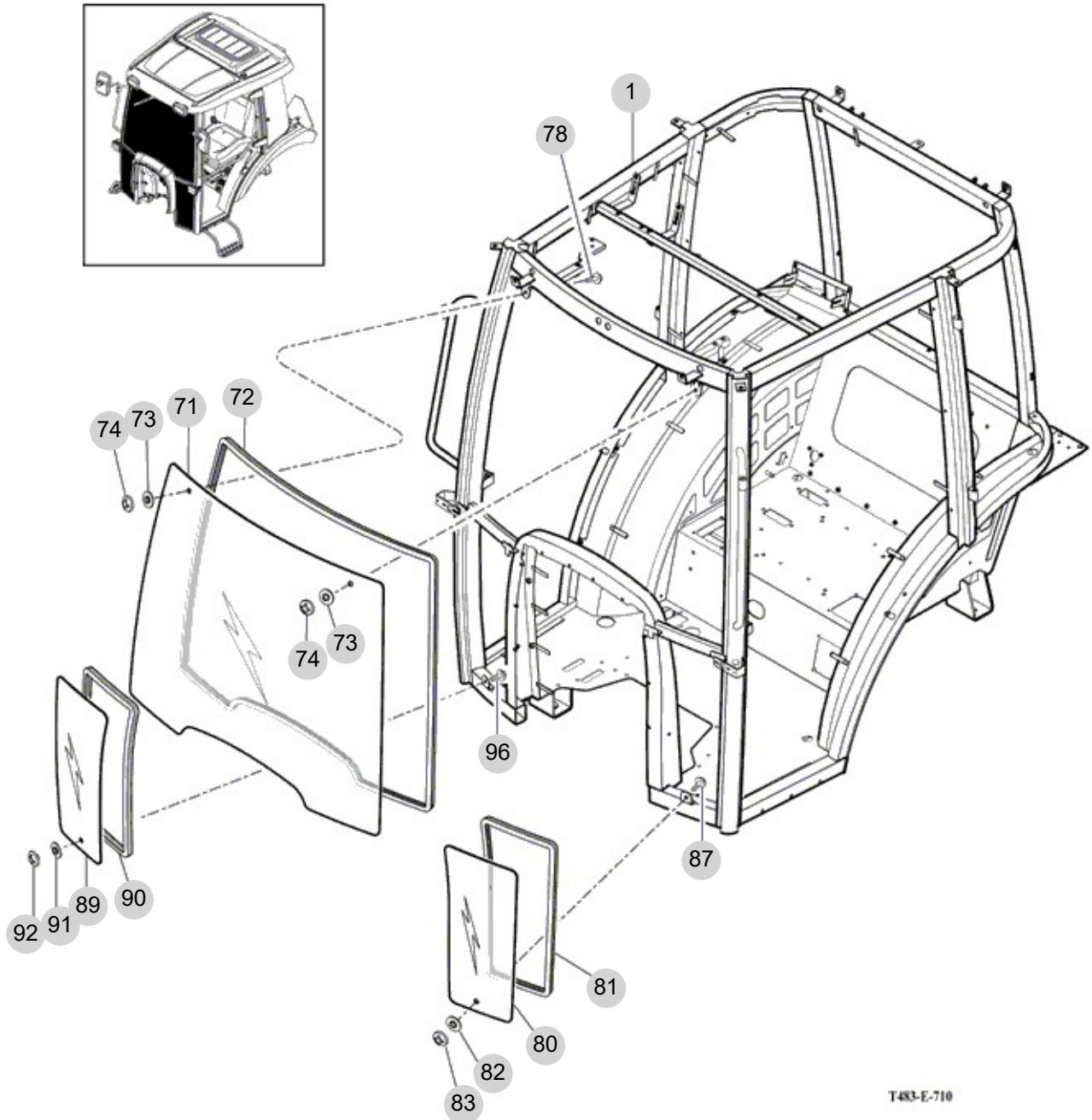
FIG 710A

FRONT GLASS

년/월
Year/Month

2022-12

T554SH



T483-E-710

NOTE

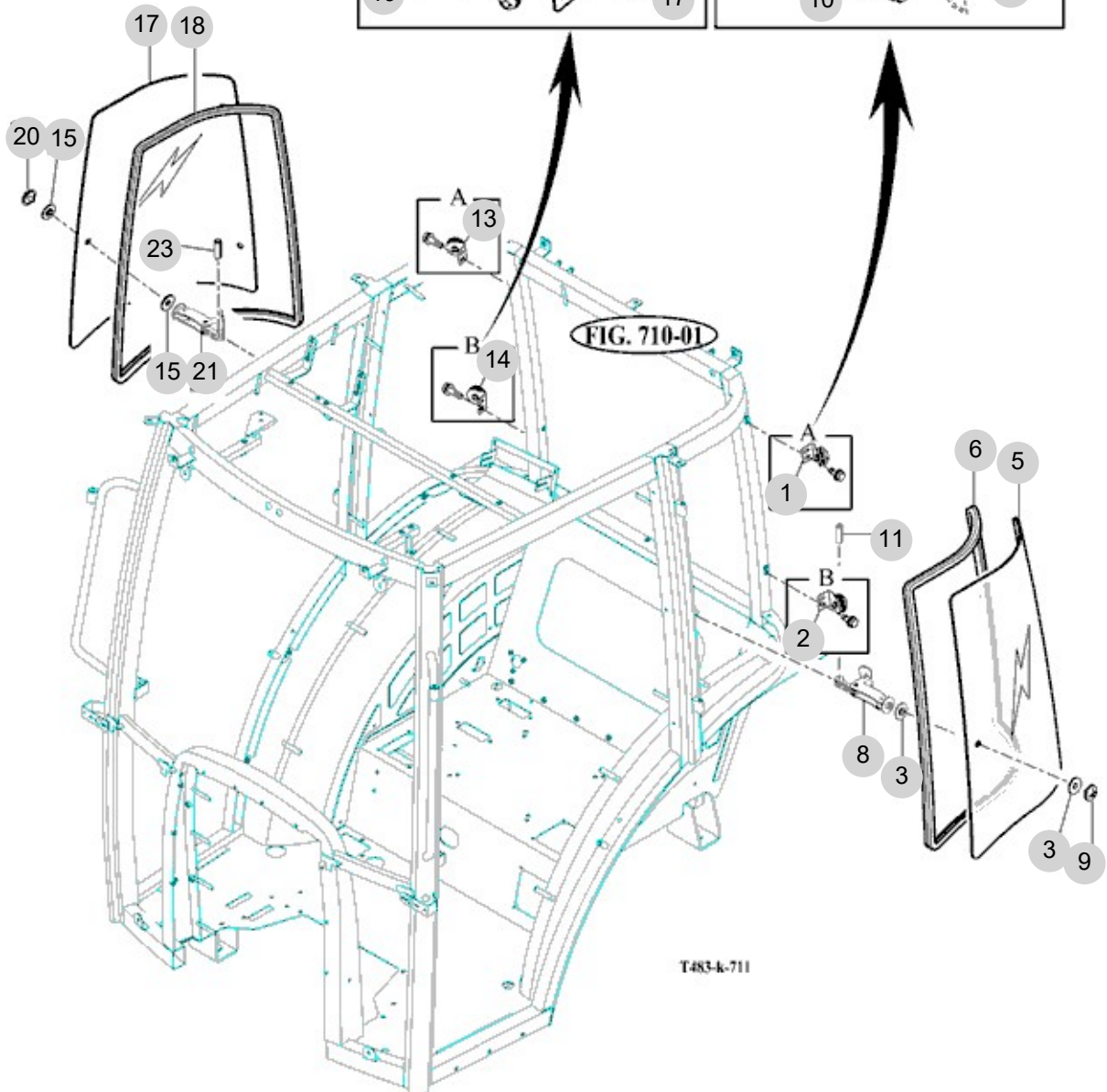
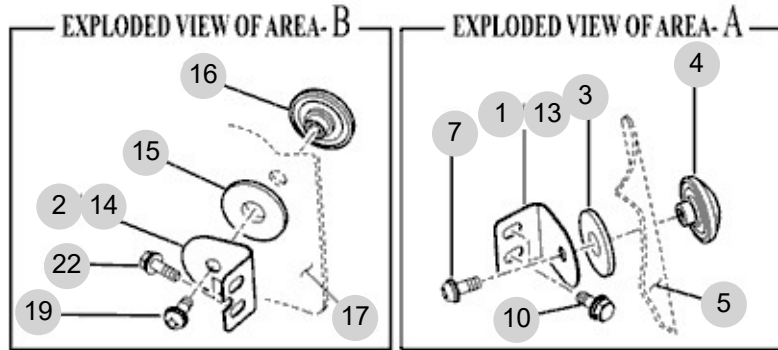
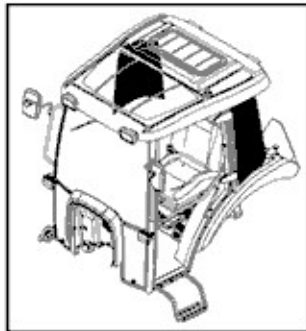
FIG 711

SIDE GLASS

년/월
Year/Month

T554SH

2022-12



NOTE

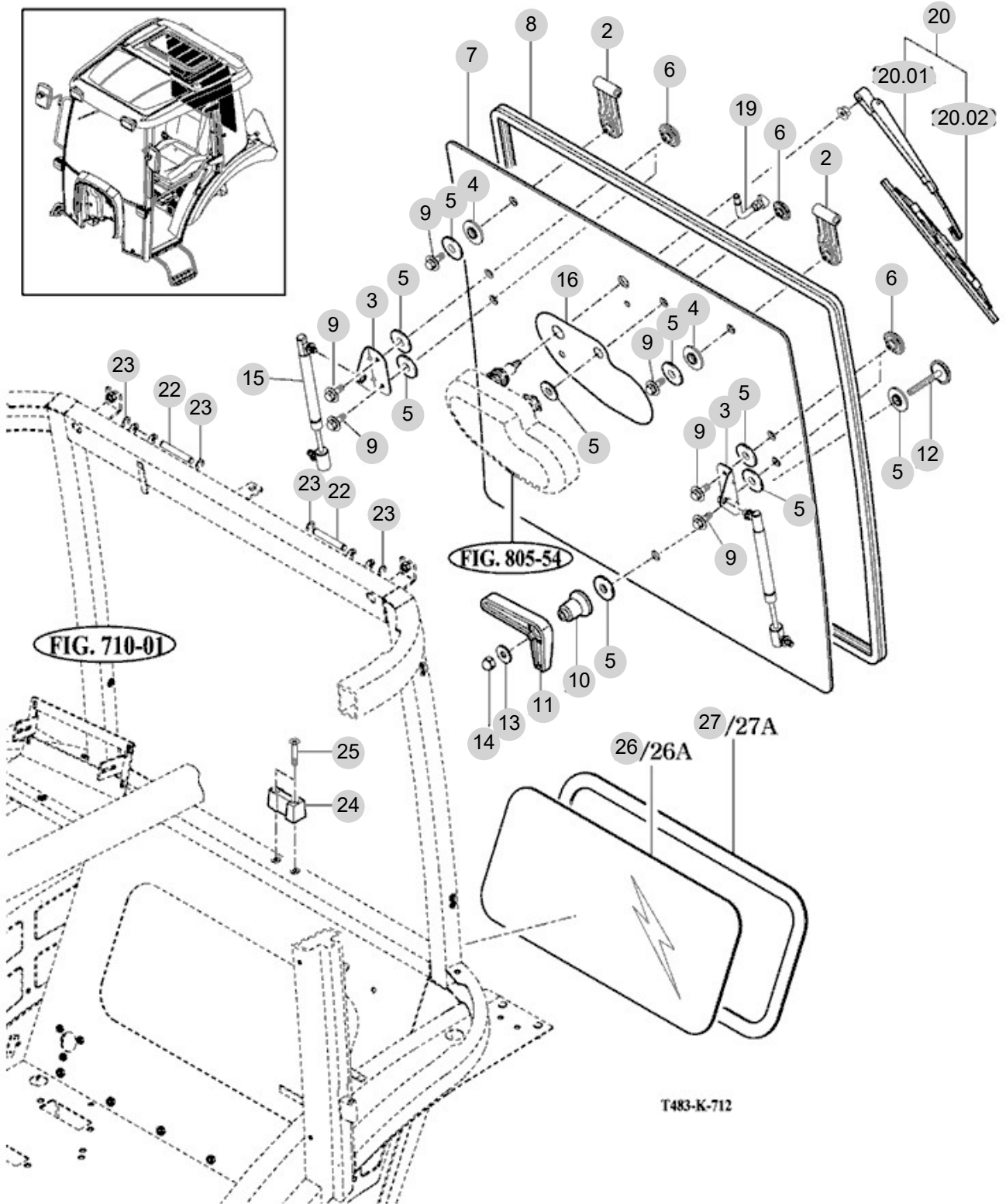
FIG 712

REAR GLASS

년/월
Year/Month

2022-12

T554SH



NOTE

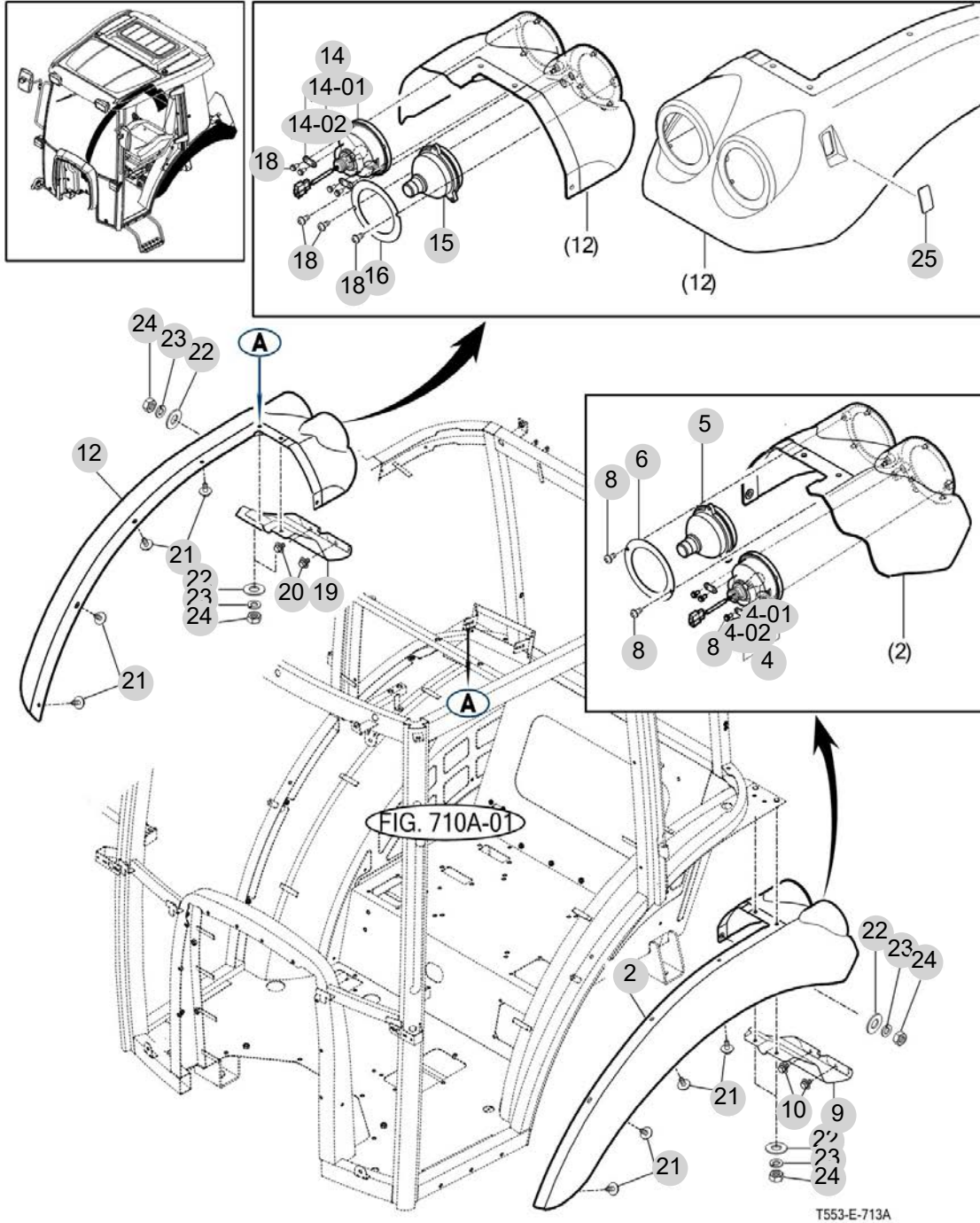
FIG 713A

SUB FENDER&COVER

년/월
Year/Month

2022-12

T554SH



NOTE

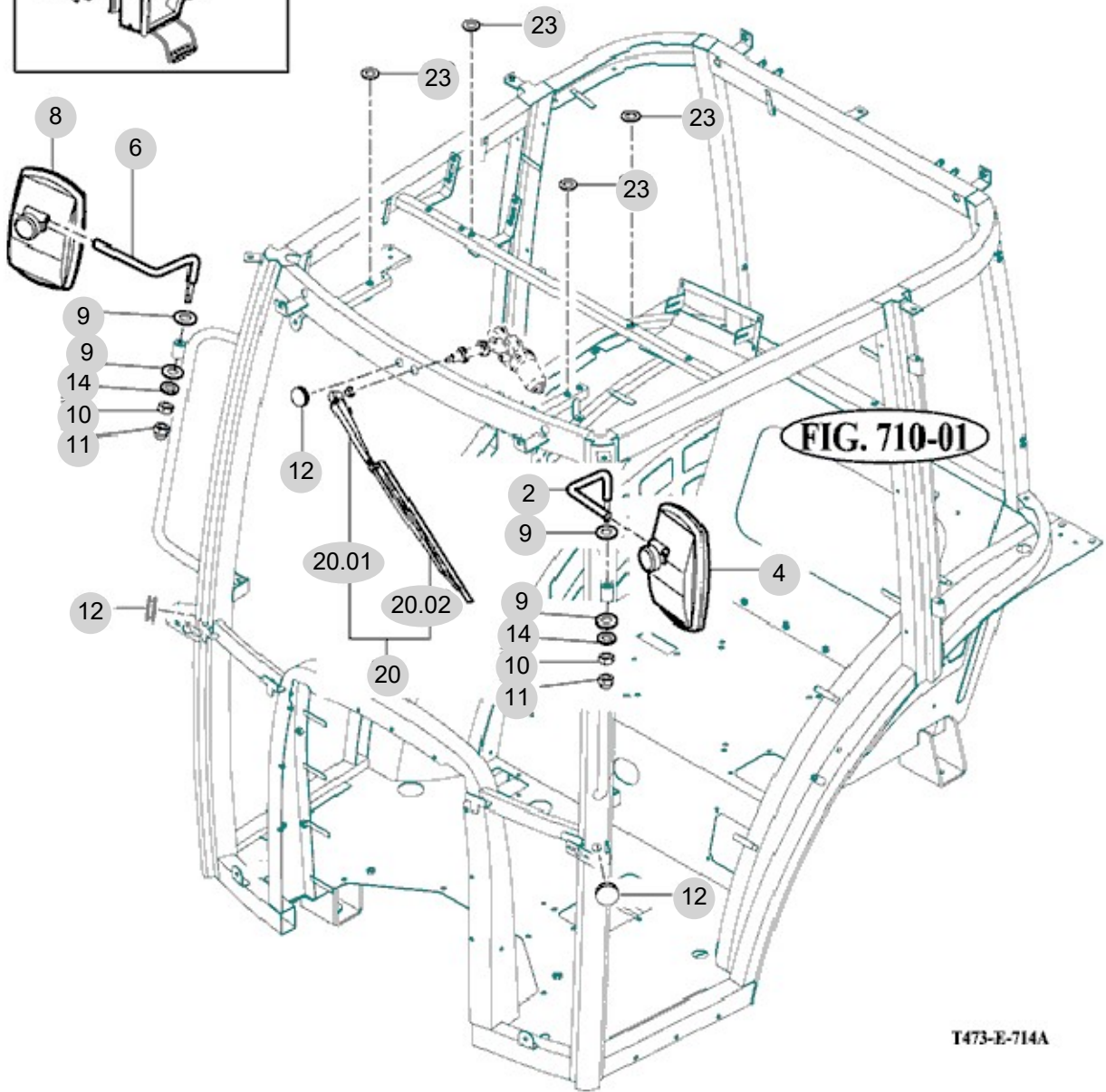
FIG 714A

MIRROR

년/월
Year/Month

2022-12

T554SH



T473-E-714A

NOTE

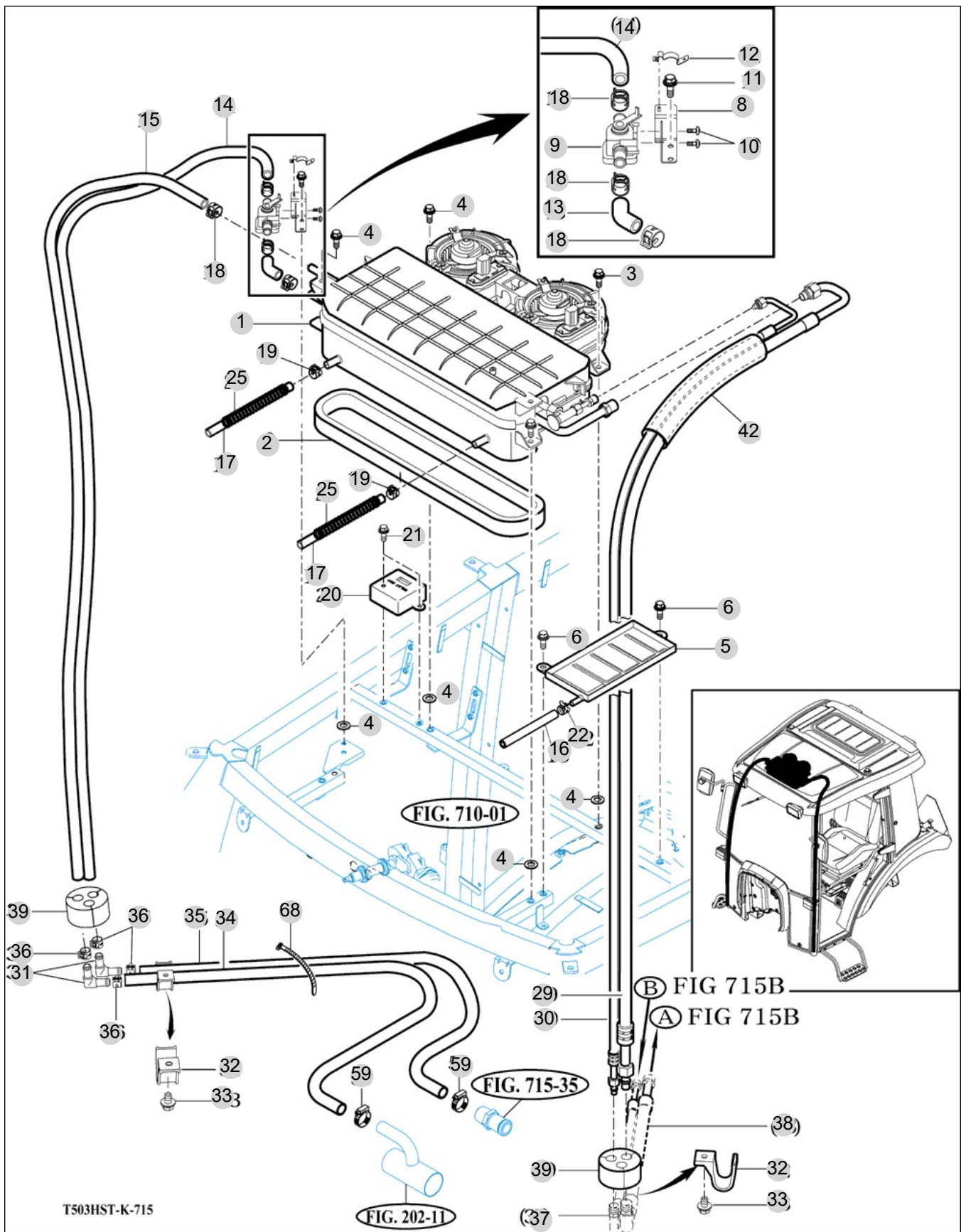
FIG 715A

HEATER & AIR-CON

년/월
Year/Month

2022-12

T554SH



NOTE

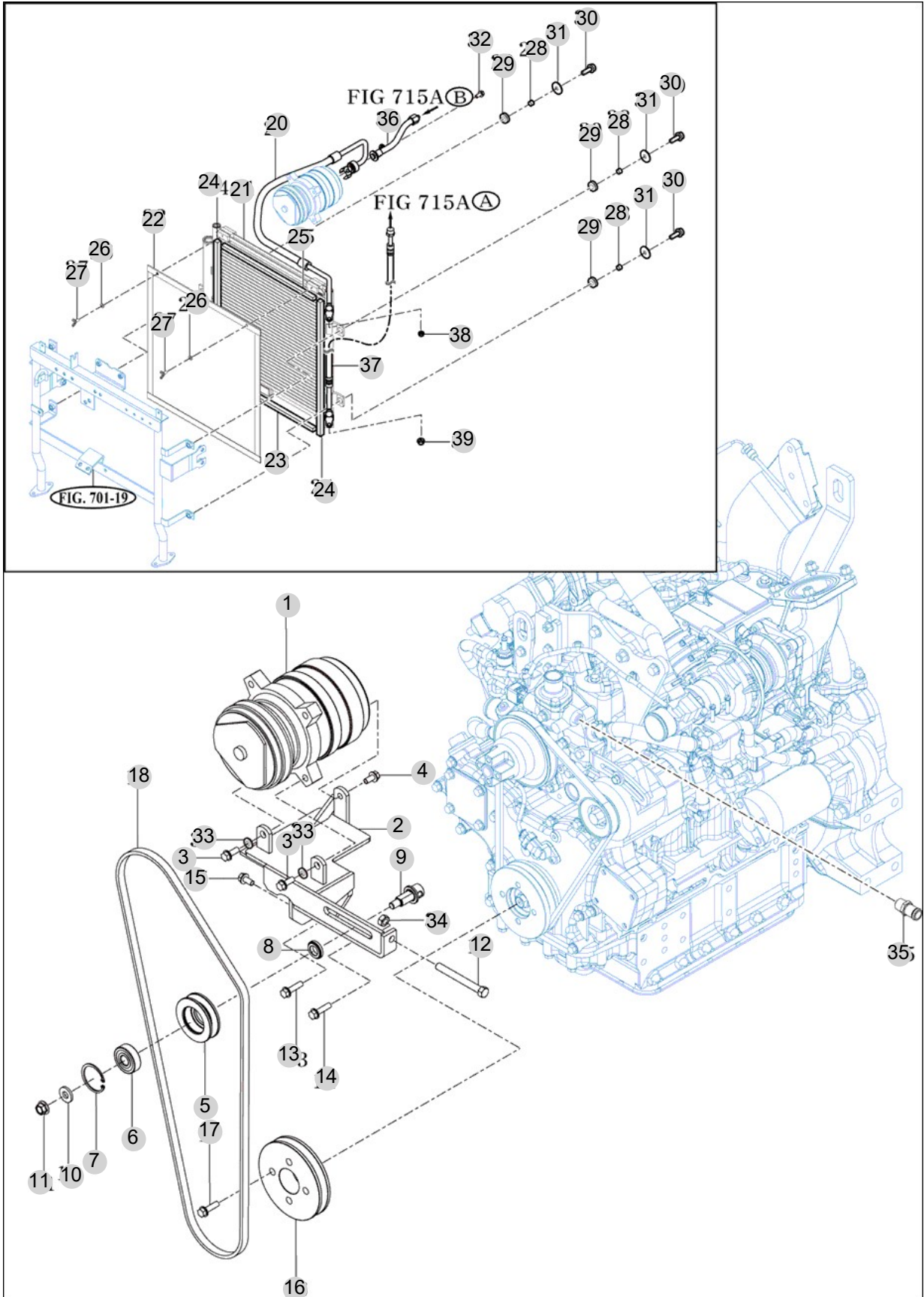
FIG 715B

HEATER & AIR-CON

년/월
Year/Month

2022-12

T554SH



NOTE

FIG 715B		HEATER & AIR-CON						년/월 Year/Month	
T554SH								2022-12	
KEY NO	PART NO	DESCRIPTION	SPEC	QTY	REPAIR	EFFECTIVE DATE	REMARKS		
715B	1	16608303201	COMPRESSOR ASSY						
715B	2	17465807200GB	COMPRESSOR BRACKET COMP						
715B	3	V2143610035	BOLT .HEX FINE MACHINE/S	M10X35					
715B	4	V2183608025	BOLT , HEX/SP	M8X25					
715B	5	14622100531GB	PULLEY , MID						
715B	6	V6001506302	BEARING , BALL	6302DD					
715B	7	V7051400420	C-RING , HOLE	42					
715B	8	14622100541	COLLAR , SPACER						
715B	9	14627300531	SHAFT , MID PULLEY						
715B	10	13377210020	WASHER , 11X24X3	T=3.2					
715B	11	14622600100	FLANGE NUT , M10/FINE/4T						
715B	12	W2004610090	BOLT , HEX	M10X90					
715B	13	V2183608020	BOLT , HEX/SP	M8X20					
715B	14	V2183608040	BOLT , HEX/SP	M8X40					
715B	15	V2183608055	BOLT , HEX/SP	M8X55					
715B	16	14661210010GB	PULLEY, COMPRESSOR	1X1X1					
715B	17	V2173610040	BOLT , HEX/S	M10X40					
715B	18	17468079300	V BELT , CONDITIONER REC A58 AIR	58A					
715B	19	V3042600100	NUT , HEX/2	M10					
715B	20	17468302201	HOSE ASSY , DISCHARGE						
715B	21	17468303700	CONDSEY ASSY						
715B	22	18508304200GB	NET COMP , CONDENSER	1X1X1					
715B	23	18501042360	SPONGE, 170						
715B	24	18501042370	SPONGE, 430						
715B	25	18501042350	SPONGE, 295						
715B	26	V4111600060	WASHER , PLAIN	M6					
715B	27	V2712606012	BOLT , WING	M6X12					
715B	28	15991040050	COLLAR , 08X12X08	12X1.8					
715B	29	14046210300	GROMMET						
715B	30	V2183608030	BOLT , HEX/SP	M8X30					
715B	31	35602010150	WASHER , BIND SHAFT	T=2.3					
715B	32	V2143610035	BOLT .HEX FINE MACHINE/S	M10X35					
715B	33	V4111600100	WASHER , PLAIN	M10					
715B	34	V3042600100	NUT , HEX/2	M10					
715B	35	18018200060	NIPPLE , PT3/8						
715B	36	17468302801	SUC. PIPE ASSY						
715B	37	17468302402	LIQ.HOSE ASSY NO2						
715B	38	V3802600080	NUT , HEX FLANGE	M8					
715B	39	V3802600060	NUT , HEX FLANGE	M6					
NOTE									

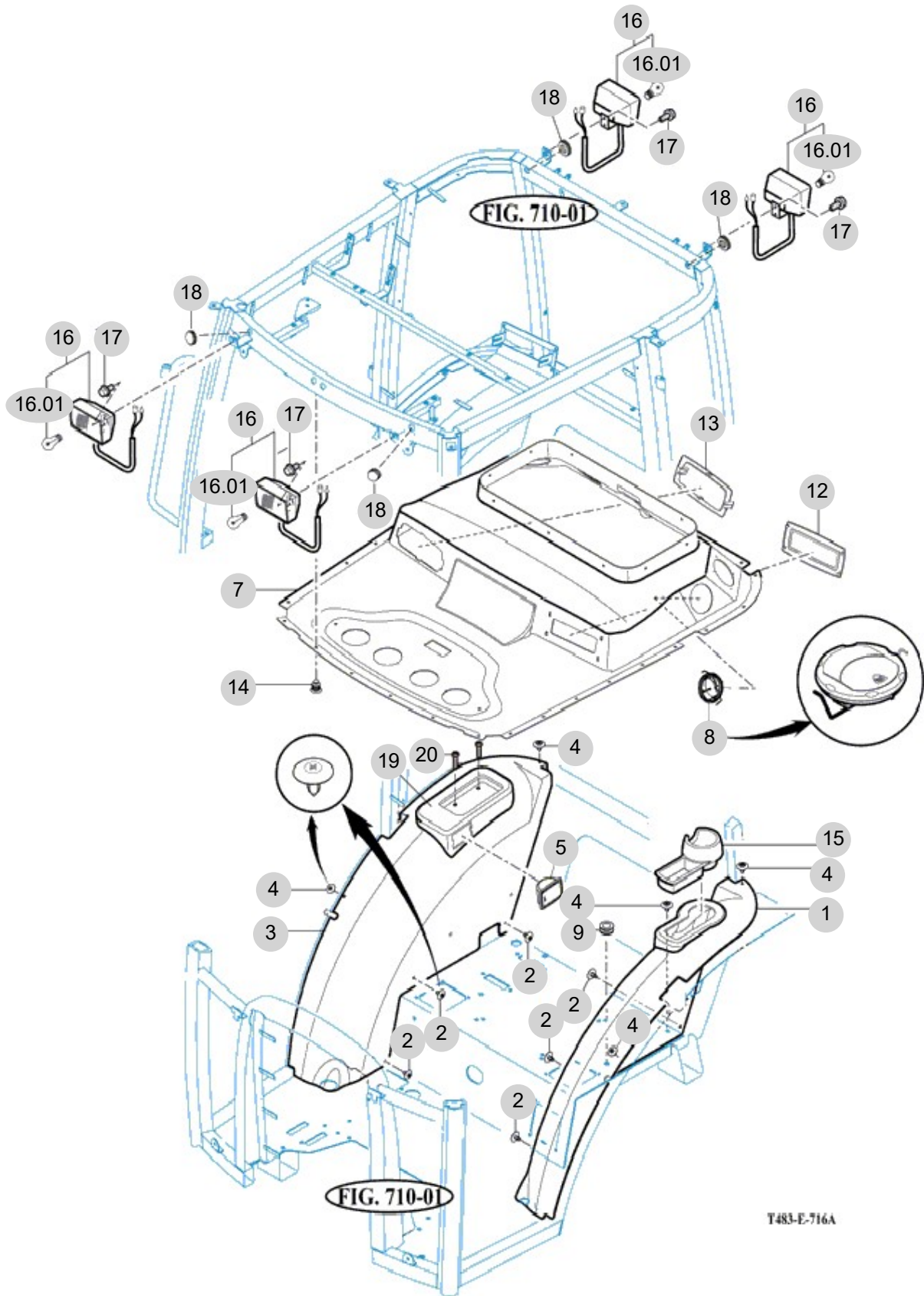
FIG 716

T554SH

FENDER COVER

년/월
Year/Month

2022-12



T483-E-716A

NOTE

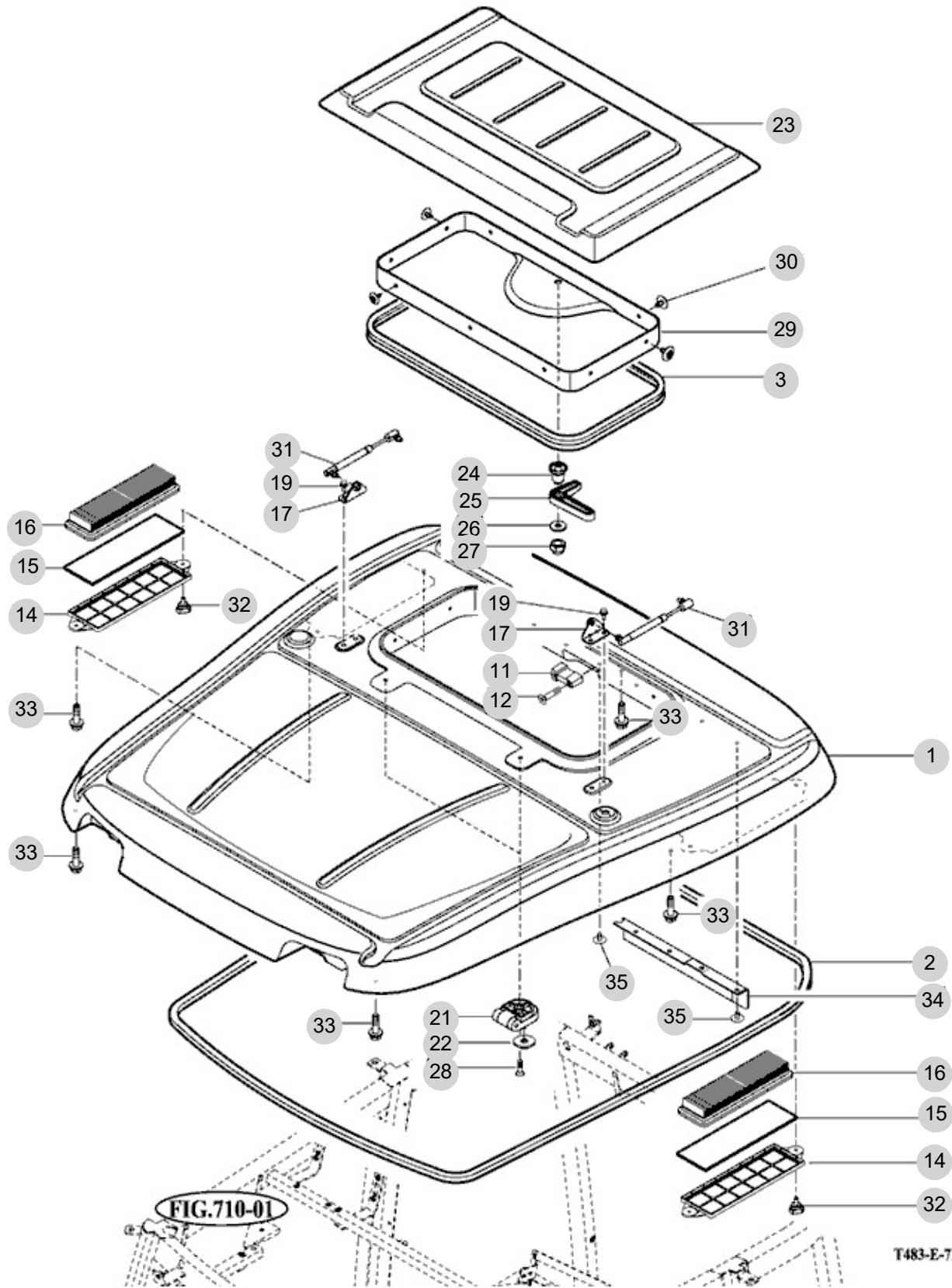
FIG 717

T554SH

ROOF

년/월
Year/Month

2022-12



T483-E-717A

NOTE

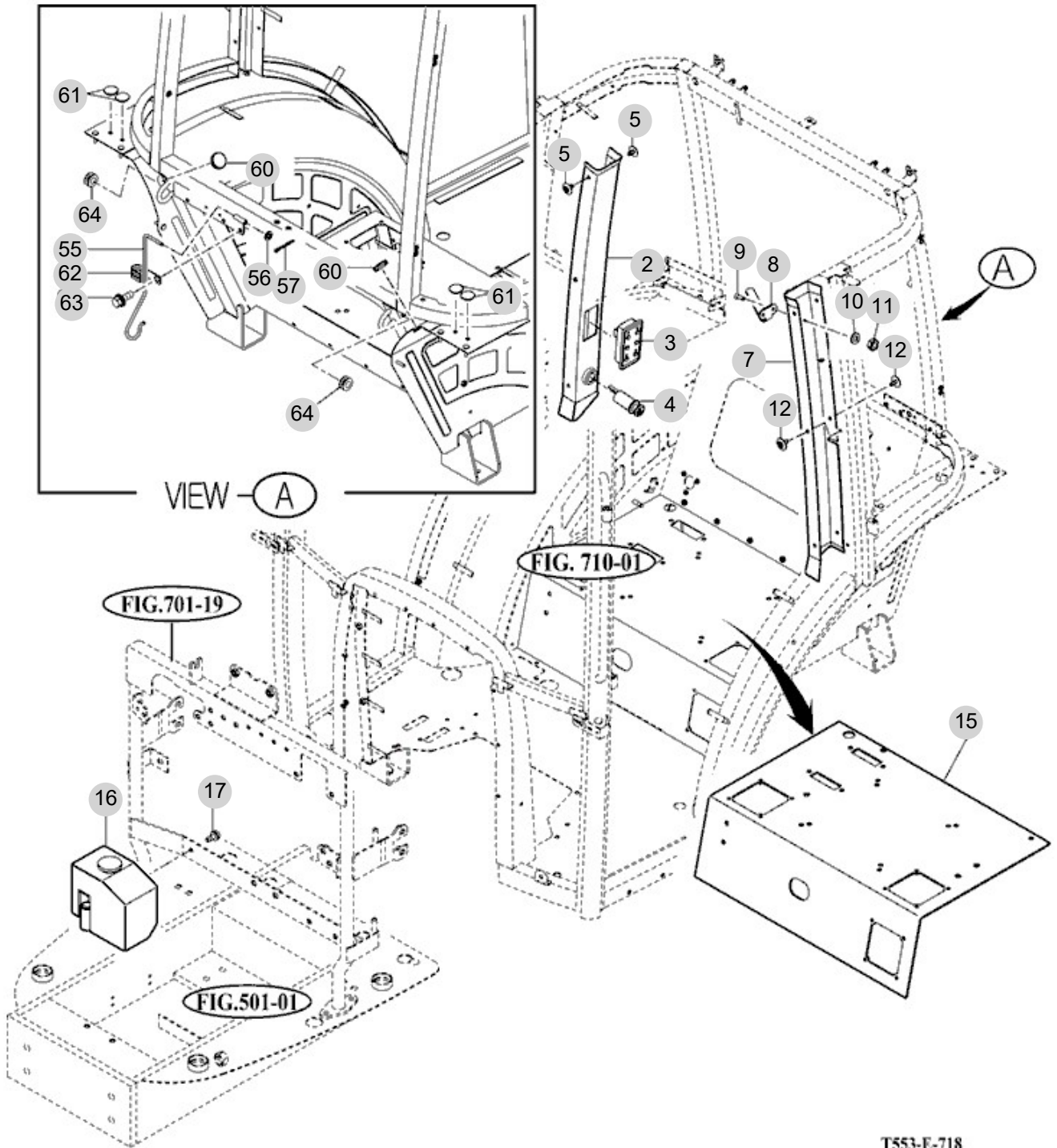
FIG 718

CABIN INTERIOR

년/월
Year/Month

T554SH

2022-12



T553-E-718

NOTE

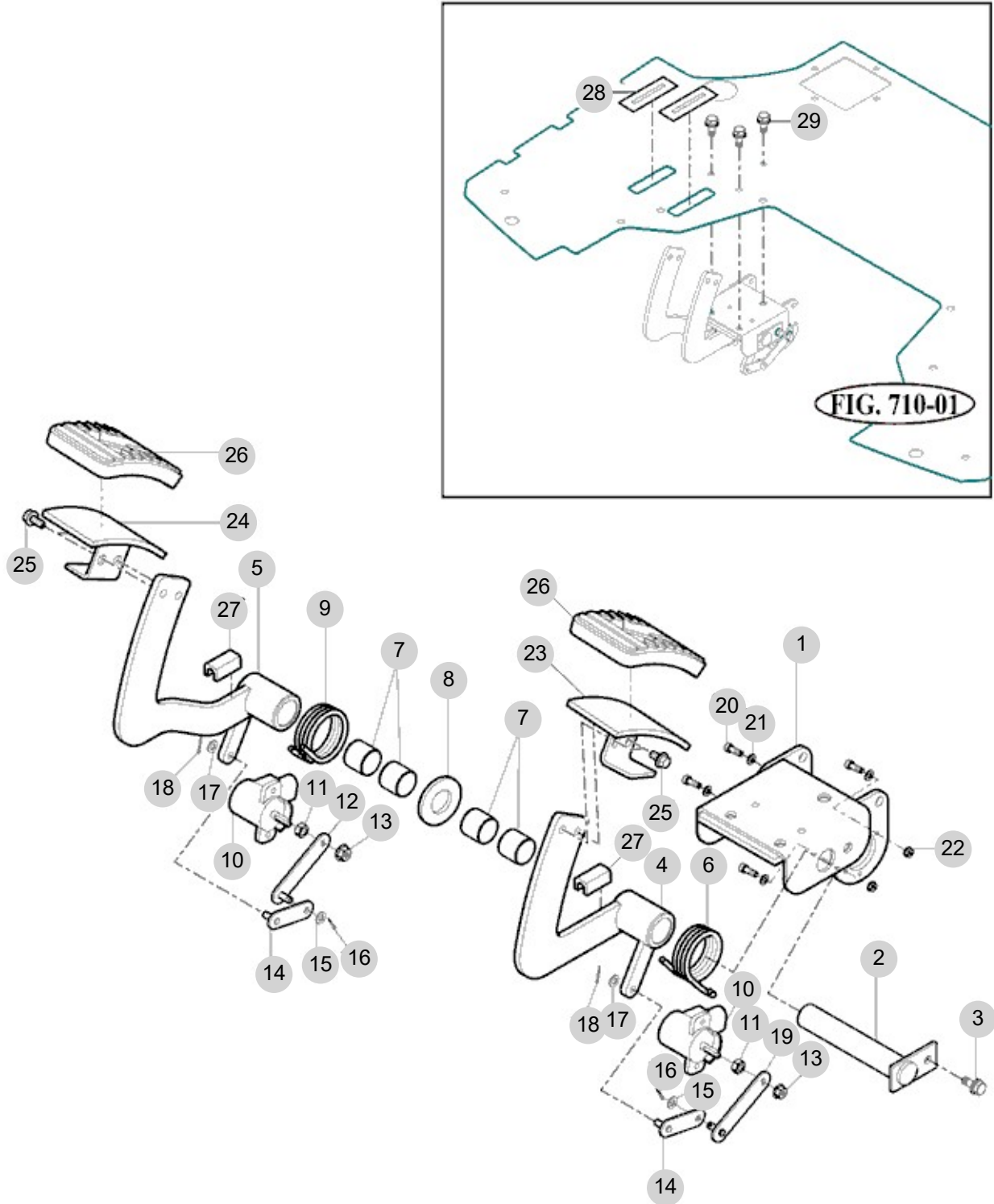
FIG 719

T554SH

PEDAL SUB ASSY

년/월
Year/Month

2022-12



NOTE

8. Electrical System PART NO. T8

FIG 801 BATTERY & MOUNTING	213
FIG 802 LIGHT & BACK LAMP	215
FIG 803 INSTRUMENT PANEL	217
FIG 804 ELECTRIC SYSTEM (1)	219
FIG 805A ELECTRIC SYSTEM (2)	221
FIG 806 INSTRUMENT PANEL	223

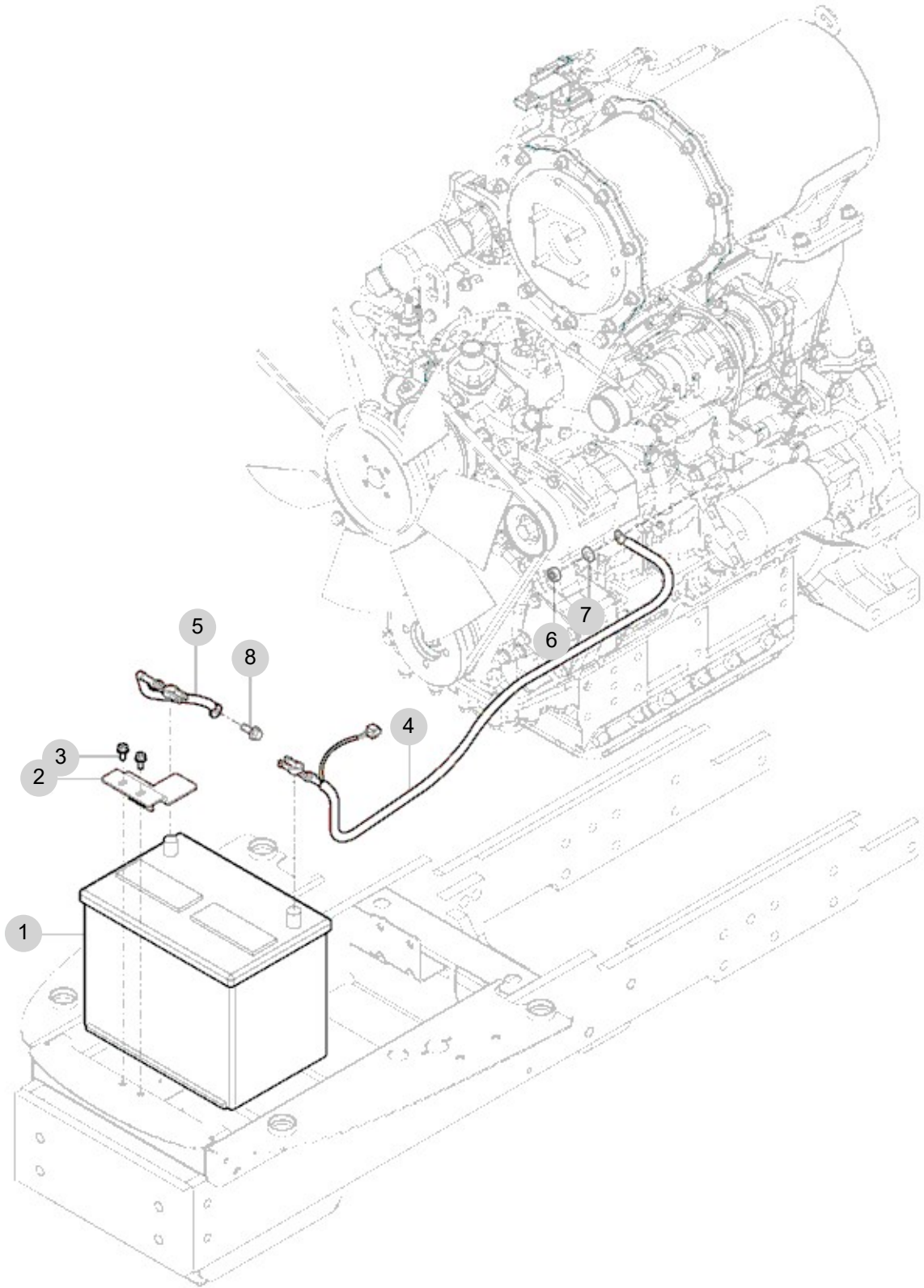
FIG 801

BATTERY & MOUNTING

년/월
Year/Month

T554SH

2022-12



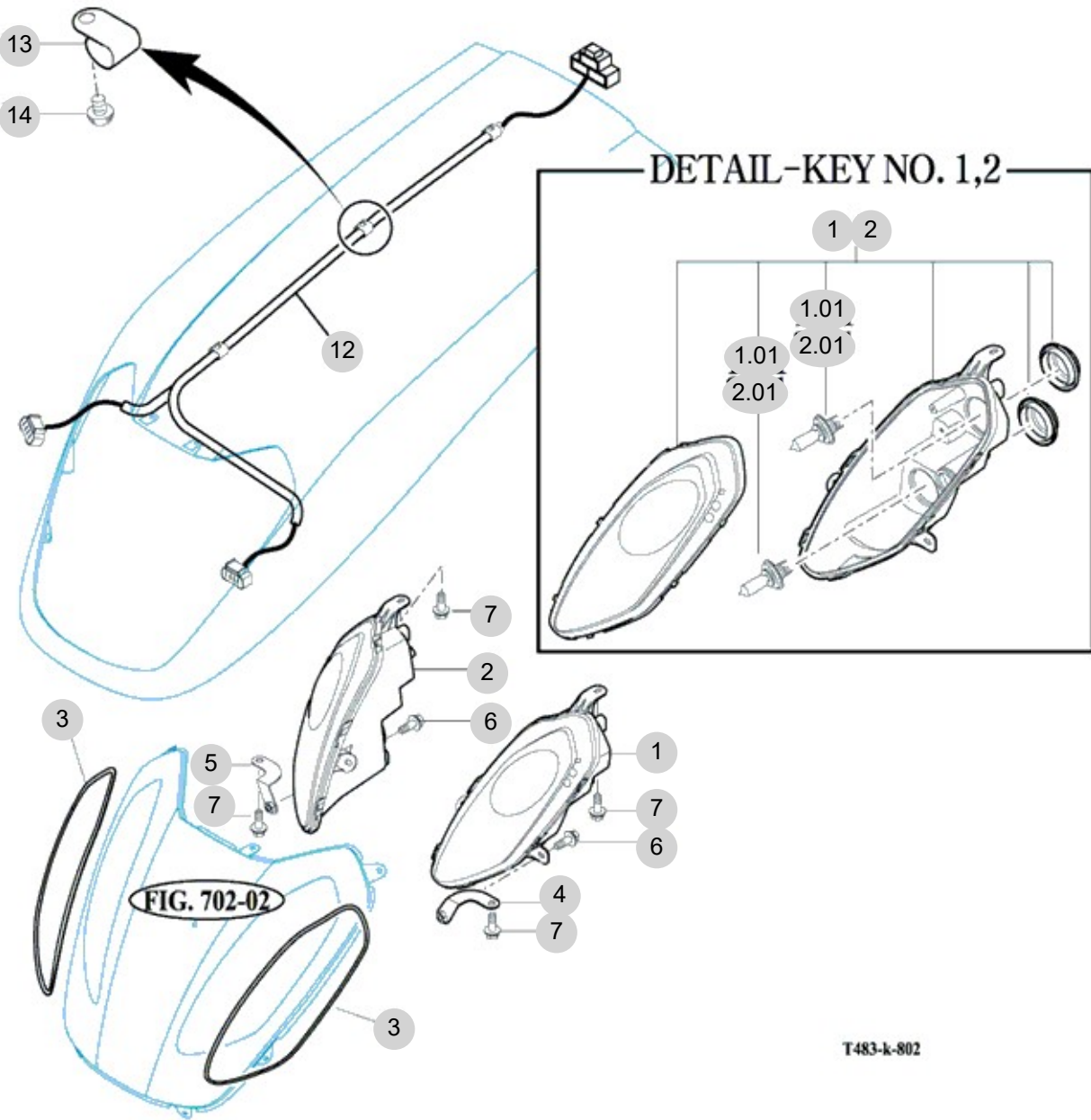
NOTE

FIG 802

LIGHT & BACK LAMP

년/월
Year/Month

2022-12



T483-k-802

NOTE

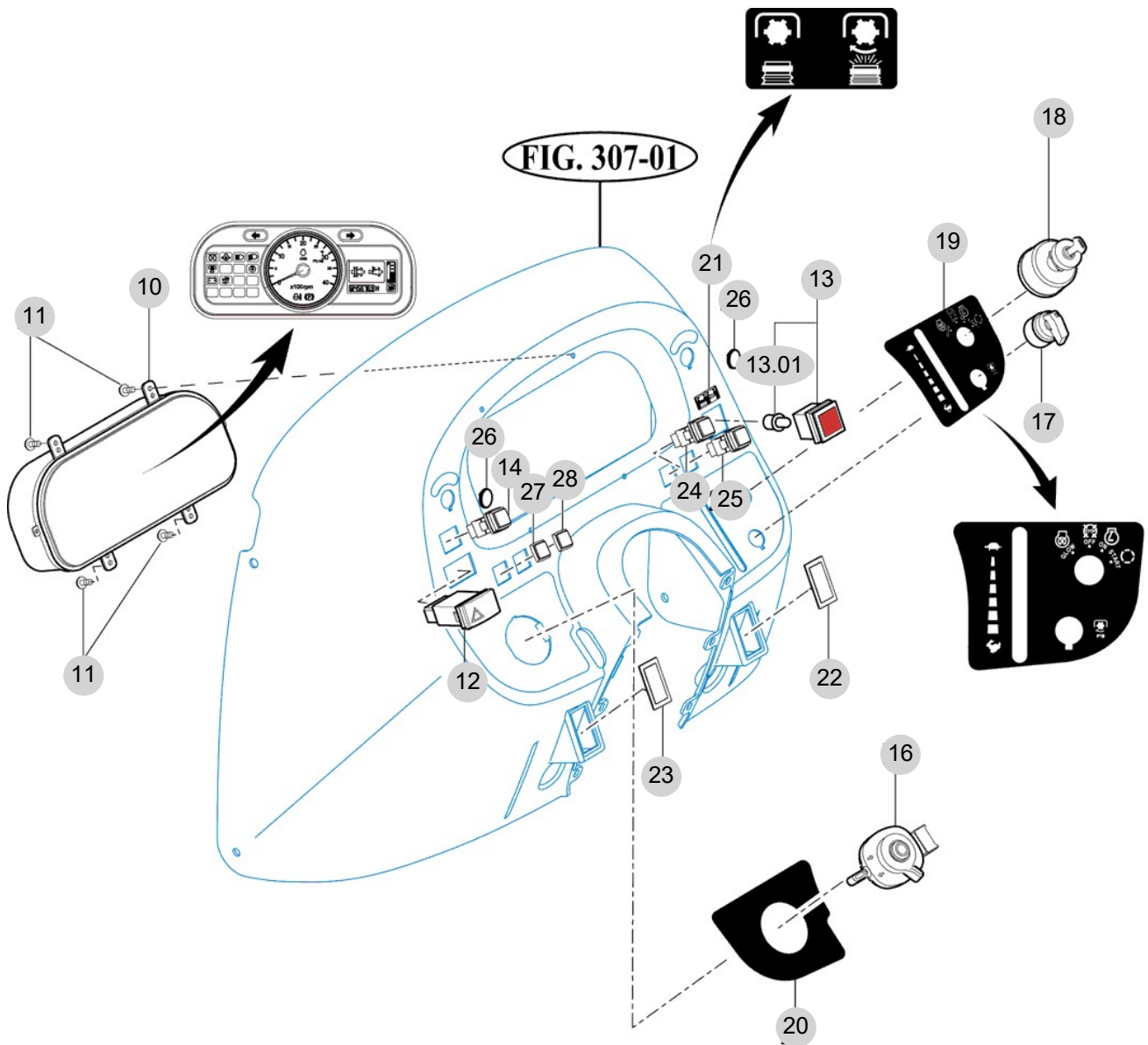
FIG 803

T554SH

INSTRUMENT PANEL

년/월
Year/Month

2022-12



NOTE

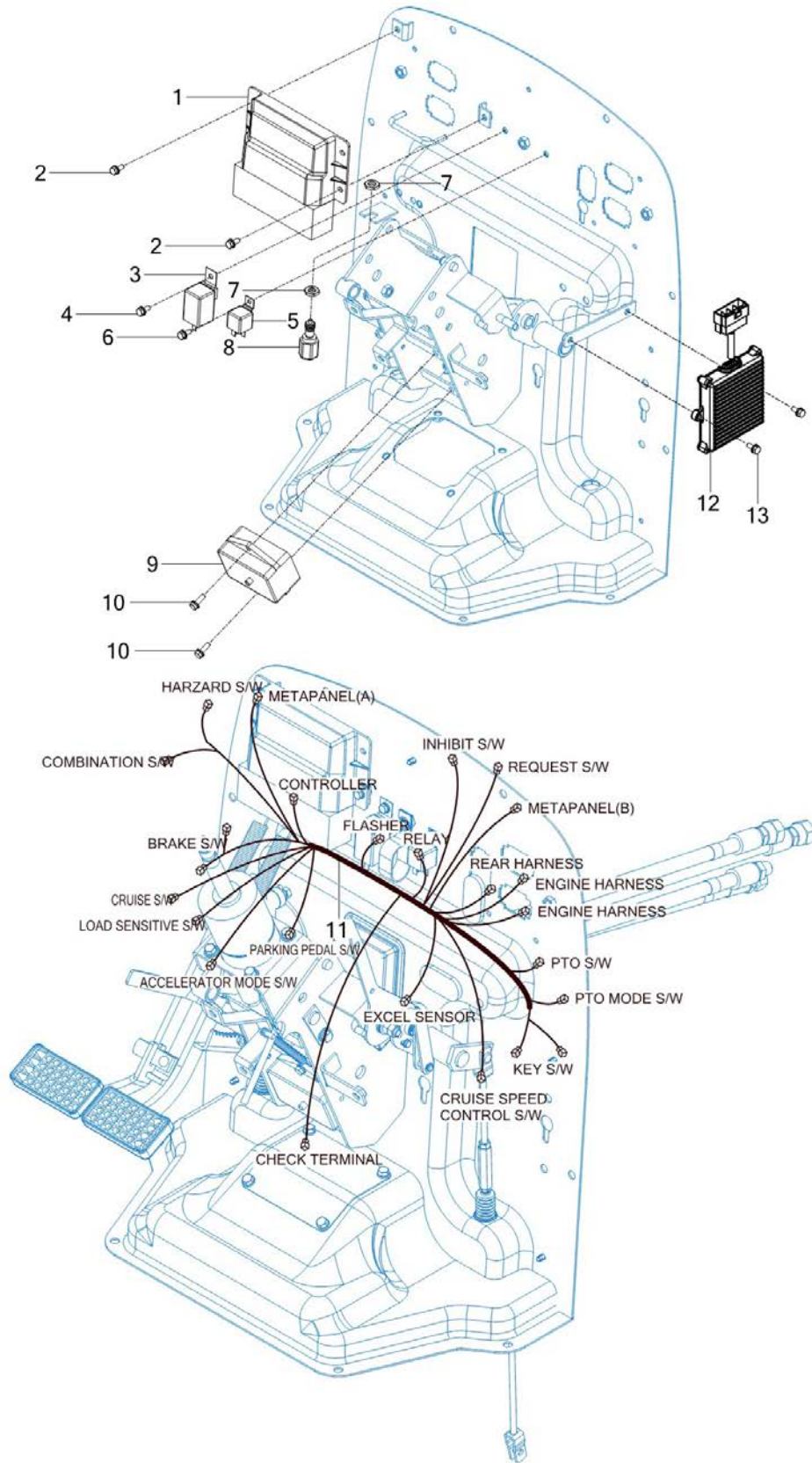
FIG 804

T554SH

ELECTRIC SYSTEM (1)

년/월
Year/Month

2022-12



NOTE

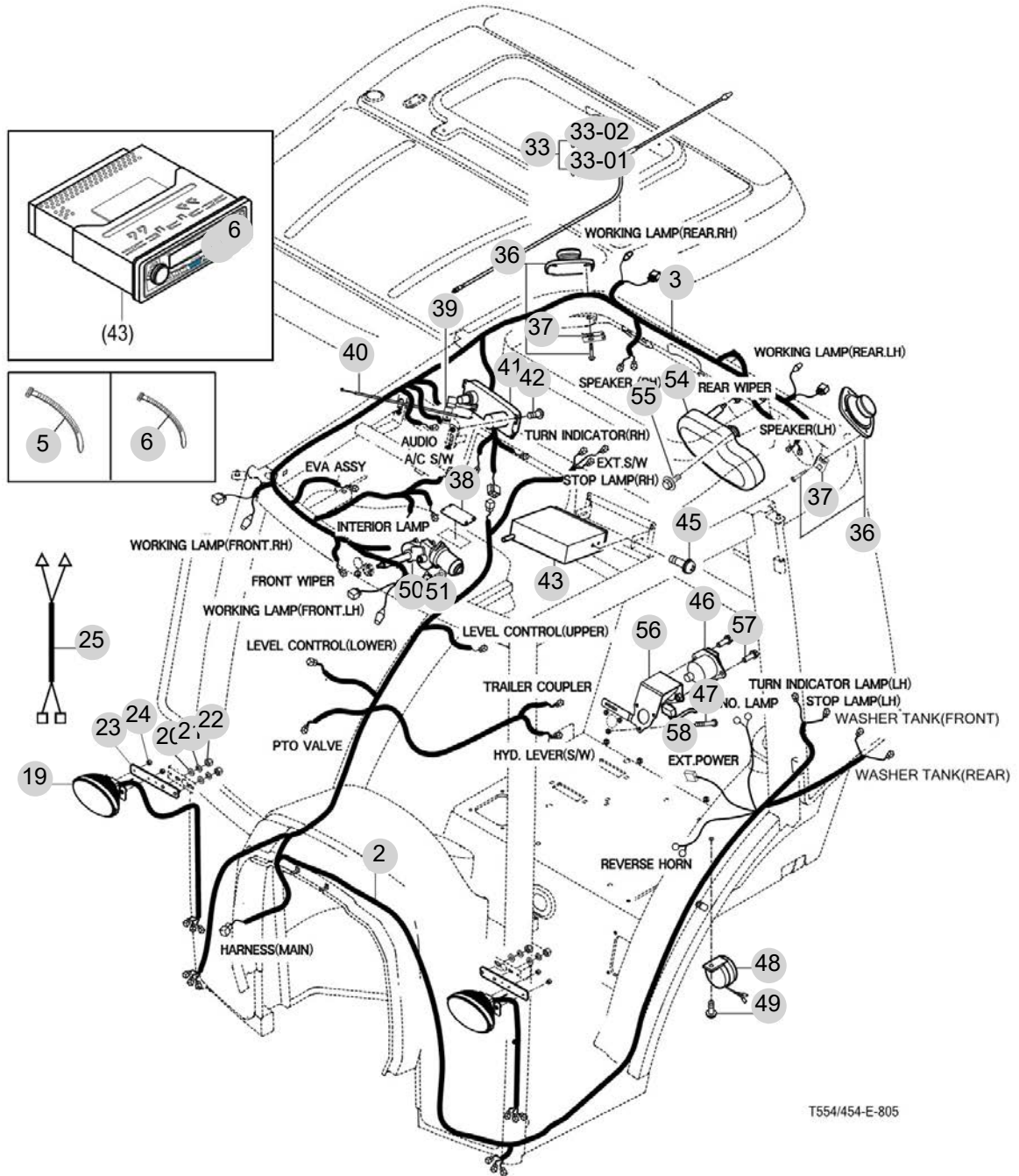
FIG 805A

ELECTRIC SYSTEM (2)

년/월
Year/Month

T554SH

2022-12



T554/454-E-805

NOTE

FIG 805A		ELECTRIC SYSTEM (2)					년/월 Year/Month	
T554SH							2022-12	
KEY NO	PART NO	DESCRIPTION	SPEC	QTY	REPAIR	EFFECTIVE DATE	REMARKS	
805A	2	17466683102	HARNESS ,REAR					
805A	2	17466683103	HARNESS ,REAR					
805A	2	17466683104	HARNESS ,REAR					
805A	3	14527024904	HARNESS ,CABIN					
805A	3	14527024905	HARNESS ,CABIN					
805A	3	14527024906	HARNESS ,CABIN					
805A	5	13424020060	CABLE TIE , 300					
805A	6	13764020030	CABLE TIE , 140					
805A	19	17336562000	LAMP ASSY , COMBINATION					
805A	20	V4111600050	WASHER , PLAIN	M5				
805A	21	V4011600050	WASHER , SPRING	M5				
805A	22	V3402700050	NUT , CAP	M5				
805A	23	11446103100GB	BRACKET COMP , FR LAMP					
805A	24	V3802600050	NUT , HEX FLANGE	M5				
805A	25	11446682120	HARNESS ASSY , LAMP CONECT					
805A	33	14527072300	ANTENNA ASSY					
805A	33-01	14527072310	ANTENNA					
805A	33-02	V1907004020	SCREW , TAPPING C/R PAN	M4				
805A	36	14527025501	SPEAKER ASSY					
805A	37	14527073120	SPRING NUT , SCREW	M4				
805A	38	16997024500	LAMP ASSY , ROOM					
805A	39	17687025300	CLIP , CABLE					
805A	40	14527082230	CABLE ASSY , WATER VALVE					
805A	41	14527082220	CONTROLLER ASSY , AIR CON					
805A	42	V1112605012	SCREW , C/R PAN	M5X12				
805A	43	10547024801	BLUETOOTH PLAYER ASSY					
805A	45	V1222605016	SCREW , C/R PAN/SP	M5X16				
805A	46	13307028201	SOCKET ASSY , TRAILER					
805A	47	V1222805016	SCREW , C/R PAN/SP	M5X16				
805A	48	34522812402	BUZZER ASSY					
805A	49	V2183608020	BOLT , HEX/SP	M8X20				
805A	50	14527062600	MOTOR ASSY , FR/ WIPER					
805A	50	14527062600	MOTOR ASSY , FR/ WIPER					
805A	50	14527062601	MOTOR ASSY , FR/ WIPER					
805A	51	V2193606020	BOLT , HEX/SPL	M6X20				
805A	54	16997032000	MOTOR ASSY , WIPER					
805A	54	16997032000	MOTOR ASSY , WIPER					
805A	54	16997032001	MOTOR ASSY , WIPER					
805A	55	V2193606020	BOLT , HEX/SPL	M6X20				
805A	56	10577028100GB	BRACKET COMP , SOCKET					
805A	57	V2183608020	BOLT , HEX/SP	M8X20				
805A	58	10586683200	HARNESS ASSY , TRAILER					
NOTE								

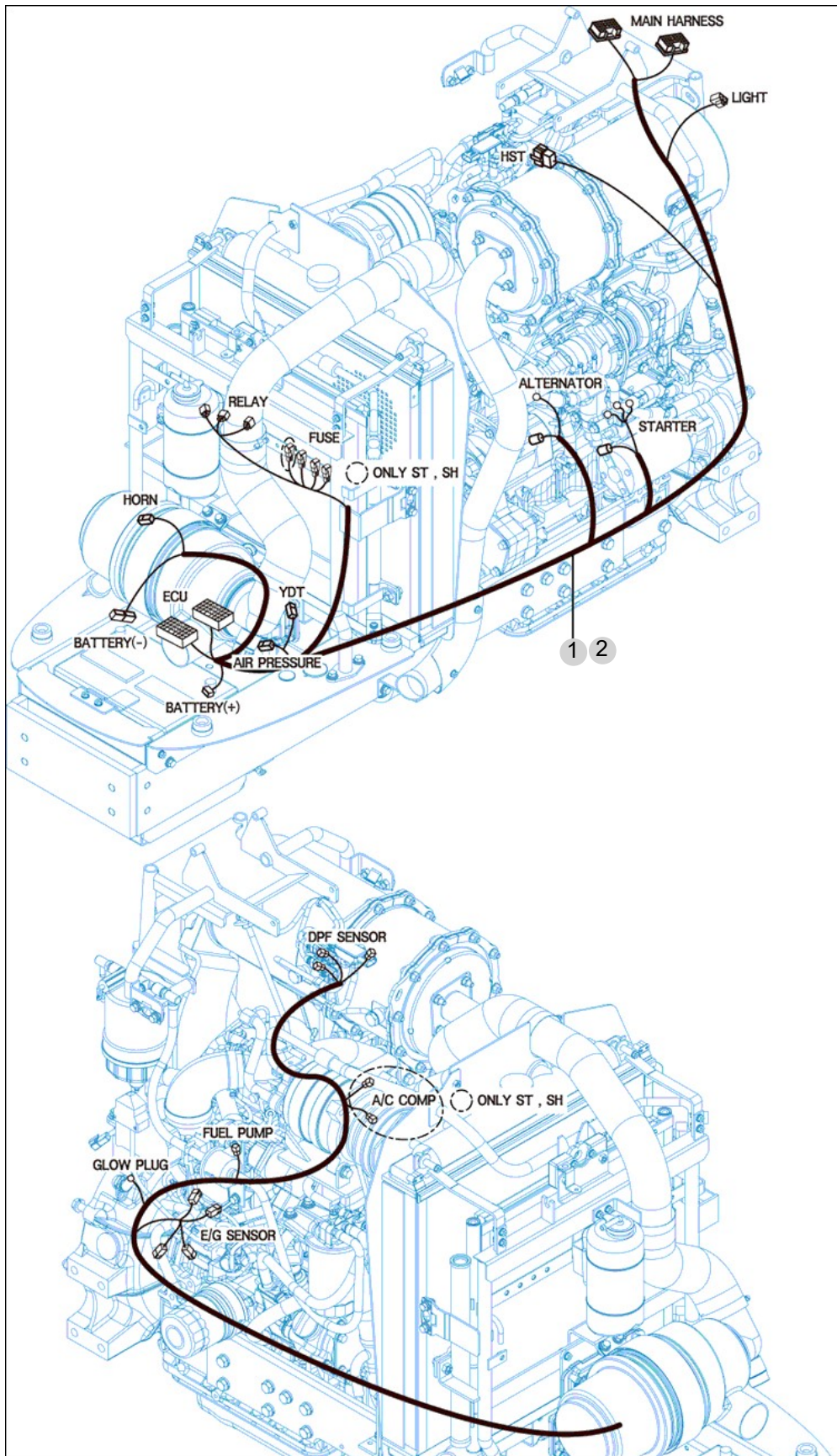
FIG 806

INSTRUMENT PANEL

년/월
Year/Month

T554SH

2022-12



NOTE

9. Label/Option PART NO. T9

FIG 901 TOOL & ACCESSORY	226
FIG 902A LABEL	228
FIG 902B LABEL	230

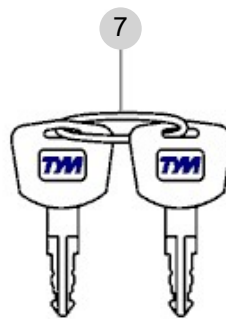
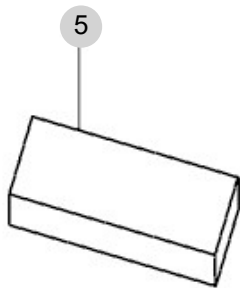
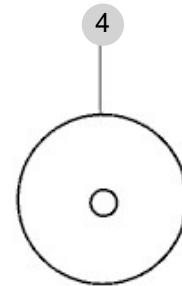
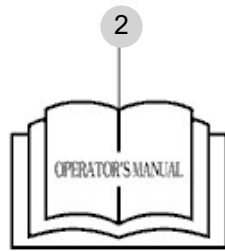
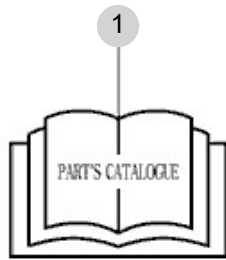
FIG 901

T554SH

TOOL & ACCESSORY

년/월
Year/Month

2022-12



T554/T554-E-001

NOTE

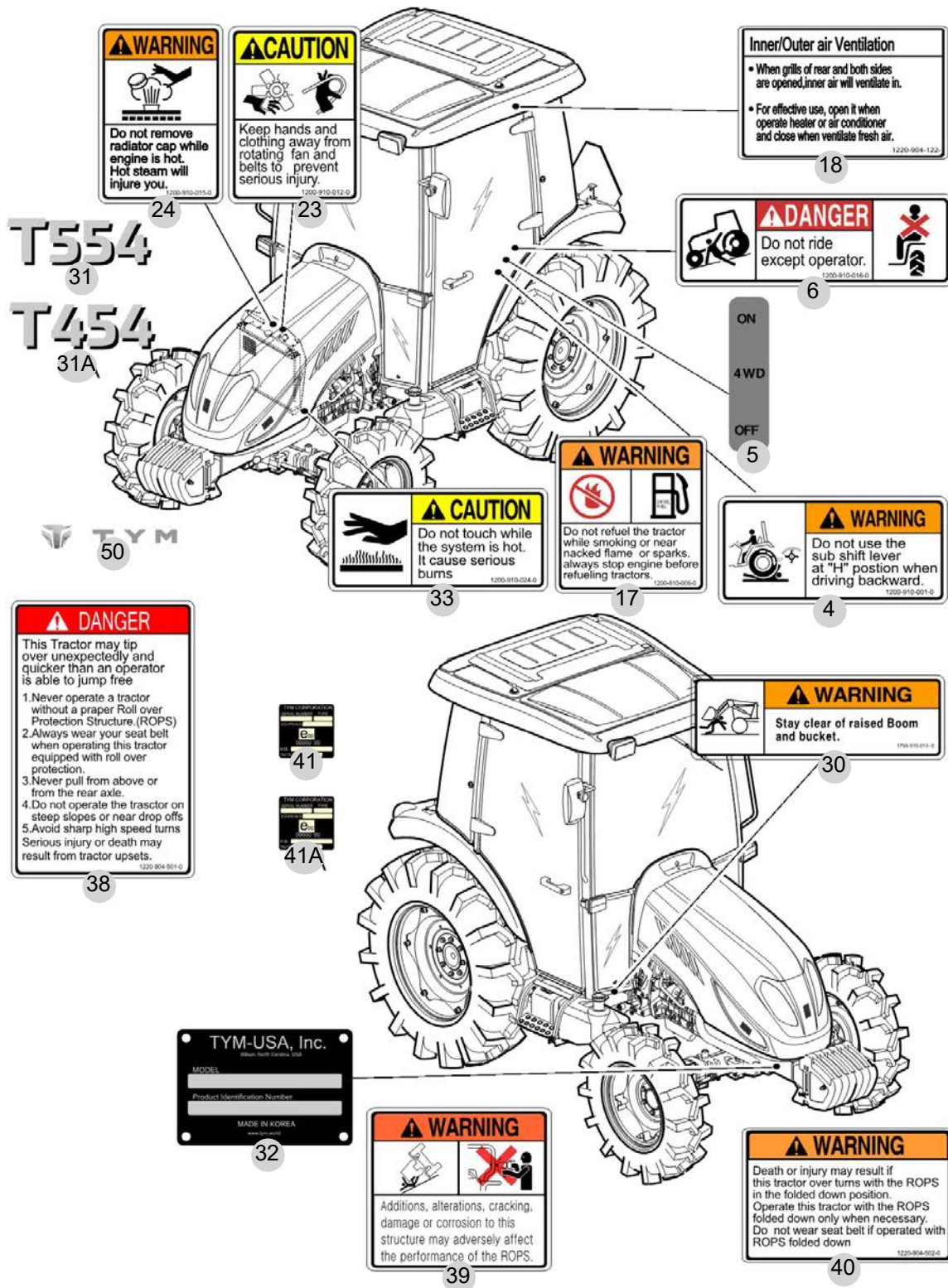
FIG 902A

LABEL

년/월
Year/Month

T554SH

2022-12



NOTE

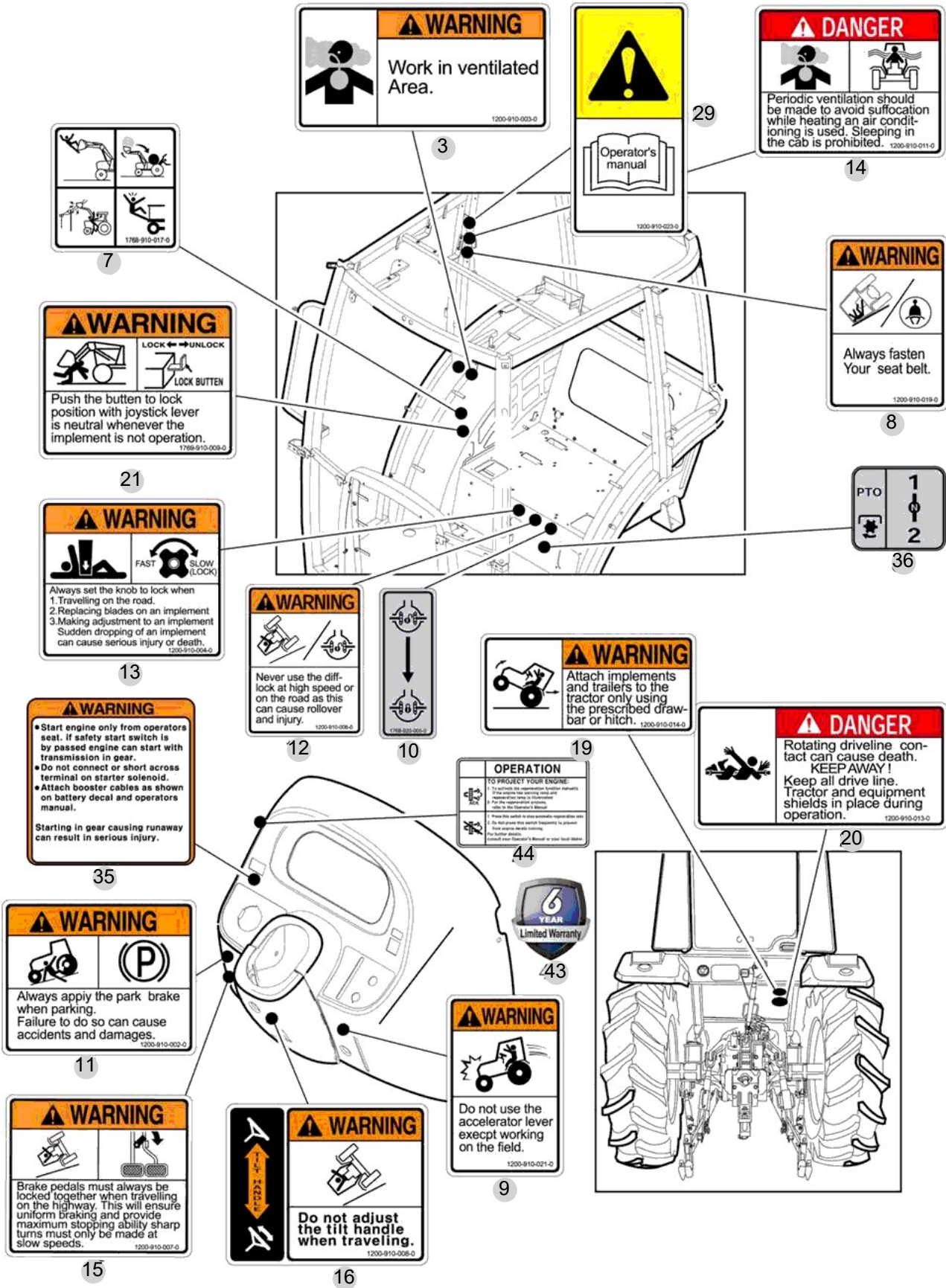
FIG 902B

LABEL

년/월
Year/Month

T554SH

2022-12



NOTE

FIG 902B		LABEL						년/월 Year/Month	
								2022-12	
T554SH		KEY NO	PART NO	DESCRIPTION	SPEC	QTY	REPAIR	EFFECTIVE DATE	REMARKS
902B	3	12009100030	LABEL , WARNING EXHAUST	1X1X1	1				
902B	4	12009100010	LABEL , WARNING SUB SHIFTER	1X1X1	1				
902B	5	17979040130	LABEL , 4WD	T=0.05	1				
902B	6	12009100160	LABEL , DANGER RIDING	1X1X1	1				
902B	7	17689100170	LABEL , CAUTION SAFETY		1				
902B	8	12009100190	LABEL , WARNING BELT	1X1X1	1				
902B	9	12009100210	LABEL , WARNING THROTTLE	1X1X1	1				
902B	10	17689200050	LABEL , DIFF		1				
902B	11	12009100020	LABEL , WARNING PARKING	1X1X1	1				
902B	12	12009100060	LABEL , WARNING DIFF	1X1X1	1				
902B	13	12009100040	LABEL , WARNING STOP VALVE	1X1X1	1				
902B	14	12009100111	LABEL , DANGER AIR CONDITIONER		1				
902B	15	12009100070	LABEL , WARNING BRAKE	1X1X1	1				
902B	16	12009100080	LABEL , WARNING TILTING	1X1X1	1				
902B	17	12009100050	LABEL , WARNING FIRE	1X1X1	1				
902B	18	12209041222	LABEL , VENTILATION		1				
902B	19	12009100140	LABEL , WARNING DRAW	1X1X1	1				
902B	20	12009100130	LABEL , DANGER PTO	1X1X1	1				
902B	21	17699100090	LABEL , WARNING JOYSTICK	1X1X1	1				
902B	23	12009100120	LABEL , CAUTION FAN	1X1X1	1				
902B	24	12009100150	LABEL , WARNING RADIATOR	1X1X1	1				
902B	29	12009100230	LABEL , CAUTION OPERATION	T=0.05	1				
902B	30	17699100100	LABEL , WARNING JOYSTICK		1				
902B	31	17429010040	MARK , ORNAMENT(T454)		2				
902B	31	17469010040	MARK, ORNAMENT(T503)		2				
902B	31	17469010042	MARK , /T554		2				
902B	32	T0019010021	LABEL , MODEL/EXPORT	1X1X1	1				
902B	32	T0019110050	NAMEPLATE , USA		1				
902B	33	12009100240	LABEL , CAUTION MUFFLER	1X1X1	1				
902B	34	14729020011	LABEL , HST	1X1X1	2				
902B	35	12609040620	LABEL , STARTING WARNING	T=0.05	1				
902B	36	14527078550	LABEL,PTO	T=0.38	1				
902B	37	19959041130	LABEL, TYM(66X150)	1X1X1	2				
902B	38	12209045010	LABEL , ROPS DANGER	T=0.05	1				
902B	39	12209045051	LABEL , ROPS WARNING/REMODELING		1				
902B	40	12209045020	LABEL , ROPS WARNING	T=0.05	1				
902B	41	15569045044	LABEL , ROPS		1				
902B	41	15189045046	LABEL , CABIN		1				
902B	42	19129041130	LABEL , TYM(75)	1X1X1	2				
902B	43	13379100150	6YEAR WARRANTY LABEL		1				
902B	44	17409209010	LABEL , OPERATION/DPF REGEN SWITCH		1				
NOTE									