

4215CH_US_FL(AC02163) TRACTOR

Parts Catalogue



CONTENTS

GROUP NO	GROUP NAME	PAGE
G. ENGINE		
A01_006	CYLINDER BLOCK	4
A02_005	DRIVE PULLY	6
A03_004	CRANK SHAFT PULLEY	8
A04_005	GLOW PLUG ASS'Y OPTION	10
A05_005	CRANK SHAFT ASS'Y OPTION	12
A06_004	BREATHER OPTION	14
A07_005	CAMSHAFT	16
A08_006	ALTERNATOR	18
A09_007	COOLING WATER PUMP	20
A10_010	COOLING FAN SPACER	22
A11_008	INJECTOR	24
A12_008	FUEL INJECTON	26
A13_005	PLUMBING, FUEL	28
A14_003	FUEL FILTER BRACKET	31
A16_018	FUEL FILTER ASS'Y OPTION	33
A17_012	INTAKE MANIFOLD ASS'Y OPTION	35
A18_011	FLYWHEEL	37
A19_007	FLYWHEEL HOUSING	39
A20_010	HEAD, CYLINDER	41
A21_004	HEAD COVER	43
A23_009	TURBOCHARGER SUPPORT ASS'Y OPTION	45
A25_002	OIL JET ASS'Y OPTION	47
A26_005	COOLER, ENGINE OIL	49
A27_005	OIL PAN ASS'Y OPTION	51
A28_001	PUMP, LUBRICATING OIL	53
A29_005	FILTER, LUBRICATING OIL	55
A30_003	FRONT GEAR ACCESSORY DRIVE	57
A31_005	PISTON	59
A32_003	LEVER, LOCKER	61
A33_013	EXHAUST MANIFOLD	63
A35_002	IDLE GEAR	65
A36_004	COVER, FRONT GEAR	67
A37_001	BALANCE ASS'Y	69
A38_009	GAUGE, OIL LEVEL	71

CONTENTS

GROUP NO	GROUP NAME	PAGE
G. ENGINE		
A39_001	OIL FILLER CAP	73
A40_003	LIFT ASS'Y OPTION	75
A41_001	COMP,DRIVE PULLEY ASS'Y OPTION	77
A42_003	MOTER, STARTIONS	79
A43_001	DPF SUPPORT OPTION	81
A44_006	DPF MOUNTING OPTION	83
A45_011	DPF	85
A48_006	V-BELT	87
A50_002	COMPRESSOR BRACKET ASSY	89
F. TRANSMISSION		
F01010	CLUTCH HOUSING[4815CH]	91
F01020	TRANSMISSION CASE	93
F01030	REAR AXLE HOUSING	95
F01050	HYD SHIFT TRANSMISSION HOUSING	97
F03040	RANGE SHIFT DRIVE SHAFT-1	99
F04010	FORNT DRIVE SHAFT	101
F05020	REAR DIFFERENTIAL	103
F05020	RING GEAR&DIFF.GEAR ASS'Y	105
F06030	BRAKE	107
F07030	PTO DRIVE SHAFT	109
F07070	P.T.O SHAFT	111
F08060	FORK, PTO SHIFT	113
F10010	CASE, HYD CYLINDER	115
F10020	LIFT ARM	117
F10030	SAFETY VALVE	119
F10040	STOP VALVE	121
F10061	DRAFT/POSITION CONTROL LEVER	123
F10063	DRAFT CONTROL LEVER	125
F10064	POSITION CONTROL LEVER	127
F10120	REAR SCV	129
F10130	BLOCK, REAR	131
F11020	LEVER ASS'Y, RANGE SHIFT	133
F11060	DIFFERENTIAL	135
F11080	4WD LEVER	137

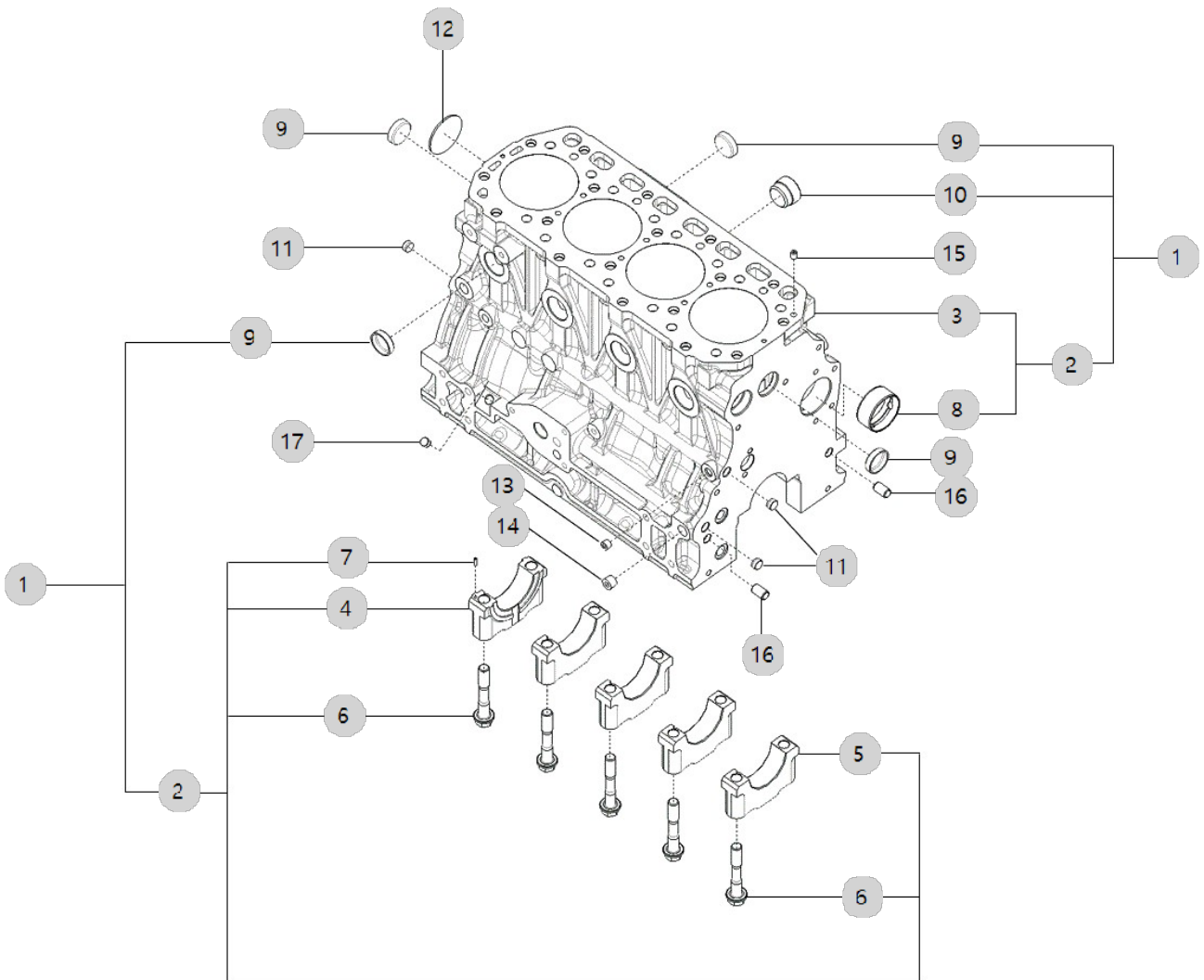
A01_006

A2000N4-UTC_4
(AB00339)

CYLINDER BLOCK

Year/Month

2022-12-15



A01_006 A2000N4-UTC_4 (AB00339)		CYLINDER BLOCK				Year/Month 2022-12-15
순번 (NO)	부품번호 (PART NO)	품명 (PART NAME)	품명 (PART NAME)	수량 (QTY)	규격 (SPEC)	비고 (REMARK)
1	HRG0100100D9	실린더블록조합[A2000]	CYLINDER BLOCK	1		
2	EA00000708B	실린더블록 서브조합	SUB, BLOCK CYLINDER	1		
3	HRG0103101E	실린더블록	BLOCK, CYLINDER	1		
3	HRG0103101A	실린더블록	BLOCK, CYLINDER	1		
3	HRG0103101D	실린더블록	BLOCK, CYLINDER	1		
3	HRG0103101C	실린더블록	BLOCK, CYLINDER	1		
3	HRG0103101B	실린더블록	BLOCK, CYLINDER	1		
3	HRG0103101G	실린더블록	BLOCK, CYLINDER	1		
4	HRA0100102B3	베어링캡(1)	CAP,MAIN BEARING	1		
5	HRA0100103B3	베어링캡(2)	CAP,MAIN BEARING	4		
6	HRA0100104B4	볼트(베어링캡)	SCREW,HEX FLANGE HEAD CAP	10	M12X1.5	
6	HRA0100104A4	볼트(베어링캡)	SCREW,HEXFLANGEHEADCAP	10	M12X1.5X75	
7	22351-030010	스프링핀	PIN, SPRING (3-01)	5	D3X10	
8	HRU0100105A3	부시(캠축)	BUSH, CAM SHAFT	1		
9	27241-300000	캡형플러그 30	PLUG (D30)	8	D30XT1.6	
10	HM23030000A4	플러그(블록히터)	PLUG	1	NPTF1"	
11	HRA0100108A4	576,ALL,플러그12	PLUG,EXPANSION	3		
11	HT01010300A4	테이퍼 플러그 (PT 1/4")	PLUG PIPE	3	PT 1/4"	
12	27231-500000	접시형플러그 50	PLUG,EXPANSION	1	D50XT2.0	
13	23871-010000	테이퍼플러그	PLUG	1	PT1/8	
14	23871-020000	테이퍼플러그(PT1/4)	Plug, Pipe	1	PT1/4	
15	HRA0100800A4	핀(오일)	PIN,OIL	1		
16	HRA0201100A4	노크핀	PIN,GUIDE	2		
17	HRT0300500A4	플러그	PLUG,EXPANSION	1	D10	

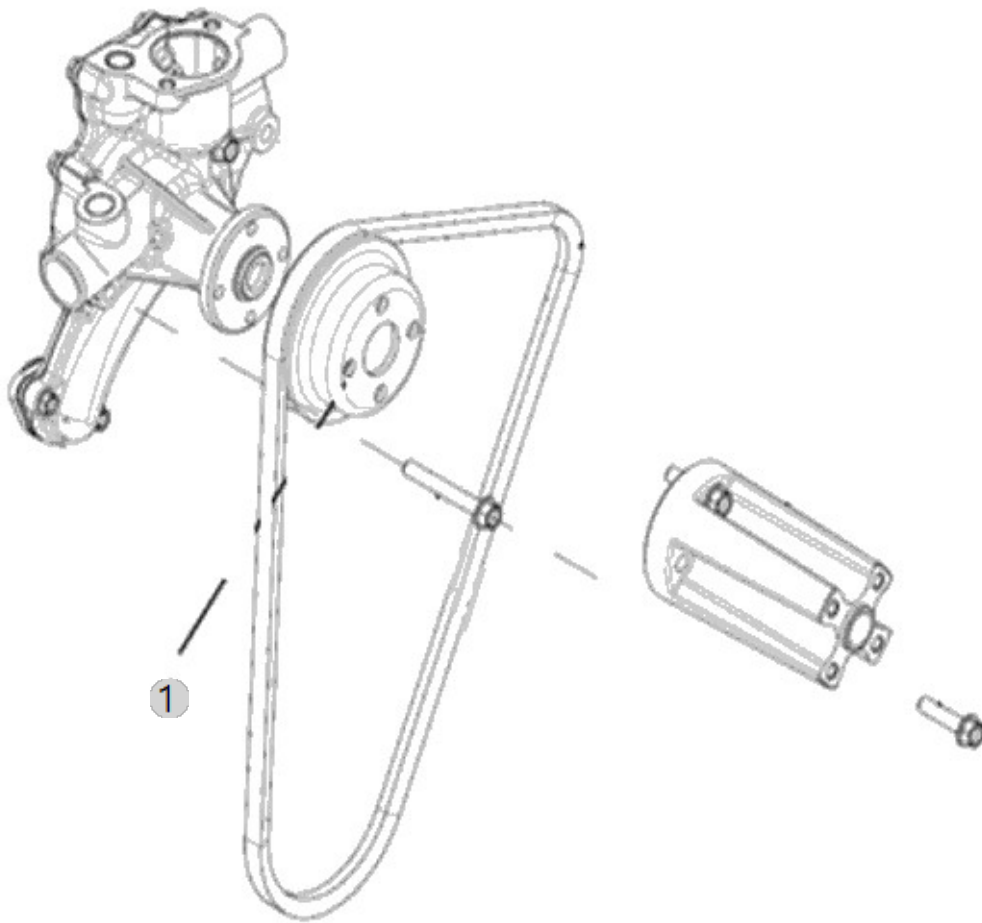
A02_005

A2000N4-UTC_4
(AB00339)

DRIVE PULLY

Year/Month

2022-12-15



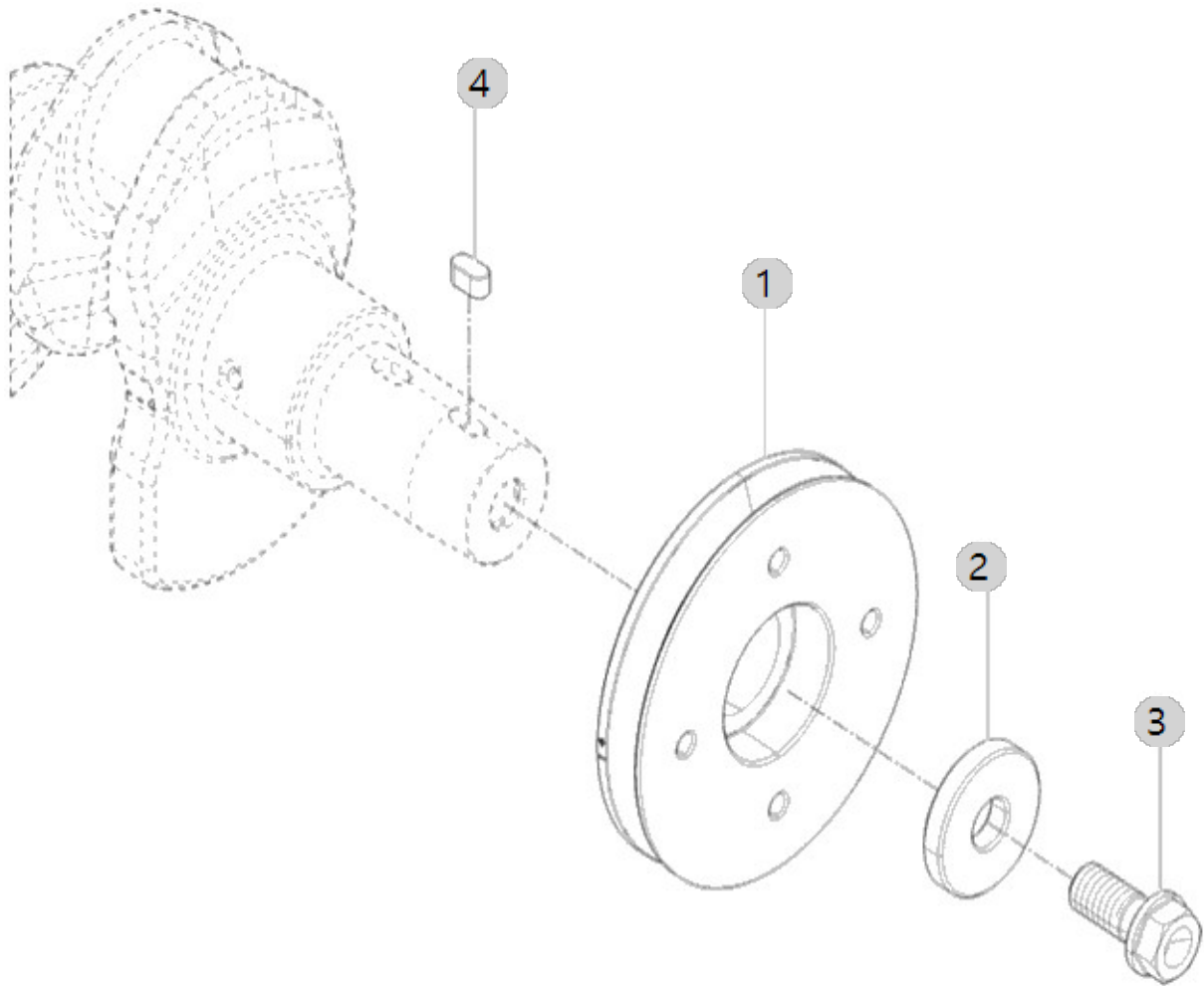
A03_004

A2000N4-UTC_4
(AB00339)

CRANK SHAFT PULLEY

Year/Month

2022-12-15



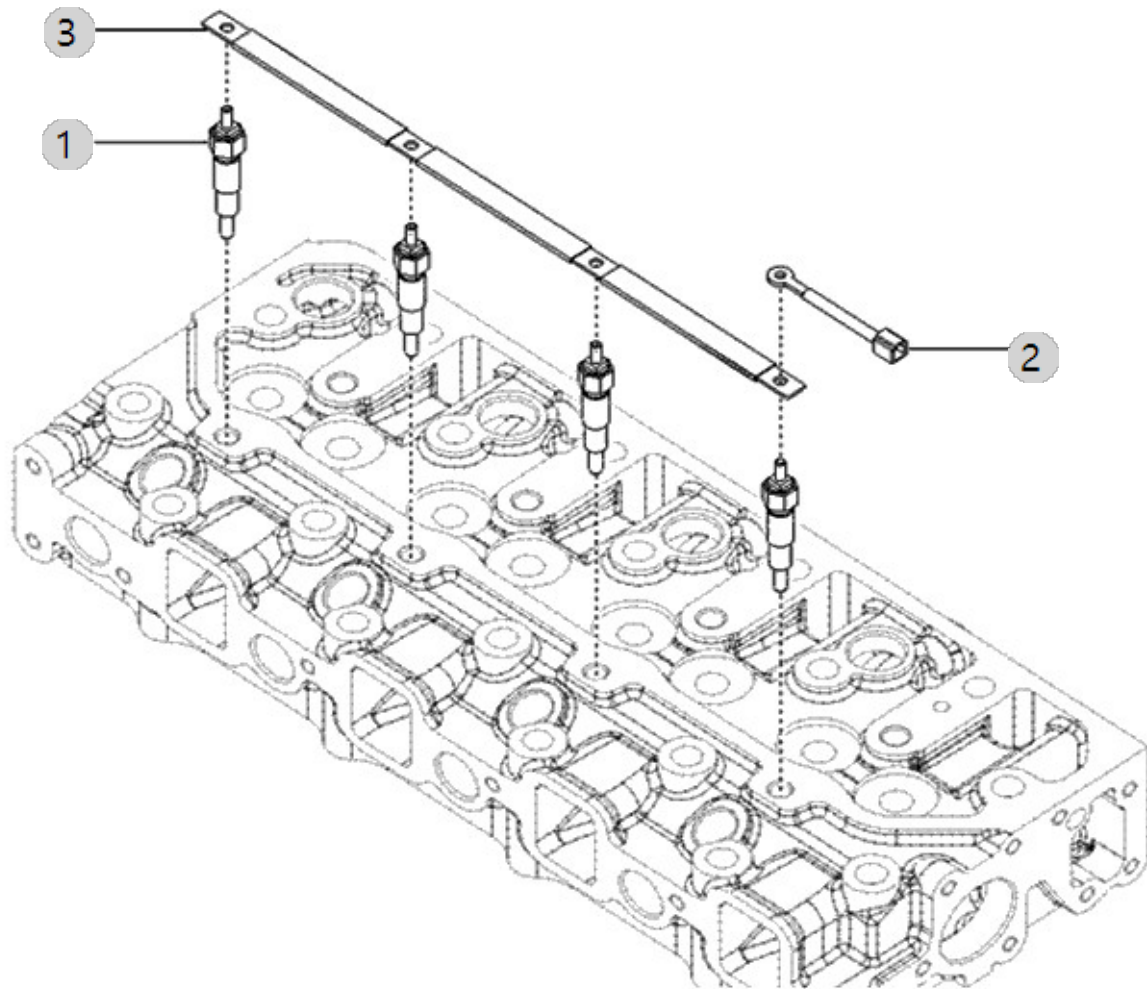
A04_005

A2000N4-UTC_4
(AB00339)

GLOW PLUG ASS'Y OPTION

Year/Month

2022-12-15



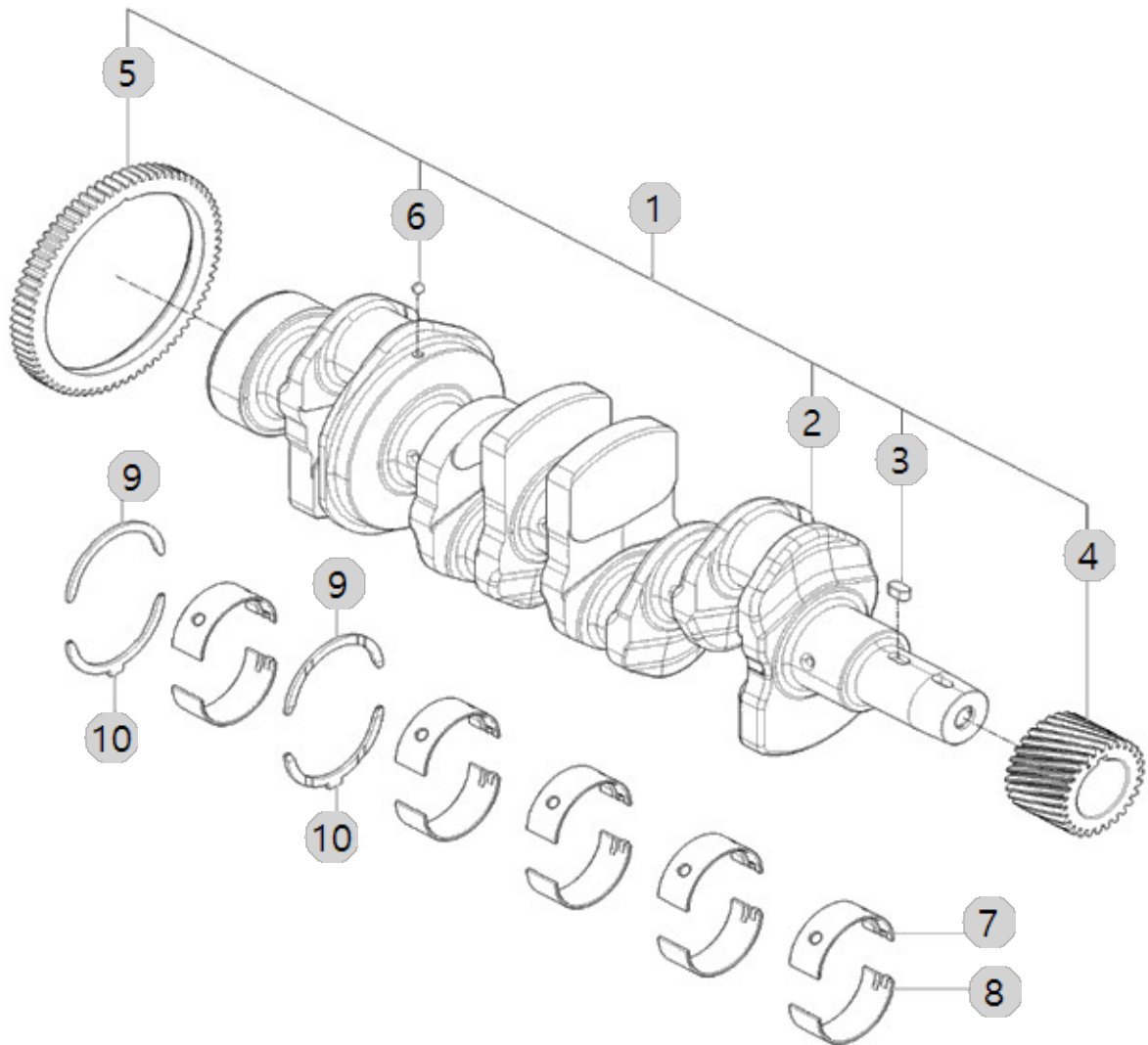
A05_005

A2000N4-UTC_4
(AB00339)

CRANK SHAFT ASS'Y OPTION

Year/Month

2022-12-15



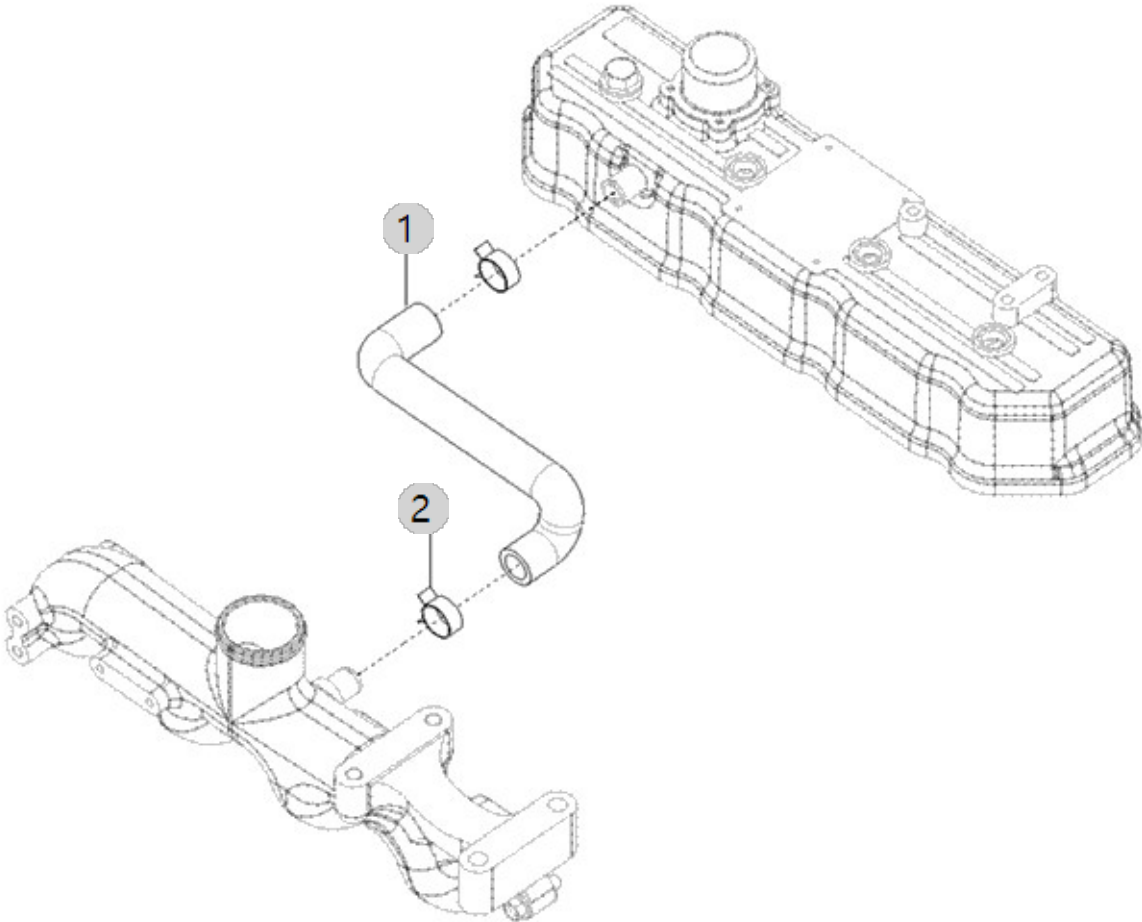
A06_004

A2000N4-UTC_4
(AB00339)

BREATHER OPTION

Year/Month

2022-12-15



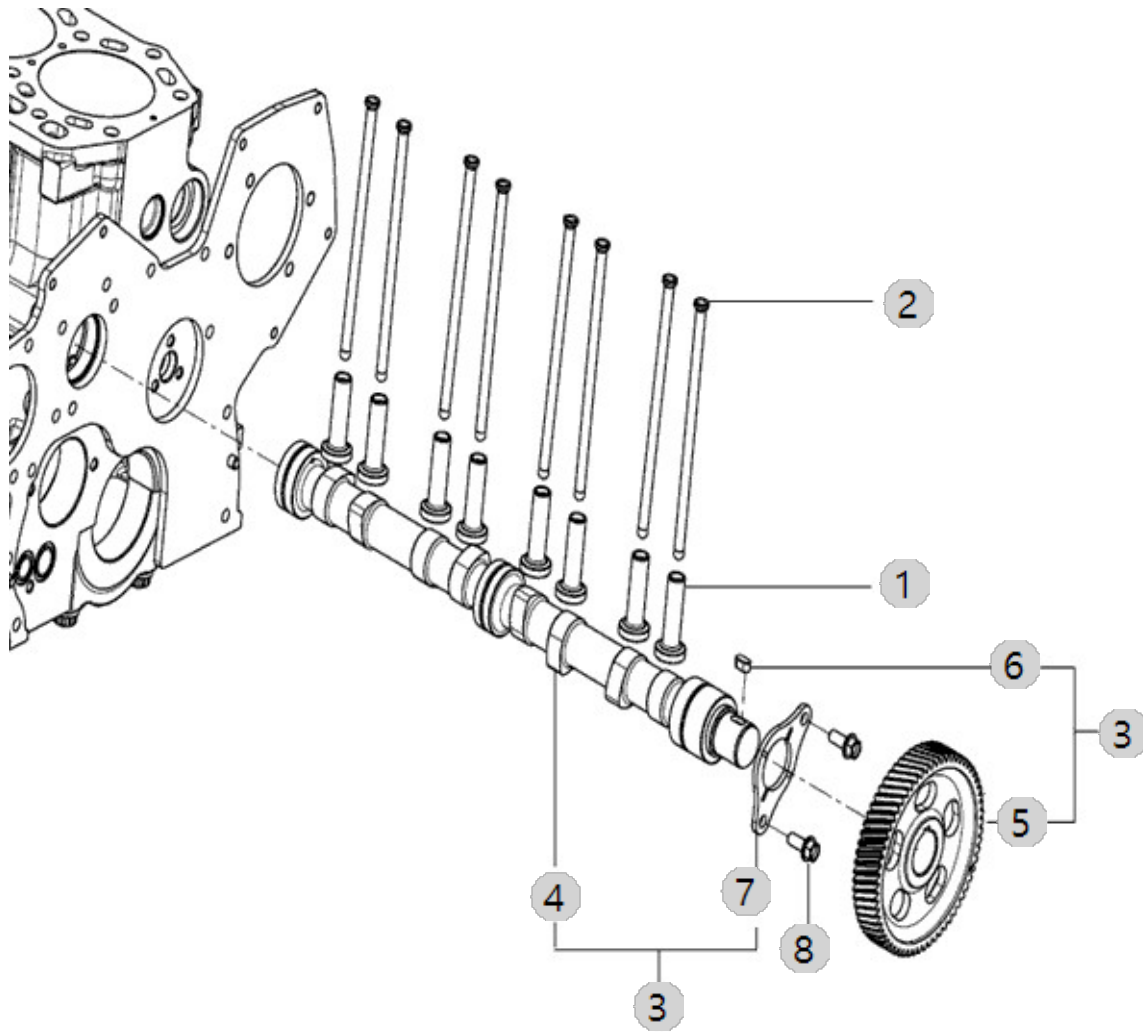
A07_005

A2000N4-UTC_4
(AB00339)

CAMSHAFT

Year/Month

2022-12-15



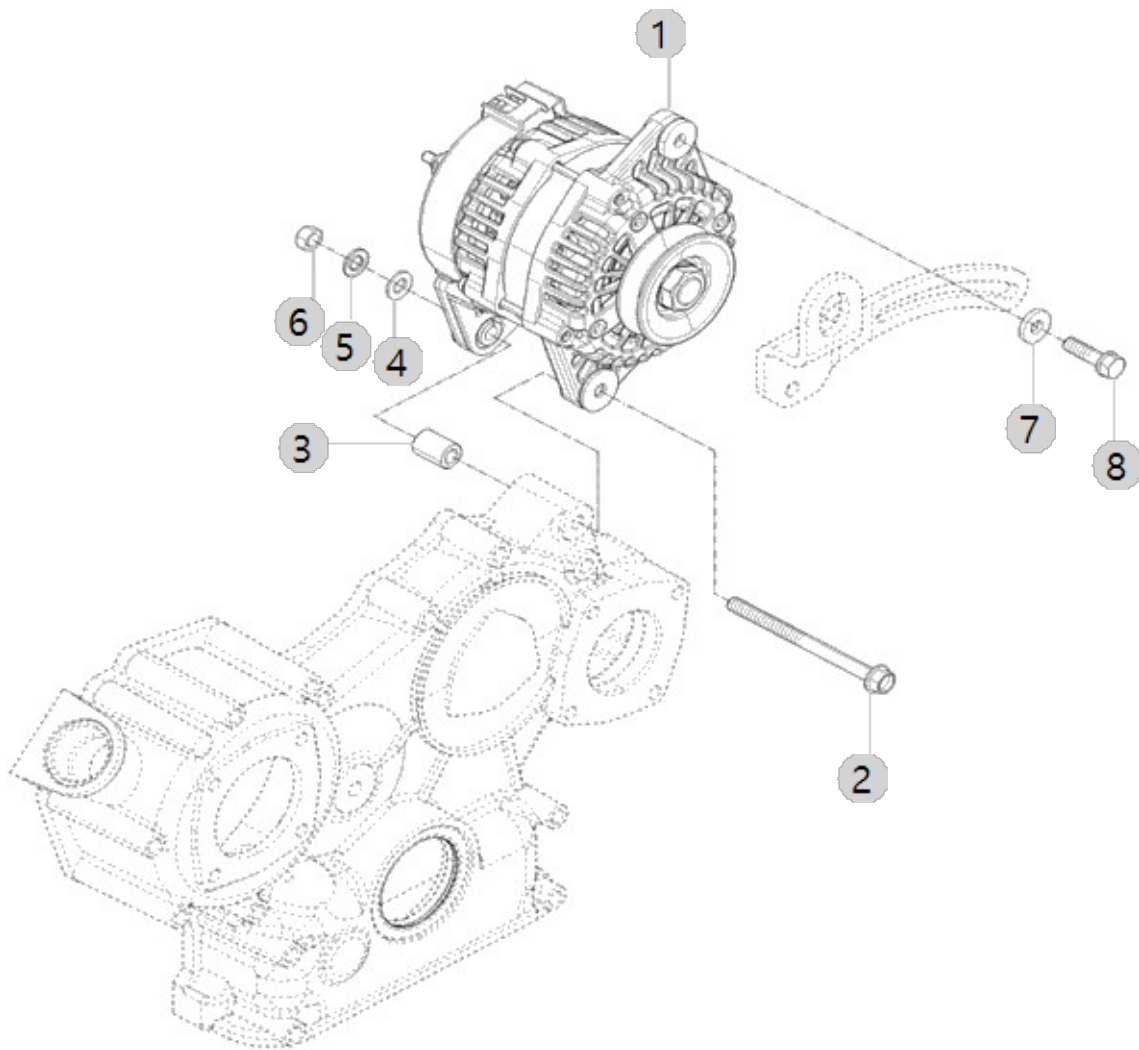
A08_006

A2000N4-UTC_4
(AB00339)

ALTERNATOR

Year/Month

2022-12-15



<p>A08_006 A2000N4-UTC_4 (AB00339)</p>		<p>ALTERNATOR</p>				<p>Year/Month 2022-12-15</p>	
<p>순번 (NO)</p>	<p>부품번호 (PART NO)</p>	<p>품 명 (PART NAME)</p>	<p>품 명 (PART NAME)</p>	<p>수량 (QTY)</p>	<p>규격 (SPEC)</p>	<p>비고 (REMARK)</p>	
1	EA00004190A	발전기조합(12V-70A)	ALTERNATOR ASS'Y(12V-70A)	1			
1	EA00004190B	발전기조합(12V-70A)	ALTERNATOR ASS'Y(12V-70A)	1			
2	26106-081052	육각플랜지볼트	SCREW,HEXFLANGEHEADCAP	1	M8X1.25X105		
3	HN21240000B4	스페이서	SPACER, ALTERNATOR	1	D8.3XD15.3		
3	HN21240000A4	스페이스	SPACER,ALTERNATOR	1	D8.3XD15.3		
4	22137-080000	와셔8	WASHER, PLAIN (Φ 08)	1	M8		
5	22217-080000	스프링와셔8	WASHER, SPRING (Φ 08)	1	M8		
6	26716-080002	육각너트	NUT,HEX (D8)	1	M8xP1.25		
7	RR15170000A4	와셔 8.5x20x3.2	WASHER 8.5X20X3.2	1	T3.2x20x20		
7	RR15170000B4	와셔 8.5x20x3.2	WASHER 8.5X20X3.2	1	T2.3		
8	26013-080302	와셔조립육각볼트(+SW)	HEX BOLT W/WASHER	1	M8XP1.25X30		

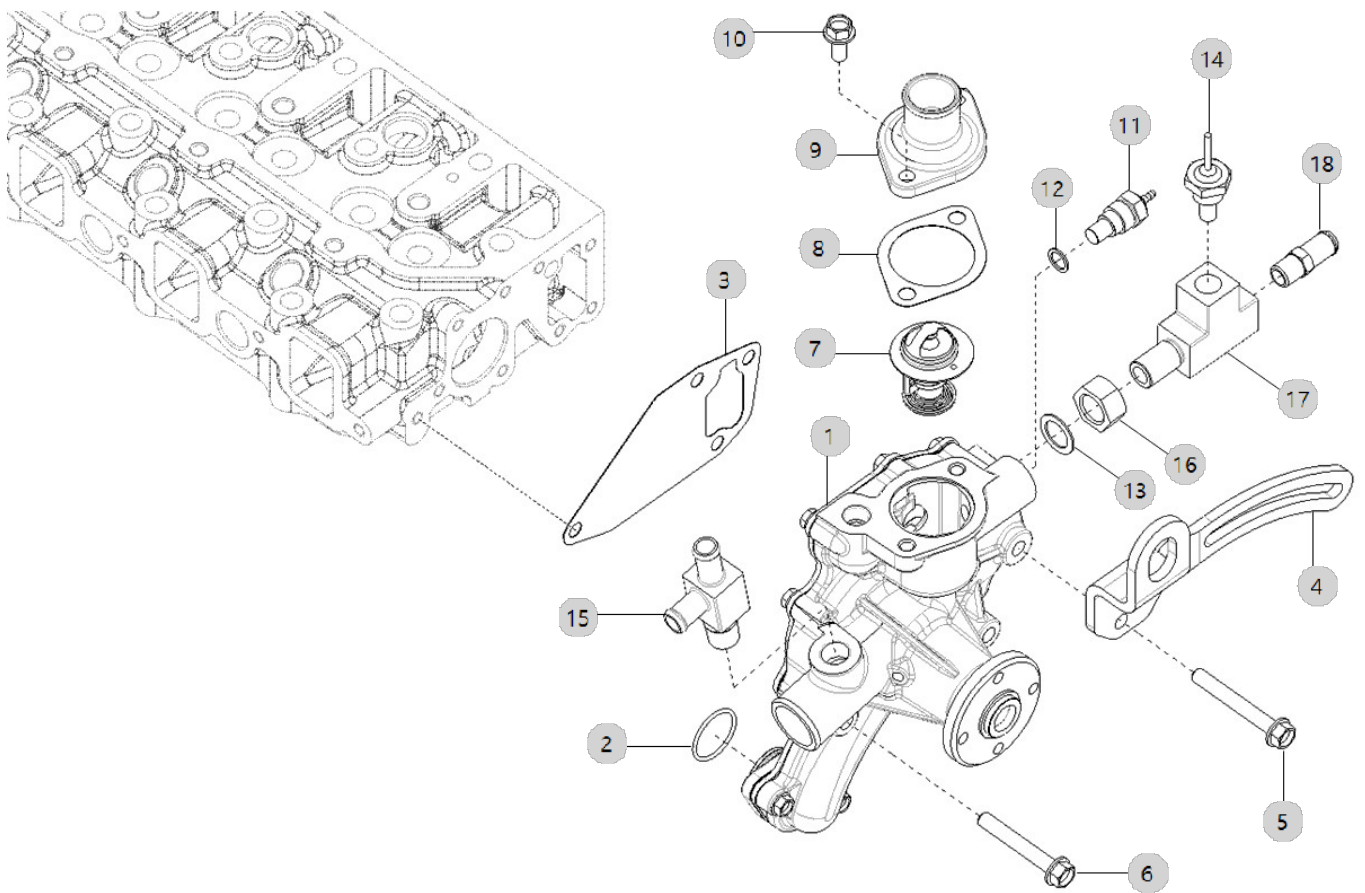
A09_007

A2000N4-UTC_4
(AB00339)

COOLING WATER PUMP

Year/Month

2022-12-15



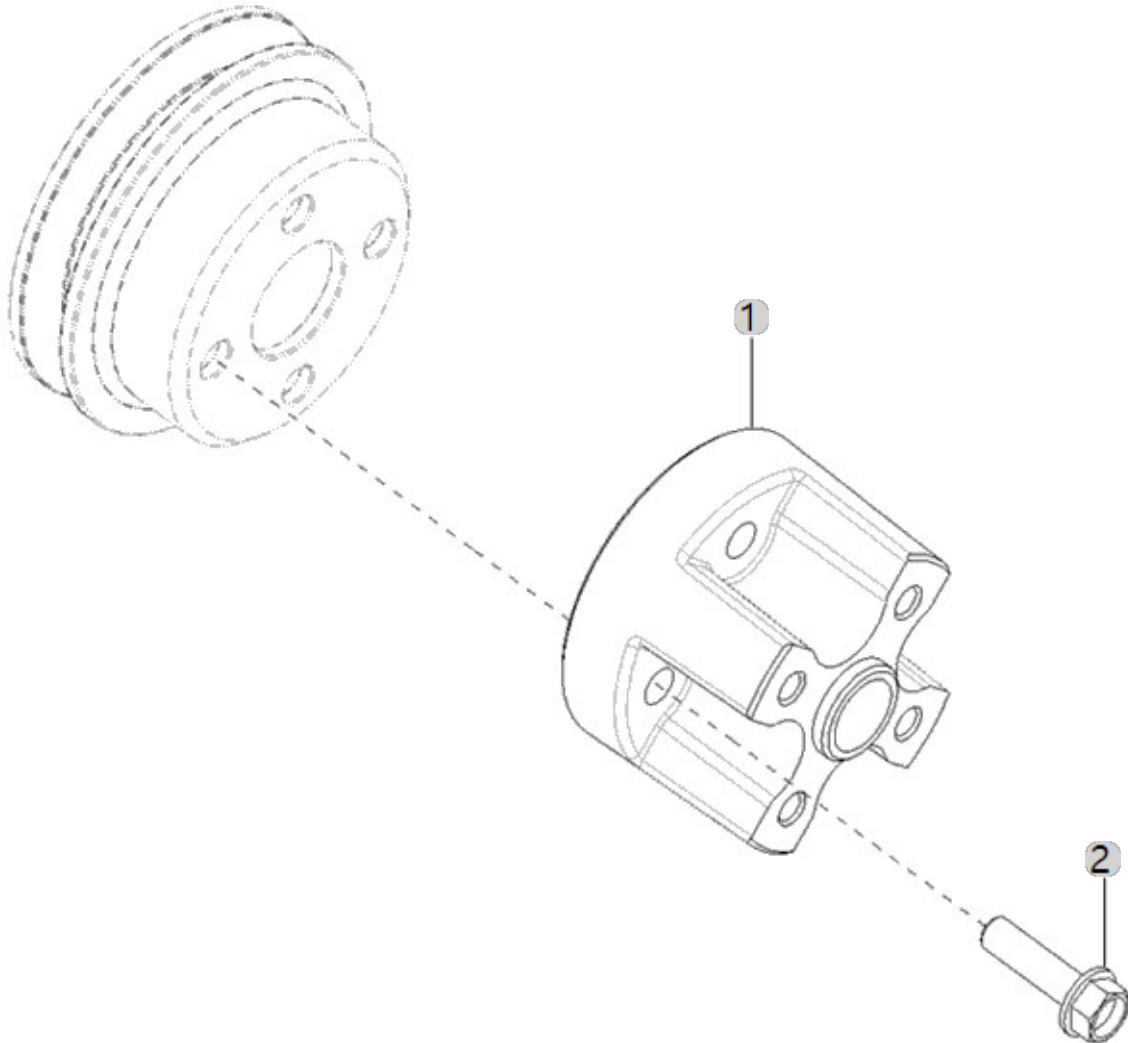
A10_010

A2000N4-UTC_4
(AB00339)

COOLING FAN SPACER

Year/Month

2022-12-15



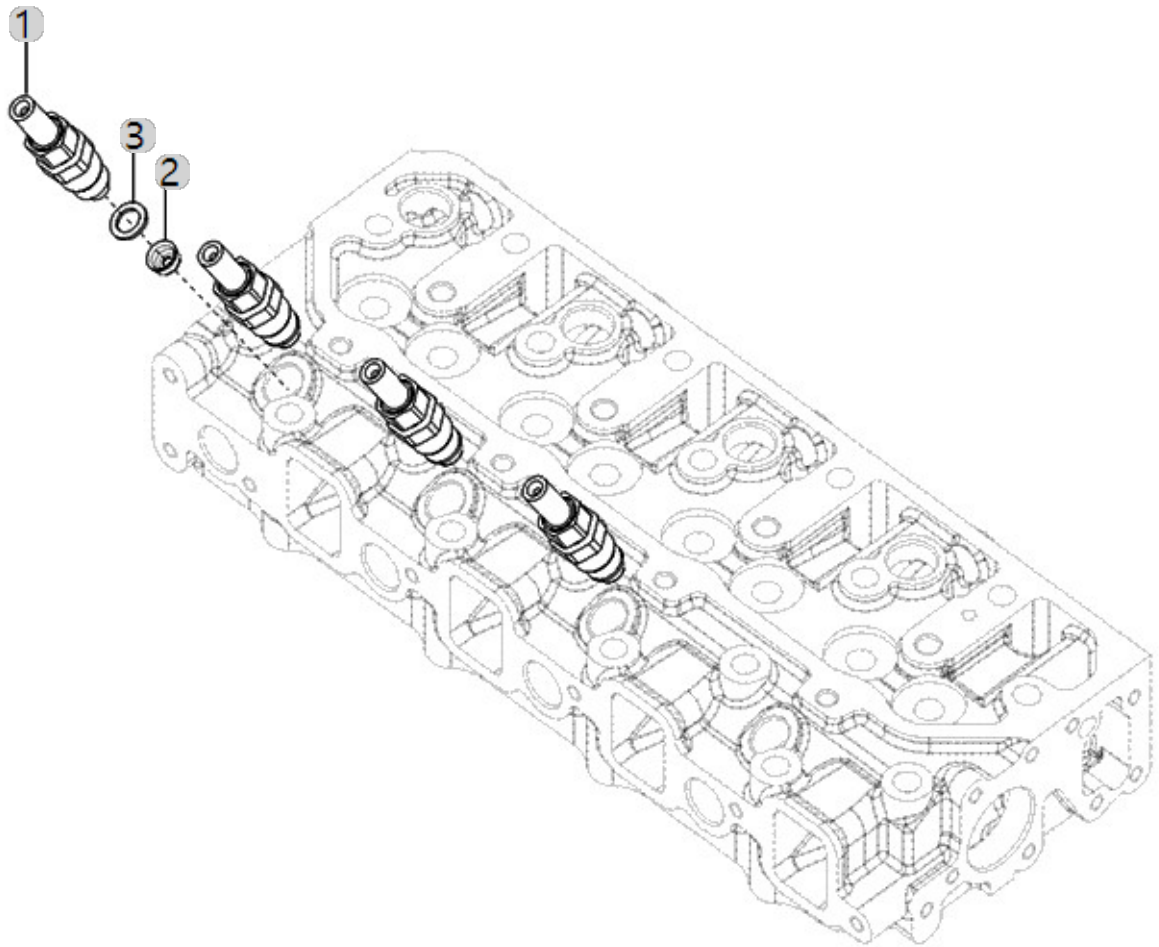
A11_008

A2000N4-UTC_4
(AB00339)

INJECTOR

Year/Month

2022-12-15



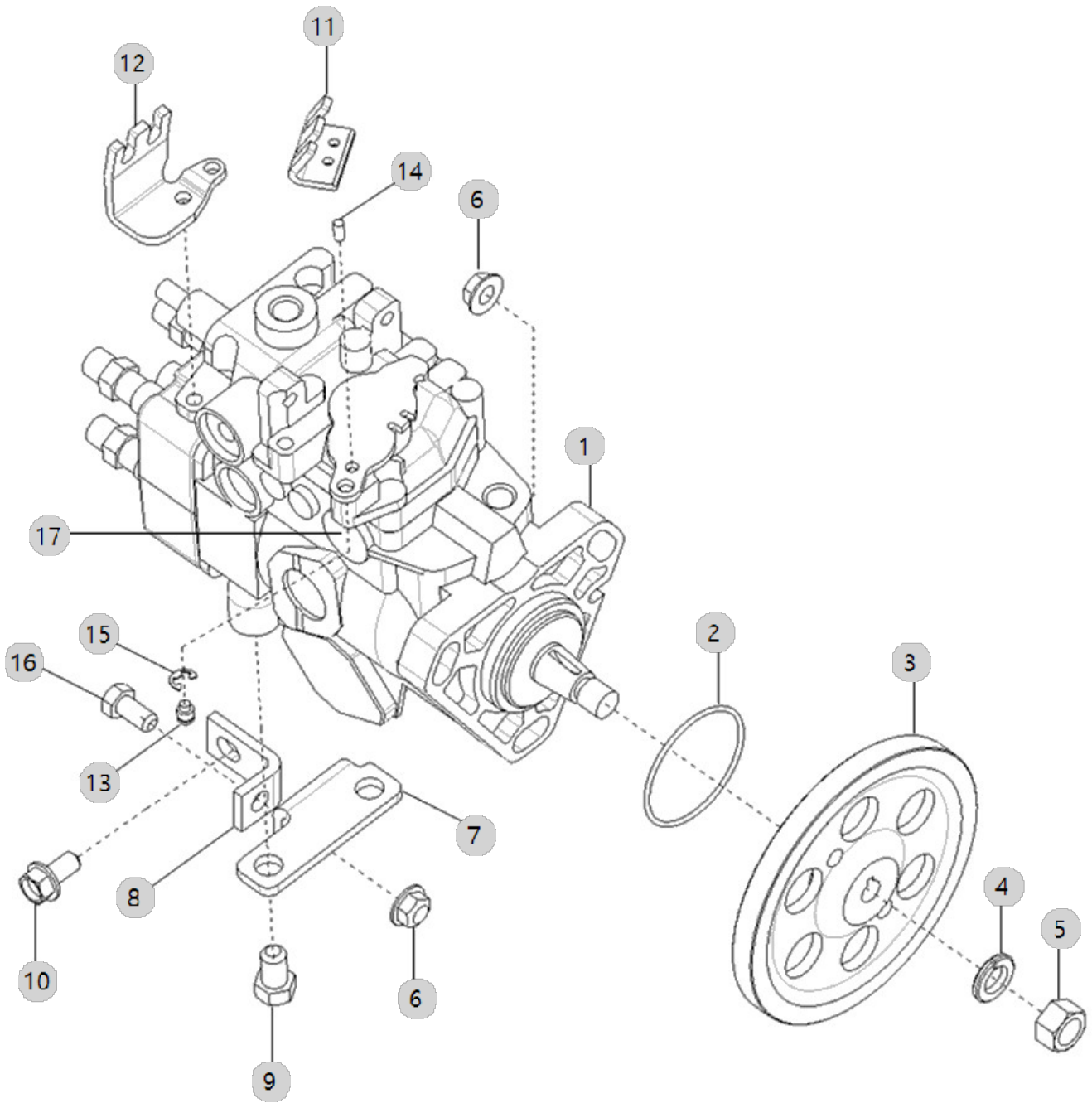
A12_008

A2000N4-UTC_4
(AB00339)

FUEL INJECTOR

Year/Month

2022-12-15



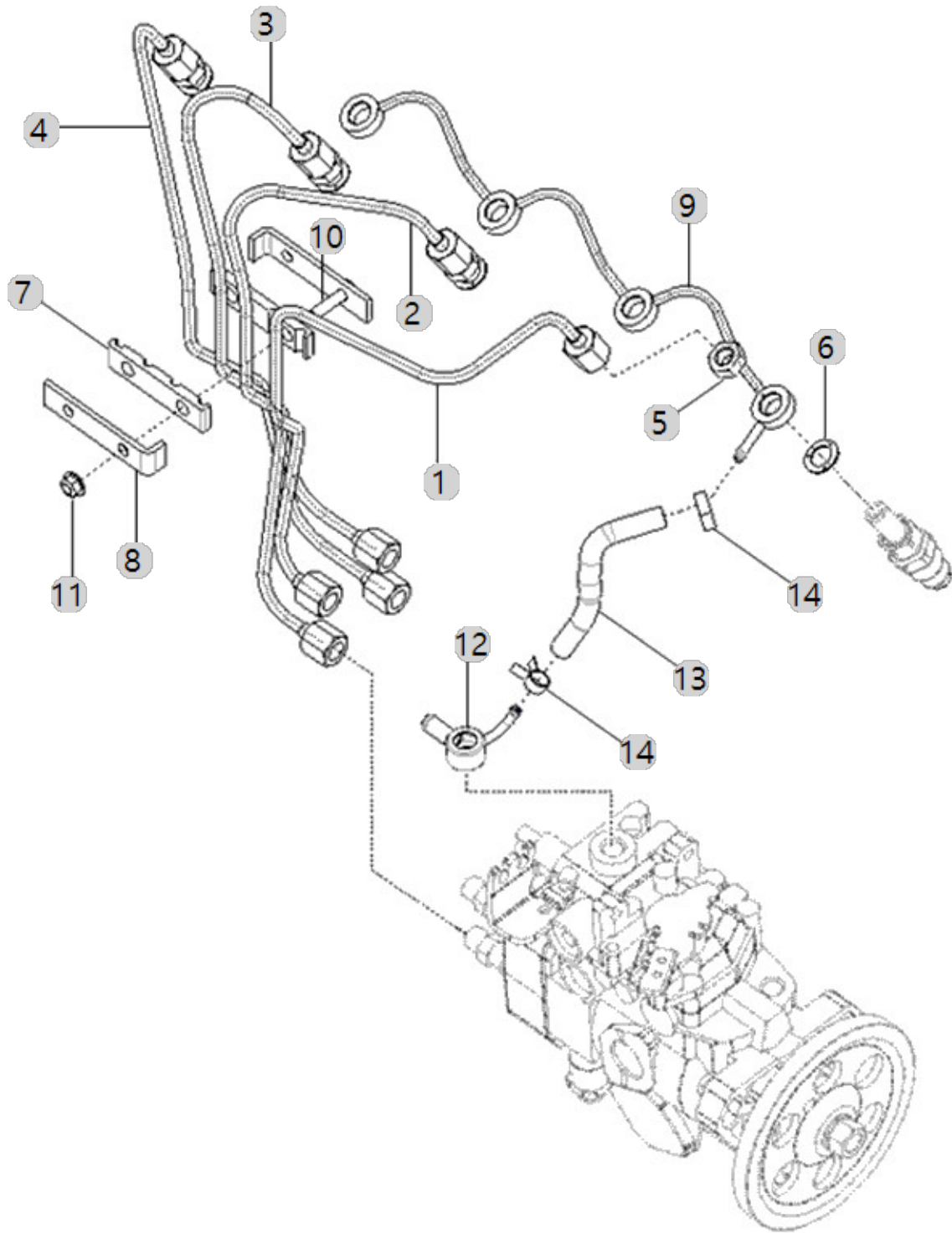
A13_005

A2000N4-UTC_4
(AB00339)

PLUMBING, FUEL

Year/Month

2022-12-15



A13_005 A2000N4-UTC_4 (AB00339)		PLUMBING, FUEL				Year/Month 2022-12-15
순번 (NO)	부품번호 (PART NO)	품명 (PART NAME)	품명 (PART NAME)	수량 (QTY)	규격 (SPEC)	비고 (REMARK)
1	HRA150050DB0	299,A202322,연료파이프조합(A)	PIPE ASSY, FUEL SUPPLY A	1		
1	HRA150050DB0	299,A202322,연료파이프조합(A)	PIPE ASSY, FUEL SUPPLY A	1		
1	HRA150050DC0	연료파이프조합(A)	TUBE,INJECTOR FUEL SUPPLY	1		
1	HRA150050DB0	299,A202322,연료파이프조합(A)	PIPE ASSY, FUEL SUPPLY A	1		
2	HRA150060DB0	300,A202322,연료파이프조합(B)	PIPE ASSY, FUEL SUPPLY (B)	1		
2	HRA150060DC0	연료파이프조합(B)	TUBE,INJECTOR FUEL SUPPLY	1		
2	HRA150060DB0	300,A202322,연료파이프조합(B)	PIPE ASSY, FUEL SUPPLY (B)	1		
2	HRA150060DB0	300,A202322,연료파이프조합(B)	PIPE ASSY, FUEL SUPPLY (B)	1		
3	HRA150070DB0	301,A202322,연료파이프조합(C)	PIPE ASSY, FUEL SUUPPLY C	1		
3	HRA150070DB0	301,A202322,연료파이프조합(C)	PIPE ASSY, FUEL SUUPPLY C	1		
3	HRA150070DC0	연료파이프조합(C)	TUBE,INJECTOR FUEL SUPPLY	1		
3	HRA150070DB0	301,A202322,연료파이프조합(C)	PIPE ASSY, FUEL SUUPPLY C	1		
4	HRA150080DB0	302,A202322,연료파이프조합(D)	PIPE ASSY, FUEL SUPPLY D	1		
4	HRA150080DB0	302,A202322,연료파이프조합(D)	PIPE ASSY, FUEL SUPPLY D	1		
4	HRA150080DB0	302,A202322,연료파이프조합(D)	PIPE ASSY, FUEL SUPPLY D	1		
4	HRA150080DC0	연료파이프조합(D)	TUBE,INJECTOR FUEL SUPPLY	1		
5	HK13450000A4	육각고정너트	NUT,REGULARHEXAGON	4	M12X1.5	
5	HK13450000A4	육각고정너트	NUT,REGULARHEXAGON	4	M12X1.5	
5	HK13450000A4	육각고정너트	NUT,REGULARHEXAGON	4	M12X1.5	
5	HK13450000A4	육각고정너트	NUT,REGULARHEXAGON	4	M12X1.5	
6	HK13440000A4	306,ALL,패킹(조인트)(와류실)	GASKET,FUELMANIFOLD	4		
6	HK13440000A4	306,ALL,패킹(조인트)(와류실)	GASKET,FUELMANIFOLD	4		
6	HK13440000A4	306,ALL,패킹(조인트)(와류실)	GASKET,FUELMANIFOLD	4		
6	HK13440000A4	306,ALL,패킹(조인트)(와류실)	GASKET,FUELMANIFOLD	4		
7	HRA1502700A4	462,ALL,브래킷고무	RUBBER,BRACKET	2		
7	HRA1502700A4	462,ALL,브래킷고무	RUBBER,BRACKET	2		
7	HRA1502700A4	462,ALL,브래킷고무	RUBBER,BRACKET	2		
7	HRA1502700A4	462,ALL,브래킷고무	RUBBER,BRACKET	2		
8	HRA1502800A4	브래킷판	CLAMP,TUBE	2	T 3.2	
8	HRA1502800A4	브래킷판	CLAMP,TUBE	1	T 3.2	
8	HRA1502800A4	브래킷판	CLAMP,TUBE	1	T 3.2	
8	HRA1502800A4	브래킷판	CLAMP,TUBE	1	T 3.2	
8	HRA1502800B4	브래킷판	CLAMP,TUBE	2	T 3.2	
9	HRA1500900C3	퇴유파이프조합	PIPE ASSY, FUEL RETURN	1		
9	HRA1500900D3	퇴유파이프조합	PIPE ASSY, FUEL	1		
9	HRA1500900C3	퇴유파이프조합	PIPE ASSY, FUEL RETURN	1		
9	HRA1500900C3	퇴유파이프조합	PIPE ASSY, FUEL RETURN	1		
10	HRA1502600B4	브래킷(연료파이프)	BRACKET,PIPE	1		
10	HRA1502600B4	브래킷(연료파이프)	BRACKET,PIPE	1		
10	HRA1502600B4	브래킷(연료파이프)	BRACKET,PIPE	1		
10	HRA1502600B4	브래킷(연료파이프)	BRACKET,PIPE	1		
11	26367-060002	플랜지너트	Nut, Hexa (Φ6)	2	M6XP1.0	
11	26367-060002	플랜지너트	Nut, Hexa (Φ6)	2	M6XP1.0	
11	26367-060002	플랜지너트	Nut, Hexa (Φ6)	2	M6XP1.0	
11	26367-060002	플랜지너트	Nut, Hexa (Φ6)	2	M6XP1.0	

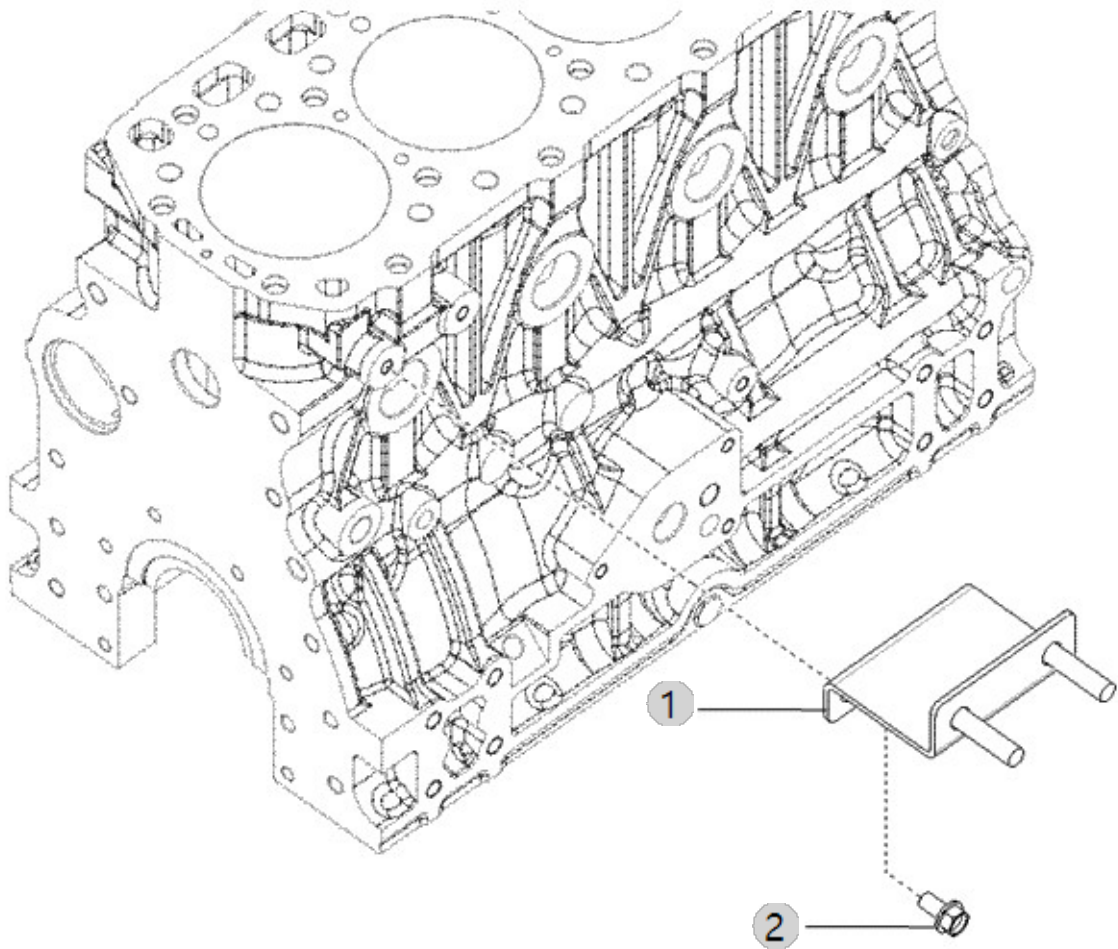
A14_003

A2000N4-UTC_4
(AB00339)

FUEL FILTER BRACKET

Year/Month

2022-12-15



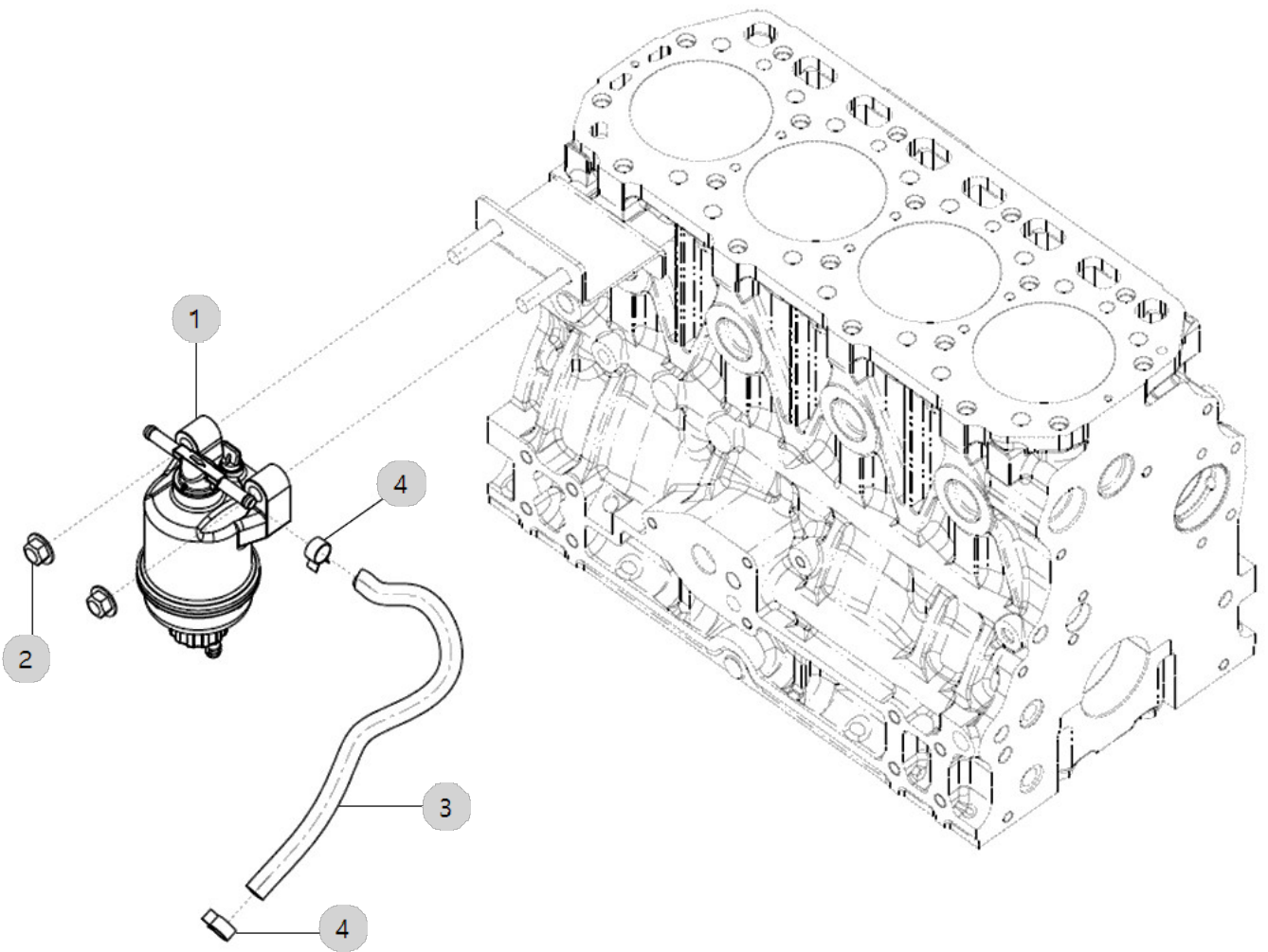
A16_018

A2000N4-UTC_4
(AB00339)

FUEL FILTER ASS'Y OPTION

Year/Month

2022-12-15



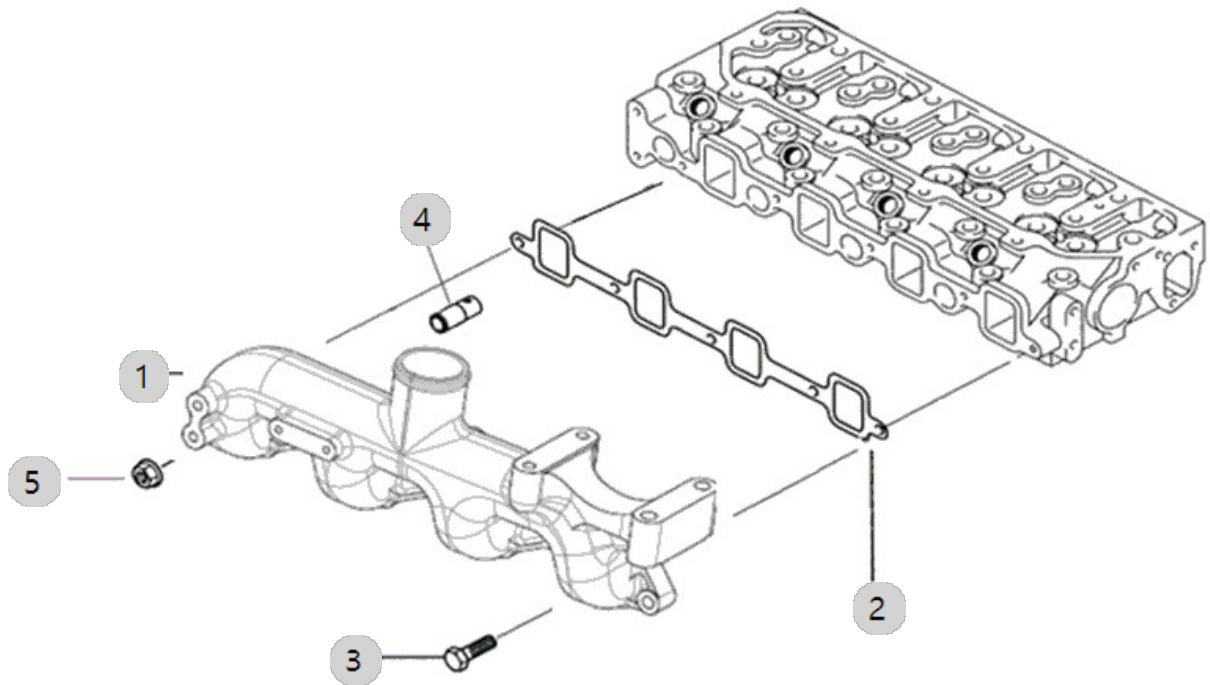
A17_012

A2000N4-UTC_4
(AB00339)

INTAKE MANIFOLD ASS'Y OPTION

Year/Month

2022-12-15



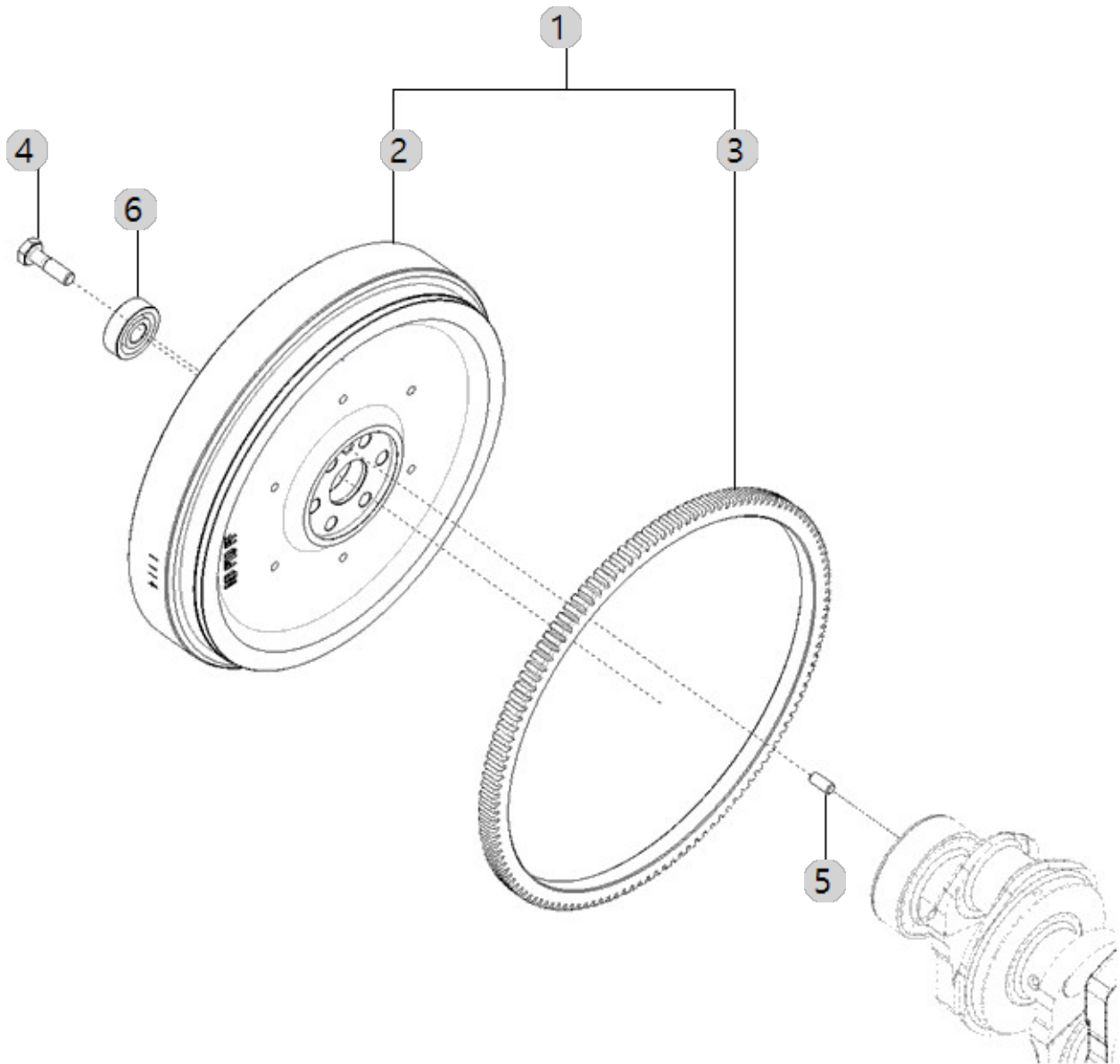
A18_011

A2000N4-UTC_4
(AB00339)

FLYWHEEL

Year/Month

2022-12-15



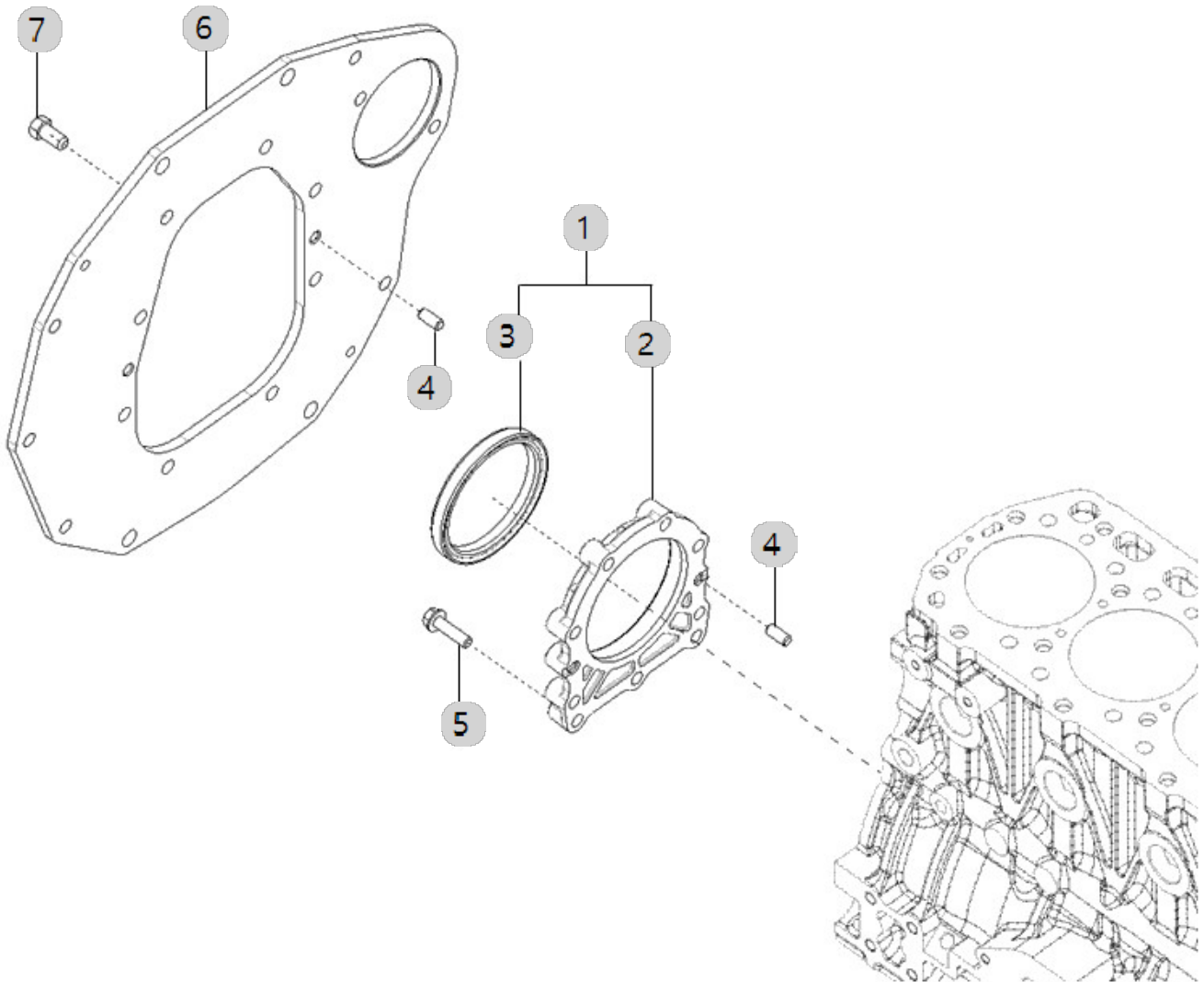
A19_007

A2000N4-UTC_4
(AB00339)

FLYWHEEL HOUSING

Year/Month

2022-12-15



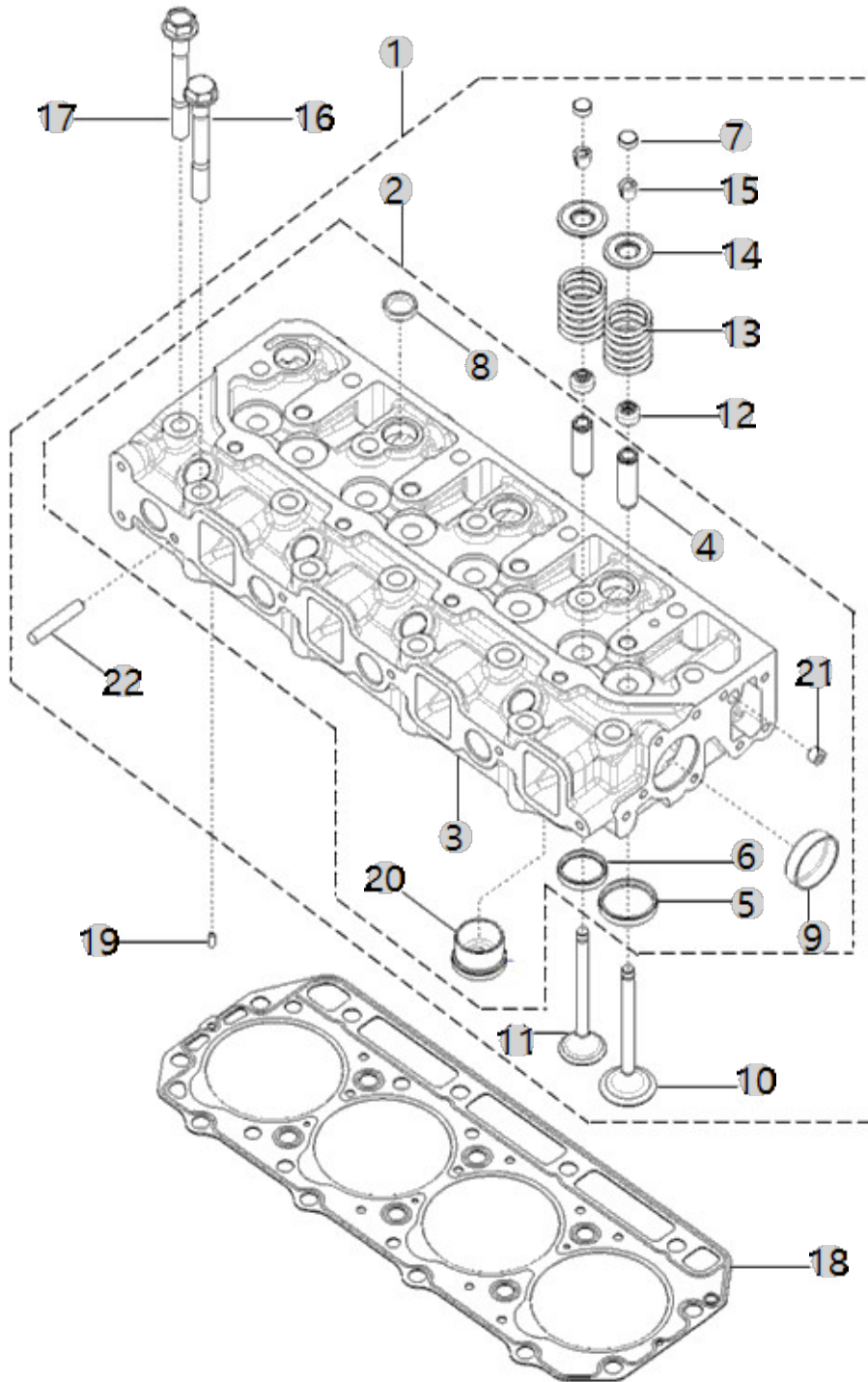
A20_010

A2000N4-UTC_4
(AB00339)

HEAD, CYLINDER

Year/Month

2022-12-15



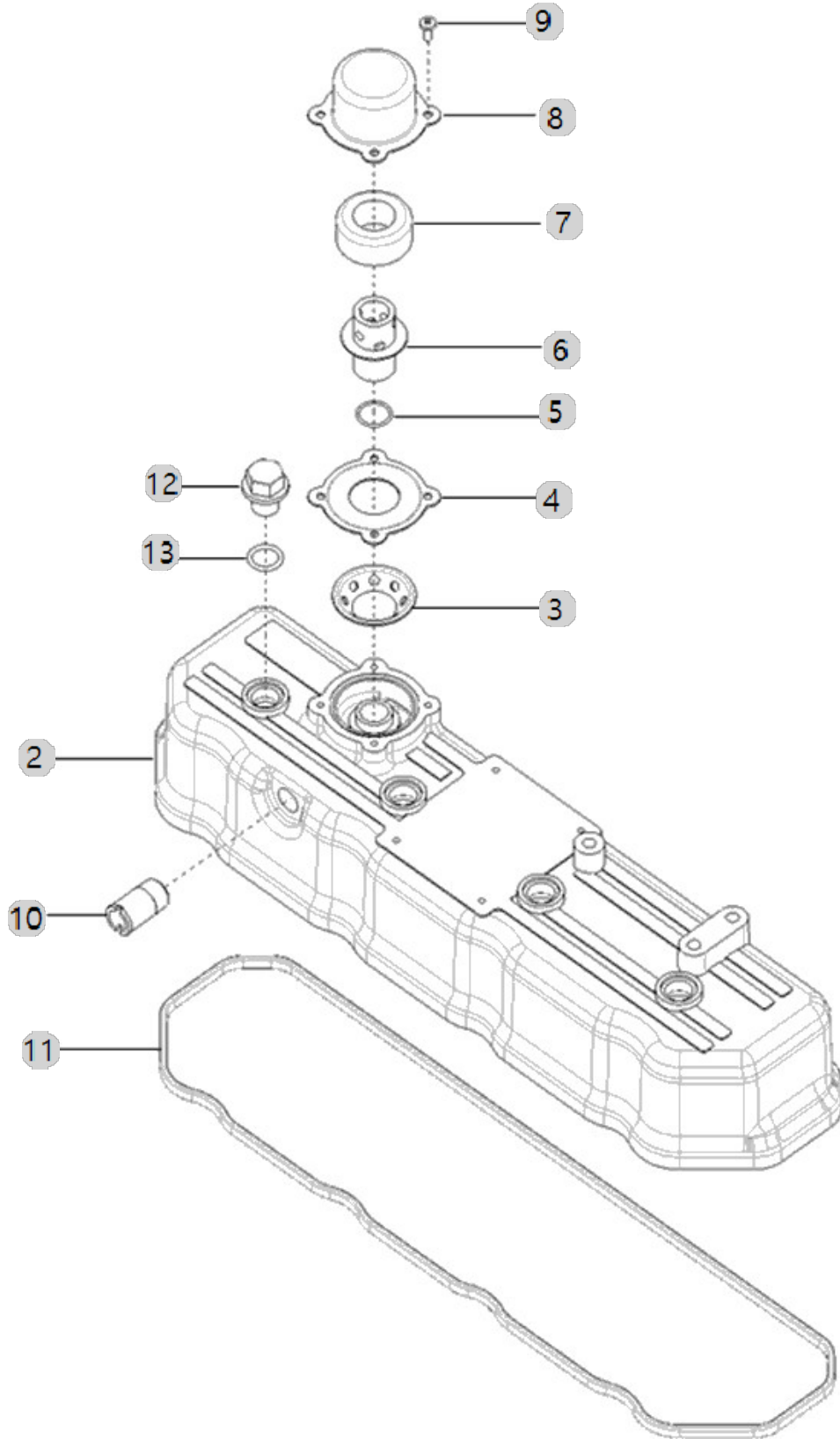
A21_004

A2000N4-UTC_4
(AB00339)

HEAD COVER

Year/Month

2022-12-15



A21_004 A2000N4-UTC_4 (AB00339)	HEAD COVER	Year/Month
		2022-12-15

순번 (NO)	부품번호 (PART NO)	품 명 (PART NAME)	품 명 (PART NAME)	수량 (QTY)	규격 (SPEC)	비고 (REMARK)
1	EA00004727A	헤드커버조합부	HEAD COVER ASS'Y OPTION	1		
2	HRA0402300F0	헤드커버	COVER, VALVE	1	-	
2	HRA0402300E0	헤드커버	COVER, VALVE	1	-	
3	HRA0403900A4	592,ALL,브리더조절판	PLATE,BREATHERADJUSTING	1	T1.2	
3	HRA0403900B4	브리더조절판	PLATE,BREATHER ADJUSTING	1	T1.2	
4	HRA0403800A4	브리더 커버 가스켓	GASKET,BREATHER	1	T0.5	
5	24341-000160	O-링(S형)	O-RING, FIX (Φ16)	1	S10	
6	HRA0403700A4	590,ALL,가이드조합	Valve, Pressure Relief	1		
6	HRA0403700B4	가이드조합	VALVE,PRESSURE RELIEF	1		
7	HC03720000B4	배플	BAFFLE	1	17MMX155M	
8	HRA0403600A4	589,ALL,브리더커버	COVER,BREATHER	1	T1.2	
8	HRA0403600B4	브리더커버	COVER,BREATHER	1	T1.2	
9	26587-040102	245,ALL,스크로우(3X54X10)	SCREW,FILLISTERHEADCAP	4	M4X10	
10	HRA0404000A4	597,A14172023,연결관	TUBE,BREATHER	1	D17.3XT2.3	
11	HRA0402400B3	헤드커버패킹-A2300	GASKET,HEAD COVER	1		
12	HA03520000B4	440,ALL,상부커버캡	NUT,HEXAGONCAP	4		
13	24311-000140	441,ALL,O-RINGP-14	O-RING, DYNAMIC (Φ14)	4	P14	

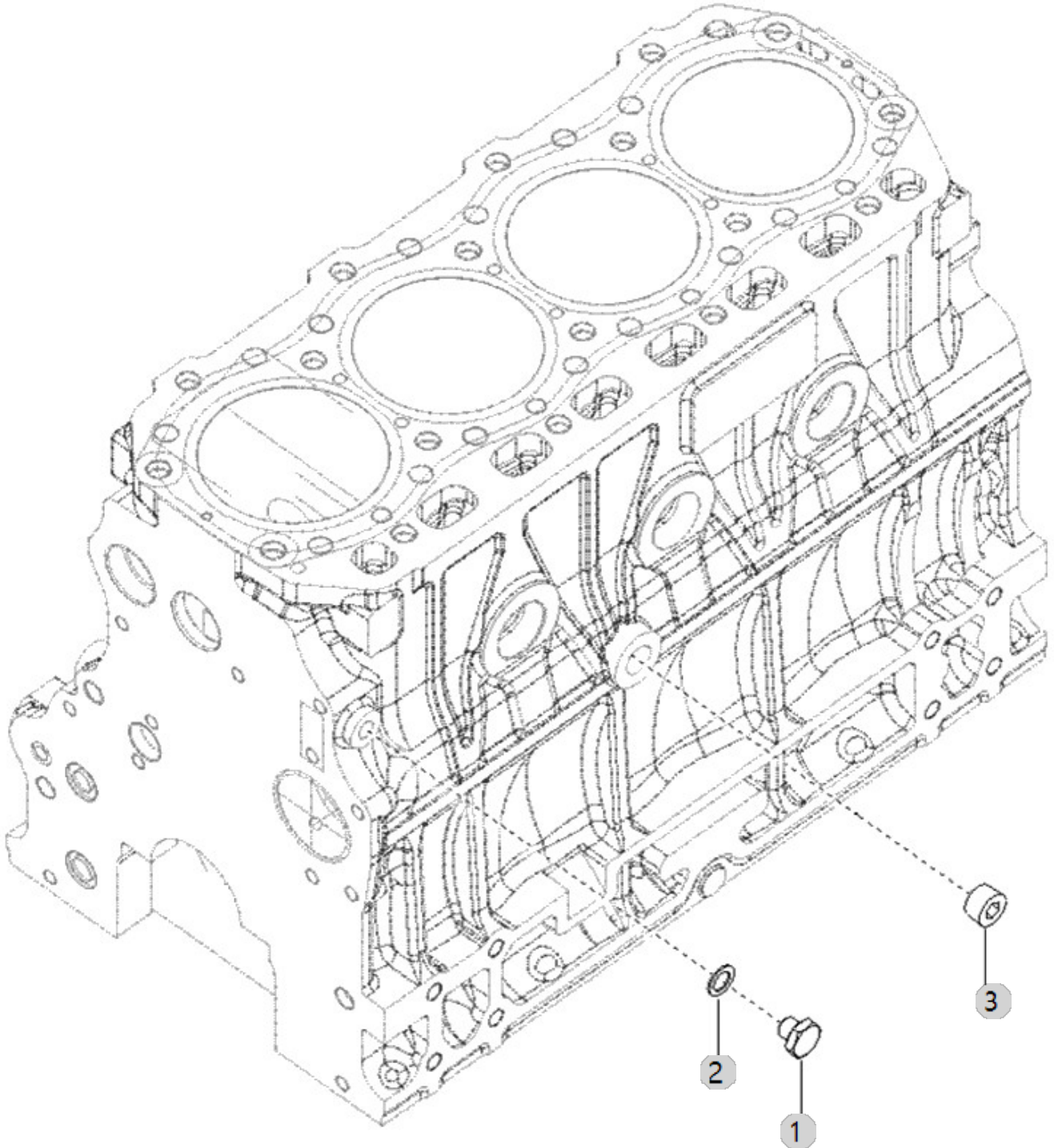
A23_009

A2000N4-UTC_4
(AB00339)

TURBOCHARGER SUPPORT ASS'Y OPTION

Year/Month

2022-12-15



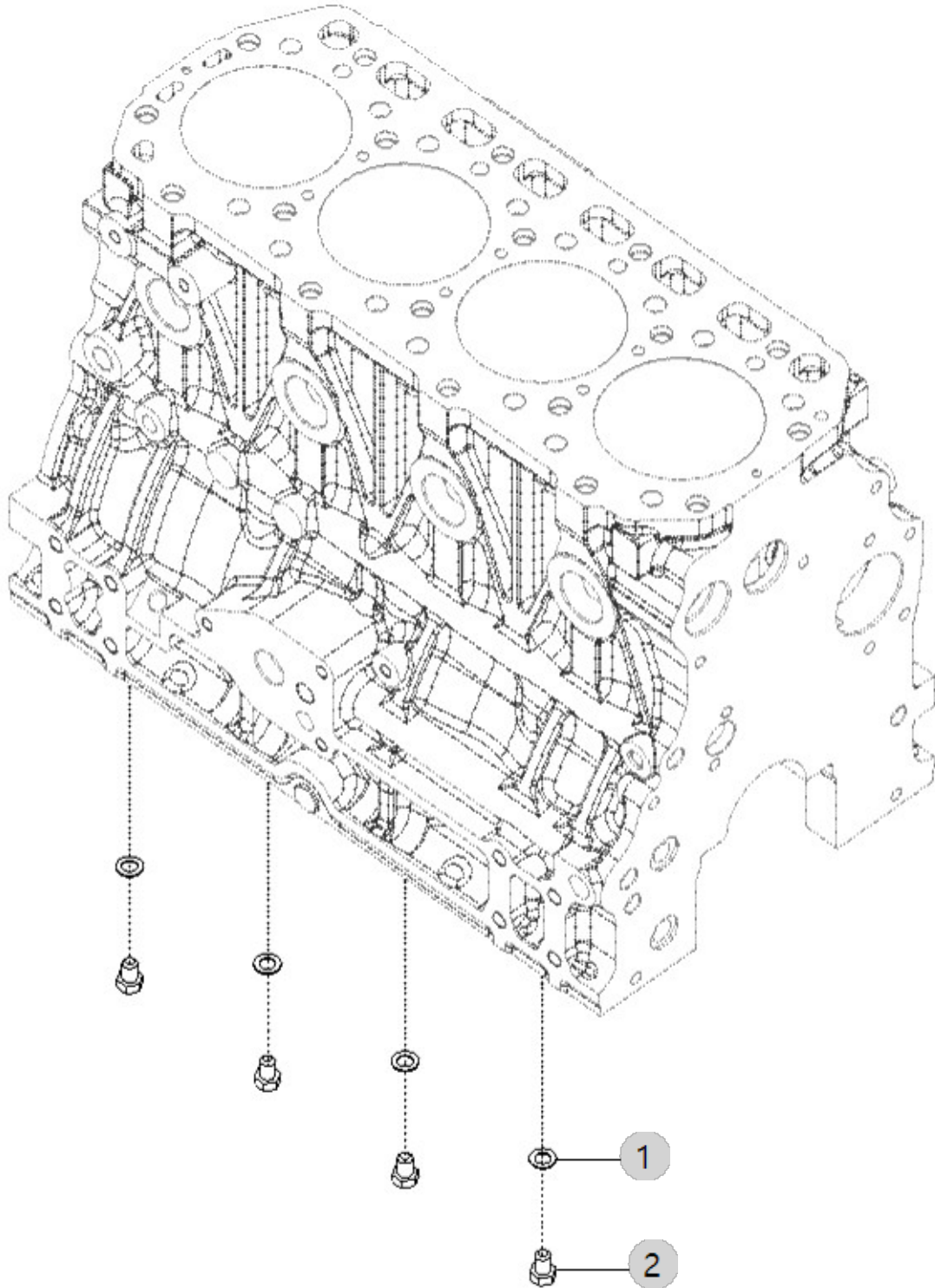
A25_002

A2000N4-UTC_4
(AB00339)

OIL JET ASS'Y OPTION

Year/Month

2022-12-15



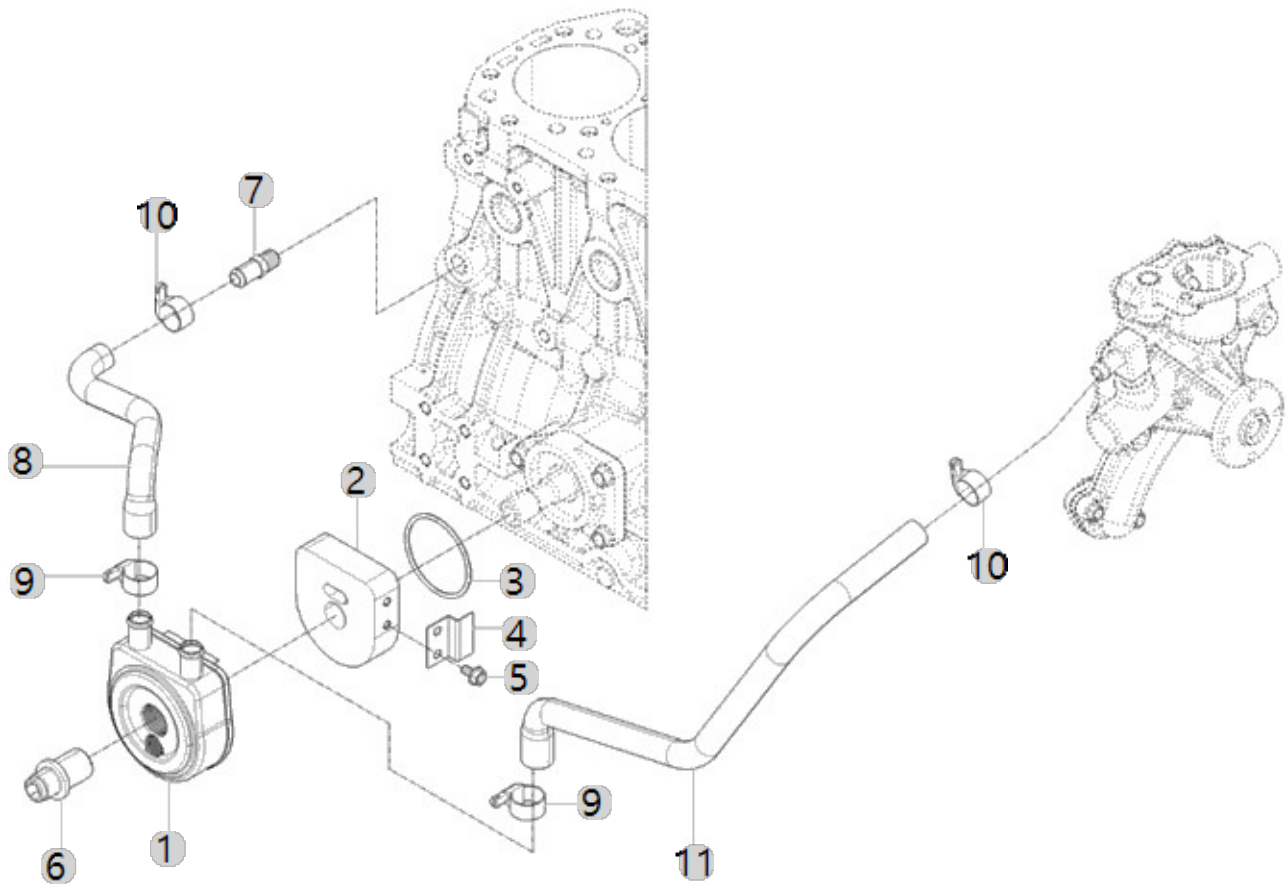
A26_005

A2000N4-UTC_4
(AB00339)

COOLER, ENGINE OIL

Year/Month

2022-12-15



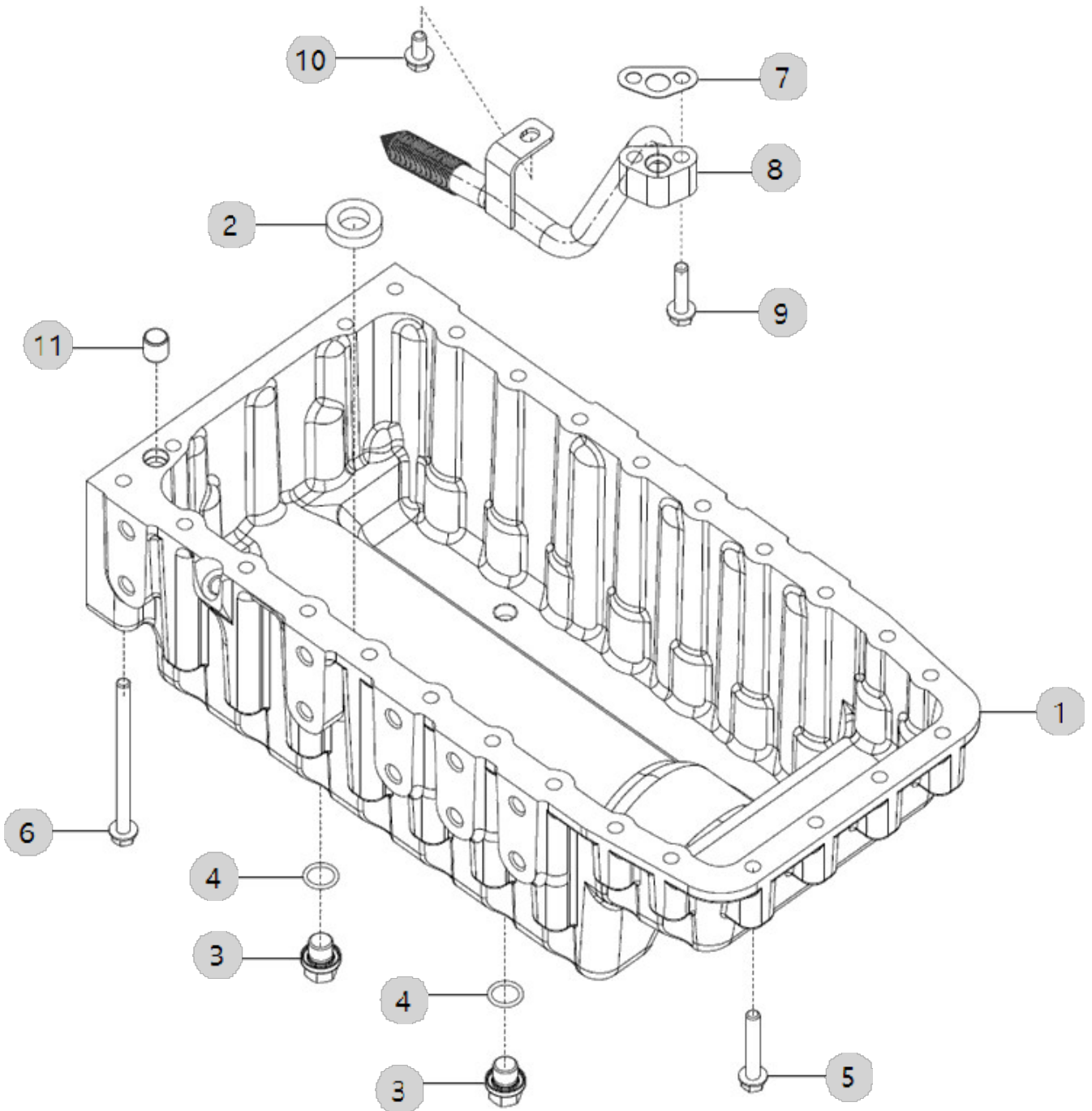
A27_005

A2000N4-UTC_4
(AB00339)

OIL PAN ASS'Y OPTION

Year/Month

2022-12-15



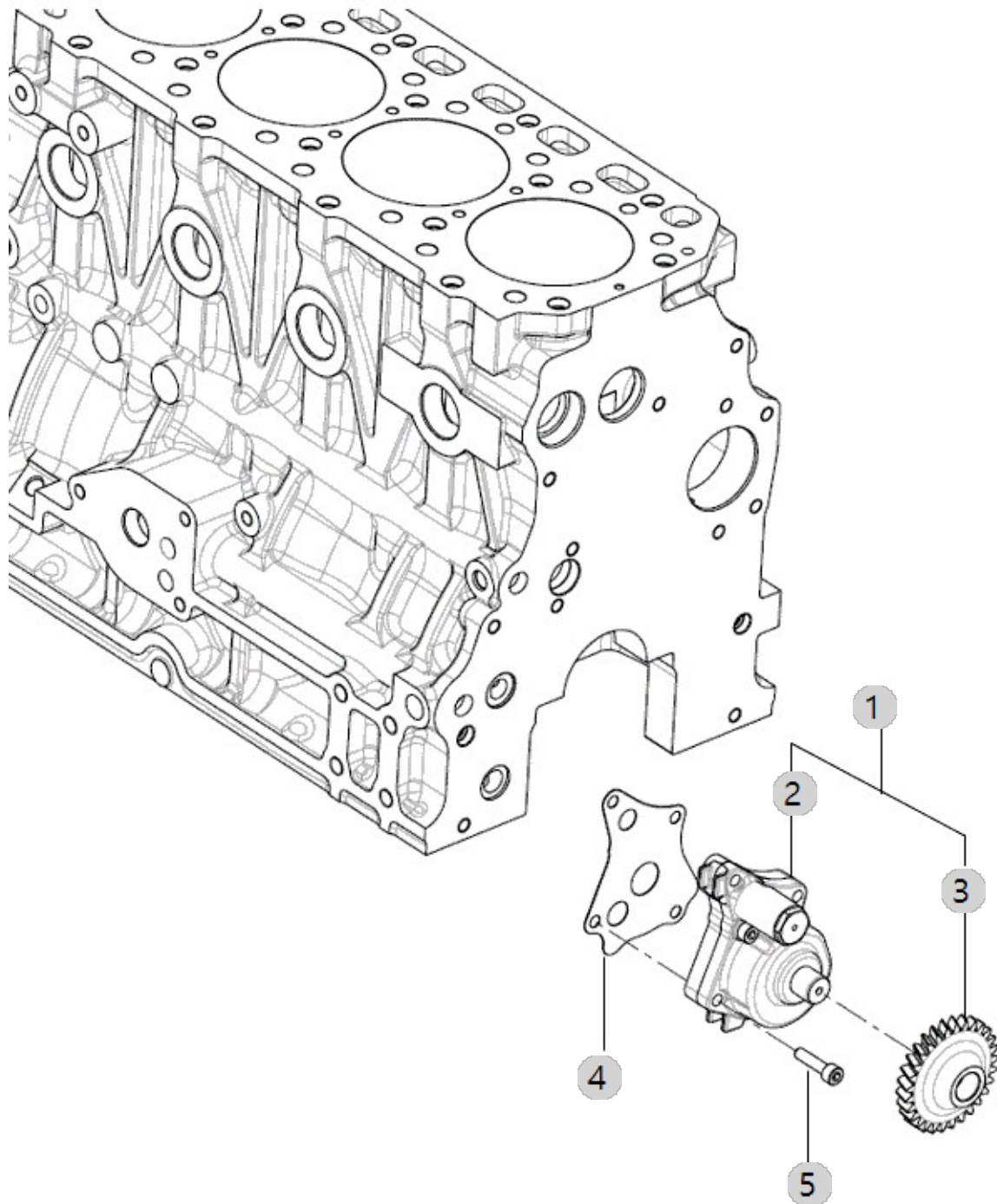
A28_001

A2000N4-UTC_4
(AB00339)

PUMP, LUBRICATING OIL

Year/Month

2022-12-15



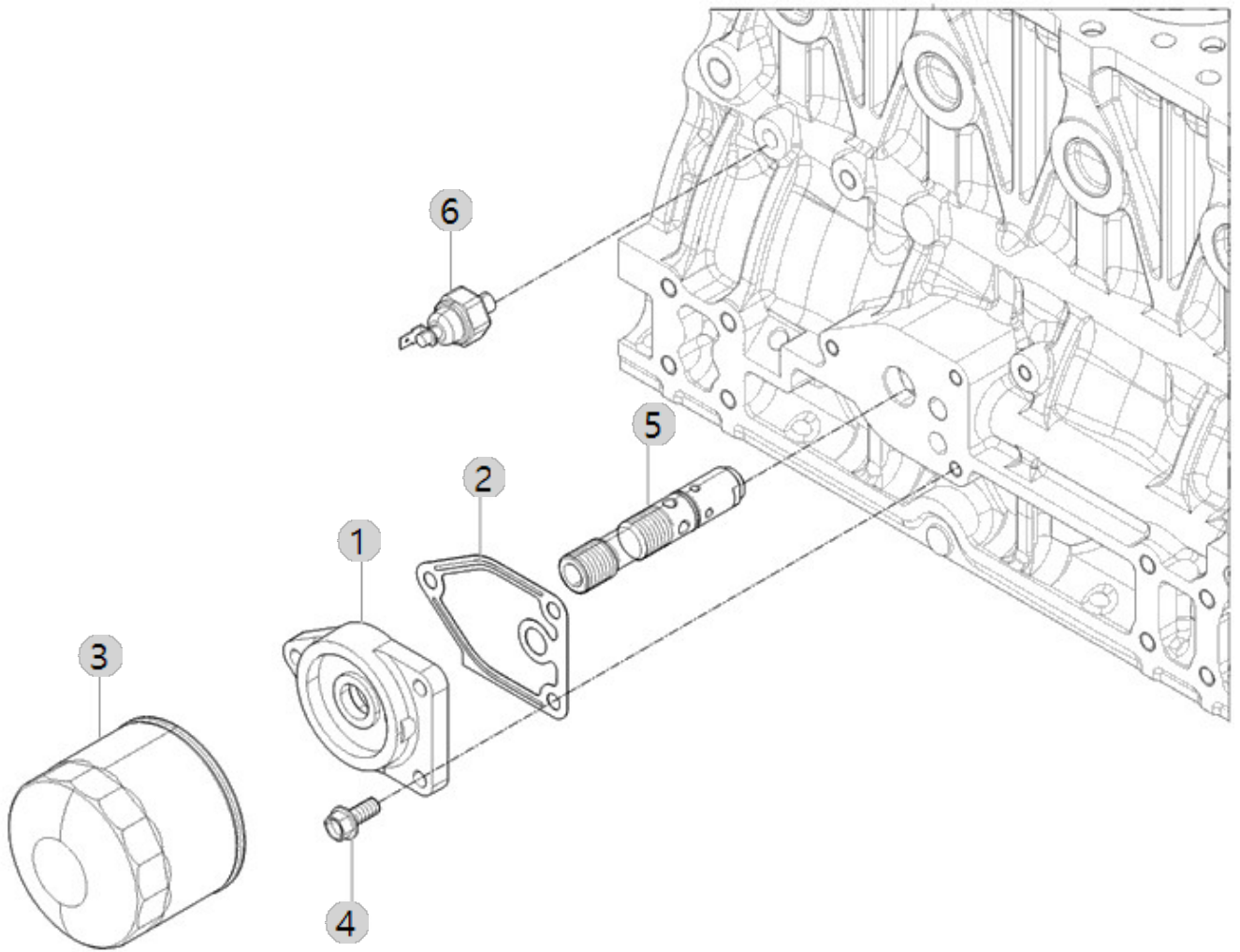
A29_005

A2000N4-UTC_4
(AB00339)

FILTER, LUBRICATING OIL

Year/Month

2022-12-15



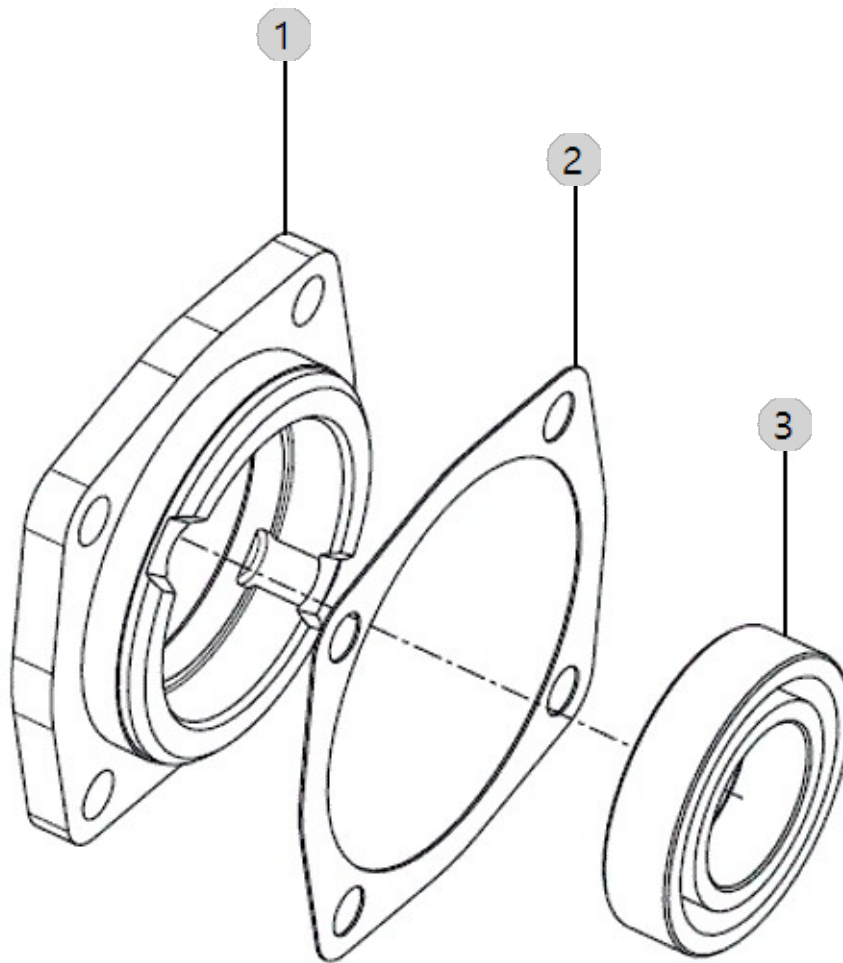
A30_003

A2000N4-UTC_4
(AB00339)

FRONT GEAR ACCESSORY DRIVE

Year/Month

2022-12-15



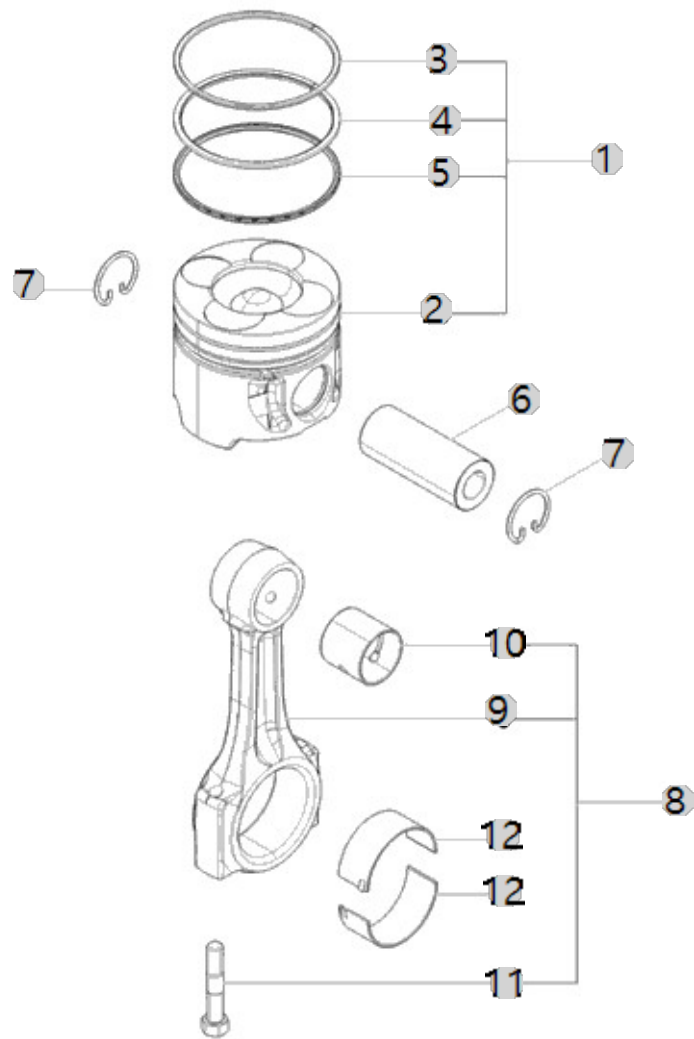
A31_005

A2000N4-UTC_4
(AB00339)

PISTON

Year/Month

2022-12-15



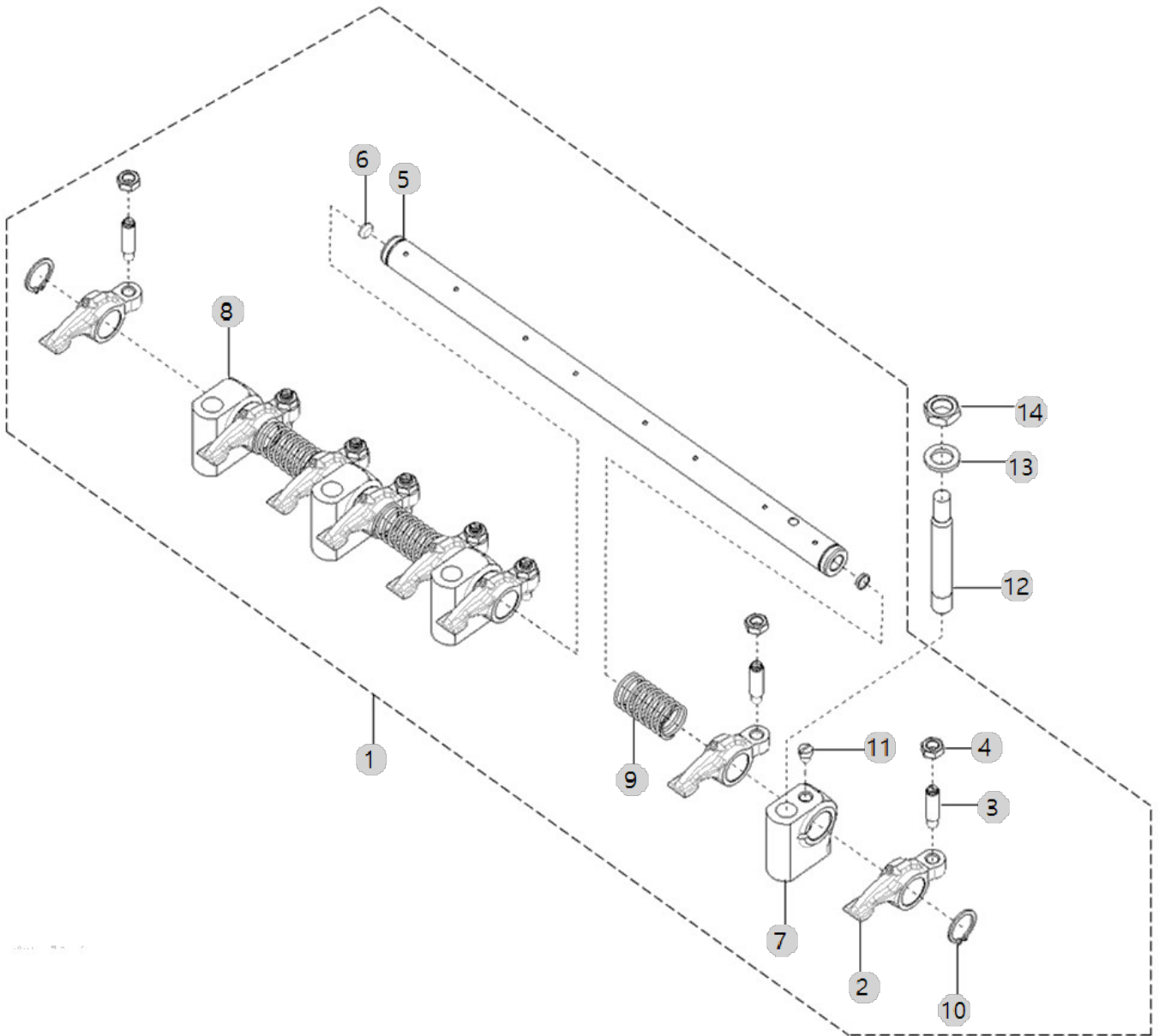
A32_003

A2000N4-UTC_4
(AB00339)

LEVER, LOCKER

Year/Month

2022-12-15



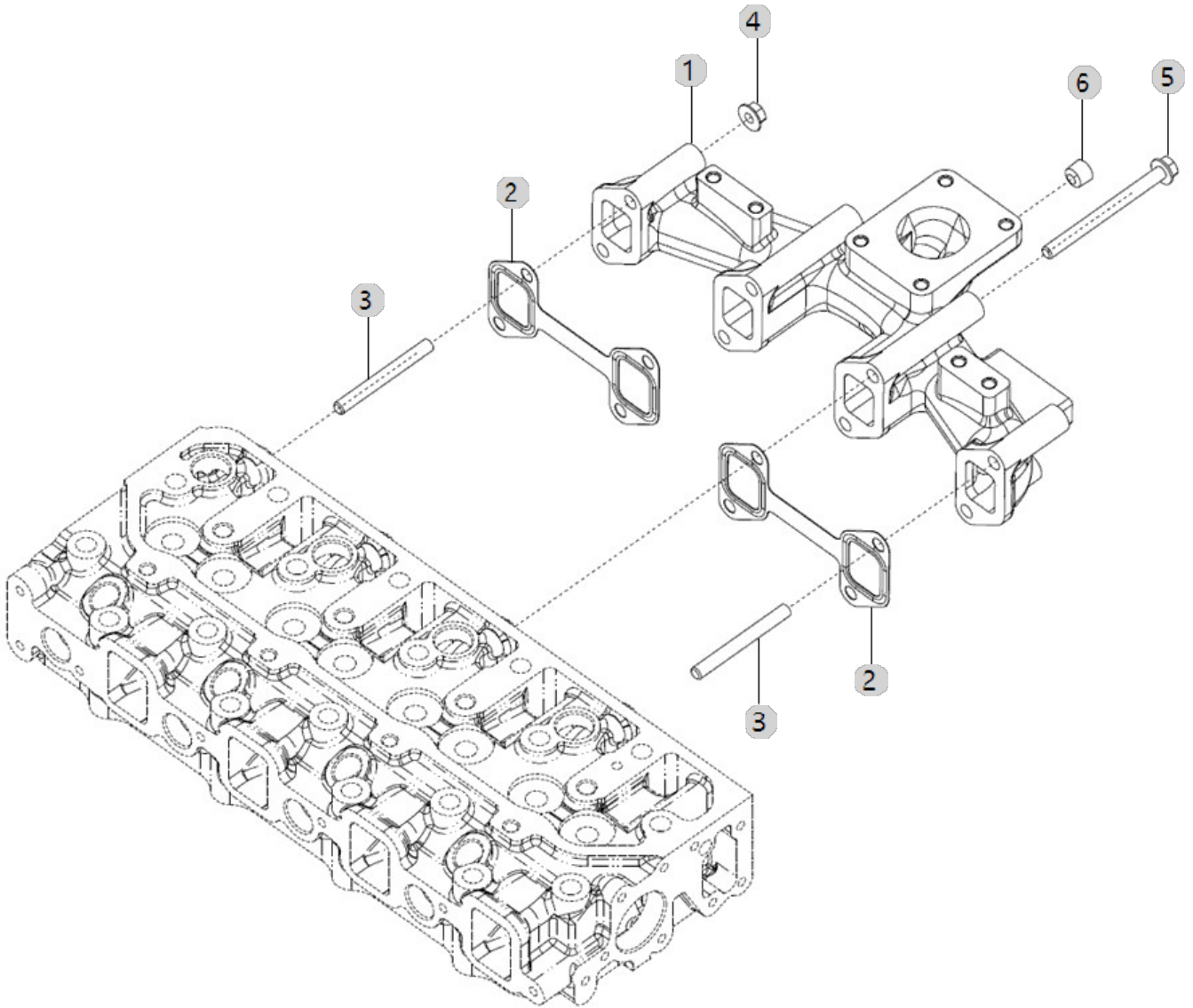
A33_013

A2000N4-UTC_4
(AB00339)

EXHAUST MANIFOLD

Year/Month

2022-12-15



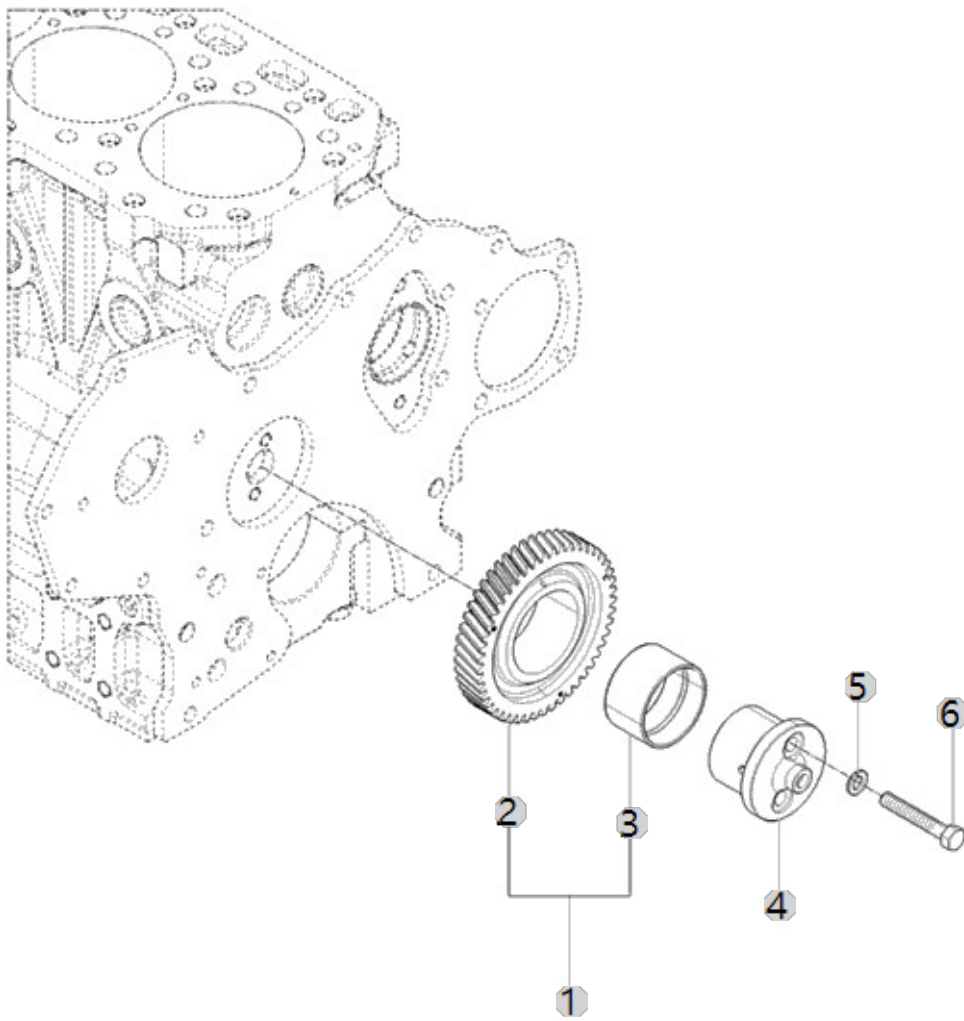
A35_002

A2000N4-UTC_4
(AB00339)

IDLE GEAR

Year/Month

2022-12-15



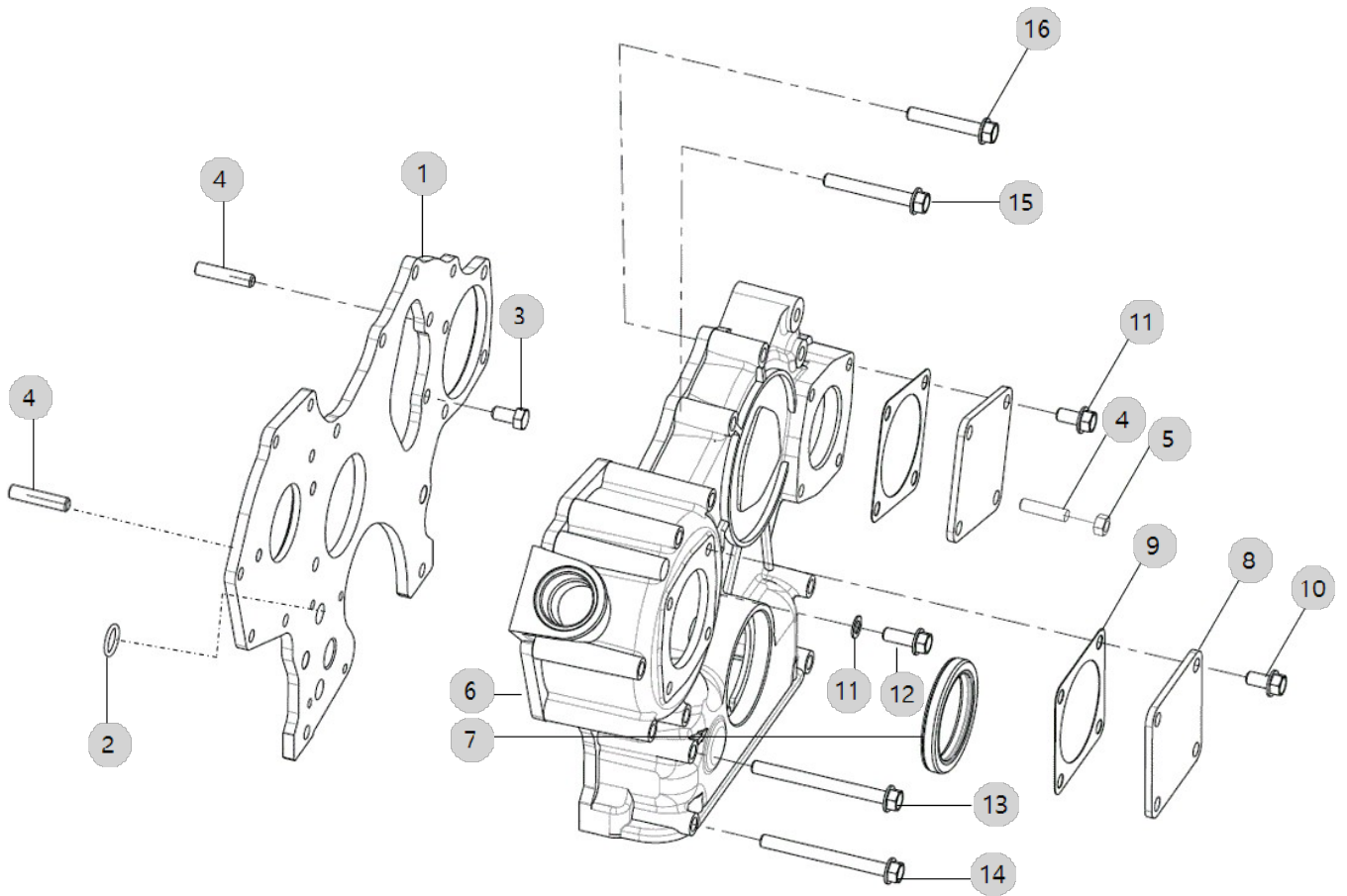
A36_004

A2000N4-UTC_4
(AB00339)

COVER, FRONT GEAR

Year/Month

2022-12-15



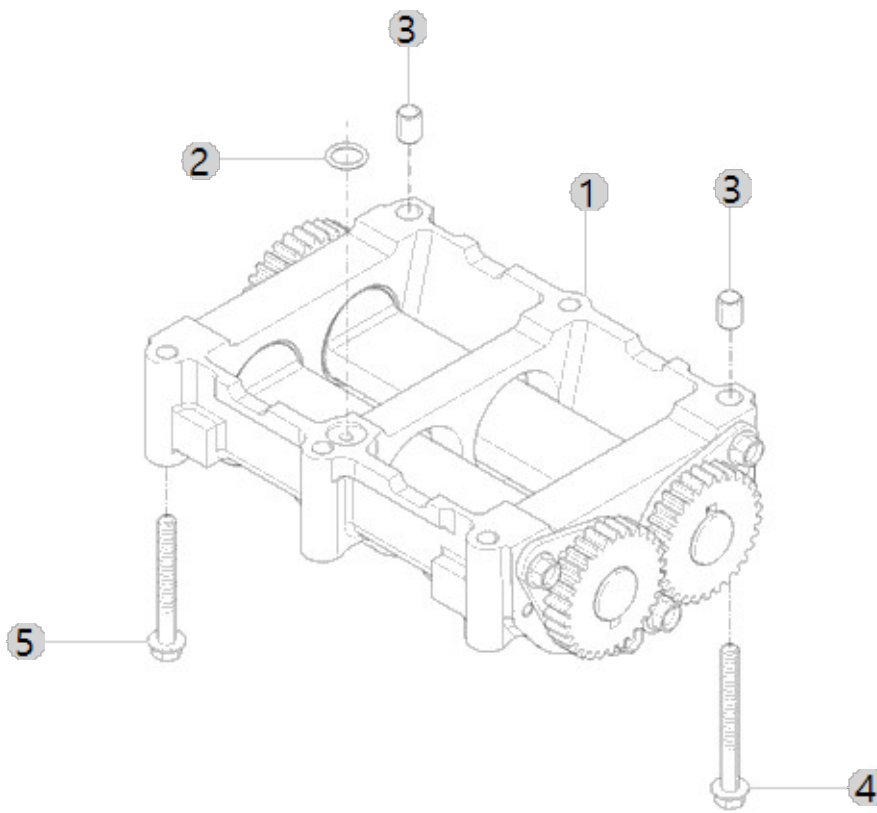
A37_001

A2000N4-UTC_4
(AB00339)

BALANCE ASS'Y

Year/Month

2022-12-15



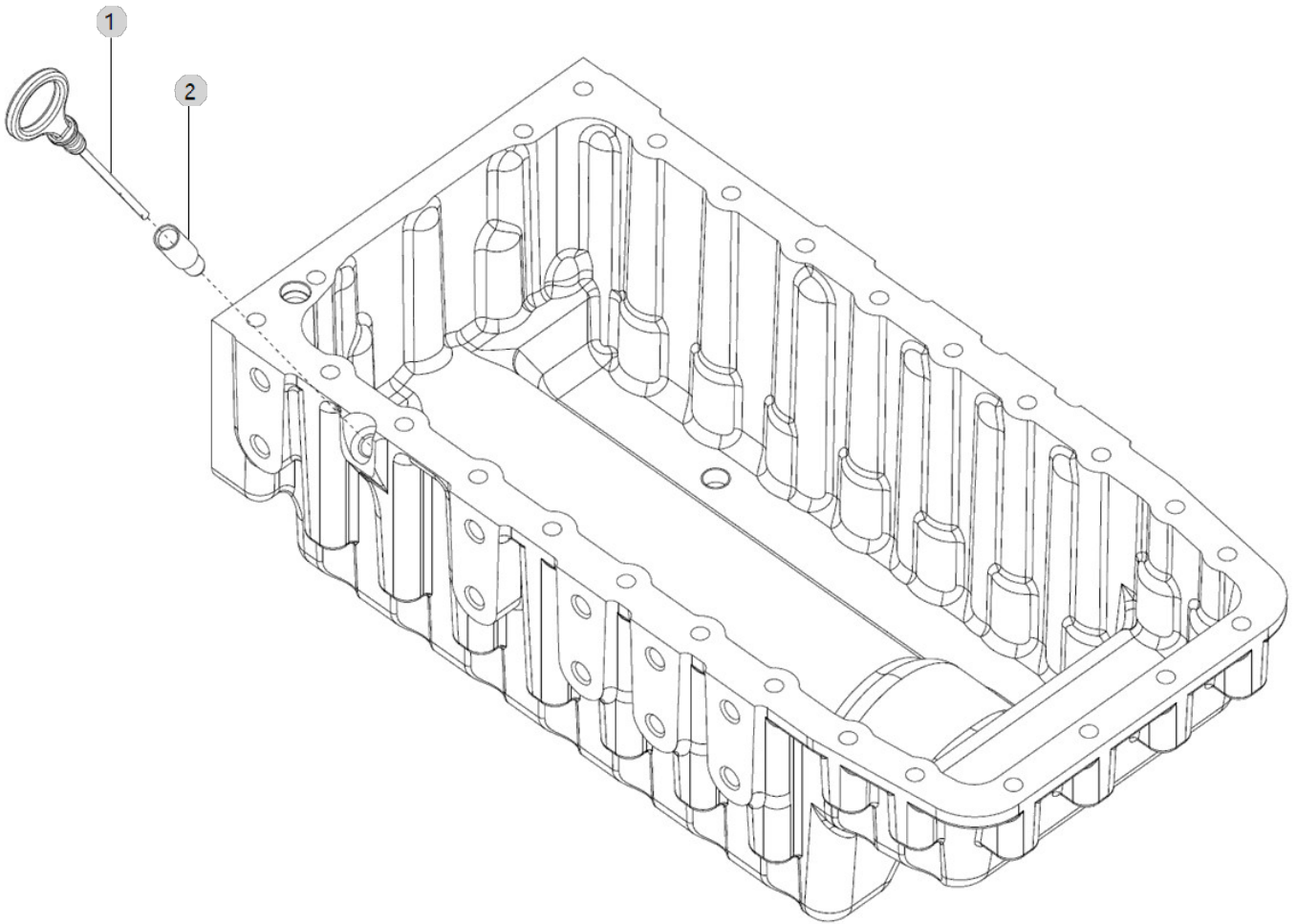
A38_009

A2000N4-UTC_4
(AB00339)

GAUGE, OIL LEVEL

Year/Month

2022-12-15



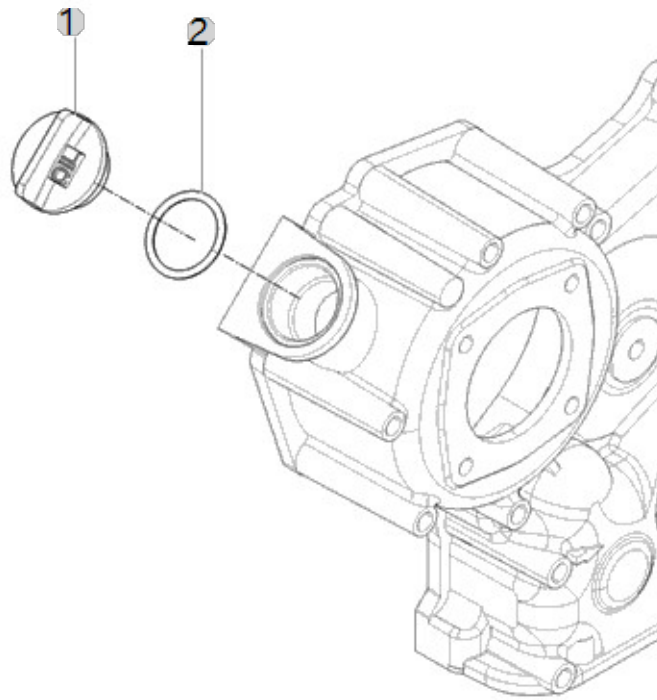
A39_001

A2000N4-UTC_4
(AB00339)

OIL FILLER CAP

Year/Month

2022-12-15



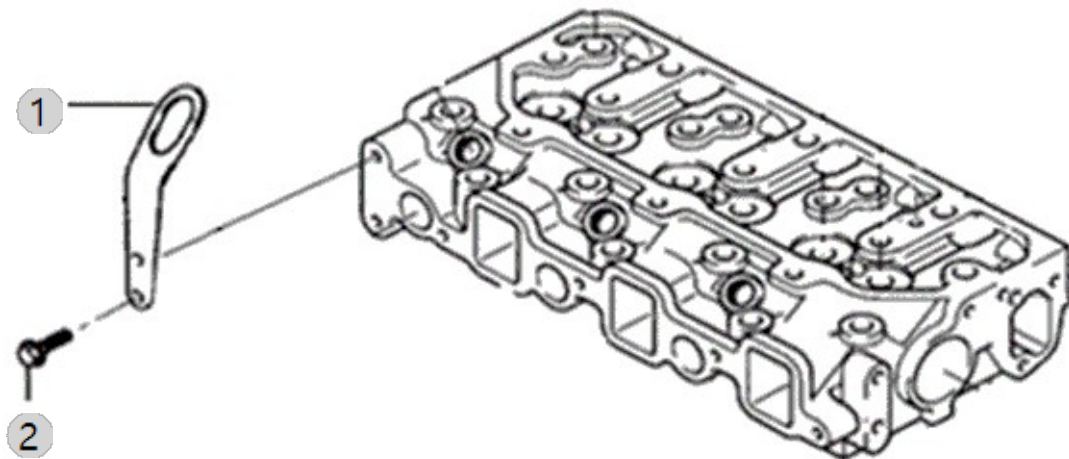
A40_003

A2000N4-UTC_4
(AB00339)

LIFT ASS'Y OPTION

Year/Month

2022-12-15



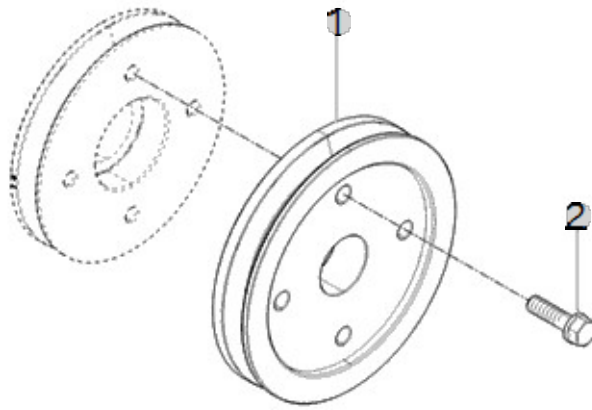
A41_001

A2000N4-UTC_4
(AB00339)

COMP,DRIVE PULLEY ASS'Y OPTION

Year/Month

2022-12-15



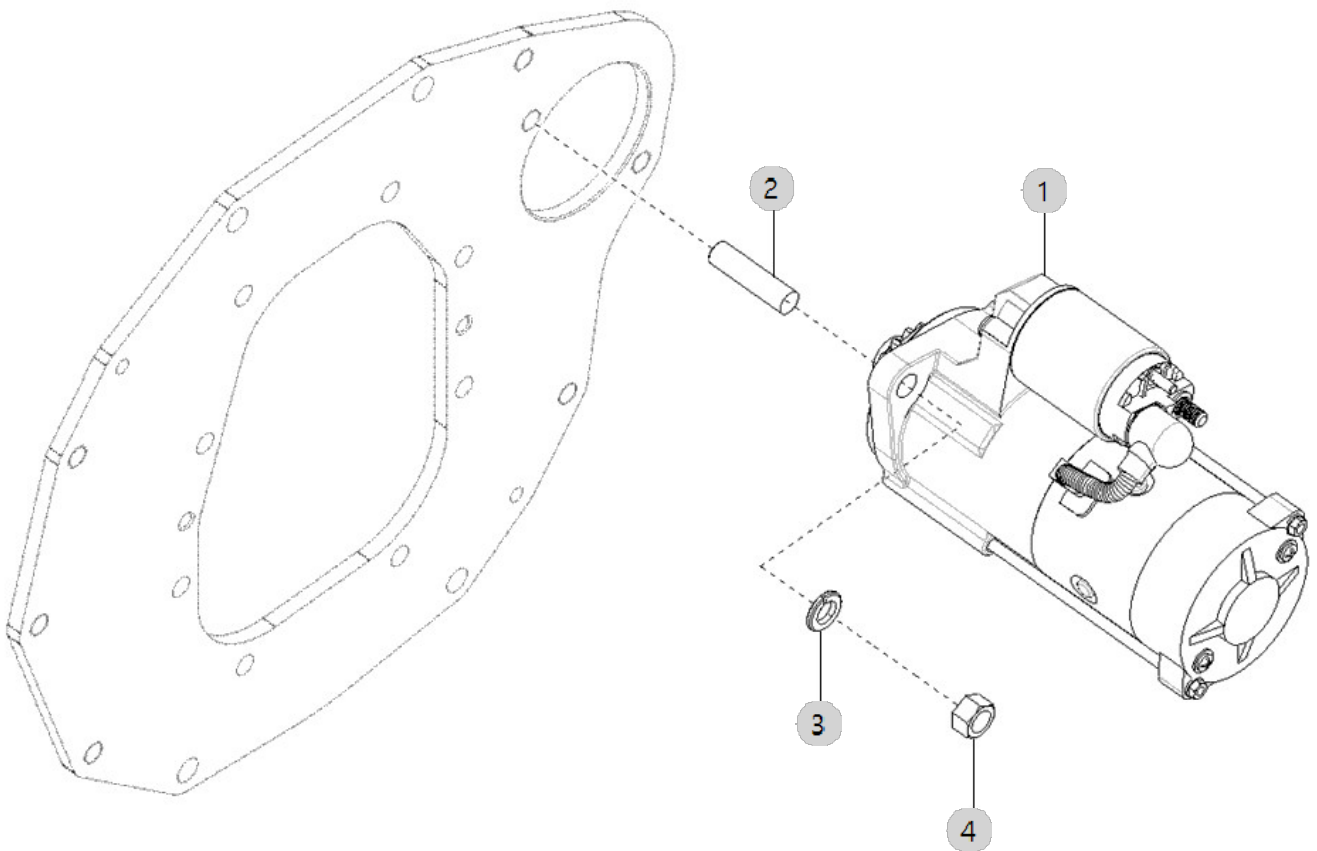
A42_003

A2000N4-UTC_4
(AB00339)

MOTER, STARTIONS

Year/Month

2022-12-15



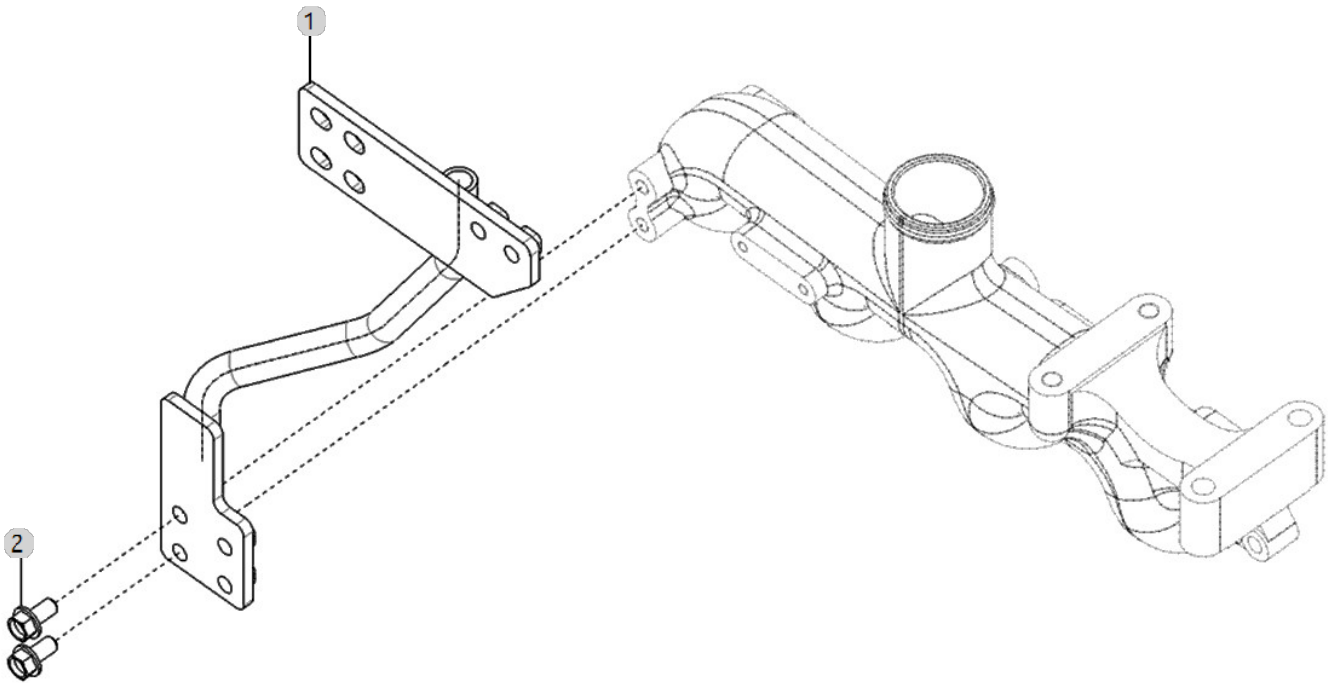
A43_001

A2000N4-UTC_4
(AB00339)

DPF SUPPORT OPTION

Year/Month

2022-12-15



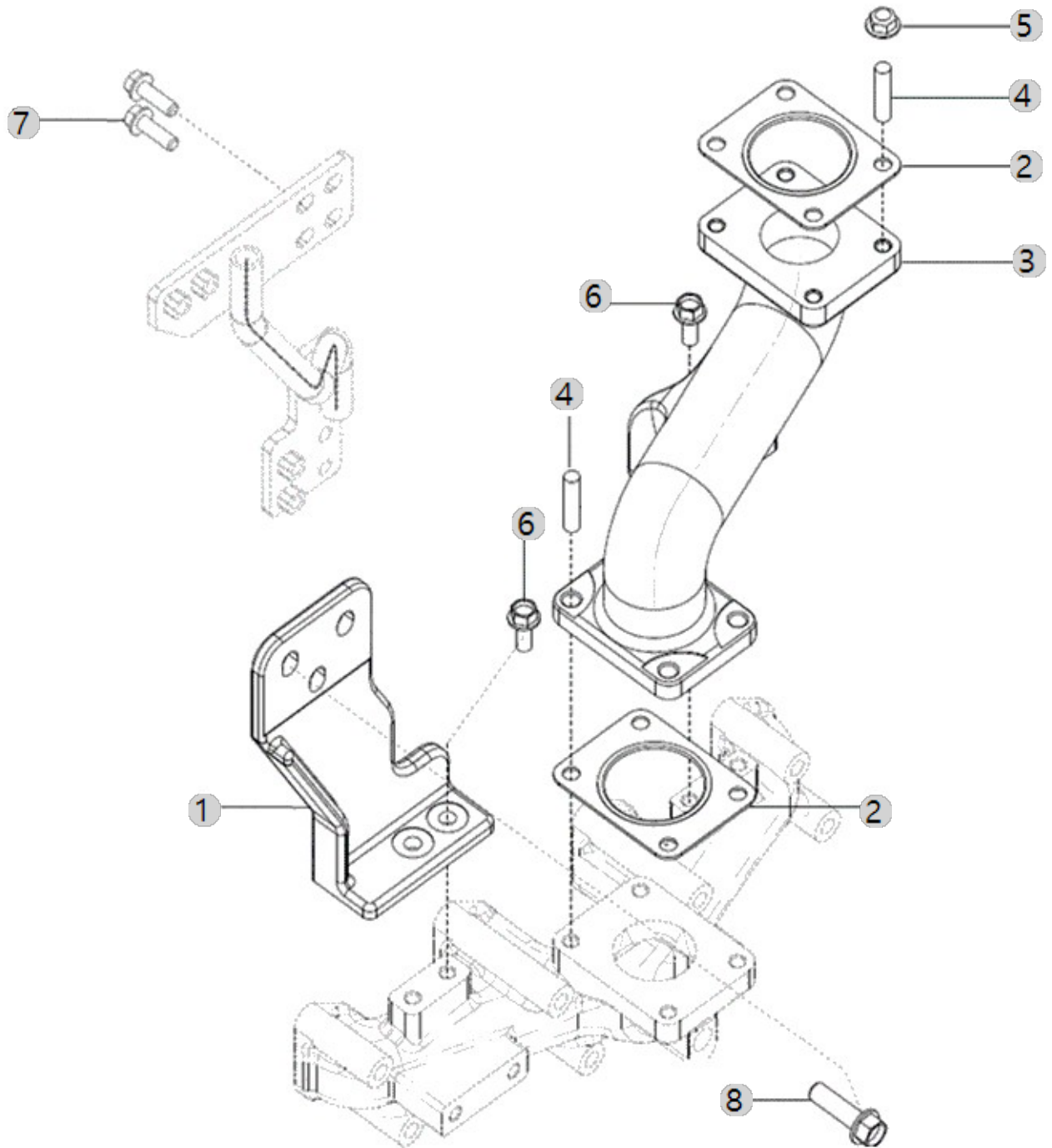
A44_006

A2000N4-UTC_4
(AB00339)

DPF MOUNTING OPTION

Year/Month

2022-12-15



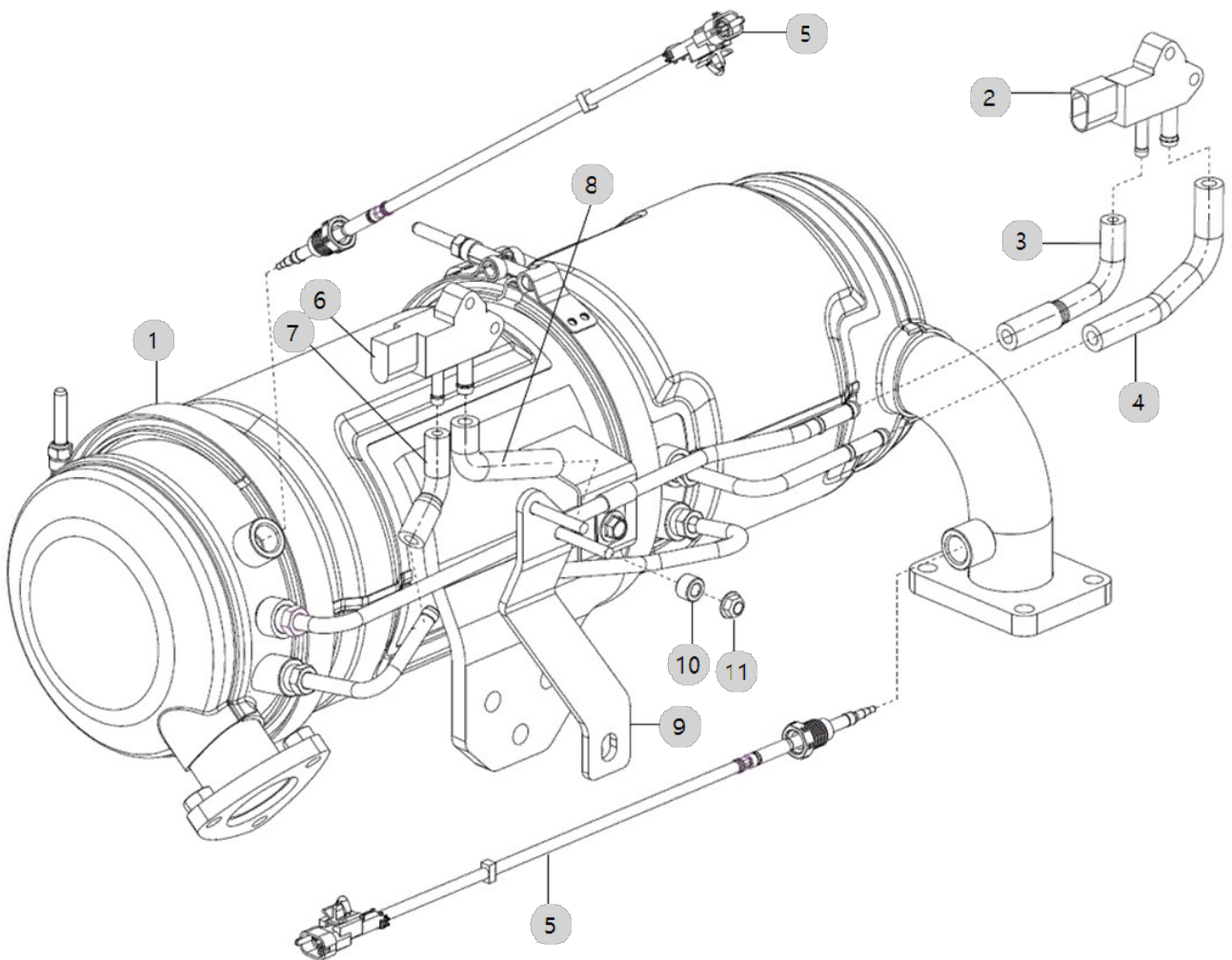
A45_011

A2000N4-UTC_4
(AB00339)

DPF

Year/Month

2022-12-15



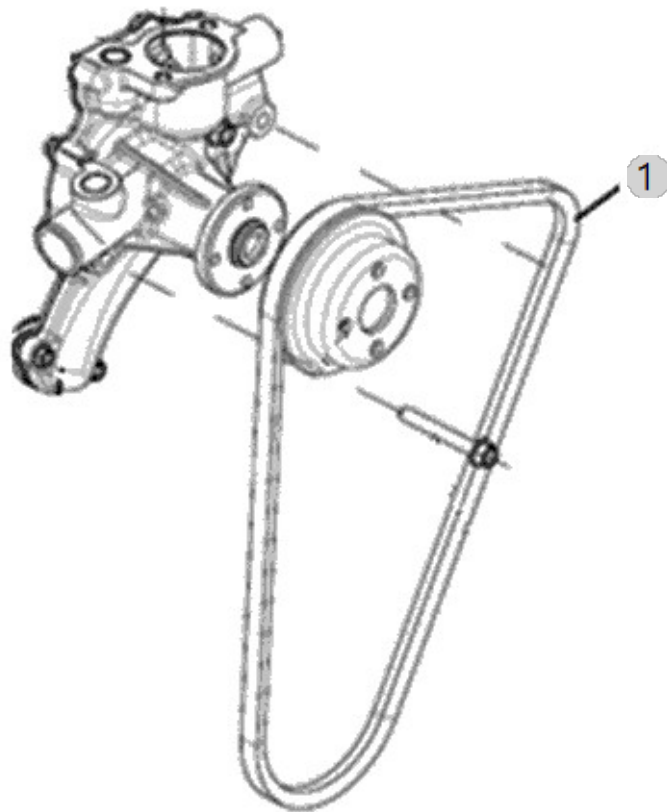
A48_006

A2000N4-UTC_4
(AB00339)

V-BELT

Year/Month

2022-12-15



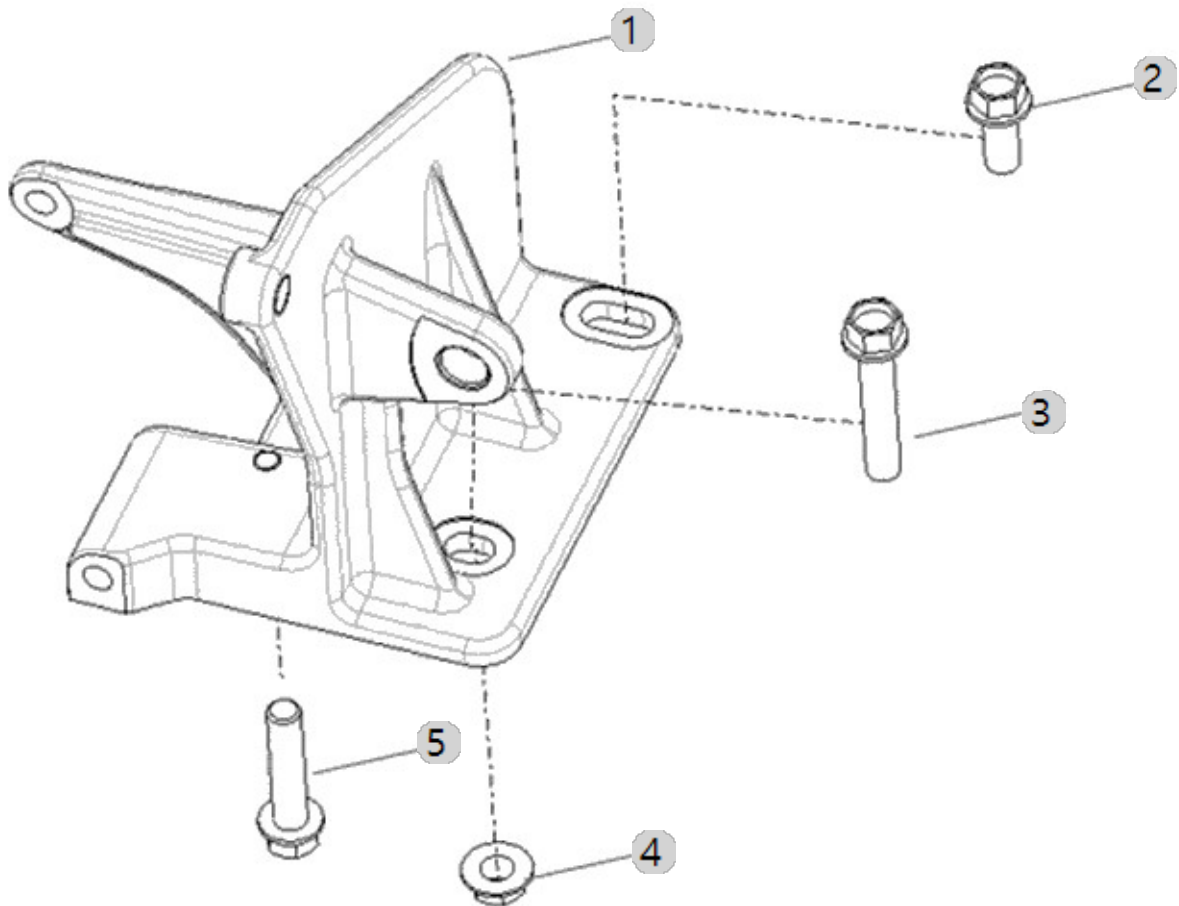
A50_002

A2000N4-UTC_4
(AB00339)

COMPRESSOR BRACKET ASSY

Year/Month

2022-12-15



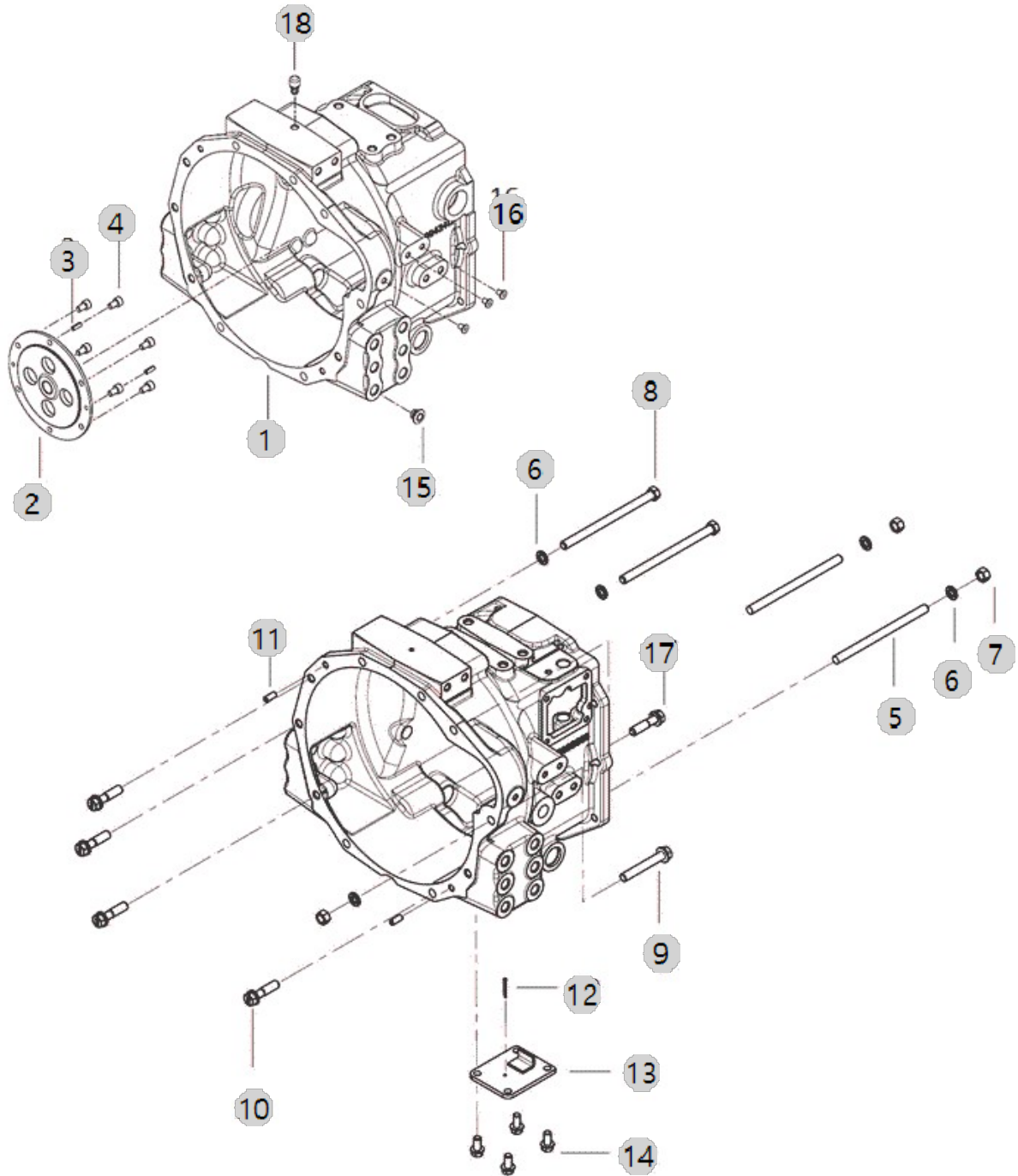
F01010

BRANSON K3CH
TM_US(AC01569)

CLUTCH HOUSING[4815CH]

Year/Month

2022-12-15



F01010 BRANSON K3CH TM_US(AC01569)		CLUTCH HOUSING[4815CH]				Year/Month 2022-12-15
순번 (NO)	부품번호 (PART NO)	품 명 (PART NAME)	품 명 (PART NAME)	수량 (QTY)	규격 (SPEC)	비고 (REMARK)
1	TA00042413H	클러치하우징	CLUTCH HOUSING	1		
1	TA00042413I	클러치하우징	CLUTCH HOUSING	1		
1	TA00042413J	클러치하우징	CLUTCH HOUSING	1		
2	TA00038871E	PTO슬리브	SLEEVE	1		
3	22351-060016	스프링핀	PIN, SPRING (6-16)	2	D6X16	
4	26450-080142	육각소켓캡보울트	BOLT	6	M8X14	
5	TA00040214C	심음볼트(185mm)	BOLT	2		
6	22217-120000	스프링와셔	WASHER, SPRING (Φ 12)	5	M12	
7	26716-120002	295,ALL,육각너트	HEXA NUT295	3	M12X1.75	
8	TA00049978B	육각볼트(M12X150)	HEX BOLT	2		
9	TA00049979B	육각플랜지볼트(M12X60)	HEX FLANGE BOLT	1		
10	TC54220000B4	볼트 M12X30	BOLT_M12X30	4		
11	22312-080180	평행핀	PIN, DOWEL (8-18)	2	D8X18	
12	22417-300250	가름핀3X25	PIN , COTTER (3-25)	1	D3.0X25	
13	TA00038610B	커버	COVER, CLUTCH HOUSING	1		
14	26106-100202	육각플랜지볼트	HEX BOLT, (10-20)	4	M10XP1.5X20	
15	FB08090000A4	플러그15	PLUG	12		
16	TB26060000A4	플러그7.8	PLUGRUBBER	3		
17	TH22090000B4	보울트(M12xP1.75x35)		1	-	
18	TA00034078A	에어 브리더	AIR BREATHER	1		DEL.20220623

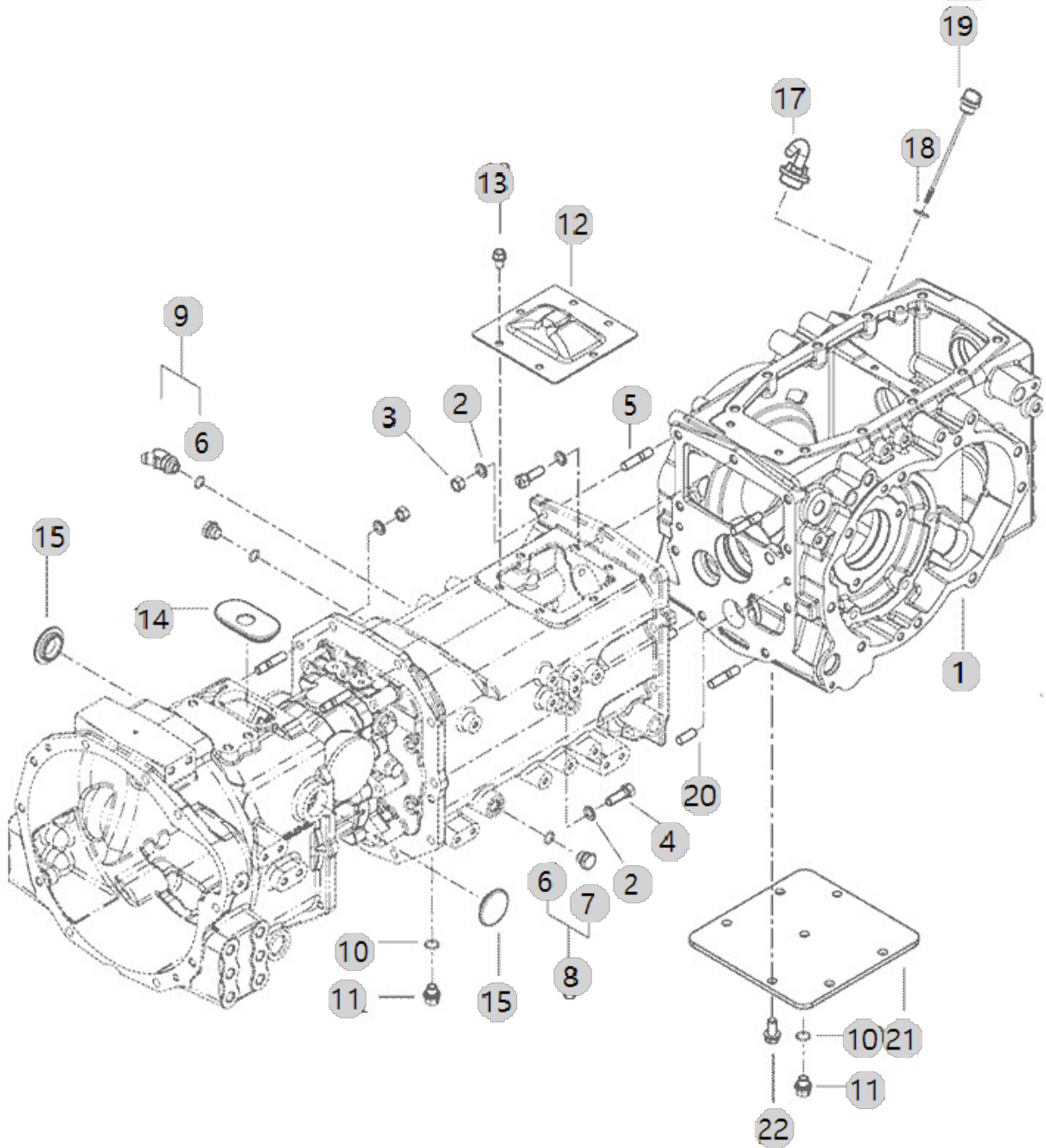
F01020

BRANSON K3CH
TM_US(AC01569)

TRANSMISSION CASE

Year/Month

2022-12-15



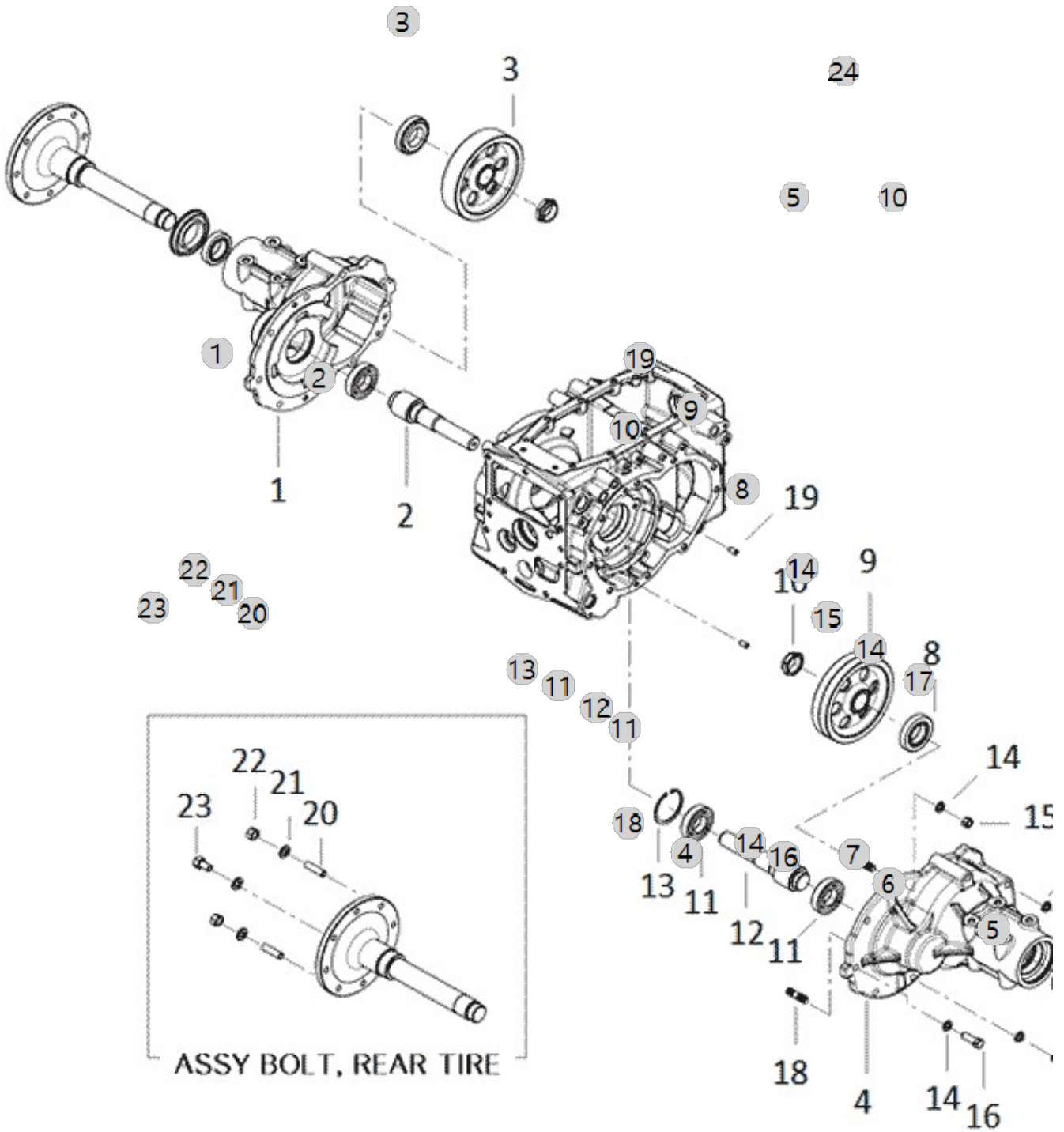
F01030

BRANSON K3CH
TM_US(AC01569)

REAR AXLE HOUSING

Year/Month

2022-12-15



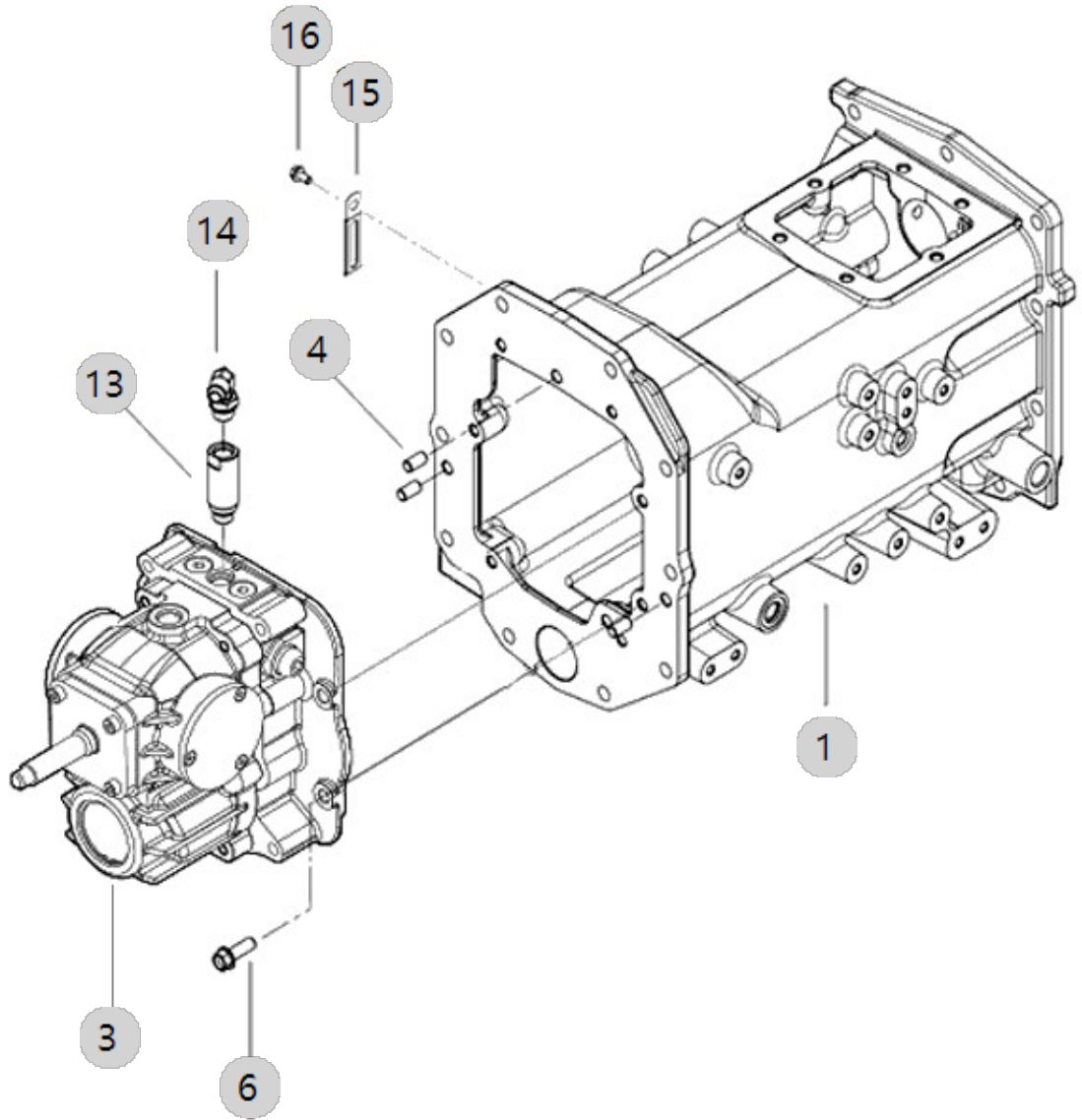
F01050

BRANSON K3CH
TM_US(AC01569)

HYD SHIFT TRANSMISSION HOUSING

Year/Month

2022-12-15



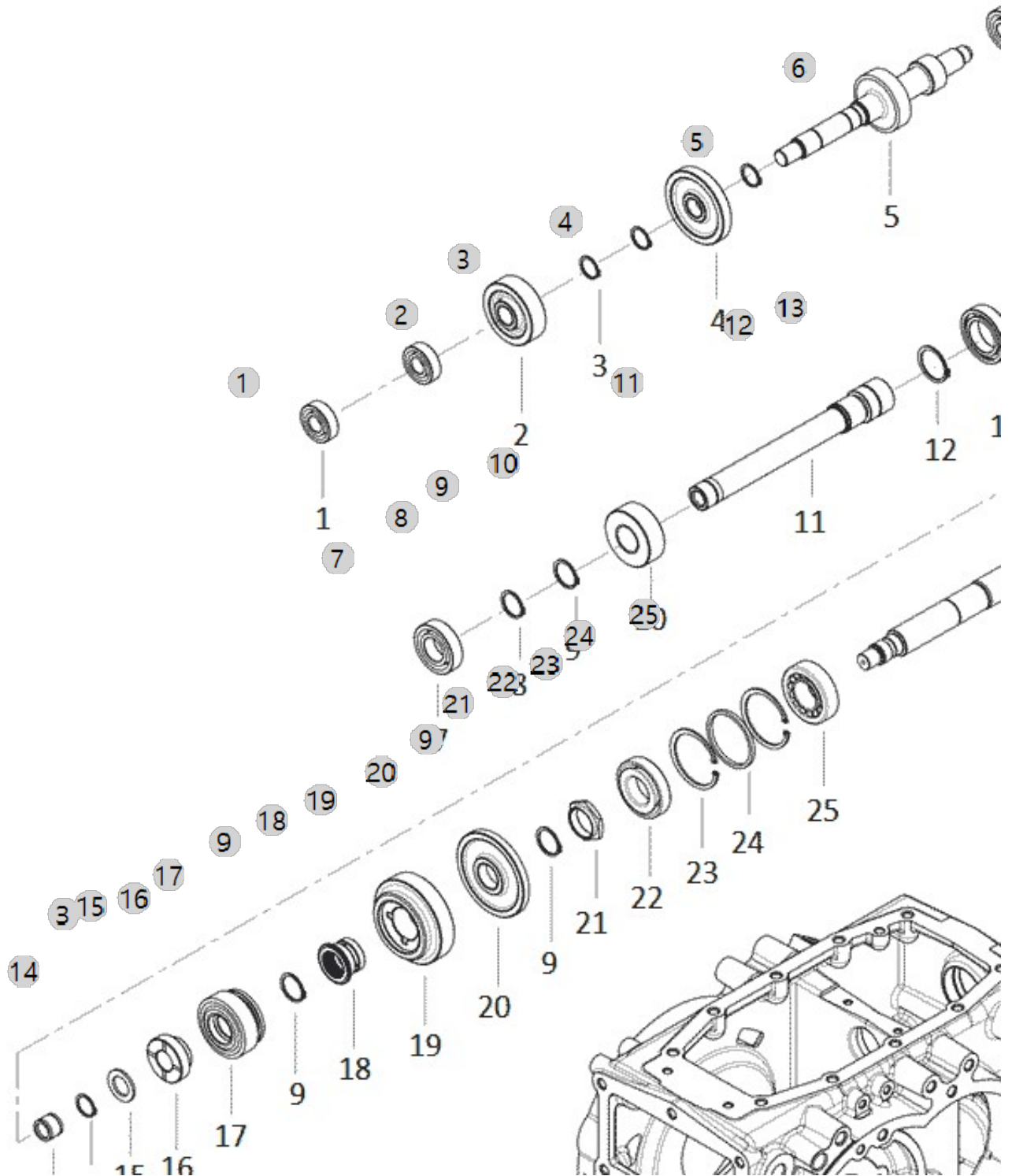
F03040

BRANSON K3CH
TM_US(AC01569)

RANGE SHIFT DRIVE SHAFT-1

Year/Month

2022-12-15



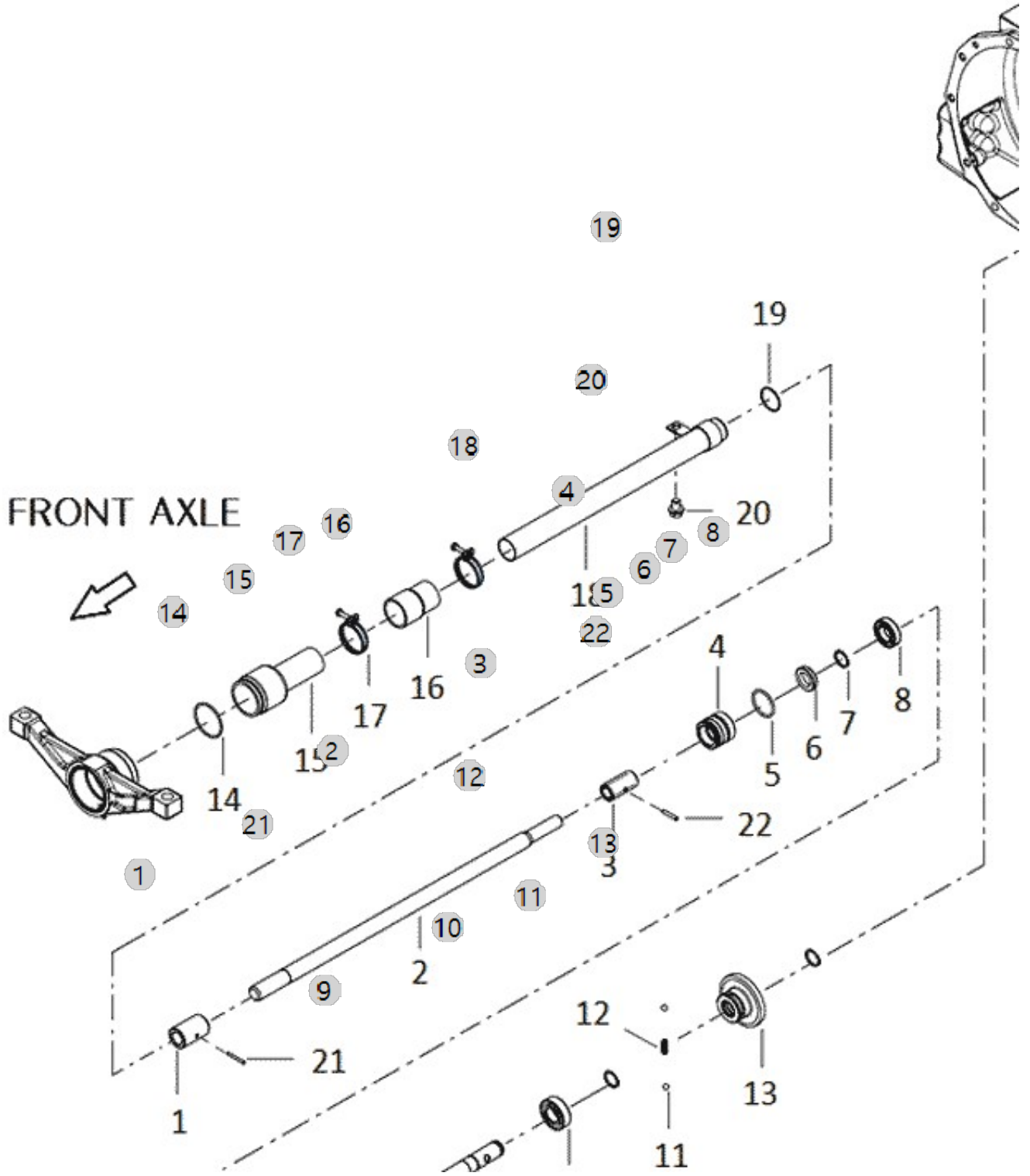
F04010

BRANSON K3CH
TM_US(AC01569)

FORNT DRIVE SHAFT

Year/Month

2022-12-15



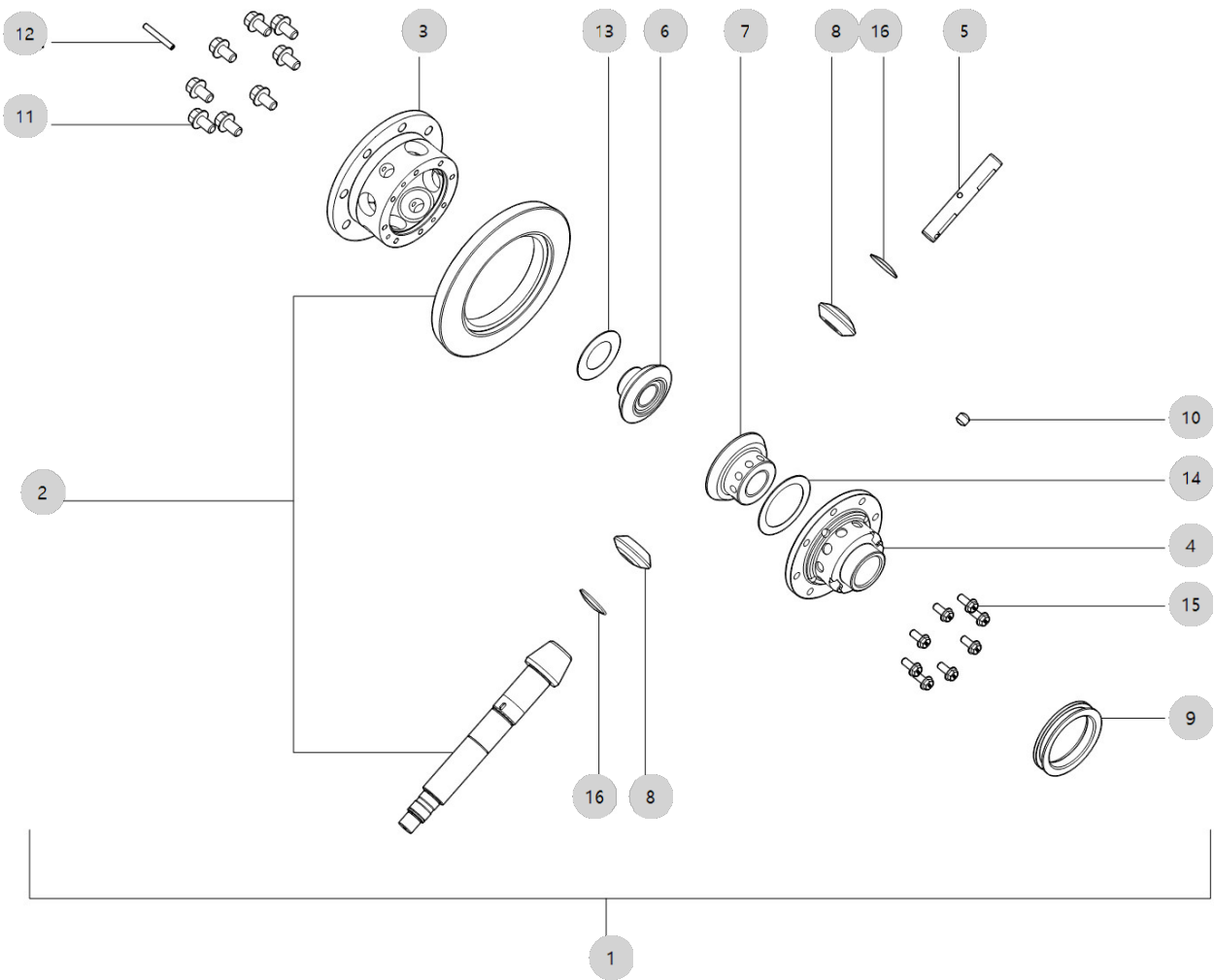
F05020

BRANSON K3CH
TM_US(AC01569)

REAR DIFFERENTIAL

Year/Month

2022-12-15



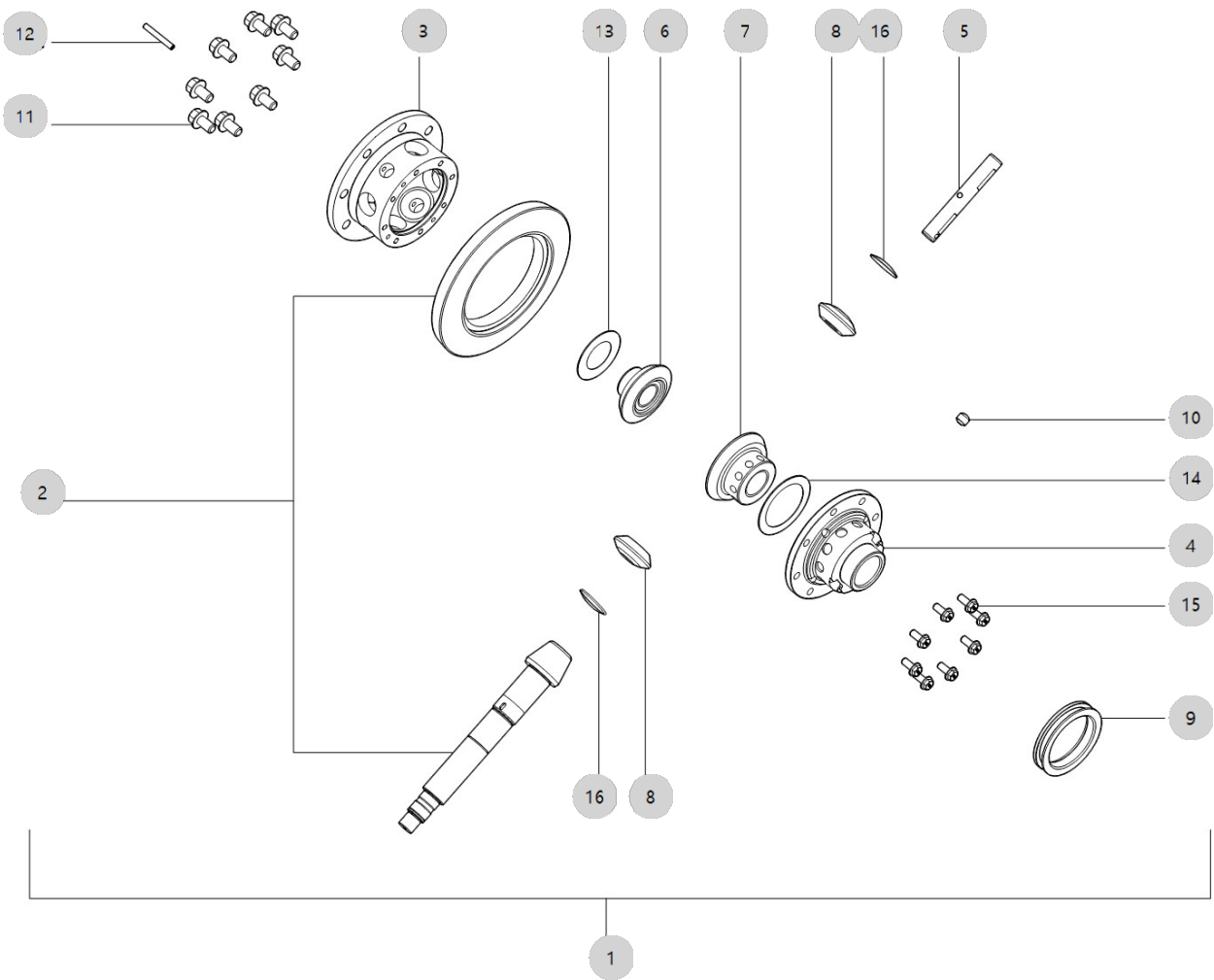
F05020

BRANSON K3CH
TM_US(AC01569)

RING GEAR&DIFF.GEAR ASS'Y

Year/Month

2022-12-15



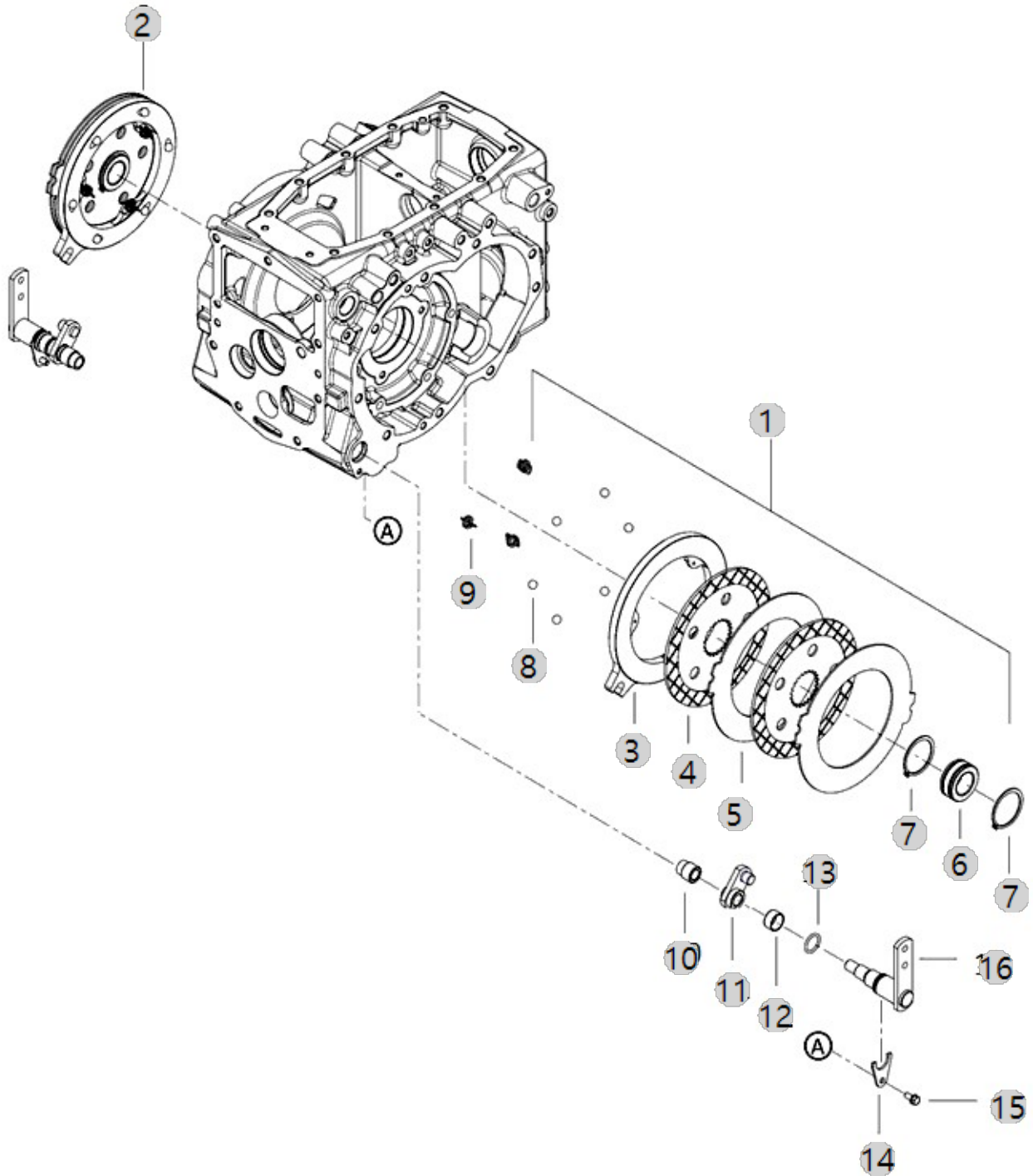
F06030

BRANSON K3CH
TM_US(AC01569)

BRAKE

Year/Month

2022-12-15



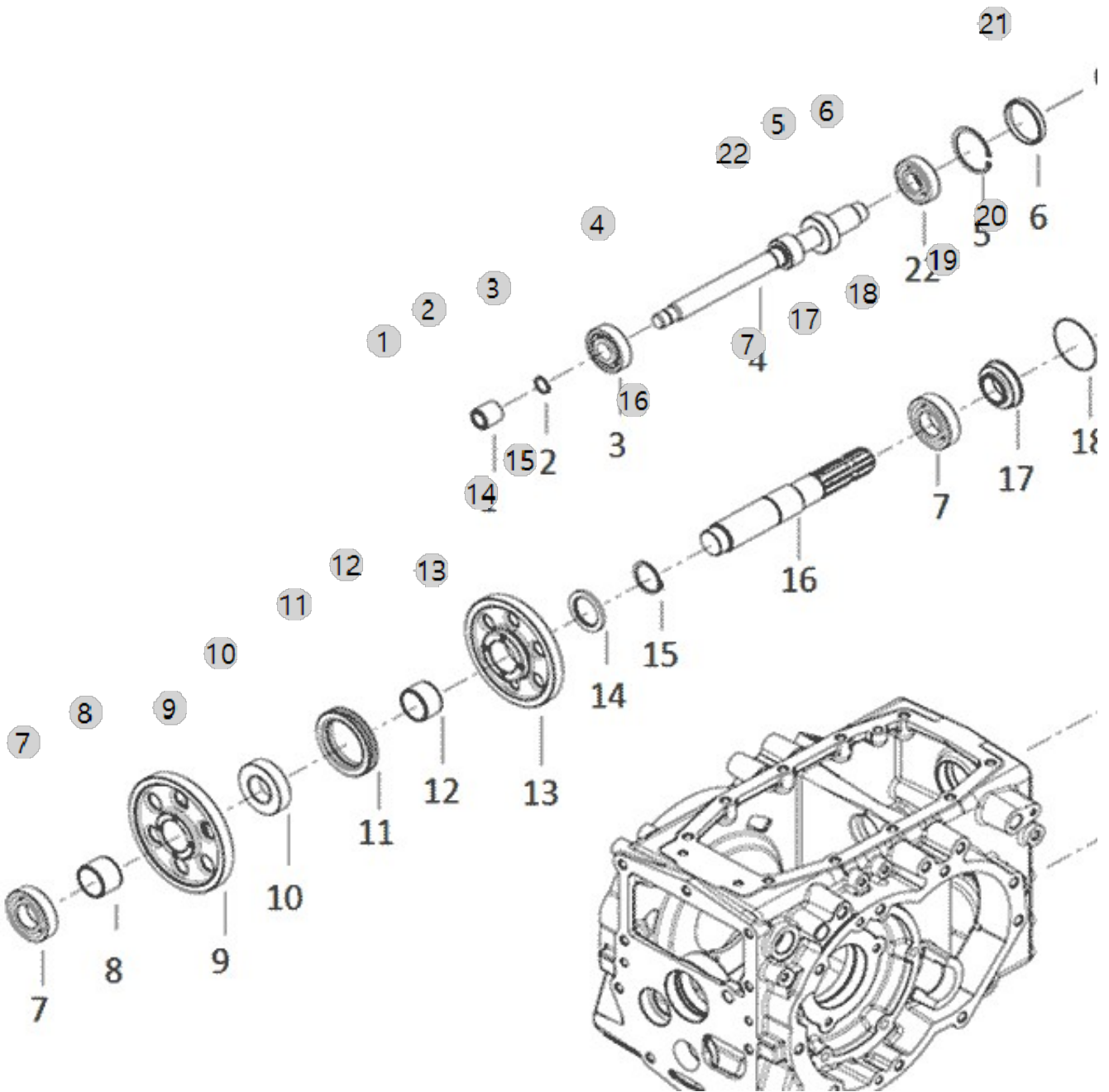
F07030

BRANSON K3CH
TM_US(AC01569)

PTO DRIVE SHAFT

Year/Month

2022-12-15



F07030 BRANSON K3CH TM_US(AC01569)		PTO DRIVE SHAFT				Year/Month 2022-12-15
순번 (NO)	부품번호 (PART NO)	품명 (PART NAME)	품명 (PART NAME)	수량 (QTY)	규격 (SPEC)	비고 (REMARK)
1	TA00038269A	조인트	JOINT	1		
2	22242-000200	축용스냅링20	SNAP RING, SHAFT (Φ 20)	1	D20(축용)	
3	CT85150000A4	베어링6305HL	Bearing #6305	1	#6305	
4	TA00041006B	PTO구동기여축(1-2)	SHAFT, PTO DRIVE	1		
5	22252-000620	구명용스냅링62	RING, CIRCLIP (Φ 62)	1	D62(구명용)	
6	27260-620000	실링캡	SEALING CAP	1		
7	24101-062074	볼베어링6207	BALL BEARING (#6207)	2	#6207	
8	22242-000400	축용스냅링40	SNAP RING, SHAFT (Φ 40)	1	D40	
9	TT62040000A3	PTO 오일실 QLF35X60X19	PTO OIL SEAL QLF35X60X19	1	35X60X19	
10	TZ45100000B3	PTO허브	HUB,P.T.O	1		
11	TZ45110000C4	PTO슬리브	SLEEVE,P.T.O	1		
12	TA00040193B	부시(PTO2단)	SLEEVE	1		
12	TA00040193C	부시(PTO2단)	SLEEVE	1		
13	TA00041008A	PTO피동기여축2단	GEAR, PTO2	1		
14	FGG8040000B4	와셔(40X57.1X4.5T)	WASHER(40.5X57.1X4.5T)	1		
15	22242-000400	축용스냅링40	SNAP RING, SHAFT (Φ 40)	1	D40	
16	TA00038293B	PTO축	SHAFT, PTO	1		
16	TA00038293C	PTO축	SHAFT, PTO	1		
16	TA00038293D	PTO축	SHAFT, PTO	1		
17	TT62040000A3	PTO 오일실 QLF35X60X19	PTO OIL SEAL QLF35X60X19	1	35X60X19	
18	24341-000700	O링(70-S)	O-RING, FIX (Φ70)	1	1A S70.0	
19	TA00038449B	PTO축 커버	COVER	1		
20	22242-000350	축용스냅링35	SNAP RING, SHAFT (Φ 35)	1	D35	
21	26106-100202	육각플랜지볼트	HEX BOLT, (10-20)	4	M10XP1.5X20	
22	24101-063050	깊은홈볼베어링(63계열)	DEEP GROOVE BALL BEARING	1	#6305	

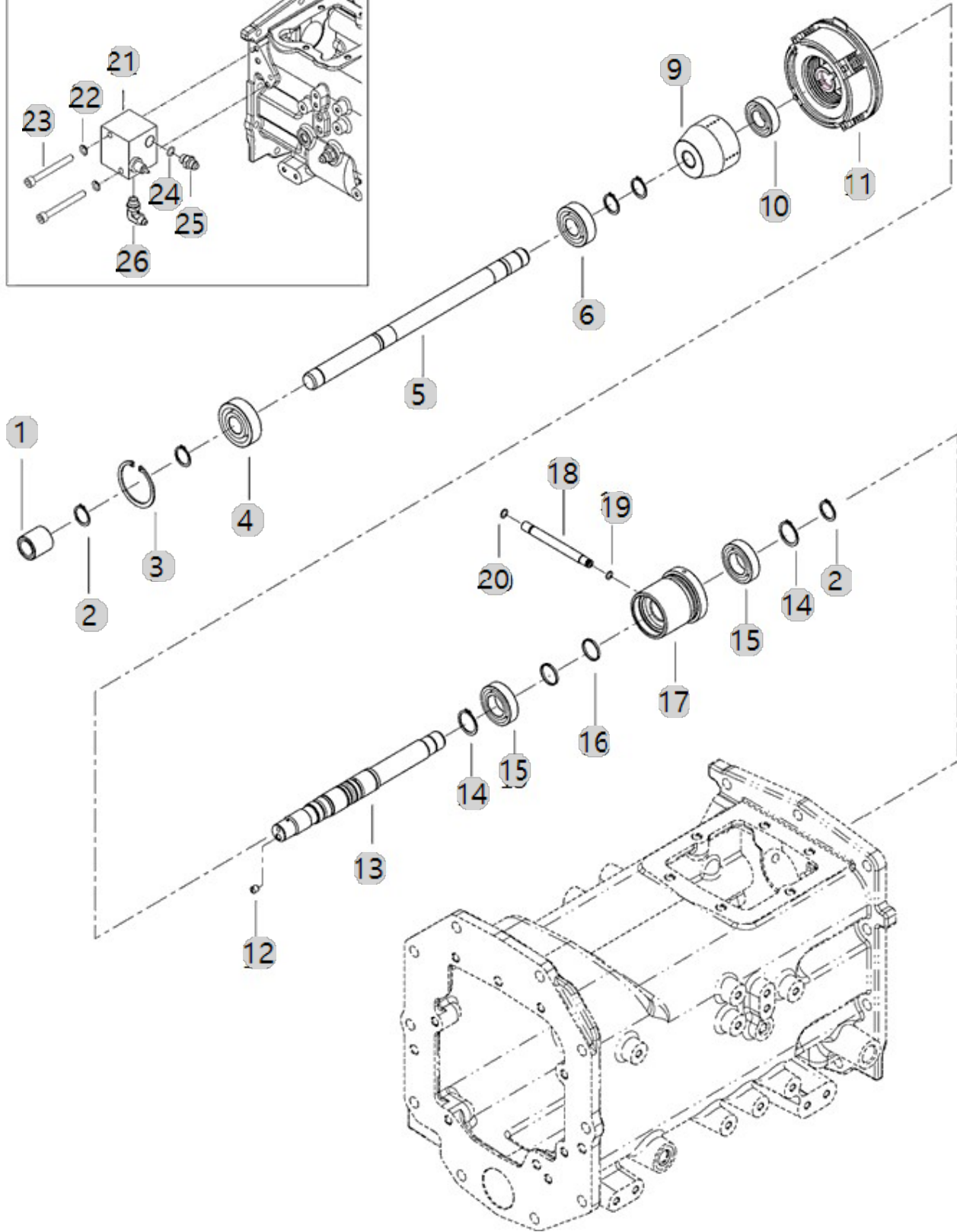
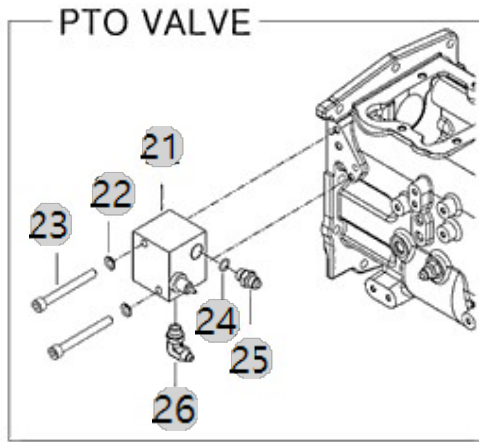
F07070

BRANSON K3CH
TM_US(AC01569)

P.T.O SHAFT

Year/Month

2022-12-15



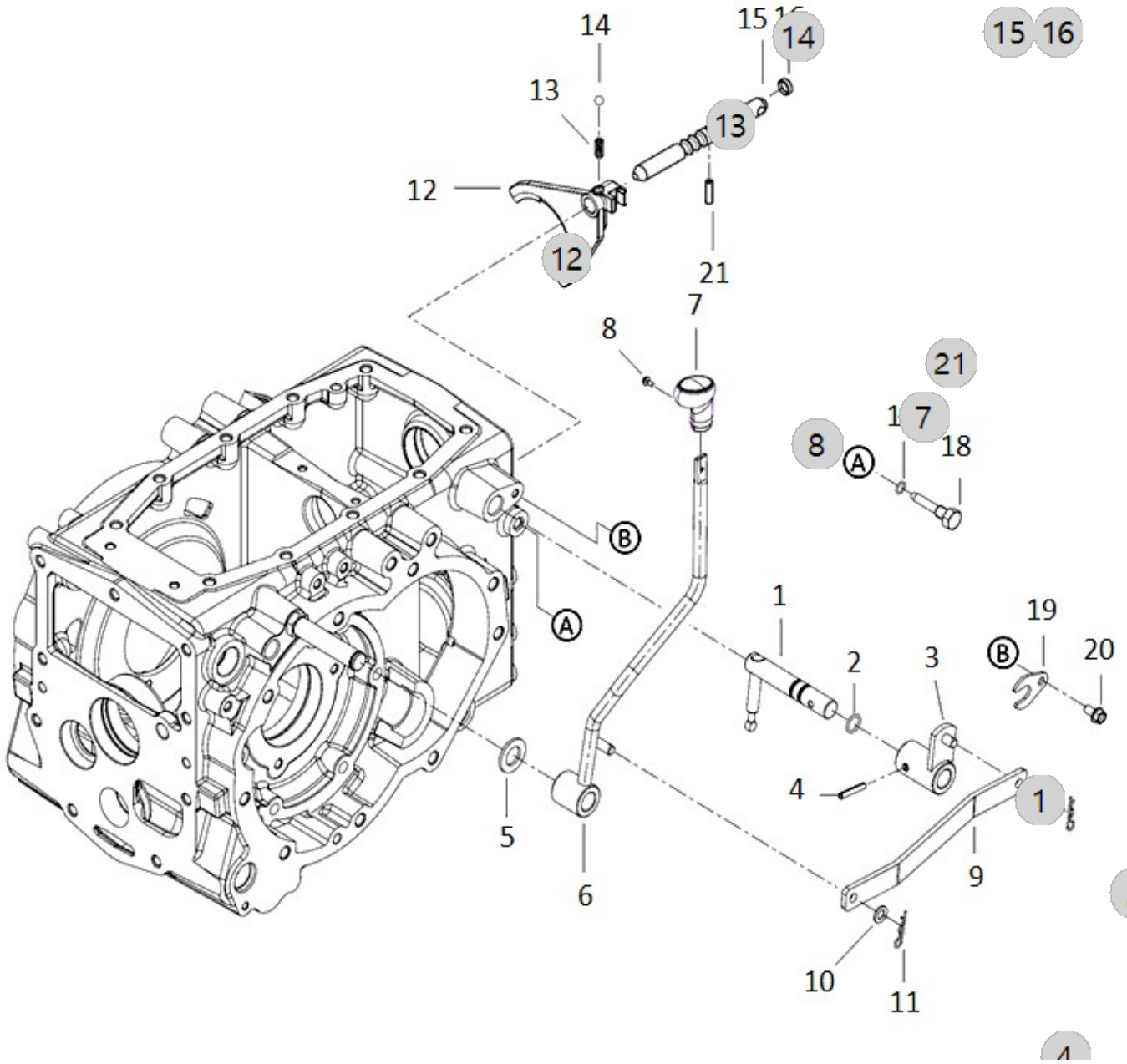
F08060

BRANSON K3CH
TM_US(AC01569)

FORK, PTO SHIFT

Year/Month

2022-12-15



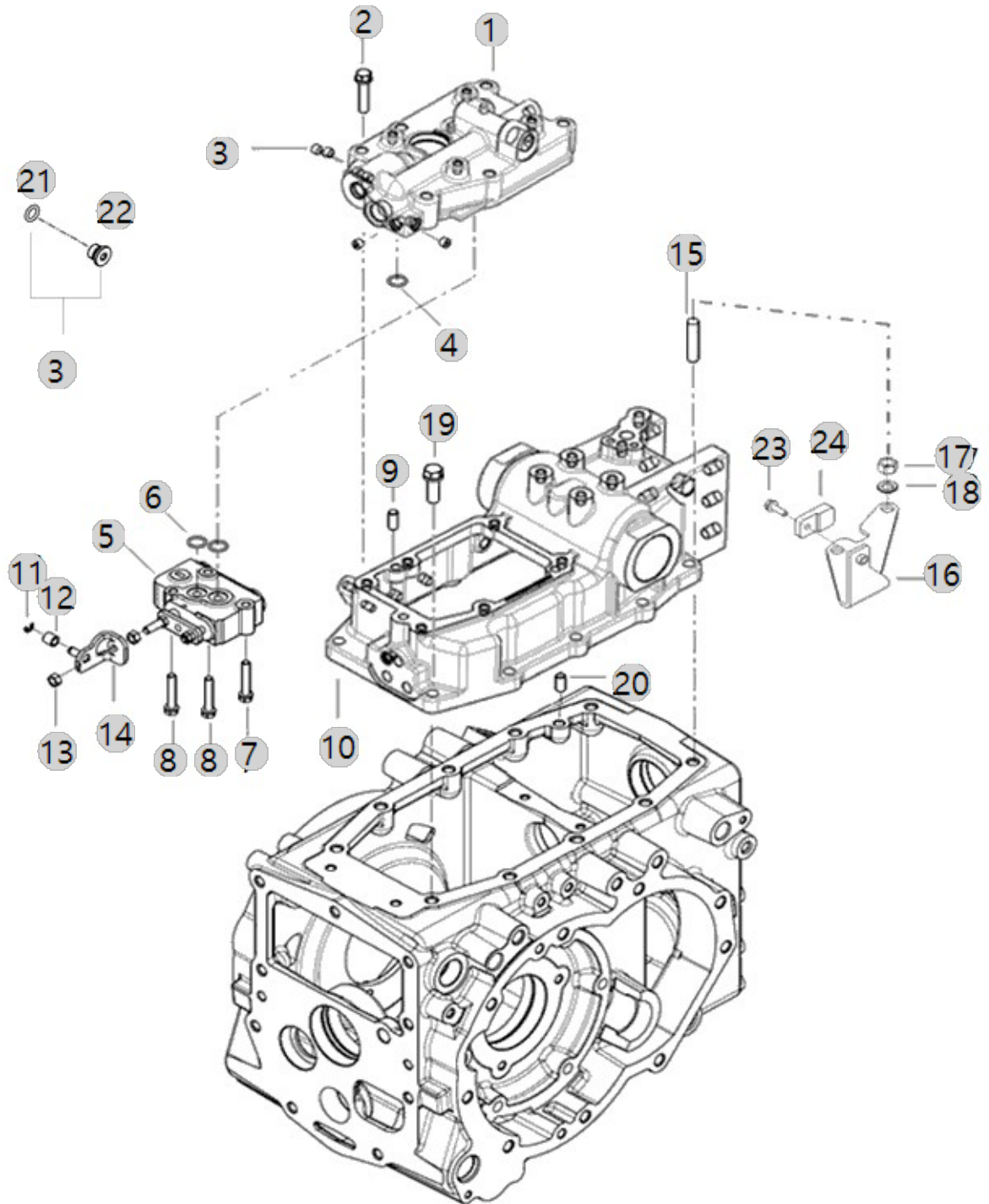
F10010

BRANSON K3CH
TM_US(AC01569)

CASE, HYD CYLINDER

Year/Month

2022-12-15



F10010 BRANSON K3CH TM_US(AC01569)		CASE, HYD CYLINDER				Year/Month 2022-12-15
순번 (NO)	부품번호 (PART NO)	품명 (PART NAME)	품명 (PART NAME)	수량 (QTY)	규격 (SPEC)	비고 (REMARK)
1	TA00033096H	유압실린더 커버	COVER, HYD CYLINDER	1		
2	26013-100452	와셔조립육각볼트	HEX BOLT W/WASHER	6	M10X1.5X45	
3	TA00045690A	플러그조합	PLUG ASS'Y	5		
3	TA00045690B	플러그조합	PLUG ASS'Y	5		
4	24311-000120	O-링 495-12	O-RING, DYNAMIC (Φ12)	1	P12	
5	TA00033098C	승하강밸브	VALVE, CONTROL	1		
6	24315-000160	운동용O링	O-RING	2		
7	26106-080402	451,ALL,플랜지볼트	SCREW,HEXFLANGEHEADCAP	1		
8	26013-080452	와셔조립육각볼트(+SW)	SCREW,CAPTIVEWASHERCAP	2	M8XP1.25X45	
9	22312-100200	평행핀	PIN, DOWEL (10-20)	2	D10X20	
10	TA00033085J	유압실린더케이스	HYD CYLINDER CASE	1		
11	22272-000060	SNAP RING	RING, CIRCLIP (Φ 06)	1	D6	
12	TA00033126A	롤러	ROLLER	1		
13	26711-080002	육각너트	NUT	2	M8XP1.25	
14	TA00060775A	클레비스	CLEVIS	1		
15	26216-120352	심음보울트	STEELBOLT	5	M12X1.75	
16	TA00060049A	스위치브래킷	BRACKET ASSY	1		
16	TA00060049B	스위치브래킷	SWITCH BRACKET	1		
17	22217-120000	스프링와셔	WASHER, SPRING (Φ 12)	5	M12	
18	26716-120002	295,ALL,육각너트	HEXA NUT295	5	M12X1.75	
19	26013-120352	와셔조립육각볼트(+SW)	SCREW,CAPTIVEWASHERCAP	5	M12XP1.75X0	
20	22312-100180	평행핀	PIN, DOWEL (10-18)	1	D10X18	
21	24311-000080	O-링 495-8	O-RING, DYNAMIC (Φ8)	5	P8	
22	TA00045685A	플러그	PLUG	5		
23	26106-060202	육각플랜지볼트(6*20)	HEXFLANGE BOLT	1	M6X1.0X20	
24	HA00001435A	리프트센서(무접점)조합	LIFT SENSOR	1		

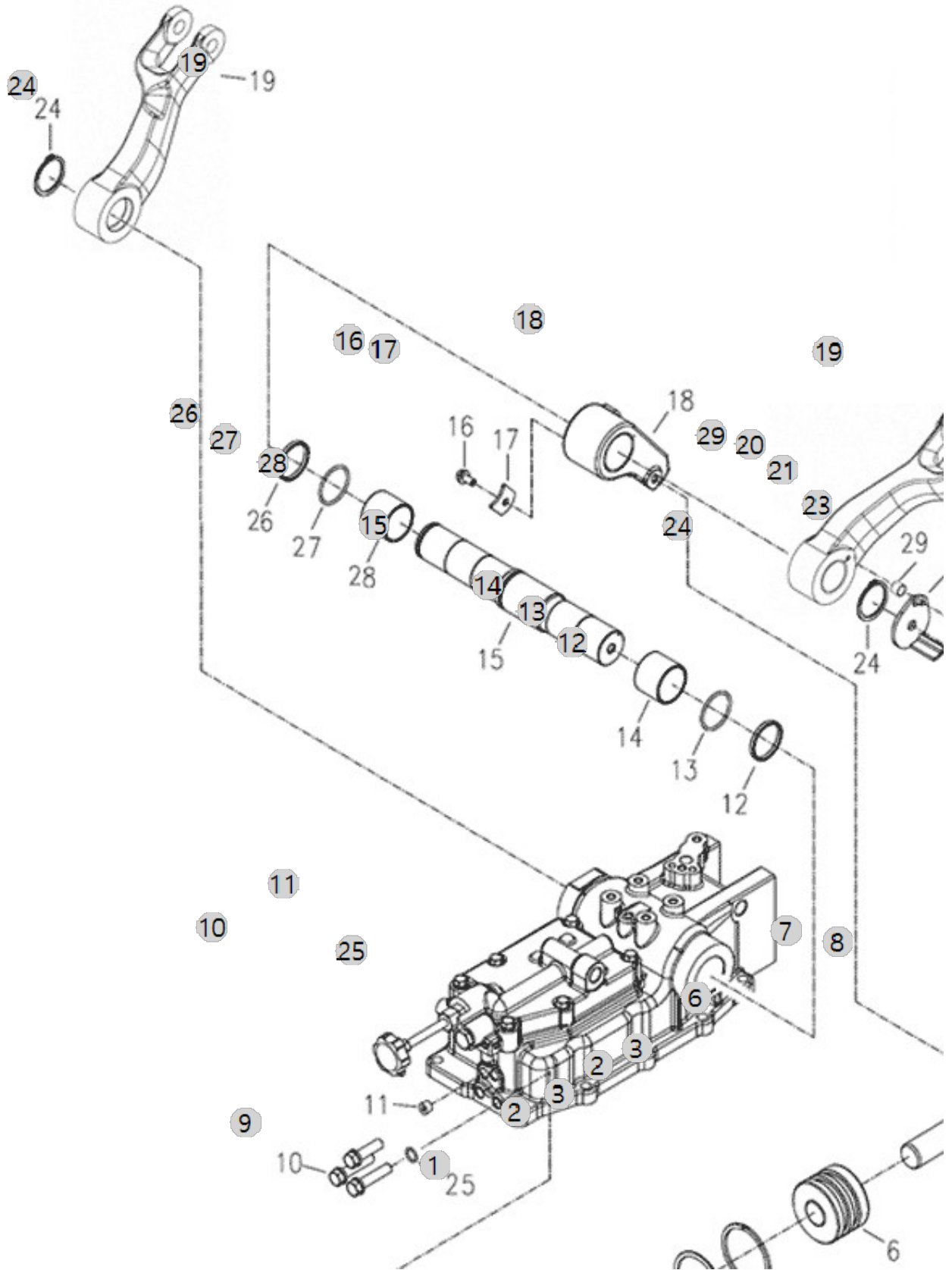
F10020

BRANSON K3CH
TM_US(AC01569)

LIFT ARM

Year/Month

2022-12-15



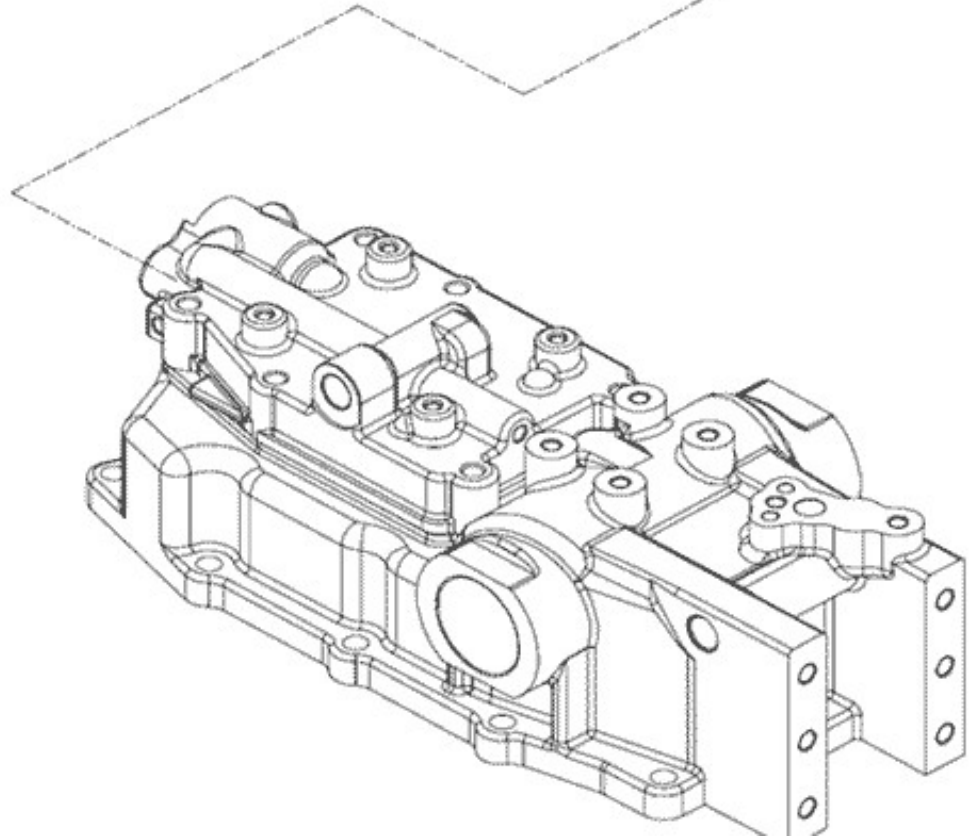
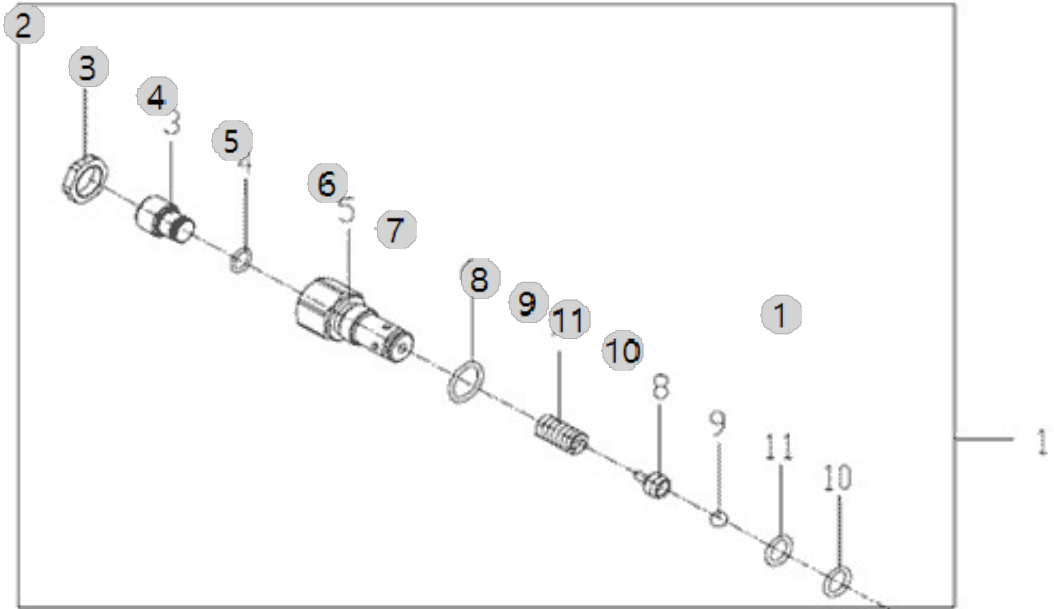
F10030

BRANSON K3CH
TM_US(AC01569)

SAFETY VALVE

Year/Month

2022-12-15



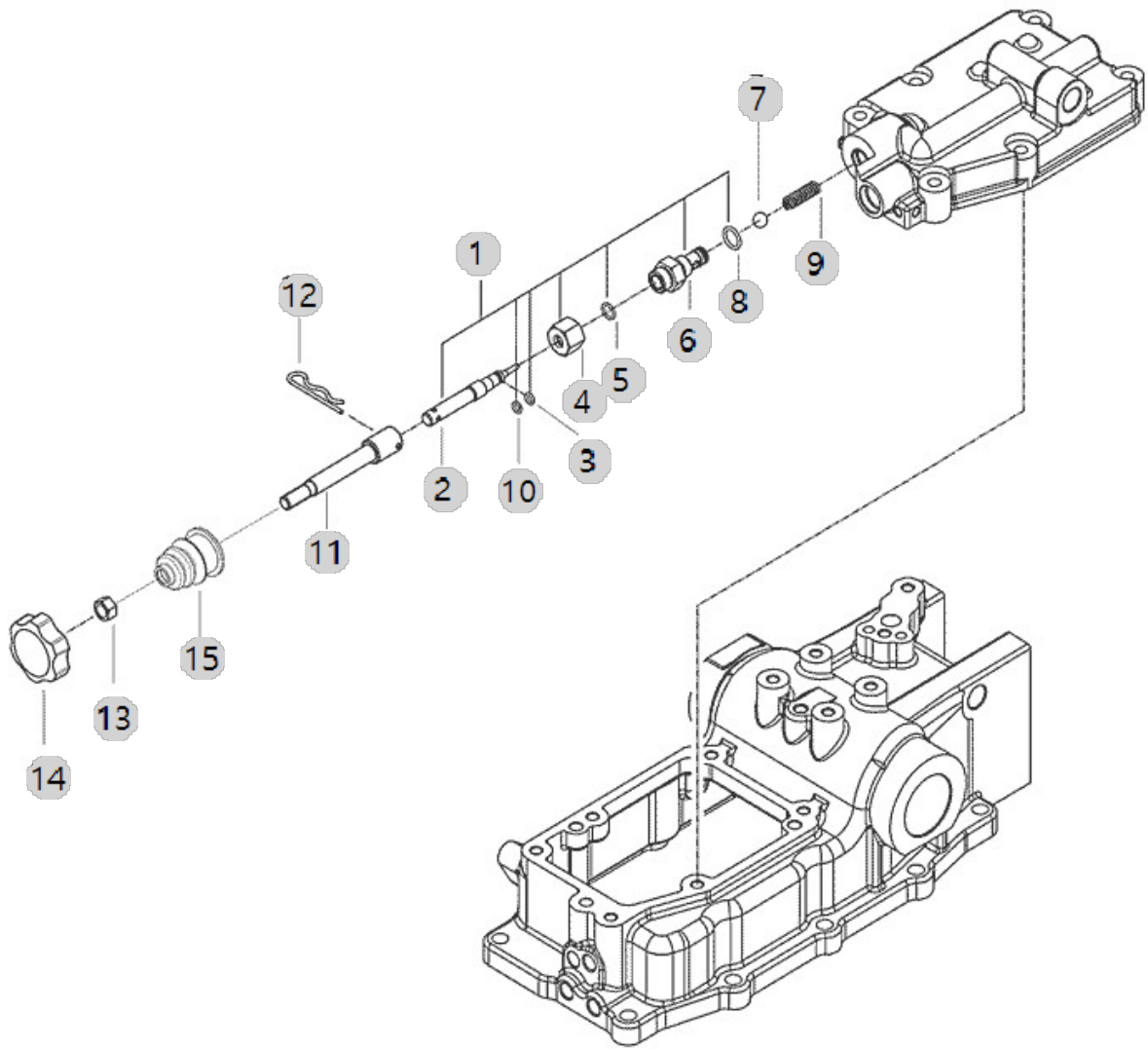
F10040

BRANSON K3CH
TM_US(AC01569)

STOP VALVE

Year/Month

2022-12-15



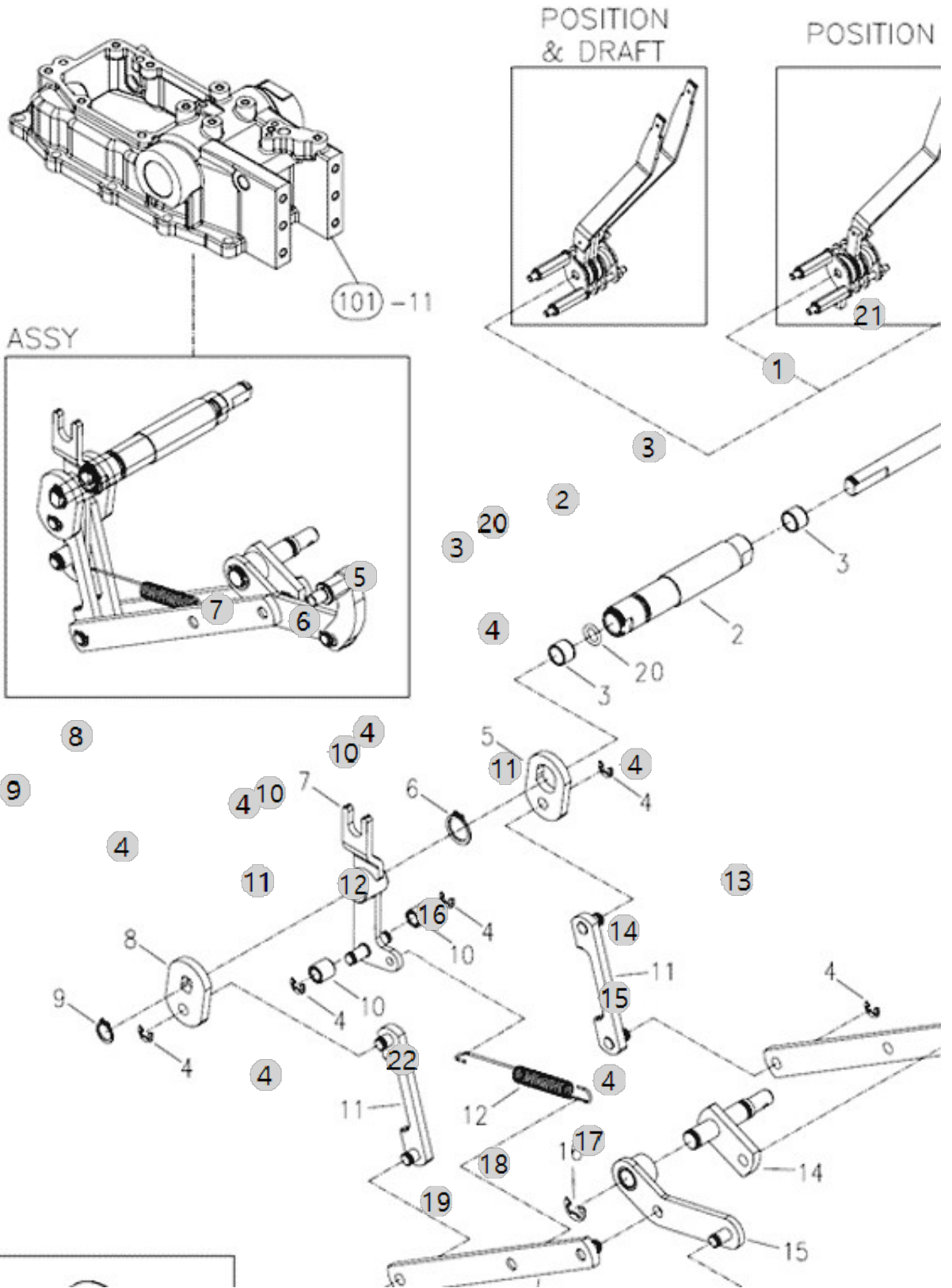
F10061

BRANSON K3CH
TM_US(AC01569)

DRAFT/POSITION CONTROL LEVER

Year/Month

2022-12-15



F10063

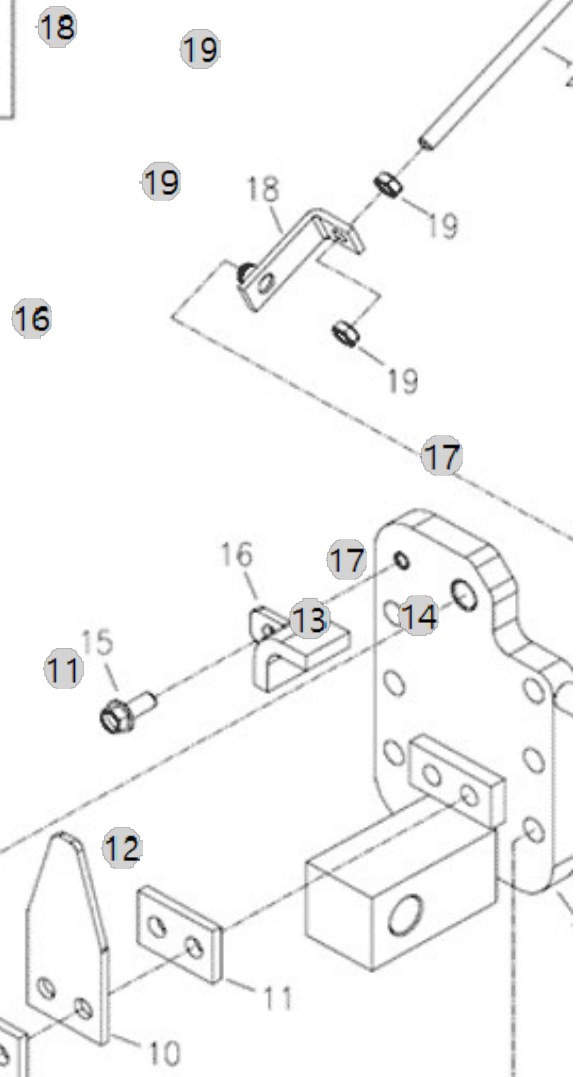
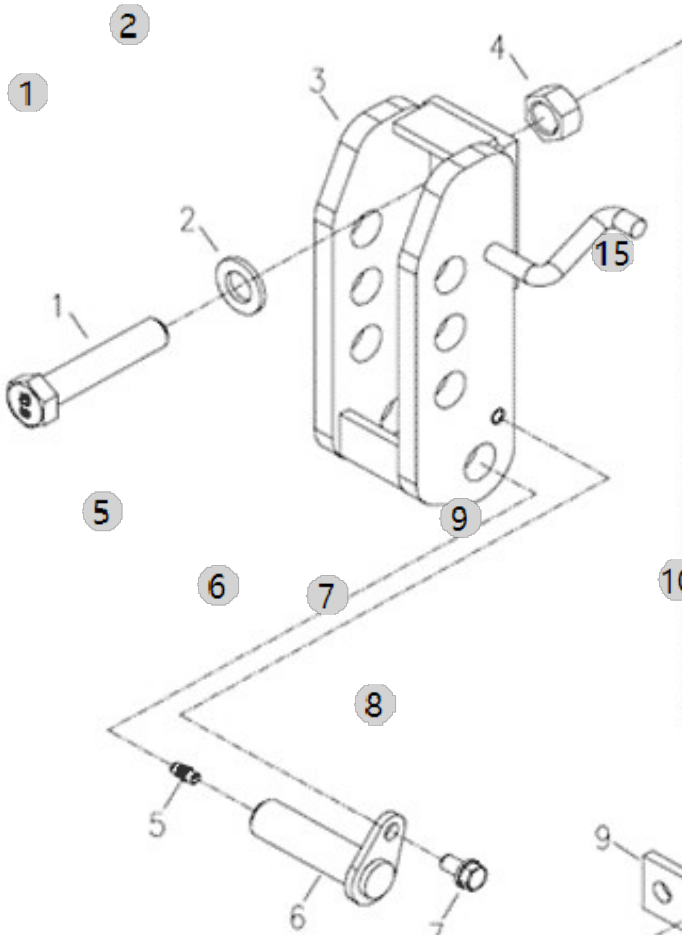
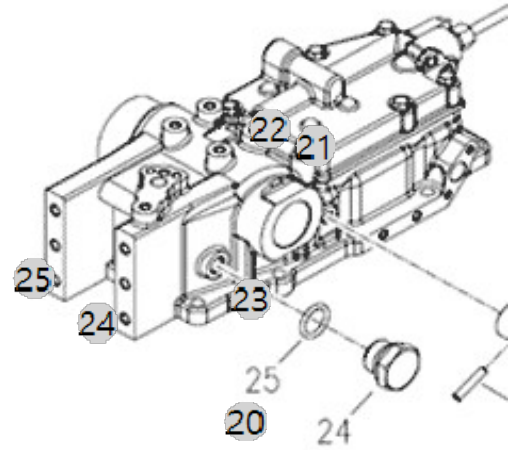
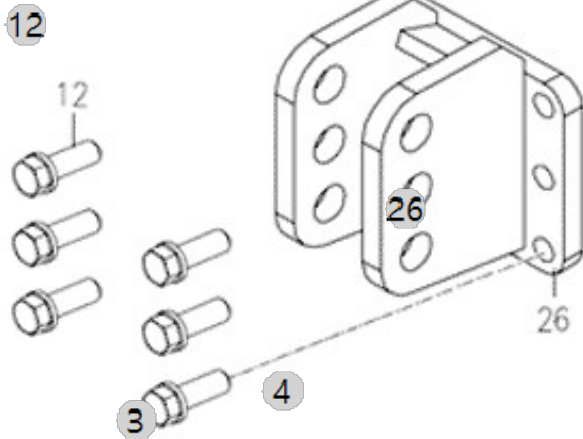
BRANSON K3CH
TM_US(AC01569)

DRAFT CONTROL LEVER

Year/Month

2022-12-15

POSITION



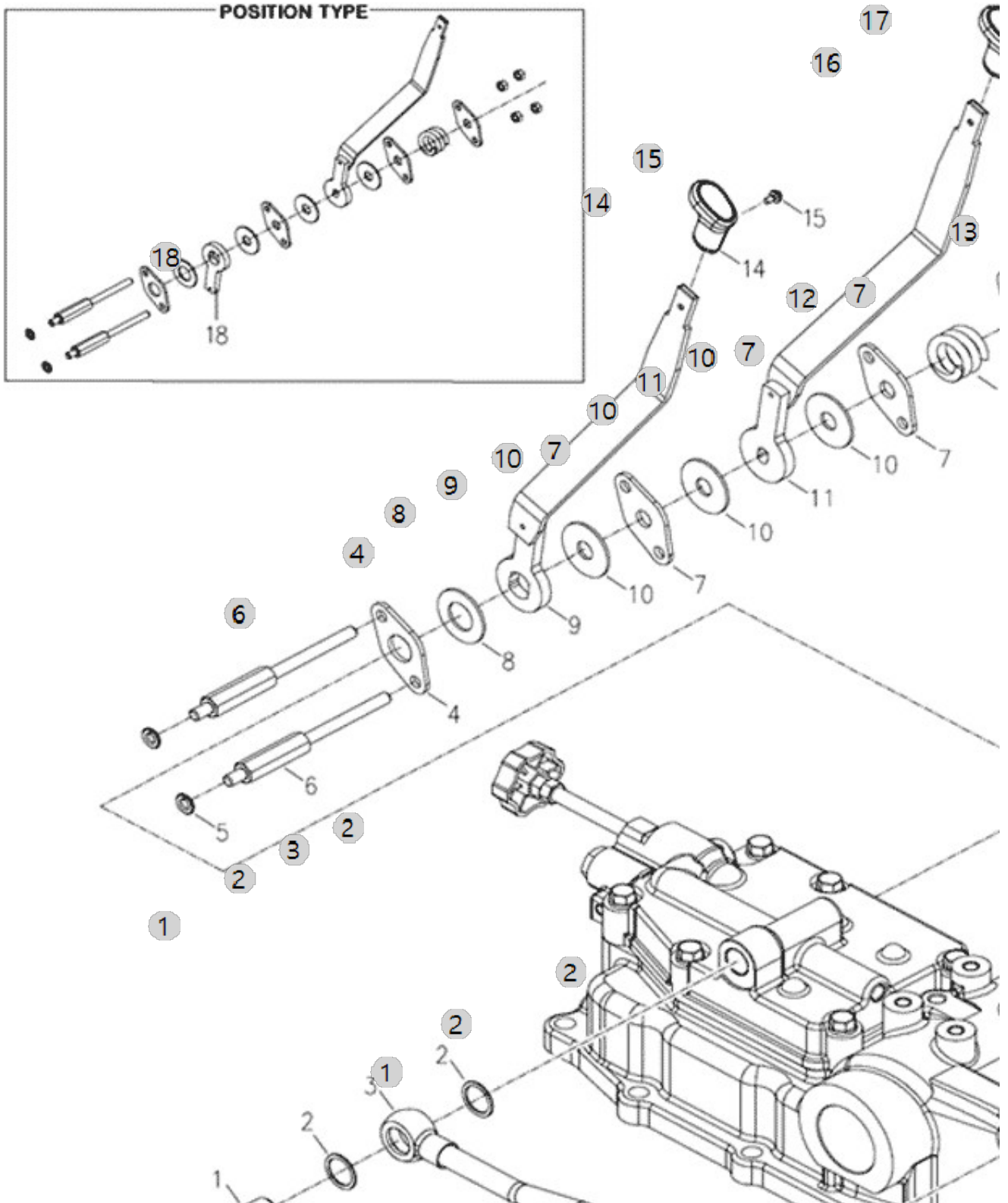
F10064

BRANSON K3CH
TM_US(AC01569)

POSITION CONTROL LEVER

Year/Month

2022-12-15



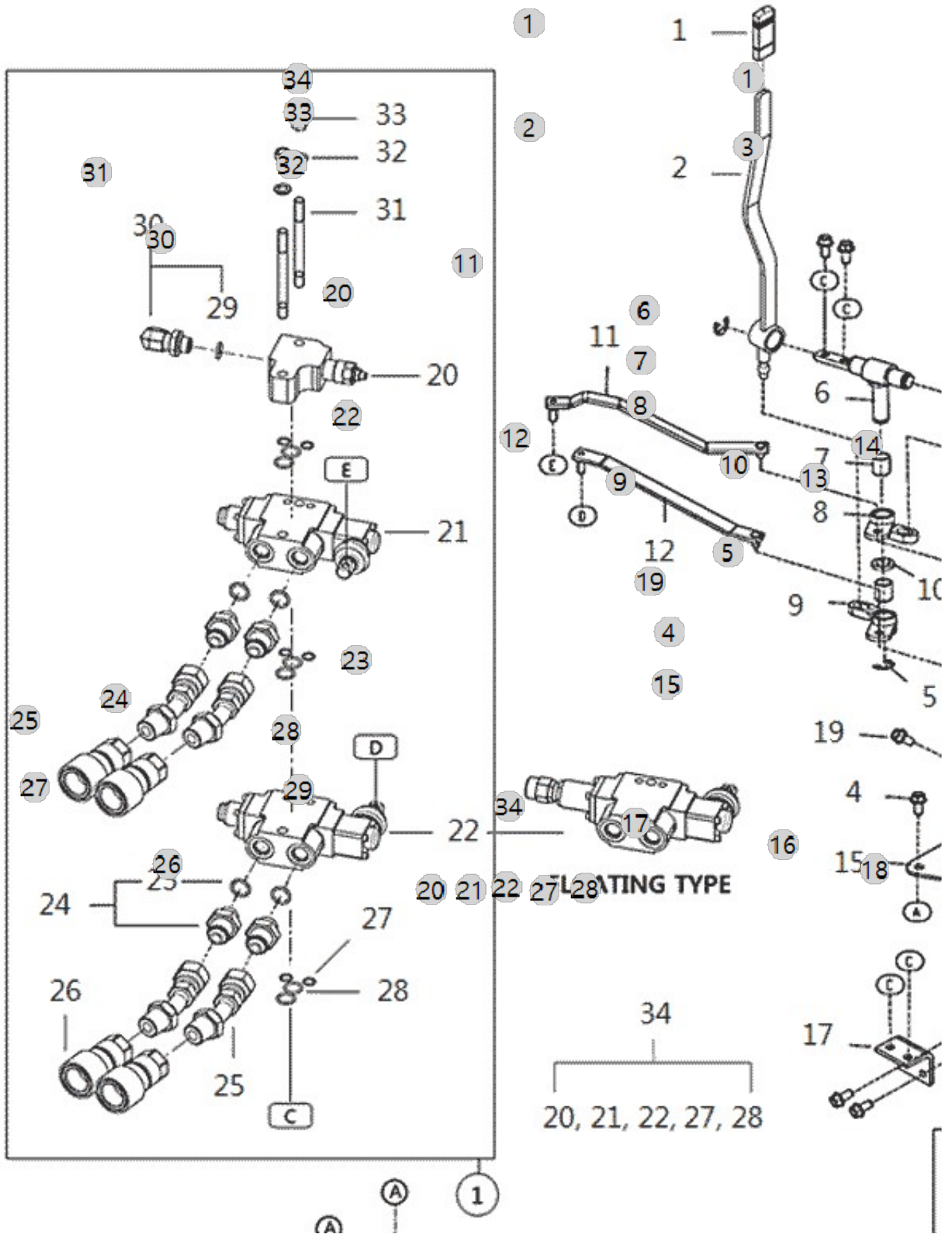
F10120

BRANSON K3CH
TM_US(AC01569)

REAR SCV

Year/Month

2022-12-15



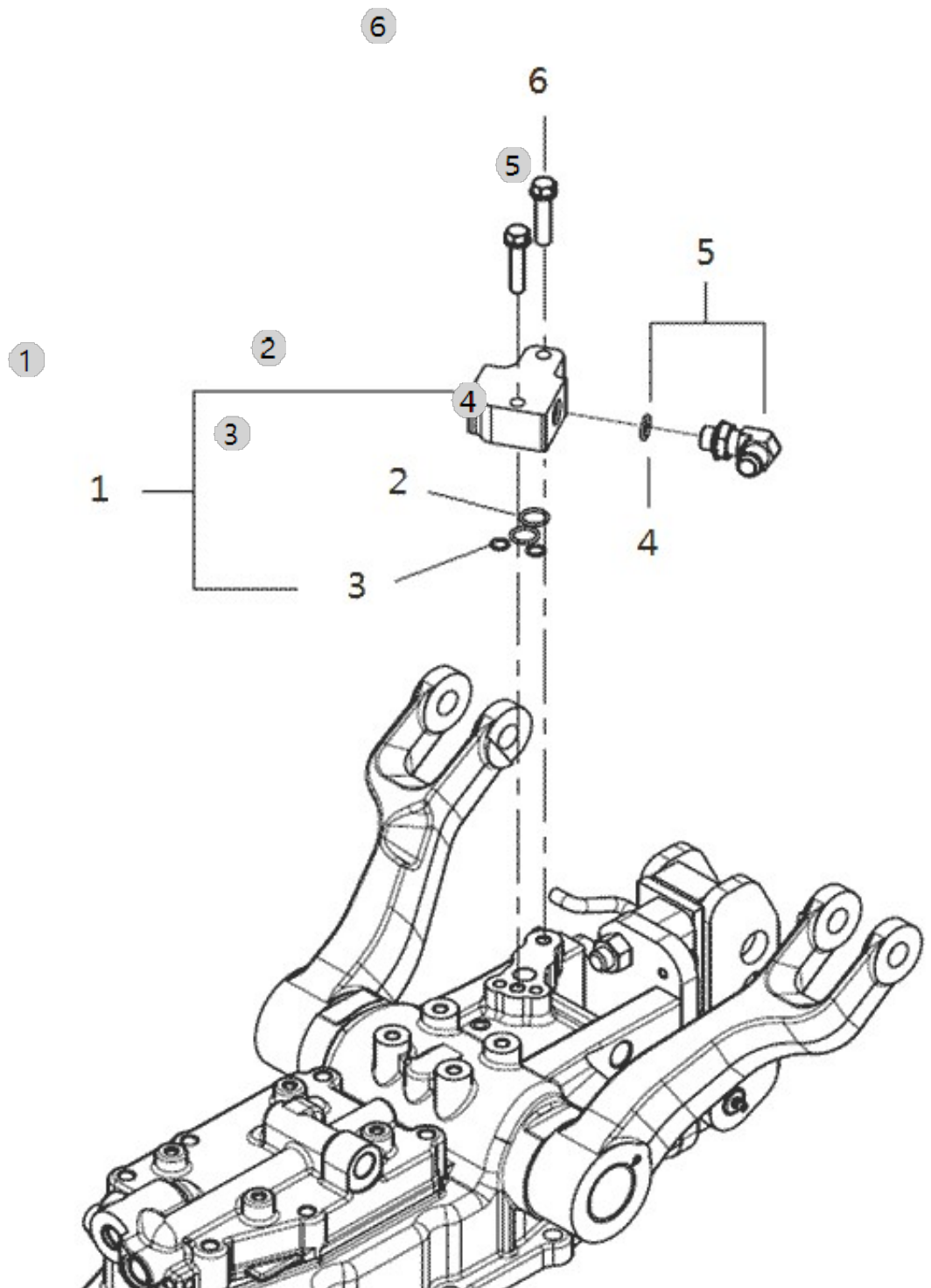
F10130

BRANSON K3CH
TM_US(AC01569)

BLOCK, REAR

Year/Month

2022-12-15



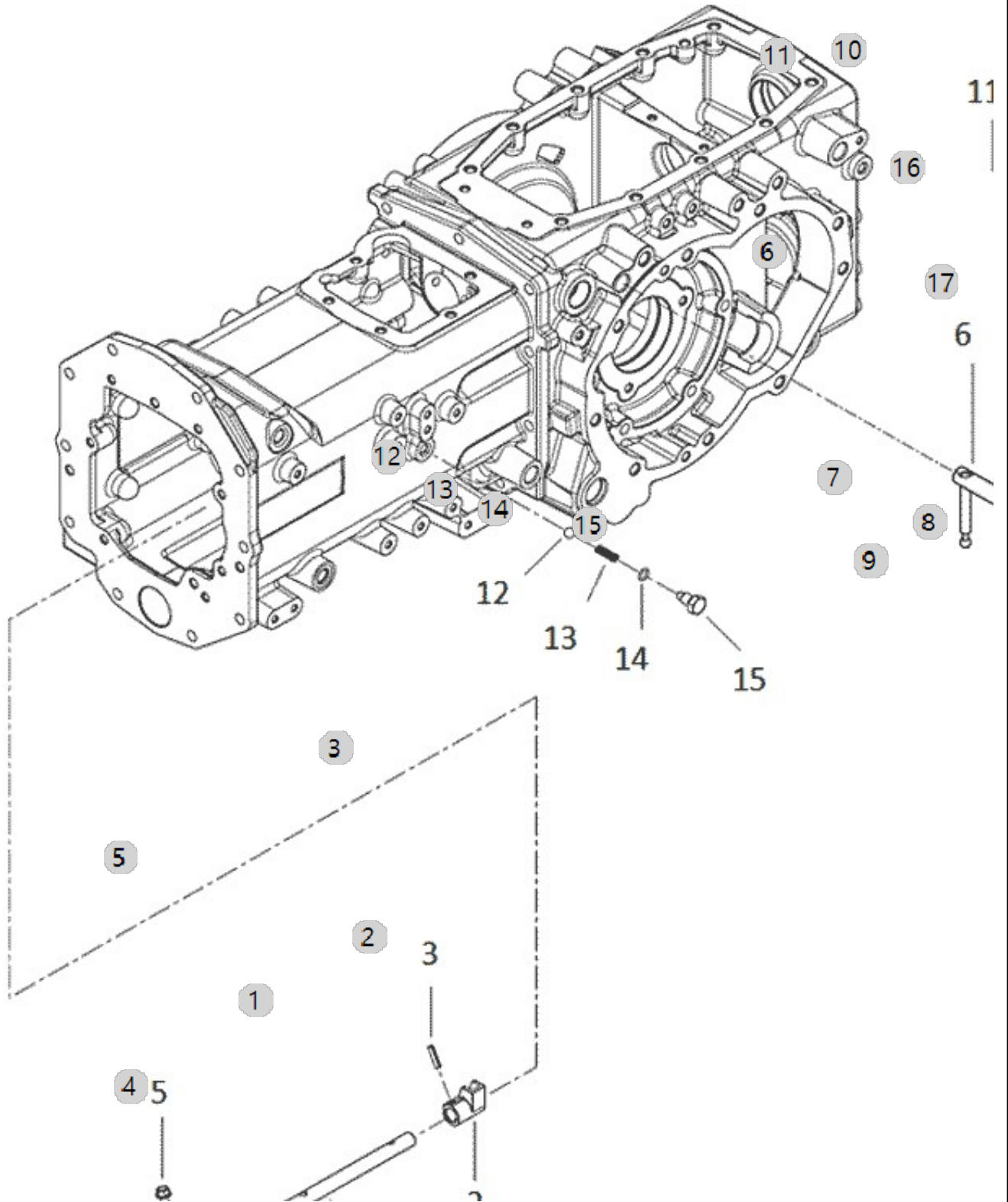
F11020

BRANSON K3CH
TM_US(AC01569)

LEVER ASS'Y, RANGE SHIFT

Year/Month

2022-12-15



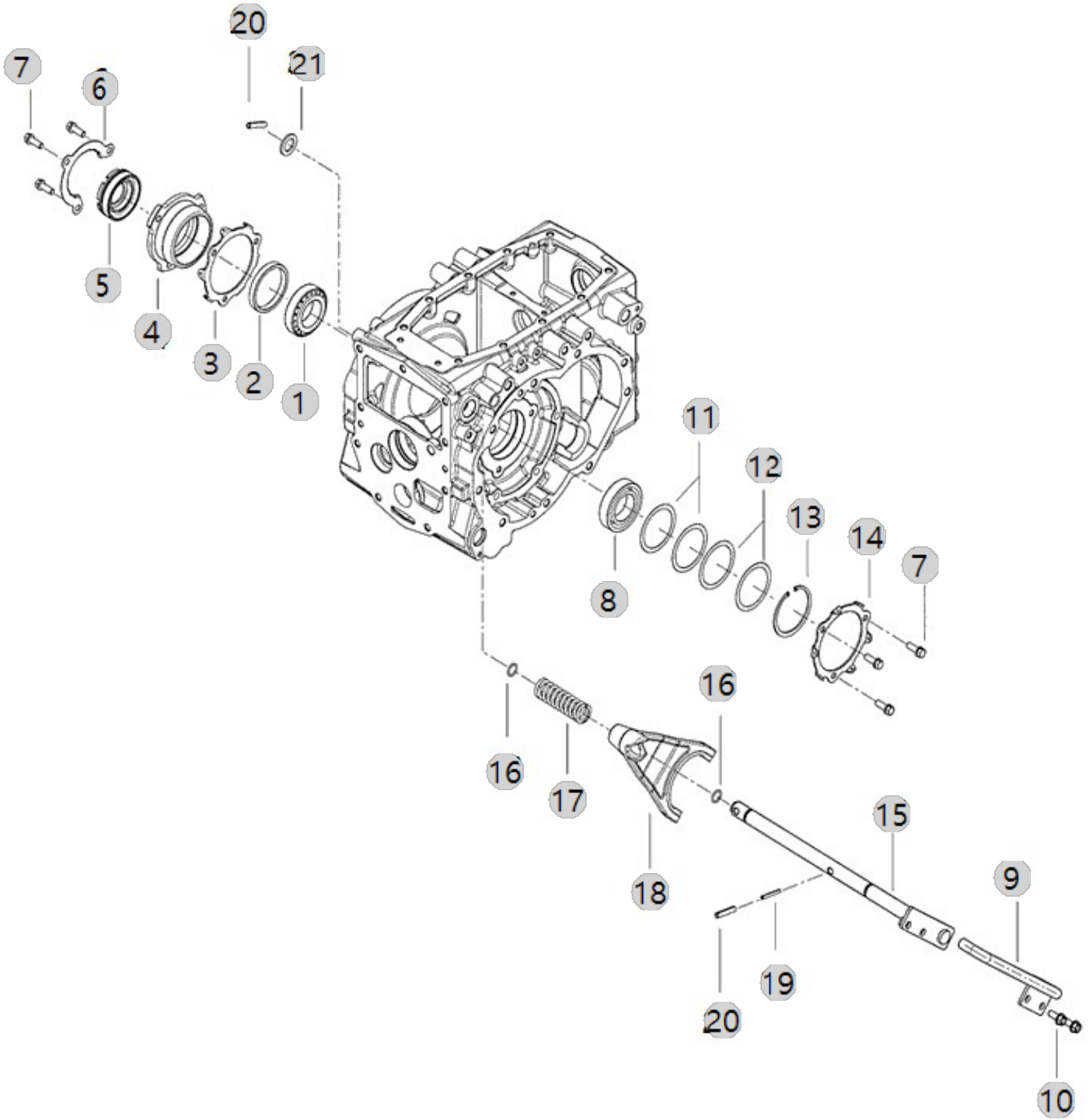
F11060

BRANSON K3CH
TM_US(AC01569)

DIFFERENTIAL

Year/Month

2022-12-15



F11080

BRANSON K3CH
TM_US(AC01569)

4WD LEVER

Year/Month

2022-12-15

