

T455NHGBC

Parts Catalog

목 차

1. 엔진 PART NO. EG

FIG 100 ENGINE	7
FIG 101B CYLINDER BLOCK (T454)	9
FIG 102 GEAR HOUSING	11
FIG 103 FLYWHEEL HOUSING & OIL SUMP	13
FIG 104B CYLINDER HEAD & BONNET (T454)	15
FIG 105B SUCTION MANIFOLD (T454)	18
FIG 106B EXHAUST MANIFOLD (T454)	20
FIG 107B DIESEL PARTICULATE FILTER (T454)	22
FIG 108 CAMSHAFT & DRIVING GEAR	24
FIG 110B CRANKSHAFT & PISTON (T454)	26
FIG 111 BALANCER	28
FIG 112B LUB. OIL SYSTEM (T454)	30
FIG 114 COOLING WATER SYSTEM	32
FIG 115 FUEL SUPPLY PUMP	34
FIG 116B FUEL INJECTION VALVE (T454)	36
FIG 117 FUEL LINE	38
FIG 118 STARTING MOTOR	40
FIG 119 GENERATOR	42
FIG 120B ELECTRONIC CONTROL UNIT (T454)	44
FIG 121B ELECTRIC PARTS (T454)	46
FIG 122B ACCESSORY (T454)	48

2. 엔진보기품 PART NO. T2

FIG 201 AIR CLEANER	51
FIG 202 RADIATOR	53
FIG 203 MUFFLER	55
FIG 204 FUEL HOSE & FILTER	57
FIG 205 FUEL TANK	59
FIG 206 ACCELERATOR	61
FIG 207 OIL COOLER	63

FIG 208 COOLING FAN	65
---------------------	----

3. 클러치/브레이크/스티어링 PART NO. T3

FIG 301 CLUTCH	68
FIG 302 CLUTCH PEDAL	70
FIG 303 BRAKE	72
FIG 304 BRAKE PEDAL & LINK	74
FIG 305A FRONT WHEEL	76
FIG 305B FRONT WHEEL (R4 OPTION)	78
FIG 306A REAR WHEEL	80
FIG 306B REAR WHEEL (R4 OPTION)	82
FIG 307 POWER STEERING WHEEL	84
FIG 308 POWER STEERING VALVE	86
FIG 309 POWER STEERING CYLINDER	88

4. 트랜스미션 PART NO. T4

FIG 401 TRANSMISSION FRONT CASE	91
FIG 402 HST	93
FIG 403 MID TRANSMISSION CASE	95
FIG 404 TRANSTER GEAR SET	97
FIG 405 TRANSMISSION REAR CASE	99
FIG 406 SUB CHANGE GEARS	101
FIG 407 SUB CHANGE SHIFTER	103
FIG 408 DRIVE GEARS	105
FIG 409 4WD CHANGE LEVER	107
FIG 410 P.T.O DRIVE SHAFT	109
FIG 411 P.T.O CHANGE GEARS	111
FIG 412 REAR DIFFERENTIAL GEARS	113
FIG 413 REAR AXLE HOUSING	116
FIG 414 P.T.O CHANGE SHIFTER	118

5. 프런트 액슬 PART NO. T5

FIG 501 FRONT AXLE SUPPORT	121
FIG 502 FRONT DRIVE SHAFT	123
FIG 503 FRONT AXLE HOUSING	125

FIG 504 FRONT DIFFERENTIAL GEARS	127
FIG 505 FRONT GEAR CASE (1)	129
FIG 506 FRONT GEAR CASE (2)	131
FIG 507 FRONT GEAR CASE (3)	133

6. 유압/3점 링크 PART NO. T6

FIG 601 CYLINDER CASE	136
FIG 602 LIFT ARM	138
FIG 603 CYLINDER	140
FIG 604 POSITION LINK	142
FIG 605 CONTROL VALVE	144
FIG 606 DRAFT LINK	146
FIG 607 POSITION & DRAFT LEVER	148
FIG 608 EXTERIOR HYD.VALVE	150
FIG 609 HYDRAULIC PIPE	152
FIG 610 JOYSTICK	155
FIG 611 HYDRAULIC HOSE	157
FIG 612 HITCH & 3-POINT LINK	159
FIG 613 LOWER LINK & LIFT ROD	162

7. 시트메탈/캐빈 PART NO. T7

FIG 701 HOOD (1)	165
FIG 702 HOOD (2)	167
FIG 704B LEVER COVER & STEP-Non CAB	169
FIG 705 FRONT & REAR MOUNTING	171
FIG 706 SEAT & MAT	173
FIG 710B FRAME&2POLES ROPS-Non CAB	175
FIG 713B SUB FENDER&COVER-Non CAB	177
FIG 714B MIRROR&WORKING LAMP-Non CAB	179
FIG 718 CABIN INTERIOR	181
FIG 719 PEDAL SUB ASSY	183

8. 전장 PART NO. T8

FIG 801 BATTERY MOUNTING	186
FIG 802 LIGHT & BACK LAMP	188

FIG 803 INSTRUMENT PANEL	190
FIG 804 ELECTRIC SYSTEM (1)	192
FIG 805B ELECTRIC SYSTEM (2)-Non CAB	194
FIG 806 ELECTRIC SYSTEM (3)	196

9. 라벨/옵션 PART NO. T9

FIG 901 TOOL & ACCESSORY	199
FIG 902 WEIGHT	201
FIG 903-1 LABEL	203

1. 엔진 PART NO. EG

FIG 100 ENGINE	7
FIG 101B CYLINDER BLOCK (T454)	9
FIG 102 GEAR HOUSING	11
FIG 103 FLYWHEEL HOUSING & OIL SUMP	13
FIG 104B CYLINDER HEAD & BONNET (T454)	15
FIG 105B SUCTION MANIFOLD (T454)	18
FIG 106B EXHAUST MANIFOLD (T454)	20
FIG 107B DIESEL PARTICULATE FILTER (T454)	22
FIG 108 CAMSHAFT & DRIVING GEAR	24
FIG 110B CRANKSHAFT & PISTON (T454)	26
FIG 111 BALANCER	28
FIG 112B LUB. OIL SYSTEM (T454)	30
FIG 114 COOLING WATER SYSTEM	32
FIG 115 FUEL SUPPLY PUMP	34
FIG 116B FUEL INJECTION VALVE (T454)	36
FIG 117 FUEL LINE	38
FIG 118 STARTING MOTOR	40
FIG 119 GENERATOR	42
FIG 120B ELECTRONIC CONTROL UNIT (T454)	44
FIG 121B ELECTRIC PARTS (T454)	46
FIG 122B ACCESSORY (T454)	48

FIG 100 T455NHGBC	ENGINE	년/월 Year/Month
		2022-12
NOTE		

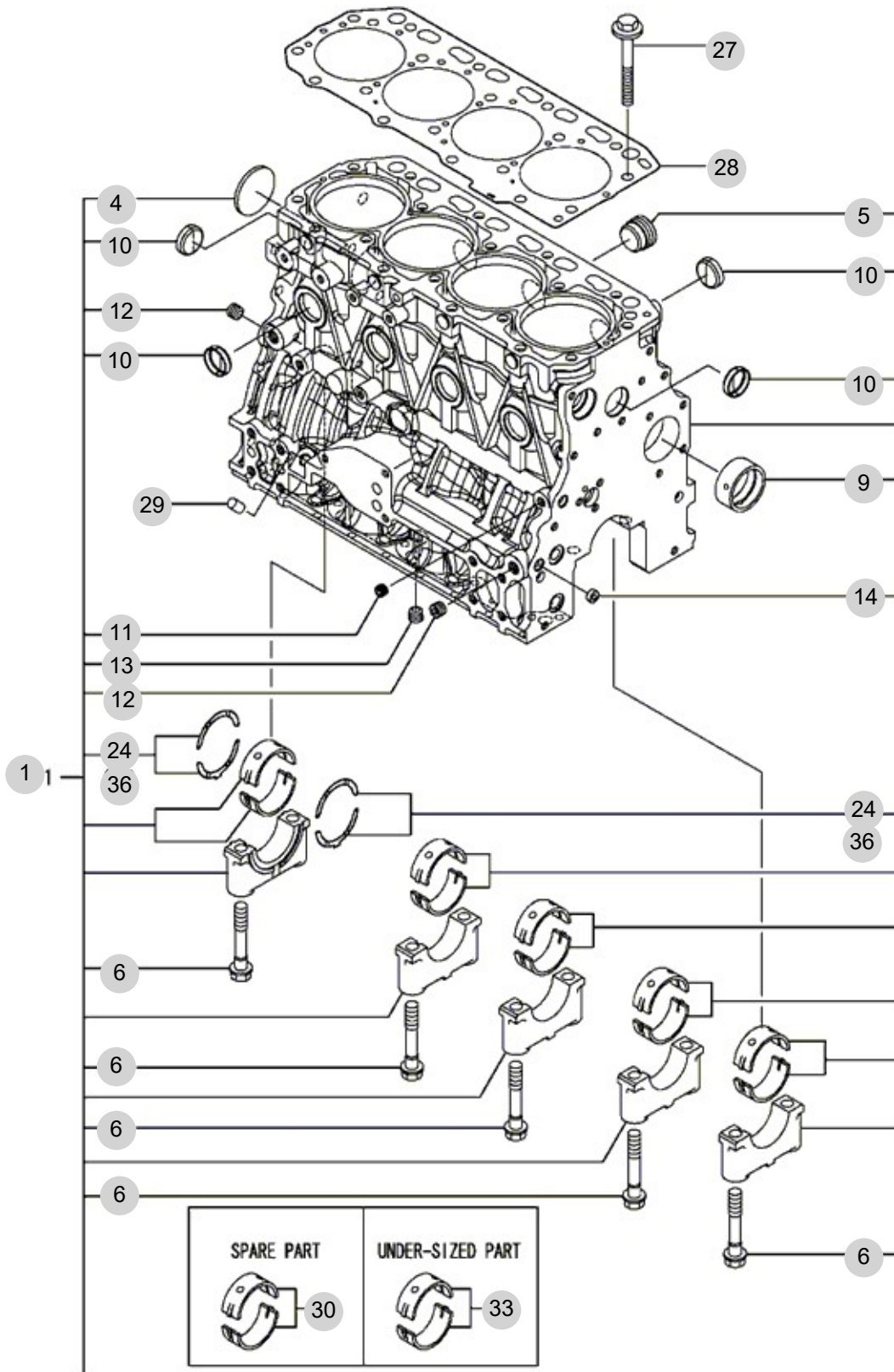
FIG 101B

CYLINDER BLOCK (T454)

년/월
Year/Month

2022-12

T455NHGBC



NOTE

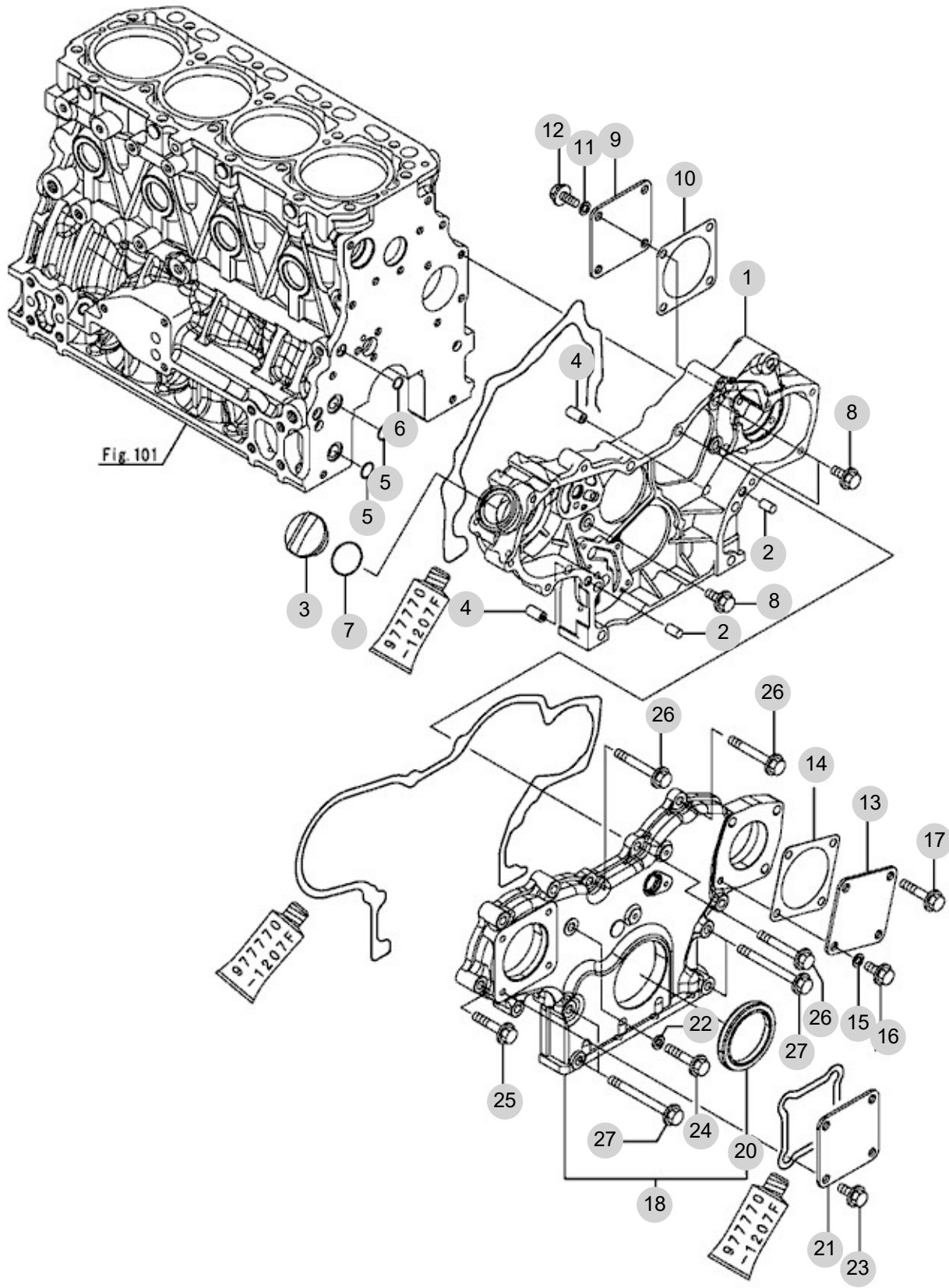
FIG 102

GEAR HOUSING

년/월
Year/Month

2022-12

T455NHGBC



NOTE

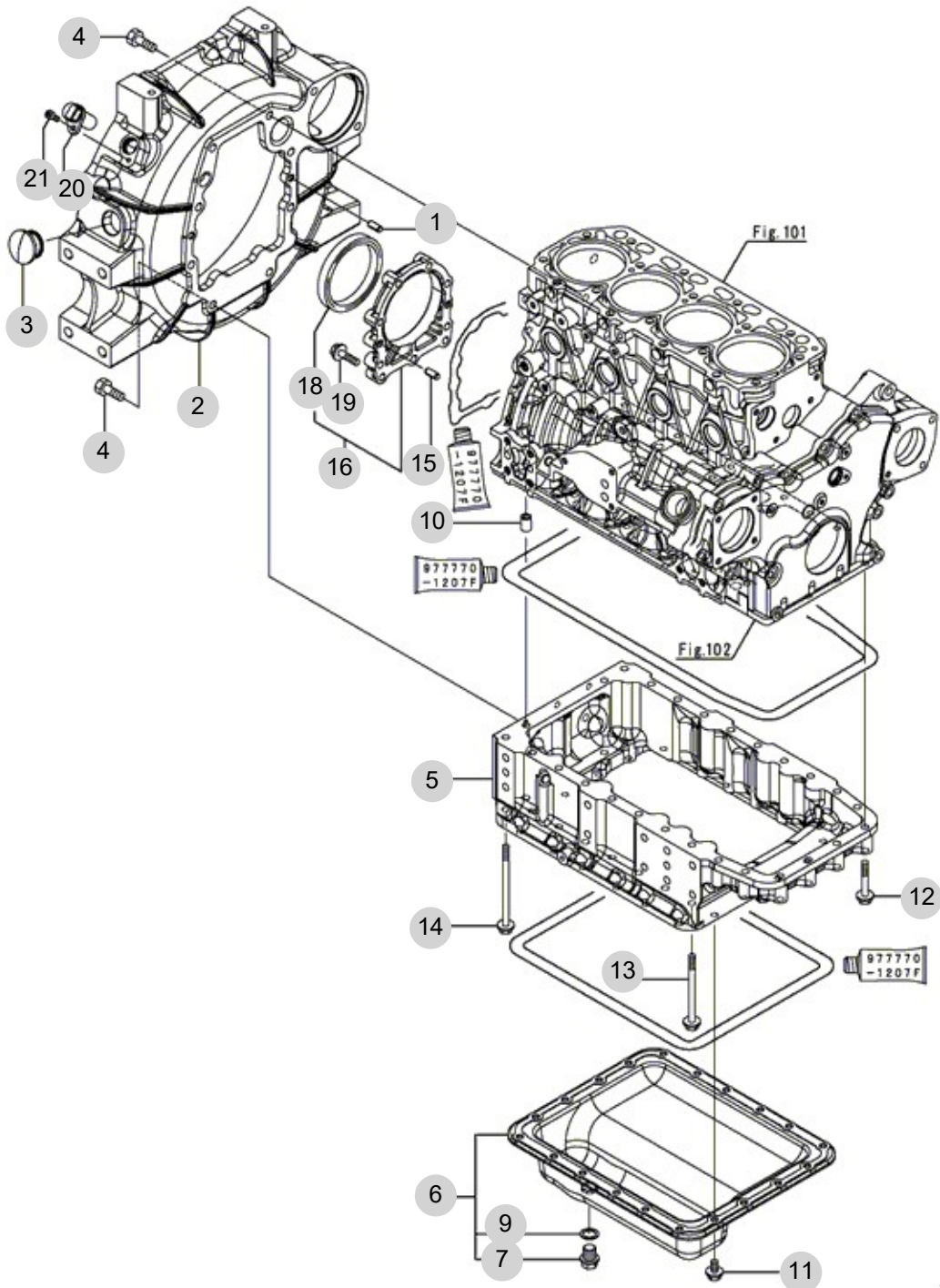
FIG 103

T455NHGBC

FLYWHEEL HOUSING & OIL SUMP

년/월
Year/Month

2022-12



NOTE

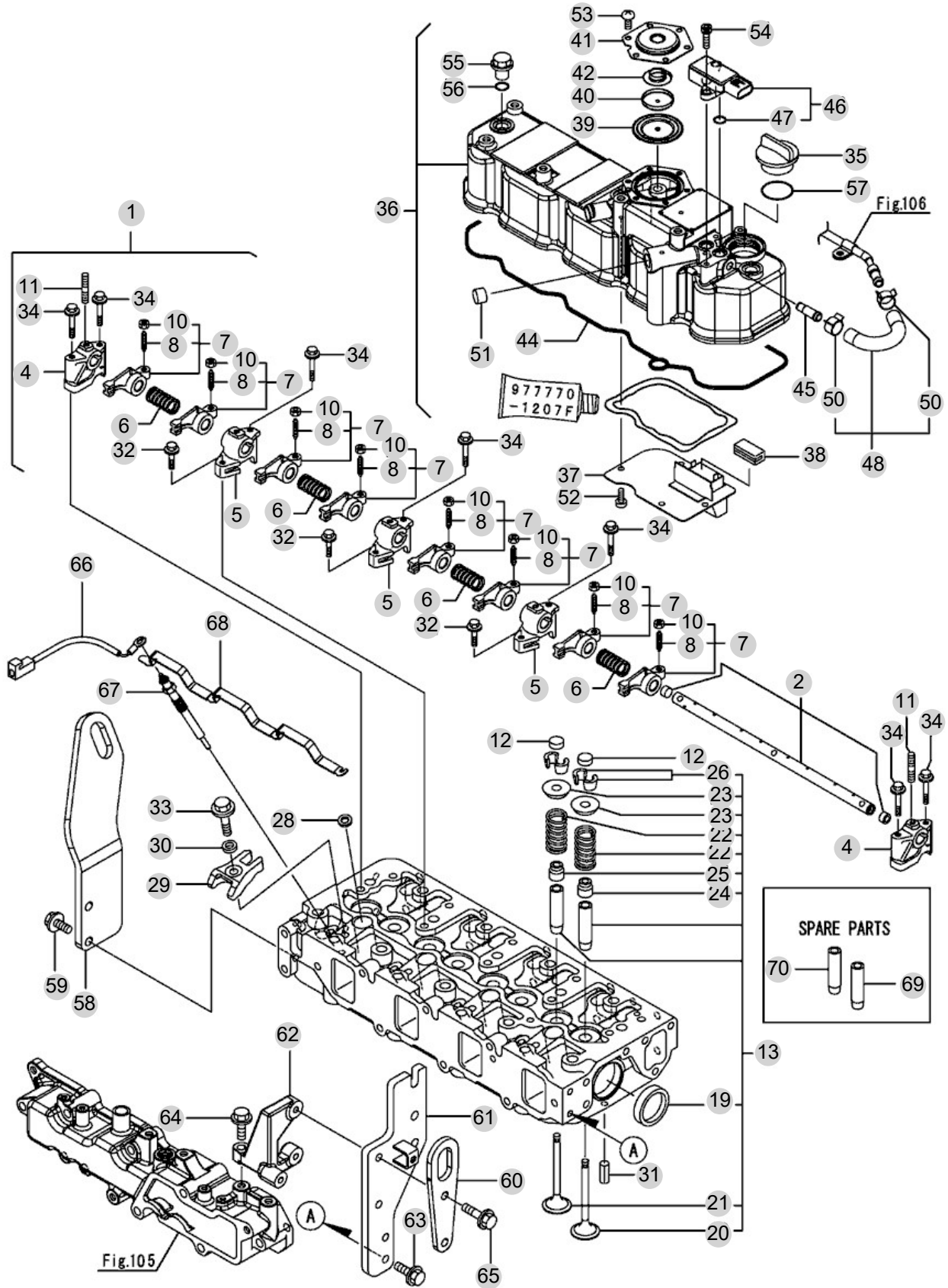
FIG 104B

CYLINDER HEAD & BONNET (T454)

년/월
Year/Month

2022-12

T455NHGBC



NOTE

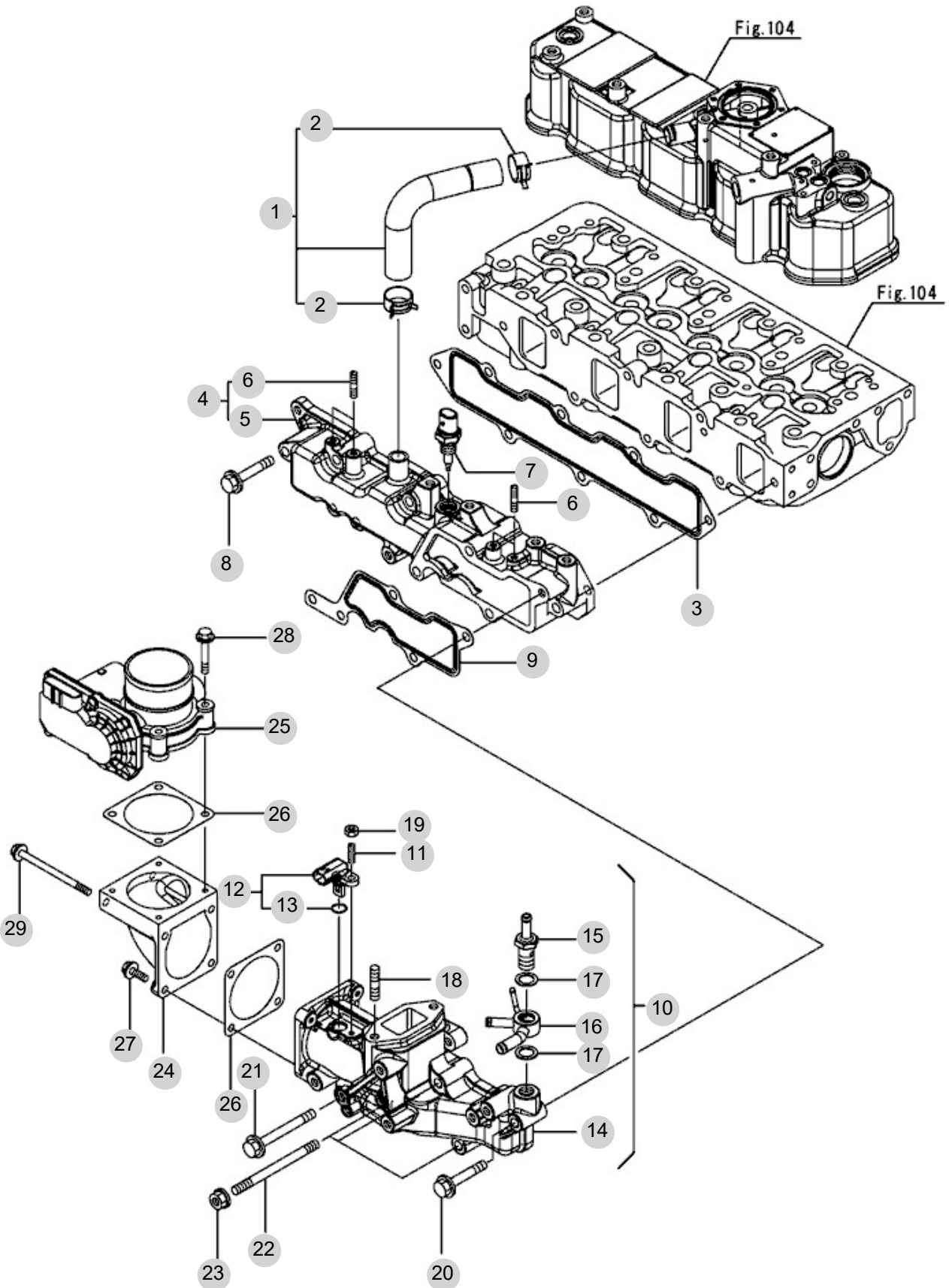
FIG 104B T455NHGBC		CYLINDER HEAD & BONNET (T454)					년/월 Year/Month	
							2022-12	
KEY NO	PART NO	DESCRIPTION	SPEC	QTY	REPAIR	EFFECTIVE DATE	REMARKS	
104B	1	129601-11241	SHAFTASSY,ROCKER		1			
104B	2	129601-11251	SHAFT,ROCKERARM		1			
104B	4	119802-11260	SUPPORT,ROCKERARM		2			
104B	5	119802-11270	SUPPORT,ROCKERARM		3			
104B	6	129150-11280	SPRING		4			
104B	7	129004-11650	ARM,ROCKER		8			
104B	8	129150-11230	SCREW,VALVEADJUST		8			
104B	10	129150-11750	NUT, M8		8			
104B	11	26226-080182	STUD, M8X18		3			
104B	12	129150-11370	CAP,VALVE		8			
104B	13	129C00-11710	HEADASSY,CYLINDER		1			
104B	19	27241-400000	PLUG,40		2			
104B	20	129005-11100	VALVE,INTAKE		4			
104B	21	129100-11112	VALVE,EXHAUST		4			
104B	22	129795-11120	SPRING,VALVE		8			
104B	23	129795-11180	RETAINER,SPRING		8			
104B	24	124460-11340	SEAL,VALVESTEM		4			
104B	25	129A00-11340	SEAL,VALVESTEM		4			
104B	26	27310-080001	COTTER,8		8			
104B	28	129978-11871	GASKET,INJECTOR		4			
104B	29	129A00-11900	RETAINER,INJECTOR		4			
104B	30	120270-54410	WASHER,INJECTOR		4			
104B	31	22351-060012	스프링핀		2			
104B	32	26106-080252	육각플랜지볼트		3			
104B	33	26106-080352	육각플랜지볼트		4			
104B	34	26106-080502	BOLT,M8X50 PLATED		7			
104B	35	124160-01751	COVER,FILLER		1			
104B	36	129C00-11350	BONNETASSY		1			
104B	37	129004-03010	PLATE		1			
104B	38	129150-03070	BAFFLE,BREATHER		1			
104B	39	123907-03100	DIAPHRAGM		1			
104B	40	123907-03110	PLATE		1			
104B	41	123907-03120	PLATE,BREATHER		1			
104B	42	123907-03140	SPRING,DIAPHRAGM		1			
104B	44	129C00-11310	GASKET,COVER		1			
104B	45	129A00-11330	JOINT		1			
104B	46	129A00-12703	SENSOR,PRESSURE		1			
104B	47	129A00-12780	O-RING,PRESSENSOR		2			
104B	48	129A00-13360	HOSEASSY,PRESEXH		1			
104B	50	129A00-13380	CLIP,HOSE14		2			
104B	51	119640-61400	PLUG		1			
104B	52	22857-500100	SCREW,5X10		4			
104B	53	22857-500100	SCREW,5X10		6			
104B	54	26450-060162	BOLT,M6X16		2			
104B	55	124160-11360	KNOB		3			
NOTE								

FIG 105B

SUCTION MANIFOLD (T454)

년/월
Year/Month

2022-12



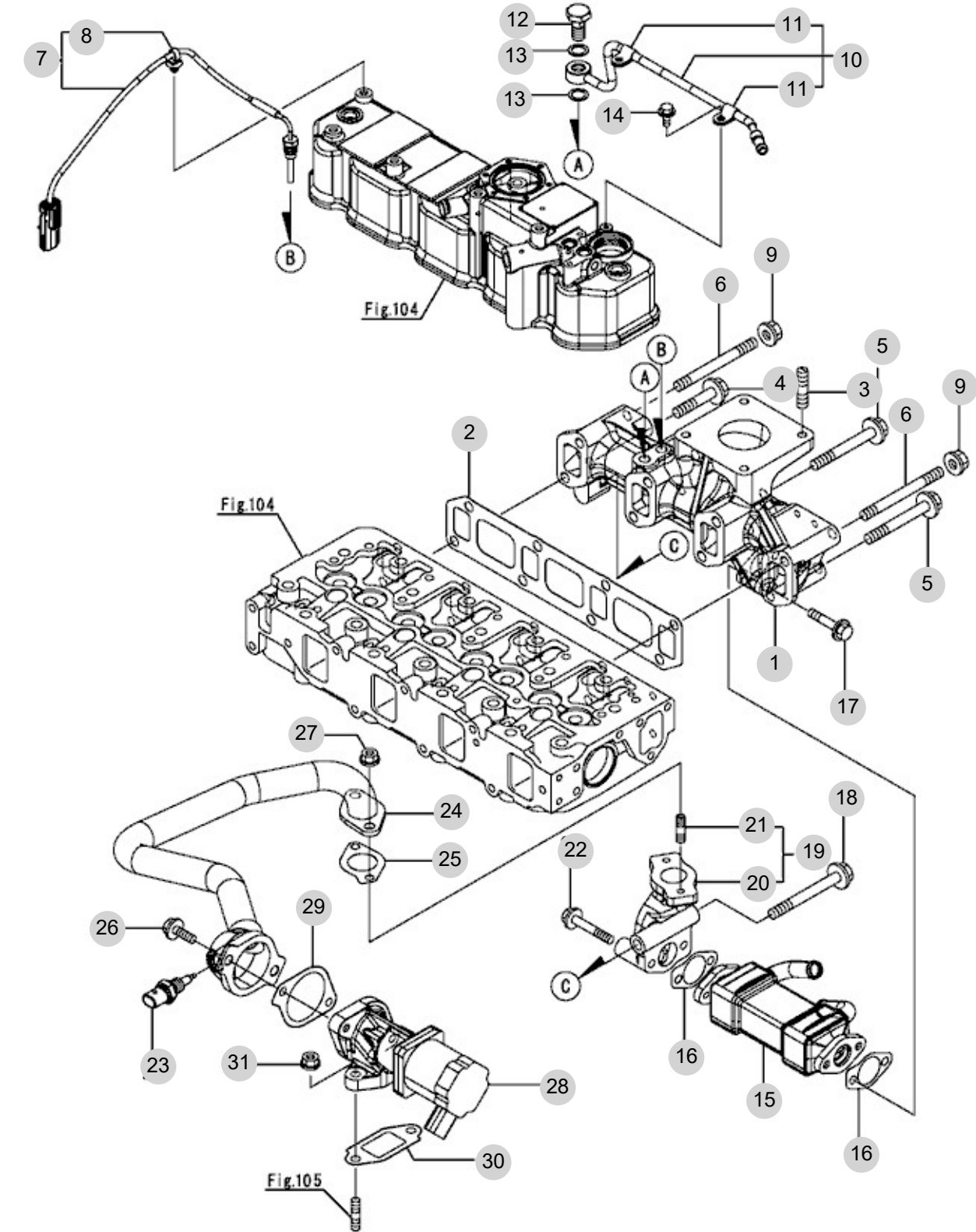
NOTE

FIG 106B

EXHAUST MANIFOLD (T454)

년/월
Year/Month

2022-12



NOTE

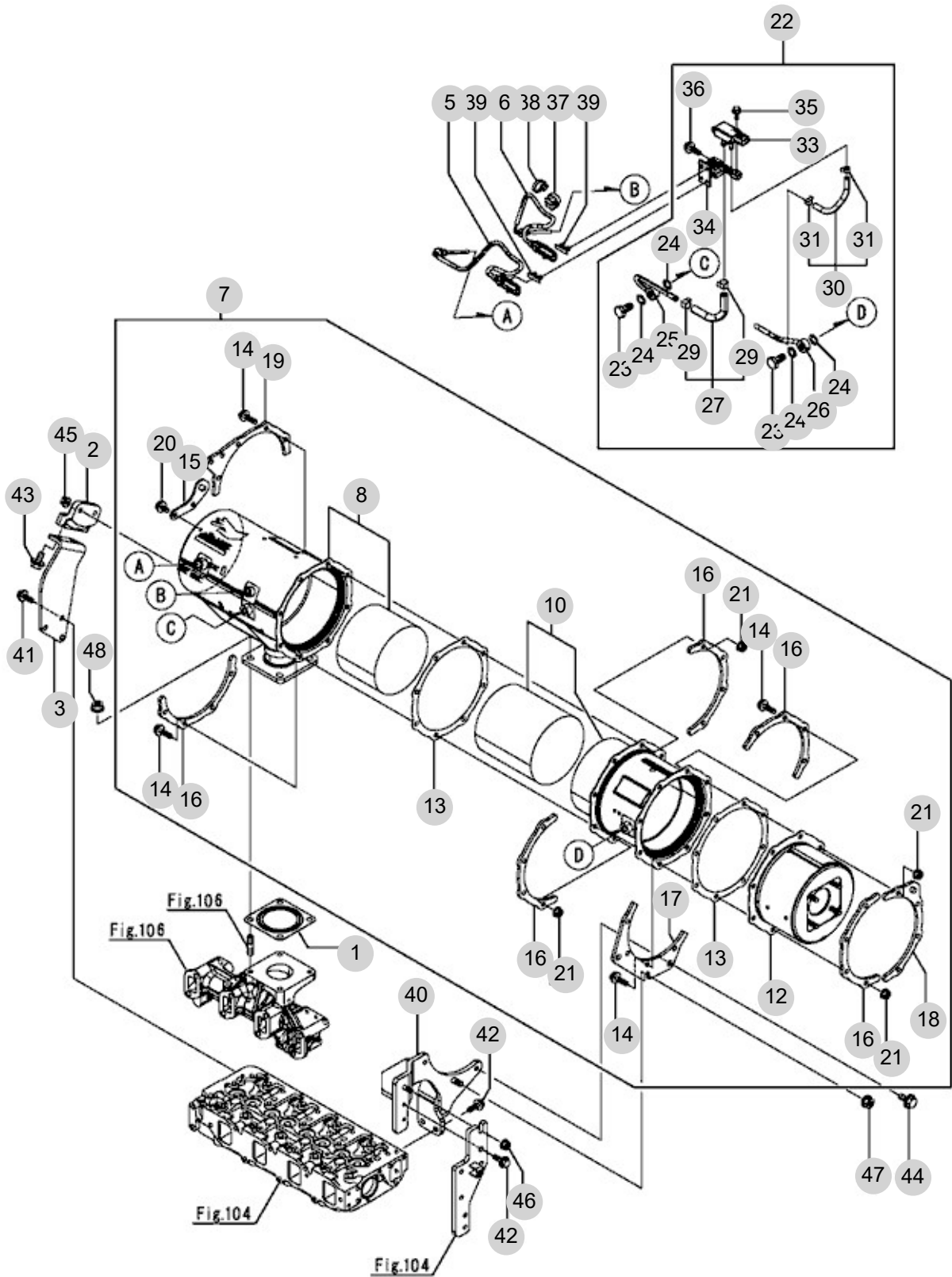
FIG 107B

T455NHGBC

DIESEL PARTICULATE FILTER (T454)

년/월
Year/Month

2022-12



NOTE

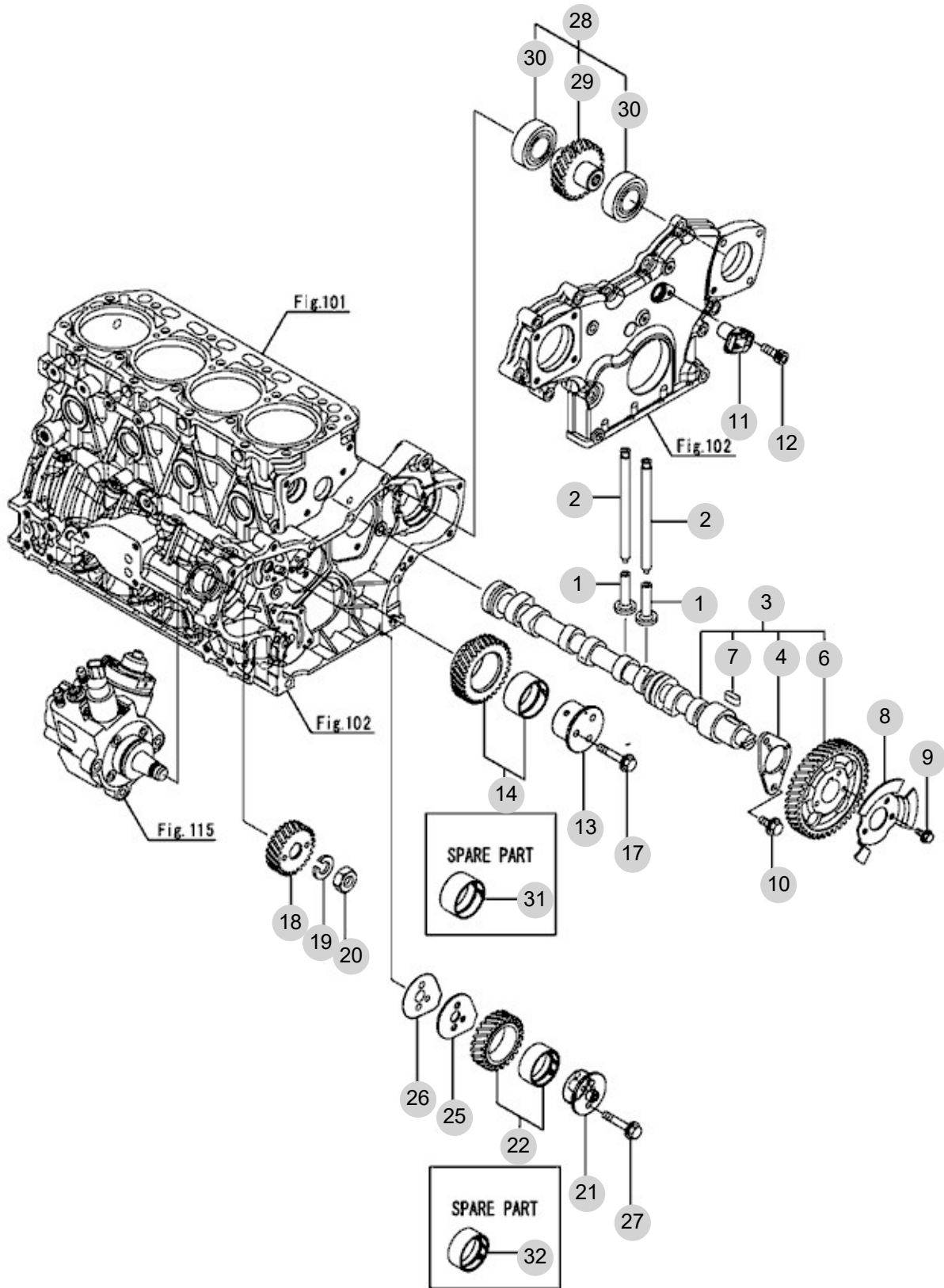
FIG 108

CAMSHAFT & DRIVING GEAR

년/월
Year/Month

2022-12

T455NHGBC



NOTE

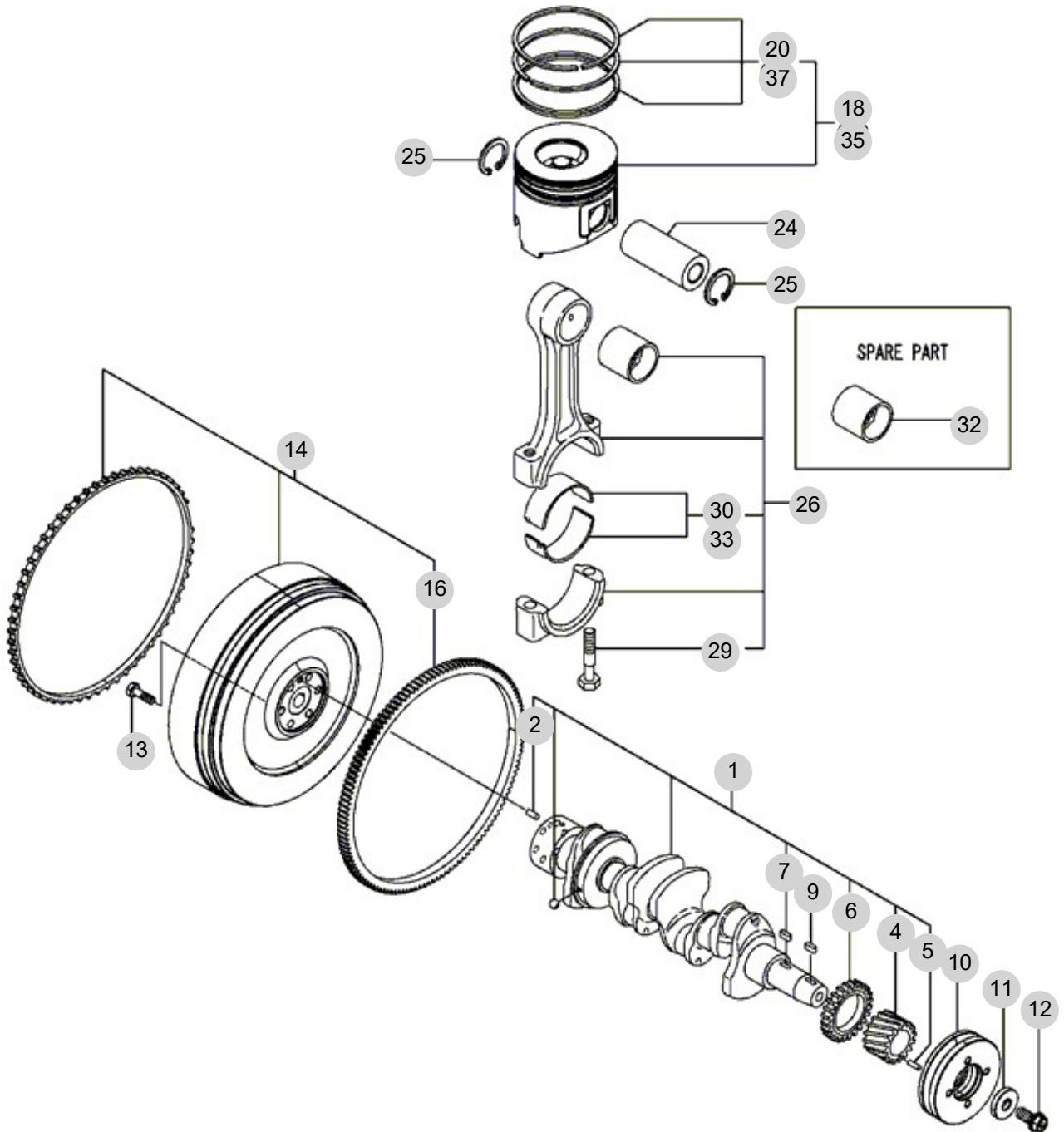
FIG 110B

T455NHGBC

CRANKSHAFT & PISTON (T454)

년/월
Year/Month

2022-12



NOTE

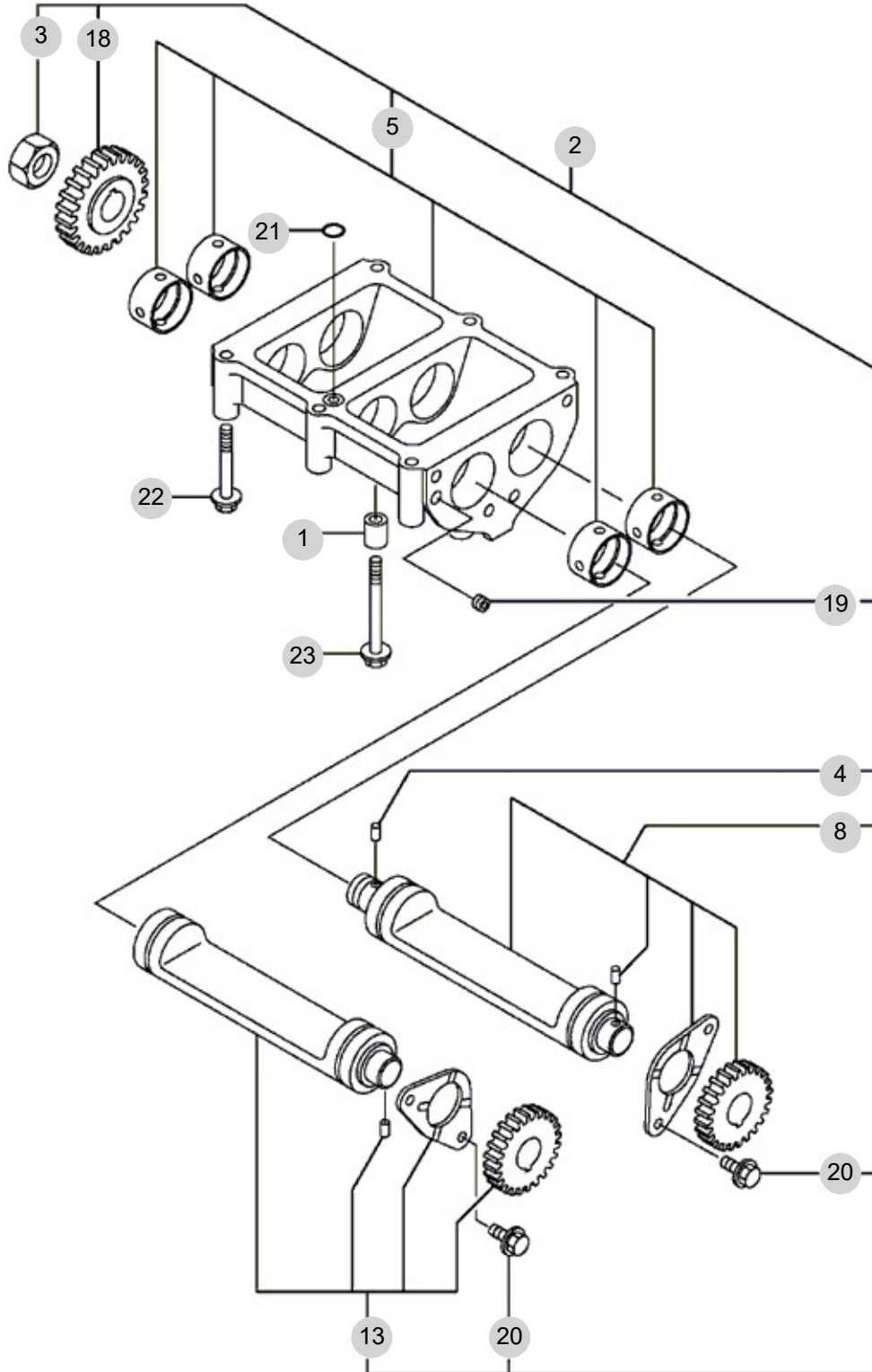
FIG 111

T455NHGBC

BALANCER

년/월
Year/Month

2022-12



NOTE

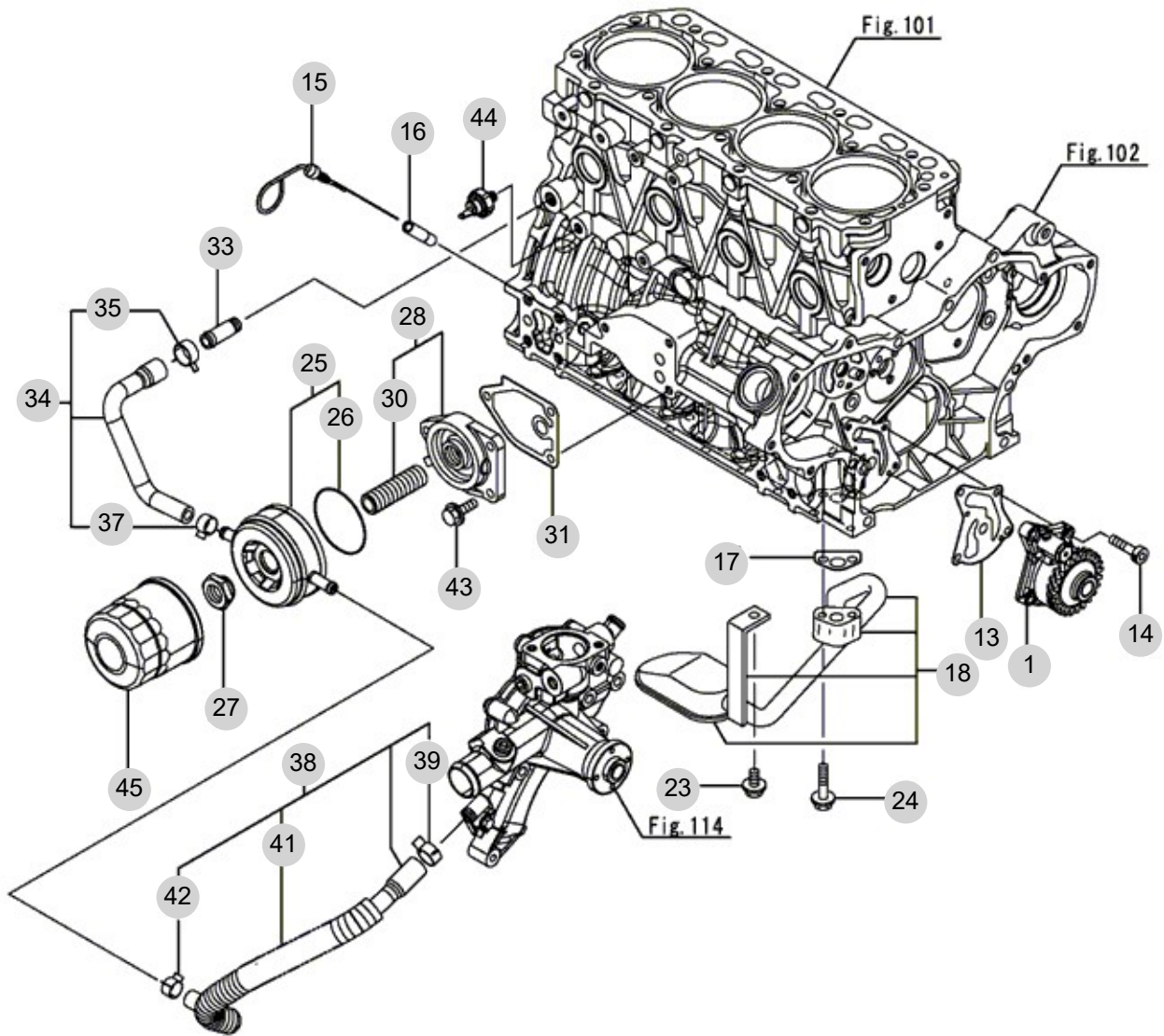
FIG 112B

T455NHGBC

LUB. OIL SYSTEM (T454)

년/월
Year/Month

2022-12



NOTE

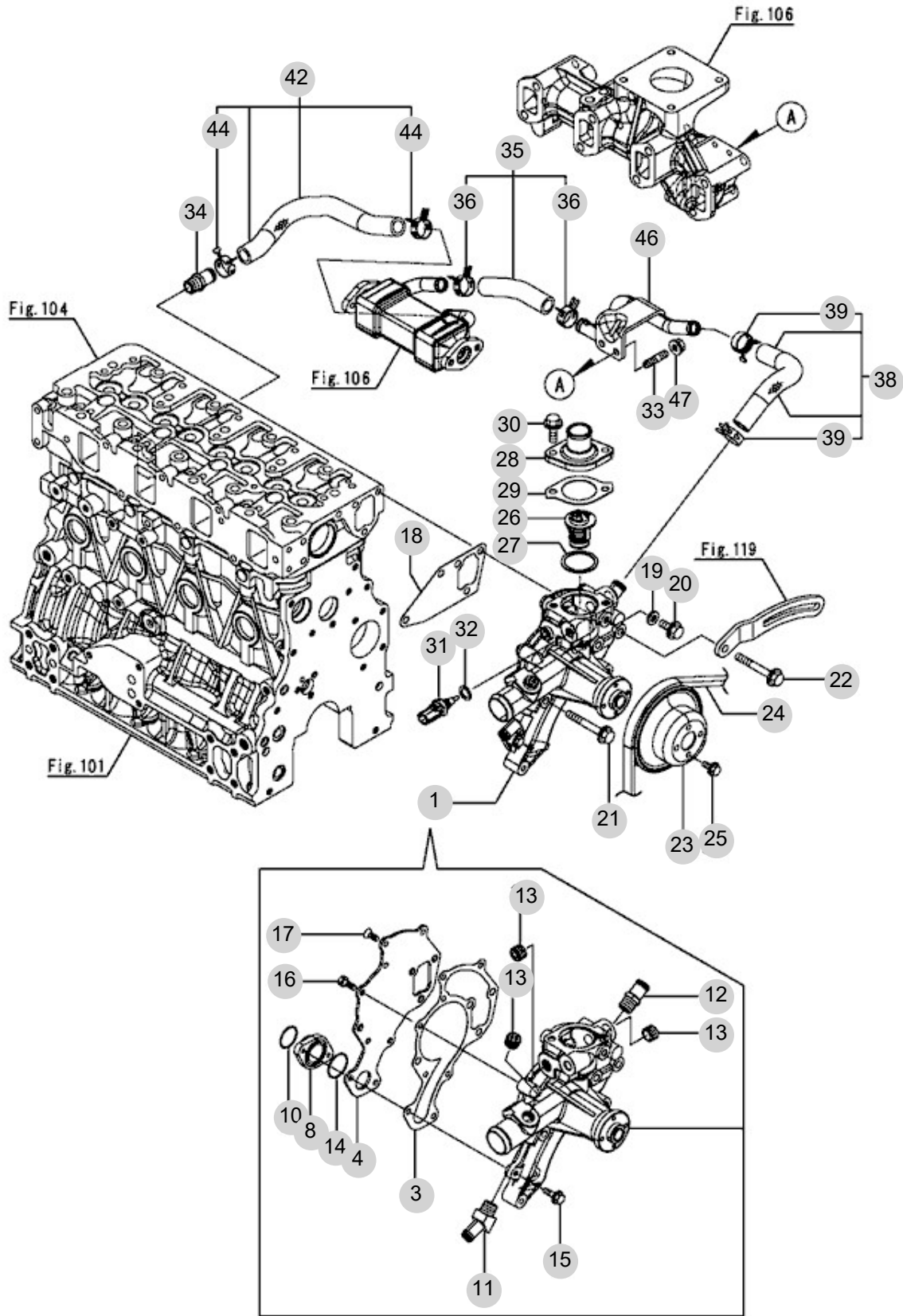
FIG 114

COOLING WATER SYSTEM

년/월
Year/Month

2022-12

T455NHGBC



NOTE

FIG 115

T455NHGBC

FUEL SUPPLY PUMP

년/월
Year/Month

2022-12

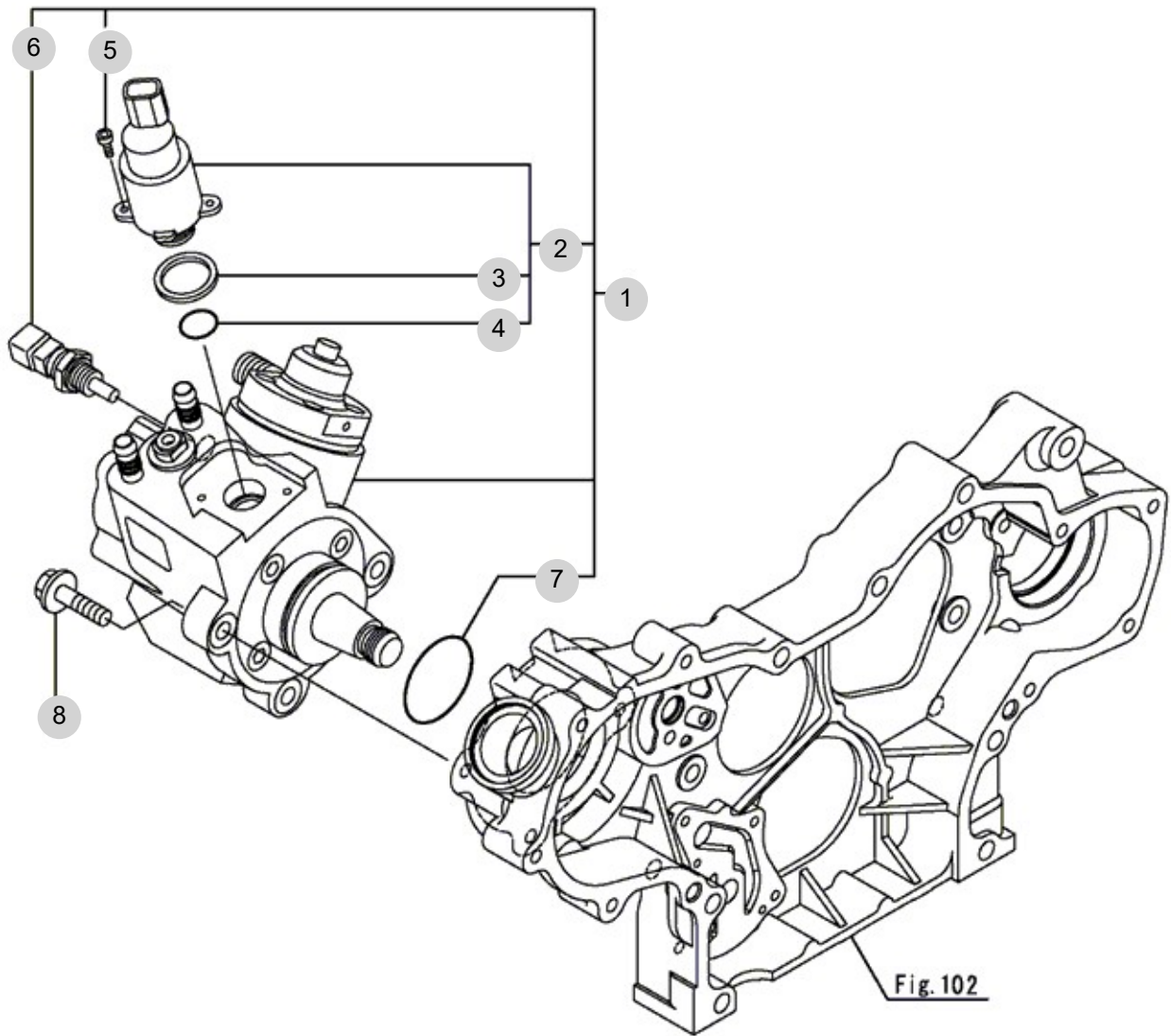


Fig.102

NOTE

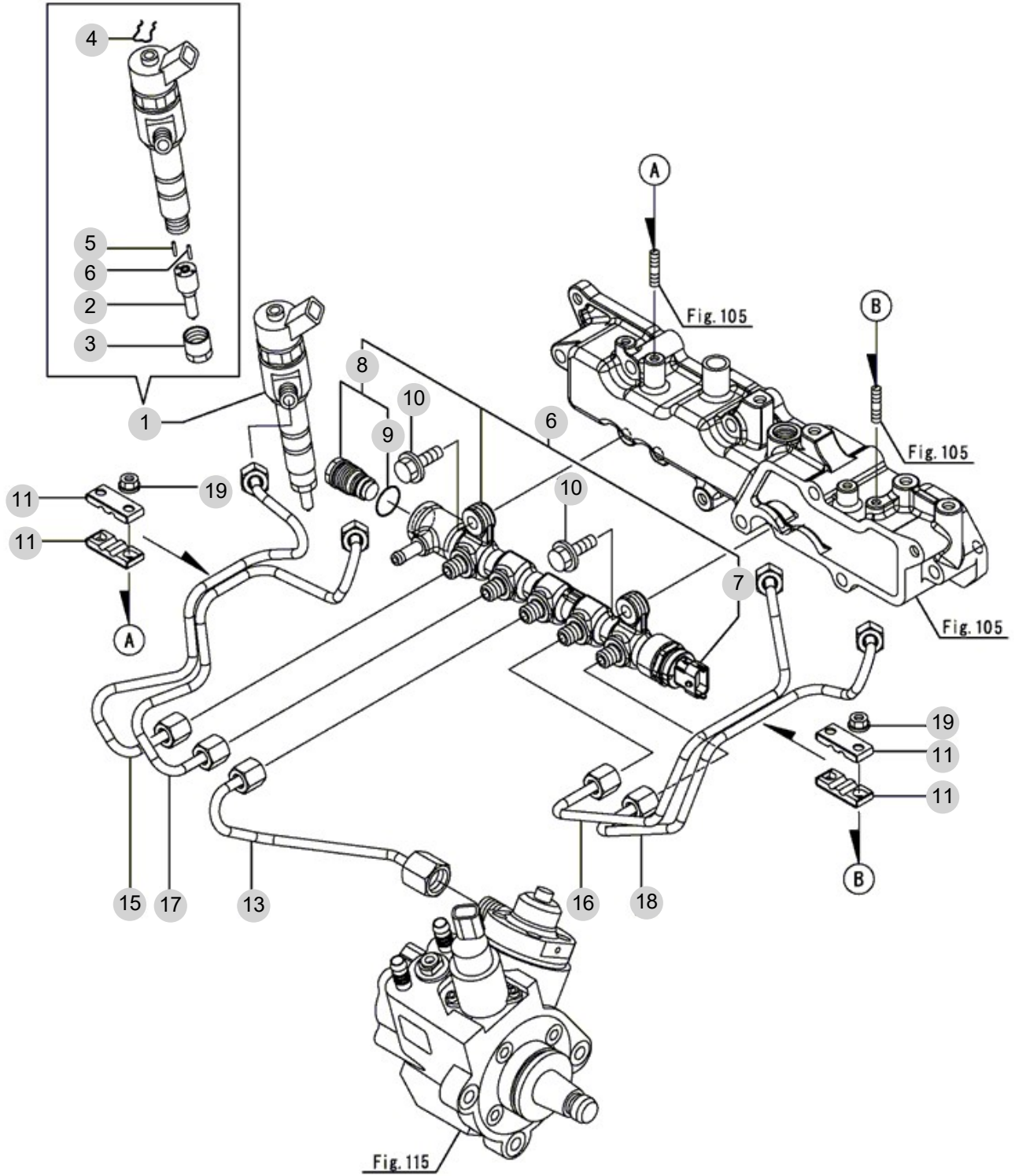
FIG 116B

T455NHGBC

FUEL INJECTION VALVE (T454)

년/월
Year/Month

2022-12



NOTE

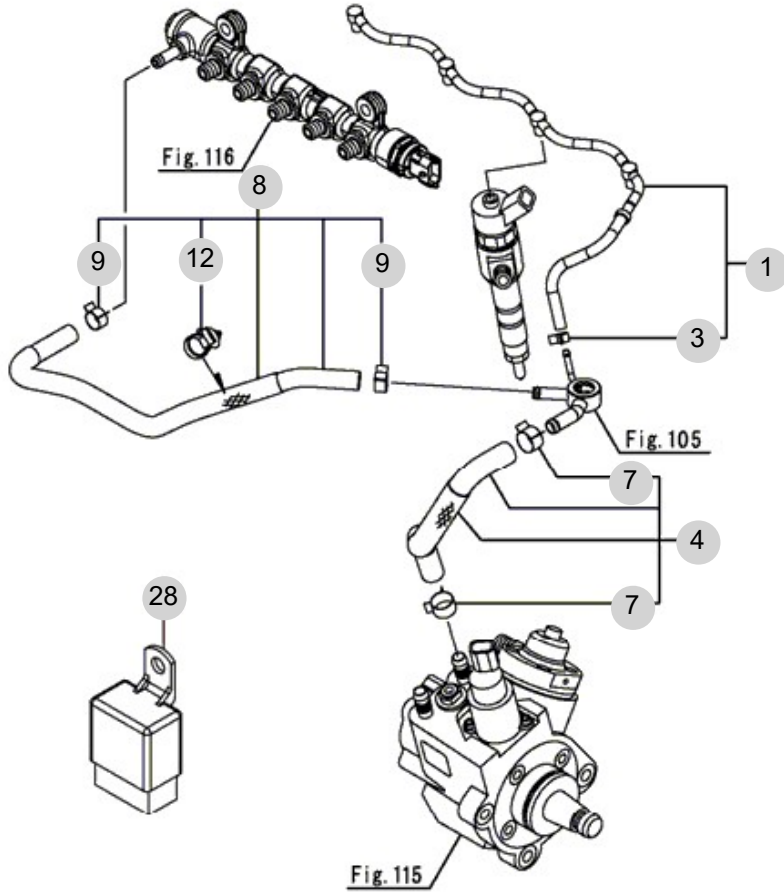
FIG 117

T455NHGBC

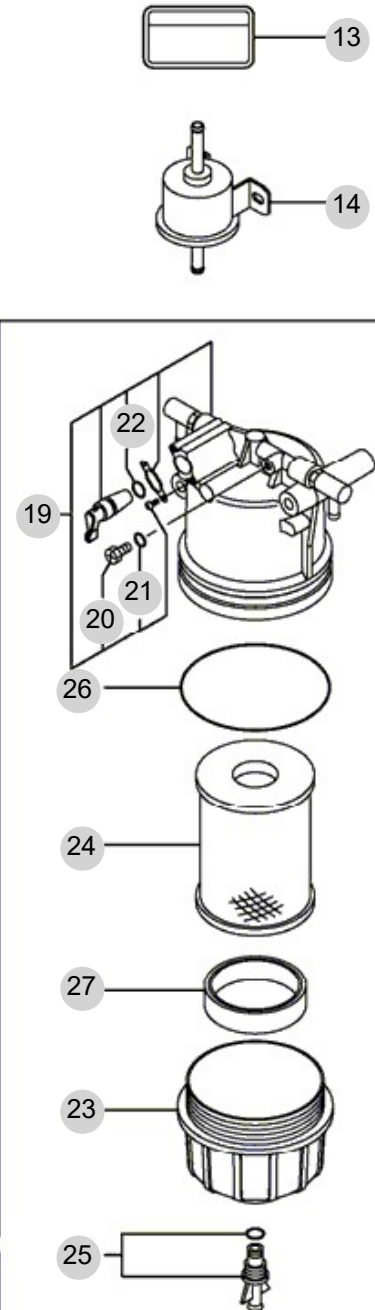
FUEL LINE

년/월
Year/Month

2022-12



LOOSE PARTS



NOTE

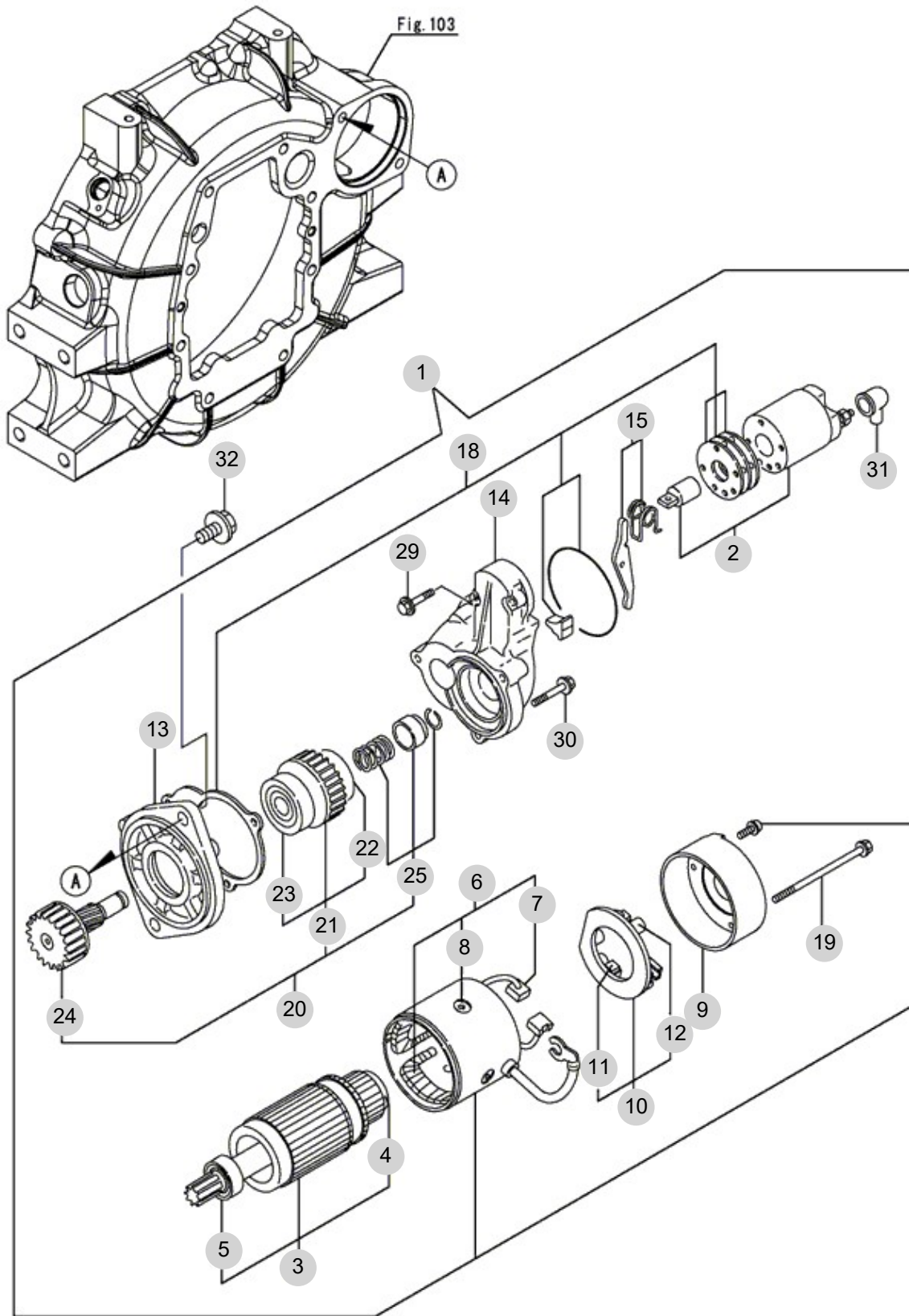
FIG 118

STARTING MOTOR

년/월
Year/Month

2022-12

T455NHGBC



NOTE

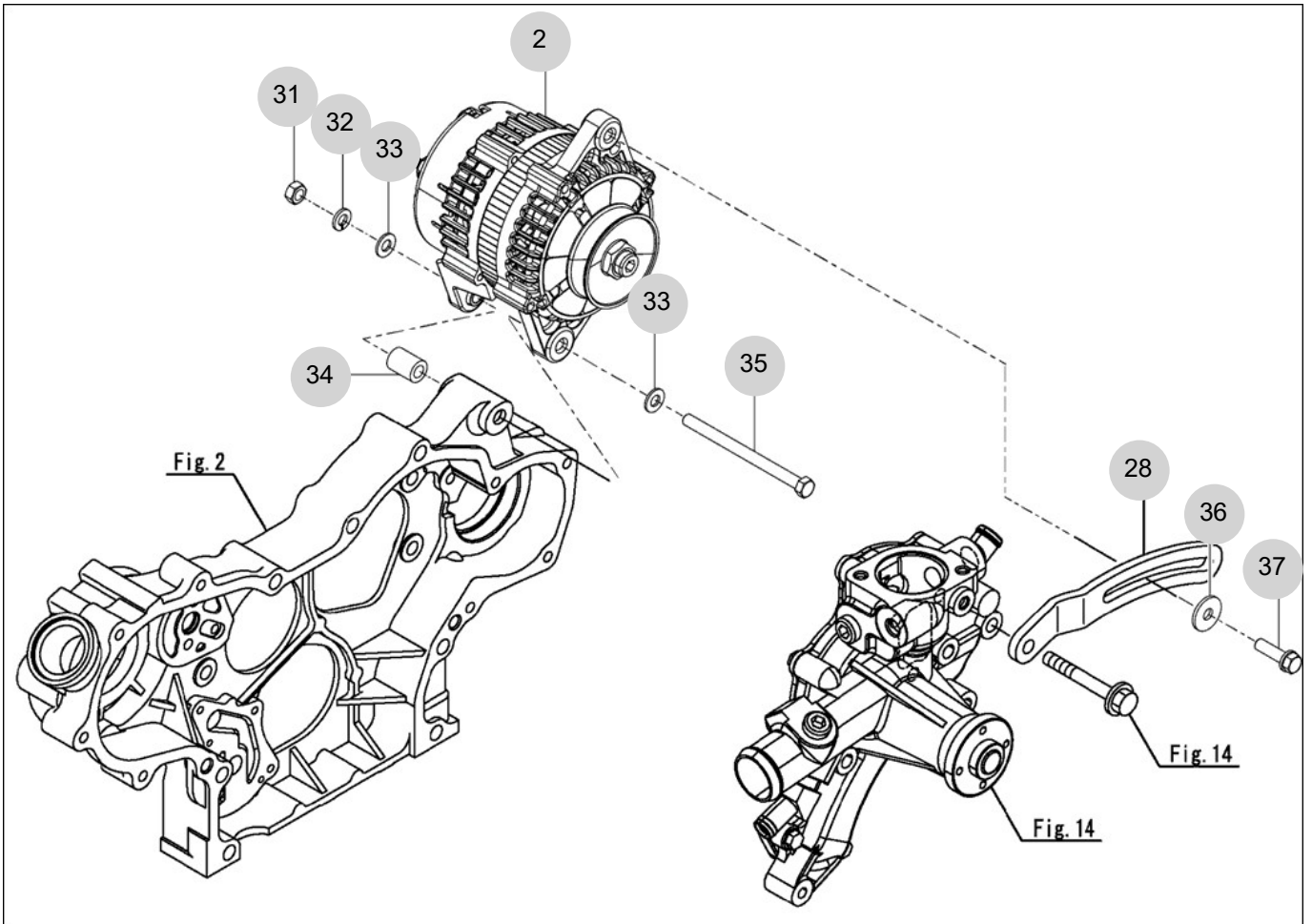
FIG 119

T455NHGBC

GENERATOR

년/월
Year/Month

2022-12



NOTE

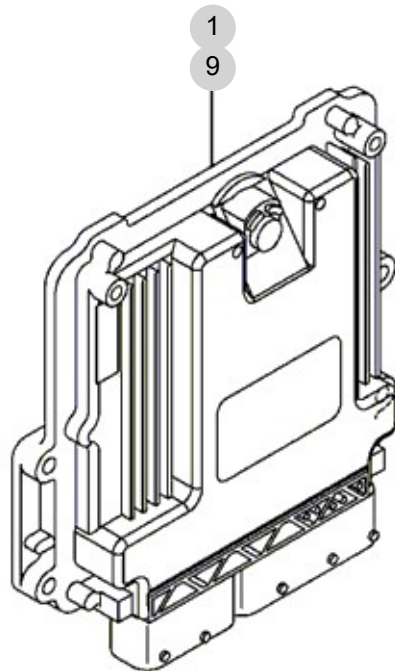
FIG 120B

T455NHGBC

ELECTRONIC CONTROL UNIT (T454)

년/월
Year/Month

2022-12



NOTE

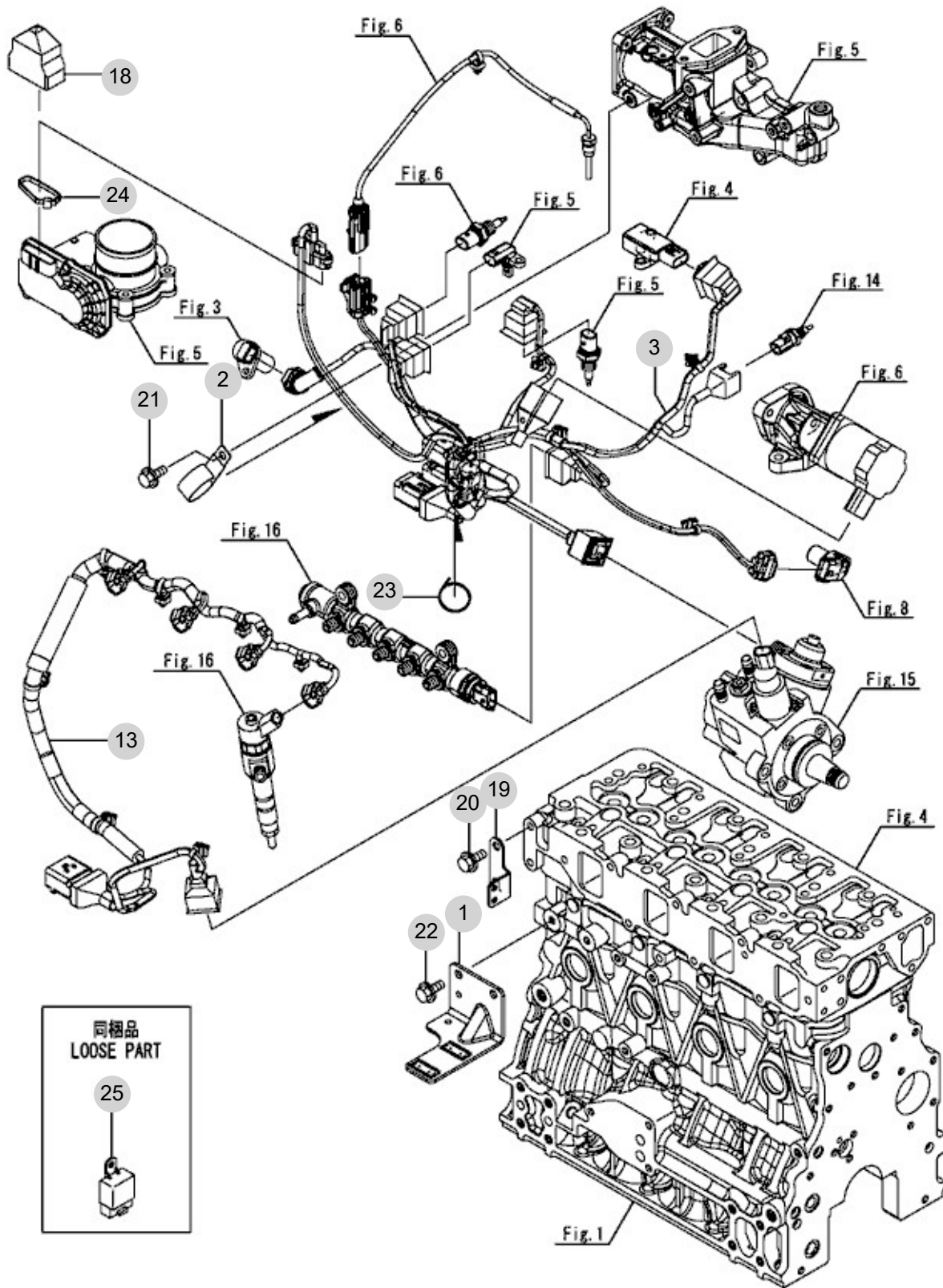
FIG 121B

ELECTRIC PARTS (T454)

년/월
Year/Month

T455NHGBC

2022-12



NOTE

FIG 122B

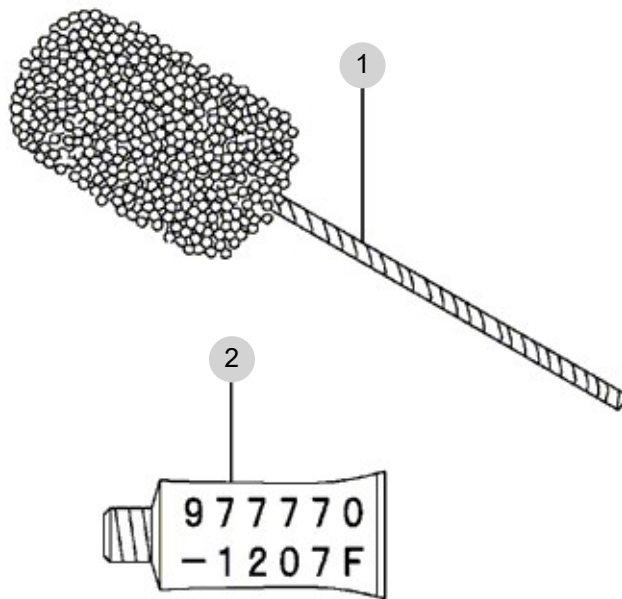
T455NHGBC

ACCESSORY (T454)

년/월
Year/Month

2022-12

OPTIONAL PARTS



NOTE

2. 엔진보기품 PART NO. T2

FIG 201 AIR CLEANER	51
FIG 202 RADIATOR	53
FIG 203 MUFFLER	55
FIG 204 FUEL HOSE & FILTER	57
FIG 205 FUEL TANK	59
FIG 206 ACCELERATOR	61
FIG 207 OIL COOLER	63
FIG 208 COOLING FAN	65

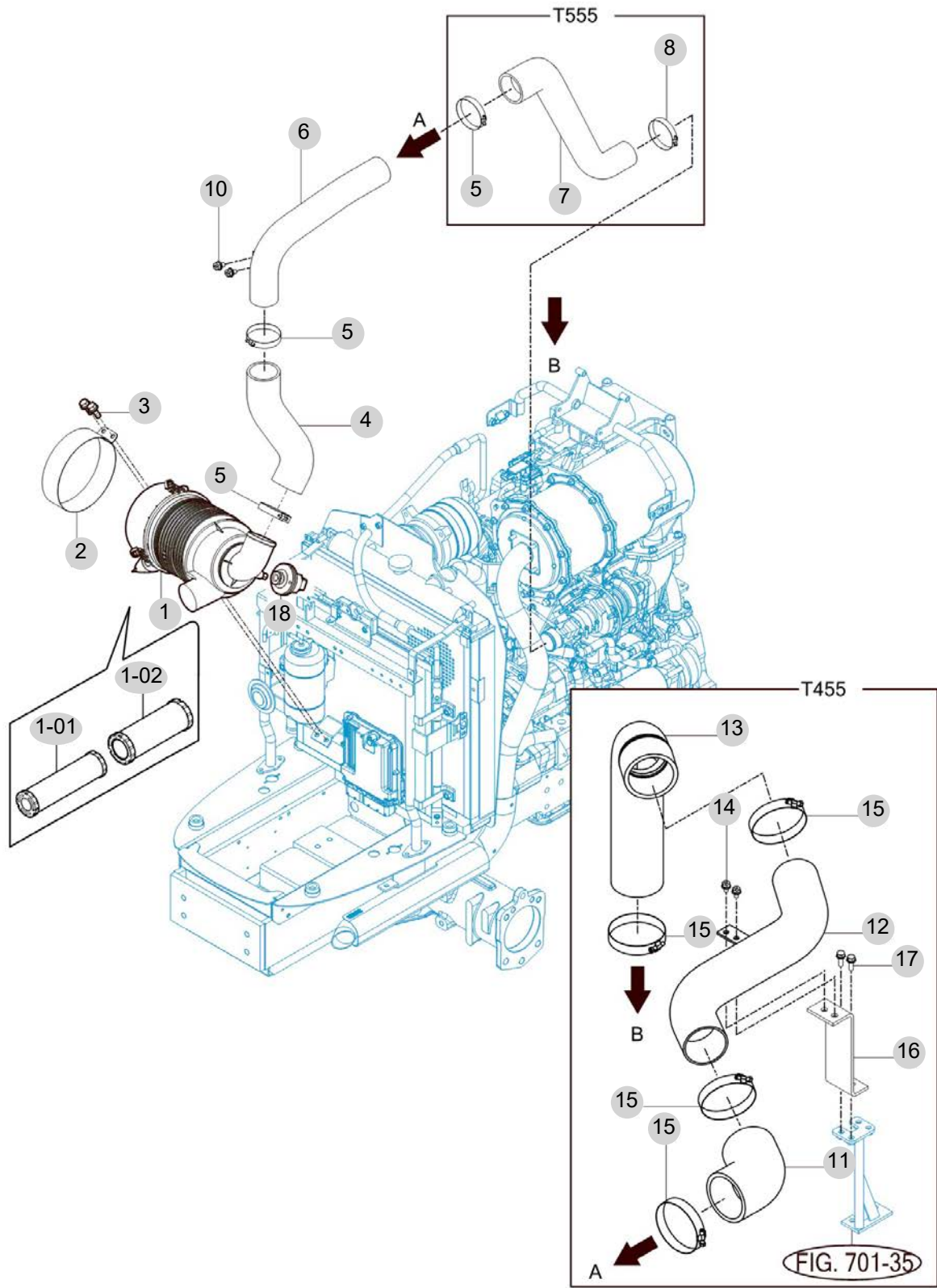
FIG 201

T455NHGBC

AIR CLEANER

년/월
Year/Month

2022-12



NOTE

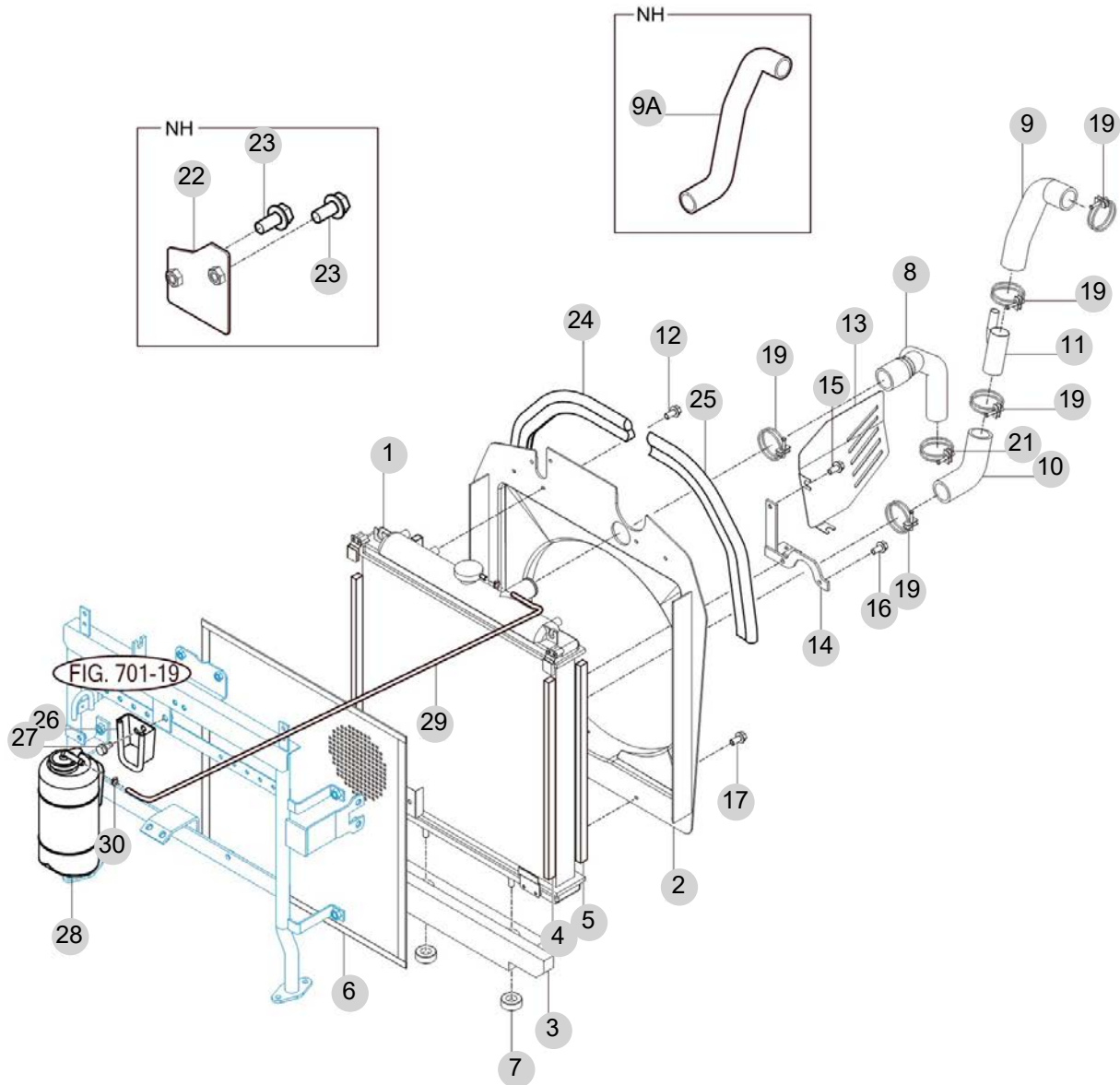
FIG 202

T455NHGBC

RADIATOR

년/월
Year/Month

2022-12



NOTE

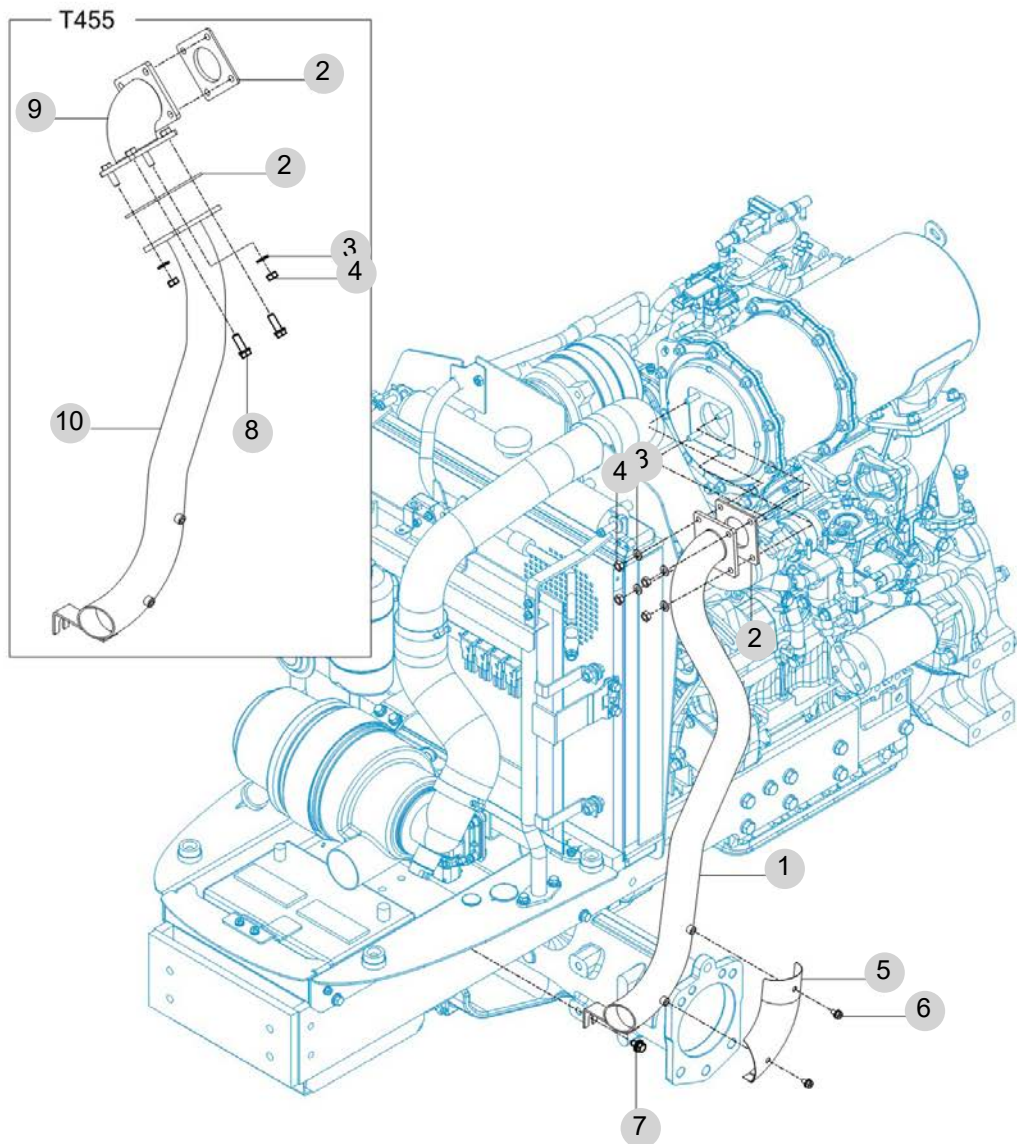
FIG 203

T455NHGBC

MUFFLER

년/월
Year/Month

2022-12



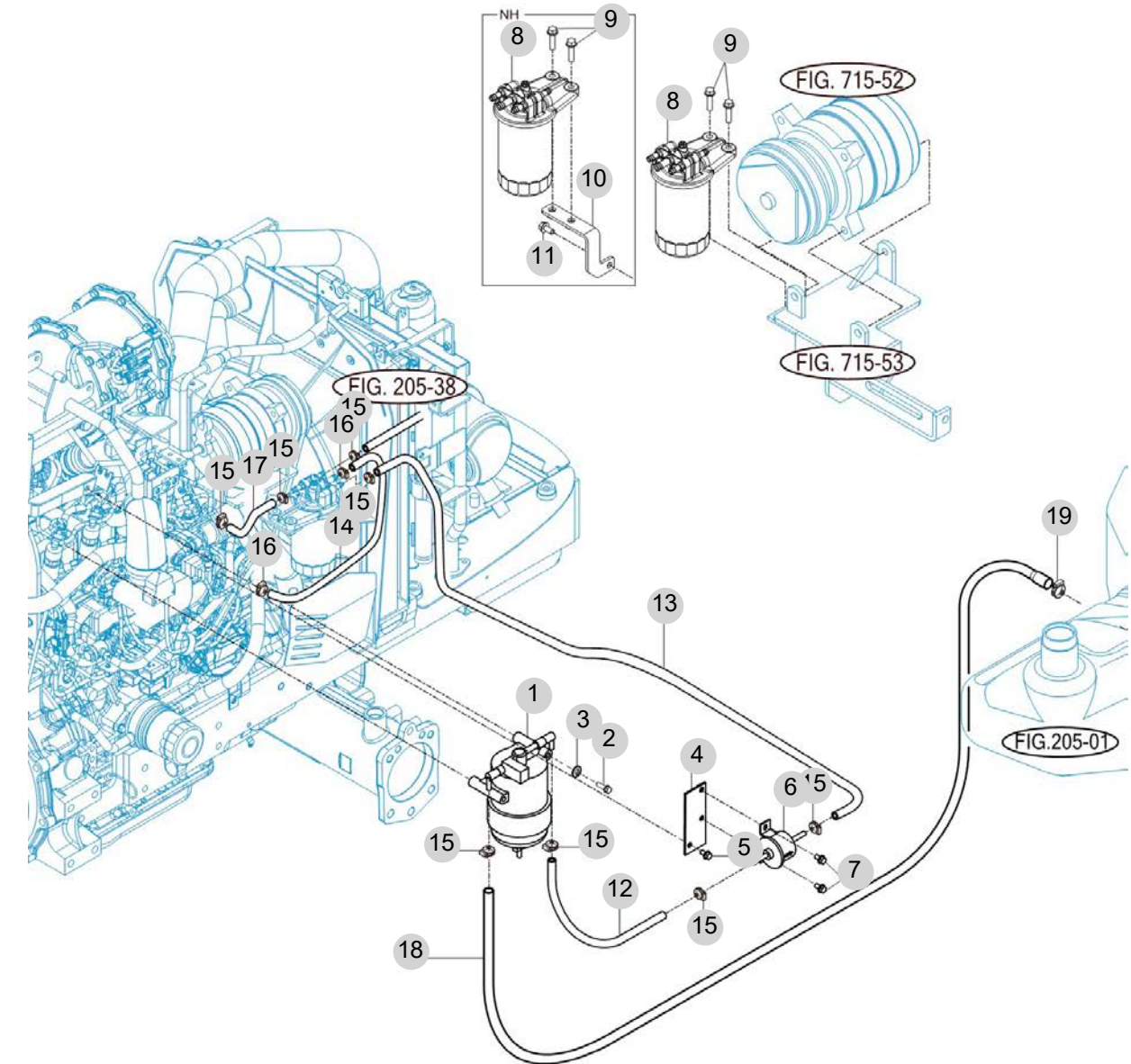
NOTE

FIG 204

FUEL HOSE & FILTER

년/월
Year/Month

2022-12



NOTE

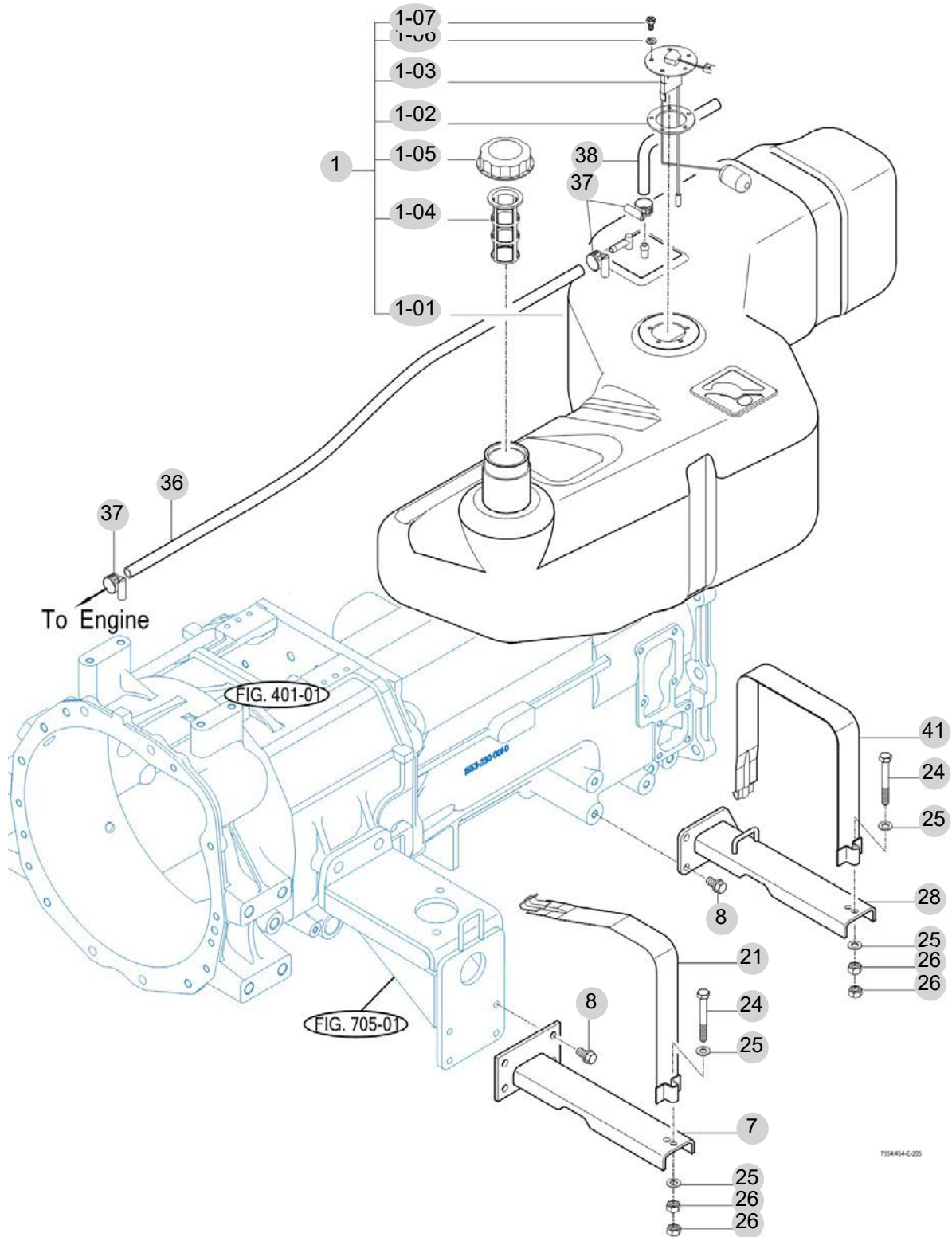
FIG 205

T455NHGBC

FUEL TANK

년/월
Year/Month

2022-12



NOTE

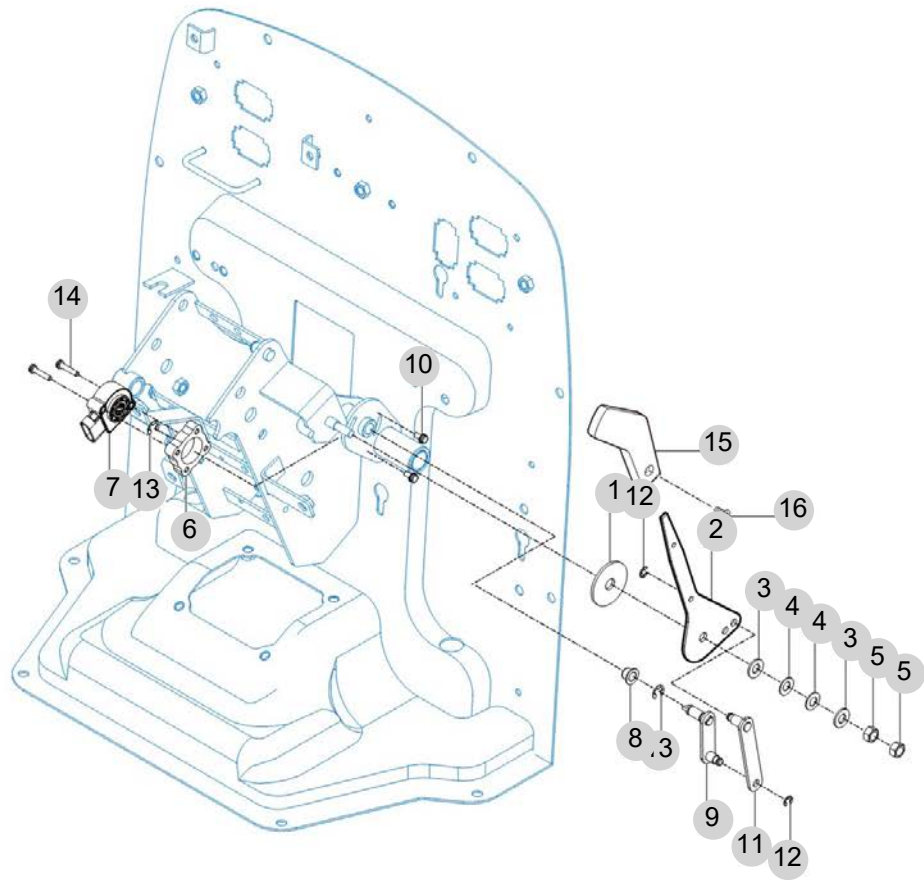
FIG 206

T455NHGBC

ACCELERATOR

년/월
Year/Month

2022-12



NOTE

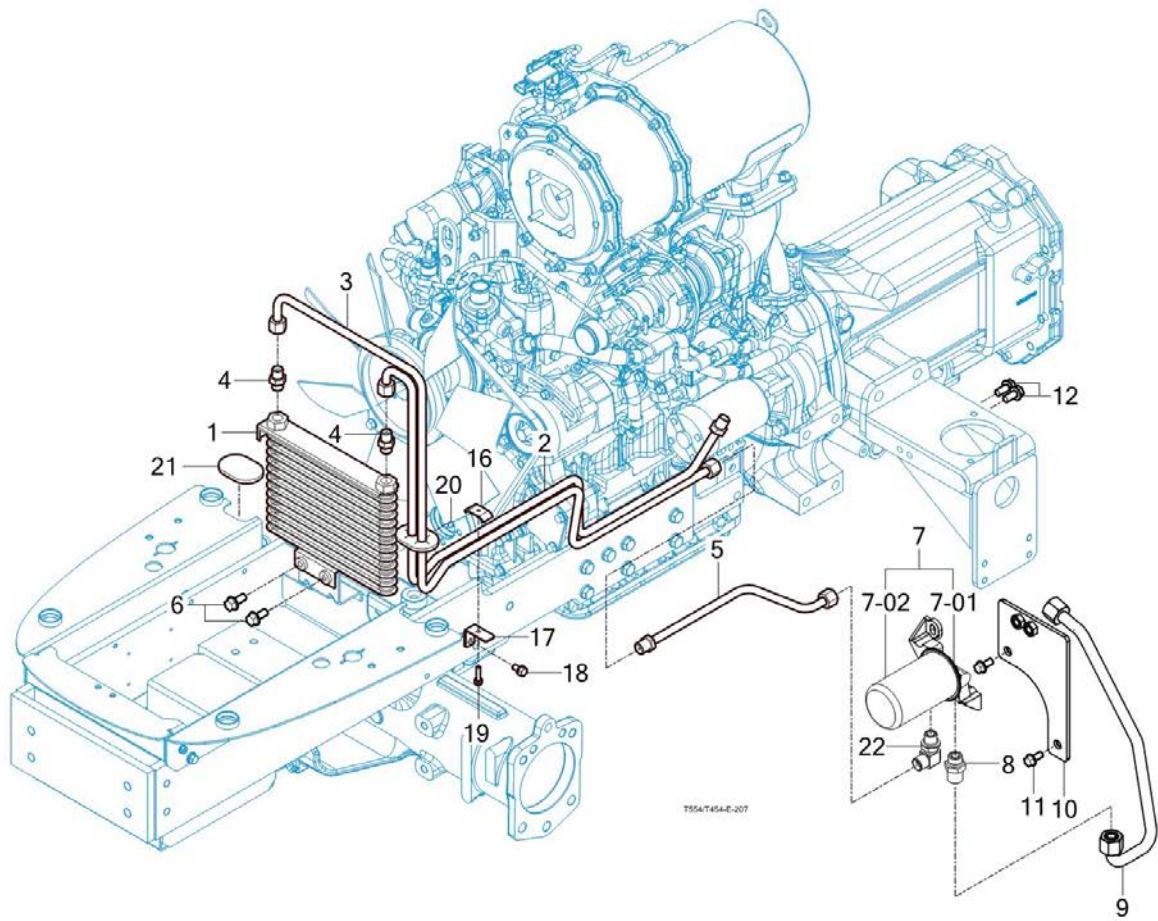
FIG 207

T455NHGBC

OIL COOLER

년/월
Year/Month

2022-12



NOTE

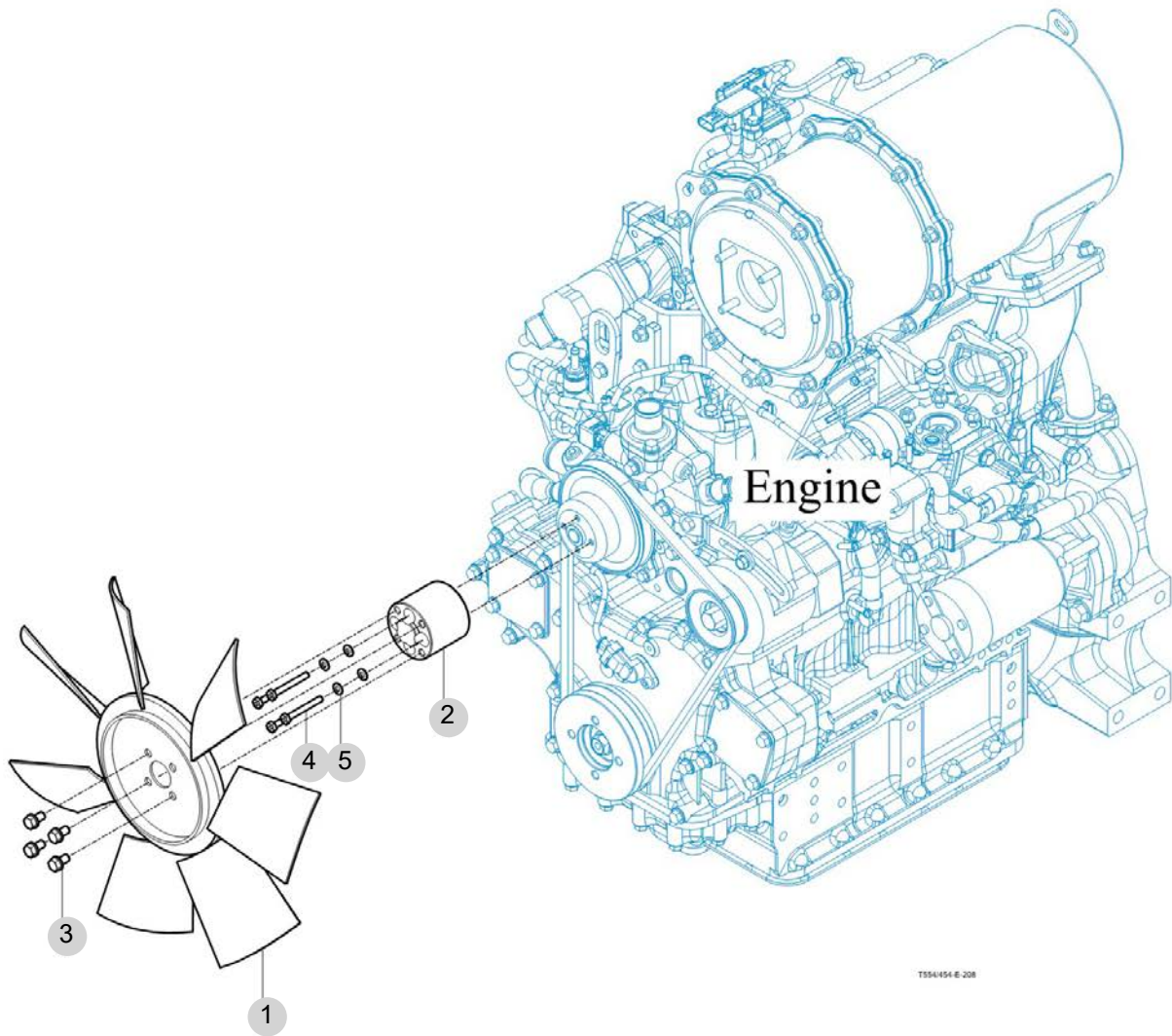
FIG 208

T455NHGBC

COOLING FAN

년/월
Year/Month

2022-12



T556456 E-208

NOTE

3. 클러치/브레이크/스티어링 PART NO. T3

FIG 301 CLUTCH	68
FIG 302 CLUTCH PEDAL	70
FIG 303 BRAKE	72
FIG 304 BRAKE PEDAL & LINK	74
FIG 305A FRONT WHEEL	76
FIG 305B FRONT WHEEL (R4 OPTION)	78
FIG 306A REAR WHEEL	80
FIG 306B REAR WHEEL (R4 OPTION)	82
FIG 307 POWER STEERING WHEEL	84
FIG 308 POWER STEERING VALVE	86
FIG 309 POWER STEERING CYLINDER	88

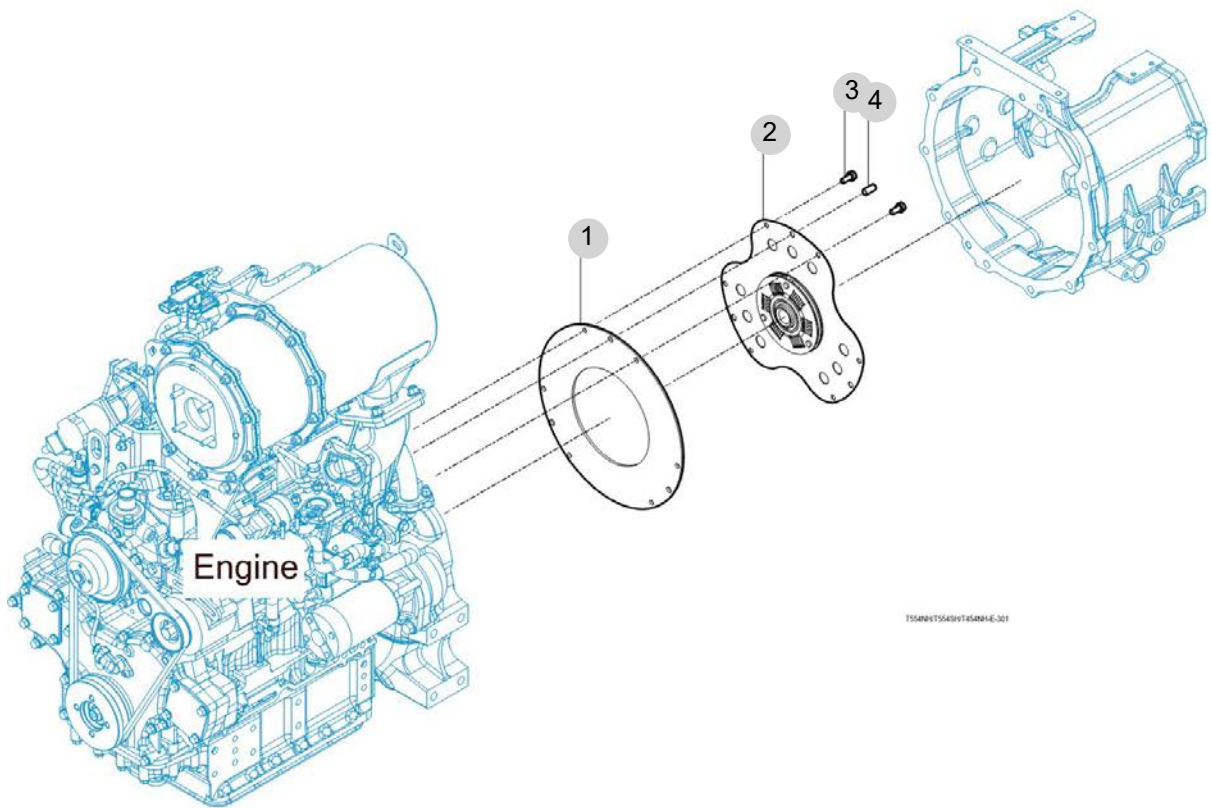
FIG 301

T455NHGBC

CLUTCH

년/월
Year/Month

2022-12



NOTE

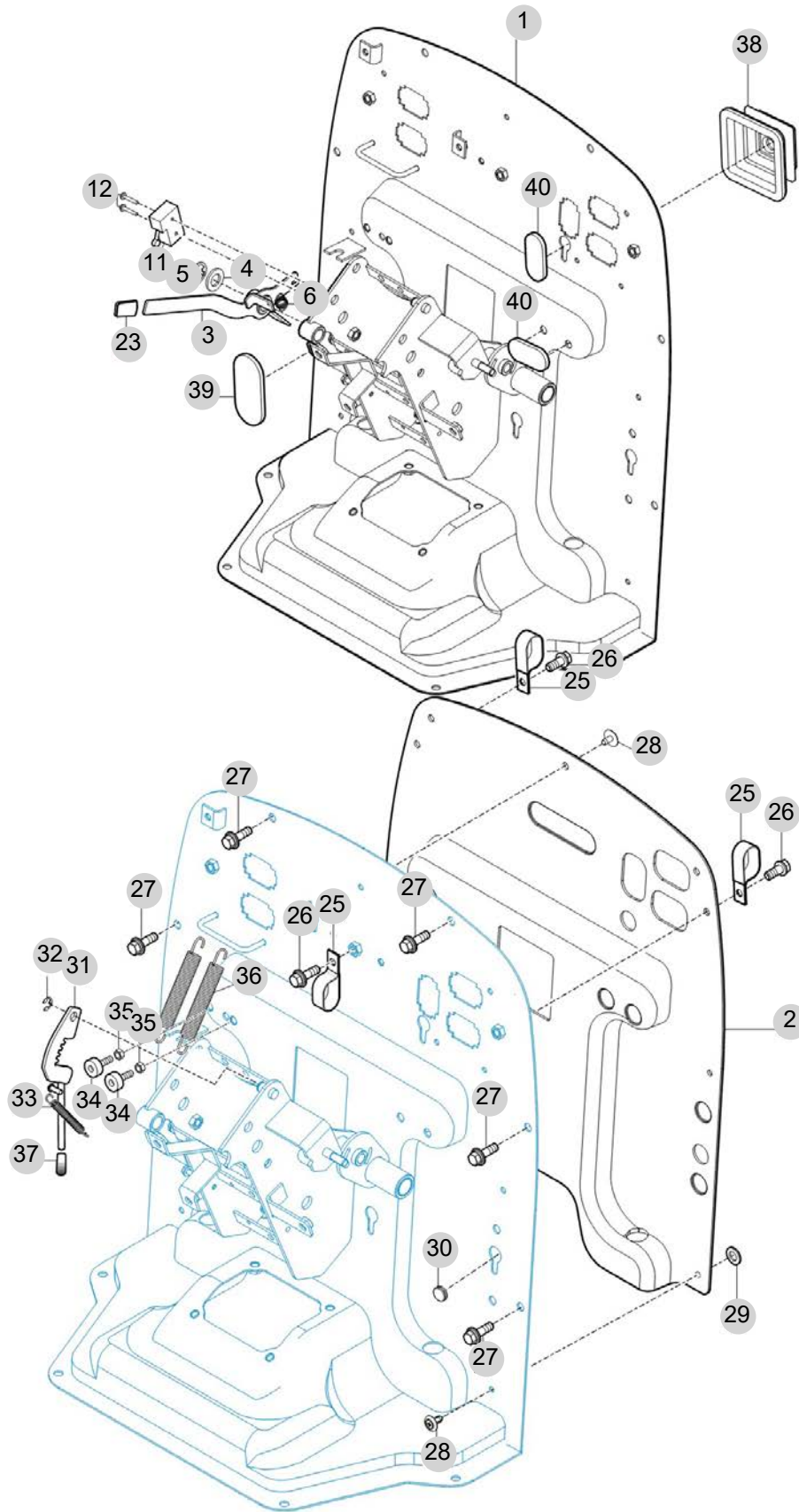
FIG 302

T455NHGBC

CLUTCH PEDAL

년/월
Year/Month

2022-12



NOTE

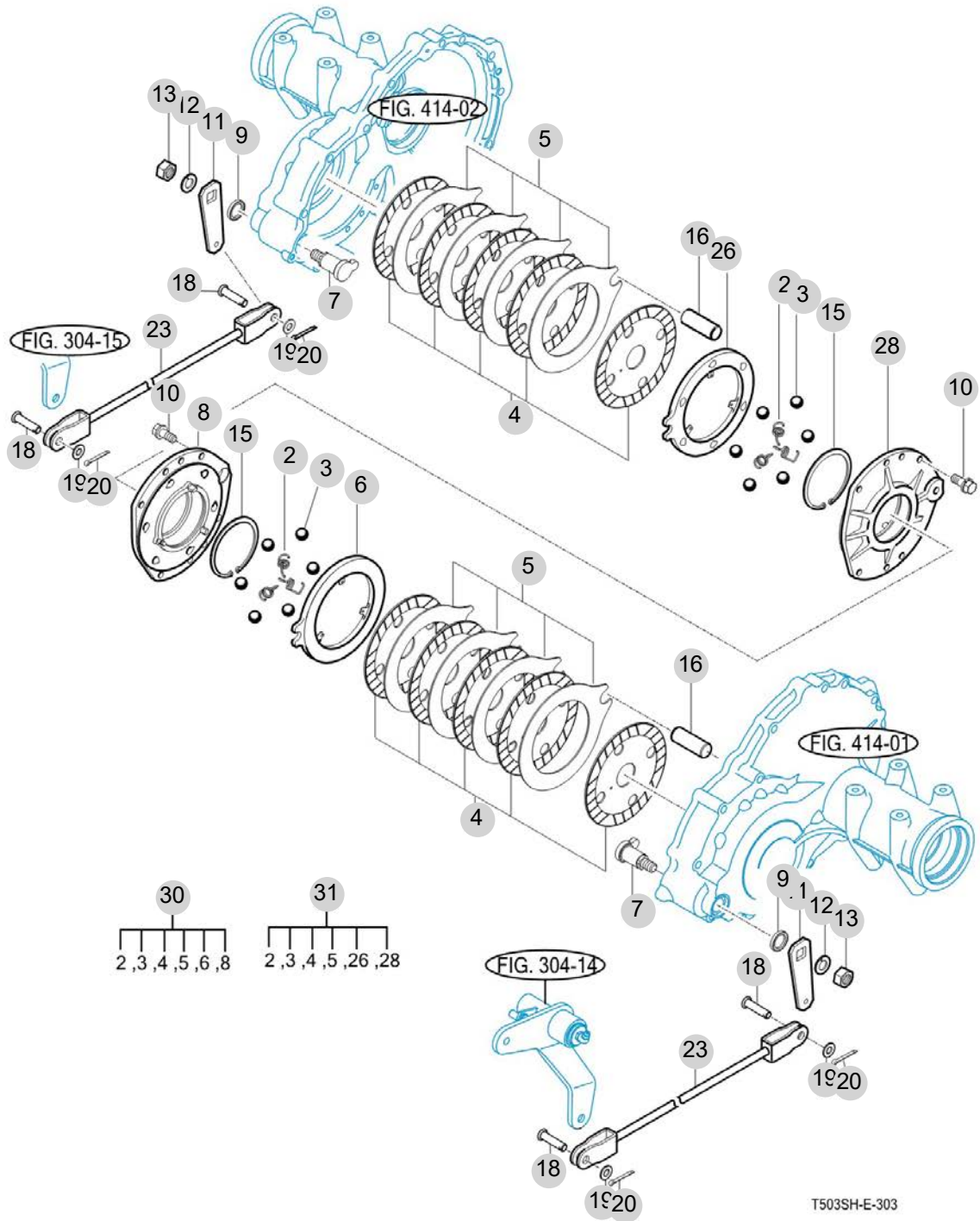
FIG 303

T455NHGBC

BRAKE

년/월
Year/Month

2022-12



T503SH-E-303

NOTE

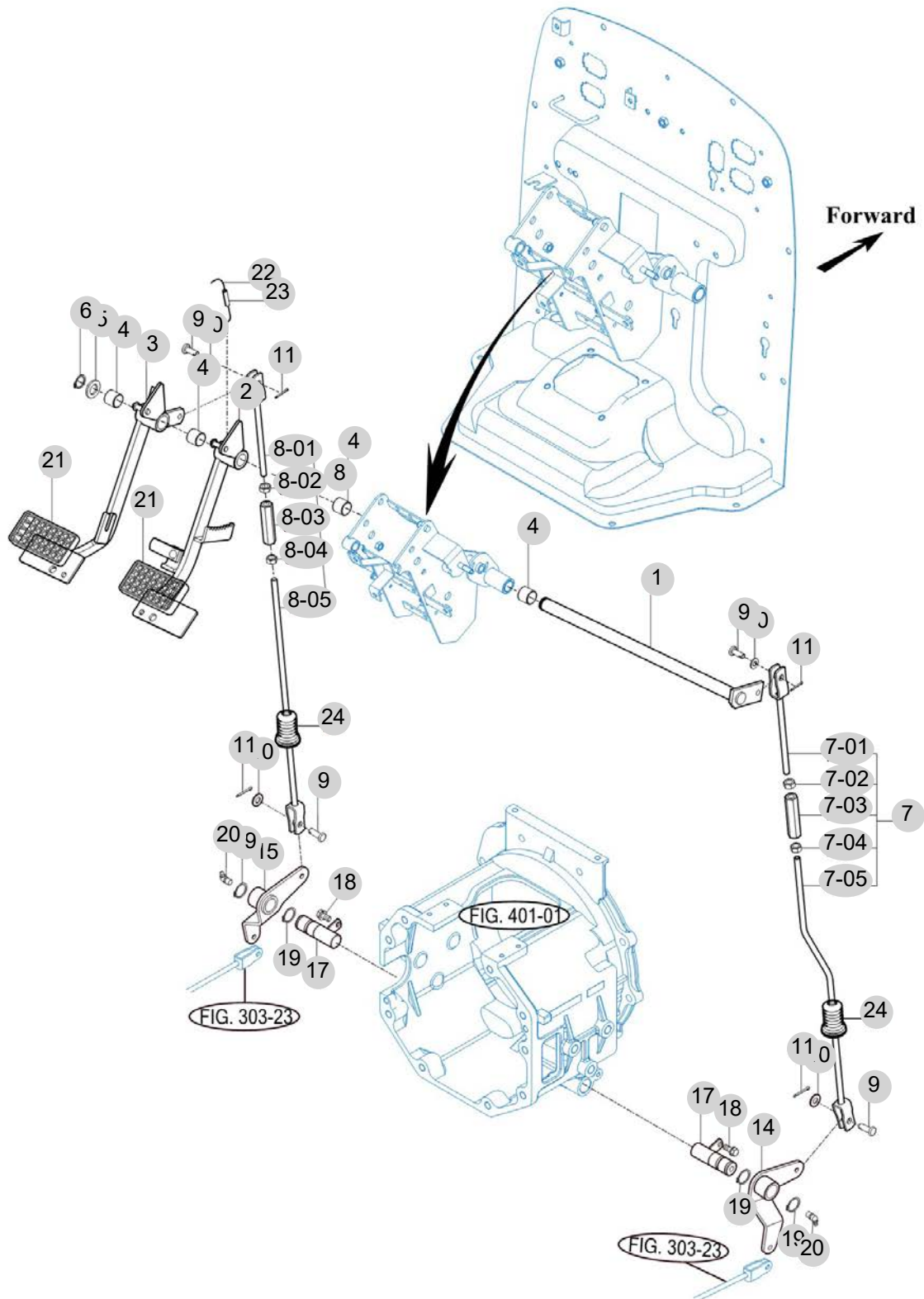
FIG 304

T455NHGBC

BRAKE PEDAL & LINK

년/월
Year/Month

2022-12



NOTE

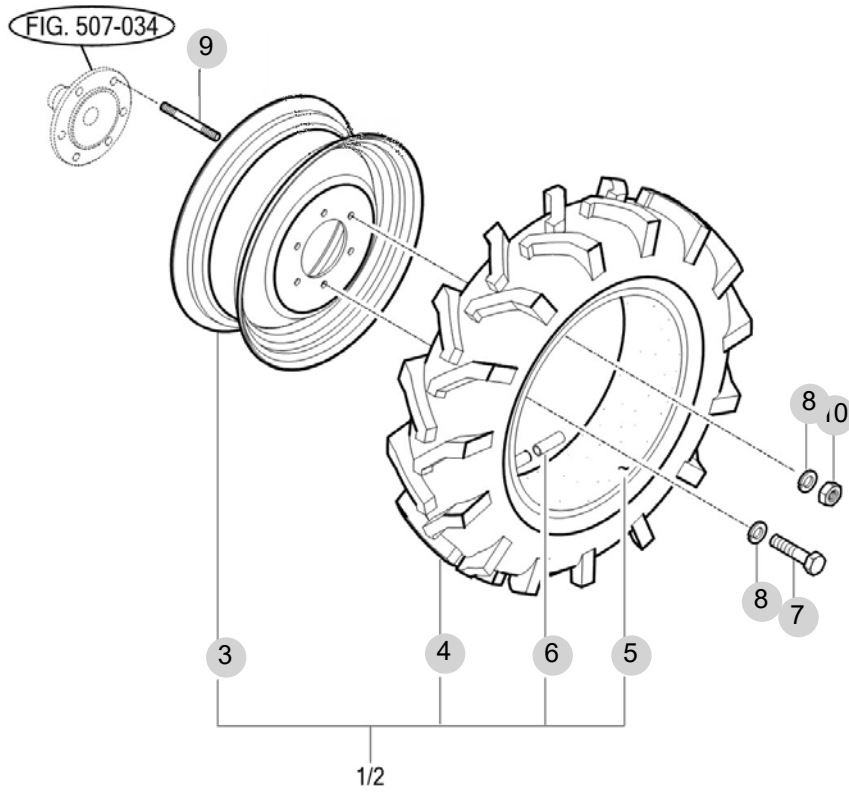
FIG 305A

T455NHGBC

FRONT WHEEL

년/월
Year/Month

2022-12



NOTE

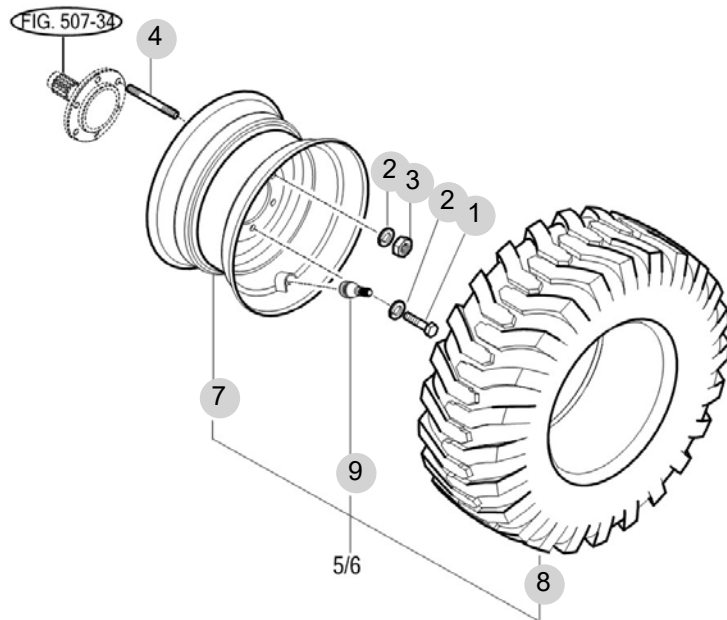
FIG 305B

T455NHGBC

FRONT WHEEL (R4 OPTION)

년/월
Year/Month

2022-12



T503HST-E-305B

NOTE

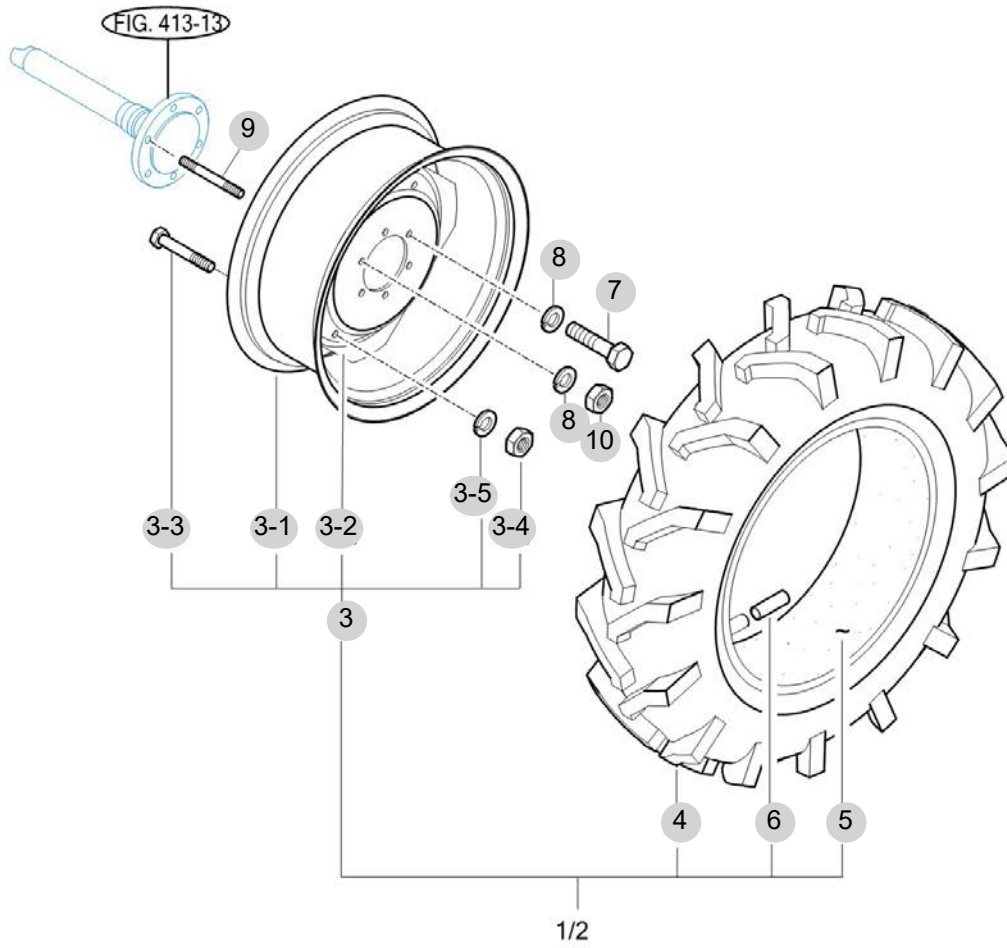
FIG 306A

T455NHGBC

REAR WHEEL

년/월
Year/Month

2022-12



T503HST-E-306A

NOTE

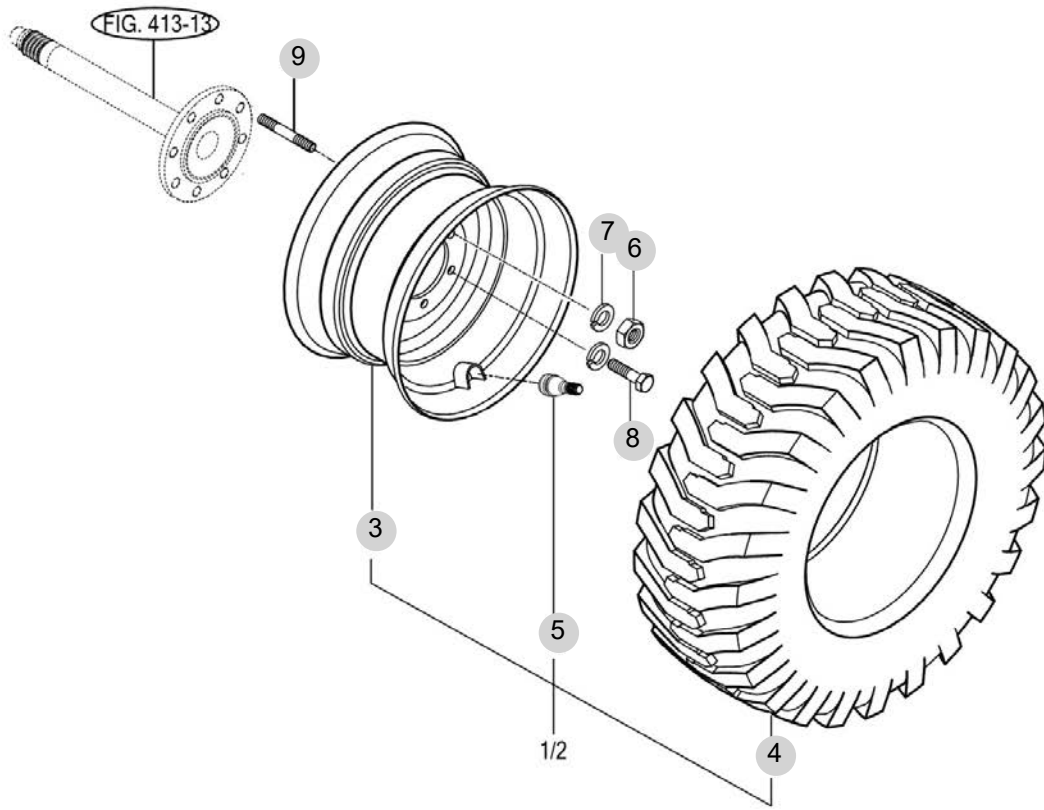
FIG 306B

T455NHGBC

REAR WHEEL (R4 OPTION)

년/월
Year/Month

2022-12



T503HST-E-306B

NOTE

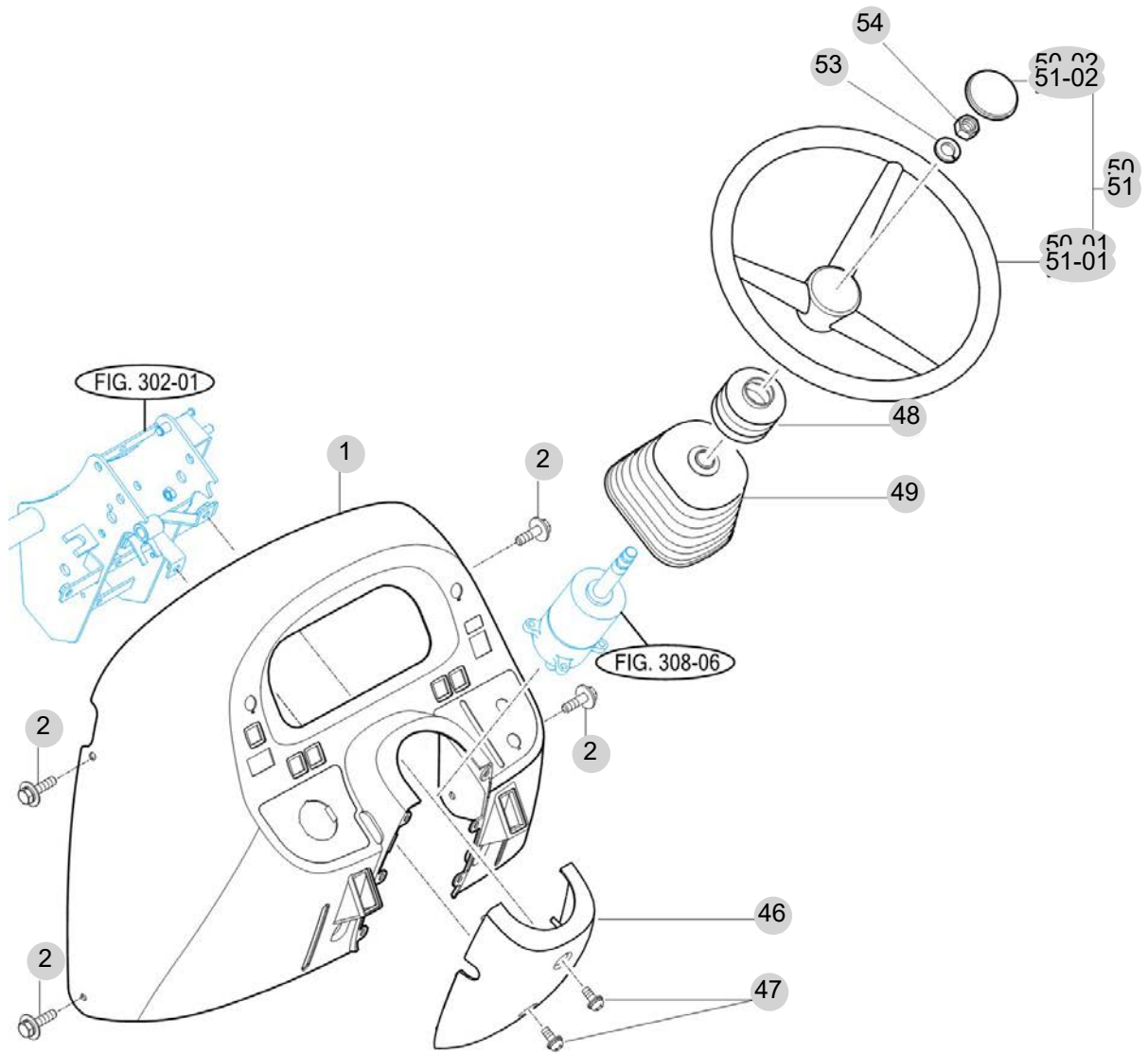
FIG 307

T455NHGBC

POWER STEERING WHEEL

년/월
Year/Month

2022-12



T503SH-K-307

NOTE

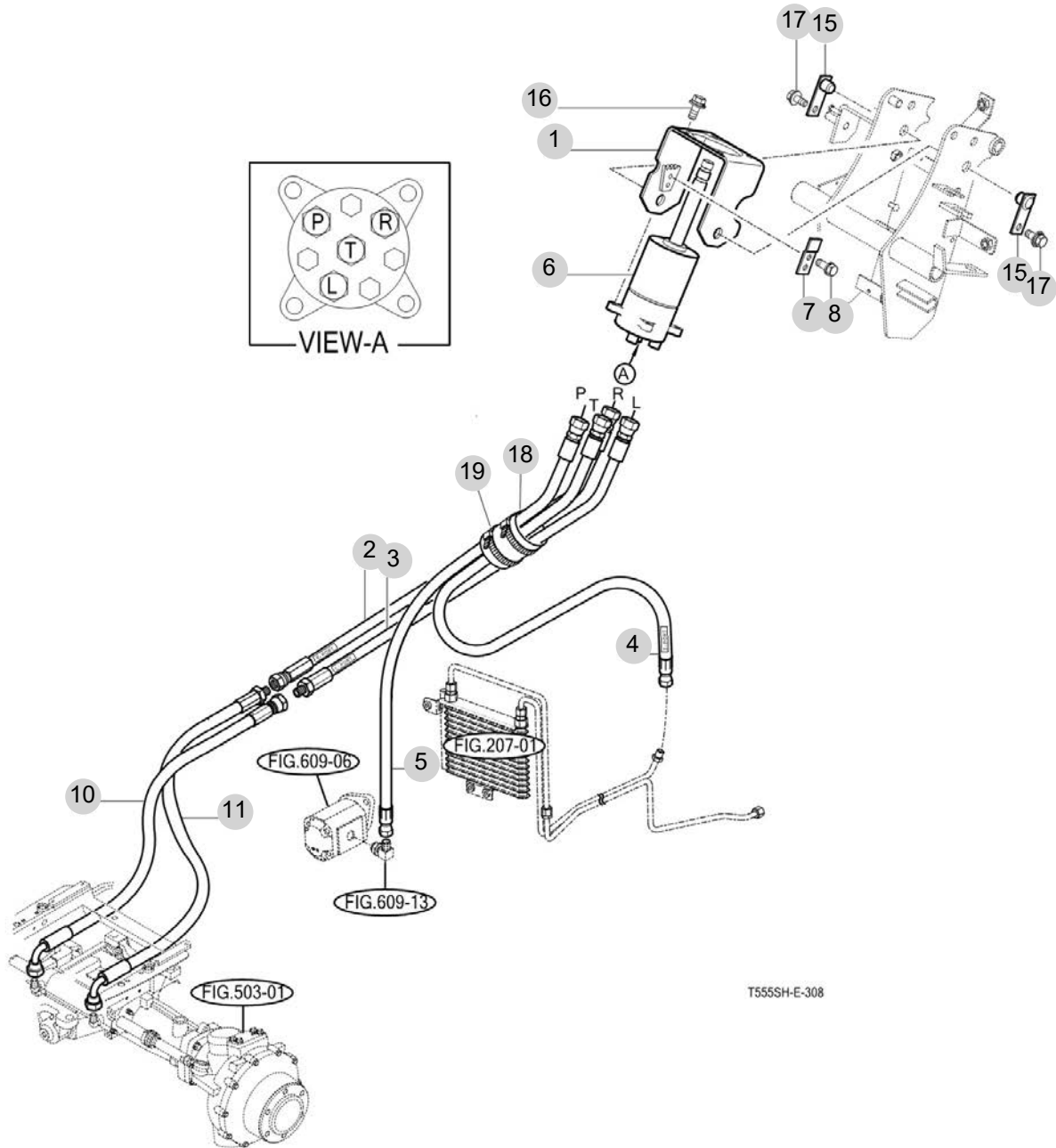
FIG 308

T455NHGBC

POWER STEERING VALVE

년/월
Year/Month

2022-12



NOTE

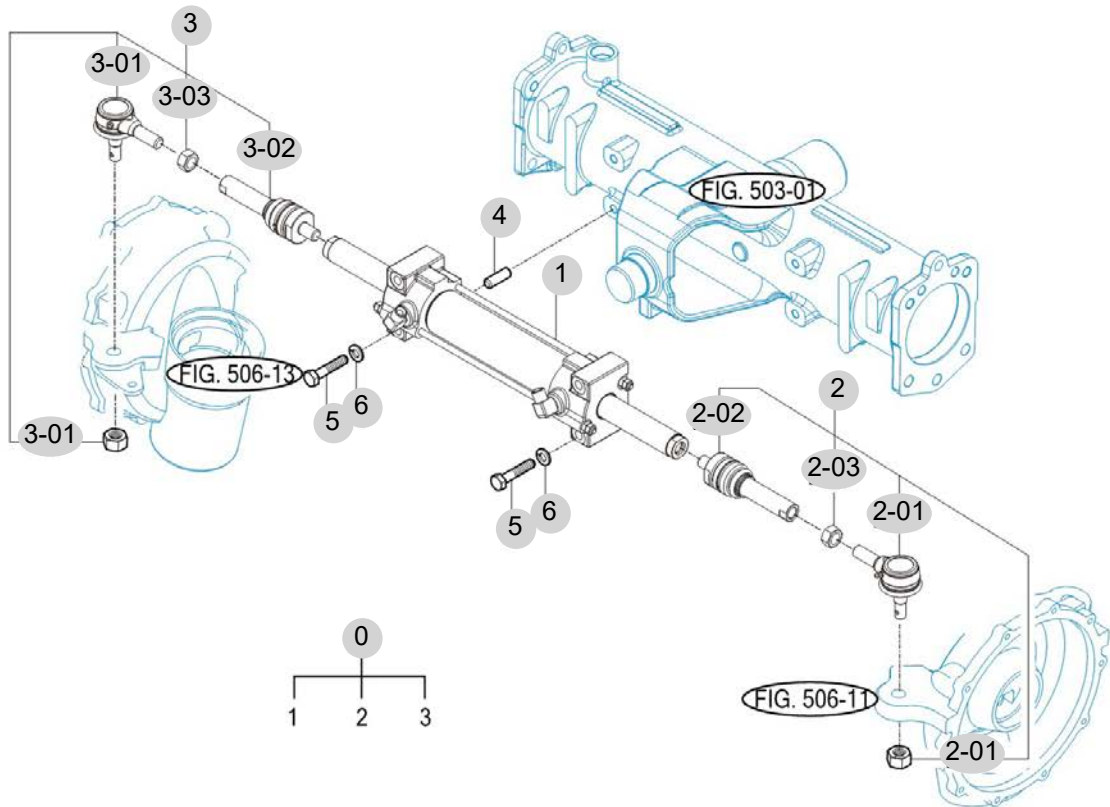
FIG 309

T455NHGBC

POWER STEERING CYLINDER

년/월
Year/Month

2022-12



NOTE

4. 트랜스미션 PART NO. T4

FIG 401 TRANSMISSION FRONT CASE	91
FIG 402 HST	93
FIG 403 MID TRANSMISSION CASE	95
FIG 404 TRANSTER GEAR SET	97
FIG 405 TRANSMISSION REAR CASE	99
FIG 406 SUB CHANGE GEARS	101
FIG 407 SUB CHANGE SHIFTER	103
FIG 408 DRIVE GEARS	105
FIG 409 4WD CHANGE LEVER	107
FIG 410 P.T.O DRIVE SHAFT	109
FIG 411 P.T.O CHANGE GEARS	111
FIG 412 REAR DIFFERENTIAL GEARS	113
FIG 413 REAR AXLE HOUSING	116
FIG 414 P.T.O CHANGE SHIFTER	118

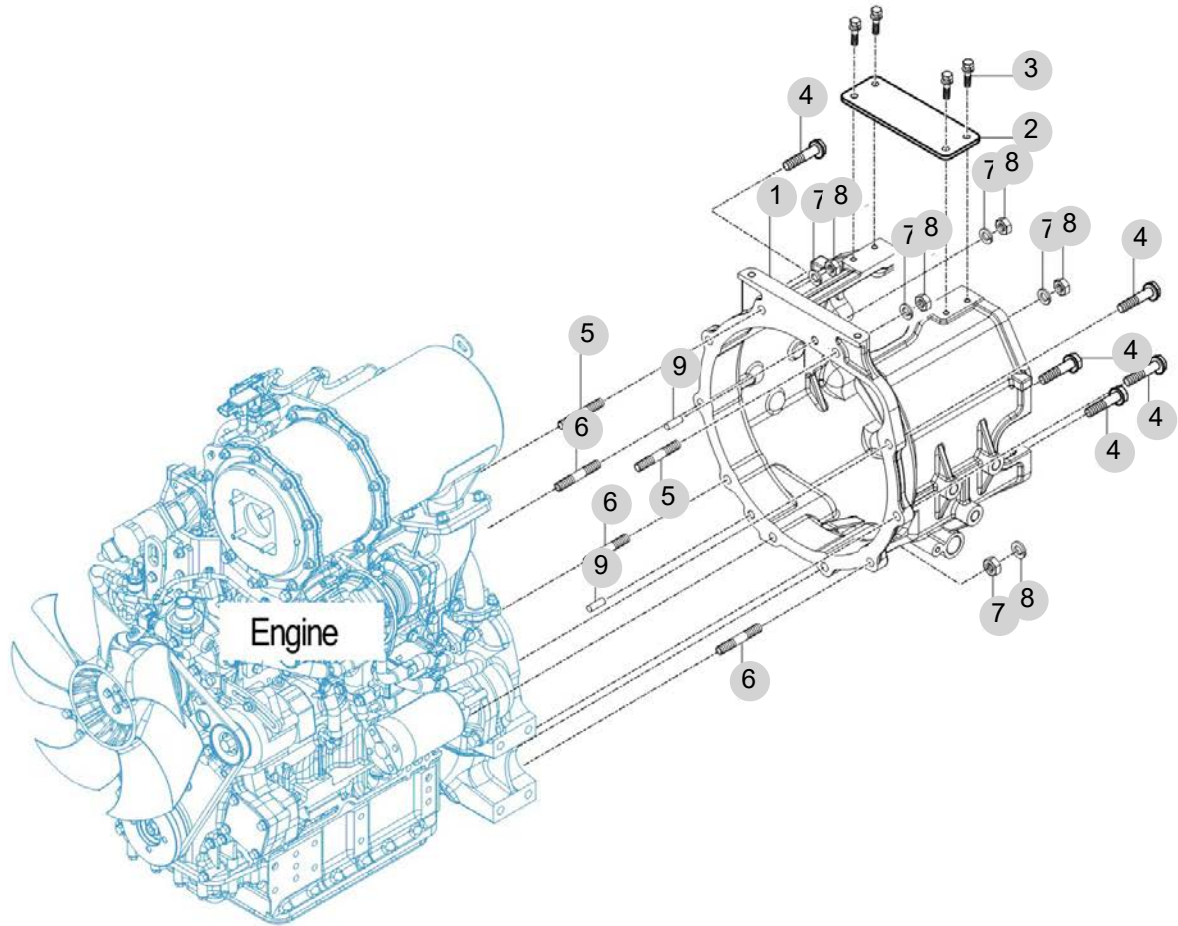
FIG 401

T455NHGBC

TRANSMISSION FRONT CASE

년/월
Year/Month

2022-12



T554NH/T554SH/T454NH/E-401

NOTE

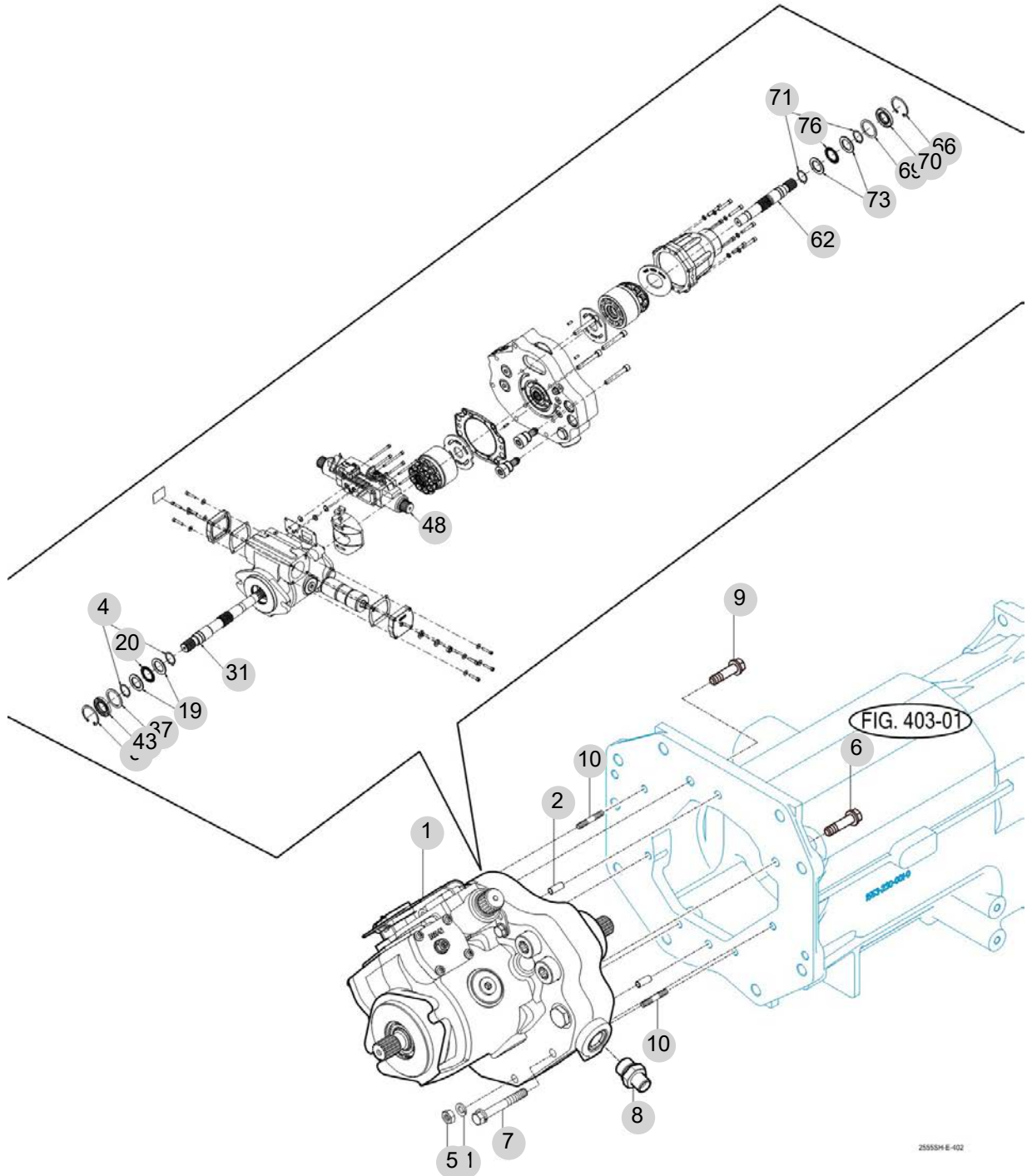
FIG 402

T455NHGBC

HST

년/월
Year/Month

2022-12



NOTE

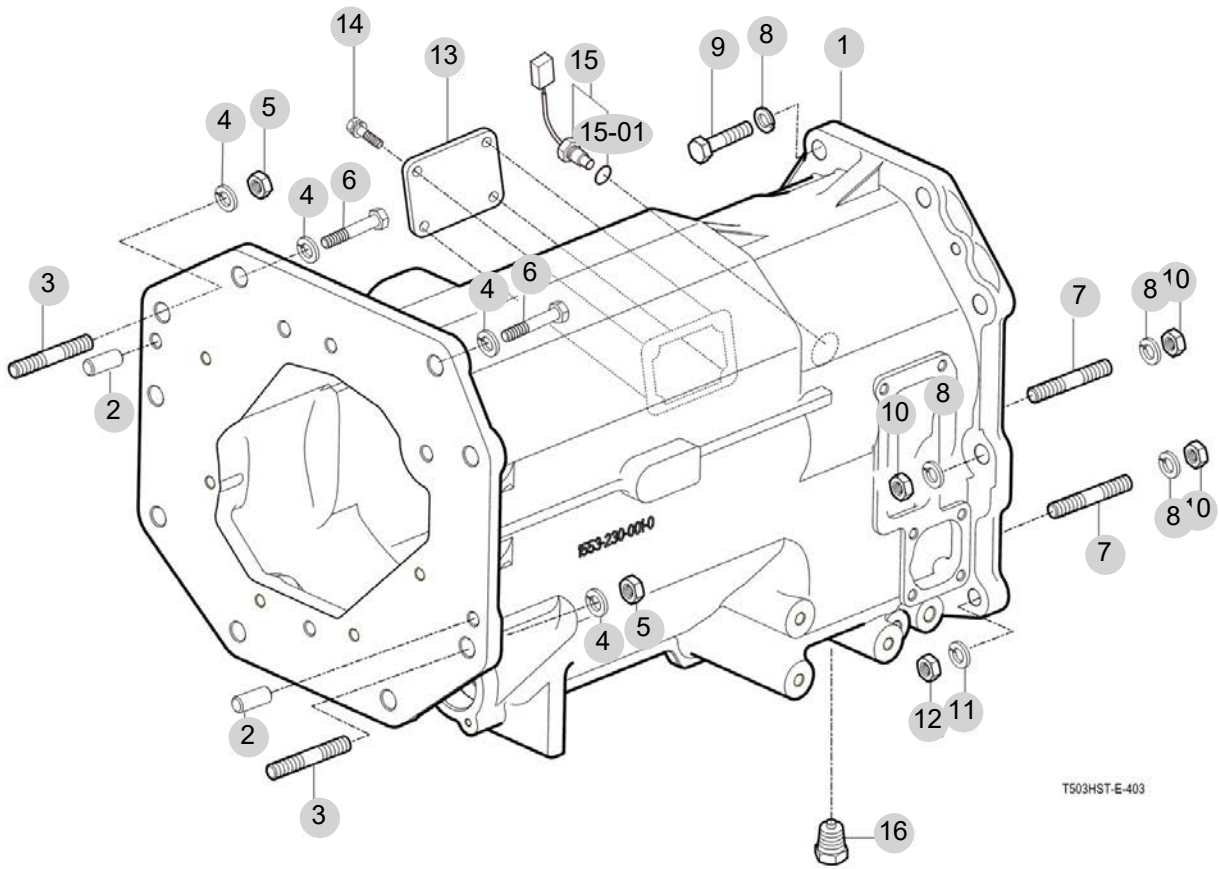
FIG 403

T455NHGBC

MID TRANSMISSION CASE

년/월
Year/Month

2022-12



NOTE

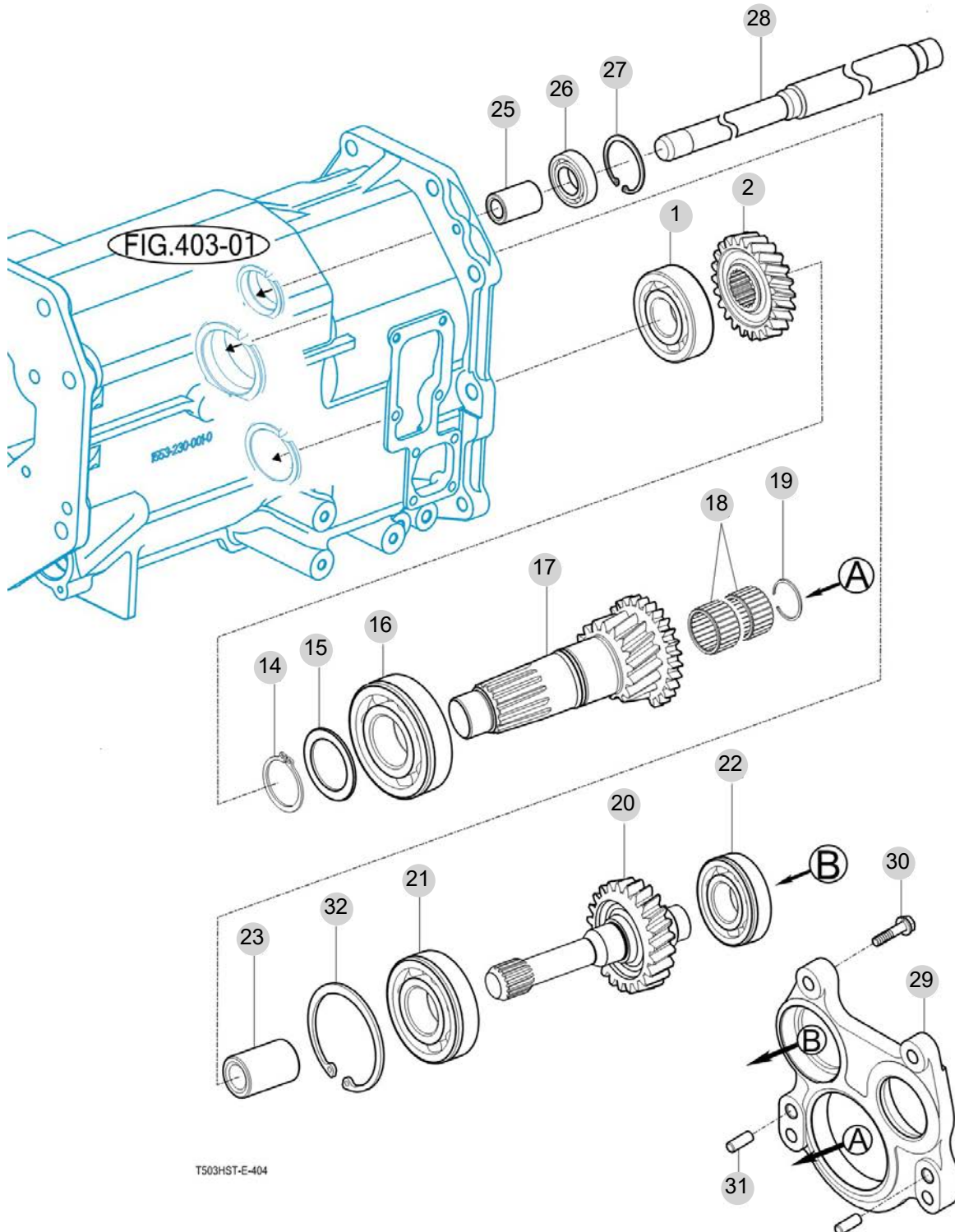
FIG 404

TRANSFER GEAR SET

년/월
Year/Month

2022-12

T455NHGBC



T503HST-E-404

NOTE

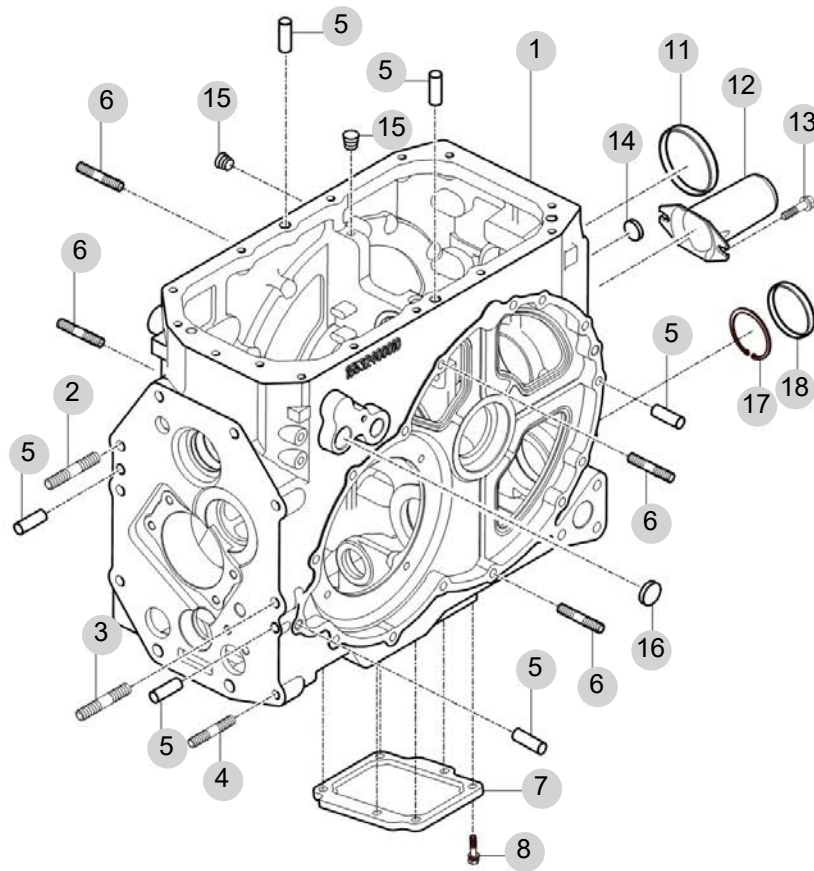
FIG 405

T455NHGBC

TRANSMISSION REAR CASE

년/월
Year/Month

2022-12



T503HST-E-405

NOTE

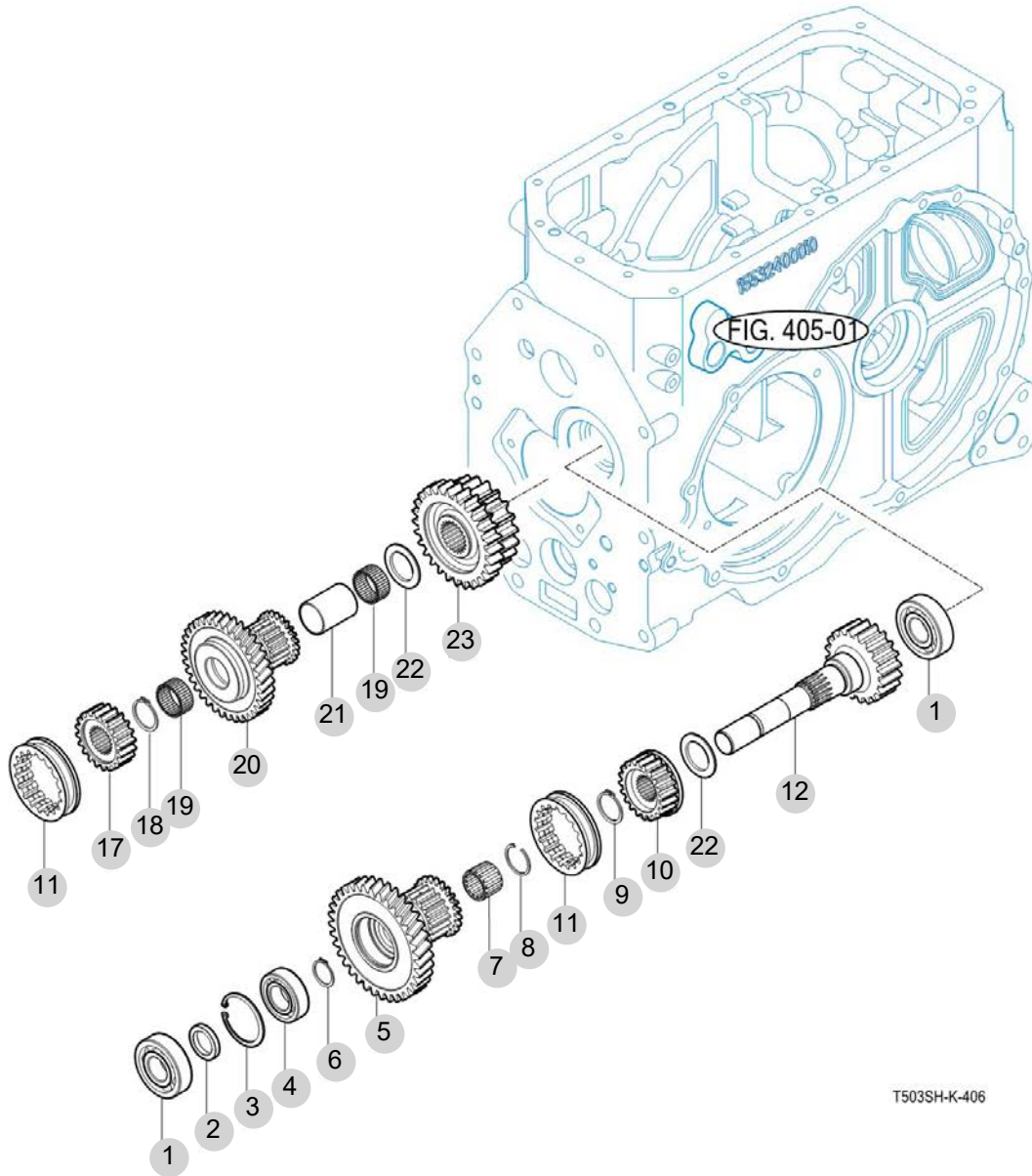
FIG 406

T455NHGBC

SUB CHANGE GEARS

년/월
Year/Month

2022-12



T503SH-K-406

NOTE

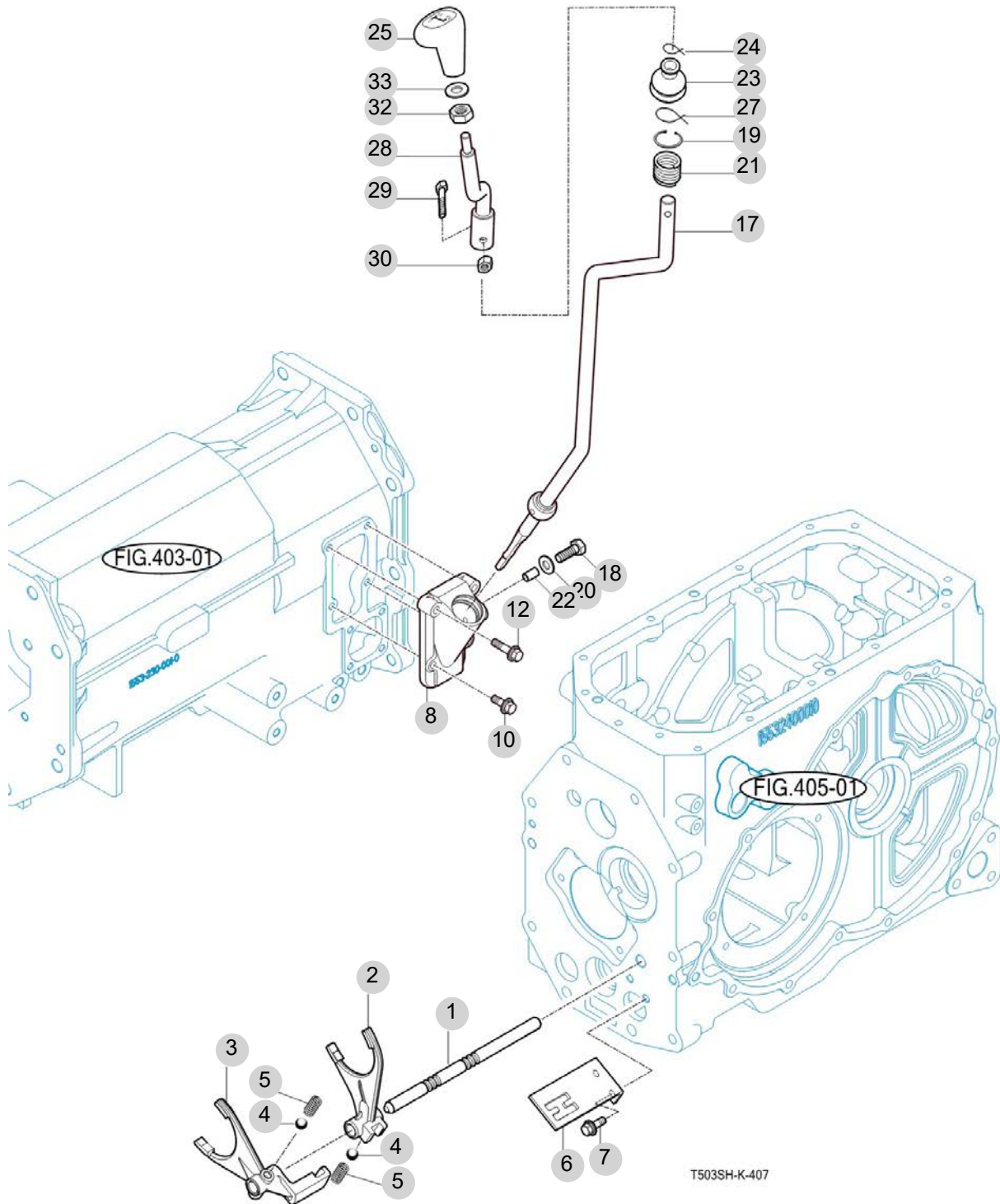
FIG 407

T455NHGBC

SUB CHANGE SHIFTER

년/월
Year/Month

2022-12



NOTE

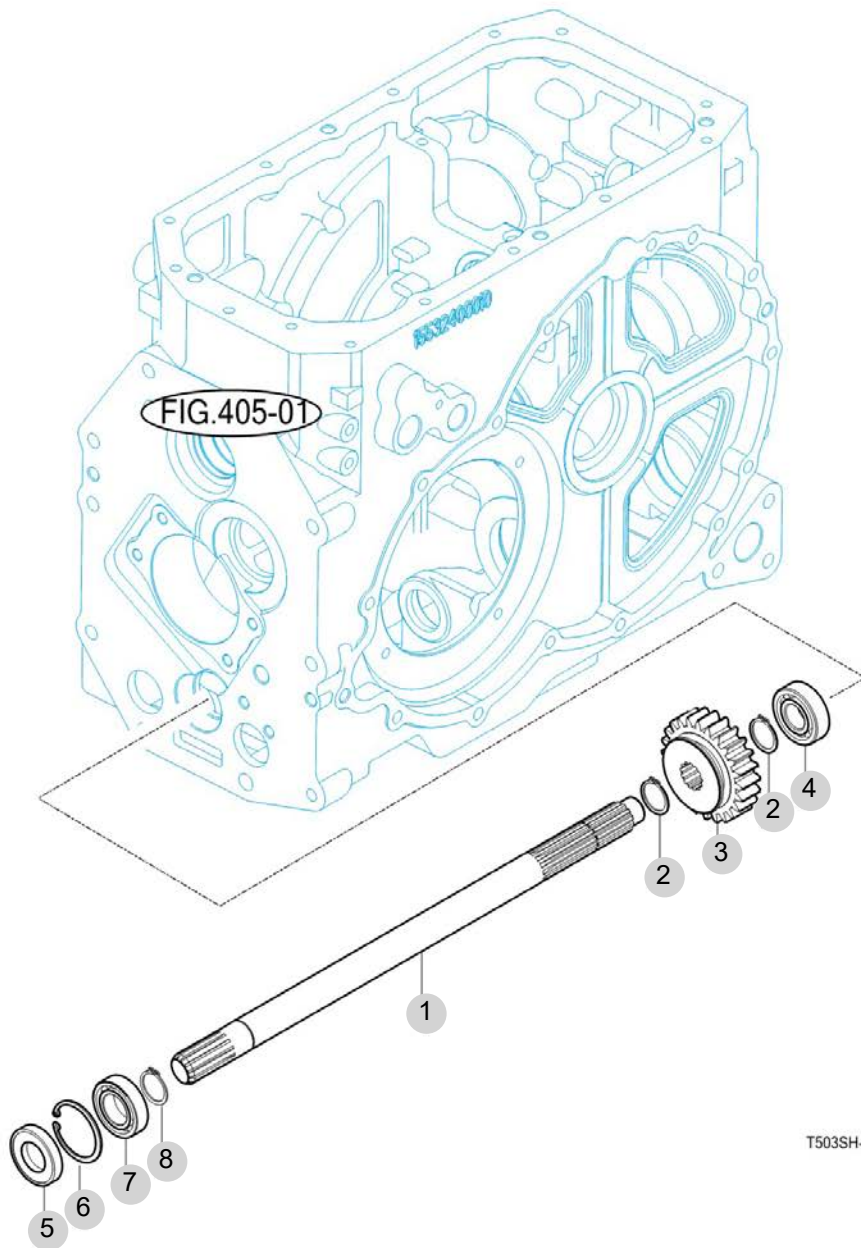
FIG 408

T455NHGBC

DRIVE GEARS

년/월
Year/Month

2022-12



NOTE

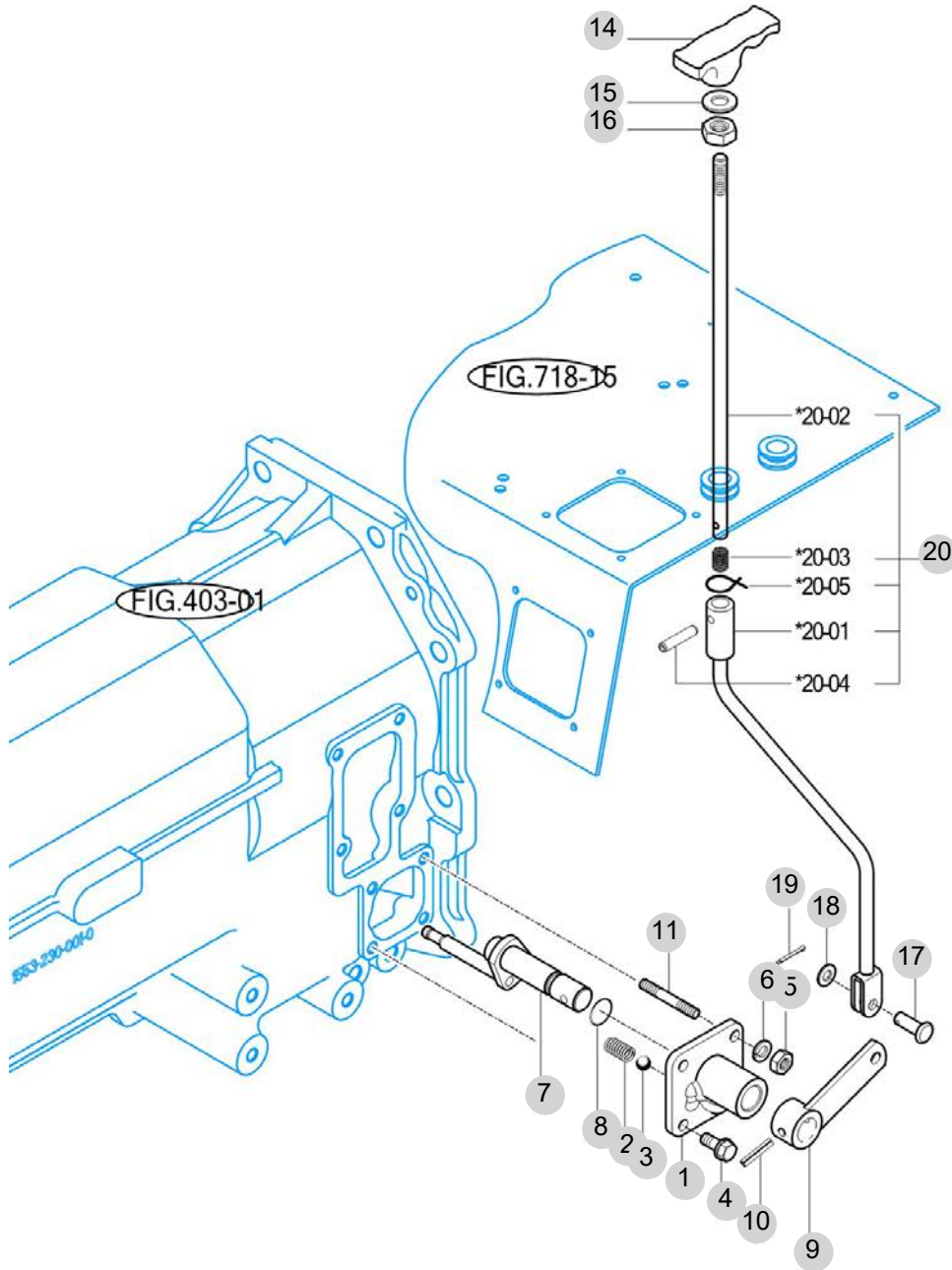
FIG 409

T455NHGBC

4WD CHANGE LEVER

년/월
Year/Month

2022-12



*NOT SERVICED SEPARATELY

T503SH-E-409

NOTE

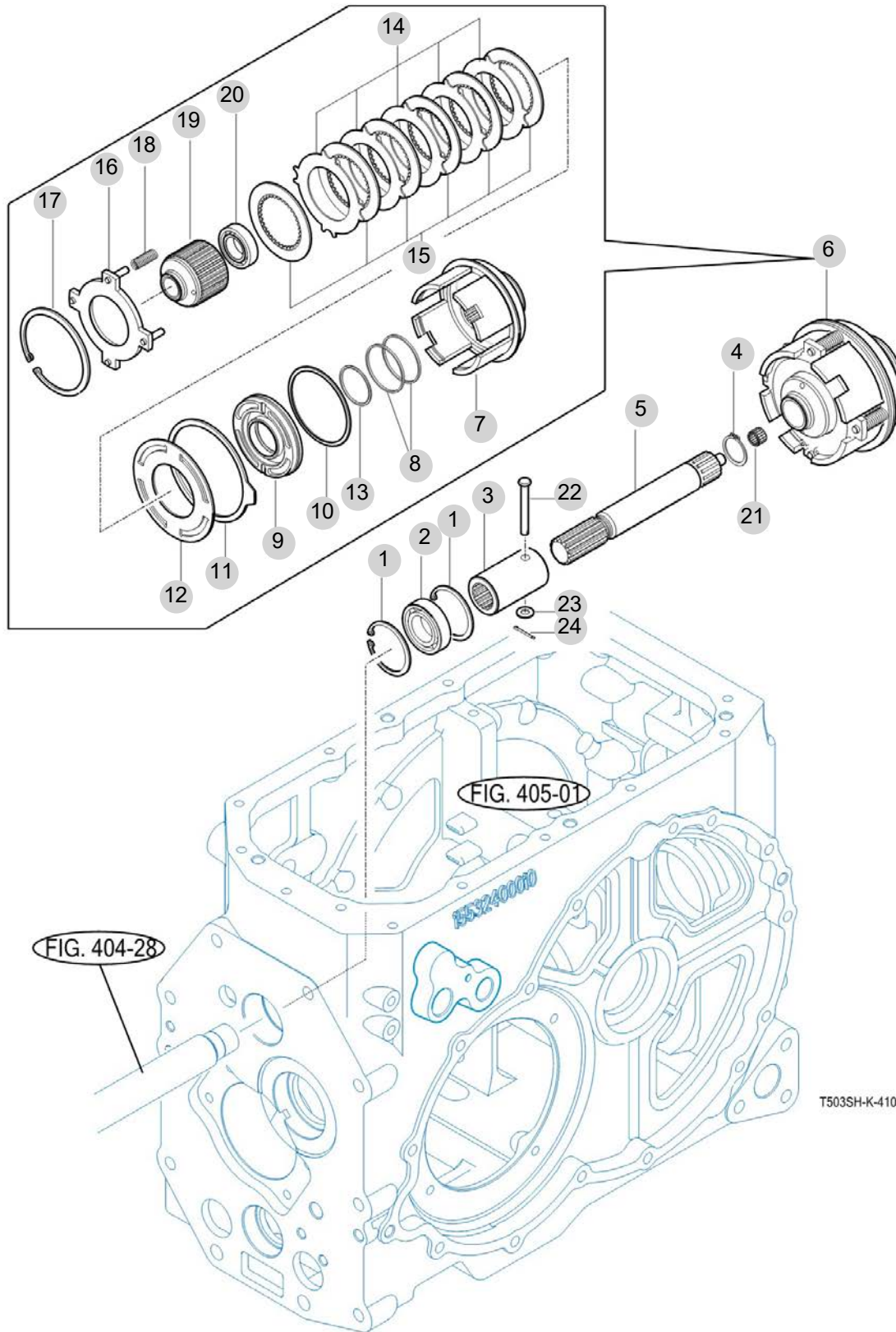
FIG 410

T455NHGBC

P.T.O DRIVE SHAFT

년/월
Year/Month

2022-12



NOTE

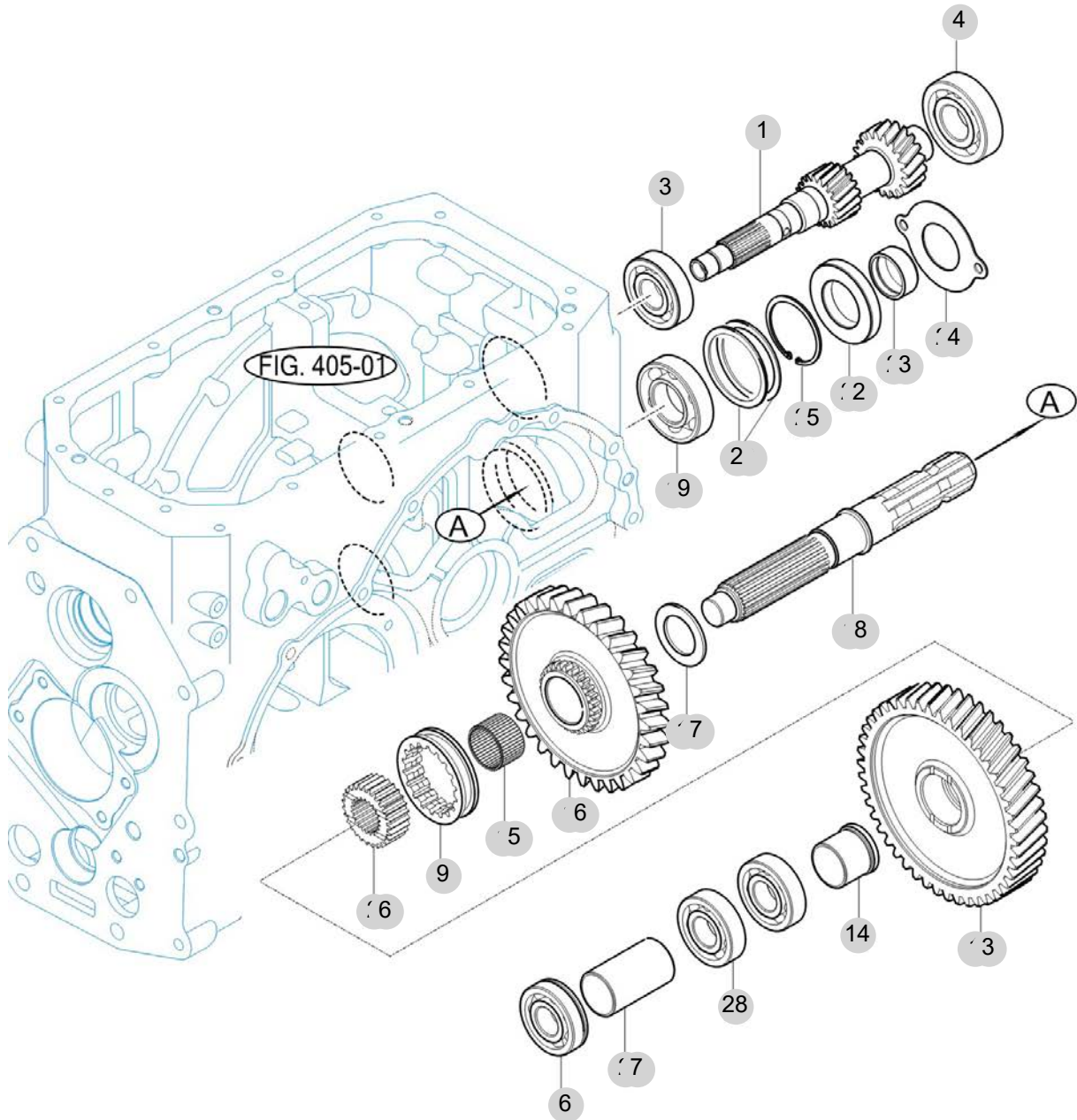
FIG 411

T455NHGBC

P.T.O CHANGE GEARS

년/월
Year/Month

2022-12



T503SH-E-411B

NOTE

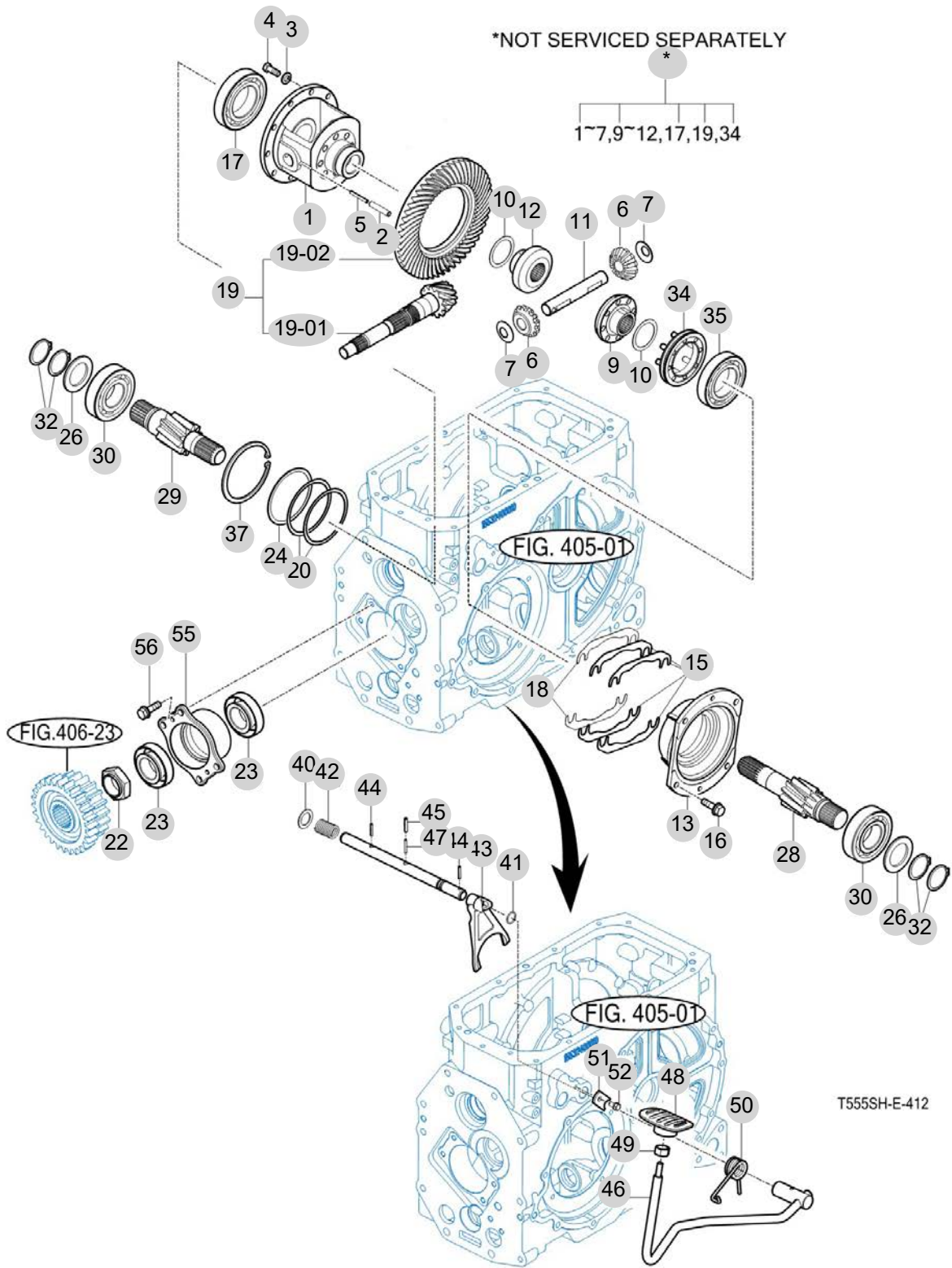
FIG 412

REAR DIFFERENTIAL GEARS

년/월
Year/Month

2022-12

T455NHGBC



NOTE

FIG 412		REAR DIFFERENTIAL GEARS					년/월 Year/Month		
							2022-12		
T455NHGBC		KEY NO	PART NO	DESCRIPTION	SPEC	QTY	REPAIR	EFFECTIVE DATE	REMARKS
412	0	14523031001	리어차동장치(47PS)ASSY			1			
412	1	14523030010M	케이스(디프)			1			
412	2	V5801408040	스프링핀	8X40		1			
412	3	V4011600100	스프링와셔	M10		10			
412	4	V2024610025	소형육각볼트(가는)	M10X25		10			
412	5	V5801405036	스프링핀	5X36		1			
412	6	14523180041	피니언(차동)			2			
412	7	14523030080	칼라(피니언)			2			
412	9	14523180061	피니언(베벨/16 LH)			1			
412	10	14523030100	와셔(스러스트)			2			
412	11	14523030110	디프피니언샤프트			1			
412	12	14523180031	피니언(베벨/16 RH)			1			
412	13	14523030131M	메탈(LH/디프케이스)			1			
412	15	14523010090	심(B)	T=0.2		4			
412	16	V2173610025	소형육각볼트보통(S)	M10X25		4			
412	17	V6001106212	볼베어링	6212		1			
412	18	14523010080	심(A)	T=0.1		2			
412	19	14523022100	기어(10X41)SET			1			
412	19-01	14523022111	베벨피니언			1			
412	19-02	14523022120	스파이럴베벨기어			1			
412	20	14523010050	심(0.1)	T=0.1		1			
412	22	15533030020	너트(M40XP1.5)			1			
412	23	V6321132208	테이퍼로울러베어링(보통)	32208CR		2			
412	24	14523010100	심(0.2)	T=0.2		2			
412	26	15133060030	스러스트칼라(45X68X4)			2			
412	28	14523060011	피니언(헬리컬/11/LH)			1			
412	29	14523060021	피니언(헬리컬/11/RH)			1			
412	30	V6041106309	볼베어링(HL1)	6309		2			
412	32	V7041400450	C형멈춤링(축용)	45		4			
412	34	14523033400	슬리브COMP			1			
412	35	V6001106211	볼베어링	6211		1			
412	37	V7051401100	C형멈춤링(구멍용)	R110		1			
412	39	15533193010	디프록 샤프트			1			
412	40	V4111600200	평와셔	M20		1			
412	41	V7201024016	O링(P)	P16		1			
412	42	17973030420	스프링			1			
412	43	14523190011M	포크(디프록)			1			
412	44	V5801406032	스프링핀	6X32		2			
412	45	V5801408036	스프링핀	8X36		1			
412	46	15533193100	디프록페달COMP			1			
412	47	V5801405036	스프링핀	5X36		1			
412	48	14521220120	페달COMP,액셀			1			
412	49	V3342600100	소형육각너트가는2종	M10		1			
412	50	15533190020	스프링(디프 페달)			1			
412	50	15533190021	스프링(디프 페달)			1			
NOTE									

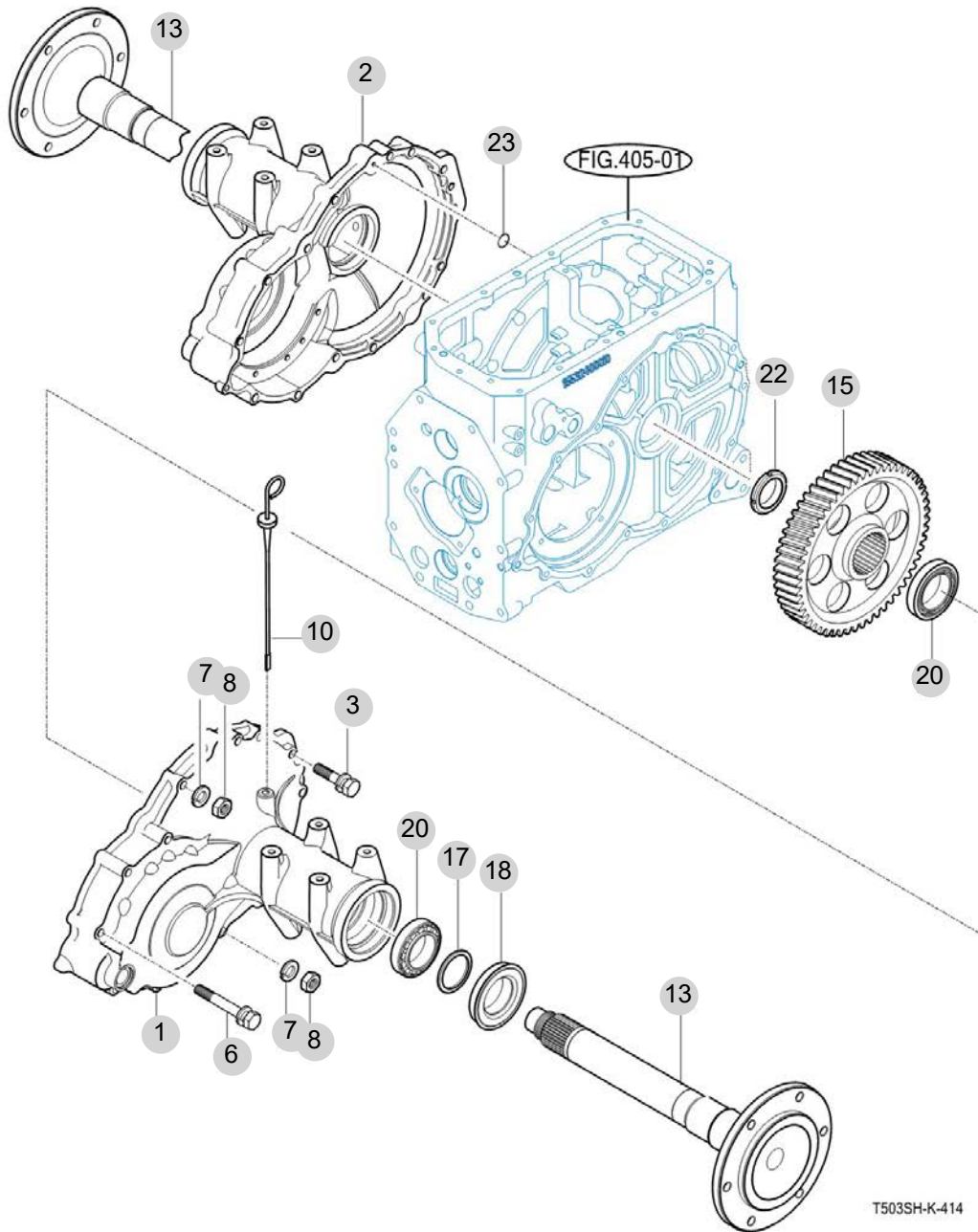
FIG 413

REAR AXLE HOUSING

년/월
Year/Month

2022-12

T455NHGBC



NOTE

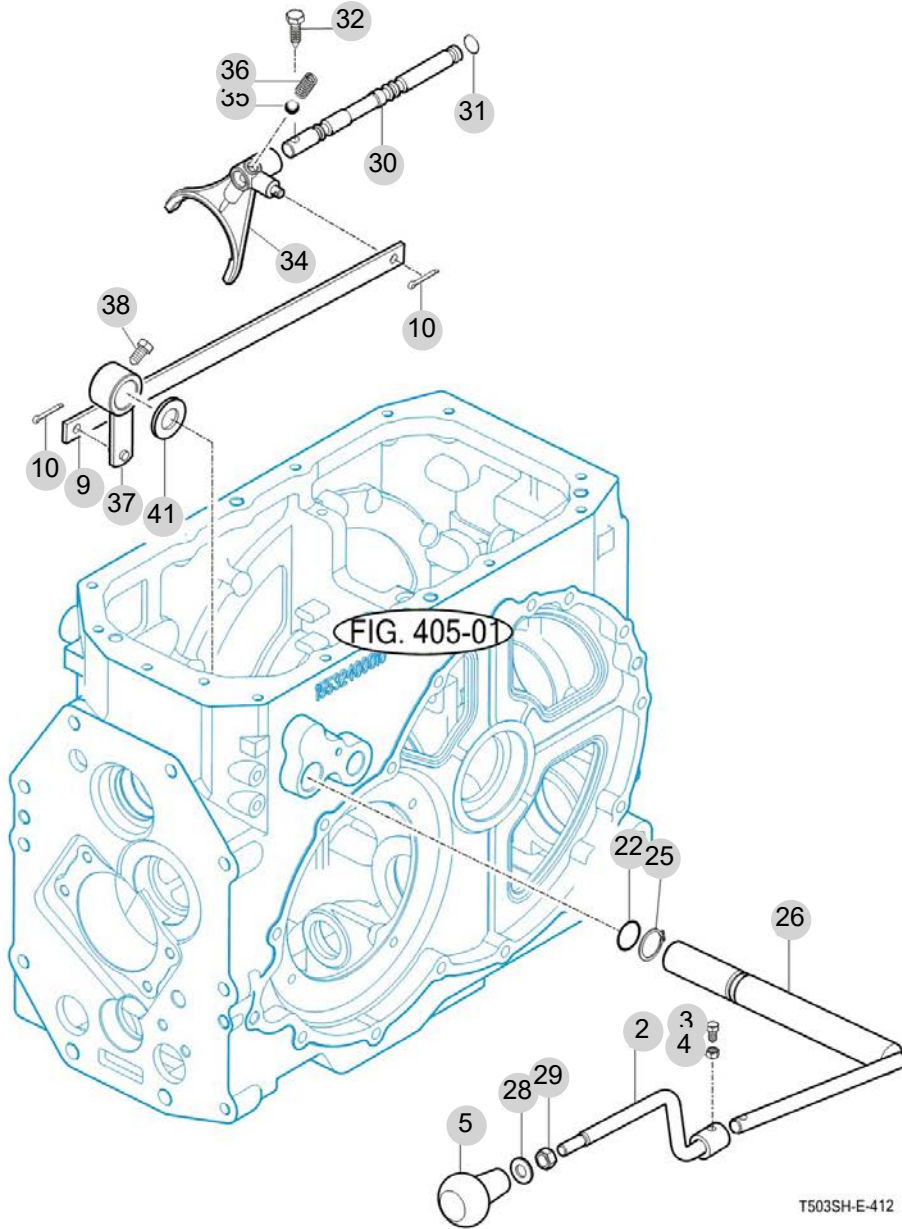
FIG 414

T455NHGBC

P.T.O CHANGE SHIFTER

년/월
Year/Month

2022-12



NOTE

5. 프런트 액슬 PART NO. T5

FIG 501 FRONT AXLE SUPPORT	121
FIG 502 FRONT DRIVE SHAFT	123
FIG 503 FRONT AXLE HOUSING	125
FIG 504 FRONT DIFFERENTIAL GEARS	127
FIG 505 FRONT GEAR CASE (1)	129
FIG 506 FRONT GEAR CASE (2)	131
FIG 507 FRONT GEAR CASE (3)	133

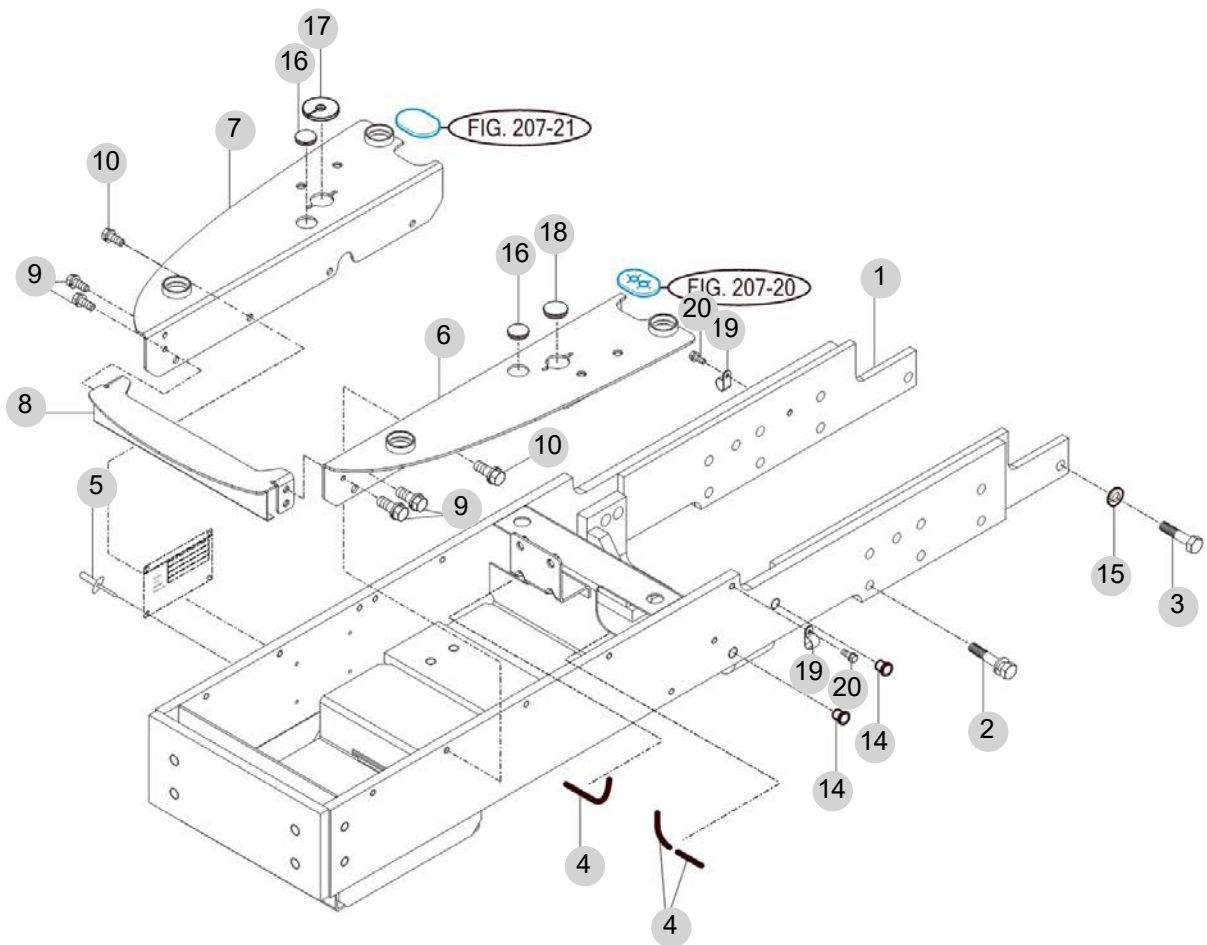
FIG 501

T455NHGBC

FRONT AXLE SUPPORT

년/월
Year/Month

2022-12



NOTE

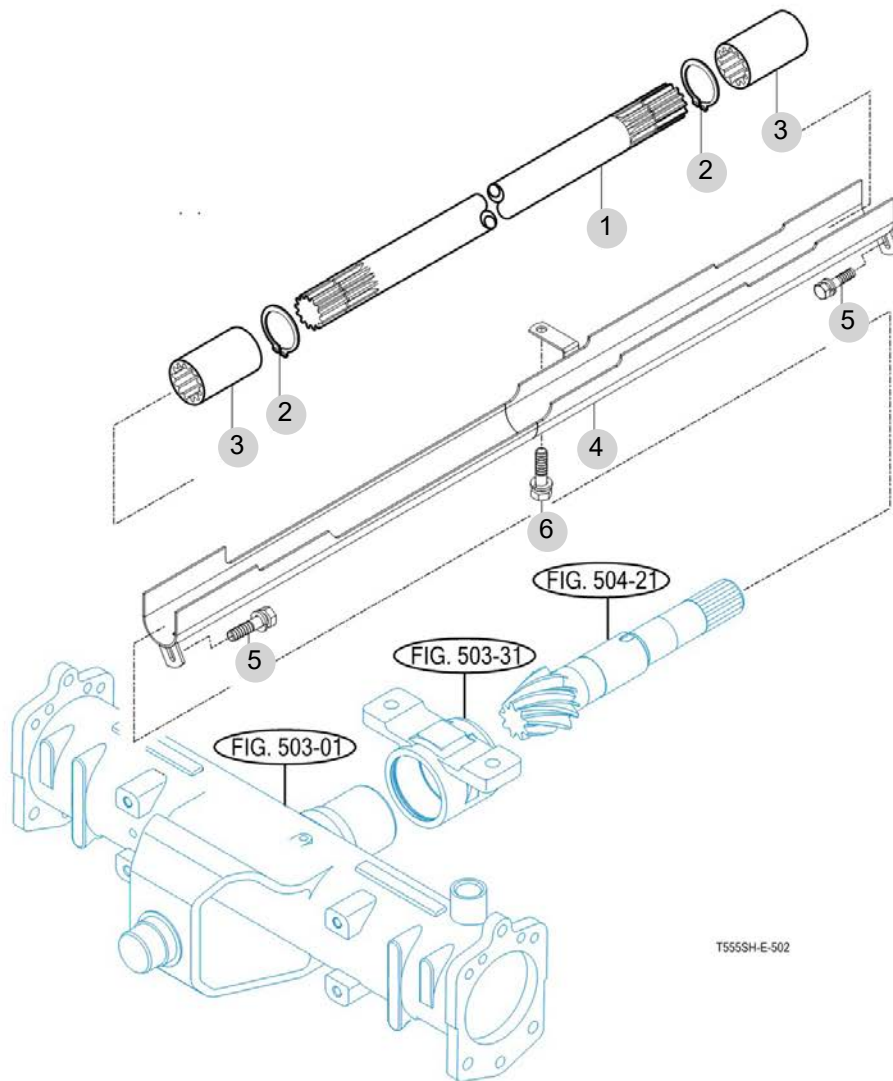
FIG 502

T455NHGBC

FRONT DRIVE SHAFT

년/월
Year/Month

2022-12



NOTE

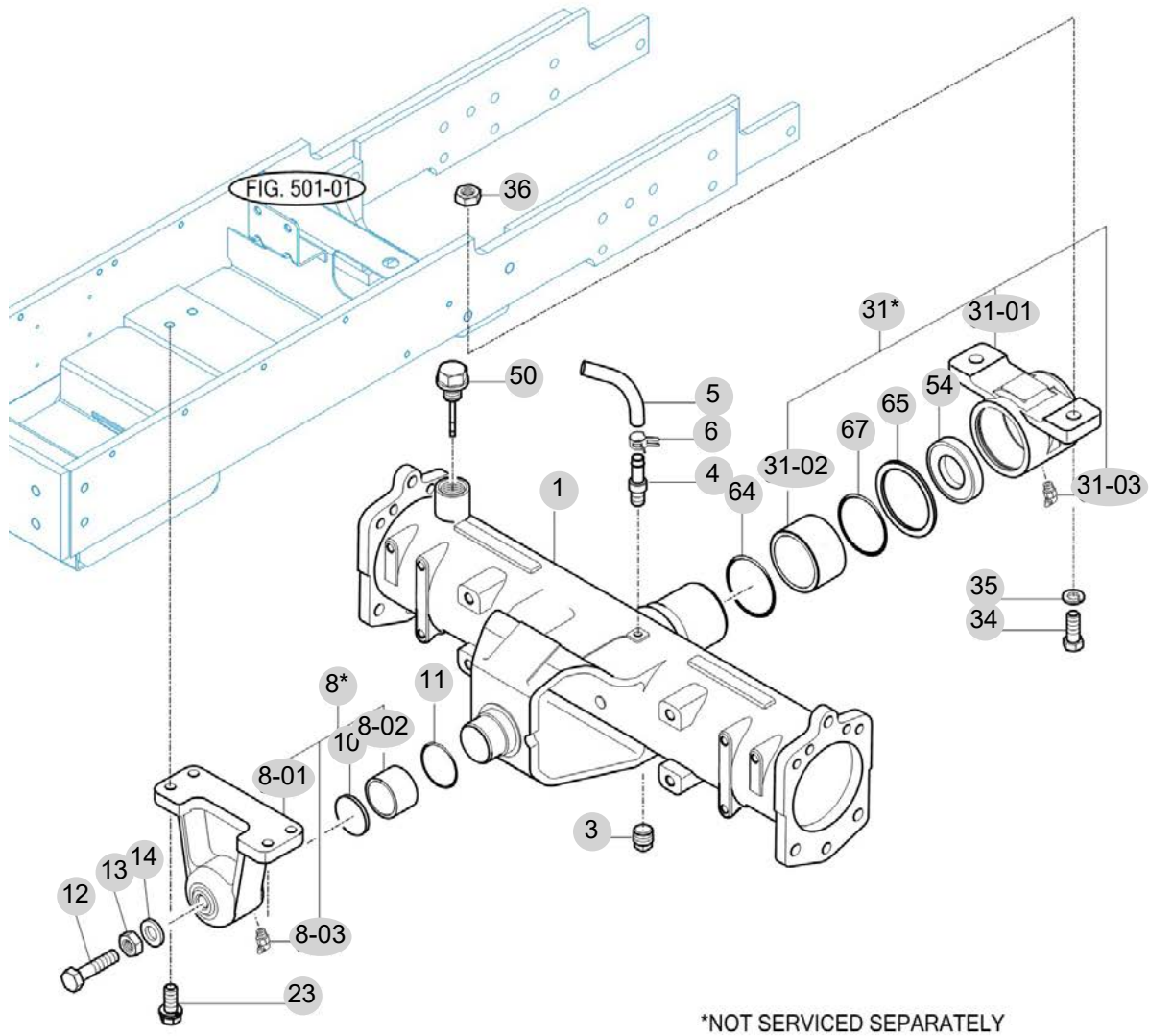
FIG 503

T455NHGBC

FRONT AXLE HOUSING

년/월
Year/Month

2022-12



T554454-E-503

NOTE

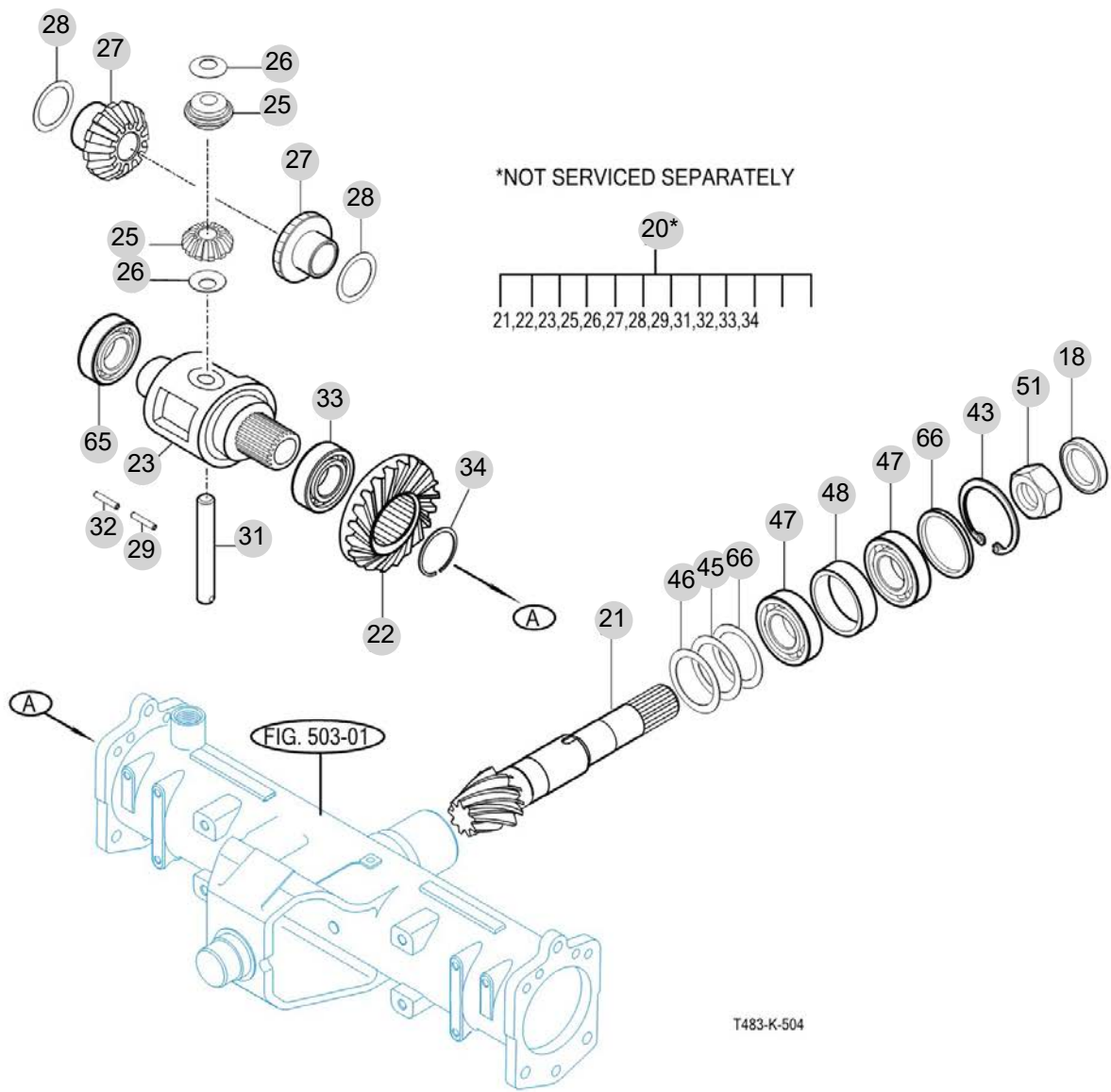
FIG 504

T455NHGBC

FRONT DIFFERENTIAL GEARS

년/월
Year/Month

2022-12



NOTE

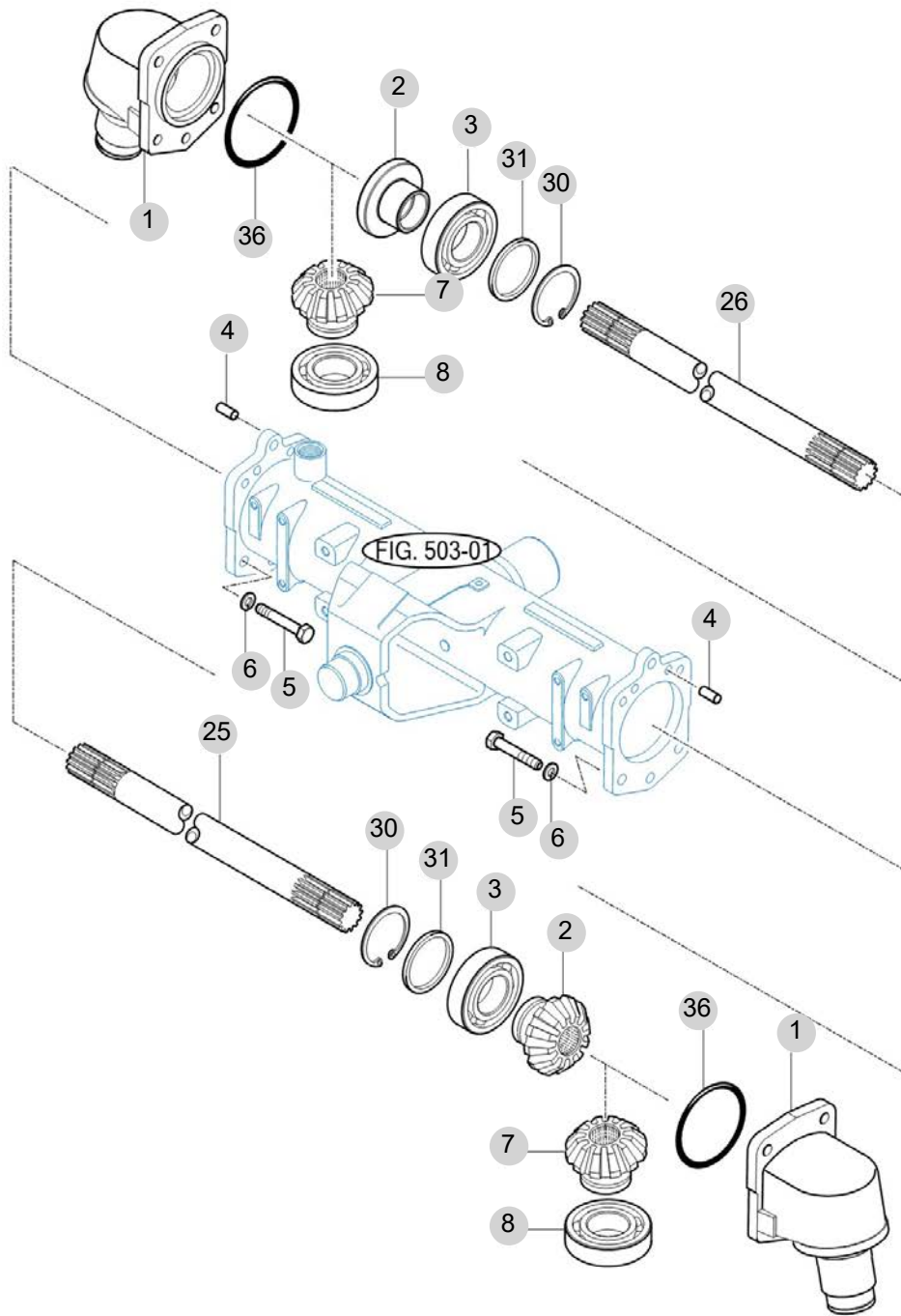
FIG 505

T455NHGBC

FRONT GEAR CASE (1)

년/월
Year/Month

2022-12



T483-k-505

NOTE

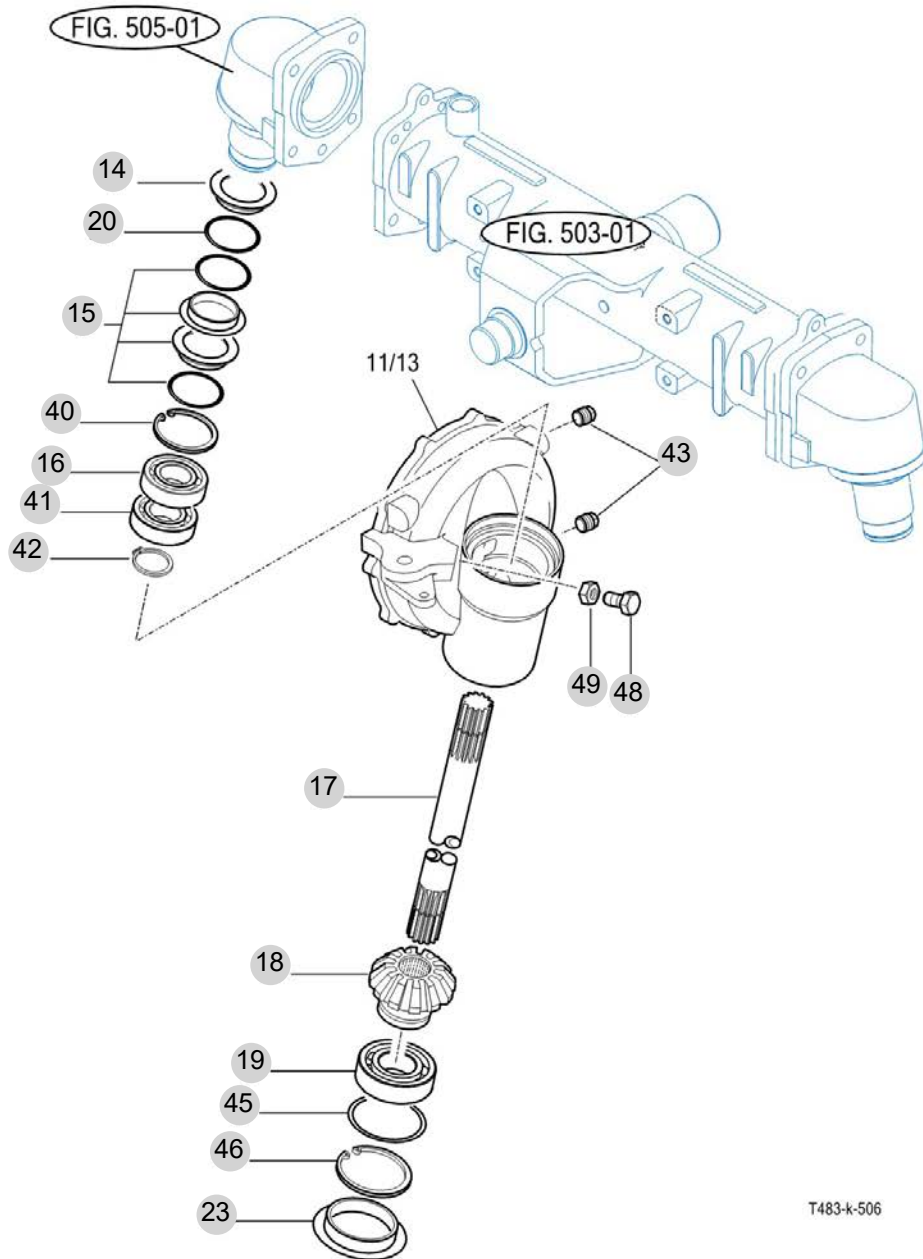
FIG 506

T455NHGBC

FRONT GEAR CASE (2)

년/월
Year/Month

2022-12



T483-k-506

NOTE

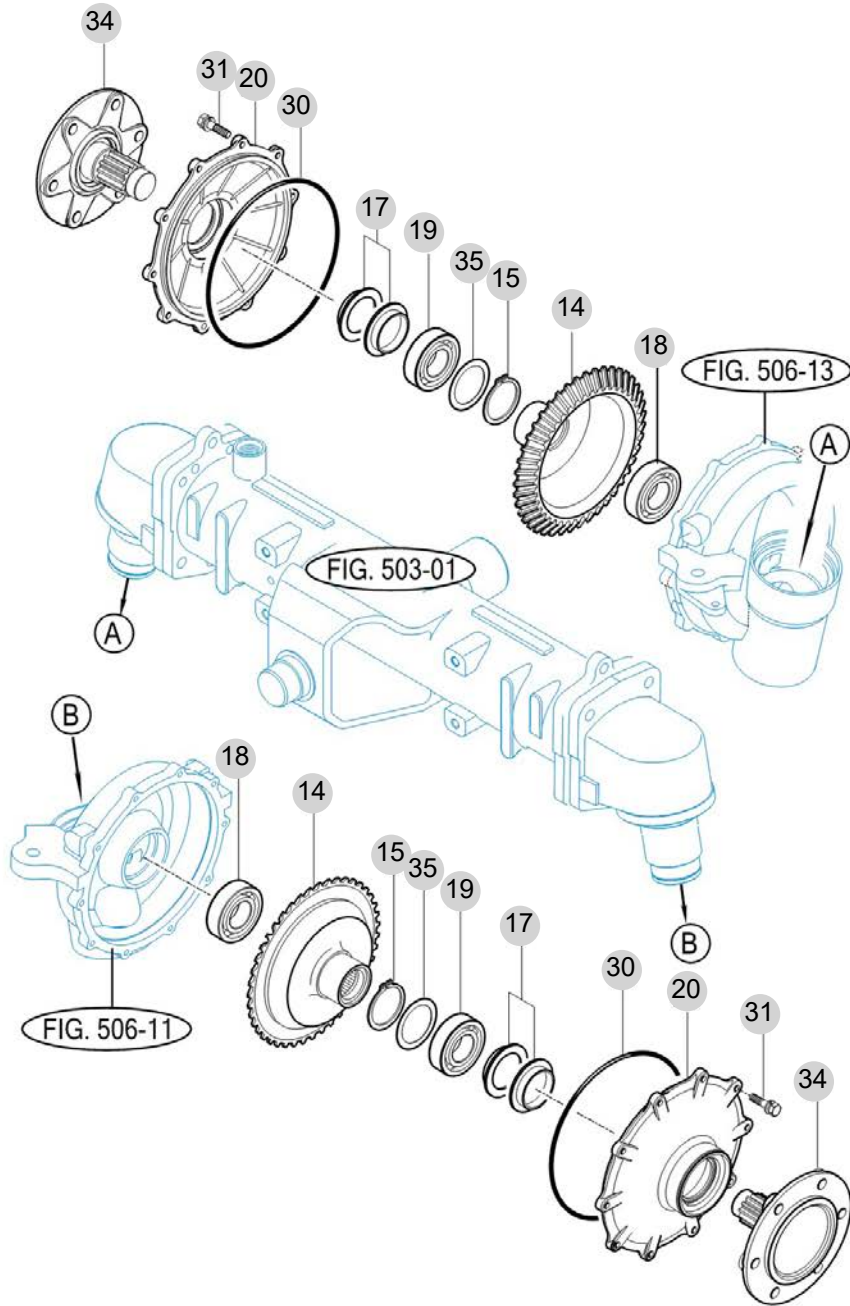
FIG 507

T455NHGBC

FRONT GEAR CASE (3)

년/월
Year/Month

2022-12



T483-k-507

NOTE

6. 유압/3점링크 PART NO. T6

FIG 601 CYLINDER CASE	136
FIG 602 LIFT ARM	138
FIG 603 CYLINDER	140
FIG 604 POSITION LINK	142
FIG 605 CONTROL VALVE	144
FIG 606 DRAFT LINK	146
FIG 607 POSITION & DRAFT LEVER	148
FIG 608 EXTERIOR HYD.VALVE	150
FIG 609 HYDRAULIC PIPE	152
FIG 610 JOYSTICK	155
FIG 611 HYDRAULIC HOSE	157
FIG 612 HITCH & 3-POINT LINK	159
FIG 613 LOWER LINK & LIFT ROD	162

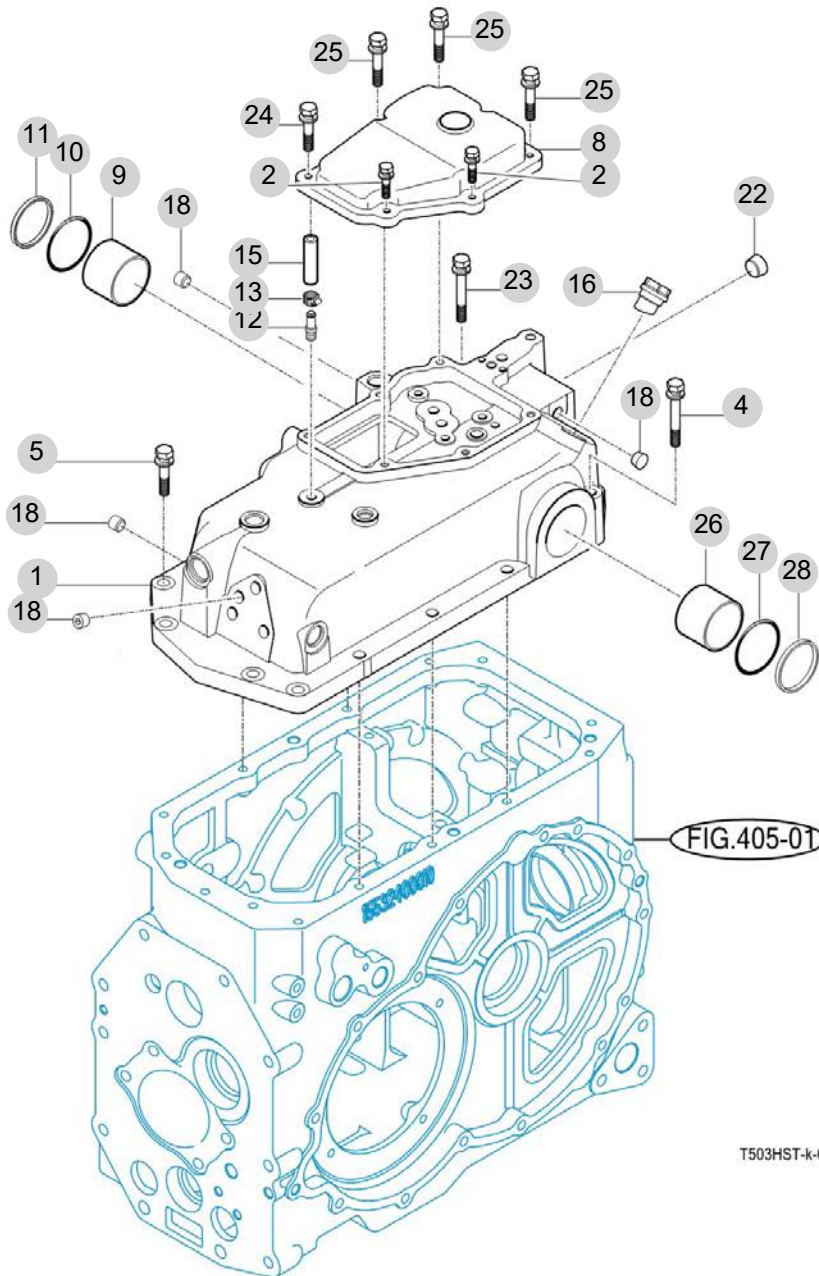
FIG 601

T455NHGBC

CYLINDER CASE

년/월
Year/Month

2022-12



NOTE

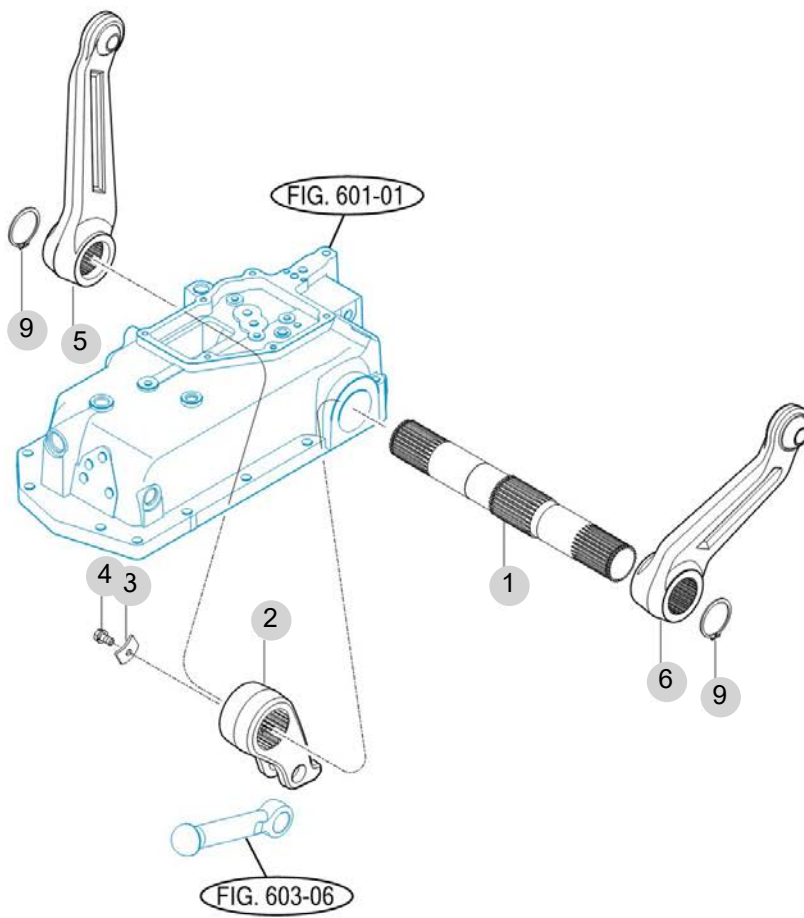
FIG 602

T455NHGBC

LIFT ARM

년/월
Year/Month

2022-12



T483-K-602

NOTE

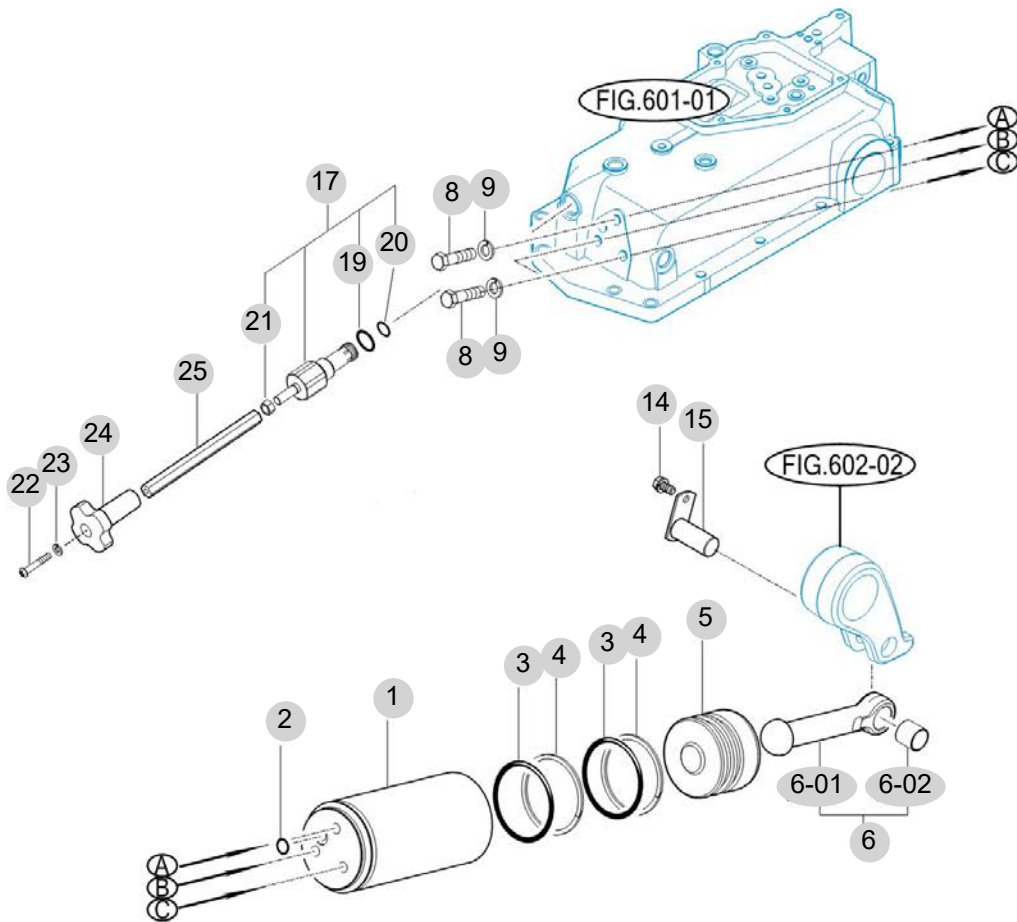
FIG 603

T455NHGBC

CYLINDER

년/월
Year/Month

2022-12



T483-K-603

NOTE

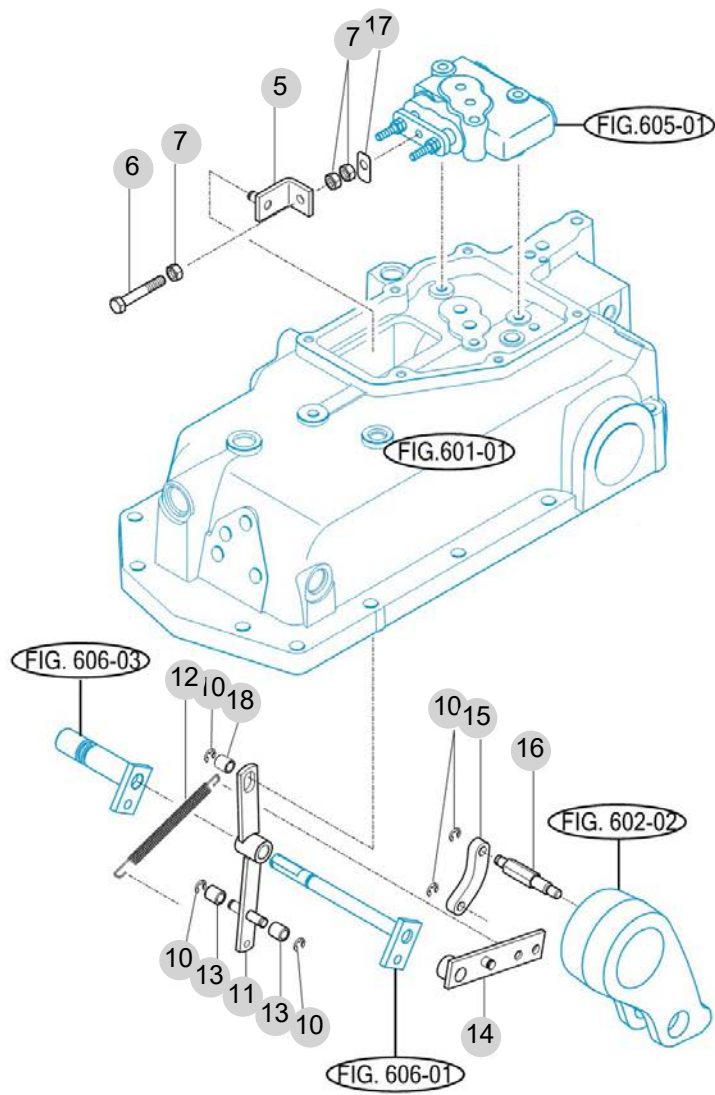
FIG 604

T455NHGBC

POSITION LINK

년/월
Year/Month

2022-12



T483-K-604

NOTE

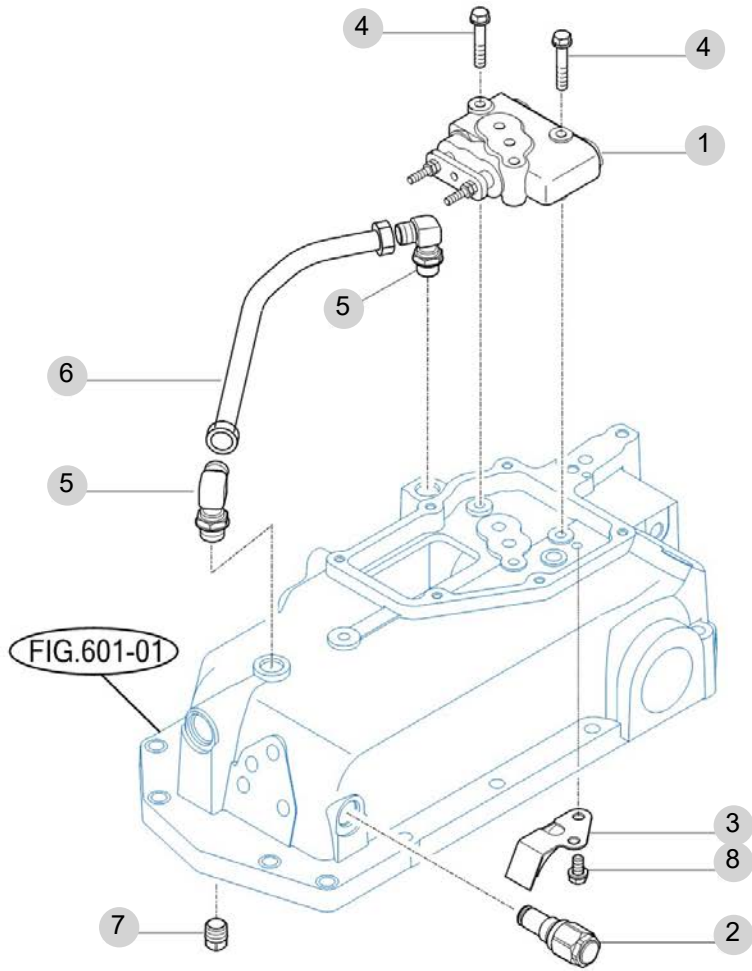
FIG 605

T455NHGBC

CONTROL VALVE

년/월
Year/Month

2022-12



T483-K-605

NOTE

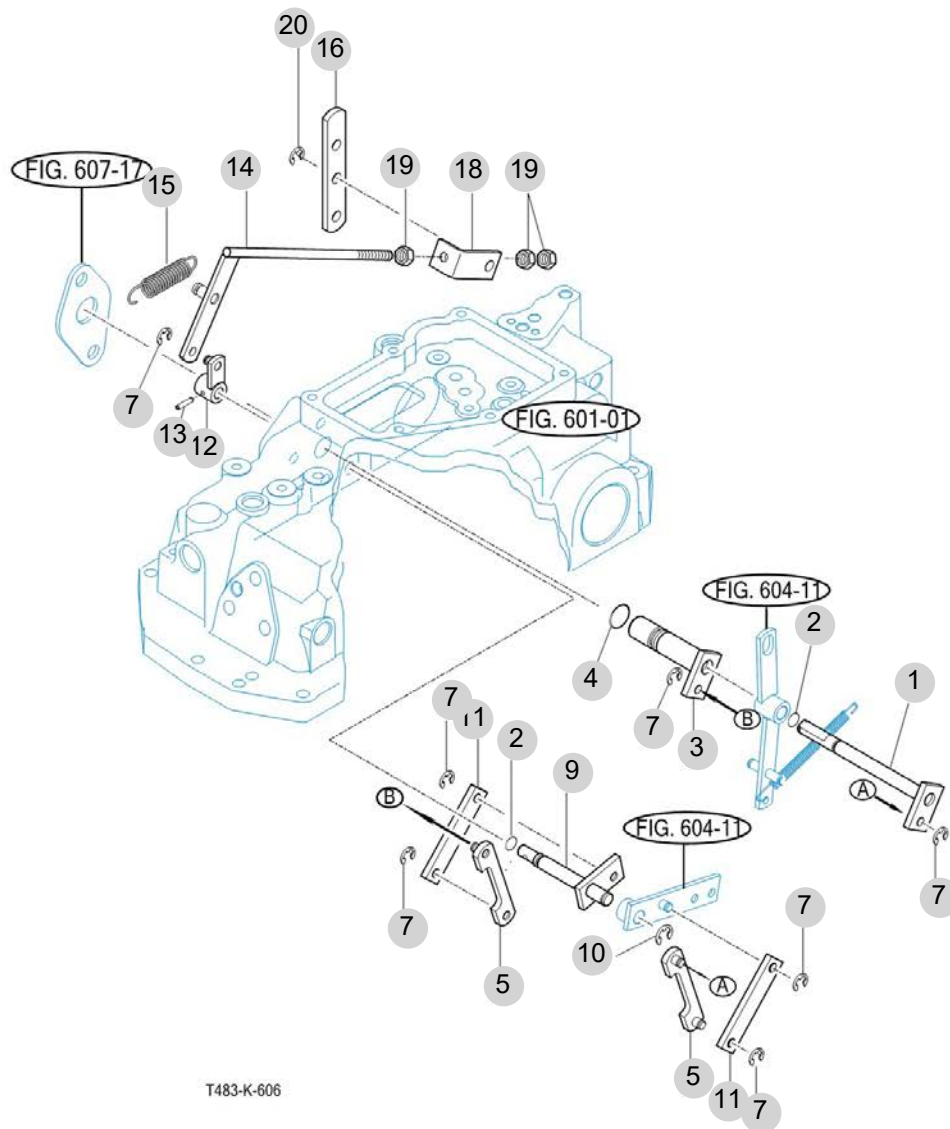
FIG 606

T455NHGBC

DRAFT LINK

년/월
Year/Month

2022-12



NOTE

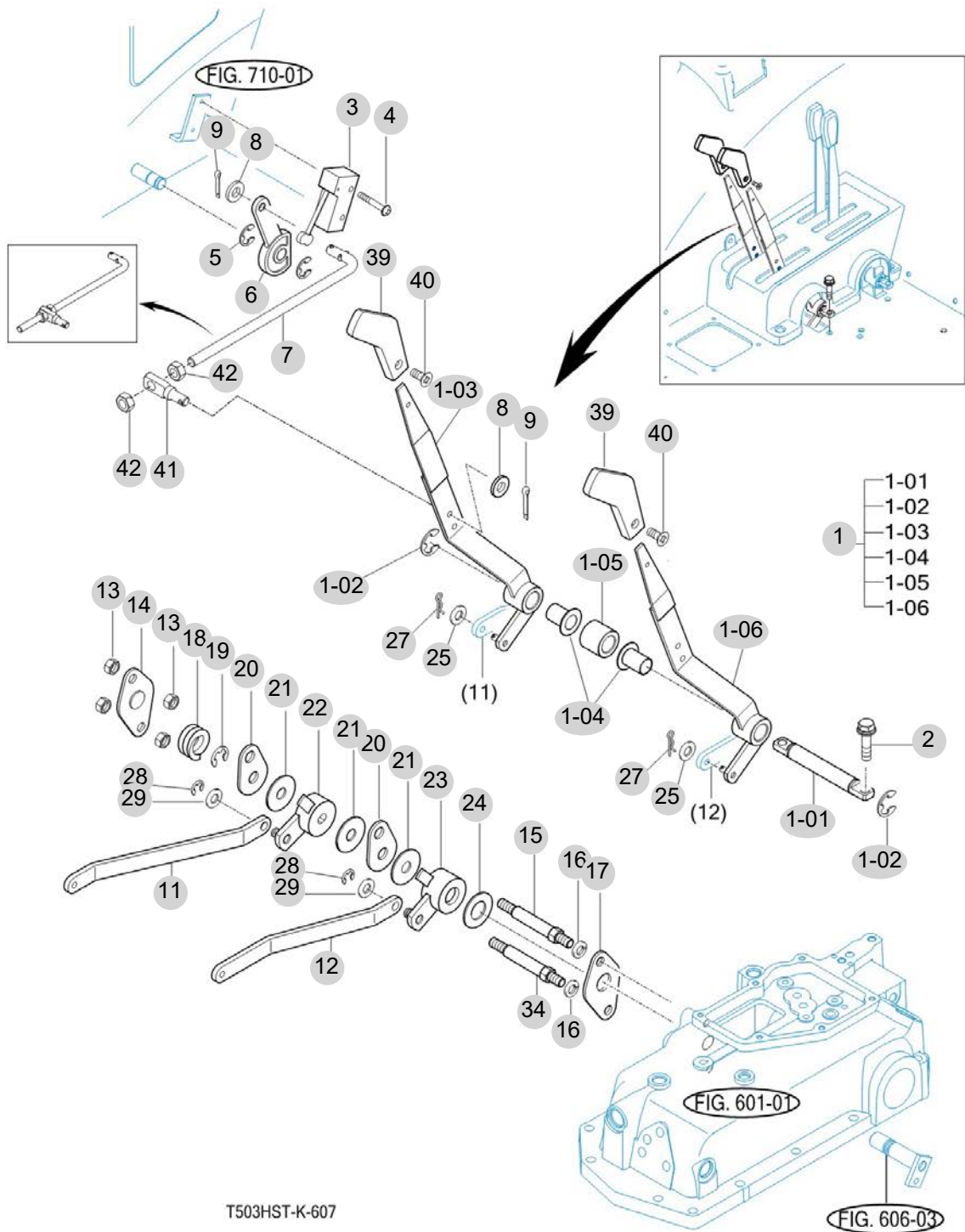
FIG 607

T455NHGBC

POSITION & DRAFT LEVER

년/월
Year/Month

2022-12



NOTE

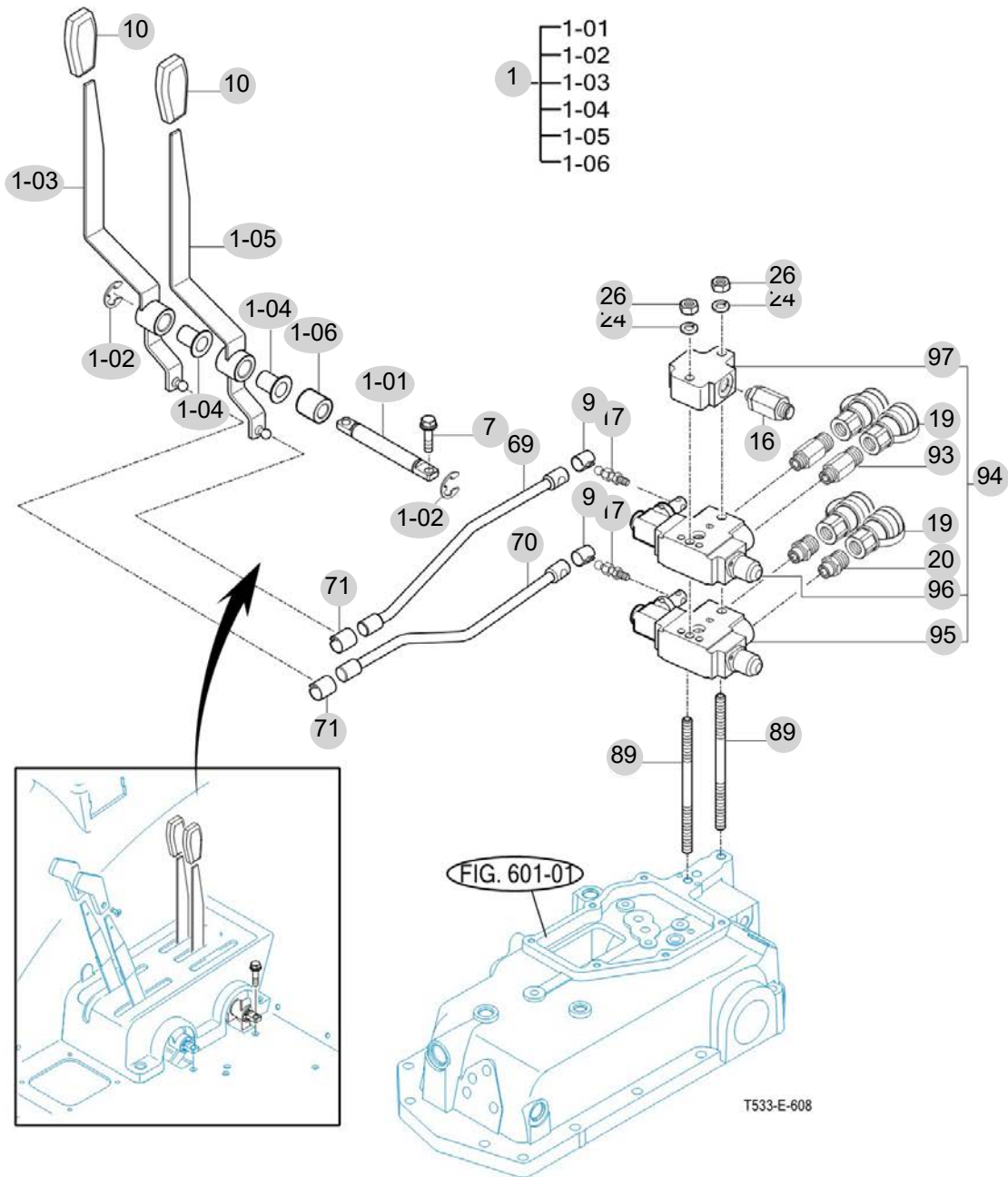
FIG 608

T455NHGBC

EXTERIOR HYD.VALVE

년/월
Year/Month

2022-12



NOTE

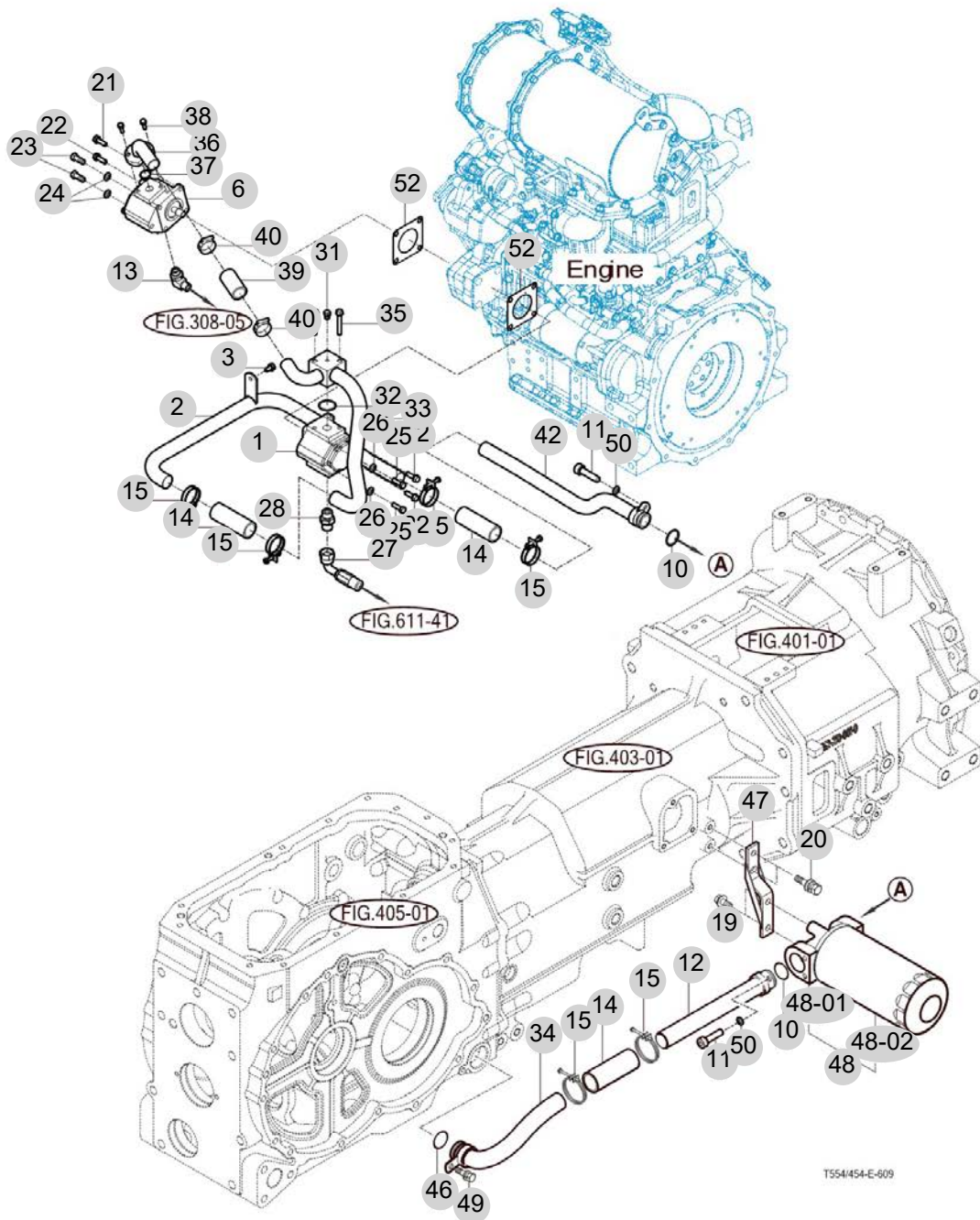
FIG 609

HYDRAULIC PIPE

년/월
Year/Month

2022-12

T455NHGBC



NOTE

FIG 609 T455NHGBC		HYDRAULIC PIPE					년/월 Year/Month	
							2022-12	
KEY NO	PART NO	DESCRIPTION	SPEC	QTY	REPAIR	EFFECTIVE DATE	REMARKS	
609	1	15115100001	기어펌프(MAIN)ASSY			1		
609	2	17465152201GB	흡입 파이프 COMP (FR/RR)			1		
609	2	17465152202GB	흡입 파이프 COMP (FR/RR)			1		
609	3	V2173608016	소형육각볼트보통(S)			1		
609	6	15115200000	기어펌프(PS)ASSY			1		
609	10	V7211031030	O링(G)			2		
609	11	V2205408016	육각홀트	M8X16		2		
609	12	14525153401	파이프(석션/F)COMP			1		
609	12	14525153401PC	파이프(석션/F)COMP			1		
609	12	14525153401	파이프(석션/F)COMP			1		
609	13	36313530021	어댑터(고압)			1		
609	14	15605150031	호스(100)			3		
609	15	18027090400	밴드 클램프 40 흡식	D=40		6		
609	19	V2183610025	소형육각볼트보통(SP)	M10X25		2		
609	20	V2183608020	소형육각볼트보통(SP)	M8X20		2		
609	21	V2173608040	소형육각볼트보통(S)	M8X40		1		
609	22	V2173608025	소형육각볼트보통(S)	M8X25		3		
609	23	V2013608110	소형육각볼트(보통)	M8X110		2		
609	24	V4011600080	스프링와셔	M8		2		
609	25	V2013608110	소형육각볼트(보통)	M8X110		2		
609	26	V4011600080	스프링와셔	M8		2		
609	27	14525152331	유압호스(1560)ASSY			1		
609	28	16582630620	콘넥터(PF1/2)			1		
609	31	13267060022	드레인플러그			1		
609	32	V7211031030	O링(G)			1		
609	33	17465153301GB	흡입 파이프 COMP (앞)			1		
609	33	17465153302GB	흡입 파이프 COMP (앞)			1		
609	33	17465153303GB	흡입 파이프 COMP (앞)			1		
609	34	14525162402PC	파이프(석션/RR)COMP			1		
609	34	14525162403	파이프(석션/RR)COMP			1		
609	35	V2173608055	소형육각볼트보통(S)	M8X55		2		
609	36	15155152901GB	파이프(석션/P)COMP			1		
609	37	V7201024018	O링(P)	P18		1		
609	38	V2113606020	육각볼트(S)	M6X20		2		
609	39	19955100010	호스(26X34X60)			1		
609	40	18027090400	밴드 클램프 40 흡식			2		
609	42	14525152101	파이프(석션/R/IN)COMP			1		
609	42	14525152102	파이프 COMP , 석션/R/IN			1		
609	42	14525152102PC	파이프 COMP , 석션/R/IN			1		
609	42	14525152103	파이프 COMP , 석션/R/IN			1		
609	46	V7211031030	O링(G)	G30		1		
609	47	14525150000GB	브래킷(오일필터)			1		
609	47	14525150000	브래킷(오일필터)			1		
609	47	14525150001	브래킷(오일필터)			1		
609	48	17975152001	필터(흡입/43)ASSY			1		
NOTE								

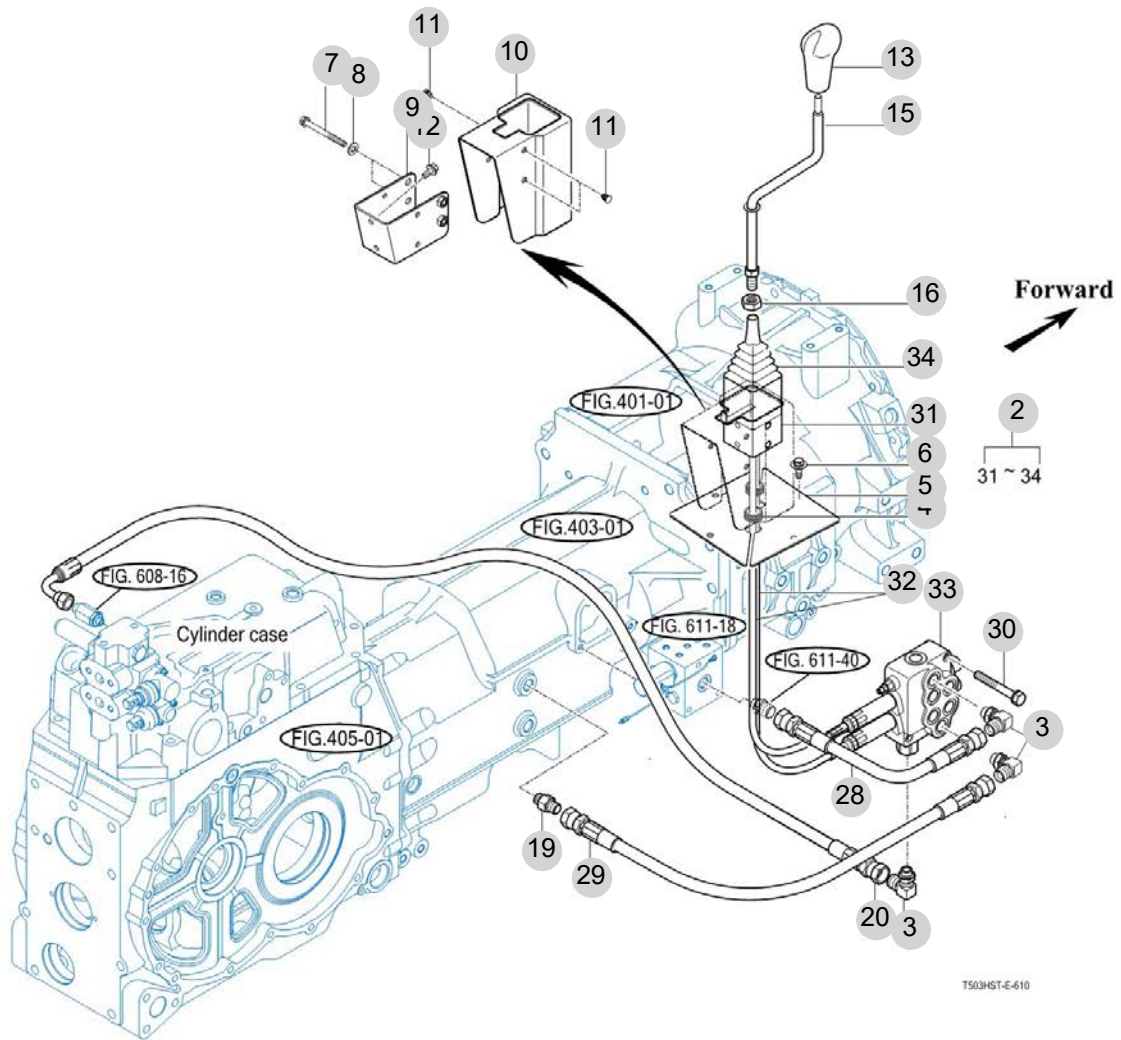
FIG 610

T455NHGBC

JOYSTICK

년/월
Year/Month

2022-12



NOTE

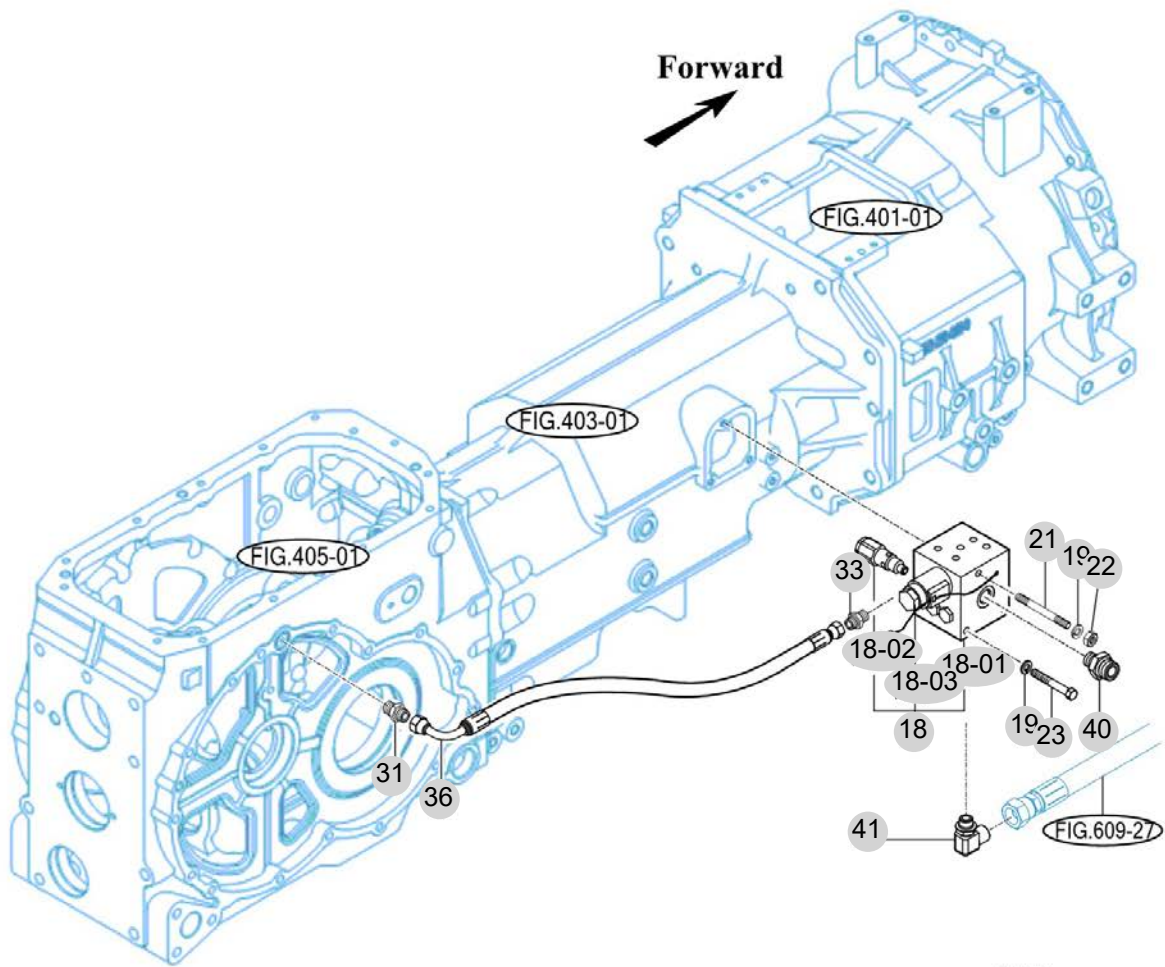
FIG 611

T455NHGBC

HYDRAULIC HOSE

년/월
Year/Month

2022-12



TSS404A-E-011

NOTE

FIG 612 T455NHGBC		HITCH & 3-POINT LINK					년/월 Year/Month	
							2022-12	
KEY NO	PART NO	DESCRIPTION	SPEC	QTY	REPAIR	EFFECTIVE DATE	REMARKS	
612	1	15535202002GB	스윙드로바 브래킷, COMP		1			
612	1	15535202003GB	스윙드로바 브래킷, COMP		1			
612	2	V2013616035	소형육각볼트(보통)	M16X35	2			
612	3	V4011600160	스프링와셔	M16	4			
612	10	V2013616035	소형육각볼트(보통)	M16X35	3			
612	11	V4011600160	스프링와셔	M16	5			
612	12	V2513416035	스터드볼트2종	M16X35	4			
612	13	V3043600160	소형육각너트보통2종	M16	4			
612	14	16735222102GB	링크 COMP		1			
612	15	15185222000GB	브래킷 COMP		1			
612	17	14525254100GB	브래킷(후)COMP		1			
612	18	14525254100GB	브래킷(후)COMP		1			
612	19	V2173612030	소형육각볼트보통(S)	M12X30	8			
612	22	15685252204	핀(L) COMP		1			
612	23	15685252801	핀(R) COMP		1			
612	24	V2013614040	소형육각볼트(보통)	M14X40	6			
612	27	V4011600140	스프링와셔	M14	6			
612	28	15645250010	핀(19X122)		1			
612	29	15645220020	핀(19X95)		1			
612	30	14445140051	헤어핀(19)		3			
612	31	15645250010	핀(19X122)		1			
612	38	16505245501GB	톱링크ASSY		1			
612	38	16505245502GB	톱링크 ASSY		1			
612	38-01	16505245510	톱링크COMP(RH)		1			
612	38-02	16505245520	톱링크COMP(LH)		1			
612	38-03	14555140251	턴버클 조합(톱링크)		1			
612	38-04	16505245530	육각너트		1			
612	44	15645220011	핀(19X86)		1			
612	45	14445140051	헤어핀(19)		1			
612	47	14215020020	링크핀		2			
612	57	S0973063031	핀ASSY		1			
612	58	15252470010	쿠션고무		1			
612	65	V4011600140	스프링와셔	M14	4			
612	66	V2013614035	소형육각볼트(보통)	M14X35	4			
612	68	13605200012GB	커버(씰드)		1			
612	69	V2183608016	소형육각볼트보통(SP)		4			
612	80	15155253000GB	조정링크(완)ASSY		2			
612	81	15155253100	로드 SUB, FR		2			
612	82	17705254200	린치핀		2			
612	85	15155253300	로드 SUB, RR		2			
612	86	15155253400	핀, ø20X59		2			
612	88	V5001940035	분할핀	4.0X35	2			
612	89	15155253500	아이볼트		2			
612	90	V4111600220	평와셔	M22	2			
612	91	V3343600220	소형육각너트가는2종	M22	2			
NOTE								

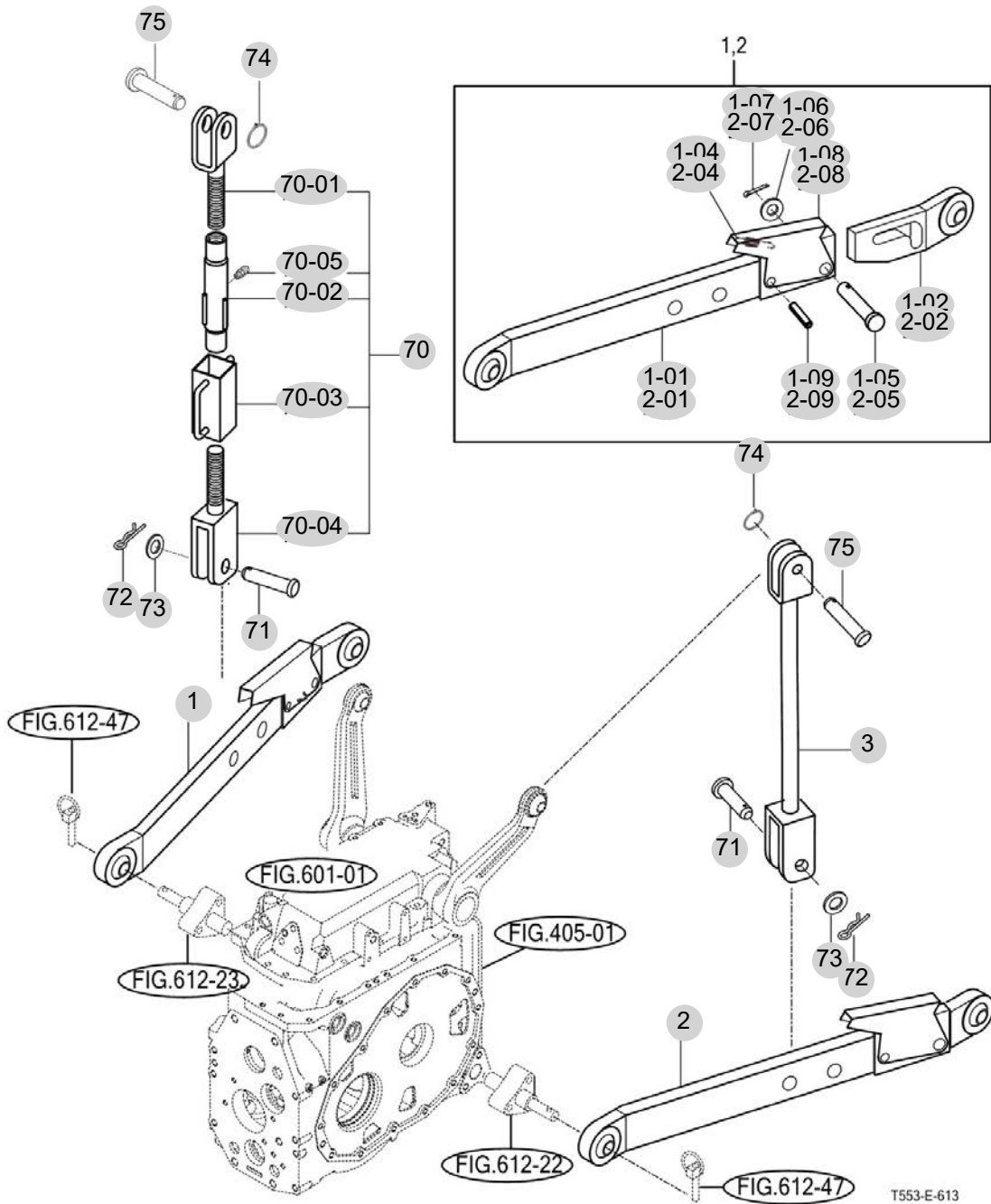
FIG 613

T455NHGBC

LOWER LINK & LIFT ROD

년/월
Year/Month

2022-12



NOTE

7. 시트메탈/캐빈 PART NO. T7

FIG 701 HOOD (1)	165
FIG 702 HOOD (2)	167
FIG 704B LEVER COVER & STEP-Non CAB	169
FIG 705 FRONT & REAR MOUNTING	171
FIG 706 SEAT & MAT	173
FIG 710B FRAME&2POLES ROPS-Non CAB	175
FIG 713B SUB FENDER&COVER-Non CAB	177
FIG 714B MIRROR&WORKING LAMP-Non CAB	179
FIG 718 CABIN INTERIOR	181
FIG 719 PEDAL SUB ASSY	183

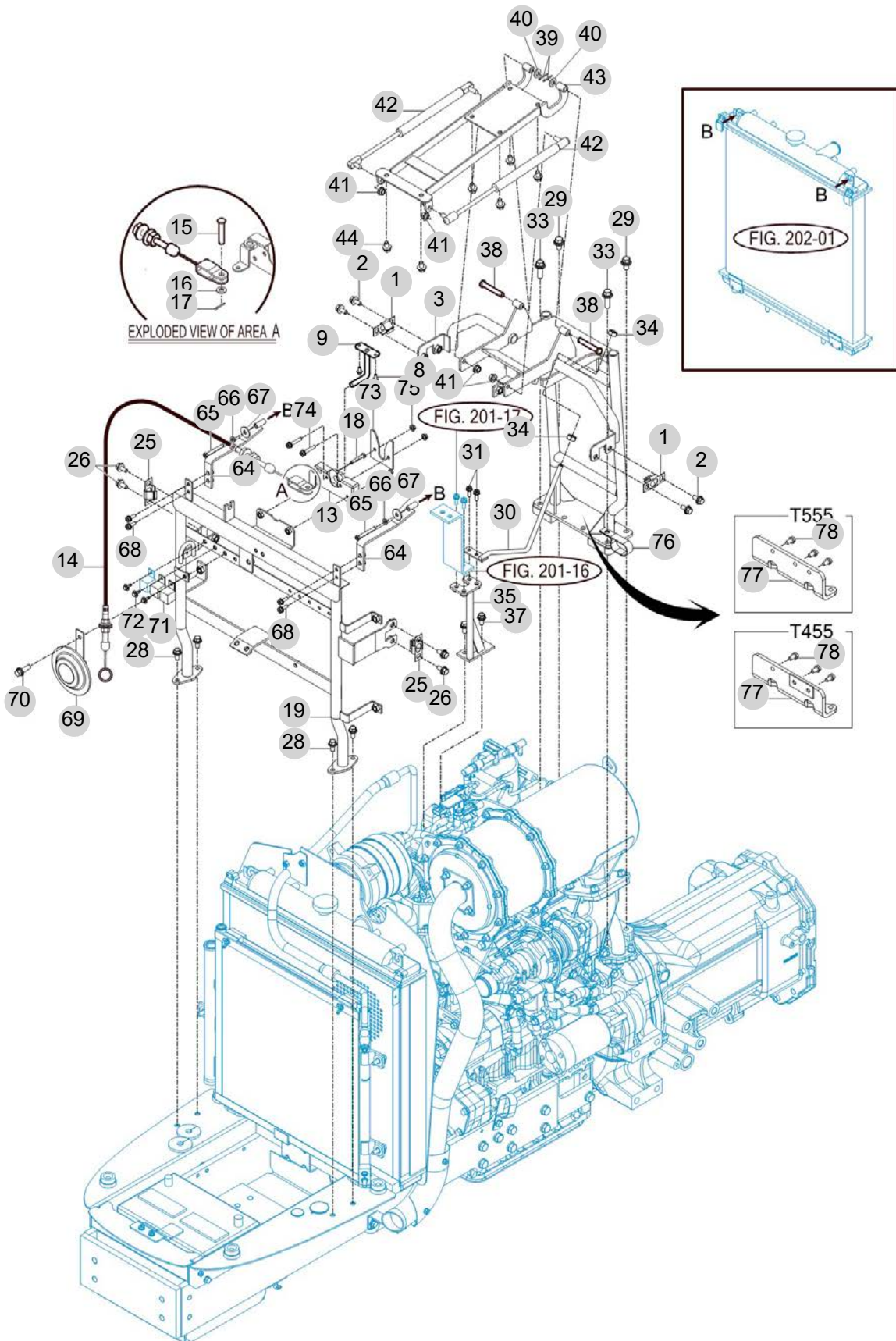
FIG 701

T455NHGBC

HOOD (1)

년/월
Year/Month

2022-12



NOTE

FIG 701 T455NHGBC		HOOD (1)					년/월 Year/Month	
							2022-12	
KEY NO	PART NO	DESCRIPTION	SPEC	QTY	REPAIR	EFFECTIVE DATE	REMARKS	
701	1	17686013502	고정스프링		2			
701	2	V2183608020	소형육각볼트보통(SP)	M8X20	4			
701	3	17466052000GB	프레임(후드/서포트)COMP		1			
701	8	V2183608016	소형육각볼트보통(SP)	M8X16	2			
701	9	17466022100	브래킷 COMP , 후드 록		1			
701	13	17686020600	잠금장치(후드)COMP		1			
701	14	12146020650	후드케이블ASSY		1			
701	15	15601160083	핀 (06X16)		1			
701	16	V4111600060	평와셔	M6	1			
701	17	V5001920020	분할핀		1			
701	18	V2053606035	심자흡육각볼트	M6X35	2			
701	19	17466011001GB	프레임(후드/프런트)COMP		1			
701	25	17686013502	고정스프링		2			
701	26	V2183608020	소형육각볼트보통(SP)	M8X20	4			
701	28	V2183608020	소형육각볼트보통(SP)	M8X20	4			
701	29	V2183610020	소형육각볼트보통(SP)	M10X20	2			
701	30	17463282200	로드 COMP		1			
701	31	V2123606020	육각볼트(SP)	M6X20	2			
701	33	V2174610050	소형육각볼트보통(S)	M10X50	2			
701	34	V3013600100	육각너트보통2종	M10	2			
701	35	17466052300GB	서포트 COMP		1			
701	37	V2183608020	소형육각볼트보통(SP)	M8X20	2			
701	38	16996024552	두부핀		2			
701	39	V5001920020	분할핀		2			
701	40	V4111600080	평와셔	M8	2			
701	41	V3802600080	플랜지볼이육각너트	M8	4			
701	42	19957022201	댐퍼(후드)ASSY_35kg		2			
701	43	19956054600GB	후드 OPEN 브래킷 COMP		1			
701	44	V2183608016	소형육각볼트보통(SP)	M8X16	6			
701	64	17466012101GB	라디에이터 고정브래킷COMP		2			
701	65	V2053606050	심자흡육각볼트	M6X50	2			
701	66	V4011600060	스프링와셔	M6	2			
701	67	35602010150	결속축와셔		2			
701	68	V2123606020	육각볼트(SP)	M6X20	4			
701	69	13266212003	흔		1			
701	70	V2113606012	육각볼트(S)	M6X12	1			
701	71	17686641110	예열릴레이		2			
701	72	V2193606016	육각볼트(SPL)	M6X16	3			
701	73	17406014300	후드핀 가이드		1			
701	74	V2123606035	육각볼트(SP)	M6X35	2			
701	75	V3802600060	플랜지볼이육각너트		2			
701	76	14441010161	라디에이터호스클램프		1			
701	77.1	14137001100GB	하우징 서포터 COMP		1			
701	78	V2173608030	소형육각볼트보통(S)	M8X30	3			
NOTE								

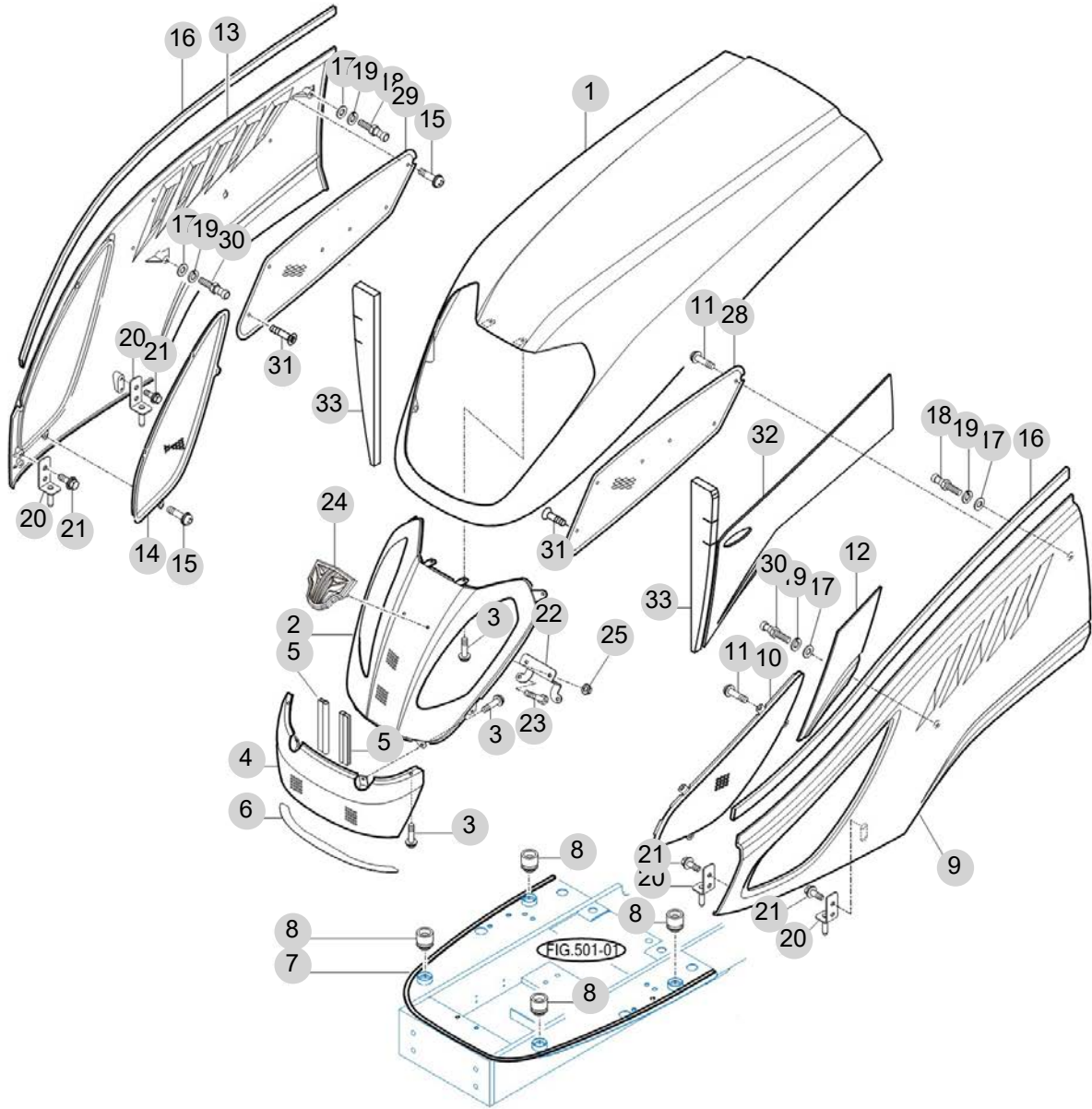
FIG 702

T455NHGBC

HOOD (2)

년/월
Year/Month

2022-12



T554/454-E-702

NOTE

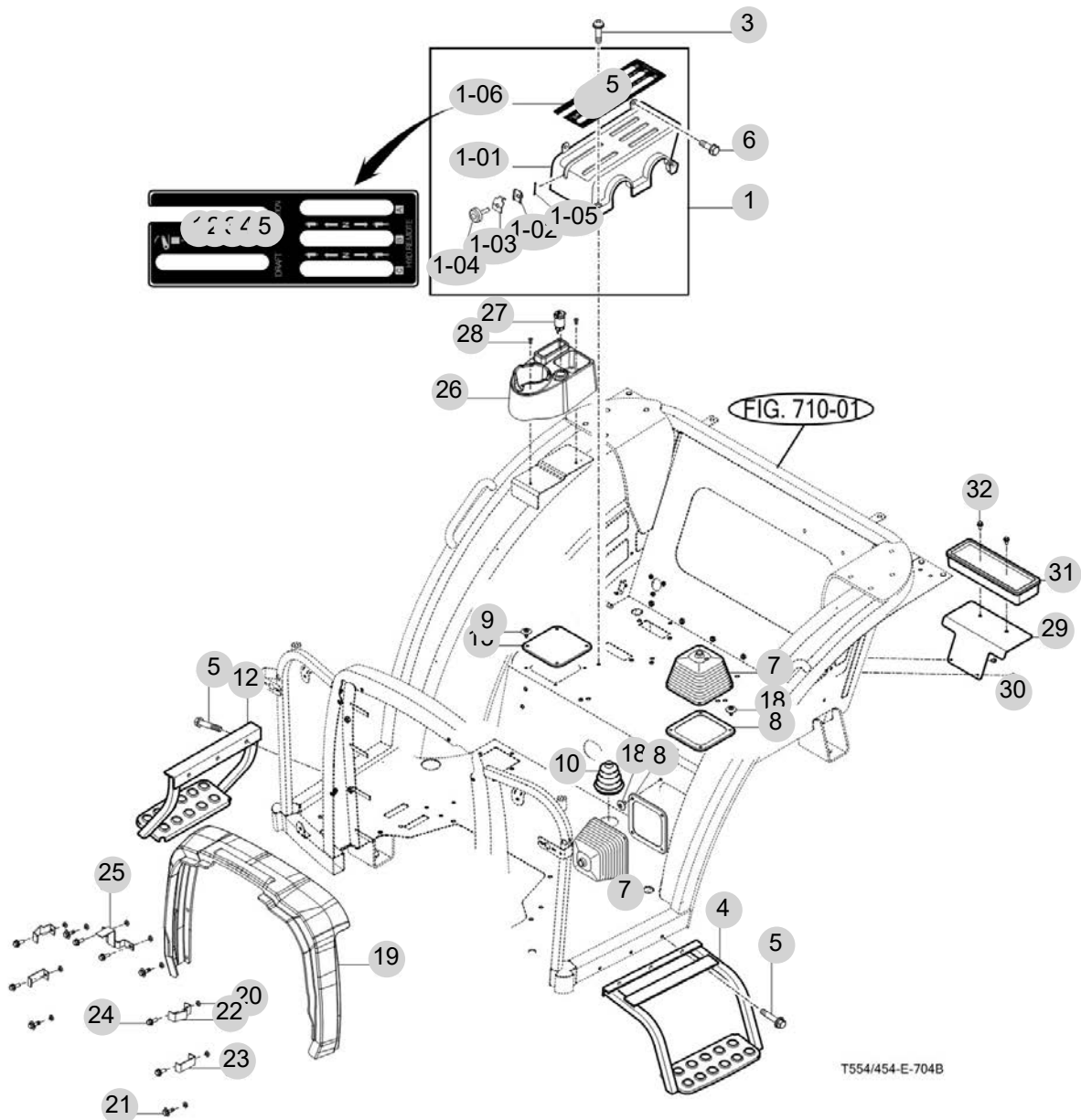
FIG 704B

T455NHGBC

LEVER COVER & STEP-Non CAB

년/월
Year/Month

2022-12



NOTE

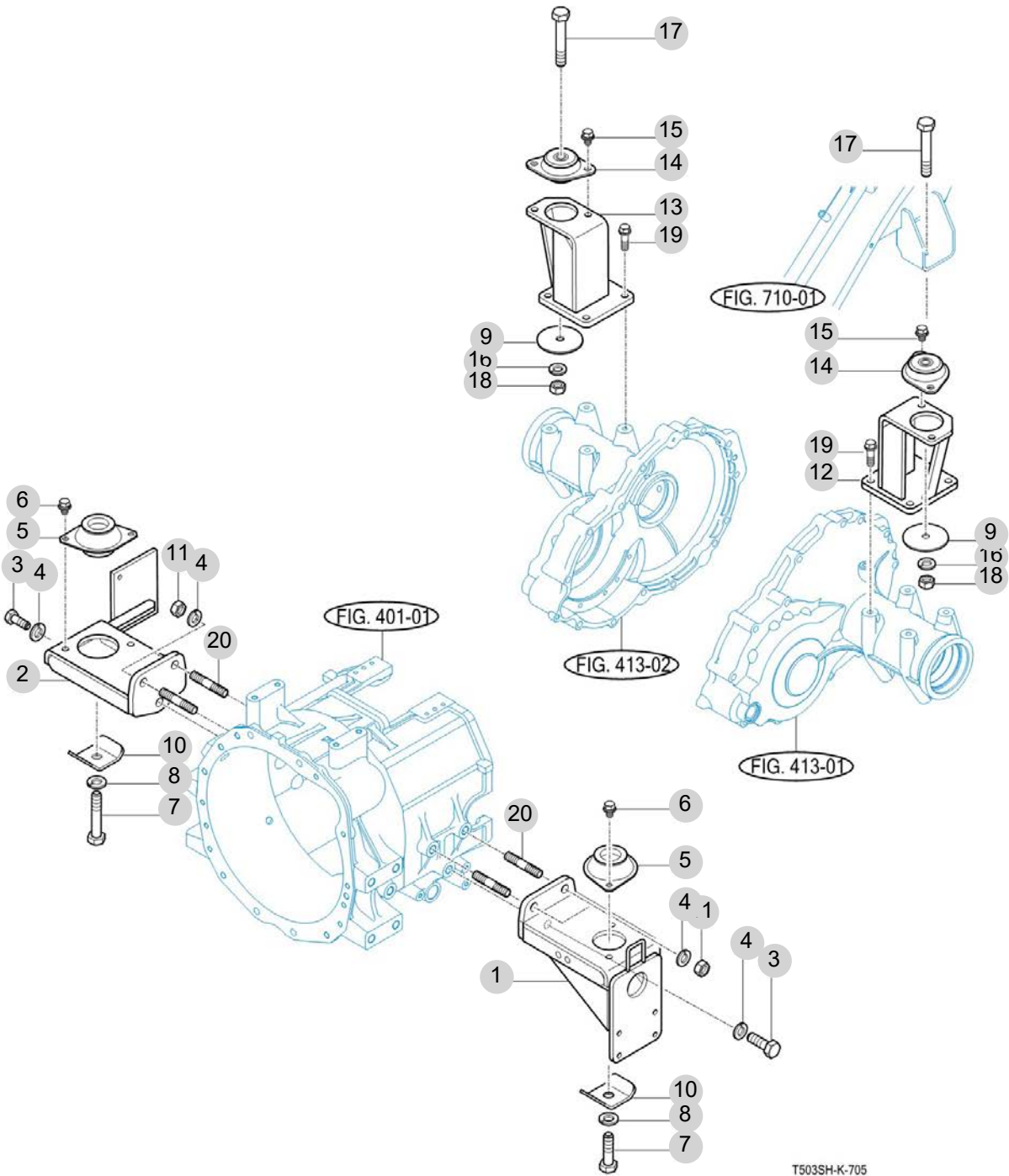
FIG 705

T455NHGBC

FRONT & REAR MOUNTING

년/월
Year/Month

2022-12



T503SH-K-705

NOTE

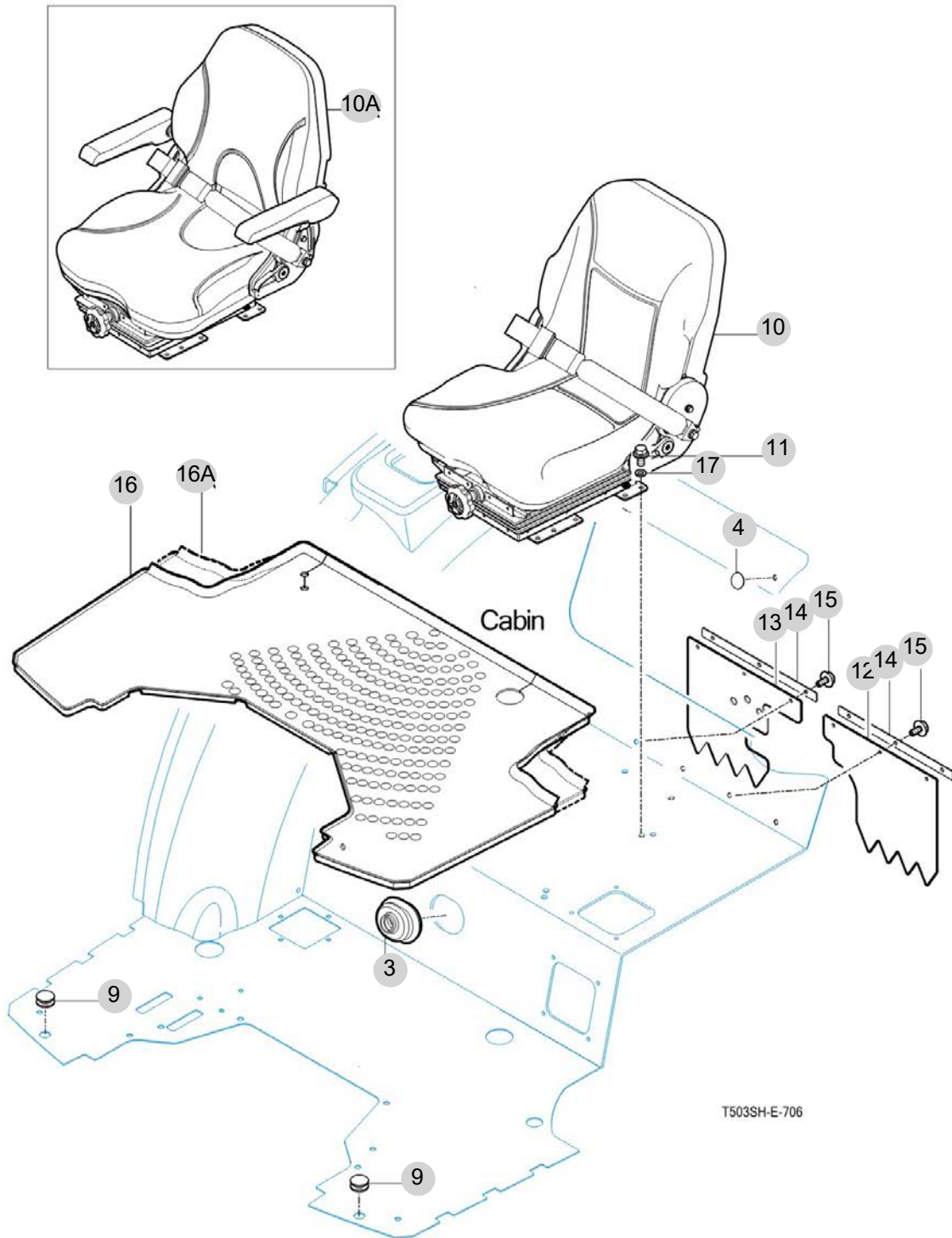
FIG 706

SEAT & MAT

년/월
Year/Month

2022-12

T455NHGBC



NOTE

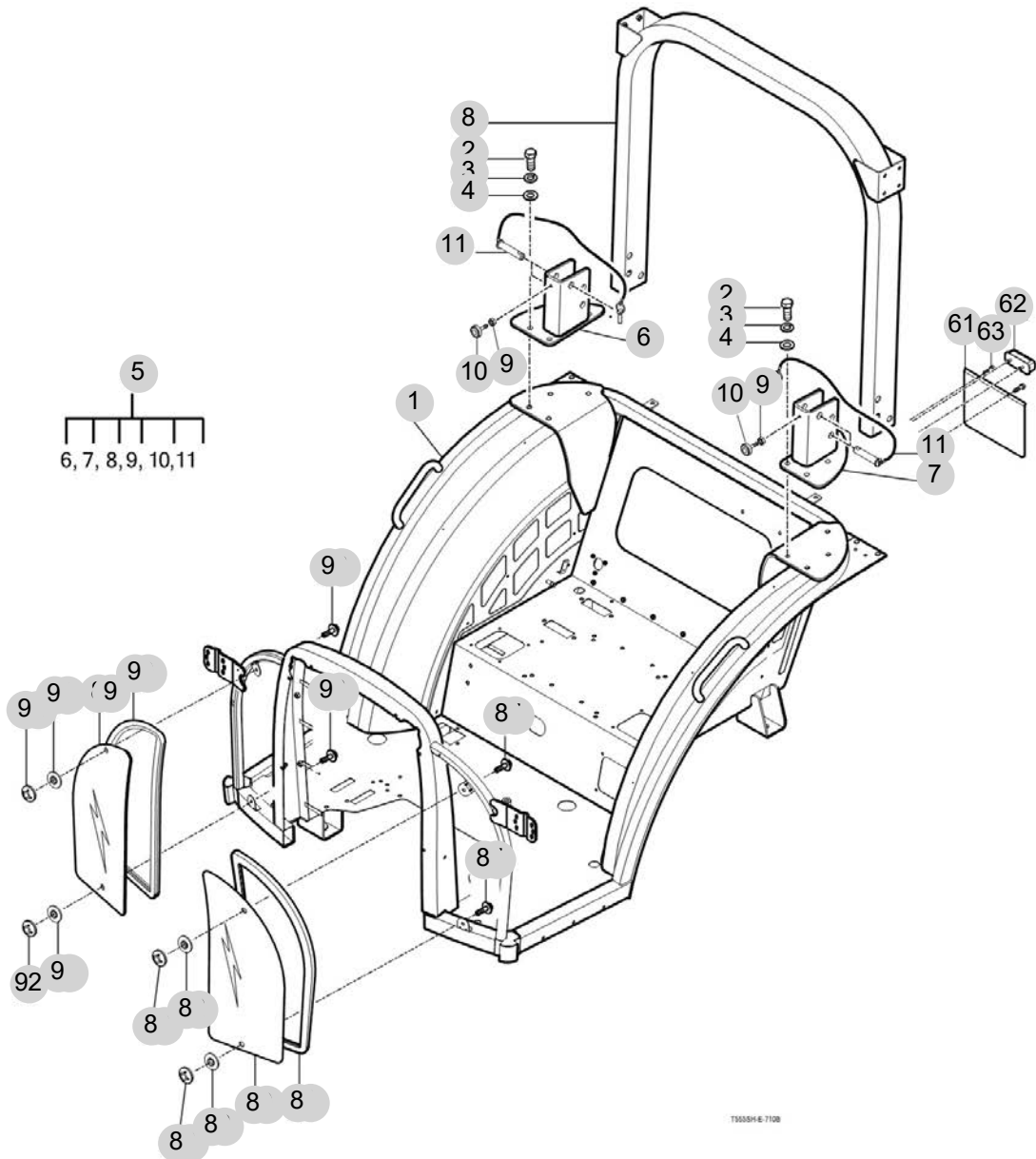
FIG 710B

T455NHGBC

FRAME&2POLES ROPS-Non CAB

년/월
Year/Month

2022-12



NOTE

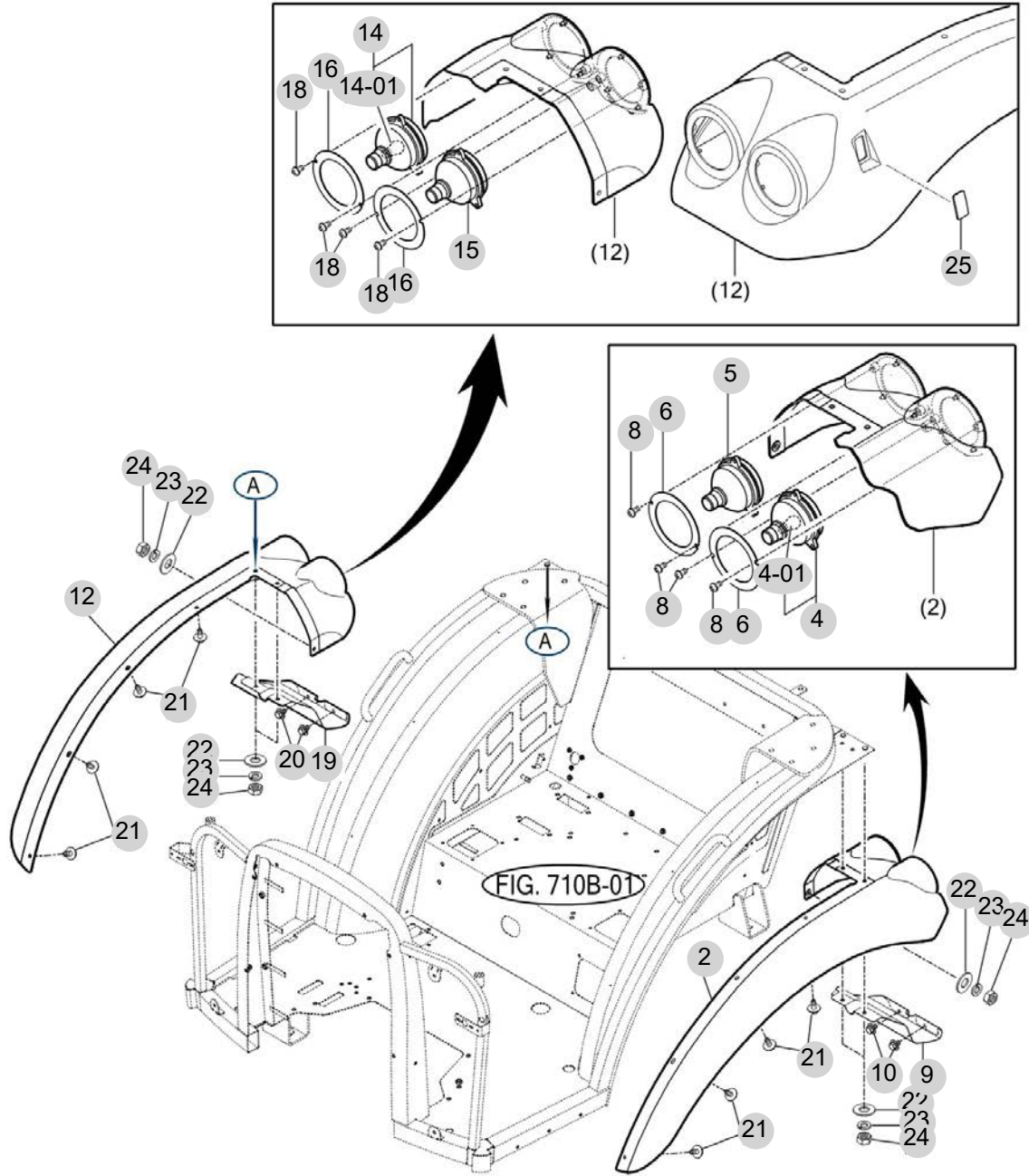
FIG 713B

T455NHGBC

SUB FENDER&COVER-Non CAB

년/월
Year/Month

2022-12



T553-E-713B

NOTE

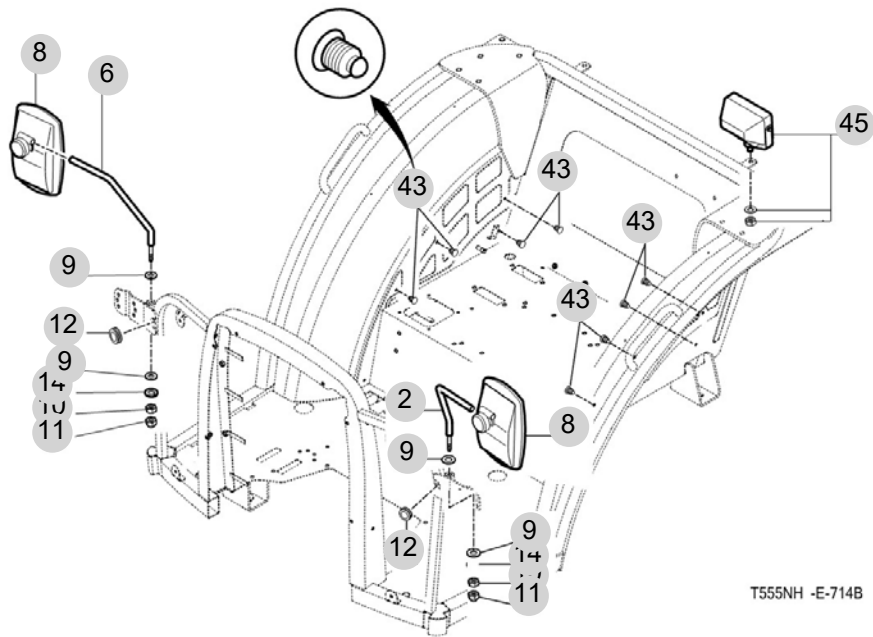
FIG 714B

T455NHGBC

MIRROR&WORKING LAMP-Non CAB

년/월
Year/Month

2022-12



NOTE

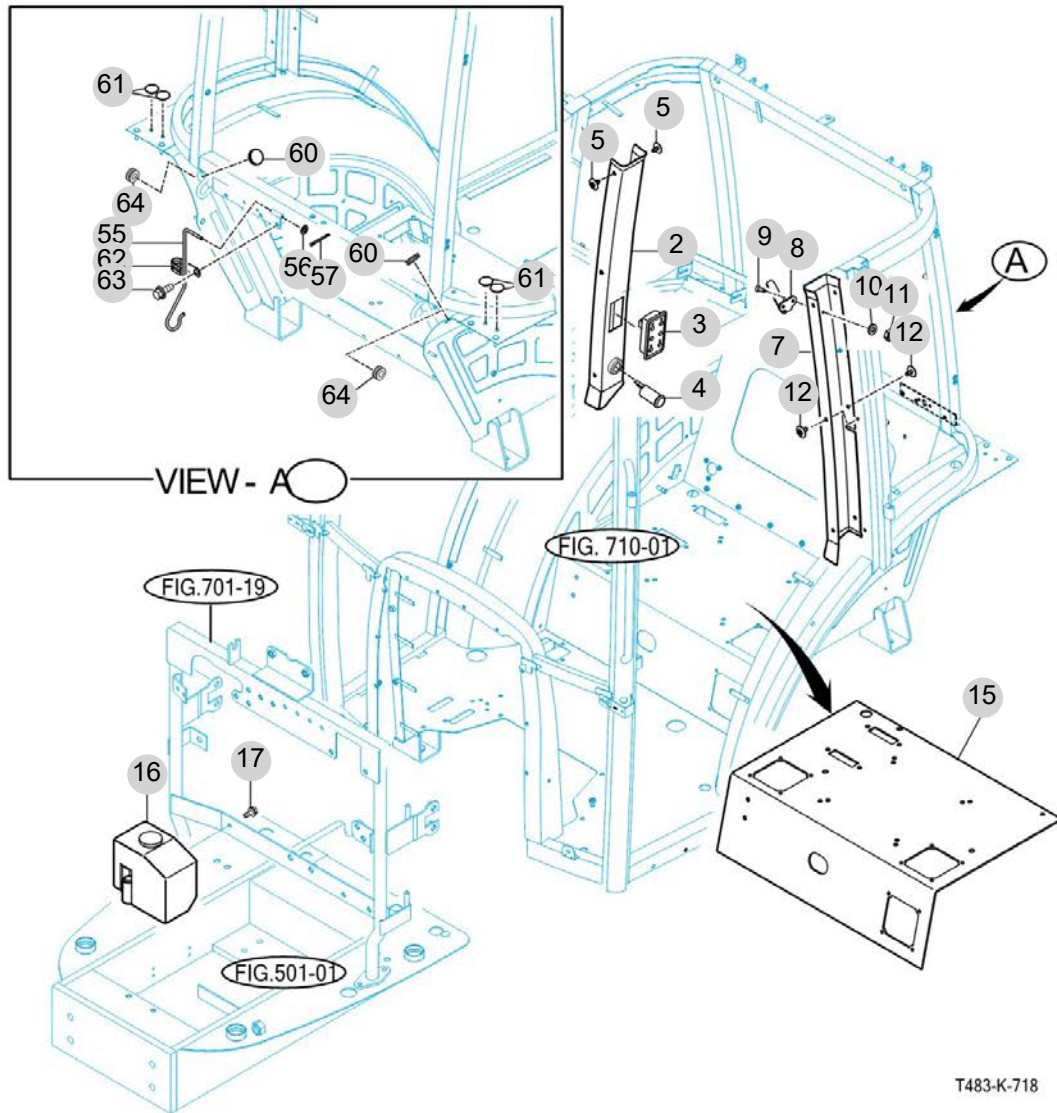
FIG 718

CABIN INTERIOR

년/월
Year/Month

T455NHGBC

2022-12



T483-K-718

NOTE

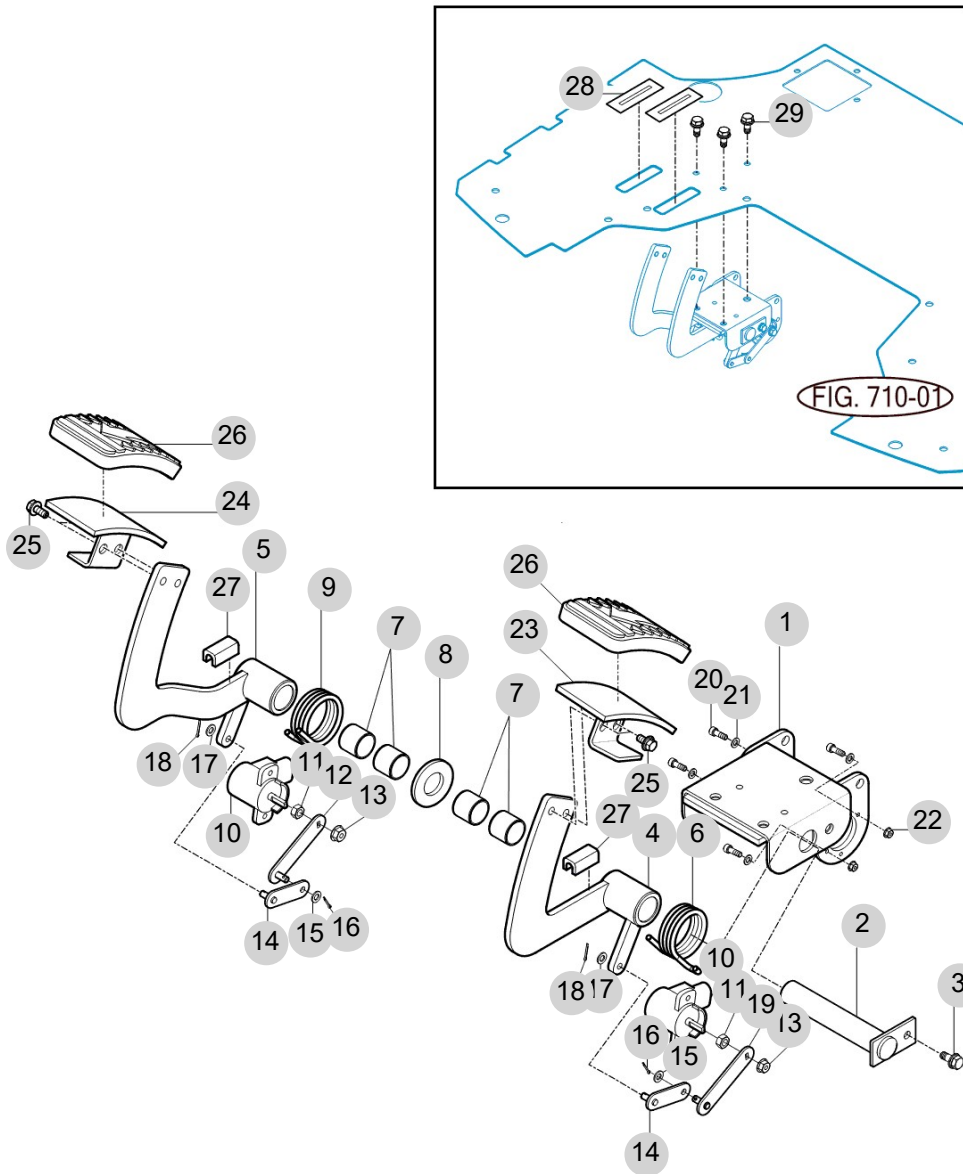
FIG 719

T455NHGBC

PEDAL SUB ASSY

년/월
Year/Month

2022-12



NOTE

8. 전장 PART NO. T8

FIG 801 BATTERY MOUNTING	186
FIG 802 LIGHT & BACK LAMP	188
FIG 803 INSTRUMENT PANEL	190
FIG 804 ELECTRIC SYSTEM (1)	192
FIG 805B ELECTRIC SYSTEM (2)-Non CAB	194
FIG 806 ELECTRIC SYSTEM (3)	196

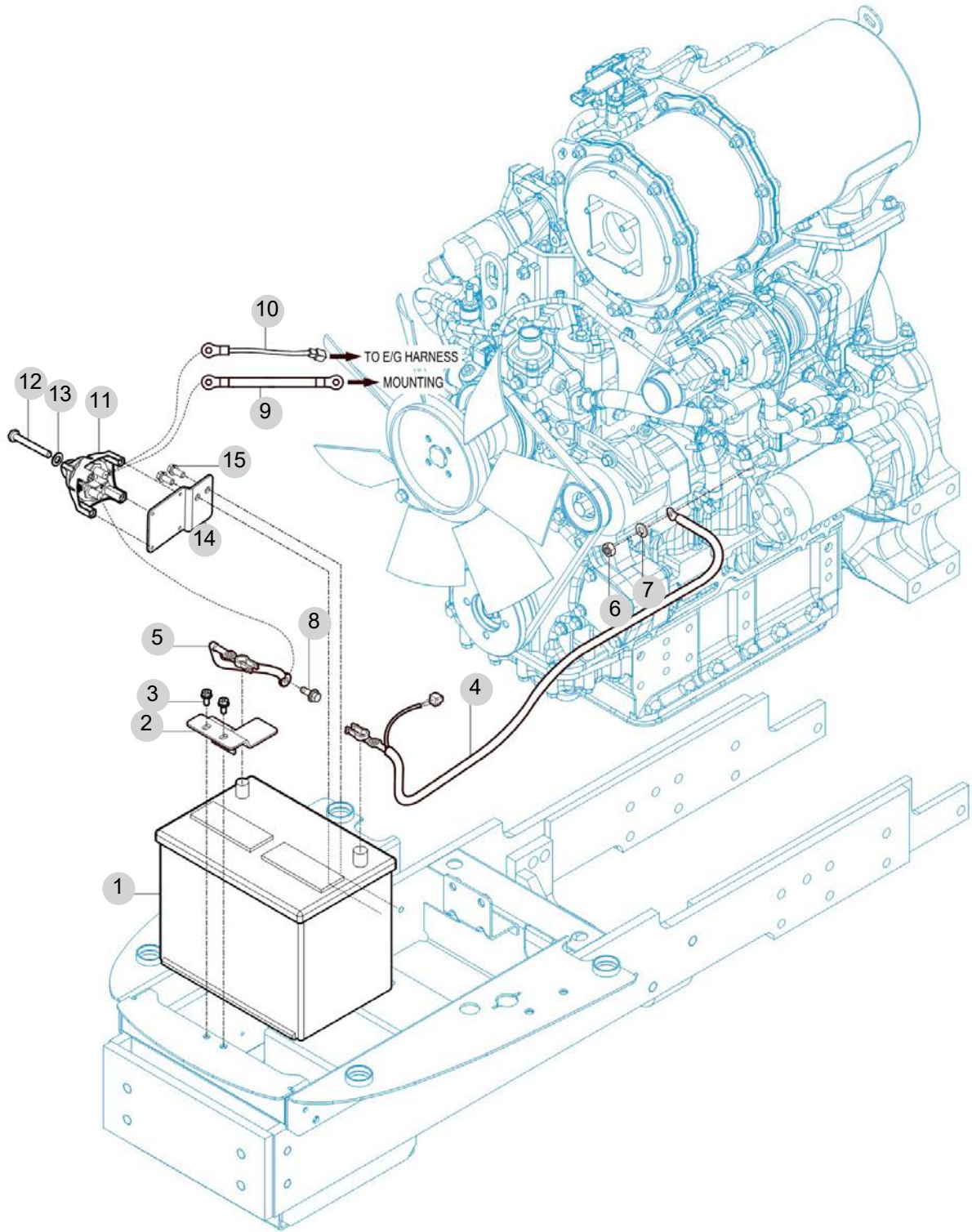
FIG 801

BATTERY MOUNTING

년/월
Year/Month

2022-12

T455NHGBC



NOTE

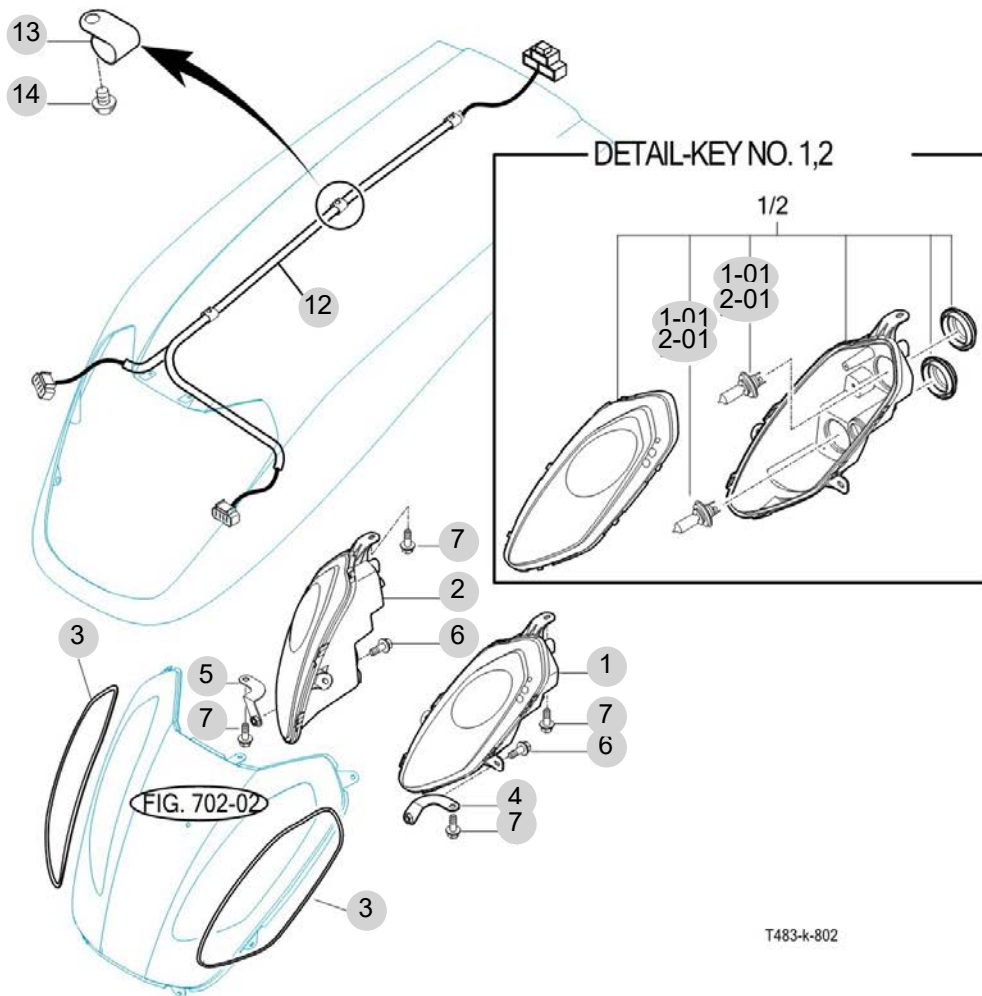
FIG 802

T455NHGBC

LIGHT & BACK LAMP

년/월
Year/Month

2022-12



T483-k-802

NOTE

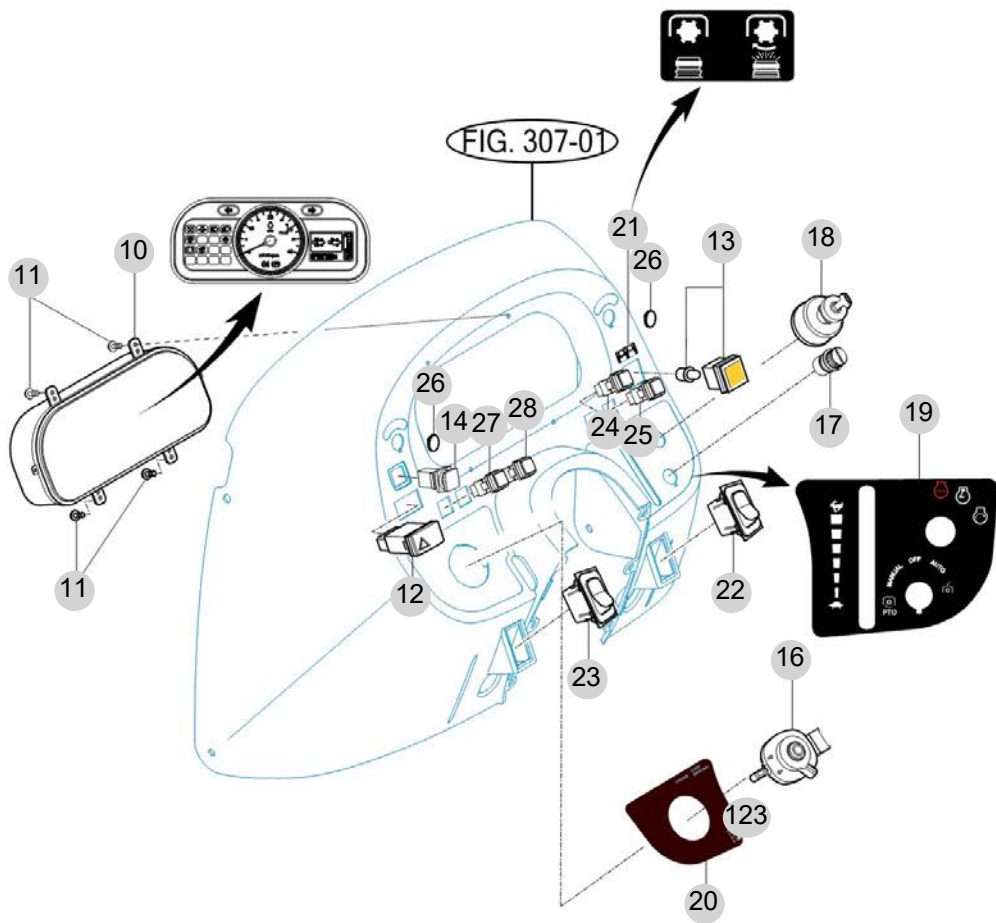
FIG 803

T455NHGBC

INSTRUMENT PANEL

년/월
Year/Month

2022-12



NOTE

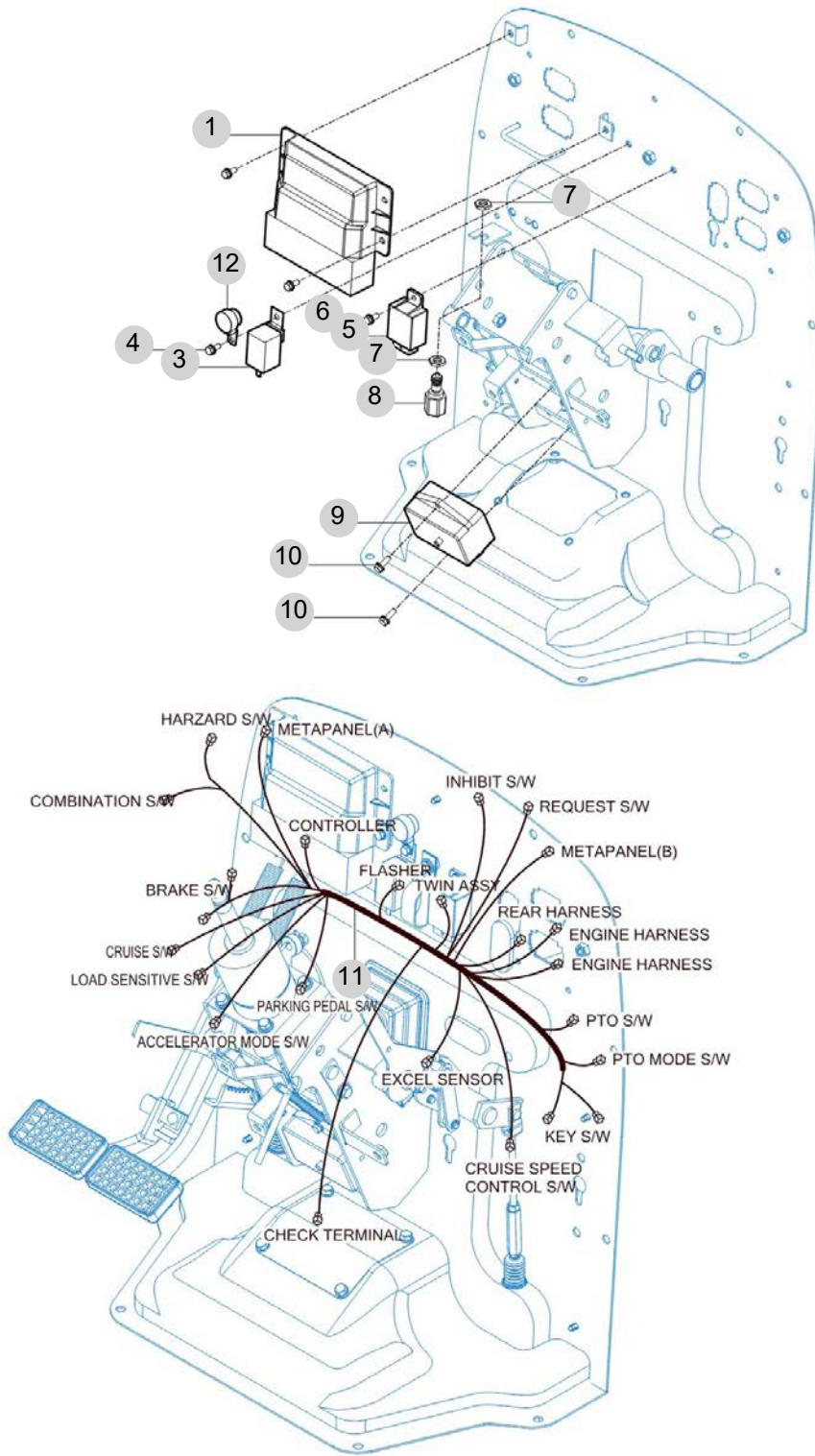
FIG 804

T455NHGBC

ELECTRIC SYSTEM (1)

년/월
Year/Month

2022-12



NOTE

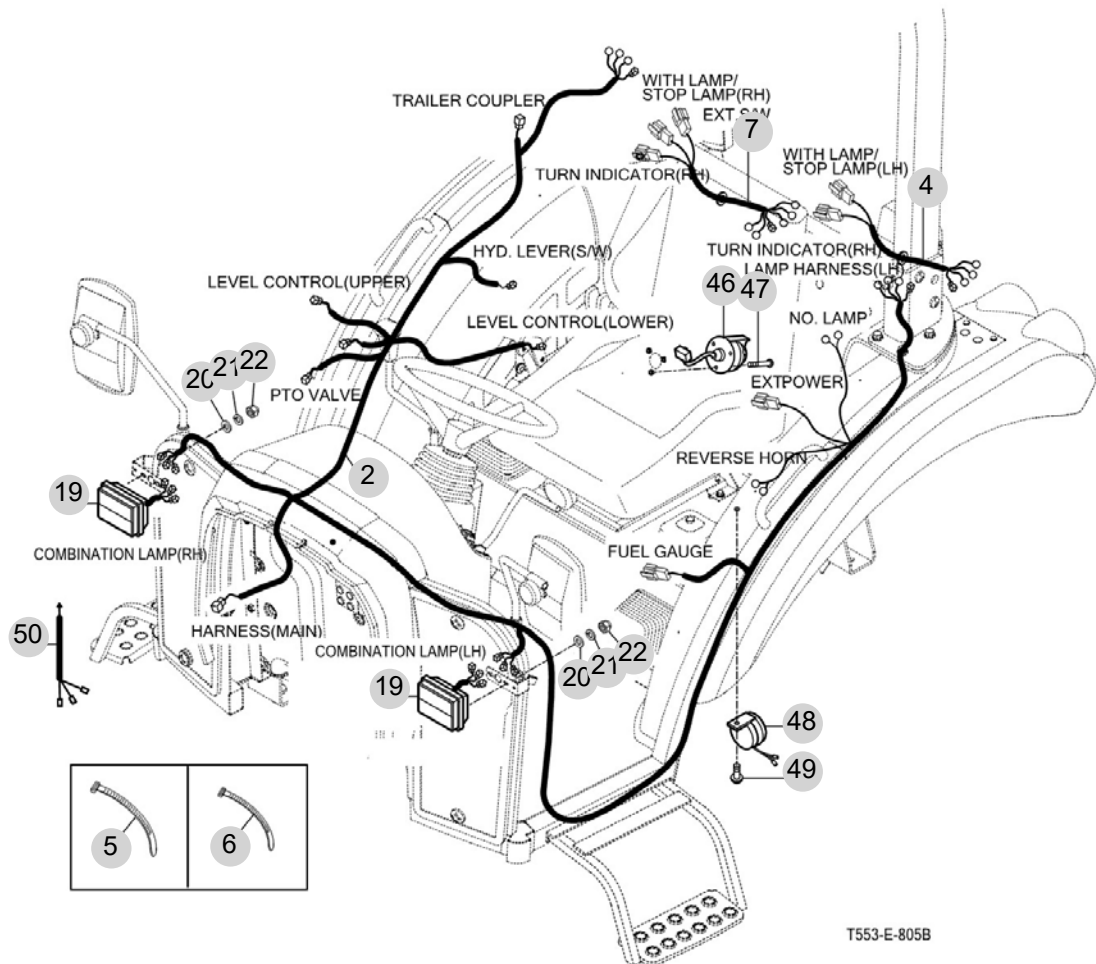
FIG 805B

ELECTRIC SYSTEM (2)-Non CAB

년/월
Year/Month

2022-12

T455NHGBC



NOTE

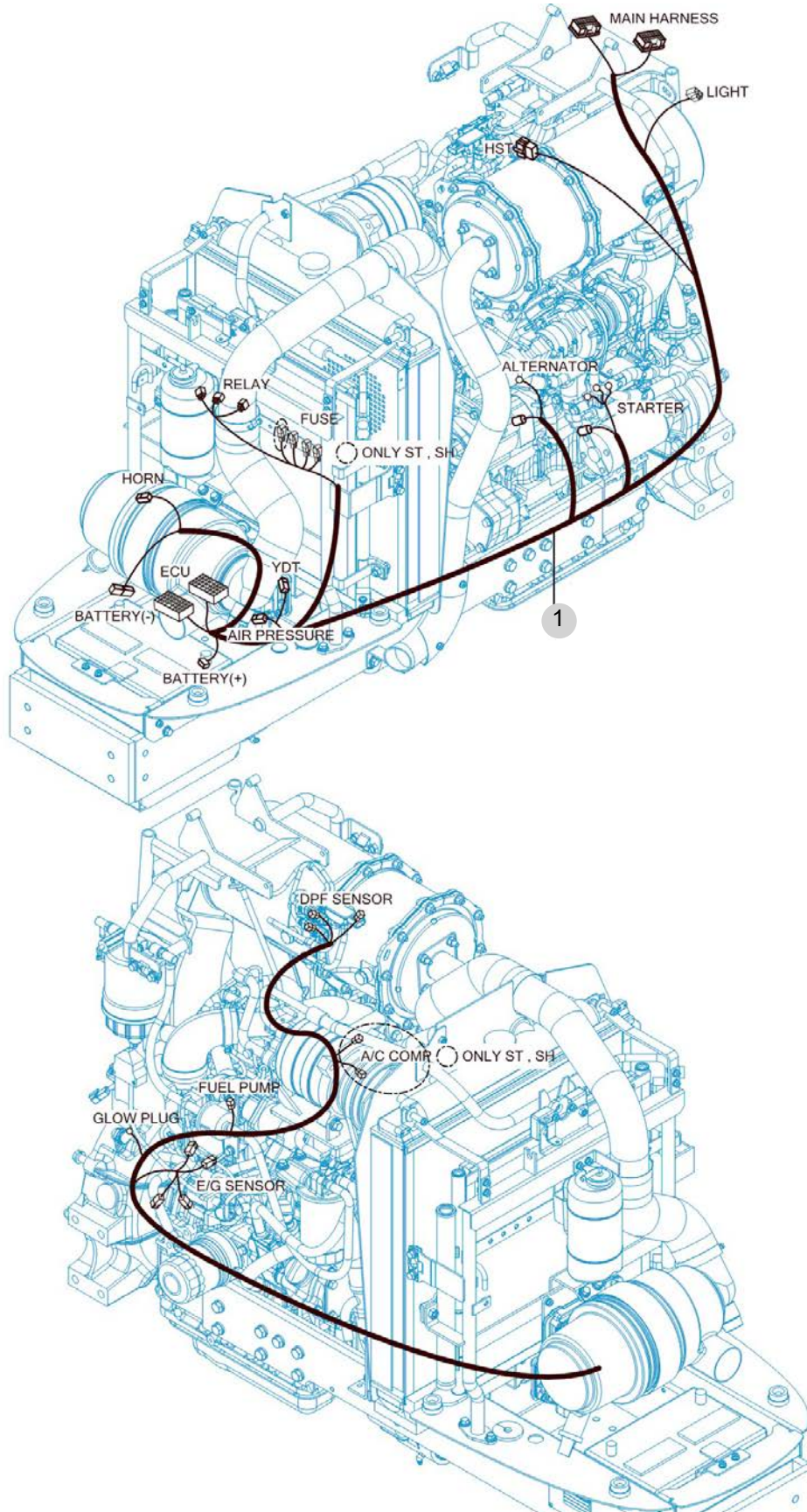
FIG 806

ELECTRIC SYSTEM (3)

년/월
Year/Month

T455NHGBC

2022-12



NOTE

9. 라벨/옵션 PART NO. T9

FIG 901 TOOL & ACCESSORY	199
FIG 902 WEIGHT	201
FIG 903-1 LABEL	203
FIG 903-2 LABEL	205

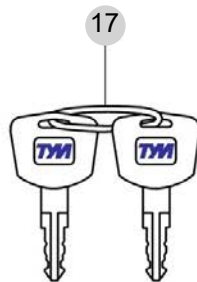
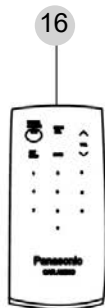
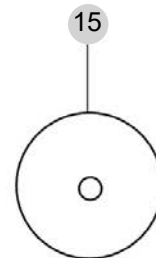
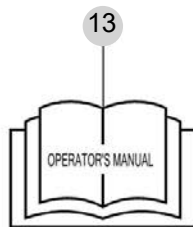
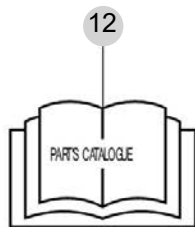
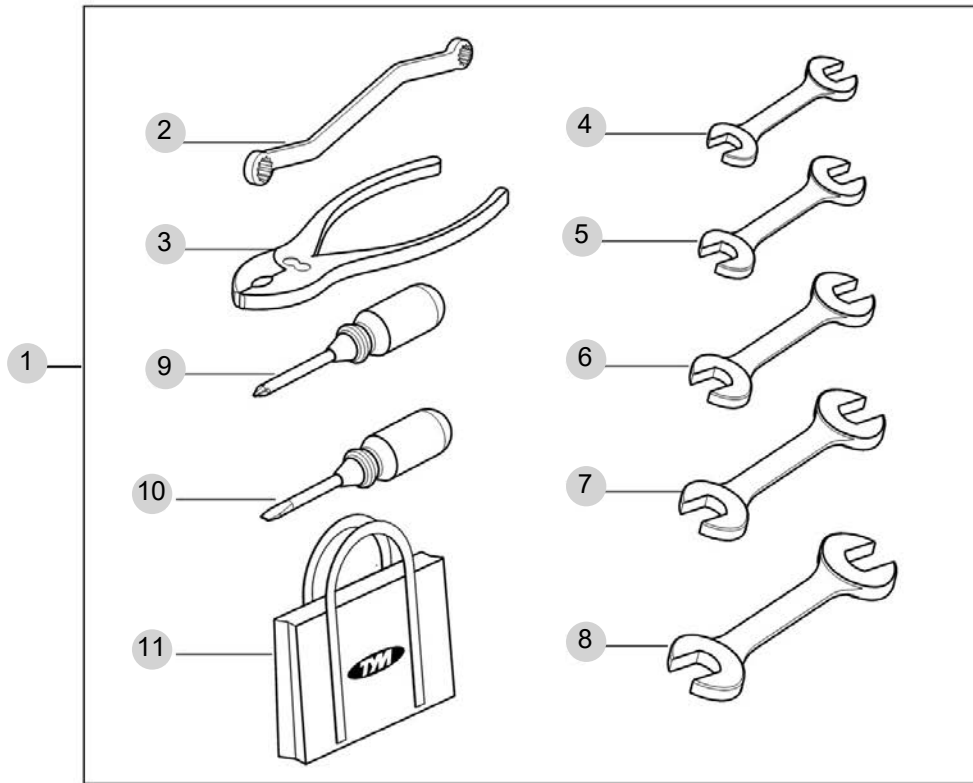
FIG 901

T455NHGBC

TOOL & ACCESSORY

년/월
Year/Month

2022-12



NOTE

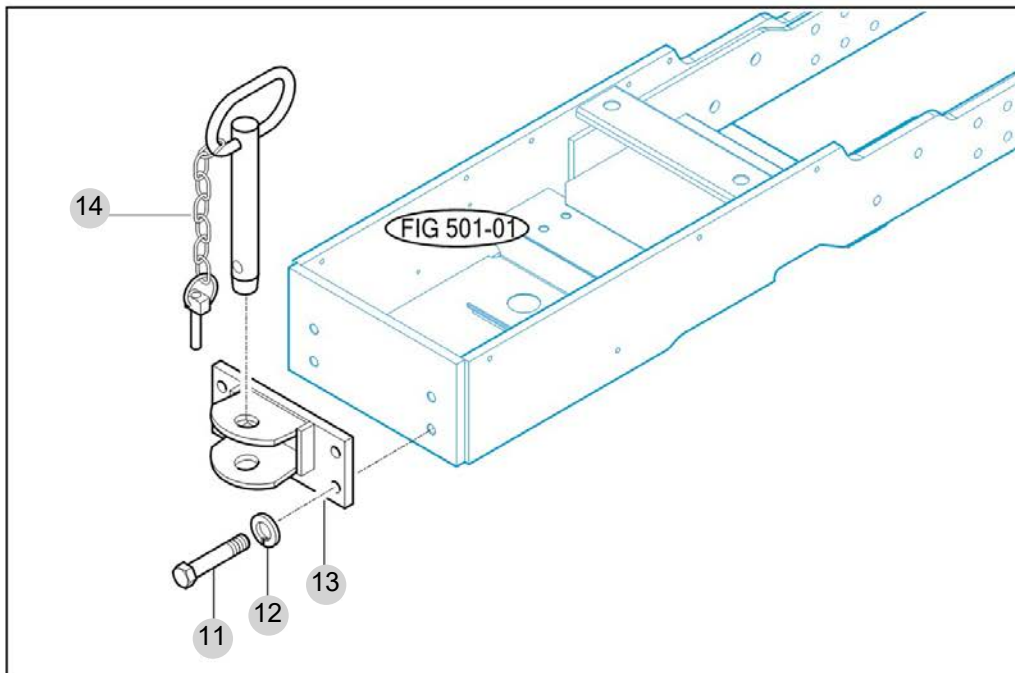
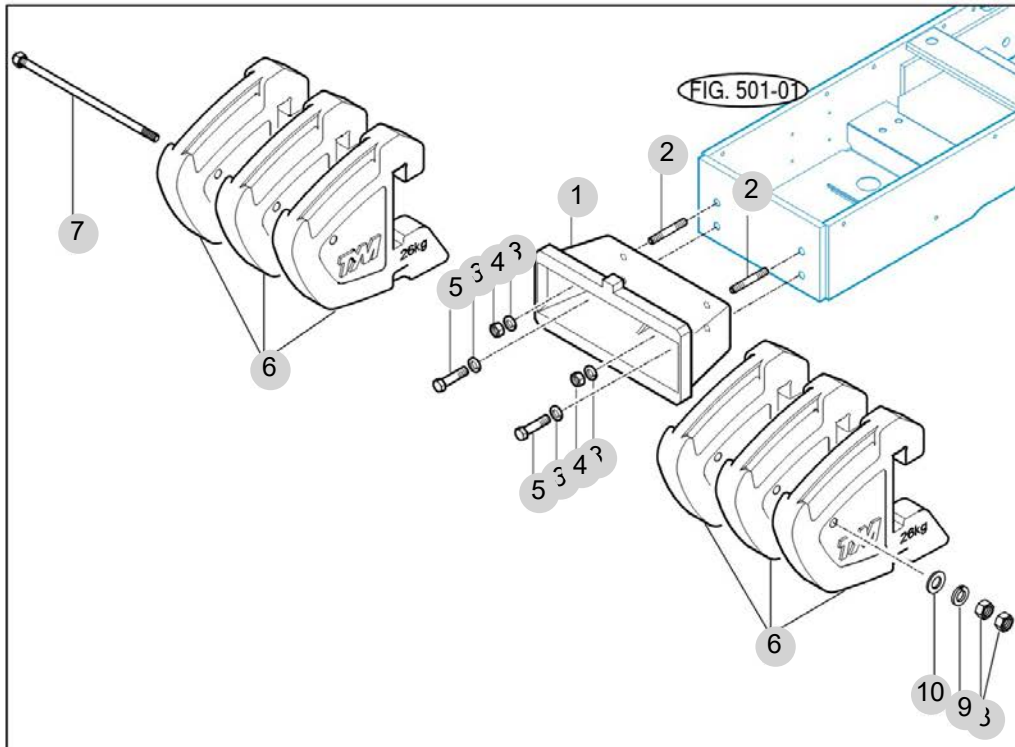
FIG 902

T455NHGBC

WEIGHT

년/월
Year/Month

2022-12



T575-E-902

NOTE

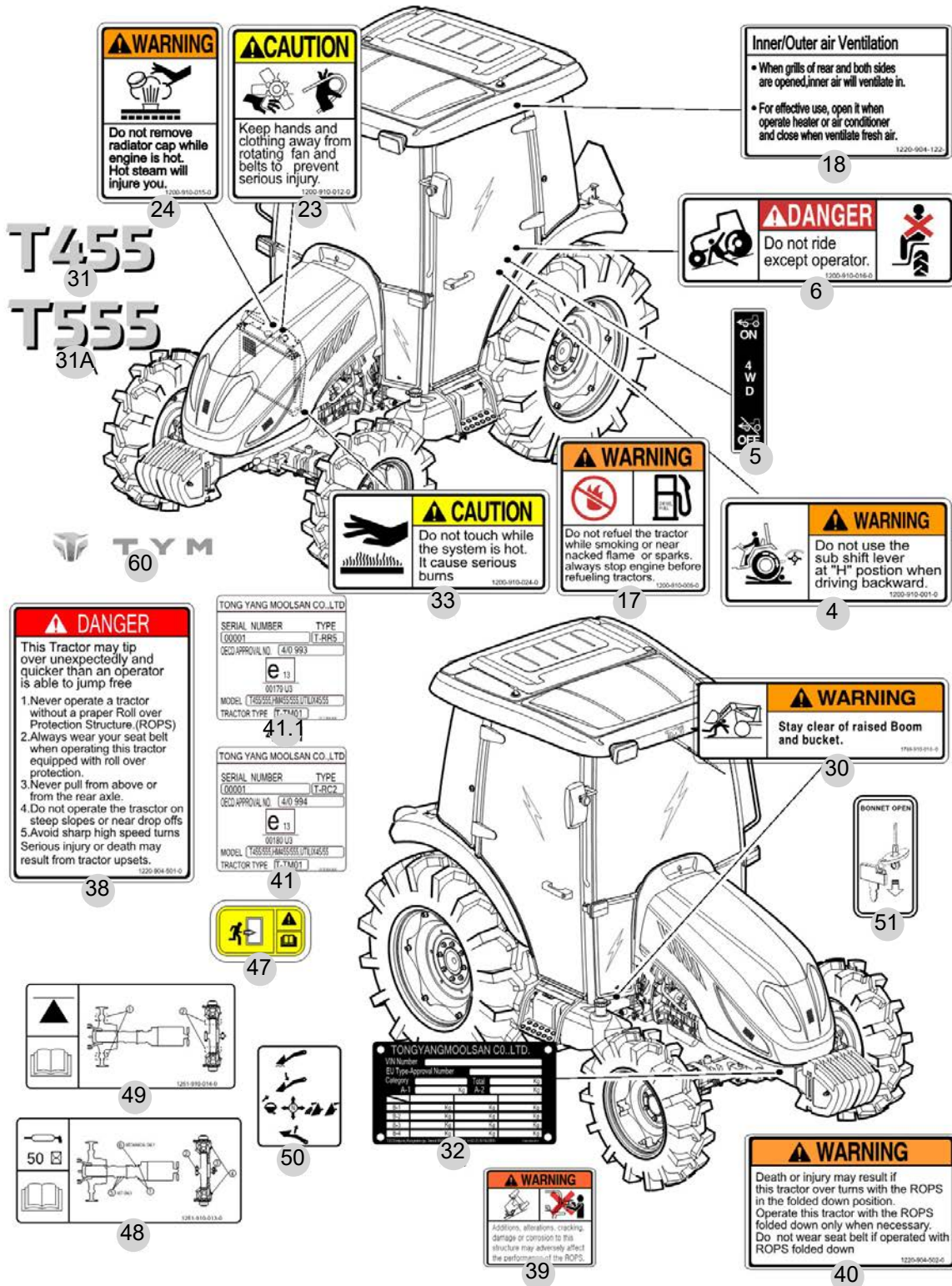
FIG 903-1

LABEL

년/월
Year/Month

T455NHGBC

2022-12



NOTE

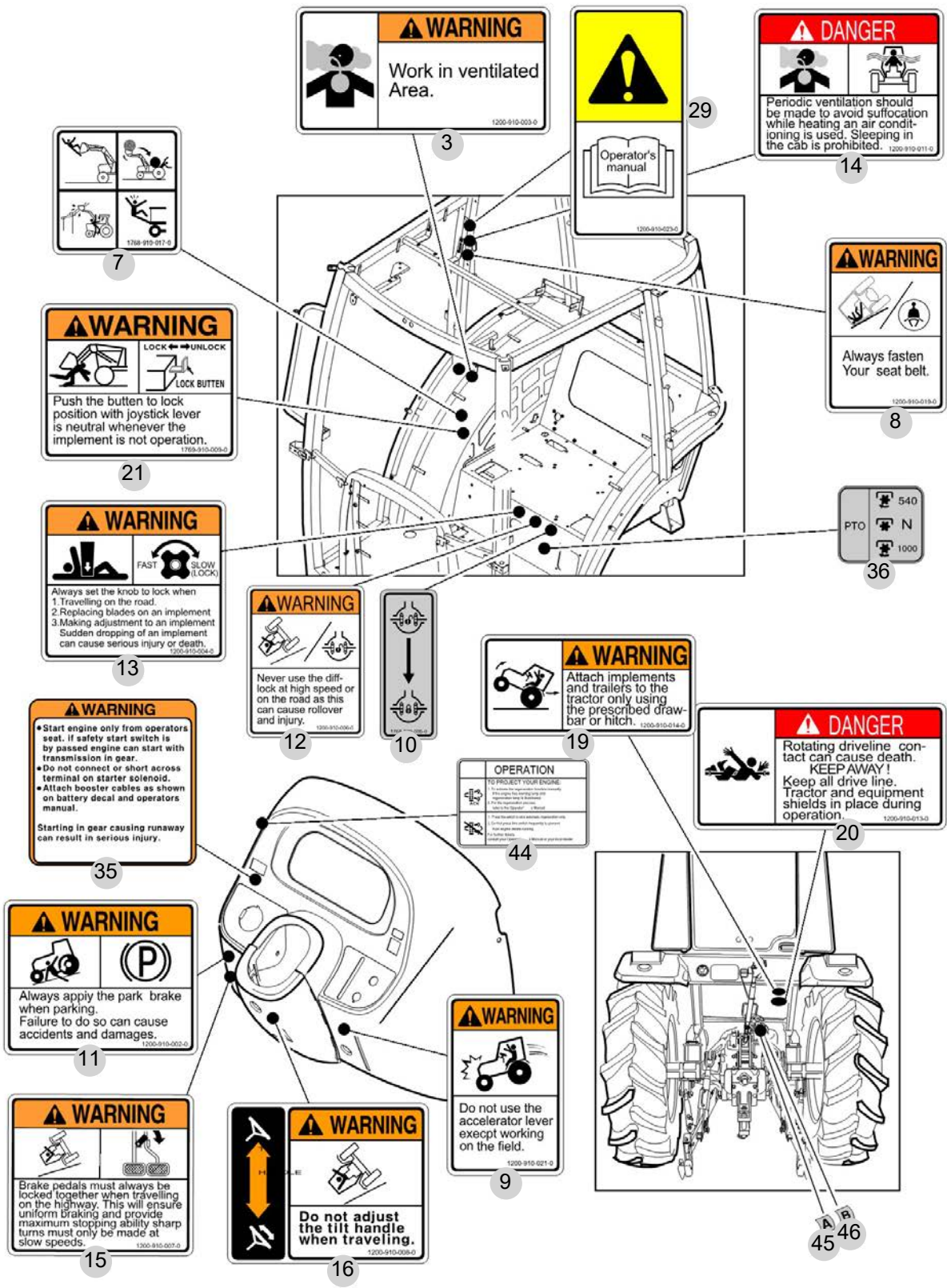
FIG 903-2

LABEL

년/월
Year/Month

T455NHGBC

2022-12



NOTE

