

T654SC

Parts Catalog

목 차

0. TRACTOR KIT PART NO. TK1

FIG 000 TRAILER SOCKET KIT	7
FIG 001 EXTERNAL POSITION LEVER KIT	9

1. Engine PART NO. EG

FIG 01 PRESSURESTAT, FILLER CAP, DIPSTICK, CRANKCASE	12
FIG 02 OIL PAN	14
FIG 05 FASTENINGS, CRANKSHAFT ACCESS, CRANK SHAFT, DYNAMIC BALANCER	16
FIG 06 0512 4003	18
FIG 07 0512 4005	20
FIG 08 0512 4312, 0512 4050, 0512 4246	22
FIG 09 0512 4044, 0512 4320	24
FIG 10 0512 4284	26
FIG 11 0512 4004, 0512 4045, 0512 4046	28
FIG 14 0512 4027	30
FIG 15 0512 4120, 0506 4400, 0512 4000	32
FIG 16 0512 4261	34
FIG 17 0512 4052	36
FIG 19 0512 4047	38
FIG 20 0512 4224	40
FIG 21 0512 4009, 0512 4008, 0512 4299	42
FIG 22 0512 4345, 0512 4392	44
FIG 27 0511 8909	46
FIG 37 0512 4331	48
FIG 38 0512 4055	50
FIG 41 0512 4143, 0512 4058, 0512 4097, 0512 4257	52
FIG 43 0512 4384	54
FIG 44 0512 4062, 0512 4256, 0512 4393, 0512 4400	56
FIG 48-1 0511 7723, 0512 4011, 0512 4098, 0512 4127, 0512 4292	58
FIG 48-2 0512 4128, 0512 4293, 0512 4334, 0512 4338, 0512 4343	60
FIG 51 0512 4060, 0512 4104, 0512 4300, 0512 4329	62

FIG 63 0512 4010	64
FIG 83 0512 4176, 0512 4180, 0512 4251, 0512 4337, 0512 4339, 0512	66
FIG 90 0512 4355	68

2. Engine Accessories PART NO. T2

FIG 201 AIR CLEANER	71
FIG 202 RADIATOR	73
FIG 203 MUFFLER & EXHAUST PIPE	76
FIG 204 FUEL TANK	79
FIG 205 FUEL FILTER & FUEL PUMP	81
FIG 206 OIL COOLER	83

3. Clutch/Brake/Steering PART NO. T3

FIG 301 CLUTCH	86
FIG 302 CLUTCH PEDAL	88
FIG 302-2 CLUTCH PEDAL	91
FIG 303 BRAKE	93
FIG 304 BRAKE PEDAL & LINK	95
FIG 305 FORNT WHEEL	97
FIG 306 REAR WHEEL	99
FIG 307 POWER STEERING WHEEL	101
FIG 308 POWER STEERING VALVE	103
FIG 309 POWER STEERING CYLINDER	105

4. Transmission PART NO. T4

FIG 401 TRANSMISSION FRONT CASE	108
FIG 402 NPUT & COUNTER GEARS	110
FIG 403 CHANGE GEARS	112
FIG 404 REVERSE GEARS	114
FIG 405(US) DRIVE GEARS(US)	116
FIG 406 P.T.O DRIVE SHAFT	118
FIG 407 MAIN CHANGE LEVER	120
FIG 408 REVERSE CHANGE LEVER	122
FIG 409 TRANSMISSION MID CASE	124
FIG 410 TRANSMISSION REAR CASE	126

FIG 411 SUB CHANGE GEARS	128
FIG 412 SUB CHANGE SHIFTER	130
FIG 413 CREEP CHANGE	132
FIG 415 4WD CHANGE LEVER	134
FIG 416 P.T.O CHANGE GEARS	136
FIG 417 P.T.O CHANGE SHIFTER	138
FIG 418 REAR DIFFERENTIAL GEARS	140
FIG 419 REAR AXLE HOUSING	143

5. Front Axle PART NO. T5

FIG 501 FRONT AXLE SUPPORT	146
FIG 502 FRONT DRIVE SHAFT	148
FIG 503 FRONT AXLE HOUSING	150
FIG 504 FRONT DIFFERENTIAL GEARS	152
FIG 505 FRONT GEAR CASE (1)	154
FIG 506 FRONT GEAR CASE (2)	156
FIG 507 FRONT GEAR CASE (3)	158

6. Hydraulic/3P-Link PART NO. T6

FIG 601 CYLINDER CASE	161
FIG 602 LIFT ARM	163
FIG 603 CYLINDER	165
FIG 604 POSITION LINK	167
FIG 605 CONTROL VALVE	169
FIG 606 DRAFT LINK	171
FIG 607 POSITION & DRAFT LEVER	173
FIG 608 EXTERIOR HYD. VALVE(OPTION_6P)	176
FIG 608 EXTERIOR HYD. VALVE	178
FIG 609 HYDRAULIC PIPE	180
FIG 610 JOYSTICK	182
FIG 611-1A(US) HITCH & 3-P LINK (US)	184
FIG 612(US) LOWER LINK & LIFT ROD(US)	187
FIG 613 HYDRAULIC HOSE	189

7. Sheet Metal & Cabin PART NO. T7

FIG 701 HOOD	192
--------------	-----

FIG 702 FRONT FRAME	194
FIG 703 SIDE SUPPORT & FRAME HOOD	196
FIG 704 LEVER COVER & STEP	199
FIG 705 FRONT & REAR MOUNTING	201
FIG 706 SEAT & MAT	203
FIG 709 DOOR	205
FIG 709-2 DOOR	208
FIG 710 FRONT GLASS	210
FIG 711 SIDE GLASS	212
FIG 712 REAR GLASS	214
FIG 713 SUB FENDER & COVER	216
FIG 714 MIRROR	218
FIG 715 HEATER & AIR-CON	220
FIG 715-2 HEATER & AIR-CON	222
FIG 716 FENDER COVER	224
FIG 717 ROOF	226
FIG 718 CABIN INTERIOR	228

8. Electrical System PART NO. T8

FIG 801 BATTERY & MOUNTING	231
FIG 802 HARNESS	233
FIG 803 LIGHT & BACK LAMP	235
FIG 804 INSTRUMENT PANEL	237
FIG 805 ELECTRIC SYSTEM (1)	239
FIG 806 ELECTRIC SYSTEM (2)	241

9. Label/Option PART NO. T9

FIG 901 TOOL & ACCESSORY	244
FIG 903 LABEL	246

0. TRACTOR KIT PART NO. TK1

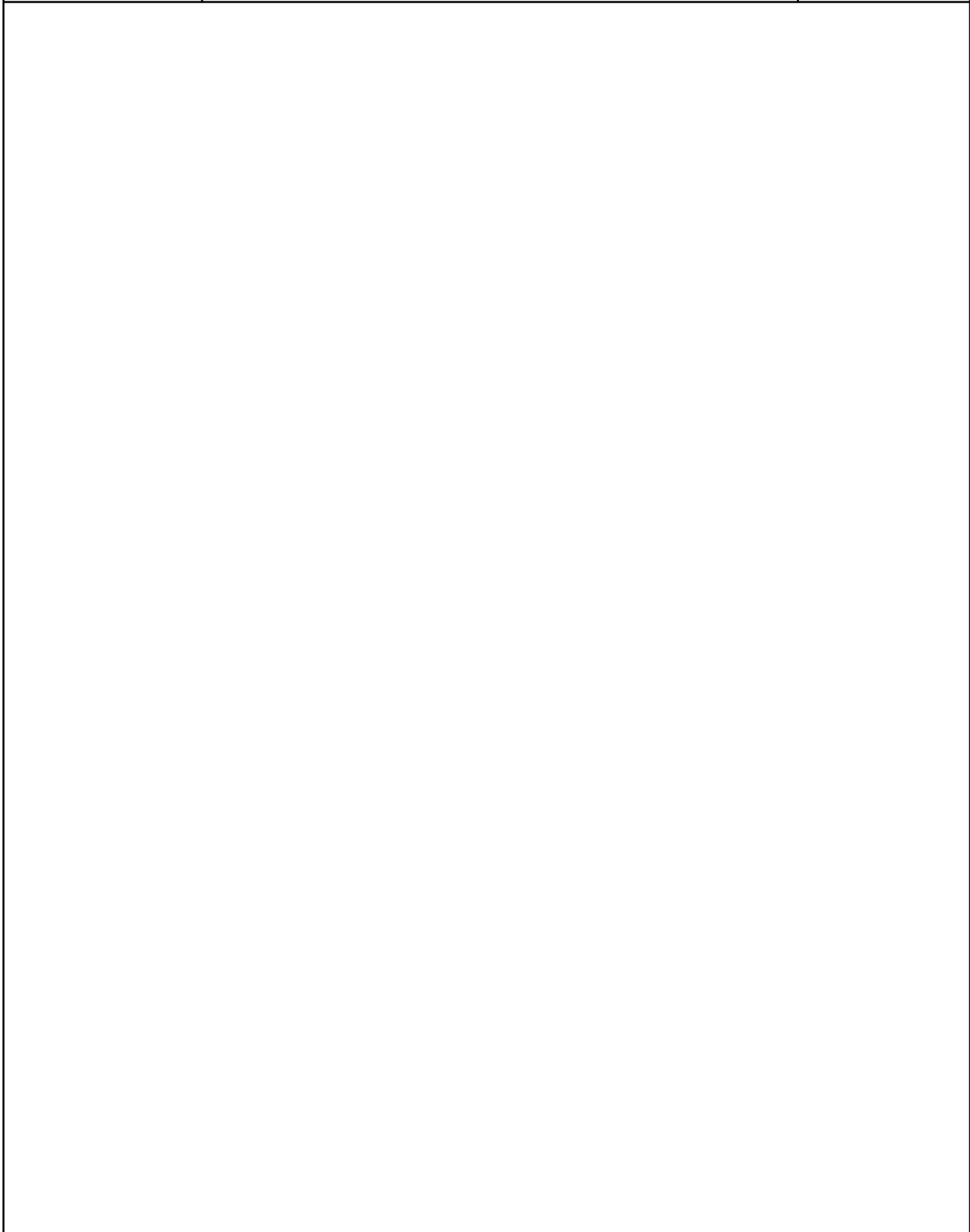
FIG 000 TRAILER SOCKET KIT

7

FIG 001 EXTERNAL POSITION LEVER KIT

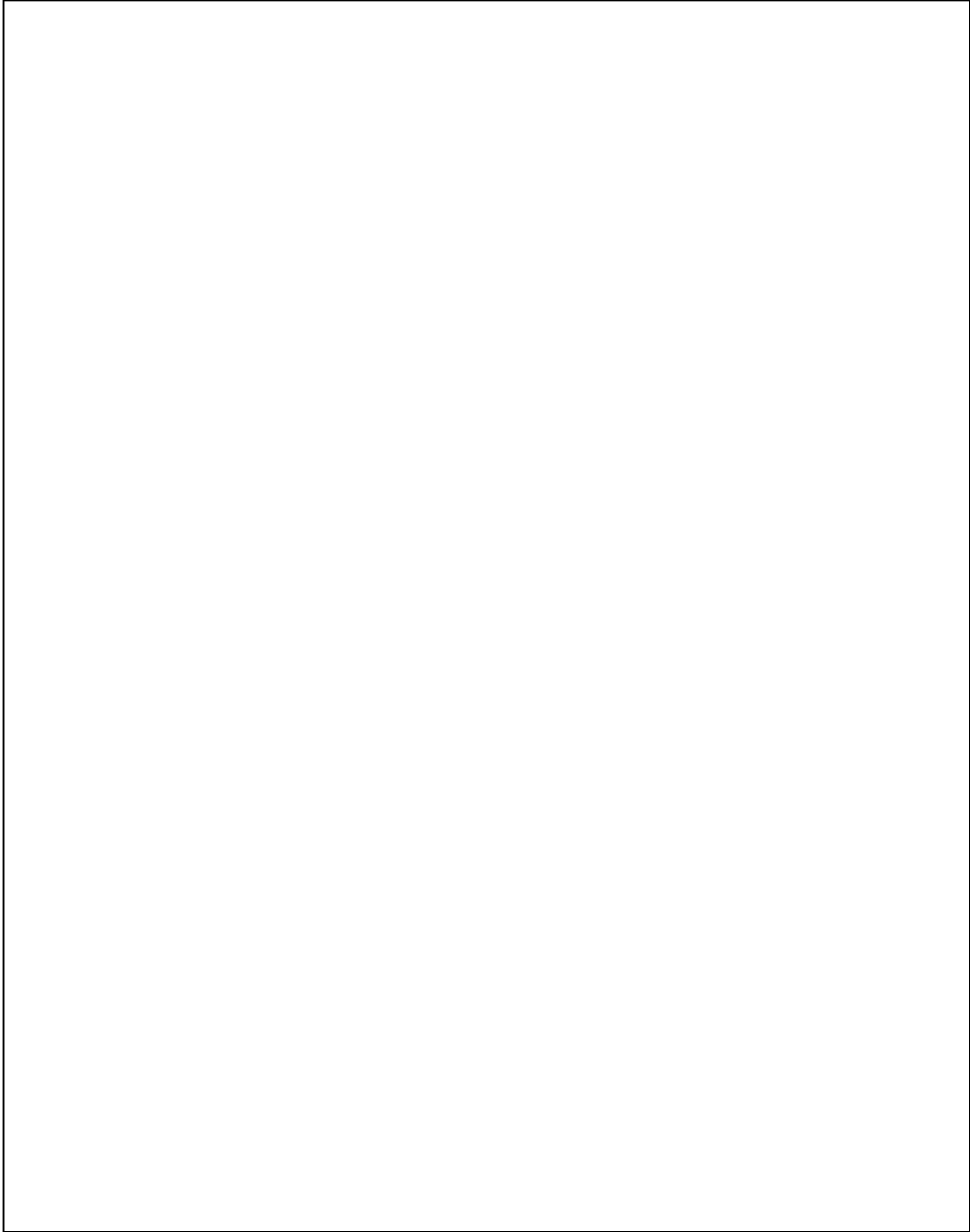
9

FIG 000 T654SC	TRAILER SOCKET KIT	년/월 Year/Month 2022-12
-------------------	--------------------	------------------------------



NOTE	
------	--

FIG 001 T654SC	EXTERNAL POSITION LEVER KIT	년/월 Year/Month 2022-12
-------------------	-----------------------------	------------------------------



NOTE	
------	--

1. Engine PART NO. EG

FIG 01 PRESSUREASTAT, FILLER CAP, DIPSTICK, CRANKCASE	12
FIG 02 OIL PAN	14
FIG 05 FASTENINGS, CRANKSHAFT ACCESS, CRANK SHAFT, DYNAMIC BALANCER	16
FIG 06 0512 4003	18
FIG 07 0512 4005	20
FIG 08 0512 4312, 0512 4050, 0512 4246	22
FIG 09 0512 4044, 0512 4320	24
FIG 10 0512 4284	26
FIG 11 0512 4004, 0512 4045, 0512 4046	28
FIG 14 0512 4027	30
FIG 15 0512 4120, 0506 4400, 0512 4000	32
FIG 16 0512 4261	34
FIG 17 0512 4052	36
FIG 19 0512 4047	38
FIG 20 0512 4224	40
FIG 21 0512 4009, 0512 4008, 0512 4299	42
FIG 22 0512 4345, 0512 4392	44
FIG 27 0511 8909	46
FIG 37 0512 4331	48
FIG 38 0512 4055	50
FIG 41 0512 4143, 0512 4058, 0512 4097, 0512 4257	52
FIG 43 0512 4384	54
FIG 44 0512 4062, 0512 4256, 0512 4393, 0512 4400	56
FIG 48-1 0511 7723, 0512 4011, 0512 4098, 0512 4127, 0512 4292	58
FIG 48-2 0512 4128, 0512 4293, 0512 4334, 0512 4338, 0512 4343	60
FIG 51 0512 4060, 0512 4104, 0512 4300, 0512 4329	62
FIG 63 0512 4010	64
FIG 83 0512 4176, 0512 4180, 0512 4251, 0512 4337, 0512 4339, 0512	66
FIG 90 0512 4355	68

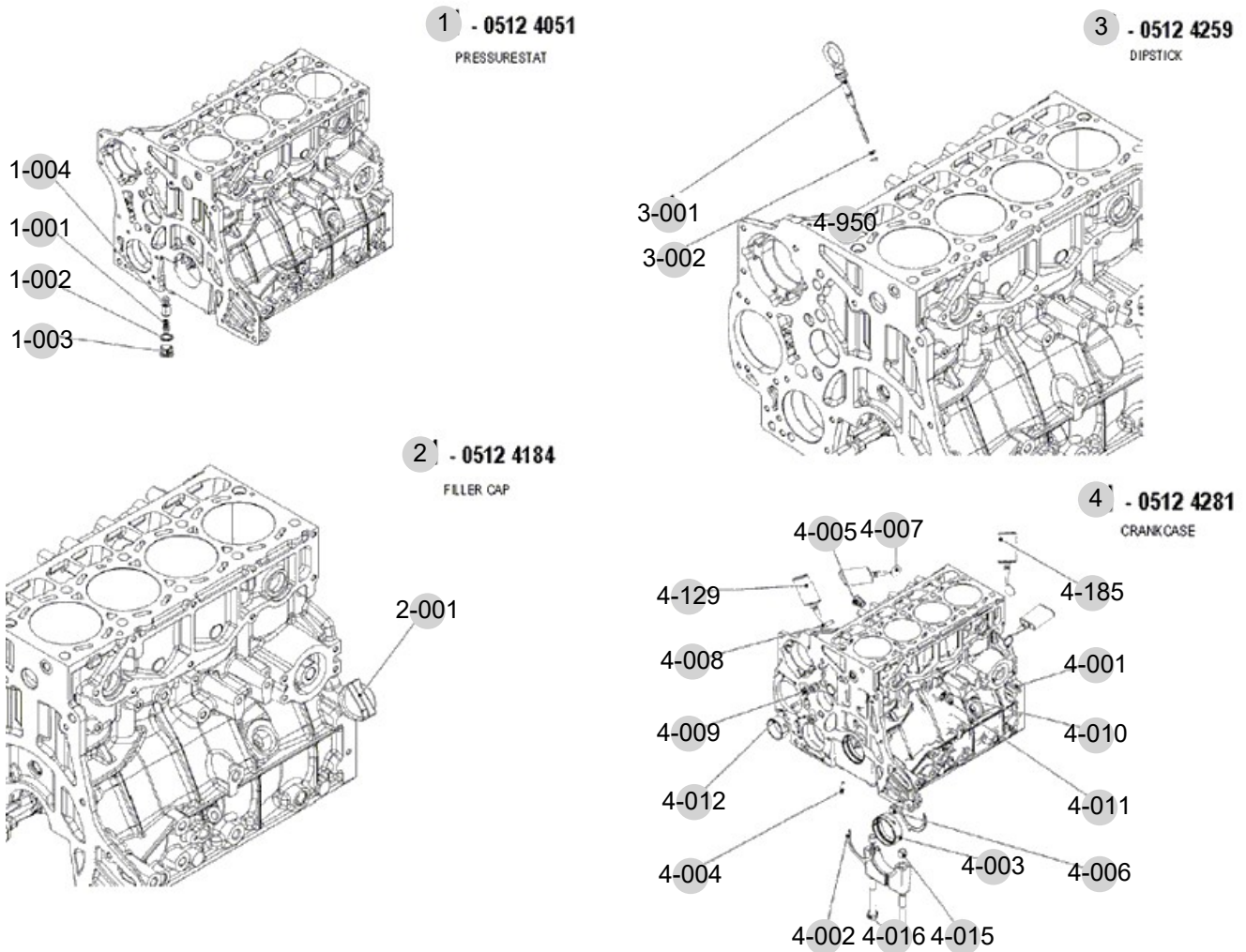
FIG 01

T654SC

PRESSURESTAT, FILLER CAP, DIPSTICK,
CRANKCASE

년/월
Year/Month

2022-12



NOTE

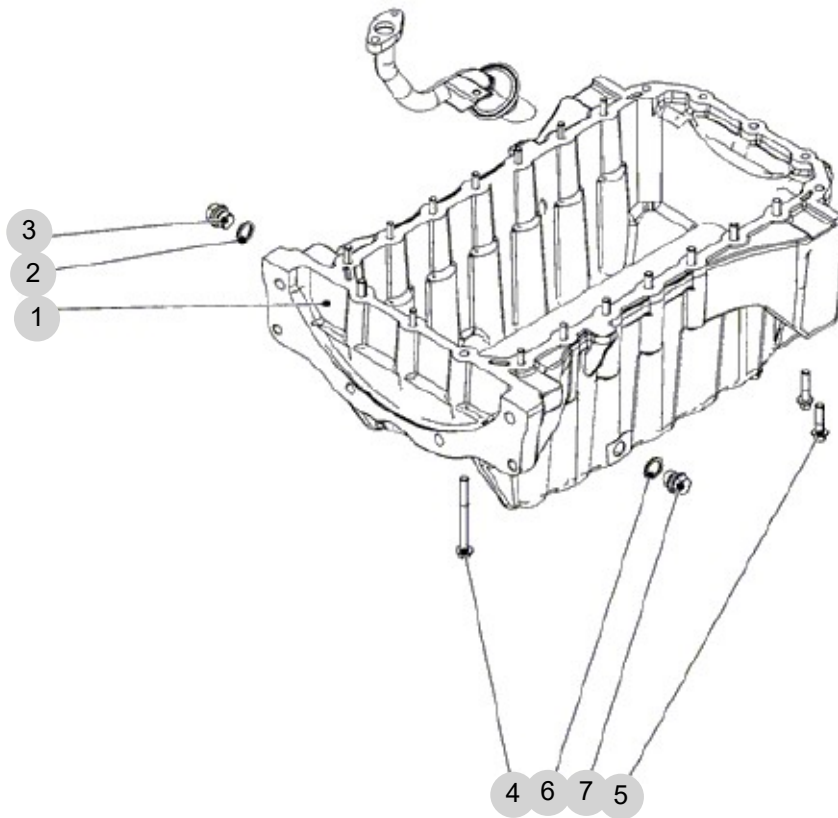
FIG 02

T654SC

OIL PAN

년/월
Year/Month

2022-12



02 - 0512 4368

OIL PAN

NOTE

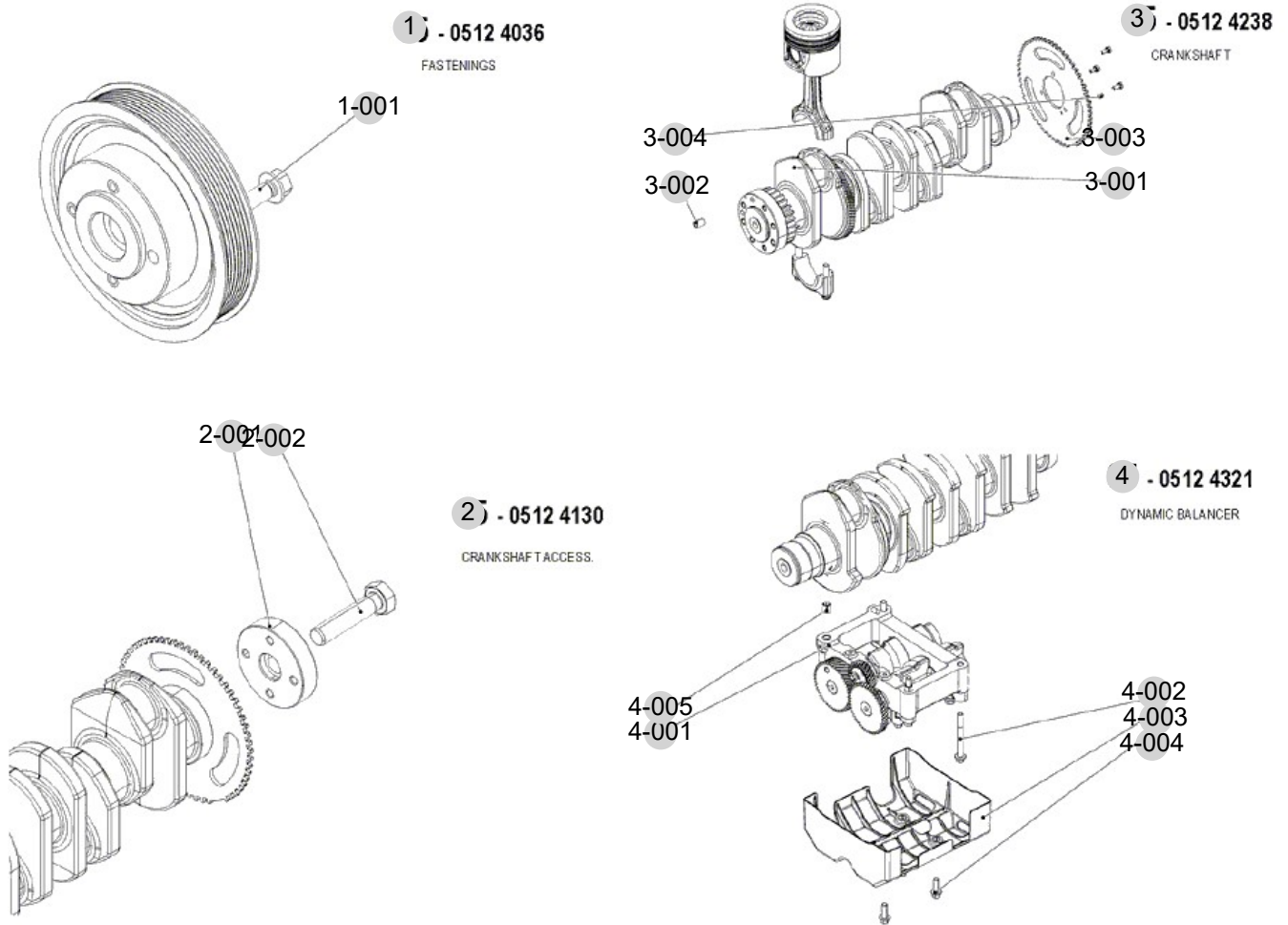
FIG 05

T654SC

FASTENINGS, CRANKSHAFT ACCESS, CRANK
SHAFT, DYNAMIC BALANCER

년/월
Year/Month

2022-12



NOTE

FIG 06

0512 4003

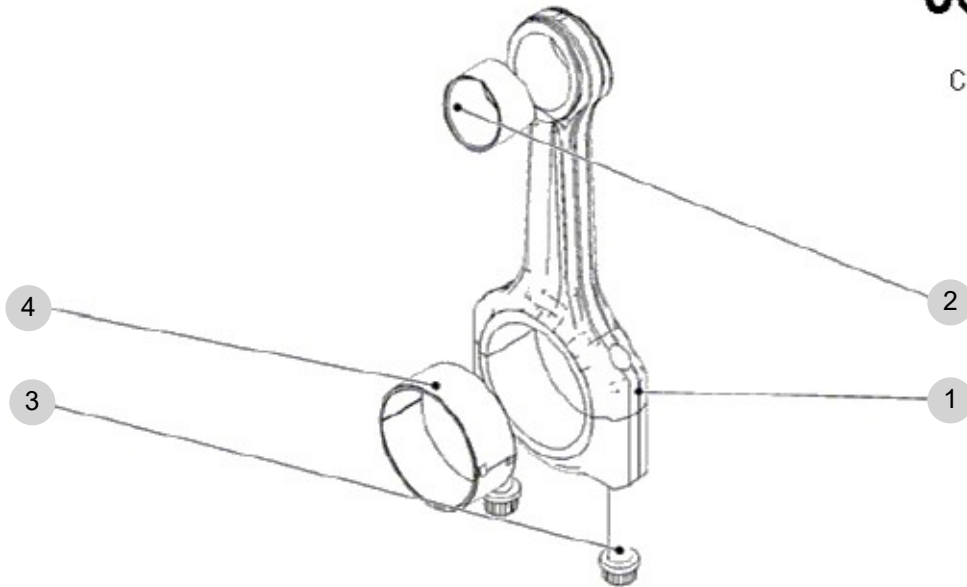
년/월
Year/Month

2022-12

T654SC

06 - 0512 4003

CONNECTING ROD



NOTE

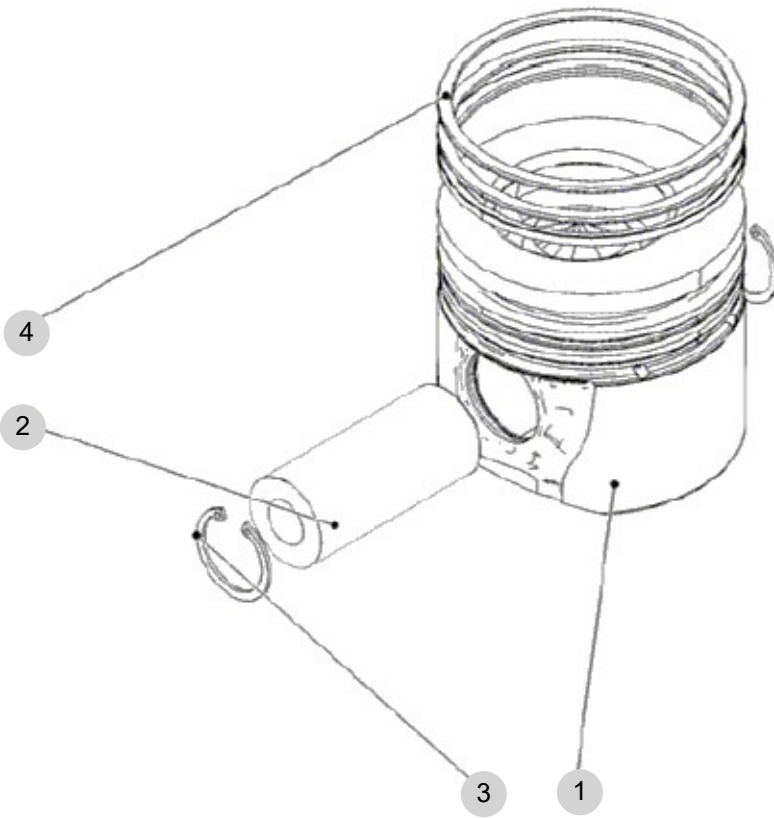
FIG 07

T654SC

0512 4005

년/월
Year/Month

2022-12



07 - 0512 4005

PISTON

NOTE

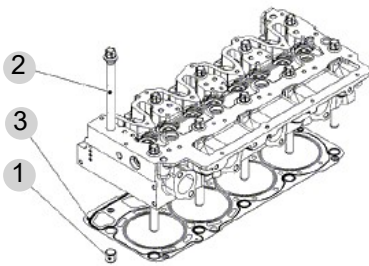
FIG 08

T654SC

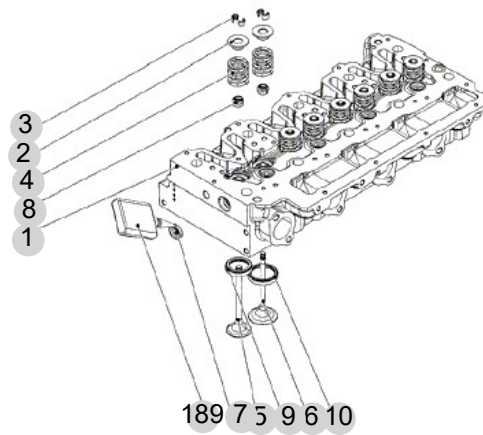
0512 4312, 0512 4050, 0512 4246

년/월
Year/Month

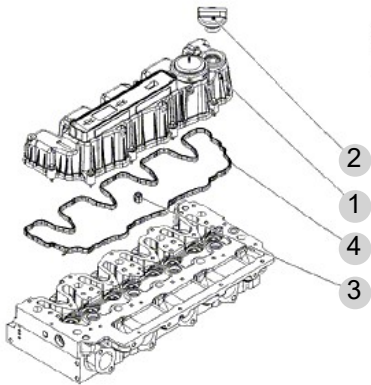
2022-12



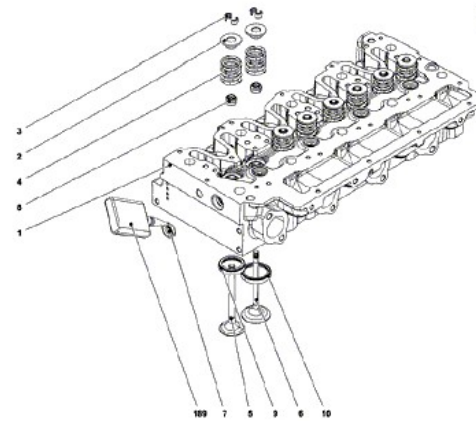
08 - 0512 4050
FASTENINGS



08 - 0512 4312
CYLINDER HEAD



08 - 0512 4246
VALVE MECHAN COVER



08 - 0512 4312
CYLINDER HEAD

NOTE

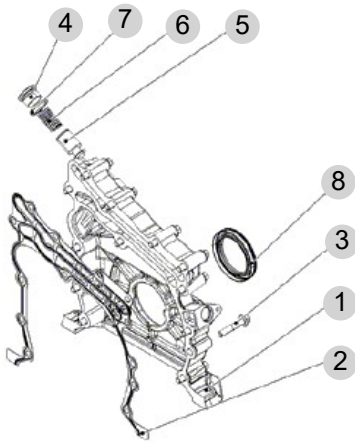
FIG 09

T654SC

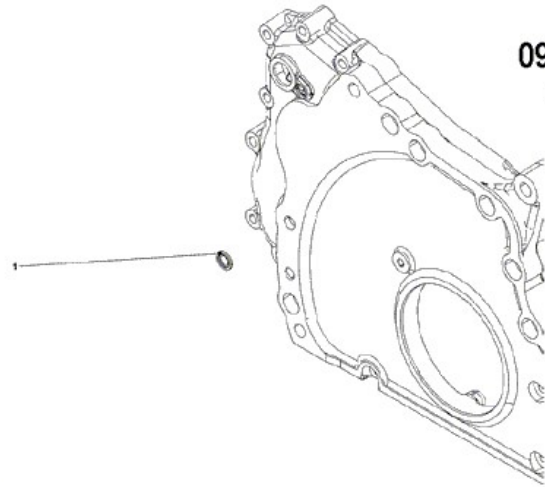
0512 4044, 0512 4320

년/월
Year/Month

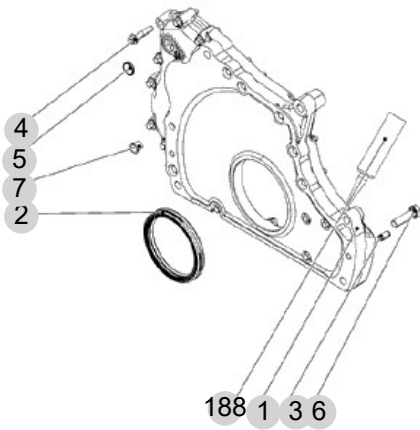
2022-12



09 - 0512 4044
FRONT COVER



09 - 0512 4406
SEALING RING



09 - 0512 4320
GEARCASE

NOTE

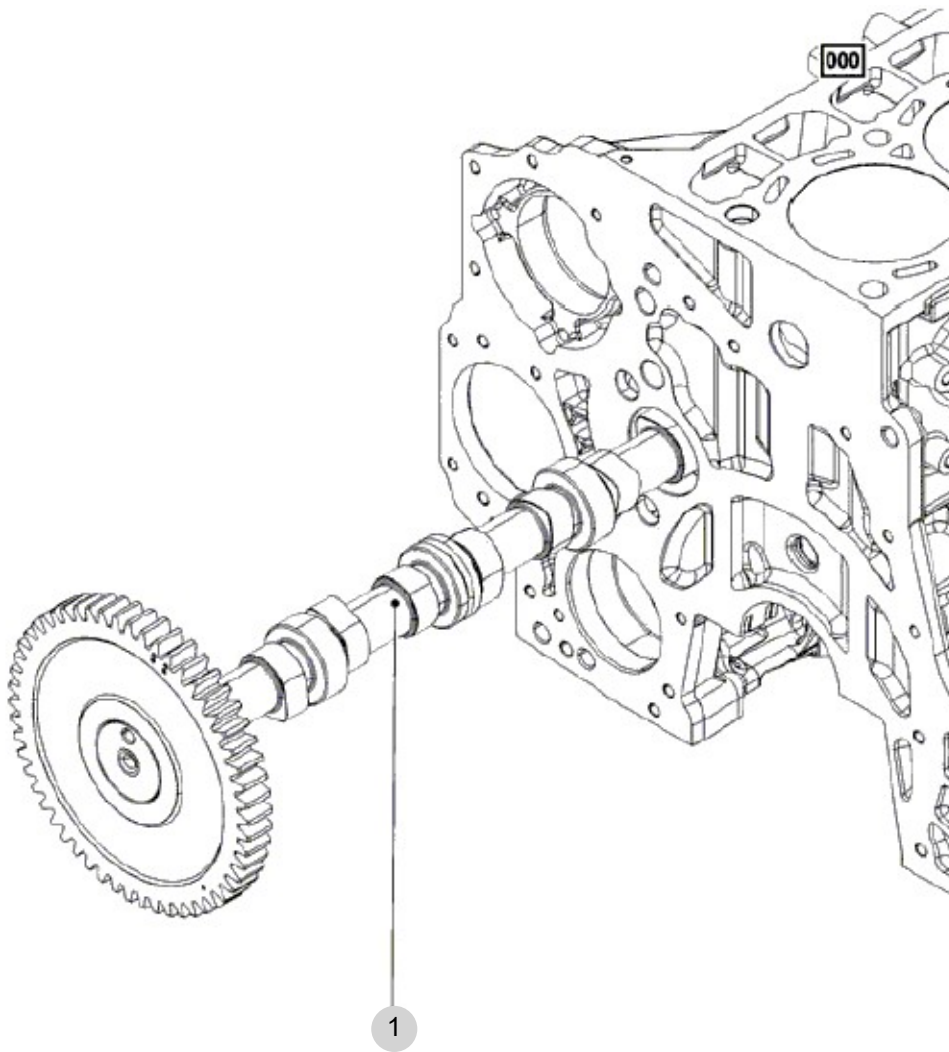
FIG 10

T654SC

0512 4284

년/월
Year/Month

2022-12



10 - 0512 4284

CAMSHAFT

NOTE

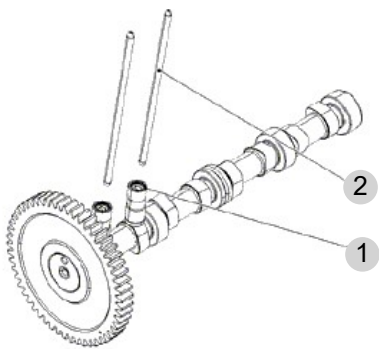
FIG 11

T654SC

0512 4004, 0512 4045, 0512 4046

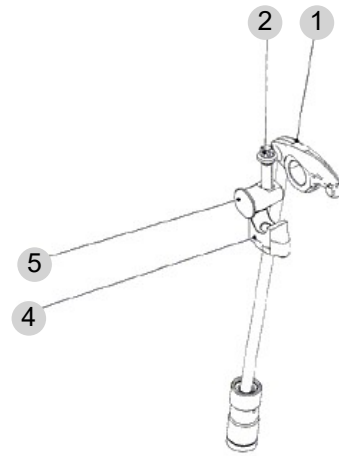
년/월
Year/Month

2022-12



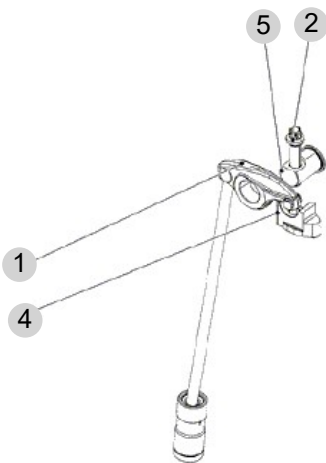
11 - 0512 4004

VALVE DRIVE



11 - 0512 4046

ROCKER ARM INLET



11 - 0512 4045

ROCKER ARM OUTLET

NOTE

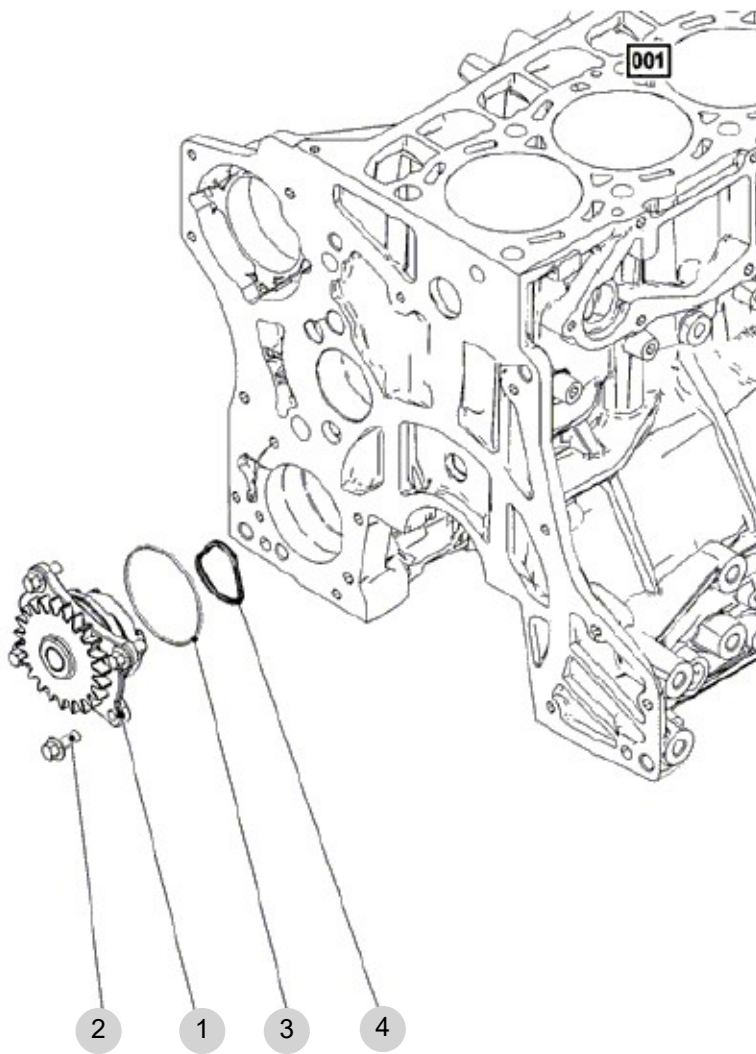
FIG 14

0512 4027

년/월
Year/Month

2022-12

T654SC



14 - 0512 4027

LUBRICAT. OIL PUMP

NOTE

FIG 14 T654SC			0512 4027					년/월 Year/Month	
								2022-12	
KEY NO	PART NO	DESCRIPTION	SPEC	QTY	REPAIR	EFFECTIVE DATE	REMARKS		
14	1	04133746	LUBRICATOIL PUMP		1				
14	2	01181433	HEXAGON BOLT		4				
14	3	01340670	O-SEAL		1				
14	4	04134290	GASKET		1				
NOTE									

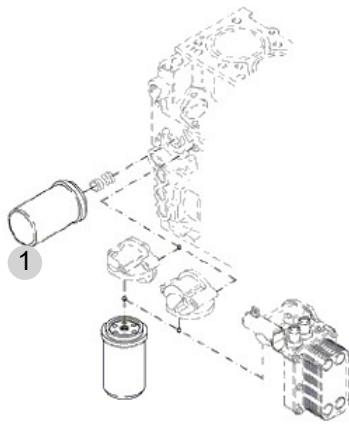
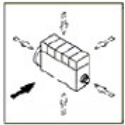
FIG 15

T654SC

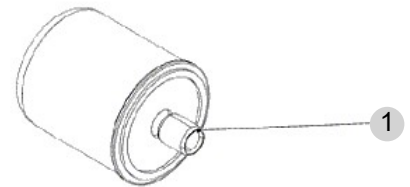
0512 4120, 0506 4400, 0512 4000

년/월
Year/Month

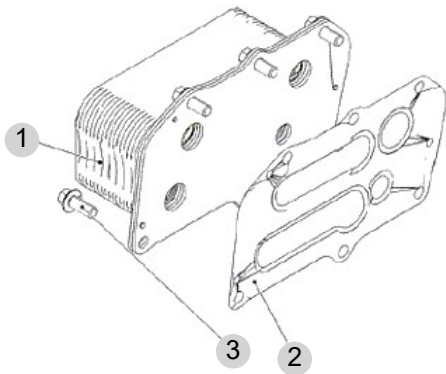
2022-12



15 - 0506 4400
LUBRIC. OIL FILTER



15 - 0512 4120
OIL FILTER ASSY



15 - 0512 4000
OIL COOLER

NOTE

FIG 16

T654SC

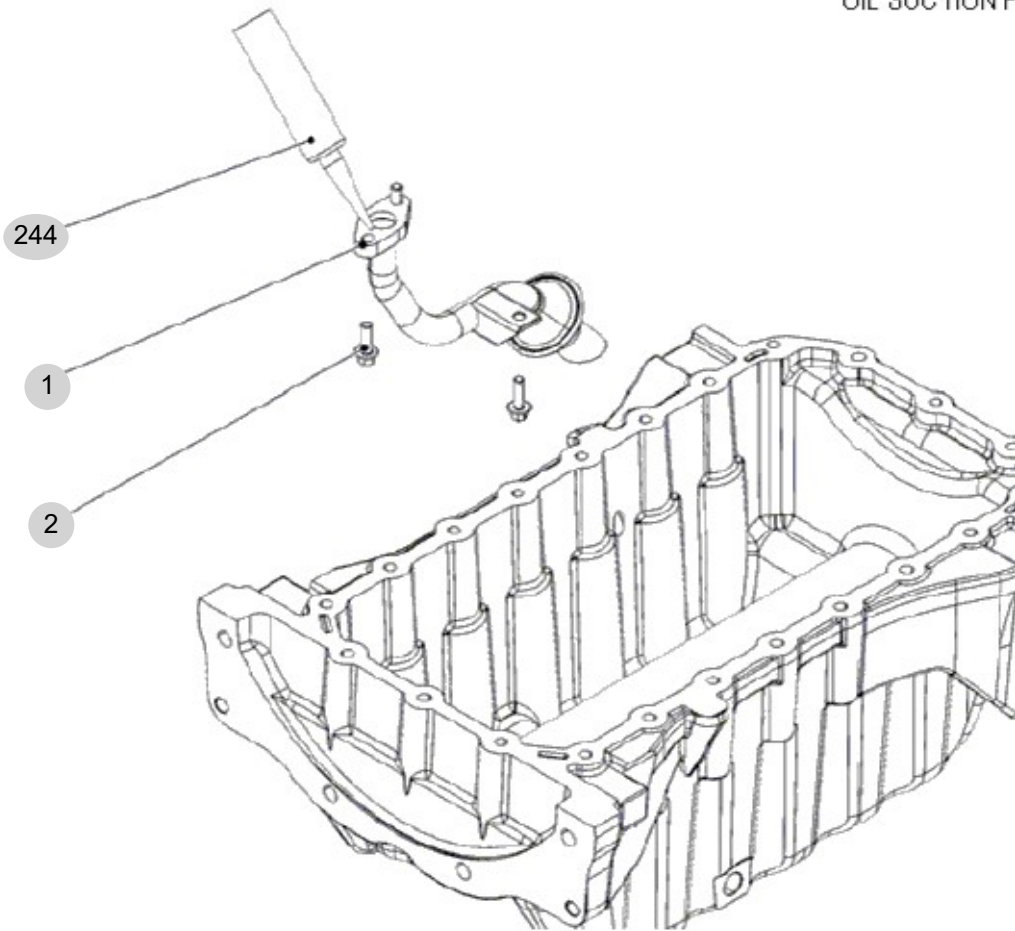
0512 4261

년/월
Year/Month

2022-12

16 - 0512 4261

OIL SUCTION PIPE



NOTE

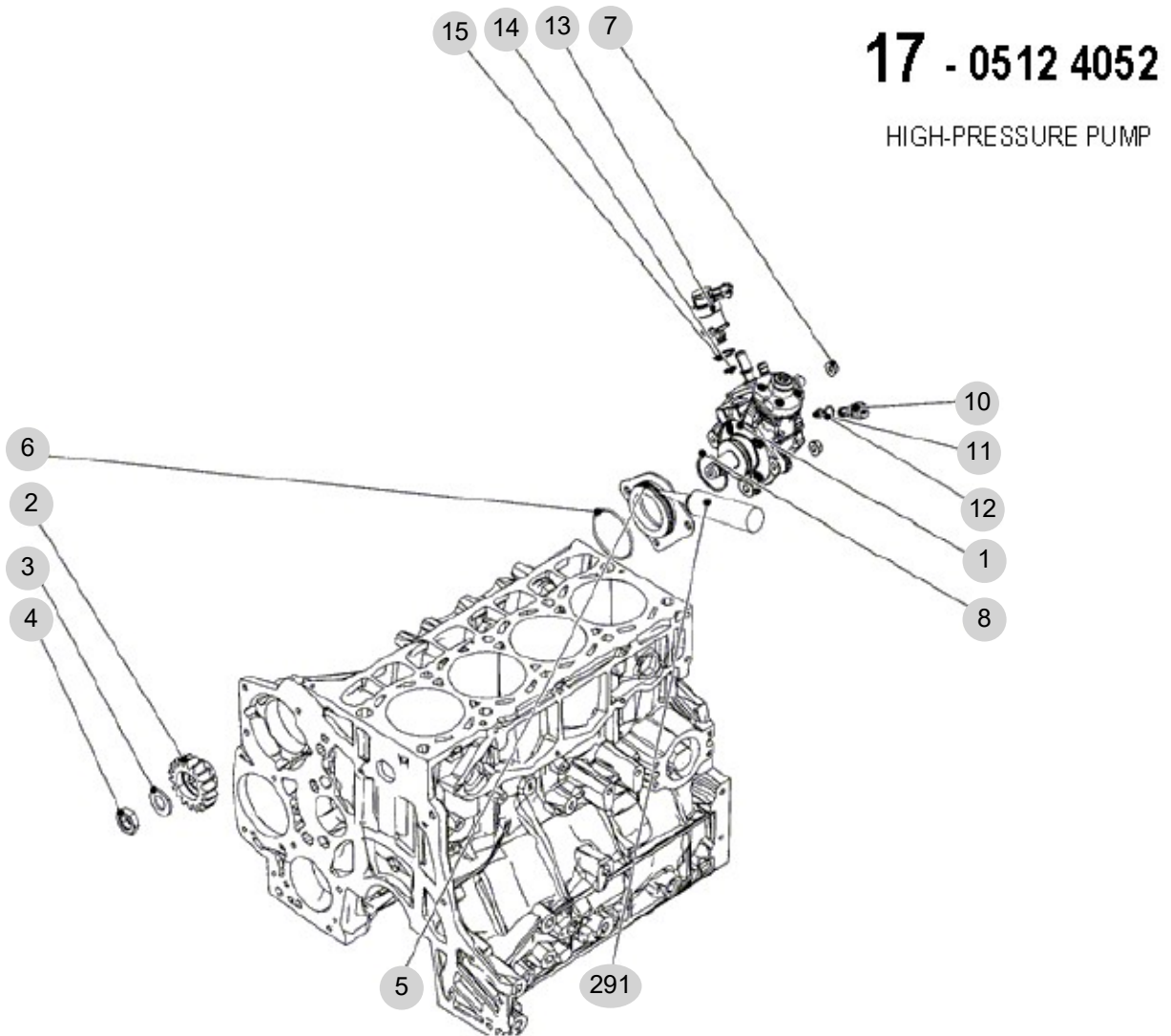
FIG 17

T654SC

0512 4052

년/월
Year/Month

2022-12



NOTE

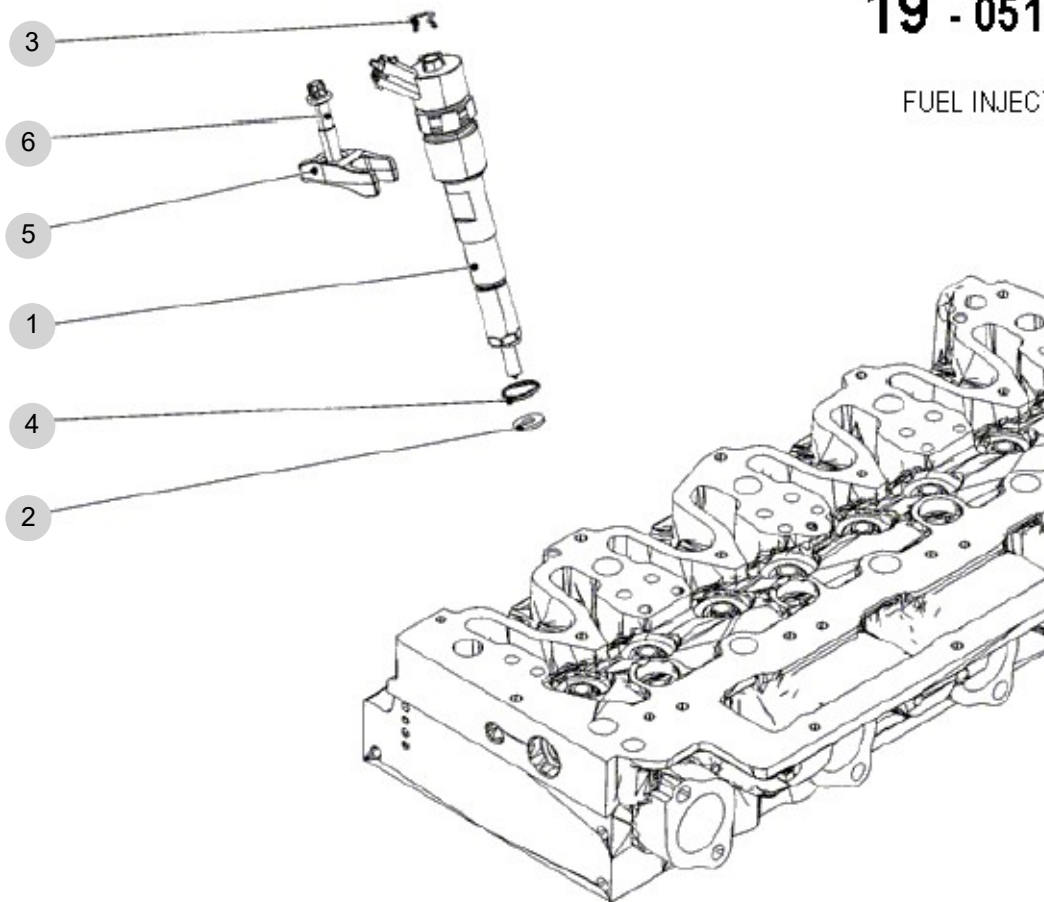
FIG 19

T654SC

0512 4047

년/월
Year/Month

2022-12



NOTE

FIG 19

T654SC

0512 4047

년/월
Year/Month

2022-12

KEY NO	PART NO	DESCRIPTION	SPEC	QTY	REPAIR	EFFECTIVE DATE	REMARKS
19	1	04132014	INJEKTOR	1			
19	2	02113778	SEALING WASHER	1			
19	3	04123075	CLAMP	1			
19	4	04123016	O-SEAL	1			
19	5	04130374	CLAMPING PAD/SHOE	1			
19	6	40123112	TORX-HEAD BOLT	1			
NOTE							

FIG 20

T654SC

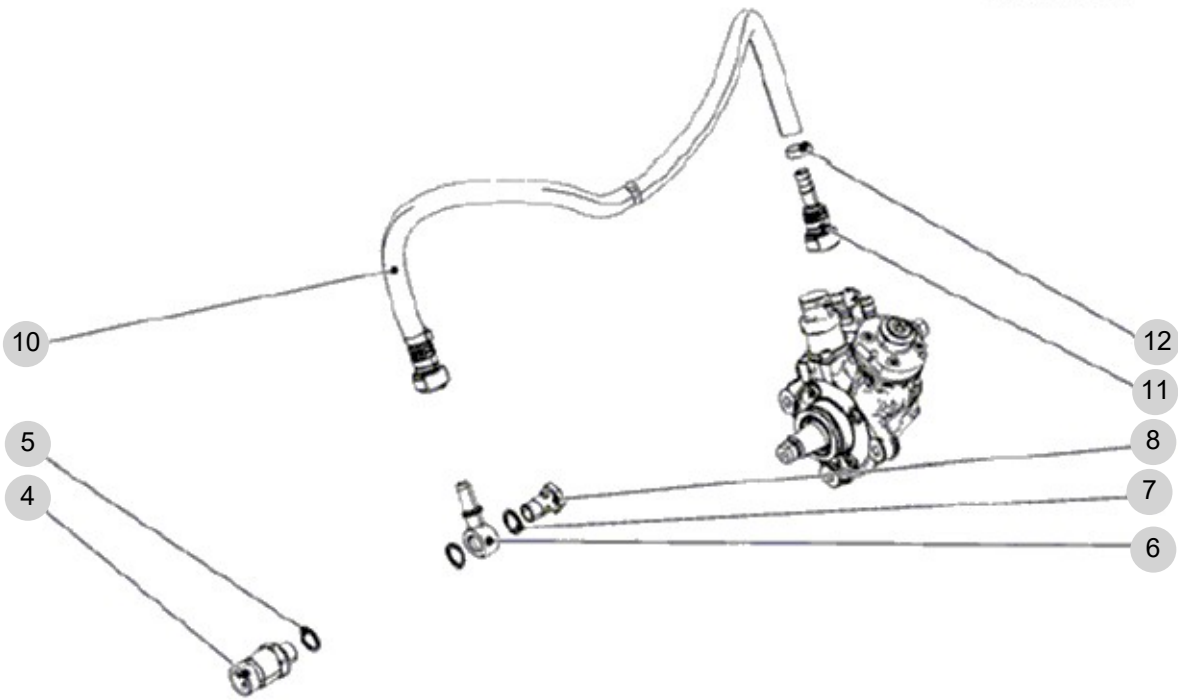
0512 4224

년/월
Year/Month

2022-12

20 - 0512 4224

FUEL FILTER



NOTE

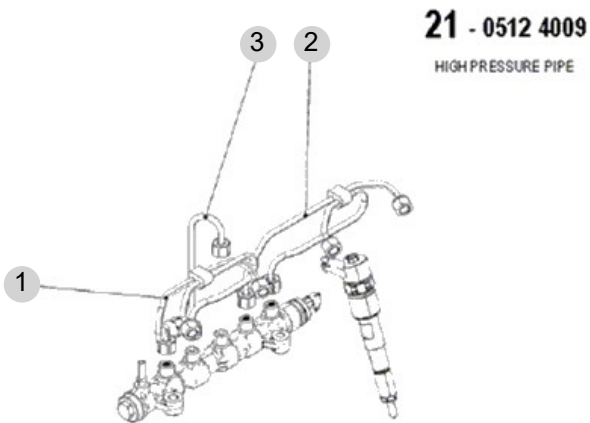
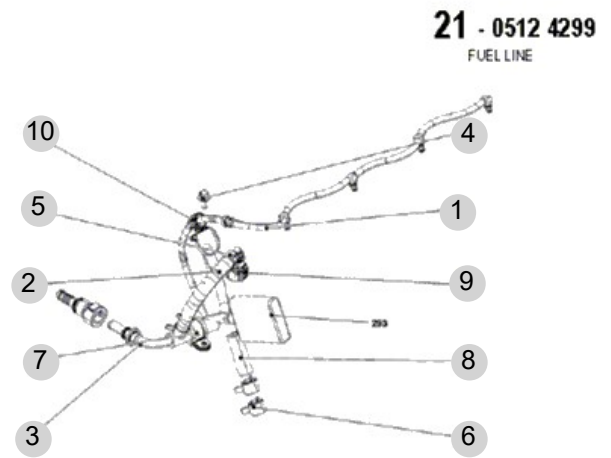
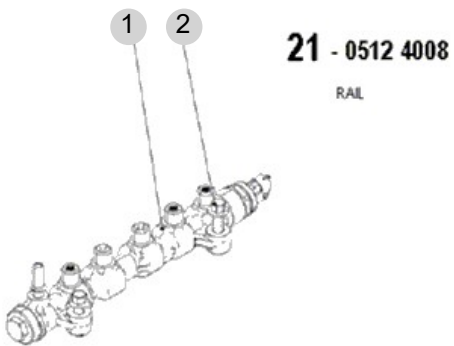
FIG 21

T654SC

0512 4009, 0512 4008, 0512 4299

년/월
Year/Month

2022-12



NOTE

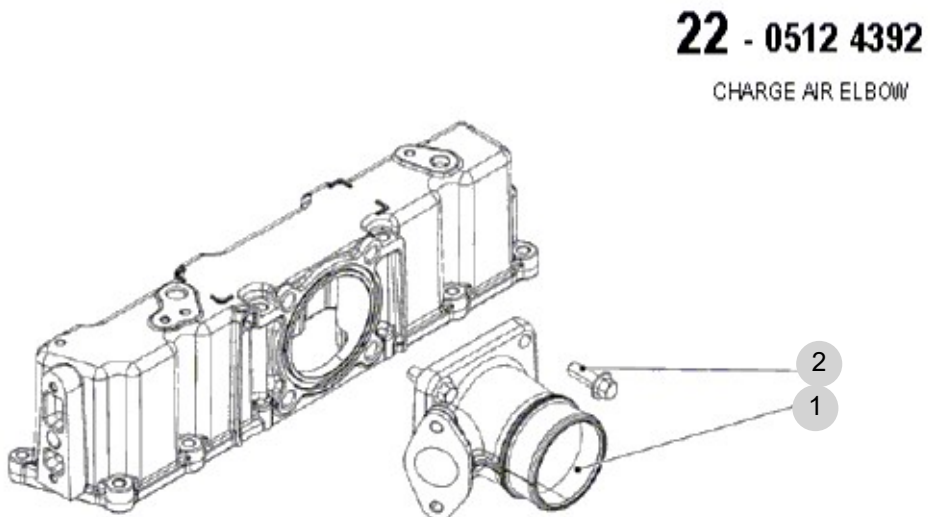
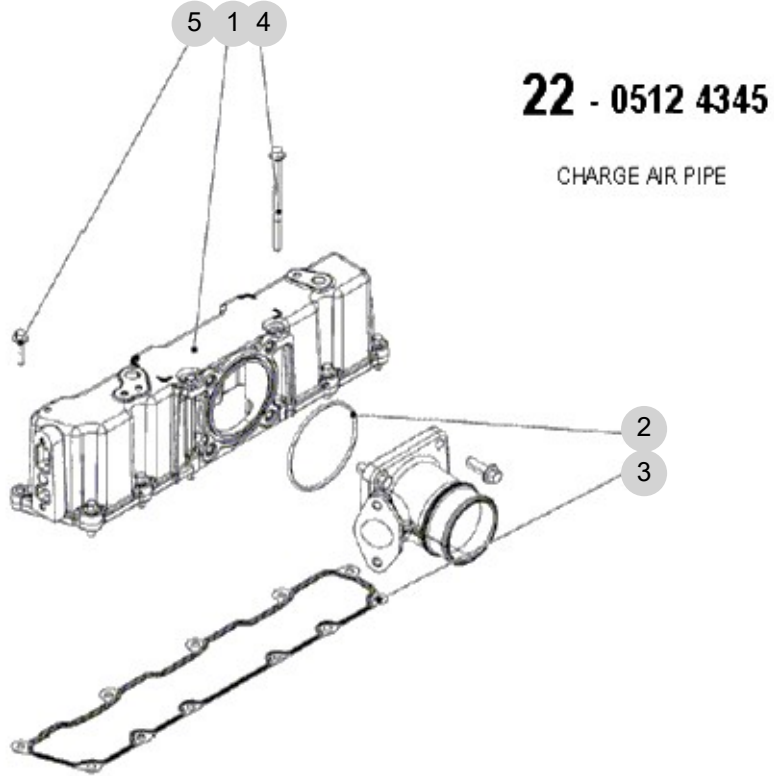
FIG 22

T654SC

0512 4345, 0512 4392

년/월
Year/Month

2022-12



NOTE

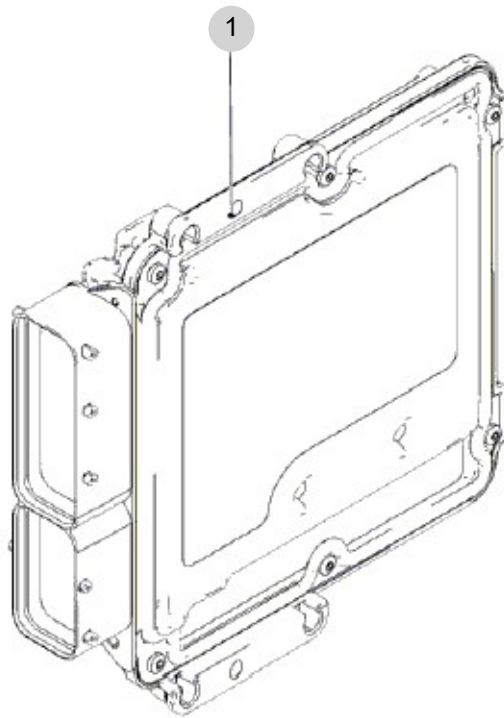
FIG 27

T654SC

0511 8909

년/월
Year/Month

2022-12



27 - 0511 8909

CONTROL UNIT

NOTE

FIG 37

T654SC

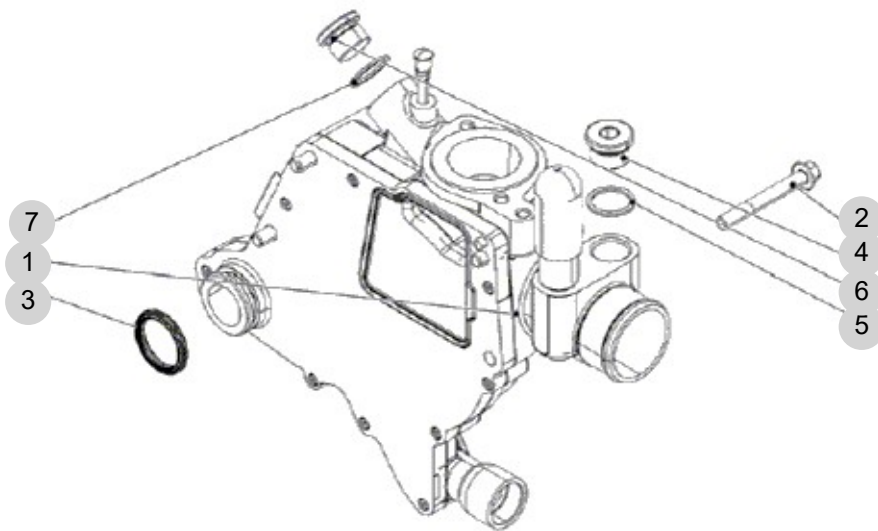
0512 4331

년/월
Year/Month

2022-12

37 - 0512 4331

COOLANT PUMP



NOTE

FIG 38

T654SC

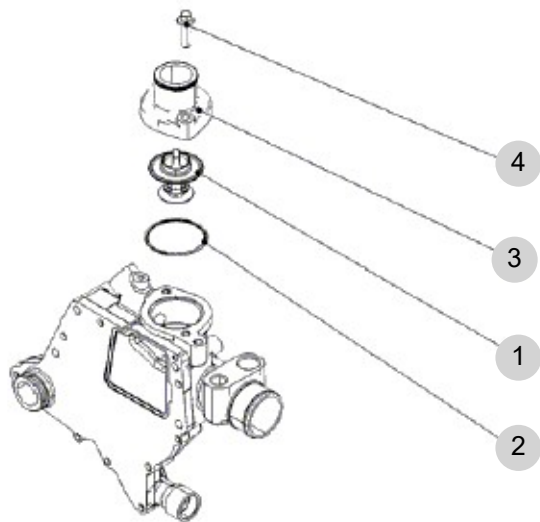
0512 4055

년/월
Year/Month

2022-12

38 - 0512 4055

THERMOSTAT



NOTE

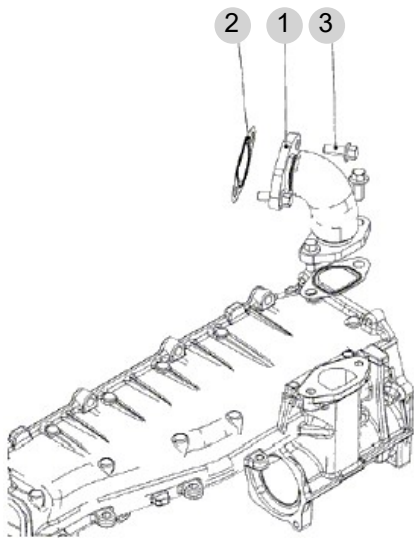
FIG 41

T654SC

0512 4143, 0512 4058, 0512 4097, 0512 4257

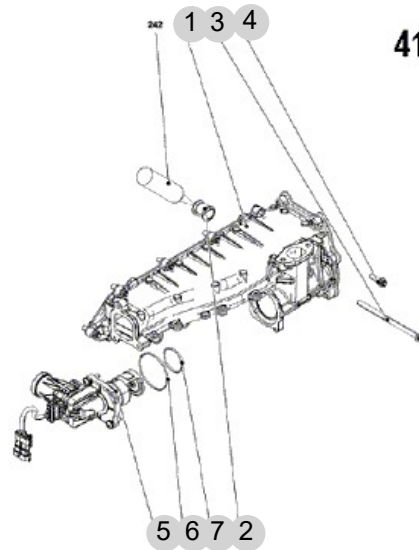
년/월
Year/Month

2022-12



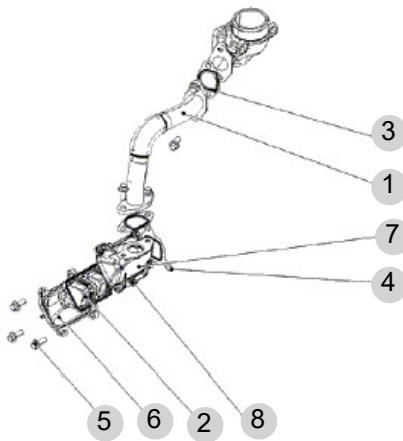
41 - 0512 4058

PIPELINE/LEAD



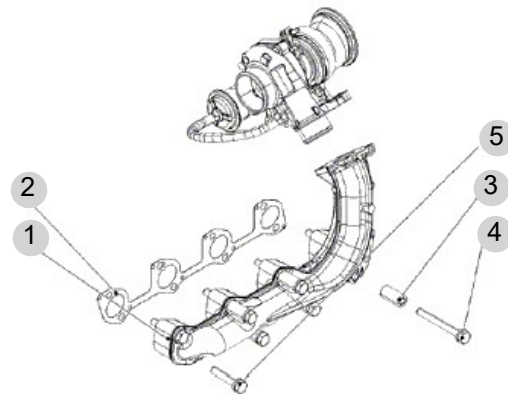
41 - 0512 4143

EGR-MODULE



41 - 0512 4097

PIPELINE/LEAD



41 - 0512 4257

EXHAUST MANFOLD

NOTE

FIG 43

0512 4384

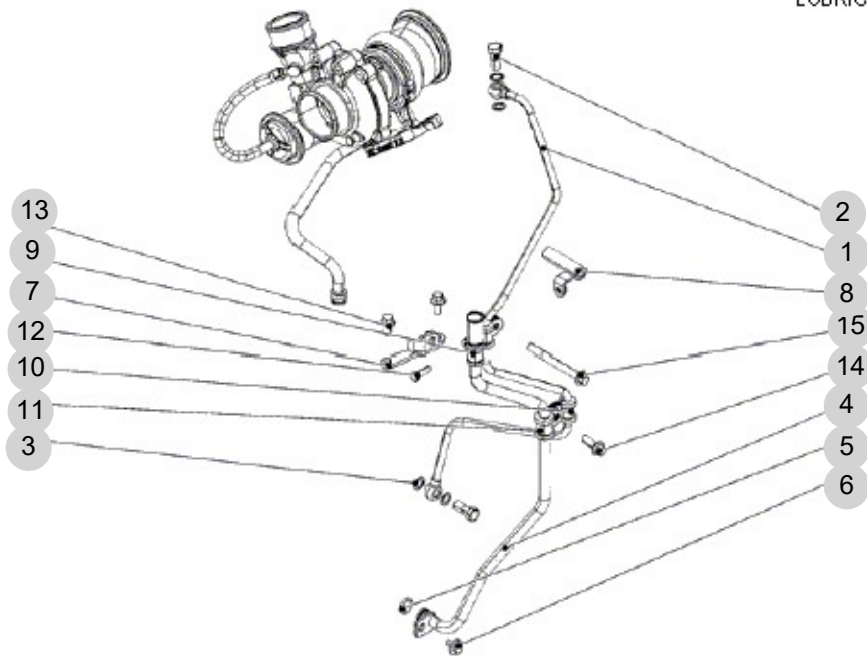
년/월
Year/Month

2022-12

T654SC

43 - 0512 4384

LUBRICAT. OIL LINE



NOTE

FIG 44

T654SC

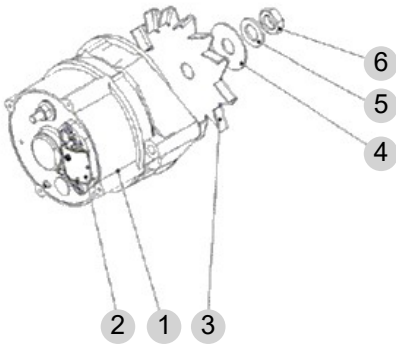
0512 4062, 0512 4256, 0512 4393, 0512 4400

년/월
Year/Month

2022-12

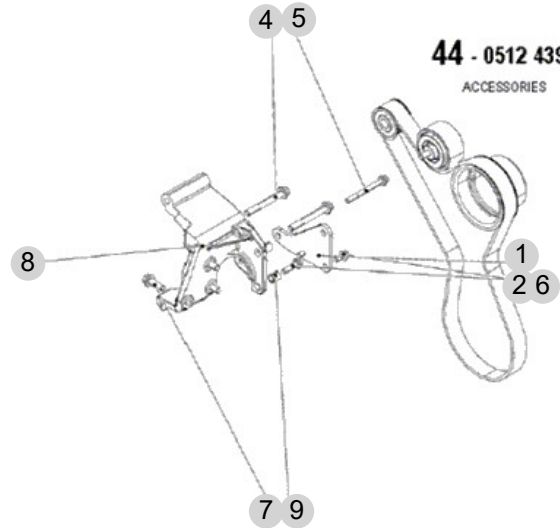
44 - 0512 4062

GENERATOR



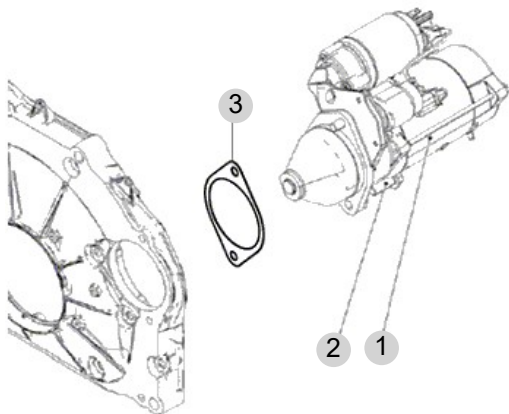
44 - 0512 4393

ACCESSORIES



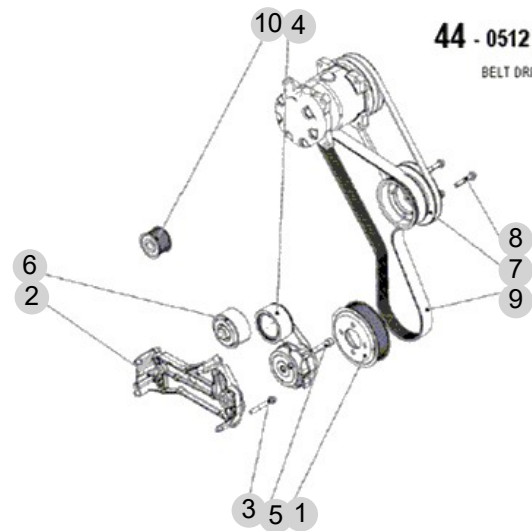
44 - 0512 4256

STARTER



44 - 0512 4400

BELT DRIVE



NOTE

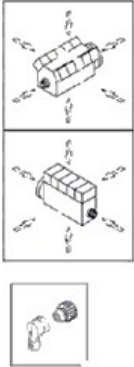
FIG 48-1

T654SC

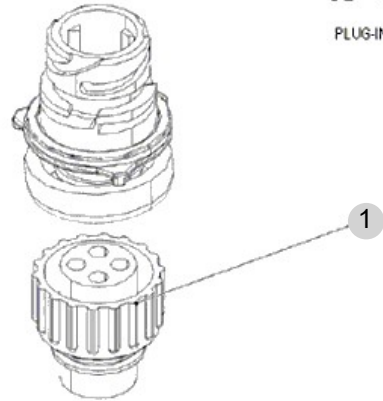
0511 7723, 0512 4011, 0512 4098, 0512 4127,
0512 4292

년/월
Year/Month

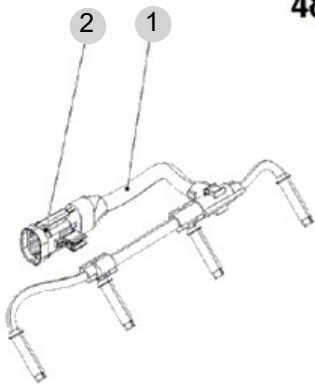
2022-12



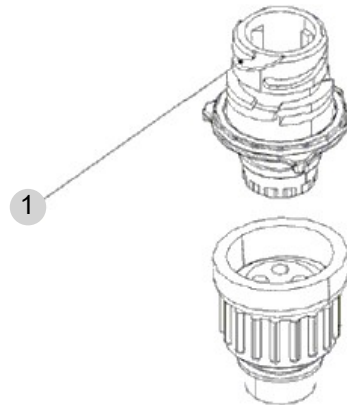
48 - 0511 7723
ATTACHMENT PLUG



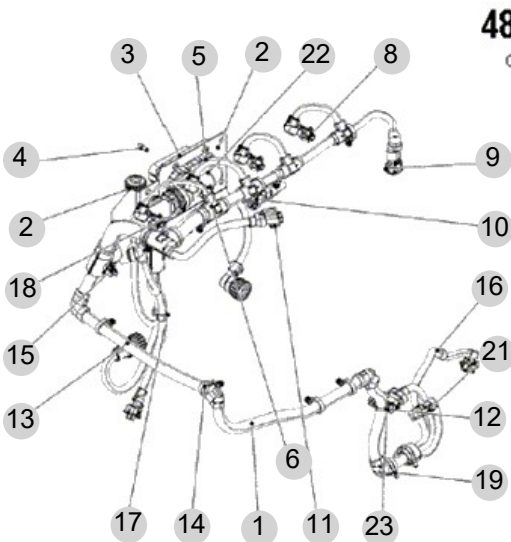
48 - 0512 4098
PLUG-IN CONNECTOR



48 - 0512 4011
CABLE HARNESS



48 - 0512 4127
PLUG-IN CONNECTOR



48 - 0512 4292
CABLE HARNESS

NOTE

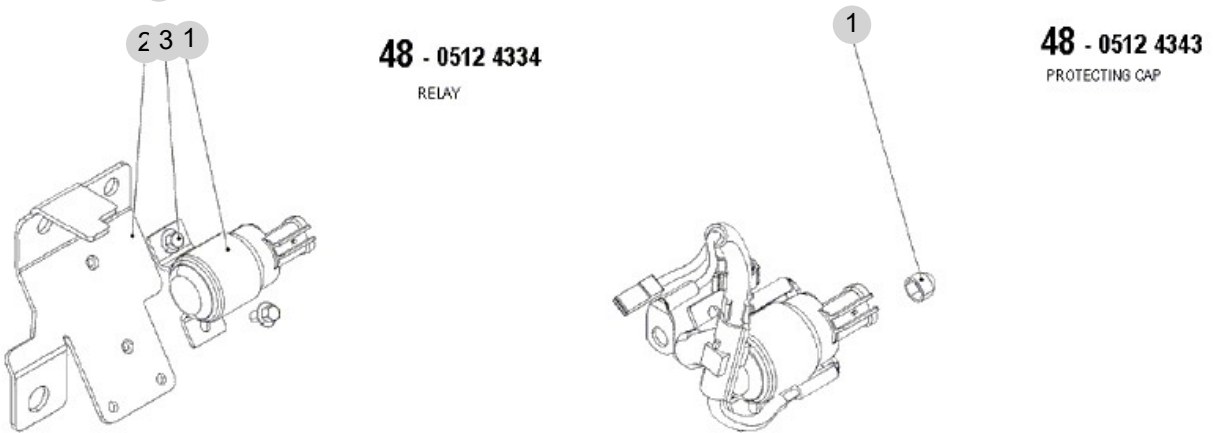
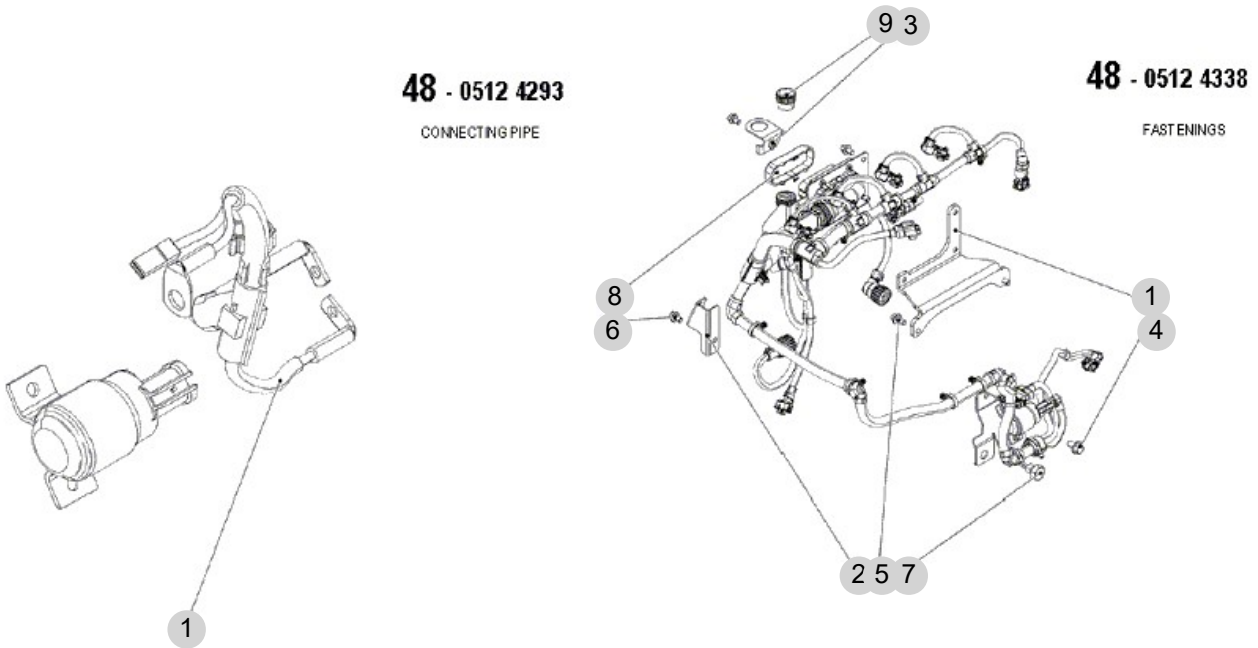
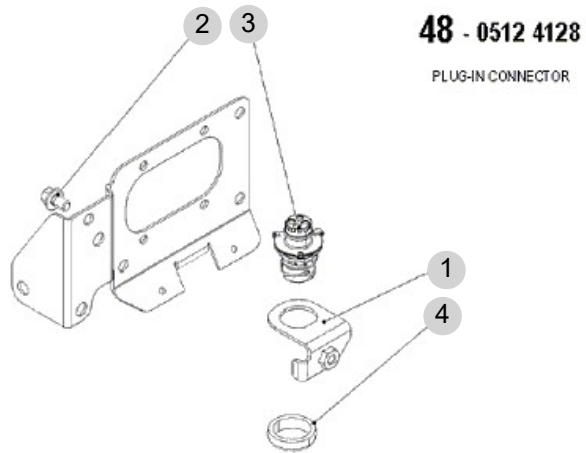
FIG 48-2

T654SC

0512 4128, 0512 4293, 0512 4334, 0512 4338,
0512 4343

년/월
Year/Month

2022-12



NOTE

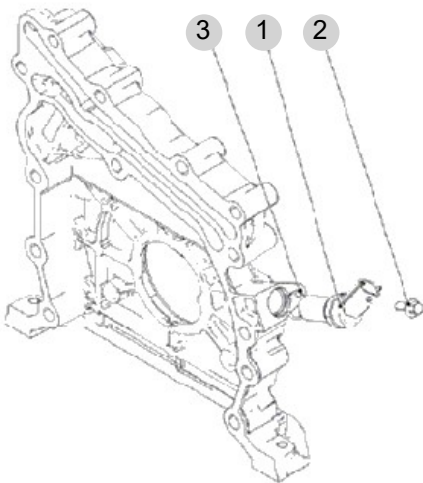
FIG 51

T654SC

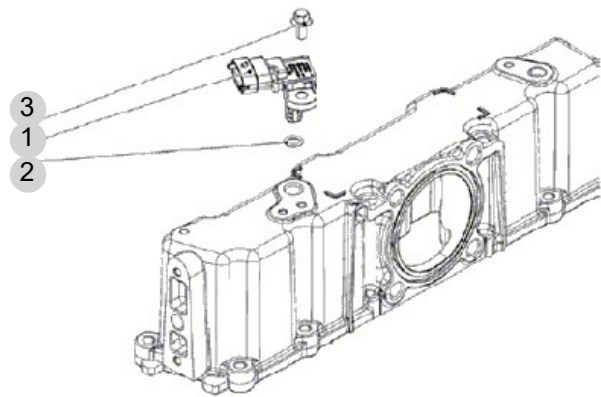
0512 4060, 0512 4104, 0512 4300, 0512 4329

년/월
Year/Month

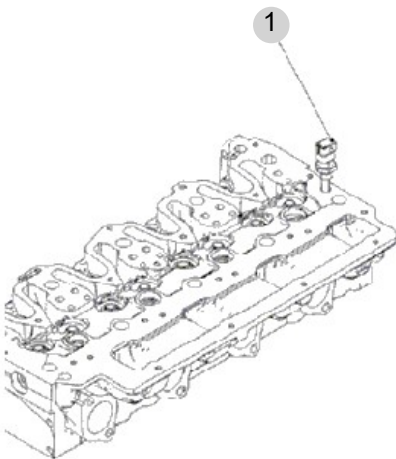
2022-12



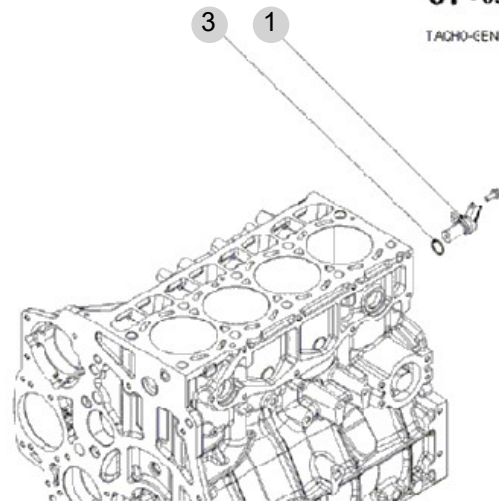
51 - 0512 4060
TACHO-GENERATOR



51 - 0512 4329
SENSOR



51 - 0512 4104
TEMPER.T TRANSMITTER



51 - 0512 4300
TACHO-GENERATOR

NOTE

FIG 63

T654SC

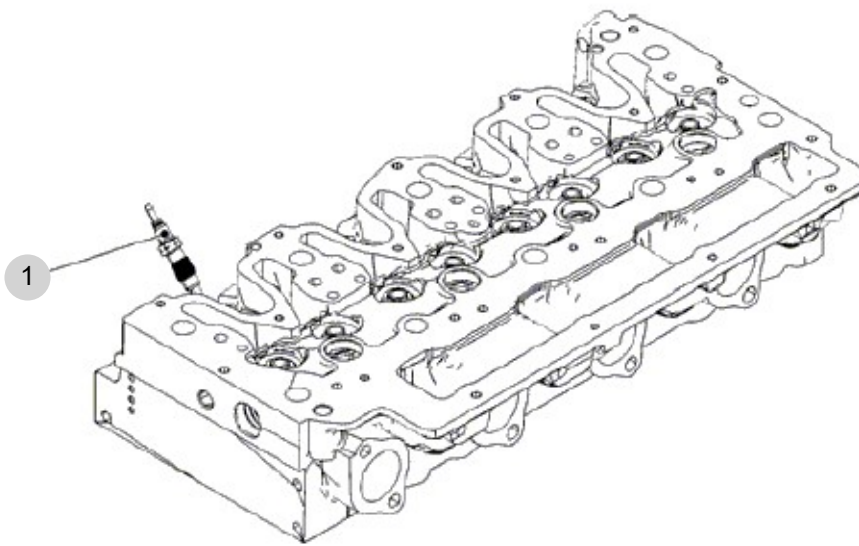
0512 4010

년/월
Year/Month

2022-12

63 - 0512 4010

GLOW PLUG



NOTE

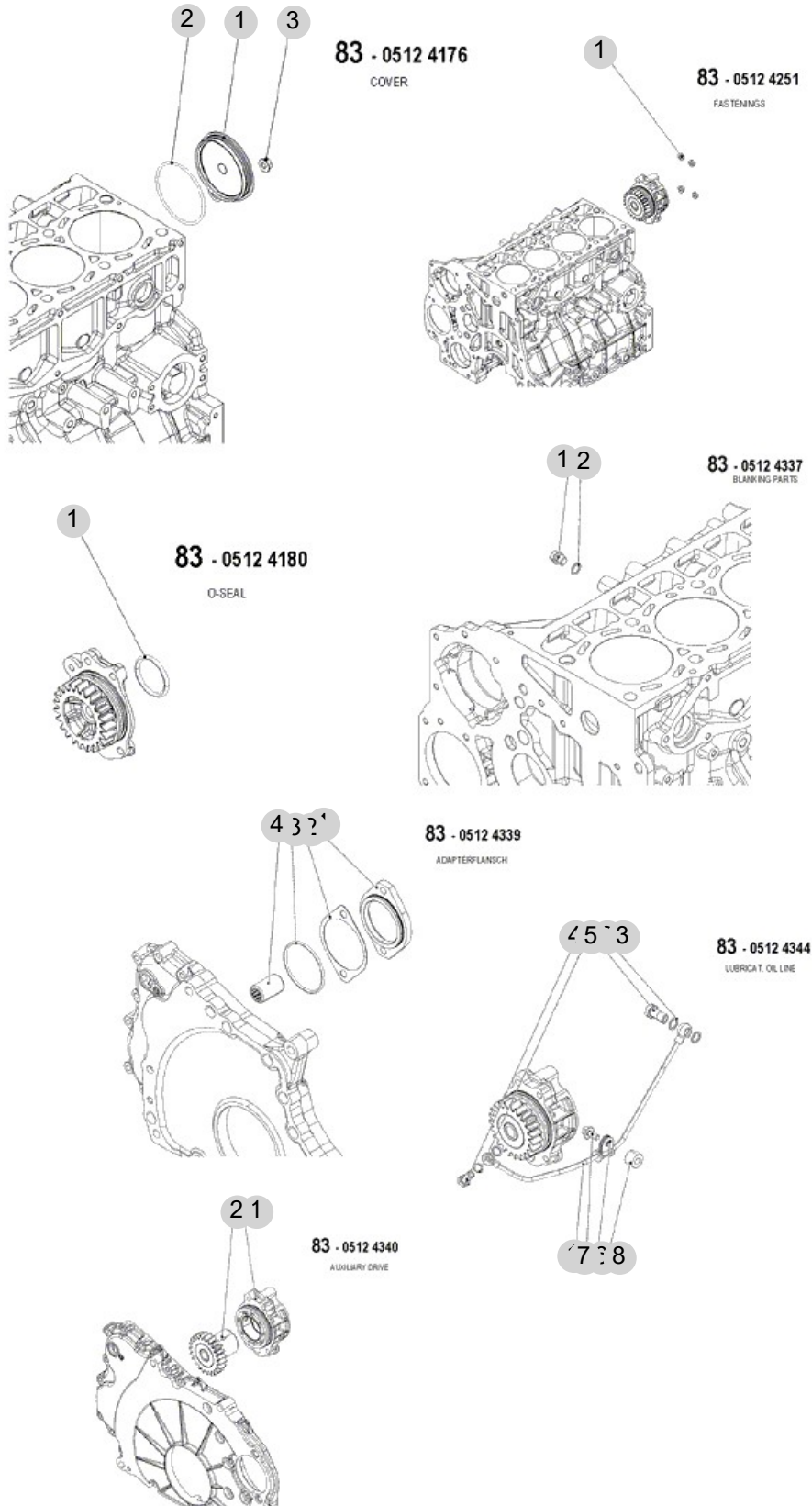
FIG 83

T654SC

0512 4176, 0512 4180, 0512 4251, 0512 4337,
0512 4339, 0512

년/월
Year/Month

2022-12



NOTE

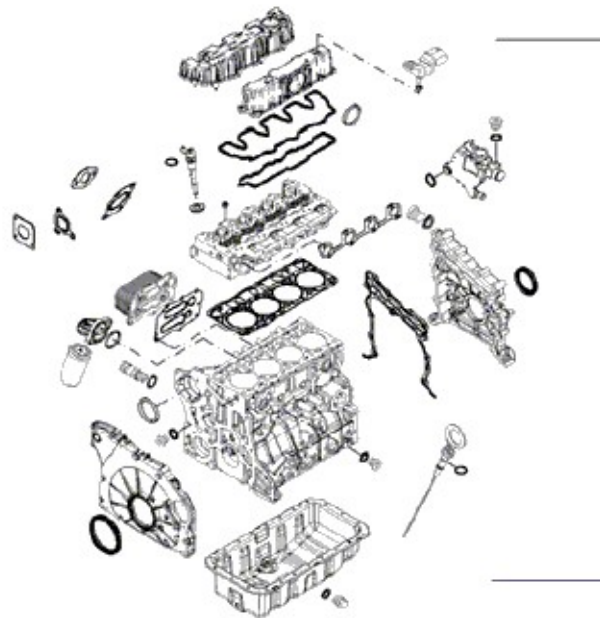
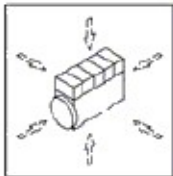
FIG 90

T654SC

0512 4355

년/월
Year/Month

2022-12



90 - 0512 4355

GASKET SET

1

NOTE

2. Engine Accessories PART NO. T2

FIG 201 AIR CLEANER	71
FIG 202 RADIATOR	73
FIG 203 MUFFLER & EXHAUST PIPE	76
FIG 204 FUEL TANK	79
FIG 205 FUEL FILTER & FUEL PUMP	81
FIG 206 OIL COOLER	83

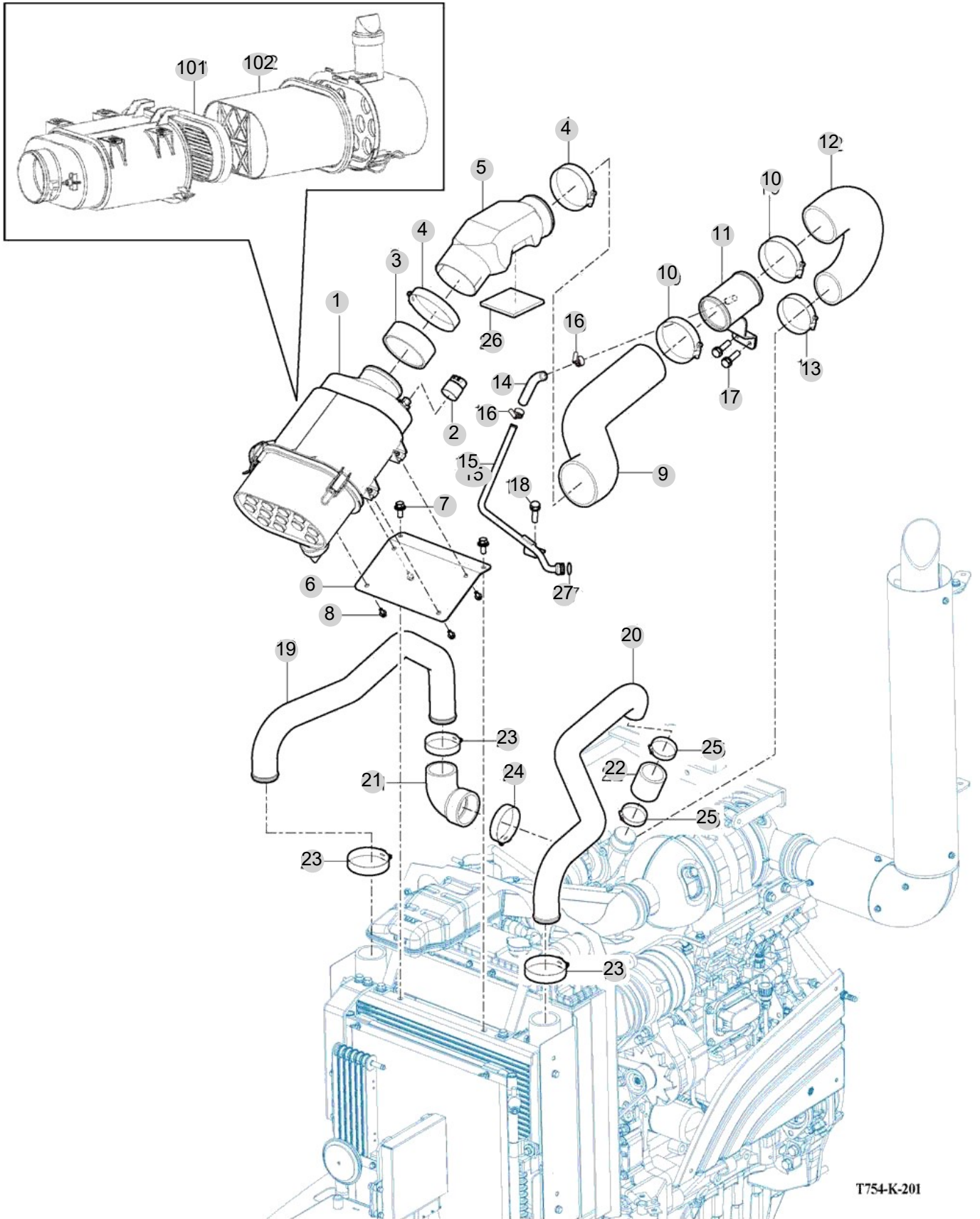
FIG 201

AIR CLEANER

년/월
Year/Month

2022-12

T654SC



NOTE

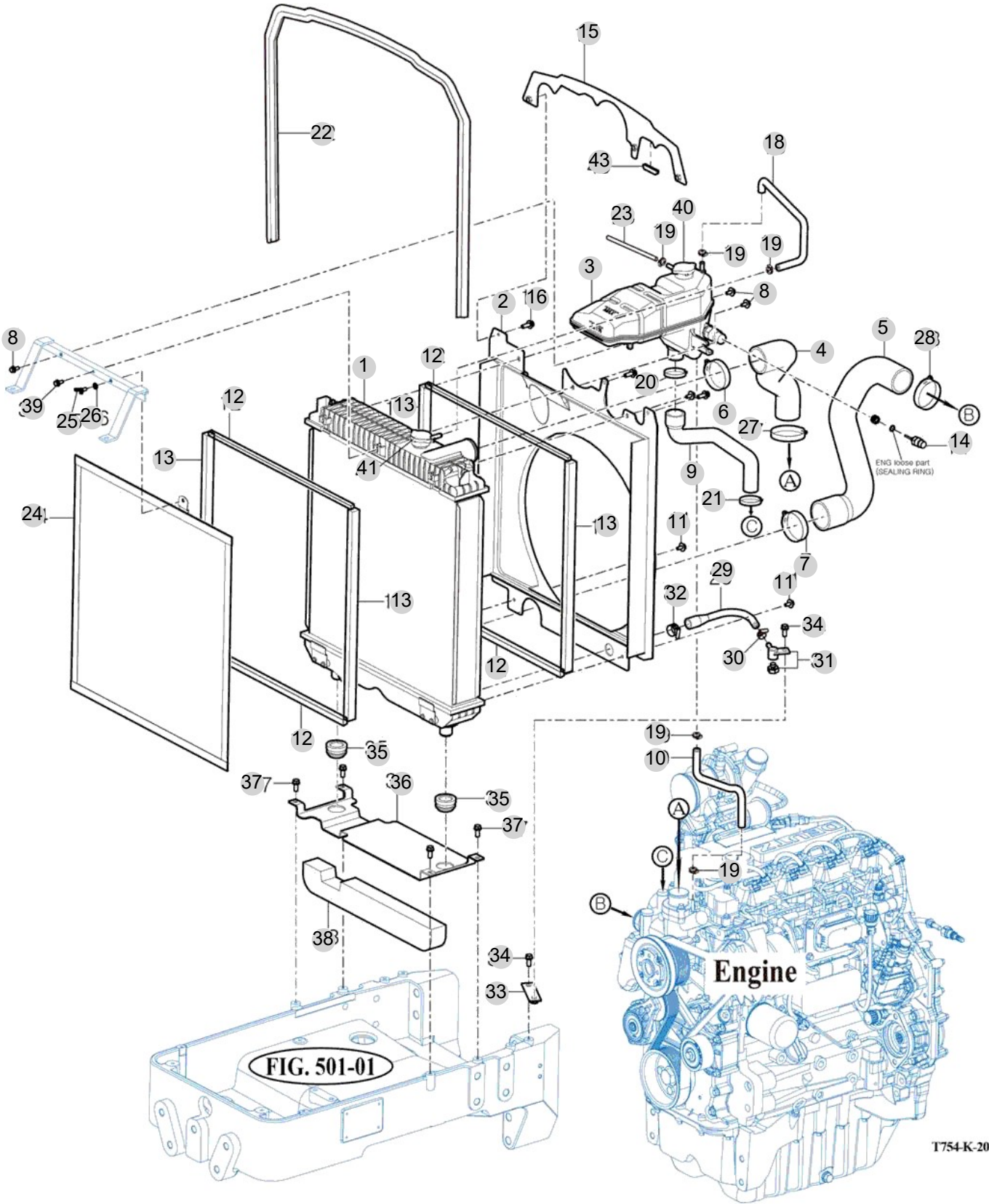
FIG 202

RADIATOR

년/월
Year/Month

2022-12

T654SC



T754-K-202

NOTE

FIG 202		RADIATOR					년/월 Year/Month		
							2022-12		
T654SC		KEY NO	PART NO	DESCRIPTION	SPEC	QTY	REPAIR	EFFECTIVE DATE	REMARKS
202	1	18021042500	RADIATOR ASSY			1			
202	2	18021042201	SHROUD			1			
202	3	18021041002	RESERVE TANK			1			
202	3	18021041003	RESERVOIR TANK			1			
202	4	18021040010	HOSE , RADIATOR INLET			1			
202	5	18021040020	HOSE , RADIATOR/OUTLET			1			
202	6	18027090600	BAND CLAMP 60 EMBO TYPE			1			
202	7	18027090700	BAND CLAMP 70 EMBO TYPE			1			
202	8	V2193606025	BOLT , HEX/SPL	M6X25		3			
202	9	18021040030	HOSE ID22			1			
202	10	18028200081	HOSE 290			1			
202	11	V2193606016	BOLT , HEX/SPL	M6X16		3			
202	12	16601042340	SPONGE , 495			4			
202	13	10011042360	SPONGE , 20X15			4			
202	14	04218100	LEVEL SWITCH			1			
202	15	18021042300GB	PLATE COMP , SEAL C			1			
202	16	V2123606016	BOLT , HEX /SP	M6X16		3			
202	18	18021040041	HOSE RD TANK			1			
202	19	14501410050	BAND CLAMP 16			5			
202	20	14241010050	WIRE CLAMP 42			1			
202	20	18027090500	BAND CLAMP 50 EMBO TYPE			1			
202	21	18027090400	BAND CLAMP 40 EMBO TYPE			1			
202	22	10031040320	INSULATOR			1			
202	23	18021040050	HOSE , BREATHER 500			1			
202	24	17811042300GB	NET COMP , RADIATOR			1			
202	25	V2712606012	BOLT , WING	M6X12		1			
202	26	V4111600060	WASHER , PLAIN	M6		1			
202	27	18027090600	BAND CLAMP 60 EMBO TYPE			1			
202	28	34513310040	BAND CLAMP 64			1			
202	28	18027090600	BAND CLAMP 60 EMBO TYPE			1			
202	29	19021040091	HOSE(210)			1			
202	30	37481850030	BAND CLAMP 18			1			
202	30	18027090160	BAND CLAMP 16 EMBO TYPE			1			
202	31	15231041000	CONNECTOR			1			
202	32	37681850160	BAND CLAMP 25			1			
202	32	18027090250	BAND CLAMP 25 EMBO TYPE			1			
202	33	16991041100GB	PLATE COMP , CONNECTOR			1			
202	34	V2183608025	BOLT , HEX/SP	M8X25		1			
202	35	19021040020	CUSHION RADIATOR			2			
202	36	17131142100GB	SUPPORT , RADIATOR			1			
202	37	V2183608020	BOLT , HEX/SP	M8X20		4			
202	38	18021040500	INSULATOR , RADIATOR			1			
202	39	V2323606016	BOLT , C/R HEX/SP	M6X16		1			
202	39	V2323606016	BOLT , C/R HEX/SP			1			
202	40	13011042110	CAP 0.9bar			1			
NOTE									

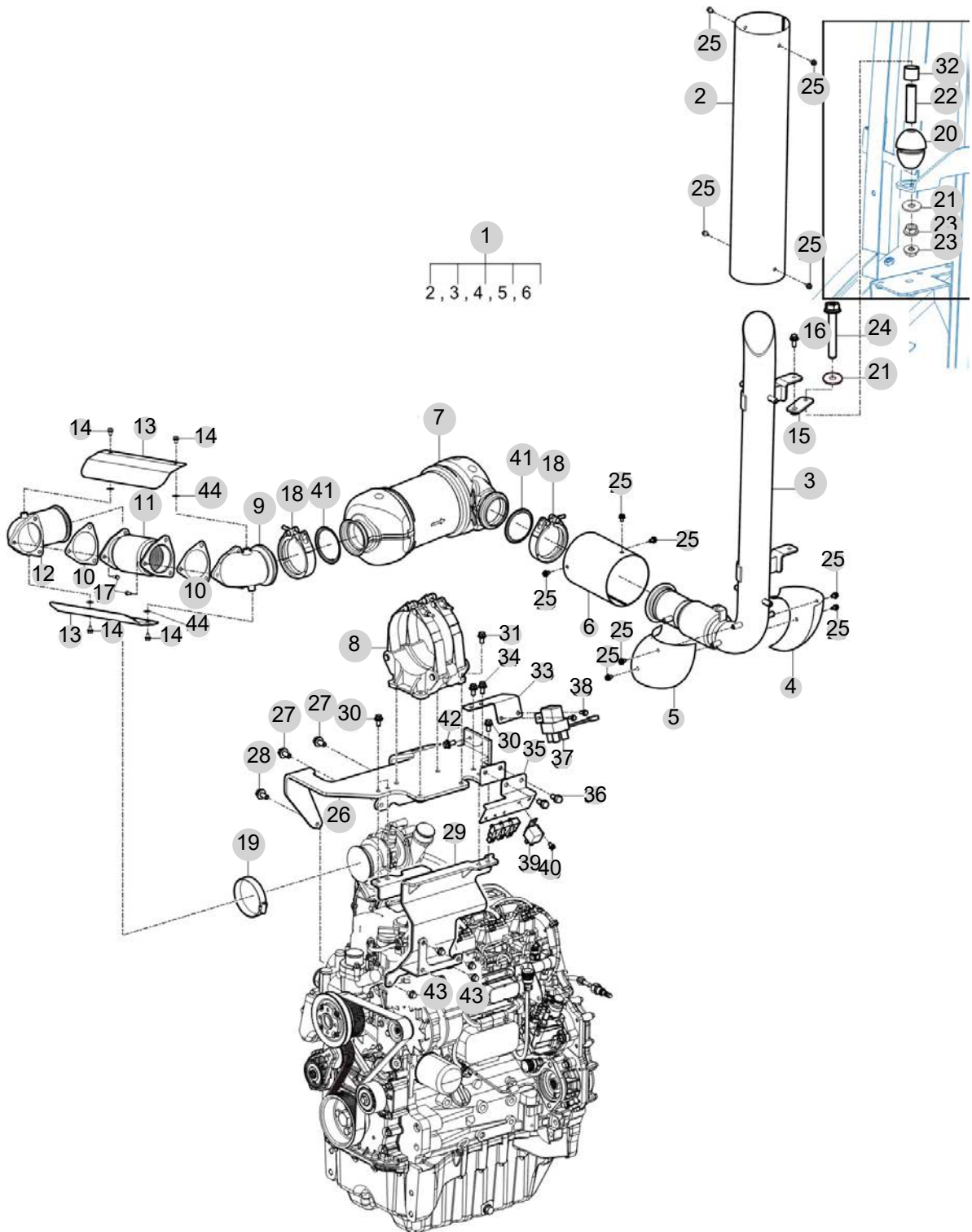
FIG 203

MUFFLER & EXHAUST PIPE

년/월
Year/Month

2022-12

T654SC



NOTE

FIG 203 T654SC		MUFFLER & EXHAUST PIPE					년/월 Year/Month	
							2022-12	
KEY NO	PART NO	DESCRIPTION	SPEC	QTY	REPAIR	EFFECTIVE DATE	REMARKS	
203	1	18021061001	EXHAUST PIPE ASSY			1		
203	1	18021061002	EXHAUST PIPE ASSY			1		
203	1	18021061003	EXHAUST PIPE ASSY			1		
203	7	04603915	CATALYST ax rd 90(DOC)			1		
203	7	04605726	CATALYST ax rd 90(DOC)			1		
203	8	04604243	BRACKET (DOC MOUNT)			1		
203	8	04605741	BRACKET (DOC MOUNT)			1		
203	9	18021061600DD	ELBOW / DOC			1		
203	10	18021061800	GASKET , BELLOWS			2		
203	11	18021061700DD	BELLOWS COMP			1		
203	12	18021061500DD	ELBOW / TC			1		
203	13	18021062100DD	PLATE , INSULATOR			1		
203	13	18021062400DD	PLATE COMP , INSULATION			1		
203	14	V2123606012	BOLT , HEX /SP			4		
203	14	V2123606016	BOLT , HEX /SP	M6X16		4		
203	15	18021061900GB	CONNECTOR COMP			1		
203	16	V2183608020	BOLT , HEX/SP	M8X20		1		
203	17	V2173608020	BOLT , HEX/S	M8X20		6		
203	18	04603585	CLIP			1		
203	18	04607110	CLIP			2		
203	19	04602018	CLIP			1		
203	20	18501058010	RUBBER, VIBRATION			2		
203	21	35605033020	WASHER , WIRE WITHDRAWAL			4		
203	22	18501058020	SPACER			2		
203	23	V3802600060	NUT , HEX FLANGE	M6		4		
203	24	V2003606090	BOLT , HEX	M6X90		2		
203	25	V2327006012	BOLT , C/R HEX/SP	M6X12		11		
203	26	18021051503GB	BRACKET COMP , DOC			1		
203	27	V2183608025	BOLT , HEX/SP	M8X25		2		
203	28	V2183608025	BOLT , HEX/SP	M8X25		1		
203	29	18021052500GB	BRACKET COMP , DOC SIDE			1		
203	30	V2183608030	BOLT , HEX/SP	M8X30		4		
203	31	V2183608035	BOLT , HEX/SP	M8X35		4		
203	32	15701062000	COLLAR 20X7X20			2		
203	32	15701062001	COLLAR 20X7X15			2		
203	33	18021051601GB	BKT COMP , GLOW RELAY			1		
203	34	V2183608025	BOLT , HEX/SP	M8X25		2		
203	35	18021052101GB	BKT COMP , FUSE			1		
203	36	V2183608025	BOLT , HEX/SP	M8X25		2		
203	37	10036802800	RELAY ASSY , GLOW			1		
203	38	V2123606016	BOLT , HEX /SP	M6X16		2		
203	39	11616212900	RELAY 5P			1		
203	40	V2123606016	BOLT , HEX /SP	M6X16		1		
203	41	04600004	GASKET DOC			2		
203	42	V2183608025	BOLT , HEX/SP	M8X25		2		
NOTE								

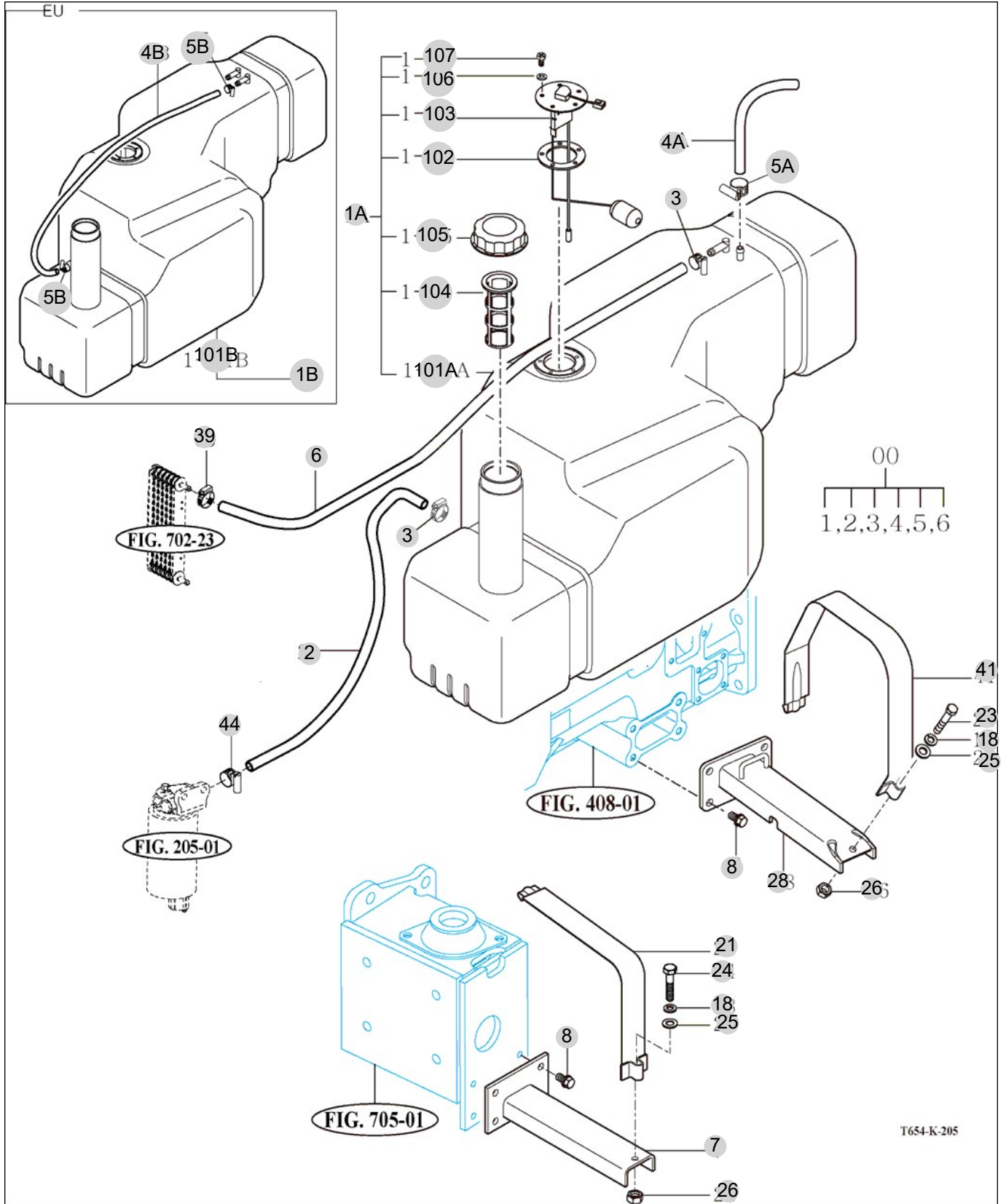
FIG 204

FUEL TANK

년/월
Year/Month

T654SC

2022-12



T654-K-205

NOTE

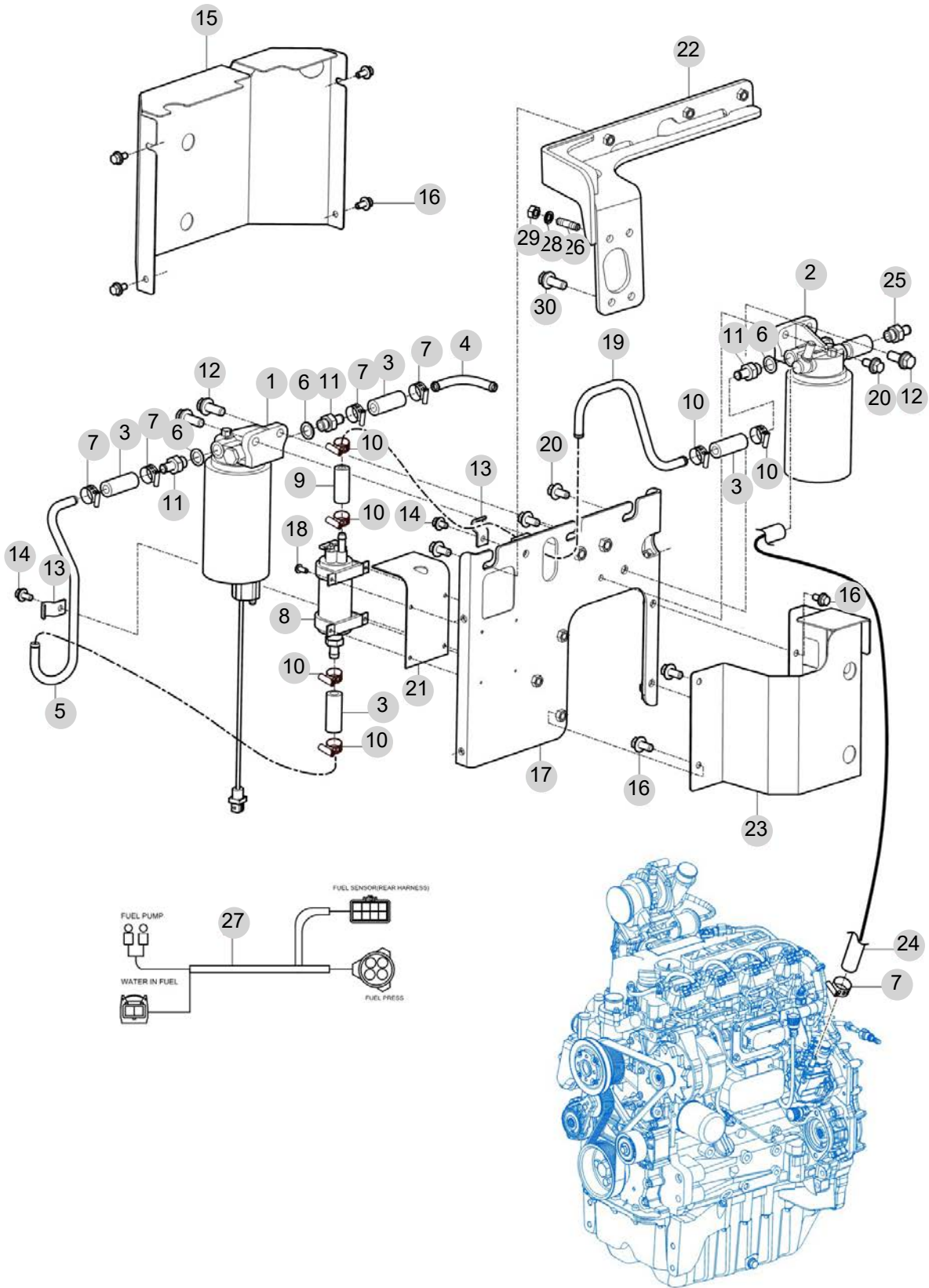
FIG 205

FUEL FILTER & FUEL PUMP

T654SC

년/월
Year/Month

2022-12



NOTE

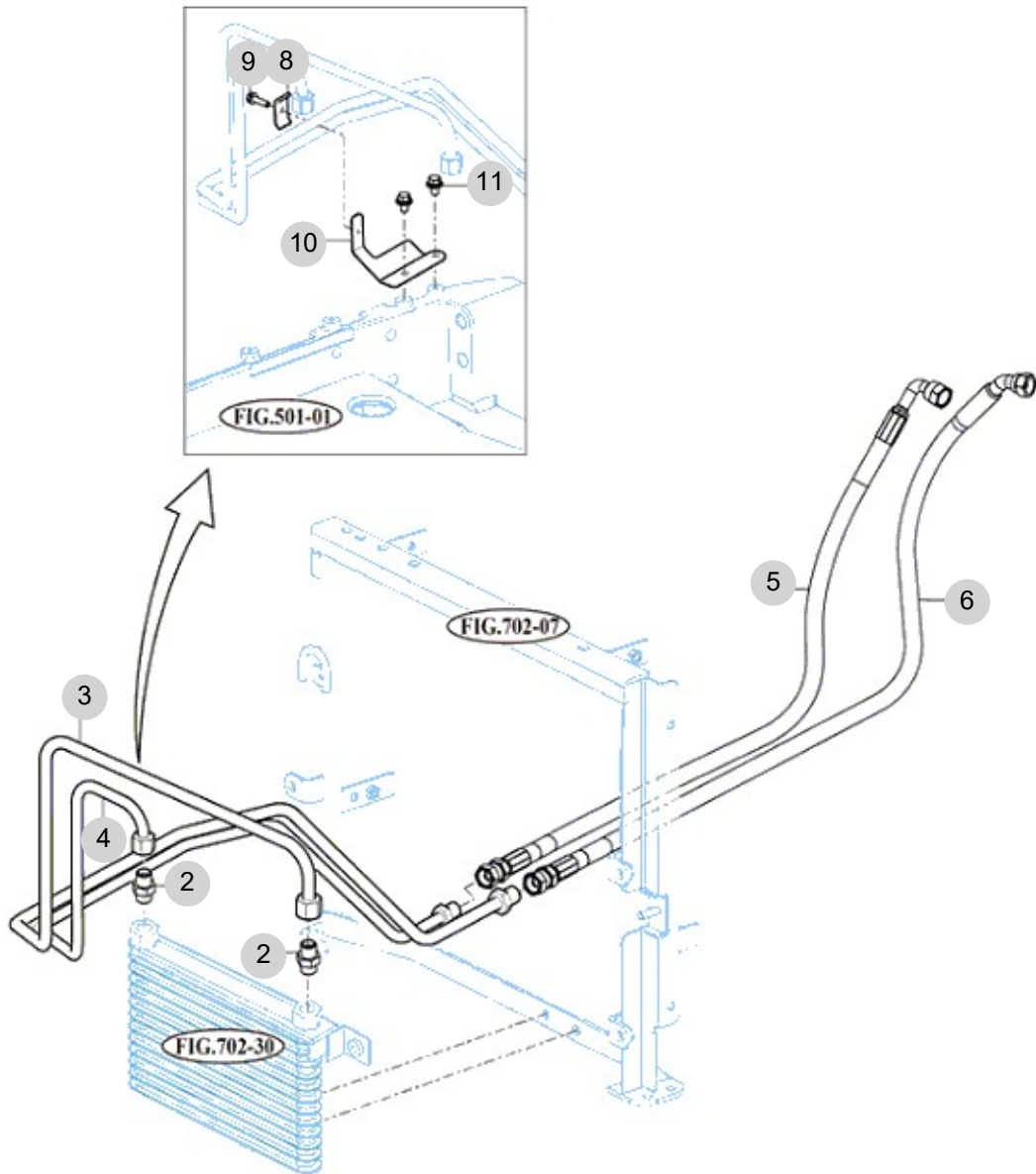
FIG 206

T654SC

OIL COOLER

년/월
Year/Month

2022-12



X750QP-K-207

NOTE

3. Clutch/Brake/Steering PART NO. T3

FIG 301 CLUTCH	86
FIG 302 CLUTCH PEDAL	88
FIG 302-2 CLUTCH PEDAL	91
FIG 303 BRAKE	93
FIG 304 BRAKE PEDAL & LINK	95
FIG 305 FORNT WHEEL	97
FIG 306 REAR WHEEL	99
FIG 307 POWER STEERING WHEEL	101
FIG 308 POWER STEERING VALVE	103
FIG 309 POWER STEERING CYLINDER	105

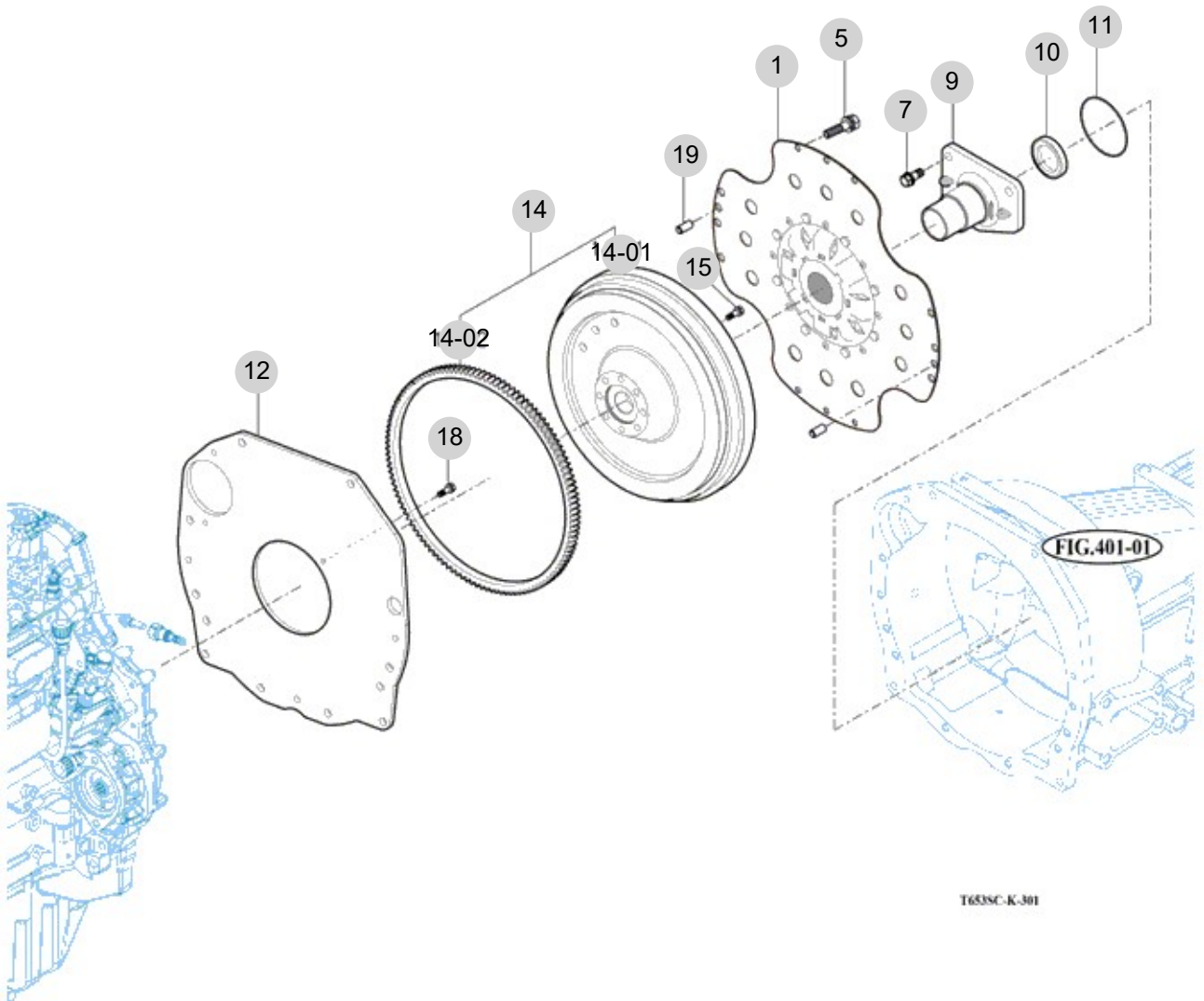
FIG 301

T654SC

CLUTCH

년/월
Year/Month

2022-12



T654SC-K-301

NOTE

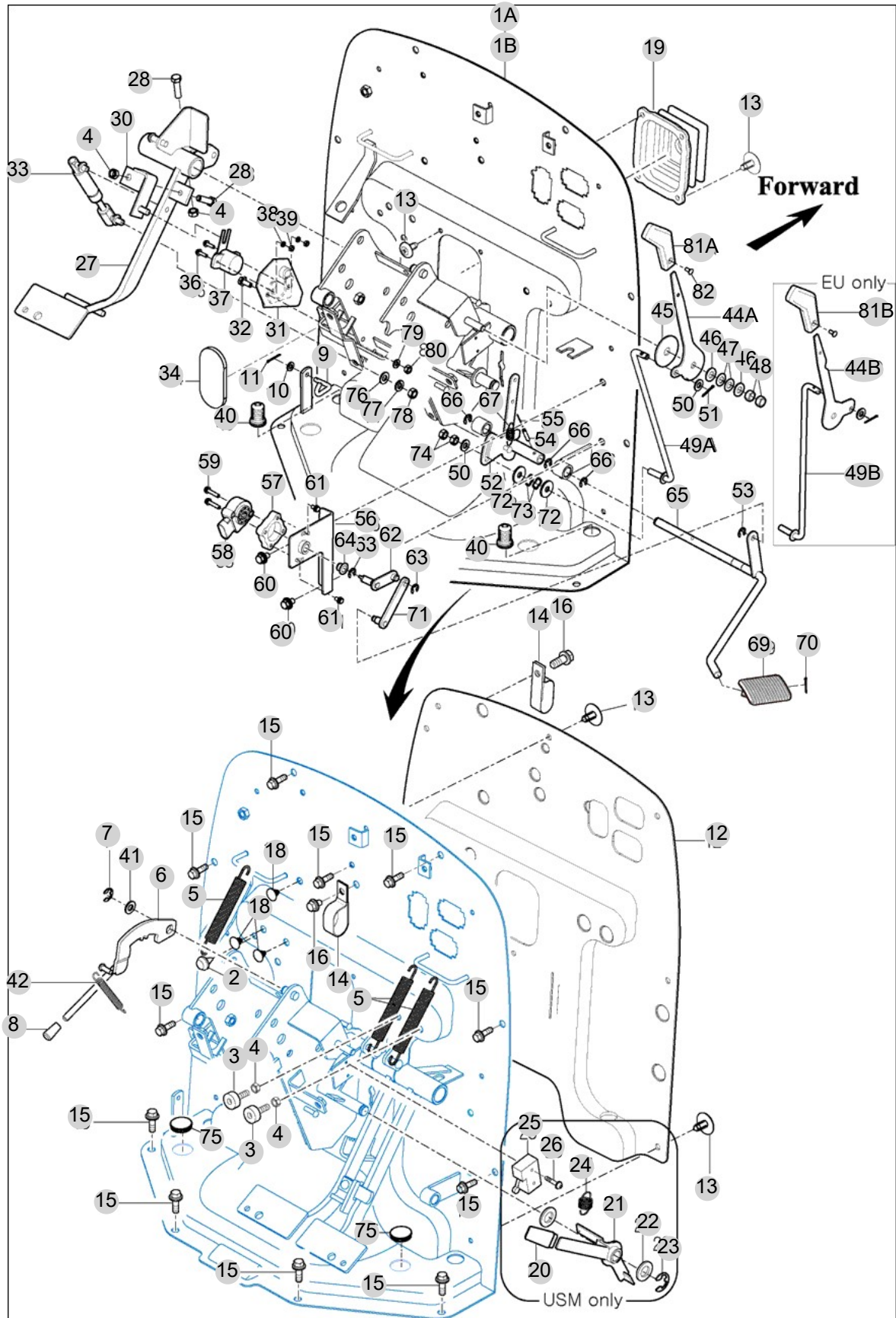
FIG 302

CLUTCH PEDAL

년/월
Year/Month

2022-12

T654SC



NOTE

FIG 302		CLUTCH PEDAL						년/월 Year/Month	
								2022-12	
T654SC		KEY NO	PART NO	DESCRIPTION	SPEC	QTY	REPAIR	EFFECTIVE DATE	REMARKS
302	1A	15736304200GB	PANEL COMP , DASH			1			
302	2	14326160020	RUBBER , CUSHION			1			
302	3	14216020051	RUBBER , CUSHION B			2			
302	4	V3043600080	NUT , HEX/2	M8		4			
302	5	14041200080	RETURN SPRING , CLUTCH	D=2.3		3			
302	6	14724042401GB	LEVER COMP , TILT			1			
302	7	V7081400090	E-RING			1			
302	8A	21615250020	GRIP , LEVER/RED			1			
302	9	15441230050	ROD			1			
302	10	V4111600060	WASHER , PLAIN	M6		1			
302	11	V5001920020	PIN , SPLIT	2X20		1			
302	12	18027071991	INSULATOR,DASH			1			
302	13	17686040020	RIVET SET , black	SV302		13			
302	14	14441010161	CLAMP , RADIATOR HOSE			2			
302	15	V2183608016	BOLT , HEX/SP	M8X16		10			
302	16	V2183608020	BOLT , HEX/SP	M8X20		2			
302	18	15276040020	CLIP , TRIM			3			
302	19	19996300010	BOOT,STEERING/HOSE			1			
302	20	34523030020	GRIP , THROTTLE			1			
302	21	14523293301GB	LEVER COMP,PARKING			1			
302	22	V4111600160	WASHER , PLAIN			1			
302	23	V7081400150	E-RING			1			
302	24	14321200040	SPRING , TENSION 31			1			
302	25	16756214701	SWITCH ASSY , SAFETY			1			
302	26	V1222604025	SCREW , C/R PAN/SP			2			
302	27	19991332100GB	PEDAL COMP , CLUTCH			1			
302	28	V2013608030	BOLT , HEX	M8X30		2			
302	30	14541332400	PLATE COMP , SENSOR PIN			1			
302	31	14546303400	PLATE COMP , SENSOR			1			
302	32	V2113606016	BOLT , HEX /S			1			
302	33	14541332200	DAMPER ASSY , CLUTCH			1			
302	34	14546301230	INSULATOR , CLUTCH PEDAL			1			
302	36	V1222604016	SCREW , C/R PAN/SP			2			
302	37	14545300020	POTENTIOMETER ASSY			1			
302	38	V4011600040	WASHER , SPRING			2			
302	39	V3002600040	NUT , HEX/1			2			
302	40	14521160090	BOOT , BRAKE ROD			2			
302	41	V4111600120	WASHER , PLAIN			1			
302	42	16001200080	RETURN SPRING , BRAKE			1			
302	44A	19991162111	PLATE , THROTTLE LEVER			1			
302	45	14141170050	LINING , 13X50X3			1			
302	46	V4111600100	WASHER , PLAIN			2			
302	47	14527060010	WASHER , JERBSI SPRING/10			1			
302	48	V3342600100	NUT , HEX FINE/2			1			
302	49A	17461162500	ROD COMP , THROTTLE			1			
NOTE									

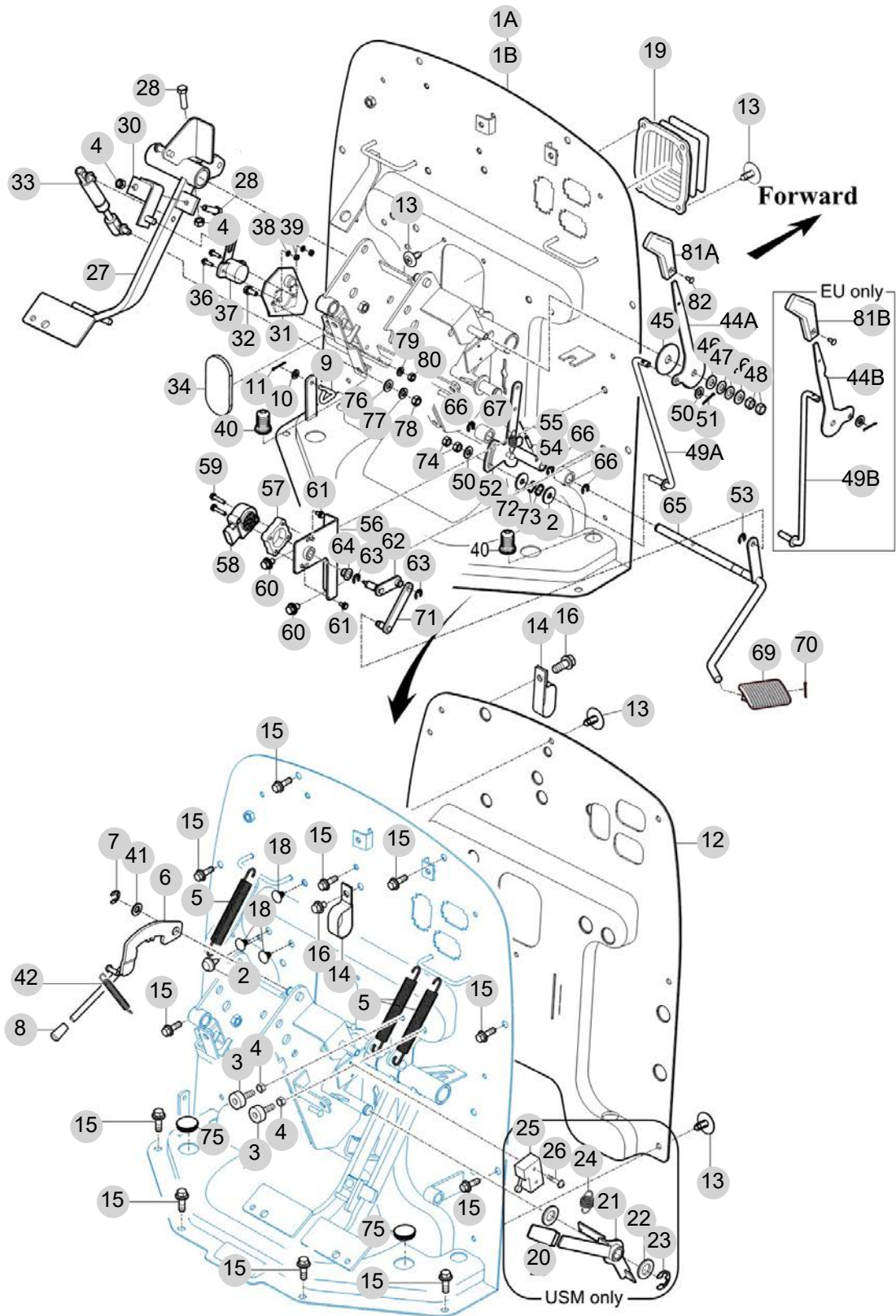
FIG 302-2

CLUTCH PEDAL

년/월
Year/Month

2022-12

T654SC



NOTE

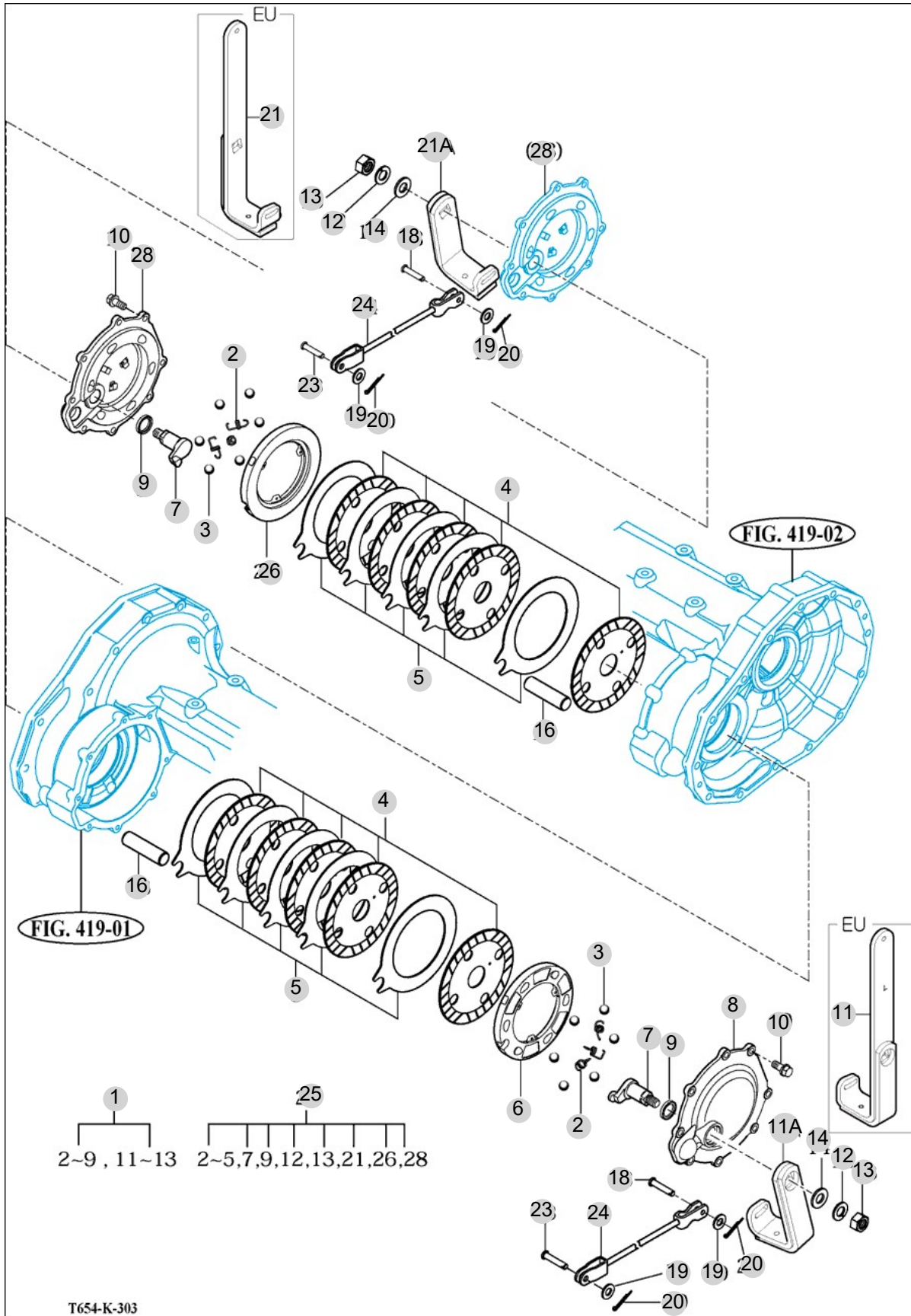
FIG 303

BRAKE

년/월
Year/Month

2022-12

T654SC



NOTE

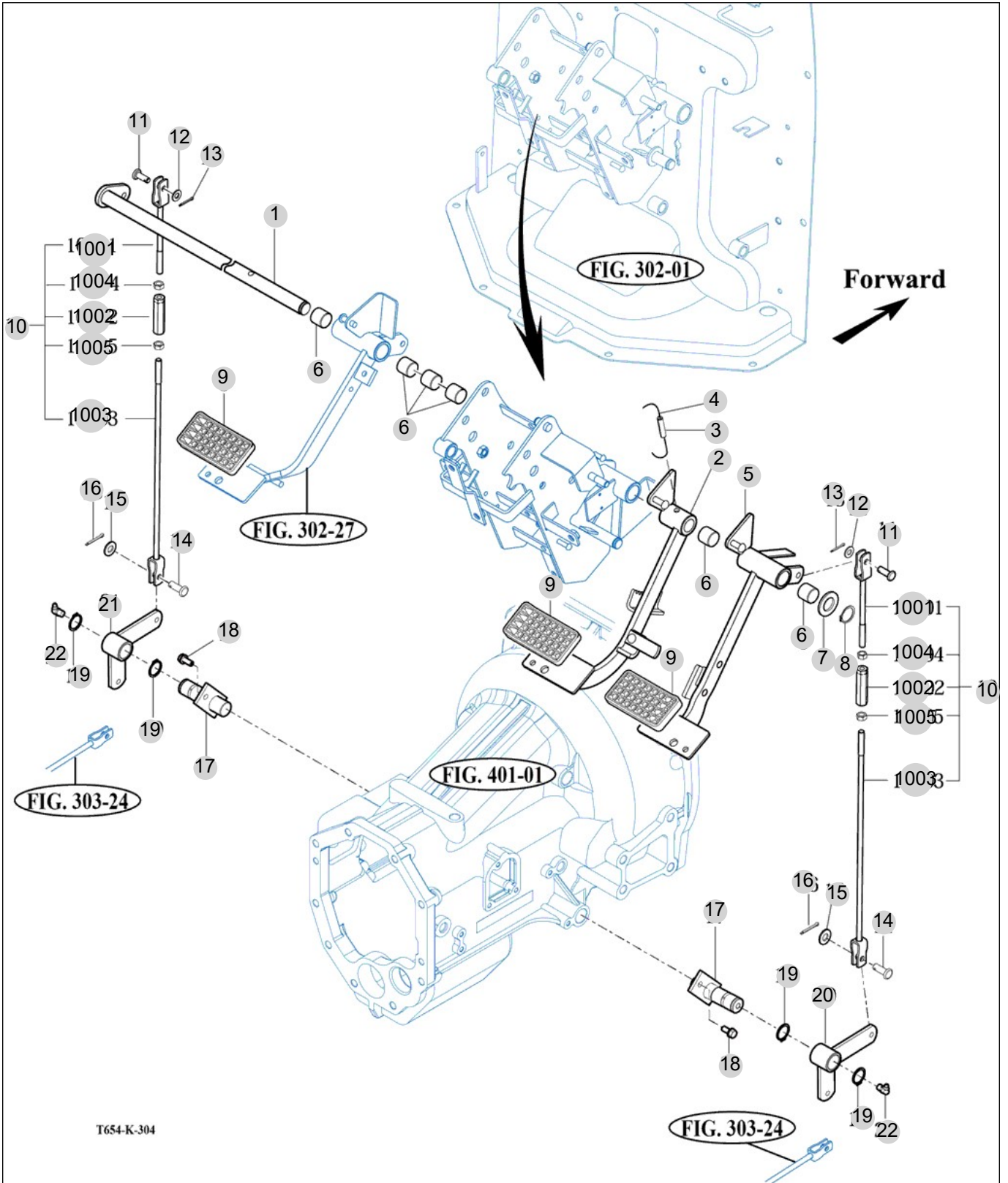
FIG 304

BRAKE PEDAL & LINK

년/월
Year/Month

2022-12

T654SC



T654-K-304

NOTE

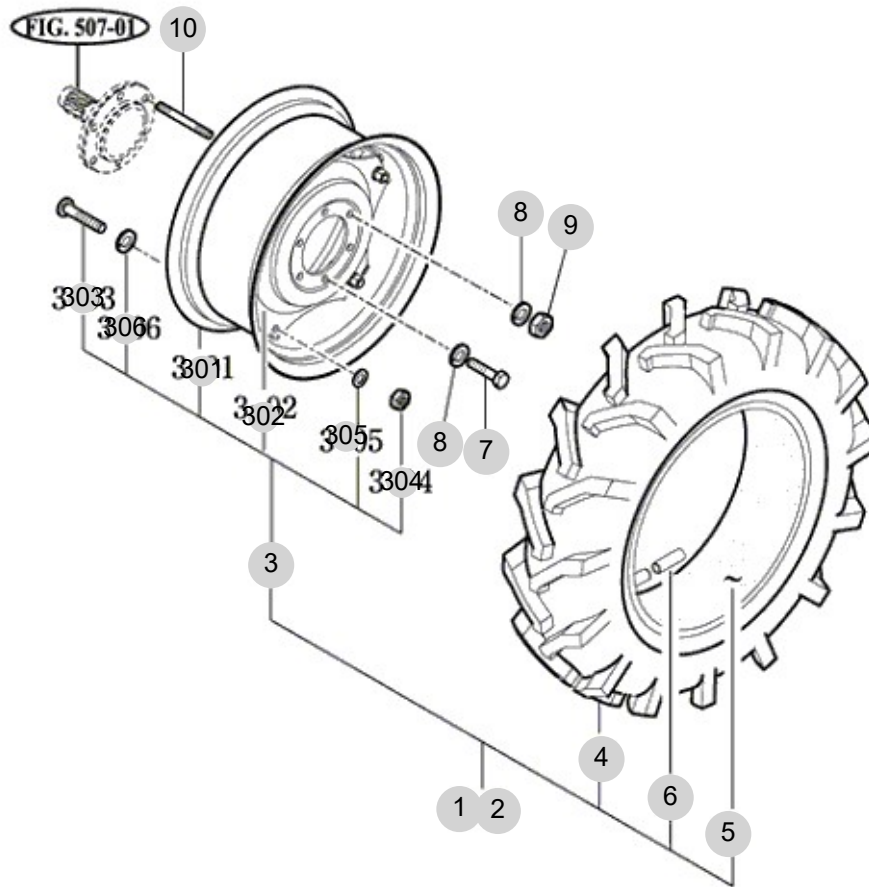
FIG 305

FORNT WHEEL

년/월
Year/Month

2022-12

T654SC



T552/T552NC-K-305A

NOTE

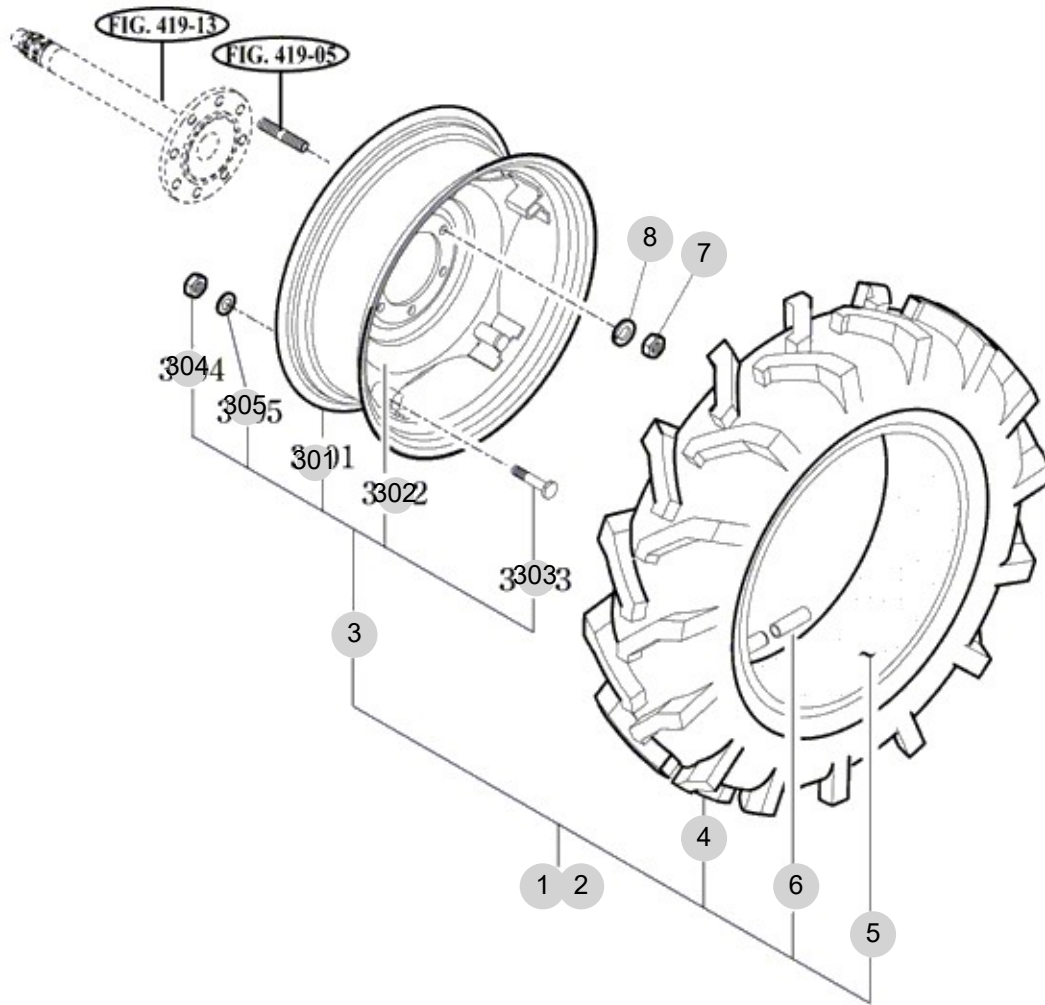
FIG 306

T654SC

REAR WHEEL

년/월
Year/Month

2022-12



T623STQP-K-306

NOTE

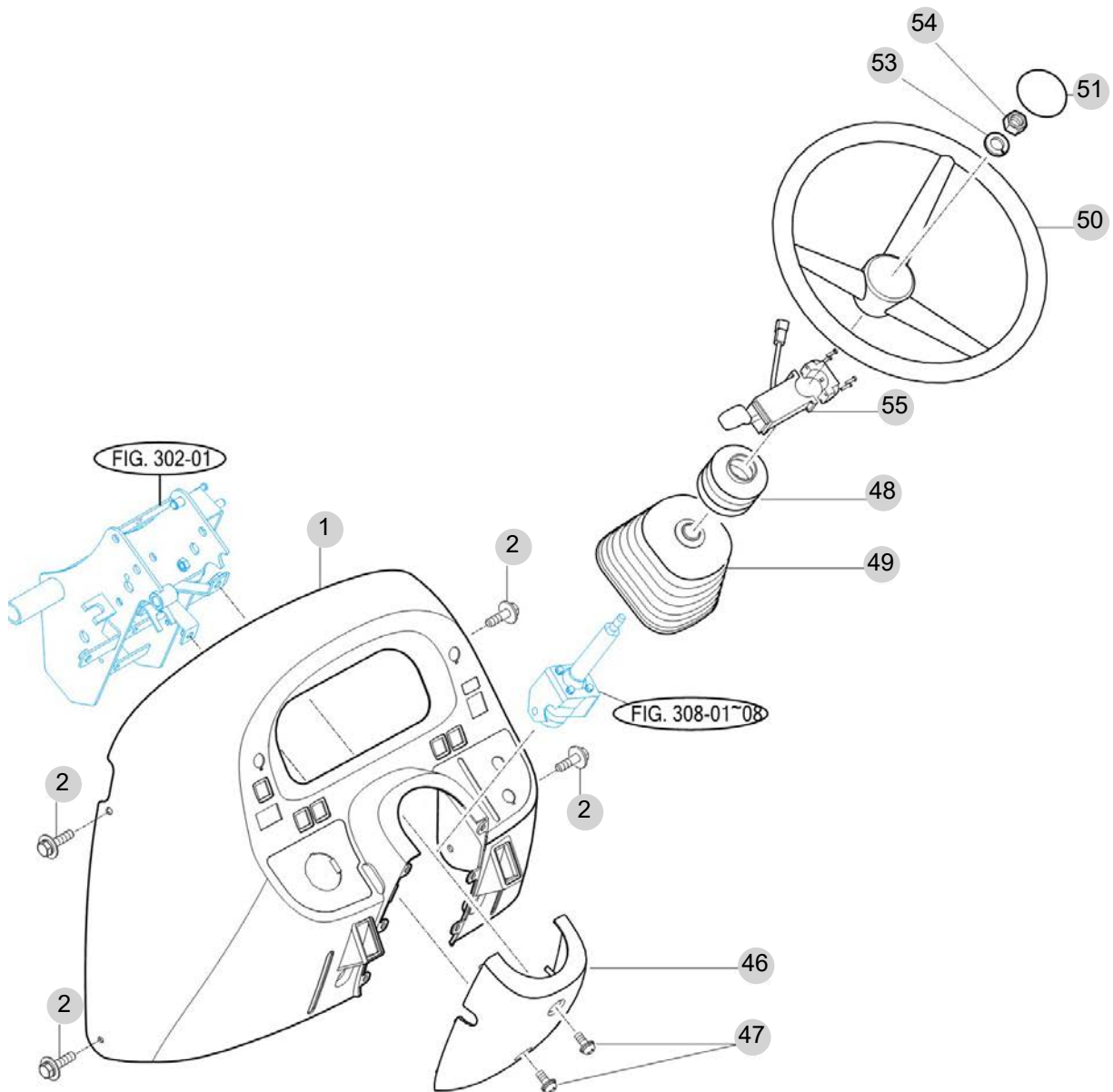
FIG 307

T654SC

POWER STEERING WHEEL

년/월
Year/Month

2022-12



T654SC-K-307

NOTE

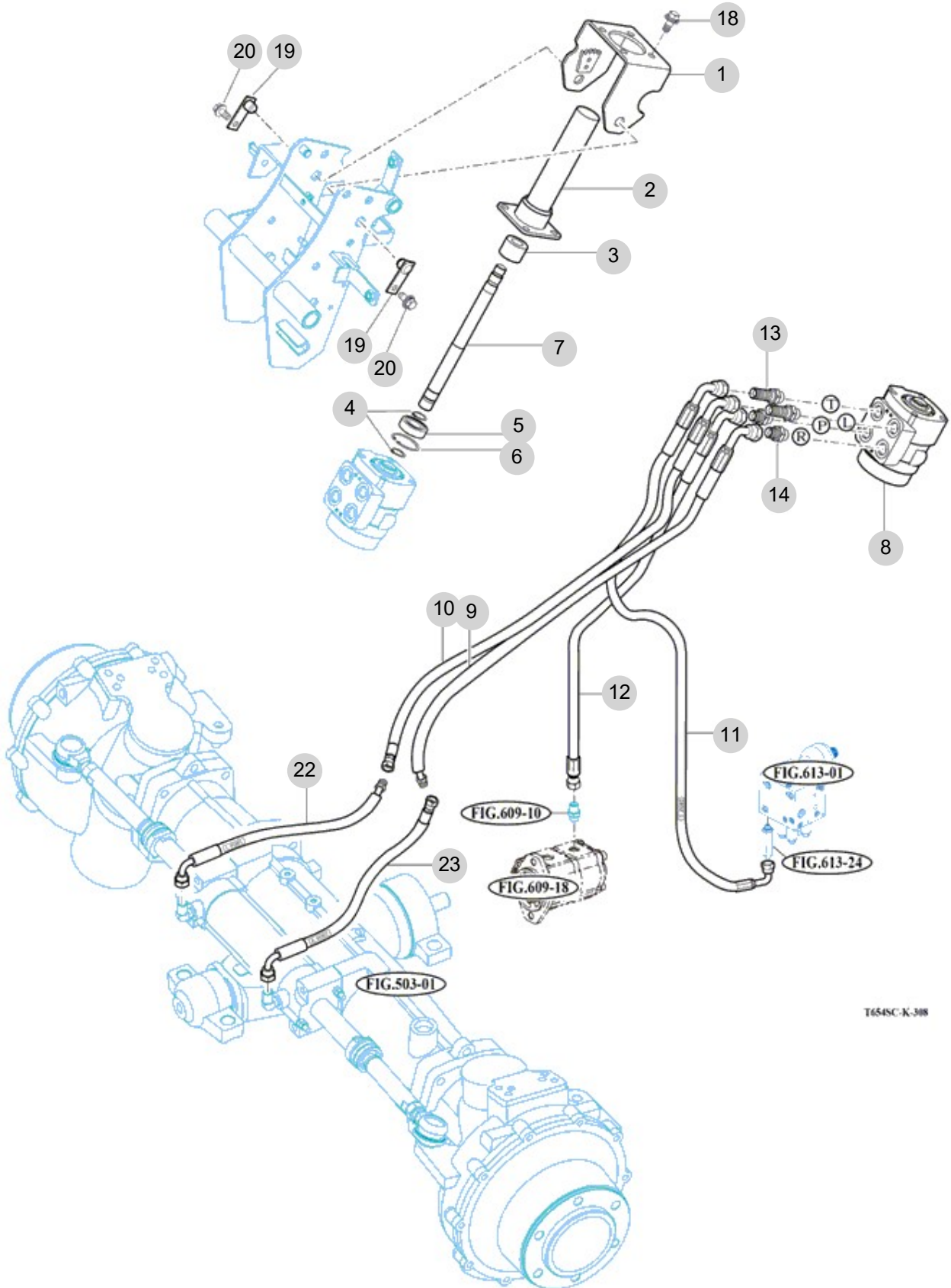
FIG 308

T654SC

POWER STEERING VALVE

년/월
Year/Month

2022-12



T654SC-K-308

NOTE

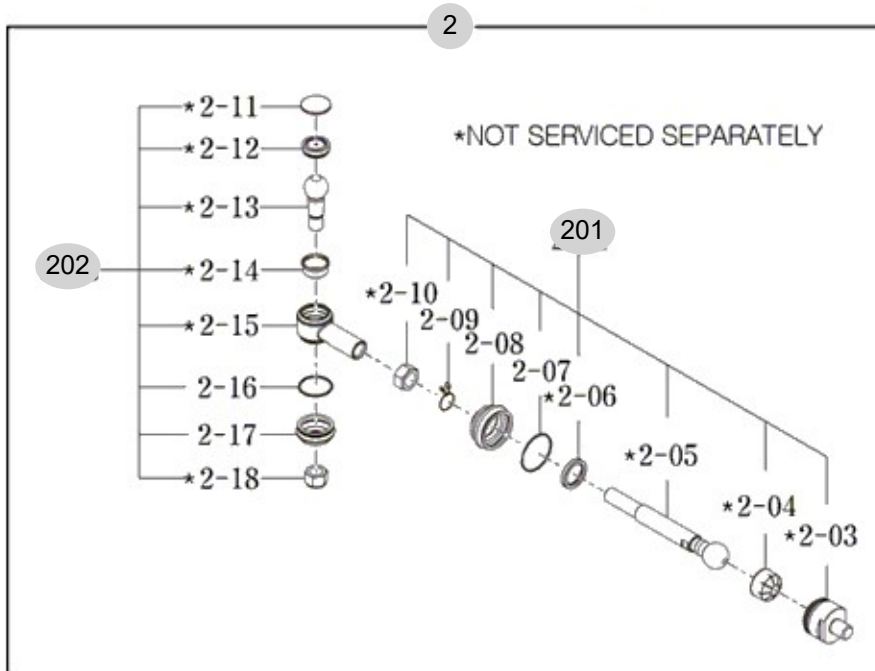
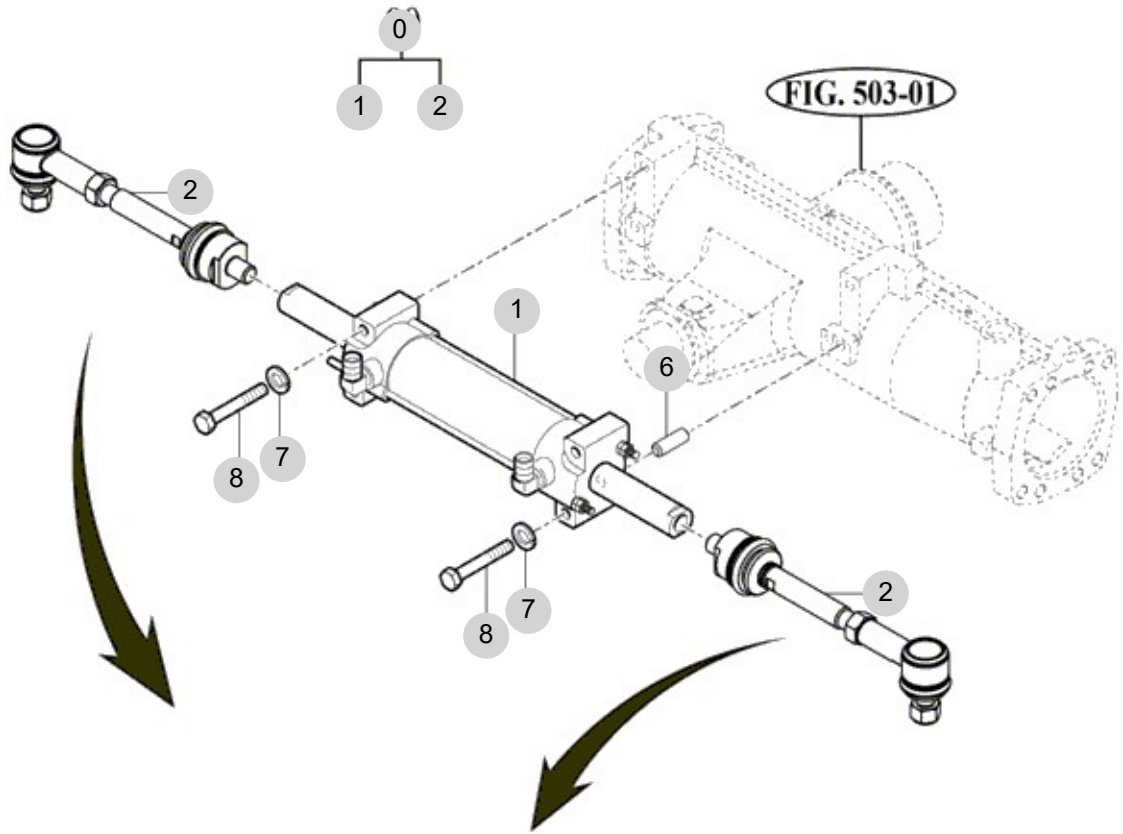
FIG 309

POWER STEERING CYLINDER

년/월
Year/Month

2022-12

T654SC



TX553/653/703-K-309

NOTE

4. Transmission PART NO. T4

FIG 401 TRANSMISSION FRONT CASE	108
FIG 402 NPUT & COUNTER GEARS	110
FIG 403 CHANGE GEARS	112
FIG 404 REVERSE GEARS	114
FIG 405(US) DRIVE GEARS(US)	116
FIG 406 P.T.O DRIVE SHAFT	118
FIG 407 MAIN CHANGE LEVER	120
FIG 408 REVERSE CHANGE LEVER	122
FIG 409 TRANSMISSION MID CASE	124
FIG 410 TRANSMISSION REAR CASE	126
FIG 411 SUB CHANGE GEARS	128
FIG 412 SUB CHANGE SHIFTER	130
FIG 413 CREEP CHANGE	132
FIG 415 4WD CHANGE LEVER	134
FIG 416 P.T.O CHANGE GEARS	136
FIG 417 P.T.O CHANGE SHIFTER	138
FIG 418 REAR DIFFERENTIAL GEARS	140
FIG 419 REAR AXLE HOUSING	143

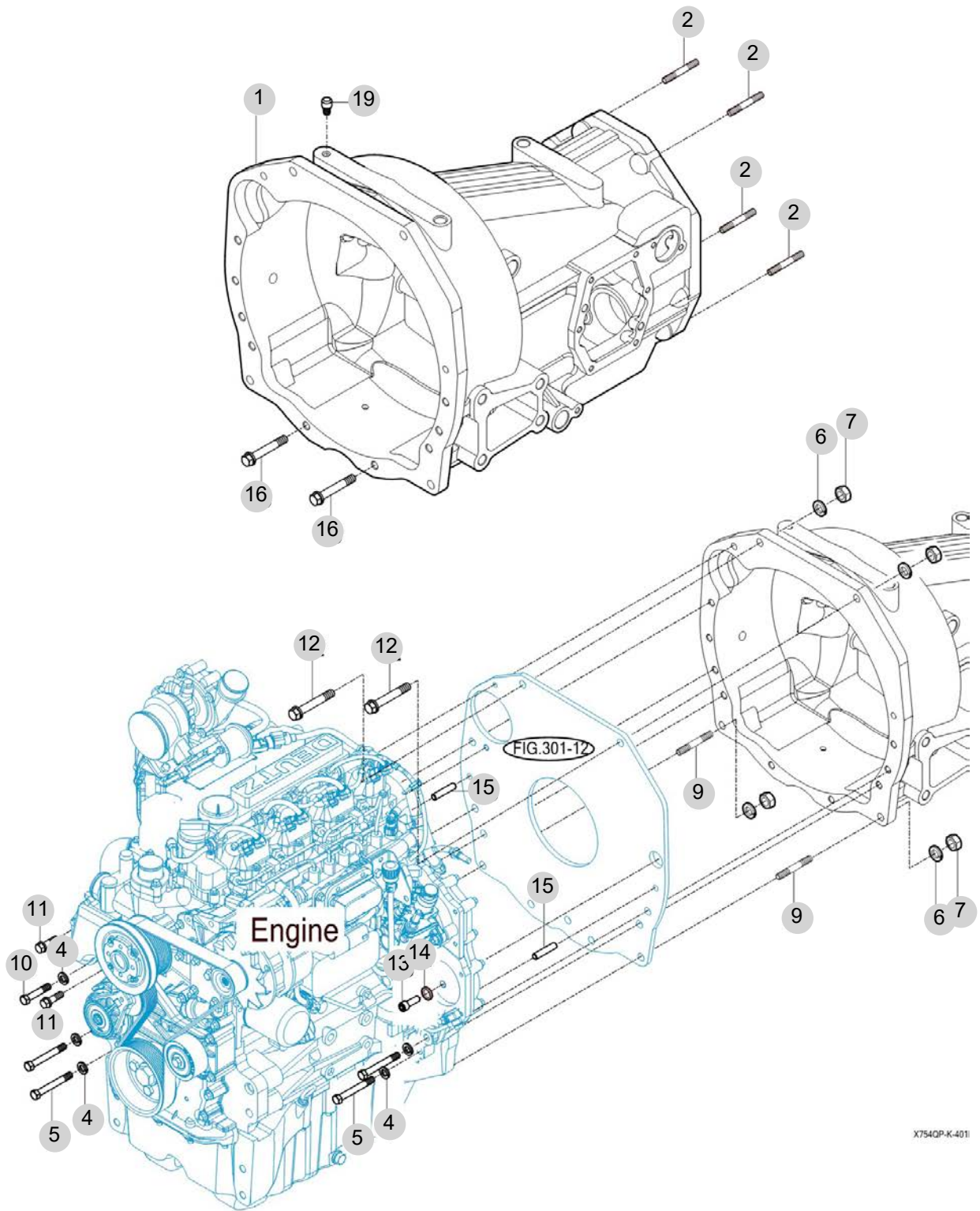
FIG 401

TRANSMISSION FRONT CASE

년/월
Year/Month

2022-12

T654SC



X754QP-K-401

NOTE

FIG 401 T654SC	TRANSMISSION FRONT CASE	년/월 Year/Month 2022-12
--------------------------	--------------------------------	----------------------------------

KEY NO		PART NO	DESCRIPTION	SPEC	QTY	REPAIR	EFFECTIVE DATE	REMARKS
401	1	15712010010M	CASE , FRONT T/M		1			
401	2	V2513414040	BOLT , STUD/2	M14X40	4			
401	4	V4011600120	WASHER , SPRING	M12	5			
401	5	V2004612100	BOLT , HEX	M12X100	4			
401	6	V4011600120	WASHER , SPRING	M12	4			
401	7	V3043600120	NUT , HEX/2	M12	4			
401	9	V2513412045	BOLT , STUD/2	12X45	2			
401	10	V2173612060	BOLT , HEX/S	M12X60	1			
401	11	V2173610030	BOLT , HEX/S	M10X30	2			
401	12	V2004612090	BOLT .HEX NORMAL	M12X90	2			
401	13	18024100020	HEX SOCKET BOLT 12X35		1			
401	14	04134109	DEALING RING		1			
401	14	04134017	SEALING RING		1			
401	15	V5201010053	PIN , PARALLEL/A	10X53	2			
401	16	V2173612045	BOLT , HEX/S		2			
401	19	10134080020	AIR BREATHER		1			

NOTE	
-------------	--

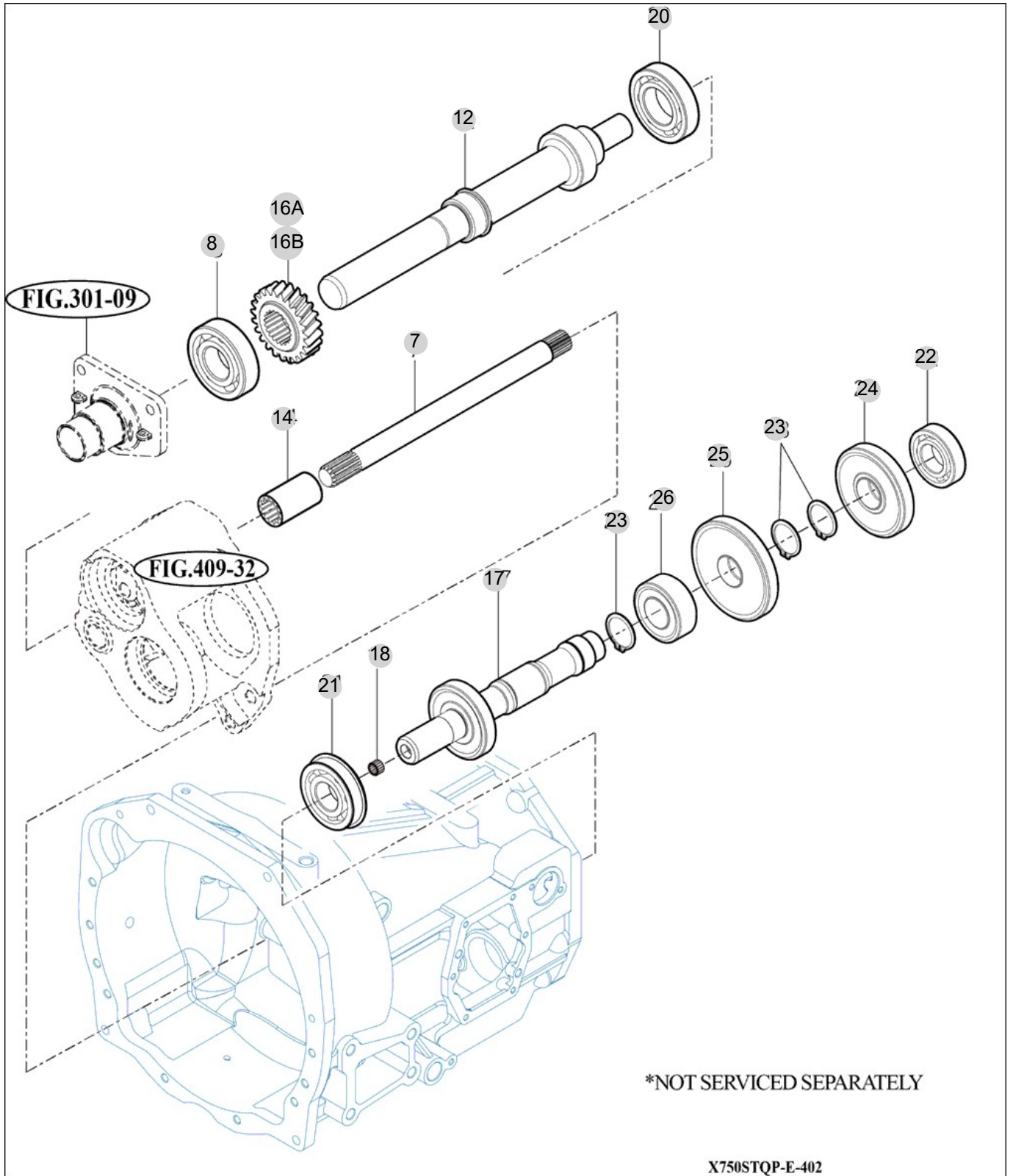
FIG 402

T654SC

INPUT & COUNTER GEARS

년/월
Year/Month

2022-12



NOTE

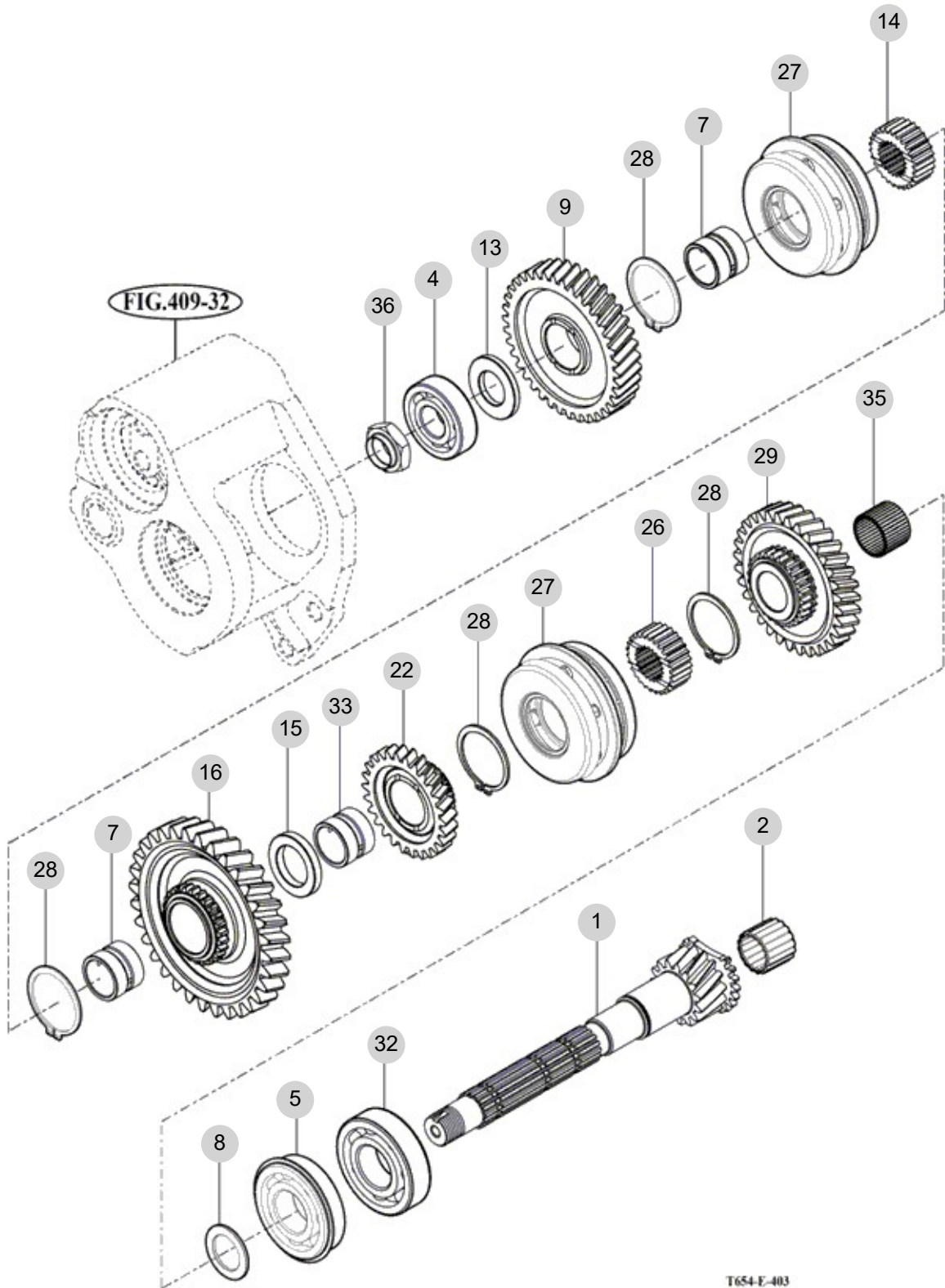
FIG 403

CHANGE GEARS

년/월
Year/Month

2022-12

T654SC



T654-E-403

NOTE

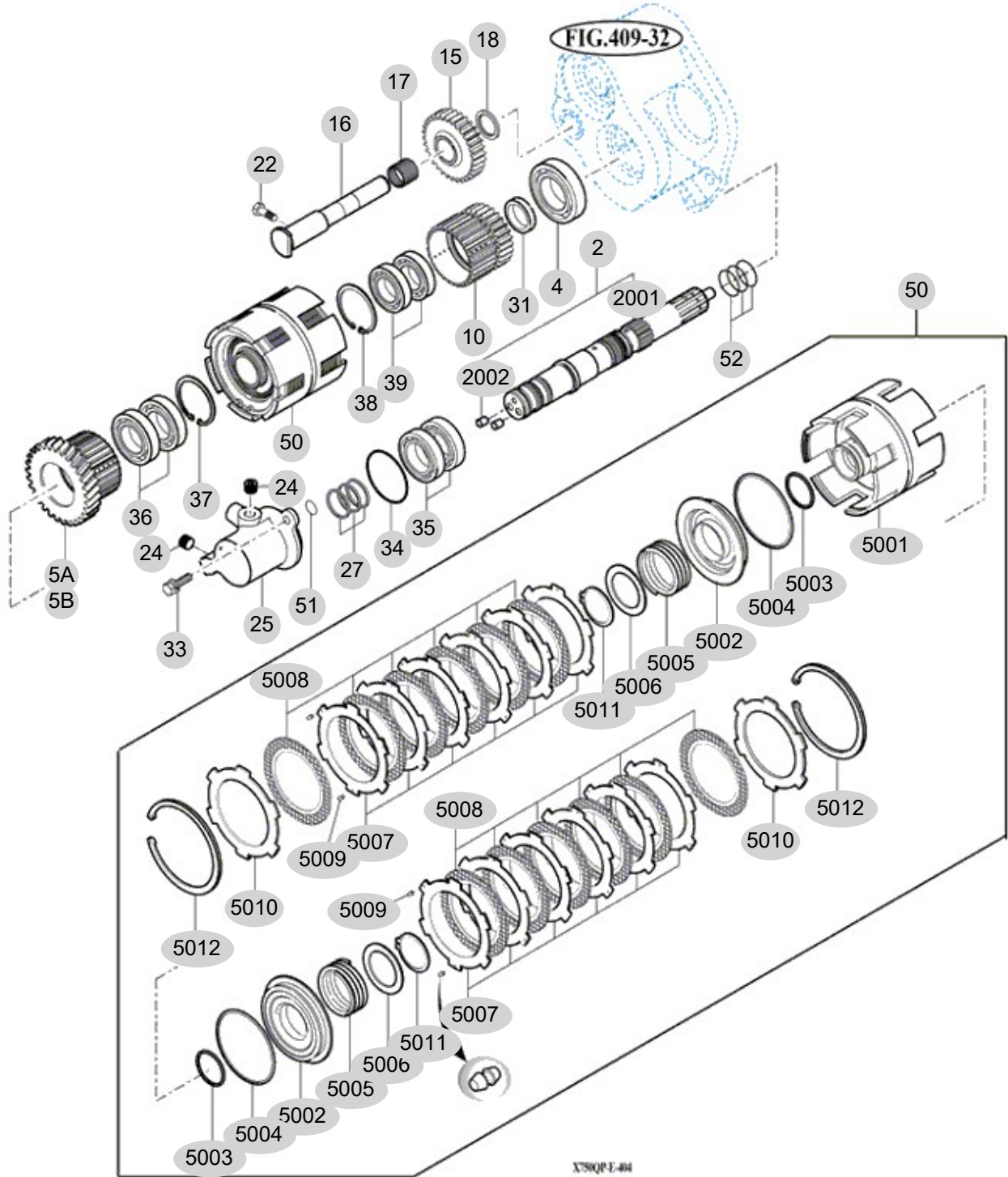
FIG 404

REVERSE GEARS

년/월
Year/Month

2022-12

T654SC



NOTE

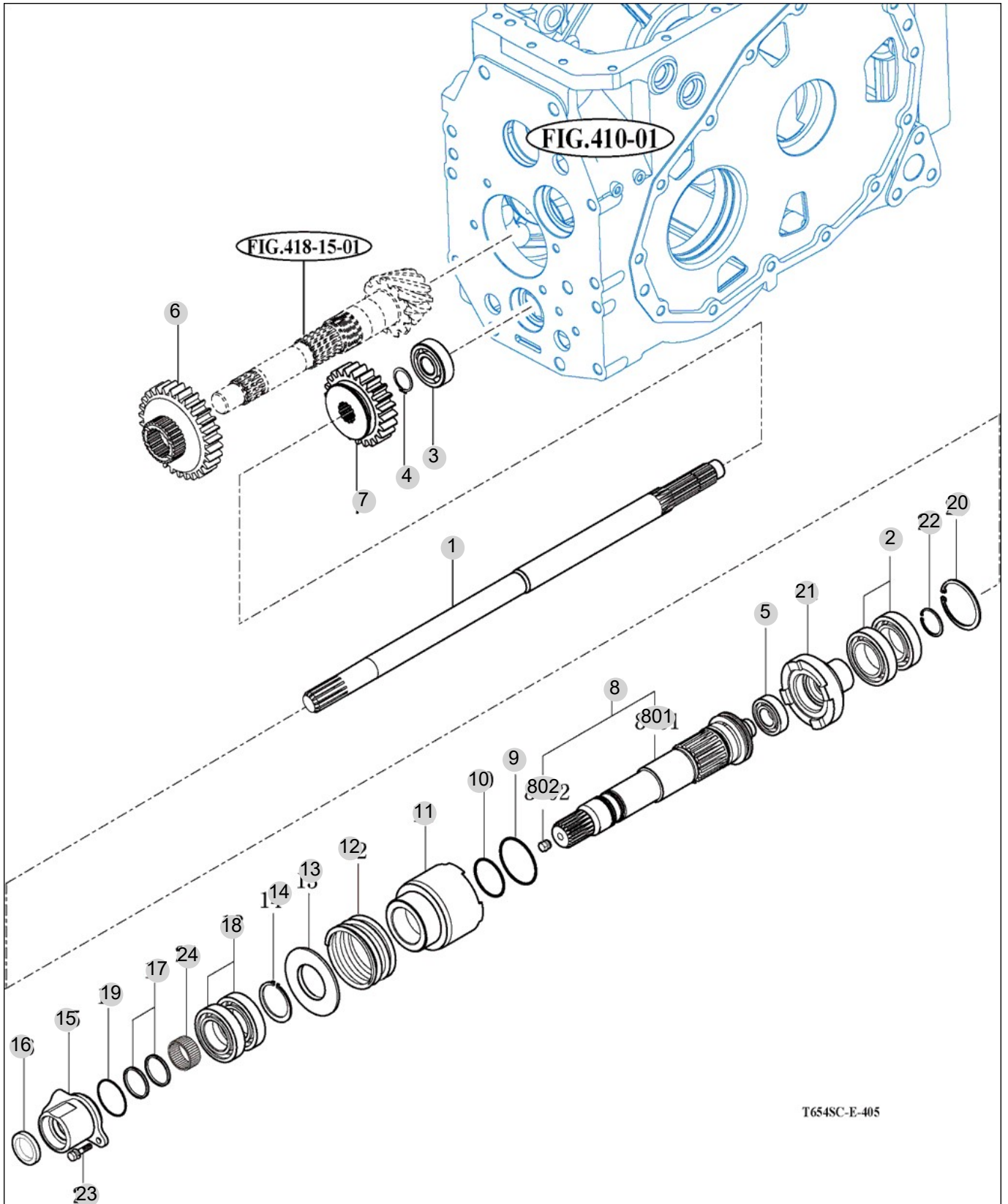
FIG 405(US)

DRIVE GEARS(US)

년/월
Year/Month

T654SC

2022-12



NOTE

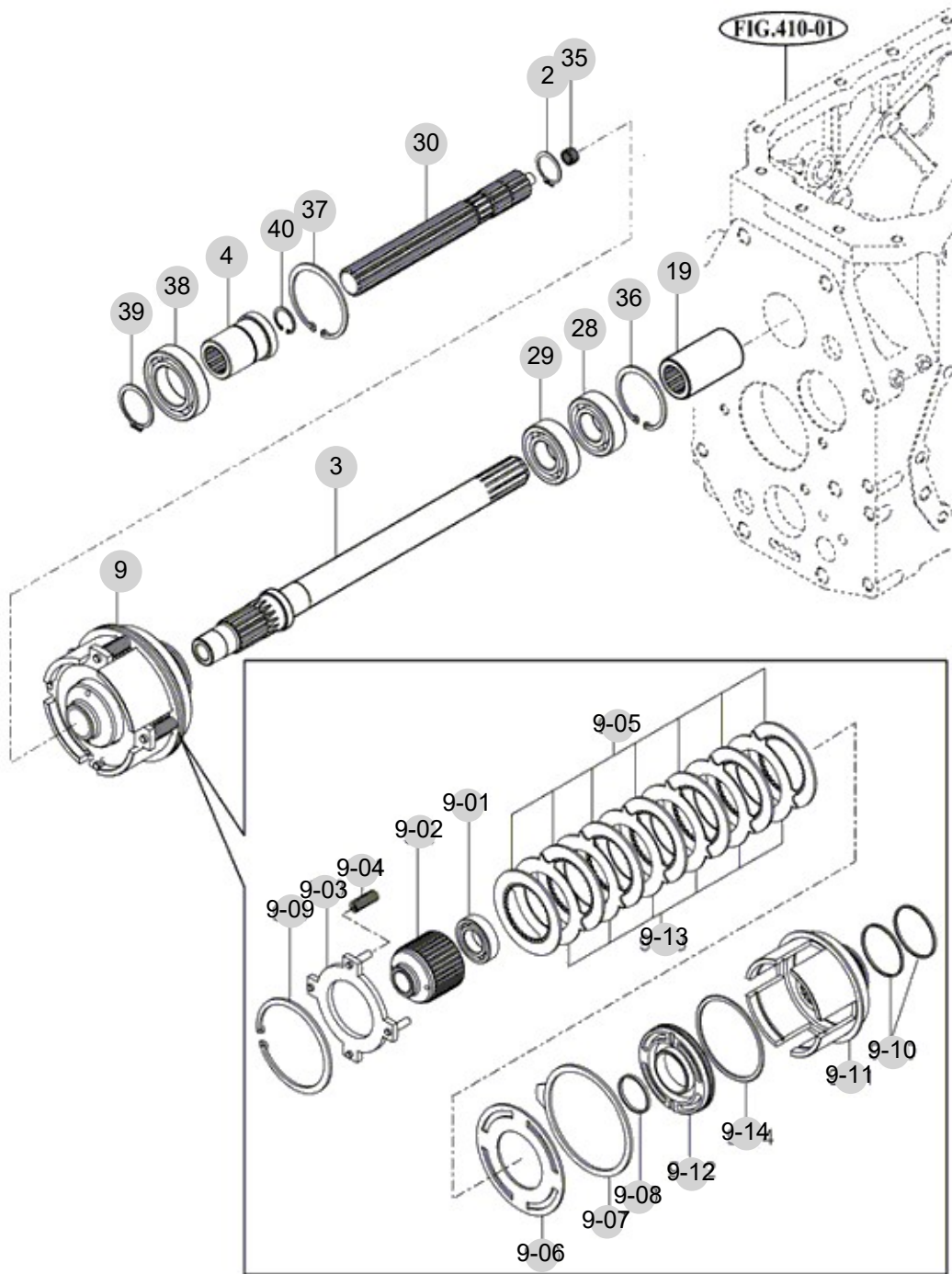
FIG 406

T654SC

P.T.O DRIVE SHAFT

년/월
Year/Month

2022-12



T623TQP-K-406

NOTE

FIG 406 T654SC	P.T.O DRIVE SHAFT						년/월	Year/Month
							2022-12	

KEY NO	PART NO	DESCRIPTION	SPEC	QTY	REPAIR	EFFECTIVE DATE	REMARKS
406	2	V7041400250	C-RING , SHAFT	25			
406	3	17972210310	SHAFT , PTO-3				
406	4	17972100010	COUPLING				
406	9	17972212000	CLUTCH ASSY , PTO				
406	9-01	V6001106005	BEARING , BALL	6005			
406	9-02	17972210071	HUB , OUT				
406	9-03	16702212030	PLATE ASSY				
406	9-04	15642212040	SPRING				
406	9-05	15642212050	CLUTCH , DISK				
406	9-06	15642212060	PLATE , RETURN				
406	9-07	15642212070	DISK , BRAKE				
406	9-08	15642212080	SEAL , A				
406	9-09	V7051400950	C-RING , HOLE	95			
406	9-10	14462162180	SEAL , B				
406	9-11	15642212010	CASE				
406	9-12	15642212020	PISTON				
406	9-13	16342212050	CLUTCH , PLATE				
406	9-14	15642212090	SEAL , C				
406	19	15602200040	COUPLING , 36X62				
406	28	V6001106205	BEARING , BALL	6205			
406	29	V6001506205	BEARING , BALL	6205DD			
406	30	17972210301	SHAFT , PTO-2				
406	35	V6544101410	BEARING , NEEDLE CAGED				
406	36	V7051400520	C-RING , HOLE	52			
406	37	V7051400620	C-RING , HOLE	62			
406	38	V6001106007	BEARING , BALL	6007			
406	39	V7041400350	C-RING , SHAFT	35			
406	40	V7051400220	C-RING , HOLE	22			

NOTE							
------	--	--	--	--	--	--	--

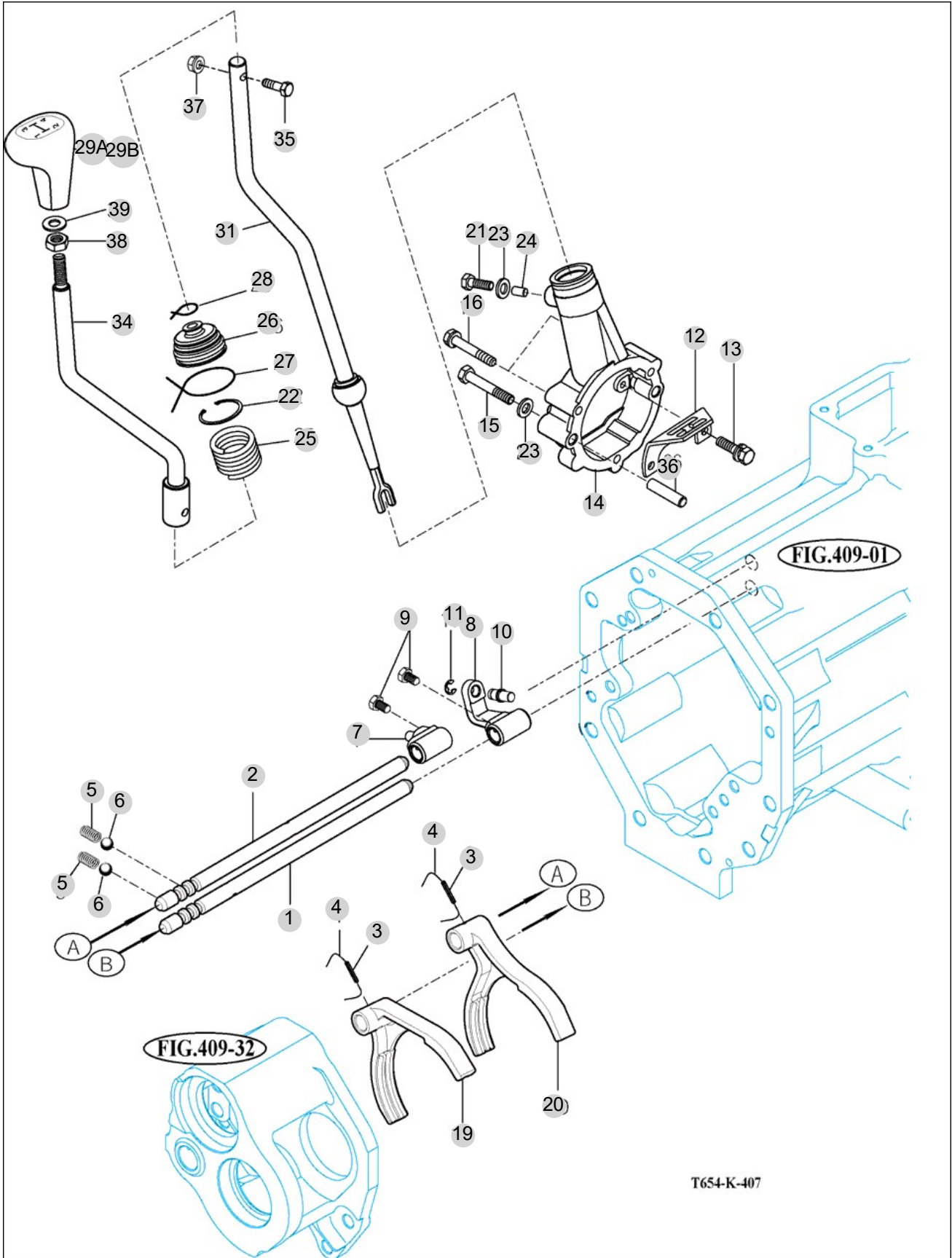
FIG 407

MAIN CHANGE LEVER

년/월
Year/Month

2022-12

T654SC



T654-K-407

NOTE

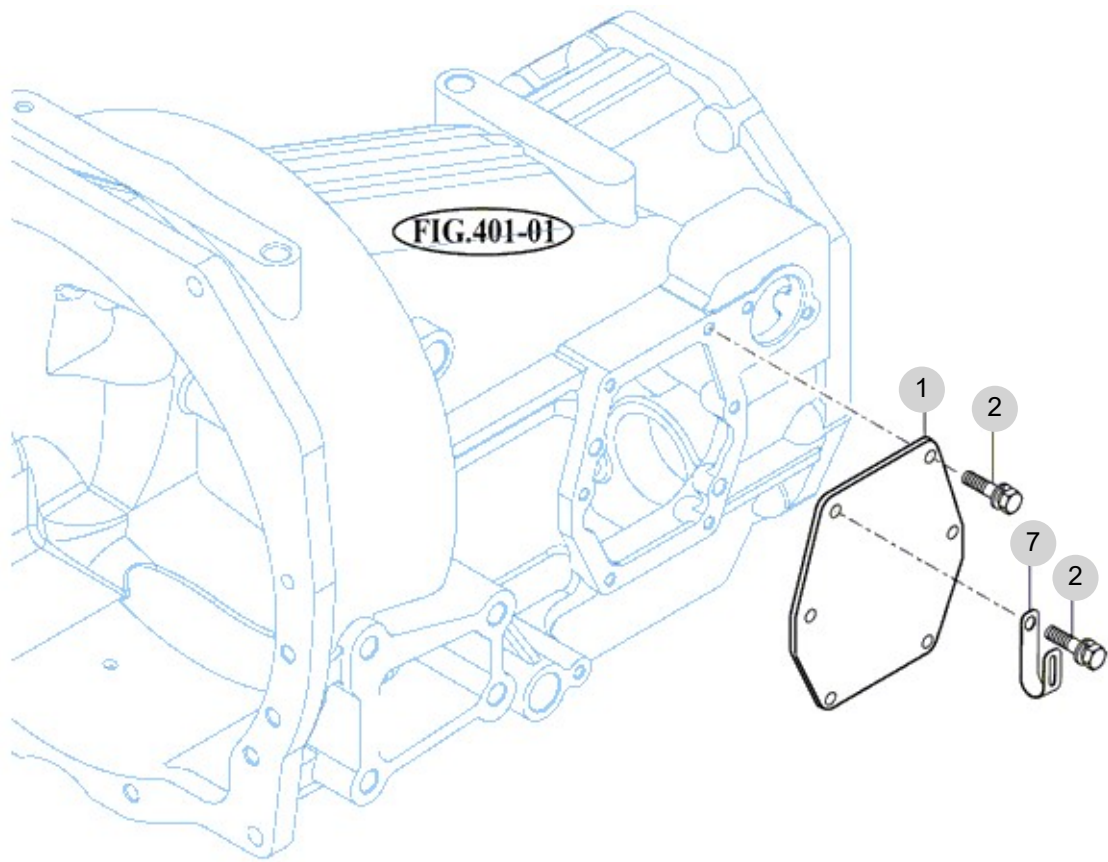
FIG 408

T654SC

REVERSE CHANGE LEVER

년/월
Year/Month

2022-12



NOTE

FIG 408 T654SC		REVERSE CHANGE LEVER					년/월 Year/Month	
							2022-12	
KEY NO	PART NO	DESCRIPTION	SPEC	QTY	REPAIR	EFFECTIVE DATE	REMARKS	
408	1	19842250100	REVERSE COVER		1			
408	2	V2183608020	BOLT , HEX/SP	M8X20	6			
408	7	14256210040	CLAMP , 9		1			
NOTE								

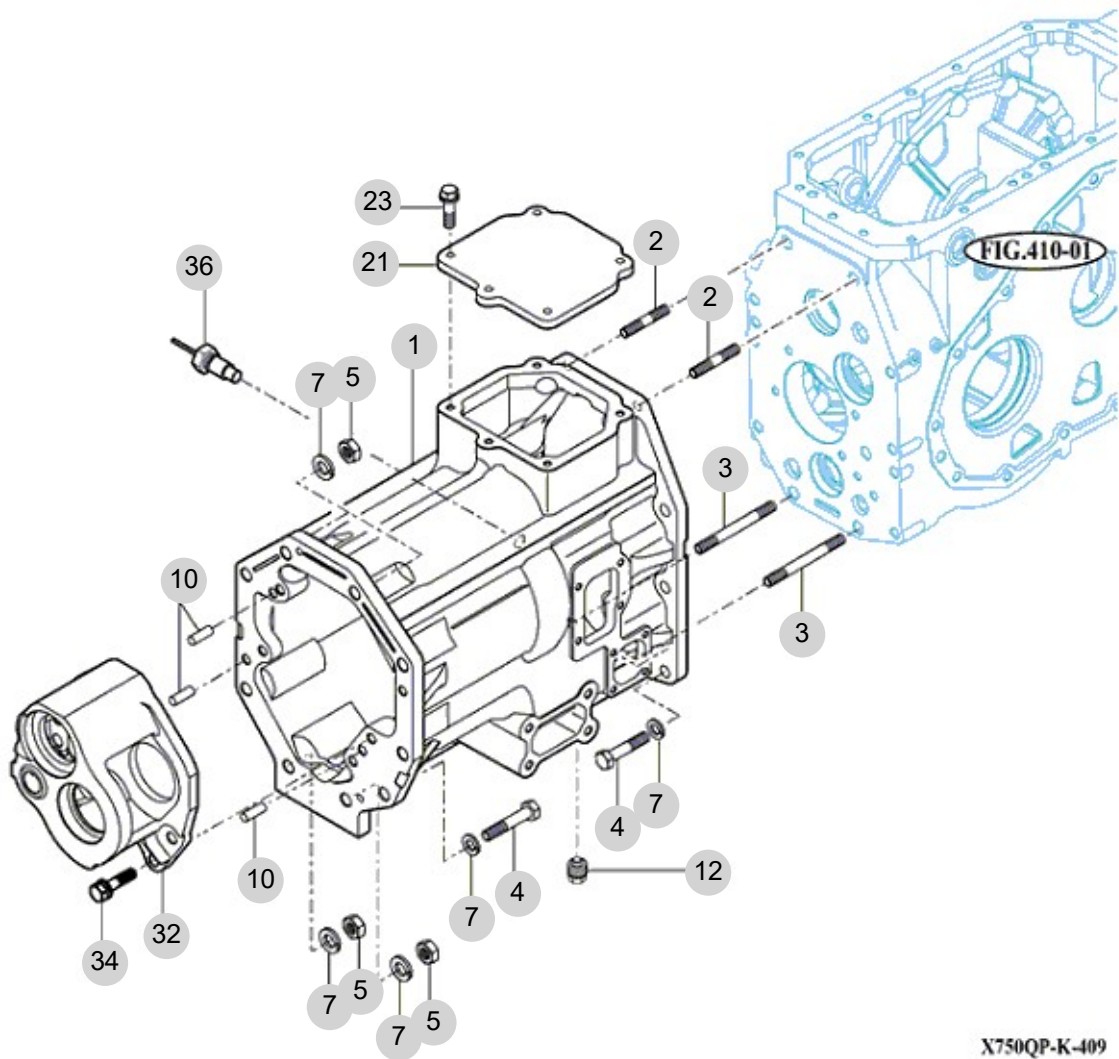
FIG 409

T654SC

TRANSMISSION MID CASE

년/월
Year/Month

2022-12



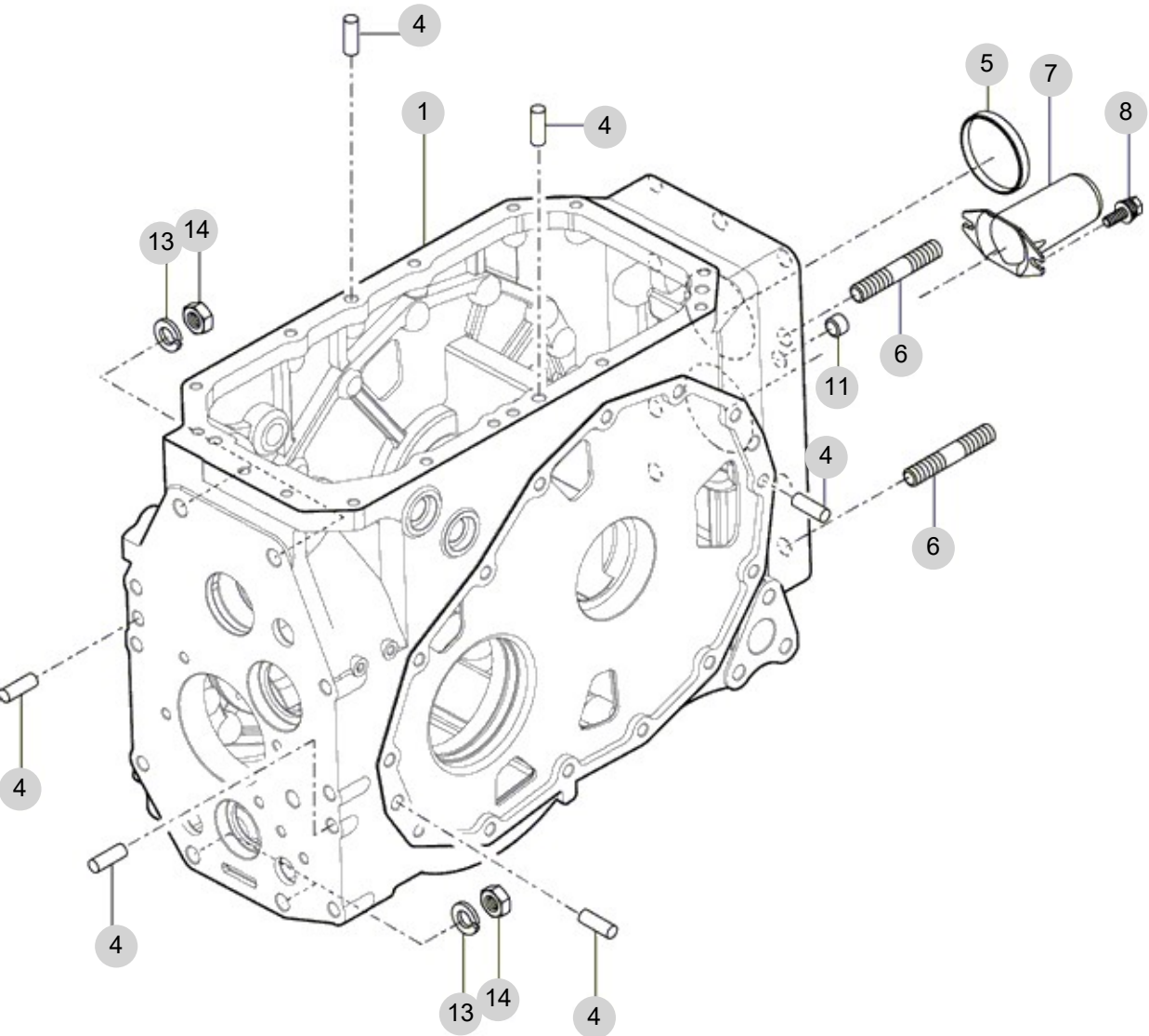
NOTE

FIG 410

TRANSMISSION REAR CASE

년/월
Year/Month

2022-12



X750-E-410

NOTE

FIG 410		TRANSMISSION REAR CASE						년/월	REMARKS
								Year/Month	
T654SC								2022-12	
KEY NO		PART NO	DESCRIPTION	SPEC	QTY	REPAIR	EFFECTIVE DATE		
410	1	15702400010M	CASE , RR TRANSMISSION		1				
410	4	V5201010022	PIN , PARALLEL/A	10X22	8				
410	5	17972400050	CAP , 80		1				
410	6	V2513416035	BOLT , STUD/2	M16X35	2				
410	7	14443140091	CAP , PTO SHAFT		1				
410	8	V2183608016	BOLT , HEX/SP	M8X16	2				
410	11	15152730050	SEAL , OIL A		1				
410	13	V4011600140	WASHER , SPRING	M14	4				
410	14	V3043600140	NUT , HEX/2	M14	4				
NOTE									

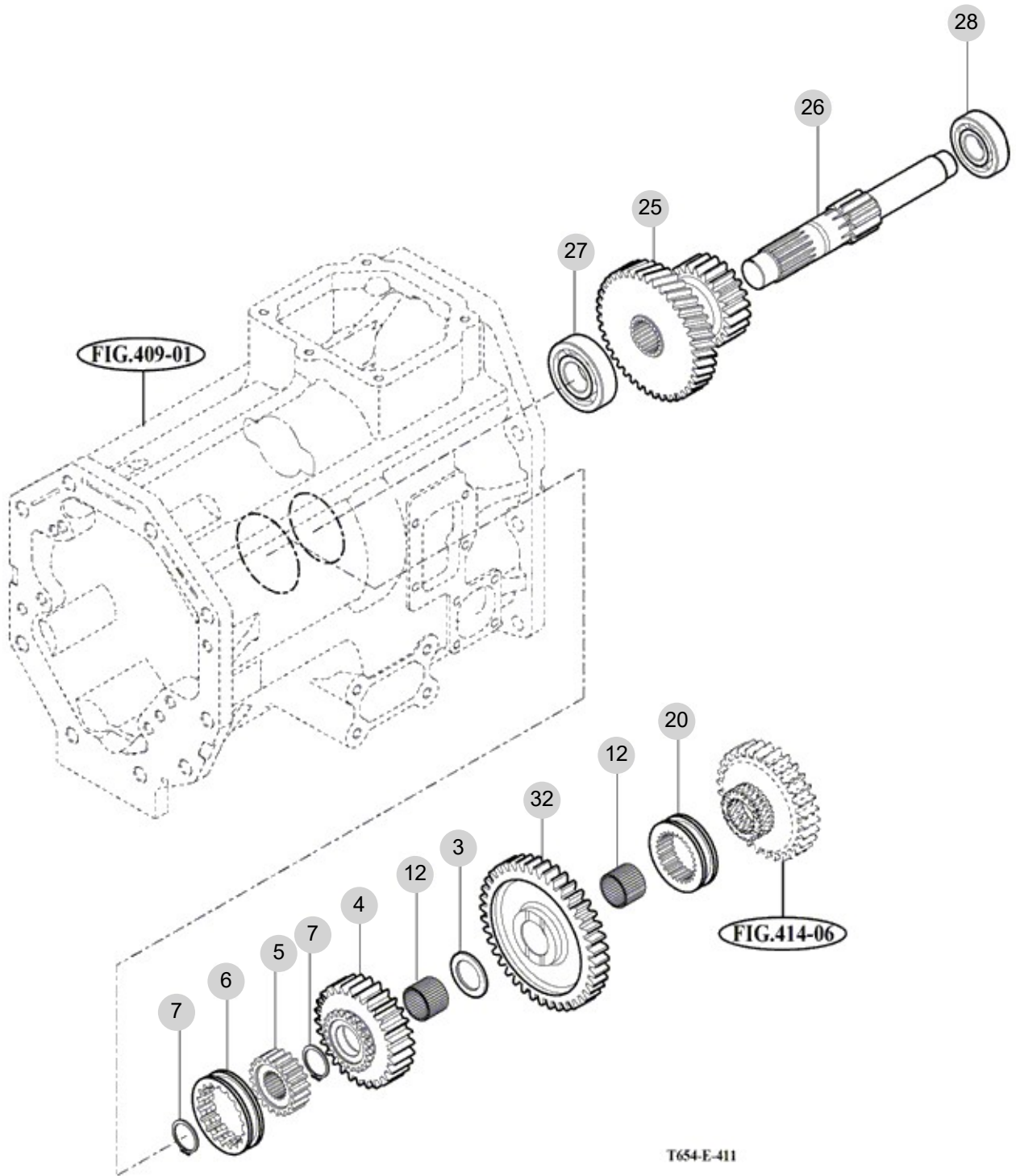
FIG 411

T654SC

SUB CHANGE GEARS

년/월
Year/Month

2022-12



T654-E-411

NOTE

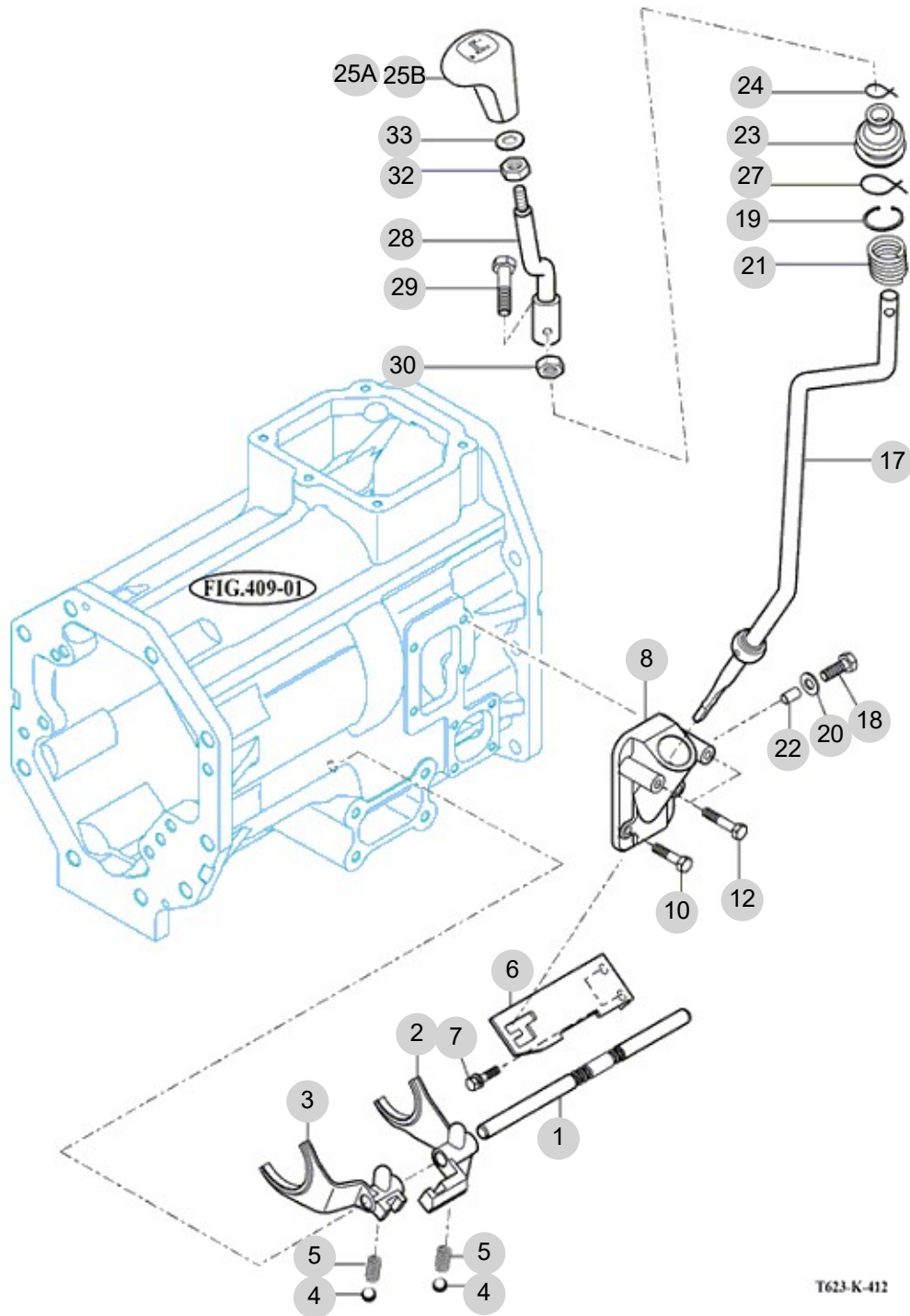
FIG 412

SUB CHANGE SHIFTER

년/월
Year/Month

2022-12

T654SC



T623-K-412

NOTE

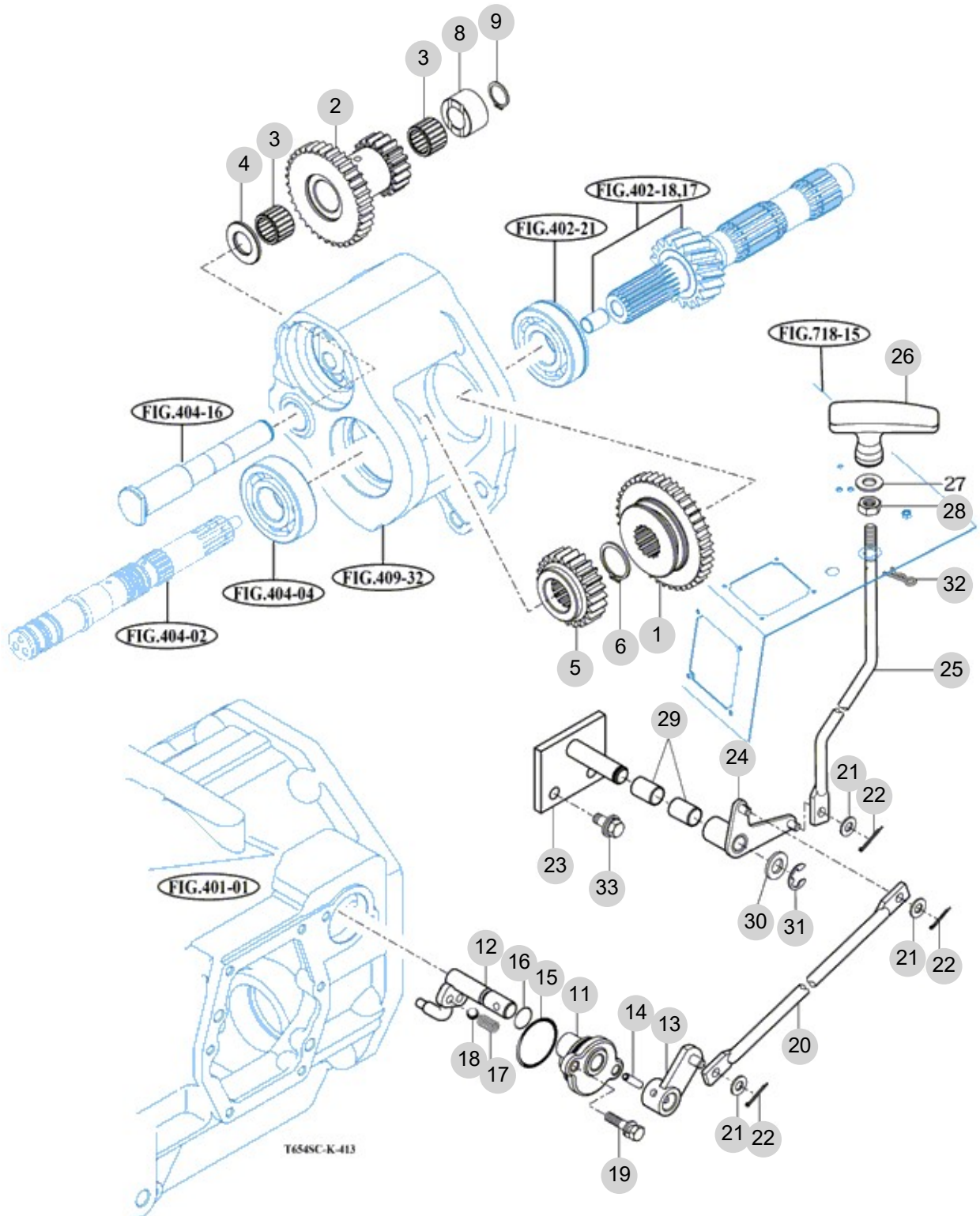
FIG 413

CREEP CHANGE

년/월
Year/Month

2022-12

T654SC



NOTE

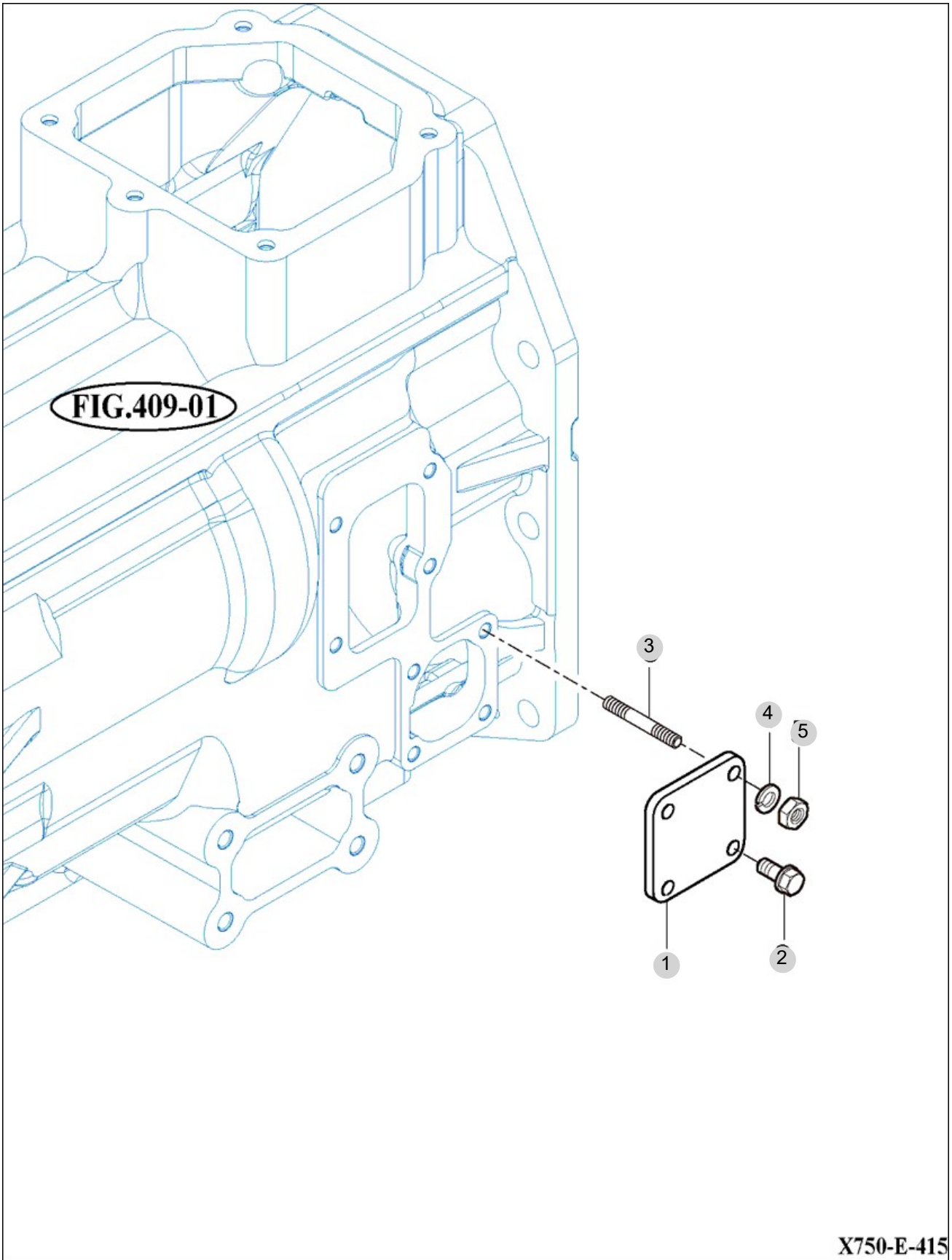
FIG 415

4WD CHANGE LEVER

년/월
Year/Month

T654SC

2022-12



NOTE

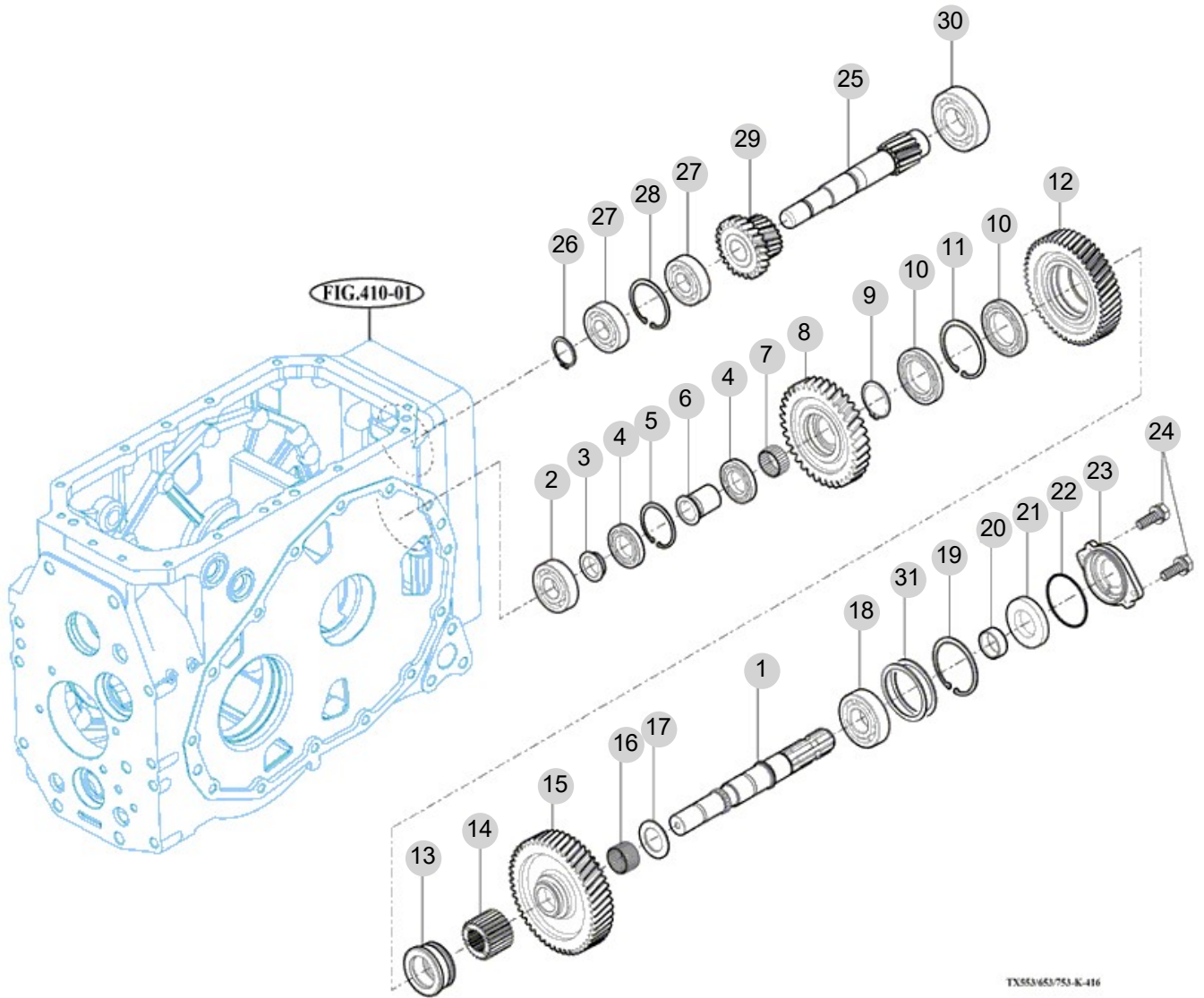
FIG 416

T654SC

P.T.O CHANGE GEARS

년/월
Year/Month

2022-12



TX553-653/753-K-416

NOTE

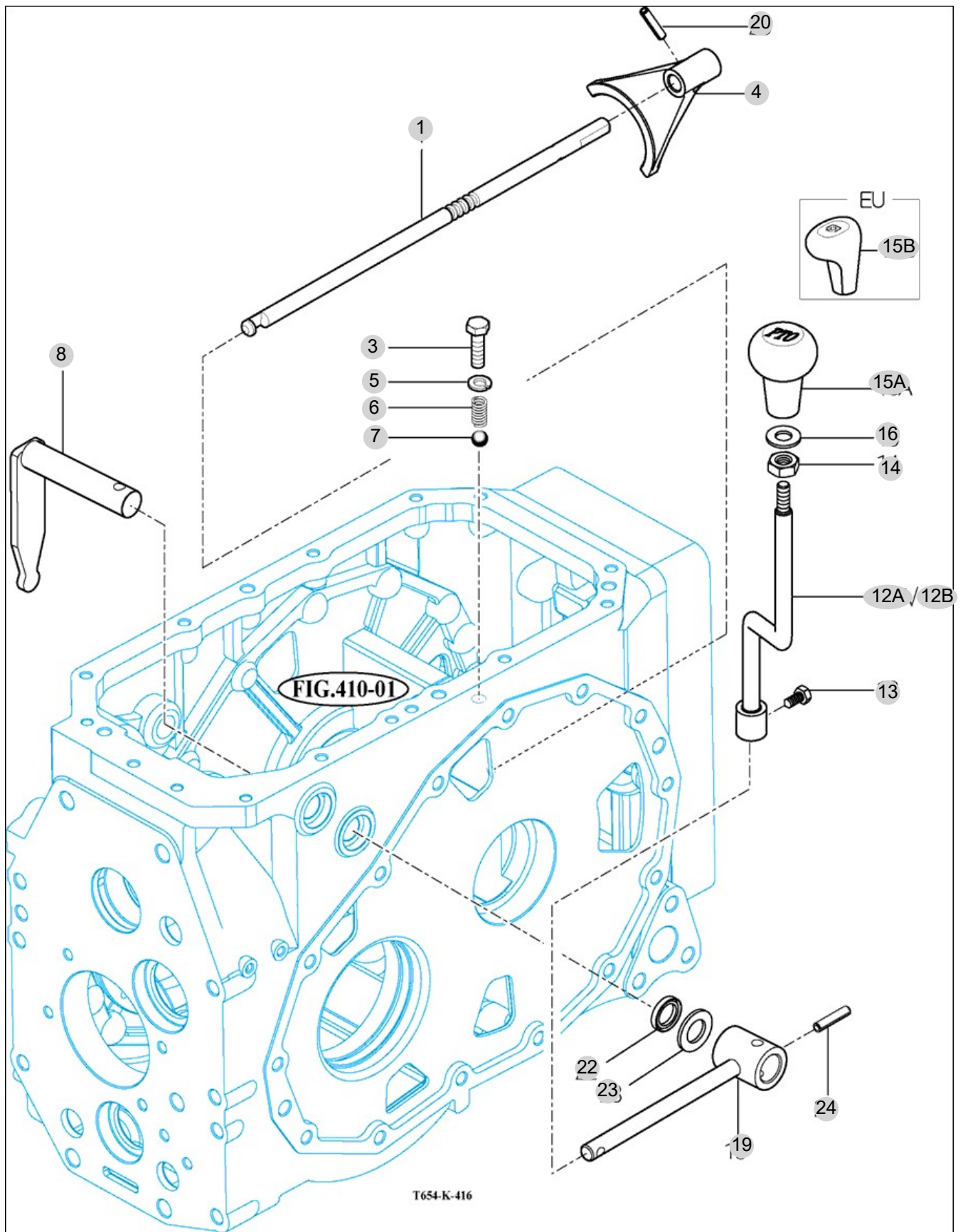
FIG 417

P.T.O CHANGE SHIFTER

년/월
Year/Month

2022-12

T654SC



NOTE

FIG 417		P.T.O CHANGE SHIFTER					년/월		REMARKS
							Year/Month		
T654SC							2022-12		EFFECTIVE DATE
KEY NO	PART NO	DESCRIPTION		SPEC	QTY	REPAIR			
417	1	19992750010		STAY , SHIFTER PTO		1			
417	3	V2013610025		BOLT , HEX	M10X25	1			
417	4	19992750020M		FORK , SHIFTER PTO		1			
417	5	V4011600100		WASHER , SPRING	M10	1			
417	6	13022250030		SPRING , SHIFTER		1			
417	7	V6802000010		BALL , STEEL		1			
417	8	19992751000		SHAFT COMP , ARM		1			
417	12B	19992852101GB		LEVER COMP , PTO UPPER		1			
417	12B	19992852102GB		LEVER COMP , PTO UPPER		1			
417	13	15602231610		BOLT , SET M8X16		1			
417	14	V3342600100		NUT , HEX FINE/2	M10	1			
417	15A	16992190102		GRIP , PTO		1			
417	15A	19682190100		GRIP , PTO		1			
417	16	V4111600100		WASHER , PLAIN	M10	1			
417	19	19992752300		LEVER COMP , PTO		1			
417	20	V5801406032		PIN , SPRING	M6X32	1			
417	22	V7421203007		SEAL , OIL/G	G203006	1			
417	23	V4111600200		WASHER , PLAIN	M20	1			
417	24	V5801408036		PIN , SPRING	8X36	1			
NOTE									

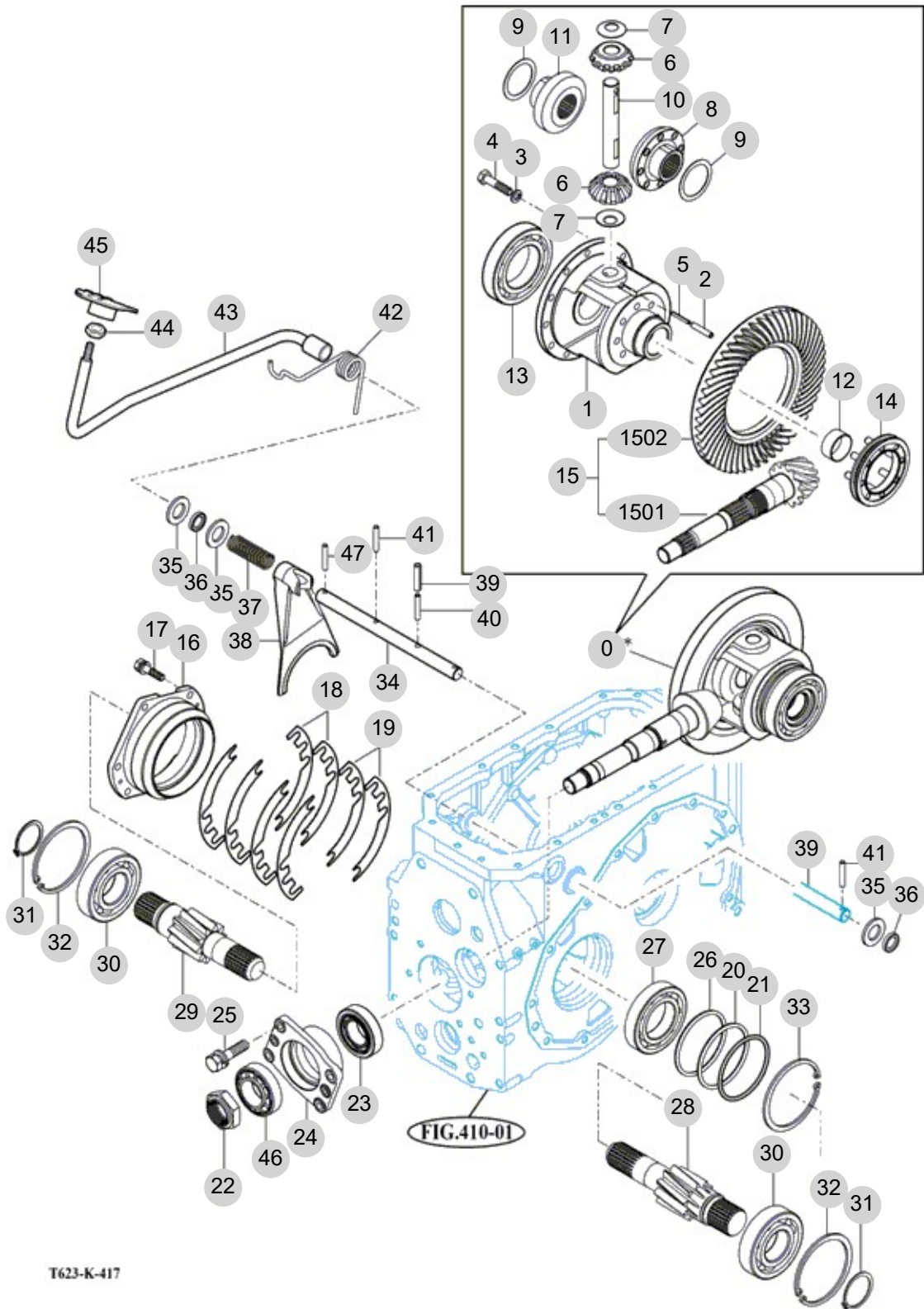
FIG 418

REAR DIFFERENTIAL GEARS

년/월
Year/Month

2022-12

T654SC



T623-K-417

NOTE

FIG 418 T654SC		REAR DIFFERENTIAL GEARS					년/월 Year/Month	
							2022-12	
KEY NO	PART NO	DESCRIPTION	SPEC	QTY	REPAIR	EFFECTIVE DATE	REMARKS	
418	0	19963031000	DIFF SET , RR T553		1			
418	1	17973030011M	CASE , DIFF		1			
418	2	V5801408040	PIN , SPRING	8X40	1			
418	3	V4011600100	WASHER , SPRING	M10	12			
418	4	V2024610025	BOLT , HEX FINE	M10X25	12			
418	5	V5801405036	PIN , SPRING	5X36	1			
418	6	17973030060	PINION , DIFF 10		2			
418	7	17973030070	COLLAR , PINION		2			
418	8	17973030091	GEAR , BEVEL 16LH		1			
418	9	17973030100	COLLAR , THRUST		2			
418	10	17973030110	SHAFT , DIFF PINION		1			
418	11	17973030121	GEAR , BEVEL 16RH		1			
418	12	17973030030	BUSH , 40X44X20		1			
418	13	V6001106214	BEARING , BALL	6214	1			
418	14	17973033400	SLEEVE COMP		1			
418	15	19963022100	GEAR SET , 11-48T		1			
418	1501	19963022110	PINION , BEVEL 11T		1			
418	1502	17973022120	GEAR , BEVEL 48T		1			
418	16	17973030131M	METAL , DIFF		1			
418	17	V2173610030	BOLT , HEX/S	M10X30	6			
418	18	17973030160	SHIM , 0.2		8			
418	19	17973030150	SHIM , 0.1		2			
418	20	17973030201	SHIM , 95X109.8X1.5		1			
418	21	14523010050	SHIM , 0.1		1			
418	22	17973030020	NUT , M40 P1,5		1			
418	23	V6321132208	BEARING , TAPER-ROLLER		1			
418	24	15703010040M	METAL , PINION		1			
418	25	V2173610035	BOLT , HEX/S	M10X35	4			
418	26	14523010100	SHIM , 0.2		1			
418	27	V6001106212	BEARING , BALL	6212	1			
418	28	19963030280	PINION , LH WHEEL		1			
418	29	19963030290	PINION , RH WHEEL		1			
418	30	V6001106310	BEARING , BALL	6310	2			
418	31	V7041400500	C-RING , SHAFT	50	2			
418	32	V7051401100	C-RING , HOLE	R110	2			
418	33	V7051401100	C-RING , HOLE	R110	1			
418	34	17973030391	SHAFT , DIFF LOCK		1			
418	35	V4111600200	WASHER , PLAIN	M20	3			
418	36	V7421203007	SEAL , OIL/G	G203006	2			
418	37	17973030420	SPRING		1			
418	38	17973030431M	FORK , DIFF		1			
418	39	V5801408036	PIN , SPRING	8X36	1			
418	40	V5801405036	PIN , SPRING	5X36	1			
418	41	V5801406032	PIN , SPRING	6X32	2			
418	42	14523160020	SPRING , DIFF PEDAL		1			
NOTE								

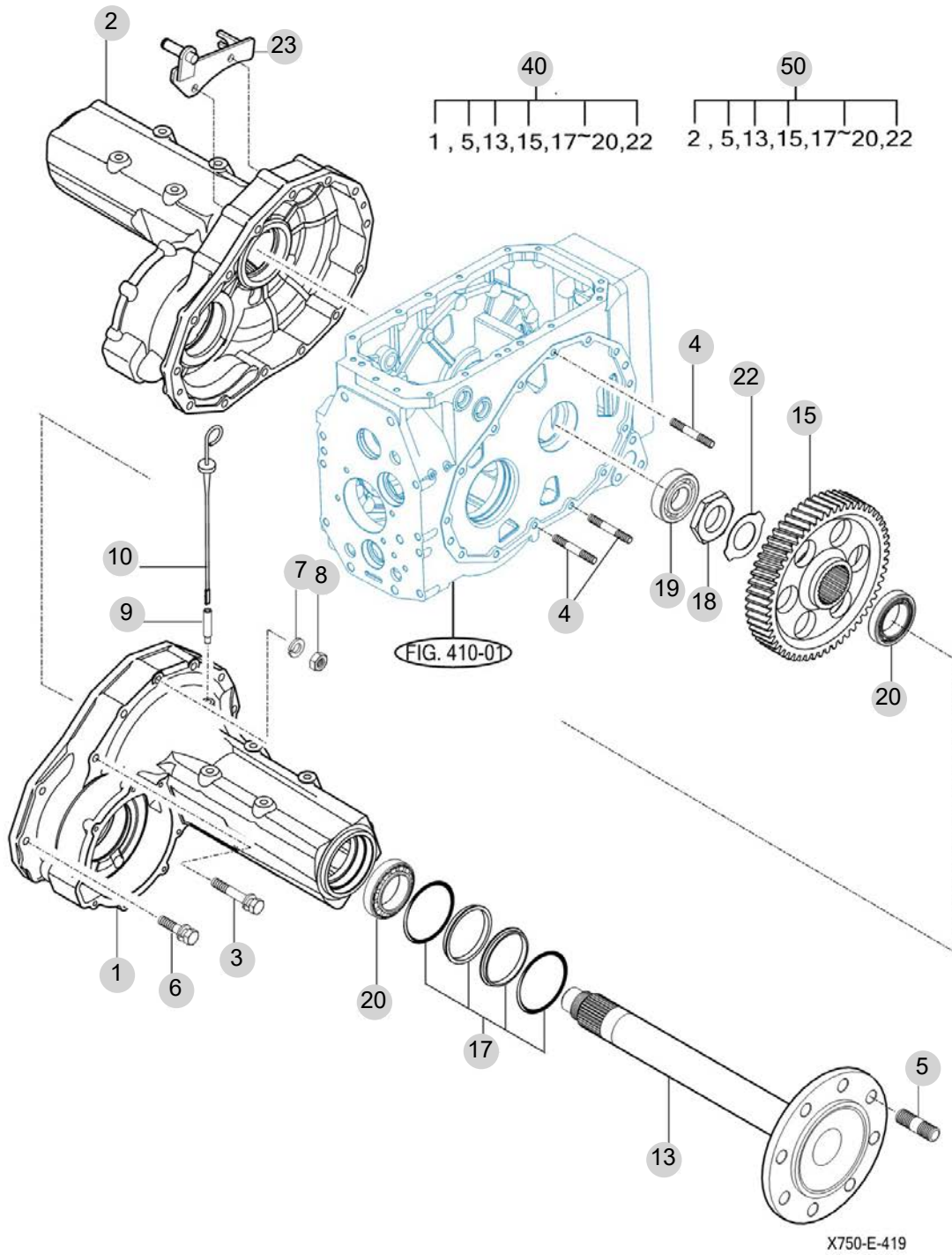
FIG 419

REAR AXLE HOUSING

년/월
Year/Month

2022-12

T654SC



NOTE

5. Front Axle PART NO. T5

FIG 501 FRONT AXLE SUPPORT	146
FIG 502 FRONT DRIVE SHAFT	148
FIG 503 FRONT AXLE HOUSING	150
FIG 504 FRONT DIFFERENTIAL GEARS	152
FIG 505 FRONT GEAR CASE (1)	154
FIG 506 FRONT GEAR CASE (2)	156
FIG 507 FRONT GEAR CASE (3)	158

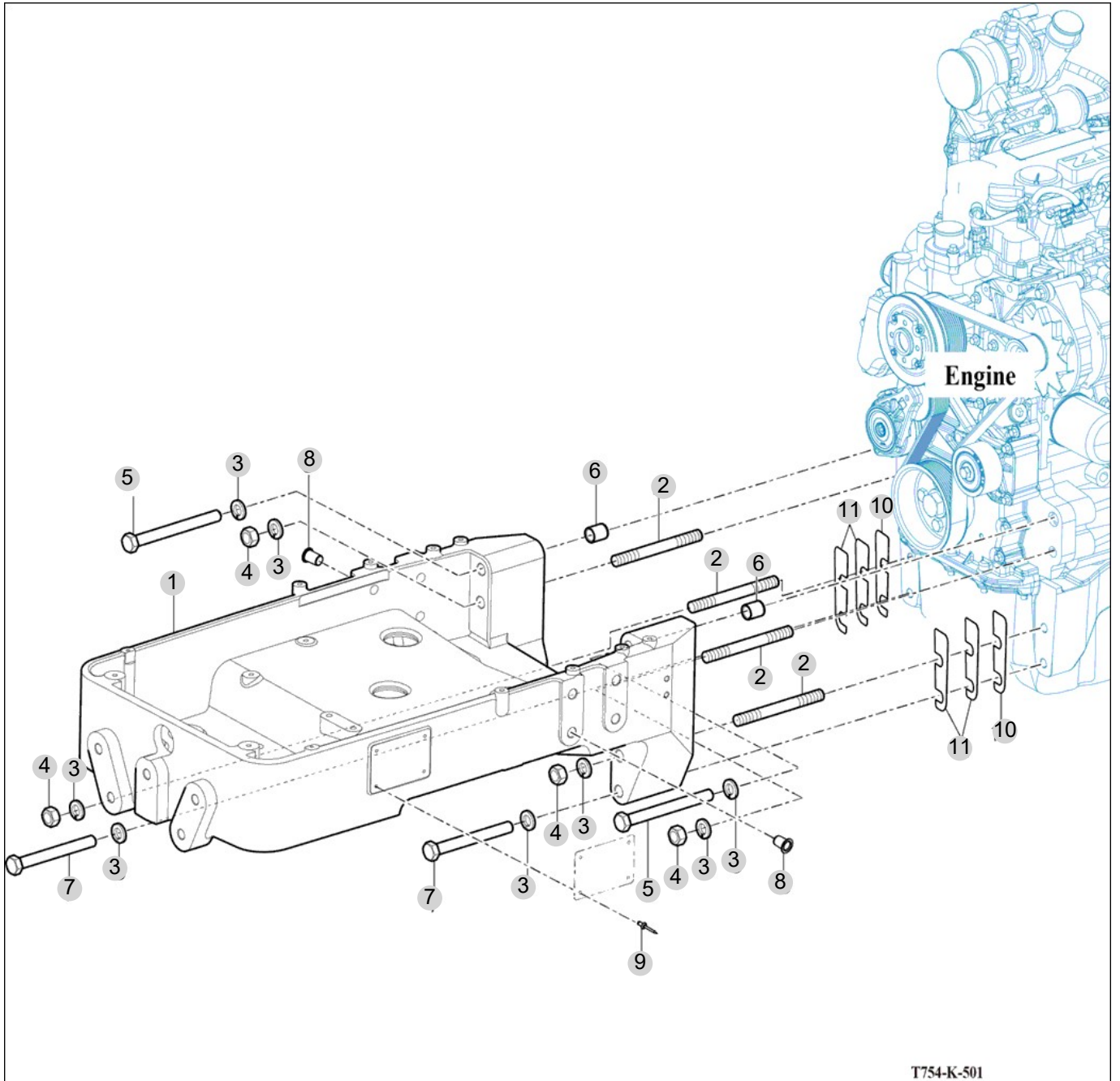
FIG 501

FRONT AXLE SUPPORT

년/월
Year/Month

2022-12

T654SC



NOTE

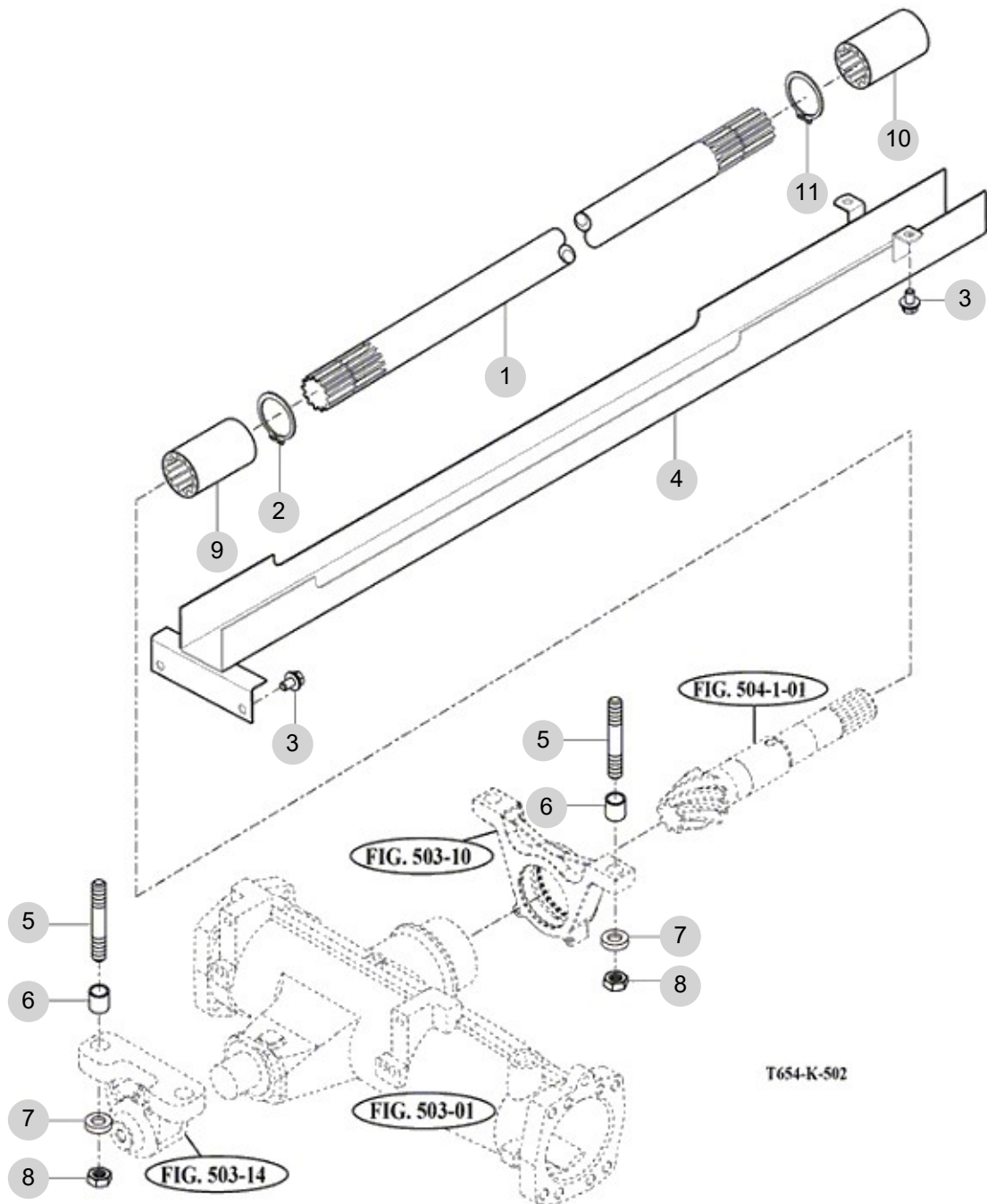
FIG 502

FRONT DRIVE SHAFT

년/월
Year/Month

2022-12

T654SC



T654-K-502

NOTE

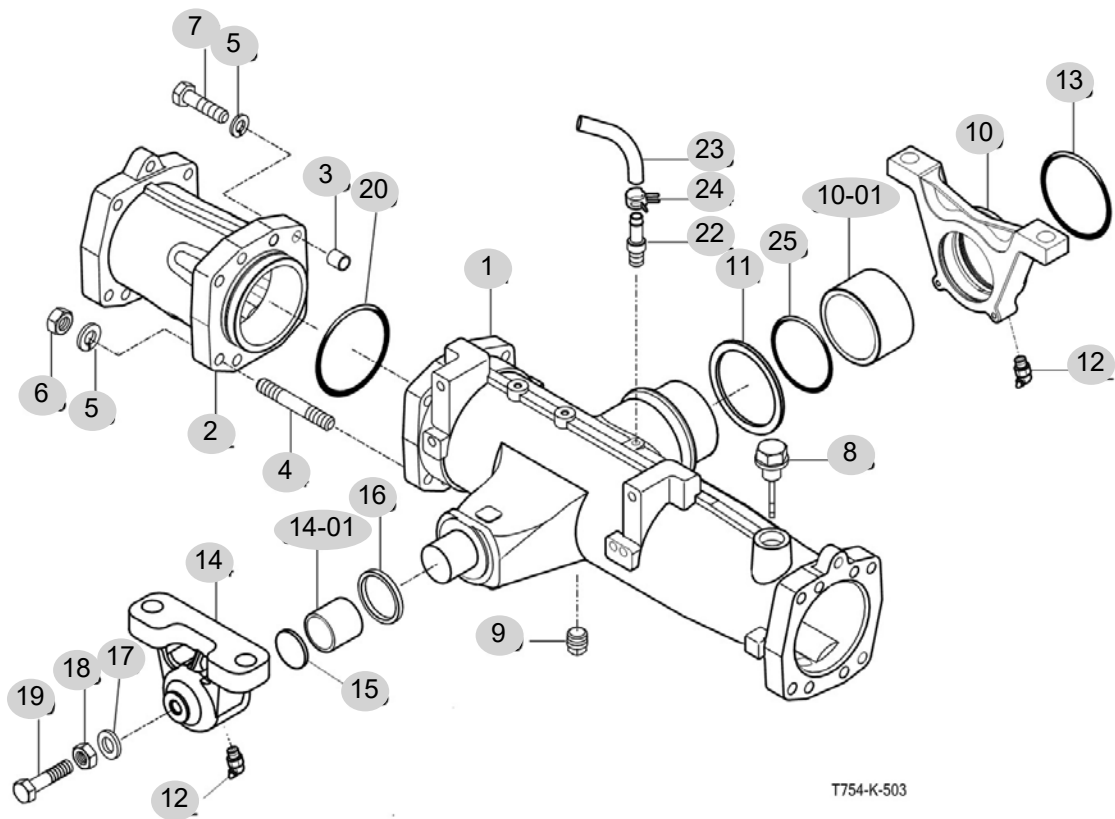
FIG 503

FRONT AXLE HOUSING

년/월
Year/Month

2022-12

T654SC



T754-K-503

NOTE

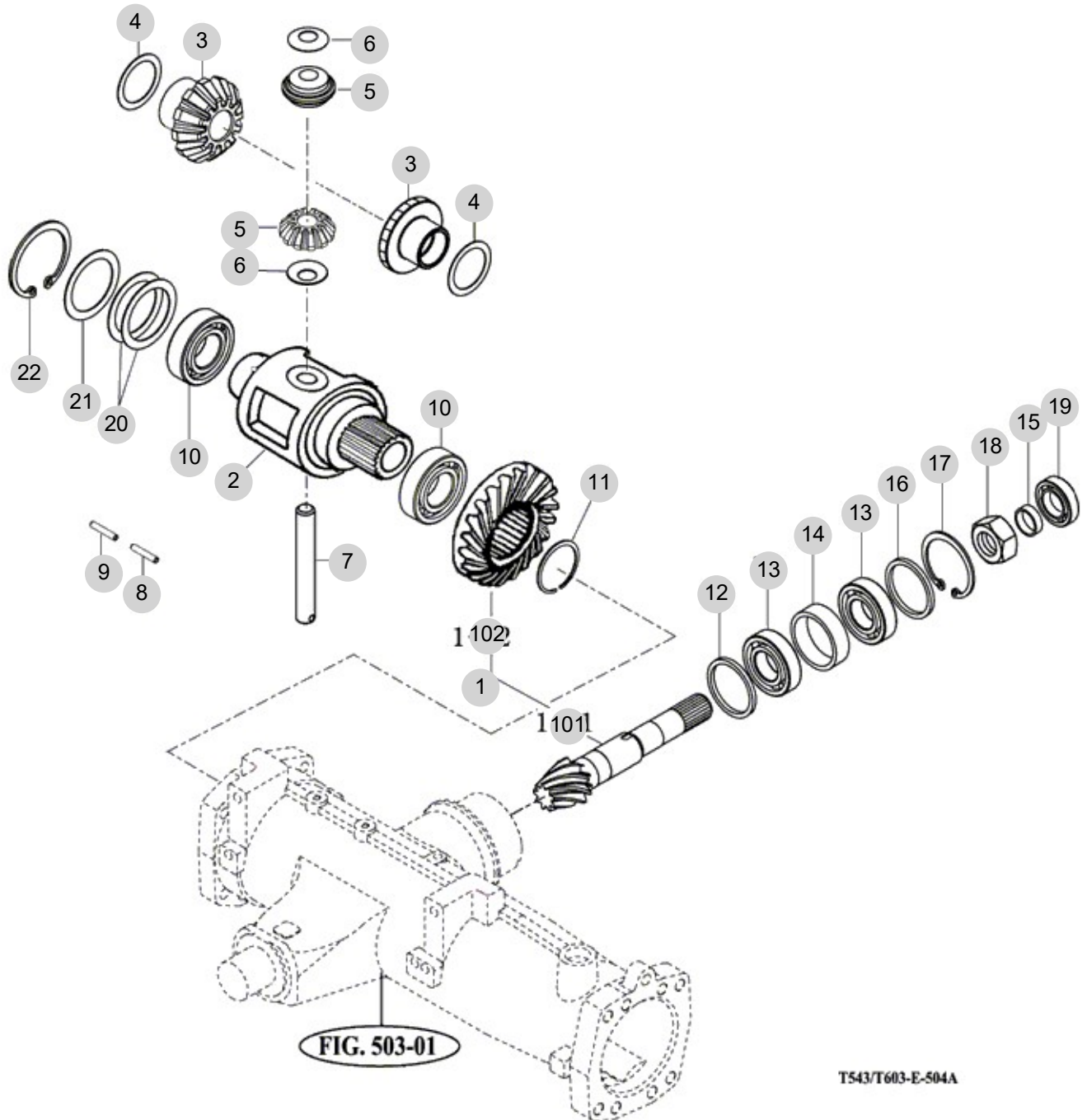
FIG 504

T654SC

FRONT DIFFERENTIAL GEARS

년/월
Year/Month

2022-12



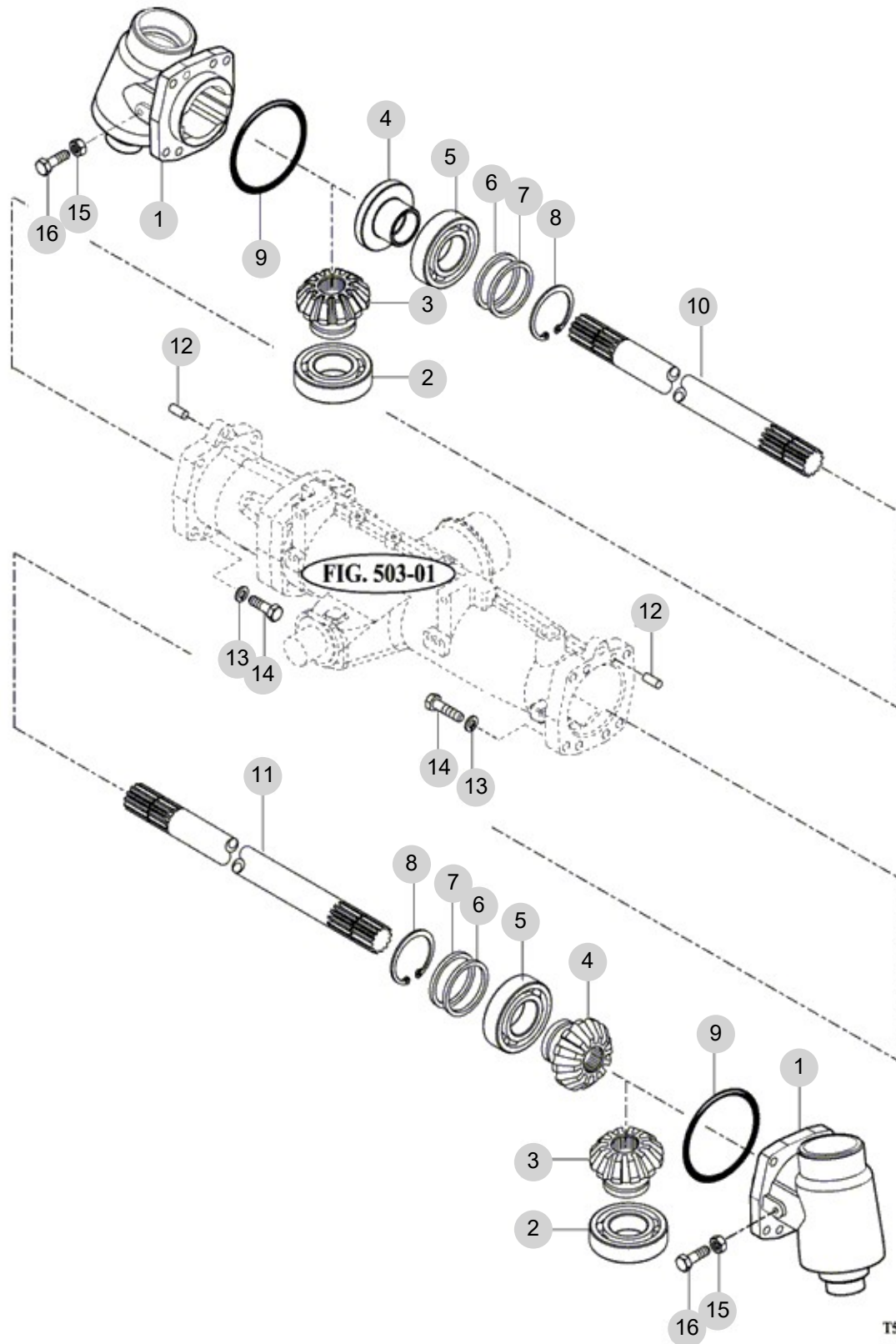
NOTE

FIG 505

FRONT GEAR CASE (1)

년/월
Year/Month

2022-12



TS43/T603-E-505A

NOTE

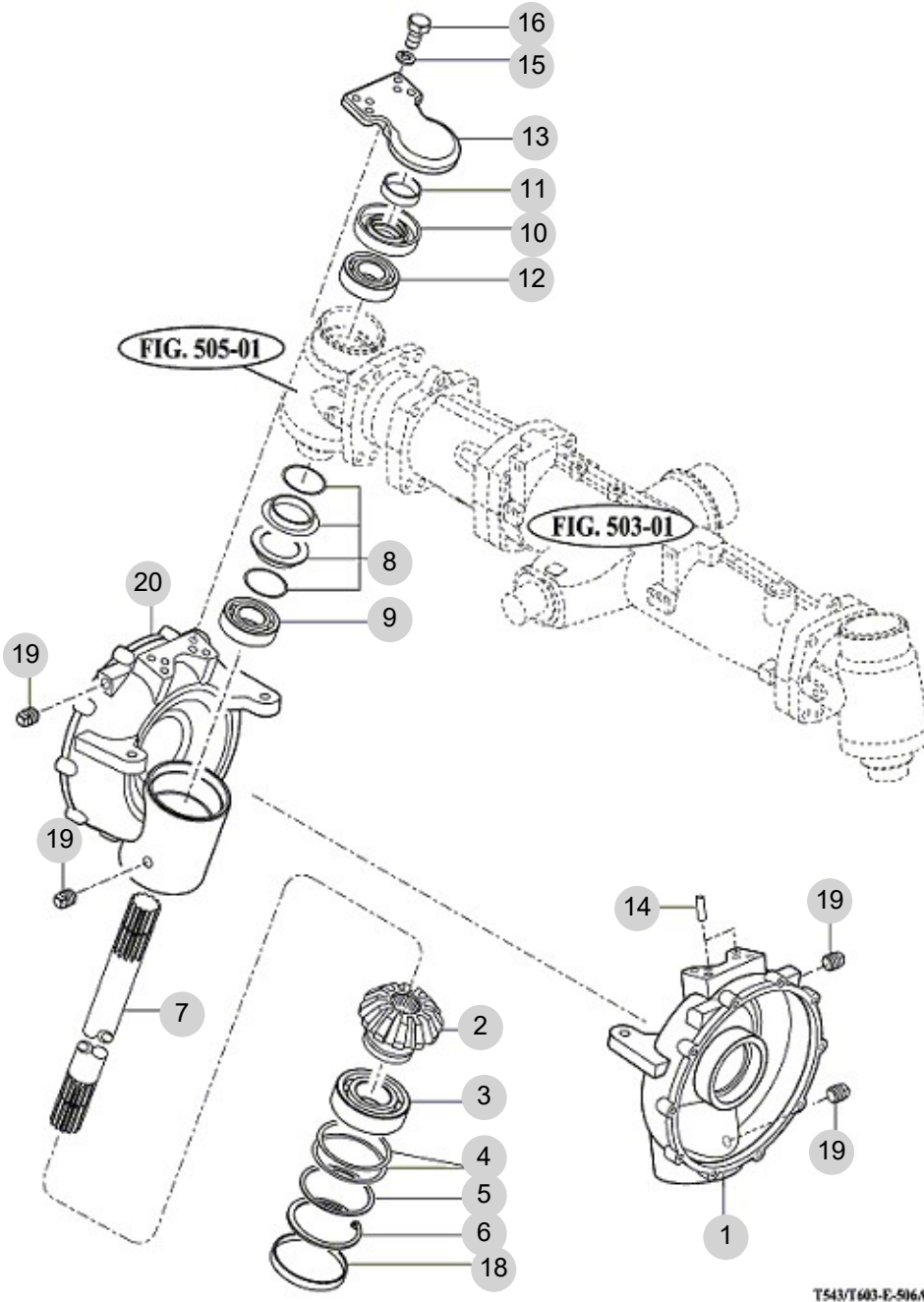
FIG 506

T654SC

FRONT GEAR CASE (2)

년/월
Year/Month

2022-12



NOTE

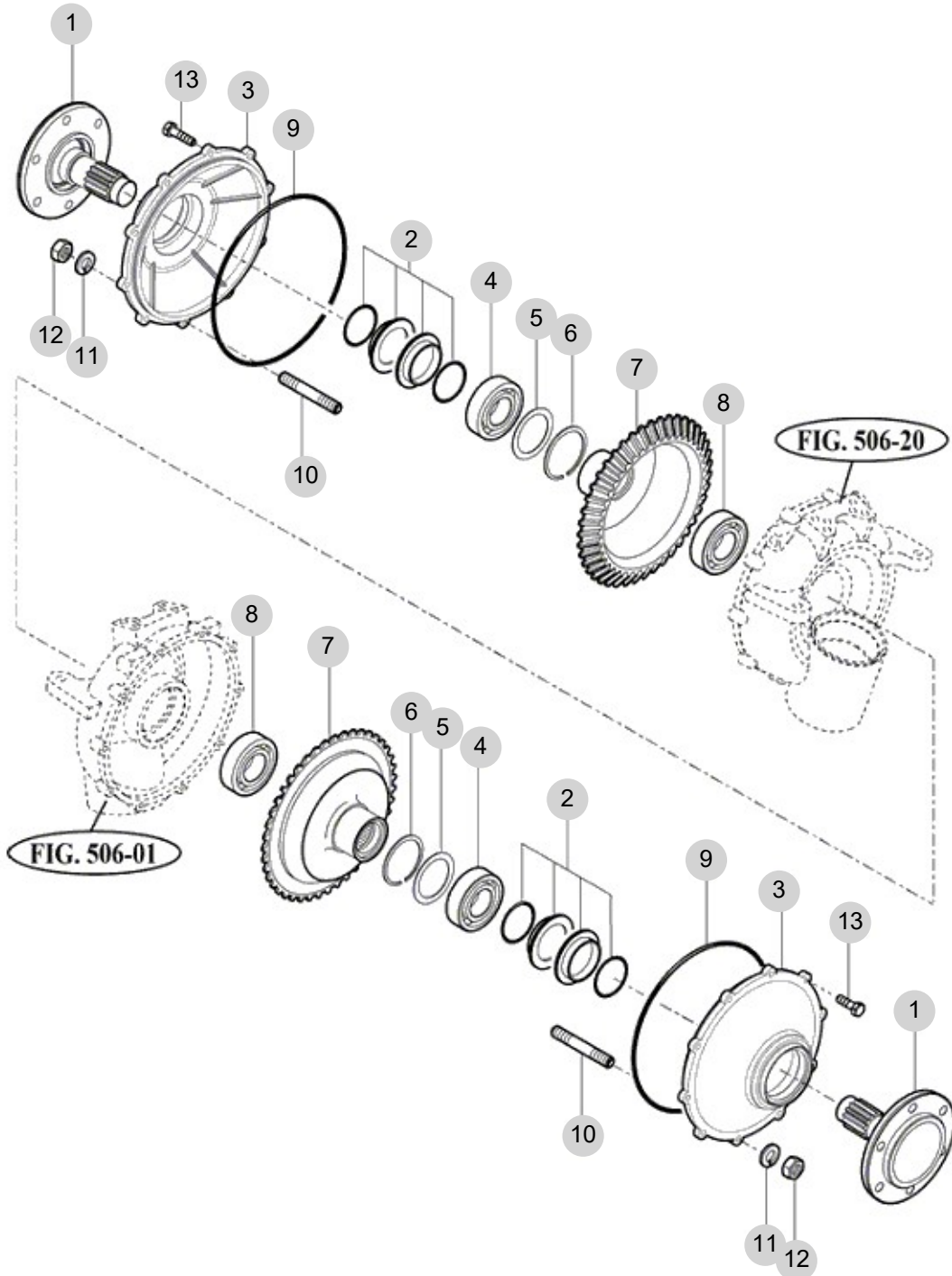
FIG 507

T654SC

FRONT GEAR CASE (3)

년/월
Year/Month

2022-12



T754-E-507

NOTE

6. Hydraulic/3P-Link PART NO. T6

FIG 601 CYLINDER CASE	161
FIG 602 LIFT ARM	163
FIG 603 CYLINDER	165
FIG 604 POSITION LINK	167
FIG 605 CONTROL VALVE	169
FIG 606 DRAFT LINK	171
FIG 607 POSITION & DRAFT LEVER	173
FIG 608 EXTERIOR HYD. VALVE(OPTION_6P)	176
FIG 608 EXTERIOR HYD. VALVE	178
FIG 609 HYDRAULIC PIPE	180
FIG 610 JOYSTICK	182
FIG 611-1A(US) HITCH & 3-P LINK (US)	184
FIG 612(US) LOWER LINK & LIFT ROD(US)	187
FIG 613 HYDRAULIC HOSE	189

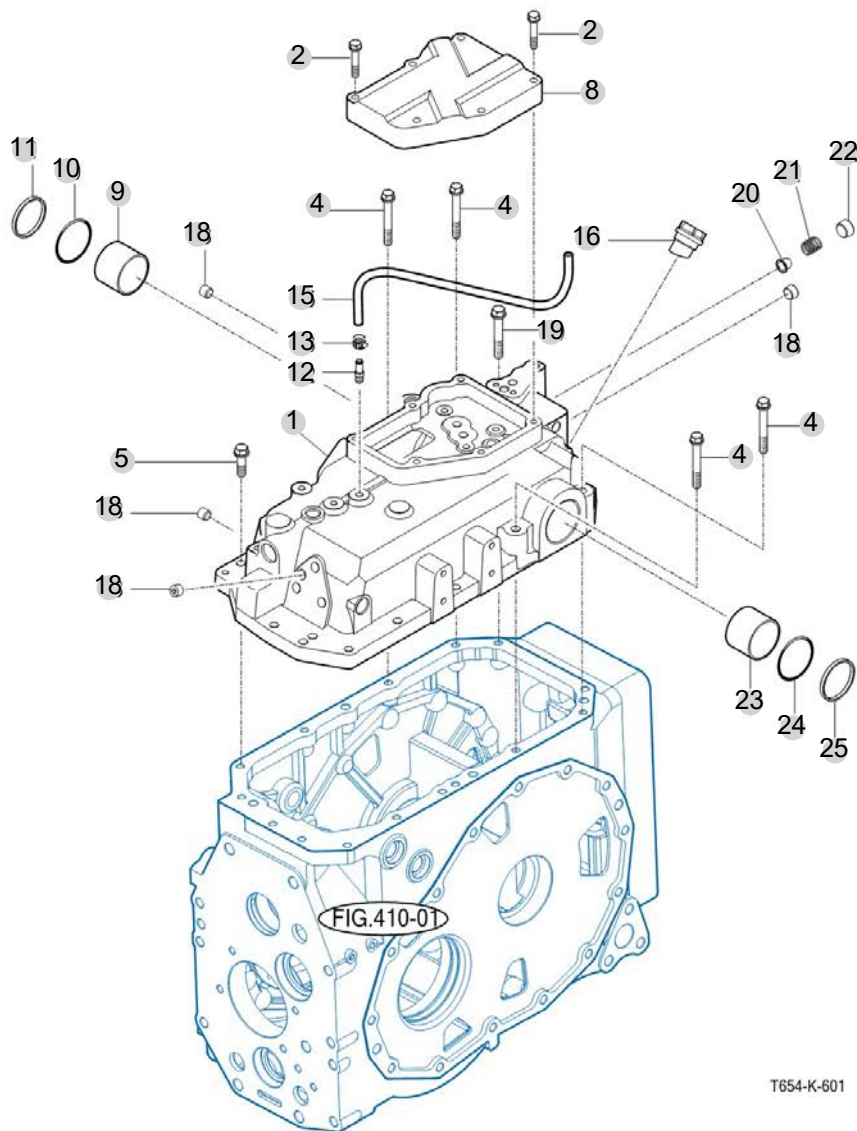
FIG 601

T654SC

CYLINDER CASE

년/월
Year/Month

2022-12



NOTE

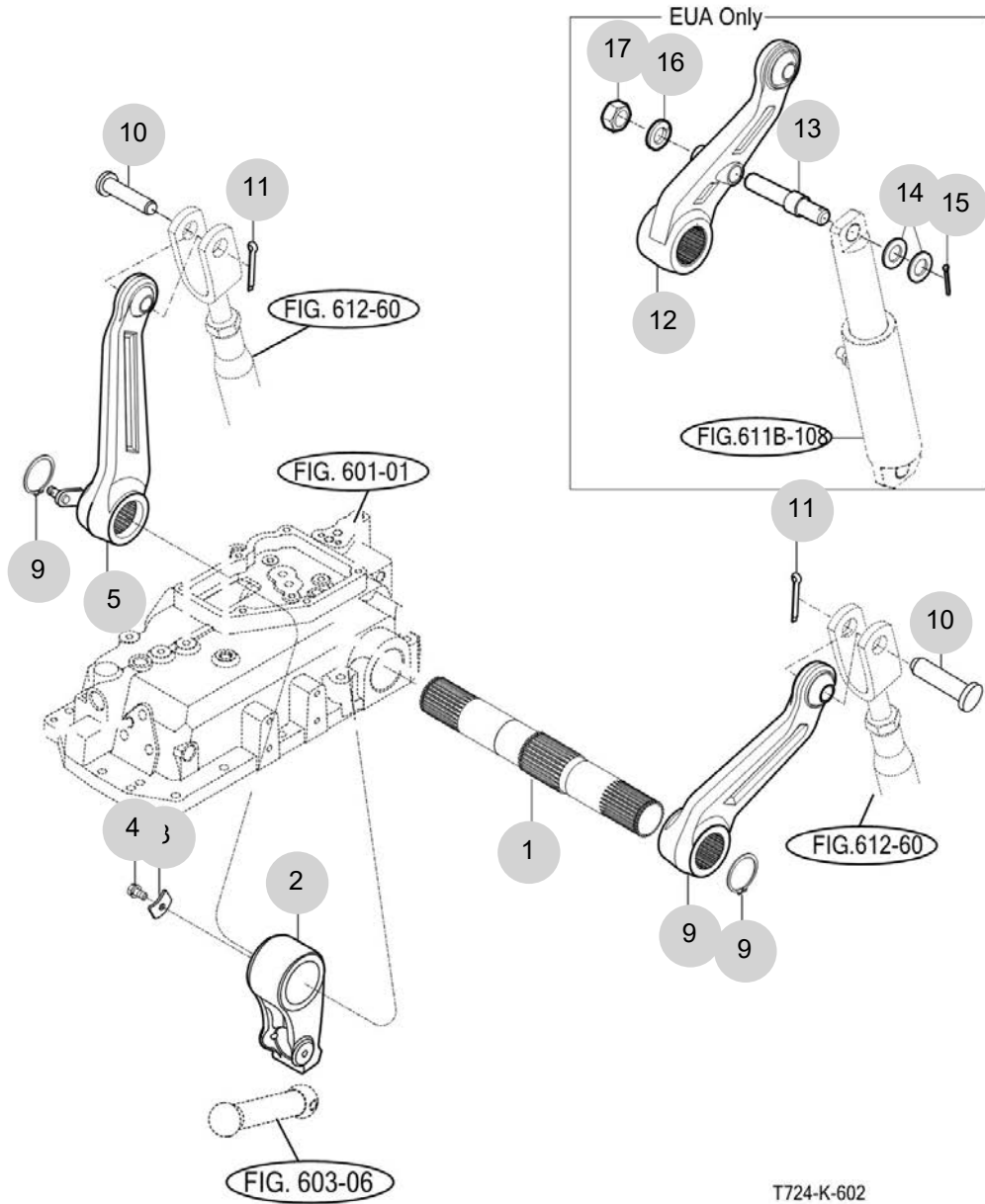
FIG 602

T654SC

LIFT ARM

년/월
Year/Month

2022-12



T724-K-602

NOTE

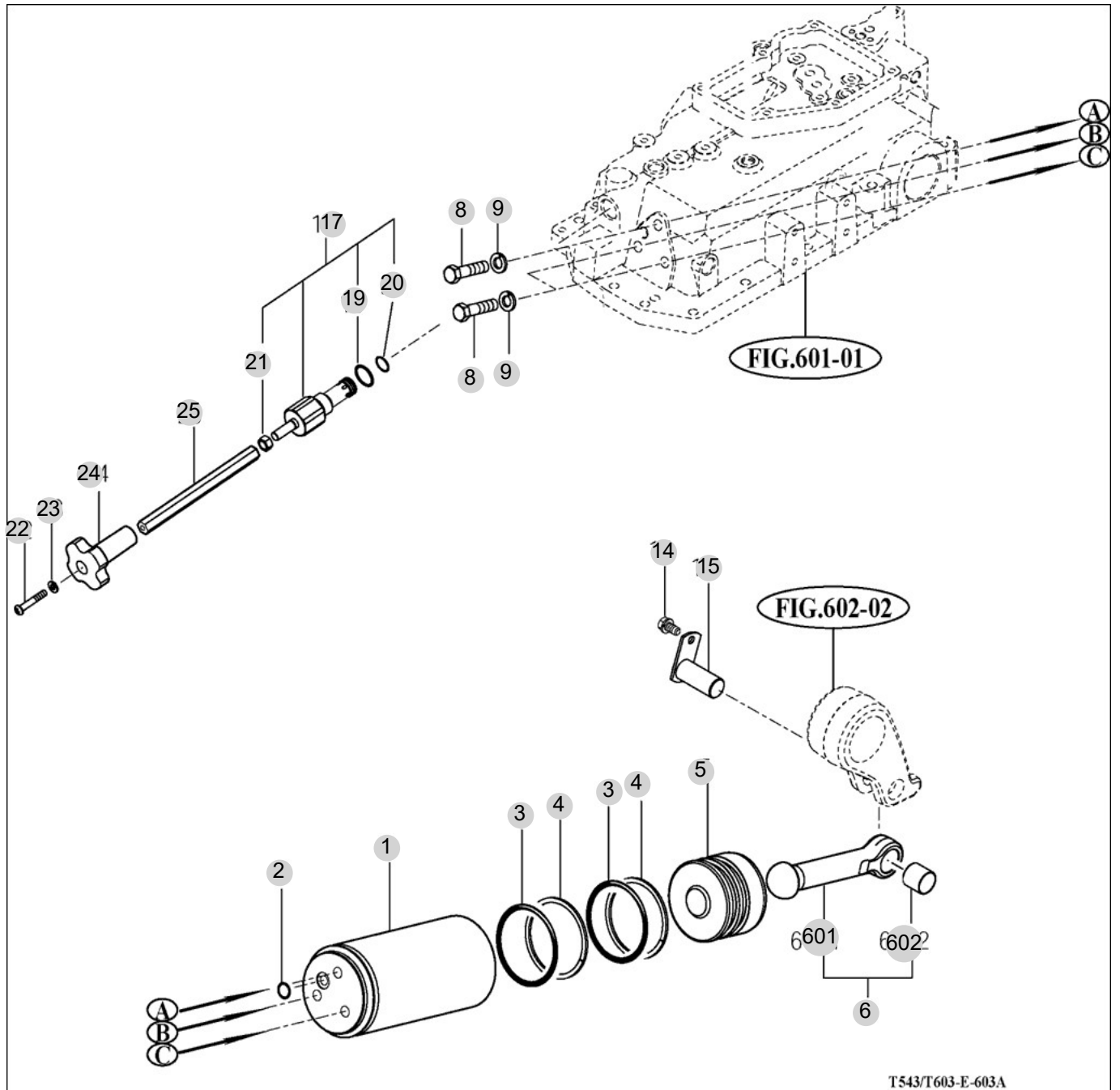
FIG 603

T654SC

CYLINDER

년/월
Year/Month

2022-12



NOTE

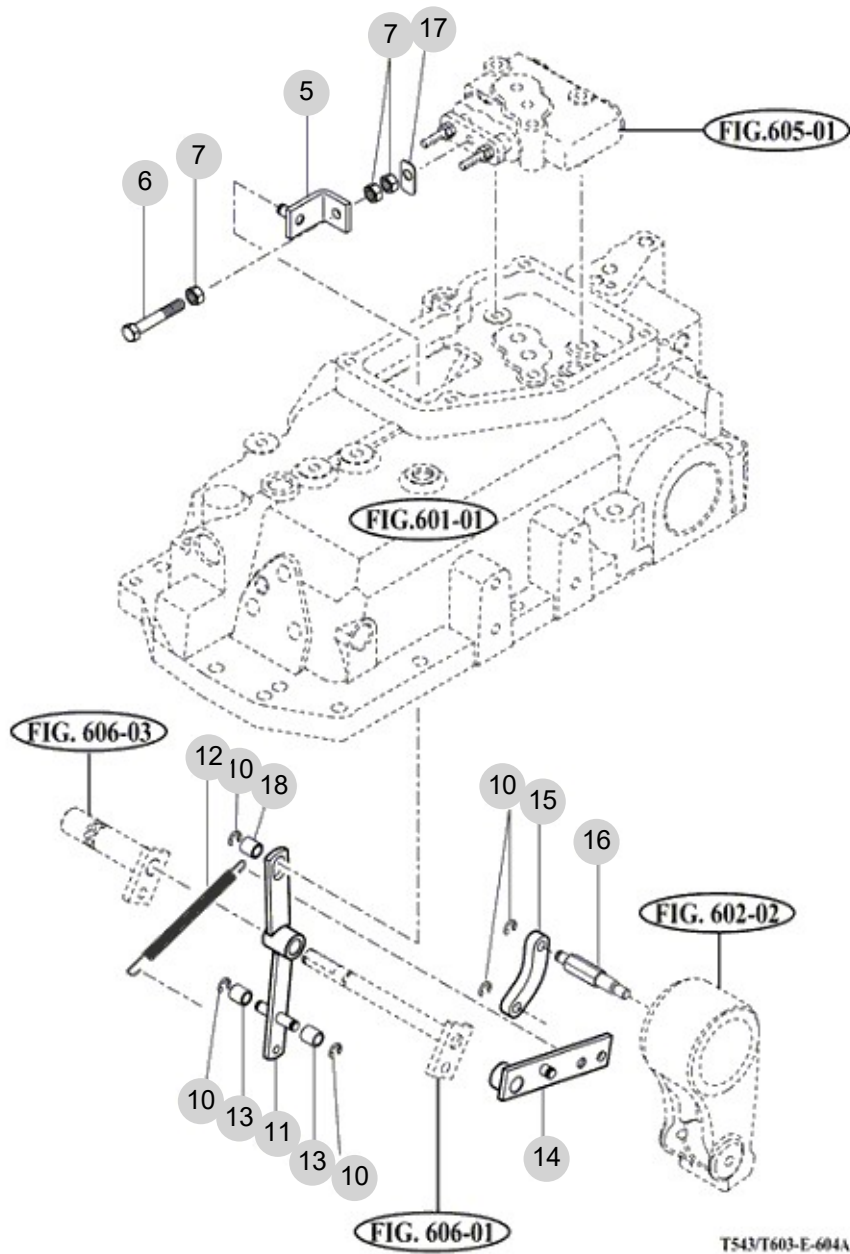
FIG 604

T654SC

POSITION LINK

년/월
Year/Month

2022-12



T543/T603-E-604A

NOTE

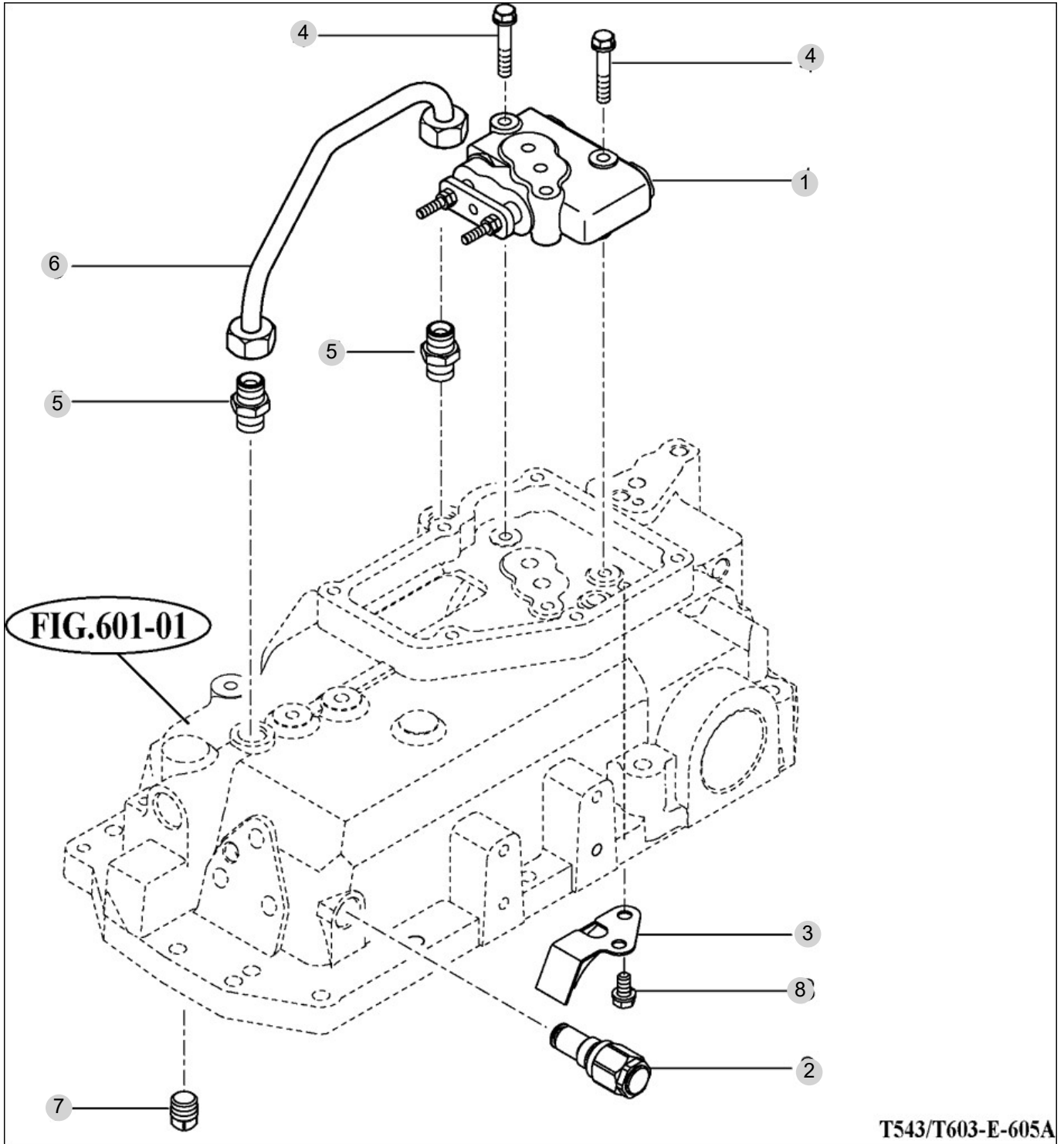
FIG 605

CONTROL VALVE

년/월
Year/Month

T654SC

2022-12



NOTE

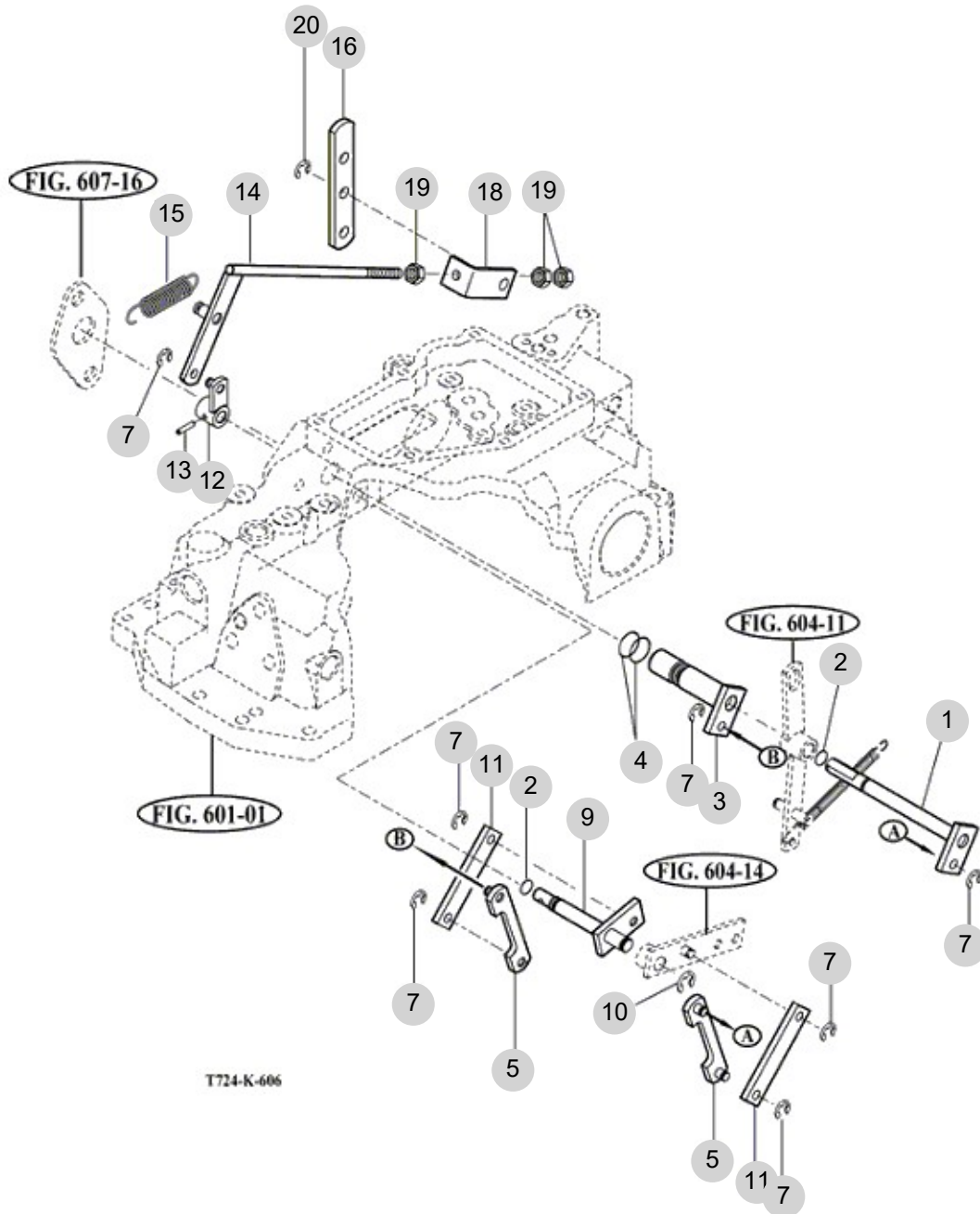
FIG 606

T654SC

DRAFT LINK

년/월
Year/Month

2022-12



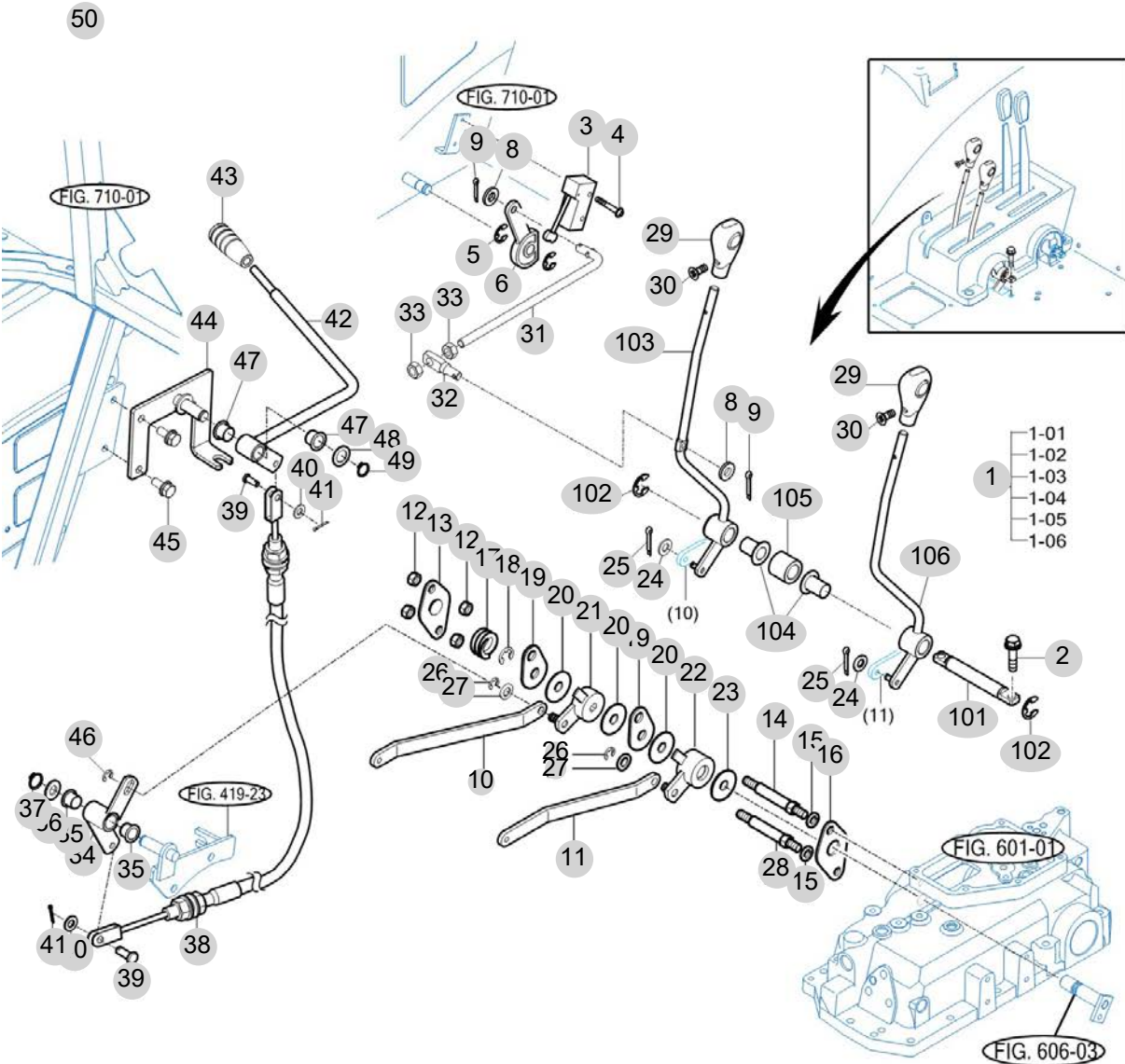
NOTE

FIG 607

POSITION & DRAFT LEVER

년/월
Year/Month

2022-12



T654-K-607

NOTE

FIG 607		POSITION & DRAFT LEVER					년/월 Year/Month		
							2022-12		
T654SC		KEY NO	PART NO	DESCRIPTION	SPEC	QTY	REPAIR	EFFECTIVE DATE	REMARKS
607	1	19997092101	REVER SUB , POSITION/DRAFT	1X1X1	1				
607	101	14527092110	SHAFT	D=16	1				
607	102	V7081400150	E-RING	15	2				
607	103	19997092201GB	LEVER COMP , POSITION	400*50*100	1				
607	104	14527092120	BUSH, NYLON/16X18X27	1X1X1	2				
607	105	14527092251	COLLER , SPACE	D=30	1				
607	106	19997092301GB	LEVER COMP , DRAFT	400*50*100	1				
607	2	V2183608020	BOLT , HEX/SP	M8X20	2				
607	3	16606742301	SWITCH ASSY . LIMIT		1				
607	4	V1222604025	SCREW , C/R PAN/SP	M4X25	2				
607	5	V7081400080	E-RING	8	2				
607	6	14527090020	CAM , SENSER	1X1X1	1				
607	8	V4111600060	WASHER , PLAIN	M6	2				
607	9	V5001920020	PIN , SPLIT	2X20	2				
607	10	19995070120	PLATE , POSITION	19X6T	1				
607	11	19995070140	PLATE , DRAFTER	19X6T	1				
607	12	V3043600100	NUT , HEX/2	M10	4				
607	13	17995070140	PLATE , C	3.2T	1				
607	14	17995070150	BOLT , SUPPORT	H14X108.9	1				
607	15	V4011600100	WASHER , SPRING	M10	2				
607	16	17995070170	PLATE , D	3.2TX90X50	1				
607	17	17995070180	SPRING	33X23	1				
607	18	V7081400120	E-RING	12	1				
607	19	17995070200	PLATE , A	3.2TX40X62	2				
607	20	17995070211	PLATE , FRICTION	13X40X2T	3				
607	20	13835070210	PLATE , FRICTION		3				
607	21	14525070221	ARM COMP , POSITION	1X1X1	1				
607	22	14525070230	ARM COMP , DRAFT LEVER		1				
607	23	17995070241	PLATE , FRICTION	21*40*2T	1				
607	23	13835070220	PLATE , FRICTION		1				
607	24	V4111600060	WASHER , PLAIN	M6	2				
607	25	V5001920020	PIN , SPLIT	2X20	2				
607	26	V7081400080	E-RING	8	2				
607	27	V4111600100	WASHER , PLAIN	M10	2				
607	28	17995070340	BOLT , SUPPORT		1				
607	29	19027592011	KNOB , AUX LEVER	1X1X1	2				
607	30	V1122804012	SCREW , C/R FLAT	M4X12	2				
607	31	19997090010	ROD,SWITCH	6*150*28	1				
607	32	19997090210	PIN , POSITION ROD	10.6*32*8	1				
607	33	V3002600060	NUT , HEX/1	M6	2				
607	34	19995070500GB	ARM COMP , EXTERIOR POSITION	1X1X1	1				
607	35	15602870024	BUSH , 16X24X15		2				
607	36	36212110030	WASHER , TENSION ARM	T=1.6	1				
607	37	V7041400160	C-RING , SHAFT	16	1				
607	38	18175070700	CABLE, EXTERNAL POSITION ASSY		1				
NOTE									

FIG 607 T654SC	POSITION & DRAFT LEVER	년/월 Year/Month
		2022-12

KEY NO	PART NO	DESCRIPTION	SPEC	QTY	REPAIR	EFFECTIVE DATE	REMARKS
607	39	14322420010	PIN	D=8	2		
607	40	V4111600080	WASHER , PLAIN	M8	2		
607	41	V5001925020	PIN D2.5x20	2.5X20	2		
607	42	13842872200GB	LEVER COMP , EXTERNAL POSITION		1		
607	43	13871120090	GRIP , EXTERIOR POSITION		1		
607	44	17425070600GB	BRACKET COMP , EXT POS		1		
607	45	V2183608025	BOLT , HEX/SP	M8X25	2		
607	46	V7081400080	E-RING		1		
607	47	15602870024	BUSH , 16X24X15		2		
607	48	36212110030	WASHER , TENSION ARM		1		
607	49	V7041400160	C-RING , SHAFT		1		
607	50	13842872000	LEVER ASSY , EXTERNAL POSITION		1		

NOTE

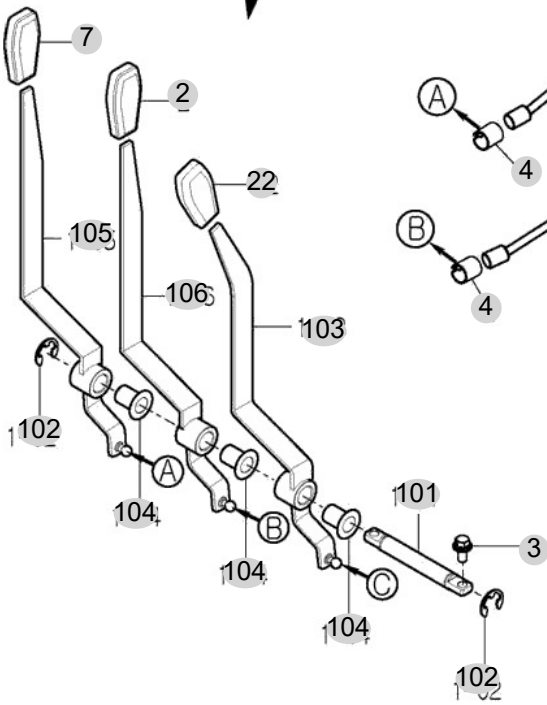
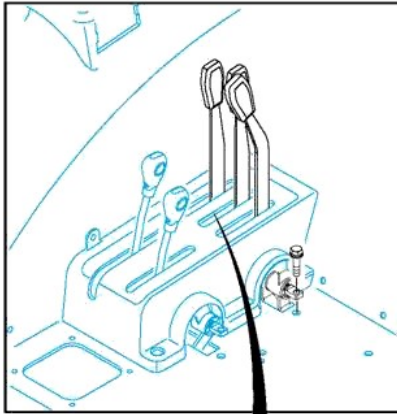
FIG 608

EXTERIOR HYD. VALVE(OPTION_6P)

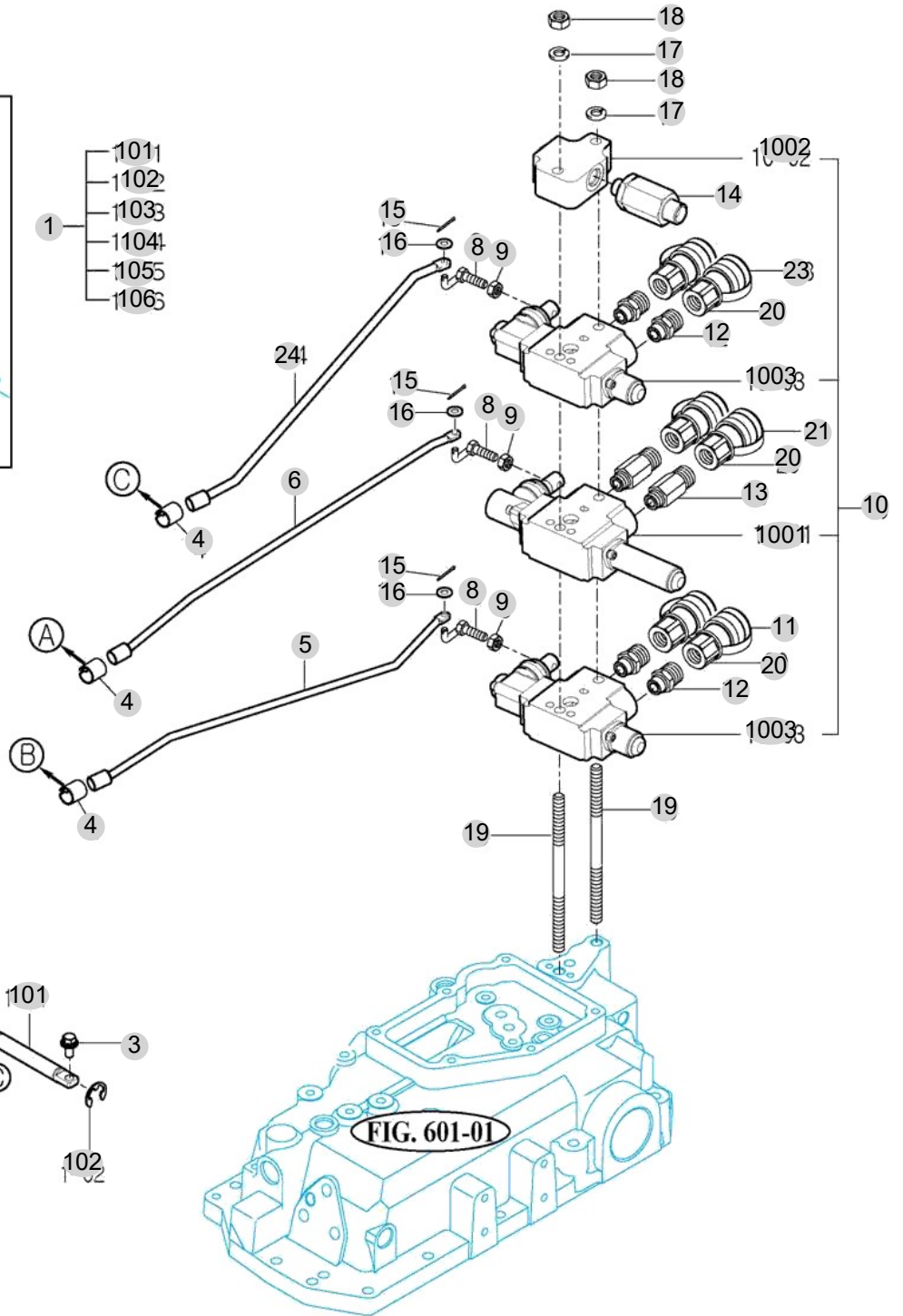
년/월
Year/Month

2022-12

T654SC



T754-K-608



NOTE

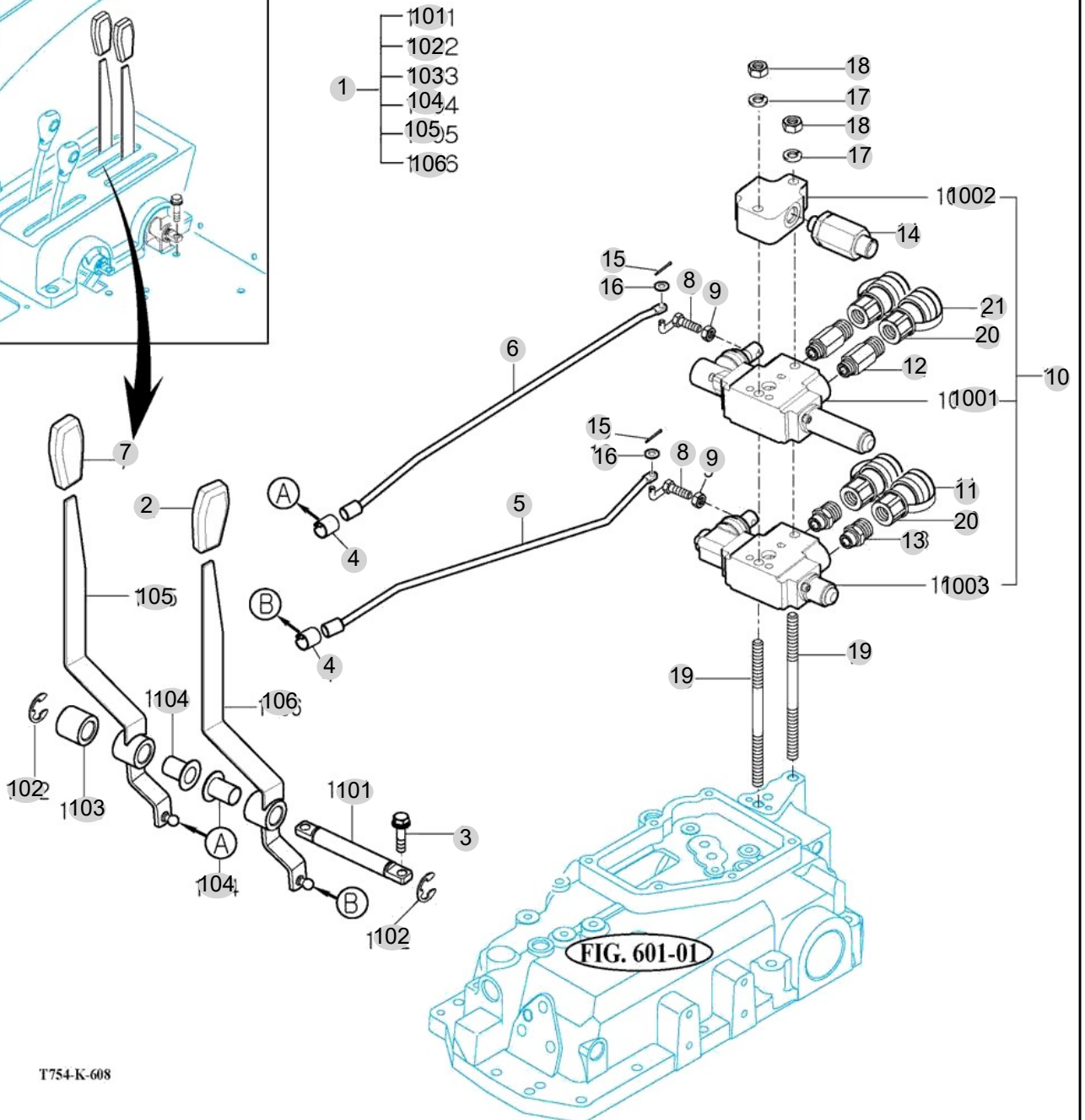
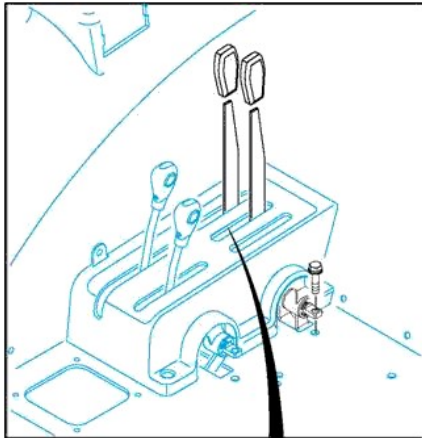
FIG 608

EXTERIOR HYD. VALVE

년/월
Year/Month

2022-12

T654SC



T754-K-608

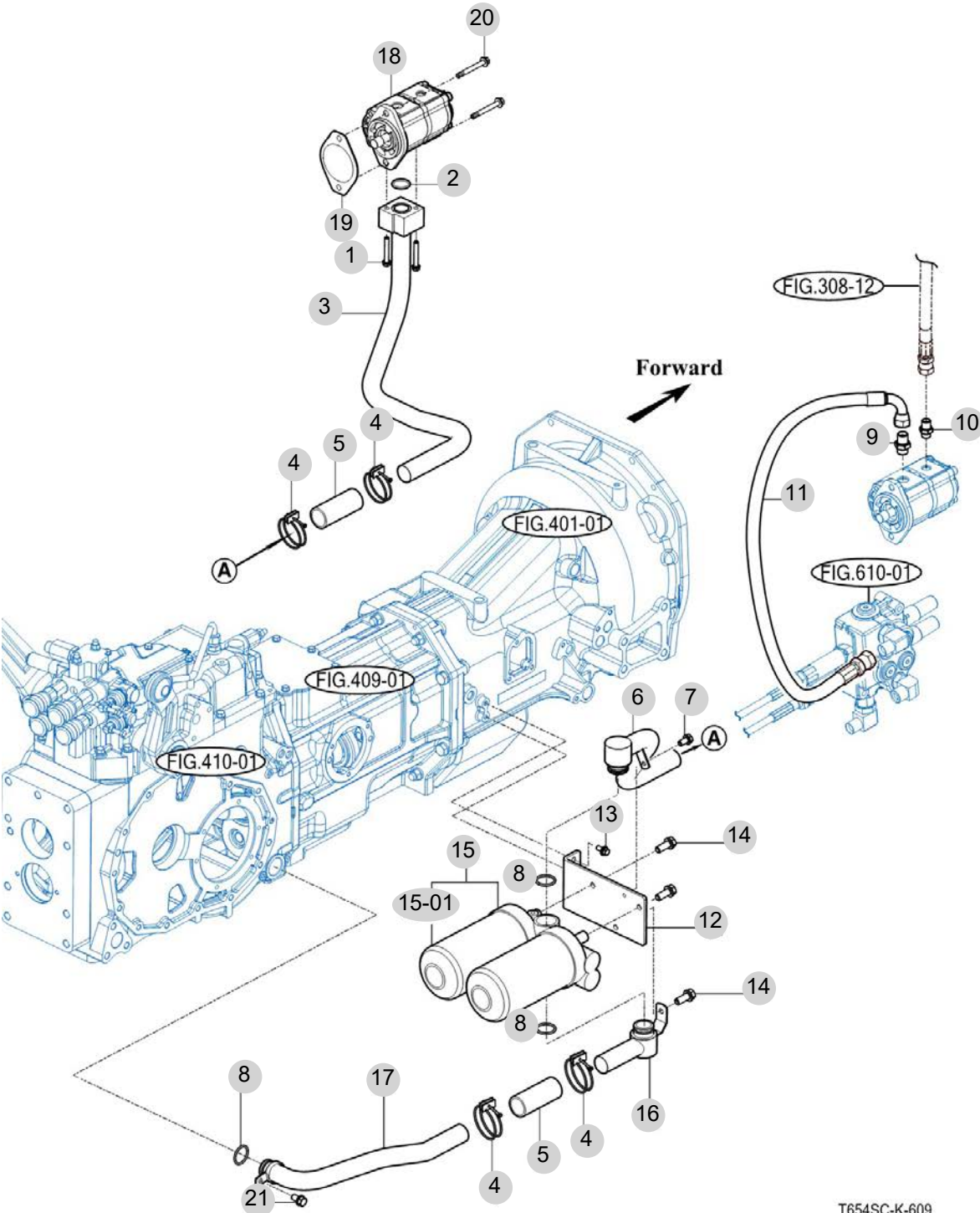
NOTE

FIG 609

HYDRAULIC PIPE

년/월
Year/Month

2022-12



T654SC-K-609

NOTE

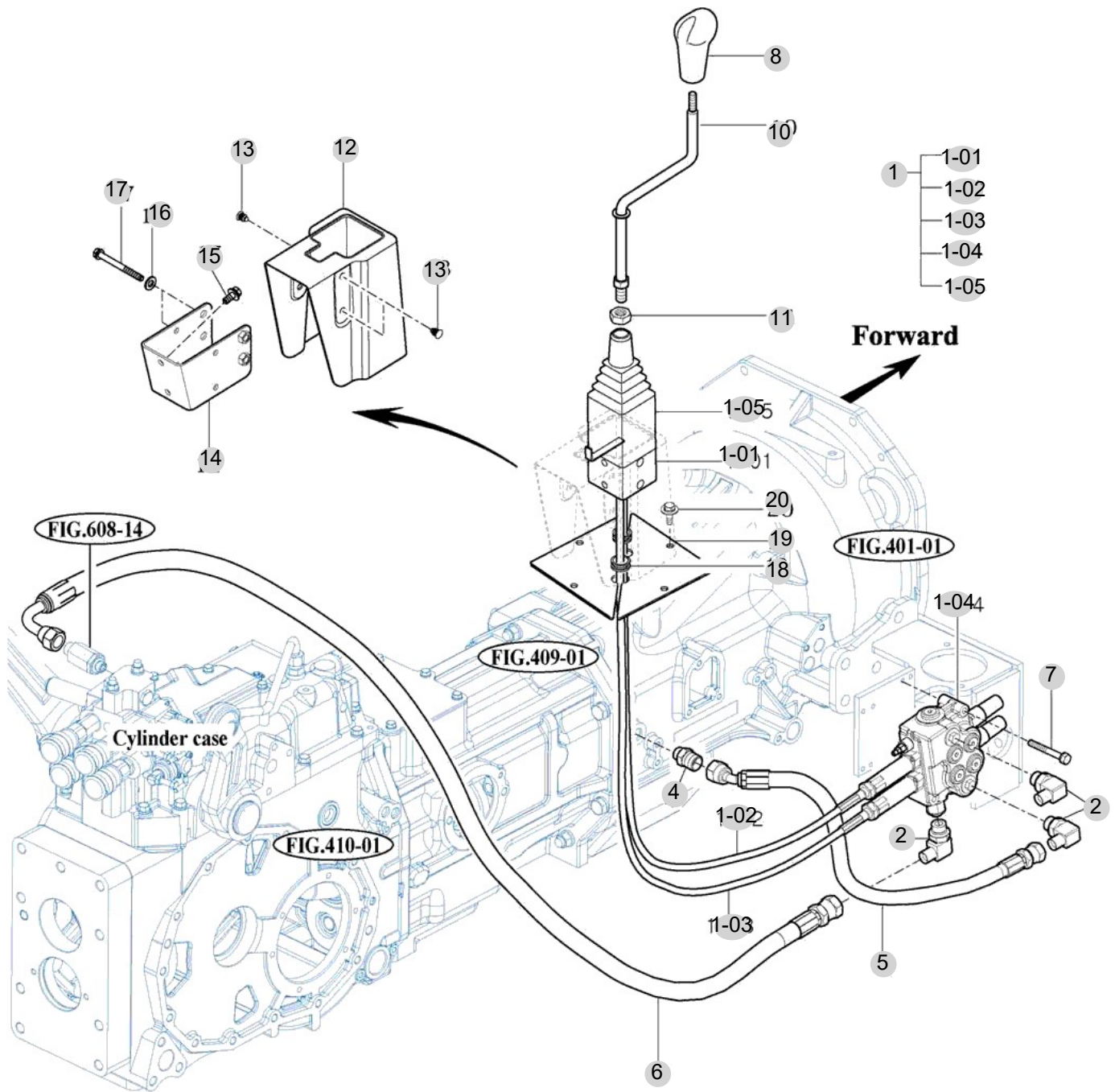
FIG 610

JOYSTICK

년/월
Year/Month

2022-12

T654SC



T654SC-K-610

NOTE

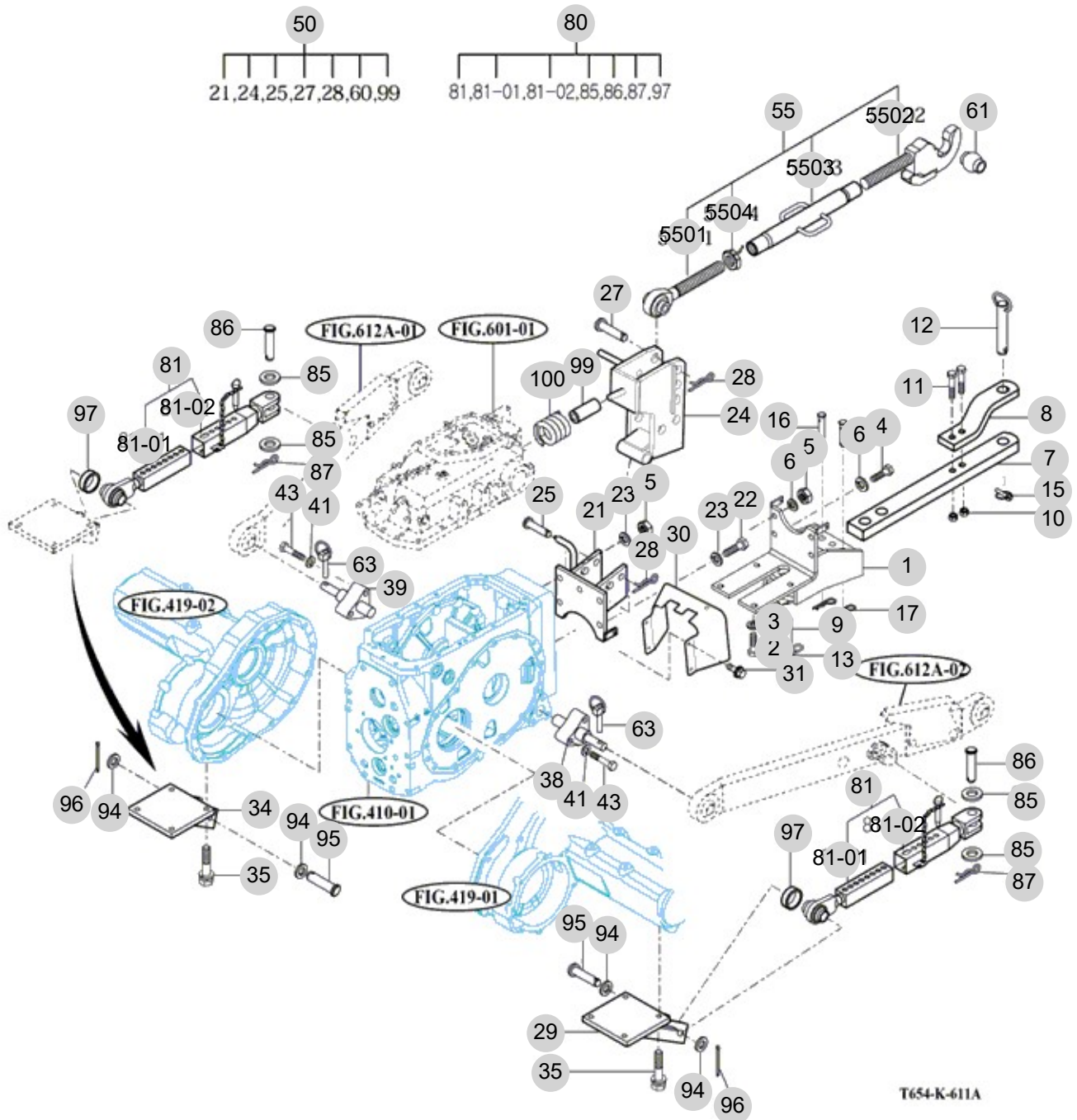
FIG 611-1A(US)

HITCH & 3-P LINK (US)

년/월
Year/Month

2022-12

T654SC



NOTE

FIG 611-1A(US)		HITCH & 3-P LINK (US)					년/월 Year/Month		
							2022-12		
T654SC		KEY NO	PART NO	DESCRIPTION	SPEC	QTY	REPAIR	EFFECTIVE DATE	REMARKS
611-1A(US)	1	18015202000GB	BRACKET COMP , DRAW BAR/SWING			1			
611-1A(US)	2	V2013614035	BOLT , HEX	M14X35		4			
611-1A(US)	3	V4011600140	WASHER , SPRING	M14		4			
611-1A(US)	4	V2013616035	BOLT , HEX	M16X35		2			
611-1A(US)	5	V3043600160	NUT , HEX/2	M16		4			
611-1A(US)	6	V4011600160	WASHER , SPRING	M16		4			
611-1A(US)	7	17332470010GB	LINK , DRAW BAR SWING			1			
611-1A(US)	8	18992470020GB	LINK , HITCH			1			
611-1A(US)	9	17332472010	PIN , DRAWBAR			1			
611-1A(US)	10	15189240160	NUT , NYLON , M16			2			
611-1A(US)	11	V2004616080	BOLT , HEX	M16X80		2			
611-1A(US)	12	15645220011	PIN , 19X86			2			
611-1A(US)	13	V2173610020	BOLT , HEX/S			1			
611-1A(US)	13	S2169908420	PIN , SNAP/28			1			
611-1A(US)	15	14215020020	PIN , LINK			1			
611-1A(US)	16	15645220011	PIN , 19X86			2			
611-1A(US)	17	14445140051	PIN , 19			2			
611-1A(US)	21	15705222000GB	BRACKET COMP			1			
611-1A(US)	22	V2013616035	BOLT , HEX	M16X35		3			
611-1A(US)	23	V4011600080	WASHER , SPRING	M16		5			
611-1A(US)	24	17467552400	LINK COMP			1			
611-1A(US)	25	15645250010	PIN , 19X122			2			
611-1A(US)	27	15645220020	PIN , 19X95			1			
611-1A(US)	28	14445140051	PIN , 19			3			
611-1A(US)	29	17975254100GB	BRACKET COMP , LH			1			
611-1A(US)	30	13605200012GB	COVER , SHIELD			1			
611-1A(US)	31	V2183608016	BOLT , HEX/SP	M8X16		4			
611-1A(US)	34	17975254200	BRACKET COMP , RH			1			
611-1A(US)	35	V2013614030	BOLT , HEX	M14X30		8			
611-1A(US)	38	17975252710	PIN , LOWER LINK			1			
611-1A(US)	39	17975252810	PIN , LOWER LINK			1			
611-1A(US)	41	V4011600140	WASHER , SPRING	M14		6			
611-1A(US)	43	V2013614060	BOLT , HEX	M14X60		6			
611-1A(US)	50	15705200500	BRACKET ASSY			1			
611-1A(US)	55	17995201002GB	LINK ASSY . TOP LINK			1			
611-1A(US)	5501	17995201300	ROD COMP , RH			1			
611-1A(US)	5502	17995201101	ROD COMP , LH			1			
611-1A(US)	5503	17995201202	SLEEVE COMP			1			
611-1A(US)	5504	17995201400	NUT , LOCK M12			1			
611-1A(US)	61	17995201500	BALL , TOP LINK			1			
611-1A(US)	63	14215020020	PIN , LINK			2			
611-1A(US)	80	19955253001	LINK ASSY , ADJUSTER			2			
611-1A(US)	81	19955253001	LINK ASSY , ADJUSTER			2			
611-1A(US)	81-01	19955253101	LINK(BALL) ADJUSTER , SUB			2			
611-1A(US)	81-02	19955253201	LINK(PIN) ADJUSTER , SUB			2			
NOTE									

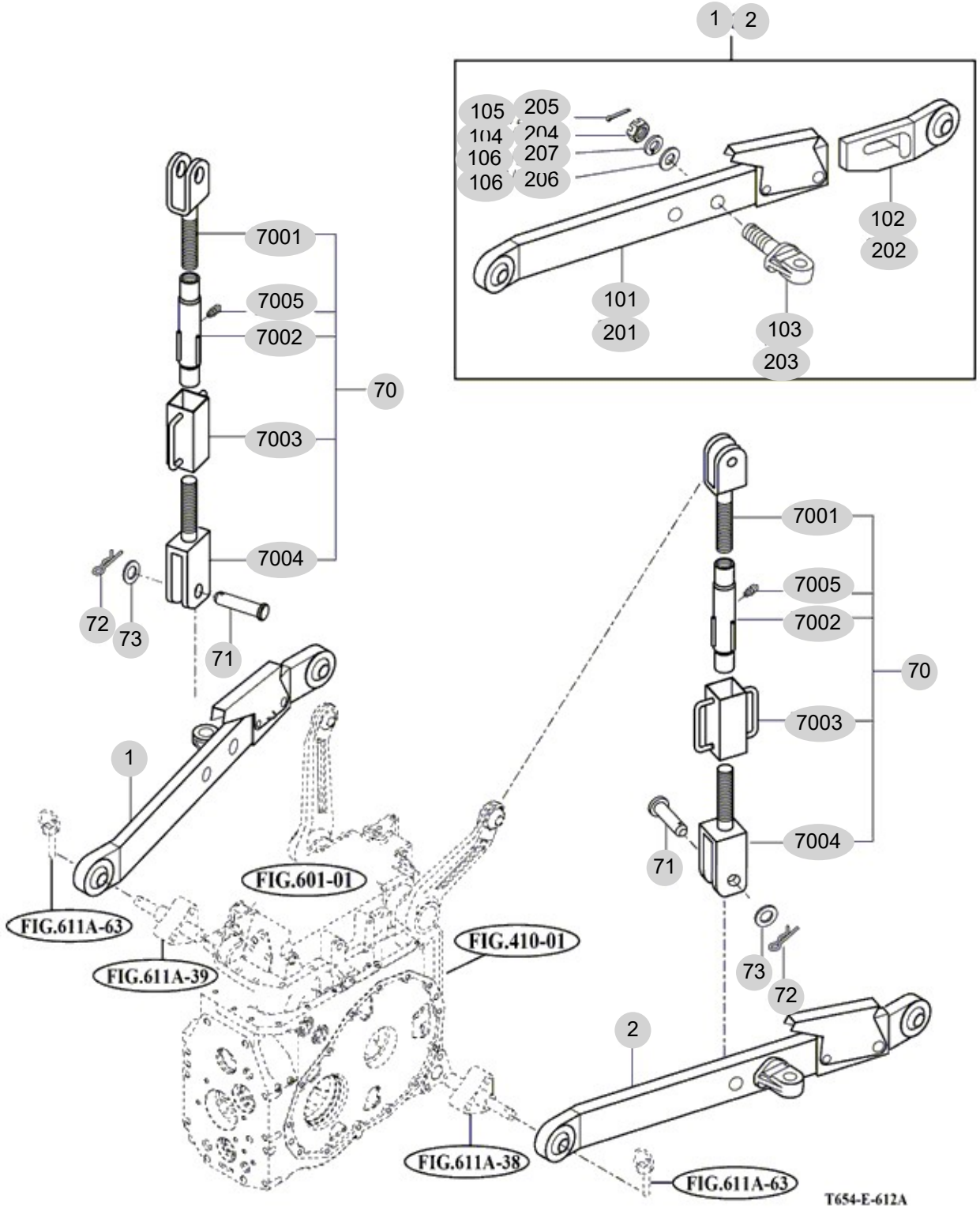
FIG 612(US)

LOWER LINK & LIFT ROD(US)

년/월
Year/Month

2022-12

T654SC



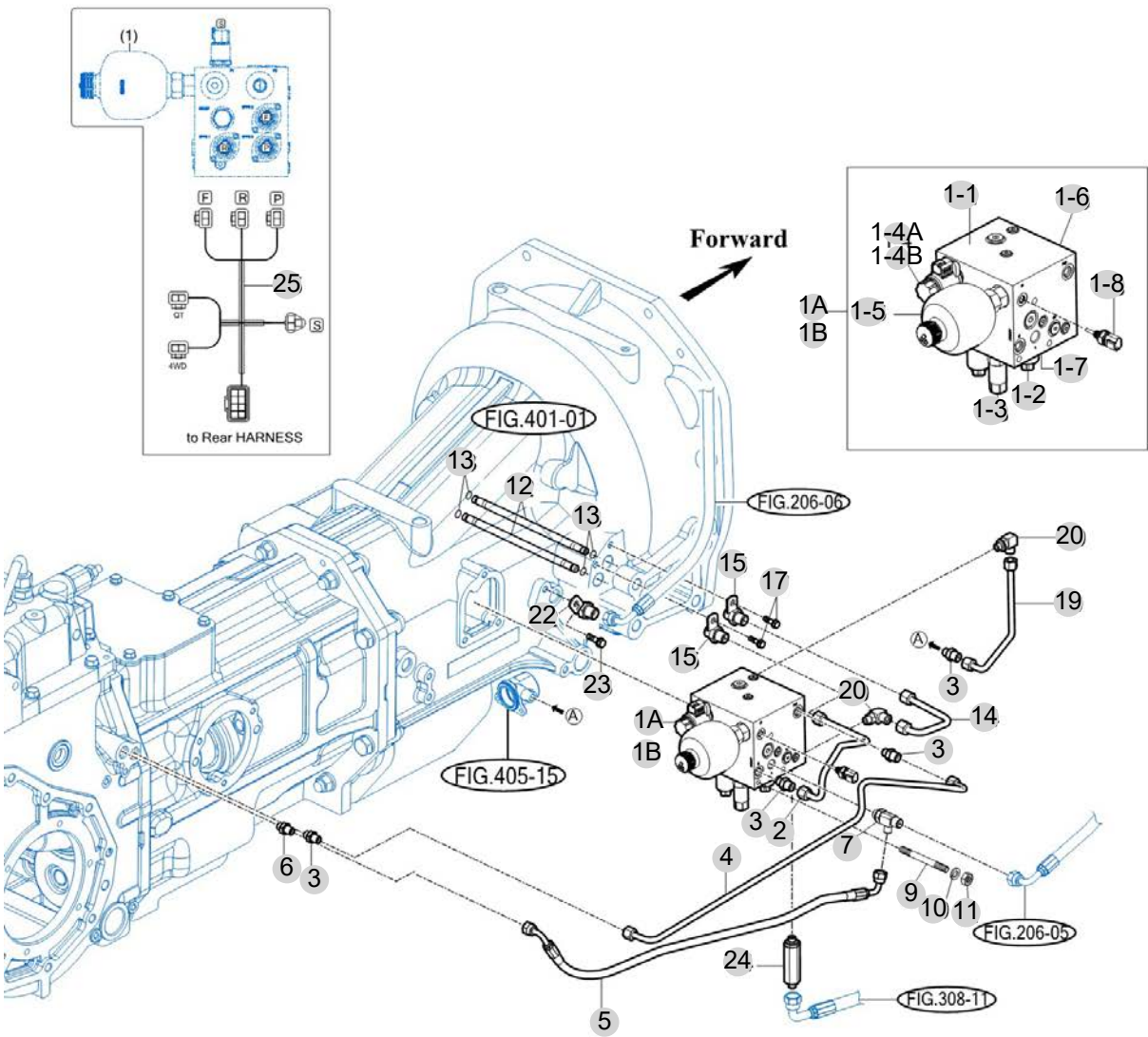
NOTE

FIG 613

HYDRAULIC HOSE

년/월
Year/Month

2022-12



T654SC-K-613

NOTE

7. Sheet Metal & Cabin PART NO. T7

FIG 701 HOOD	192
FIG 702 FRONT FRAME	194
FIG 703 SIDE SUPPORT & FRAME HOOD	196
FIG 704 LEVER COVER & STEP	199
FIG 705 FRONT & REAR MOUNTING	201
FIG 706 SEAT & MAT	203
FIG 709 DOOR	205
FIG 709-2 DOOR	208
FIG 710 FRONT GLASS	210
FIG 711 SIDE GLASS	212
FIG 712 REAR GLASS	214
FIG 713 SUB FENDER & COVER	216
FIG 714 MIRROR	218
FIG 715 HEATER & AIR-CON	220
FIG 715-2 HEATER & AIR-CON	222
FIG 716 FENDER COVER	224
FIG 717 ROOF	226
FIG 718 CABIN INTERIOR	228

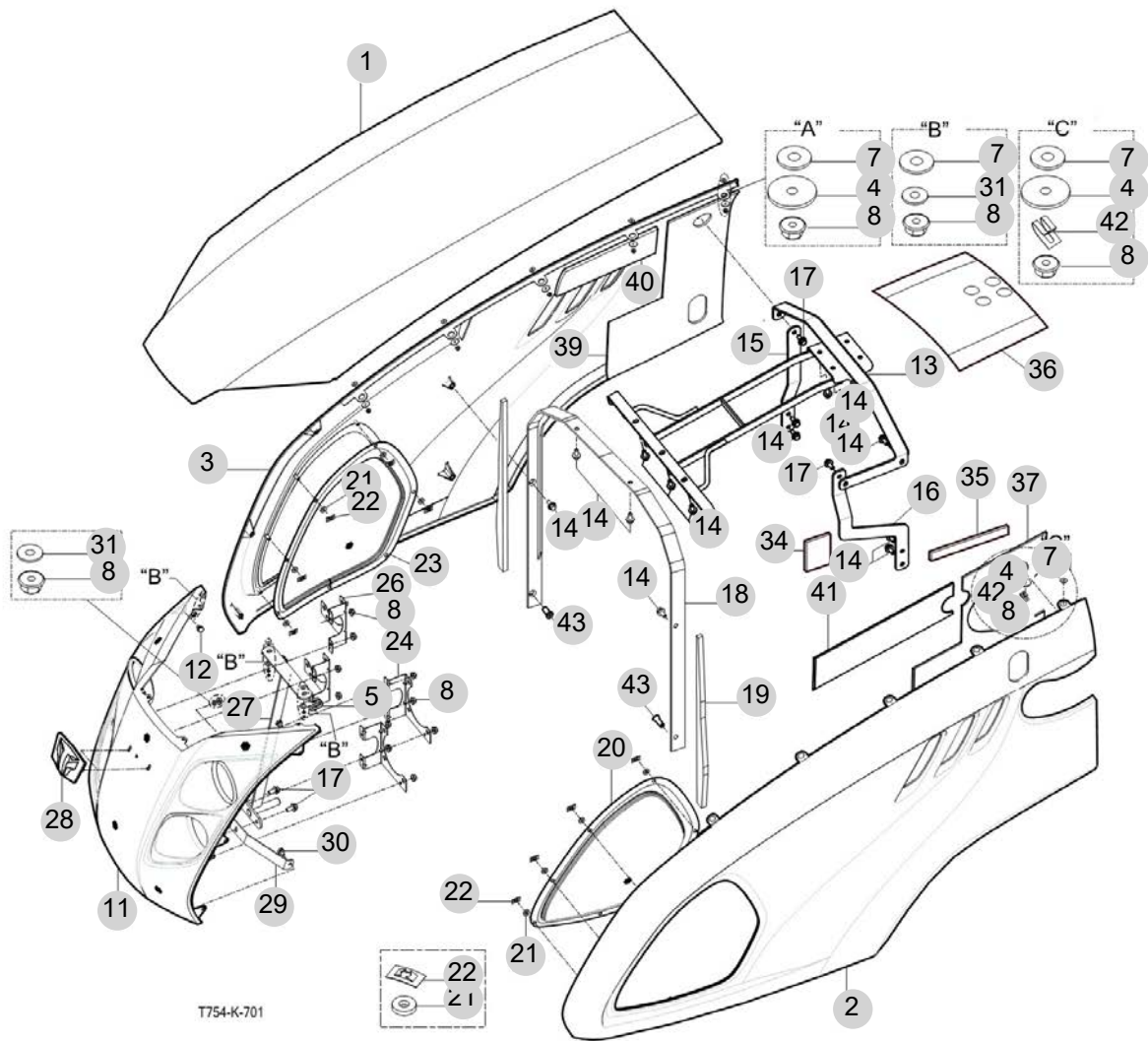
FIG 701

T654SC

HOOD

년/월
Year/Month

2022-12



NOTE

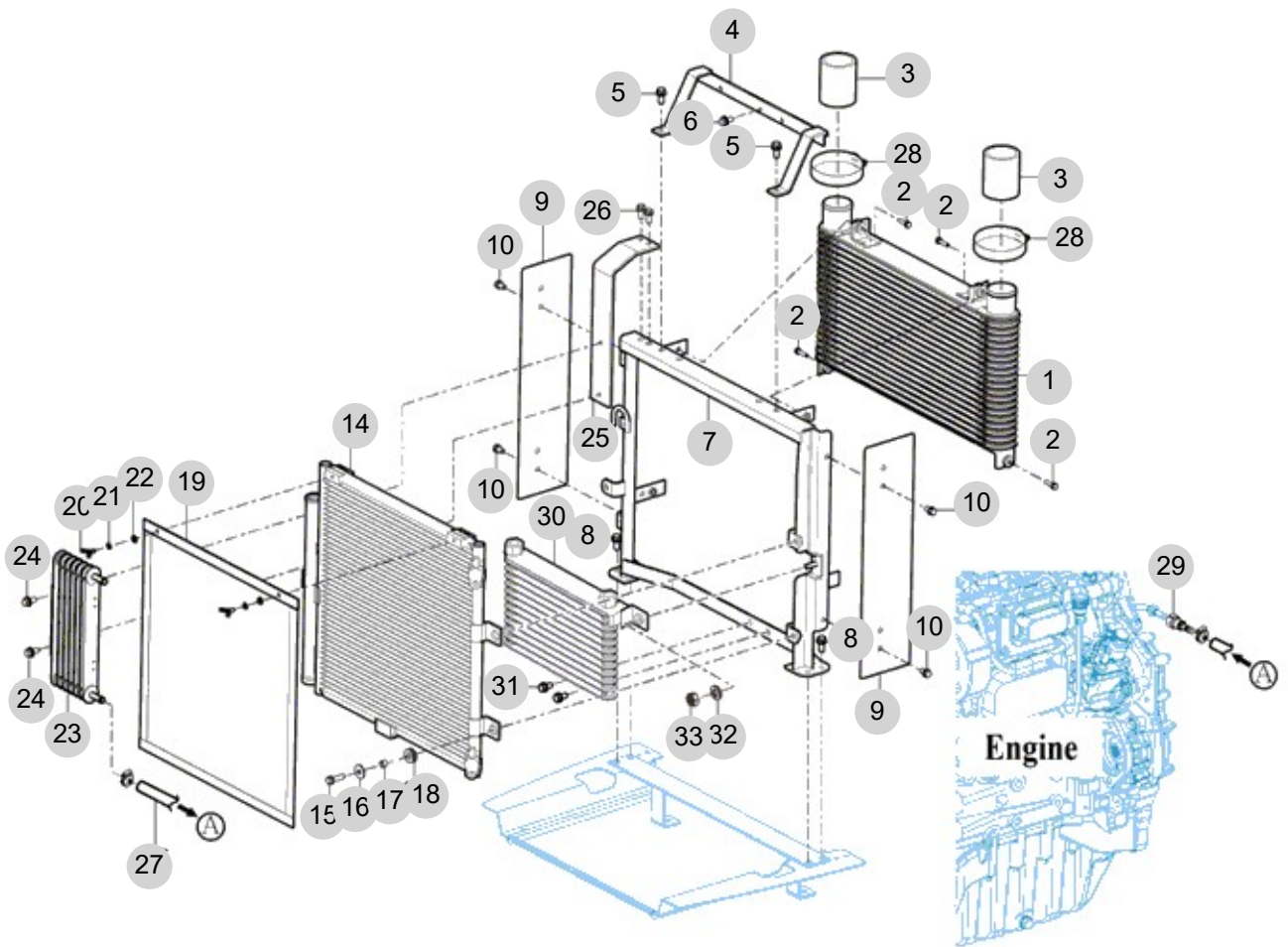
FIG 702

FRONT FRAME

년/월
Year/Month

2022-12

T654SC



X750QP-K-702

NOTE

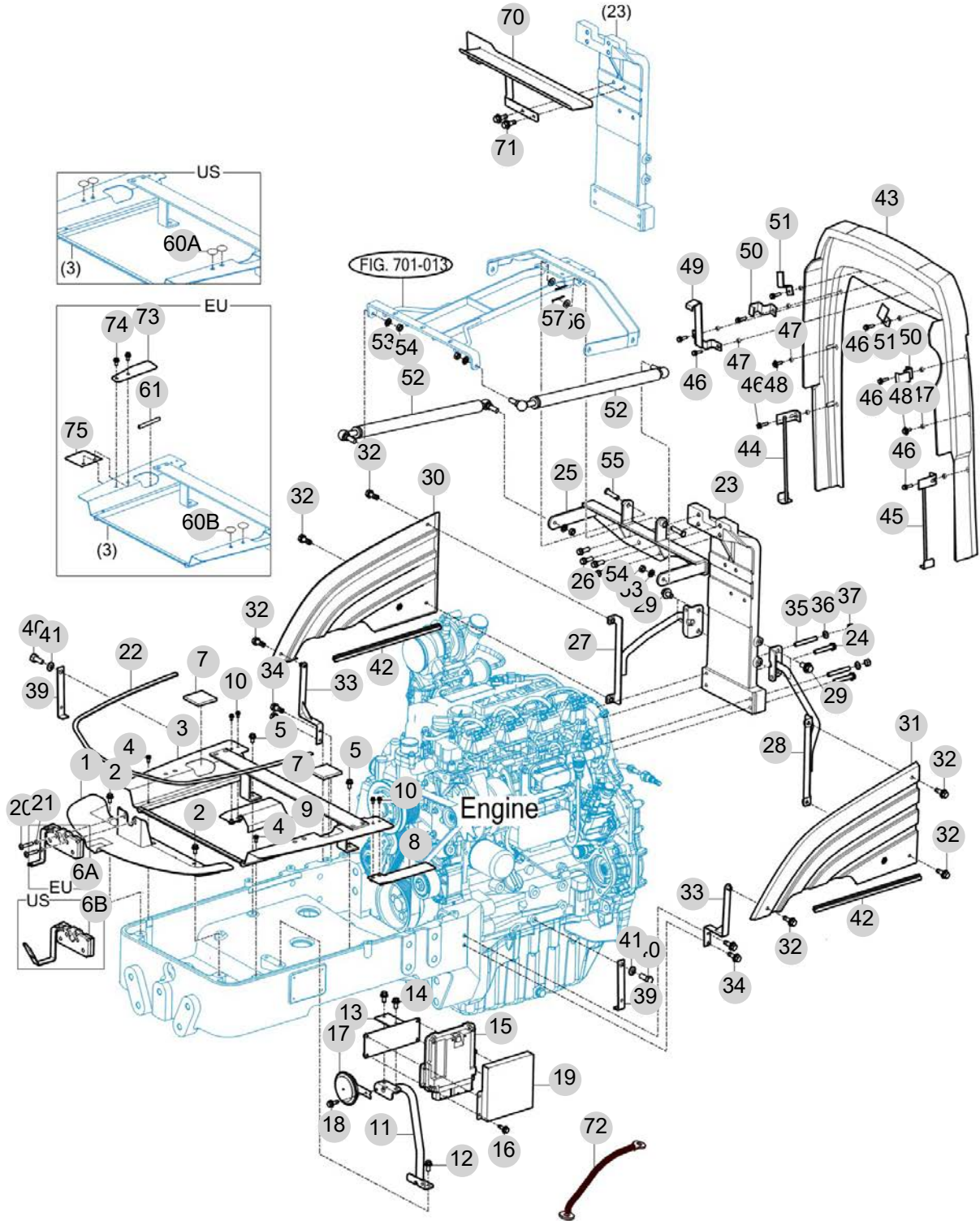
FIG 703

SIDE SUPPORT & FRAME HOOD

년/월
Year/Month

2022-12

T654SC



T754-K-703

NOTE

FIG 703		SIDE SUPPORT & FRAME HOOD					년/월 Year/Month		
							2022-12		
T654SC		KEY NO	PART NO	DESCRIPTION	SPEC	QTY	REPAIR	EFFECTIVE DATE	REMARKS
703	1	18014103101GB	PLATE COMP, LOW/FR			1			
703	2	V2173608020	BOLT, HEX/S	M8X20		2			
703	3	18026022102GB	FRAME COMP, BETTERY			1			
703	4	V2113606016	BOLT, HEX /S	M6X16		2			
703	5	V2183608020	BOLT, HEX/SP	M8X20		2			
703	6B	17136014800	LOCK COMP, HOOD			1			
703	7	10031040020	INSULATOR, RADIATOR			2			
703	8	17136012400GB	COVER COMP, LH			1			
703	9	17136012300GB	COVER COMP, RH			1			
703	10A	V2113606012	BOLT, HEX /S	M6X12		4			
703	11	18021051100	ECU STAND COMP			1			
703	11	18021051100GB	ECU STAND COMP			1			
703	12	V2184610025	BOLT, HEX/SP	M10X25		2			
703	13	18021051200	BRACKET COMP, ECU			1			
703	13	18021051200GB	BRACKET COMP, ECU			1			
703	14	V2184608020	BOLT, HEX/SP	M8X20		2			
703	15	02959610	CONTROL UNIT (ECU)			1			
703	16	V2123606025	BOLT, HEX /SP	M6X25		4			
703	17	13266212003	HORN			1			
703	18	V2123606016	BOLT, HEX /SP	M6X16		1			
703	19	18021025200GB	COVER, ECU			1			
703	20	V2053606035	BOLT, HEX C/R	M6X35		2			
703	21	V3802600060	NUT, HEX FLANGE	M6		2			
703	22	10034100010	INSULATOR, HOOD			1			
703	23	18026050011GB	HOOD SUPPORT			1			
703	24	V2173608050	BOLT . HEX/S	M8X50		2			
703	25	17136052102GB	HINGE COMP, HOOD			1			
703	25	17136052103GB	HINGE COMP, HOOD			1			
703	26	V2173610035	BOLT, HEX/S	M10X35		4			
703	27	18026022500GB	STAY COMP, RH			1			
703	28	18026022400GB	STAY COMP, LH			1			
703	29	V2183610020	BOLT, HEX/SP	M10X20		4			
703	30	17136113021GB	SUPPORT, RH SIDE			1			
703	31	17136113011GB	SUPPORT, LH SIDE			1			
703	32	V2123806012	BOLT . HEX /SP	M6X12		6			
703	33	18026022600GB	FRAME COMP, SIDE			2			
703	34	V2183608020	BOLT, HEX/SP	M8X20		4			
703	35	V2513408050	BOLT, STUD/2	M8X50		2			
703	36	V4011600080	WASHER, SPRING	M8		2			
703	37	V3042600080	NUT, HEX/2	M8		2			
703	39	18024050010GB	BRACKET, STEERING HOSE			2			
703	40	V2013614030	BOLT, HEX			2			
703	41	V4011600140	WASHER, SPRING	M14		2			
703	42	17136040050	INSULATOR, SUPPORT			2			
703	43	15706301040	EXTENSION COVER			1			
NOTE									

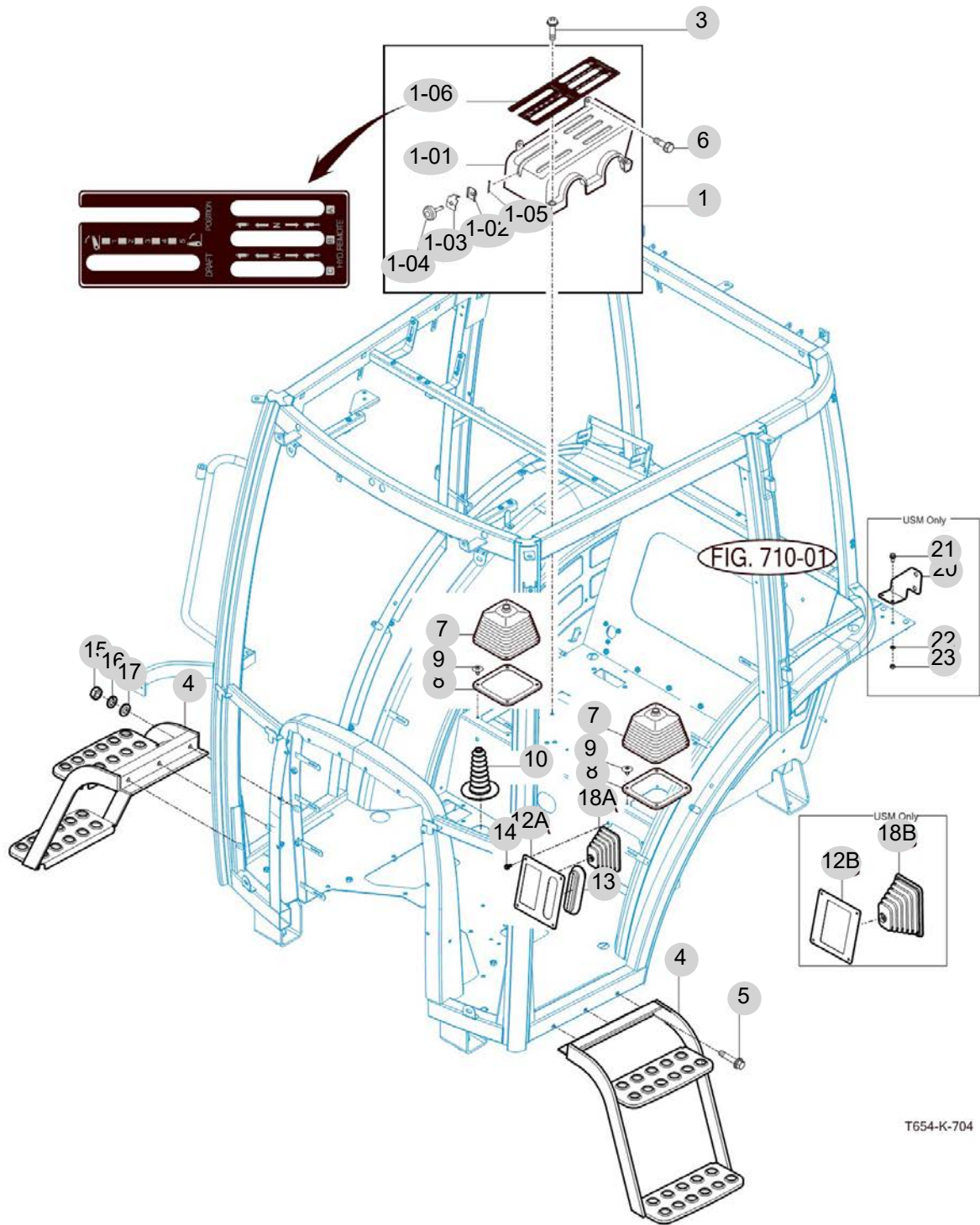
FIG 704

T654SC

LEVER COVER & STEP

년/월
Year/Month

2022-12



NOTE

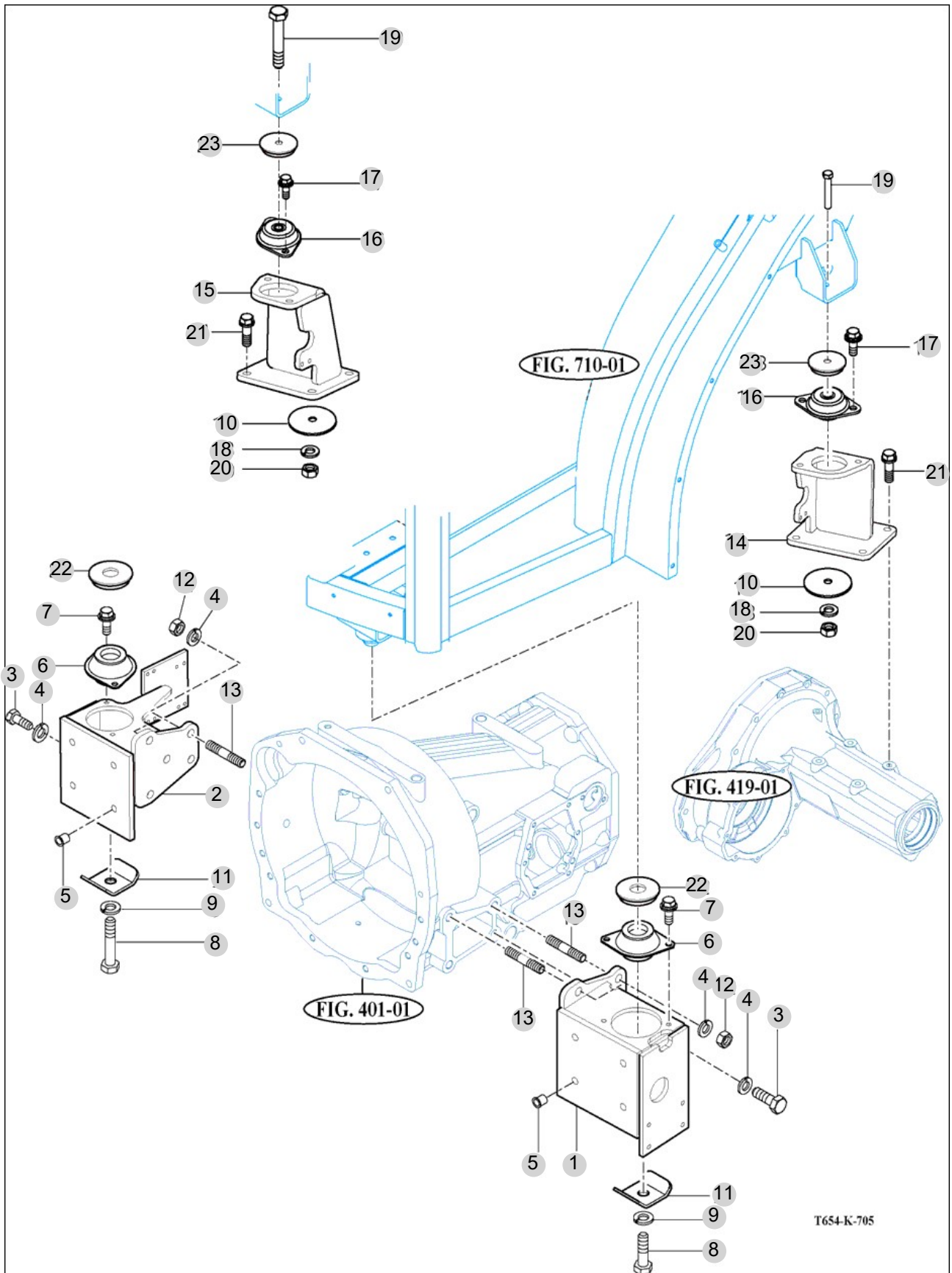
FIG 705

FRONT & REAR MOUNTING

년/월
Year/Month

2022-12

T654SC



T654-K-705

NOTE

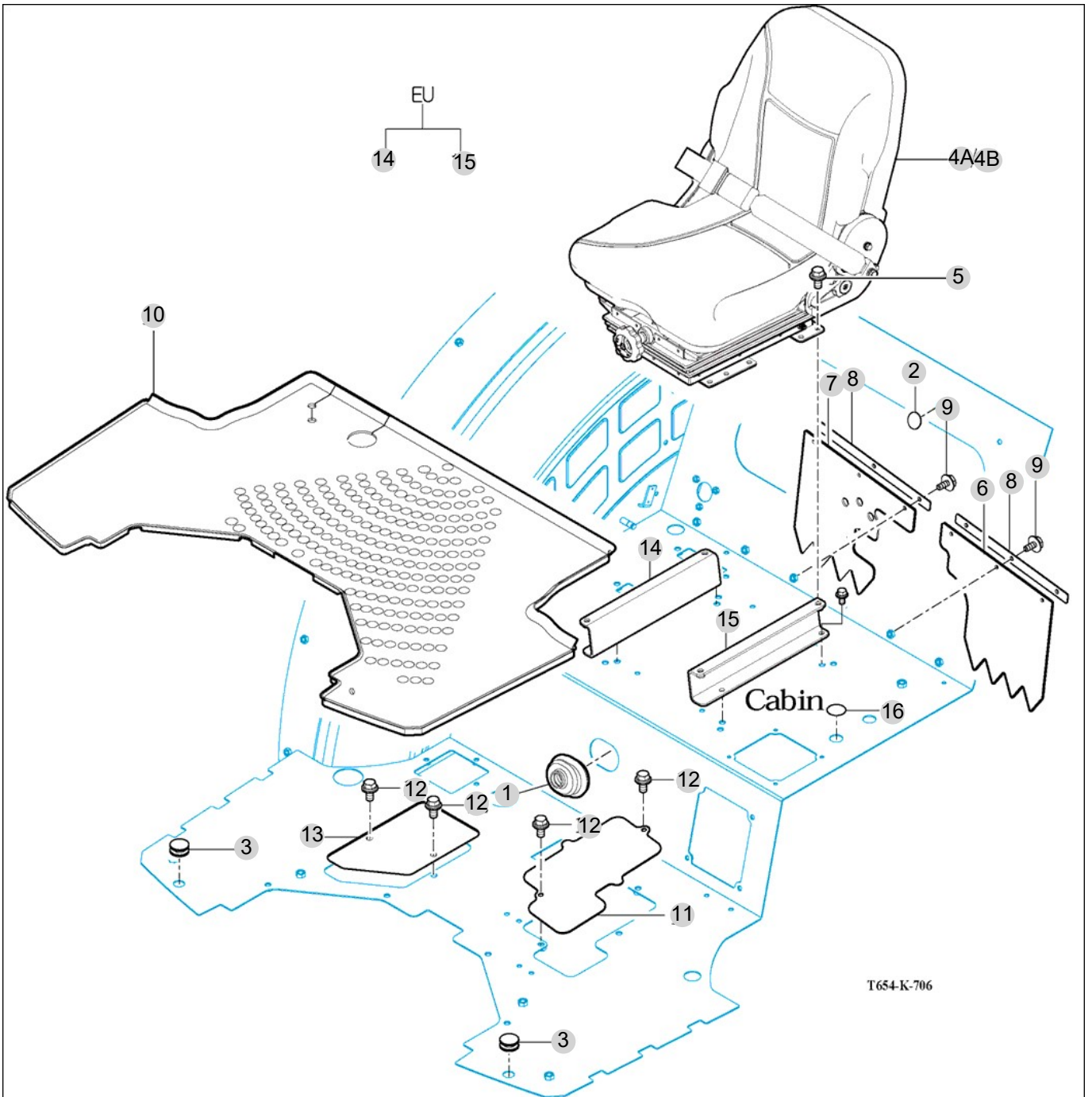
FIG 706

SEAT & MAT

년/월
Year/Month

2022-12

T654SC



T654-K-706

NOTE

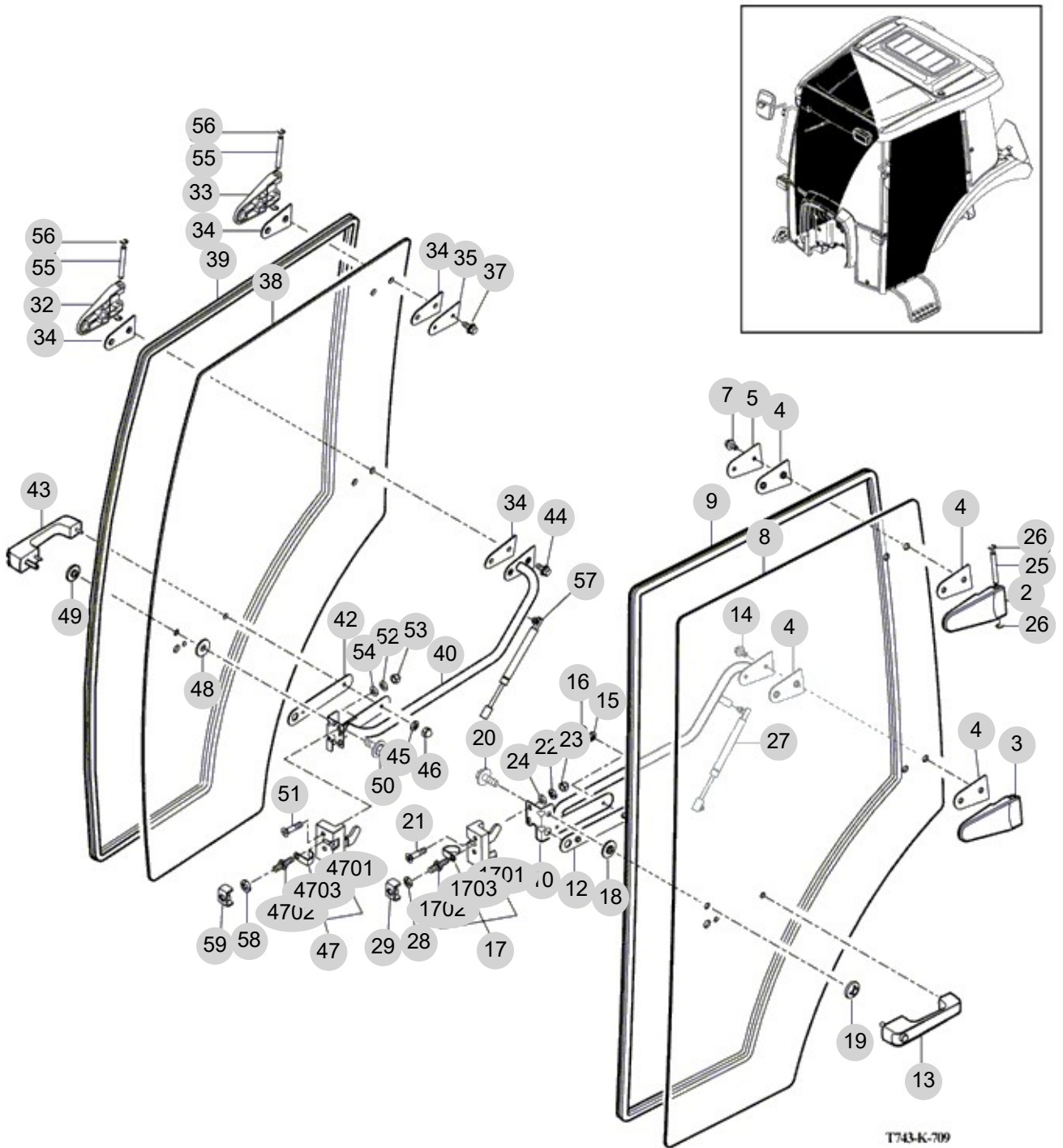
FIG 709

DOOR

년/월
Year/Month

T654SC

2022-12



NOTE

FIG 709		DOOR					년/월 Year/Month		
							2022-12		
T654SC		KEY NO	PART NO	DESCRIPTION	SPEC	QTY	REPAIR	EFFECTIVE DATE	REMARKS
709	2	14527052300	HINGE COMP , UPR/LH			1			
709	3	14527052400	HINGE COMP , UPR/RH			1			
709	4	14527052110	GASKET , DOOR HINGE			4			
709	5	14527052120GB	PLATE , DOOR HINGE			1			
709	7	V2183608020	BOLT , HEX/SP	M8X20		2			
709	8	14527052131	GLASS , LH/ DOOR	6t		1			
709	9	14527052140	INSULATOR/DOOR			1			
709	10	14527052500GB	GUIDE COMP ,LH/ DOOR			1			
709	12	14527052150	GASKET,DOOR GRIP			1			
709	13	14527052600	GRIP ASSY, LOCK/HANDLE			1			
709	14	V2183608020	BOLT , HEX/SP	M8X20		2			
709	15	V4011600060	WASHER , SPRING	M6		2			
709	16	V3402700060	NUT , HEX CAP	M6		2			
709	17	14527052700	LOCK SET , LH/DOOR			1			
709	1701	14527052710	LOCK ASSY, LH/DOOR			1			
709	1702	14527052720	STRIKER			1			
709	1703	14527052730	GUARD			1			
709	18	15817401130	GROMMET , 13X17X02			1			
709	19	14527042500	NUT COMP , GLASS			1			
709	20	V2193606012	BOLT , HEX/SPL	M6X12		1			
709	21	V1122608040	SCREW , C/R FLAT	M8X40		2			
709	22	V4011600080	WASHER , SPRING	M8		2			
709	23	V3412700080	NUT , SMALL CAP	M8		2			
709	24	V4111600080	WASHER , PLAIN			2			
709	25	14527041110	PIN, HINGE DOOR	D=8		2			
709	26	V7082400070	E-RING	7		4			
709	27	14527301080	DAMPER ASSY , DOOR	20KG		1			
709	28	V4011600100	WASHER , SPRING	M10		1			
709	29	14527062500GB	BRACKET COMP , DOOR LOCK			1			
709	32	14527052300	HINGE COMP , UPR/LH			1			
709	33	14527052400	HINGE COMP , UPR/RH			1			
709	34	14527052110	GASKET , DOOR HINGE			4			
709	35	14527052120GB	PLATE , DOOR HINGE			1			
709	37	V2183608020	BOLT , HEX/SP	M8X20		2			
709	38	14527053131	GLASS , RH/ DOOR	6t		1			
709	39	14527052140	INSULATOR/DOOR			1			
709	40	14527053500GB	GUIDE COMP ,RH/DOOR			1			
709	42	14527052150	GASKET,DOOR GRIP			1			
709	43	14527052600	GRIP ASSY, LOCK/HANDLE			1			
709	44	V2183608020	BOLT , HEX/SP	M8X20		2			
709	45	V4011600060	WASHER , SPRING	M6		2			
709	46	V3402700060	NUT , HEX CAP	M6		2			
709	47	14527053700	LOCK SET , RH/DOOR			1			
709	4701	14527053710	LOCK ASSY, RH/DOOR			1			
709	4702	14527052720	STRIKER			1			
NOTE									

FIG 709 T654SC		DOOR						년/월 Year/Month
								2022-12
KEY NO		PART NO	DESCRIPTION	SPEC	QTY	REPAIR	EFFECTIVE DATE	REMARKS
709	4703	14527052730	GUARD		1			
709	51	V1122608040	SCREW , C/R FLAT		2			
NOTE								

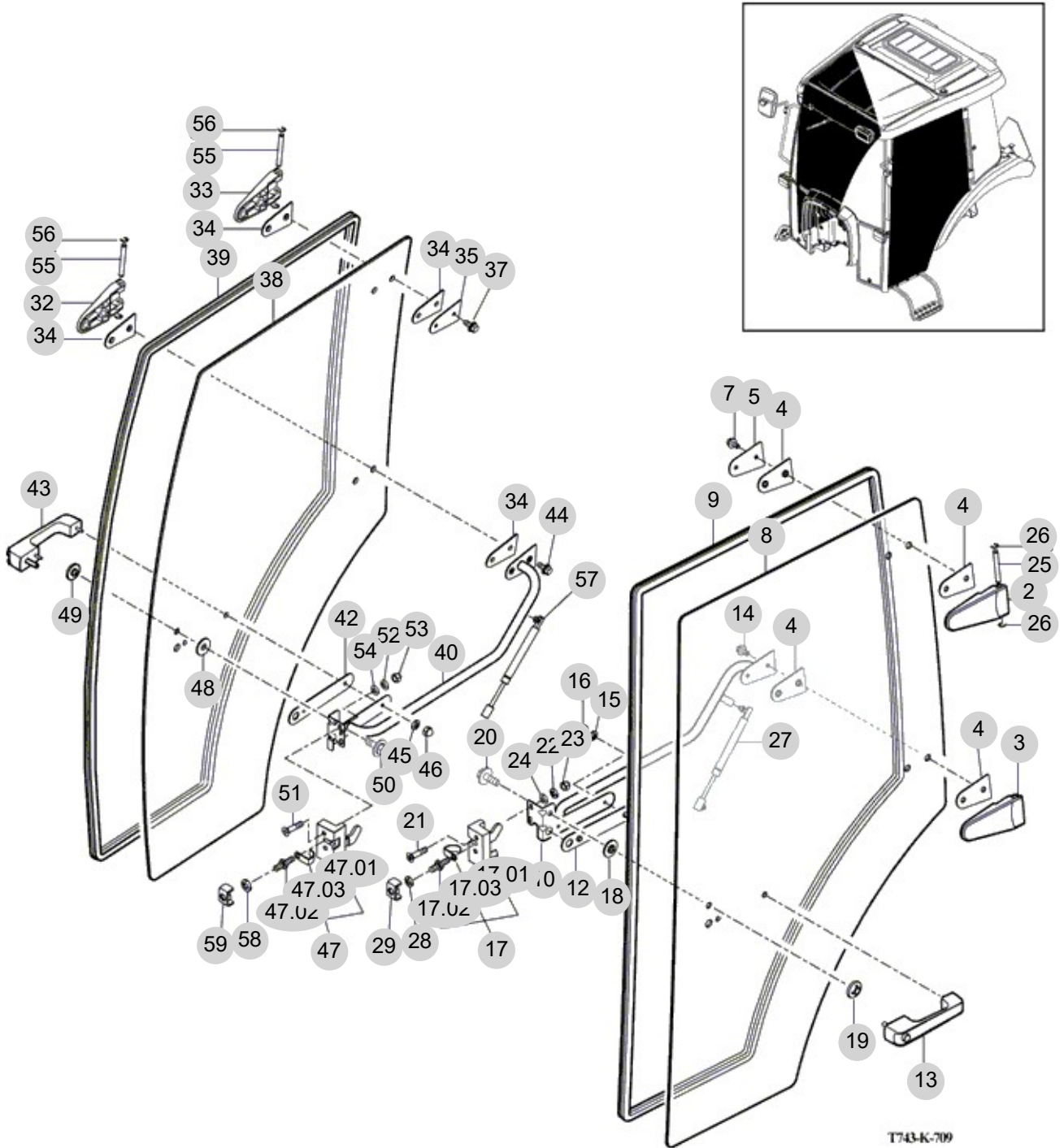
FIG 709-2

DOOR

년/월
Year/Month

T654SC

2022-12



NOTE

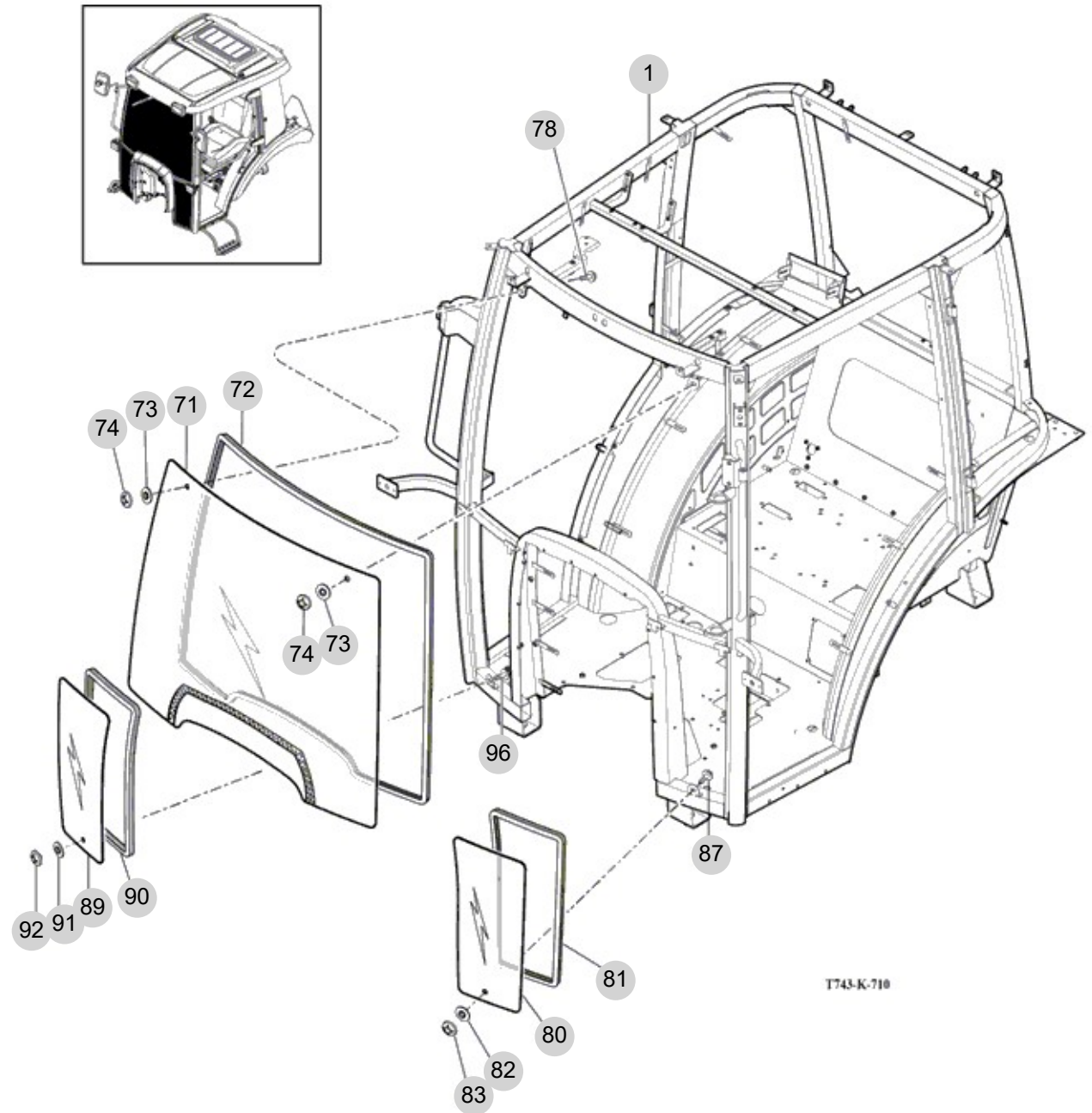
FIG 710

FRONT GLASS

년/월
Year/Month

2022-12

T654SC



T743-K-710

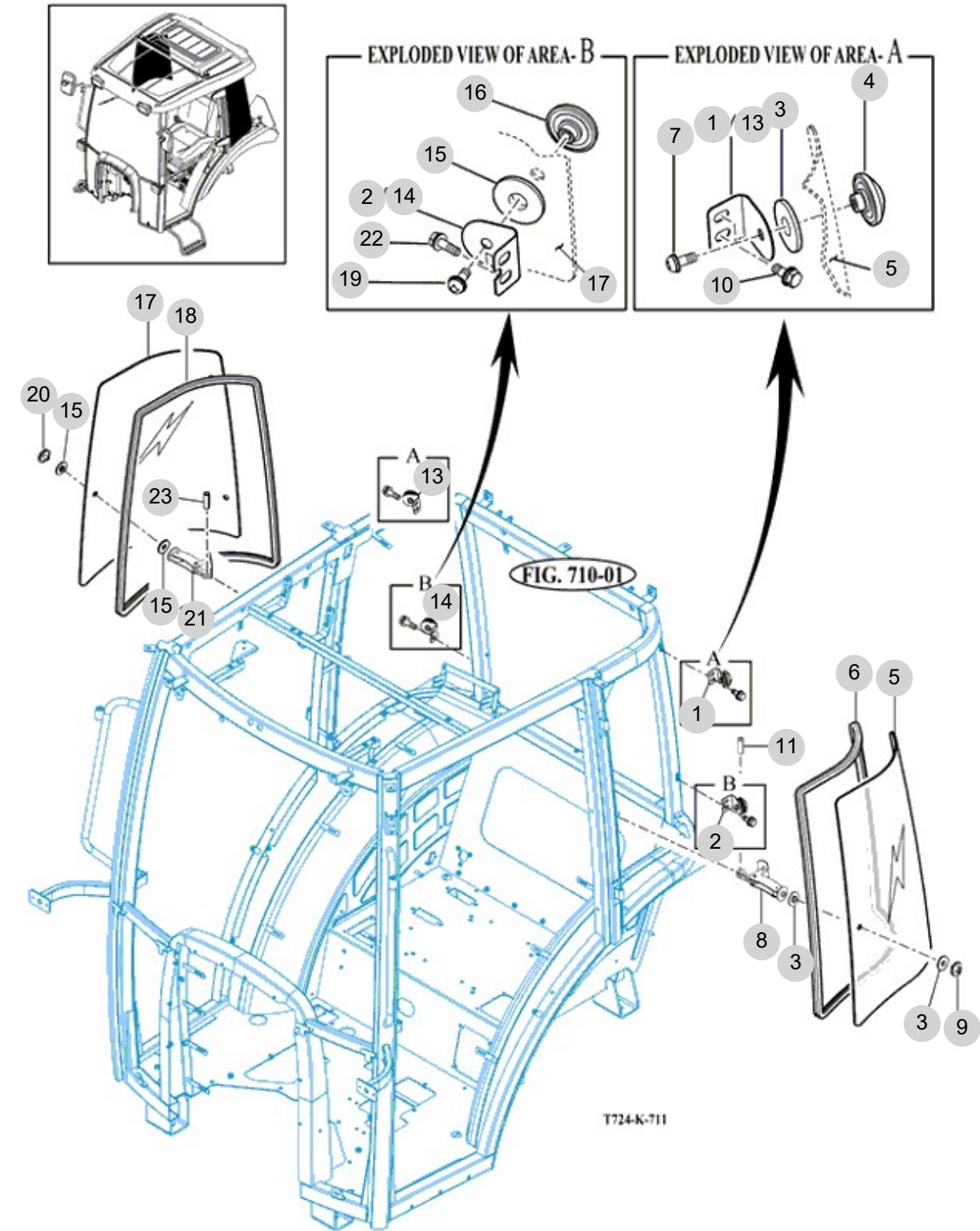
NOTE

FIG 711

SIDE GLASS

년/월
Year/Month

2022-12



NOTE

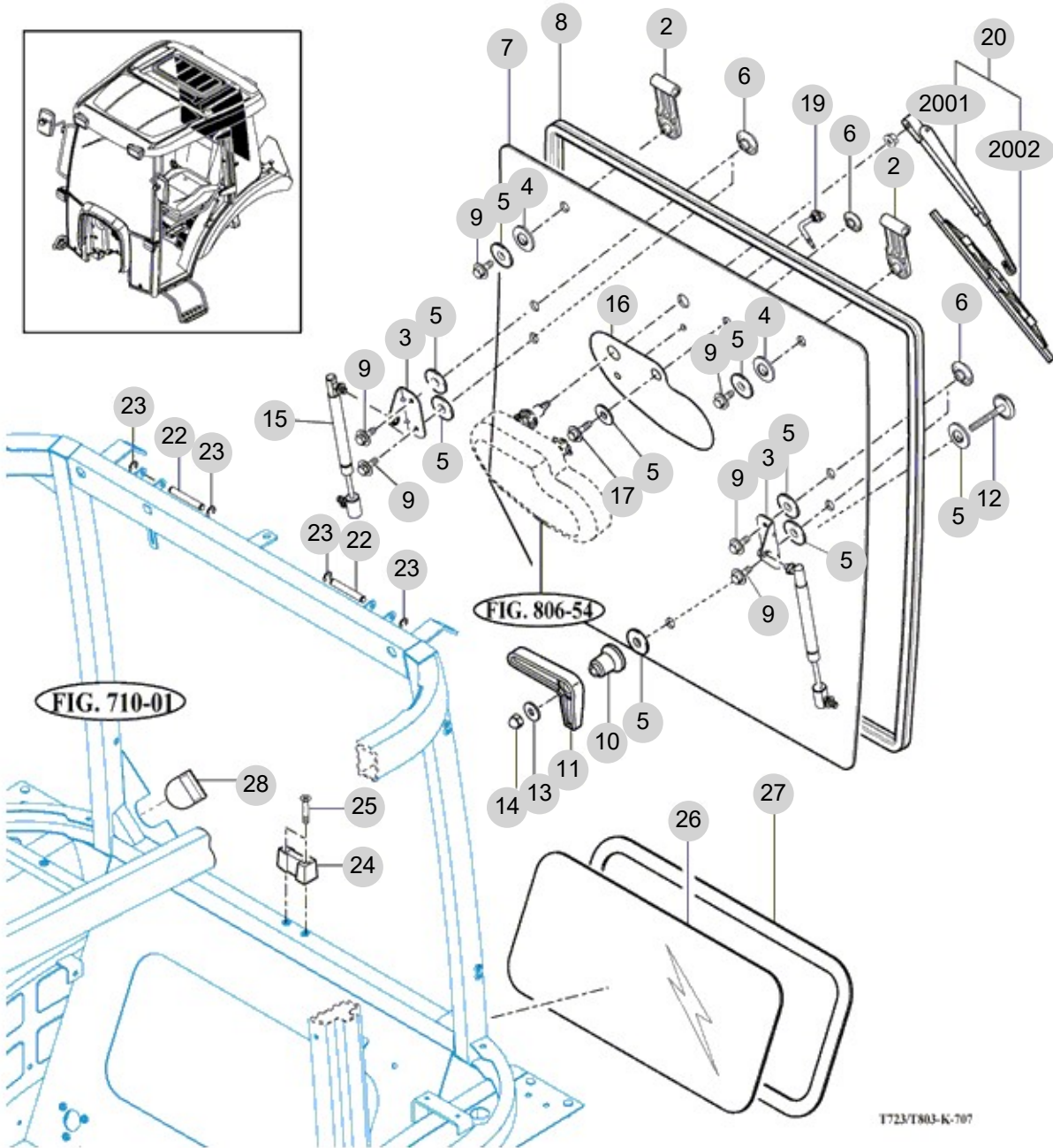
FIG 712

REAR GLASS

년/월
Year/Month

2022-12

T654SC



T723/T803-K-707

NOTE

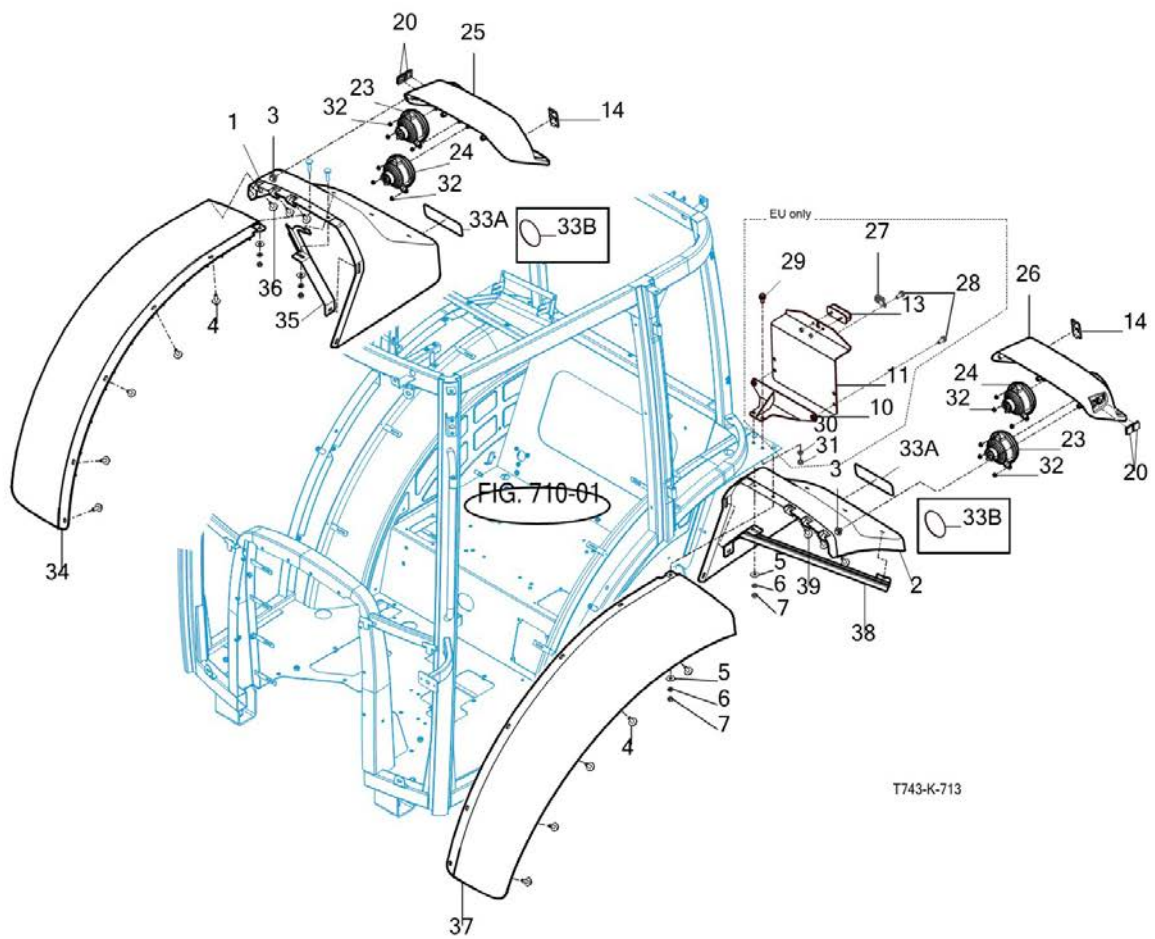
FIG 713

SUB FENDER & COVER

년/월
Year/Month

2022-12

T654SC



NOTE

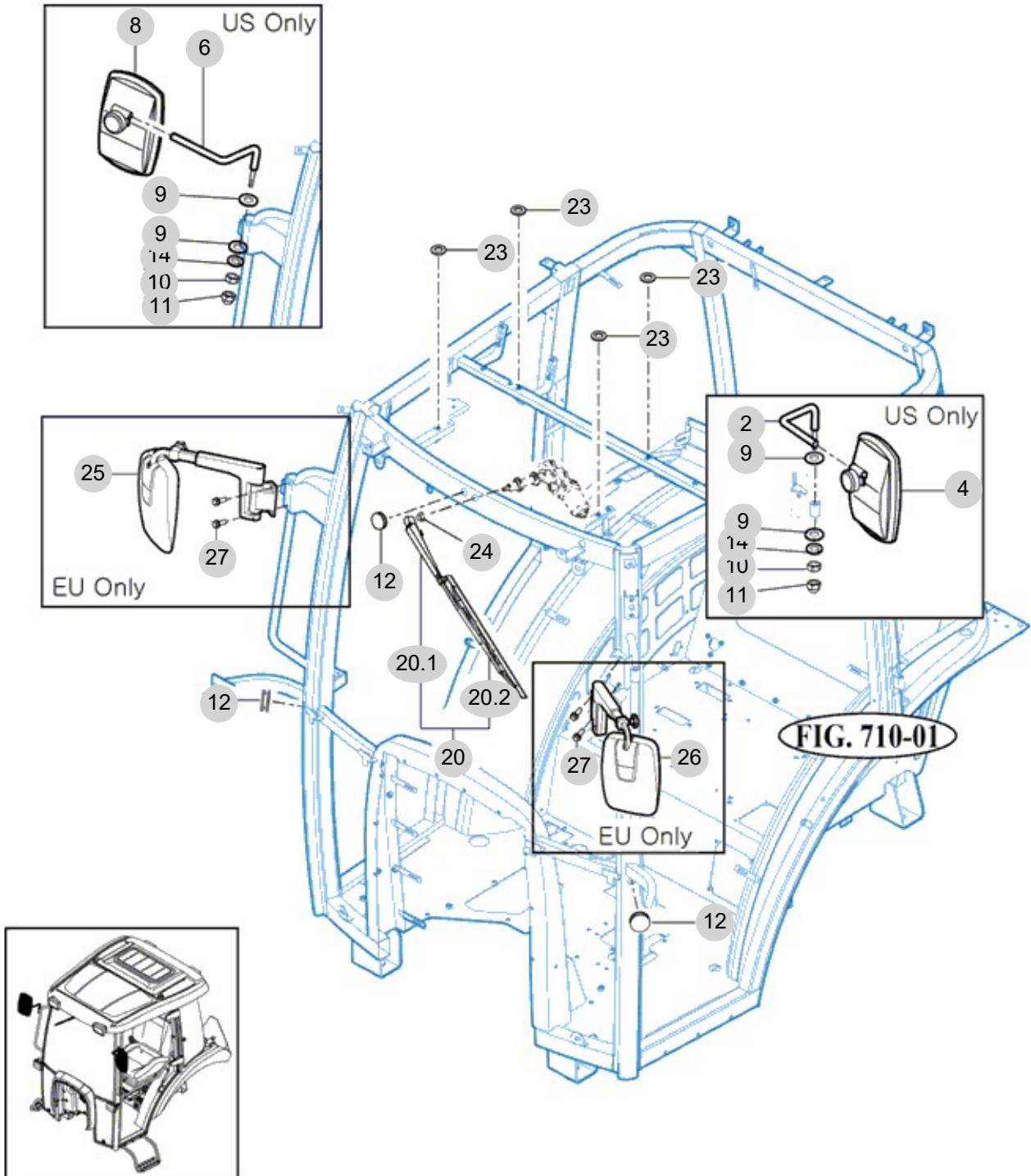
FIG 714

MIRROR

년/월
Year/Month

2022-12

T654SC



T743-K-714

NOTE

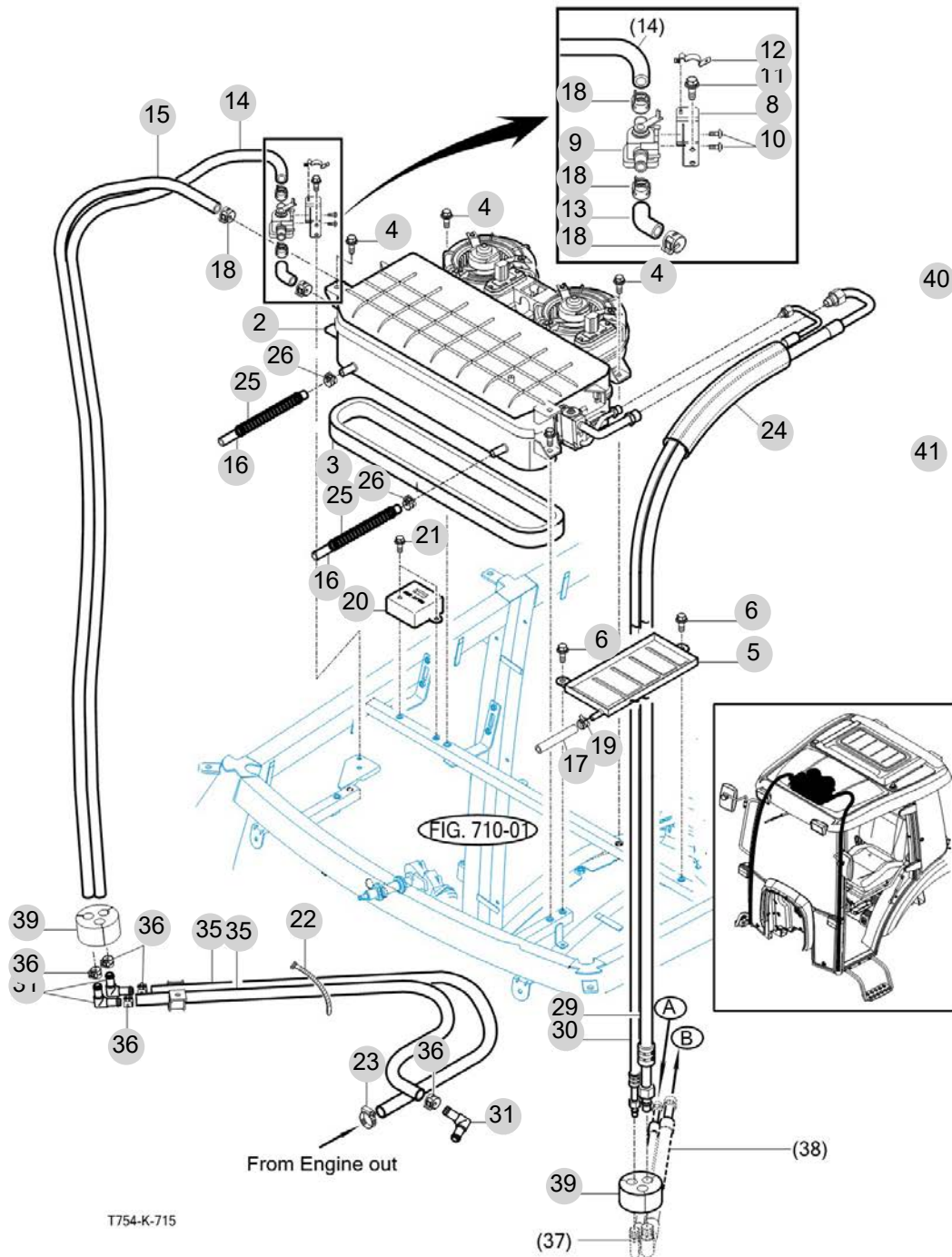
FIG 715

HEATER & AIR-CON

년/월
Year/Month

2022-12

T654SC



NOTE

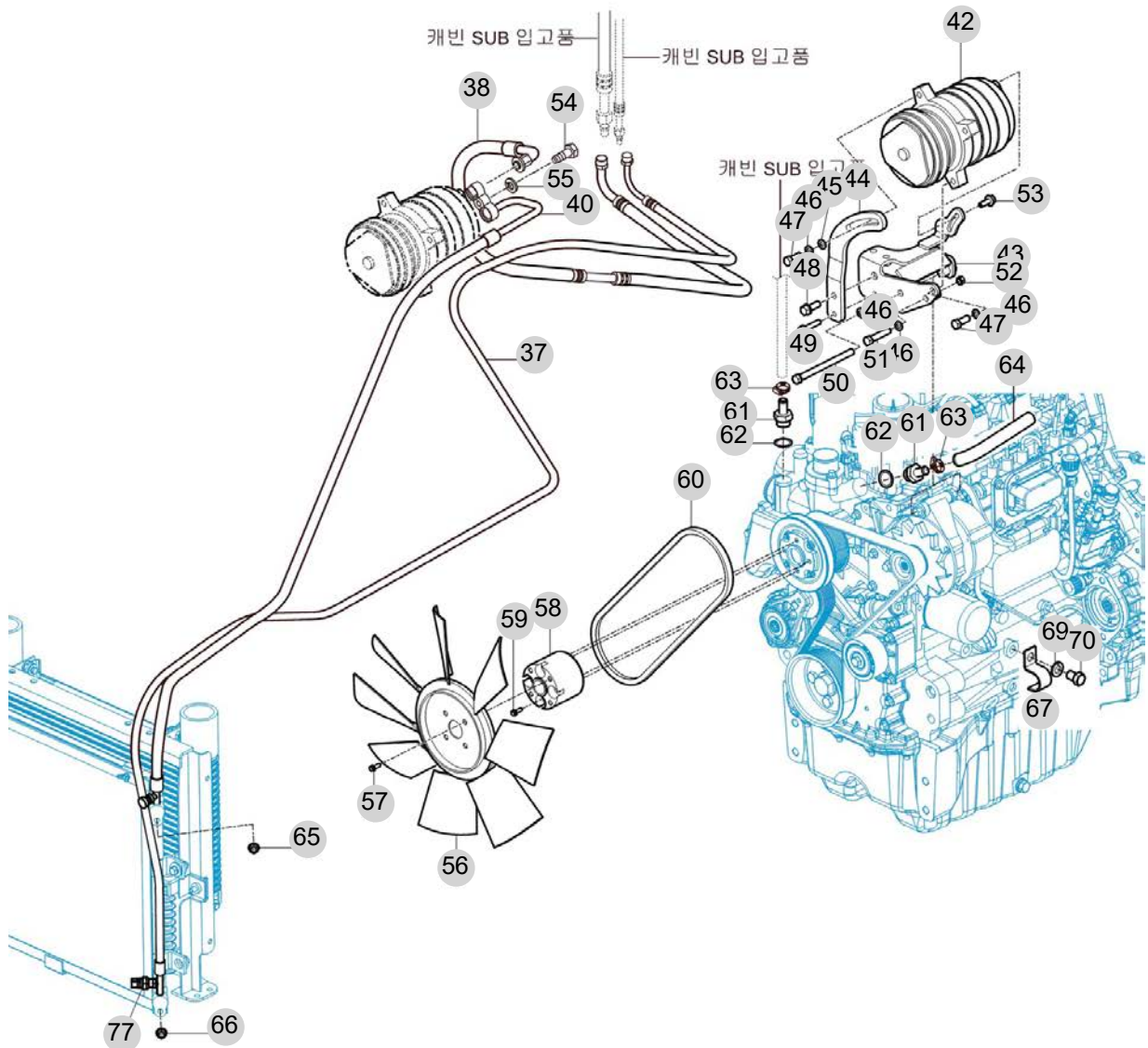
FIG 715-2

HEATER & AIR-CON

년/월
Year/Month

2022-12

T654SC



NOTE

FIG 715-2 T654SC	HEATER & AIR-CON	년/월 Year/Month 2022-12
---------------------	------------------	----------------------------------

KEY NO	PART NO	DESCRIPTION	SPEC	QTY	REPAIR	EFFECTIVE DATE	REMARKS
715-2	40	17818302200					
		HOSE ASSY , DISCHARGE		1			
715-2	42	16608303201					
		COMPRESSOR ASSY		1			
715-2	42	16608303202					
		COMPRESSOR ASSY		1			
715-2	43	18021051302GB					
		BRACKET COMP , COMPRESSOR		1			
715-2	44	18021051401GB					
		BRACKET UPPER COMP , COMPRESSOR		1			
715-2	45	V4111600100					
		WASHER , PLAIN	M10	1			
715-2	46	V4011600100					
		WASHER , SPRING	M10	4			
715-2	47	V2143610035					
		BOLT .HEX FINE MACHINE/S	M10X35	2			
715-2	48	V2173610030					
		BOLT , HEX/S	M10X30	1			
715-2	49	V2173608040					
		BOLT , HEX/S	M8X40	1			
715-2	50	V2013610130					
		BOLT , HEX	M10X130	1			
715-2	51	V2013610120					
		BOLT , HEX	M10X120	1			
715-2	52	V3043600100					
		NUT , HEX/2	M10	1			
715-2	53	V2183608025					
		BOLT , HEX/SP	M8X25	1			
715-2	54	V2143610035					
		BOLT .HEX FINE MACHINE/S	M10X35	1			
715-2	55	V4111600100					
		WASHER , PLAIN	M10	1			
715-2	56	18021030790					
		FAN,SD9_422(K14)		1			
715-2	57	V2173608016					
		BOLT , HEX/S	M8X16	4			
715-2	58	18021000060					
		SPACER, FAN		1			
715-2	59	V2173608060					
		BOLT , HEX/S	M8X50	4			
715-2	60	18028300010					
		V BELT , REC A38		1			
715-2	61	18028200051					
		NIPPLE , M22		2			
715-2	62	18505482141					
		WASHER , GASKET M22		2			
715-2	63	14527081160					
		CLAMP,HOSE/19.3		2			
715-2	64	18027081121					
		HEATER HOSE , JOINT		1			
715-2	65	V3802600080					
		NUT , HEX FLANGE	M8	1			
715-2	66	V3802600060					
		NUT , HEX FLANGE	M6	1			
715-2	67	18021055300GB					
		CLAMP D30		1			
715-2	69	V4011600140					
		WASHER , SPRING	M14	1			
715-2	70	V2013614020					
		BOLT , HEX	M14X20	1			
715-2	77	12428302410					
		PRESS SWITCH , AIRCON HOSE		1			

NOTE	
------	--

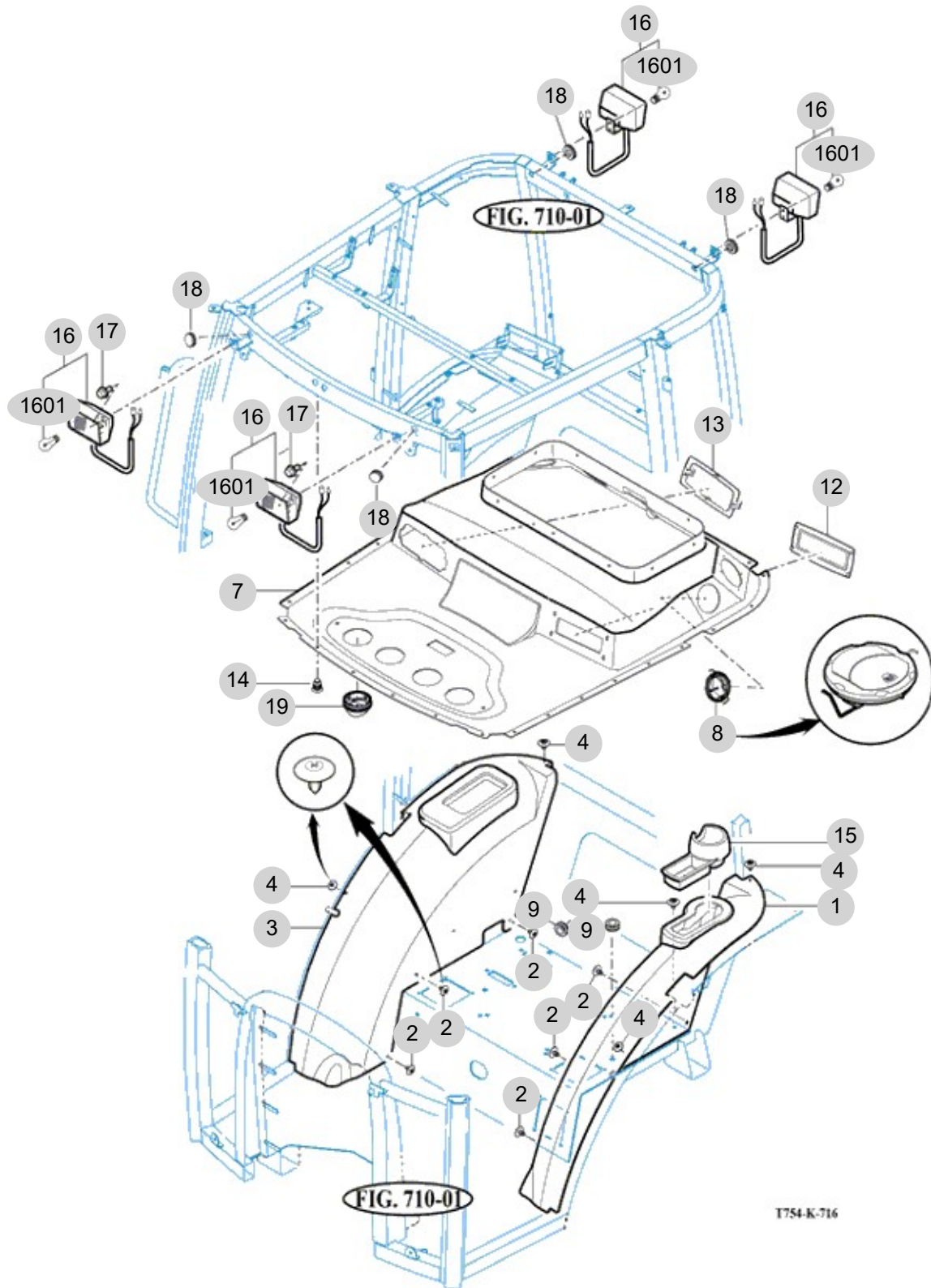
FIG 716

FENDER COVER

년/월
Year/Month

T654SC

2022-12



NOTE

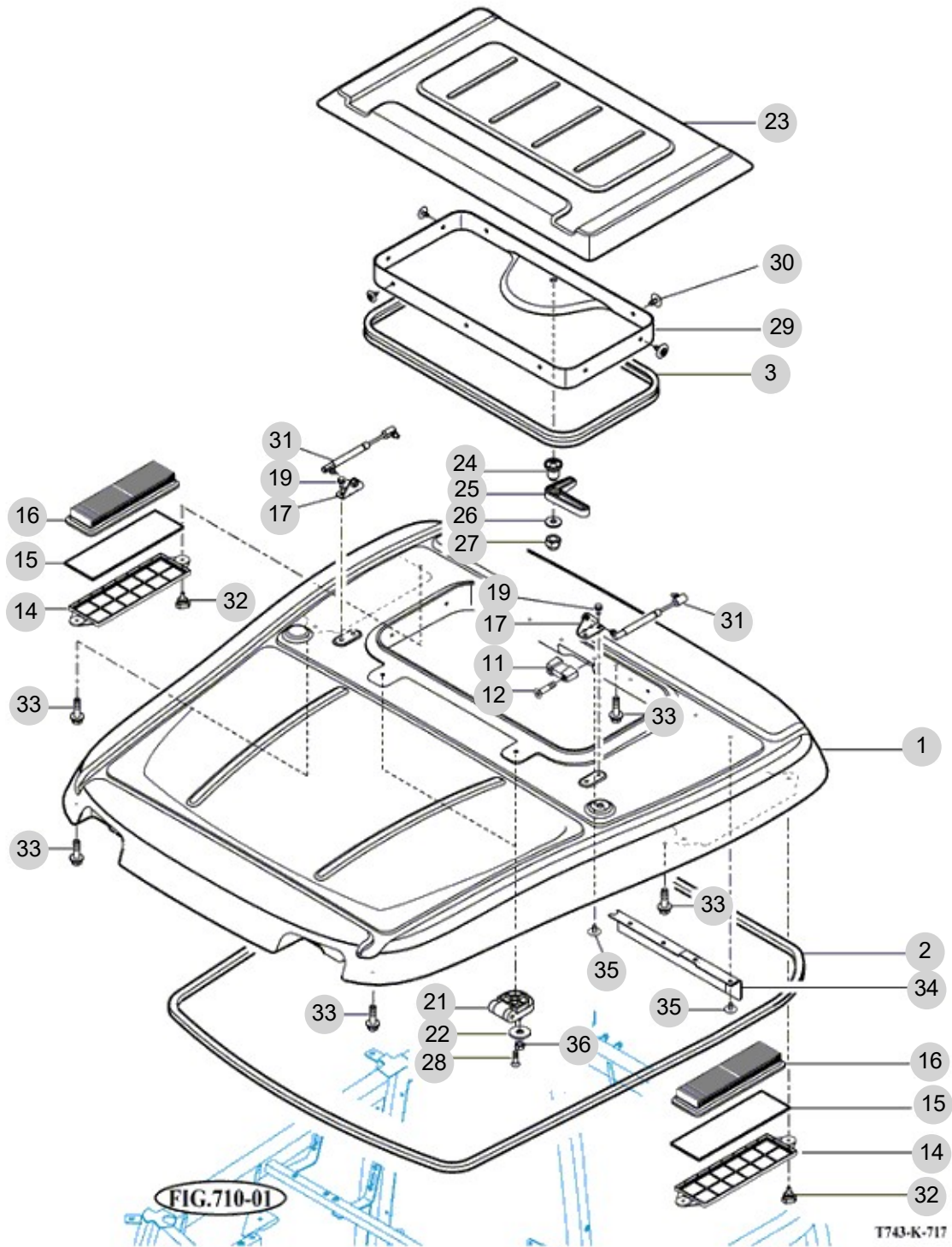
FIG 717

T654SC

ROOF

년/월
Year/Month

2022-12



NOTE

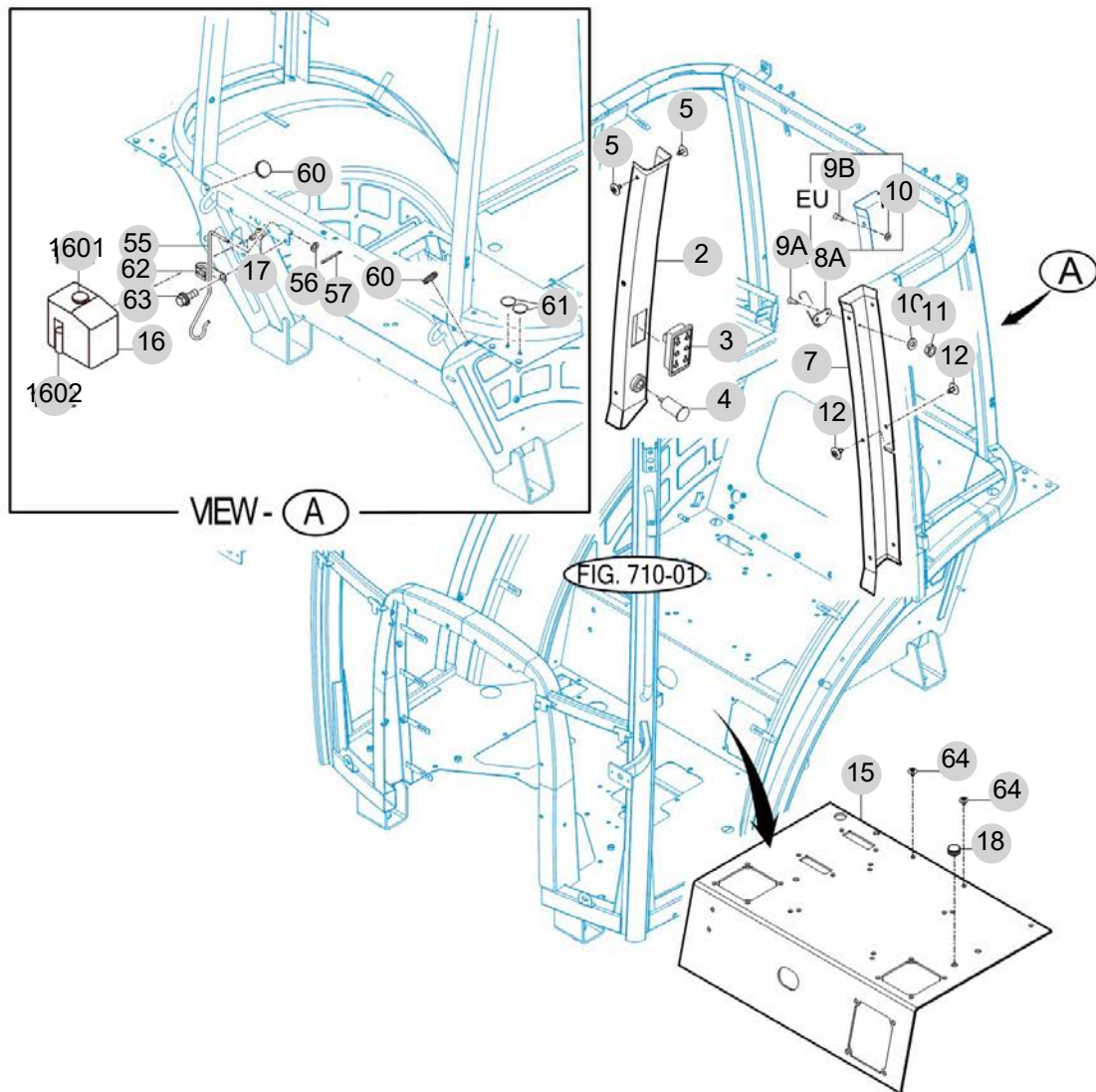
FIG 718

CABIN INTERIOR

년/월
Year/Month

T654SC

2022-12



T654-K-718

NOTE

FIG 718 T654SC		CABIN INTERIOR					년/월 Year/Month	
							2022-12	
KEY NO	PART NO	DESCRIPTION	SPEC	QTY	REPAIR	EFFECTIVE DATE	REMARKS	
718	2	19997075210	COVER , RH / PILLAR	T=2.5	1			
718	3	14527070051	SWITCH ASSY,WIPER/LAMP		1			
718	4	10037018500	SOCKET ASSY , POWER		1			
718	5	17686040030	RIVET SET , ivory	SV302	6			
718	7	19997075110	COVER , LH / PILLAR	T=2.5	1			
718	8A	14527020630	HANGER		1			
718	9A	V1112604012	SCREW , C/R PAN	M4X12	2			
718	10	V4111600040	WASHER , PLAIN	M4	2			
718	11	V3012600040	NUT , HEX/2	M4	2			
718	12	17686040030	RIVET SET , ivory	SV302	6			
718	15	19997071151	MAT,SEAT		1			
718	16	19957033100	TANK ASSY , 2MOTOR		1			
718	16	10907033100	TANK ASSY , 2MOTOR		1			
718	1601	19027033120	CAP		1			
718	1602	19027033140	MOTOR(12V)		1			
718	17	V2123606016	BOLT , HEX /SP	M6X16	2			
718	55	19997071350	HOOK , TOPLINK		1			
718	56	V4111600050	WASHER , PLAIN	M5	1			
718	57	V5001920020	PIN , SPLIT	2X20	1			
718	60	16606510210	CAP , RUBBER 30		2			
718	61	16606070031	CAP , 9		4			
718	62	14256210040	CLAMP , 9		1			
718	63	V2123606016	BOLT , HEX /SP	M6X16	1			
718	64	17686040020	RIVET SET , black		2			
NOTE								

8. Electrical System PART NO. T8

FIG 801 BATTERY & MOUNTING	231
FIG 802 HARNESS	233
FIG 803 LIGHT & BACK LAMP	235
FIG 804 INSTRUMENT PANEL	237
FIG 805 ELECTRIC SYSTEM (1)	239
FIG 806 ELECTRIC SYSTEM (2)	241

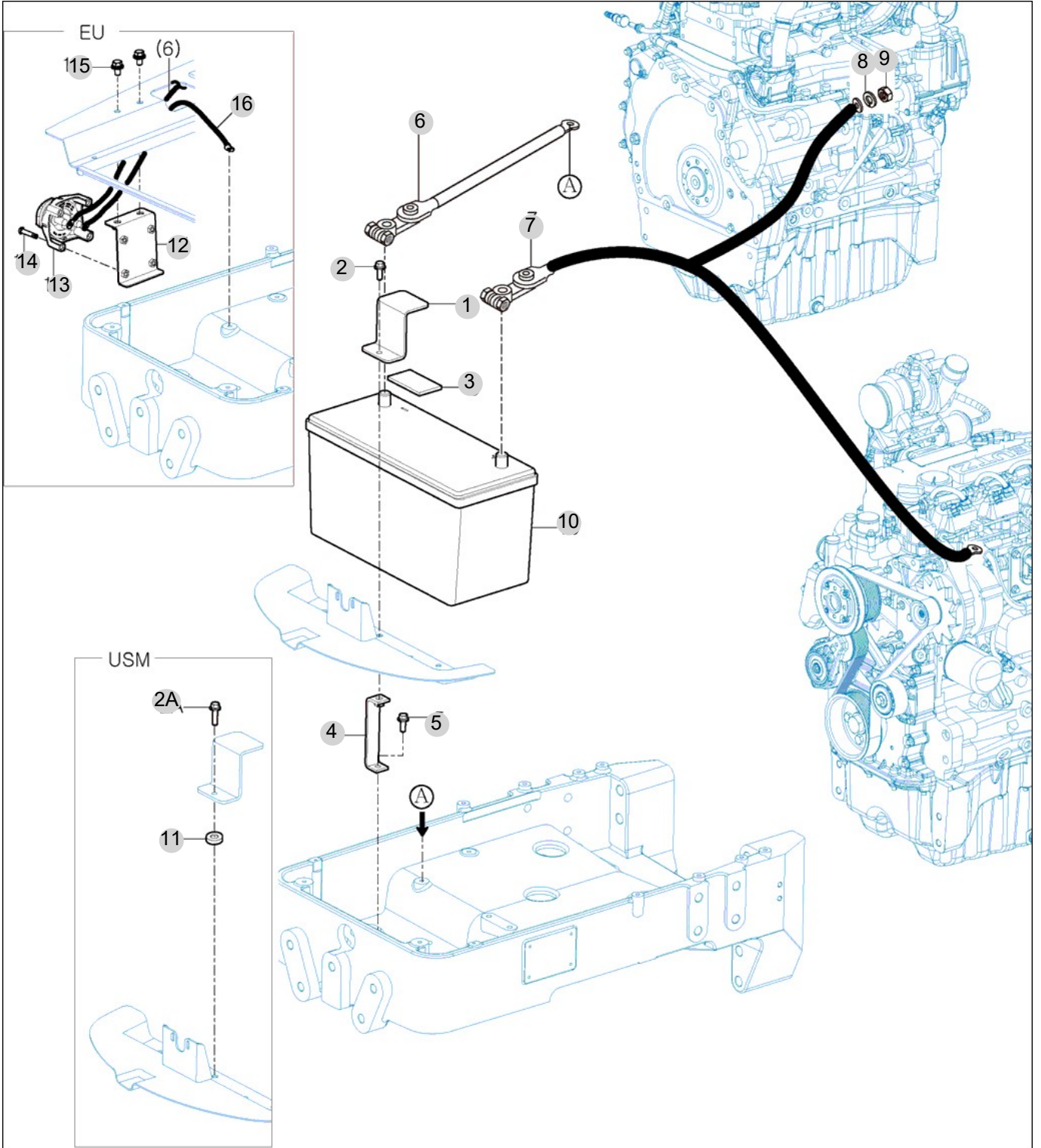
FIG 801

BATTERY & MOUNTING

년/월
Year/Month

2022-12

T654SC



NOTE

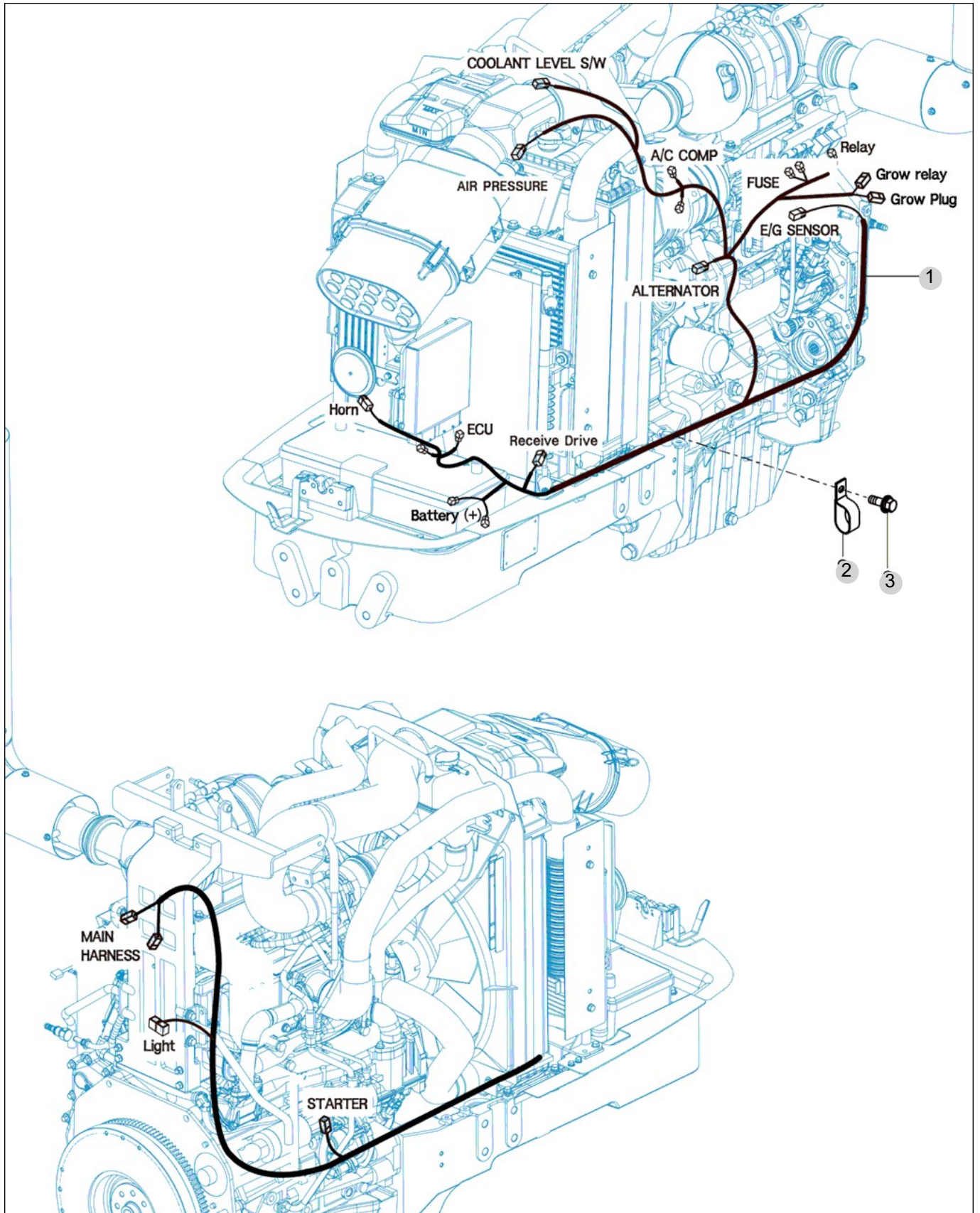
FIG 802

HARNESS

년/월
Year/Month

2022-12

T654SC



NOTE

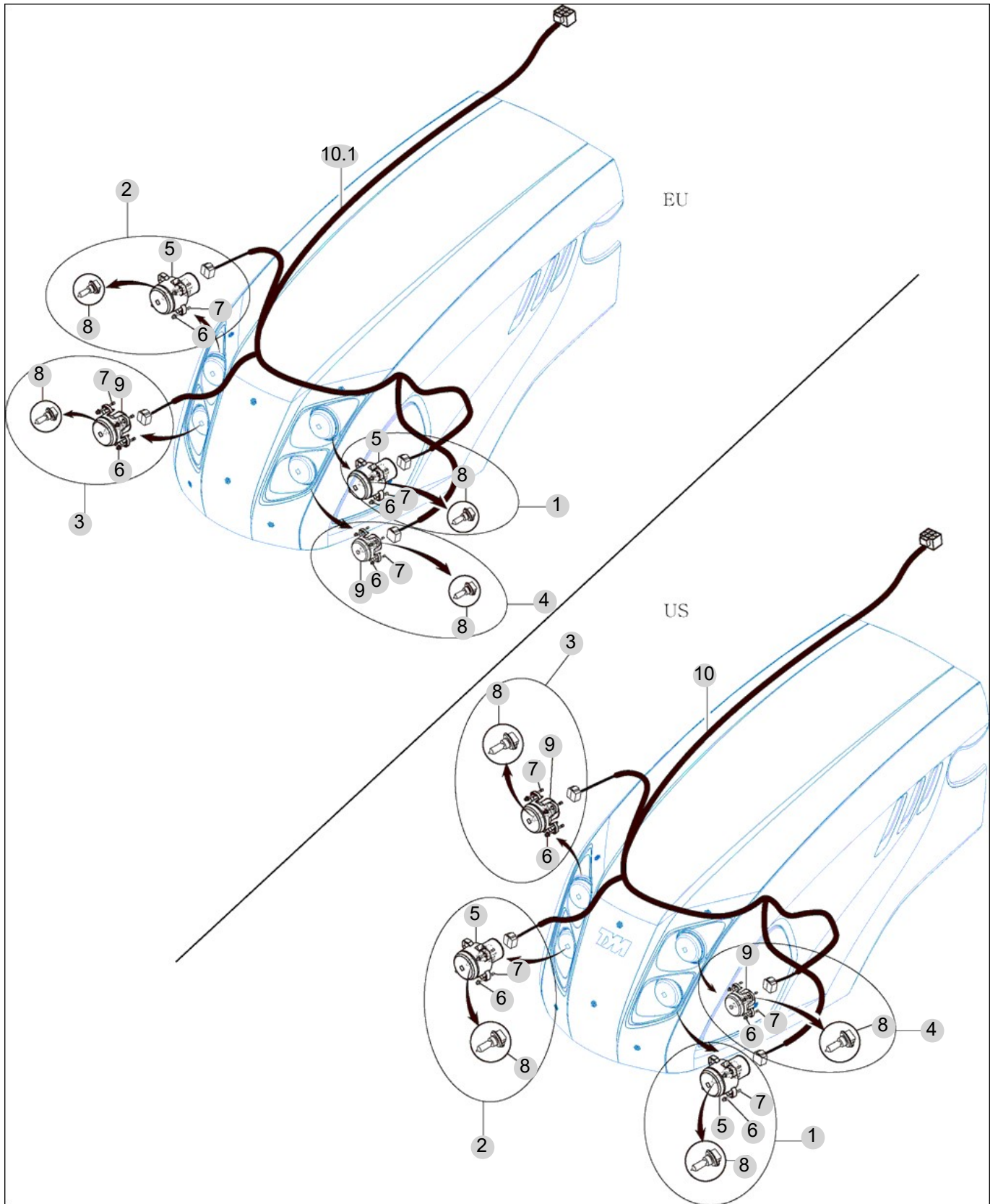
FIG 803

LIGHT & BACK LAMP

년/월
Year/Month

2022-12

T654SC



NOTE

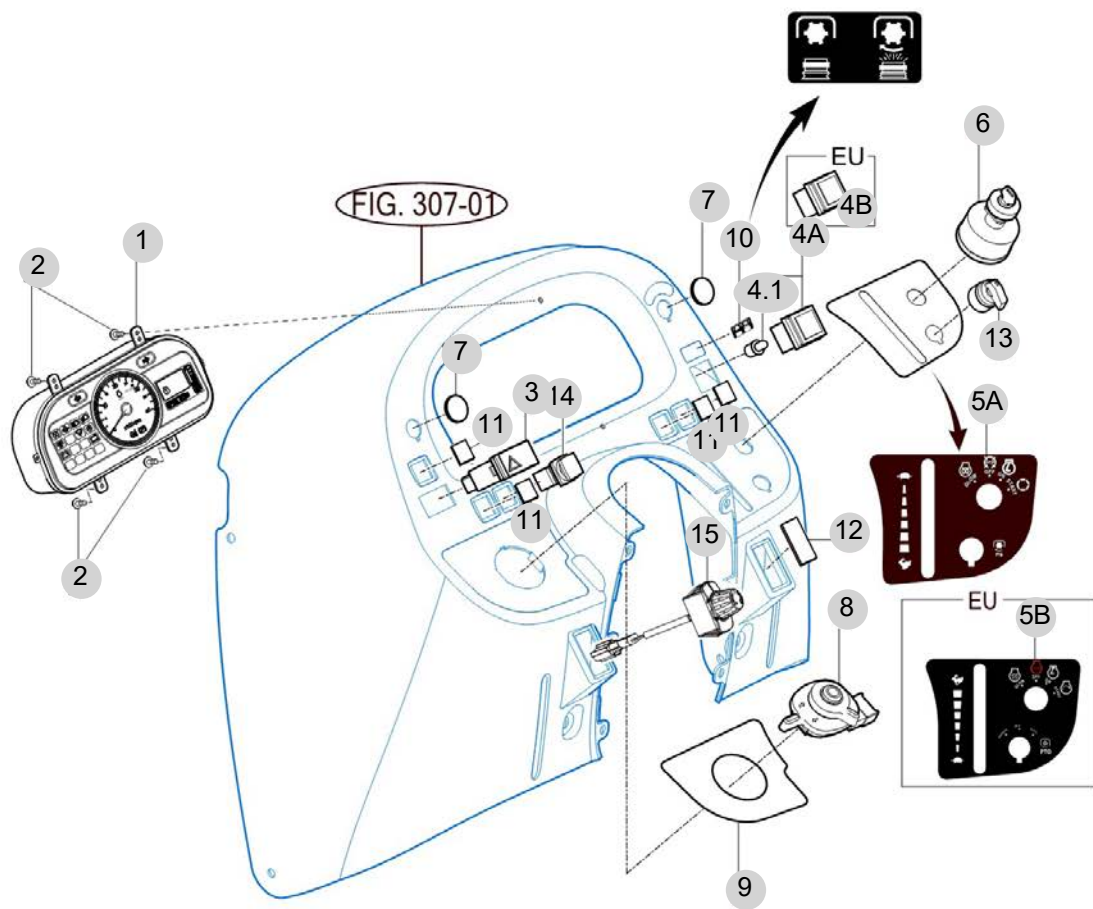
FIG 804

INSTRUMENT PANEL

년/월
Year/Month

T654SC

2022-12



T754-K-804

NOTE

FIG 805

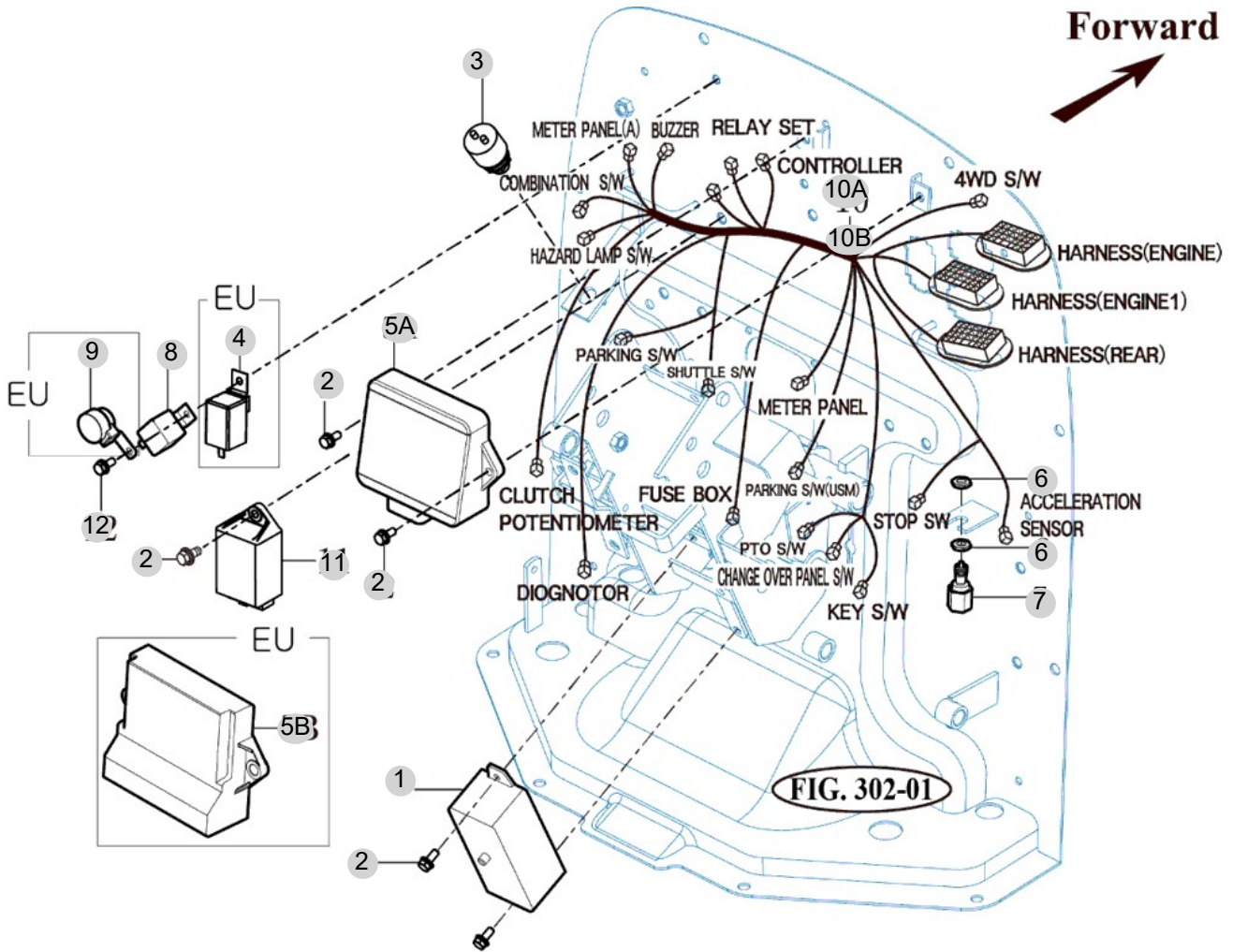
ELECTRIC SYSTEM (1)

년/월
Year/Month

2022-12

T654SC

Forward



T654SC-K-805

NOTE

FIG 805 T654SC		ELECTRIC SYSTEM (1)					년/월 Year/Month	
							2022-12	
KEY NO	PART NO	DESCRIPTION	SPEC	QTY	REPAIR	EFFECTIVE DATE	REMARKS	
805	1	17816642102	CASE ASSY,FUSE			1		
805	2	V2123606016	BOLT , HEX /SP	M6X16		6		
805	3	18716642500	SWITCH SET , PUSH			1		
805	5A	13536300100	CONTROLLER ASSY			1		
805	5A	13536300101	CONTROLLER ASSY			1		
805	6	14326210061	NUT , LOCK M12	M12		2		
805	7	15186213200	SWITCH ASSY , STOP LIGHT			1		
805	8	11616212900	RELAY 5P			1		
805	10A	13536682000	HARNESS ASSY , MAIN			1		
805	11	11466642400	FLASHER ASSY			1		
805	12	V2193606020	BOLT , HEX/SPL			1		
NOTE								

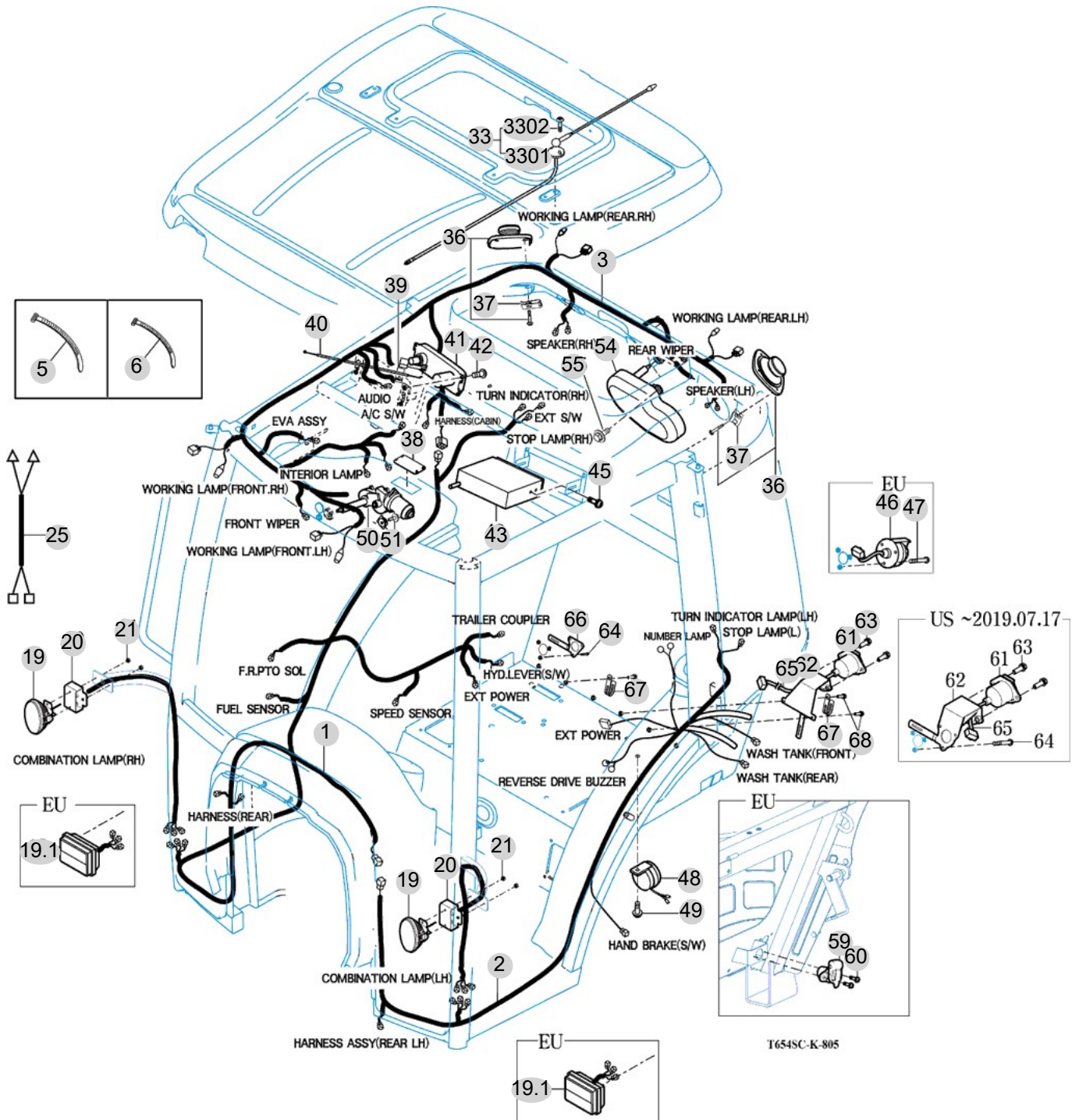
FIG 806

ELECTRIC SYSTEM (2)

년/월
Year/Month

T654SC

2022-12



T654SC-K-805

NOTE

FIG 806		ELECTRIC SYSTEM (2)					년/월	
							Year/Month	
T654SC							2022-12	

KEY NO		PART NO	DESCRIPTION	SPEC	QTY	REPAIR	EFFECTIVE DATE	REMARKS
806	1	18176683101	HARNESS ASSY , REAR		1			
806	1	18176683102	HARNESS ASSY , REAR		1			
806	2	18016683204	HARNESS ASSY , REAR LH		1			
806	3	14527024906	HARNESS ,CABIN		1			
806	5	13424020060	CABLE TIE , 300		5			
806	6	13764020030	CABLE TIE , 140		5			
806	19	13606562000	LAMP , POSITION		2			
806	20	18026562000GB	BRACKET COMP , SIDE LAMP		2			
806	21	V3802600050	NUT , HEX FLANGE		4			
806	25	11446682120	HARNESS ASSY, LAMP CONECT		1			
806	33	14527072300	ANTENNA ASSY		1			
806	3301	14527072310	ANTENNA		1			
806	3302	V1907004020	SCREW , TAPPING C/R PAN		2			
806	36	14527025501	SPEAKER ASSY		2			
806	37	14527073120	SPRING NUT, SCREW	M4	8			
806	38	16997024500	LAMP ASSY , ROOM		1			
806	39	17687025300	CLIP , CABLE		1			
806	40	14527082230	CABLE ASSY, WATER VALVE		1			
806	41	14527082220	CONTROLLER ASSY, AIR CON		1			
806	42	V1112605012	SCREW , C/R PAN	M5X12	4			
806	43	17817024804	CD PLAYER ASSY		1			
806	43	10547024801	BLUETOOTH PLAYER ASSY		1			
806	45	V1222605016	SCREW , C/R PAN/SP		2			
806	48	34522812402	BUZZER ASSY		1			
806	49	V2183608020	BOLT , HEX/SP	M8X20	1			
806	50	14527062600	MOTOR ASSY, FR/ WIPER		1			
806	50	14527062600	MOTOR ASSY, FR/ WIPER		1			
806	50	14527062601	MOTOR ASSY, FR/ WIPER		1			
806	51	V2193606020	BOLT , HEX/SPL	M6X20	1			
806	54	16997032000	MOTOR ASSY , WIPER		1			
806	55	V2193606020	BOLT , HEX/SPL	M6X20	1			
806	61	13307028201	SOCKET ASSY , TRAILER		1			
806	62	11467028100GB	BRACKET COMP , SOCKET		1			
806	63	V2183608020	BOLT , HEX/SP	M8X20	2			
806	64	V1222805016	SCREW , C/R PAN/SP	M5X16	3			
806	65	11436683200	HARNESS ASSY , TRAILER		1			
806	66	11467028200GB	BRACKET COMP , BLOCK		1			
806	67	37371720090	CLAMP , W/HARNESS		2			
806	68	V2123606020	BOLT , HEX /SP	M6X20	2			
NOTE								

9. Label/Option PART NO. T9

FIG 901 TOOL & ACCESSORY

244

FIG 903 LABEL

246

FIG 903-2 LABEL

248

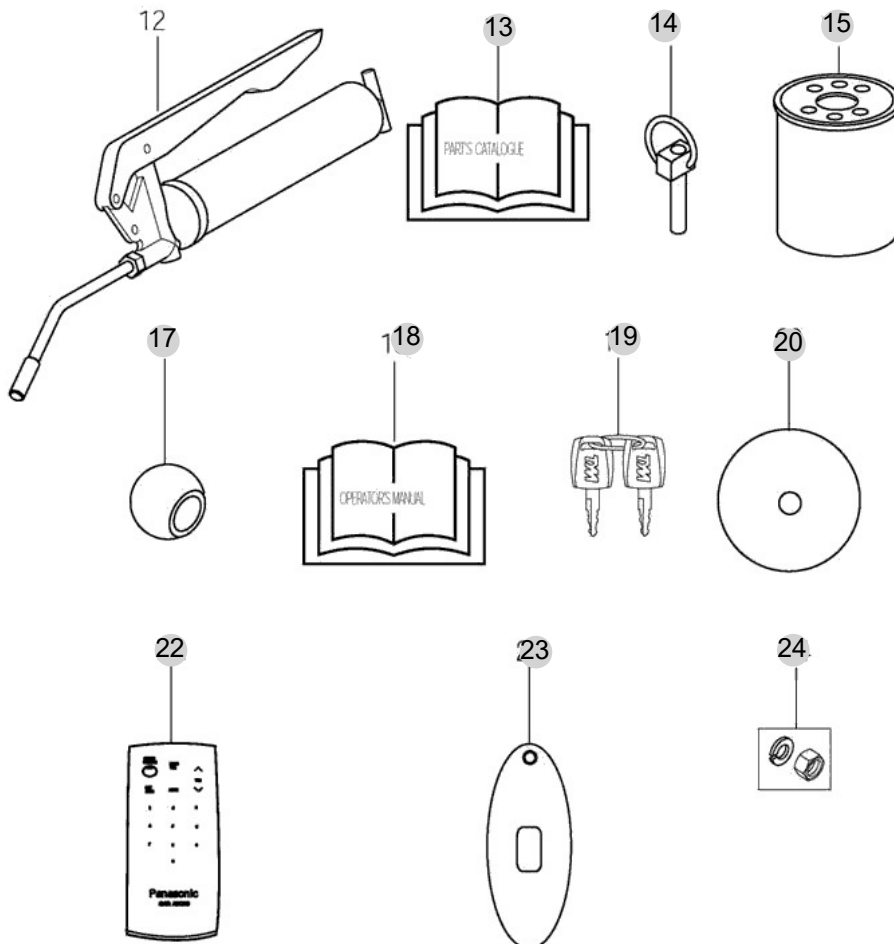
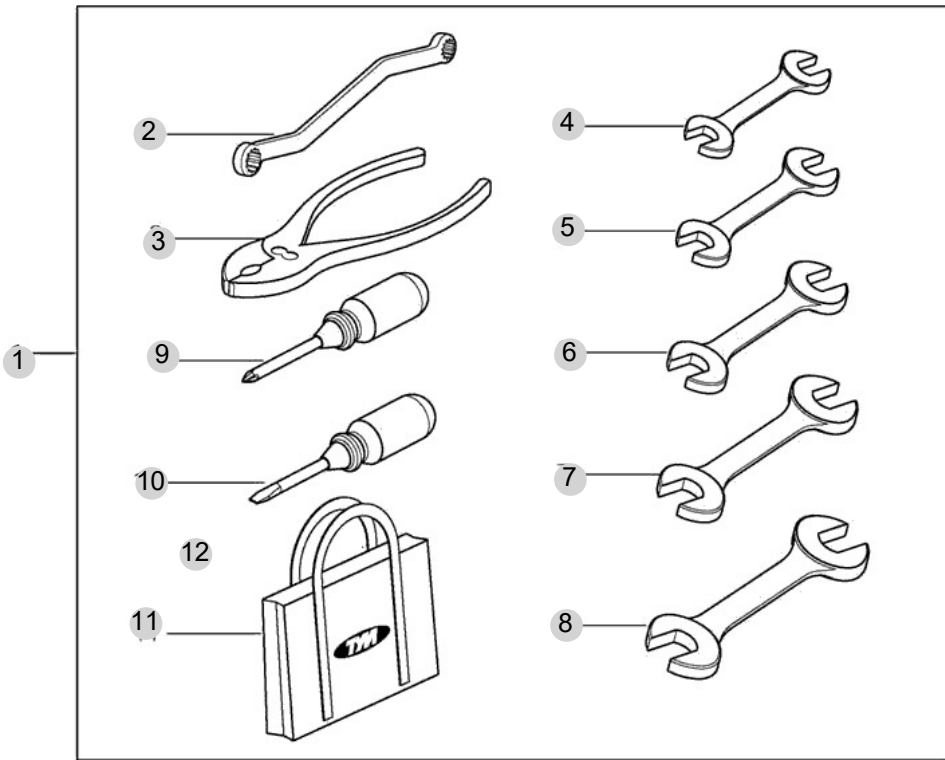
FIG 901

T654SC

TOOL & ACCESSORY

년/월
Year/Month

2022-12



T754-E-901

NOTE

FIG 903

LABEL

년/월
Year/Month

T654SC

2022-12

Inner/Outer air Ventilation

- When grills of rear and both sides are opened, inner air will ventilate in.
- For effective use, open it when operate heater or air conditioner and close when ventilate fresh air.

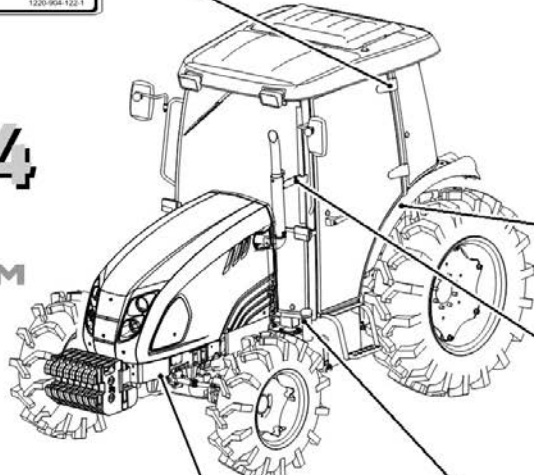
1220-904-122-1

18

T654

51

90



⚠ DANGER

Do not ride except operator.

1200-910-016-0

6

⚠ CAUTION

Do not touch while the system is hot. It cause serious burns

1200-910-024-6

33

TYM-USA, Inc.
www.tym.com/usa

MODEL _____

Product Identification Number _____

MADE IN KOREA
www.tym.com

32B

TYM CORPORATION

VIN/ISO 15851

EU TYPE APPROVAL NUMBER

CATEGORY	TOTAL	TH	TH
A-1	T-1	T-2	T-3
B-1			
B-2			
B-3			
B-4			

Manufactured by TYM CORPORATION

32A

⚠ WARNING

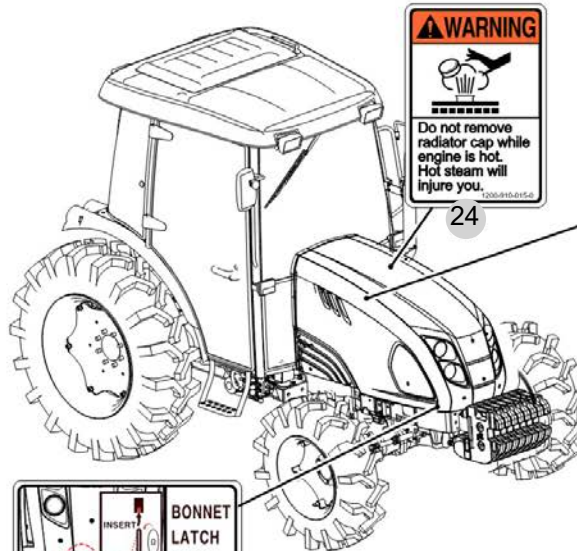
Do not refuel the tractor while smoking or near naked flame or sparks. always stop engine before refueling tractors.

1200-910-025-6

17



88



⚠ WARNING

Do not remove radiator cap while engine is hot. Hot steam will injure you.

1200-910-017-6

24

⚠ CAUTION

Keep hands and clothing away from rotating fan and belts to prevent serious injury.

1200-910-012-0

23

BONNET LATCH OPEN

INSERT

OPEN

1200-910-023-6

89

NOTE

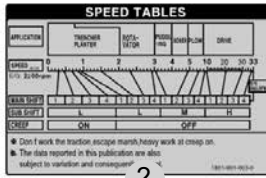
FIG 903-2

LABEL

년/월
Year/Month

T654SC

2022-12



2

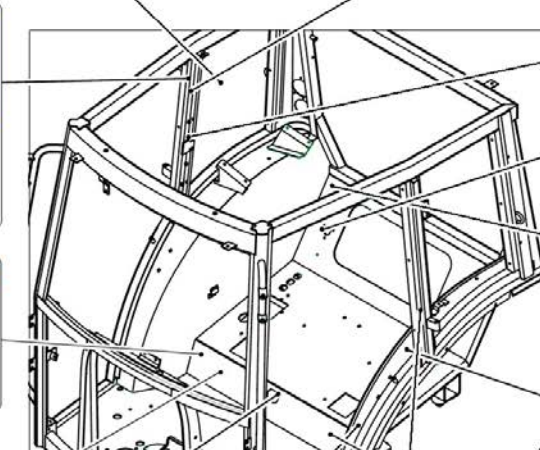
Operator's manual

WARNING

Never use the diff lock at high speed or on the road as this can cause rollover and injury.



10



WARNING

Always set the knob to lock when:
1. Traveling on the road.
2. Replacing blades on an implement.
3. Making adjustment to an implement.
Failure to do so can cause accidents and damages.

WARNING

Always apply the park brake when parking.
Failure to do so can cause accidents and damages.

WARNING

Do not use the sub shift lever at "H" position when driving backward.

DANGER

Periodic ventilation should be made to avoid suffocation while heating, an air conditioning is used. Sleeping in the cab is prohibited.

WARNING

Always fasten Your seat belt.



CAUTION Remote hydraulic valve instruments

Remote valve couplers are marked C and D on the bottom of each. All in operation in the corresponding remote valve line at the right side, starting the engine.

- Remote valve "ACTUAL" after connecting the hydraulic operation.
- Always set "REMOTE" after connecting the hydraulic operation.
- Connect the implement to the remote valve couplers.
- Remote valve couplers.
- Remote control levers.

Creep speed Operation!warning

Don't use creep speed as shown below works.

- 1) Tree Loads
- 2) Front loader
- 3) Blade work
- 4) Civil Engineering work
- 5) Site & out the jobsite
- 6) Heavy industry

Brake engagement at creep speed.

Be sure to depress clutch pedal before depress brake pedal.

Don't depress brake strongly as shaft reduction ratio of creep speed is very high and high torque.



WARNING

1. DO NOT OPEN THE RADIATOR CAP. HOT STEAM WILL BURN YOU.
2. REPLACEMENT OF THE COOLANT SHOULD BE DONE IN THE AUXILIARY TANK.

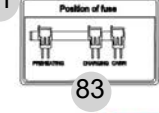
EPA REGULATION
USE ULTRA LOW SULFUR FUEL ONLY

CAUTION

Avoid place the transmission in neutral and apply the save while the tractor is in forward position.
Failure to do so can cause accidents and damages.

DANGER

Rotating driveline contact can cause death. KEEP AWAY!
Keep all drive line, Tractor and equipment shields in place during operation.



WARNING

Do not adjust the tilt handle when traveling.

WARNING

Attach implements and trailers to the tractor only using the prescribed draw bar hitch.

WARNING

Warning about engine without emission decal: This engine is registered in the State of California to cause lower emissions. Please read the instruction manual, always use and operate the engine in a well-ventilated area. Do not use the engine in a closed space. Do not use the engine in a confined space. Do not use the engine in a restricted area. For more information go to: www.PEASolutions.com

WARNING

Colour and Reproduction Chart
www.PEASolutions.com

TONGYANGMOOLSAN CO.,LTD

TYPE: T-CDE

e13

00057 NS

T: 19 tonnes
S: 1500kg

WARNING

Start engine only from operators seat. If safety switch is by passed engine can start with transmission in gear.
Do not connect or short across terminal on starter solenoid.
Attach booster cables as shown on battery decal and operators manual.

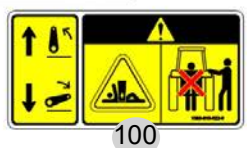
Starting in gear causing runaway can result in serious injury.

WARNING

Do not use the accelerator lever except working on the field.

WARNING

Brake pedals must always be locked firmly when traveling on the highway. This will ensure uniform braking and provide maximum stopping ability sharp turns must only be made at slow speeds.



NOTE

FIG 903-2		LABEL					년/월 Year/Month		
							2022-12		
T654SC		KEY NO	PART NO	DESCRIPTION	SPEC	QTY	REPAIR	EFFECTIVE DATE	REMARKS
903-2	2A	15709010030	LABEL , SPEED			1			
903-2	3	12009100030	LABEL , WARNING EXHAUST			1			
903-2	4	12009100010	LABEL , WARNING SUB SHIFTER			1			
903-2	6	12009100160	LABEL , DANGER RIDING			1			
903-2	8	12009100190	LABEL , WARNING BELT			1			
903-2	9	12009100210	LABEL , WARNING THROTTLE			1			
903-2	10	17689200050	LABEL , DIFF			1			
903-2	11	12009100020	LABEL , WARNING PARKING			1			
903-2	12	12009100060	LABEL , WARNING DIFF			1			
903-2	13	12009100040	LABEL , WARNING STOP VALVE			1			
903-2	14	12009100111	LABEL , DANGER AIR CONDITIONER			1			
903-2	15	12009100070	LABEL , WARNING BRAKE			1			
903-2	16	12009100080	LABEL , WARNING TILTING			1			
903-2	17	12009100050	LABEL , WARNING FIRE			1			
903-2	18	12209041221	LABEL , VENTILATION			1			
903-2	19	12009100140	LABEL , WARNING DRAW			1			
903-2	20	12009100130	LABEL , DANGER PTO			1			
903-2	21	12149020110	LABEL , EMERGENCY EXIT			1			
903-2	23	12009100120	LABEL , CAUTION FAN			2			
903-2	24	12009100150	LABEL , WARNING RADIATOR			1			
903-2	25	19959041130	LABEL, TYM(66X150)			1			
903-2	26	12009100230	LABEL , CAUTION OPERATION			1			
903-2	32B	15719049201	LABEL , PRODUCT/CONTENTS			1			
903-2	32B	15719049202	NAMEPLATE , USA/T654			1			
903-2	33	12009100240	LABEL , CAUTION MUFFLER			1			
903-2	34	15729010060	LABEL , POWER SHUTTLE			2			
903-2	40	19849040250	LABEL , CREEPER			1			
903-2	42	15739045040	LABEL, CABIN			1			
903-2	51	15709010040	MARK, ORNAMENT(T654)			2			
903-2	51	15709010041	MARK, ORNAMENT(T654)			2			
903-2	51	15709010042	MARK , /T654			2			
903-2	52	19129041130	LABEL , TYM(75)			2			
903-2	79	18015300041	LABEL , HYDRAULIC CAUTION			1			
903-2	80	12609040620	LABEL , STARTING WARNING			1			
903-2	81	16329040020	LABEL , CAUTION GREASE			1			
903-2	82	19999040070	LABEL , PTO 1-2-3			1			
903-2	83	17139100020	LABEL , FUSE			1			
903-2	84	18029100150	LABEL , RADIATOR			1			
903-2	85	18711201100	LABEL , ULTRA LOW SULFUR			1			
903-2	86	18719100310	LABEL , CAUTION LEVER			1			
903-2	87	19879100320	LABEL , WARNING SHUTTLE			1			
903-2	88	13379100150	6YEAR WARRANTY LABEL			1			
903-2	100	13839100220	LABEL , WARNING EXT POSITION LEVER			1			
NOTE									