

FIG 001

TX110SL

BUCKET

P1

Year / Month

2019 / 11

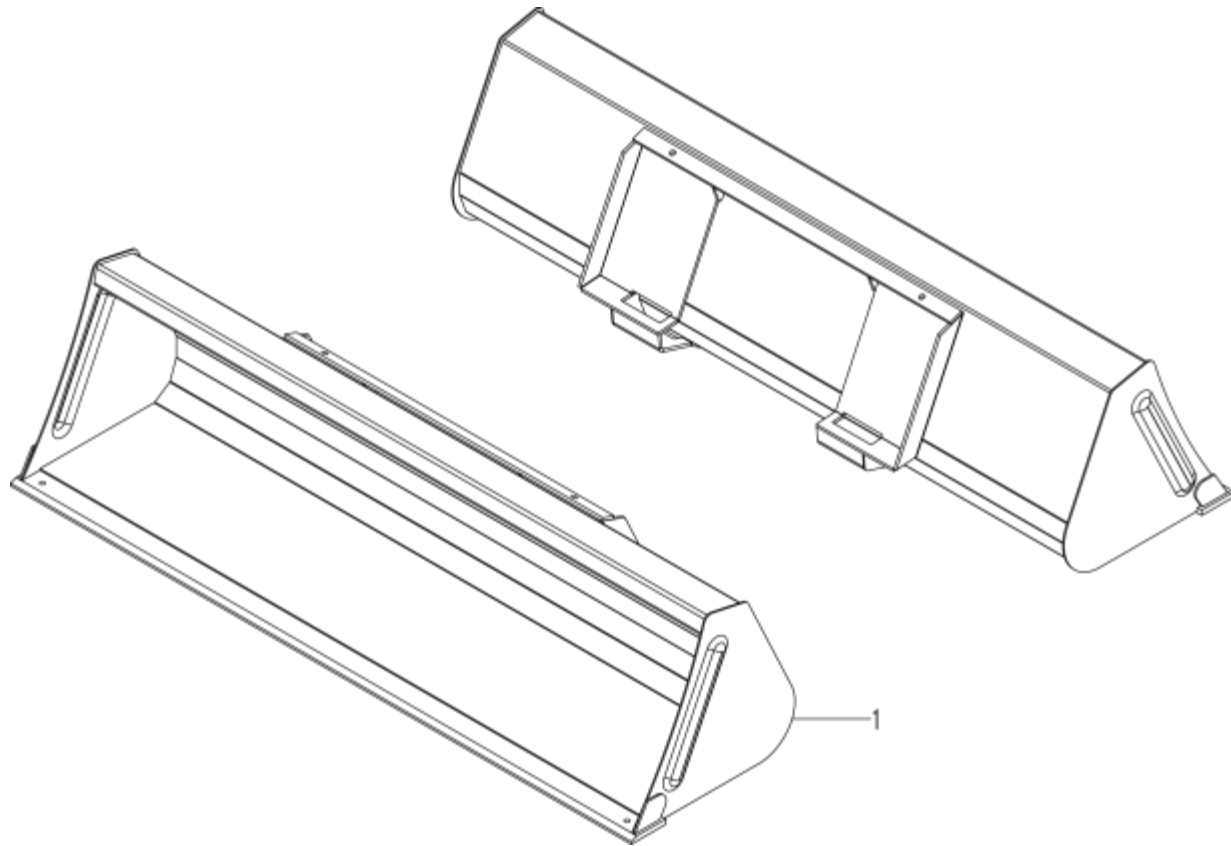
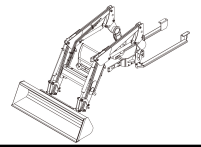


FIG 002

TX110SL

QUICK ATTACHMENT ASS'Y

P1

Year / Month

2019 / 11

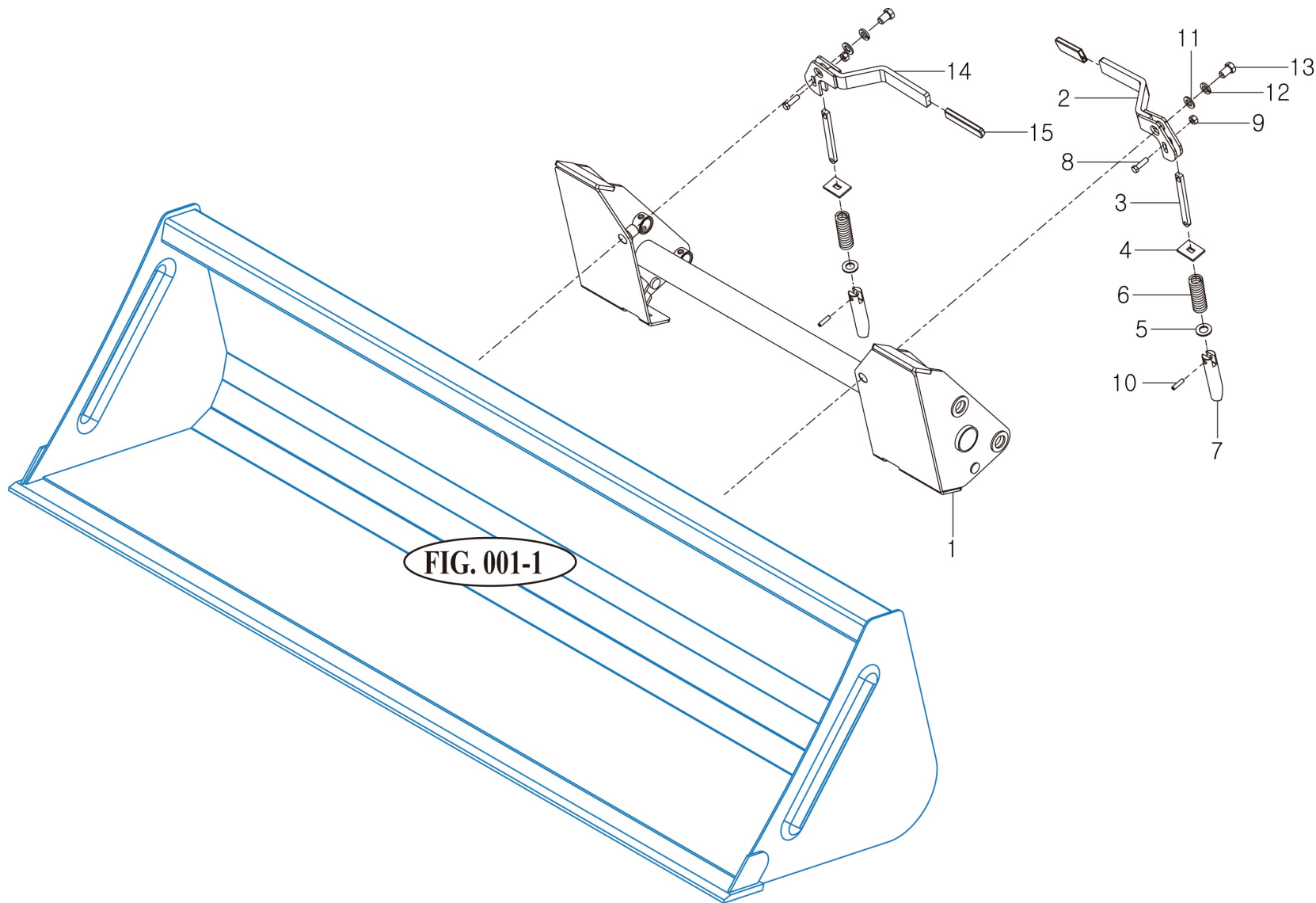
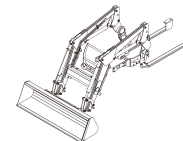


FIG. 001-1

FIG 003

TX110SL

MOUNTING FRAME ASS'Y

P1

Year / Month

2019 / 11

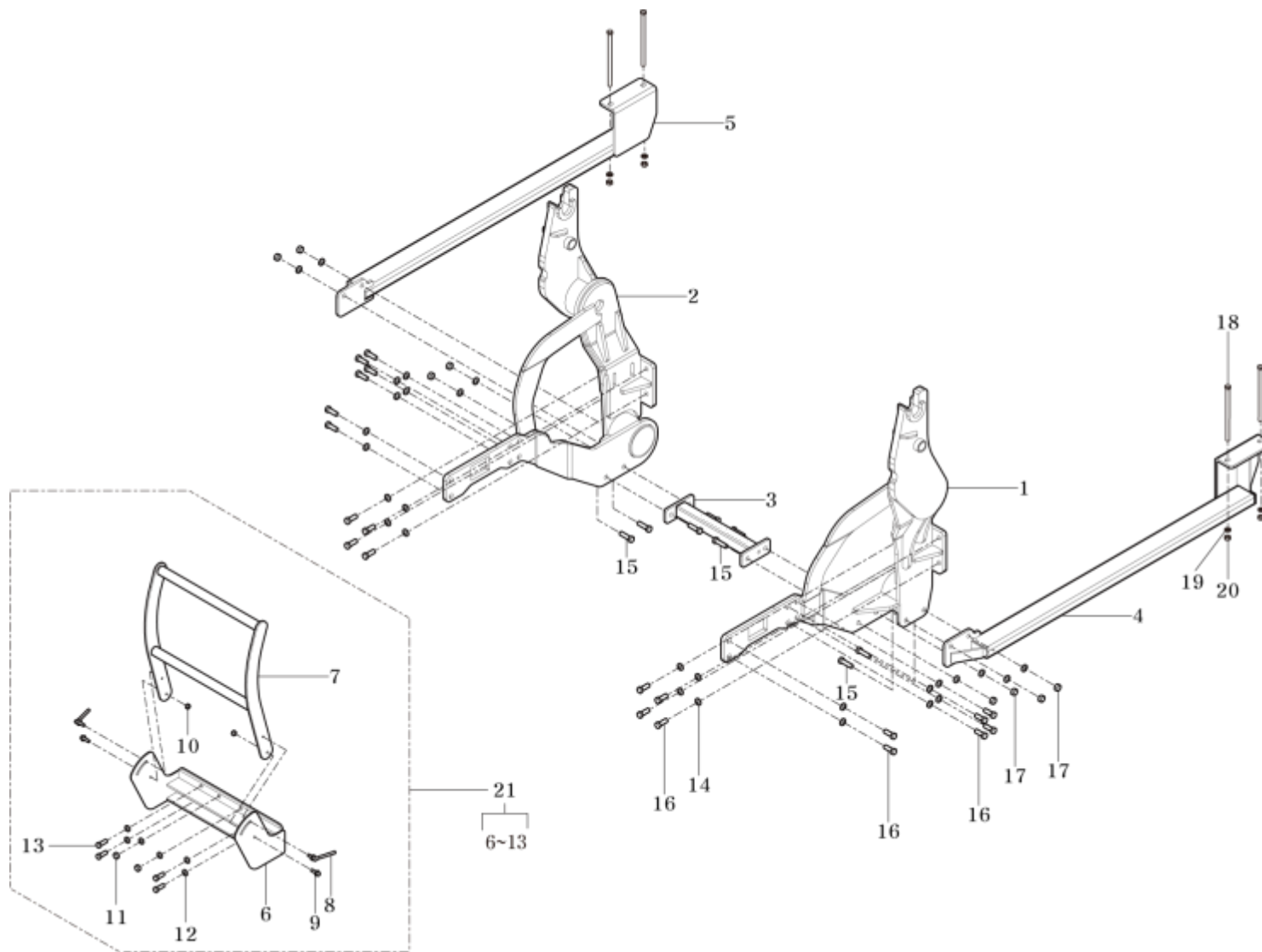
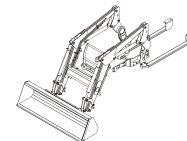



FIG 003		MOUNTING FRAME ASSEMBLY			P1	Year/Month 2019/11	
KEY NO.	PART NO.	DESCRIPTION	SPEC.	QTY.	EFFECTIVE DATE	REMARKS	
003	001	84951001001GB	MOUNTING FRAME COMP , LH		1		
003	002	84951002002GB	MOUNTING FRAME COMP , RH		1		
003	003	84951003000GB	GROSS BAR		1		
003	004	84951004001GB	REAR MOUNTING FRAME COMP , LH		1		
003	005	84951005001GB	REAR MOUNTING FRAME COMP , RH		1		
003	006	84951006201GB	BRACKET COMP , GRLILL GUARD		1		
003	007	86801006101GB	GRILL GUARD COMP		1		
003	008	85401006062	LEVER BOLT		2		
003	009	V2183610035	BOLT , HEX	M10X35	2		
003	010	85402003130	U NUT(M10)		2		
003	011	V3044600140	NUT , HEX	M14	2		
003	012	V4011600140	WASHER , SPRING	M14	6		< Accessory>
003	013	V2014614040	BOLT , HEX	M14X40	4		
003	014	V4011600160	WASHER , SPRING	M16	28		
003	015	V2014616055	BOLT , HEX	M16x55	8		
003	016	V2014616045	BOLT , HEX	M16x45	20		
003	017	V3044600160	NUT , HEX	M16	8		
003	018	19026222030	BOLT , M16X250	M16X250	4		
003	019	V4011600160	WASHER , SPRING	M16	4		
003	020	V3044600160	NUT , HEX	M16	4		
003	021	86661006000	GRILL GUARD ASSY		1		

* Not Service

FIG 004

TX110SL

BOOM ASS'Y

P1

Year / Month

2019 / 11

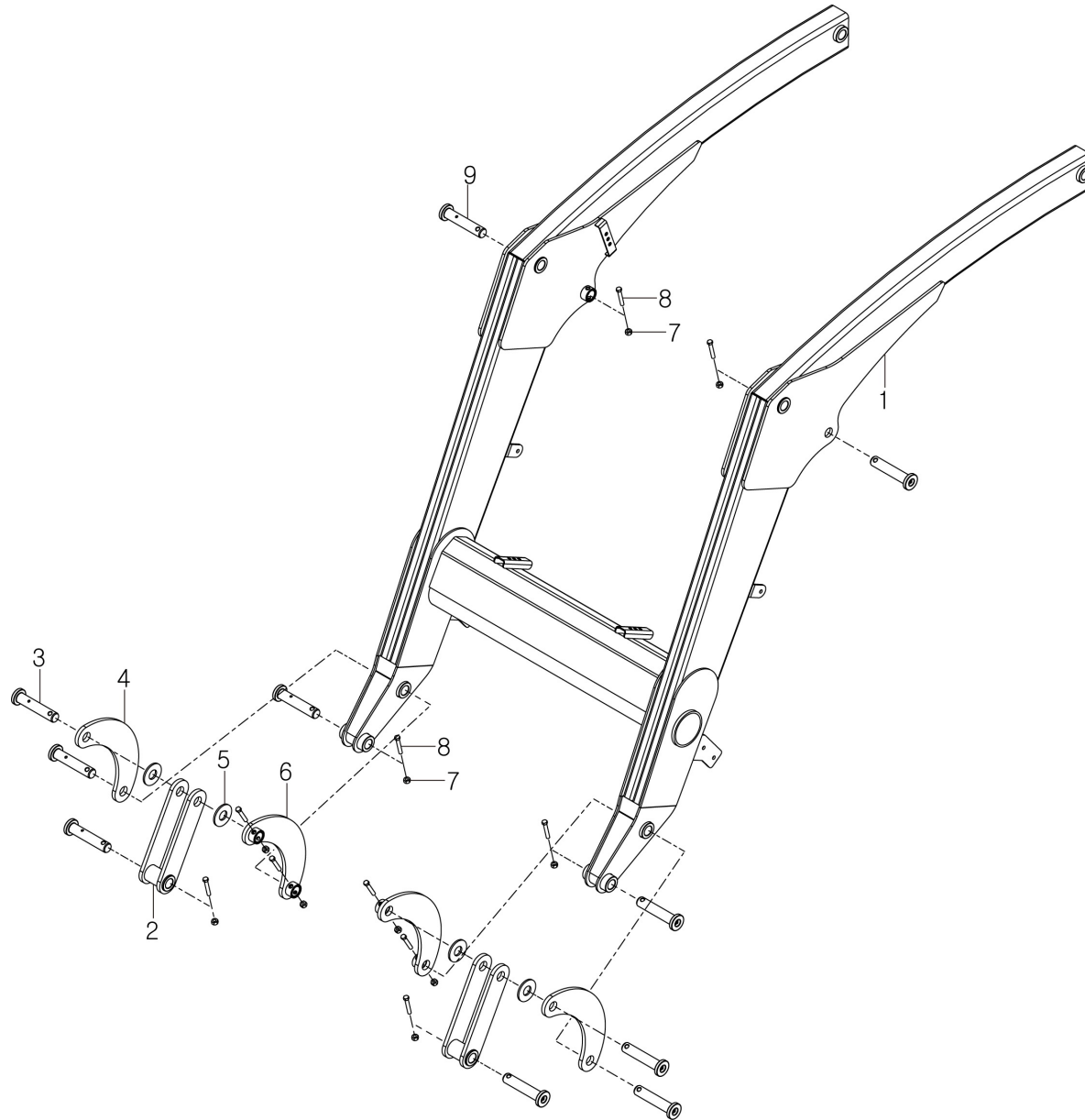
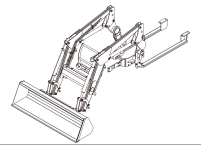


FIG 005

TX110SL

POST ASSEMBLY

P1

Year / Month

2019 / 11

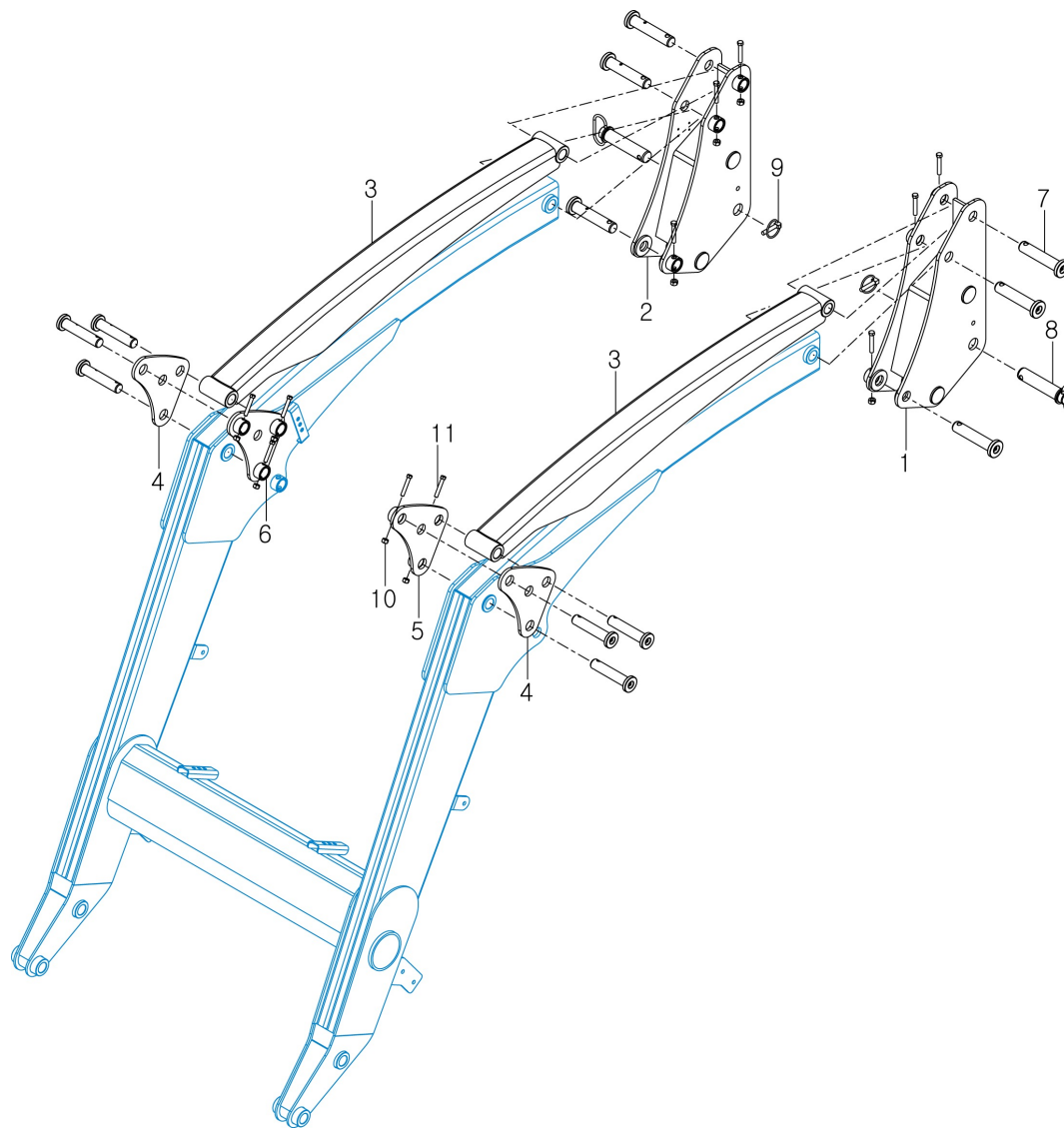
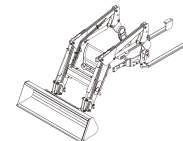


FIG 006

TX110SL

STAND ASSEMBLY

P1

Year / Month

2019 / 11

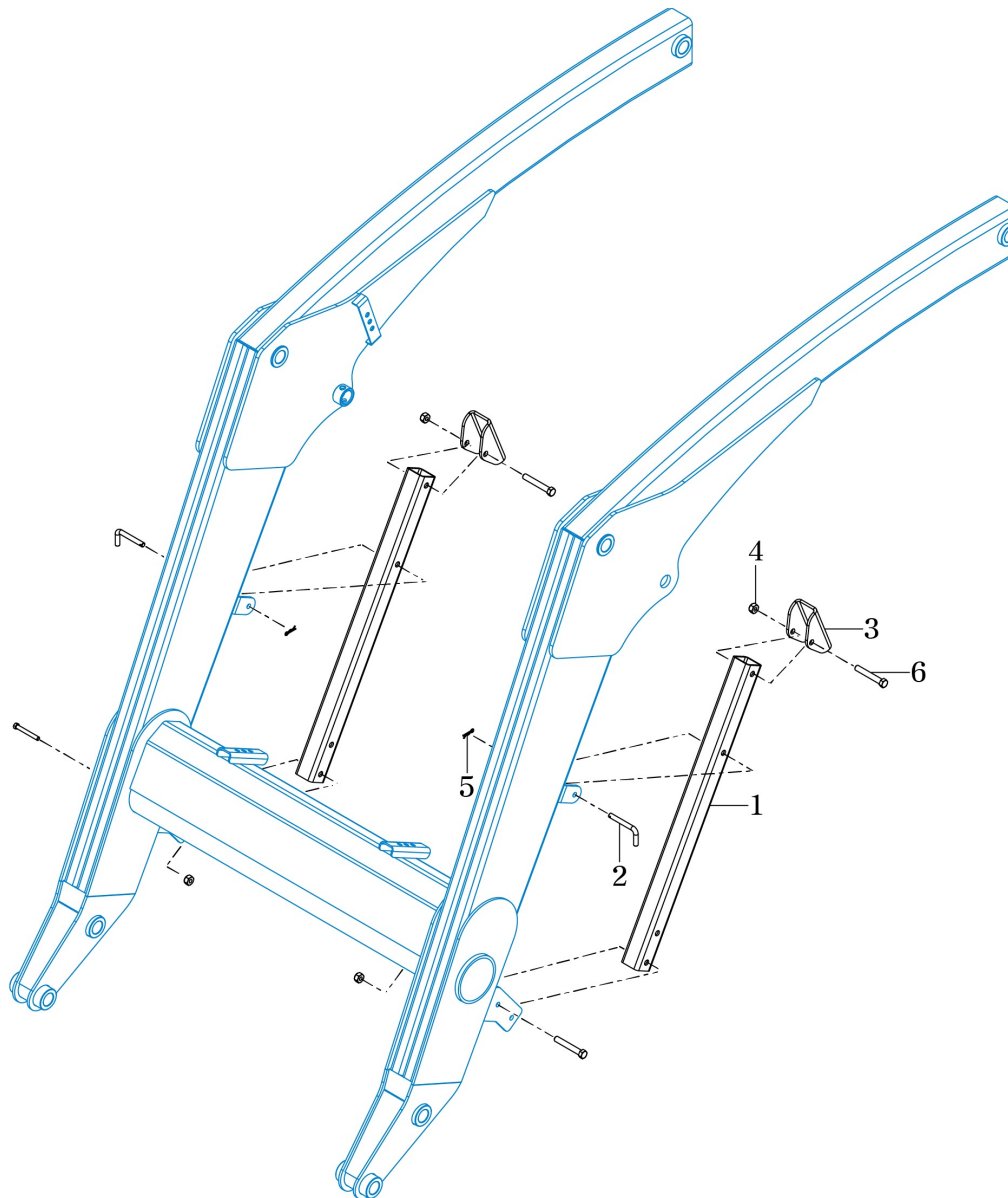
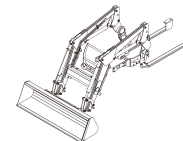


FIG 007

TX110SL

LOADER VALVE

P1

Year / Month

2019 / 11

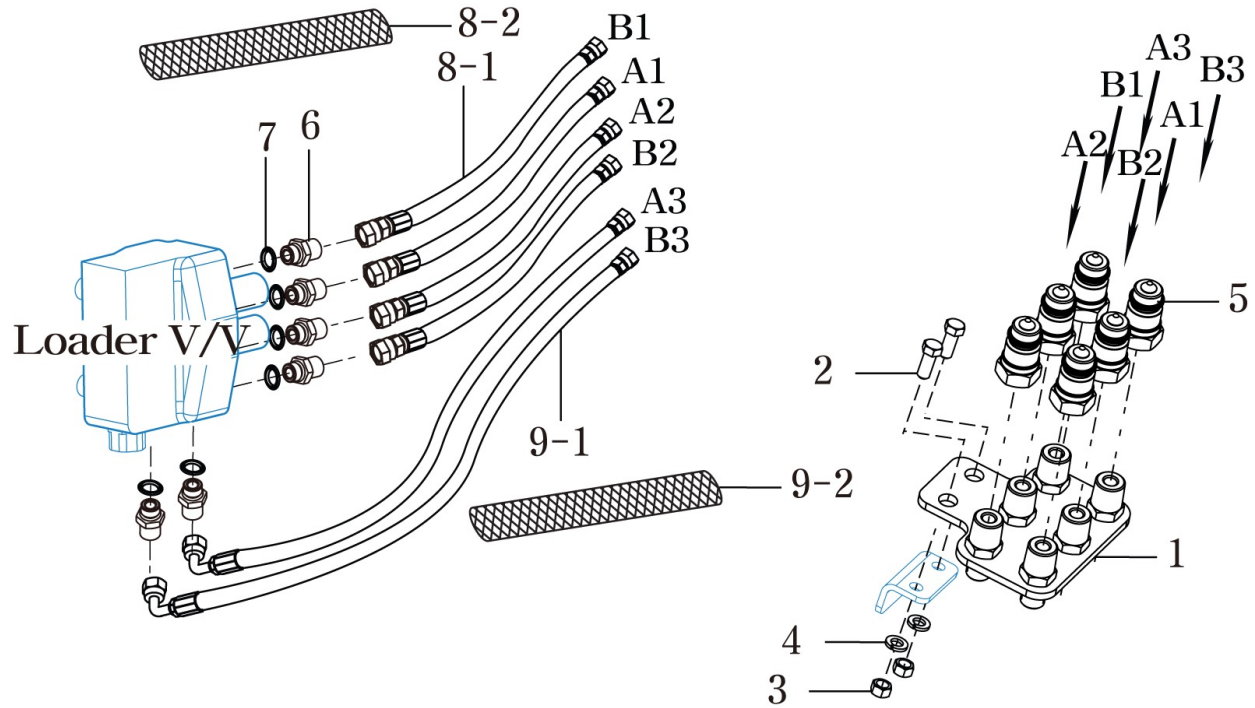
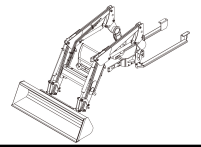


FIG 008

TX110SL

HYDRAULIC PIPING ASSEMBLY

P1

Year / Month

2019 / 11

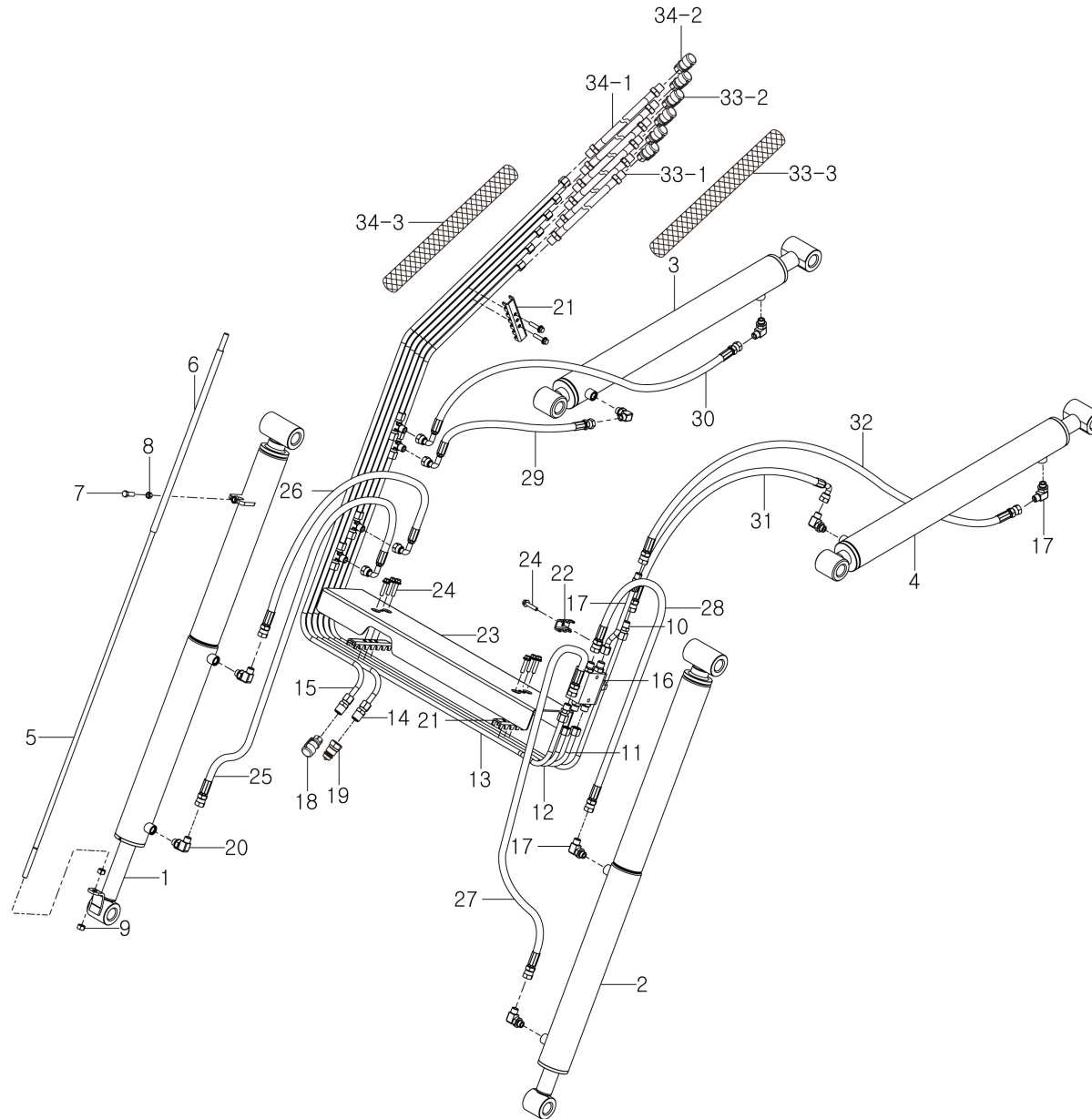
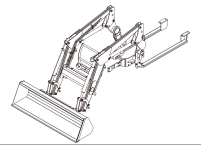


FIG 008

TX110SL

HYDRAULIC PIPING ASSEMBLY

P2

Year / Month

2019 / 11

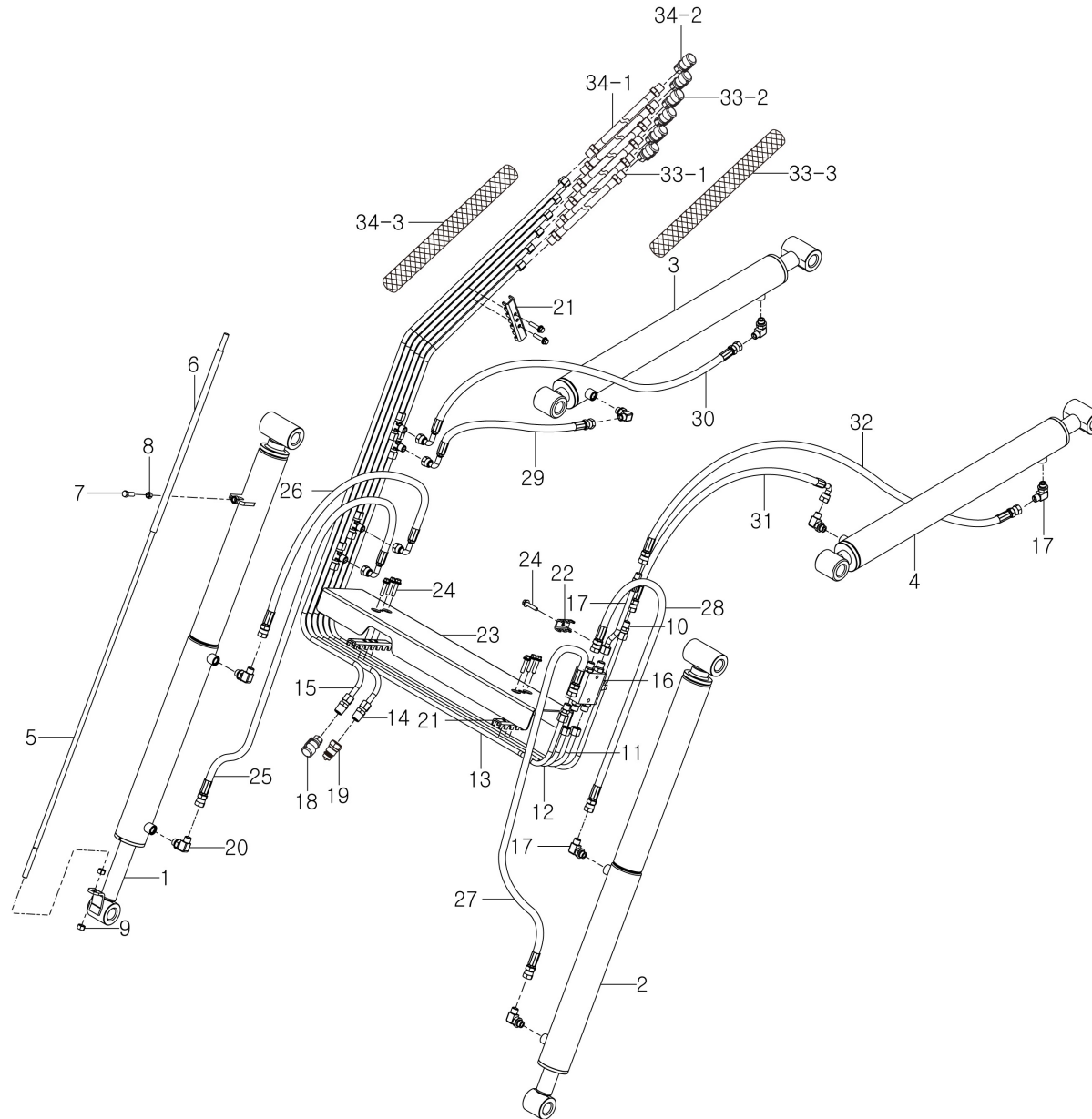
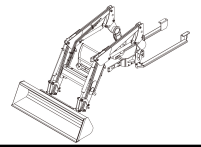


FIG 009

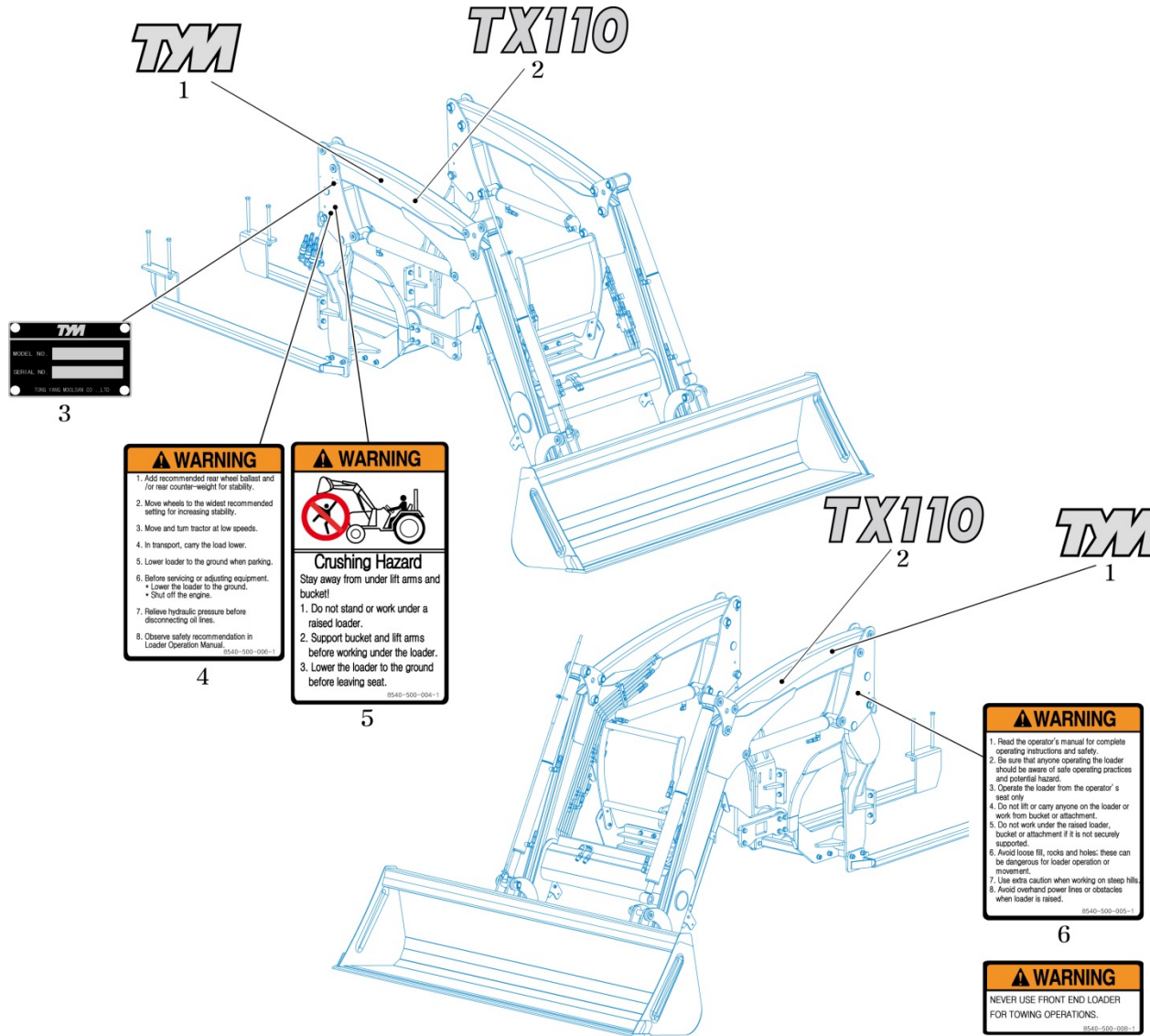
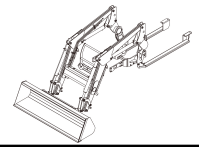
TX110SL

DECAL

P1

Year / Month

2019 / 11

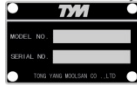


TM

1

TX110

2



3

WARNING

1. Add recommended rear wheel ballast and /or rear counter-weight for stability.
2. Move wheels to the widest recommended setting for increasing stability.
3. Move and turn tractor at low speeds.
4. In transport, carry the load lower.
5. Lower loader to the ground when parking.
6. Before servicing or adjusting equipment.
 - Lower the loader to the ground.
 - Shut off the engine.
7. Relieve hydraulic pressure before disconnecting oil lines.
8. Observe safety recommendation in Loader Operation Manual.

0340-500-004

4

WARNING

Crushing Hazard
Stay away from under lift arms and bucket!

1. Do not stand or work under a raised loader.
2. Support bucket and lift arms before working under the loader.
3. Lower the loader to the ground before leaving seat.

0340-500-004

5

TX110

2

TM

1

WARNING

1. Read the operator's manual for complete operating instructions and safety.
2. Be sure that anyone operating the loader should be aware of safe operating practices and potential hazard.
3. Operate the loader from the operator's seat only.
4. Do not lift or carry anyone on the loader or work from bucket or attachment.
5. Do not work under the raised loader, bucket or attachment if it is not securely supported.
6. Avoid loose fill, rocks and holes: these can be dangerous for loader operation or movement.
7. Use extra caution when working on steep hills.
8. Avoid overhead power lines or obstacles when loader is raised.

0340-500-005-1

6

WARNING

NEVER USE FRONT END LOADER FOR TOWING OPERATIONS.

0340-500-006-1

7

DANGER

INSTALL SAFETY PROP BEFORE WORKING UNDER RAISED STRUCTURE

0340-500-009-1

8

WARNING

Cancer and Reproductive Harm
www.P65Warnings.ca.gov

1344-001-001-1

9

