

2515R_US_FL(AC02152) TRACTOR

Parts Catalogue



CONTENTS

| GROUP NO | GROUP NAME | PAGE |
|-----------|-----------------------------------|------|
| G. ENGINE | | |
| A01_004 | CYLINDER BLOCK | 6 |
| A02_003 | DRIVE PULLY | 8 |
| A03_002 | CRANK SHAFT PULLEY | 10 |
| A04_003 | GLOW PLUG ASS'Y OPTION | 12 |
| A05_003 | CRANK SHAFT ASS'Y OPTION | 14 |
| A06_002 | BREATHER OPTION | 16 |
| A07_003 | CAMSHAFT | 18 |
| A08_003 | ALTERNATOR | 20 |
| A09_003 | COOLING WATER PUMP | 22 |
| A10_004 | COOLING FAN SPACER | 24 |
| A11_004 | INJECTOR | 26 |
| A12_005 | FUEL INJECTON | 28 |
| A13_002 | PLUMBING, FUEL | 30 |
| A14_001 | FUEL FILTER BRACKET | 32 |
| A16_018 | FUEL FILTER ASS'Y OPTION | 34 |
| A17_005 | INTAKE MANIFOLD ASS'Y OPTION | 36 |
| A18_005 | FLYWHEEL | 38 |
| A19_005 | FLYWHEEL HOUSING | 40 |
| A20_009 | HEAD, CYLINDER | 42 |
| A21_002 | HEAD COVER | 44 |
| A23_003 | TURBOCHARGER SUPPORT ASS'Y OPTION | 46 |
| A26_001 | COOLER, ENGINE OIL | 48 |
| A27_004 | OIL PAN ASS'Y OPTION | 50 |
| A28_001 | PUMP, LUBRICATING OIL | 52 |
| A29_005 | FILTER, LUBRICATING OIL | 54 |
| A30_003 | FRONT GEAR ACCESSORY DRIVE | 56 |
| A31_003 | PISTON | 58 |
| A32_002 | LEVER, LOCKER | 60 |
| A33_007 | EXHAUST MANIFOLD | 62 |
| A34_005 | SILENCER | 64 |
| A35_002 | IDLE GEAR | 66 |
| A36_002 | COVER, FRONT GEAR | 68 |
| A38_004 | GAUGE, OIL LEVEL | 70 |
| A39_001 | OIL FILLER CAP | 72 |

CONTENTS

| GROUP NO | GROUP NAME | PAGE |
|--------------------------------|---------------------------|------|
| G. ENGINE | | |
| A40_003 | LIFT ASS'Y OPTION | 74 |
| A42_003 | MOTER, STARTIONS | 76 |
| A48_003 | V-BELT | 78 |
| B. ENGINE ACCESSORIES | | |
| B01010 | (FUEL TANK) | 80 |
| B02020 | (RADIATOR) | 82 |
| B03010 | (AIR CLEANER) | 84 |
| B05011 | (LEVER ACCELERATOR) | 86 |
| C. CLUTCH, BREAK, LEVER | | |
| C02010-A | (BRAKE PEDAL) | 88 |
| C02050 | (PARKING BRAKE) | 90 |
| C04010 | (SHUTTLE ASS'Y) | 92 |
| D. HYDRAULIC | | |
| D01010-A | (HYD PUMP) | 94 |
| D01020-A | (LOW PRESSURE PIPE) | 96 |
| D01040 | (HYD FILTER) | 98 |
| D02010 | (STEERING COLUMN) | 100 |
| D02030 | (P.S.T HOSE) | 102 |
| D02040 | (P.S.T CYLINDER) | 104 |
| E. FRONT AXLE | | |
| E01010 | (FRONT AXLE CASE) | 106 |
| E01013 | (SPACER) | 108 |
| E01030 | (GEAR CASE, FRONT AXLE) | 110 |
| E01070 | (FRONT DRIVE SHAFT) | 112 |
| E01080 | (TIE ROD) | 114 |
| F. TRANSMISSION | | |
| F01010-A | (CLUTCH HOUSING) | 116 |
| F01020 | (TRANSMISSION CASE) | 118 |
| F01030 | (REAR AXLE HOUSING) | 120 |
| F02010 | (CLUTCH RELEASE) | 122 |
| F02020 | (CLUTCH SHAFT) | 124 |
| F03010 | (MAIN SHIFT DRIVE SHAFT) | 126 |
| F03040 | (RANGE SHIFT DRIVE SHAFT) | 128 |
| F04010 | (FRONT DRIVE SHAFT) | 130 |

CONTENTS

| GROUP NO | GROUP NAME | PAGE |
|------------------------------|--------------------------------|------|
| F. TRANSMISSION | | |
| F05020 | RING GEAR&DIFF.GEAR ASS'Y | 132 |
| F05020 | (REAR DIFFERENTIAL ASS'Y) | 134 |
| F06030 | (BRAKE) | 136 |
| F07030 | (PTO DRIVE SHAFT) | 138 |
| F07070 | (MAIN P.T.O SHAFT) | 140 |
| F08021 | (FORK, PTO SHIFT) | 142 |
| F08060 | (FORK, MAIN SHIFT) | 144 |
| F10010 | (CASE, HYD CYLINDER) | 146 |
| F10020 | (LIFT ARM) | 148 |
| F10030 | (SAFETY VALVE) | 150 |
| F10031 | (RELIEF) | 152 |
| F10040 | (STOP VALVE) | 154 |
| F10061 | (DRAFT/POSITION CONTROL LEVER) | 156 |
| F10063 | (DRAFT CONTROL) | 158 |
| F10064 | (POSITION CONTROL LEVER) | 160 |
| F11020 | (LEVER ASS'Y, RANGE SHIFT) | 162 |
| F11060 | (DIFFERENTIAL LOCK) | 164 |
| F11080 | (4WD LEVER) | 166 |
| G. SHEET METAL, CABIN | | |
| G01020 | BONNET | 168 |
| G01040 | LOCKING ASS'Y, BONNET | 170 |
| G01060-A | BONNET SUPPORT | 172 |
| G01062 | FIXED BRACKET, BONNET | 174 |
| G01080 | FRONT AXLE BRACKET | 176 |
| G04060 | FOOT REST ASS'Y | 178 |
| G04070 | SEAT | 180 |
| G04090 | FENDER | 182 |
| G04120 | ROPS FRAME ASS'Y | 184 |
| G05020 | TOP LINK | 186 |
| G05030 | LOWER LINK | 188 |
| G05050 | LIFT LINK | 190 |
| G05070 | DRAWBAR HITCH | 192 |
| G05090 | SIDE COVER | 194 |
| G06010 | TOOL BOX & CUP HOLDER | 196 |

CONTENTS

| GROUP NO | GROUP NAME | PAGE |
|-------------------------|-------------------|------|
| H. ELECTRICALS, HARNESS | | |
| H01030 | BATTERY | 198 |
| H03000 | HARNESS | 200 |
| H04051 | SWITCH/DASHBOARD | 202 |
| H04070 | CONTROLLER | 204 |
| I. WEIGHT, TOOLS, TIRE | | |
| I03000 | NAME PLATE | 206 |
| I06010 | SUN VISOR(OPTION) | 208 |

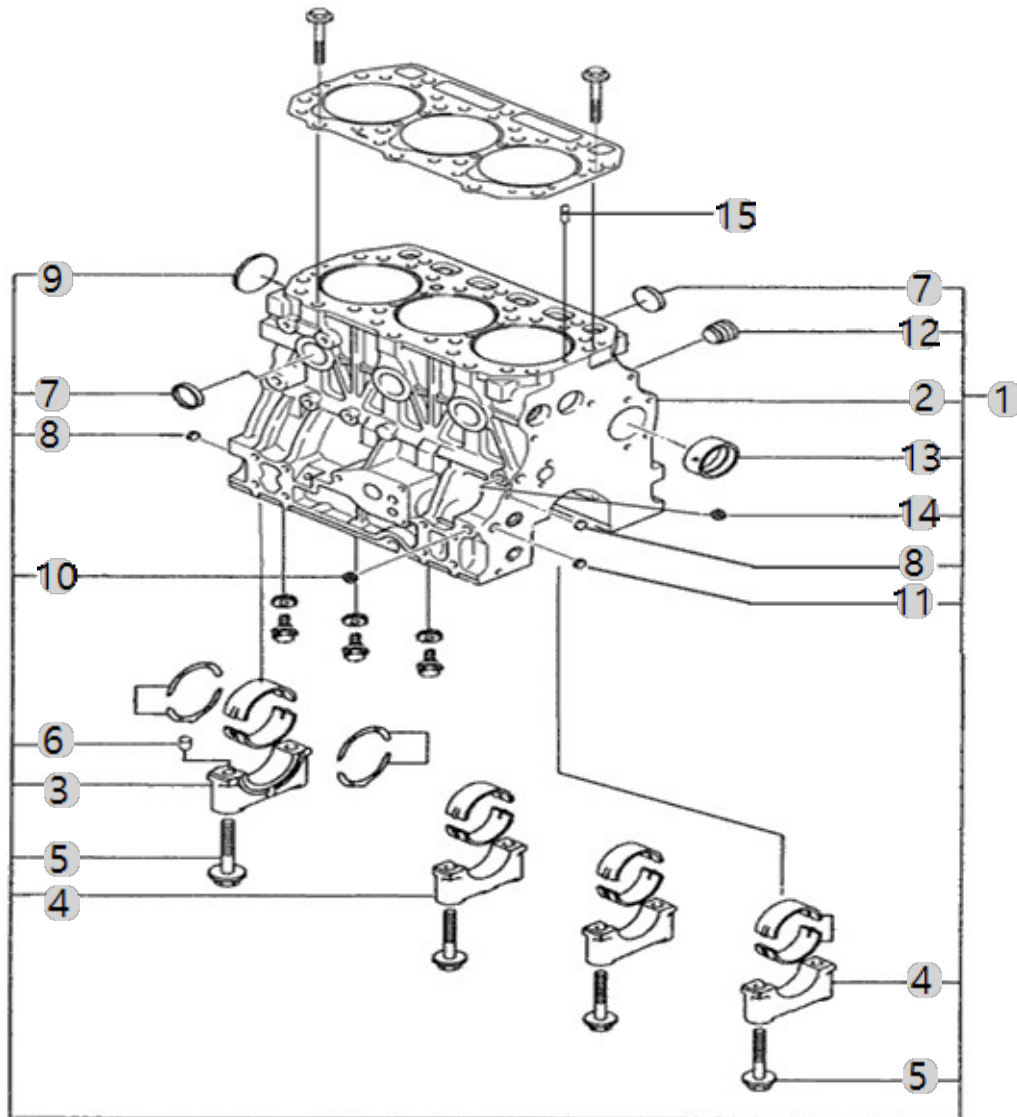
A01_004

A1700N6-UTR_3
(AB00315)

CYLINDER BLOCK

Year/Month

2022-12-14



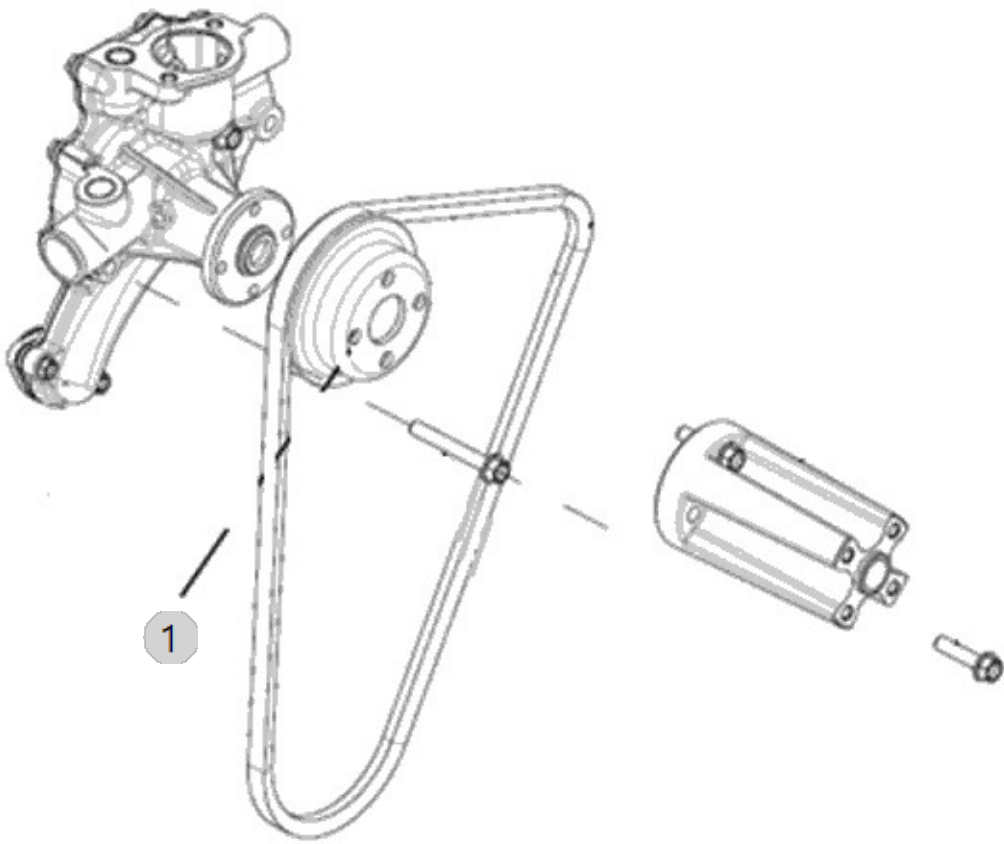
A02_003

A1700N6-UTR_3
(AB00315)

DRIVE PULLEY

Year/Month

2022-12-14



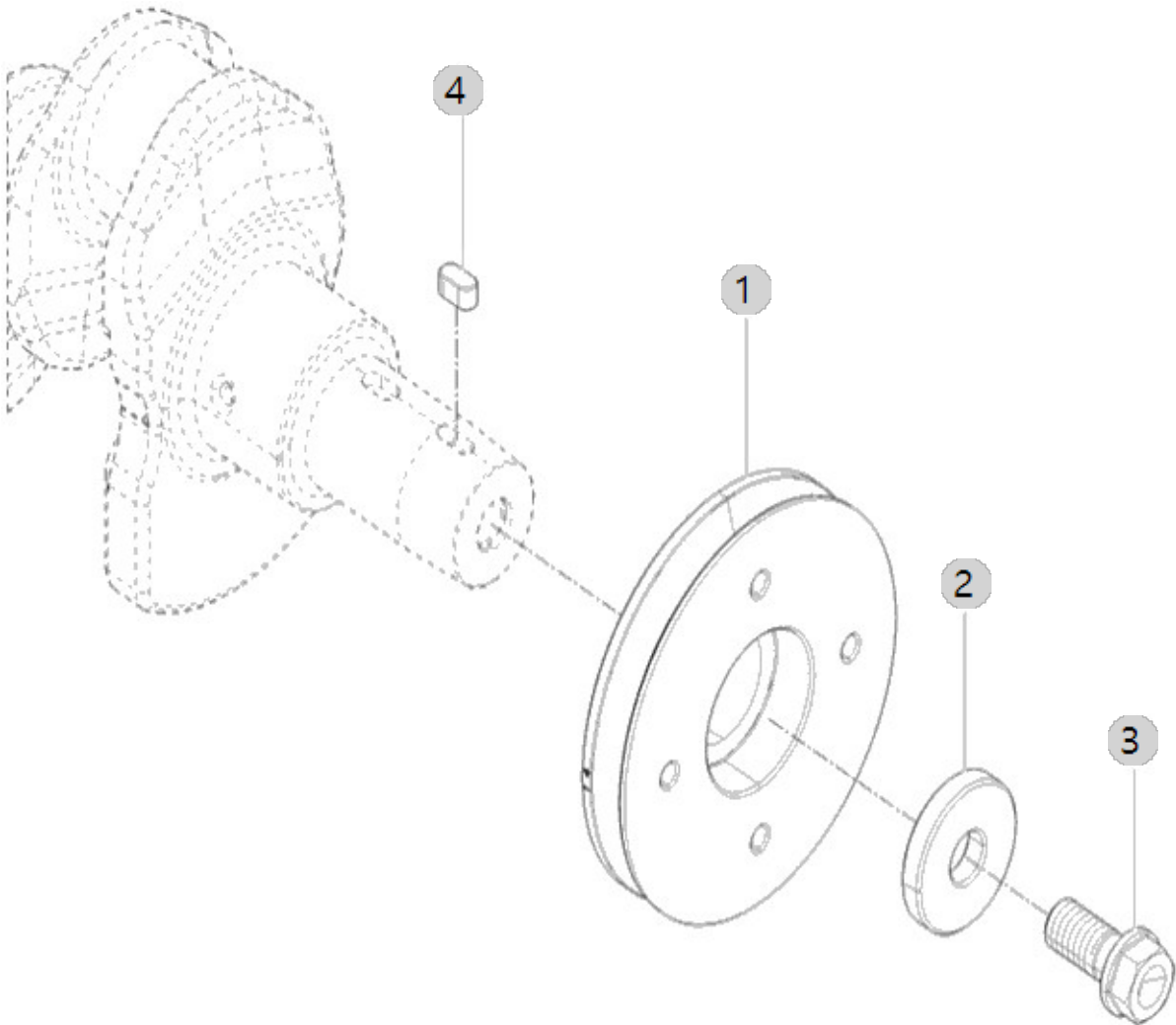
A03_002

A1700N6-UTR_3
(AB00315)

CRANK SHAFT PULLEY

Year/Month

2022-12-14



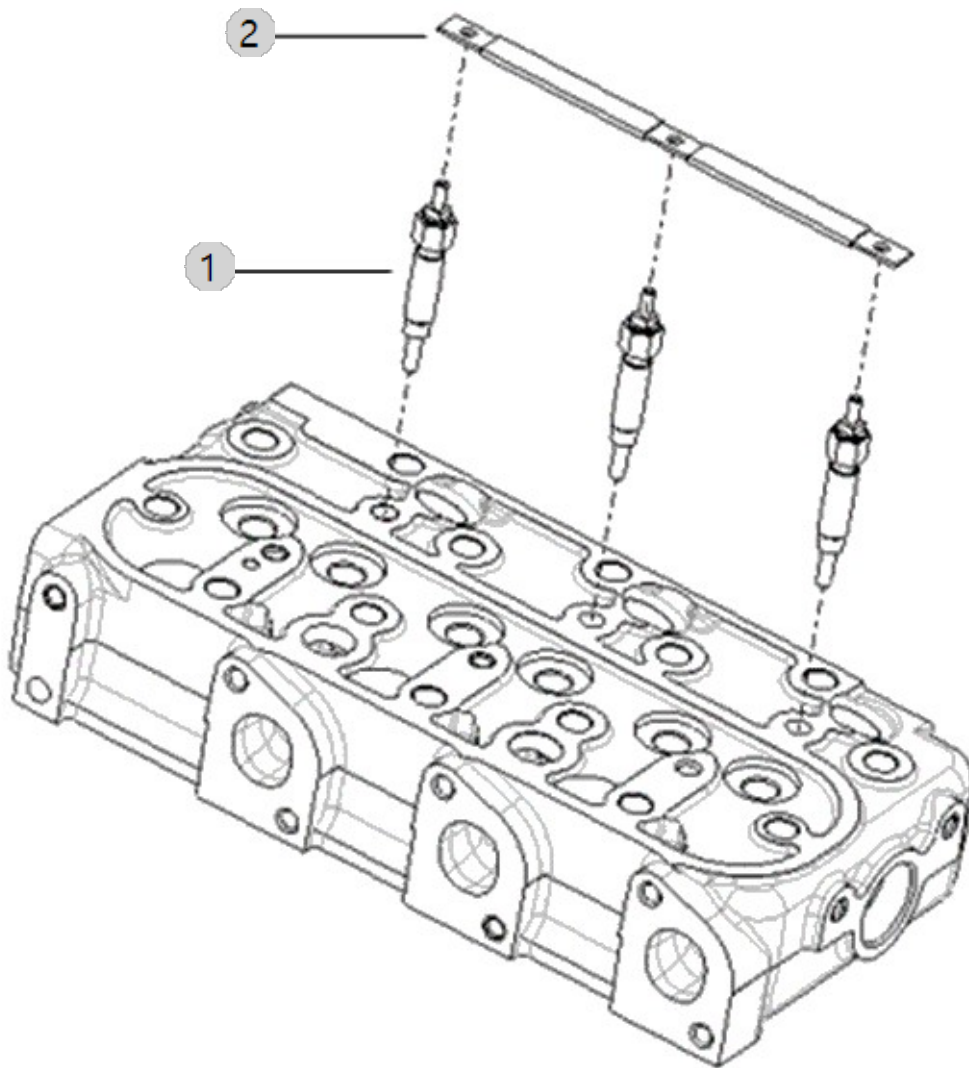
A04_003

A1700N6-UTR_3
(AB00315)

GLOW PLUG ASS'Y OPTION

Year/Month

2022-12-14



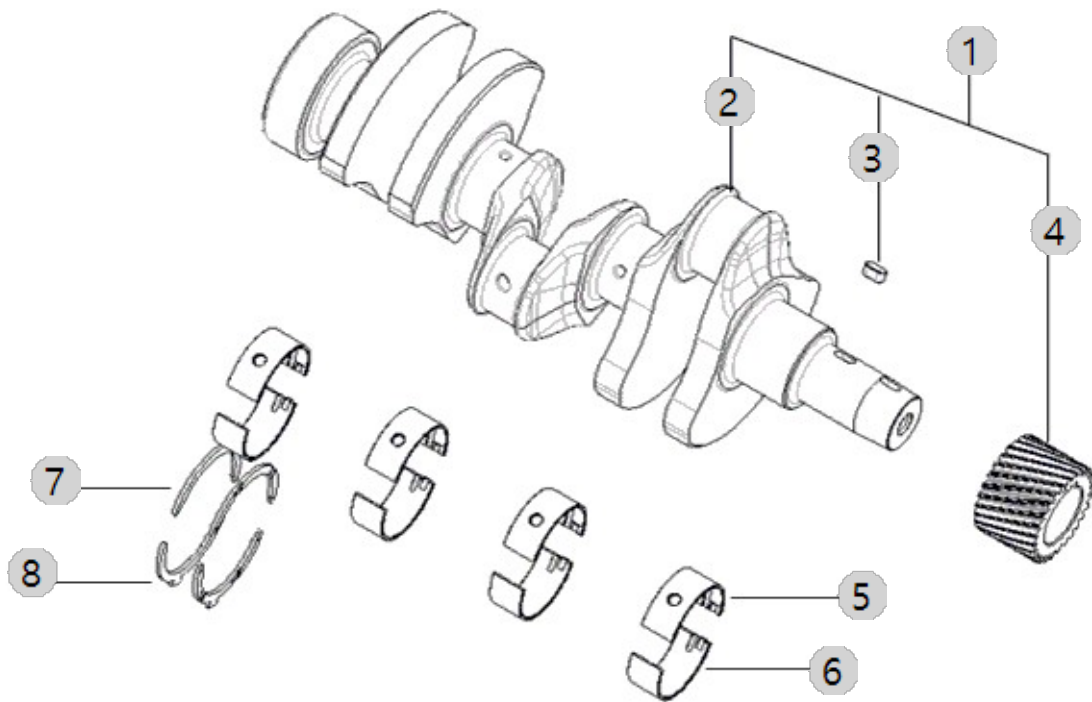
A05_003

A1700N6-UTR_3
(AB00315)

CRANK SHAFT ASS'Y OPTION

Year/Month

2022-12-14



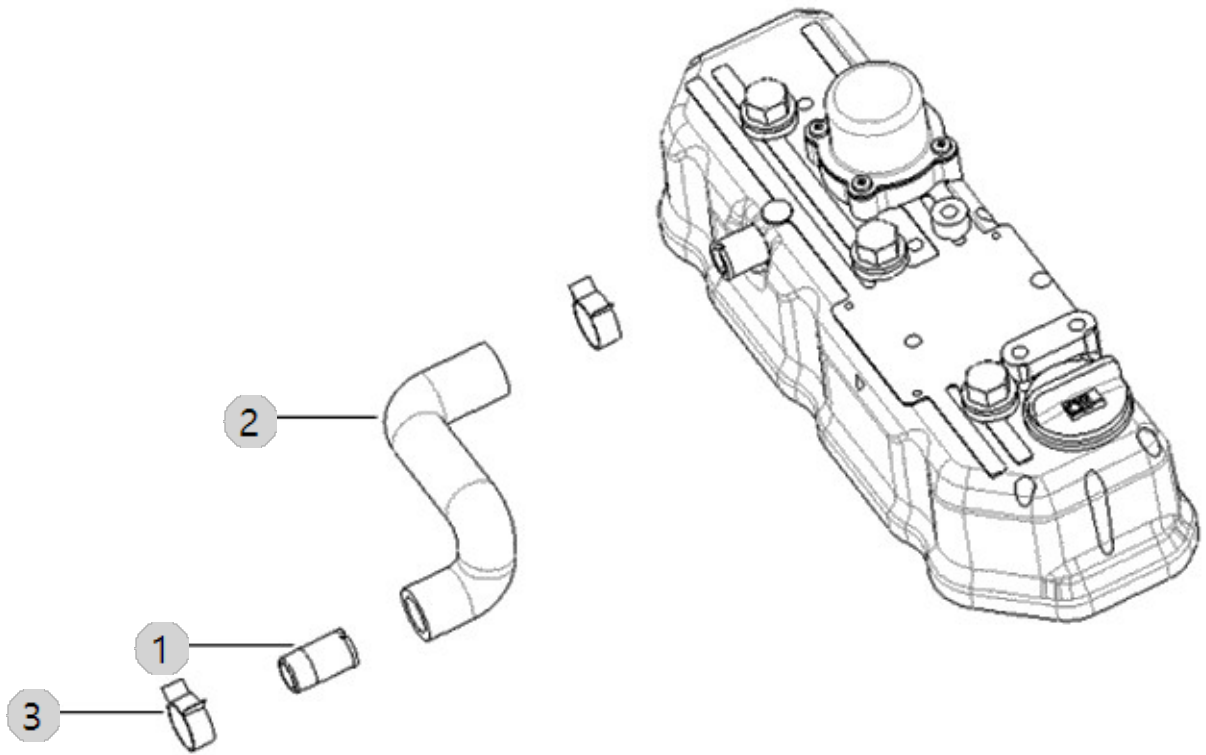
A06_002

A1700N6-UTR_3
(AB00315)

BREATHER OPTION

Year/Month

2022-12-14



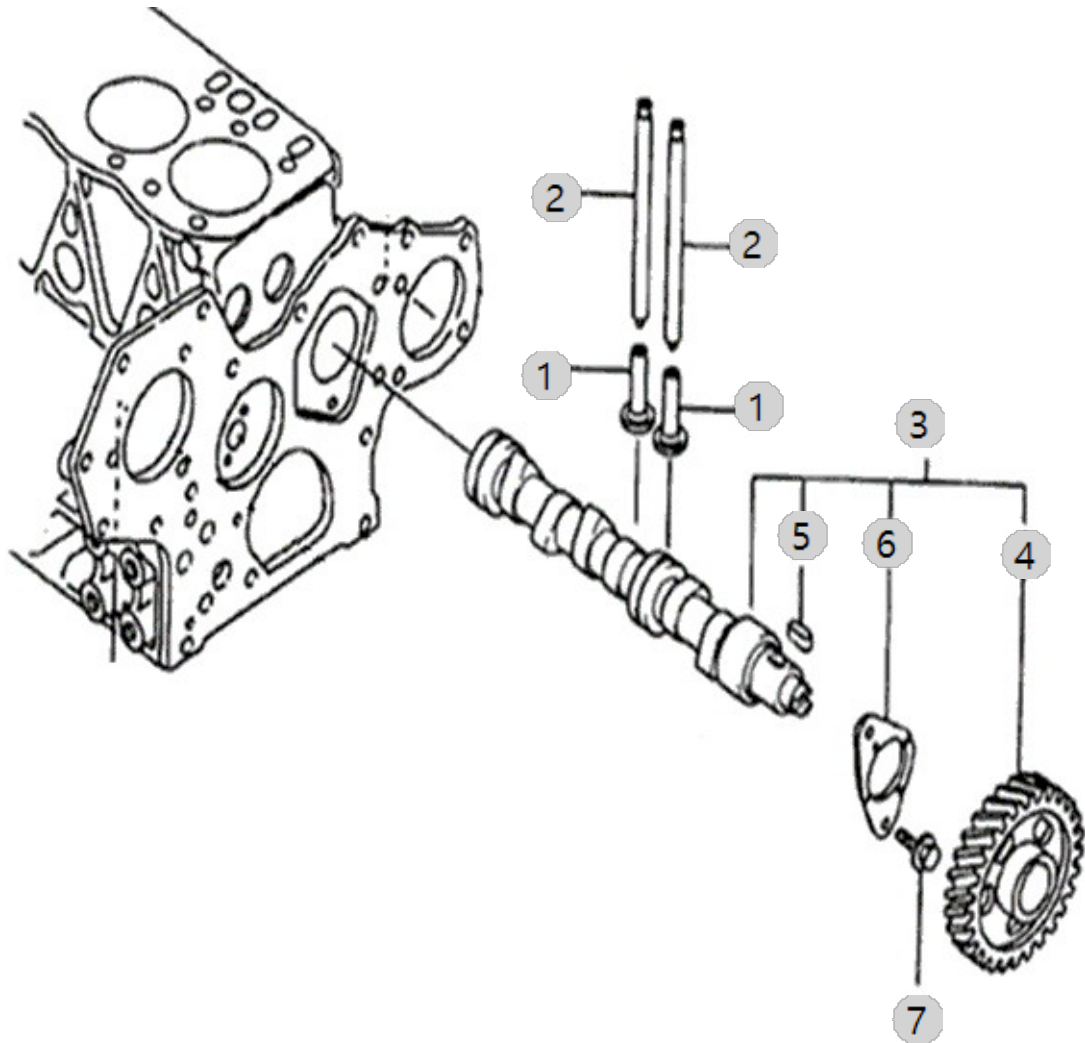
A07_003

A1700N6-UTR_3
(AB00315)

CAMSHAFT

Year/Month

2022-12-14



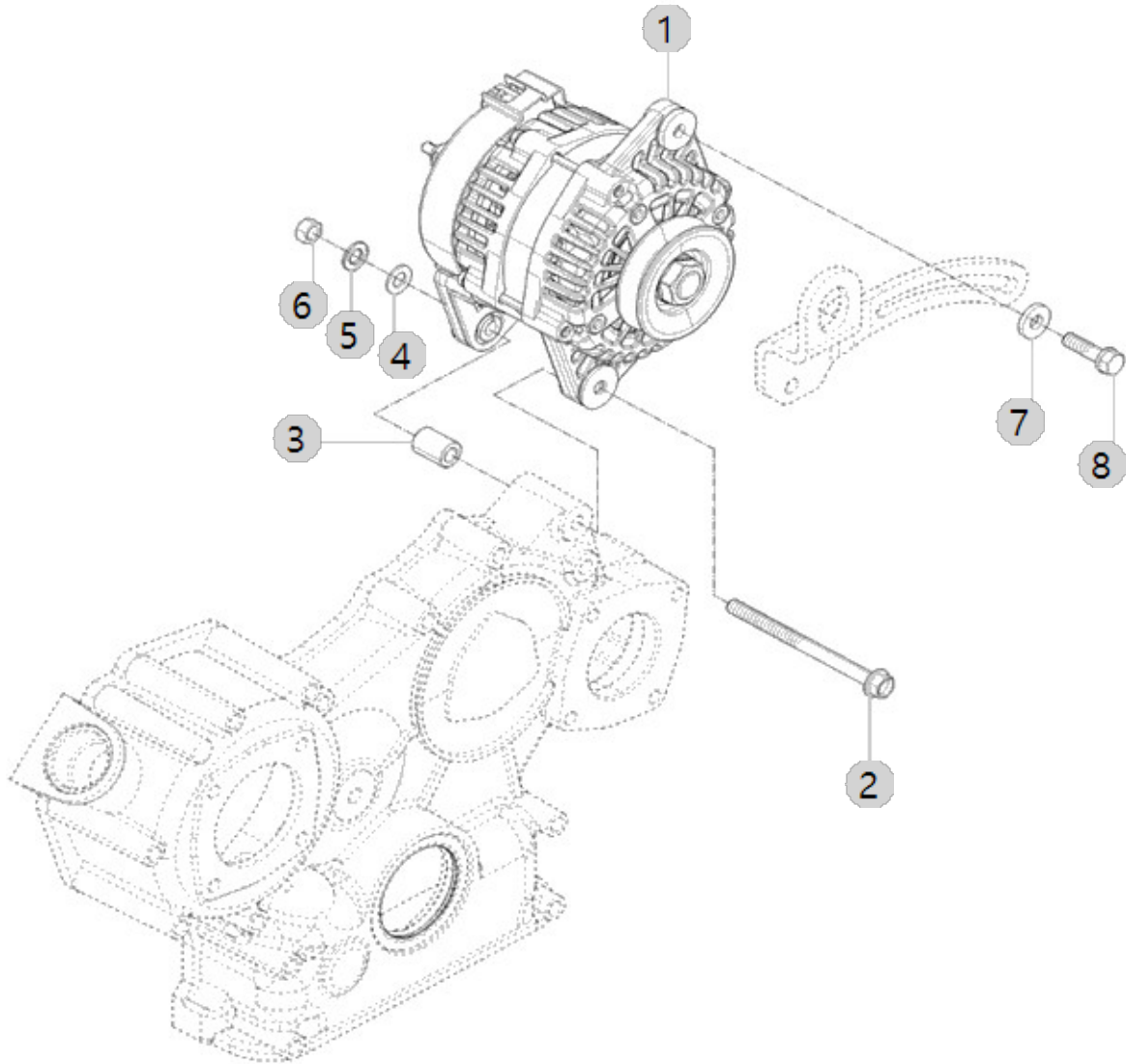
A08_003

A1700N6-UTR_3
(AB00315)

ALTERNATOR

Year/Month

2022-12-14



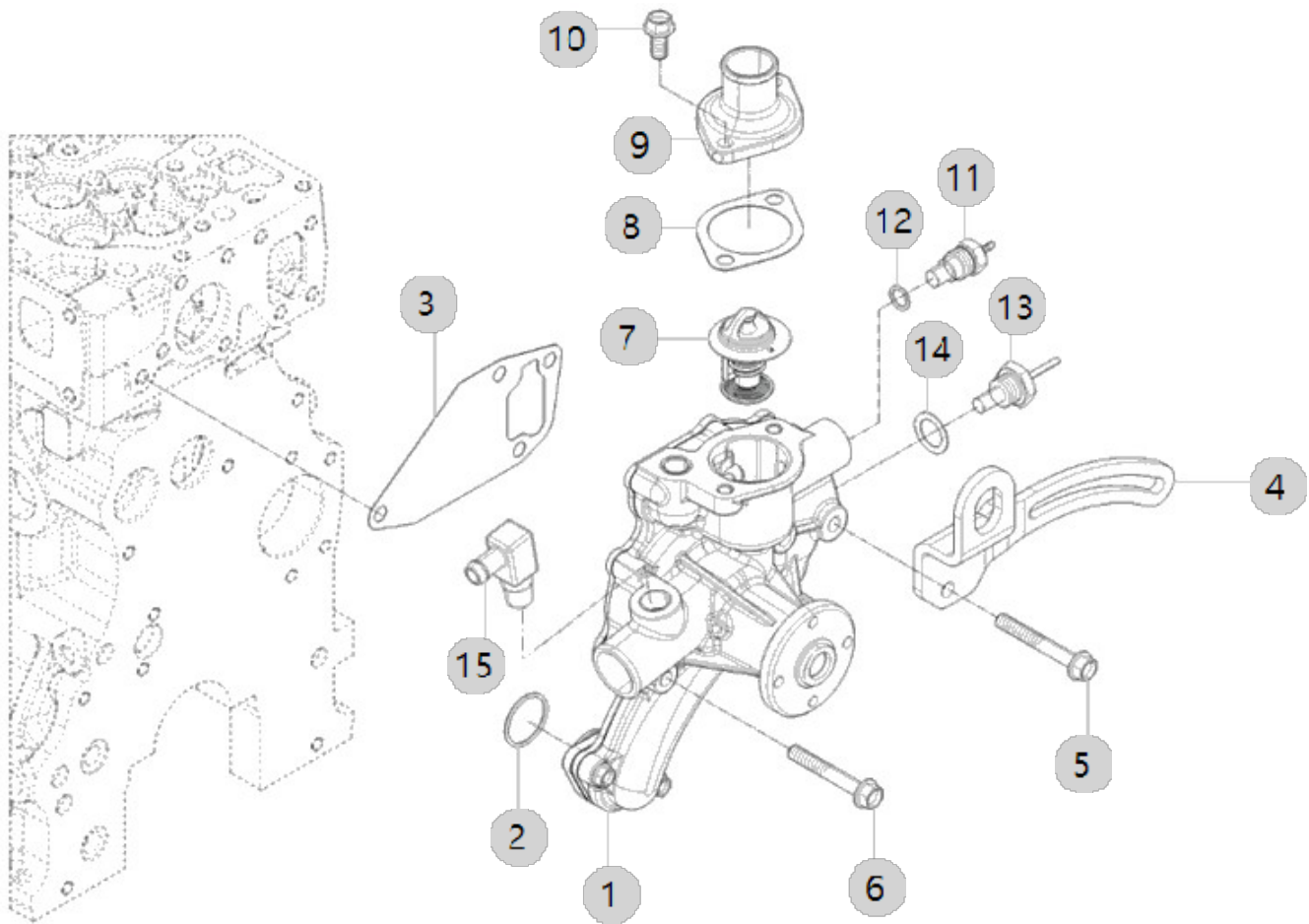
A09_003

A1700N6-UTR_3
(AB00315)

COOLING WATER PUMP

Year/Month

2022-12-14



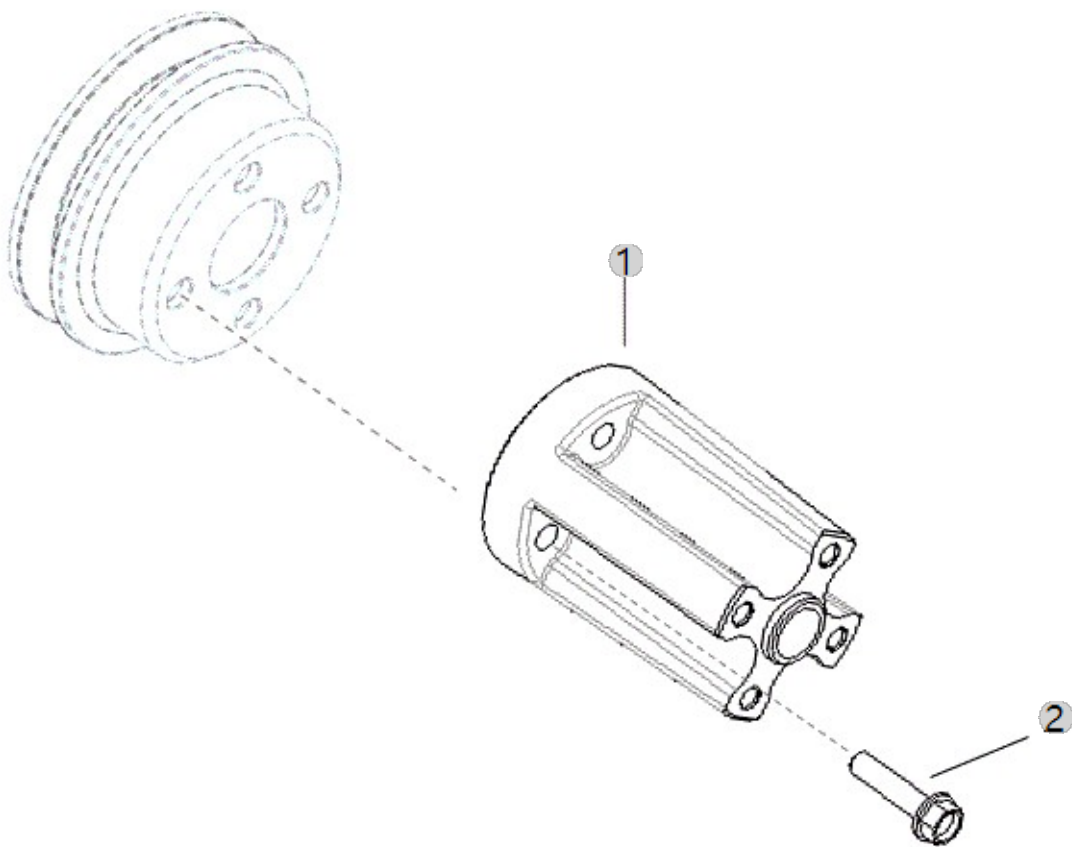
A10_004

A1700N6-UTR_3
(AB00315)

COOLING FAN SPACER

Year/Month

2022-12-14



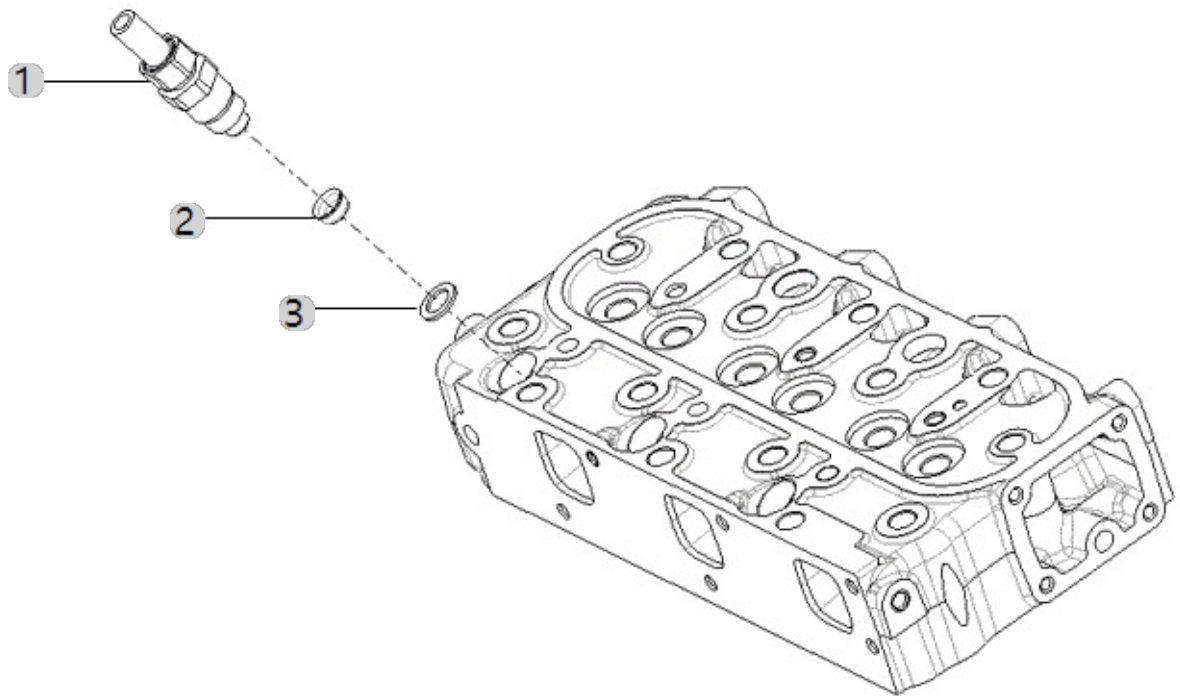
A11_004

A1700N6-UTR_3
(AB00315)

INJECTOR

Year/Month

2022-12-14



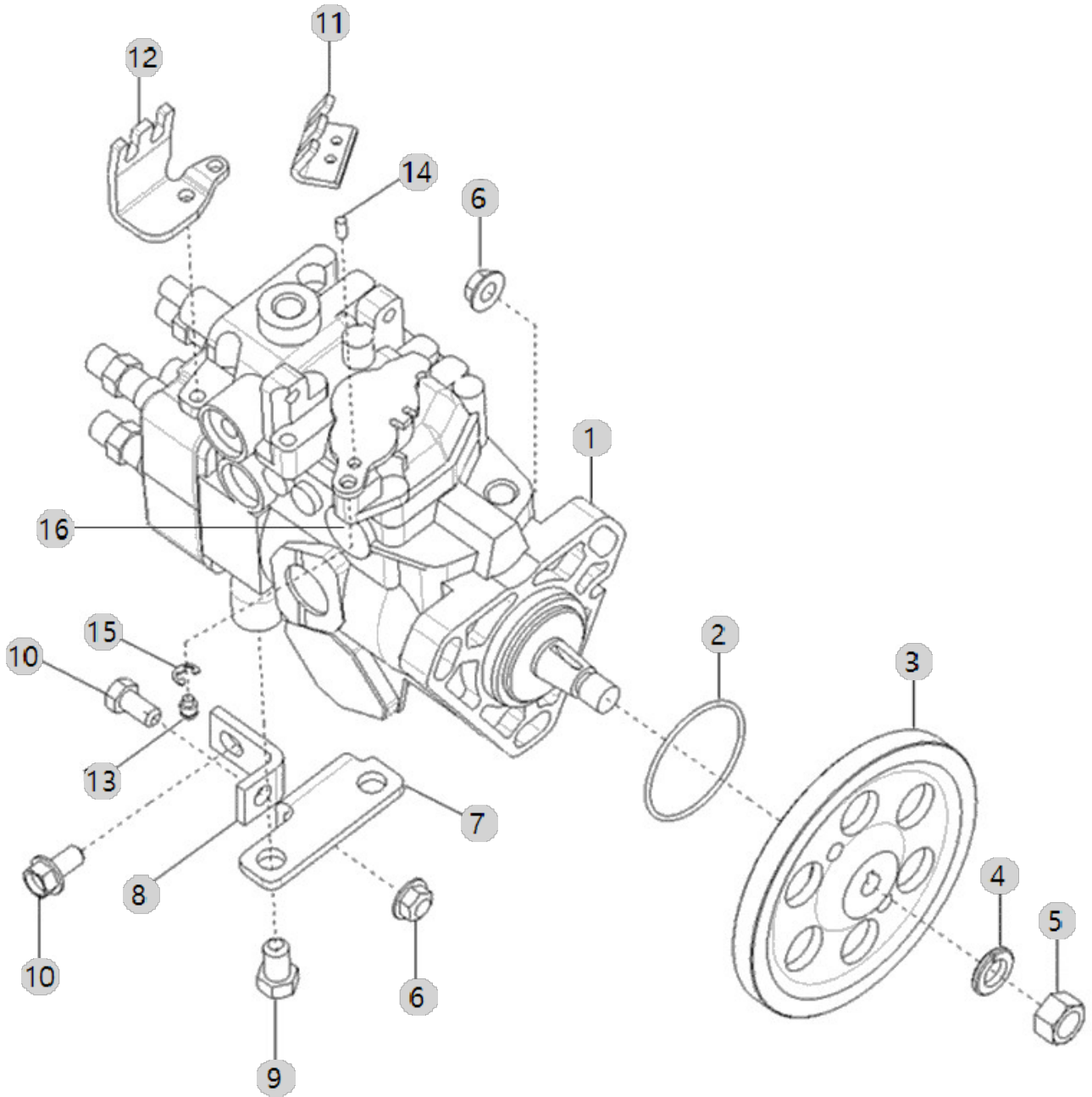
A12_005

A1700N6-UTR_3
(AB00315)

FUEL INJECTOR

Year/Month

2022-12-14



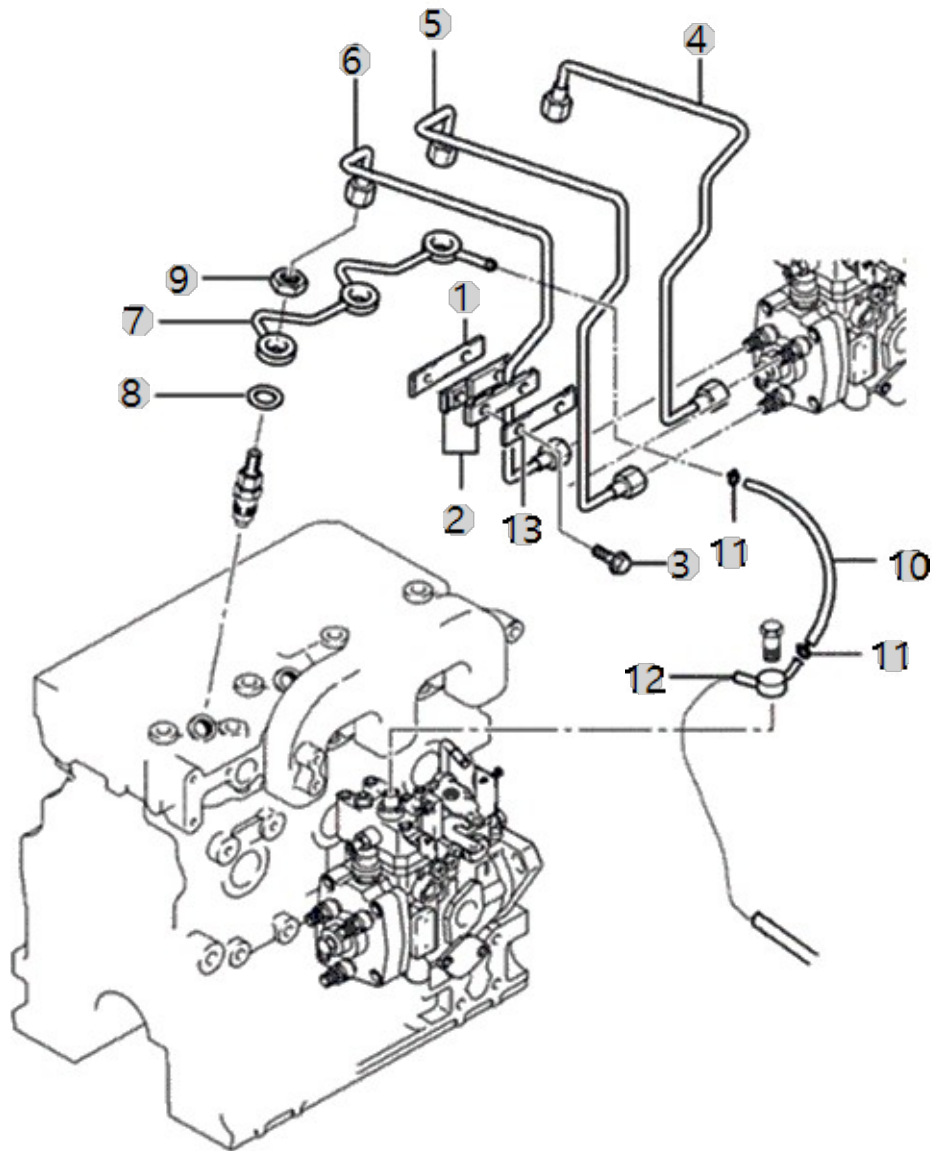
A13_002

A1700N6-UTR_3
(AB00315)

PLUMBING, FUEL

Year/Month

2022-12-14



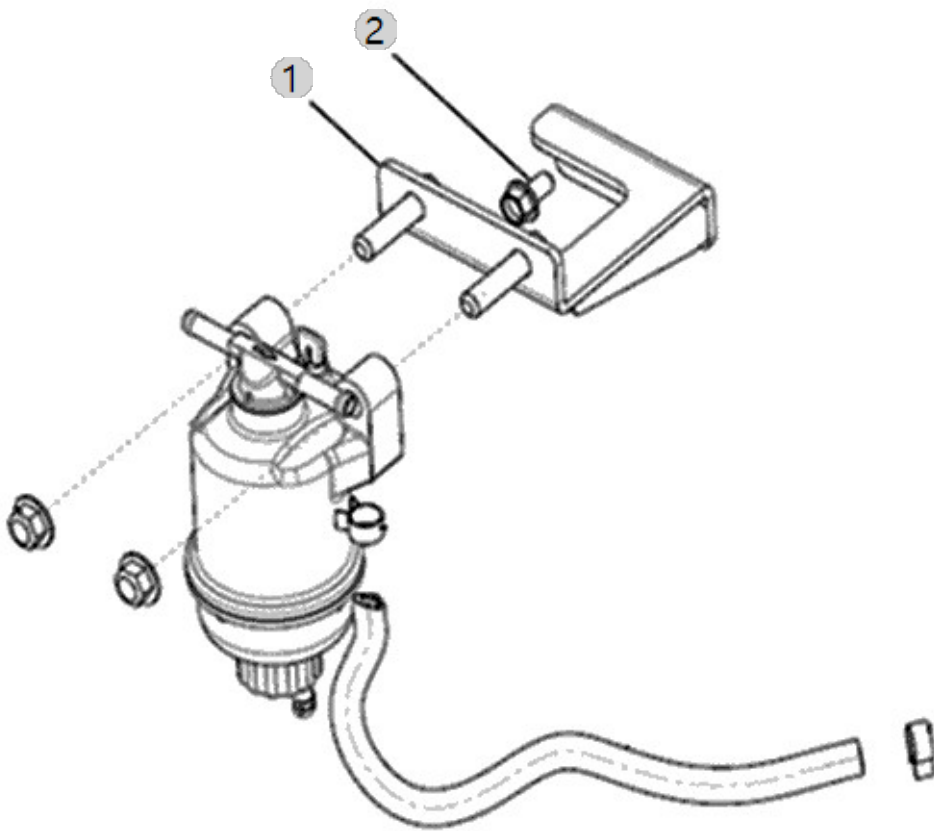
A14_001

A1700N6-UTR_3
(AB00315)

FUEL FILTER BRACKET

Year/Month

2022-12-14



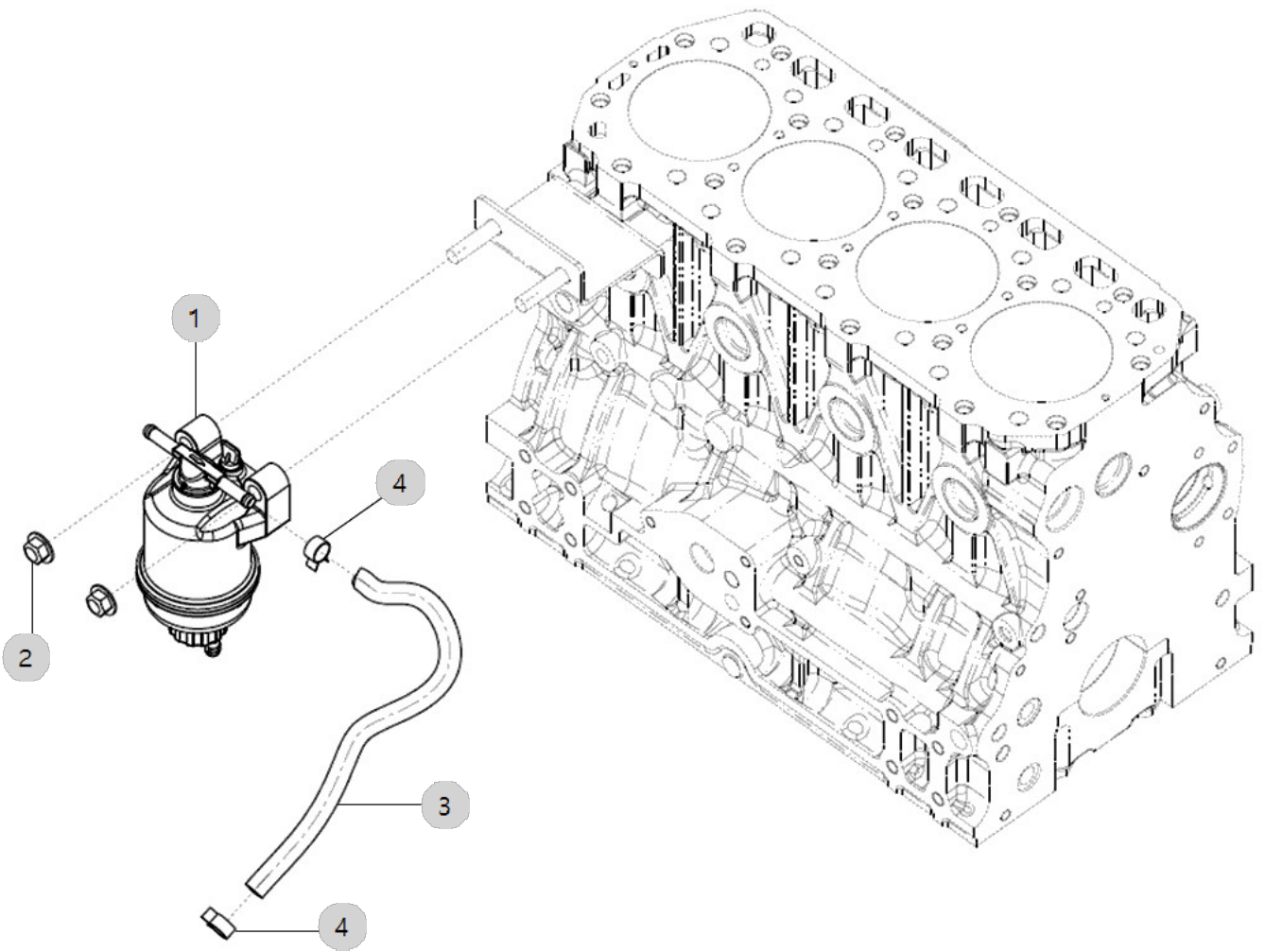
A16_018

A1700N6-UTR_3
(AB00315)

FUEL FILTER ASS'Y OPTION

Year/Month

2022-12-14



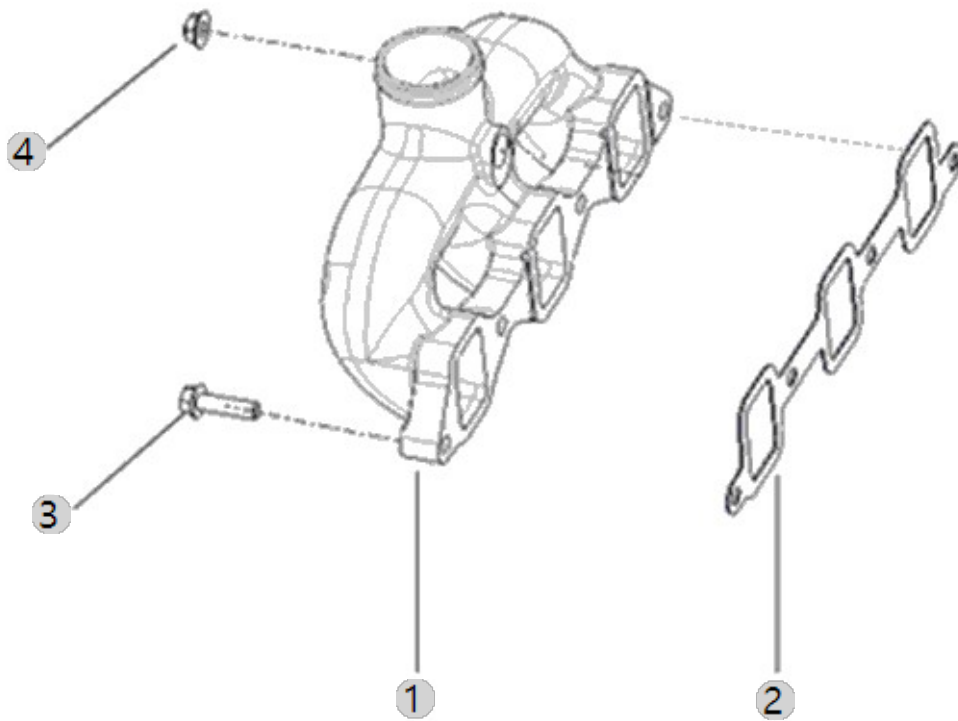
A17_005

A1700N6-UTR_3
(AB00315)

INTAKE MANIFOLD ASS'Y OPTION

Year/Month

2022-12-14



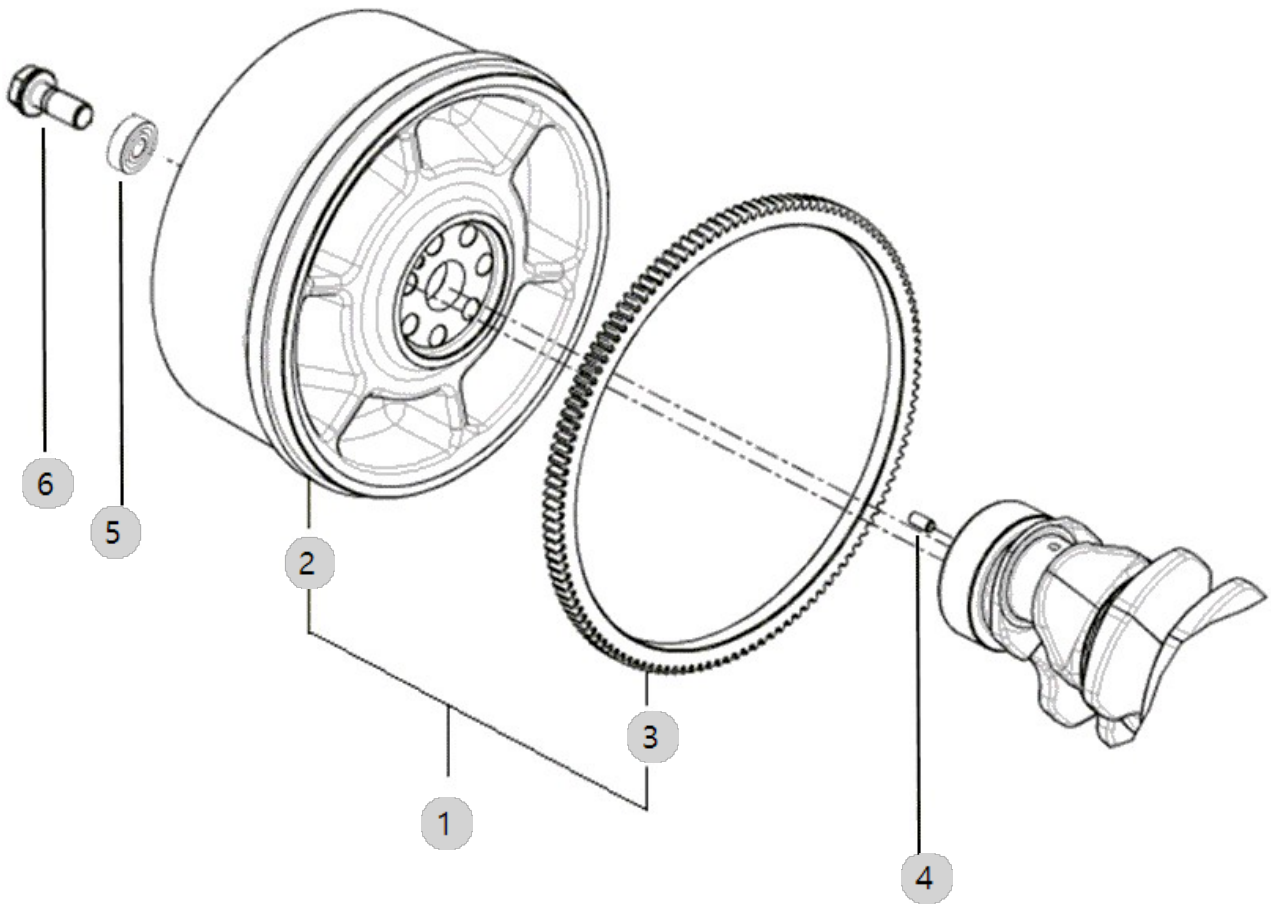
A18_005

A1700N6-UTR_3
(AB00315)

FLYWHEEL

Year/Month

2022-12-14



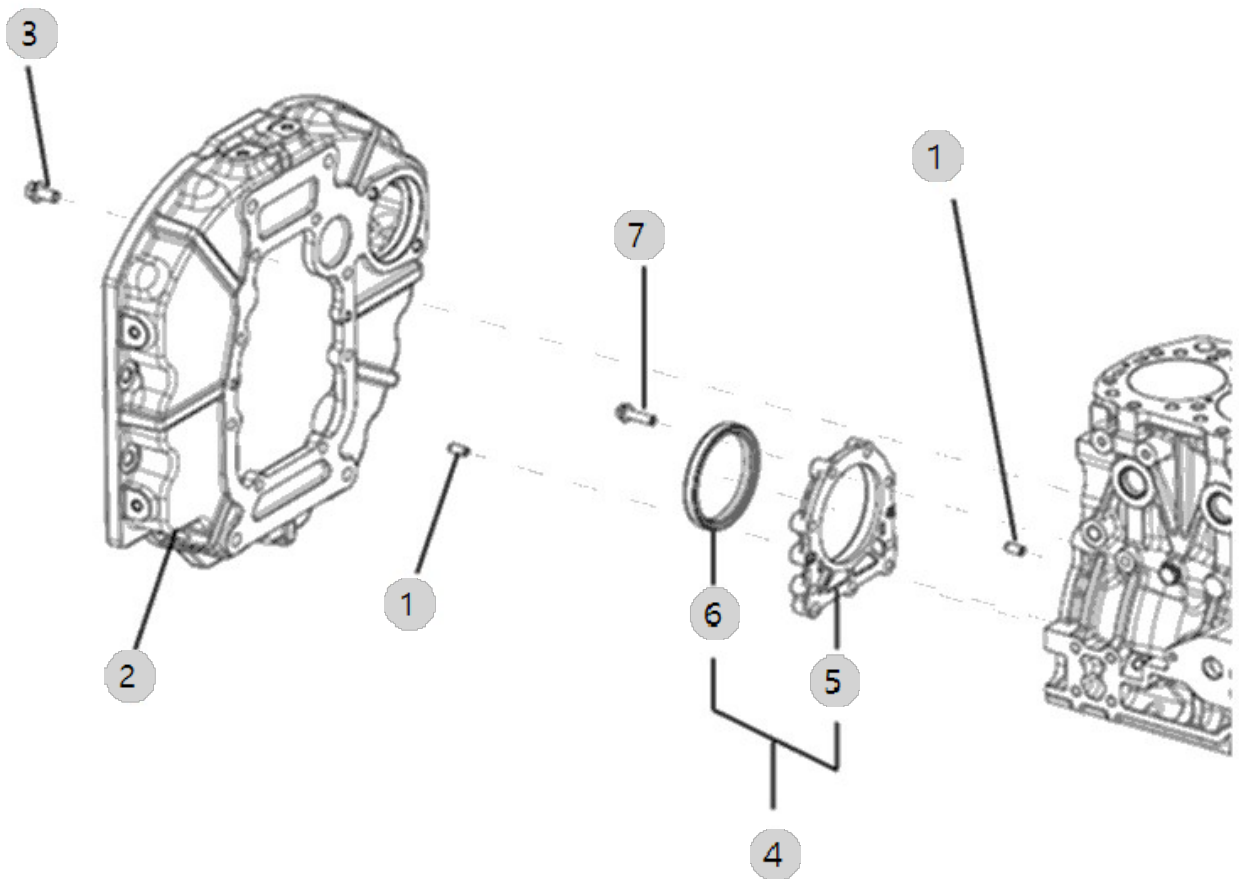
A19_005

A1700N6-UTR_3
(AB00315)

FLYWHEEL HOUSING

Year/Month

2022-12-14



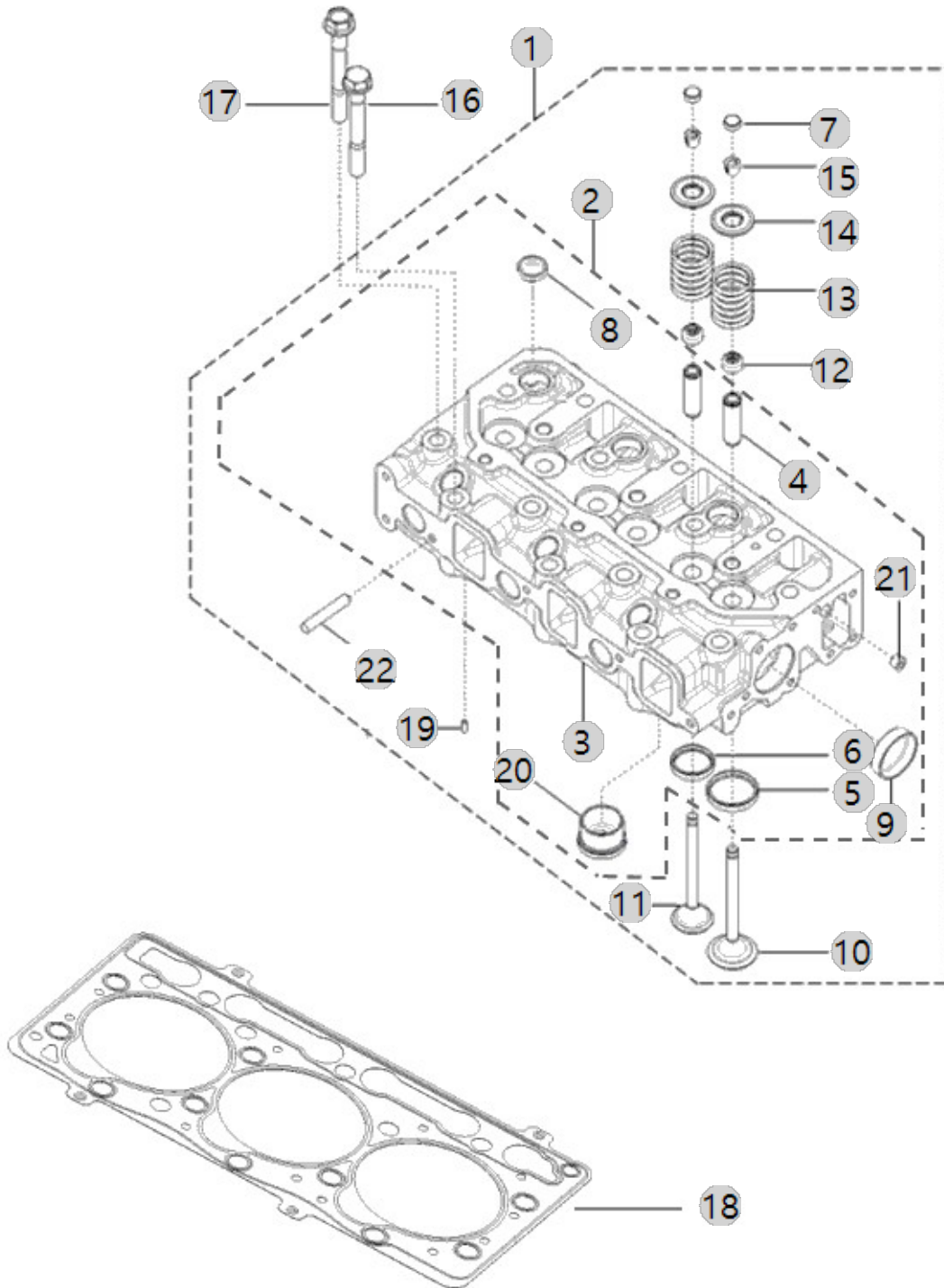
A20_009

A1700N6-UTR_3
(AB00315)

HEAD, CYLINDER

Year/Month

2022-12-14



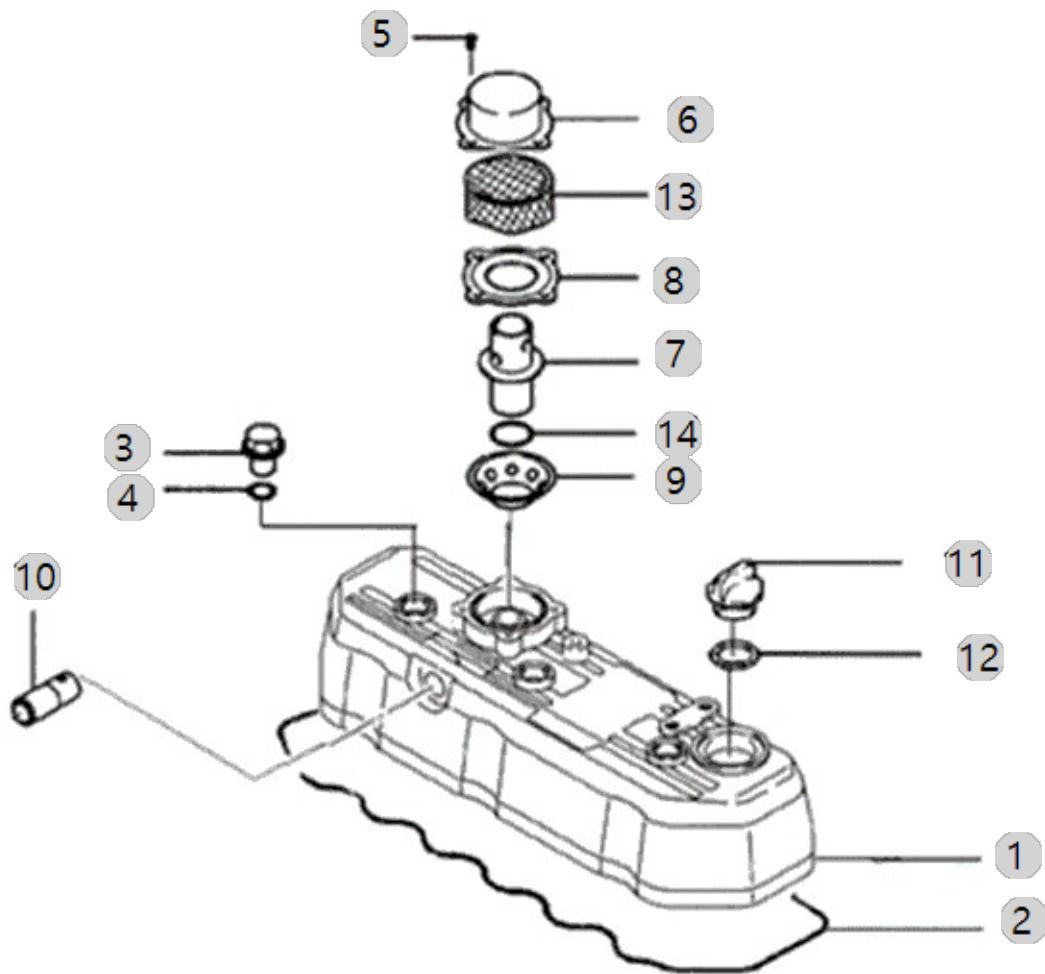
A21_002

A1700N6-UTR_3
(AB00315)

HEAD COVER

Year/Month

2022-12-14



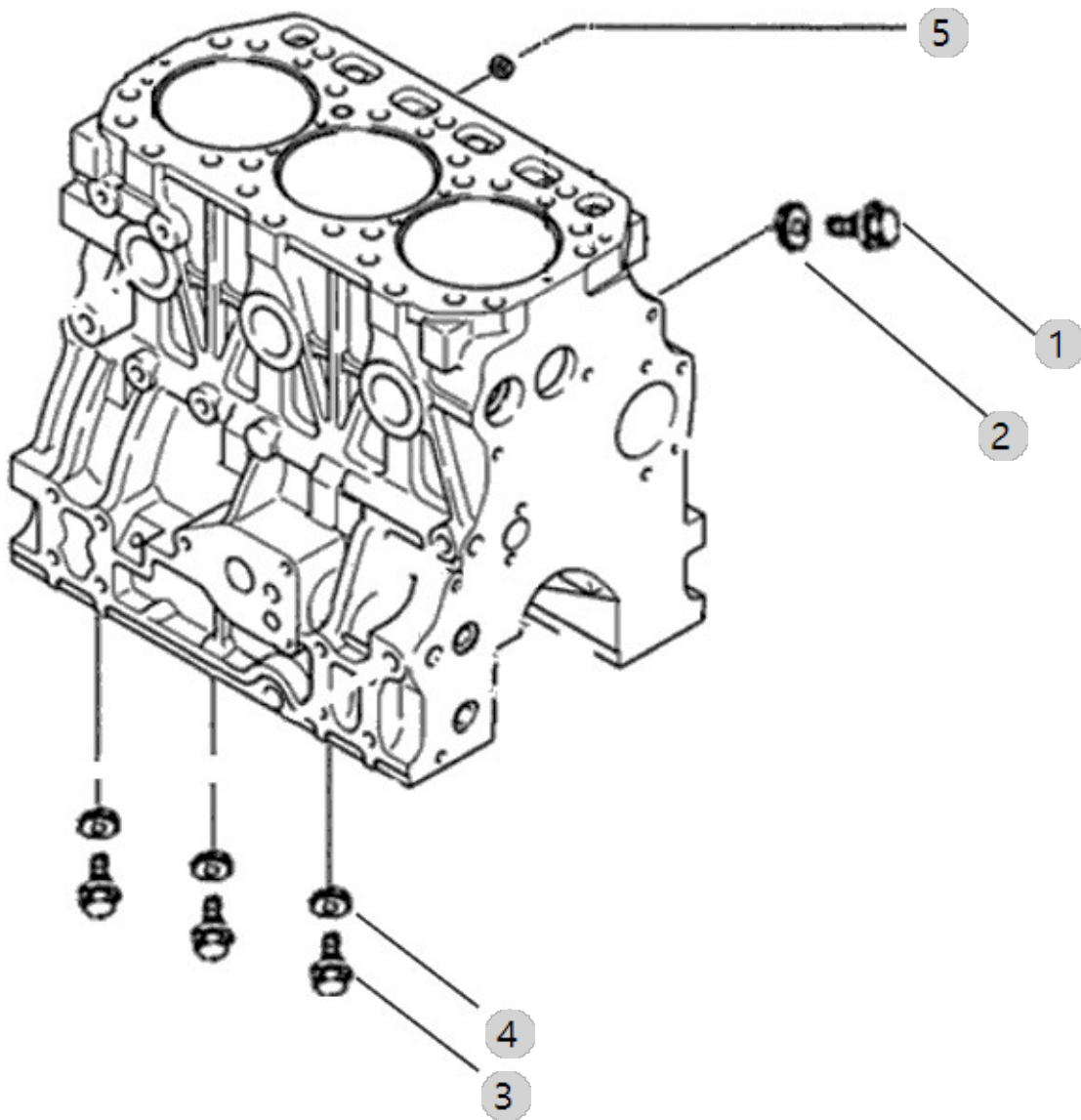
A23_003

A1700N6-UTR_3
(AB00315)

TURBOCHARGER SUPPORT ASS'Y OPTION

Year/Month

2022-12-14



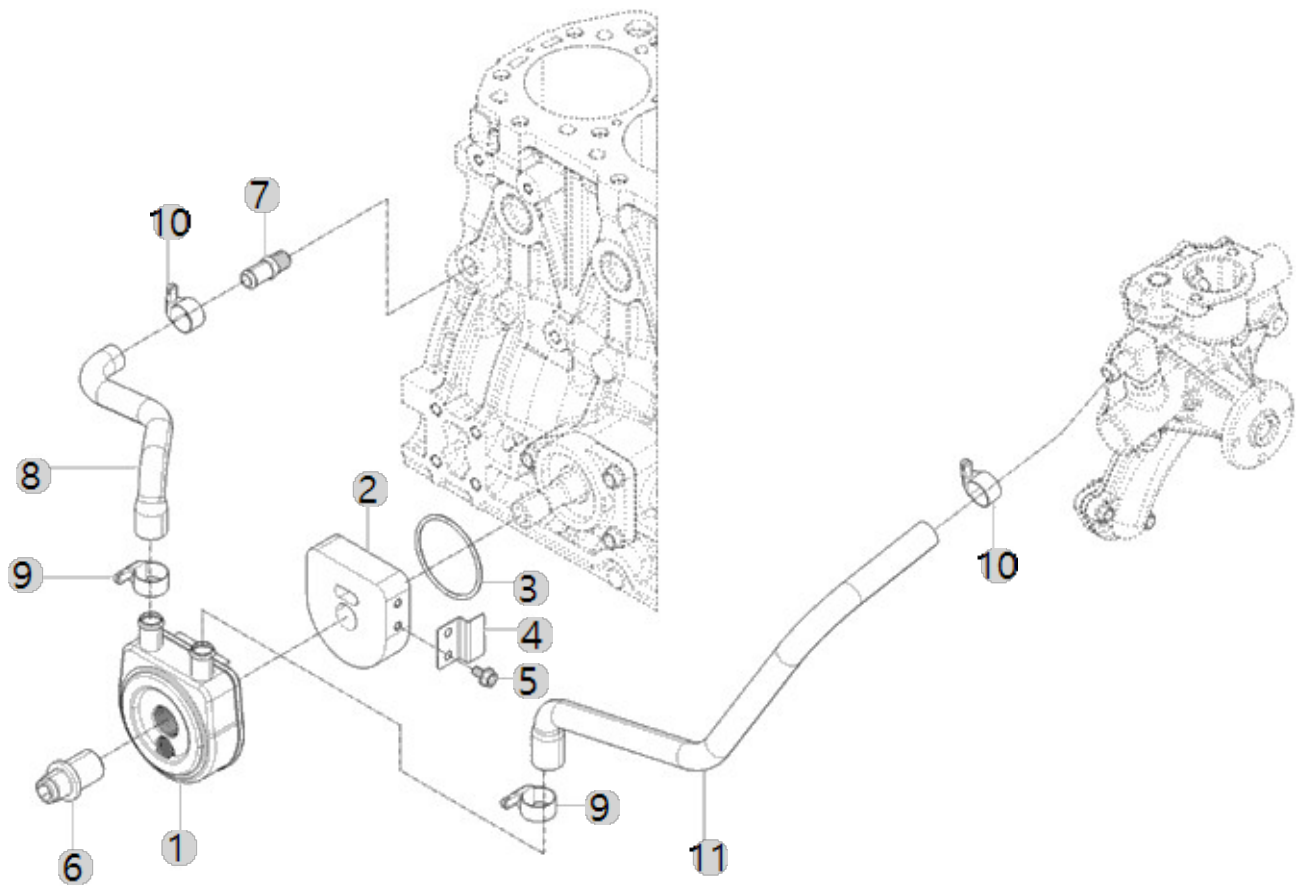
A26_001

A1700N6-UTR_3
(AB00315)

COOLER, ENGINE OIL

Year/Month

2022-12-14



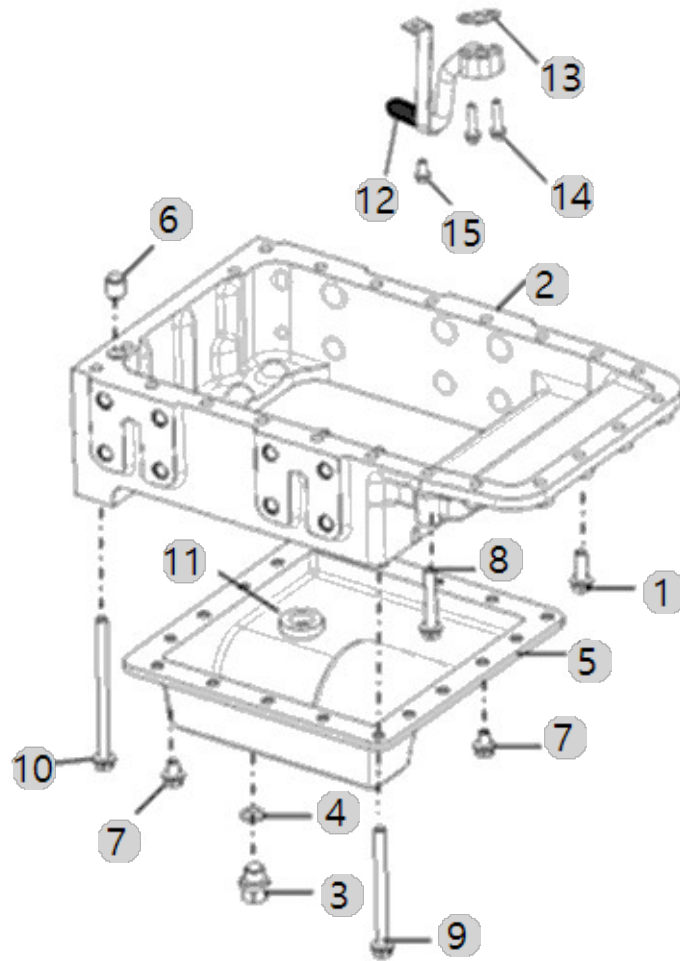
A27_004

A1700N6-UTR_3
(AB00315)

OIL PAN ASS'Y OPTION

Year/Month

2022-12-14



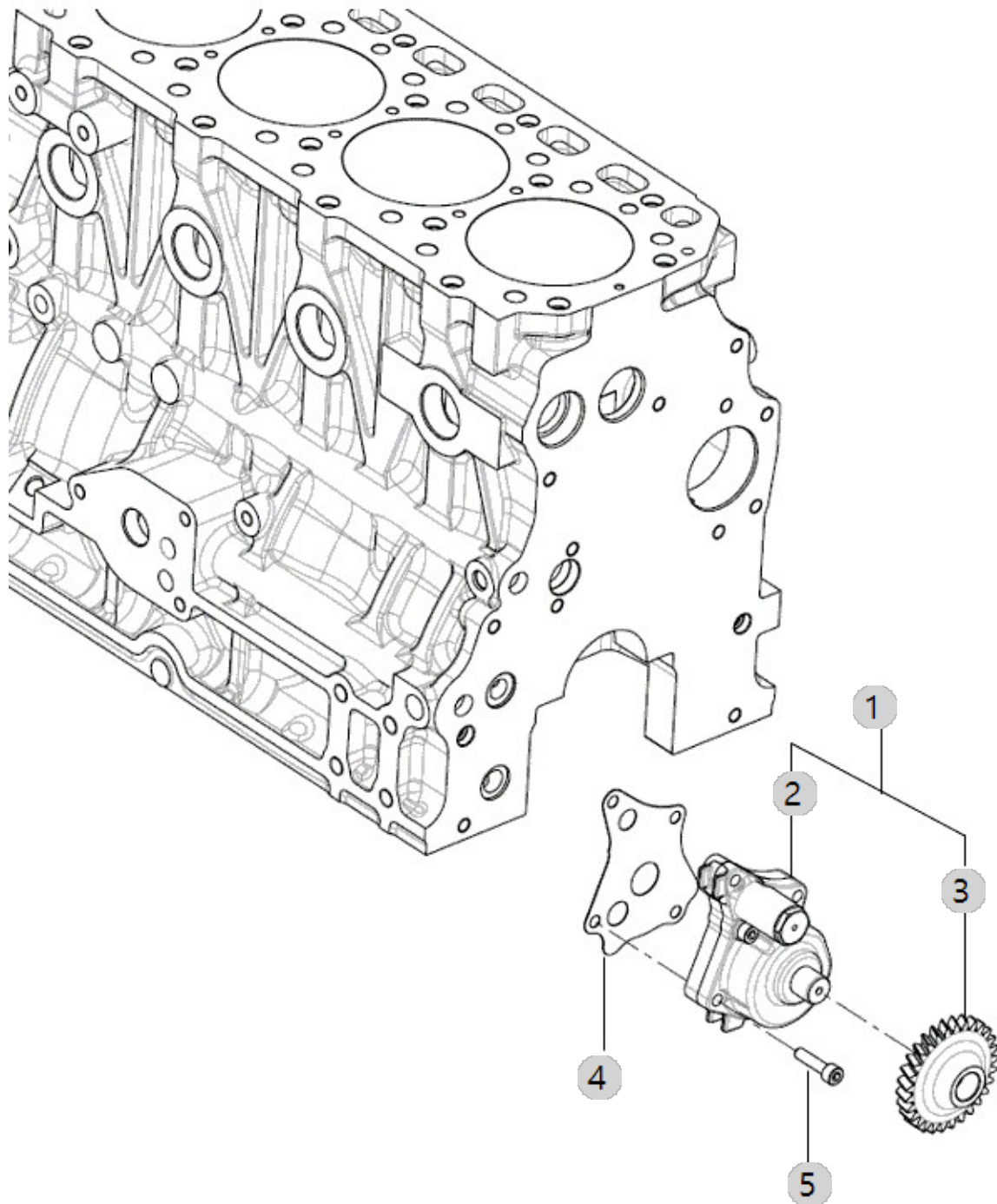
A28_001

A1700N6-UTR_3
(AB00315)

PUMP, LUBRICATING OIL

Year/Month

2022-12-14



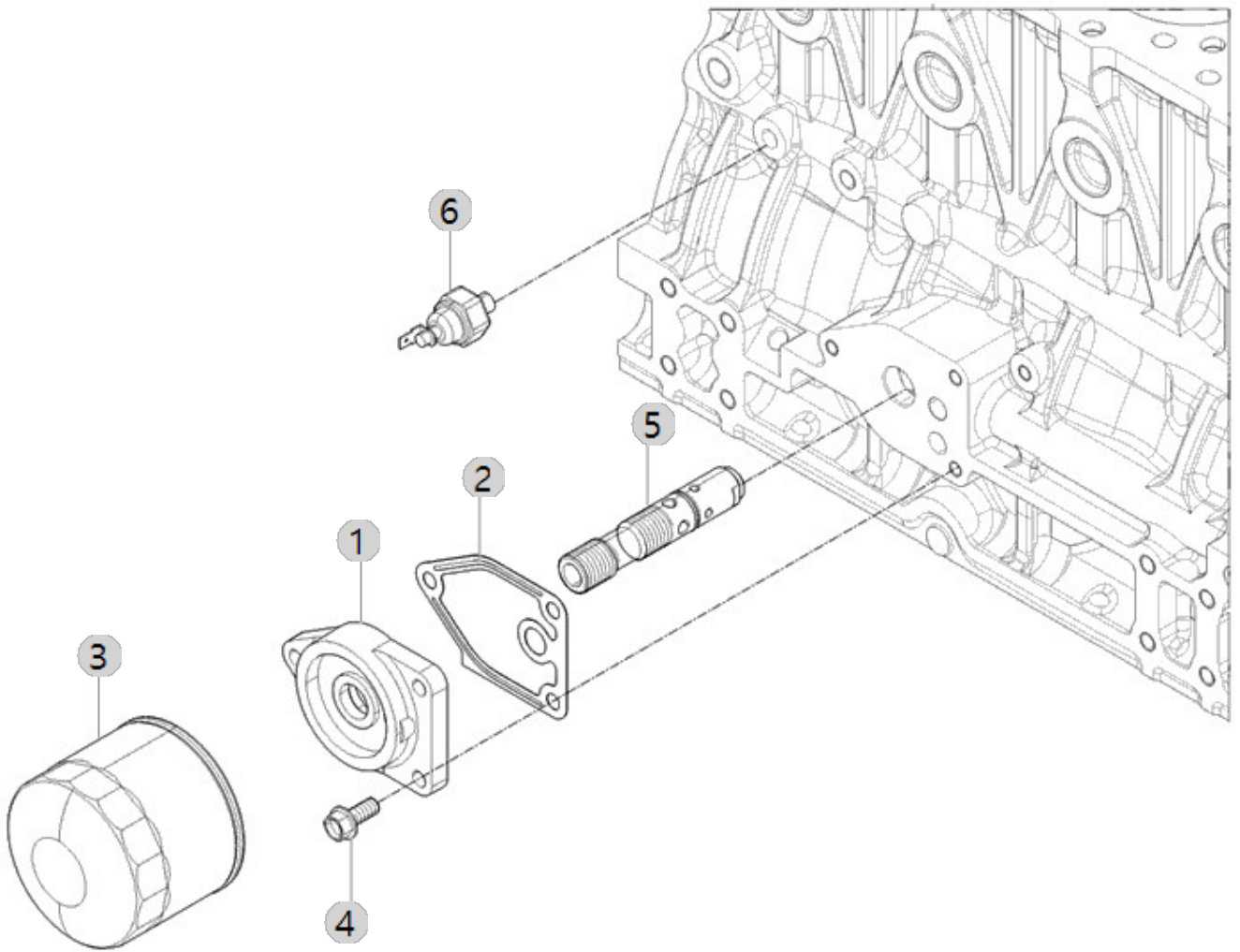
A29_005

A1700N6-UTR_3
(AB00315)

FILTER, LUBRICATING OIL

Year/Month

2022-12-14



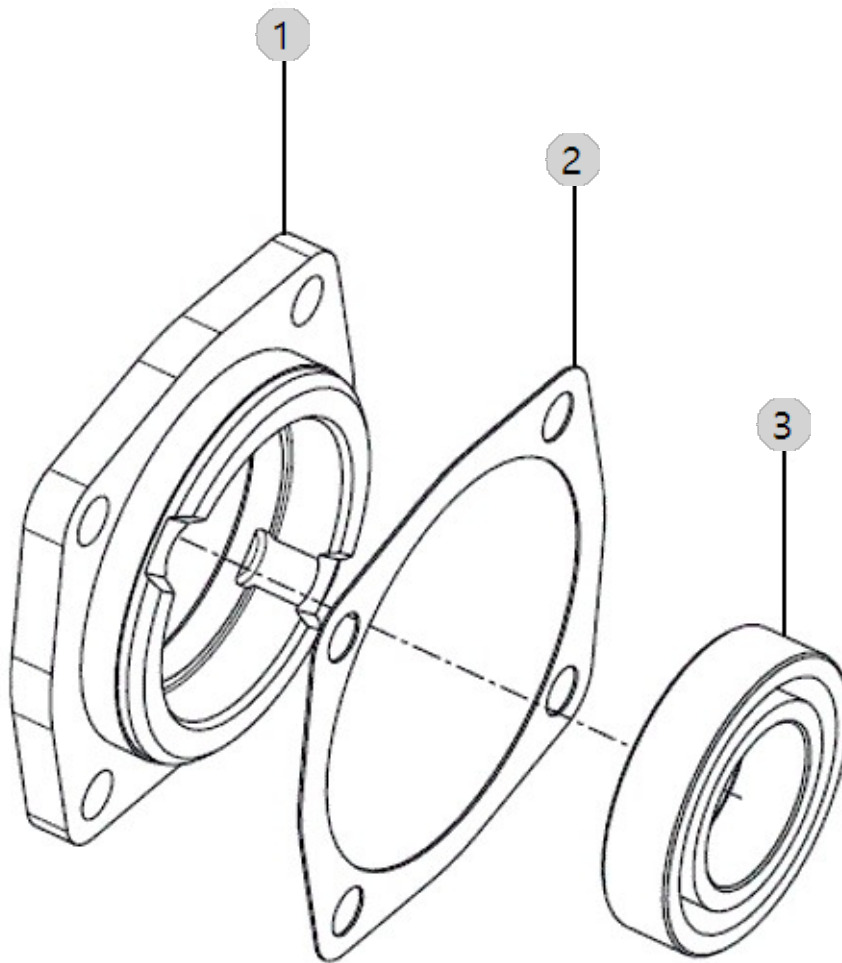
A30_003

A1700N6-UTR_3
(AB00315)

FRONT GEAR ACCESSORY DRIVE

Year/Month

2022-12-14



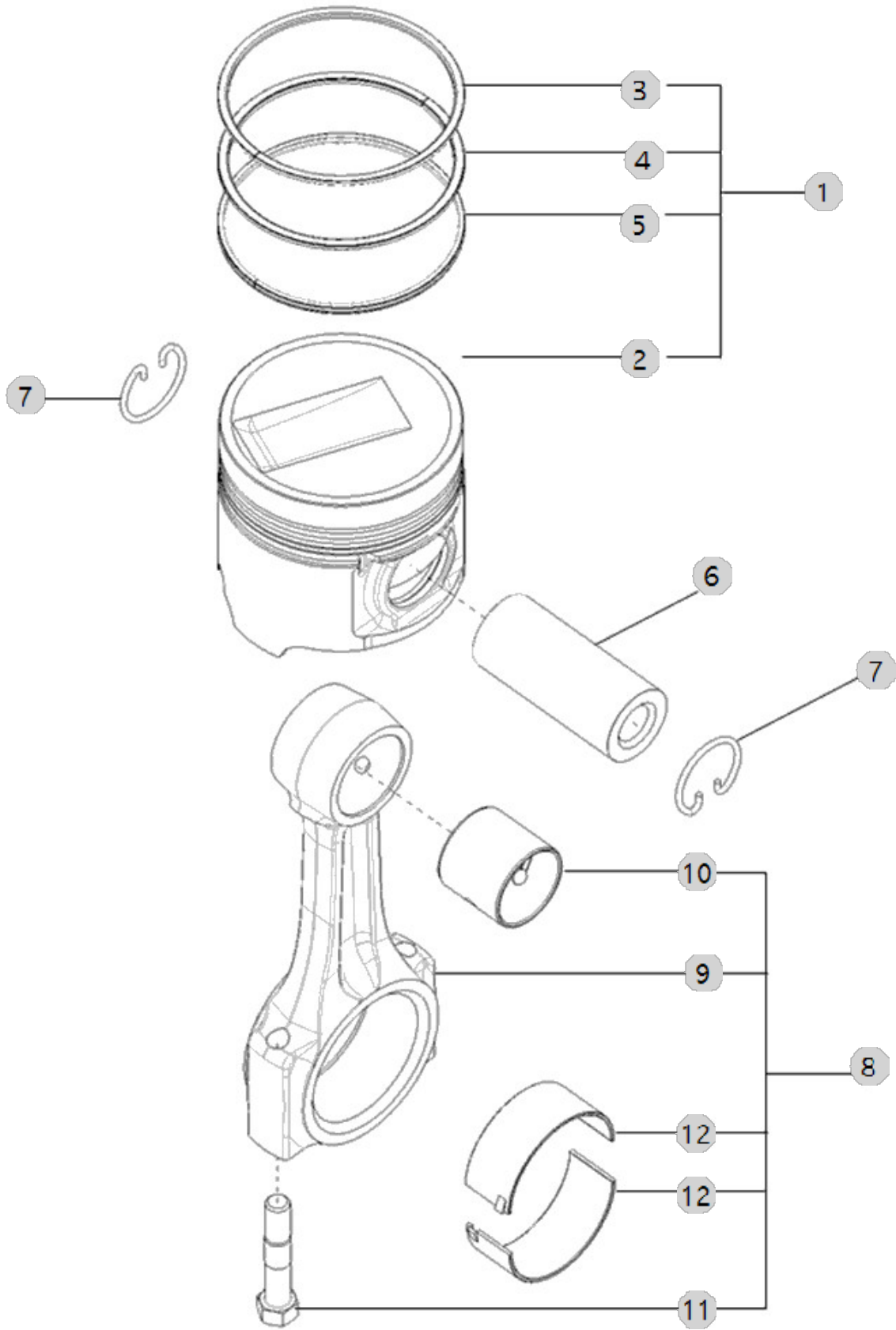
A31_003

A1700N6-UTR_3
(AB00315)

PISTON

Year/Month

2022-12-14



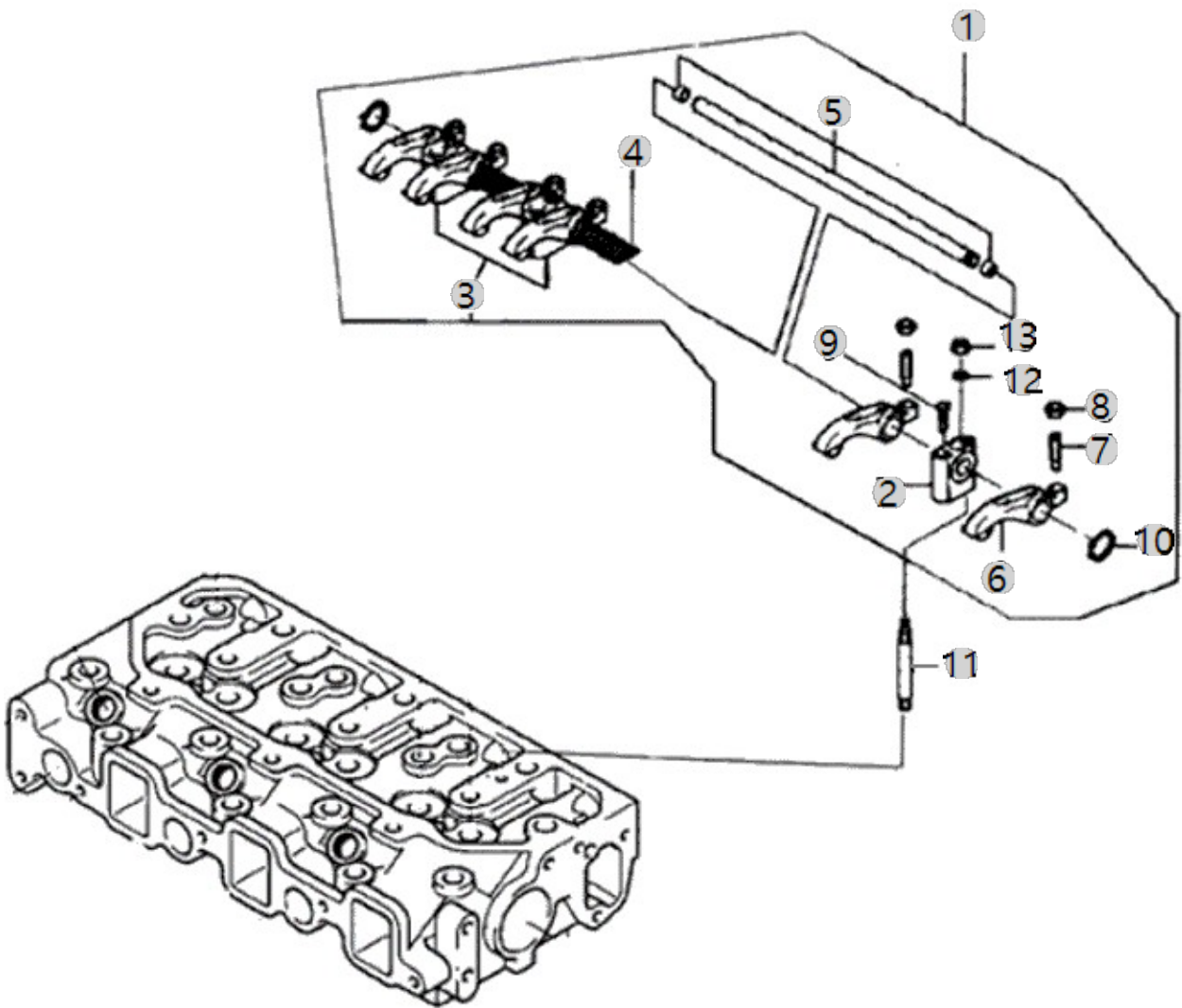
A32_002

A1700N6-UTR_3
(AB00315)

LEVER, LOCKER

Year/Month

2022-12-14



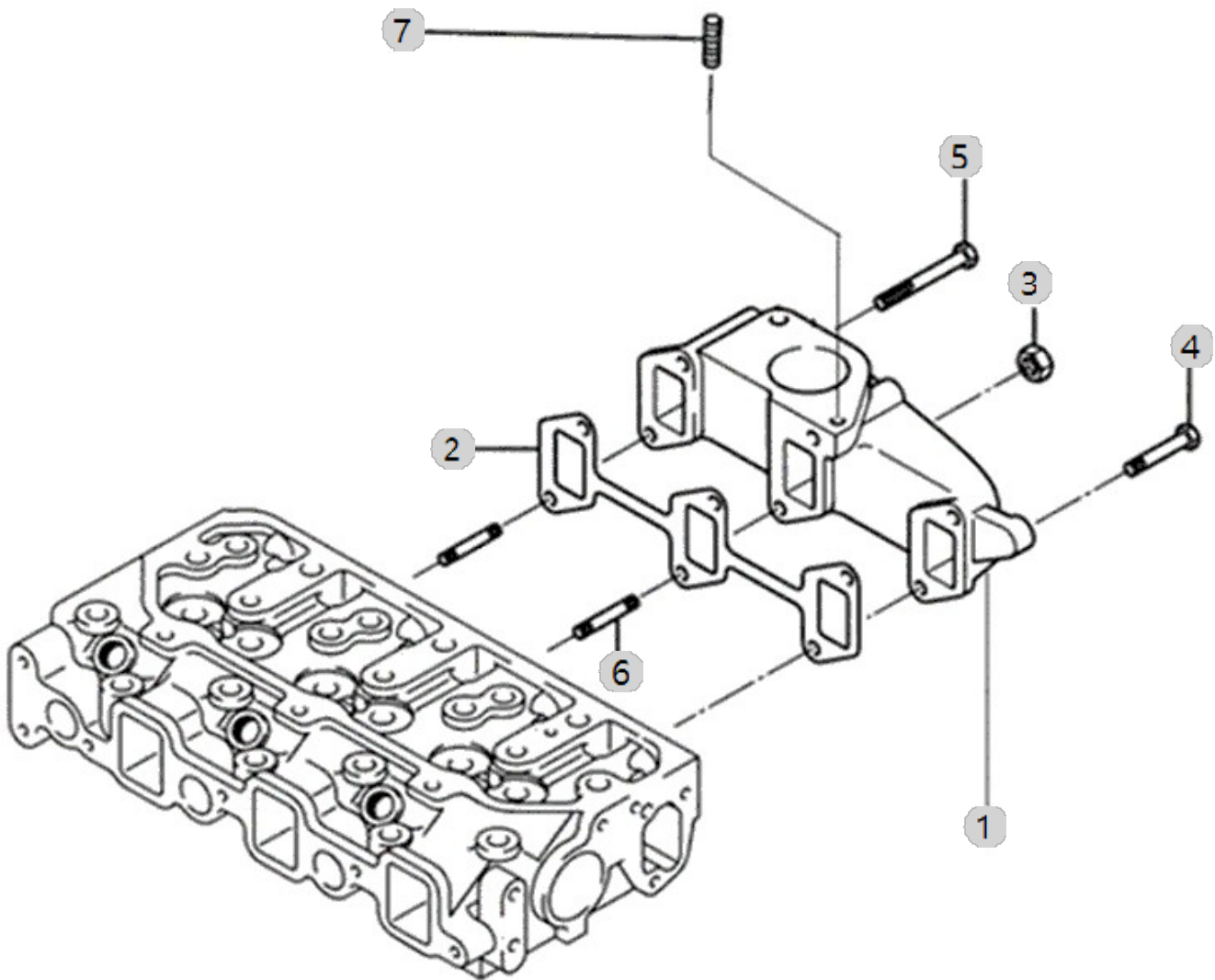
A33_007

A1700N6-UTR_3
(AB00315)

EXHAUST MANIFOLD

Year/Month

2022-12-14



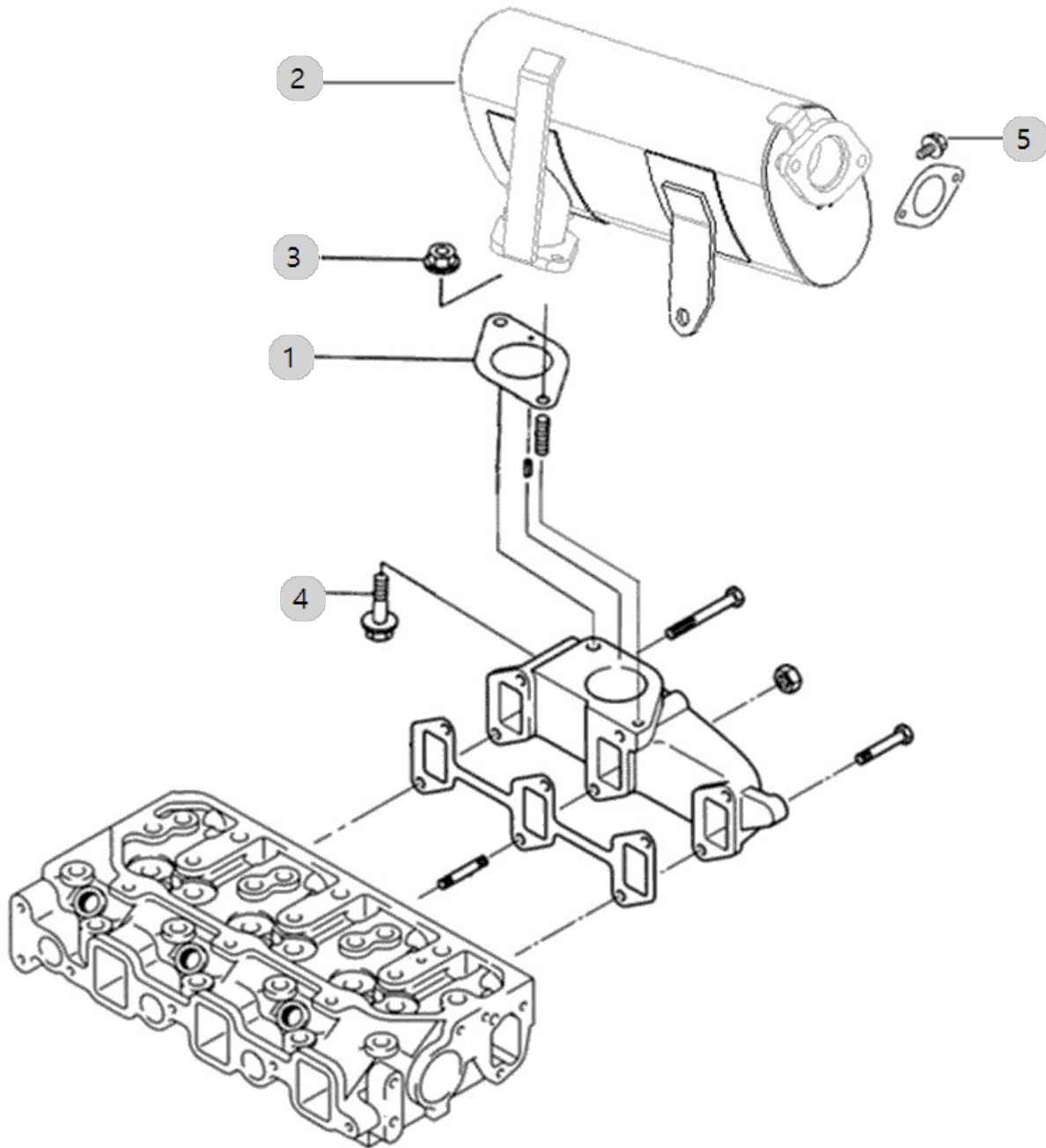
A34_005

A1700N6-UTR_3
(AB00315)

SILENCER

Year/Month

2022-12-14



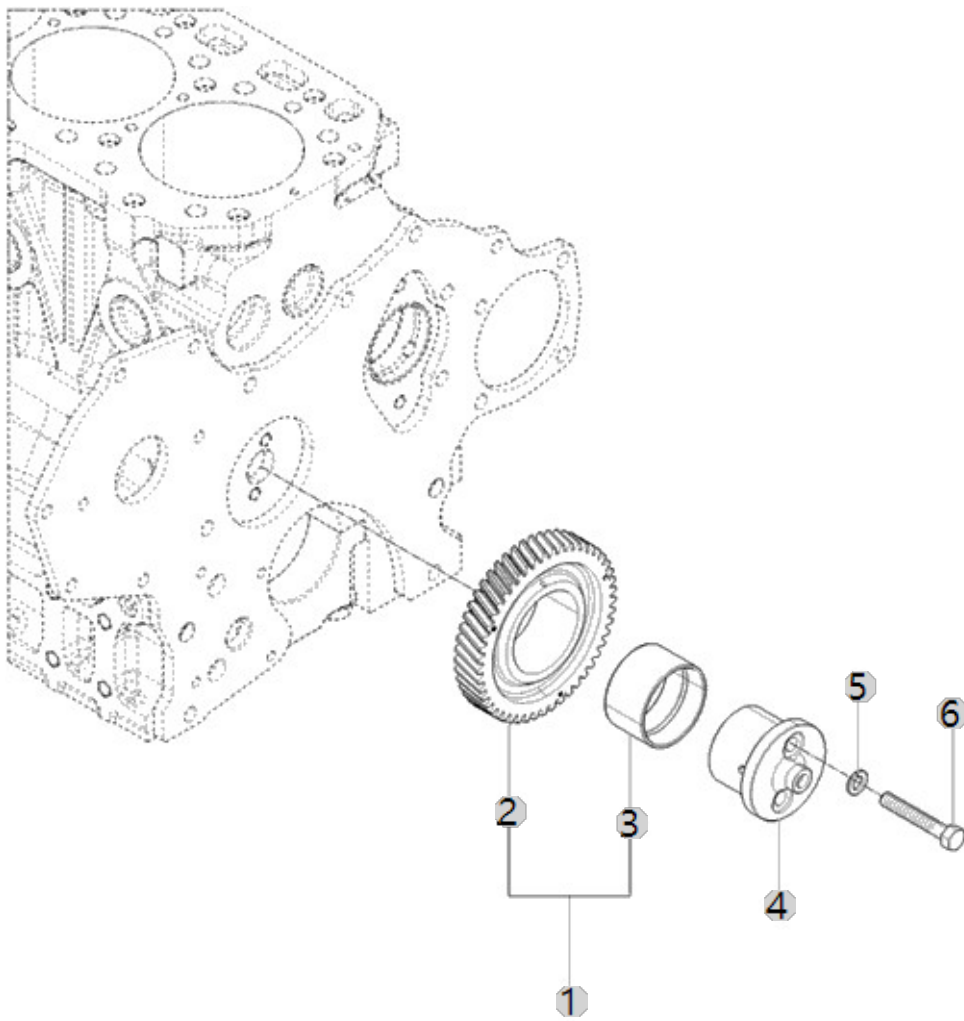
A35_002

A1700N6-UTR_3
(AB00315)

IDLE GEAR

Year/Month

2022-12-14



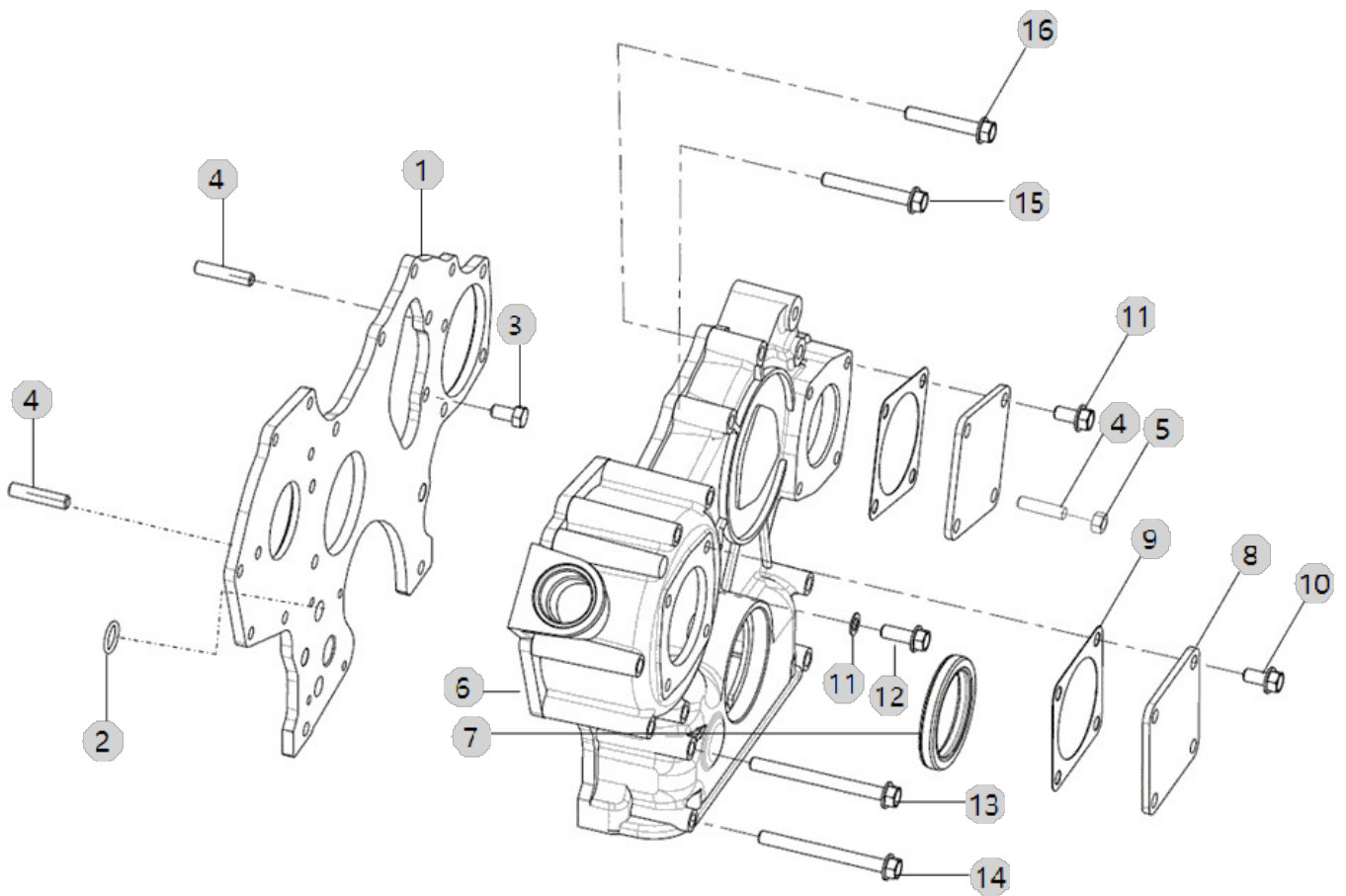
A36_002

A1700N6-UTR_3
(AB00315)

COVER, FRONT GEAR

Year/Month

2022-12-14



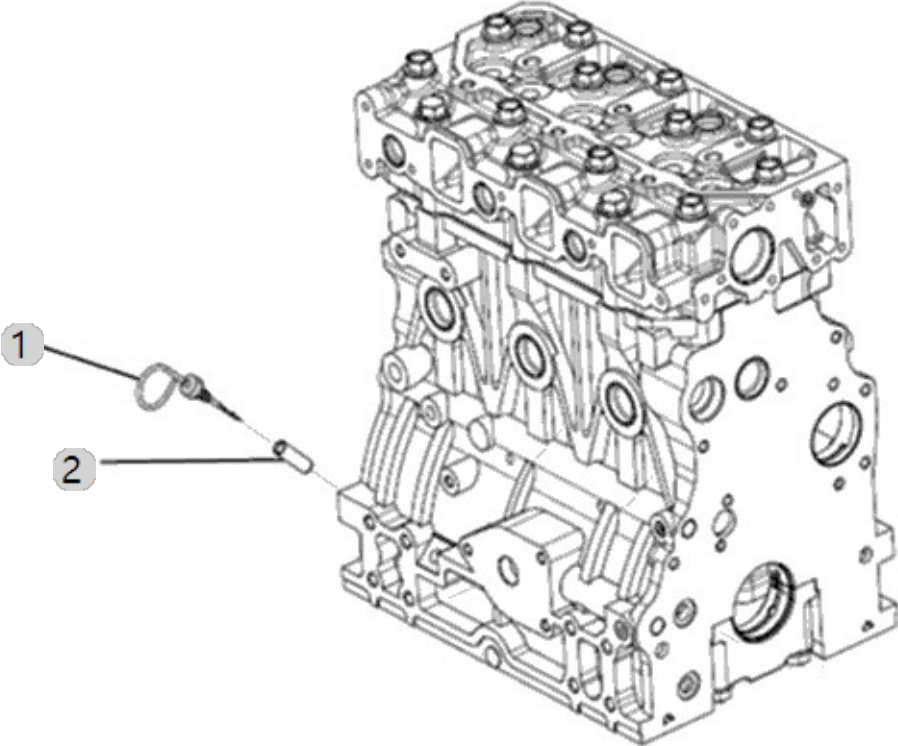
A38_004

A1700N6-UTR_3
(AB00315)

GAUGE, OIL LEVEL

Year/Month

2022-12-14



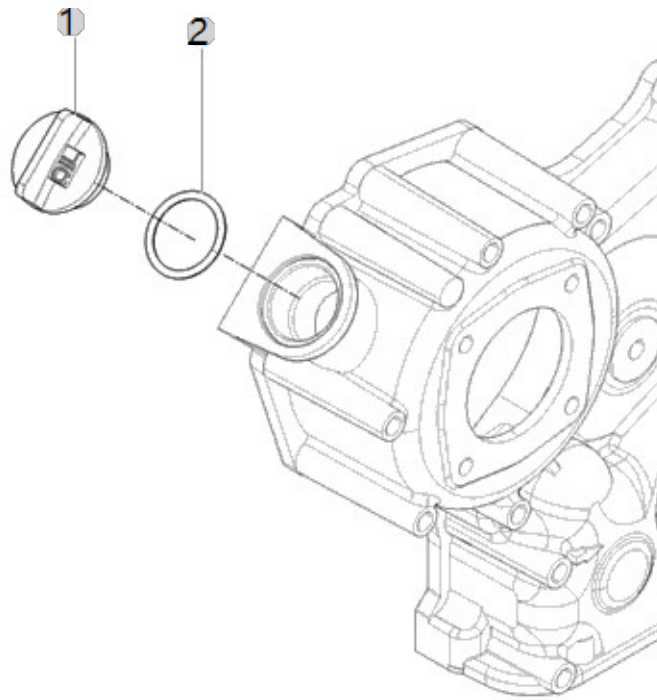
A39_001

A1700N6-UTR_3
(AB00315)

OIL FILLER CAP

Year/Month

2022-12-14



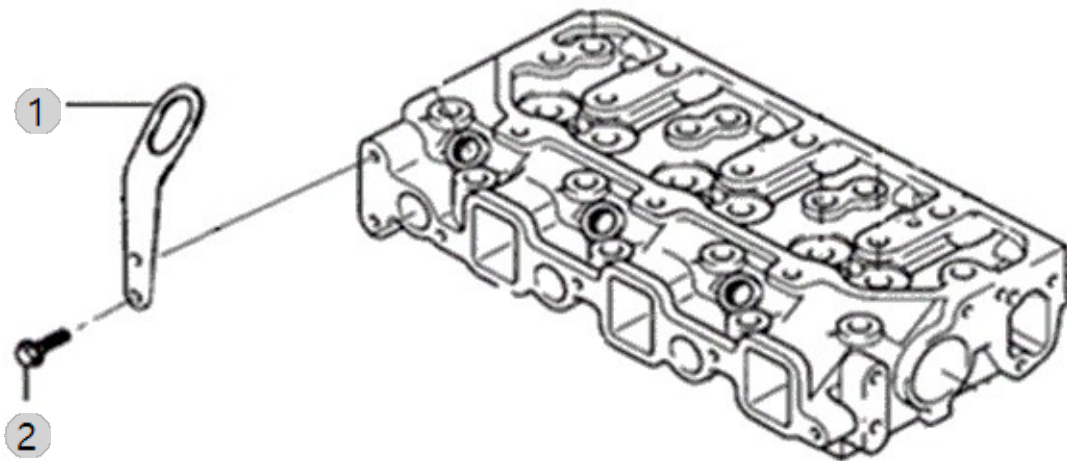
A40_003

A1700N6-UTR_3
(AB00315)

LIFT ASS'Y OPTION

Year/Month

2022-12-14



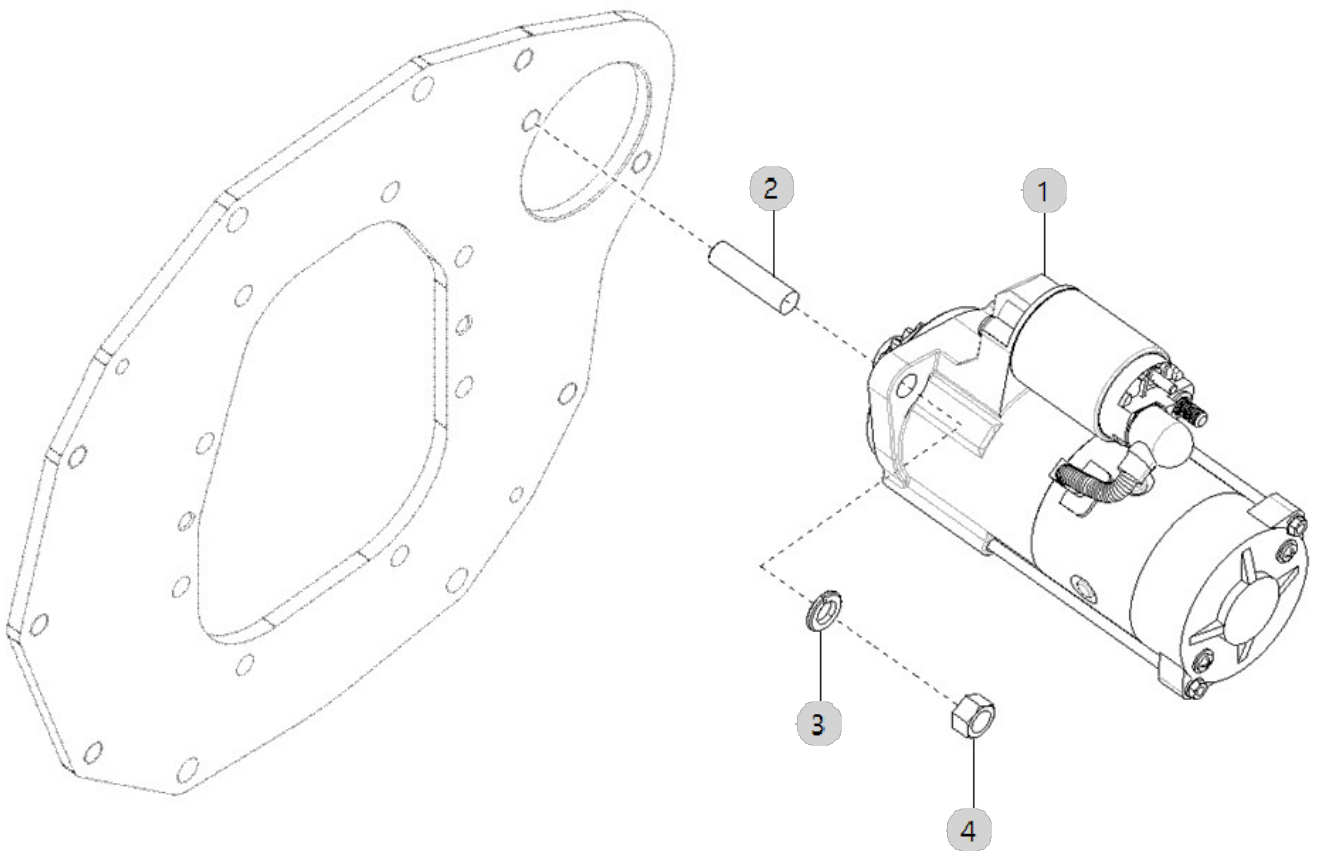
A42_003

A1700N6-UTR_3
(AB00315)

MOTER, STARTIONS

Year/Month

2022-12-14



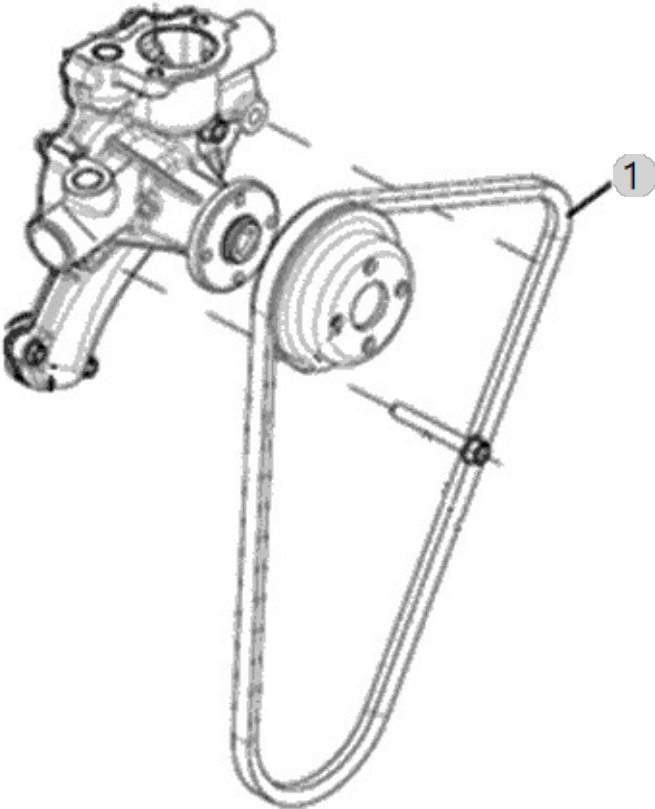
A48_003

A1700N6-UTR_3
(AB00315)

V-BELT

Year/Month

2022-12-14



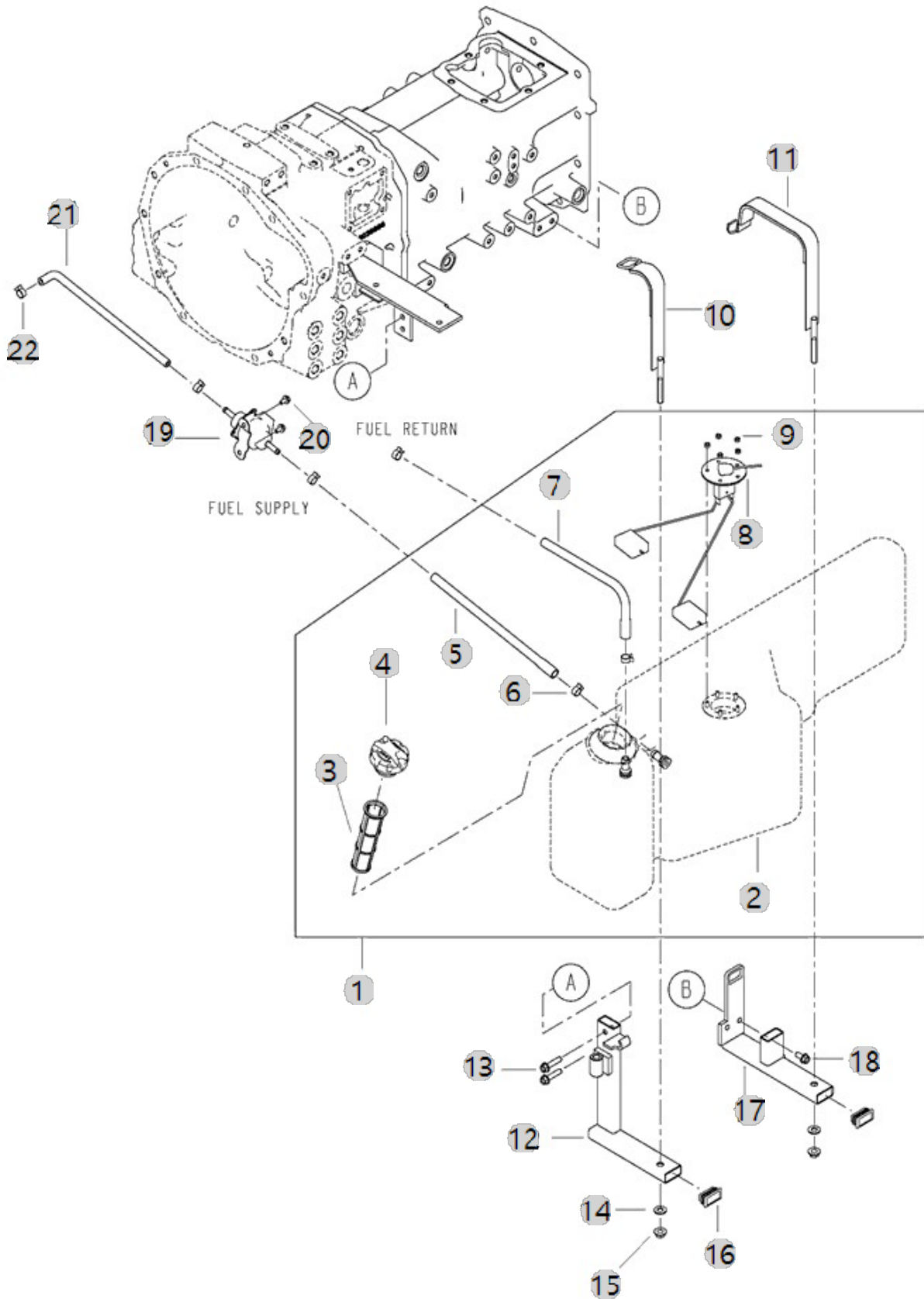
B01010

2515R_US_FL
(AC02152)

(FUEL TANK)

Year/Month

2022-12-14



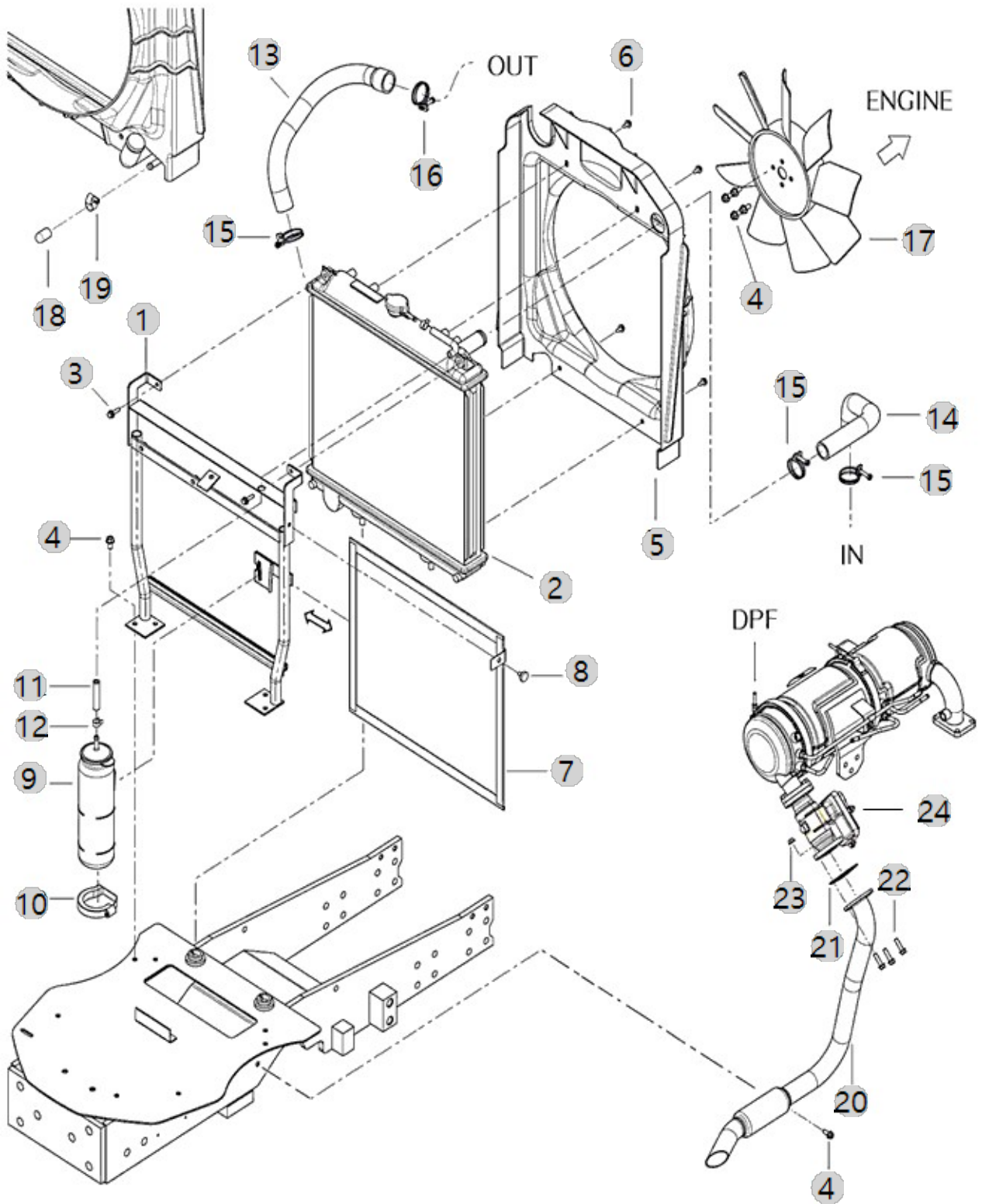
B02020

2515R_US_FL
(AC02152)

(RADIATOR)

Year/Month

2022-12-14



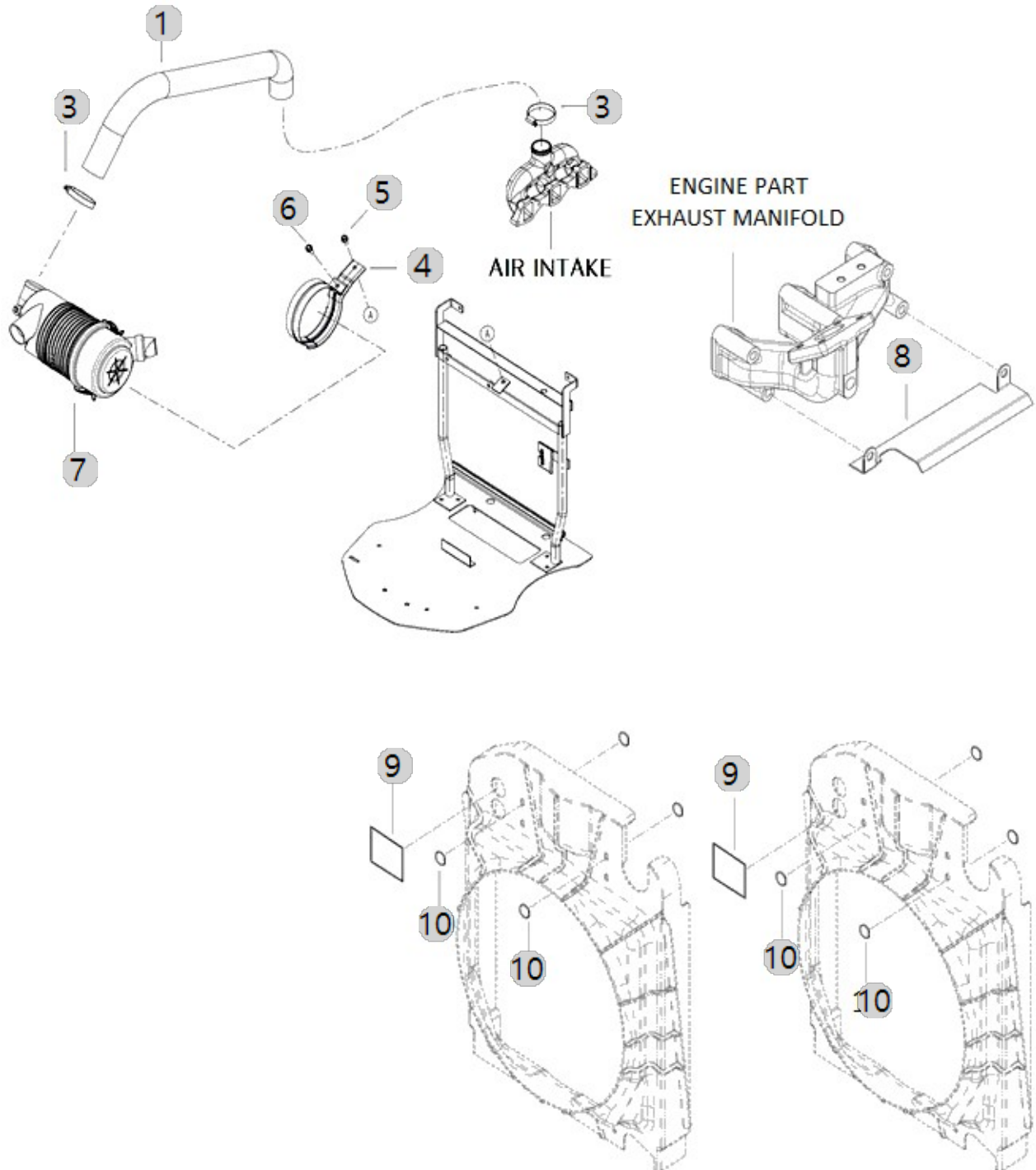
B03010

2515R_US_FL
(AC02152)

(AIR CLEANER)

Year/Month

2022-12-14



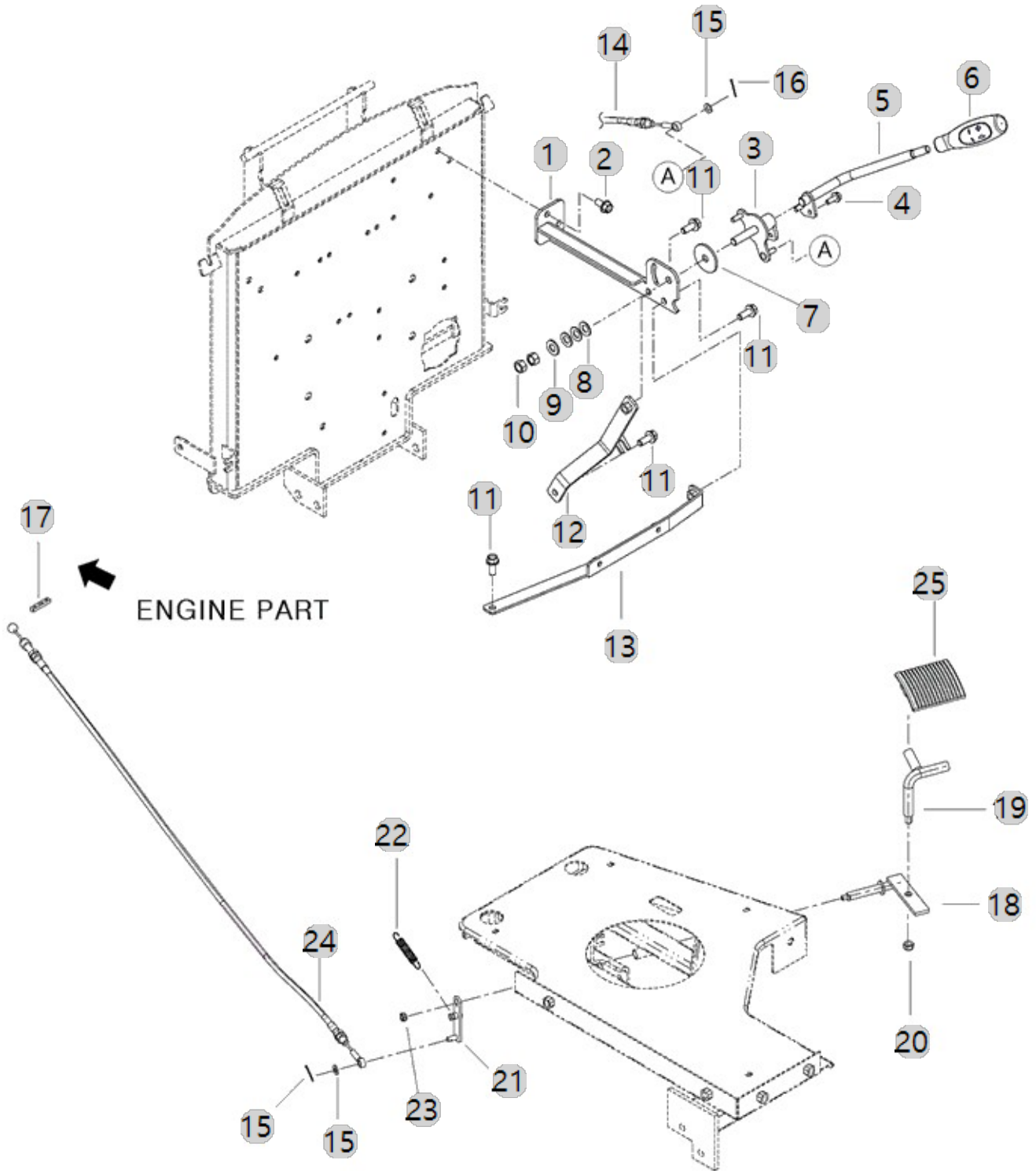
B05011

2515R_US_FL
(AC02152)

(LEVER ACCELERATOR)

Year/Month

2022-12-14



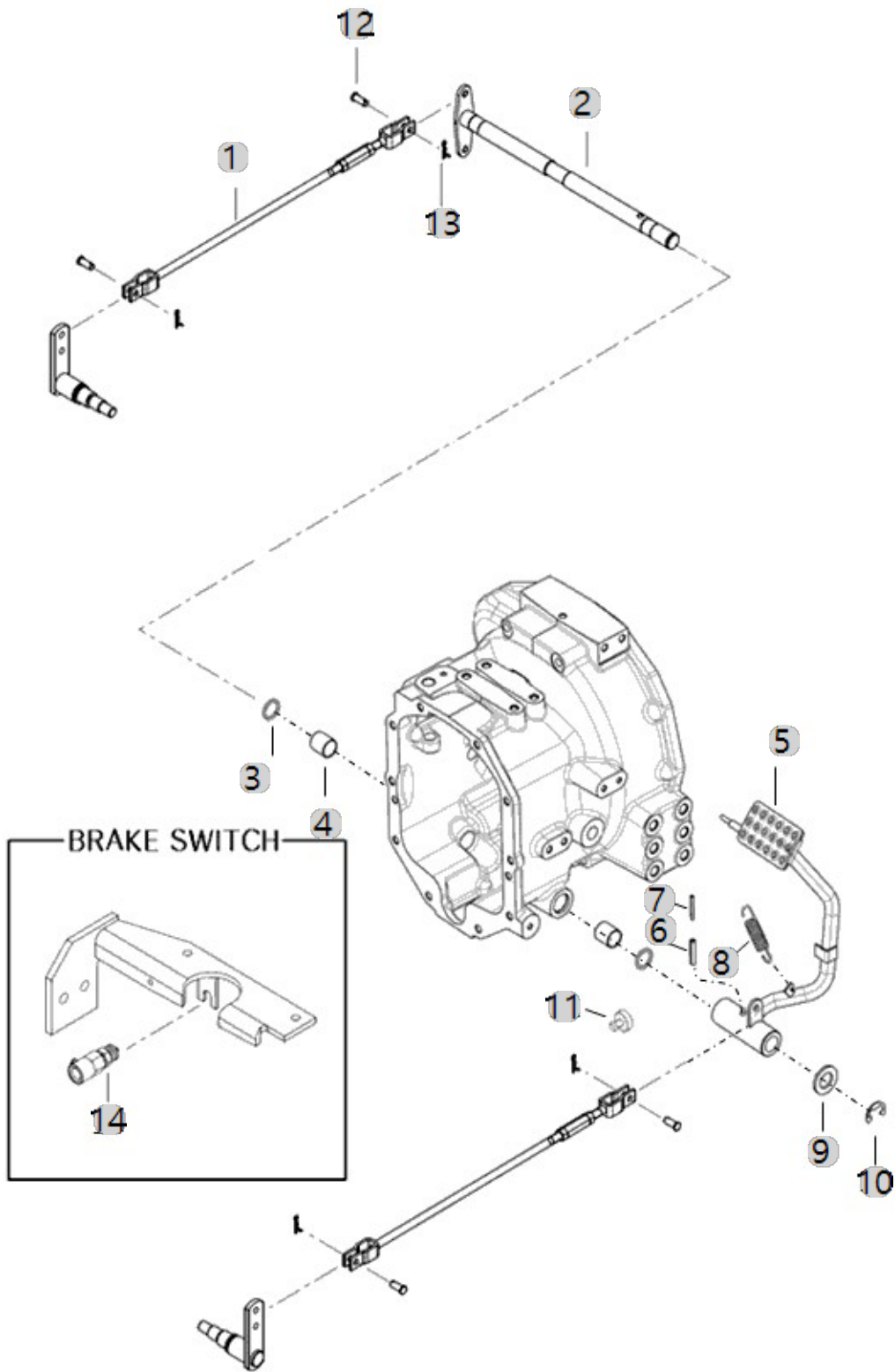
C02010-A

2515R_US_FL
(AC02152)

(BRAKE PEDAL)

Year/Month

2022-12-14



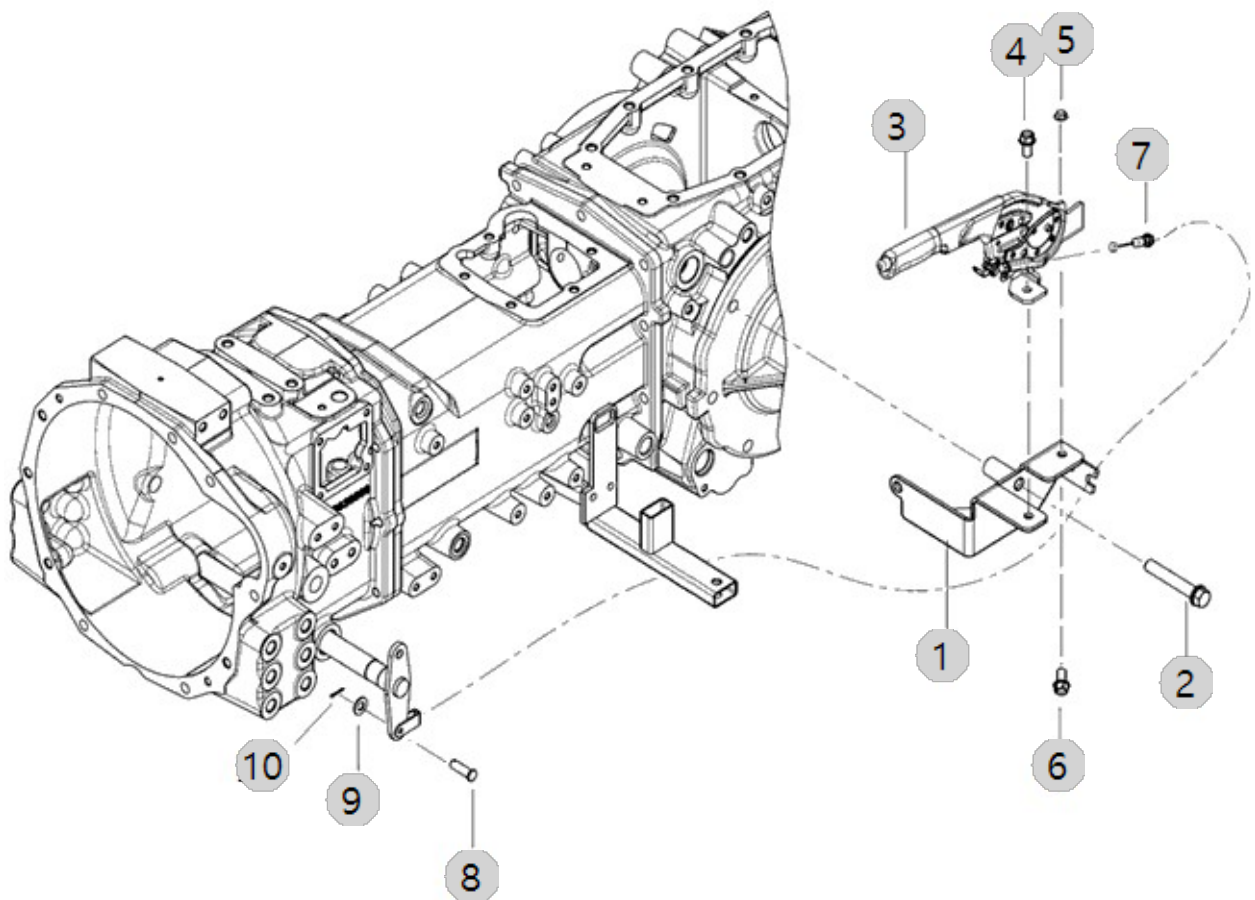
C02050

2515R_US_FL
(AC02152)

(PARKING BRAKE)

Year/Month

2022-12-14



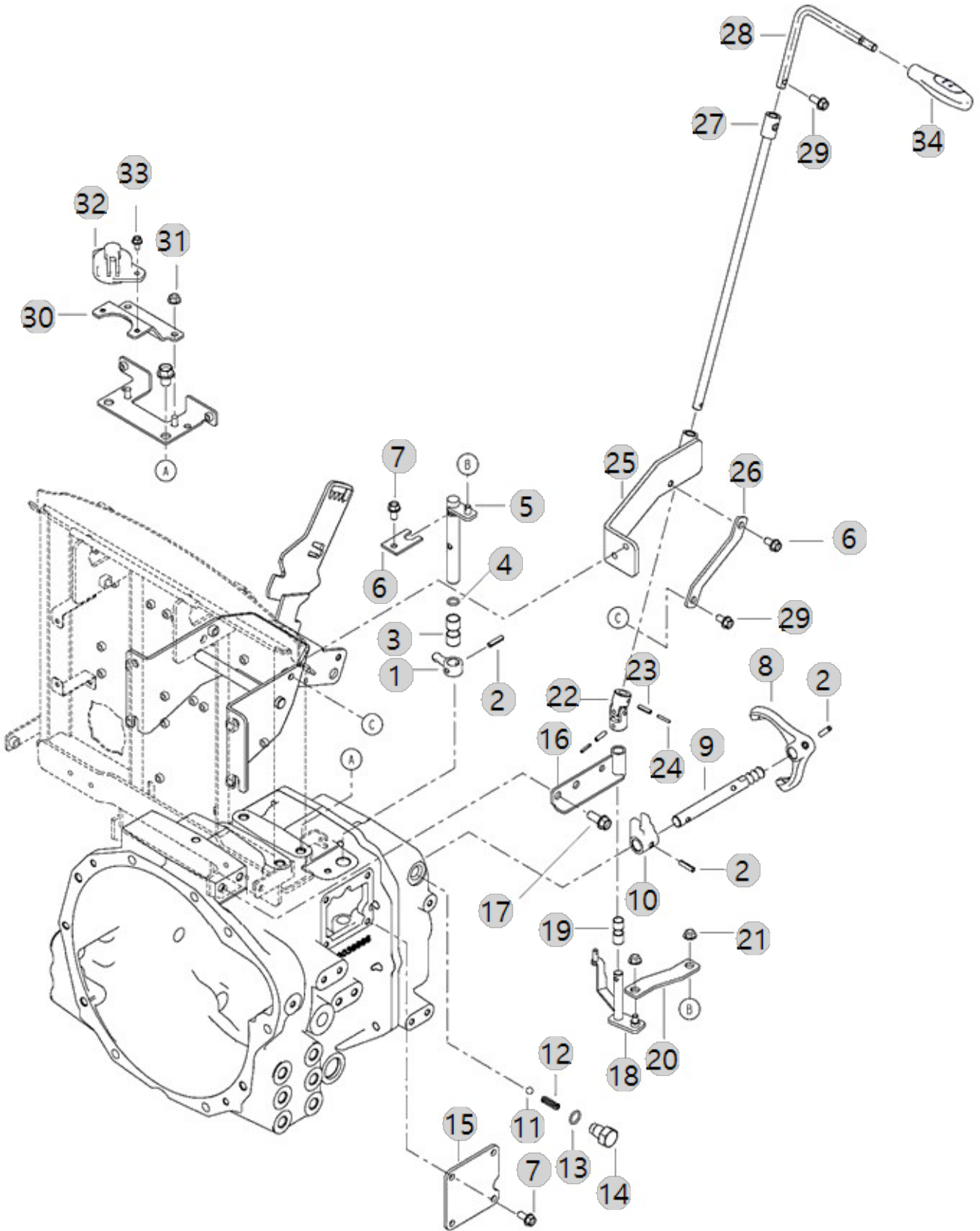
C04010

2515R_US_FL
(AC02152)

(SHUTTLE ASS'Y)

Year/Month

2022-12-14



| C04010 2515R_US_FL (AC02152) | | (SHUTTLE ASS'Y) | | | | Year/Month 2022-12-14 |
|------------------------------------|-------------------|-------------------|-----------------------------|-------------|--------------|--------------------------|
| 순번 (NO) | 부품번호 (PART NO) | 품명 (PART NAME) | 품명 (PART NAME) | 수량 (QTY) | 규격 (SPEC) | 비고 (REMARK) |
| 1 | TA00038532A | 주변속암 | ARM-M/SHIFT | 1 | | |
| 2 | 22351-060025 | SPRINGPIN6X25 | PIN, SPRING (6-25) | 3 | D6X25 | |
| 3 | 24550-016150 | 드라이부시 | DRYBUSH | 2 | | |
| 4 | 24311-000120 | O-링 495-12 | O-RING, DYNAMIC (Φ12) | 1 | P12 | |
| 5 | TA00065140B | 셔틀 축 조합 | ASSY, SHUTTLE SHAFT | 1 | | |
| 6 | TA00039028A | 플레이트 | PLATE | 1 | | |
| 7 | 26106-080162 | 플랜지볼트 8X16 | SCREW,HEXFLANGEHEADCAP | 6 | M8XP1.25X16 | |
| 8 | TA00038785A | 셔틀 포크 | FORK, SHUTTLE | 1 | | |
| 9 | TA00038503B | 전후진포크축 | SHAFT, F/R | 1 | | |
| 9 | TA00038503A | 전후진포크축 | SHAFT, F/R | 1 | | |
| 10 | TA00038399A | 셔틀 시프터 | SHIFTER, SHUTTLE | 1 | | |
| 11 | 24190-110001 | 강구 11/32 | Ball, Steel (11/32) | 1 | 11/32 | |
| 12 | TA00038502A | 스프링 | SPRING | 1 | | |
| 13 | 24311-000150 | O-링(P형) | O-RING, DYNAMIC (Φ15) | 1 | P15 | |
| 14 | TA00038524F | 볼트 | BOLT | 1 | | |
| 15 | TA00039099B | 셔틀 커버 | COVER | 1 | | |
| 16 | TA00065177D | 셔틀 링크 브래킷 | BRACKET, SHUTTLE LINK | 1 | | |
| 16 | TA00065177B | 셔틀 링크 브래킷 | BRACKET, SHUTTLE LINK | 1 | | |
| 17 | 26106-100202 | 육각플랜지볼트 | HEX BOLT, (10-20) | 2 | M10XP1.5X20 | |
| 18 | TA00065142B | 셔틀 링크 C | LINK, SHUTTLE C | 1 | | |
| 18 | TA00065142A | 셔틀 링크 C | LINK, SHUTTLE C | 1 | | |
| 18 | TA00065142C | 셔틀 링크 C | LINK, SHUTTLE C | 1 | | |
| 19 | 24550-012150 | 드라이부시 | BUSH | 4 | 12X15 | |
| 20 | TA00065141B | 연결 플레이트 | PLATE | 1 | | |
| 21 | 26367-080002 | 259, 육각플랜지너트 | HEX FLANGE NUT (Φ8) | 4 | M8XP1.25 | |
| 22 | TA00060736A | 조인트 | JOINT | 1 | | |
| 23 | 22351-050020 | 스프링핀 5X20 | PIN, SPRING (5-20) | 1 | D5X20 | |
| 24 | 22351-030020 | 스프링핀 3X20 | PIN, SPRING (3X20) | 1 | D3X20 | |
| 25 | TA00069052A | 셔틀레버 브래킷 조합 | BRACKET ASSY, SHUTTLE LEVER | 1 | | |
| 25 | TA00069052B | 셔틀레버 브래킷 조합 | BRACKET ASSY, SHUTTLE LEVER | 1 | | |
| 26 | TA00069055B | 지지 브래킷 | BRACKET, SUPPORT | 1 | | |
| 26 | TA00069055A | 지지 브래킷 | BRACKET, SUPPORT | 1 | | |
| 27 | TA00069067A | 셔틀로드 조합 | SHUTTLE ROD ASSY | 1 | | |
| 28 | TA00069070A | 셔틀레버 | SHUTTLE LEVER | 1 | | |
| 28 | TA00069070C | 셔틀레버 | SHUTTLE LEVER | 1 | | |
| 28 | TA00069070B | 셔틀레버 | SHUTTLE LEVER | 1 | | |
| 29 | 26106-080202 | 육각플랜지볼트 | SQR FLANGE BOLT | 2 | M8XP1.25X20 | |
| 30 | TA00065189A | 센서 취부 브래킷 | BRACKET | 1 | | |
| 30 | TA00065189B | 센서 취부 브래킷 | BRACKET | 1 | | |
| 31 | 26367-080002 | 259, 육각플랜지너트 | HEX FLANGE NUT (Φ8) | 2 | M8XP1.25 | |
| 32 | TCD9110000C2 | 스위치(FR) | SWITCH(FR) | 1 | | |
| 32 | TCD9110000D2 | 스위치(FR) | SWITCH(FR) | 1 | | |
| 33 | 26106-060122 | 육각플랜지볼트 | HEX BOLT (6-12) | 2 | M6XP1.0X12 | |
| 34 | TA00056013A | 셔틀 노브 조합(복미) | KNOB (LEVER SHUTTLE) | 1 | | |

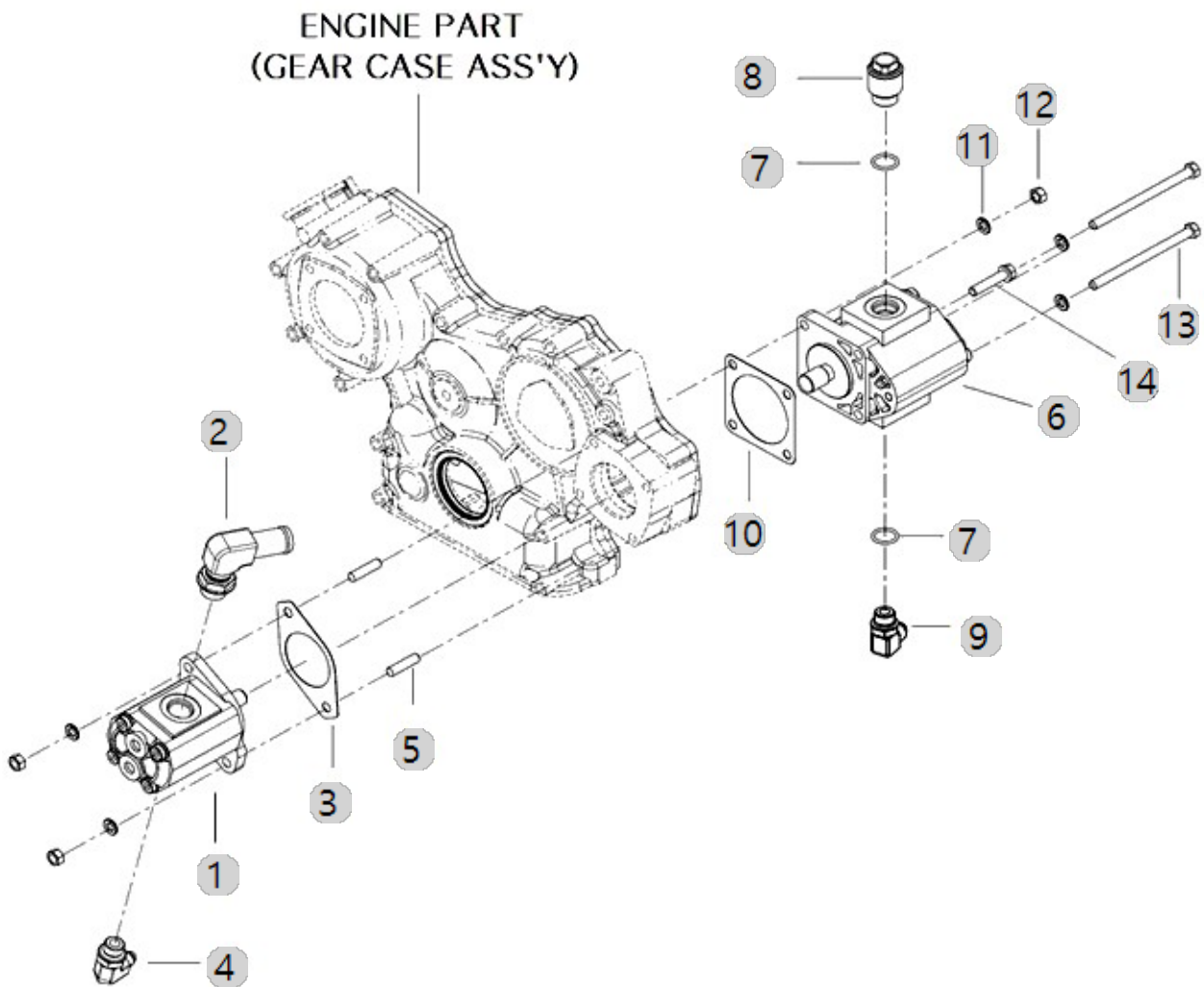
D01010-A

2515R_US_FL
(AC02152)

(HYD PUMP)

Year/Month

2022-12-14



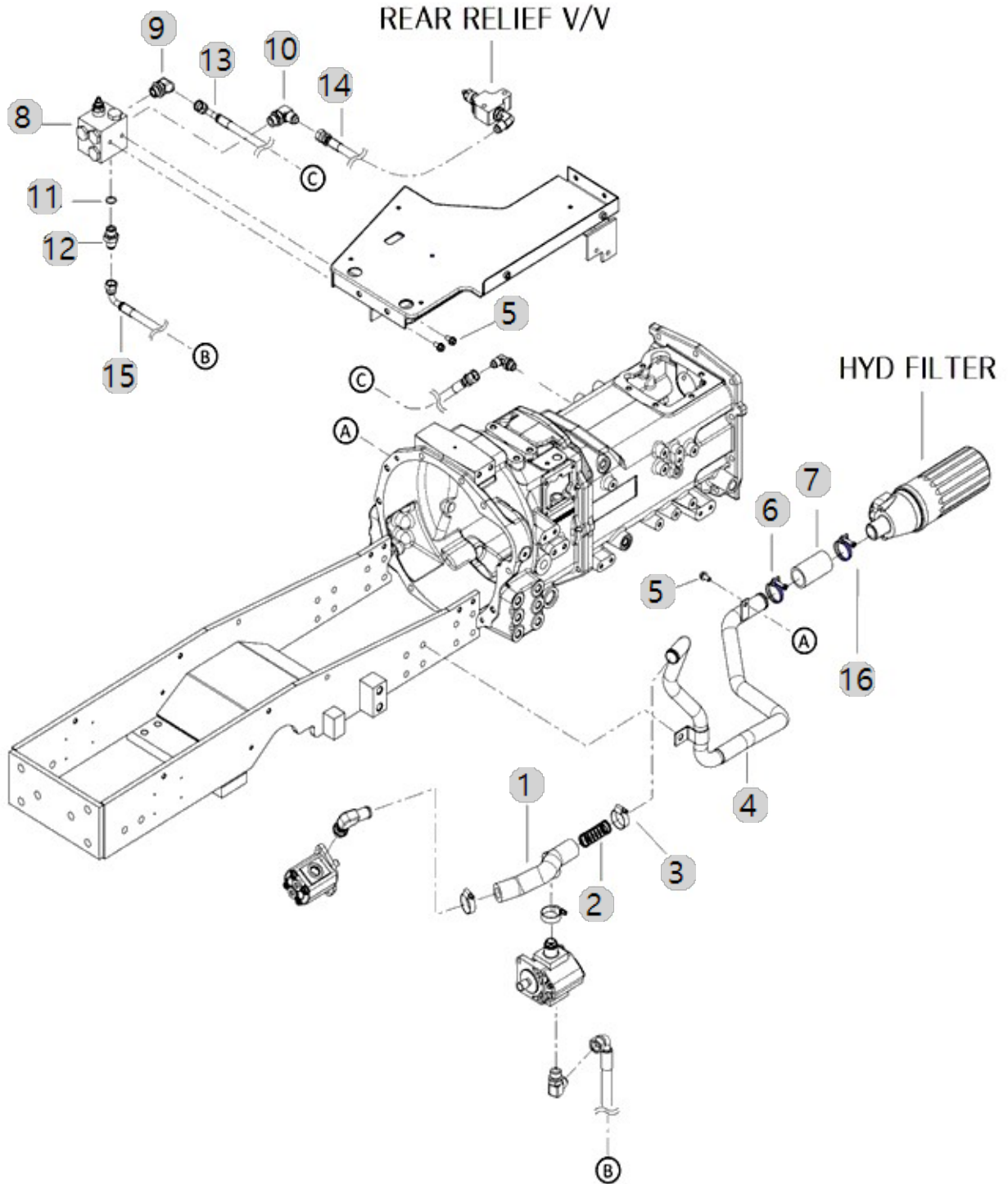
D01020-A

2515R_US_FL
(AC02152)

(LOW PRESSURE PIPE)

Year/Month

2022-12-14



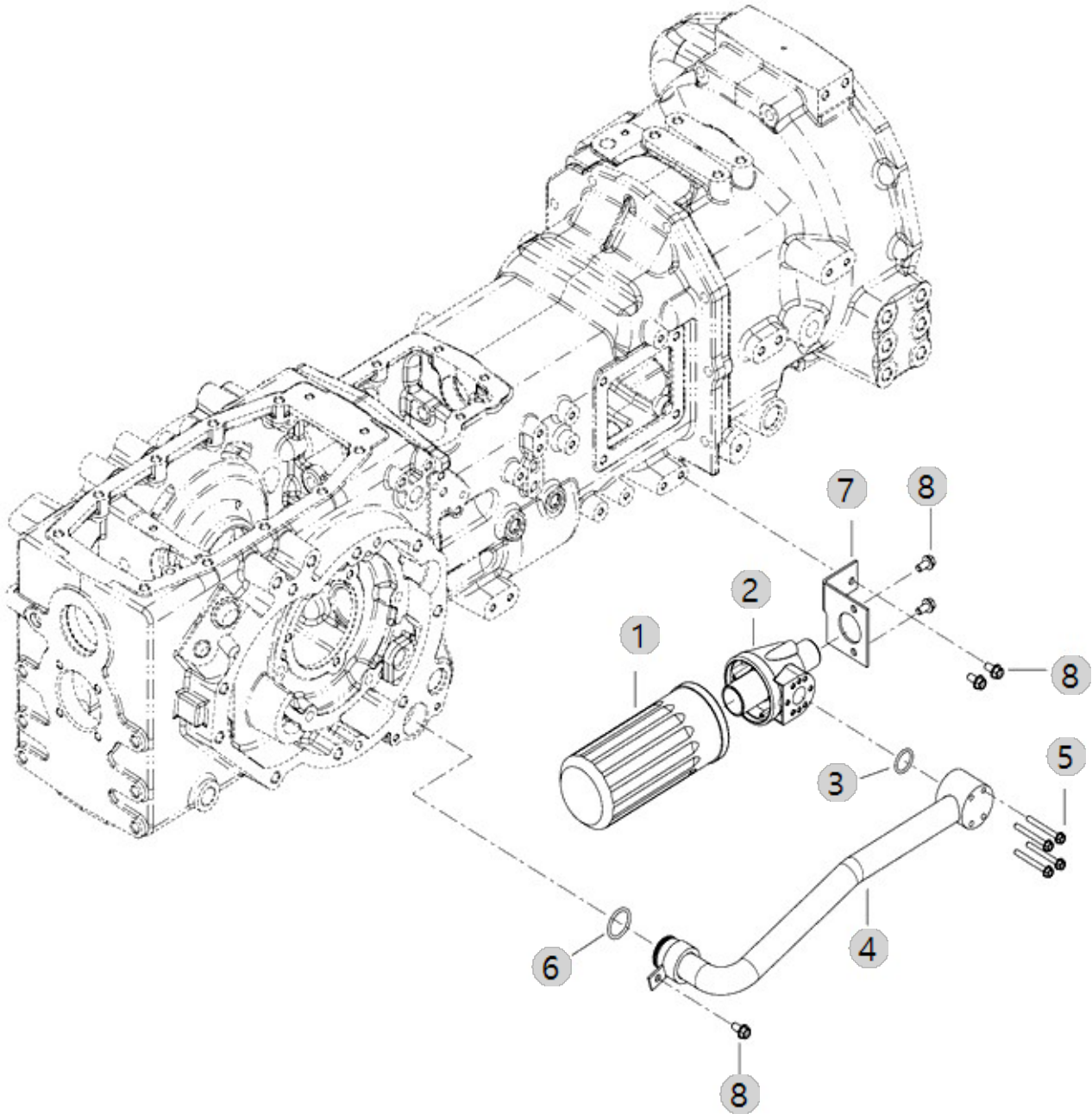
D01040

2515R_US_FL
(AC02152)

(HYD FILTER)

Year/Month

2022-12-14



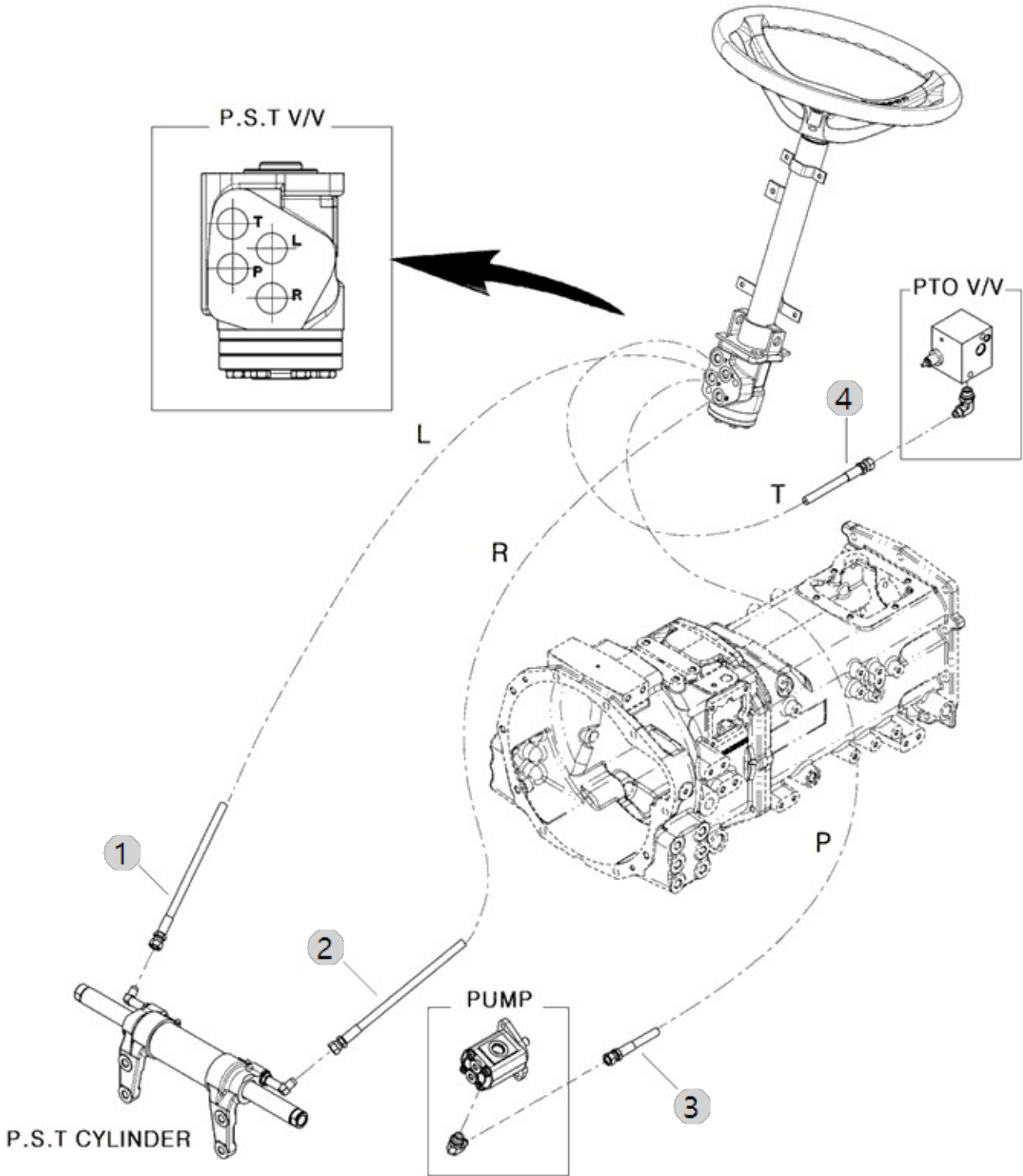
D02030

2515R_US_FL
(AC02152)

(P.S.T HOSE)

Year/Month

2022-12-14



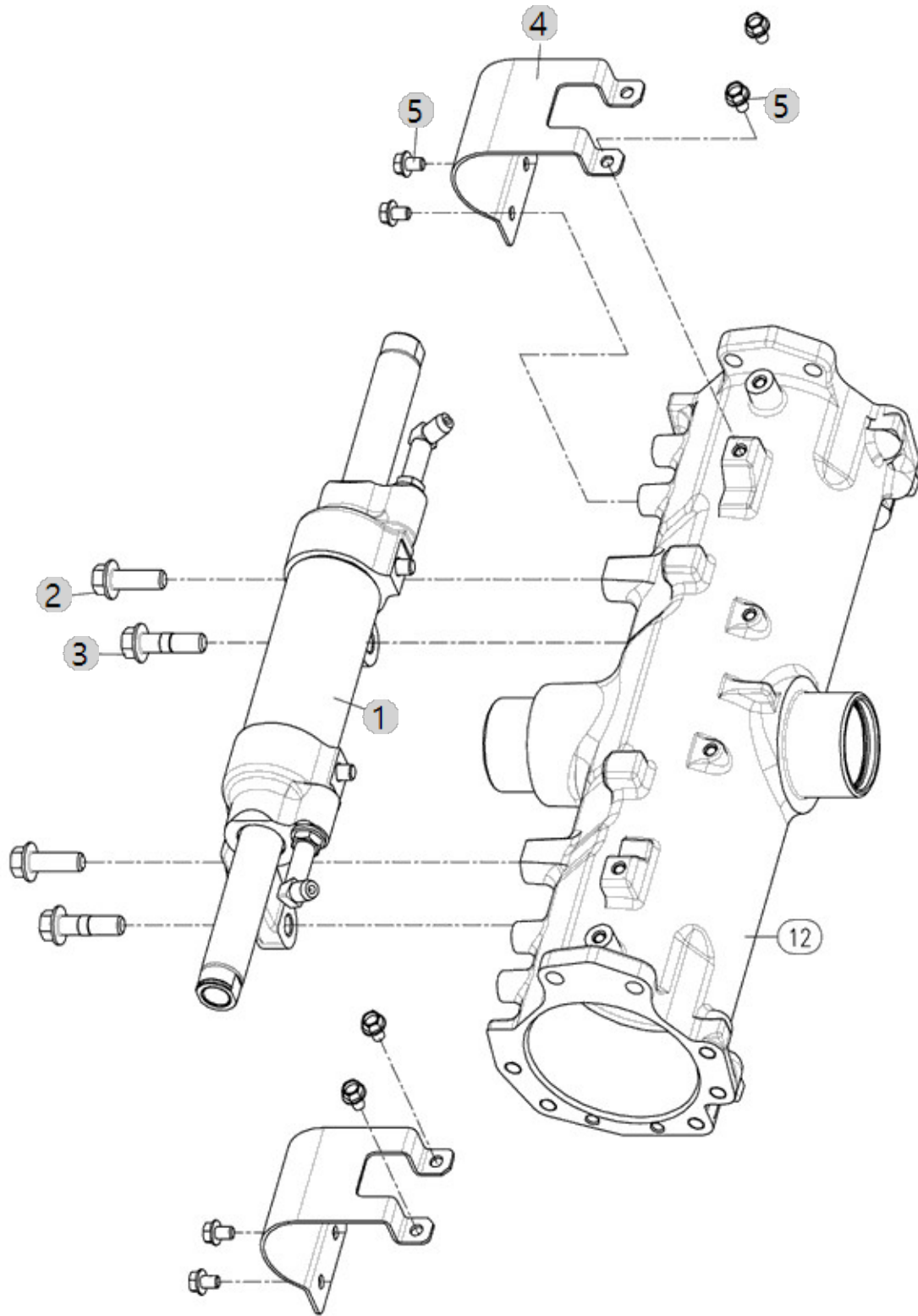
D02040

2515R_US_FL
(AC02152)

(P.S.T CYLINDER)

Year/Month

2022-12-14



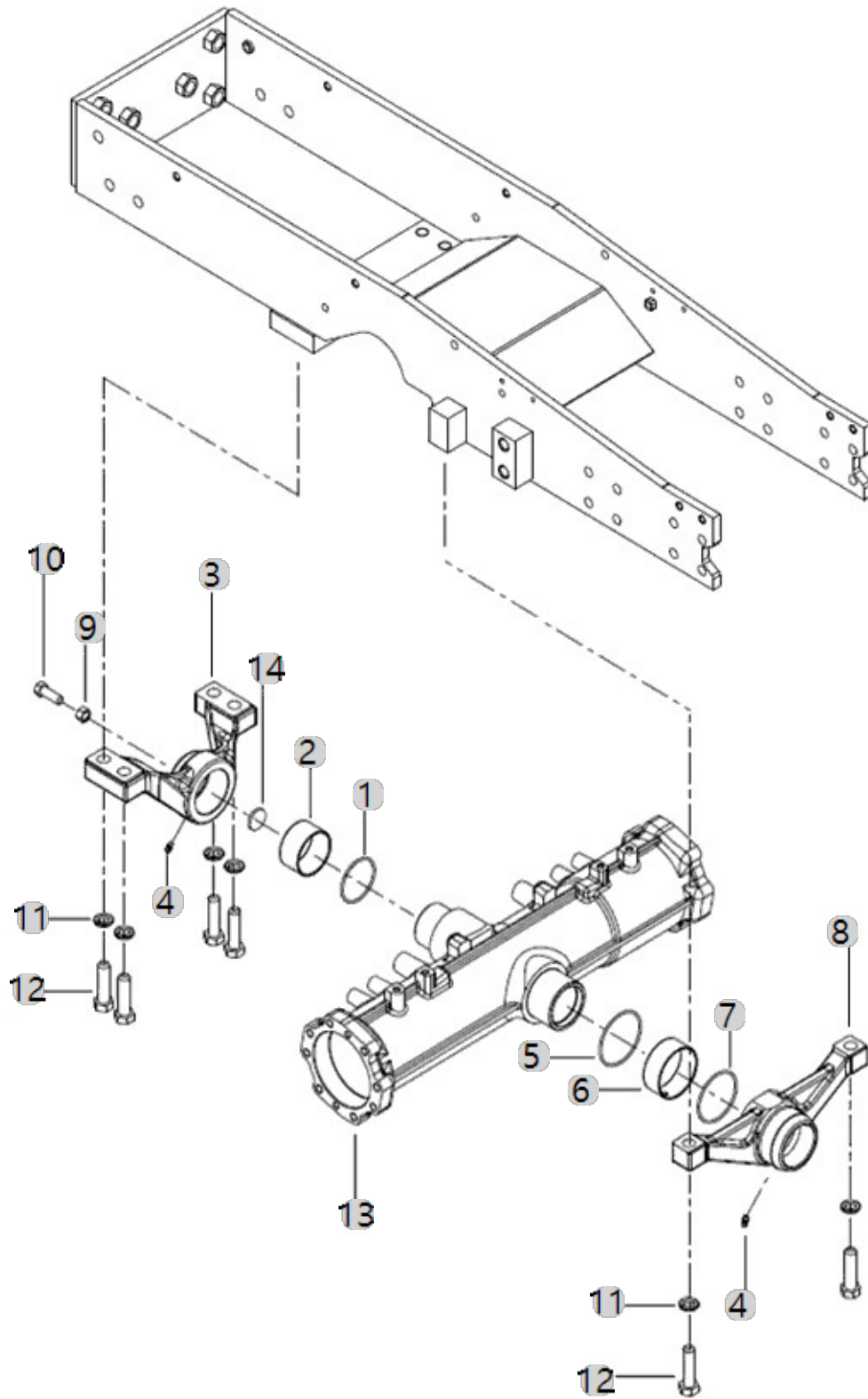
E01010

2515R_US_FL
(AC02152)

(FRONT AXLE CASE)

Year/Month

2022-12-14



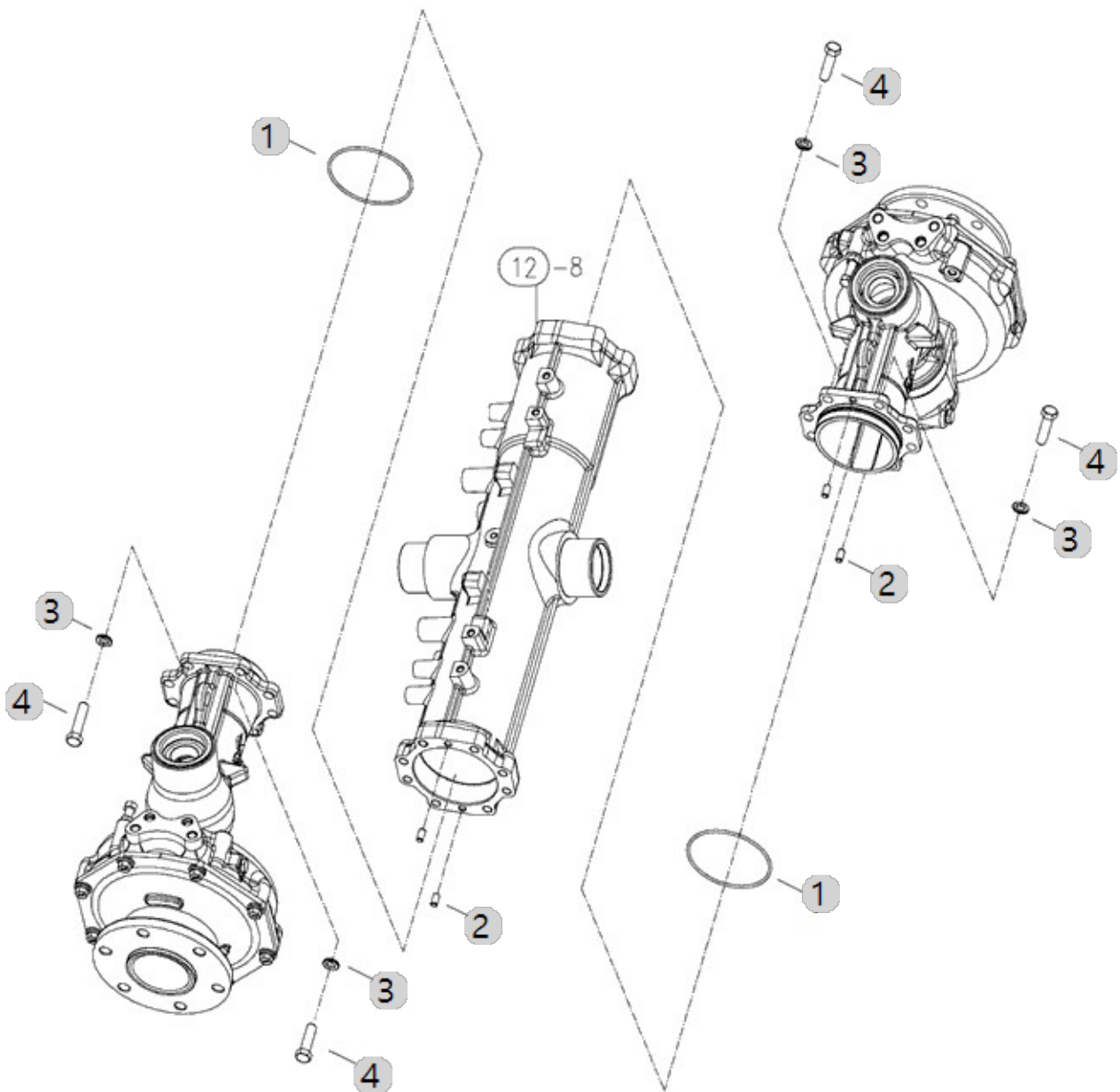
E01013

2515R_US_FL
(AC02152)

(SPACER)

Year/Month

2022-12-14



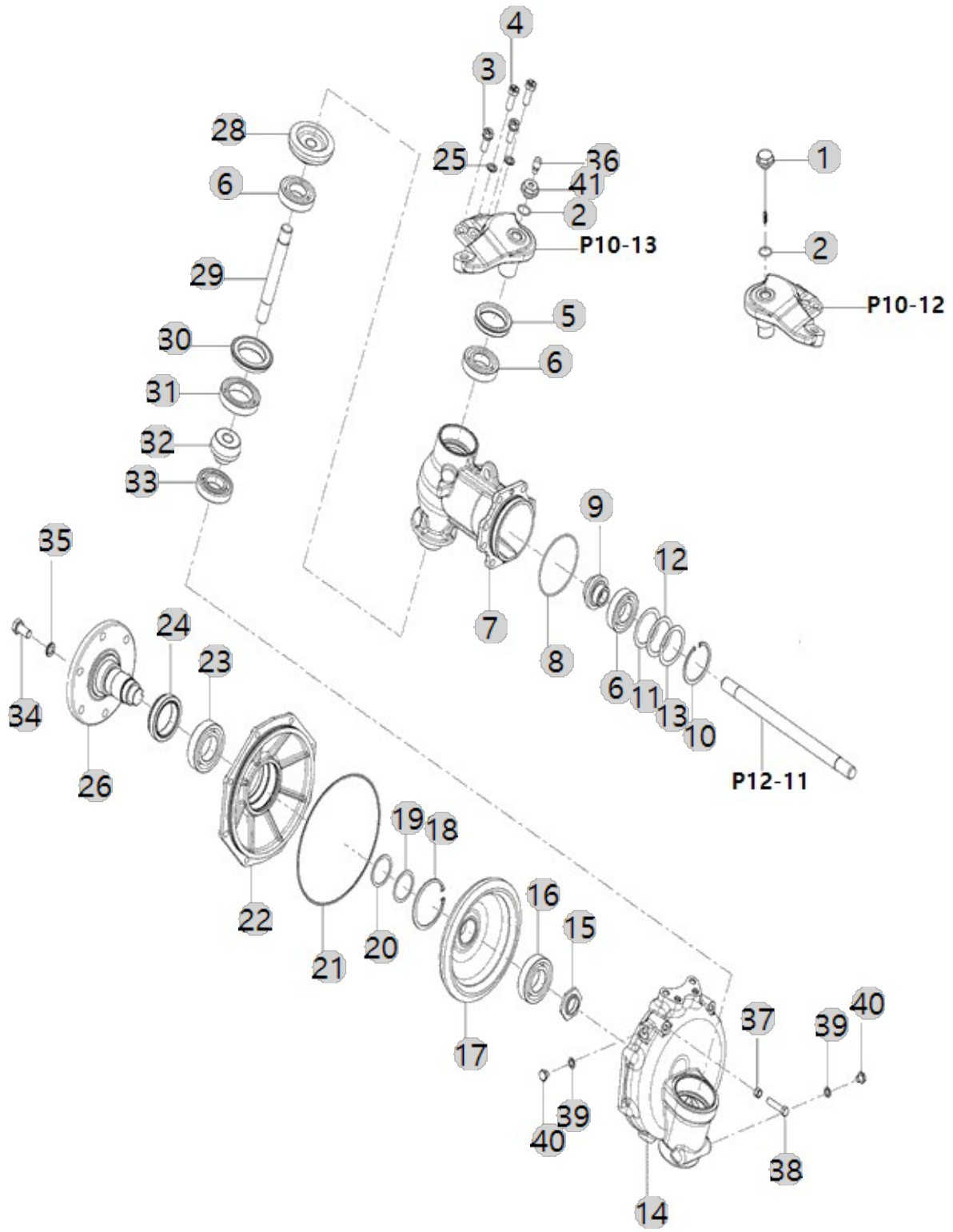
E01030

2515R_US_FL
(AC02152)

(GEAR CASE, FRONT AXLE)

Year/Month

2022-12-14



| E01030 2515R_US_FL (AC02152) | | (GEAR CASE, FRONT AXLE) | | | | Year/Month 2022-12-14 |
|------------------------------------|-------------------|-------------------------|-------------------------|-------------|--------------|--------------------------|
| 순번 (NO) | 부품번호 (PART NO) | 품명 (PART NAME) | 품명 (PART NAME) | 수량 (QTY) | 규격 (SPEC) | 비고 (REMARK) |
| 36 | TA00049842B | 에어브리더(STEEL) | AIR BREATHER | 1 | | |
| 1 | TA00033805A | 검유봉 | OIL GUAGE | 1 | | |
| 2 | 24311-000220 | O-RING1AP-22.0 | O-RING, DYNAMIC (Φ22) | 2 | 1A P22.0 | |
| 3 | TA00033468C | 와셔조립육각볼트 | BOLT W/ WASHER | 4 | | |
| 4 | TA00033475B | 리머볼트 | SPACER | 4 | | |
| 5 | FE78010000B | 오일실 (특수) 55x72x13.5 | OIL SEAL (55X72X13.5) | 2 | 55X72X13.5 | |
| 6 | 24101-062074 | 볼베어링6207 | BALL BEARING (#6207) | 6 | #6207 | |
| 7 | TA00033457C | 프런트기어케이스 | CASE, FRONT GEAR | 2 | | |
| 8 | 24321-001050 | O-링 | O-RING | 2 | | |
| 9 | TA00033461B | 전1축피니언9T | PINION, FRONT 1ST SHAFT | 2 | | |
| 10 | 22252-000720 | 구멍용스냅링72 | RING, CIRCLIP (Φ 72) | 2 | D72 | |
| 11 | TA00033489A | 심 0.2T | SHIM 0.2T | 2 | | |
| 12 | TA00033488A | 심 0.3T | SHIM 0.3T | 2 | | |
| 13 | TA00033487A | 심 0.5T | SHIM 0.5T | 2 | | |
| 14 | TA00033458C | 프런트기어박스 | GEAR BOX, FRONT | 2 | | |
| 15 | TA00033481A | 로크너트 | LOCK NUT | 2 | | |
| 16 | 24101-062084 | 볼베어링6208 | Bearing, Ball (#6208) | 2 | #6208 | |
| 17 | TA00033474A | 베벨기어 49T | GEAR, BEVEL 49T | 2 | | |
| 18 | 22252-000850 | 써클립85H | RING, CIRCLIP (Φ 85) | 2 | | |
| 19 | TA00033486A | 심 0.2T | SHIM 0.2T | 1 | | |
| 20 | TA00033485A | 심 0.5T | SHIM 0.5T | 1 | | |
| 21 | TA00033939A | O링 | O RING | 2 | | |
| 22 | TA00033459C | 프런트베어링케이스 | BEARING CASE, FRONT | 1 | | |
| 23 | 24101-062094 | 볼베어링6209 | BALL BEARING (#6209) | 2 | #6209 | |
| 24 | TA00041359A | 오일씰 | OILSEAL | 2 | | |
| 25 | 22217-120000 | 스프링와셔 | WASHER, SPRING (Φ 12) | 2 | M12 | |
| 26 | TA00033460C | 프런트스핀들 | SPINDLE, FRONT | 2 | | |
| 26 | TA00033460E | 프런트스핀들 | SPINDLE, FRONT | 2 | | |
| 26 | TA00033460D | 프런트스핀들 | SPINDLE, FRONT | 2 | | |
| 27 | TA00033469B | 와셔조립육각볼트 | BOLT W/ WASHER | 16 | | |
| 28 | TA00033463A | 전2축기어 | FRONT 2ND AXLE LH | 2 | | |
| 29 | TA00033464A | 전2축 | FRONT 2ND SHAFT | 2 | | |
| 30 | TC60110000A3 | 오일실(AJ) | SEAL, OIL | 2 | | |
| 31 | 24101-060104 | 볼베어링6010 | Bearing, Ball (#6010) | 2 | #6010 | |
| 32 | TA00033473A | 베벨기어 11T | GEAR, BEVEL 11T | 2 | | |
| 33 | TC60340000A4 | 베어링TM207C3 | BEARING(TM207C3) | 2 | TM207C3 | |
| 34 | TD23120000B4 | 프런트 허브 볼트(M14X28) | BOLT | 12 | M14XP1.5 | |
| 35 | 22217-140000 | 스프링와셔14 | WASHER, SPRING (Φ 14) | 12 | M14 | |
| 36 | TA00049842A | 에어브리더(STEEL) | AIR BREATHER | 1 | | |
| 37 | 26716-100001 | 육각너트 | NUT | 2 | | |
| 38 | 26112-100452 | 육각볼트 | BOLT | 2 | | |
| 39 | 22190-100000 | 실와셔 | WASHER | 4 | M10 | |
| 40 | 23887-100002 | 플러그(미터) | SCREW,HEXAGONHEADCAP | 4 | M10 | |
| 41 | TA00049843B | 에어브리더 플러그 | ADAPTHER | 1 | | |

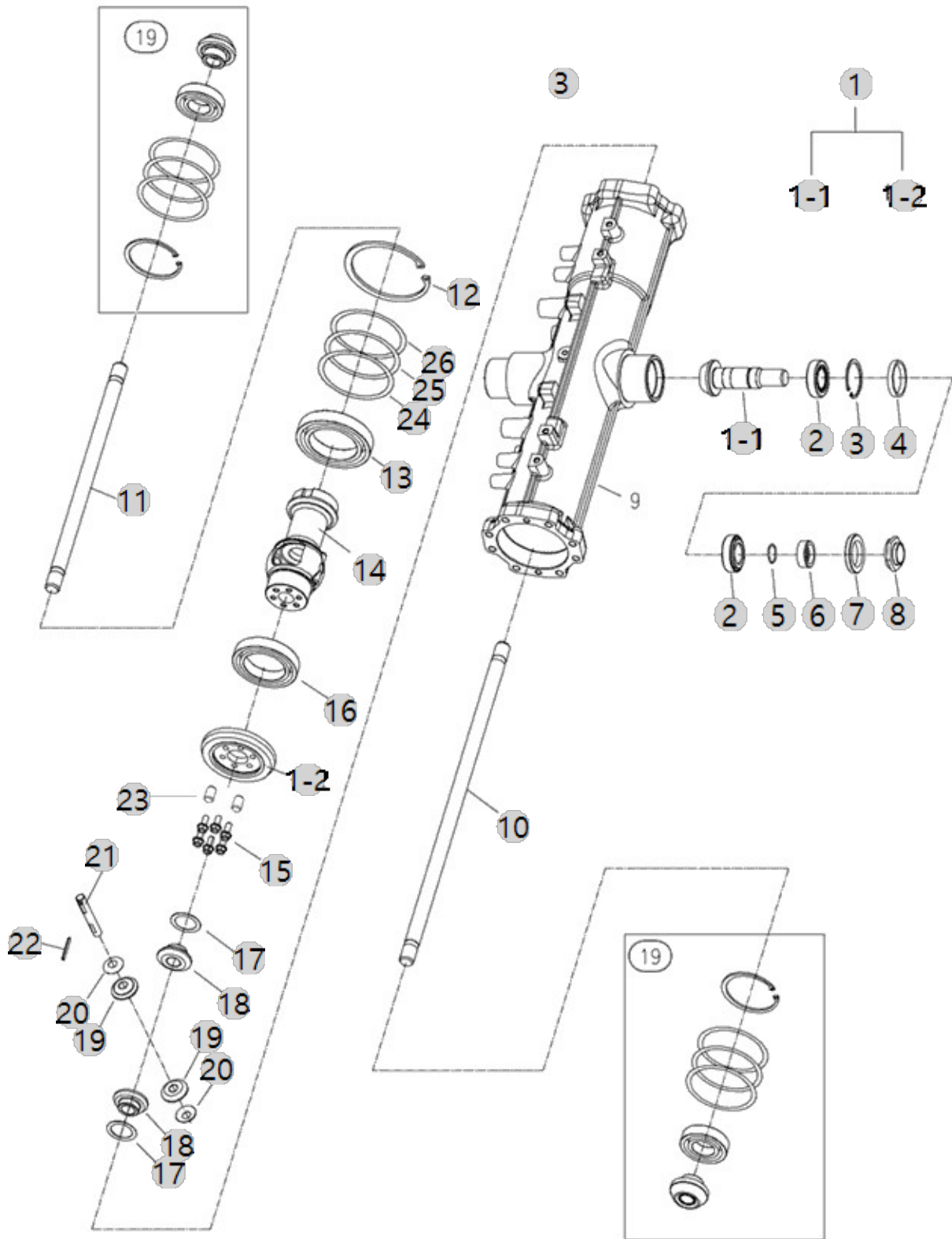
E01070

2515R_US_FL
(AC02152)

(FRONT DRIVE SHAFT)

Year/Month

2022-12-14



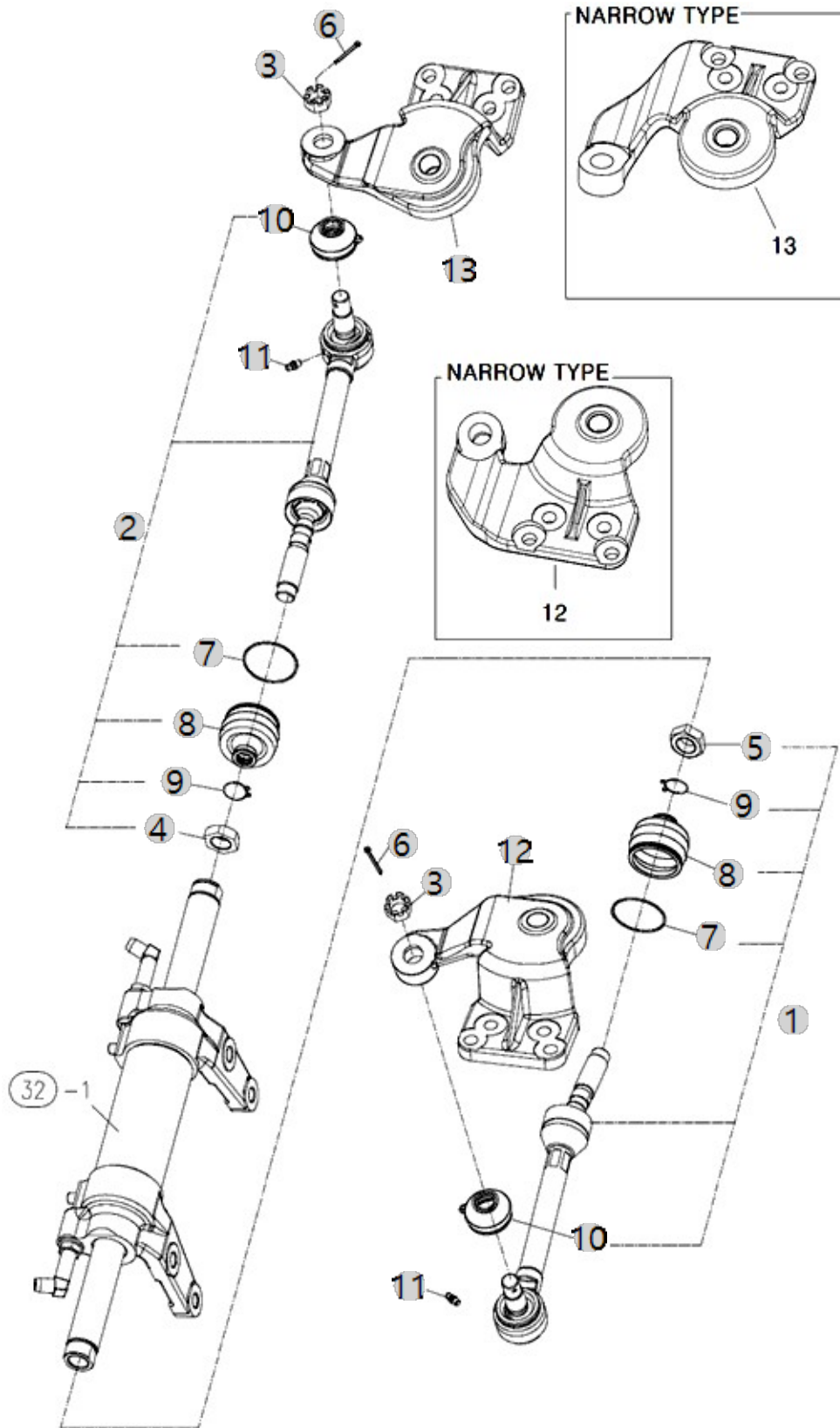
E01080

2515R_US_FL
(AC02152)

(TIE ROD)

Year/Month

2022-12-14



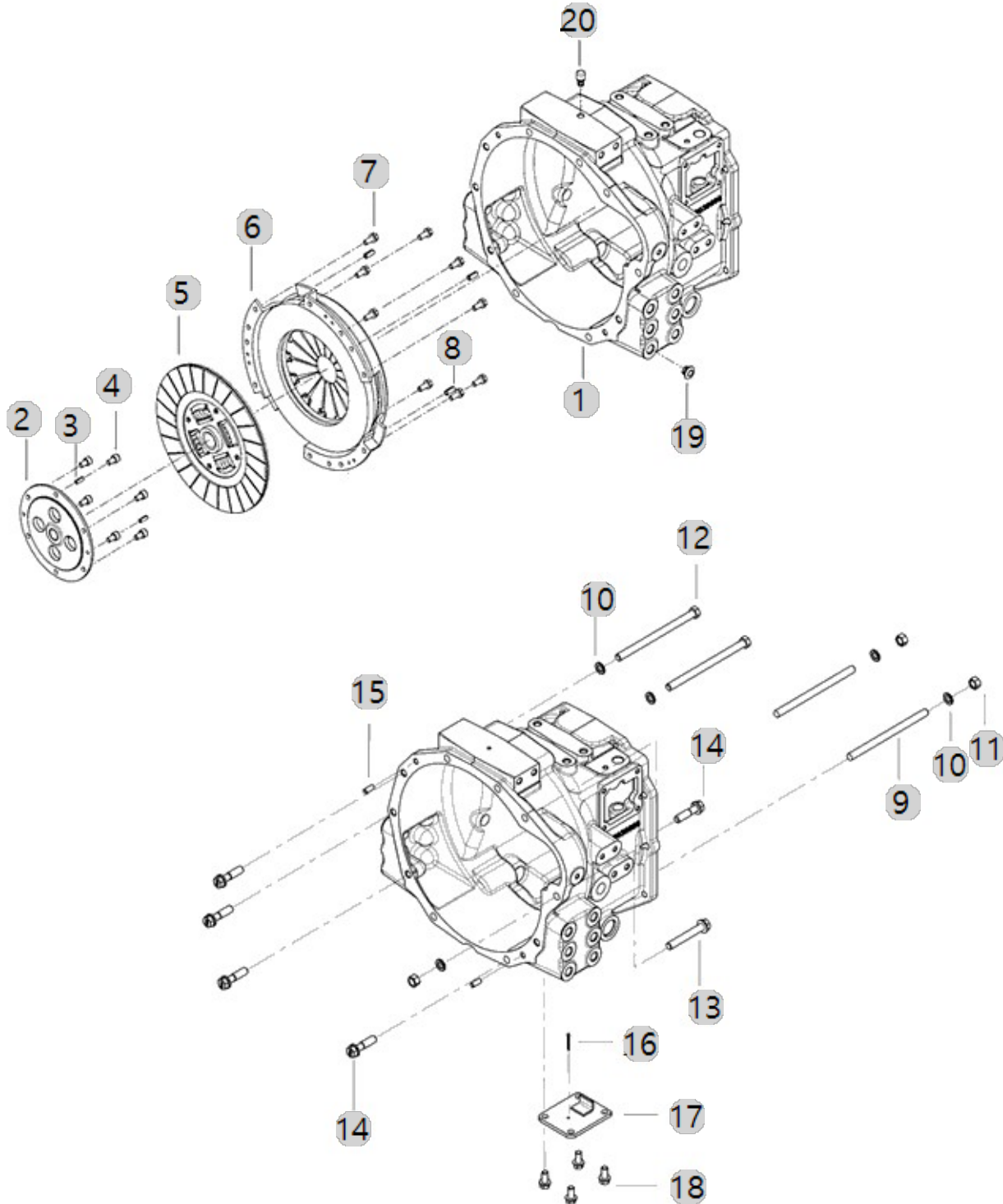
F01010-A

BRANSON 2515R
TM_US_FL(AC01898)

(CLUTCH HOUSING)

Year/Month

2022-12-14



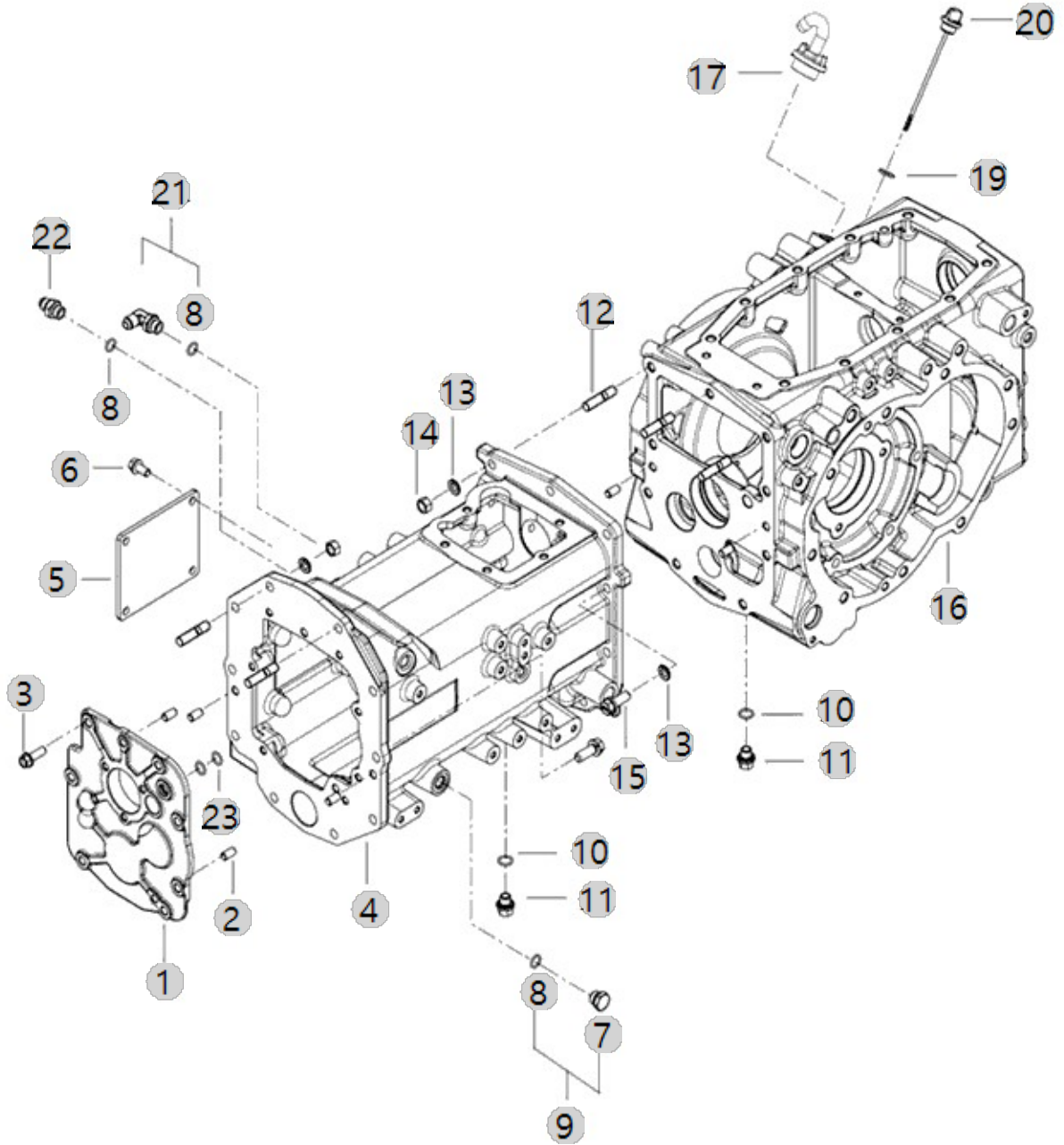
F01020

BRANSON 2515R
TM_US_FL(AC01898)

(TRANSMISSION CASE)

Year/Month

2022-12-14



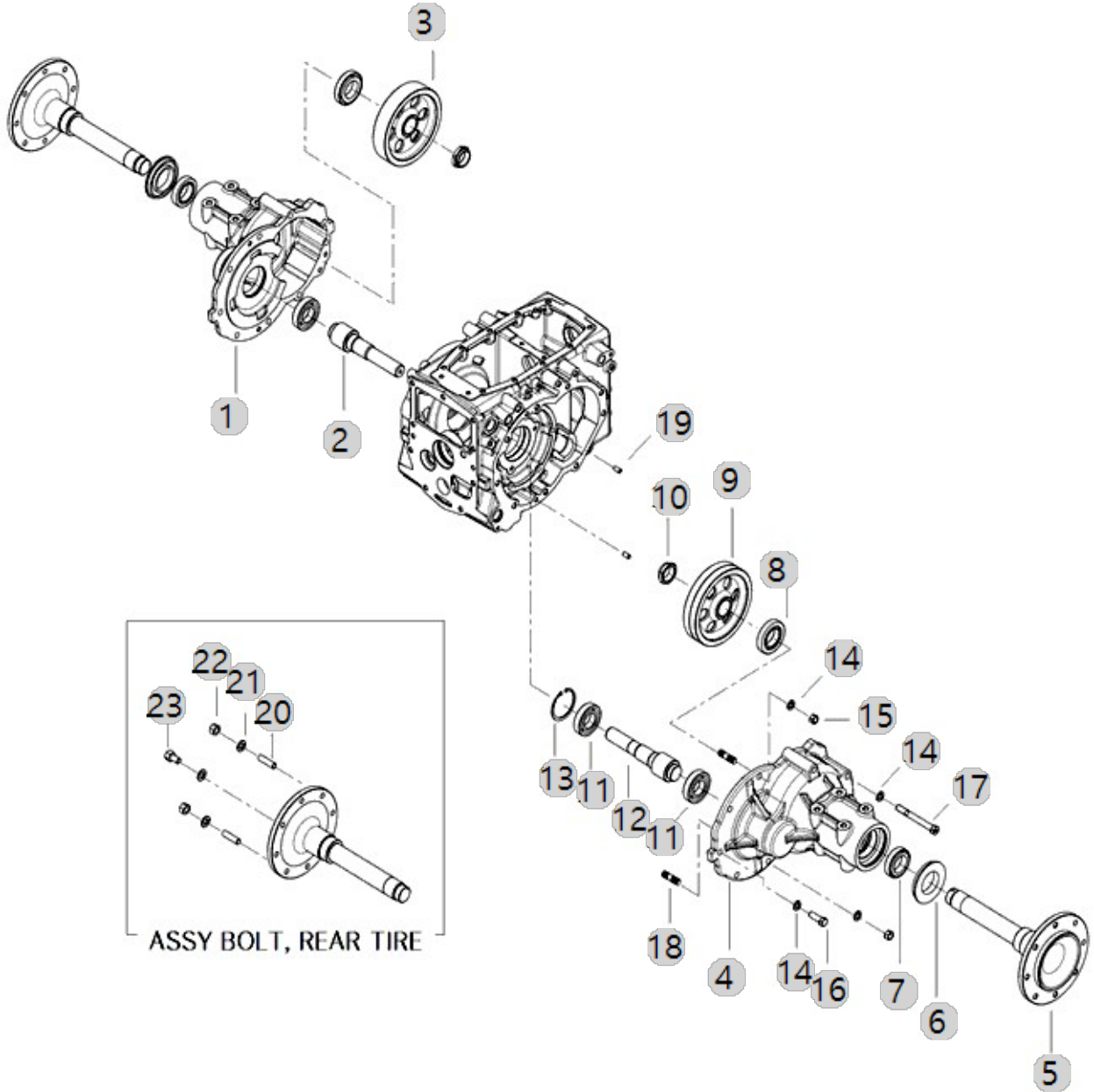
F01030

BRANSON 2515R
TM_US_FL(AC01898)

(REAR AXLE HOUSING)

Year/Month

2022-12-14



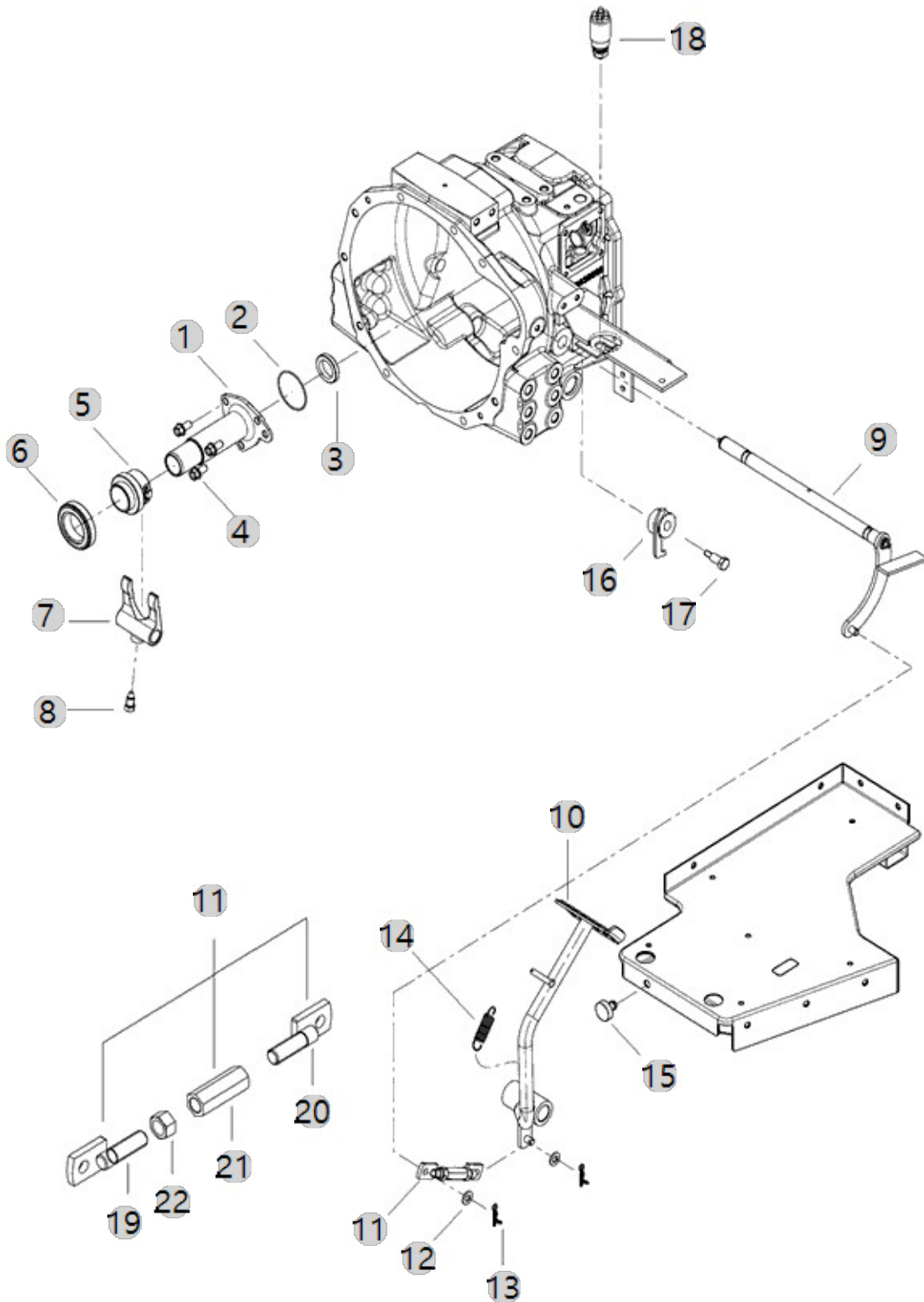
F02010

BRANSON 2515R
TM_US_FL(AC01898)

(CLUTCH RELEASE)

Year/Month

2022-12-14



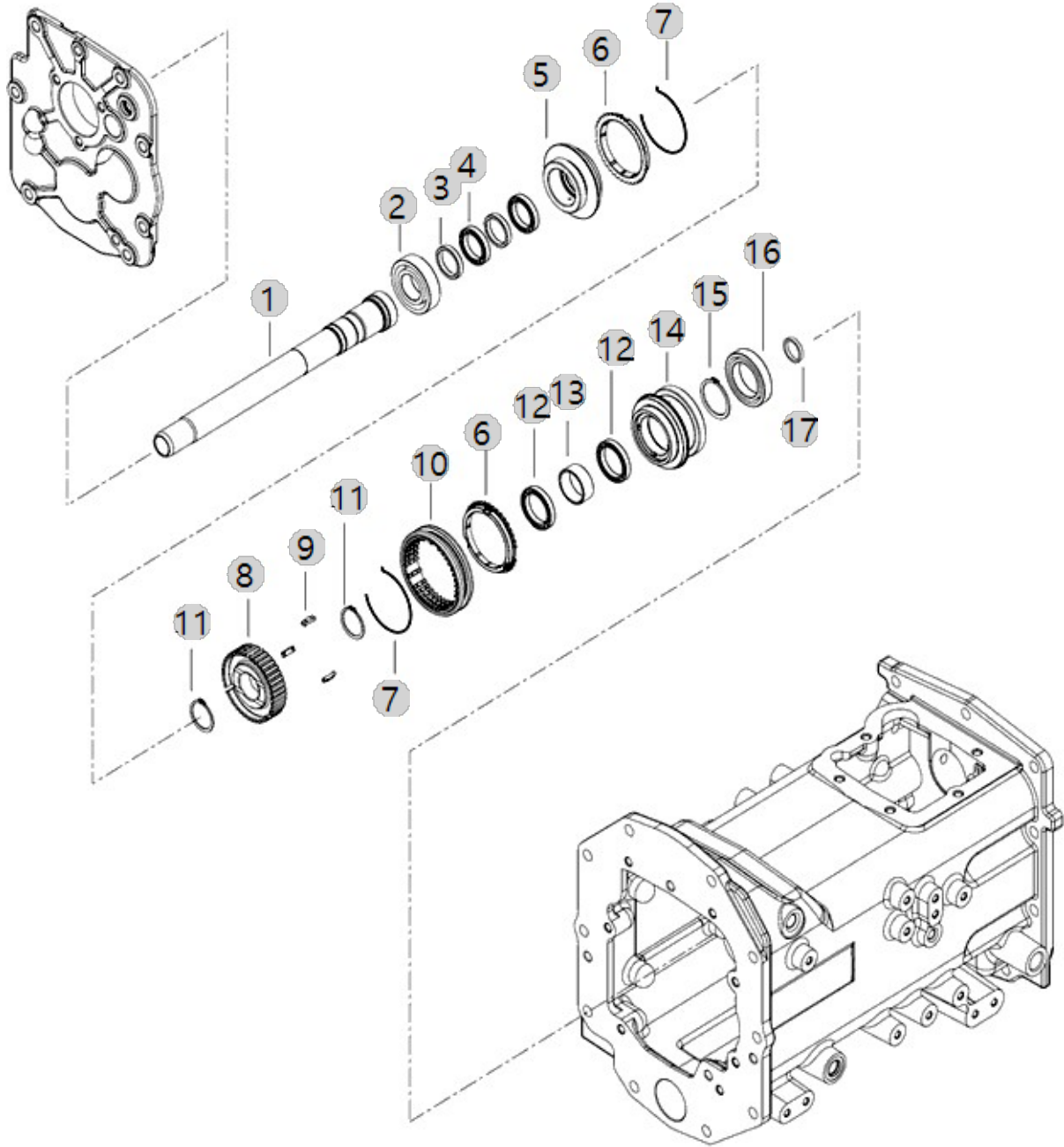
F02020

BRANSON 2515R
TM_US_FL(AC01898)

(CLUTCH SHAFT)

Year/Month

2022-12-14



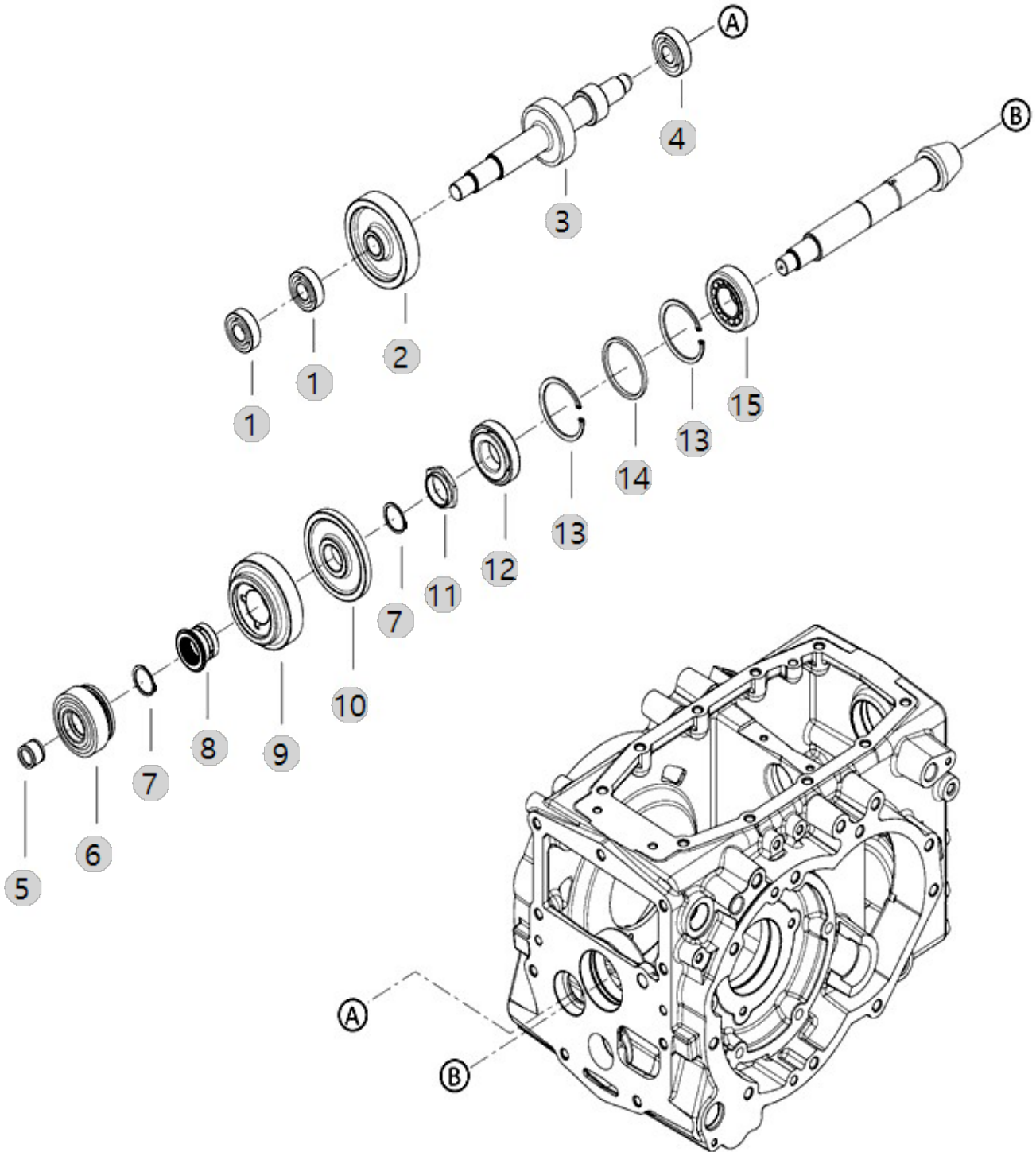
F03040

BRANSON 2515R
TM_US_FL(AC01898)

(RANGE SHIFT DRIVE SHAFT)

Year/Month

2022-12-14



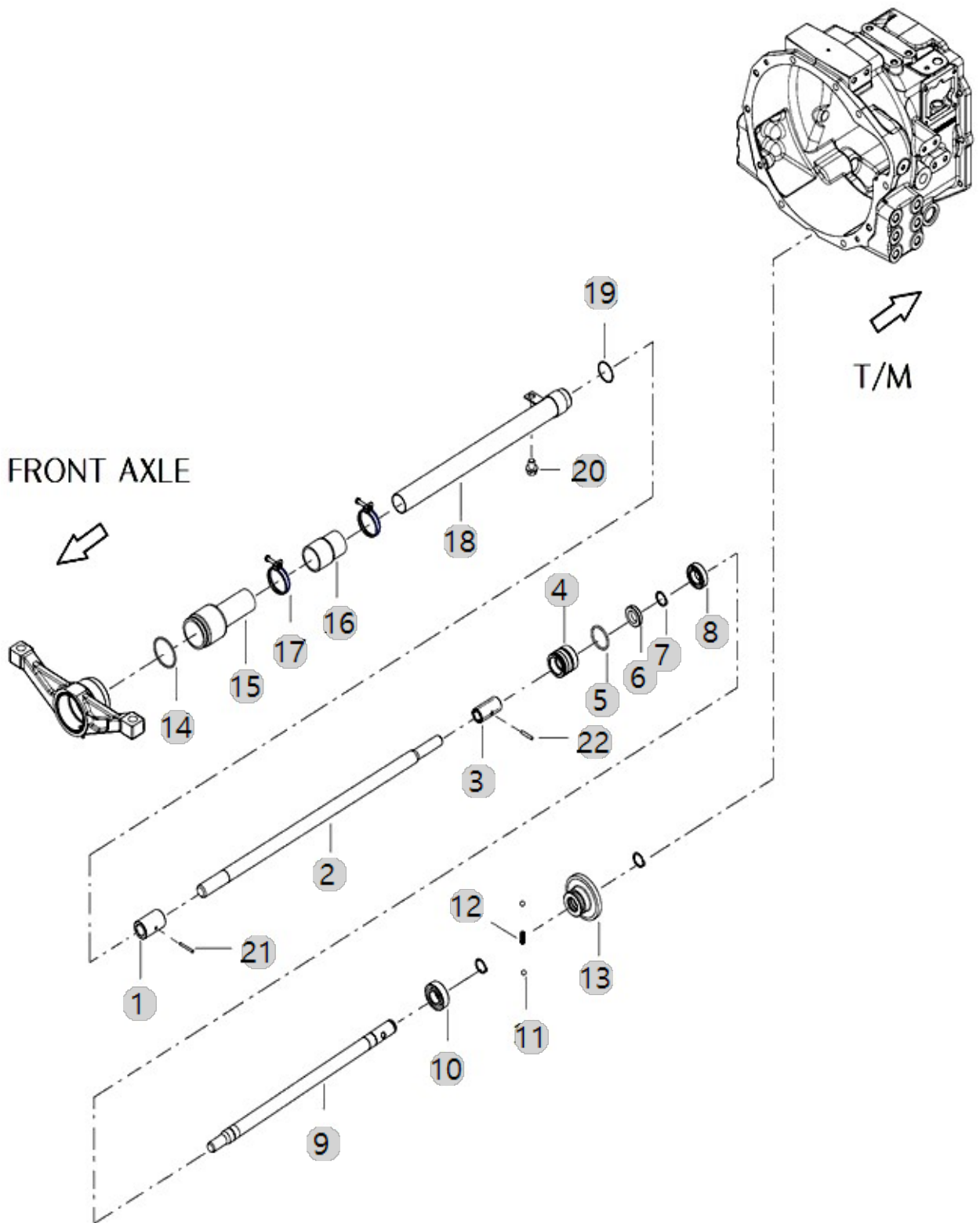
F04010

BRANSON 2515R
TM_US_FL(AC01898)

(FRONT DRIVE SHAFT)

Year/Month

2022-12-14



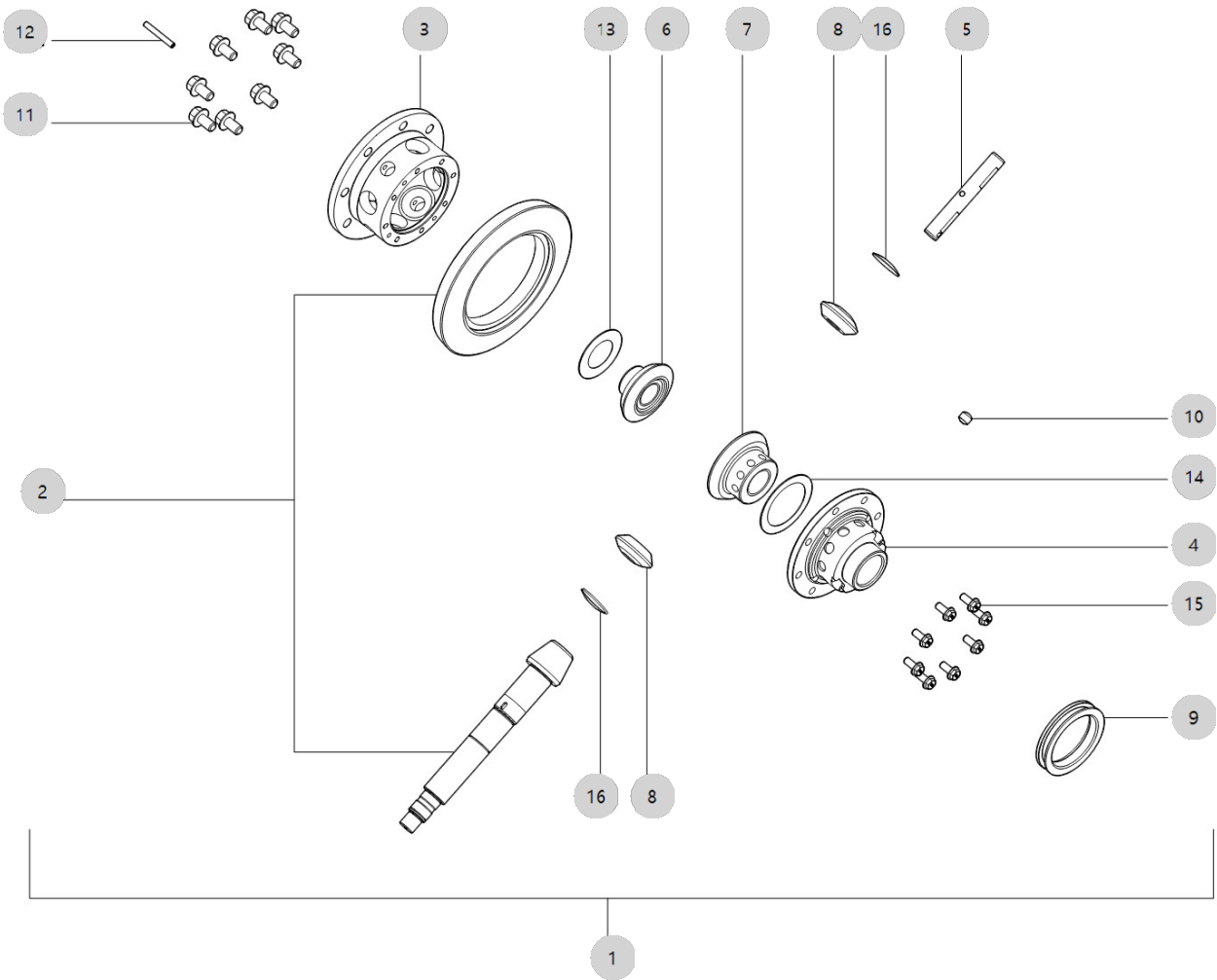
F05020

BRANSON 2515R
TM_US_FL(AC01898)

RING GEAR&DIFF.GEAR ASS'Y

Year/Month

2022-12-14



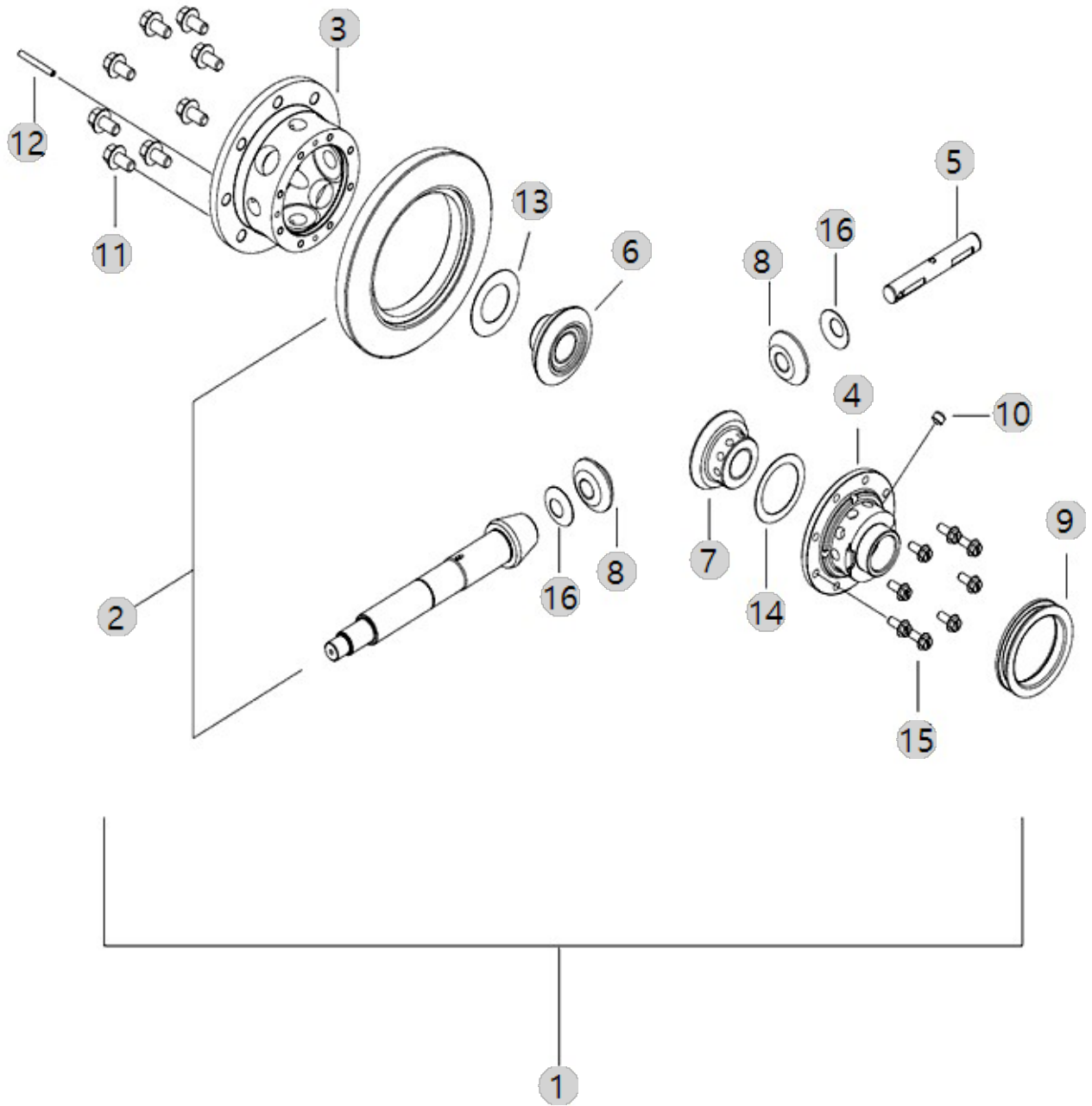
F05020

BRANSON 2515R
TM_US_FL(AC01898)

(REAR DIFFERENTIAL ASS'Y)

Year/Month

2022-12-14



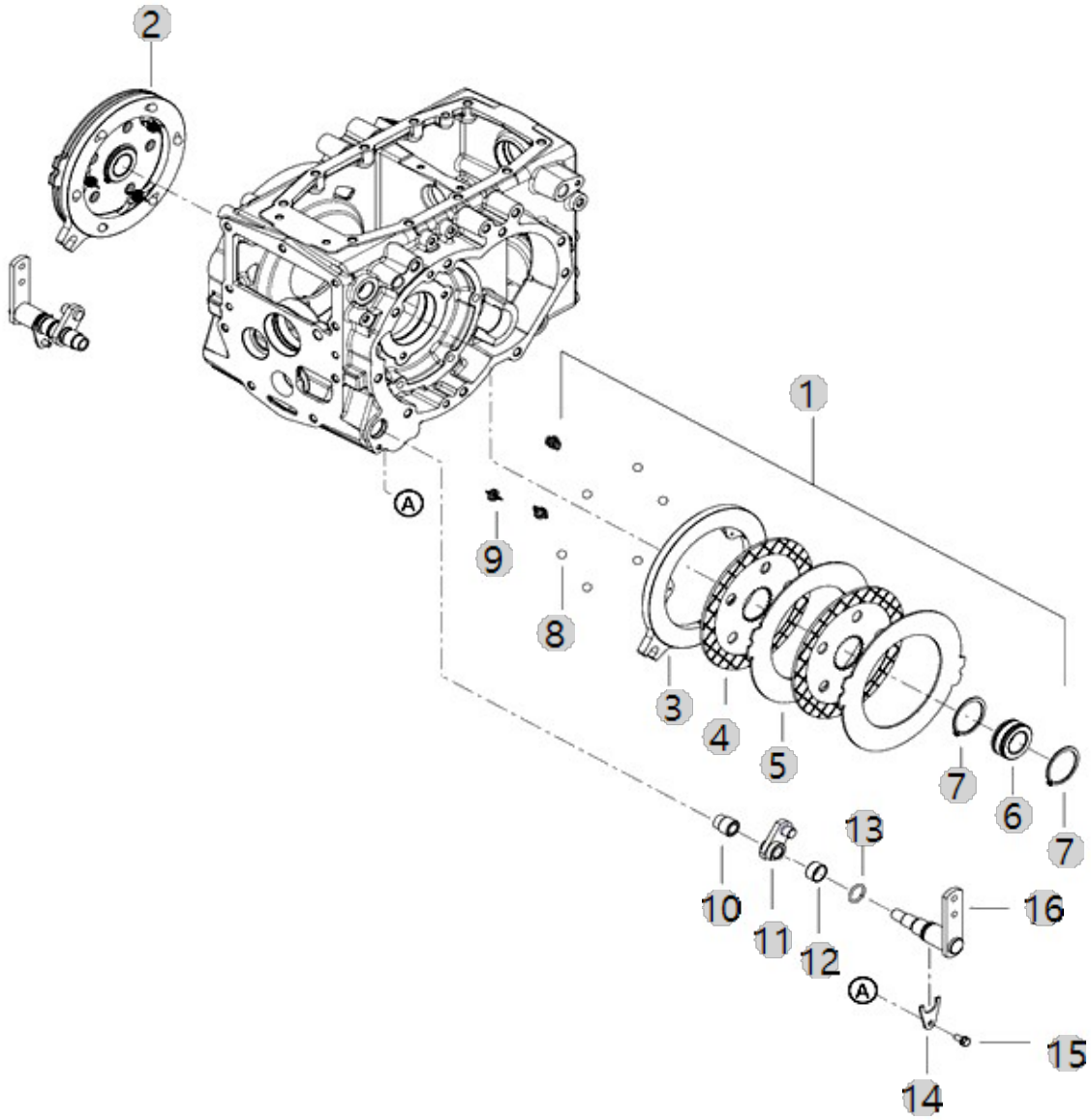
F06030

BRANSON 2515R
TM_US_FL(AC01898)

(BRAKE)

Year/Month

2022-12-14



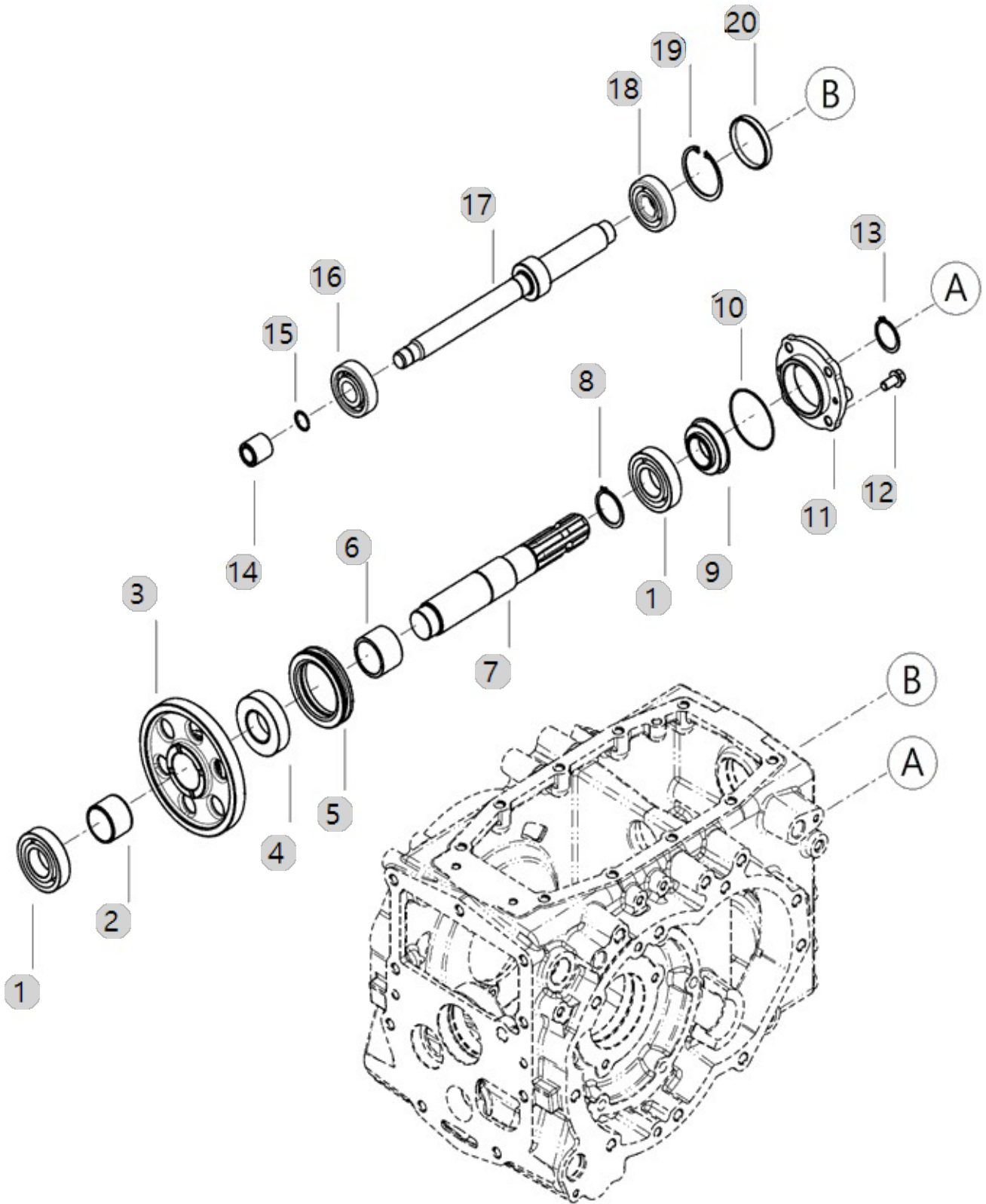
F07030

BRANSON 2515R
TM_US_FL(AC01898)

(PTO DRIVE SHAFT)

Year/Month

2022-12-14



F07070

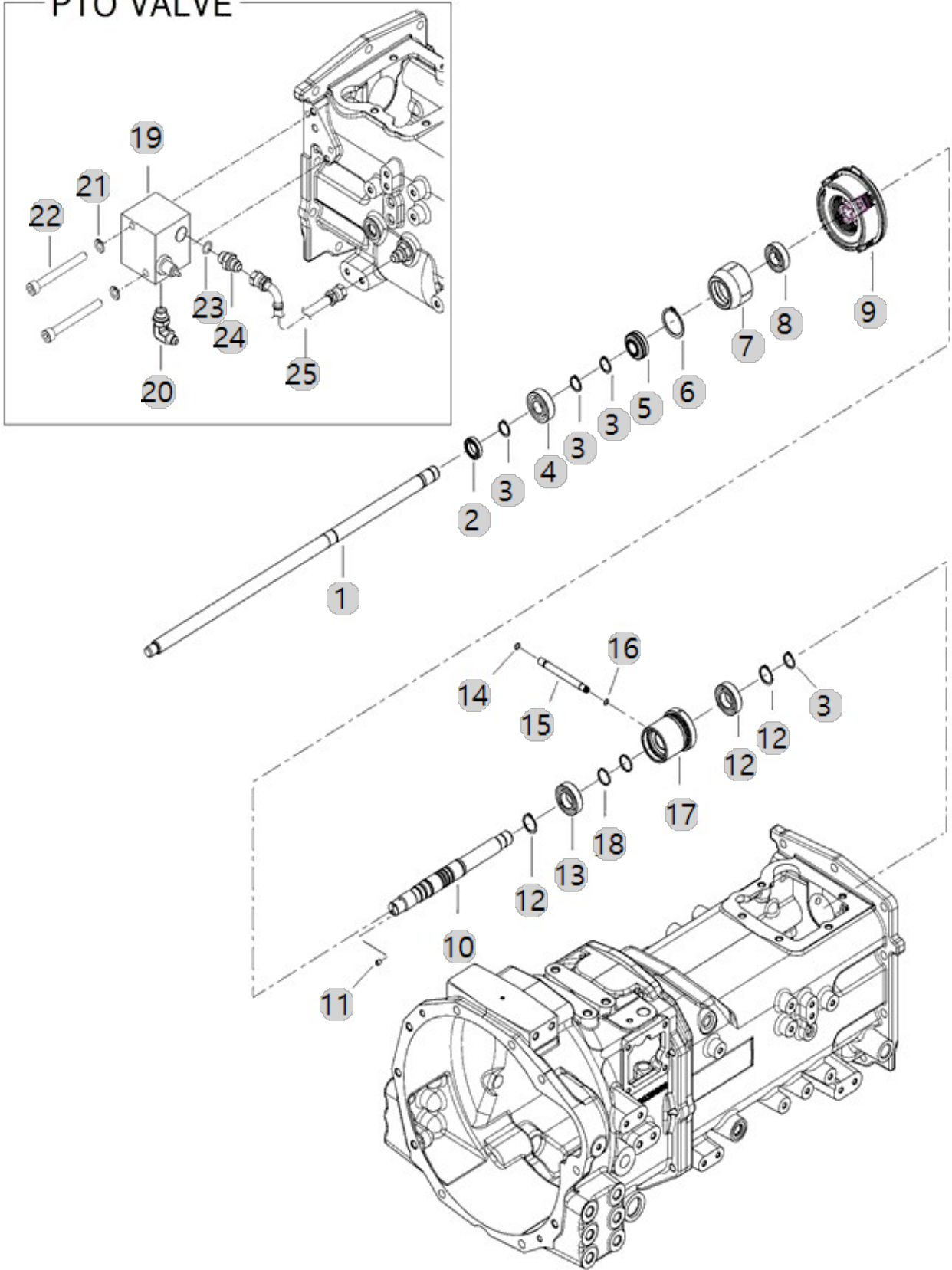
BRANSON 2515R
TM_US_FL(AC01898)

(MAIN P.T.O SHAFT)

Year/Month

2022-12-14

PTO VALVE



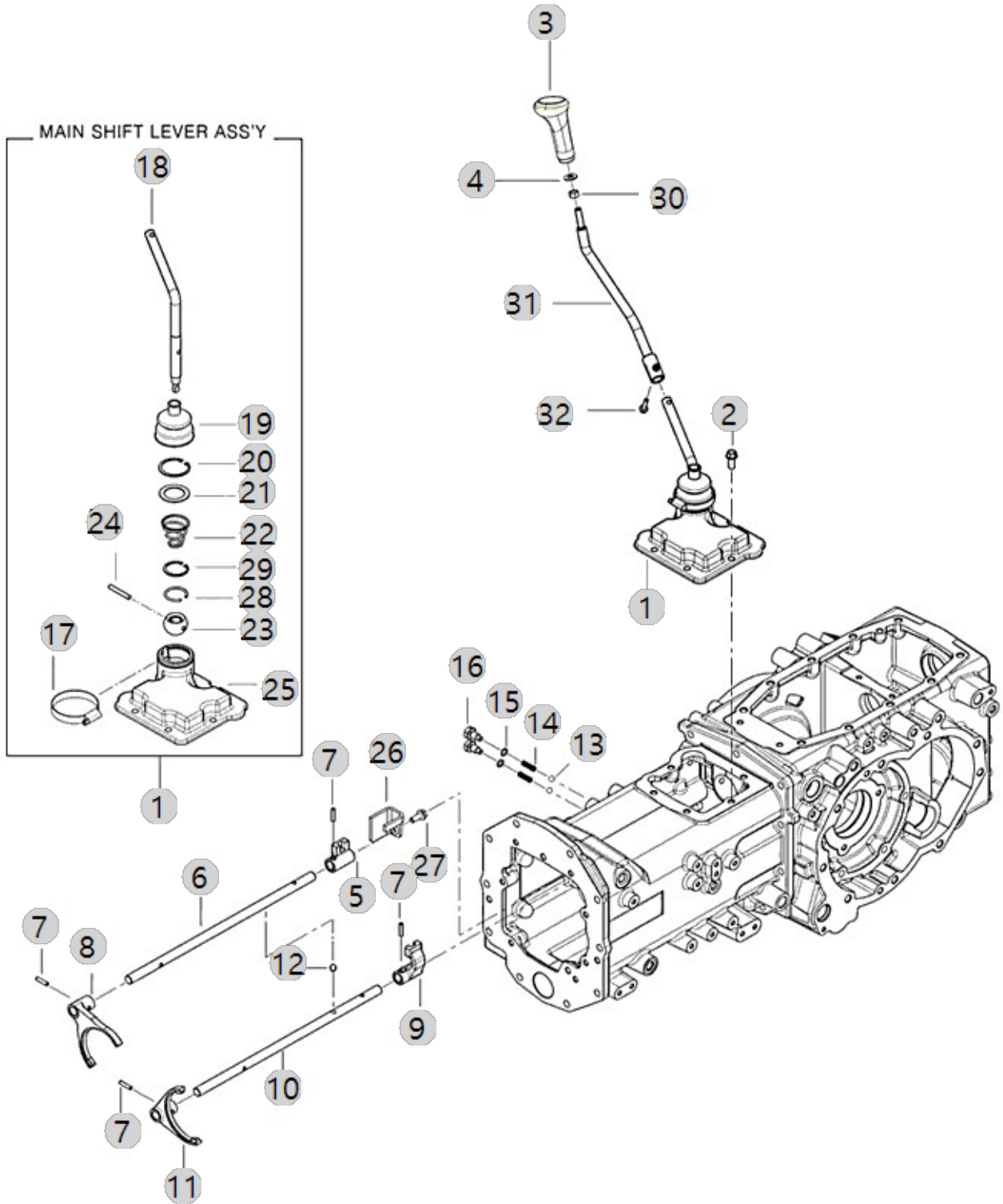
F08021

BRANSON 2515R
TM_US_FL(AC01898)

(FORK, PTO SHIFT)

Year/Month

2022-12-14



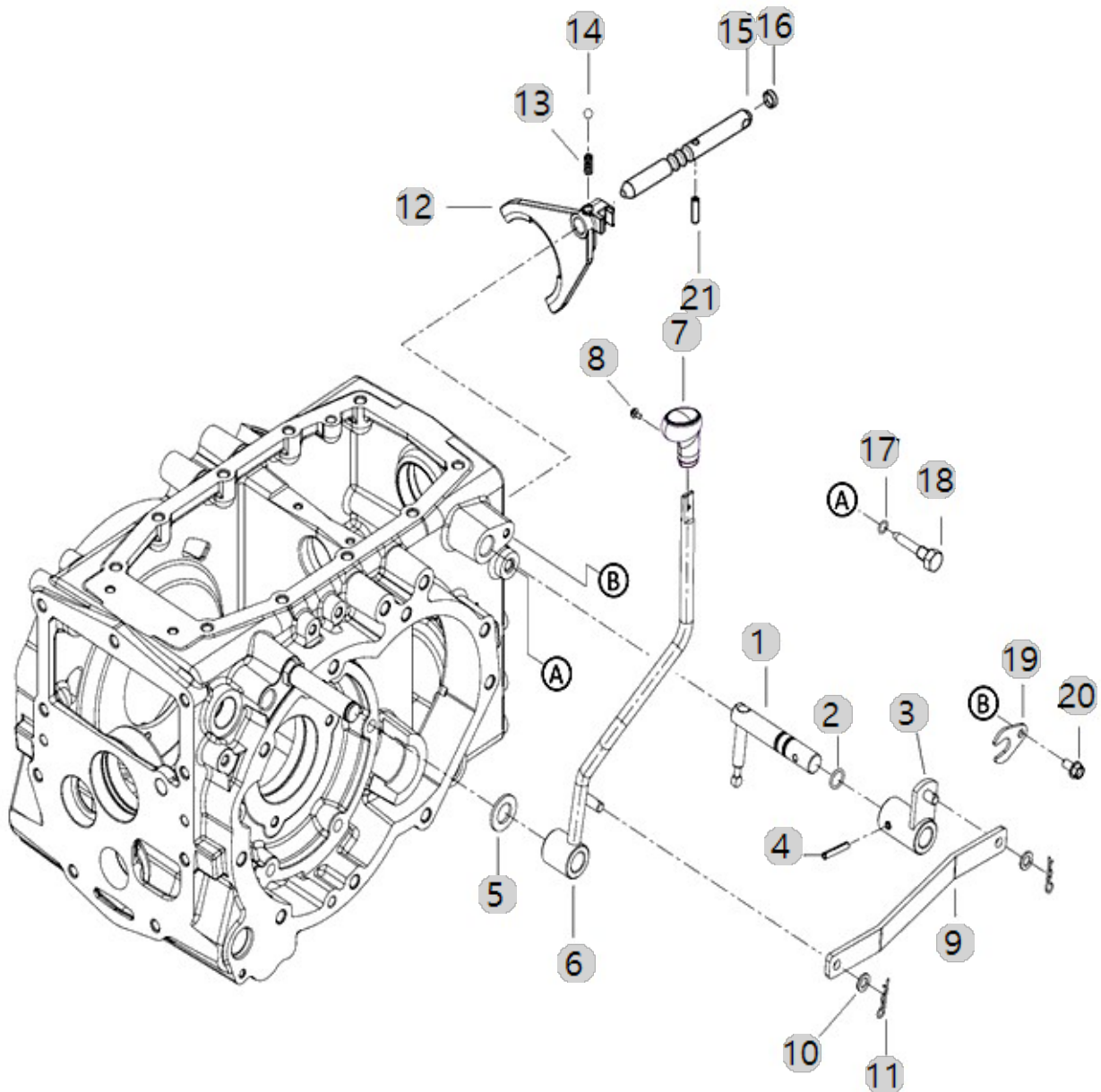
F08060

BRANSON 2515R
TM_US_FL(AC01898)

(FORK, MAIN SHIFT)

Year/Month

2022-12-14



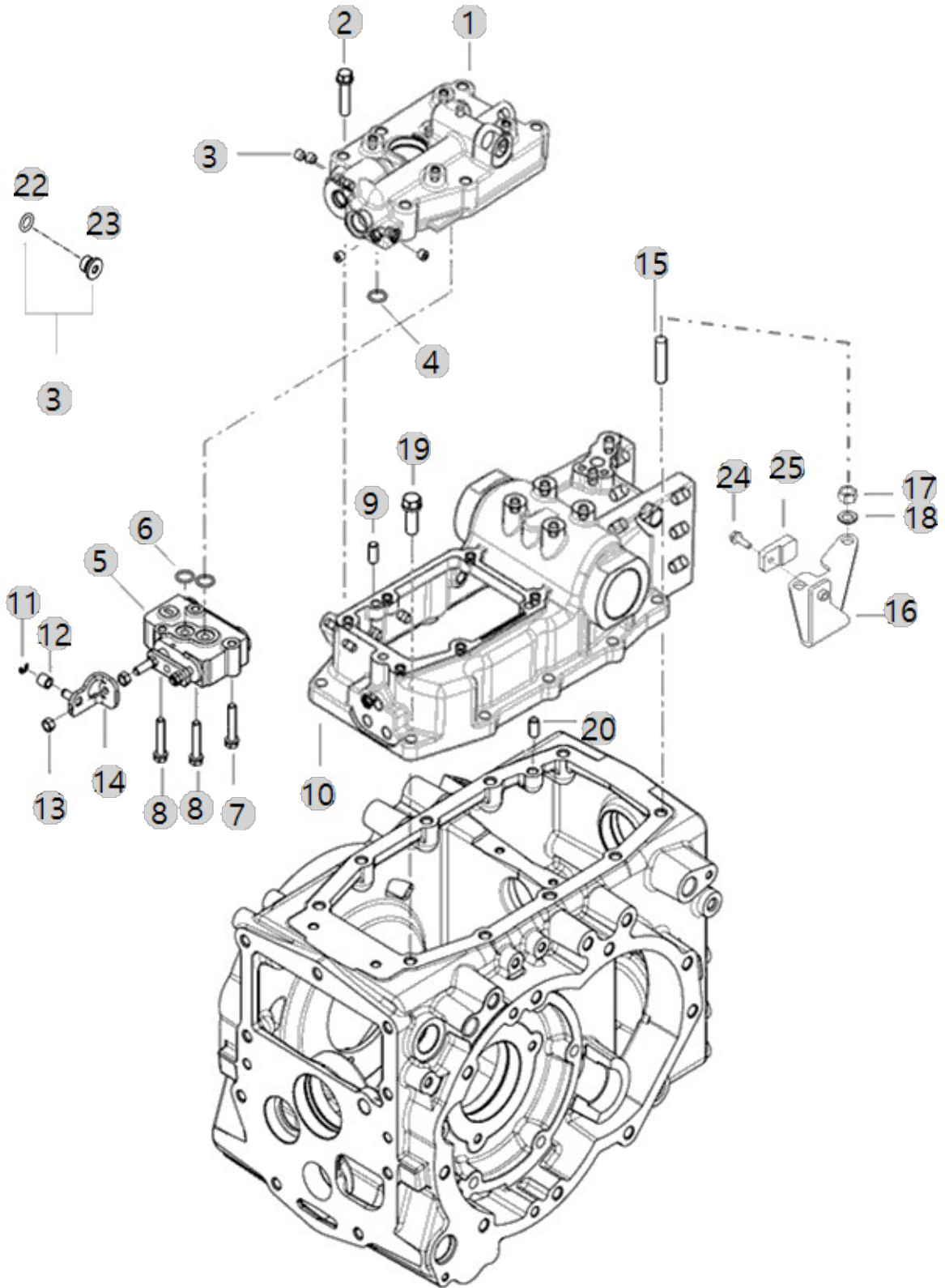
F10010

BRANSON 2515R
TM_US_FL(AC01898)

(CASE, HYD CYLINDER)

Year/Month

2022-12-14



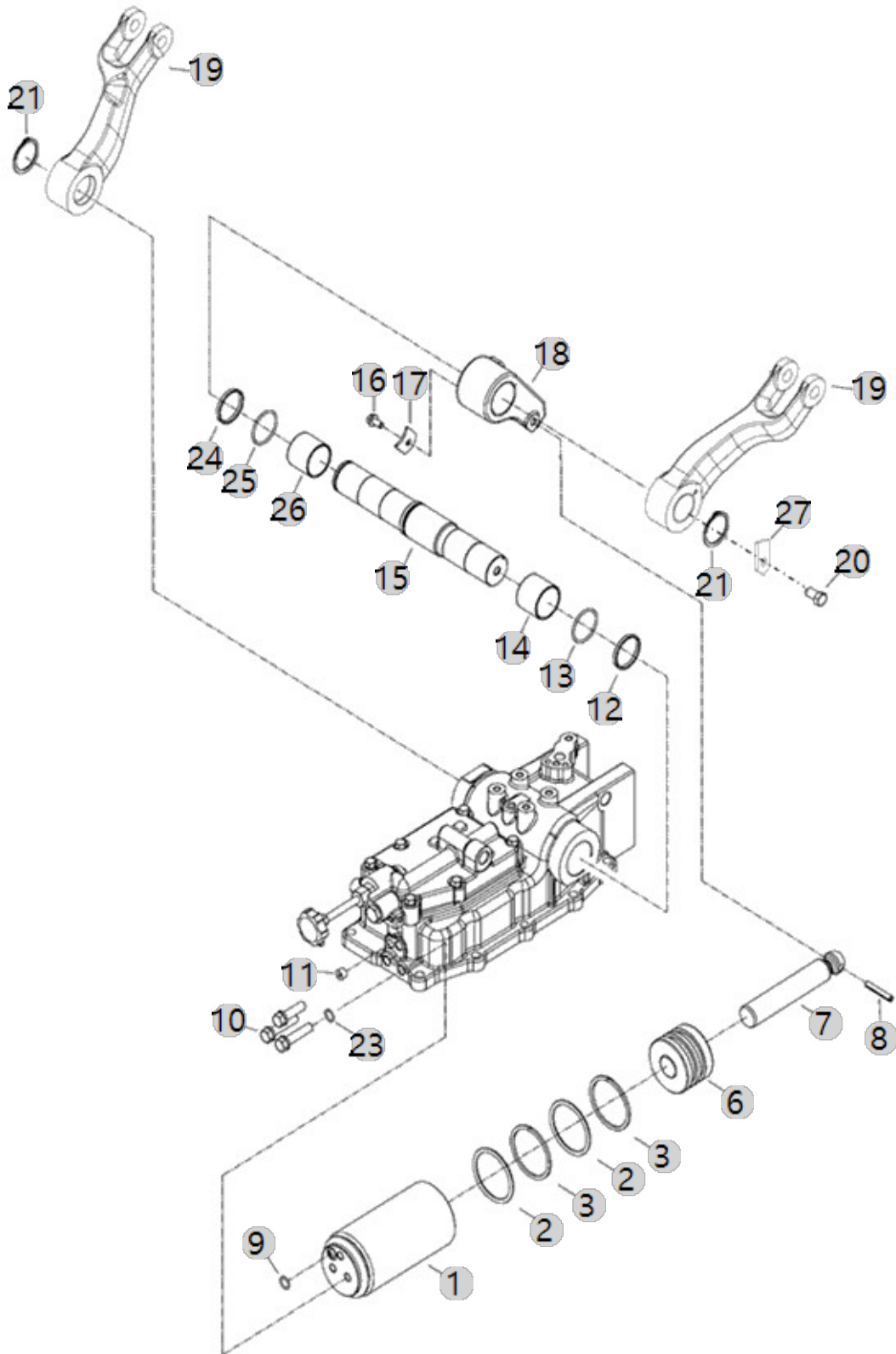
F10020

BRANSON 2515R
TM_US_FL(AC01898)

(LIFT ARM)

Year/Month

2022-12-14



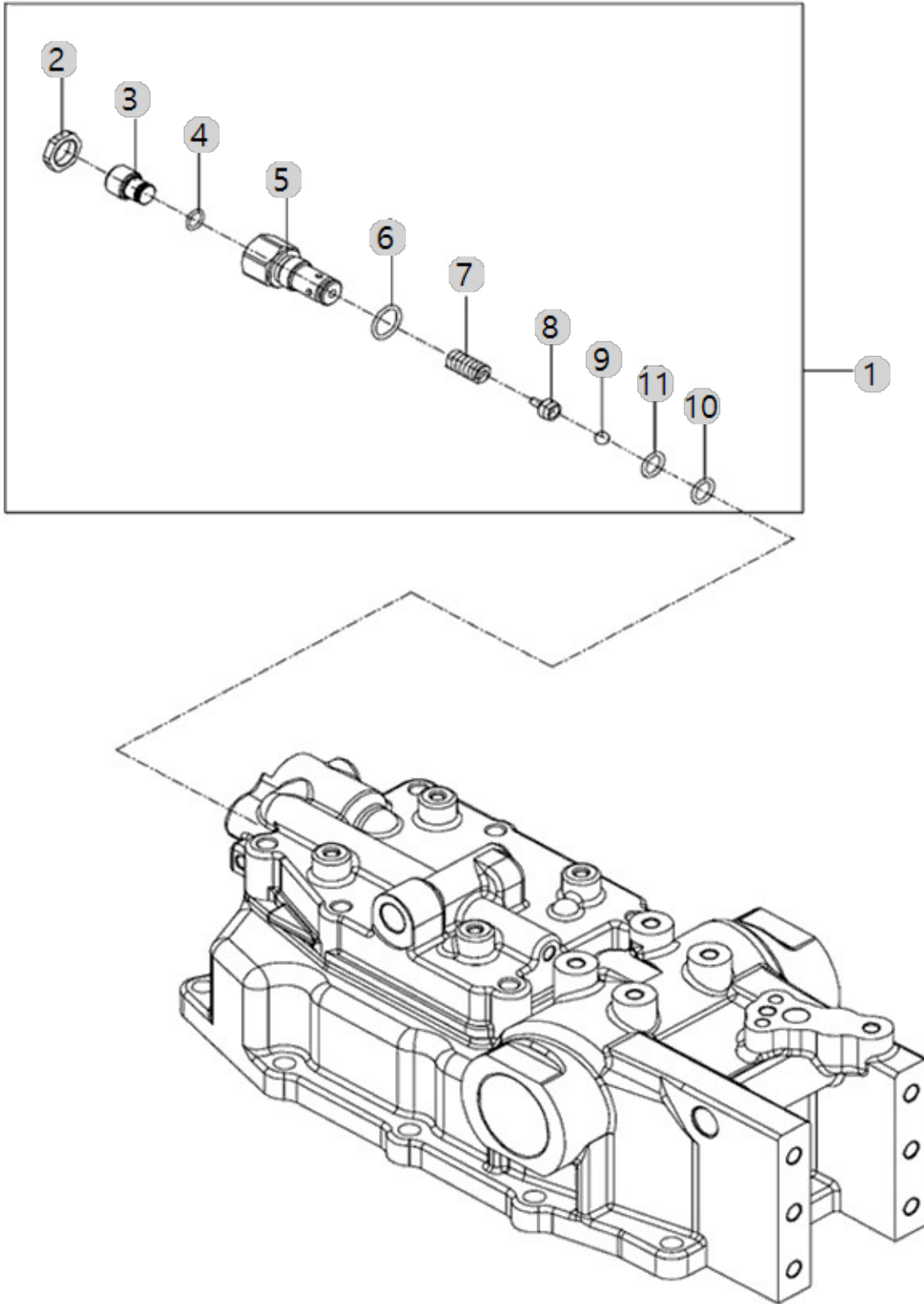
F10030

BRANSON 2515R
TM_US_FL(AC01898)

(SAFETY VALVE)

Year/Month

2022-12-14



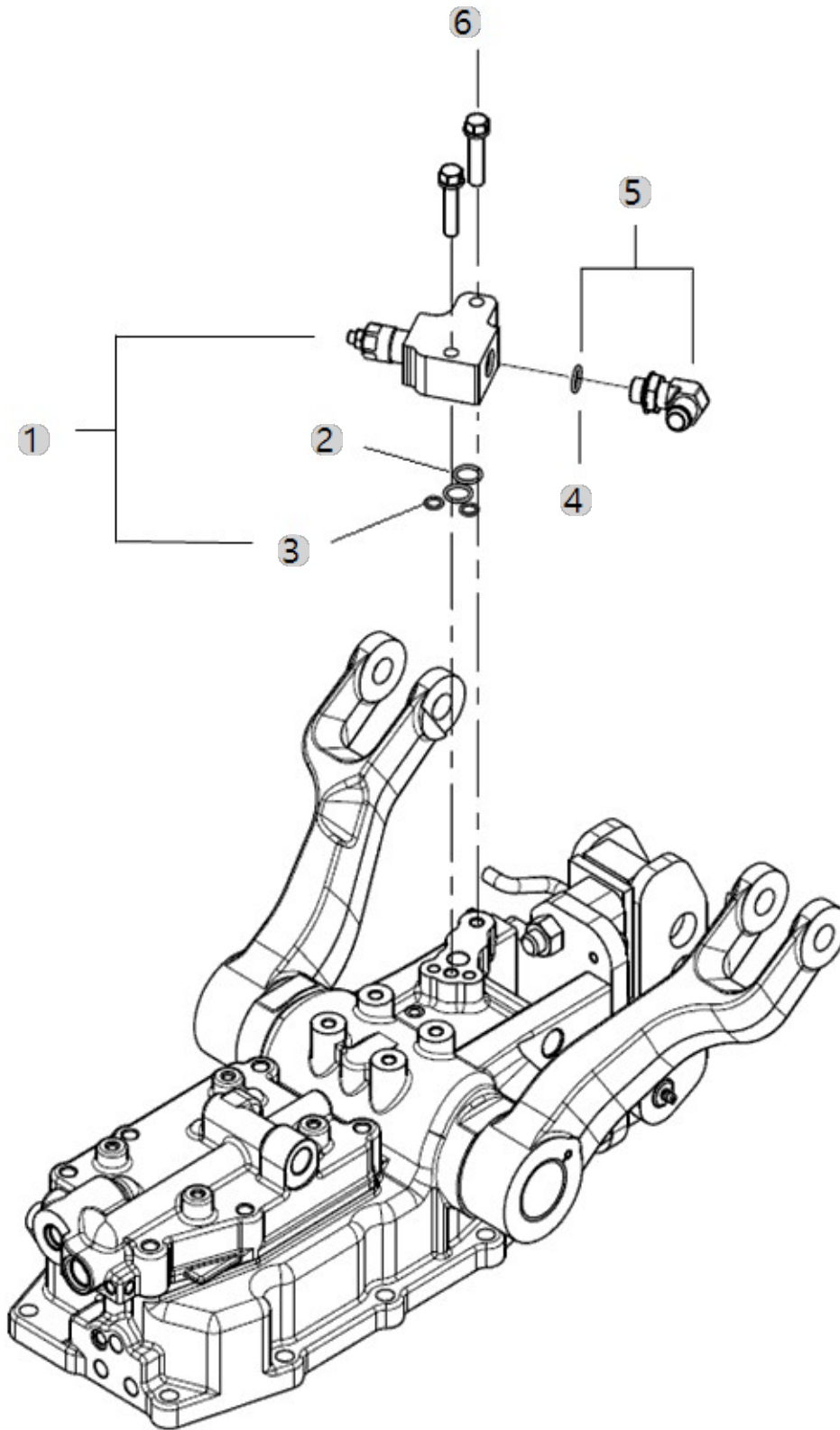
F10031

BRANSON 2515R
TM_US_FL(AC01898)

(RELIEF)

Year/Month

2022-12-14



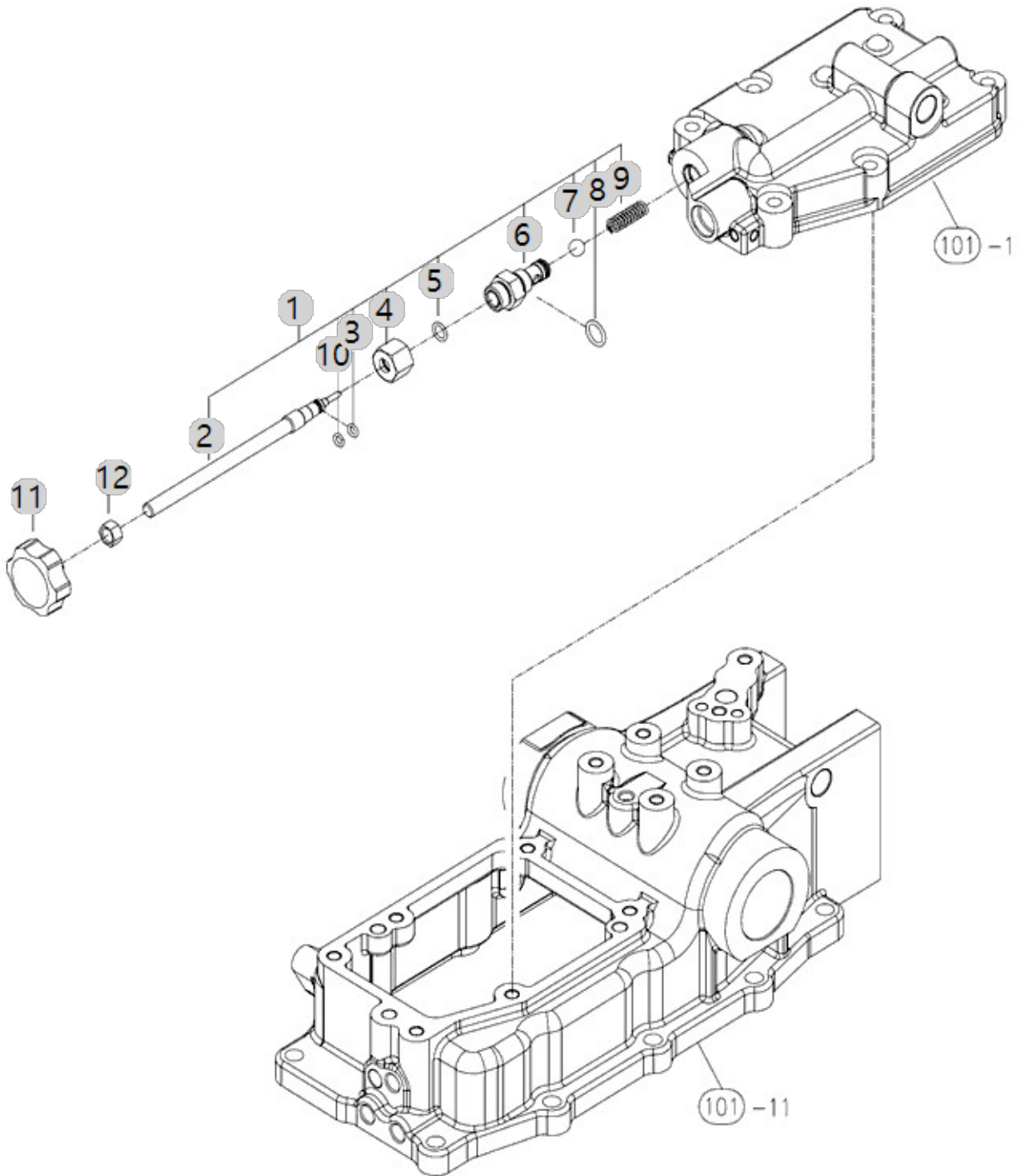
F10040

BRANSON 2515R
TM_US_FL(AC01898)

(STOP VALVE)

Year/Month

2022-12-14



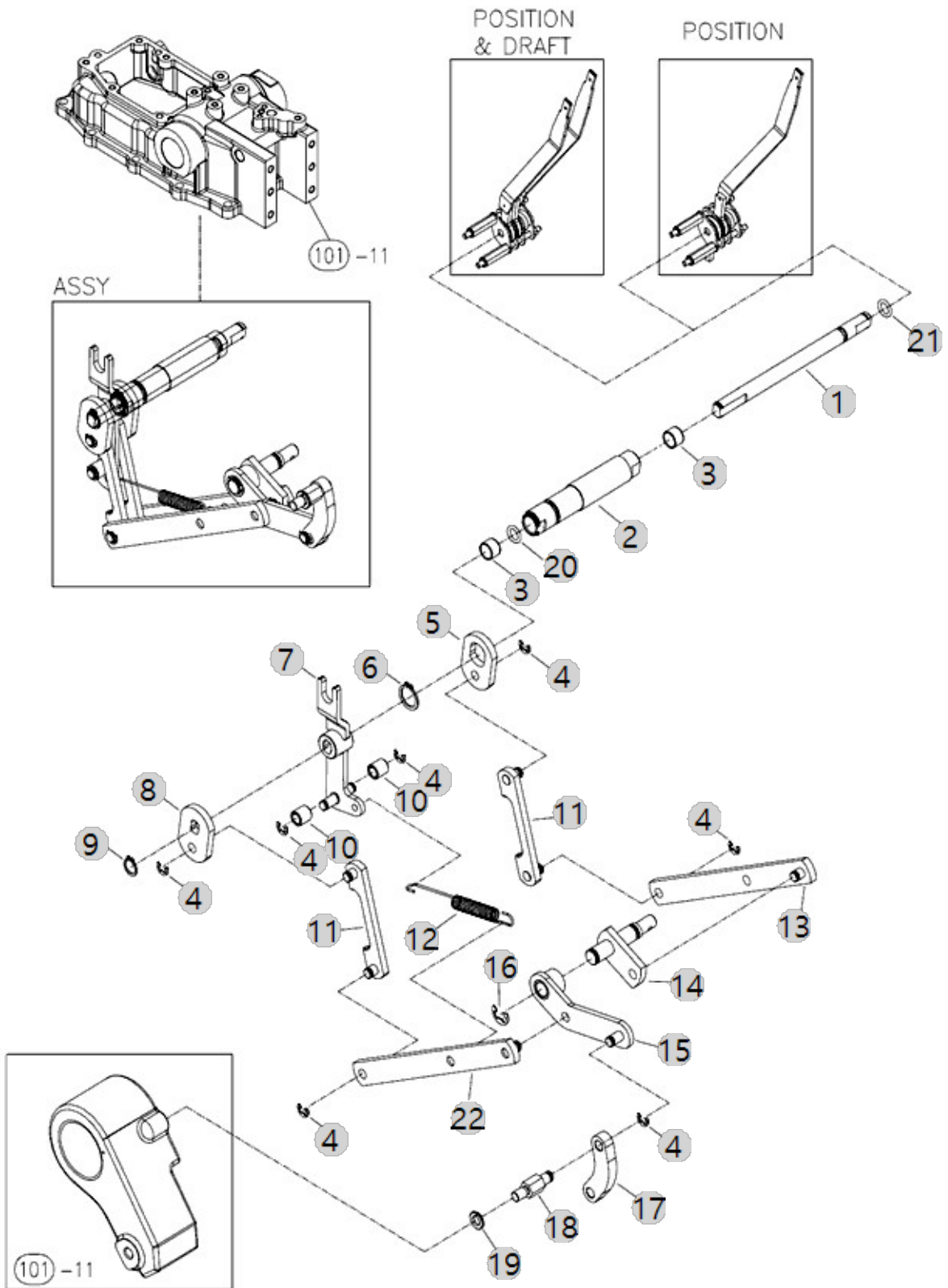
F10061

BRANSON 2515R
TM_US_FL(AC01898)

(DRAFT/POSITION CONTROL LEVER)

Year/Month

2022-12-14



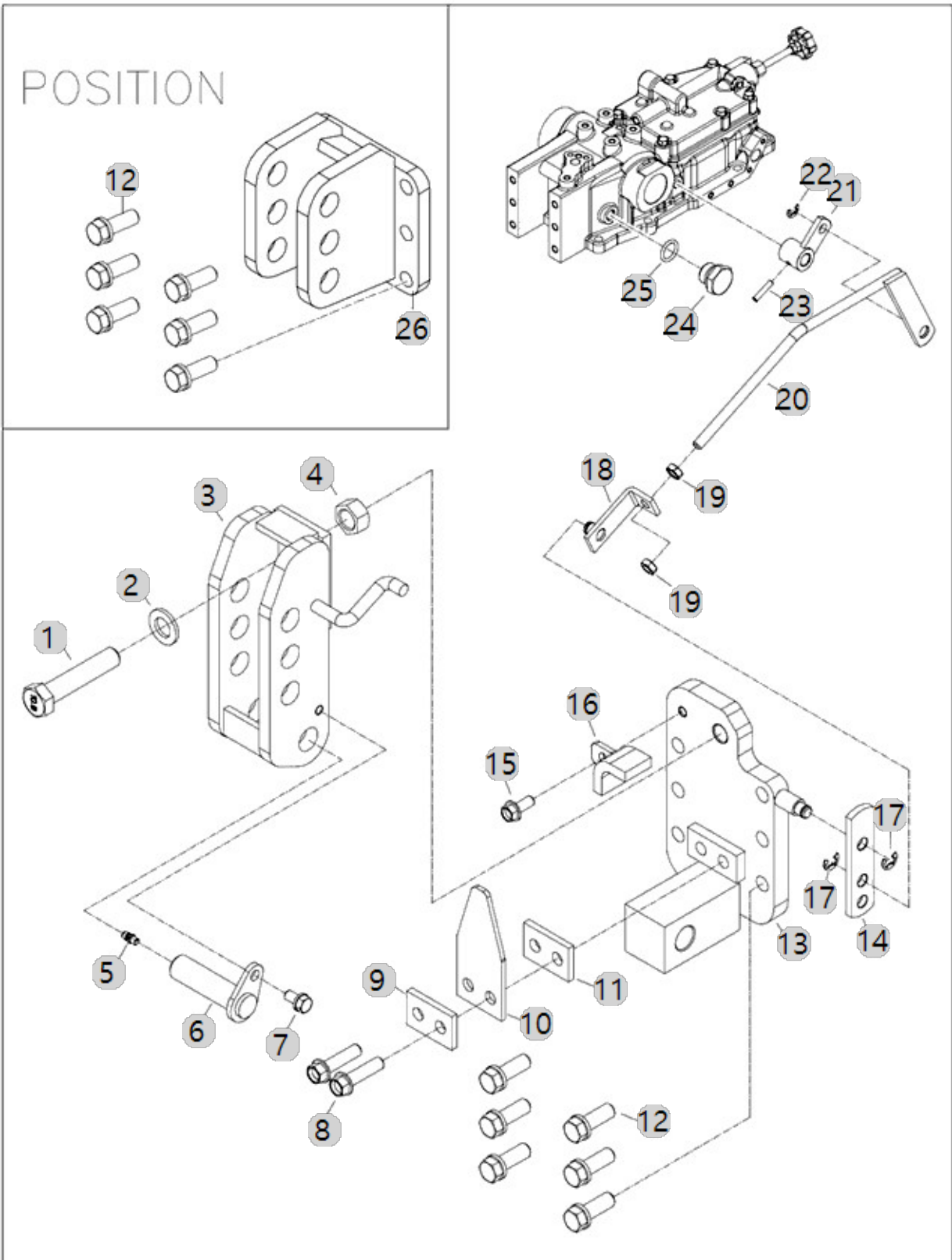
F10063

BRANSON 2515R
TM_US_FL(AC01898)

(DRAFT CONTROL)

Year/Month

2022-12-14



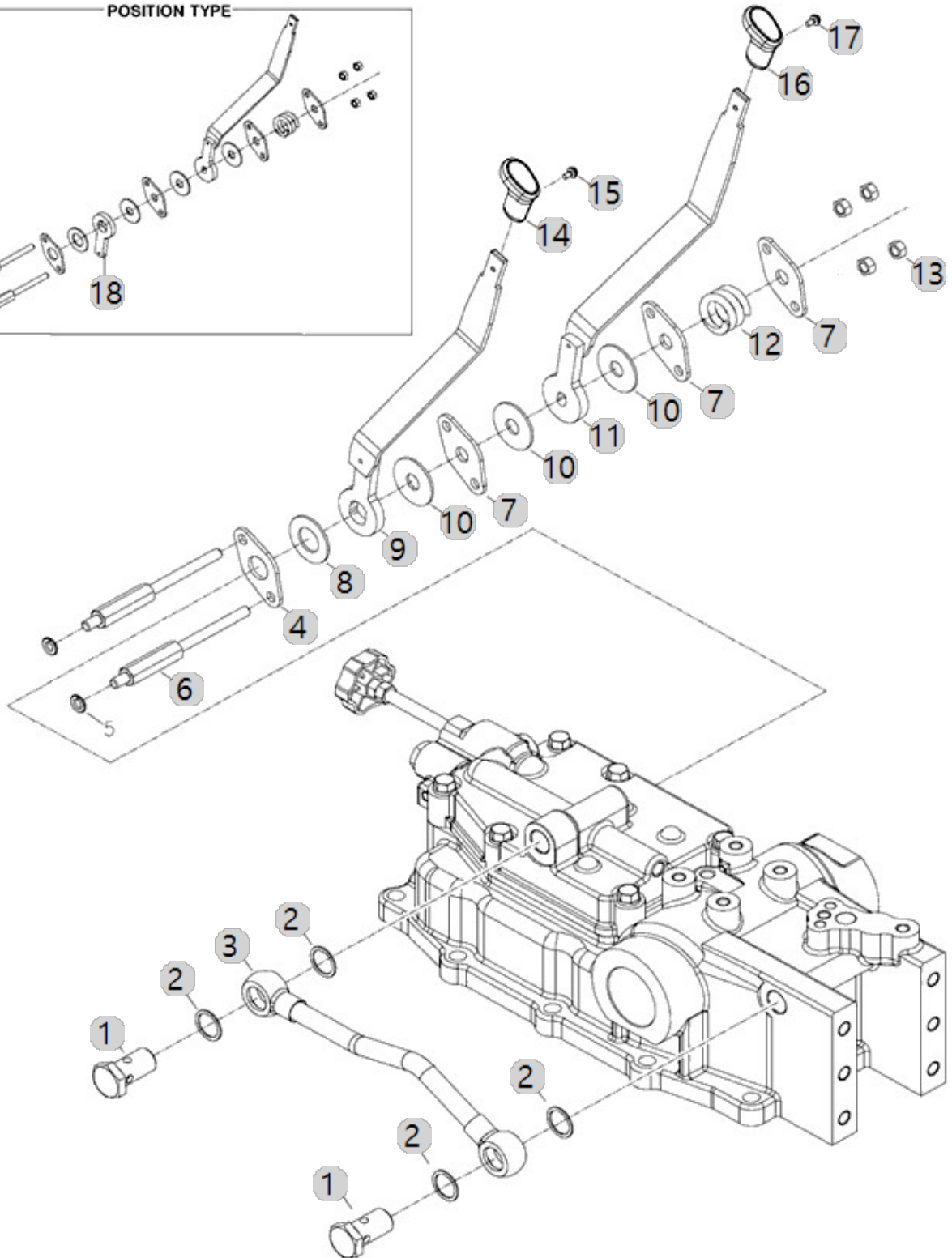
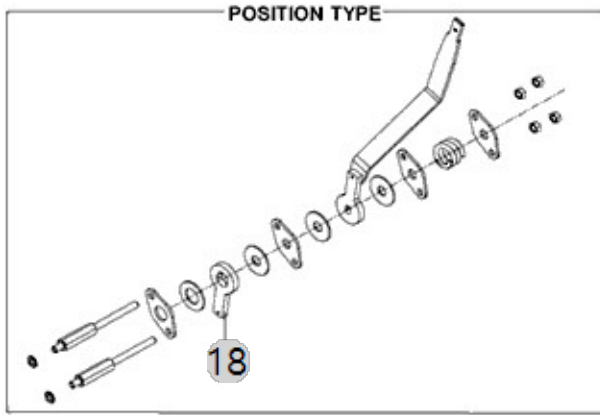
F10064

BRANSON 2515R
TM_US_FL(AC01898)

(POSITION CONTROL LEVER)

Year/Month

2022-12-14



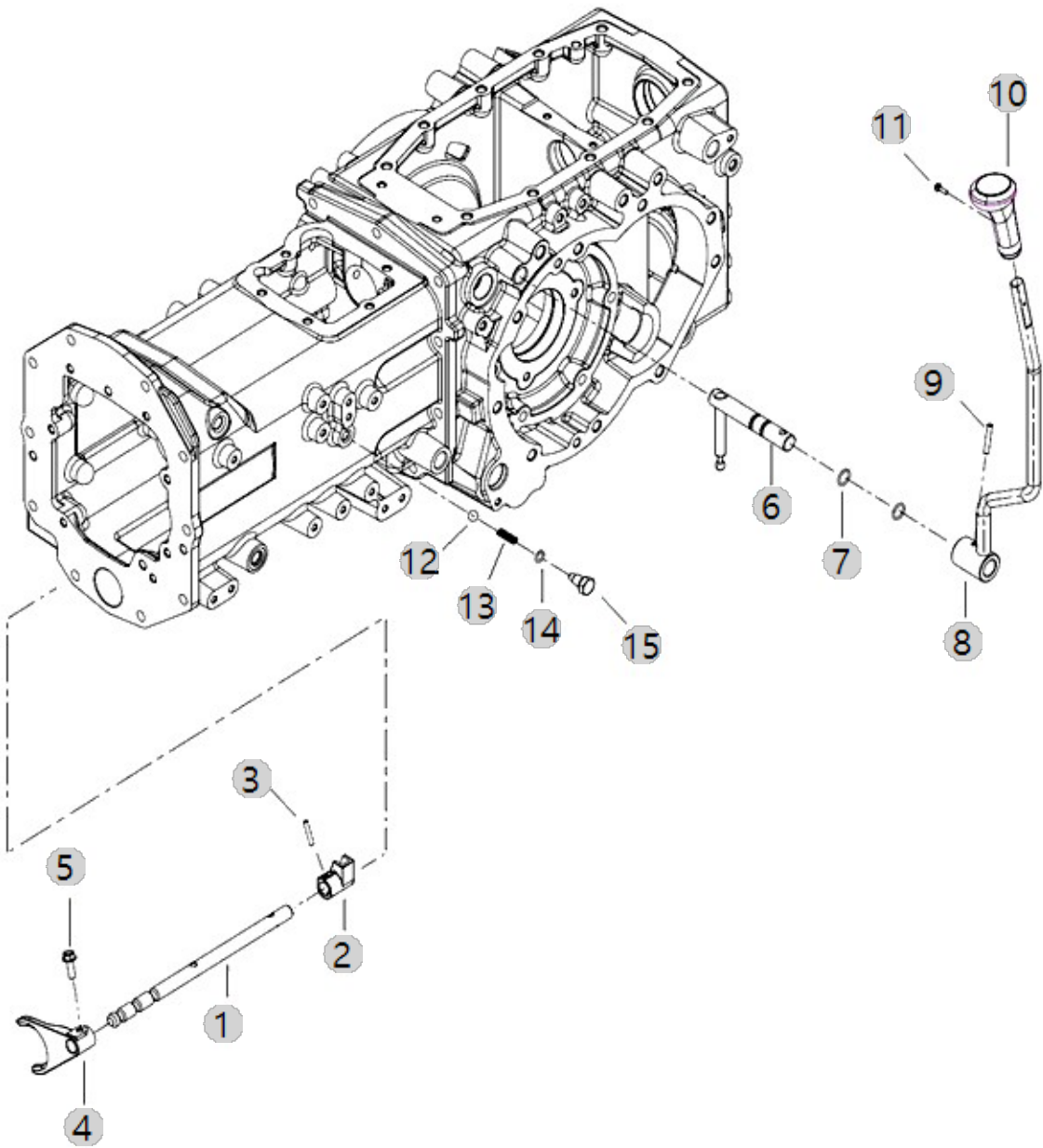
F11020

BRANSON 2515R
TM_US_FL(AC01898)

(LEVER ASS'Y, RANGE SHIFT)

Year/Month

2022-12-14



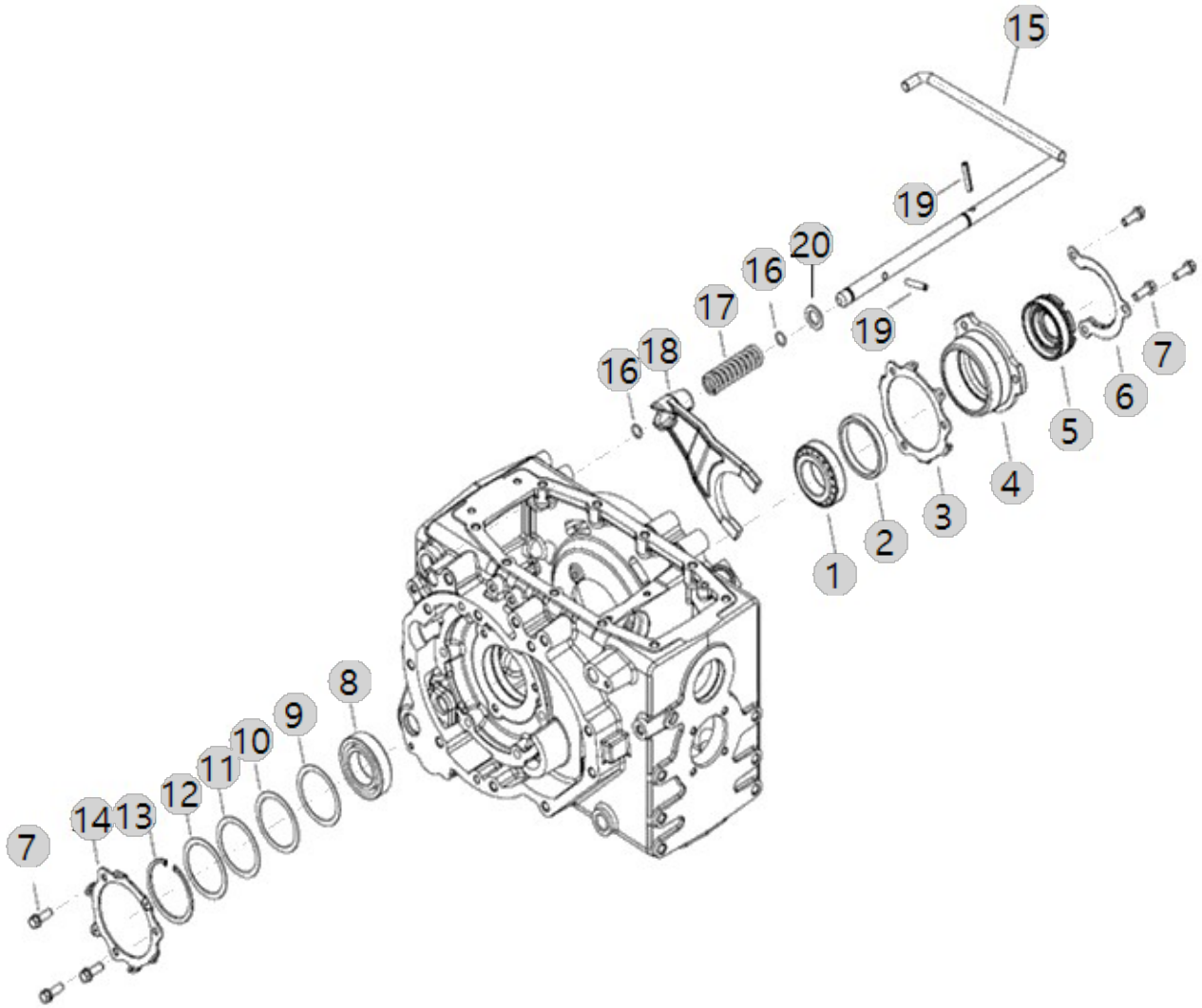
F11060

BRANSON 2515R
TM_US_FL(AC01898)

(DIFFERENTIAL LOCK)

Year/Month

2022-12-14



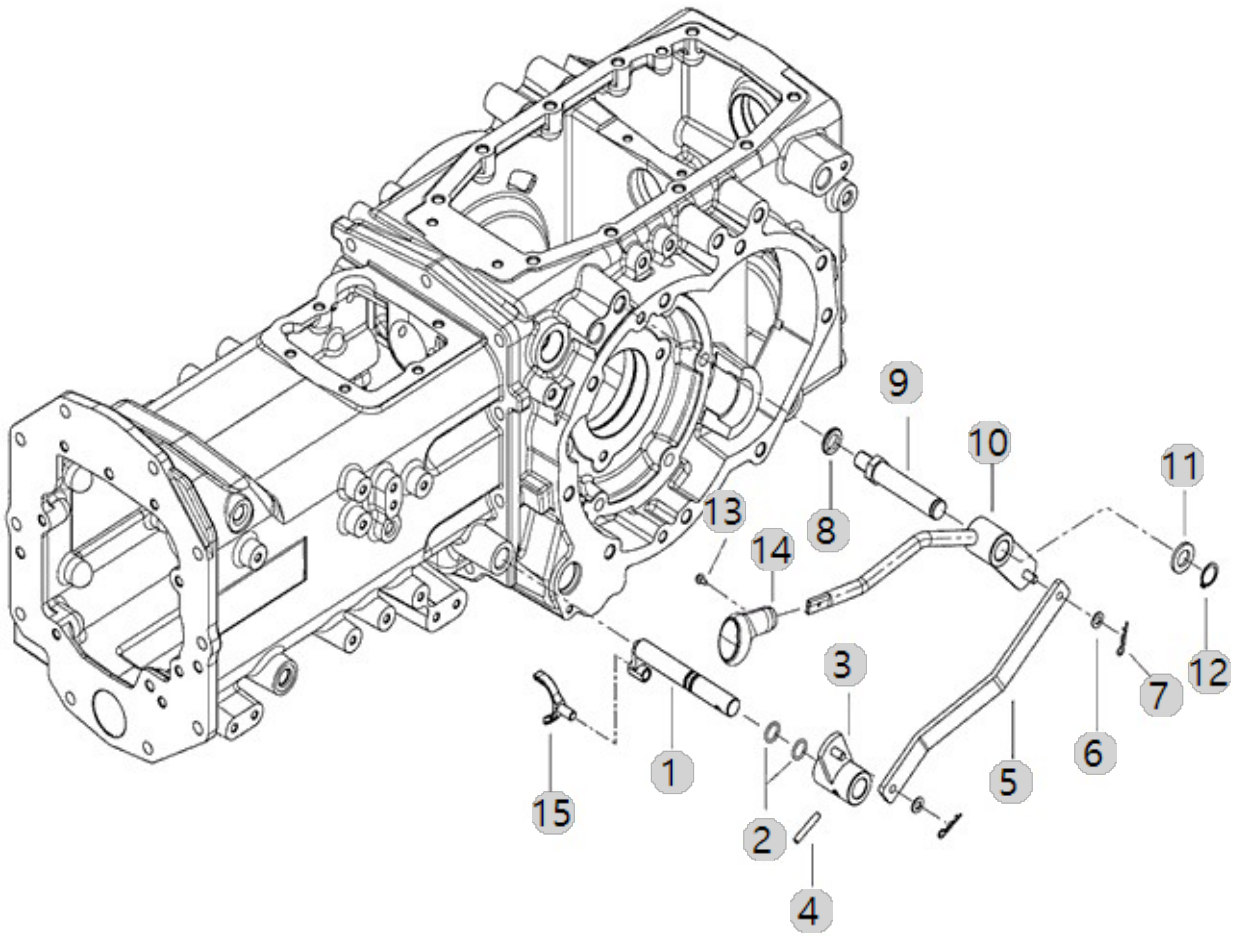
F11080

BRANSON 2515R
TM_US_FL(AC01898)

(4WD LEVER)

Year/Month

2022-12-14



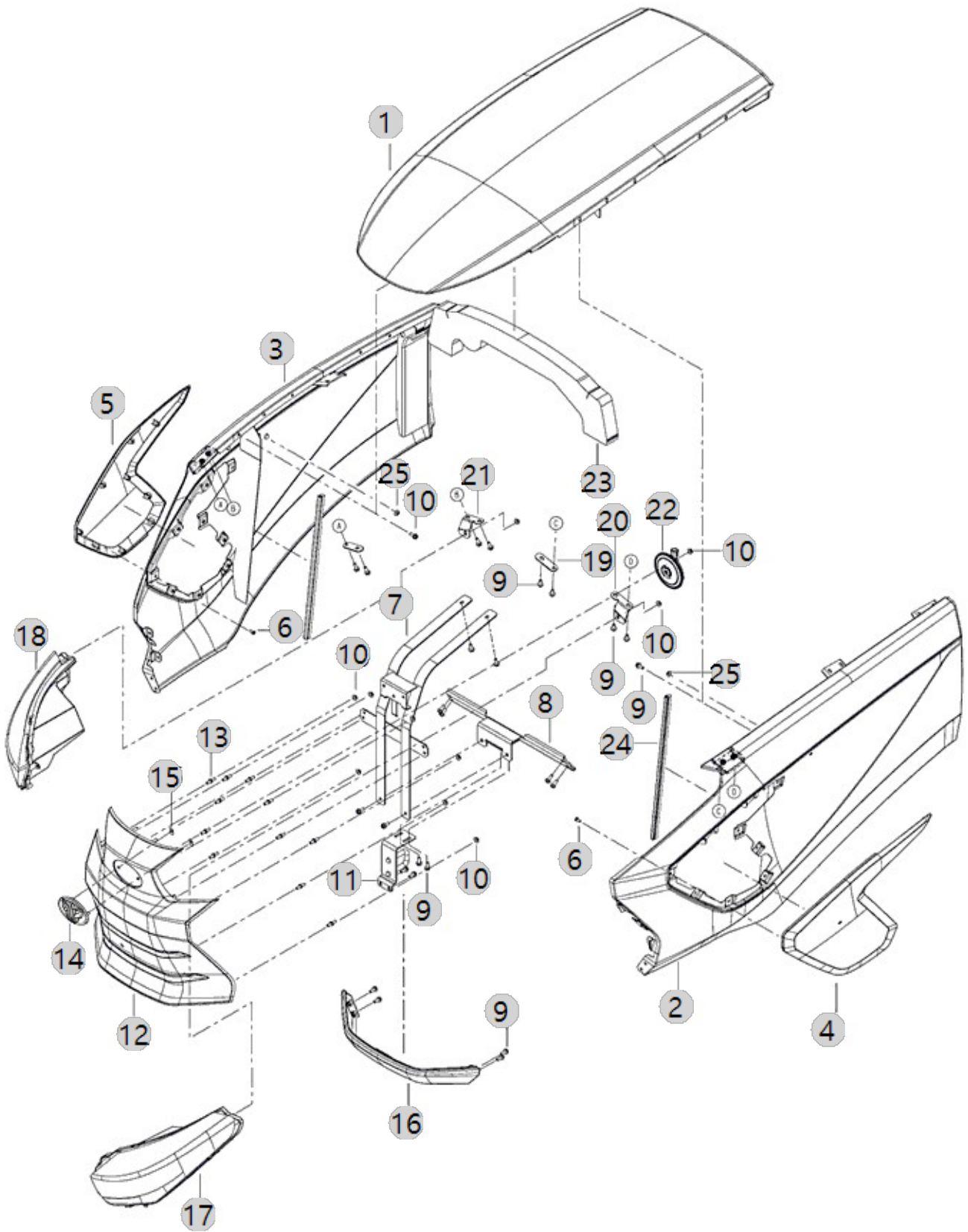
G01020

2515R_US_FL
(AC02152)

BONNET

Year/Month

2022-12-14



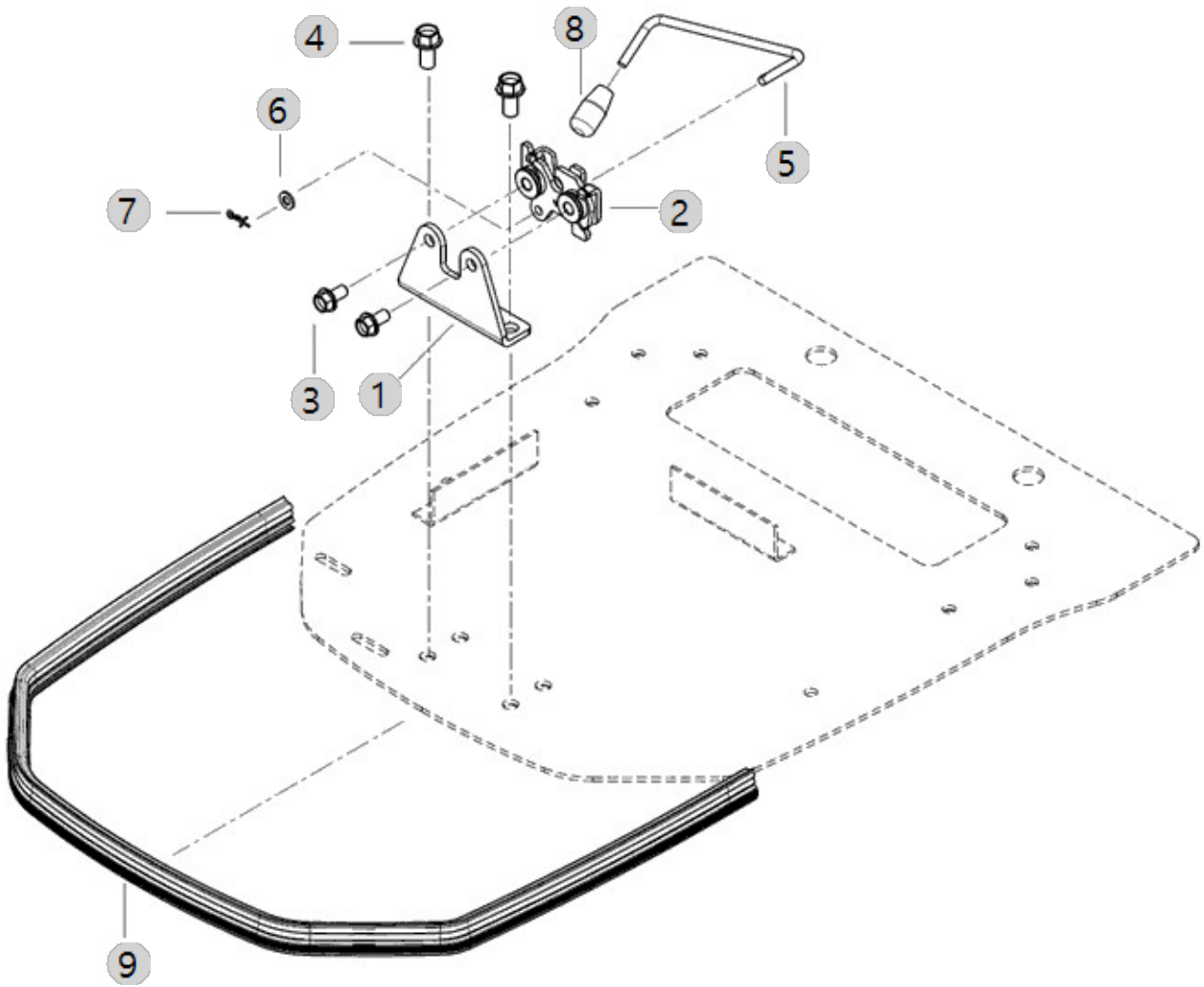
G01040

2515R_US_FL
(AC02152)

LOCKING ASS'Y, BONNET

Year/Month

2022-12-14



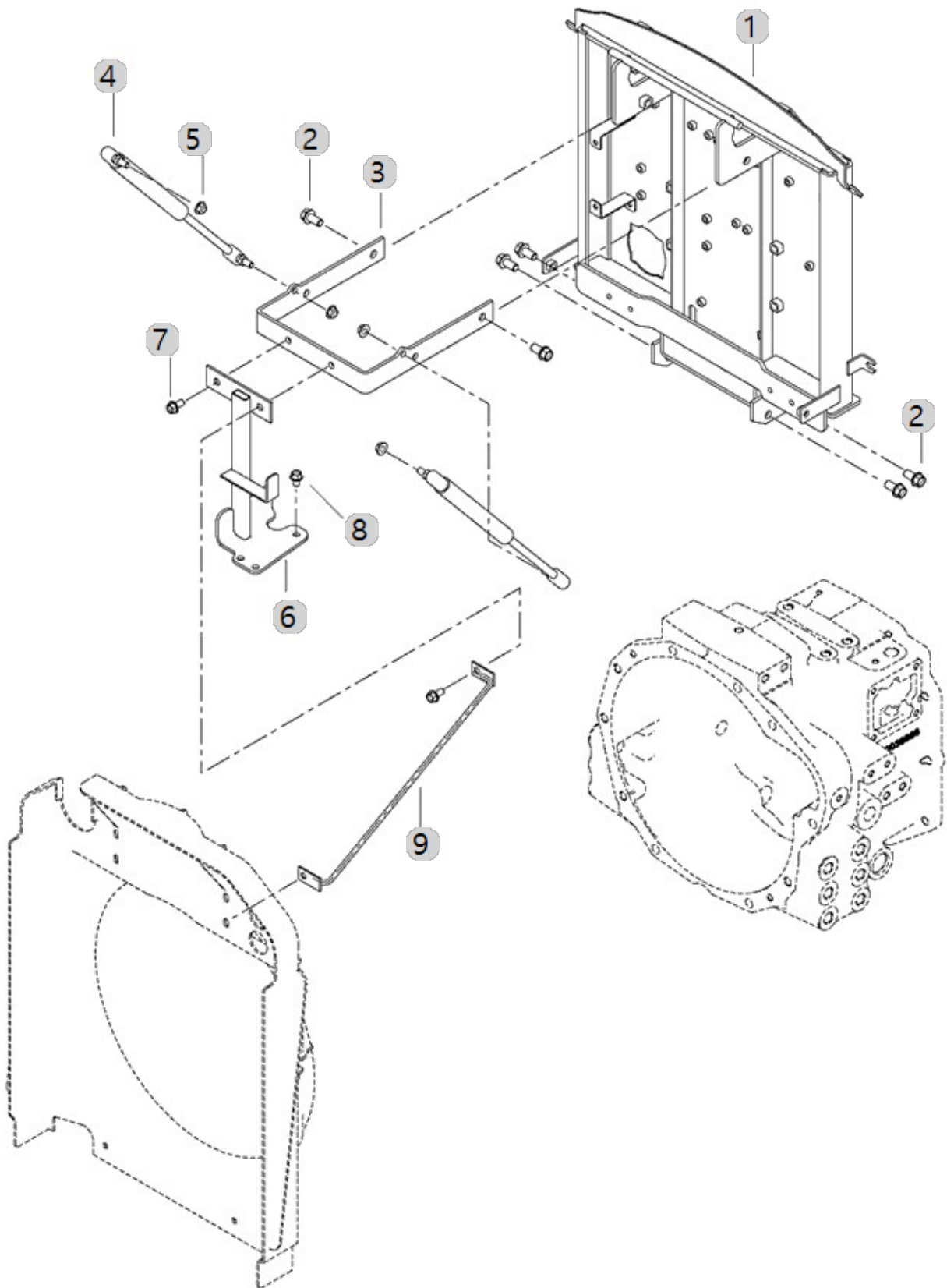
G01060-A

2515R_US_FL
(AC02152)

BONNET SUPPORT

Year/Month

2022-12-14



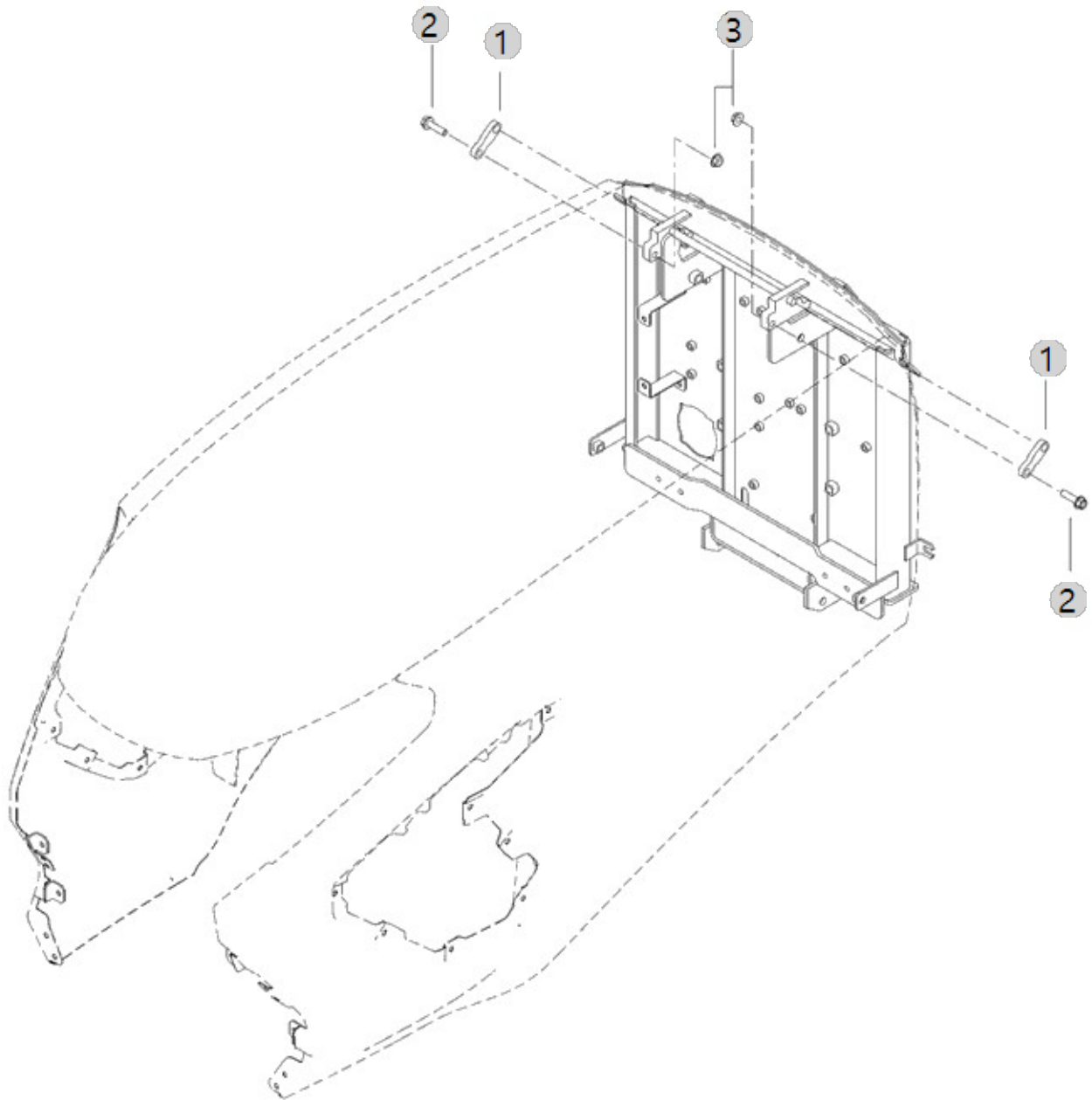
G01062

2515R_US_FL
(AC02152)

FIXED BRACKET, BONNET

Year/Month

2022-12-14



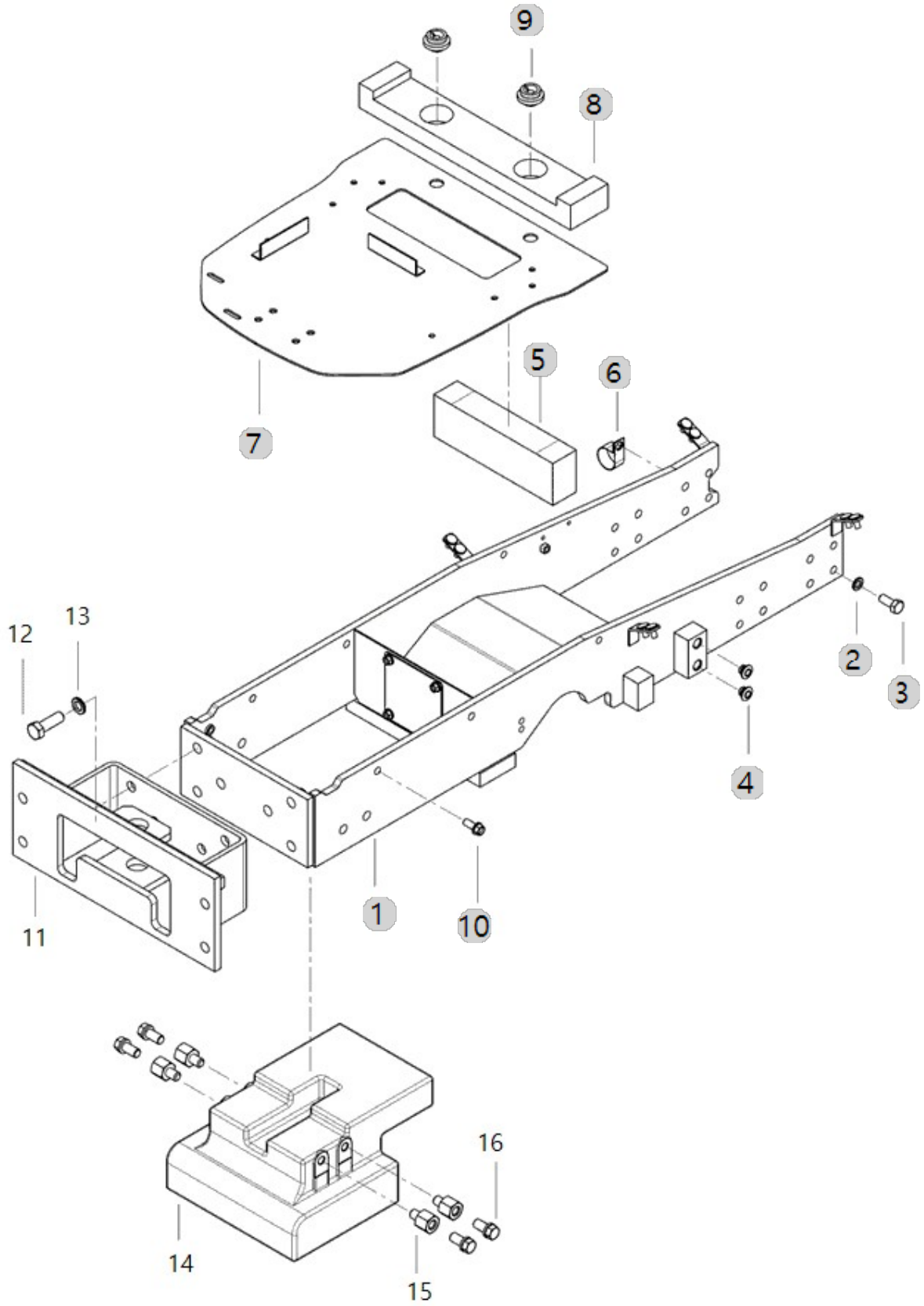
G01080

2515R_US_FL
(AC02152)

FRONT AXLE BRACKET

Year/Month

2022-12-14



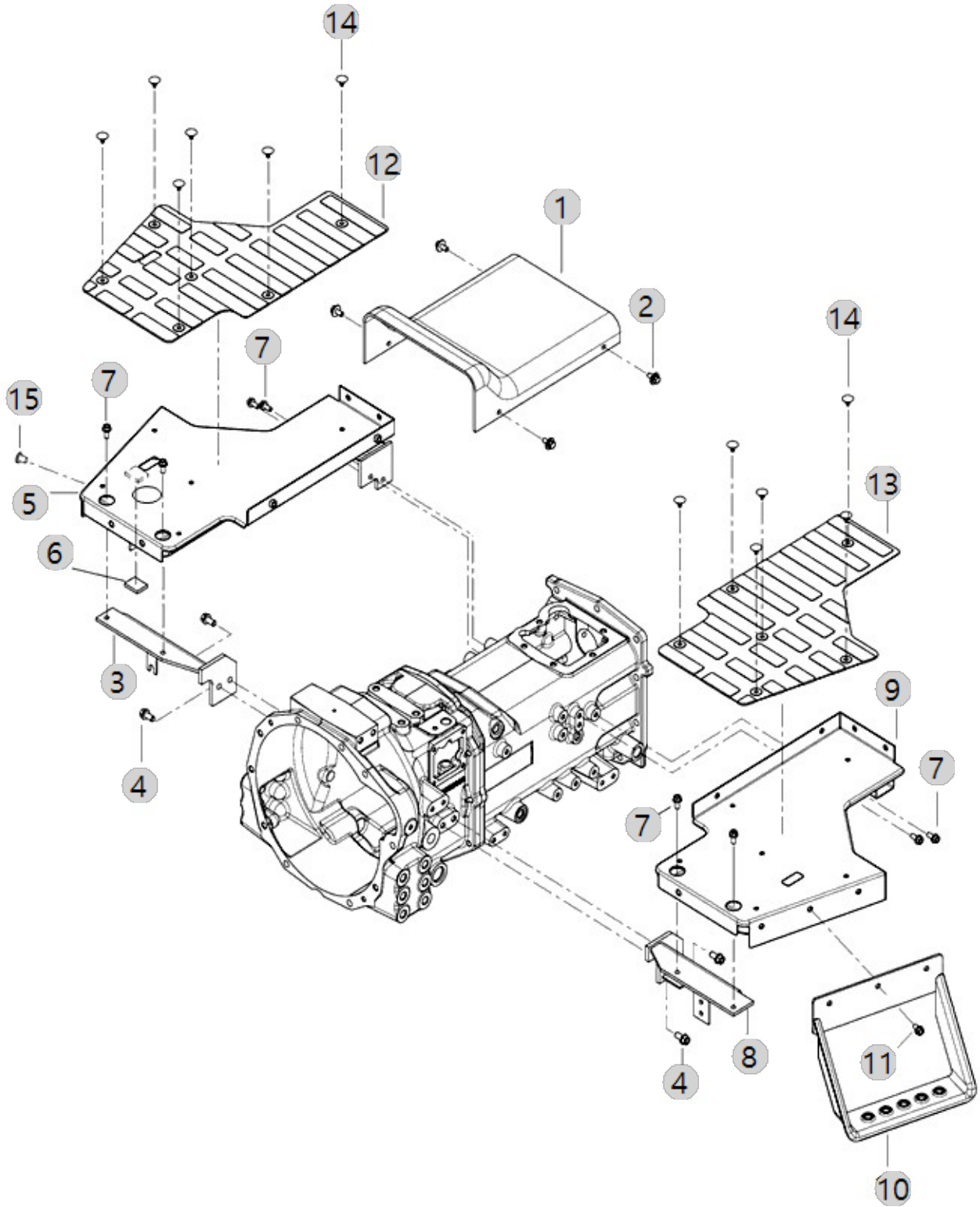
G04060

2515R_US_FL
(AC02152)

FOOT REST ASS'Y

Year/Month

2022-12-14



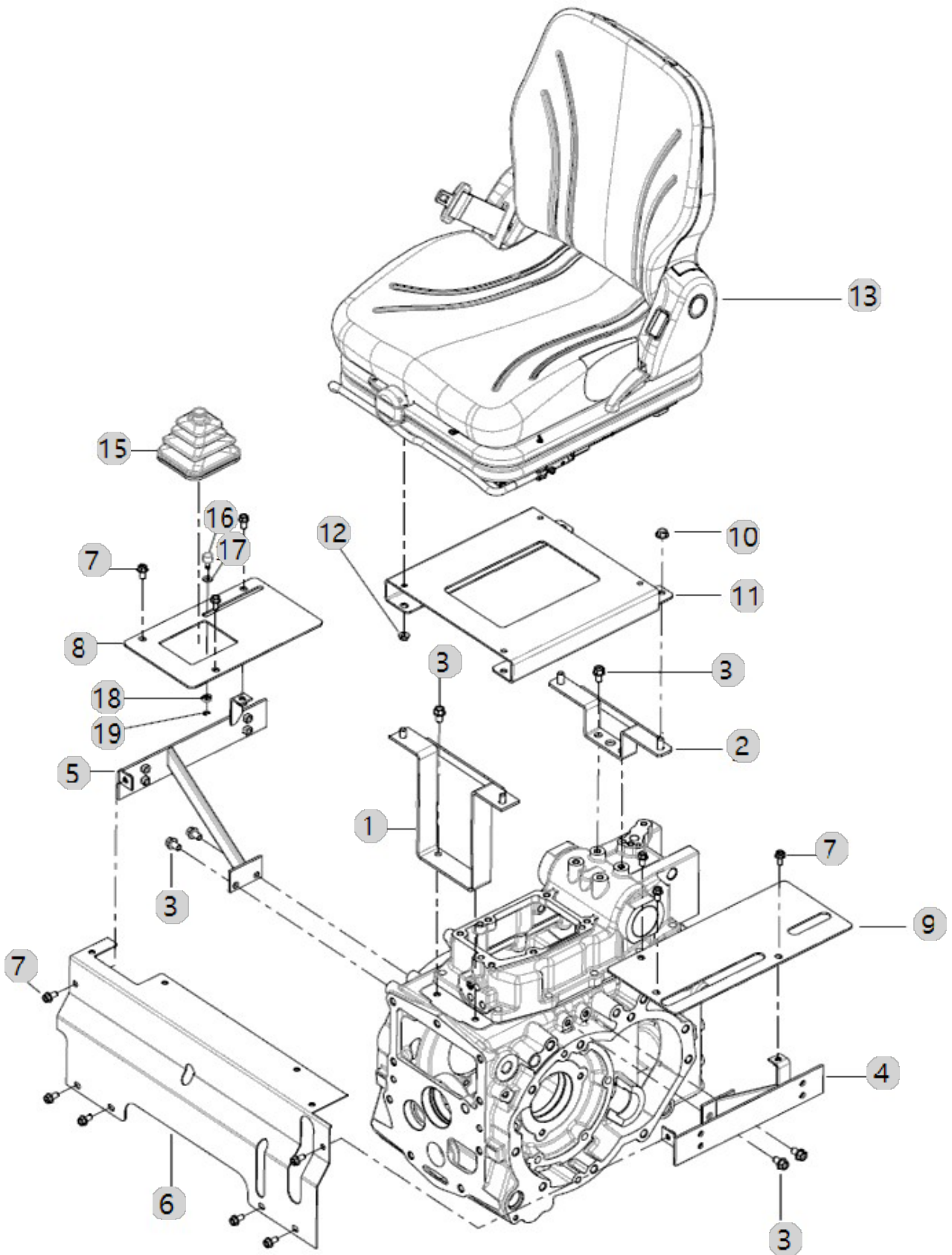
G04070

2515R_US_FL
(AC02152)

SEAT

Year/Month

2022-12-14



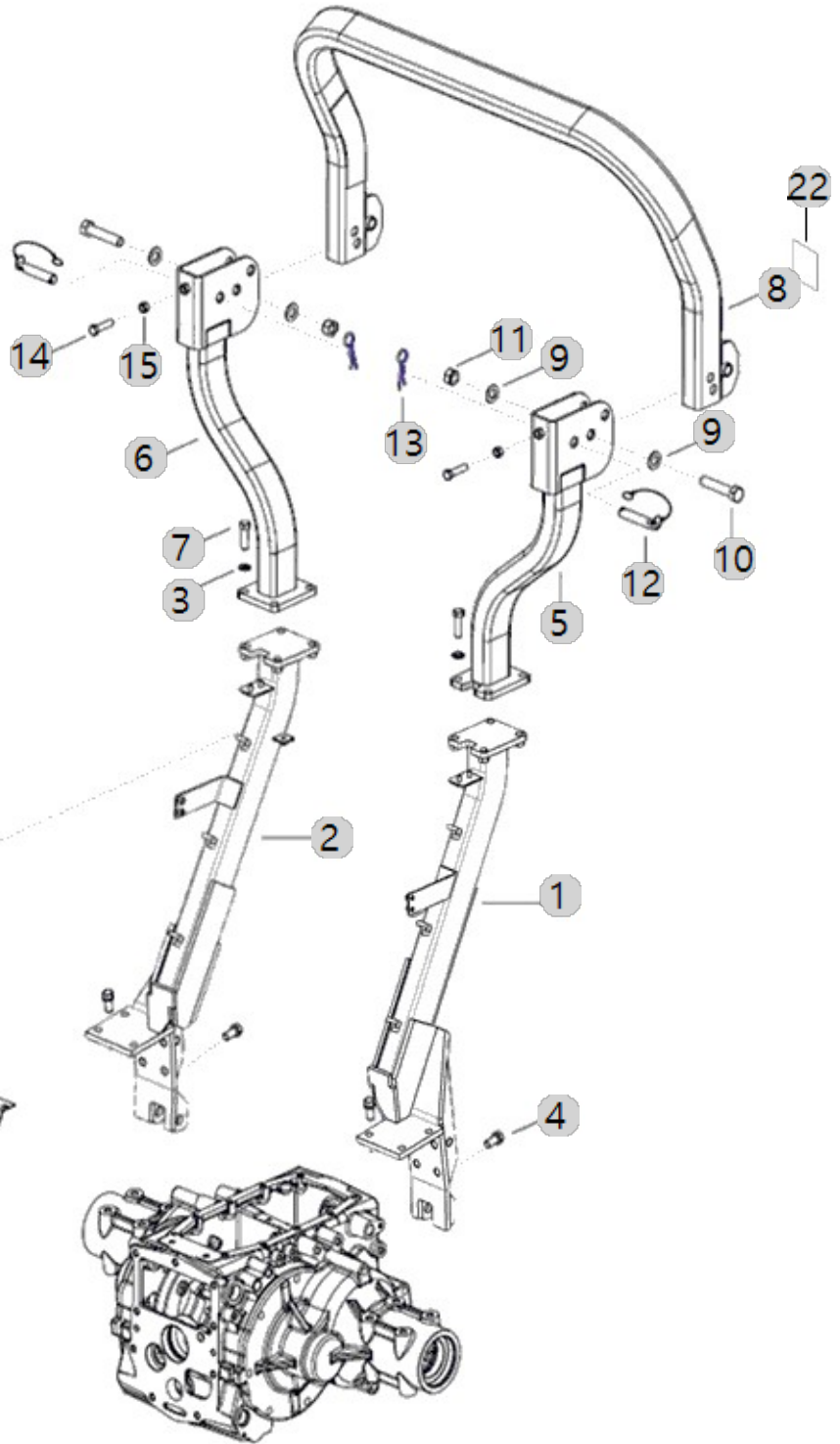
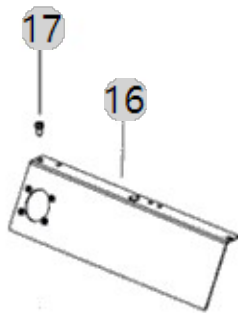
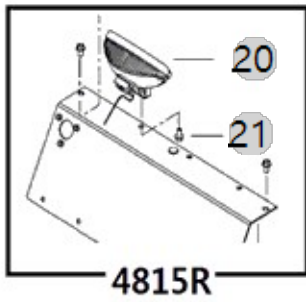
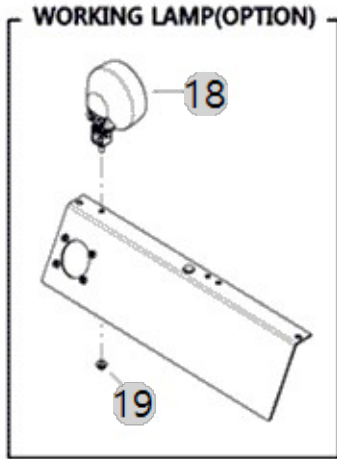
G04120

2515R_US_FL
(AC02152)

ROPS FRAME ASS'Y

Year/Month

2022-12-14



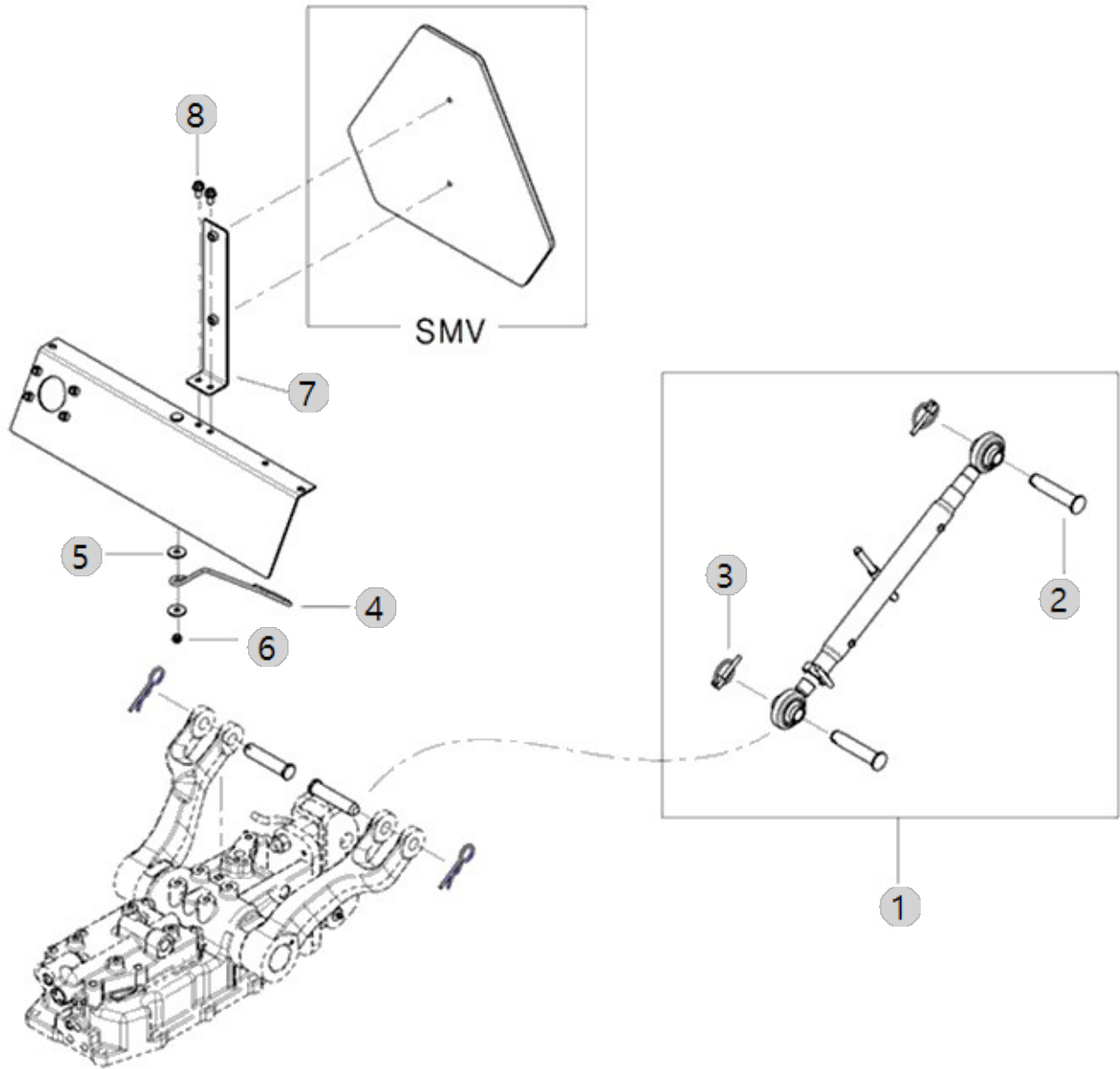
G05020

2515R_US_FL
(AC02152)

TOP LINK

Year/Month

2022-12-14



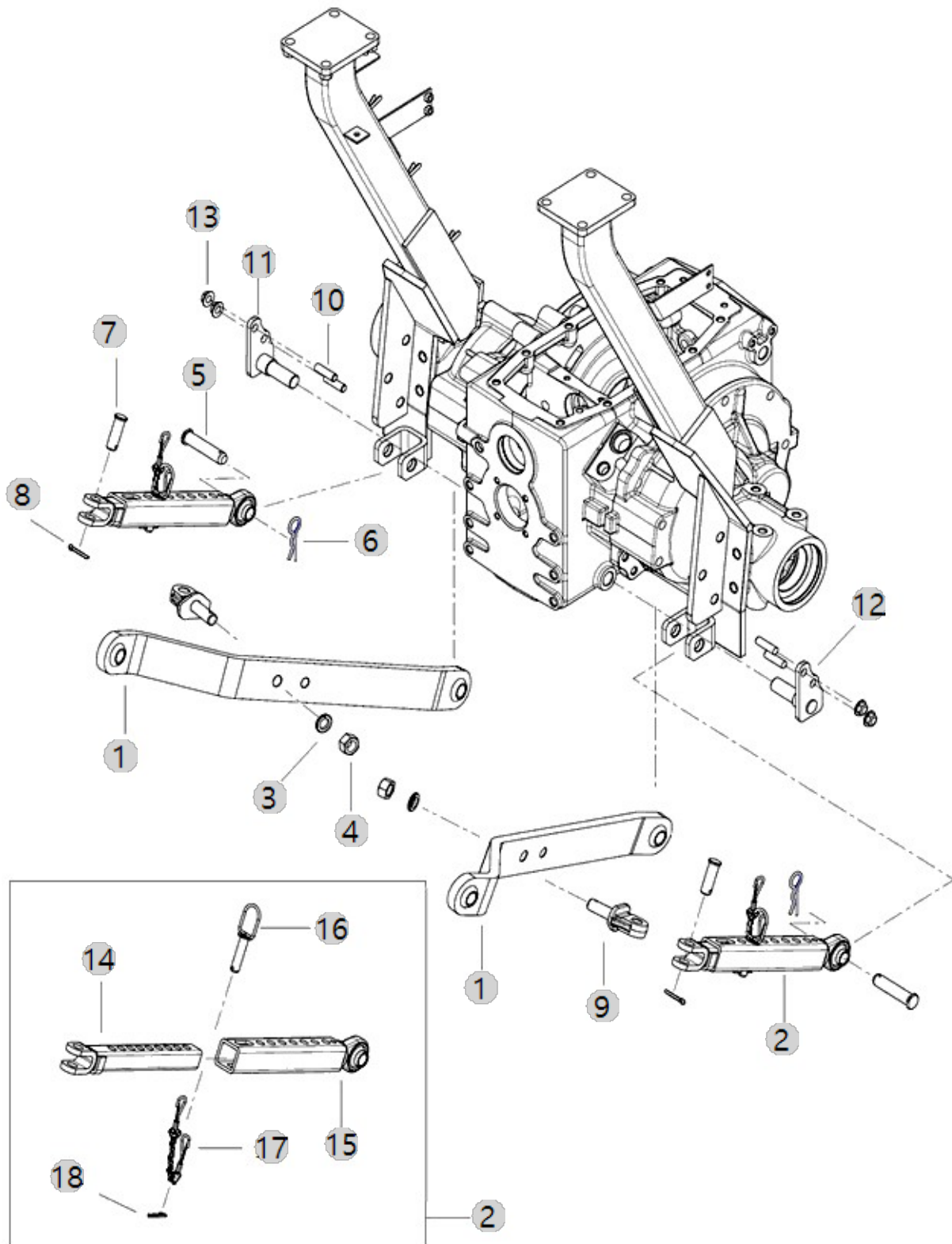
G05030

2515R_US_FL
(AC02152)

LOWER LINK

Year/Month

2022-12-14



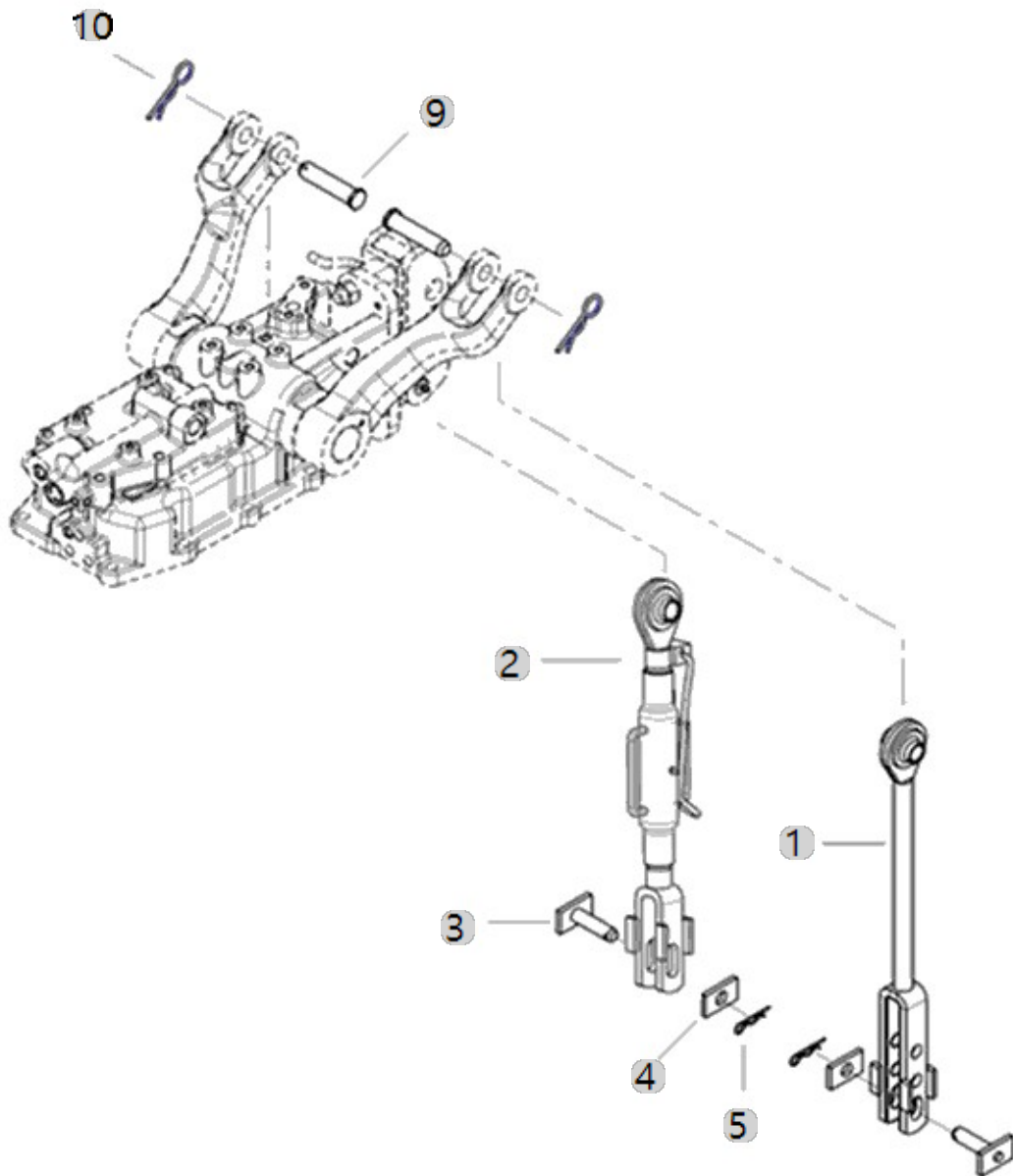
G05050

2515R_US_FL
(AC02152)

LIFT LINK

Year/Month

2022-12-14



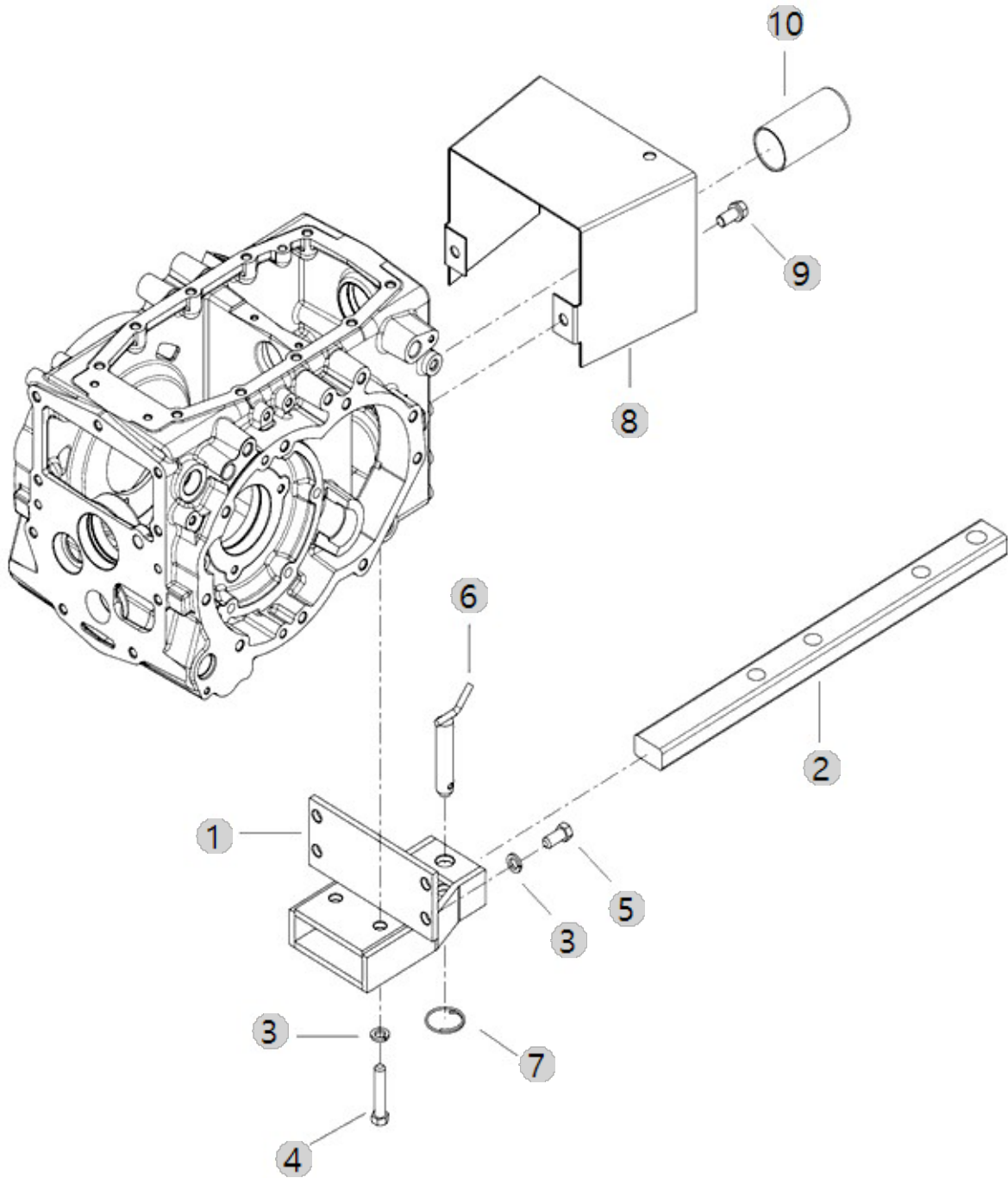
G05070

2515R_US_FL
(AC02152)

DRAWBAR HITCH

Year/Month

2022-12-14



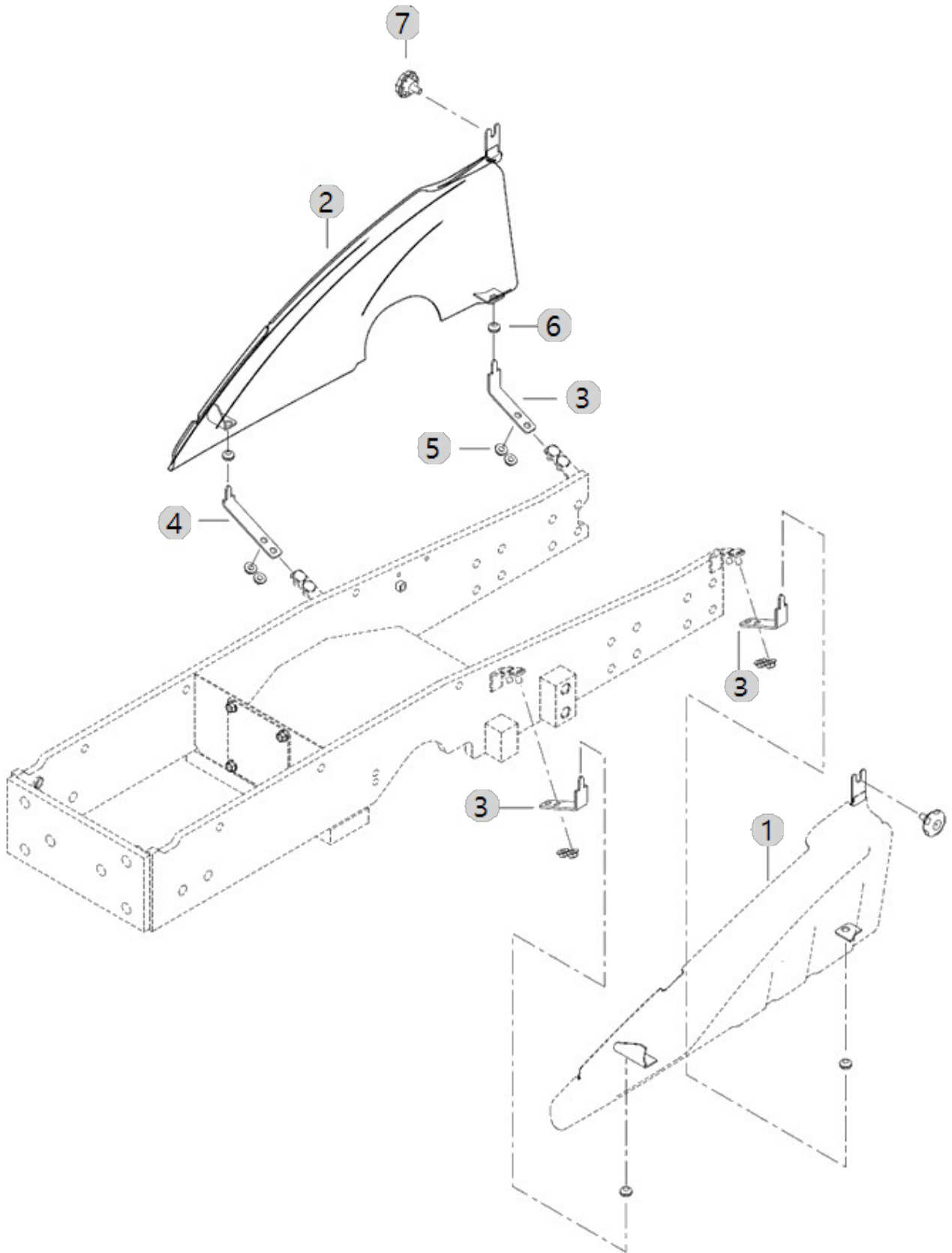
G05090

2515R_US_FL
(AC02152)

SIDE COVER

Year/Month

2022-12-14



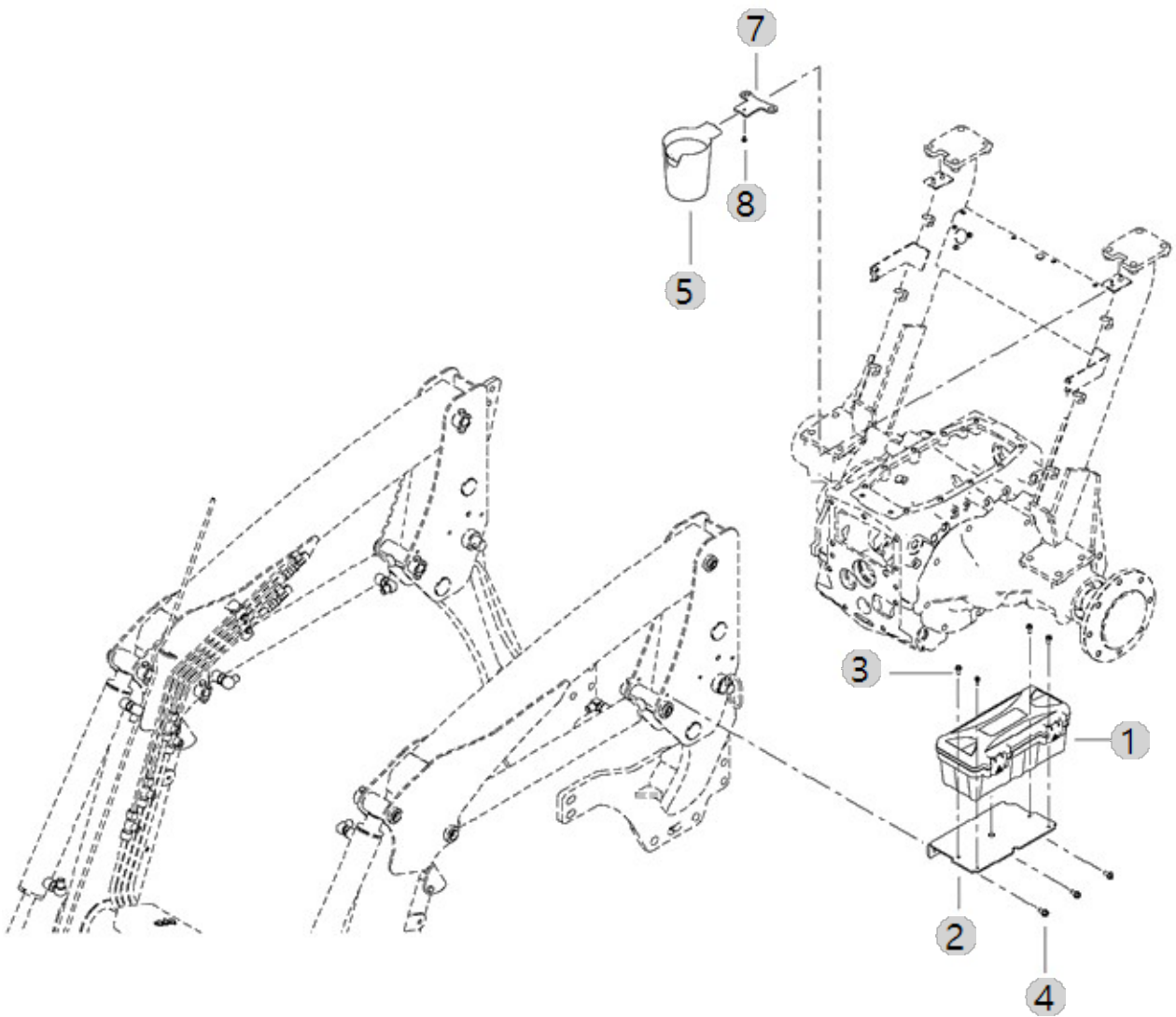
G06010

2515R_US_FL
(AC02152)

TOOL BOX & CUP HOLDER

Year/Month

2022-12-14



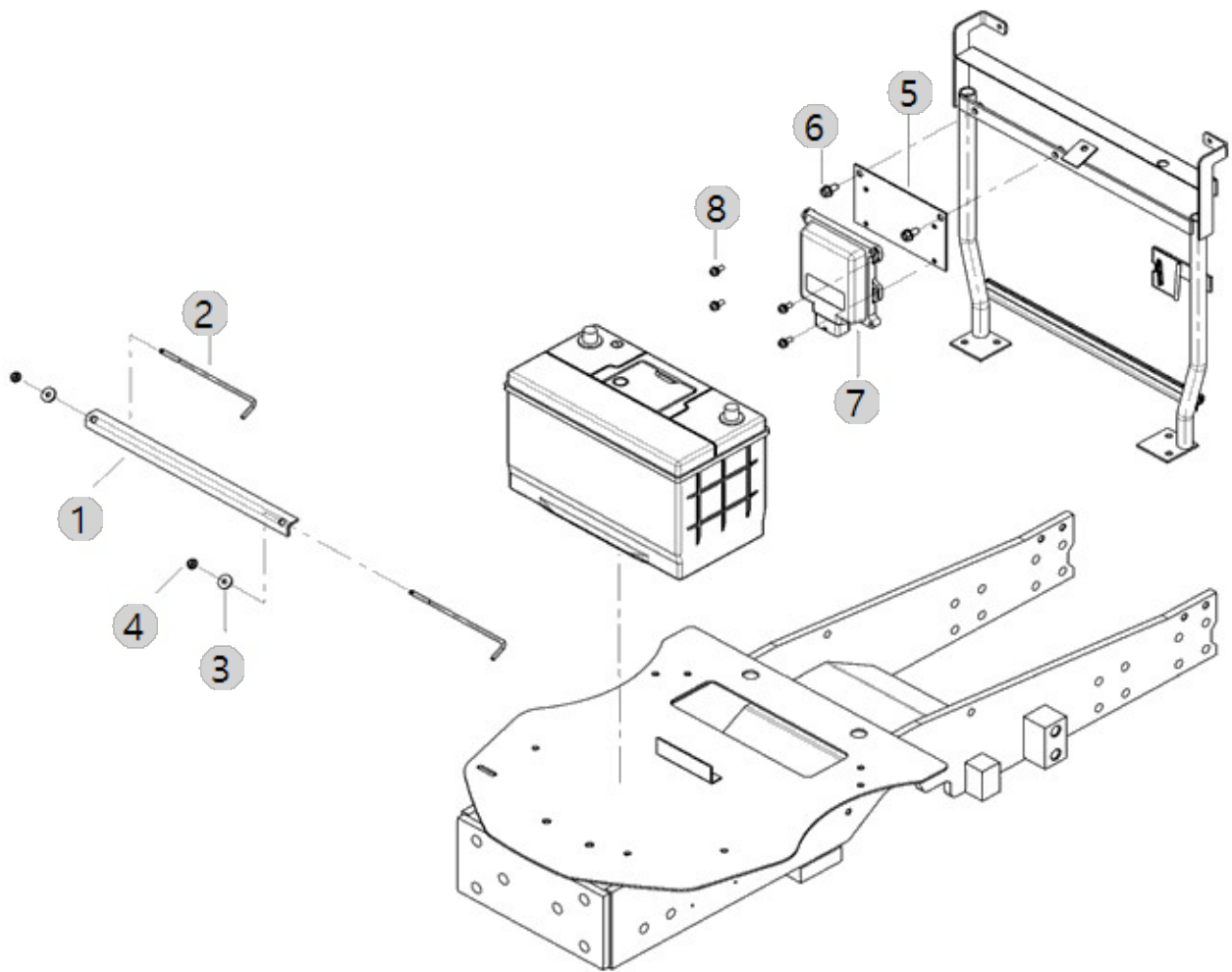
H01030

2515R_US_FL
(AC02152)

BATTERY

Year/Month

2022-12-14



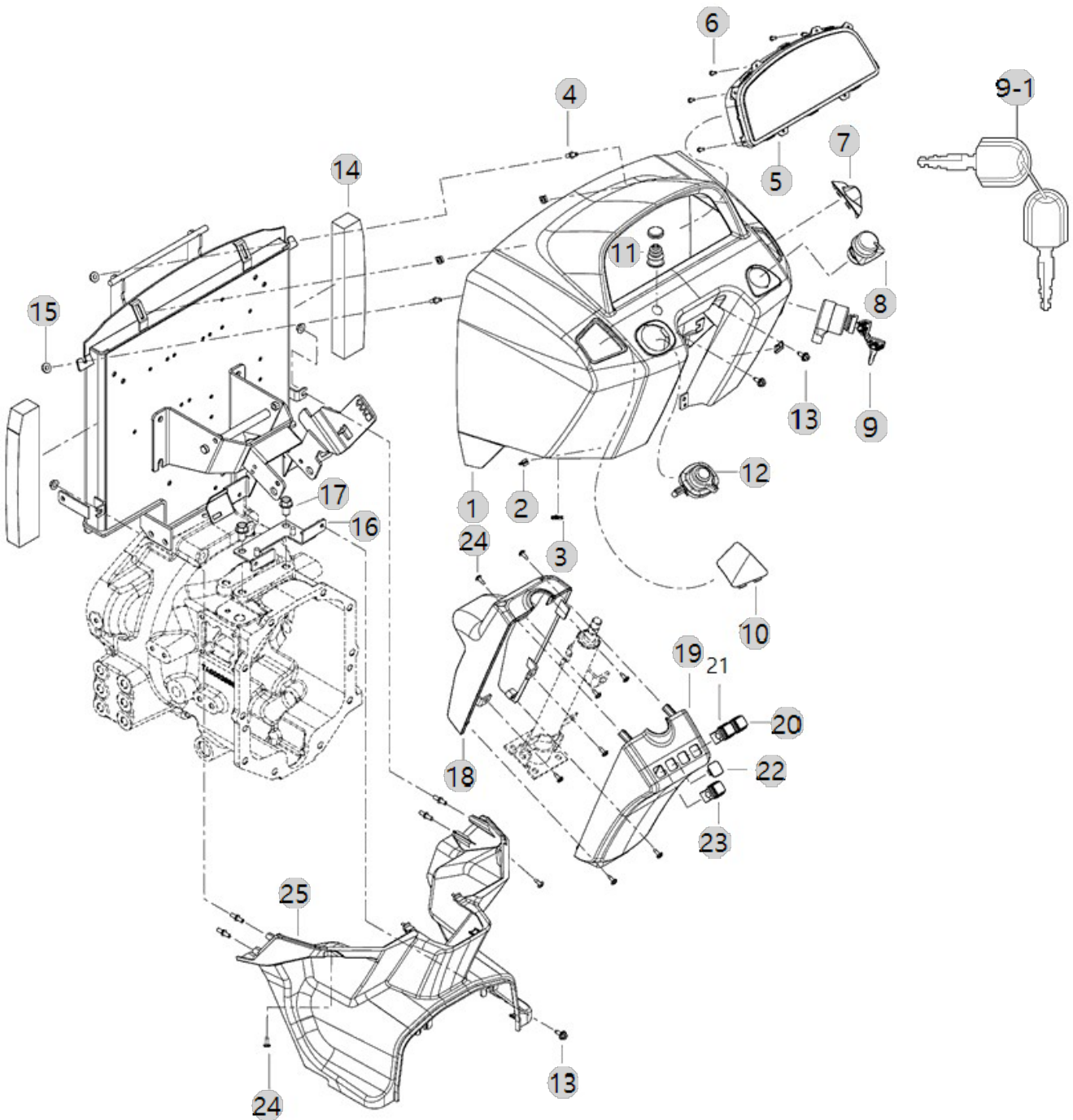
H04051

2515R_US_FL
(AC02152)

SWITCH/DASHBOARD

Year/Month

2022-12-14



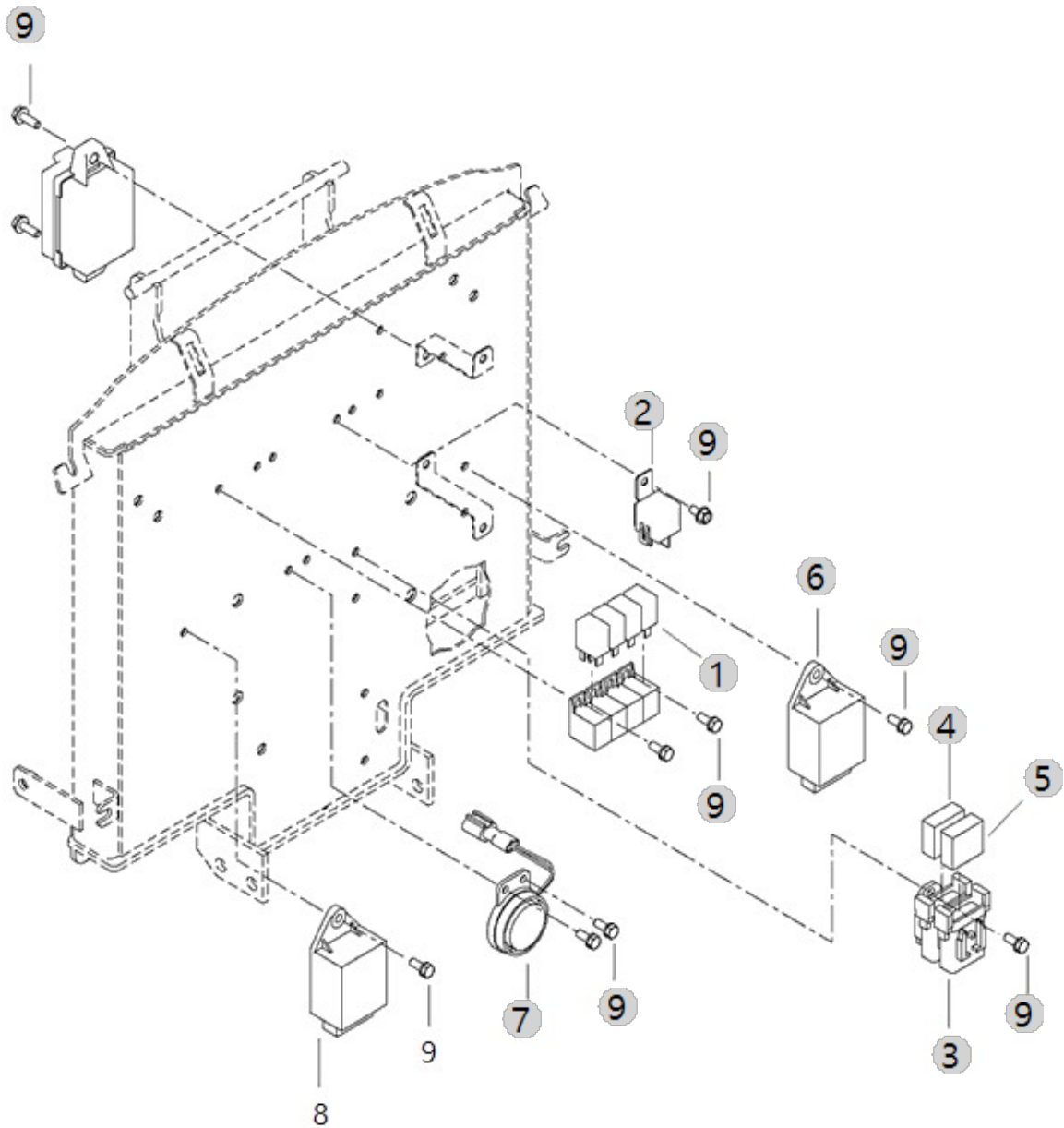
H04070

2515R_US_FL
(AC02152)

CONTROLLER

Year/Month

2022-12-14



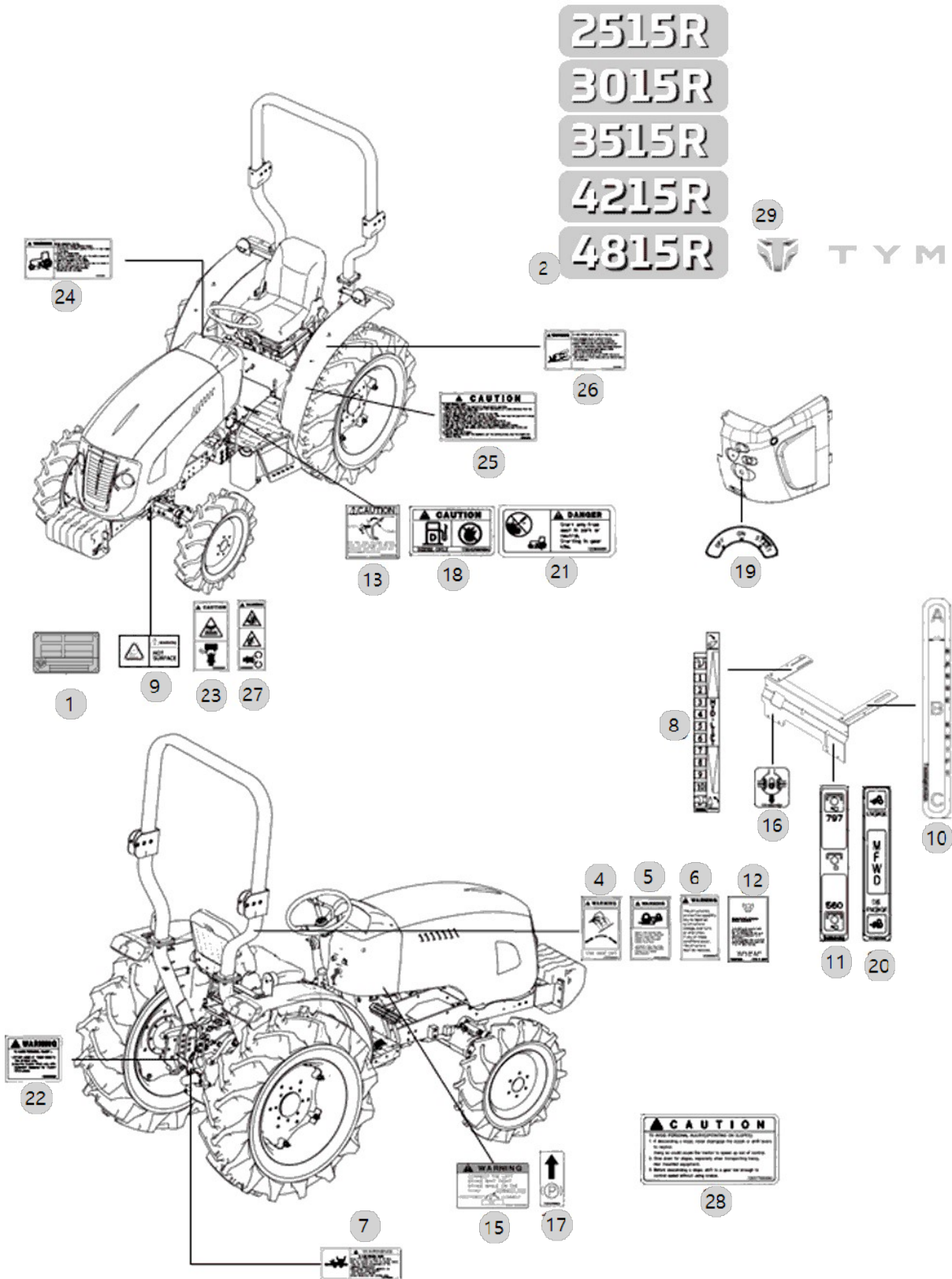
I03000

2515R_US_FL
(AC02152)

NAME PLATE

Year/Month

2022-12-14



I06010

2515R_US_FL
(AC02152)

SUN VISOR(OPTION)

Year/Month

2022-12-14

