

T495NCEU1

Parts Catalog

목 차

1. 엔진 PART NO. EG

FIG 100 ENGINE	8
FIG 101 CYLINDER BLOCK	10
FIG 102B OILJET ASS'Y OPTION(T494)	12
FIG 103 CRANK SHAFT	14
FIG 104 PISTON	16
FIG 105 CYLINDER HEAD	18
FIG 106 ROCKER LEVER	20
FIG 107 HEAD COVER	22
FIG 108 GEAR CASE	24
FIG 109 IDLE GEAR	26
FIG 110 CAM SHAFT	28
FIG 111 OIL PUMP	30
FIG 112 HYD. PUMP DRIVE	32
FIG 113 2ND BALANCE	34
FIG 114 OIL PAN	36
FIG 115B INTAKE MANIFOLD(T494)	38
FIG 116B EXHAUST MANIFOLD(T494)	40
FIG 117B TURBOCHARGER ASS'Y(T494)	42
FIG 118B TURBOCHARGER PLUMBING OPTION(T494)	44
FIG 119B BREATHER(T494)	46
FIG 120 FUEL INJECTION PUMP	48
FIG 121 FUEL INJECTION VALVE	50
FIG 122 FUEL PIPE ASS'Y	52
FIG 123 OIL FILTER	54
FIG 124 OIL COOLER	56
FIG 125 OIL GAUGUE	58
FIG 126 OIL FILLER CAP	60
FIG 127 COOLING WATER PUMP	62
FIG 128 CRANK SHAFT PULLEY	64
FIG 129 V-PULLEY	66
FIG 130 COOLING FAN	68

FIG 131 FLYWHEEL HOUSING	70
FIG 132 FLYWHEEL	72
FIG 133 GLOW PLUG ASS'Y OPTION	74
FIG 134 STARTING MOTOR	76
FIG 135 FUEL FILTER BRACKET ASS'Y	78
FIG 136 ALTERNATOR	80
FIG 137 V-BELT	82
FIG 138 FUEL FILTER	84
FIG 139B DPF SUPPORT (T494)	86
FIG 140 DATAPLATE	88
FIG 142B DPF ASS'Y (T494)	90
FIG 143 LIFT ASS'Y	92
FIG 144 COMP . DRIVE PULLEY ASS'Y OPTION	94
FIG 147 LOOSED PARTS	96

2. 엔진보기품 PART NO. T2

FIG 201B AIR CLEANER(T495)	99
FIG 202 RADIATOR	101
FIG 203 MUFFLER	103
FIG 204 FUEL HOSE & FILTER	105
FIG 205 FUEL TANK	107
FIG 206 ACCELERATOR	109

3. 클러치/브레이크/스티어링 PART NO. T3

FIG 301 CLUTCH	112
FIG 302 CLUTCH PEDAL	114
FIG 303 BRAKE	116
FIG 304 BRAKE PEDAL & LINKAGE	118
FIG 305A FRONT WHEEL	120
FIG 305B FRONT WHEEL (R4 OPTION)	122
FIG 306A REAR WHEEL	124
FIG 306B REAR WHEEL (R4 OPTION)	126
FIG 307 POWER STEERING WHEEL	128
FIG 308 POWER STEERING VALVE	130
FIG 309 POWER STEERING CYLINDER	132
FIG 310 HAND BRAKE	134

4. 트랜스미션 PART NO. T4

FIG 401 TRANSMISSION FRONT CASE	137
FIG 402 FORWARD & BACKWARD GEARS	139
FIG 403 IDLE & COUNTER GEARS	141
FIG 404 MAIN SHIFT GEARS	143
FIG 405 P.T.O DRIVE SHAFT	145
FIG 406 MAIN CHANGE LEVER	147
FIG 407 REVERSE CHANGE LEVER	149
FIG 408 TRANSMISSION MID CASE	151
FIG 409 TRANSMISSION REAR CASE	153
FIG 410 SUB CHANGE GEARS	155
FIG 411 SUB CHANGE SHIFTER	157
FIG 413 DRIVE GEARS	159
FIG 414 4WD CHANGE LEVER	161
FIG 415 P.T.O CHANGE GEARS	163
FIG 417 REAR DIFFERENTIAL GEARS	165
FIG 418 REAR AXLE HOUSING	168

5. 프론트 액슬 PART NO. T5

FIG 501 FRONT AXLE SUPPORT	171
FIG 502 FRONT DRIVE SHAFT	173
FIG 503 FRONT AXLE HOUSING	175
FIG 504 FRONT DIFFERENTIAL GEARS	177
FIG 505 FRONT GEAR CASE (1)	179
FIG 506 FRONT GEAR CASE (2)	181
FIG 507 FRONT GEAR CASE (3)	183

6. 유압/3점링크 PART NO. T6

FIG 601 CYLINDER CASE	186
FIG 602 LIFT ARM	188
FIG 603 CYLINDER	190
FIG 604 POSITION LINK	192
FIG 605 CONTROL VALVE	194
FIG 606 DRAFT LINK	196

FIG 607 POSITION & DRAFT LEVER (1)	198
FIG 607-2 POSITION & DRAFT LEVER (2)[SAP 가져오기]에서 생성함.	200
FIG 608 EXTERIOR HYD.VALVE	202
FIG 609 HYDRAULIC PIPE	204
FIG 610 JOYSTICK	206
FIG 612 HITCH & 3-POINT LINK	208
FIG 613 LOWER LINK & LIFT ROD	211

7. 시트메탈/캐빈 PART NO. T7

FIG 701 BONNET FRAME	214
FIG 702A BONNET (1)	216
FIG 702B BONNET (2)	218
FIG 703 EXTENSION COVER	220
FIG 704B LEVER COVER & STEP-Non CAB	222
FIG 705 FRONT & REAR MOUNTING	224
FIG 706 SEAT & MAT	226
FIG 710B FRAME&2POLES ROPS-Non CAB	228
FIG 713B SUB FENDER&COVER-Non CAB	230
FIG 714B MIRROR&WORKING LAMP-Non CAB	232
FIG 718 CABIN INTERIOR	234

8. 전장 PART NO. T8

FIG 801 BATTERY MOUNTING	237
FIG 802 HARNESS LAMP	239
FIG 803 INSTRUMENT PANEL	241
FIG 804 ELECTRIC SYSTEM (1)	243
FIG 805B ELECTRIC SYSTEM (2)-Non CAB	245
FIG 806 ELECTRIC SYSTEM (3)	247

9. 라벨/옵션 PART NO. T9

FIG 901 TOOL & ACCESSORY	250
FIG 902 WEIGHT	252
FIG 903 LABEL	254

1. 엔진 PART NO. EG

FIG 100 ENGINE	8
FIG 101 CYLINDER BLOCK	10
FIG 102B OILJET ASS'Y OPTION(T494)	12
FIG 103 CRANK SHAFT	14
FIG 104 PISTON	16
FIG 105 CYLINDER HEAD	18
FIG 106 ROCKER LEVER	20
FIG 107 HEAD COVER	22
FIG 108 GEAR CASE	24
FIG 109 IDLE GEAR	26
FIG 110 CAM SHAFT	28
FIG 111 OIL PUMP	30
FIG 112 HYD. PUMP DRIVE	32
FIG 113 2ND BALANCE	34
FIG 114 OIL PAN	36
FIG 115B INTAKE MANIFOLD(T494)	38
FIG 116B EXHAUST MANIFOLD(T494)	40
FIG 117B TURBOCHARGER ASS'Y(T494)	42
FIG 118B TURBOCHARGER PLUMBING OPTION(T494)	44
FIG 119B BREATHER(T494)	46
FIG 120 FUEL INJECTION PUMP	48
FIG 121 FUEL INJECTION VALVE	50
FIG 122 FUEL PIPE ASS'Y	52
FIG 123 OIL FILTER	54
FIG 124 OIL COOLER	56
FIG 125 OIL GAUGUE	58
FIG 126 OIL FILLER CAP	60
FIG 127 COOLING WATER PUMP	62
FIG 128 CRANK SHAFT PULLEY	64
FIG 129 V-PULLEY	66
FIG 130 COOLING FAN	68
FIG 131 FLYWHEEL HOUSING	70
FIG 132 FLYWHEEL	72
FIG 133 GLOW PLUG ASS'Y OPTION	74
FIG 134 STARTING MOTOR	76
FIG 135 FUEL FILTER BRACKET ASS'Y	78
FIG 136 ALTERNATOR	80
FIG 137 V-BELT	82

FIG 138 FUEL FILTER	84
FIG 139B DPF SUPPORT (T494)	86
FIG 140 DATAPLATE	88
FIG 142B DPF ASS'Y (T494)	90
FIG 143 LIFT ASS'Y	92
FIG 144 COMP . DRIVE PULLEY ASS'Y OPTION	94
FIG 147 LOOSED PARTS	96

FIG 100 T495NCEU1	ENGINE	년/월 Year/Month
		2022-12
NOTE		

FIG 100 T495NCEU1		ENGINE						년/월 Year/Month	REMARKS
								2022-12	
		KEY NO	PART NO	DESCRIPTION	SPEC	QTY	REPAIR	EFFECTIVE DATE	
100	3	13891001200	엔진 , A2300N5-TETR_5			1			
100	3	13911001200	엔진 , A2300N5-TETC_5			1			
NOTE									

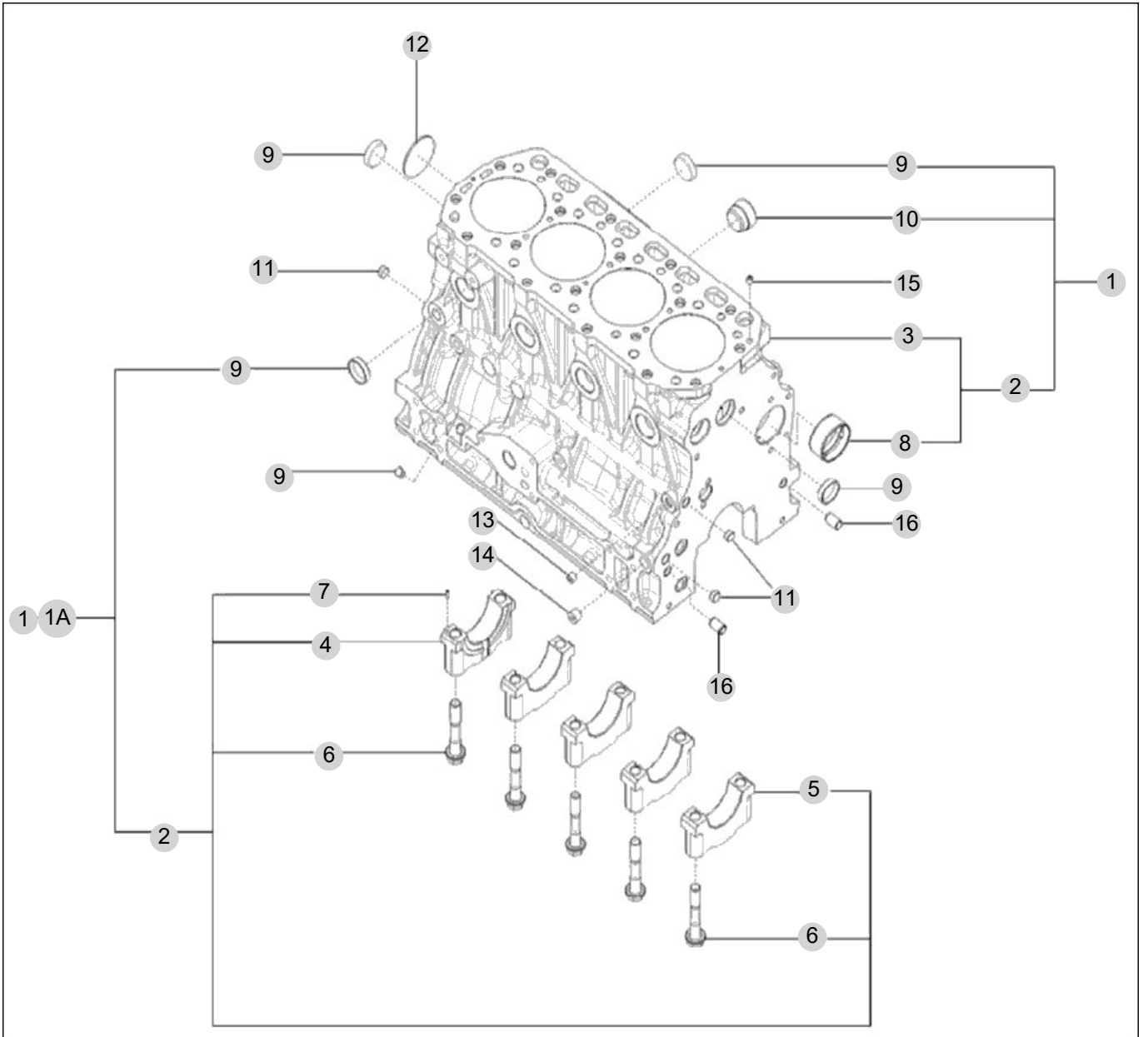
FIG 101

T495NCEU1

CYLINDER BLOCK

년/월
Year/Month

2022-12



NOTE

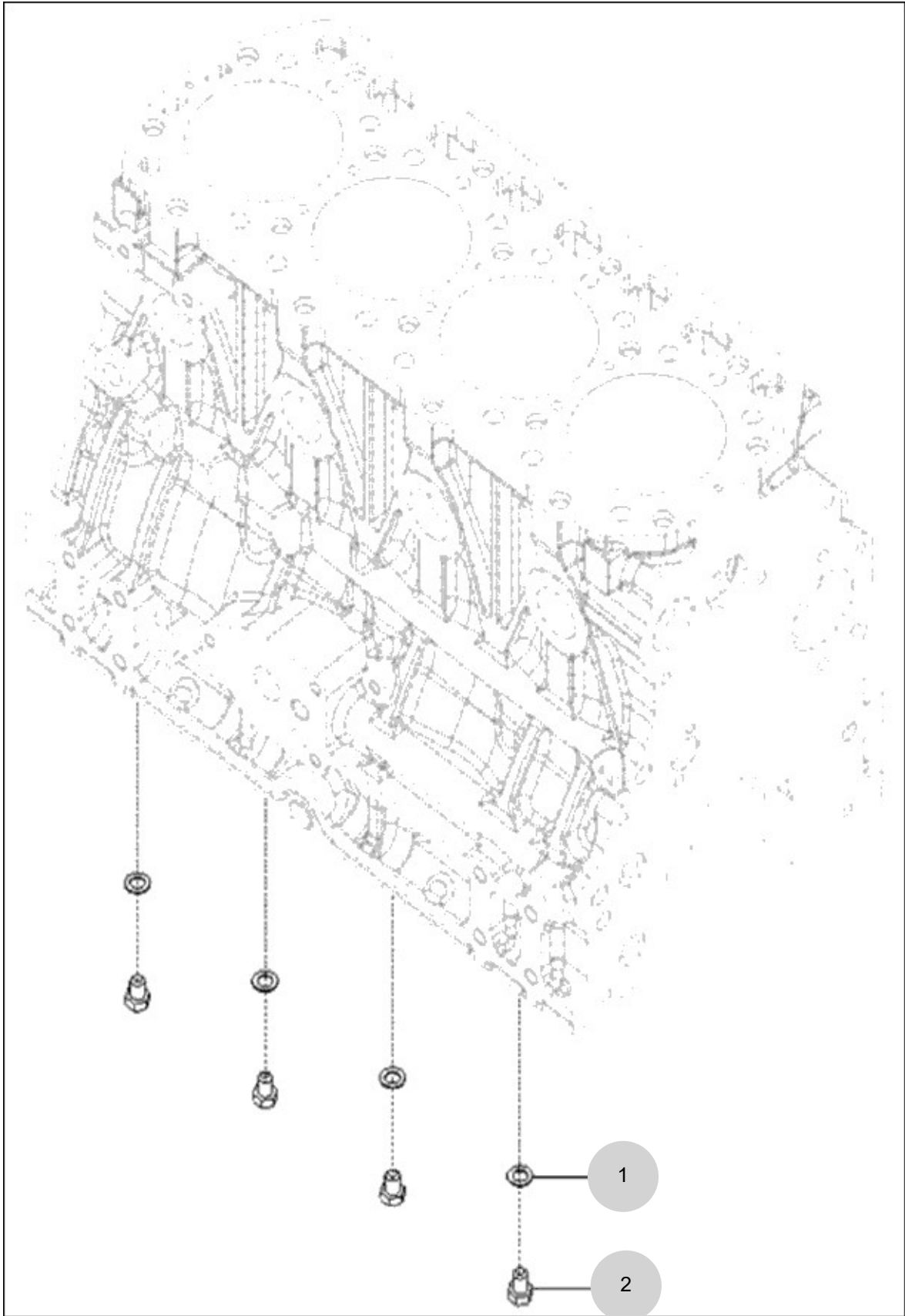
FIG 102B

OILJET ASS'Y OPTION(T494)

년/월
Year/Month

2022-12

T495NCEU1



NOTE

FIG 102B		OILJET ASS'Y OPTION(T494)					년/월 Year/Month	
T495NCEU1		2022-12						
KEY NO	PART NO	DESCRIPTION	SPEC	QTY	REPAIR	EFFECTIVE DATE	REMARKS	
102B	1	23414-080000	WASHER					
102B	2	26116-080122	SCREW, HEXAGON HEAD CAP					
NOTE								

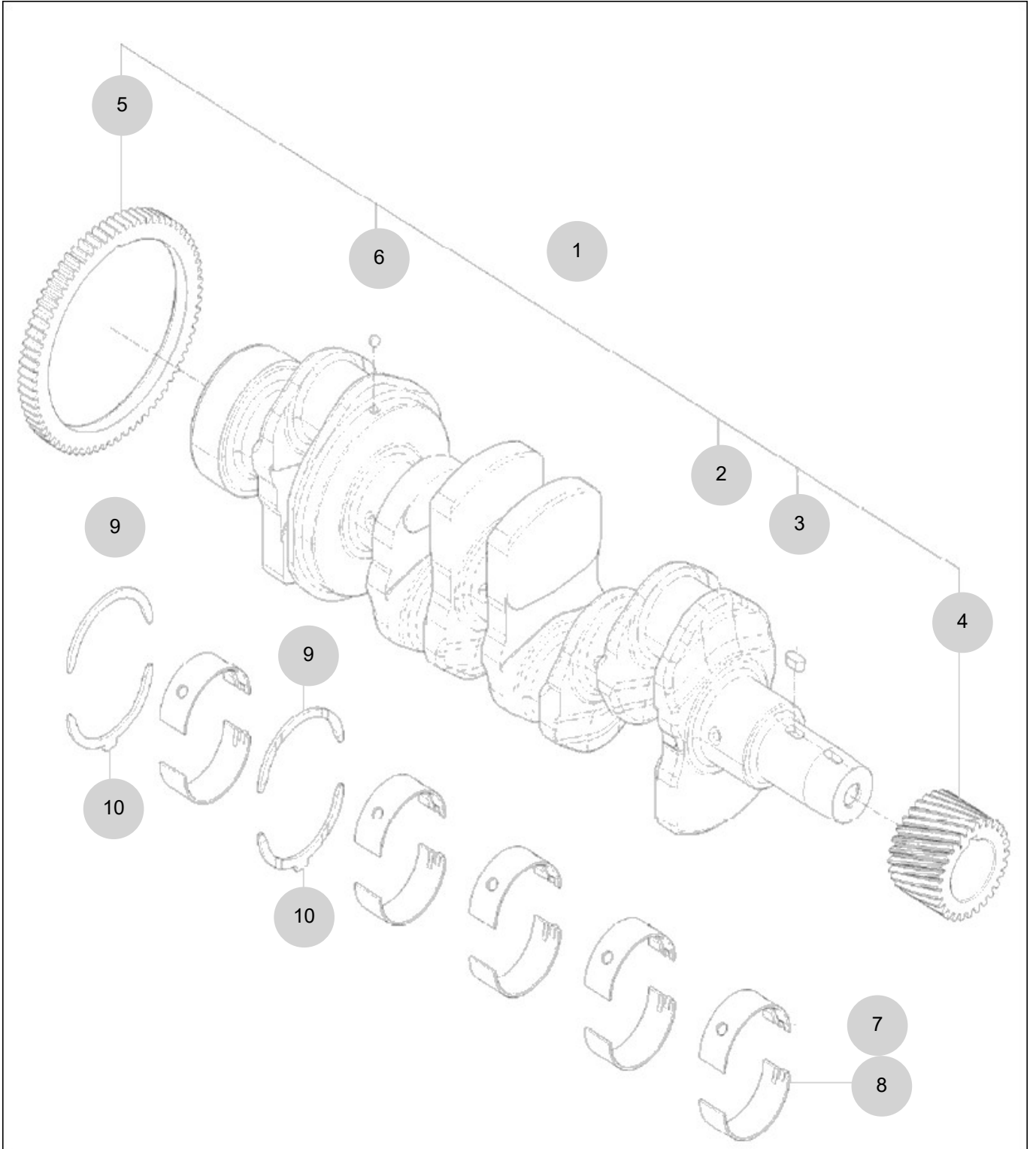
FIG 103

CRANK SHAFT

년/월
Year/Month

2022-12

T495NCEU1



NOTE

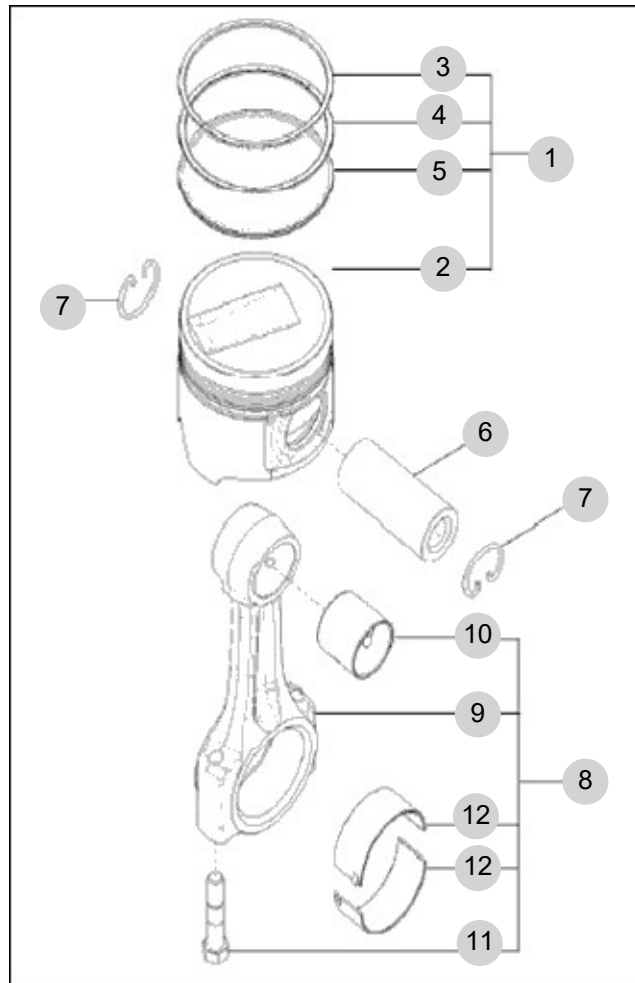
FIG 104

PISTON

년/월
Year/Month

2022-12

T495NCEU1



NOTE

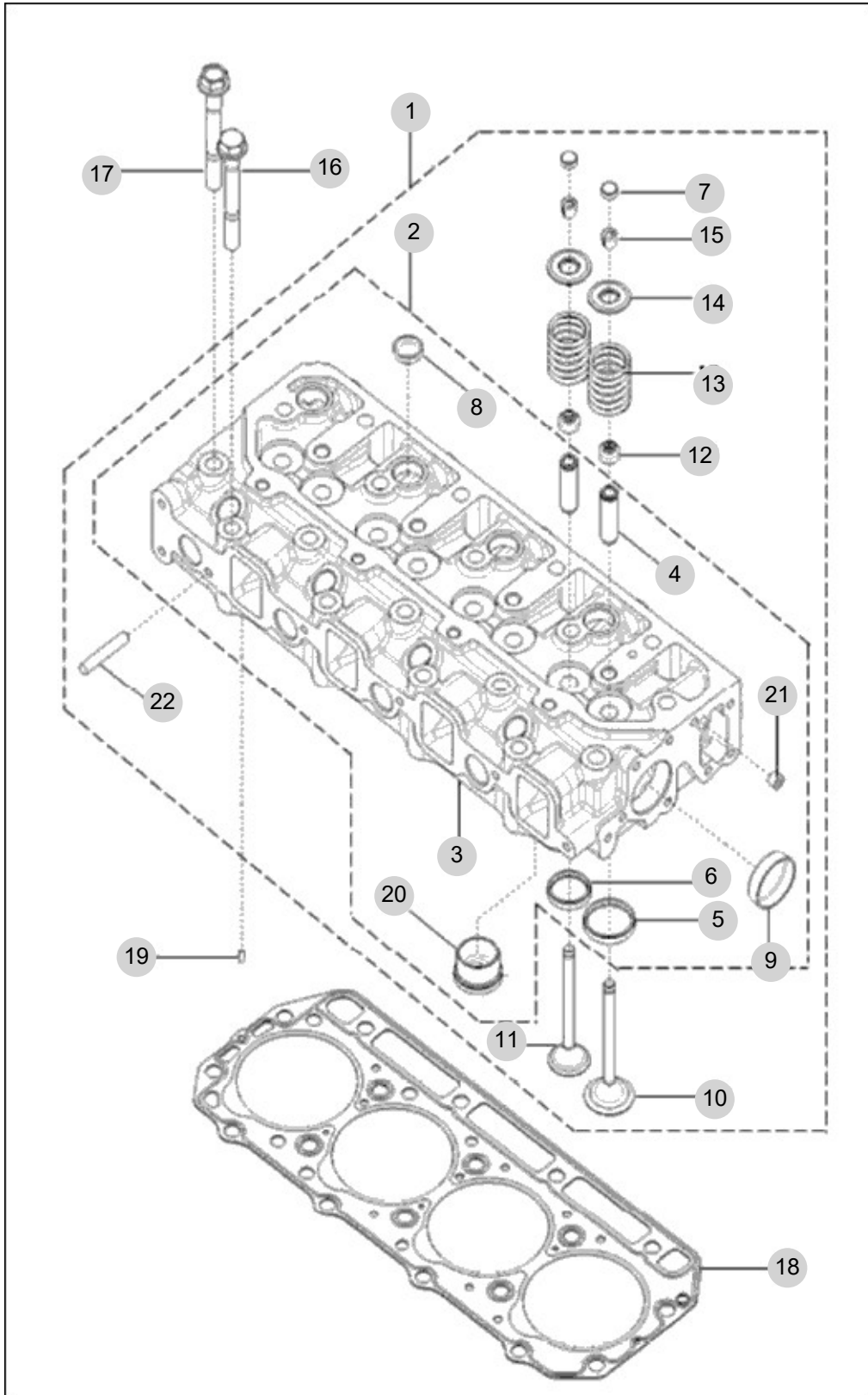
FIG 105

CYLINDER HEAD

년/월
Year/Month

2022-12

T495NCEU1



NOTE

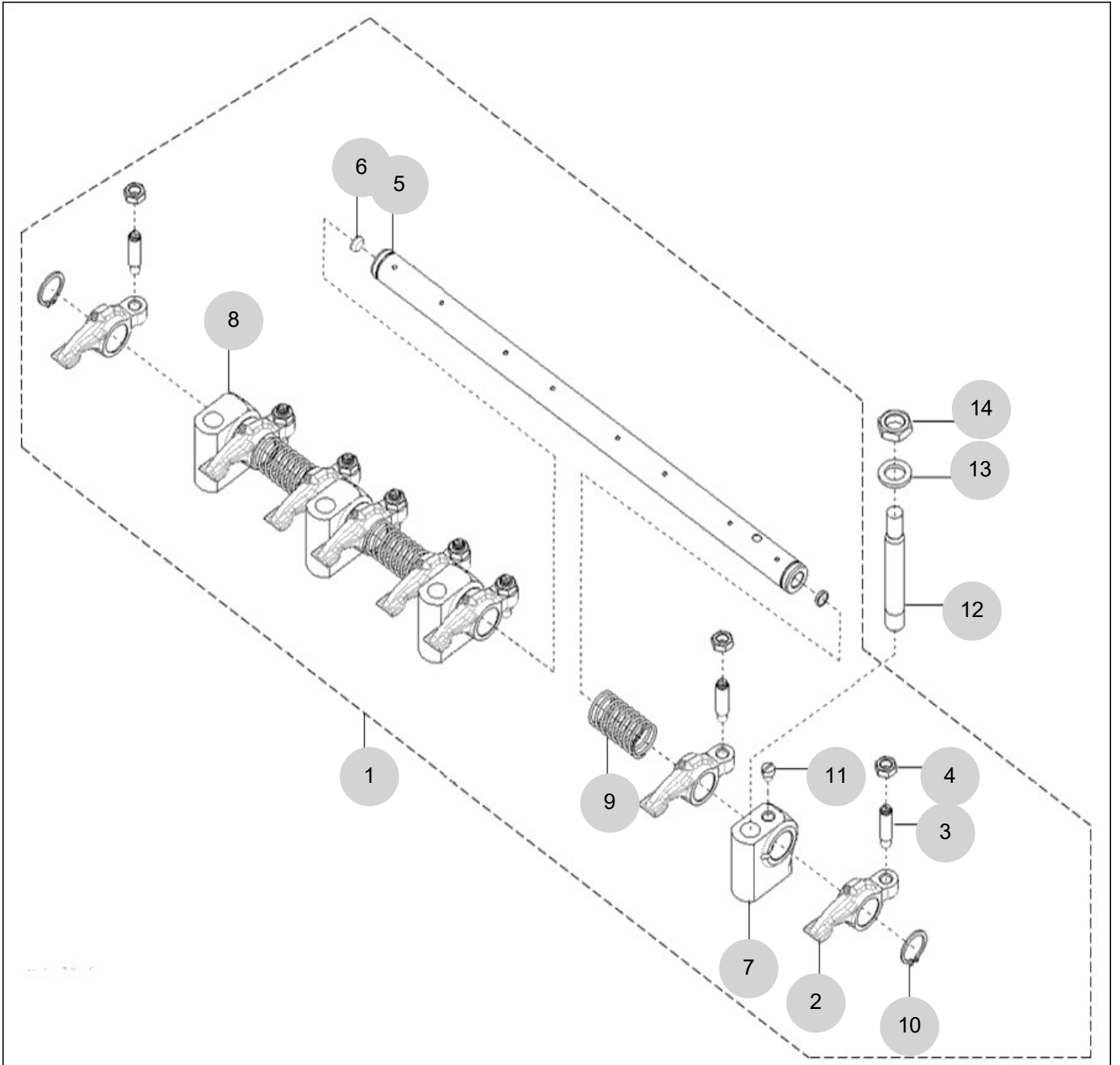
FIG 106

ROCKER LEVER

년/월
Year/Month

2022-12

T495NCEU1



NOTE

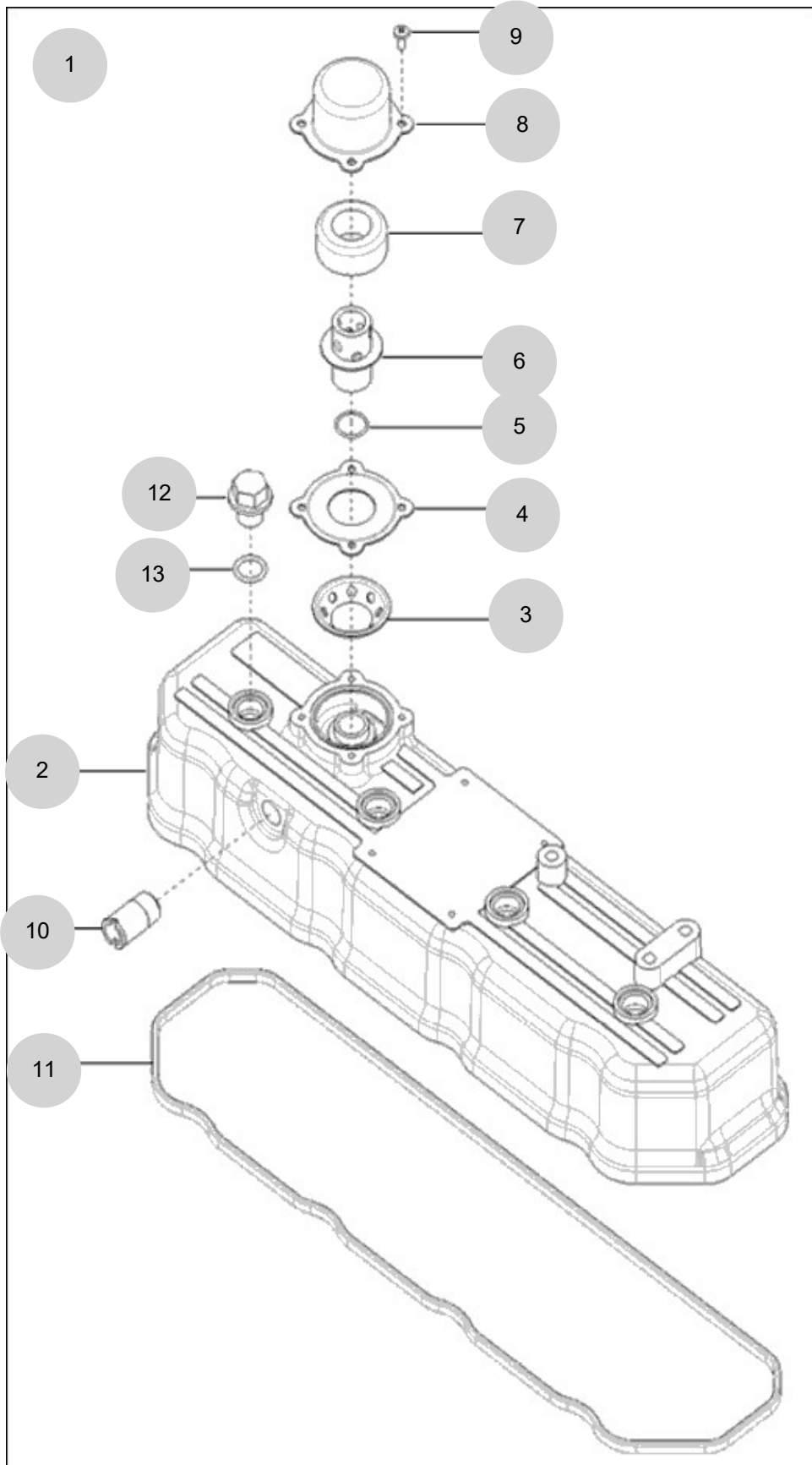
FIG 107

HEAD COVER

년/월
Year/Month

2022-12

T495NCEU1



NOTE

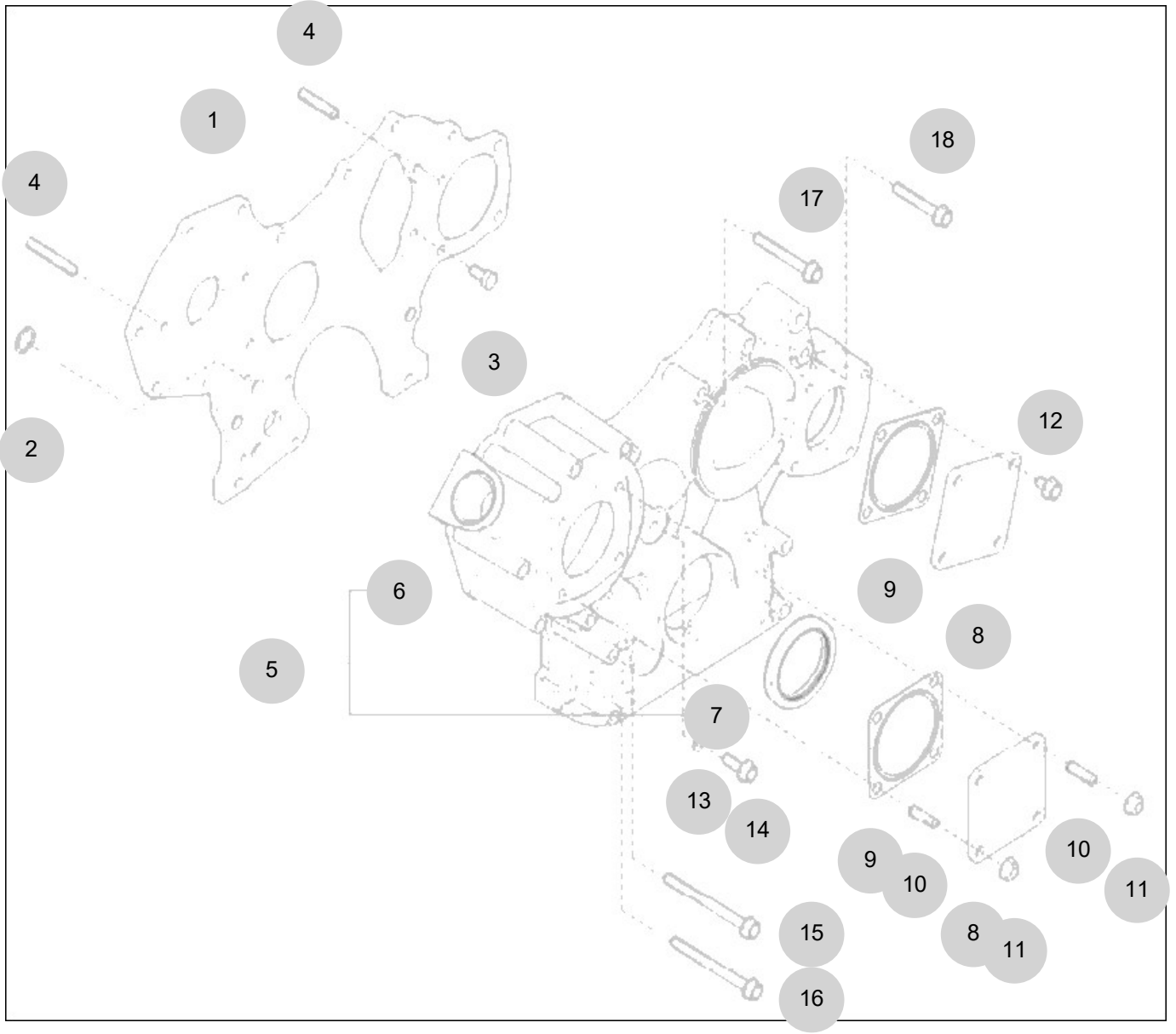
FIG 108

GEAR CASE

년/월
Year/Month

2022-12

T495NCEU1



NOTE

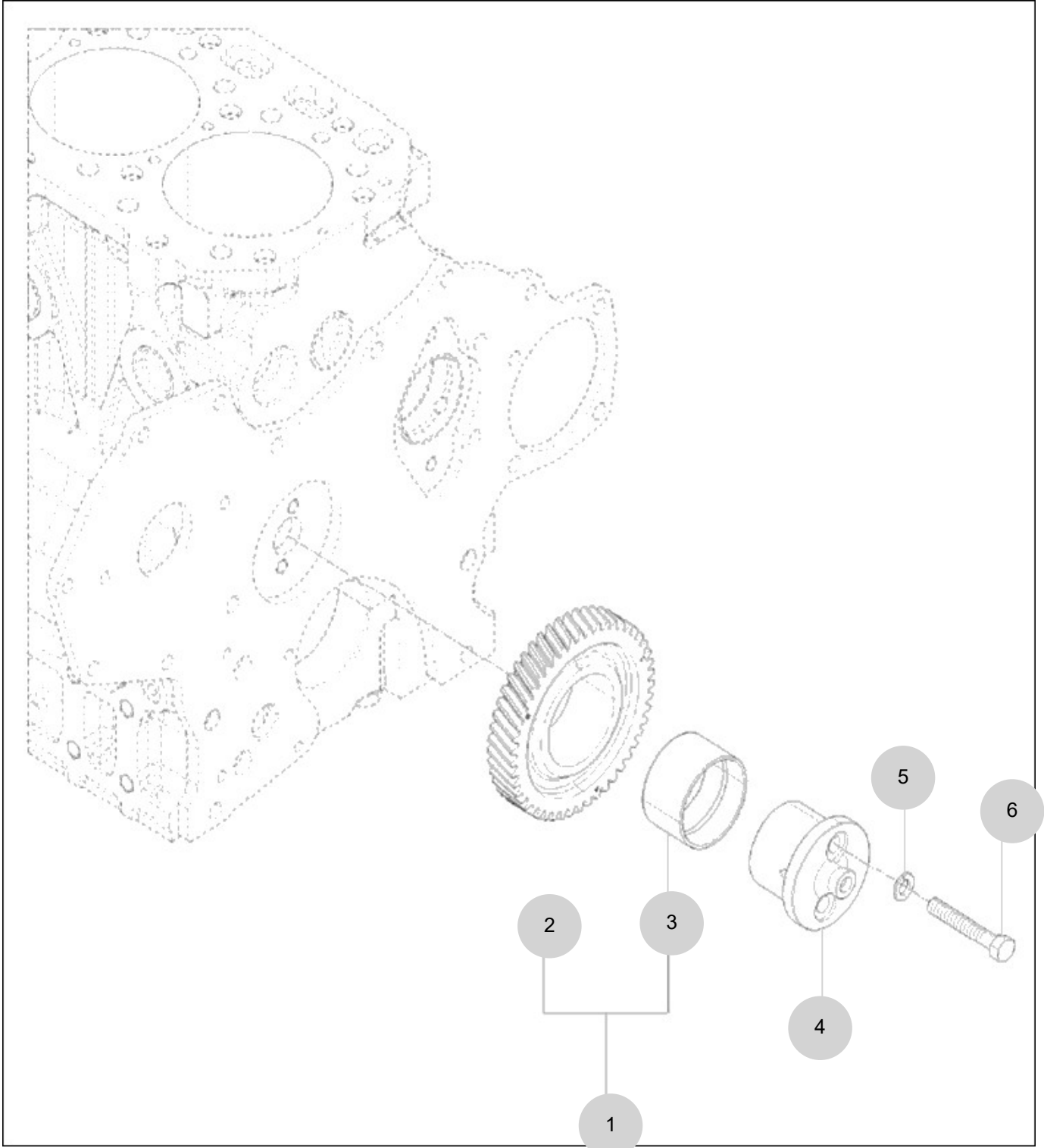
FIG 109

IDLE GEAR

년/월
Year/Month

T495NCEU1

2022-12



NOTE

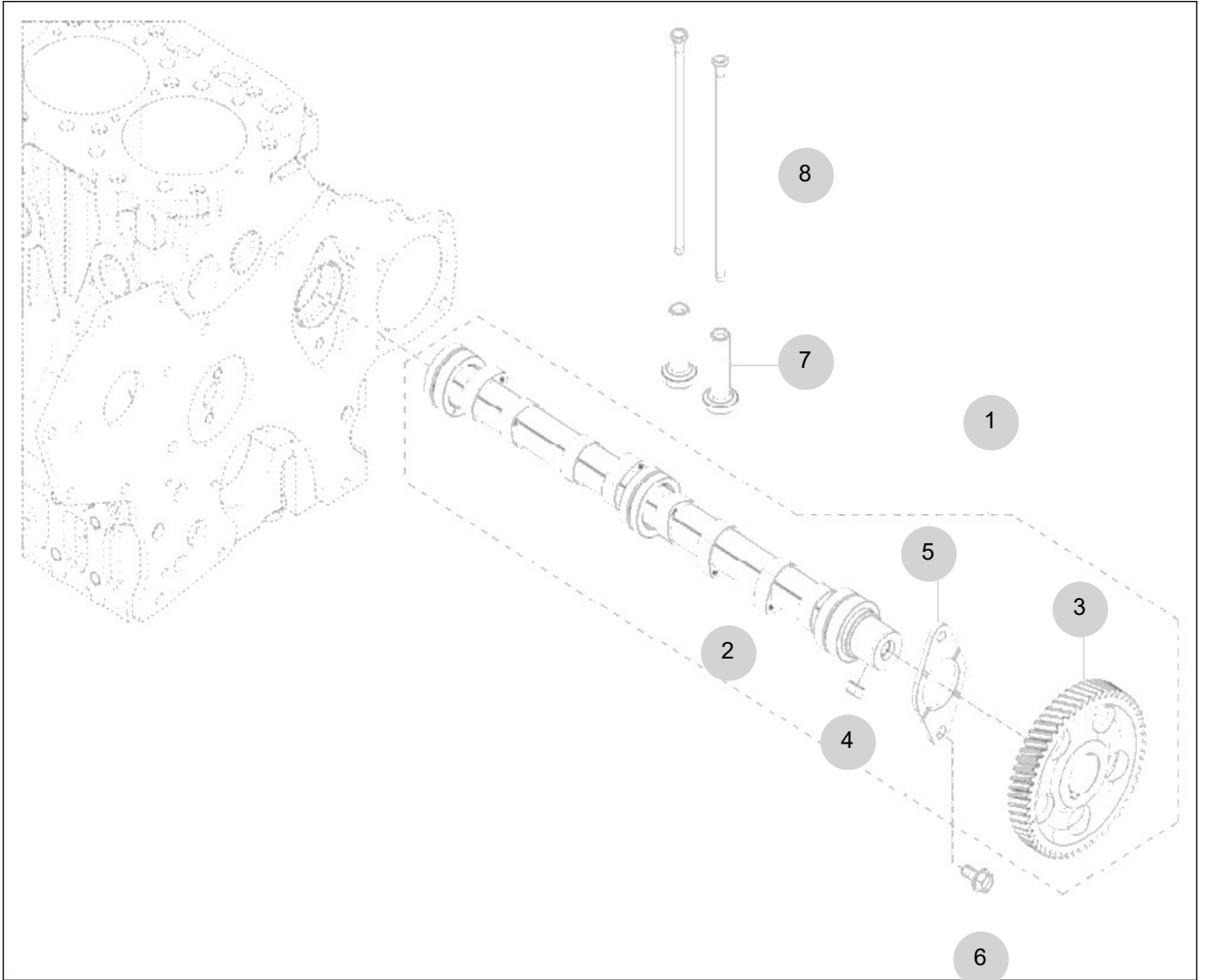
FIG 110

CAM SHAFT

년/월
Year/Month

2022-12

T495NCEU1



NOTE

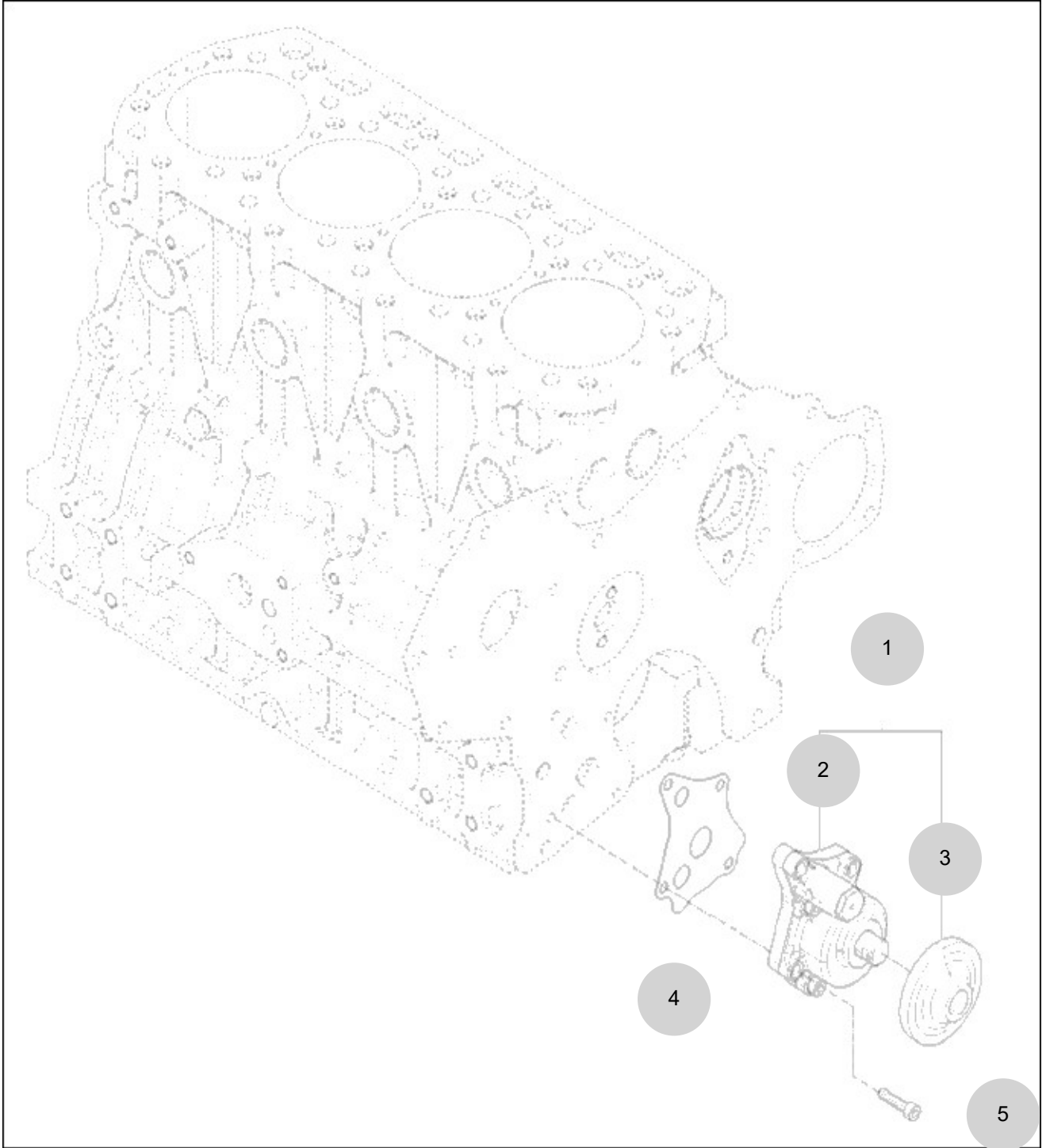
FIG 111

OIL PUMP

년/월
Year/Month

2022-12

T495NCEU1



NOTE

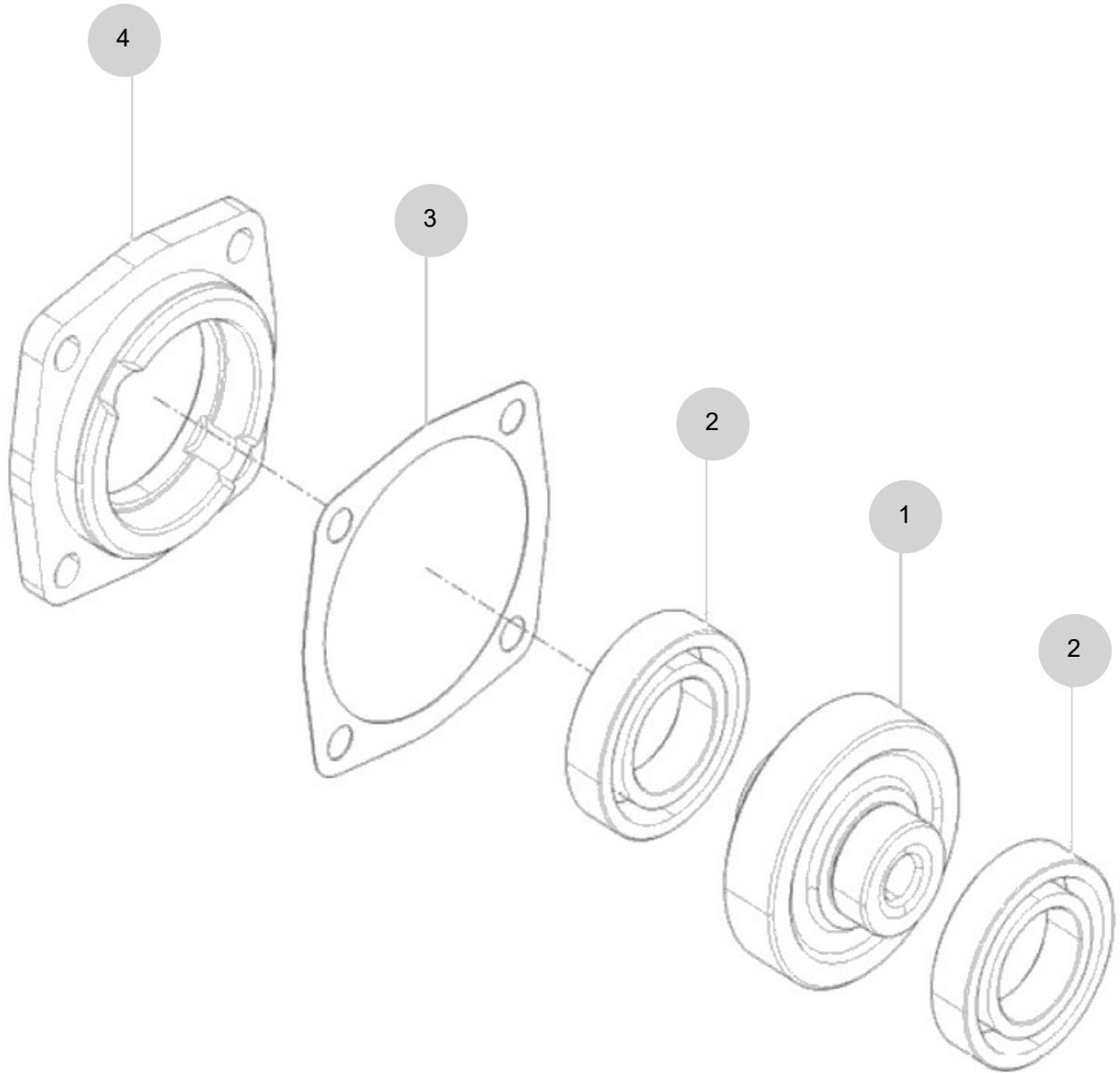
FIG 112

HYD. PUMP DRIVE

년/월
Year/Month

2022-12

T495NCEU1



NOTE

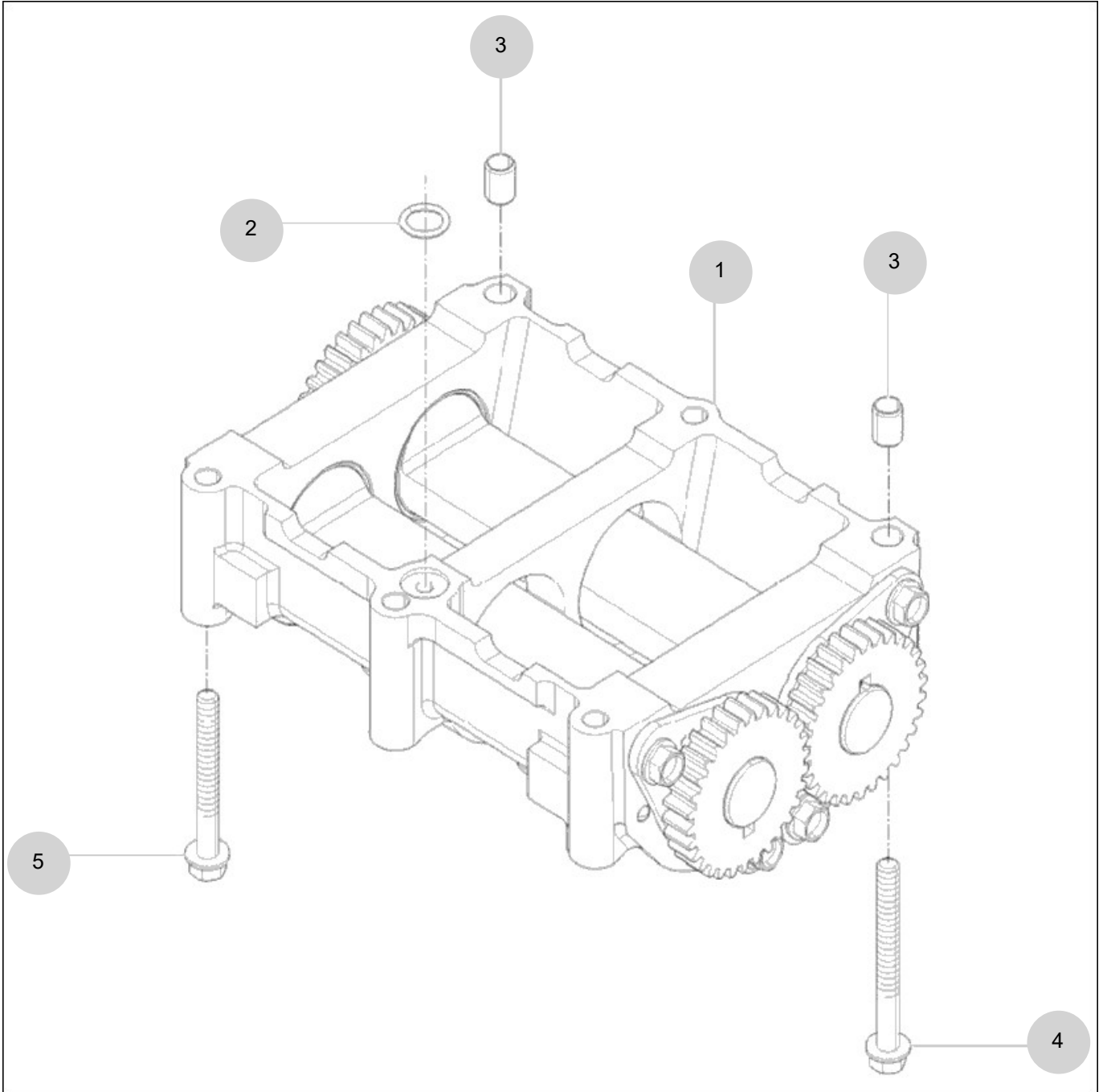
FIG 113

2ND BALANCE

년/월
Year/Month

2022-12

T495NCEU1



NOTE

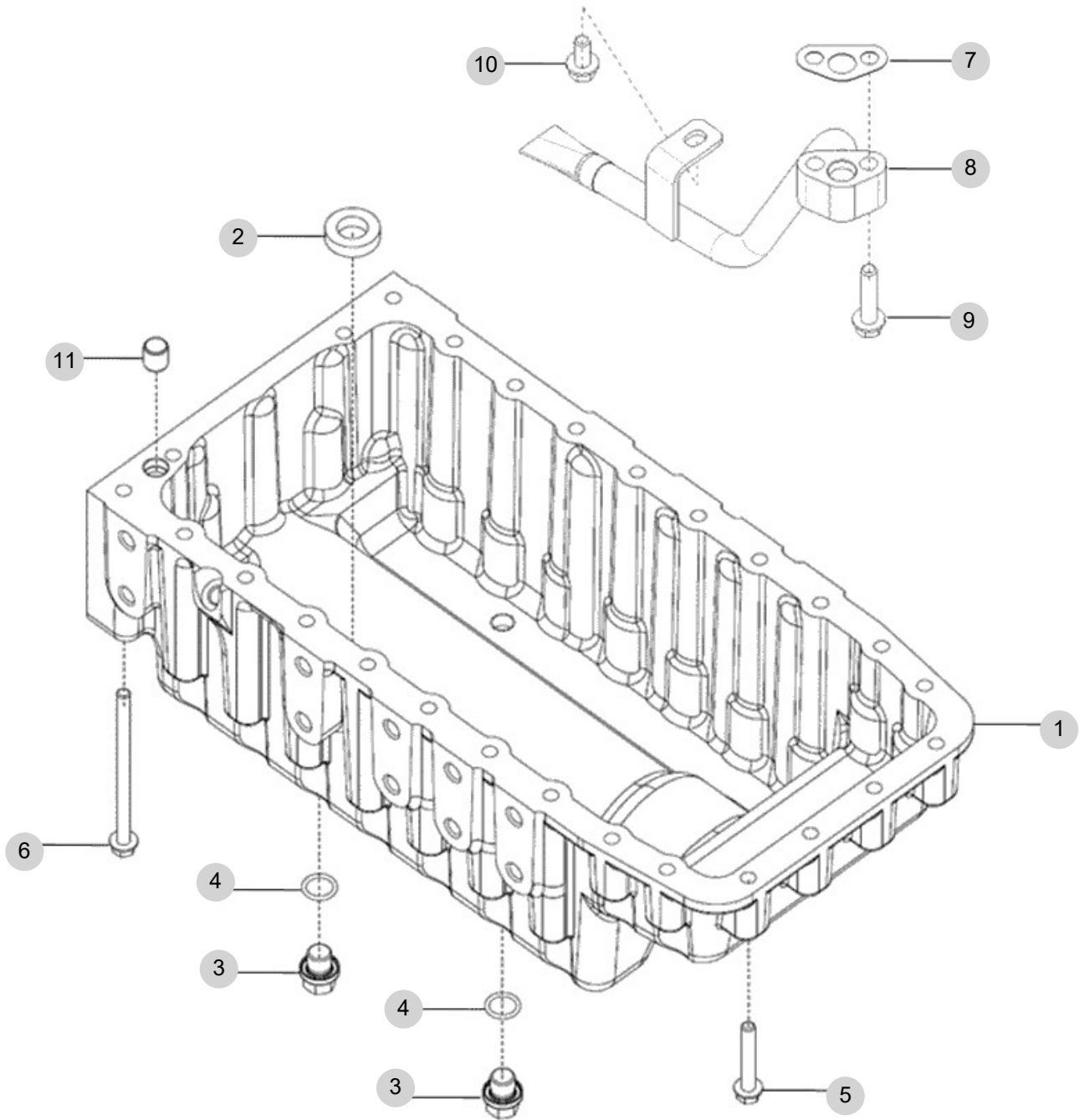
FIG 114

OIL PAN

년/월
Year/Month

2022-12

T495NCEU1



NOTE

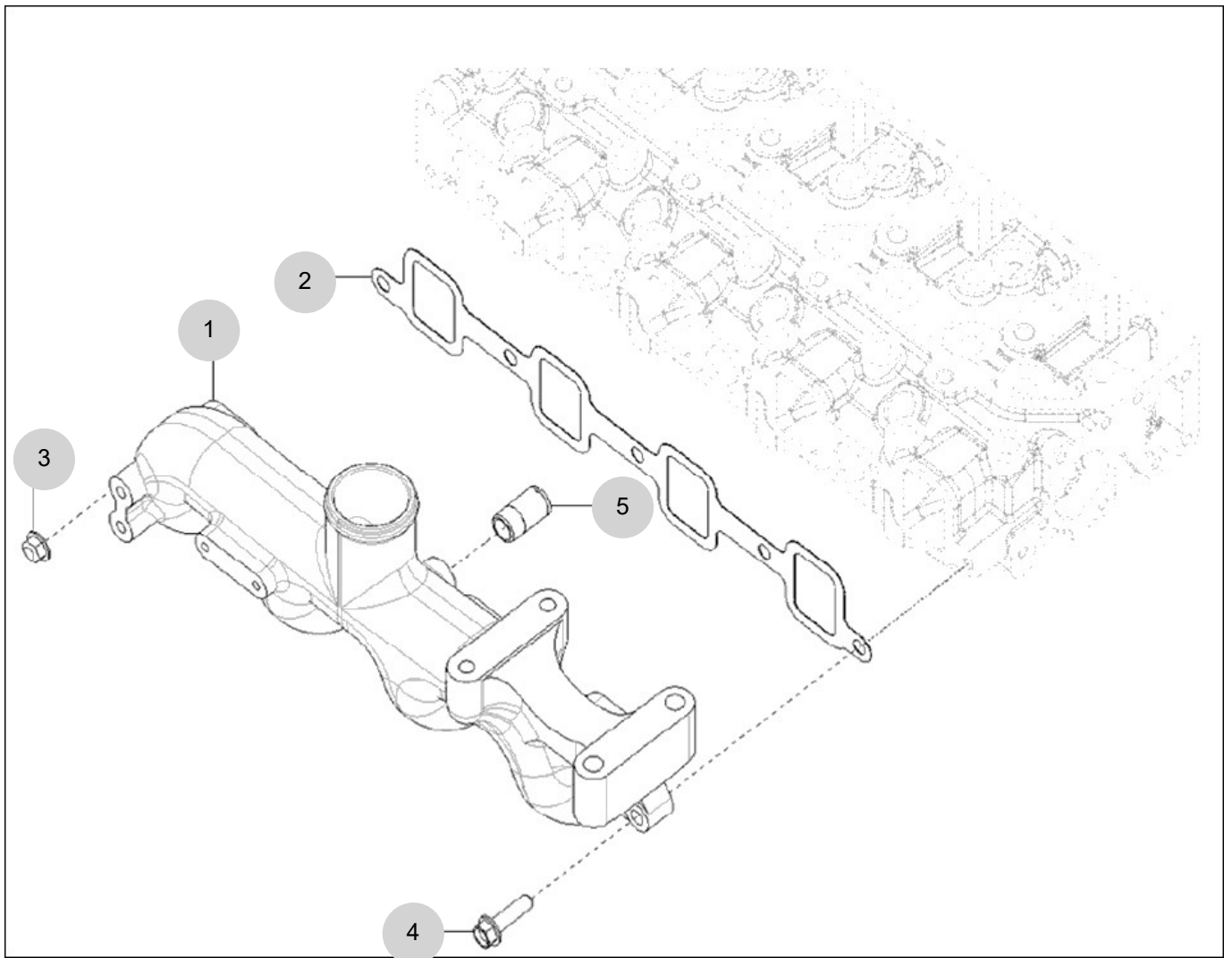
FIG 115B

T495NCEU1

INTAKE MANIFOLD(T494)

년/월
Year/Month

2022-12



NOTE

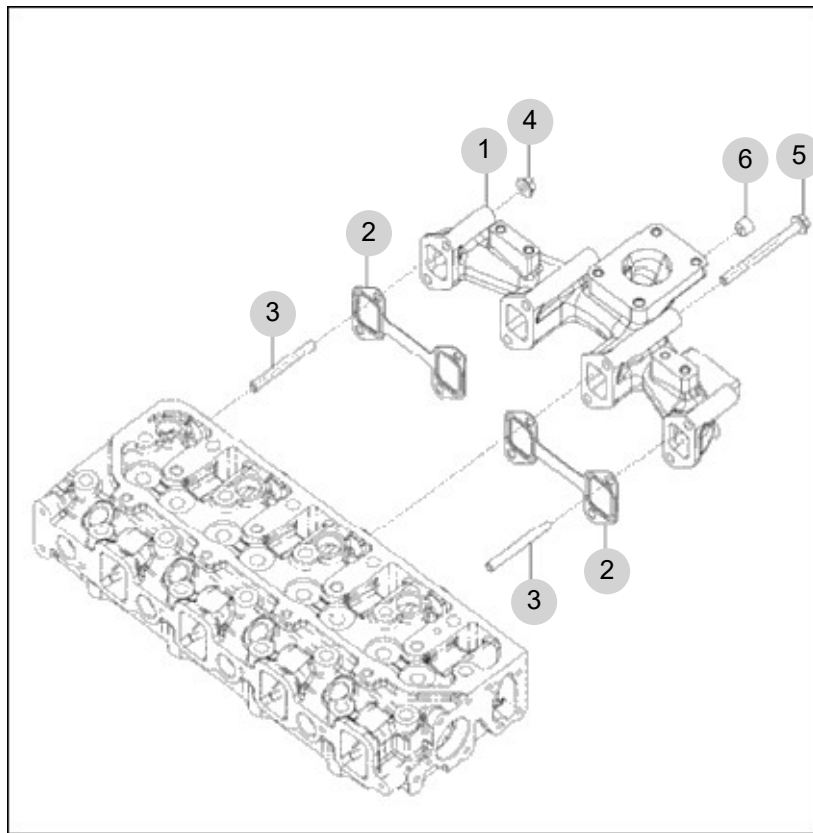
FIG 116B

T495NCEU1

EXHAUST MANIFOLD(T494)

년/월
Year/Month

2022-12



NOTE

FIG 116B T495NCEU1		EXHAUST MANIFOLD(T494)						년/월 Year/Month	
								2022-12	
KEY NO	PART NO	DESCRIPTION	SPEC	QTY	REPAIR	EFFECTIVE DATE	REMARKS		
116B	1	EA00003142A	배기 매니폴드			1			
116B	1	EA00003142B	배기 매니폴드			1			
116B	2	HRA0600200A	GASKET(EXHAUST MANIFOLD)			2			
116B	3	26216-080652	STUD BOLT			4			
116B	4	EA00000645A	HEX. FLANGE NUT			4			
116B	4	2636A-080002	육각 플랜지 너트			4			
116B	5	26106-080952	HEX. FLANGE BOLT			4			
116B	6	23871-020000	테이퍼나사플러그			1			
NOTE									

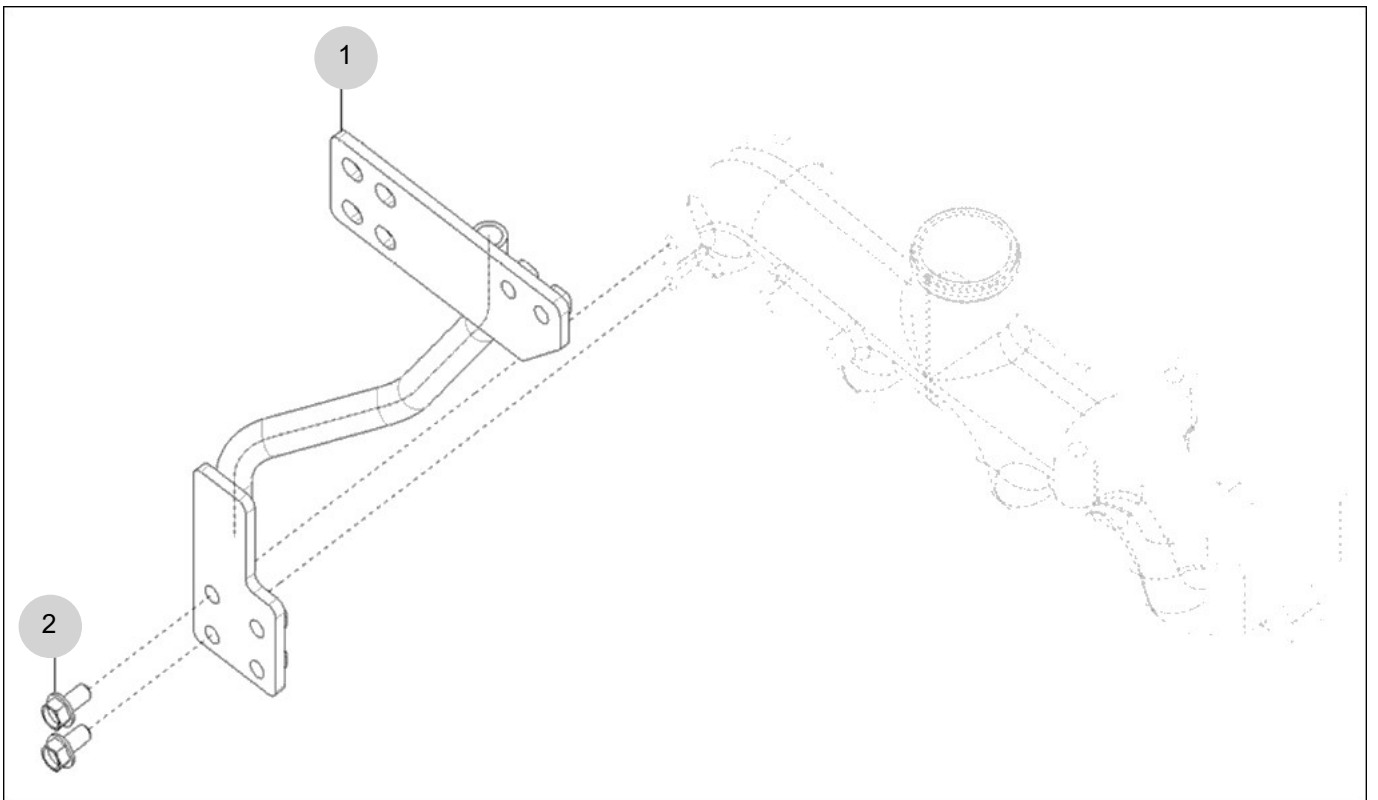
FIG 117B

TURBOCHARGER ASS'Y(T494)

년/월
Year/Month

2022-12

T495NCEU1



NOTE

FIG 117B		TURBOCHARGER ASS'Y(T494)						년/월 Year/Month	
								2022-12	
T495NCEU1									
KEY NO	PART NO	DESCRIPTION	SPEC	QTY	REPAIR	EFFECTIVE DATE	REMARKS		
117B	1	EA00003192C	DPF BRACKET	1					
117B	2	26106-080162	육각플랜지볼트	2					
NOTE									

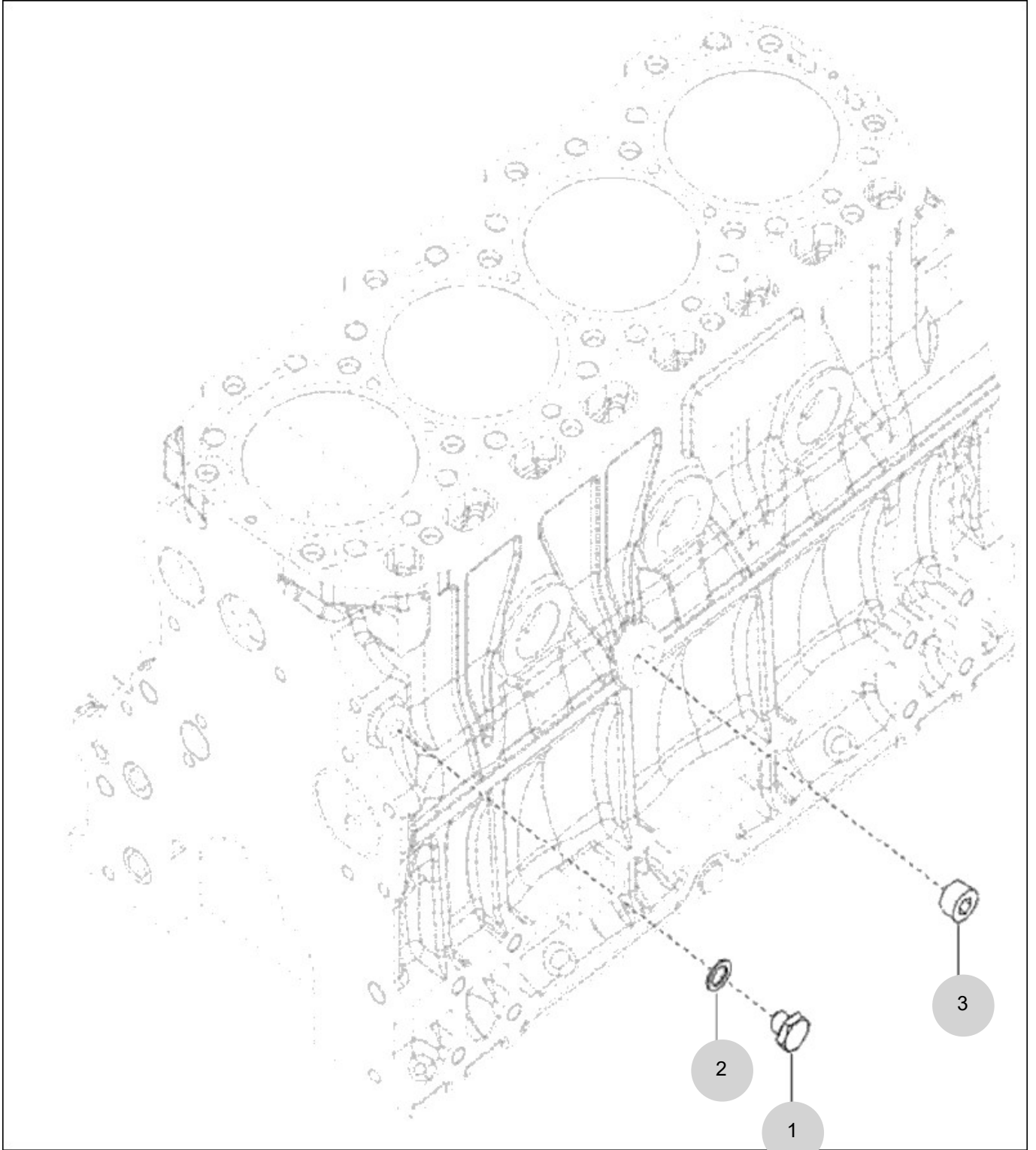
FIG 118B

TURBOCHARGER PLUMBING OPTION(T494)

년/월
Year/Month

2022-12

T495NCEU1



NOTE

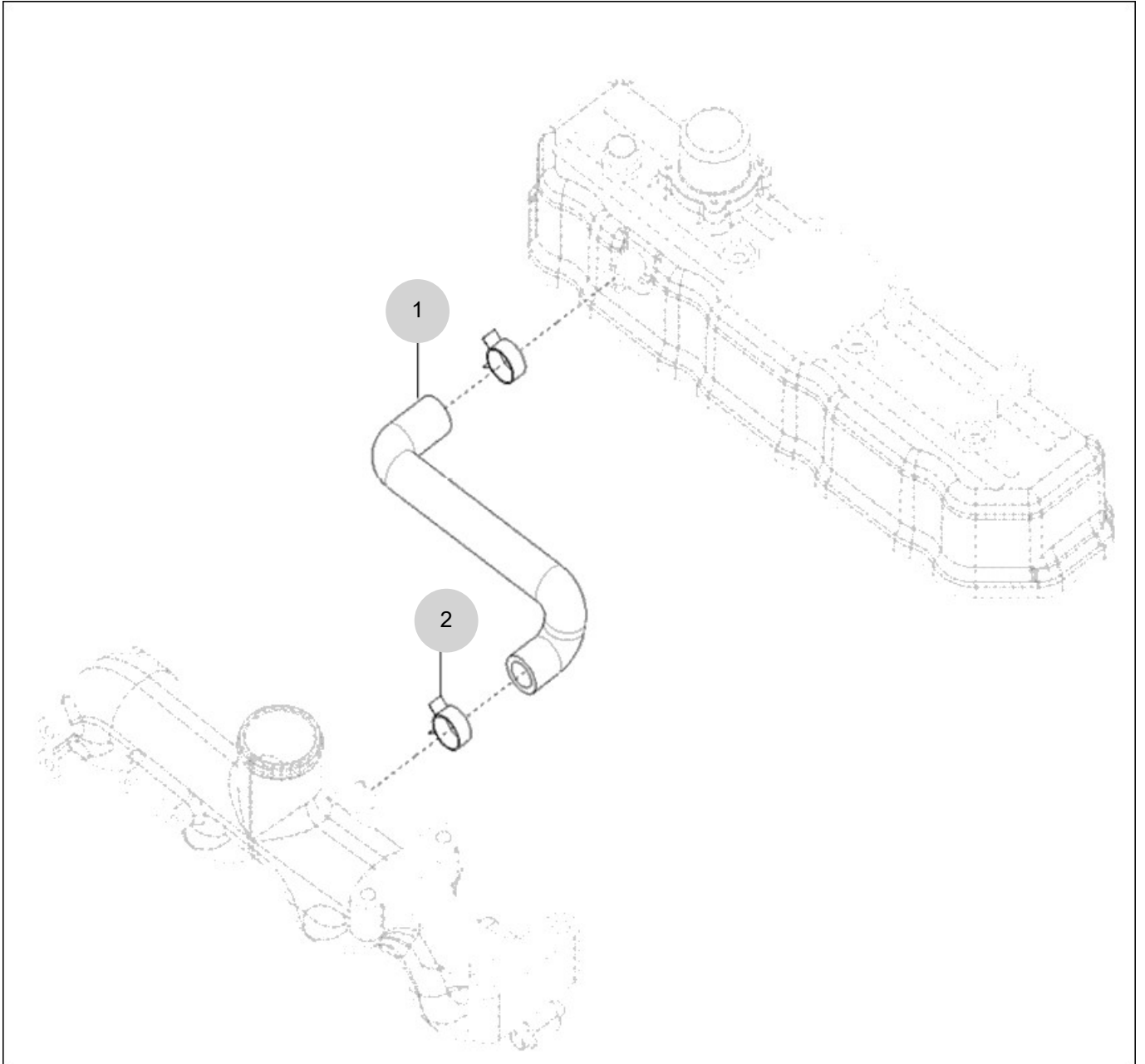
FIG 119B

BREATHER(T494)

년/월
Year/Month

2022-12

T495NCEU1



NOTE

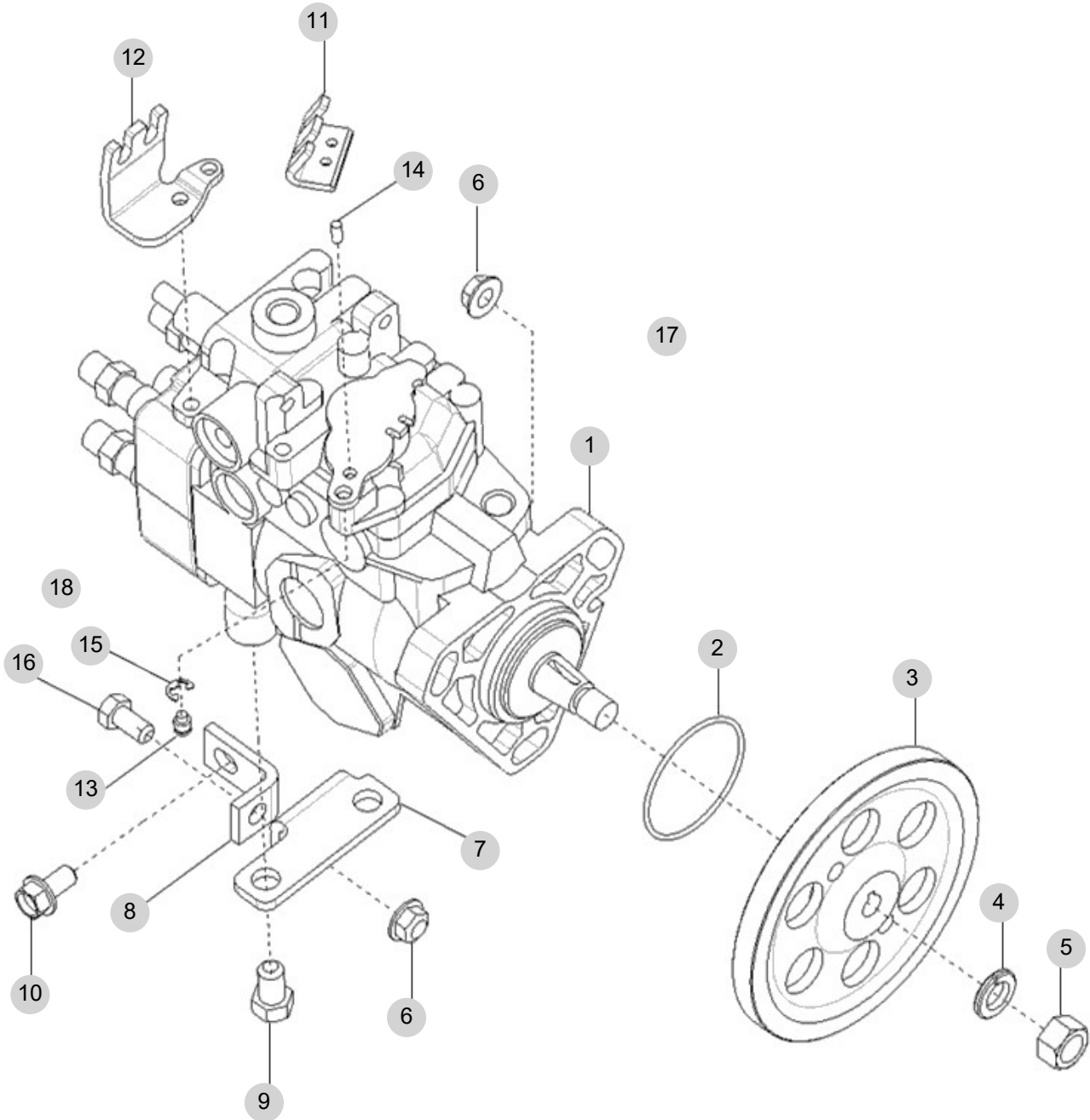
FIG 120

FUEL INJECTION PUMP

년/월
Year/Month

2022-12

T495NCEU1



NOTE

FIG 120 T495NCEU1		FUEL INJECTION PUMP						년/월 Year/Month	
								2022-12	
KEY NO	PART NO	DESCRIPTION		SPEC	QTY	REPAIR	EFFECTIVE DATE	REMARKS	
120	1	EA00000786B	연료분사펌프조립			1			
120	2	24341-000500	고정용 S형 O링			1			
120	3	HRA070080DC	연료분사펌프기어			1			
120	4	22217-120000	스프링와셔			1			
120	5	26716-120002	육각너트			1			
120	6	26367-080002	육각플랜지너트			4			
120	7	HRA130020DB	VE 지지 브라켓(A)			1			
120	8	HRA130030DB	VE 지지 브라켓(B)			1			
120	9	26116-100162	육각볼트			2			
120	10	26106-080162	육각플랜지볼트			1			
120	11	EA00004970B	조절브래킷(액셀레버)			1			
120	11	EA00002102B	조절브래킷(액셀레버)			1			
120	12	EA00004263B	서포트(액셀레버)			1			
120	13	HRA1300702A	고정핀			1			
120	14	EA00002103A	핀			1			
120	15	22272-000050	E형스냅링			1			
120	16	26116-080162	육각볼트			1			
120	17	HRU0170210A9	연료스톱밸브			1			
120	18	EA00003768A	픽업센서			1			
NOTE									

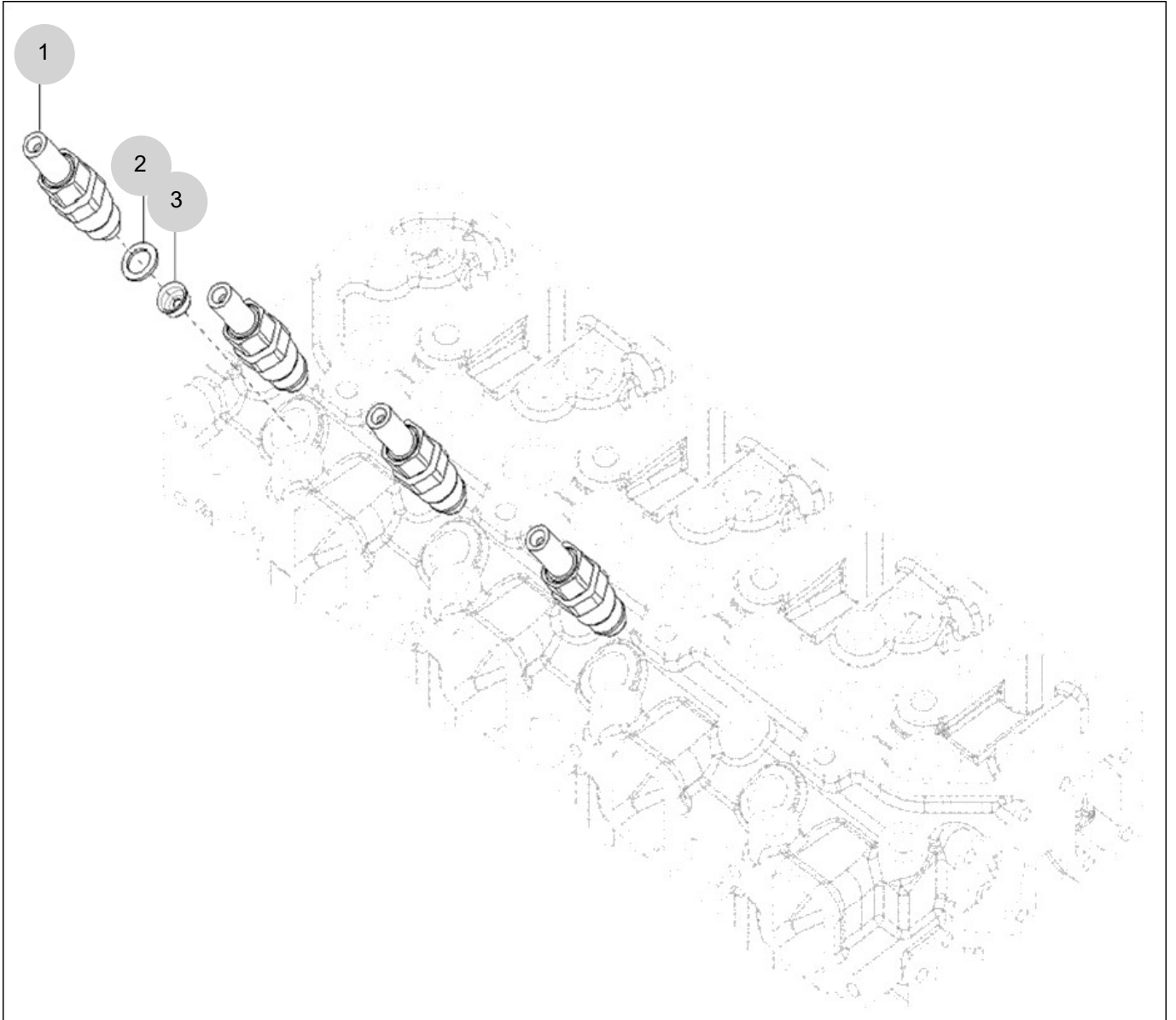
FIG 121

FUEL INJECTION VALVE

년/월
Year/Month

2022-12

T495NCEU1



NOTE

FIG 121 T495NCEU1		FUEL INJECTION VALVE					년/월 Year/Month	
							2022-12	
KEY NO	PART NO	DESCRIPTION	SPEC	QTY	REPAIR	EFFECTIVE DATE		
121	1	EA00000642B	연료분사밸브조합		4			
121	1	EA00000642A	연료분사밸브(EA00000642B로 주문변경)		4			
121	2	HRA0404900A	씰(HRA0404900A4로 주문변경요)		4			
121	3	HRA0405000A	스페이서(HRA0405000A4로 주문변경)		4			
NOTE								

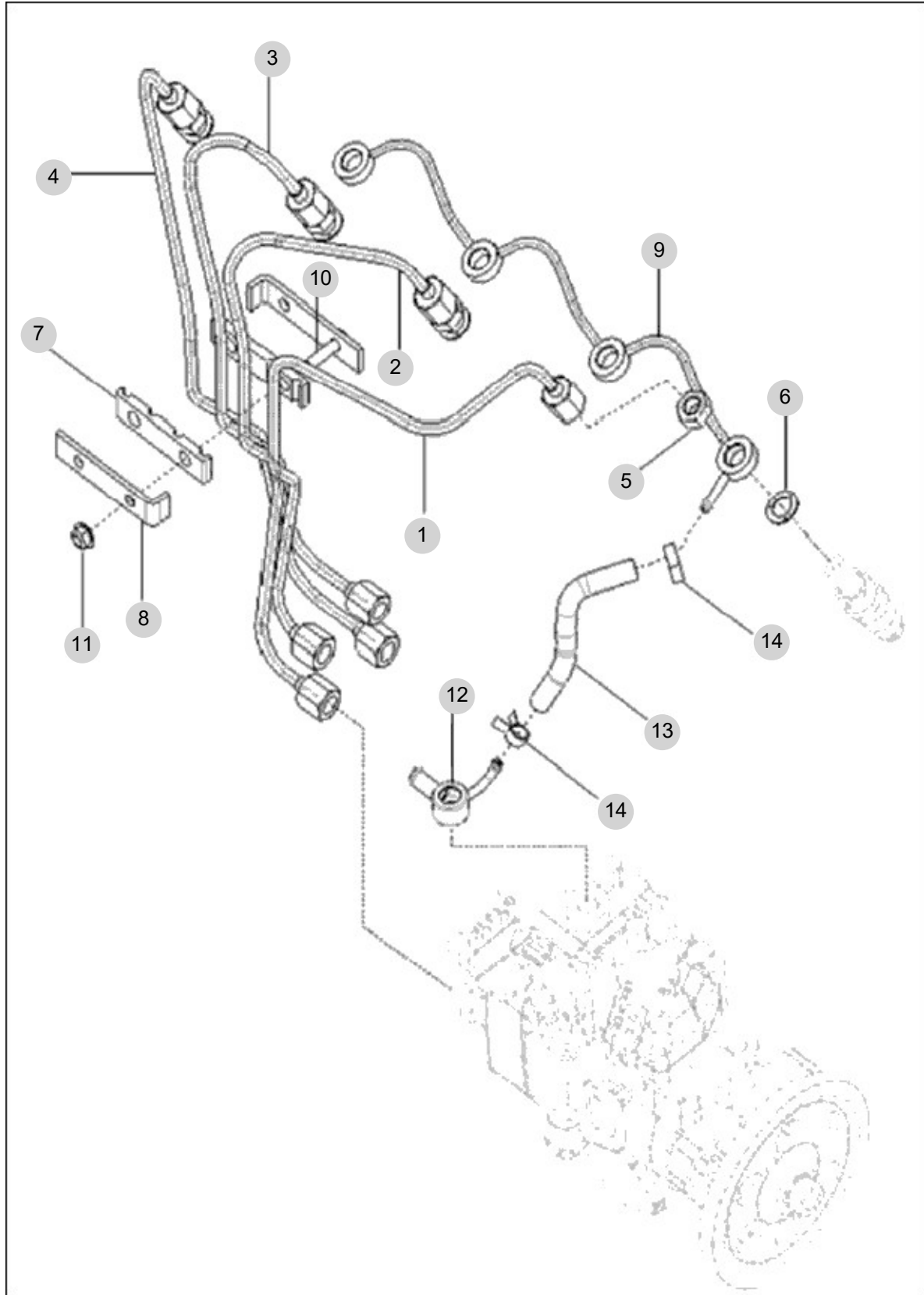
FIG 122

FUEL PIPE ASS'Y

년/월
Year/Month

2022-12

T495NCEU1



NOTE

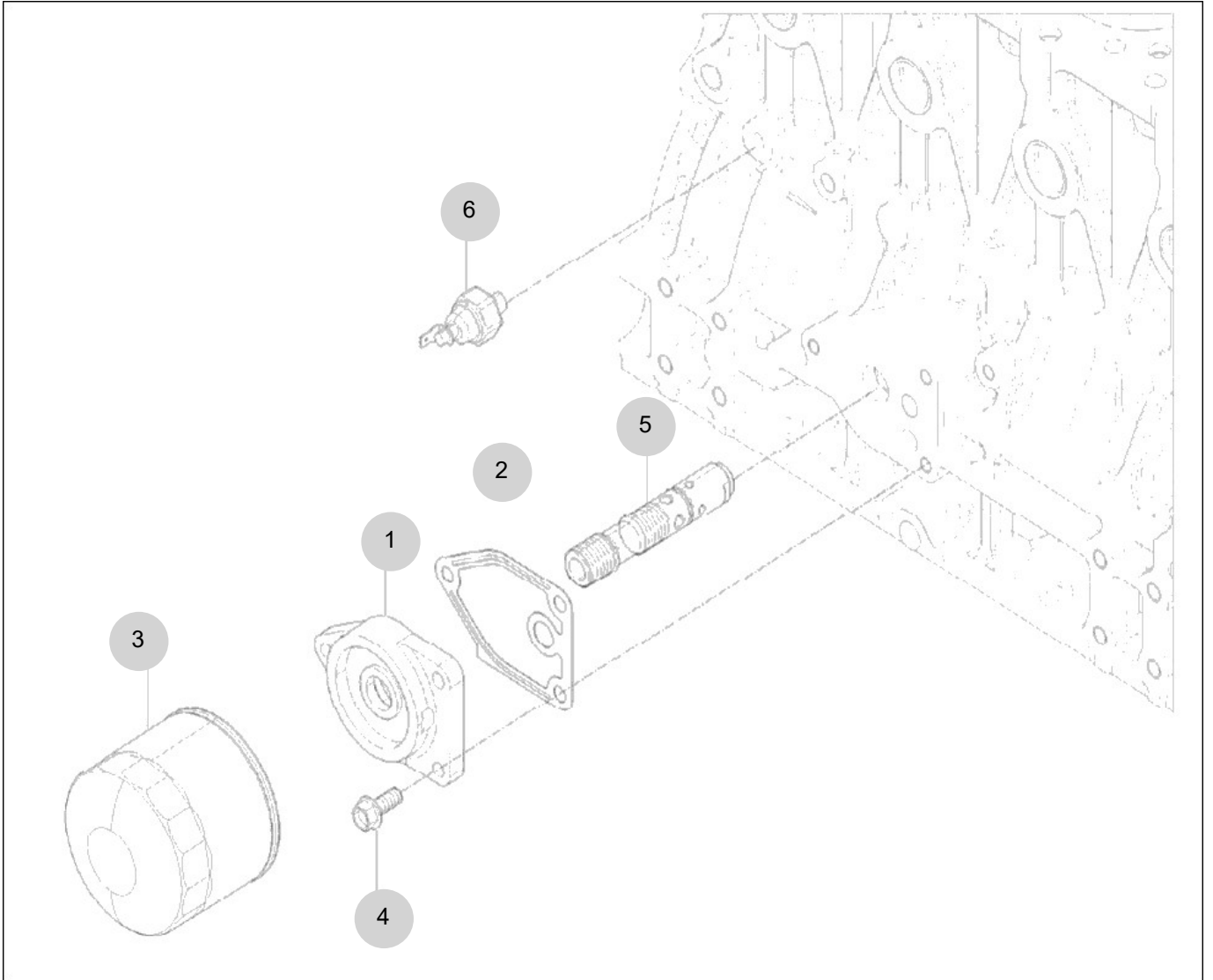
FIG 123

OIL FILTER

년/월
Year/Month

2022-12

T495NCEU1



NOTE

FIG 123 T495NCEU1		OIL FILTER						년/월 Year/Month
								2022-12
KEY NO	PART NO	DESCRIPTION	SPEC	QTY	REPAIR	EFFECTIVE DATE	REMARKS	
123	1	HRA1100900B	오일휠더브래킷		1			
123	2	HRA1101000B	패킹(오일필터)		1			
123	2	HRA1101000A	PACKING(OIL FILTER)		1			
123	3	EA00004647A	FILTER , ENGINE OIL		1			
123	4	26106-080202	HEX. FLANGE BOLT	8X20	3			
123	5	EA00002852A	압력조절밸브조합		1			
123	6	HA09250000A	오일압력스위치	1X1X1	1			
NOTE								

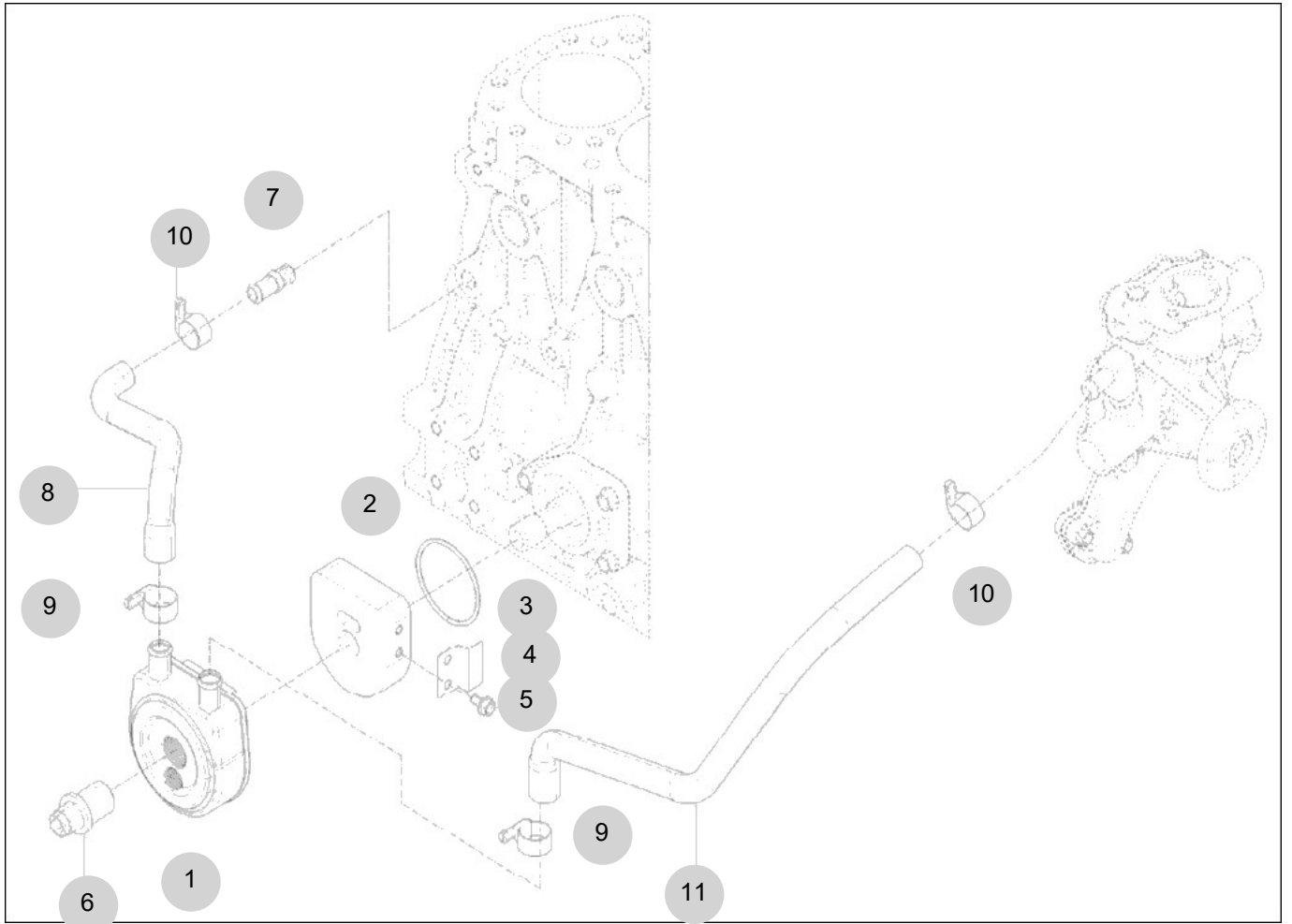
FIG 124

OIL COOLER

년/월
Year/Month

2022-12

T495NCEU1



NOTE

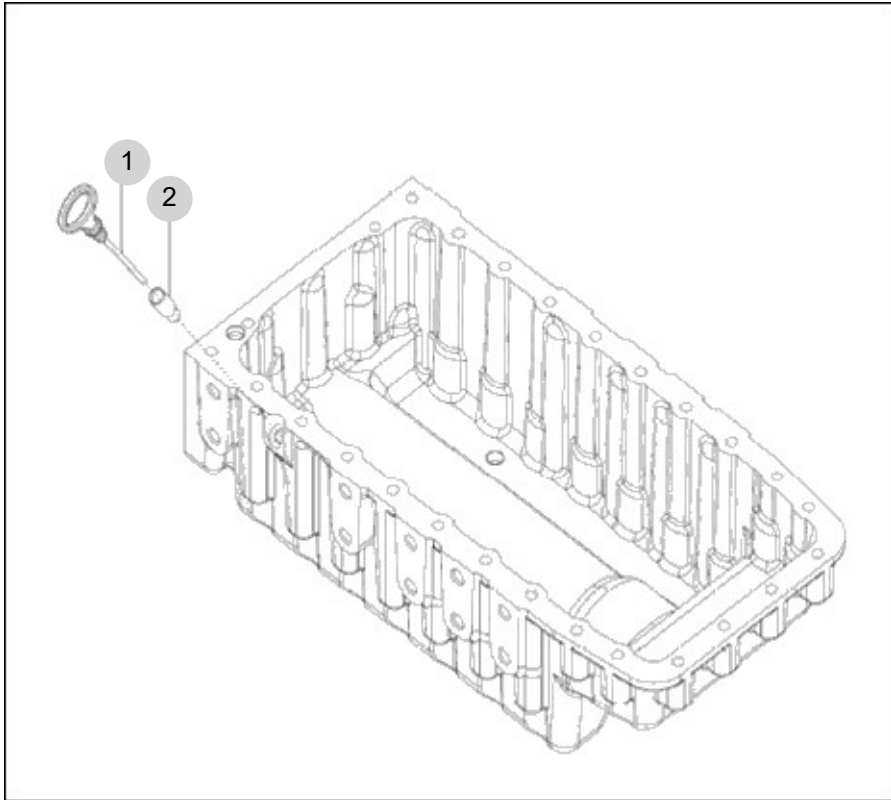
FIG 125

OIL GAUGUE

년/월
Year/Month

2022-12

T495NCEU1



NOTE

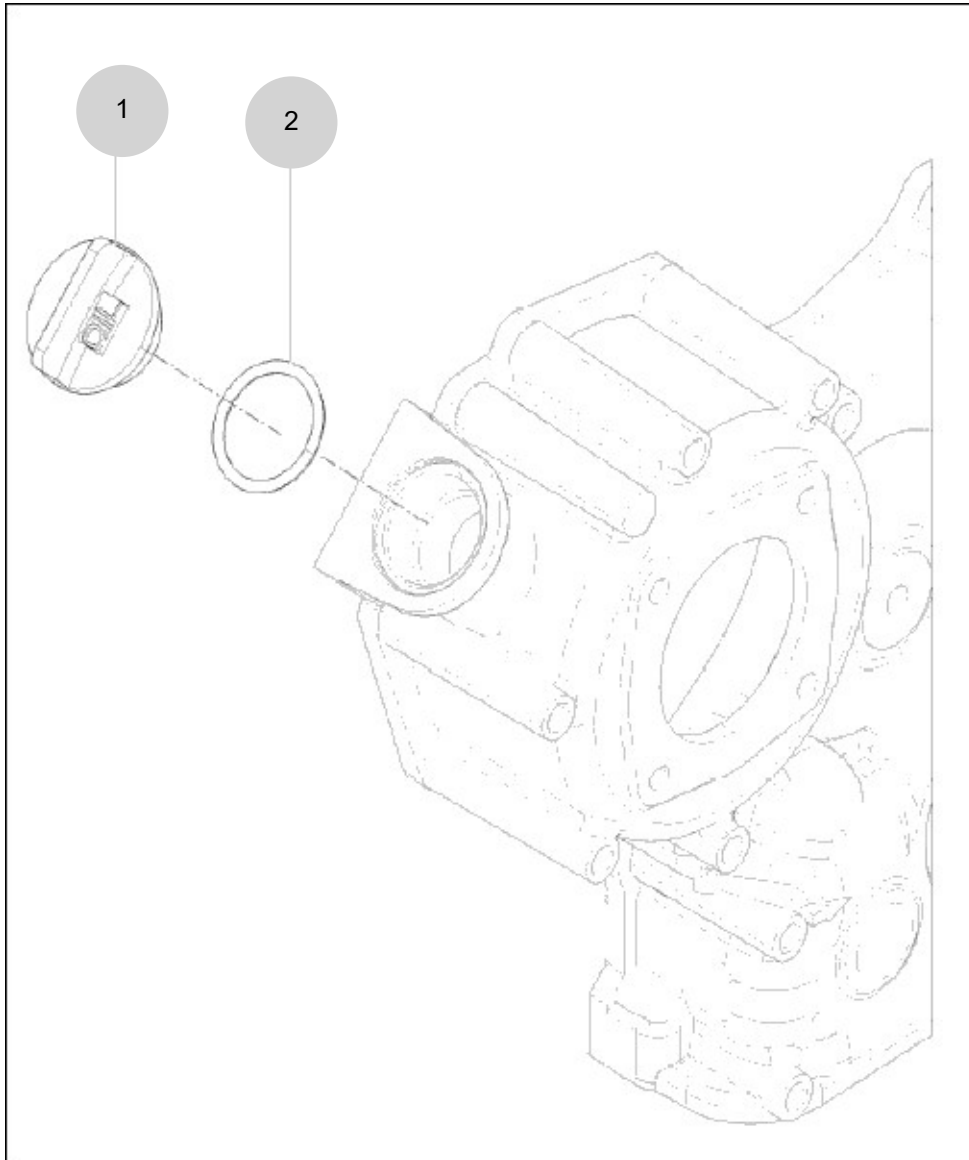
FIG 126

OIL FILLER CAP

년/월
Year/Month

T495NCEU1

2022-12



NOTE

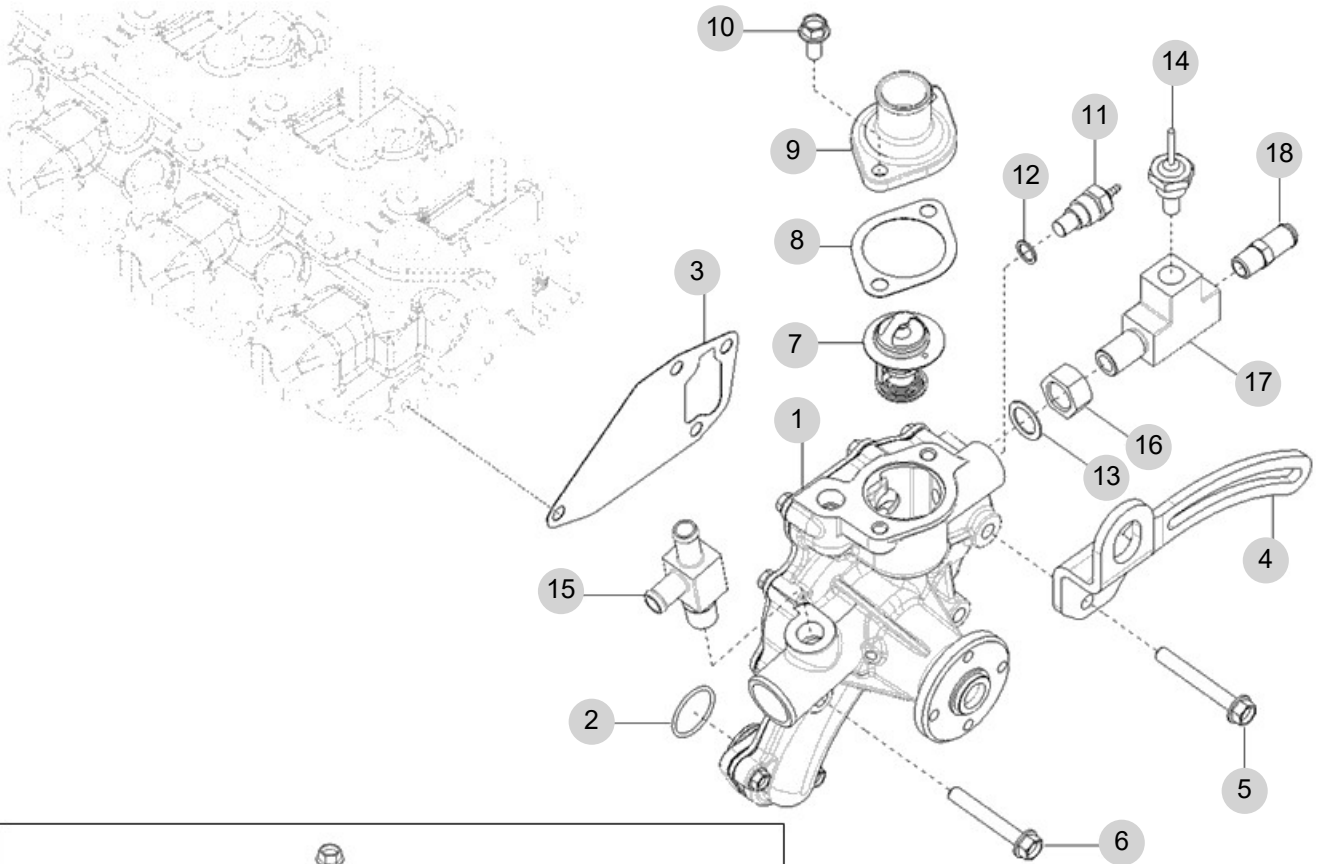
FIG 127

COOLING WATER PUMP

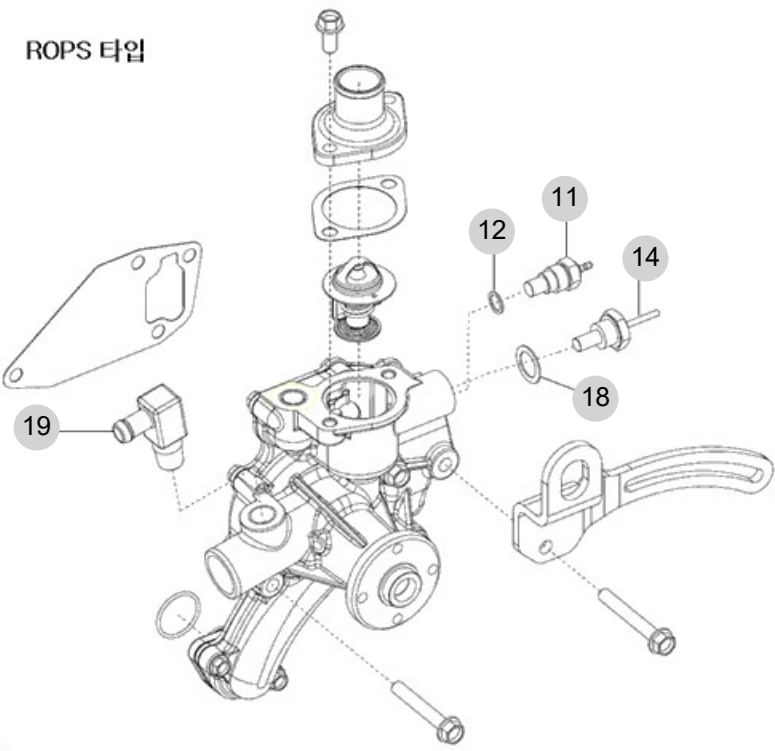
년/월
Year/Month

2022-12

T495NCEU1



ROPS 타입



NOTE

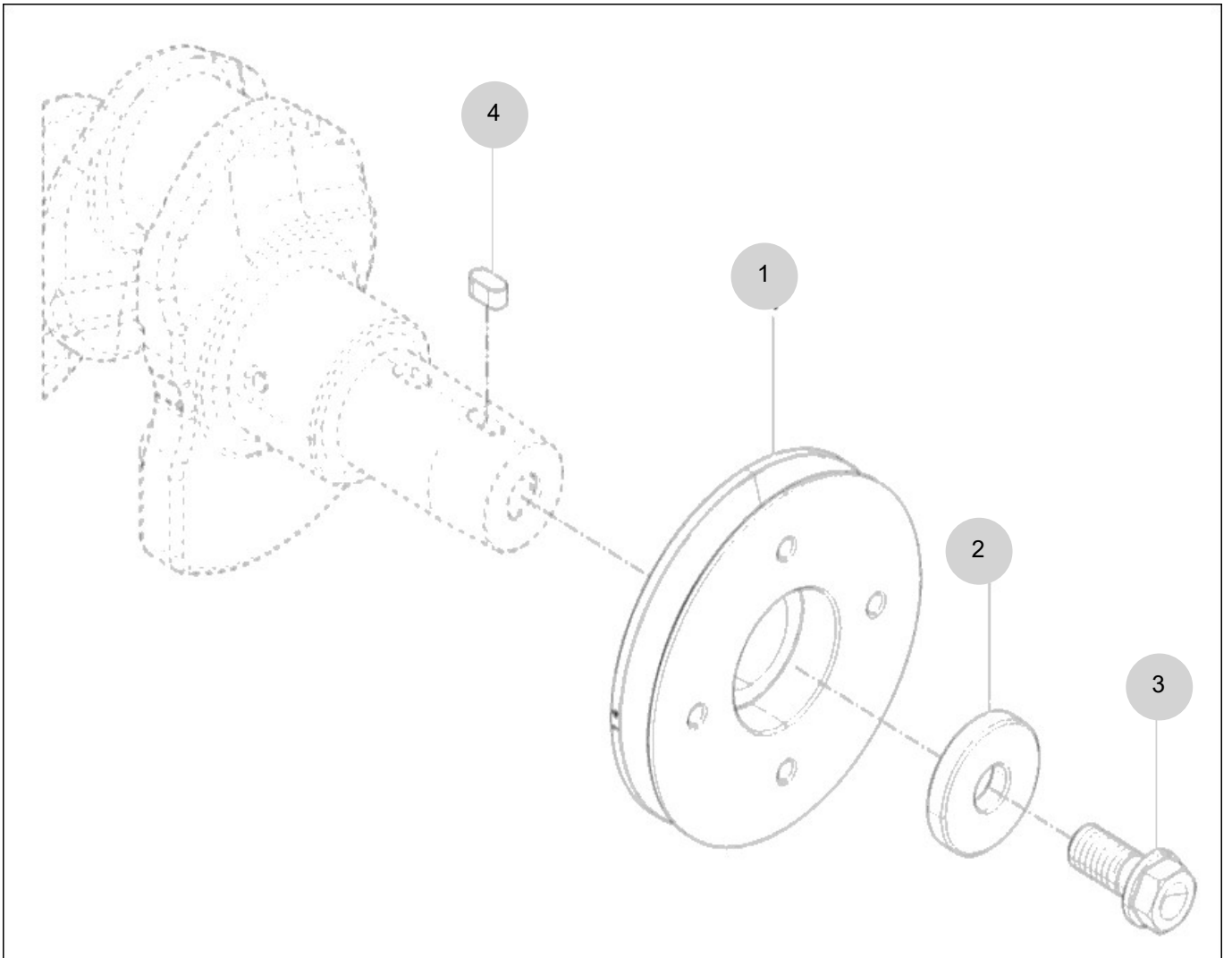
FIG 128

CRANK SHAFT PULLEY

년/월
Year/Month

2022-12

T495NCEU1



NOTE

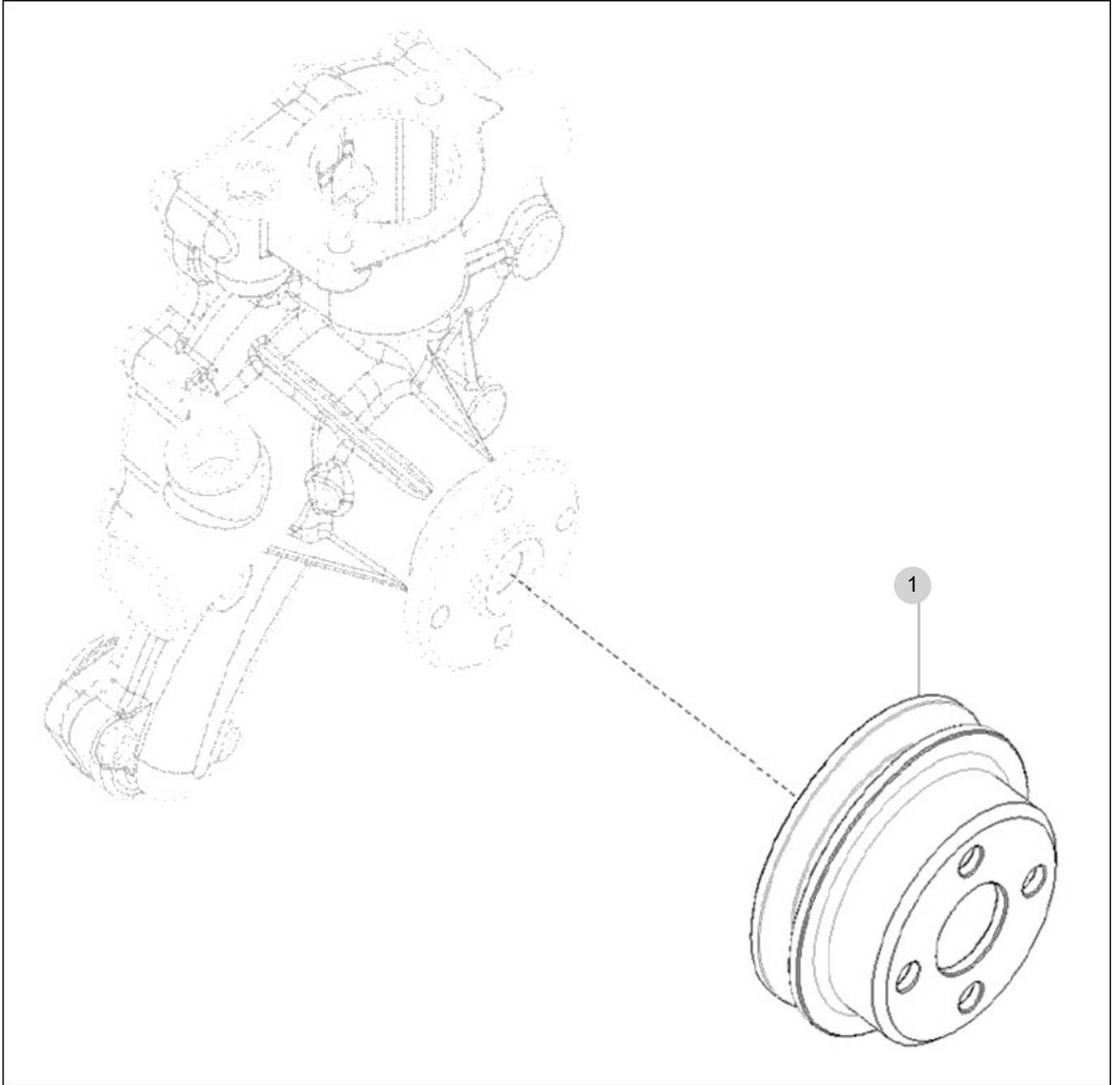
FIG 129

V-PULLEY

년/월
Year/Month

2022-12

T495NCEU1



NOTE

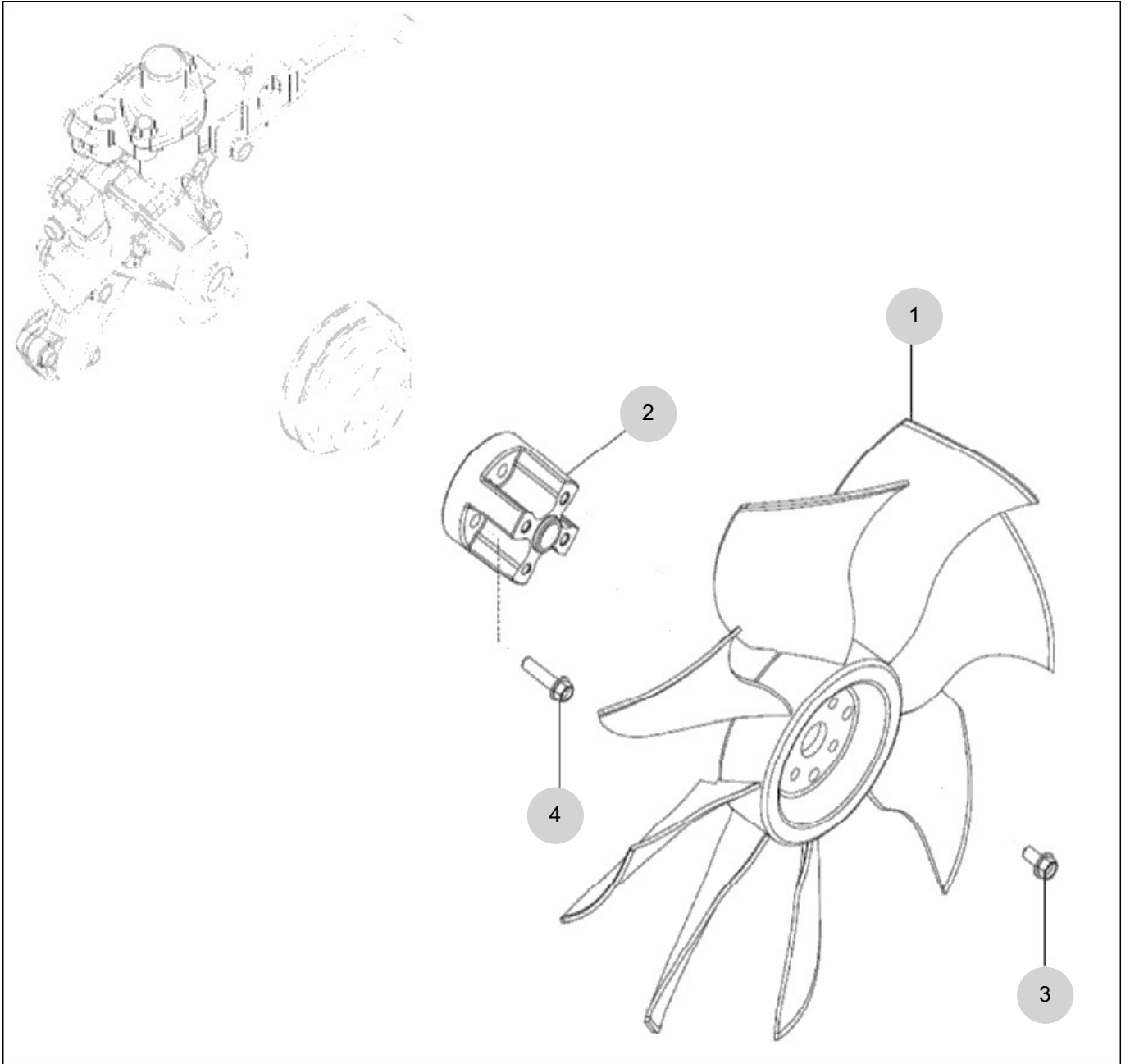
FIG 130

COOLING FAN

년/월
Year/Month

2022-12

T495NCEU1



NOTE

FIG 130 T495NCEU1		COOLING FAN						년/월 Year/Month	
								2022-12	
KEY NO	PART NO	DESCRIPTION		SPEC	QTY	REPAIR	EFFECTIVE DATE	REMARKS	
130	1	EA00005866A	냉각팬(원팬/442)		Ø442	1			
130	2	EA00004968A	SPACER		60 mm	1			
130	3	26106-080162	육각플랜지볼트			4			
130	4	26106-080322	육각플랜지볼트			4			
NOTE									

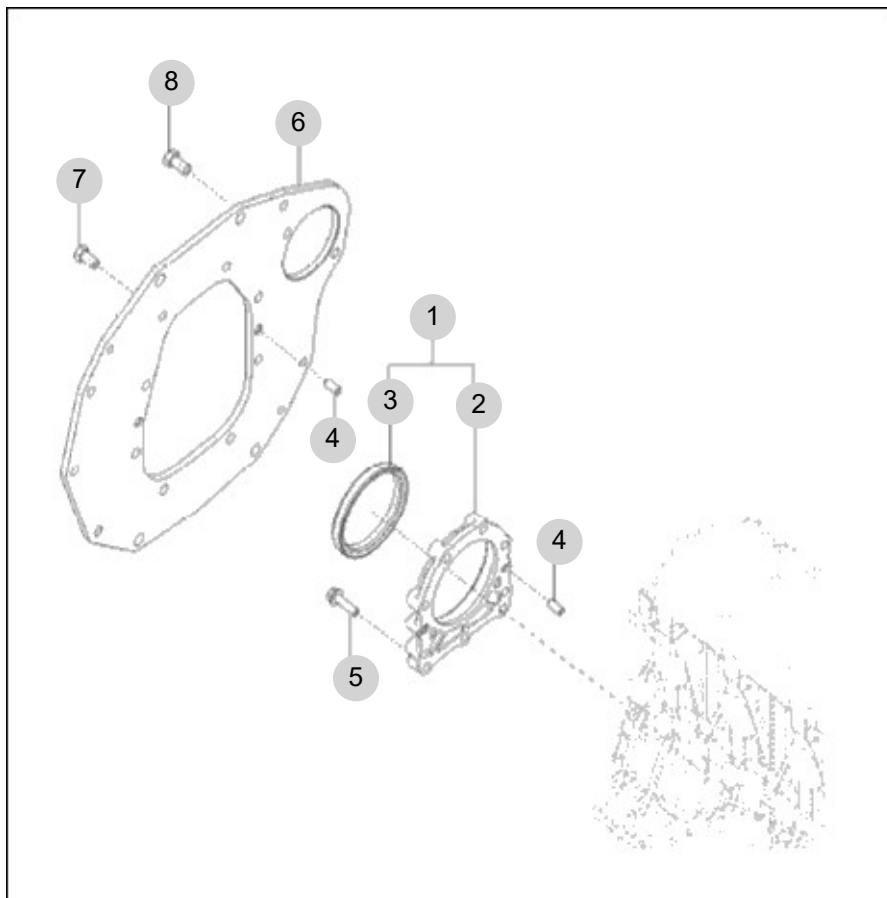
FIG 131

FLYWHEEL HOUSING

년/월
Year/Month

2022-12

T495NCEU1



NOTE

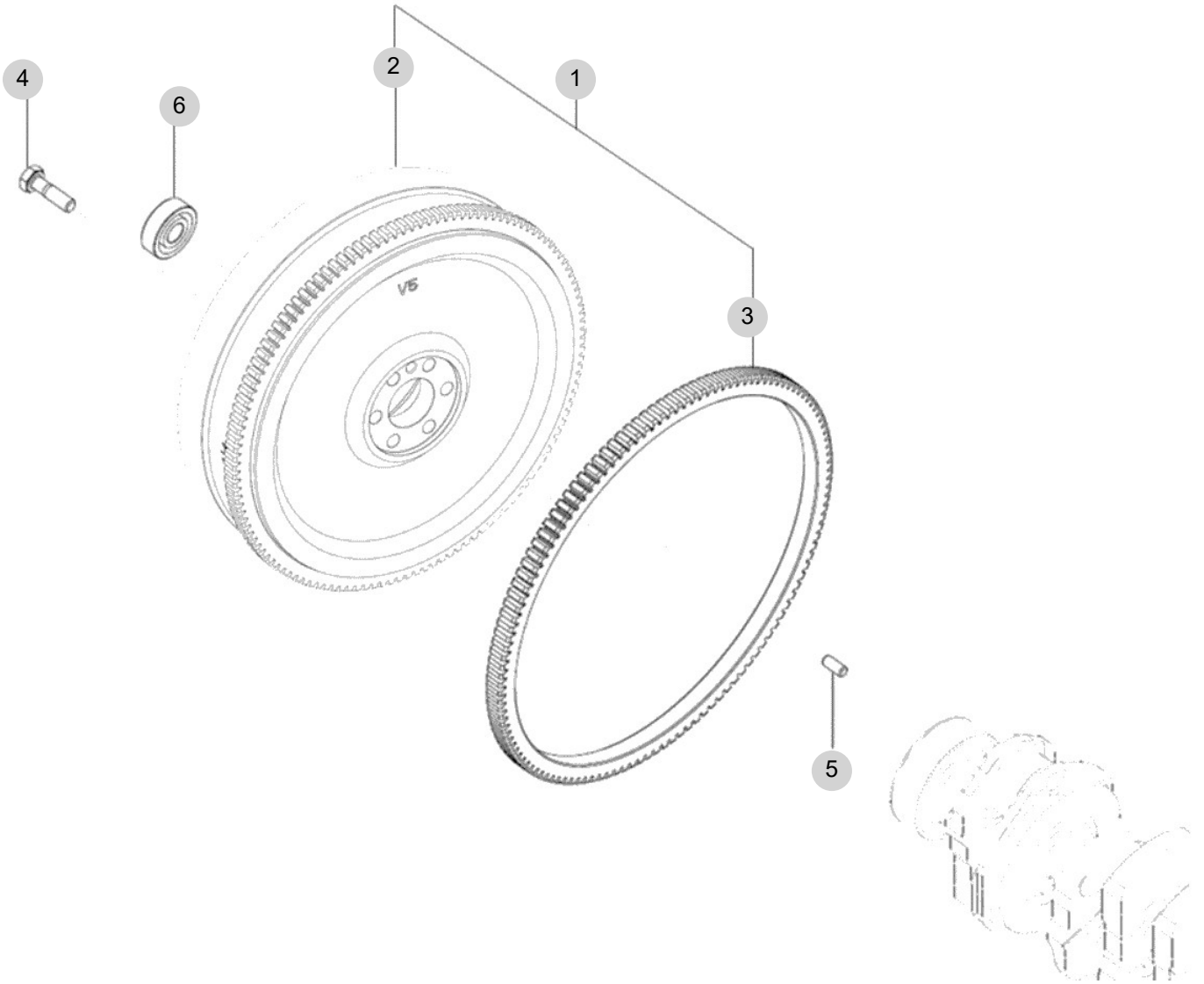
FIG 132

FLYWHEEL

년/월
Year/Month

2022-12

T495NCEU1



NOTE

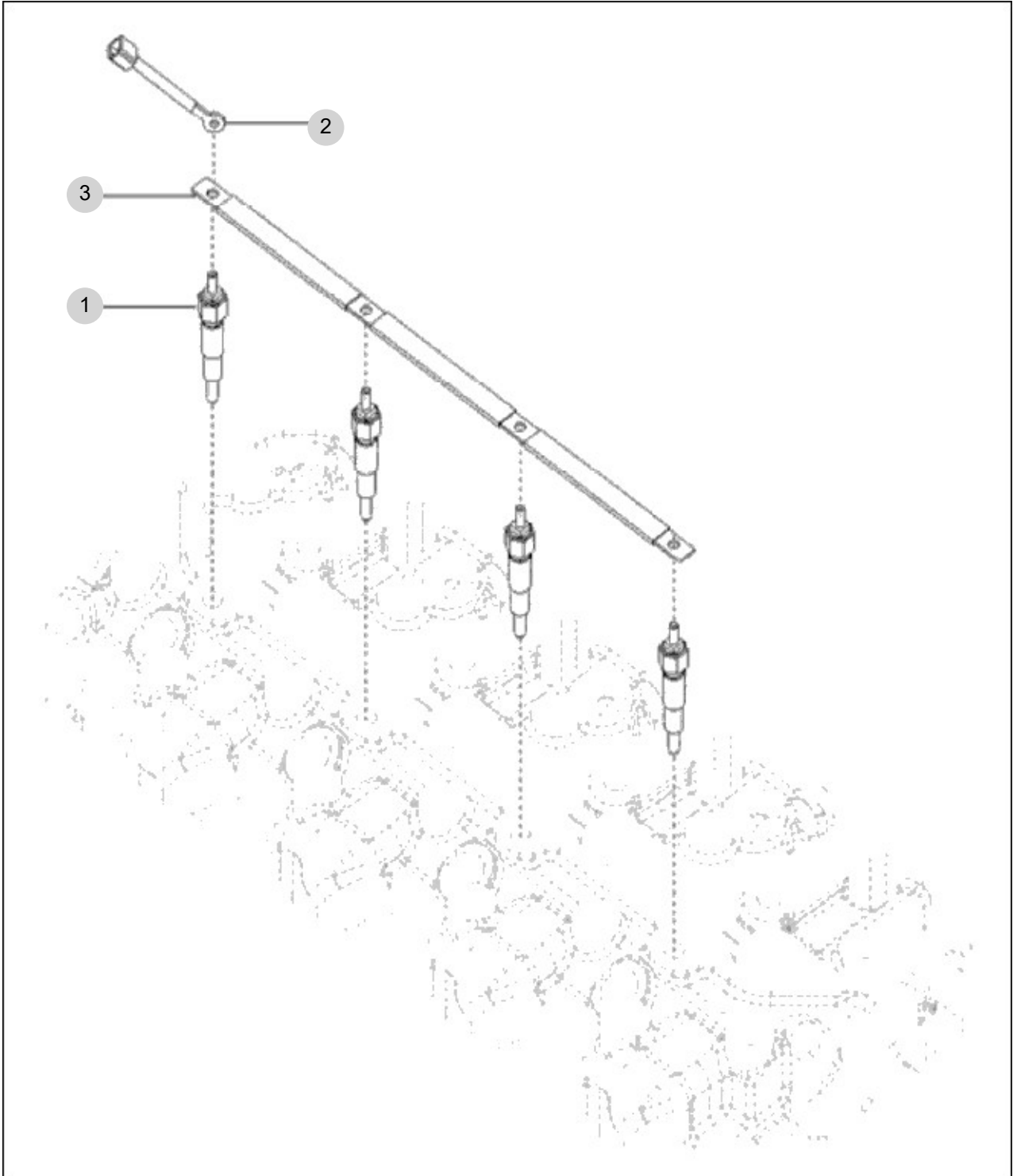
FIG 133

GLOW PLUG ASS'Y OPTION

년/월
Year/Month

2022-12

T495NCEU1



NOTE

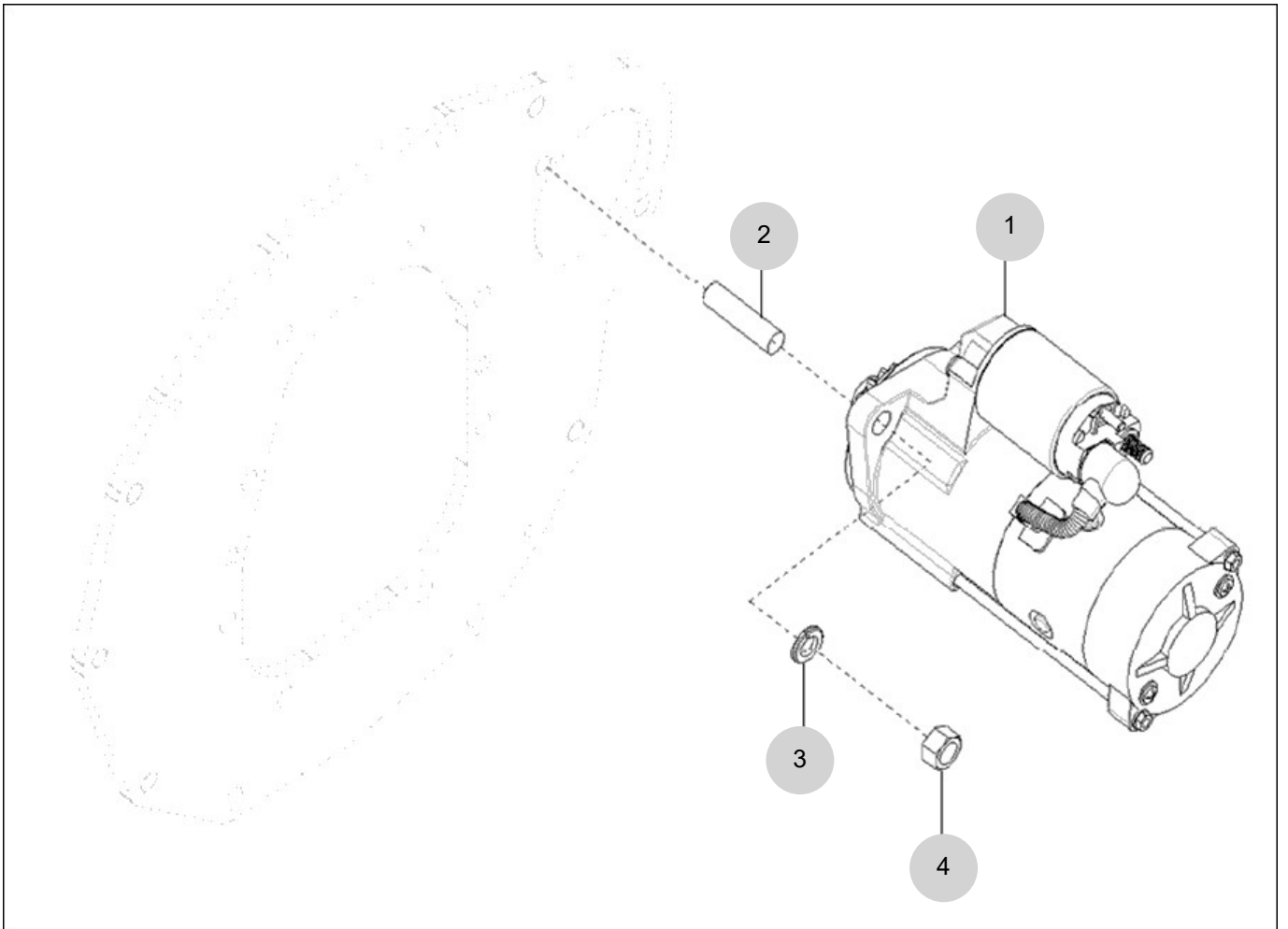
FIG 134

STARTING MOTOR

년/월
Year/Month

2022-12

T495NCEU1



NOTE

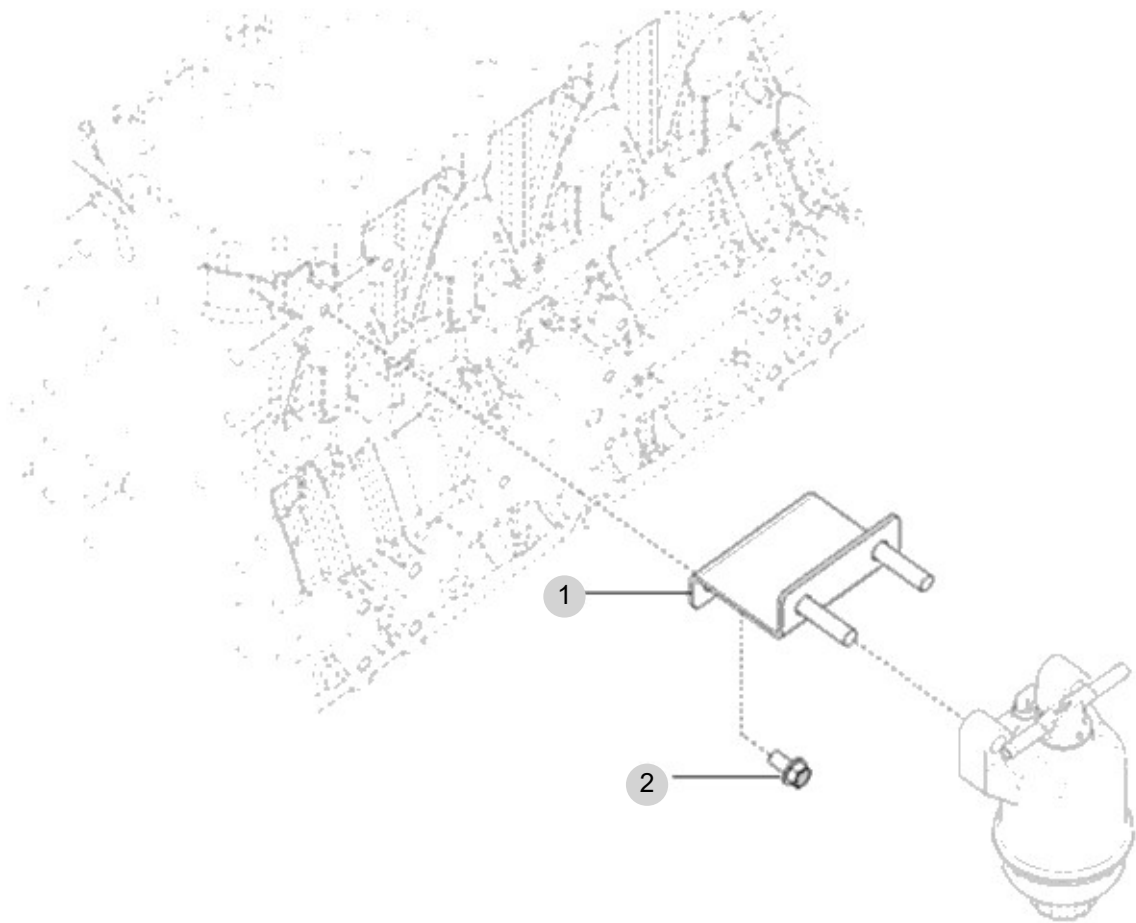
FIG 135

FUEL FILTER BRACKET ASS'Y

년/월
Year/Month

2022-12

T495NCEU1



NOTE

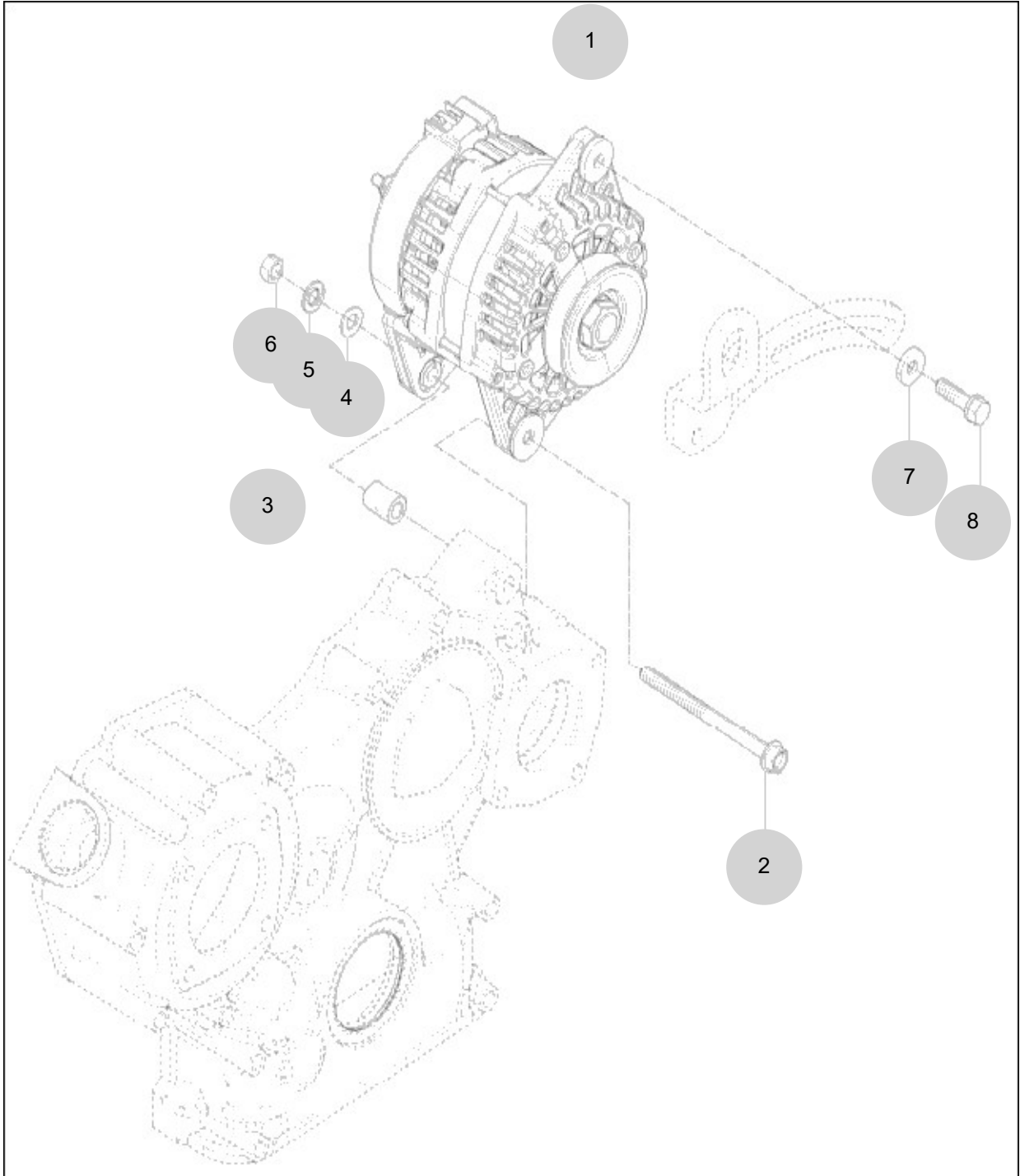
FIG 136

ALTERNATOR

년/월
Year/Month

2022-12

T495NCEU1



NOTE

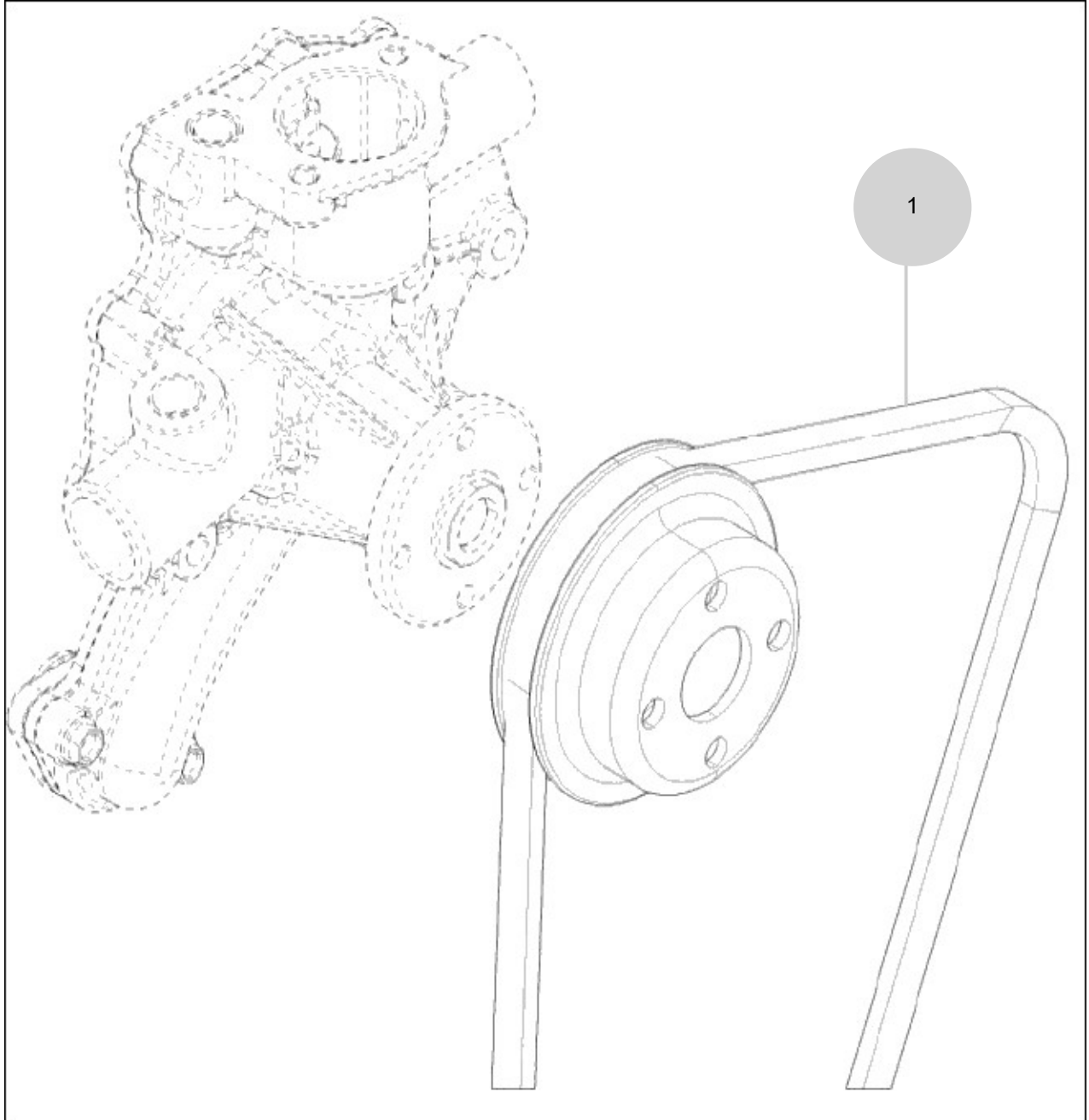
FIG 136 T495NCEU1		ALTERNATOR					년/월 Year/Month	
							2022-12	
KEY NO		PART NO	DESCRIPTION	SPEC	QTY	REPAIR	EFFECTIVE DATE	REMARKS
136	1	EA00004190B	발전기조합(12V-70A)		1			
136	2	26106-081102	HEX. FLANGE BOLT		1			
136	3	HN21240000B	스페이서		1			
136	3	HN21240000A	스페이서		1			
136	4	22127-080000	PLAIN WASHER		1			
136	5	22217-080000	스프링와셔		1			
136	6	26716-080002	HEX. NUT		1			
136	7	RR15170000B	와셔		1			
136	7	RR15170000A	WASHER		1			
136	8	26013-080302	와셔조립육각볼트		1			
NOTE								

FIG 137

V-BELT

년/월
Year/Month

2022-12



NOTE

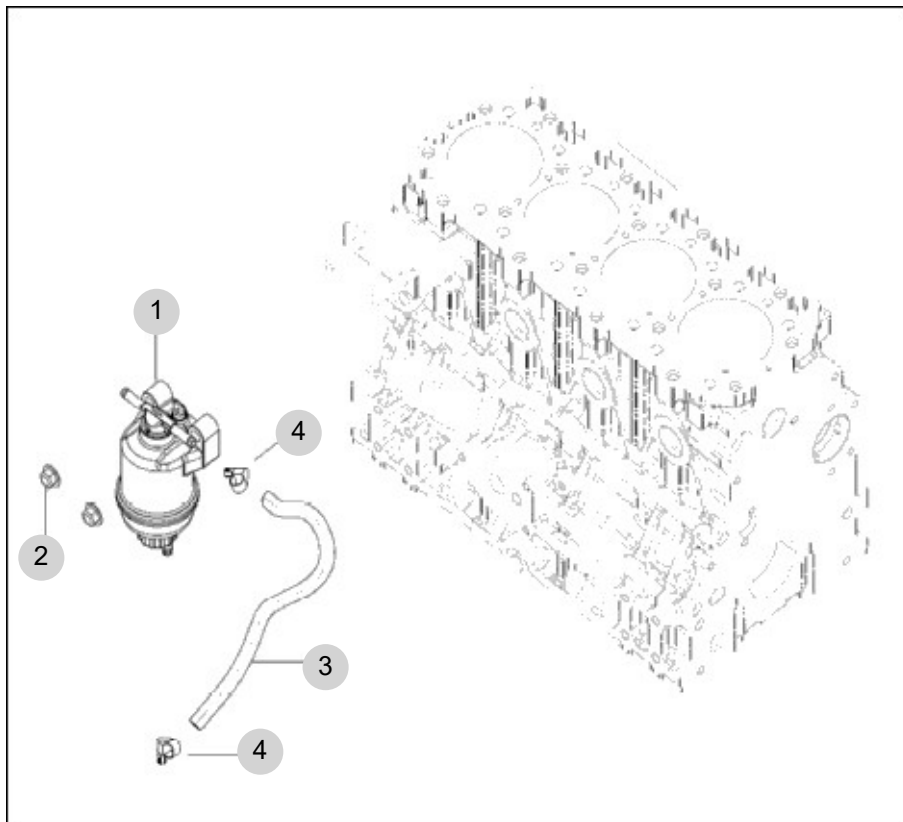
FIG 138

FUEL FILTER

년/월
Year/Month

2022-12

T495NCEU1



NOTE

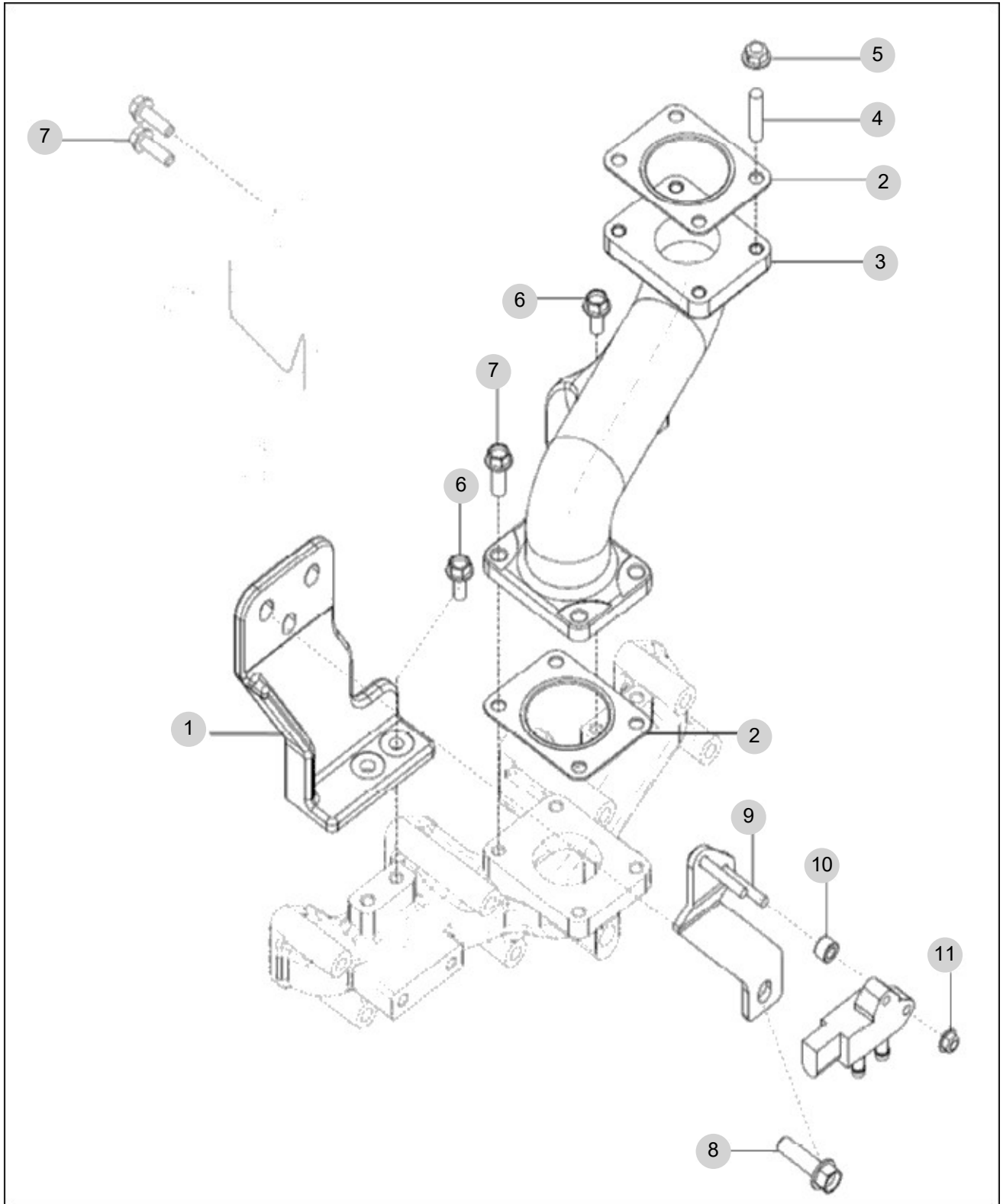
FIG 139B

DPF SUPPORT (T494)

년/월
Year/Month

2022-12

T495NCEU1



NOTE

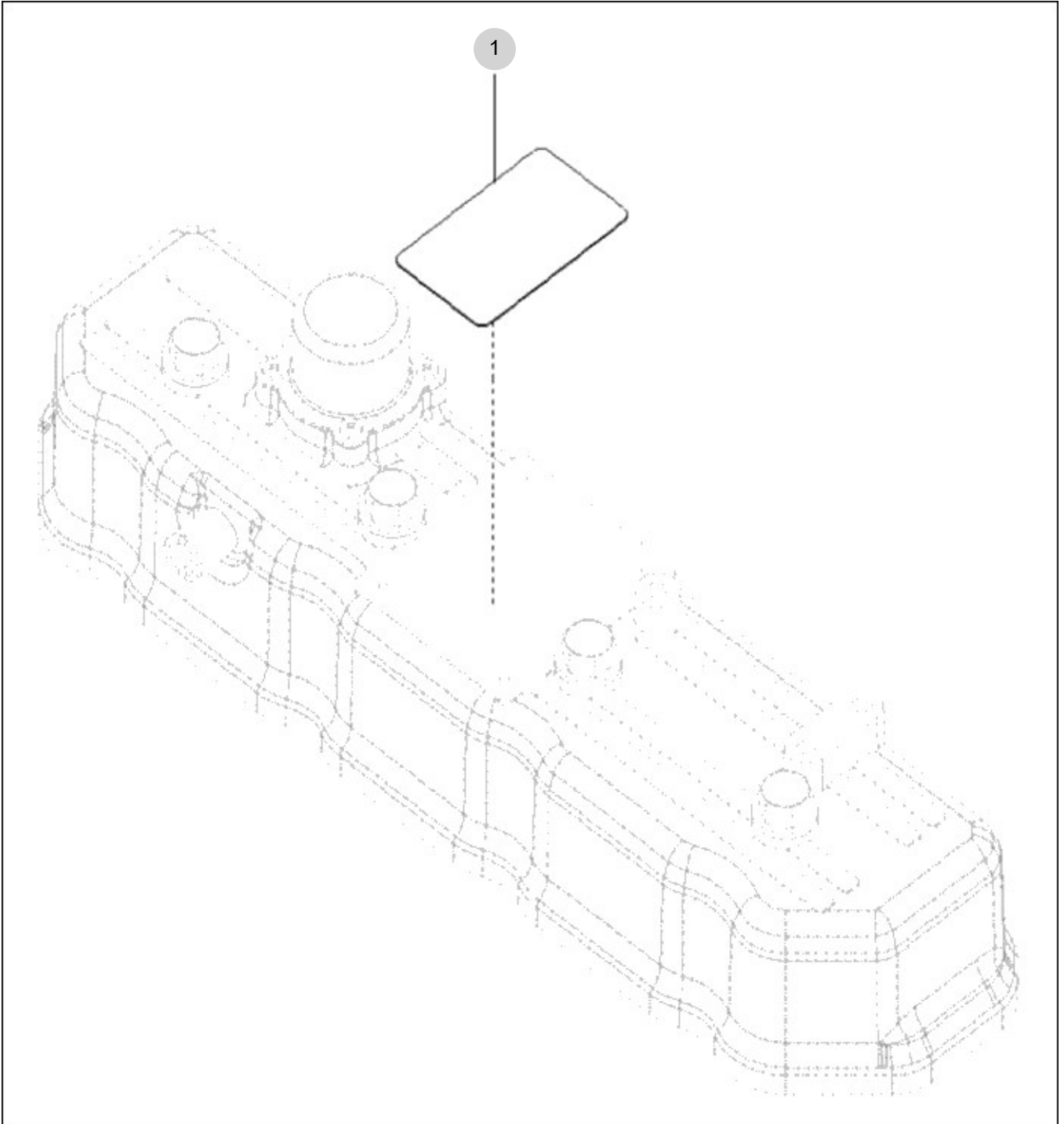
FIG 140

DATAPLATE

년/월
Year/Month

2022-12

T495NCEU1



NOTE

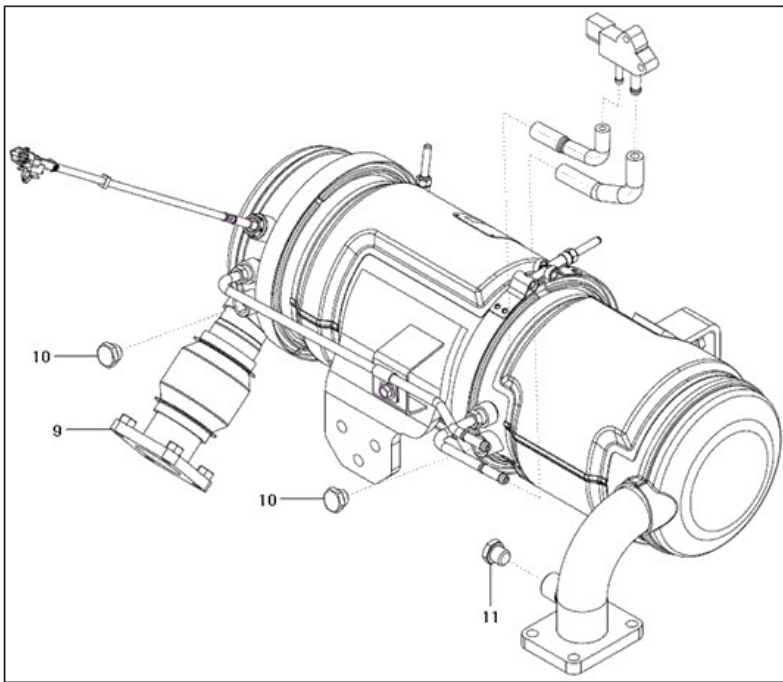
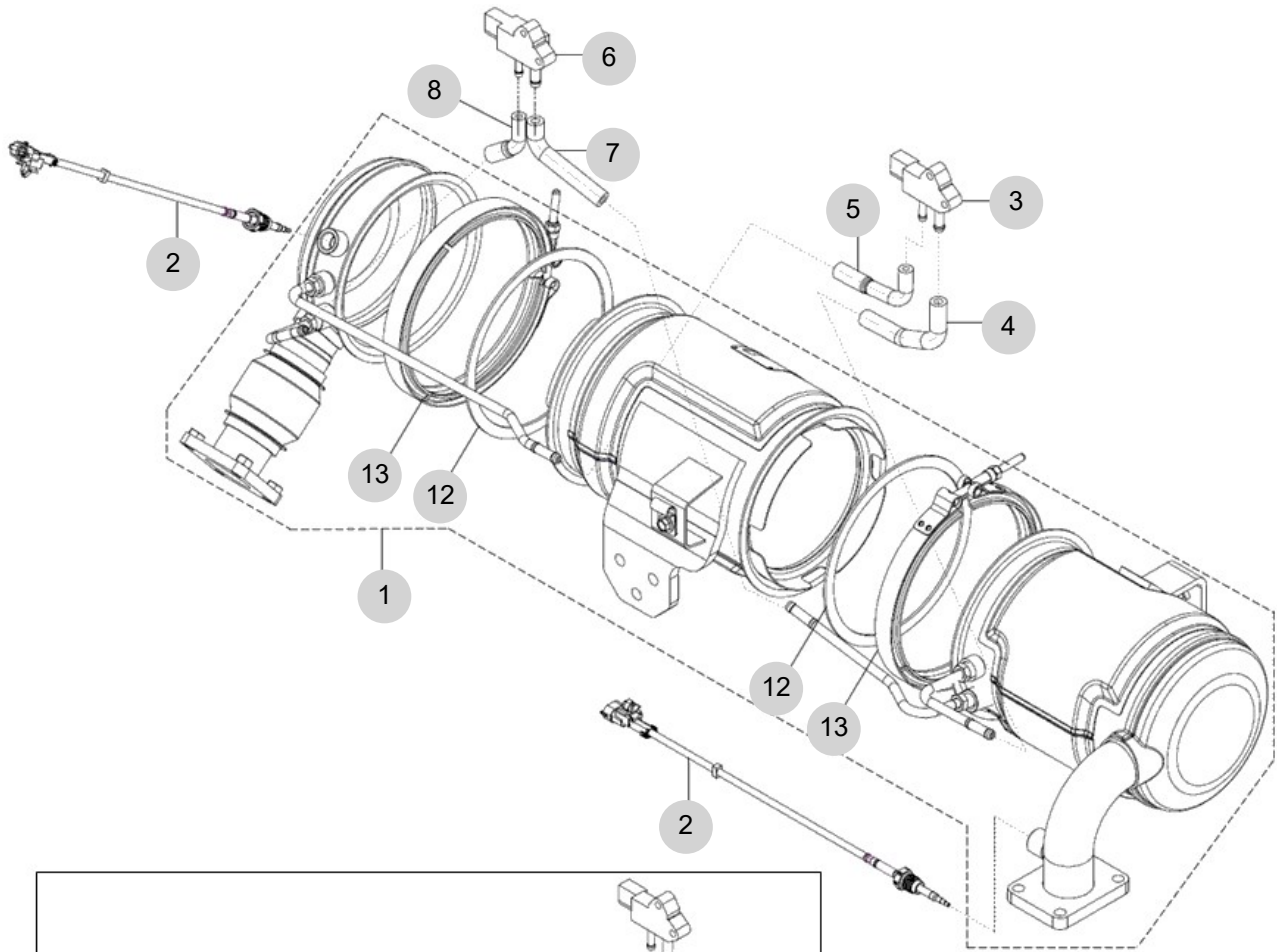
FIG 142B

DPF ASS'Y (T494)

년/월
Year/Month

2022-12

T495NCEU1



NOTE

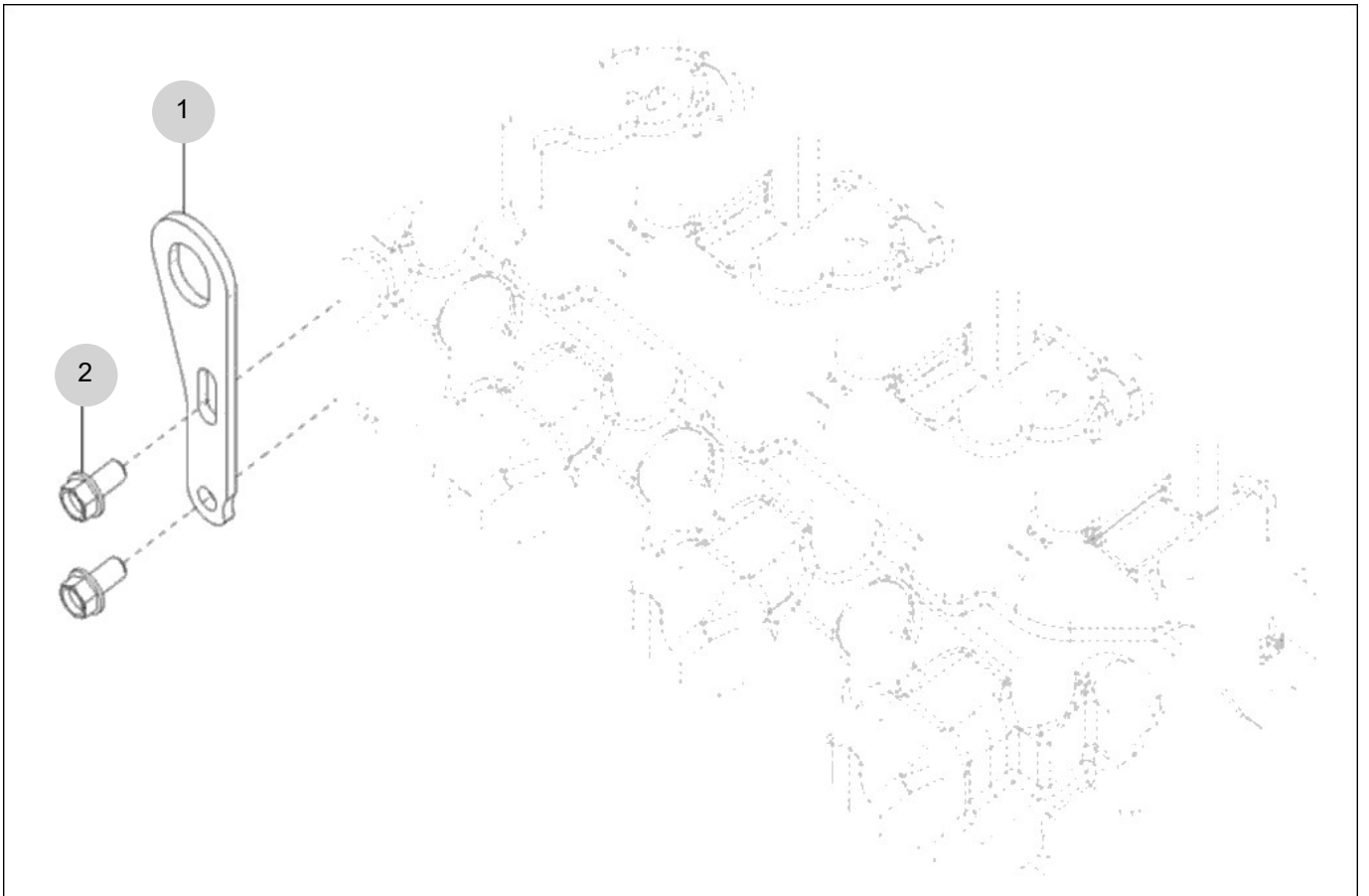
FIG 143

LIFT ASS'Y

년/월
Year/Month

2022-12

T495NCEU1



NOTE

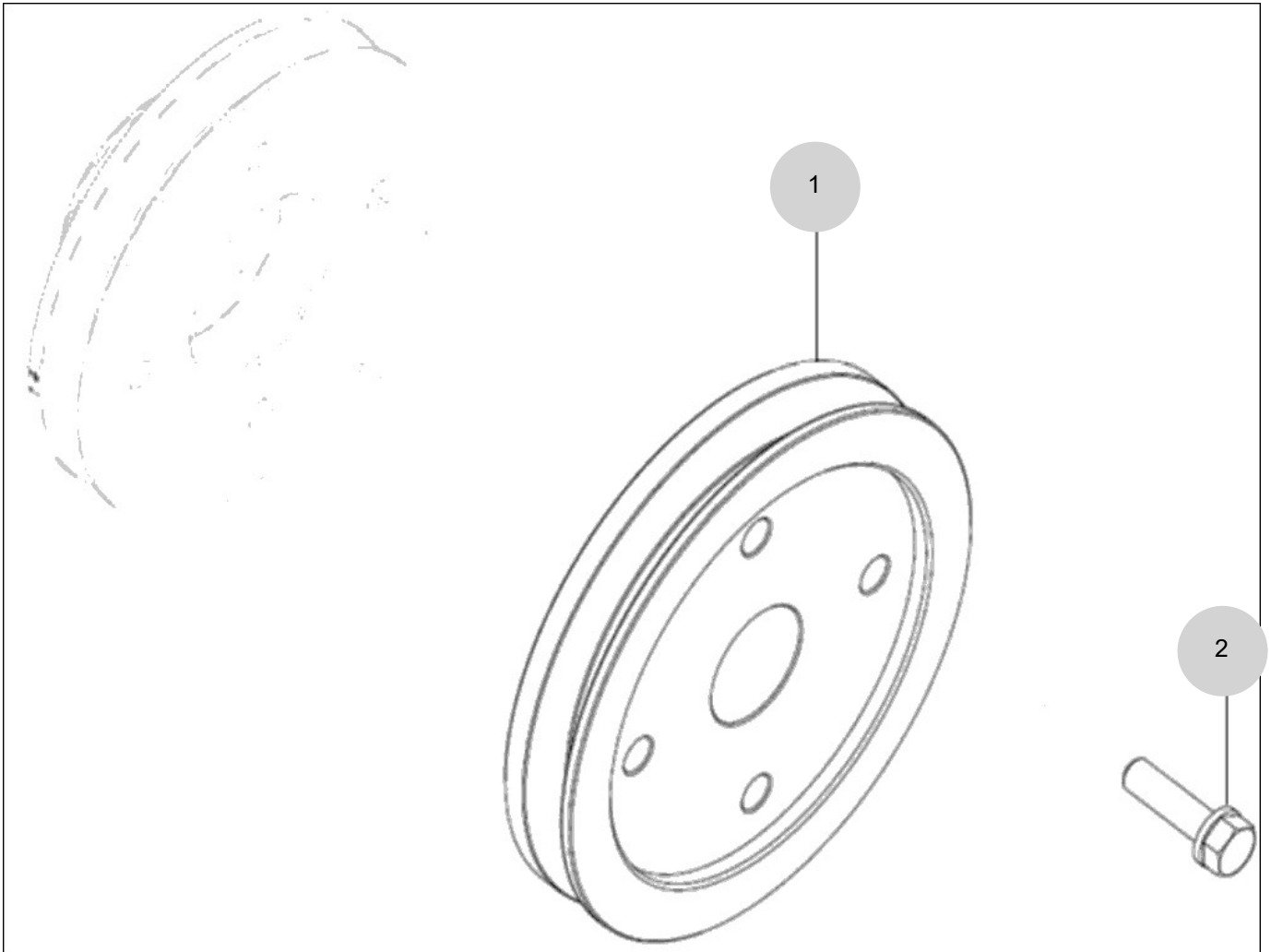
FIG 144

COMP . DRIVE PULLEY ASS'Y OPTION

년/월
Year/Month

2022-12

T495NCEU1



NOTE

FIG 144 T495NCEU1		COMP . DRIVE PULLEY ASS'Y OPTION						년/월 Year/Month	
								2022-12	
		KEY NO	PART NO	DESCRIPTION	SPEC	QTY	REPAIR	EFFECTIVE DATE	REMARKS
144	1	HRC7001500A	PULLEY, COMP. DRIVE		1				
144	2	26013-080302	와셔조립육각볼트		4				
NOTE									

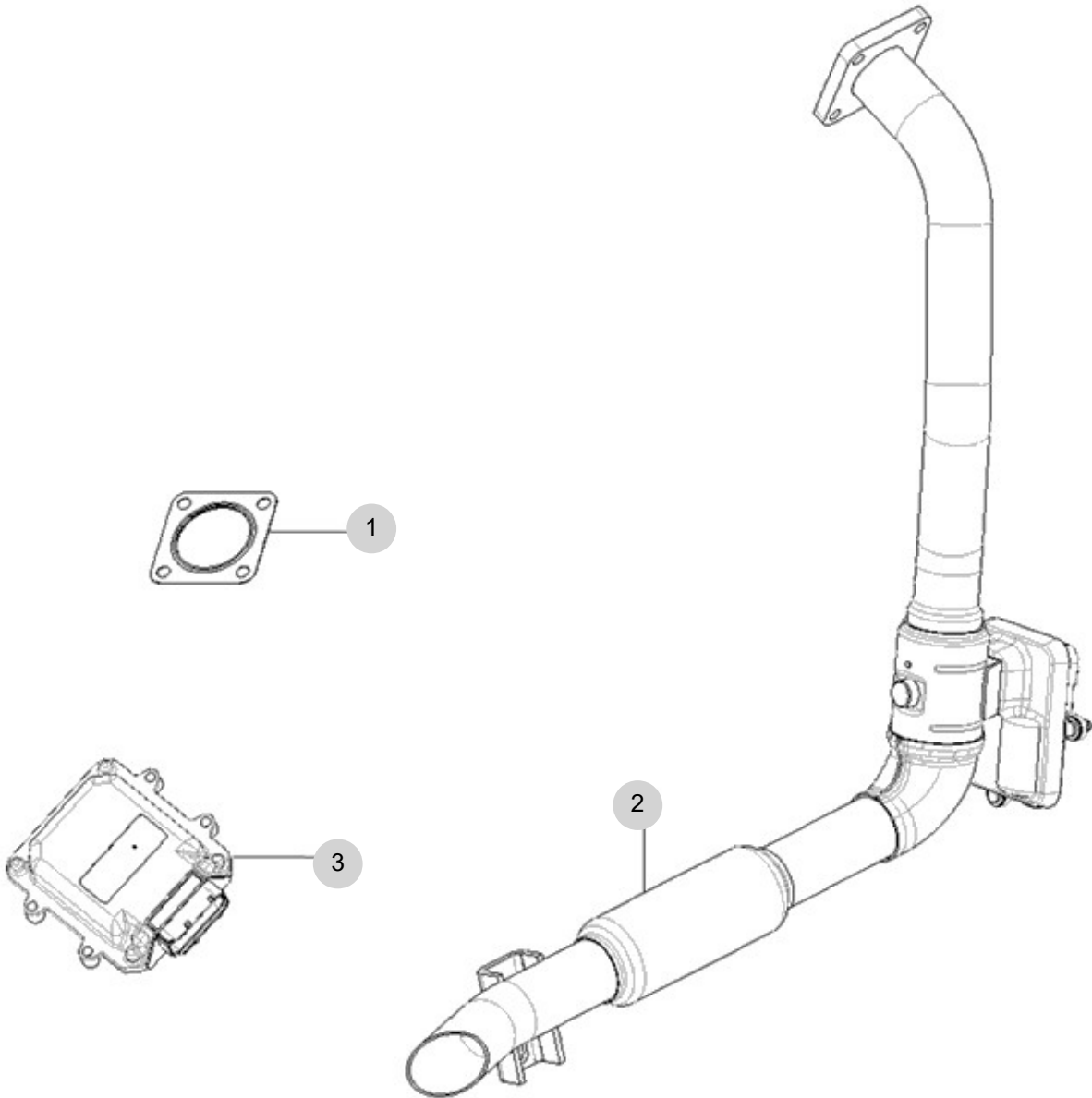
FIG 147

LOOSED PARTS

년/월
Year/Month

2022-12

T495NCEU1



NOTE

2. 엔진보기품 PART NO. T2

FIG 201B AIR CLEANER(T495)	99
FIG 202 RADIATOR	101
FIG 203 MUFFLER	103
FIG 204 FUEL HOSE & FILTER	105
FIG 205 FUEL TANK	107
FIG 206 ACCELERATOR	109

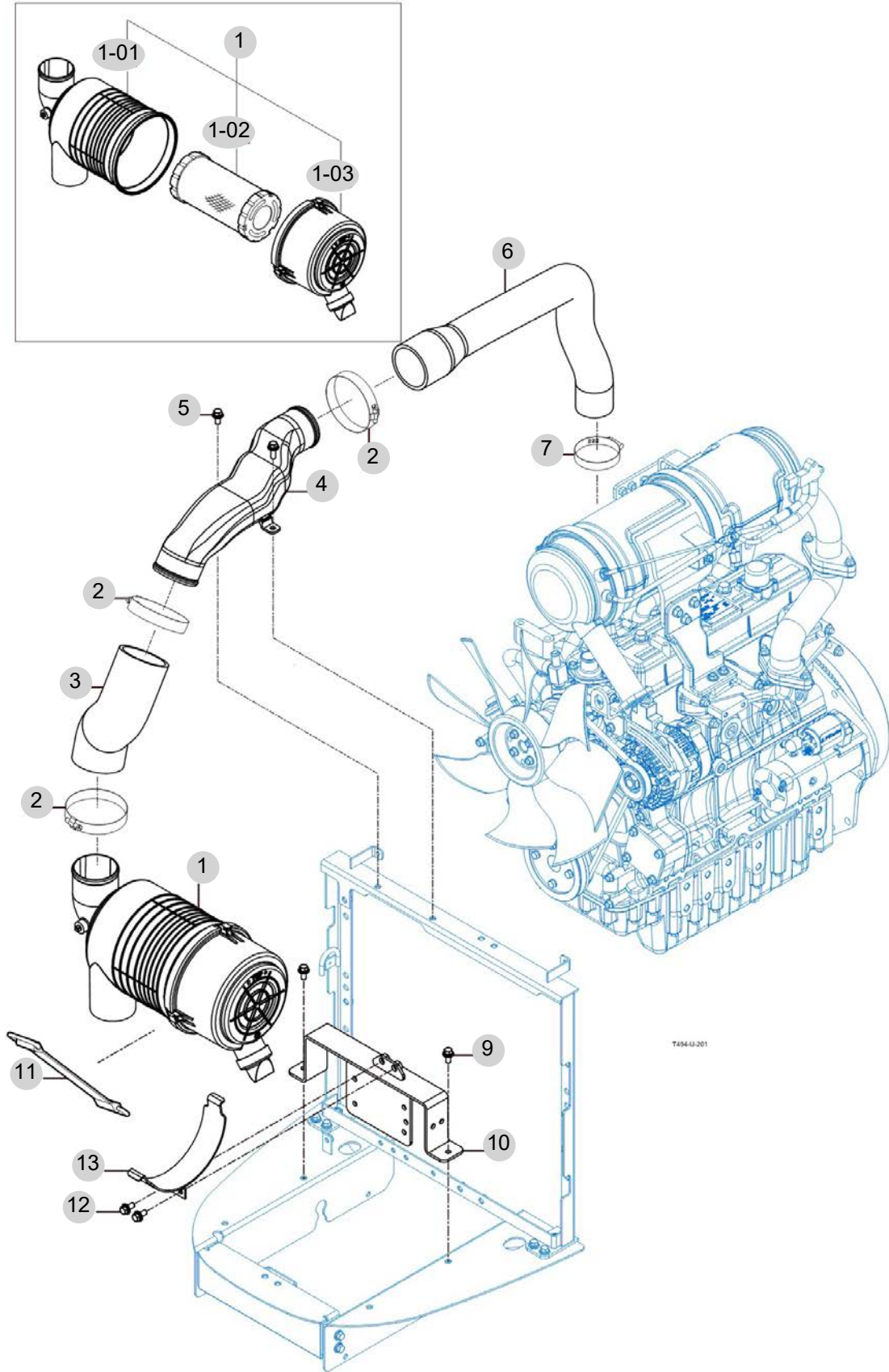
FIG 201B

AIR CLEANER(T495)

년/월
Year/Month

2022-12

T495NCEU1



NOTE

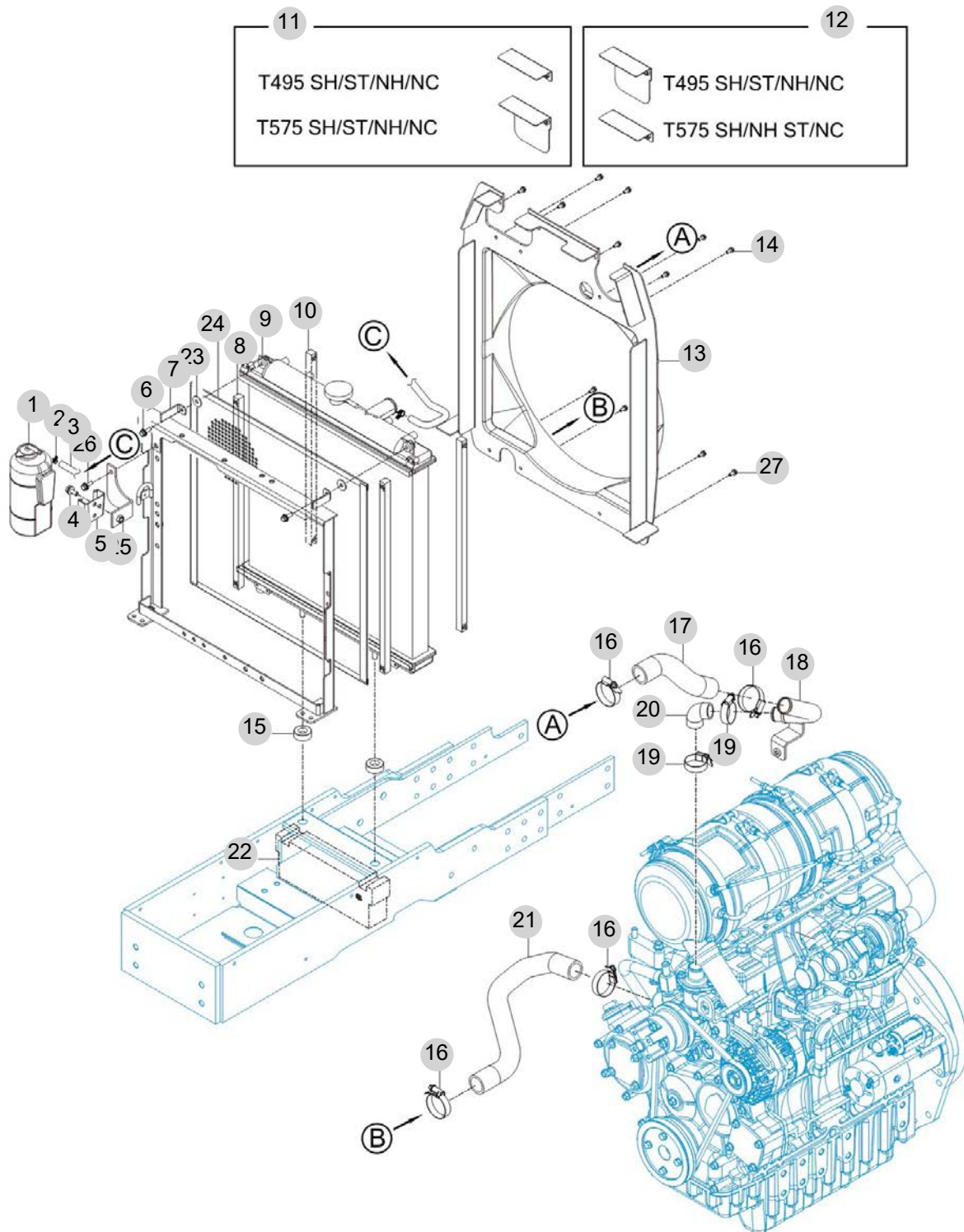
FIG 202

RADIATOR

년/월
Year/Month

2022-12

T495NCEU1



NOTE

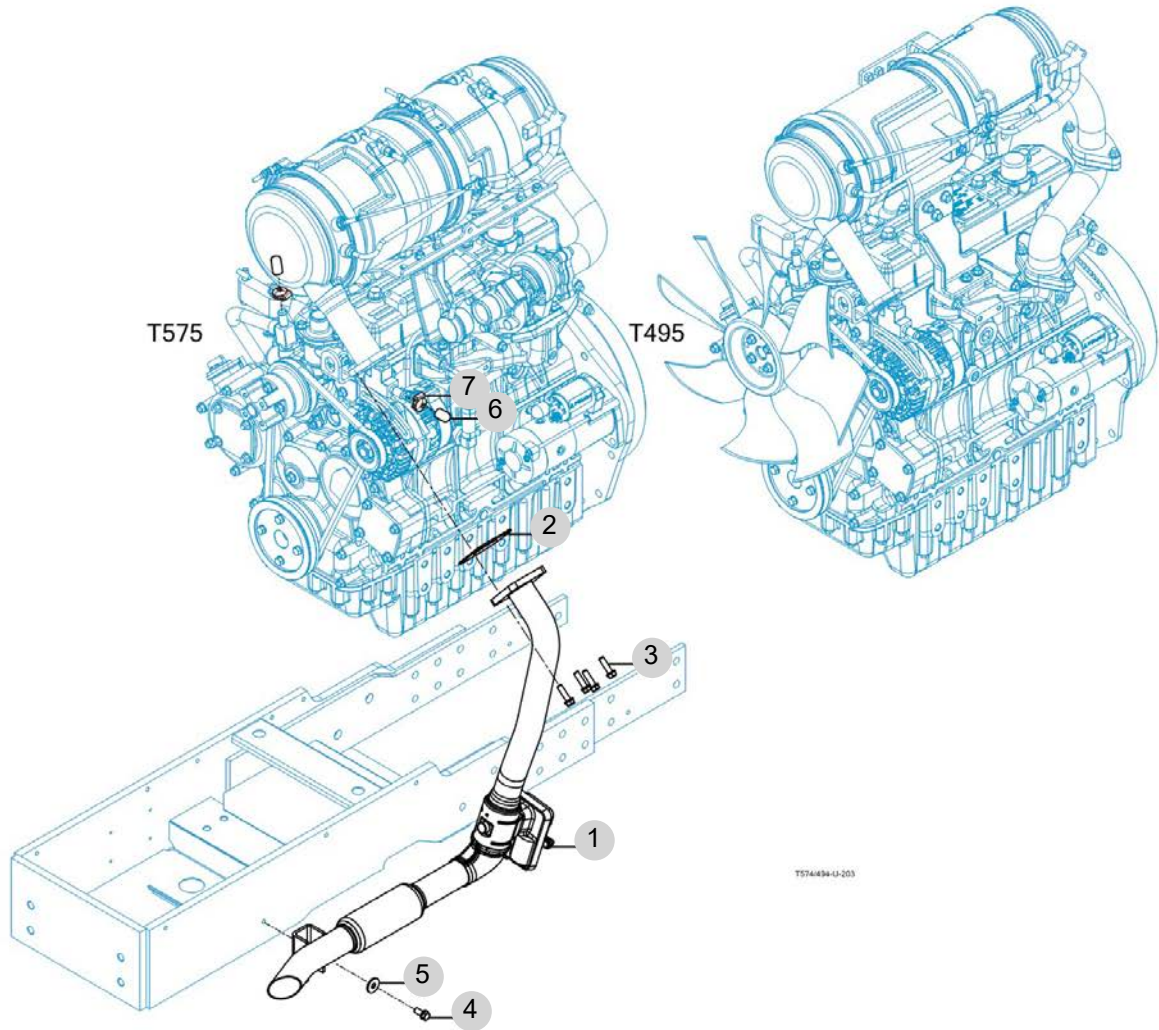
FIG 203

MUFFLER

년/월
Year/Month

2022-12

T495NCEU1



NOTE

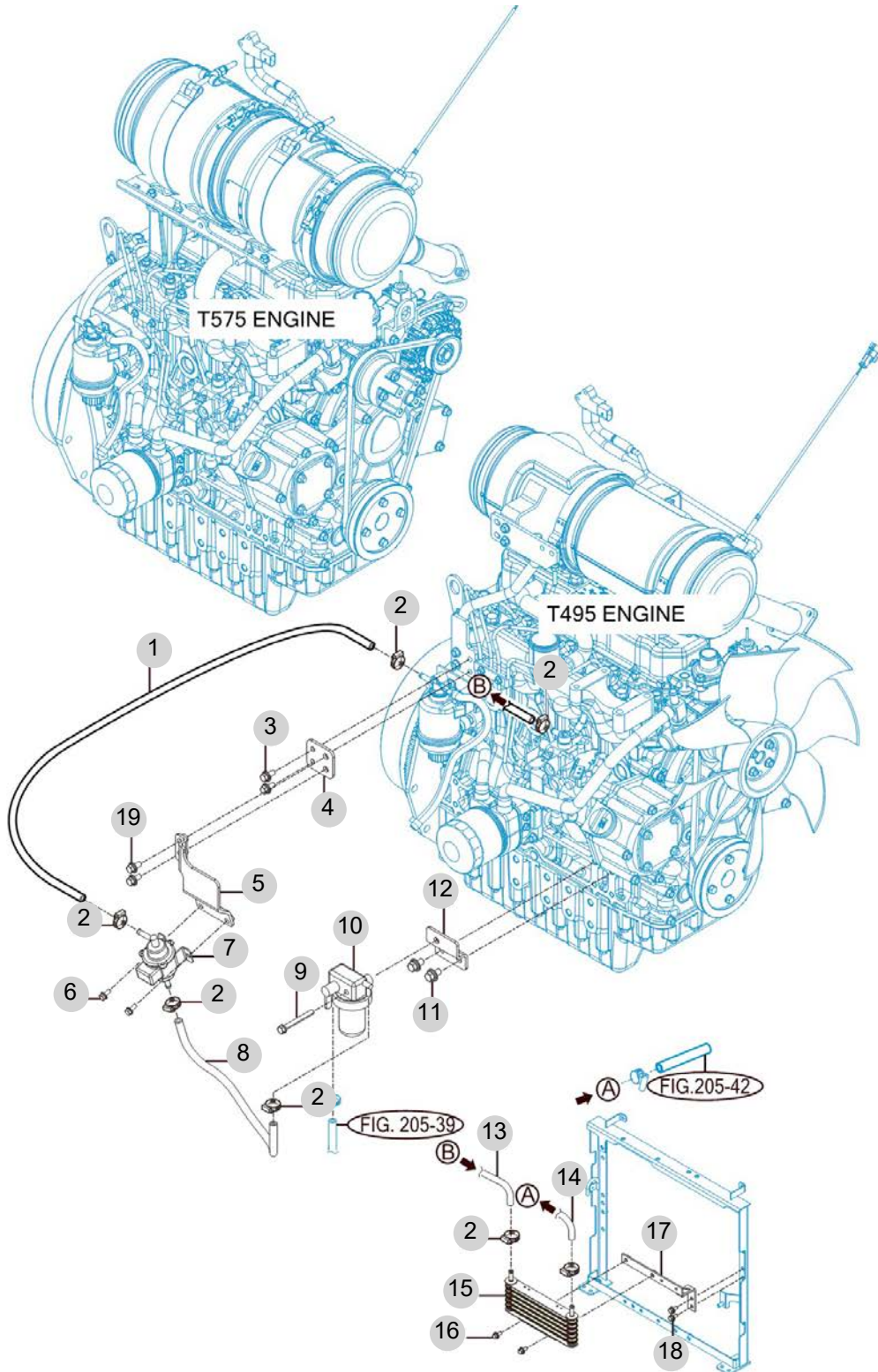
FIG 204

FUEL HOSE & FILTER

년/월
Year/Month

2022-12

T495NCEU1



NOTE

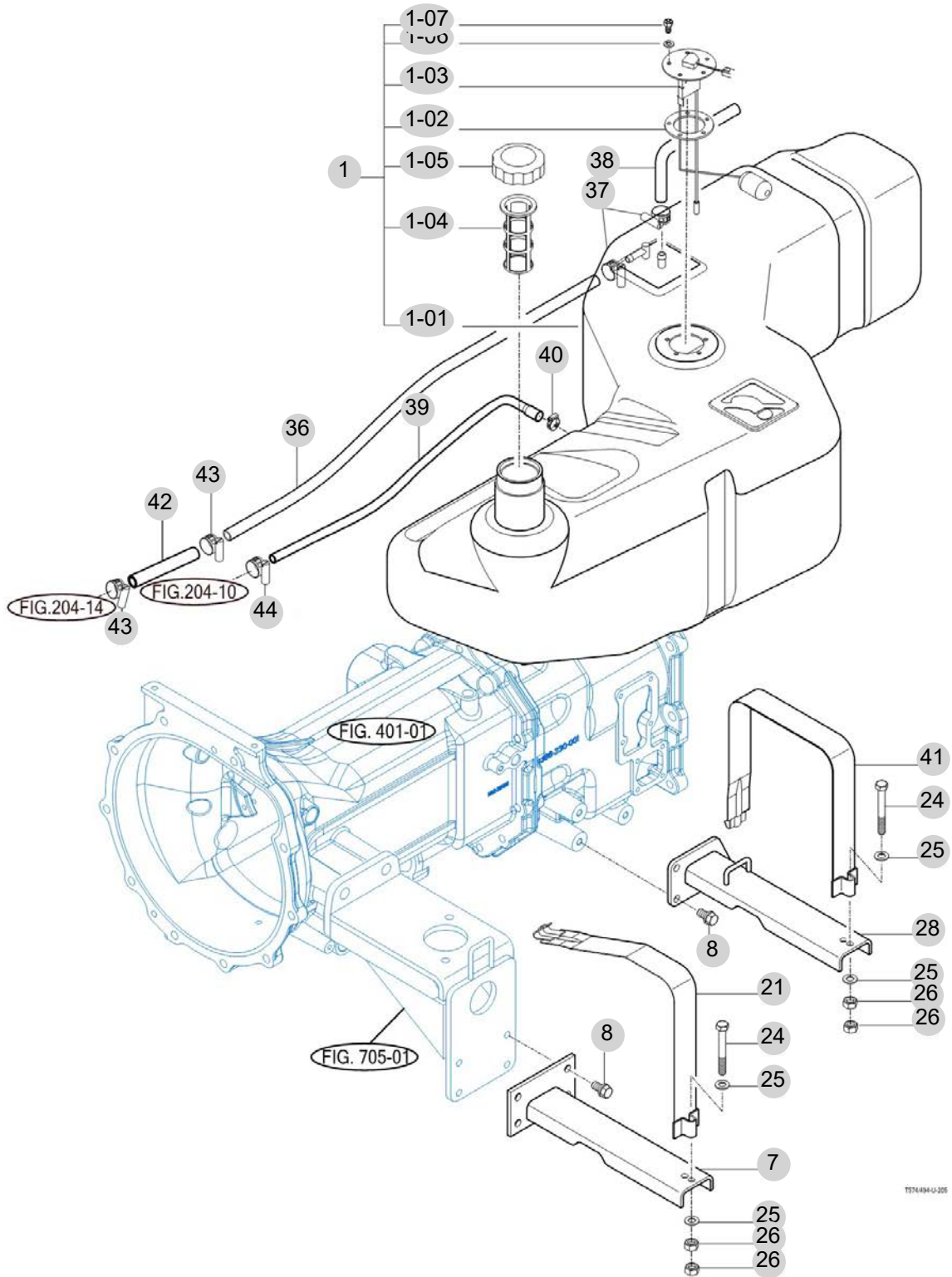
FIG 205

FUEL TANK

년/월
Year/Month

2022-12

T495NCEU1



TST495A-U-205

NOTE

FIG 205 T495NCEU1		FUEL TANK						년/월 Year/Month	
								2022-12	
		KEY NO	PART NO	DESCRIPTION	SPEC	QTY	REPAIR	EFFECTIVE DATE	REMARKS
205	1	13951110000	연료탱크 SUB ASSY			1			
205	1-01	14521112101	연료탱크			1			
205	1-02	17686642400	고무패킹			1			
205	1-03	17466642300	연료게이지			1			
205	1-04	16731112130	여과기			1			
205	1-05	13603102000	캡(탱크)ASSY			1			
205	1-06	V4011600050	스프링와셔	M5		5			
205	1-07	V2053605012	십자흠육각볼트	M5X12		5			
205	7	14521114101GB	서포트(전)			1			
205	8	V2173610020	소형육각볼트보통(S)	M10X20		7			
205	21	14521114300GB	탱크밴드(전)COMP			1			
205	24	V2013608065	소형육각볼트(보통)	M8X65		2			
205	25	V4111600080	평와셔	M8		4			
205	26	V3042600080	소형육각너트보통2종	M8		4			
205	28	14521114200GB	서포트(후)			1			
205	36	13871113500	호스 ASSY , 연료/리턴			1			
205	37	14501410050	밴드 클램프 16			2			
205	38	17971020021	브리더호스1400			1			
205	39	17461113201	호스ASSY , 연료/필터			1			
205	40	16601850160	밴드 클램프 22			1			
205	41	14521114400GB	탱크밴드(후)COMP			1			
205	42	17401117300	호스 조인트			1			
205	43	18027090160	밴드 클램프 16 홍식			2			
205	44	14501410050	밴드 클램프 16			1			
NOTE									

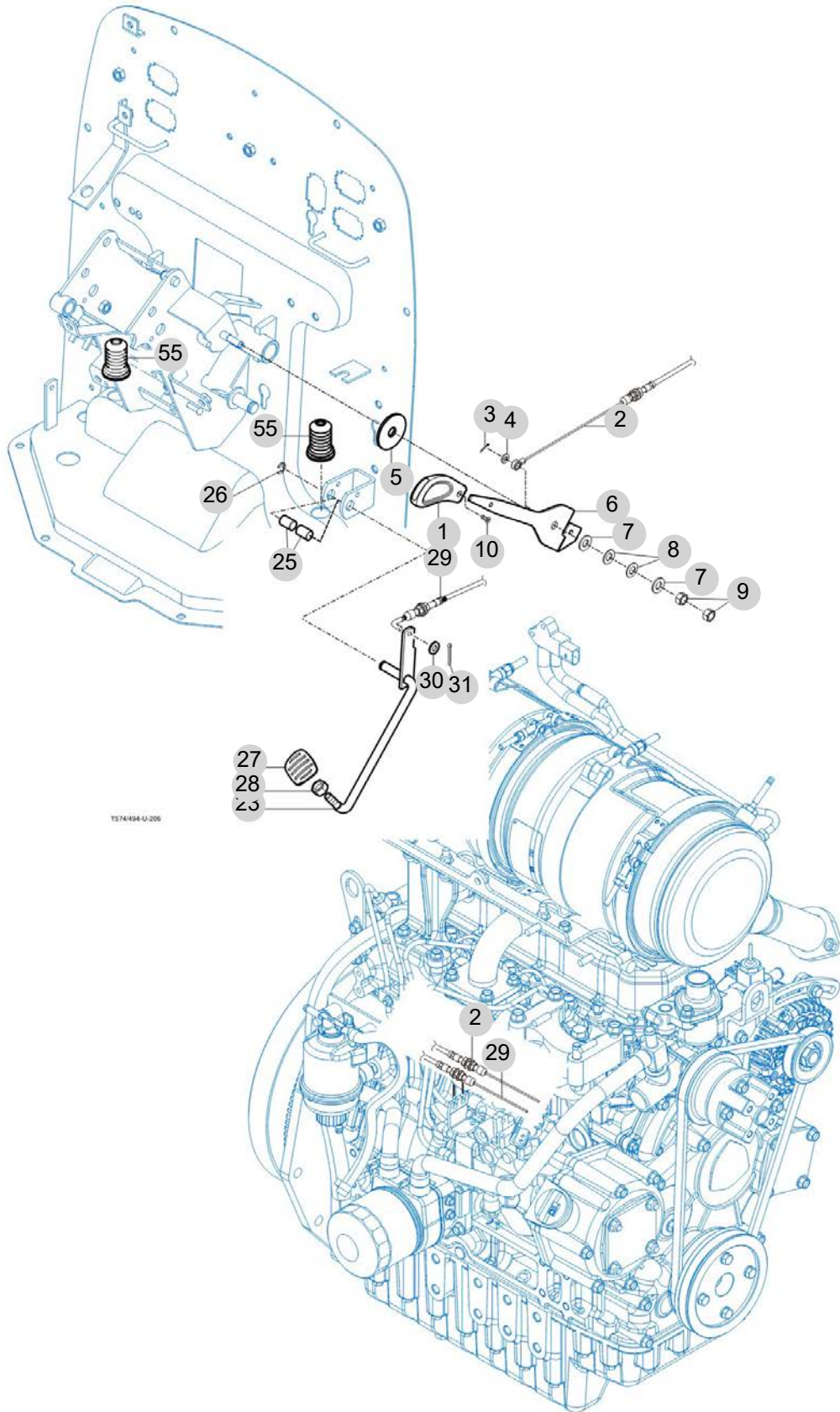
FIG 206

ACCELERATOR

년/월
Year/Month

2022-12

T495NCEU1



NOTE

3. 클러치/브레이크/스티어링 PART NO. T3

FIG 301 CLUTCH	112
FIG 302 CLUTCH PEDAL	114
FIG 303 BRAKE	116
FIG 304 BRAKE PEDAL & LINKAGE	118
FIG 305A FRONT WHEEL	120
FIG 305B FRONT WHEEL (R4 OPTION)	122
FIG 306A REAR WHEEL	124
FIG 306B REAR WHEEL (R4 OPTION)	126
FIG 307 POWER STEERING WHEEL	128
FIG 308 POWER STEERING VALVE	130
FIG 309 POWER STEERING CYLINDER	132
FIG 310 HAND BRAKE	134

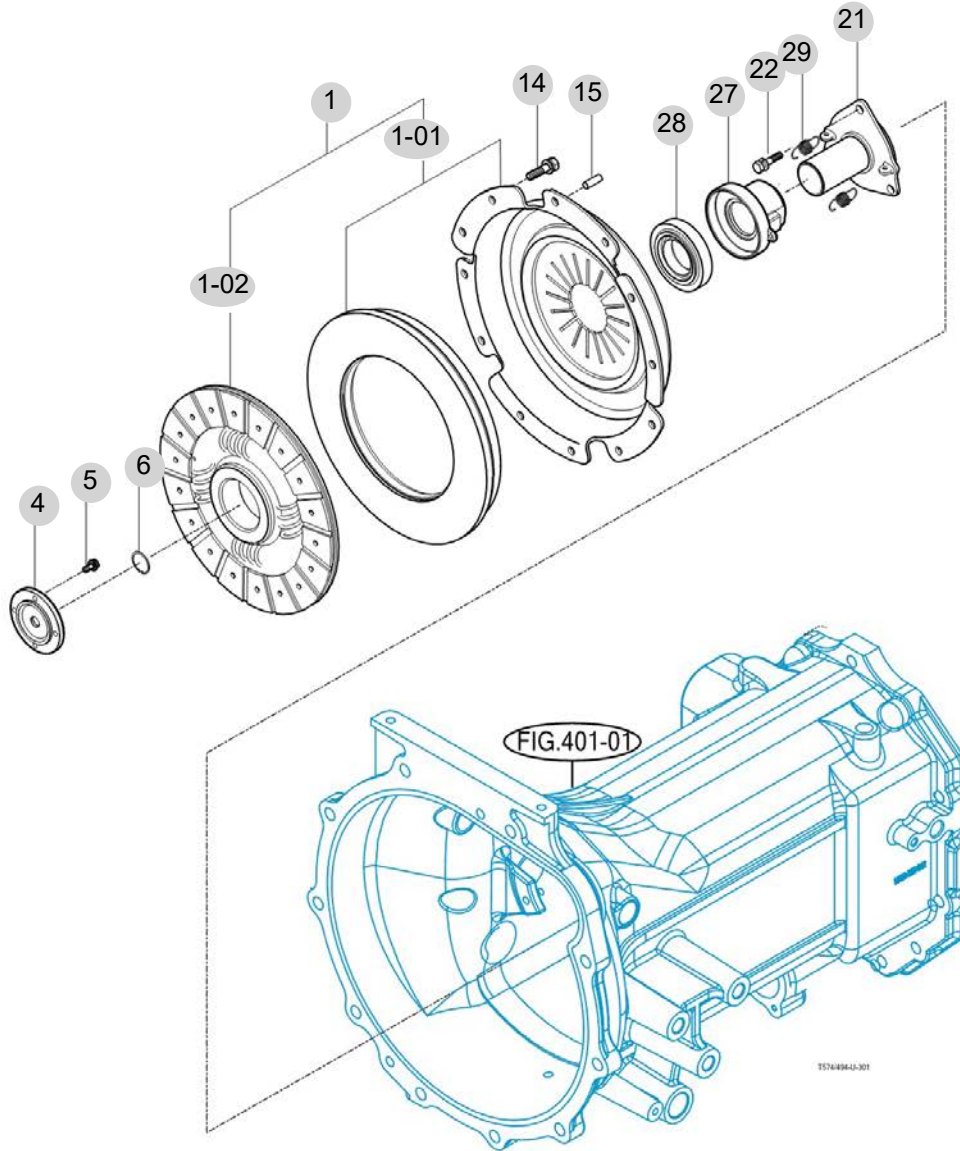
FIG 301

T495NCEU1

CLUTCH

년/월
Year/Month

2022-12



NOTE

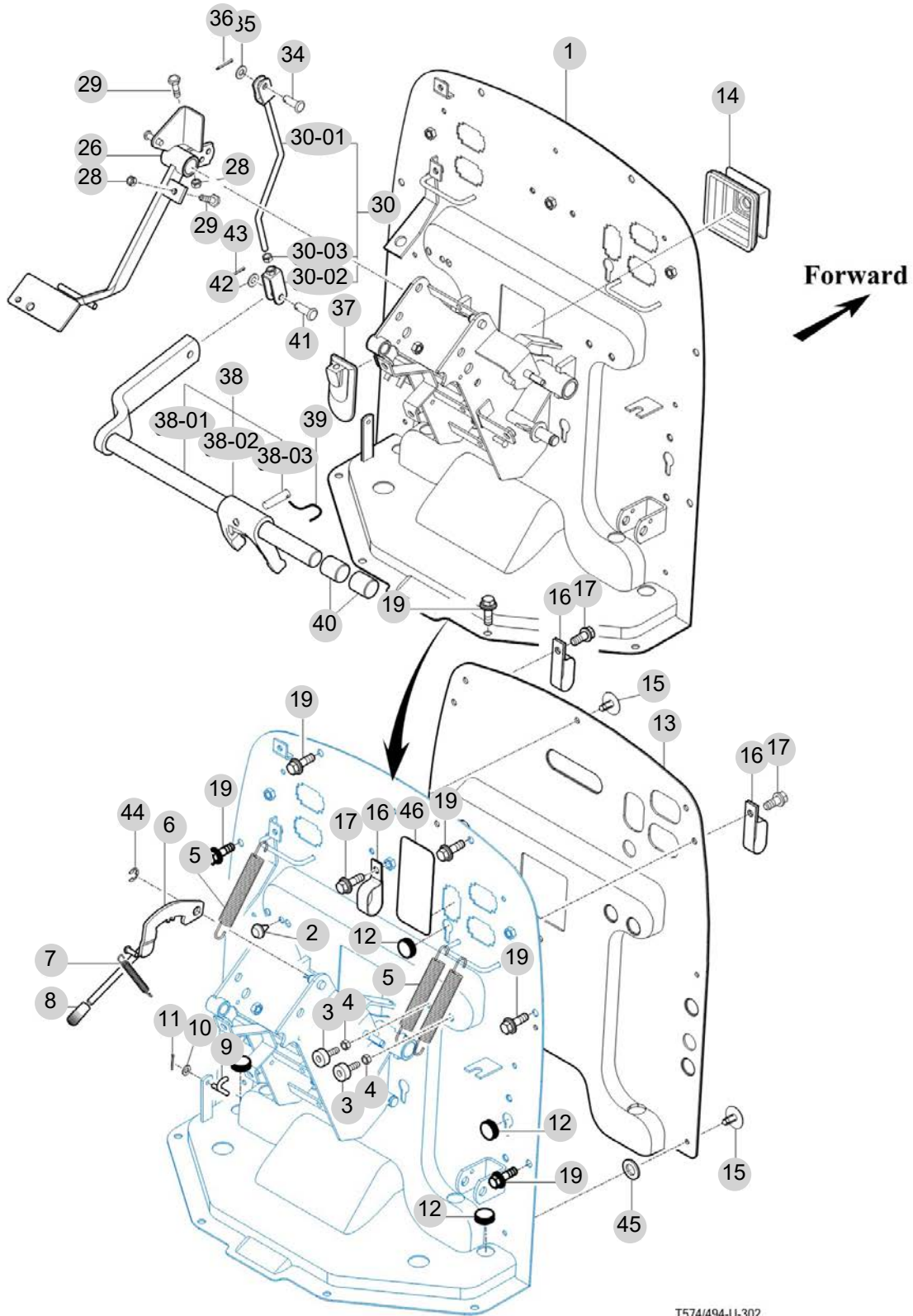
FIG 302

CLUTCH PEDAL

년/월
Year/Month

2022-12

T495NCEU1



T574/494-U-302

NOTE

FIG 302 T495NCEU1		CLUTCH PEDAL					년/월 Year/Month	
							2022-12	
KEY NO	PART NO	DESCRIPTION	SPEC	QTY	REPAIR	EFFECTIVE DATE	REMARKS	
302	1	11066303200GB	대시 패널 COMP			1		
302	2	14326160020	컷션고무			1		
302	3	14216020051	컷션고무(B)			2		
302	4	V3043600080	소형육각너트보통2종	M8		2		
302	5	14041200080	클러치리턴스프링	D=2.3		3		
302	6	14724042401GB	틸트레버 COMP			1		
302	7	16001200080	브레이크리턴스프링	D=1.6		1		
302	8	14445070030	레버손잡이			1		
302	9	15441230050	컷오프로드			1		
302	10	V4111600060	평와셔	M6		1		
302	11	V5001920020	분할핀	2X20		1		
302	12	14326510210	고무캡(20)			4		
302	13	17467071991	인슐레이터 , 대시	T=10		1		
302	14	14526300011	부츠,스티어링호스	T=1.5		1		
302	15	17686040020	리벳 SET(흑색)	SV302		9		
302	16	14441010161	라디에이터호스클램프			3		
302	17	V2183608020	소형육각볼트보통(SP)	M8X20		3		
302	19	V2183608016	소형육각볼트보통(SP)	M8X16		10		
302	25	V1222604025	십자홈냄비작은나사(SP)	M4X25		2		
302	26	14571332100GB	페달(클러치)COMP			1		
302	28	V3043600080	소형육각너트보통2종	M8		2		
302	29	V2013608030	소형육각볼트(보통)	M8X30		2		
302	30	14521330002GB	로드서브, 클러치			1		
302	30	14521330002	로드서브, 클러치			1		
302	30	14521330002	로드서브, 클러치			1		
302	30-01	14521333103	로드조함, 클러치			1		
302	30-02	14521333200	후크 조함			1		
302	30-03	V3042600080	소형육각너트보통2종			1		
302	34	14322420010	핀	D=8		1		
302	35	V4111600080	평와셔	M8		1		
302	36	V5001925020	핀	2.5X20		1		
302	37	14526300210	부츠,클러치 페달			1		
302	38	14521302000	바 SET			1		
302	38-01	14521302101	바 COMP			1		
302	38-02	14521300011	포크(릴리스)			1		
302	38-03	15601300010	핀(테이퍼,08X40)			1		
302	39	V5901012150	철선			1		
302	40	14521302150	부시(바COMP)			2		
302	41	14043120060	요오크핀 (A)	D=8		1		
302	42	V4111600080	평와셔	M8		1		
302	43	V5001920020	분할핀	2X20		1		
302	44	V7081400090	E형멈춤링			1		
302	45	V4111600080	평와셔	M8		1		
302	46	12386400011	막음라벨, 클러치			1		
NOTE								

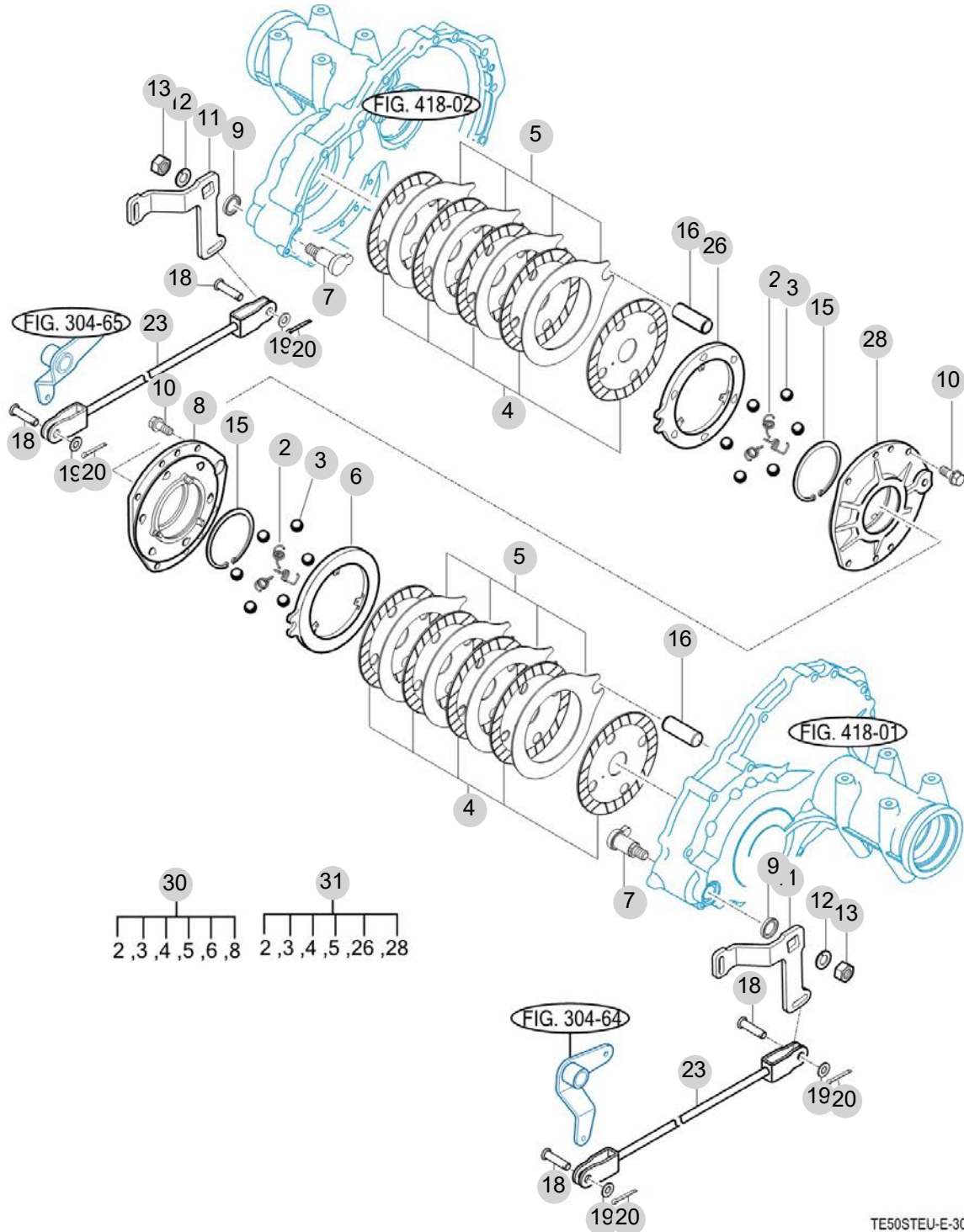
FIG 303

T495NCEU1

BRAKE

년/월
Year/Month

2022-12



NOTE

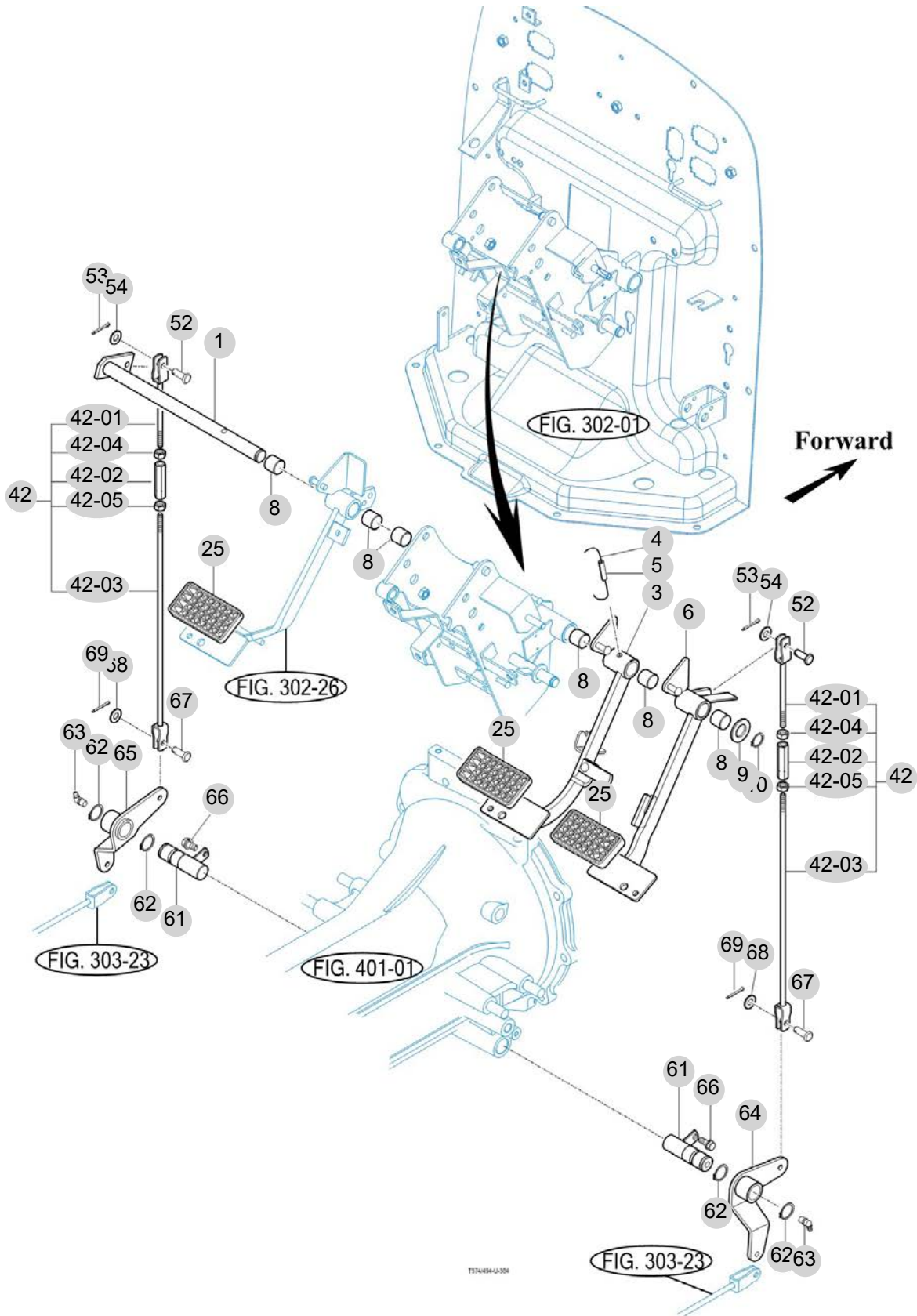
FIG 304

BRAKE PEDAL & LINKAGE

년/월
Year/Month

2022-12

T495NCEU1



NOTE

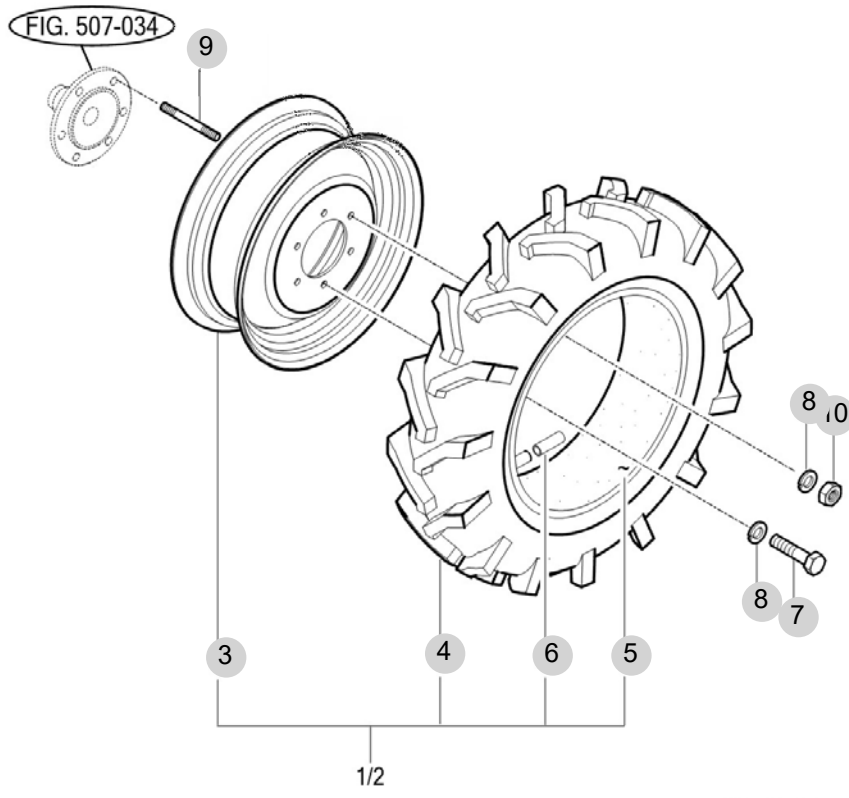
FIG 305A

T495NCEU1

FRONT WHEEL

년/월
Year/Month

2022-12



NOTE

FIG 305A		FRONT WHEEL						년/월	REMARKS
T495NCEU1							Year/Month		
							2022-12		
KEY NO	PART NO	DESCRIPTION	SPEC	QTY	REPAIR	EFFECTIVE DATE	REMARKS		
305A	1	15904372800	타이어(9.5-16/LH) ASSY						
305A	2	15904372900	타이어(9.5-16/RH) ASSY						
305A	3	16004372600	휠림(W8X16)COMP	W8X16					
305A	4	15904192111	타이어(9.5-16,6PR,R1)	9.5-16PR			B		
305A	5	15904370010	튜브(9.5-16)	9.5-16			B		
305A	6	V9993000010	타이어밸브캡						
305A	7	V2014616030	소형육각볼트(보통)	M16X30					
305A	8	V4011600160	스프링와셔						
305A	9	15603200010	보울트(스타드,M16X30)						
305A	10	V3043600160	소형육각너트보통2종						
NOTE									

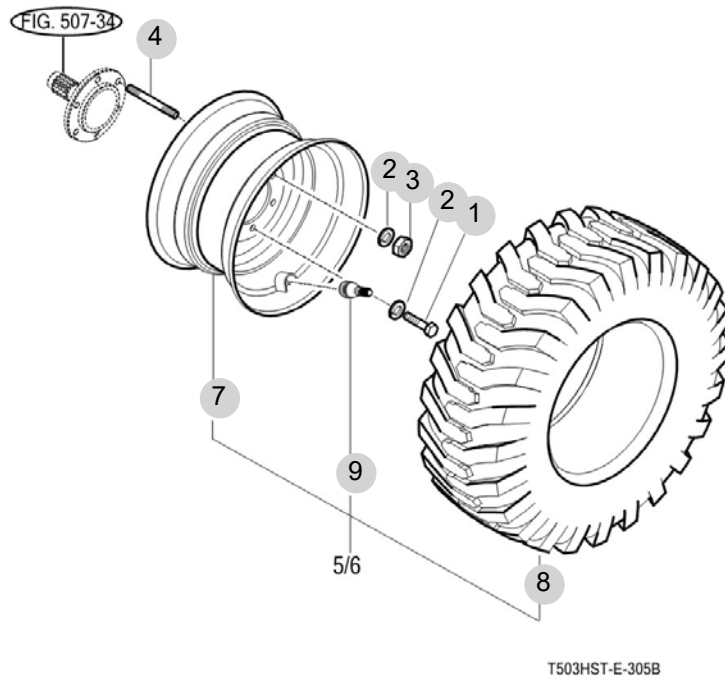
FIG 305B

T495NCEU1

FRONT WHEEL (R4 OPTION)

년/월
Year/Month

2022-12



NOTE

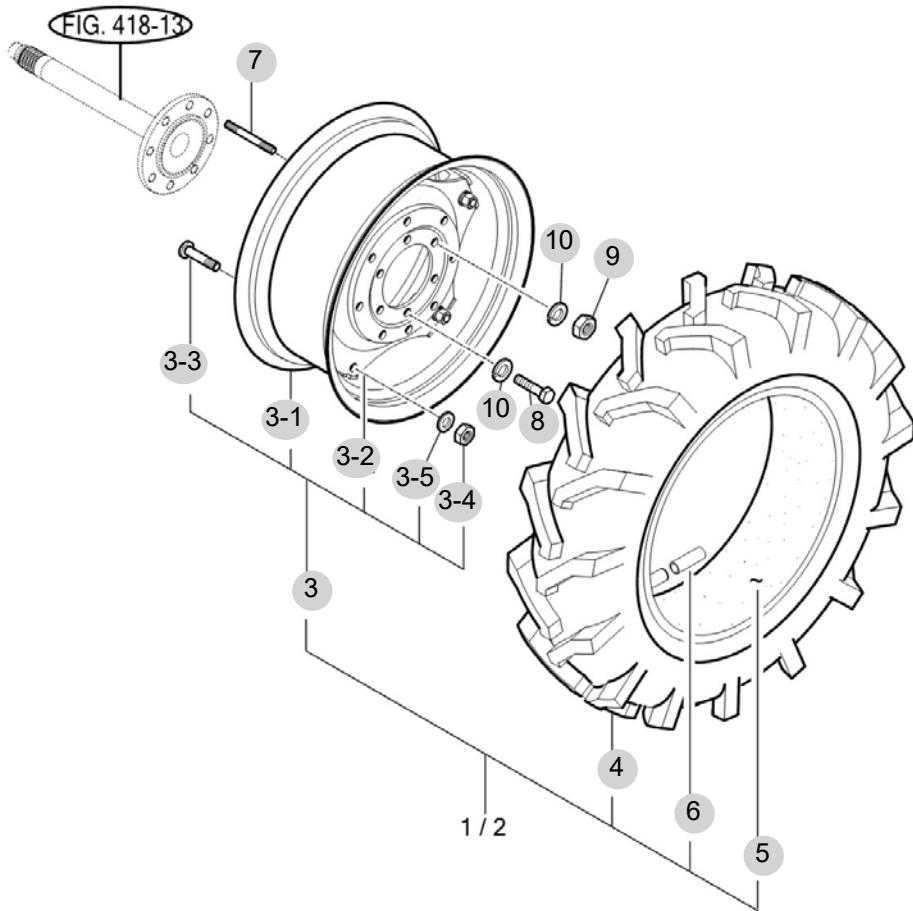
FIG 306A

T495NCEU1

REAR WHEEL

년/월
Year/Month

2022-12



NOTE

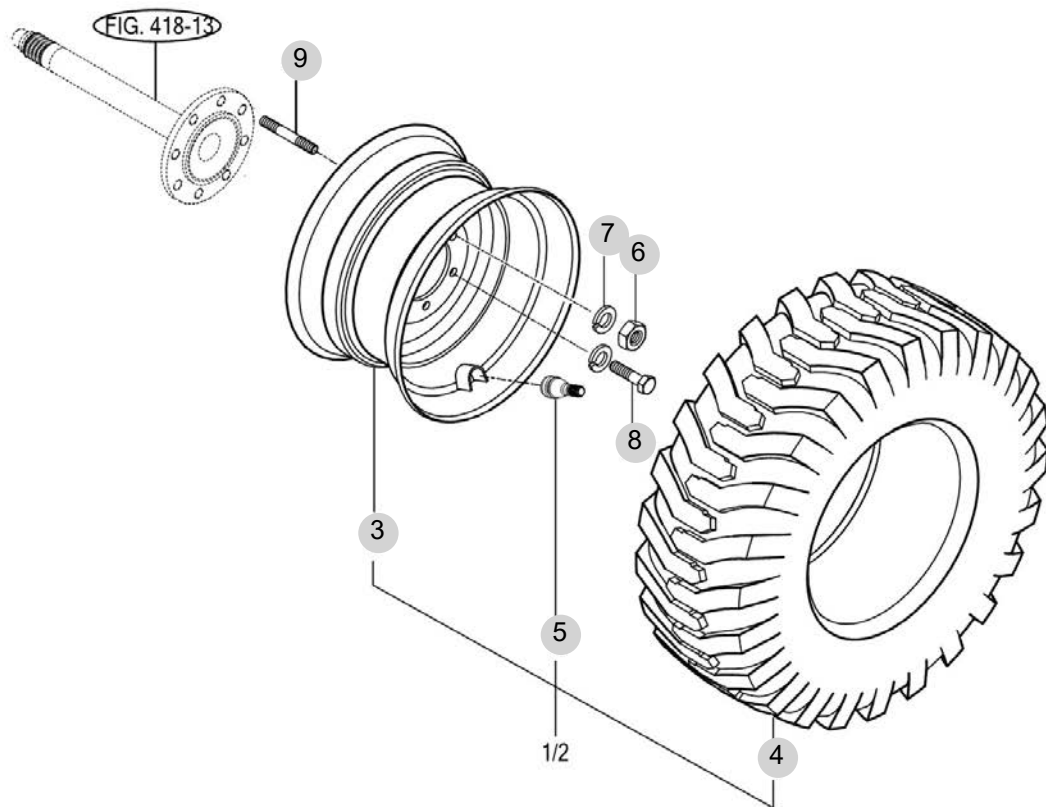
FIG 306B

T495NCEU1

REAR WHEEL (R4 OPTION)

년/월
Year/Month

2022-12



NOTE

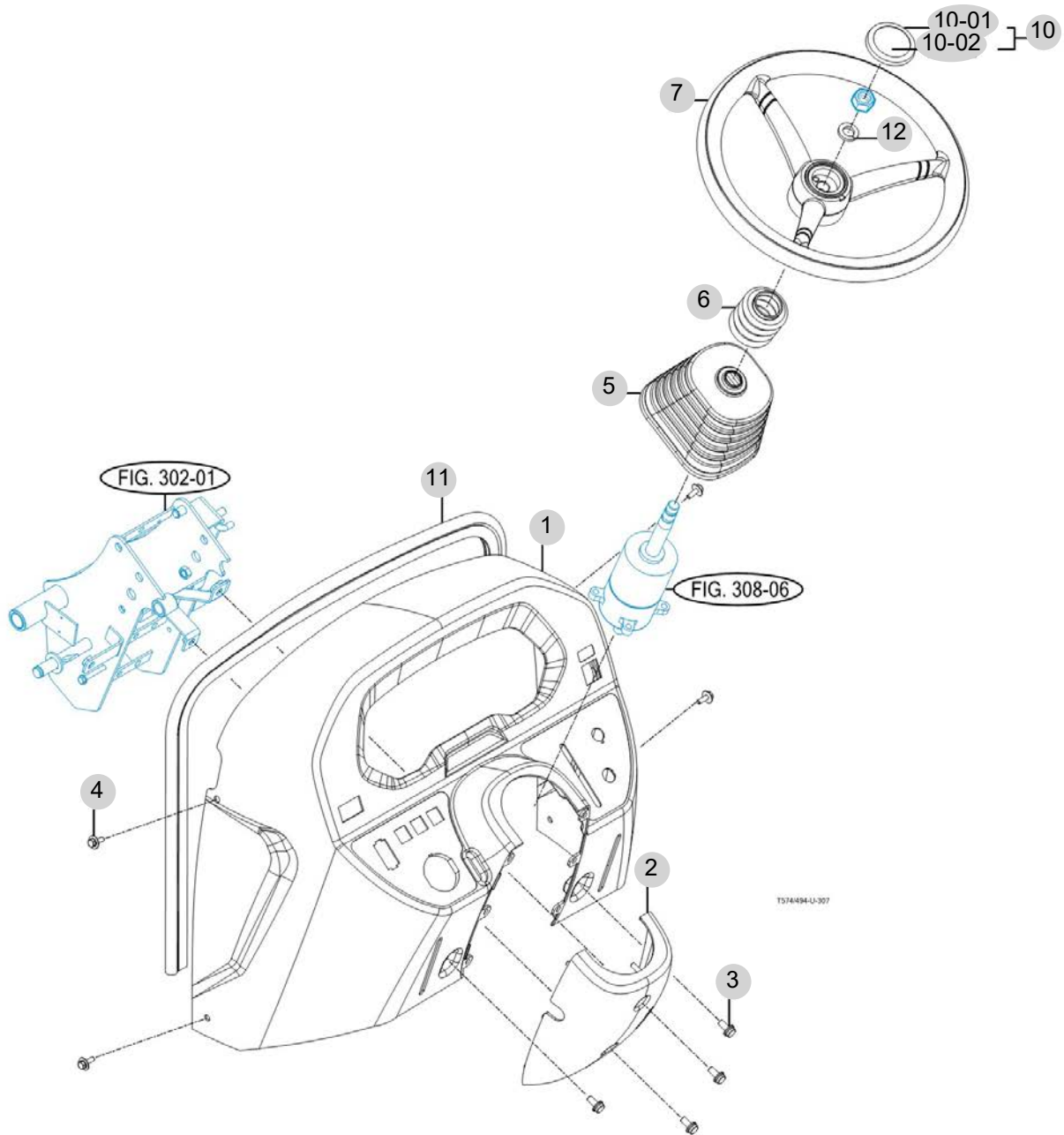
FIG 307

POWER STEERING WHEEL

년/월
Year/Month

2022-12

T495NCEU1



NOTE

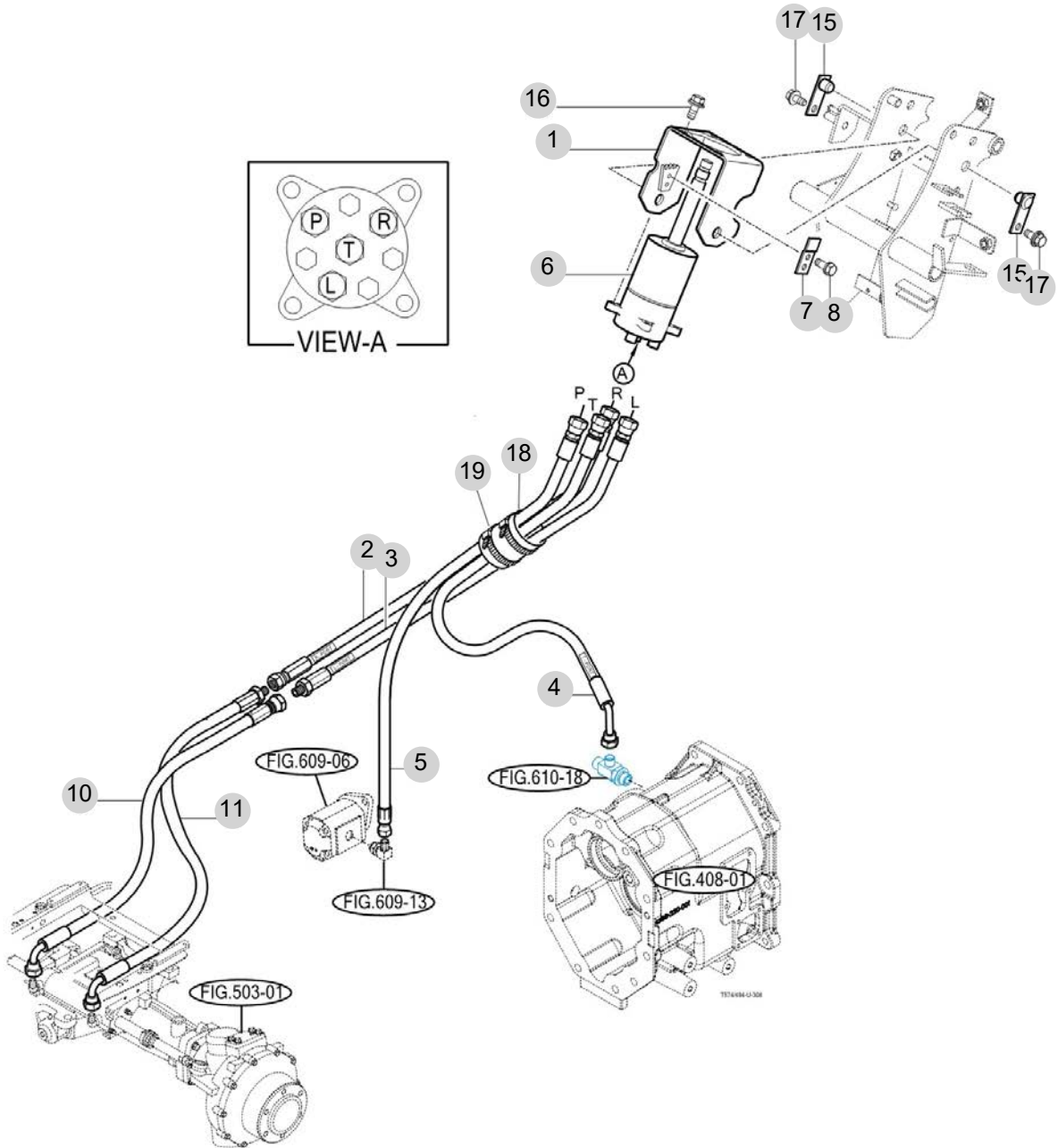
FIG 308

POWER STEERING VALVE

년/월
Year/Month

2022-12

T495NCEU1



NOTE

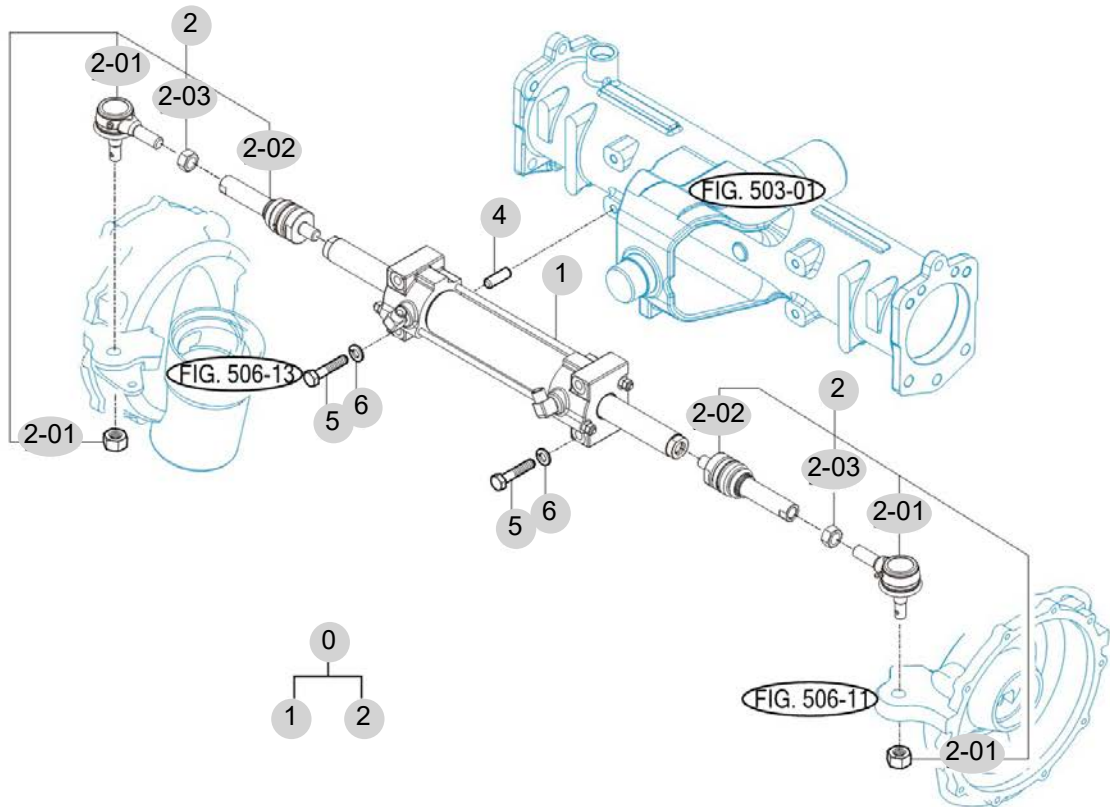
FIG 309

POWER STEERING CYLINDER

년/월
Year/Month

2022-12

T495NCEU1



NOTE

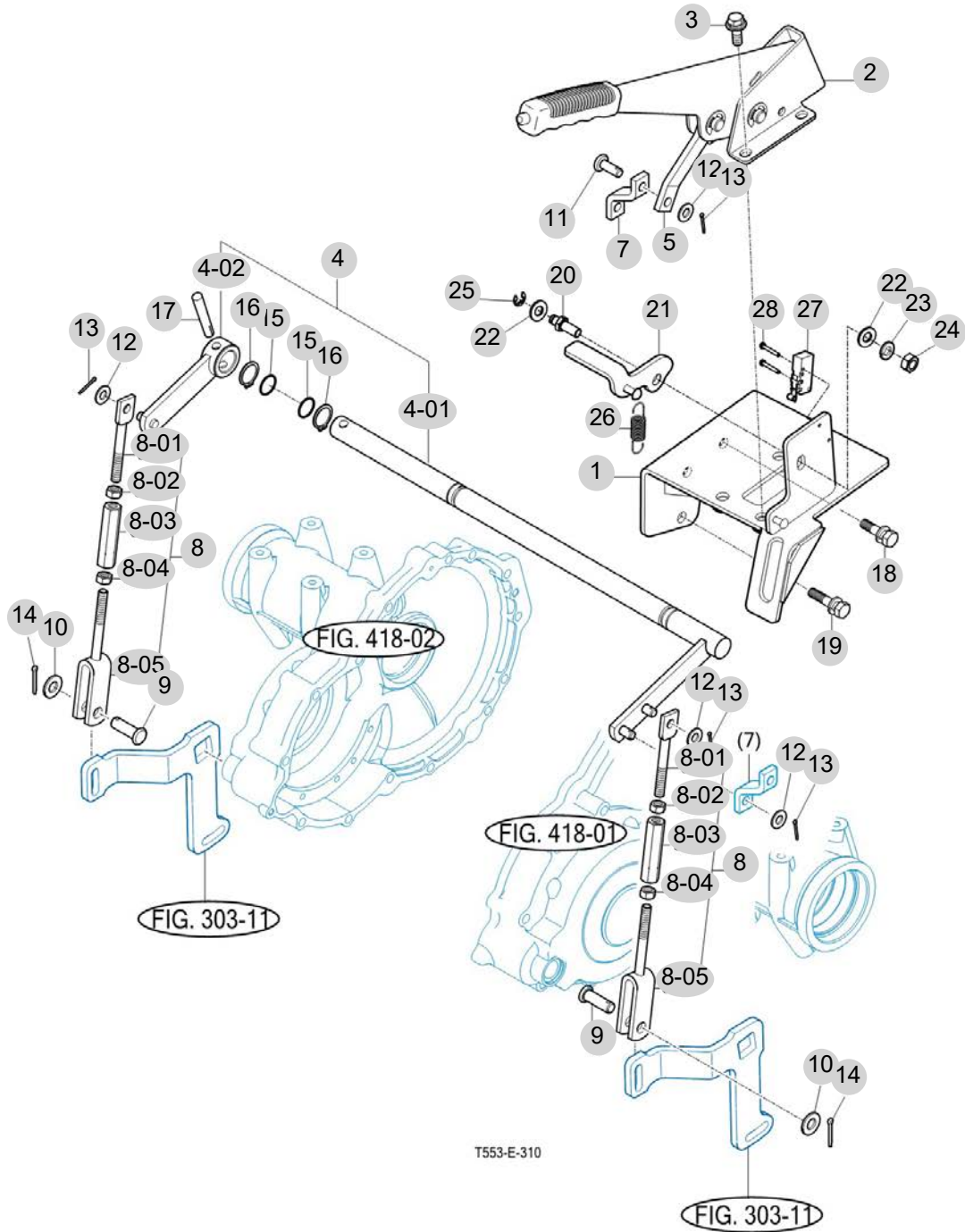
FIG 310

HAND BRAKE

년/월
Year/Month

2022-12

T495NCEU1



T553-E-310

NOTE

FIG 310		HAND BRAKE						년/월	REMARKS
								Year/Month	
T495NCEU1		2022-12							
KEY NO	PART NO	DESCRIPTION	SPEC	QTY	REPAIR	EFFECTIVE DATE	REMARKS		
310	1	15473402100GB	브레이크 COMP(핸드브레이크)		1				
310	2	13613202100	핸드브레이크 ASSY		1				
310	3	V2183608025	소형육각볼트보통(SP)	M8X25	4				
310	4	14523402200	샤프트(핸드브레이크)ASSY		1				
310	4-01	14523402210	샤프트		1				
310	4-02	14523402300	암 COMP		1				
310	5	13613400050	플레이트(핸드브레이크)		1				
310	7	14523400060	플레이트(핸드브레이크)		1				
310	8	14523402001	로드(핸드브레이크)ASSY		2				
310	8-01	14523400030	로드		2				
310	8-02	V3042600080	소형육각너트보통2종	M8	2				
310	8-03	16601220020	터언버클(M8,60)		2				
310	8-04	15601320073	육각너트(SM,LH,M8)		2				
310	8-05	14523402601	로드COMP(상,핸드브레이크)		1				
310	8-05	14523402602	로드COMP(상,핸드브레이크)		2				
310	9	14043120060	요오크핀 (A)		2				
310	10	V4111600080	평와셔	M8	2				
310	11	14322420010	핀		1				
310	12	V4111600080	평와셔	M8	4				
310	13	V5001920015	분할핀		4				
310	14	V5001920020	분할핀		2				
310	15	V7201024016	O링(P)		2				
310	16	V7041400200	C형멈춤링(축용)		2				
310	17	V5111008050	스플릿테이퍼핀		1				
310	18	V2173610020	소형육각볼트보통(S)	M10X20	1				
310	19	V2173610040	소형육각볼트보통(S)	M10X40	2				
310	20	19027612020	핀(M8)		1				
310	21	19027612301	캠 COMP		1				
310	22	V4111600080	평와셔	M8	2				
310	23	V4011600080	스프링와셔	M8	1				
310	24	V3042600080	소형육각너트보통2종	M8	1				
310	25	V7081400060	E형멈춤링		1				
310	26	11106020010	인장스프링(40)		1				
310	27	34522153200	리미트스위치(파워)ASSY		1				
310	28	V1112603016	심자흡냄비작은나사		2				
NOTE									

4. 트랜스미션 PART NO. T4

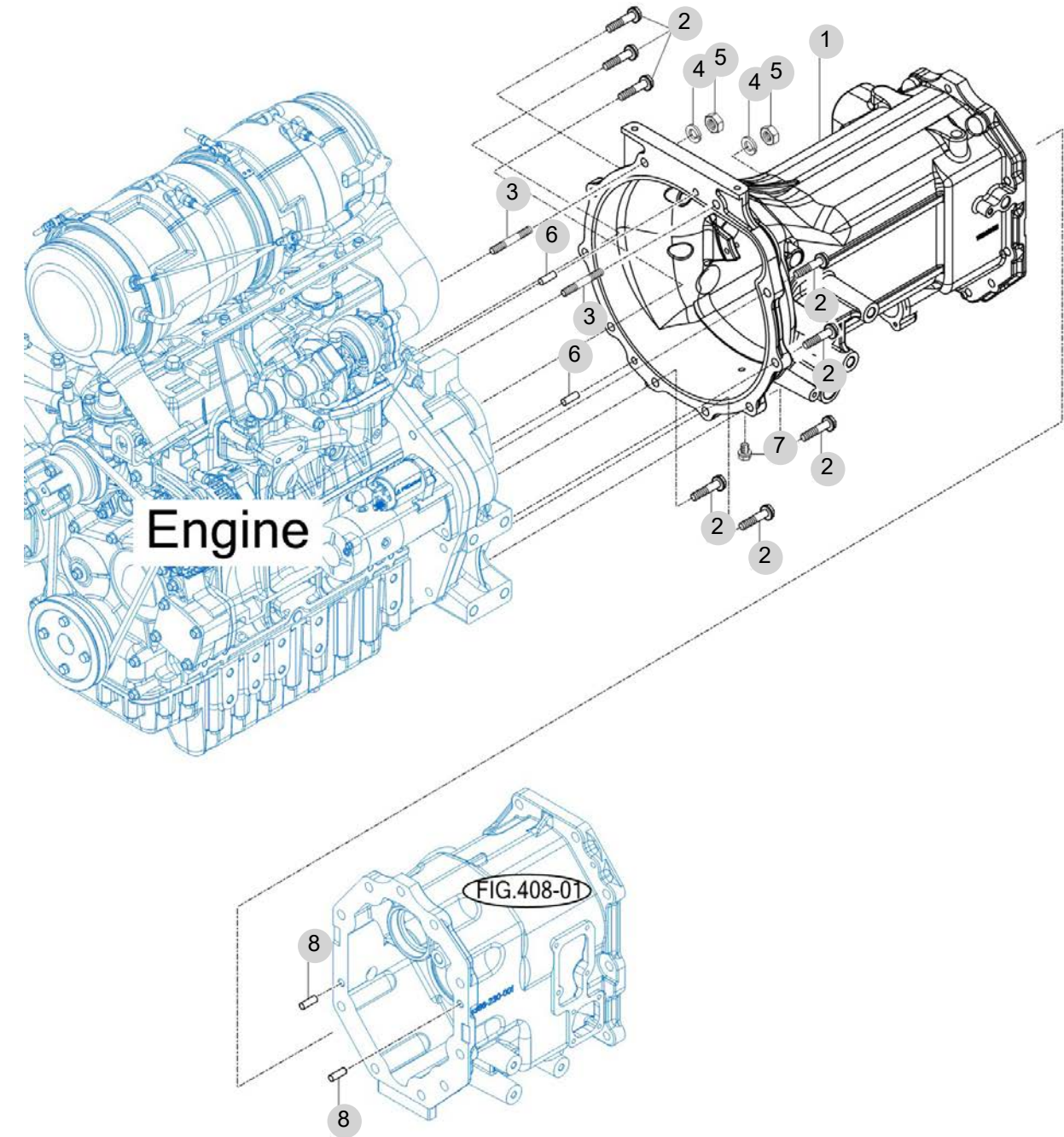
FIG 401 TRANSMISSION FRONT CASE	137
FIG 402 FORWARD & BACKWARD GEARS	139
FIG 403 IDLE & COUNTER GEARS	141
FIG 404 MAIN SHIFT GEARS	143
FIG 405 P.T.O DRIVE SHAFT	145
FIG 406 MAIN CHANGE LEVER	147
FIG 407 REVERSE CHANGE LEVER	149
FIG 408 TRANSMISSION MID CASE	151
FIG 409 TRANSMISSION REAR CASE	153
FIG 410 SUB CHANGE GEARS	155
FIG 411 SUB CHANGE SHIFTER	157
FIG 413 DRIVE GEARS	159
FIG 414 4WD CHANGE LEVER	161
FIG 415 P.T.O CHANGE GEARS	163
FIG 417 REAR DIFFERENTIAL GEARS	165
FIG 418 REAR AXLE HOUSING	168

FIG 401

TRANSMISSION FRONT CASE

년/월
Year/Month

2022-12



NOTE

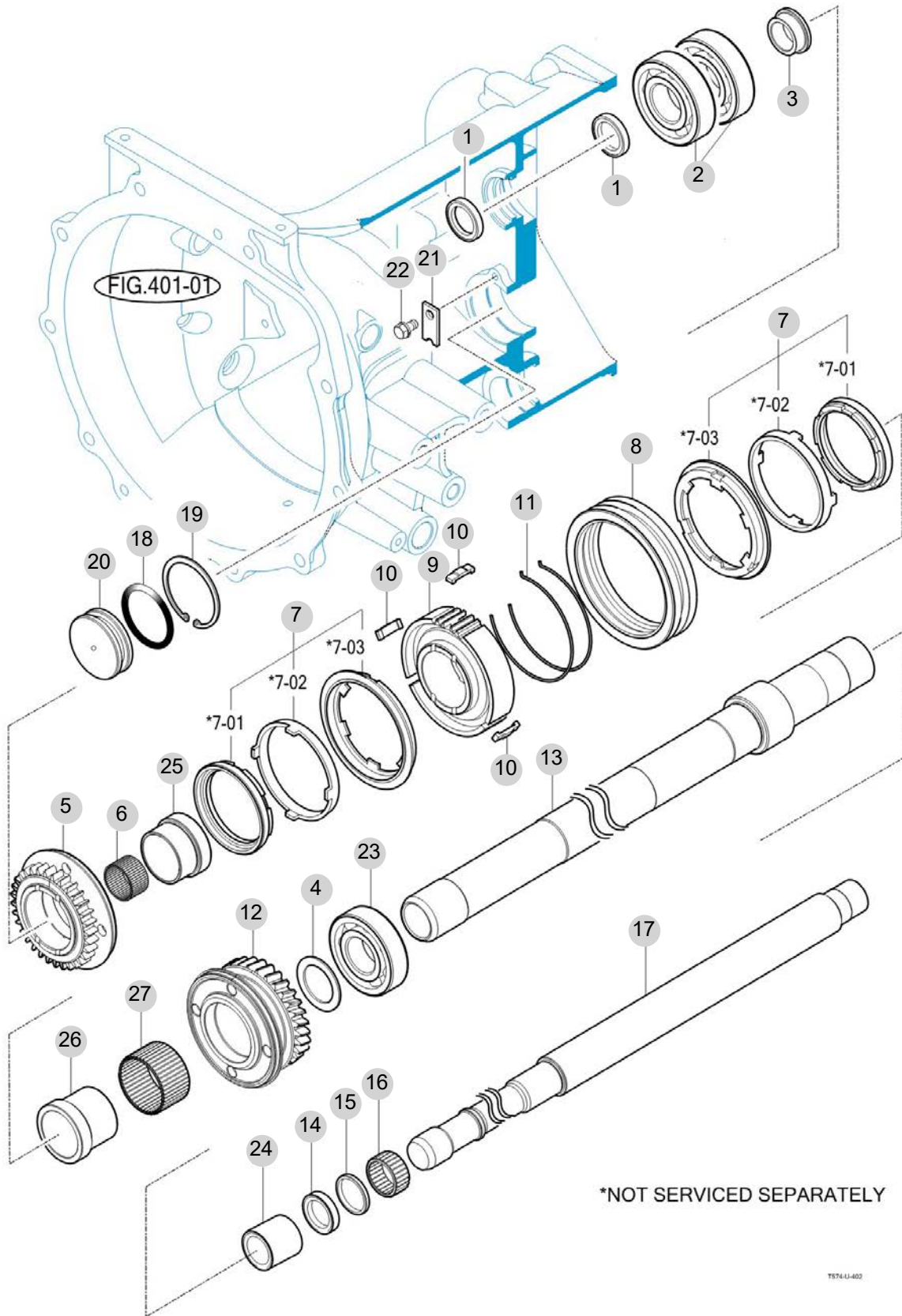
FIG 402

FORWARD & BACKWARD GEARS

년/월
Year/Month

2022-12

T495NCEU1



T574-U-402

NOTE

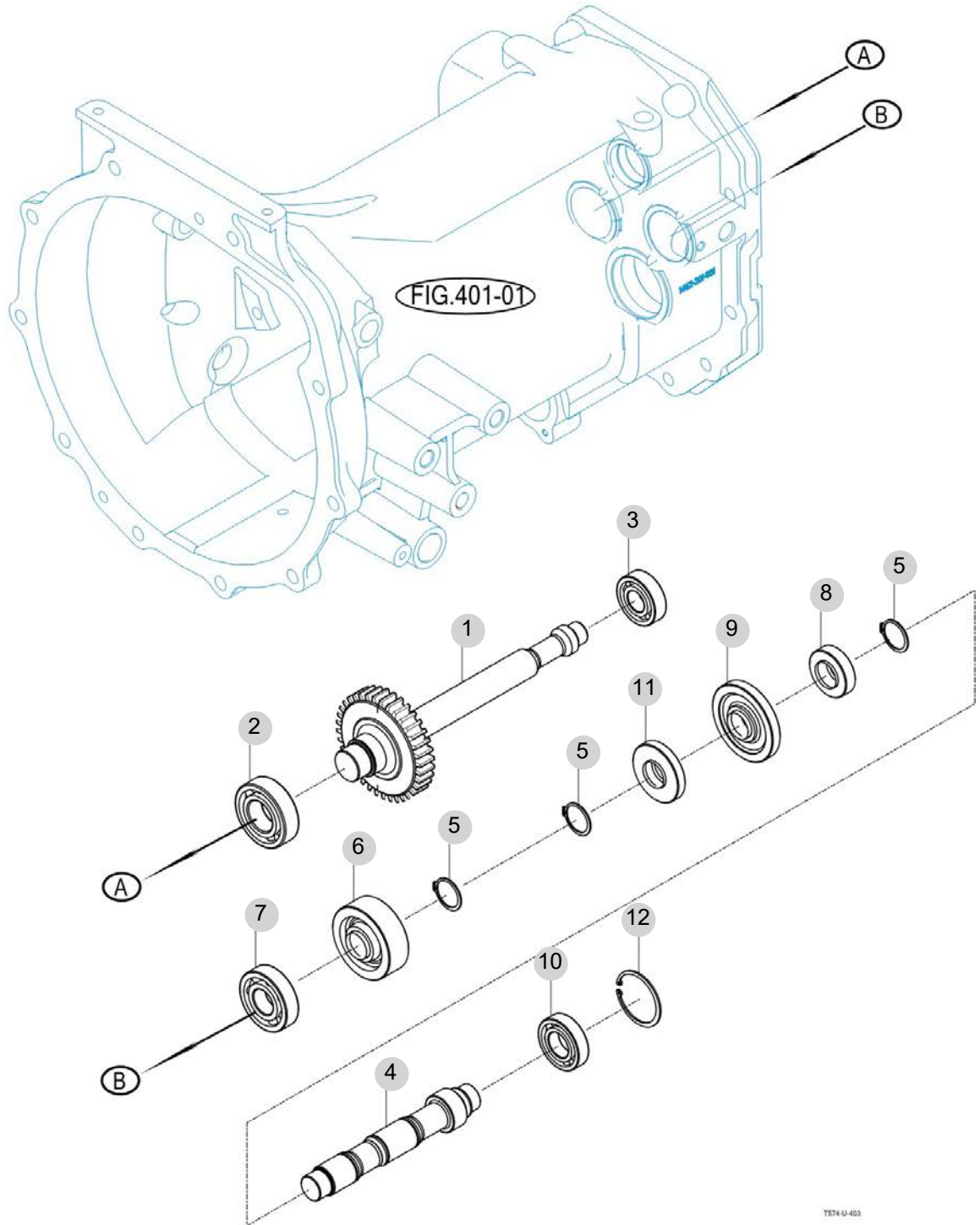
FIG 403

IDLE & COUNTER GEARS

년/월
Year/Month

2022-12

T495NCEU1



NOTE

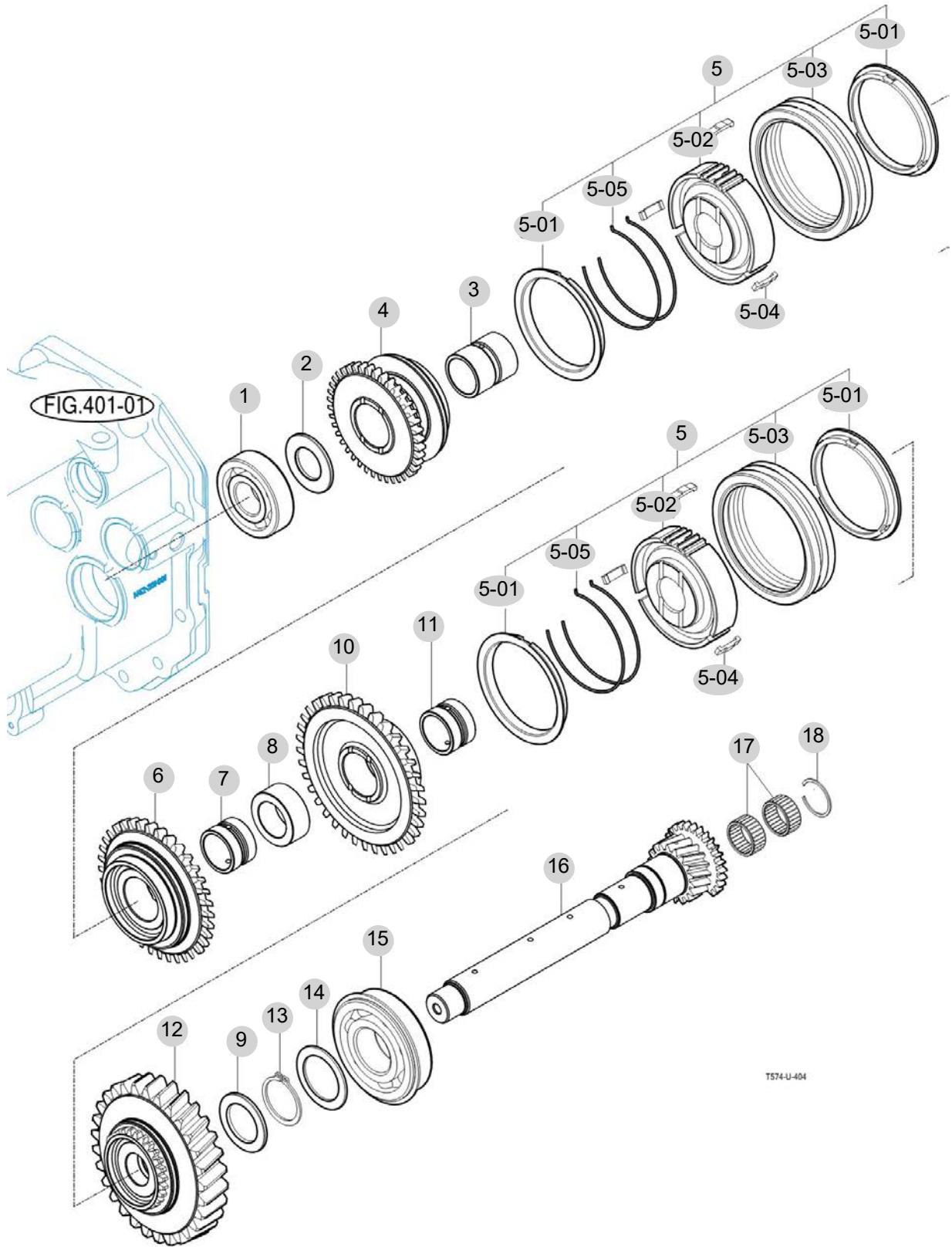
FIG 404

MAIN SHIFT GEARS

년/월
Year/Month

T495NCEU1

2022-12



NOTE

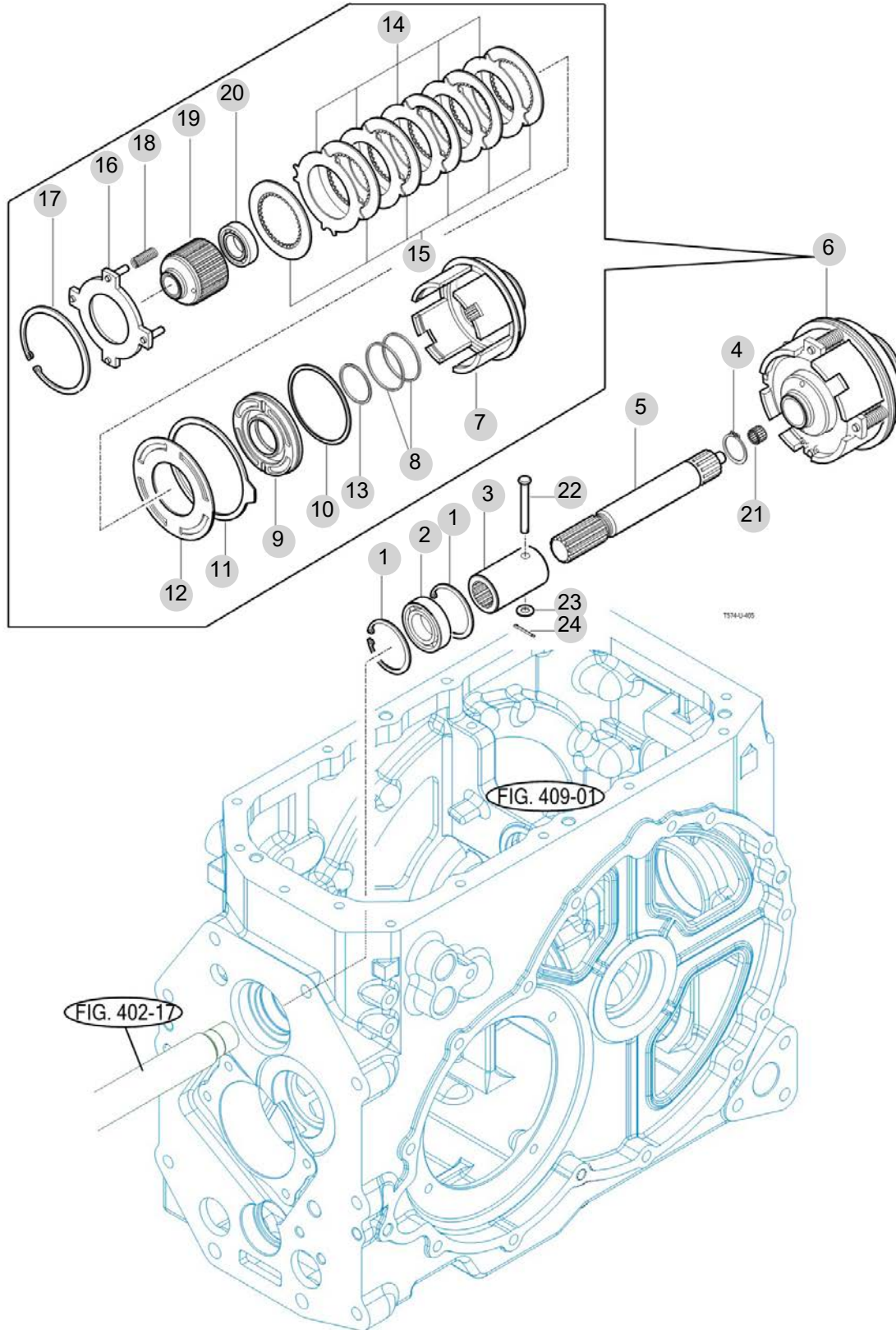
FIG 405

P.T.O DRIVE SHAFT

년/월
Year/Month

2022-12

T495NCEU1



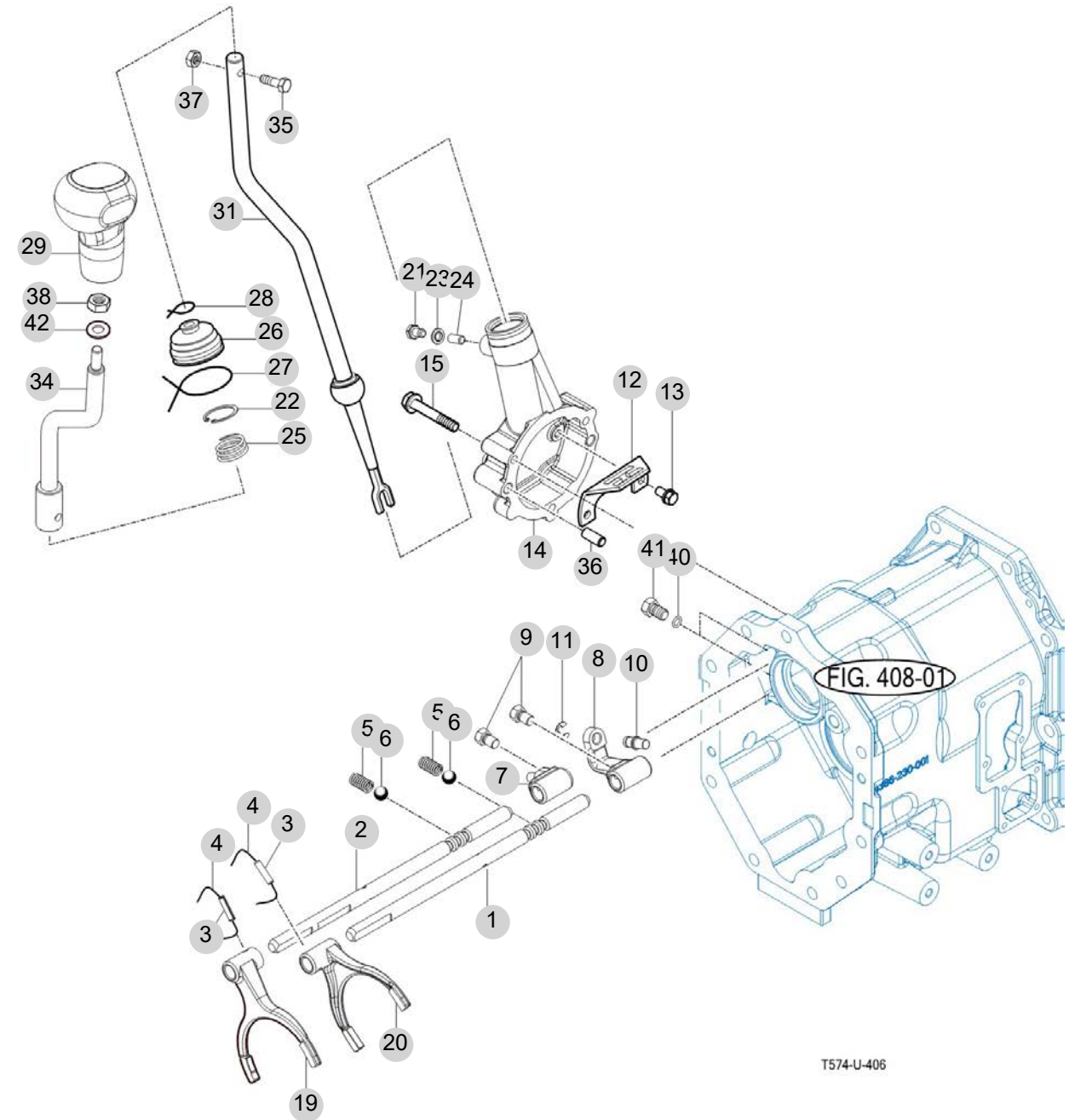
NOTE

FIG 406

MAIN CHANGE LEVER

년/월
Year/Month

2022-12



NOTE

FIG 406 T495NCEU1	MAIN CHANGE LEVER	년/월 Year/Month 2022-12
-----------------------------	--------------------------	----------------------------------

KEY NO	PART NO	DESCRIPTION	SPEC	QTY	REPAIR	EFFECTIVE DATE	REMARKS
406	1	13862230060	주변속 스테이(1-2)	1			
406	2	13862230050	주변속 시프트 스테이 (3-4)	1			
406	3	V5801406025	스프링핀	2			
406	4	V5901010150	철선	2			
406	5	13022250030	시프터스프링	2			
406	6	V6802000010	강구	2			
406	7	15642230043M	링크(소)	1			
406	8	15642230033M	링크(대)	1			
406	9	15602231600	볼트(셋트/씰록M8X16)	2			
406	9	15602231610	볼트(셋트/M8X16)	1			
406	9	15602231610	볼트(셋트/M8X16)	2			
406	10	15602230124	핀(10X28)	1			
406	11	V7081400070	E형멈춤링	1			
406	12	15602230074	가이드	1			
406	13	V2173608016	소형육각볼트보통(S)	2			
406	14	15612230027M	메탈(메인)	1			
406	15	V2173608050	소형육각볼트보통(S)	3			
406	19	14522230022M	포크(시프터,3-4)	1			
406	20	13862230010M	포크(시프터,1-2)	1			
406	21	16007060020	볼트(드레인)	1			
406	22	V7051400320	C형멈춤링(구멍용)	1			
406	23	15602230085	씰	1			
406	24	V5201006016	평행핀(A)	1			
406	25	15602900063	스프링(C020)	1			
406	26	14442180090	변속레버부츠	1			
406	27	V5901010180	철선	1			
406	28	V5901010070	철선	1			
406	29	13862810200	손잡이 , 주변속	1			
406	31	14522912001	레버COMP(시프트/메인)	1			
406	34	14522913101GB	레버COMP(바/16)	1			
406	35	V2013608035	소형육각볼트(보통)	1			
406	36	V5201010022	평행핀(A)	2			
406	37	V3042600080	소형육각너트보통2종	1			
406	38	V3342600100	소형육각너트가는2종	1			
406	40	V7201019008	O링(P)	2			
406	41	14522081550	볼트	2			
406	42	V4111600100	평와셔	1			

NOTE	
-------------	--

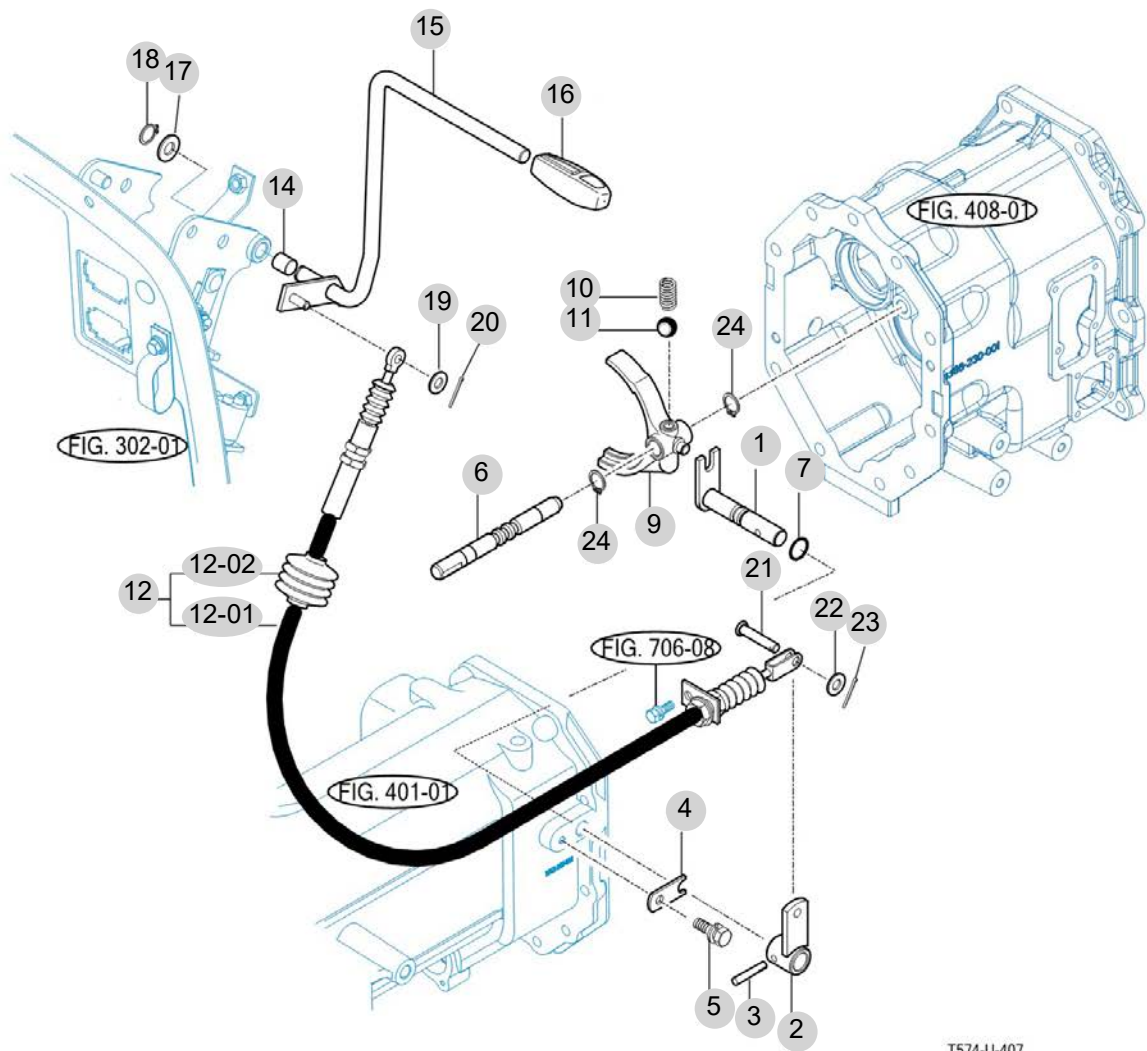
FIG 407

REVERSE CHANGE LEVER

년/월
Year/Month

2022-12

T495NCEU1



T574-U-407

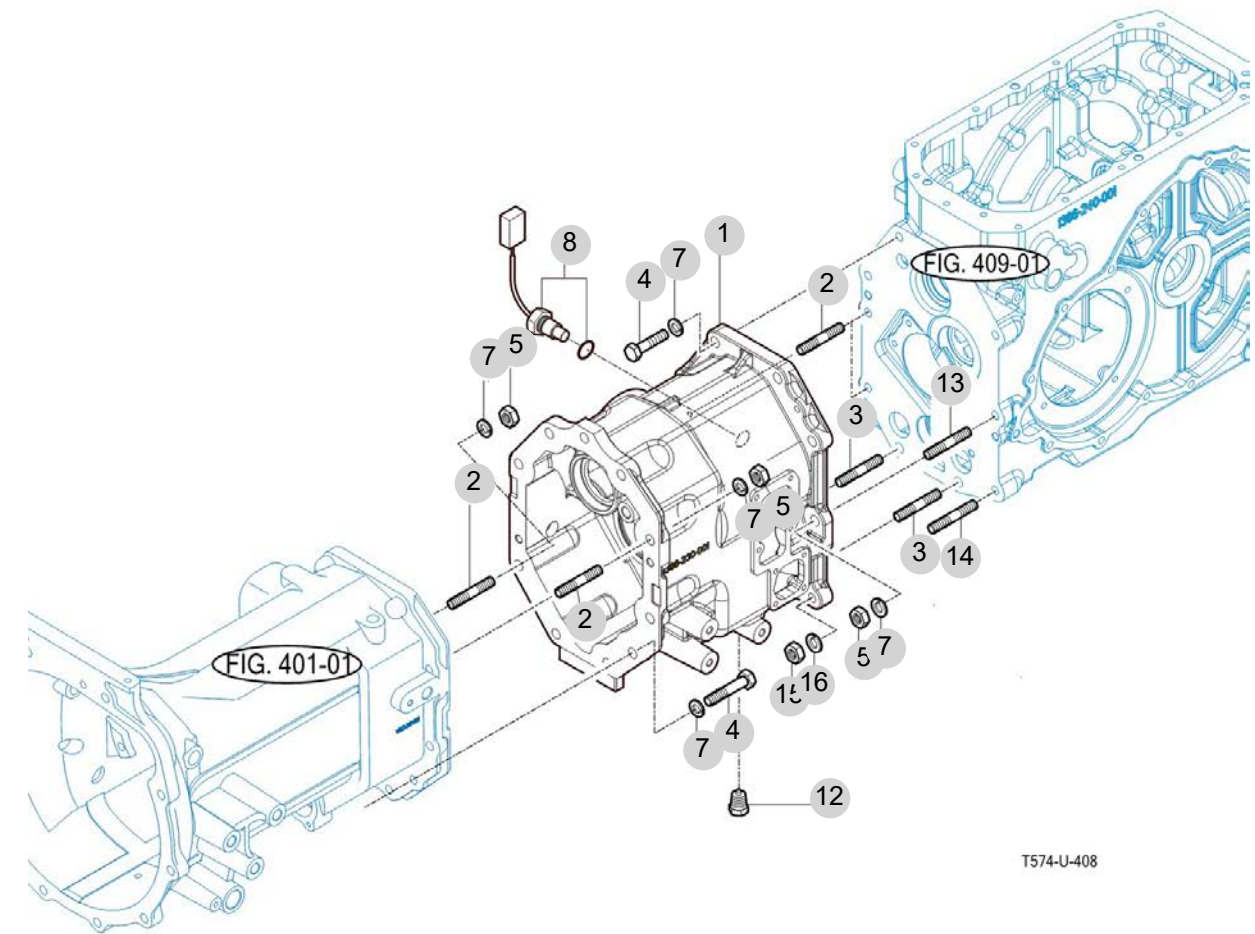
NOTE

FIG 408

TRANSMISSION MID CASE

년/월
Year/Month

2022-12



T574-U-408

NOTE

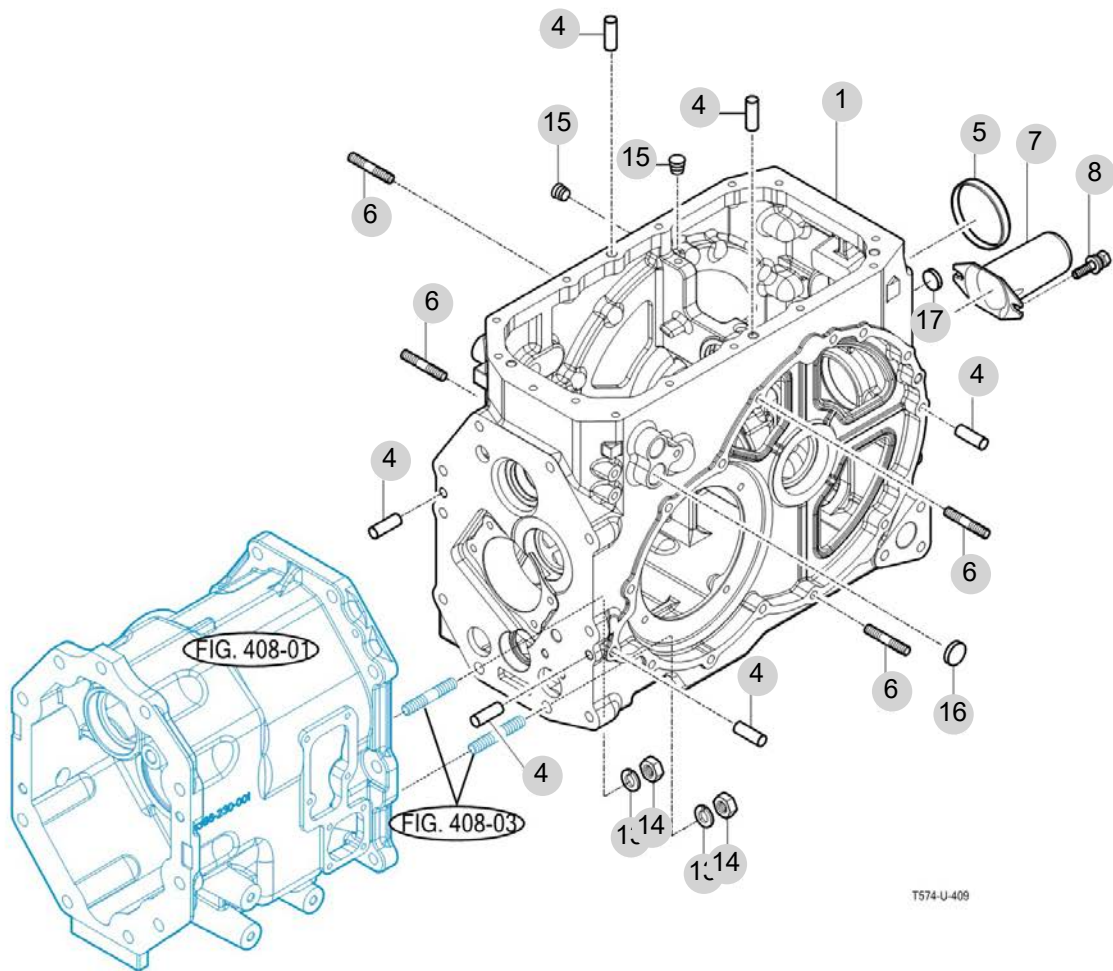
FIG 409

TRANSMISSION REAR CASE

년/월
Year/Month

2022-12

T495NCEU1



T574-U-409

NOTE

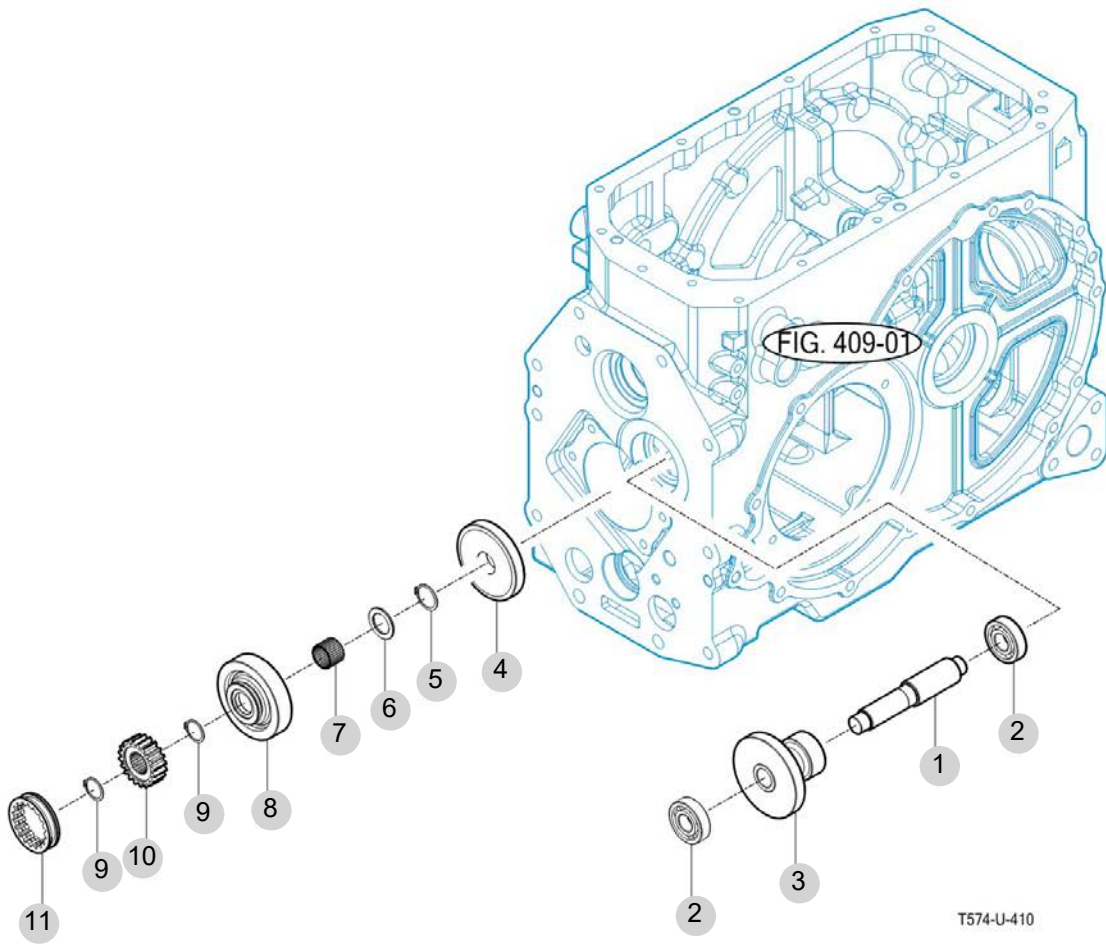
FIG 410

SUB CHANGE GEARS

년/월
Year/Month

2022-12

T495NCEU1



T574-U-410

NOTE

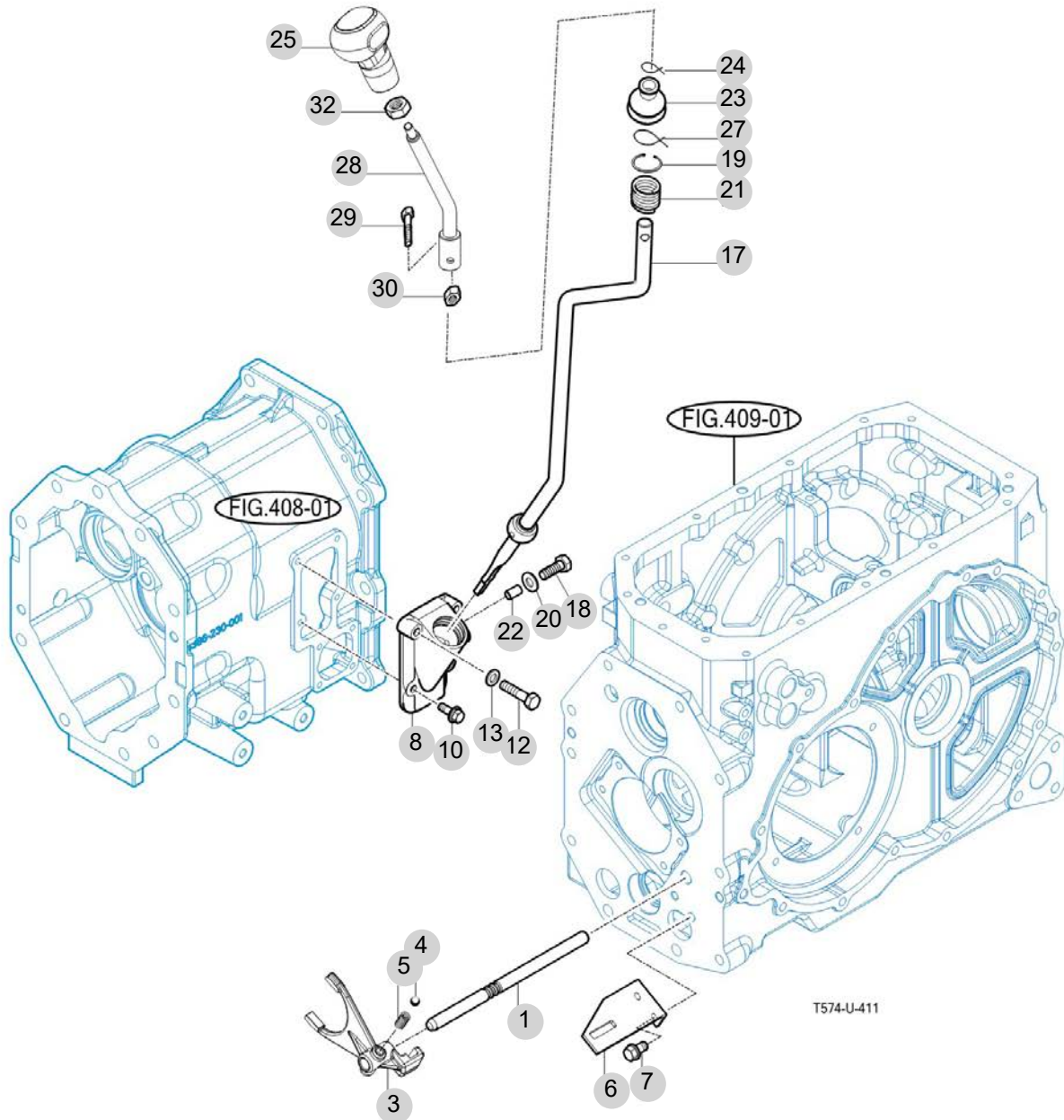
FIG 411

SUB CHANGE SHIFTER

년/월
Year/Month

2022-12

T495NCEU1



NOTE

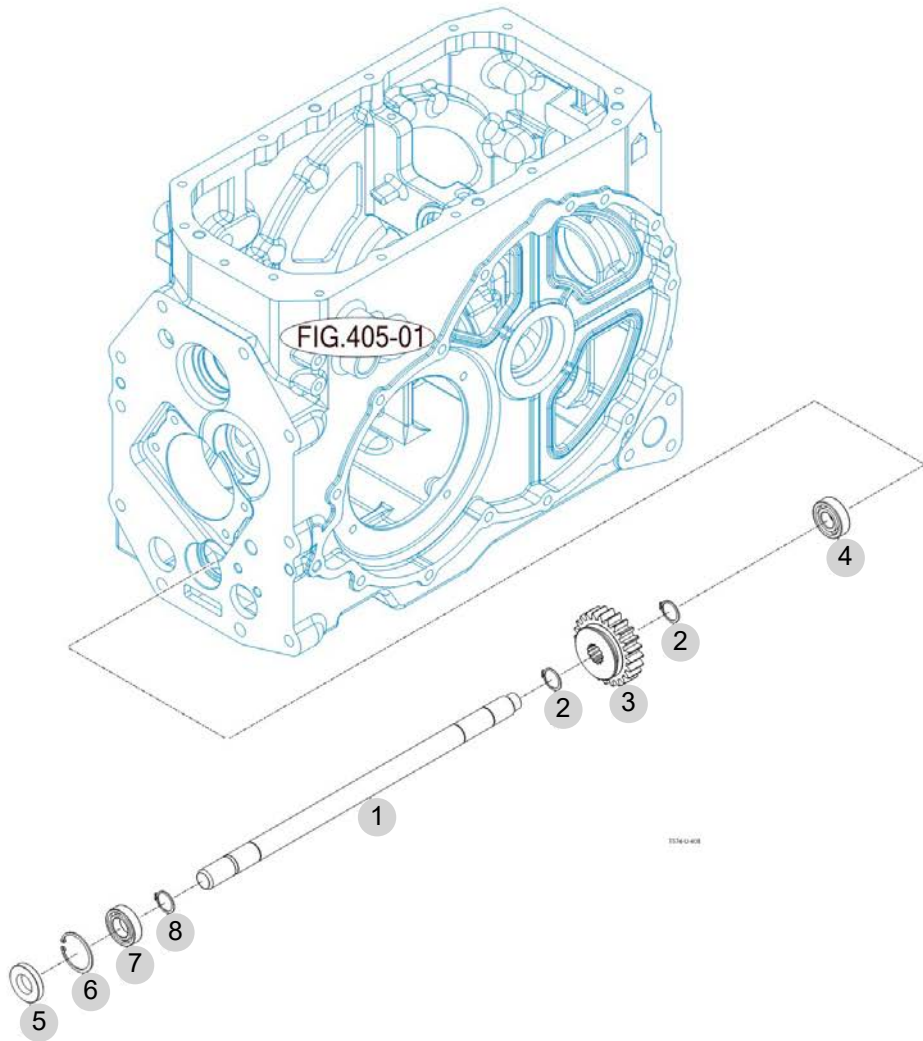
FIG 413

DRIVE GEARS

년/월
Year/Month

2022-12

T495NCEU1



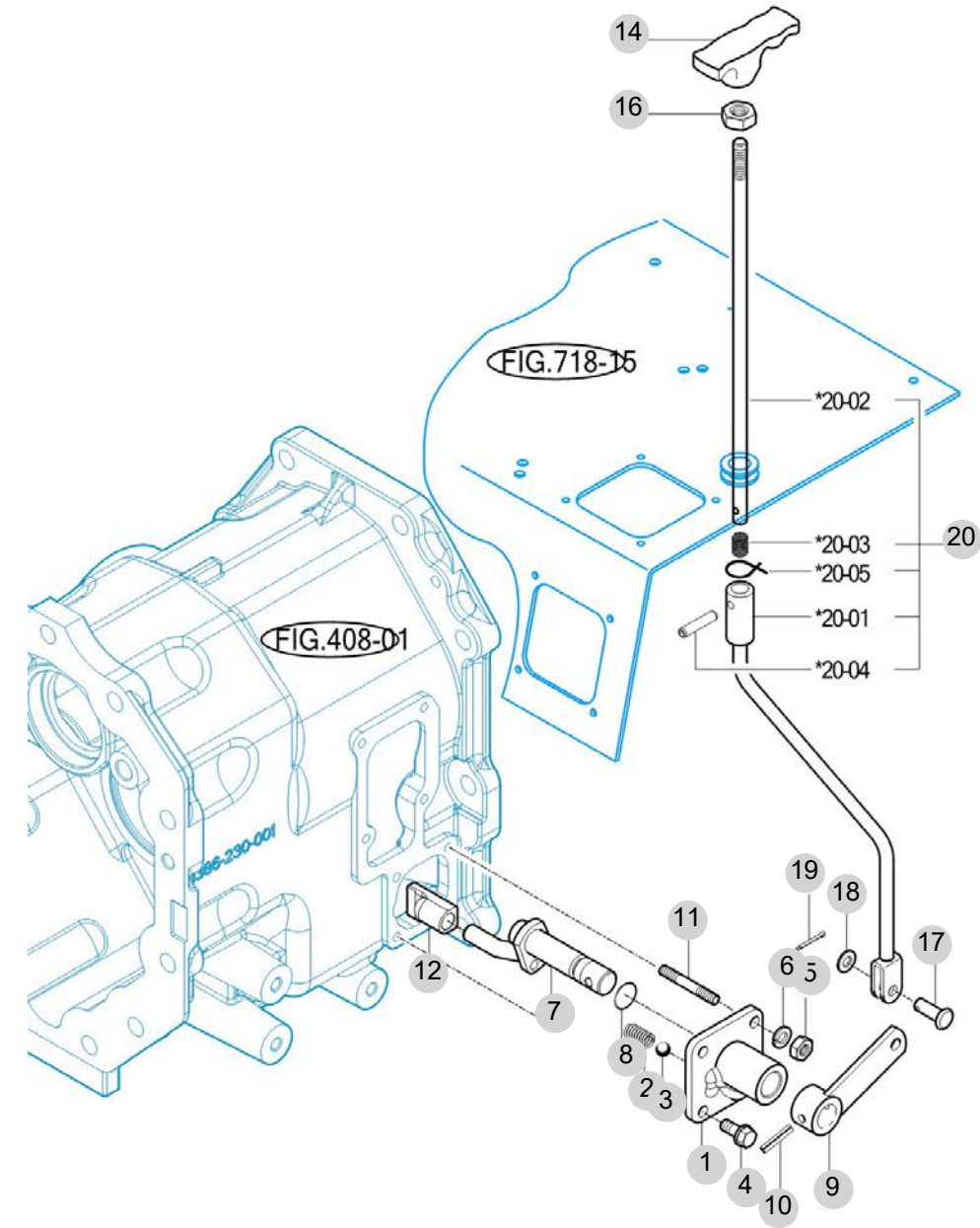
NOTE

FIG 414

4WD CHANGE LEVER

년/월
Year/Month

2022-12



*NOT SERVICED SEPARATELY

T483-E-414A

NOTE

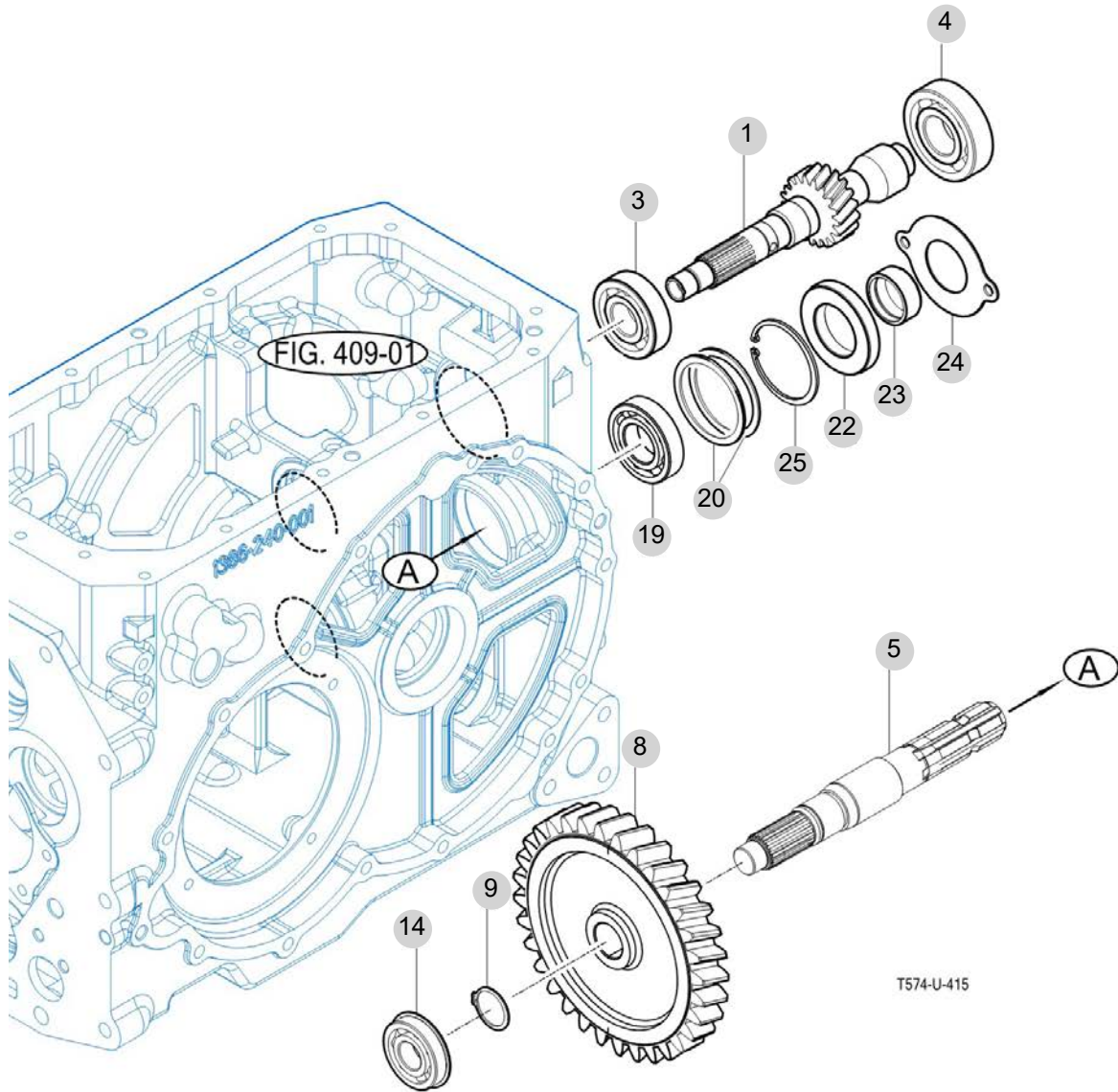
FIG 415

P.T.O CHANGE GEARS

년/월
Year/Month

2022-12

T495NCEU1



NOTE

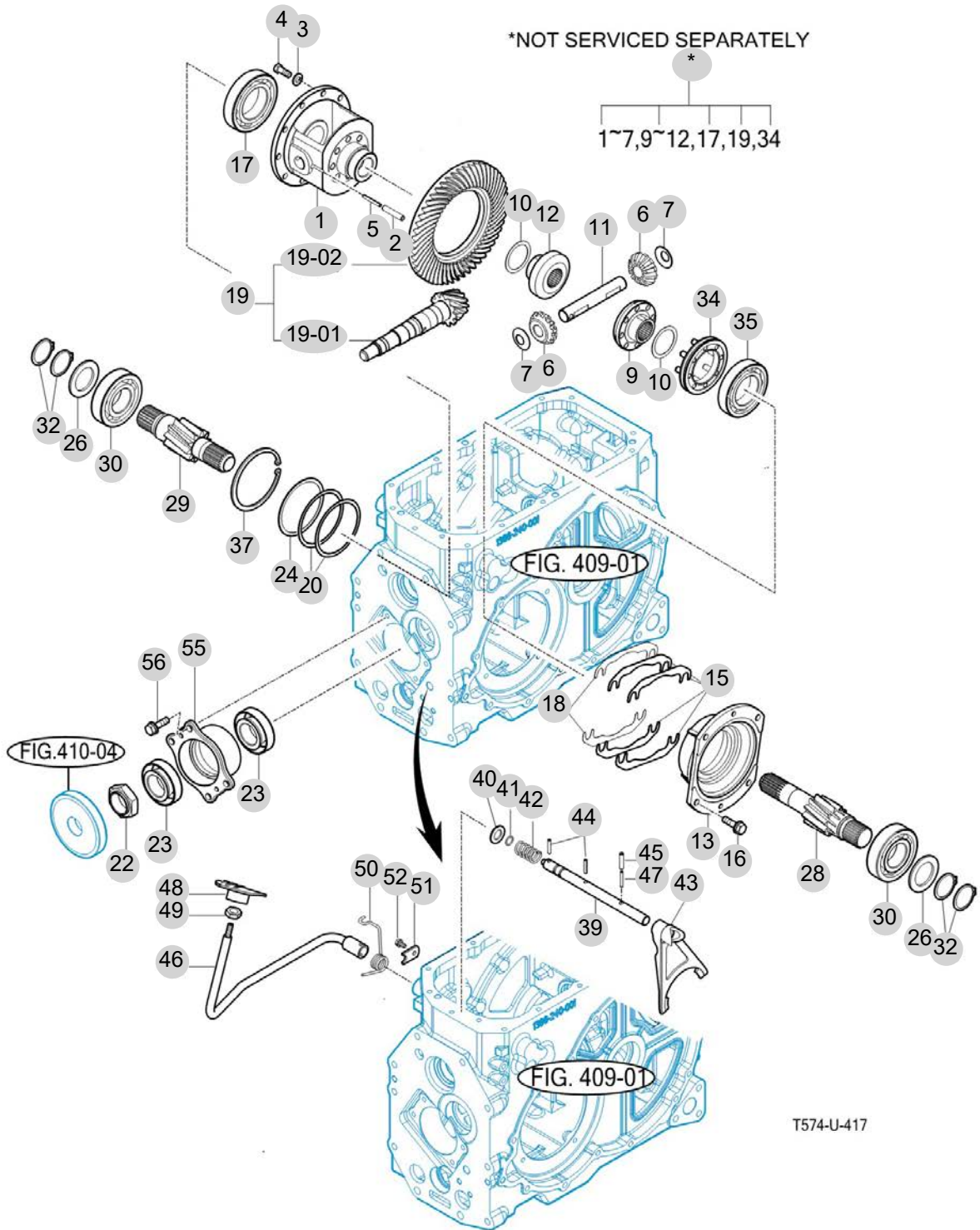
FIG 417

REAR DIFFERENTIAL GEARS

년/월
Year/Month

2022-12

T495NCEU1



NOTE

FIG 417		REAR DIFFERENTIAL GEARS					년/월 Year/Month		
							2022-12		
T495NCEU1		KEY NO	PART NO	DESCRIPTION	SPEC	QTY	REPAIR	EFFECTIVE DATE	REMARKS
417	0	13863031000	리어 차동장치 ASSY			1			
417	1	14523030010M	케이스(디프)			1			
417	2	V5801408040	스프링핀	8X50		1			
417	3	V4011600100	스프링와셔	M10		10			
417	4	V2024610025	소형육각볼트(가는)	M10X25		10			
417	5	V5801405036	스프링핀	5X36		1			
417	6	14523180041	피니언(차동)			2			
417	7	14523030080	칼라(피니언)	T=1.0		2			
417	9	14523180061	피니언(베벨/16 LH)			1			
417	10	14523030100	와셔(스러스트)	D=52.5		2			
417	11	14523030110	디프피니언샤프트	D=23		1			
417	12	14523180031	피니언(베벨/16 RH)			1			
417	13	14523030131M	메탈(LH/디프케이스)			1			
417	15	14523010090	심(B)	T=0.2		4			
417	16	V2173610025	소형육각볼트보통(S)	M10X25		4			
417	17	V6001106212	볼베어링	6212		1			
417	18	14523010080	심(A)	T=0.1		2			
417	19	13863022100	기어(10X41)SET			1			
417	19-01	13863022110	베벨 피니언			1			
417	19-02	14523022120	스파이럴베벨기어			1			
417	20	14523010050	심(0.1)	T=0.1		2			
417	22	15533030020	너트(M40XP1.5)			1			
417	23	V6321132208	테이퍼롤러베어링(보통)	32208CR		2			
417	24	14523010100	심(0.2)	T=0.2		1			
417	26	15133060030	스러스트칼라(45X68X4)			2			
417	28	14523060011	피니언(헬리컬/11/LH)			1			
417	29	14523060021	피니언(헬리컬/11/RH)			1			
417	30	V6041106309	볼베어링(HL1)	HL1		2			
417	32	V7041400450	C형멈춤링(축용)	45		4			
417	34	14523033400	슬리브COMP			1			
417	35	V6001106211	볼베어링	6211		1			
417	37	V7051401100	C형멈춤링(구멍용)	R110		1			
417	39	14523032002	샤프트(디프록)	D=20		1			
417	40	V4111600200	평와셔	M20		1			
417	41	V7201024016	O링(P)	P16		1			
417	42	17973030420	스프링	D=3.6		1			
417	43	14523190011M	포크(디프록)			1			
417	44	V5801406032	스프링핀	6X32		2			
417	45	V5801408036	스프링핀	8X36		1			
417	46	14543162101	디프록페달COMP			1			
417	47	V5801405036	스프링핀	5X36		1			
417	48	14521220120	페달COMP,액셀			1			
417	49	V3342600100	소형육각너트가는2종	M10		1			
417	50	14523160020	스프링(디프 페달)			1			
417	51	16703180191	플레이트	25X4.5T		1			
NOTE									

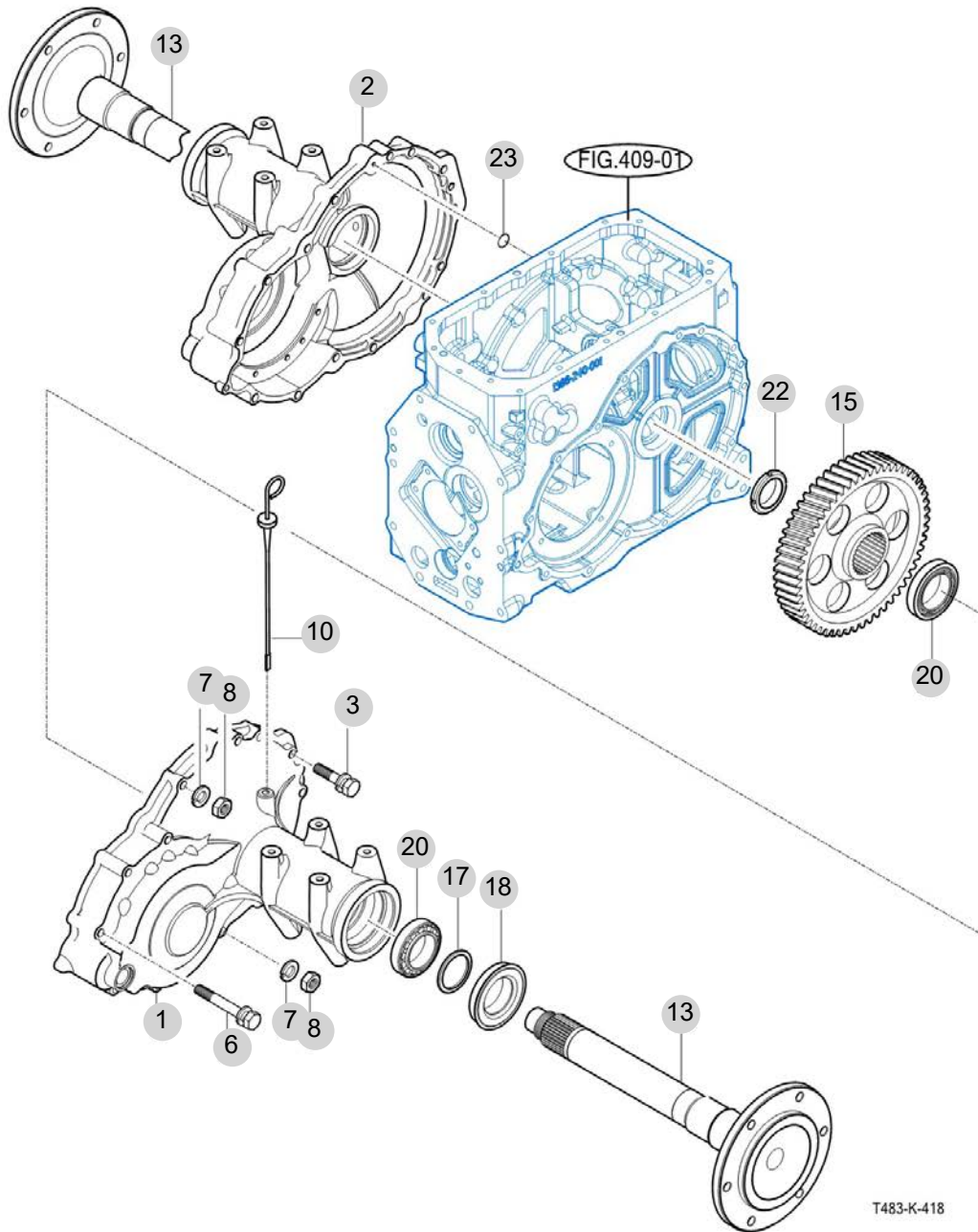
FIG 418

REAR AXLE HOUSING

년/월
Year/Month

2022-12

T495NCEU1



T483-K-418

NOTE

FIG 418 T495NCEU1		REAR AXLE HOUSING					년/월 Year/Month	
							2022-12	
KEY NO	PART NO	DESCRIPTION	SPEC	QTY	REPAIR	EFFECTIVE DATE	REMARKS	
418	1	14523040011M	하우징(엑슬,L)		1			
418	2	14523040021M	하우징(엑슬,R)		1			
418	3	V2173610055	소형육각볼트보통(S)	M10X55	12			
418	6	V2173610075	소형육각볼트보통(S)	M10X75	12			
418	7	V4011600100	스프링와셔	M10	28			
418	8	V3043600100	소형육각너트보통2종	M10	4			
418	10	15423040030	게이지(오일)		1			
418	13	14523070011M	휠샤프트(리어)		2			
418	15	14523070020	기어(헬리컬,54)		2			
418	17	14153070020	칼라(55X70X4)	D=70	2			
418	18	15643072001	씰(오일) ASSY	60X100X26	2			
418	18	15643072002	씰(오일) ASSY		1			
418	20	V6321132011	테이퍼롤러베어링(보통)-32011j	32011DJ	4			
418	22	16603070010	너트(M50X1.5)		2			
418	23	V7201024020	O링(P)		1			
418	23	V7201124020	O링(P)	P20	1			
NOTE								

5. 프런트 액슬 PART NO. T5

FIG 501 FRONT AXLE SUPPORT	171
FIG 502 FRONT DRIVE SHAFT	173
FIG 503 FRONT AXLE HOUSING	175
FIG 504 FRONT DIFFERENTIAL GEARS	177
FIG 505 FRONT GEAR CASE (1)	179
FIG 506 FRONT GEAR CASE (2)	181
FIG 507 FRONT GEAR CASE (3)	183

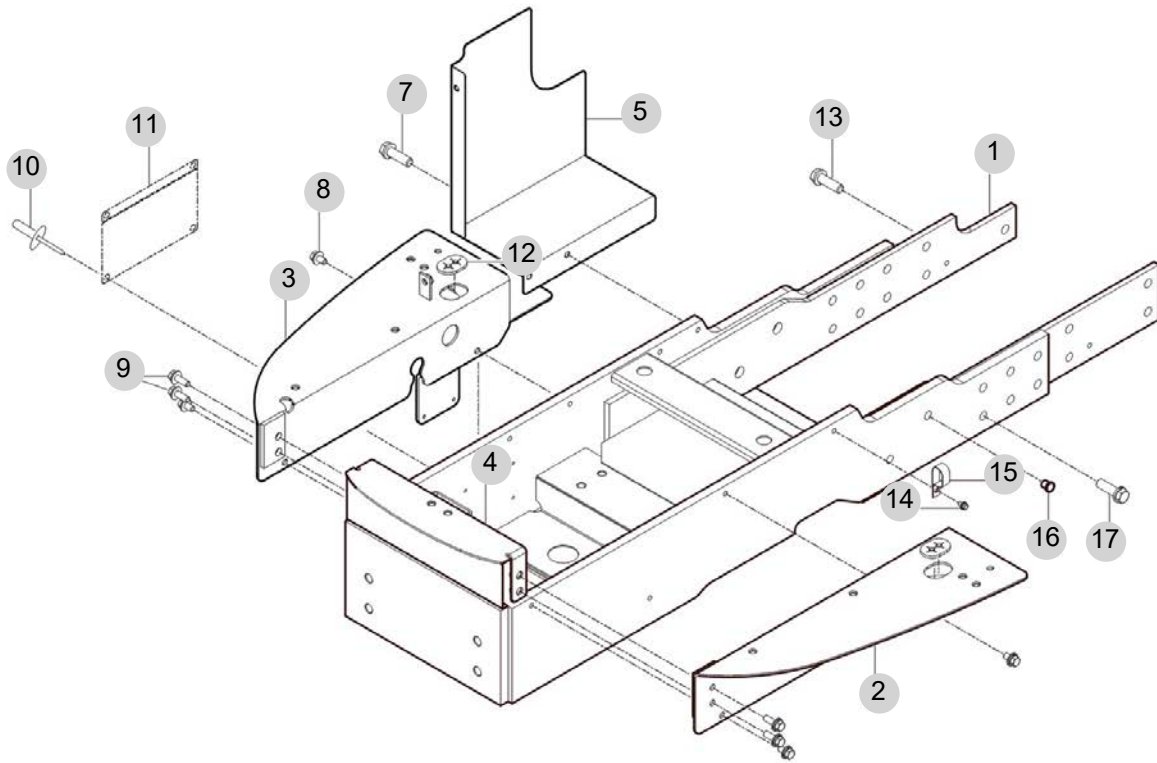
FIG 501

FRONT AXLE SUPPORT

년/월
Year/Month

2022-12

T495NCEU1



TS74494-U-501

NOTE

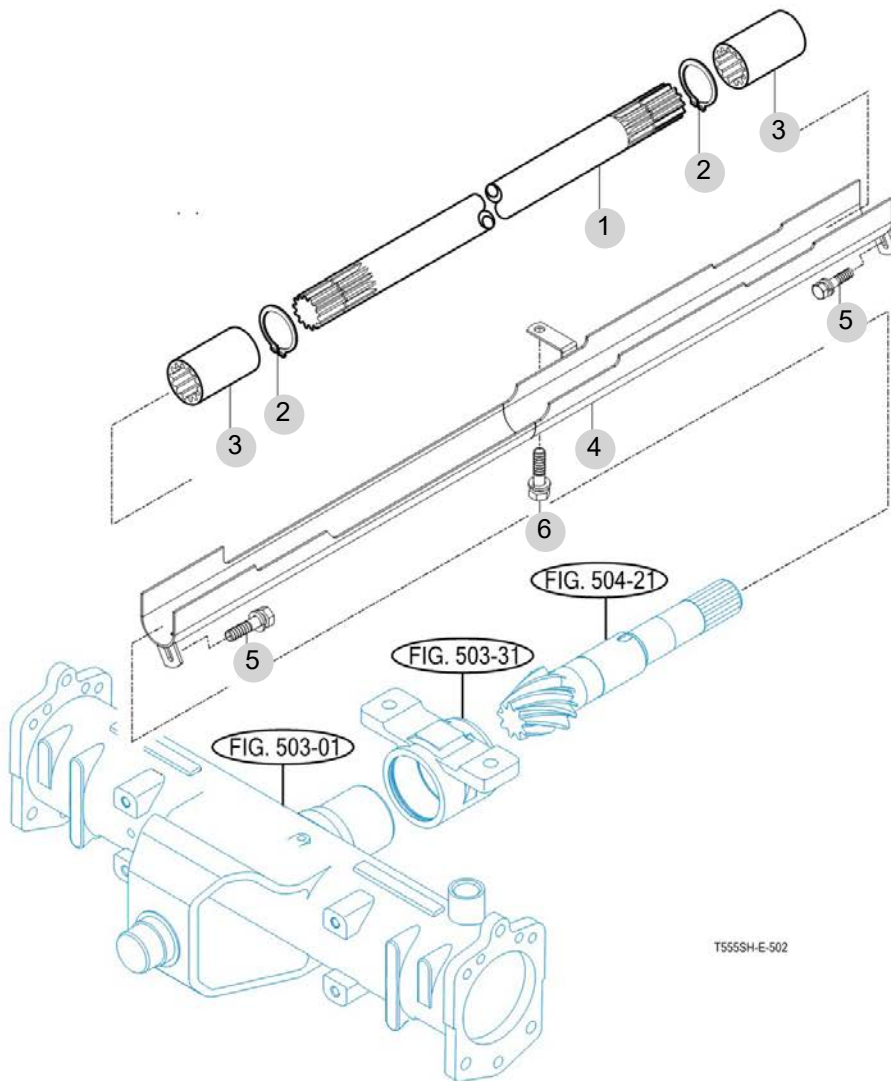
FIG 502

FRONT DRIVE SHAFT

년/월
Year/Month

2022-12

T495NCEU1



NOTE

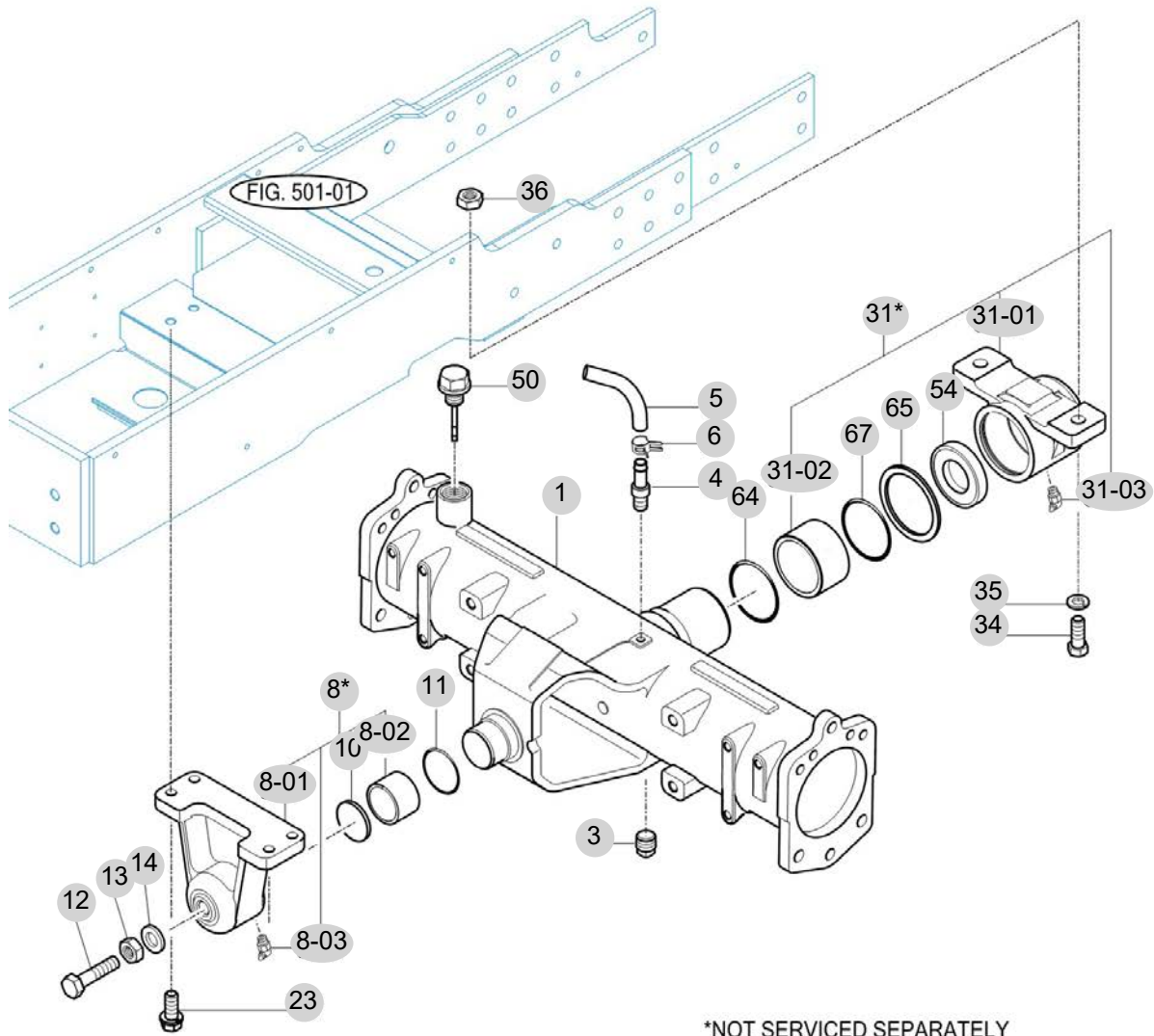
FIG 503

FRONT AXLE HOUSING

년/월
Year/Month

2022-12

T495NCEU1



T574494-U-503

NOTE

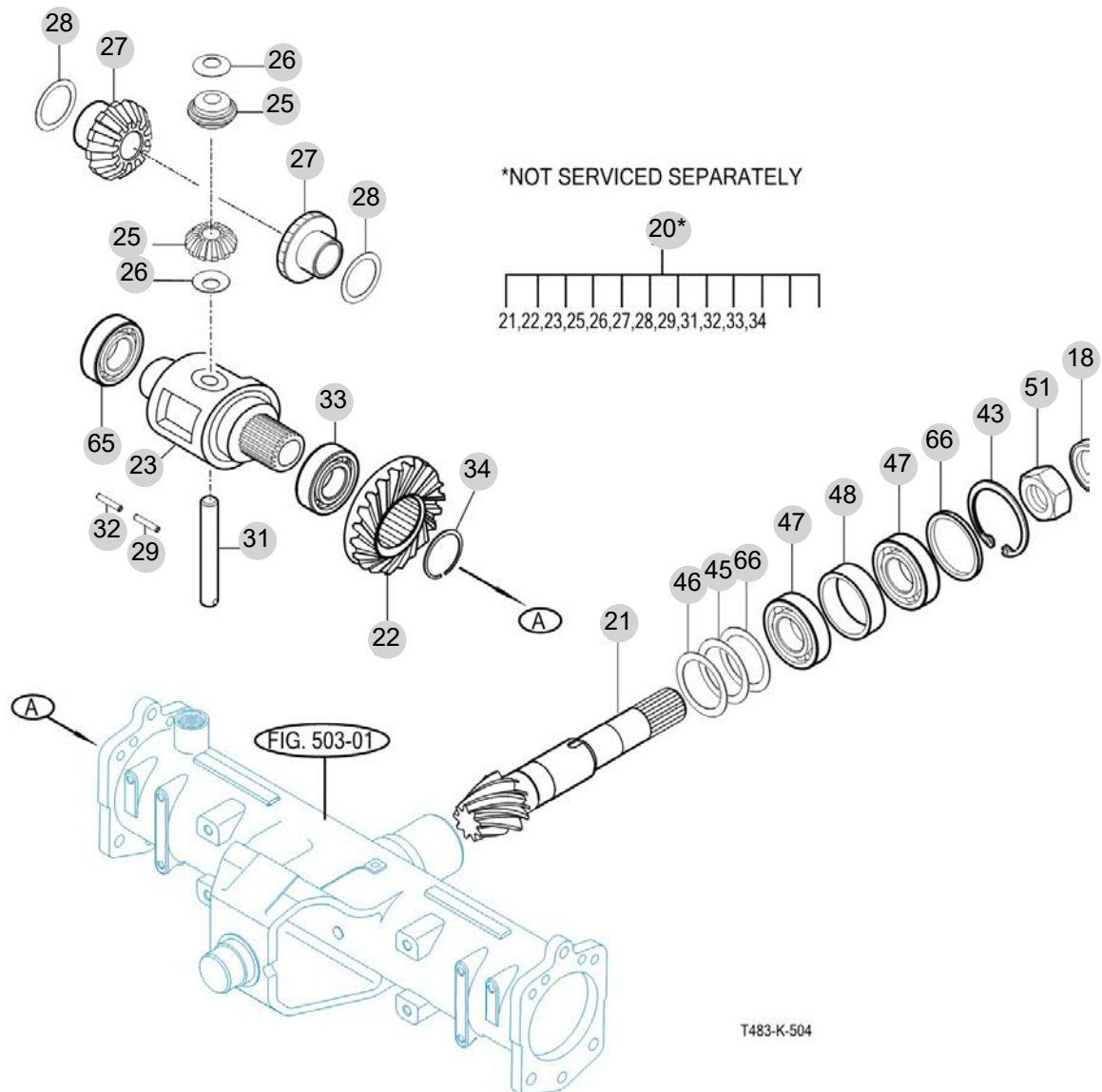
FIG 504

FRONT DIFFERENTIAL GEARS

년/월
Year/Month

2022-12

T495NCEU1



NOTE

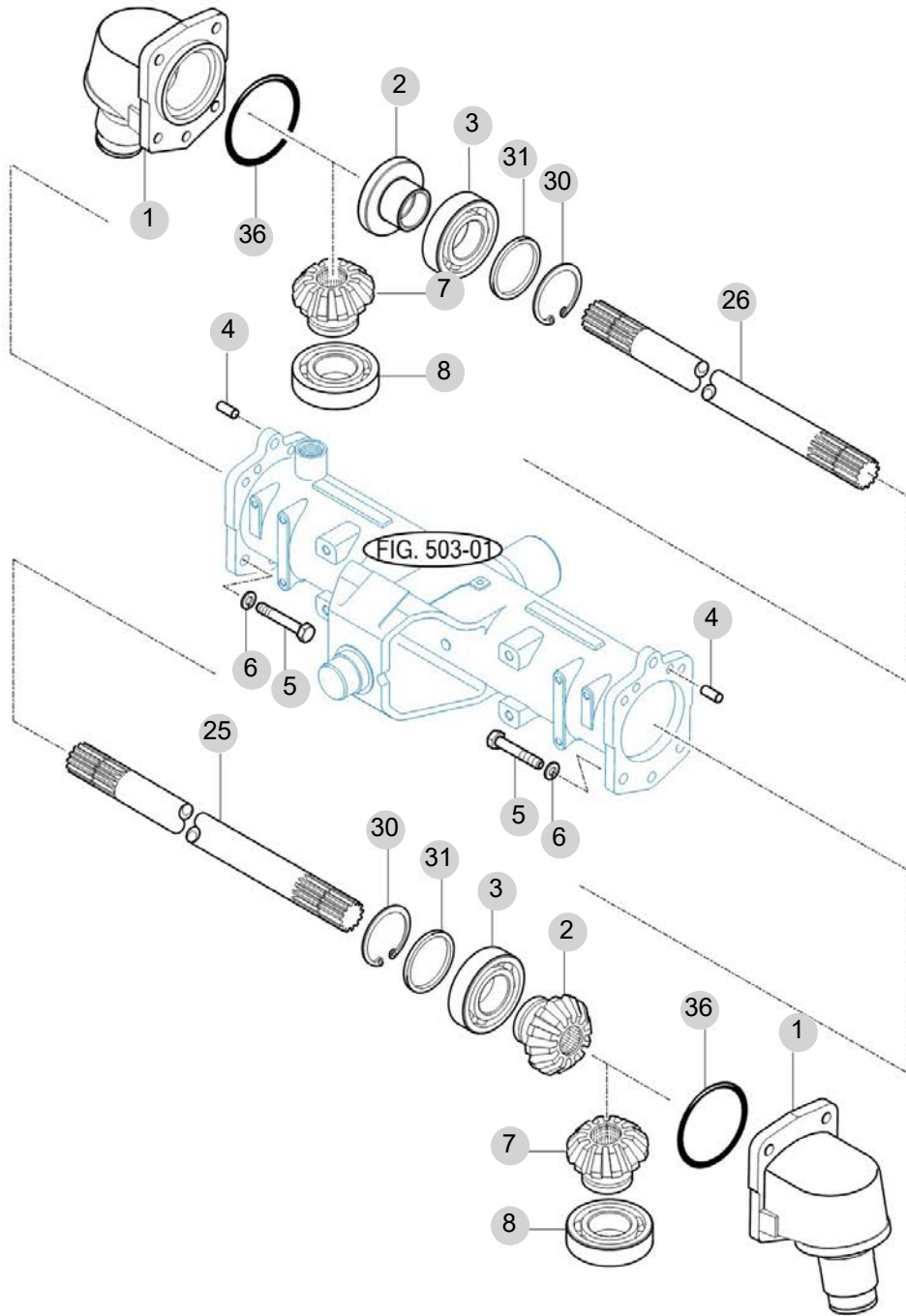
FIG 505

T495NCEU1

FRONT GEAR CASE (1)

년/월
Year/Month

2022-12



NOTE

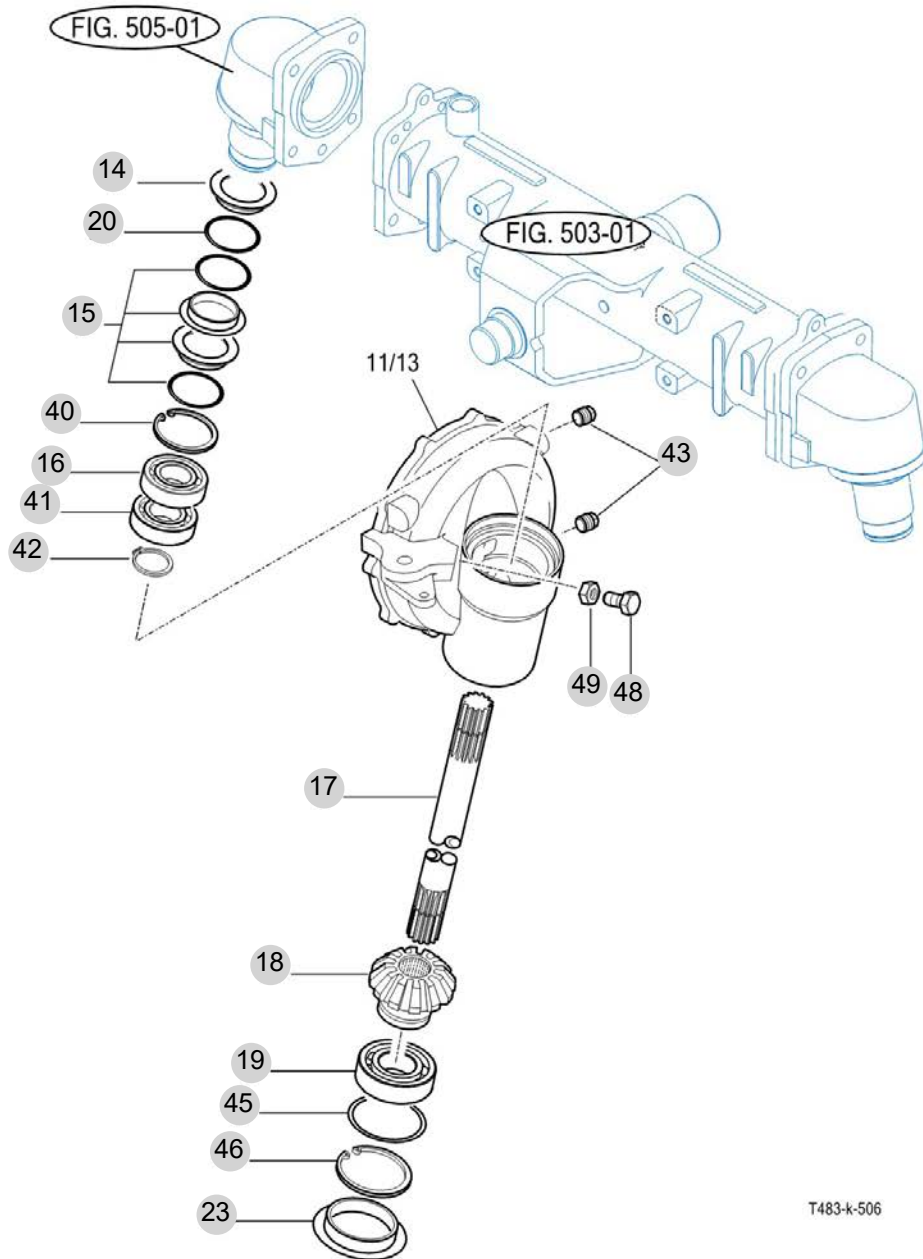
FIG 506

T495NCEU1

FRONT GEAR CASE (2)

년/월
Year/Month

2022-12



T483-k-506

NOTE

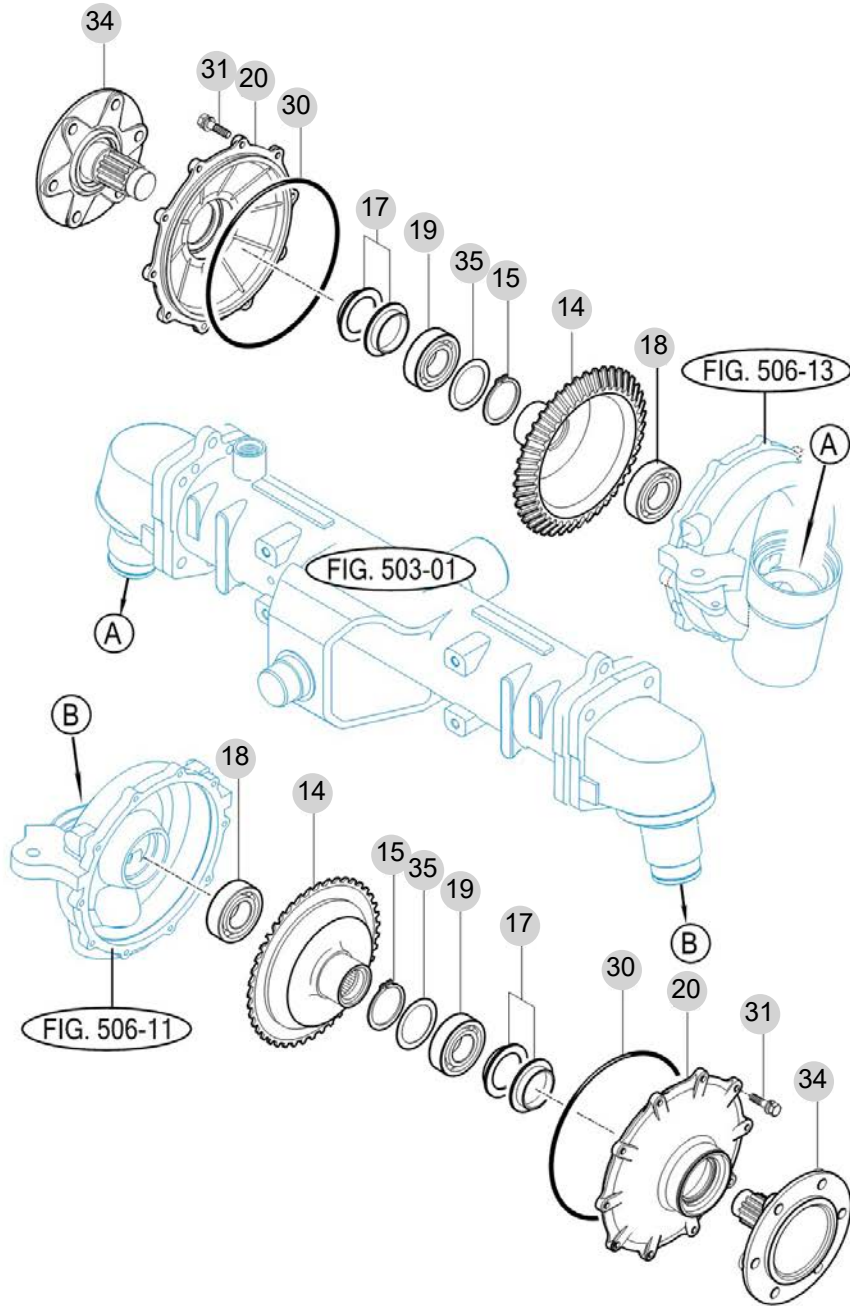
FIG 507

T495NCEU1

FRONT GEAR CASE (3)

년/월
Year/Month

2022-12



T483-k-507

NOTE

6. 유압/3점링크 PART NO. T6

FIG 601 CYLINDER CASE	186
FIG 602 LIFT ARM	188
FIG 603 CYLINDER	190
FIG 604 POSITION LINK	192
FIG 605 CONTROL VALVE	194
FIG 606 DRAFT LINK	196
FIG 607 POSITION & DRAFT LEVER (1)	198
FIG 607-2 POSITION & DRAFT LEVER (2)[SAP 가져오기]에서 생성함.	200
FIG 608 EXTERIOR HYD.VALVE	202
FIG 609 HYDRAULIC PIPE	204
FIG 610 JOYSTICK	206
FIG 612 HITCH & 3-POINT LINK	208
FIG 613 LOWER LINK & LIFT ROD	211

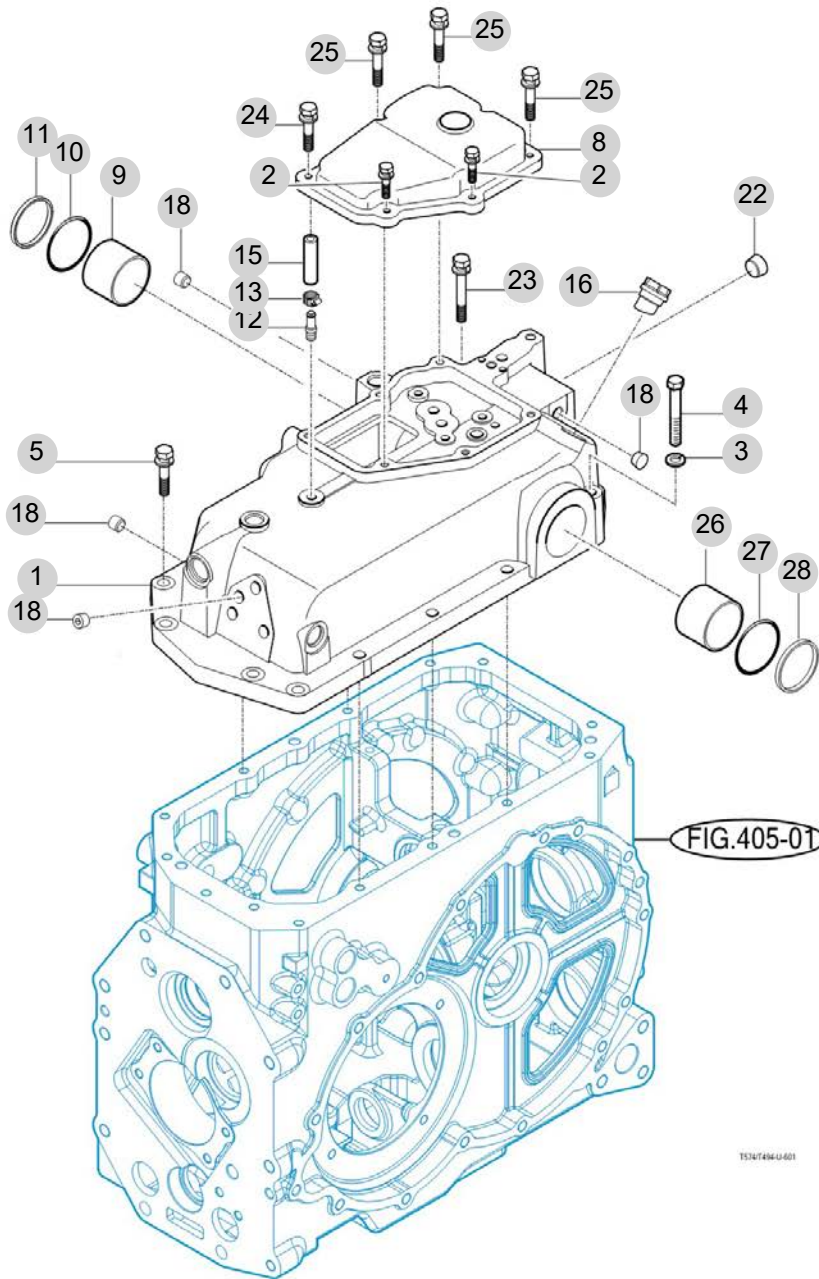
FIG 601

CYLINDER CASE

년/월
Year/Month

2022-12

T495NCEU1



NOTE

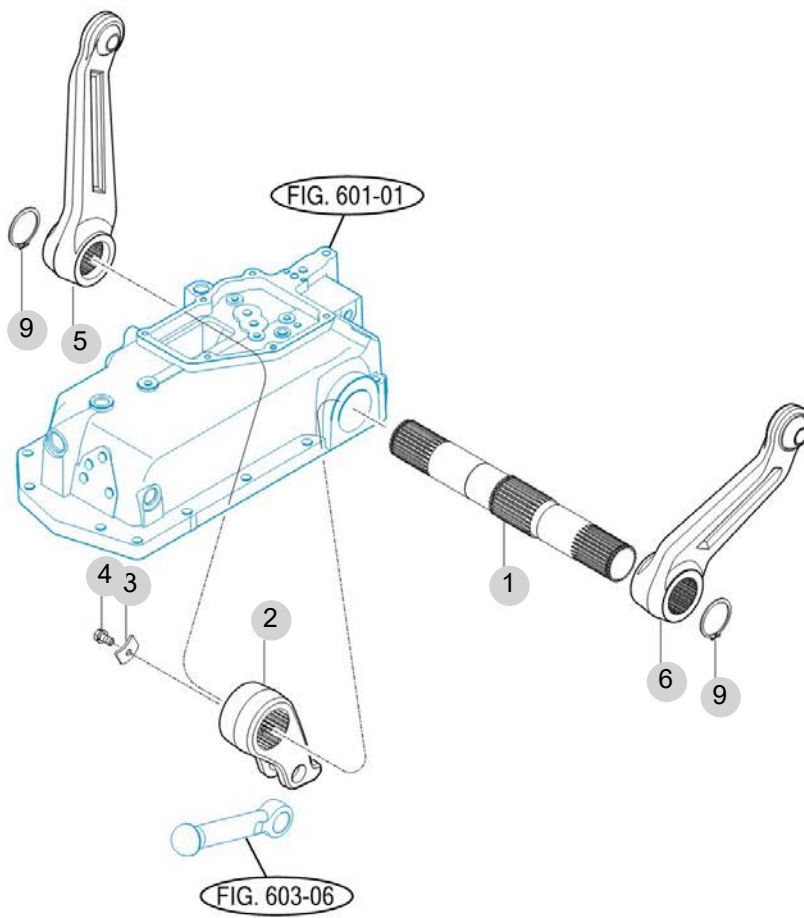
FIG 602

T495NCEU1

LIFT ARM

년/월
Year/Month

2022-12



T483-K-602

NOTE

FIG 602 T495NCEU1		LIFT ARM						년/월 Year/Month	
								2022-12	
KEY NO	PART NO	DESCRIPTION	SPEC	QTY	REPAIR	EFFECTIVE DATE	REMARKS		
602	1	17995020010M	바	1					
602	1	17995020011M	바	1					
602	2	17995020021M	크랭크(리프트)	1					
602	3	17995020030	고정판	1					
602	4	V2173608016	소형육각볼트보통(S)	M8X16	1				
602	5	17995020200M	암 리프트조합	1					
602	6	17995020200M	암 리프트조합	1					
602	9	V7041400480	C형멈춤링(축용)	48	2				
NOTE									

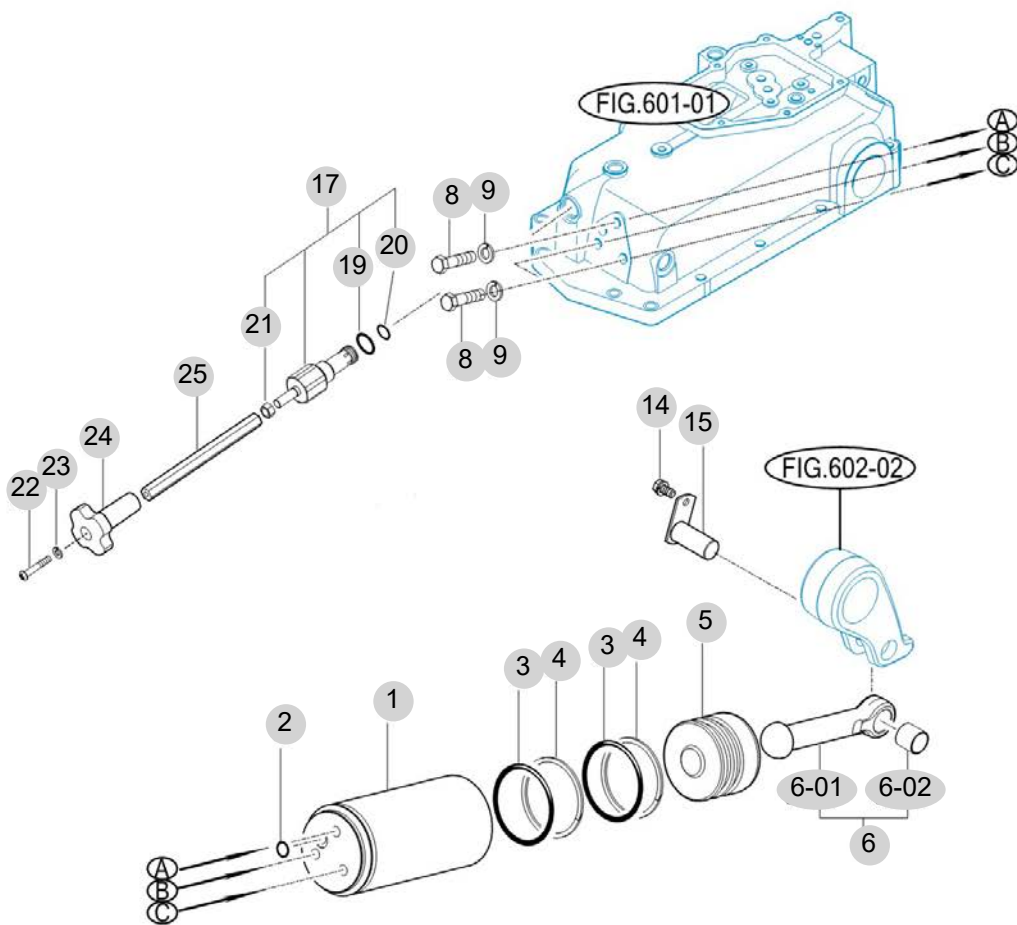
FIG 603

CYLINDER

년/월
Year/Month

2022-12

T495NCEU1



T483-K-603

NOTE

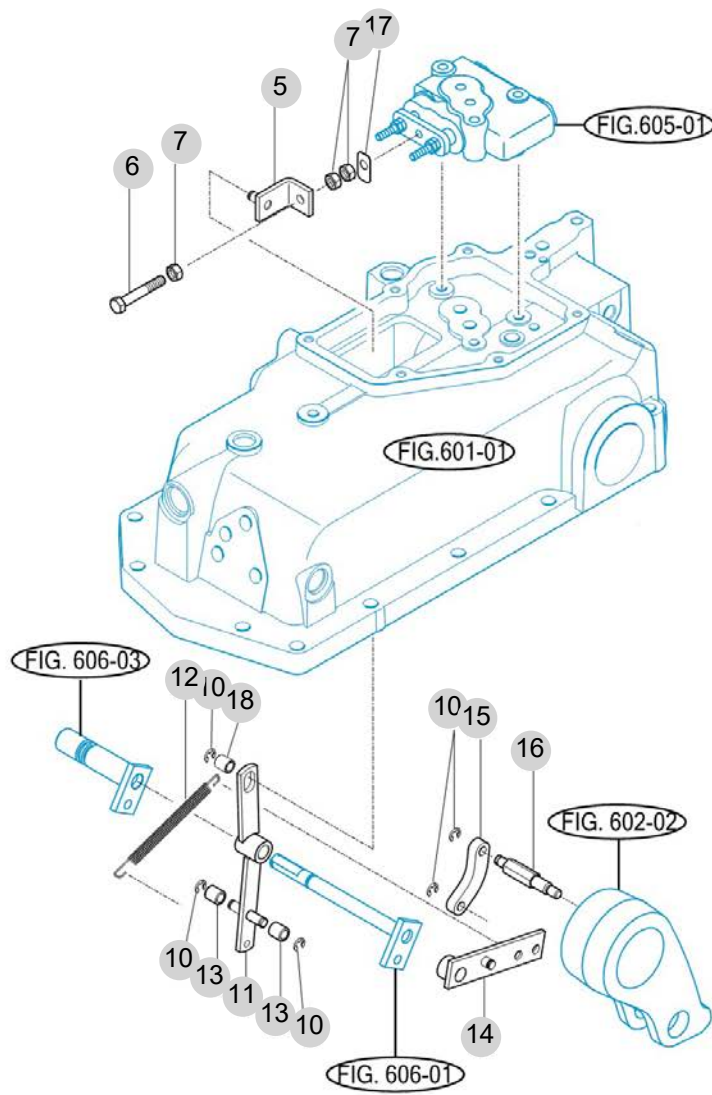
FIG 604

T495NCEU1

POSITION LINK

년/월
Year/Month

2022-12



T483-K-604

NOTE

FIG 604		POSITION LINK					년/월 Year/Month
T495NCEU1							2022-12
KEY NO	PART NO	DESCRIPTION	SPEC	QTY	REPAIR	EFFECTIVE DATE	REMARKS
604	5	17995040011	클레비스COMP				
604	6	V2013608050	소형육각볼트(보통)	M8X50			
604	7	V3043600080	소형육각너트보통2종	M8			
604	10	V7081400060	E형멈춤링	6			
604	11	17995041100	링크(벨브)COMP				
604	12	17995040121	스프링				
604	13	17995040130	로울러				
604	14	17995041400	암(링크)COMP				
604	15	17995040150	링크(크랭크리프트)				
604	16	17995040160	핀(링크)				
604	17	17995040170	록와셔				
604	18	17995040131	로울러				
NOTE							

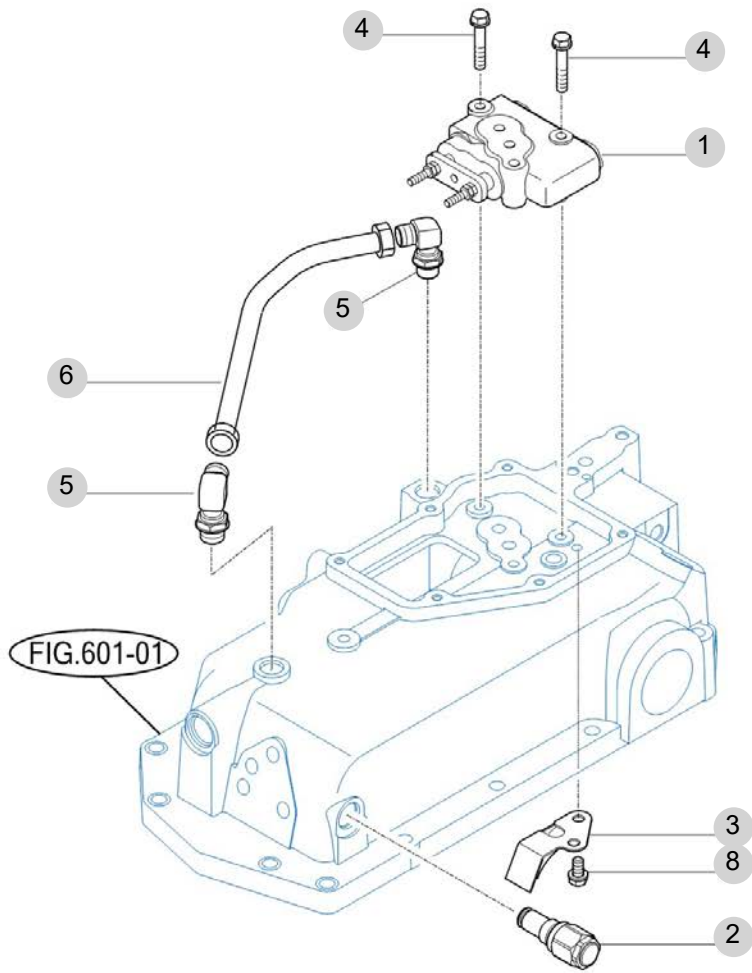
FIG 605

CONTROL VALVE

년/월
Year/Month

2022-12

T495NCEU1



T483-K-605

NOTE

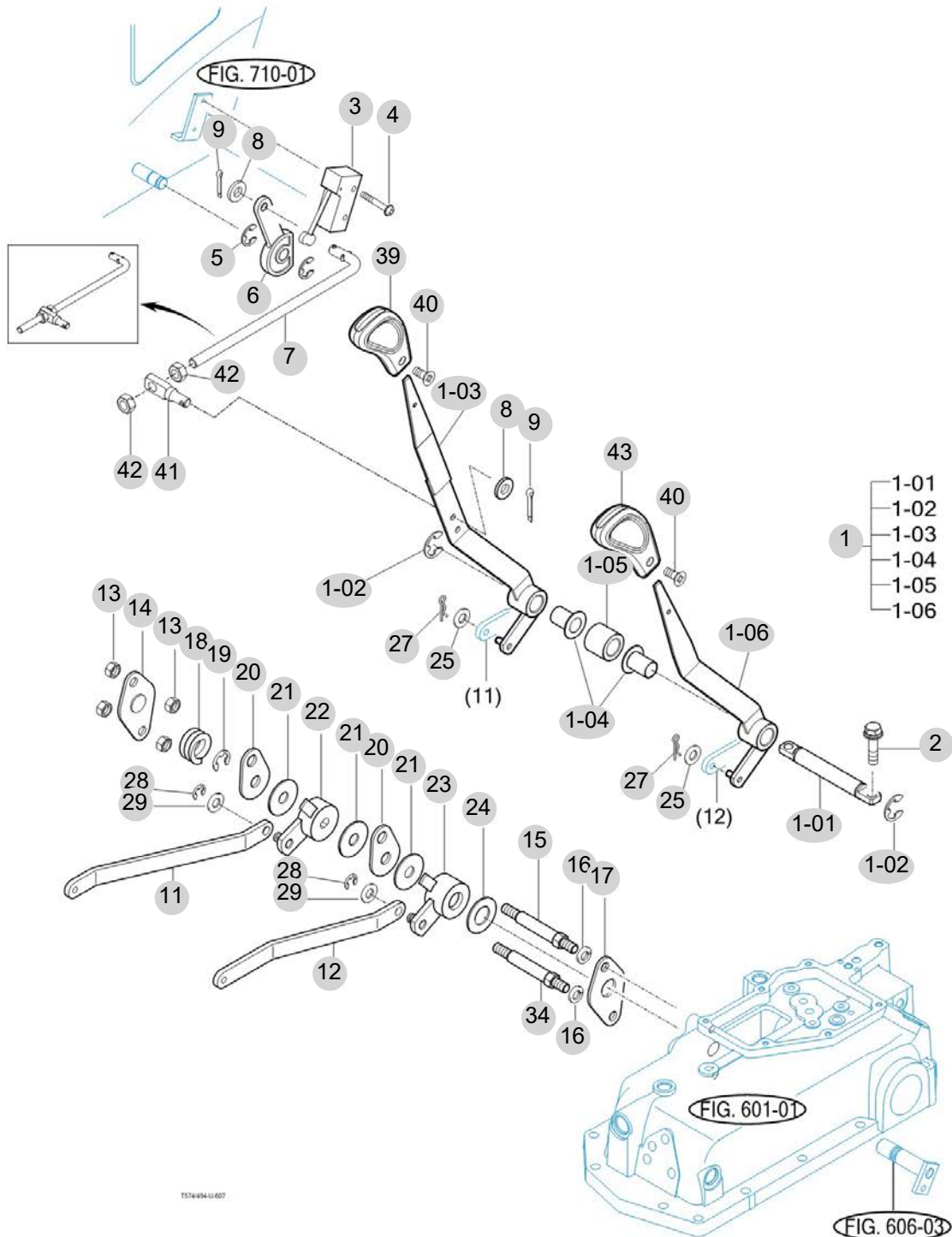
FIG 607

POSITION & DRAFT LEVER (1)

년/월
Year/Month

2022-12

T495NCEU1



NOTE

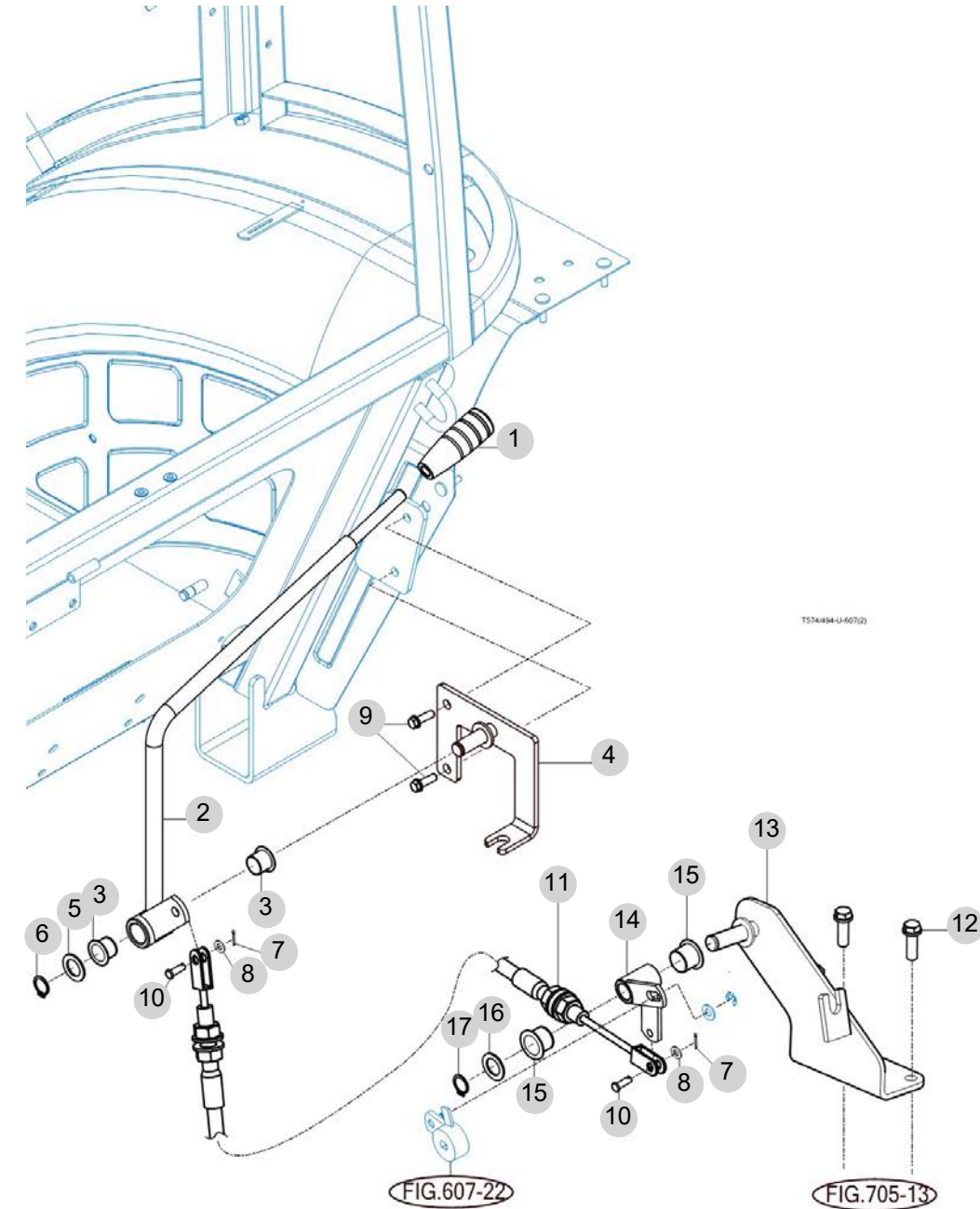
FIG 607		POSITION & DRAFT LEVER (1)					년/월 Year/Month	
T495NCEU1							2022-12	
KEY NO	PART NO	DESCRIPTION	SPEC	QTY	REPAIR	EFFECTIVE DATE	REMARKS	
607	1	13877092100	레버서브, 포지션/드래프트		1			
607	1-01	14527092110	샤프트	D=16	1			
607	1-02	V7081400150	E형멈춤링	15	2			
607	1-03	13877092200GB	레버 COMP 포지션		1			
607	1-04	14527092120	부시, 나이론/16X18X27		2			
607	1-05	14527092251	칼라(스페이스)		1			
607	1-06	13877092300GB	레버 COMP , 드래프트		1			
607	2	V2183608020	소형육각볼트보통(SP)	M8X20	2			
607	3	16606742301	스위치(리미트)ASSY		1			
607	4	V1222604025	심자흡냄비작은나사(SP)	M4X25	2			
607	5	V7081400080	E형멈춤링	8	2			
607	6	14527090020	캠, 센서		1			
607	7	19997090010	로드, 스위치	D=6	1			
607	8	V4111600060	평와셔	M6	2			
607	9	V5001920020	분할핀	2X20	2			
607	11	14525070121	플레이트(포지션)	19X6T	1			
607	12	14525070141	플레이트(드래프트)	19X6T	1			
607	13	V3043600100	소형육각너트보통2종	M10	4			
607	14	17995070140	플레이트(C)	3.2T	1			
607	15	17995070150	지지볼트	H14X108.9	1			
607	16	V4011600100	스프링와셔	M10	2			
607	17	17995070170	플레이트(D)	3.2T	1			
607	18	17995070180	스프링		1			
607	19	V7081400120	E형멈춤링	12	1			
607	20	17995070200	플레이트(A)	3.2T	2			
607	21	17995070211	마찰판(소)		3			
607	21	13835070210	마찰판(소)		3			
607	22	14525070221	암(포지션레버)COMP		1			
607	23	14525070230	암COMP(드래프트 레버)		1			
607	24	17995070241	마찰대(대)	21X40X2T	1			
607	24	13835070220	마찰대(대)		1			
607	25	V4111600060	평와셔	M6	2			
607	27	21306010180	헤어핀(6)		2			
607	28	V7081400080	E형멈춤링	8	2			
607	29	V4111600100	평와셔	M10	2			
607	34	17995070340	지지볼트		1			
607	39	13877553400	손잡이 , 포지션레버		1			
607	40	V1122605012	심자흡접시작은나사	M5X12	2			
607	41	19997090210	핀 , 포지션로드		1			
607	42	V3002600060	육각너트보통1종	M6	2			
607	43	13877553500	손잡이 , 드래프트 레버		1			
NOTE								

FIG 607-2

POSITION & DRAFT LEVER (2)[SAP 가져오기]
에서 생성함.

년/월
Year/Month

2022-12



NOTE

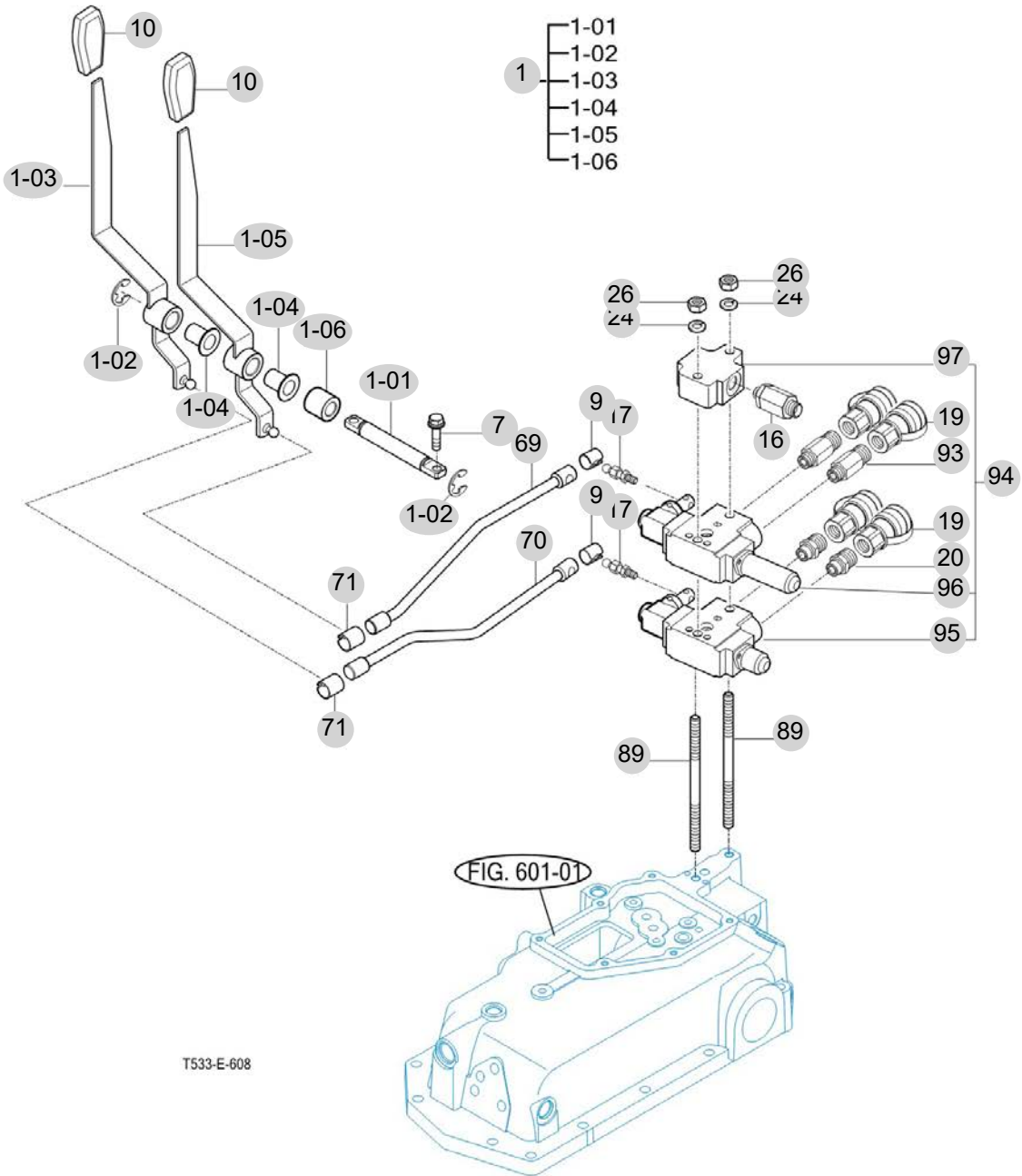
FIG 608

EXTERIOR HYD.VALVE

년/월
Year/Month

2022-12

T495NCEU1



NOTE

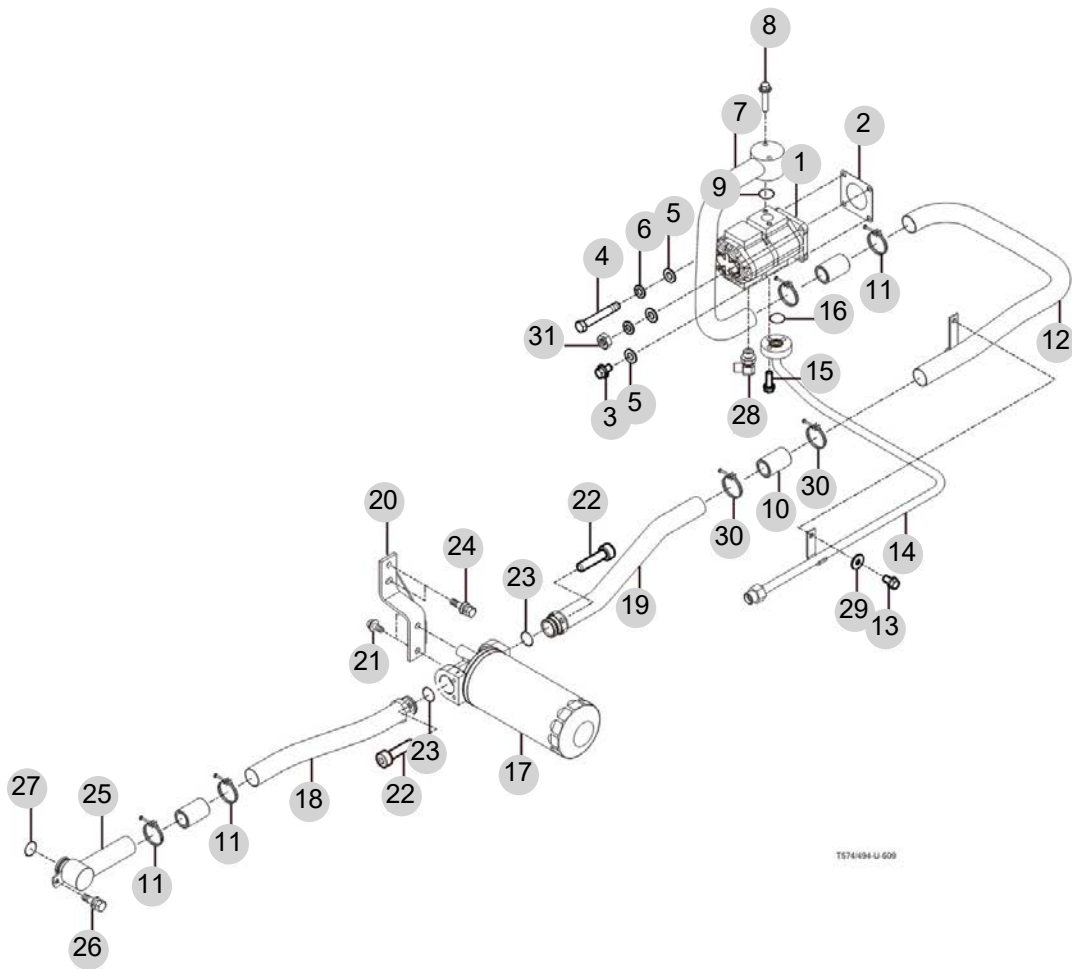
FIG 609

HYDRAULIC PIPE

년/월
Year/Month

2022-12

T495NCEU1



T574694 U 609

NOTE

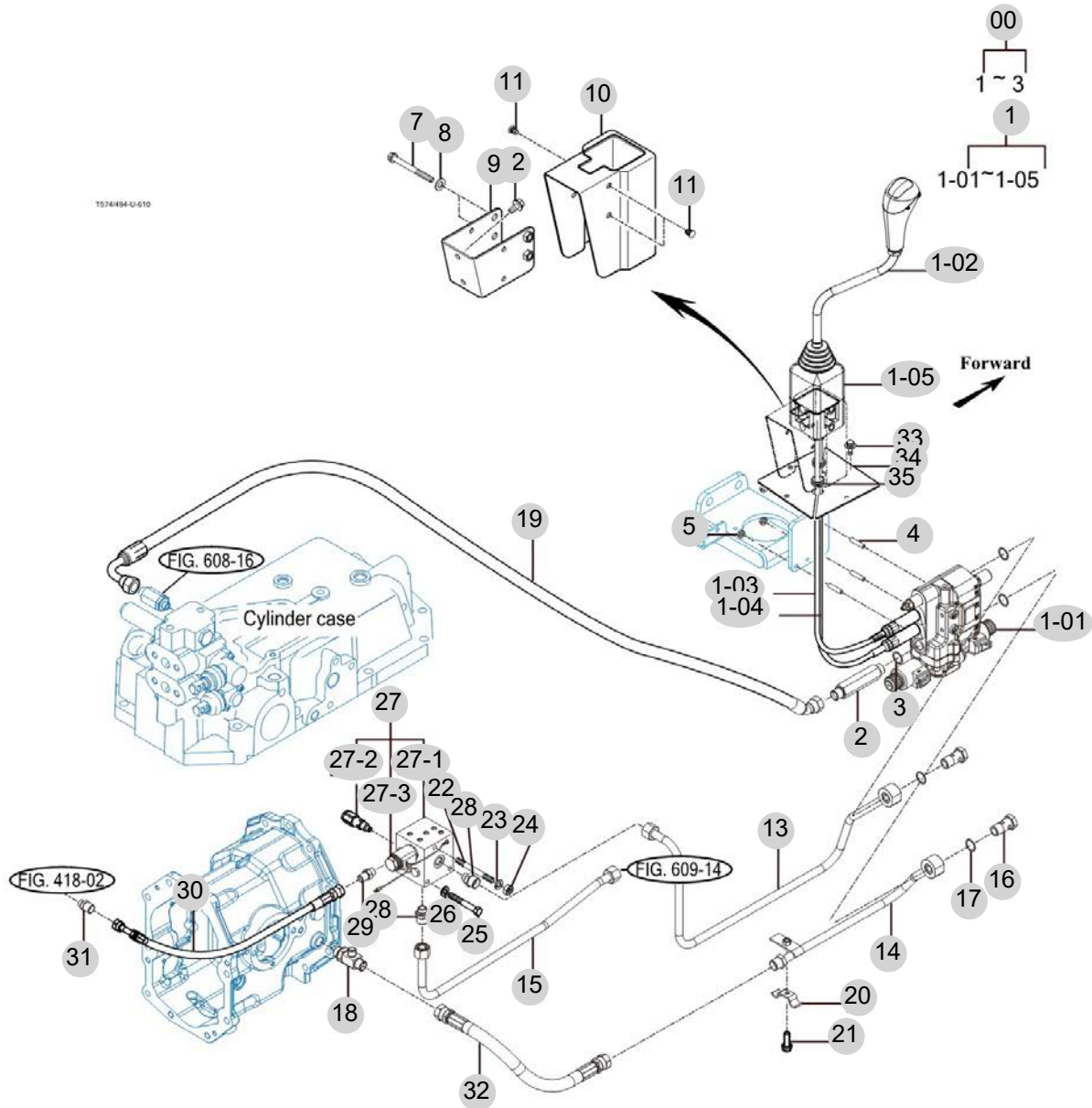
FIG 610

JOYSTICK

년/월
Year/Month

2022-12

T495NCEU1



NOTE

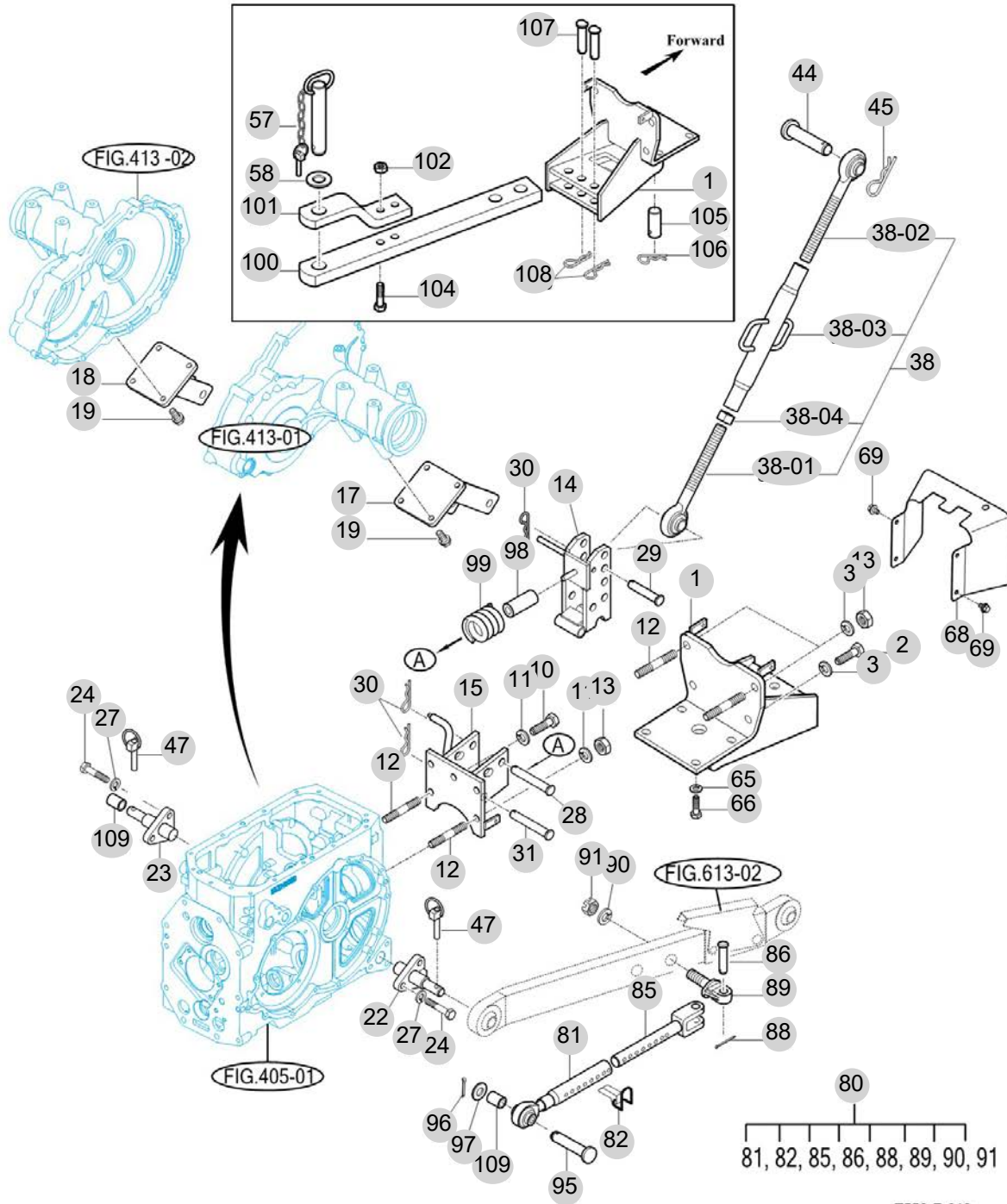
FIG 612

HITCH & 3-POINT LINK

년/월
Year/Month

2022-12

T495NCEU1



T553-E-612

NOTE

FIG 612		HITCH & 3-POINT LINK					년/월	
							Year/Month	
T495NCEU1		2022-12						
KEY NO	PART NO	DESCRIPTION	SPEC	QTY	REPAIR	EFFECTIVE DATE	REMARKS	
612	1	15535202001GB	스윙드로바 브래킷, COMP			1		
612	1	15535202002GB	스윙드로바 브래킷, COMP			1		
612	1	15535202003GB	스윙드로바 브래킷, COMP			1		
612	1	15175202003GB	브래킷COMP, 스윙드로바			1		
612	2	V2013616035	소형육각볼트(보통)	M16X35		2		
612	3	V4011600160	스프링와셔	M16		4		
612	10	V2013616035	소형육각볼트(보통)	M16X35		3		
612	11	V4011600160	스프링와셔	M16		5		
612	12	V2513416035	스터드볼트2종	M16X35		4		
612	13	V3043600160	소형육각너트보통2종	M16		4		
612	14	16735222102GB	링크 COMP			1		
612	15	15185222000GB	브래킷 COMP			1		
612	17	14525254100GB	브래킷(후)COMP			1		
612	18	14525254100GB	브래킷(후)COMP			1		
612	19	V2173612030	소형육각볼트보통(S)	M12X30		8		
612	22	15685252204	핀(L) COMP			1		
612	23	15685252801	핀(R) COMP			1		
612	24	V2013614040	소형육각볼트(보통)	M14X40		6		
612	27	V4011600140	스프링와셔	M14		6		
612	28	15645250010	핀(19X122)			1		
612	29	15645220020	핀(19X95)			1		
612	30	14445140051	헤어핀(19)			3		
612	31	15645250010	핀(19X122)			1		
612	38	16505245501GB	톱링크ASSY			1		
612	38	16505245502GB	톱링크 ASSY			1		
612	38-01	16505245510	톱링크COMP(RH)			1		
612	38-02	16505245520	톱링크COMP(LH)			1		
612	38-03	14555140251	턴버클 조합(톱링크)			1		
612	38-04	16505245530	육각너트			1		
612	44	15645220011	핀(19X86)			1		
612	45	14445140051	헤어핀(19)			1		
612	47	14215020020	링크핀			2		
612	57	S0973063031	핀ASSY			1		
612	58	15252470010	쿠션고무			1		
612	65	V4011600140	스프링와셔	M14		4		
612	66	V2013614035	소형육각볼트(보통)	M14X35		4		
612	68	13605200012GB	커버(씰드)			1		
612	69	V2183608016	소형육각볼트보통(SP)			4		
612	80	15155253000GB	조정링크(완)ASSY			2		
612	81	15155253100	로드 SUB, FR			2		
612	82	17705254200	린치핀			2		
612	85	15155253300	로드 SUB, RR			2		
612	86	15155253400	핀, ø20X59			2		
612	88	V5001940035	분할핀	4.0X35		2		
612	89	15155253500	아이볼트			2		
NOTE								

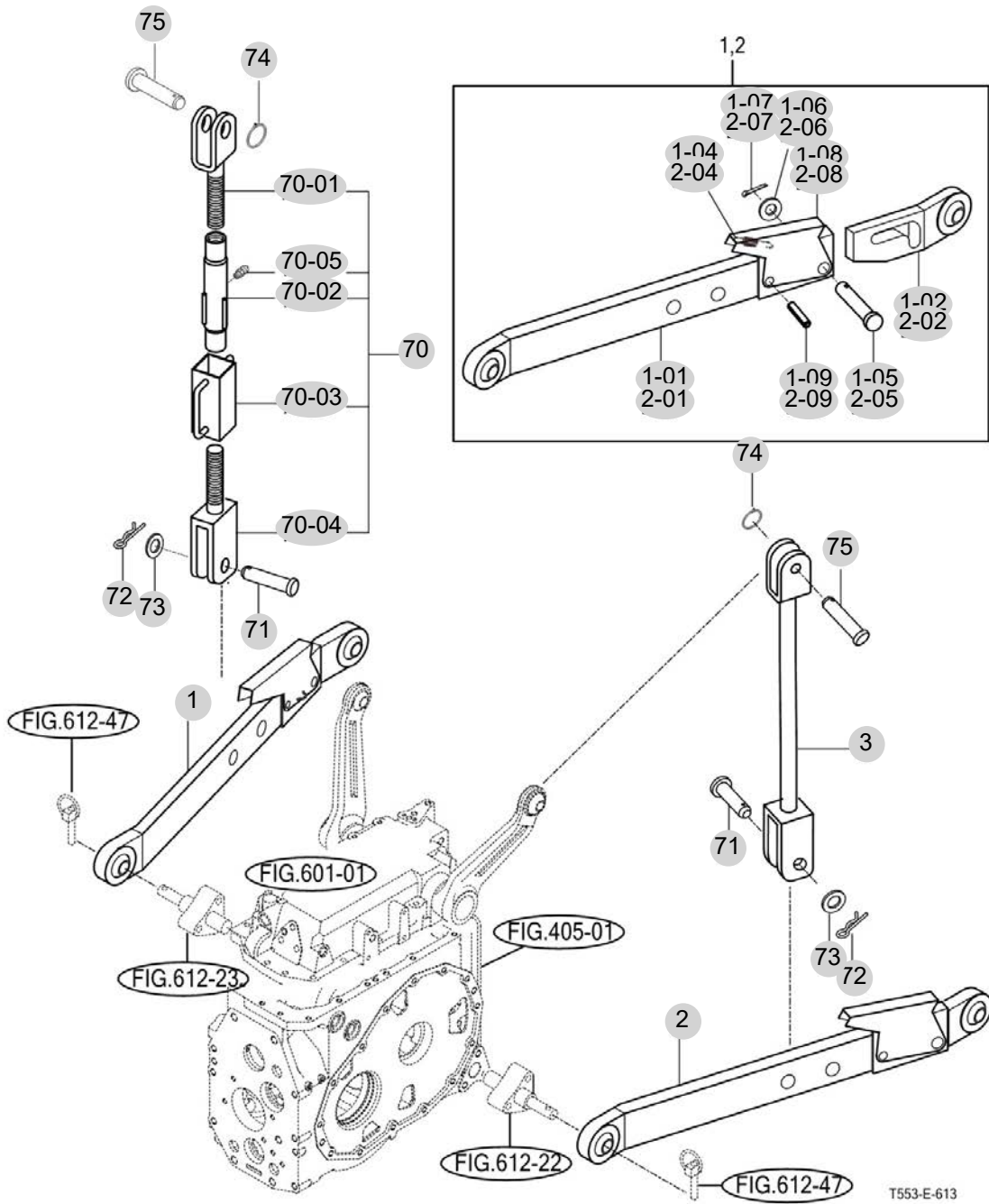
FIG 613

LOWER LINK & LIFT ROD

년/월
Year/Month

2022-12

T495NCEU1



NOTE

7. 시트메탈/캐빈 PART NO. T7

FIG 701 BONNET FRAME	214
FIG 702A BONNET (1)	216
FIG 702B BONNET (2)	218
FIG 703 EXTENSION COVER	220
FIG 704B LEVER COVER & STEP-Non CAB	222
FIG 705 FRONT & REAR MOUNTING	224
FIG 706 SEAT & MAT	226
FIG 710B FRAME&2POLES ROPS-Non CAB	228
FIG 713B SUB FENDER&COVER-Non CAB	230
FIG 714B MIRROR&WORKING LAMP-Non CAB	232
FIG 718 CABIN INTERIOR	234

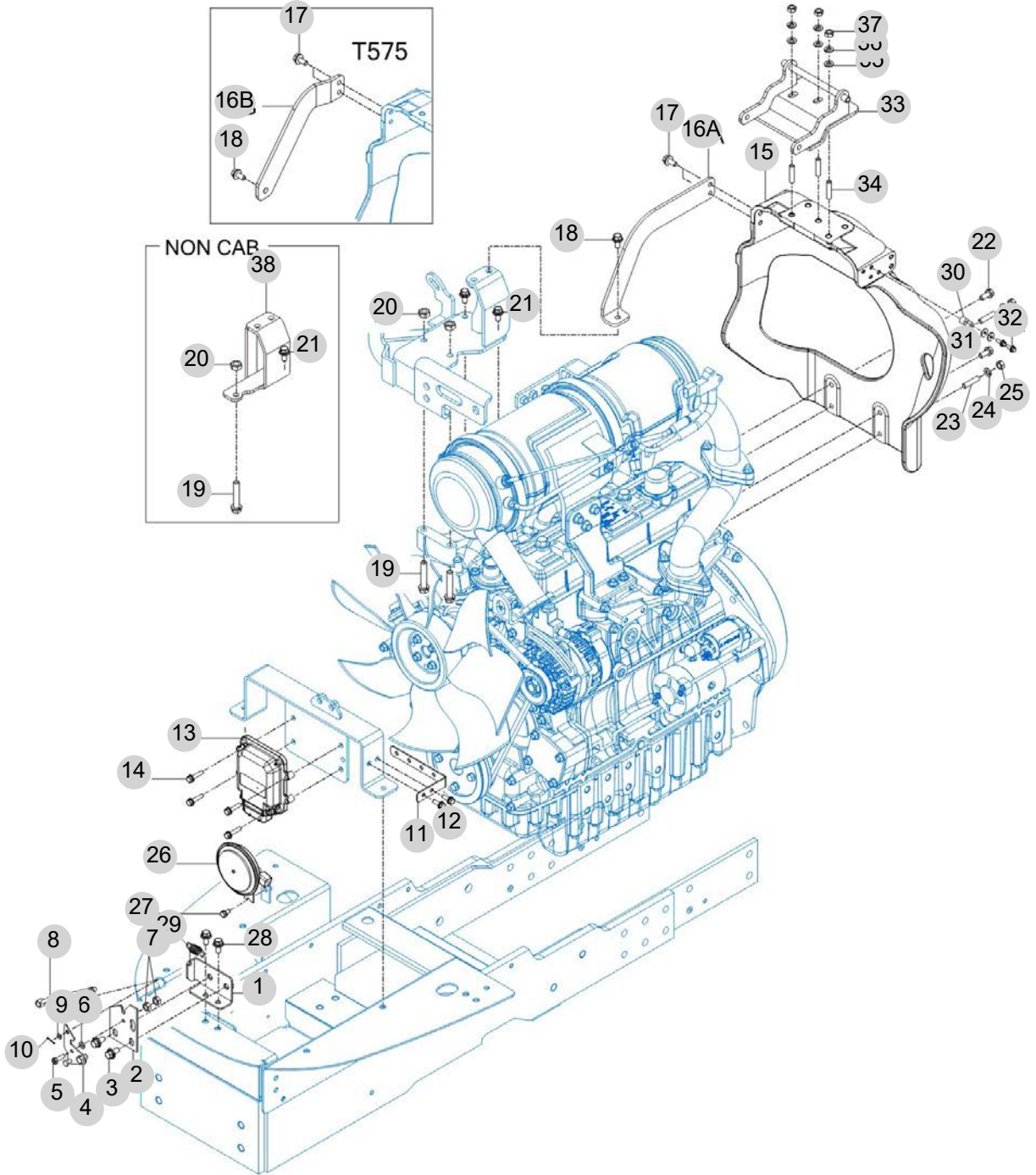
FIG 701

BONNET FRAME

년/월
Year/Month

2022-12

T495NCEU1



NOTE

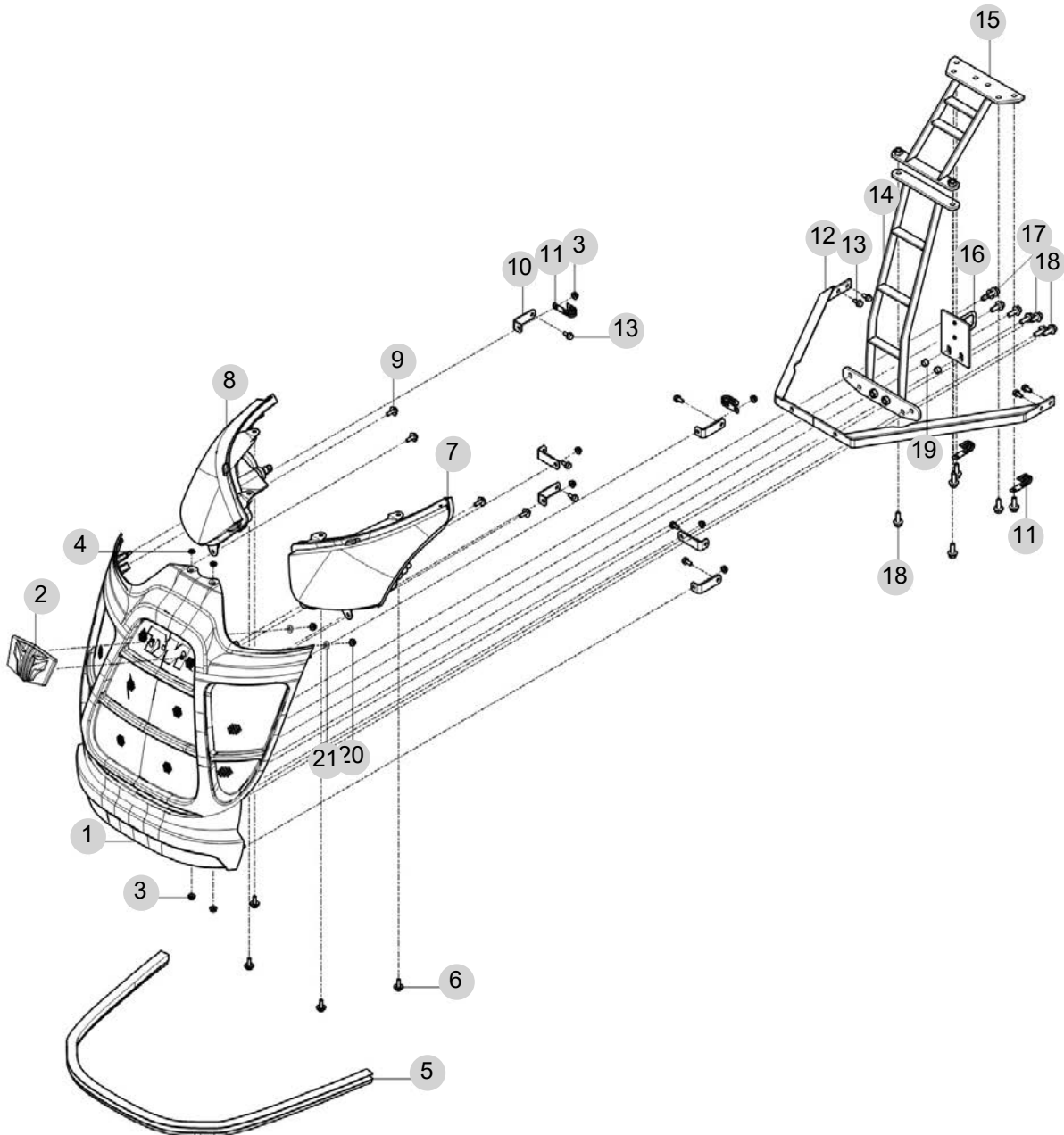
FIG 702A

T495NCEU1

BONNET (1)

년/월
Year/Month

2022-12



NOTE

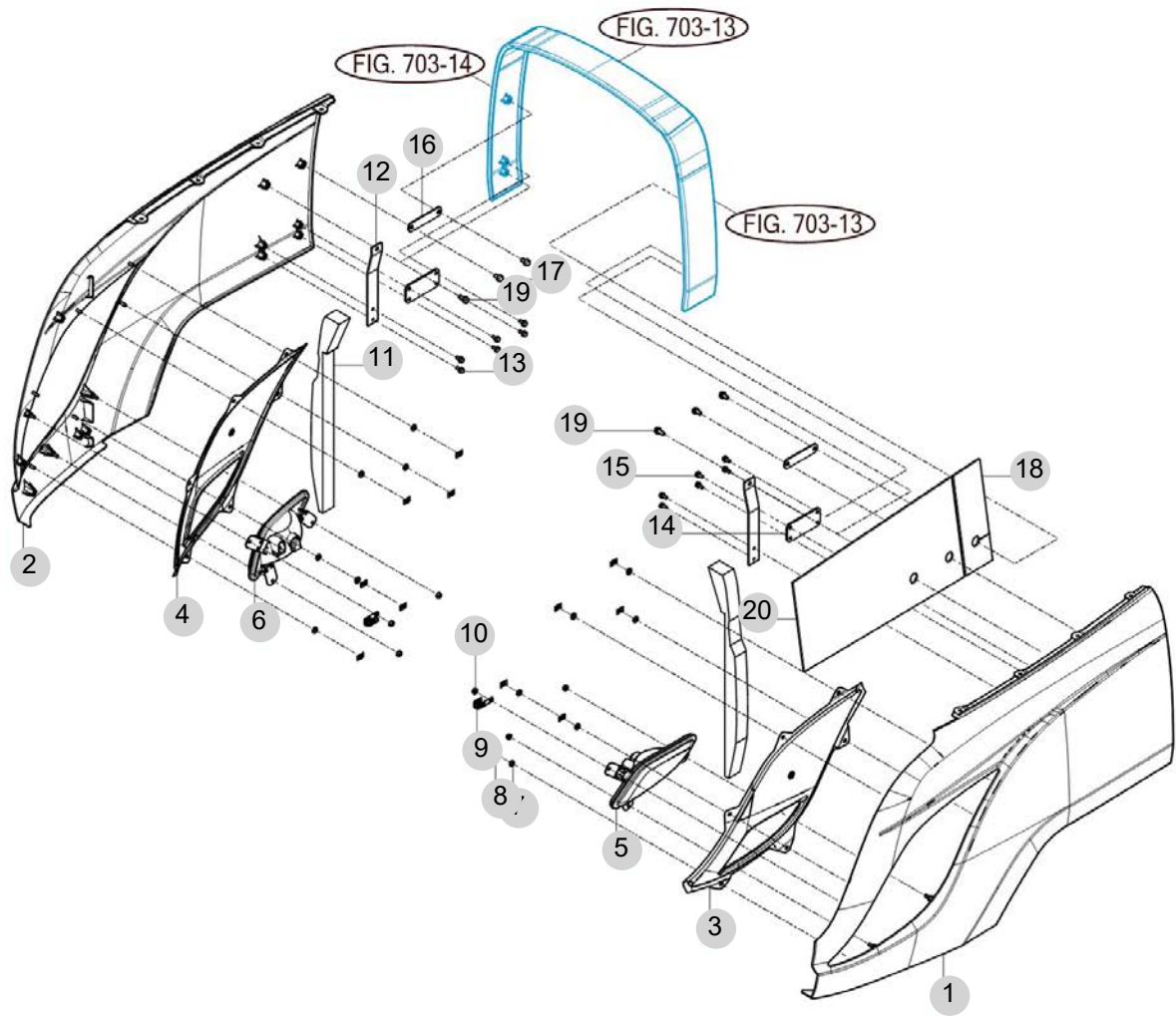
FIG 702B

T495NCEU1

BONNET (2)

년/월
Year/Month

2022-12



NOTE

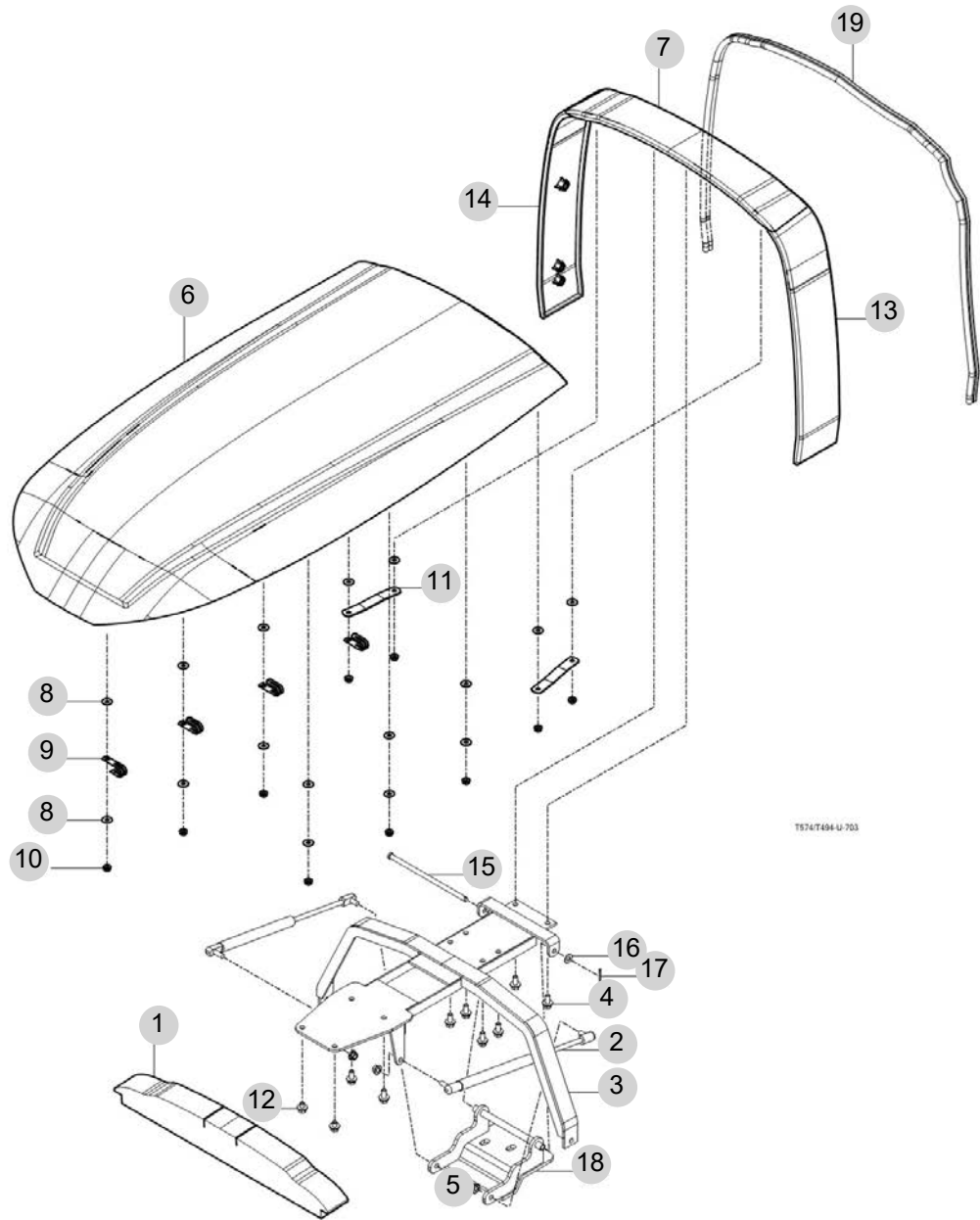
FIG 703

EXTENSION COVER

년/월
Year/Month

2022-12

T495NCEU1



NOTE

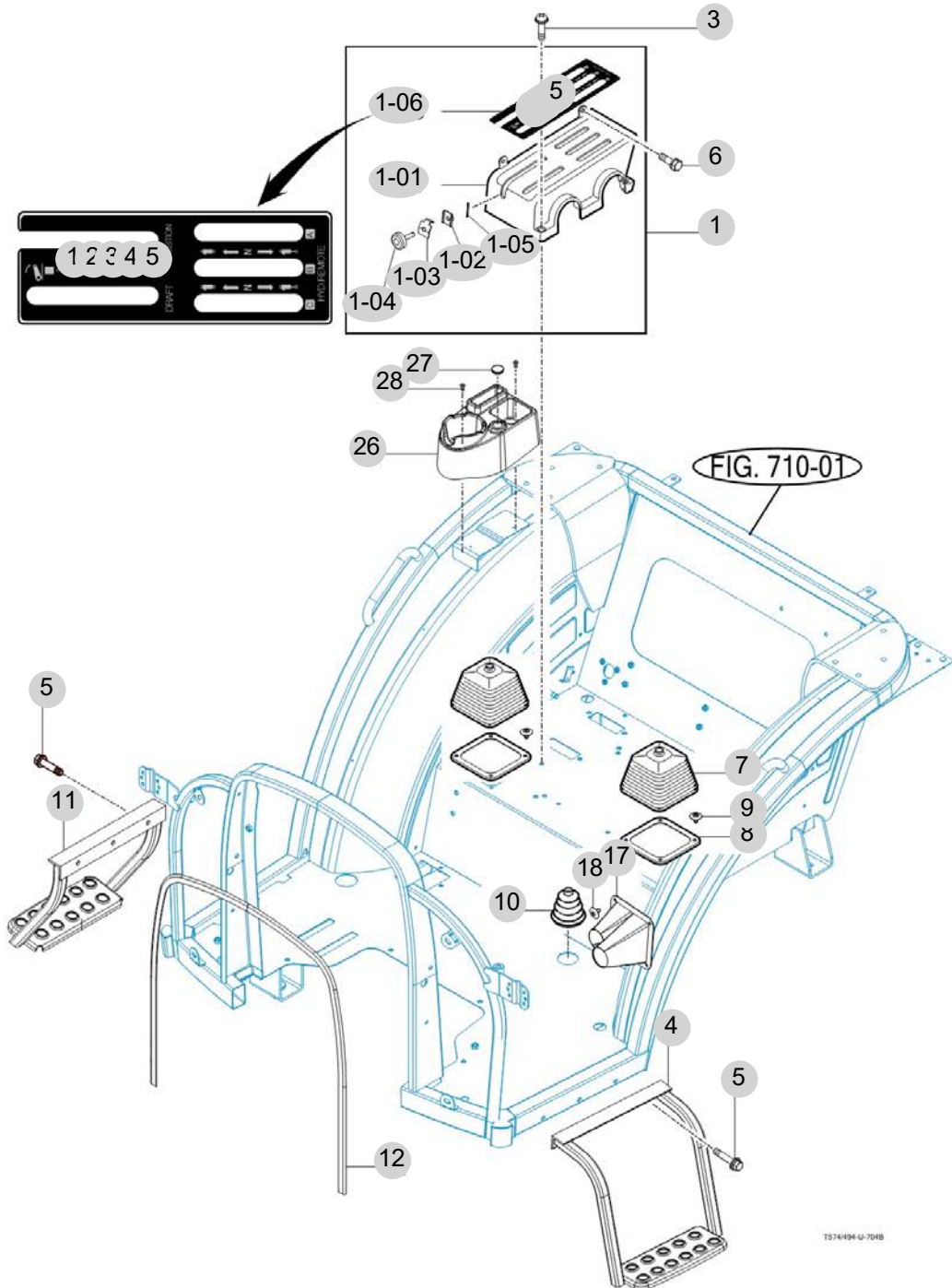
FIG 704B

T495NCEU1

LEVER COVER & STEP-Non CAB

년/월
Year/Month

2022-12



NOTE

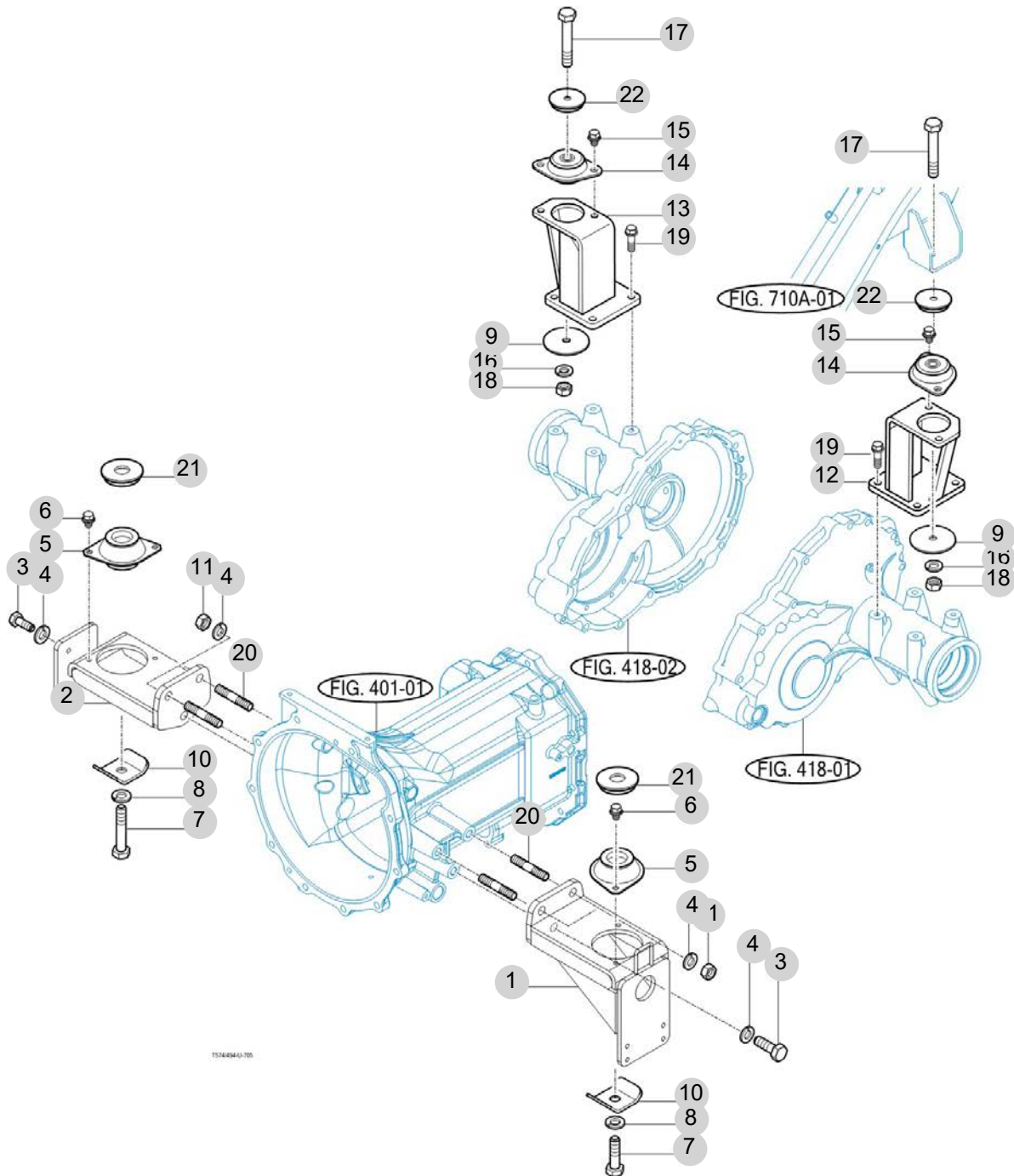
FIG 705

FRONT & REAR MOUNTING

년/월
Year/Month

2022-12

T495NCEU1



NOTE

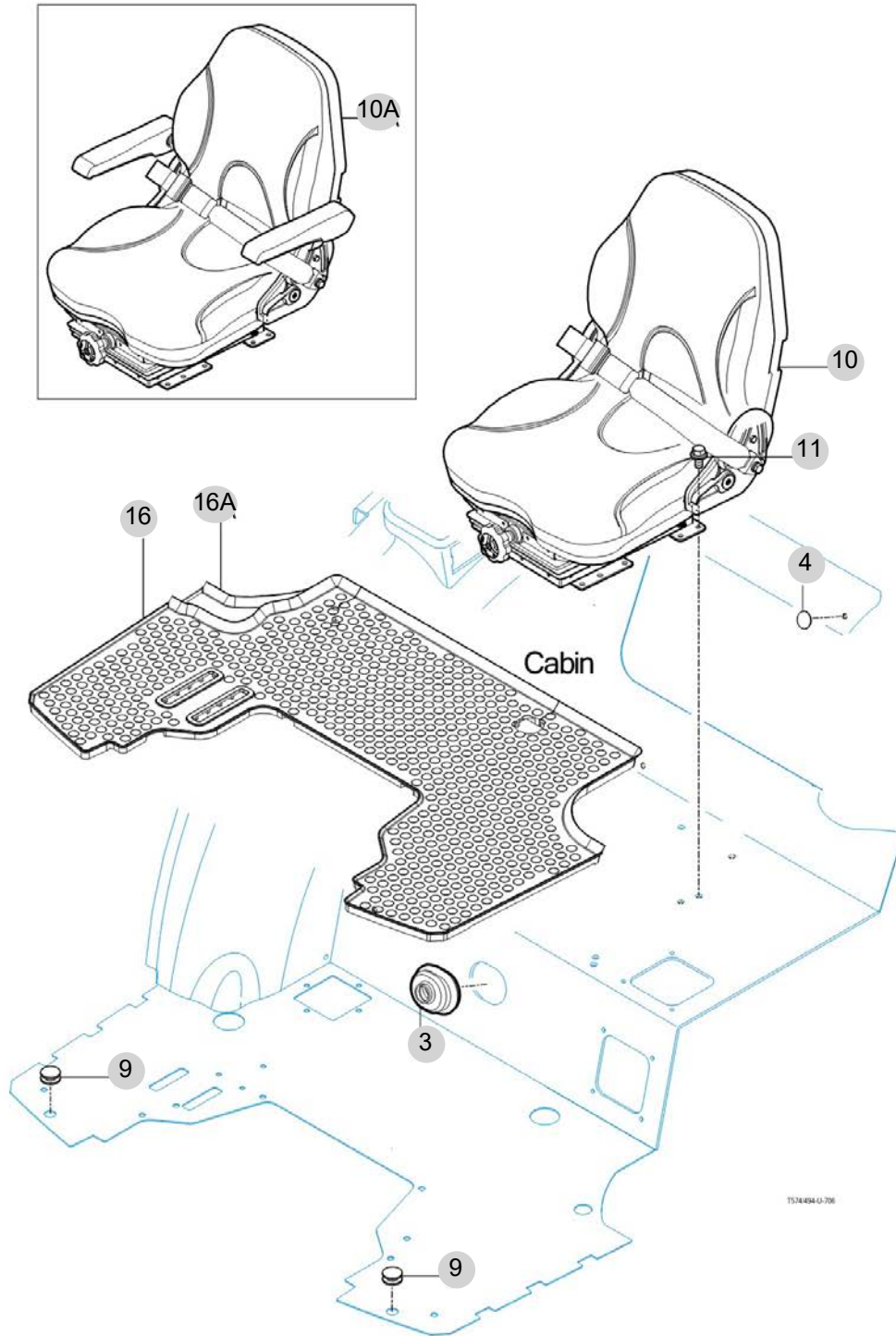
FIG 706

SEAT & MAT

년/월
Year/Month

2022-12

T495NCEU1



NOTE

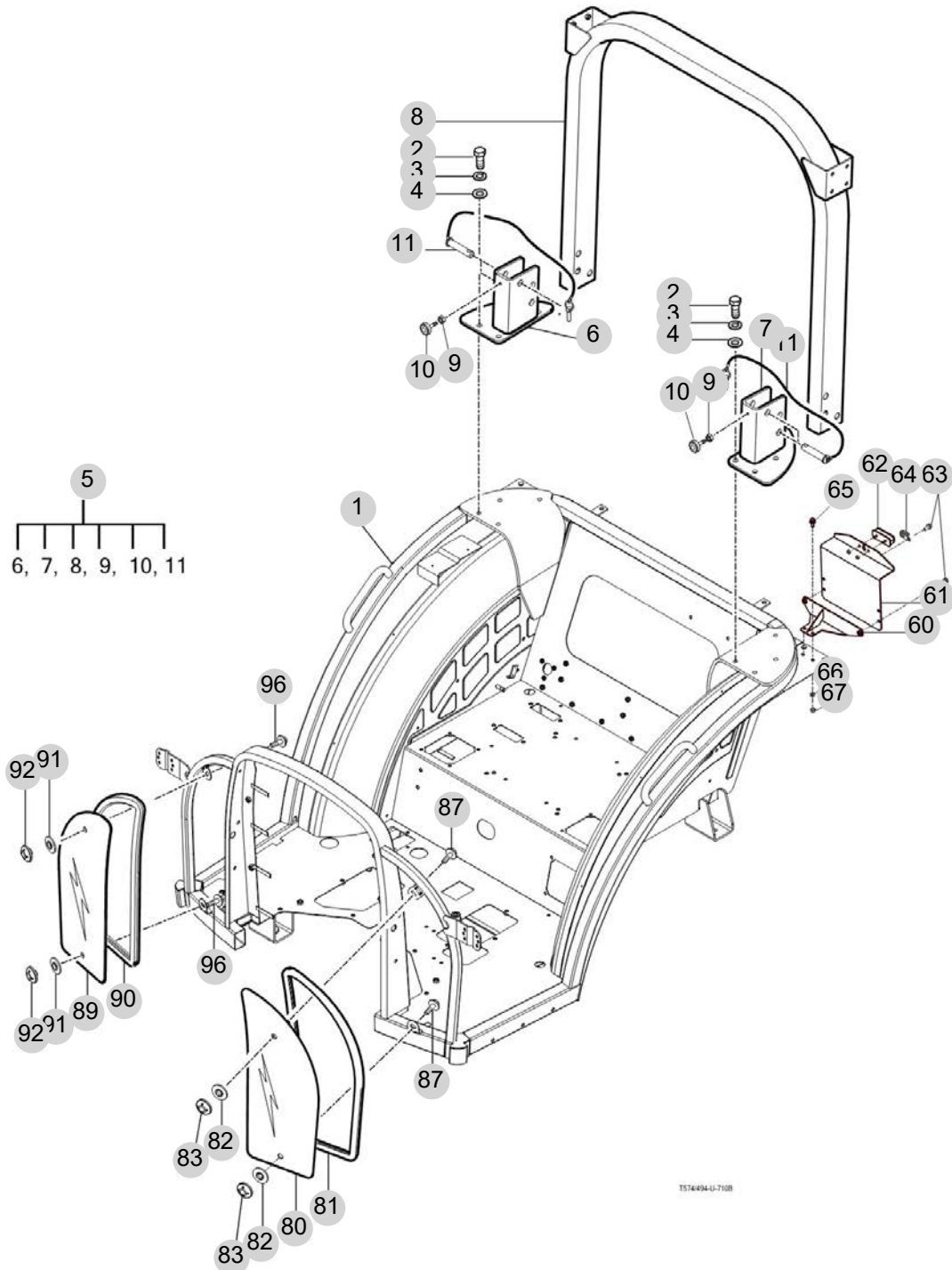
FIG 710B

FRAME&2POLES ROPS-Non CAB

년/월
Year/Month

2022-12

T495NCEU1



NOTE

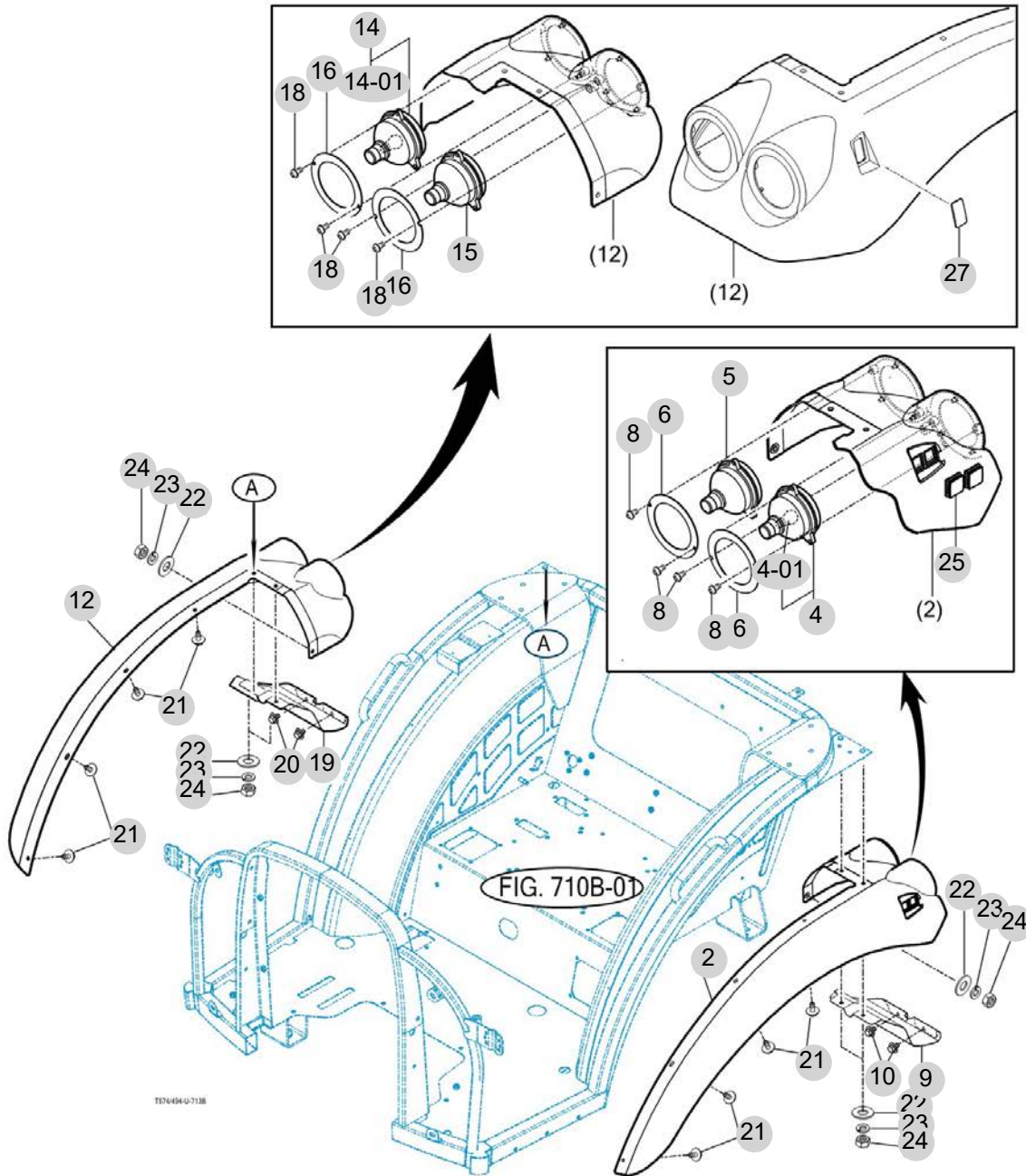
FIG 713B

SUB FENDER&COVER-Non CAB

년/월
Year/Month

2022-12

T495NCEU1



NOTE

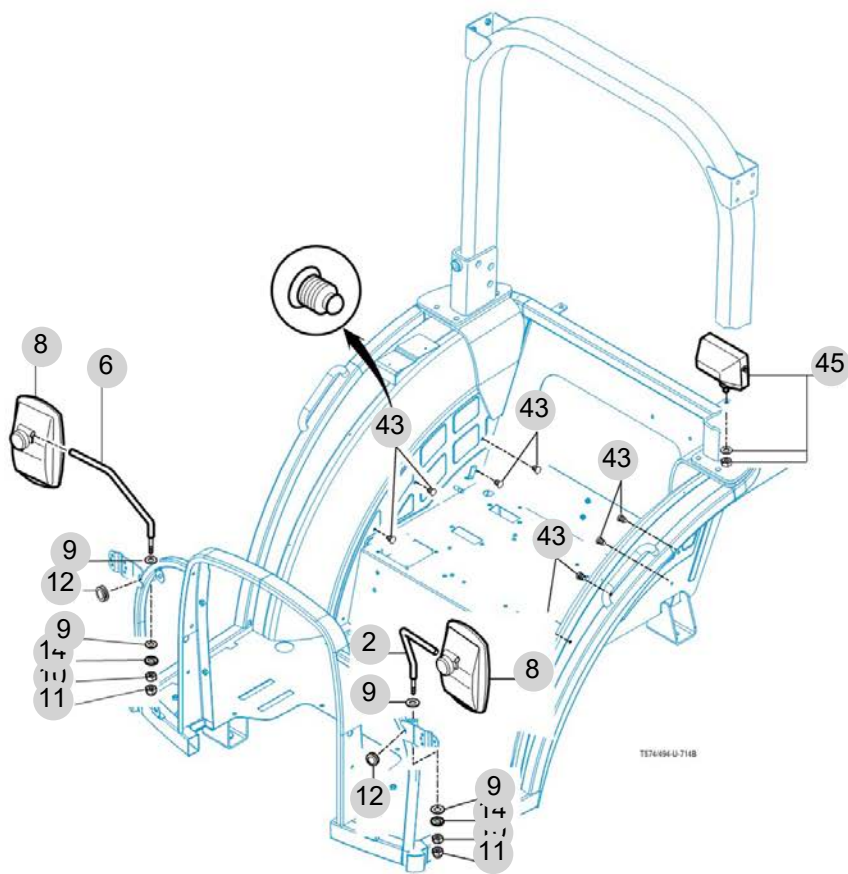
FIG 714B

MIRROR&WORKING LAMP-Non CAB

년/월
Year/Month

2022-12

T495NCEU1



NOTE

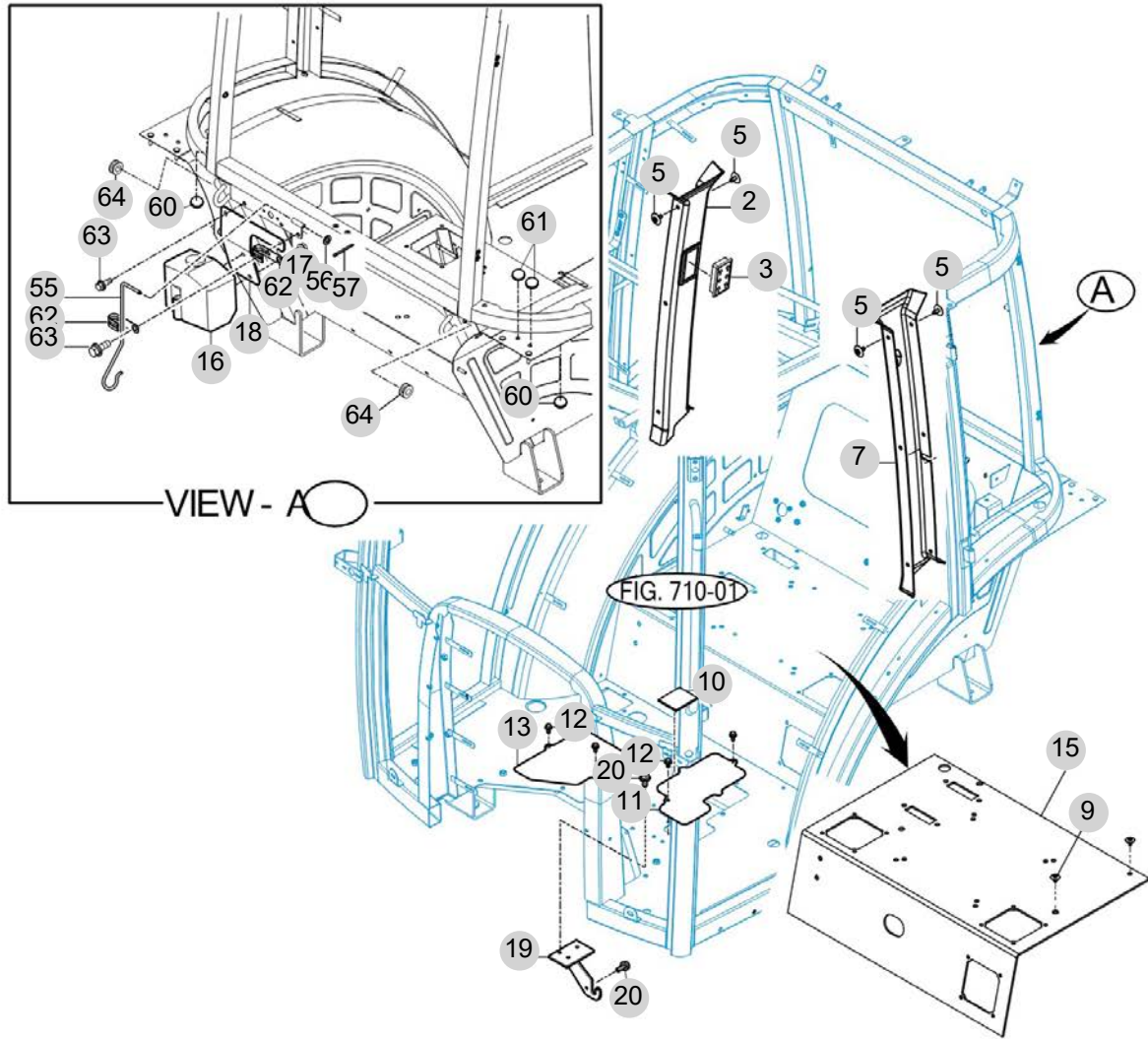
FIG 718

CABIN INTERIOR

년/월
Year/Month

2022-12

T495NCEU1



T314844-718

NOTE

8. 전장 PART NO. T8

FIG 801 BATTERY MOUNTING	237
FIG 802 HARNESS LAMP	239
FIG 803 INSTRUMENT PANEL	241
FIG 804 ELECTRIC SYSTEM (1)	243
FIG 805B ELECTRIC SYSTEM (2)-Non CAB	245
FIG 806 ELECTRIC SYSTEM (3)	247

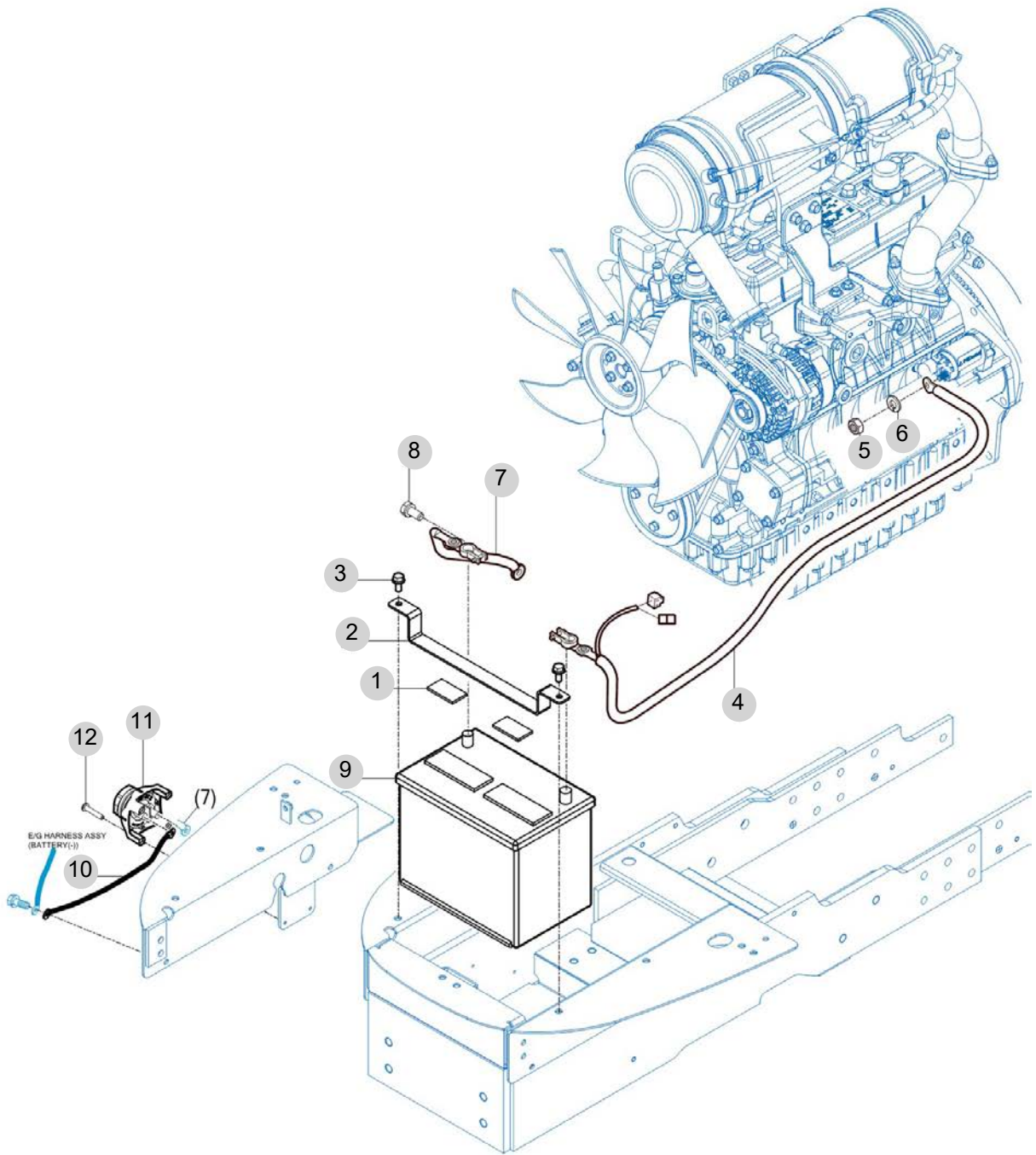
FIG 801

BATTERY MOUNTING

년/월
Year/Month

2022-12

T495NCEU1



NOTE

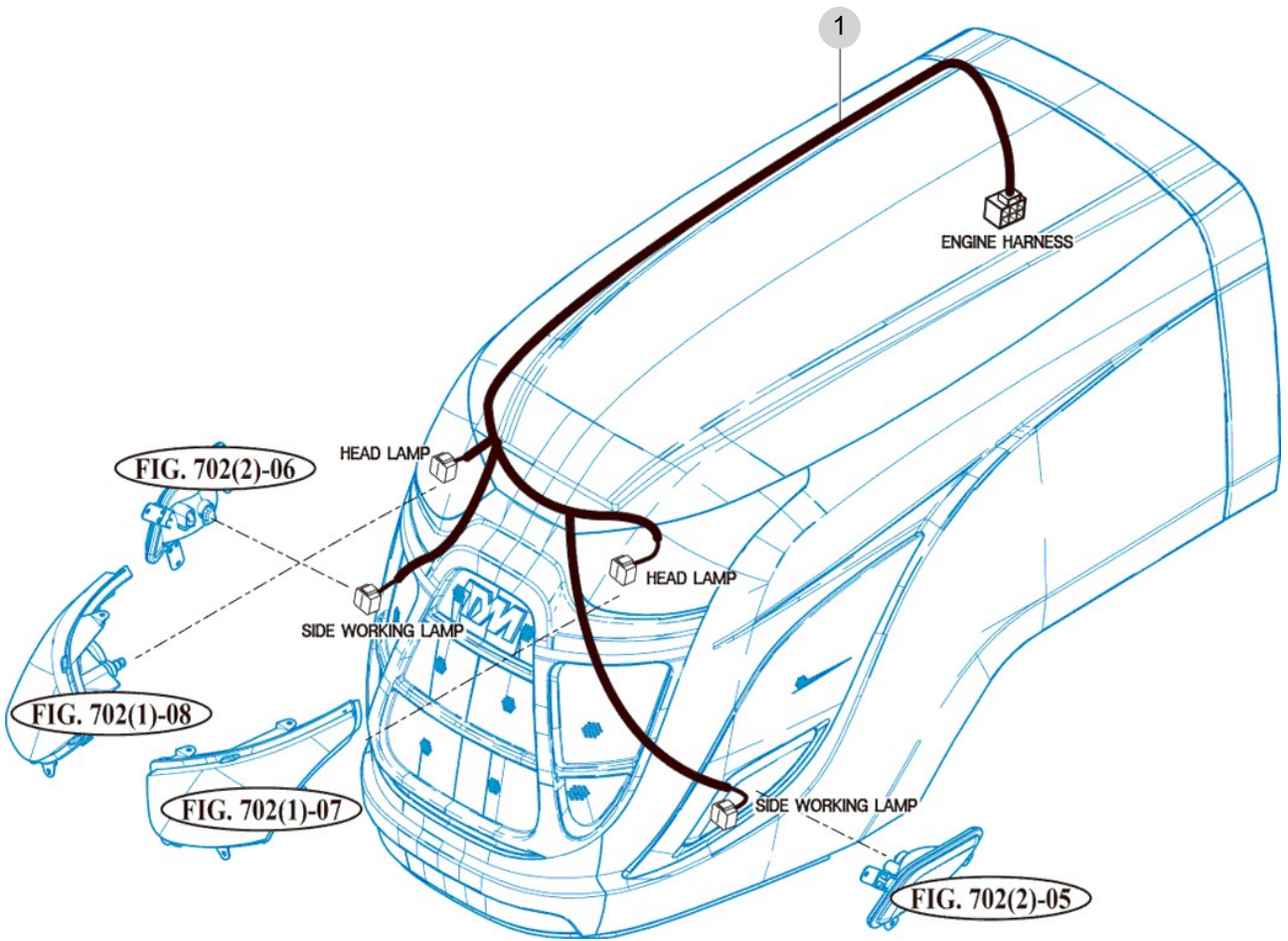
FIG 802

HARNESS LAMP

년/월
Year/Month

2022-12

T495NCEU1



NOTE

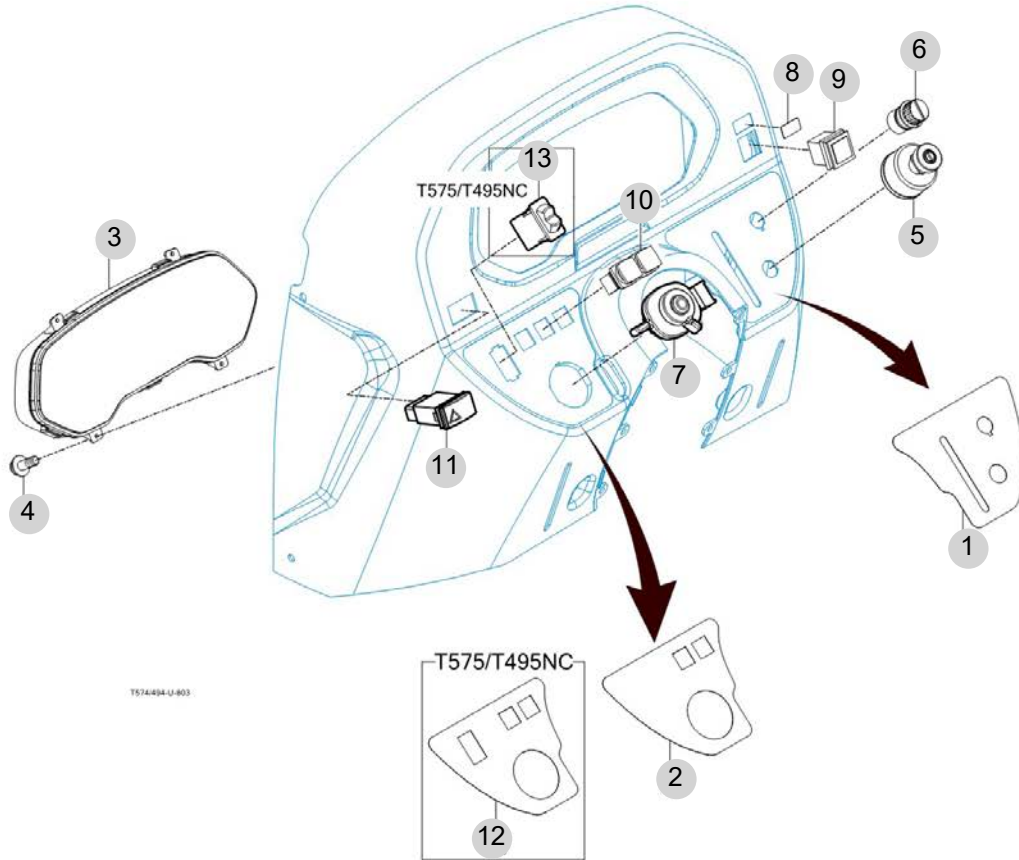
FIG 803

INSTRUMENT PANEL

년/월
Year/Month

2022-12

T495NCEU1



NOTE

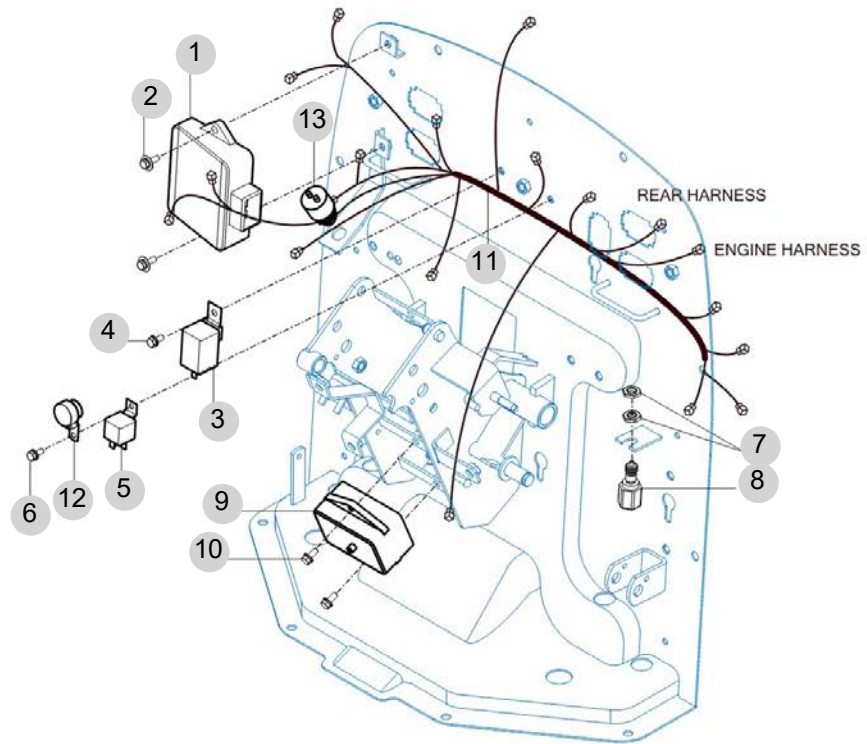
FIG 804

ELECTRIC SYSTEM (1)

년/월
Year/Month

2022-12

T495NCEU1



NOTE

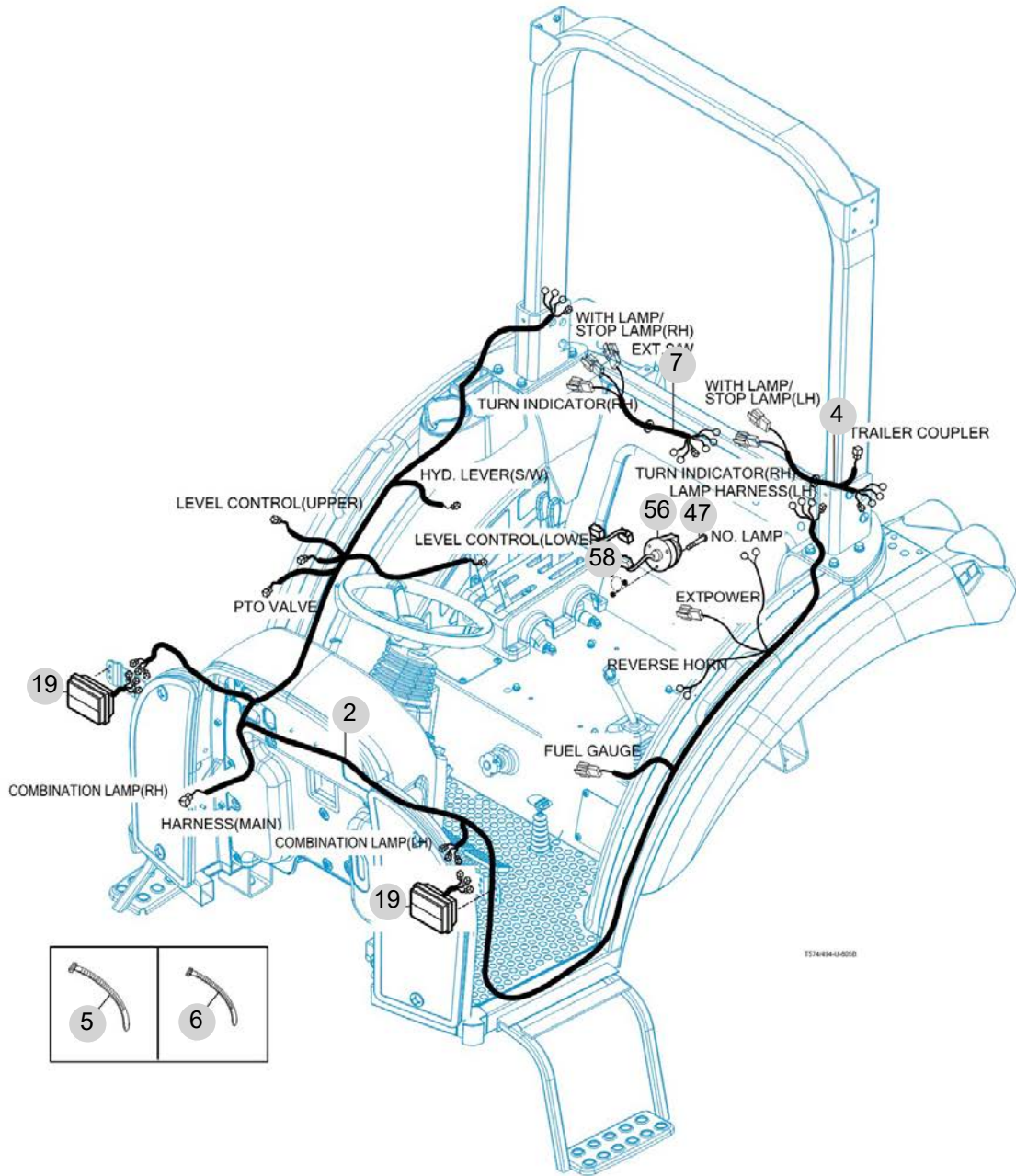
FIG 805B

ELECTRIC SYSTEM (2)-Non CAB

년/월
Year/Month

2022-12

T495NCEU1



NOTE

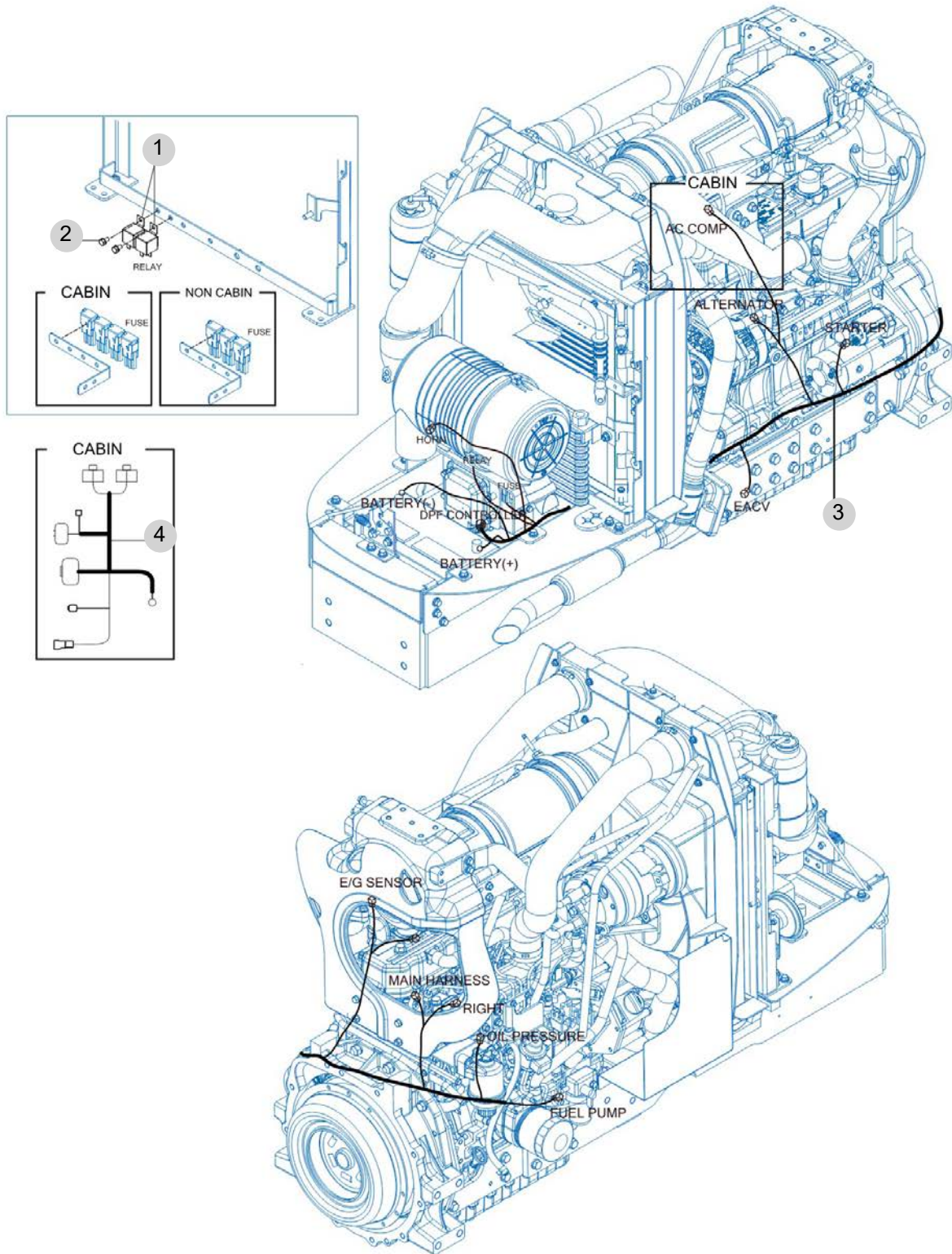
FIG 806

ELECTRIC SYSTEM (3)

년/월
Year/Month

T495NCEU1

2022-12



NOTE

9. 라벨/옵션 PART NO. T9

FIG 901 TOOL & ACCESSORY	250
FIG 902 WEIGHT	252
FIG 903 LABEL	254
FIG 903-2 LABEL	256

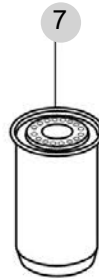
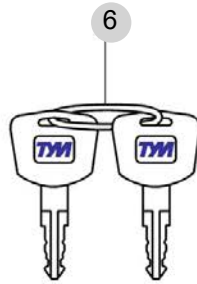
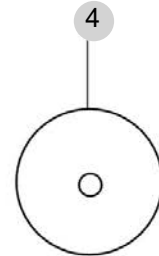
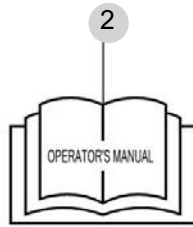
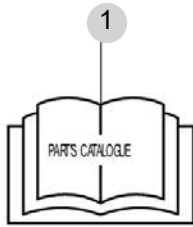
FIG 901

TOOL & ACCESSORY

년/월
Year/Month

T495NCEU1

2022-12



NOTE

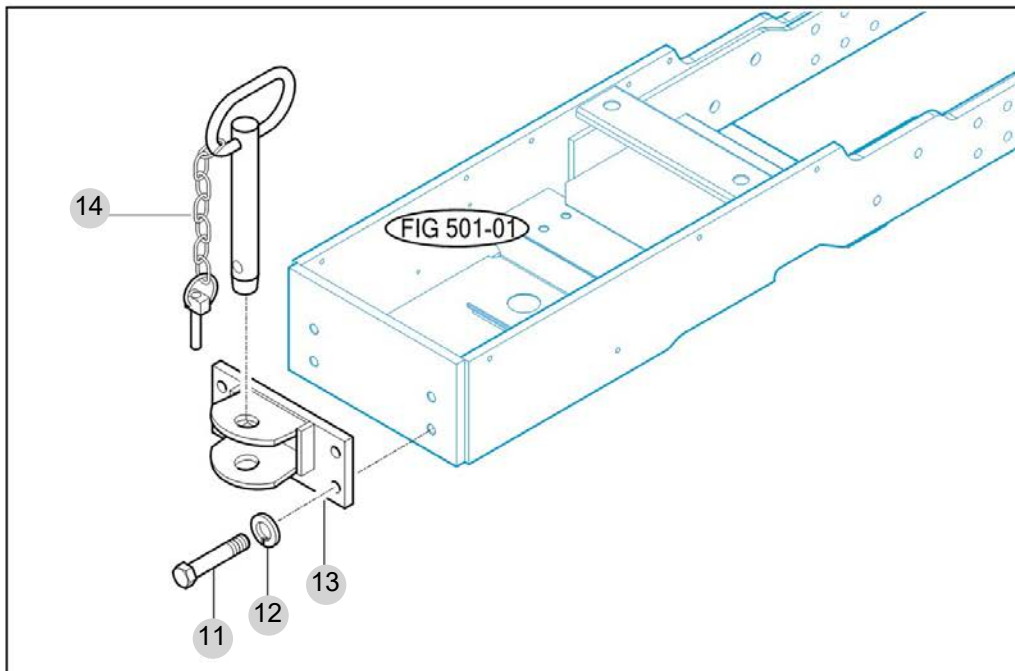
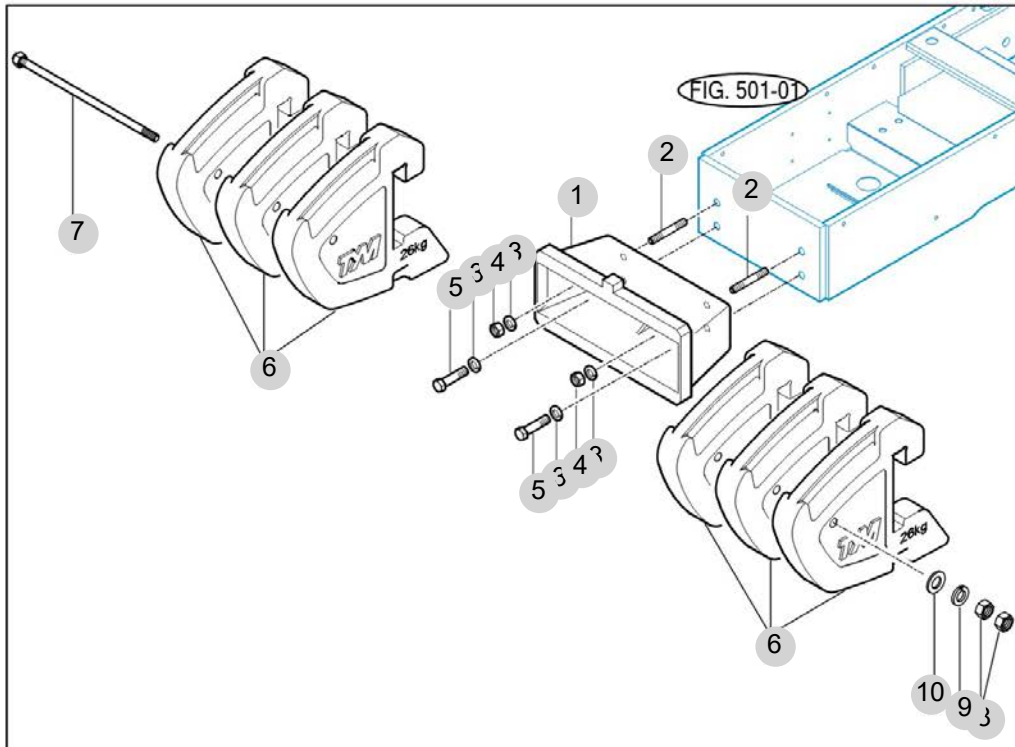
FIG 902

WEIGHT

년/월
Year/Month

T495NCEU1

2022-12



T575-E-902

NOTE

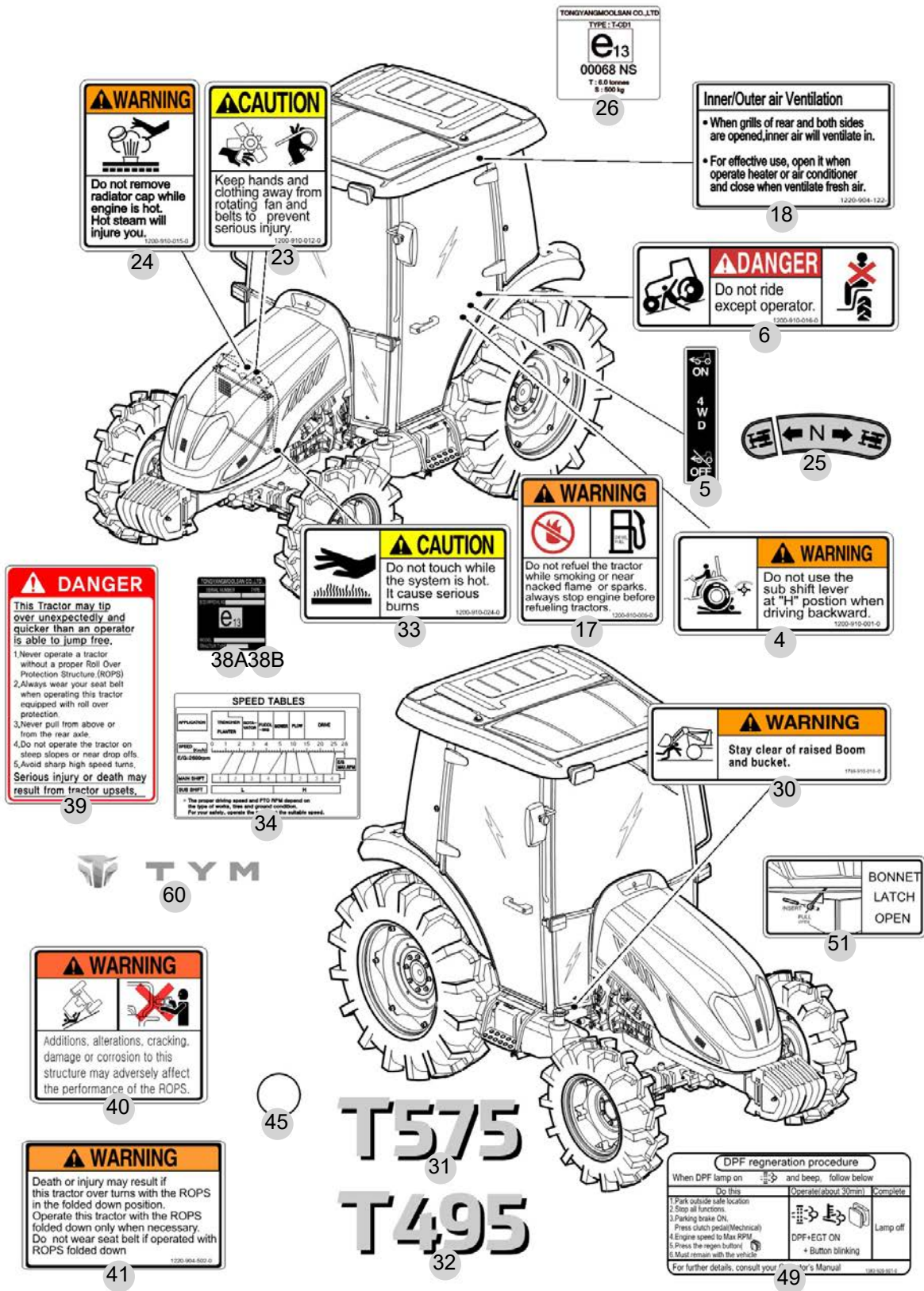
FIG 903

T495NCEU1

LABEL

년/월
Year/Month

2022-12



⚠ DANGER

This Tractor may tip over unexpectedly and quicker than an operator is able to jump free.

- Never operate a tractor without a proper Roll Over Protection Structure (ROPS)
- Always wear your seat belt when operating this tractor equipped with roll over protection.
- Never pull from above or from the rear axle.
- Do not operate the tractor on steep slopes or near drop offs.
- Avoid sharp high speed turns.

Serious injury or death may result from tractor upsets.

SPEED TABLES

APPLICATION	MINIMUM REAR GEAR	MINIMUM FRONT GEAR	MAXIMUM REAR GEAR	MAXIMUM FRONT GEAR	MAXIMUM PUMP	MAXIMUM DUMP
SPEED (km/h)	1	2	3	4	5	6
10-20km/h						
20-30km/h						
30-40km/h						
40-50km/h						
50-60km/h						
60-70km/h						
70-80km/h						
80-90km/h						
90-100km/h						

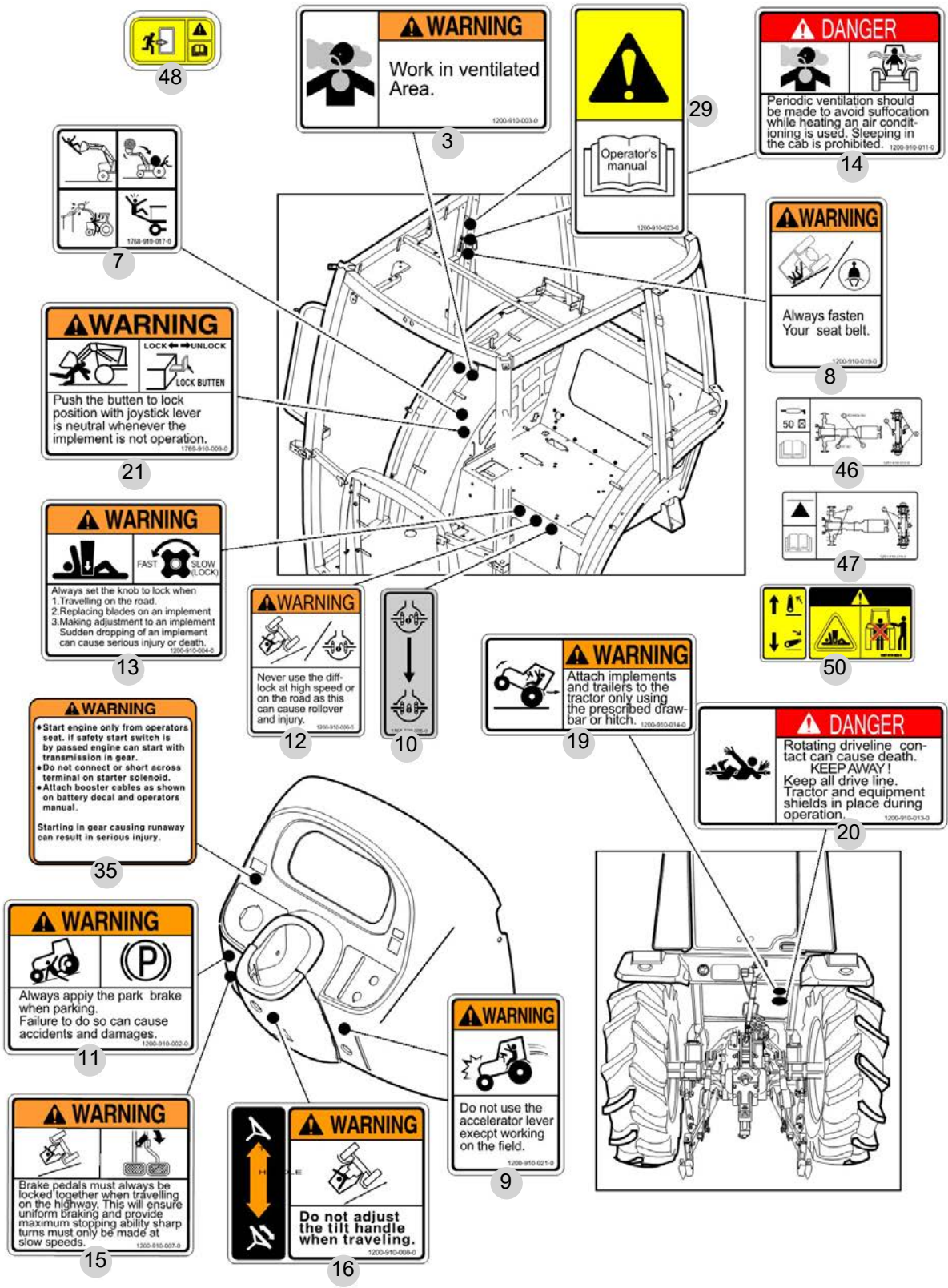
* The proper driving speed and PTO RPM depend on the type of work, load and ground conditions. For your safety, consult the operator's manual for the suitable speed.

DPF regeneration procedure

When DPF lamp on	Do this	Operate (about 30min)	Complete
1 Park outside safe location	2 Stop all functions.	3 Press clutch pedal (Mechanical)	4 Engine speed to Max RPM
5 Press the regen button	6 Must remain with the vehicle	DPF+EGT ON + Button blinking	Lamp off

For further details, consult your operator's Manual.

NOTE



NOTE

