

T455NCGBC

Parts Catalog

목 차

1. 엔진 PART NO. EG

FIG 100 ENGINE	7
FIG 101B CYLINDER BLOCK (T454)	9
FIG 102 GEAR HOUSING	11
FIG 103 FLYWHEEL HOUSING & OIL SUMP	13
FIG 104B CYLINDER HEAD & BONNET (T454)	15
FIG 105B SUCTION MANIFOLD (T454)	18
FIG 106B EXHAUST MANIFOLD (T454)	20
FIG 107B DIESEL PARTICULATE FILTER (T454)	22
FIG 108 CAMSHAFT & DRIVING GEAR	24
FIG 110B CRANKSHAFT & PISTON (T454)	26
FIG 111 BALANCER	28
FIG 112B LUB. OIL SYSTEM (T454)	30
FIG 114 COOLING WATER SYSTEM	32
FIG 115 FUEL SUPPLY PUMP	34
FIG 116B FUEL INJECTION VALVE (T454)	36
FIG 117 FUEL LINE	38
FIG 118 STARTING MOTOR	40
FIG 119 GENERATOR	42
FIG 120B ELECTRONIC CONTROL UNIT (T454)	44
FIG 121B ELECTRIC PARTS (T454)	46
FIG 122B ACCESSORY (T454)	48

2. 엔진보기품 PART NO. T2

FIG 201 AIR CLEANER	51
FIG 202 RADIATOR	53
FIG 203 MUFFLER	55
FIG 204 FUEL HOSE & FILTER	57
FIG 205 FUEL TANK	59
FIG 206 ACCELERATOR	61
FIG 208 FAN , COOLING	63

3. 클러치/브레이크/스티어링 PART NO. T3

FIG 301 CLUTCH	66
FIG 302 CLUTCH PEDAL	68
FIG 303 BRAKE	70
FIG 304 BRAKE PEDAL & LINKAGE	72
FIG 305A FRONT WHEEL	74
FIG 305B FRONT WHEEL (R4 OPTION)	76
FIG 306A REAR WHEEL	78
FIG 306B REAR WHEEL (R4 OPTION)	80
FIG 307 POWER STEERING WHEEL	82
FIG 308 POWER STEERING VALVE	84
FIG 309 POWER STEERING CYLINDER	86
FIG 310 HAND BRAKE	88

4. 트랜스미션 PART NO. T4

FIG 401 TRANSMISSION FRONT CASE	91
FIG 402 FORWARD & BACKWARD GEARS	93
FIG 403 IDLE & COUNTER GEARS	95
FIG 404 MAIN SHIFT GEARS	97
FIG 405 P.T.O DRIVE SHAFT	99
FIG 406 MAIN CHANGE LEVER	101
FIG 407 REVERSE CHANGE LEVER	103
FIG 408 TRANSMISSION MID CASE	105
FIG 409 TRANSMISSION REAR CASE	107
FIG 410 SUB CHANGE GEARS	109
FIG 411 SUB CHANGE SHIFTER	111
FIG 413 DRIVE GEARS	113
FIG 414 4WD CHANGE LEVER	115
FIG 415 P.T.O CHANGE GEARS	117
FIG 416 P.T.O CHANGE SHIFTER	119
FIG 417 REAR DIFFERENTIAL GEARS	121
FIG 418 REAR AXLE HOUSING	124

5. 프론트 액슬 PART NO. T5

FIG 501 FRONT AXLE SUPPORT	127
----------------------------	-----

FIG 502 FRONT DRIVE SHAFT	129
FIG 503 FRONT AXLE HOUSING	131
FIG 504 FRONT DIFFERENTIAL GEARS	133
FIG 505 FRONT GEAR CASE (1)	135
FIG 506 FRONT GEAR CASE (2)	137
FIG 507 FRONT GEAR CASE (3)	139

6. 유압/3점 링크 PART NO. T6

FIG 601 CYLINDER CASE	142
FIG 602 LIFT ARM	144
FIG 603 CYLINDER	146
FIG 604 POSITION LINK	148
FIG 605 CONTROL VALVE	150
FIG 606 DRAFT LINK	152
FIG 607 POSITION & DRAFT LEVER	154
FIG 608 EXTERIOR HYD.VALVE	156
FIG 609 HYDRAULIC PIPE	158
FIG 610 JOYSTICK	161
FIG 611 HYDRAULIC HOSE	163
FIG 612 HITCH & 3-POINT LINK	165
FIG 613 HITCH & 3-POINT LINK	168

7. 시트메탈/캐빈 PART NO. T7

FIG 701 HOOD (1)	171
FIG 702 HOOD (2)	173
FIG 704B LEVER COVER & STEP-Non CAB	175
FIG 705 FRONT & REAR MOUNTING	177
FIG 706 SEAT & MAT	179
FIG 710B FRAME&2POLES ROPS-Non CAB	181
FIG 713B SUB FENDER&COVER-Non CAB	183
FIG 714B MIRROR&WORKING LAMP-Non CAB	185
FIG 718 CABIN INTERIOR	187

8. 전장 PART NO. T8

FIG 801 BATTERY MOUNTING	190
--------------------------	-----

FIG 802 LIGHT & BACK LAMP	192
FIG 803 INSTRUMENT PANEL	194
FIG 804 ELECTRIC SYSTEM (1)	196
FIG 805B ELECTRIC SYSTEM (2)-Non CAB	198
FIG 806 ELECTRIC SYSTEM (3)	200

9. 라벨/옵션 PART NO. T9

FIG 901 TOOL & ACCESSORY	203
FIG 902 WEIGHT	205
FIG 903 LABEL	207

1. 엔진 PART NO. EG

FIG 100 ENGINE	7
FIG 101B CYLINDER BLOCK (T454)	9
FIG 102 GEAR HOUSING	11
FIG 103 FLYWHEEL HOUSING & OIL SUMP	13
FIG 104B CYLINDER HEAD & BONNET (T454)	15
FIG 105B SUCTION MANIFOLD (T454)	18
FIG 106B EXHAUST MANIFOLD (T454)	20
FIG 107B DIESEL PARTICULATE FILTER (T454)	22
FIG 108 CAMSHAFT & DRIVING GEAR	24
FIG 110B CRANKSHAFT & PISTON (T454)	26
FIG 111 BALANCER	28
FIG 112B LUB. OIL SYSTEM (T454)	30
FIG 114 COOLING WATER SYSTEM	32
FIG 115 FUEL SUPPLY PUMP	34
FIG 116B FUEL INJECTION VALVE (T454)	36
FIG 117 FUEL LINE	38
FIG 118 STARTING MOTOR	40
FIG 119 GENERATOR	42
FIG 120B ELECTRONIC CONTROL UNIT (T454)	44
FIG 121B ELECTRIC PARTS (T454)	46
FIG 122B ACCESSORY (T454)	48

FIG 100 T455NCGBC	ENGINE	년/월 Year/Month
		2022-12
NOTE		

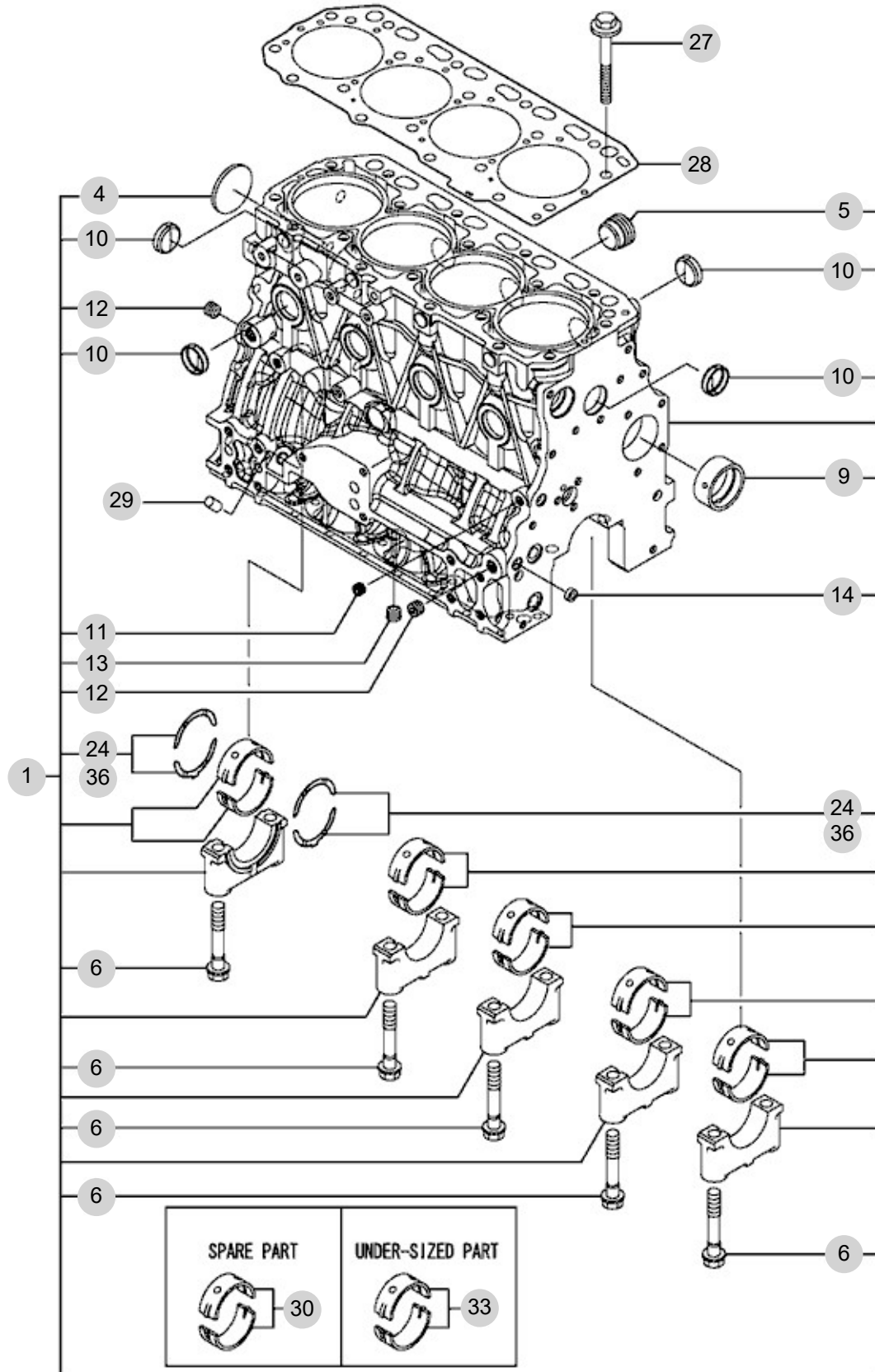
FIG 101B

CYLINDER BLOCK (T454)

년/월
Year/Month

2022-12

T455NCGBC



NOTE

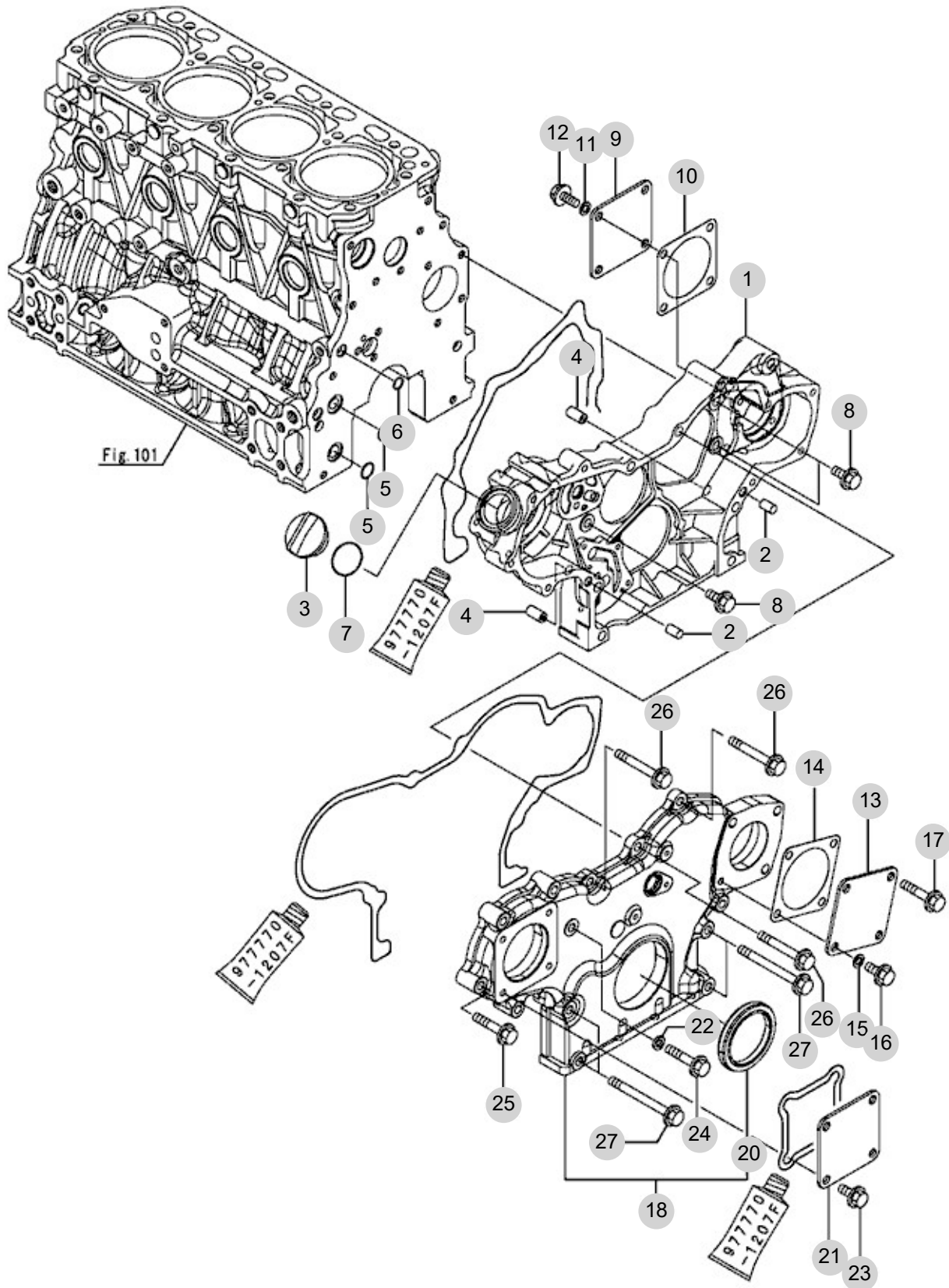
FIG 102

GEAR HOUSING

년/월
Year/Month

2022-12

T455NCGBC



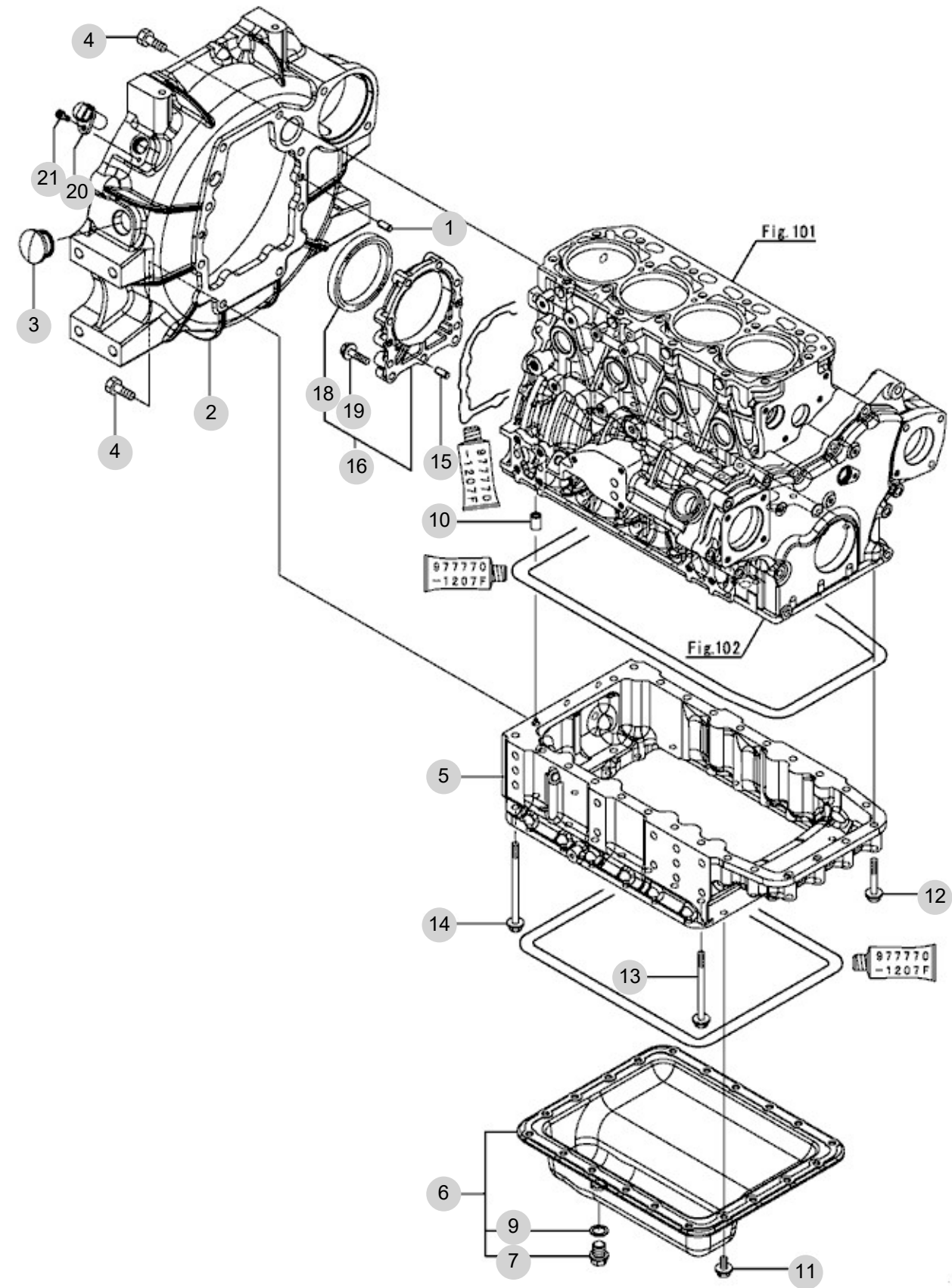
NOTE

FIG 103

FLYWHEEL HOUSING & OIL SUMP

년/월
Year/Month

2022-12



NOTE

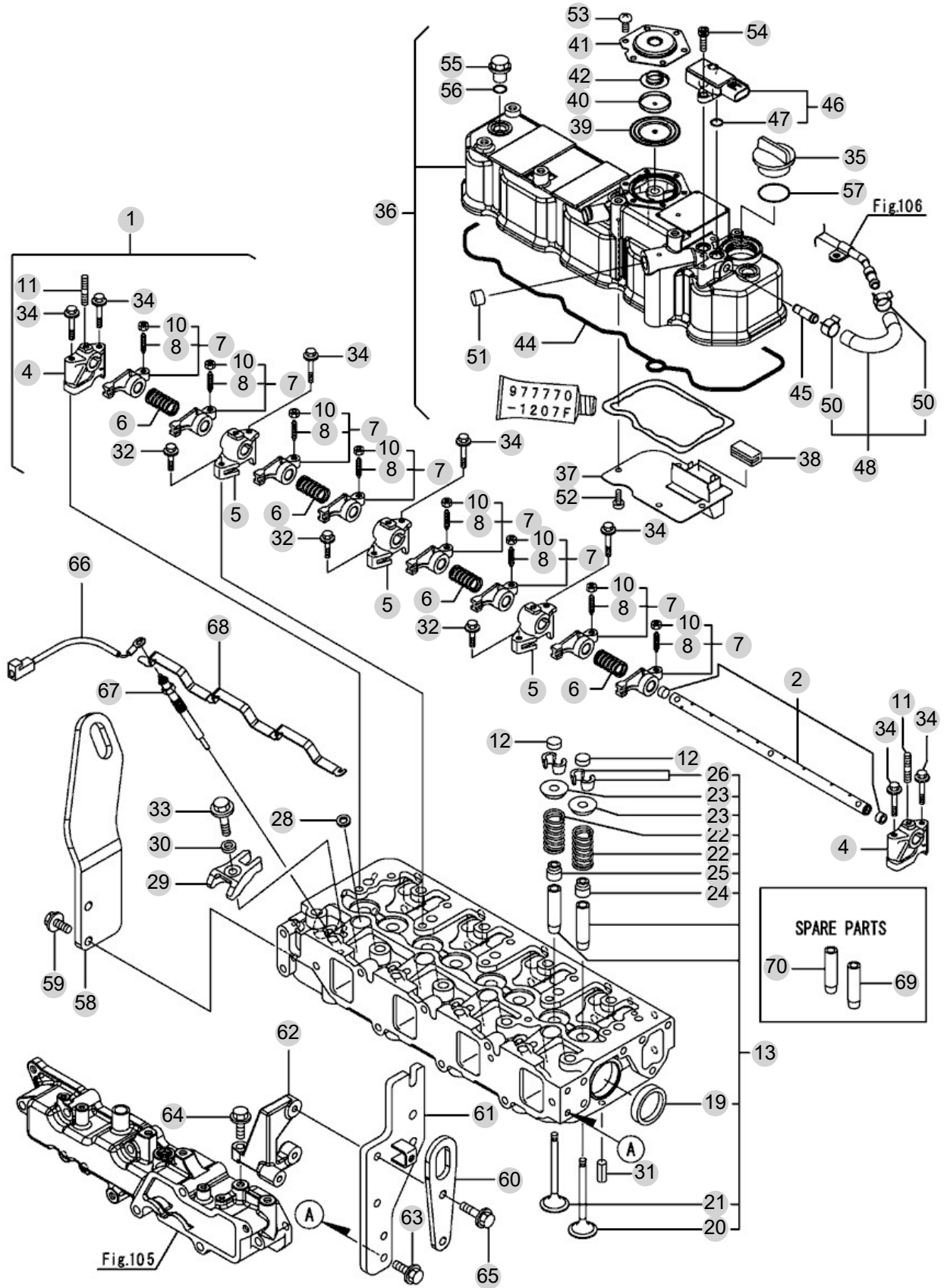
FIG 104B

CYLINDER HEAD & BONNET (T454)

년/월
Year/Month

2022-12

T455NCGBC



NOTE

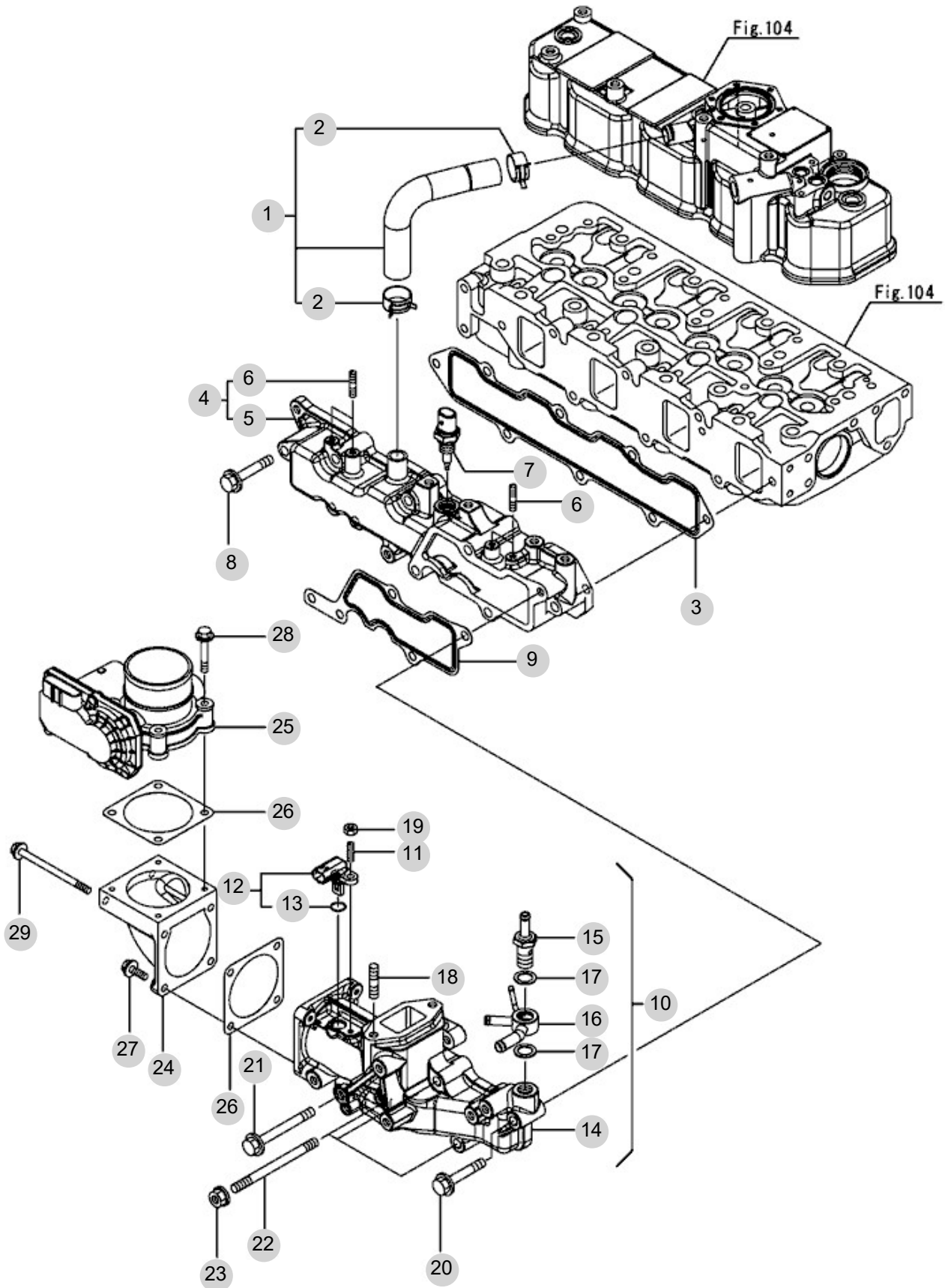
FIG 104B T455NCGBC		CYLINDER HEAD & BONNET (T454)					년/월 Year/Month	
							2022-12	
KEY NO	PART NO	DESCRIPTION	SPEC	QTY	REPAIR	EFFECTIVE DATE	REMARKS	
104B	1	129601-11241	SHAFTASSY,ROCKER		1			
104B	2	129601-11251	SHAFT,ROCKERARM		1			
104B	4	119802-11260	SUPPORT,ROCKERARM		2			
104B	5	119802-11270	SUPPORT,ROCKERARM		3			
104B	6	129150-11280	SPRING		4			
104B	7	129004-11650	ARM,ROCKER		8			
104B	8	129150-11230	SCREW,VALVEADJUST		8			
104B	10	129150-11750	NUT, M8		8			
104B	11	26226-080182	STUD, M8X18		3			
104B	12	129150-11370	CAP,VALVE		8			
104B	13	129C00-11710	HEADASSY,CYLINDER		1			
104B	19	27241-400000	PLUG,40		2			
104B	20	129005-11100	VALVE,INTAKE		4			
104B	21	129100-11112	VALVE,EXHAUST		4			
104B	22	129795-11120	SPRING,VALVE		8			
104B	23	129795-11180	RETAINER,SPRING		8			
104B	24	124460-11340	SEAL,VALVESTEM		4			
104B	25	129A00-11340	SEAL,VALVESTEM		4			
104B	26	27310-080001	COTTER,8		8			
104B	28	129978-11871	GASKET,INJECTOR		4			
104B	29	129A00-11900	RETAINER,INJECTOR		4			
104B	30	120270-54410	WASHER,INJECTOR		4			
104B	31	22351-060012	스프링핀		2			
104B	32	26106-080252	육각플랜지볼트		3			
104B	33	26106-080352	육각플랜지볼트		4			
104B	34	26106-080502	BOLT,M8X50 PLATED		7			
104B	35	124160-01751	COVER,FILLER		1			
104B	36	129C00-11350	BONNETASSY		1			
104B	37	129004-03010	PLATE		1			
104B	38	129150-03070	BAFFLE,BREATHER		1			
104B	39	123907-03100	DIAPHRAGM		1			
104B	40	123907-03110	PLATE		1			
104B	41	123907-03120	PLATE,BREATHER		1			
104B	42	123907-03140	SPRING,DIAPHRAGM		1			
104B	44	129C00-11310	GASKET,COVER		1			
104B	45	129A00-11330	JOINT		1			
104B	46	129A00-12703	SENSOR,PRESSURE		1			
104B	47	129A00-12780	O-RING,PRESSENSOR		2			
104B	48	129A00-13360	HOSEASSY,PRESEXH		1			
104B	50	129A00-13380	CLIP,HOSE14		2			
104B	51	119640-61400	PLUG		1			
104B	52	22857-500100	SCREW,5X10		4			
104B	53	22857-500100	SCREW,5X10		6			
104B	54	26450-060162	BOLT,M6X16		2			
104B	55	124160-11360	KNOB		3			
NOTE								

FIG 105B

SUCTION MANIFOLD (T454)

년/월
Year/Month

2022-12



NOTE

FIG 105B T455NCGBC	SUCTION MANIFOLD (T454)						년/월 Year/Month
	2022-12						

KEY NO	PART NO	DESCRIPTION	SPEC	QTY	REPAIR	EFFECTIVE DATE	REMARKS
105B	1	129005-03080	브리더 파이프	200 X 300	1		
105B	2	129410-03990	클램프	123 X 456 X 789	2		
105B	3	129C00-12110	GASKET , INTMANIFOLD		1		
105B	4	129C00-12150	MANIFOLD CMP , INTAKE		1		
105B	5	129C00-12100	MANIFOLD , INT		1		
105B	6	26216-060202	심음볼트		4		
105B	7	129A00-12720	SENSOR , AIR TEMP		1		
105B	8	26106-080502	BOLT , M8X50 PLATED		5		
105B	9	129A00-12810	GASKET , COLLECTOR		1		
105B	10	129A00-12851	COLLECTOR , INT CMP		1		
105B	11	119660-01570	STUD , M6X12		1		
105B	12	129A00-12711	SENSOR , AIR TEMP		1		
105B	13	129A00-12790	O-RING , TEMP SENSOR		1		
105B	14	129A00-12830	COLLECTOR , INT		1		
105B	15	129A00-59110	JOINT , HOSE M14		1		
105B	16	129A00-59120	JOINT , HOSE 14		1		
105B	17	22190-140002	WASHER , SEAL 14		2		
105B	18	26216-080252	STUD , M8X25		2		
105B	19	26716-060002	육각너트		1		
105B	20	26106-080502	BOLT , M8X50 PLATED		1		
105B	21	26106-080752	BOLT , M8X75 PLATED		1		
105B	22	26216-081052	STUD , M8X105		3		
105B	23	26306-080002	NUT , M8		3		
105B	24	129A00-12820	BEND , INLET		1		
105B	25	129A00-12900	THROTTLE BODY(INT)		1		
105B	26	129A00-12910	GASKET , THROTTLE		2		
105B	27	26106-060202	BOLT , M6X20 PLATED		2		
105B	28	26106-060402	BOLT , M6X40 PLATED		4		
105B	29	26106-060902	BOLT , M6X90 PLATED		2		

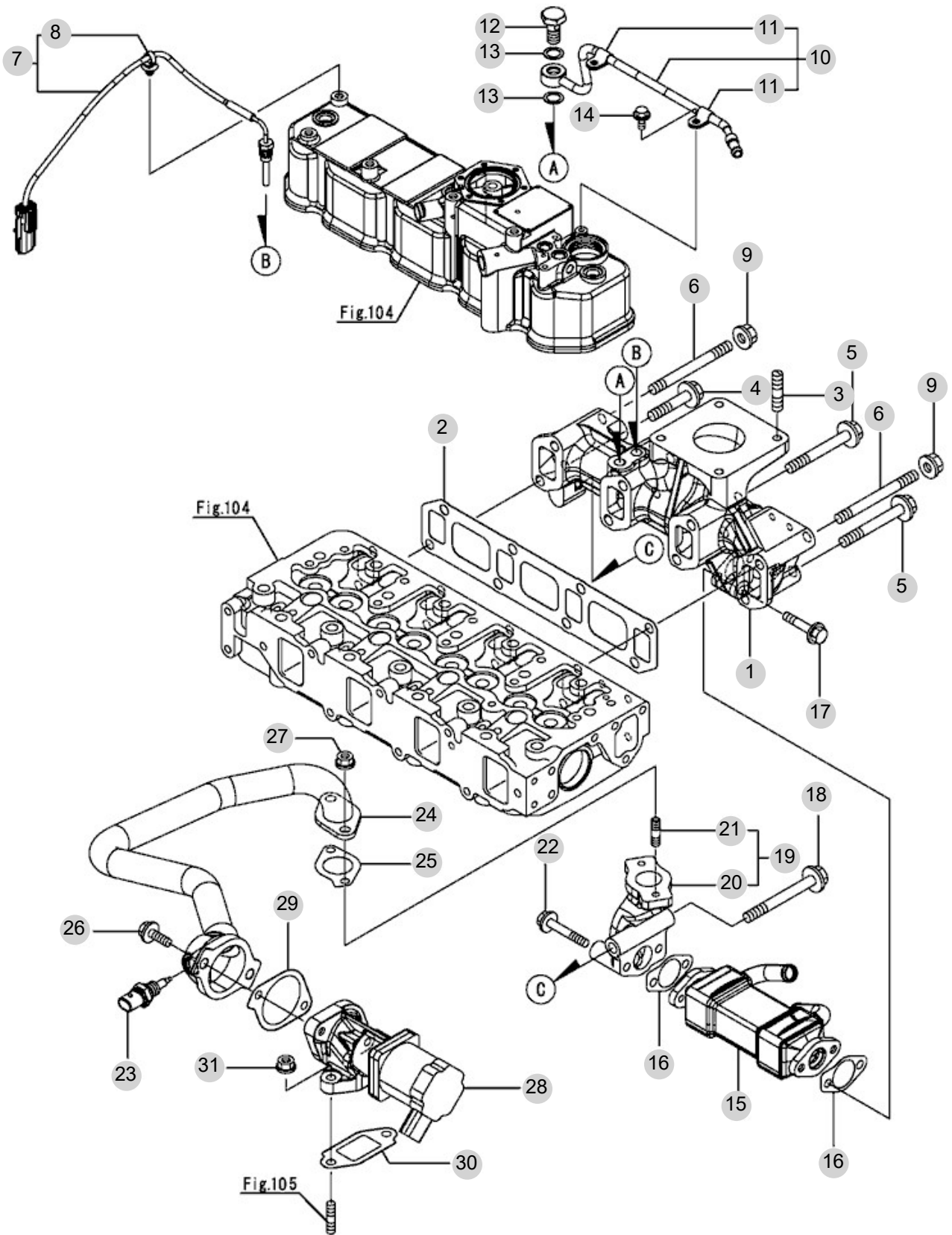
NOTE	
------	--

FIG 106B

EXHAUST MANIFOLD (T454)

년/월
Year/Month

2022-12



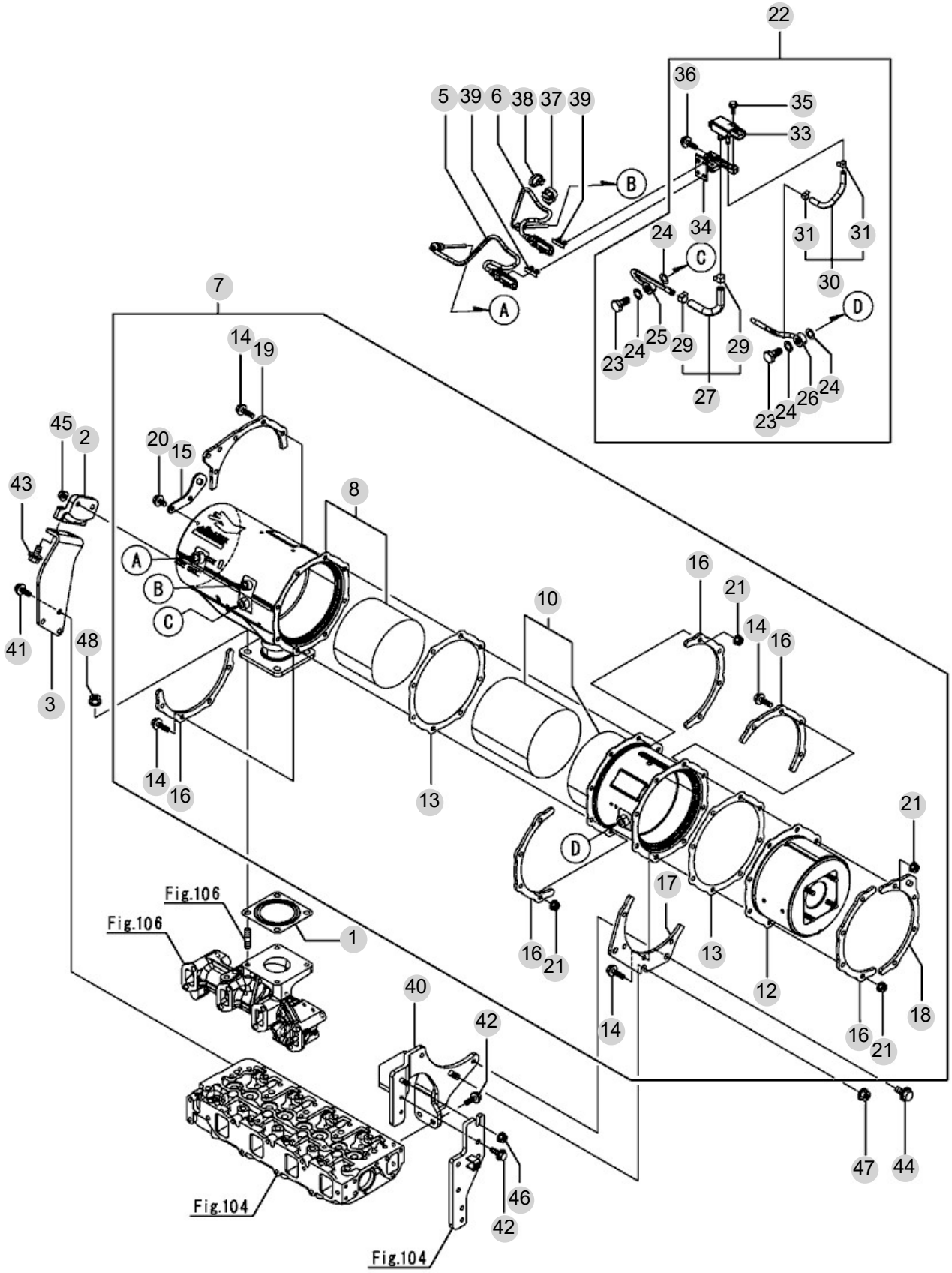
NOTE

FIG 107B
T455NCGBC

DIESEL PARTICULATE FILTER (T454)

년/월
Year/Month

2022-12



NOTE

FIG 107B		DIESEL PARTICULATE FILTER (T454)					년/월	
							Year/Month	
T455NCGBC		2022-12						
KEY NO	PART NO	DESCRIPTION	SPEC	QTY	REPAIR	EFFECTIVE DATE	REMARKS	
107B	1	128300-13230	GASKET, SILENCER		1			
107B	2	129A00-16820	STAY,DPF		1			
107B	3	129A00-16830	STAY,DPF		1			
107B	5	129C00-13940	SENSOR, EXH.TEMP		1			
107B	6	129C00-13950	SENSOR, EXH.TEMP		1			
107B	7	129C26-16000	DPF ASSY		1			
107B	8	129C00-16210	CASE, DOC		1			
107B	10	129C00-16410	CASE, SOOT FILTER		1			
107B	12	129C00-16510	SILENCER, DPF		1			
107B	13	129A00-16600	GASKET, DPF		2			
107B	14	129A00-16610	BOLT, M8X28 10.9T		16			
107B	15	129C01-16690	LIFTER, DPF		1			
107B	16	129A00-16700	STIFFENER, DPF A		5			
107B	17	129C23-16700	STIFFENER, DPF B		1			
107B	18	129A00-16740	STIFFENER, DPF C		1			
107B	19	129A00-16750	STIFFENER, DPF C		1			
107B	20	26106-080142	BOLT, M8X14 PLATED		2			
107B	21	26306-080002	NUT, M8		16			
107B	22	129A00-17220	SENSOR UNIT,PRESSURE		1			
107B	23	129A00-13350	BOLT, PIPE JOINT		2			
107B	24	129A00-17311	GASKET,SENSOR		4			
107B	25	129A00-17330	PIPE ASSY, SENSOR		1			
107B	26	129A00-17360	PIPE ASSY, SENSOR		1			
107B	27	129A00-17610	HOSE ASSY,PRES EXH		1			
107B	29	129A00-17520	CLIP, HOSE		2			
107B	30	129A00-17670	HOSE ASSY,PRES EXH		1			
107B	31	129A00-17570	CLIP, HOSE		2			
107B	33	129A00-17702	SENSOR,PRESSURE		1			
107B	34	129A00-17780	BRACKET, SENSOR		1			
107B	35	26106-060162	BOLT, M6X16 PLATED		2			
107B	36	26106-080202	볼트	8X20	2			
107B	37	129A00-91200	BAND CLIP		1			
107B	38	129C00-91200	BAND		1			
107B	39	129A00-91430	CLIP, CONNECTOR		2			
107B	40	129C23-17361	STAY, DPF		1			
107B	41	26106-080162	육각플랜지볼트		3			
107B	42	26106-080202	볼트	8X20	4			
107B	43	26106-100202	육각플랜지볼트		2			
107B	44	26106-100202	육각플랜지볼트		2			
107B	45	26306-080002	NUT, M8		2			
107B	46	26306-080002	NUT, M8		1			
107B	47	26306-100002	NUT, M10		1			
107B	48	26306-100002	NUT, M10		4			
NOTE								

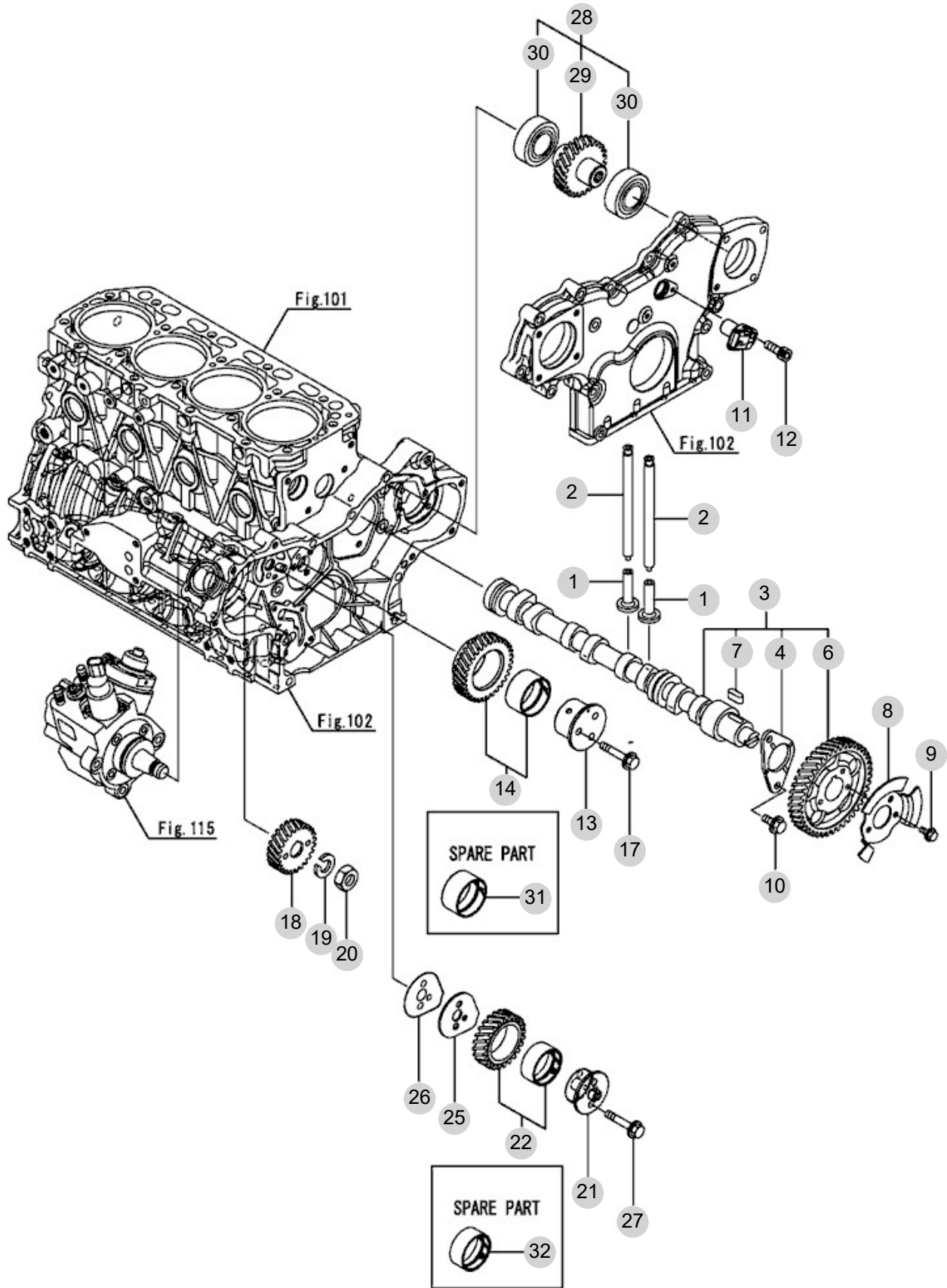
FIG 108

T455NCGBC

CAMSHAFT & DRIVING GEAR

년/월
Year/Month

2022-12



NOTE

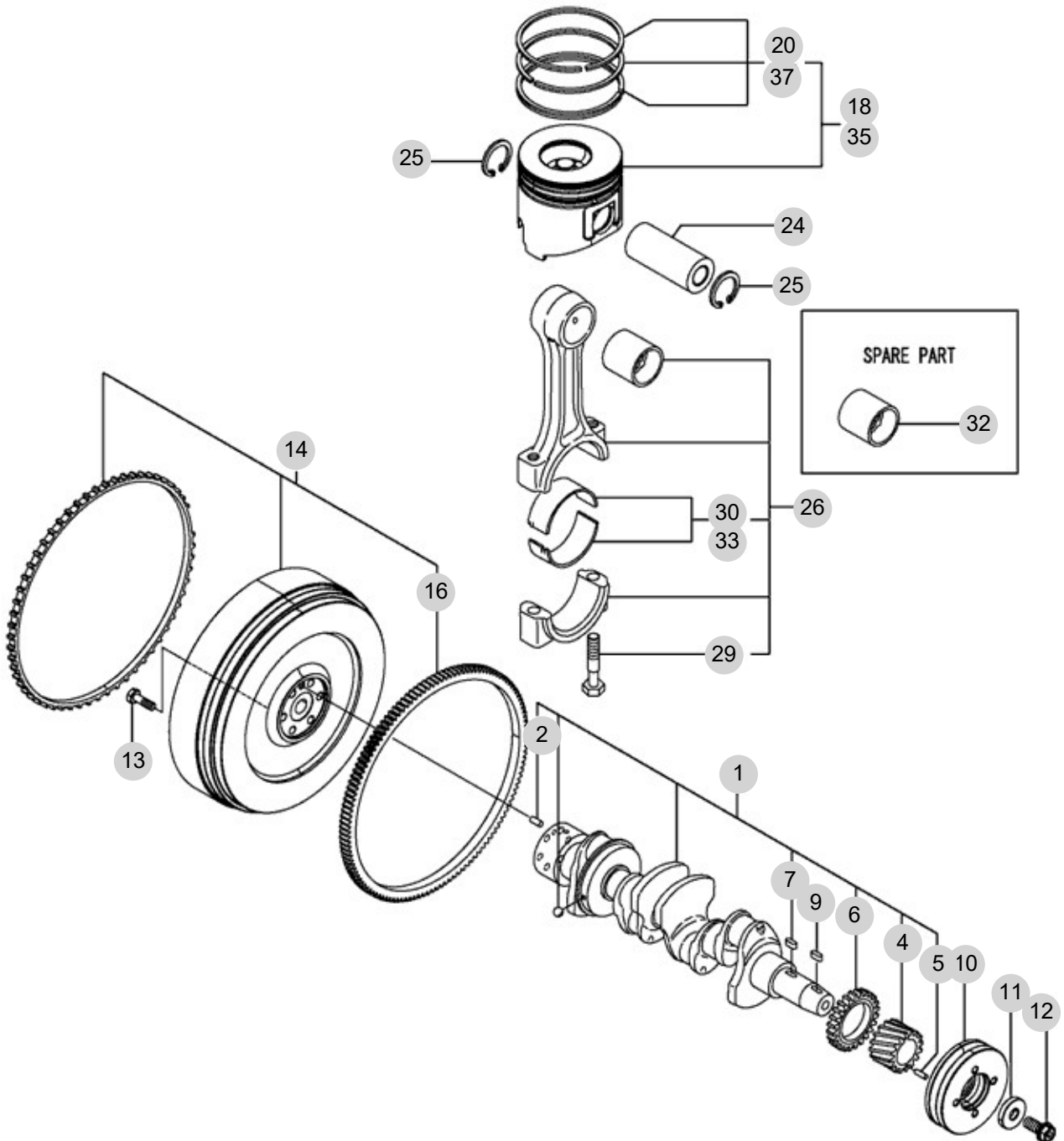
FIG 110B

T455NCGBC

CRANKSHAFT & PISTON (T454)

년/월
Year/Month

2022-12



NOTE

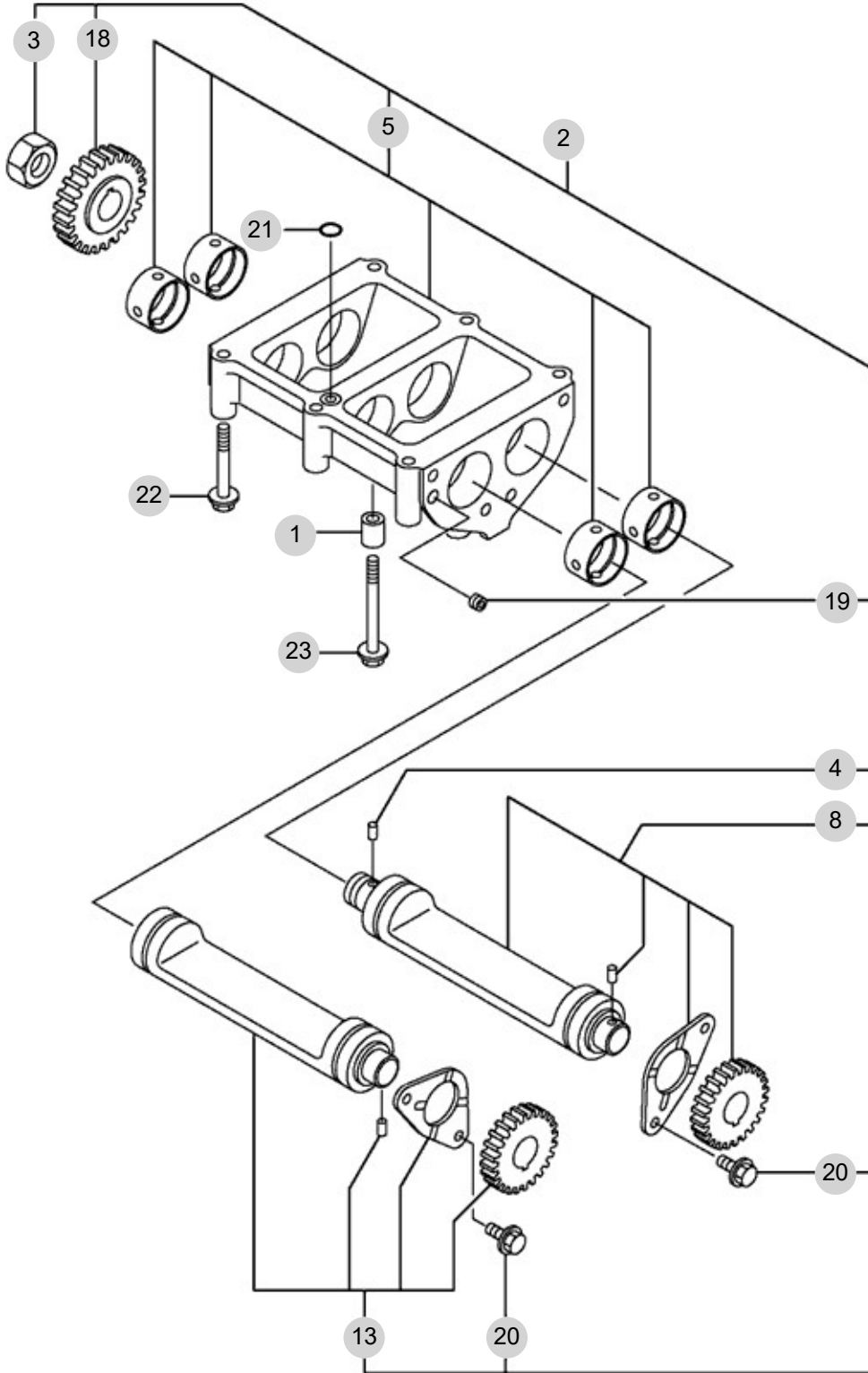
FIG 111

T455NCGBC

BALANCER

년/월
Year/Month

2022-12



NOTE

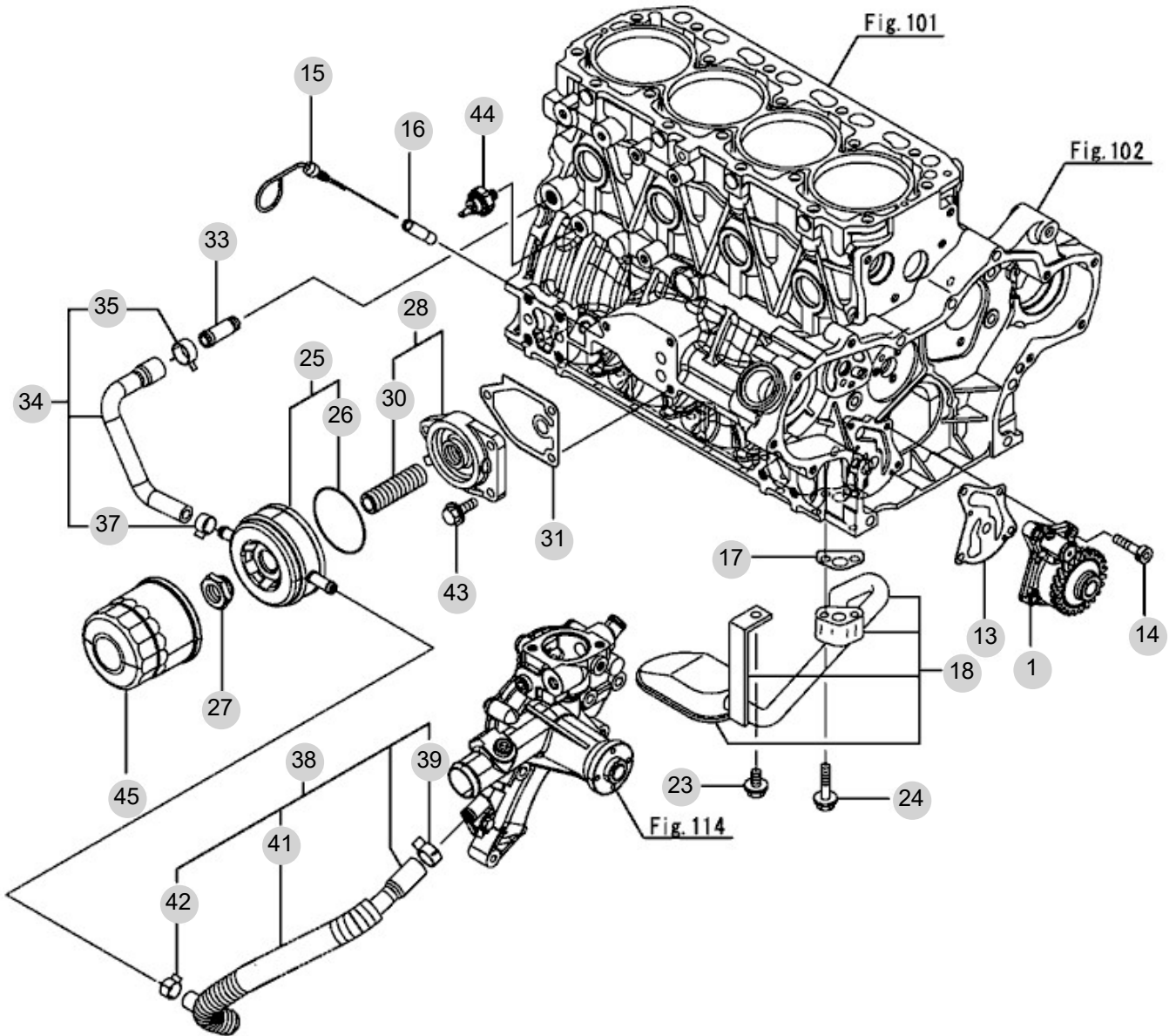
FIG 112B

T455NCGBC

LUB. OIL SYSTEM (T454)

년/월
Year/Month

2022-12



NOTE

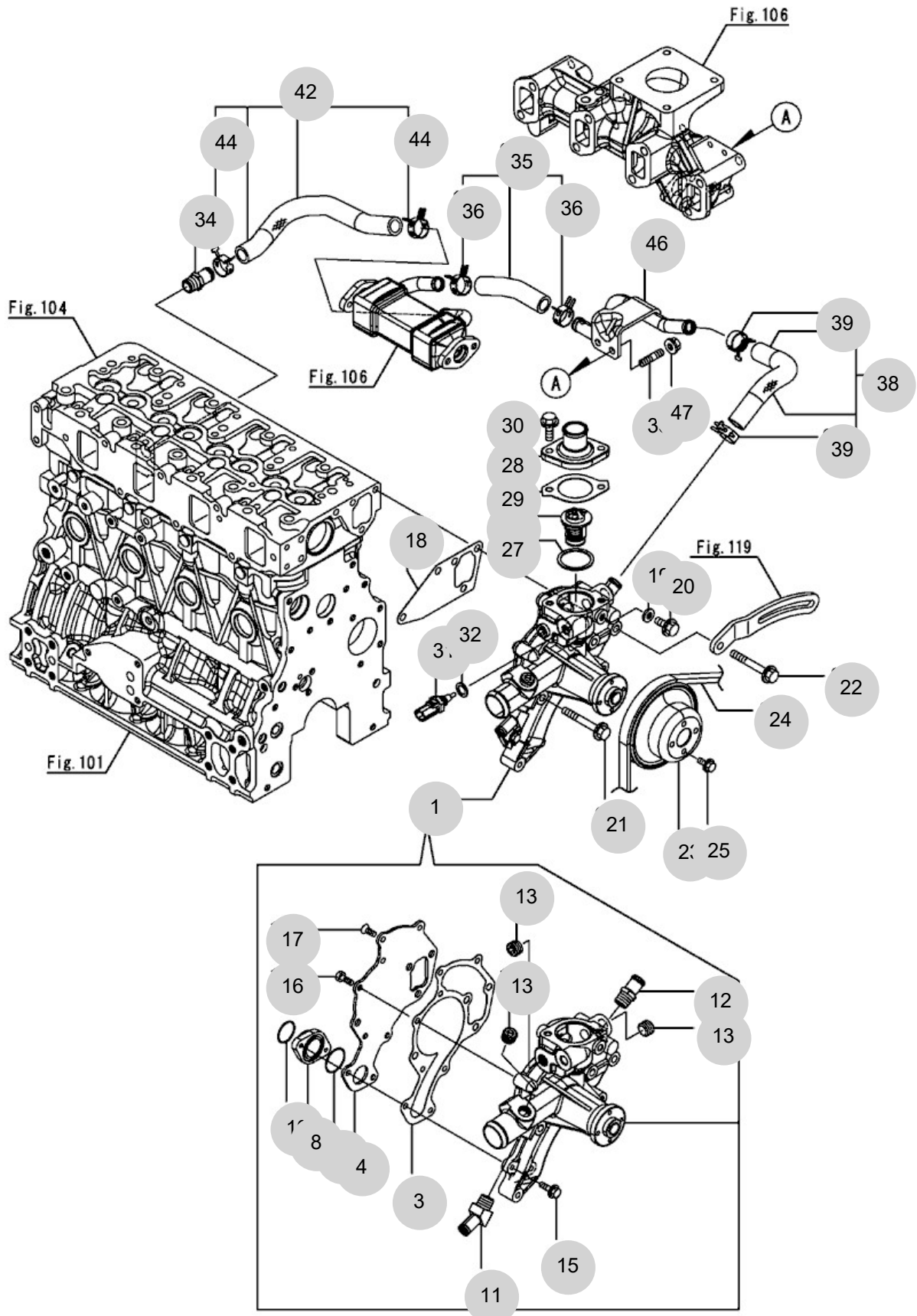
FIG 114

COOLING WATER SYSTEM

년/월
Year/Month

2022-12

T455NCGBC



NOTE

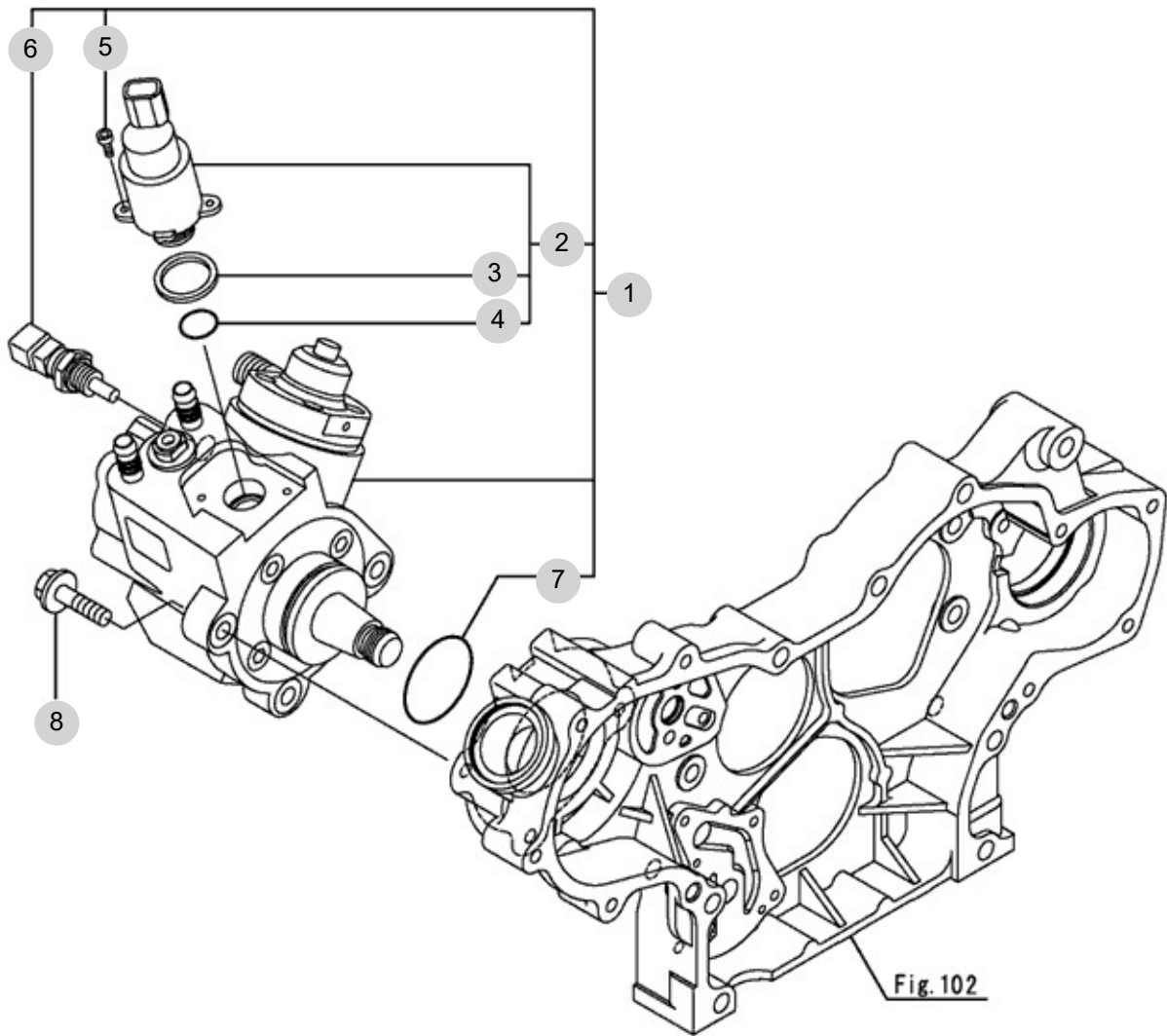
FIG 115

T455NCGBC

FUEL SUPPLY PUMP

년/월
Year/Month

2022-12



NOTE

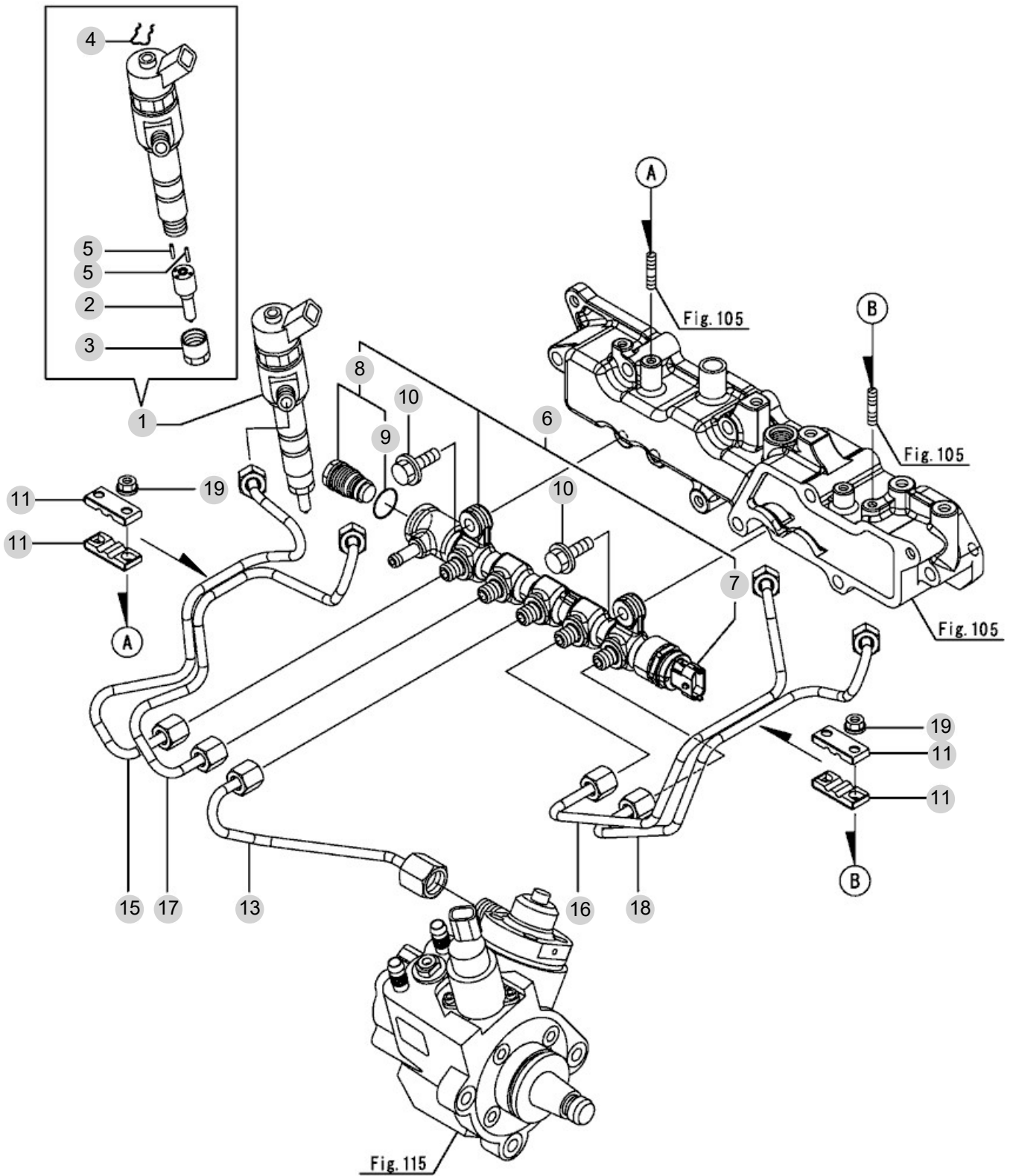
FIG 116B

FUEL INJECTION VALVE (T454)

년/월
Year/Month

2022-12

T455NCGBC



NOTE

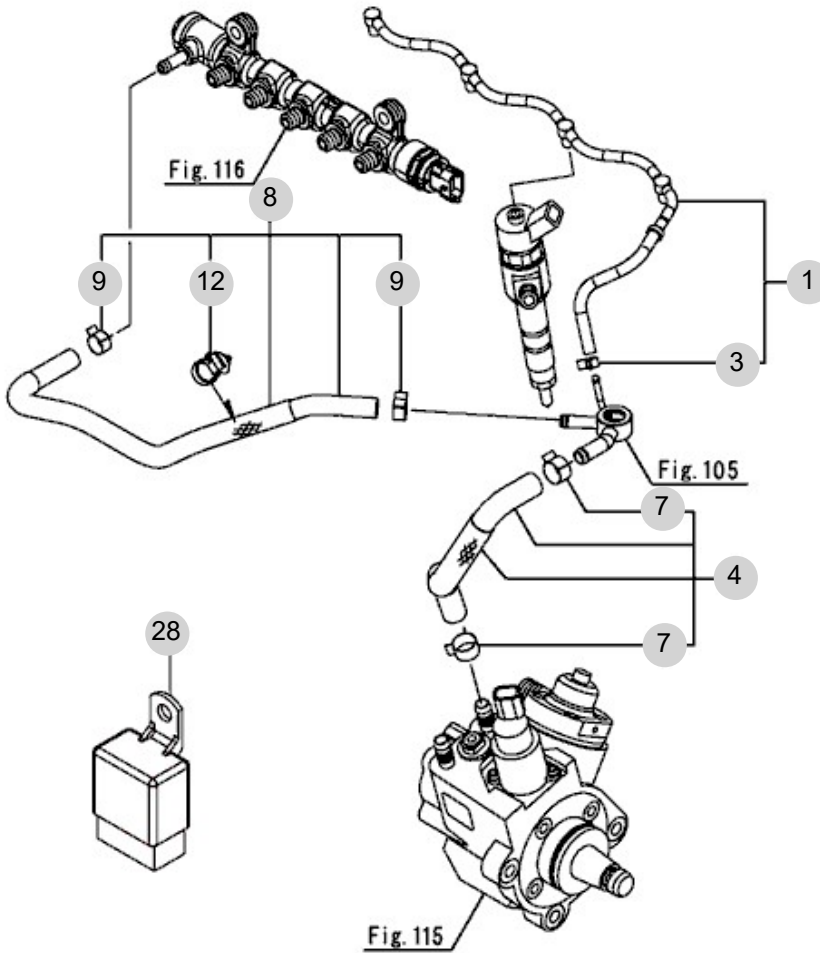
FIG 117

T455NCGBC

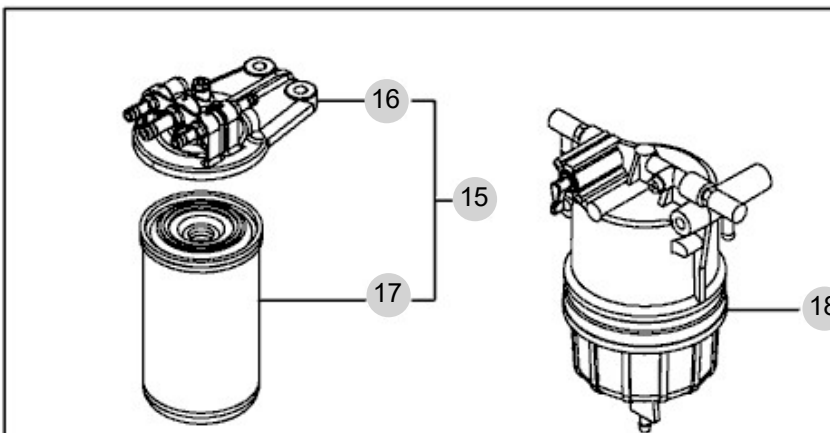
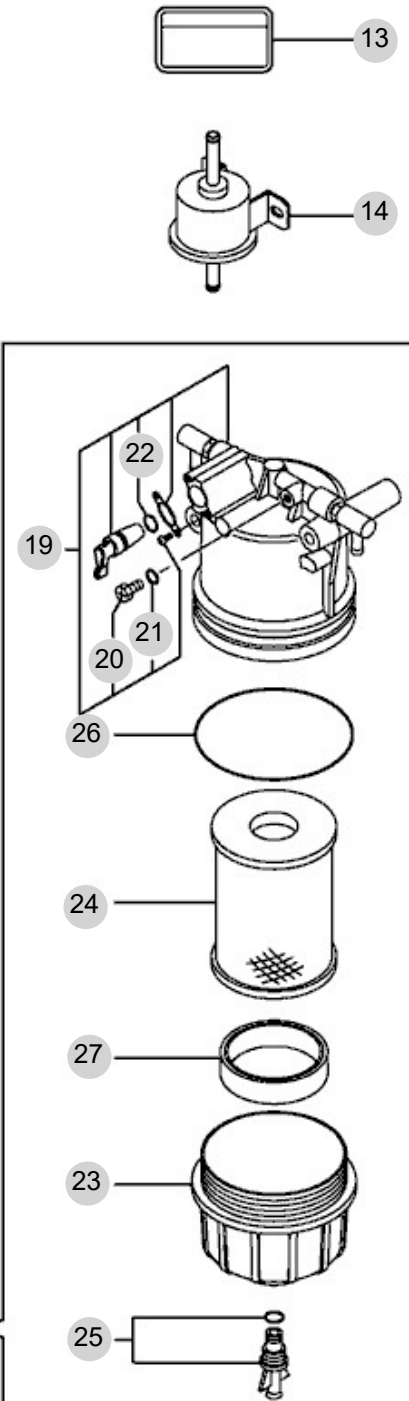
FUEL LINE

년/월
Year/Month

2022-12



LOOSE PARTS



NOTE

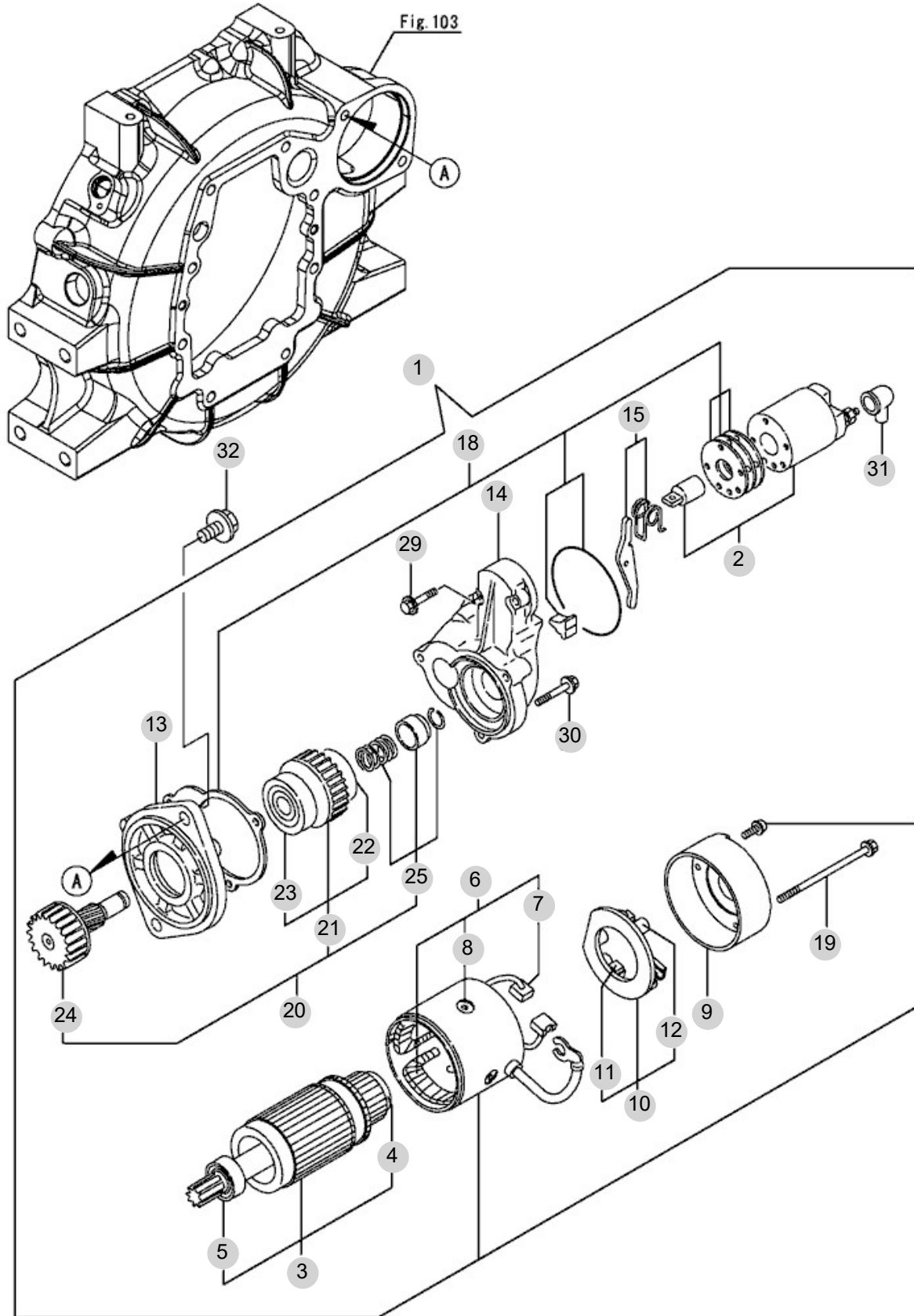
FIG 118

STARTING MOTOR

년/월
Year/Month

2022-12

T455NCGBC



NOTE

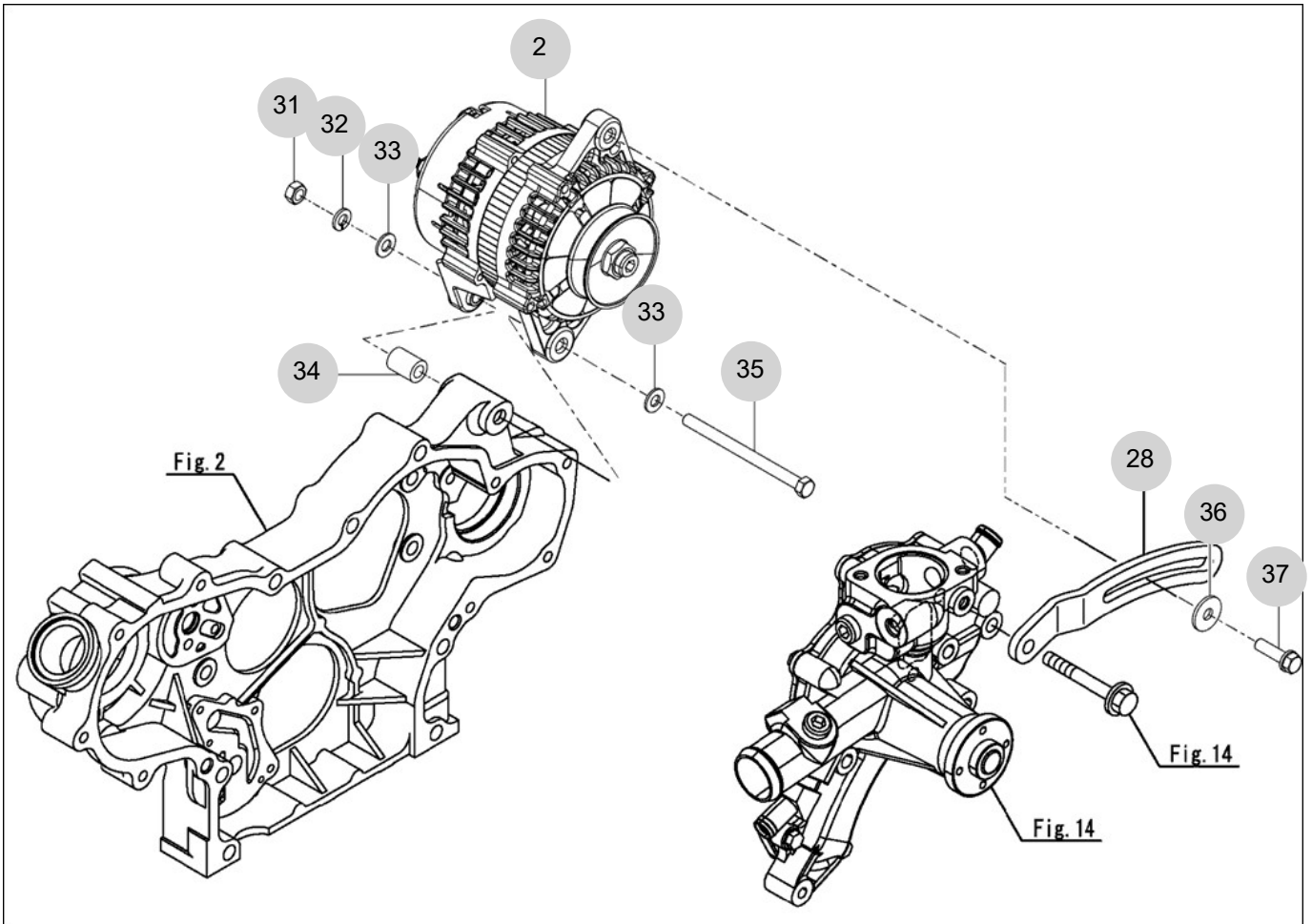
FIG 119

T455NCGBC

GENERATOR

년/월
Year/Month

2022-12



NOTE

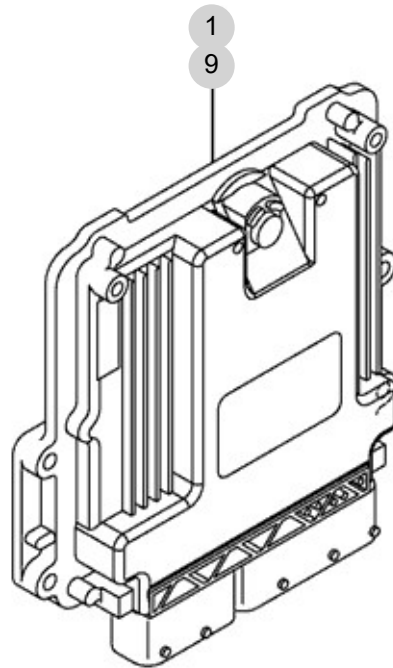
FIG 120B

T455NCGBC

ELECTRONIC CONTROL UNIT (T454)

년/월
Year/Month

2022-12



NOTE

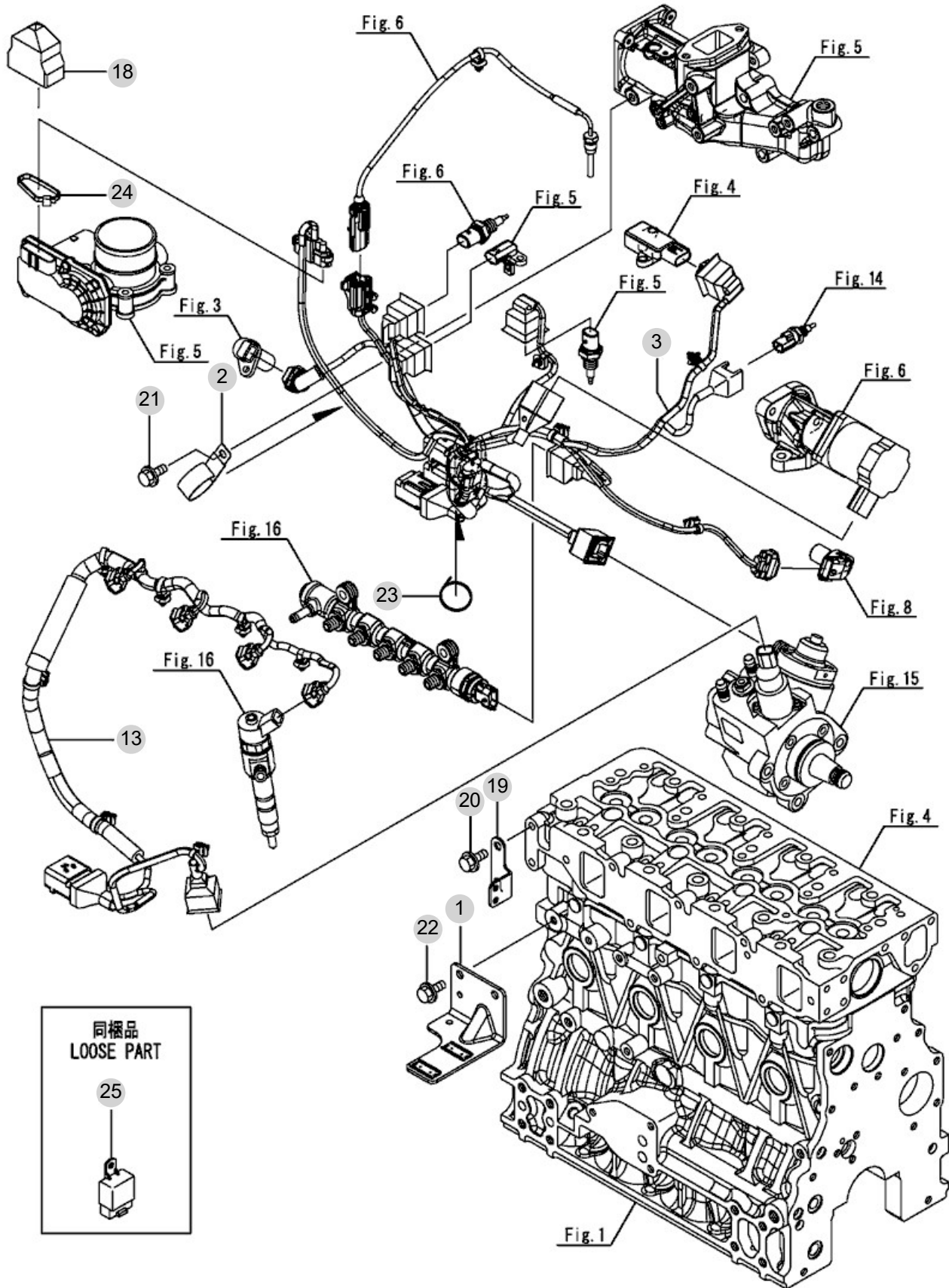
FIG 121B

ELECTRIC PARTS (T454)

년/월
Year/Month

2022-12

T455NCGBC



NOTE

FIG 122B

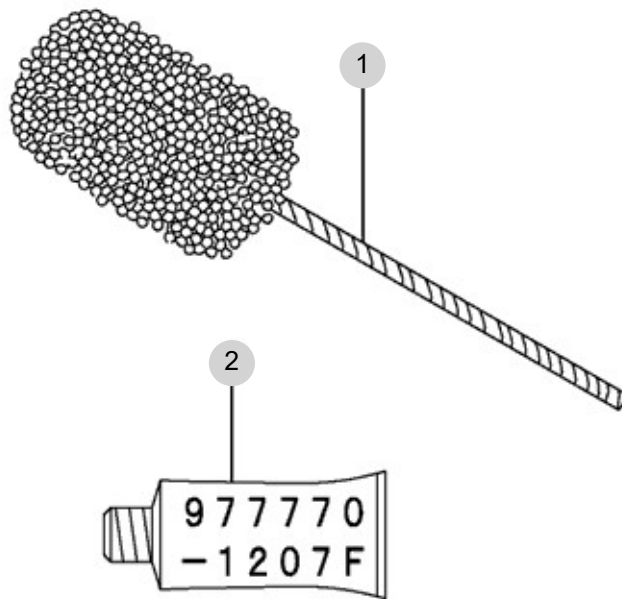
T455NCGBC

ACCESSORY (T454)

년/월
Year/Month

2022-12

OPTIONAL PARTS



NOTE

2. 엔진보기품 PART NO. T2

FIG 201 AIR CLEANER	51
FIG 202 RADIATOR	53
FIG 203 MUFFLER	55
FIG 204 FUEL HOSE & FILTER	57
FIG 205 FUEL TANK	59
FIG 206 ACCELERATOR	61
FIG 208 FAN , COOLING	63

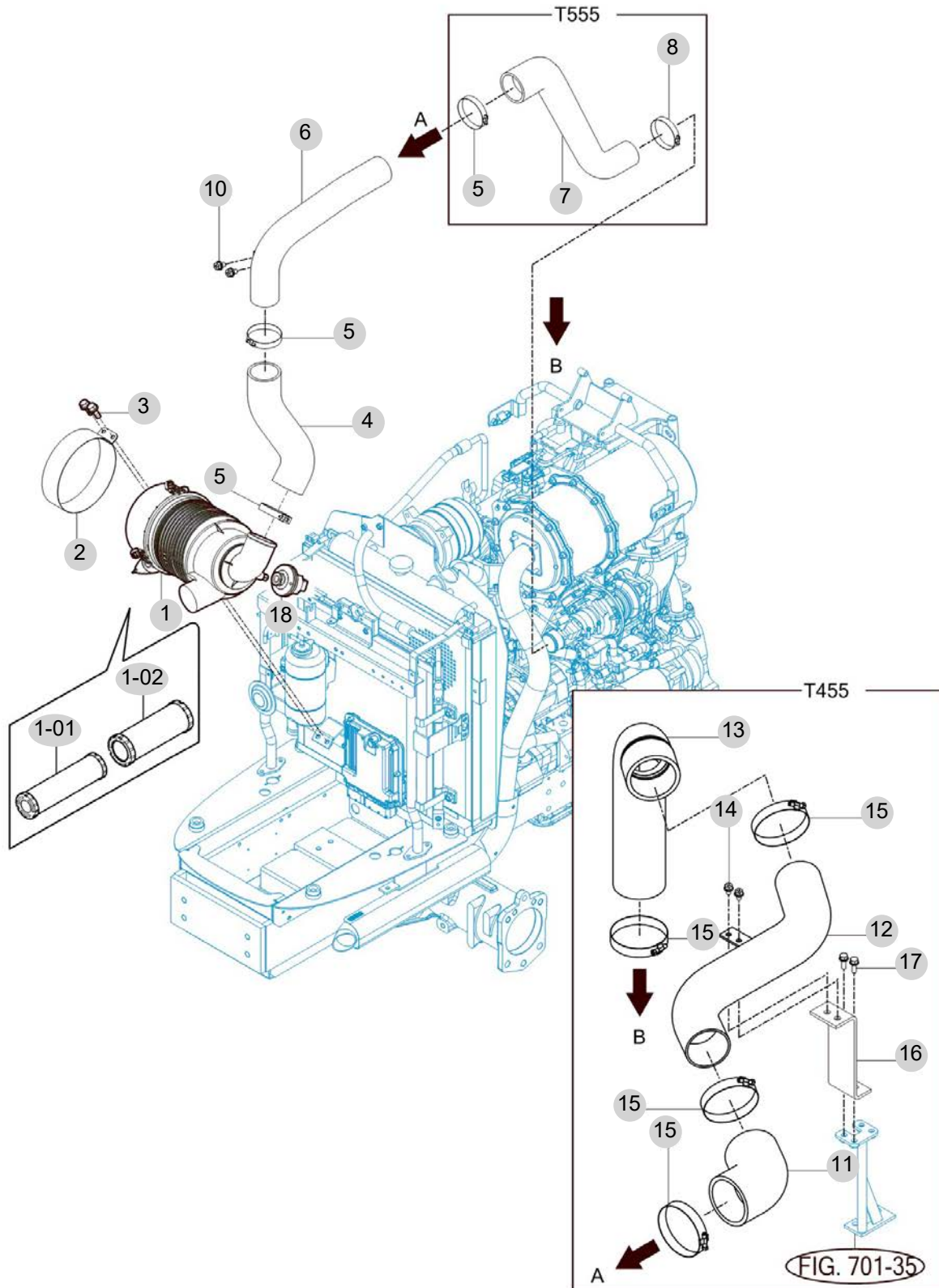
FIG 201

T455NCGBC

AIR CLEANER

년/월
Year/Month

2022-12



NOTE

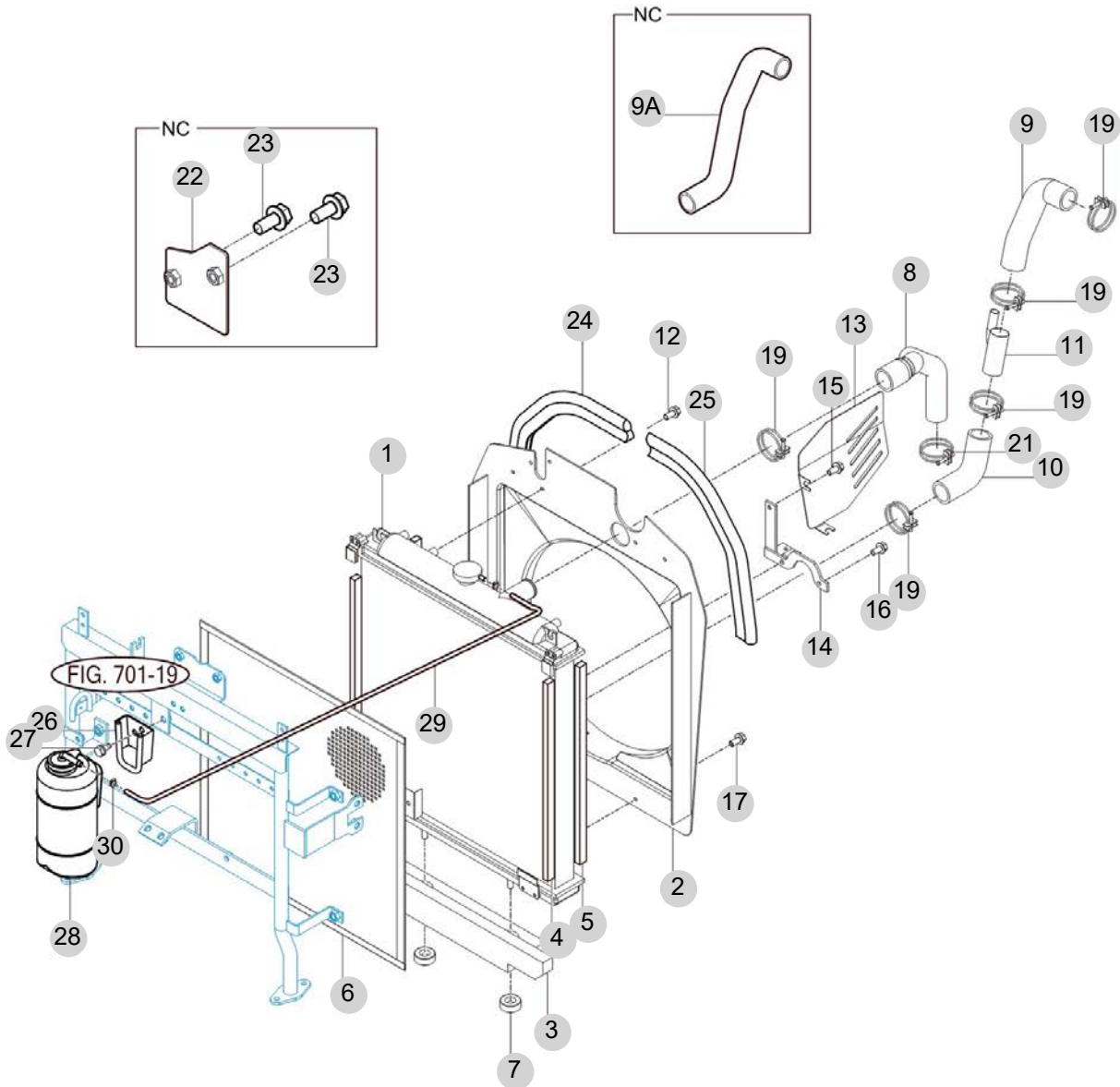
FIG 202

T455NCGBC

RADIATOR

년/월
Year/Month

2022-12



NOTE

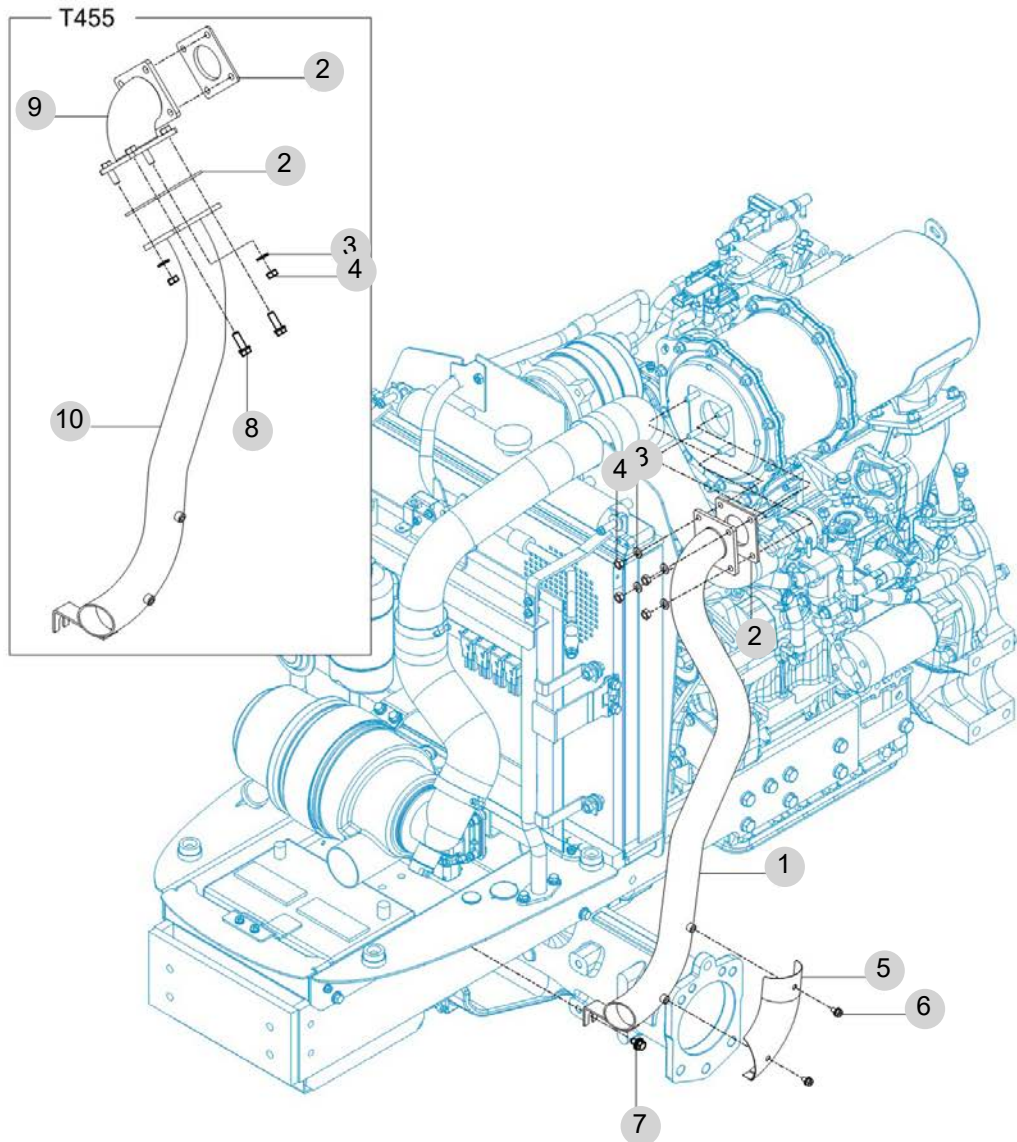
FIG 203

T455NCGBC

MUFFLER

년/월
Year/Month

2022-12



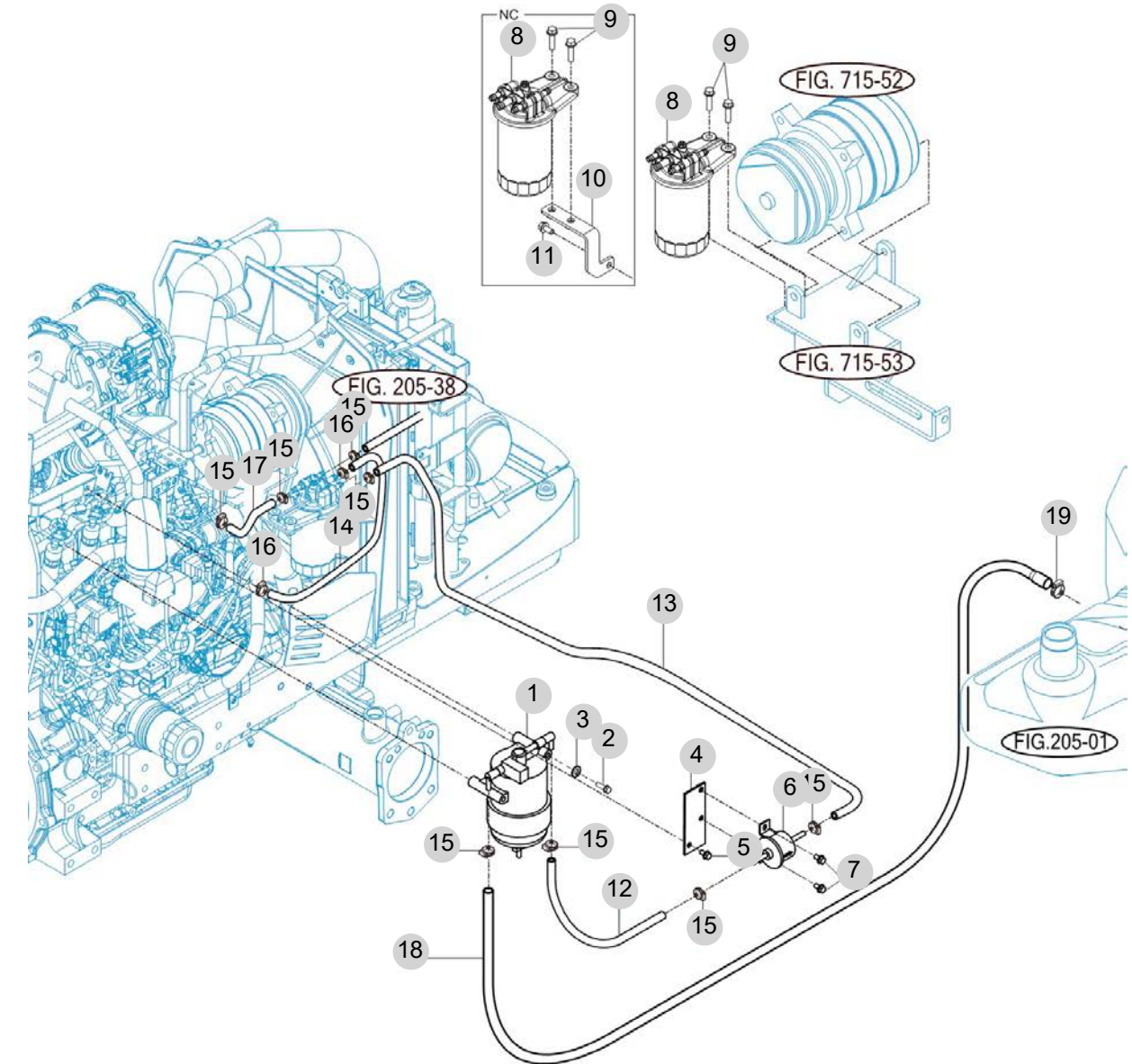
NOTE

FIG 204

FUEL HOSE & FILTER

년/월
Year/Month

2022-12



NOTE

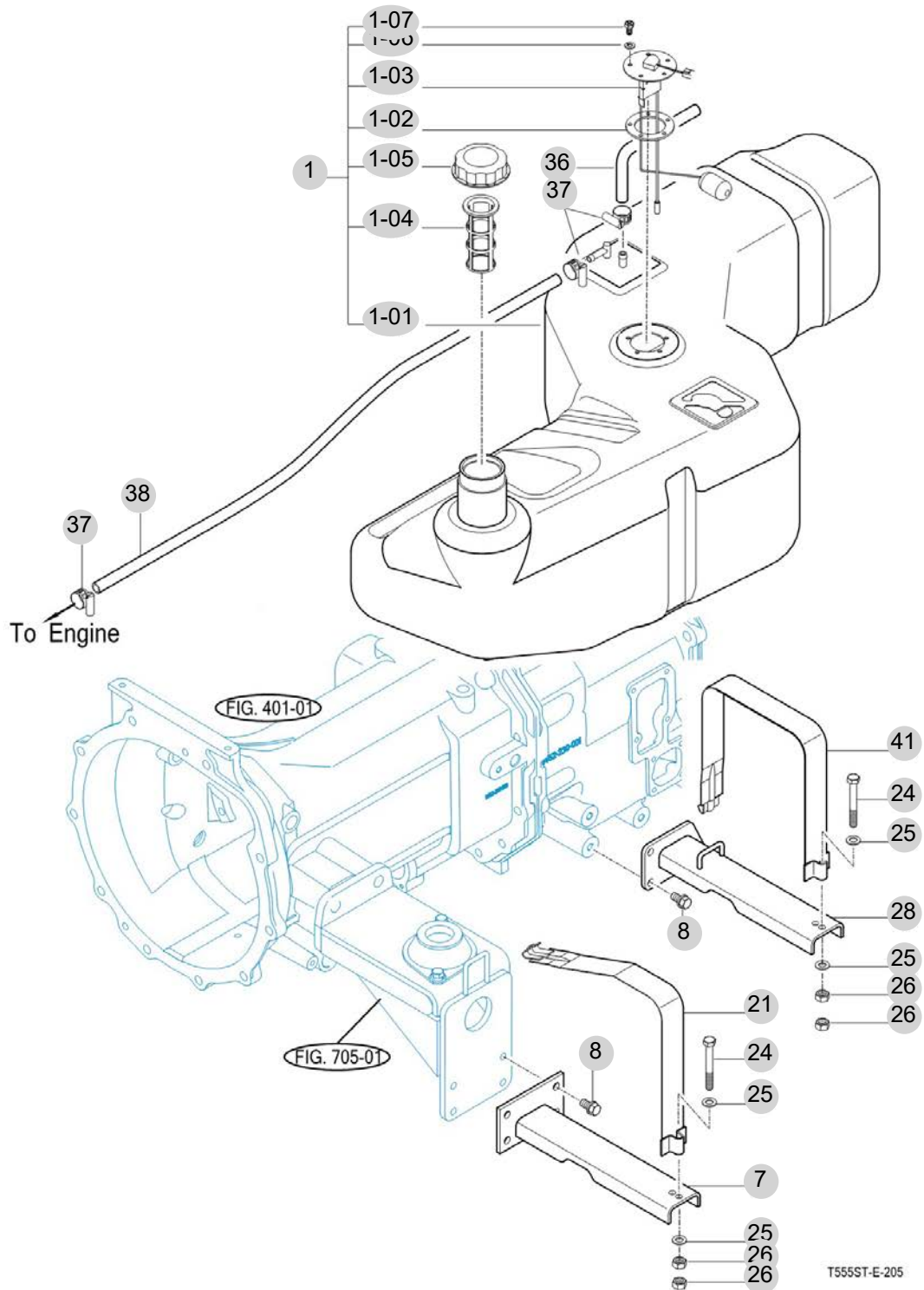
FIG 205

T455NCGBC

FUEL TANK

년/월
Year/Month

2022-12



NOTE

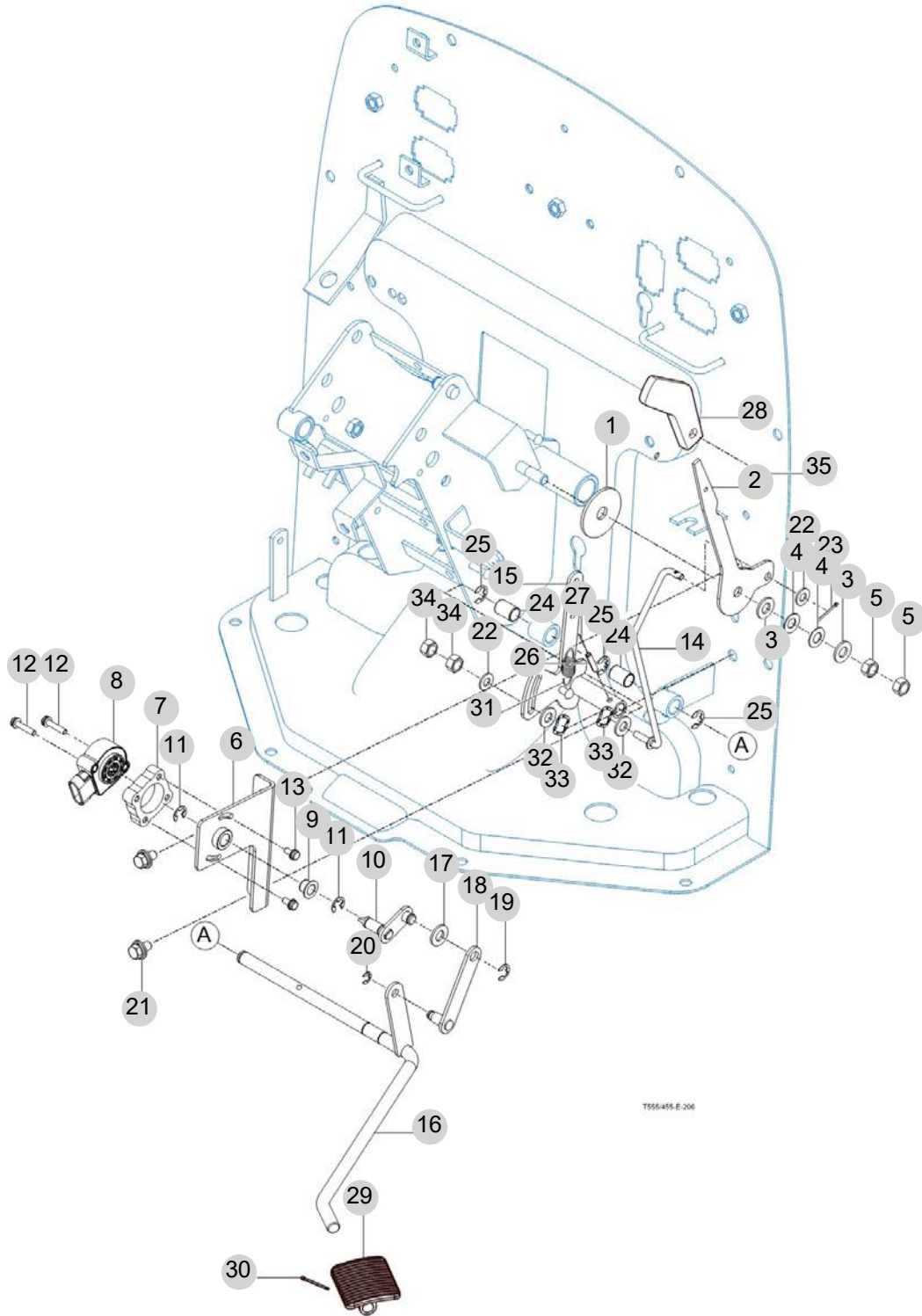
FIG 206

T455NCGBC

ACCELERATOR

년/월
Year/Month

2022-12



NOTE

FIG 206 T455NCGBC		ACCELERATOR					년/월 Year/Month	
							2022-12	
KEY NO	PART NO	DESCRIPTION	SPEC	QTY	REPAIR	EFFECTIVE DATE	REMARKS	
206	1	14141170050	라이닝 (13X50X3)		1			
206	2	19991162111	플레이트, 스로틀 레버		1			
206	2	18181162110	플레이트, 스로틀 레버		1			
206	3	V4111600100	평와셔	M10	2			
206	4	14527060010	접시 스프링 와셔/M10		2			
206	5	V3342600100	소형육각너트가는2종	M10	2			
206	6	17467552200	센서 플레이트 COMP		1			
206	7	17467632620	플레이트, 스페이서		1			
206	8	17466462500	스로틀 센서 ASSY		1			
206	9	15645120010	부시(10X18X10)		1			
206	10	17467552300	암 샤프트 COMP		1			
206	11	V7081400080	E형멈춤링		2			
206	12	V1222605025	심자홍냄비작은나사(SP)	M5X25	2			
206	13	V1222605012	심자홍냄비작은나사(SP)	M5X12	2			
206	14	17461162500	로드 COMP, 스로틀		1			
206	14	18181162500	로드 COMP, 스로틀		1			
206	15	17461162400	액셀 페달 암 COMP		1			
206	16	17467552100	액셀 페달 로드 COMP		1			
206	17	V4111600100	평와셔	M10	1			
206	18	17467552400	링크 COMP		1			
206	19	V7081400080	E형멈춤링		1			
206	20	V7081400060	E형멈춤링		1			
206	21	V2183608016	소형육각볼트보통(SP)	M8X16	2			
206	22	V4111600080	평와셔	M8	2			
206	23	V5001920020	분할핀		1			
206	24	36504400140	부시(12X14X20)		2			
206	25	V7081400090	E형멈춤링		3			
206	26	V5801405025	스프링핀		1			
206	27	V5901010070	철선		1			
206	28	12135110050	그립, 오렌지		1			
206	29	19027552031	액셀페달		1			
206	30	V5001925025	분할핀		1			
206	31	21441300010	스프링(HE075)		1			
206	32	35602010150	걸속축와셔		2			
206	33	17461162610	웨이브와셔		2			
206	34	V3042600080	소형육각너트보통2종		2			
206	35	V1122605012	심자홍접시작은나사		1			
NOTE								

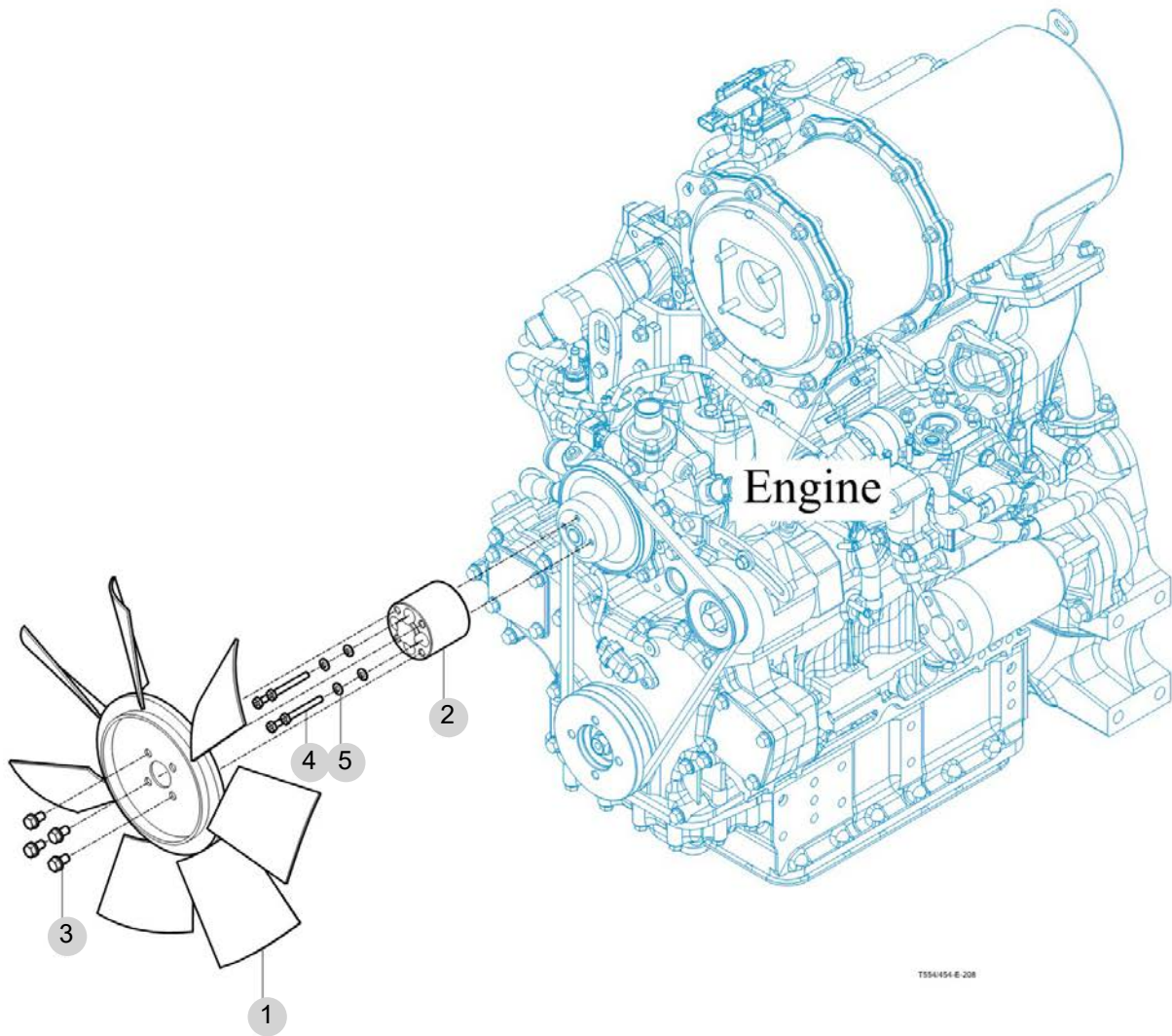
FIG 208

T455NCGBC

FAN , COOLING

년/월
Year/Month

2022-12



T556456 E-208

NOTE

3. 클러치/브레이크/스티어링 PART NO. T3

FIG 301 CLUTCH	66
FIG 302 CLUTCH PEDAL	68
FIG 303 BRAKE	70
FIG 304 BRAKE PEDAL & LINKAGE	72
FIG 305A FRONT WHEEL	74
FIG 305B FRONT WHEEL (R4 OPTION)	76
FIG 306A REAR WHEEL	78
FIG 306B REAR WHEEL (R4 OPTION)	80
FIG 307 POWER STEERING WHEEL	82
FIG 308 POWER STEERING VALVE	84
FIG 309 POWER STEERING CYLINDER	86
FIG 310 HAND BRAKE	88

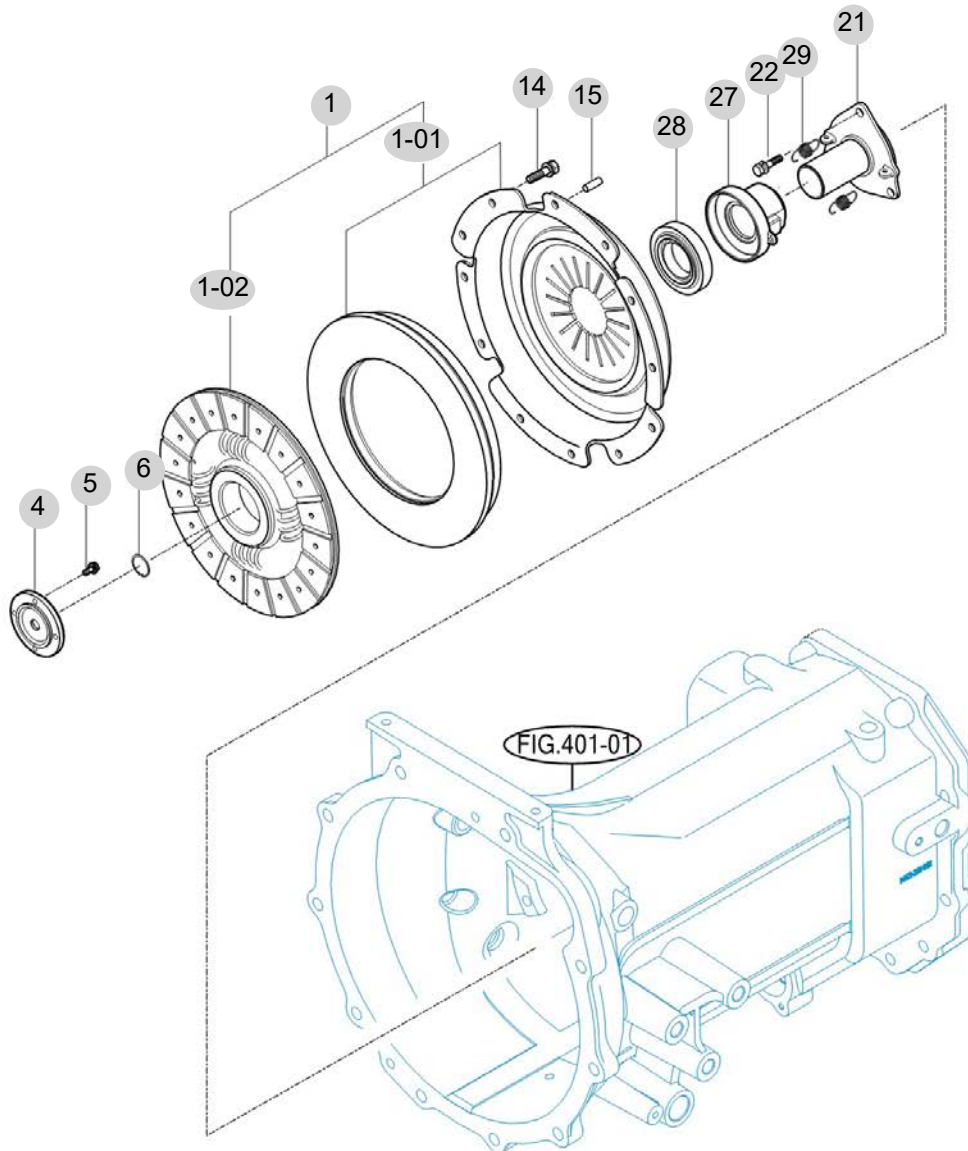
FIG 301

T455NCGBC

CLUTCH

년/월
Year/Month

2022-12



T545T155ANC/T4545T145ANC-E-301

NOTE

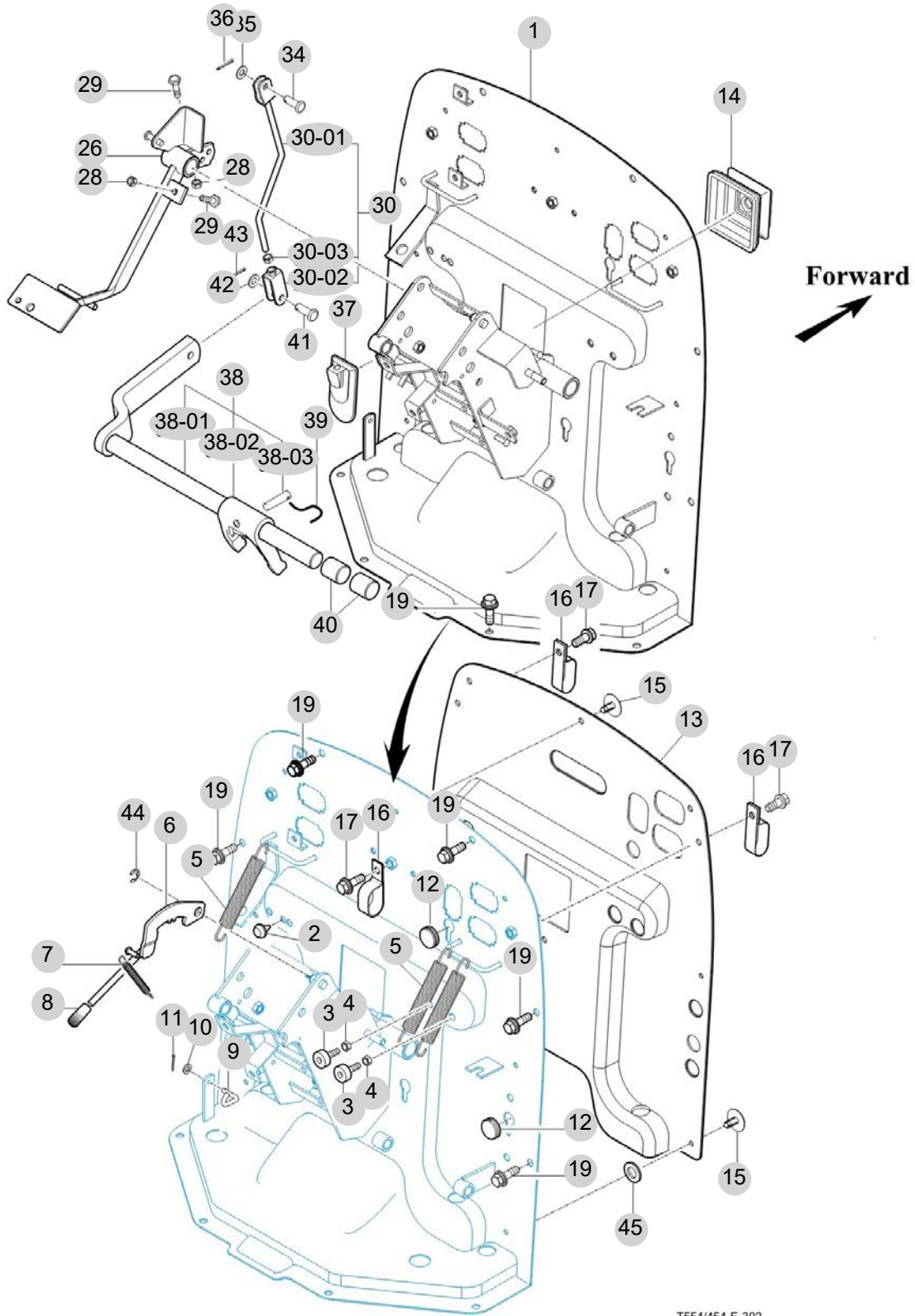
FIG 302

CLUTCH PEDAL

년/월
Year/Month

2022-12

T455NCGBC



T554/454-E-302

NOTE

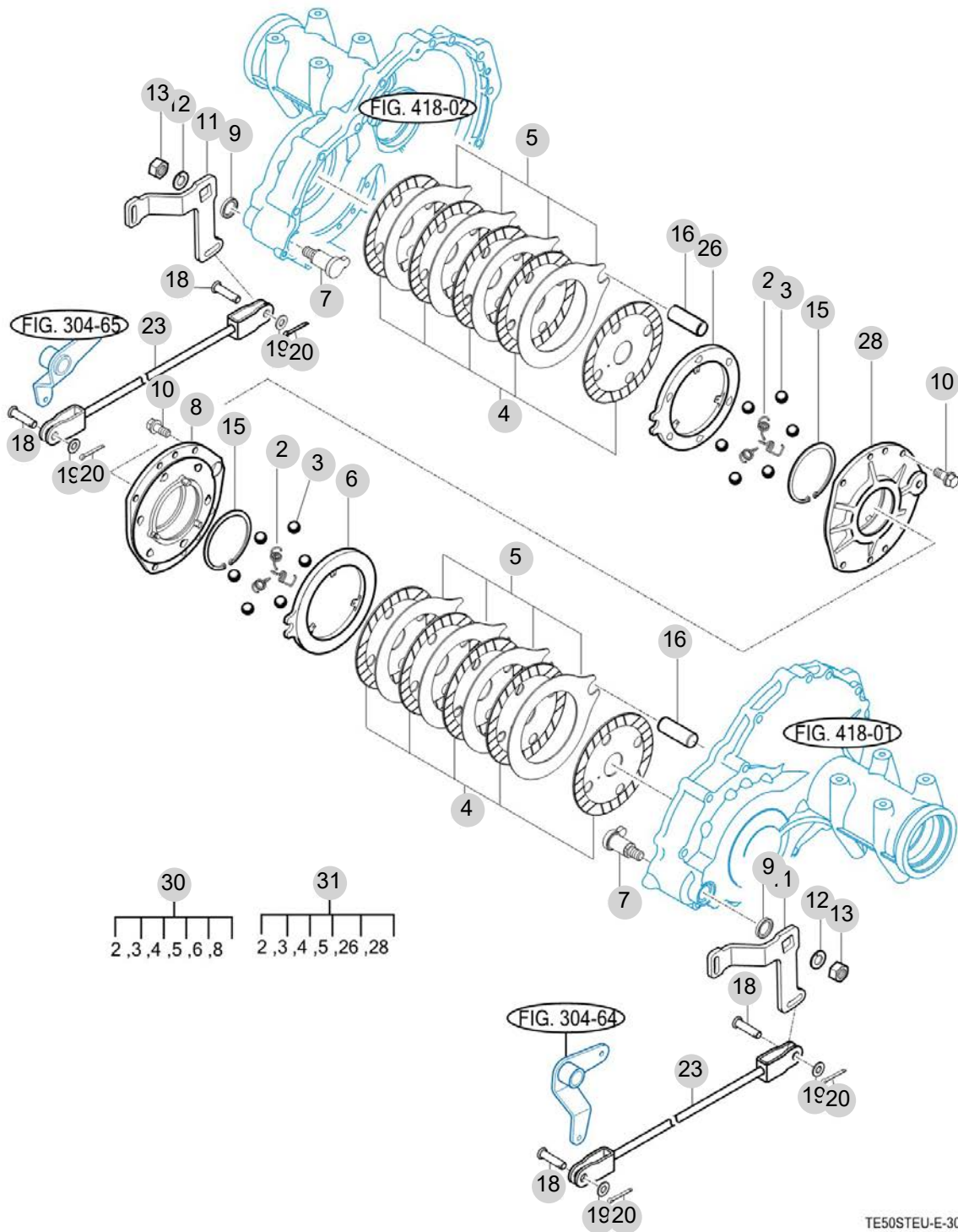
FIG 303

T455NCGBC

BRAKE

년/월
Year/Month

2022-12



NOTE

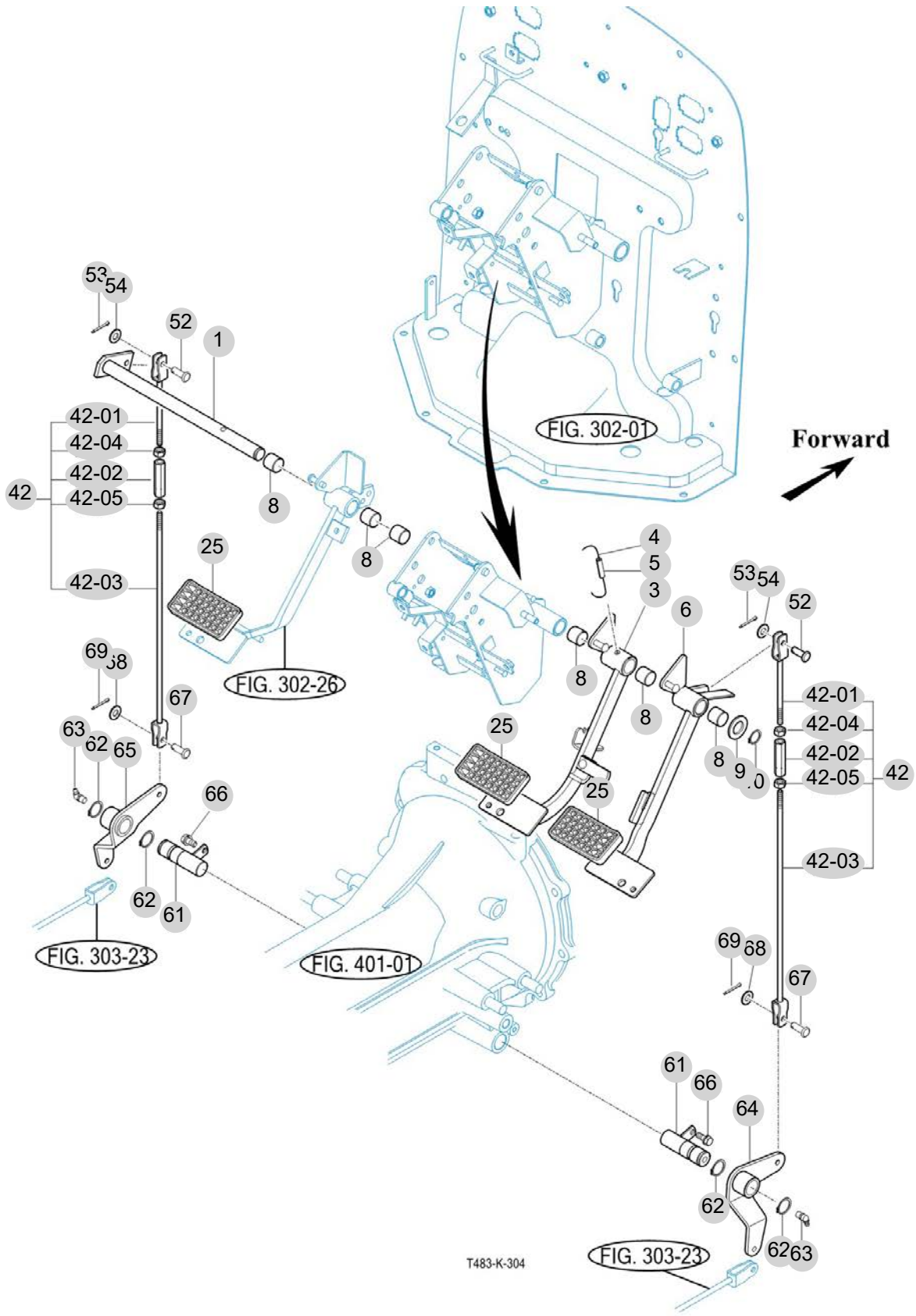
FIG 304

BRAKE PEDAL & LINKAGE

년/월
Year/Month

2022-12

T455NCGBC



T483-K-304

NOTE

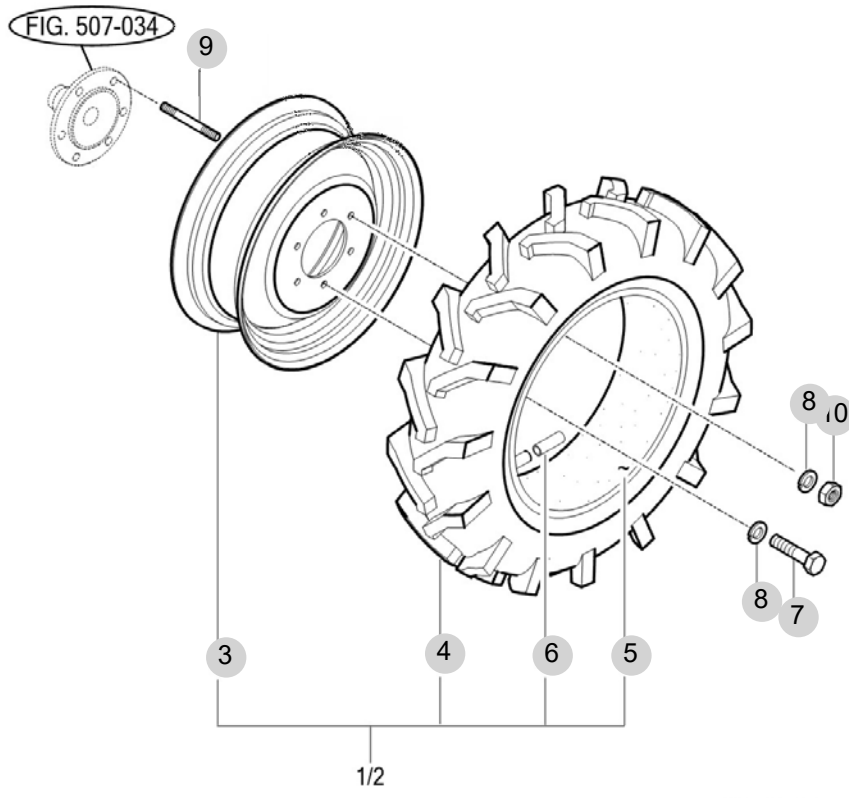
FIG 305A

T455NCGBC

FRONT WHEEL

년/월
Year/Month

2022-12



NOTE

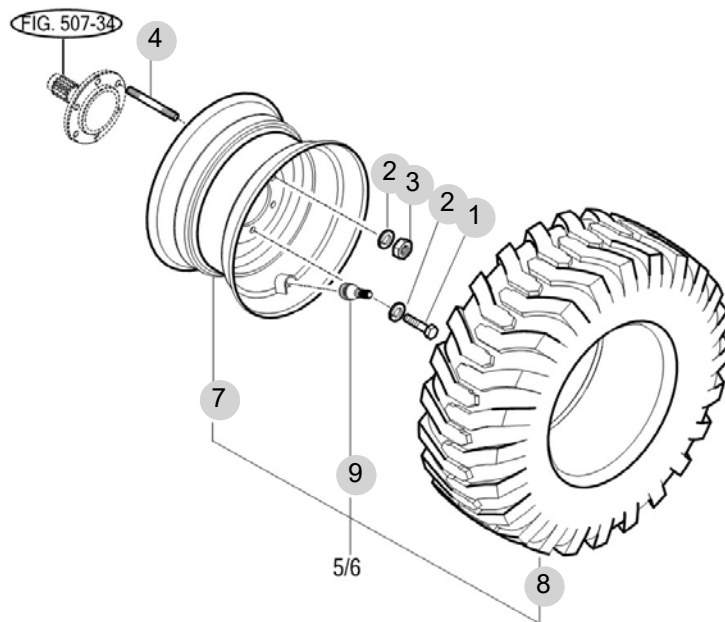
FIG 305B

T455NCGBC

FRONT WHEEL (R4 OPTION)

년/월
Year/Month

2022-12



T503HST-E-305B

NOTE

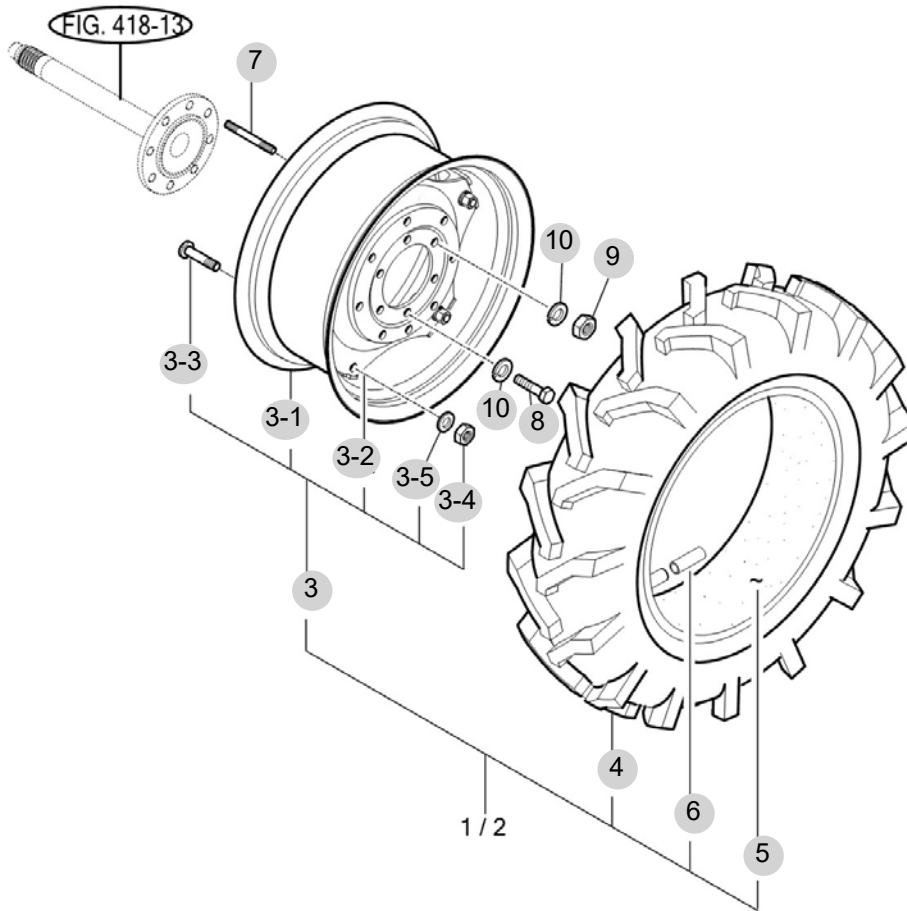
FIG 306A

T455NCGBC

REAR WHEEL

년/월
Year/Month

2022-12



NOTE

KEY NO		PART NO	DESCRIPTION	SPEC	QTY	REPAIR	EFFECTIVE DATE	REMARKS
306A	1	16503202100	타이어(13.6-26/LH) ASSY		1			
306A	1-01	16503202200	타이어(13.6-26/RH) ASSY		1			
306A	3	14623172000MS	휠림ASSY(W11-26)		2			
306A	3-01	14623172200	휠(W11-26) COMP		2			
306A	3-02	14623182110	리어휠디스크		2			
306A	3-03	15263202031	볼트		12			
306A	3-04	15263202041	록크 너트		12			
306A	3-05	15263202050	와셔		12			
306A	4	14623172111	타이어(13.6-26,8PR,R1)		2			
306A	5	14623172120	튜브(13.6-26)		2			
306A	6	V9993000010	타이어밸브캡		2			
306A	7	15603200010	보울트(스타드,M16X30)		4			
306A	8	V2014616030	소형육각볼트(보통)	M16X30	8			
306A	9	V3043600160	소형육각너트보통2종	M16	4			
306A	10	V4011600160	스프링와셔	M16	12			
NOTE								

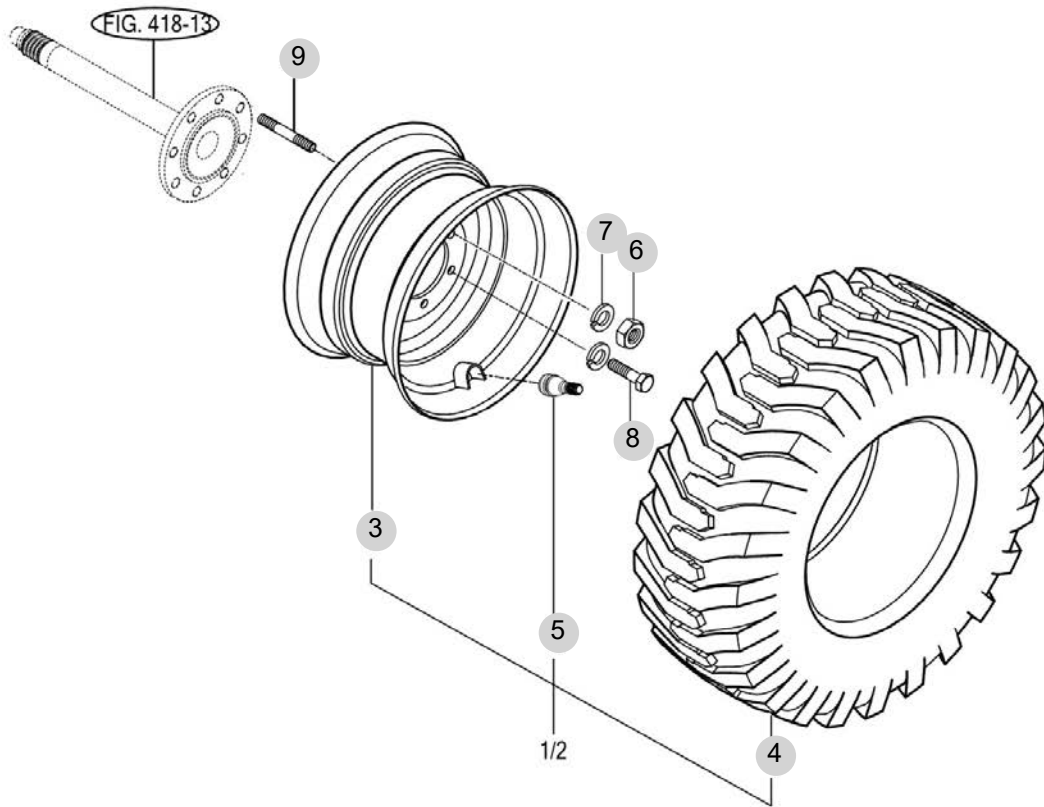
FIG 306B

T455NCGBC

REAR WHEEL (R4 OPTION)

년/월
Year/Month

2022-12



NOTE

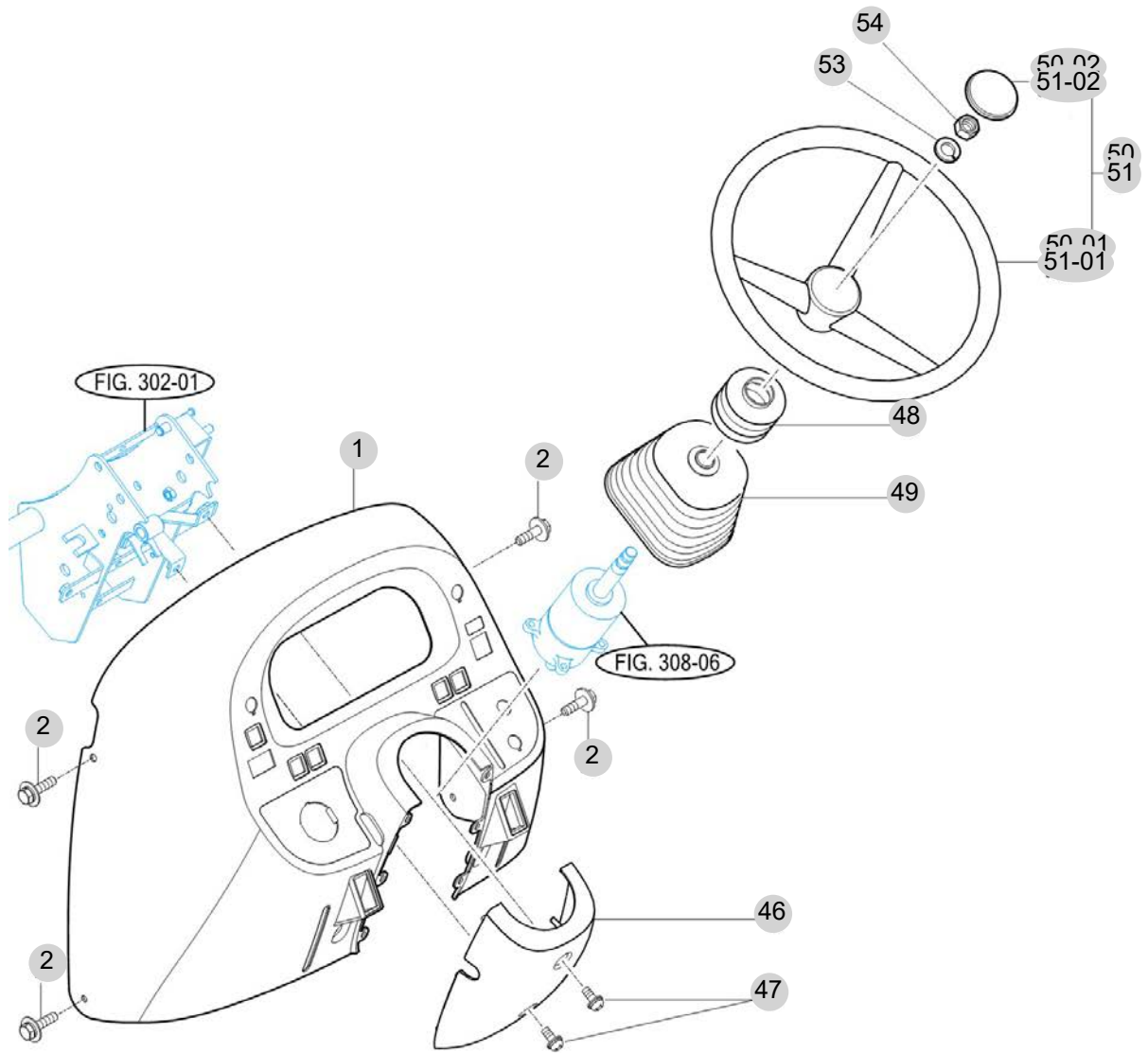
FIG 307

T455NCGBC

POWER STEERING WHEEL

년/월
Year/Month

2022-12



T555T-K-307

NOTE

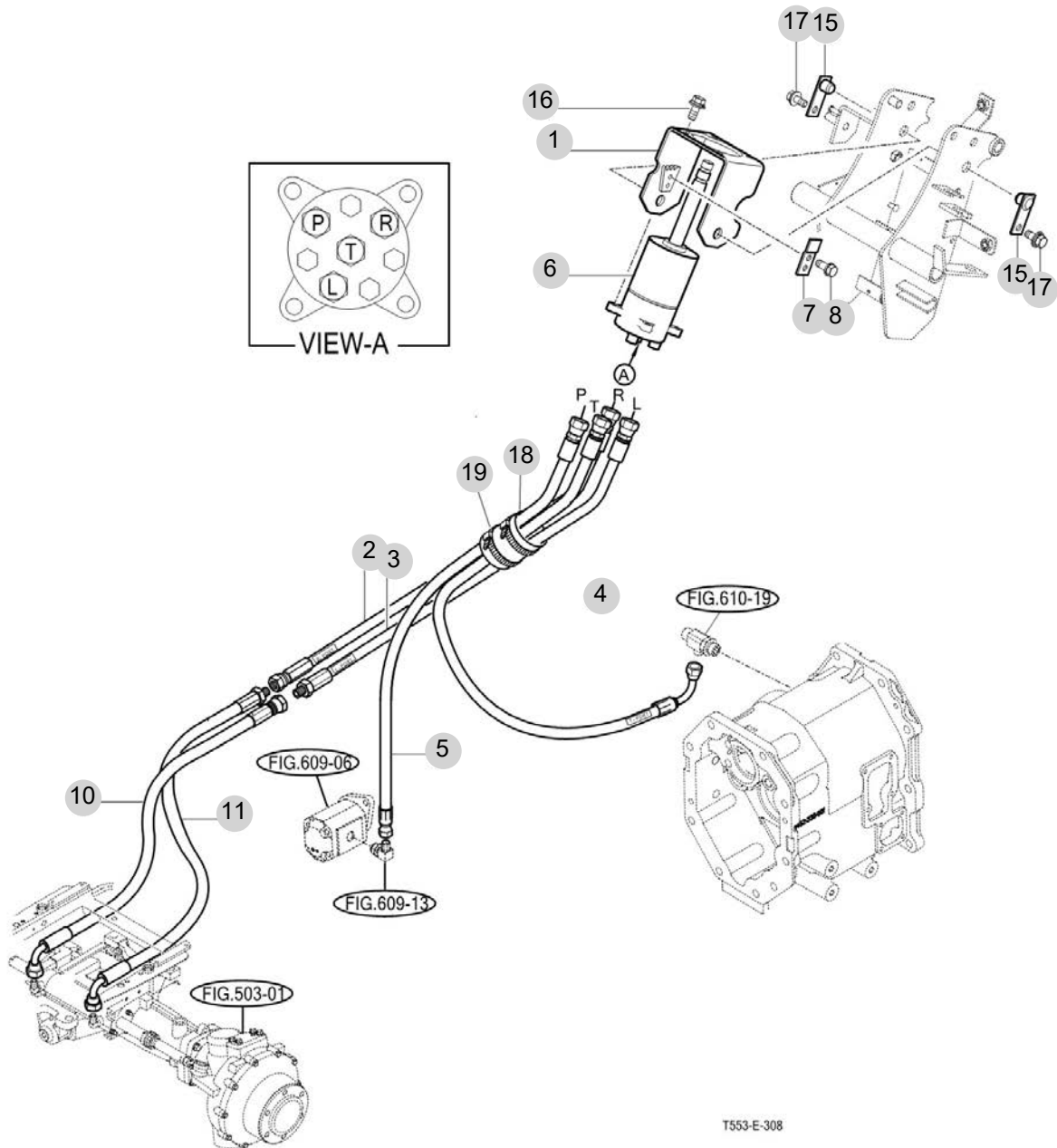
FIG 308

T455NCGBC

POWER STEERING VALVE

년/월
Year/Month

2022-12



T553-E-308

NOTE

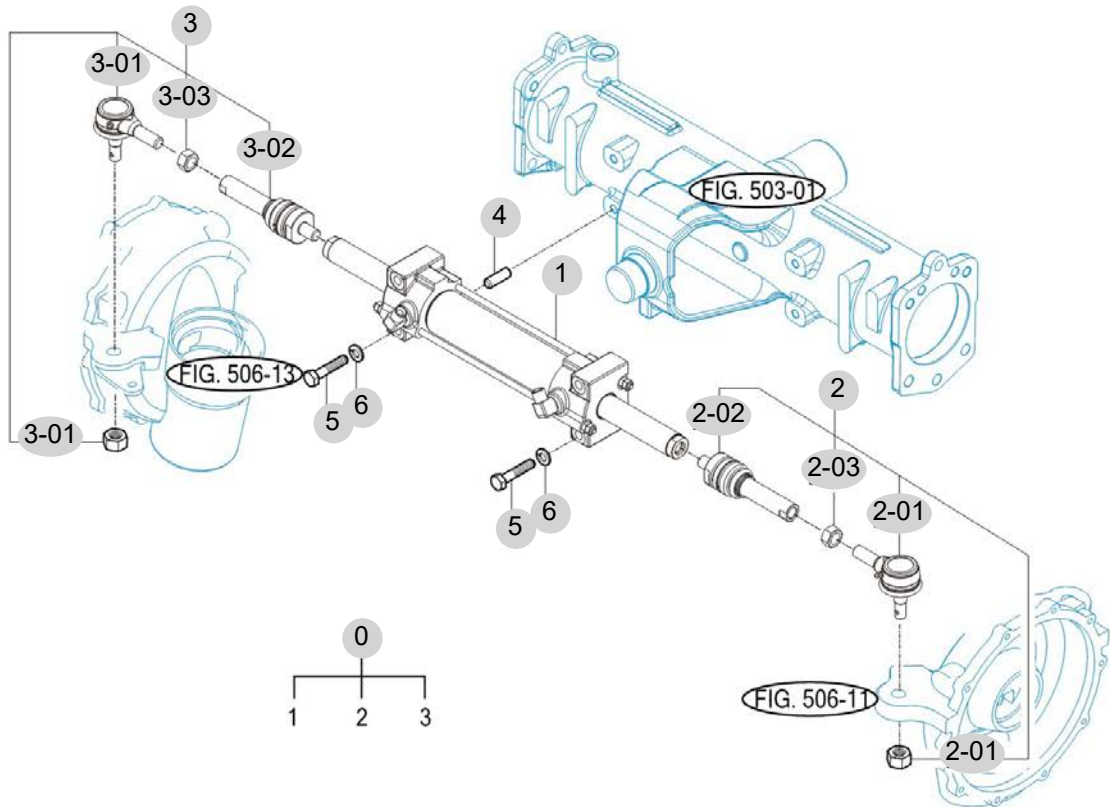
FIG 309

T455NCGBC

POWER STEERING CYLINDER

년/월
Year/Month

2022-12



NOTE

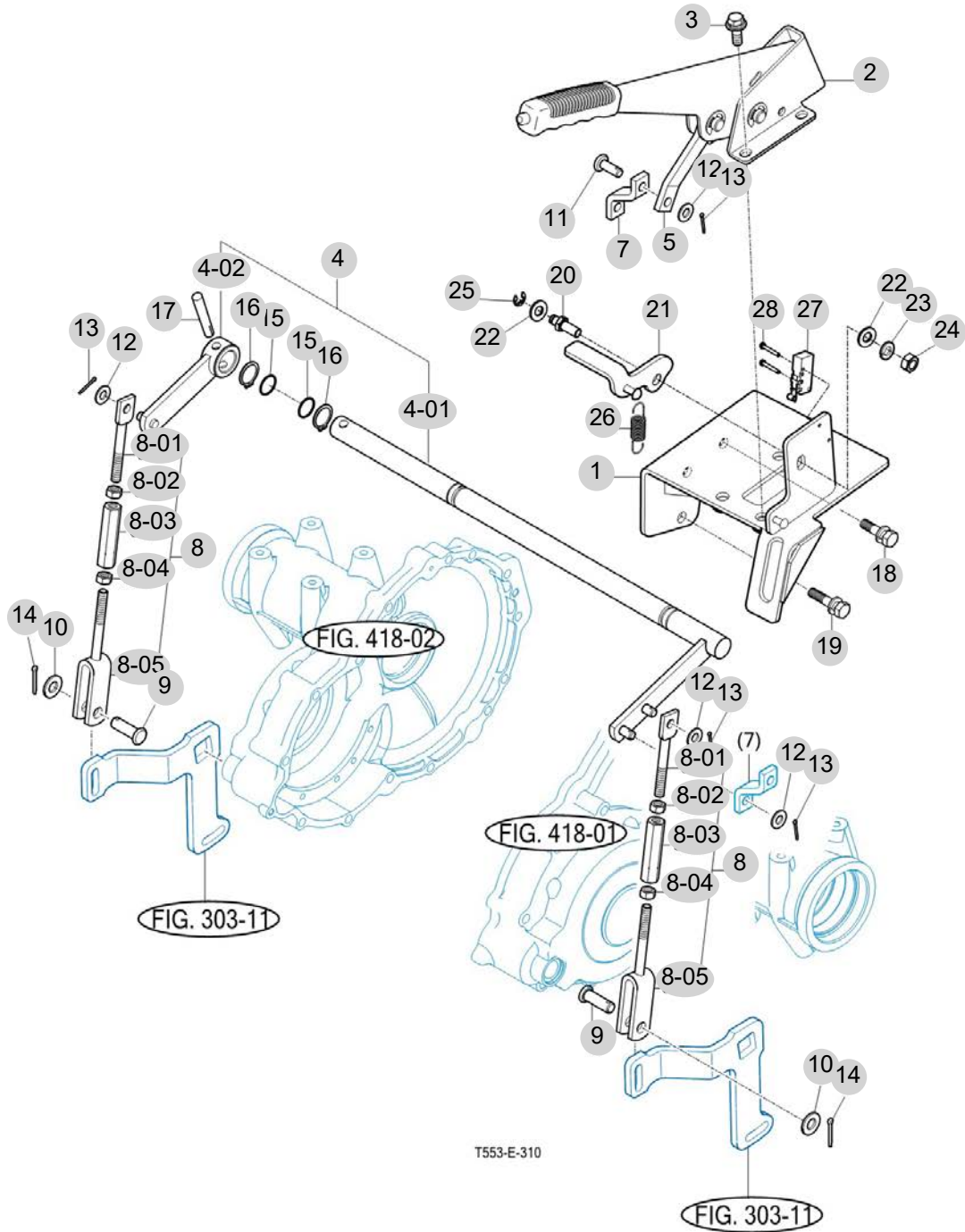
FIG 310

T455NCGBC

HAND BRAKE

년/월
Year/Month

2022-12



NOTE

4. 트랜스미션 PART NO. T4

FIG 401 TRANSMISSION FRONT CASE	91
FIG 402 FORWARD & BACKWARD GEARS	93
FIG 403 IDLE & COUNTER GEARS	95
FIG 404 MAIN SHIFT GEARS	97
FIG 405 P.T.O DRIVE SHAFT	99
FIG 406 MAIN CHANGE LEVER	101
FIG 407 REVERSE CHANGE LEVER	103
FIG 408 TRANSMISSION MID CASE	105
FIG 409 TRANSMISSION REAR CASE	107
FIG 410 SUB CHANGE GEARS	109
FIG 411 SUB CHANGE SHIFTER	111
FIG 413 DRIVE GEARS	113
FIG 414 4WD CHANGE LEVER	115
FIG 415 P.T.O CHANGE GEARS	117
FIG 416 P.T.O CHANGE SHIFTER	119
FIG 417 REAR DIFFERENTIAL GEARS	121
FIG 418 REAR AXLE HOUSING	124

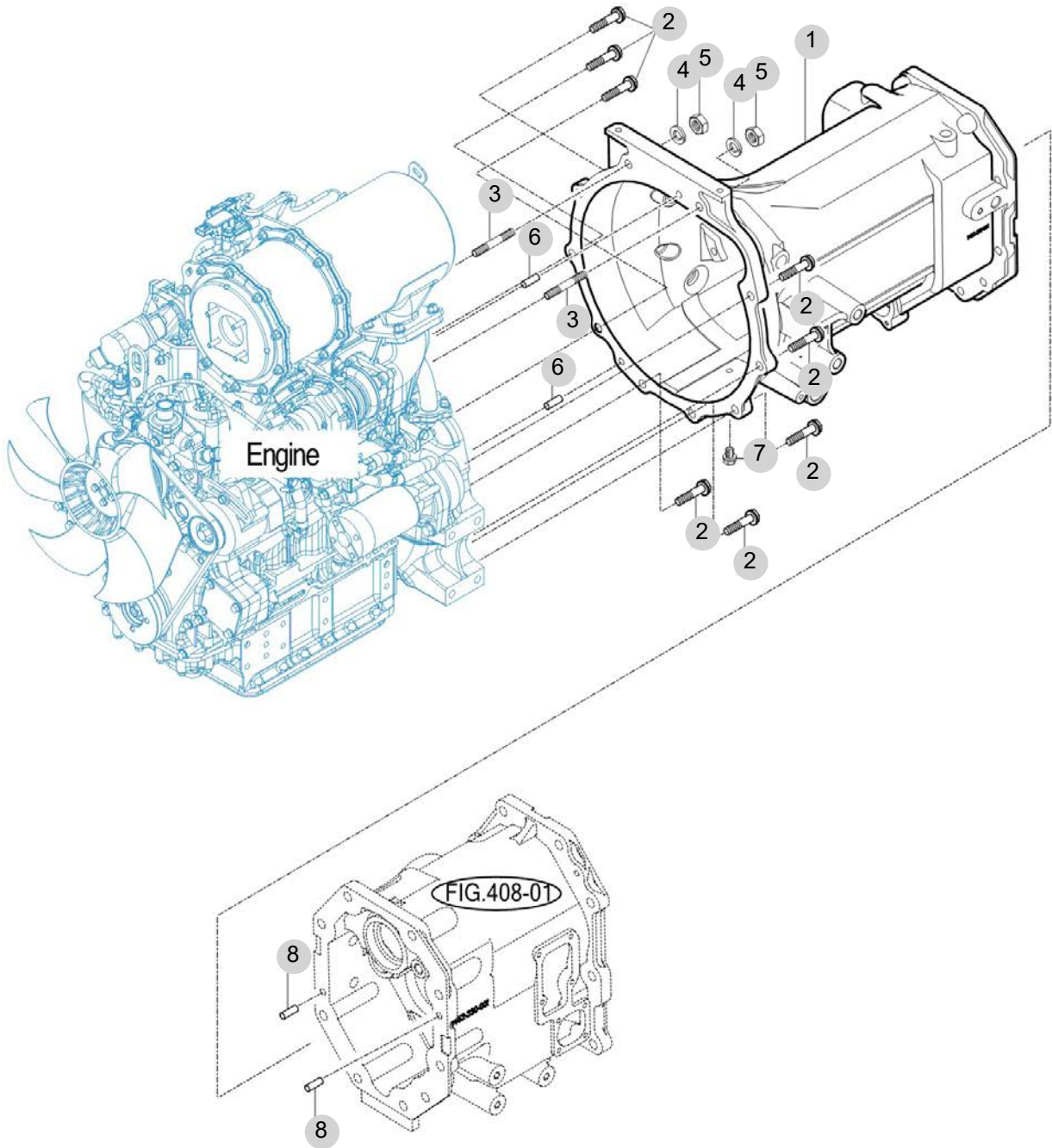
FIG 401

TRANSMISSION FRONT CASE

년/월
Year/Month

2022-12

T455NCGBC



NOTE

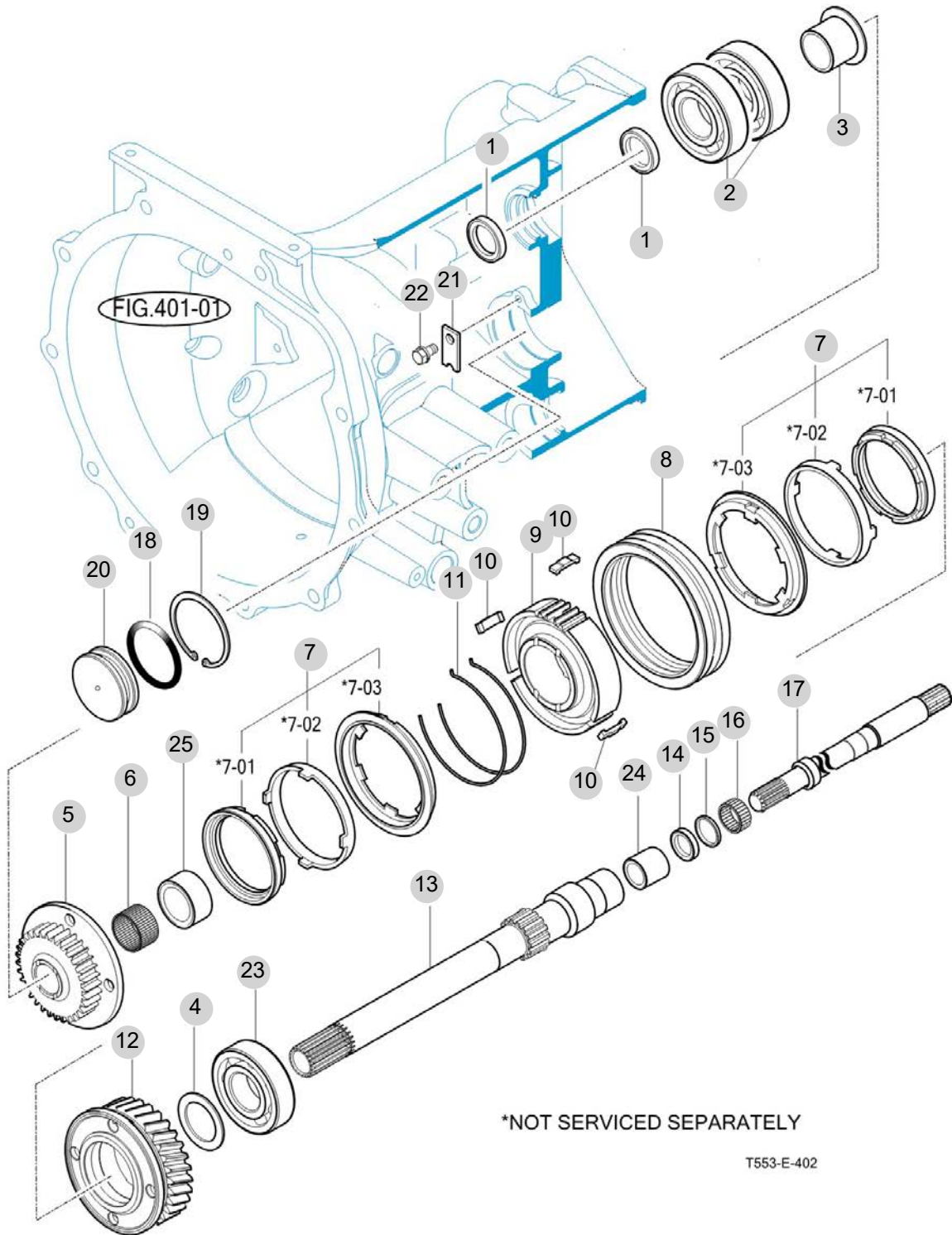
FIG 402

T455NCGBC

FORWARD & BACKWARD GEARS

년/월
Year/Month

2022-12



NOTE

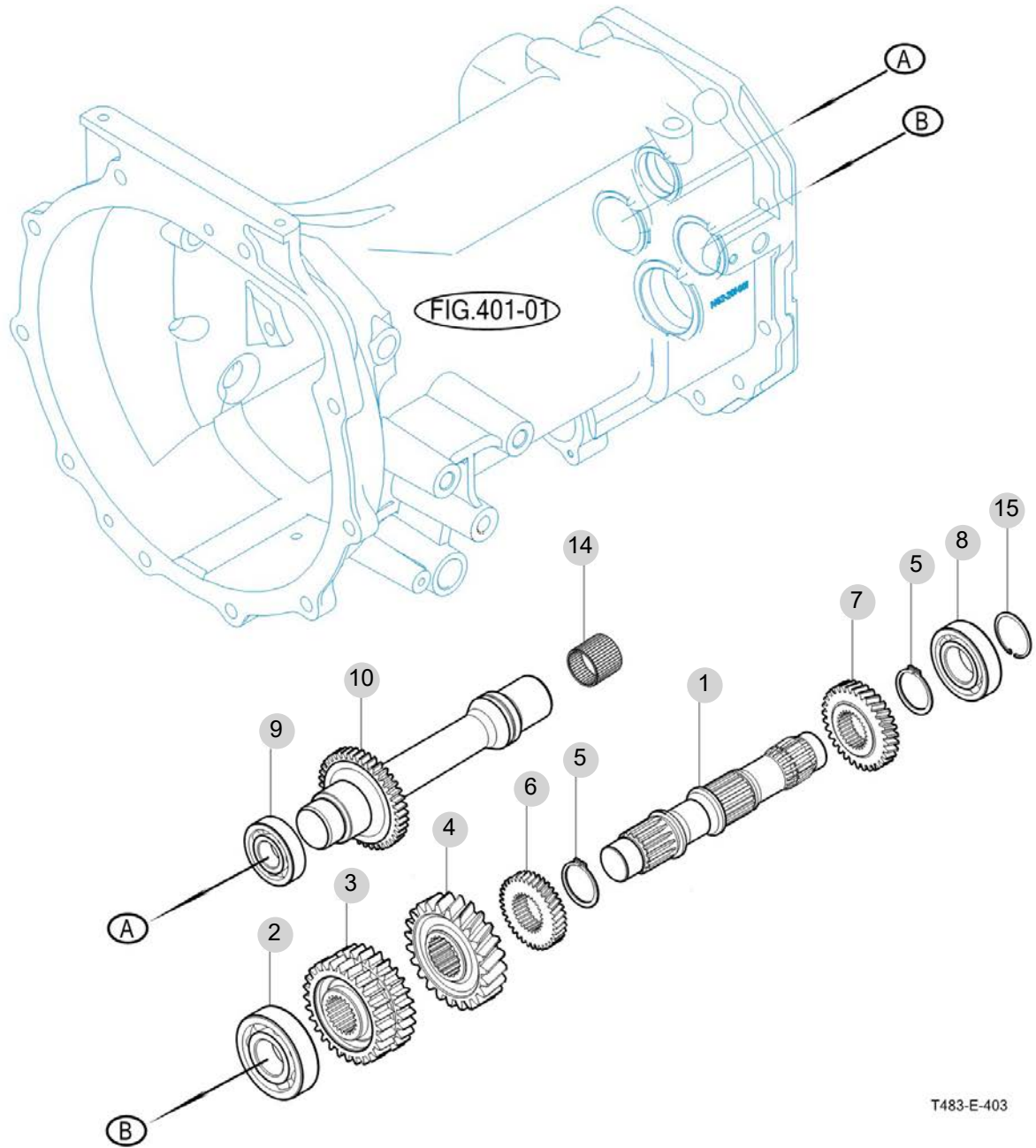
FIG 403

T455NCGBC

IDLE & COUNTER GEARS

년/월
Year/Month

2022-12



T483-E-403

NOTE

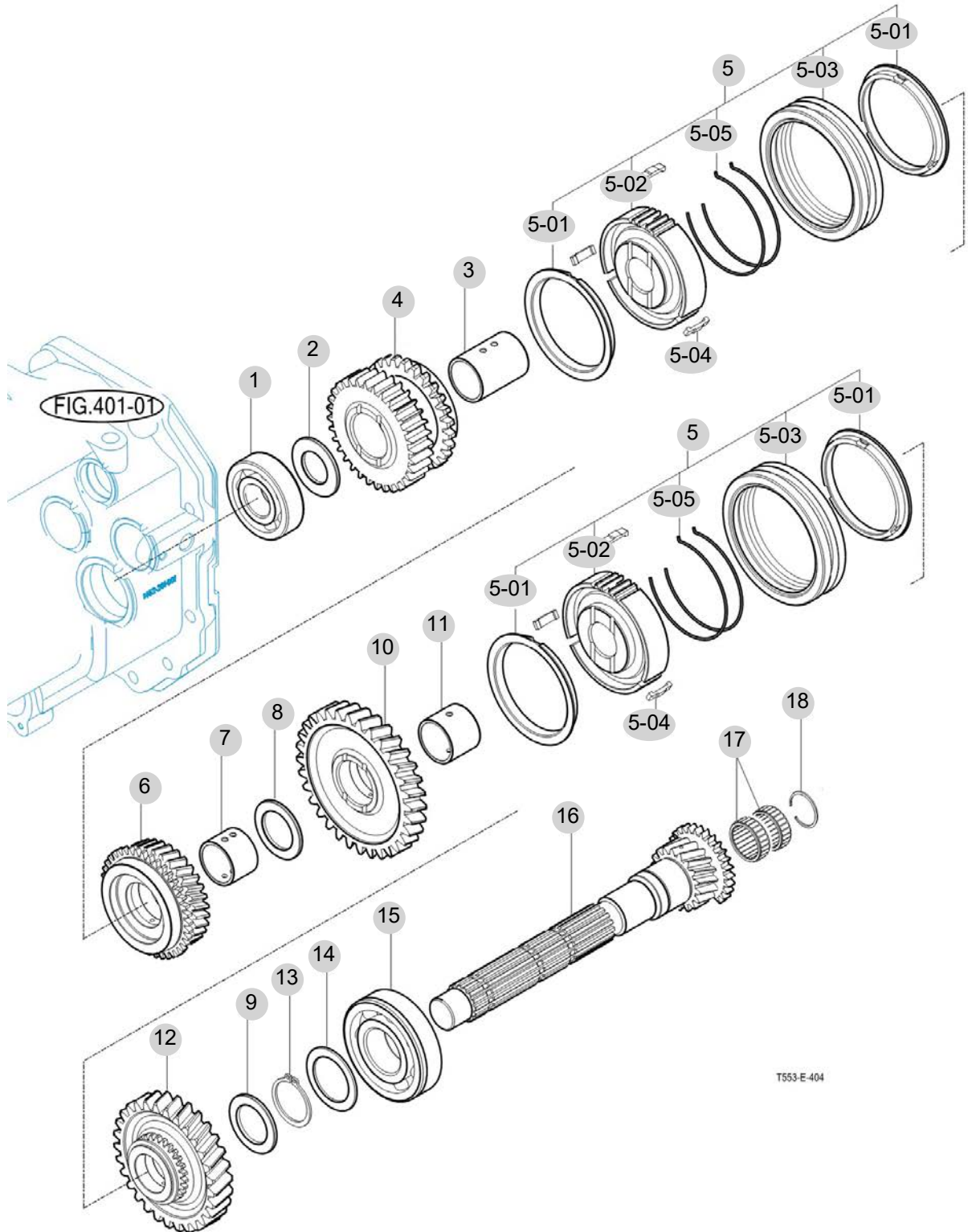
FIG 404

T455NCGBC

MAIN SHIFT GEARS

년/월
Year/Month

2022-12



T553-E-404

NOTE

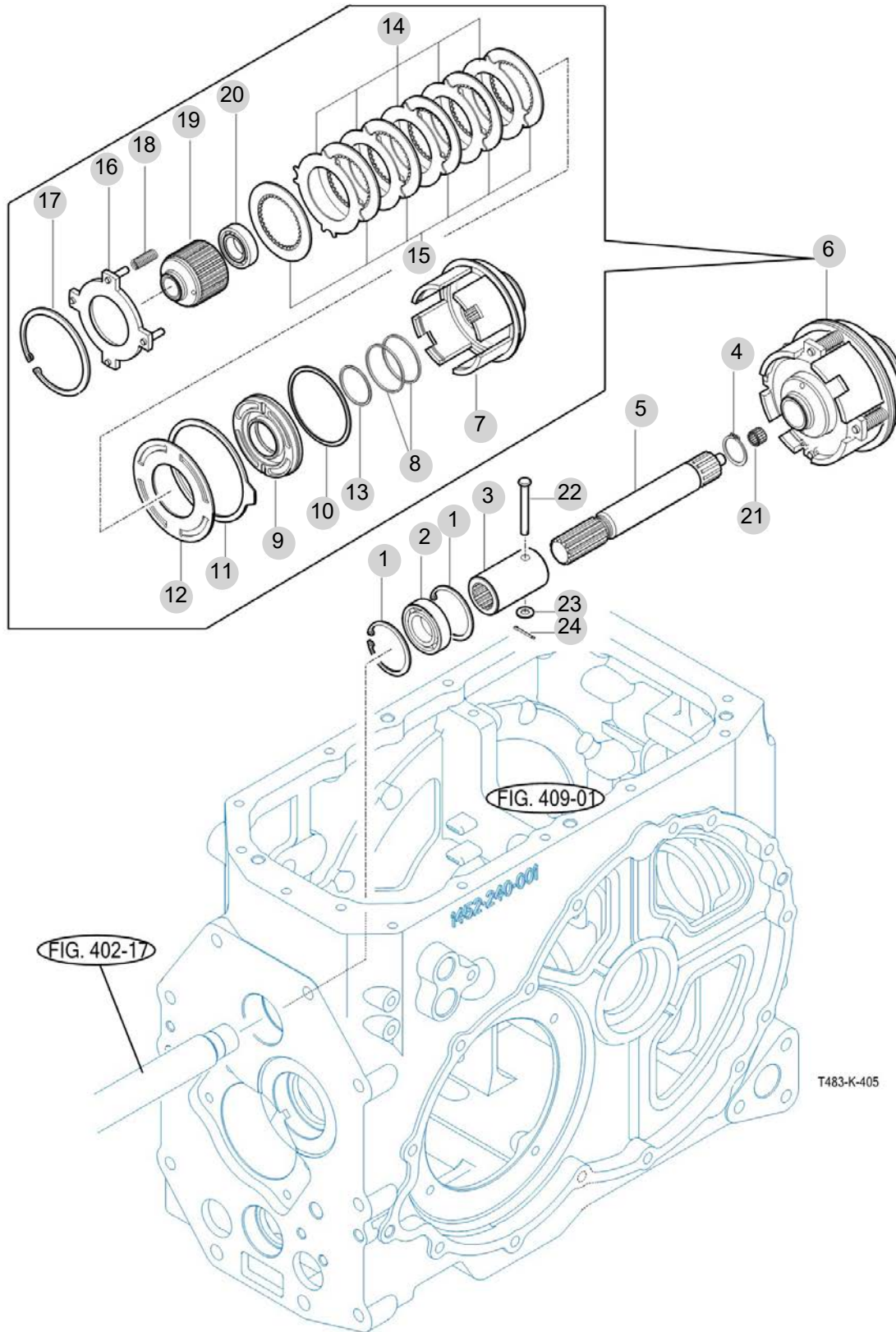
FIG 405

T455NCGBC

P.T.O DRIVE SHAFT

년/월
Year/Month

2022-12



NOTE

FIG 405 T455NCGBC		P.T.O DRIVE SHAFT						년/월 Year/Month
								2022-12
KEY NO		PART NO	DESCRIPTION	SPEC	QTY	REPAIR	EFFECTIVE DATE	REMARKS
405	1	V7051400470	C형멈춤링(구멍용)	47	2			
405	2	V6001106005	볼베어링	6005	1			
405	3	14522200050	커플링(36X62)		1			
405	4	V7041400250	C형멈춤링(축용)	25	1			
405	5	14522210051	샤프트(중간)		1			
405	5	14522210052	샤프트(중간)	D=25	1			
405	6	14522212000	클러치(PTO)ASSY		1			
405	7	14522212010	케이스		1			
405	8	14462162180	실링 (B)		2			
405	9	14722212020	피스톤		1			
405	10	15642212090	실링 (C)		1			
405	11	15642212070	브레이크 디스크		1			
405	12	15642212060	리턴 플레이트		1			
405	13	14722212090	링(피스톤)		1			
405	14	15642212050	클러치 디스크		7			
405	15	16342212050	클러치 플레이트		6			
405	16	16702212030	플레이트 ASSY		1			
405	17	V7051400950	C형멈춤링(구멍용)	95	1			
405	18	15642212040	스프링		4			
405	19	17972210071	허브(OUT)		1			
405	20	V6001106204	볼베어링	6204	1			
405	21	V6544101410	니들베어링(케이지)		1			
405	22	14526024550	두부핀		1			
405	23	V4111600080	평와셔		1			
405	24	V5001925020	핀		1			
NOTE								

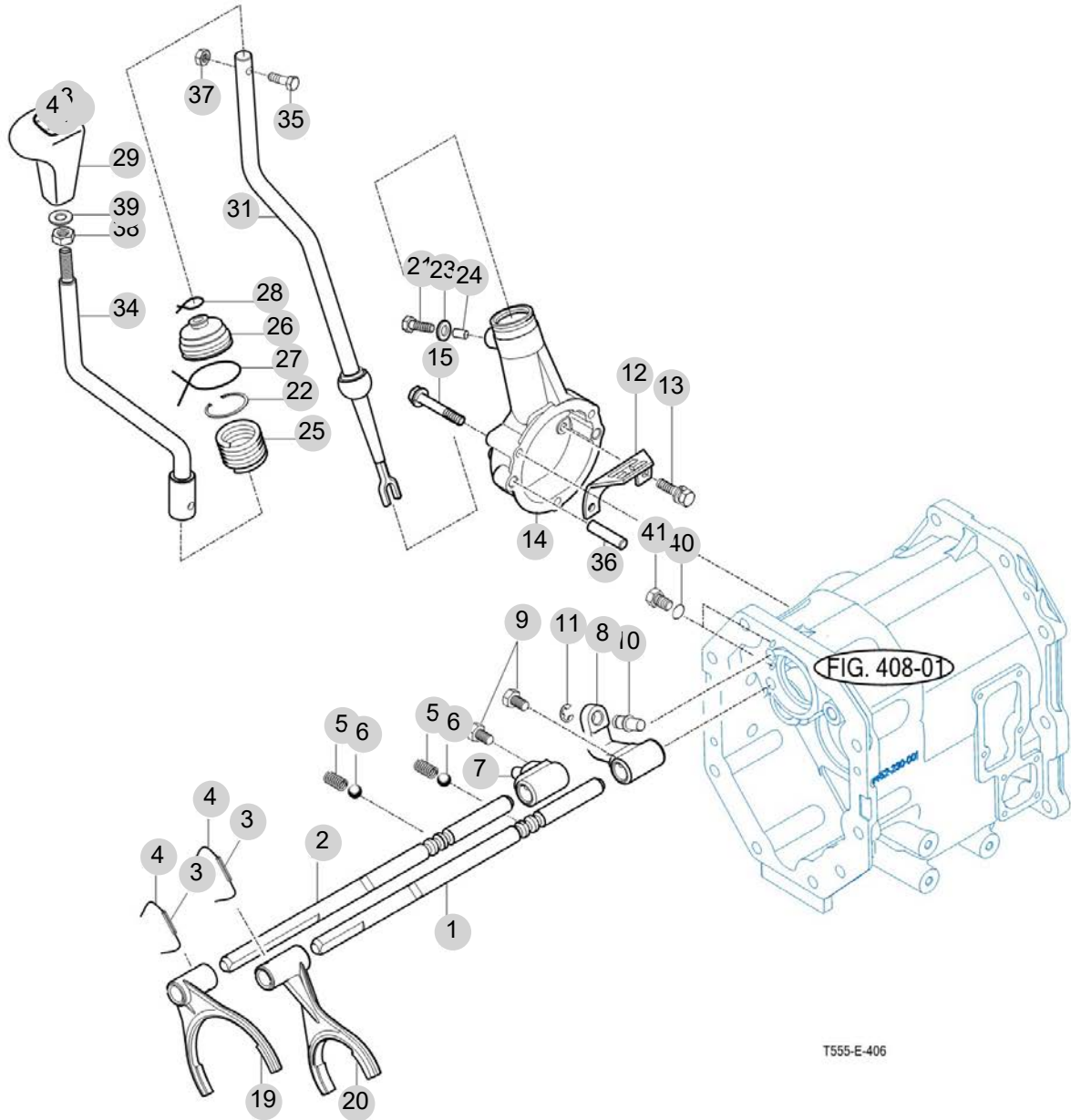
FIG 406

T455NCGBC

MAIN CHANGE LEVER

년/월
Year/Month

2022-12



NOTE

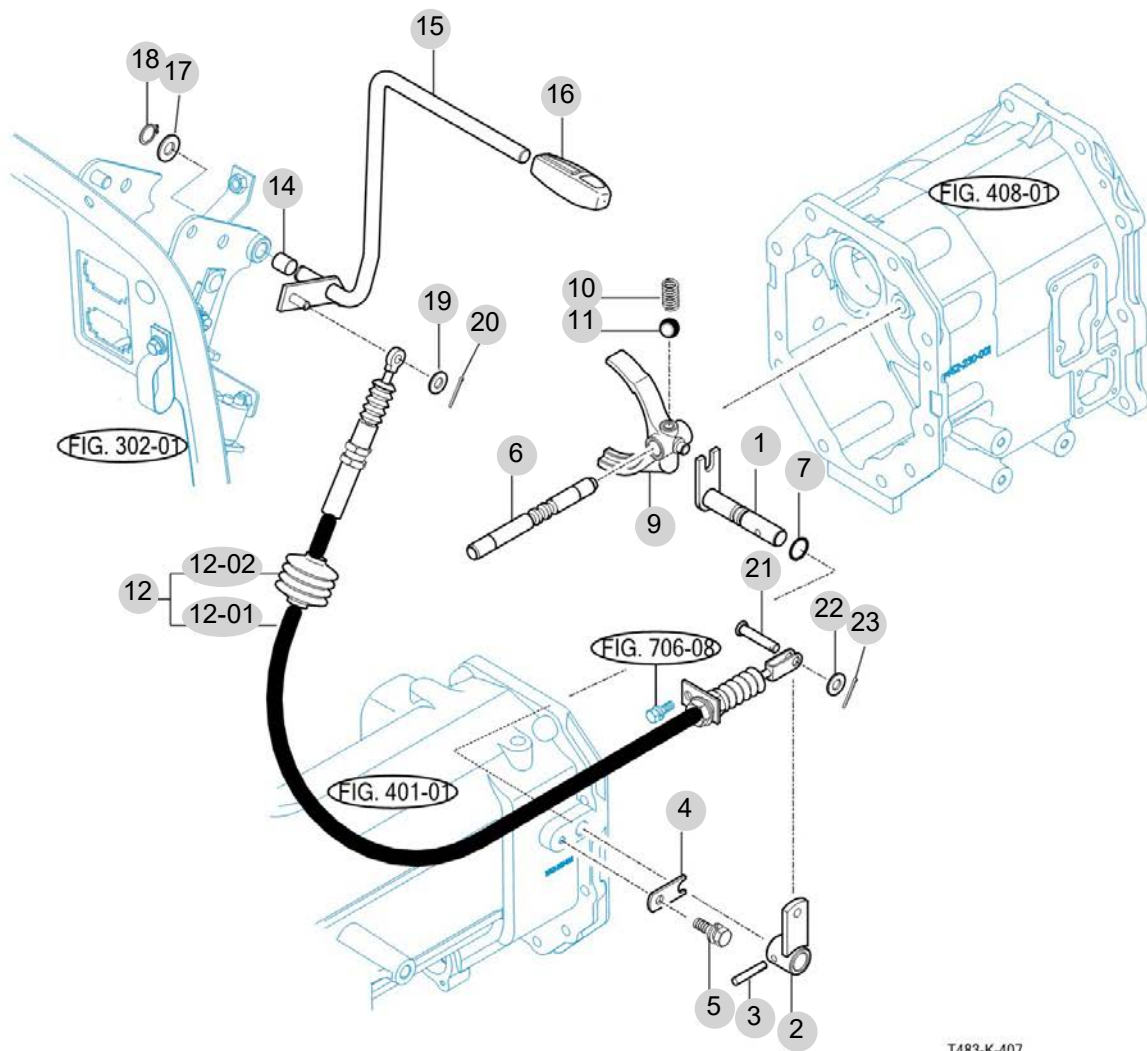
FIG 407

T455NCGBC

REVERSE CHANGE LEVER

년/월
Year/Month

2022-12



T483-K-407

NOTE

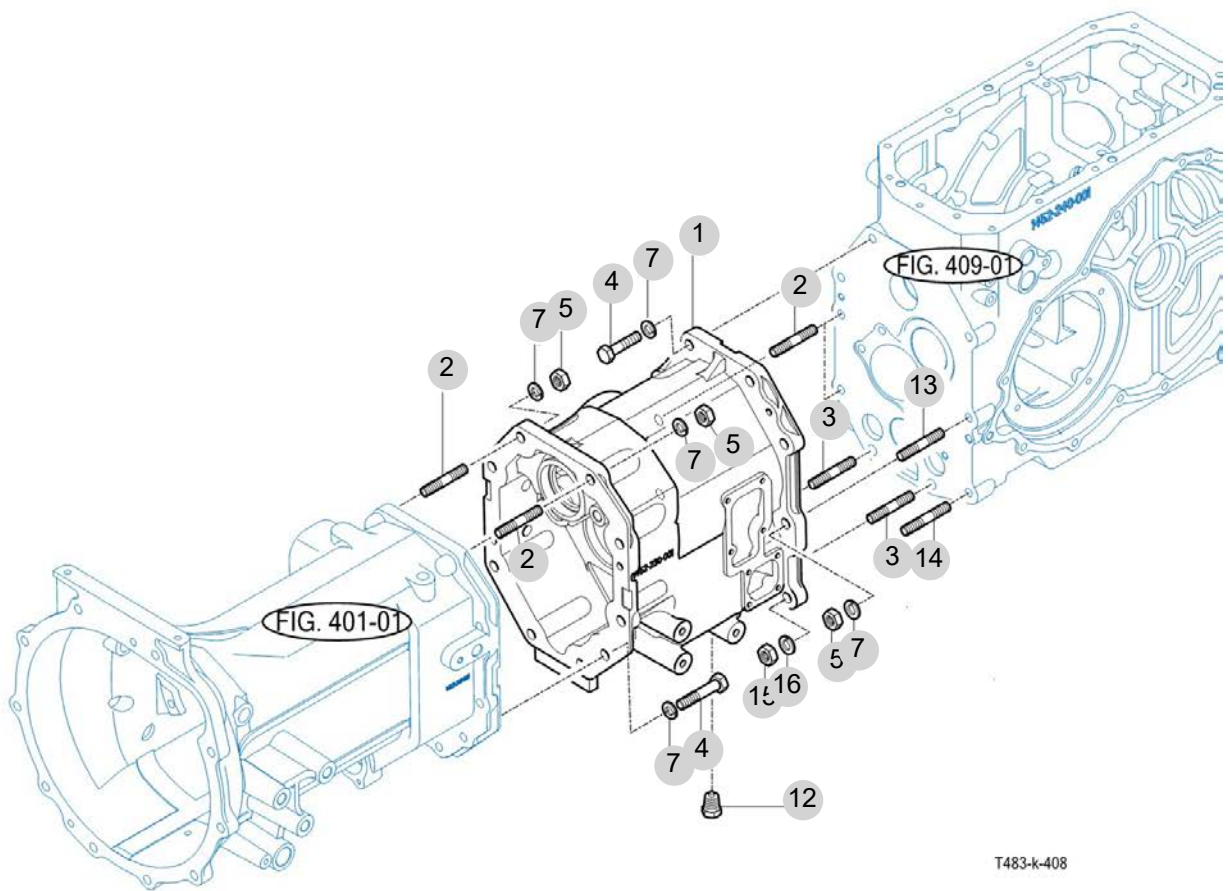
FIG 408

T455NCGBC

TRANSMISSION MID CASE

년/월
Year/Month

2022-12



T483-k-408

NOTE

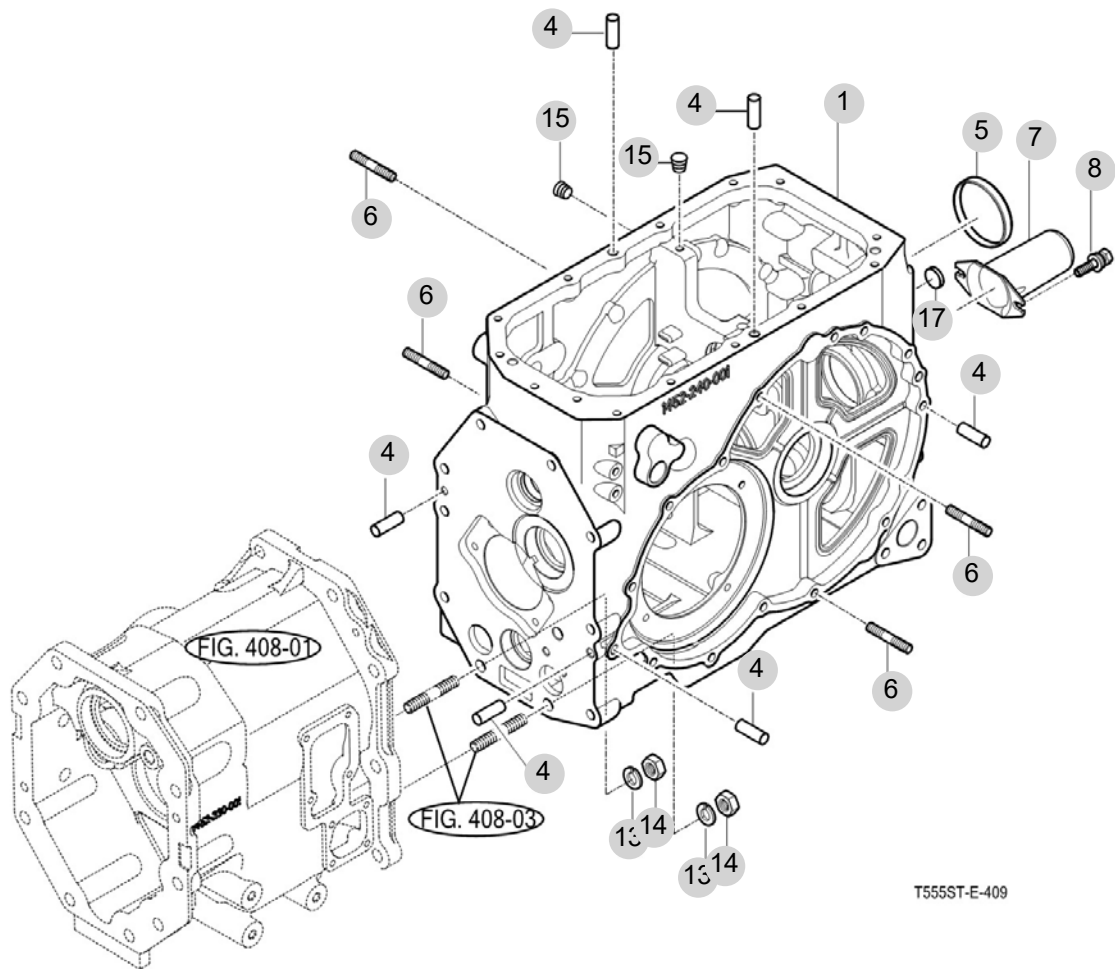
FIG 409

T455NCGBC

TRANSMISSION REAR CASE

년/월
Year/Month

2022-12



NOTE

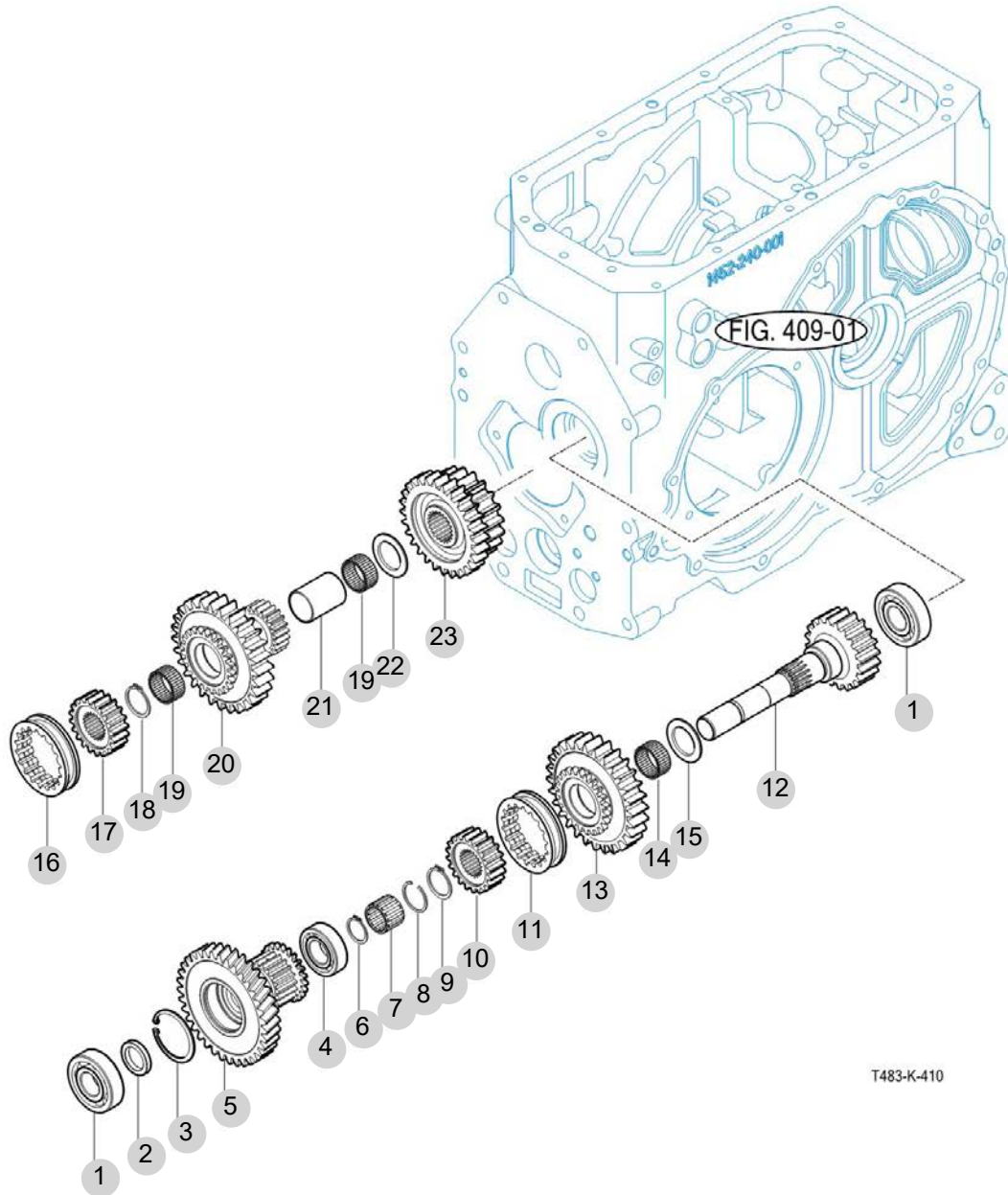
FIG 410

T455NCGBC

SUB CHANGE GEARS

년/월
Year/Month

2022-12



T483-K-410

NOTE

FIG 410		SUB CHANGE GEARS					년/월 Year/Month	
T455NCGBC							2022-12	
KEY NO	PART NO	DESCRIPTION	SPEC	QTY	REPAIR	EFFECTIVE DATE	REMARKS	
410	1	V6041106305	볼베어링(HL1)	6305HL1	2			
410	2	14522240180	스페이서(25X36X06)	25X36X6	1			
410	3	V7051400520	C형멈춤링(구멍용)	52	1			
410	4	V6001106205	볼베어링	6205	1			
410	5	14522240131	기어 , 스퍼-헬리컬/16-38		1			
410	6	V7041400250	C형멈춤링(축용)	25	1			
410	7	15683020010	베어링(니들)(RS253224)	KT253224E02C 3	1			
410	8	15642080080	스냅링	AR32	1			
410	9	V7041400300	C형멈춤링(축용)	30	1			
410	10	15642430110	허브(30X62X19)		1			
410	11	15242360050	슬라이드커플링		1			
410	12	14522430062	기어(스퍼,24)		1			
410	13	14522240120	기어(스퍼/39)		1			
410	14	V6544303517	니들베어링(케이지)	KT303517	1			
410	15	15642160041	와셔(30X46X03)		1			
410	16	15242360050	슬라이드커플링		1			
410	17	15642430110	허브(30X62X19)		1			
410	18	V7041400300	C형멈춤링(축용)	30	1			
410	19	V6544303517	니들베어링(케이지)	KT303517	2			
410	20	14522430040	기어(스퍼/16-39)		1			
410	21	14522430020	스페이서(34X1.8)		1			
410	22	15642160041	와셔(30X46X03)		1			
410	23	15152430010	기어(스퍼-스퍼/35-28)		1			
NOTE								

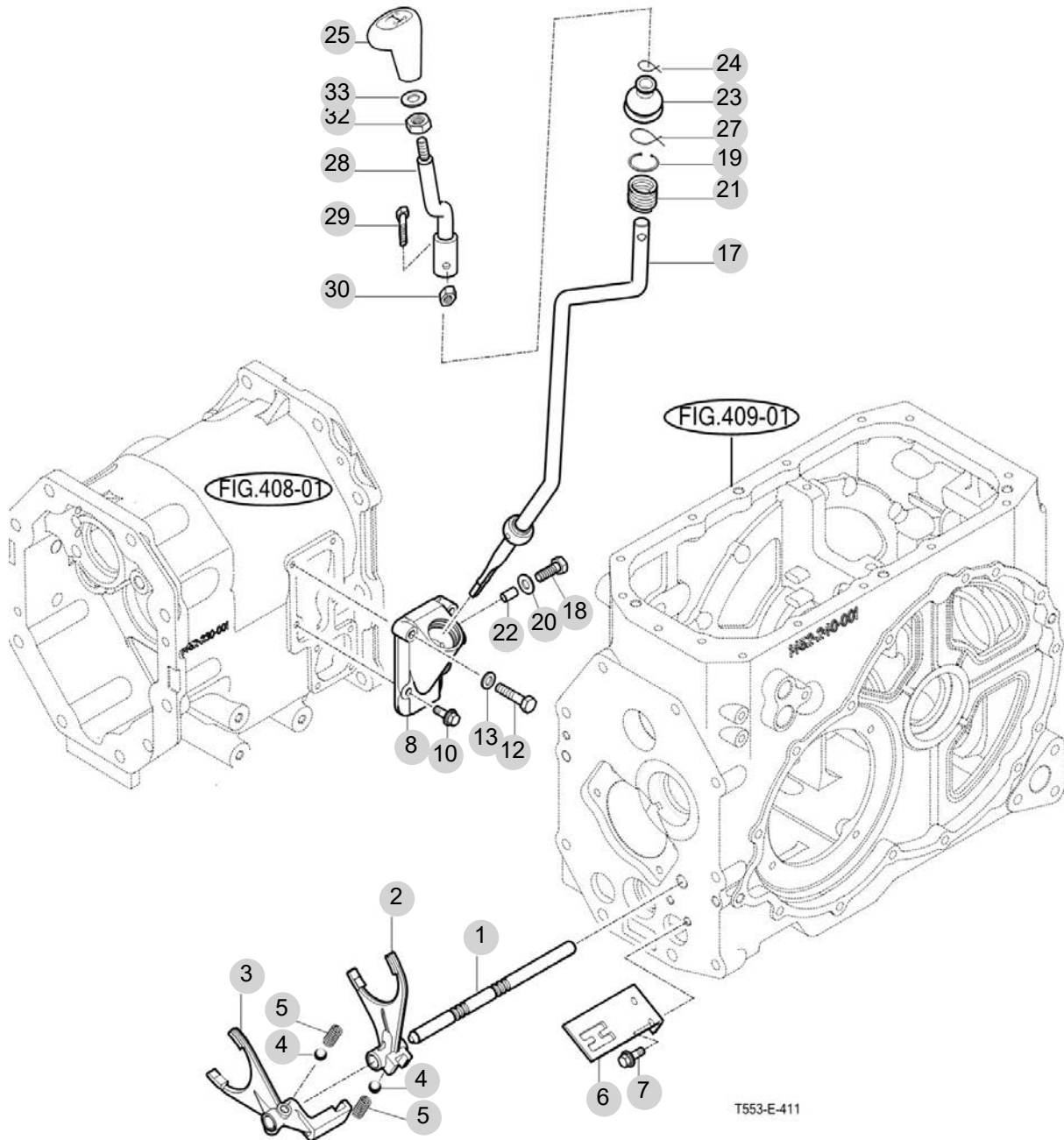
FIG 411

SUB CHANGE SHIFTER

년/월
Year/Month

2022-12

T455NCGBC



NOTE

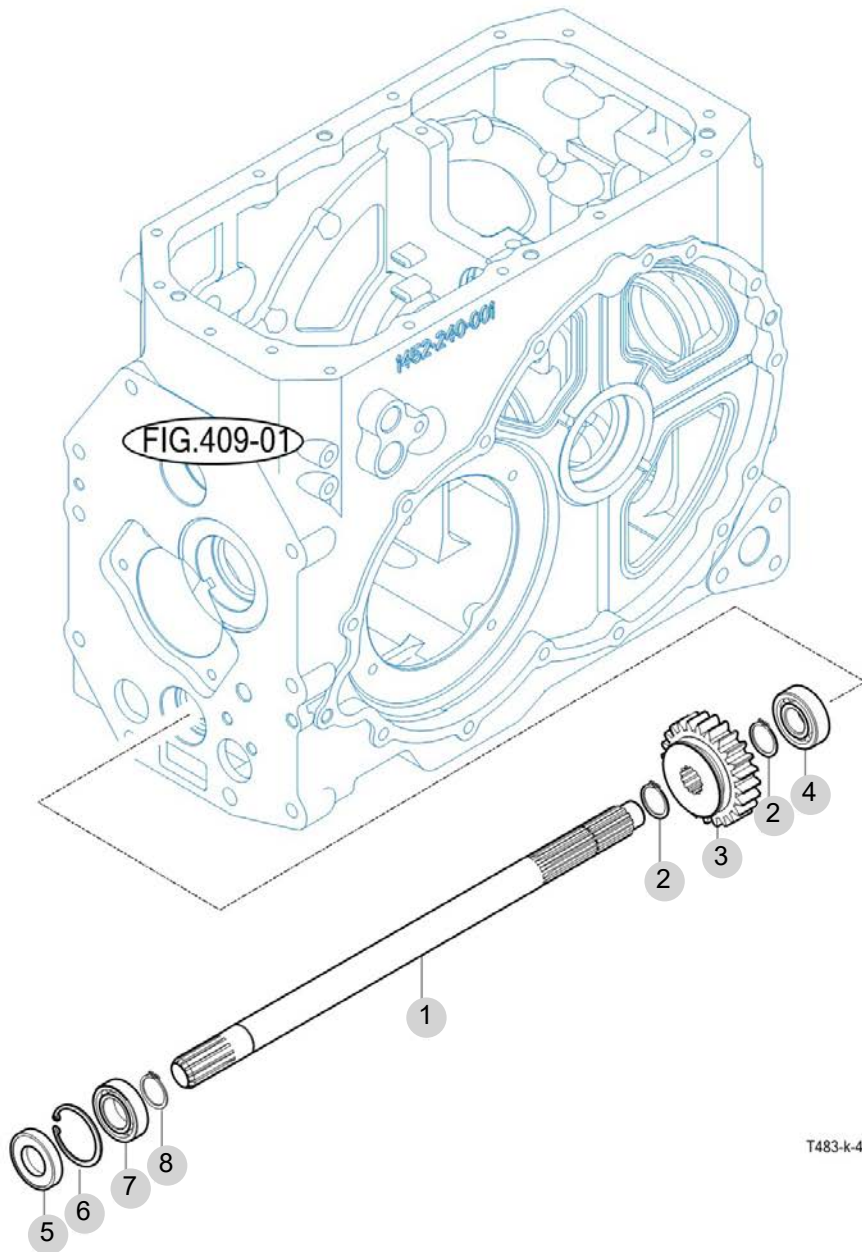
FIG 413

T455NCGBC

DRIVE GEARS

년/월
Year/Month

2022-12



T483-k-413

NOTE

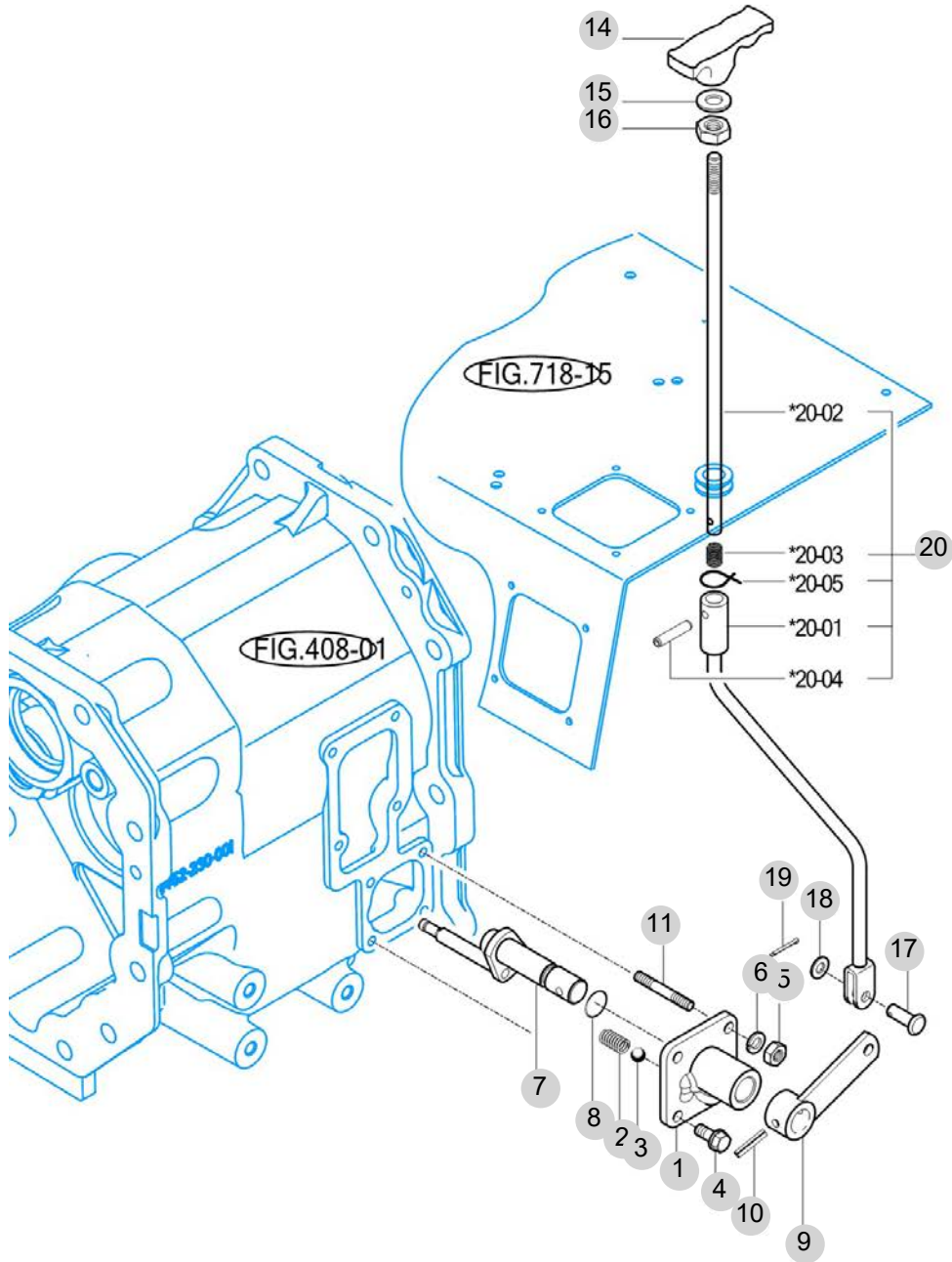
FIG 414

T455NCGBC

4WD CHANGE LEVER

년/월
Year/Month

2022-12



*NOT SERVICED SEPARATELY

T483-E-414A

NOTE

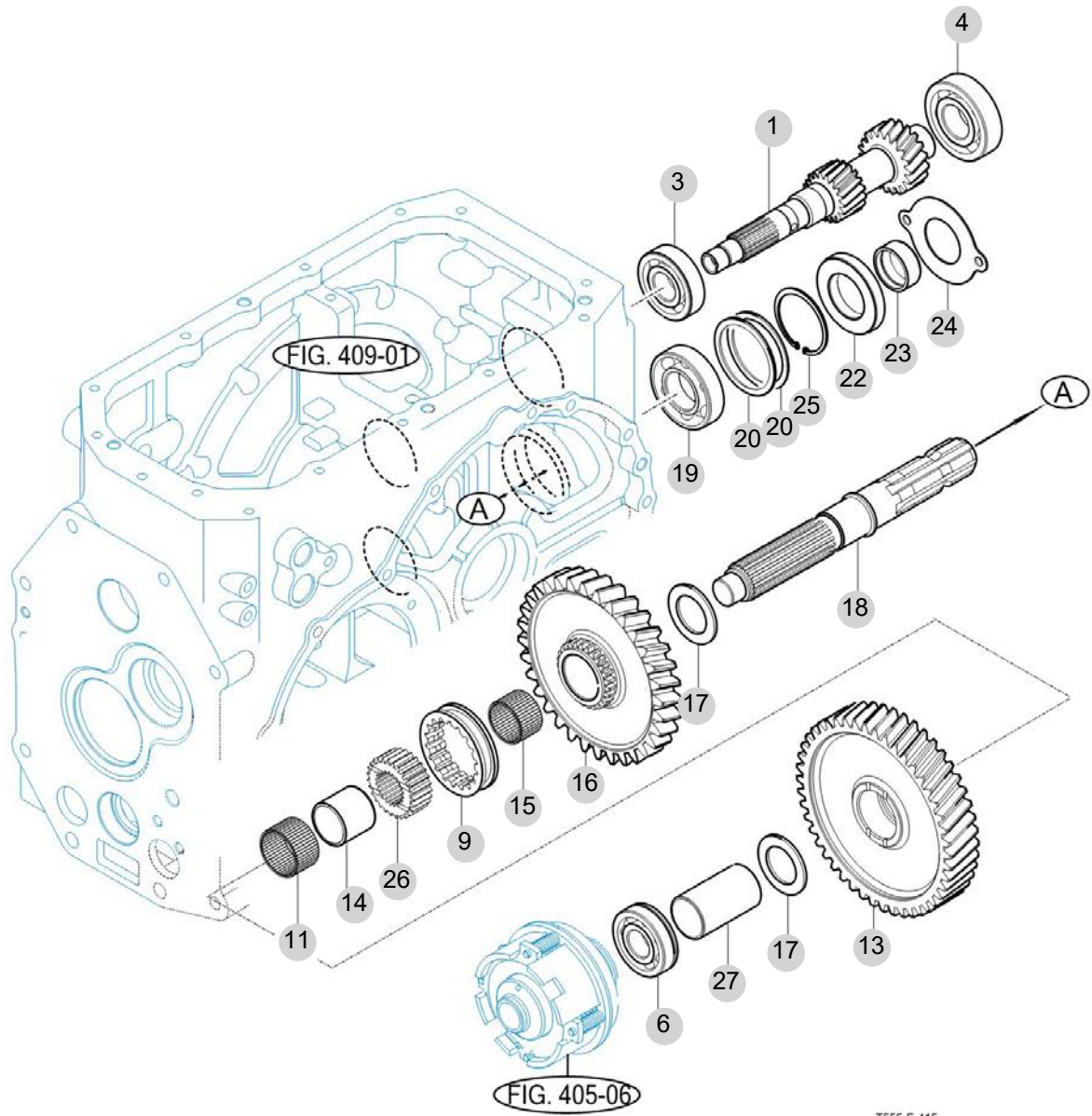
FIG 415

T455NCGBC

P.T.O CHANGE GEARS

년/월
Year/Month

2022-12



NOTE

FIG 415		P.T.O CHANGE GEARS					년/월		
							Year/Month		
							2022-12		
T455NCGBC		KEY NO	PART NO	DESCRIPTION	SPEC	QTY	REPAIR	EFFECTIVE DATE	REMARKS
415	1	15182700020	기어(헬리컬/12-20)			1			
415	3	V6041106305	볼베어링(HL1)	6305HL1		1			
415	4	V6041106306	볼베어링(HL1)	6306HL1		1			
415	6	V6041606305	볼베어링(HL1NR)	6305HL1N		1			
415	9	15242360050	슬라이드커플링			2			
415	11	V6544354026	니들베어링(케이지)	KT354026		1			
415	13	14522730031	기어(헬리컬,58)			1			
415	13	14522730032	기어(헬리컬,58)			1			
415	14	15642730072	부시(35X40X37)			1			
415	15	V6544354026	니들베어링(케이지)	KT354026		1			
415	16	15182730020	기어(헬리컬,50)			1			
415	17	15642730082	와셔(35X55X03)	D=55		1			
415	18	14522730010	샤프트(아웃풋/PTO)	D=40		1			
415	19	V6041106207	볼베어링(HL1)			1			
415	20	79642010080	심(B)			2			
415	22	16322732010	쌀(오일)	TC6Y417211		1			
415	23	14522200041	슬리브(PTO축)	42.7X4.5T		1			
415	24	16322730040	커버(플레이트)	T=1.6		1			
415	25	V7051400720	C형멈춤링(구멍용)			1			
415	26	15642730052	허브(35X62X20)			1			
415	27	15182730080	간격칼라			1			
NOTE									

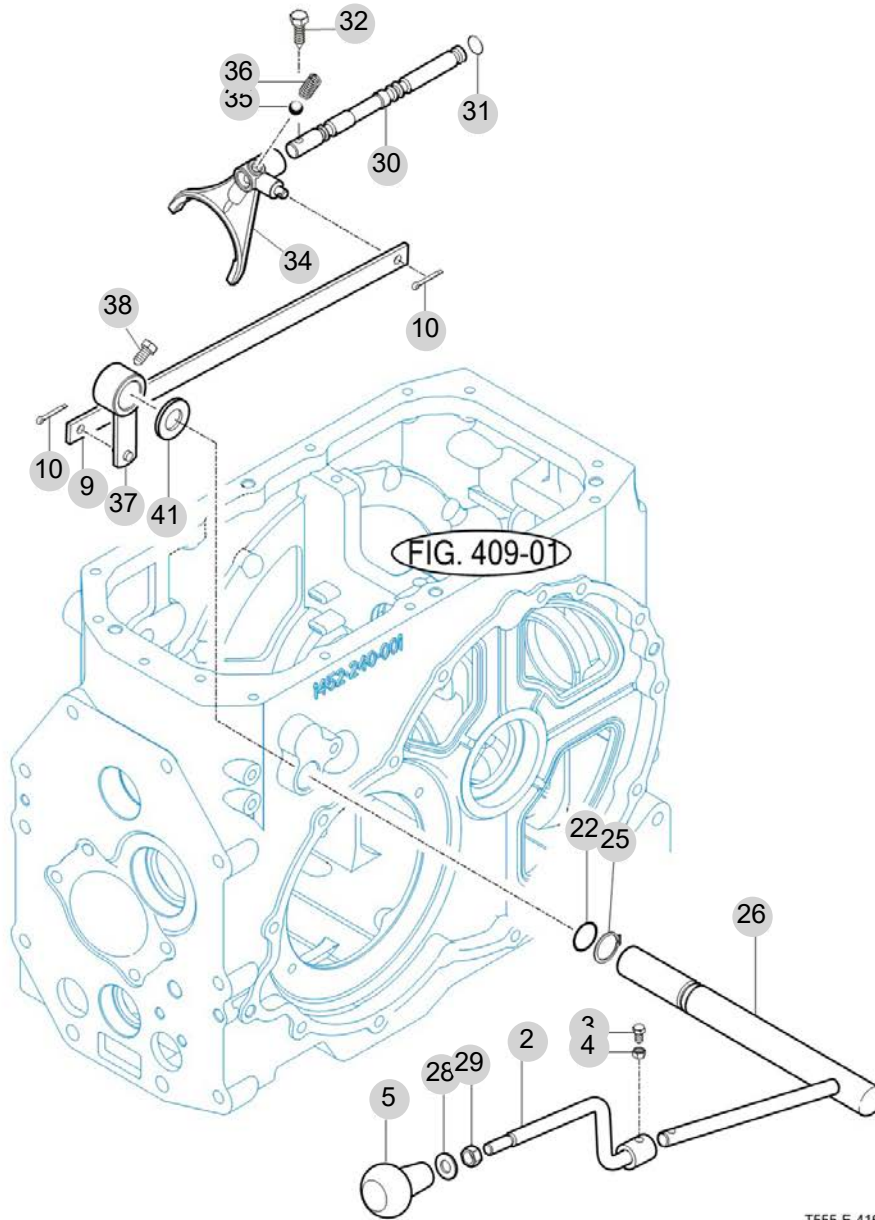
FIG 416

T455NCGBC

P.T.O CHANGE SHIFTER

년/월
Year/Month

2022-12



T555-E-416

NOTE

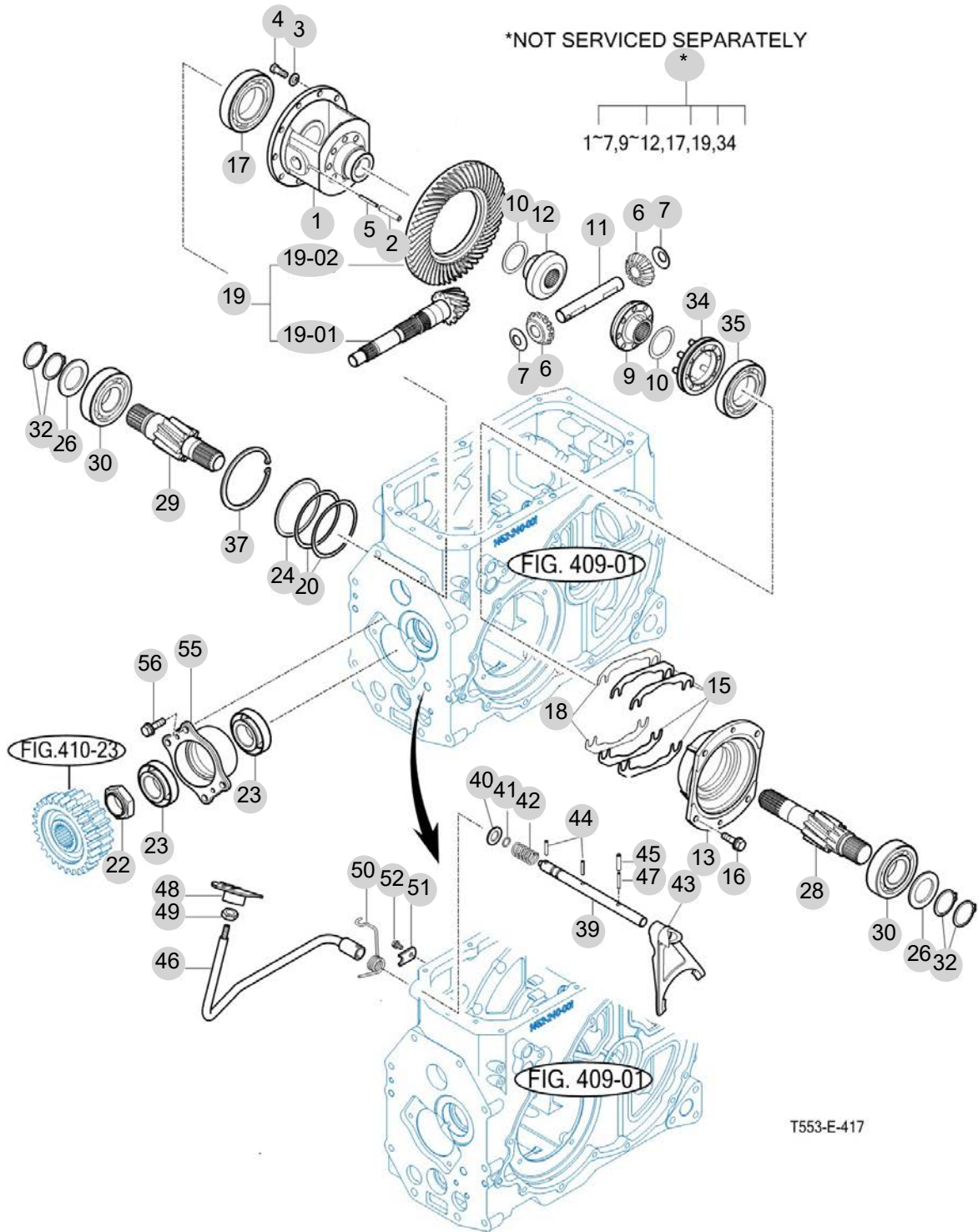
FIG 417

T455NCGBC

REAR DIFFERENTIAL GEARS

년/월
Year/Month

2022-12



T553-E-417

NOTE

FIG 417		REAR DIFFERENTIAL GEARS					년/월 Year/Month		
							2022-12		
T455NCGBC		KEY NO	PART NO	DESCRIPTION	SPEC	QTY	REPAIR	EFFECTIVE DATE	REMARKS
417	0	14523031001	리어차동장치(47PS)ASSY			1			
417	1	14523030010M	케이스(디프)			1			
417	2	V5801408040	스프링핀	8X50		1			
417	3	V4011600100	스프링와셔	M10		10			
417	4	V2024610025	소형육각볼트(가는)	M10X25		10			
417	5	V5801405036	스프링핀	5X36		1			
417	6	14523180041	피니언(차동)			2			
417	7	14523030080	칼라(피니언)	T=1.0		2			
417	9	14523180061	피니언(베벨/16 LH)			1			
417	10	14523030100	와셔(스러스트)	D=52.5		2			
417	11	14523030110	디프피니언샤프트	D=23		1			
417	12	14523180031	피니언(베벨/16 RH)			1			
417	13	14523030131M	메탈(LH/디프케이스)			1			
417	15	14523010090	심(B)	T=0.2		4			
417	16	V2173610025	소형육각볼트보통(S)	M10X25		4			
417	17	V6001106212	볼베어링	6212		1			
417	18	14523010080	심(A)	T=0.1		2			
417	19	14523022100	기어(10X41)SET			1			
417	19-01	14523022111	베벨피니언			1			
417	19-02	14523022120	스파이럴베벨기어			1			
417	20	14523010050	심(0.1)	T=0.1		2			
417	22	15533030020	너트(M40XP1.5)			1			
417	23	V6321132208	테이퍼롤러베어링(보통)	32208CR		2			
417	24	14523010100	심(0.2)	T=0.2		1			
417	26	15133060030	스러스트칼라(45X68X4)			2			
417	28	14523060011	피니언(헬리컬/11/LH)			1			
417	29	14523060021	피니언(헬리컬/11/RH)			1			
417	30	V6041106309	볼베어링(HL1)	HL1		2			
417	32	V7041400450	C형멈춤링(축용)	45		4			
417	34	14523033400	슬리브COMP			1			
417	35	V6001106211	볼베어링	6211		1			
417	37	V7051401100	C형멈춤링(구멍용)	R110		1			
417	39	14523032002	샤프트(디프록)	D=20		1			
417	40	V4111600200	평와셔	M20		1			
417	41	V7201024016	O링(P)	P16		1			
417	42	17973030420	스프링	D=3.6		1			
417	43	14523190011M	포크(디프록)			1			
417	44	V5801406032	스프링핀	6X32		2			
417	45	V5801408036	스프링핀	8X36		1			
417	46	14543162101	디프록페달COMP			1			
417	47	V5801405036	스프링핀	5X36		1			
417	48	14521220120	페달COMP,액셀			1			
417	49	V3342600100	소형육각너트가는2종	M10		1			
417	50	14523160020	스프링(디프 페달)			1			
417	51	16703180191	플레이트	25X4.5T		1			
NOTE									

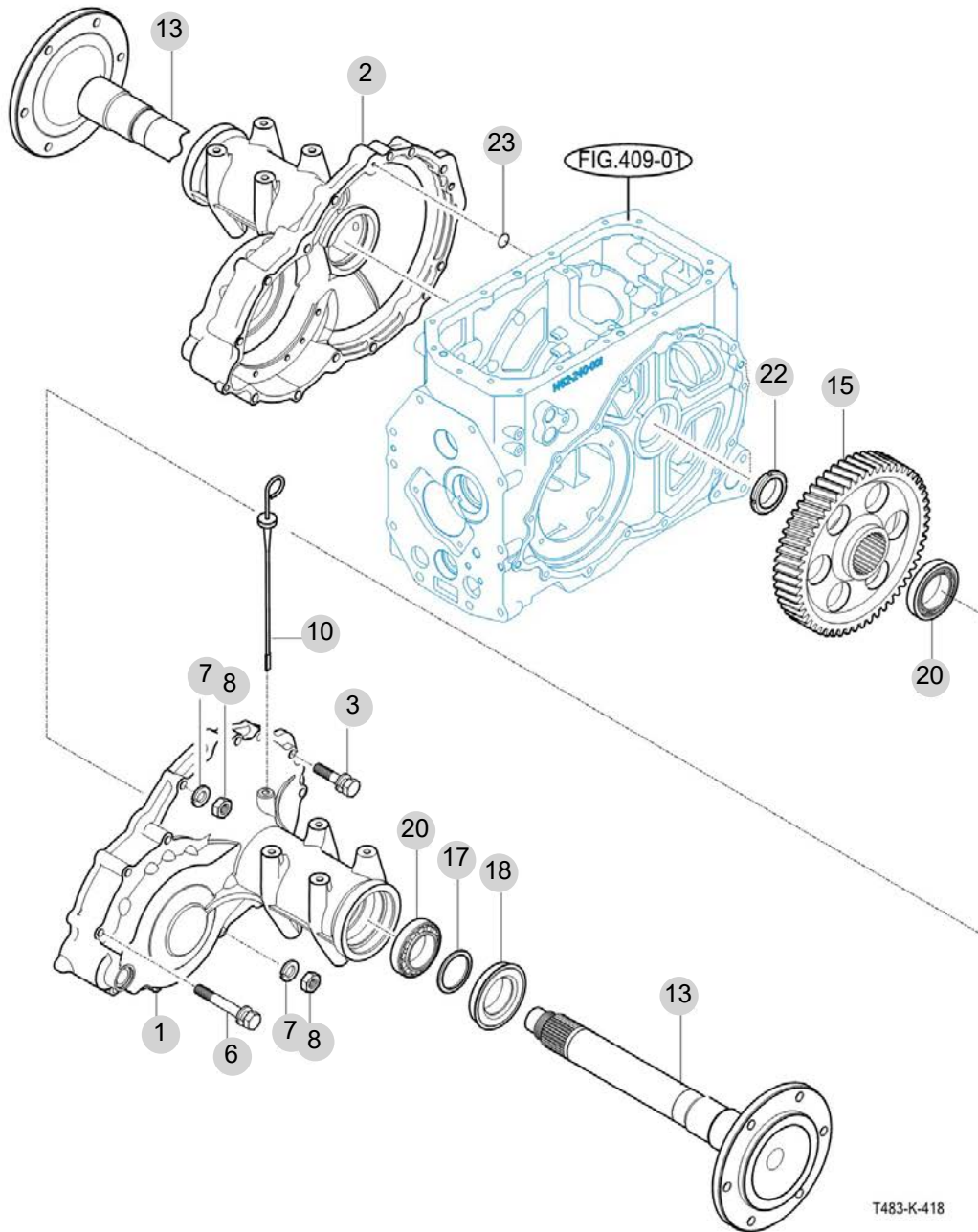
FIG 418

REAR AXLE HOUSING

년/월
Year/Month

2022-12

T455NCGBC



NOTE

5. 프런트 액슬 PART NO. T5

FIG 501 FRONT AXLE SUPPORT	127
FIG 502 FRONT DRIVE SHAFT	129
FIG 503 FRONT AXLE HOUSING	131
FIG 504 FRONT DIFFERENTIAL GEARS	133
FIG 505 FRONT GEAR CASE (1)	135
FIG 506 FRONT GEAR CASE (2)	137
FIG 507 FRONT GEAR CASE (3)	139

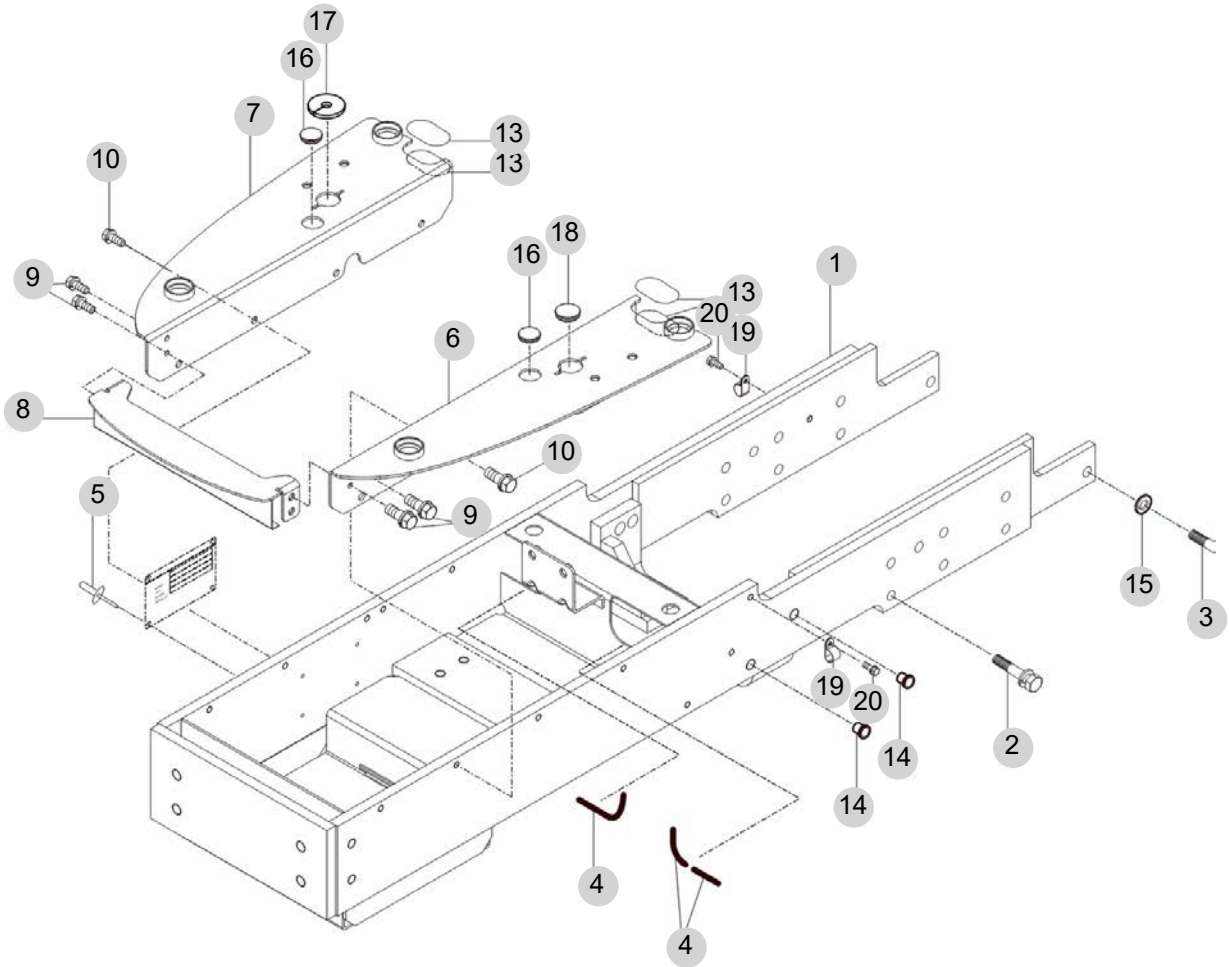
FIG 501

T455NCGBC

FRONT AXLE SUPPORT

년/월
Year/Month

2022-12



NOTE

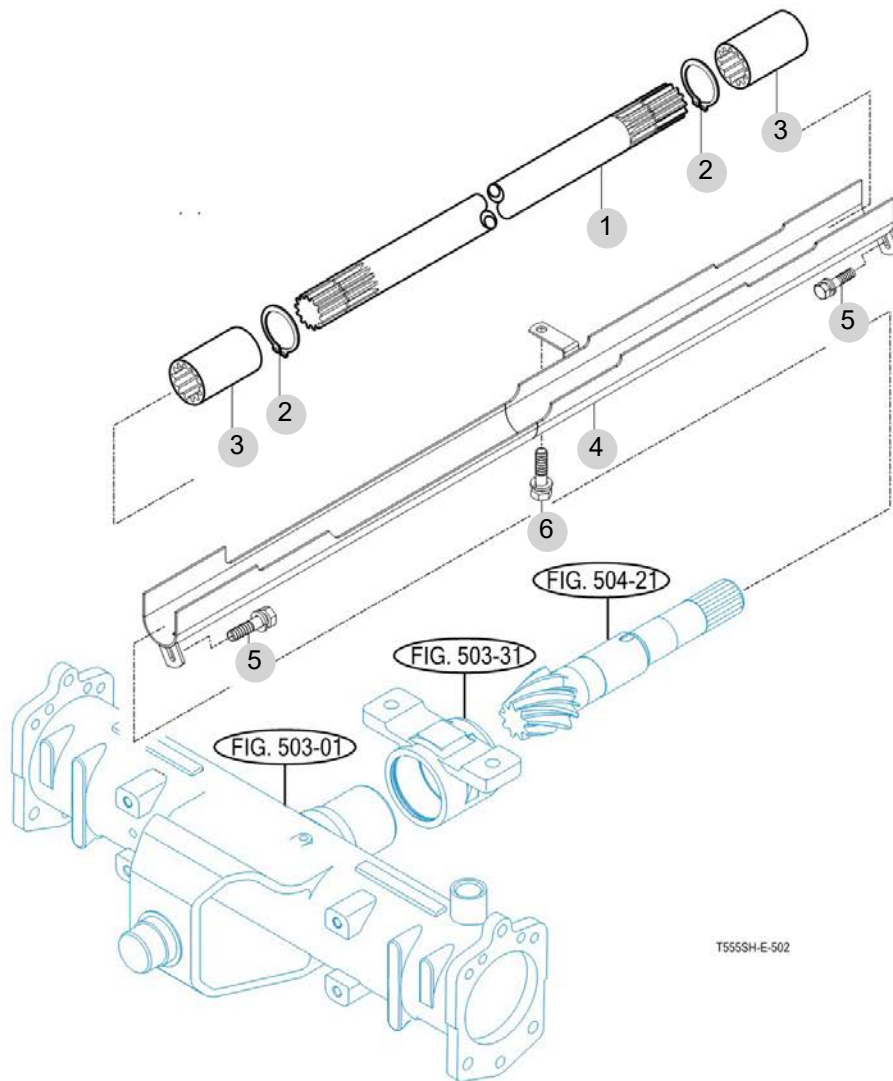
FIG 502

T455NCGBC

FRONT DRIVE SHAFT

년/월
Year/Month

2022-12



NOTE

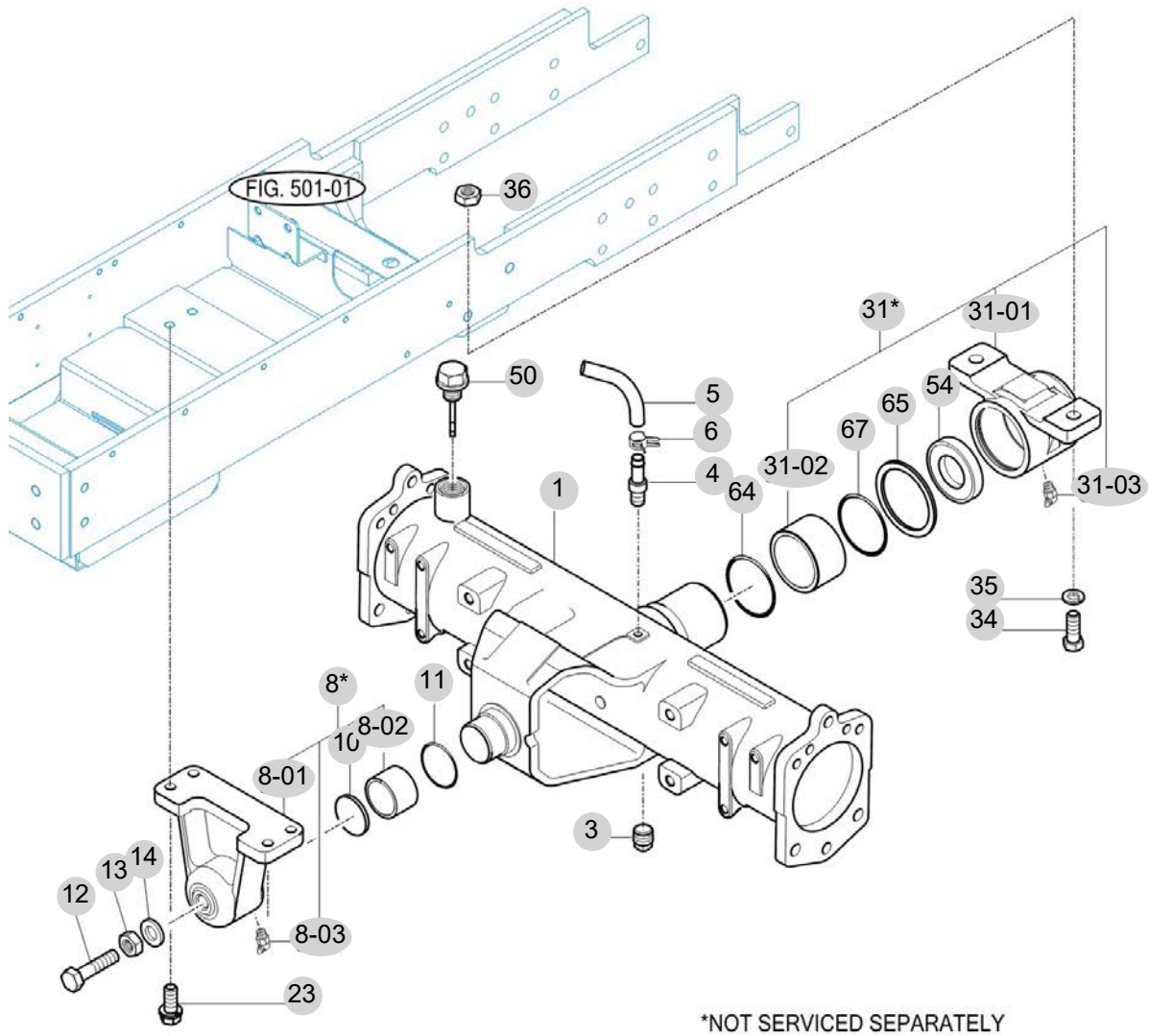
FIG 503

T455NCGBC

FRONT AXLE HOUSING

년/월
Year/Month

2022-12



T554454-E-503

NOTE

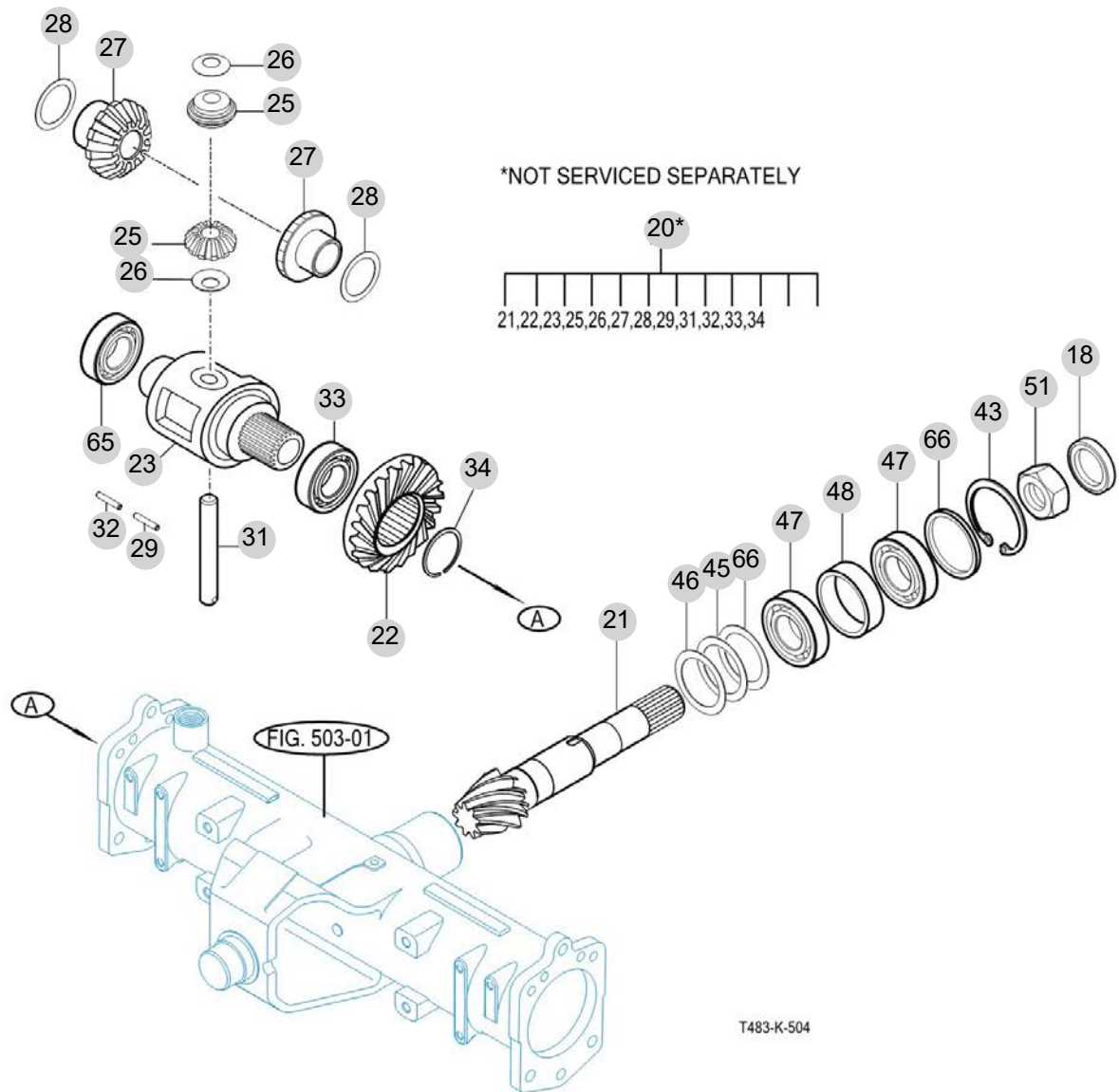
FIG 504

T455NCGBC

FRONT DIFFERENTIAL GEARS

년/월
Year/Month

2022-12



NOTE

FIG 504 T455NCGBC		FRONT DIFFERENTIAL GEARS					년/월 Year/Month	
							2022-12	
KEY NO	PART NO	DESCRIPTION	SPEC	QTY	REPAIR	EFFECTIVE DATE	REMARKS	
504	18	V7441256210	오일실(D)	D256210	1			
504	20	16704112001	디프렌셜시스템(완)(전)		1			
504	20	16704112002	디프렌셜시스템(완)(전)		1			
504	20	16704112002	디프렌셜시스템(완)(전)		1			
504	21	16704112010	베벨피니언(8)		1			
504	21	16704112011	베벨피니언(8)		1			
504	21	16704112010	베벨피니언(8)		1			
504	21	16704112011	베벨피니언(8)		1			
504	21	16704112011	베벨피니언(8)		1			
504	22	16704112110	베벨기어(23)		1			
504	22	16704112111	베벨기어(23)		1			
504	22	16704112110	베벨기어(23)		1			
504	22	16704112111	베벨기어(23)		1			
504	22	16704112111	베벨기어(23)		1			
504	23	16704310031	프런트디프케이스		1			
504	23	16704310031	프런트디프케이스		1			
504	25	16704320020	차동피니언(12)		2			
504	25	16704320020	차동피니언(12)		2			
504	26	14273010050	피니언스ラスト칼라		2			
504	26	14273010050	피니언스ラスト칼라		2			
504	27	16704310160	차동사이드기어(20)		2			
504	27	16704310160	차동사이드기어(20)		2			
504	28	16704320050	스러스트와셔		2			
504	28	16704320050	스러스트와셔		2			
504	29	V5801405025	스프링핀	5X25	1			
504	29	V5801405025	스프링핀		1			
504	31	16704110060	차동피니언축		1			
504	31	16704110060	차동피니언축		1			
504	32	V5801403025	스프링핀	3X25	1			
504	32	V5801403025	스프링핀		1			
504	33	V6001106212	볼베어링	6212	1			
504	33	V6001106212	볼베어링		1			
504	34	17994420060	C형멈춤링(축용)		1			
504	34	17994420060	C형멈춤링(축용)		1			
504	43	V7051400620	C형멈춤링(구멍용)	62	1			
504	45	14254310080	심(A)		1			
504	46	14152050160	심(B)		1			
504	47	15024320020	원추로울러베어링		2			
504	48	16704112120	칼라		1			
504	51	14884110090	너트(M30)		1			
504	65	V6001106211	볼베어링	6211	1			
504	66	16704110121	간격심		2			
NOTE								

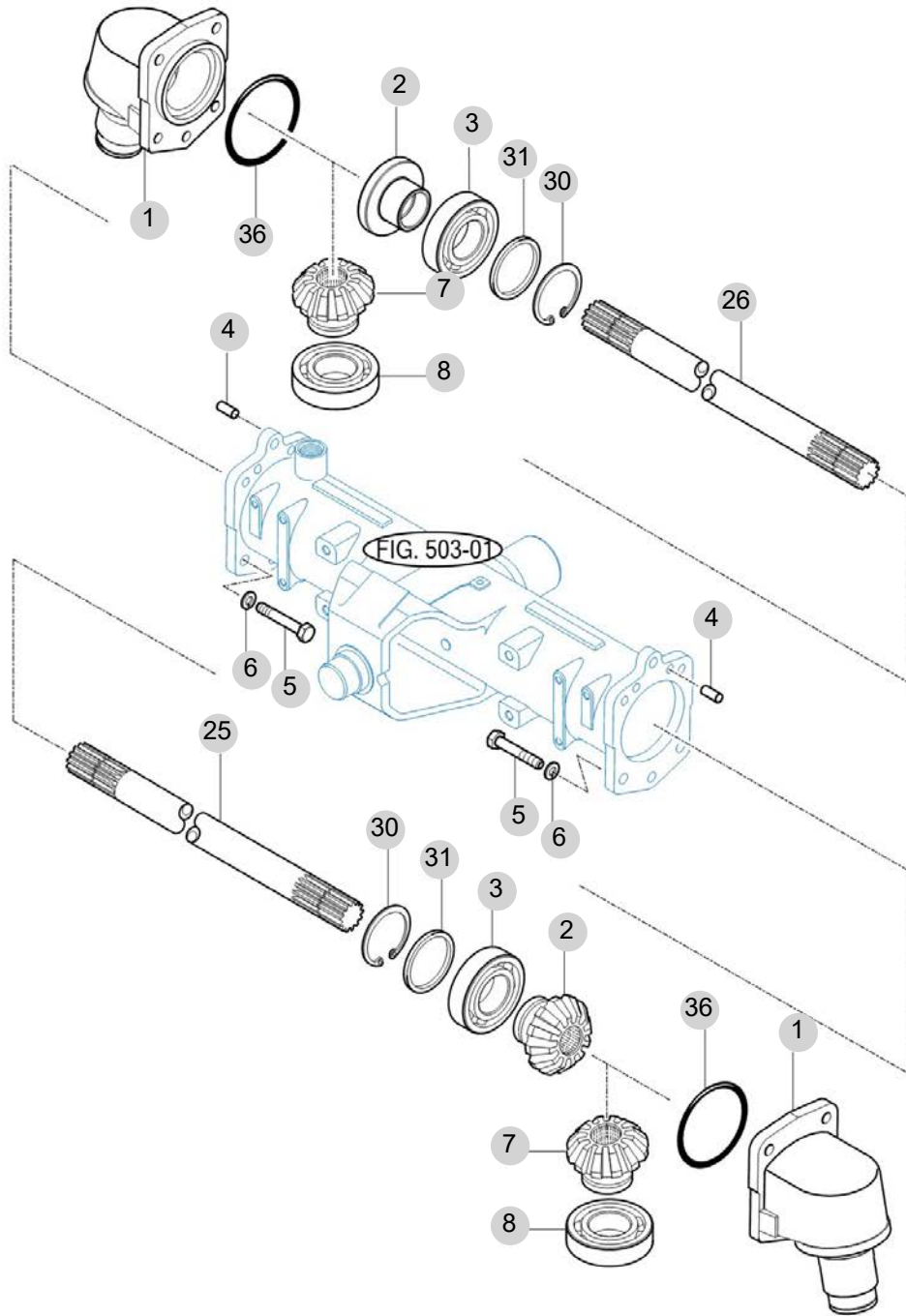
FIG 505

T455NCGBC

FRONT GEAR CASE (1)

년/월
Year/Month

2022-12



NOTE

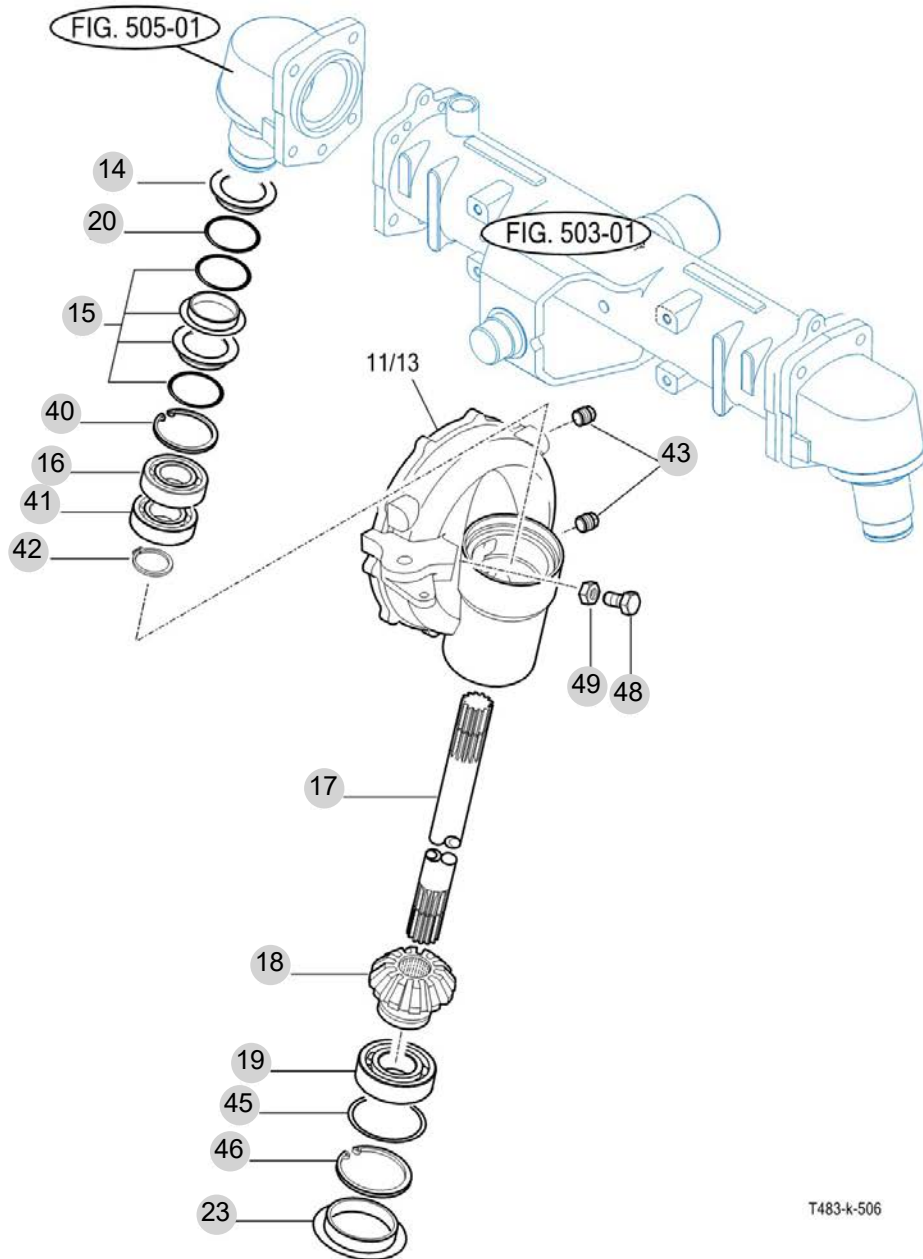
FIG 506

T455NCGBC

FRONT GEAR CASE (2)

년/월
Year/Month

2022-12



T483-k-506

NOTE

FIG 506		FRONT GEAR CASE (2)						년/월 Year/Month	
								2022-12	
T455NCGBC									
KEY NO	PART NO	DESCRIPTION	SPEC	QTY	REPAIR	EFFECTIVE DATE	REMARKS		
506	11	12414342000M	최종구동케이스(B/L)				1		
506	13	12414342100M	최종구동케이스(B/R)				1		
506	14	16704130080	메커니컬씰하우징				2		
506	15	16704340040	메커니컬씰ASSY				2		
506	16	V6001106014	볼베어링	6014			2		
506	17	16734340050	샤프트(188)				2		
506	18	16734130080	기어(베벨,11)				2		
506	19	V6041106308	볼베어링(HL1)	6308			2		
506	20	V7231020115	O링	S115			2		
506	23	16704330180	캠(90)				2		
506	40	V7051400950	C형멈춤링(구멍용)	95			2		
506	41	V6001106012	볼베어링	6012			2		
506	42	V7041400600	C형멈춤링(축용)	60			2		
506	43	V7811600006	플러그(사각테이퍼)	R3/8			4		
506	45	16704130060	심(75X90X2)				2		
506	46	V7051400900	C형멈춤링(구멍용)	90			2		
506	48	V2014612030	소형육각볼트(보통)	M12X30			2		
506	49	V3042600120	소형육각너트보통2종	M12			2		
NOTE									

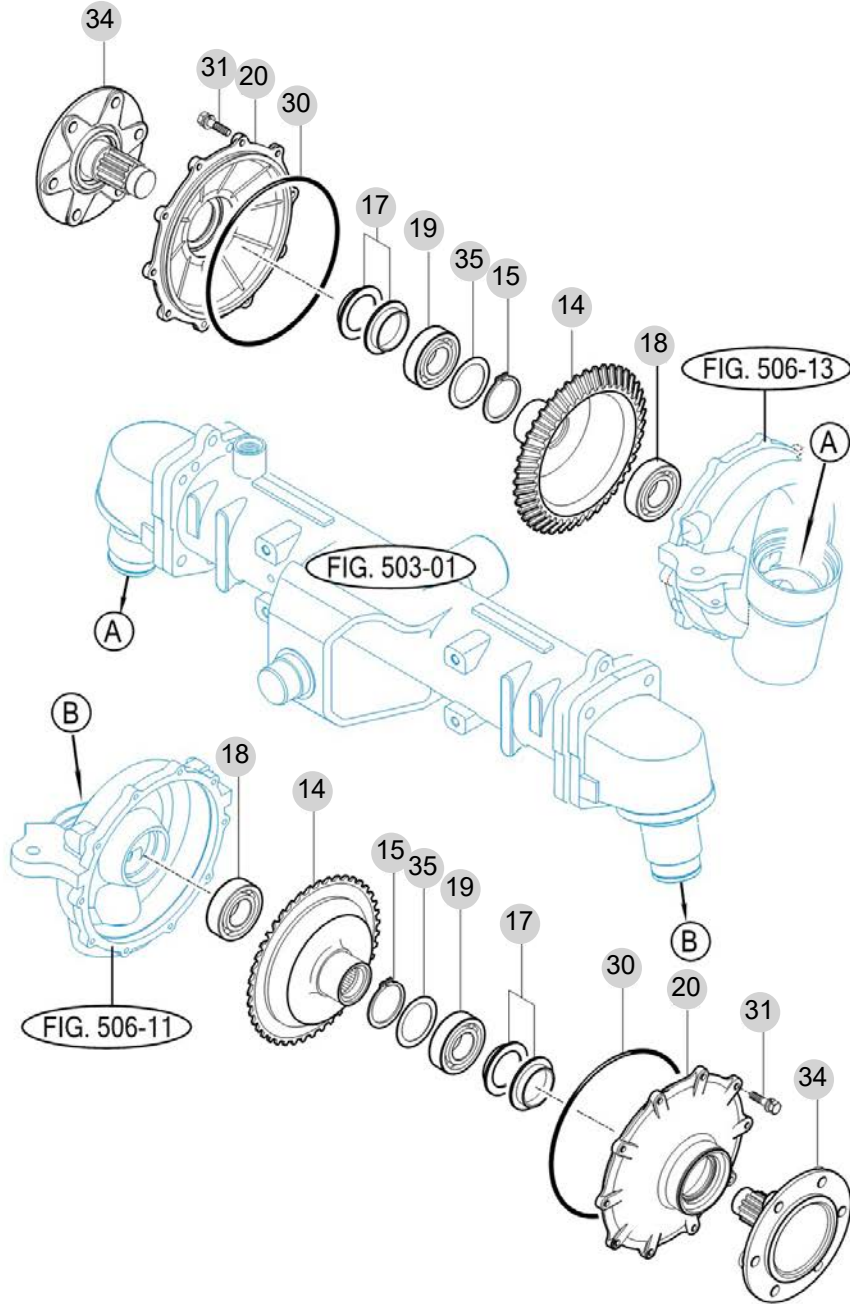
FIG 507

T455NCGBC

FRONT GEAR CASE (3)

년/월
Year/Month

2022-12



T483-k-507

NOTE

FIG 507 T455NCGBC	FRONT GEAR CASE (3)						년/월 Year/Month
							2022-12

KEY NO	PART NO	DESCRIPTION	SPEC	QTY	REPAIR	EFFECTIVE DATE	REMARKS
507	14	16734340080		2			
507	14	16734340081		2			
507	15	V7041400500	50	2			
507	15	17994420060		2			
507	17	16004340040		2			
507	18	V6041106208	6208HL1	2			
507	19	V6041106210	6210HL1	2			
507	20	16704340130M		2			
507	30	16704340150		2			
507	31	V2173608025	M8X25	20			
507	34	16704340070		2			
507	35	16709510080		2			
507	35	16709510081		2			
507	35	16709510081		2			
NOTE							

6. 유압/3점링크 PART NO. T6

FIG 601 CYLINDER CASE	142
FIG 602 LIFT ARM	144
FIG 603 CYLINDER	146
FIG 604 POSITION LINK	148
FIG 605 CONTROL VALVE	150
FIG 606 DRAFT LINK	152
FIG 607 POSITION & DRAFT LEVER	154
FIG 608 EXTERIOR HYD.VALVE	156
FIG 609 HYDRAULIC PIPE	158
FIG 610 JOYSTICK	161
FIG 611 HYDRAULIC HOSE	163
FIG 612 HITCH & 3-POINT LINK	165
FIG 613 HITCH & 3-POINT LINK	168

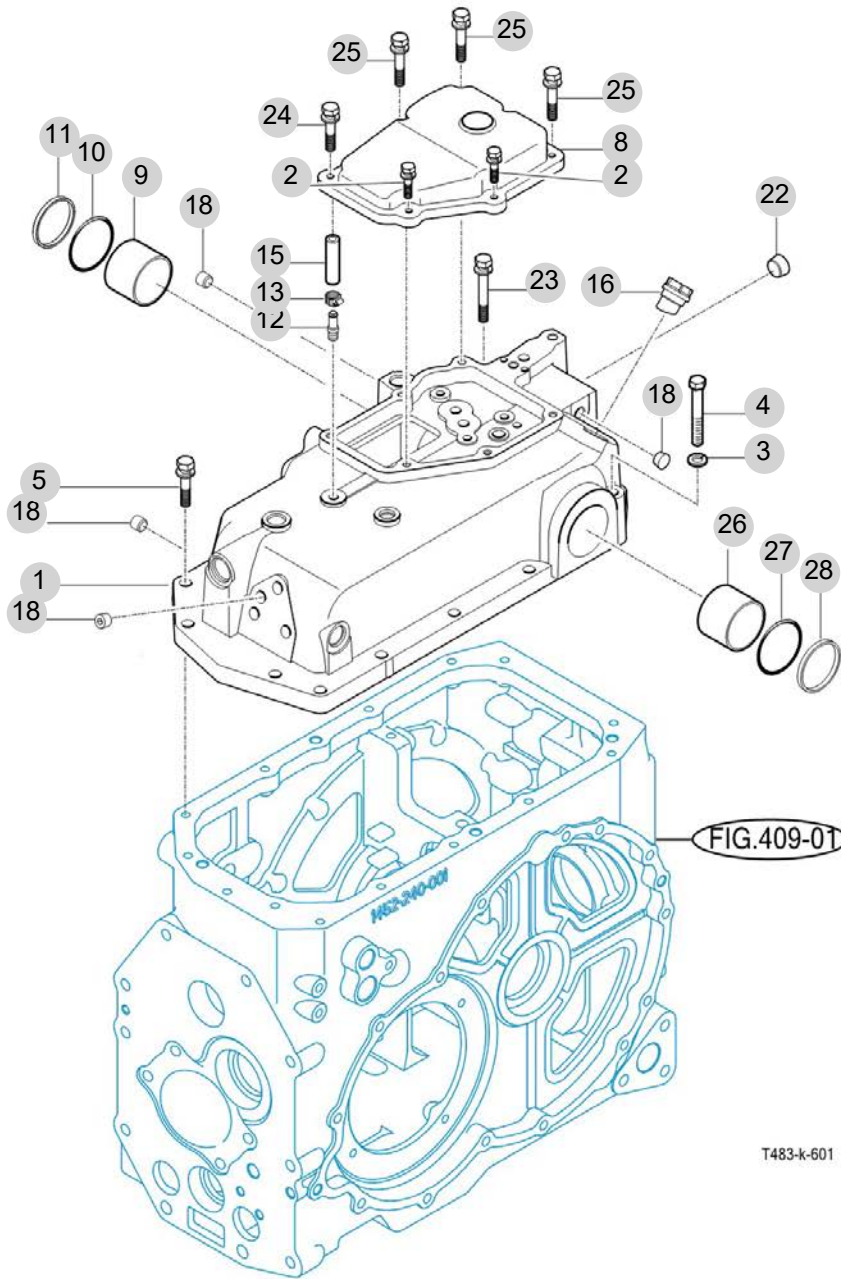
FIG 601

T455NCGBC

CYLINDER CASE

년/월
Year/Month

2022-12



NOTE

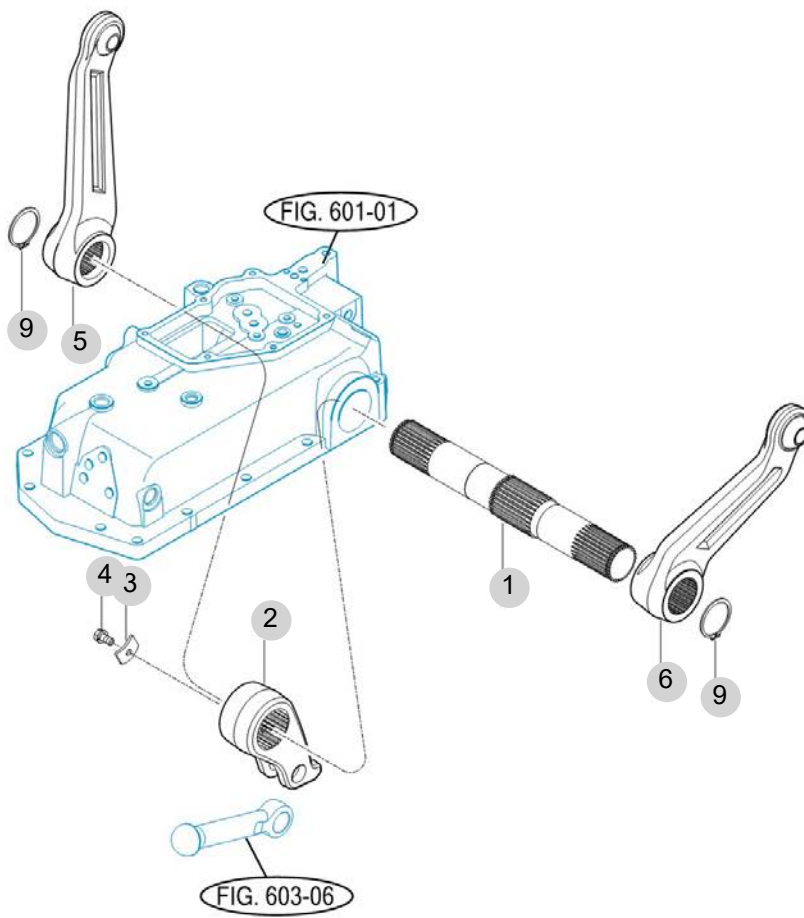
FIG 602

T455NCGBC

LIFT ARM

년/월
Year/Month

2022-12



T483-K-602

NOTE

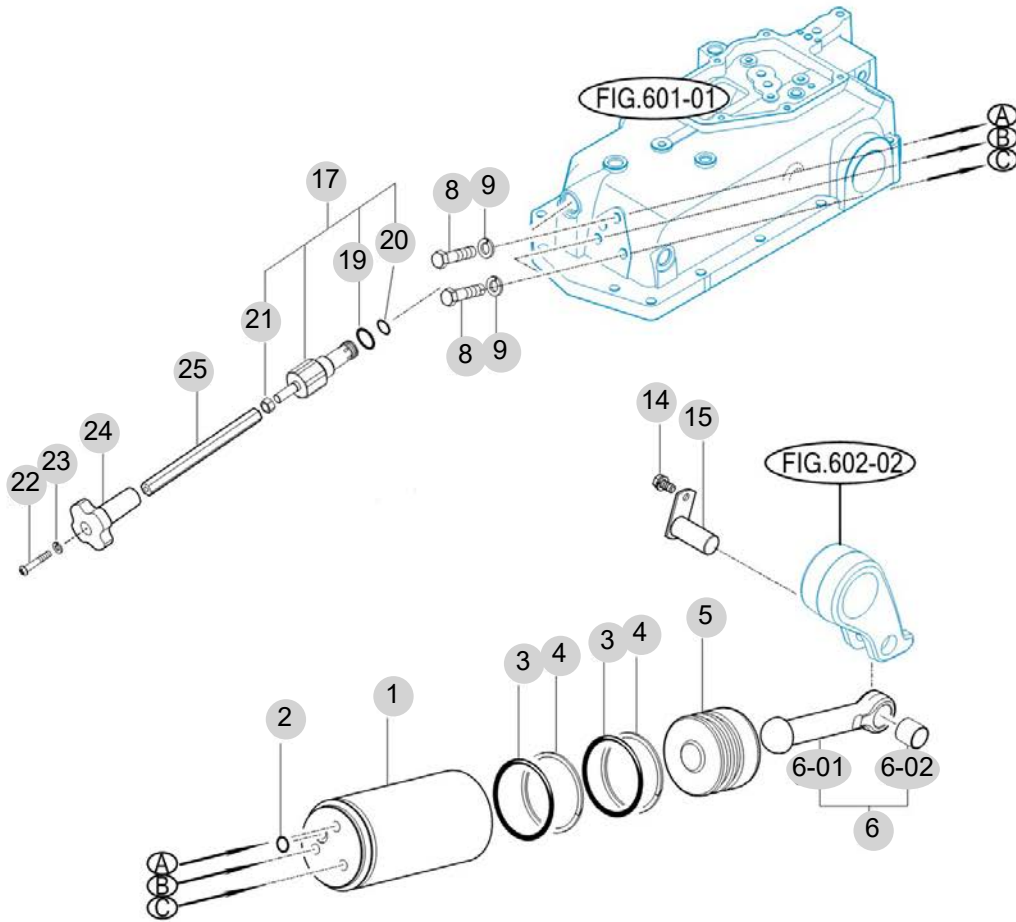
FIG 603

T455NCGBC

CYLINDER

년/월
Year/Month

2022-12



T483-K-603

NOTE

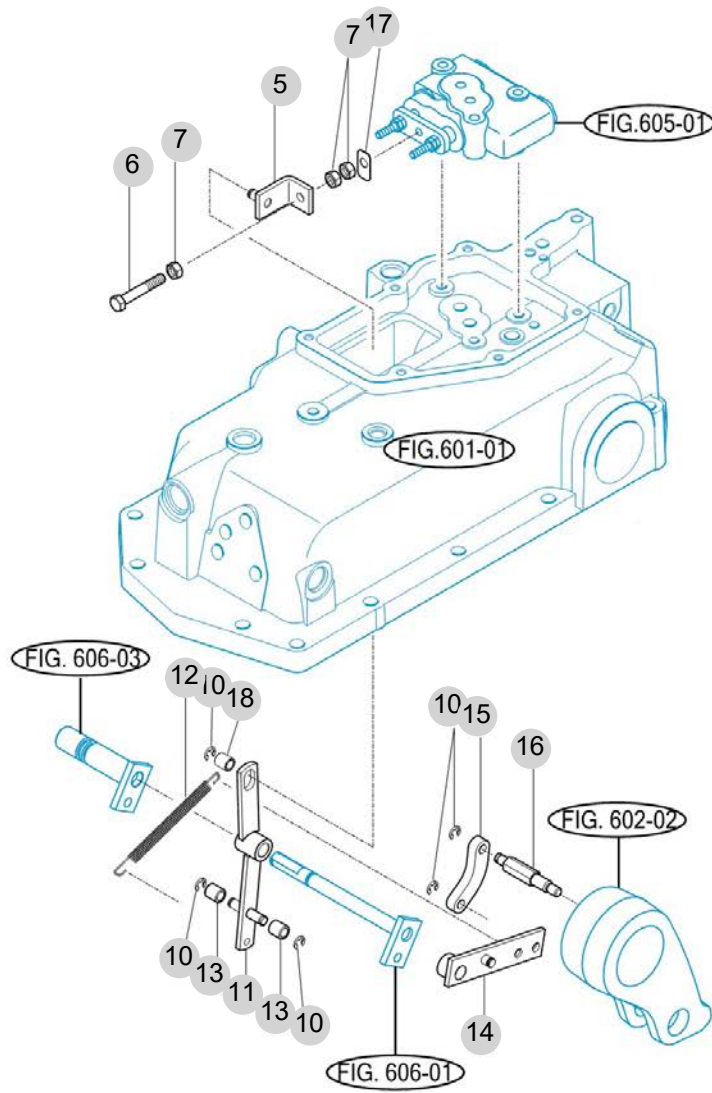
FIG 604

T455NCGBC

POSITION LINK

년/월
Year/Month

2022-12



T483-K-604

NOTE

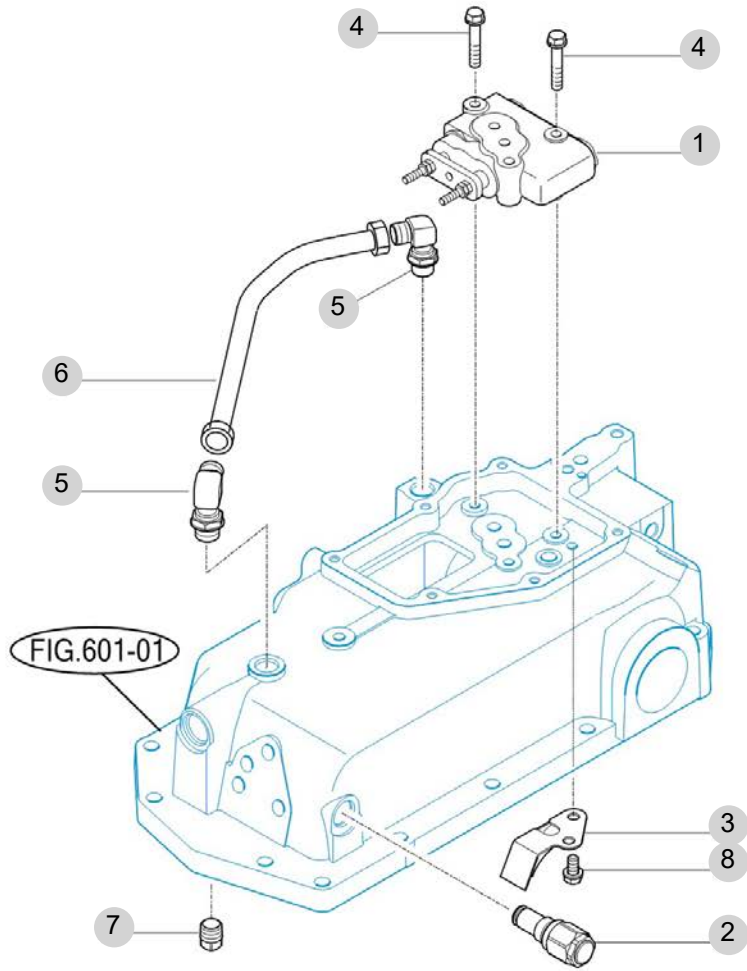
FIG 605

T455NCGBC

CONTROL VALVE

년/월
Year/Month

2022-12



T483-K-605

NOTE

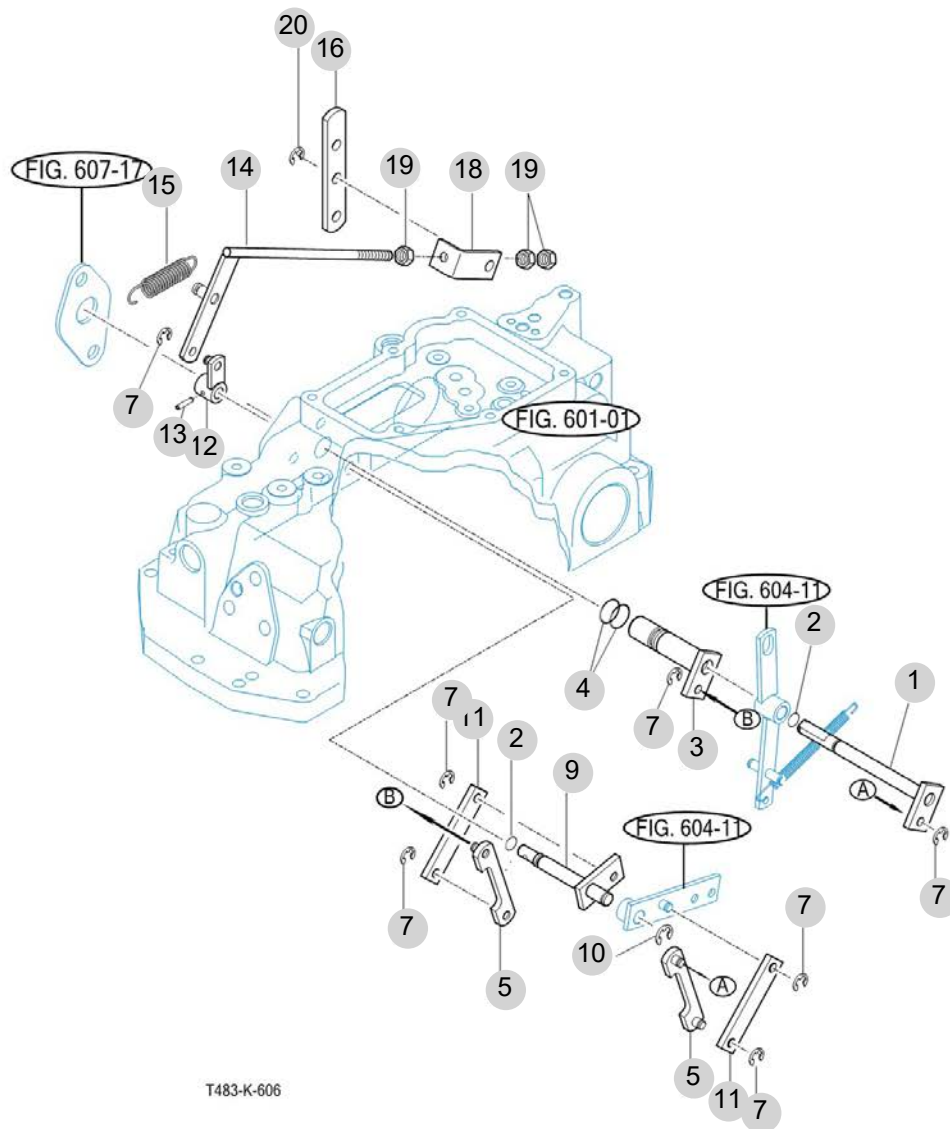
FIG 606

T455NCGBC

DRAFT LINK

년/월
Year/Month

2022-12



NOTE

FIG 606 T455NCGBC		DRAFT LINK					년/월 Year/Month	
							2022-12	
KEY NO	PART NO	DESCRIPTION	SPEC	QTY	REPAIR	EFFECTIVE DATE	REMARKS	
606	1	17995040150	링크(크랭크리프트)					
606	2	V7201019009	O링(P)	P9				
606	3	17995041200	샤프트(드레프트)COMP					
606	4	V7201024016	O링(P)	P16				
606	5	17995060050	링크(B)COMP					
606	7	V7081400060	E형멈춤링	6				
606	9	17995061300	암(건인 링크/내)COMP					
606	10	V7081400090	E형멈춤링	9				
606	11	17995060061	링크					
606	12	17995060120	암(건임 링크/외)					
606	13	V5801404018	스프링핀	4X18				
606	14	16735061400	로드(A)					
606	15	17995060150	스프링					
606	16	17995060160	링크(A)					
606	18	17995061800	링크(B)COMP					
606	19	V3043600080	소형육각너트보통2종	M8				
606	20	V7081400080	E형멈춤링	8				
NOTE								

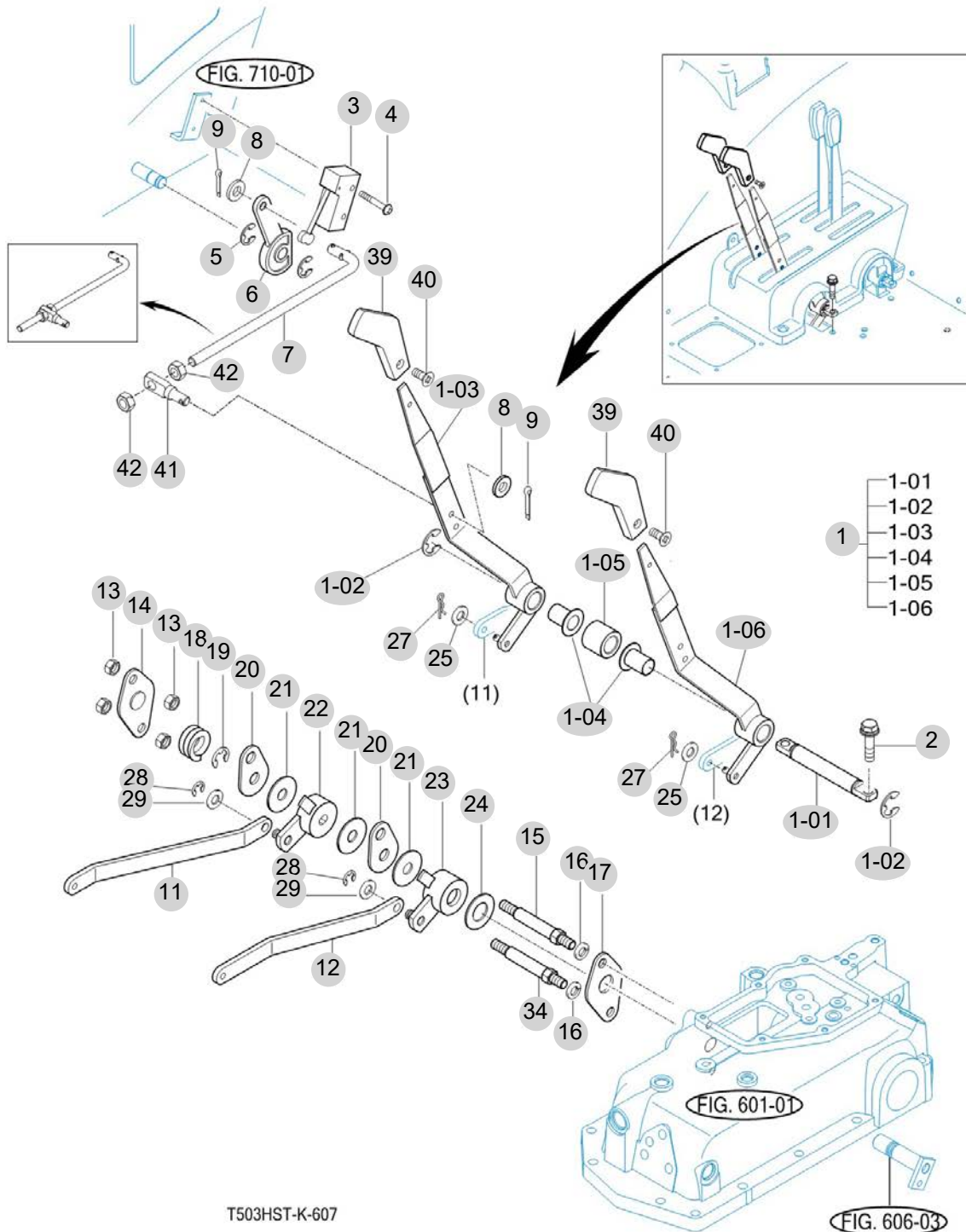
FIG 607

T455NCGBC

POSITION & DRAFT LEVER

년/월
Year/Month

2022-12



NOTE

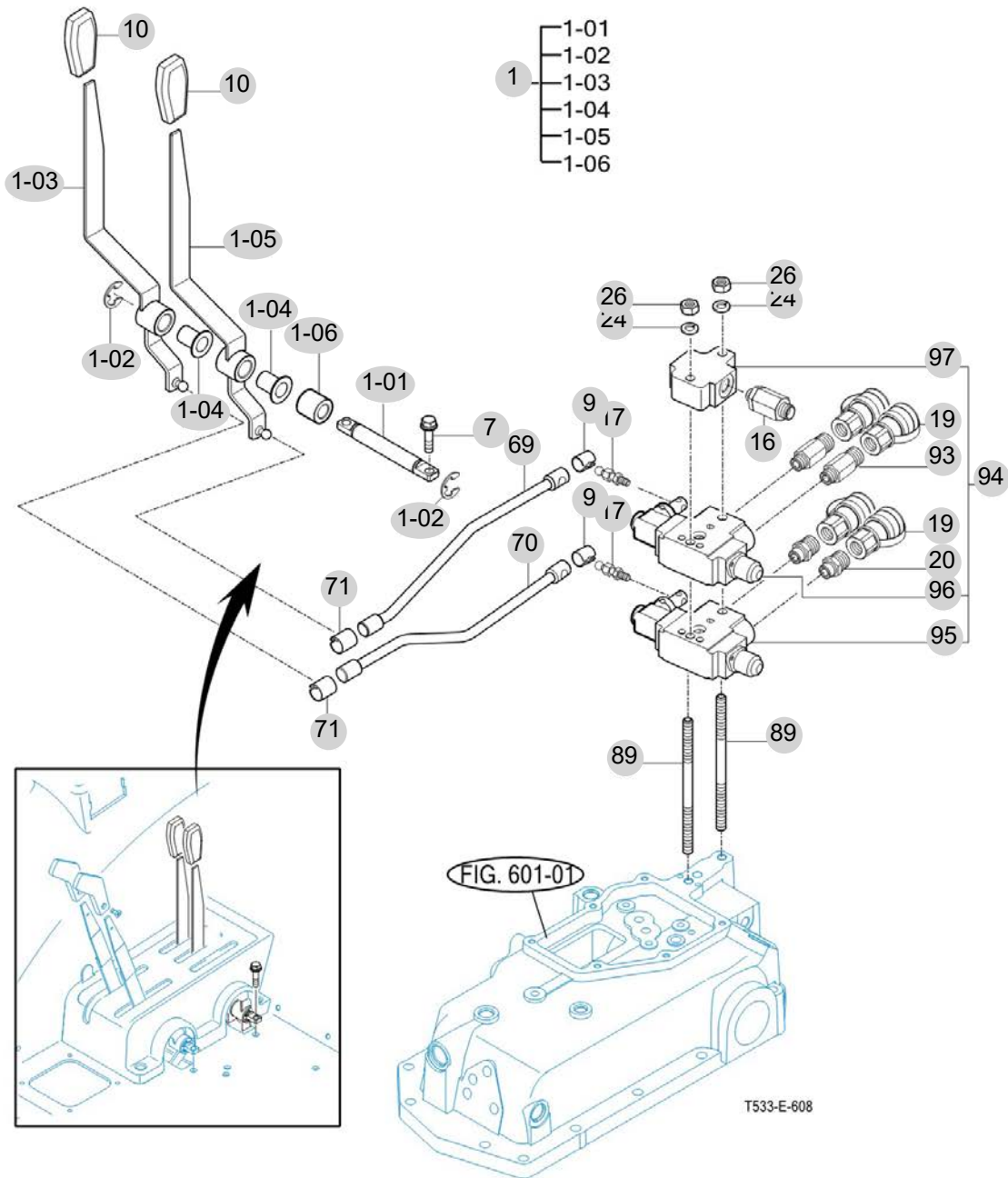
FIG 608

EXTERIOR HYD.VALVE

년/월
Year/Month

2022-12

T455NCGBC



NOTE

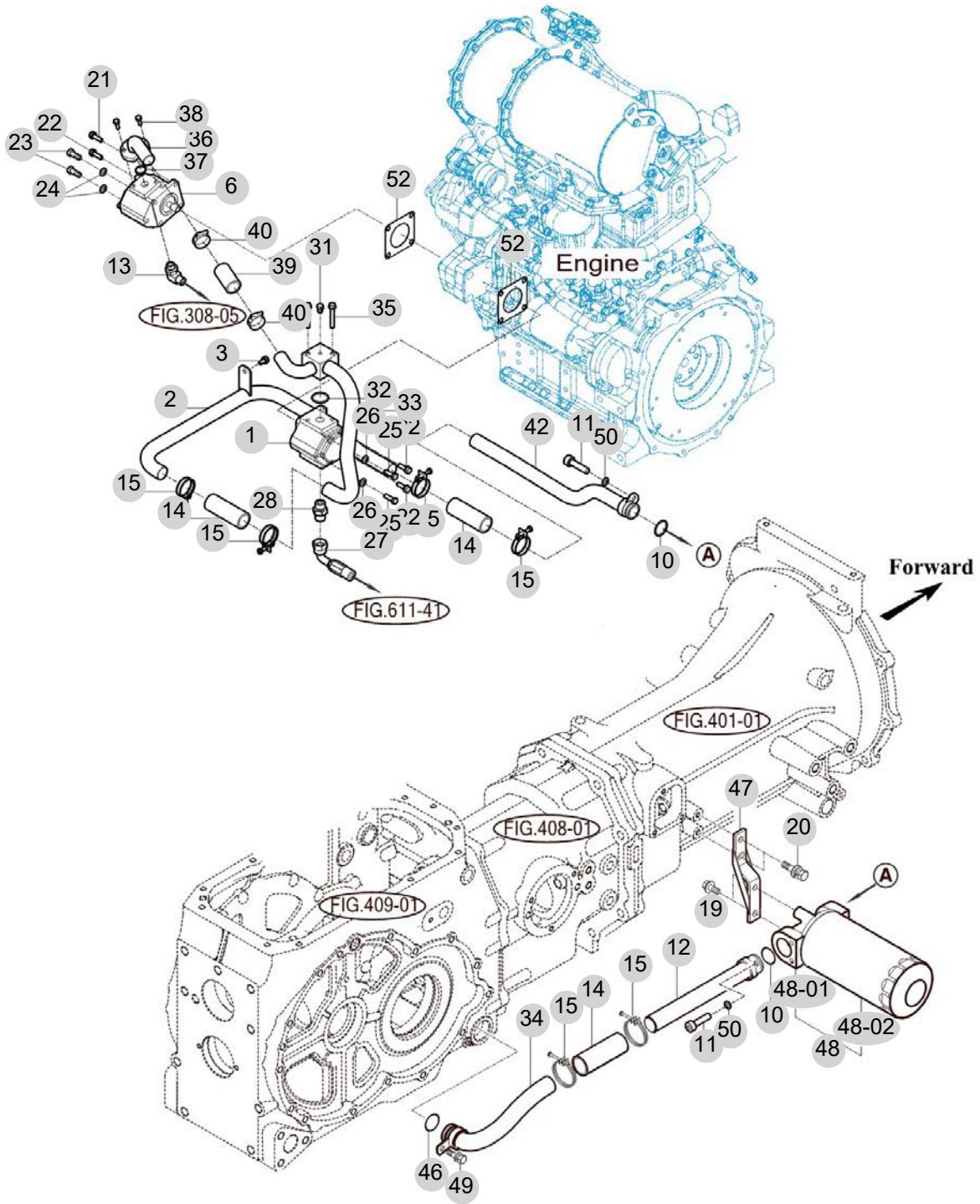
FIG 609

HYDRAULIC PIPE

년/월
Year/Month

2022-12

T455NCGBC



NOTE

FIG 609 T455NCGBC		HYDRAULIC PIPE					년/월 Year/Month	
							2022-12	
KEY NO	PART NO	DESCRIPTION	SPEC	QTY	REPAIR	EFFECTIVE DATE	REMARKS	
609	1	15115100001	기어펌프(MAIN)ASSY			1		
609	2	17465152201GB	흡입 파이프 COMP (FR/RR)			1		
609	2	17465152202GB	흡입 파이프 COMP (FR/RR)			1		
609	3	V2173608016	소형육각볼트보통(S)			1		
609	6	15115200000	기어펌프(PS)ASSY			1		
609	10	V7211031030	O링(G)			2		
609	11	V2205408016	육각홀트	M8X16		2		
609	12	14525153401	파이프(석션/F)COMP			1		
609	12	14525153401PC	파이프(석션/F)COMP			1		
609	12	14525153401	파이프(석션/F)COMP			1		
609	13	36313530021	어댑터(고압)			1		
609	14	15605150031	호스(100)			3		
609	15	18027090400	밴드 클램프 40 흡식	D=40		6		
609	19	V2183610025	소형육각볼트보통(SP)	M10X25		2		
609	20	V2183608020	소형육각볼트보통(SP)	M8X20		2		
609	21	V2173608040	소형육각볼트보통(S)	M8X40		1		
609	22	V2173608025	소형육각볼트보통(S)	M8X25		3		
609	23	V2013608110	소형육각볼트(보통)	M8X110		2		
609	24	V4011600080	스프링와셔	M8		2		
609	25	V2013608110	소형육각볼트(보통)	M8X110		2		
609	26	V4011600080	스프링와셔	M8		2		
609	27	14525152331	유압호스(1560)ASSY			1		
609	28	16582630620	콘넥터(PF1/2)			1		
609	31	13267060022	드레인플러그			1		
609	32	V7211031030	O링(G)			1		
609	33	17465153301GB	흡입 파이프 COMP (앞)			1		
609	33	17465153302GB	흡입 파이프 COMP (앞)			1		
609	33	17465153303GB	흡입 파이프 COMP (앞)			1		
609	34	14525162402PC	파이프(석션/RR)COMP			1		
609	34	14525162403	파이프(석션/RR)COMP			1		
609	35	V2173608055	소형육각볼트보통(S)	M8X55		2		
609	36	15155152901GB	파이프(석션/P)COMP			1		
609	37	V7201024018	O링(P)	P18		1		
609	38	V2113606020	육각볼트(S)	M6X20		2		
609	39	19955100010	호스(26X34X60)			1		
609	40	18027090400	밴드 클램프 40 흡식			2		
609	42	14525152101	파이프(석션/R/IN)COMP			1		
609	42	14525152102	파이프 COMP , 석션/R/IN			1		
609	42	14525152102PC	파이프 COMP , 석션/R/IN			1		
609	42	14525152103	파이프 COMP , 석션/R/IN			1		
609	46	V7211031030	O링(G)	G30		1		
609	47	14525150000GB	브래킷(오일필터)			1		
609	47	14525150000	브래킷(오일필터)			1		
609	47	14525150001	브래킷(오일필터)			1		
609	48	17975152010	필터헤드			1		
NOTE								

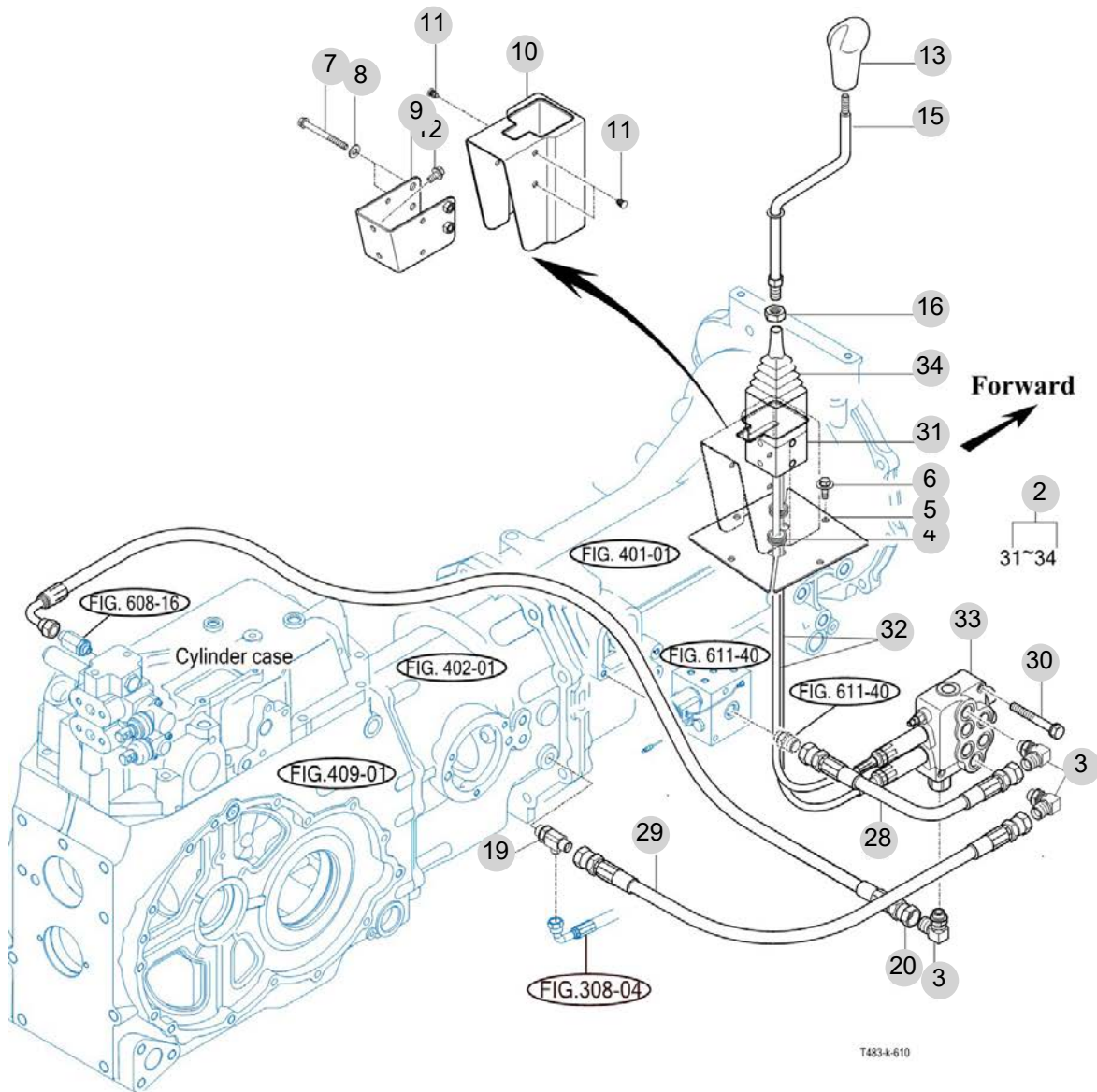
FIG 610

T455NCGBC

JOYSTICK

년/월
Year/Month

2022-12



NOTE

FIG 610 T455NCGBC	JOYSTICK					년/월 Year/Month	
						2022-12	

KEY NO	PART NO	DESCRIPTION	SPEC	QTY	REPAIR	EFFECTIVE DATE	REMARKS
610	2	15155162502	로더밸브 조이스틱 ASSY	1			
610	3	17407362300	엘보(PF3/8,PF1/2)	3			
610	4	14526300530	인슬레이터(조이스틱)	2			
610	5	17685161810GB	플레이트(씸)	2			
610	6	V2193606016	육각볼트(SPL)	M6X16	4		
610	7	V2173608085	소형육각볼트보통(S)	M8X85	2		
610	8	V4111600080	평와셔	M8	2		
610	9	14527103100GB	조이스틱브래킷	1			
610	10	14527100010	커버(조이스틱/T483)	1			
610	11	15276040020	트림 클립(8)	3			
610	12	V2183608020	소형육각볼트보통(SP)	M8X20	2		
610	13	4IMP500707	그립(조이스틱)	1			
610	13	10896013800	그립(조이스틱)	1			
610	15	15157103901GB	레버(조이스틱)COMP	1			
610	16	V3302600140	육각너트가는2종	M14	1		
610	16A	V3302600140	육각너트가는2종	M14	1		
610	19	15165161130	T엘보 (PF1/2,PF3/8)	1			
610	20	14525152331	유압호스(1560)ASSY	1			
610	28	14524070010	유압호스(390)ASSY	1			
610	29	17685162202	유압호스(530)ASSY	1			
610	30	V2173608060	소형육각볼트보통(S)	M8X60	3		
610	31	14527103600	조이스틱 바디 ASSY	1			
610	32	14527103700	케이블 ASSY (620)	2			
610	32	14527103701	케이블 ASSY (620)	2			
610	33	15157103802	로더밸브 ASSY(특인)	1			
610	34	14527103610	부츠 , 로더밸브조이스틱	1			

NOTE

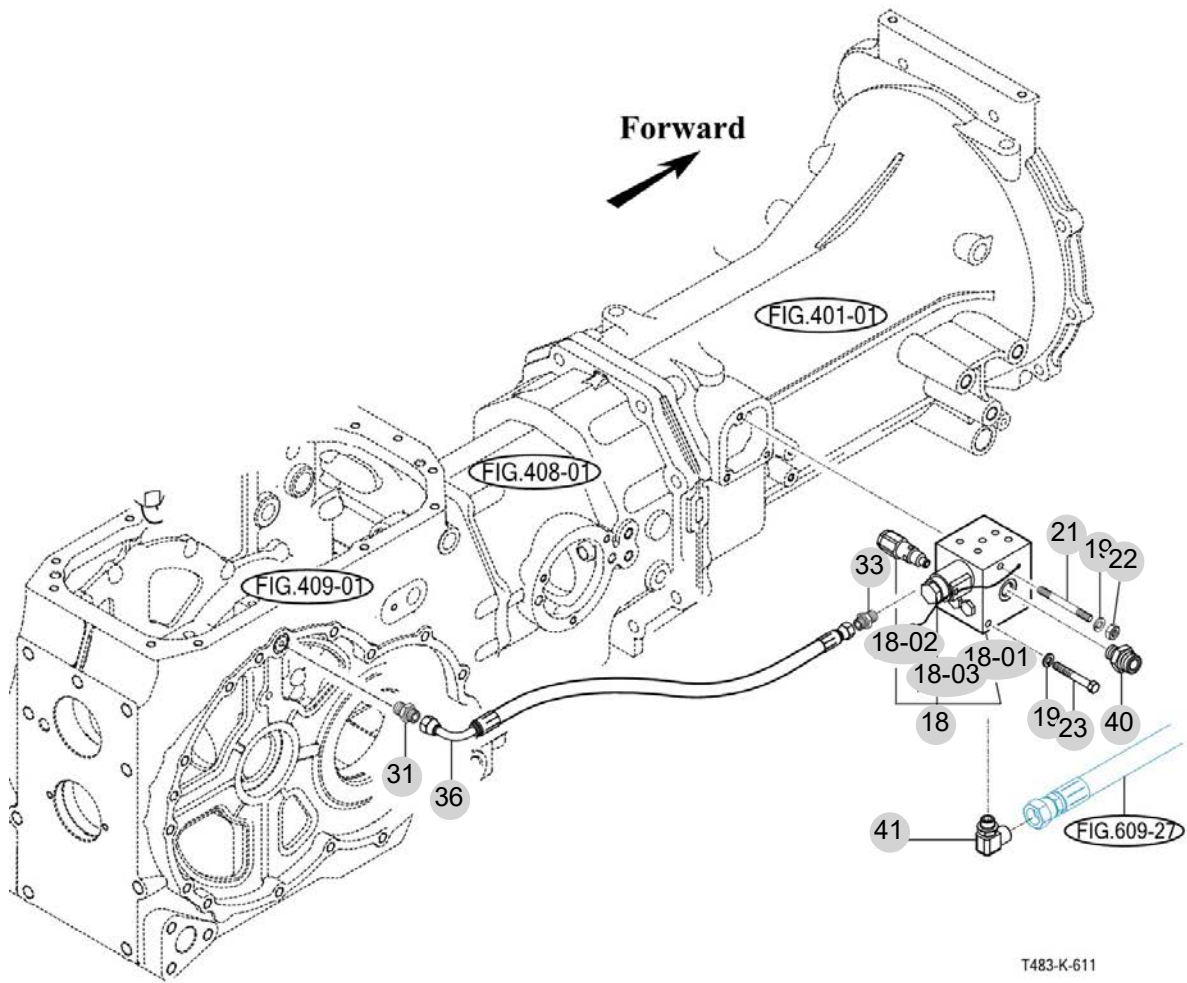
FIG 611

T455NCGBC

HYDRAULIC HOSE

년/월
Year/Month

2022-12



T483-K-611

NOTE

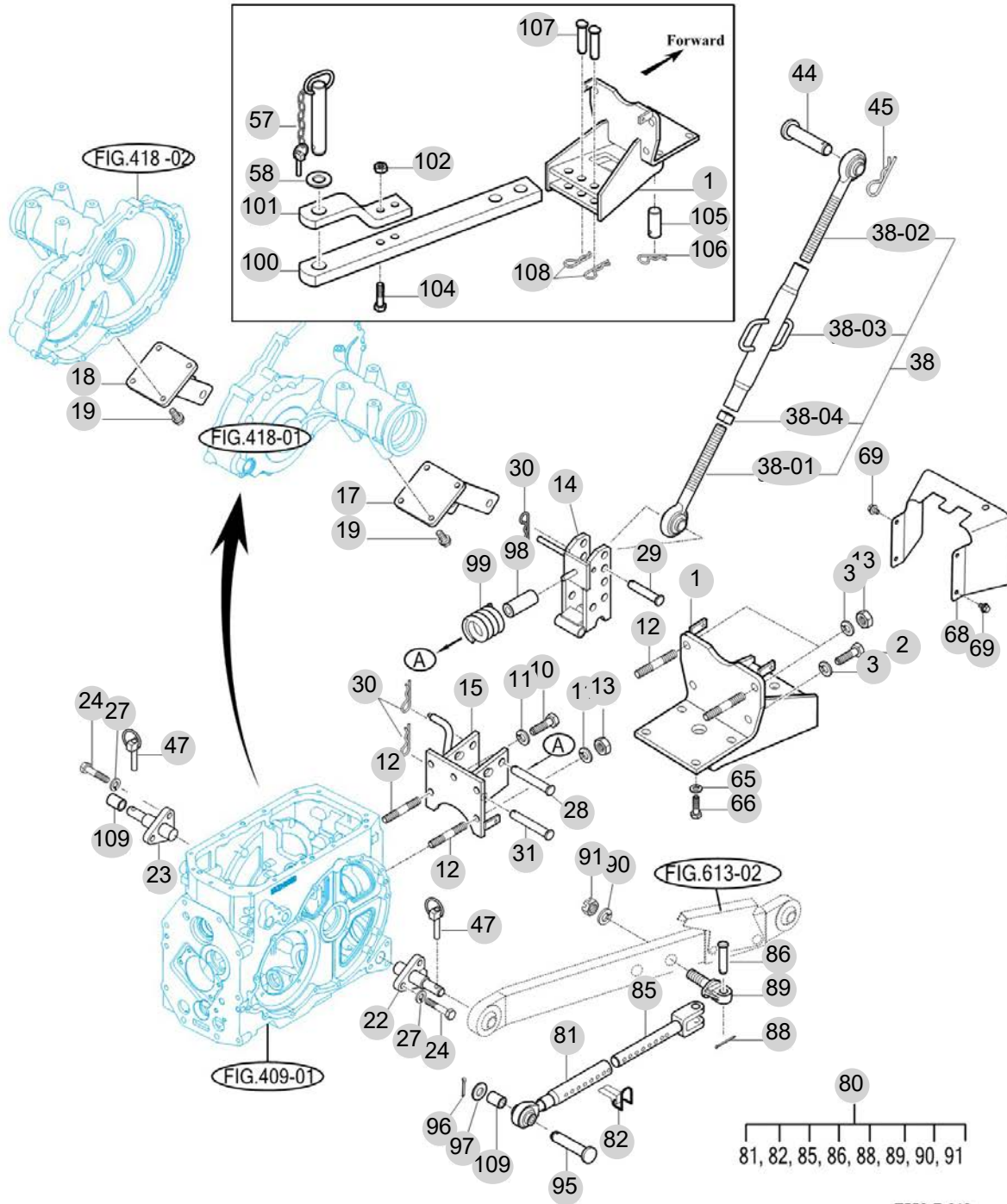
FIG 612

HITCH & 3-POINT LINK

년/월
Year/Month

2022-12

T455NCGBC



T553-E-612

NOTE

FIG 612 T455NCGBC		HITCH & 3-POINT LINK					년/월 Year/Month	
							2022-12	
KEY NO	PART NO	DESCRIPTION	SPEC	QTY	REPAIR	EFFECTIVE DATE	REMARKS	
612	1	15175202001GB	브래킷COMP, 스윙 드로바		1			
612	1	15175202002GB	브래킷COMP, 스윙 드로바		1			
612	1	15175202003GB	브래킷COMP, 스윙 드로바		1			
612	2	V2013616035	소형육각볼트(보통)	M16X35	2			
612	3	V4011600160	스프링와셔	M16	4			
612	10	V2013616035	소형육각볼트(보통)	M16X35	3			
612	11	V4011600160	스프링와셔	M16	5			
612	12	V2513416035	스터드볼트2종	M16X35	4			
612	13	V3043600160	소형육각너트보통2종	M16	4			
612	14	16735222102GB	링크 COMP		1			
612	15	15185222000GB	브래킷 COMP		1			
612	17	14525254100GB	브래킷(후)COMP		1			
612	18	14525254100GB	브래킷(후)COMP		1			
612	19	V2173612030	소형육각볼트보통(S)	M12X30	8			
612	22	15685252204	핀(L) COMP		1			
612	23	15685252801	핀(R) COMP		1			
612	24	V2013614040	소형육각볼트(보통)	M14X40	6			
612	27	V4011600140	스프링와셔	M14	6			
612	28	15645250010	핀(19X122)		1			
612	29	15645220020	핀(19X95)		1			
612	30	14445140051	헤어핀(19)		3			
612	31	15645250010	핀(19X122)		1			
612	38	16505245501GB	톱링크ASSY		1			
612	38	16505245502GB	톱링크 ASSY		1			
612	38-01	16505245510	톱링크COMP(RH)		1			
612	38-02	16505245520	톱링크COMP(LH)		1			
612	38-03	14555140251	턴버클 조합(톱링크)		1			
612	38-04	16505245530	육각너트		1			
612	44	15645220011	핀(19X86)		1			
612	45	14445140051	헤어핀(19)		1			
612	47	14215020020	링크핀		2			
612	57	S0973063031	핀ASSY		1			
612	58	15252470010	쿠션고무		1			
612	65	V4011600140	스프링와셔	M14	4			
612	66	V2013614035	소형육각볼트(보통)	M14X35	4			
612	68	13605200012GB	커버(씰드)		1			
612	69	V2183608016	소형육각볼트보통(SP)		4			
612	80	15155253000GB	조정링크(완)ASSY		2			
612	81	15155253100	로드 SUB, FR		2			
612	82	17705254200	린치핀		2			
612	85	15155253300	로드 SUB, RR		2			
612	86	15155253400	핀, ø20X59		2			
612	88	V5001940035	분할핀	4.0X35	2			
612	89	15155253500	아이볼트		2			
612	90	V4111600220	평와셔	M22	2			
NOTE								

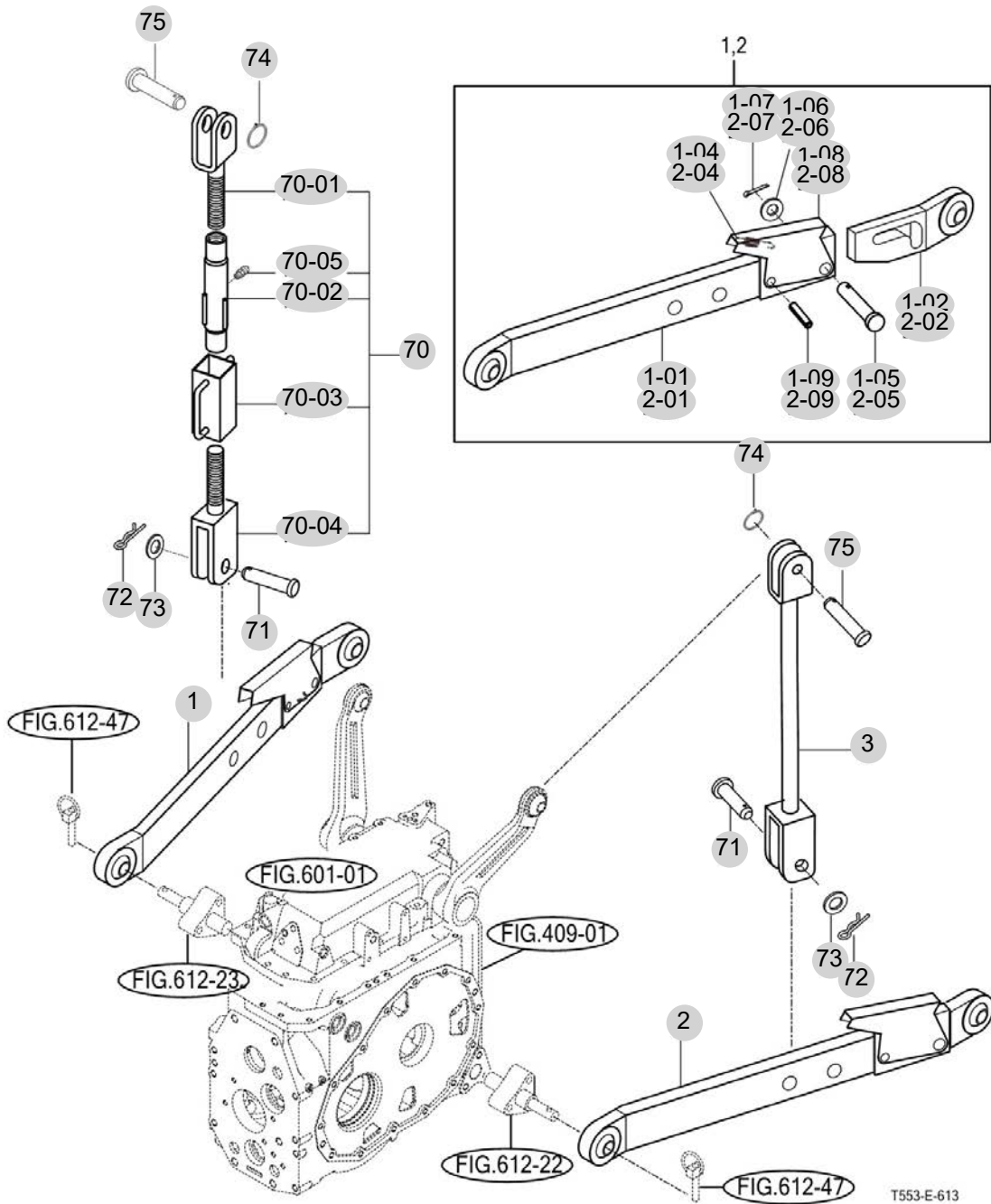
FIG 613

T455NCGBC

HITCH & 3-POINT LINK

년/월
Year/Month

2022-12



NOTE

7. 시트메탈/캐빈 PART NO. T7

FIG 701 HOOD (1)	171
FIG 702 HOOD (2)	173
FIG 704B LEVER COVER & STEP-Non CAB	175
FIG 705 FRONT & REAR MOUNTING	177
FIG 706 SEAT & MAT	179
FIG 710B FRAME&2POLES ROPS-Non CAB	181
FIG 713B SUB FENDER&COVER-Non CAB	183
FIG 714B MIRROR&WORKING LAMP-Non CAB	185
FIG 718 CABIN INTERIOR	187

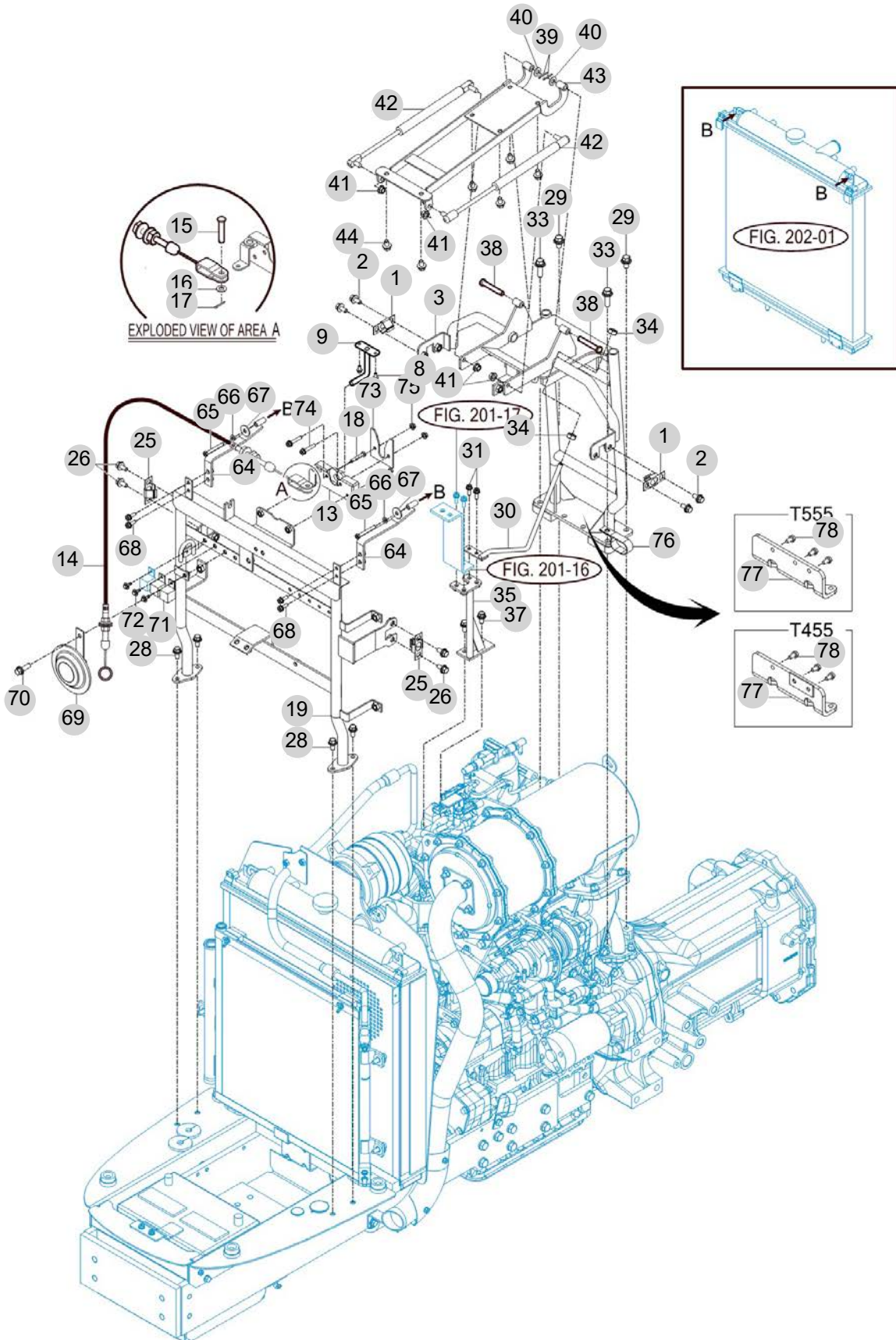
FIG 701

T455NCGBC

HOOD (1)

년/월
Year/Month

2022-12



NOTE

FIG 701		HOOD (1)						년/월 Year/Month	
								2022-12	
T455NCGBC		KEY NO	PART NO	DESCRIPTION	SPEC	QTY	REPAIR	EFFECTIVE DATE	REMARKS
701	1	17686013502	고정스프링			2			
701	2	V2183608020	소형육각볼트보통(SP)	M8X20		4			
701	3	17466052000GB	프레임(후드/서포트)COMP			1			
701	8	V2183608016	소형육각볼트보통(SP)	M8X16		2			
701	9	17466022100	브래킷 COMP , 후드 록			1			
701	13	17686020600	잠금장치(후드)COMP			1			
701	14	12146020650	후드 케이블ASSY			1			
701	15	15601160083	핀 (06X16)			1			
701	16	V4111600060	평와셔	M6		1			
701	17	V5001920020	분할핀			1			
701	18	V2053606035	심자흡육각볼트	M6X35		2			
701	19	17466011001GB	프레임(후드/프런트)COMP			1			
701	25	17686013502	고정스프링			2			
701	26	V2183608020	소형육각볼트보통(SP)	M8X20		4			
701	28	V2183608020	소형육각볼트보통(SP)	M8X20		4			
701	29	V2183610020	소형육각볼트보통(SP)	M10X20		2			
701	30	17463282200	로드 COMP			1			
701	31	V2123606020	육각볼트(SP)	M6X20		2			
701	33	V2174610050	소형육각볼트보통(S)	M10X50		2			
701	34	V3013600100	육각너트보통2종	M10		2			
701	35	17466052300GB	서포트 COMP			1			
701	37	V2183608020	소형육각볼트보통(SP)	M8X20		2			
701	38	16996024552	두부핀			2			
701	39	V5001920020	분할핀			2			
701	40	V4111600080	평와셔	M8		2			
701	41	V3802600080	플랜지붙이육각너트	M8		4			
701	42	19957022201	댐퍼(후드)ASSY_35kg			2			
701	43	19956054600GB	후드 OPEN 브래킷 COMP			1			
701	44	V2183608016	소형육각볼트보통(SP)	M8X16		6			
701	64	17466012101GB	라디에이터 고정브래킷COMP			2			
701	65	V2053606050	심자흡육각볼트	M6X50		2			
701	66	V4011600060	스프링와셔	M6		2			
701	67	35602010150	결속축와셔			2			
701	68	V2123606020	육각볼트(SP)	M6X20		4			
701	69	13266212003	흔			1			
701	70	V2113606012	육각볼트(S)	M6X12		1			
701	71	17686641110	예열릴레이			2			
701	72	V2193606016	육각볼트(SPL)	M6X16		3			
701	73	17406014300	후드핀 가이드			1			
701	74	V2123606035	육각볼트(SP)	M6X35		2			
701	75	V3802600060	플랜지붙이육각너트			2			
701	76	14441010161	라디에이터호스클램프			1			
701	77A	14137001100GB	하우징 서포터 COMP			1			
701	78	V2173608030	소형육각볼트보통(S)	M8X30		3			
NOTE									

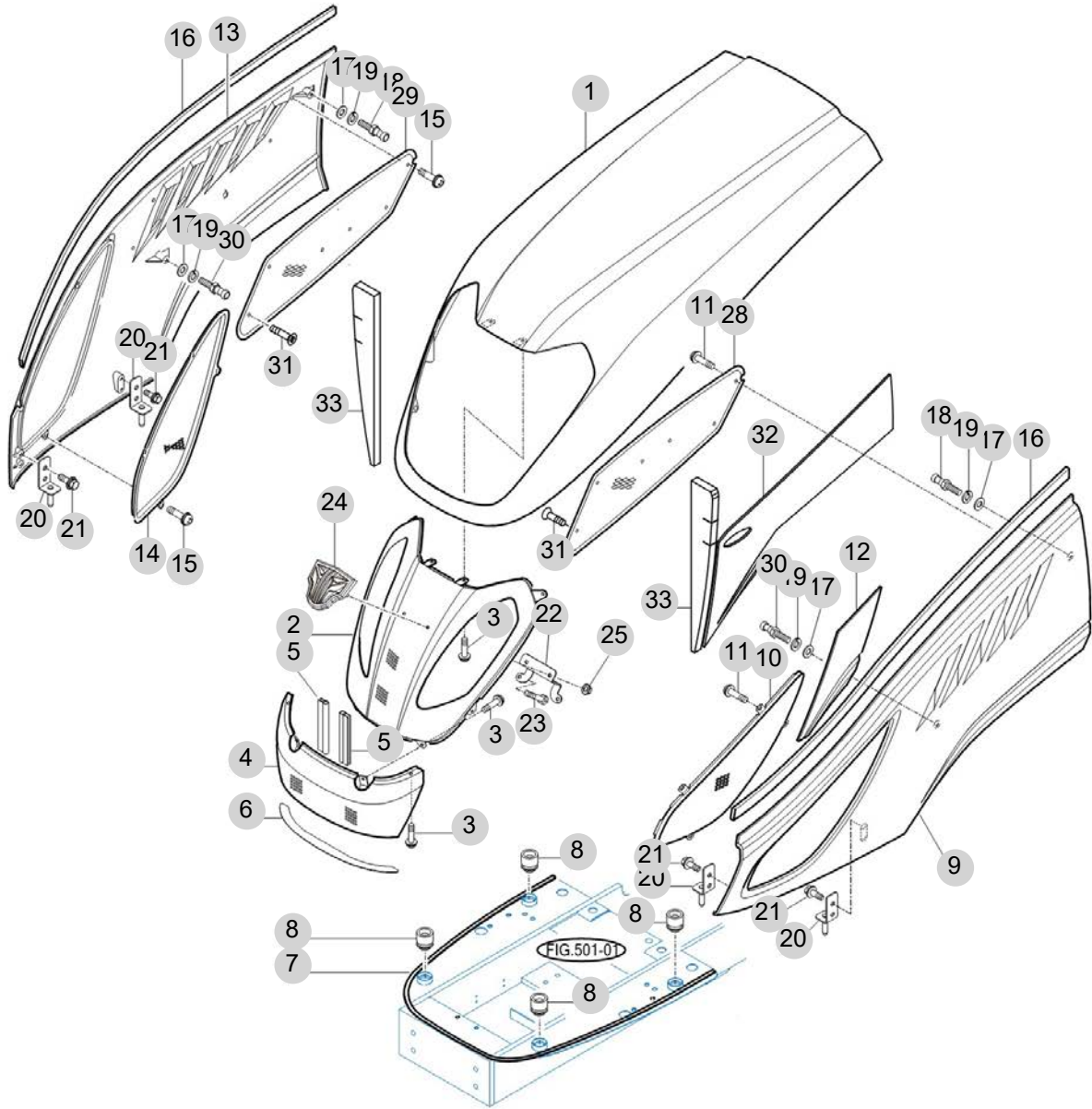
FIG 702

T455NCGBC

HOOD (2)

년/월
Year/Month

2022-12



T554/454-E-702

NOTE

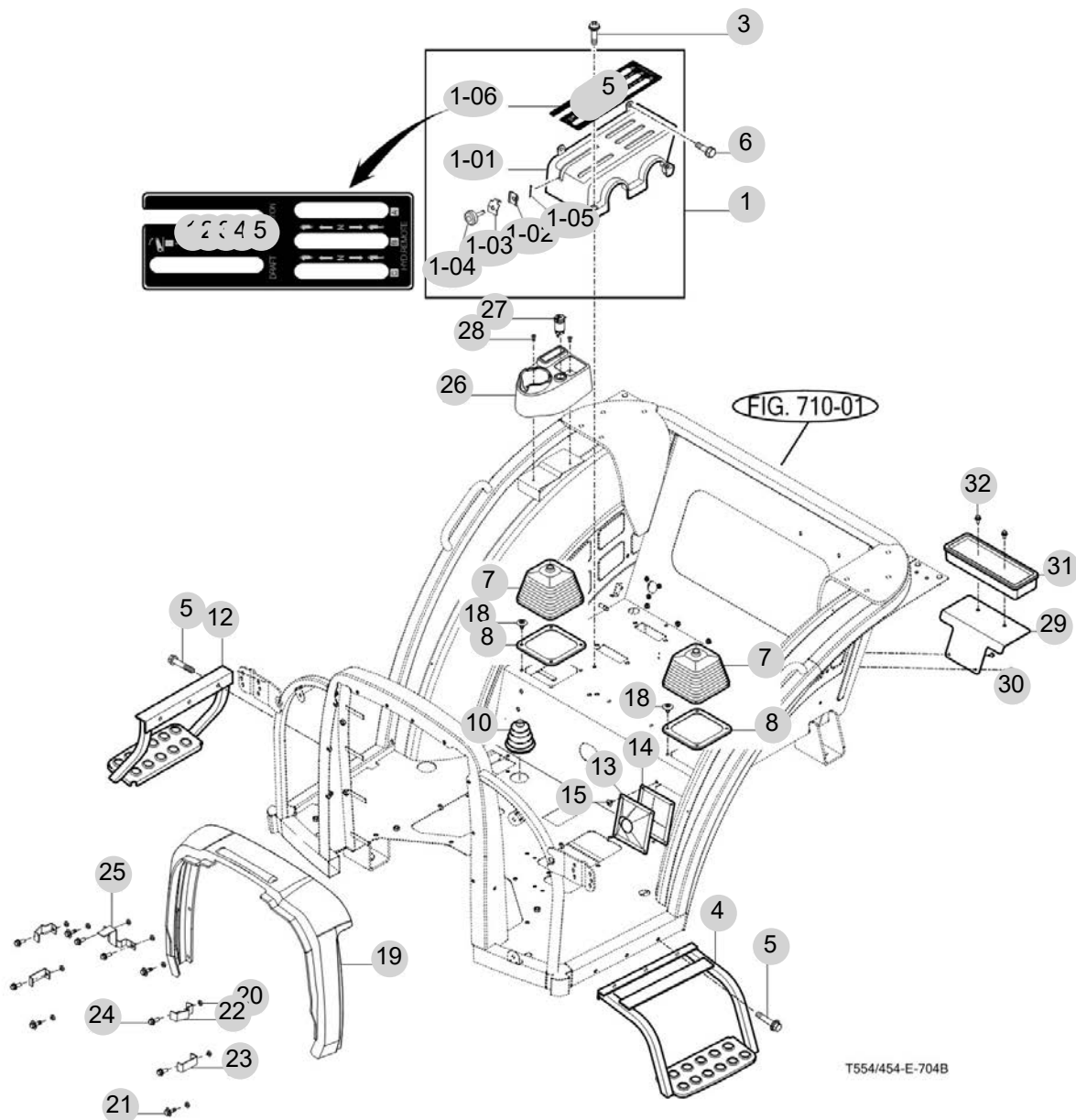
FIG 704B

T455NCGBC

LEVER COVER & STEP-Non CAB

년/월
Year/Month

2022-12



NOTE

FIG 704B		LEVER COVER & STEP-Non CAB						년/월 Year/Month
T455NCGBC								2022-12
KEY NO	PART NO	DESCRIPTION	SPEC	QTY	REPAIR	EFFECTIVE DATE	REMARKS	
704B	1	14527095400	레버 커버 SUB					
704B	1-01	14527095411	커버,레버					
704B	1-01	14527095412	커버,레버					
704B	1-02	14527095501	플레이트 조합					
704B	1-03	14526092010	플레이트					
704B	1-04	15186070020	볼트 (노브/M08X31)					
704B	1-05	V5001920020	분할핀					
704B	1-06	14527095421	라벨,포지션					
704B	1-06	14527095422	라벨,포지션					
704B	3	V1227006020	심자흡냄비작은나사(SP)	M6X20				
704B	4	14526062601SR	스텝 COMP , LH					
704B	4	14526062601GB	스텝(LH)COMP					
704B	4	14526062601GB	스텝(LH)COMP					
704B	5	V2173610065	소형육각볼트보통(S)					
704B	5	V2183610060	소형육각볼트보통(SP)	M10X60				
704B	6	V2103606020	육각볼트(P)					
704B	7	14527071640	부츠(시프터)					
704B	8	14527071650	커버(부츠)					
704B	10	16991160011	액셀페달부츠					
704B	12	14526062700SR	스텝 COMP , RH					
704B	12	14526062700GB	스텝(RH)COMP					
704B	13	15187071642	부츠(핸드브레이크)					
704B	14	14527071650	커버(부츠)					
704B	15	14526040030	리벳 SET(Φ6/흑)					
704B	18	14526040030	리벳 SET(Φ6/흑)					
704B	19	17477071130	연장커버(NC)					
704B	20	14527071120	칼라					
704B	21	V2193606020	육각볼트(SPL)	M6X20				
704B	22	14527071330	브래킷, 연장커버/하					
704B	23	17467071340	브래킷, 하/연장커버					
704B	24	17467071200	브래킷 COMP, 상/연장커버					
704B	25	V2123606020	육각볼트(SP)	M6X20				
704B	26	10556082120NG	컵홀더, B					
704B	27	10037018500	파워소켓ASSY					
704B	28	V1122605012	심자흡접시작은나사					
704B	29	11377011100GB	공구박스 브래킷 COMP					
704B	30	V2183606016	소형육각볼트보통(SP)	M6X16				
704B	31	14136081181	공구통					
704B	32	V2183608020	소형육각볼트보통(SP)	M8X20				
NOTE								

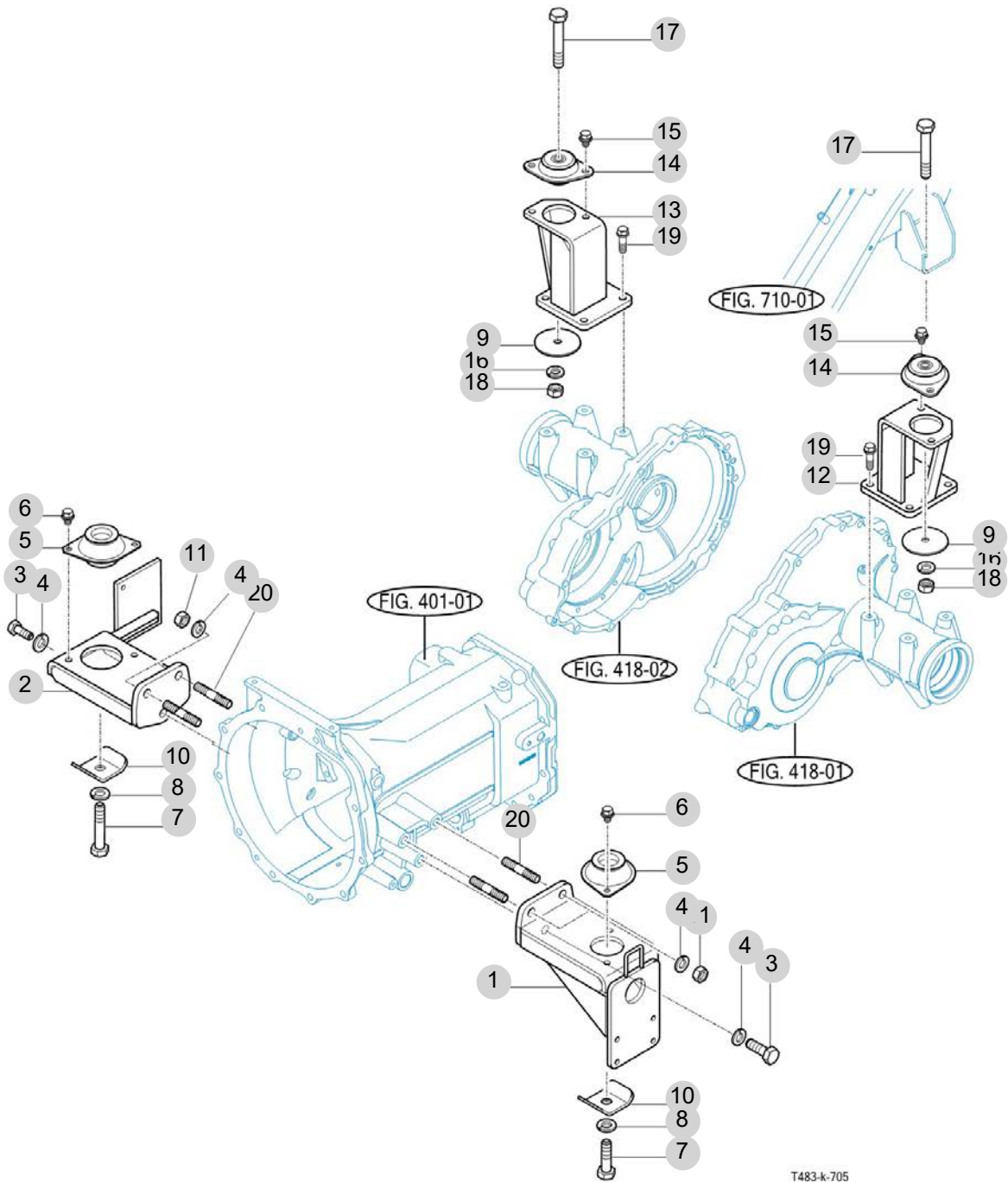
FIG 705

T455NCGBC

FRONT & REAR MOUNTING

년/월
Year/Month

2022-12



T483-k-705

NOTE

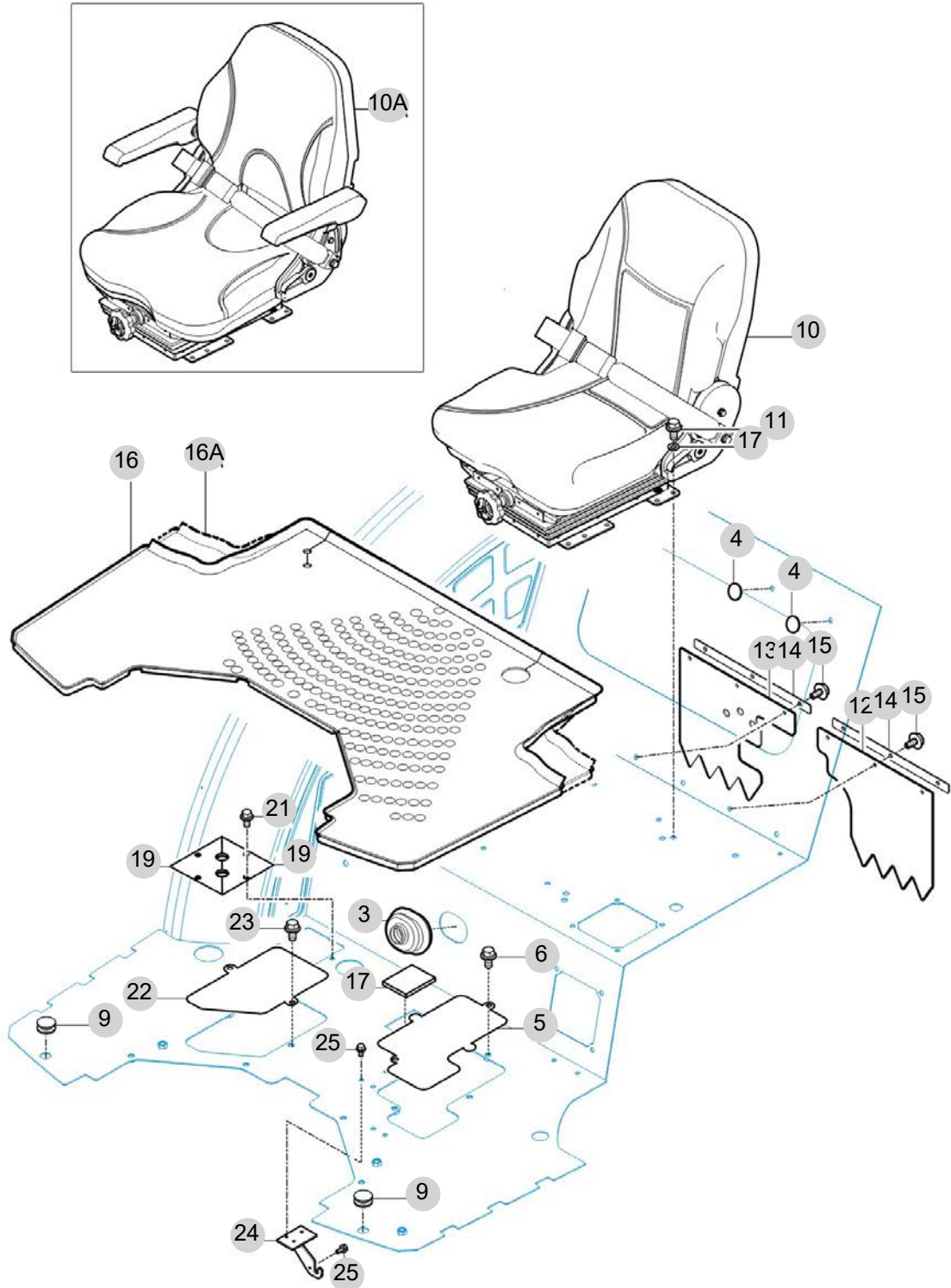
FIG 706

SEAT & MAT

년/월
Year/Month

2022-12

T455NCGBC



NOTE

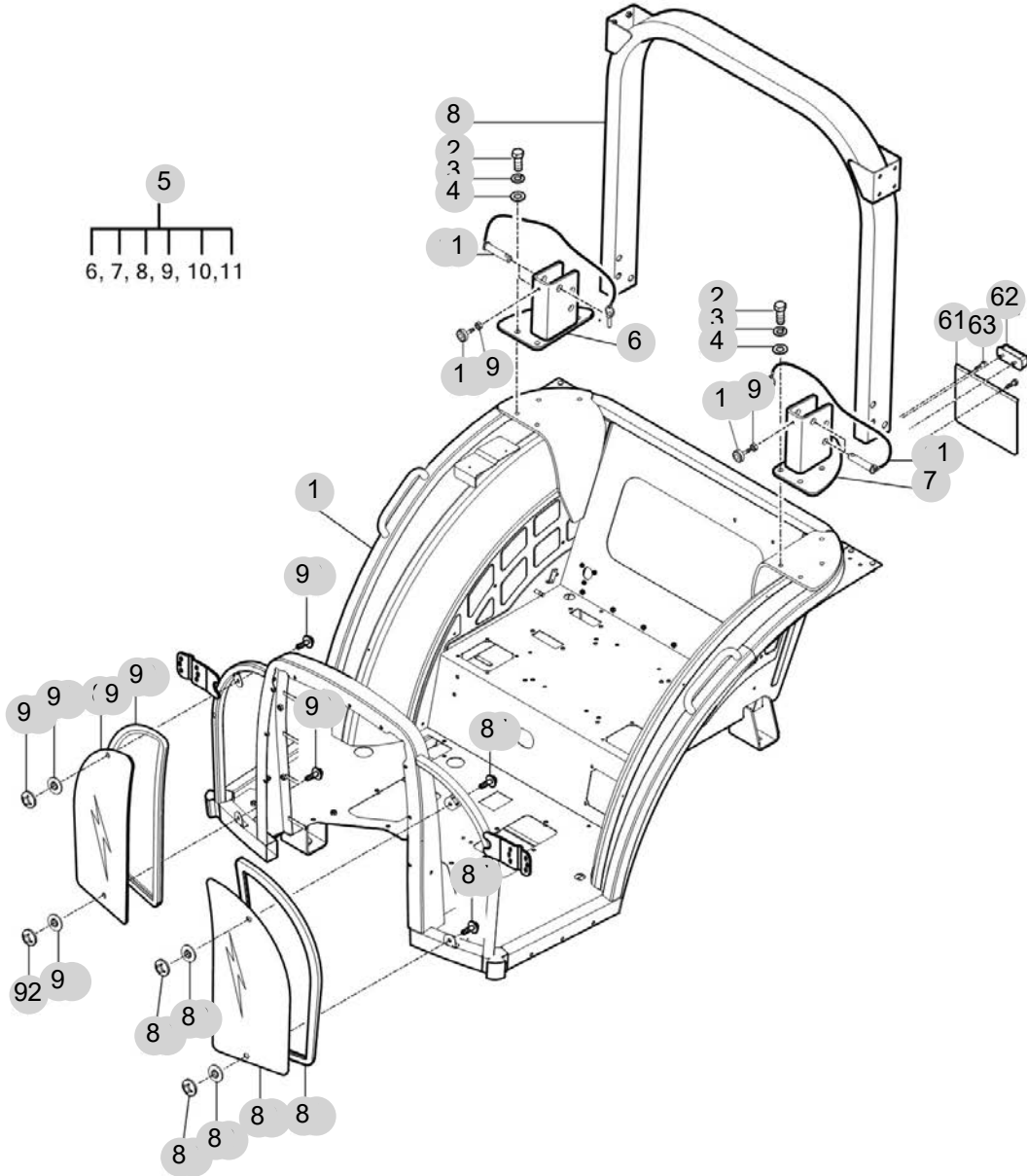
FIG 710B

T455NCGBC

FRAME&2POLES ROPS-Non CAB

년/월
Year/Month

2022-12



NOTE

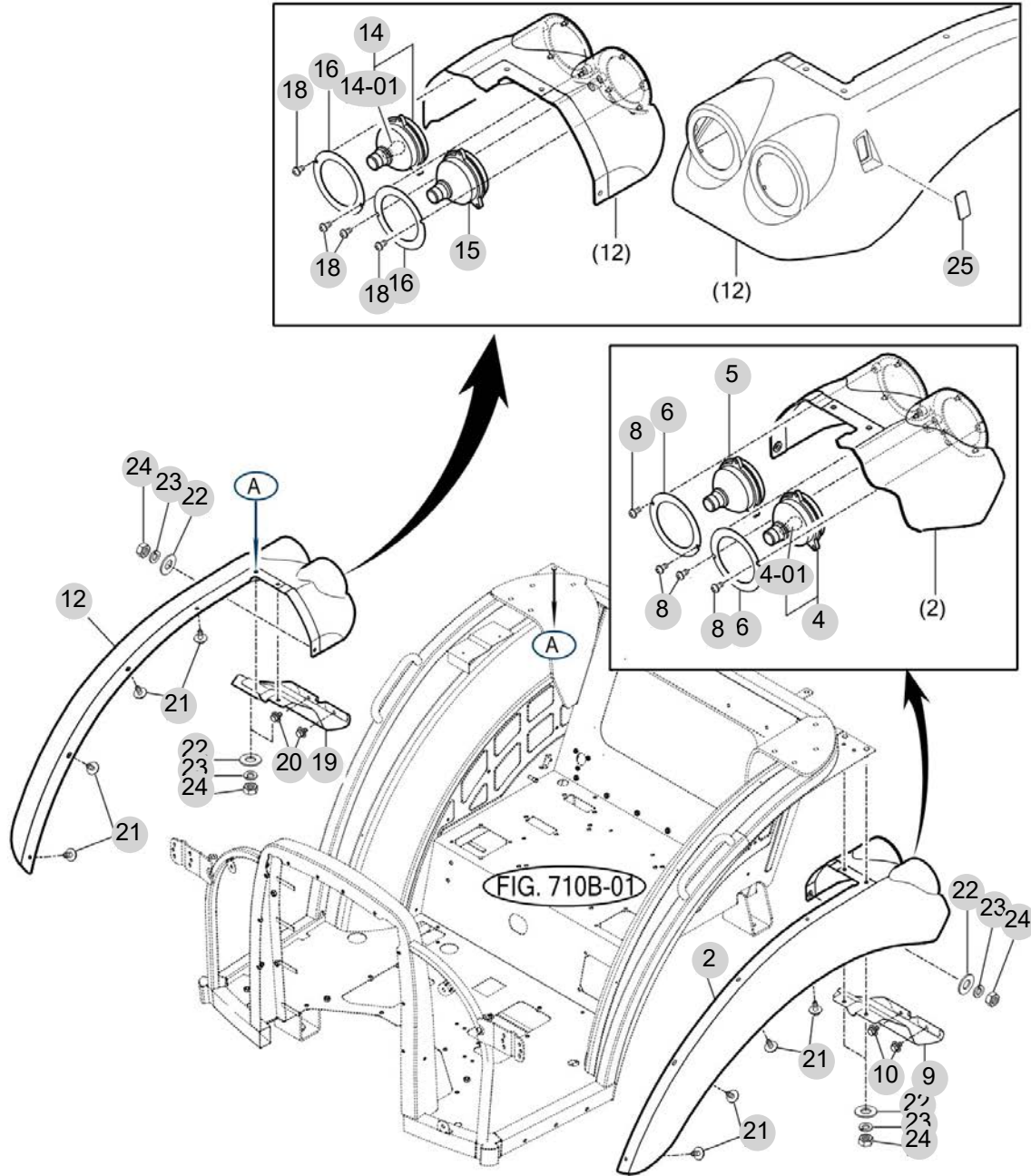
FIG 713B

T455NCGBC

SUB FENDER&COVER-Non CAB

년/월
Year/Month

2022-12



T553-E-713B

NOTE

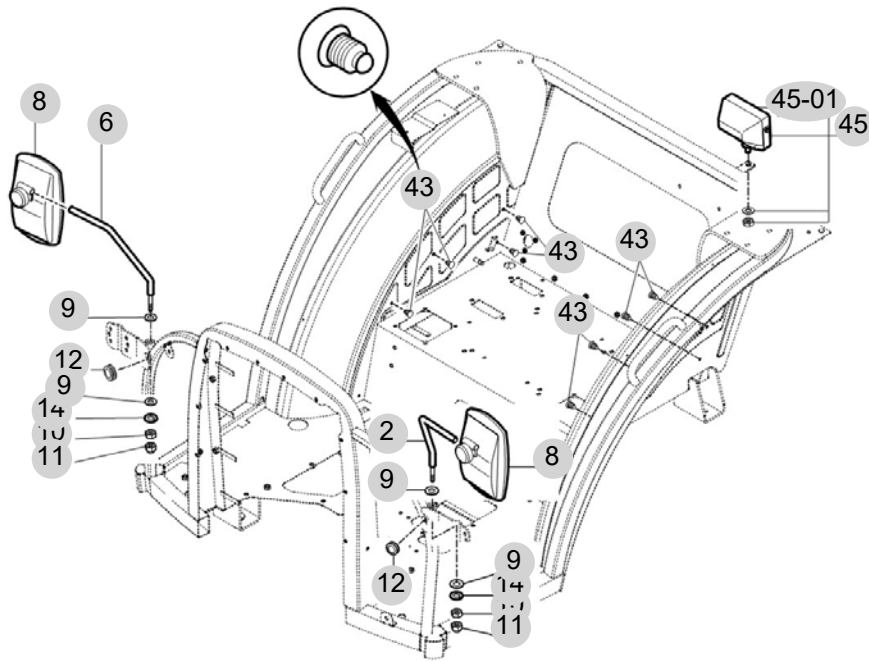
FIG 714B

T455NCGBC

MIRROR&WORKING LAMP-Non CAB

년/월
Year/Month

2022-12



NOTE

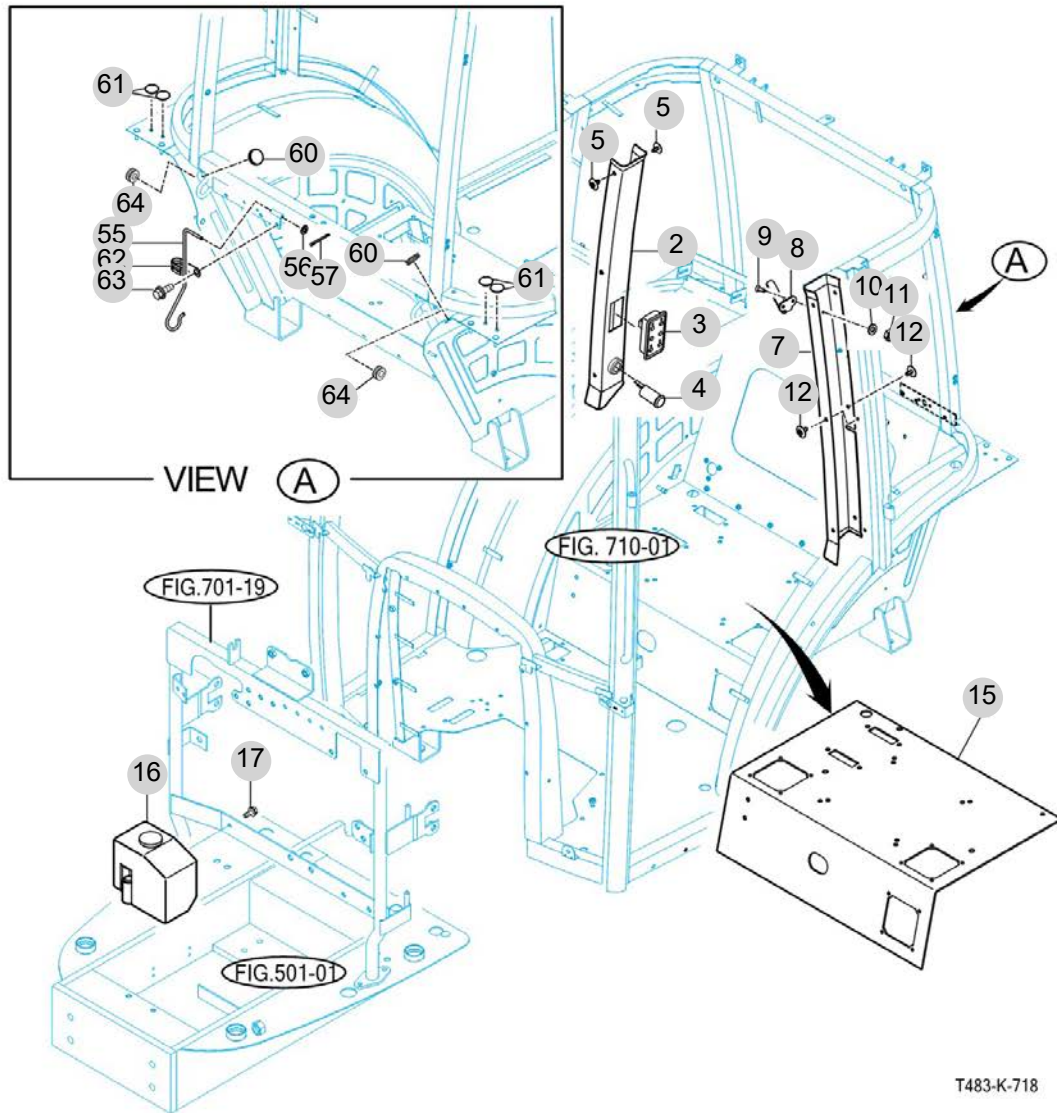
FIG 718

CABIN INTERIOR

년/월
Year/Month

T455NCGBC

2022-12



T483-K-718

NOTE

8. 전장 PART NO. T8

FIG 801 BATTERY MOUNTING	190
FIG 802 LIGHT & BACK LAMP	192
FIG 803 INSTRUMENT PANEL	194
FIG 804 ELECTRIC SYSTEM (1)	196
FIG 805B ELECTRIC SYSTEM (2)-Non CAB	198
FIG 806 ELECTRIC SYSTEM (3)	200

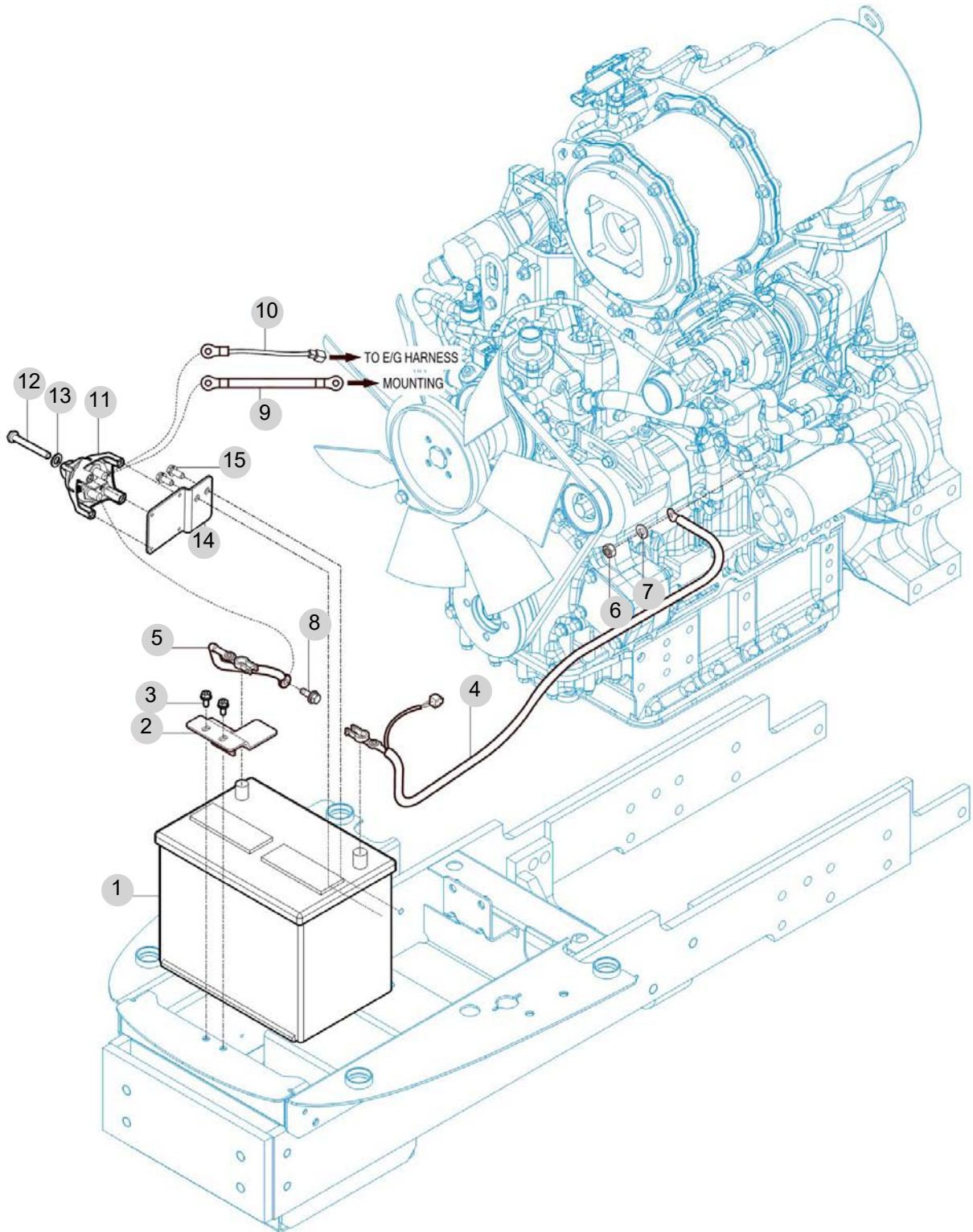
FIG 801

BATTERY MOUNTING

년/월
Year/Month

2022-12

T455NCGBC



NOTE

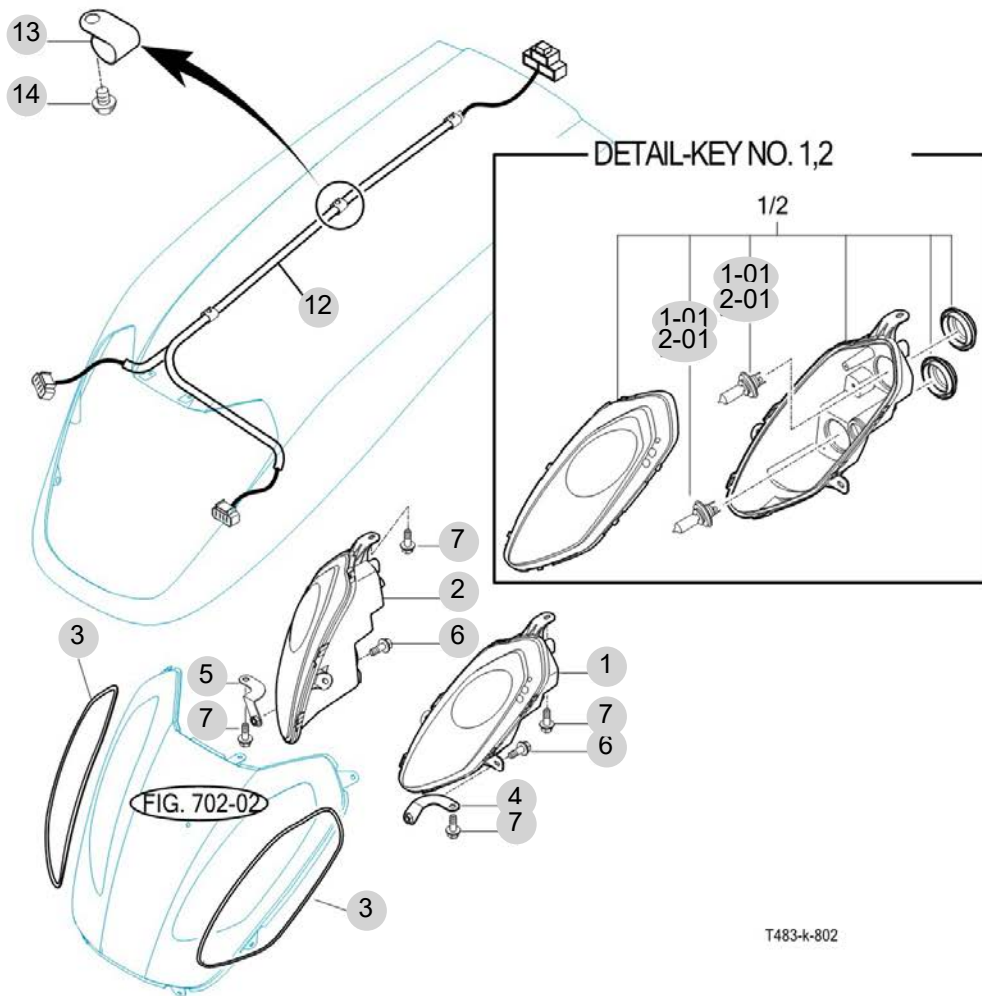
FIG 802

T455NCGBC

LIGHT & BACK LAMP

년/월
Year/Month

2022-12



NOTE

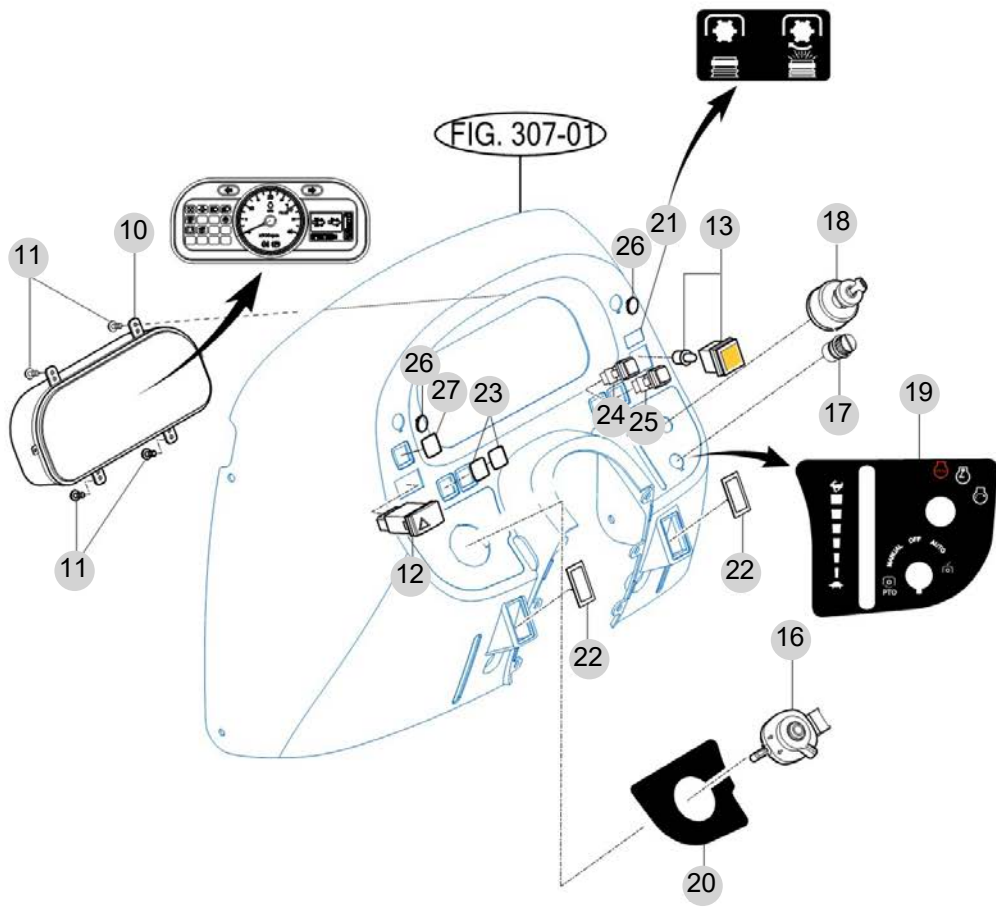
FIG 803

T455NCGBC

INSTRUMENT PANEL

년/월
Year/Month

2022-12



NOTE

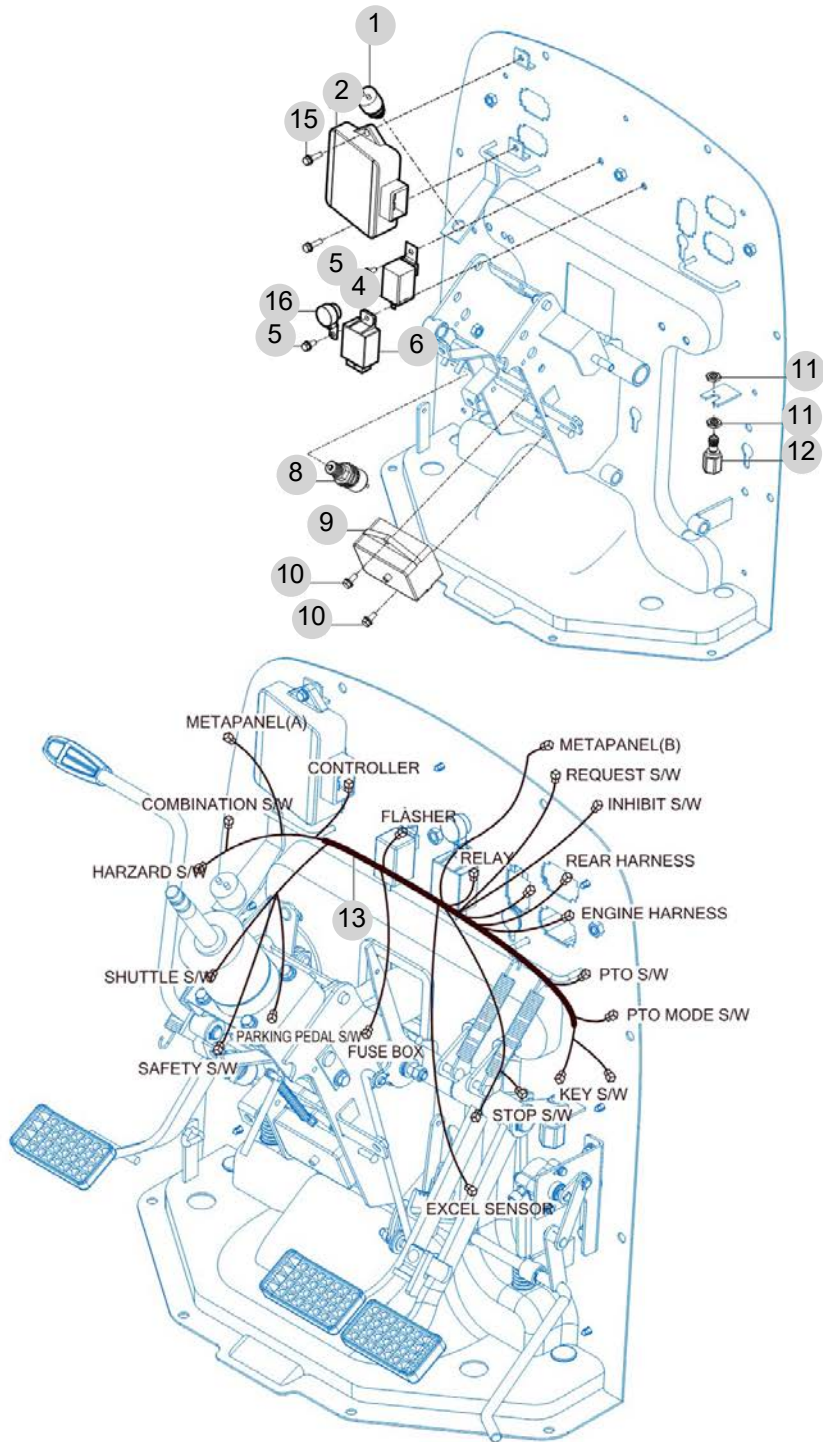
FIG 804

T455NCGBC

ELECTRIC SYSTEM (1)

년/월
Year/Month

2022-12



NOTE

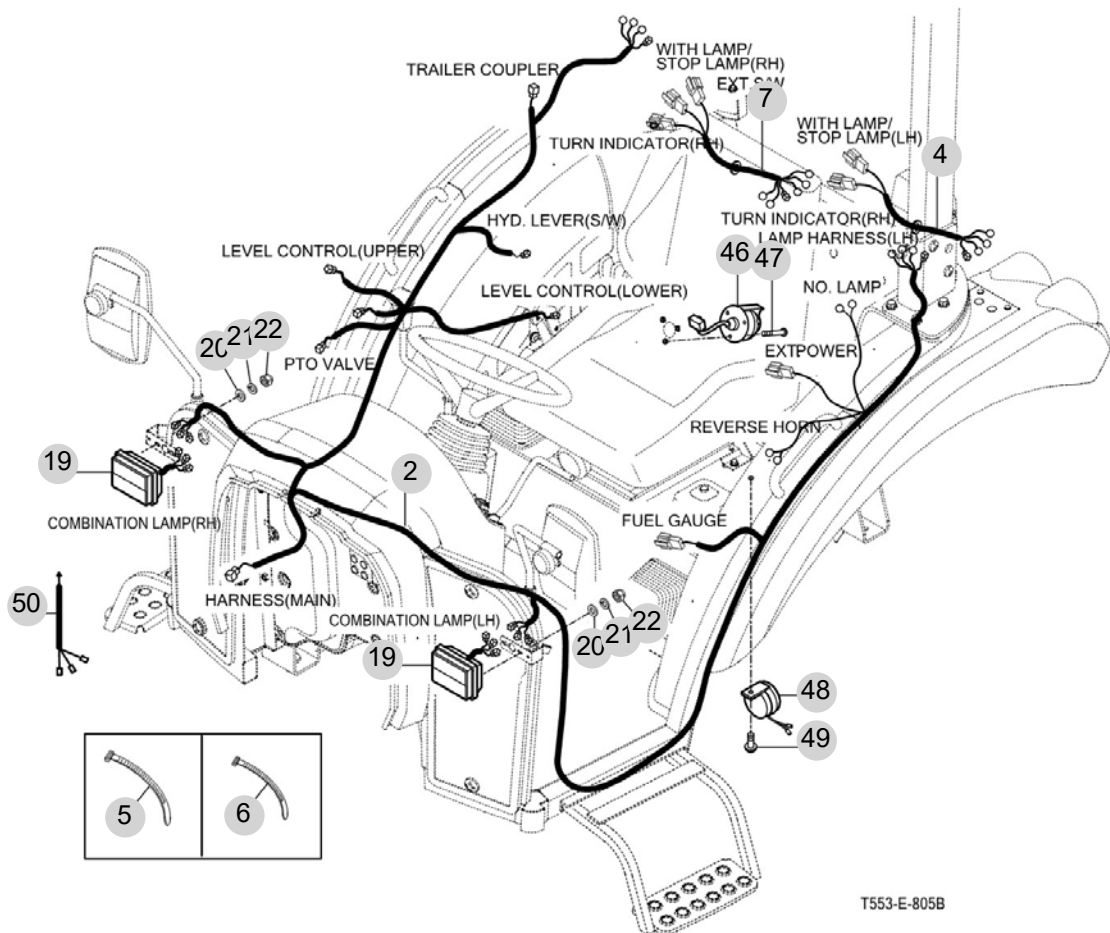
FIG 805B

T455NCGBC

ELECTRIC SYSTEM (2)-Non CAB

년/월
Year/Month

2022-12



NOTE

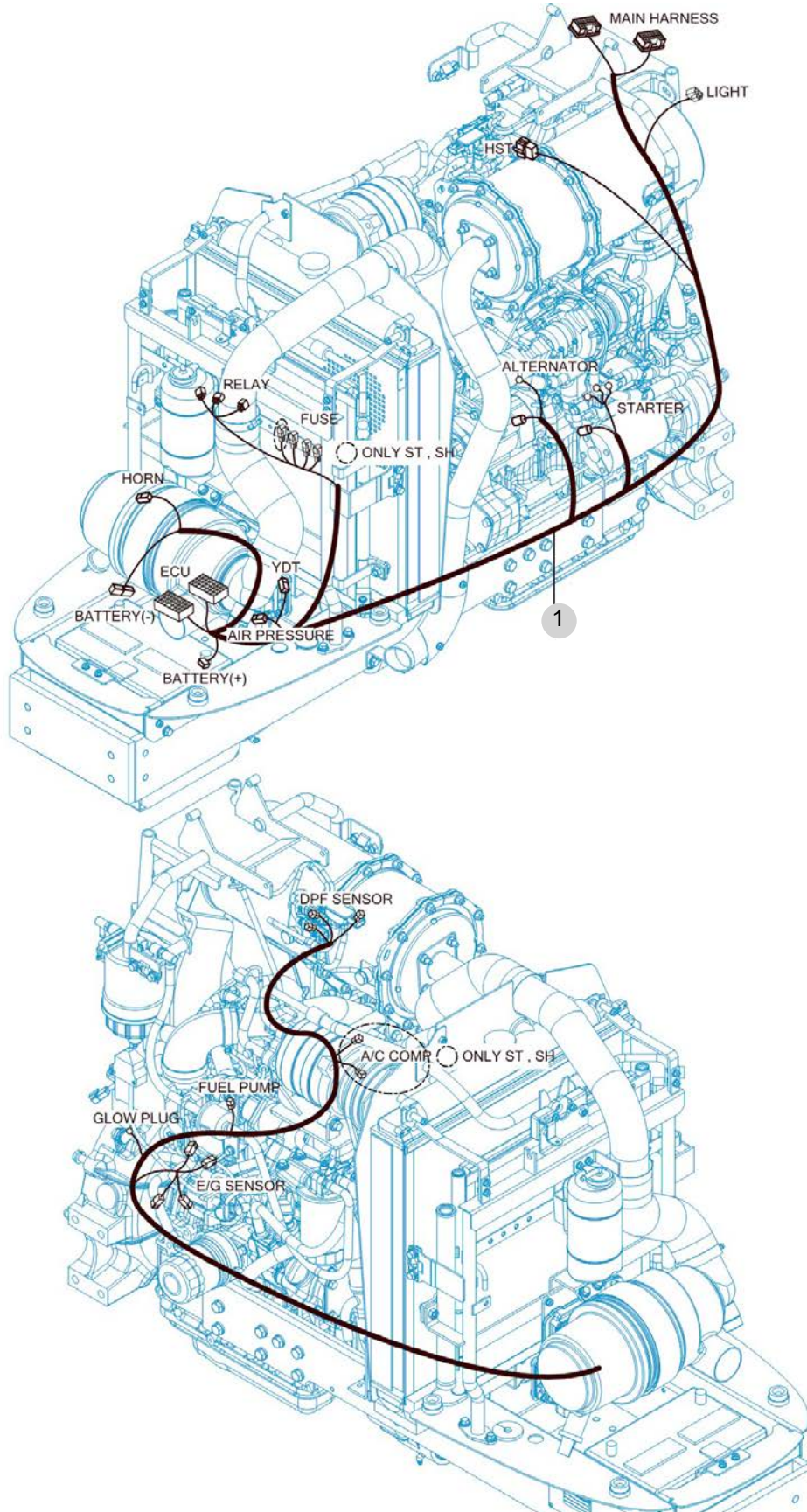
FIG 806

ELECTRIC SYSTEM (3)

년/월
Year/Month

2022-12

T455NCGBC



NOTE

9. 라벨/옵션 PART NO. T9

FIG 901 TOOL & ACCESSORY	203
FIG 902 WEIGHT	205
FIG 903 LABEL	207
FIG 903-2 LABEL	209

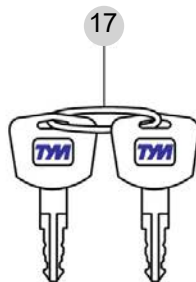
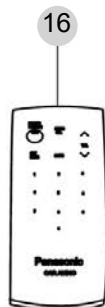
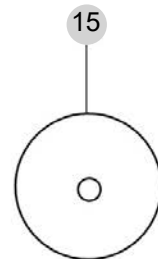
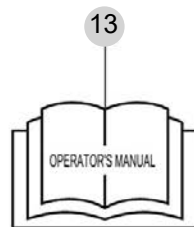
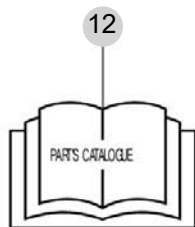
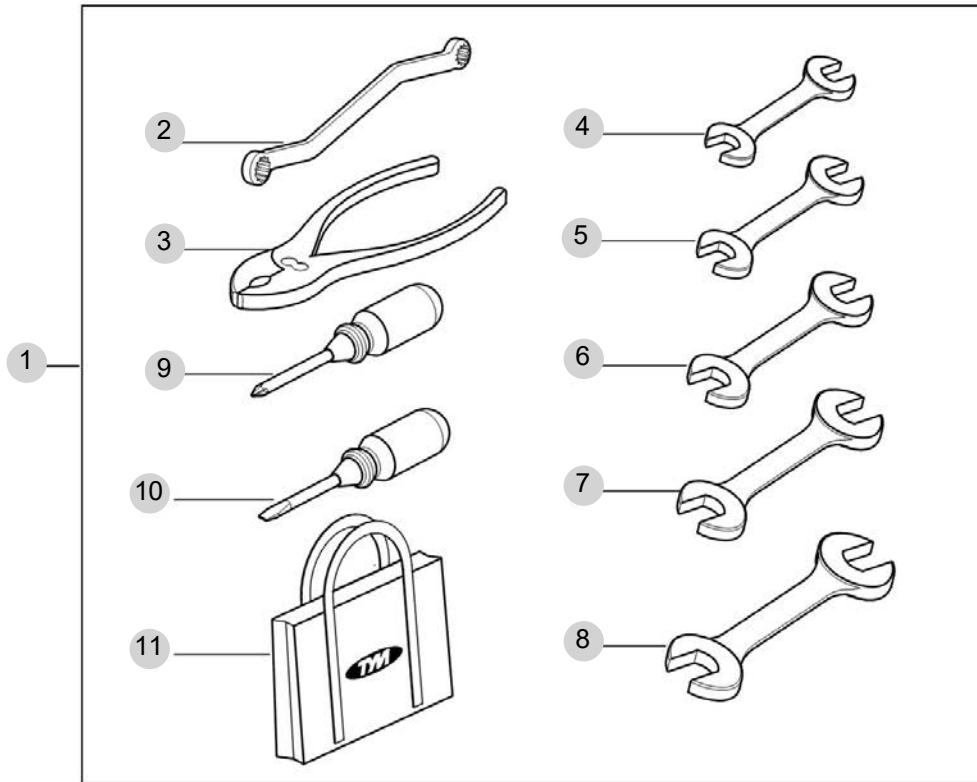
FIG 901

T455NCGBC

TOOL & ACCESSORY

년/월
Year/Month

2022-12



NOTE

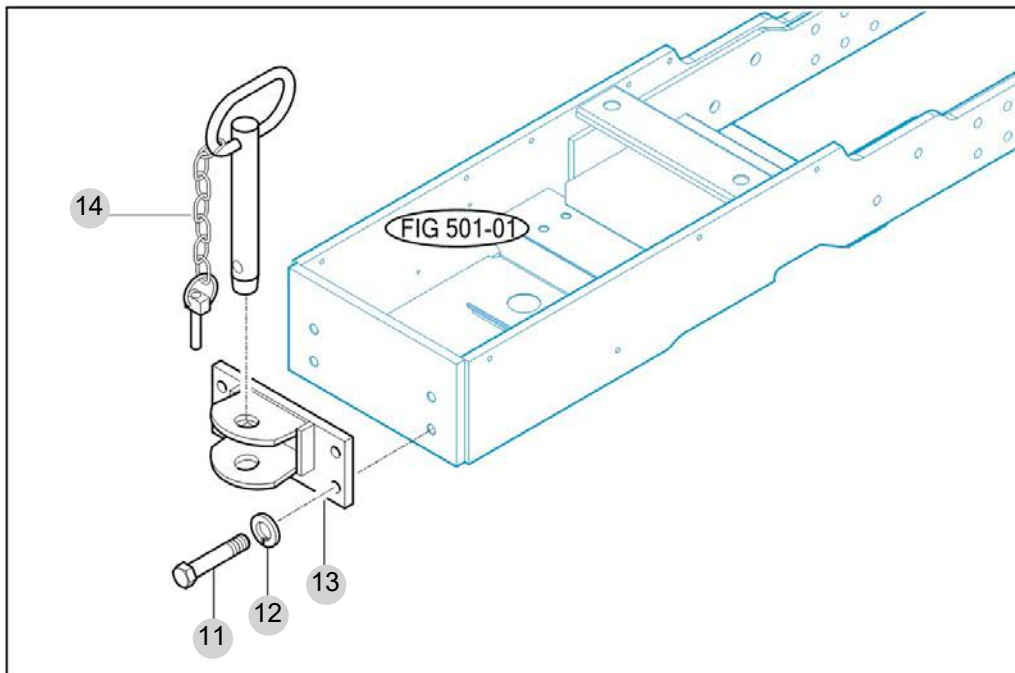
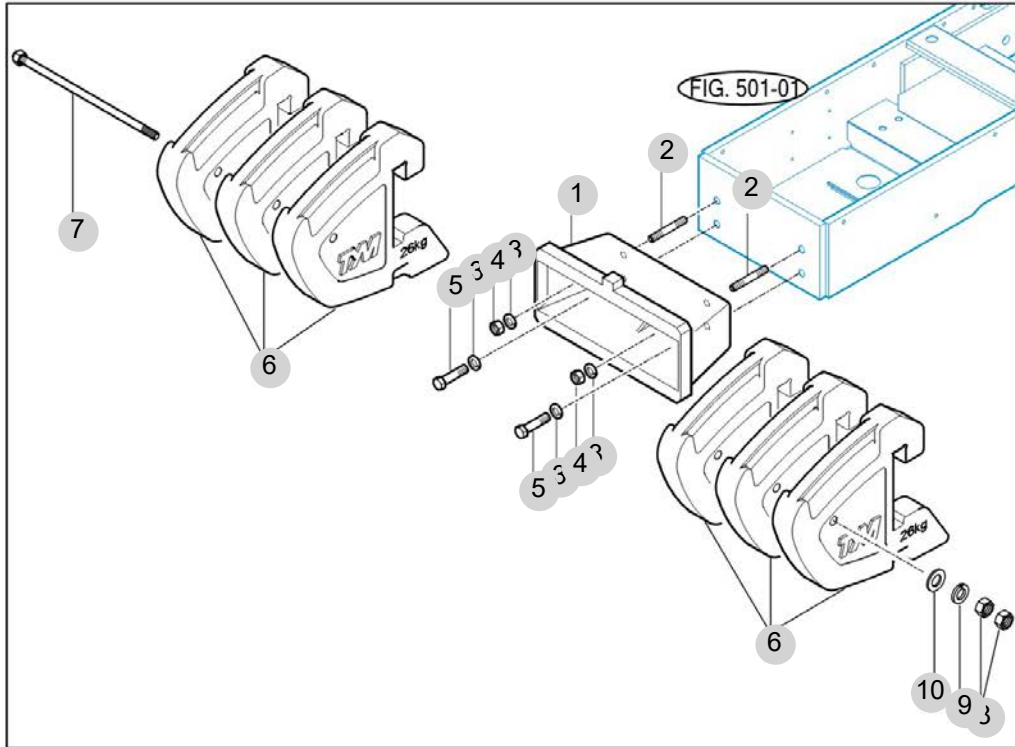
FIG 902

T455NCGBC

WEIGHT

년/월
Year/Month

2022-12



T575-E-902

NOTE

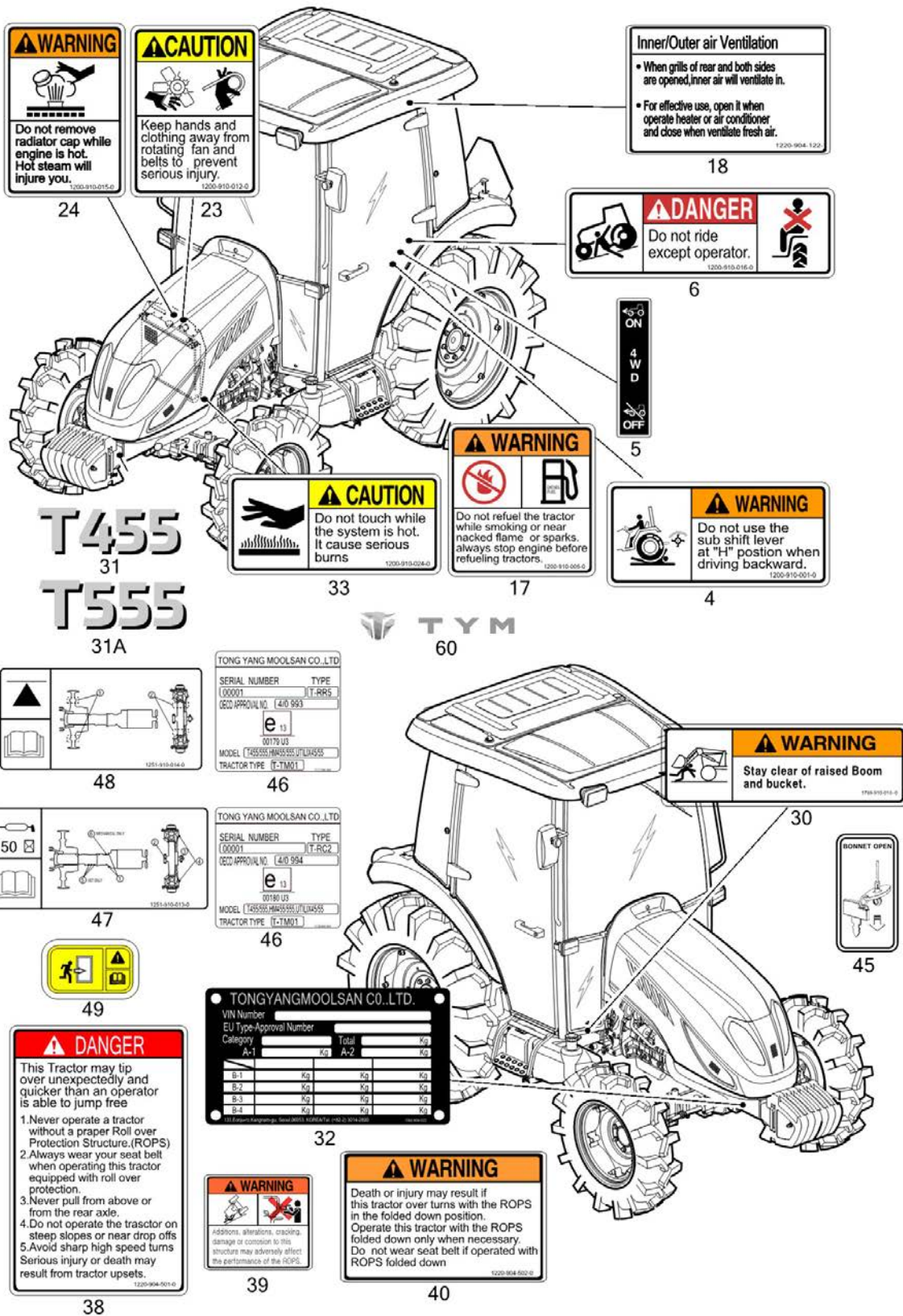
FIG 903

LABEL

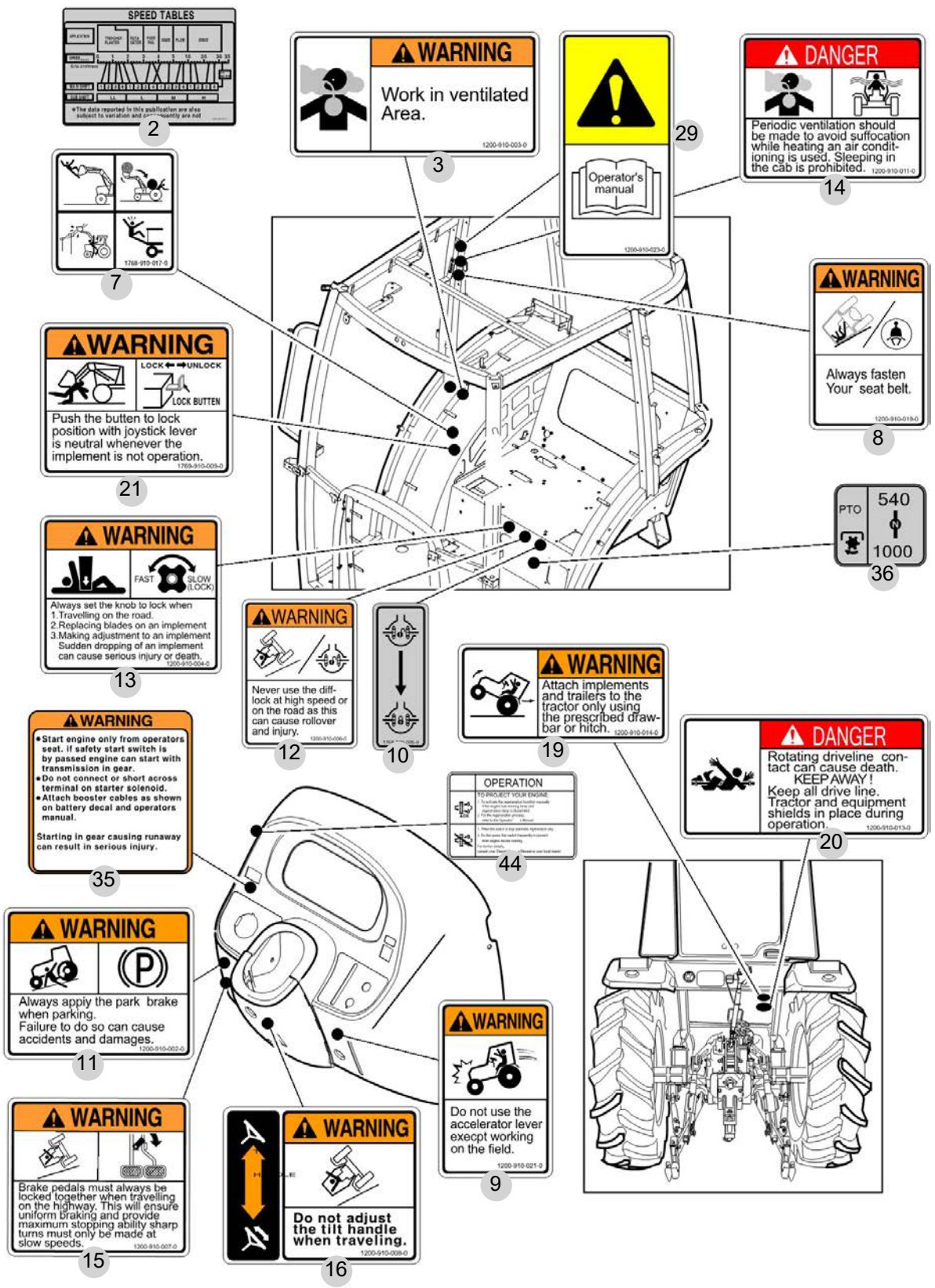
년/월
Year/Month

T455NCGBC

2022-12



NOTE



NOTE

