

T575NCEU1

Parts Catalog

목 차

1. 엔진 PART NO. EG

FIG 100 ENGINE	9
FIG 101 CYLINDER BLOCK	11
FIG 102A OILJET ASS'Y OPTION(T574)	13
FIG 103 CRANK SHAFT	15
FIG 104 PISTON	17
FIG 105 CYLINDER HEAD	19
FIG 106 ROCKER LEVER	21
FIG 107 HEAD COVER	23
FIG 108 GEAR CASE	25
FIG 109 IDLE GEAR	27
FIG 110 CAM SHAFT	29
FIG 111 OIL PUMP	31
FIG 112 HYD. PUMP DRIVE	33
FIG 113 2ND BALANCE	35
FIG 114 OIL PAN	37
FIG 115A INTAKE MANIFOLD(T574)	39
FIG 116A EXHAUST MANIFOLD(T574)	41
FIG 117A TURBOCHARGER ASS'Y(T574)	43
FIG 118A TURBOCHARGER PLUMBING OPTION(T574)	45
FIG 119A BREATHER(T574)	47
FIG 120 FUEL INJECTION PUMP	49
FIG 121 FUEL INJECTION VALVE	51
FIG 122 FUEL PIPE ASS'Y	53
FIG 123 OIL FILTER	55
FIG 124 OIL COOLER	57
FIG 125 OIL GAUGUE	59
FIG 126 OIL FILLER CAP	61
FIG 127 COOLING WATER PUMP	63
FIG 128 CRANK SHAFT PULLEY	65
FIG 129 V-PULLEY	67
FIG 130 COOLING FAN	69

FIG 131 FLYWHEEL HOUSING	71
FIG 132 FLYWHEEL	73
FIG 133 GLOW PLUG ASS'Y OPTION	75
FIG 134 STARTING MOTOR	77
FIG 135 FUEL FILTER BRACKET ASS'Y	79
FIG 136 ALTERNATOR	81
FIG 137 V-BELT	83
FIG 138 FUEL FILTER	85
FIG 139A DPF SUPPORT (T574)	87
FIG 140 DATAPLATE	89
FIG 142A DPF ASS'Y (T574)	91
FIG 143 LIFT ASS'Y	93
FIG 144 COMP . DRIVE PULLEY ASS'Y OPTION	95
FIG 145 INTAKE PIPE	97
FIG 146 CCV ASS'Y	99
FIG 147 LOOSED PARTS	101

2. 엔진보기품 PART NO. T2

FIG 201A AIR CLEANER(T575)	104
FIG 202 RADIATOR	106
FIG 203 MUFFLER	108
FIG 204 FUEL HOSE & FILTER	110
FIG 205 FUEL TANK	112
FIG 206 ACCELERATOR	114

3. 클러치/브레이크/스티어링 PART NO. T3

FIG 301 CLUTCH	117
FIG 302 CLUTCH PEDAL	119
FIG 303 BRAKE	121
FIG 304 BRAKE PEDAL & LINKAGE	123
FIG 305A FRONT WHEEL	125
FIG 305B FRONT WHEEL (R4 OPTION)	127
FIG 306A REAR WHEEL	129
FIG 306B REAR WHEEL (R4 OPTION)	131
FIG 307 POWER STEERING WHEEL	133
FIG 308 POWER STEERING VALVE	135

FIG 309 POWER STEERING CYLINDER	137
FIG 310 HAND BRAKE	139
4. 트랜스미션 PART NO. T4	
FIG 401 TRANSMISSION FRONT CASE	142
FIG 402 FORWARD & BACKWARD GEARS	144
FIG 403 IDLE & COUNTER GEARS	146
FIG 404 MAIN SHIFT GEARS	148
FIG 405 P.T.O DRIVE SHAFT	150
FIG 406 MAIN CHANGE LEVER	152
FIG 407 REVERSE CHANGE LEVER	154
FIG 408 TRANSMISSION MID CASE	156
FIG 409 TRANSMISSION REAR CASE	158
FIG 410 SUB CHANGE GEARS	160
FIG 411 SUB CHANGE SHIFTER	162
FIG 413 DRIVE GEARS	164
FIG 414 4WD CHANGE LEVER	166
FIG 415 P.T.O CHANGE GEARS	168
FIG 417 REAR DIFFERENTIAL GEARS	170
FIG 418 REAR AXLE HOUSING	173
5. 프론트 액슬 PART NO. T5	
FIG 501 FRONT AXLE SUPPORT	176
FIG 502 FRONT DRIVE SHAFT	178
FIG 503 FRONT AXLE HOUSING	180
FIG 504 FRONT DIFFERENTIAL GEARS	182
FIG 505 FRONT GEAR CASE (1)	184
FIG 506 FRONT GEAR CASE (2)	186
FIG 507 FRONT GEAR CASE (3)	188
6. 유압/3점링크 PART NO. T6	
FIG 601 CYLINDER CASE	191
FIG 602 LIFT ARM	193
FIG 603 CYLINDER	195
FIG 604 POSITION LINK	197

FIG 605 CONTROL VALVE	199
FIG 606 DRAFT LINK	201
FIG 607 POSITION & DRAFT LEVER (1)	203
FIG 607-2 POSITION & DRAFT LEVER (2)[SAP 가져오기]에서 생성함.	205
FIG 608 EXTERIOR HYD.VALVE	207
FIG 609 HYDRAULIC PIPE	209
FIG 610 JOYSTICK	211
FIG 612 HITCH & 3-POINT LINK	213
FIG 613 LOWER LINK & LIFT ROD	216

7. 시트메탈/캐빈 PART NO. T7

FIG 701 BONNET FRAME	219
FIG 702A BONNET (1)	221
FIG 702B BONNET (2)	223
FIG 703 EXTENSION COVER	225
FIG 704B LEVER COVER & STEP-Non CAB	227
FIG 705 FRONT & REAR MOUNTING	229
FIG 706 SEAT & MAT	231
FIG 710B FRAME&2POLES ROPS-Non CAB	233
FIG 713B SUB FENDER&COVER-Non CAB	235
FIG 714B MIRROR&WORKING LAMP-Non CAB	237
FIG 718 CABIN INTERIOR	239

8. 전장 PART NO. T8

FIG 801 BATTERY MOUNTING	242
FIG 802 HARNESS LAMP	244
FIG 803 INSTRUMENT PANEL	246
FIG 804 ELECTRIC SYSTEM (1)	248
FIG 805B ELECTRIC SYSTEM (2)-Non CAB	250
FIG 806 ELECTRIC SYSTEM (3)	252

9. 라벨/옵션 PART NO. T9

FIG 901 TOOL & ACCESSORY	255
FIG 902 WEIGHT	257
FIG 903 LABEL	259

1. 엔진 PART NO. EG

FIG 100 ENGINE	9
FIG 101 CYLINDER BLOCK	11
FIG 102A OILJET ASS'Y OPTION(T574)	13
FIG 103 CRANK SHAFT	15
FIG 104 PISTON	17
FIG 105 CYLINDER HEAD	19
FIG 106 ROCKER LEVER	21
FIG 107 HEAD COVER	23
FIG 108 GEAR CASE	25
FIG 109 IDLE GEAR	27
FIG 110 CAM SHAFT	29
FIG 111 OIL PUMP	31
FIG 112 HYD. PUMP DRIVE	33
FIG 113 2ND BALANCE	35
FIG 114 OIL PAN	37
FIG 115A INTAKE MANIFOLD(T574)	39
FIG 116A EXHAUST MANIFOLD(T574)	41
FIG 117A TURBOCHARGER ASS'Y(T574)	43
FIG 118A TURBOCHARGER PLUMBING OPTION(T574)	45
FIG 119A BREATHER(T574)	47
FIG 120 FUEL INJECTION PUMP	49
FIG 121 FUEL INJECTION VALVE	51
FIG 122 FUEL PIPE ASS'Y	53
FIG 123 OIL FILTER	55
FIG 124 OIL COOLER	57
FIG 125 OIL GAUGUE	59
FIG 126 OIL FILLER CAP	61
FIG 127 COOLING WATER PUMP	63
FIG 128 CRANK SHAFT PULLEY	65
FIG 129 V-PULLEY	67
FIG 130 COOLING FAN	69
FIG 131 FLYWHEEL HOUSING	71
FIG 132 FLYWHEEL	73
FIG 133 GLOW PLUG ASS'Y OPTION	75
FIG 134 STARTING MOTOR	77
FIG 135 FUEL FILTER BRACKET ASS'Y	79
FIG 136 ALTERNATOR	81
FIG 137 V-BELT	83

FIG 138 FUEL FILTER	85
FIG 139A DPF SUPPORT (T574)	87
FIG 140 DATAPLATE	89
FIG 142A DPF ASS'Y (T574)	91
FIG 143 LIFT ASS'Y	93
FIG 144 COMP . DRIVE PULLEY ASS'Y OPTION	95
FIG 145 INTAKE PIPE	97
FIG 146 CCV ASS'Y	99
FIG 147 LOOSED PARTS	101

FIG 100 T575NCEU1	ENGINE	년/월 Year/Month 2022-12
----------------------	--------	------------------------------

--	--

NOTE	
------	--

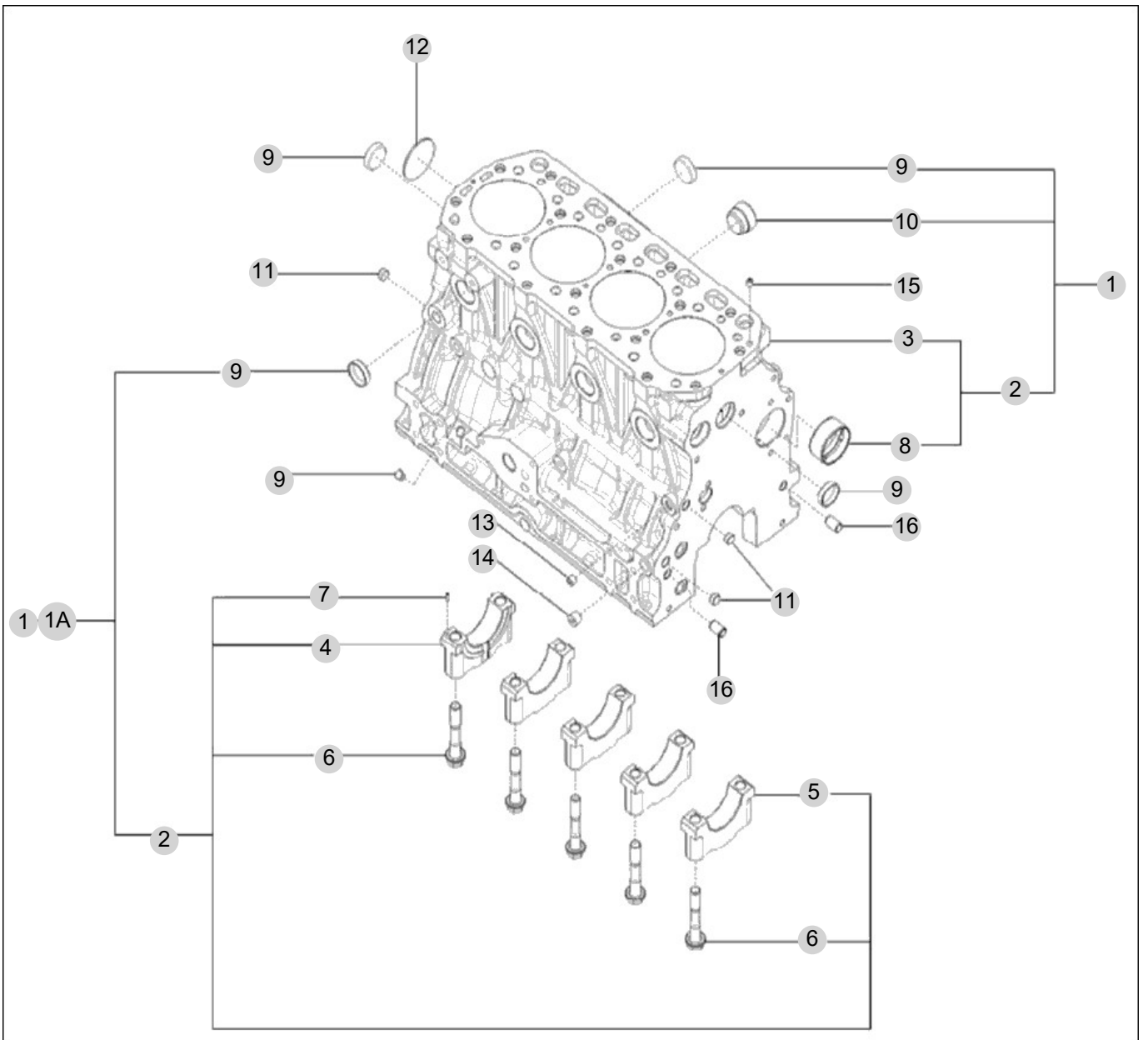
FIG 101

CYLINDER BLOCK

년/월
Year/Month

2022-12

T575NCEU1



NOTE

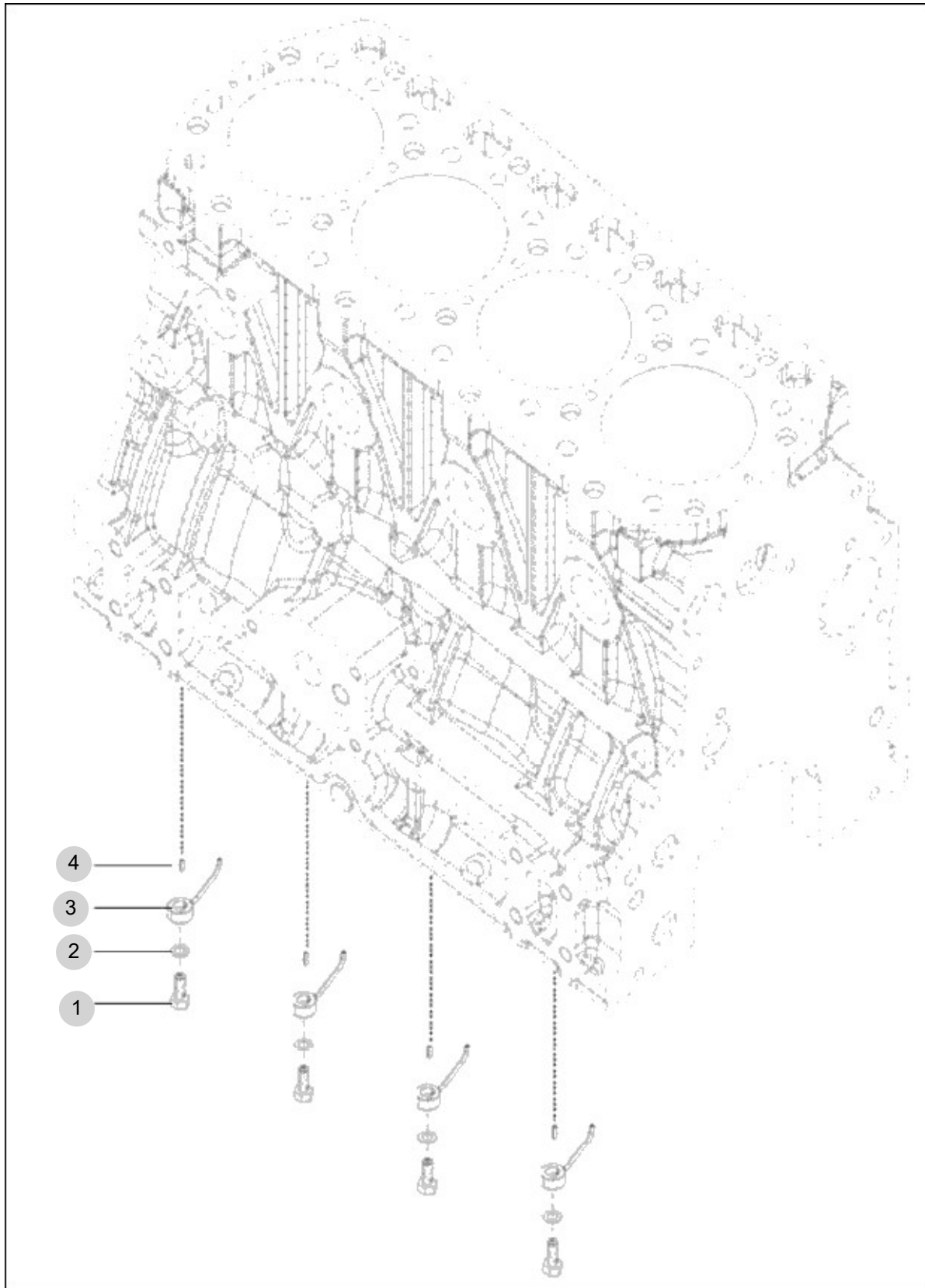
FIG 102A

OILJET ASS'Y OPTION(T574)

년/월
Year/Month

2022-12

T575NCEU1



NOTE

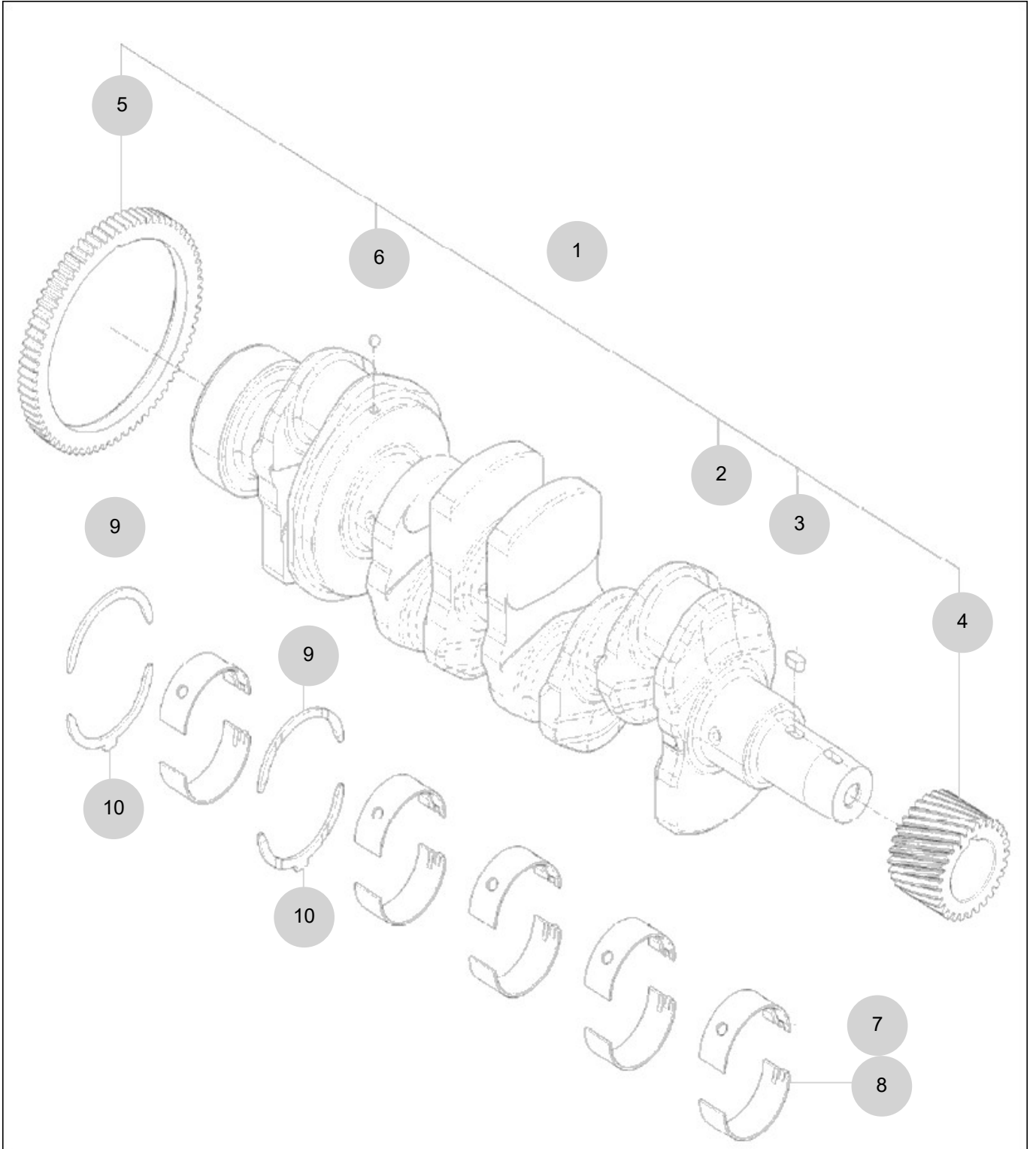
FIG 103

CRANK SHAFT

년/월
Year/Month

2022-12

T575NCEU1



NOTE

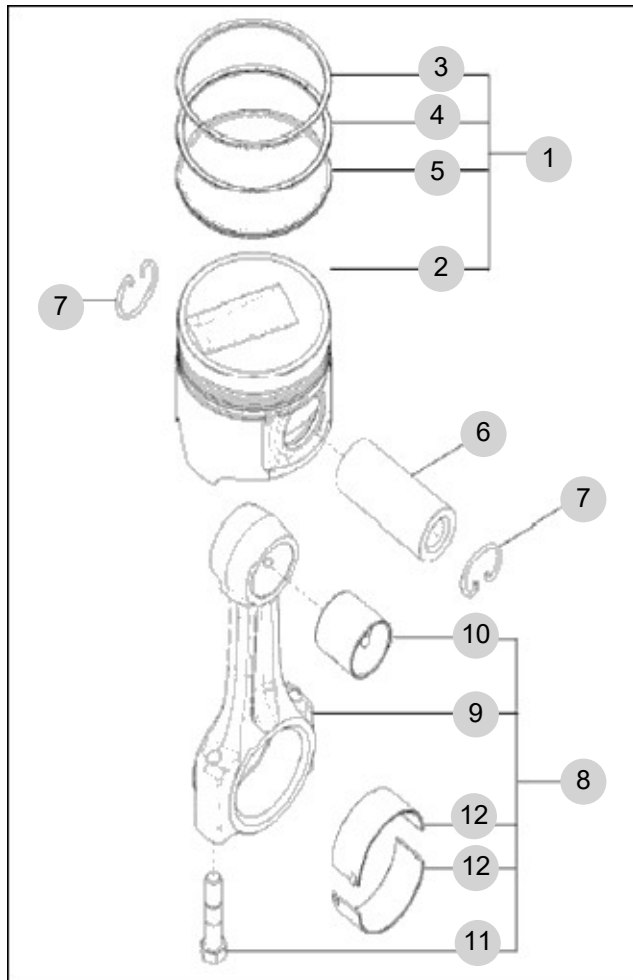
FIG 104

PISTON

년/월
Year/Month

2022-12

T575NCEU1



NOTE

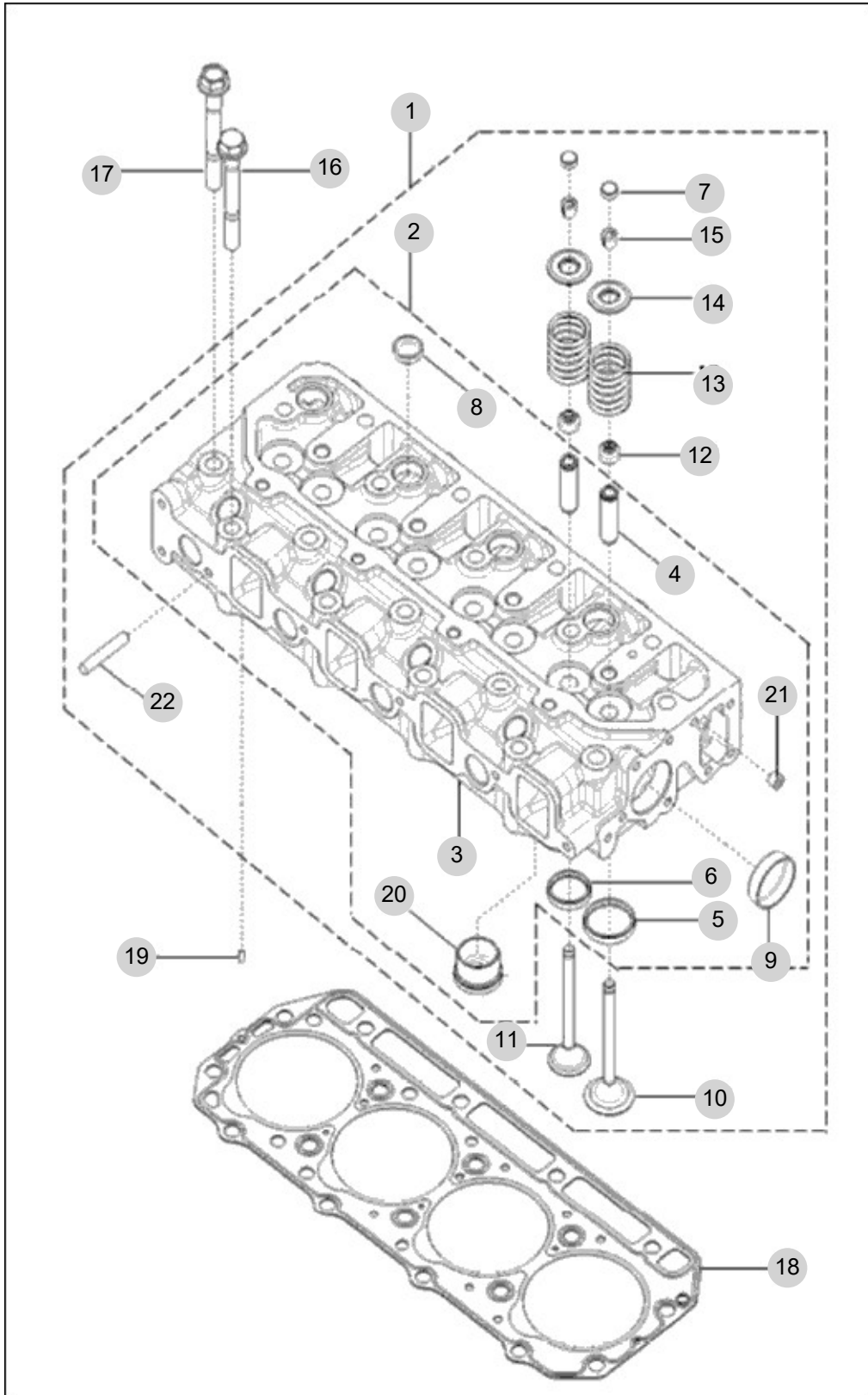
FIG 105

CYLINDER HEAD

년/월
Year/Month

2022-12

T575NCEU1



NOTE

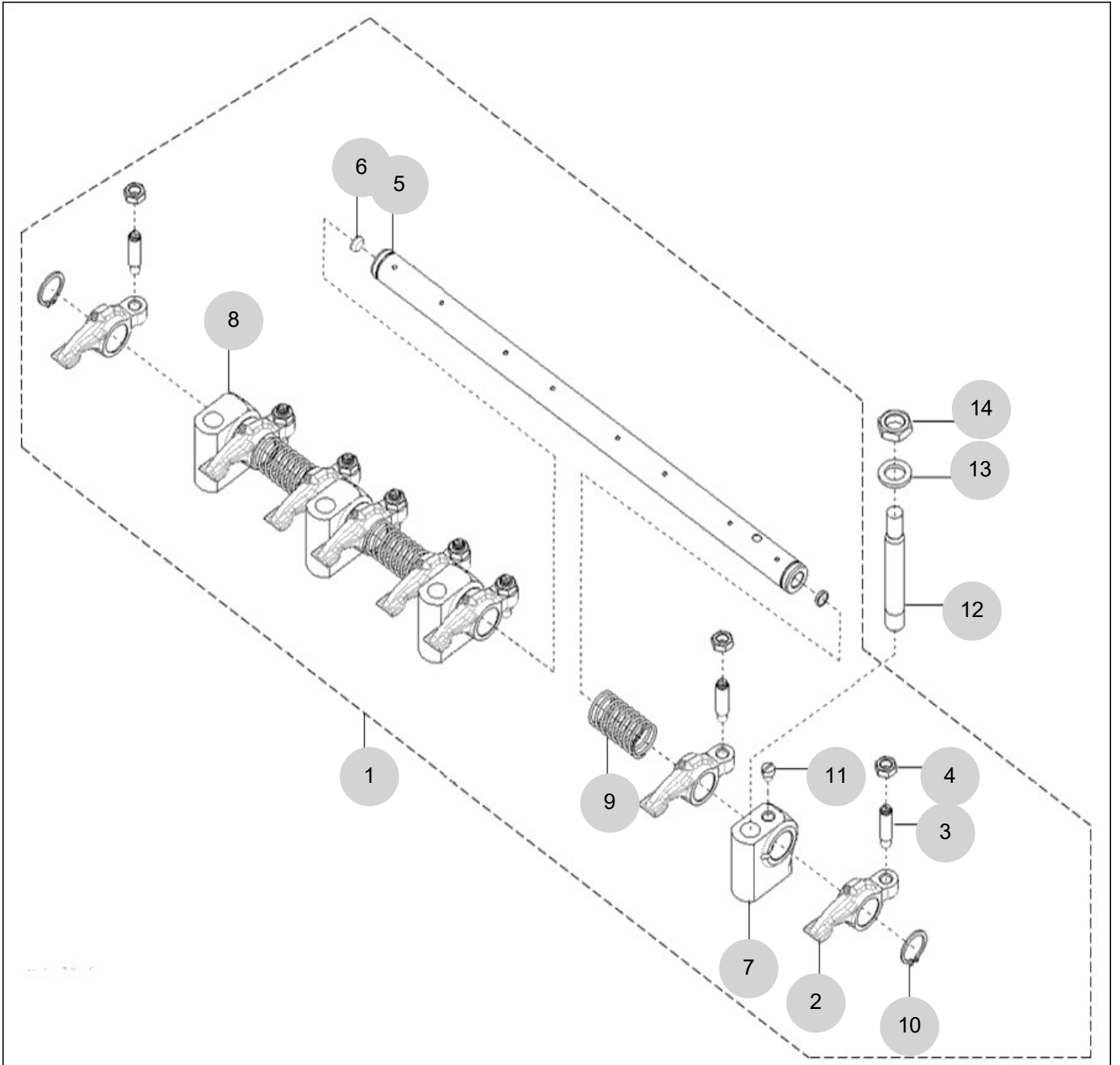
FIG 106

ROCKER LEVER

년/월
Year/Month

2022-12

T575NCEU1



NOTE

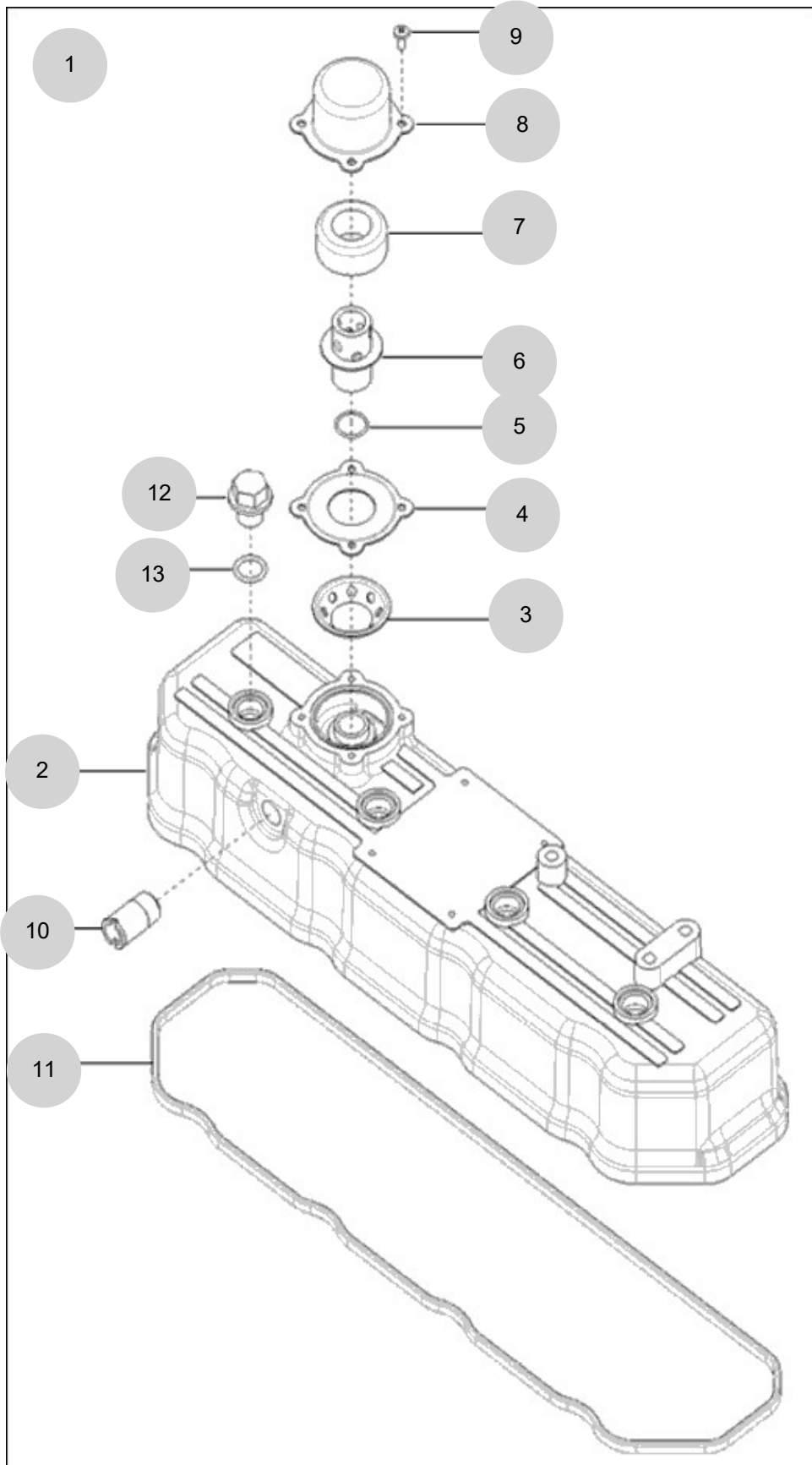
FIG 107

HEAD COVER

년/월
Year/Month

2022-12

T575NCEU1



NOTE

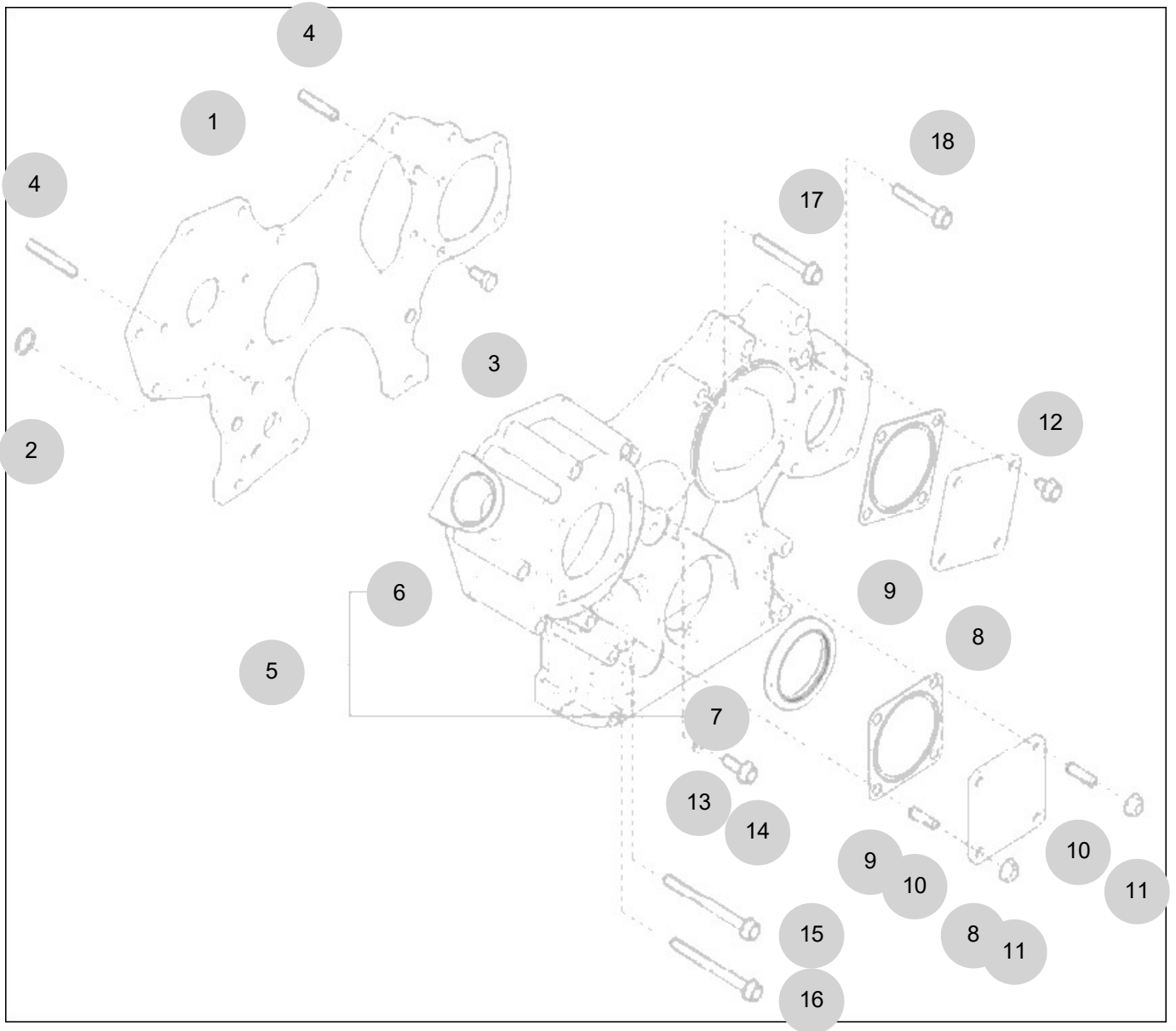
FIG 108

GEAR CASE

년/월
Year/Month

2022-12

T575NCEU1



NOTE

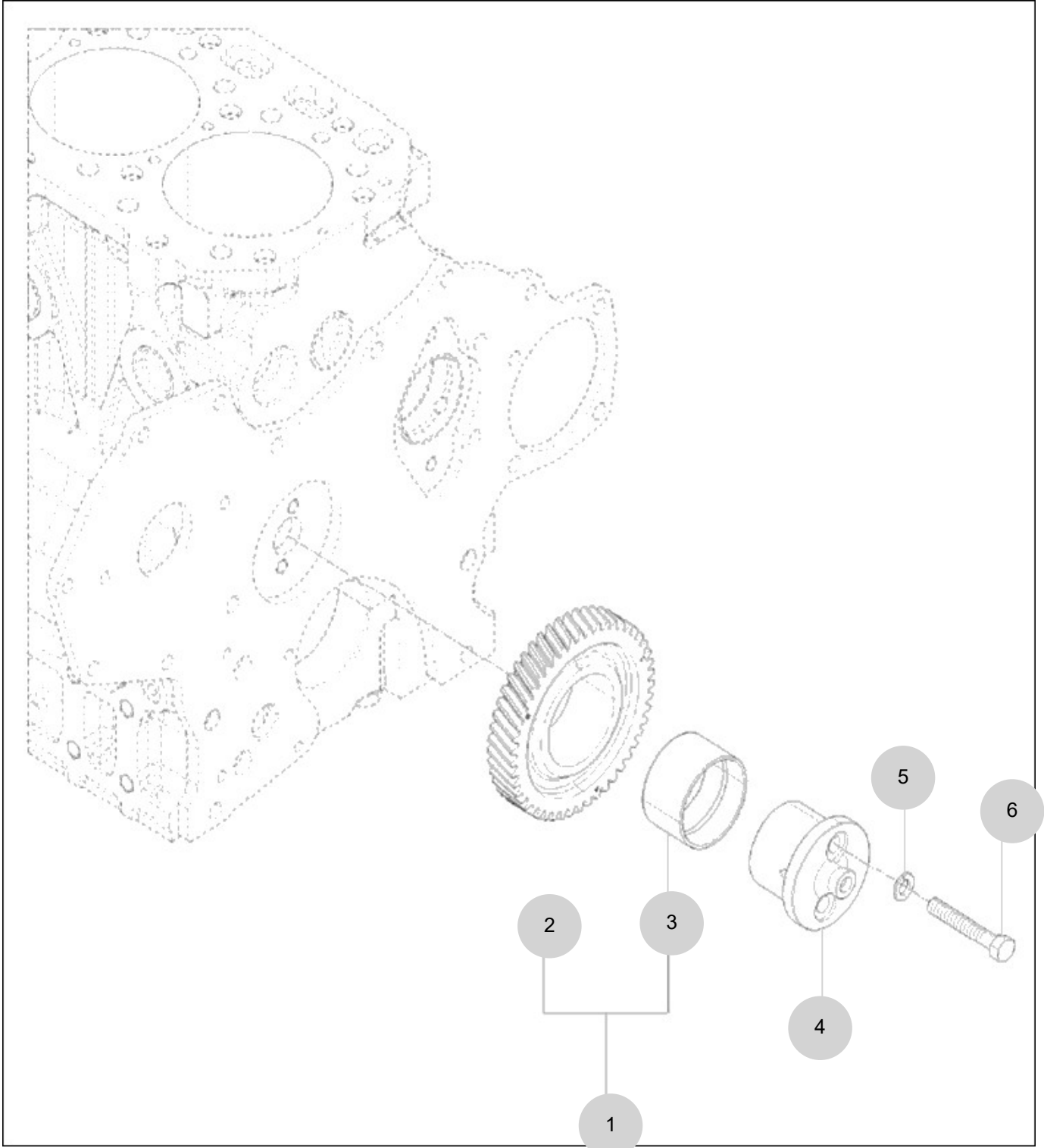
FIG 109

IDLE GEAR

년/월
Year/Month

T575NCEU1

2022-12



NOTE

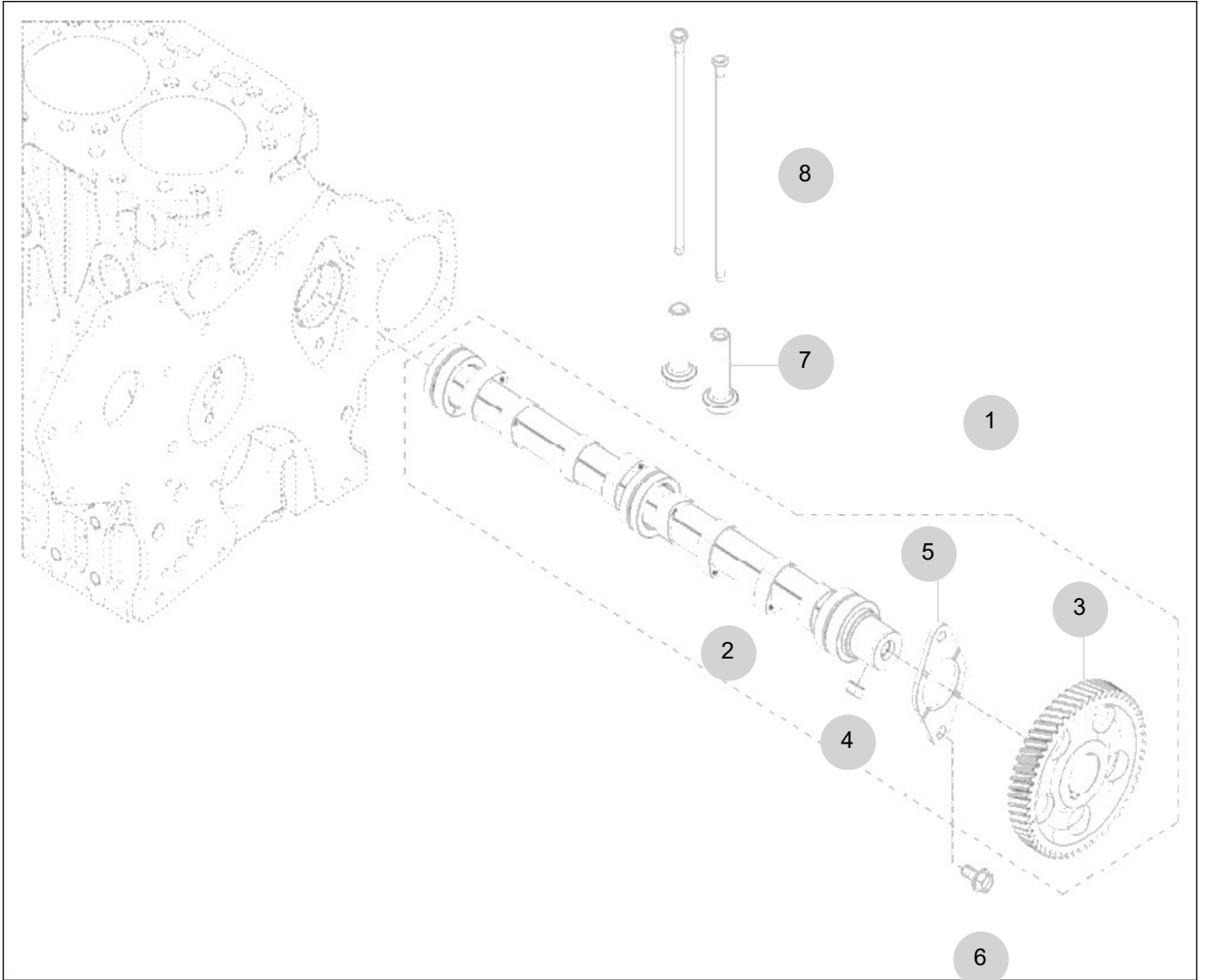
FIG 110

CAM SHAFT

년/월
Year/Month

2022-12

T575NCEU1



NOTE

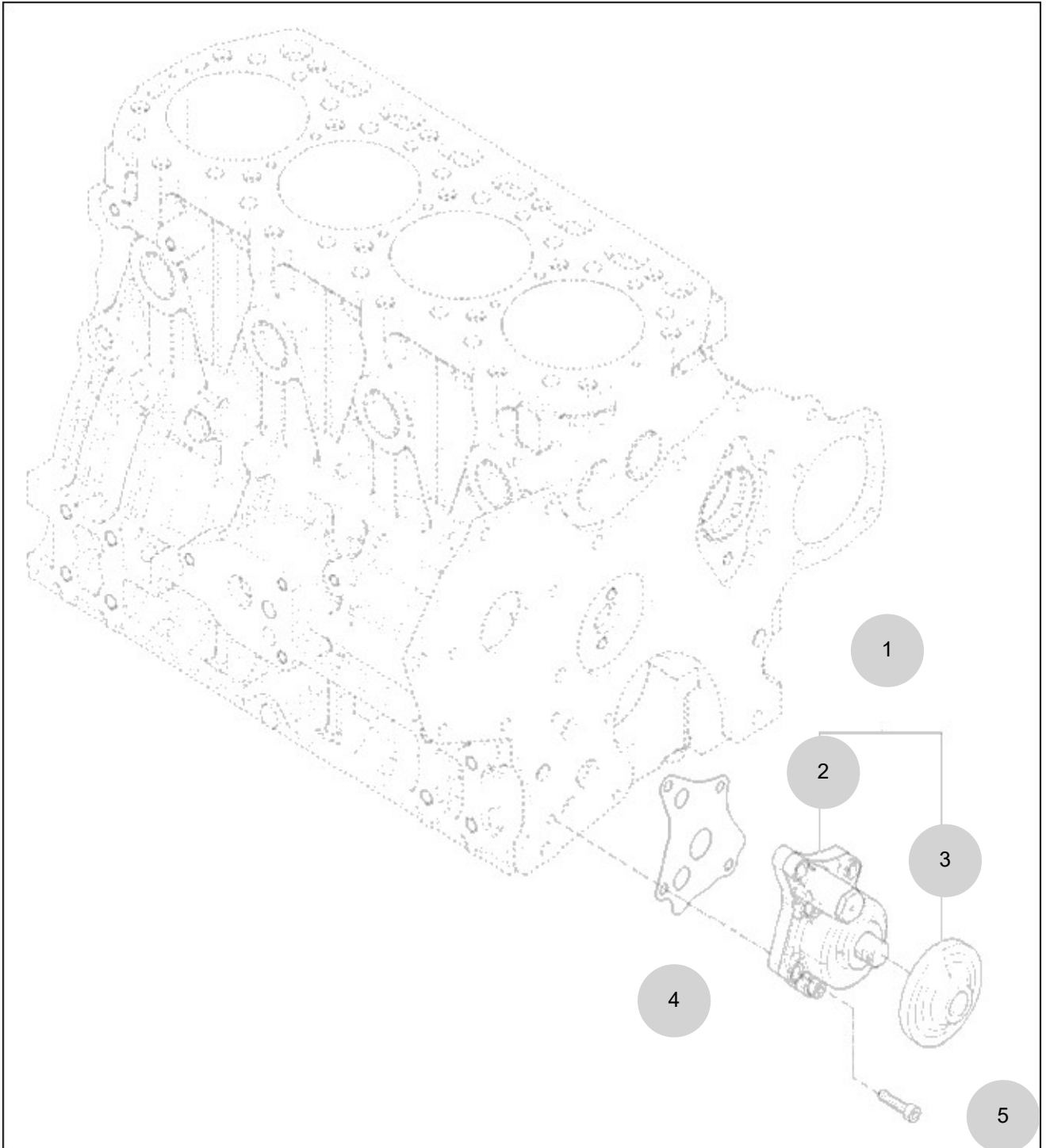
FIG 111

OIL PUMP

년/월
Year/Month

2022-12

T575NCEU1



NOTE

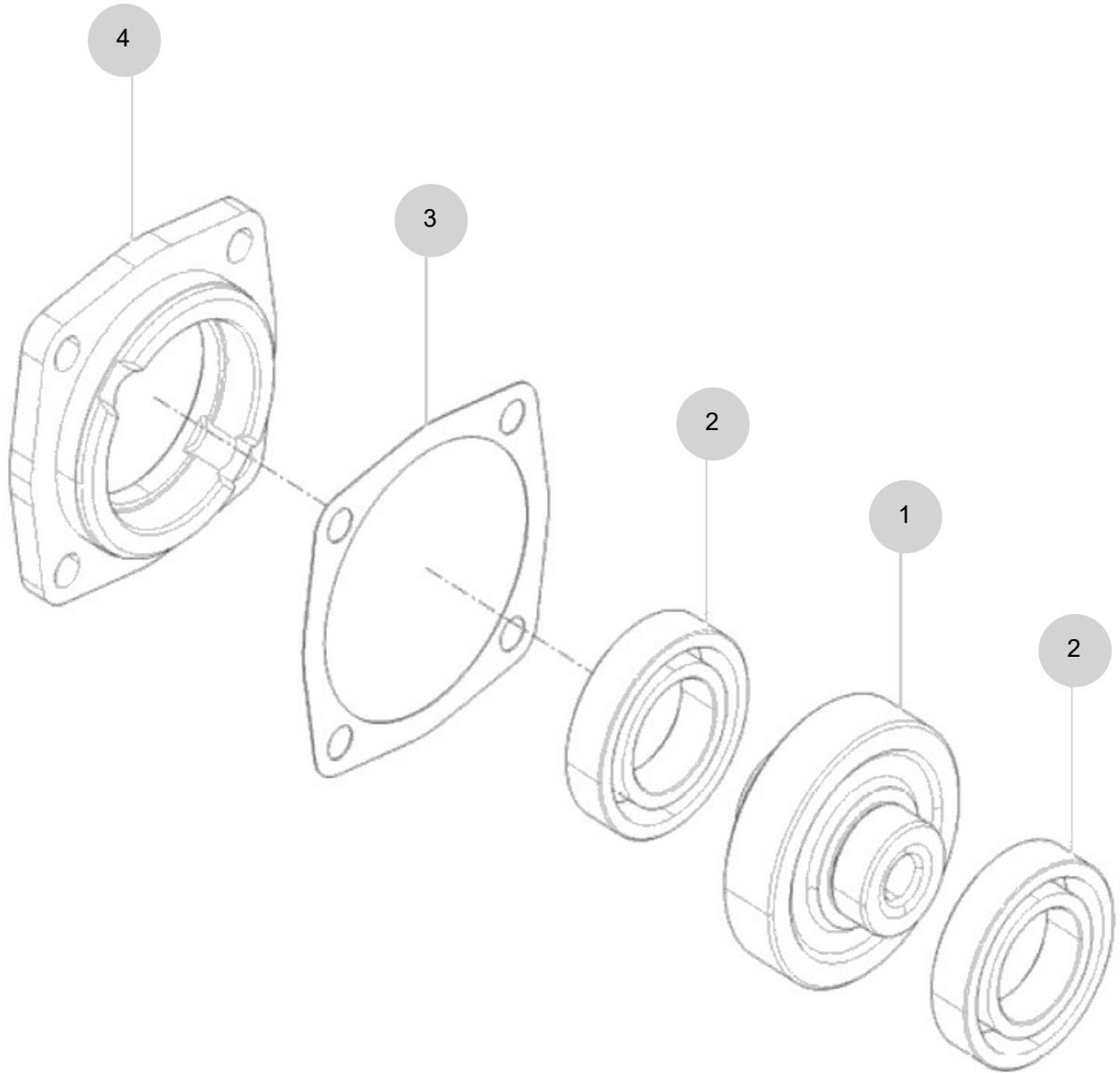
FIG 112

HYD. PUMP DRIVE

년/월
Year/Month

2022-12

T575NCEU1



NOTE

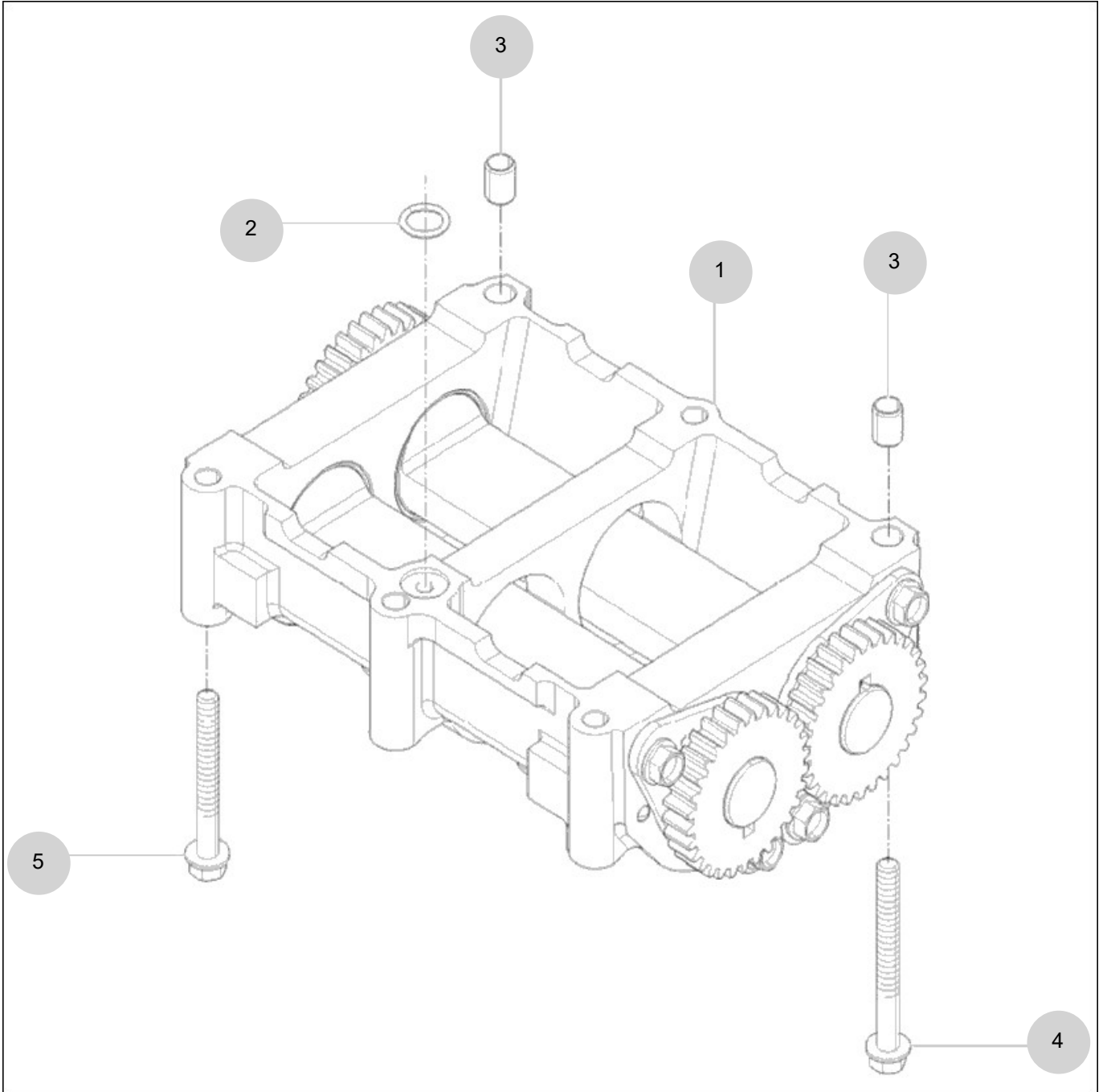
FIG 113

2ND BALANCE

년/월
Year/Month

2022-12

T575NCEU1



NOTE

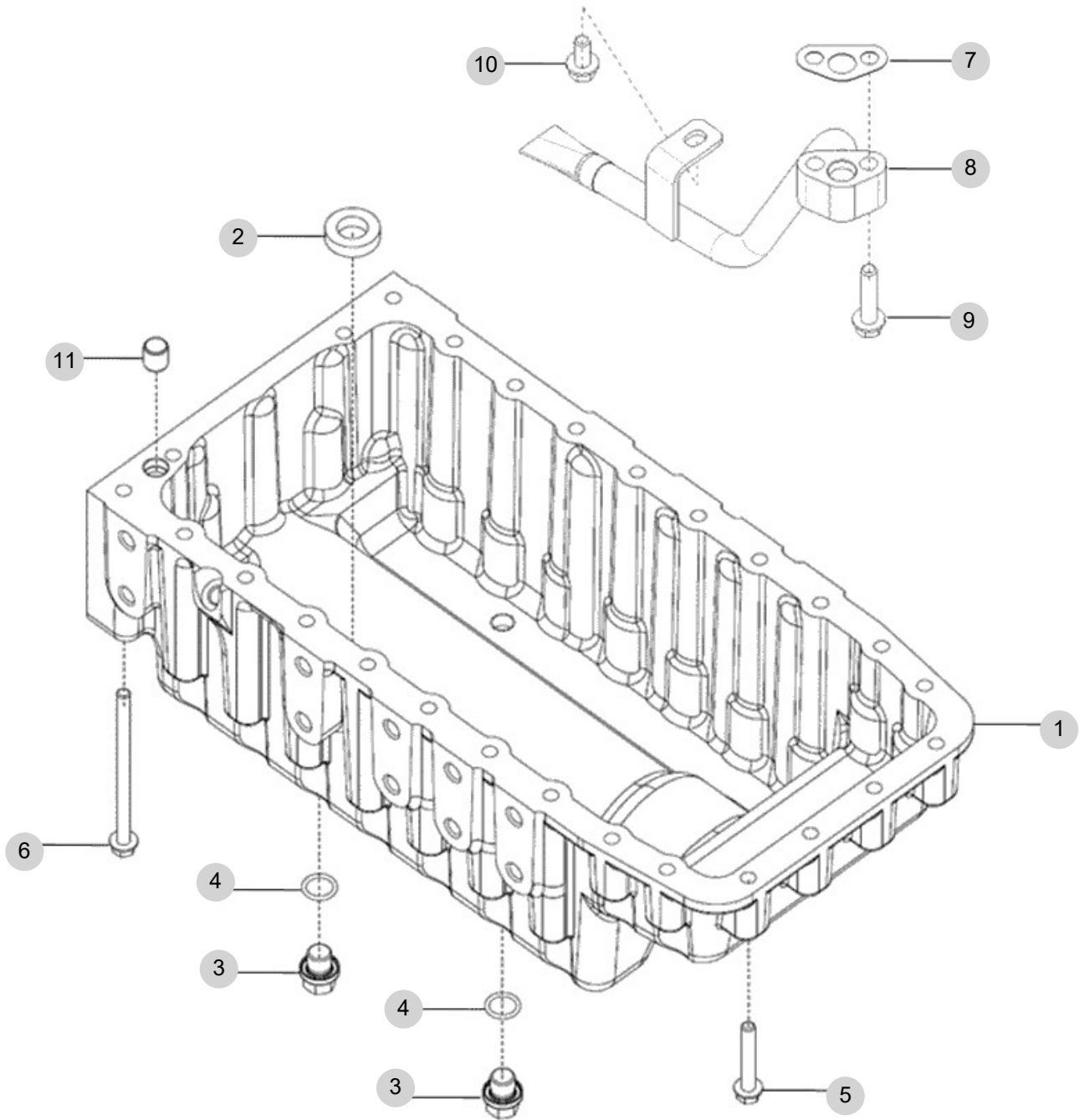
FIG 114

OIL PAN

년/월
Year/Month

2022-12

T575NCEU1



NOTE

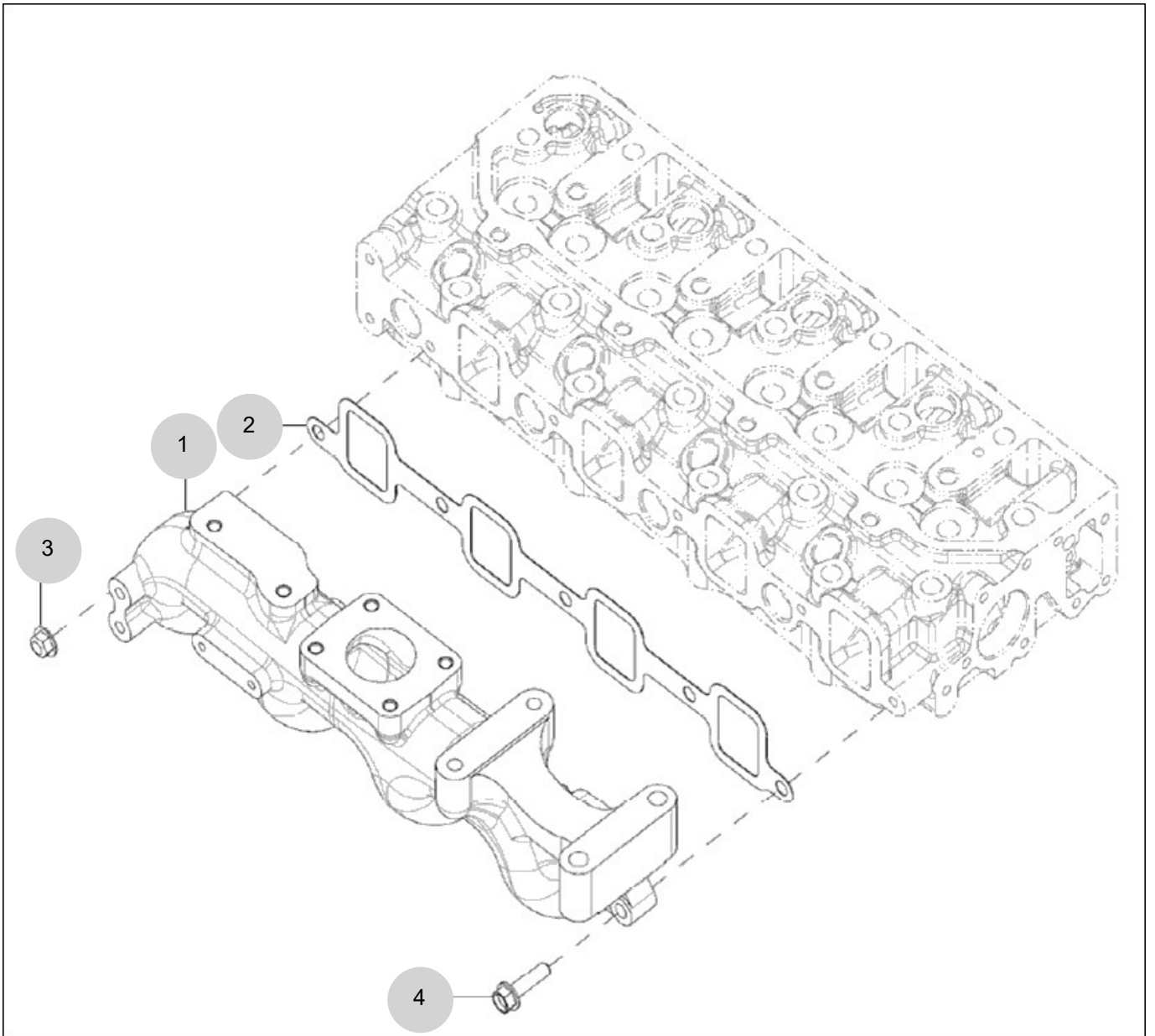
FIG 115A

INTAKE MANIFOLD(T574)

년/월
Year/Month

2022-12

T575NCEU1



NOTE

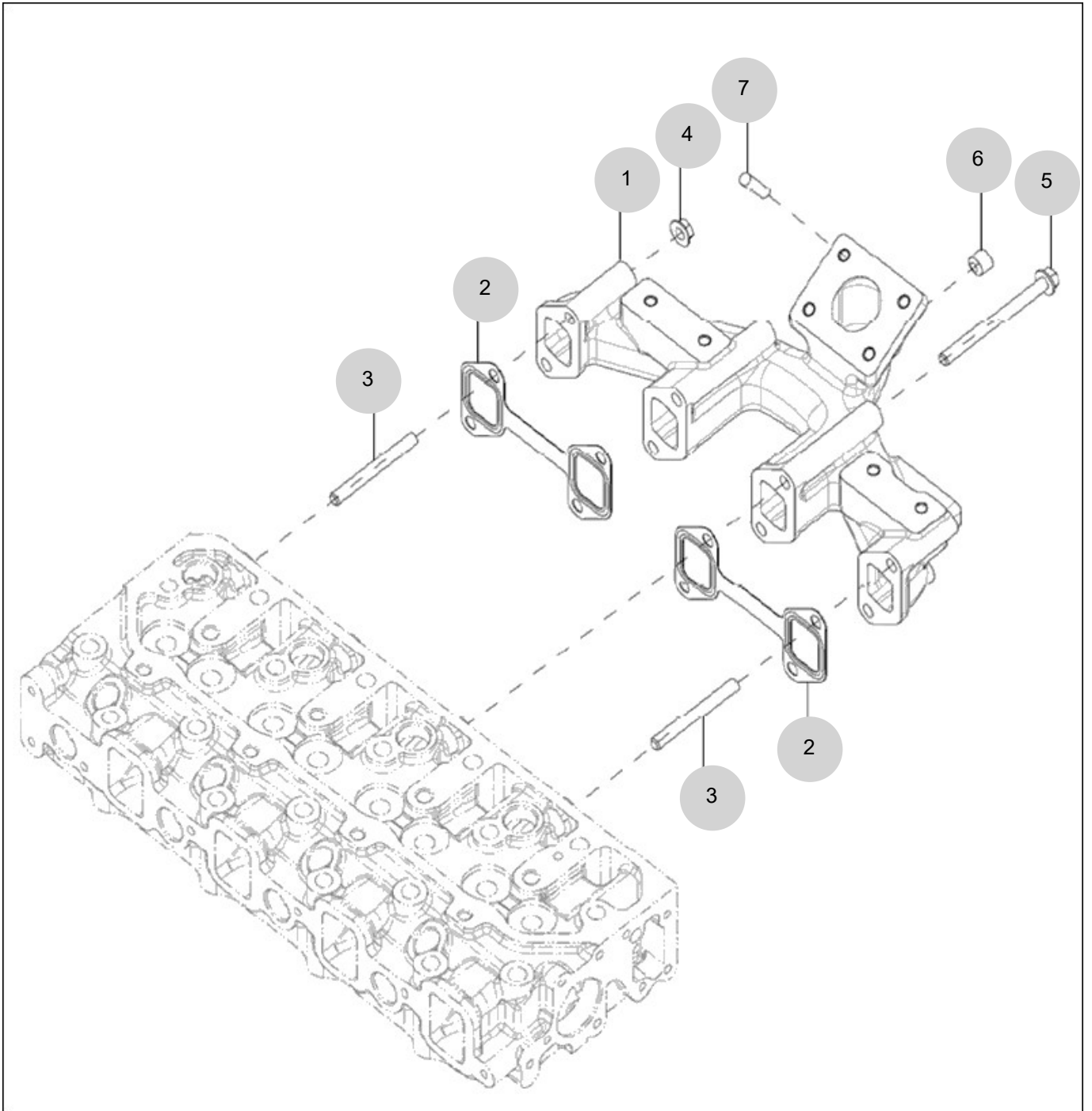
FIG 116A

EXHAUST MANIFOLD(T574)

년/월
Year/Month

2022-12

T575NCEU1



NOTE

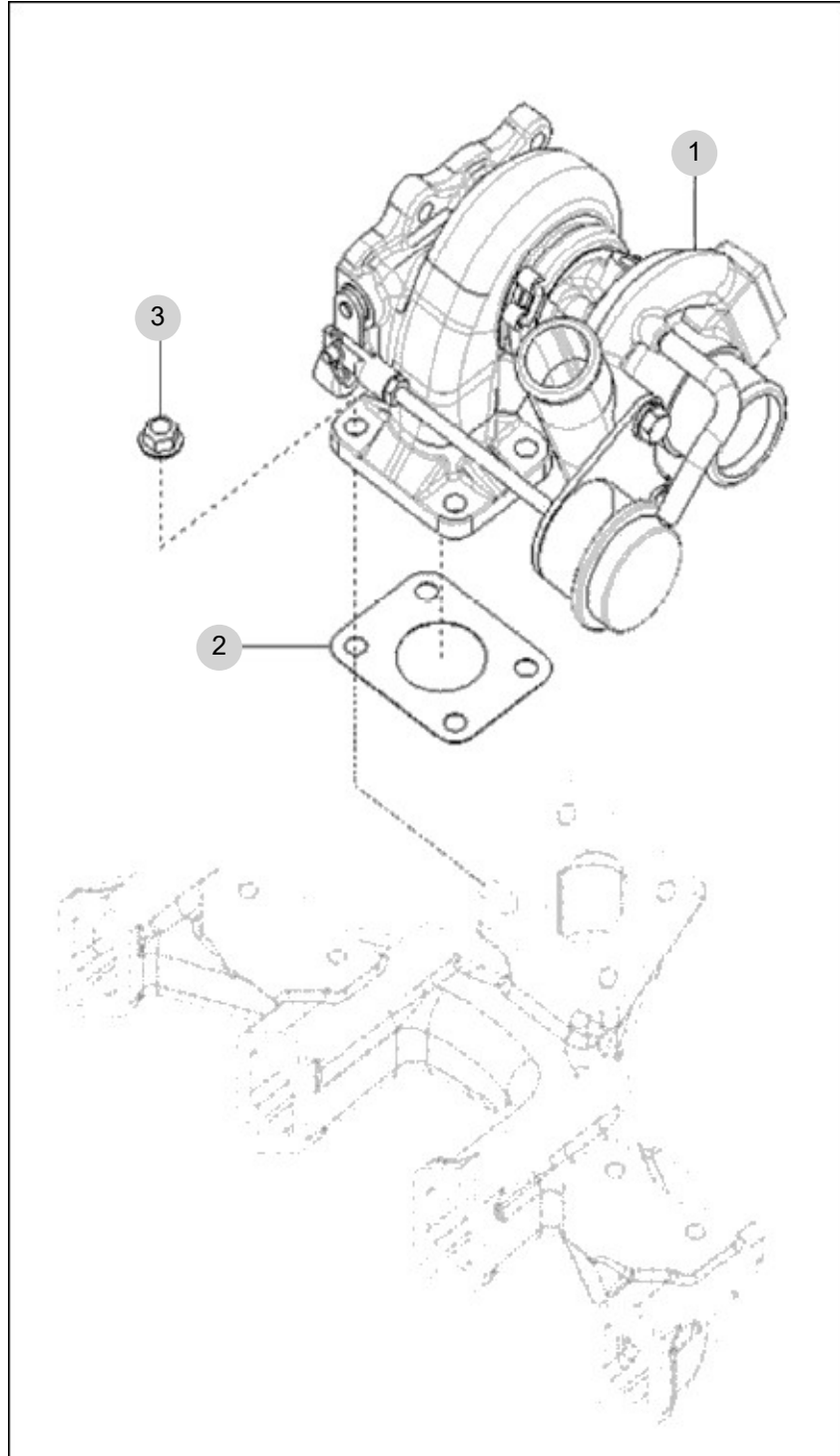
FIG 117A

T575NCEU1

TURBOCHARGER ASS'Y(T574)

년/월
Year/Month

2022-12



NOTE

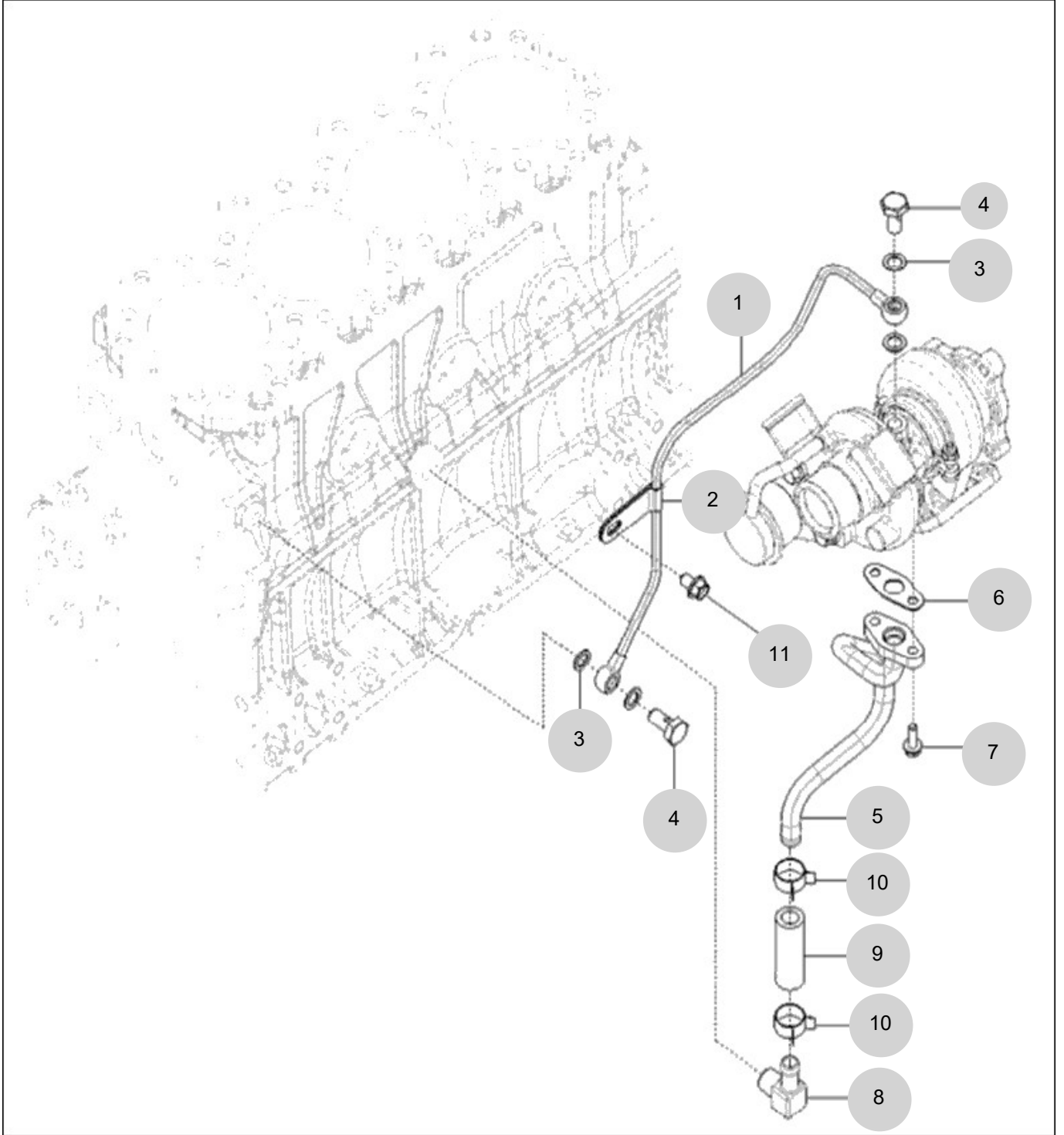
FIG 118A

TURBOCHARGER PLUMBING OPTION(T574)

년/월
Year/Month

2022-12

T575NCEU1



NOTE

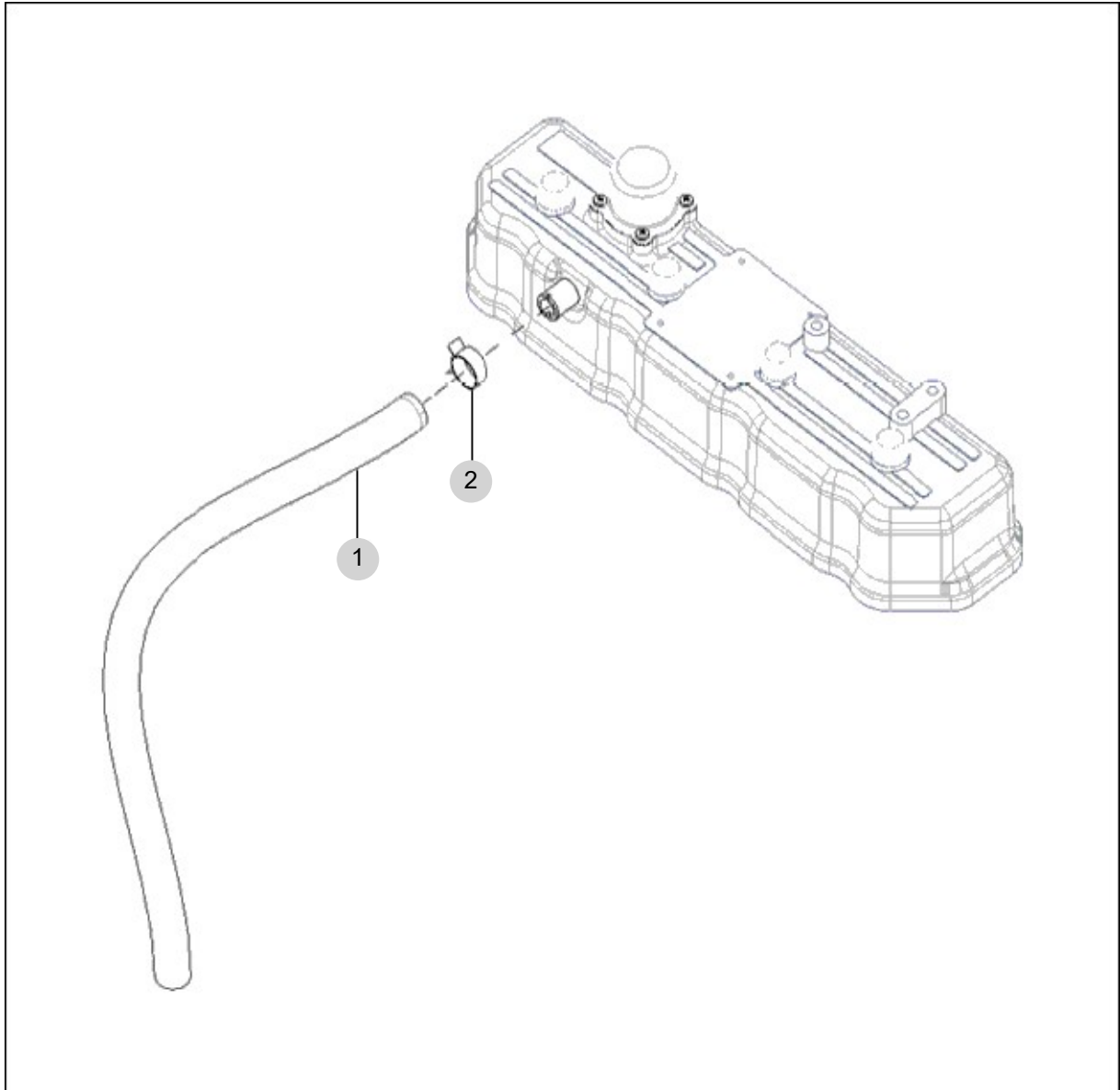
FIG 119A

T575NCEU1

BREATHER(T574)

년/월
Year/Month

2022-12



NOTE

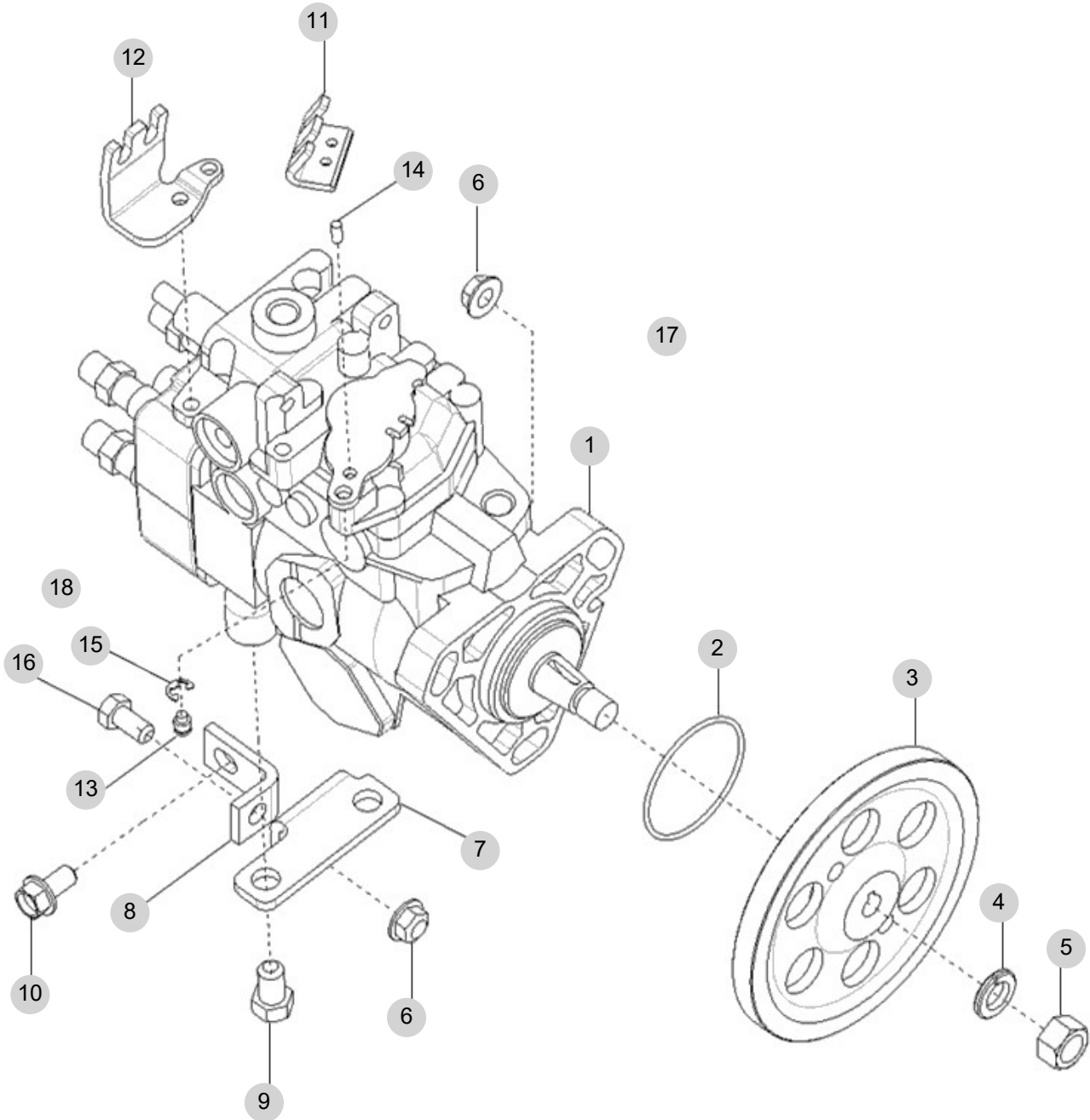
FIG 120

FUEL INJECTION PUMP

년/월
Year/Month

2022-12

T575NCEU1



NOTE

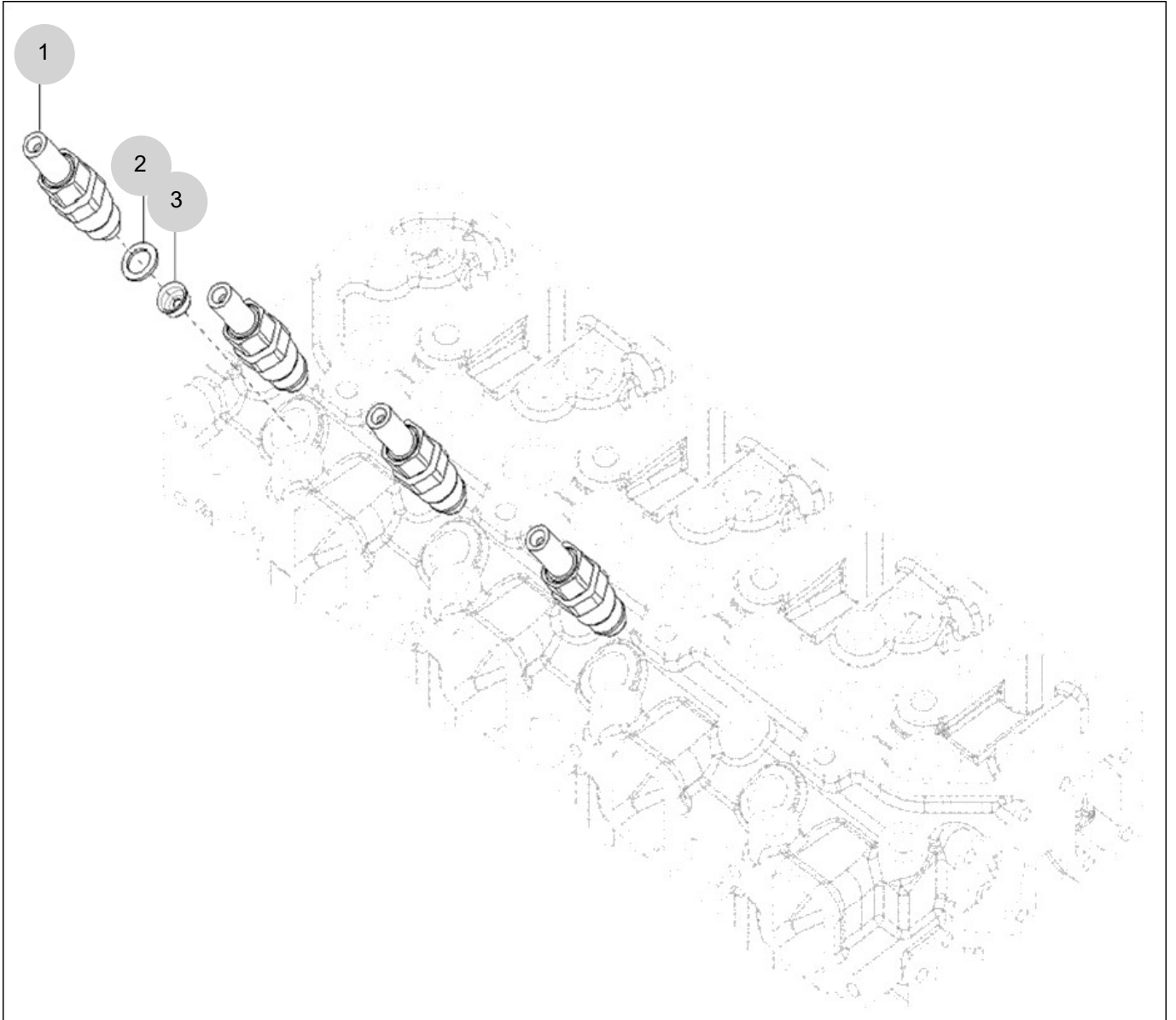
FIG 121

FUEL INJECTION VALVE

년/월
Year/Month

2022-12

T575NCEU1



NOTE

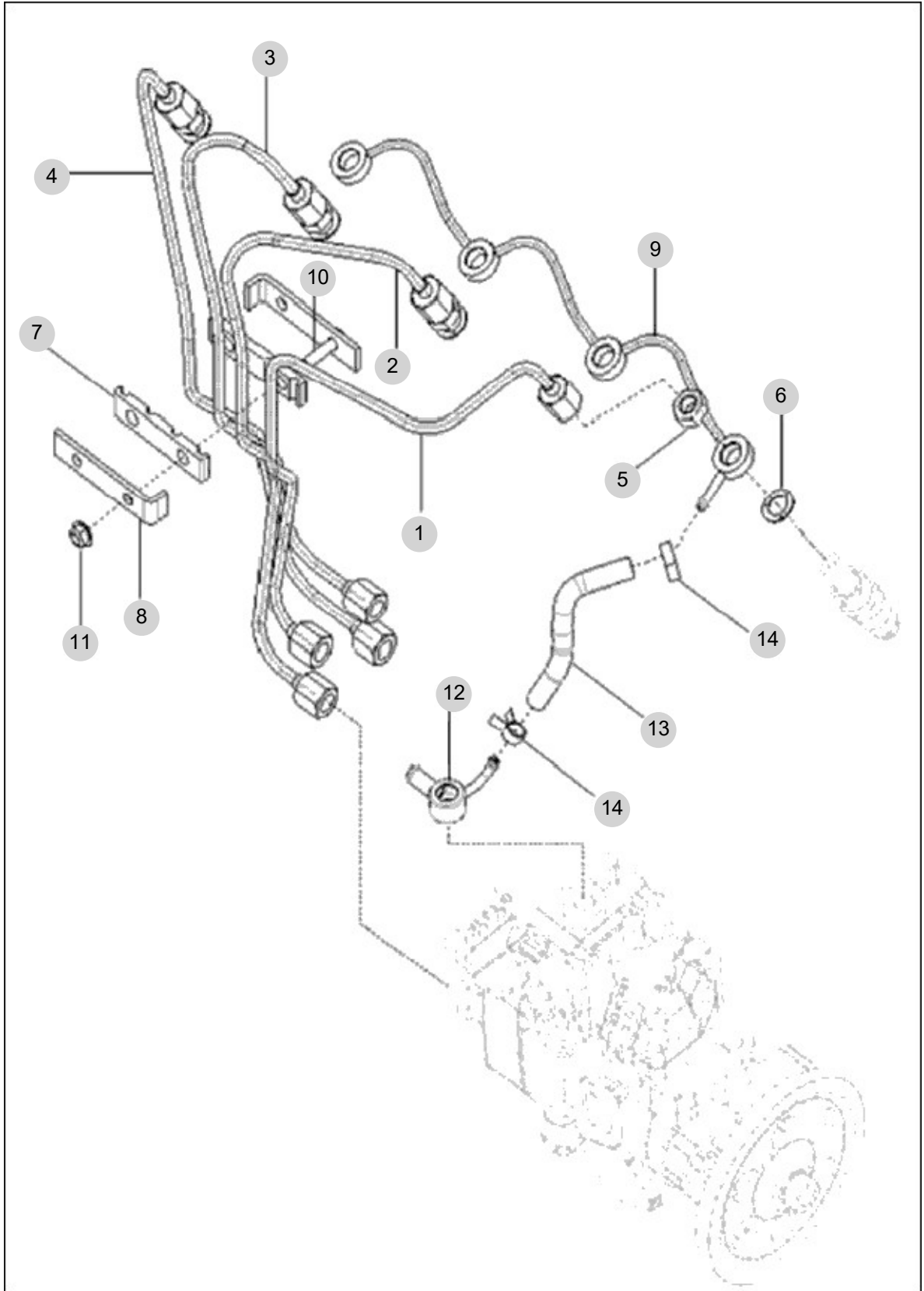
FIG 122

FUEL PIPE ASS'Y

년/월
Year/Month

2022-12

T575NCEU1



NOTE

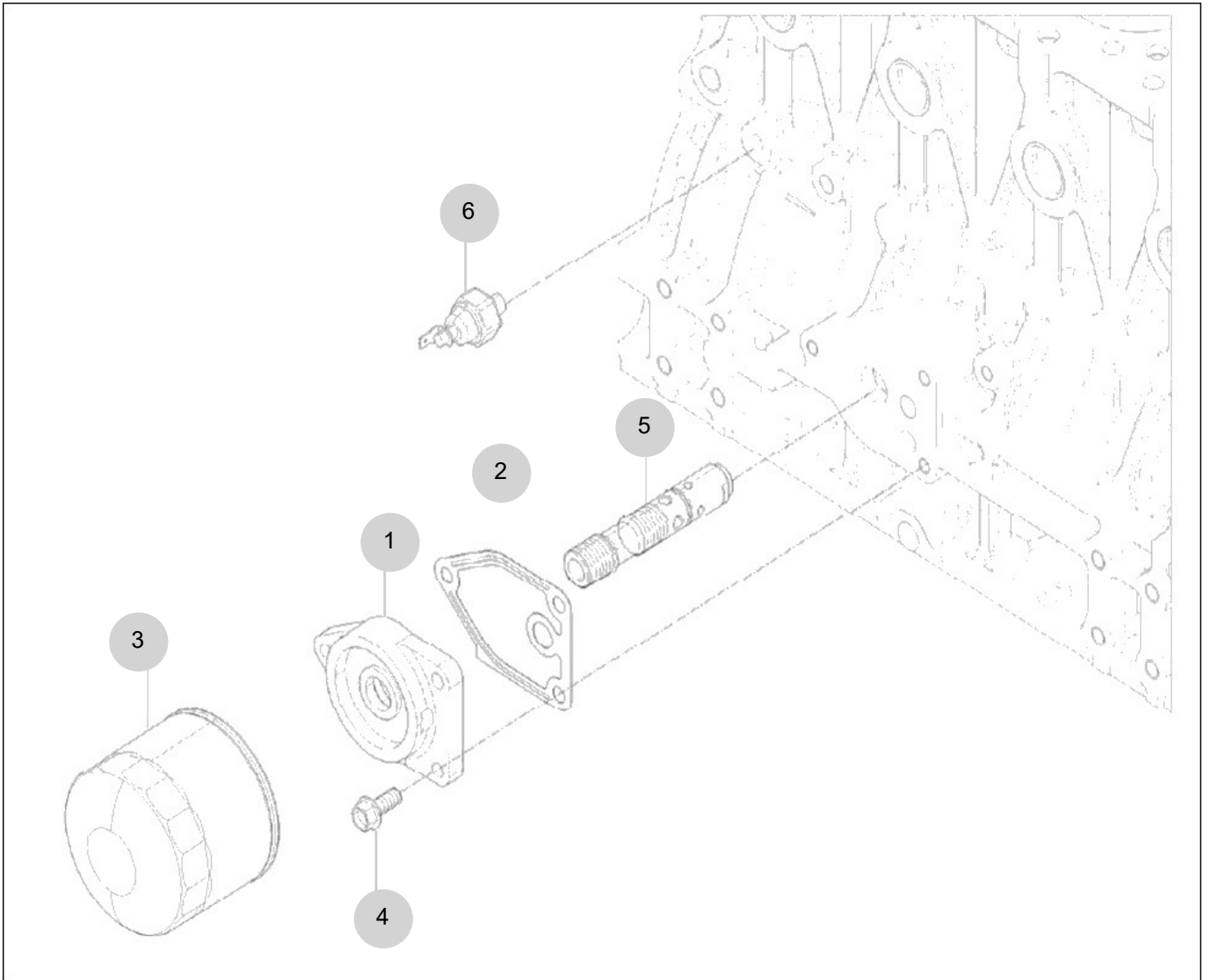
FIG 123

OIL FILTER

년/월
Year/Month

2022-12

T575NCEU1



NOTE

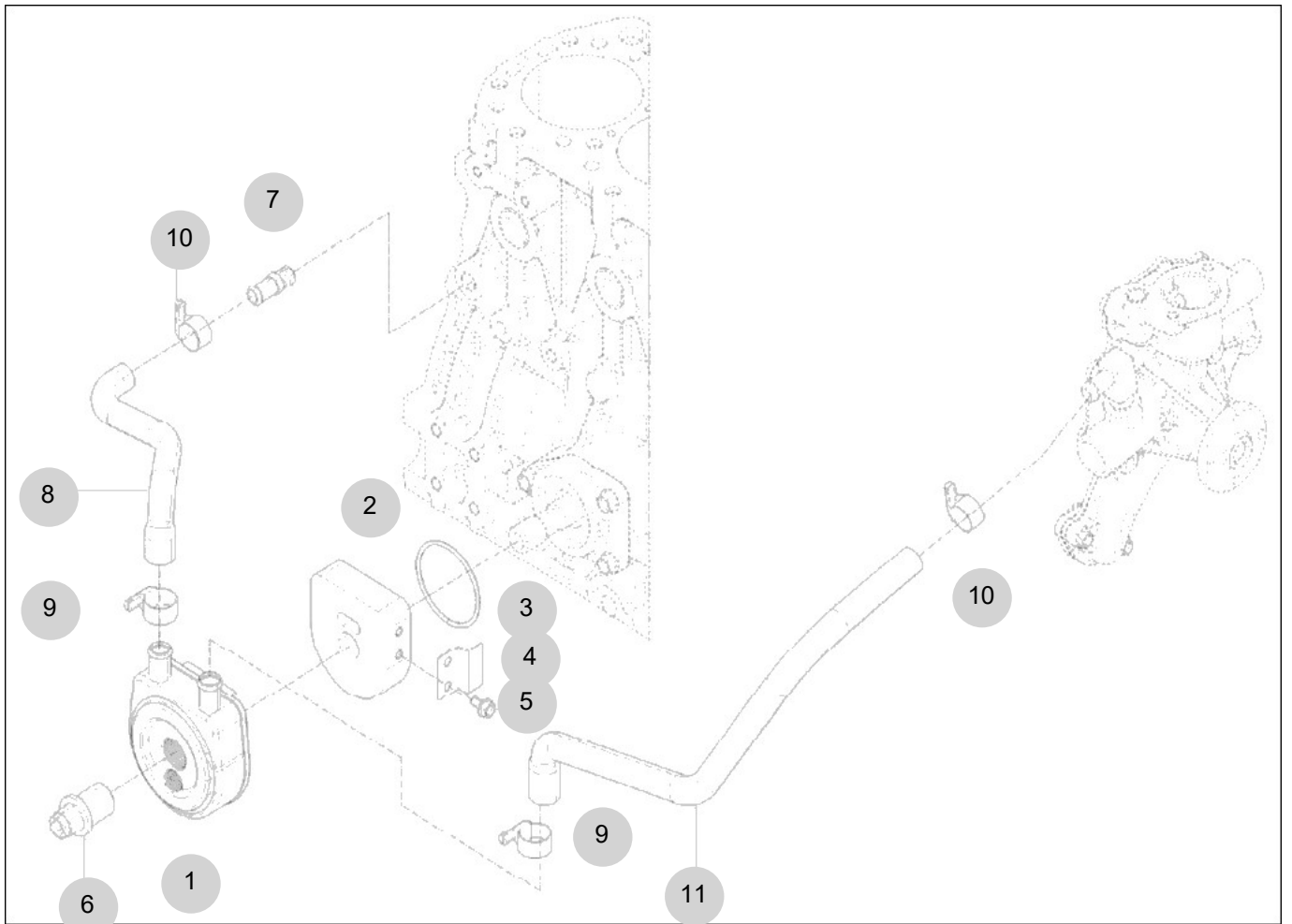
FIG 124

OIL COOLER

년/월
Year/Month

2022-12

T575NCEU1



NOTE

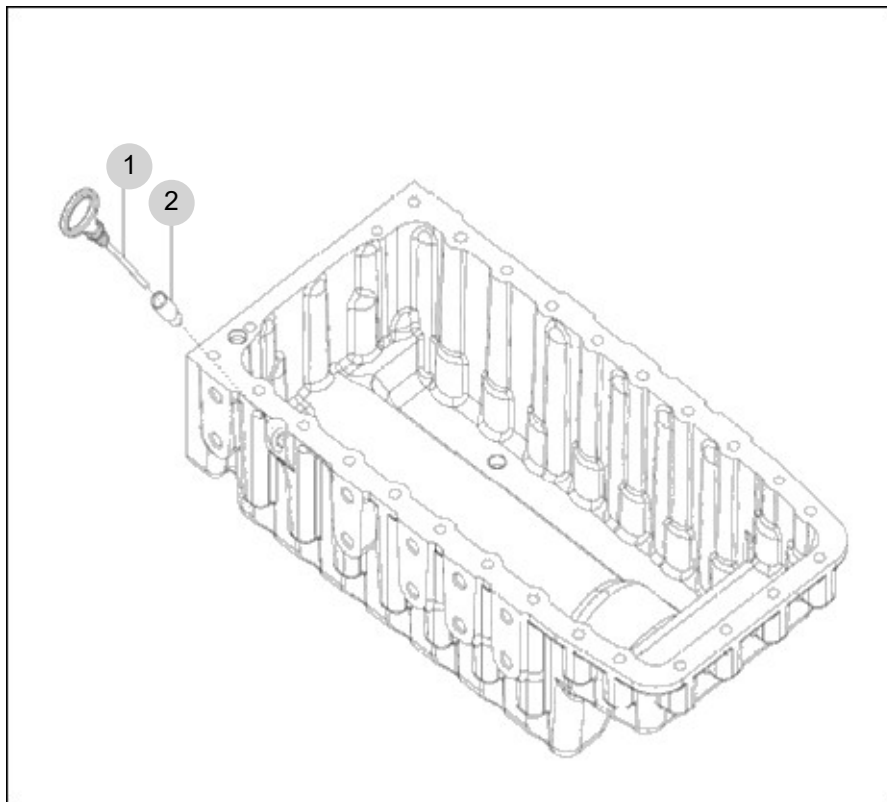
FIG 125

OIL GAUGUE

년/월
Year/Month

2022-12

T575NCEU1



NOTE

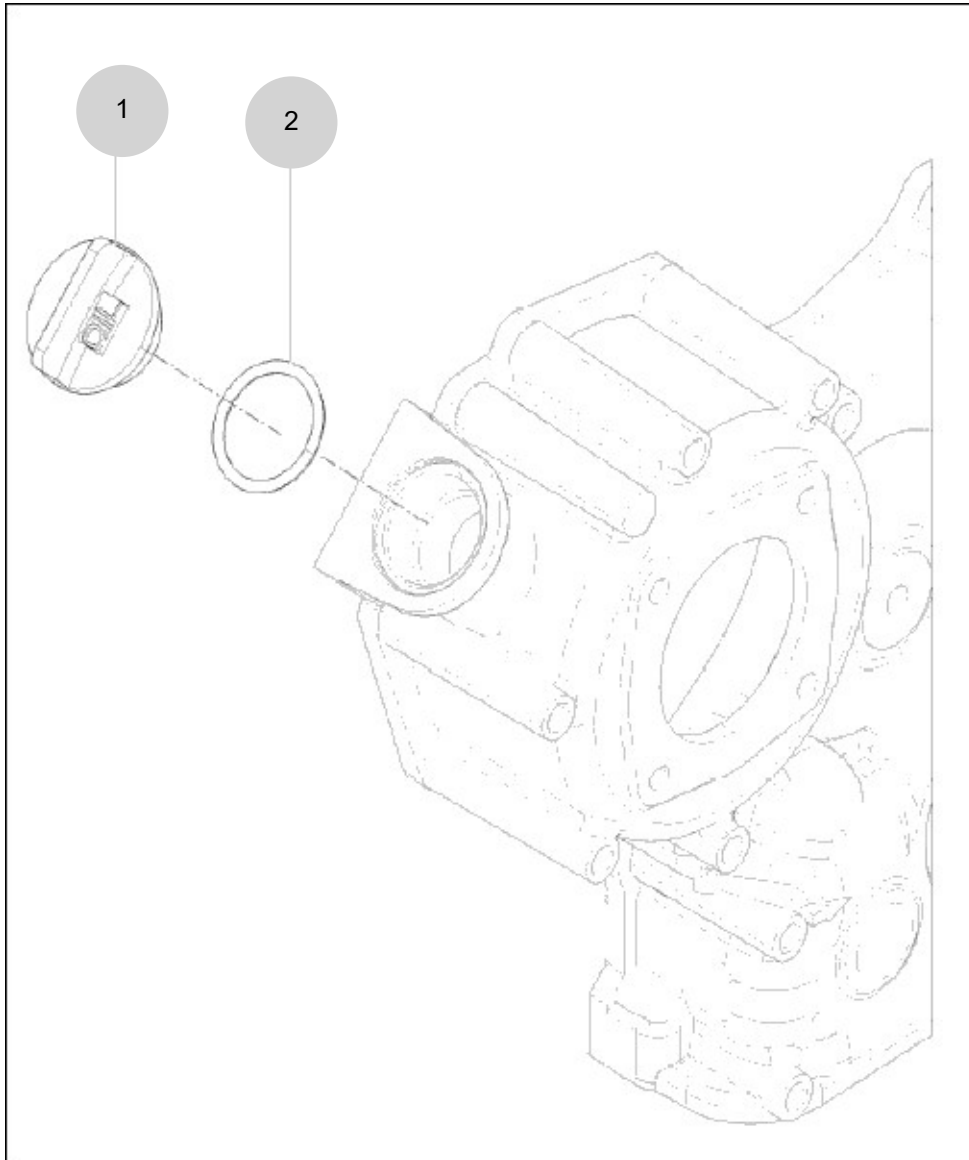
FIG 126

OIL FILLER CAP

년/월
Year/Month

2022-12

T575NCEU1



NOTE

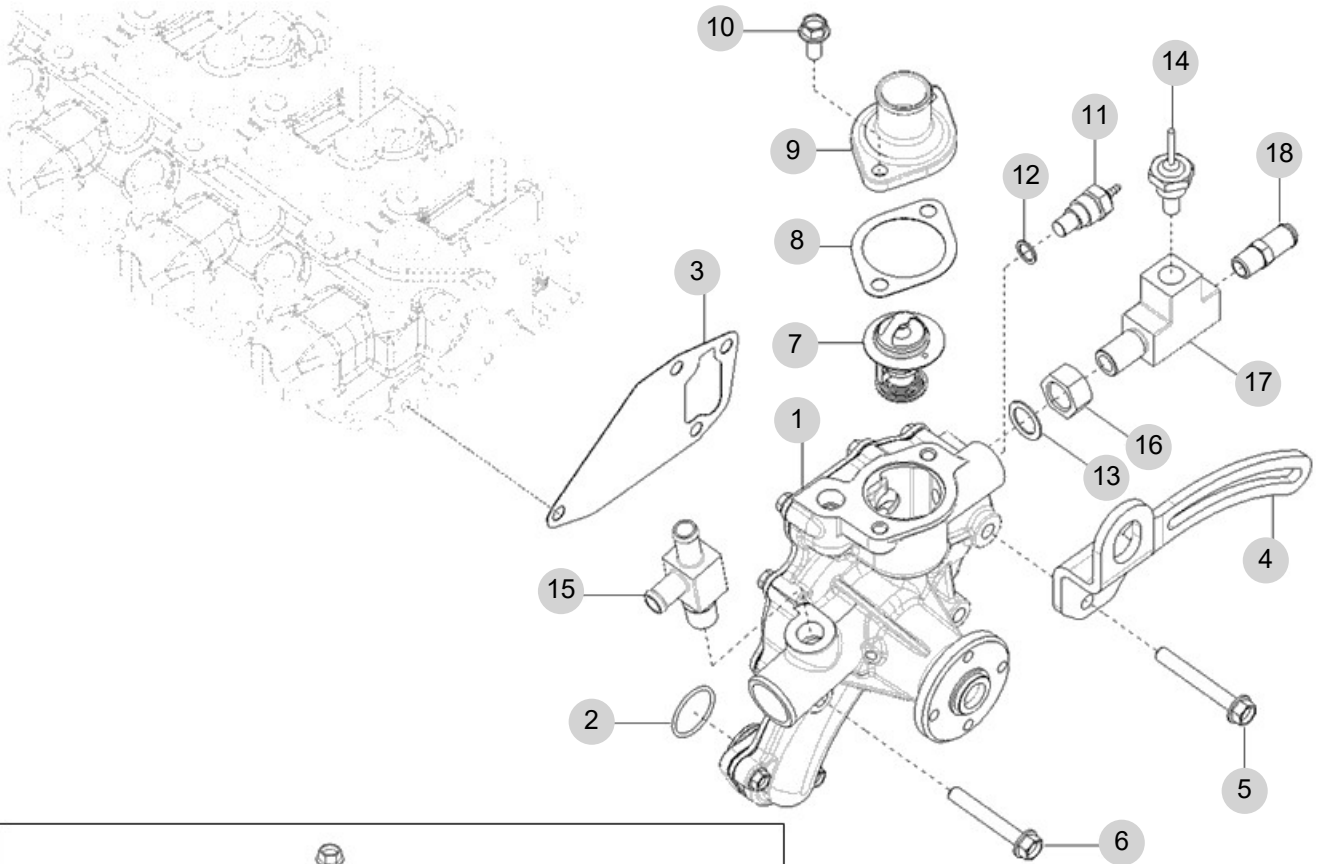
FIG 127

COOLING WATER PUMP

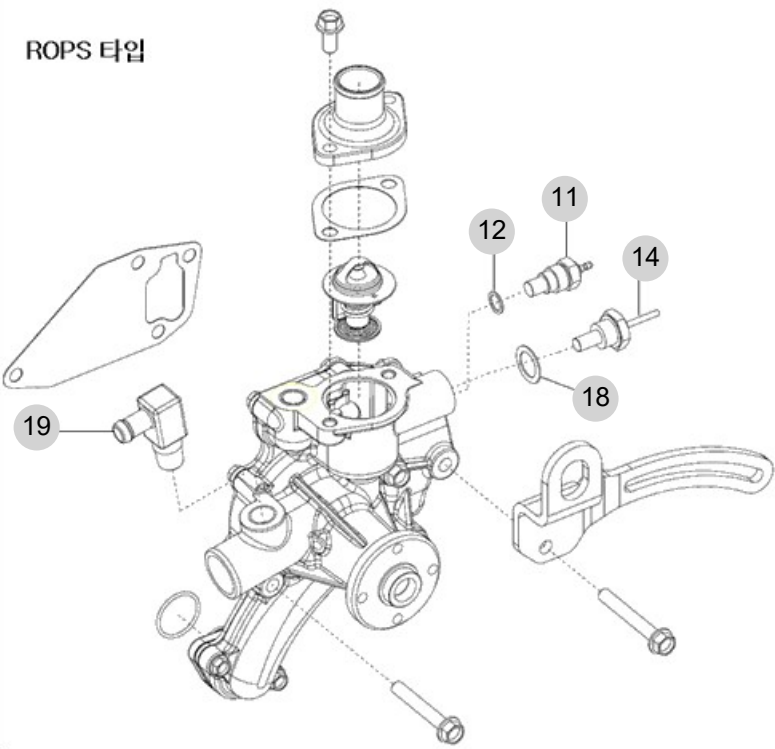
년/월
Year/Month

2022-12

T575NCEU1



ROPS 타입



NOTE

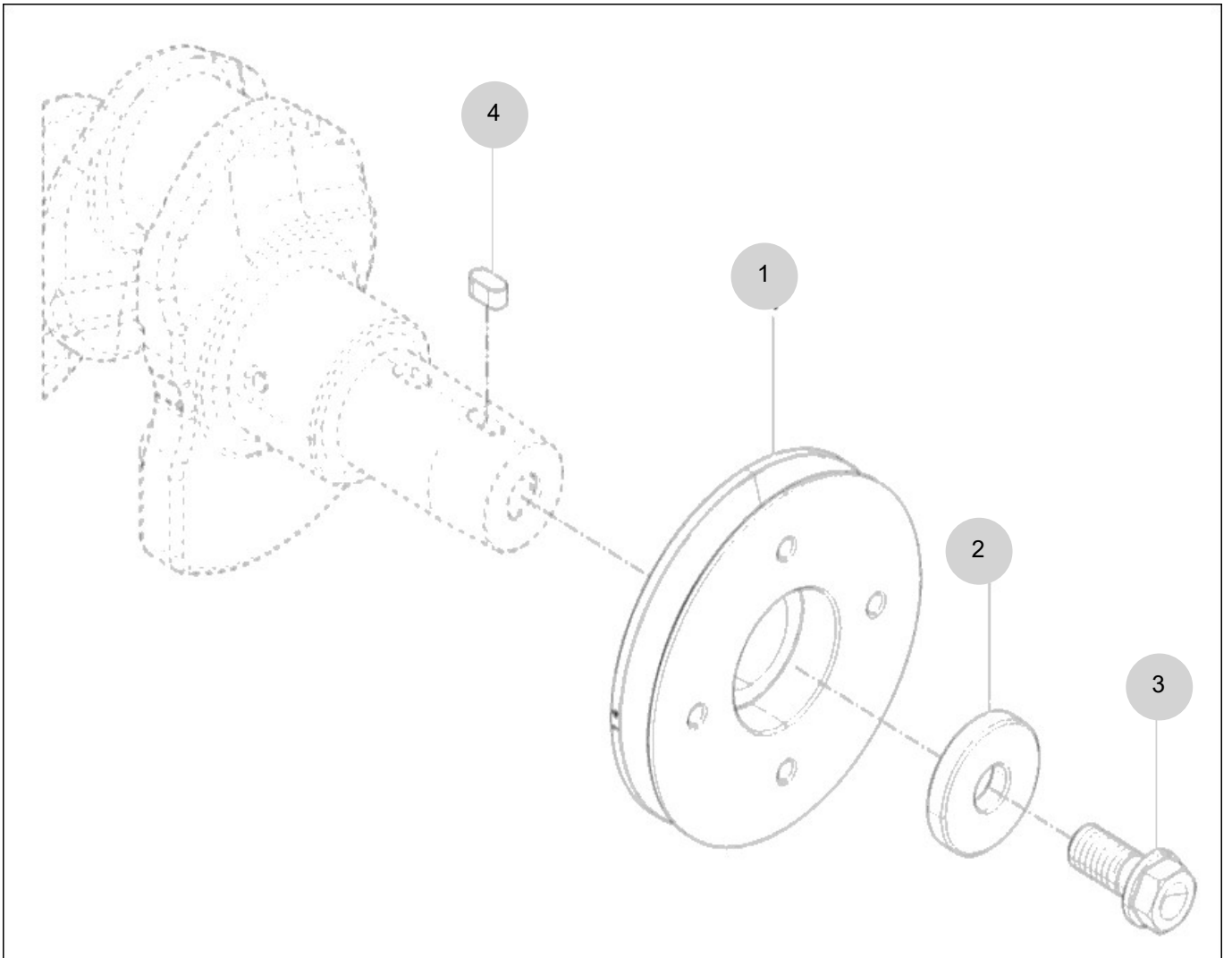
FIG 128

CRANK SHAFT PULLEY

년/월
Year/Month

2022-12

T575NCEU1



NOTE

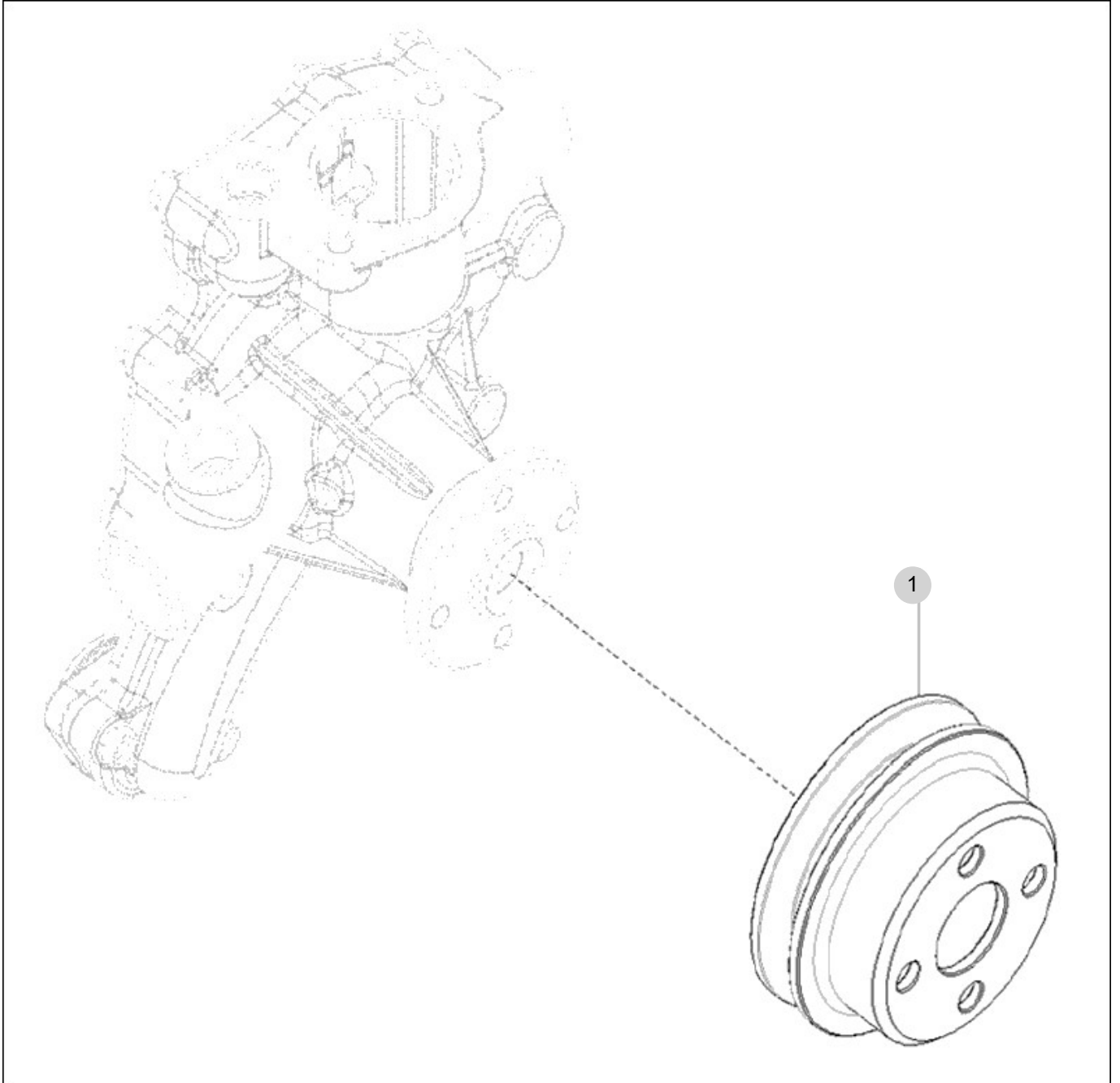
FIG 129

V-PULLEY

년/월
Year/Month

2022-12

T575NCEU1



NOTE

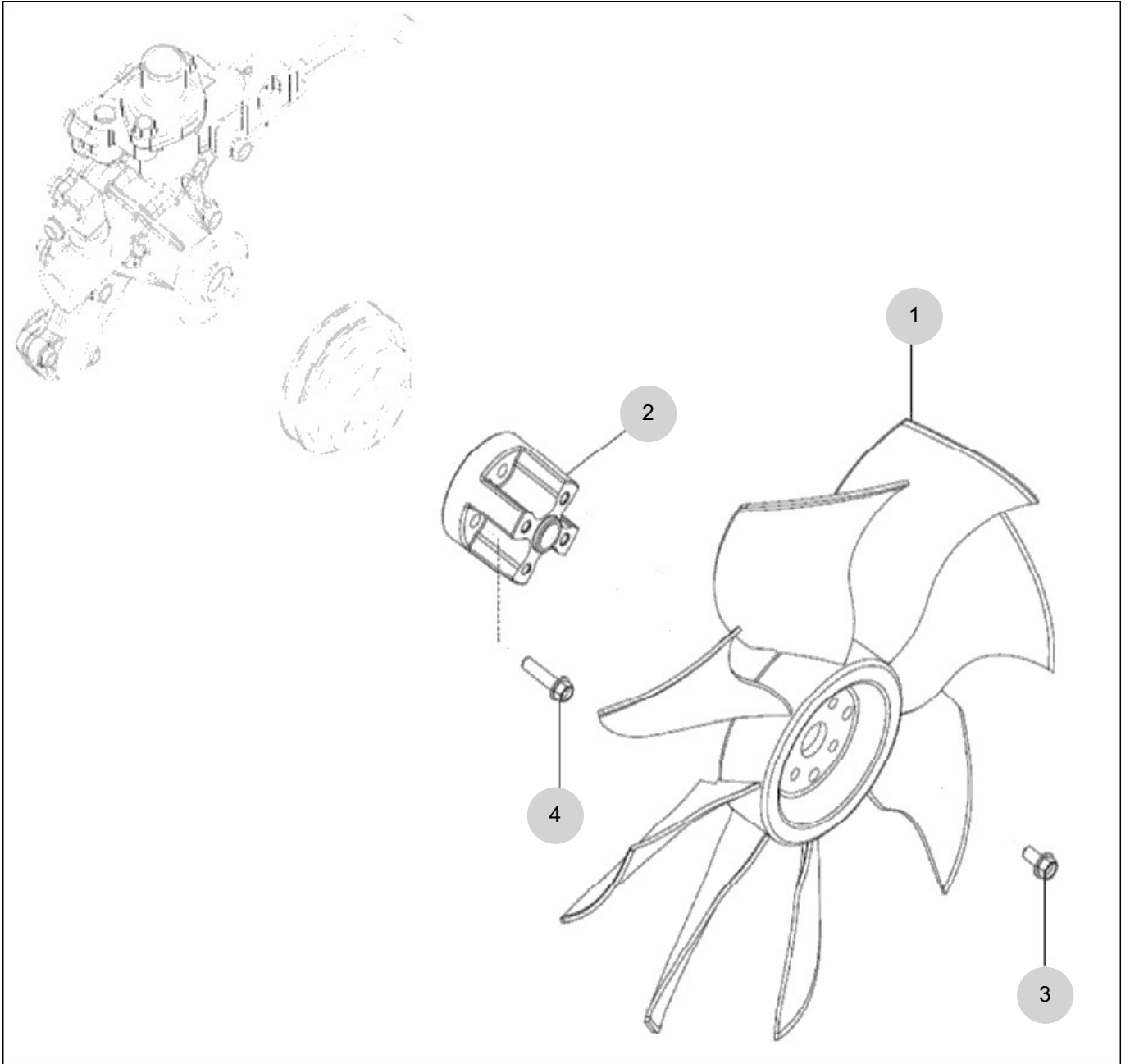
FIG 130

COOLING FAN

년/월
Year/Month

2022-12

T575NCEU1



NOTE

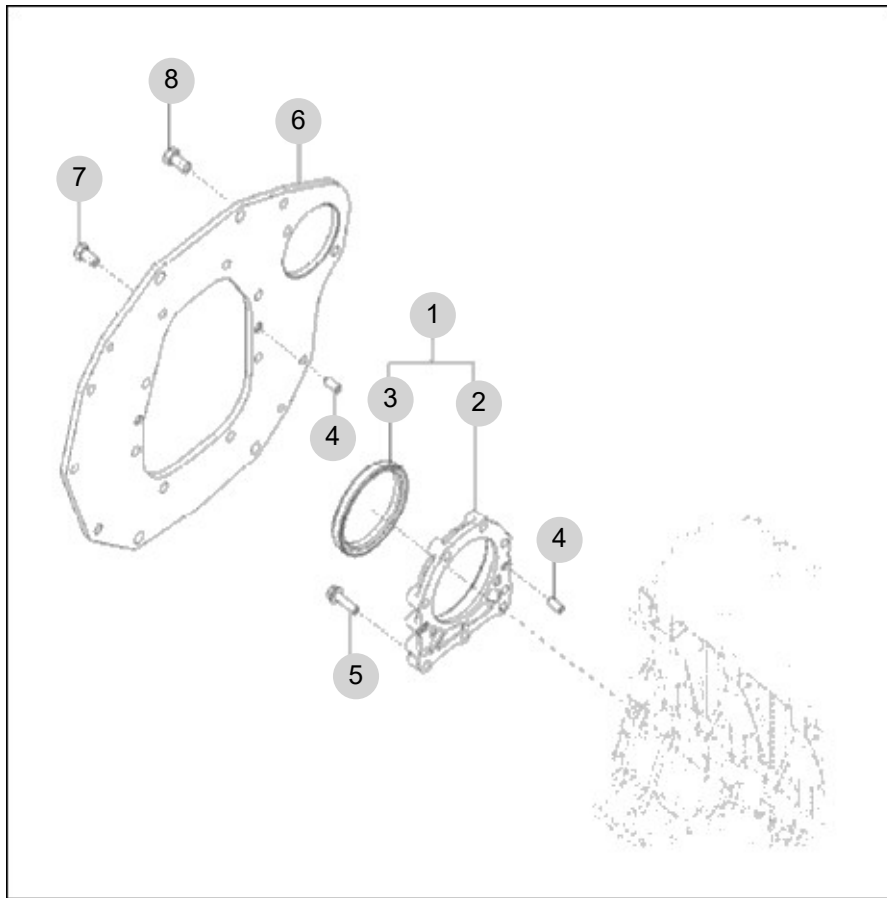
FIG 131

FLYWHEEL HOUSING

년/월
Year/Month

2022-12

T575NCEU1



NOTE

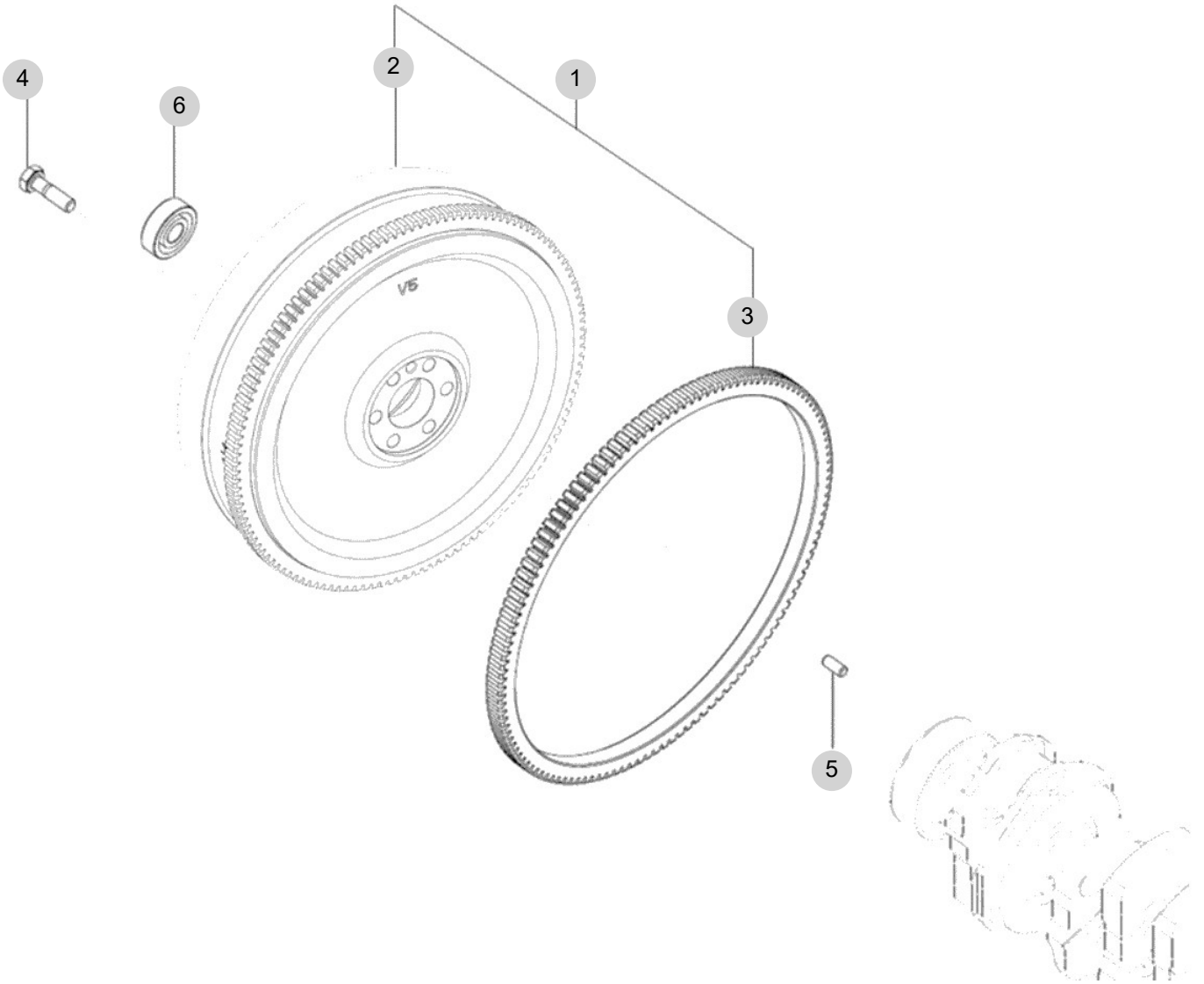
FIG 132

FLYWHEEL

년/월
Year/Month

2022-12

T575NCEU1



NOTE

FIG 132 T575NCEU1		FLYWHEEL					년/월 Year/Month	
							2022-12	
KEY NO	PART NO		DESCRIPTION	SPEC	QTY	REPAIR	EFFECTIVE DATE	REMARKS
132	1	EA00005604A	FLYWHEEL ASSY		1			
132	2	EA00005605A	FLYWHEEL		1			
132	3	HA07070000A	링 기어		1			
132	4	HRC0801000A	BOLT, FLYWHEEL		6			
132	5	22312-080160	핀(22312080160-로 주문변경)		1			
132	6	24104-063024	깊은홈 볼베어링		1			
NOTE								

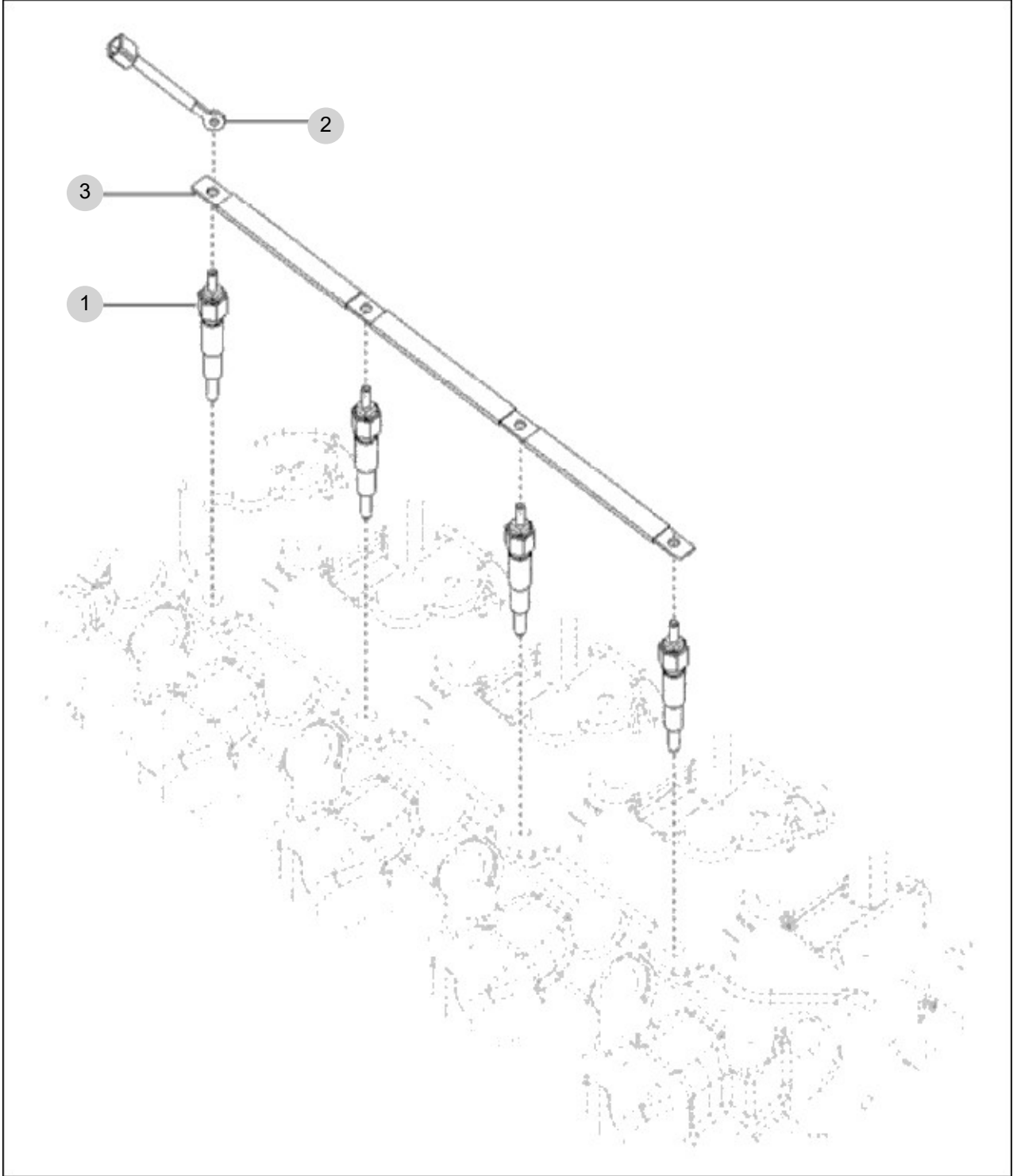
FIG 133

GLOW PLUG ASS'Y OPTION

년/월
Year/Month

2022-12

T575NCEU1



NOTE

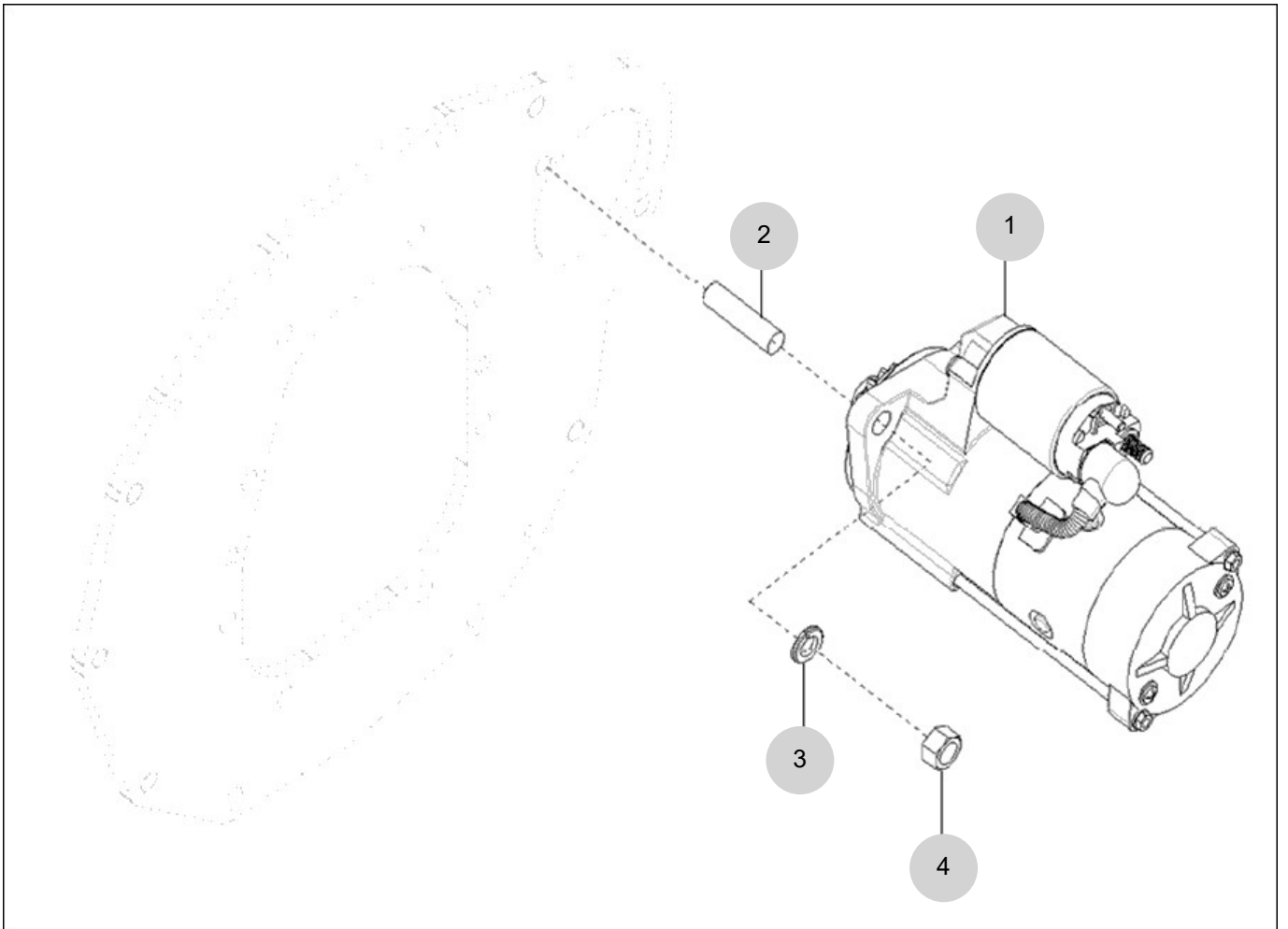
FIG 134

STARTING MOTOR

년/월
Year/Month

2022-12

T575NCEU1



NOTE

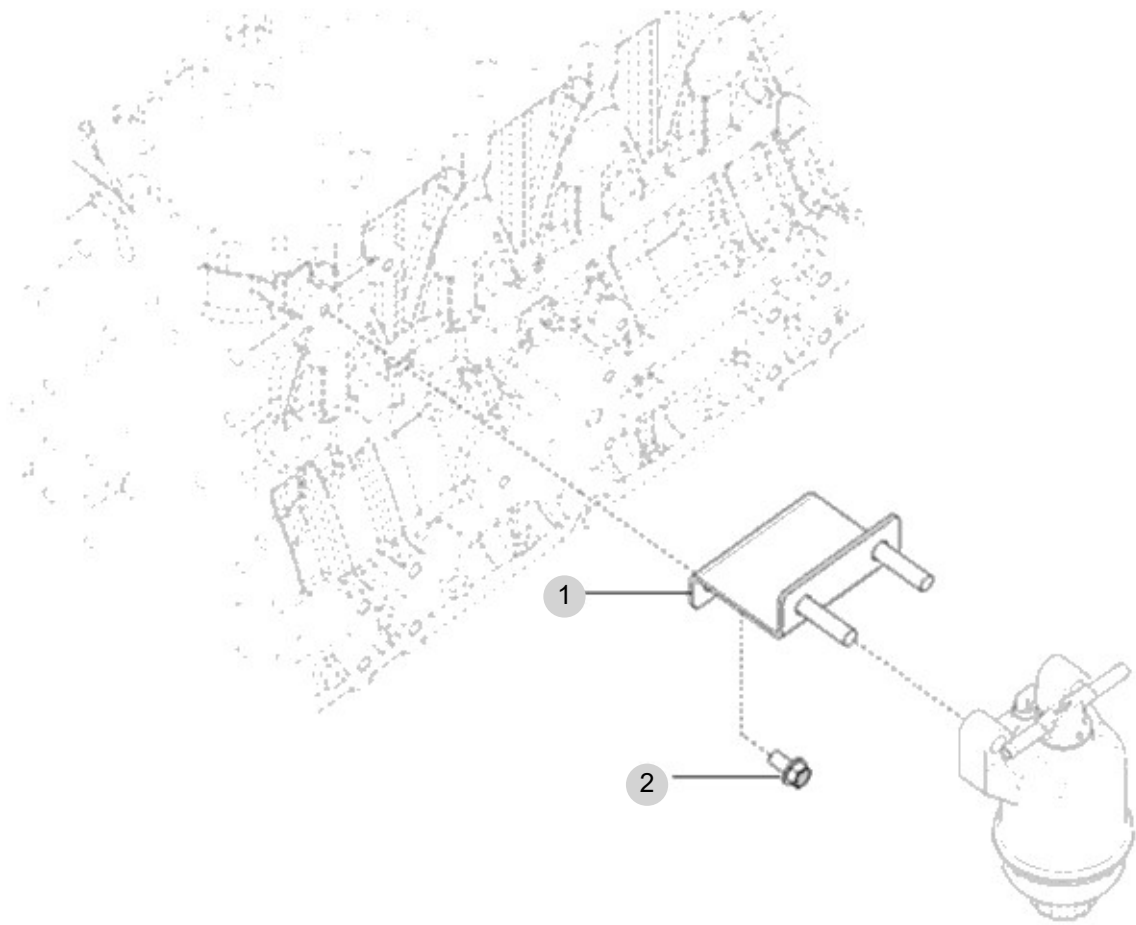
FIG 135

FUEL FILTER BRACKET ASS'Y

년/월
Year/Month

2022-12

T575NCEU1



NOTE

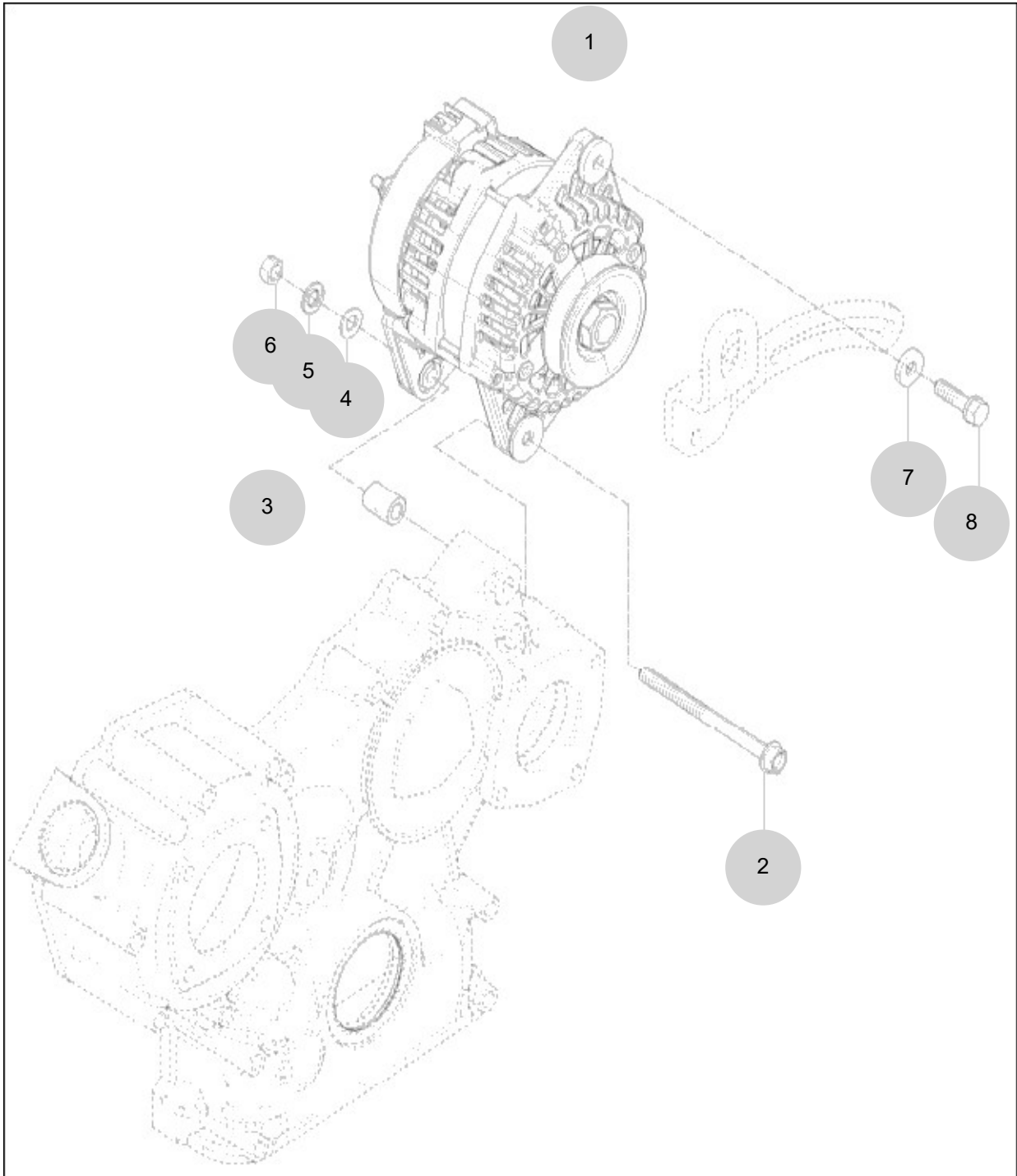
FIG 136

ALTERNATOR

년/월
Year/Month

2022-12

T575NCEU1



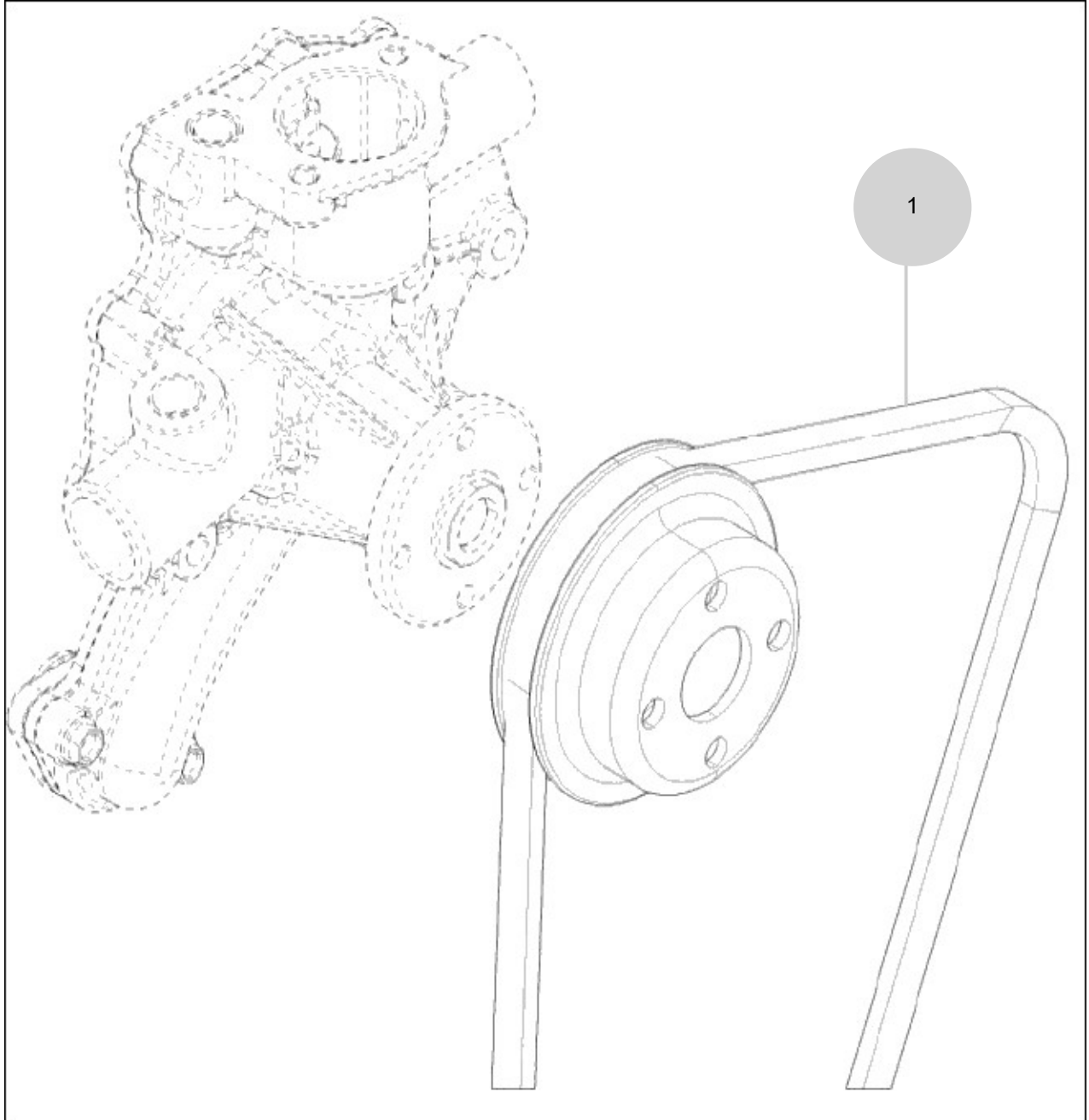
NOTE

FIG 137

V-BELT

년/월
Year/Month

2022-12



NOTE

FIG 137		V-BELT						년/월	
								Year/Month	
T575NCEU1						2022-12			
KEY NO		PART NO	DESCRIPTION	SPEC	QTY	REPAIR	EFFECTIVE DATE	REMARKS	
137	1	EA00005549A	V-벨트 SA40 PPF		1				
NOTE									

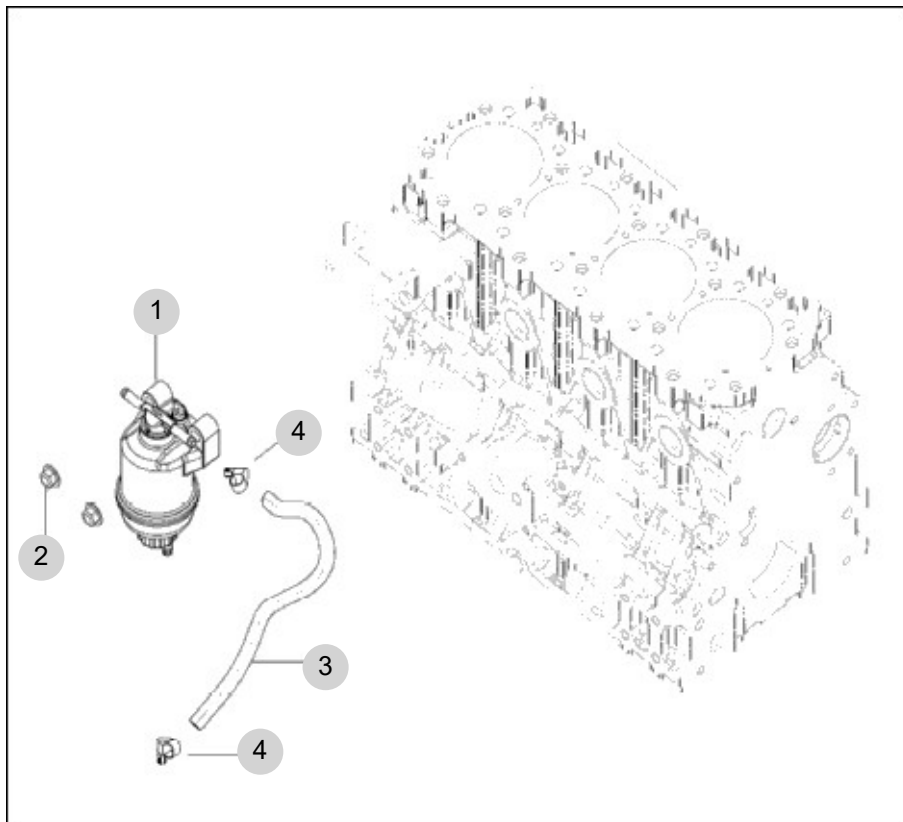
FIG 138

FUEL FILTER

년/월
Year/Month

2022-12

T575NCEU1



NOTE

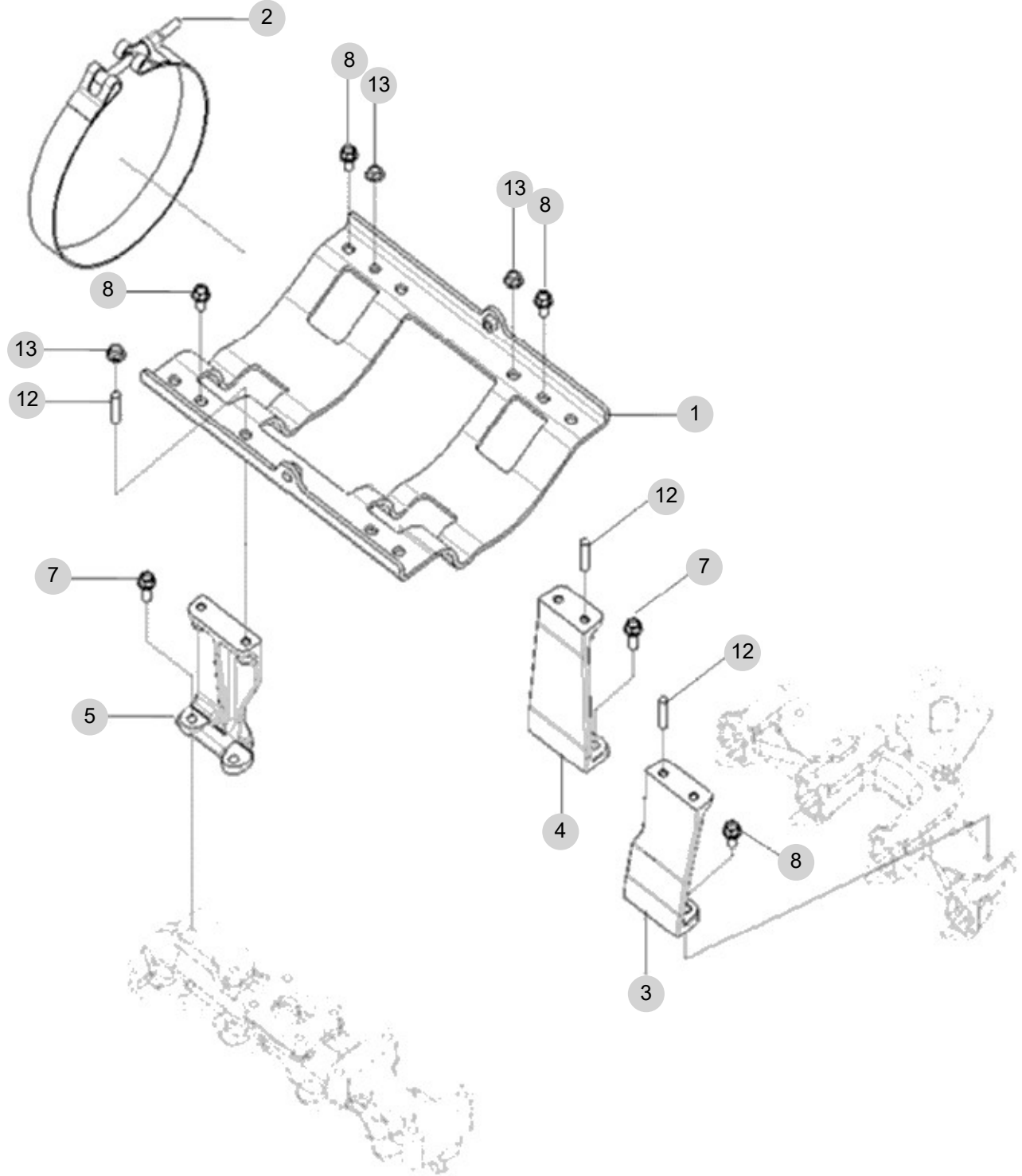
FIG 138		FUEL FILTER					년/월	
							Year/Month	
T575NCEU1		2022-12						
KEY NO	PART NO	DESCRIPTION	SPEC	QTY	REPAIR	EFFECTIVE DATE	REMARKS	
138	1	EA00005318A	FILTER ASSY , FUEL					
138	2	26367-100002	HEX. FLANGE NUT					
138	3	EA00000173A	HOSE, FUEL					
138	4	23080-013000	CLAMP, HOSE					
NOTE								

FIG 139A

DPF SUPPORT (T574)

년/월
Year/Month

2022-12



NOTE

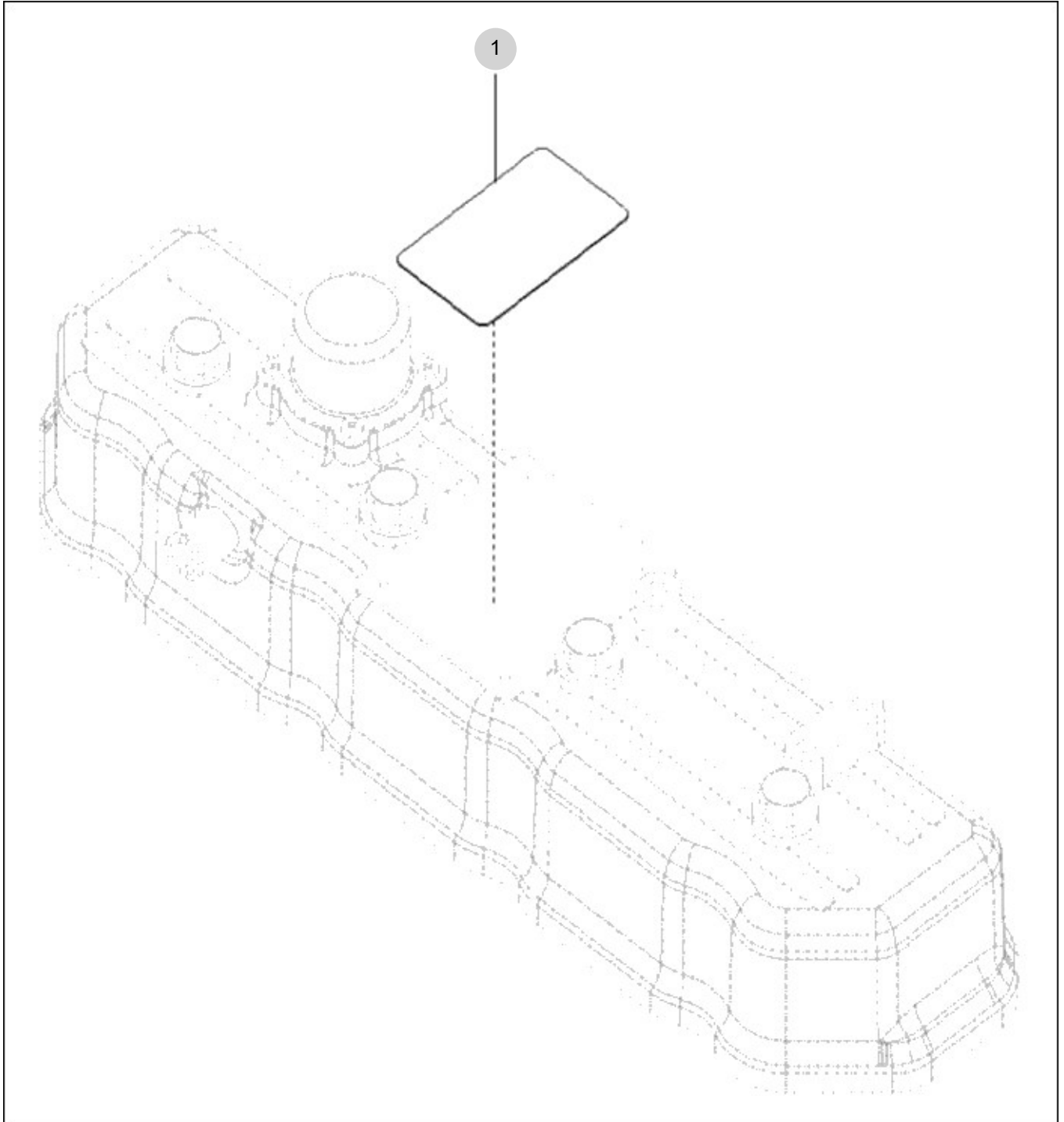
FIG 140

DATAPLATE

년/월
Year/Month

2022-12

T575NCEU1



NOTE

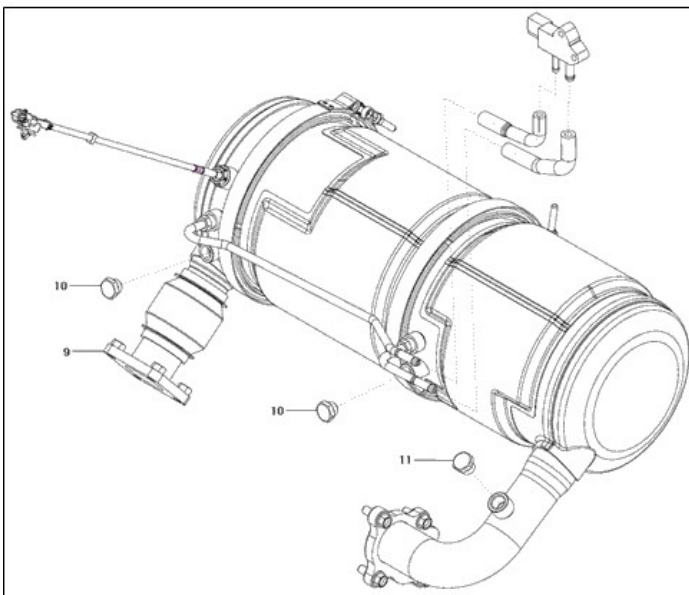
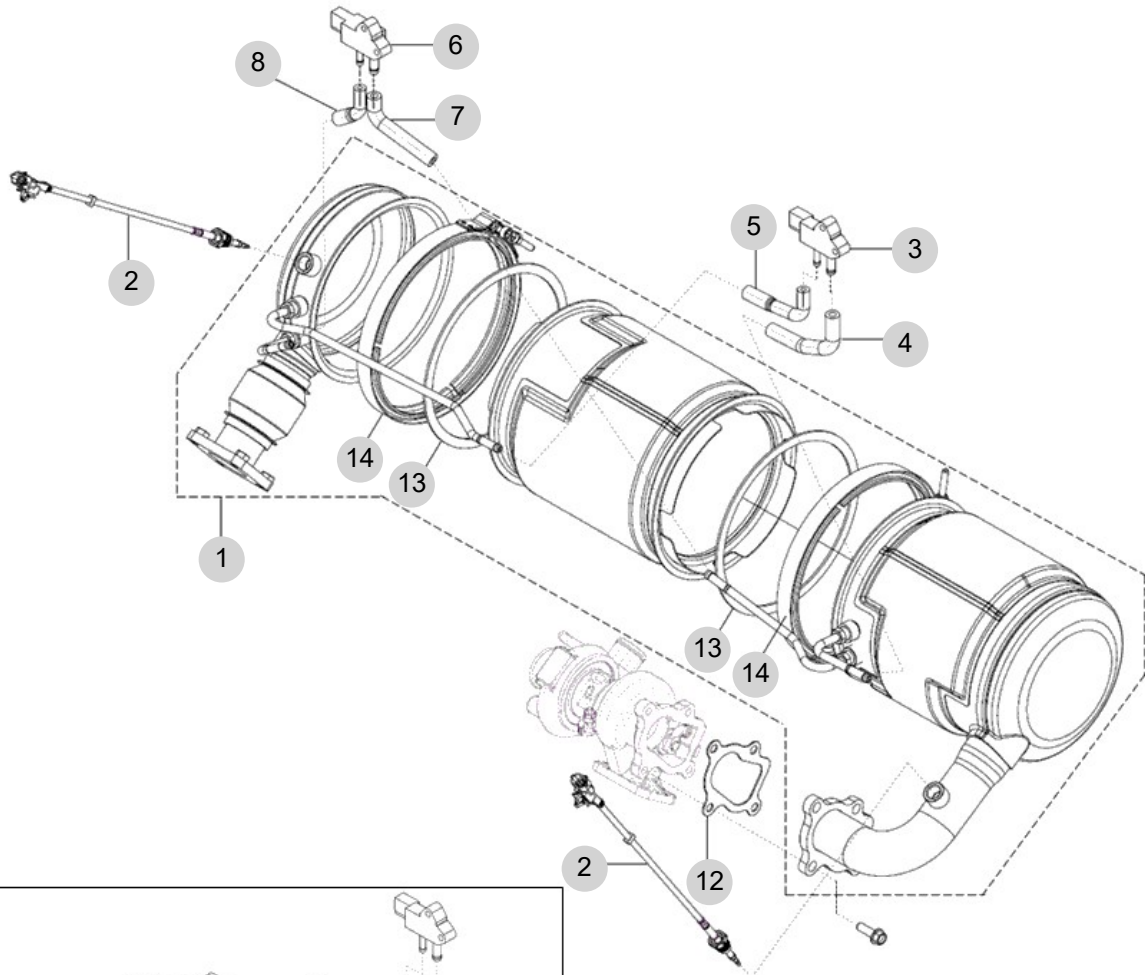
FIG 142A

DPF ASS'Y (T574)

년/월
Year/Month

2022-12

T575NCEU1



NOTE

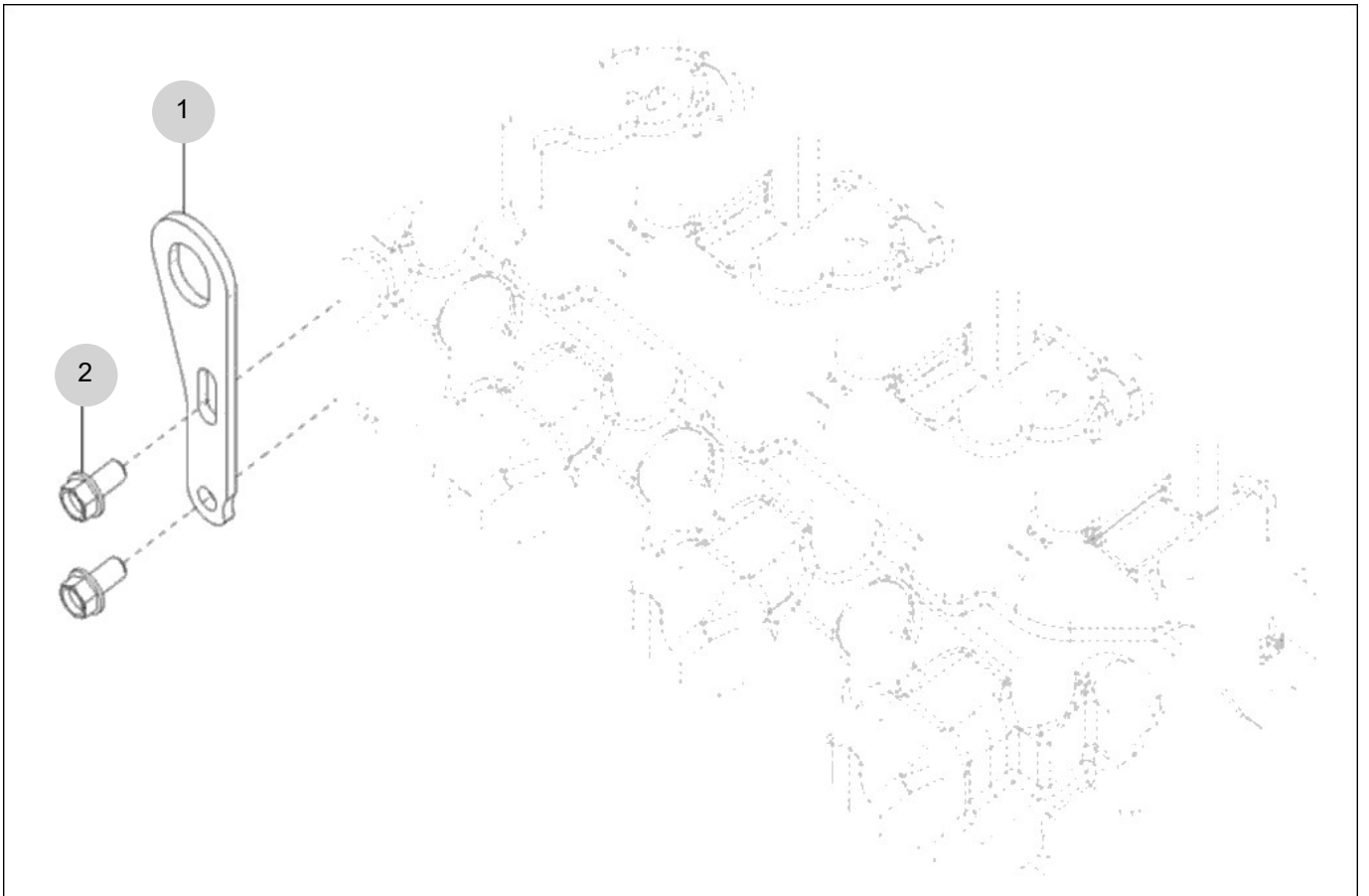
FIG 143

LIFT ASS'Y

년/월
Year/Month

2022-12

T575NCEU1



NOTE

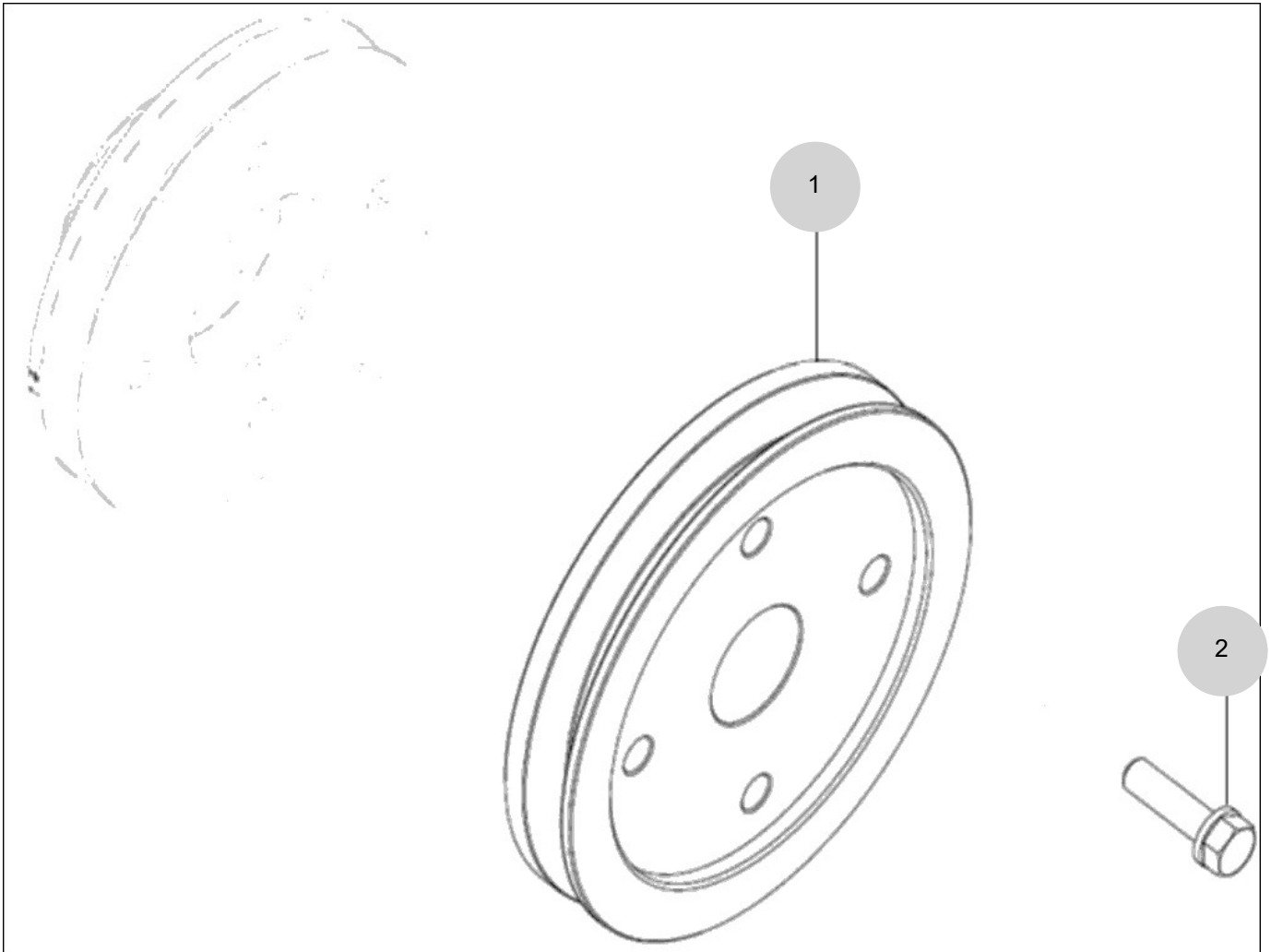
FIG 144

COMP . DRIVE PULLEY ASS'Y OPTION

년/월
Year/Month

2022-12

T575NCEU1



NOTE

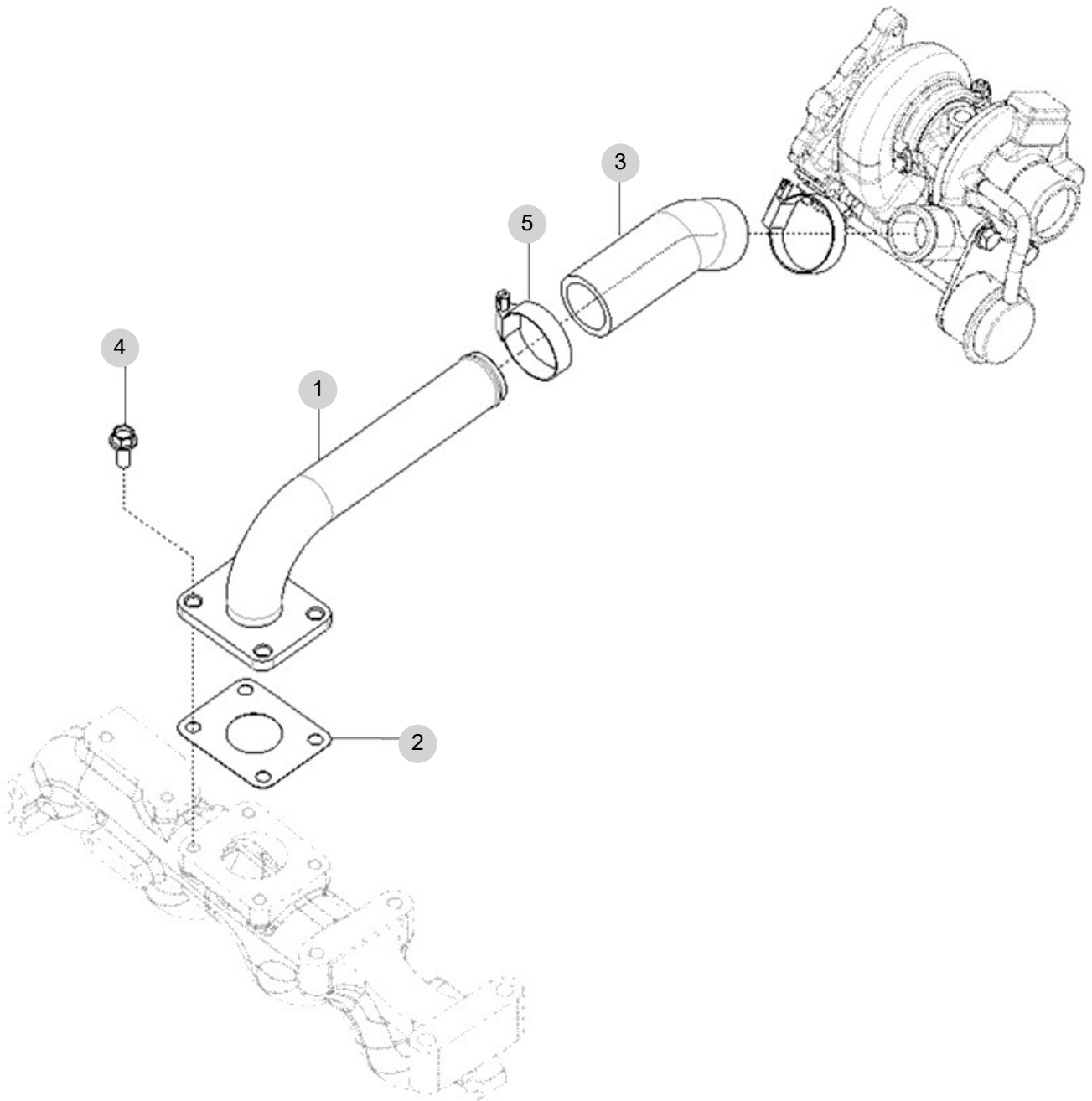
FIG 145

INTAKE PIPE

년/월
Year/Month

2022-12

T575NCEU1



NOTE

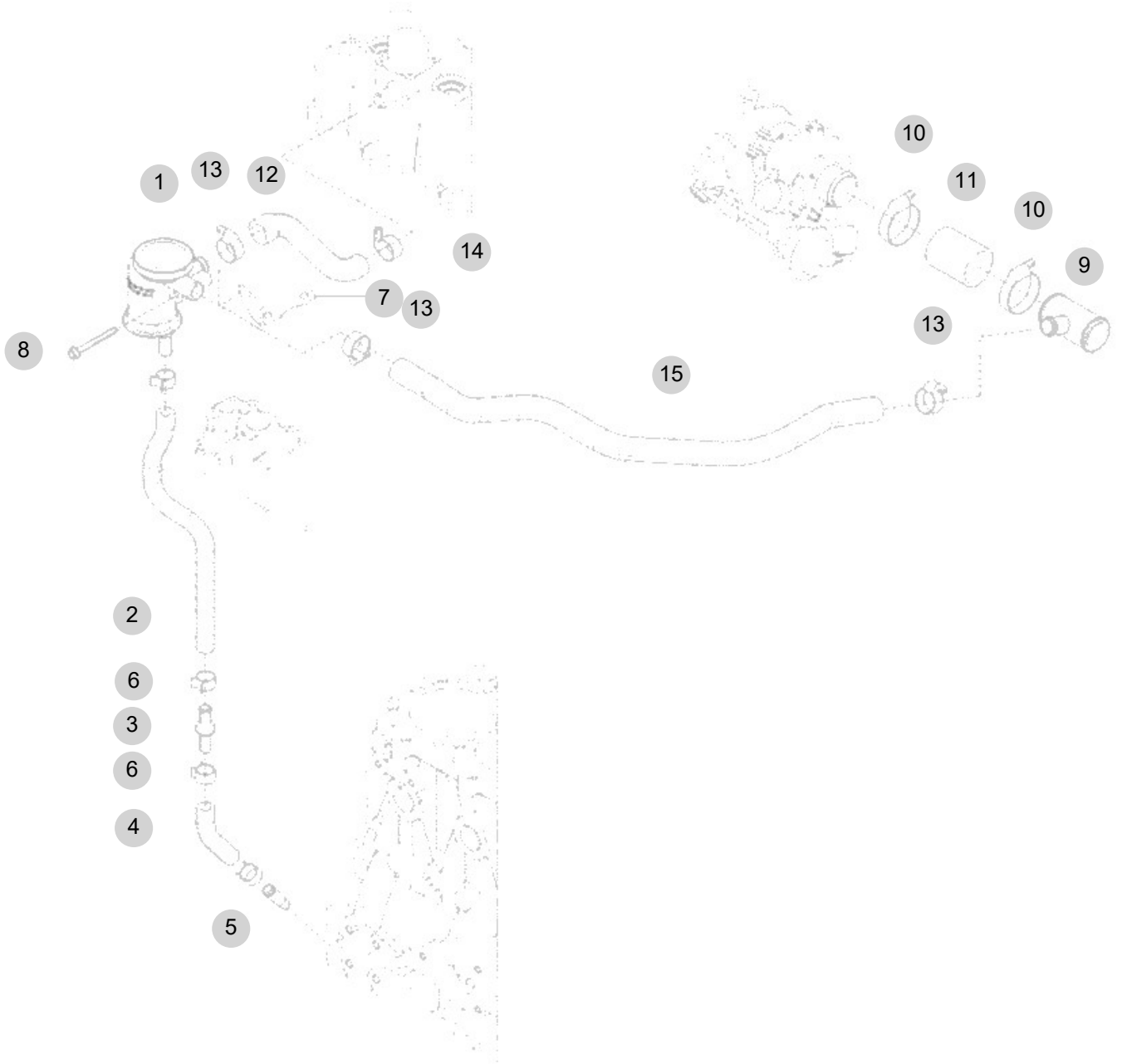
FIG 146

CCV ASS'Y

년/월
Year/Month

2022-12

T575NCEU1



NOTE

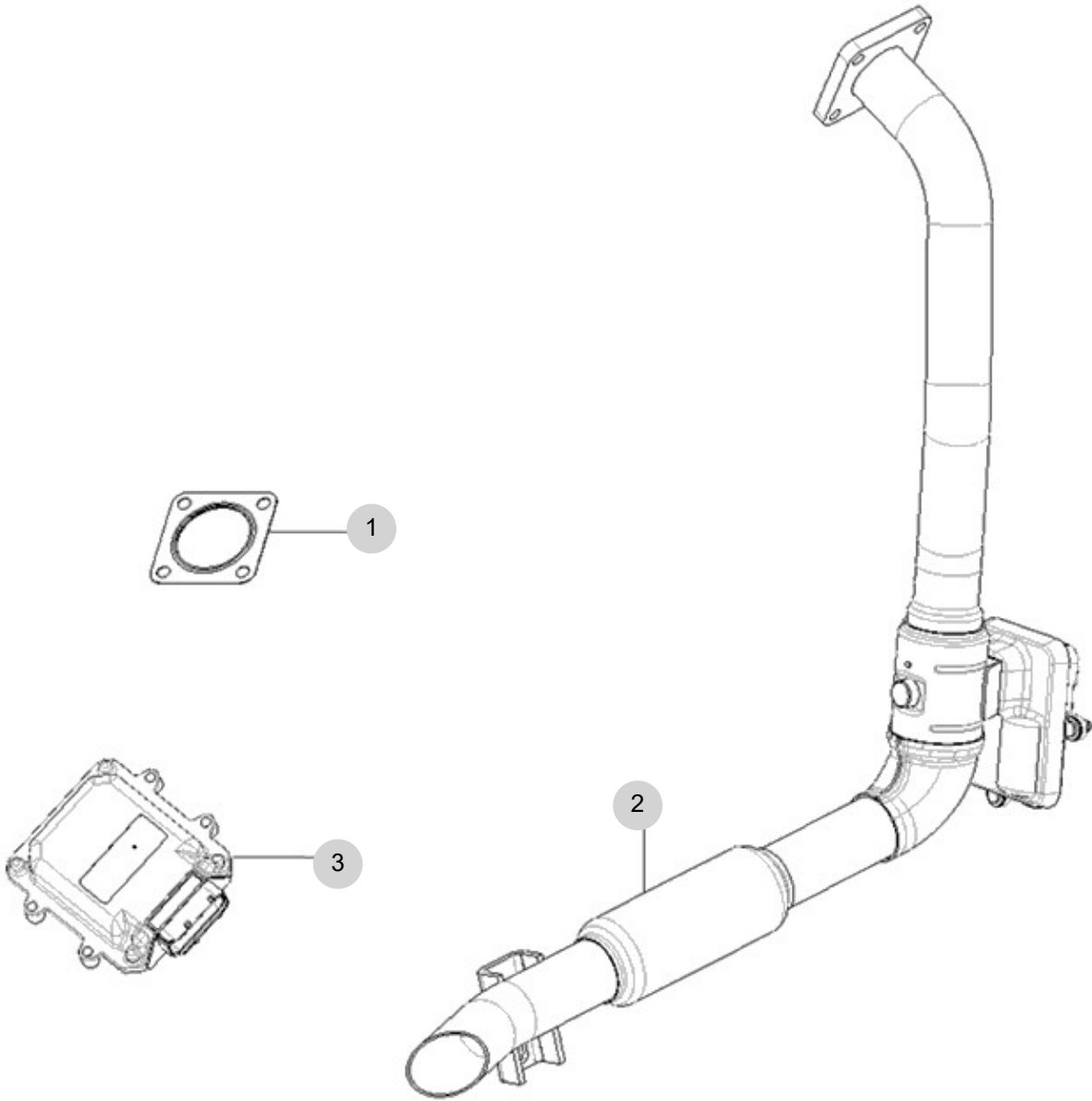
FIG 147

LOUSED PARTS

년/월
Year/Month

2022-12

T575NCEU1



NOTE

2. 엔진보기품 PART NO. T2

FIG 201A AIR CLEANER(T575)	104
FIG 202 RADIATOR	106
FIG 203 MUFFLER	108
FIG 204 FUEL HOSE & FILTER	110
FIG 205 FUEL TANK	112
FIG 206 ACCELERATOR	114

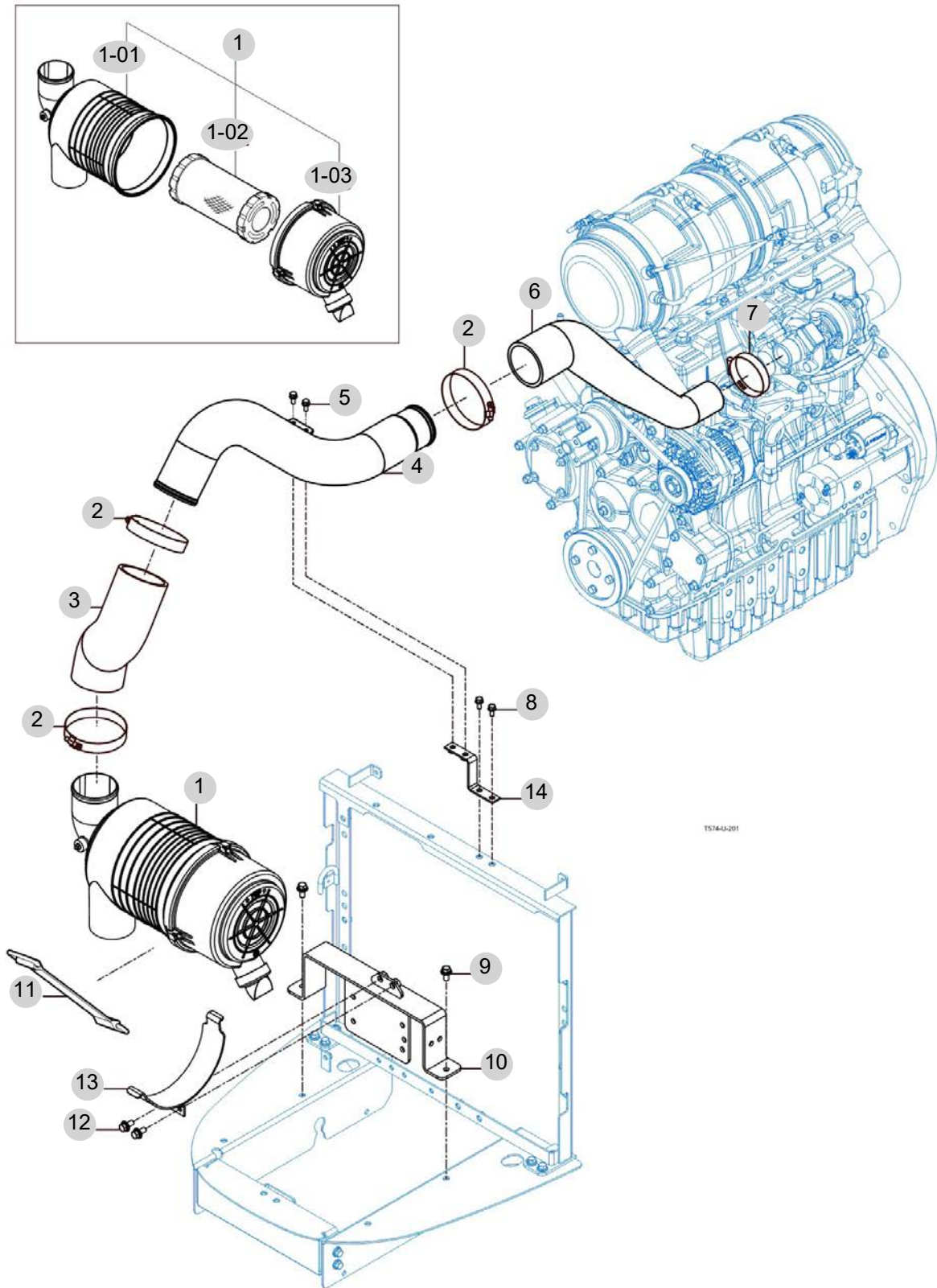
FIG 201A

AIR CLEANER(T575)

년/월
Year/Month

2022-12

T575NCEU1



NOTE

FIG 201A T575NCEU1		AIR CLEANER(T575)					년/월 Year/Month	
							2022-12	
KEY NO	PART NO	DESCRIPTION	SPEC	QTY	REPAIR	EFFECTIVE DATE	REMARKS	
201A	1	13831221100	에어클리너 ASSY			1		
201A	1-01	13831221110	바디			1		
201A	1-02	13831221120	ELEMENT , AIR CLEANER			1		
201A	1-03	13831221130	커버			1		
201A	2	18027090900	밴드 클램프 90 흡식	90		3		
201A	3	13911210010	호스 , 에어 인렛 FR			1		
201A	4	13871211200	에어 인렛 덕트			1		
201A	5	V2183606020	소형육각볼트보통(SP)	M6X20		2		
201A	6	13871210020	호스 , 에어 인렛 TC			1		
201A	6	13871210021	호스 , 에어 인렛 TC			1		
201A	7	18027090600	밴드 클램프 60 흡식	60		1		
201A	8	V2183608020	소형육각볼트보통(SP)	M8X20		2		
201A	9	V2183608020	소형육각볼트보통(SP)	M8X20		2		
201A	10	13871811600GB	브래킷 COMP , 에어클리너 고정			1		
201A	11	36402602001	배터리 누름판 고무 조합			1		
201A	12	V2183608020	소형육각볼트보통(SP)	M8X20		2		
201A	13	13831211300GB	브래킷 COMP , 에어클리너			1		
201A	14	13871211400GB	브래킷 COMP , 덕트			1		
NOTE								

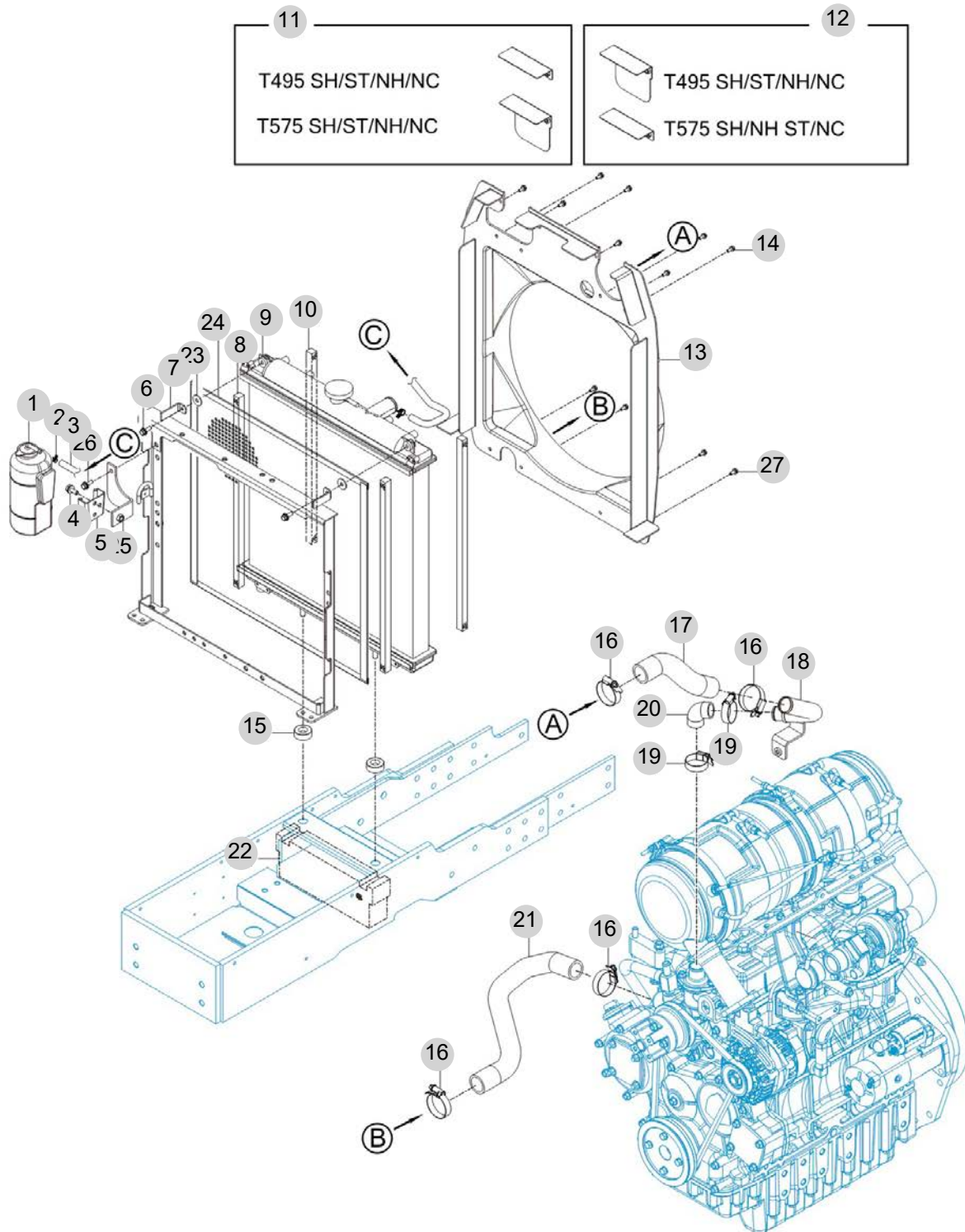
FIG 202

RADIATOR

년/월
Year/Month

2022-12

T575NCEU1



NOTE

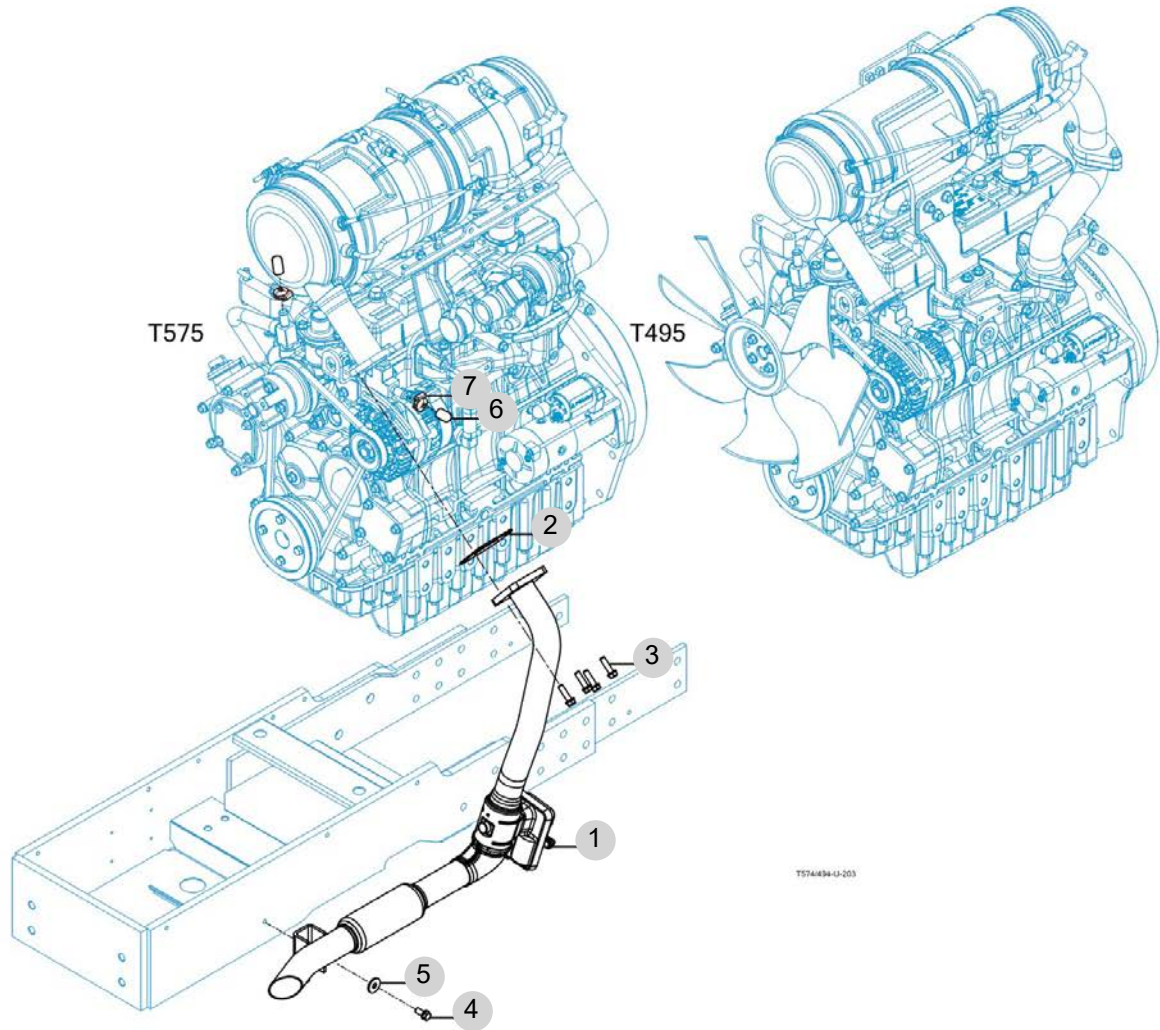
FIG 203

MUFFLER

년/월
Year/Month

2022-12

T575NCEU1



NOTE

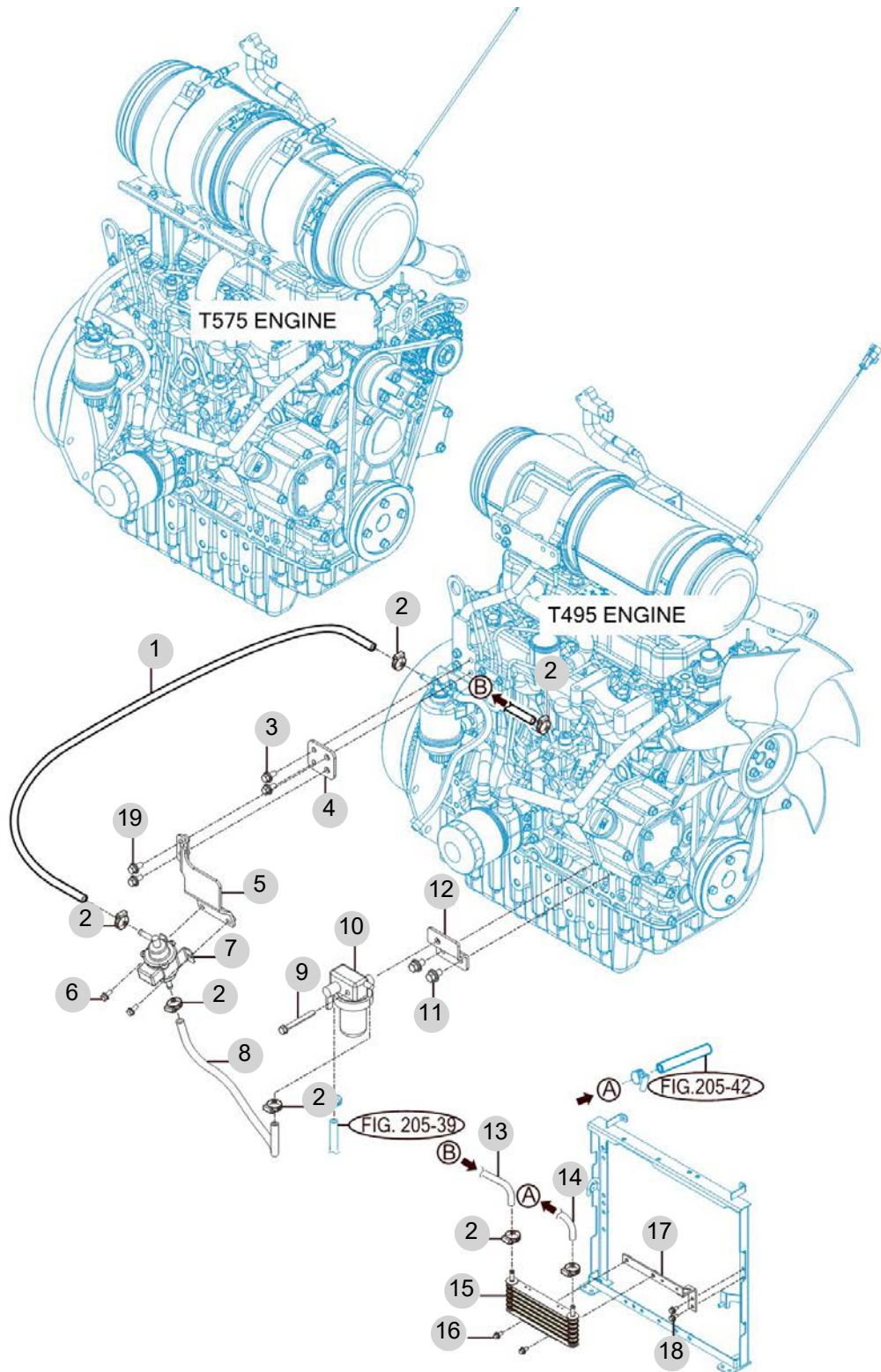
FIG 204

FUEL HOSE & FILTER

년/월
Year/Month

2022-12

T575NCEU1



NOTE

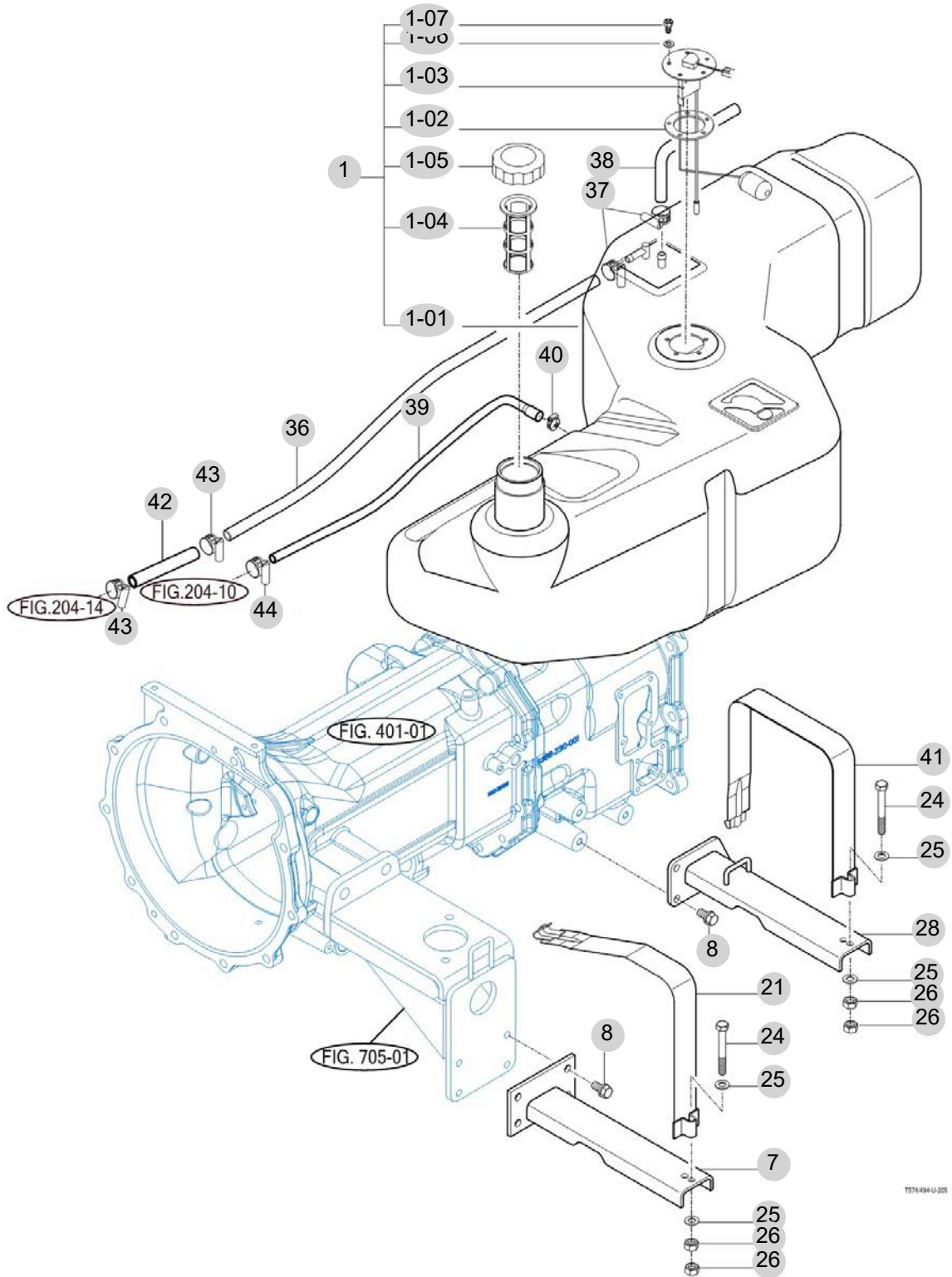
FIG 205

T575NCEU1

FUEL TANK

년/월
Year/Month

2022-12



NOTE

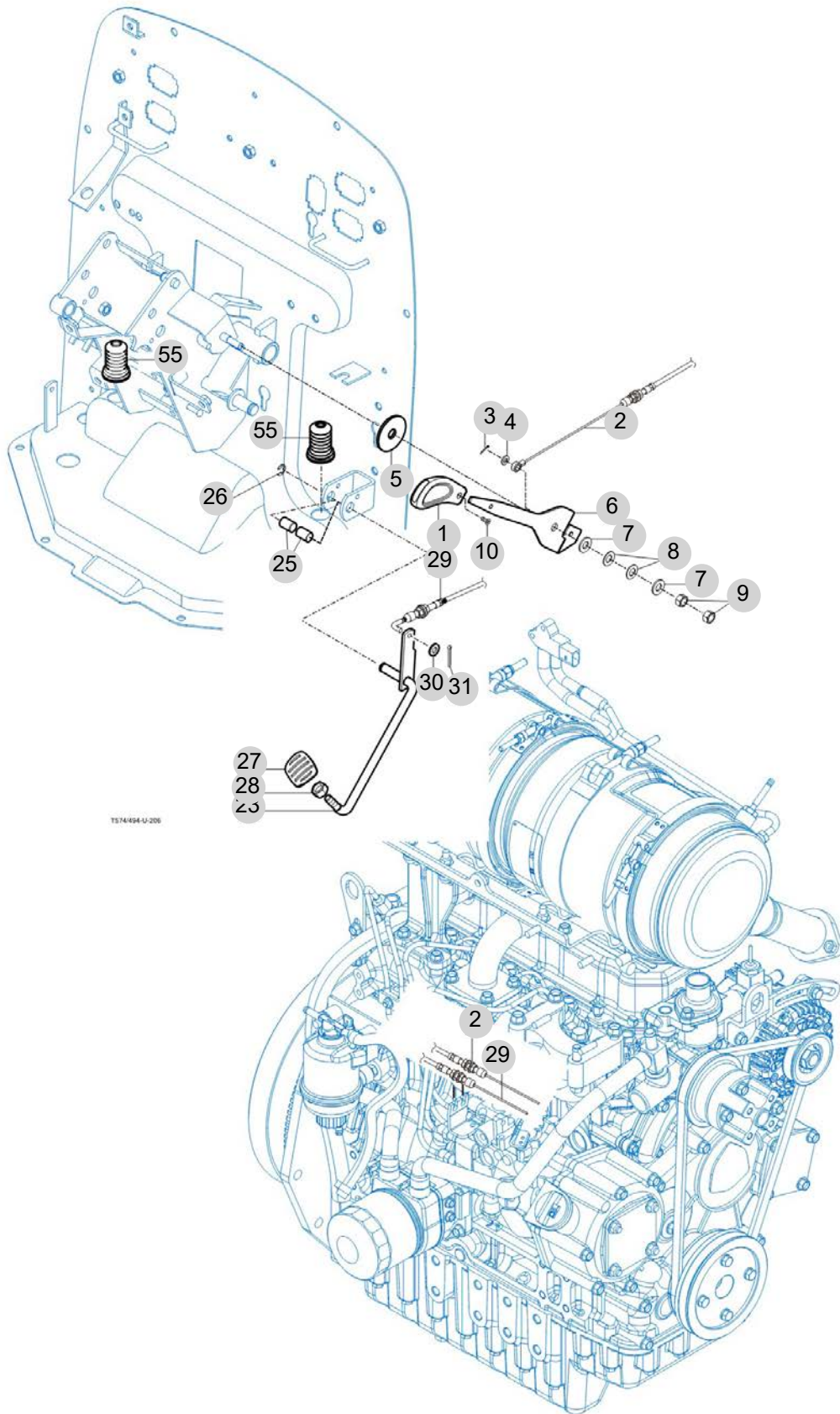
FIG 206

ACCELERATOR

년/월
Year/Month

2022-12

T575NCEU1



NOTE

3. 클러치/브레이크/스티어링 PART NO. T3

FIG 301 CLUTCH	117
FIG 302 CLUTCH PEDAL	119
FIG 303 BRAKE	121
FIG 304 BRAKE PEDAL & LINKAGE	123
FIG 305A FRONT WHEEL	125
FIG 305B FRONT WHEEL (R4 OPTION)	127
FIG 306A REAR WHEEL	129
FIG 306B REAR WHEEL (R4 OPTION)	131
FIG 307 POWER STEERING WHEEL	133
FIG 308 POWER STEERING VALVE	135
FIG 309 POWER STEERING CYLINDER	137
FIG 310 HAND BRAKE	139

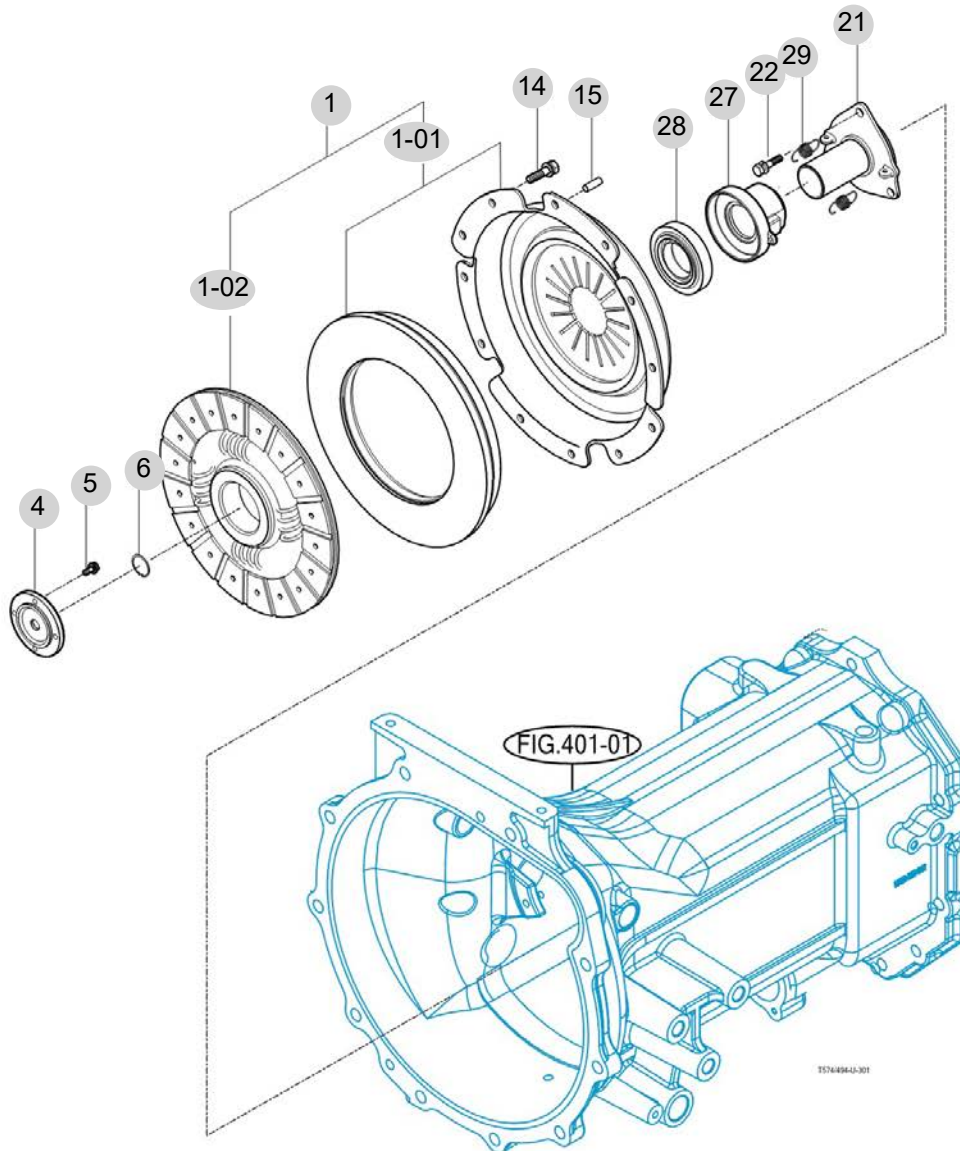
FIG 301

T575NCEU1

CLUTCH

년/월
Year/Month

2022-12



NOTE

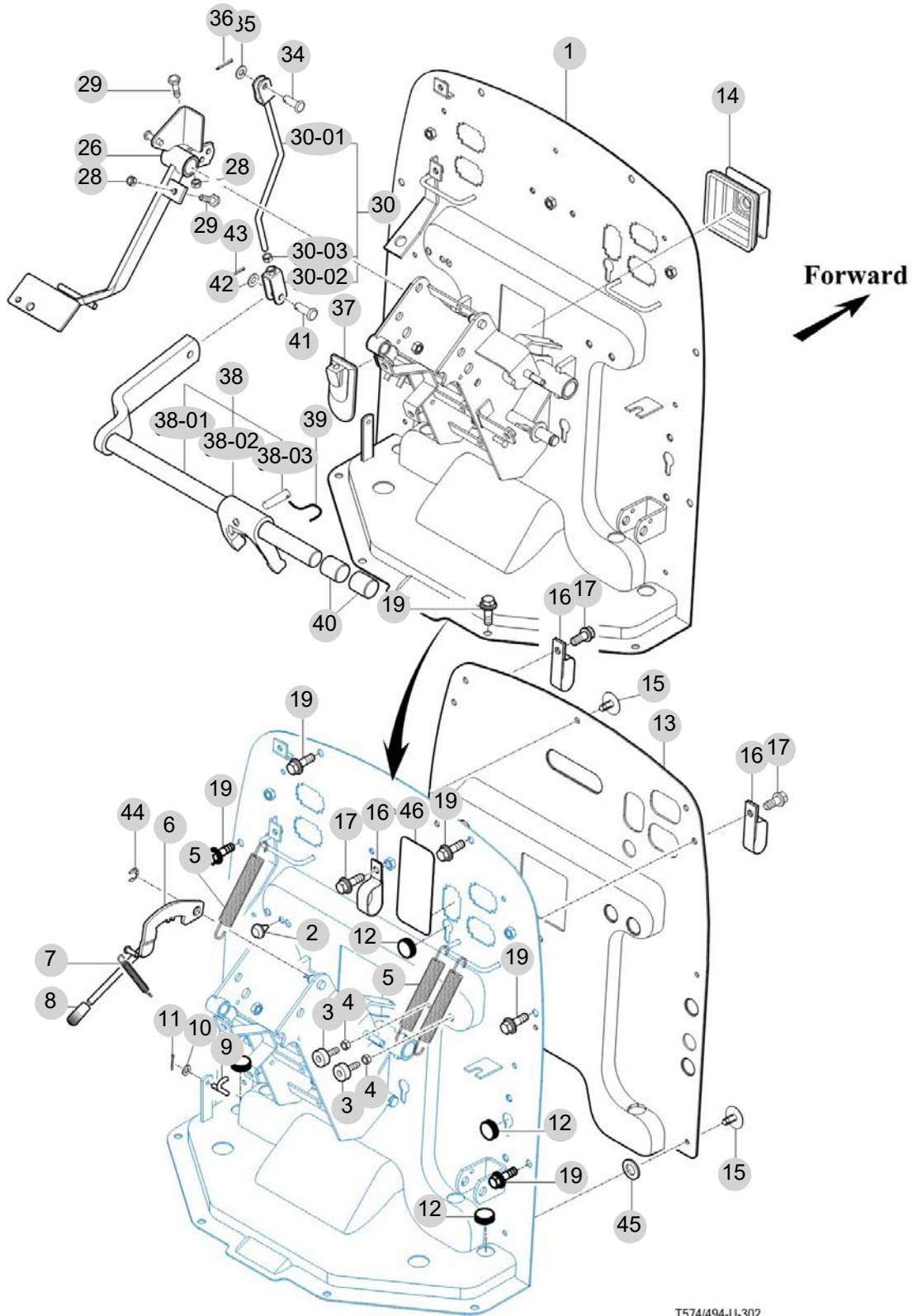
FIG 302

CLUTCH PEDAL

년/월
Year/Month

2022-12

T575NCEU1



T574/494-U-302

NOTE

FIG 302 T575NCEU1		CLUTCH PEDAL					년/월 Year/Month	
							2022-12	
KEY NO	PART NO	DESCRIPTION	SPEC	QTY	REPAIR	EFFECTIVE DATE	REMARKS	
302	1	11066303200GB	대시 패널 COMP		1			
302	2	14326160020	콧션고무		1			
302	3	14216020051	콧션고무(B)		2			
302	4	V3043600080	소형육각너트보통2종	M8	2			
302	5	14041200080	클러치리턴스프링	D=2.3	3			
302	6	14724042401GB	틸트레버 COMP		1			
302	7	16001200080	브레이크리턴스프링	D=1.6	1			
302	8	14445070030	레버손잡이		1			
302	9	15441230050	컷오프로드		1			
302	10	V4111600060	평와셔	M6	1			
302	11	V5001920020	분할핀	2X20	1			
302	12	14326510210	고무캡(20)		4			
302	13	17467071991	인슐레이터, 대시	T=10	1			
302	14	14526300011	부츠,스티어링호스	T=1.5	1			
302	15	17686040020	리벳 SET(흑색)	SV302	9			
302	16	14441010161	라디에이터호스클램프		3			
302	17	V2183608020	소형육각볼트보통(SP)	M8X20	3			
302	19	V2183608016	소형육각볼트보통(SP)	M8X16	10			
302	25	V1222604025	심자흡냄비작은나사(SP)	M4X25	2			
302	26	14571332100GB	페달(클러치)COMP		1			
302	28	V3043600080	소형육각너트보통2종	M8	2			
302	29	V2013608030	소형육각볼트(보통)	M8X30	2			
302	30	14521330002GB	로드서브, 클러치		1			
302	30	14521330002	로드서브, 클러치		1			
302	30	14521330002	로드서브, 클러치		1			
302	30-01	14521333103	로드조합, 클러치		1			
302	30-02	14521333200	후크 조합		1			
302	30-03	V3042600080	소형육각너트보통2종		1			
302	34	14322420010	핀	D=8	1			
302	35	V4111600080	평와셔	M8	1			
302	36	V5001925020	핀	2.5X20	1			
302	37	14526300210	부츠,클러치 페달		1			
302	38	14521302000	바 SET		1			
302	38-01	14521302101	바 COMP		1			
302	38-02	14521300011	포크(릴리스)		1			
302	38-03	15601300010	핀(테이퍼,08X40)		1			
302	39	V5901012150	철선		1			
302	40	14521302150	부시(바COMP)		2			
302	41	14043120060	요오크핀 (A)	D=8	1			
302	42	V4111600080	평와셔	M8	1			
302	43	V5001920020	분할핀	2X20	1			
302	44	V7081400090	E형멈춤링		1			
302	45	V4111600080	평와셔	M8	1			
302	46	12386400011	막음라벨, 클러치		1			
NOTE								

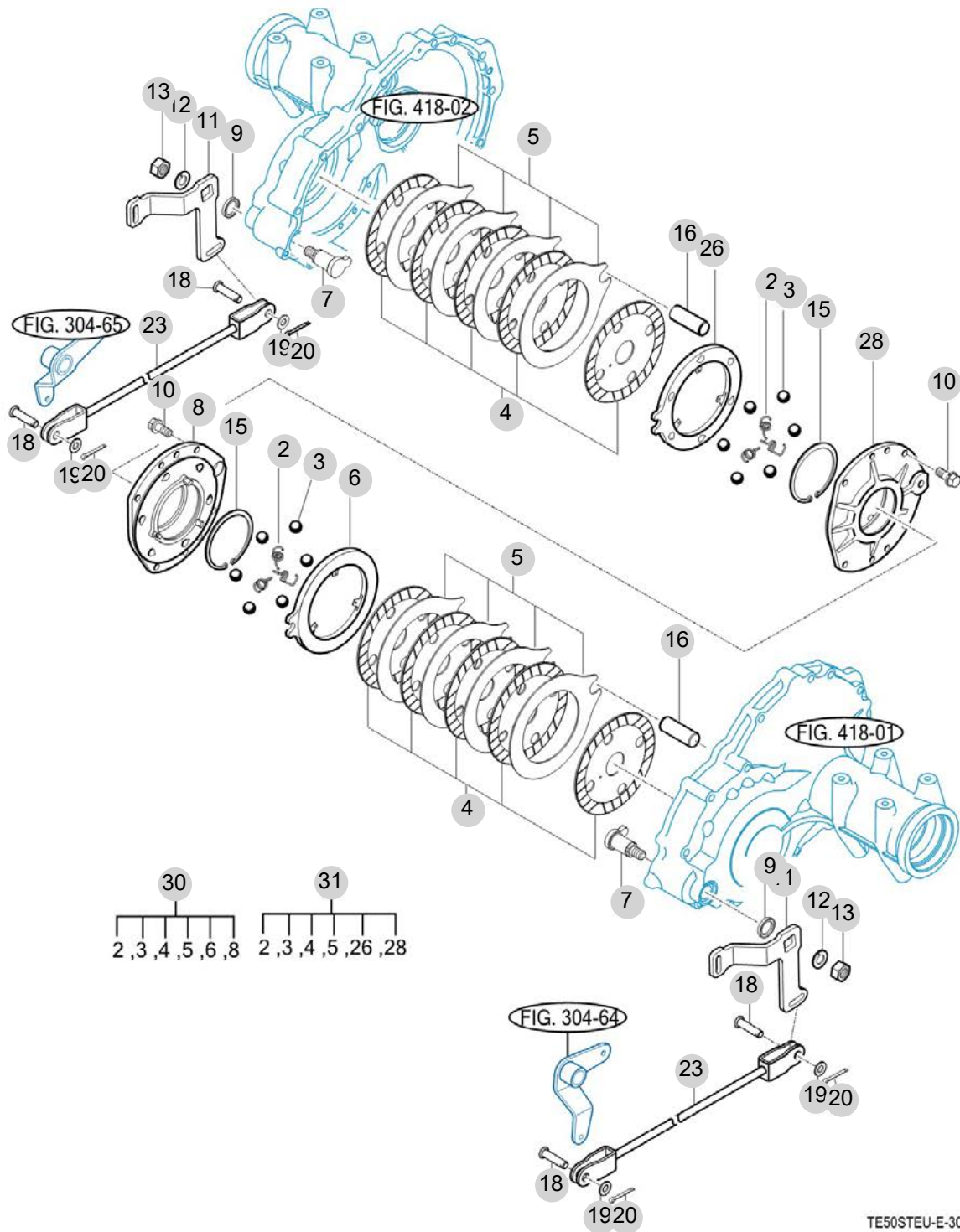
FIG 303

BRAKE

년/월
Year/Month

2022-12

T575NCEU1



TE50STEU-E-303

NOTE

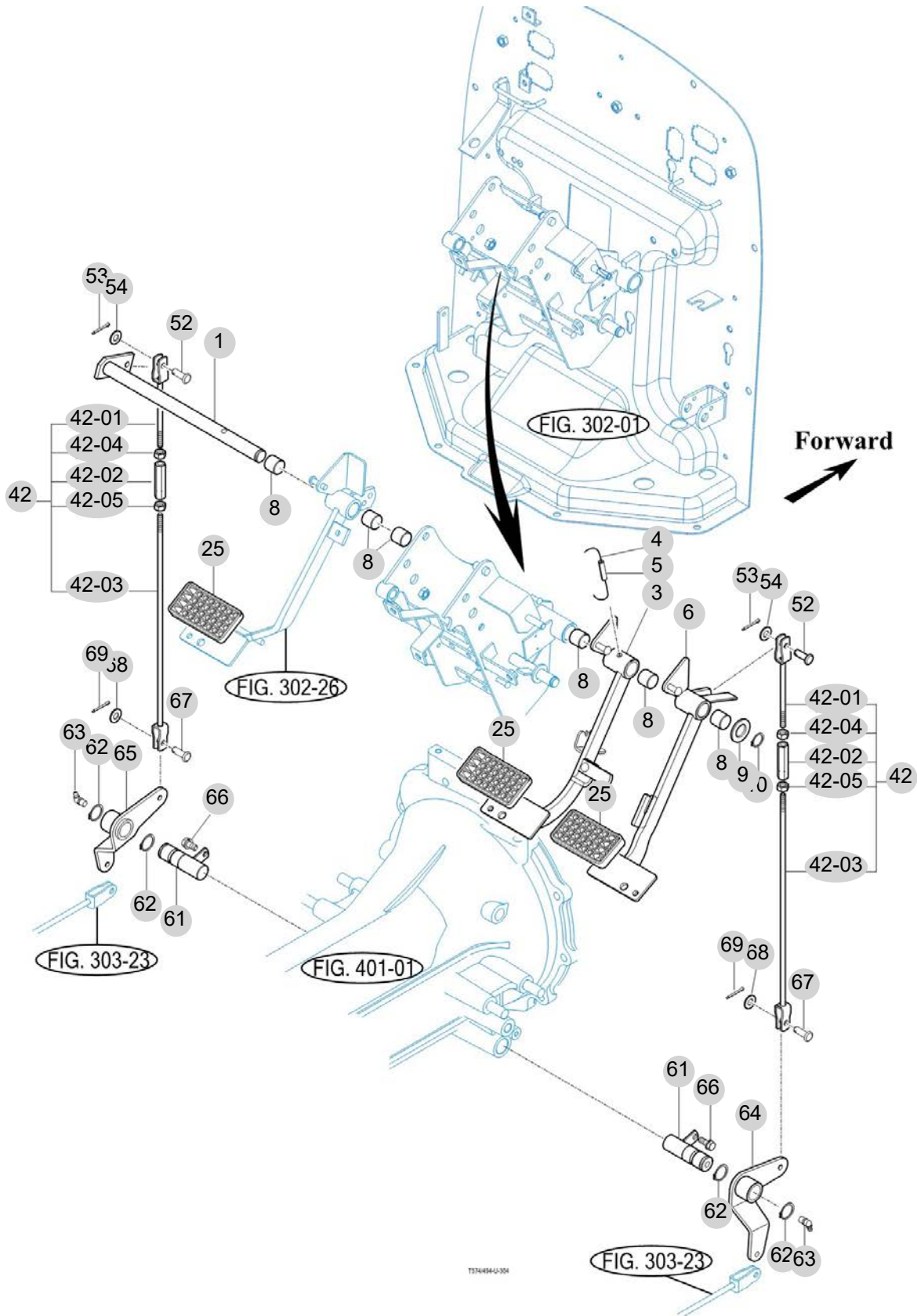
FIG 304

BRAKE PEDAL & LINKAGE

년/월
Year/Month

2022-12

T575NCEU1



T374094-U-304

NOTE

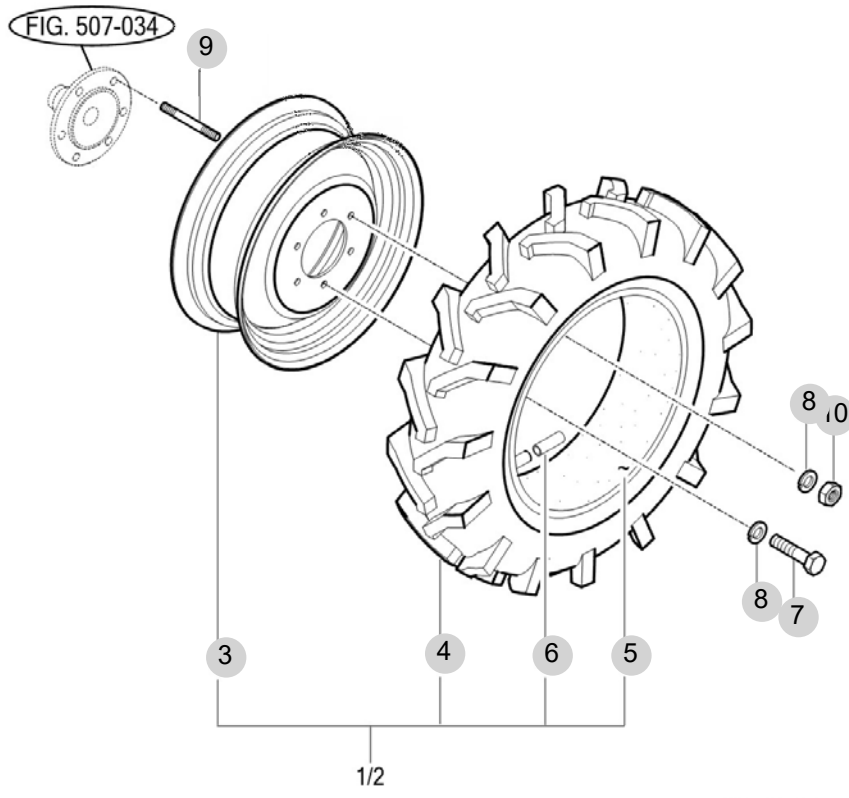
FIG 305A

T575NCEU1

FRONT WHEEL

년/월
Year/Month

2022-12



NOTE

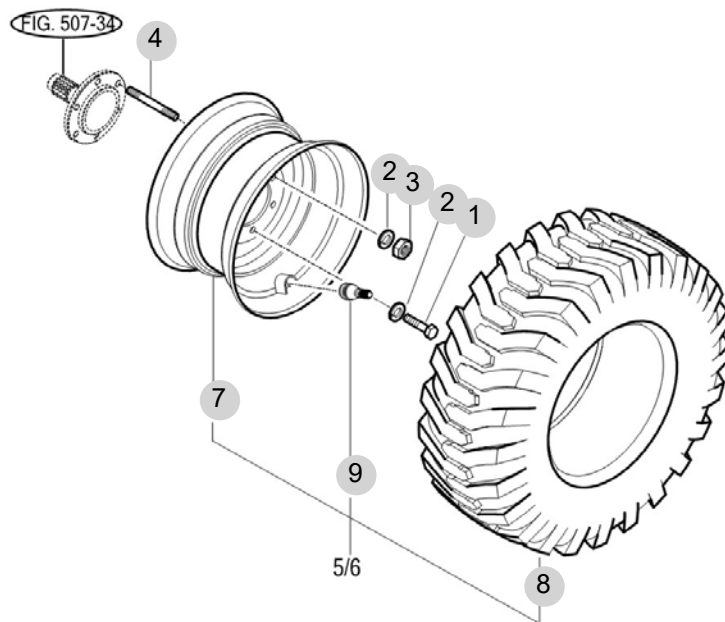
FIG 305B

T575NCEU1

FRONT WHEEL (R4 OPTION)

년/월
Year/Month

2022-12



T503HST-E-305B

NOTE

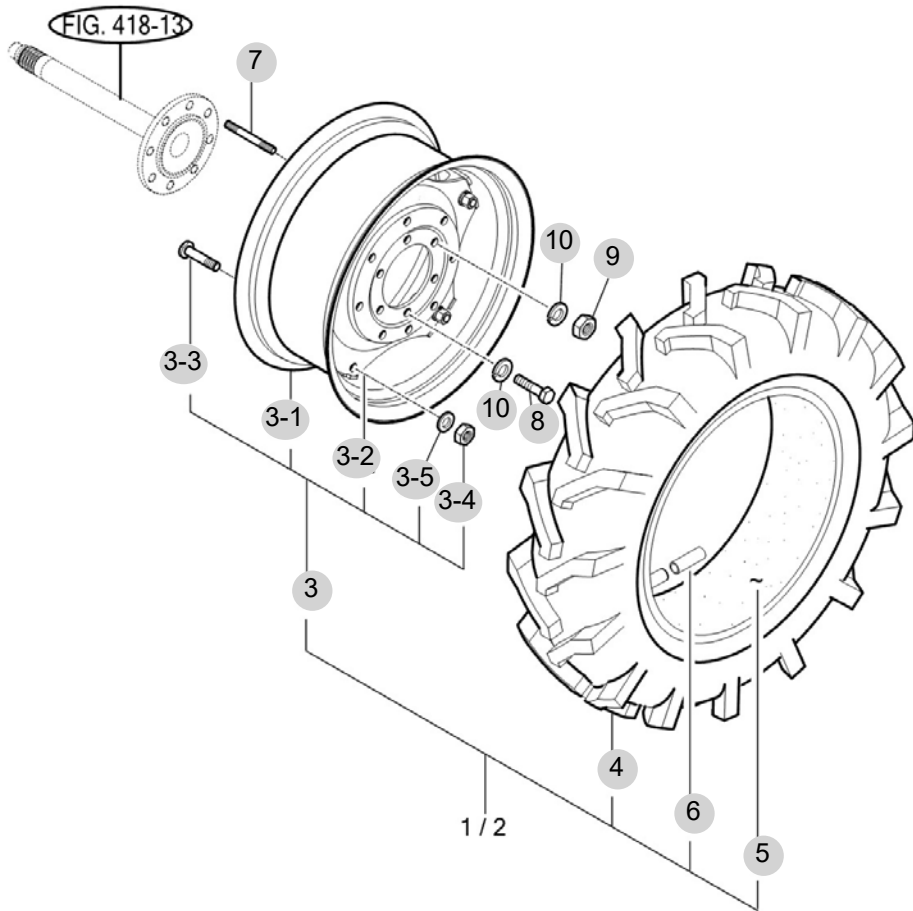
FIG 306A

T575NCEU1

REAR WHEEL

년/월
Year/Month

2022-12



NOTE

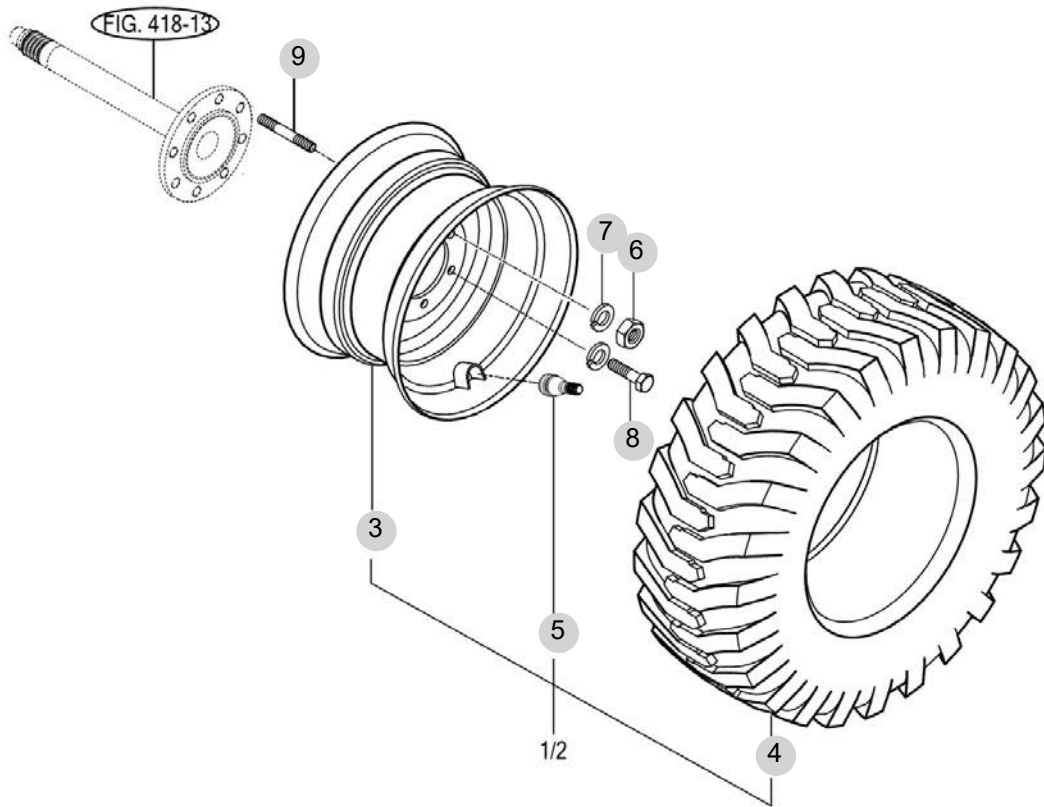
FIG 306B

T575NCEU1

REAR WHEEL (R4 OPTION)

년/월
Year/Month

2022-12



NOTE

FIG 306B		REAR WHEEL (R4 OPTION)						년/월 Year/Month
T575NCEU1								2022-12
KEY NO		PART NO	DESCRIPTION	SPEC	QTY	REPAIR	EFFECTIVE DATE	REMARKS
306B	1	15174403100	타이어(17.5L-24/LH)ASSY		1			
306B	2	15174403200	타이어(17.5L-24/RH)ASSY		1			
306B	3	15174172200SR	휠림(W15LX24)ASSY/R4		2			
306B	3	15174172200MS	휠림(W15LX24)ASSY/R4		2			
306B	4	12206172111	타이어(17.5L-24,6PR,R4)		2			
306B	5	13153409000	타이어 밸브 SUB(415)		2			
306B	6	V3343600160	소형육각너트가는2종	M16	4			
306B	7	V4011600160	스프링와셔	M16	12			
306B	8	V2014616030	소형육각볼트(보통)	M16X30	8			
306B	9	15603200010	보울트(스타드,M16X30)		4			
NOTE								

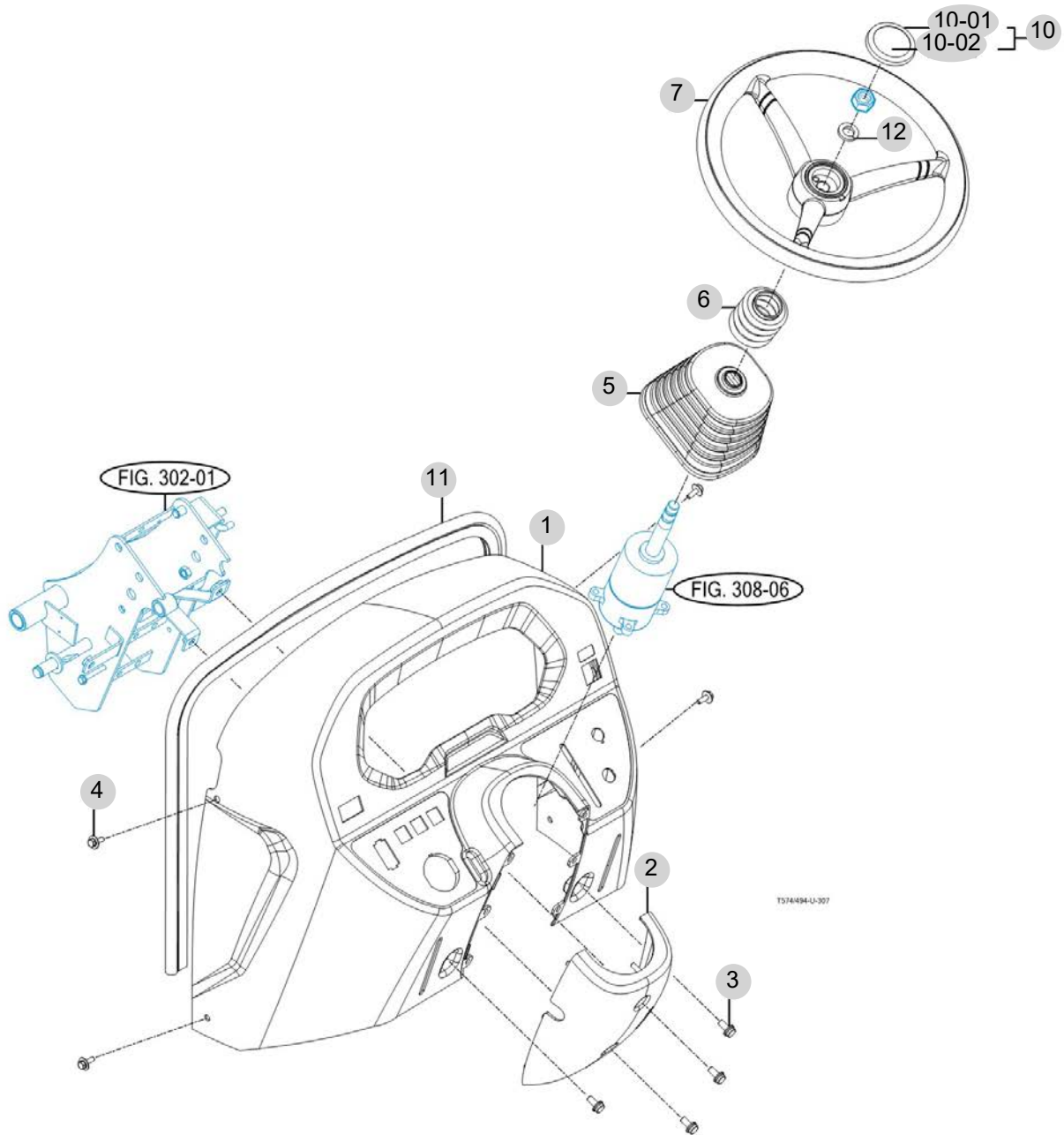
FIG 307

POWER STEERING WHEEL

년/월
Year/Month

2022-12

T575NCEU1



T574494-U-307

NOTE

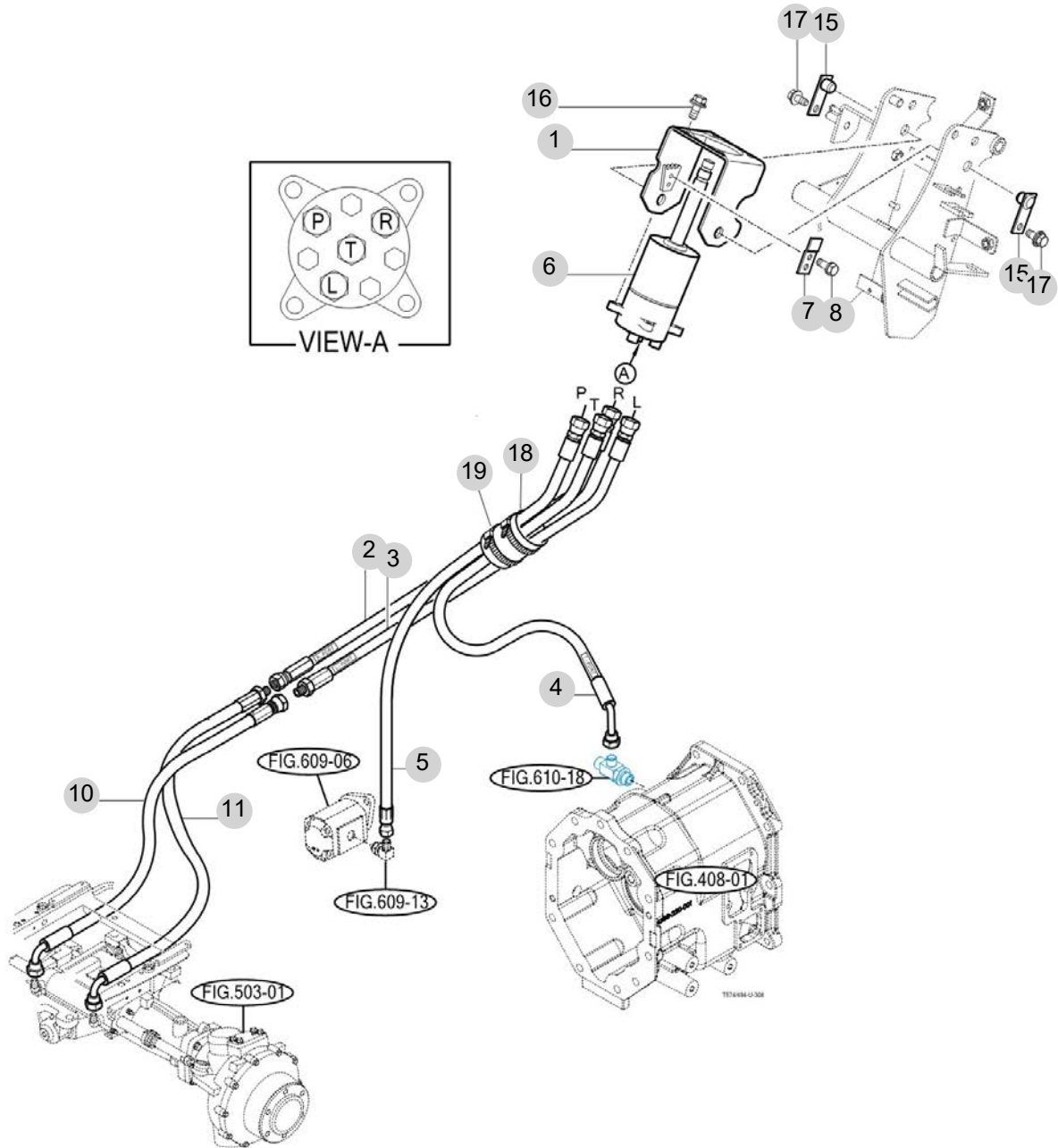
FIG 308

POWER STEERING VALVE

년/월
Year/Month

2022-12

T575NCEU1



NOTE

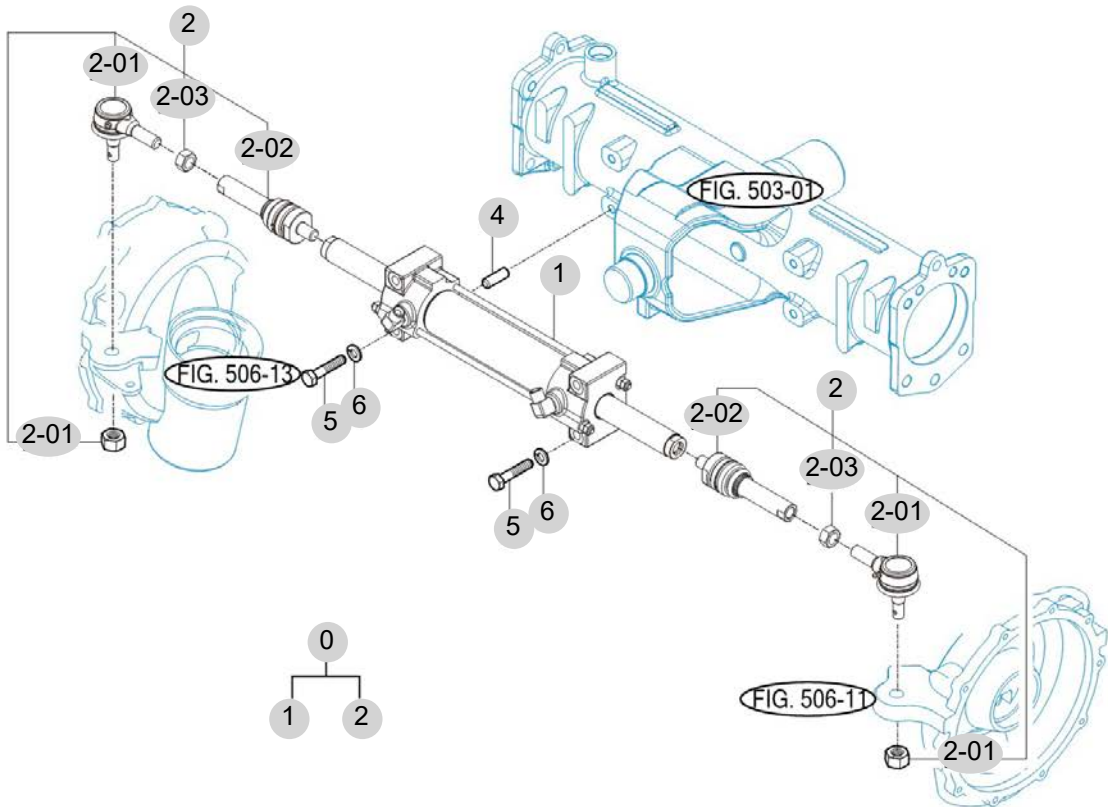
FIG 309

POWER STEERING CYLINDER

년/월
Year/Month

2022-12

T575NCEU1



T55551/T4594C-E-309

NOTE

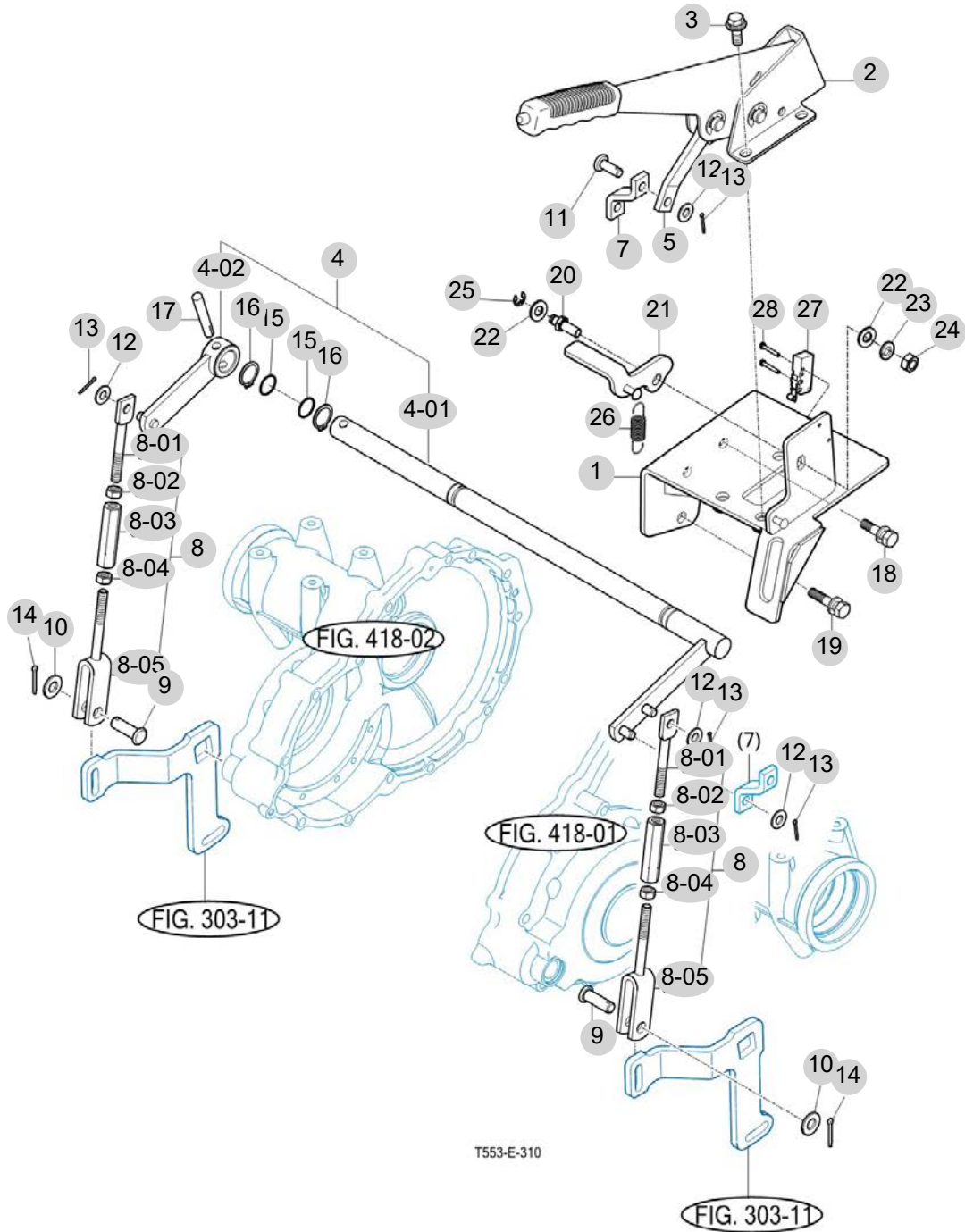
FIG 310

HAND BRAKE

년/월
Year/Month

2022-12

T575NCEU1



T553-E-310

NOTE

4. 트랜스미션 PART NO. T4

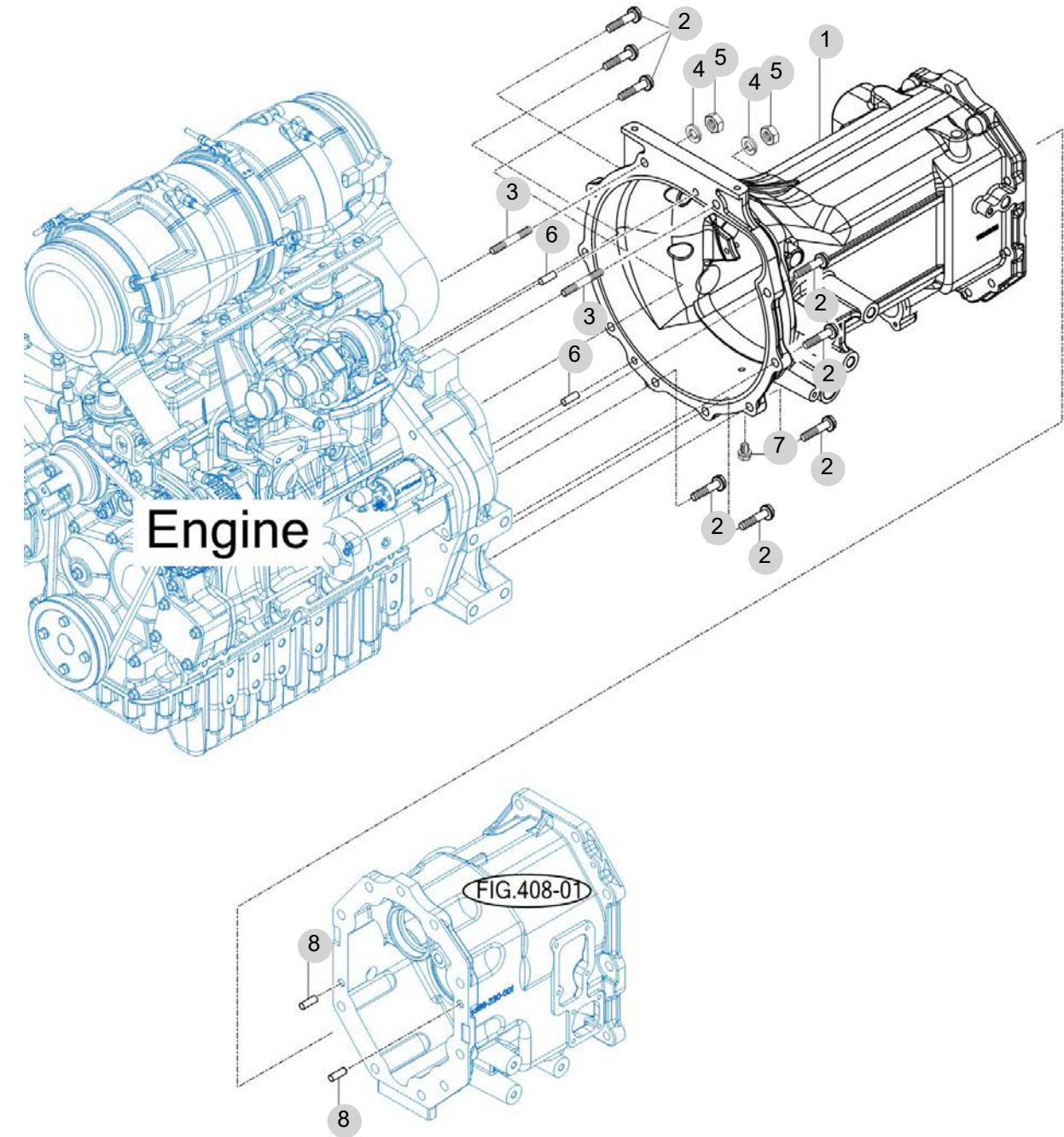
FIG 401 TRANSMISSION FRONT CASE	142
FIG 402 FORWARD & BACKWARD GEARS	144
FIG 403 IDLE & COUNTER GEARS	146
FIG 404 MAIN SHIFT GEARS	148
FIG 405 P.T.O DRIVE SHAFT	150
FIG 406 MAIN CHANGE LEVER	152
FIG 407 REVERSE CHANGE LEVER	154
FIG 408 TRANSMISSION MID CASE	156
FIG 409 TRANSMISSION REAR CASE	158
FIG 410 SUB CHANGE GEARS	160
FIG 411 SUB CHANGE SHIFTER	162
FIG 413 DRIVE GEARS	164
FIG 414 4WD CHANGE LEVER	166
FIG 415 P.T.O CHANGE GEARS	168
FIG 417 REAR DIFFERENTIAL GEARS	170
FIG 418 REAR AXLE HOUSING	173

FIG 401

TRANSMISSION FRONT CASE

년/월
Year/Month

2022-12



NOTE

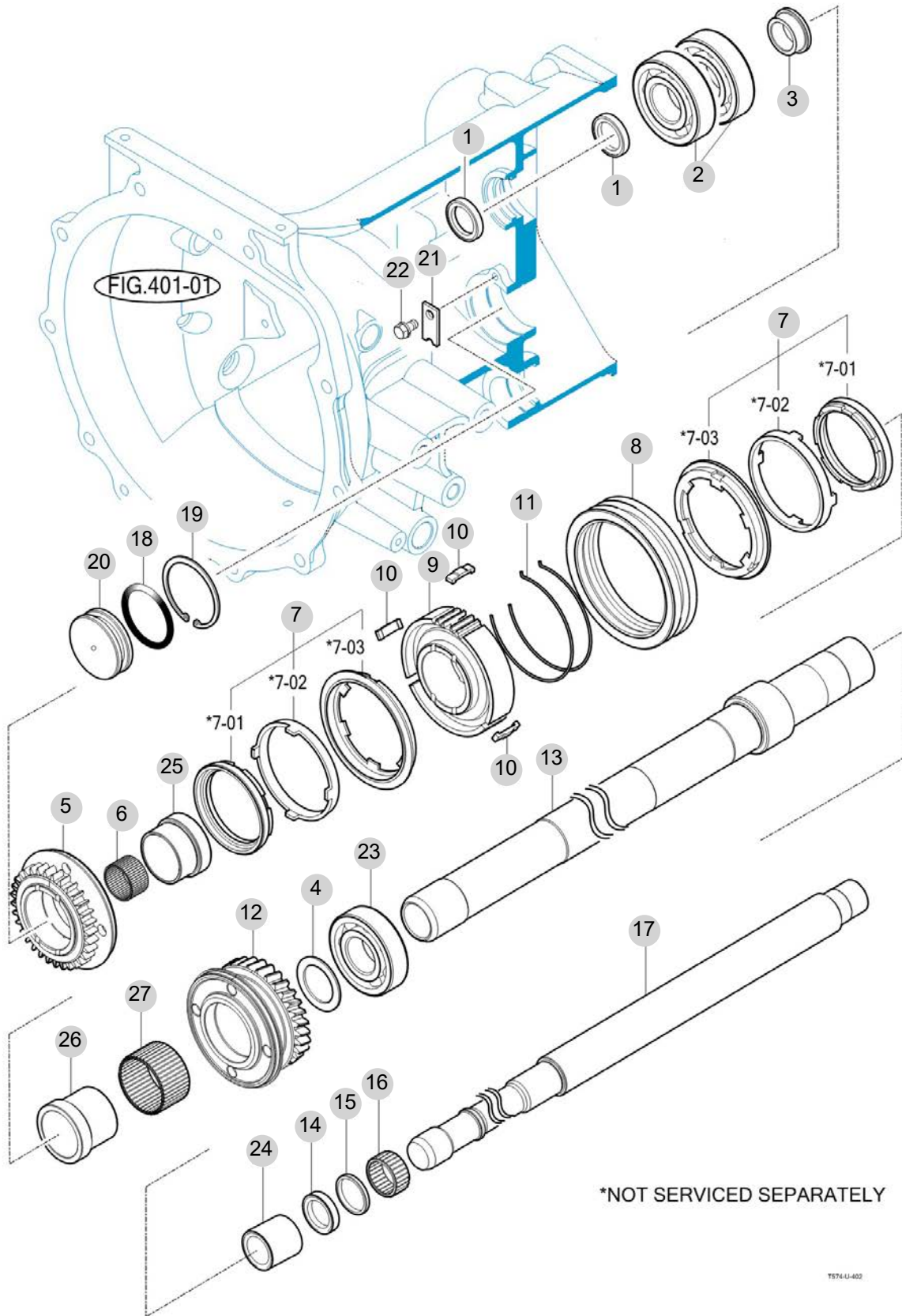
FIG 402

FORWARD & BACKWARD GEARS

년/월
Year/Month

2022-12

T575NCEU1



NOTE

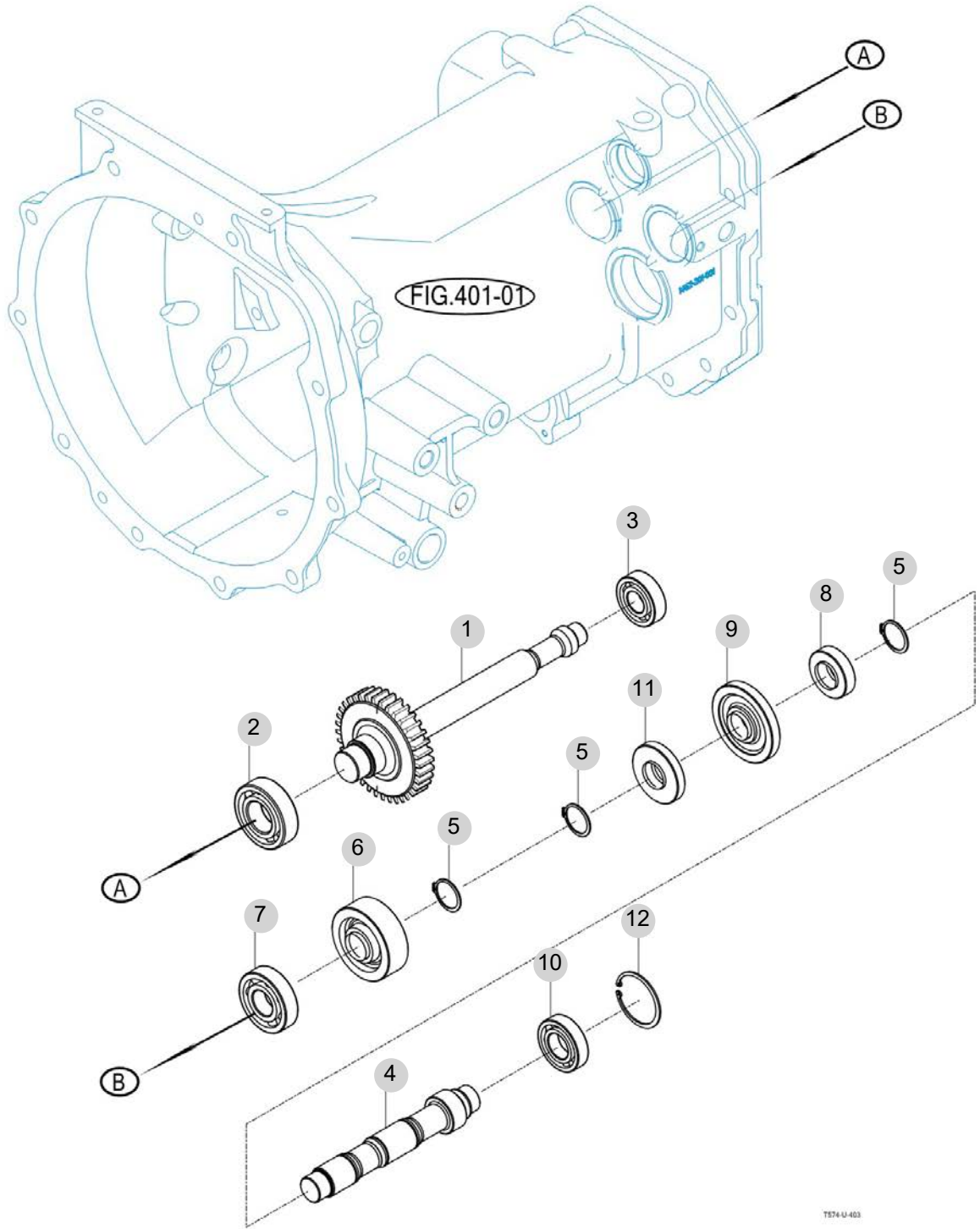
FIG 403

IDLE & COUNTER GEARS

년/월
Year/Month

2022-12

T575NCEU1



NOTE

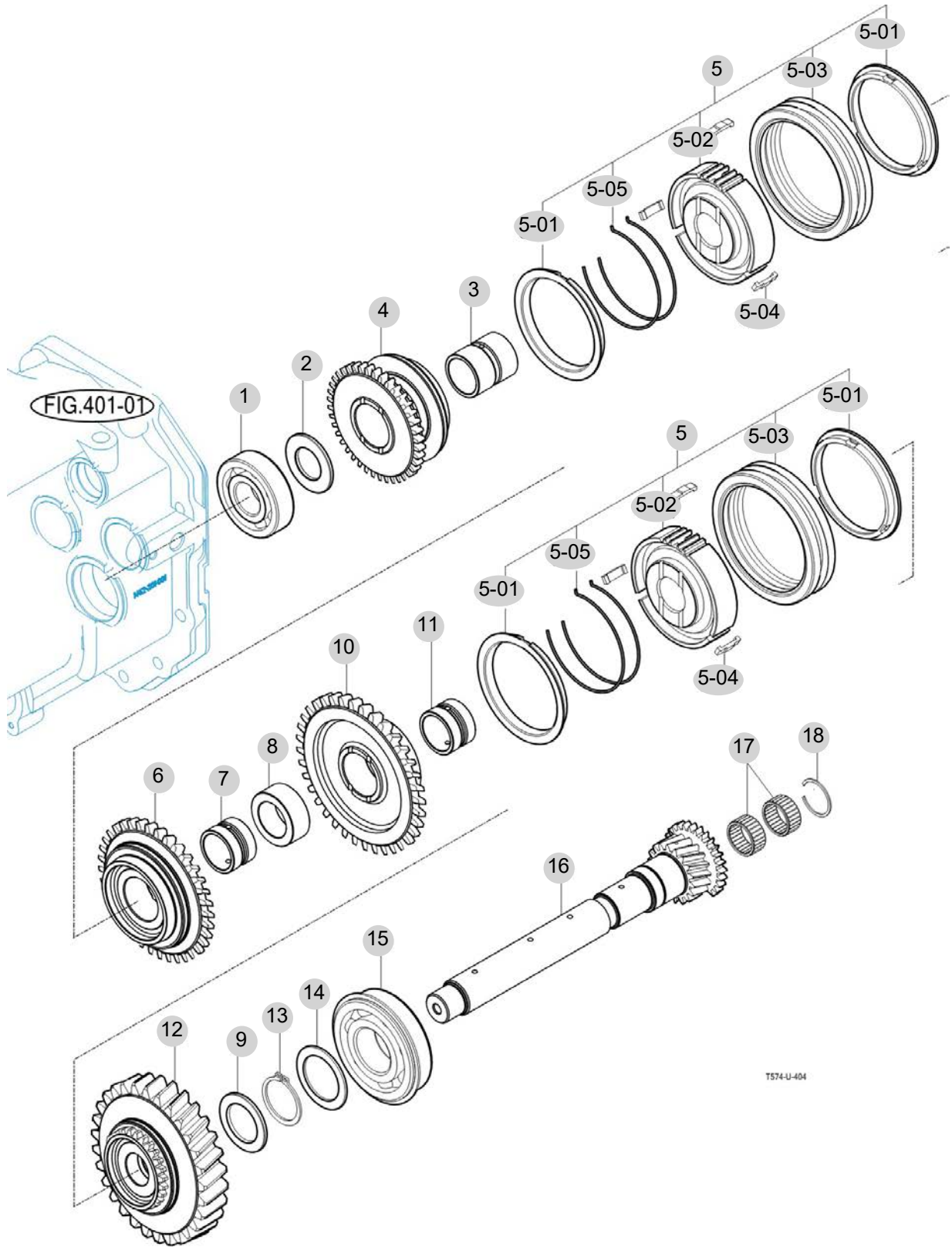
FIG 404

MAIN SHIFT GEARS

년/월
Year/Month

T575NCEU1

2022-12



NOTE

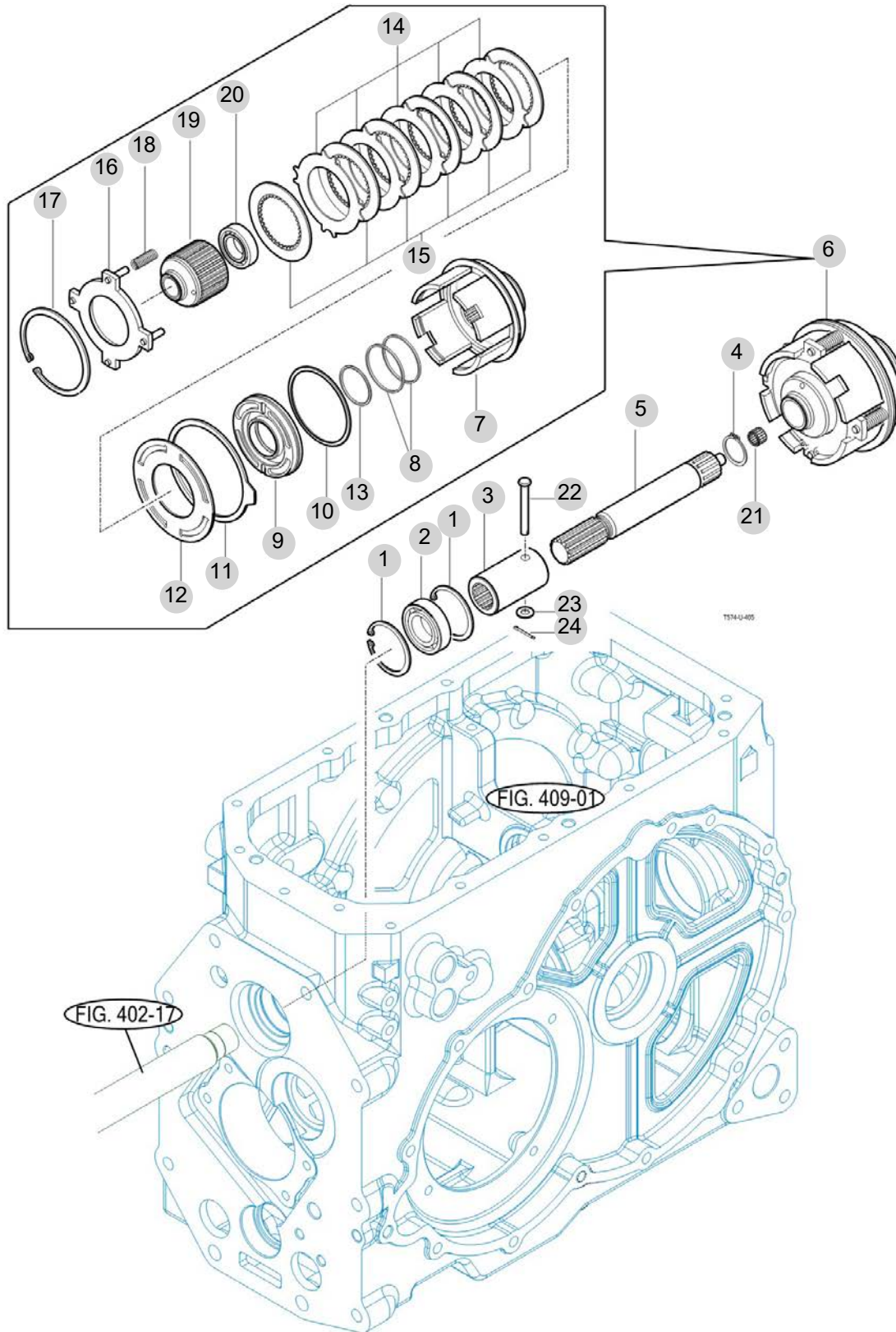
FIG 405

P.T.O DRIVE SHAFT

년/월
Year/Month

2022-12

T575NCEU1



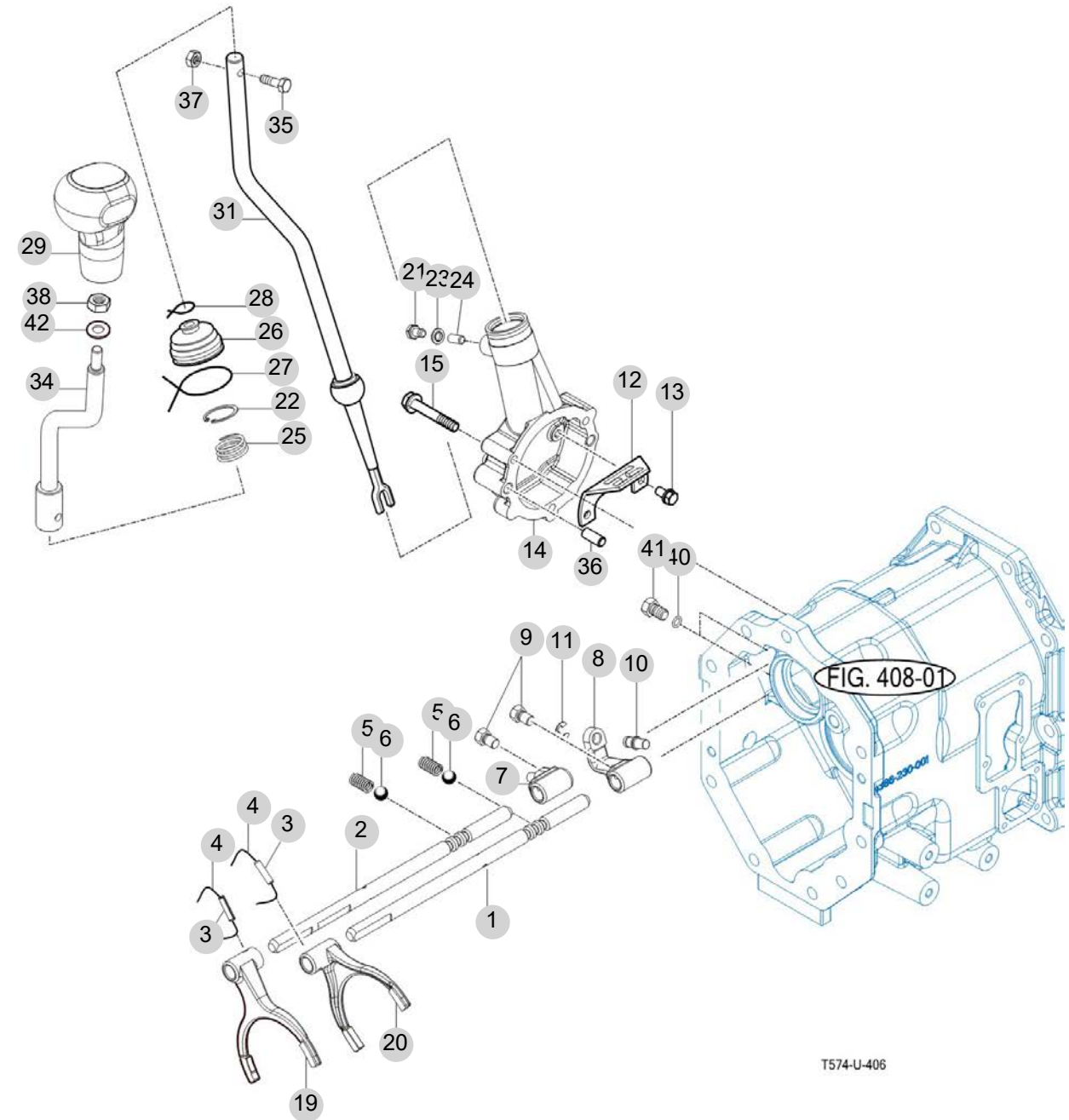
NOTE

FIG 406

MAIN CHANGE LEVER

년/월
Year/Month

2022-12



T574-U-406

NOTE

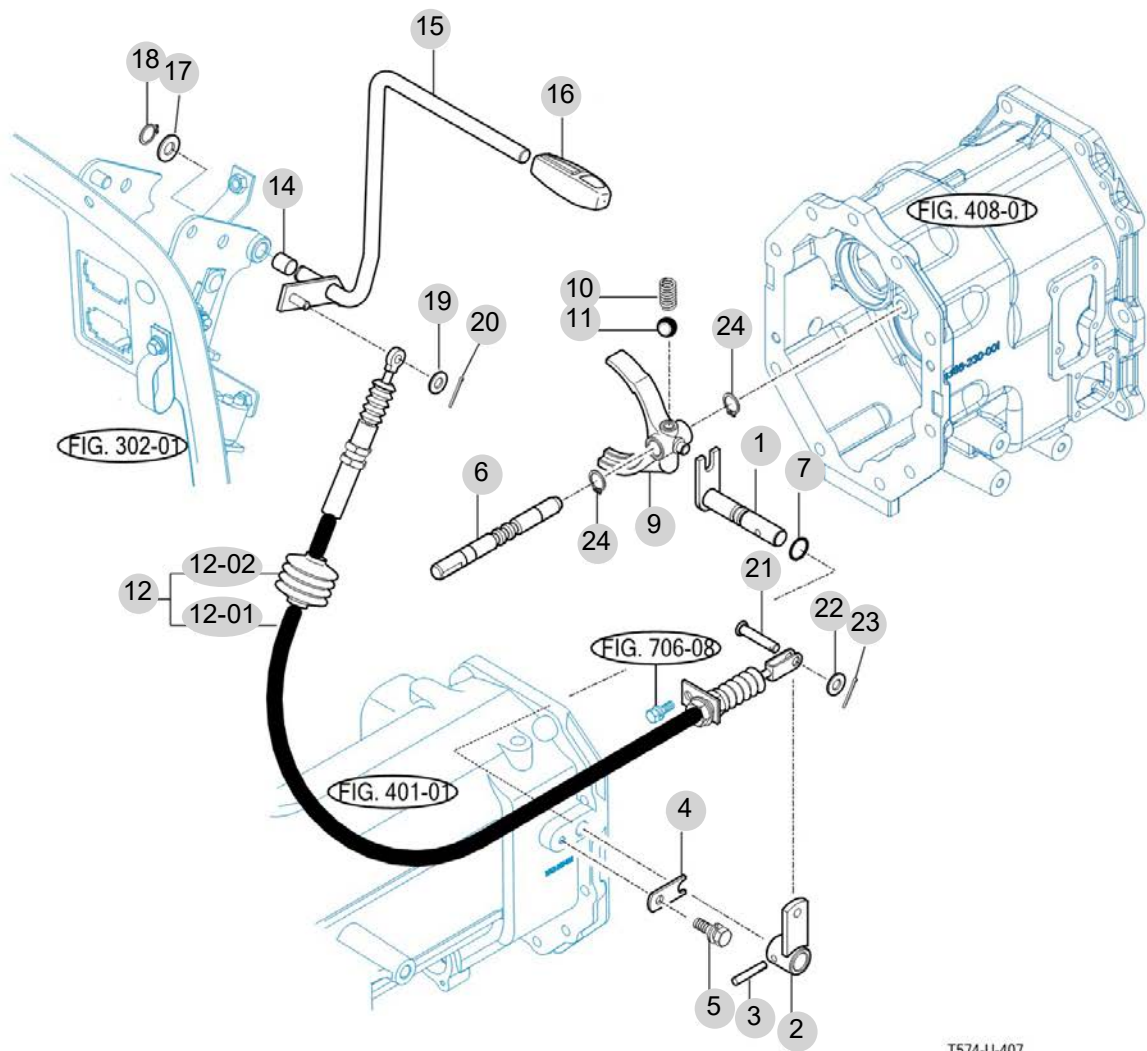
FIG 407

REVERSE CHANGE LEVER

년/월
Year/Month

2022-12

T575NCEU1



T574-U-407

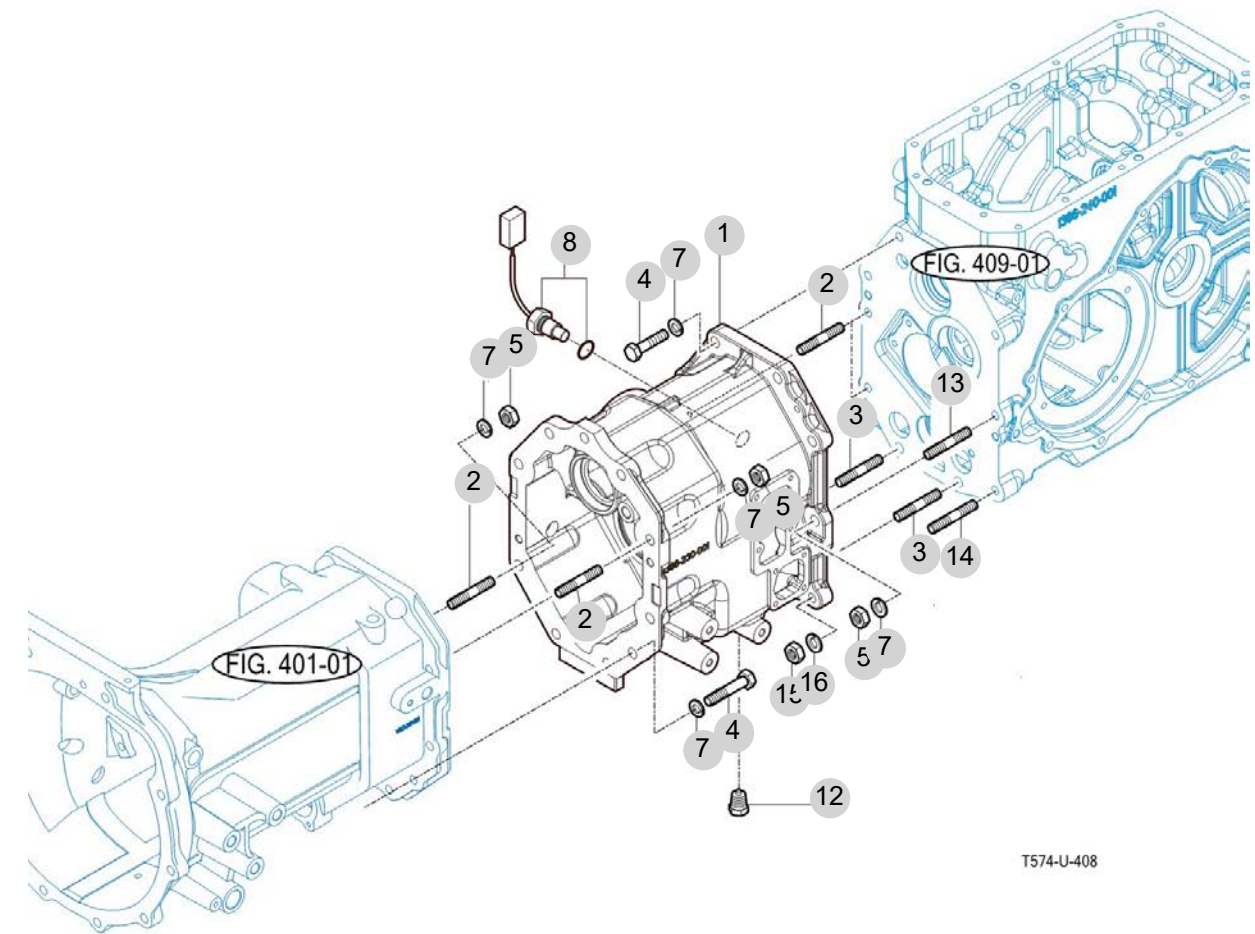
NOTE

FIG 408

TRANSMISSION MID CASE

년/월
Year/Month

2022-12



T574-U-408

NOTE

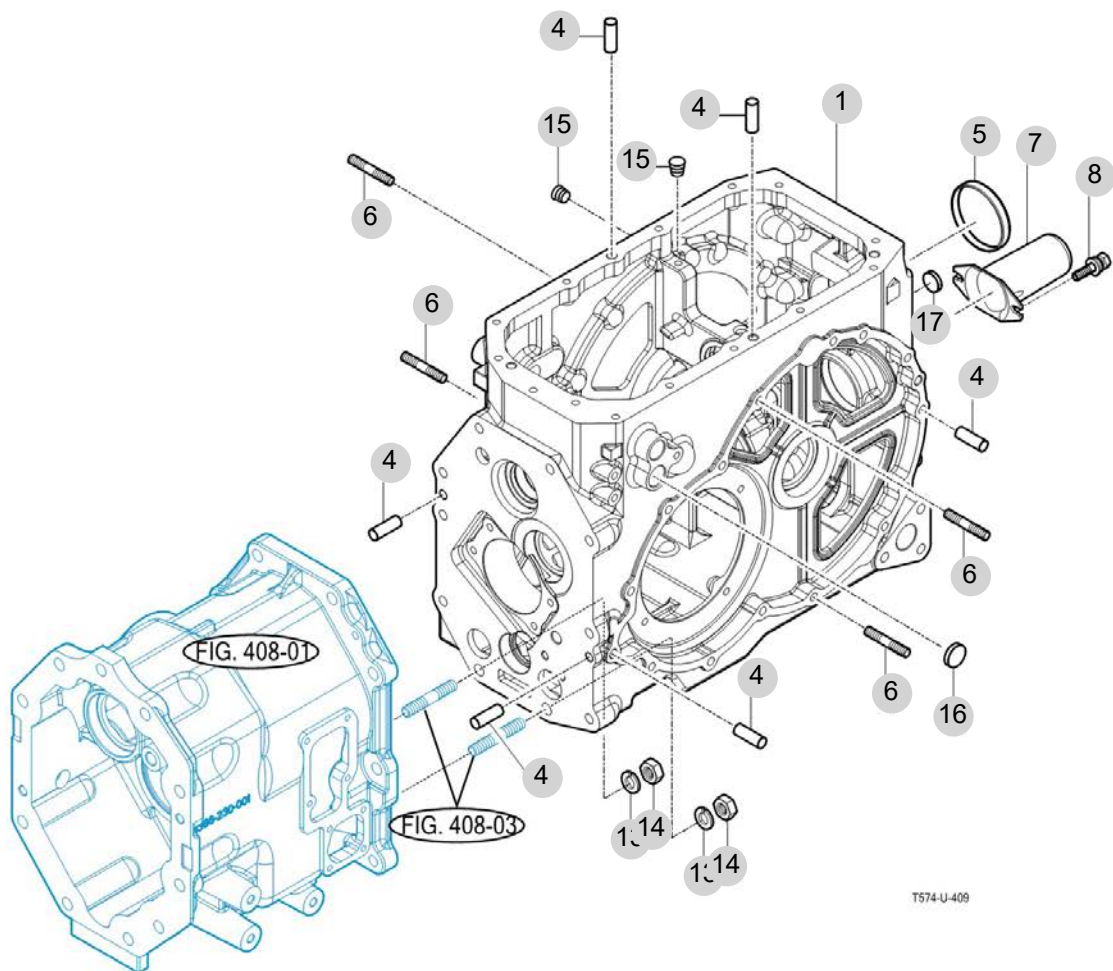
FIG 409

TRANSMISSION REAR CASE

년/월
Year/Month

2022-12

T575NCEU1



T574-U-409

NOTE

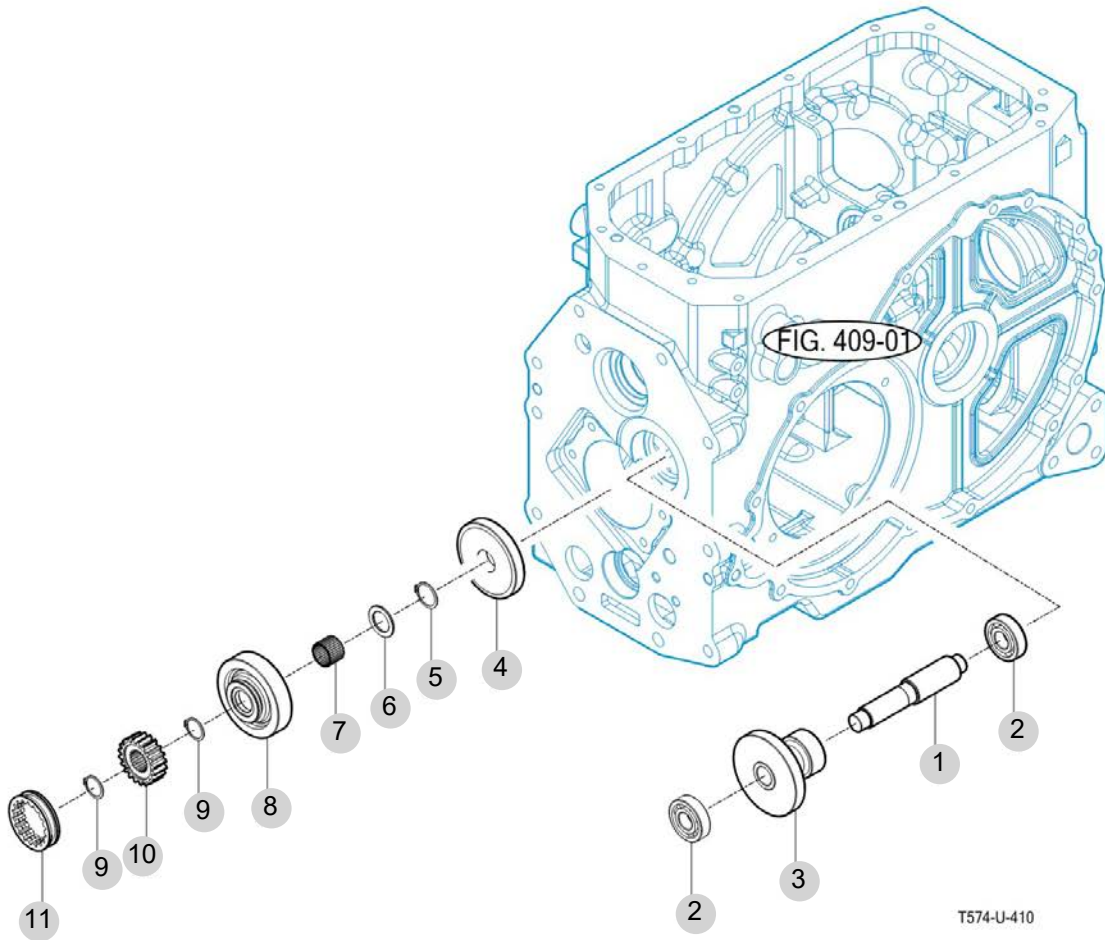
FIG 410

SUB CHANGE GEARS

년/월
Year/Month

2022-12

T575NCEU1



NOTE

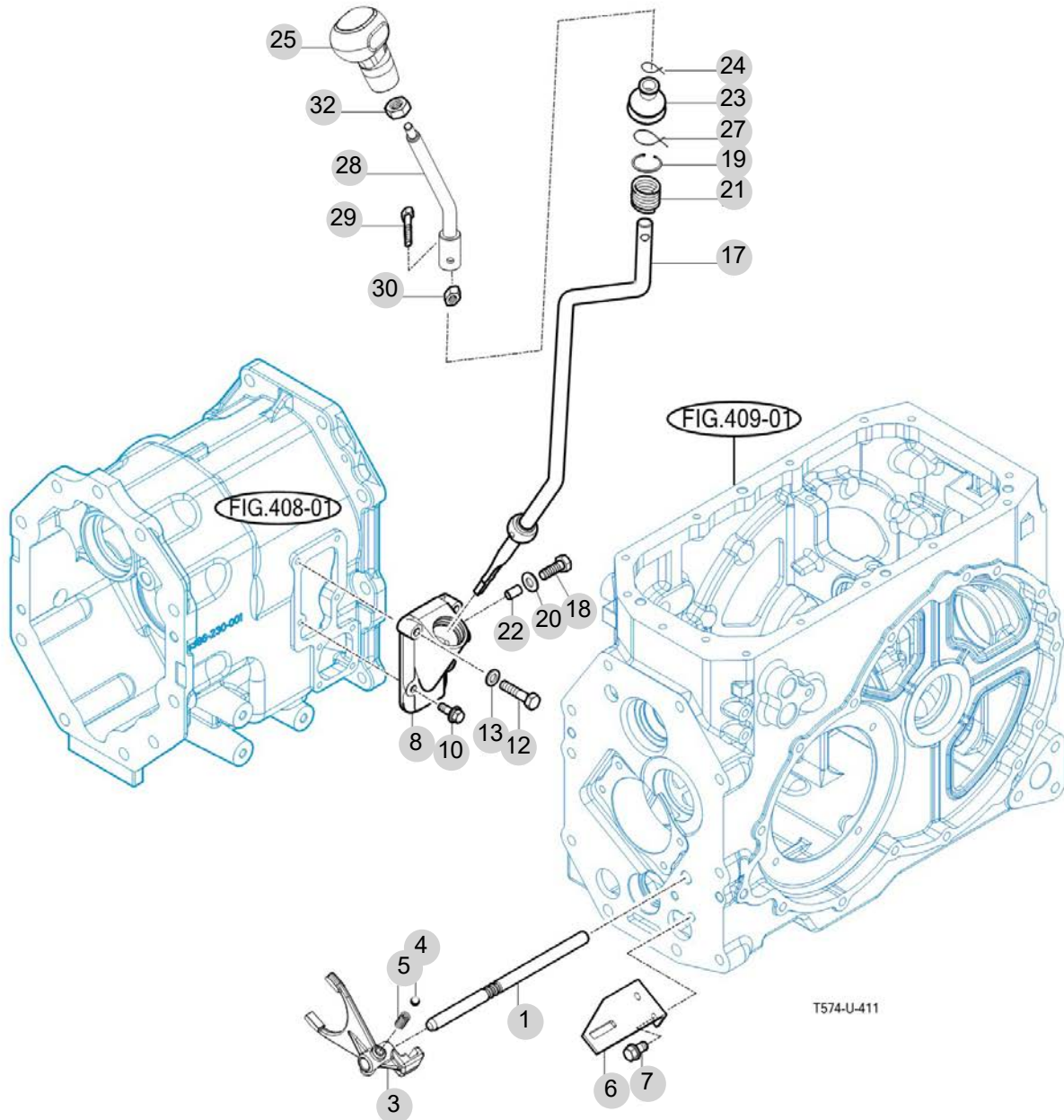
FIG 411

SUB CHANGE SHIFTER

년/월
Year/Month

2022-12

T575NCEU1



T574-U-411

NOTE

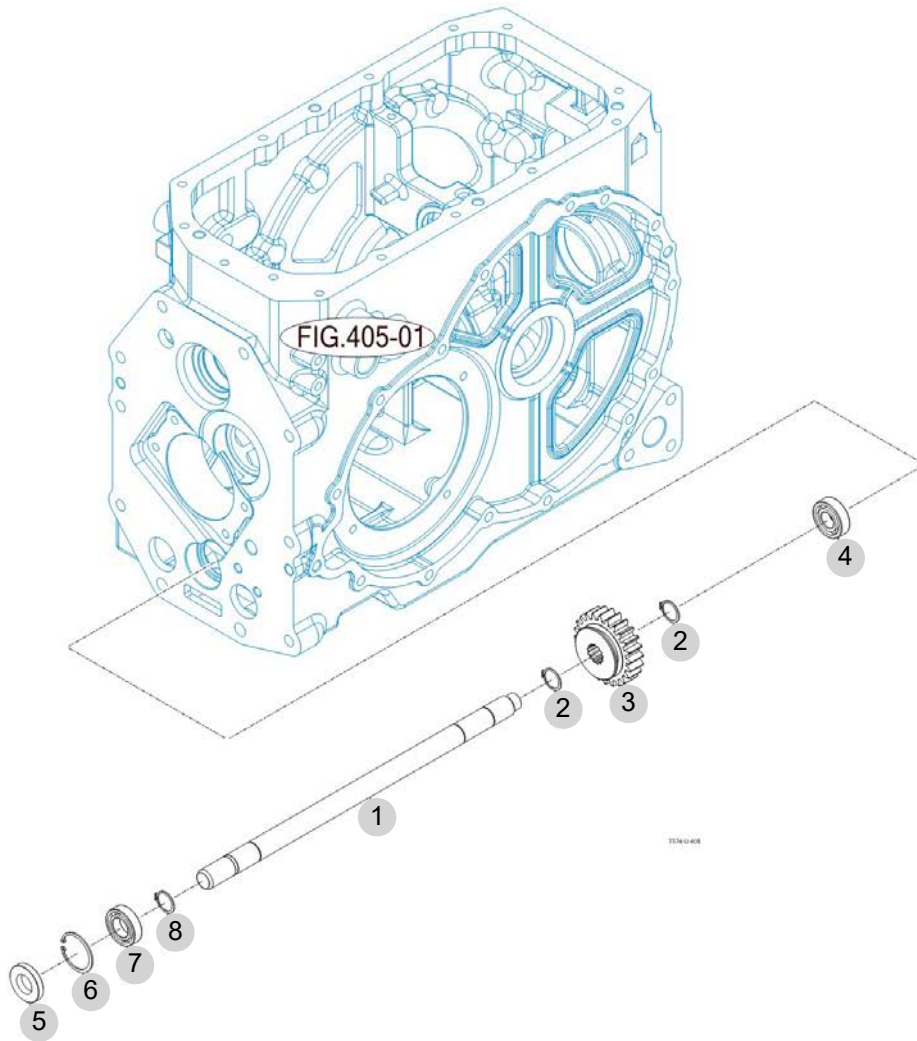
FIG 413

DRIVE GEARS

년/월
Year/Month

2022-12

T575NCEU1



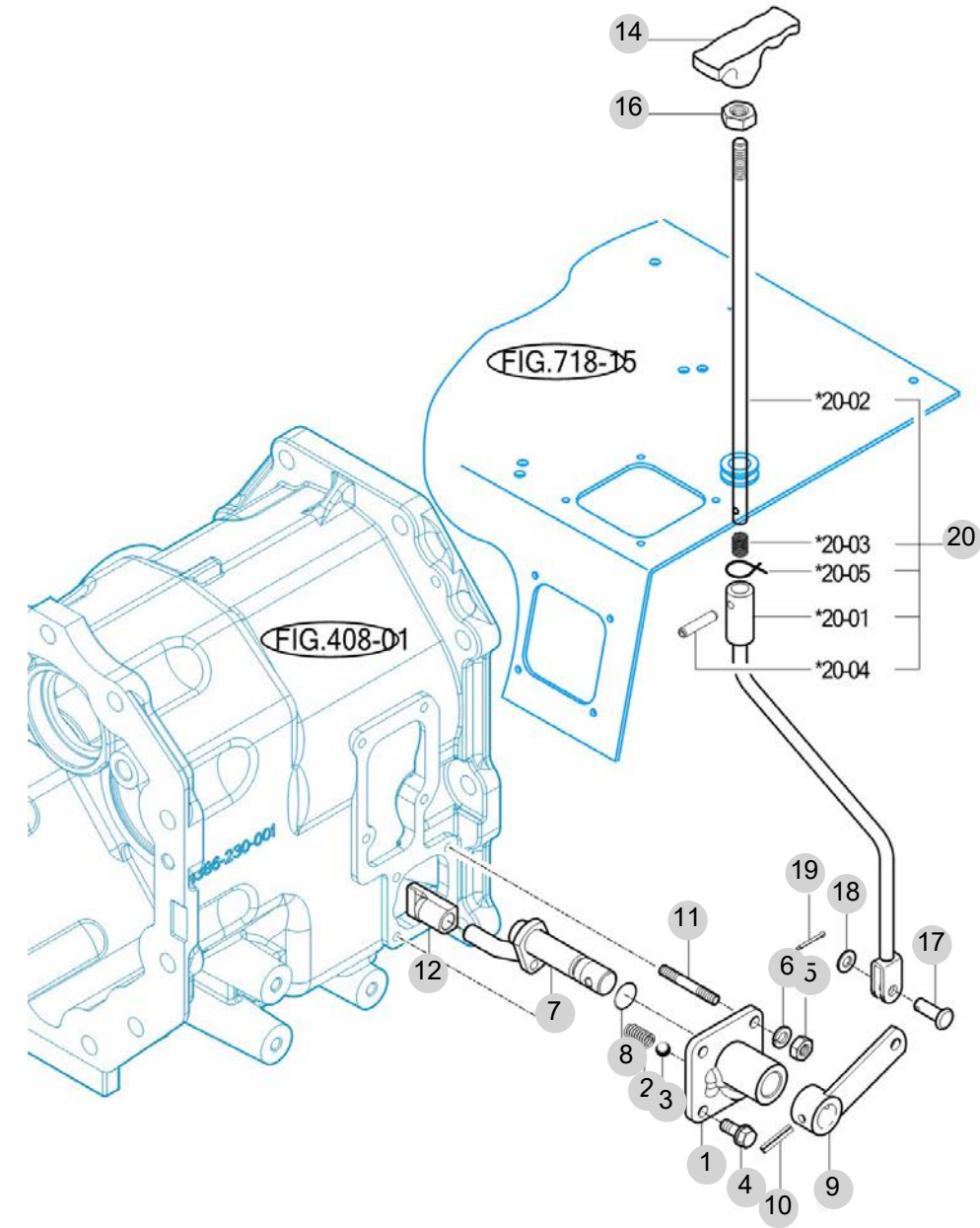
NOTE

FIG 414

4WD CHANGE LEVER

년/월
Year/Month

2022-12



*NOT SERVICED SEPARATELY

T483-E-414A

NOTE

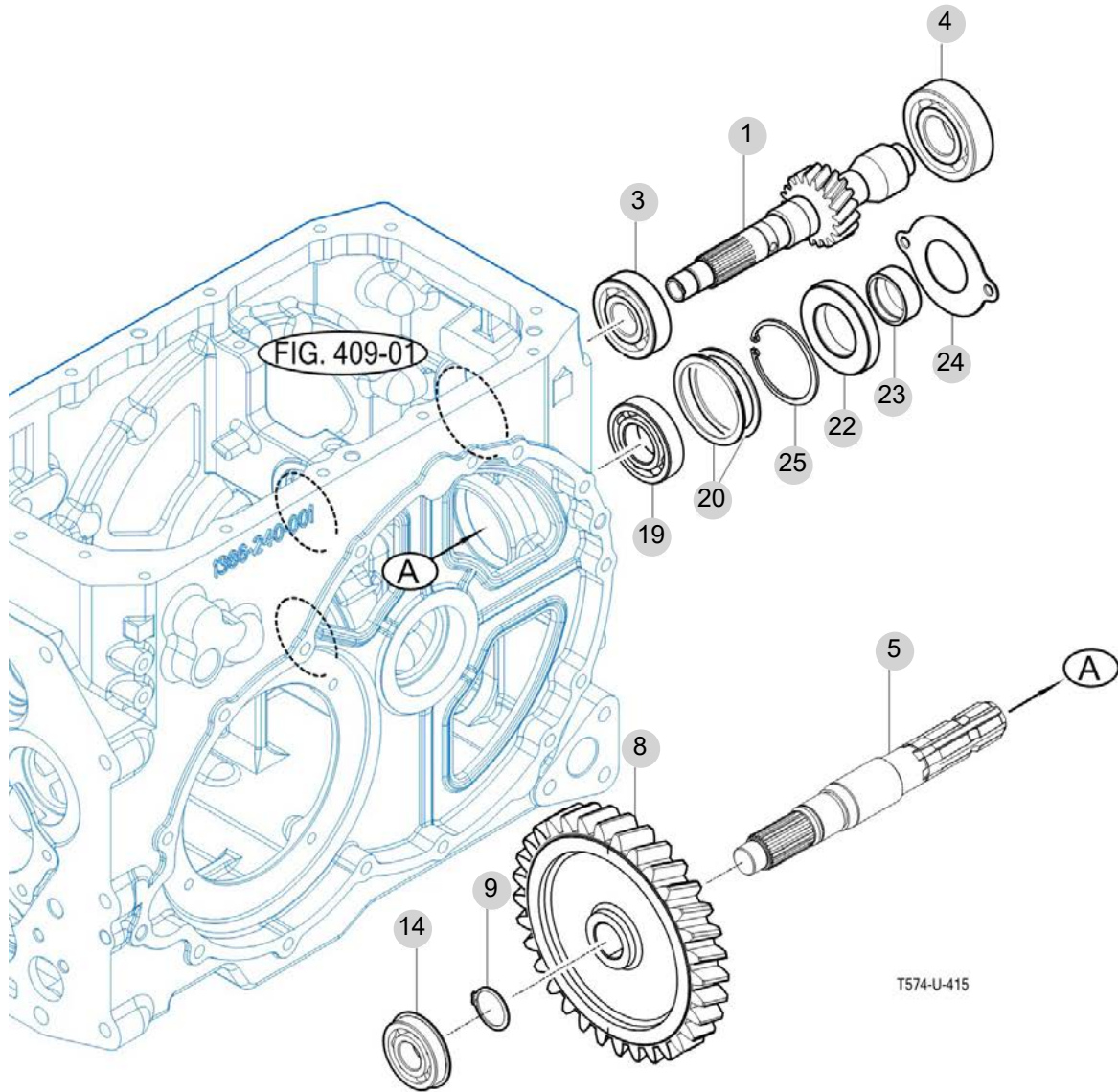
FIG 415

P.T.O CHANGE GEARS

년/월
Year/Month

2022-12

T575NCEU1



NOTE

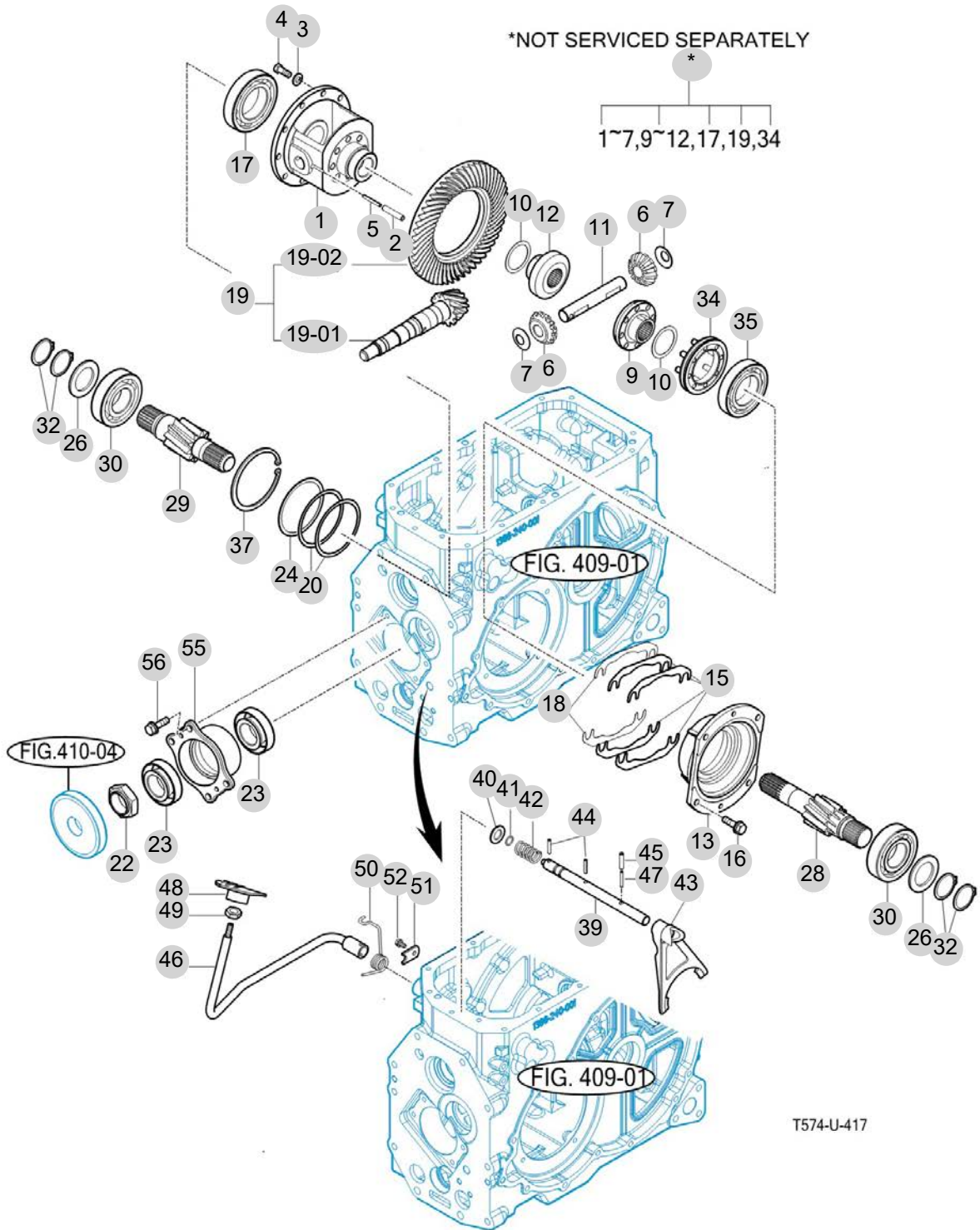
FIG 417

REAR DIFFERENTIAL GEARS

년/월
Year/Month

2022-12

T575NCEU1



NOTE

FIG 417 T575NCEU1		REAR DIFFERENTIAL GEARS					년/월 Year/Month	
							2022-12	
KEY NO	PART NO	DESCRIPTION	SPEC	QTY	REPAIR	EFFECTIVE DATE	REMARKS	
417	0	13863031000	리어 차동장치 ASSY		1			
417	1	14523030010M	케이스(디프)		1			
417	2	V5801408040	스프링핀	8X50	1			
417	3	V4011600100	스프링와셔	M10	10			
417	4	V2024610025	소형육각볼트(가는)	M10X25	10			
417	5	V5801405036	스프링핀	5X36	1			
417	6	14523180041	피니언(차동)		2			
417	7	14523030080	칼라(피니언)	T=1.0	2			
417	9	14523180061	피니언(베벨/16 LH)		1			
417	10	14523030100	와셔(스러스트)	D=52.5	2			
417	11	14523030110	디프피니언샤프트	D=23	1			
417	12	14523180031	피니언(베벨/16 RH)		1			
417	13	14523030131M	메탈(LH/디프케이스)		1			
417	15	14523010090	심(B)	T=0.2	4			
417	16	V2173610025	소형육각볼트보통(S)	M10X25	4			
417	17	V6001106212	볼베어링	6212	1			
417	18	14523010080	심(A)	T=0.1	2			
417	19	13863022100	기어(10X41)SET		1			
417	19-01	13863022110	베벨 피니언		1			
417	19-02	14523022120	스파이럴베벨기어		1			
417	20	14523010050	심(0.1)	T=0.1	2			
417	22	15533030020	너트(M40XP1.5)		1			
417	23	V6321132208	테이퍼롤러베어링(보통)	32208CR	2			
417	24	14523010100	심(0.2)	T=0.2	1			
417	26	15133060030	스러스트칼라(45X68X4)		2			
417	28	14523060011	피니언(헬리컬/11/LH)		1			
417	29	14523060021	피니언(헬리컬/11/RH)		1			
417	30	V6041106309	볼베어링(HL1)	HL1	2			
417	32	V7041400450	C형멈춤링(축용)	45	4			
417	34	14523033400	슬리브COMP		1			
417	35	V6001106211	볼베어링	6211	1			
417	37	V7051401100	C형멈춤링(구멍용)	R110	1			
417	39	14523032002	샤프트(디프록)	D=20	1			
417	40	V4111600200	평와셔	M20	1			
417	41	V7201024016	O링(P)	P16	1			
417	42	17973030420	스프링	D=3.6	1			
417	43	14523190011M	포크(디프록)		1			
417	44	V5801406032	스프링핀	6X32	2			
417	45	V5801408036	스프링핀	8X36	1			
417	46	14543162101	디프록페달COMP		1			
417	47	V5801405036	스프링핀	5X36	1			
417	48	14521220120	페달COMP,액셀		1			
417	49	V3342600100	소형육각너트가는2종	M10	1			
417	50	14523160020	스프링(디프 페달)		1			
417	51	16703180191	플레이트	25X4.5T	1			
NOTE								

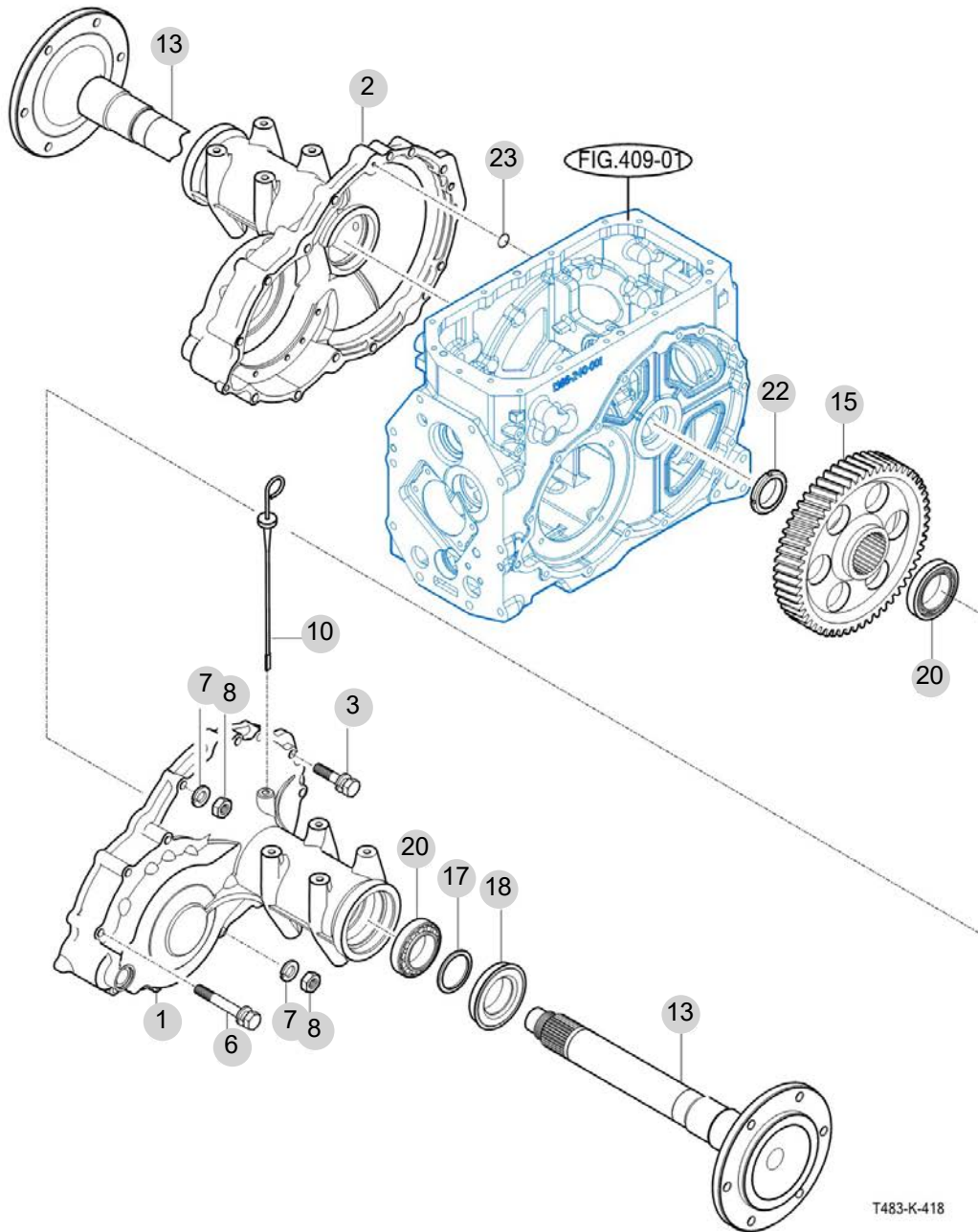
FIG 418

REAR AXLE HOUSING

년/월
Year/Month

2022-12

T575NCEU1



T483-K-418

NOTE

5. 프런트 액슬 PART NO. T5

FIG 501 FRONT AXLE SUPPORT	176
FIG 502 FRONT DRIVE SHAFT	178
FIG 503 FRONT AXLE HOUSING	180
FIG 504 FRONT DIFFERENTIAL GEARS	182
FIG 505 FRONT GEAR CASE (1)	184
FIG 506 FRONT GEAR CASE (2)	186
FIG 507 FRONT GEAR CASE (3)	188

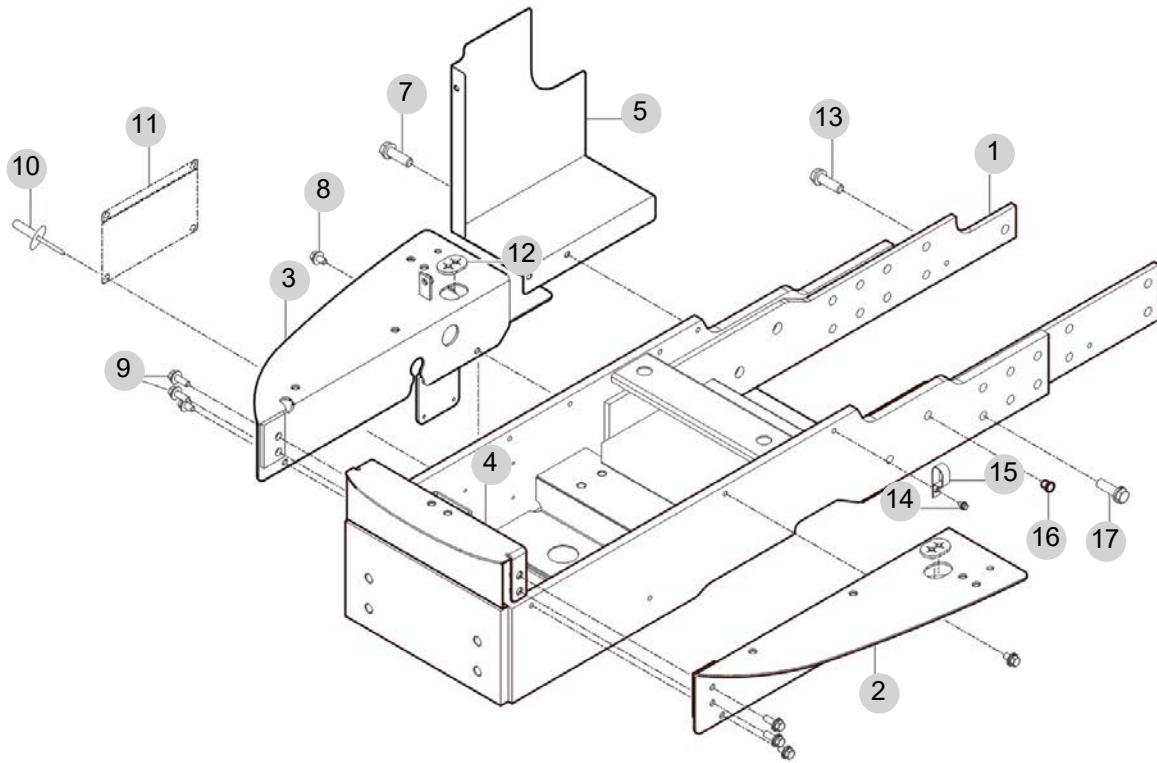
FIG 501

FRONT AXLE SUPPORT

년/월
Year/Month

2022-12

T575NCEU1



T574494-U-501

NOTE

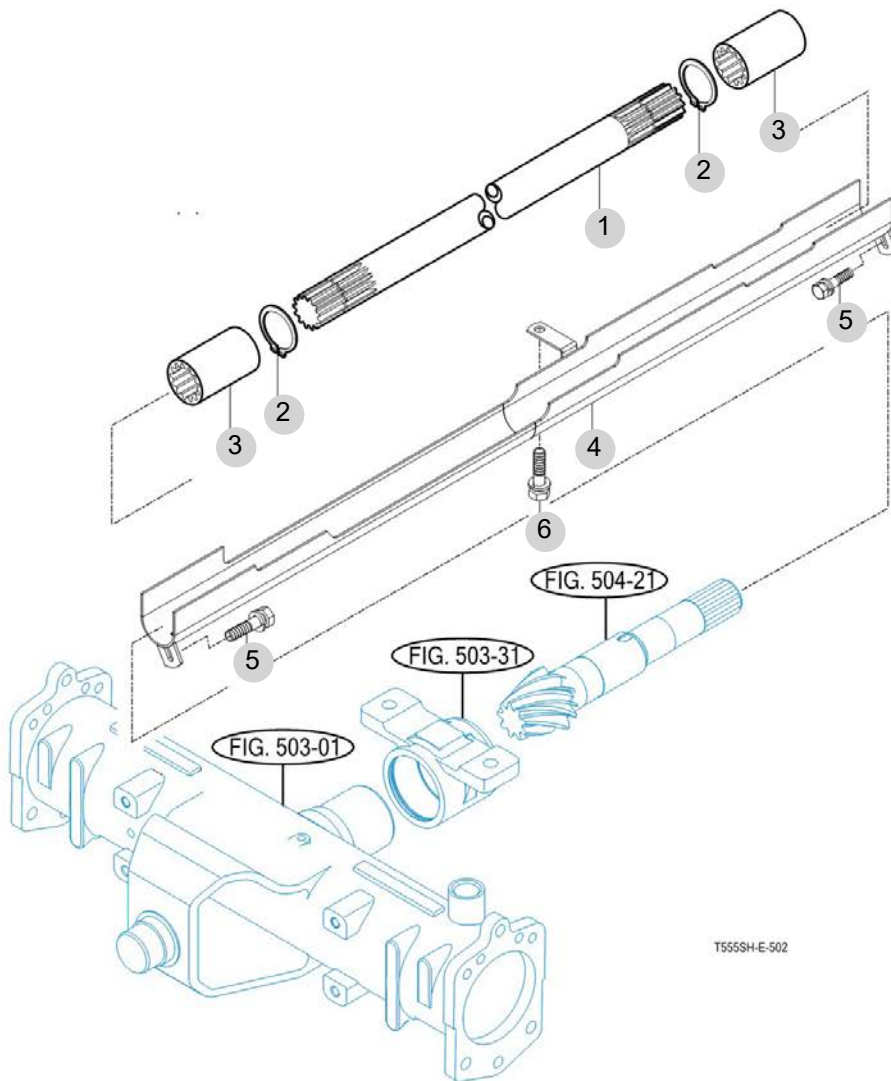
FIG 502

FRONT DRIVE SHAFT

년/월
Year/Month

2022-12

T575NCEU1



T555SH-E-502

NOTE

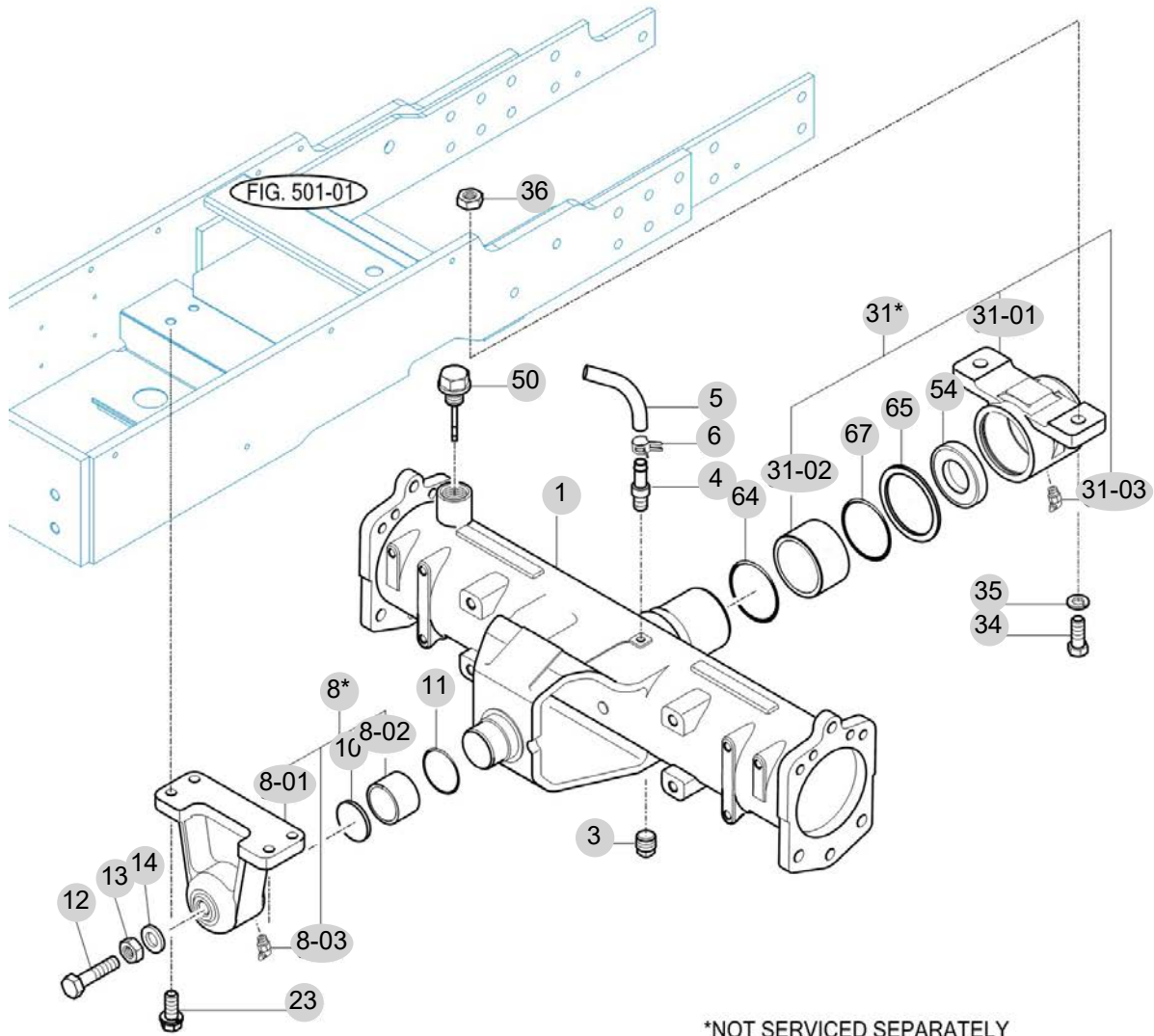
FIG 503

FRONT AXLE HOUSING

년/월
Year/Month

2022-12

T575NCEU1



*NOT SERVICED SEPARATELY

T574494-U-503

NOTE

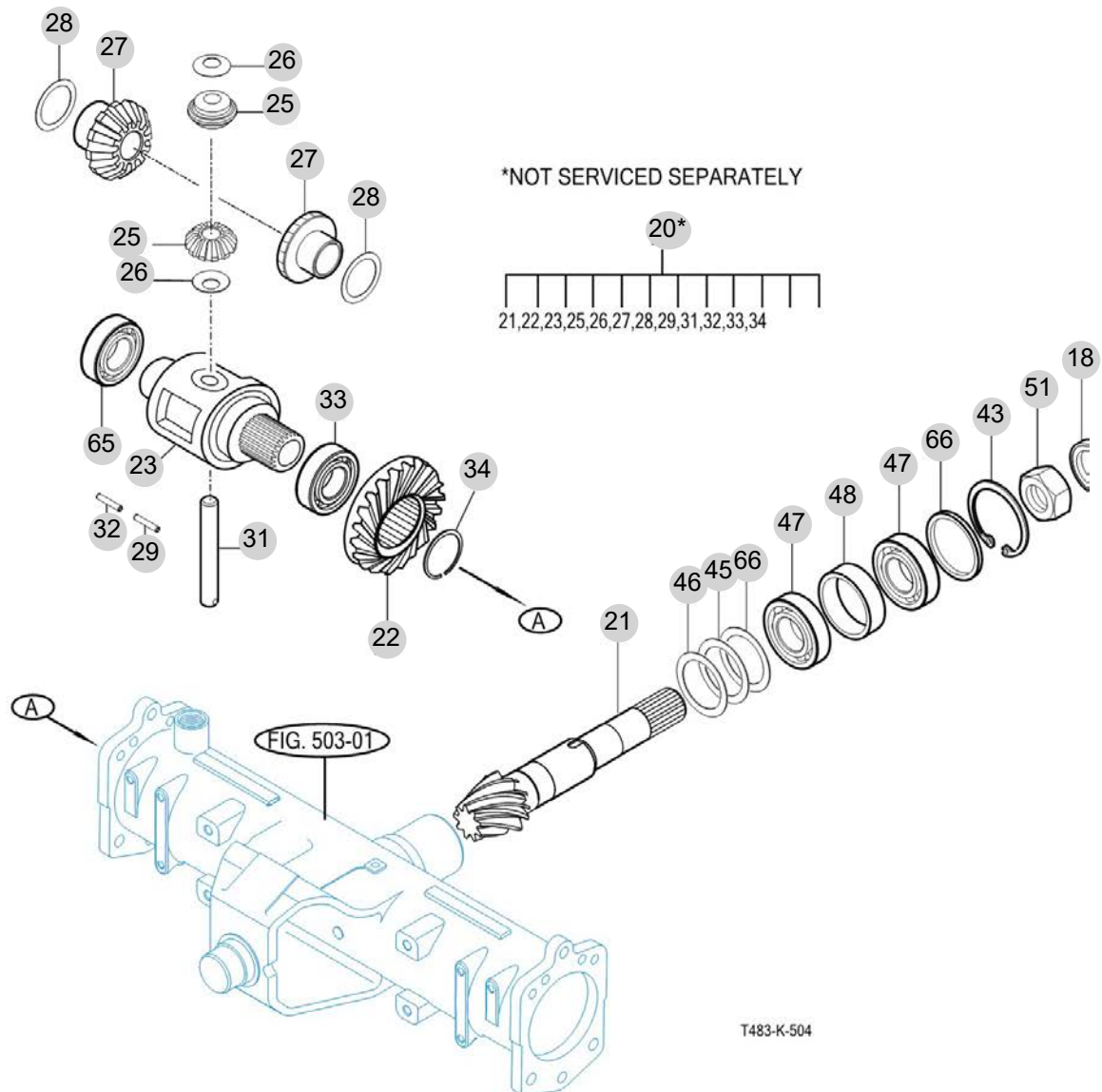
FIG 504

FRONT DIFFERENTIAL GEARS

년/월
Year/Month

2022-12

T575NCEU1



NOTE

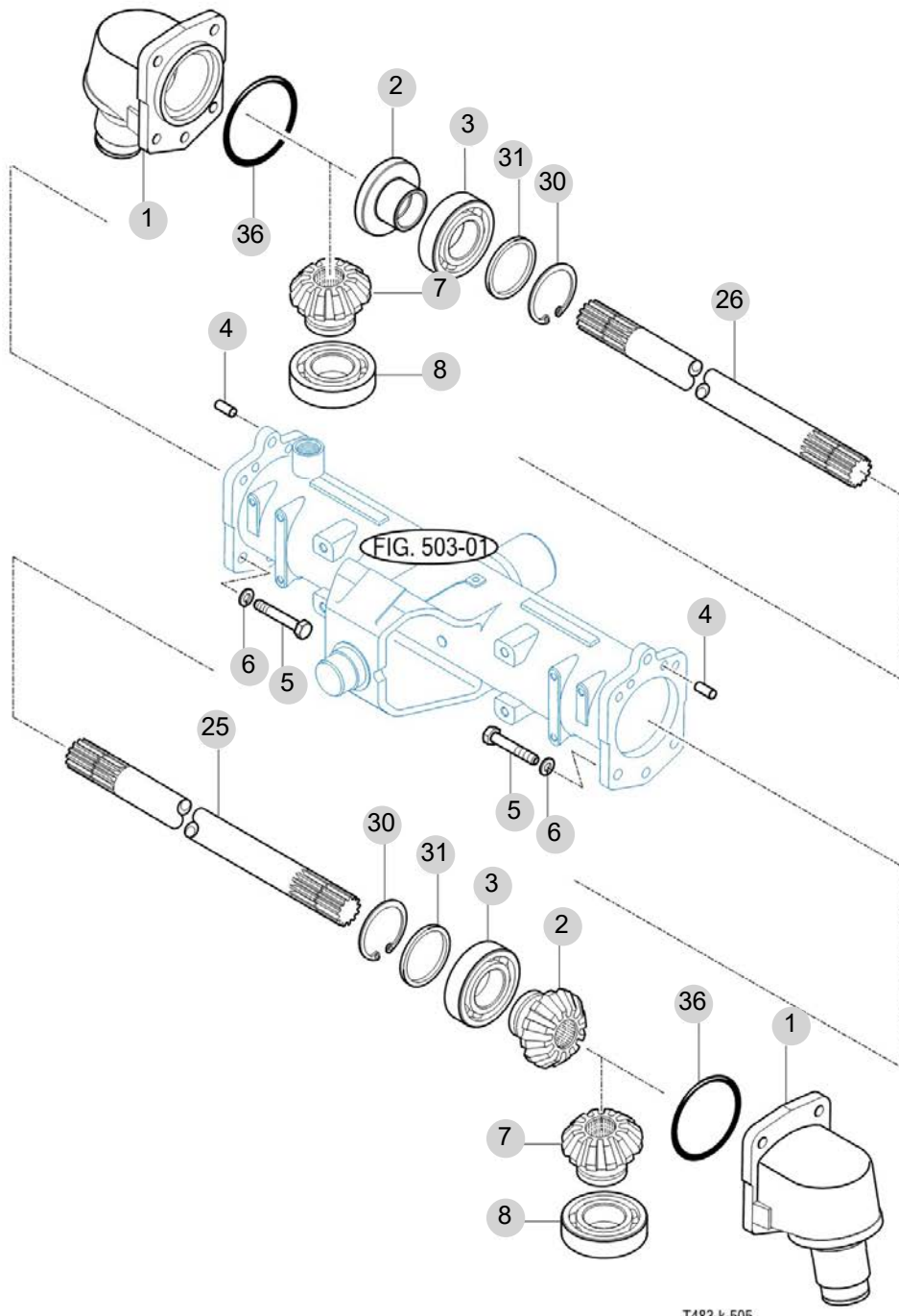
FIG 505

FRONT GEAR CASE (1)

년/월
Year/Month

2022-12

T575NCEU1



T483-k-505

NOTE

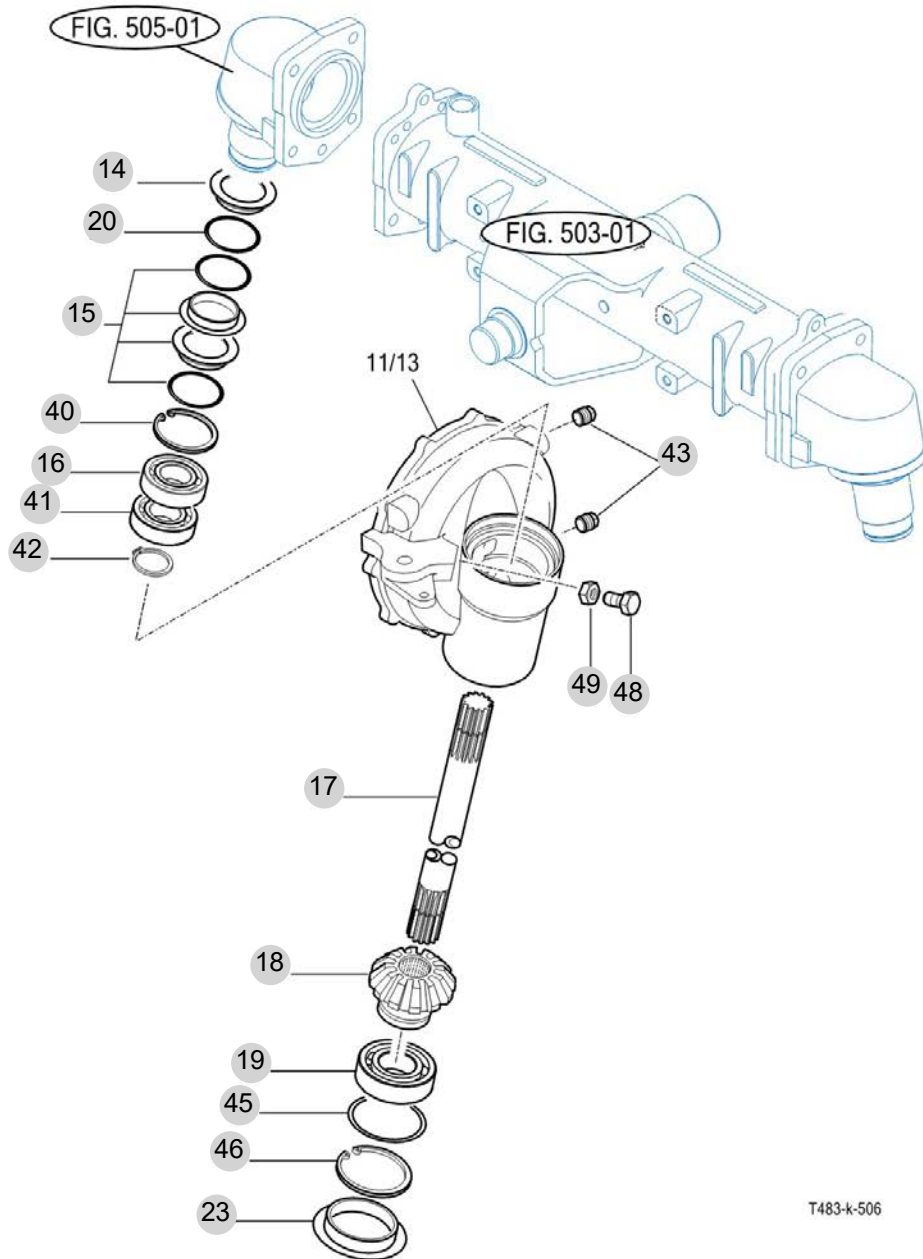
FIG 506

T575NCEU1

FRONT GEAR CASE (2)

년/월
Year/Month

2022-12



T483-k-506

NOTE

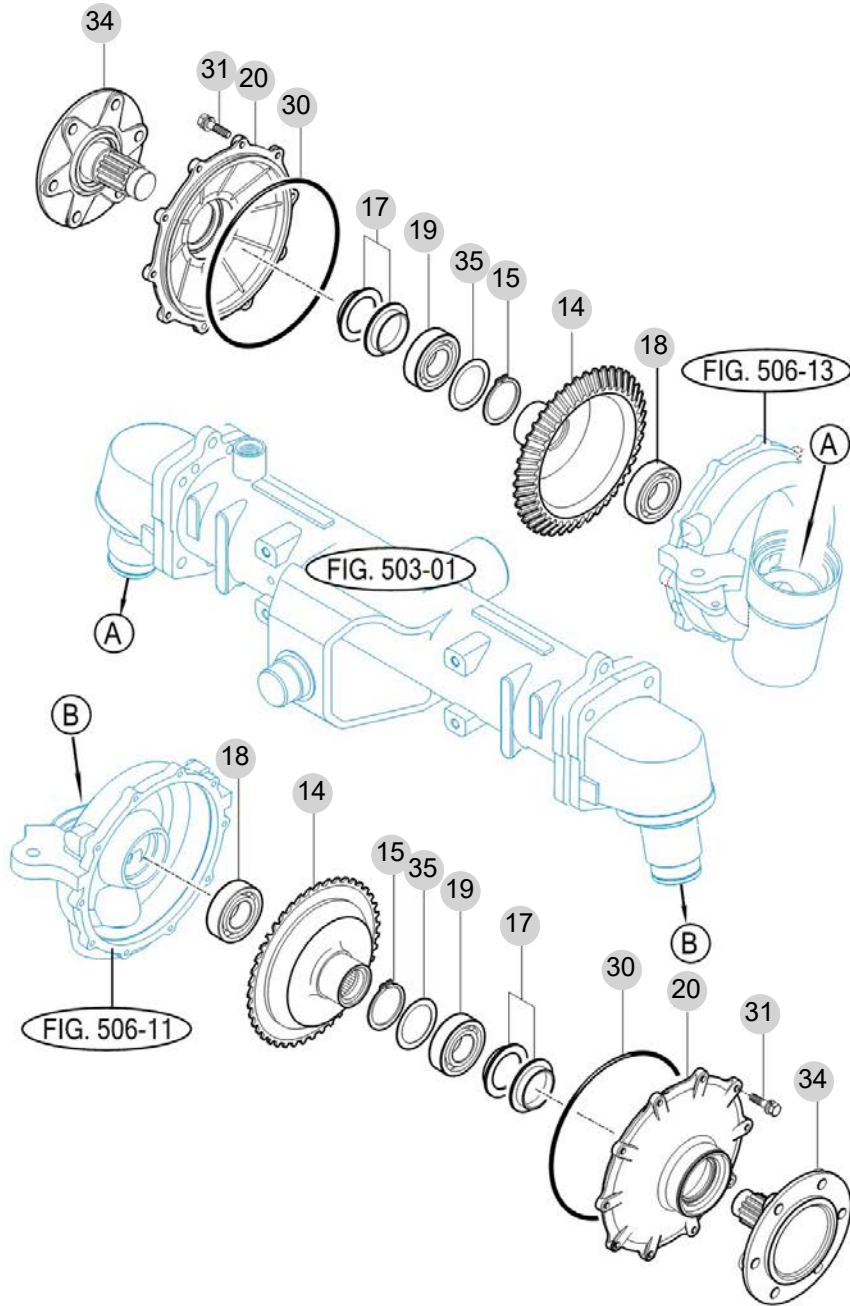
FIG 507

T575NCEU1

FRONT GEAR CASE (3)

년/월
Year/Month

2022-12



T483-k-507

NOTE

6. 유압/3점링크 PART NO. T6

FIG 601 CYLINDER CASE	191
FIG 602 LIFT ARM	193
FIG 603 CYLINDER	195
FIG 604 POSITION LINK	197
FIG 605 CONTROL VALVE	199
FIG 606 DRAFT LINK	201
FIG 607 POSITION & DRAFT LEVER (1)	203
FIG 607-2 POSITION & DRAFT LEVER (2)[SAP 가져오기]에서 생성함.	205
FIG 608 EXTERIOR HYD.VALVE	207
FIG 609 HYDRAULIC PIPE	209
FIG 610 JOYSTICK	211
FIG 612 HITCH & 3-POINT LINK	213
FIG 613 LOWER LINK & LIFT ROD	216

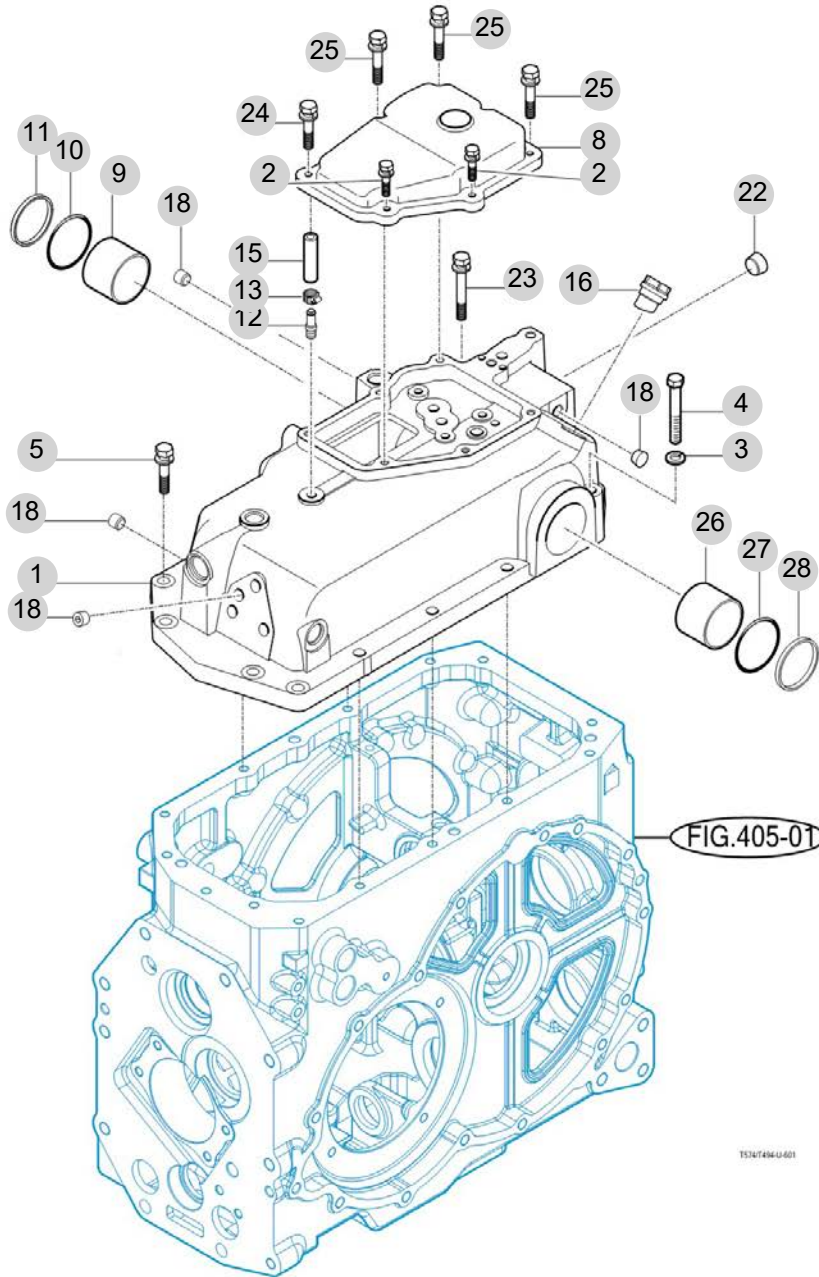
FIG 601

CYLINDER CASE

년/월
Year/Month

2022-12

T575NCEU1



NOTE

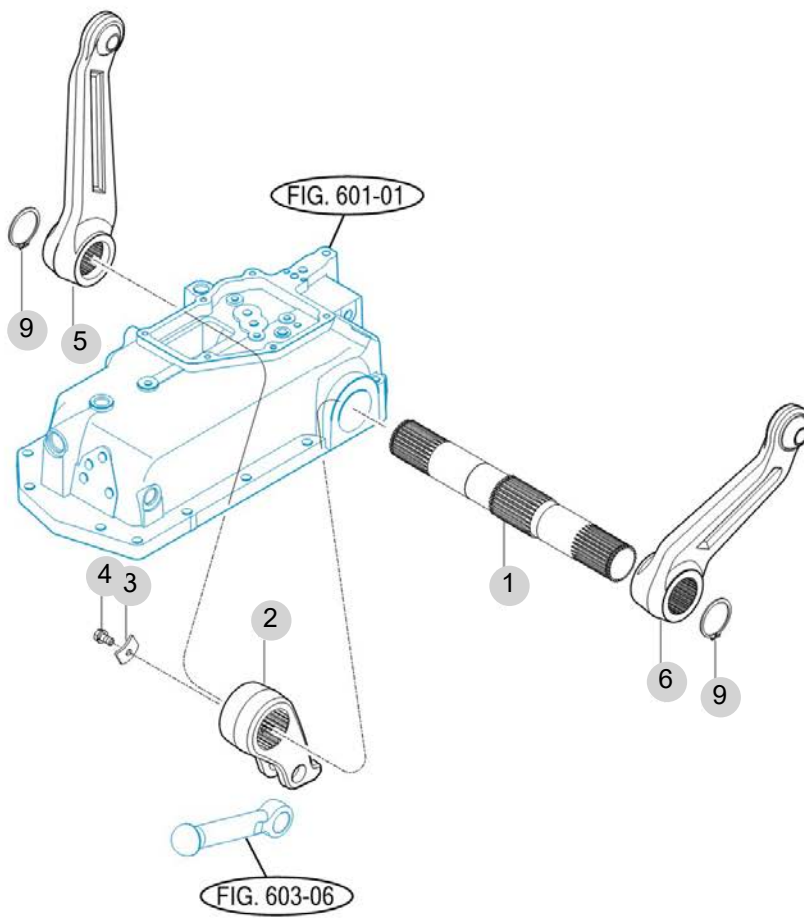
FIG 602

T575NCEU1

LIFT ARM

년/월
Year/Month

2022-12



NOTE

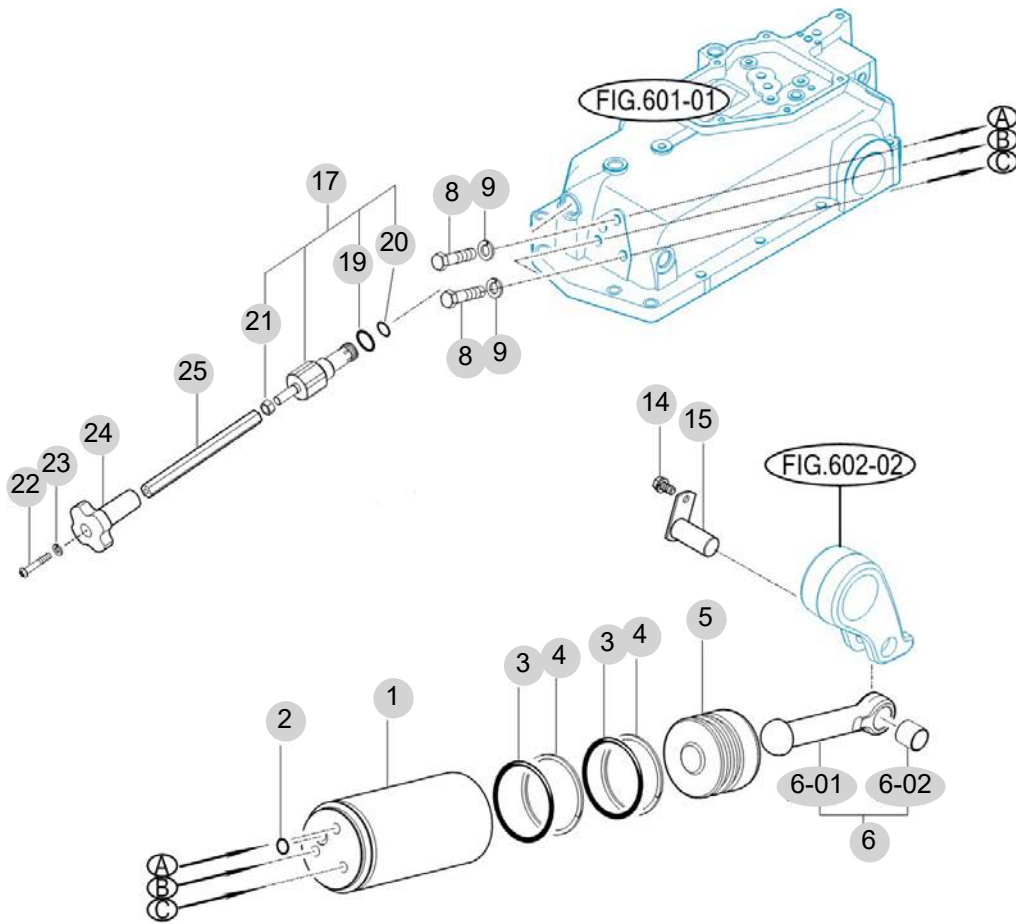
FIG 603

T575NCEU1

CYLINDER

년/월
Year/Month

2022-12



T483-K-603

NOTE

FIG 603 T575NCEU1		CYLINDER						년/월 Year/Month	
								2022-12	
KEY NO	PART NO	DESCRIPTION	SPEC	QTY	REPAIR	EFFECTIVE DATE	REMARKS		
603	1	17995032300	실린더 COMP			1			
603	2	V7201124014	O링(P)	P14		1			
603	3	17995030030	O-링			2			
603	4	17995030040	백업링			2			
603	5	17995030050M	유압피스톤(90)			1			
603	6	17995031000	피스톤 로드 ASSY			1			
603	6	17995030061M	피스톤 로드			1			
603	6-01	17995030061M	피스톤 로드			1			
603	6-02	17995030070	부시			1			
603	8	V2024612050	소형육각볼트(가는)	M12X50		3			
603	9	V4011600120	스프링와셔	M12		3			
603	14	V2173608016	소형육각볼트보통(S)	M8X16		1			
603	15	17995031500	유압핀 COMP			1			
603	17	15640040001	플로콘밸브 ASSY			1			
603	19	V7201124022	O링(P)	P22		1			
603	20	V7201124016	O링(P)	P16		1			
603	21	V3042600100	소형육각너트보통2종	M10		1			
603	22	V1112606040	심자흡냄비작은나사	M6X40		1			
603	23	V4011600060	스프링와셔	M6		1			
603	24	15605070070	노브(슬로/리턴)			1			
603	25	14525070130	샤프트(슬로우리턴)			1			
NOTE									

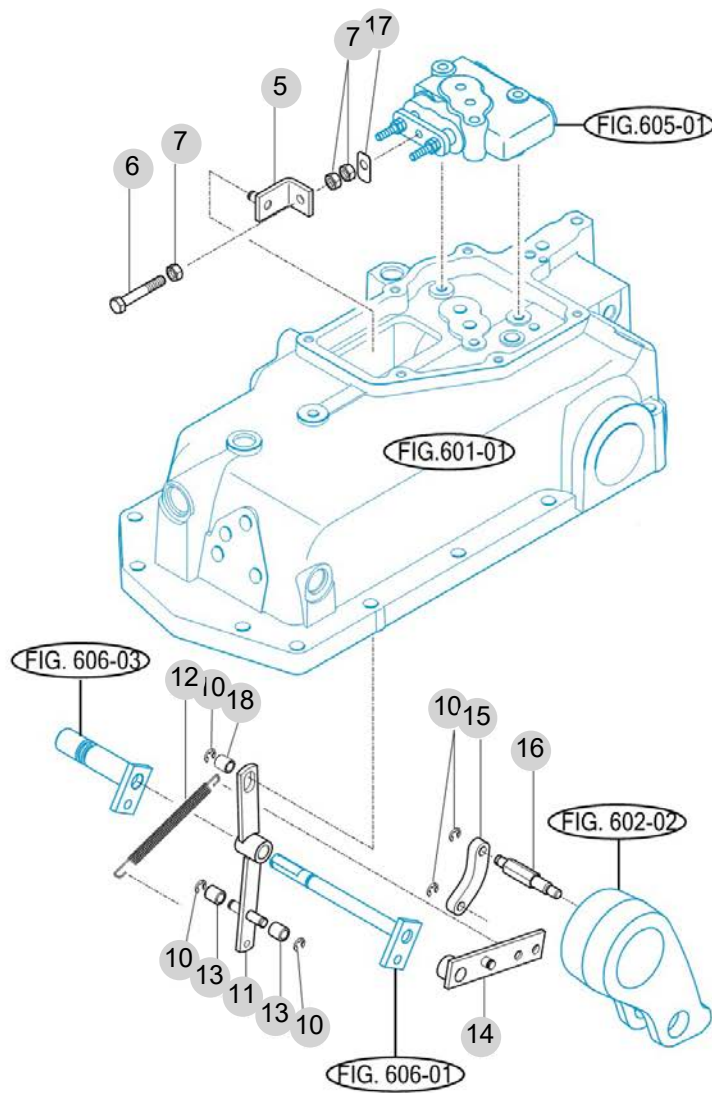
FIG 604

T575NCEU1

POSITION LINK

년/월
Year/Month

2022-12



T483-K-604

NOTE

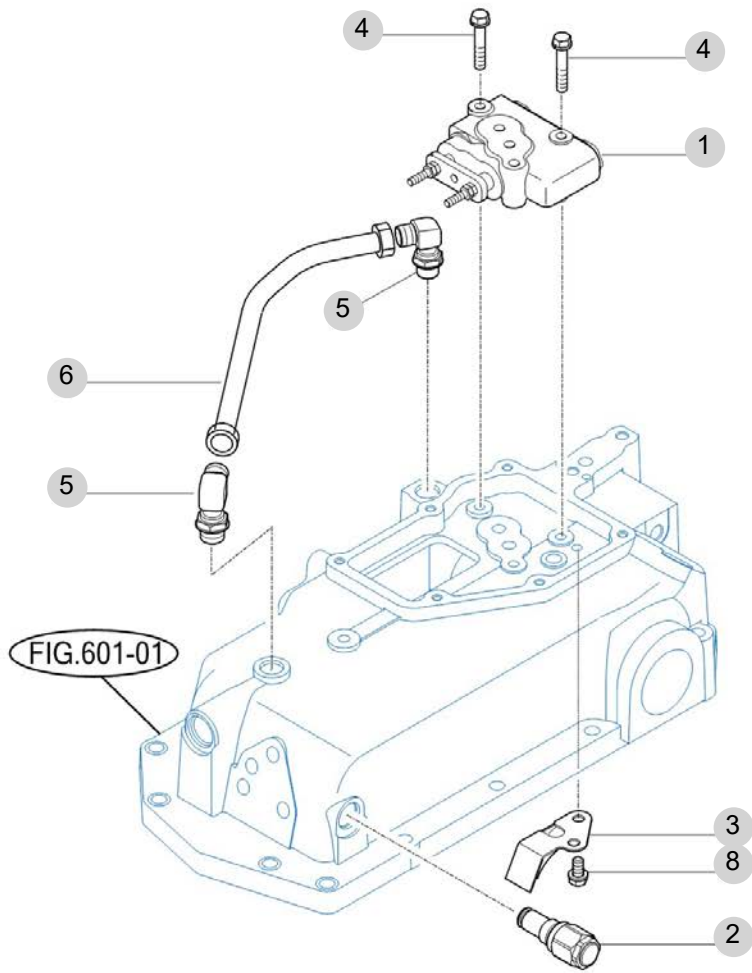
FIG 605

CONTROL VALVE

년/월
Year/Month

2022-12

T575NCEU1



T483-K-605

NOTE

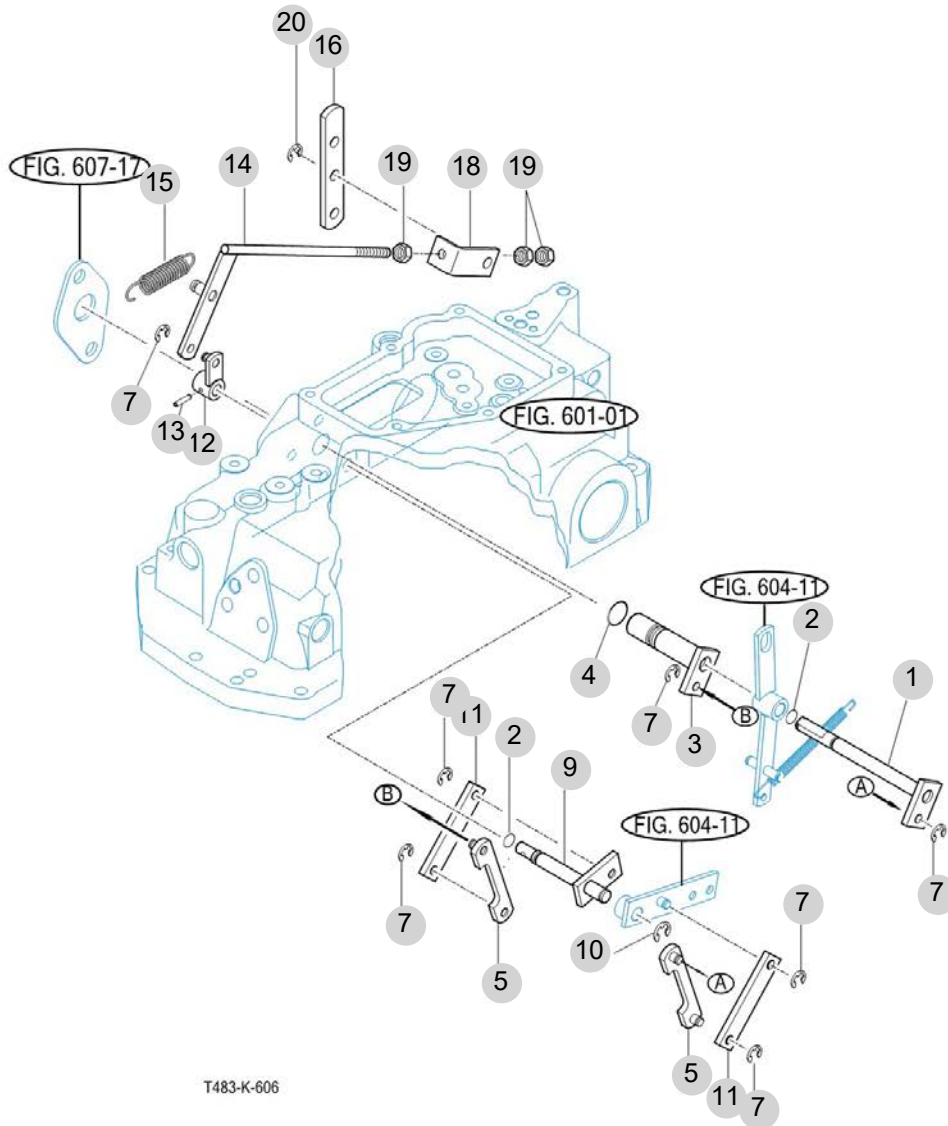
FIG 606

DRAFT LINK

년/월
Year/Month

2022-12

T575NCEU1



NOTE

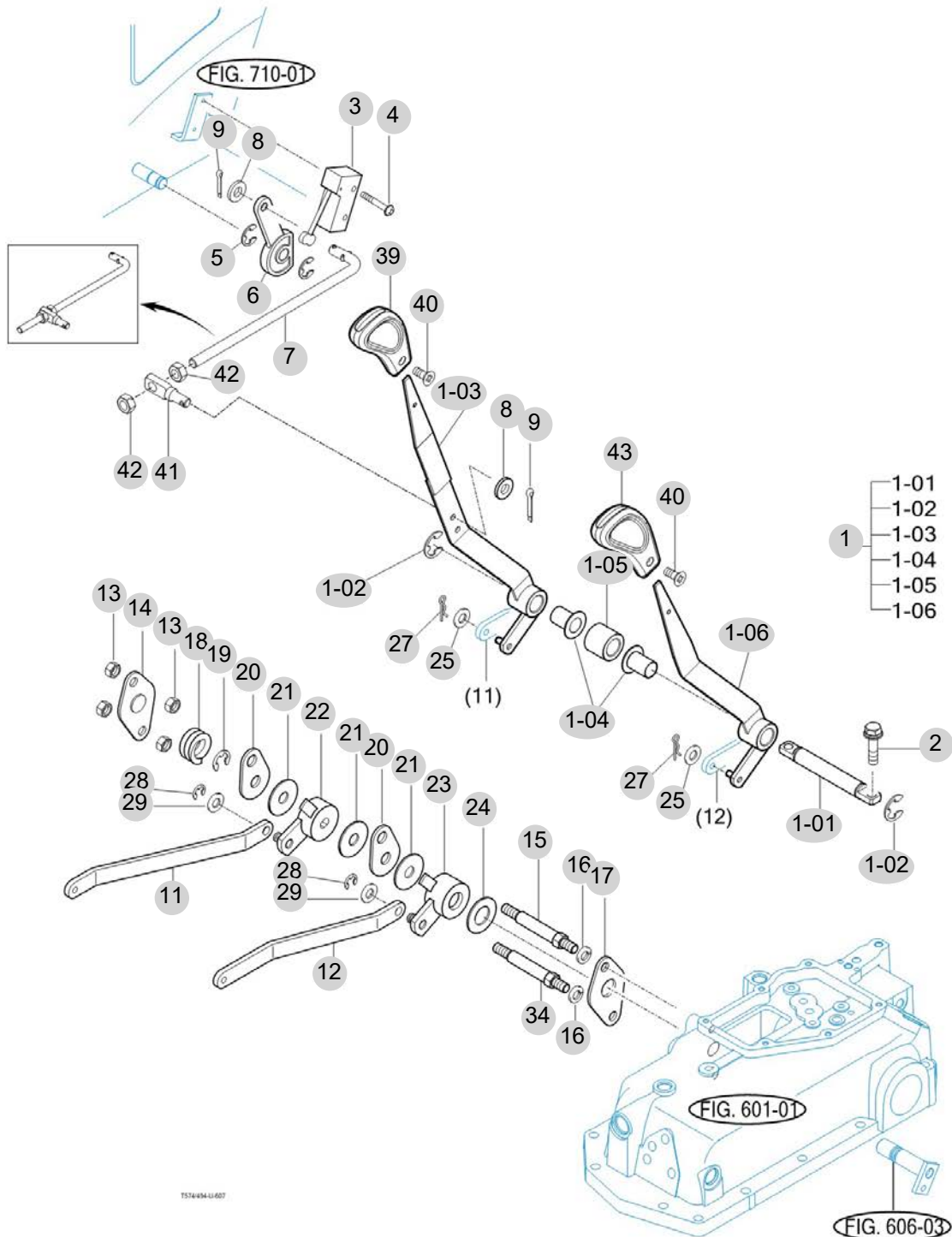
FIG 607

POSITION & DRAFT LEVER (1)

년/월
Year/Month

2022-12

T575NCEU1



- 1-01
- 1-02
- 1-03
- 1-04
- 1-05
- 1-06

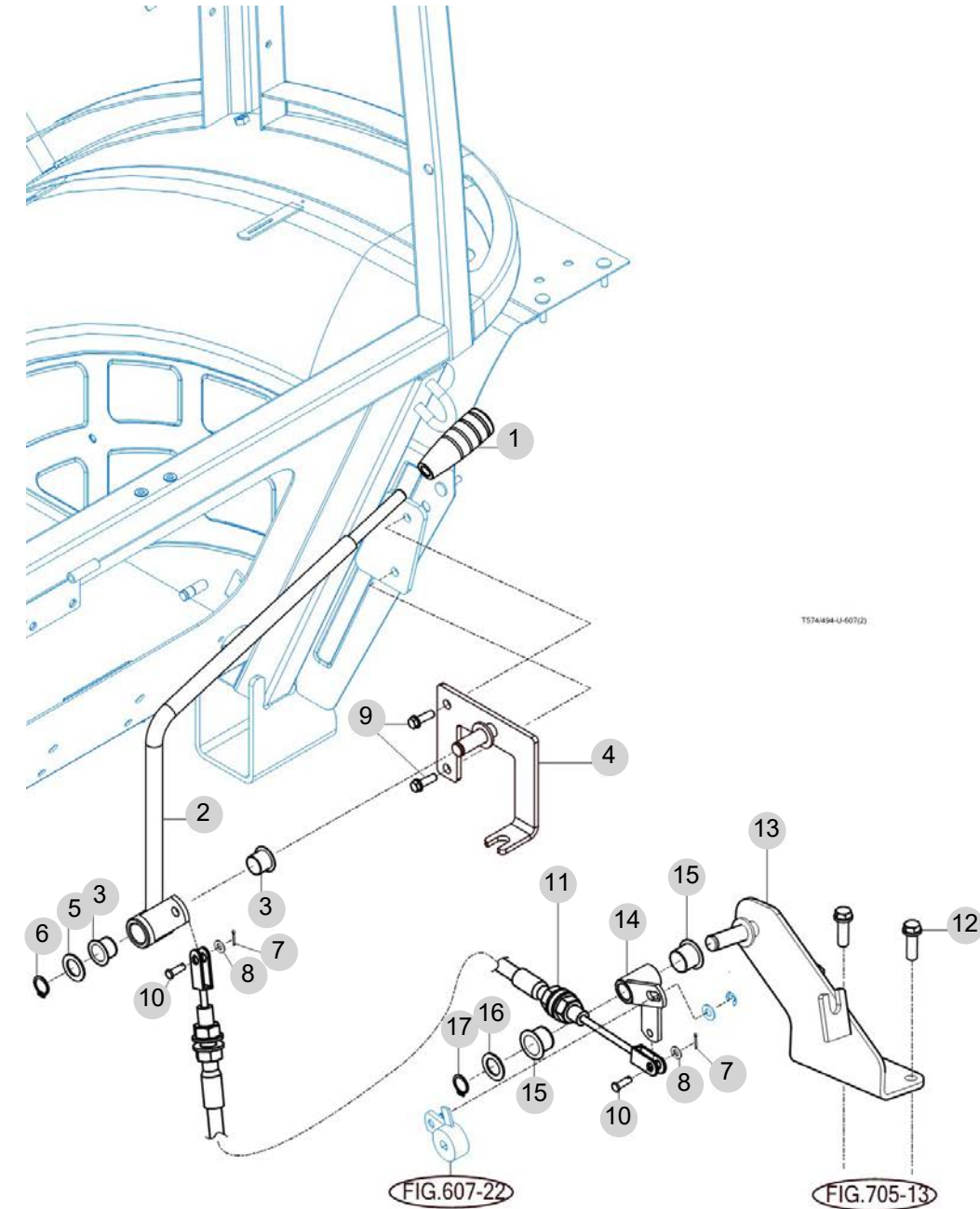
NOTE

FIG 607-2

POSITION & DRAFT LEVER (2)[SAP 가져오기]
에서 생성함.

년/월
Year/Month

2022-12



NOTE

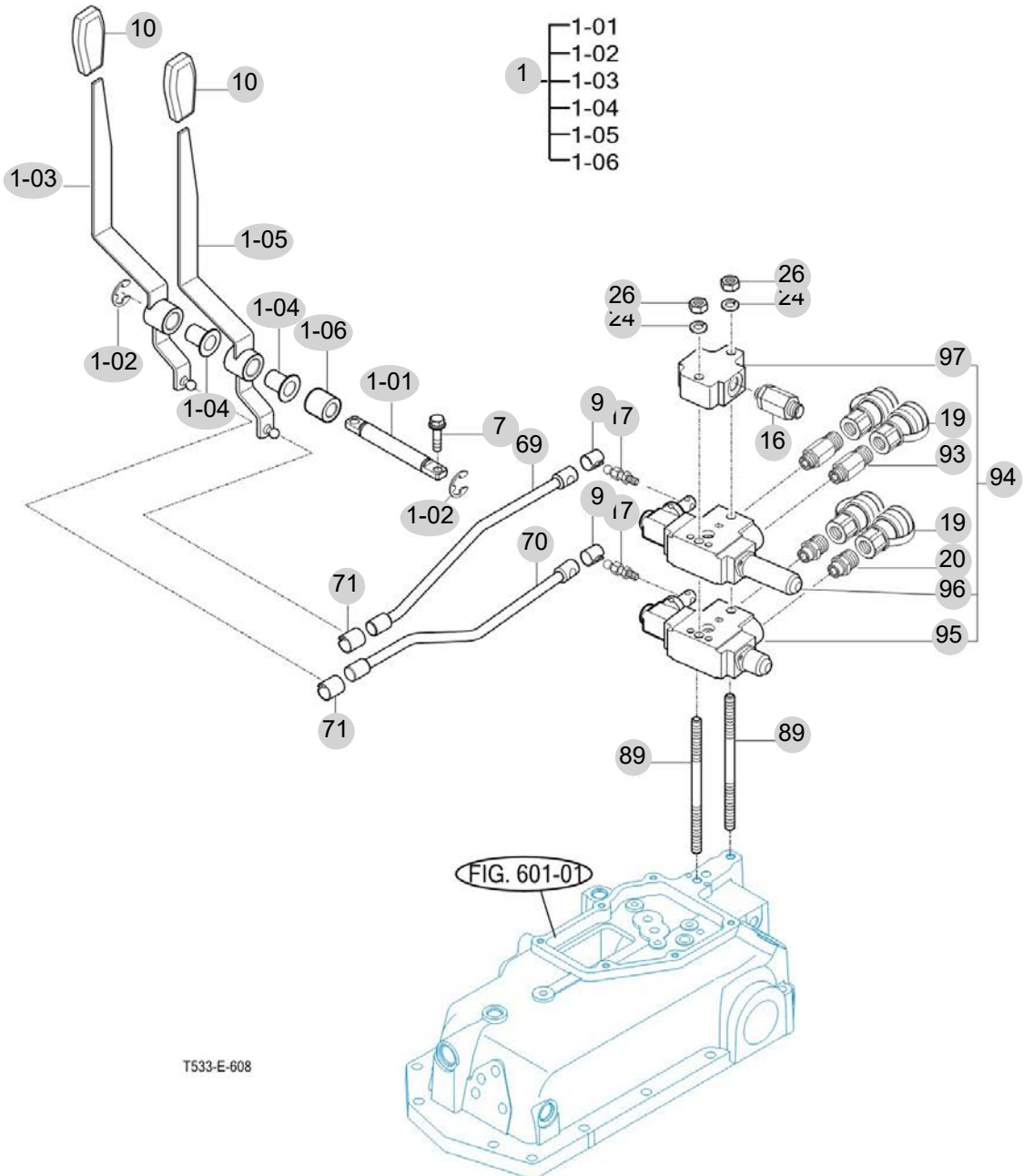
FIG 608

EXTERIOR HYD.VALVE

년/월
Year/Month

2022-12

T575NCEU1



T533-E-608

NOTE

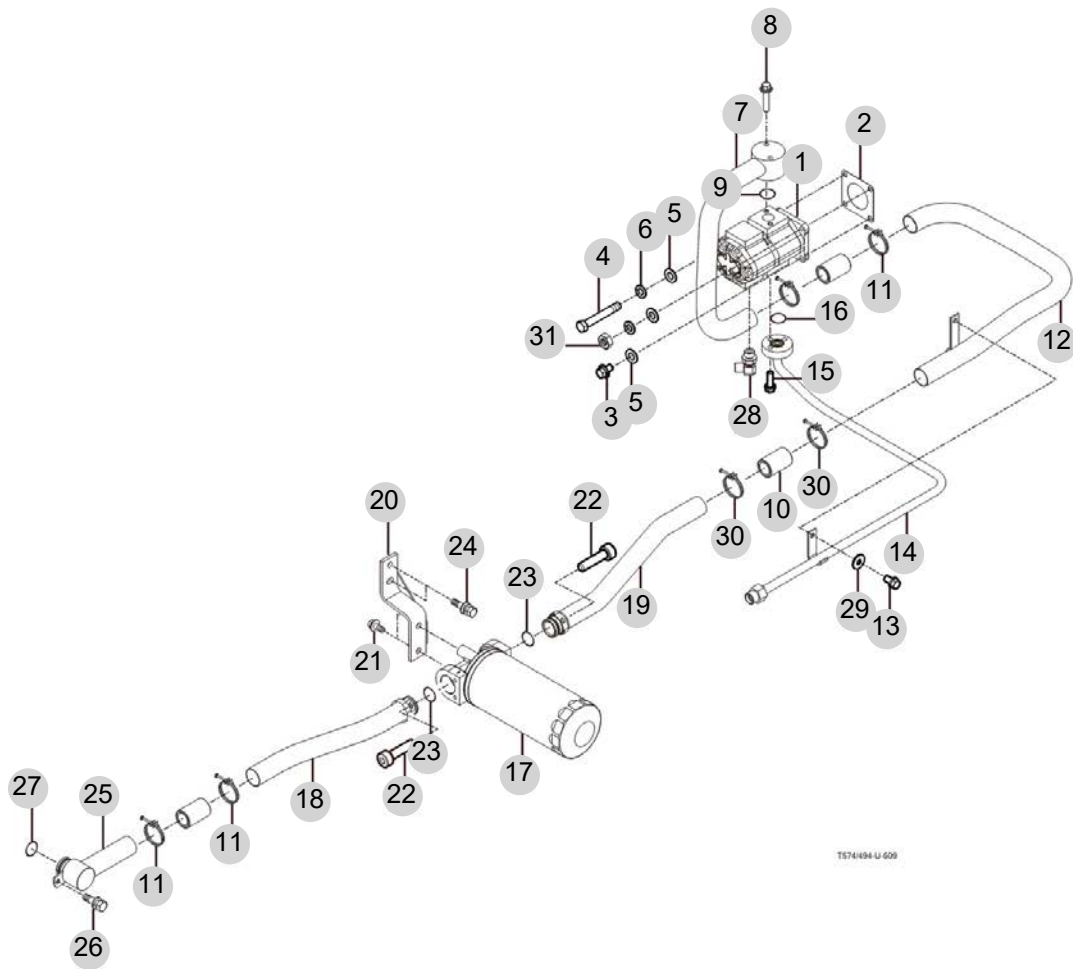
FIG 609

HYDRAULIC PIPE

년/월
Year/Month

2022-12

T575NCEU1



NOTE

FIG 609 T575NCEU1		HYDRAULIC PIPE					년/월 Year/Month
							2022-12
KEY NO	PART NO	DESCRIPTION	SPEC	QTY	REPAIR	EFFECTIVE DATE	REMARKS
609	1	13875103100	기어펌프(13X7.2CC) ASSY			1	
609	1	13875302100	기어펌프(13X8CC) ASSY			1	
609	2	14045030060	오일펌프팩킹			1	
609	3	V2183608040	소형육각볼트보통(SP)	M8X40		1	
609	4	V2013608170	소형육각볼트(보통)	M8X170		2	
609	5	V4111600080	평와셔	M8		4	
609	6	V4011600080	스프링와셔	M8		3	
609	7	13875152600	흡입파이프 COMP , 펌프			1	
609	8	V2173608055	소형육각볼트보통(S)	M8X55		2	
609	9	V7231020024	O링(S)	S24		1	
609	10	18015150031	호스 100			3	
609	11	18027090400	밴드 클램프 40 홍식			4	
609	12	13875152401GB	흡입파이프 COMP , 전			1	
609	12	13875152402GB	흡입파이프 COMP , 전			1	
609	13	V2173608016	소형육각볼트보통(S)	M8X16		1	
609	14	13875102101GB	메인파이프 COMP , 전			1	
609	15	V2113606025	육각볼트(S)	M6X25		3	
609	16	V7201124020	O링(P)	P20		1	
609	17	17975152001	필터(흡입/43)ASSY			1	
609	18	13875152200	흡입파이프 COMP , 필터 전			1	
609	19	13875152301				1	
609	19	13875152302	흡입파이프 COMP , 필터 후			1	
609	20	13875153100	브래킷 COMP , 오일필터			1	
609	21	V2183610025	소형육각볼트보통(SP)	M10X25		2	
609	22	V2205408016	육각홀볼트	M8X16		2	
609	23	V7211031030	O링(G)	G30		2	
609	24	V2183608020	소형육각볼트보통(SP)	M8X20		2	
609	25	13875152100	흡입파이프 COMP , 후			1	
609	26	V2173608016	소형육각볼트보통(S)	M8X16		1	
609	27	V7211031030	O링(G)	G30		1	
609	28	36313530021	어댑터(고압)			1	
609	29	35602010150	결속축와셔			1	
609	30	18027090500	밴드 클램프 50 홍식			2	
609	31	V3042600080	소형육각너트보통2종	M8		1	
NOTE							

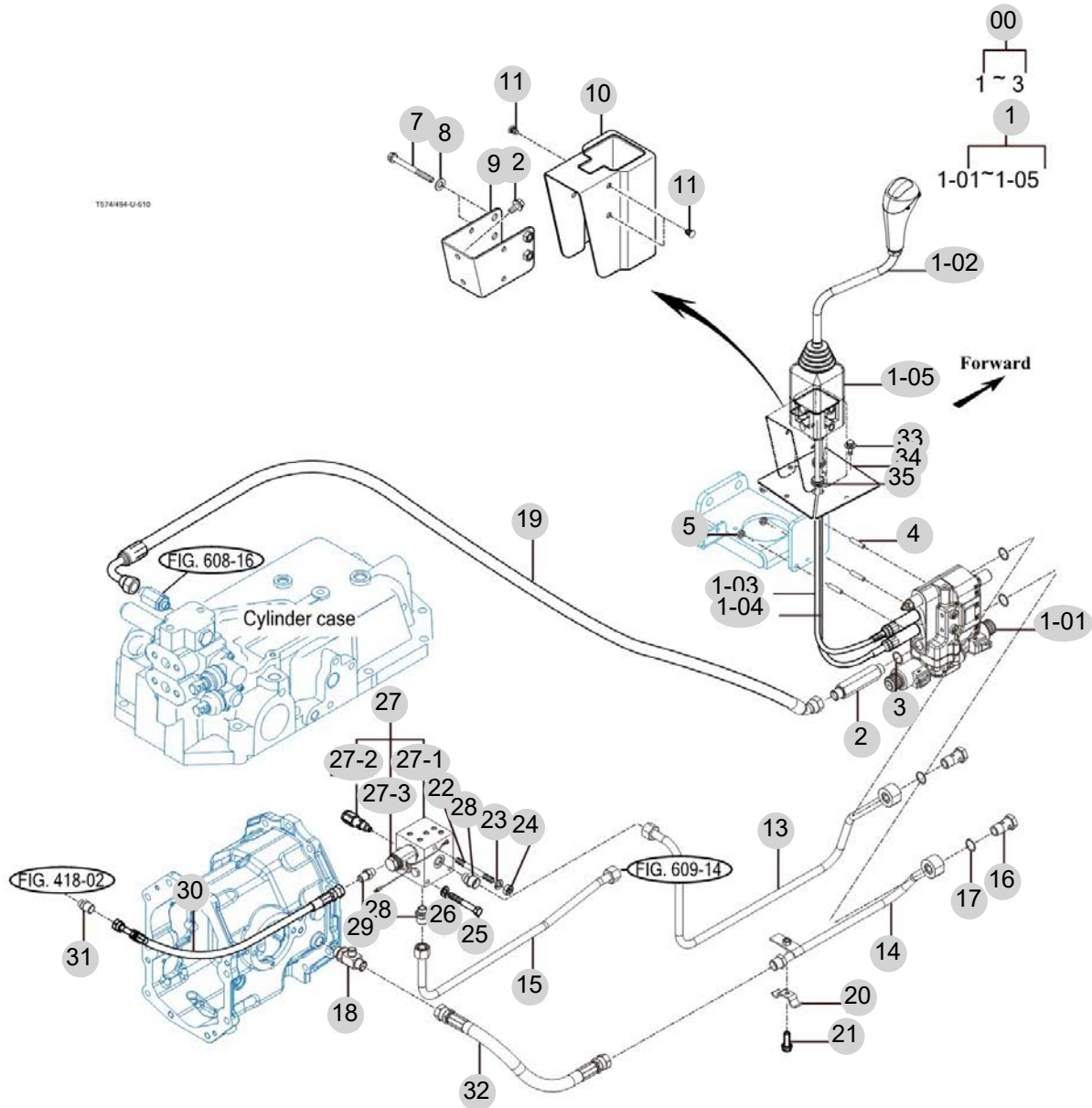
FIG 610

JOYSTICK

년/월
Year/Month

2022-12

T575NCEU1



NOTE

FIG 610 T575NCEU1		JOYSTICK					년/월 Year/Month	
							2022-12	
KEY NO	PART NO	DESCRIPTION	SPEC	QTY	REPAIR	EFFECTIVE DATE	REMARKS	
610	0	13877753000	로더밸브 SUB		1			
610	1	13877752000	로더밸브 조이스틱 ASSY		1			
610	1-01	13877752100	로더밸브 ASSY		1			
610	1-02	13877752200	조이스틱 레버 ASSY		1			
610	1-03	13877752300	조이스틱 케이블 ASSY ,상(720)		1			
610	1-04	13877752400	조이스틱 케이블 ASSY ,하(770)		1			
610	1-05	13877752500	부츠 ASSY		1			
610	2	13805410050	유니온(PF1/2-130)		1			
610	3	19557753010	본디드 썰 , PF1/2		1			
610	4	V2513408025	스터드볼트2종	8X25	3			
610	5	V3802600080	플랜지볼이육각너트	M8	3			
610	7	V2173608085	소형육각볼트보통(S)	M8X85	2			
610	8	V4111600080	평와셔	M8	2			
610	9	14527103100GB	조이스틱브래킷		1			
610	10	14527100010	커버(조이스틱/T483)		1			
610	11	15276040020	트림 클립(8)		3			
610	12	V2183608020	소형육각볼트보통(SP)	M8X20	2			
610	13	13865412101	로더파이프 COMP , P		1			
610	14	13875412201	로더파이프 COMP , T		1			
610	15	13865102200	메인파이프 COMP , 후		1			
610	16	13875410081	아이 조인트 볼트 (PF1/2)		2			
610	17	19557753010	본디드 썰 , PF1/2		4			
610	18	15165161130	T엘보 (PF1/2,PF3/8)		1			
610	19	13875202300	유압호스(1550)ASSY		1			
610	20	18715404700	클립		1			
610	21	V2173608016	소형육각볼트보통(S)	M8X16	1			
610	22	V2513408090	스터드볼트2종	8X90	1			
610	23	V4011600080	스프링와셔	M8	1			
610	24	V3042600080	소형육각너트보통2종	M8	1			
610	25	V2013608090	소형육각볼트(보통)	M8X90	2			
610	26	V4011600080	스프링와셔	M8	1			
610	27	13875182000	PTO밸브ASSY		1			
610	27	17975182001	PTO밸브ASSY		1			
610	27-1	14725182100	PTO 밸브		1			
610	27-2	16490110001	릴리프밸브ASSY		1			
610	27-3	14725182210	슬레노이드 코일		1			
610	28	14135160010	유니온 , PF3/8 M22		2			
610	29	37681850141	어댑터(직선)		1			
610	30	14525180361	유압호스(690)ASSY		1			
610	31	17971850140	어댑터(직선, PF1/4)		1			
610	32	13865202200	유압호스(450)ASSY		1			
610	33	V2193606016	육각볼트(SPL)	M6X16	4			
610	34	17685161810GB	플레이트(썰)		2			
610	35	14526300530	인슐레이터(조이스틱)		2			
NOTE								

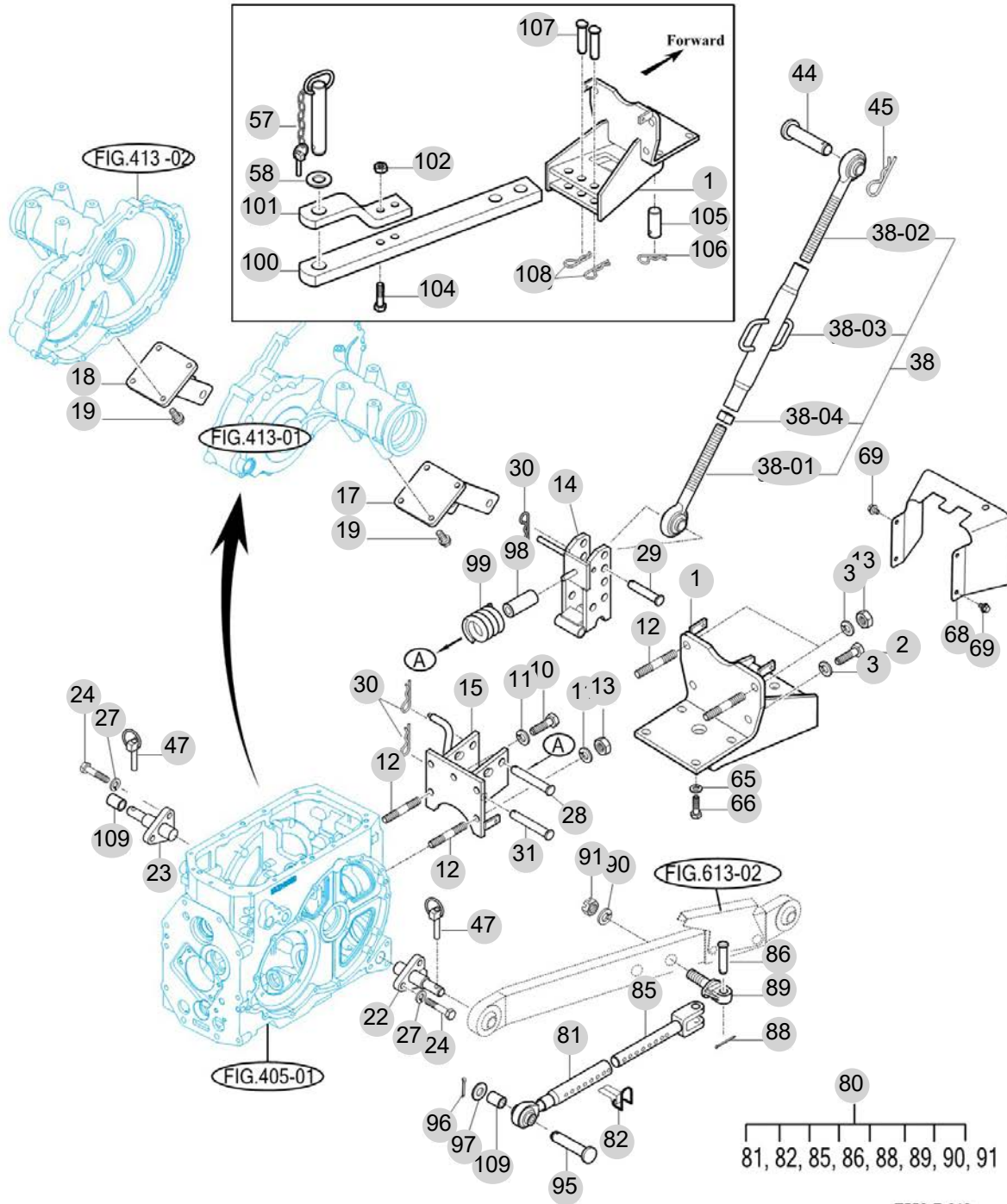
FIG 612

HITCH & 3-POINT LINK

년/월
Year/Month

2022-12

T575NCEU1



NOTE

FIG 612 T575NCEU1		HITCH & 3-POINT LINK					년/월 Year/Month	
							2022-12	
KEY NO	PART NO	DESCRIPTION	SPEC	QTY	REPAIR	EFFECTIVE DATE	REMARKS	
612	1	15535202001GB	스윙드로바 브래킷, COMP		1			
612	1	15535202002GB	스윙드로바 브래킷, COMP		1			
612	1	15535202003GB	스윙드로바 브래킷, COMP		1			
612	1	15175202003GB	브래킷COMP, 스윙드로바		1			
612	2	V2013616035	소형육각볼트(보통)	M16X35	2			
612	3	V4011600160	스프링와셔	M16	4			
612	10	V2013616035	소형육각볼트(보통)	M16X35	3			
612	11	V4011600160	스프링와셔	M16	5			
612	12	V2513416035	스터드볼트2종	M16X35	4			
612	13	V3043600160	소형육각너트보통2종	M16	4			
612	14	16735222102GB	링크 COMP		1			
612	15	15185222000GB	브래킷 COMP		1			
612	17	14525254100GB	브래킷(후)COMP		1			
612	18	14525254100GB	브래킷(후)COMP		1			
612	19	V2173612030	소형육각볼트보통(S)	M12X30	8			
612	22	15685252204	핀(L) COMP		1			
612	23	15685252801	핀(R) COMP		1			
612	24	V2013614040	소형육각볼트(보통)	M14X40	6			
612	27	V4011600140	스프링와셔	M14	6			
612	28	15645250010	핀(19X122)		1			
612	29	15645220020	핀(19X95)		1			
612	30	14445140051	헤어핀(19)		3			
612	31	15645250010	핀(19X122)		1			
612	38	16505245501GB	톱링크ASSY		1			
612	38	16505245502GB	톱링크 ASSY		1			
612	38-01	16505245510	톱링크COMP(RH)		1			
612	38-02	16505245520	톱링크COMP(LH)		1			
612	38-03	14555140251	턴버클 조합(톱링크)		1			
612	38-04	16505245530	육각너트		1			
612	44	15645220011	핀(19X86)		1			
612	45	14445140051	헤어핀(19)		1			
612	47	14215020020	링크핀		2			
612	57	S0973063031	핀ASSY		1			
612	58	15252470010	쿠션고무		1			
612	65	V4011600140	스프링와셔	M14	4			
612	66	V2013614035	소형육각볼트(보통)	M14X35	4			
612	68	13605200012GB	커버(씰드)		1			
612	69	V2183608016	소형육각볼트보통(SP)		4			
612	80	15155253000GB	조정링크(완)ASSY		2			
612	81	15155253100	로드 SUB, FR		2			
612	82	17705254200	린치핀		2			
612	85	15155253300	로드 SUB, RR		2			
612	86	15155253400	핀, ø20X59		2			
612	88	V5001940035	분할핀	4.0X35	2			
612	89	15155253500	아이볼트		2			
NOTE								

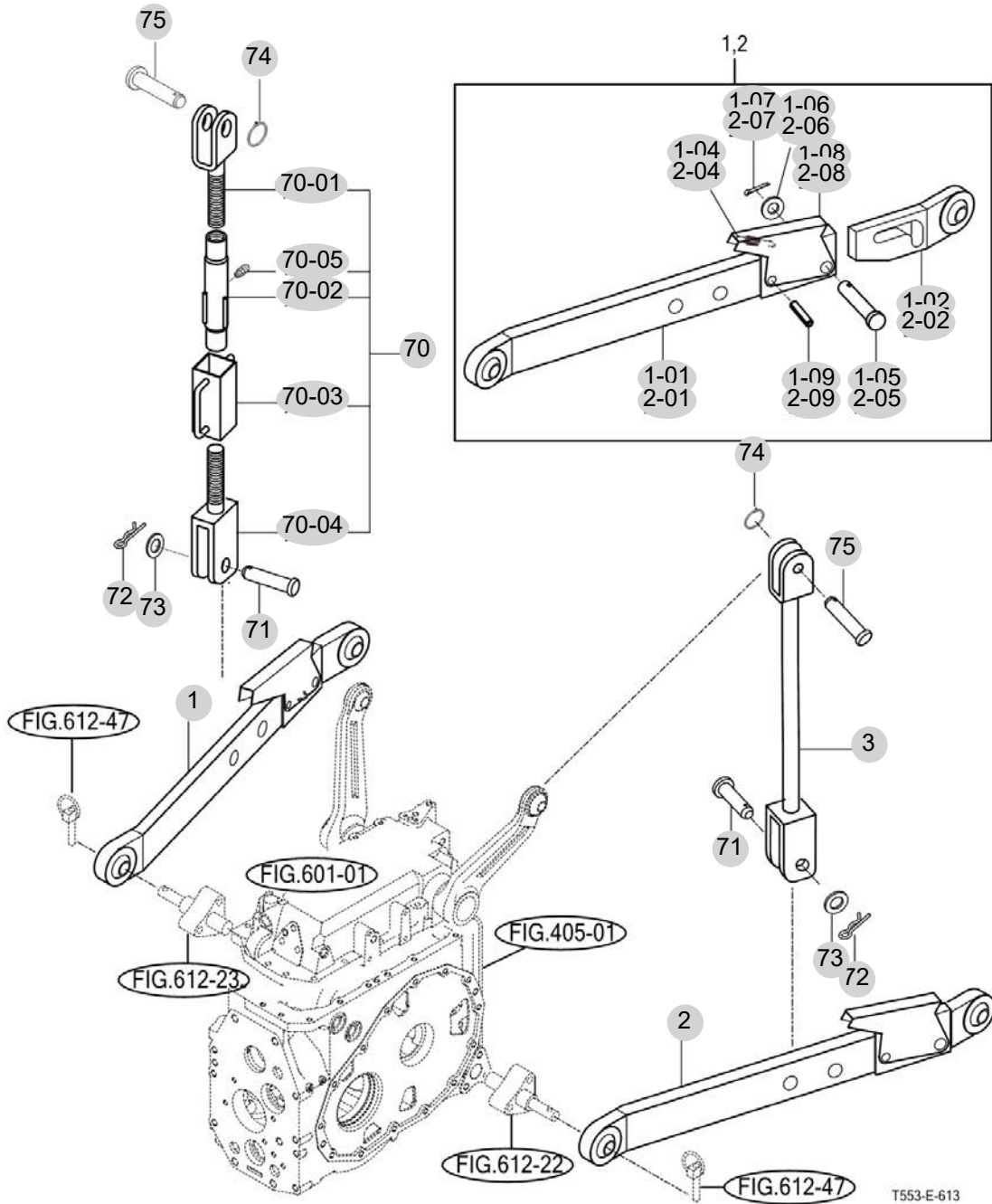
FIG 613

LOWER LINK & LIFT ROD

년/월
Year/Month

2022-12

T575NCEU1



T553-E-613

NOTE

7. 시트메탈/캐빈 PART NO. T7

FIG 701 BONNET FRAME	219
FIG 702A BONNET (1)	221
FIG 702B BONNET (2)	223
FIG 703 EXTENSION COVER	225
FIG 704B LEVER COVER & STEP-Non CAB	227
FIG 705 FRONT & REAR MOUNTING	229
FIG 706 SEAT & MAT	231
FIG 710B FRAME&2POLES ROPS-Non CAB	233
FIG 713B SUB FENDER&COVER-Non CAB	235
FIG 714B MIRROR&WORKING LAMP-Non CAB	237
FIG 718 CABIN INTERIOR	239

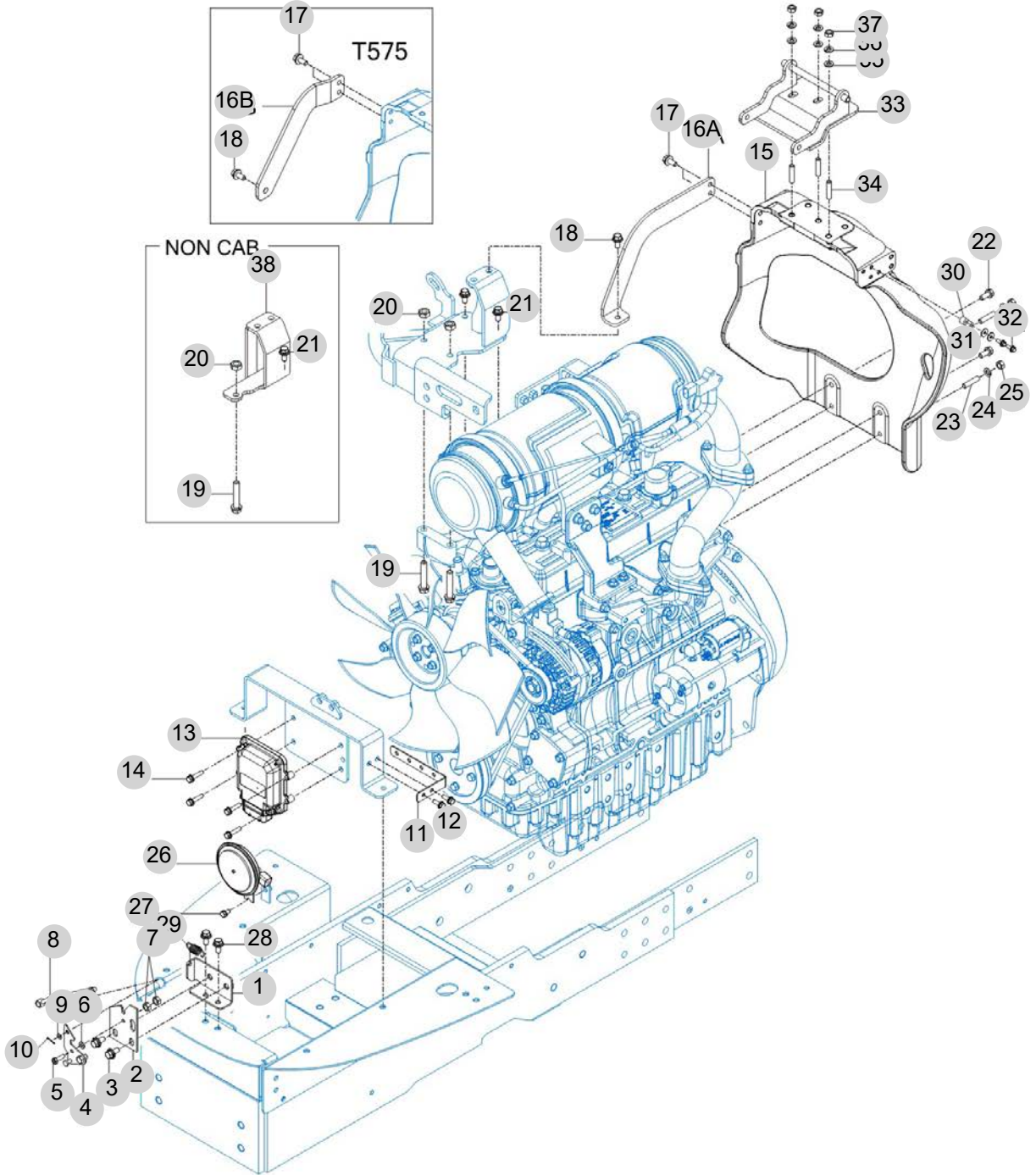
FIG 701

BONNET FRAME

년/월
Year/Month

2022-12

T575NCEU1



NOTE

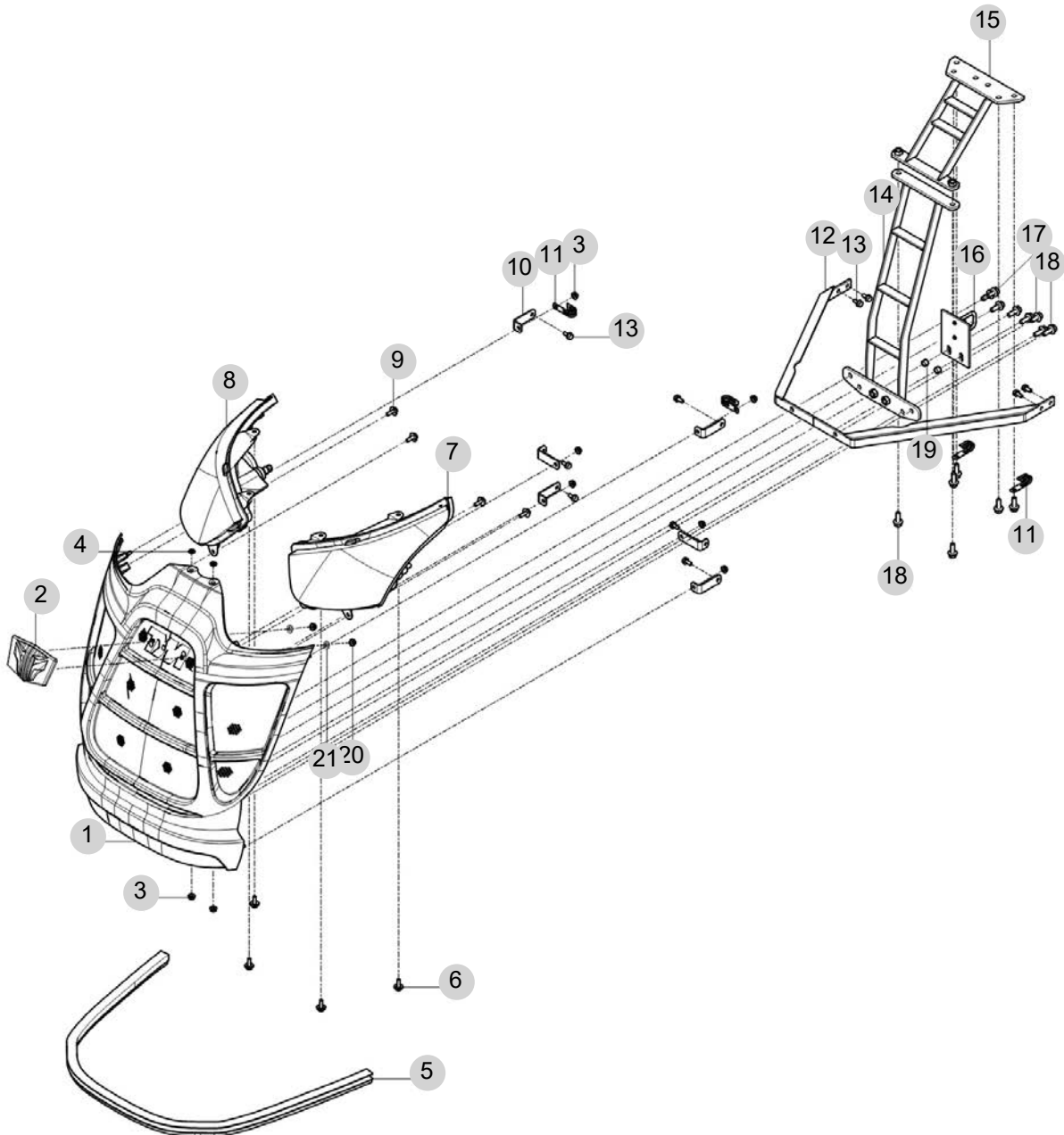
FIG 702A

BONNET (1)

년/월
Year/Month

2022-12

T575NCEU1



NOTE

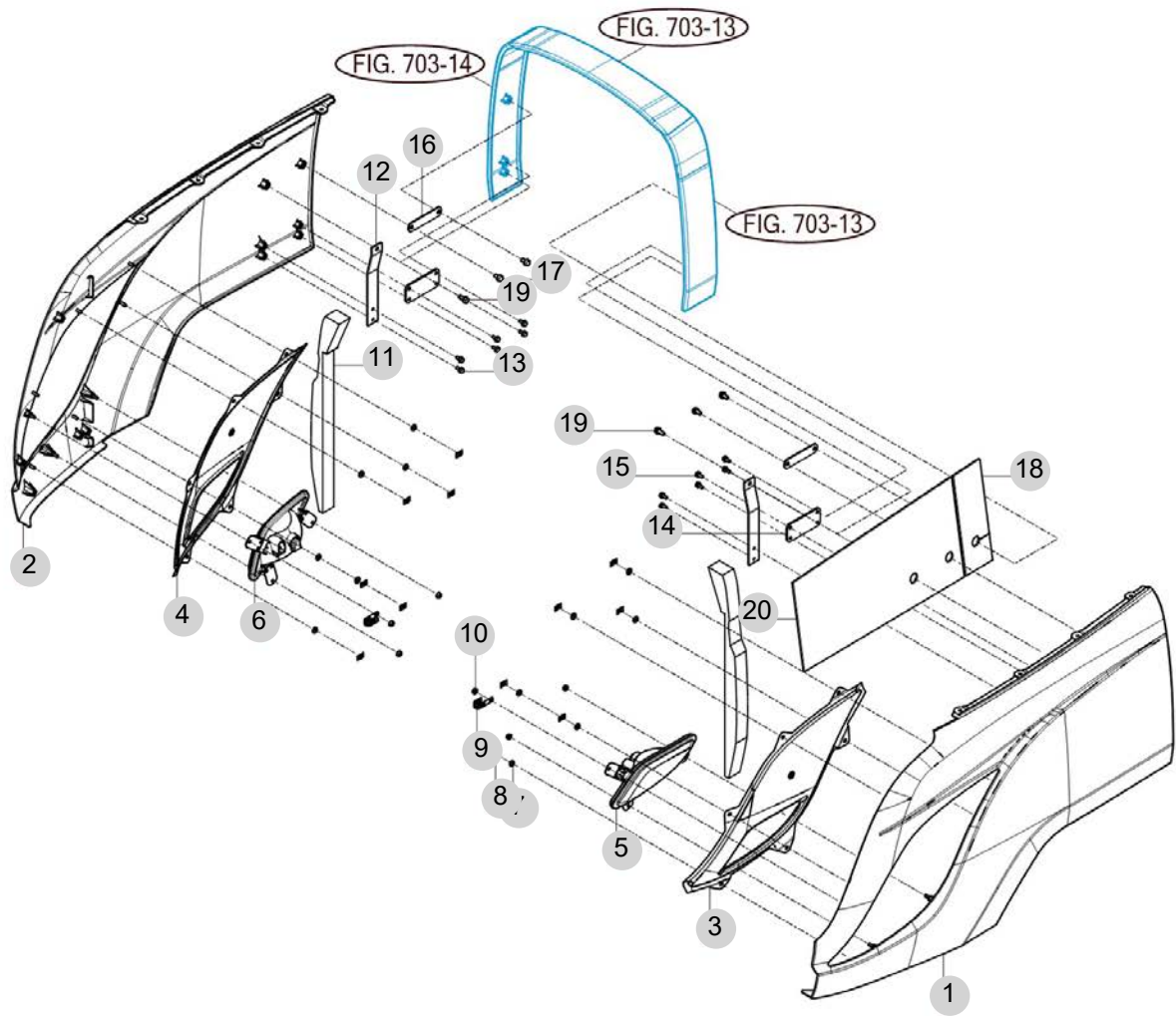
FIG 702B

T575NCEU1

BONNET (2)

년/월
Year/Month

2022-12



NOTE

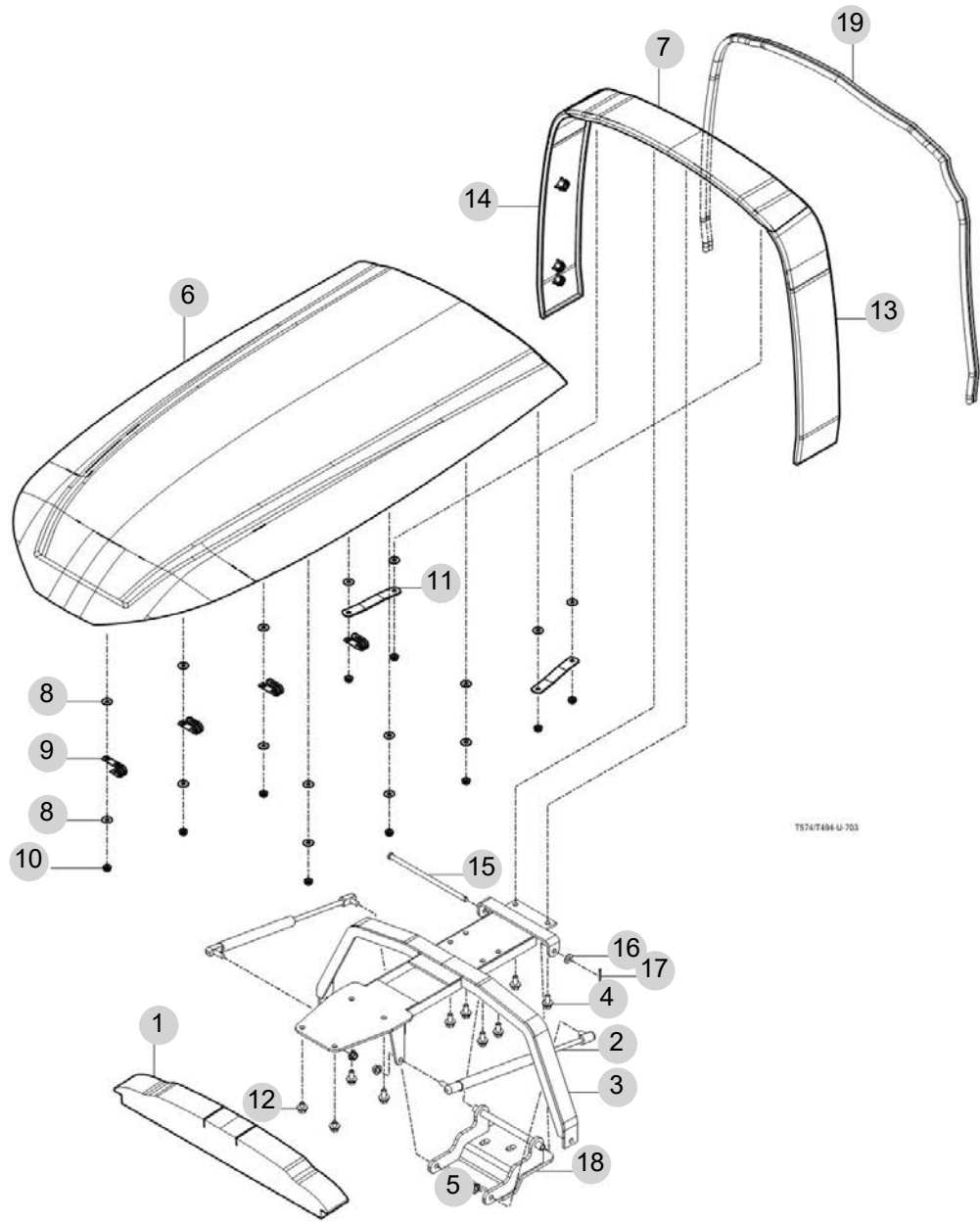
FIG 703

EXTENSION COVER

년/월
Year/Month

2022-12

T575NCEU1



NOTE

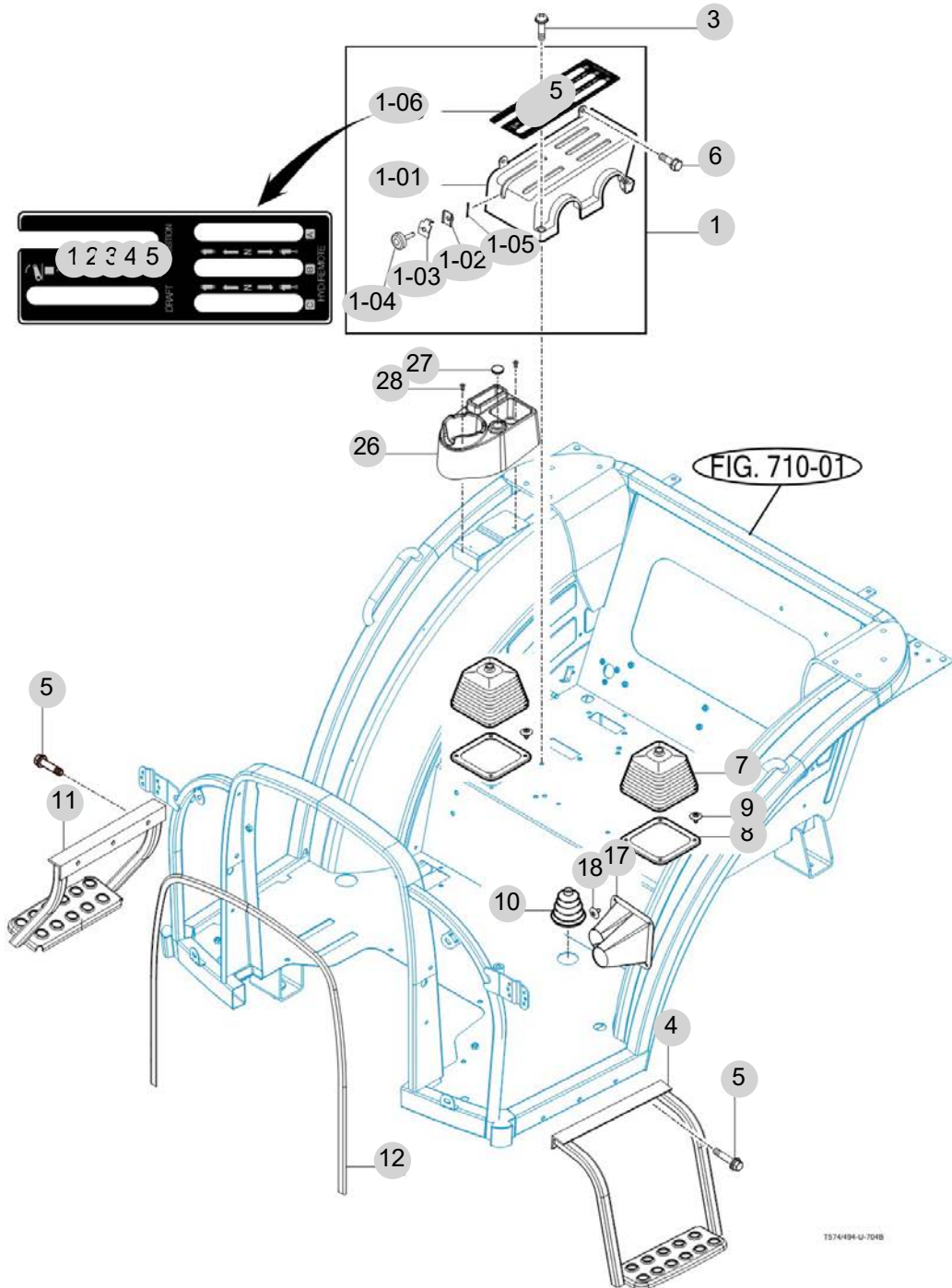
FIG 704B

LEVER COVER & STEP-Non CAB

년/월
Year/Month

2022-12

T575NCEU1



T574/494-U-704B

NOTE

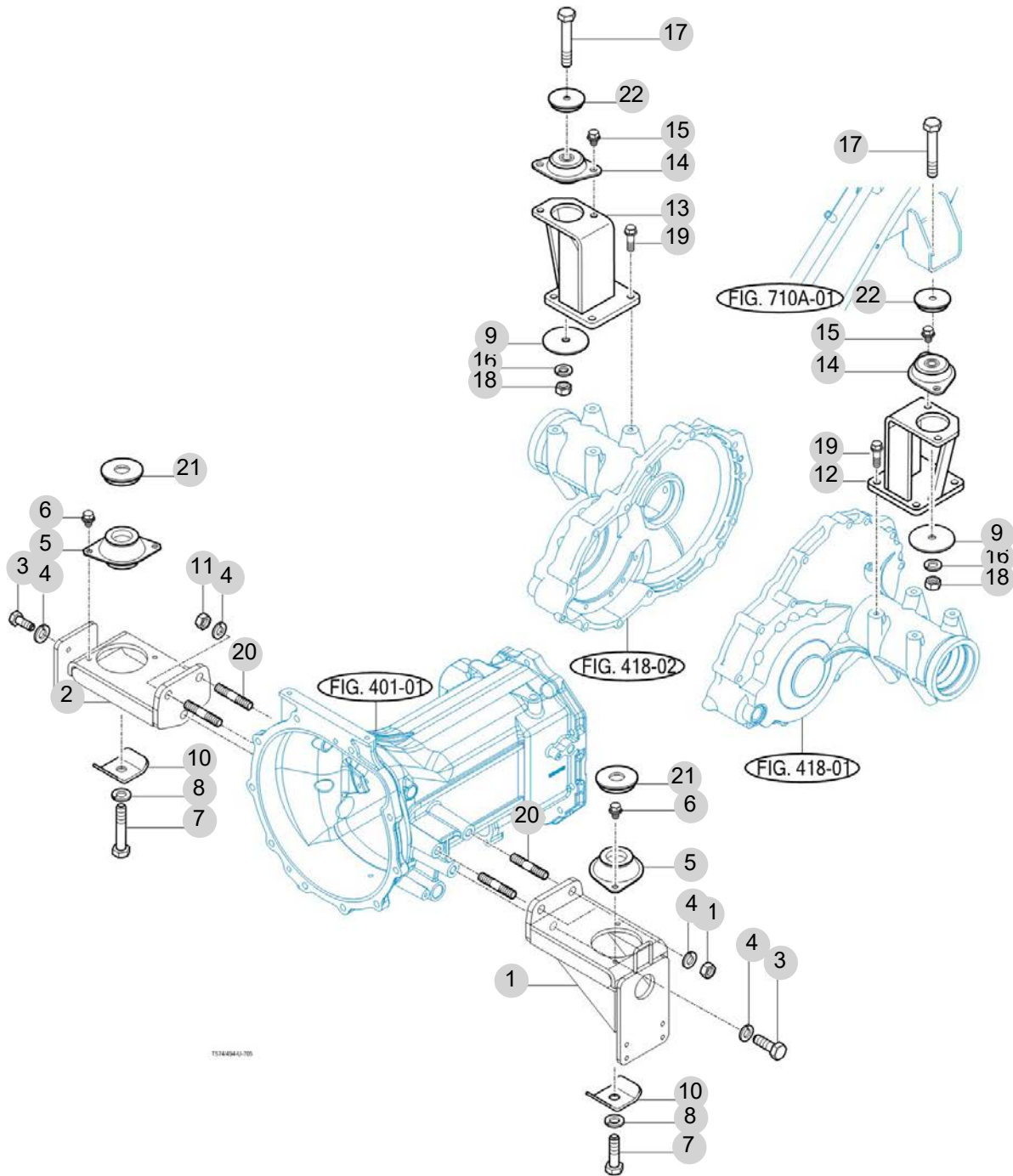
FIG 705

FRONT & REAR MOUNTING

년/월
Year/Month

2022-12

T575NCEU1



NOTE

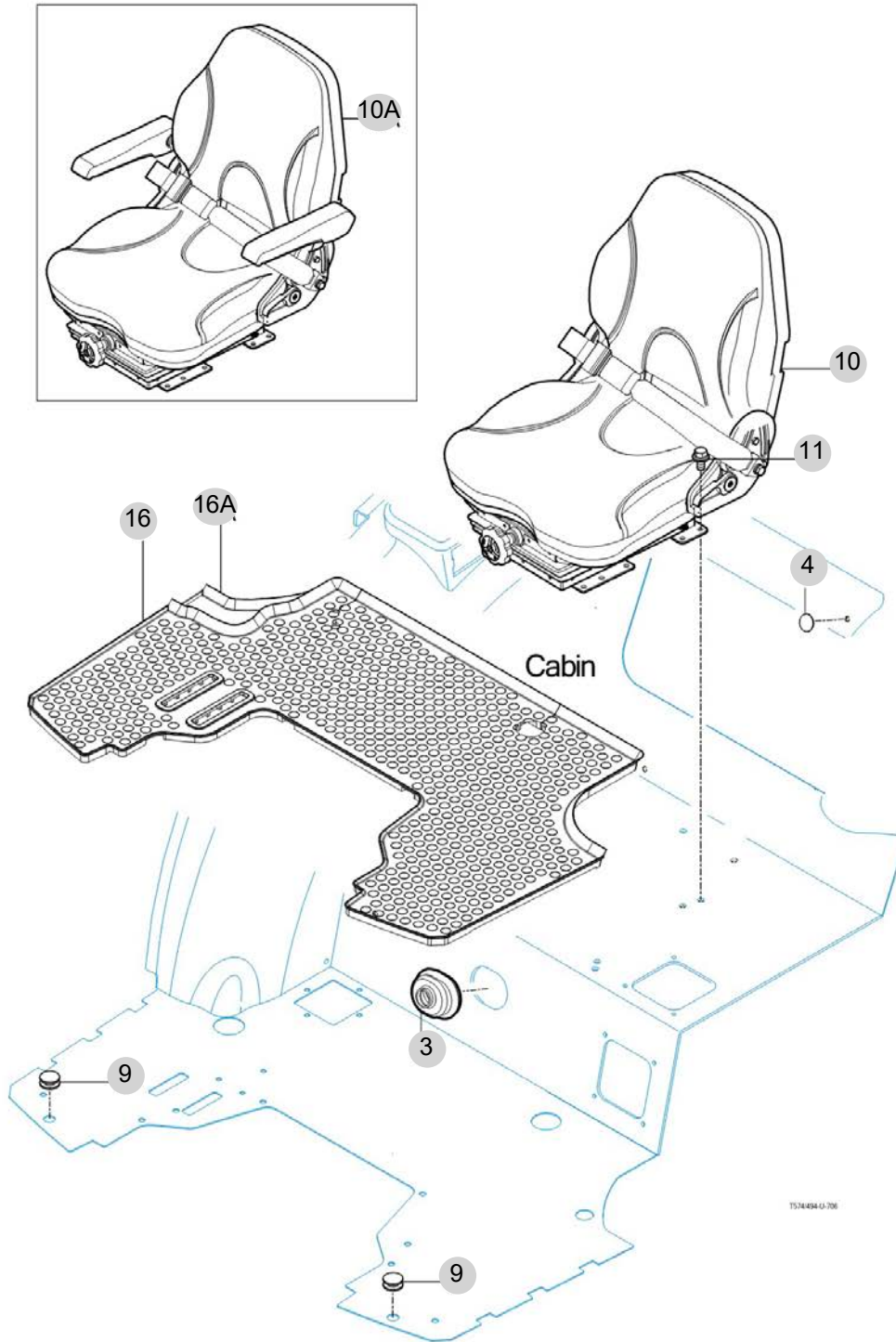
FIG 706

SEAT & MAT

년/월
Year/Month

2022-12

T575NCEU1



NOTE

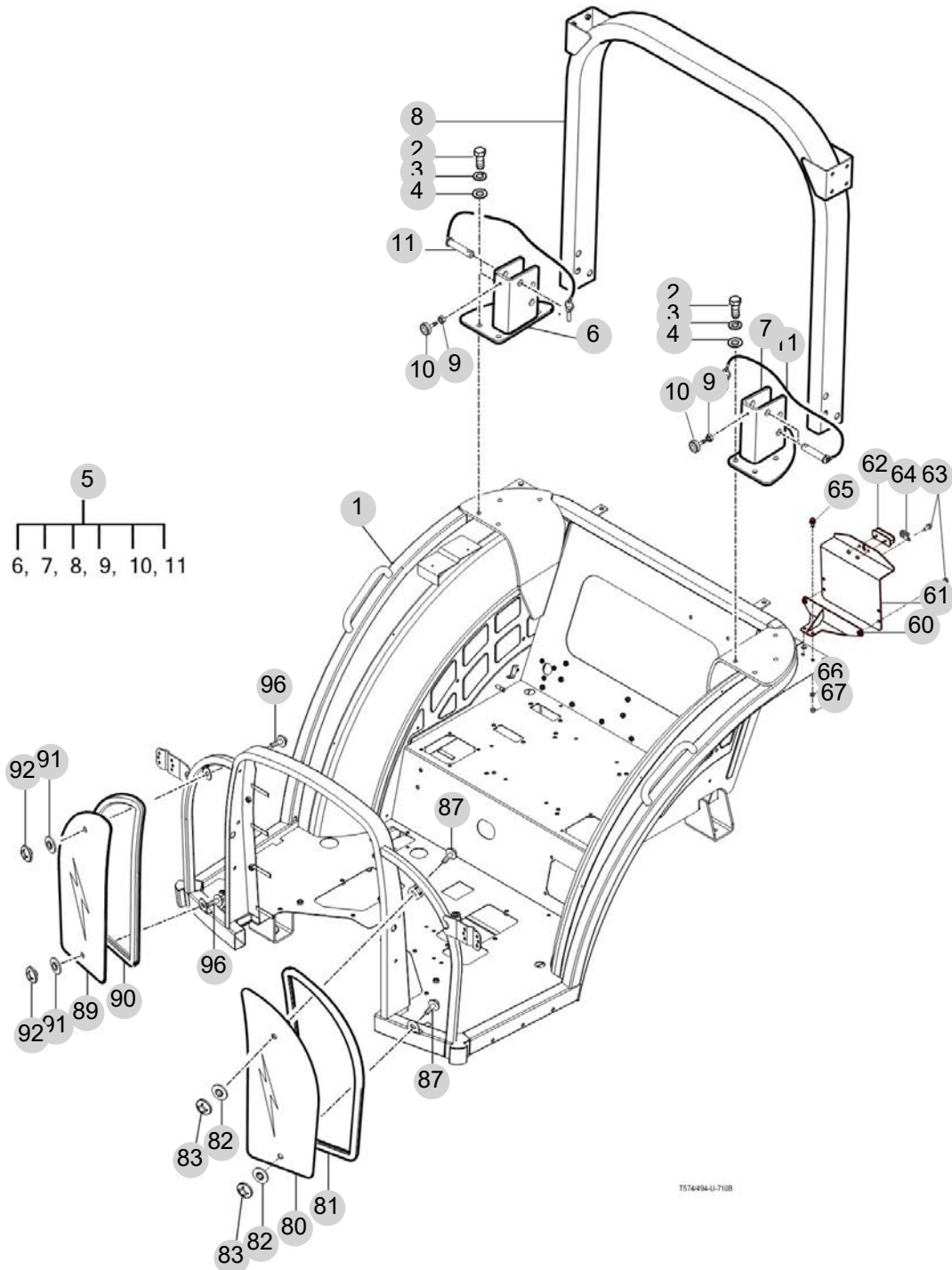
FIG 710B

FRAME&2POLES ROPS-Non CAB

년/월
Year/Month

2022-12

T575NCEU1



T574494-U-710B

NOTE

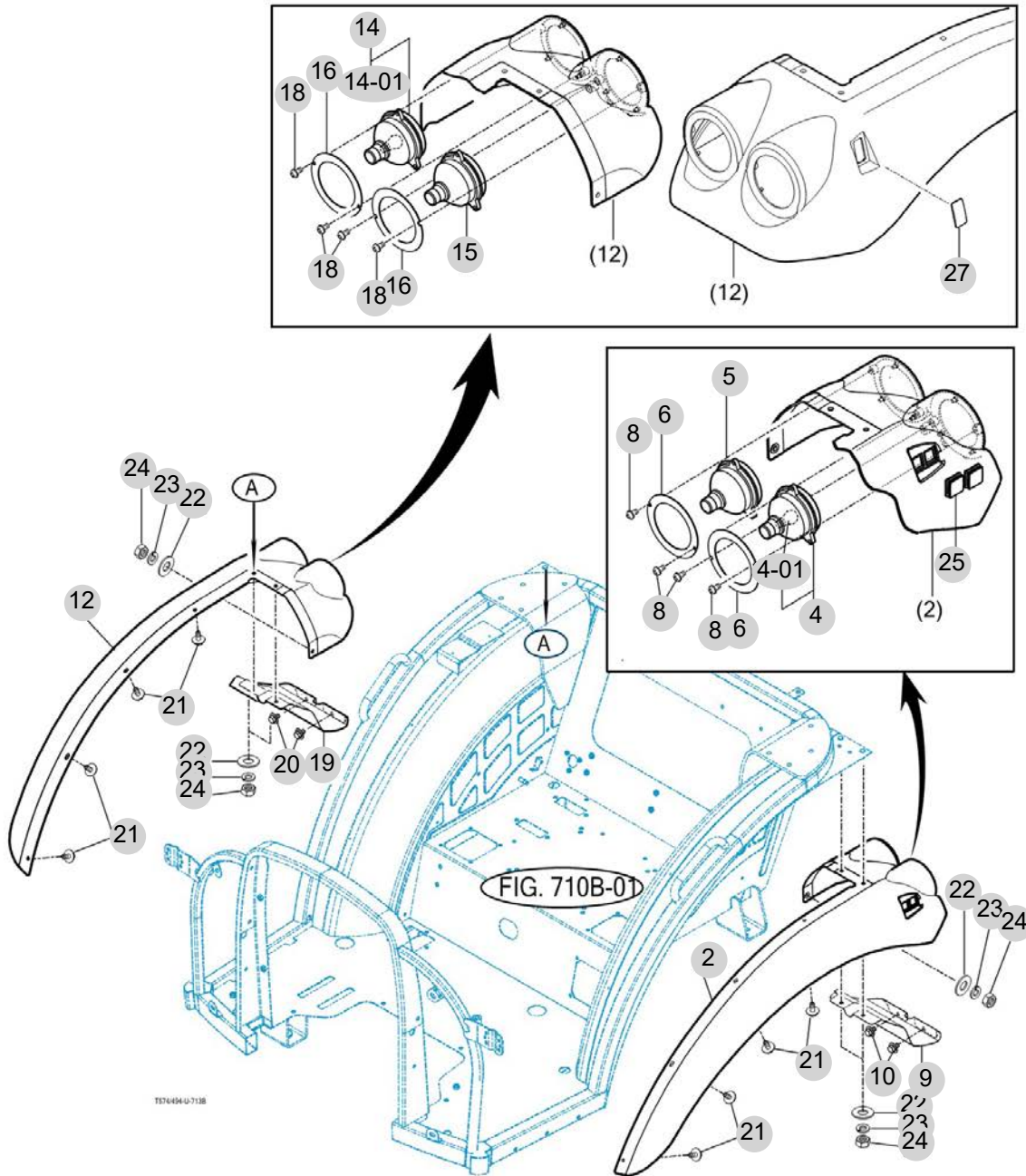
FIG 713B

SUB FENDER&COVER-Non CAB

년/월
Year/Month

2022-12

T575NCEU1



NOTE

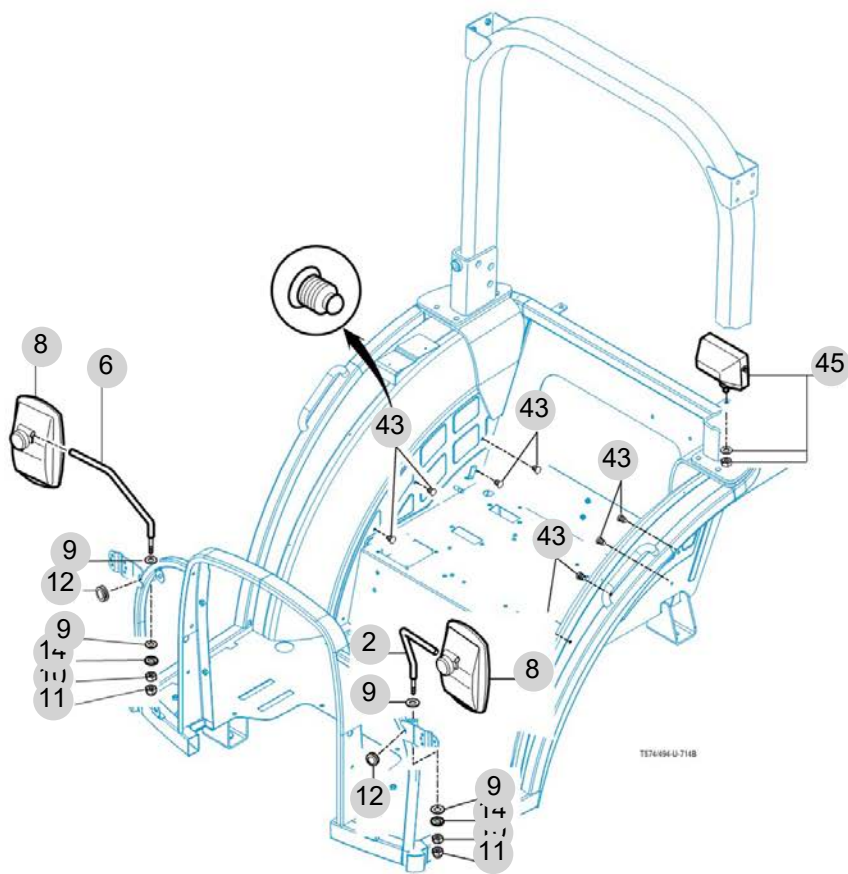
FIG 714B

MIRROR&WORKING LAMP-Non CAB

년/월
Year/Month

2022-12

T575NCEU1



NOTE

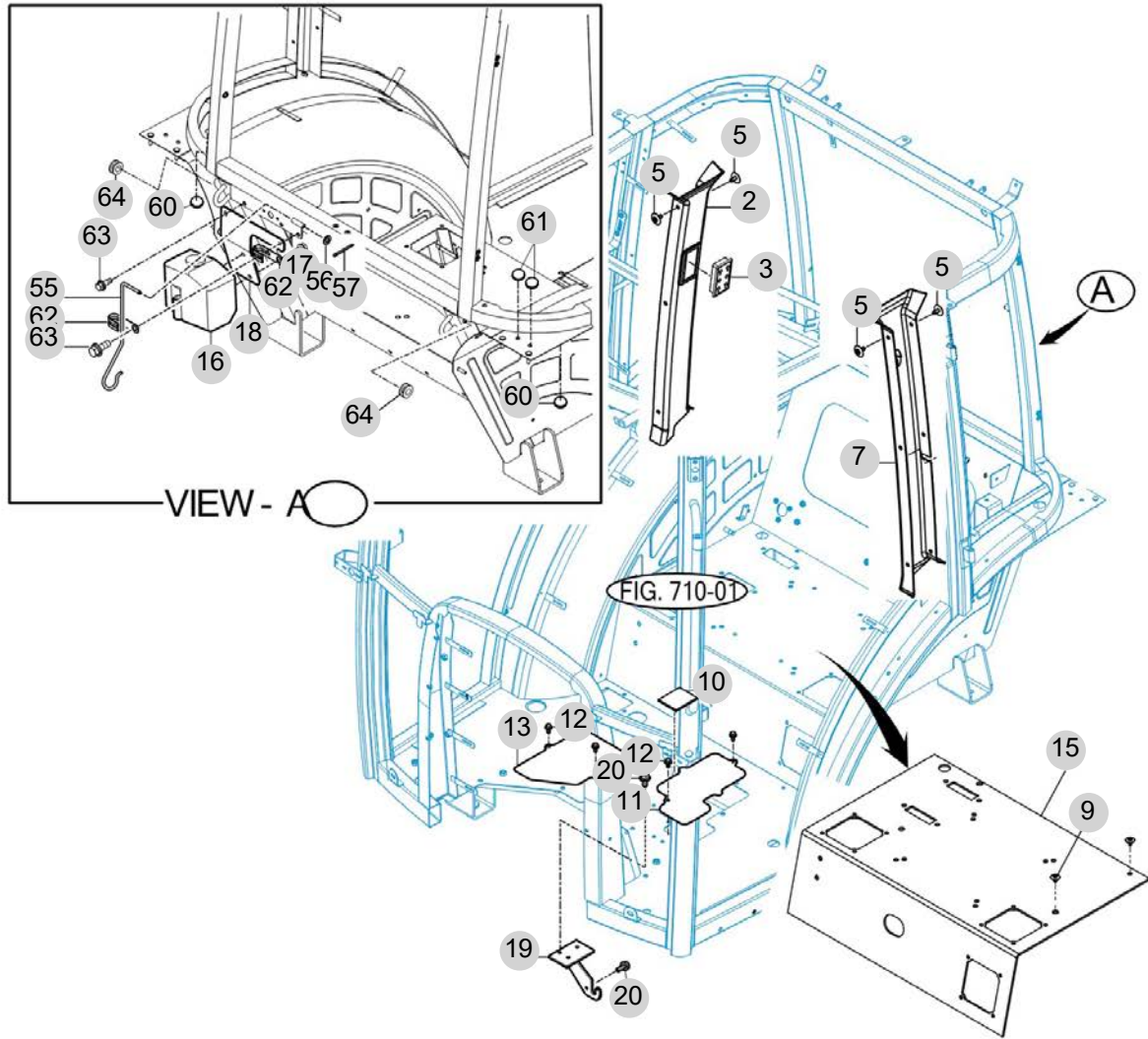
FIG 718

CABIN INTERIOR

년/월
Year/Month

2022-12

T575NCEU1



NOTE

8. 전장 PART NO. T8

FIG 801 BATTERY MOUNTING	242
FIG 802 HARNESS LAMP	244
FIG 803 INSTRUMENT PANEL	246
FIG 804 ELECTRIC SYSTEM (1)	248
FIG 805B ELECTRIC SYSTEM (2)-Non CAB	250
FIG 806 ELECTRIC SYSTEM (3)	252

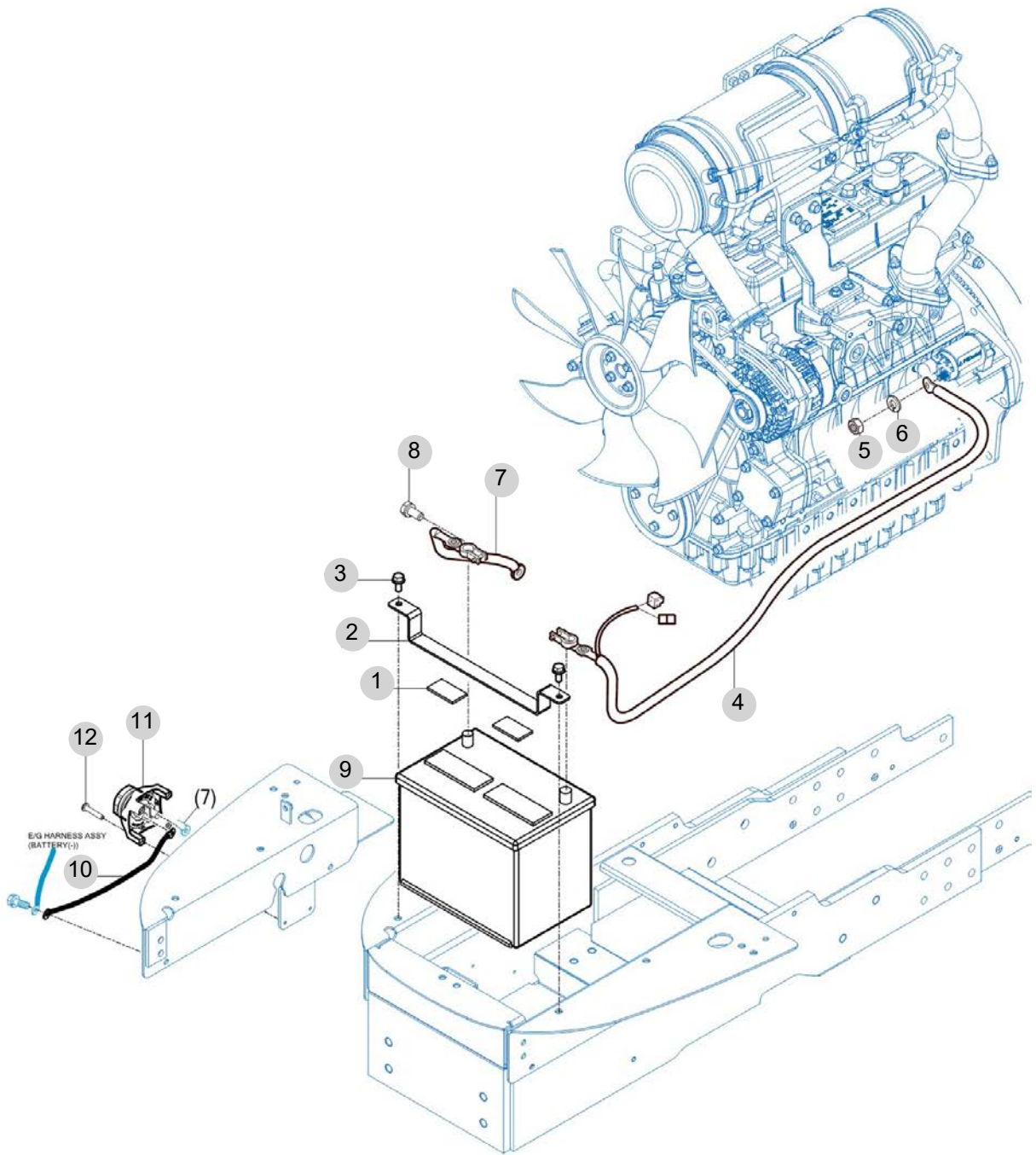
FIG 801

BATTERY MOUNTING

년/월
Year/Month

2022-12

T575NCEU1



NOTE

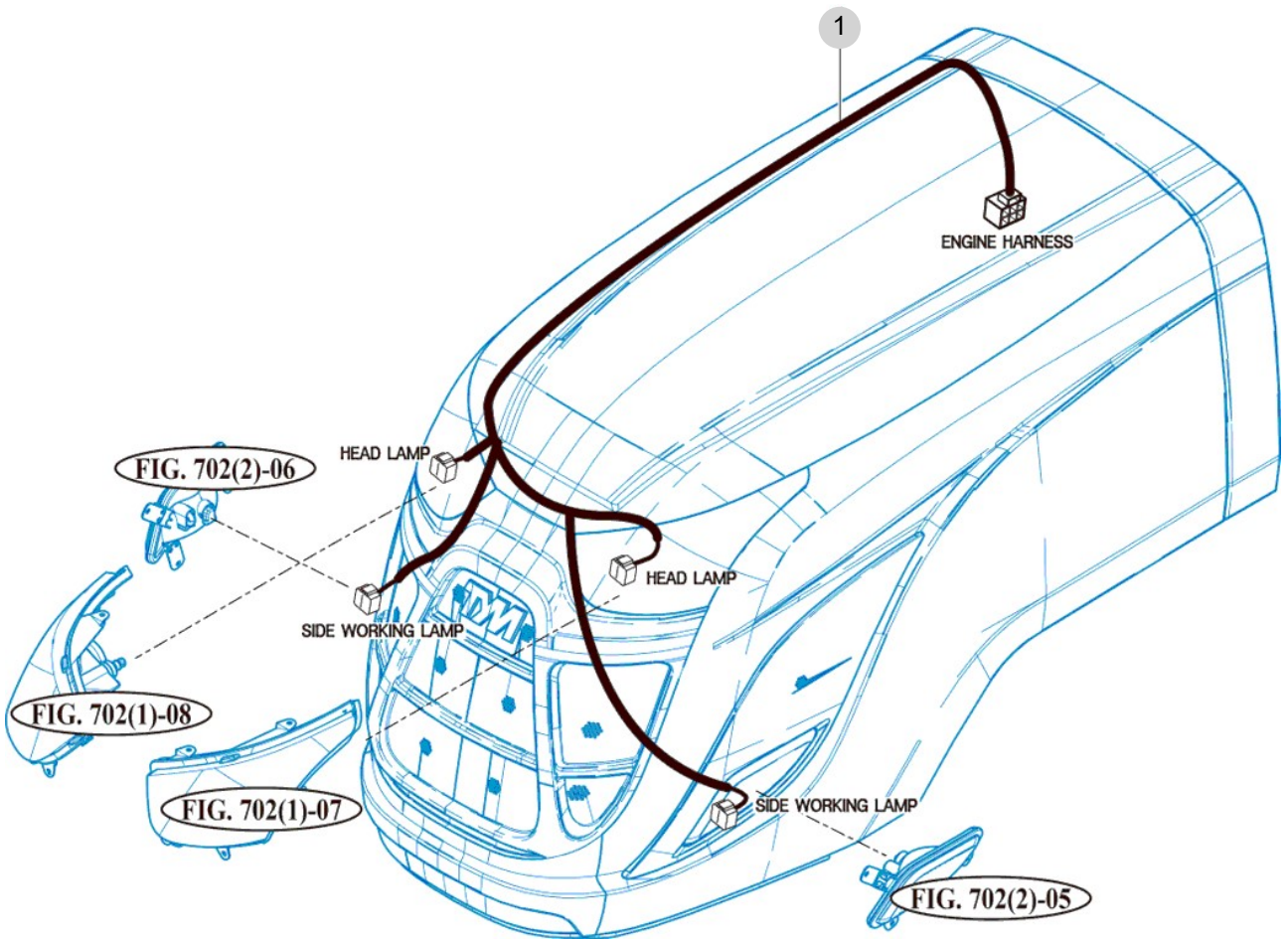
FIG 802

HARNES LAMP

년/월
Year/Month

2022-12

T575NCEU1



NOTE

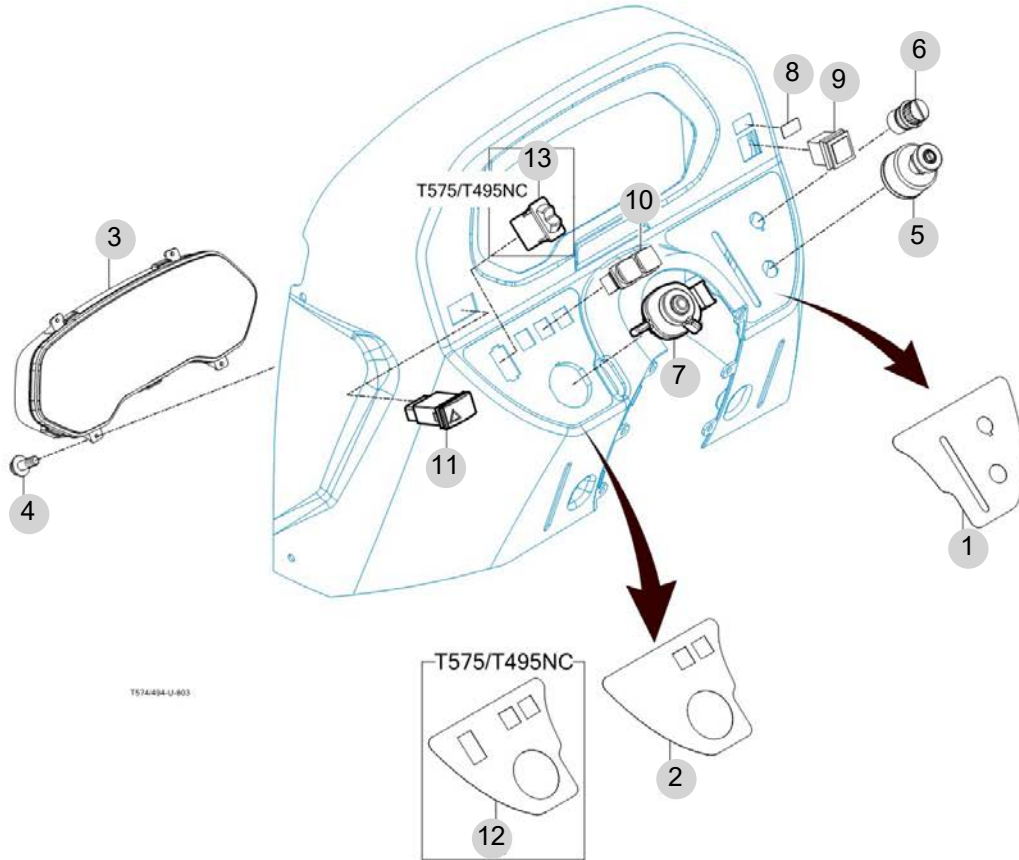
FIG 803

INSTRUMENT PANEL

년/월
Year/Month

2022-12

T575NCEU1



NOTE

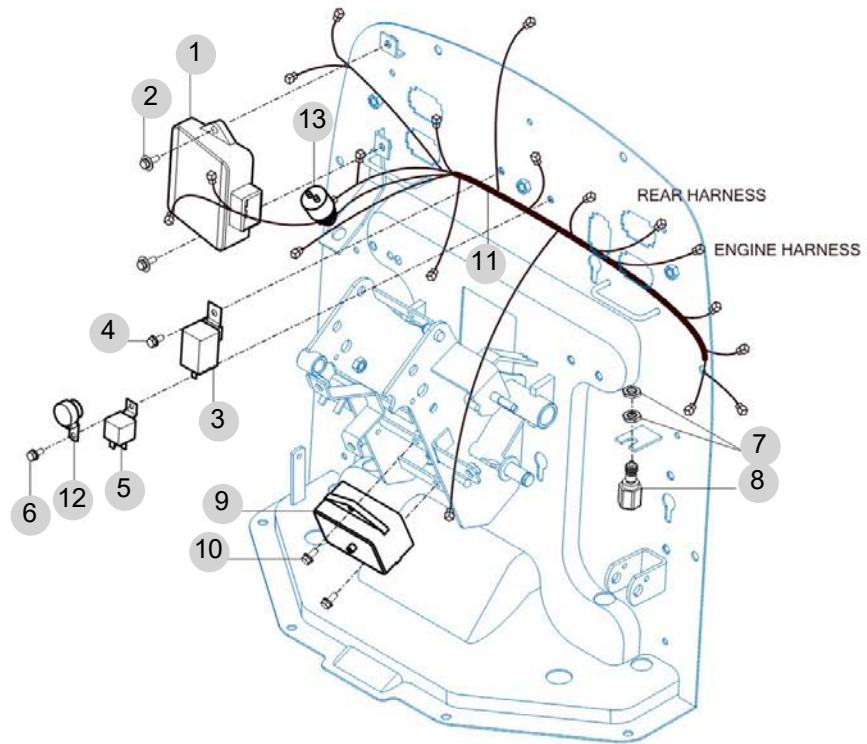
FIG 804

ELECTRIC SYSTEM (1)

년/월
Year/Month

2022-12

T575NCEU1



NOTE

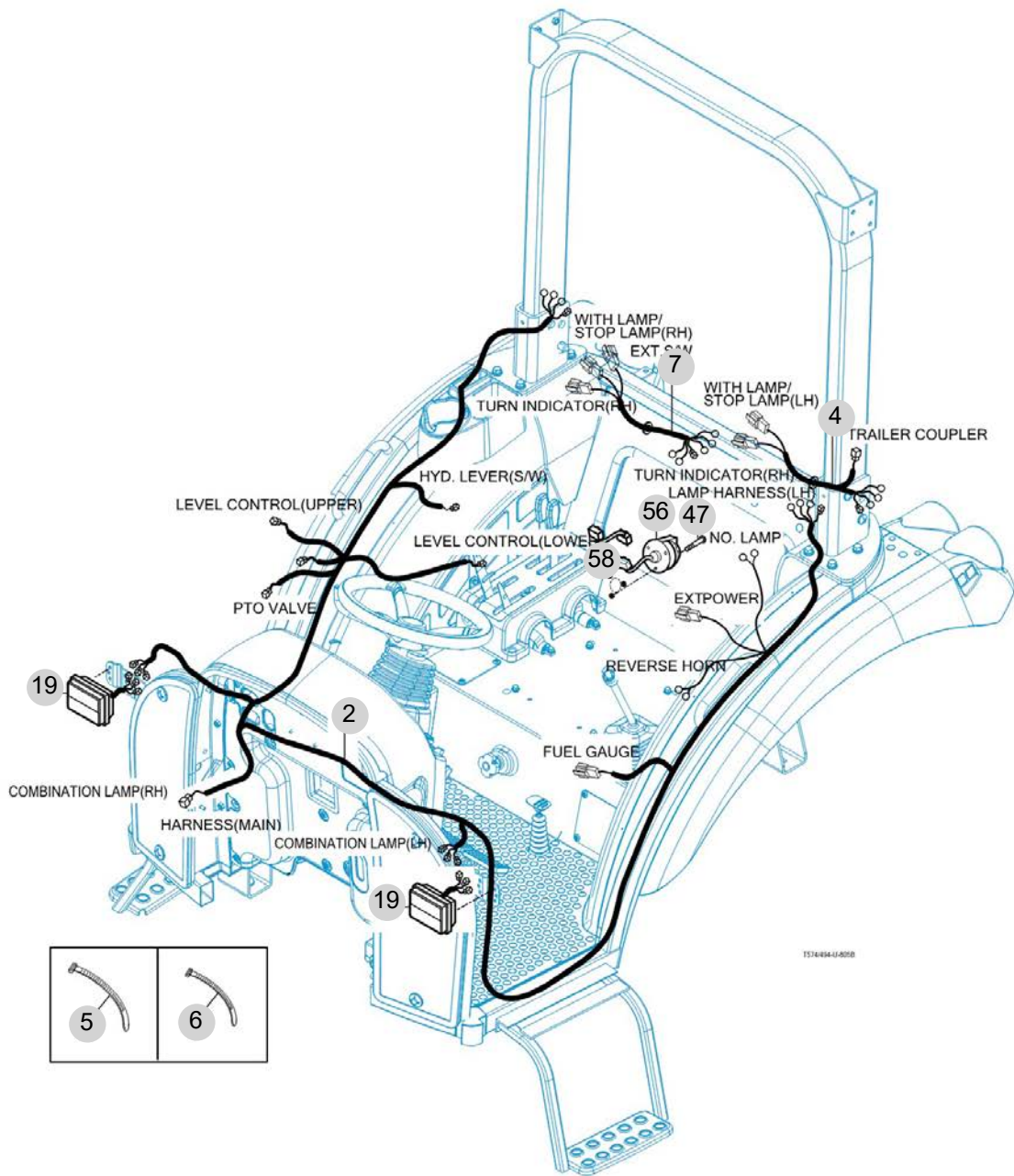
FIG 805B

ELECTRIC SYSTEM (2)-Non CAB

년/월
Year/Month

2022-12

T575NCEU1



NOTE

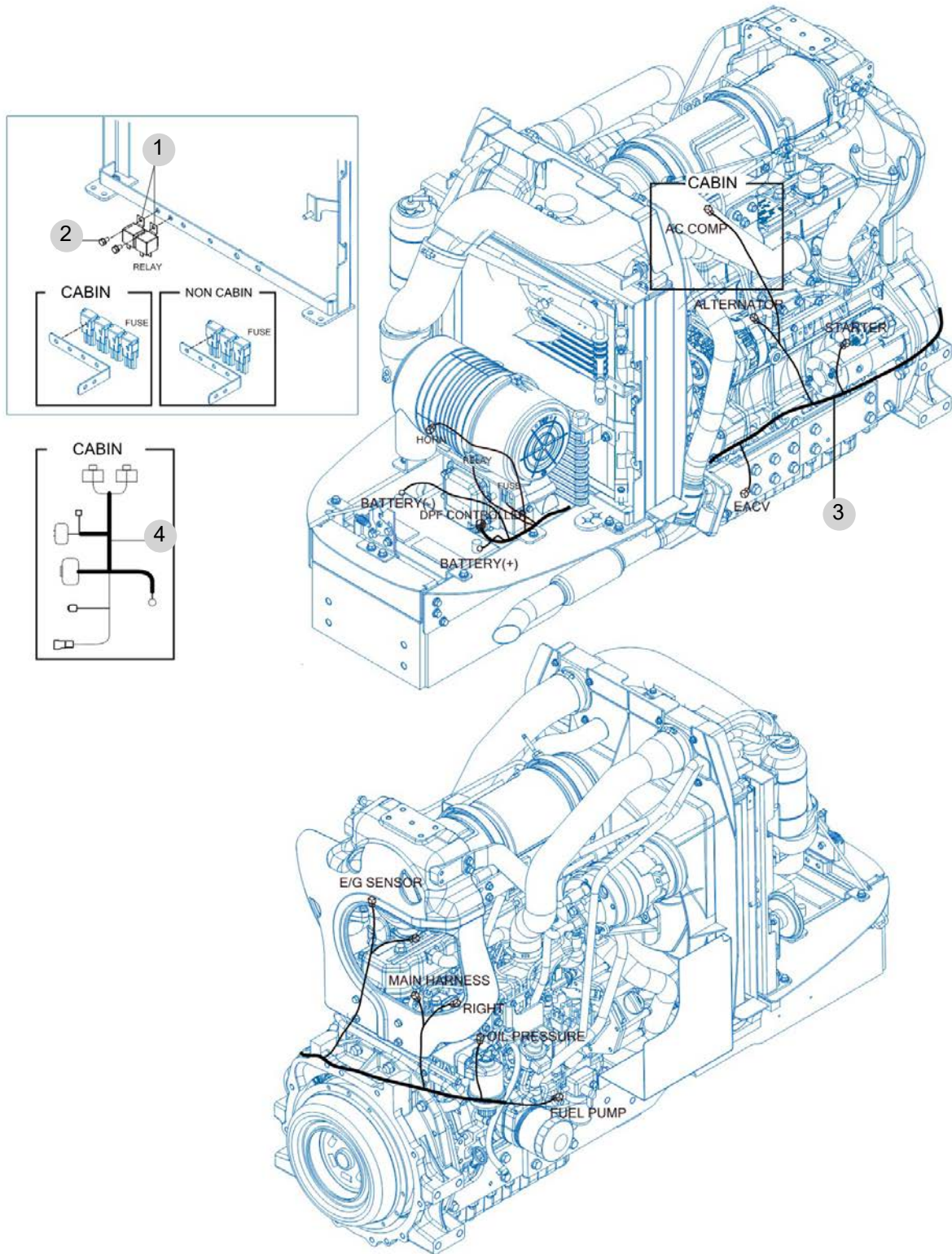
FIG 806

ELECTRIC SYSTEM (3)

년/월
Year/Month

2022-12

T575NCEU1



NOTE

9. 라벨/옵션 PART NO. T9

FIG 901 TOOL & ACCESSORY	255
FIG 902 WEIGHT	257
FIG 903 LABEL	259
FIG 903-2 LABEL	261

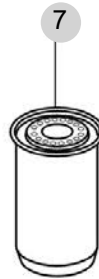
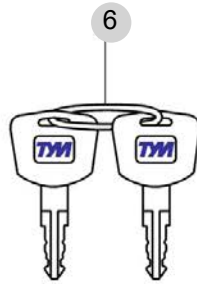
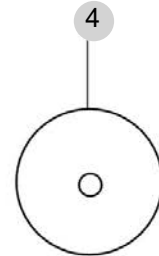
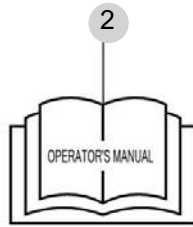
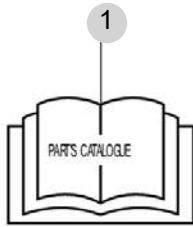
FIG 901

TOOL & ACCESSORY

년/월
Year/Month

2022-12

T575NCEU1



NOTE

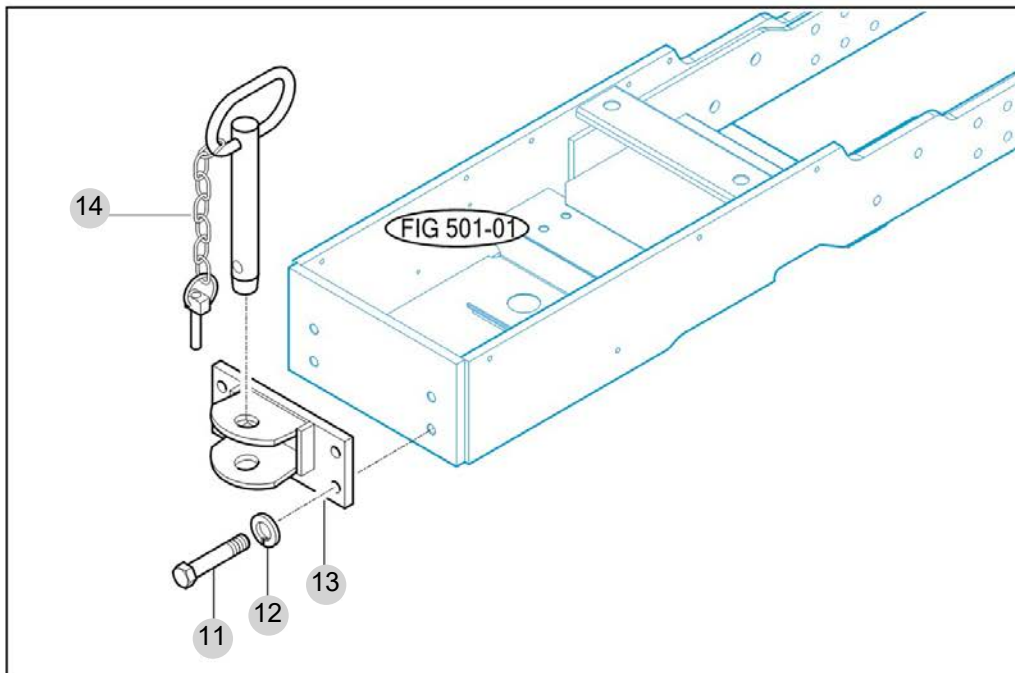
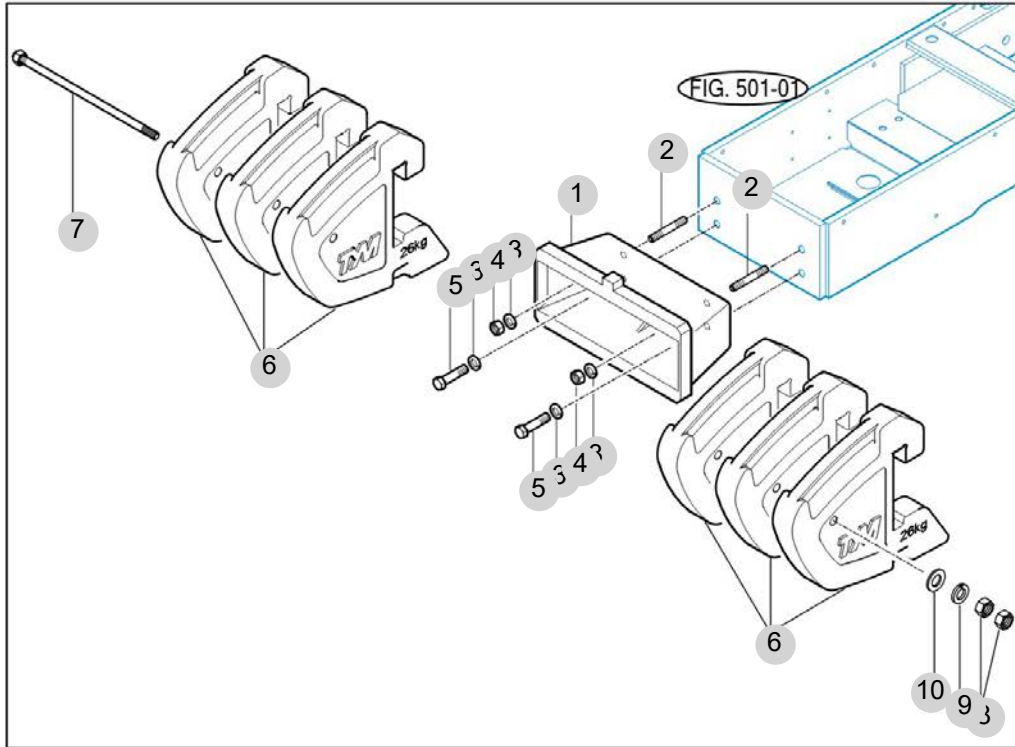
FIG 902

WEIGHT

년/월
Year/Month

T575NCEU1

2022-12



T575-E-902

NOTE

FIG 903

T575NCEU1

LABEL

년/월
Year/Month

2022-12

WARNING
Do not remove radiator cap while engine is hot. Hot steam will injure you. 1200-910-015-0 24

CAUTION
Keep hands and clothing away from rotating fan and belts to prevent serious injury. 1200-910-012-0 23

CAUTION
Do not touch while the system is hot. It cause serious burns. 1200-910-024-0 33

WARNING
Do not refuel the tractor while smoking or near naked flame or sparks. always stop engine before refueling tractors. 1200-910-009-0 17

WARNING
Do not use the sub shift lever at "H" position when driving backward. 1200-910-011-0 4

DANGER
This Tractor may tip over unexpectedly and quicker than an operator is able to jump free.
1. Never operate a tractor without a proper Roll Over Protection Structure (ROPS)
2. Always wear your seat belt when operating this tractor equipped with roll over protection.
3. Never pull from above or from the rear axle.
4. Do not operate the tractor on steep slopes or near drop offs.
5. Avoid sharp high speed turns.
Serious injury or death may result from tractor upsets. 39

WARNING
Stay clear of raised Boom and bucket. 1200-910-011-0 30

WARNING
Additions, alterations, cracking, damage or corrosion to this structure may adversely affect the performance of the ROPS. 40

WARNING
Death or injury may result if this tractor over turns with the ROPS in the folded down position. Operate this tractor with the ROPS folded down only when necessary. Do not wear seat belt if operated with ROPS folded down. 1200-904-802-0 41

Inner/Outer air Ventilation
• When grills of rear and both sides are opened, inner air will ventilate in.
• For effective use, open it when operate heater or air conditioner and close when ventilate fresh air. 1220-904-122 18

DANGER
Do not ride except operator. 1200-910-018-0 6

WARNING
Do not ride except operator. 1200-910-018-0 6

WARNING
Do not use the sub shift lever at "H" position when driving backward. 1200-910-011-0 4

WARNING
Stay clear of raised Boom and bucket. 1200-910-011-0 30

WARNING
Do not use the sub shift lever at "H" position when driving backward. 1200-910-011-0 4

WARNING
Do not touch while the system is hot. It cause serious burns. 1200-910-024-0 33

WARNING
Do not refuel the tractor while smoking or near naked flame or sparks. always stop engine before refueling tractors. 1200-910-009-0 17

WARNING
Do not use the sub shift lever at "H" position when driving backward. 1200-910-011-0 4

WARNING
Stay clear of raised Boom and bucket. 1200-910-011-0 30

WARNING
Additions, alterations, cracking, damage or corrosion to this structure may adversely affect the performance of the ROPS. 40

WARNING
Death or injury may result if this tractor over turns with the ROPS in the folded down position. Operate this tractor with the ROPS folded down only when necessary. Do not wear seat belt if operated with ROPS folded down. 1200-904-802-0 41

DPF regeneration procedure
When DPF lamp on [Symbol] and beep, follow below
Do this Operate (about 30min) Complete
1 Park outside safe location
2 Stop all functions
3 Parking brake ON
4 Press clutch pedal (Mechanical)
5 Engine speed to Max RPM
6 Press the regen button [Symbol]
DPF+EGT ON + Button blinking Lamp off
For further details, consult your [Symbol]'s Manual 1200-910-011-0 49

SPEED TABLES

APPLICATION	MINIMUM	RECOMMEND	MAXIMUM	MAXIMUM	MAXIMUM	MAXIMUM	MAXIMUM
OPERATOR	REAR	FRONT	REAR	FRONT	REAR	FRONT	MAX
SPED (km/h)	2	3	4	5	10	15	20
SPED (mi/h)	1	2	2.5	3	6	9	12

TYM 60

T575 31

T495 32

38A38B

26
TONGYANGMOOLSAH CO., LTD
TYPE: T-G01
e13
00068 NS
T: 8.0 bar/cm²
S: 500 kg

25

5

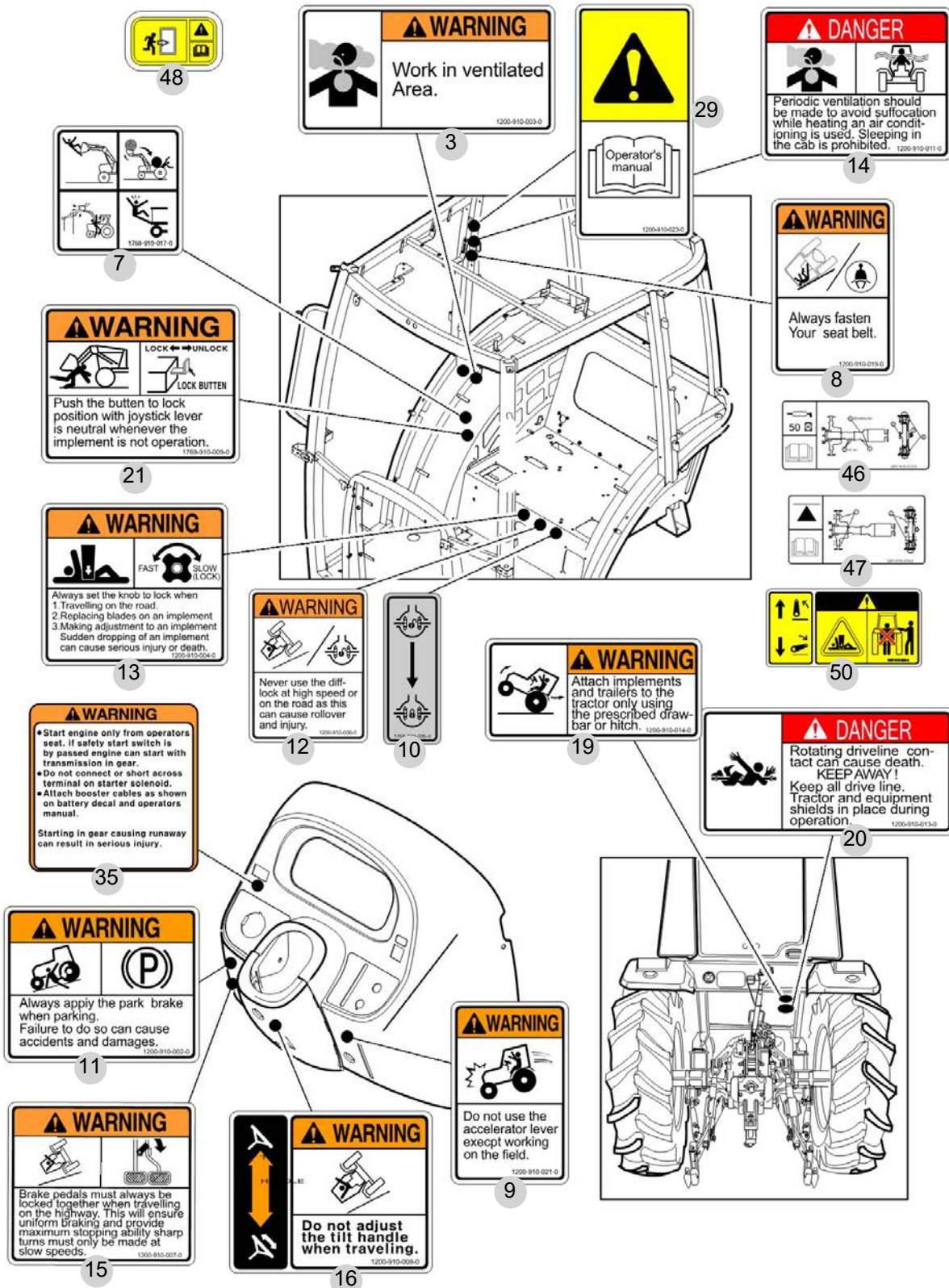
4

30

51
BONNET LATCH OPEN

45

NOTE



NOTE

