

2500_EU_FL(AC02156) TRACTOR

Parts Catalogue



CONTENTS

GROUP NO	GROUP NAME	PAGE
F. TRANSMISSION		
F01010	CLUTCH HOUSING	3
F01020A	TRANSMISSION CASE	5
F01040	REAR AXLE CASE	7
F01070	DIFFERENTIAL GEAR CASE	9
F02020	CLUTCH SHAFT	11
F02090	CENTER FRAME	13
F02110A	PROPELLER SHAFT	15
F02120A	FRONT SHAFT	17
F02130A	HYDRAULIC OIL LINE, CLUTCH	19
F03010A	MAIN SHIFT DRIVE SHAFT	21
F03040A	(RANGE SHIFT DRIVE SHAFT)	23
F05020	REAR DIFFERENTIAL	25
F06000	REAR AXLE ASSY	27
F07030A	PTO DRIVE SHAFT	29
F07070A	PTO SHAFT	31
F07080A	MID PTO	33
F08021	MAIN GEAR SHIFT FORK	35
F08022	RANGE GEAR SHIFT FORK	37
F08040A	4WD FORK	39
F08050	DIFFERENTIAL LOCK SHIFT FORK	41
F08060A	PTO GEAR SHIFT FORK	43
F10020	LIFT ARM	45
F10064	POSITION CONTROL LEVER	47
F10080	HYD VALVE	49
F10090	FEED BACK LEVER- POSITION	51
F10120A	REAR SCV(2PORT)	53
F11060	DIFFERENTIAL LOCK PEDAL	55
F11080	FRONT WHEEL DRIVE LEVER	57

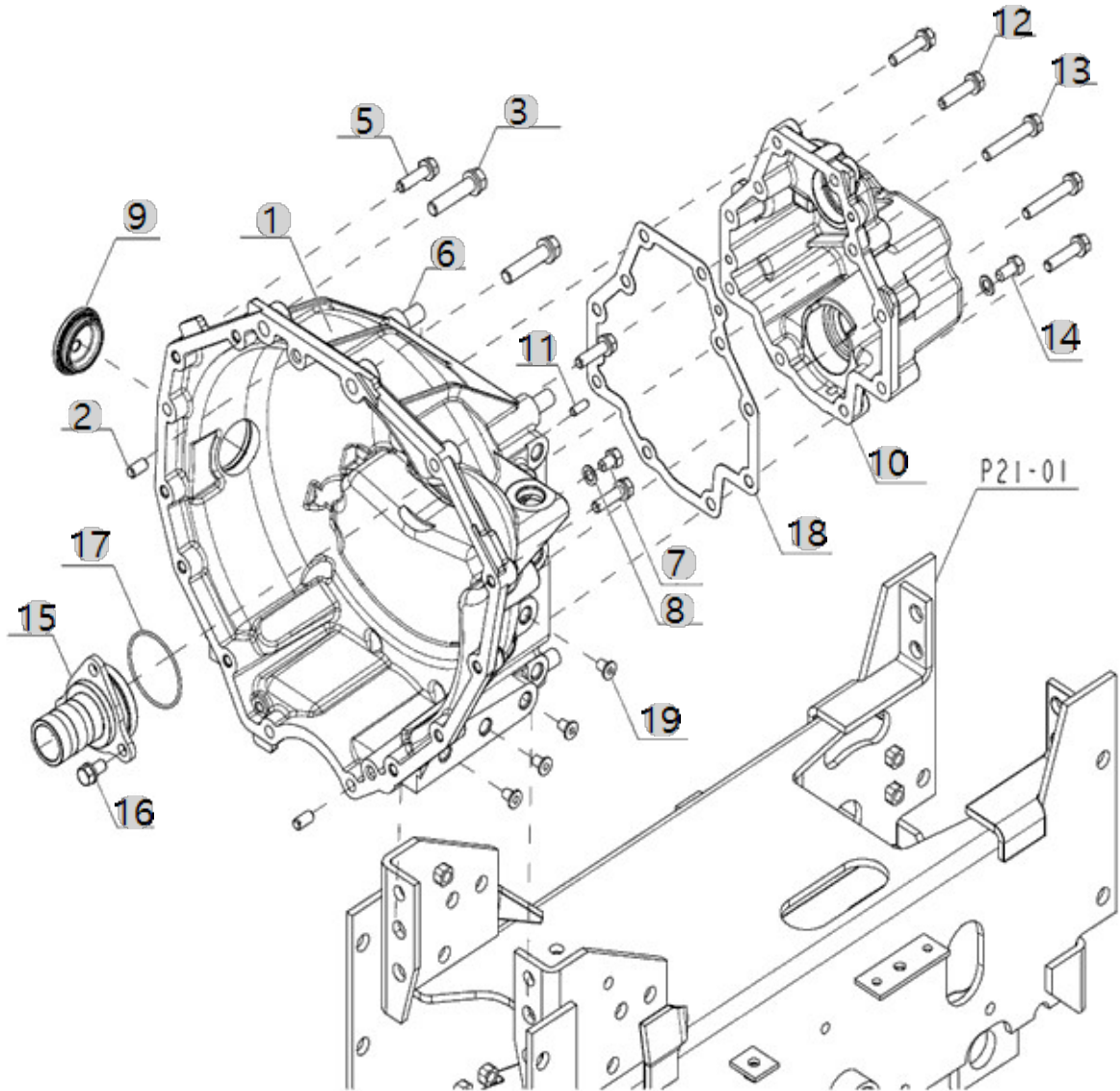
F01010

기계식 (유럽) TM
(AC00551)

CLUTCH HOUSING

Year/Month

2022-12-16



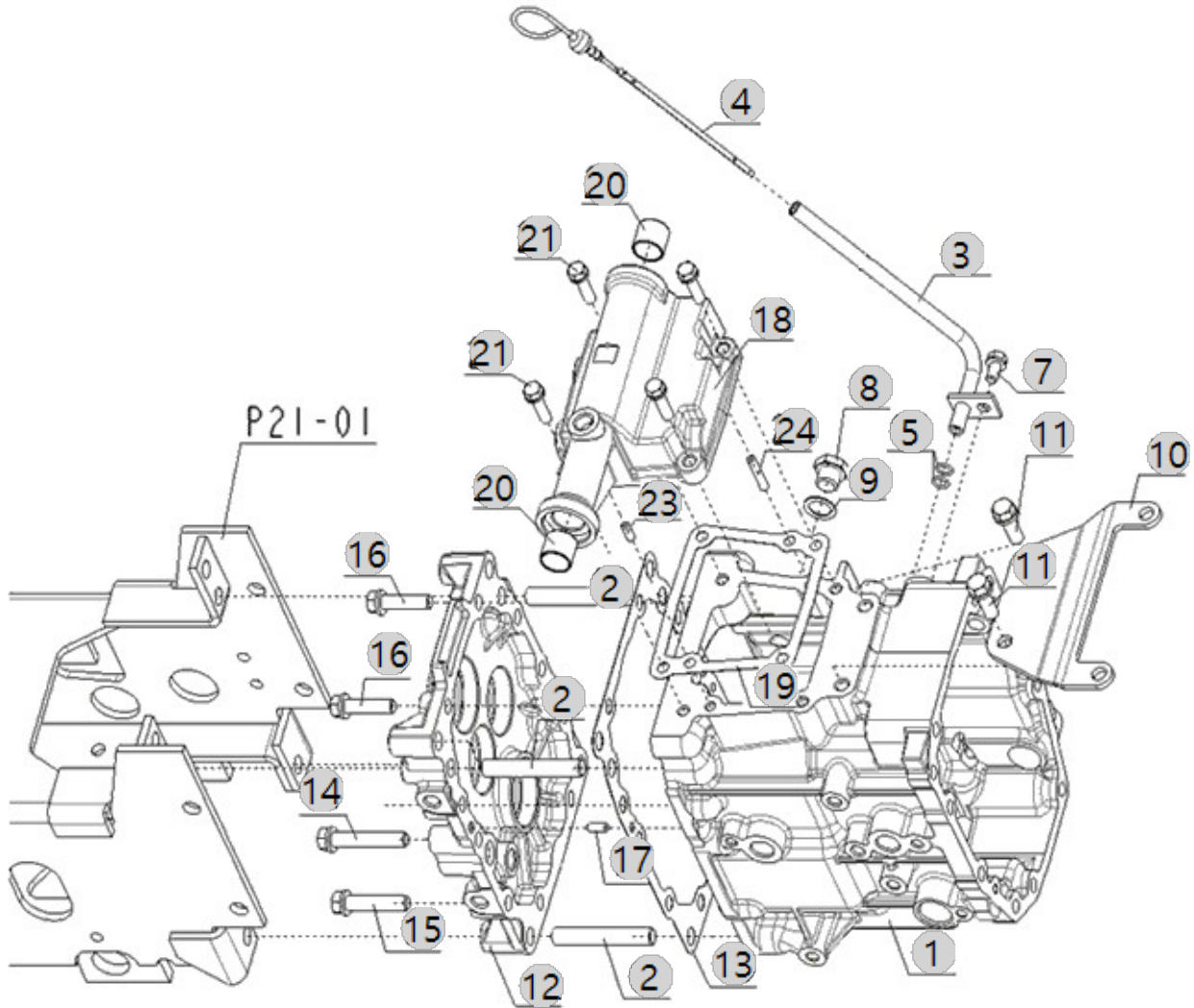
F01020A

기계식 (유럽) TM
(AC00551)

TRANSMISSION CASE

Year/Month

2022-12-16



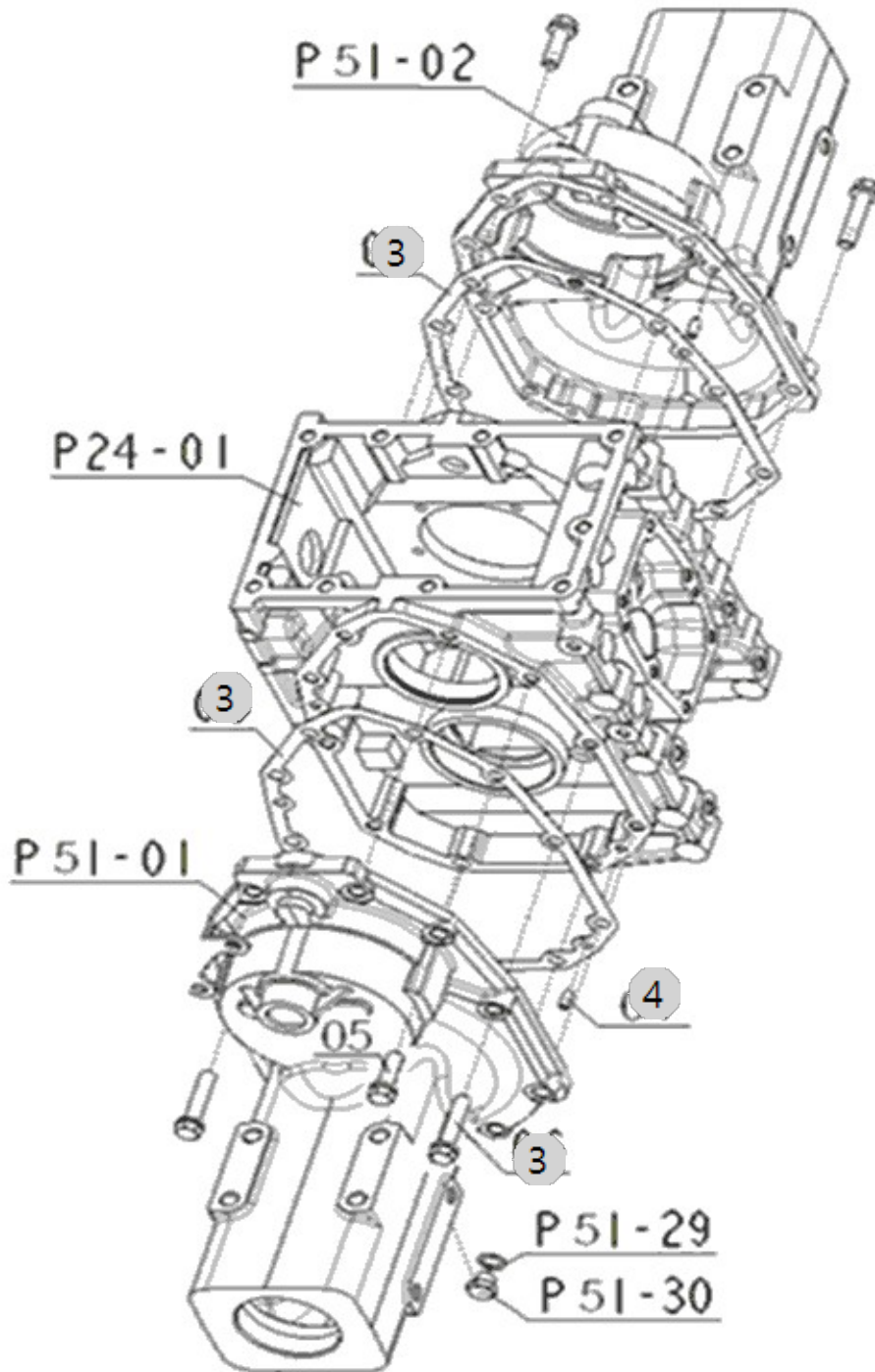
F01040

기계식 (유럽) TM
(AC00551)

REAR AXLE CASE

Year/Month

2022-12-16



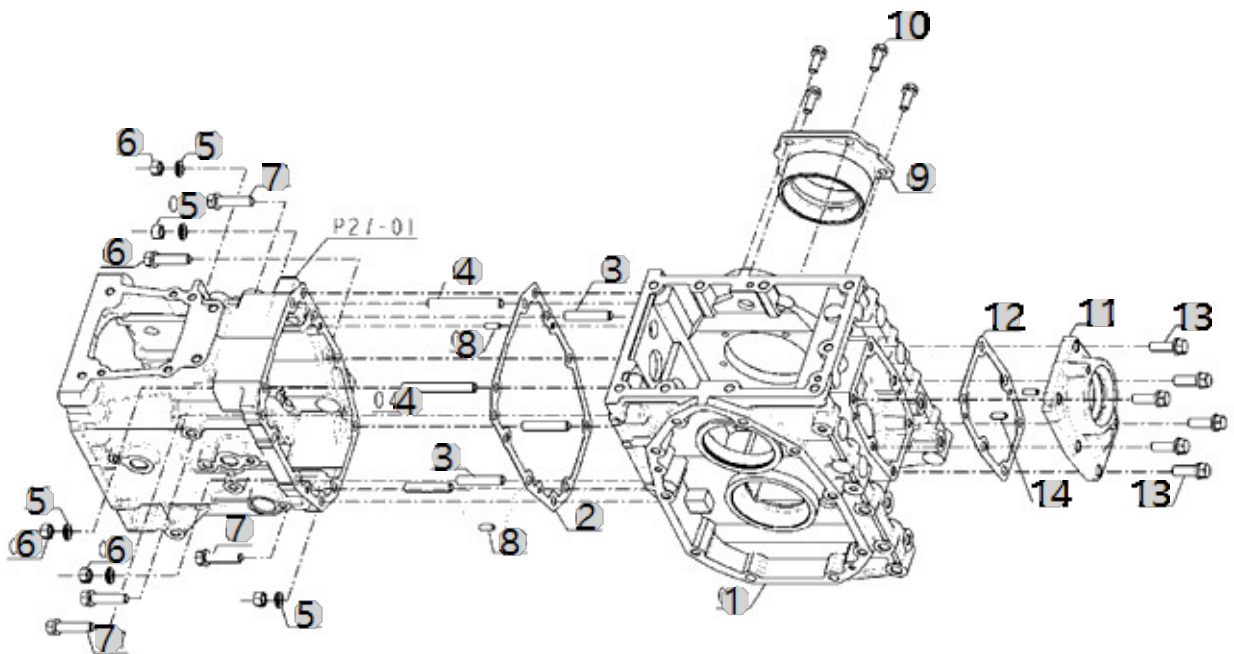
F01070

기계식 (유류) TM
(AC00551)

DIFFERENTIAL GEAR CASE

Year/Month

2022-12-16



F01070 기계식 (유립) TM (AC00551)		DIFFERENTIAL GEAR CASE				Year/Month
						2022-12-16
순번 (NO)	부품번호 (PART NO)	품명 (PART NAME)	품명 (PART NAME)	수량 (QTY)	규격 (SPEC)	비고 (REMARK)
1	FE29010000G	차동기어케이스	CASE, DIFF. GEAR	1		
2	FE29020000A	차동기어케이스 패킹	PACKING, CASE.DIFF.GEAR	1	T0.5	
3	26216-100352	심음볼트	BOLT	4		
4	26216-100652	심음볼트	STUD,BOLT	2	10X65	
5	22217-100000	스프링와셔	WASHER, SPRING (Φ 10)	6	M10	
6	26716-100002	육각너트	Nut, Hexa (Φ10)	6	M10XP1.5	
7	26013-100402	와셔조립육각볼트	Bolt, Hexa (10-40)	5		
8	22312-060140	PARALLEL PIN 6X14	PIN, DOWEL (6-14)	2	D6X14	
9	FE29080000A	차동연결홀더(우)	HOLDER	1	-	
10	26013-080252	와셔조립육각볼트(+SW)	Bolt, Hexa (8-25)	4	M8XP1.25X25	
11	FE29100000A	후커버	COVER,REAR	1	-	
12	FE29110000A	후커버 패킹	PACKING,REAR COVER	1	T0.5	
13	26013-100302	와셔조립육각볼트(+SW)	SCREW,CAPTIVEWASHERCAP	6	M10XP1.5X30	
14	22312-060140	PARALLEL PIN 6X14	PIN, DOWEL (6-14)	2	D6X14	

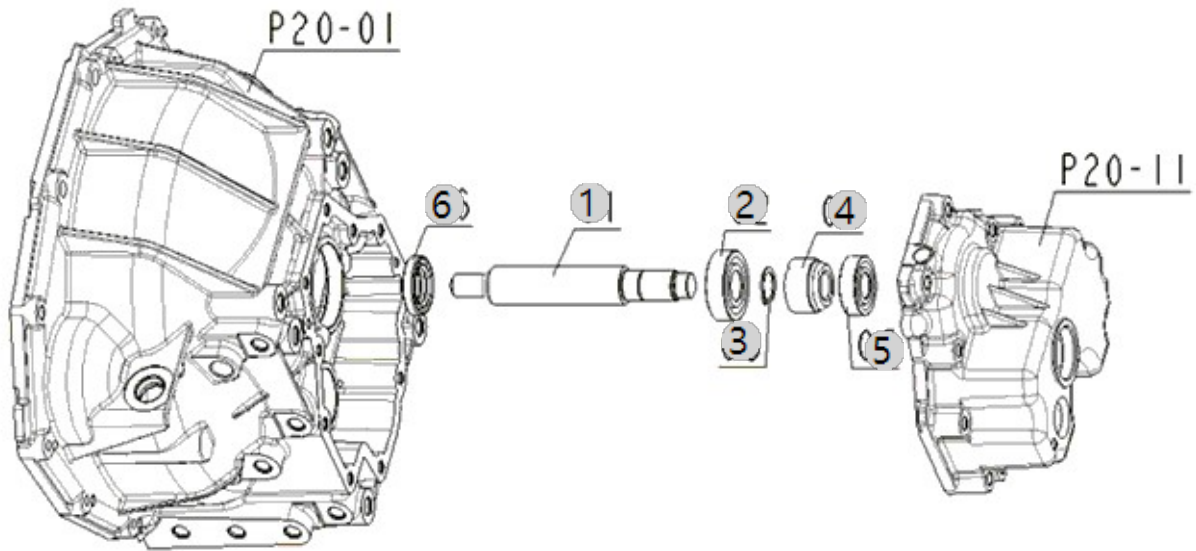
F02020

기계식 (유럽) TM
(AC00551)

CLUTCH SHAFT

Year/Month

2022-12-16



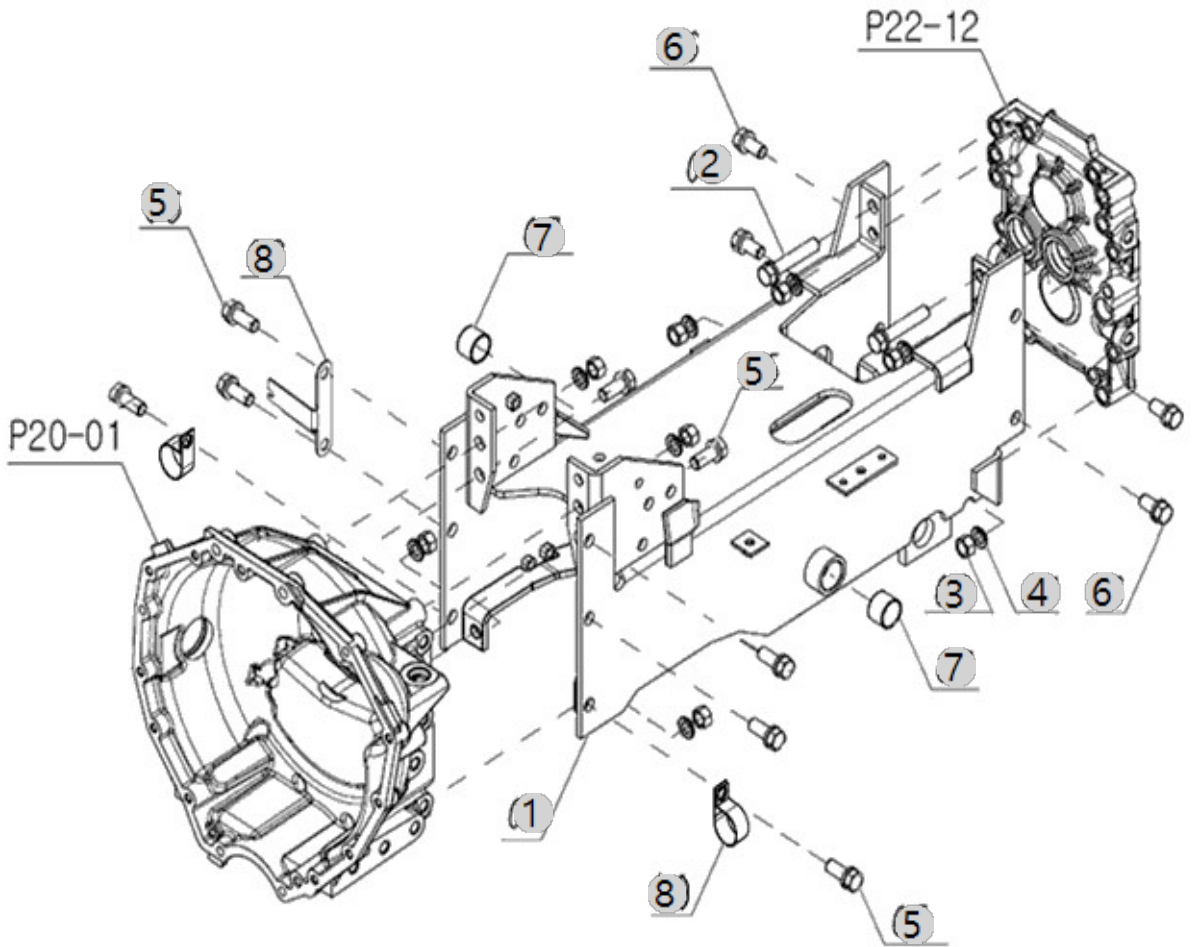
F02090

기계식 (유럽) TM
(AC00551)

CENTER FRAME

Year/Month

2022-12-16



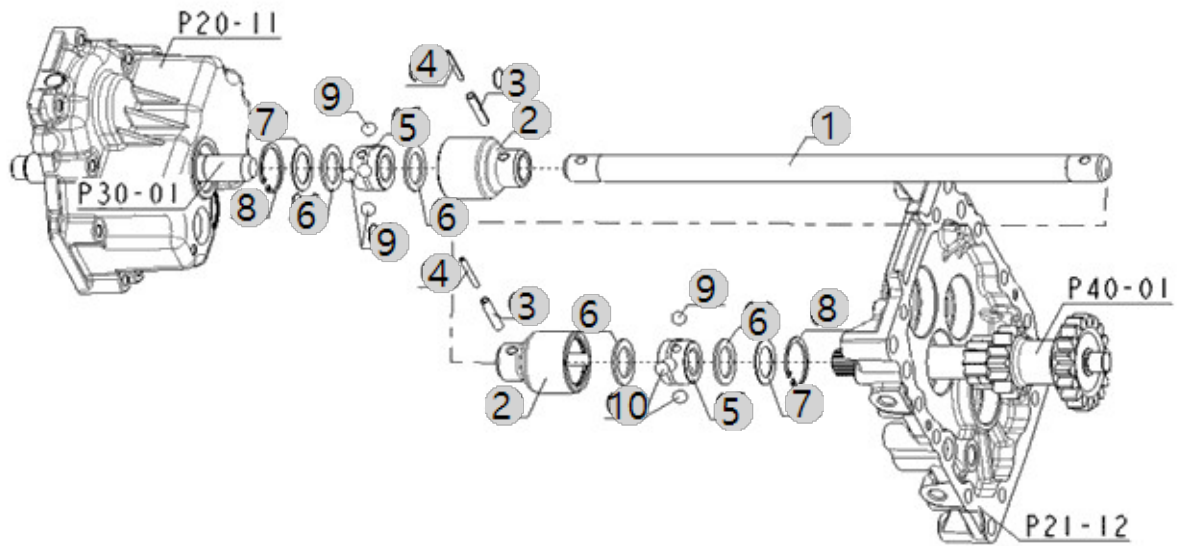
F02110A

기계식 (유럽) TM
(AC00551)

PROPELLER SHAFT

Year/Month

2022-12-16



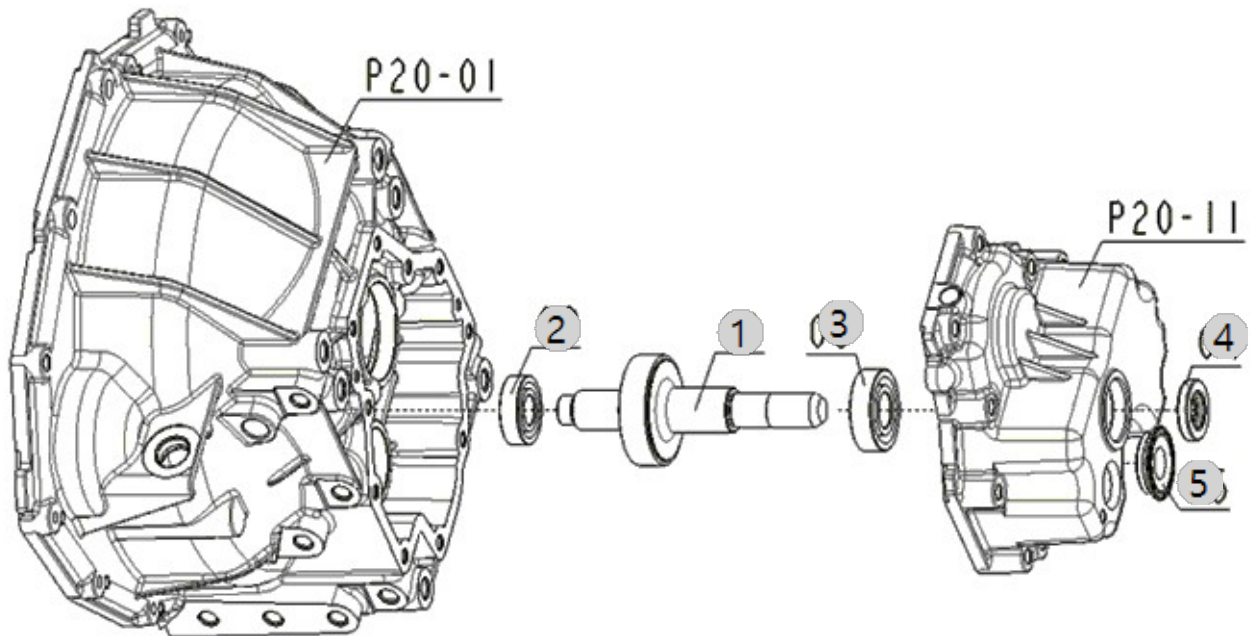
F02120A

기계식 (유럽) TM
(AC00551)

FRONT SHAFT

Year/Month

2022-12-16



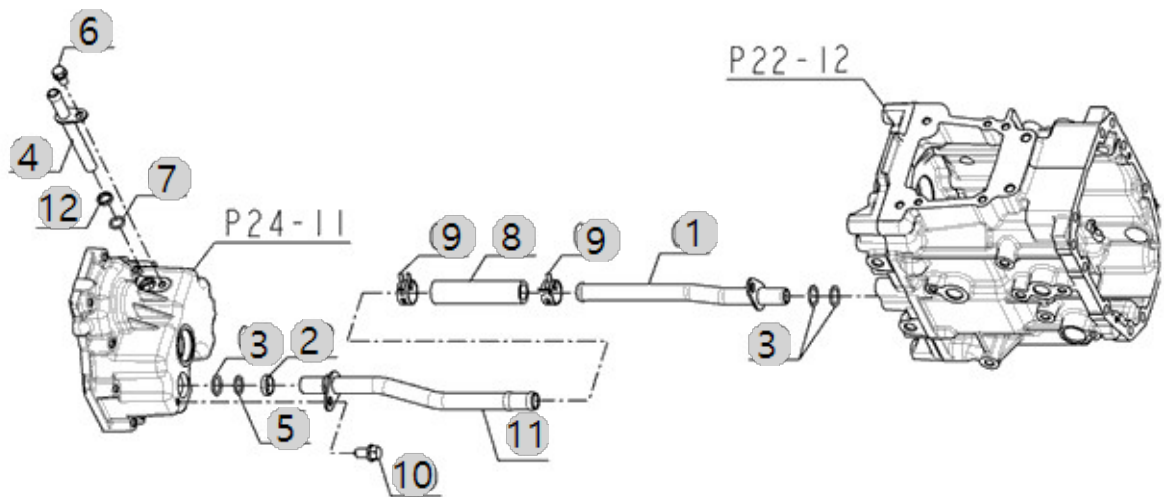
F02130A

기계식 (유압) TM
(AC00551)

HYDRAULIC OIL LINE, CLUTCH

Year/Month

2022-12-16



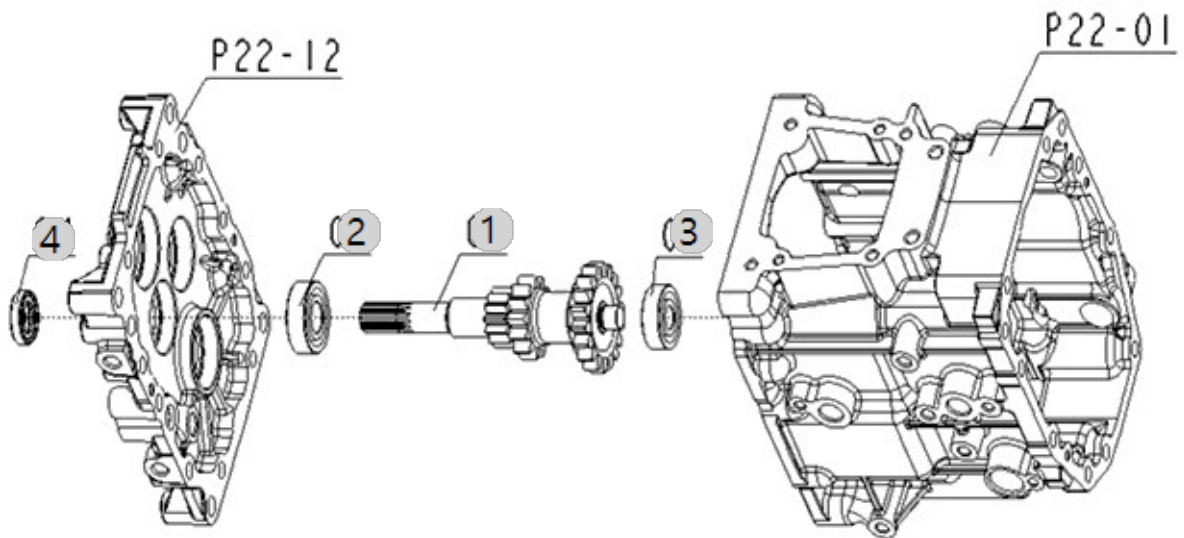
F03010A

기계식 (유럽) TM
(AC00551)

MAIN SHIFT DRIVE SHAFT

Year/Month

2022-12-16



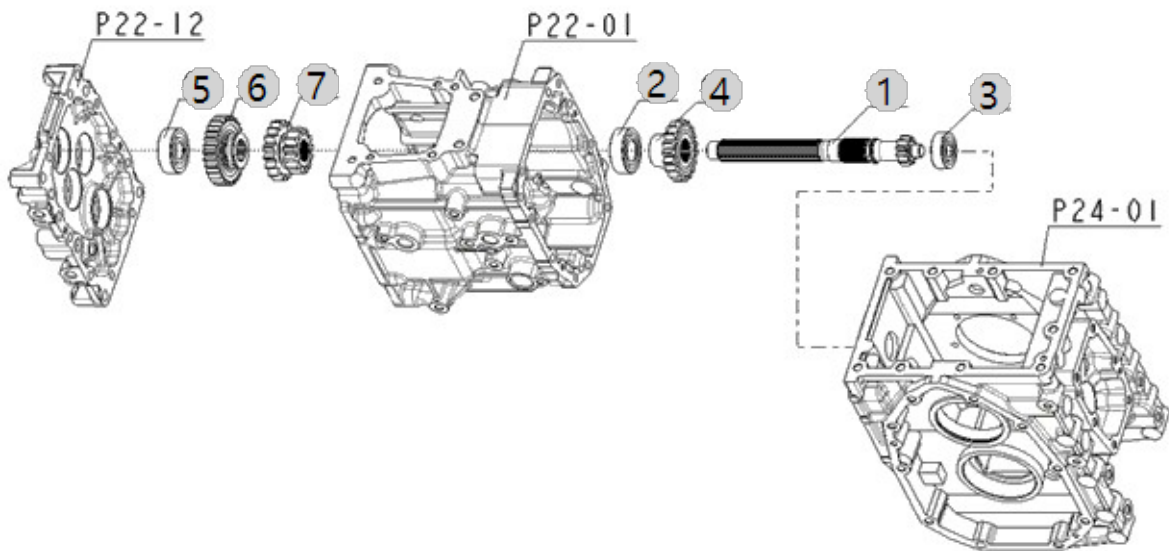
F03040A

기계식 (유럽) TM
(AC00551)

(RANGE SHIFT DRIVE SHAFT)

Year/Month

2022-12-16



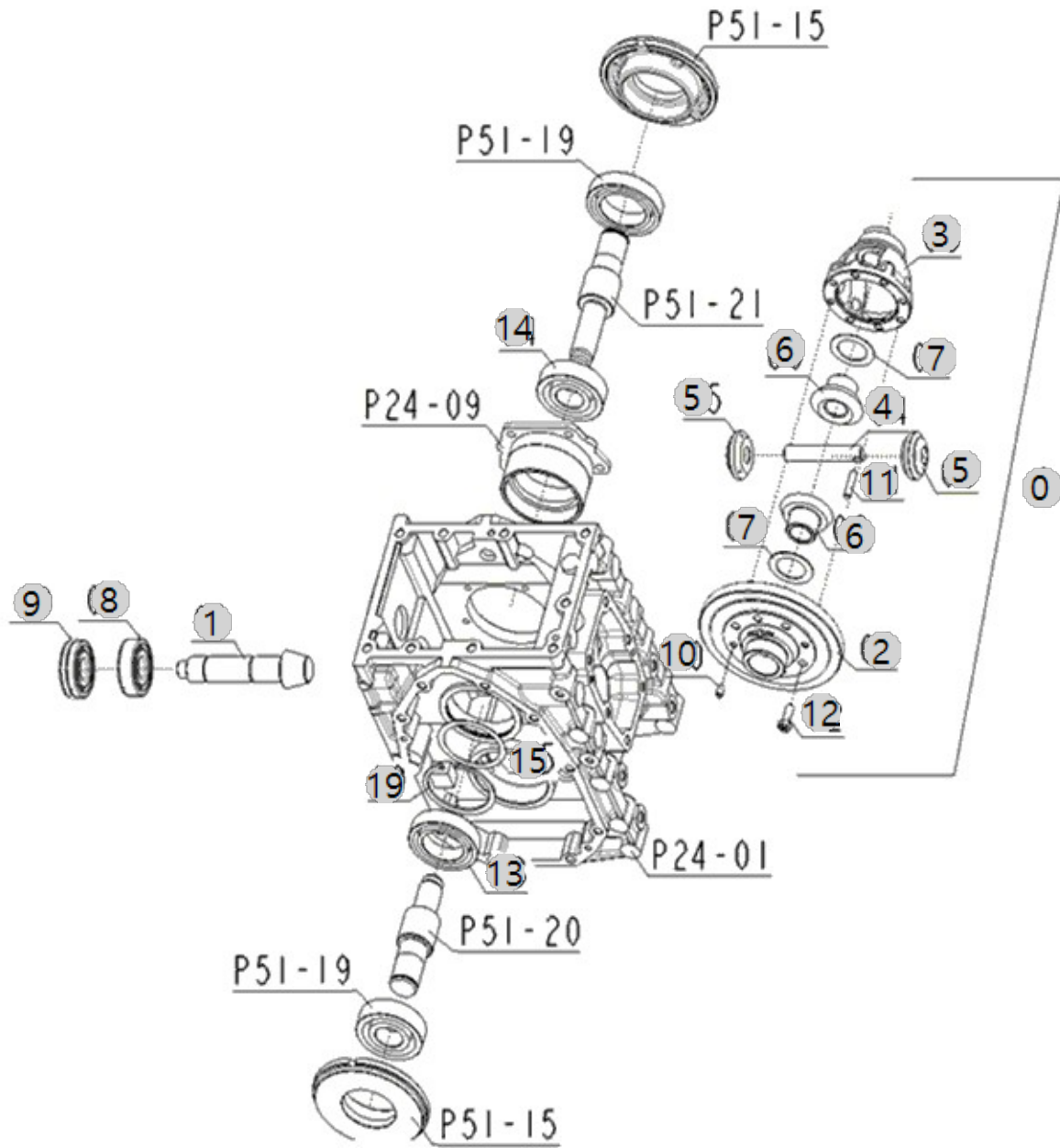
F05020

기계식 (유류) TM
(AC00551)

REAR DIFFERENTIAL

Year/Month

2022-12-16



F05020 기계식 (유럽) TM (AC00551)		REAR DIFFERENTIAL				Year/Month 2022-12-16
순번 (NO)	부품번호 (PART NO)	품명 (PART NAME)	품명 (PART NAME)	수량 (QTY)	규격 (SPEC)	비고 (REMARK)
0	FE41010000E	베벨기어Sub조합	BEVEL GEAR ASS'Y	1		
0	FE41010000C	베벨기어Sub조합	BEVEL GEAR ASS'Y	1		
0	FE41010000D	베벨기어Sub조합	BEVEL GEAR ASS'Y	1		
1	FE41020100A	드라이브 피니언	DRIVE PINION	1		
1	FE41020100B	드라이브 피니언	DRIVE PINION	1		
2	FE41020200B	링기어	RING GEAR	1		
3	FE41030000A	차동케이스	CASE,DIFFERENTIAL -> FE41010000A	1	-	
4	FE41040000B	차동피니언축	SHAFT, DIFF. PINION	1	D16	
5	FE41050000B	차동피니언(12)	PINION, DIFF.	2	-	
6	FE41060000B	차동기어(14)	GEAR, DIFF. SIDE	2	-	
7	FE41070000A	심1.0	SHIM1.0	2	1.0T	
8	24101-063054	볼베어링6305	BALL BEARING #6305	1	#6305	DEL.20220629
9	24121-063054	볼베어링6305NR	BALLBEARING	1	#6305NR	
10	FE41100000A	로크핀	PIN	1	N7X12	
11	FE41110000A	평행핀	PIN	1	D7X33	
12	TC57080000A4	볼트M8X22	BOLT M8X22	6	M8X22	
13	24101-060094	볼베어링6009	Bearing, Ball (#6009)	1	#6009	DEL.20220629
14	24101-060104	볼베어링6010	Bearing, Ball (#6010)	1	#6010	DEL.20220629
15	FE41160000A	차동심0.2	SHIM, DIFF. SIDE	1		
15 1	TA00018029A	차동심 0.1T	SHIM 0.1T	1		
19	22252-000750	구멍용C형스냅링A종	RING, CIRCLIP (Φ 75)	1		

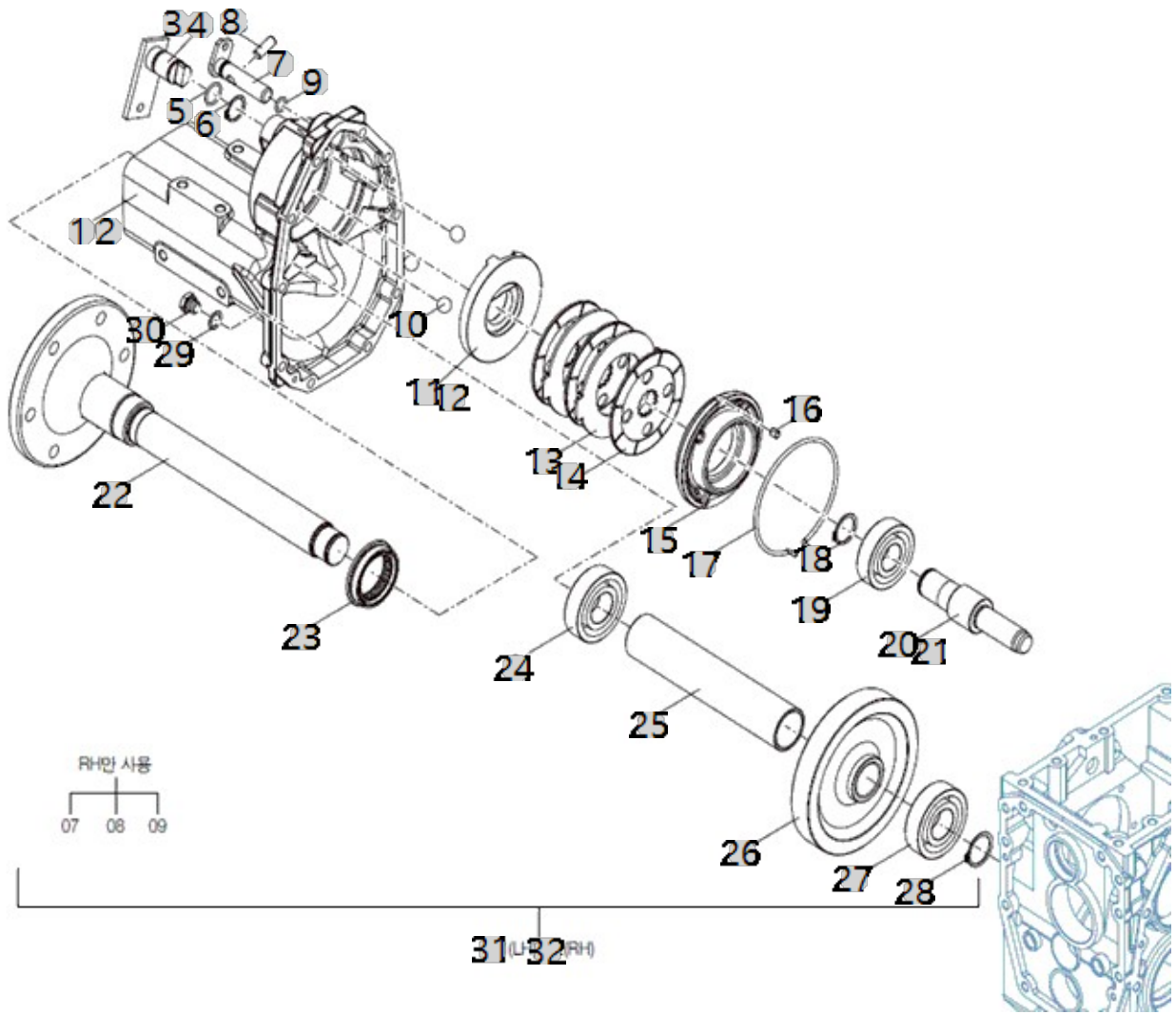
F06000

기계식 (유럽) TM
(AC00551)

REAR AXLE ASSY

Year/Month

2022-12-16



F06000 기계식 (유림) TM (AC00551)		REAR AXLE ASSY				Year/Month 2022-12-16
순번 (NO)	부품번호 (PART NO)	품명 (PART NAME)	품명 (PART NAME)	수량 (QTY)	규격 (SPEC)	비고 (REMARK)
32A	TA00056814D	후차축 조립(RH,00)	REAR SHAFT ASSY(RH,00)	1		
31A	TA00056813D	후차축 조립(LH,00)	REAR SHAFT ASSY(LH,00)	1		
1	FE3001000AA	후차축케이스(좌)(소재)		1		
1	FE30010000B	후차축케이스(좌)	REAR AXLE CASE, LH	1		
1	FE30010000C	후차축케이스(좌)	REAR AXLE CASE, LH	1		
2	FE30020000B	후차축케이스(우)	REAR AXLE CASE, RH	1		
2	FE30020000C	후차축케이스(우)	REAR AXLE CASE, RH	1		
3	FE57010000A	브레이크 캠레버(좌)	LEVER(L),BRAKE CAM	1		
4	FE57020000A	브레이크캠레버(우)	LEVER(R),BRAKE CAM	1		
5	24311-000210	361,A22,O-RING1AP-21.0	O-RING, DYNAMIC (Φ21)	2	P21	
6	22242-000250	축용스냅링25	SNAP RING, SHAFT (Φ 25)	2	D25	
7	FE55010000B	포크로드	ROD, FORK	1		
7	FE55010000C	포크로드	ROD, FORK	1		
8	22312-100250	평행핀	PIN, DOWEL (10-25)	1	D10X25	
9	24311-000125	O-링 1AP12.5	O-RING, DYNAMIC (Φ12.5)	1	D12.5	
10	24190-200001	강구	Ball, Steel	6		
11	FE57060000A	액츄에이터(좌)	ACTUATOR(L)	1	-	
12	FE57070000A	액츄에이터(우)	ACTUATOR...	1		
13	FE57080000A	브레이크마찰판	Plate, Brake Friction	6		
14	FE57090000A	플레이트	Plate, Brake Iron	4	2.0T	
15	FE57100000A	베어링홀더	HOLDER, BEARING	2		
16	FE57110000A	핀	PIN	2	N8X9.3	
17	FE57120000A	클립	CLIP	2	D4.0	
18	22242-000300	축용스냅링30	SNAP RING, SHAFT (Φ 30)	2	D30	
19	24101-063064	볼베어링6306	Bearing, Ball (#6306)	2	#6306	DEL.20220629
20	FE41200000A	차동기어축(좌)	SHAFT(L),DIFFENTIAL GEAR	1	-	
21	FE41210000A	차동기어축(우)	SHAFT(R),DIFFERENTIAL GEAR	1		
22A	FE56010000B	후차축	AXLE, REAR	2		
23	FE56070000A	오일실 (특수) 50x68x11.5/16	SEAL,OIL	2	50X68X11.5/1	
24	24101-062084	볼베어링6208	Bearing, Ball (#6208)	2	#6208	DEL.20220629
25	FE56050000A	칼라 152	COLLAR 152	2	D48.6X3.5T	
26	FE56040000A	기어(57)	GEAR(57)	2	-	
26	FE56040000B	기어(57)	GEAR	1	-	
27	24101-063074	볼베어링6307	Bearing, Ball (#6307)	2	#6307	DEL.20220629
28	22242-000350	축용스냅링35	SNAP RING, SHAFT (Φ 35)	2	D35	
29	TA00036405A	본드드실(M20)	BONDED SEAL	2		
30	TA00065959A	마그넷 플러그	PLUG, MAGNET	2		
31A	TA00056813C	후차축 조립(LH,00)	ASS'Y, REAR SHAFT(LH,00)	1		
31A	TA00056813E	후차축 조립(LH,00)	ASS'Y, REAR SHAFT(LH,00)	1		
32A	TA00056814C	후차축 조립(RH,00)	ASS'Y, REAR SHAFT(RH,00)	1		
32A	TA00056814E	후차축 조립(RH,00)	ASS'Y, REAR SHAFT(RH,00)	1		

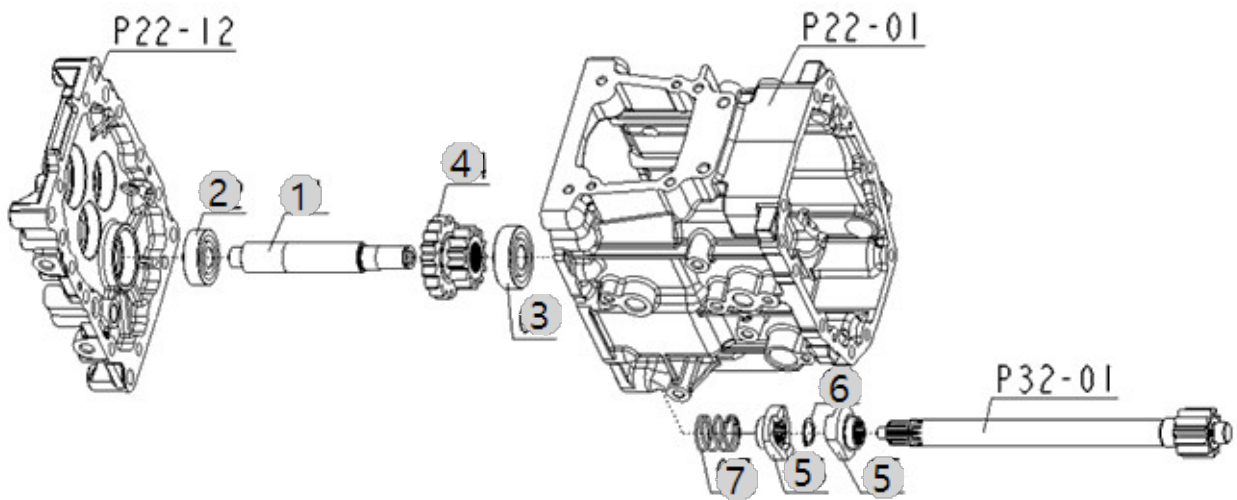
F07030A

기계식 (유럽) TM
(AC00551)

PTO DRIVE SHAFT

Year/Month

2022-12-16



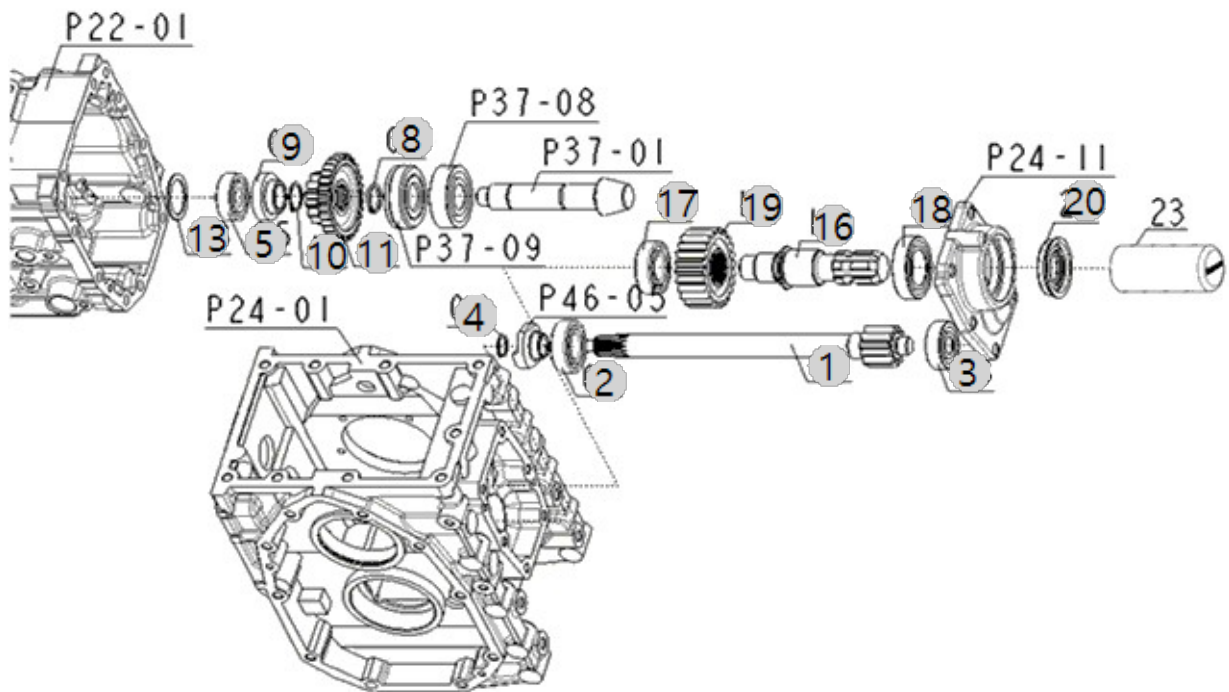
F07070A

기계식 (유압) TM
(AC00551)

PTO SHAFT

Year/Month

2022-12-16



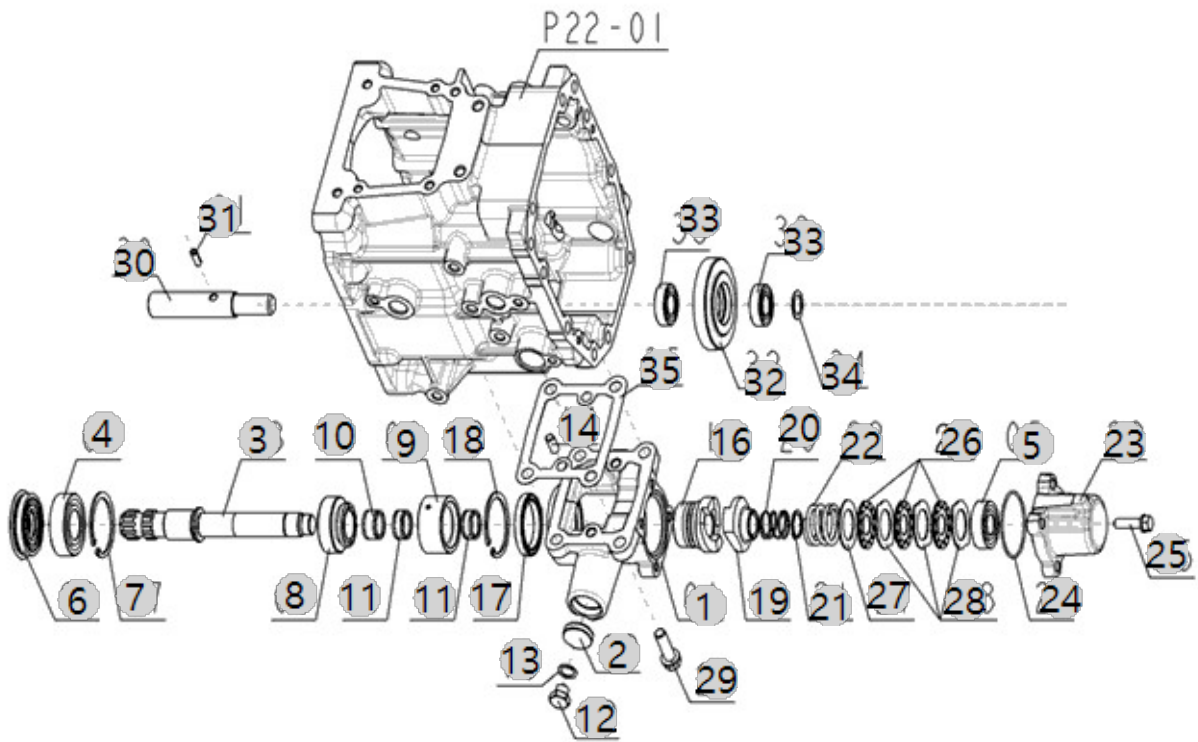
F07080A

기계식 (유럽) TM
(AC00551)

MID PTO

Year/Month

2022-12-16



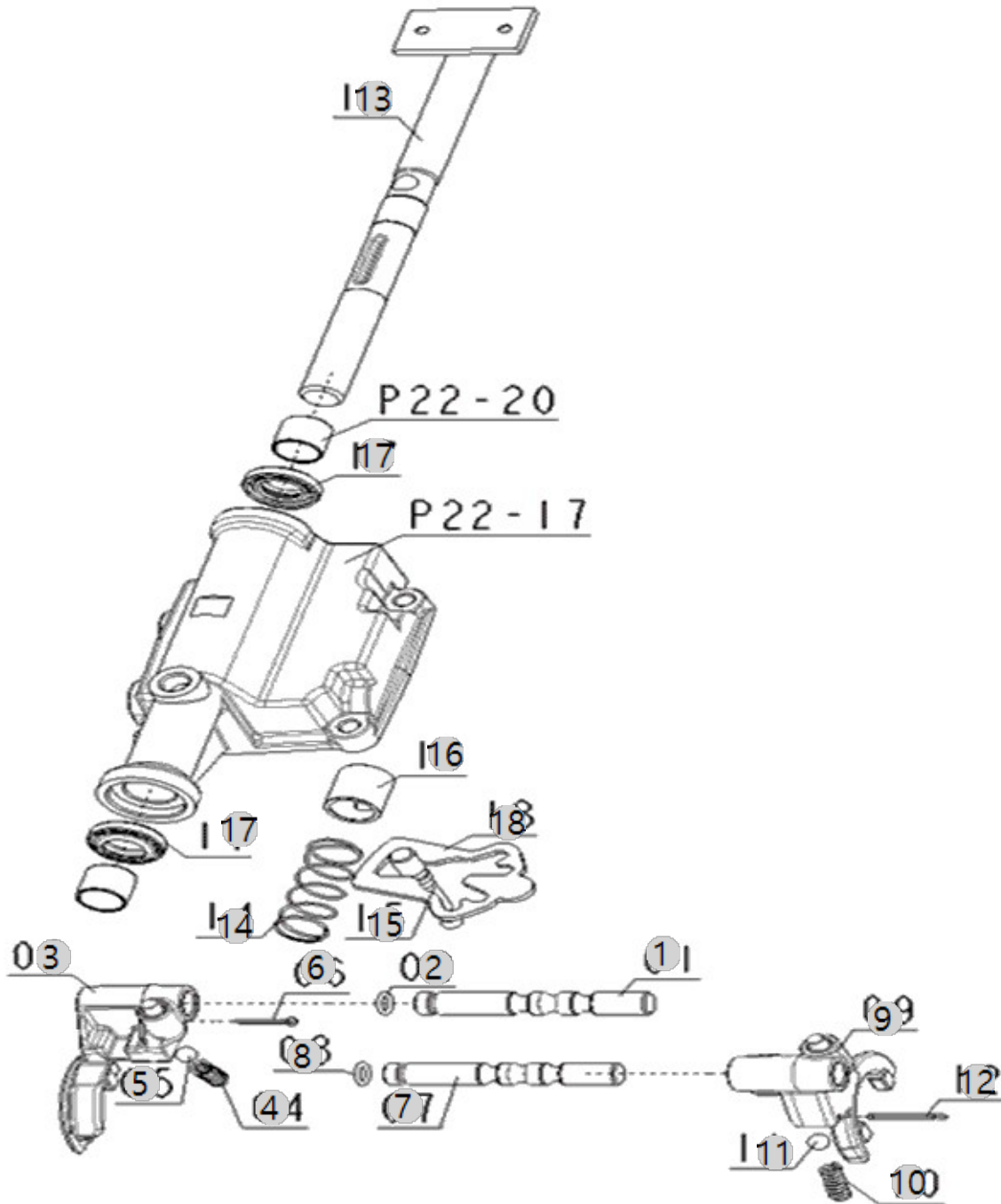
F08021

기계식 (유럽) TM
(AC00551)

MAIN GEAR SHIFT FORK

Year/Month

2022-12-16



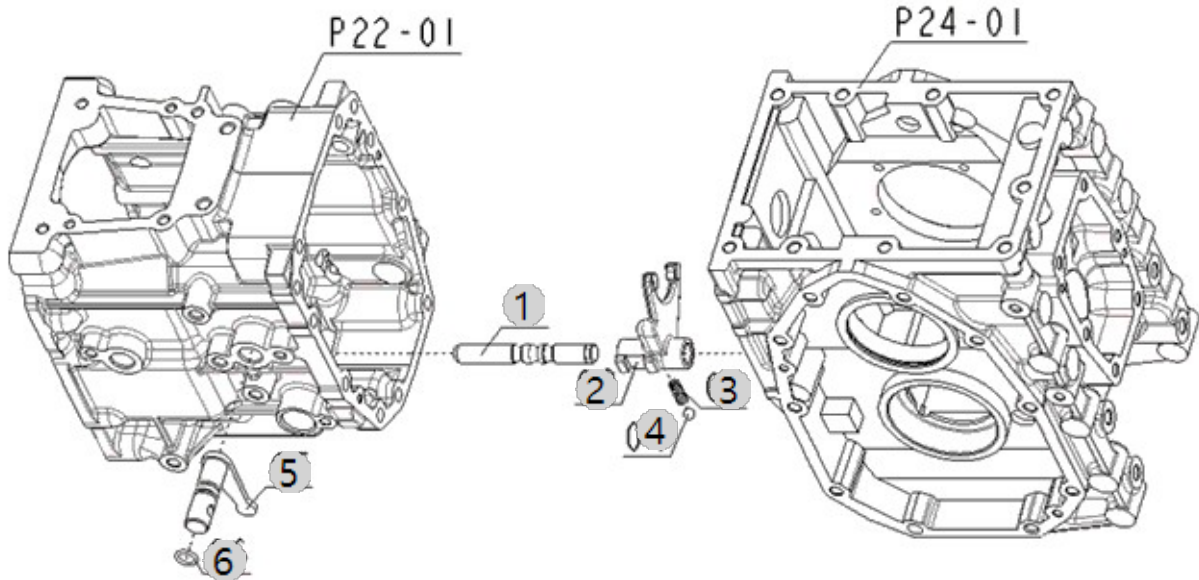
F08022

기계식 (유럽) TM
(AC00551)

RANGE GEAR SHIFT FORK

Year/Month

2022-12-16



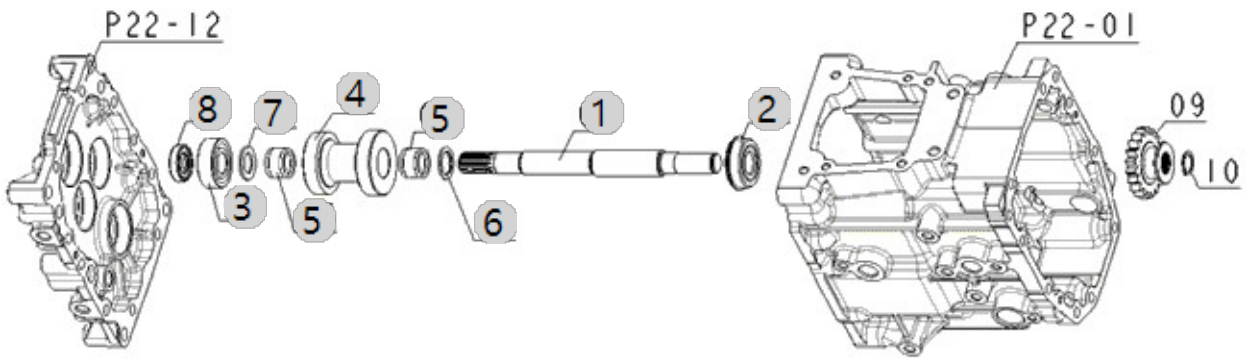
F08040A

기계식 (유럽) TM
(AC00551)

4WD FORK

Year/Month

2022-12-16



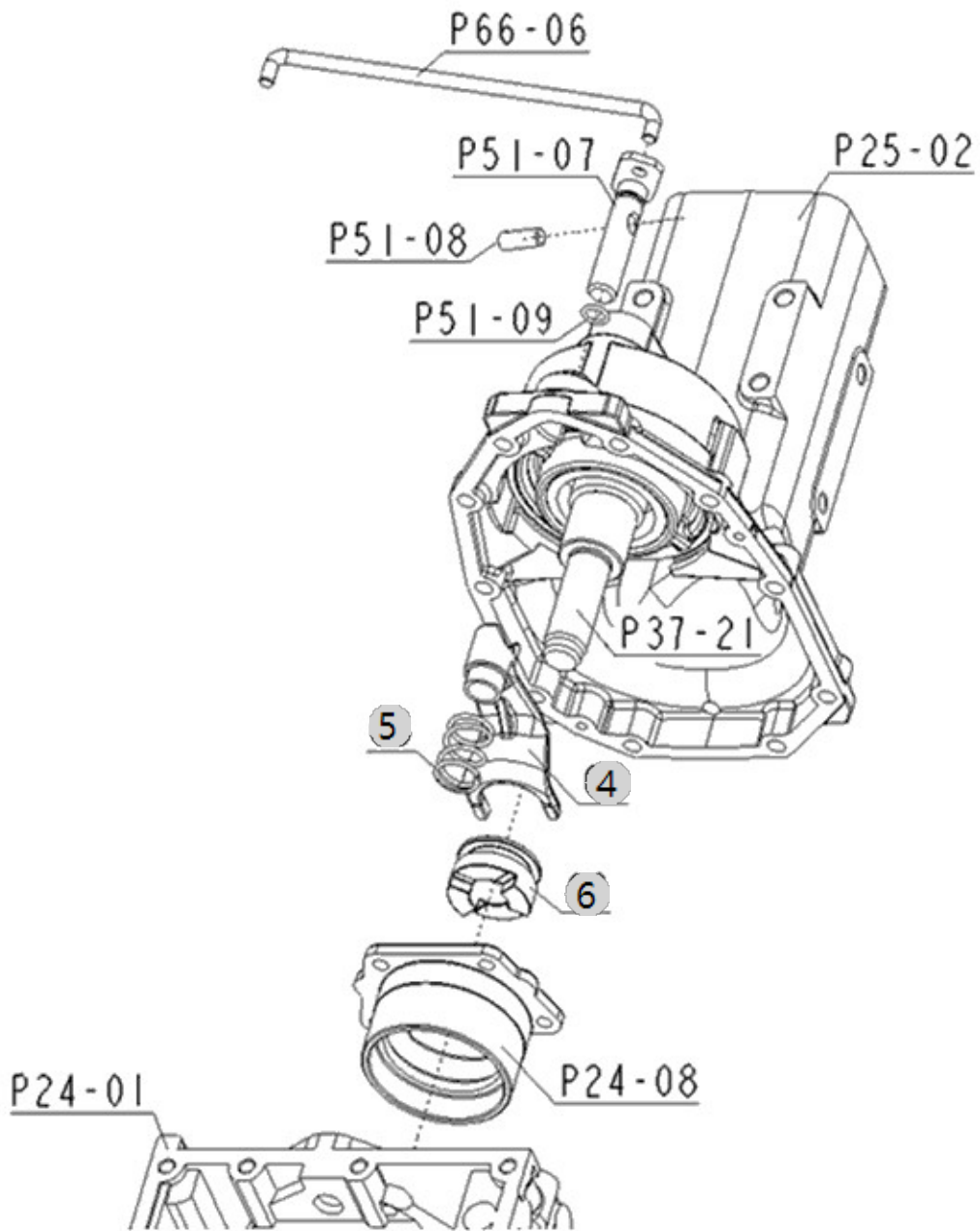
F08050

기계식 (유압) TM
(AC00551)

DIFFERENTIAL LOCK SHIFT FORK

Year/Month

2022-12-16



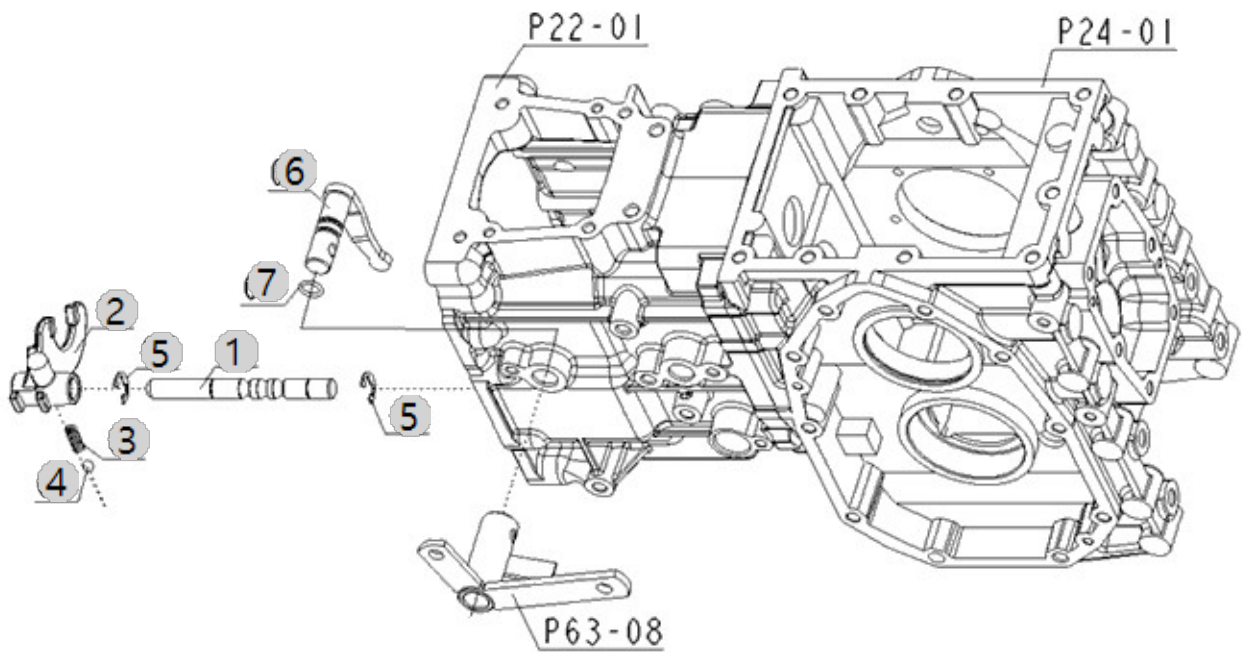
F08060A

기계식 (유럽) TM
(AC00551)

PTO GEAR SHIFT FORK

Year/Month

2022-12-16



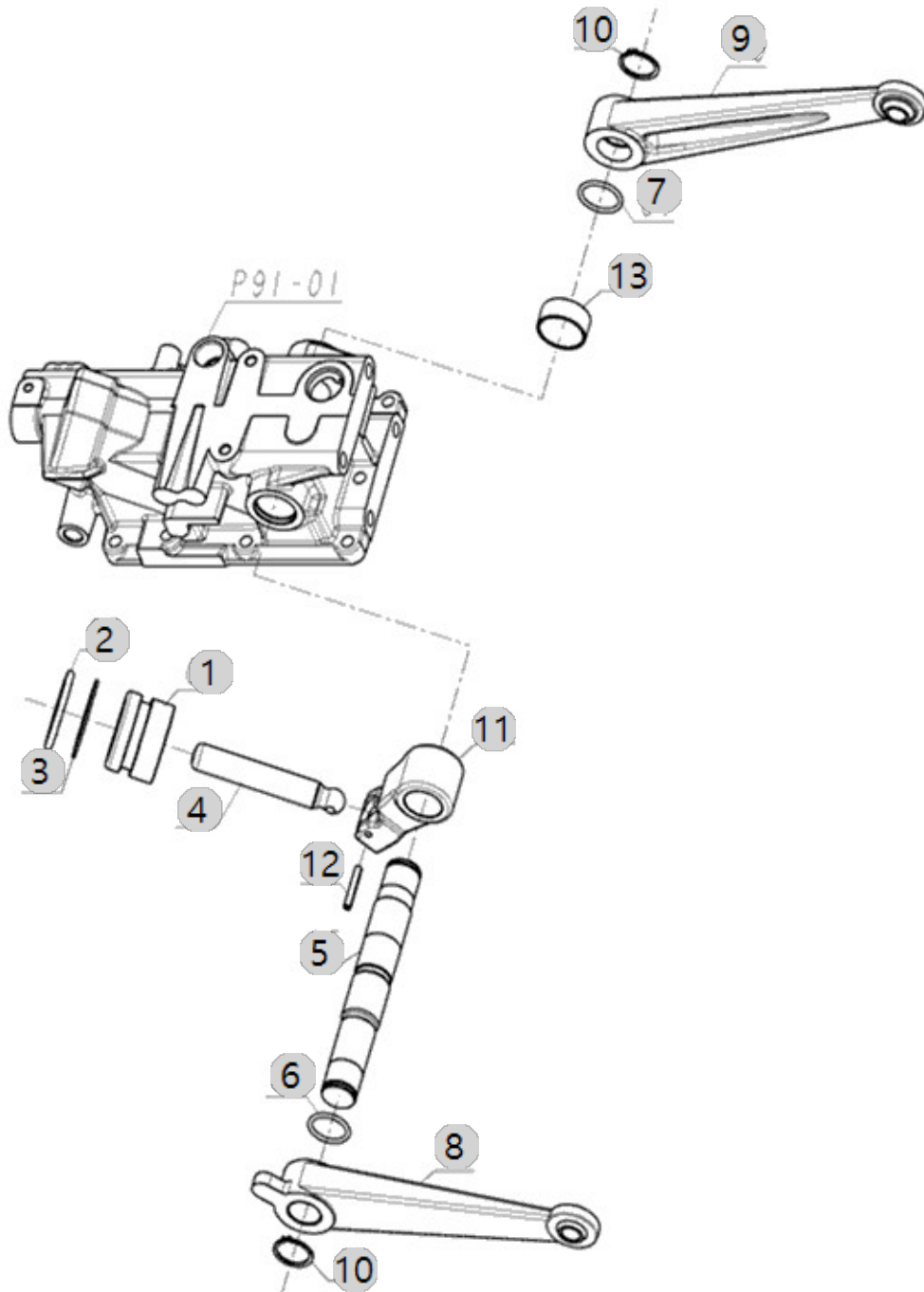
F10020

기계식 (유럽) TM
(AC00551)

LIFT ARM

Year/Month

2022-12-16



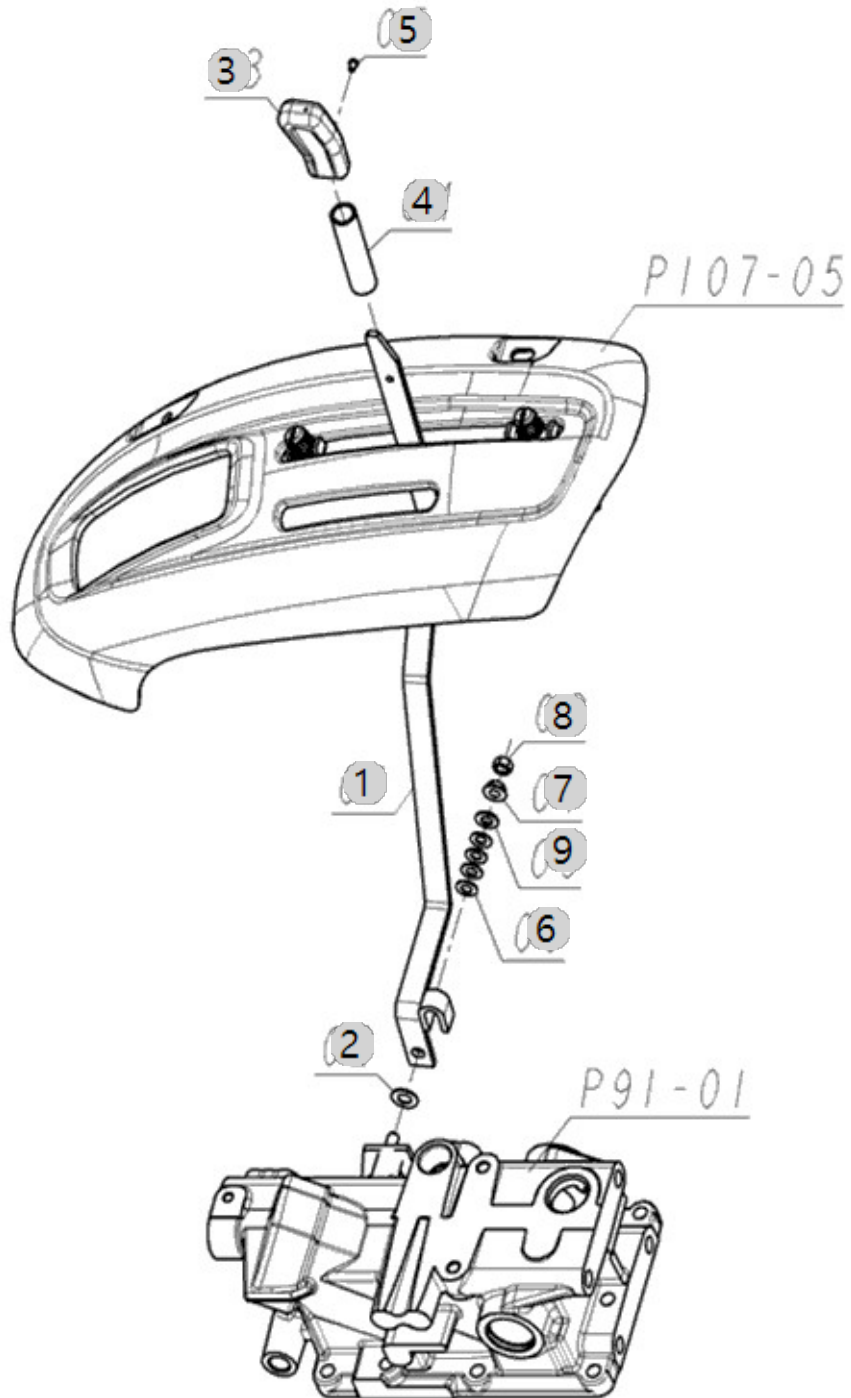
F10064

기계식 (유럽) TM
(AC00551)

POSITION CONTROL LEVER

Year/Month

2022-12-16



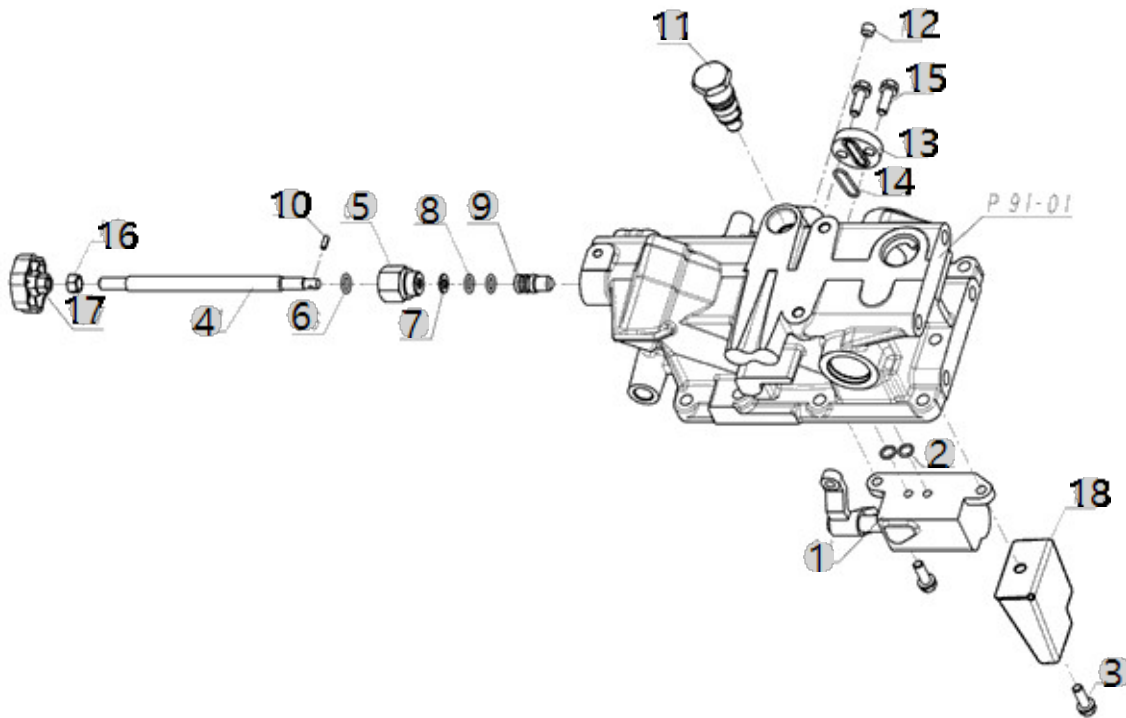
F10080

기계식 (유압) TM
(AC00551)

HYD VALVE

Year/Month

2022-12-16



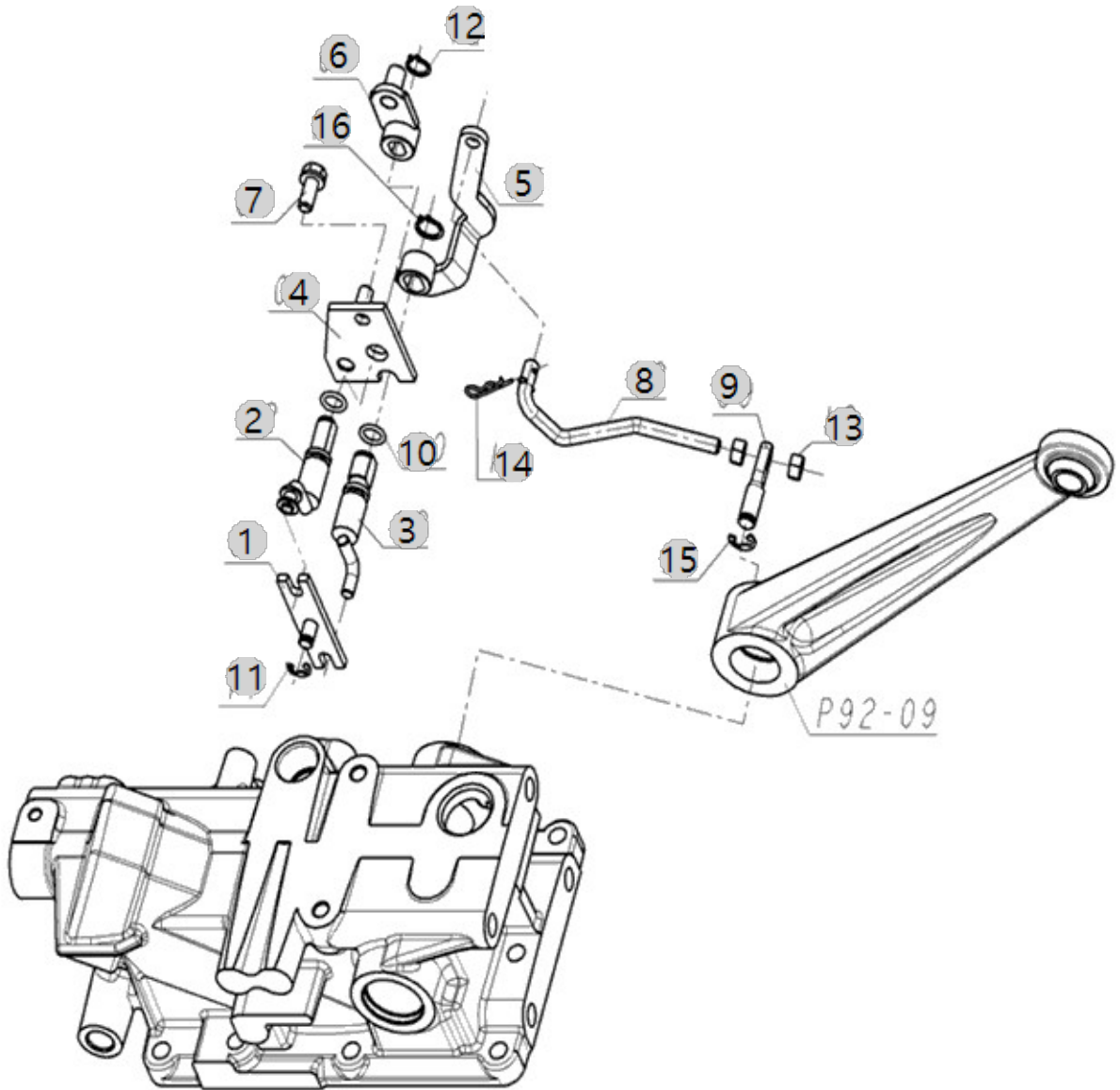
F10090

기계식 (유럽) TM
(AC00551)

FEED BACK LEVER- POSITION

Year/Month

2022-12-16



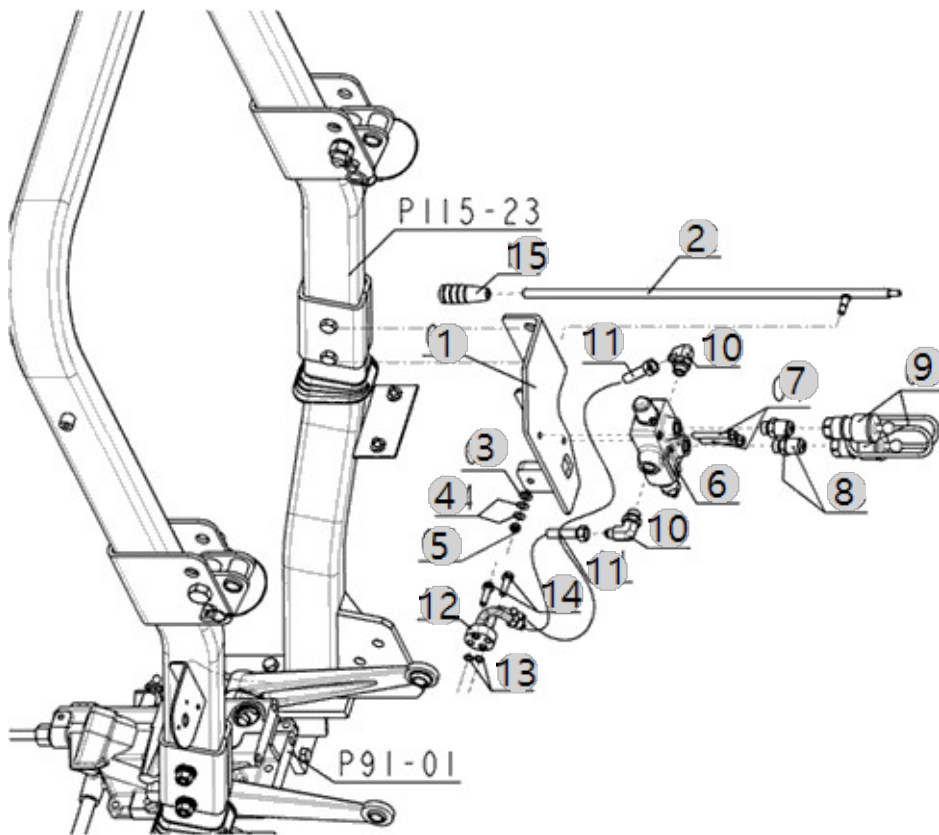
F10120A

기계식 (유럽) TM
(AC00551)

REAR SCV(2PORT)

Year/Month

2022-12-16



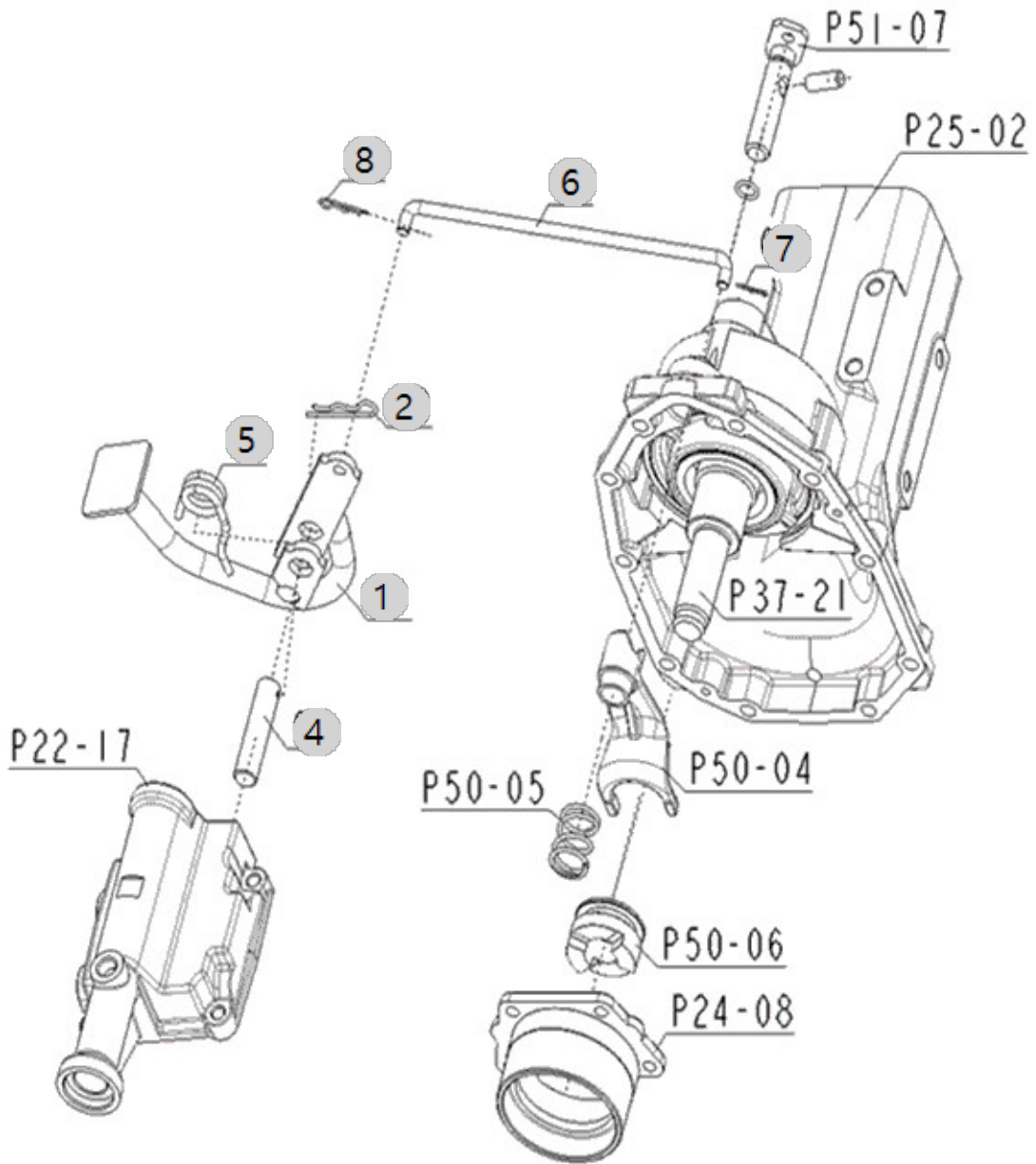
F11060

기계식 (유럽) TM
(AC00551)

DIFFERENTIAL LOCK PEDAL

Year/Month

2022-12-16



F11080

기계식 (유럽) TM
(AC00551)

FRONT WHEEL DRIVE LEVER

Year/Month

2022-12-16

