

T265NHAUZ

Parts Catalog

목 차

1. 엔진 PART NO. EG

FIG 101 CYLINDER BLOCK	7
FIG 102 OIL PAN	9
FIG 103 CYLINDER HEAD	11
FIG 104 GEAR CASE	13
FIG 105 HEAD COVERT	15
FIG 106 OIL FILTER	17
FIG 107 OIL GAUGE	19
FIG 108 MAIN BEARING CASE	21
FIG 109 CAM SHAFT & IDLE SHAFT	23
FIG 110 PISTON & CRANK SHAFT	25
FIG 111 FLYWHEEL	27
FIG 112 FUEL CAM SHAFT&GOVERNOR SHAFT	29
FIG 113 IDLE APPARATUS	31
FIG 114 CONNECTING-ROD	33
FIG 115 GOVERNOR	35
FIG 116 SPEED CONTROL PLATE	37
FIG 117 INJECTOR & GLOW PLUG	39
FIG 118 WATER PUMP FLANGE&THERMOSTAT	41
FIG 119 WATER PUMP	43
FIG 120 ROCKER ARM	45
FIG 121 INTAKE MANIFOLD	47
FIG 122 EXHAUST MANIFOLD	49
FIG 123 STOP SOLENOID	51
FIG 124 ALTERNATOR & PULLY	53
FIG 125 STARTING MOTOR	55
FIG 126 EXHAUST SILENCER	57
FIG 127 COOLING PAN	59
FIG 128 OIL PRESSURE SWITCH	61
FIG 129 DATA PLATE	63
FIG 130 WATER PIPE	65
FIG 131 WATER PIPE	67

2. 엔진보기품 PART NO. T2

FIG 201 AIR CLEANER	70
FIG 202 RADIATOR	72
FIG 203 MUFFLER	74
FIG 204 FUEL TANK & FUEL LINE	76
FIG 205 ACCELERATOR	78
FIG 206 OIL COOLER	80

3. 클러치/브레이크/스티어링 PART NO. T3

FIG 301 FLYWHEEL COVER	83
FIG 302 SPEED CONTROL	85
FIG 303 BRAKE	88
FIG 304 BRAKE PEDAL & LINKAGE	90
FIG 305 STEERING WHEEL & DASH COVER	92
FIG 306 STEERING VALVE	94
FIG 307 STEERING CYLINDER	96
FIG 308 FRONT WHEEL	98
FIG 309 REAR WHEEL	100

4. 트랜스미션 PART NO. T4

FIG 401 INPUT SHAFT	103
FIG 402 HST	105
FIG 403 4WD DRIVE GEAR	107
FIG 404 RANGE GEARS	109
FIG 405 P.T.O DRIVE SHAFT	111
FIG 406 P.T.O DRIVE SHAFT	113
FIG 408 DIFF LOCK	115
FIG 409 REAR TRANSMISSION CASE	117
FIG 410 REAR AXLE HOUSINGS	119
FIG 411 RANGE SHIFT LEVER	121
FIG 412 P.T.O CHANGE LEVER	123
FIG 413 4WD CHANGE LEVER	125

5. 프론트 액슬 PART NO. T5

FIG 501 FRAME	128
---------------	-----

FIG 502 FRONT DIFFERENTIAL GEARS & SHAFT	130
FIG 503 FRONT AXLE HOUSING	132
FIG 504 FRONT GEAR CASE (1)	134
FIG 505 FRONT GEAR CASE (2)	136

6. 유압/3점 링크 PART NO. T6

FIG 601 CYLINDER CASE	139
FIG 602 LIFT ARM	141
FIG 603 FLOW CONTROL VALVE	143
FIG 604 CONTROL VALVE LINKAGE	145
FIG 605 MAIN CONTROL VALVE	147
FIG 606 REMOTE CONTROL VALVE	149
FIG 607 POSITION LEVER LINKAGE	151
FIG 608 GEAR PUMP	153
FIG 609 HYDRAULIC HOSE (1)	155
FIG 610 HYDRAULIC HOSE (2)	157
FIG 611 PTO VALVE	159
FIG 612 HITCH & 3-POINT LINKAGE	161
FIG 613 JOYSTICK LEVER	164
FIG 614 HITCH & COVER	166

7. 시트메탈/캐빈 PART NO. T7

FIG 701(1) BONNET	169
FIG 701(2) BONNET	171
FIG 702 DASH PANEL	173
FIG 703 FLOOR	175
FIG 704 SEAT	177
FIG 705 ROPS	179
FIG 706 CAB FRAME & DOOR(OPTION)	181
FIG 707 FRONT GLASS(OPTION)	183
FIG 708 SIDE & REAR GLASS(OPTION)	185
FIG 709 ROOF(OPTION)	187
FIG 710 HEATER(OPTION)	189
FIG 711 INTERIOR PART(OPTION)	191
FIG 712 LAMP & COVER(OPTION)	193
FIG 713 FRONT & REAR MOUNTING(OPTION)	195

8. 전장 PART NO. T8

FIG 801 BATTERY & MOUNTING	198
FIG 802 LIGHTS	200
FIG 803 INSTRUMENT PANEL	202
FIG 804 ELECTRIC SYSTEM	204
FIG 805 HARNESS	206

9. 라벨/옵션 PART NO. T9

FIG 901 TOOL & ACCESSORY	209
--------------------------	-----

1. 엔진 PART NO. EG

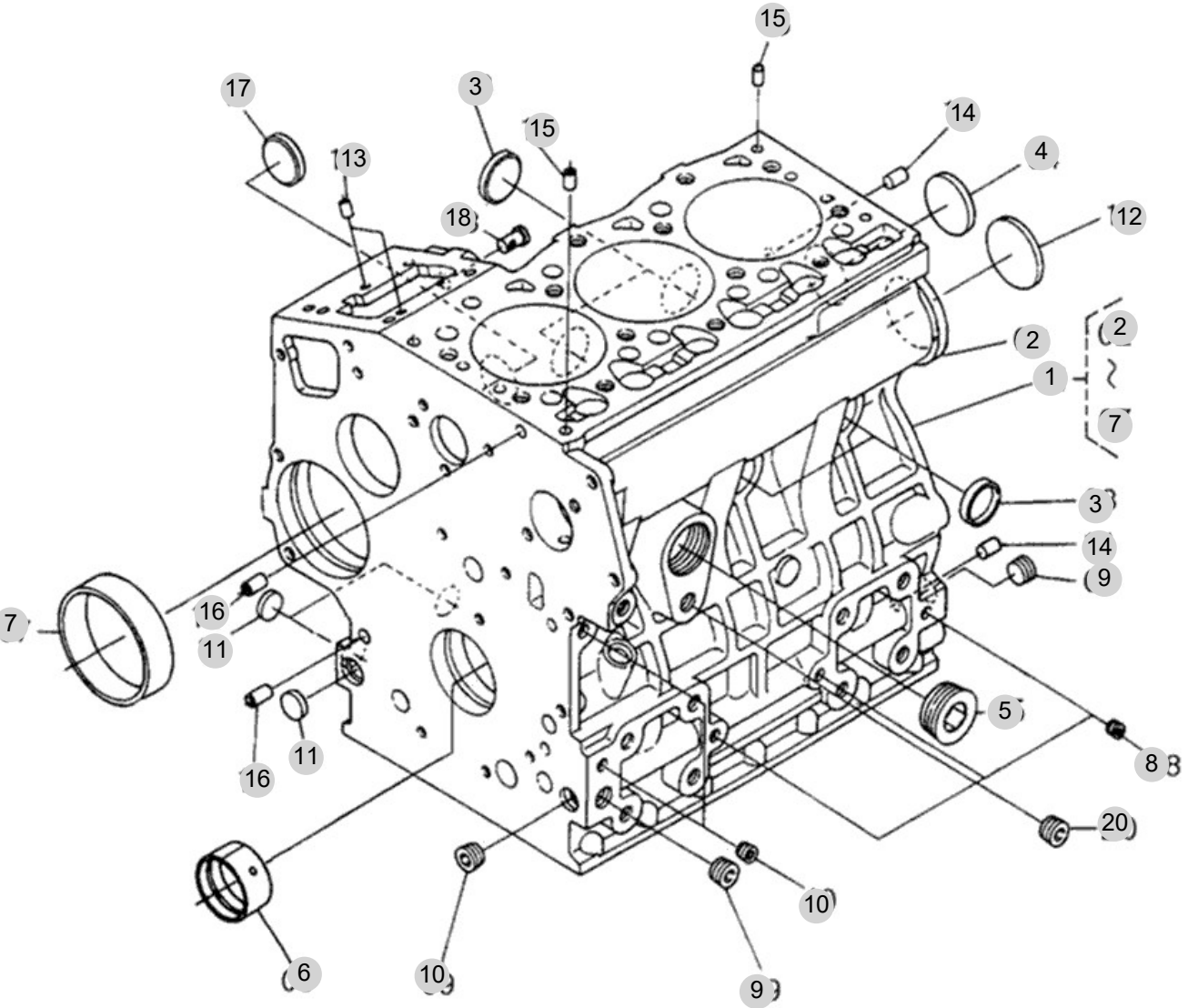
FIG 101 CYLINDER BLOCK	7
FIG 102 OIL PAN	9
FIG 103 CYLINDER HEAD	11
FIG 104 GEAR CASE	13
FIG 105 HEAD COVERT	15
FIG 106 OIL FILTER	17
FIG 107 OIL GAUGE	19
FIG 108 MAIN BEARING CASE	21
FIG 109 CAM SHAFT & IDLE SHAFT	23
FIG 110 PISTON & CRANK SHAFT	25
FIG 111 FLYWHEEL	27
FIG 112 FUEL CAM SHAFT&GOVERNOR SHAFT	29
FIG 113 IDLE APPARATUS	31
FIG 114 CONNECTING-ROD	33
FIG 115 GOVERNOR	35
FIG 116 SPEED CONTROL PLATE	37
FIG 117 INJECTOR & GLOW PLUG	39
FIG 118 WATER PUMP FLANGE&THERMOSTAT	41
FIG 119 WATER PUMP	43
FIG 120 ROCKER ARM	45
FIG 121 INTAKE MANIFOLD	47
FIG 122 EXHAUST MANIFOLD	49
FIG 123 STOP SOLENOID	51
FIG 124 ALTERNATOR & PULLY	53
FIG 125 STARTING MOTOR	55
FIG 126 EXHAUST SILENCER	57
FIG 127 COOLING PAN	59
FIG 128 OIL PRESSURE SWITCH	61
FIG 129 DATA PLATE	63
FIG 130 WATER PIPE	65
FIG 131 WATER PIPE	67

FIG 101

CYLINDER BLOCK

년/월
Year/Month

2022-12



NOTE

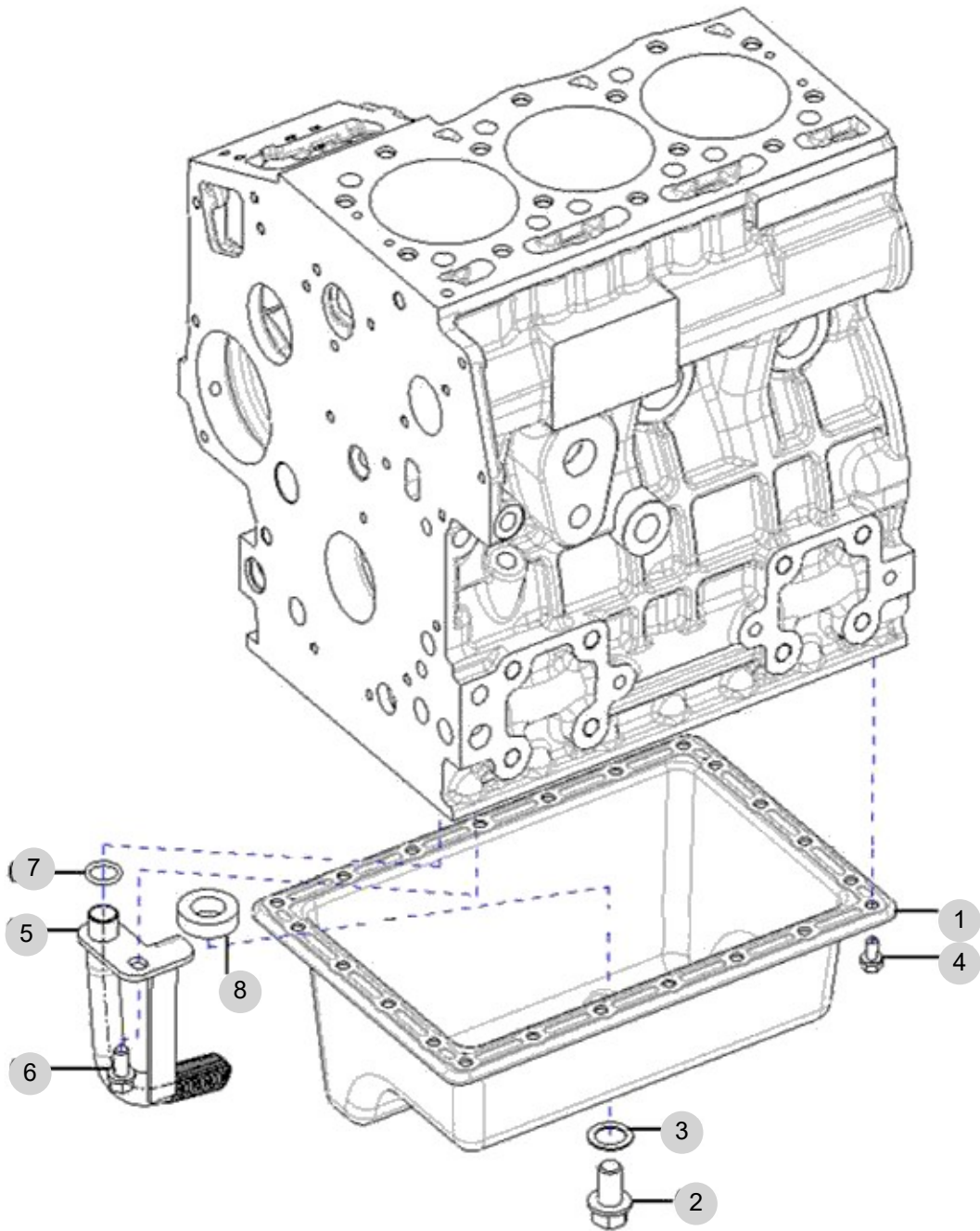
FIG 102

OIL PAN

년/월
Year/Month

2022-12

T265NHAUZ



NOTE

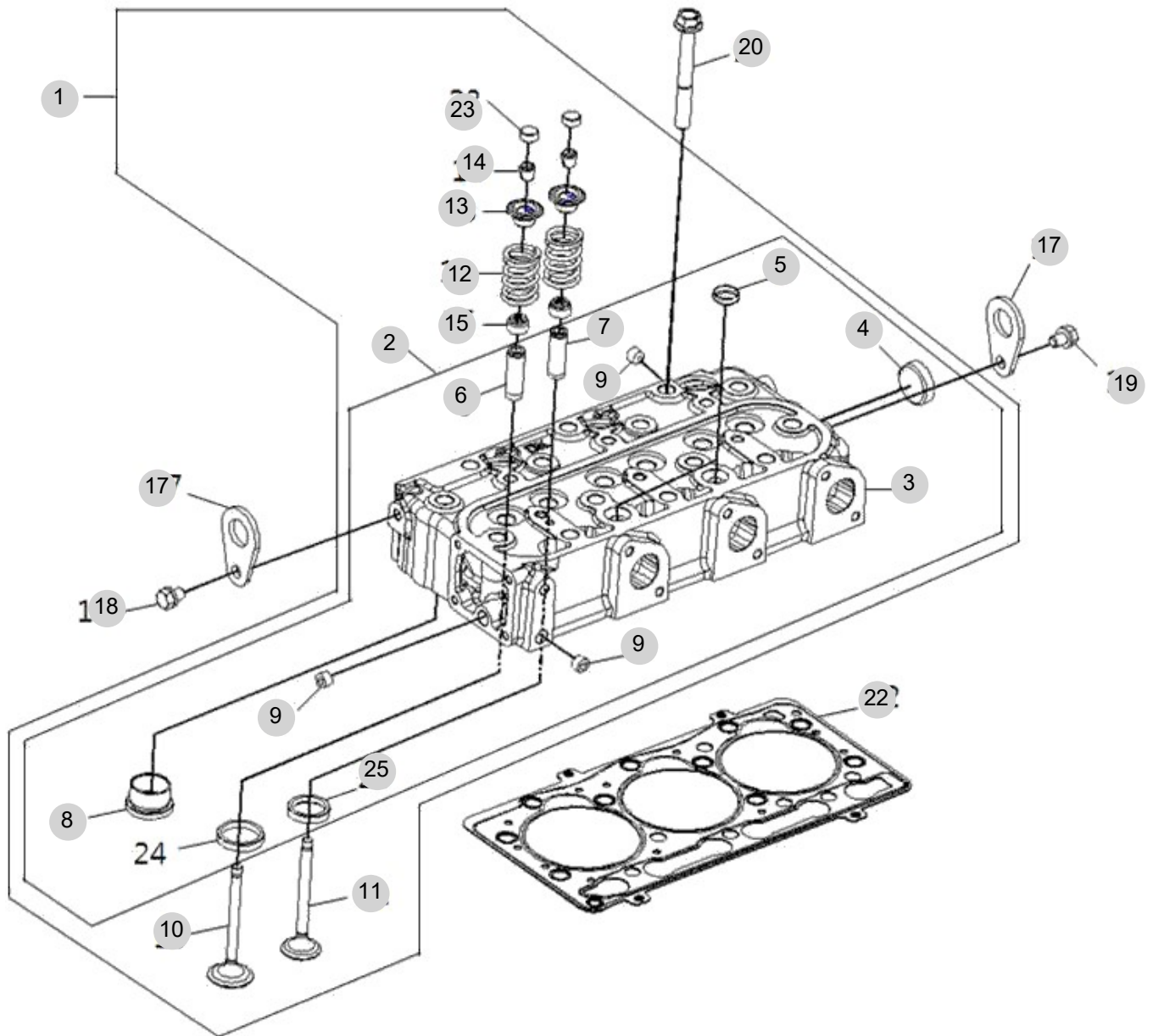
FIG 103

CYLINDER HEAD

년/월
Year/Month

2022-12

T265NHAUZ



NOTE

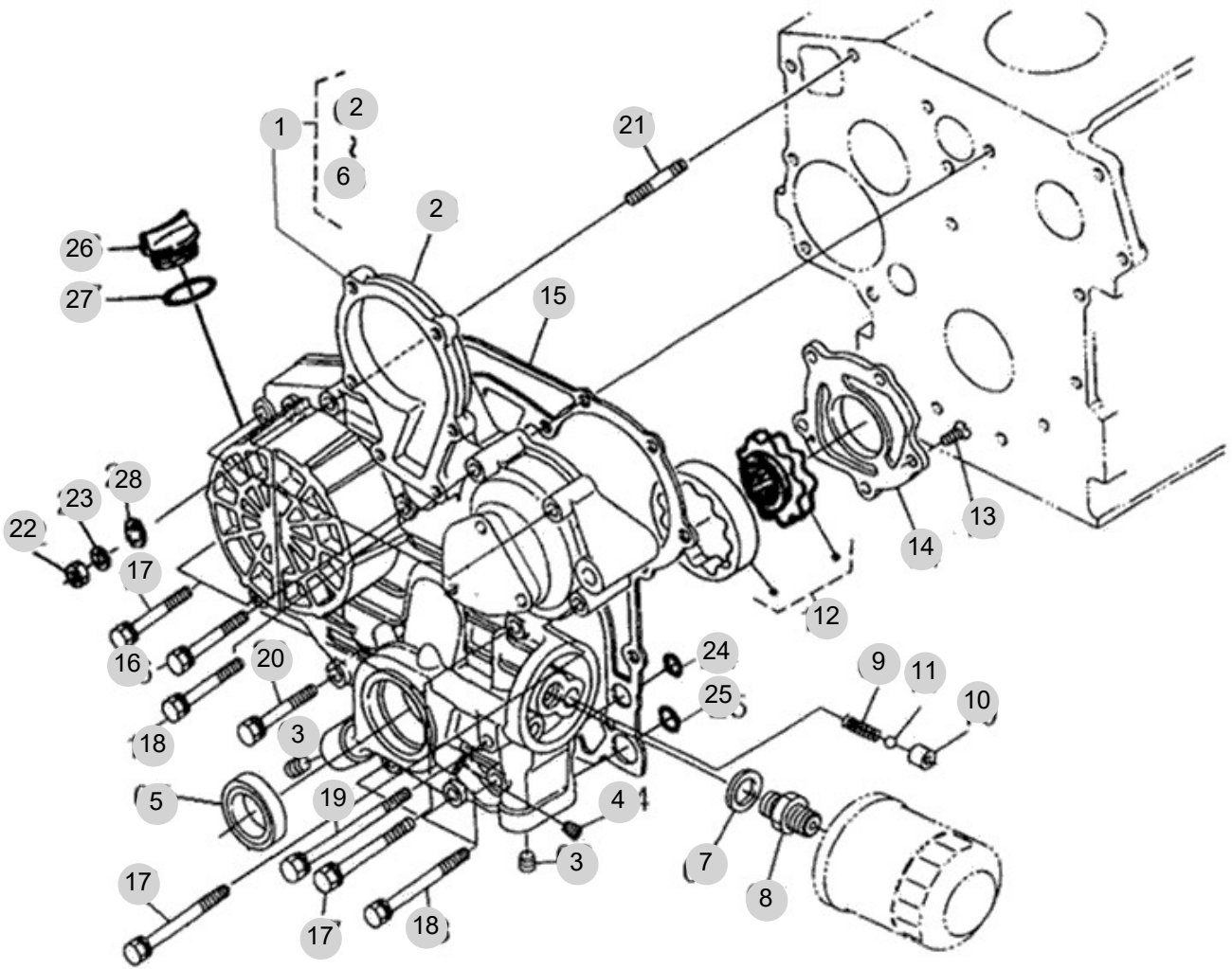
FIG 104

GEAR CASE

년/월
Year/Month

2022-12

T265NHAUZ



NOTE

FIG 104 T265NHAUZ		GEAR CASE					년/월 Year/Month 2022-12	
----------------------	--	-----------	--	--	--	--	------------------------------	--

KEY NO	PART NO	DESCRIPTION	SPEC	QTY	REPAIR	EFFECTIVE DATE	REMARKS
104	1	EA00005393A	GEAR CASE(EA00006103C로 주문변경)	1			
104	2	HT04010100D	CASE, GEAR	1			
104	3	23871-030000	테이퍼나사플러그	2			
104	4	23871-010000	테이퍼나사플러그	1			
104	5	EA00001446A	오일 시일	1			
104	7	22117-180000	평와셔	1			
104	8	HT04020100A	PIPE, JOINT	1			
104	9	HT04020200B	SPRING	1			
104	10	HT04020300A	SEAT	1			
104	11	24190-160001	강구	1			
104	12	HT04030000A	ASS'Y ROTOR, OIL PUMP	1			
104	13	26577-060202	[+]자흡접시작은나사	5			
104	14	HT04050000A	COVER,OIL PUMP	1			
104	15	HT04060000A	GASKET,GEAR CASE	1			
104	16	26013-060452	와셔조립육각볼트	M6X45	3		
104	17	26013-060502	와셔조립육각볼트	M6X50	5		
104	18	26013-060552	와셔조립육각볼트	M6X55	3		
104	19	HT04070000A	BOLT	M6X68	1		
104	20	26013-060602	와셔조립육각볼트	M6X60	1		
104	21	26216-060452	심음볼트		1		
104	22	26716-060002	육각너트	M6	1		
104	23	22217-060000	스프링와셔		1		
104	24	24311-240100	운동용O링		2		
104	25	24311-000150	운동용O링		2		
104	26	HC03470000B	급유구(HC03470000B4로 주문변경)		1		
104	27	24311-000320	운동용O링		1		
104	28	22117-060000	평와셔		1		

NOTE

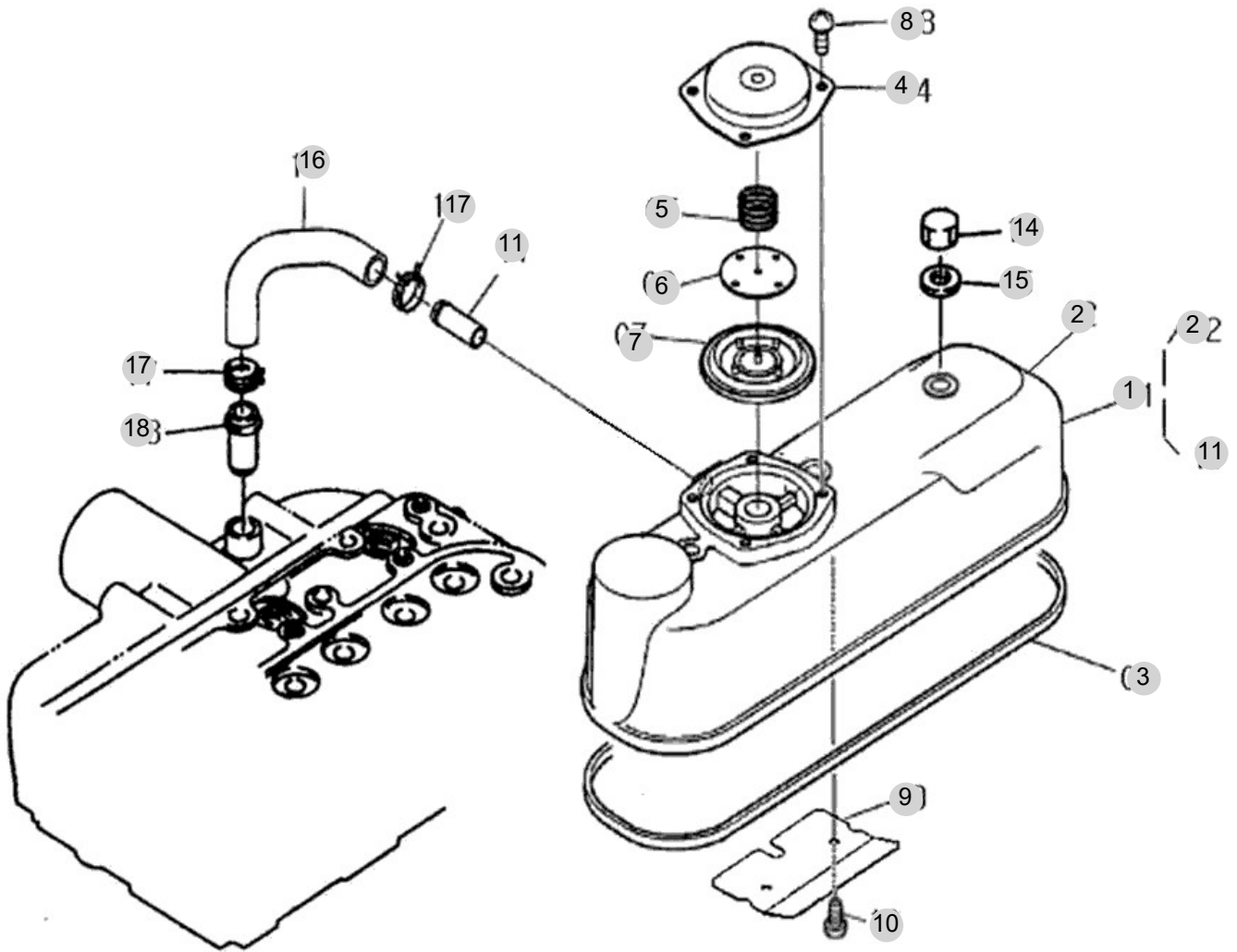
FIG 105

HEAD COVERT

년/월
Year/Month

2022-12

T265NHAUZ



NOTE

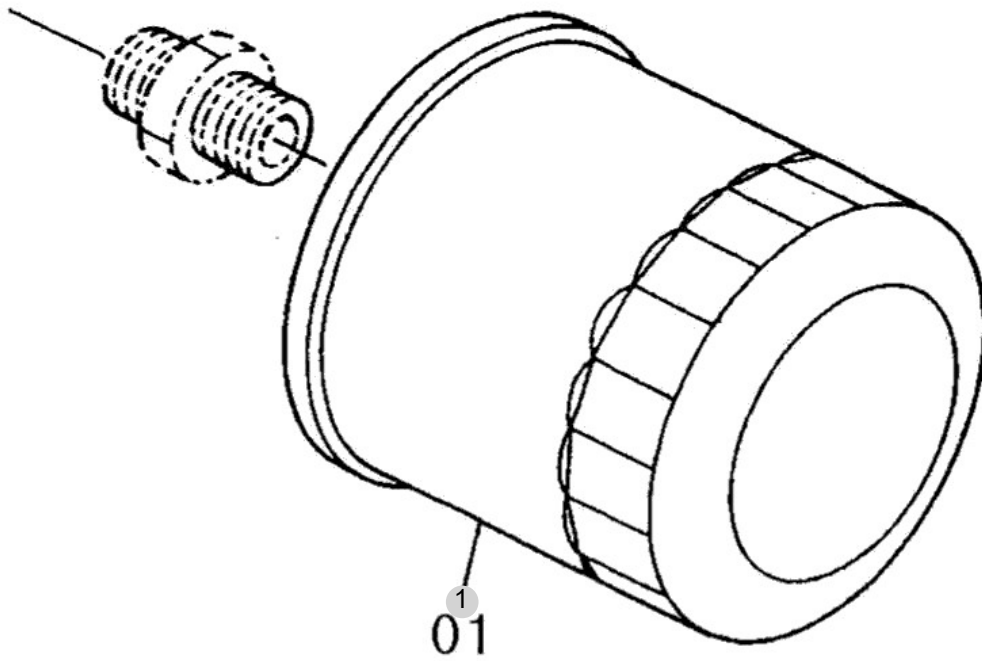
FIG 106

T265NHAUZ

OIL FILTER

년/월
Year/Month

2022-12



NOTE

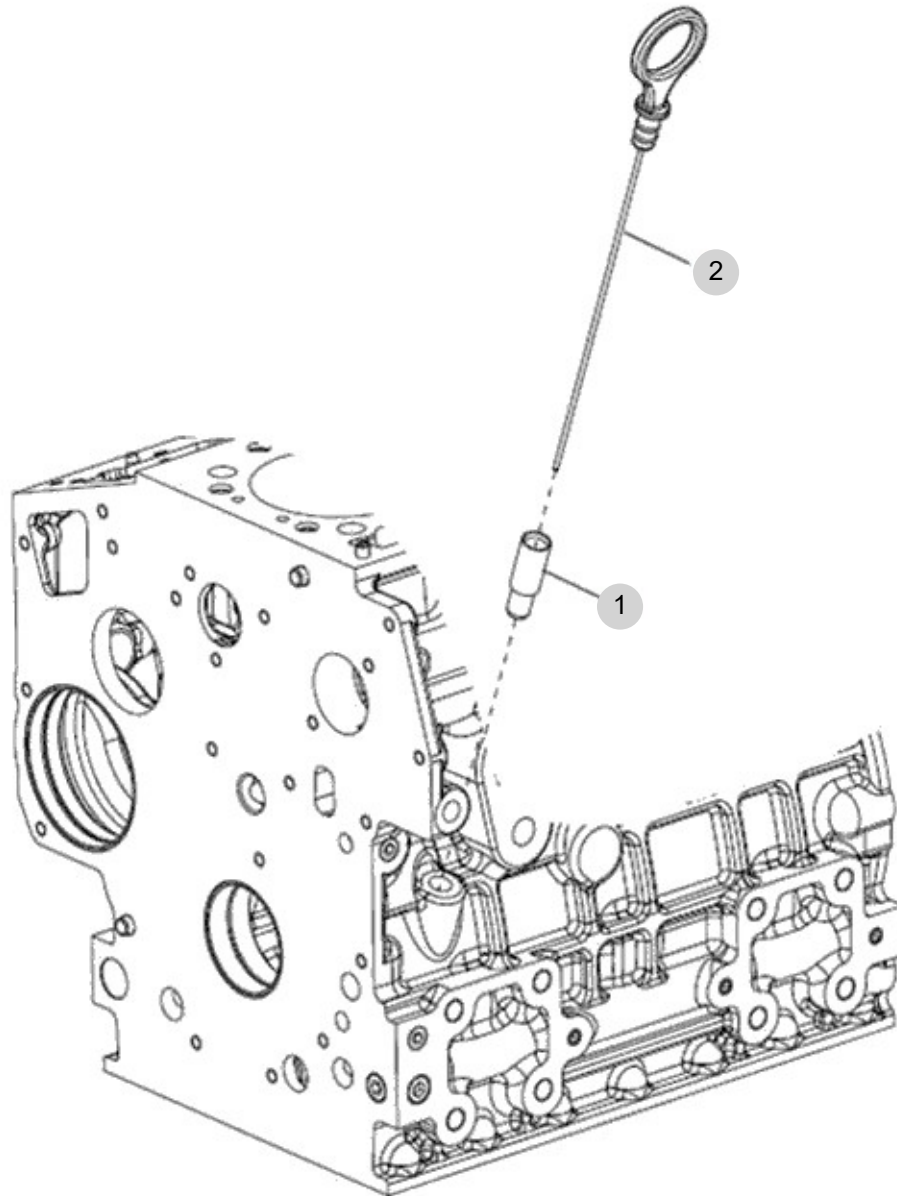
FIG 107

OIL GAUGE

년/월
Year/Month

2022-12

T265NHAUZ



NOTE

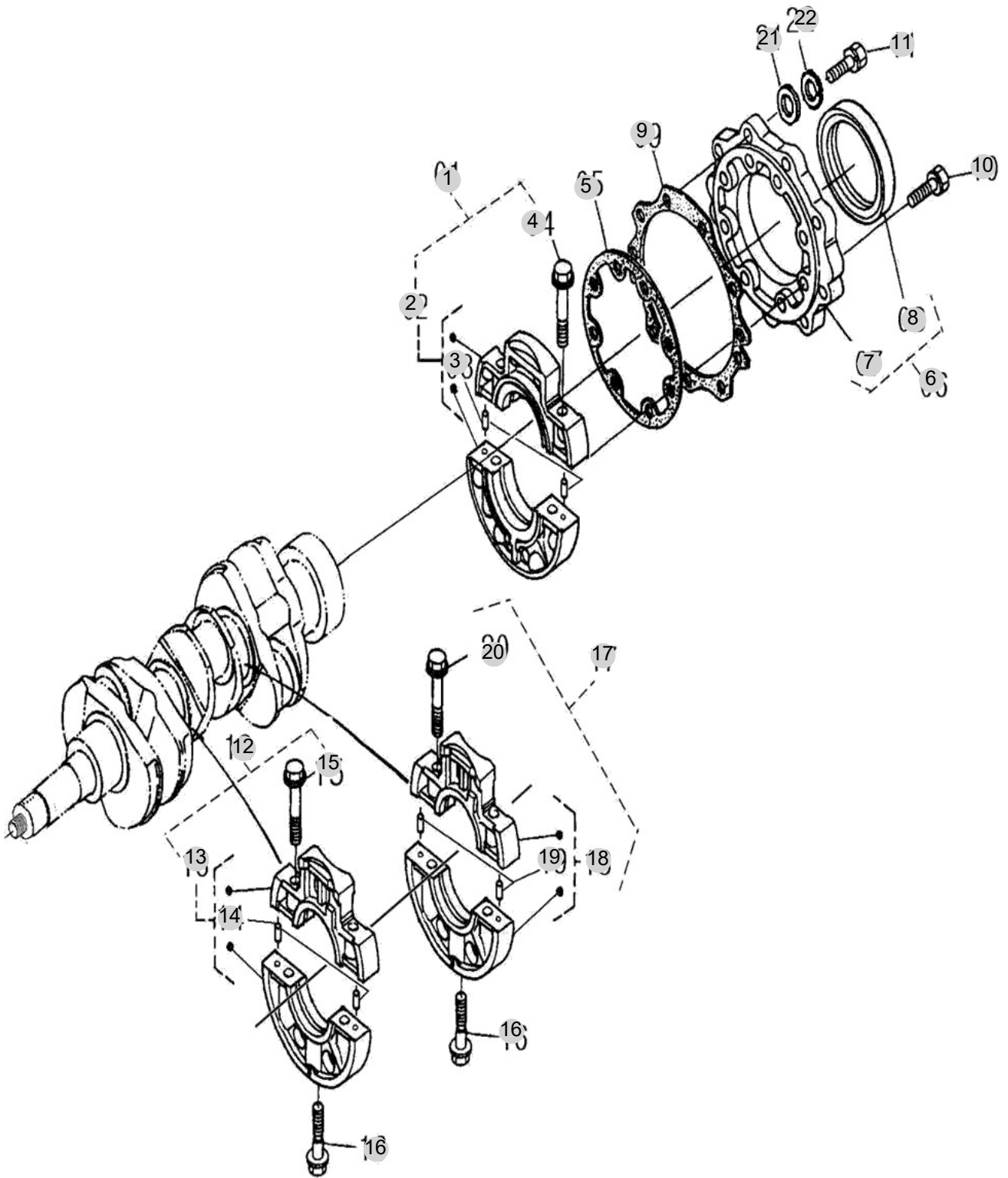
FIG 107 T265NHAUZ		OIL GAUGE						년/월 Year/Month
								2022-12
KEY NO		PART NO	DESCRIPTION	SPEC	QTY	REPAIR	EFFECTIVE DATE	REMARKS
107	1	EA00004584A	가이드(검유봉)		1			
107	2	EA00005463A	검유봉		1			
NOTE								

FIG 108

MAIN BEARING CASE

년/월
Year/Month

2022-12



NOTE

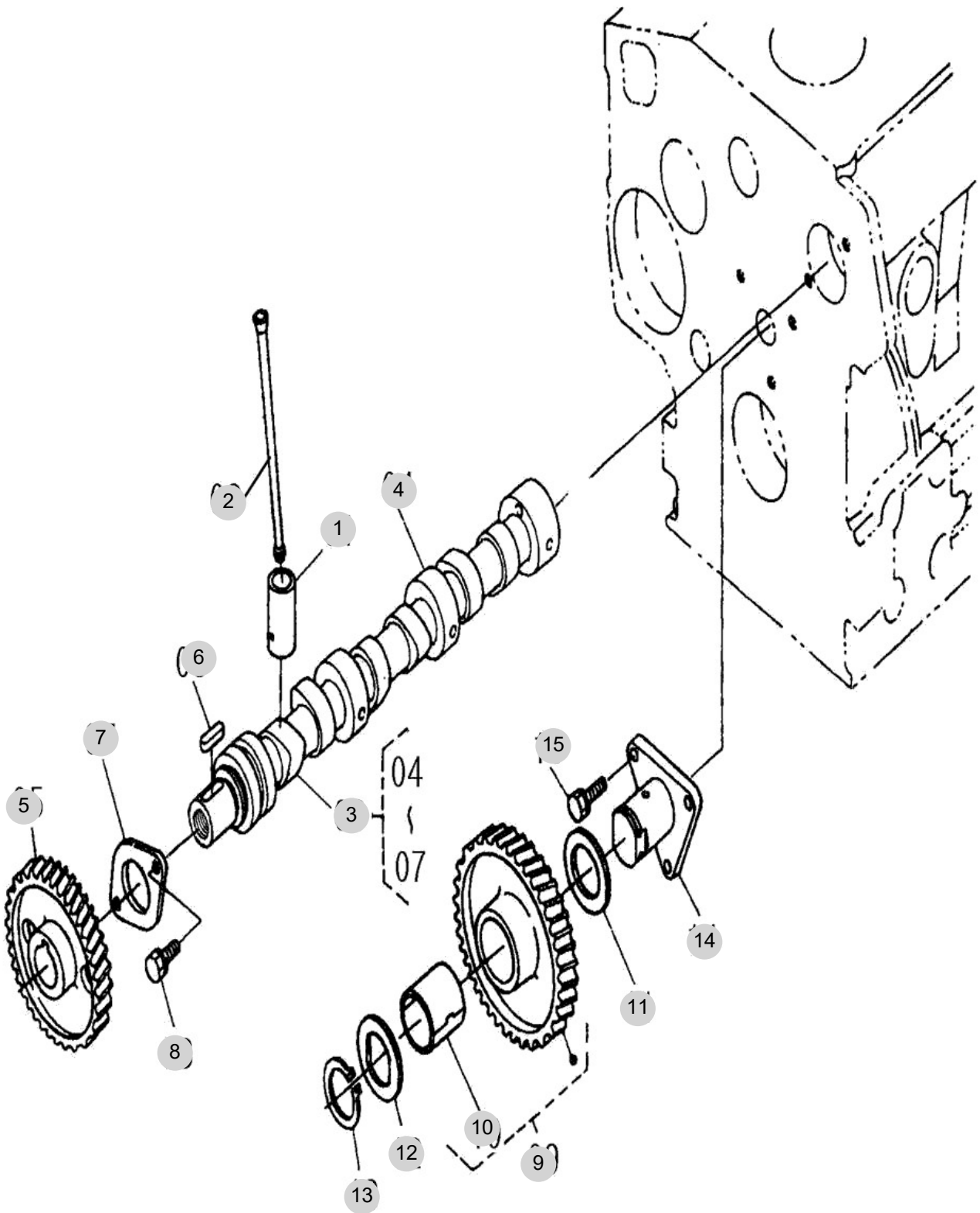
FIG 109

CAM SHAFT & IDLE SHAFT

년/월
Year/Month

2022-12

T265NHAUZ



NOTE

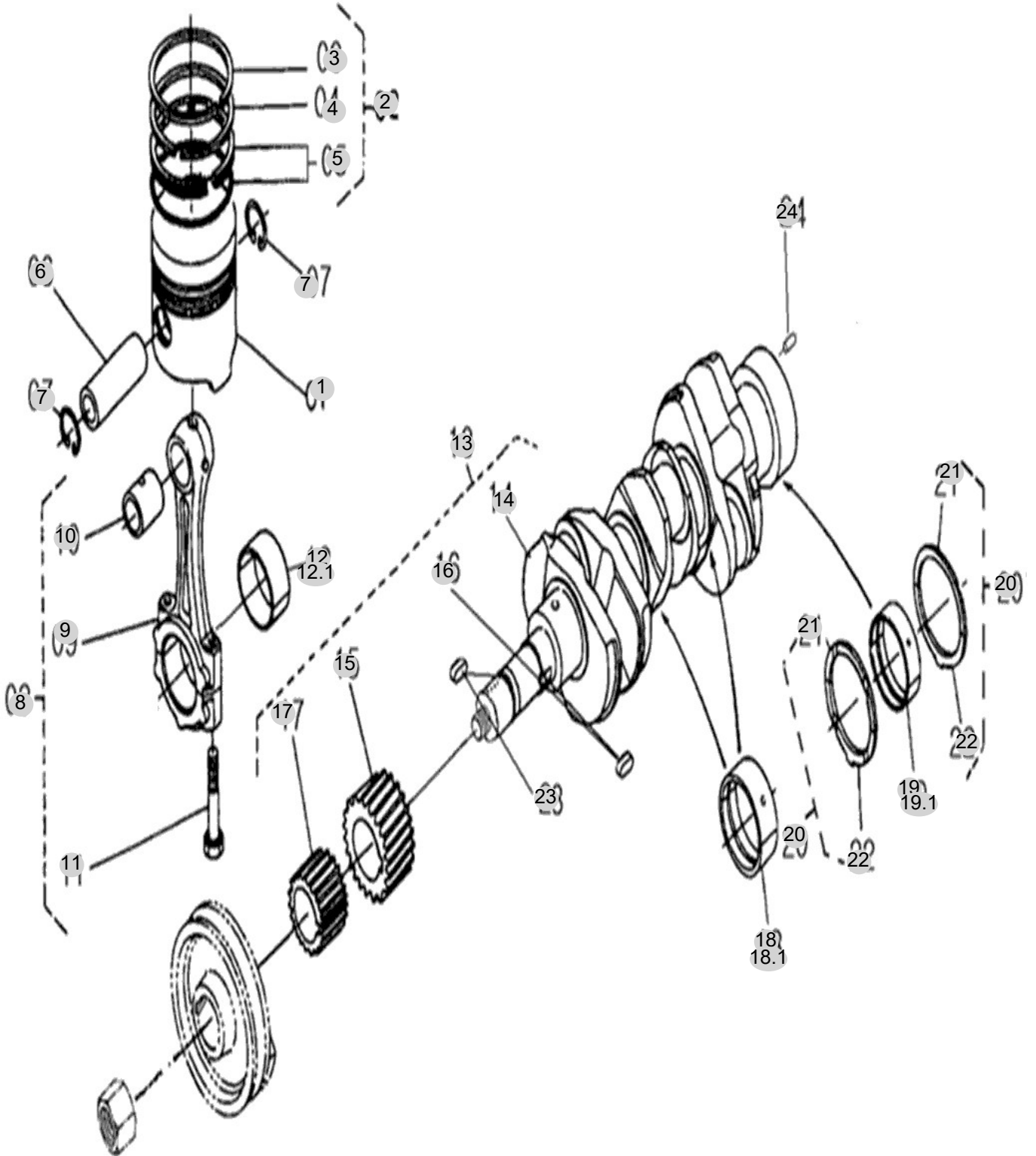
FIG 110

PISTON & CRANK SHAFT

년/월
Year/Month

2022-12

T265NHAUZ



NOTE

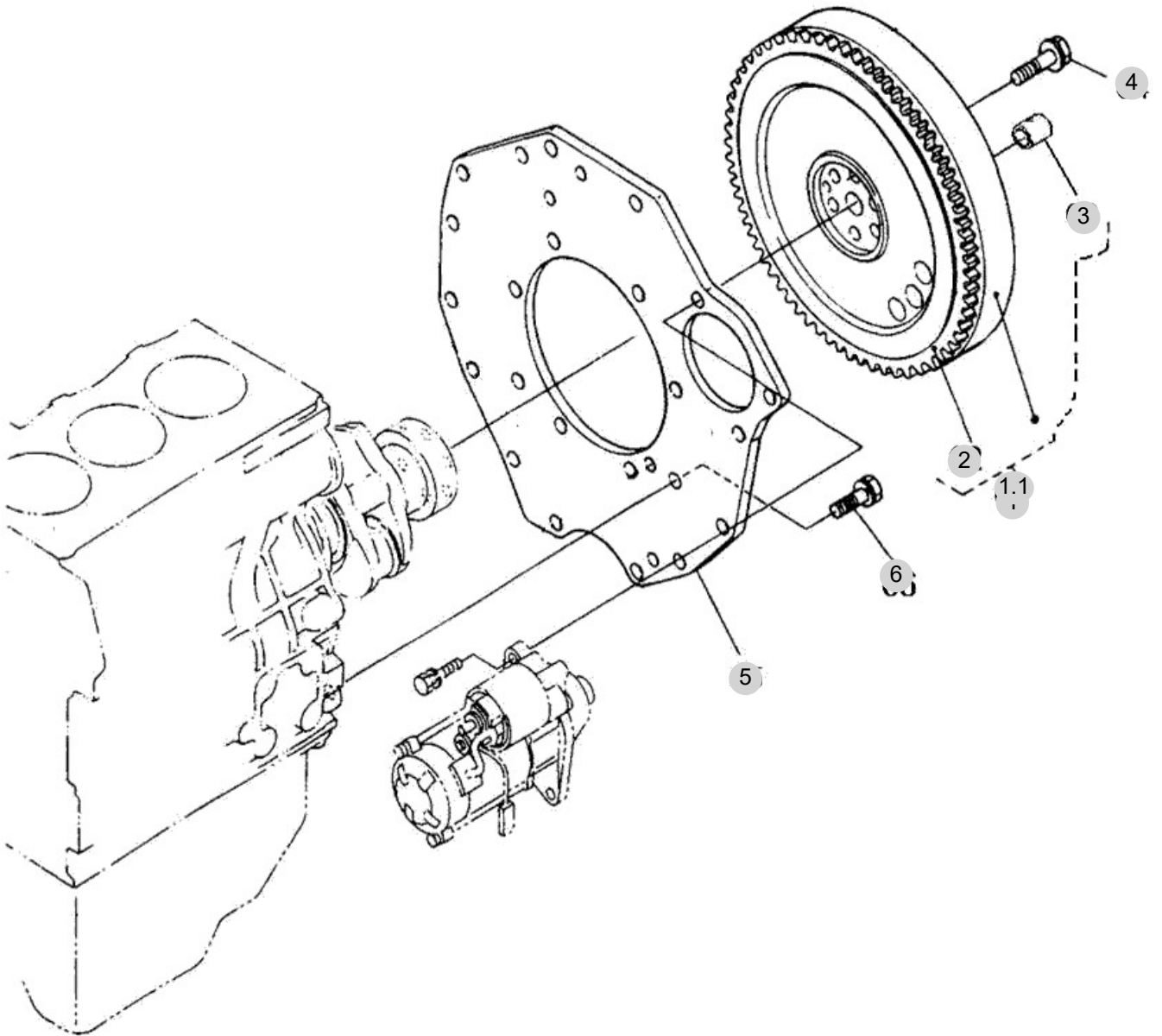
FIG 111

FLYWHEEL

년/월
Year/Month

2022-12

T265NHAUZ



NOTE

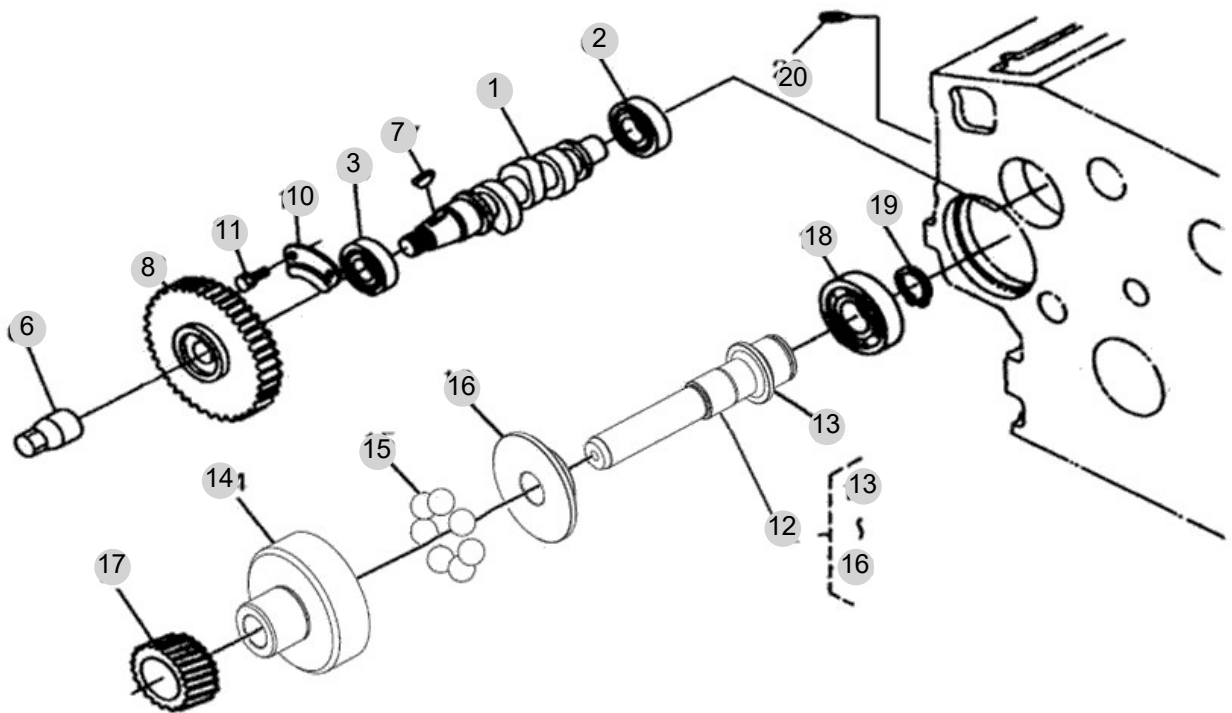
FIG 112

FUEL CAM SHAFT&GOVERNOR SHAFT

년/월
Year/Month

2022-12

T265NHAUZ



NOTE

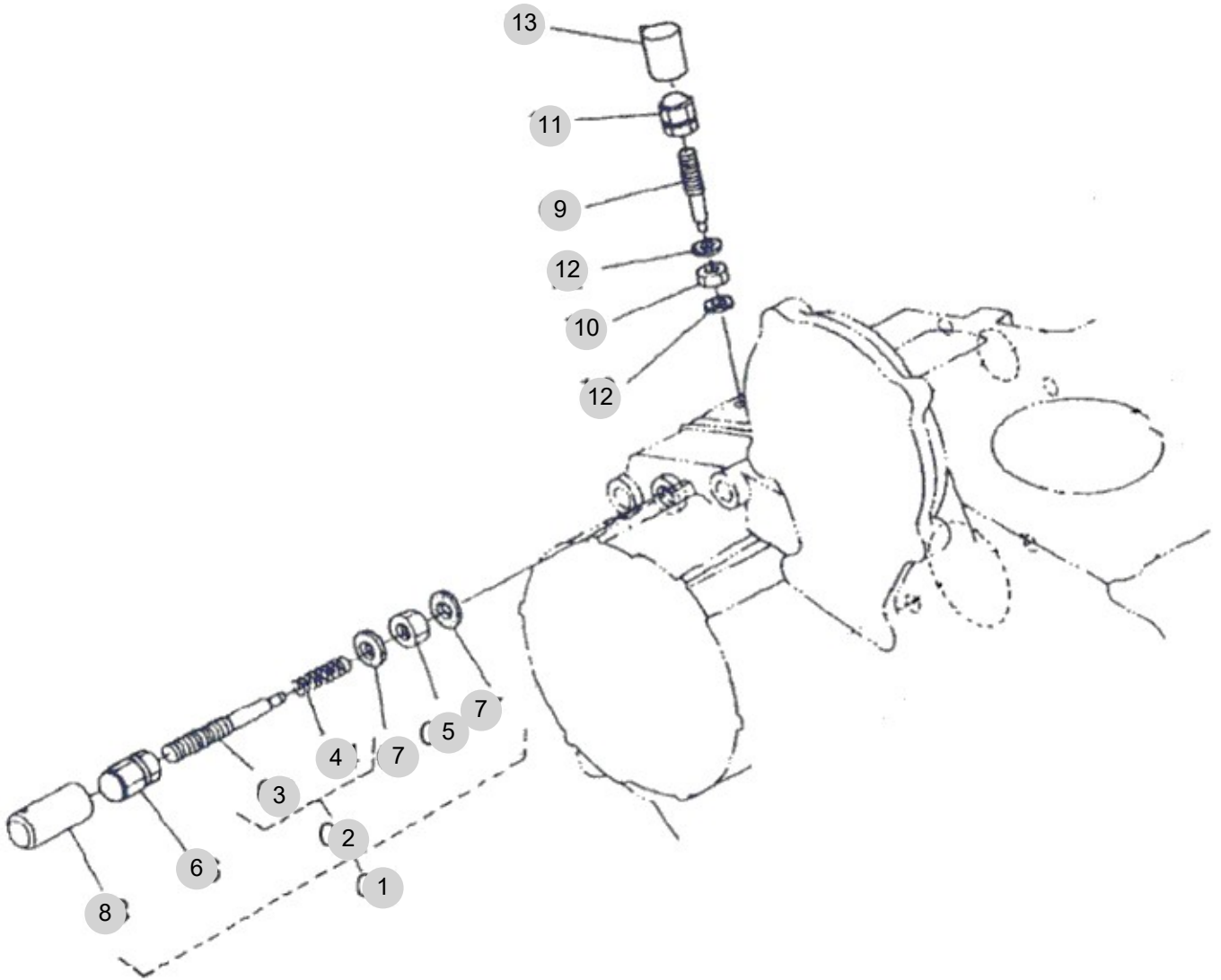
FIG 113

IDLE APPARATUS

년/월
Year/Month

2022-12

T265NHAUZ



NOTE

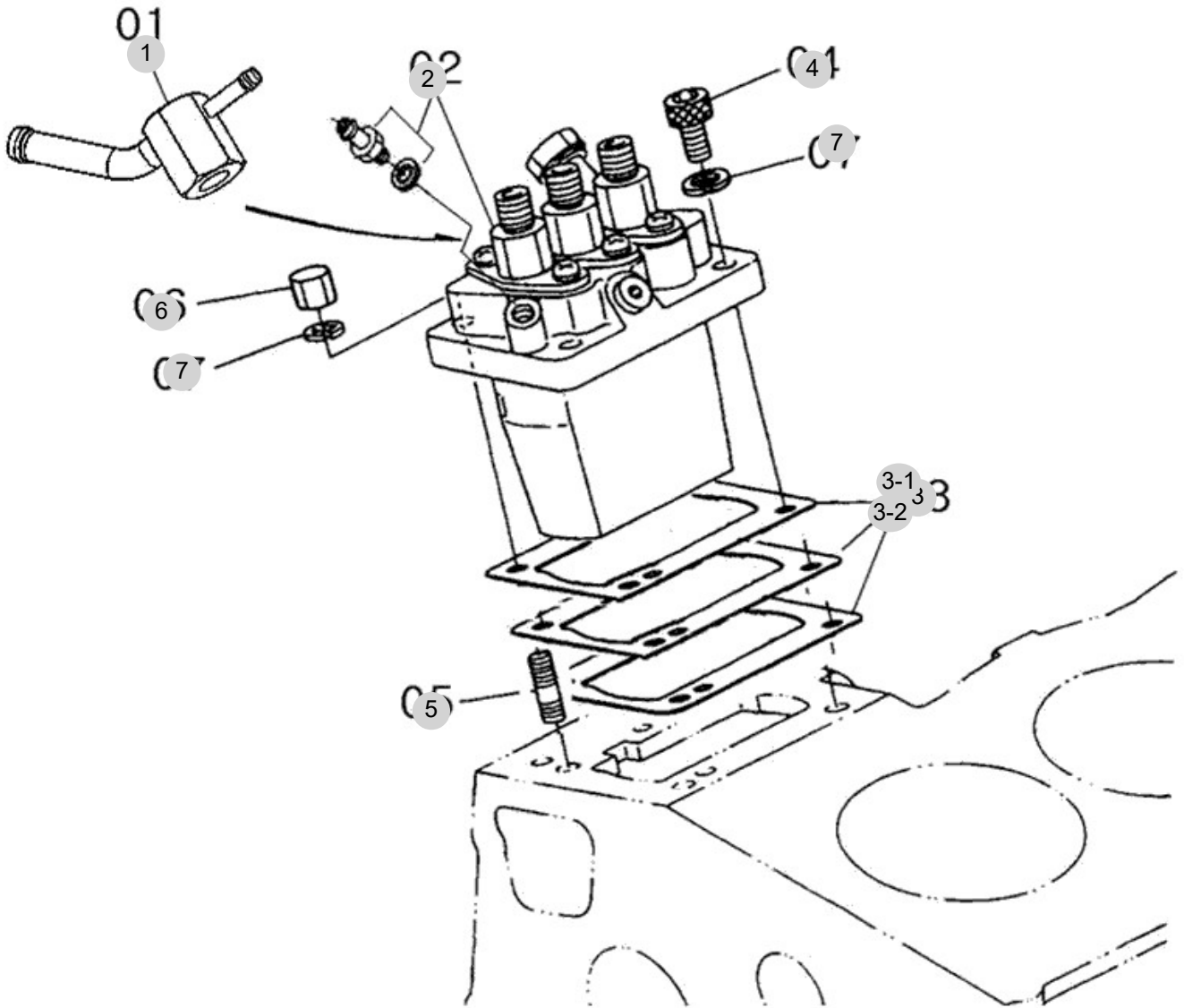
FIG 114

T265NHAUZ

CONNECTING-ROD

년/월
Year/Month

2022-12



NOTE

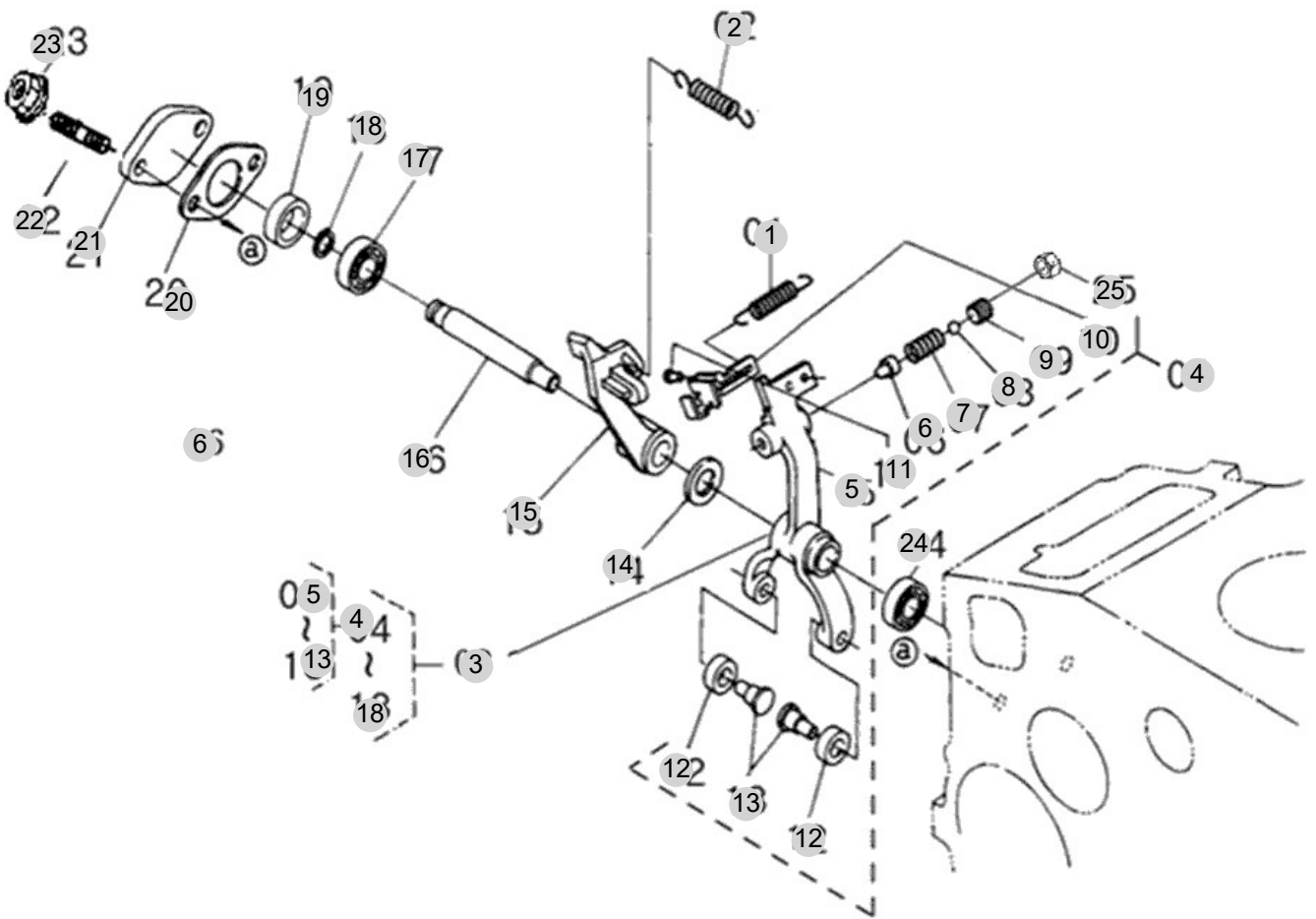
FIG 115

GOVERNOR

년/월
Year/Month

2022-12

T265NHAUZ



NOTE

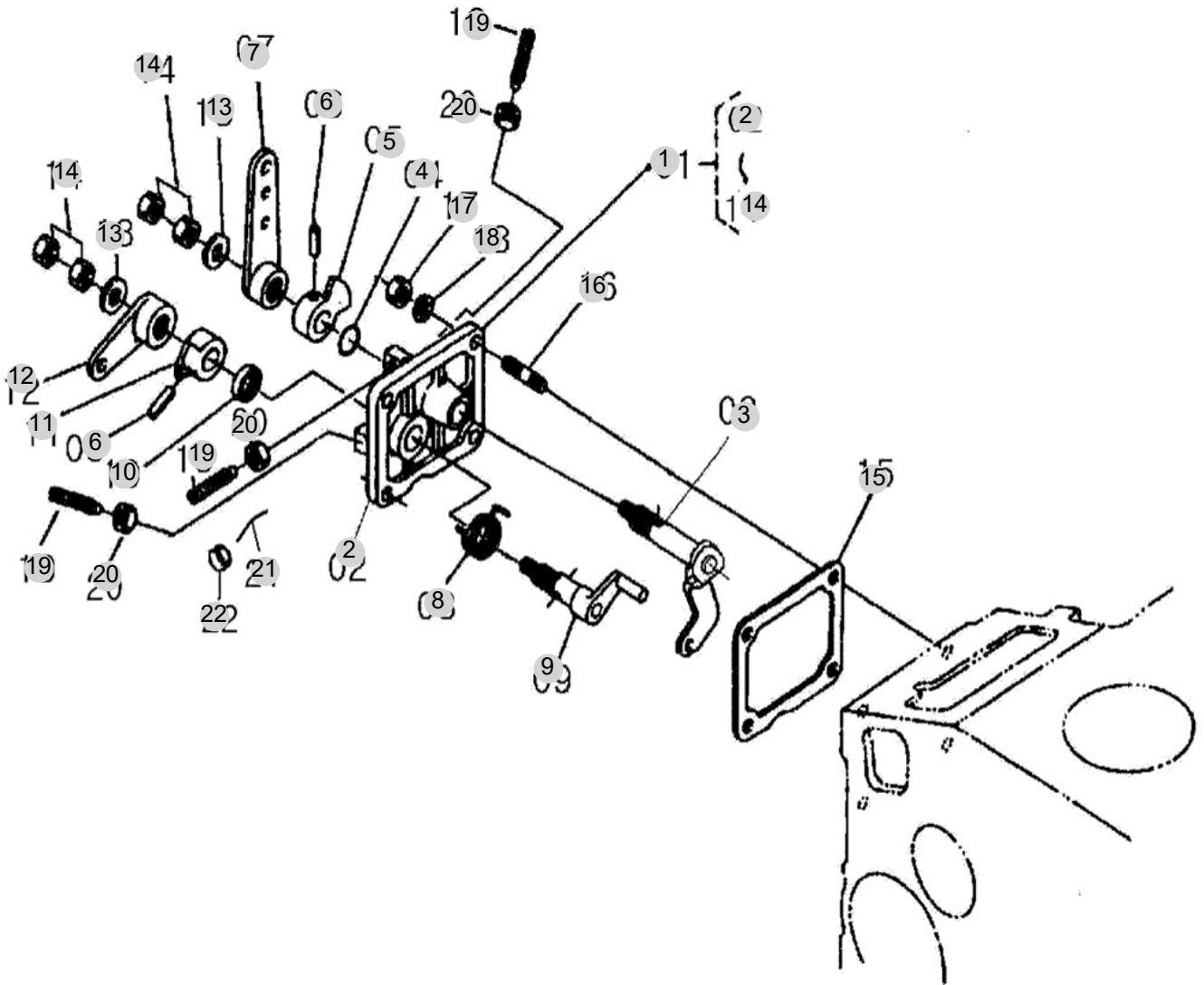
FIG 116

SPEED CONTROL PLATE

년/월
Year/Month

2022-12

T265NHAUZ



NOTE

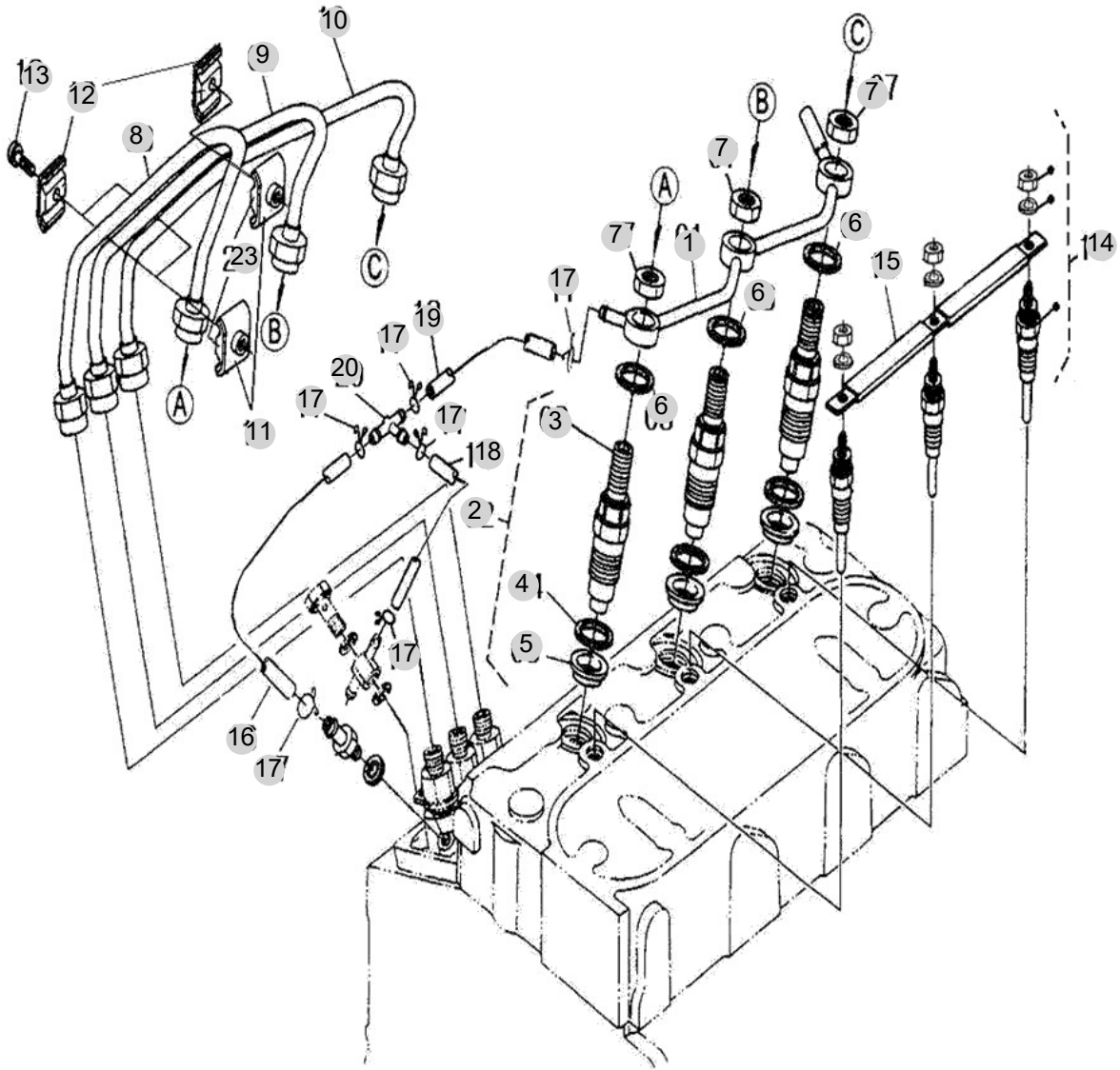
FIG 117

INJECTOR & GLOW PLUG

년/월
Year/Month

2022-12

T265NHAUZ



NOTE

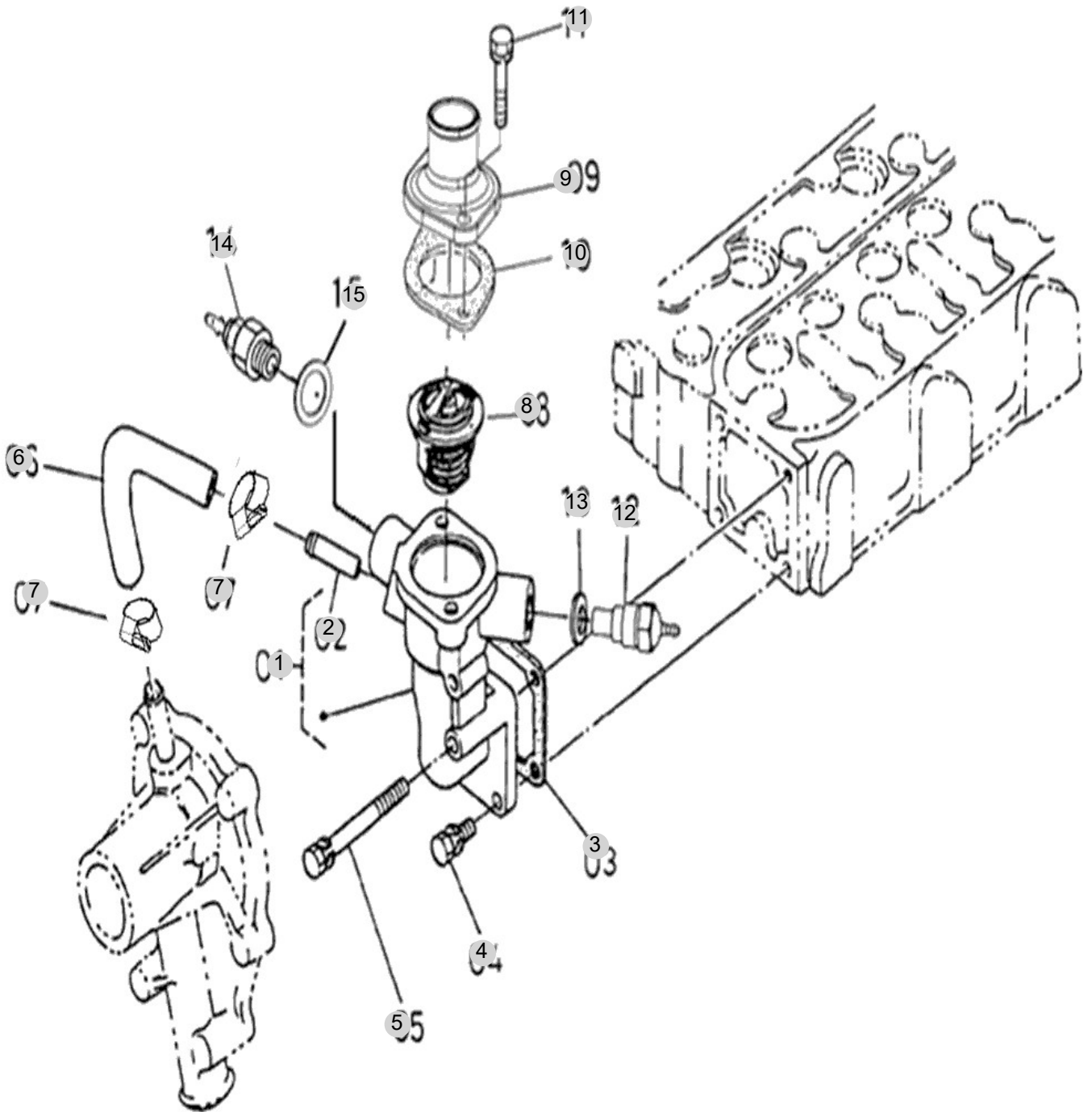
FIG 117 T265NHAUZ		INJECTOR & GLOW PLUG					년/월 Year/Month	
							2022-12	
KEY NO	PART NO	DESCRIPTION	SPEC	QTY	REPAIR	EFFECTIVE DATE	REMARKS	
117	1	HT17010000A	연료 되돌림 파이프 조합			1		
117	2.1	EA00004961A	연료분사밸브조합(EA00000642B로 주문 변경)			3		
117	3.1	EA00000642A	연료분사밸브(EA00000642B로 주문변경)	120bar		3		
117	4	HRA0404900A	씰(HRA0404900A4로 주문변경요)			3		
117	5	HRA0405000A	스페이서(HRA0405000A4로 주문변경)			3		
117	6	HK13440000A	패킹 (조인트)			3		
117	7	HK13450000A	육각 고정 너트			3		
117	8	HT17040000A	연료 분사 파이프 조합			1		
117	9	HT17050000A	연료 분사 파이프 조합			1		
117	10	HT17060000A	연료 분사 파이프 조합			1		
117	11	HT17070000C	파이프 클램프 (A)			2		
117	12	HT17080000A	파이프 클램프 (B)			2		
117	13	EA00001717A	와셔조립 육각볼트			2		
117	14	HT17160000A	예열 플러그			3		
117	15	HT17090000A	커넥터 (예열 플러그)			1		
117	16	HT17100000A	오버 플로우 호스 (A)			1		
117	17	23080-010000	호스클램프			6		
117	18	HT17120000A	오버 플로우 호스 (B)			1		
117	19	HT17130000A	오버 플로우 호스 (C)			1		
117	20	HT17140000A	T 연결관			1		
NOTE								

FIG 118

WATER PUMP FLANGE&THERMOSTAT

년/월
Year/Month

2022-12



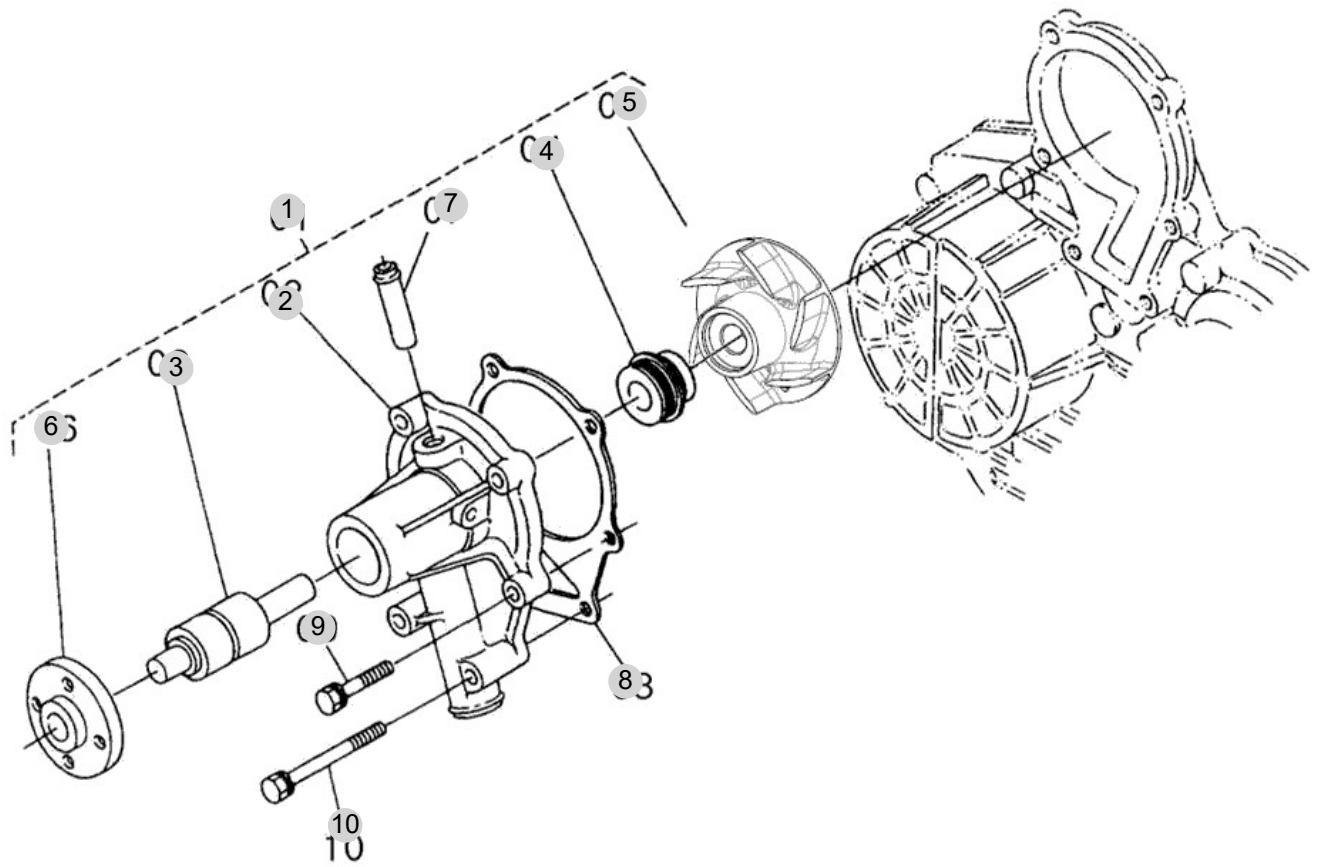
NOTE

FIG 119

WATER PUMP

년/월
Year/Month

2022-12



NOTE

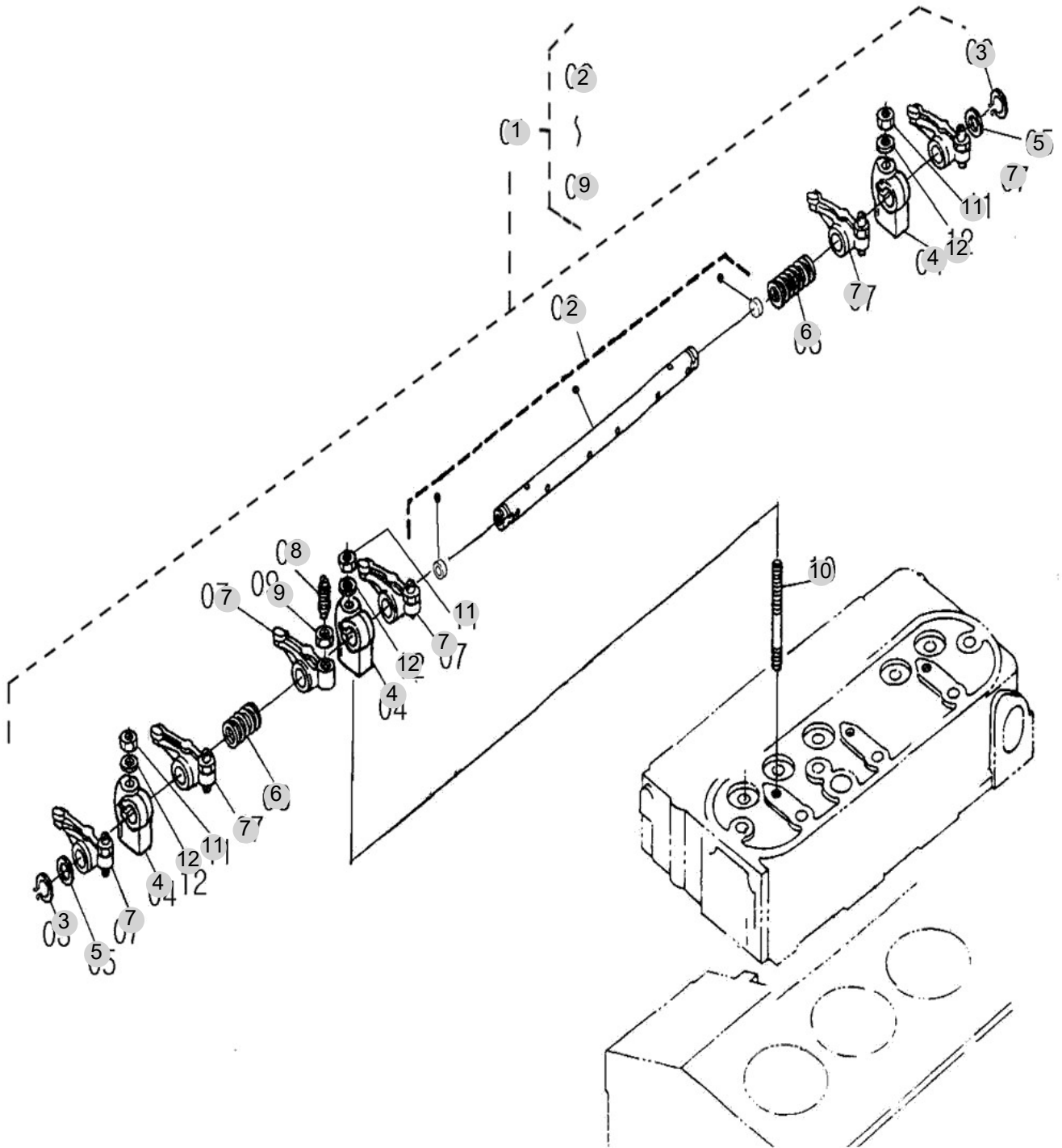
FIG 120

ROCKER ARM

년/월
Year/Month

2022-12

T265NHAUZ



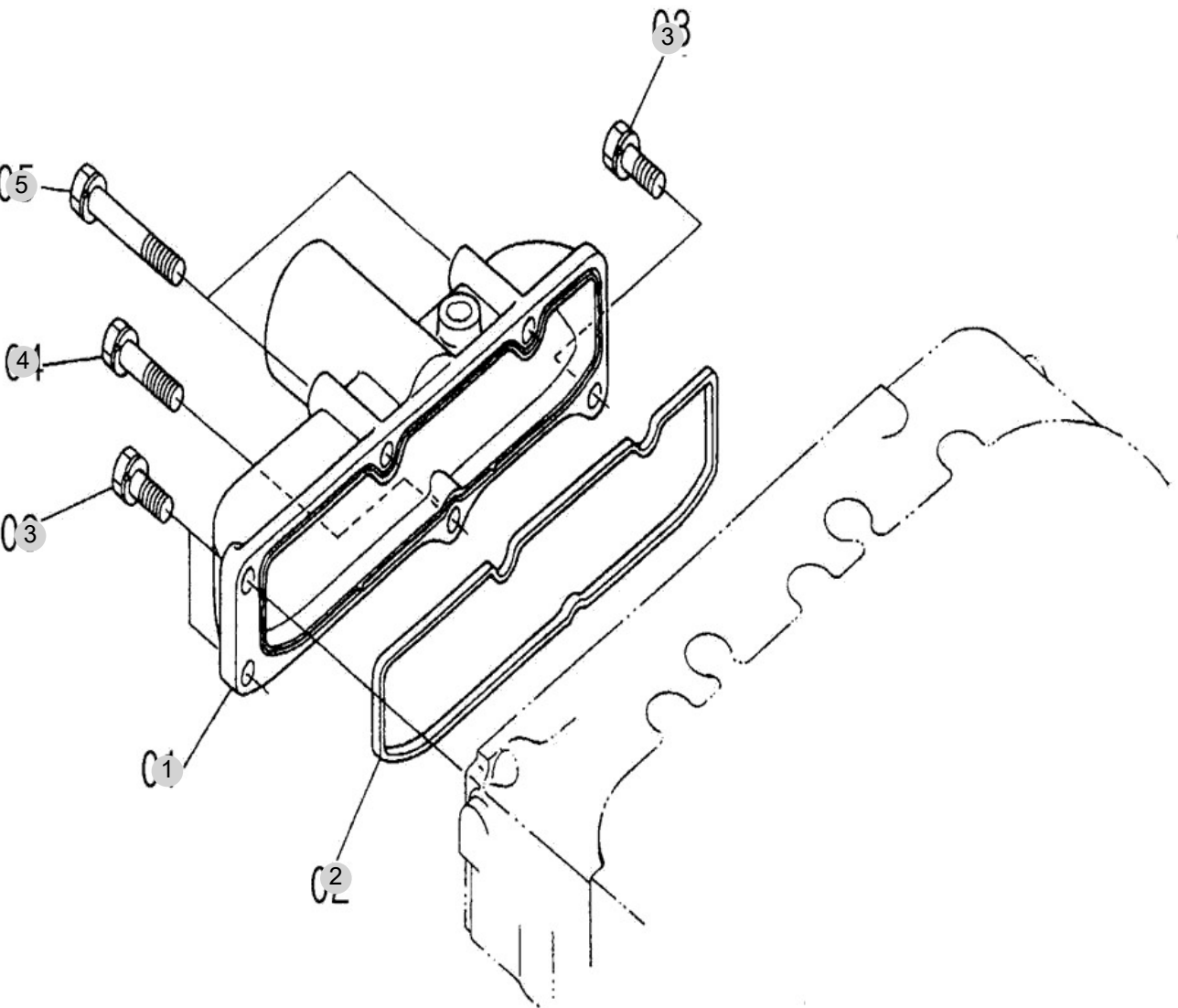
NOTE

FIG 121

INTAKE MANIFOLD

년/월
Year/Month

2022-12



NOTE

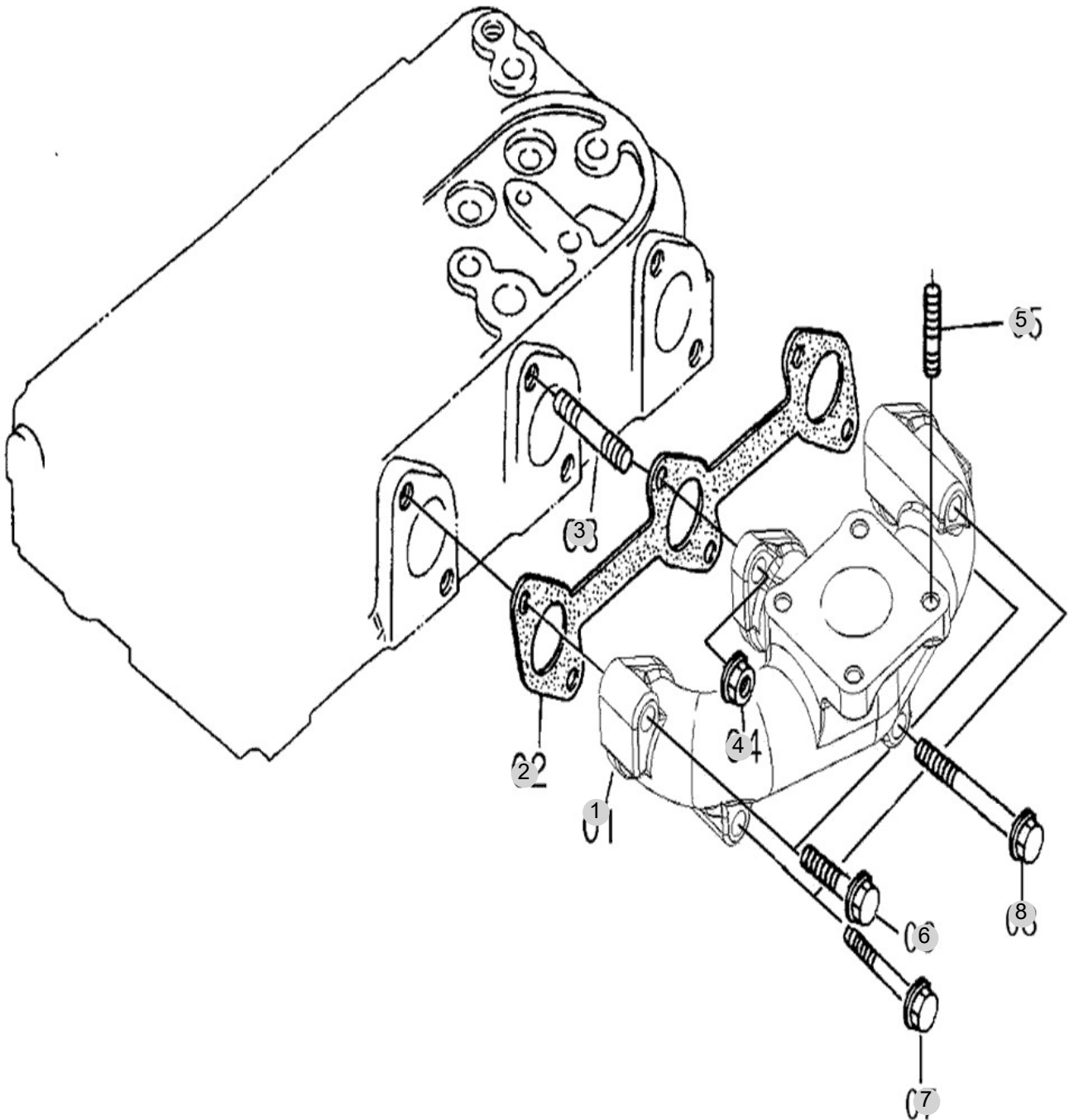
FIG 122

EXHAUST MANIFOLD

년/월
Year/Month

2022-12

T265NHAUZ



NOTE

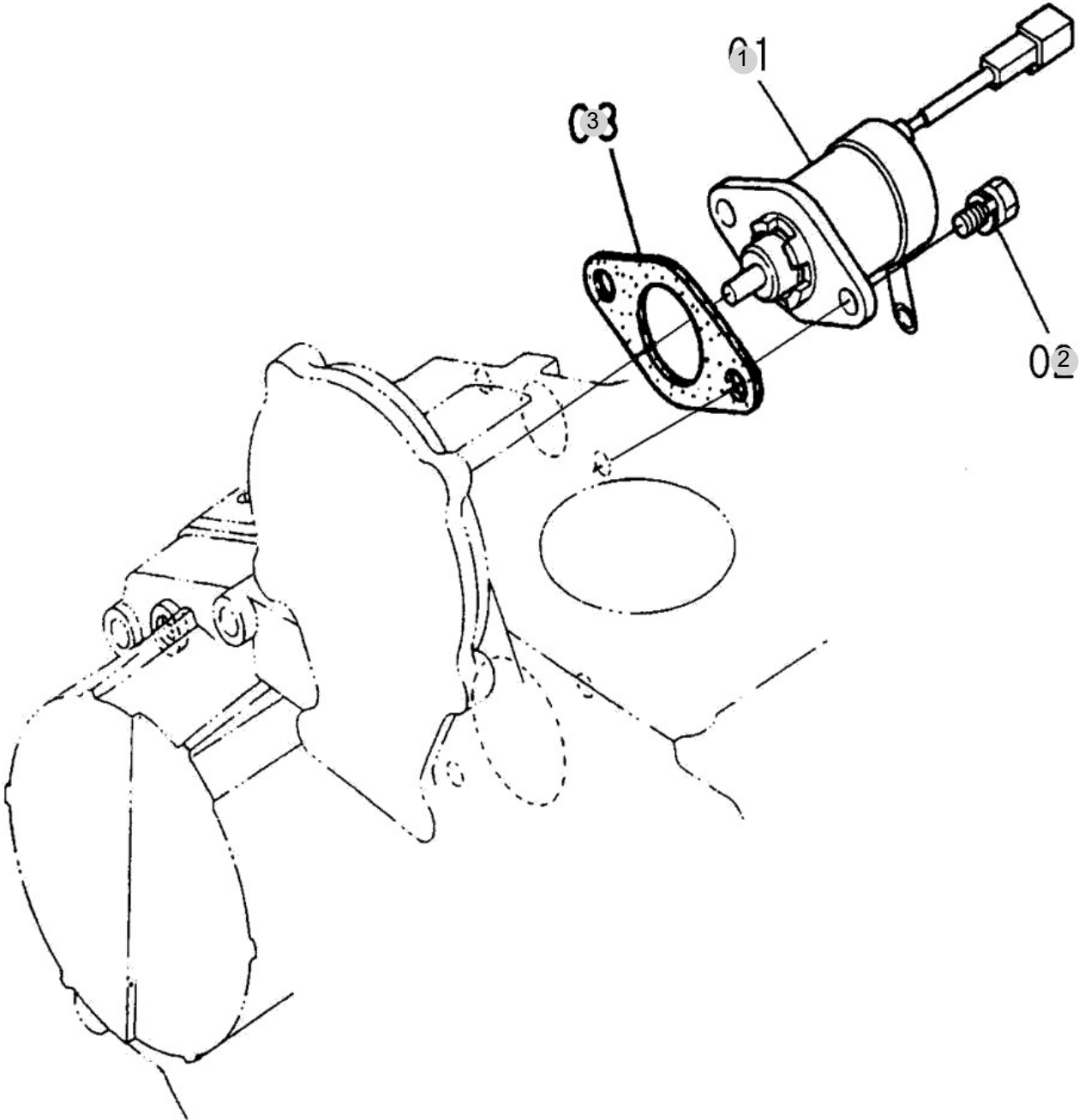
FIG 123

STOP SOLENOID

년/월
Year/Month

2022-12

T265NHAUZ



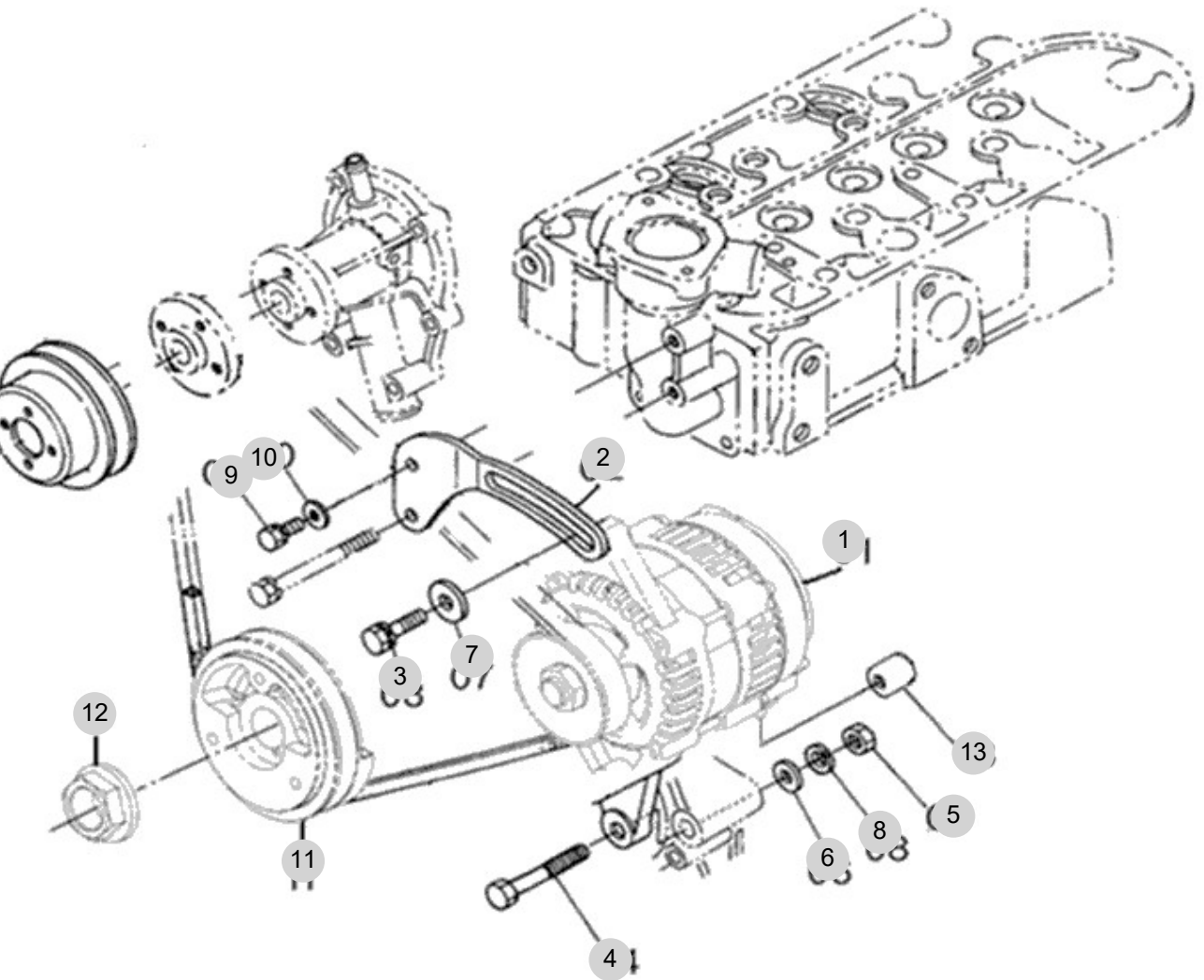
NOTE

FIG 124

ALTERNATOR & PULLEY

년/월
Year/Month

2022-12



NOTE

FIG 124		ALTERNATOR & PULLY						년/월	
								Year/Month	
T265NHAUZ		KEY NO	PART NO	DESCRIPTION	SPEC	QTY	REPAIR	EFFECTIVE DATE	REMARKS
124	1								
124	2	HT25010000A	발전기 지지대		1				
124	3	26013-080302	와셔조립육각볼트	M8X30	1				
124	4	EA00000613A	육각볼트		1				
124	5	26716-100002	육각너트	M10	1				
124	6	22127-100000	평와셔		1				
124	7	RR15170000A	와셔 조립 육각 볼트		1				
124	8	22217-100000	스프링와셔		1				
124	9	26013-060182	와셔조립육각볼트	M6X18	1				
124	10	22127-060000	평와셔		1				
124	11	HT25030000B	팬 구동 폴리		1				
124	12	HT25040000A	너트(V-폴리)		1				
124	13	EA00005570A	ENDCAP		1				
NOTE									

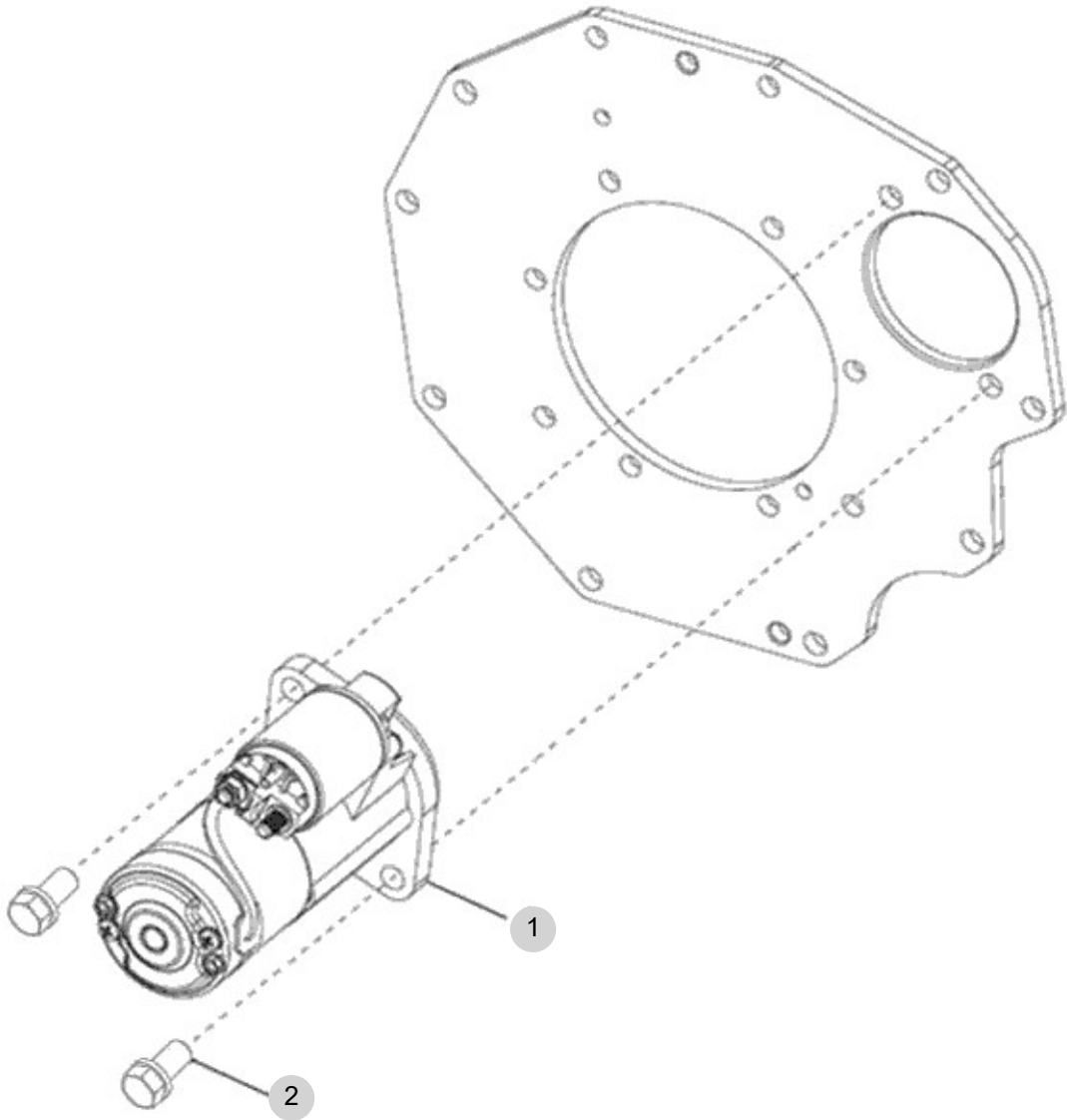
FIG 125

STARTING MOTOR

년/월
Year/Month

2022-12

T265NHAUZ



NOTE

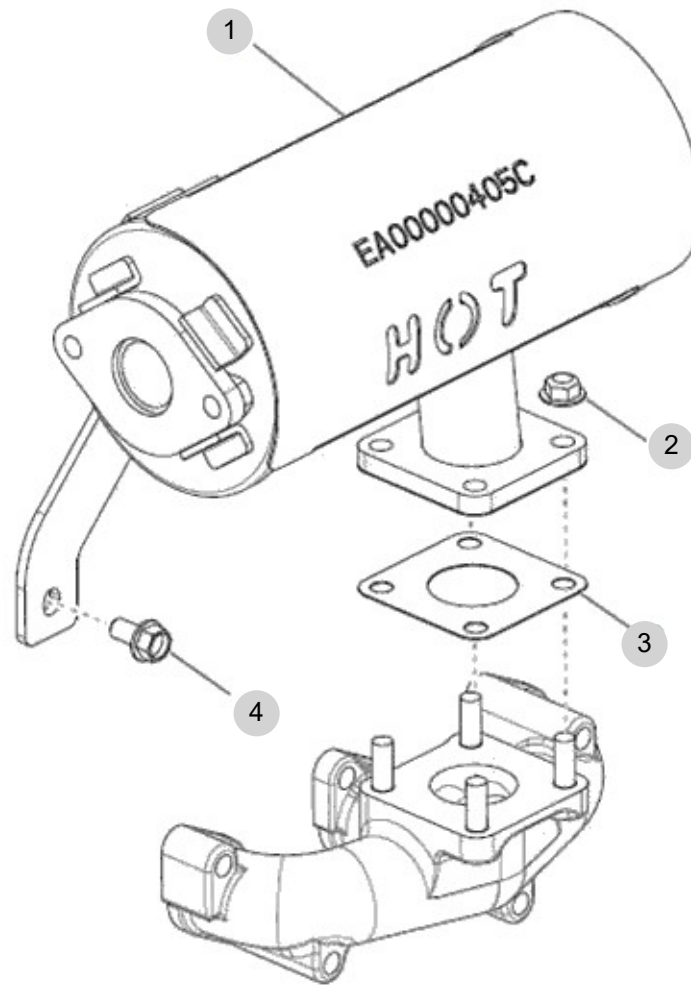
FIG 126

T265NHAUZ

EXHAUST SILENCER

년/월
Year/Month

2022-12



NOTE

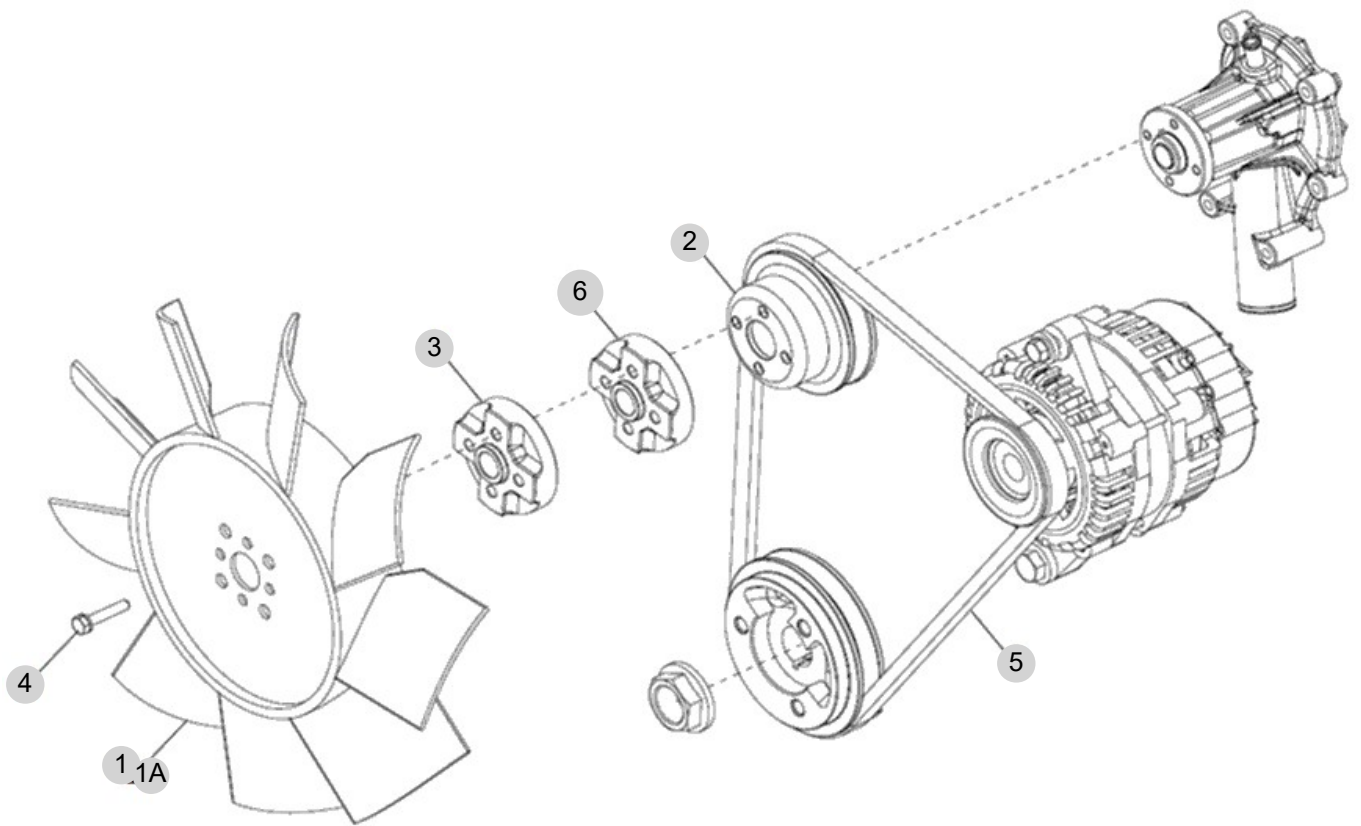
FIG 127

COOLING PAN

년/월
Year/Month

2022-12

T265NHAUZ



NOTE

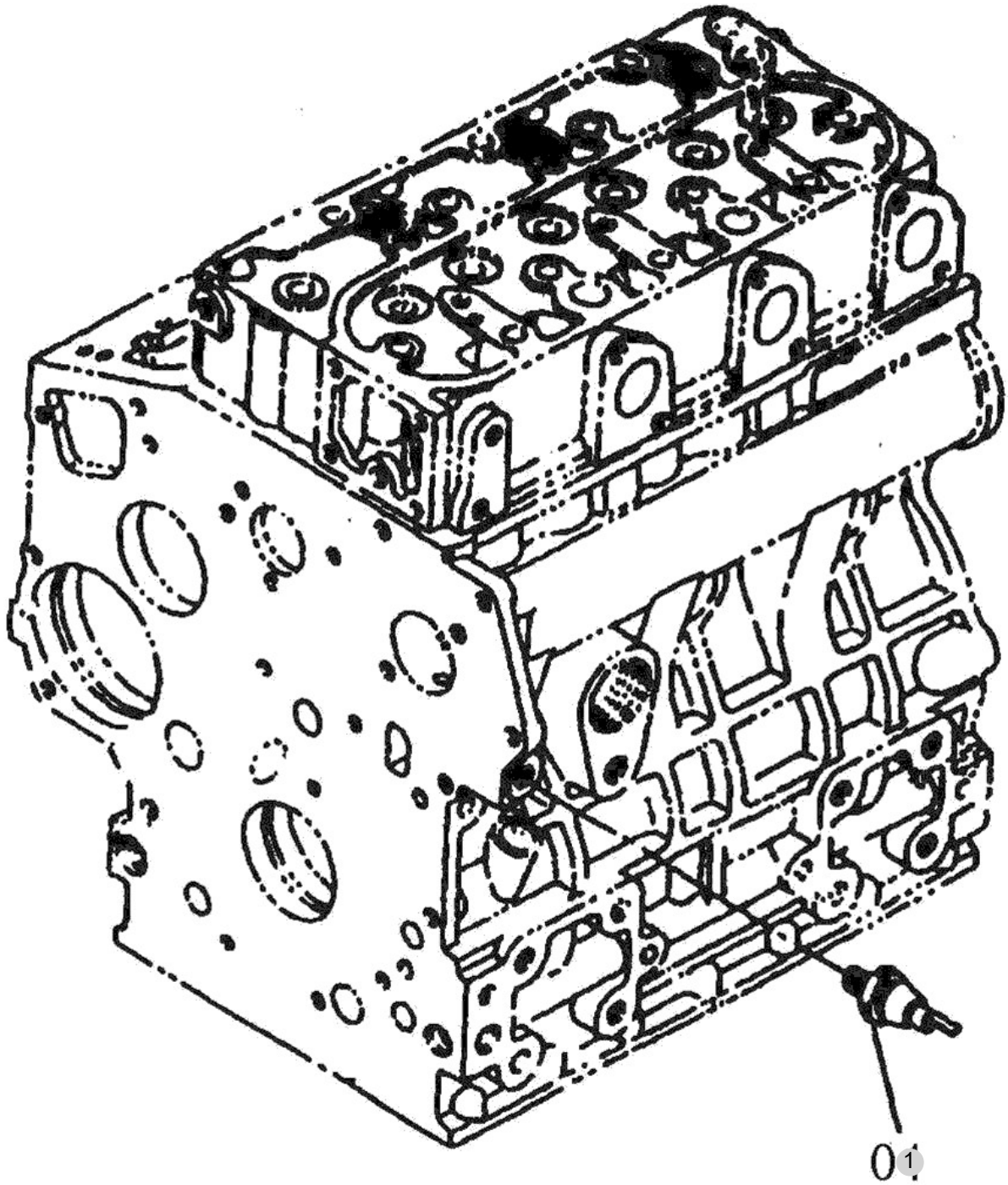
FIG 128

OIL PRESSURE SWITCH

년/월
Year/Month

2022-12

T265NHAUZ



NOTE

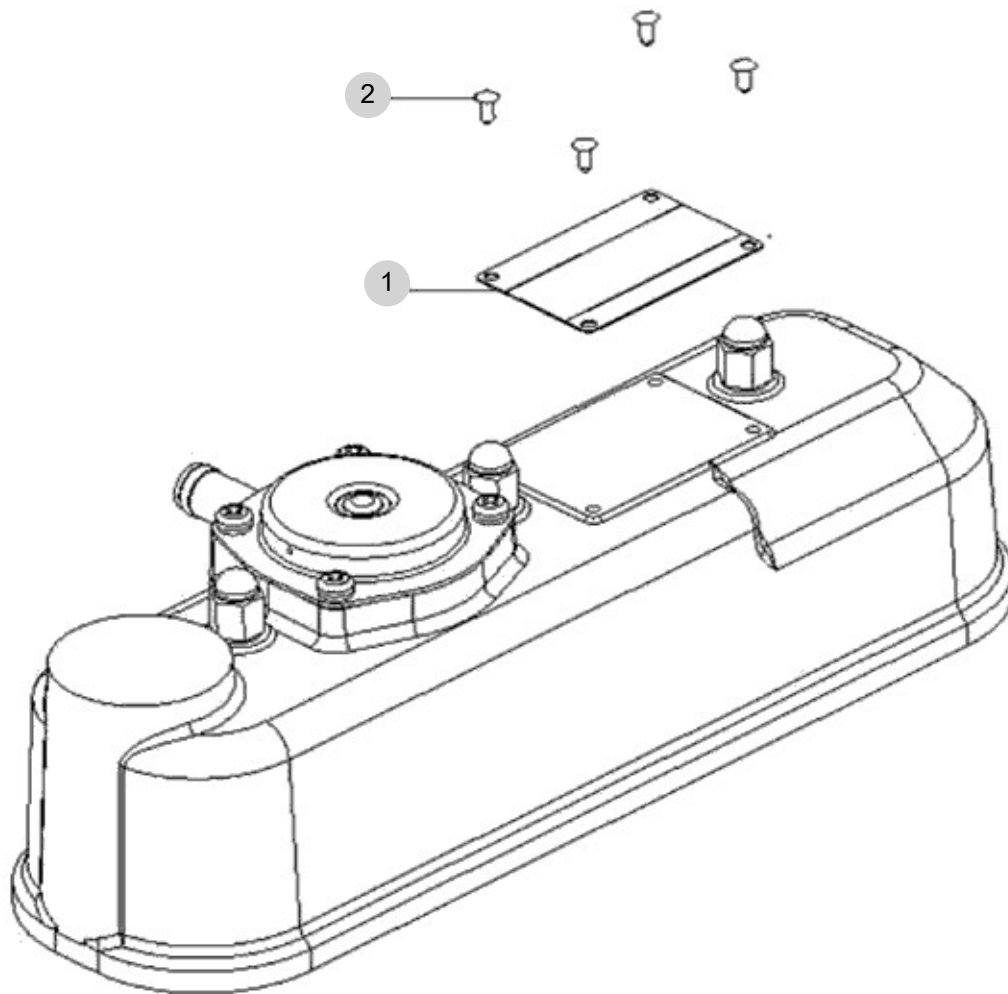
FIG 129

T265NHAUZ

DATA PLATE

년/월
Year/Month

2022-12



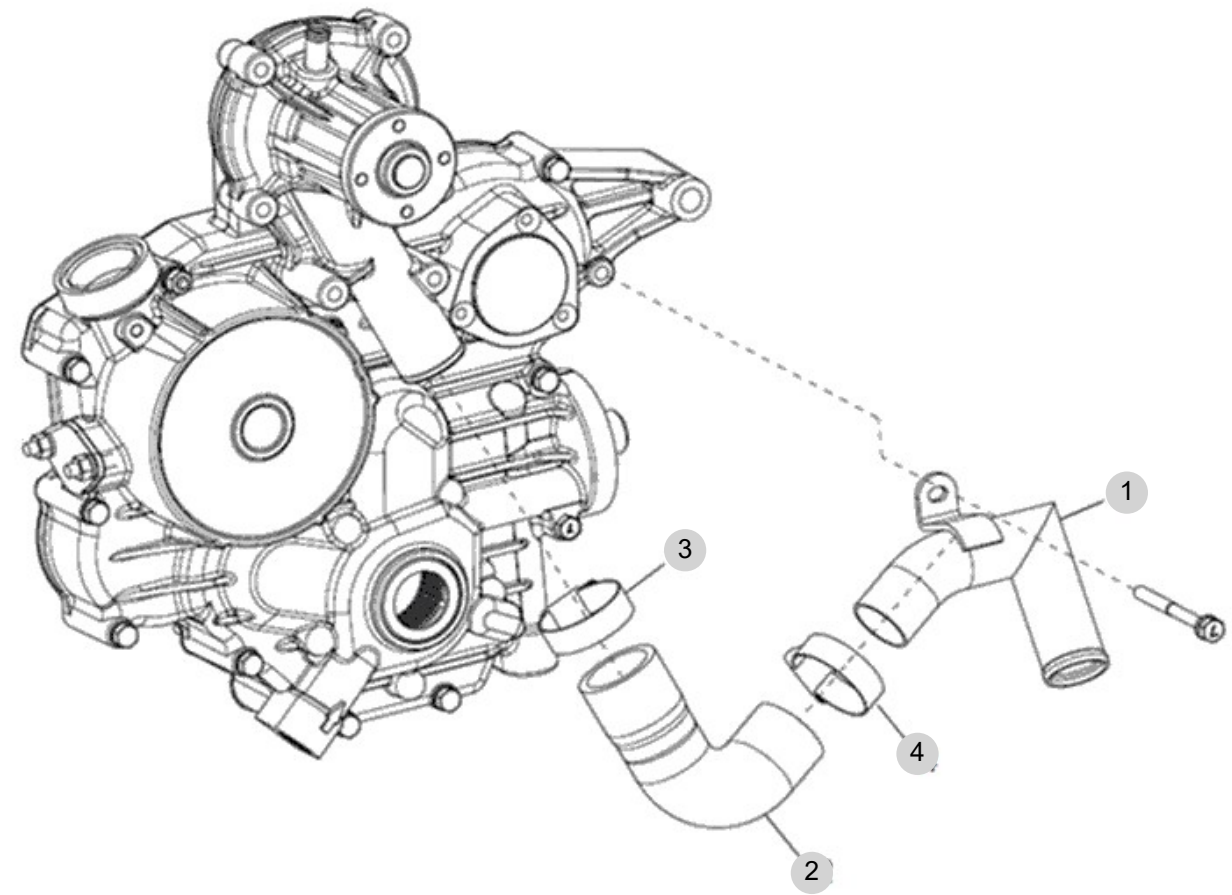
NOTE

FIG 130

WATER PIPE

년/월
Year/Month

2022-12



NOTE

FIG 130 T265NHAUZ		WATER PIPE						년/월 Year/Month
		2022-12						
KEY NO	PART NO	DESCRIPTION	SPEC	QTY	REPAIR	EFFECTIVE DATE	REMARKS	
130	1	EA00000450D	냉각수파이프조합					
130	2	EA00000451B	냉각수 호스					
130	3	23000-041000	호스클립					
130	4	23000-035000	호스클램프35					
NOTE								

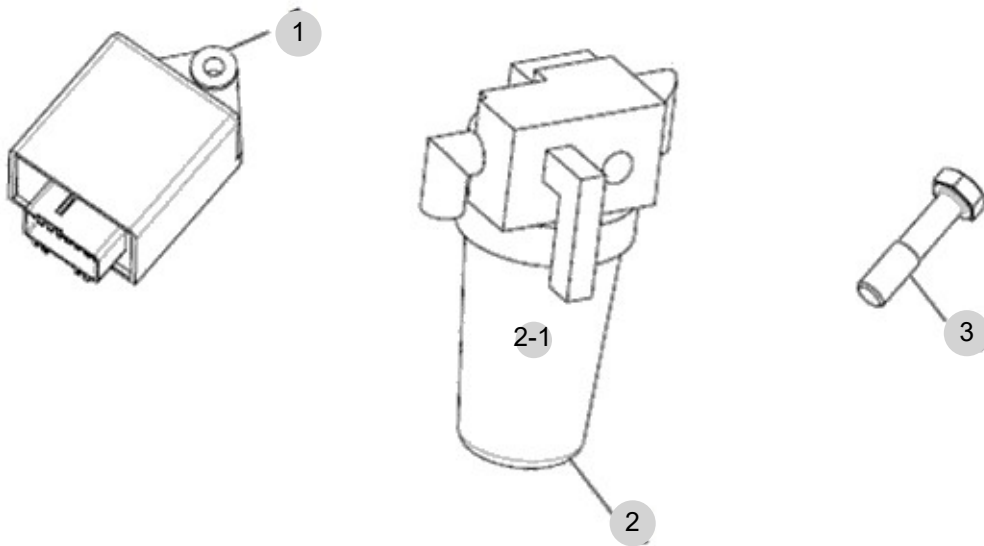
FIG 131

WATER PIPE

년/월
Year/Month

2022-12

T265NHAUZ



NOTE

2. 엔진보기품 PART NO. T2

FIG 201 AIR CLEANER	70
FIG 202 RADIATOR	72
FIG 203 MUFFLER	74
FIG 204 FUEL TANK & FUEL LINE	76
FIG 205 ACCELERATOR	78
FIG 206 OIL COOLER	80

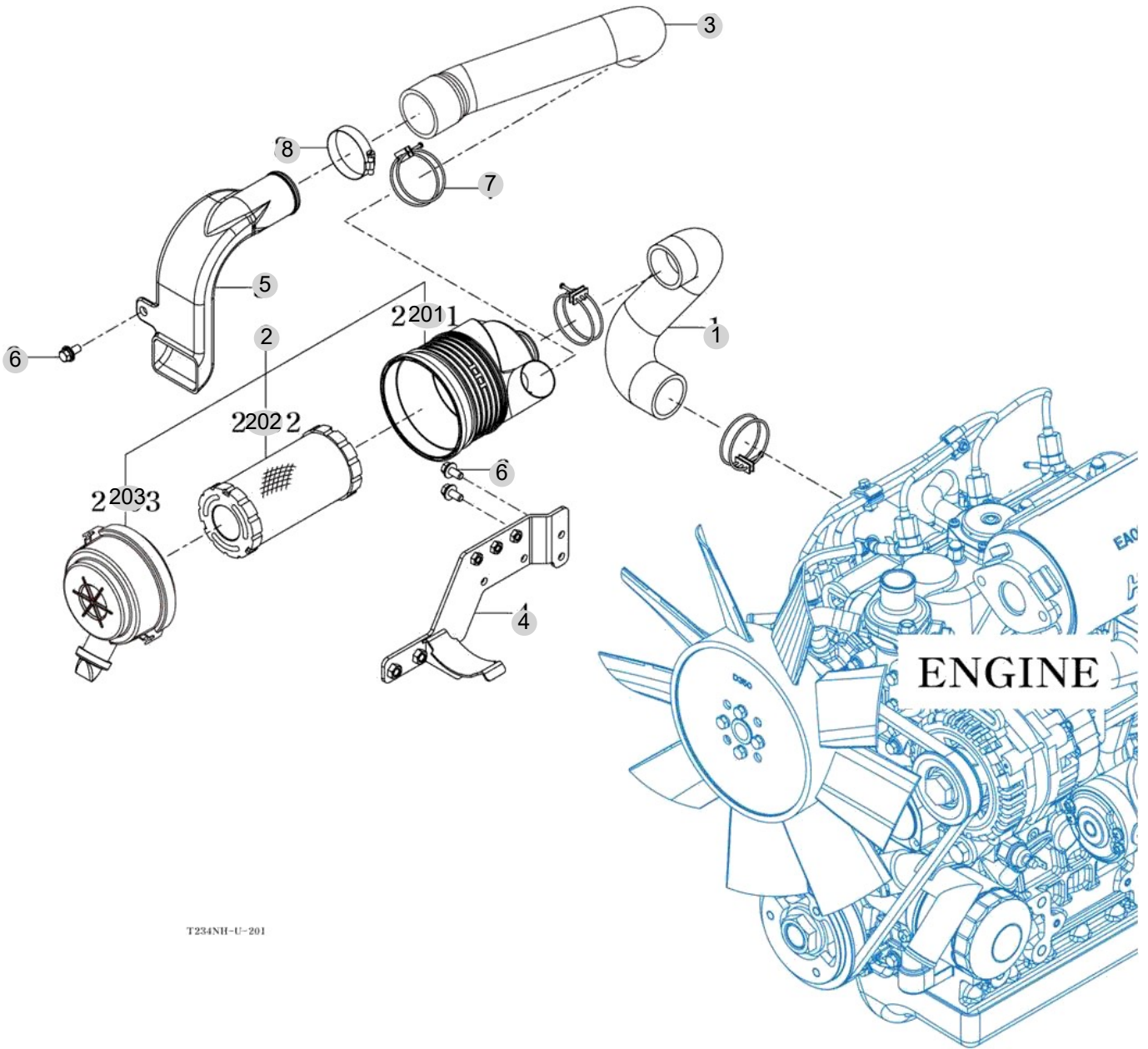
FIG 201

AIR CLEANER

년/월
Year/Month

2022-12

T265NHAUZ



T234NH-U-201

NOTE

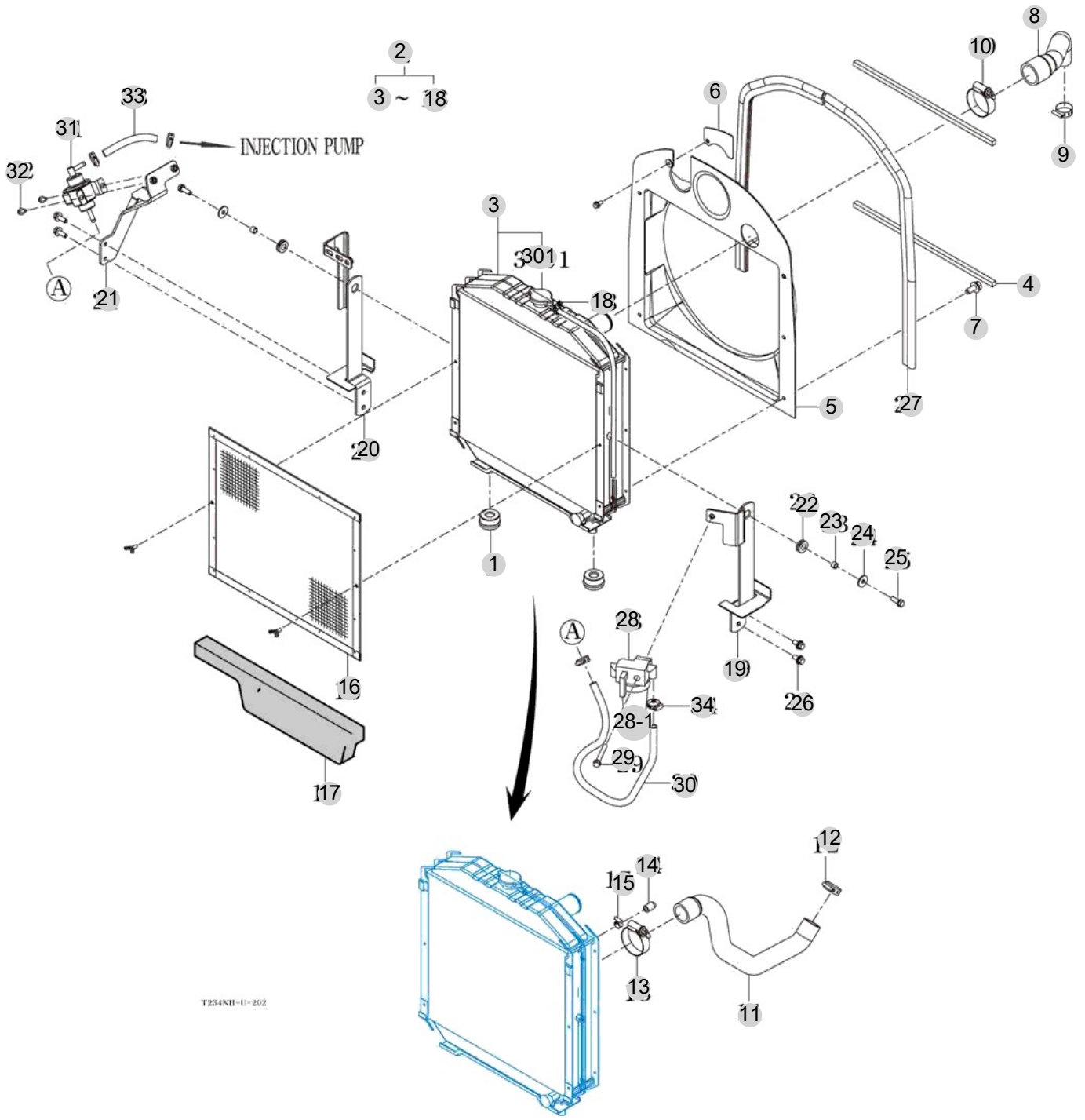
FIG 202

RADIATOR

년/월
Year/Month

2022-12

T265NHAUZ



T234NH-U-202

NOTE

FIG 202		RADIATOR					년/월 Year/Month
T265NHAUZ							2022-12
KEY NO	PART NO	DESCRIPTION	SPEC	QTY	REPAIR	EFFECTIVE DATE	REMARKS
202	1	13151040040	라디에이터 쿠션	25	2		
202	2	13631049100	라디에이터 SUB		1		
202	3	13151043000	라디에이터 COMP	1X1X1	1		
202	4	13151040110	인슐레이터	1X1X1	2		
202	5	13631512100	슈라우드		1		
202	6	13631512200GB	실 플레이트		1		
202	7	V2193606016	육각볼트(SPL)	M6X16	6		
202	8	13631511100	호스, 라디에이터 인렛		1		
202	9	14445100080	밴드 클램프 40		1		
202	9	18027090400	밴드 클램프 40 흡식		1		
202	10	18027090500	밴드 클램프 50 흡식		1		
202	11	13631511200	호스, 라디에이터 아웃렛		1		
202	12	14445100080	밴드 클램프 40		1		
202	12	18027090400	밴드 클램프 40 흡식		1		
202	13	18027090500	밴드 클램프 50 흡식		1		
202	14	12651040300	캡, 라디에이터	1X1X1	1		
202	15	18027090160	밴드 클램프 16 흡식		1		
202	16	13151042301GB	네트 COMP	1X1X1	1		
202	16	13151042302GB	라디에이터 네트 COMP		1		
202	17	13151120012	인슐레이터	400X80X(T30)	1		
202	18	36423600080	호스클립(D=12.5)	21X15	1		
202	19	13631511301GB	고정판 LH COMP, 라디에이터		1		
202	20	13631511401GB	고정판 RH COMP, 라디에이터		1		
202	21	13631411100GB	피드펌프 브래킷 COMP		1		
202	22	14046210300	그로맷		2		
202	23	15991040050	칼라(08X12X08)	12X1.8	2		
202	24	35602010150	결속축와셔	T=2.3	2		
202	25	V2173608025	소형육각볼트보통(S)	M8X25	2		
202	26	V2173608020	소형육각볼트보통(S)	M8X20	4		
202	27	13631512300	인슐레이터		2		
202	28	HK13010000C	연료필터(HK13010000C2로 주문변경)		1		
202	28-1	HK13010022A2	연료필터 엘레먼트		1		
202	29	V2183608065	소형육각볼트보통(SP)	M8X65	1		
202	30	11611411200	연료호스 720		1		
202	31	16999052300	연료펌프ASSY	1X1X1	1		
202	32	V2123606016	육각볼트(SP)	M6X16	2		
202	33	11511412200	연료호스 175		1		
202	33	11511412201	연료호스 175		1		
202	34	18027090160	밴드 클램프 16 흡식		4		
202	301	13151043110	라디에이터 CAP	1X1X1	1		
NOTE							

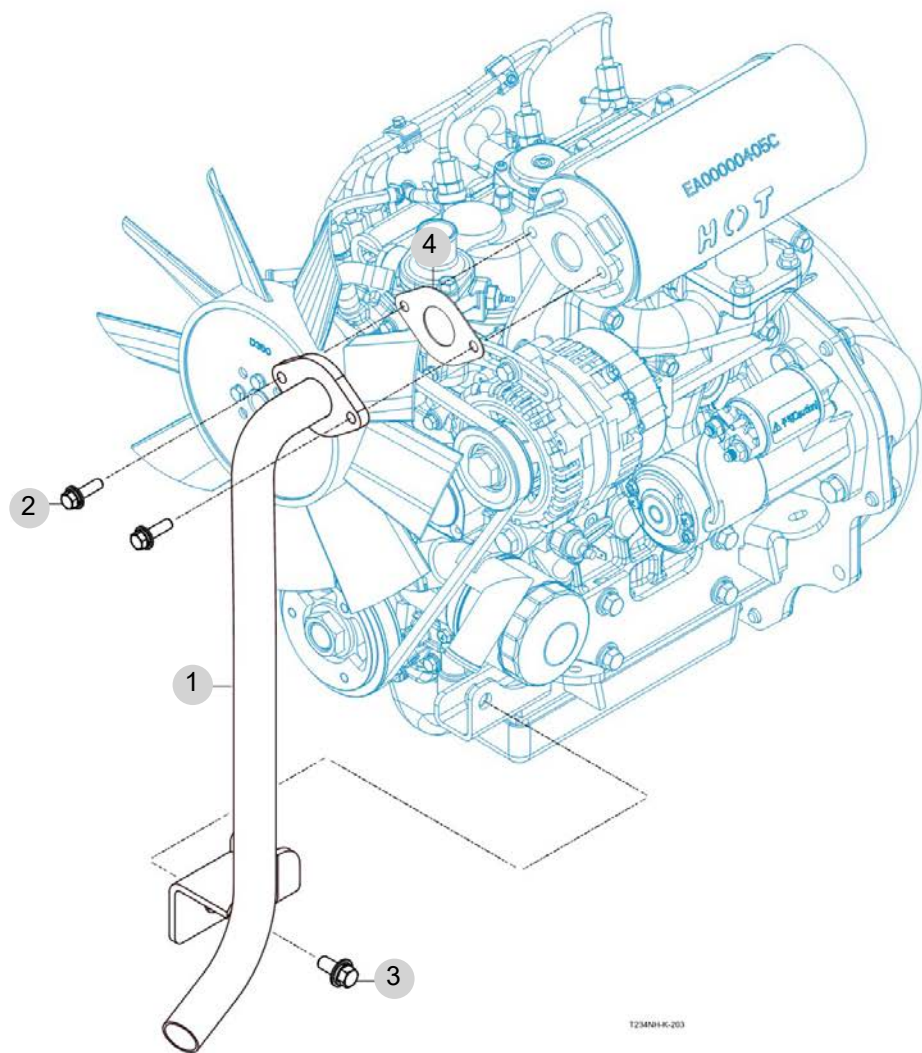
FIG 203

T265NHAUZ

MUFFLER

년/월
Year/Month

2022-12



NOTE

FIG 203 T265NHAUZ		MUFFLER					년/월 Year/Month	
							2022-12	
KEY NO	PART NO	DESCRIPTION	SPEC	QTY	REPAIR	EFFECTIVE DATE	REMARKS	
203	1	13631312101DD	배기 파이프 COMP			1		
203	2	V2183608030	소형육각볼트보통(SP)	M8X30		2		
203	3	V2183610025	소형육각볼트보통(SP)	M10X25		1		
203	4	11511310010	소음기 가스켓			1		
NOTE								

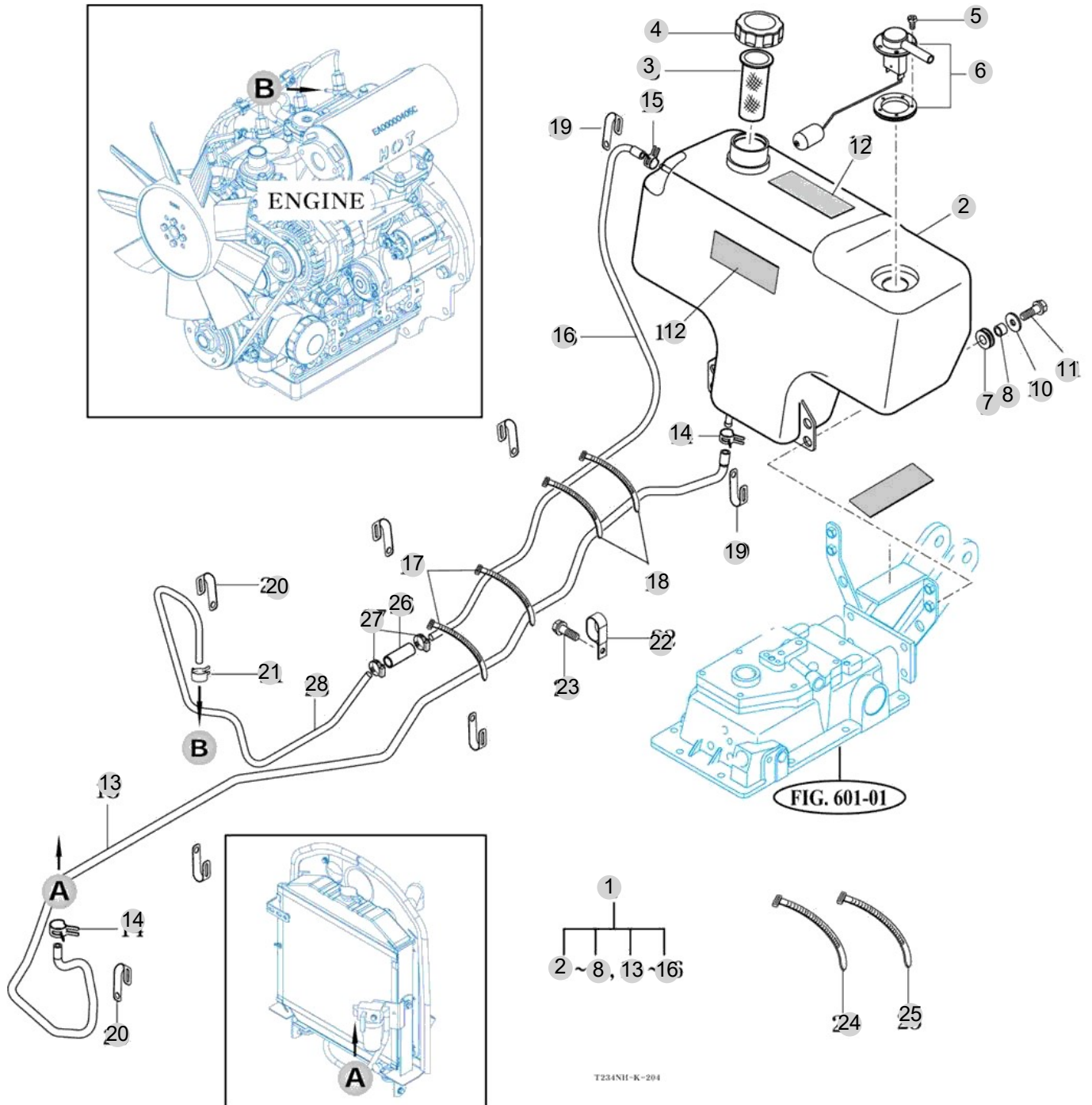
FIG 204

FUEL TANK & FUEL LINE

년/월
Year/Month

2022-12

T265NHAUZ



NOTE

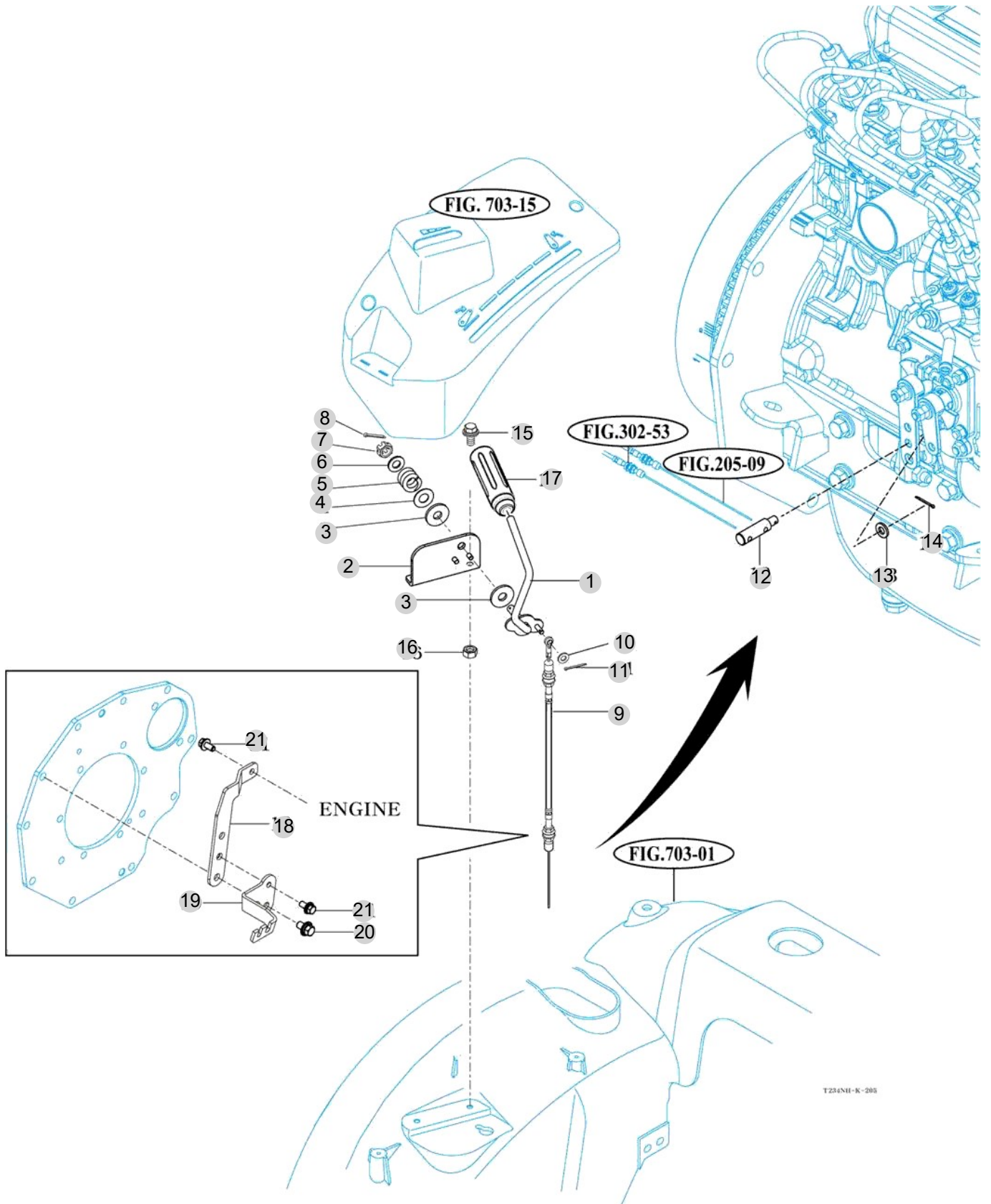
FIG 205

ACCELERATOR

년/월
Year/Month

2022-12

T265NHAUZ



T265NH-K-205

NOTE

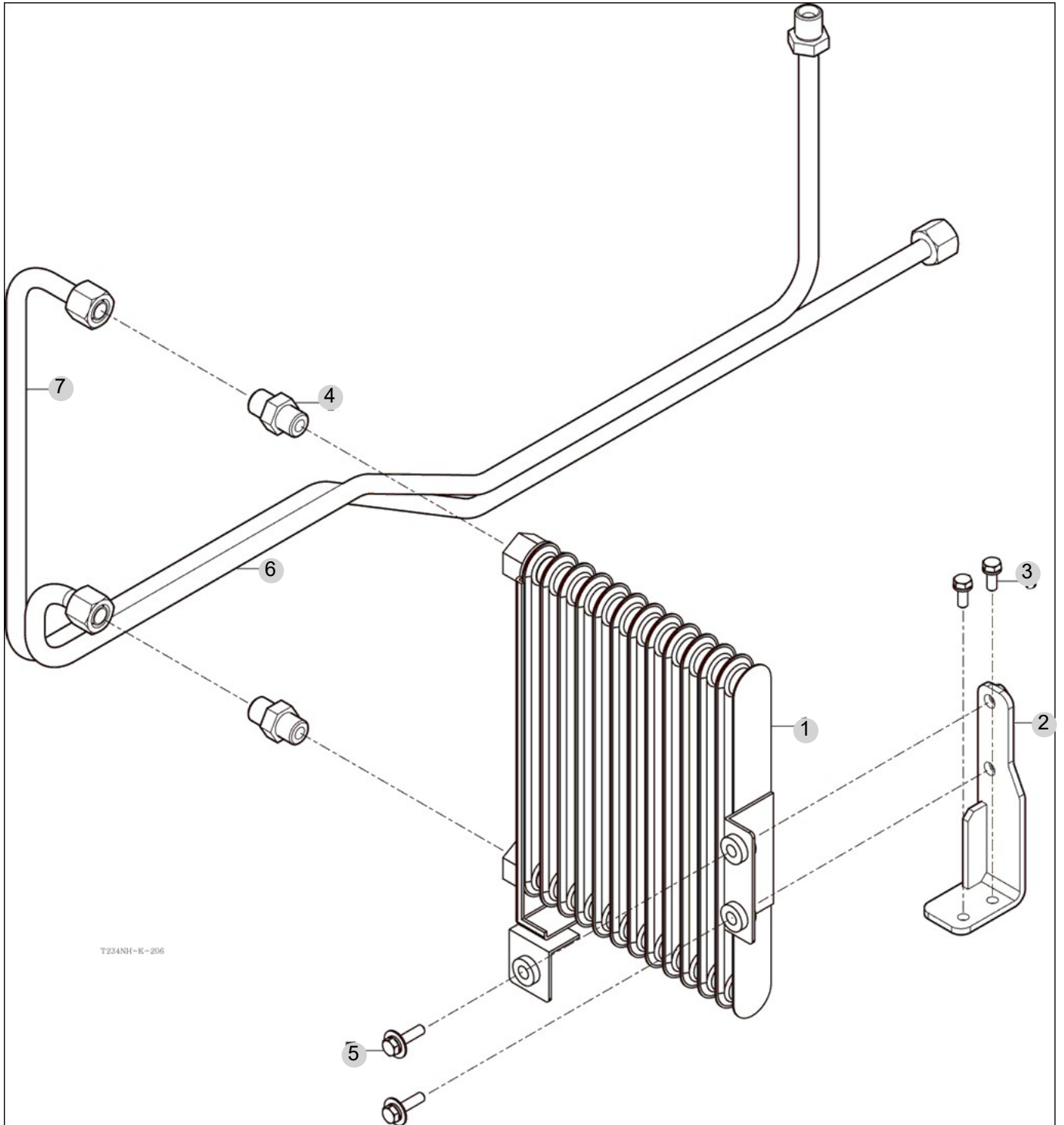
FIG 206

OIL COOLER

년/월
Year/Month

2022-12

T265NHAUZ



T234NF-K-206

NOTE

3. 클러치/브레이크/스티어링 PART NO. T3

FIG 301 FLYWHEEL COVER	83
FIG 302 SPEED CONTROL	85
FIG 303 BRAKE	88
FIG 304 BRAKE PEDAL & LINKAGE	90
FIG 305 STEERING WHEEL & DASH COVER	92
FIG 306 STEERING VALVE	94
FIG 307 STEERING CYLINDER	96
FIG 308 FRONT WHEEL	98
FIG 309 REAR WHEEL	100

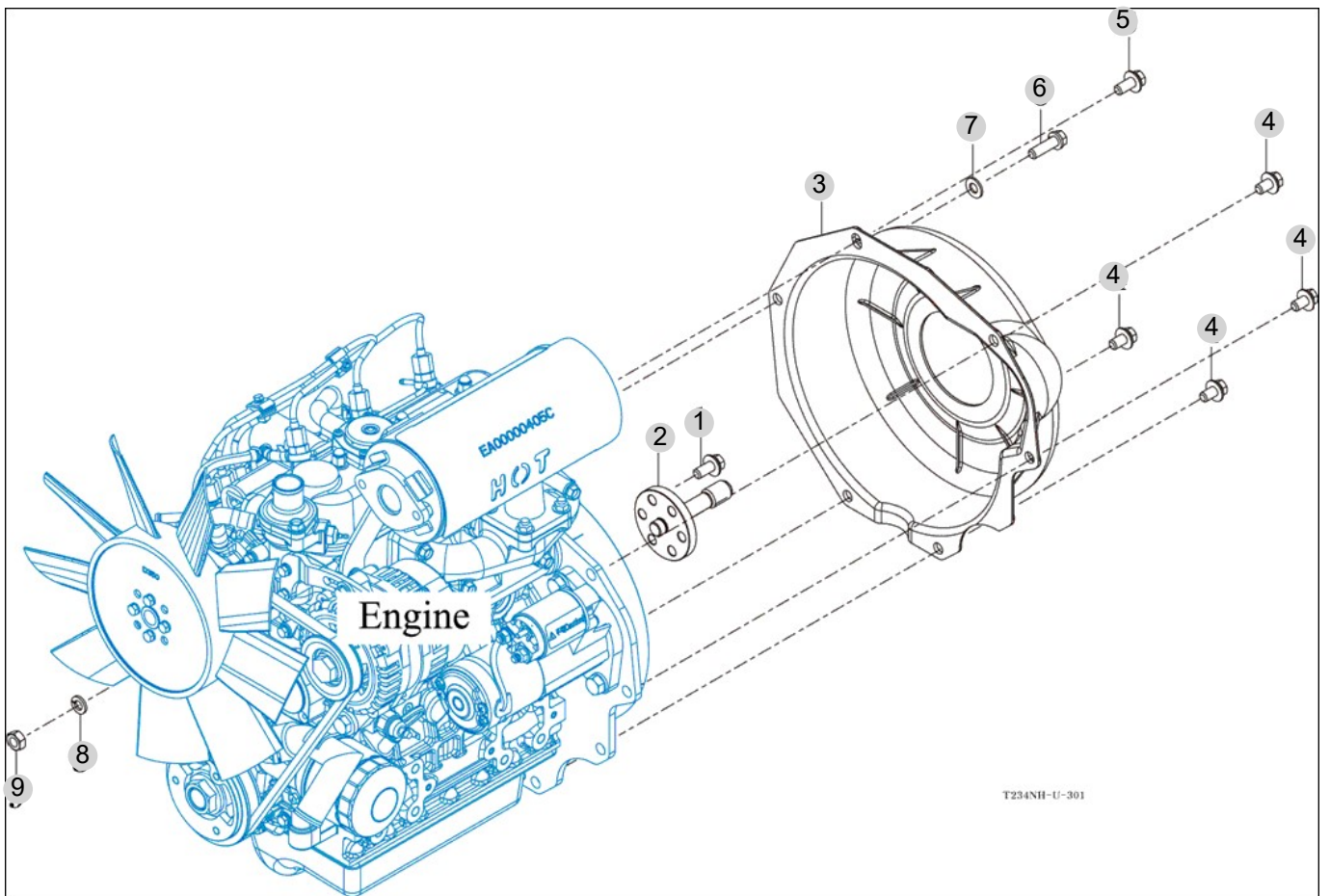
FIG 301

T265NHAUZ

FLYWHEEL COVER

년/월
Year/Month

2022-12



NOTE

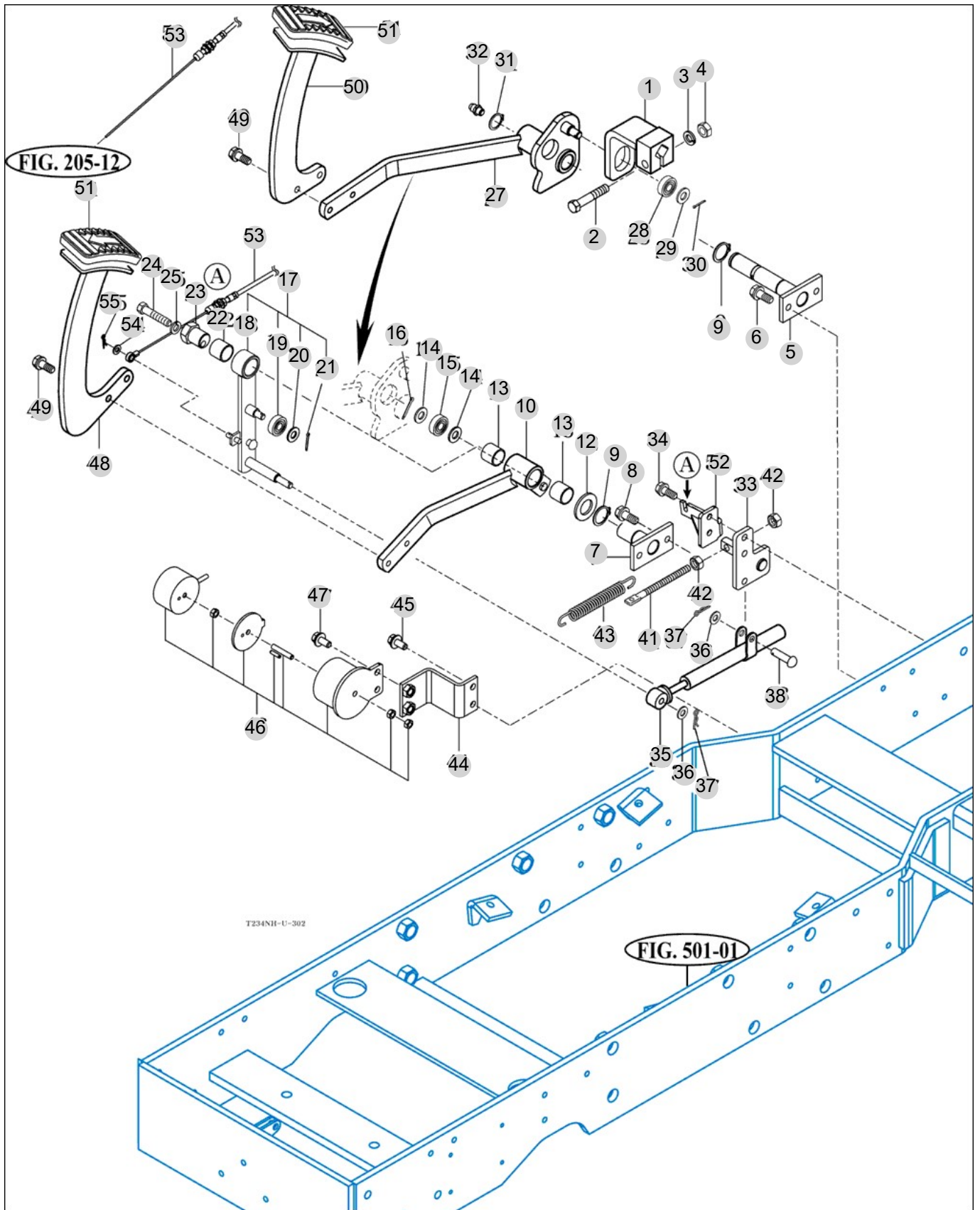
FIG 302

SPEED CONTROL

년/월
Year/Month

2022-12

T265NHAUZ



NOTE

FIG 302		SPEED CONTROL					년/월 Year/Month		
							2022-12		
T265NHAUZ		KEY NO	PART NO	DESCRIPTION	SPEC	QTY	REPAIR	EFFECTIVE DATE	REMARKS
302	1	13152322103	홀더 COMP	1X1X1	1				
302	2	V2013610045	소형육각볼트(보통)	M10X45	1				
302	3	V4011600100	스프링와셔	M10	1				
302	4	V3042600100	소형육각너트보통2종	M10	1				
302	5	13152322201	핀(후진) COMP	1X1X1	1				
302	6	V2173608020	소형육각볼트보통(S)	M8X20	2				
302	7	13152323102	핀(전진) COMP	1X1X1	1				
302	8	V2173608020	소형육각볼트보통(S)	M8X20	2				
302	9	V7041400200	C형멈춤링(축용)	20	2				
302	10	13152323202	암(전진) COMP	1X1X1	1				
302	12	V4111600200	평와셔	M20	1				
302	13	36707030080	부시(20X23X20)	1X1X1	2				
302	14	V4111600100	평와셔	M10	2				
302	15	V6001506000	볼베어링	6000DD	1				
302	16	V5001920015	분할핀	2X15	1				
302	17	13632324000	캠 SUB ASSY		1				
302	17	11972324000	캠 SUB ASSY		1				
302	18	13632324100GB	암(캠) COMP		1				
302	19	14722310060	볼베어링(608DD)		1				
302	20	V4111600080	평와셔	M8	1				
302	21	V5001920015	분할핀	2X15	1				
302	22	36707030080	부시(20X23X20)	1X1X1	1				
302	23	13152320023	핀(중립)	"HEX,B=24"	1				
302	23	11972320020	핀(중립)		1				
302	24	V2143610050	소형육각볼트가는(S)	M10X50	1				
302	24	V2143610080	소형육각볼트가는(S)		1				
302	25	V4011600100	스프링와셔	M10	1				
302	27	13152322306GB	암 COMP(후진)		1				
302	28	V6001506000	볼베어링	6000DD	1				
302	29	V4111600100	평와셔	M10	1				
302	30	V5001920015	분할핀	2X15	1				
302	31	V7041400200	C형멈춤링(축용)	20	1				
302	32	V7601500000	그리스니플(A-M6F)		1				
302	33	13152325101	핀(스프링) COMP	1X1X1	1				
302	34	V2173608025	소형육각볼트보통(S)	M8X25	2				
302	34	V2173608020	소형육각볼트보통(S)		2				
302	35	13152312400	오일 댐퍼	1X1X1	1				
302	36	V4111600080	평와셔	M8	4				
302	37	V5601600008	스냅핀	8	4				
302	38	14043120060	요오크핀 (A)	D=8	1				
302	41	34522150080	체인 텐션 로드(82)	D=8	1				
302	42	V3043600080	소형육각너트보통2종	M8	2				
302	43	14722310033	스프링(리턴)	D=2.4	1				
302	44	13152332103DG	브래킷(크루즈) COMP		1				
302	44	13152332103GB	브래킷(크루즈) COMP	1X1X1	1				
NOTE									

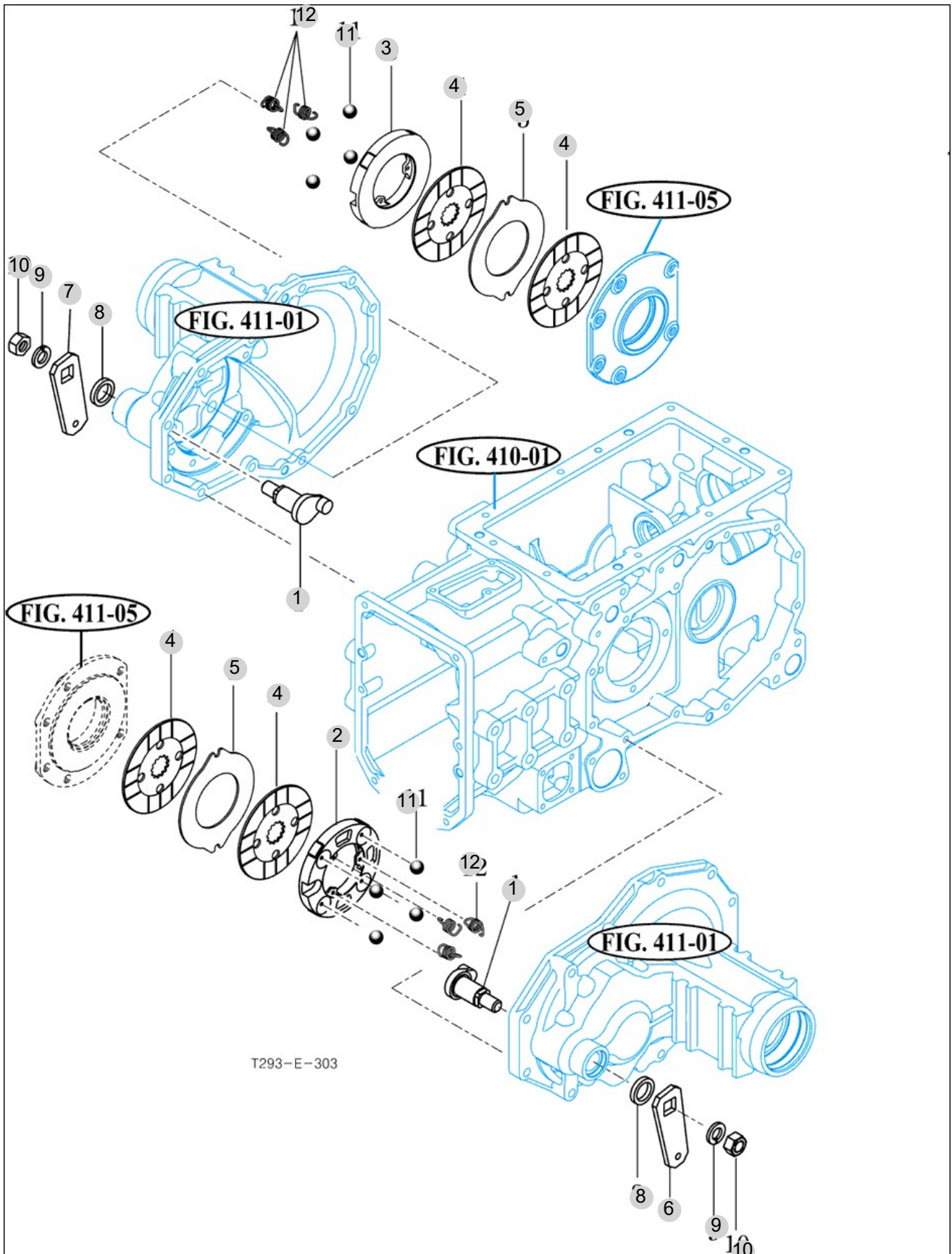
FIG 303

BRAKE

년/월
Year/Month

2022-12

T265NHAUZ



T293-E-303

NOTE

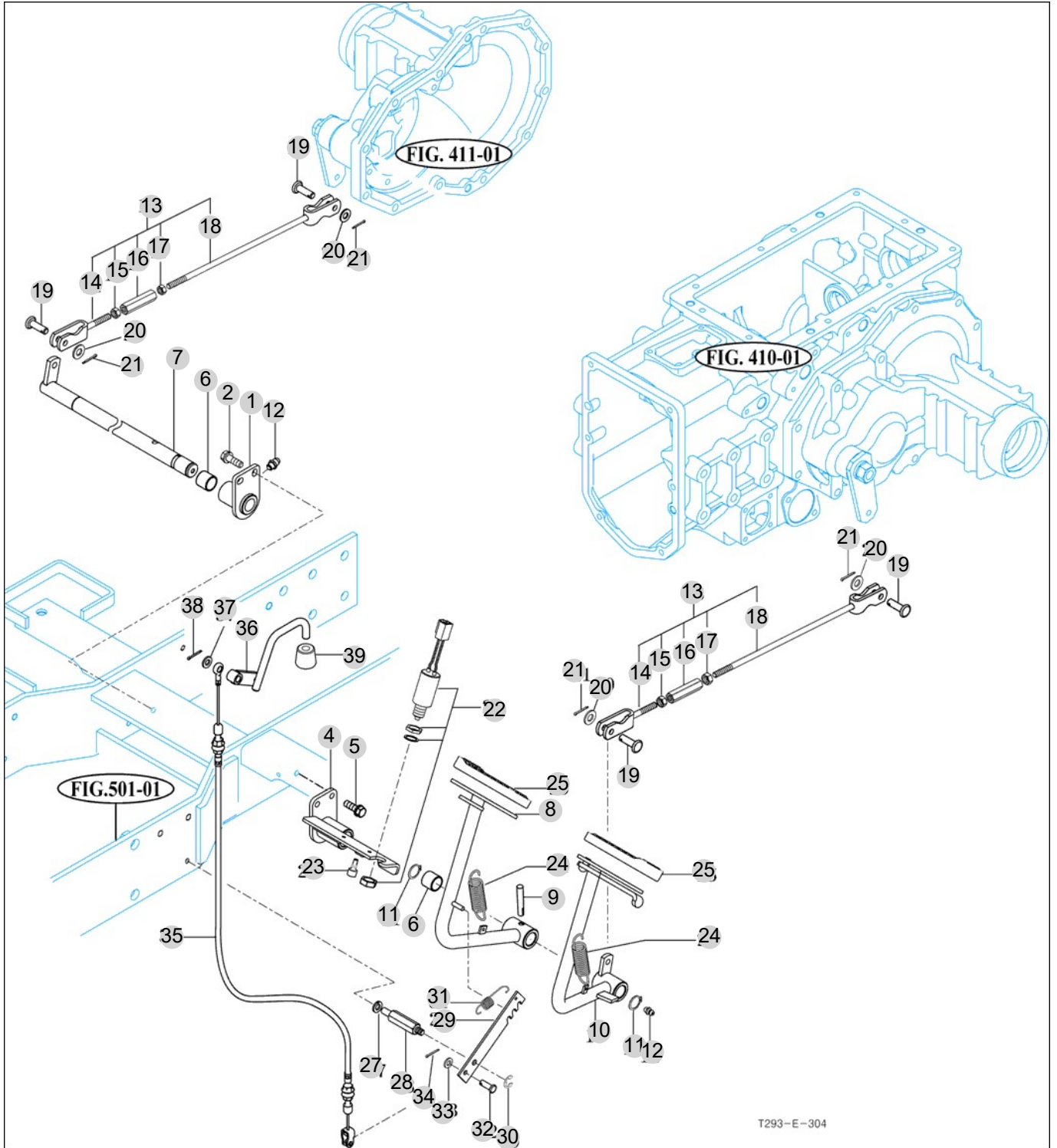
FIG 304

BRAKE PEDAL & LINKAGE

년/월
Year/Month

2022-12

T265NHAUZ



NOTE

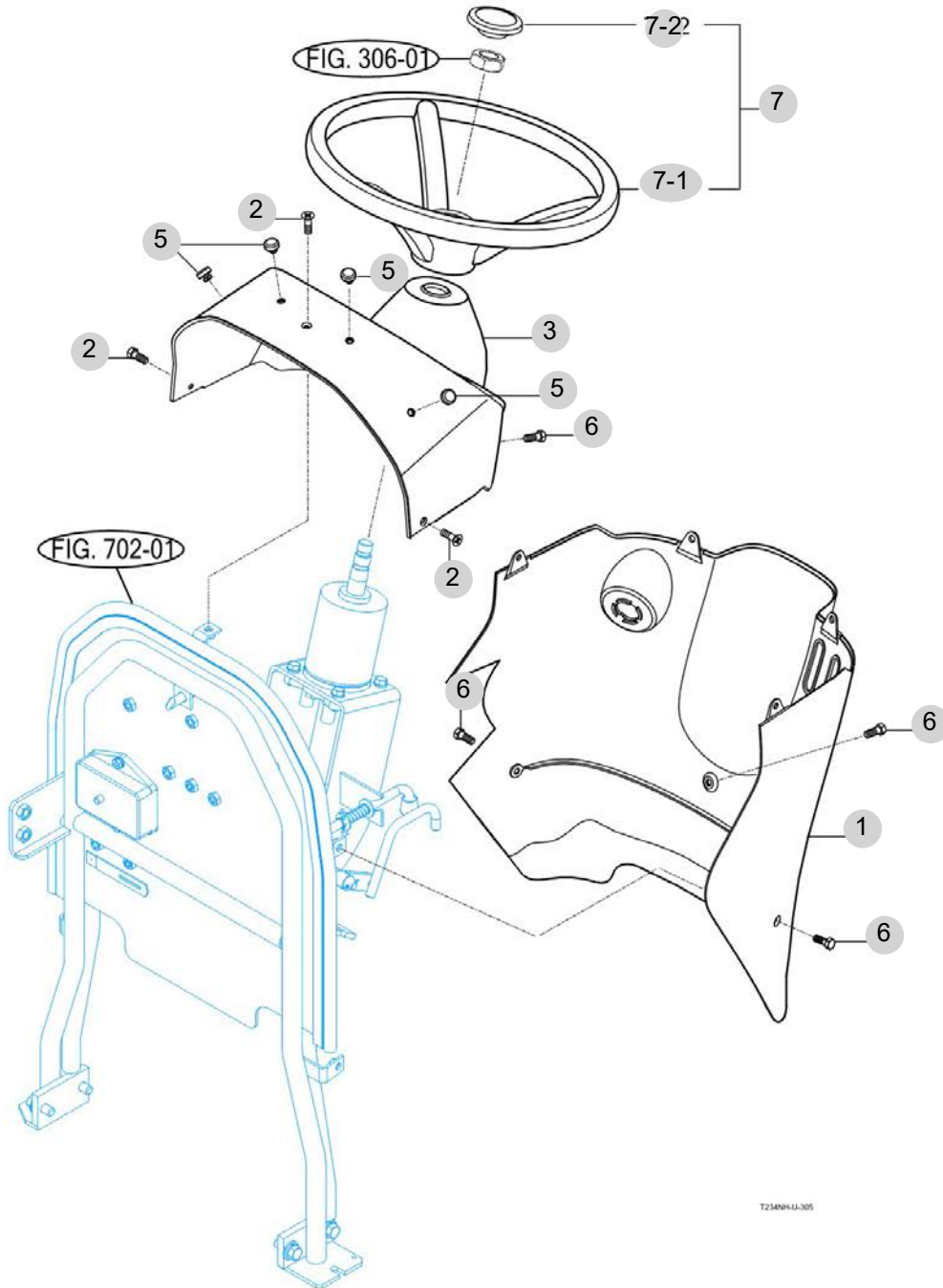
FIG 305

STEERING WHEEL & DASH COVER

년/월
Year/Month

2022-12

T265NHAUZ



NOTE

FIG 305		STEERING WHEEL & DASH COVER					년/월 Year/Month	
T265NHAUZ								2022-12
KEY NO	PART NO	DESCRIPTION	SPEC	QTY	REPAIR	EFFECTIVE DATE	REMARKS	
305	1	13156032214	대시 커버, 하					
305	2	V1122806016	십자홈접시작은나사	M6X16	3			
305	3	13156032112	대시 커버, 상		1			
305	3	13156032113	대시 커버, 상		1			
305	4	13156032121	고무		4			
305	6	V2123806016	육각볼트(SP)	M6X16	5			
305	7	14724012002	스티어링 휠 ASSY		1			
305	7-1	14724012100	스티어링 휠		1			
305	7-2	16994012020	커버(스티어링)		1			
NOTE								

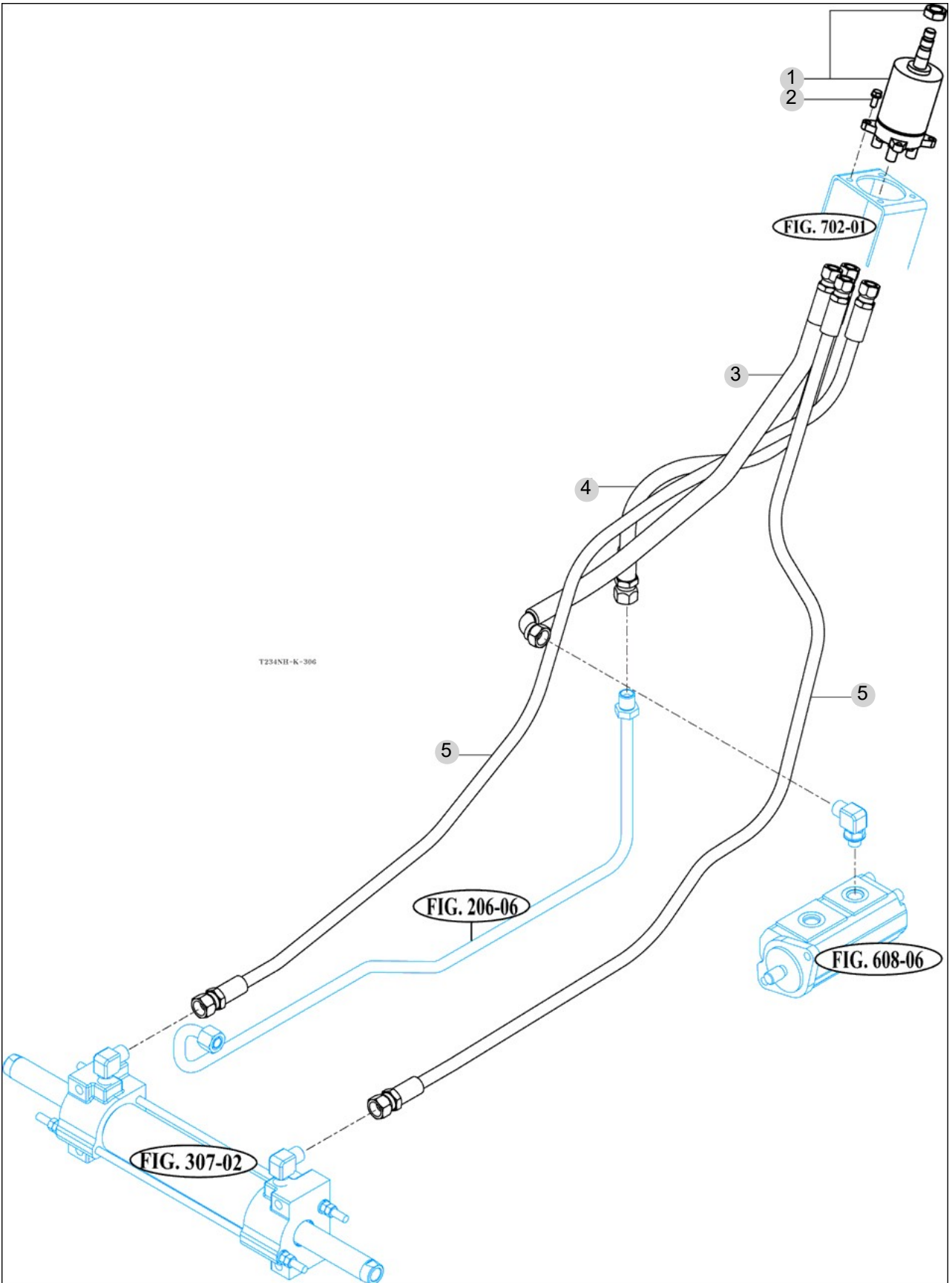
FIG 306

STEERING VALVE

년/월
Year/Month

2022-12

T265NHAUZ



NOTE

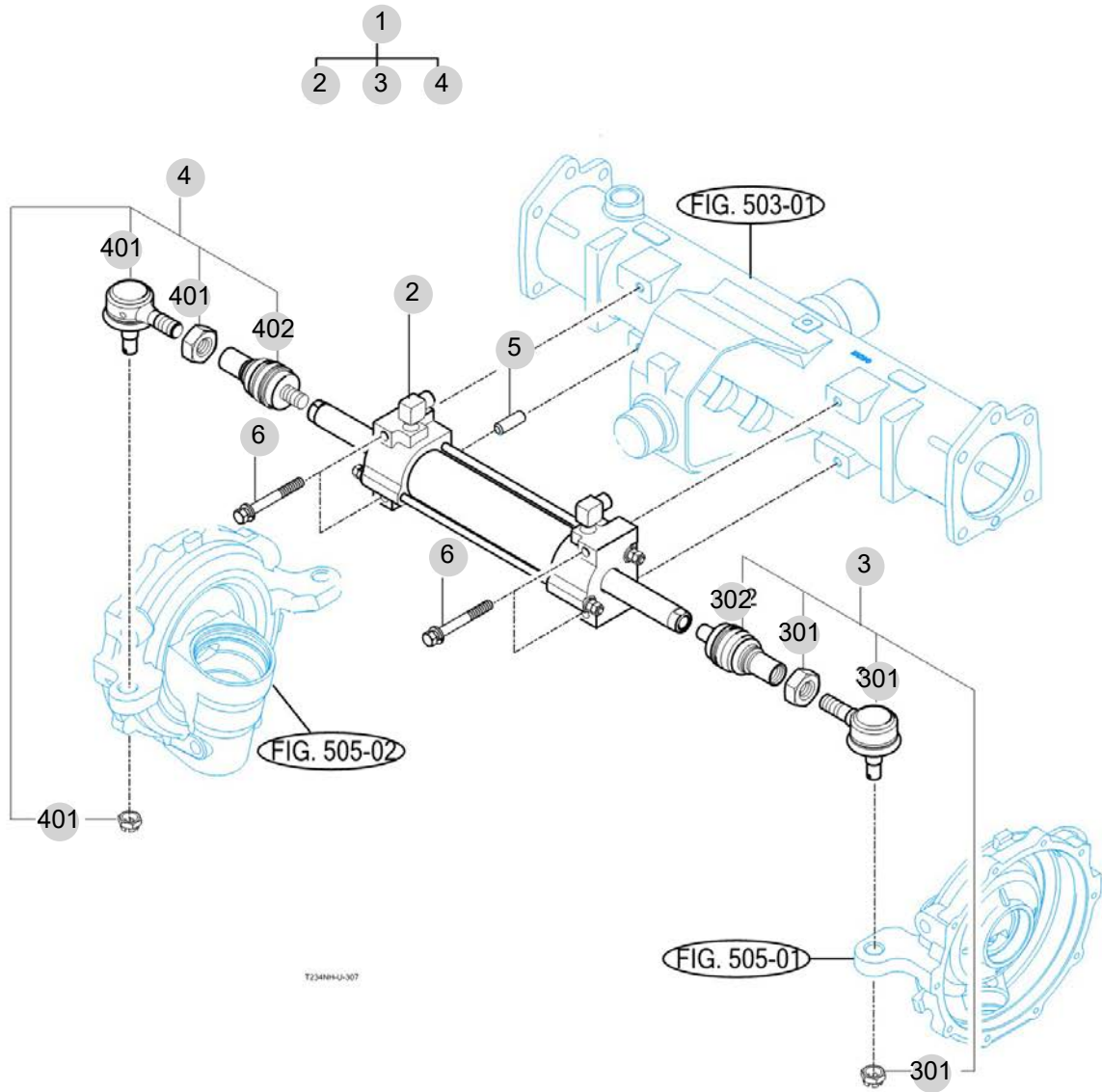
FIG 307

T265NHAUZ

STEERING CYLINDER

년/월
Year/Month

2022-12



NOTE

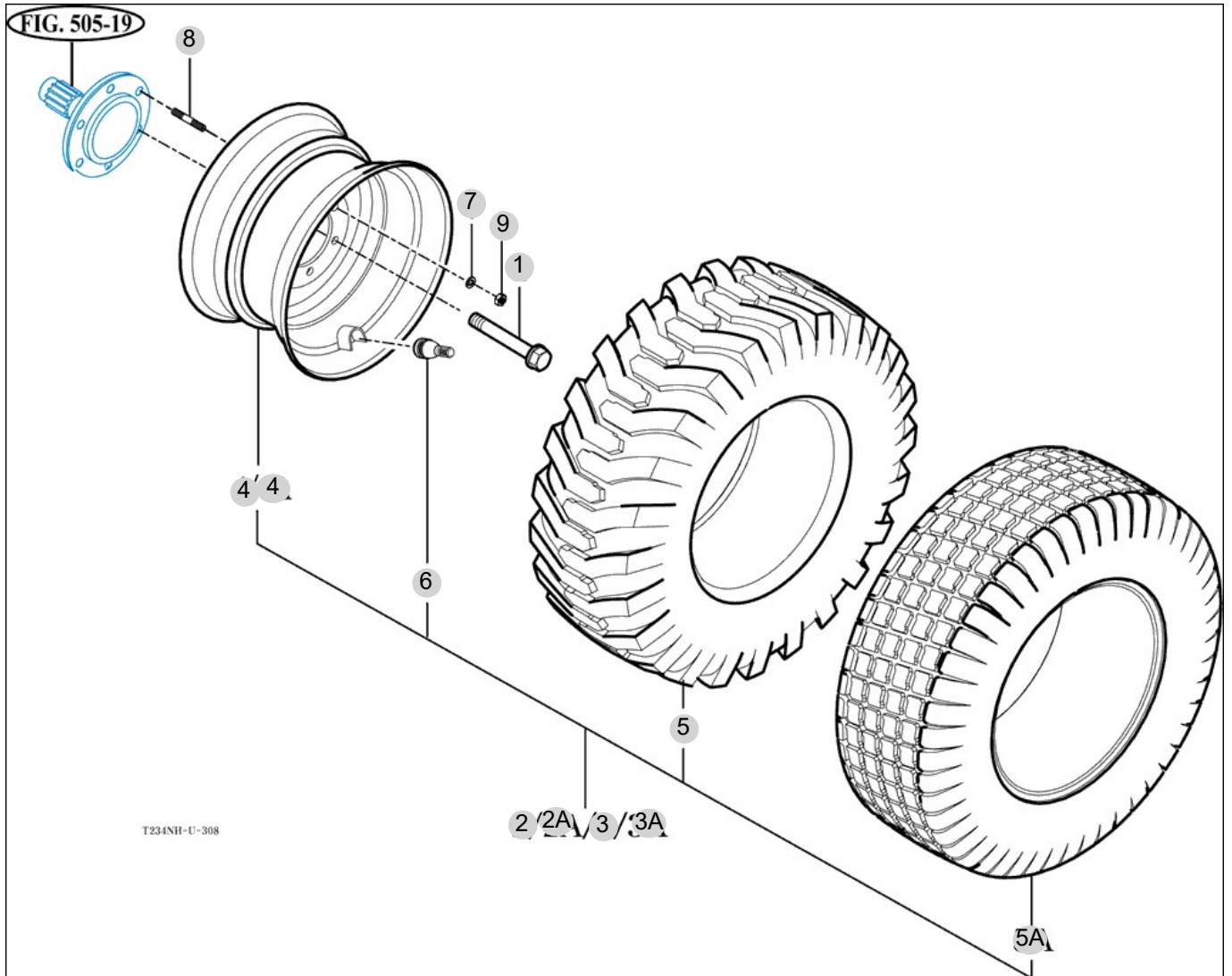
FIG 308

T265NHAUZ

FRONT WHEEL

년/월
Year/Month

2022-12



NOTE

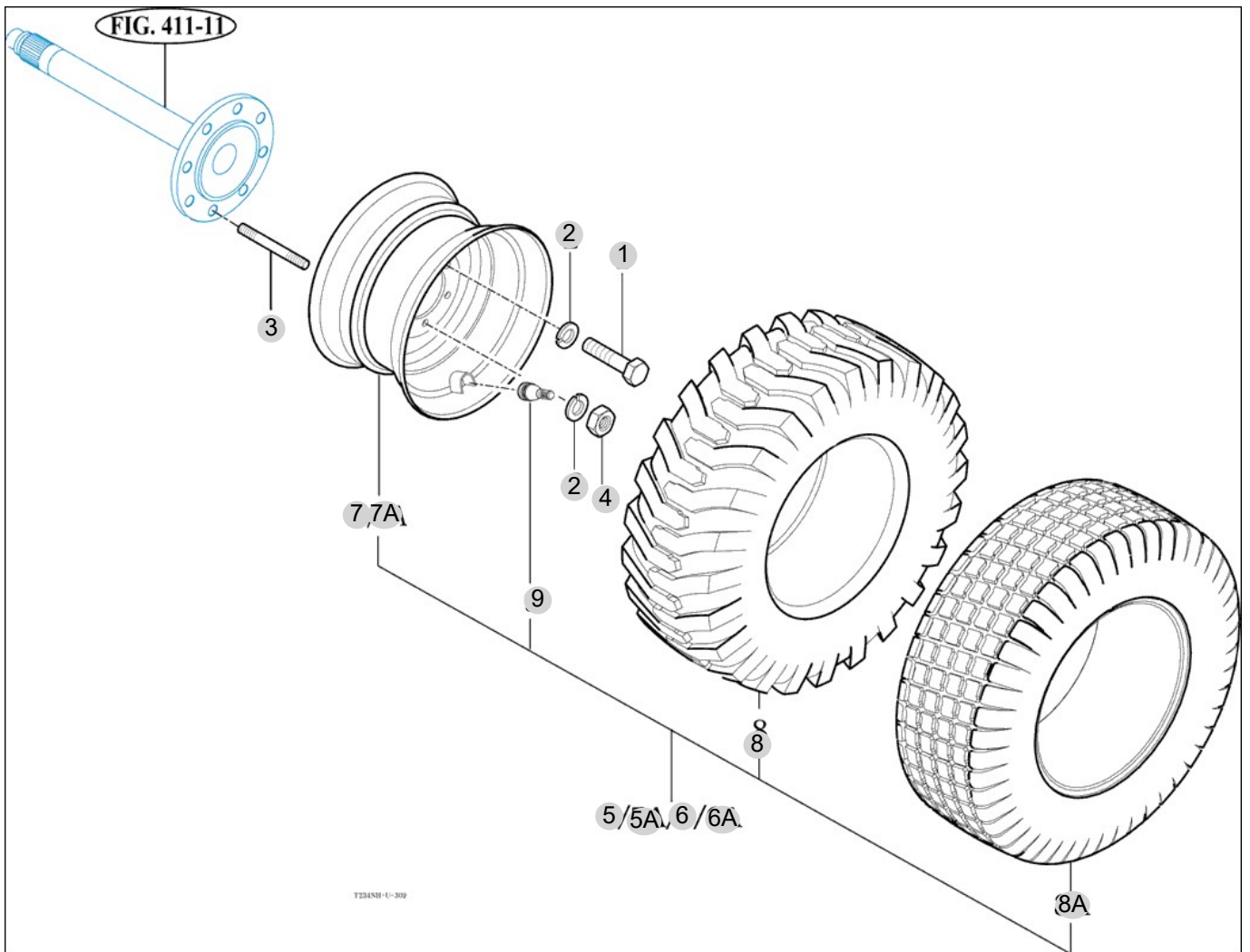
FIG 309

T265NHAUZ

REAR WHEEL

년/월
Year/Month

2022-12



NOTE

4. 트랜스미션 PART NO. T4

FIG 401 INPUT SHAFT	103
FIG 402 HST	105
FIG 403 4WD DRIVE GEAR	107
FIG 404 RANGE GEARS	109
FIG 405 P.T.O DRIVE SHAFT	111
FIG 406 P.T.O DRIVE SHAFT	113
FIG 408 DIFF LOCK	115
FIG 409 REAR TRANSMISSION CASE	117
FIG 410 REAR AXLE HOUSINGS	119
FIG 411 RANGE SHIFT LEVER	121
FIG 412 P.T.O CHANGE LEVER	123
FIG 413 4WD CHANGE LEVER	125

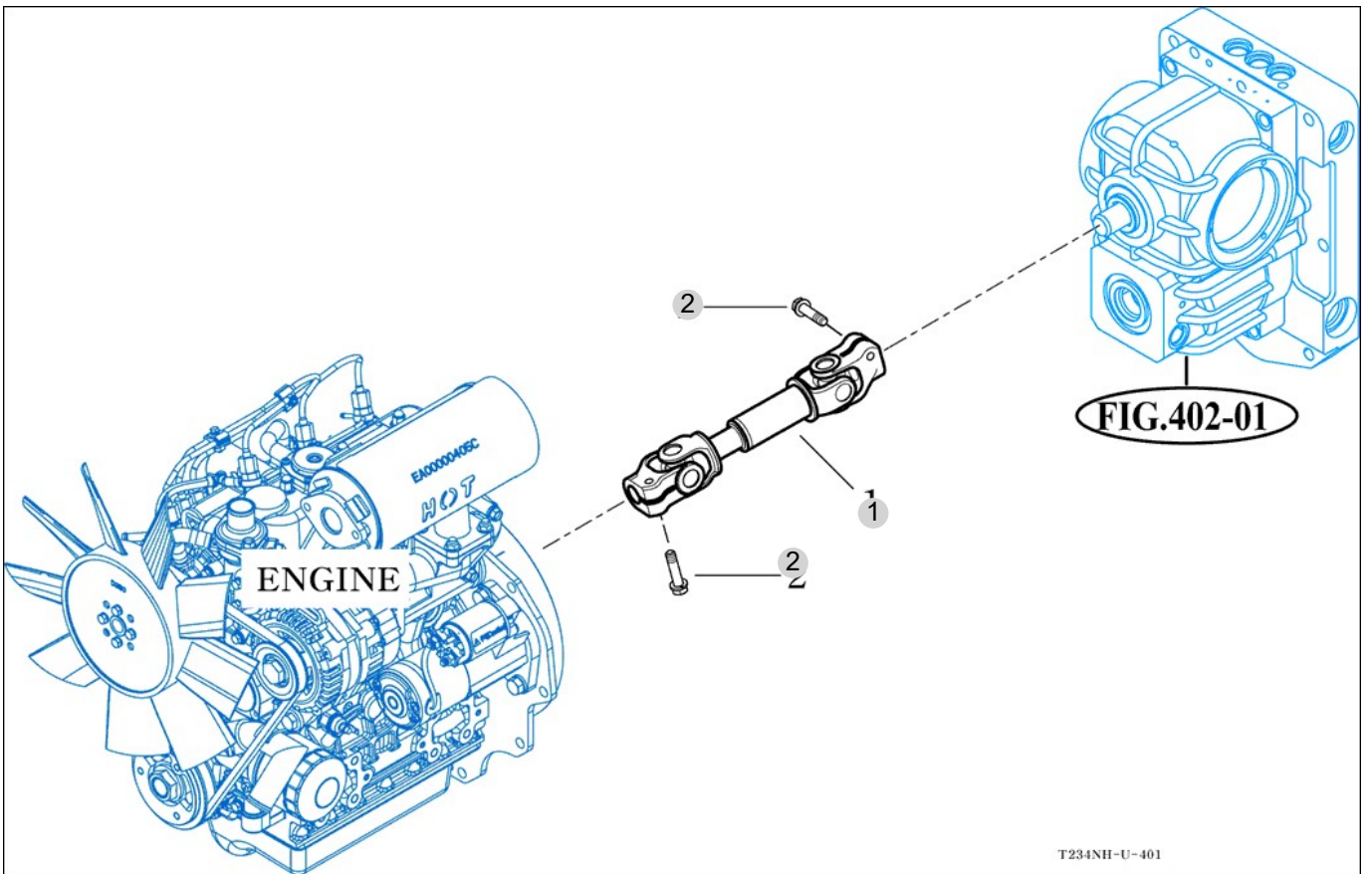
FIG 401

INPUT SHAFT

년/월
Year/Month

2022-12

T265NHAUZ



NOTE

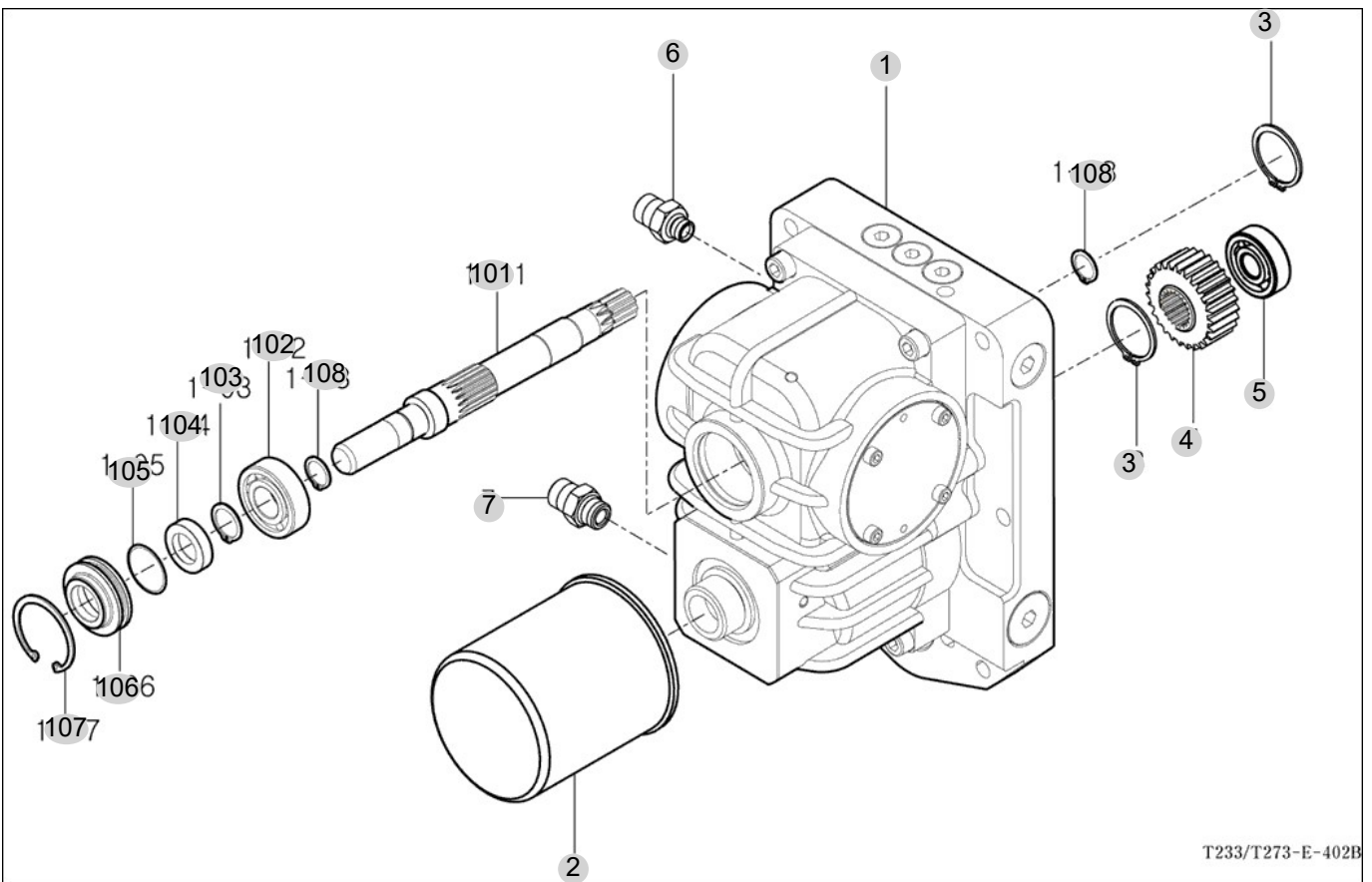
FIG 402

T265NHAUZ

HST

년/월
Year/Month

2022-12



T233/T273-E-402B

NOTE

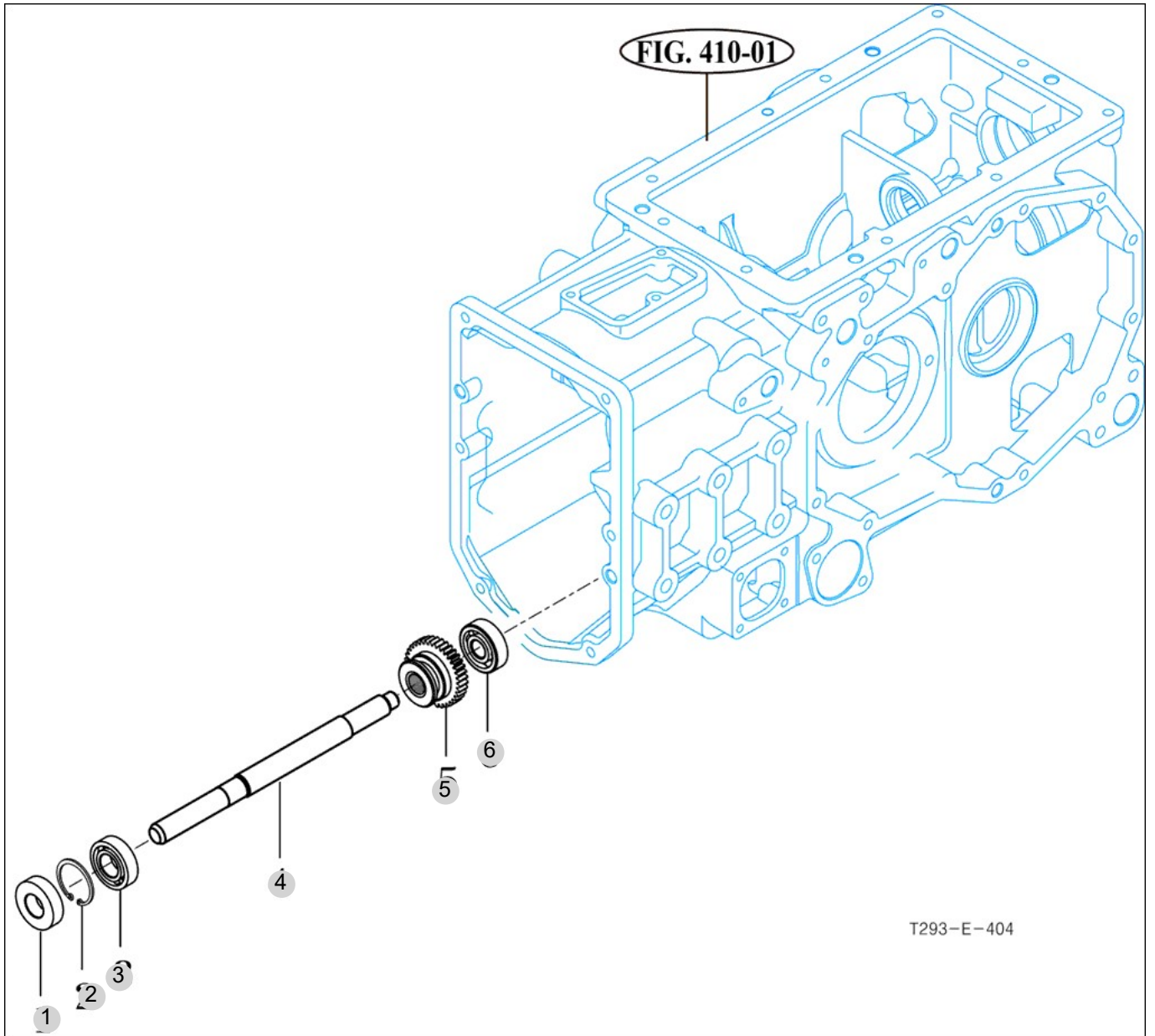
FIG 403

4WD DRIVE GEAR

년/월
Year/Month

2022-12

T265NHAUZ



NOTE

FIG 403 T265NHAUZ		4WD DRIVE GEAR						년/월 Year/Month
							2022-12	
KEY NO	PART NO	DESCRIPTION	SPEC	QTY	REPAIR	EFFECTIVE DATE	REMARKS	
403	1	V7441204208	오일살(D)	D20428	1			
403	2	V7051400420	C형 멈춤링(구멍용)	42	1			
403	3	V6001106004	볼베어링	6004	1			
403	4	13182610010	4WD 축		1			
403	4	13182610011	4WD 축		1			
403	5	13152610021	기어(스퍼/16)	53X29	1			
403	6	V6001106302	볼베어링	6302	1			
NOTE								

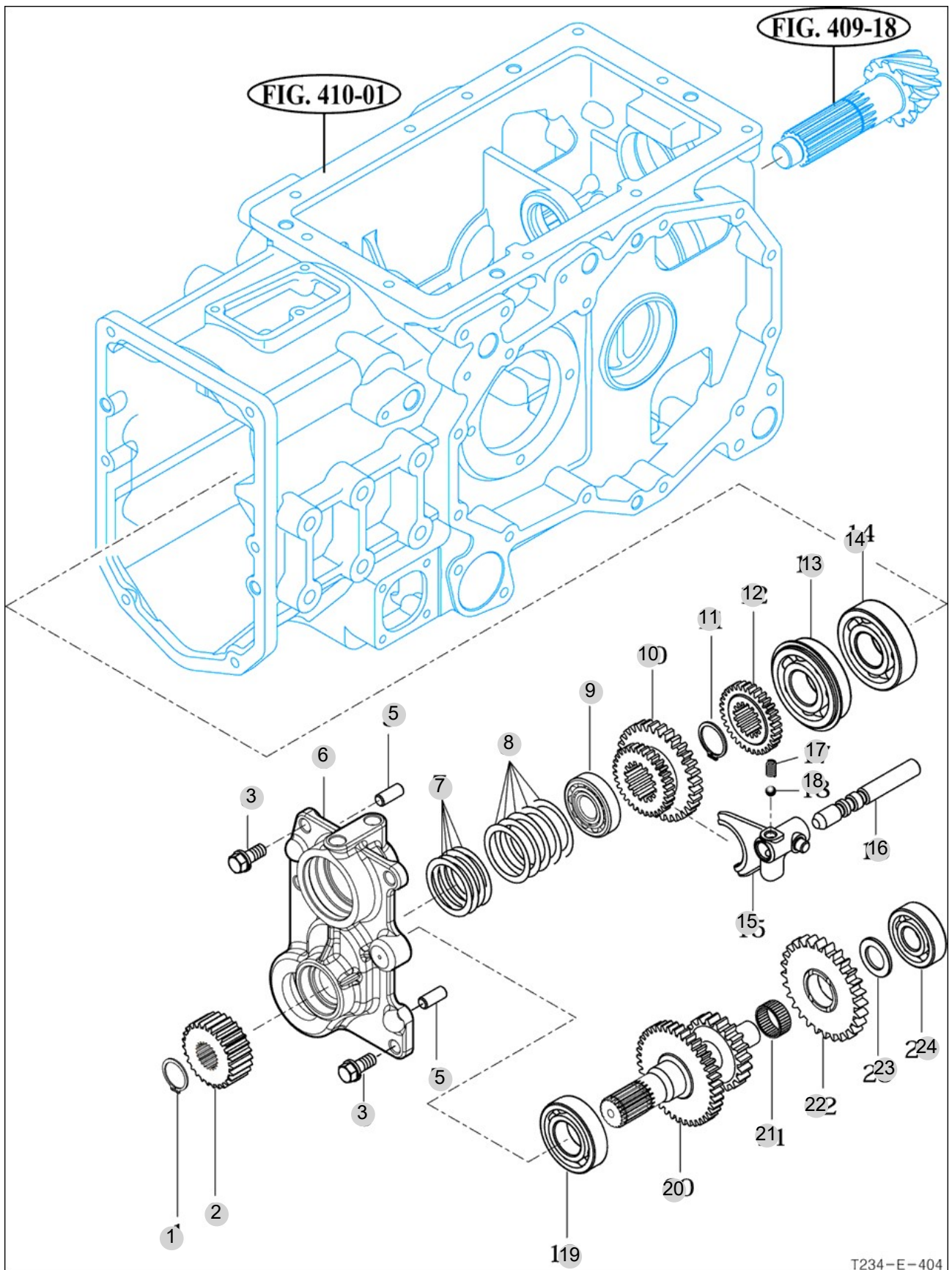
FIG 404

RANGE GEARS

년/월
Year/Month

2022-12

T265NHAUZ



T234-E-404

NOTE

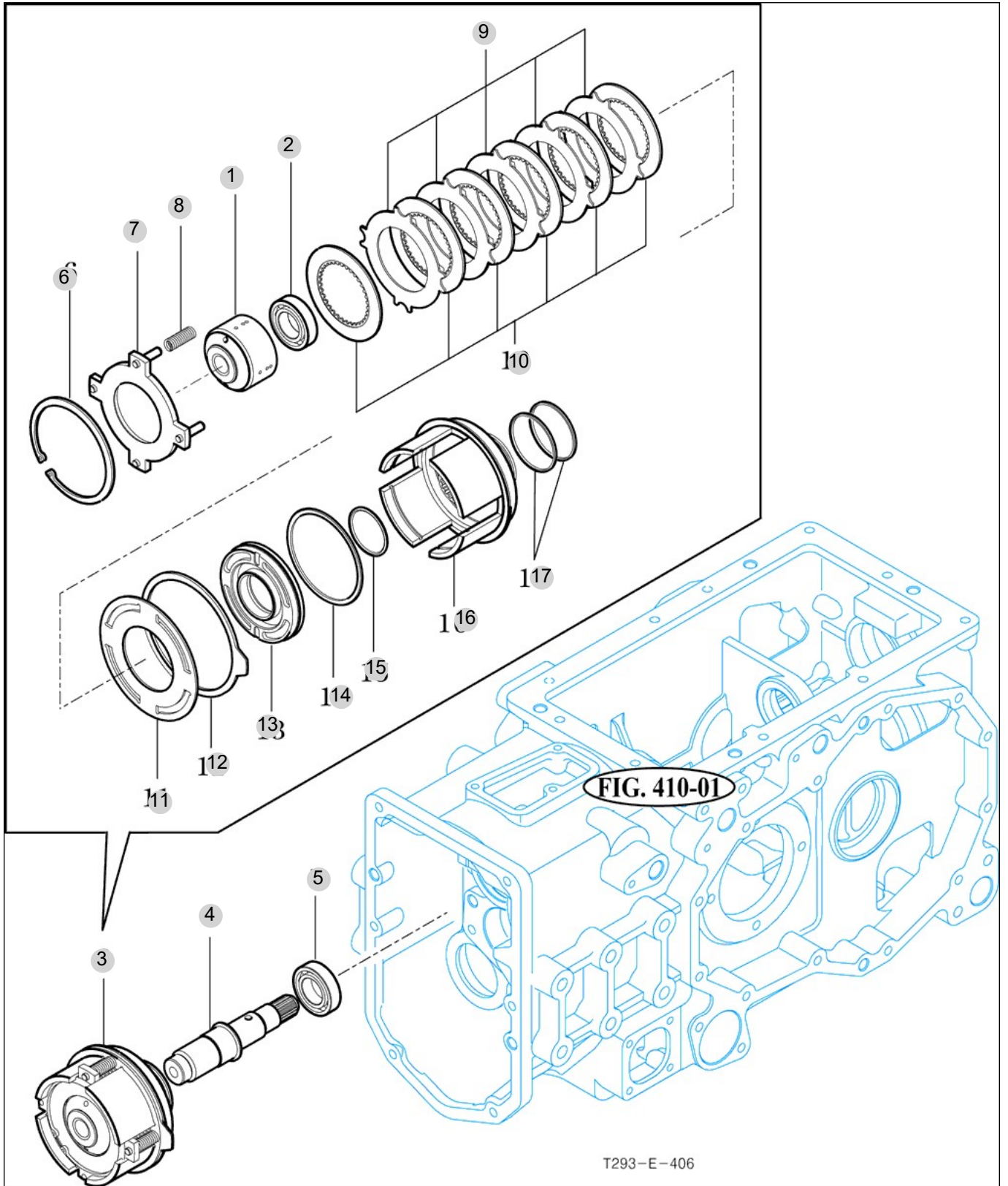
FIG 405

P.T.O DRIVE SHAFT

년/월
Year/Month

2022-12

T265NHAUZ



NOTE

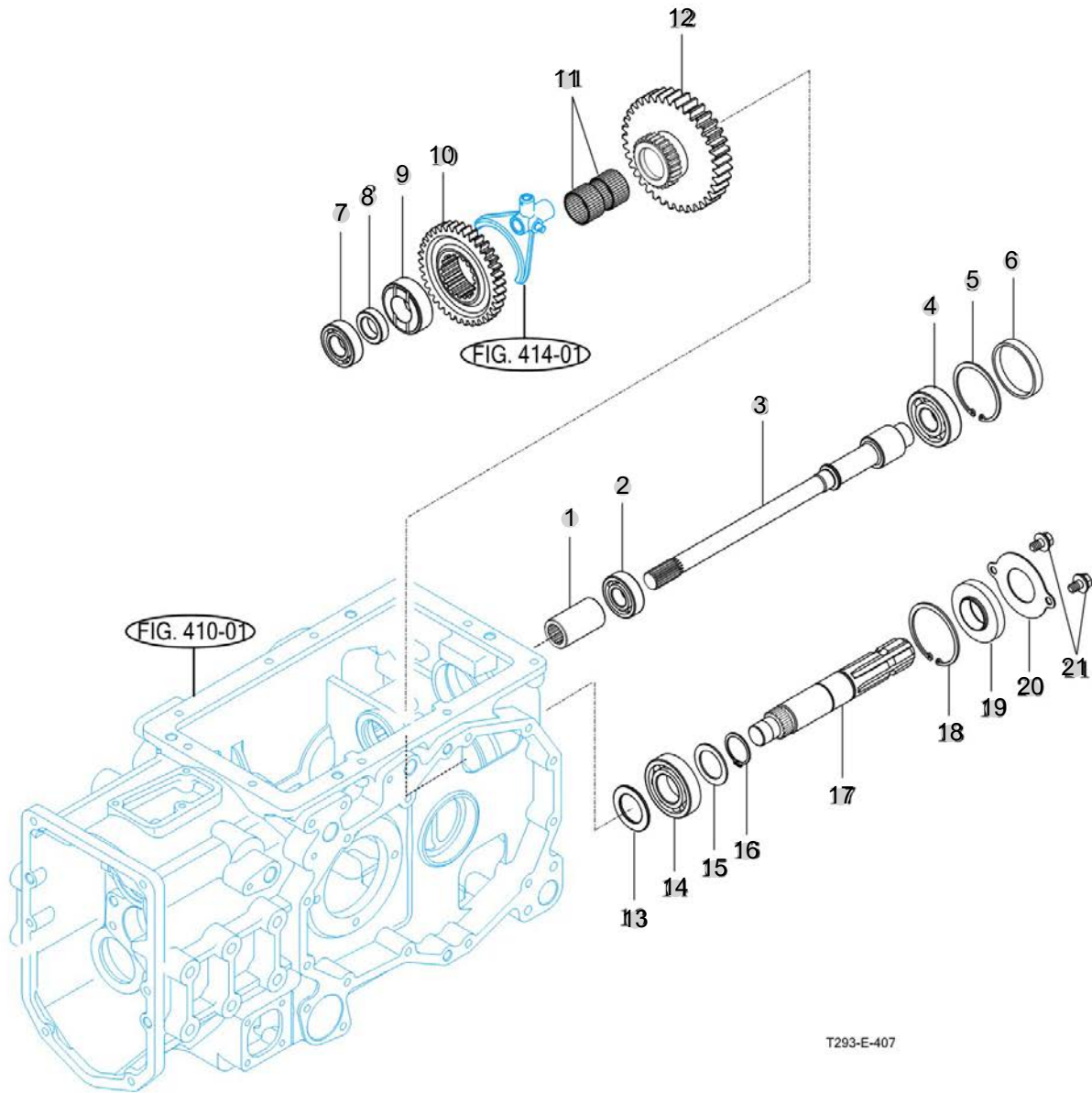
FIG 406

T265NHAUZ

P.T.O DRIVE SHAFT

년/월
Year/Month

2022-12



T293-E-407

NOTE

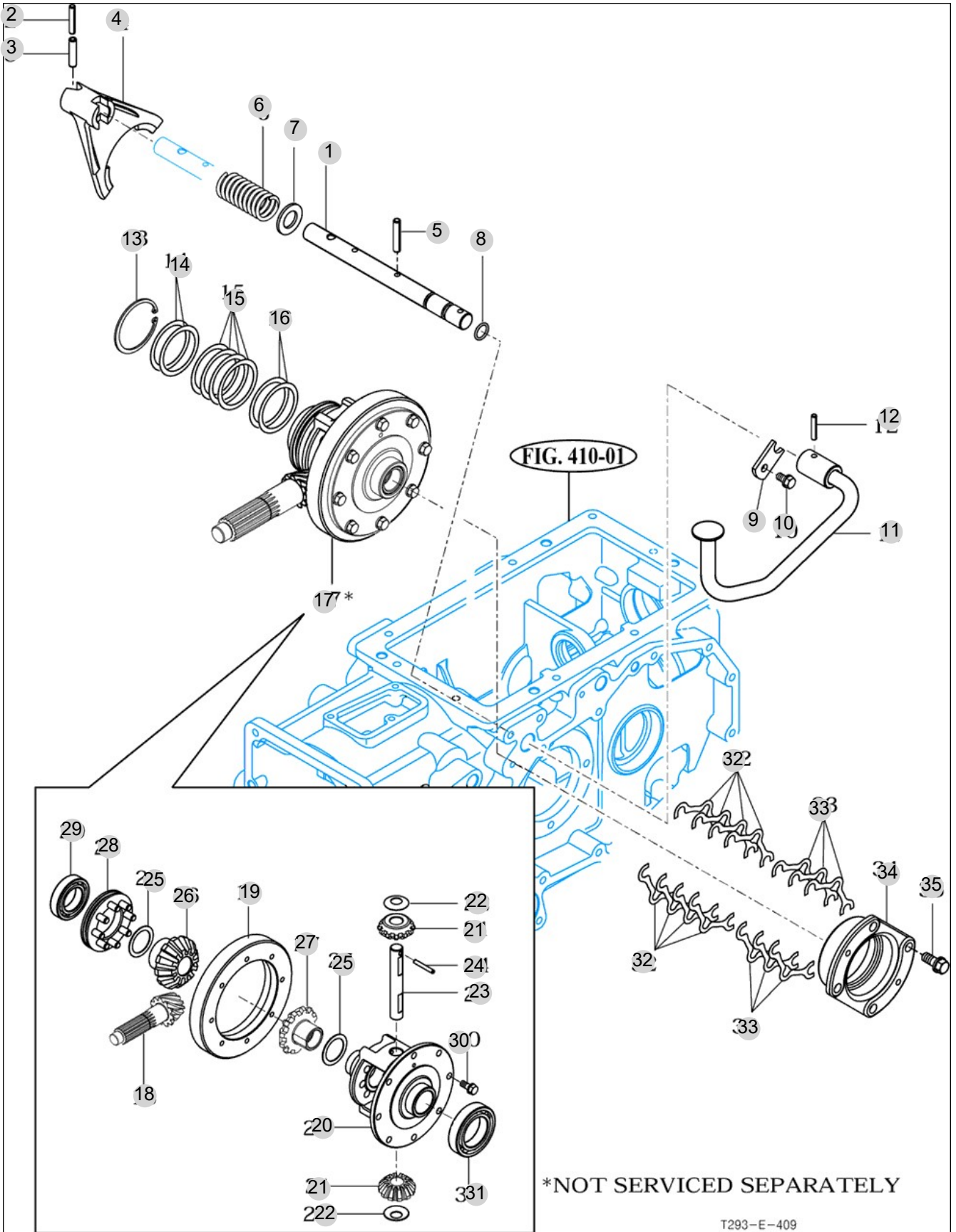
FIG 408

DIFF LOCK

년/월
Year/Month

2022-12

T265NHAUZ



*NOT SERVICED SEPARATELY

T293-E-409

NOTE

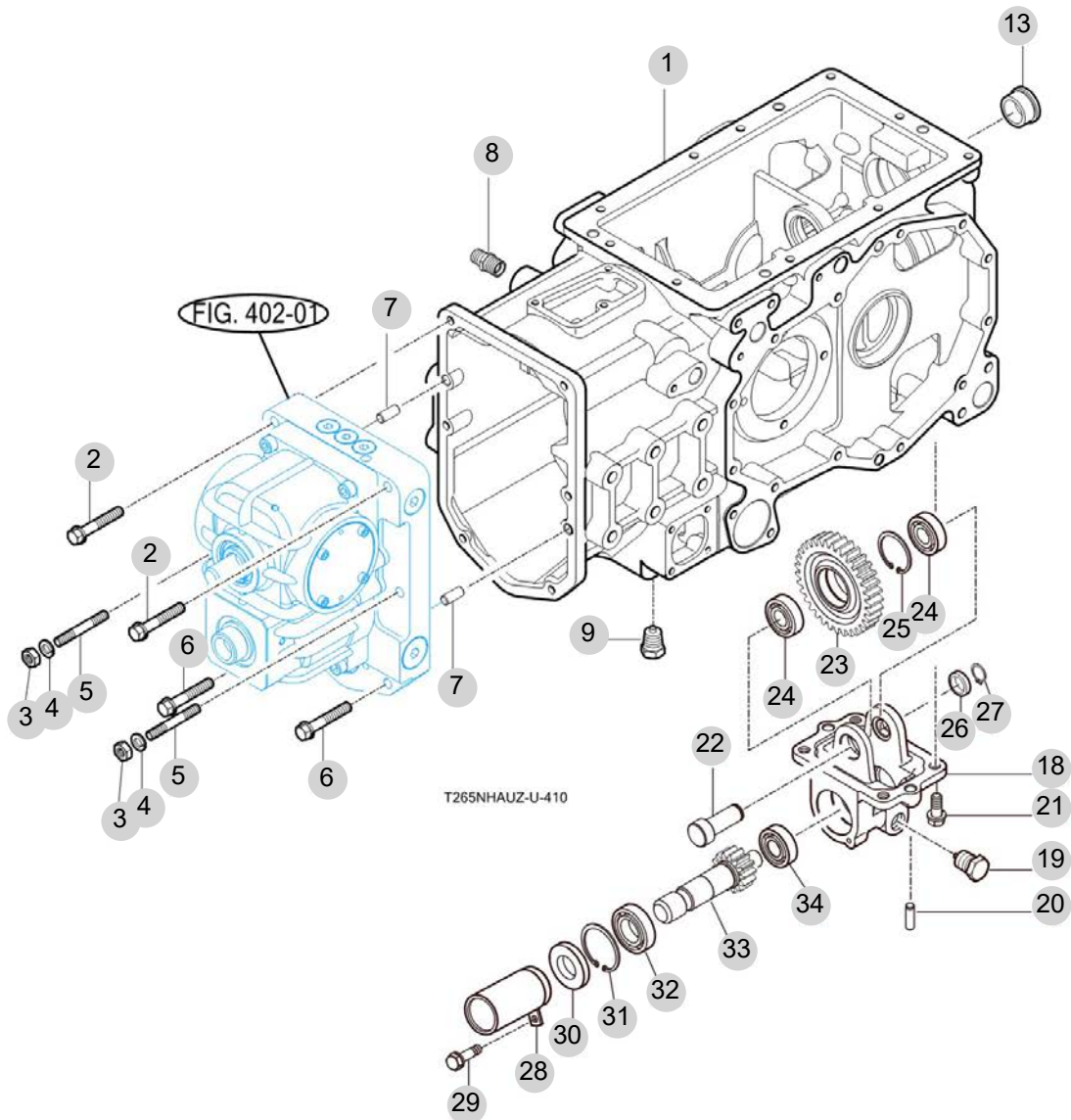
FIG 409

REAR TRANSMISSION CASE

년/월
Year/Month

2022-12

T265NHAUZ



NOTE

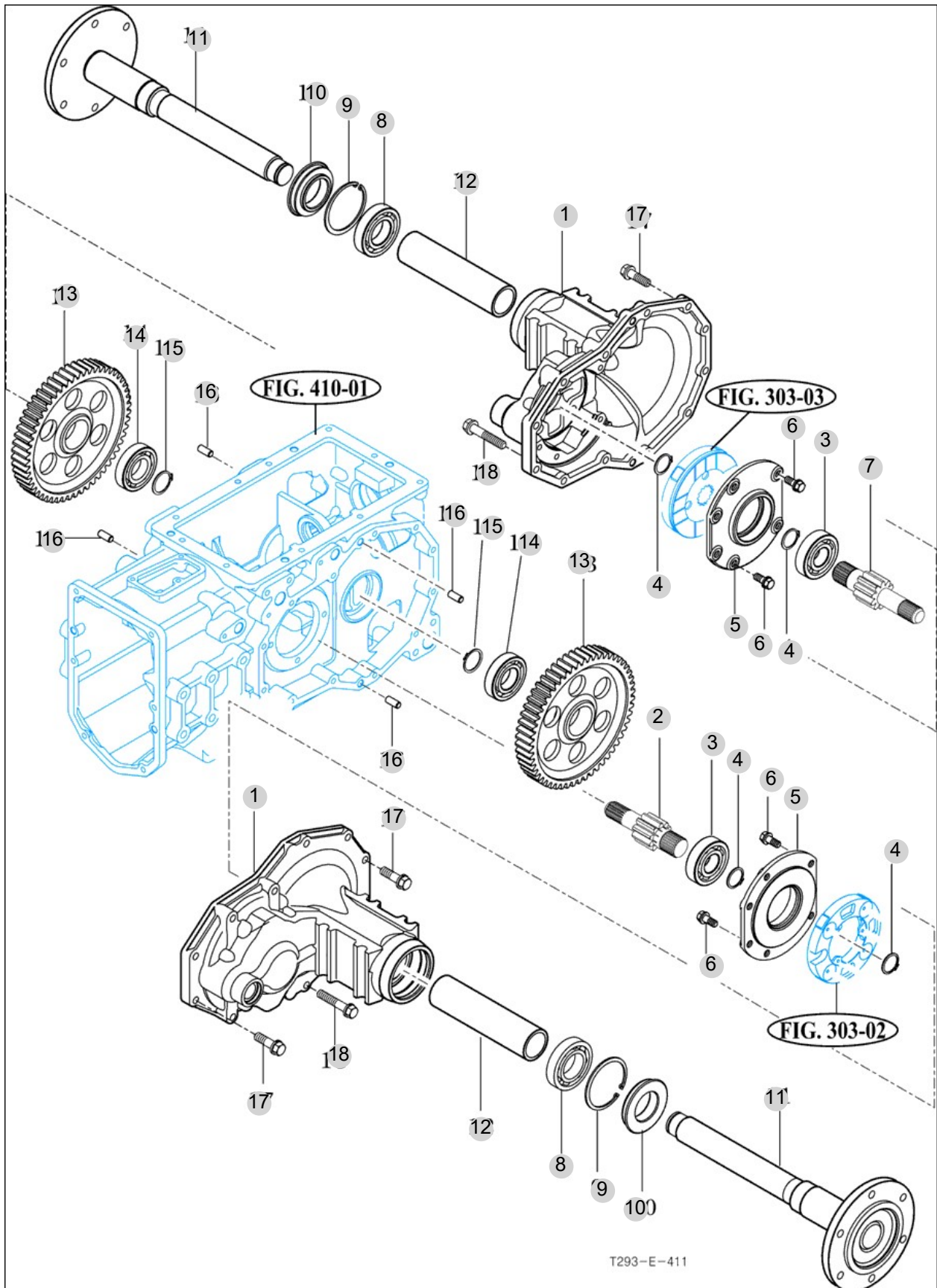
FIG 410

REAR AXLE HOUSINGS

년/월
Year/Month

2022-12

T265NHAUZ



T293-E-411

NOTE

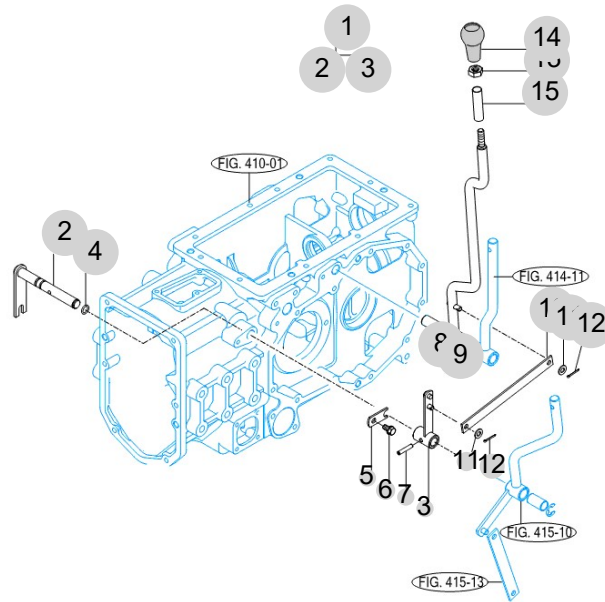
FIG 411

T265NHAUZ

RANGE SHIFT LEVER

년/월
Year/Month

2022-12



T265E-413

NOTE

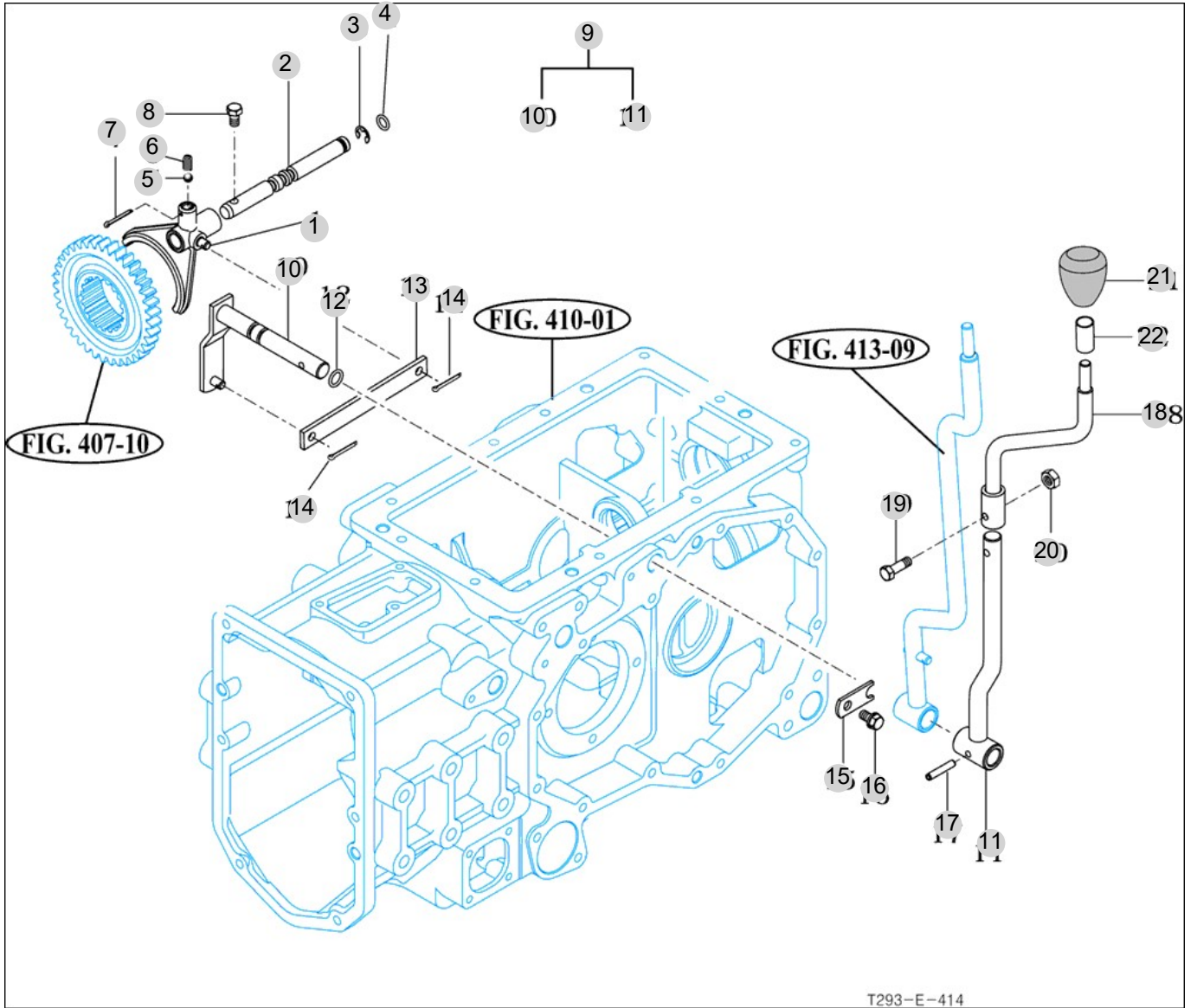
FIG 412

T265NHAUZ

P.T.O CHANGE LEVER

년/월
Year/Month

2022-12



T293-E-414

NOTE

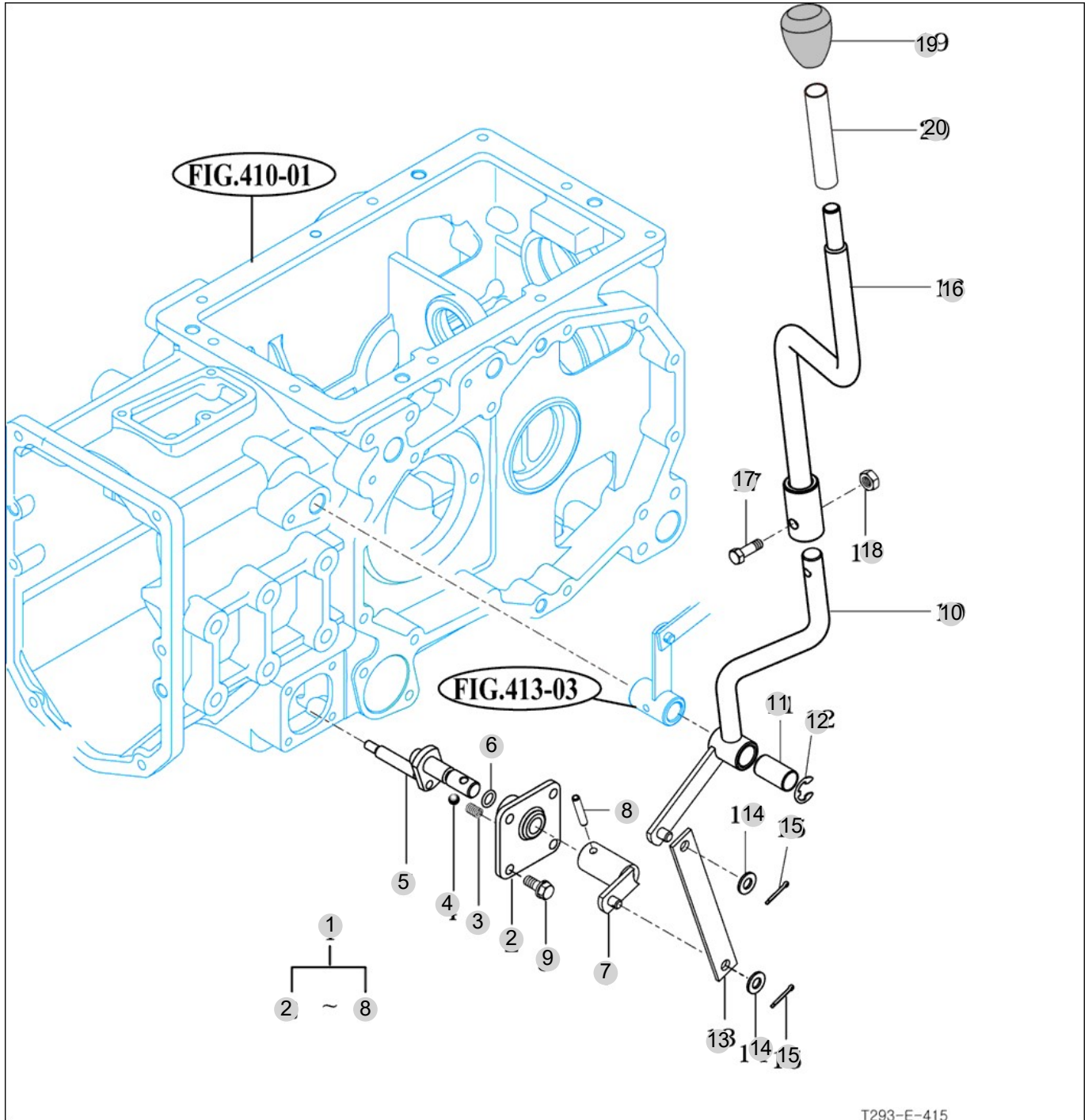
FIG 413

4WD CHANGE LEVER

년/월
Year/Month

2022-12

T265NHAUZ



NOTE

5. 프런트 액슬 PART NO. T5

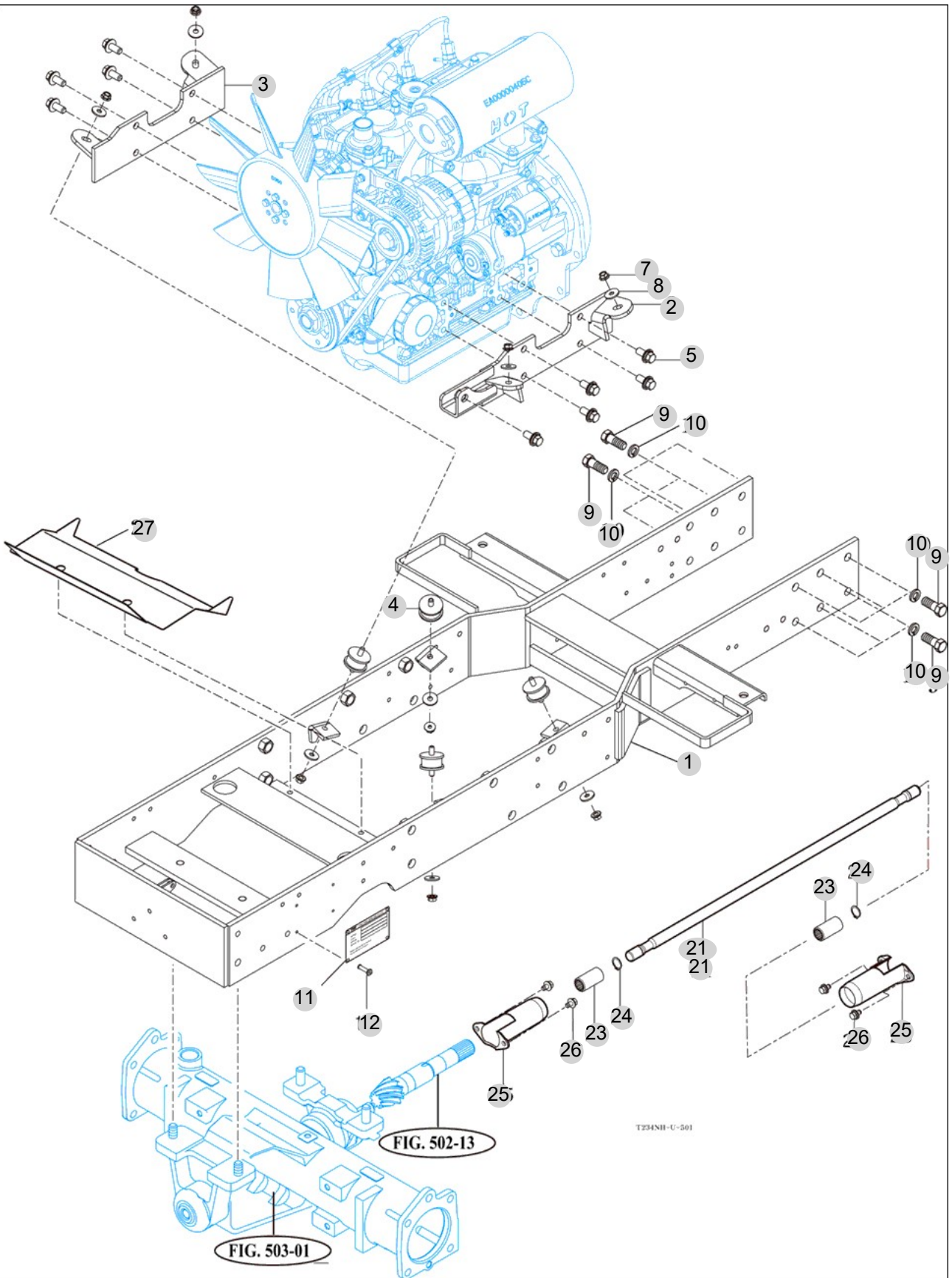
FIG 501 FRAME	128
FIG 502 FRONT DIFFERENTIAL GEARS & SHAFT	130
FIG 503 FRONT AXLE HOUSING	132
FIG 504 FRONT GEAR CASE (1)	134
FIG 505 FRONT GEAR CASE (2)	136

FIG 501

FRAME

년/월
Year/Month

2022-12



T234NH-U-501

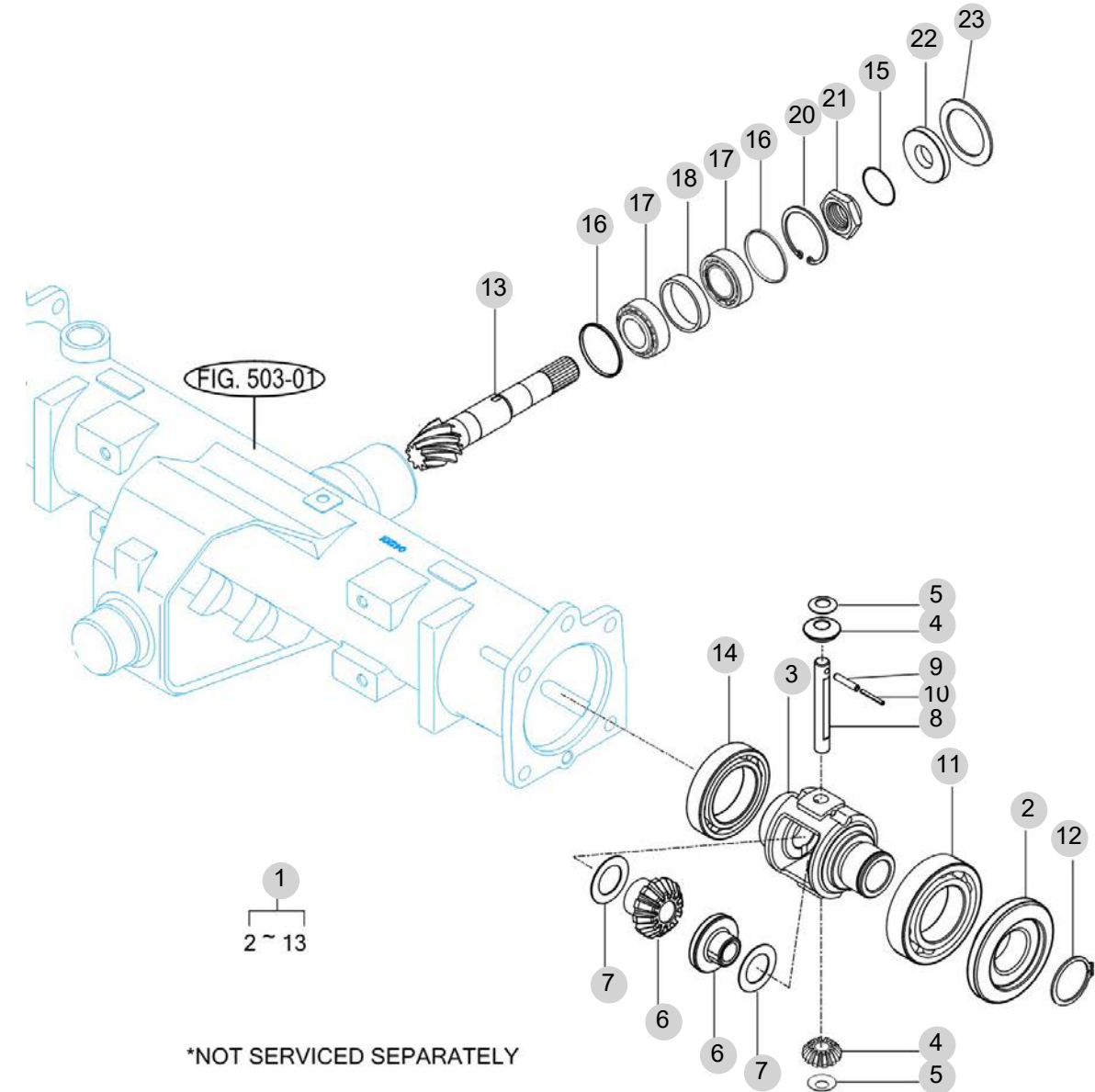
NOTE

FIG 502

FRONT DIFFERENTIAL GEARS & SHAFT

년/월
Year/Month

2022-12



*NOT SERVICED SEPARATELY

T293-E-502

NOTE

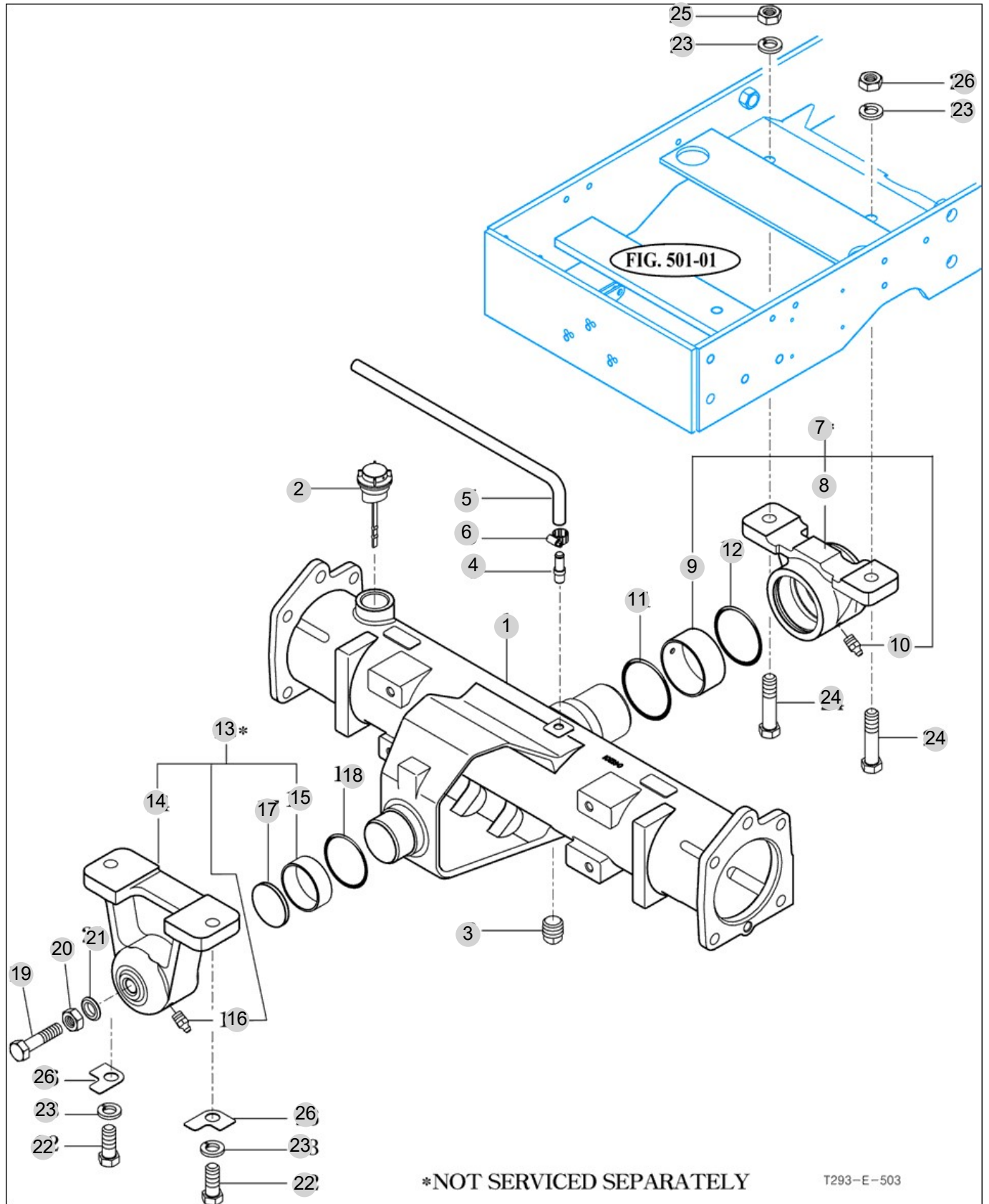
FIG 503

FRONT AXLE HOUSING

년/월
Year/Month

2022-12

T265NHAUZ



NOTE

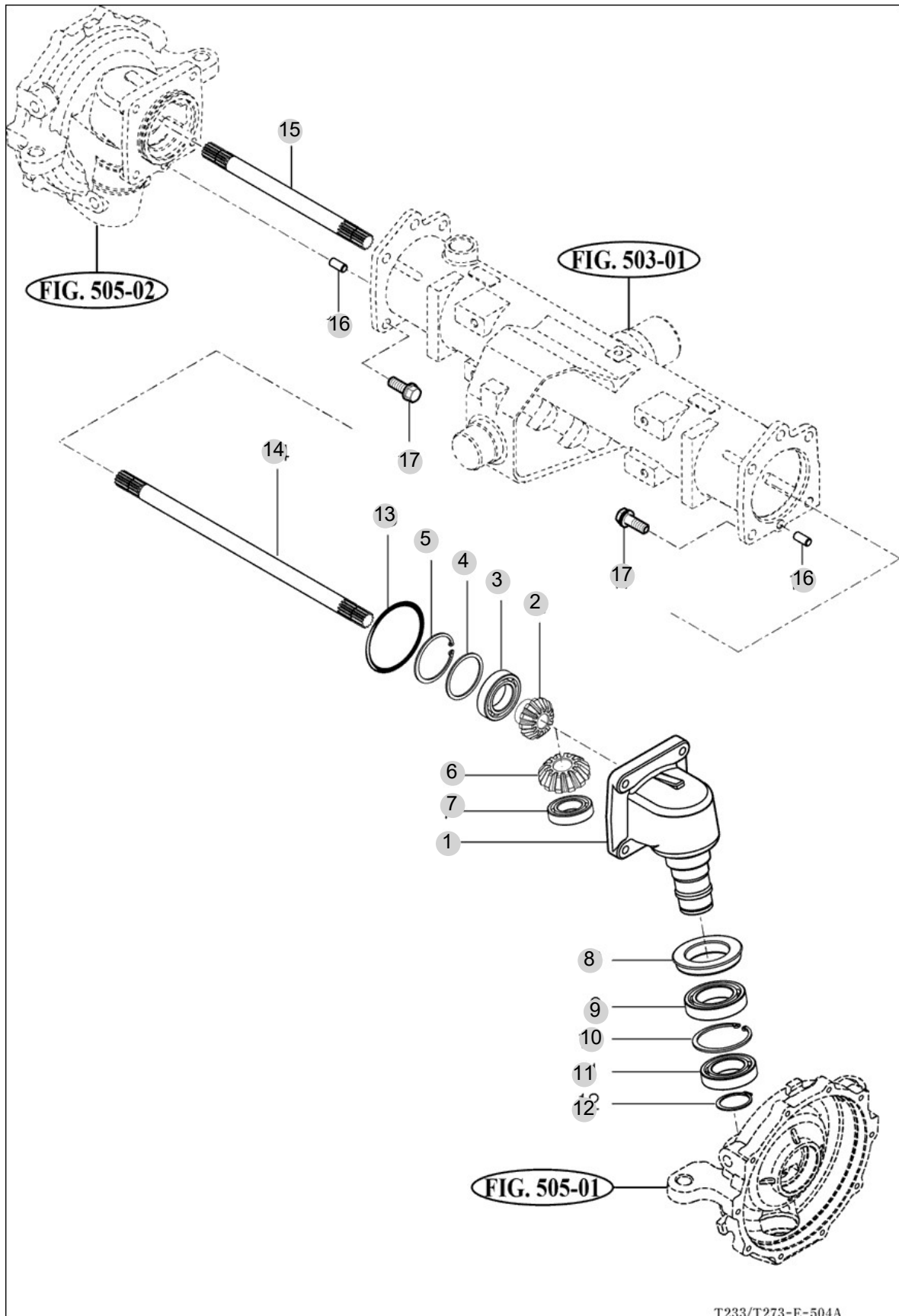
FIG 504

FRONT GEAR CASE (1)

년/월
Year/Month

2022-12

T265NHAUZ



T233/T273-E-504A

NOTE

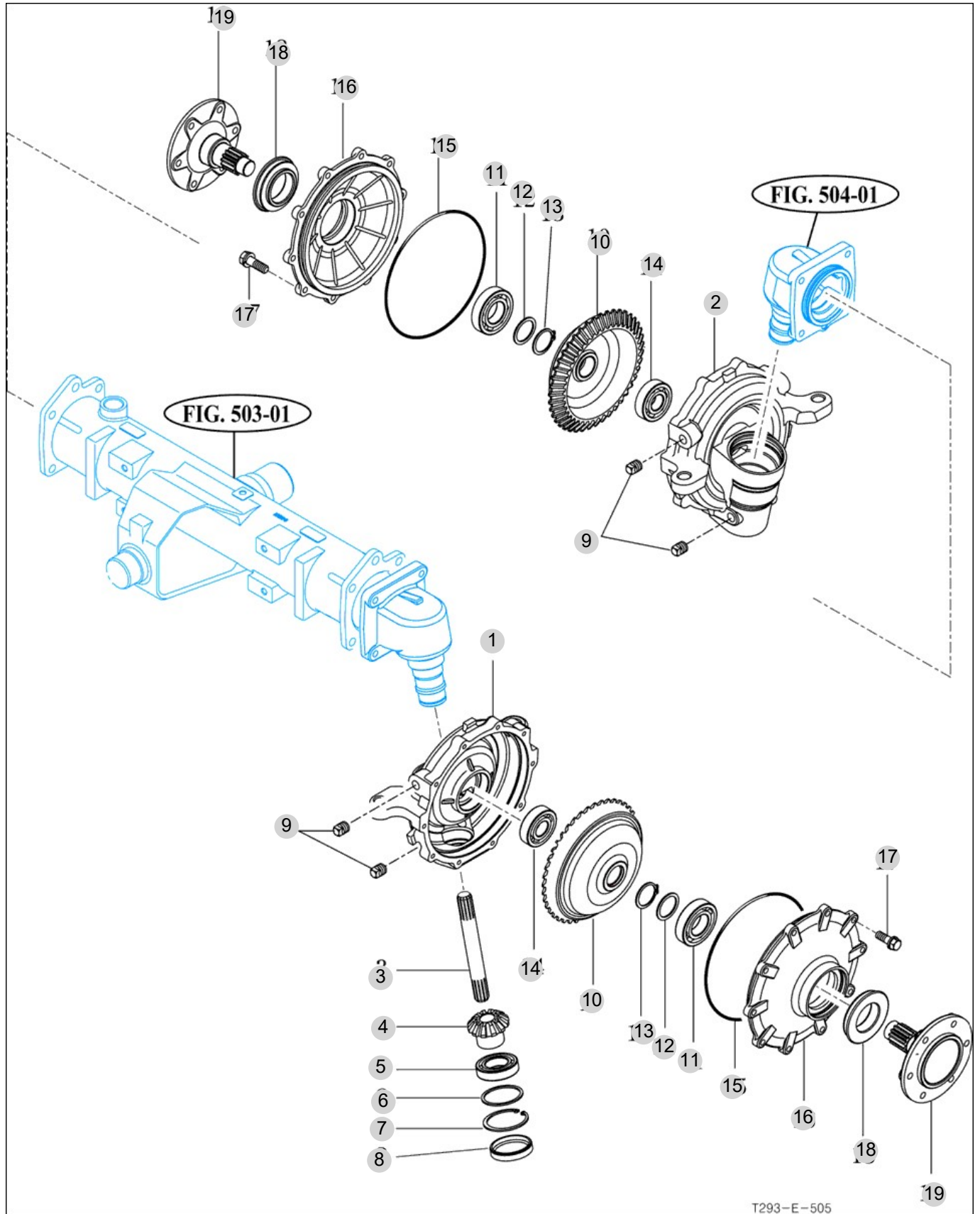
FIG 505

FRONT GEAR CASE (2)

년/월
Year/Month

2022-12

T265NHAUZ



T293-E-505

NOTE

6. 유압/3점링크 PART NO. T6

FIG 601 CYLINDER CASE	139
FIG 602 LIFT ARM	141
FIG 603 FLOW CONTROL VALVE	143
FIG 604 CONTROL VALVE LINKAGE	145
FIG 605 MAIN CONTROL VALVE	147
FIG 606 REMOTE CONTROL VALVE	149
FIG 607 POSITION LEVER LINKAGE	151
FIG 608 GEAR PUMP	153
FIG 609 HYDRAULIC HOSE (1)	155
FIG 610 HYDRAULIC HOSE (2)	157
FIG 611 PTO VALVE	159
FIG 612 HITCH & 3-POINT LINKAGE	161
FIG 613 JOYSTICK LEVER	164
FIG 614 HITCH & COVER	166

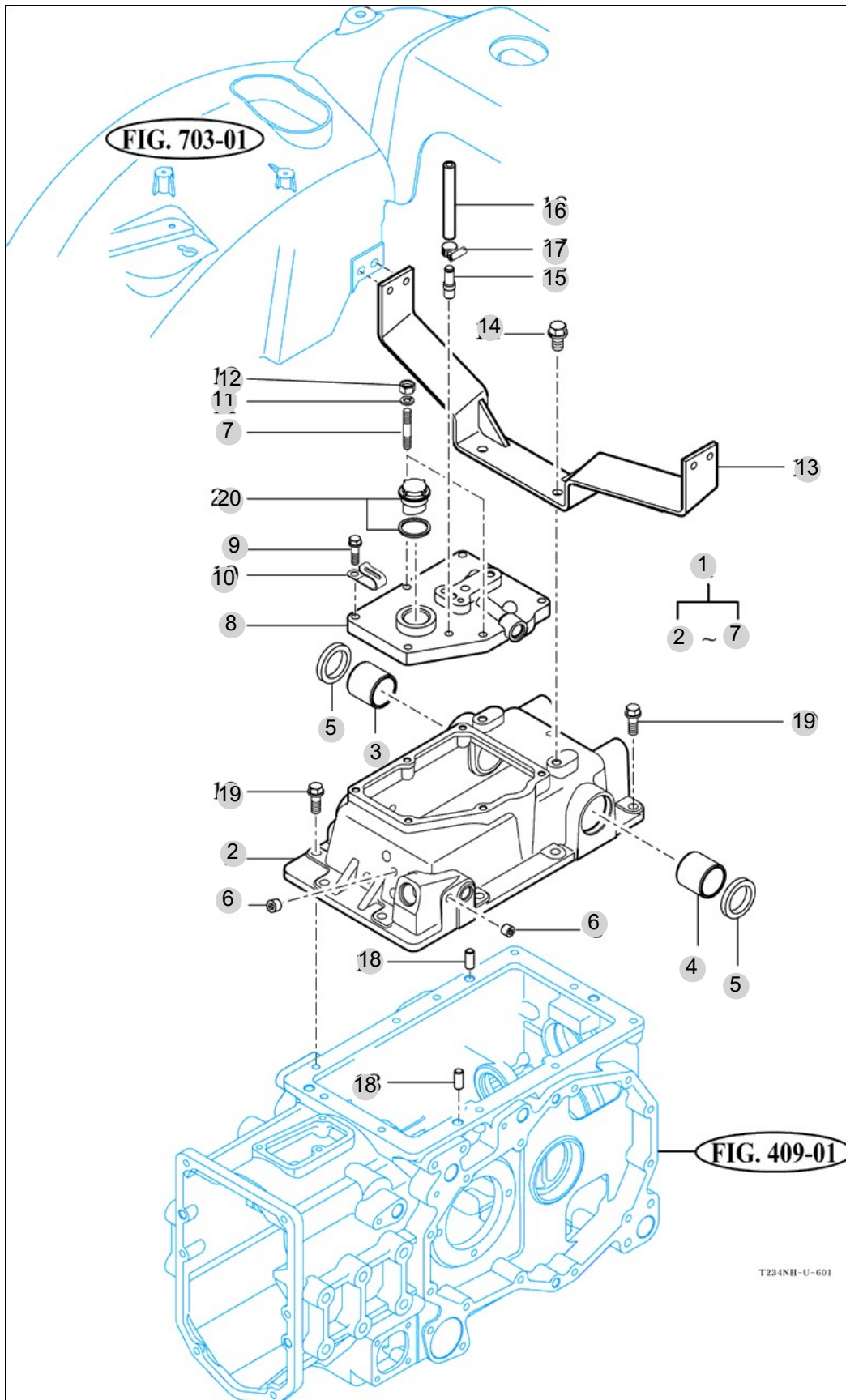
FIG 601

CYLINDER CASE

년/월
Year/Month

2022-12

T265NHAUZ



NOTE

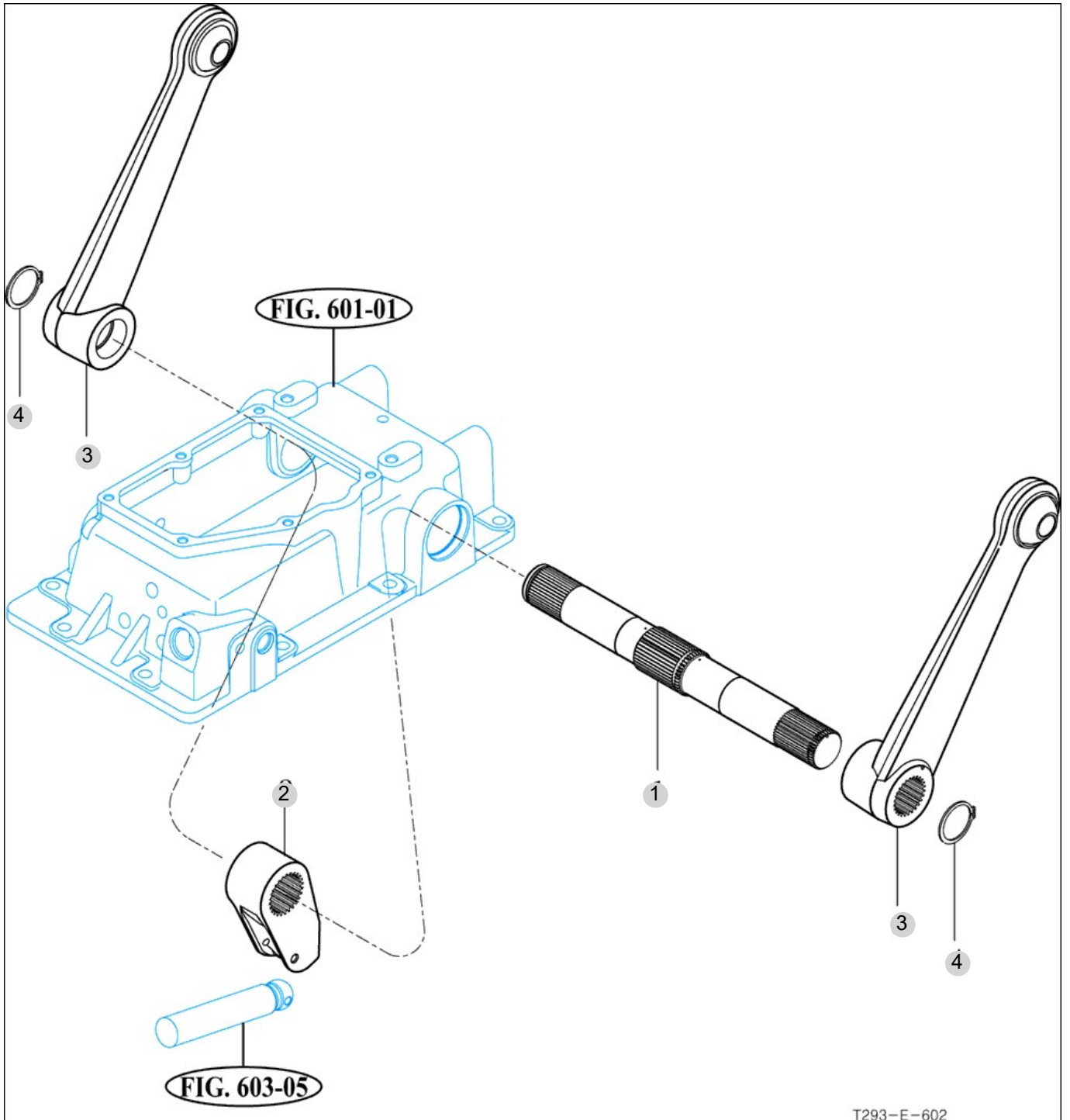
FIG 602

T265NHAUZ

LIFT ARM

년/월
Year/Month

2022-12



T293-E-602

NOTE

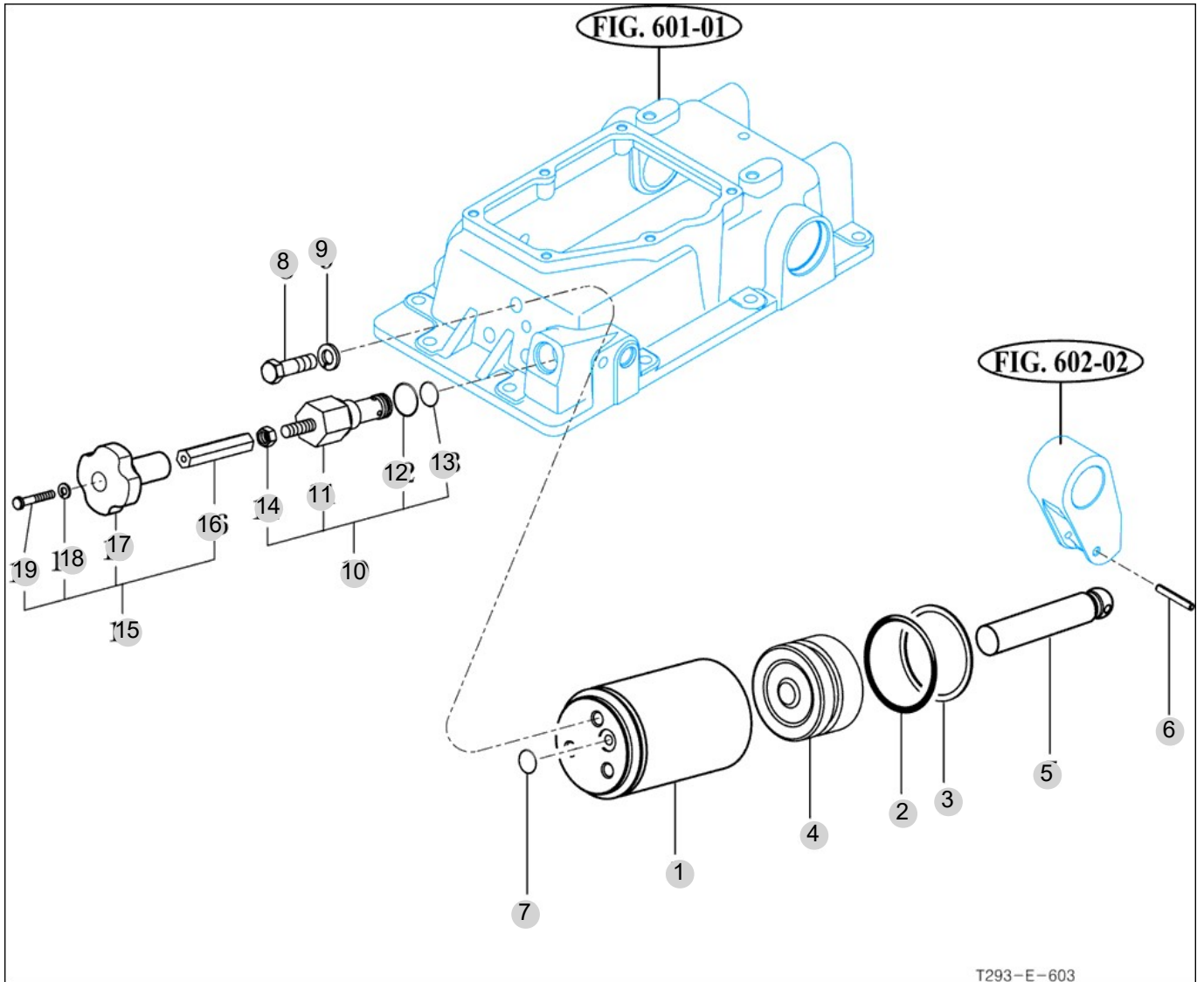
FIG 603

FLOW CONTROL VALVE

년/월
Year/Month

2022-12

T265NHAUZ



T293-E-603

NOTE

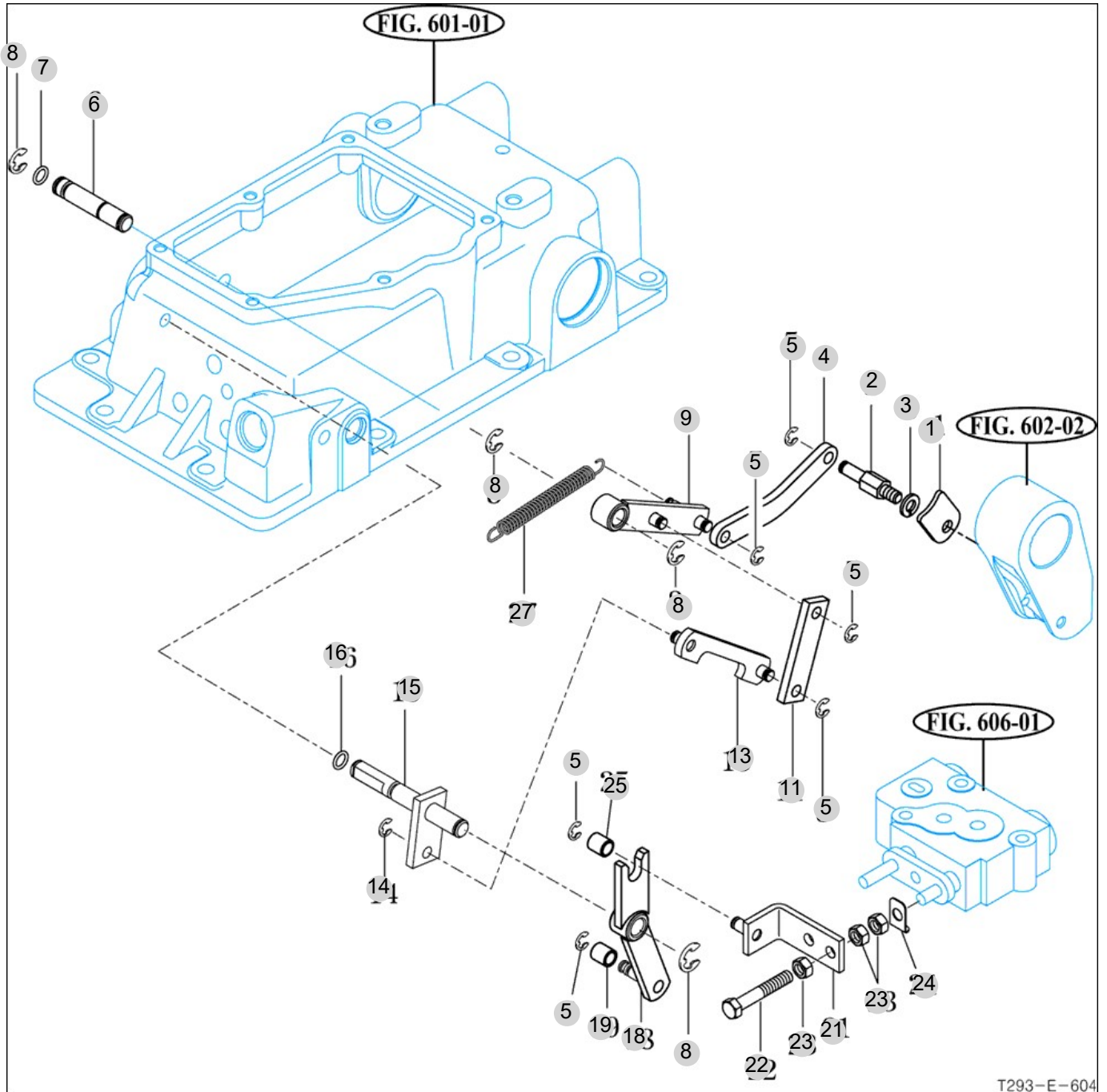
FIG 604

CONTROL VALVE LINKAGE

년/월
Year/Month

2022-12

T265NHAUZ



T293-E-604

NOTE

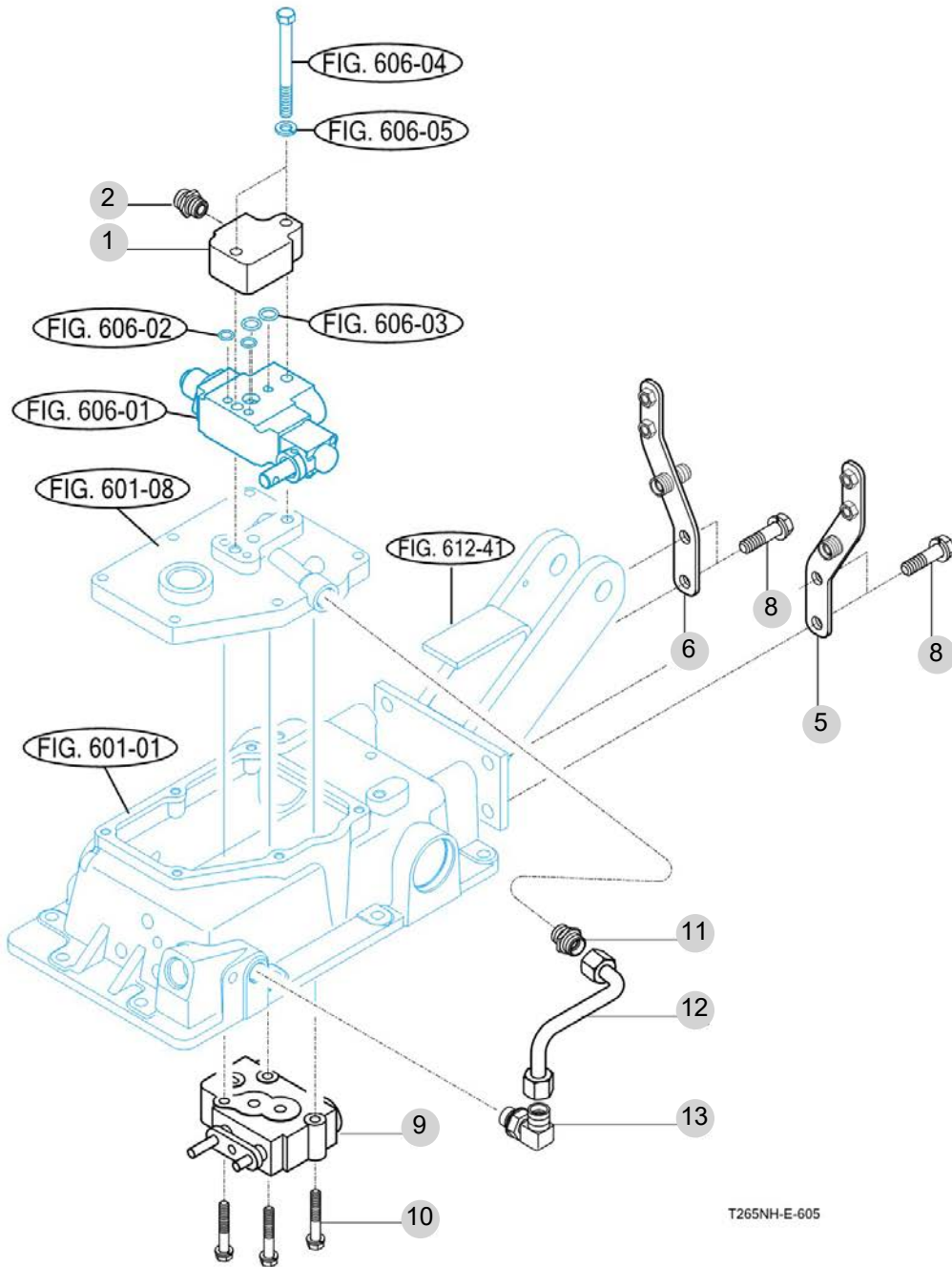
FIG 605

MAIN CONTROL VALVE

년/월
Year/Month

2022-12

T265NHAUZ



NOTE

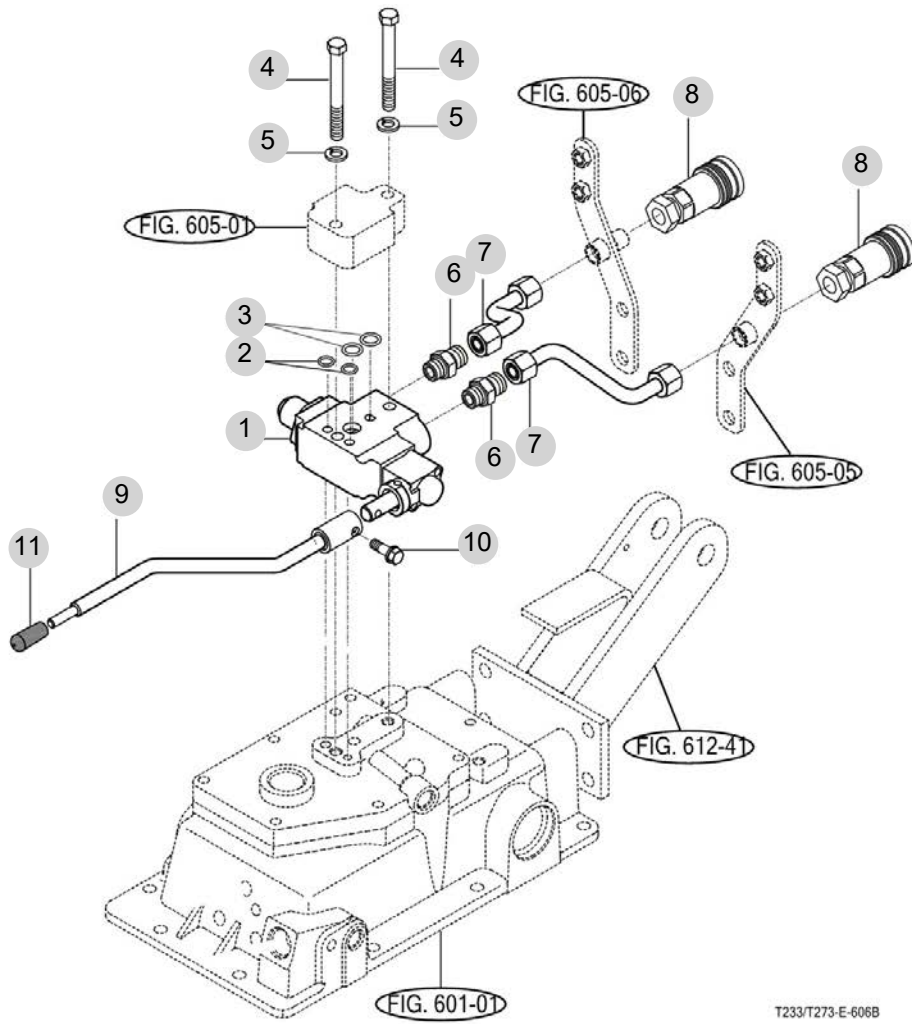
FIG 606

T265NHAUZ

REMOTE CONTROL VALVE

년/월
Year/Month

2022-12



T233/T273-E-606B

NOTE

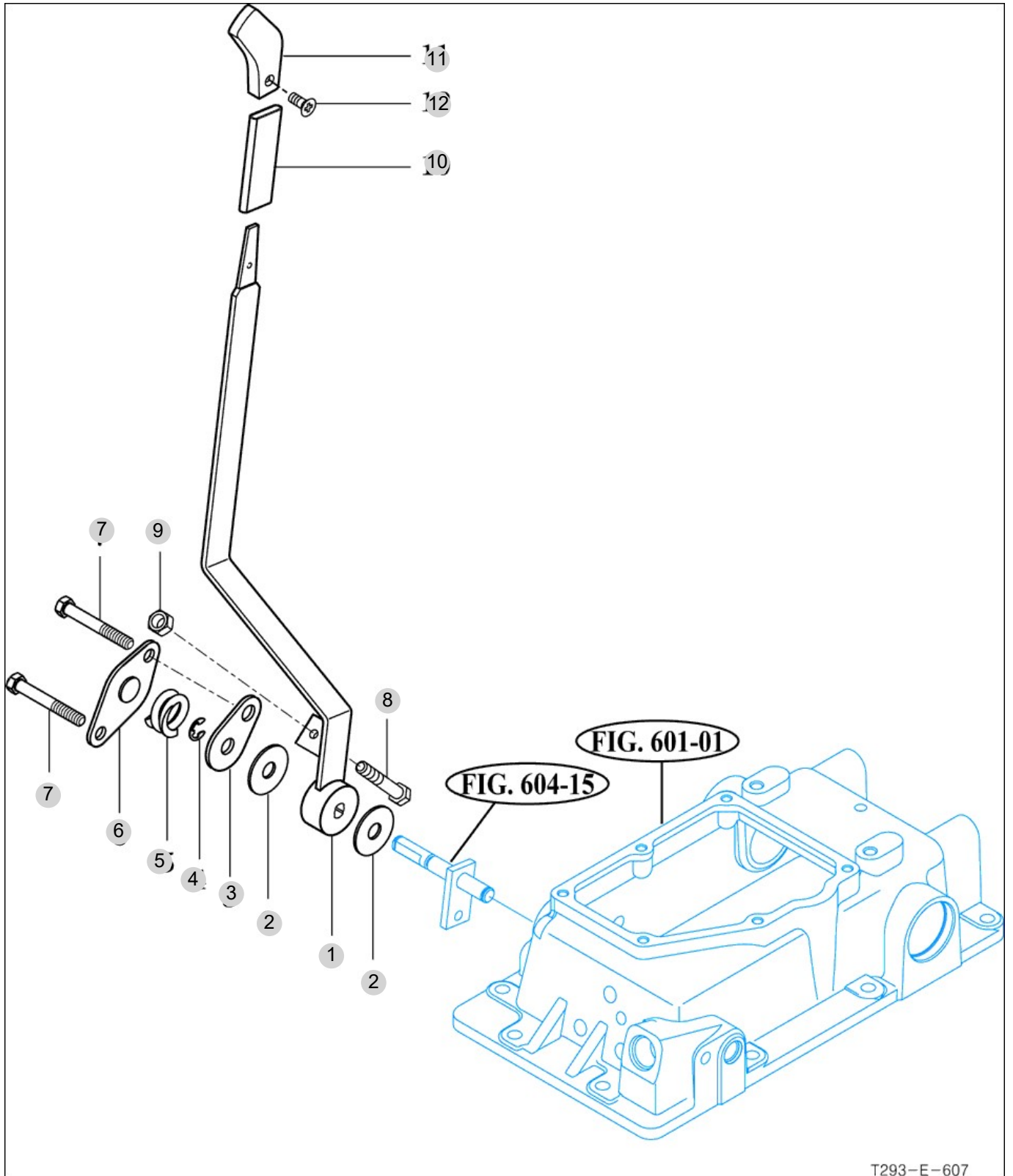
FIG 607

T265NHAUZ

POSITION LEVER LINKAGE

년/월
Year/Month

2022-12



T293-E-607

NOTE

FIG 608

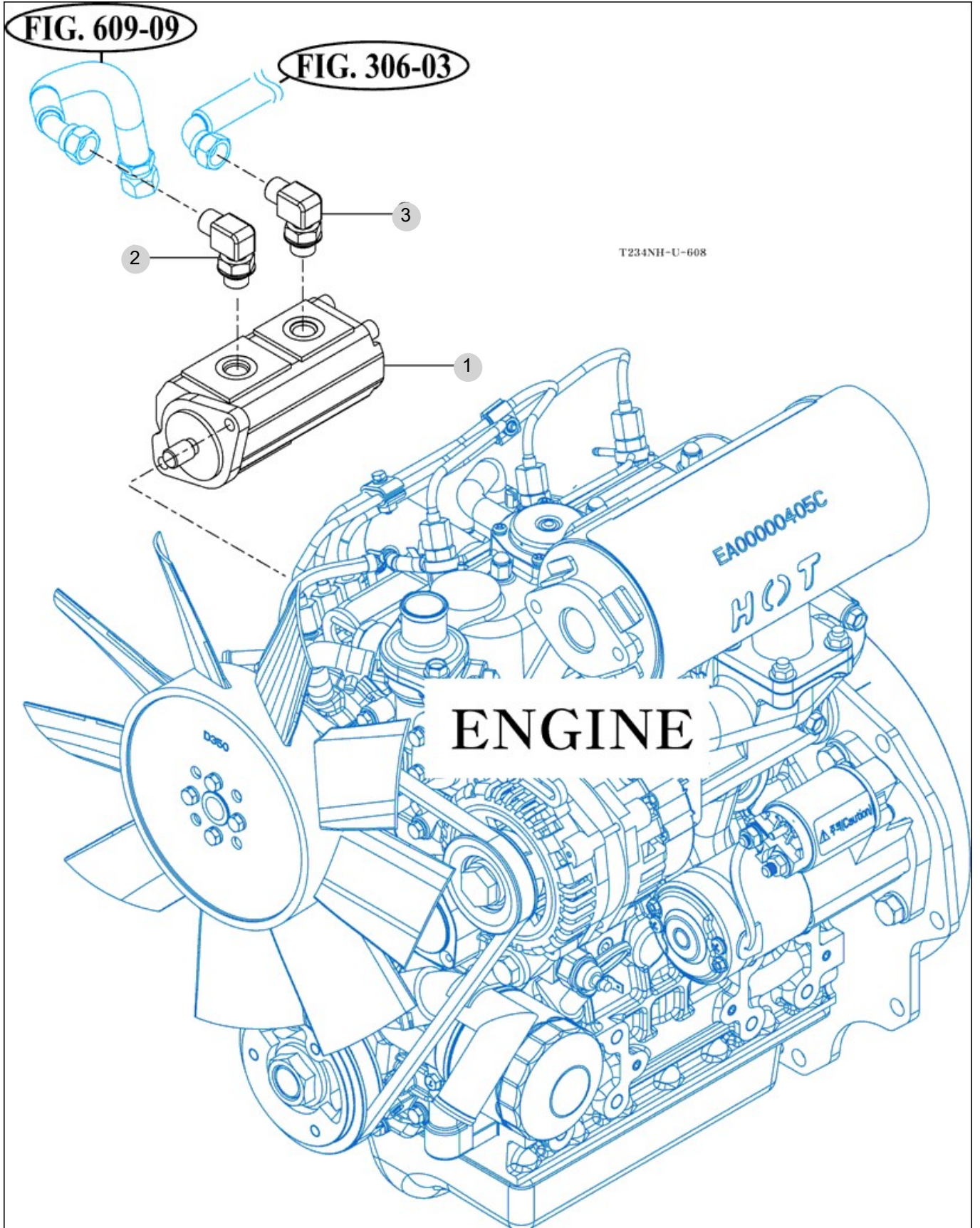
GEAR PUMP

년/월
Year/Month

2022-12

T265NHAUZ

T234NH-U-608



NOTE

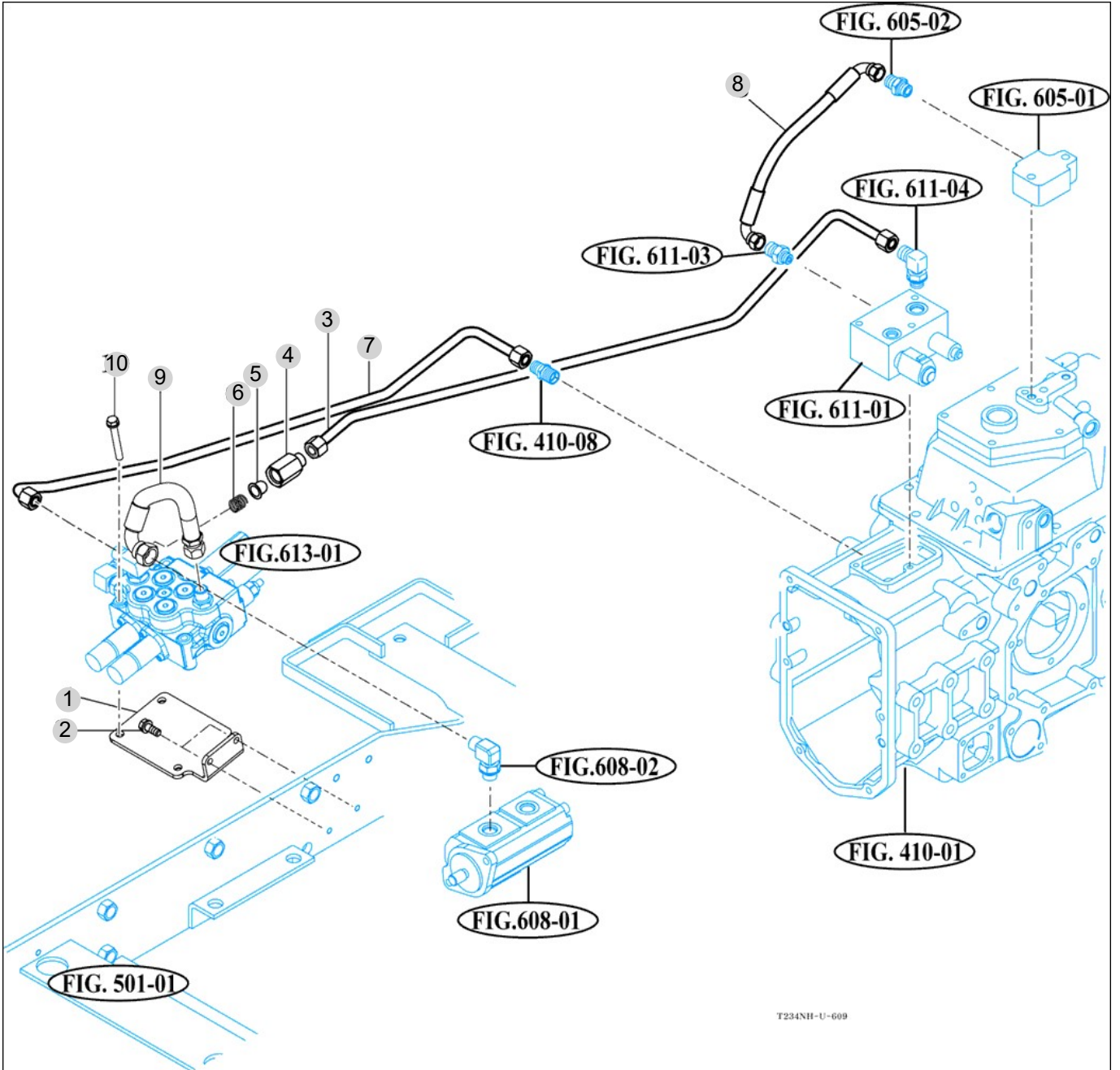
FIG 609

HYDRAULIC HOSE (1)

년/월
Year/Month

2022-12

T265NHAUZ



T234NH-U-609

NOTE

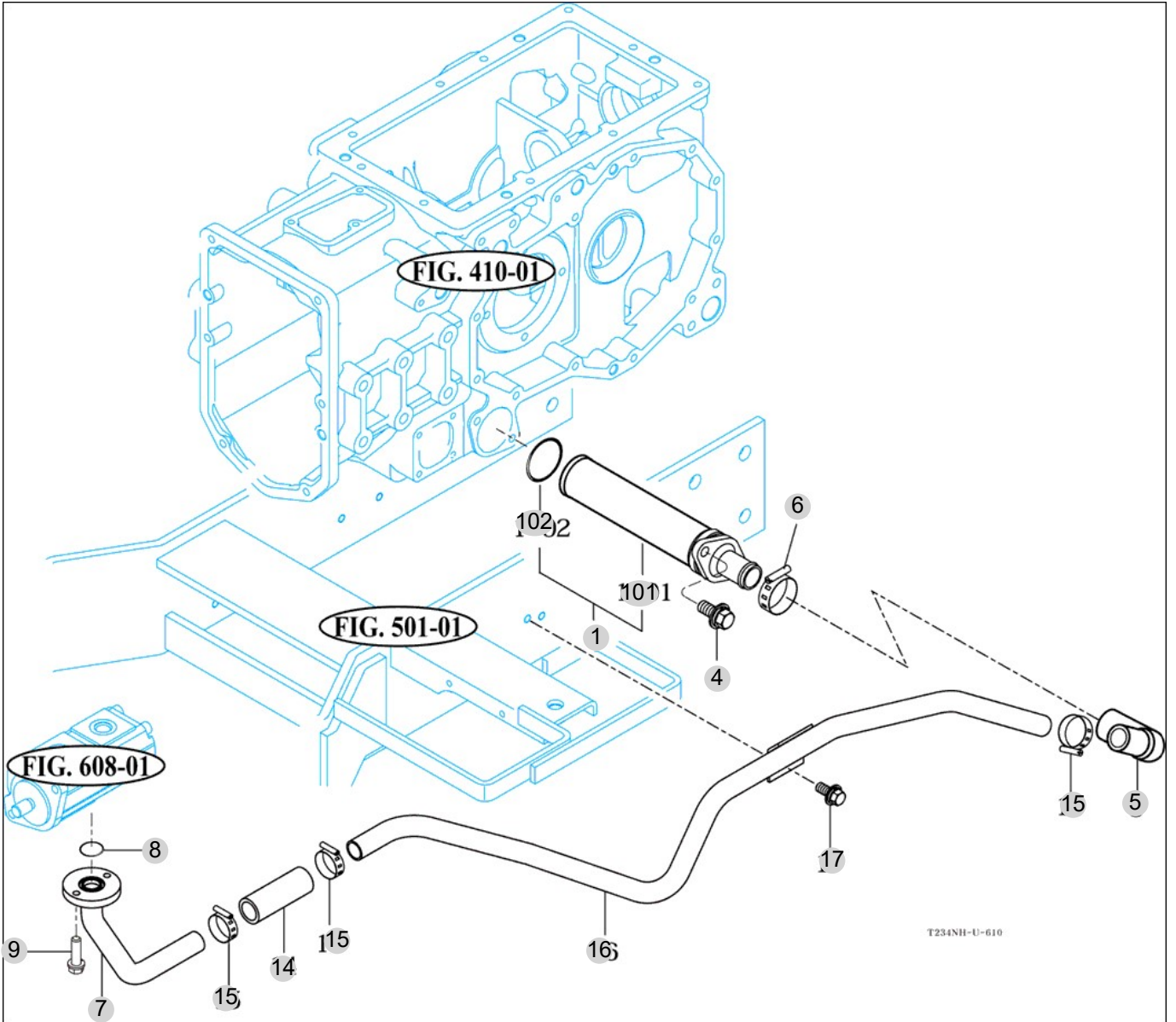
FIG 610

HYDRAULIC HOSE (2)

년/월
Year/Month

2022-12

T265NHAUZ



NOTE

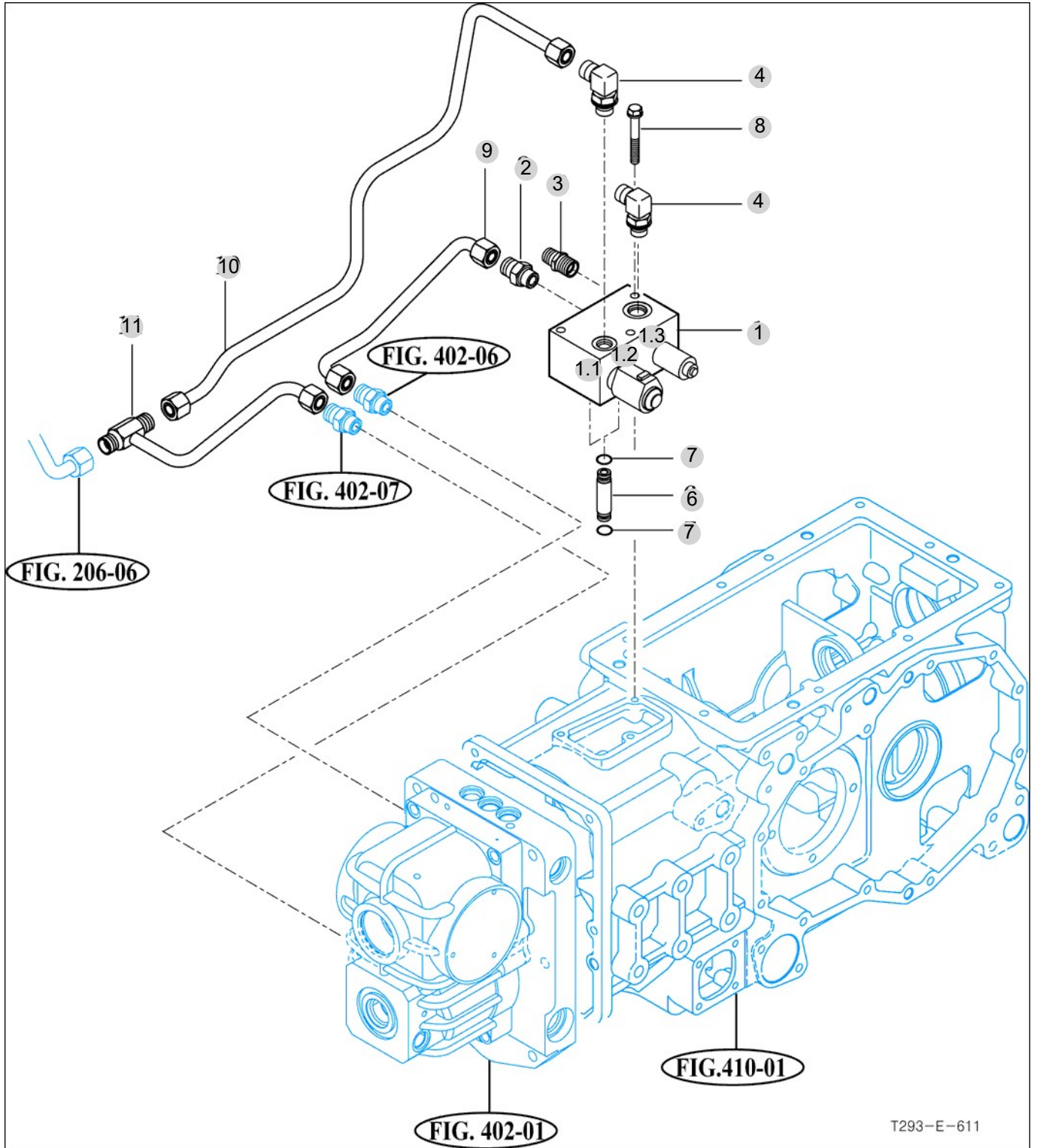
FIG 611

PTO VALVE

년/월
Year/Month

2022-12

T265NHAUZ



T293-E-611

NOTE

FIG 611 T265NHAUZ		PTO VALVE					년/월 Year/Month	REMARKS	
							2022-12		
KEY NO	PART NO	DESCRIPTION	SPEC	QTY	REPAIR	EFFECTIVE DATE			
611	1	13155113000	PTO 밸브 ASSY	143X110X57	1				
611	1	13155113001	PTO 밸브 ASSY		1				
611	1.1	13155113010	솔레노이드밸브		1				
611	1.2	19025162160	카트리지 (솔레노이드밸브)	1X1X1	1				
611	1.3	13155113020	릴리프밸브ASSY		1				
611	2	16995304000	유니온(오링)	D25X25X36	1				
611	3	16994080072	유니온(SHORT)	육각 22 (40X25)	1				
611	4	14725100100	엘보 PF 3/8xM18	32X48X36	2				
611	6	13155104412	PTO 파이프	D13X53	2				
611	6	13155104413	PTO 파이프		2				
611	7	V7201019010	O링(P)	P10	4				
611	7	V7231015012	O링(S)		4				
611	8	V2173608070	소형육각볼트보통(S)	M8X70	3				
611	9	13155102901	파이프(드레인) COMP	1X1X1	1				
611	10	13155102303	파이프(PTO) COMP	133X480X150	1				
611	11	13155102504	파이프(HST) COMP		1				
NOTE									

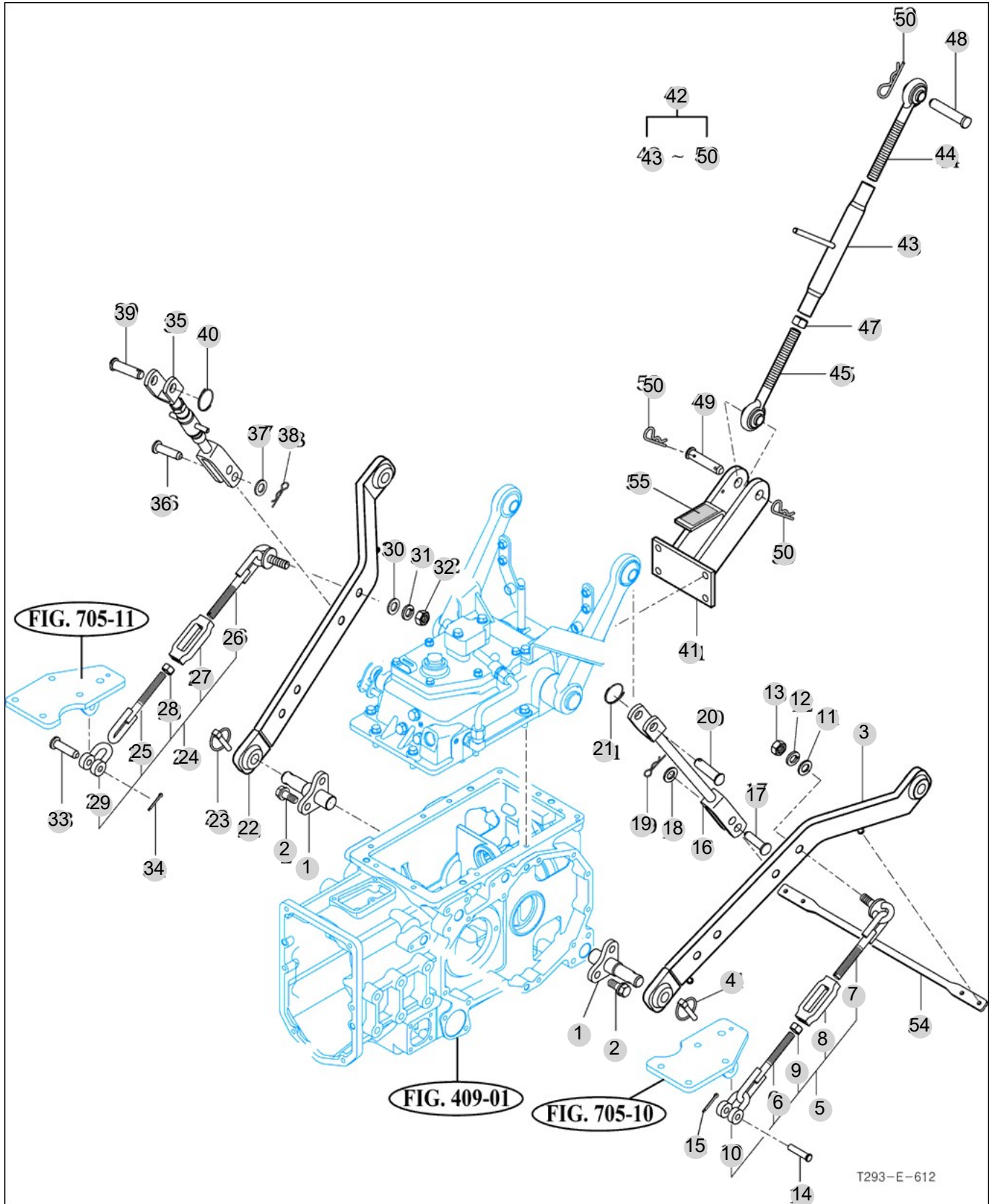
FIG 612

HITCH & 3-POINT LINKAGE

년/월
Year/Month

2022-12

T265NHAUZ



T293-E-612

NOTE

FIG 612 T265NHAUZ		HITCH & 3-POINT LINKAGE					년/월 Year/Month	
							2022-12	
KEY NO	PART NO	DESCRIPTION	SPEC	QTY	REPAIR	EFFECTIVE DATE	REMARKS	
612	1	13155205100	핀(115) COMP	82X115X50	2			
612	2	V2173612030	소형육각볼트보통(S)	M12X30	4			
612	3	13155202202	로어링크(좌) COMP	95X740X50	1			
612	4	14215020020	링크핀		1			
612	5	13155202501	체인(체크) 조합	1X1X1	1			
612	6	14585142600	체인(체크,RH)COMP	10X180X34	1			
612	7	14585142700	체인(체크,LH)COMP	1X1X1	1			
612	8	13155202511	터언버클	D20X44X104	1			
612	9	V3012600140	육각너트보통2종	M14	1			
612	10	14585142520	체크체인 샤클	1X1X1	1			
612	11	V4111600160	평와셔	M16	1			
612	12	V4011600160	스프링와셔	M16	1			
612	13	V3313600160	육각너트가는2종	M16	1			
612	14	79636110030	핀(12X48)	D=12	1			
612	15	V5001930020	분할핀		1			
612	16	13155202401	리프트로드(좌) COMP	450X60X47	1			
612	17	79636130050	핀(16X60)	D=16	1			
612	18	V4111600160	평와셔	M16	1			
612	19	13059310030	헤어핀(D=2.3)	D=2.3	1			
612	20	12505243500	핀		1			
612	21	12505240060	스프링		1			
612	22	13155203102	로어링크(우) COMP	1X1X1	1			
612	23	14215020020	링크핀		1			
612	24	13155202501	체인(체크) 조합	1X1X1	1			
612	25	14585142600	체인(체크,RH)COMP	10X180X34	1			
612	26	14585142700	체인(체크,LH)COMP	1X1X1	1			
612	27	13155202511	터언버클	D20X44X104	1			
612	28	V3012600140	육각너트보통2종	M14	1			
612	29	14585142520	체크체인 샤클	1X1X1	1			
612	30	V4111600160	평와셔	M16	1			
612	31	V4011600160	스프링와셔	M16	1			
612	32	V3313600160	육각너트가는2종	M16	1			
612	33	79636110030	핀(12X48)	D=12	1			
612	34	V5001930020	분할핀		1			
612	35	13155203201	리프트로드(우) COMP	1X1X1	1			
612	36	79636130050	핀(16X60)	D=16	1			
612	37	V4111600160	평와셔	M16	1			
612	38	13059310030	헤어핀(D=2.3)	D=2.3	1			
612	39	12505243500	핀		1			
612	40	12505240060	스프링		1			
612	41	13155204104	톱링크 브래킷 COMP	144X245X150	1			
612	42	13155206002	톱링크 ASSY		1			
612	42	13155206003	톱링크 ASSY	1X1X1	1			
612	42	13155206004	톱링크 ASSY		1			
612	43	13155206111	터언버클	31.8X4.5	1			
NOTE								

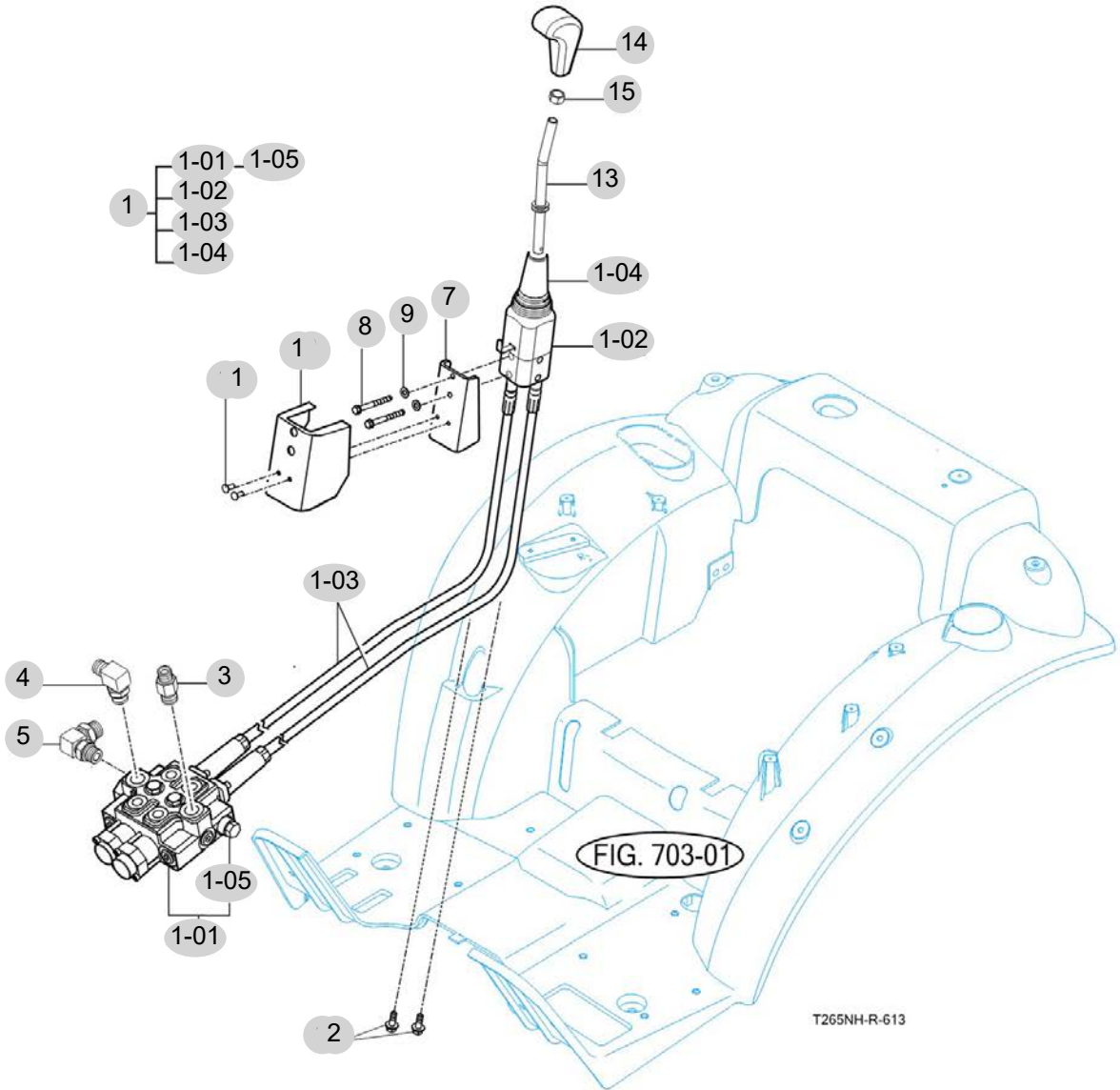
FIG 613

T265NHAUZ

JOYSTICK LEVER

년/월
Year/Month

2022-12



NOTE

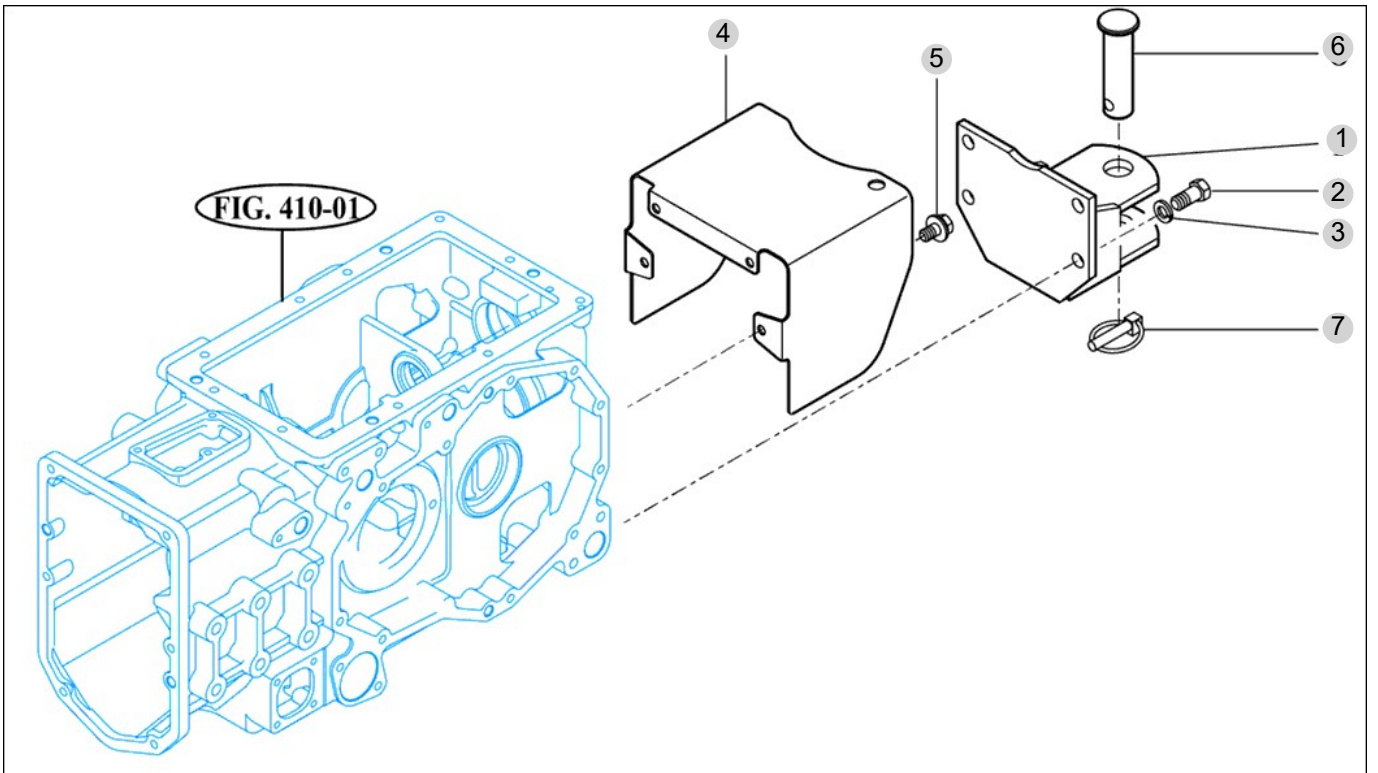
FIG 614

HITCH & COVER

년/월
Year/Month

2022-12

T265NHAUZ



NOTE

7. 시트메탈/캐빈 PART NO. T7

FIG 701(1) BONNET	169
FIG 701(2) BONNET	171
FIG 702 DASH PANEL	173
FIG 703 FLOOR	175
FIG 704 SEAT	177
FIG 705 ROPS	179
FIG 706 CAB FRAME & DOOR(OPTION)	181
FIG 707 FRONT GLASS(OPTION)	183
FIG 708 SIDE & REAR GLASS(OPTION)	185
FIG 709 ROOF(OPTION)	187
FIG 710 HEATER(OPTION)	189
FIG 711 INTERIOR PART(OPTION)	191
FIG 712 LAMP & COVER(OPTION)	193
FIG 713 FRONT & REAR MOUNTING(OPTION)	195

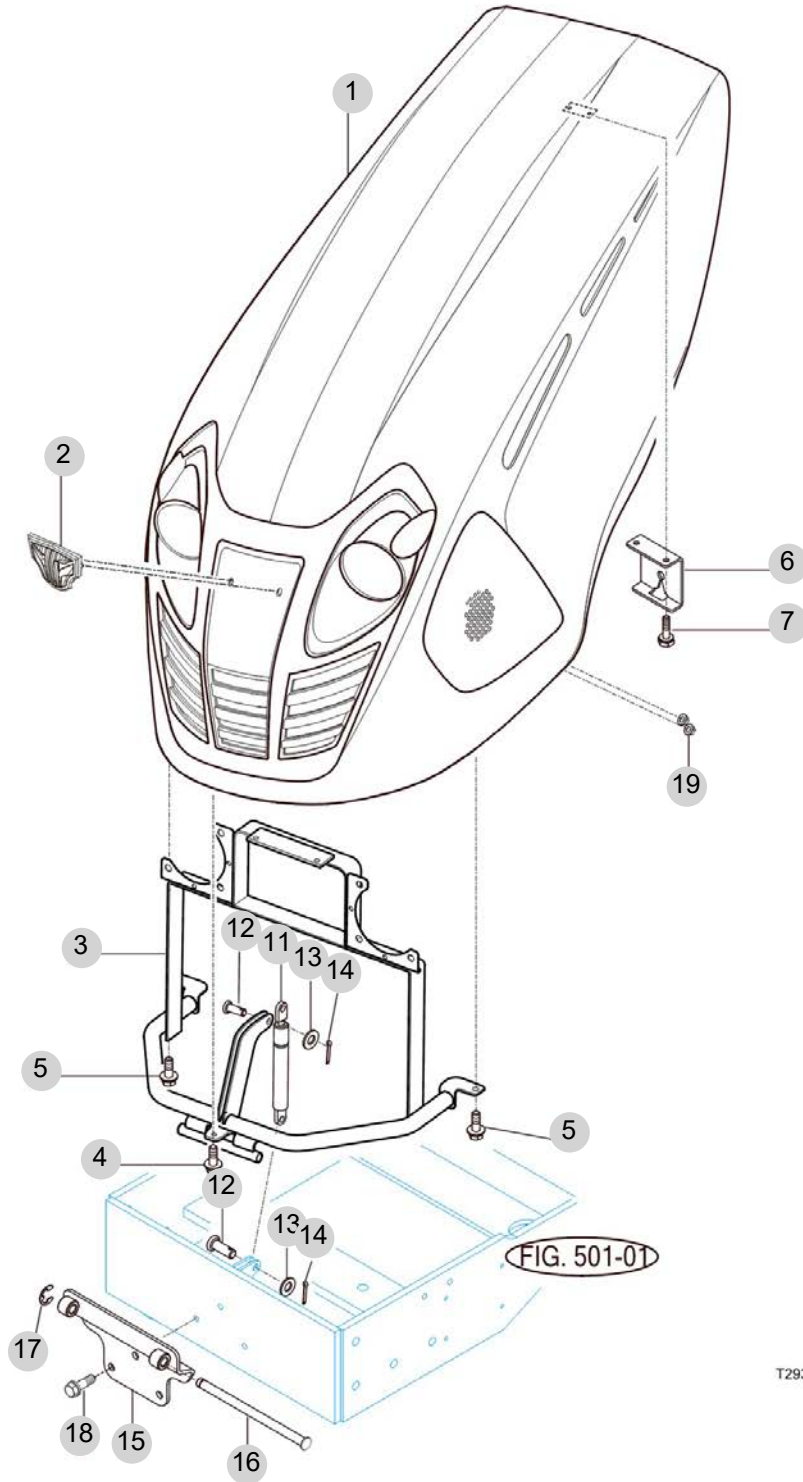
FIG 701(1)

T265NHAUZ

BONNET

년/월
Year/Month

2022-12



T293-E-701

NOTE

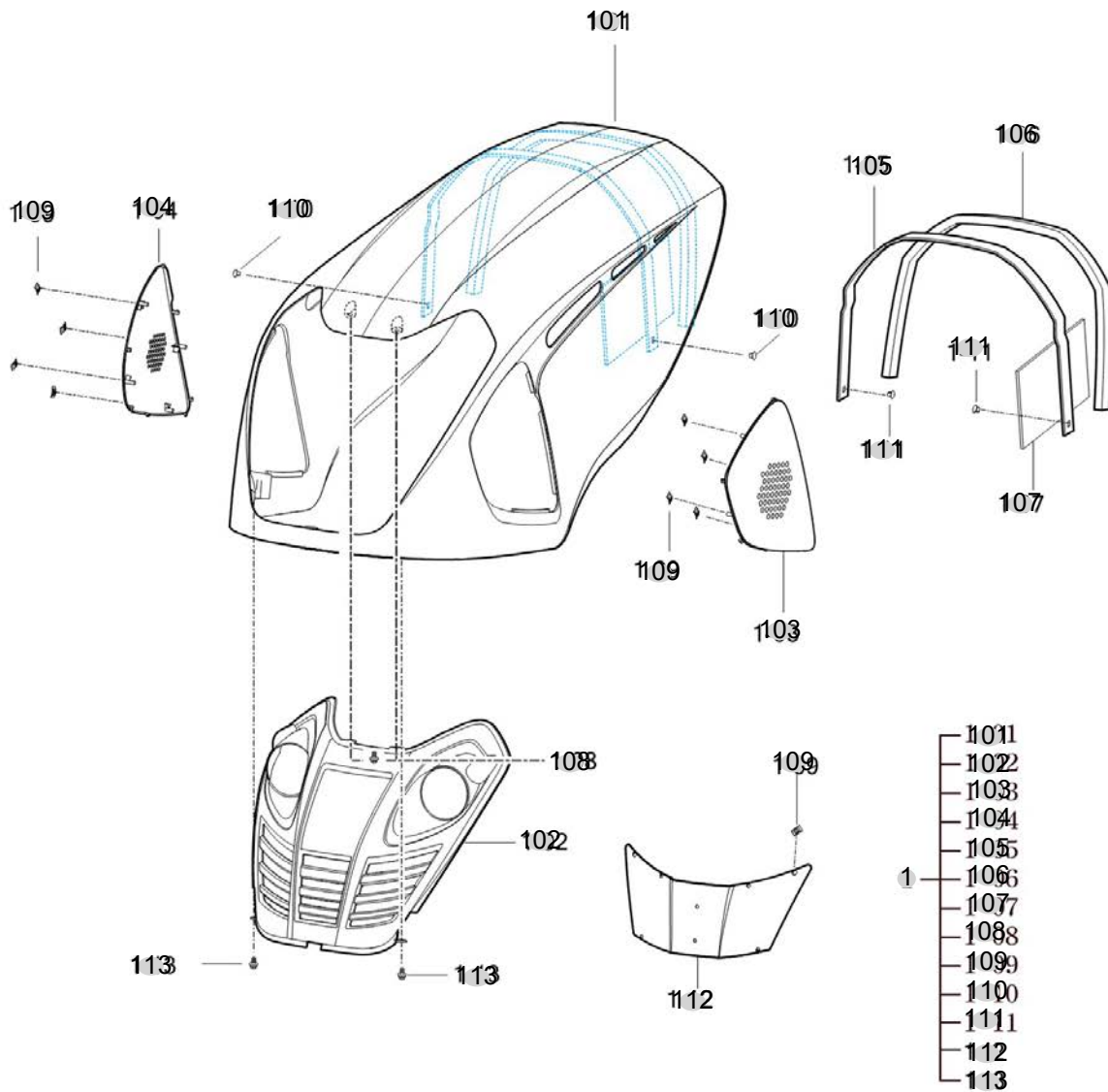
FIG 701(2)

T265NHAUZ

BONNET

년/월
Year/Month

2022-12



T293-E-701B

NOTE

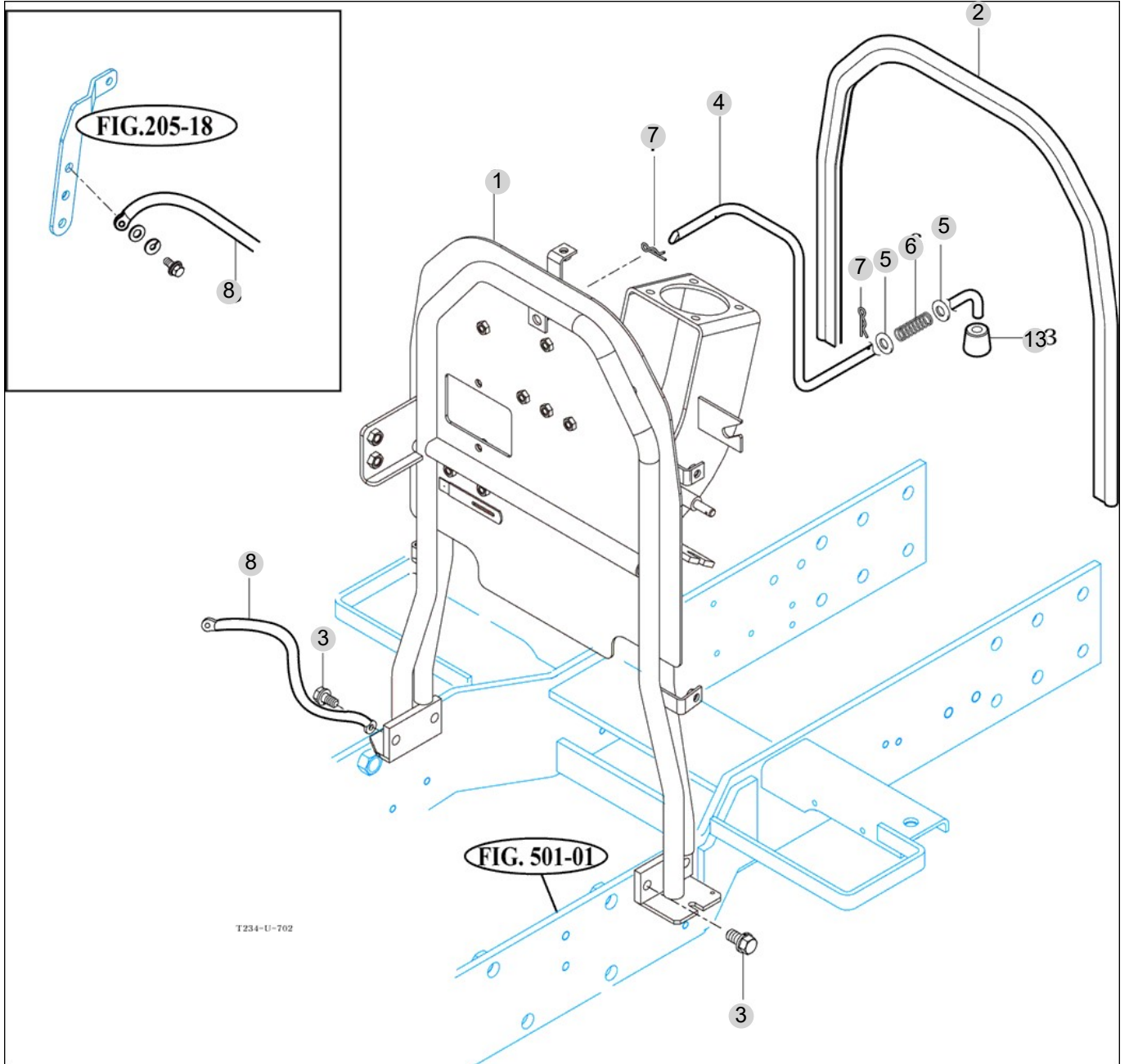
FIG 702

DASH PANEL

년/월
Year/Month

2022-12

T265NHAUZ



T234-U-702

NOTE

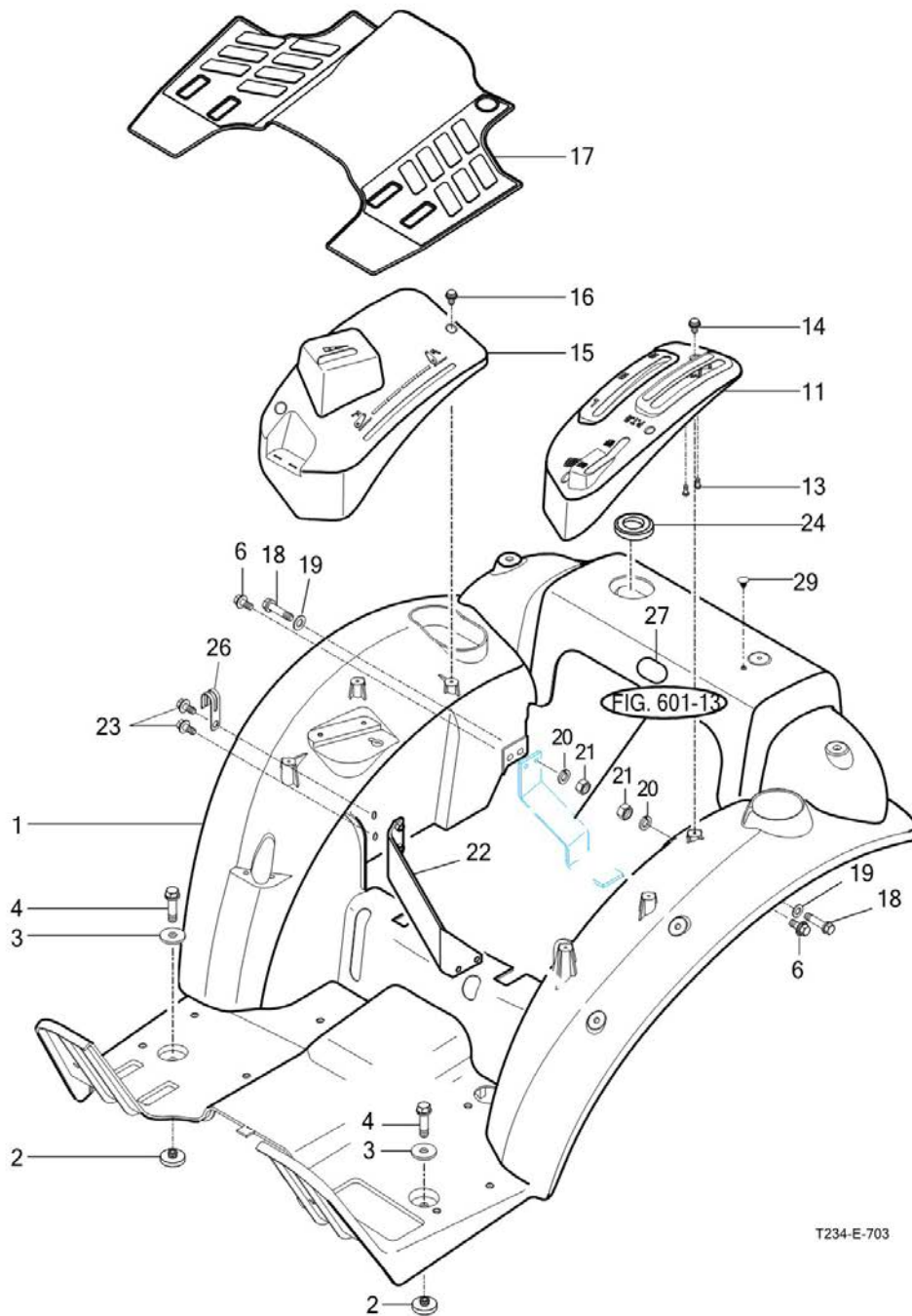
FIG 703

T265NHAUZ

FLOOR

년/월
Year/Month

2022-12



NOTE

FIG 704

T265NHAUZ

SEAT

년/월
Year/Month

2022-12

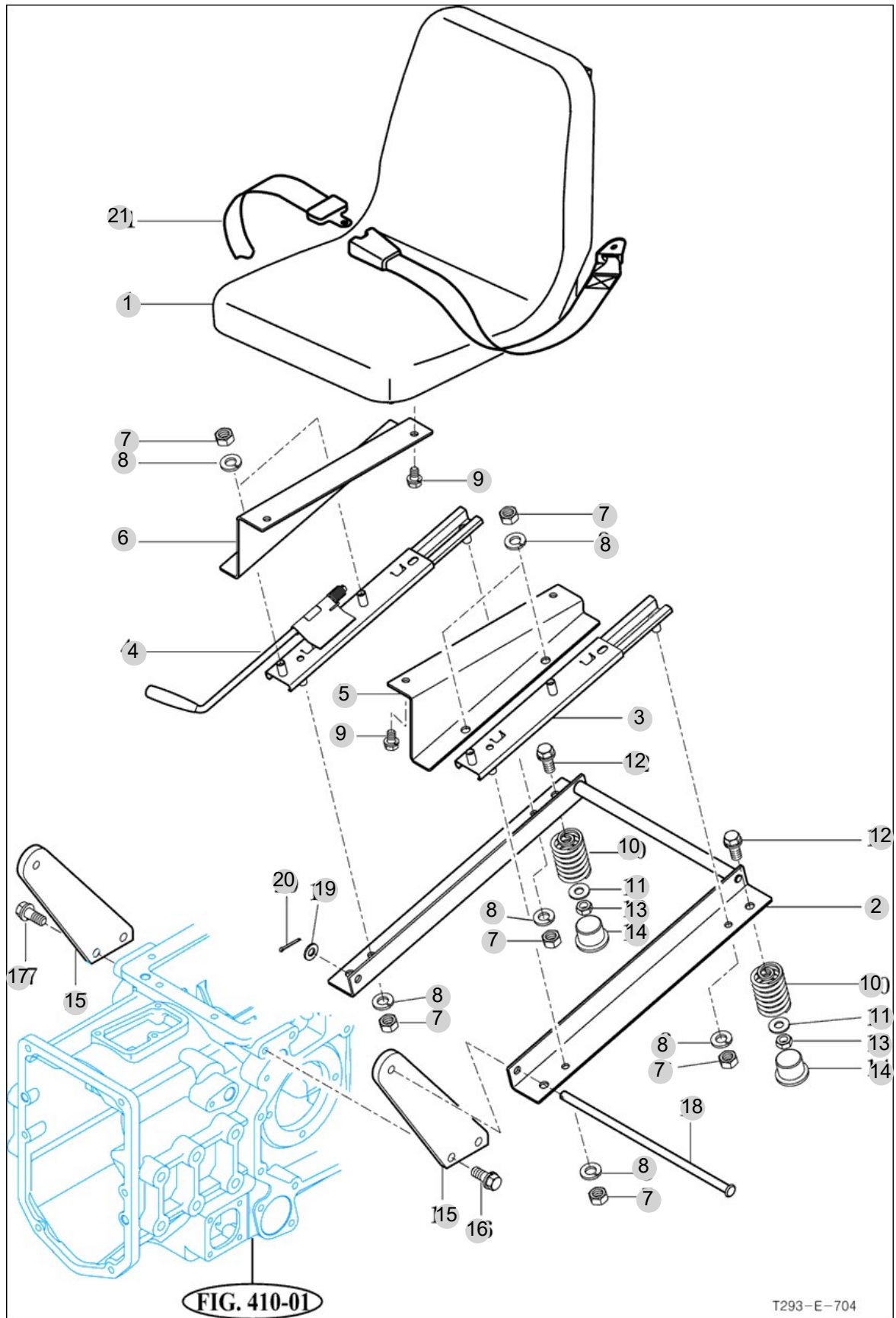


FIG. 410-01

T293-E-704

NOTE

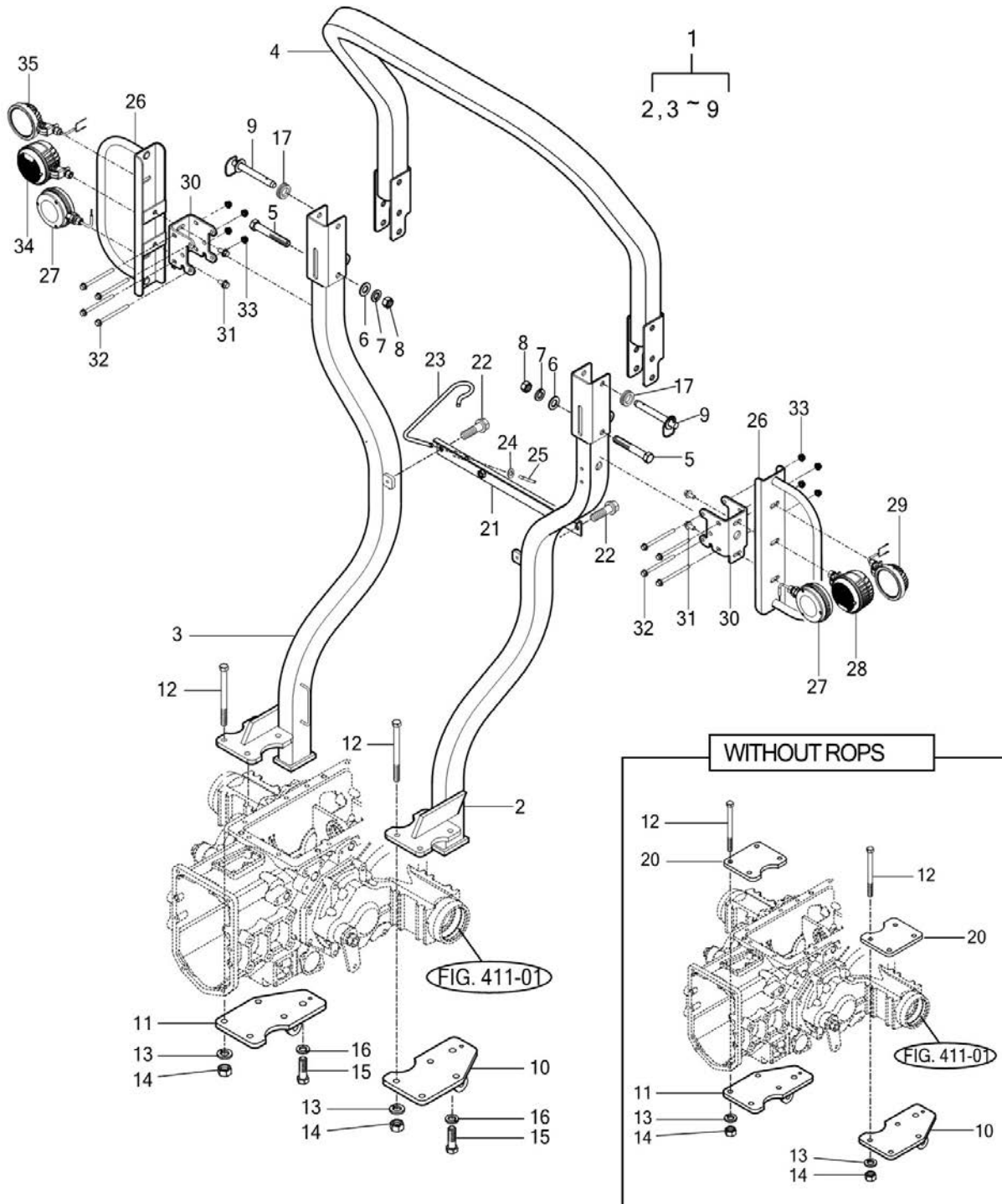
FIG 705

T265NHAUZ

ROPS

년/월
Year/Month

2022-12



T233/T273-E-705B

NOTE

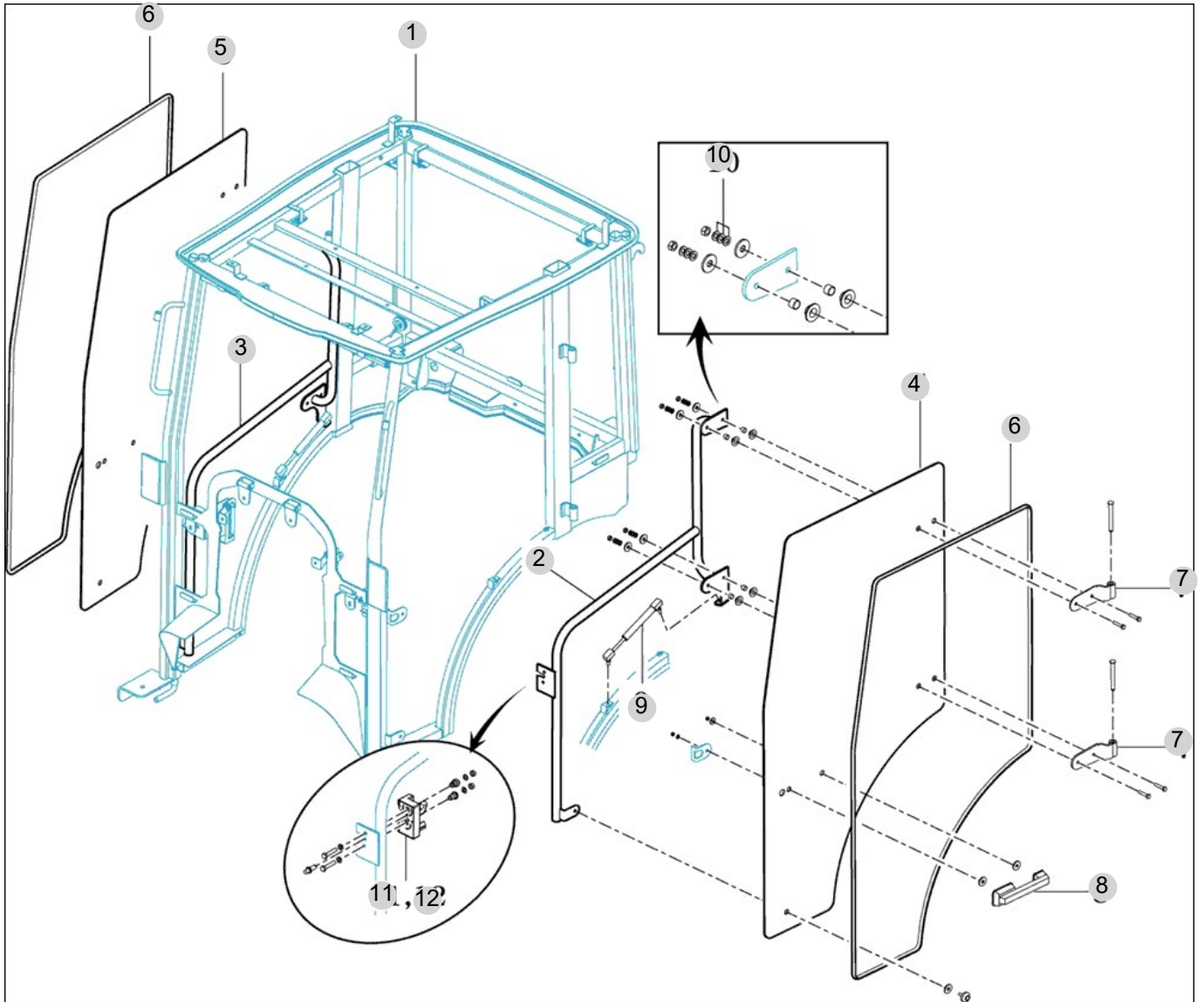
FIG 706

CAB FRAME & DOOR(OPTION)

년/월
Year/Month

2022-12

T265NHAUZ



NOTE

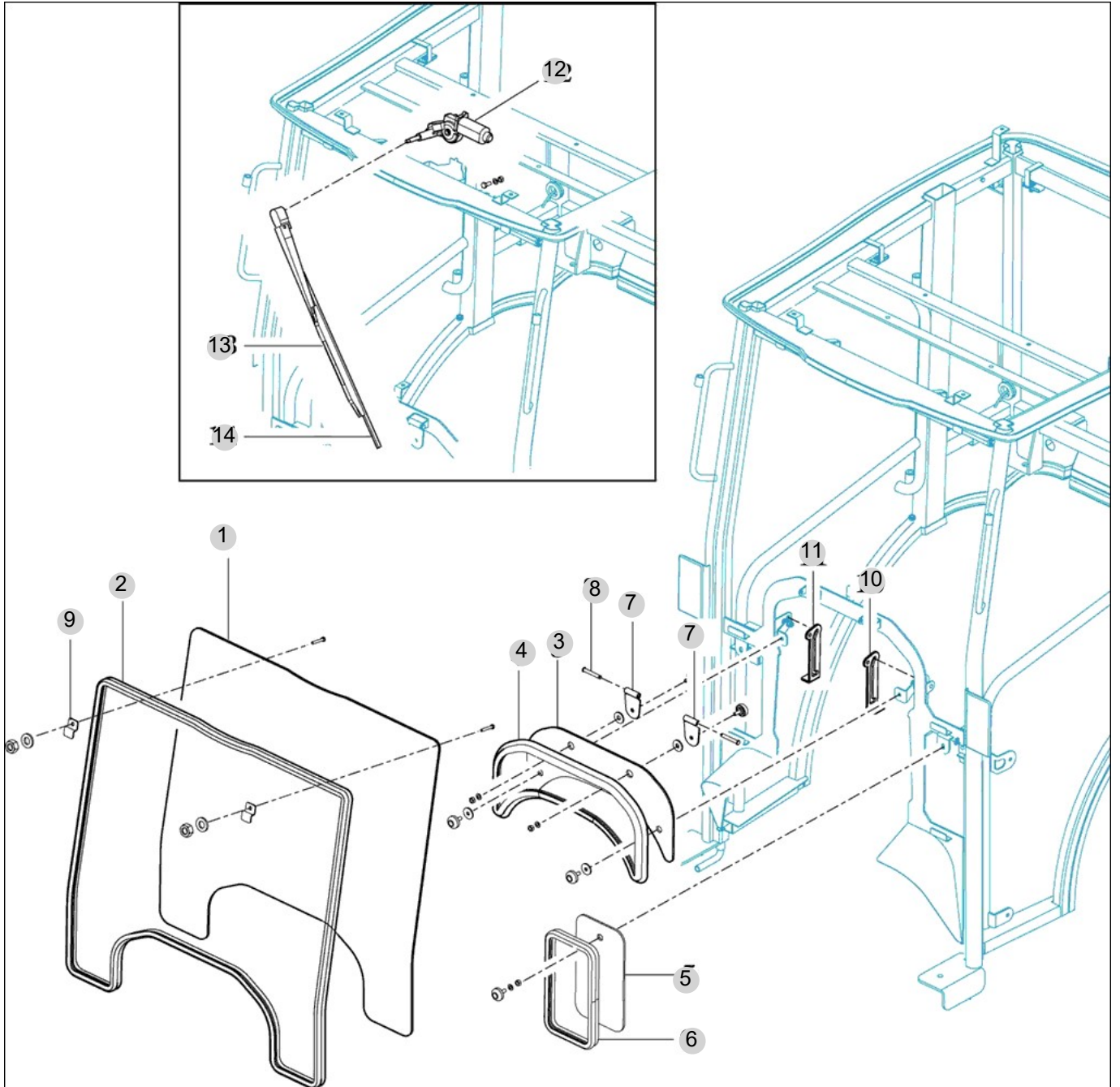
FIG 707

FRONT GLASS(OPTION)

년/월
Year/Month

2022-12

T265NHAUZ



NOTE

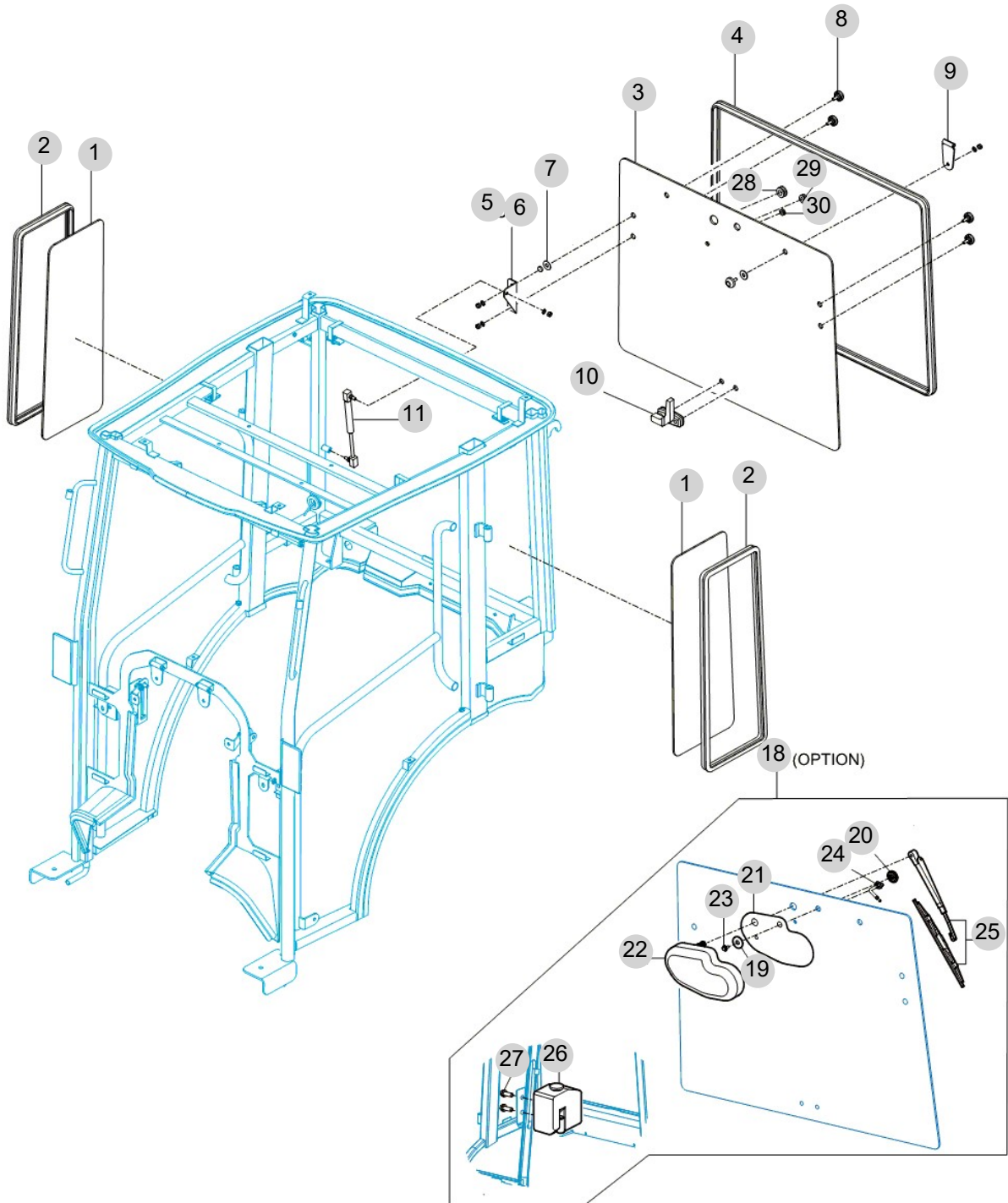
FIG 708

SIDE & REAR GLASS(OPTION)

년/월
Year/Month

2022-12

T265NHAUZ



NOTE

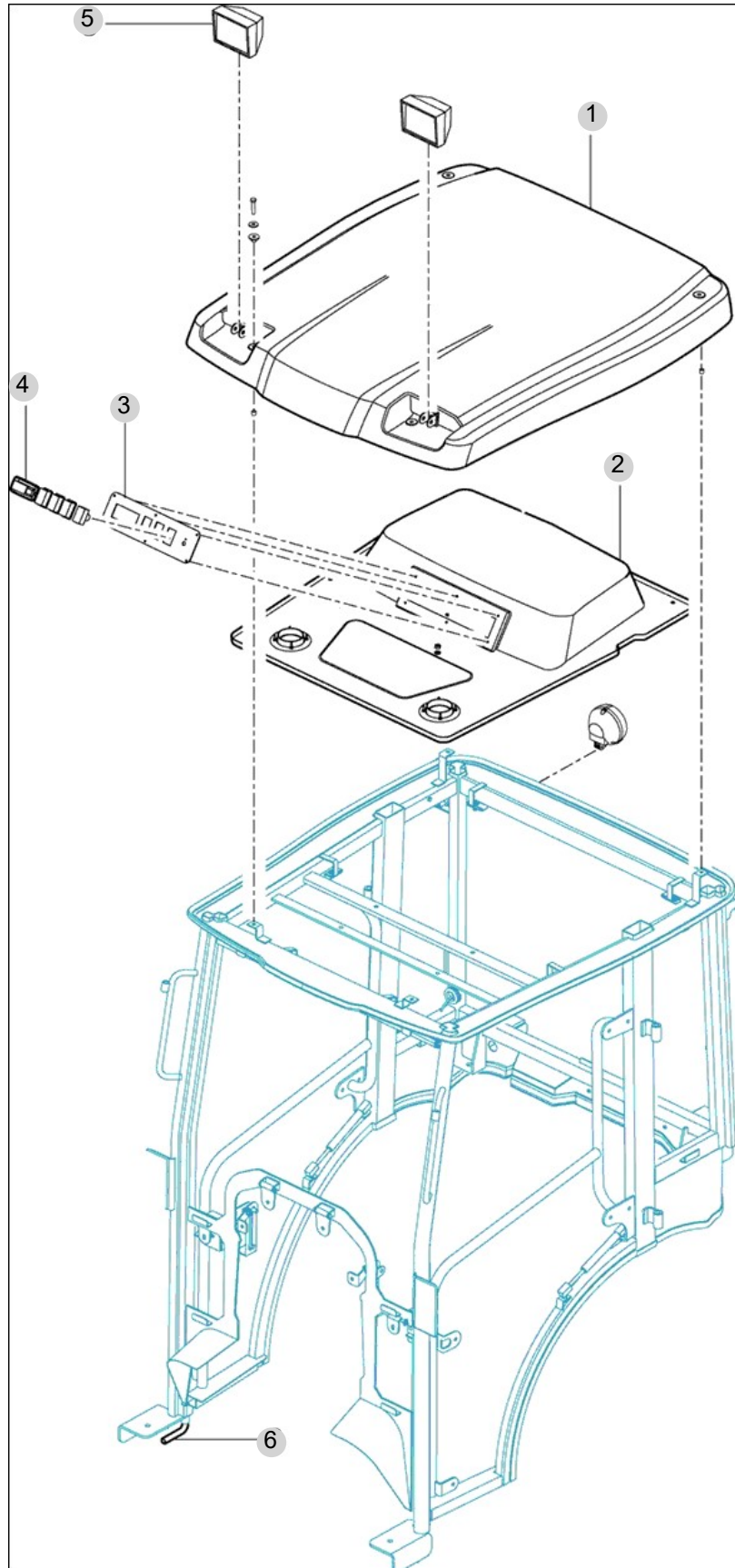
FIG 709

ROOF(OPTION)

년/월
Year/Month

2022-12

T265NHAUZ



NOTE

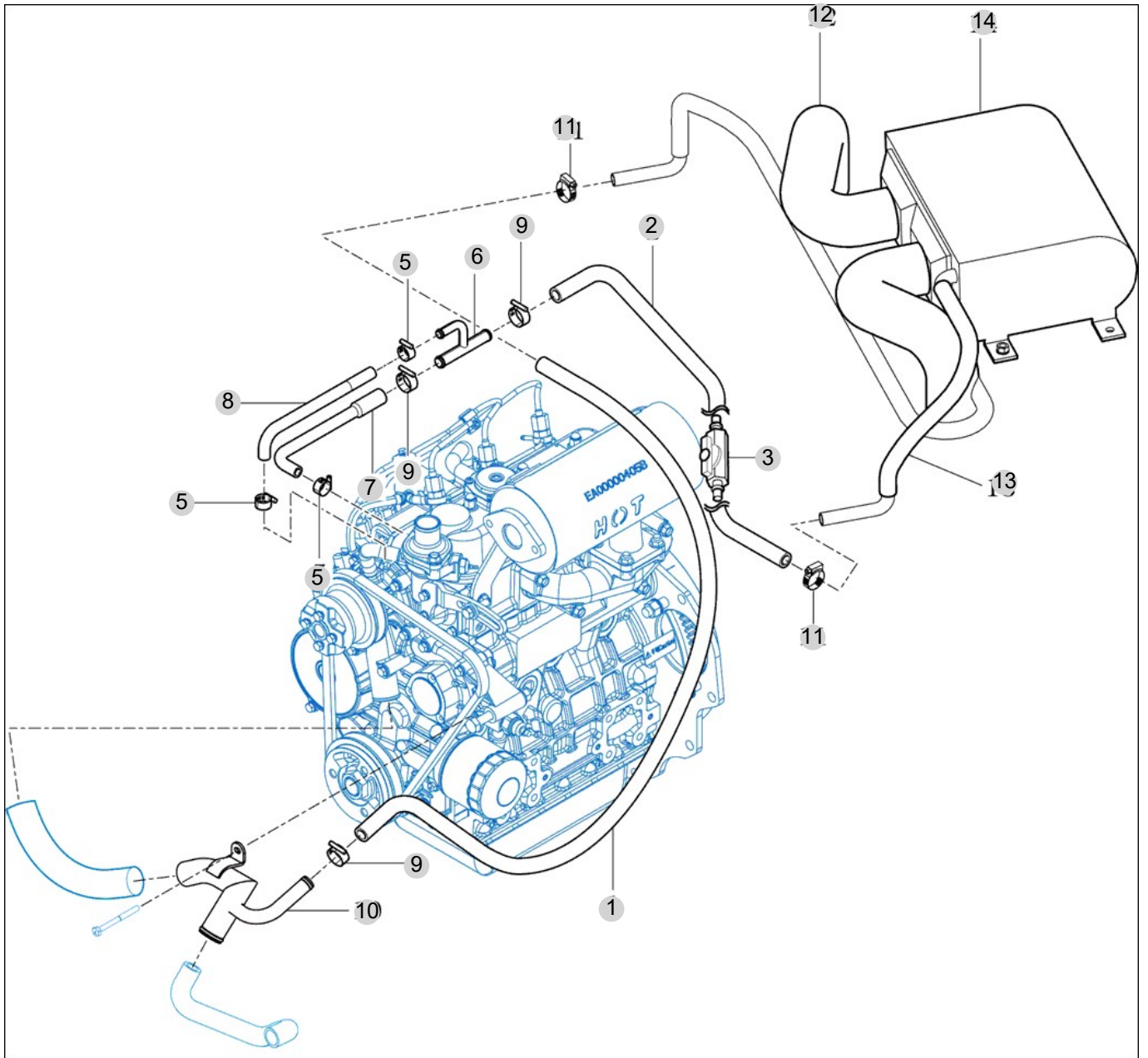
FIG 710

HEATER(OPTION)

년/월
Year/Month

2022-12

T265NHAUZ



NOTE

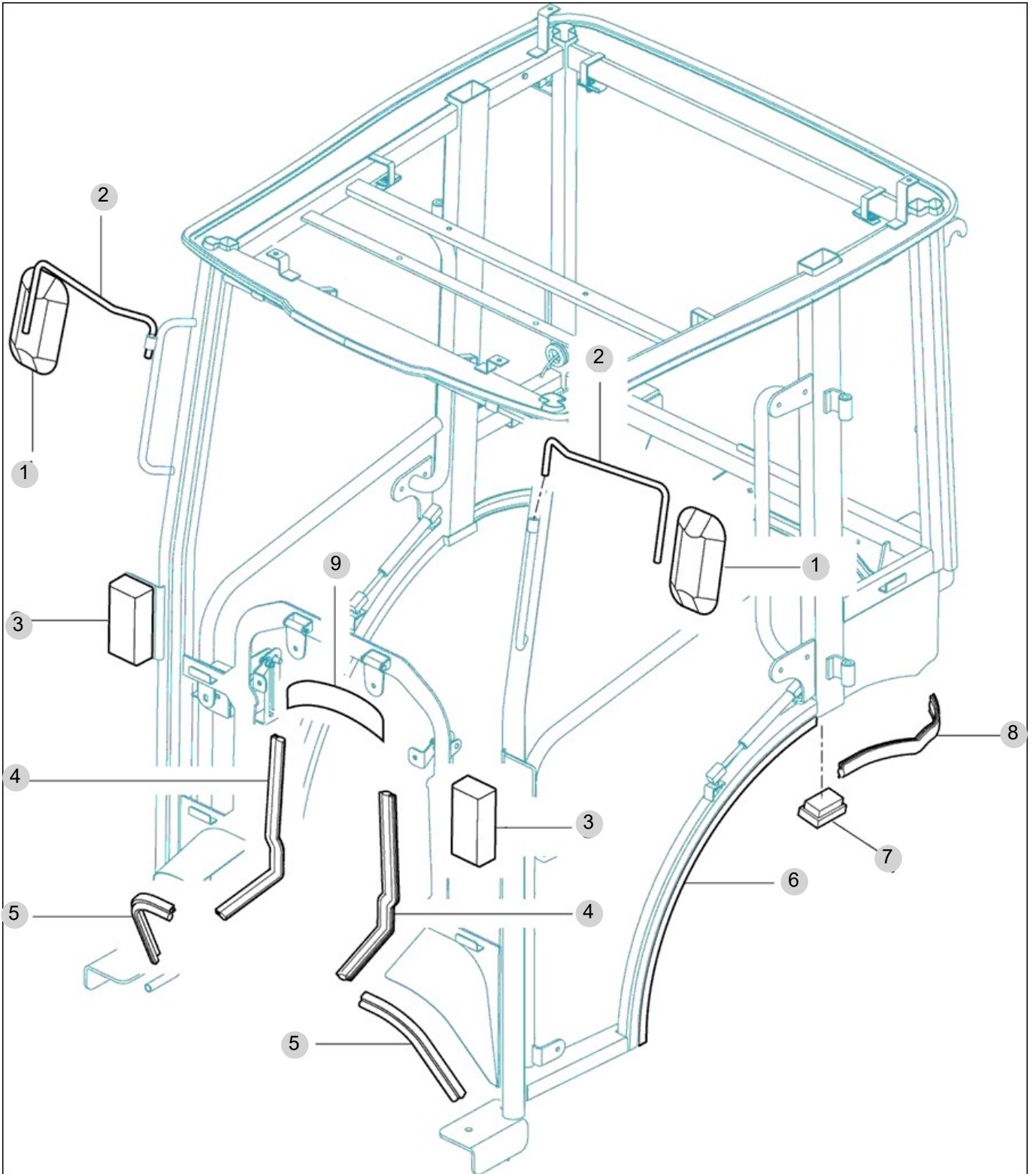
FIG 711

INTERIOR PART(OPTION)

년/월
Year/Month

2022-12

T265NHAUZ



NOTE

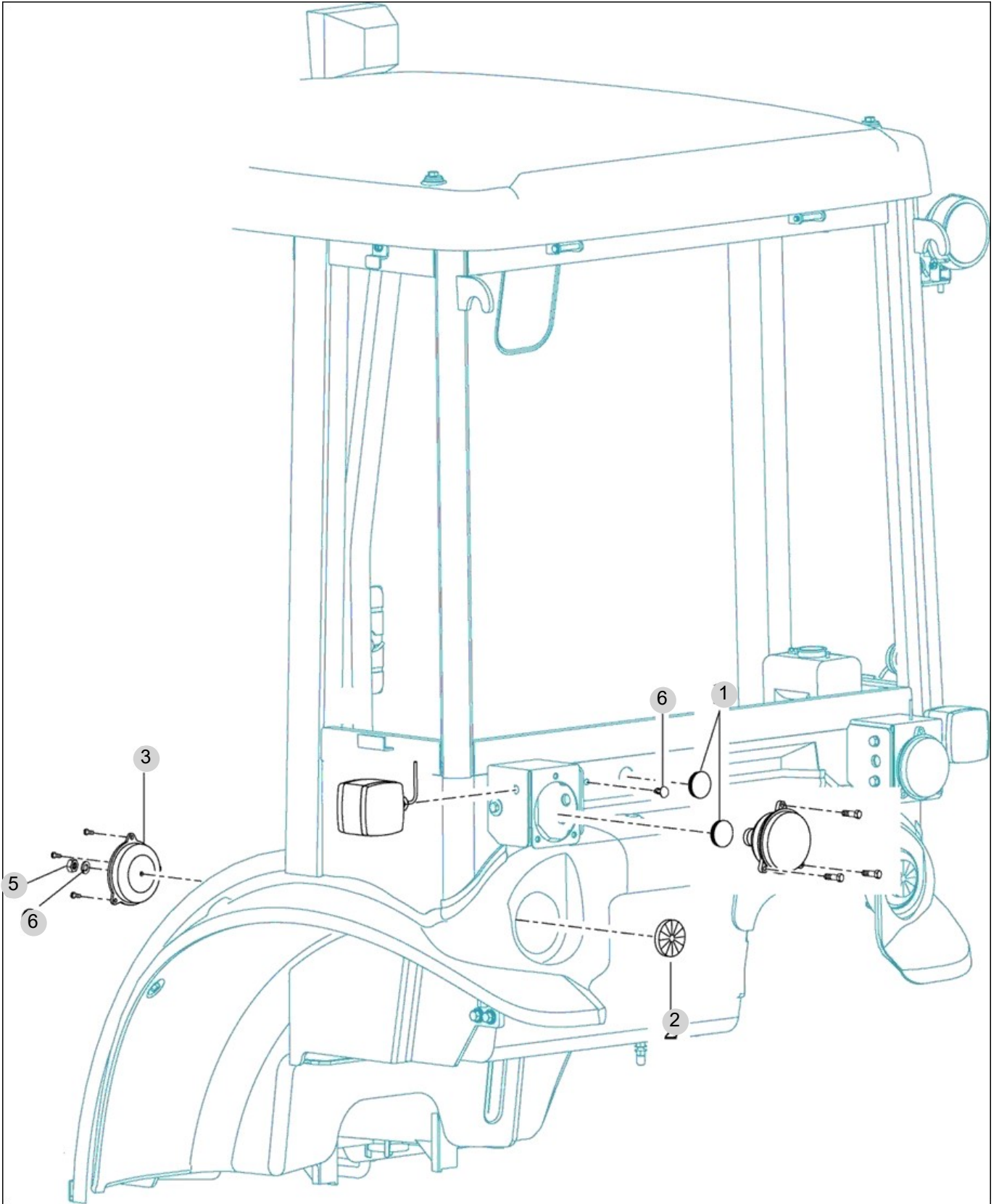
FIG 712

LAMP & COVER(OPTION)

년/월
Year/Month

2022-12

T265NHAUZ



NOTE

FIG 712 T265NHAUZ		LAMP & COVER(OPTION)						년/월 Year/Month
								2022-12
KEY NO	PART NO	DESCRIPTION	SPEC	QTY	REPAIR	EFFECTIVE DATE	REMARKS	
712	1	16606510210	고무캡(30)	1X1X1	5			
712	2	13606571000	후미반사판	1X1X1	2			
712	3	13197020011	커버 스톱램프	T=4.0	2			
712	4	V4011600050	스프링와셔	M5	2			
712	5	V3002600050	육각너트보통1종	M5	2			
712	6	15276040020	트림 클립(8)	1X1X1	2			
NOTE								

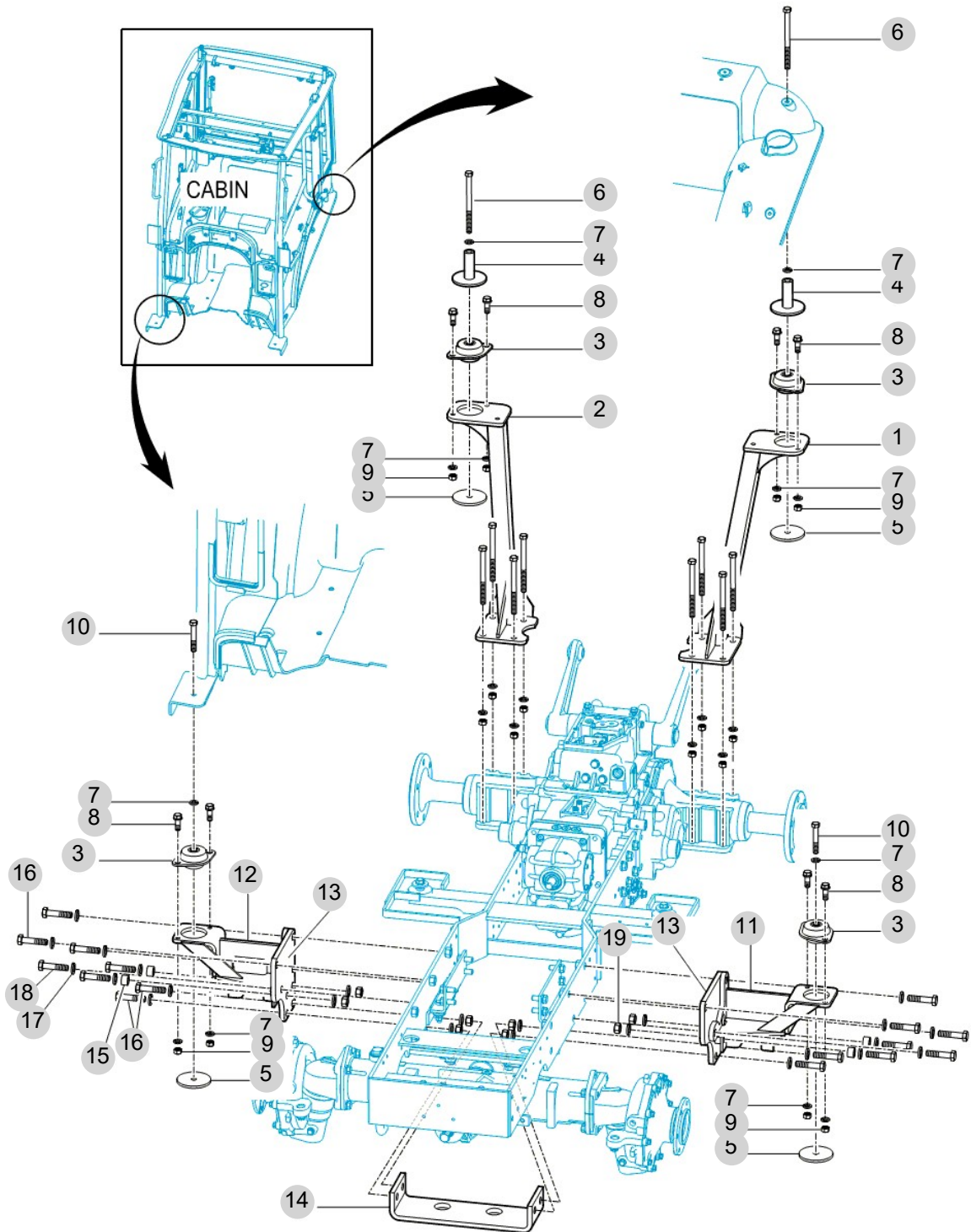
FIG 713

T265NHAUZ

FRONT & REAR MOUNTING(OPTION)

년/월
Year/Month

2022-12



NOTE

8. 전장 PART NO. T8

FIG 801 BATTERY & MOUNTING	198
FIG 802 LIGHTS	200
FIG 803 INSTRUMENT PANEL	202
FIG 804 ELECTRIC SYSTEM	204
FIG 805 HARNESS	206

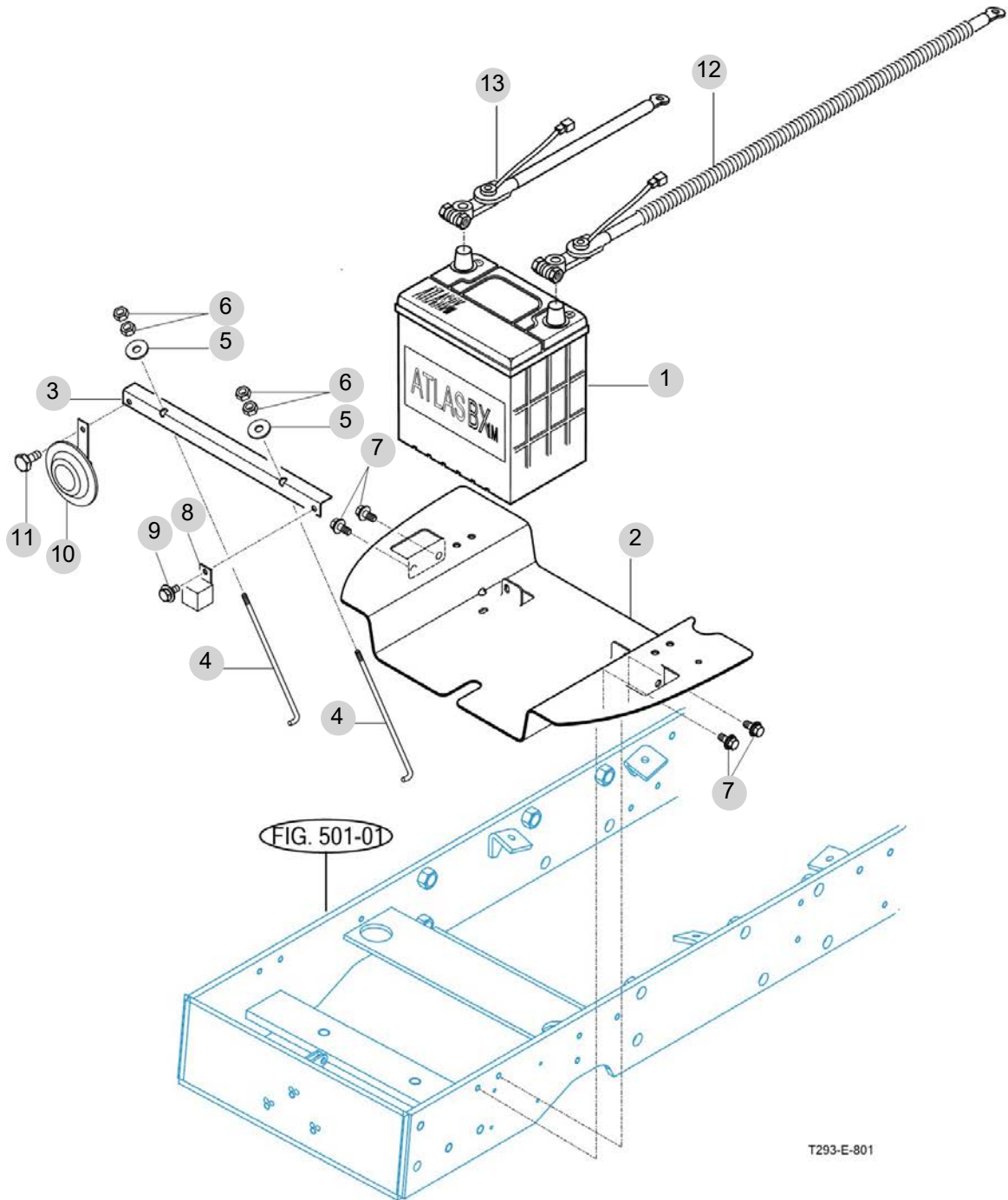
FIG 801

BATTERY & MOUNTING

년/월
Year/Month

2022-12

T265NHAUZ



T293-E-801

NOTE

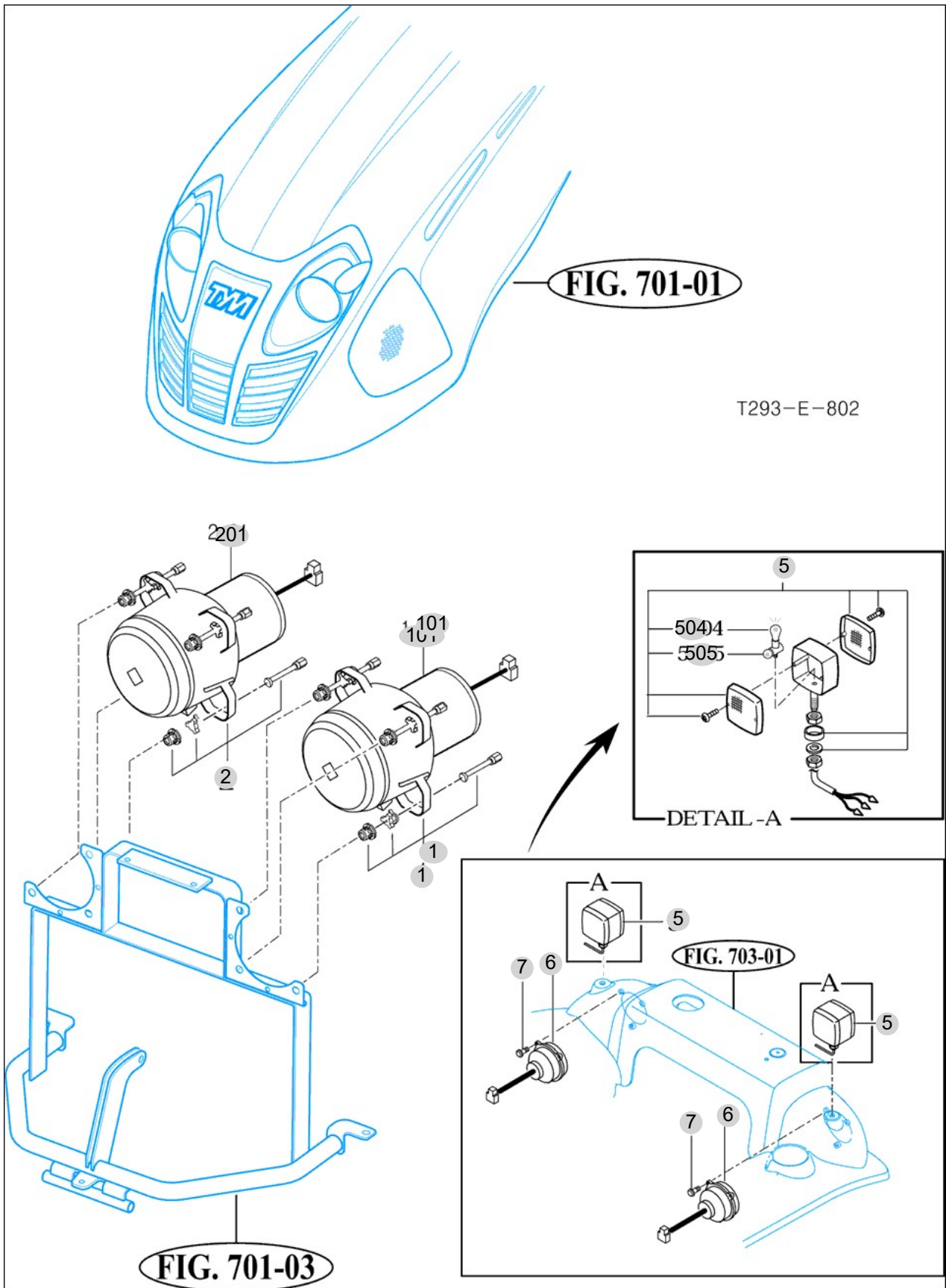
FIG 802

LIGHTS

년/월
Year/Month

2022-12

T265NHAUZ



NOTE

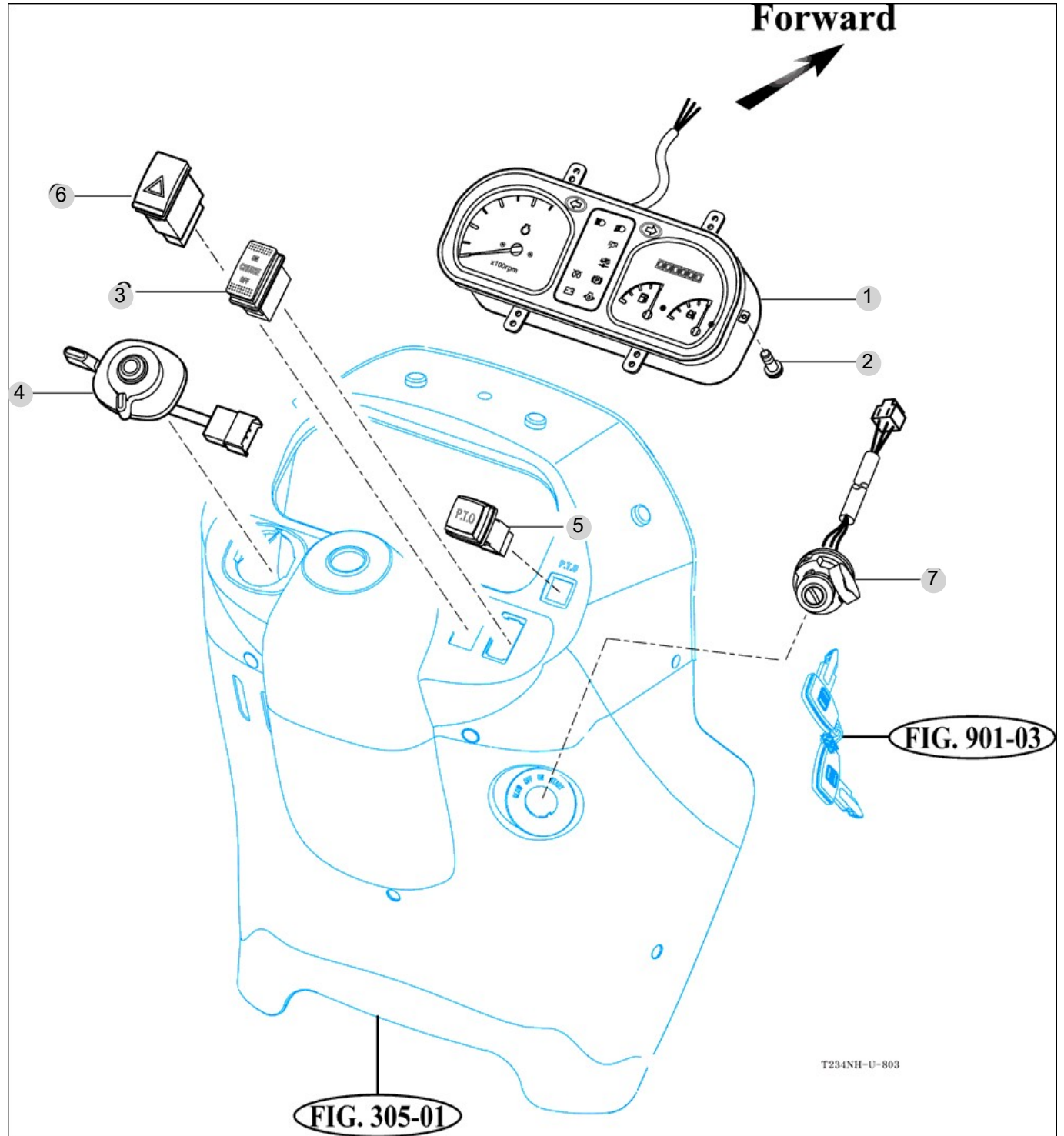
FIG 803

T265NHAUZ

INSTRUMENT PANEL

년/월
Year/Month

2022-12



NOTE

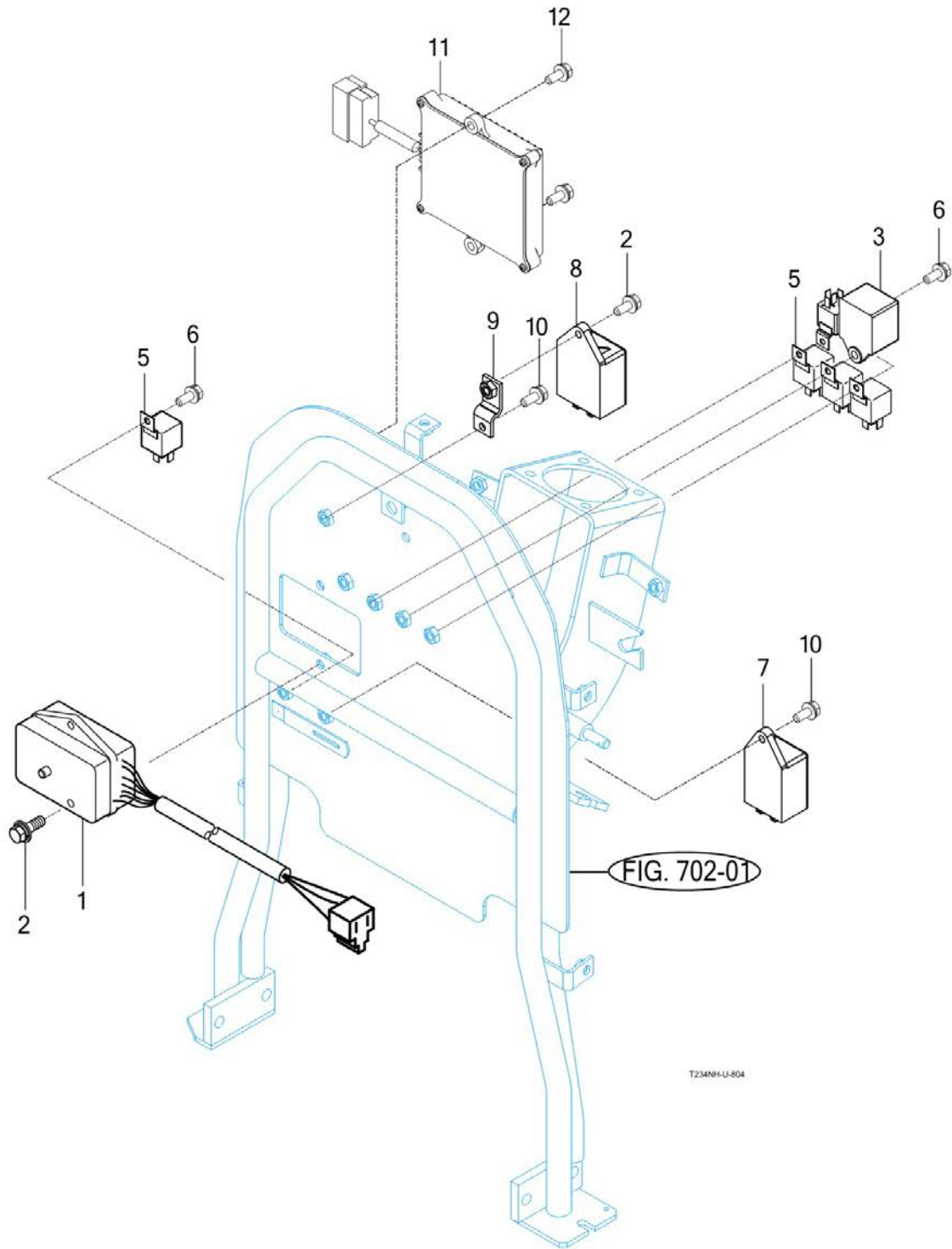
FIG 804

T265NHAUZ

ELECTRIC SYSTEM

년/월
Year/Month

2022-12



NOTE

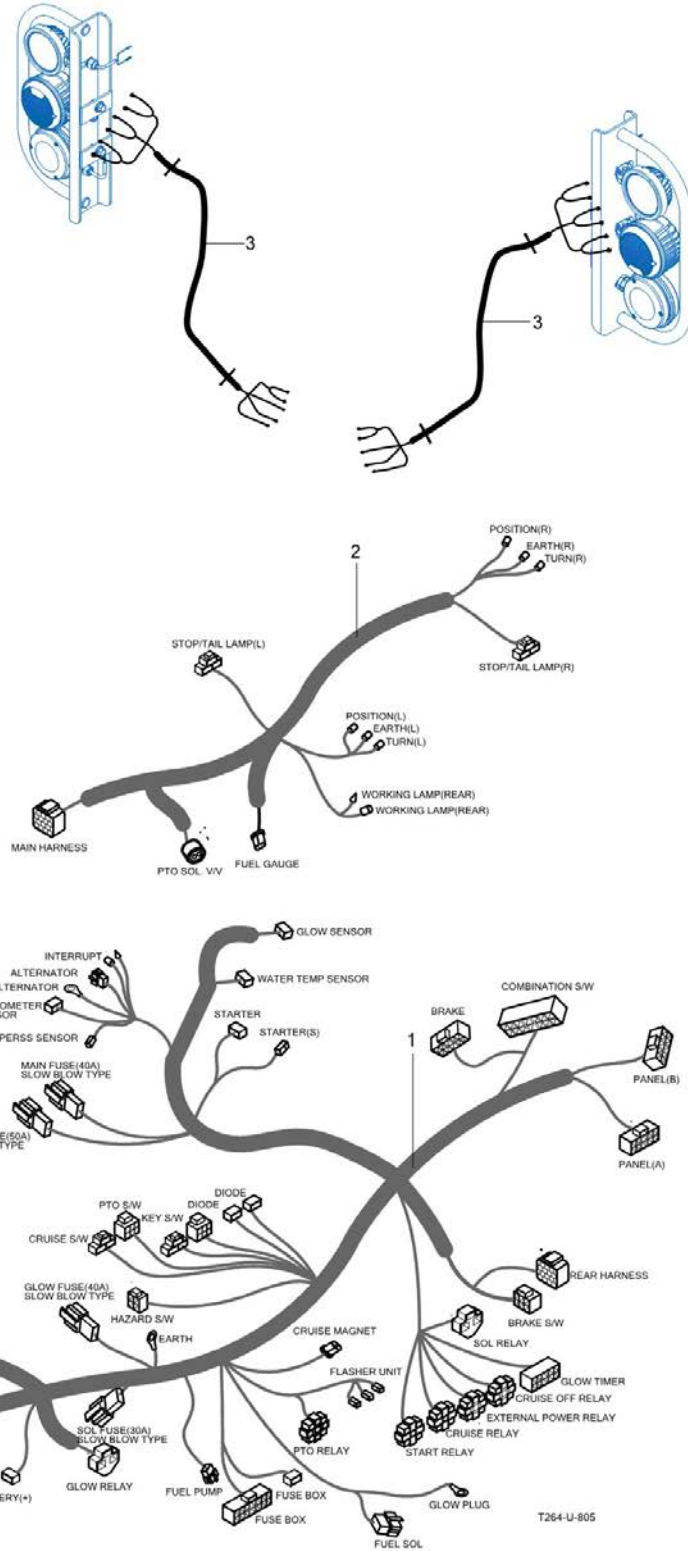
FIG 805

HARNES

년/월
Year/Month

2022-12

T265NHAUZ



NOTE

9. 라벨/옵션 PART NO. T9

FIG 901 TOOL & ACCESSORY

209

FIG 903 LABEL

211

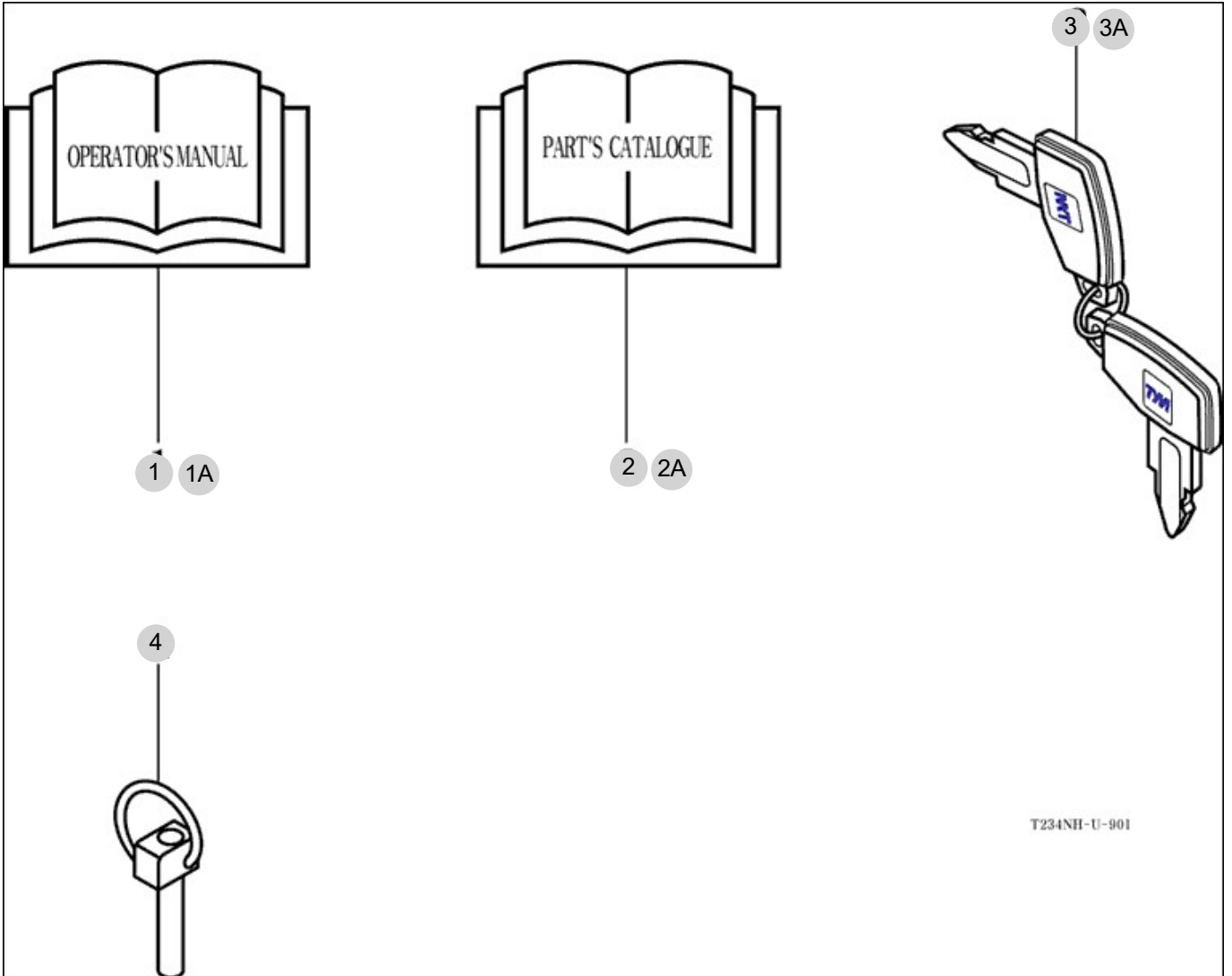
FIG 901

T265NHAUZ

TOOL & ACCESSORY

년/월
Year/Month

2022-12



T234NH-U-901

NOTE

FIG 903

LABEL

년/월
Year/Month

T265NHAUZ

2022-12

1 **WARNING**
Always apply the park brake when parking. Failure to do so can cause accidents and damages. 1200-910-022.0

2 **WARNING**
Work in ventilated area when engine is running. 1200-910-003.0

3 **WARNING**
Always set the knob to lock when:
1. Travelling on the road.
2. Replacing blades on an implement.
3. Making adjustment to an implement.
Sudden dropping of an implement can cause serious injury or death. 1200-910-004.0

4 **WARNING**
Do not refuel the tractor while smoking or near naked flame or sparks. always stop engine before refueling tractors. 1200-910-005.0

5 **WARNING**
Never use the diff-lock at high speed or on the road as this can cause rollover and injury. 1200-910-006.0

6 **WARNING**
Brake pedals must always be locked together when travelling on the highway. This will ensure uniform braking and provide maximum stopping ability sharp turns must only be made at slow speeds. 1200-910-007.0

7 **CAUTION**
Keep hands and clothing away from rotating fan and belts to prevent serious injury. 1200-910-012.0

8 **DANGER**
Rotating driveline contact can cause death. **KEEP AWAY!**
Keep all drive line. Tractor and equipment shields in place during operation. 1200-910-013.0

9 **WARNING**
Attach implements and trailers to the tractor only using the prescribed drawbar or hitch. 1200-910-014.0

10 **WARNING**
Do not remove radiator cap while engine is hot. Hot steam will injure you. 1200-910-015.0

11 **DANGER**
Do not ride except operator. 1200-910-016.0

12 **WARNING**
Always fasten Your seat belt. 1200-910-019.0

13 **CAUTION**
Do not touch while the system is hot. It cause serious burns. 1200-910-024.0

14 **CAUTION**
Do not touch while the system is hot. It cause serious burns. 1200-910-024.0

15 **WARNING**
1200-910-025.0

16 **WARNING**
1200-910-017.0

17 **WARNING**
1200-910-018.0

18 **T265**

19 **TYM**

20 **REAR** **MID-REAR** **MID**

21 **PARKING BRAKE**
Press down the master brake pedal and lock the parking lever at the same time. 1277-900-011.0

22 **TONG YANG MOOL SAN**
SERIAL NUMBER TYPE
DEED APPROVAL NO.
MODEL
TRACTOR TYPE

23 **WARNING**
Additions, alterations, cracking, damage or corrosion to this structure may adversely affect the performance of the ROPS. 1200-910-023.0

24 **DANGER**
This Tractor may tip over unexpectedly and quicker than an operator is able to jump free.
1. Never operate a tractor without a proper Roll over Protection Structure.(ROPS)
2. Always wear your seat belt when operating this tractor equipped with roll over protection.
3. Never pull from above or from the rear axle.
4. Do not operate the tractor on steep slopes or near drop offs
5. Avoid sharp high speed turns
Serious injury or death may result from tractor upsets. 1220-904-901.0

25 **WARNING**
Death or injury may result if this tractor over turns with the ROPS in the folded down position. Operate this tractor with the ROPS folded down only when necessary. Do not wear seat belt if operated with ROPS folded down. 1220-904-902.0

26 **WARNING**
Do not use the accelerator lever except working on the field. 1200-910-021.0

27 **STOP**

28 **WARNING**
Stay clear of raised Boom and bucket. 1200-910-011.0

29 **WARNING**
Push the button to lock position with joystick lever is neutral whenever the implement is not operation. 1200-910-024.0

30 **WARNING**
1200-910-021.0

31 **WARNING**
1200-910-021.0

32 **WARNING**
1200-910-021.0

33 **WARNING**
1200-910-011.0

34 **WARNING**
1200-910-021.0

35 **WARNING**
1200-910-021.0

36 **WARNING**
1200-910-021.0

37 **WARNING**
1200-910-021.0

T234-E-903

NOTE

FIG 903 T265NHAUZ		LABEL					년/월 Year/Month	
							2022-12	
KEY NO	PART NO	DESCRIPTION	SPEC	QTY	REPAIR	EFFECTIVE DATE	REMARKS	
903	1	12009100020	라벨 , 경고/파킹		1			
903	2	12009100030	라벨 , 경고/배기가스		1			
903	3	12009100040	라벨 , 경고/스톱밸브		1			
903	4	12009100050	라벨 , 경고/화기염금		1			
903	5	12009100060	라벨 , 경고/차동고정		1			
903	6	12009100070	라벨 , 경고/브레이크		1			
903	7	12009100120	라벨 , 주의/팬		2			
903	8	12009100130	라벨 , 위험/PTO		1			
903	9	12009100140	라벨 , 경고/견인		1			
903	10	12009100150	라벨 , 경고/라디에이터캡		1			
903	11	12009100160	라벨 , 위험/동승금지		1			
903	12	12009100190	라벨 , 경고/안전벨트		1			
903	13	12009100230	라벨 , 주의/취급		1			
903	14	12009100240	라벨 , 주의/소음기		1			
903	15	17689200050	라벨 , 취급/차동고정		1			
903	16	17689100170	라벨 , 주의/안전		1			
903	18	14169020040	마크 , 오나먼트(T265 HST)		2			
903	18	14169020041	마크 , T265 HST		2			
903	18	14169020042	마크 , /T265		2			
903	21	14729040130	라벨(코션/파킹)		1			
903	22	13139100040	라벨(PTO, M+R)		1			
903	23	12209045051	라벨 , 경고/개조		1			
903	24	12209045010	라벨(ROPS위험)		1			
903	25	12209045020	라벨(ROPS경고)		1			
903	26	18711201100	라벨 , 초저유황경유		1			
903	27	12127025110	라벨 , 스타터		1			
903	31	12009100210	라벨 , 경고/스로틀		1			
903	32	17699100090	라벨 , 경고/조이스틱		1			
903	33	17699100100	라벨 , 경고/조이스틱밸브		1			
903	34	19129041130	라벨 , TYM(75)		2			
903	36	14169100050	라벨 , ROPS		1			
903	37	11999010020	TYM 라벨		2			
NOTE								