

T574NH

Parts Catalog

목 차

0. TRACTOR KIT PART NO. TK1

FIG 000 TRAILER SOCKET KIT	8
FIG 001 ADAPTER KIT	10
FIG 002 3rd FUNCTION KIT , LOADER	12

1. Engine PART NO. EG

FIG 100 ENGINE	16
FIG 101 CYLINDER BLOCK	18
FIG 102A OILJET ASS'Y OPTION(T574)	20
FIG 103 CRANK SHAFT	22
FIG 104 PISTON	24
FIG 105 CYLINDER HEAD	26
FIG 106 ROCKER LEVER	28
FIG 107 HEAD COVER	30
FIG 108 GEAR CASE	32
FIG 109 IDLE GEAR	34
FIG 110 CAM SHAFT	36
FIG 111 OIL PUMP	38
FIG 112 HYD. PUMP DRIVE	40
FIG 113 2ND BALANCE	42
FIG 114 OIL PAN	44
FIG 115A INTAKE MANIFOLD(T574)	46
FIG 116A EXHAUST MANIFOLD(T574)	48
FIG 117A TURBOCHARGER ASS'Y(T574)	50
FIG 118A TURBOCHARGER PLUMBING OPTION(T574)	52
FIG 119A BREATHER(T574)	54
FIG 120 FUEL INJECTION PUMP	56
FIG 121 FUEL INJECTION VALVE	58
FIG 122 FUEL PIPE ASS'Y	60
FIG 123 OIL FILTER	62
FIG 124 OIL COOLER	64

FIG 125 OIL GAUGUE	66
FIG 126 OIL FILLER CAP	68
FIG 127 COOLING WATER PUMP	70
FIG 128 CRANK SHAFT PULLEY	72
FIG 129 V-PULLEY	74
FIG 130 COOLING FAN	76
FIG 131 FLYWHEEL HOUSING	78
FIG 132 FLYWHEEL	80
FIG 133 GLOW PLUG ASS'Y OPTION	82
FIG 134 STARTING MOTOR	84
FIG 135 FUEL FILTER BRACKET ASS'Y	86
FIG 136 ALTERNATOR	88
FIG 137 V-BELT	90
FIG 138 FUEL FILTER	92
FIG 139A DPF SUPPORT (T574)	94
FIG 140 DATAPLATE	96
FIG 142A DPF ASS'Y (T574)	98
FIG 143 LIFT ASS'Y	100
FIG 144 COMP . DRIVE PULLEY ASS'Y OPTION	102
FIG 145 INTAKE PIPE	104
FIG 146 CCV ASS'Y	106
FIG 147 LOOSED PARTS	108

2. Engine Accessories PART NO. T2

FIG 201A AIR CLEANER (T574)	111
FIG 202 RADIATOR	113
FIG 203 MUFFLER	115
FIG 204 FUEL HOSE & FILTER	117
FIG 205 FUEL TANK	119
FIG 206 ACCELERATOR	121
FIG 207 OIL COOLER	123

3. Clutch/Brake/Steering PART NO. T3

FIG 301 FLYWHEEL HOUSING	126
FIG 302 CLUTCH PEDAL	128
FIG 303 BRAKE	130

FIG 304 BRAKE PEDAL & LINK	132
FIG 305 FRONT WHEEL	134
FIG 306 REAR WHEEL	136
FIG 307 POWER STEERING WHEEL	138
FIG 308 POWER STEERING VALVE	140
FIG 309 POWER STEERING CYLINDER	142
FIG 310 HST CONTROL LINK	144

4. Transmission PART NO. T4

FIG 401 TRANSMISSION FRONT CASE	148
FIG 402 HST	150
FIG 403 MID TRANSMISSION CASE	152
FIG 404 TRANSFER GEAR SET	154
FIG 405 TRANSMISSION REAR CASE	156
FIG 406 SUB CHANGE GEARS	158
FIG 407 SUB CHANGE SHIFTER	160
FIG 408 DRIVE GEARS	162
FIG 409 4WD CHANGE LEVER	164
FIG 410 P.T.O DRIVE SHAFT	166
FIG 411 P.T.O CHANGE GEARS	168
FIG 412 REAR DIFFERENTIAL GEARS	170
FIG 413 REAR AXLE HOUSING	173

5. Front Axle PART NO. T5

FIG 501 FRONT AXLE SUPPORT	176
FIG 502 FRONT DRIVE SHAFT	178
FIG 503 FRONT AXLE HOUSING	180
FIG 504 FRONT DIFFERENTIAL GEARS	182
FIG 505 FRONT GEAR CASE (1)	184
FIG 506 FRONT GEAR CASE (2)	186
FIG 507 FRONT GEAR CASE (3)	188

6. Hydraulic/3P-Link PART NO. T6

FIG 601 CYLINDER CASE	191
FIG 602 LIFT ARM	193

FIG 603 CYLINDER	195
FIG 604 POSITION LINK	197
FIG 605 CONTROL VALVE	199
FIG 606 DRAFT LINK	201
FIG 607 POSITION & DRAFT LEVER	203
FIG 607-2 POSITION & DRAFT LEVER(2)	205
FIG 608 EXTERIOR HYD. VALVE	207
FIG 609 HYDRAULIC PIPE	209
FIG 610 JOYSTICK	211
FIG 612 HITCH & 3-POINT LINK	214
FIG 613 LOWER LINK & LIFT ROD	217

7. Sheet Metal & Cabin PART NO. T7

FIG 701 BONNET FRAME	220
FIG 702 BONNET (1)	222
FIG 702-2 BONNET (2)	224
FIG 703 EXTENSION COVER	226
FIG 704-2 LEVER COVER & STEP-NON CAB	228
FIG 705 FRONT & REAR MOUNTING	230
FIG 706 SEAT & MAT	232
FIG 710-2 FRAME & 2POLES-ROPS-NON CAB	234
FIG 713-2 SUB FENDER & COVER-NON CAB	236
FIG 714-2 MIRROR&WORKING LAMP-NON CAB	238

8. Electrical System PART NO. T8

FIG 801 BATTERY & MOUNTING	241
FIG 802 HARNESS LAMP	243
FIG 803 INSTRUMENT PANEL	245
FIG 804 ELECTRIC SYSTEM (1)	247
FIG 805-2 ELECTRIC SYSTEM (2)-NON CAB	249
FIG 806 ELECTRIC SYSTEM (3)	251

9. Label/Option PART NO. T9

FIG 901 TOOL & ACCESSORY	254
FIG 902 LABEL	256

0. TRACTOR KIT PART NO. TK1

FIG 000 TRAILER SOCKET KIT

8

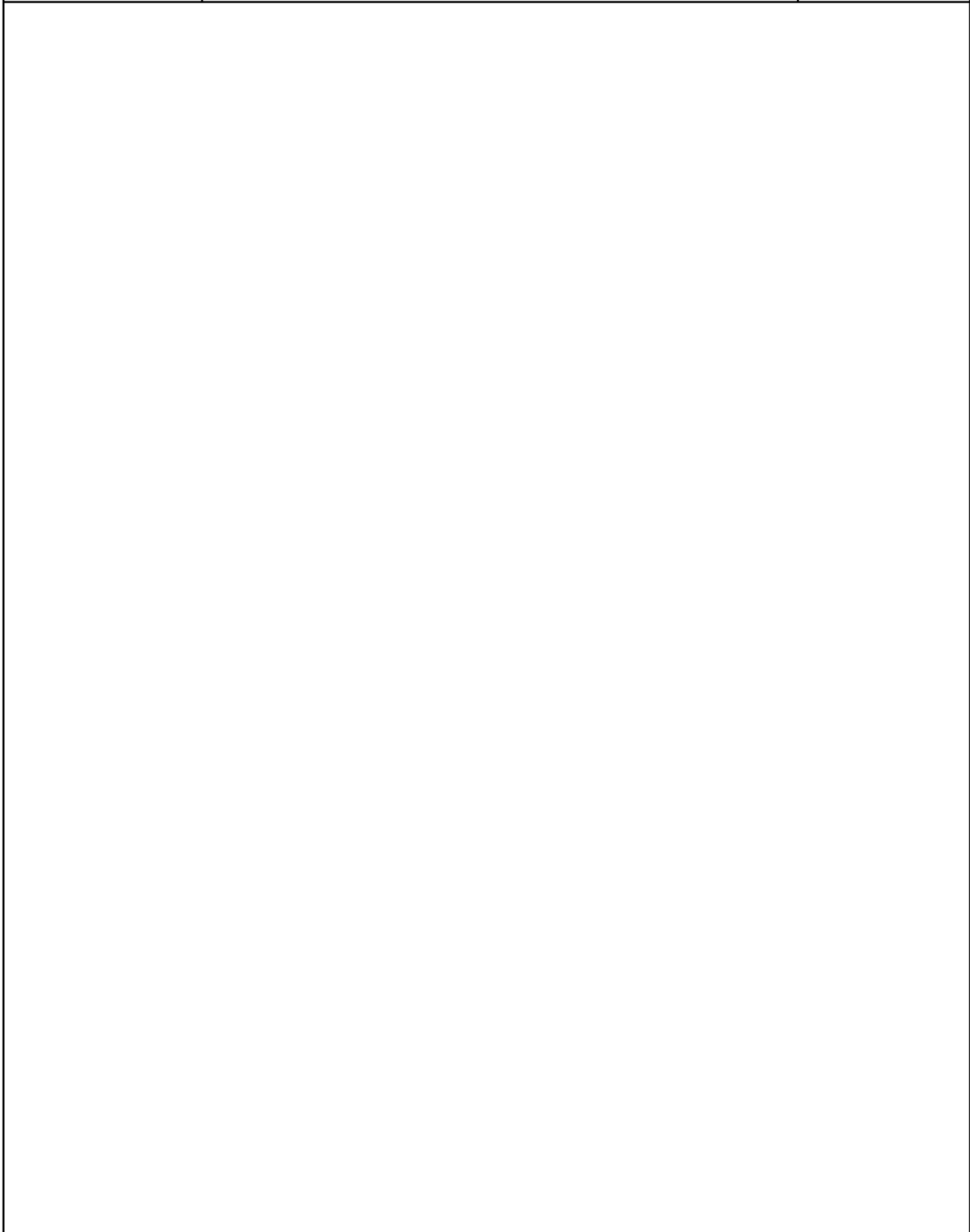
FIG 001 ADAPTER KIT

10

FIG 002 3rd FUNCTION KIT , LOADER

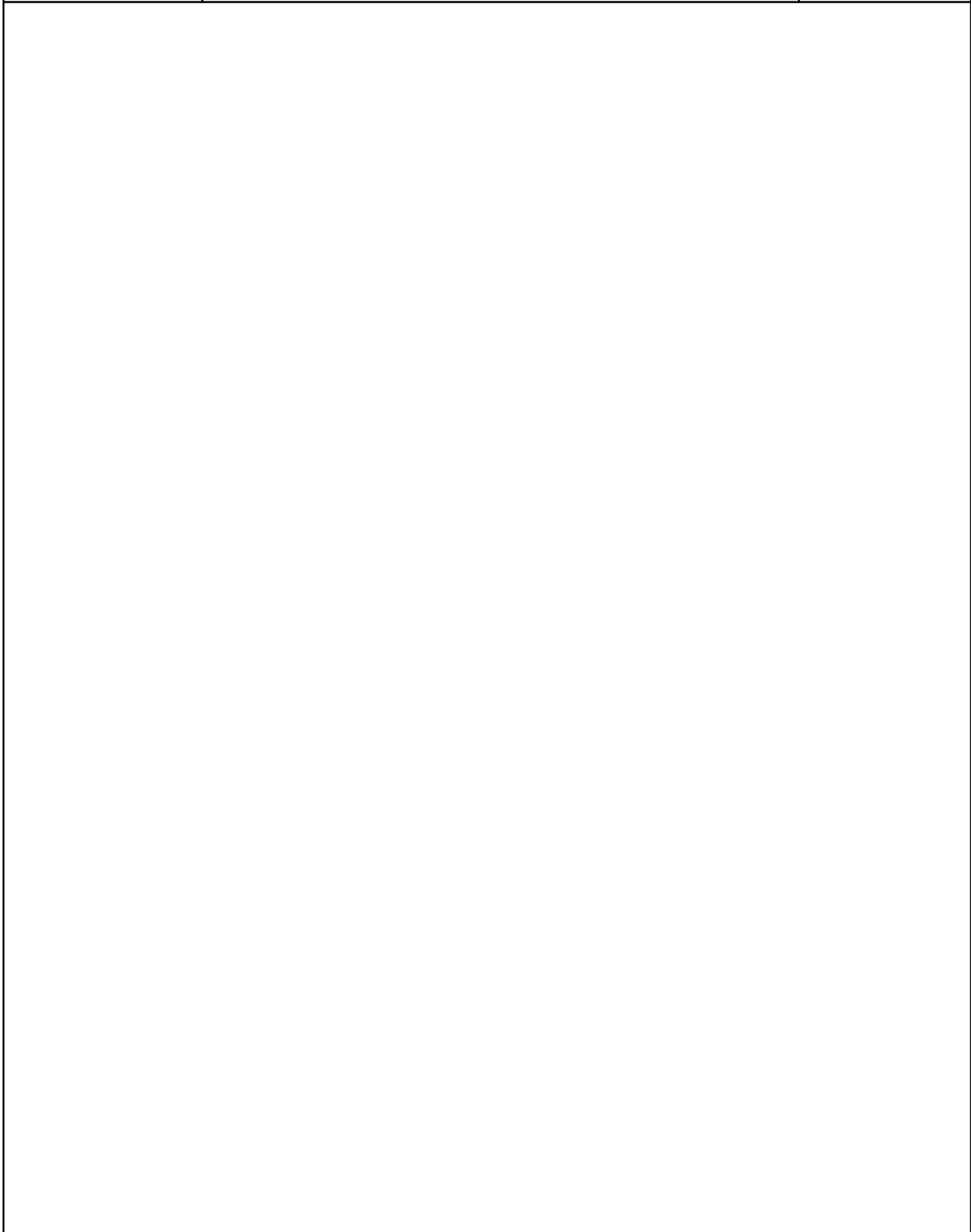
12

FIG 000 T574NH	TRAILER SOCKET KIT	년/월 Year/Month 2022-12
-------------------	--------------------	------------------------------



NOTE	
------	--

FIG 001 T574NH	ADAPTER KIT	년/월 Year/Month 2022-12
-------------------	-------------	------------------------------



NOTE	
------	--

FIG 001		ADAPTER KIT					년/월 Year/Month	
T574NH		2022-12						
KEY NO	PART NO	DESCRIPTION	SPEC	QTY	REPAIR	EFFECTIVE DATE	REMARKS	
001	0	10555800000	HST PRESSURE CHECK KIT	1				
001	1	10555800110	ADAPTOR(PF3/8, UNF1/2-20)	1				
001	2	10555800120	ADAPTOR(PF3/8, UNF3/4-16)	1				
001	3	10555800130	ADAPTOR(PF3/8, PF1/2)	1				
NOTE								

FIG 002 T574NH	3rd FUNCTION KIT , LOADER	년/월 Year/Month
		2022-12



NOTE	
------	--

1. Engine PART NO. EG

FIG 100 ENGINE	16
FIG 101 CYLINDER BLOCK	18
FIG 102A OILJET ASS'Y OPTION(T574)	20
FIG 103 CRANK SHAFT	22
FIG 104 PISTON	24
FIG 105 CYLINDER HEAD	26
FIG 106 ROCKER LEVER	28
FIG 107 HEAD COVER	30
FIG 108 GEAR CASE	32
FIG 109 IDLE GEAR	34
FIG 110 CAM SHAFT	36
FIG 111 OIL PUMP	38
FIG 112 HYD. PUMP DRIVE	40
FIG 113 2ND BALANCE	42
FIG 114 OIL PAN	44
FIG 115A INTAKE MANIFOLD(T574)	46
FIG 116A EXHAUST MANIFOLD(T574)	48
FIG 117A TURBOCHARGER ASS'Y(T574)	50
FIG 118A TURBOCHARGER PLUMBING OPTION(T574)	52
FIG 119A BREATHER(T574)	54
FIG 120 FUEL INJECTION PUMP	56
FIG 121 FUEL INJECTION VALVE	58
FIG 122 FUEL PIPE ASS'Y	60
FIG 123 OIL FILTER	62
FIG 124 OIL COOLER	64
FIG 125 OIL GAUGUE	66
FIG 126 OIL FILLER CAP	68
FIG 127 COOLING WATER PUMP	70
FIG 128 CRANK SHAFT PULLEY	72
FIG 129 V-PULLEY	74
FIG 130 COOLING FAN	76
FIG 131 FLYWHEEL HOUSING	78
FIG 132 FLYWHEEL	80
FIG 133 GLOW PLUG ASS'Y OPTION	82
FIG 134 STARTING MOTOR	84
FIG 135 FUEL FILTER BRACKET ASS'Y	86
FIG 136 ALTERNATOR	88
FIG 137 V-BELT	90

FIG 138 FUEL FILTER	92
FIG 139A DPF SUPPORT (T574)	94
FIG 140 DATAPLATE	96
FIG 142A DPF ASS'Y (T574)	98
FIG 143 LIFT ASS'Y	100
FIG 144 COMP . DRIVE PULLEY ASS'Y OPTION	102
FIG 145 INTAKE PIPE	104
FIG 146 CCV ASS'Y	106
FIG 147 LOOSED PARTS	108

FIG 100 T574NH	ENGINE	년/월 Year/Month
		2022-12
NOTE		

FIG 100 T574NH		ENGINE						년/월 Year/Month
								2022-12
KEY NO	PART NO	DESCRIPTION	SPEC	QTY	REPAIR	EFFECTIVE DATE	REMARKS	
100	5	13851001100	ENGINE , A2300T3-TUTR_4		1			
100	5	13871001100	ENGINE , A2300T3-TUTC_4		1			
100	5	13871001101	ENGINE , A2300T3-TUTC_4		1			
NOTE								

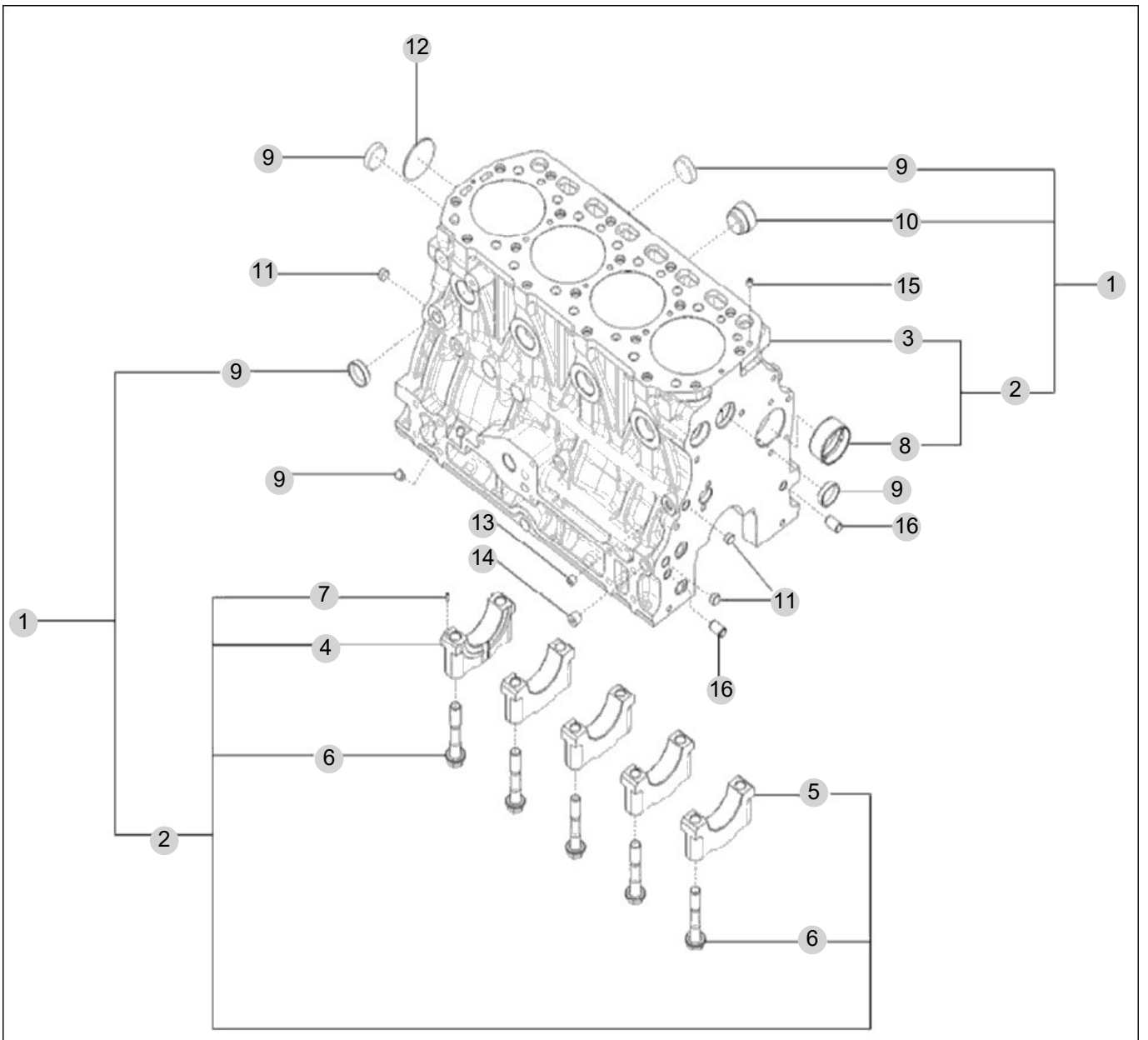
FIG 101

CYLINDER BLOCK

년/월
Year/Month

2022-12

T574NH



NOTE

FIG 101		CYLINDER BLOCK						년/월	REMARKS
								Year/Month	
T574NH								2022-12	
KEY NO	PART NO	DESCRIPTION	SPEC	QTY	REPAIR	EFFECTIVE DATE			
101	1	EA00004707A	BLOCK ASS'Y, CYLINDER			1			
101	1	HRA0103100A	BLOCK ASS'Y, CYLINDER			1			
101	2	HRA0103100A	BLOCK ASS'Y, CYLINDER			1			
101	2	EA00000446A	BLOCK ASS'Y, CYLINDER			1			
101	3	HRA0103101A	BLOCK, CYLINDER			1			
101	4	HRA0100102B	BEARING CAP(1)			1			
101	5	HRA0100103B	BEARING CAP(2)			4			
101	6	HRA0100104A	BOLT, BEARING CAP			10			
101	7	22351-030010	SPRING PIN			5			
101	8	HRU0100105A	BUSH(CAM SHAFT)			1			
101	9	27241-300000	PLUG, EXPANSION			8			
101	10	HM23030000A	PLUG(BLOCK HEATER)			1			
101	11	HRA0100108A	PLUG 12			3			
101	11	HT01010300A	PLUG PT 1/4			3			
101	12	27231-500000	PLUG 50			1			
101	13	23871-010000	PLUG, PIPE			1			
101	14	23871-020000	PLUG, PIPE			1			
101	15	HRA0100800A	PIN(OIL)			1			
101	16	HRA0201100A	PIN, GUIDE			2			
NOTE									

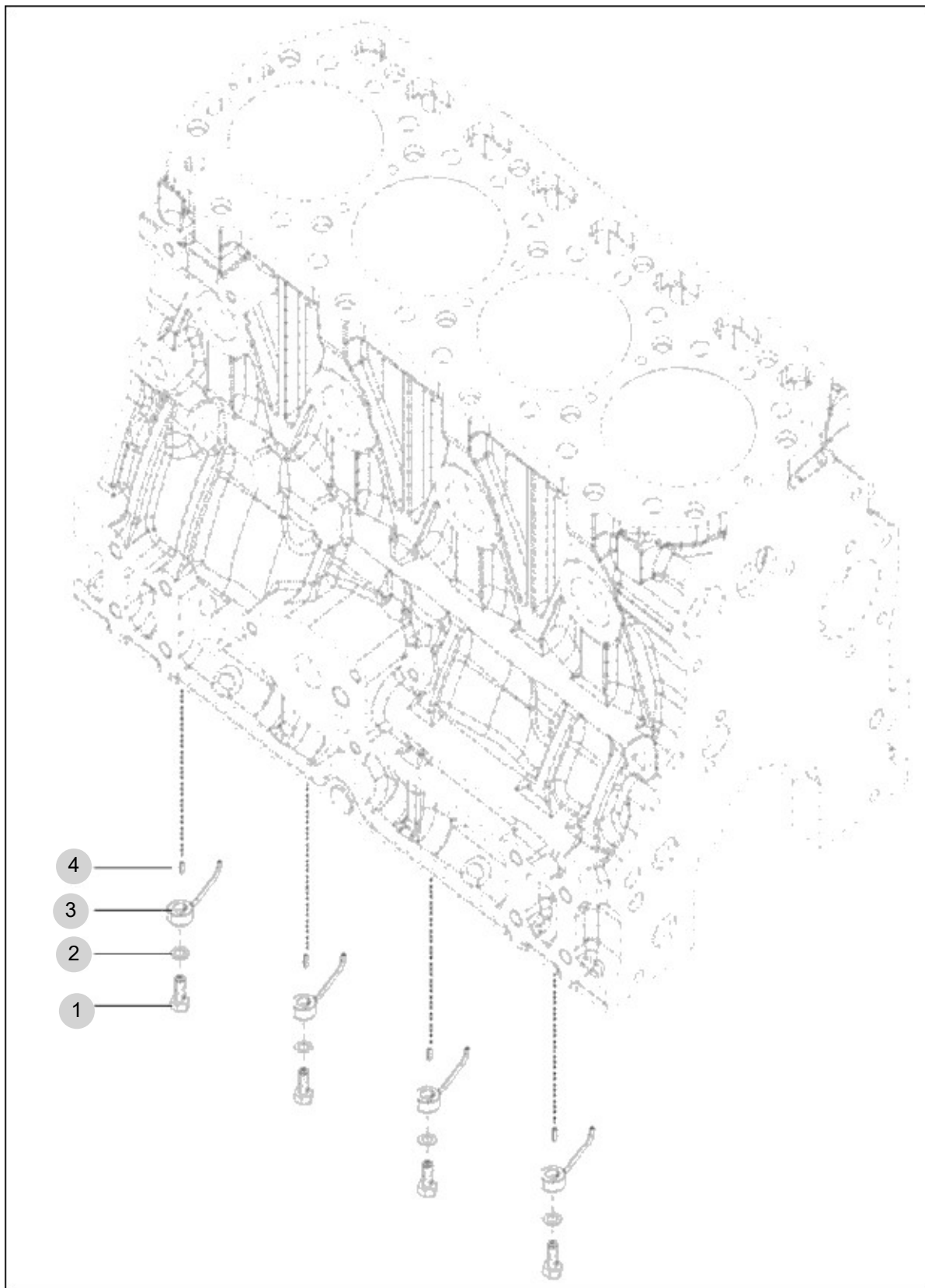
FIG 102A

OILJET ASS'Y OPTION(T574)

년/월
Year/Month

2022-12

T574NH



NOTE

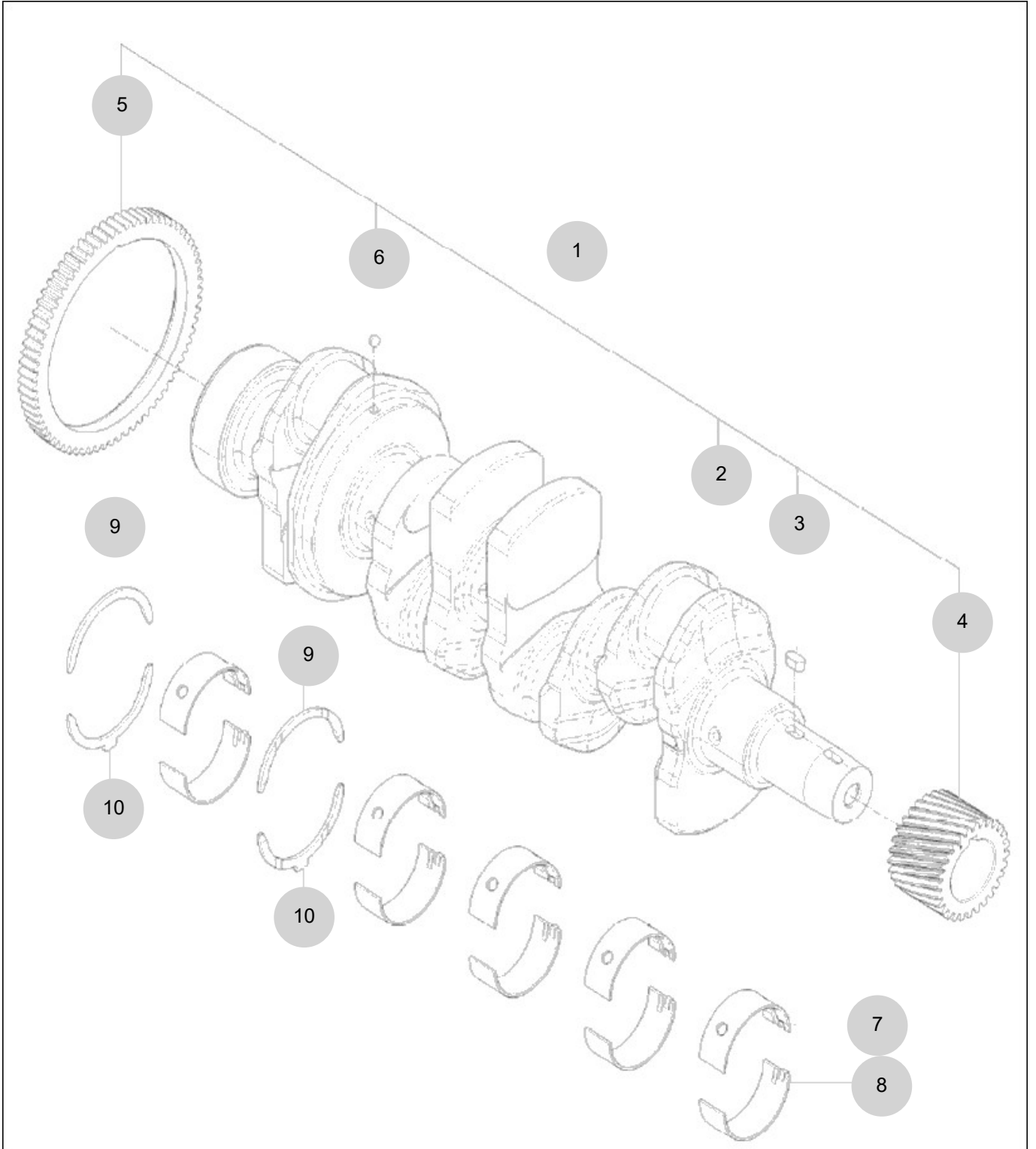
FIG 103

CRANK SHAFT

년/월
Year/Month

2022-12

T574NH



NOTE

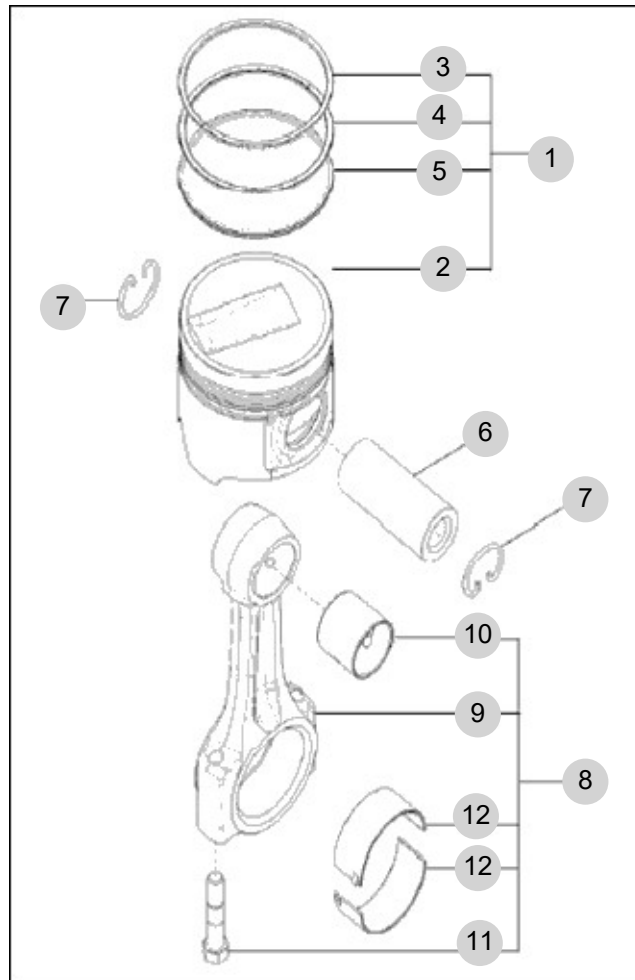
FIG 104

T574NH

PISTON

년/월
Year/Month

2022-12



NOTE

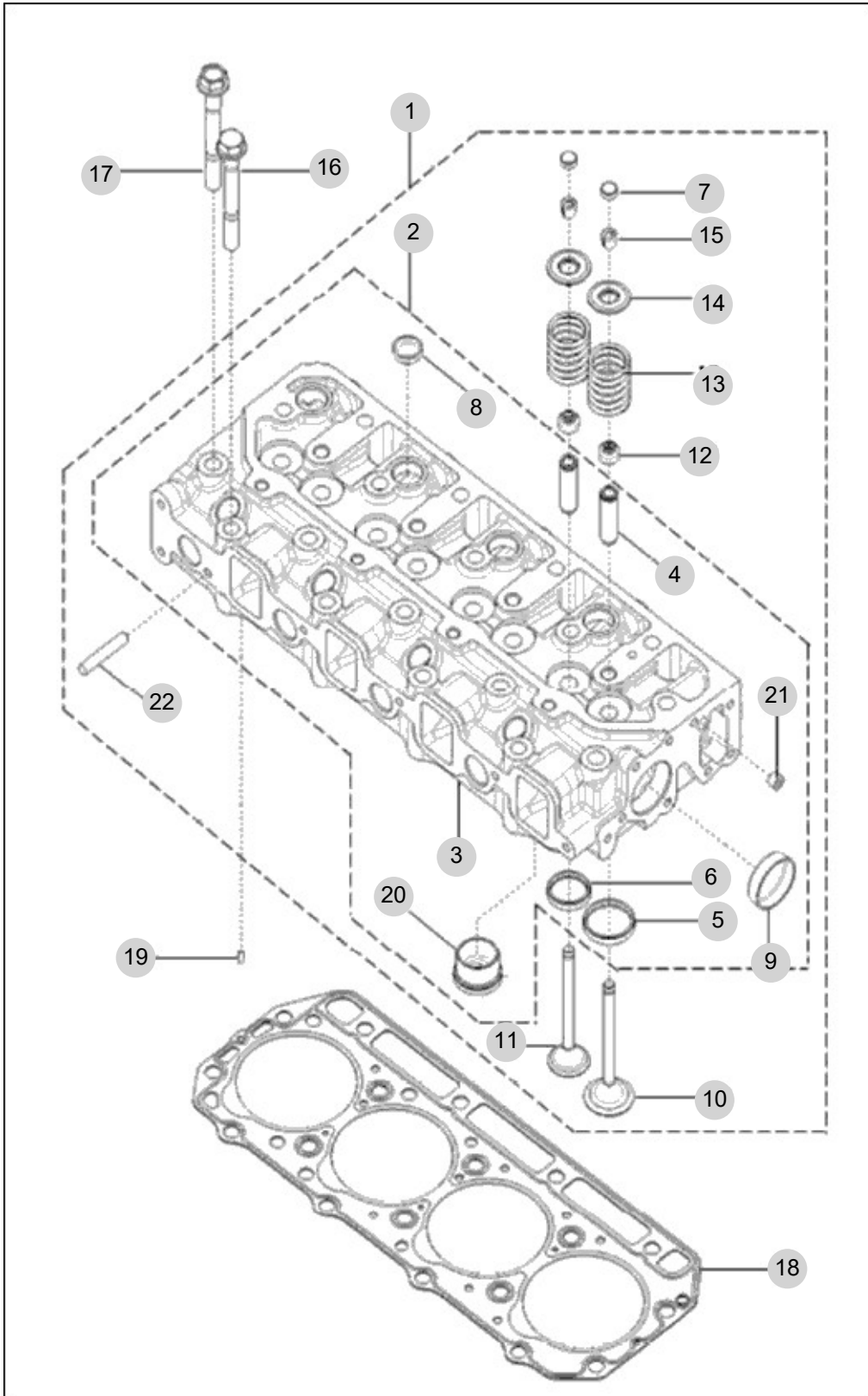
FIG 105

CYLINDER HEAD

년/월
Year/Month

2022-12

T574NH



NOTE

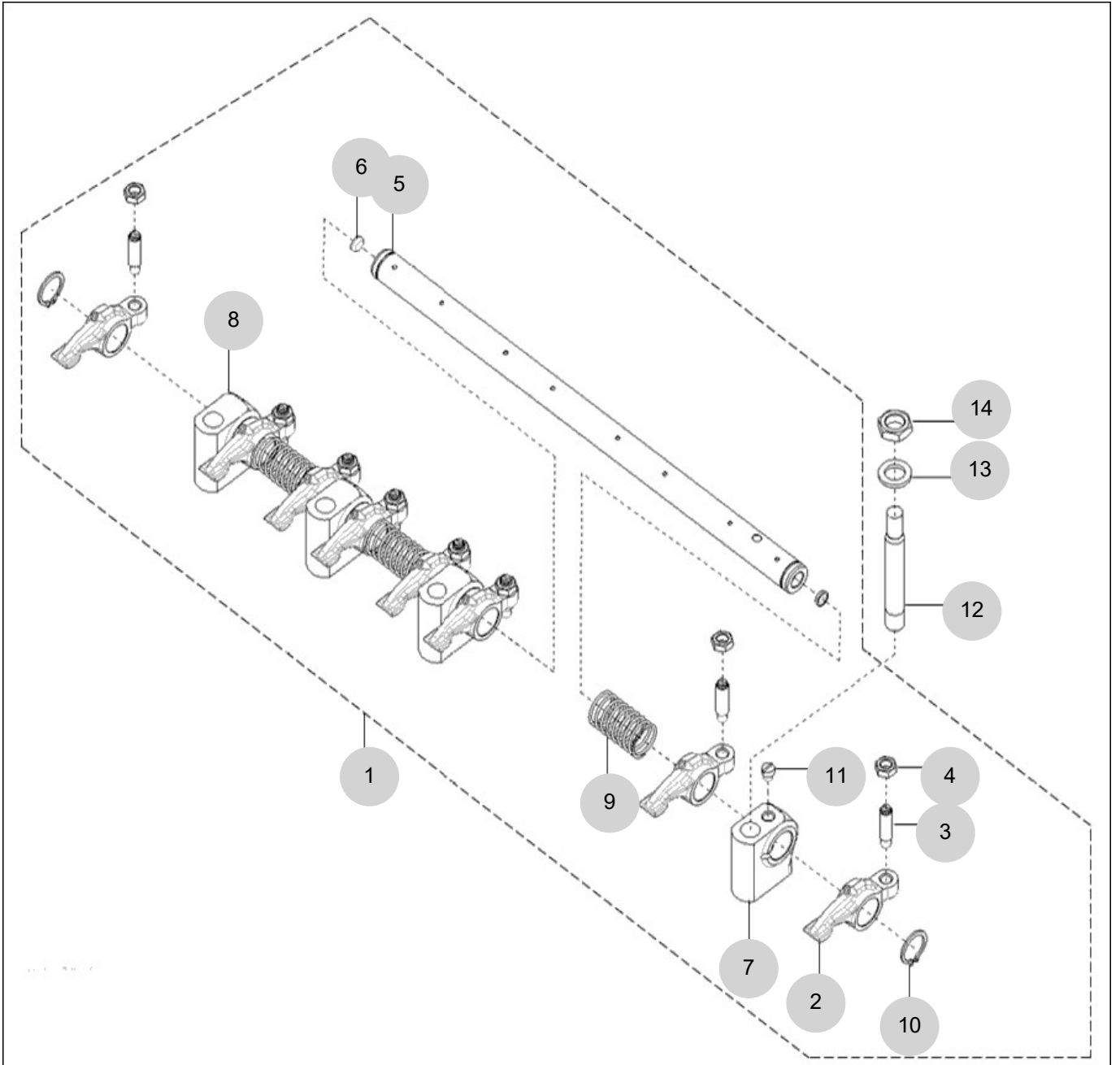
FIG 106

ROCKER LEVER

년/월
Year/Month

T574NH

2022-12



NOTE

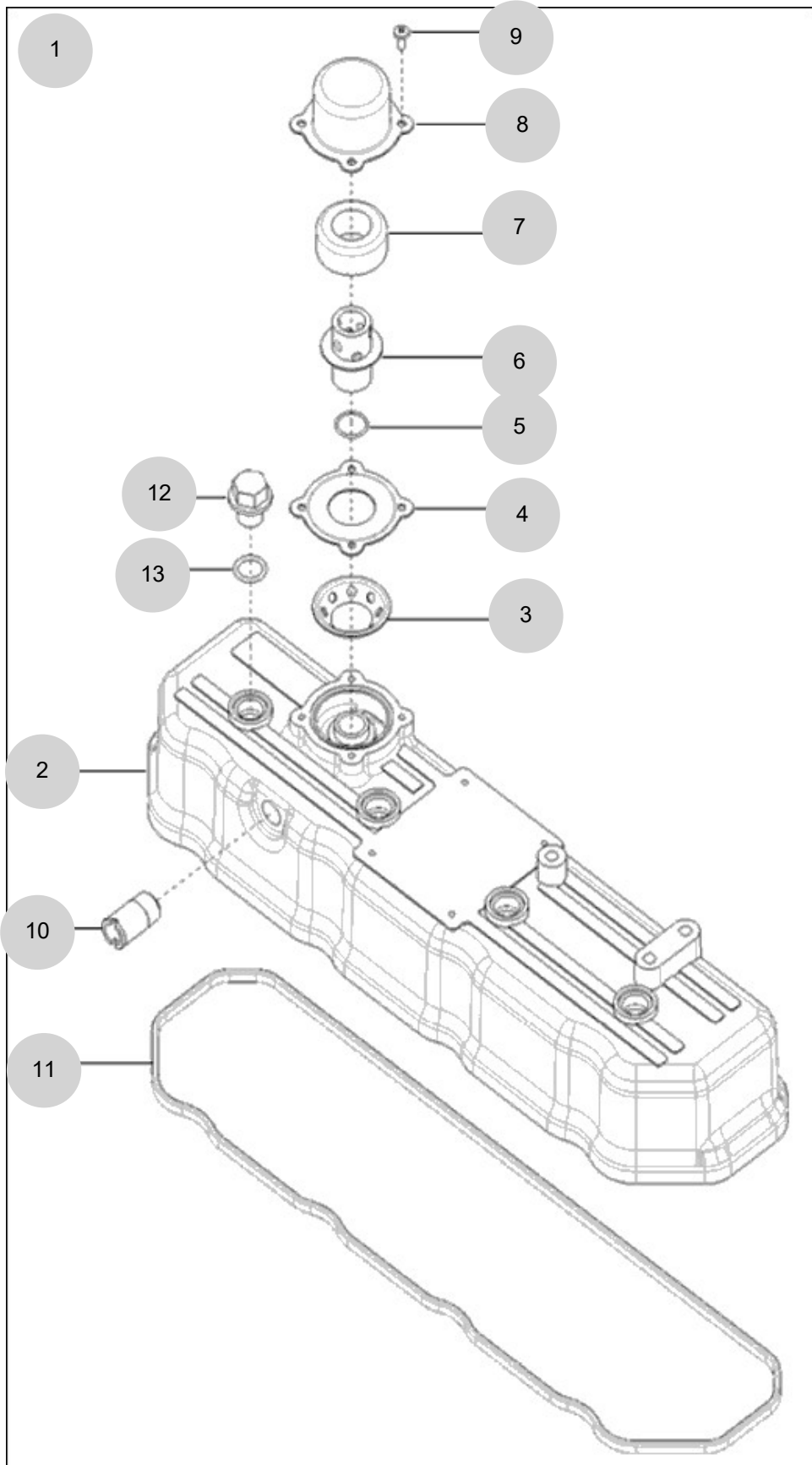
FIG 107

T574NH

HEAD COVER

년/월
Year/Month

2022-12



NOTE

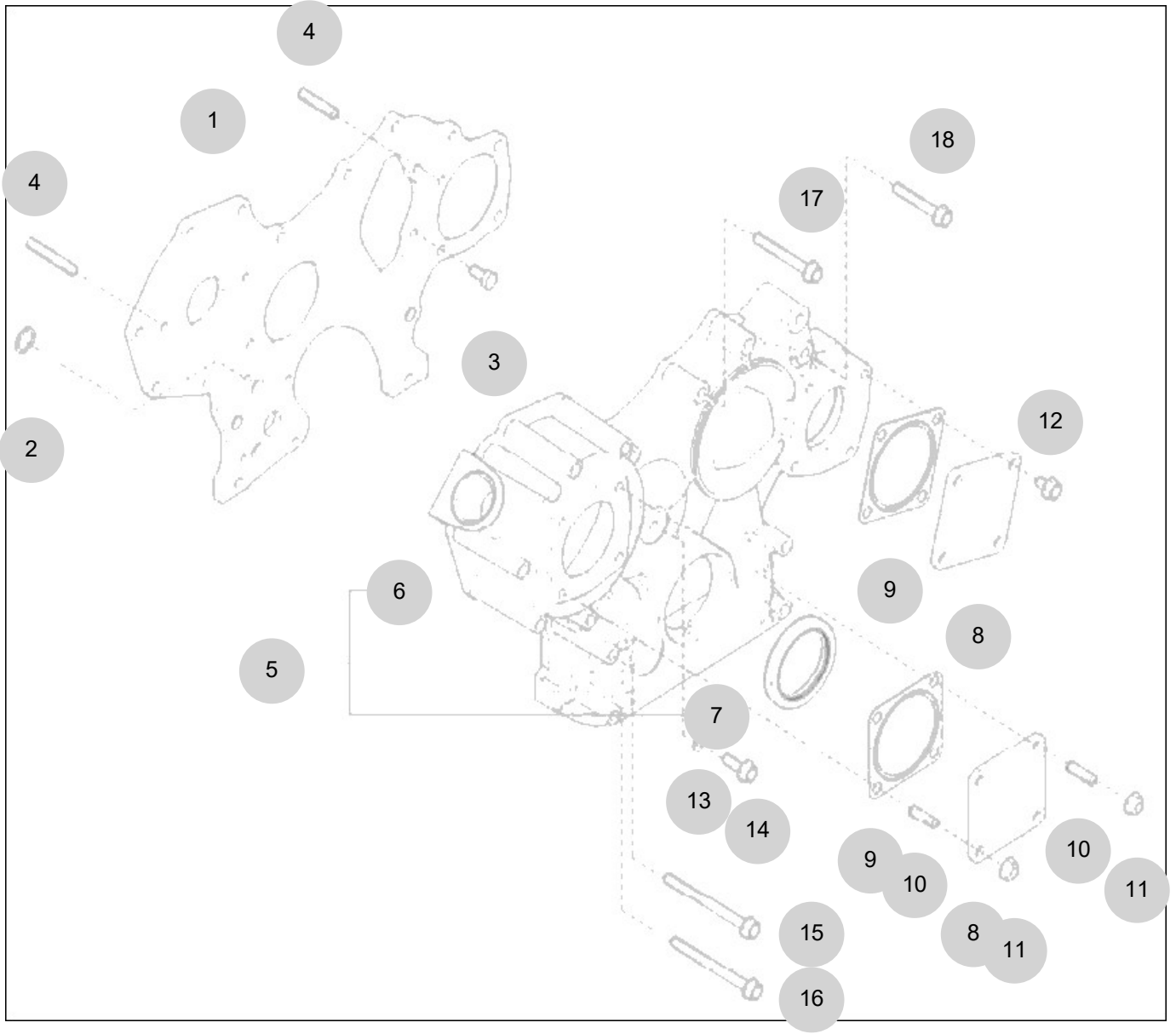
FIG 108

T574NH

GEAR CASE

년/월
Year/Month

2022-12



NOTE

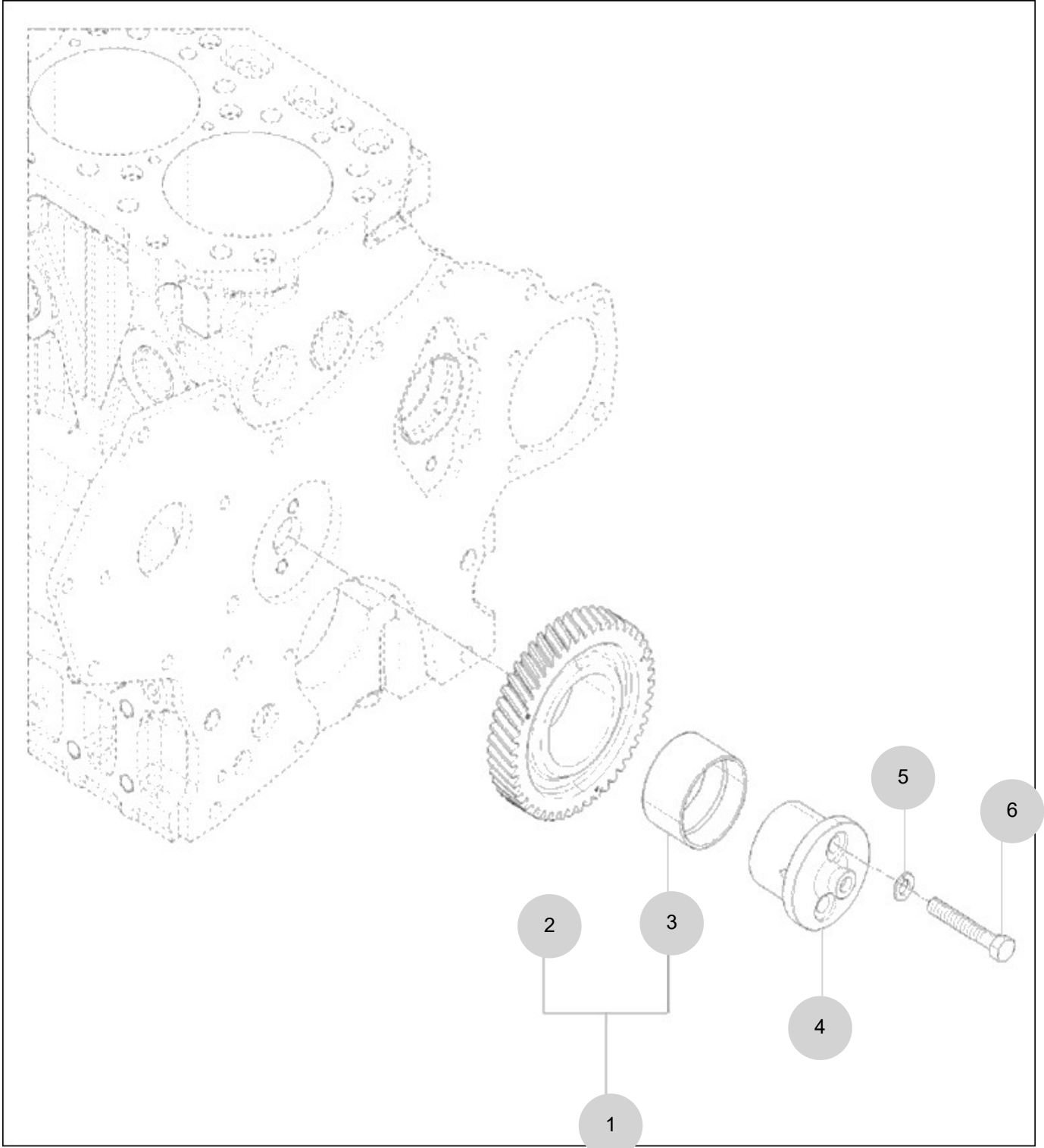
FIG 109

IDLE GEAR

년/월
Year/Month

T574NH

2022-12



NOTE

FIG 109		IDLE GEAR					년/월 Year/Month	
T574NH							2022-12	
KEY NO	PART NO	DESCRIPTION	SPEC	QTY	REPAIR	EFFECTIVE DATE	REMARKS	
109	1	HRA0700600A		1				
109	2	HRA0700601A		1				
109	3	HH08120000A		1				
109	4	EA00000848B		1				
109	5	22217-080000		2				
109	6	HRU0700700A		2				
NOTE								

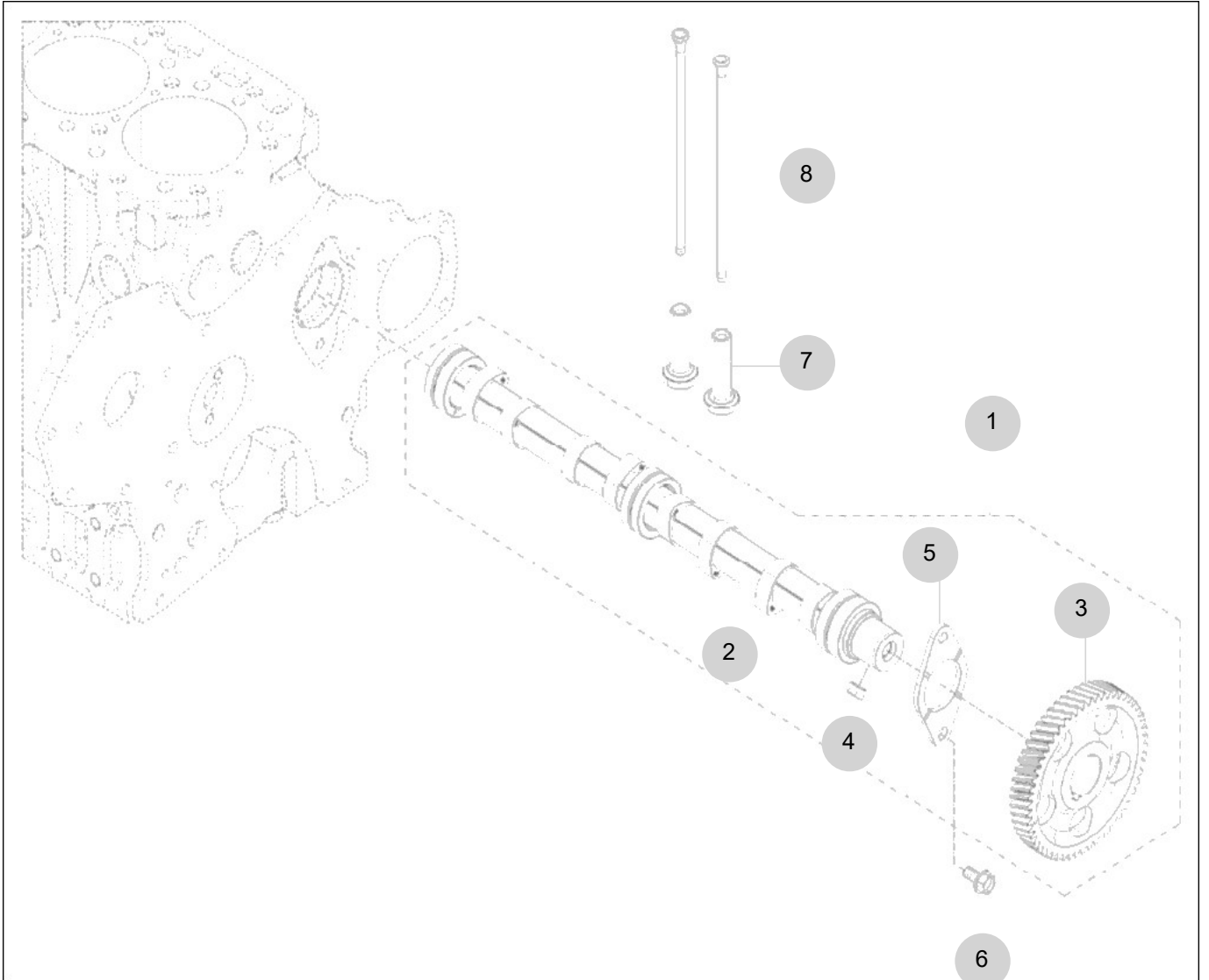
FIG 110

T574NH

CAM SHAFT

년/월
Year/Month

2022-12



NOTE

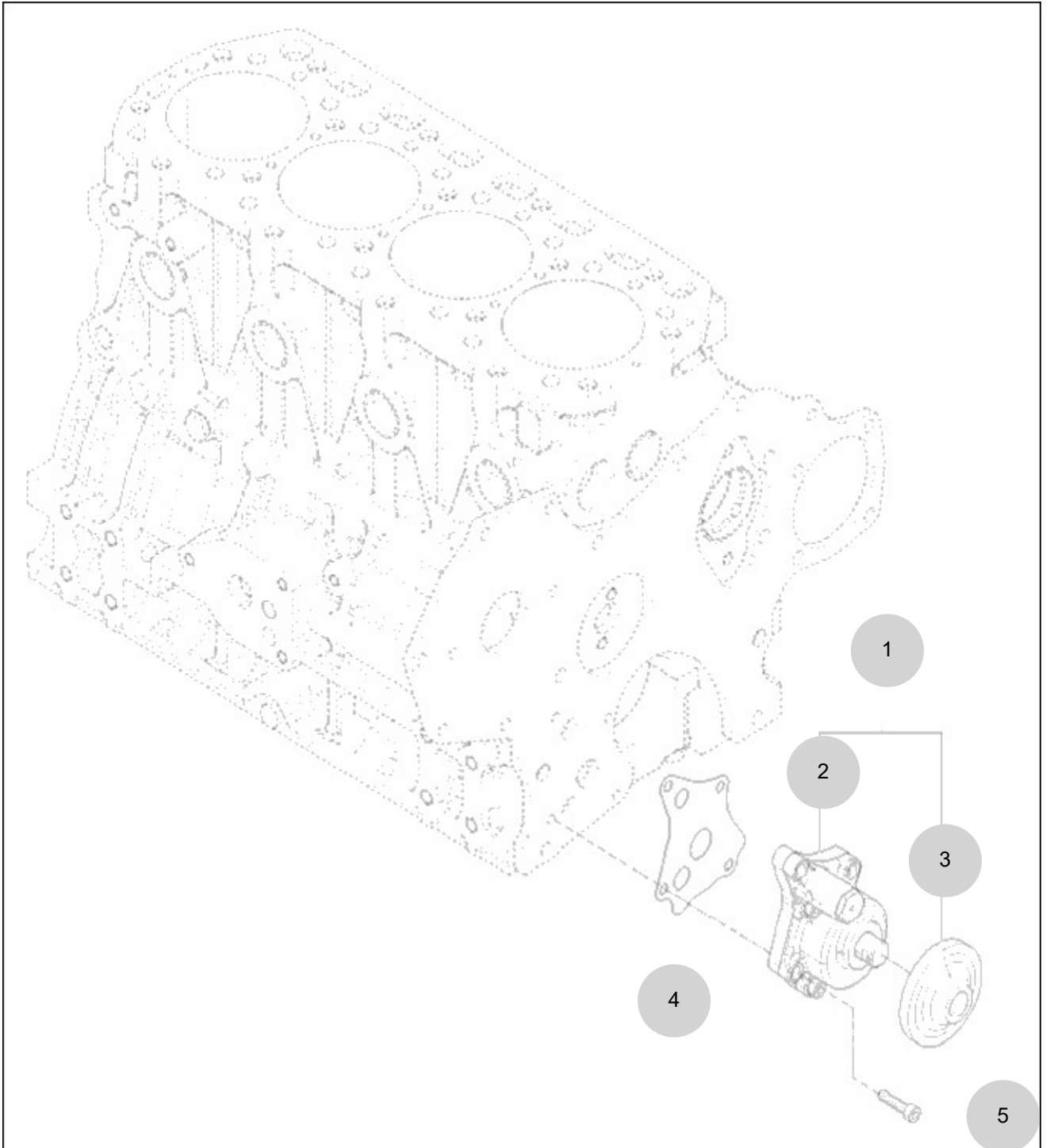
FIG 111

OIL PUMP

년/월
Year/Month

T574NH

2022-12



NOTE

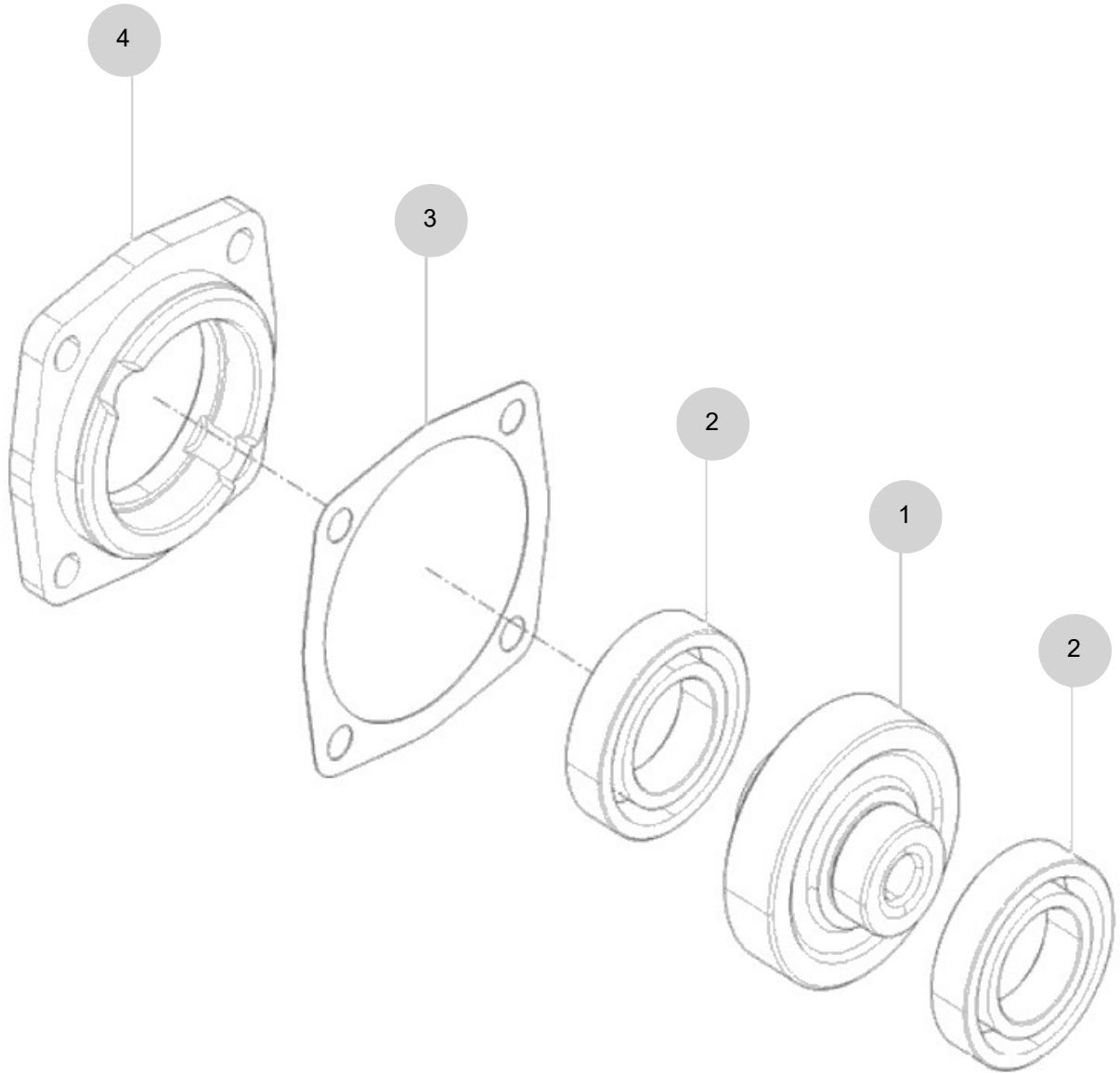
FIG 112

T574NH

HYD. PUMP DRIVE

년/월
Year/Month

2022-12



NOTE

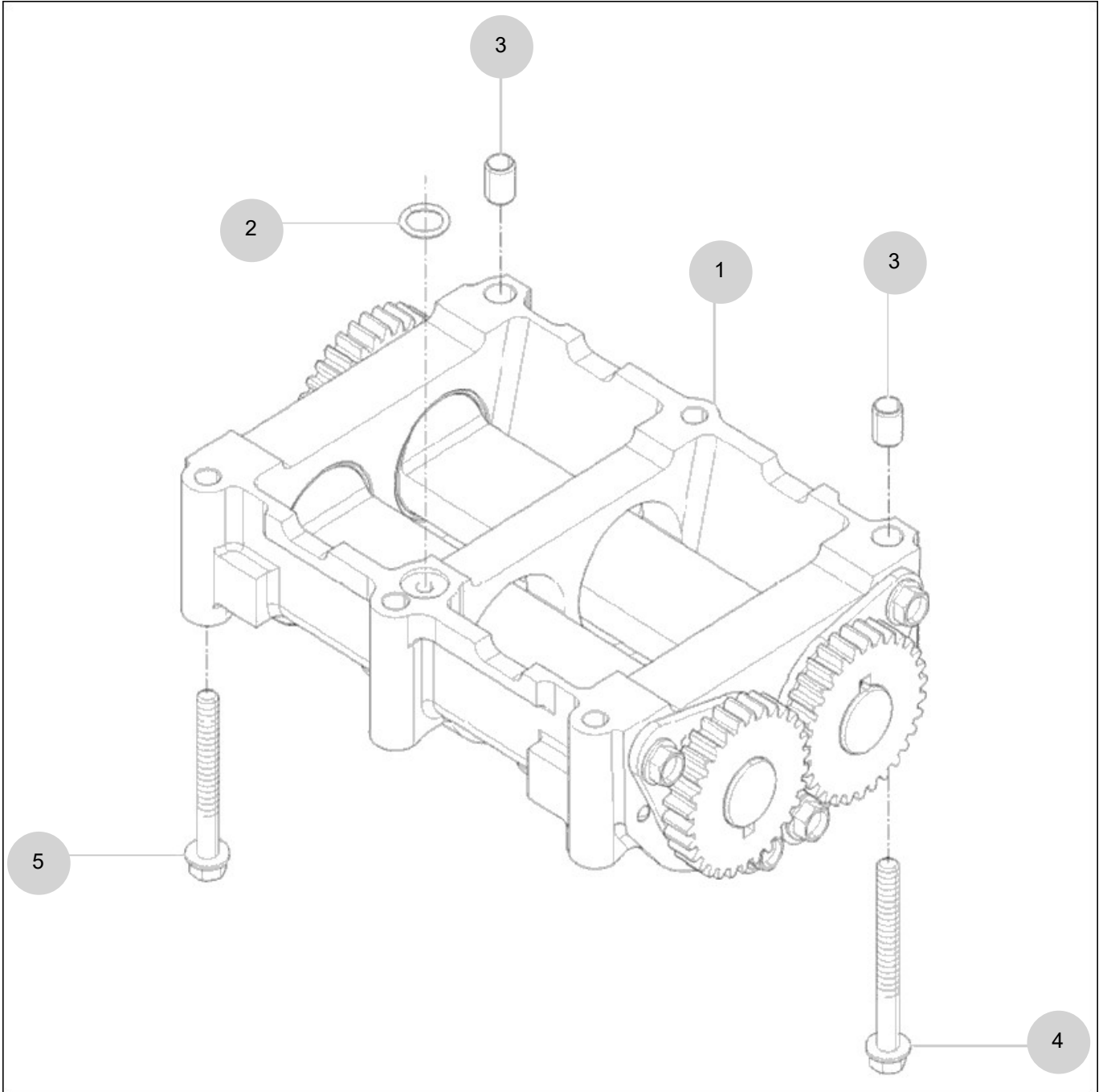
FIG 113

2ND BALANCE

년/월
Year/Month

T574NH

2022-12



NOTE

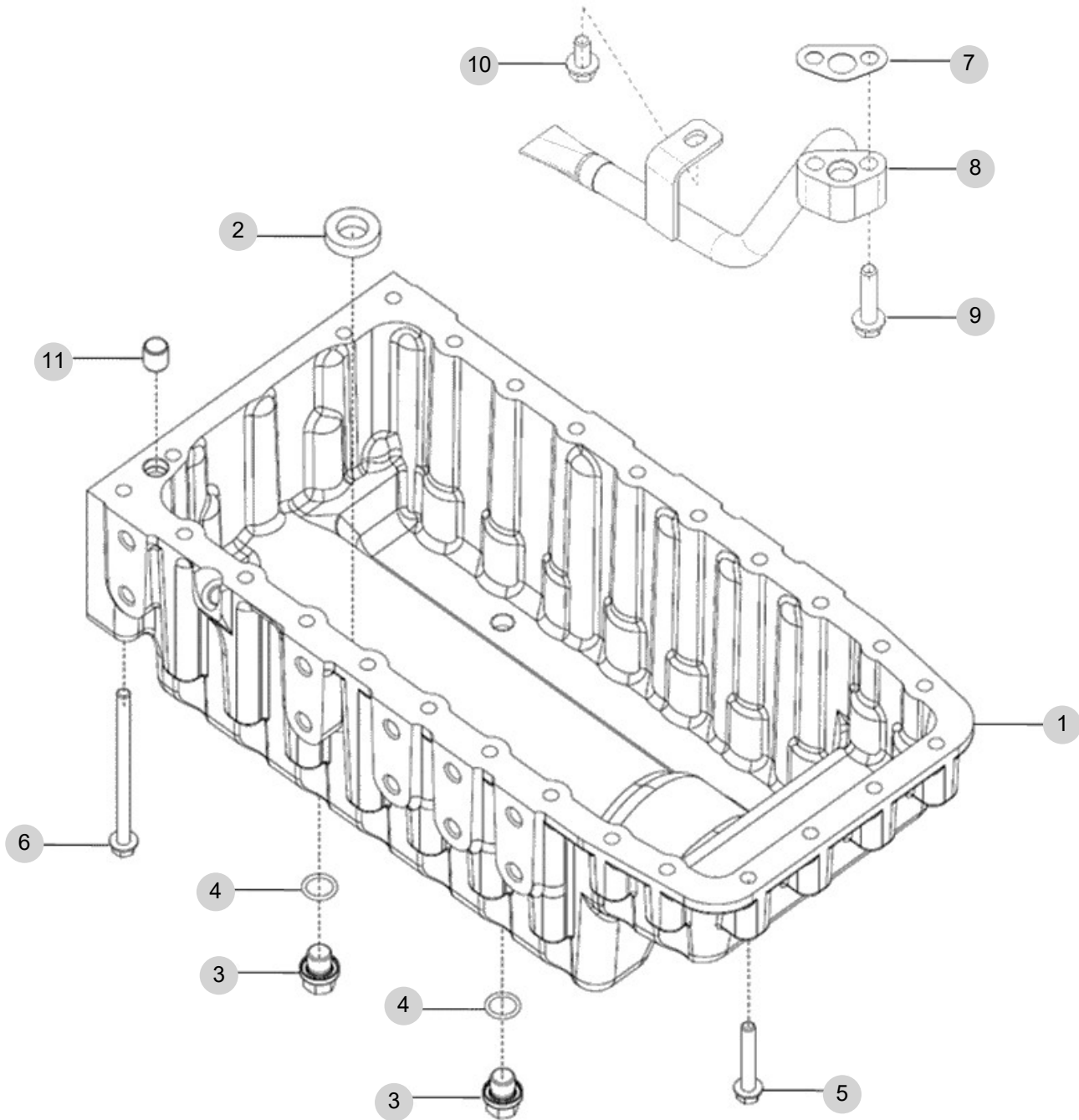
FIG 114

T574NH

OIL PAN

년/월
Year/Month

2022-12



NOTE

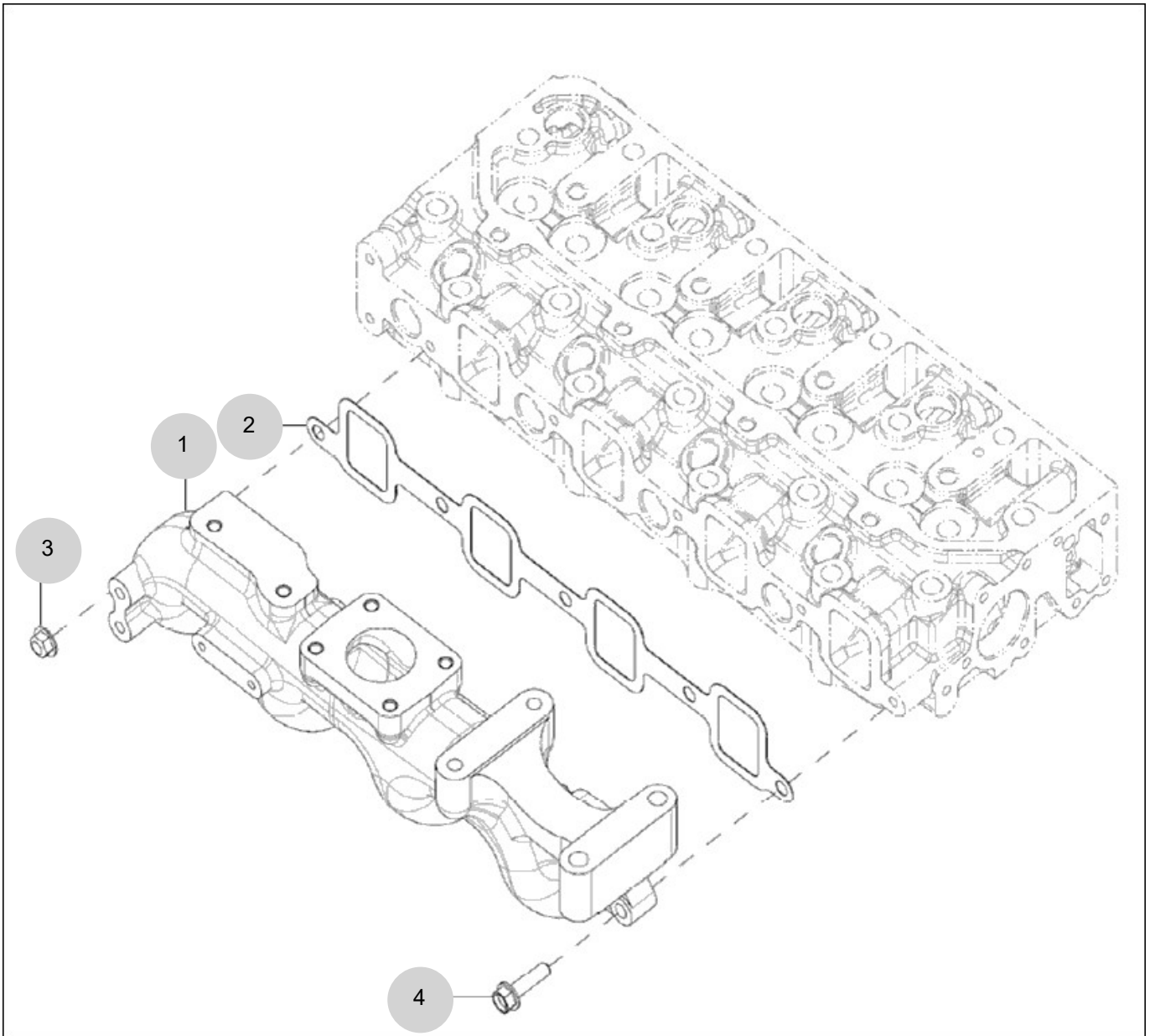
FIG 115A

INTAKE MANIFOLD(T574)

년/월
Year/Month

T574NH

2022-12



NOTE

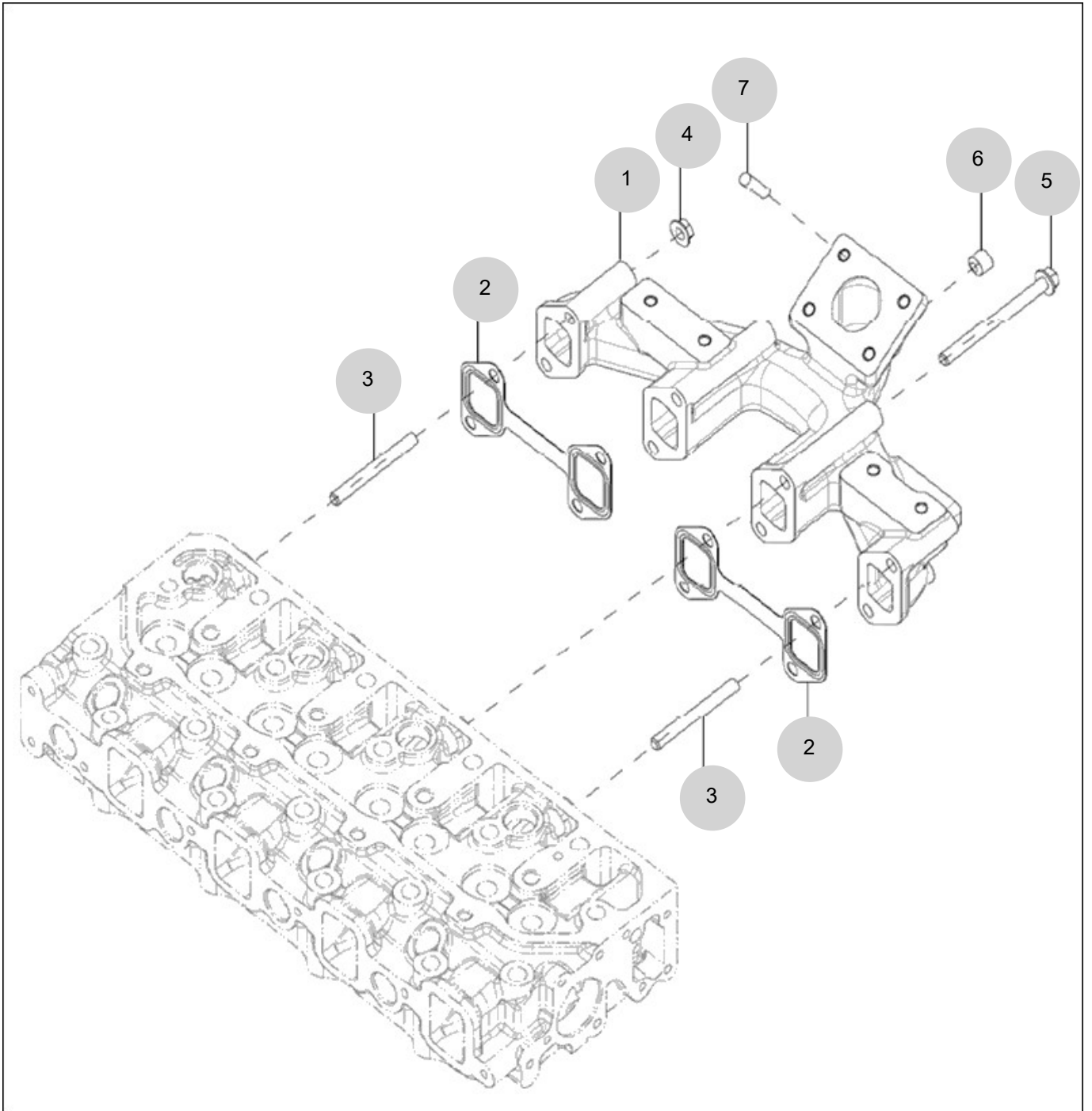
FIG 116A

EXHAUST MANIFOLD(T574)

년/월
Year/Month

T574NH

2022-12



NOTE

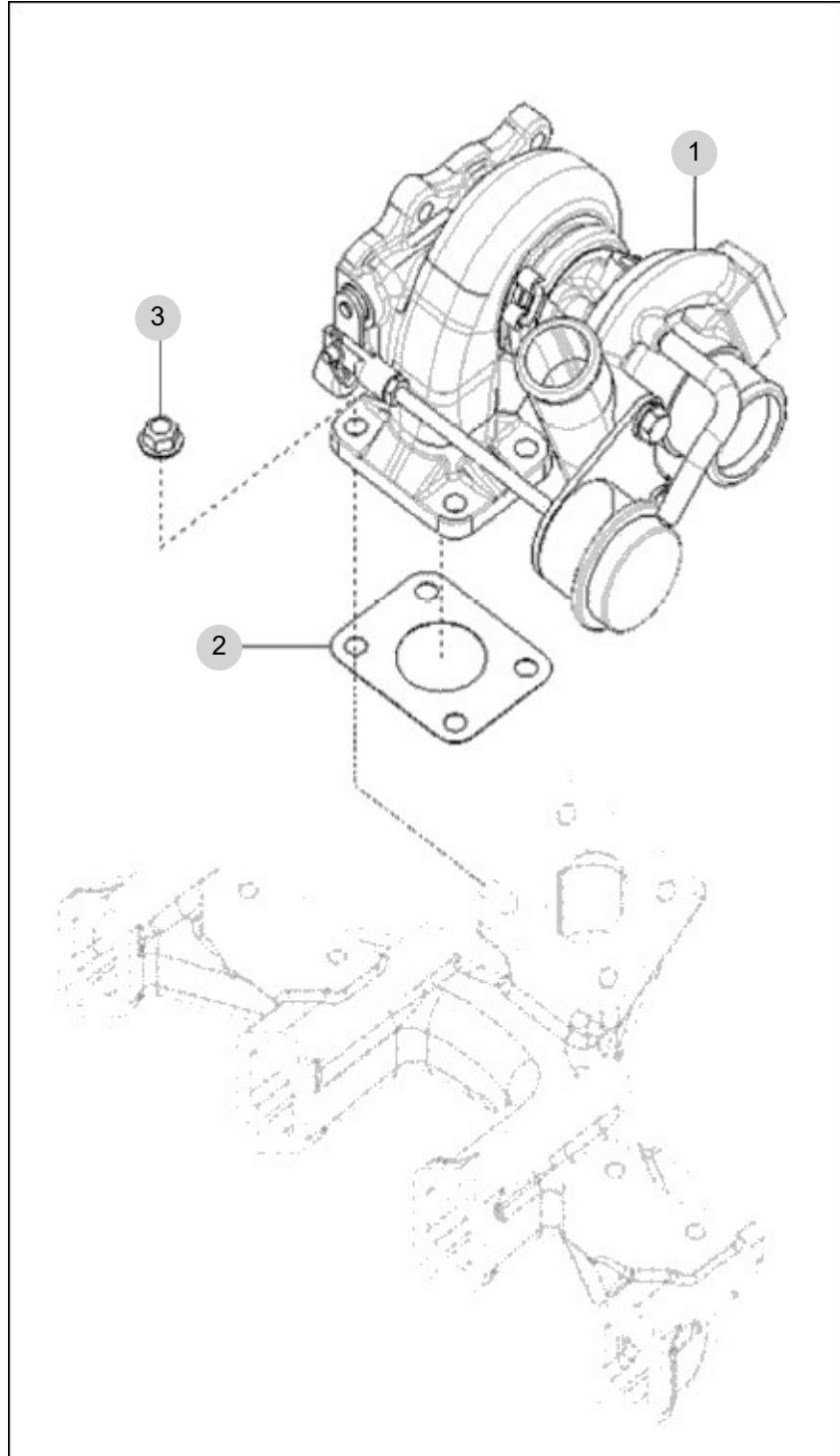
FIG 117A

T574NH

TURBOCHARGER ASS'Y(T574)

년/월
Year/Month

2022-12



NOTE

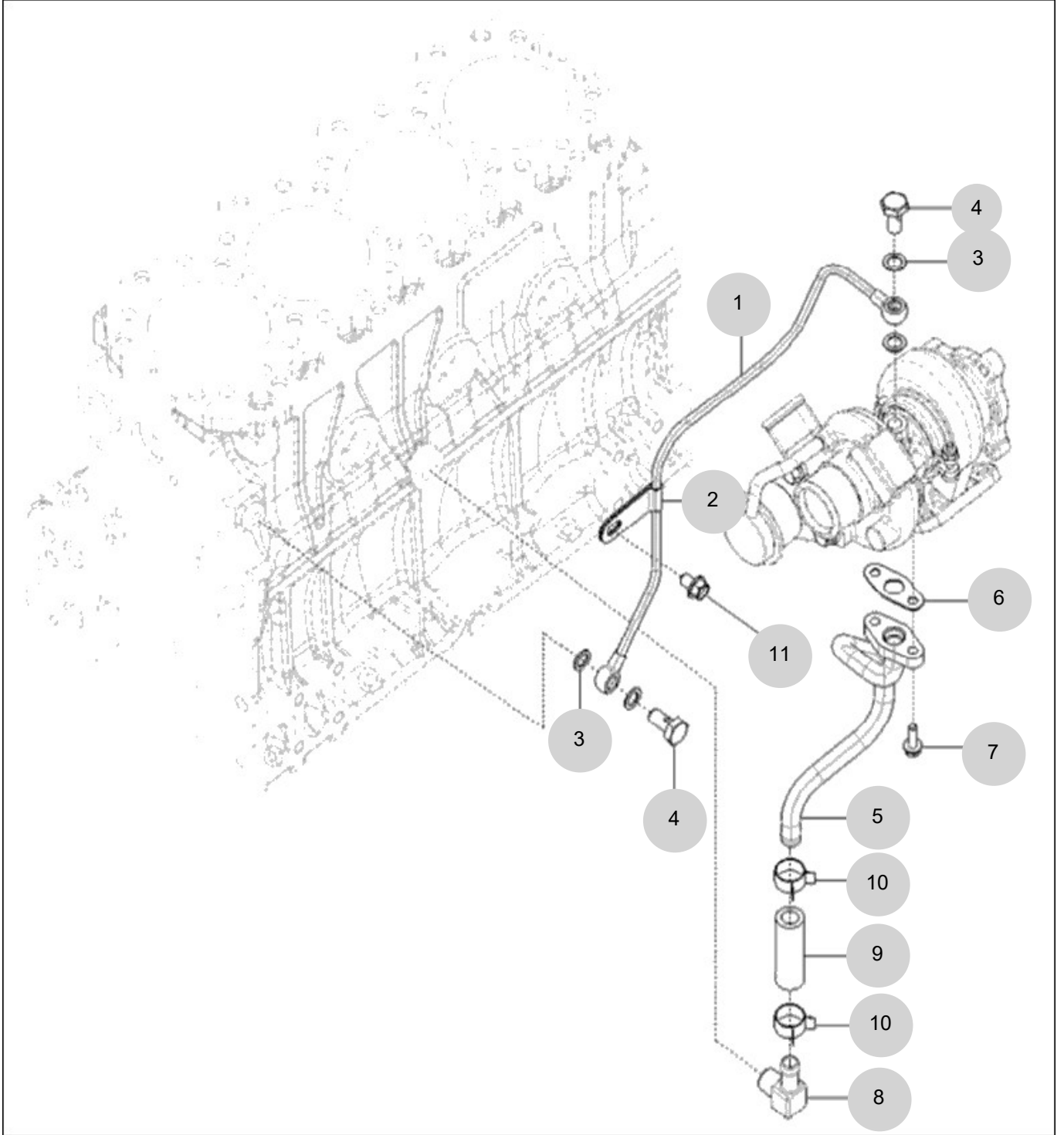
FIG 118A

TURBOCHARGER PLUMBING OPTION(T574)

년/월
Year/Month

2022-12

T574NH



NOTE

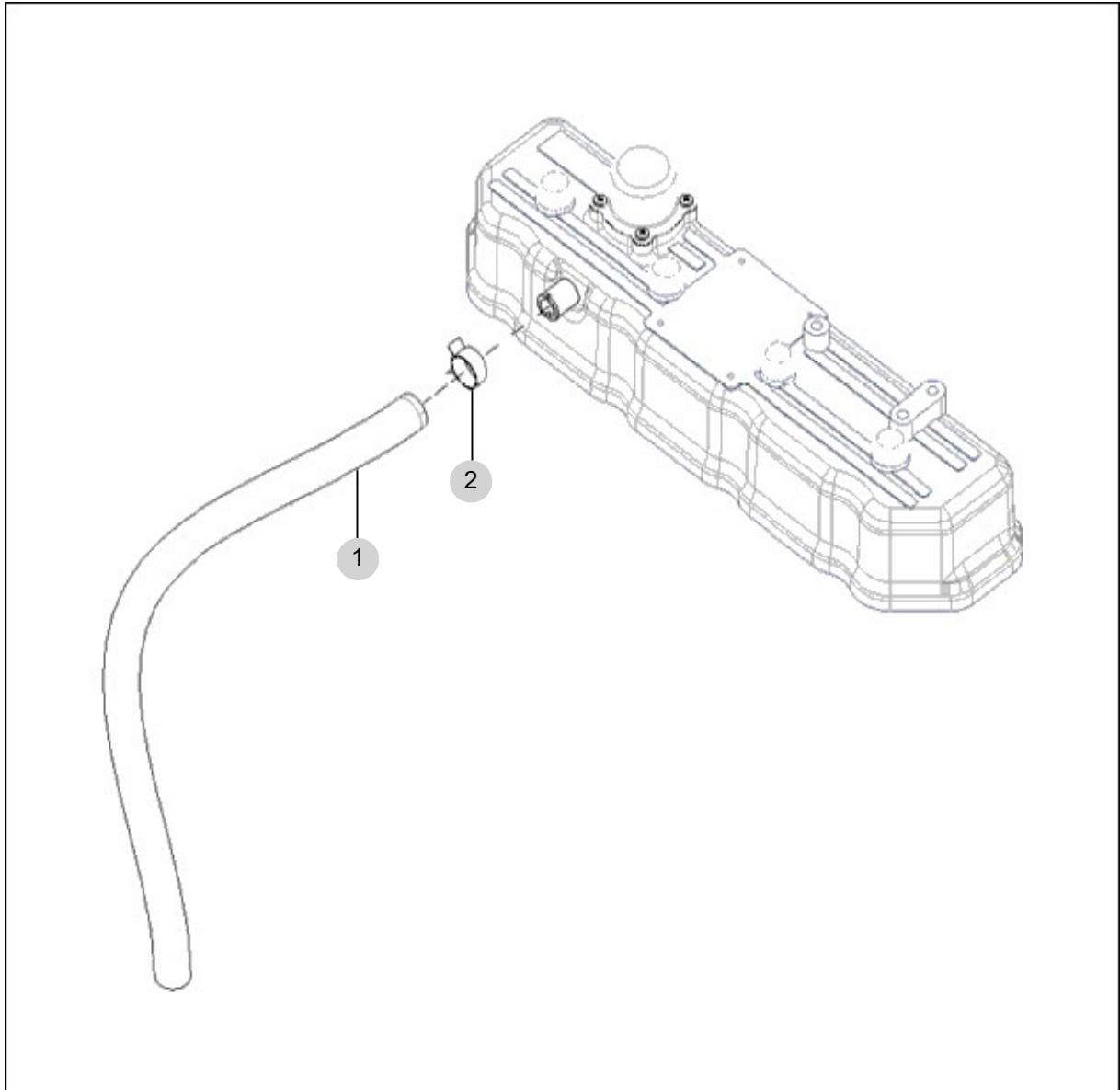
FIG 119A

BREATHER(T574)

년/월
Year/Month

T574NH

2022-12



NOTE

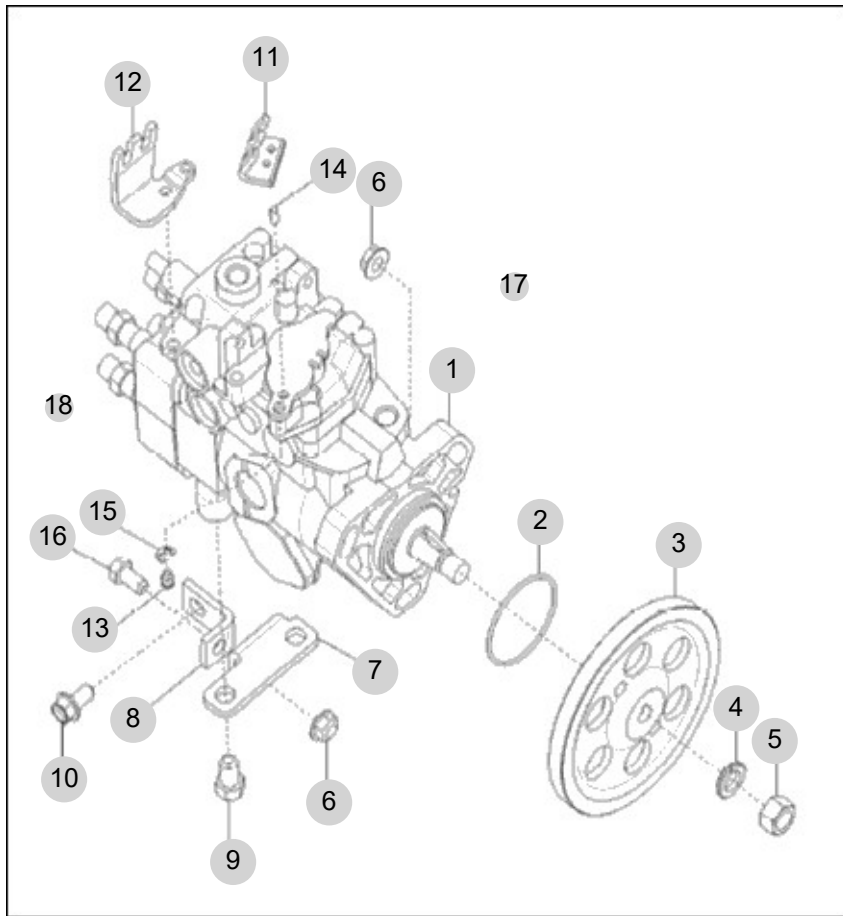
FIG 120

T574NH

FUEL INJECTION PUMP

년/월
Year/Month

2022-12



NOTE

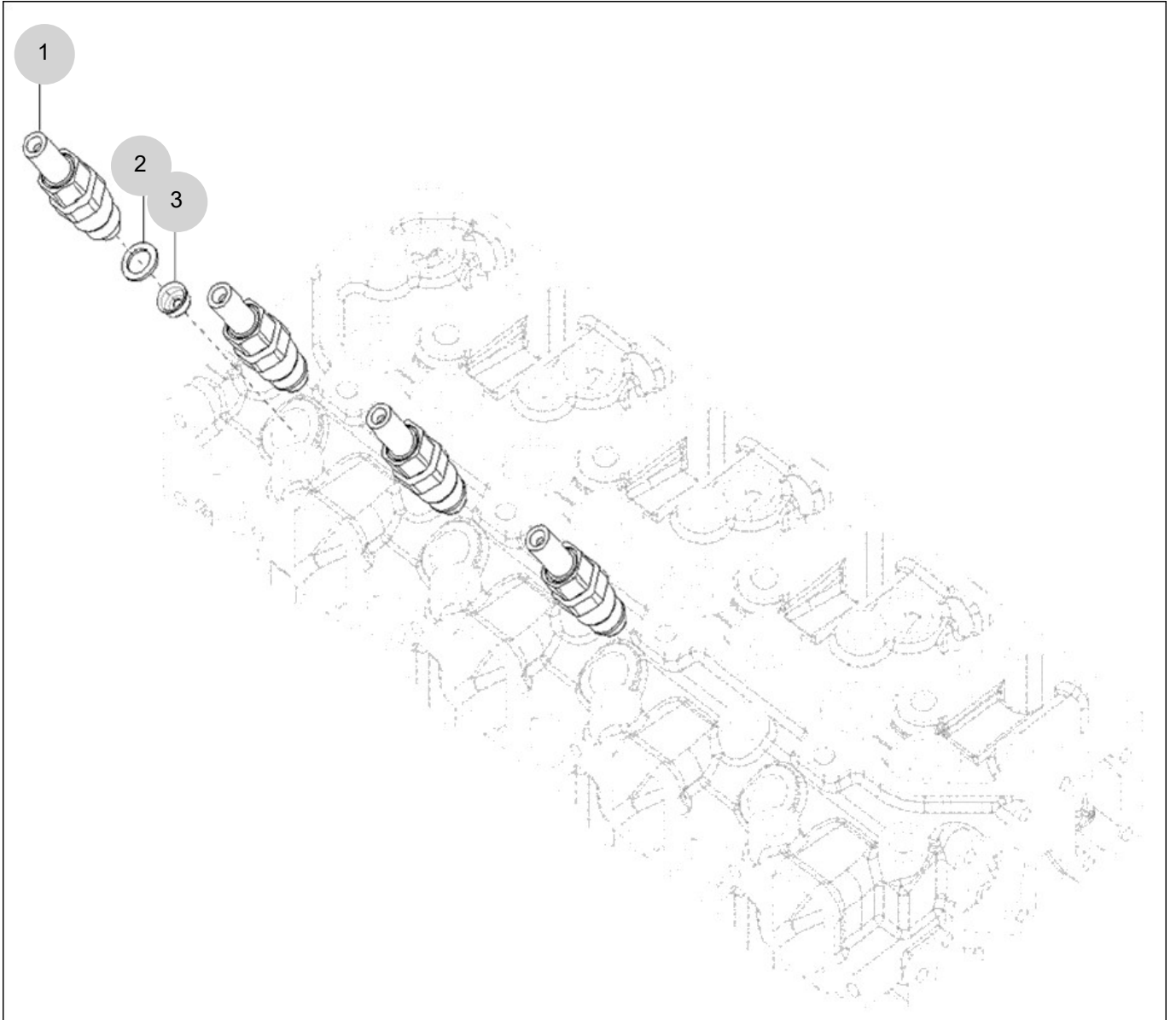
FIG 121

T574NH

FUEL INJECTION VALVE

년/월
Year/Month

2022-12



NOTE

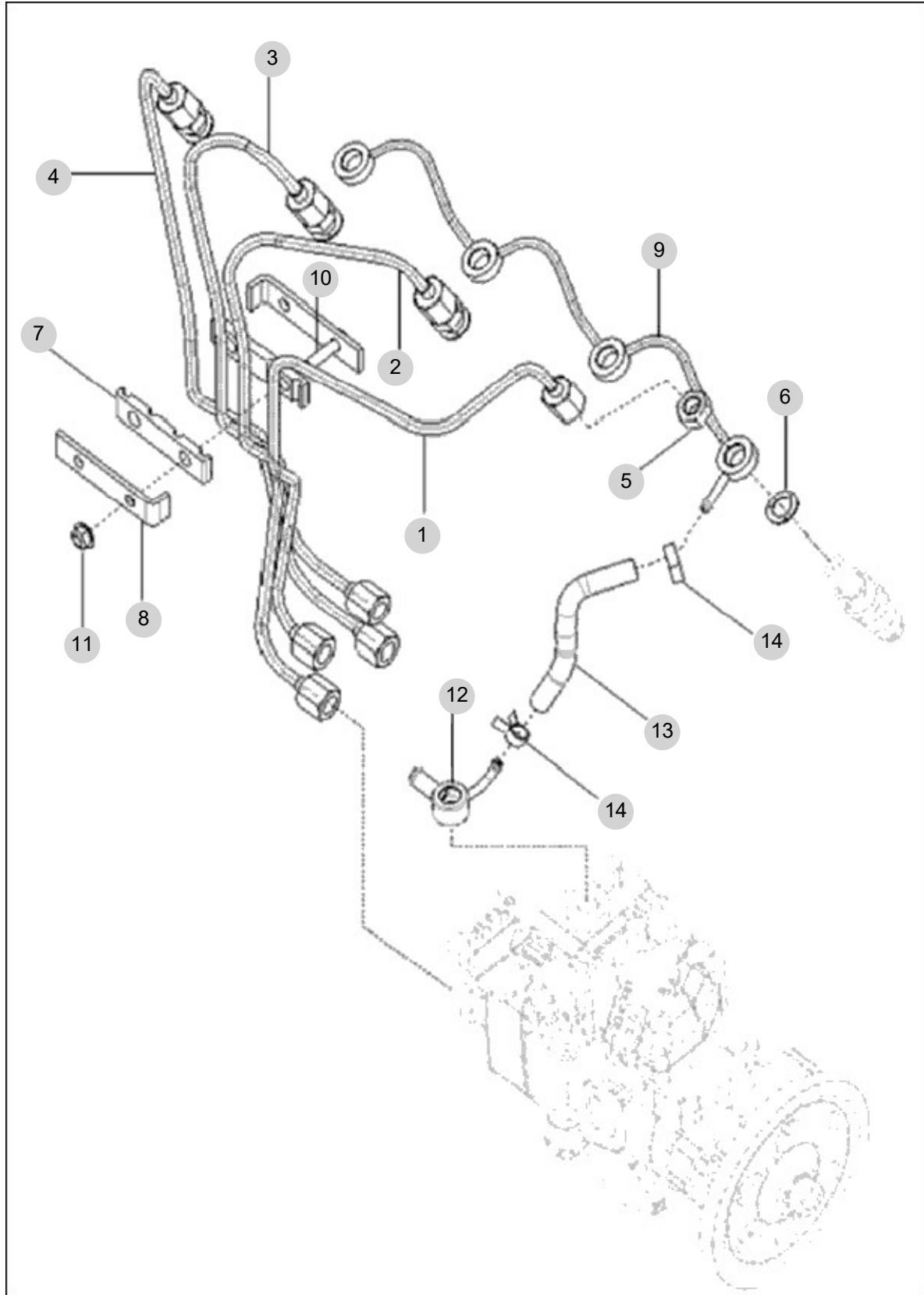
FIG 122

FUEL PIPE ASS'Y

년/월
Year/Month

2022-12

T574NH



NOTE

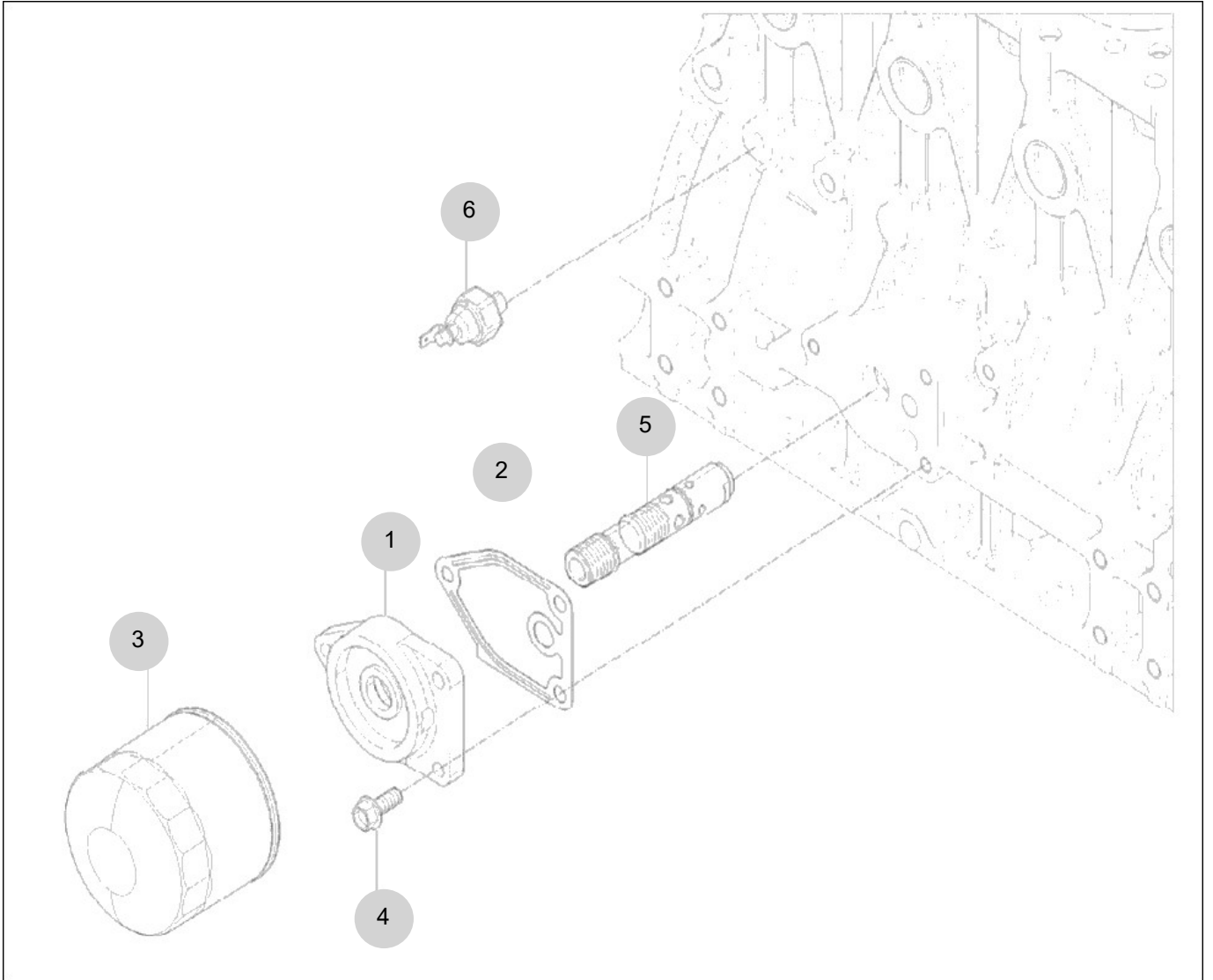
FIG 123

T574NH

OIL FILTER

년/월
Year/Month

2022-12



NOTE

FIG 123 T574NH	OIL FILTER					년/월 Year/Month	
						2022-12	

KEY NO	PART NO	DESCRIPTION	SPEC	QTY	REPAIR	EFFECTIVE DATE	REMARKS
123	1	HRA1100900B	BRACKET, OIL FILTER	1			
123	2	HRA1101000B	PACKING(OIL FILTER)	1			
123	2	HRA1101000A	PACKING(OIL FILTER)	1			
123	3	EA00004647A	FILTER , ENGINE OIL	1			
123	4	26106-080202	HEX. FLANGE BOLT	3		8X20	
123	5	EA00002852A	PRESS CONTROL VALVE ASSY	1			
123	6	HA09250000A	SWITCH , OIL PRESSURE	1		1X1X1	
NOTE							

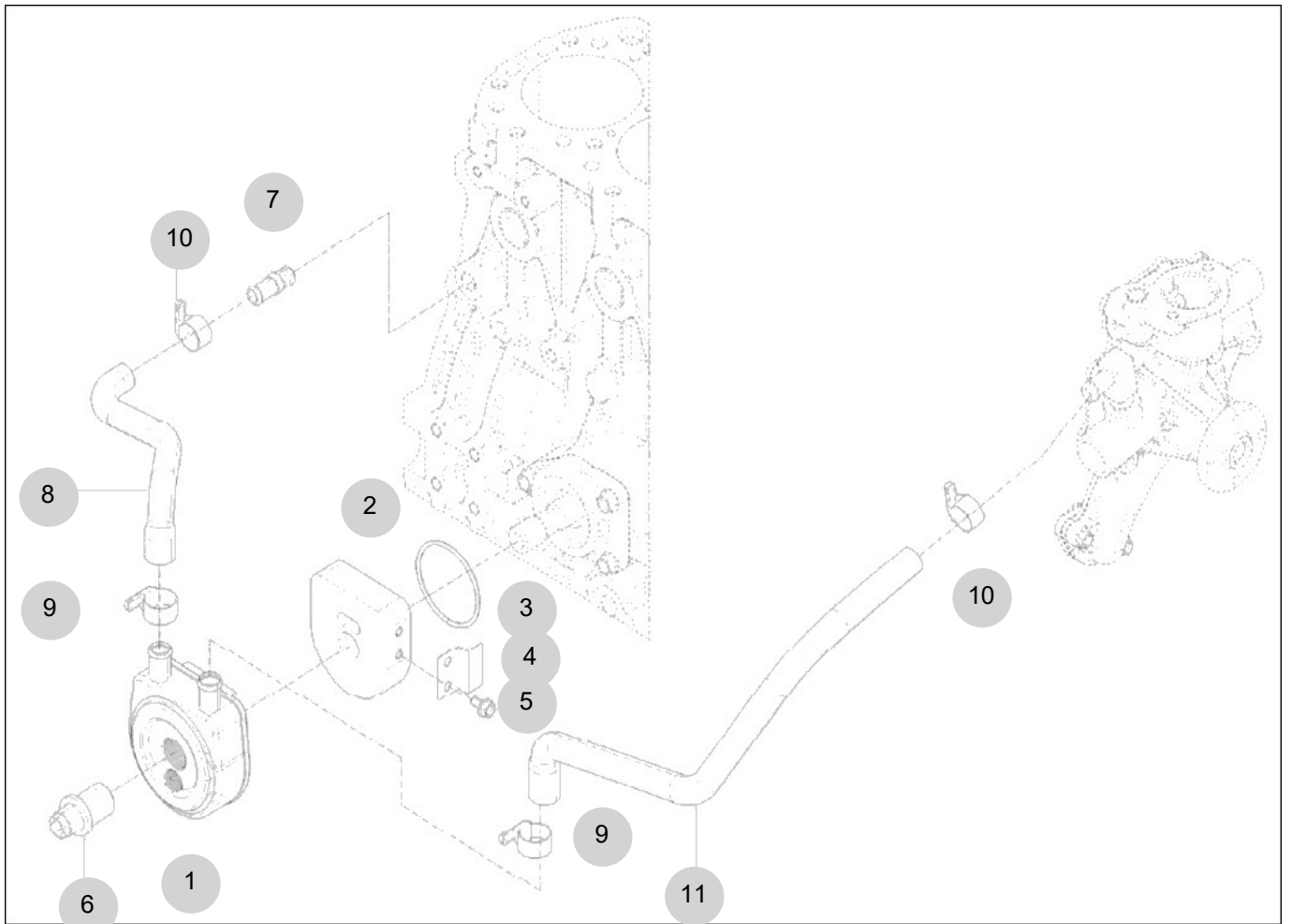
FIG 124

T574NH

OIL COOLER

년/월
Year/Month

2022-12



NOTE

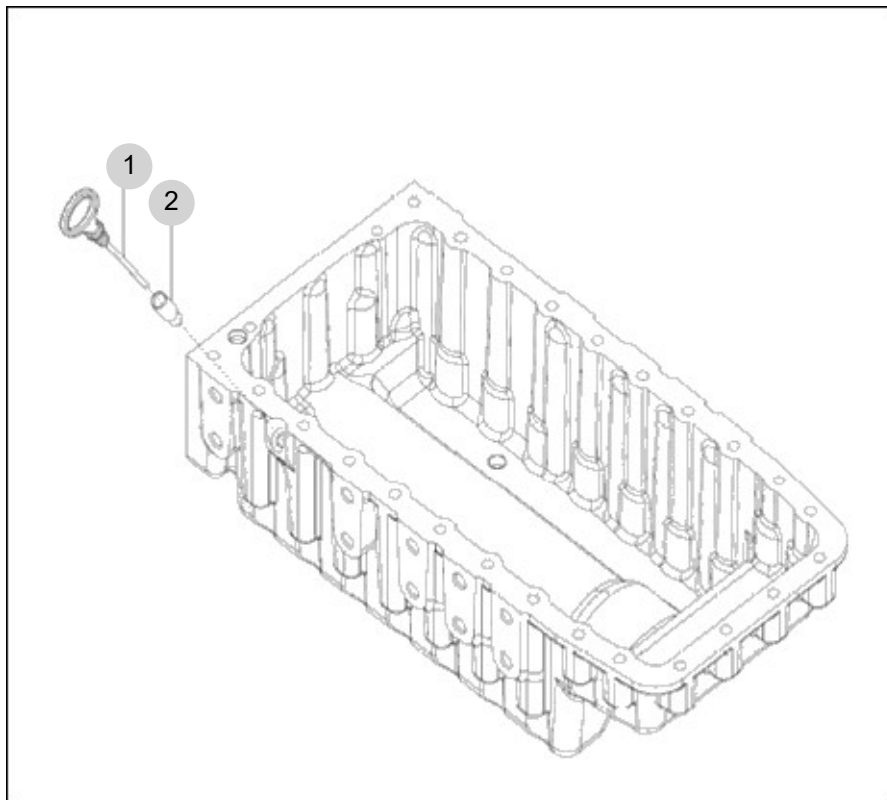
FIG 125

OIL GAUGUE

년/월
Year/Month

T574NH

2022-12



NOTE

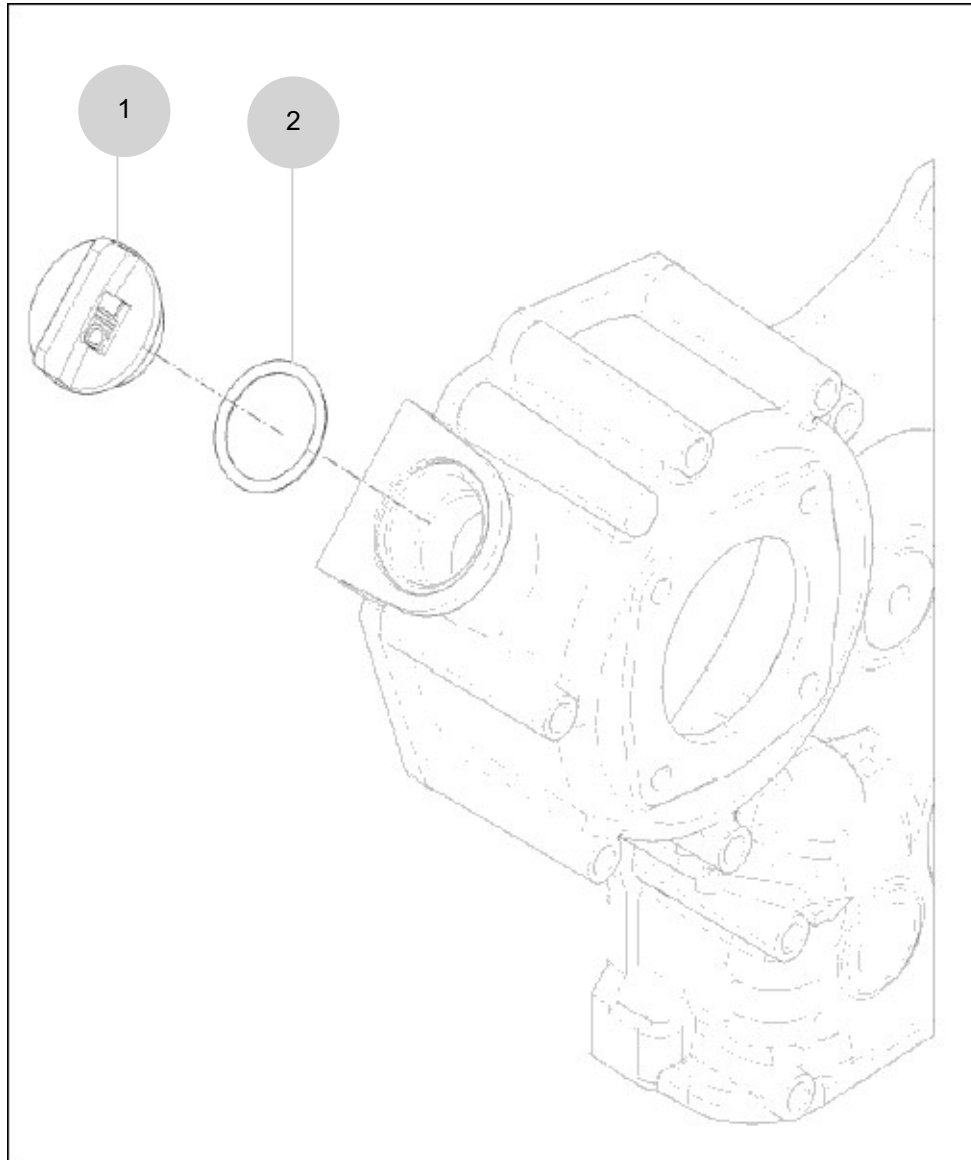
FIG 126

T574NH

OIL FILLER CAP

년/월
Year/Month

2022-12



NOTE

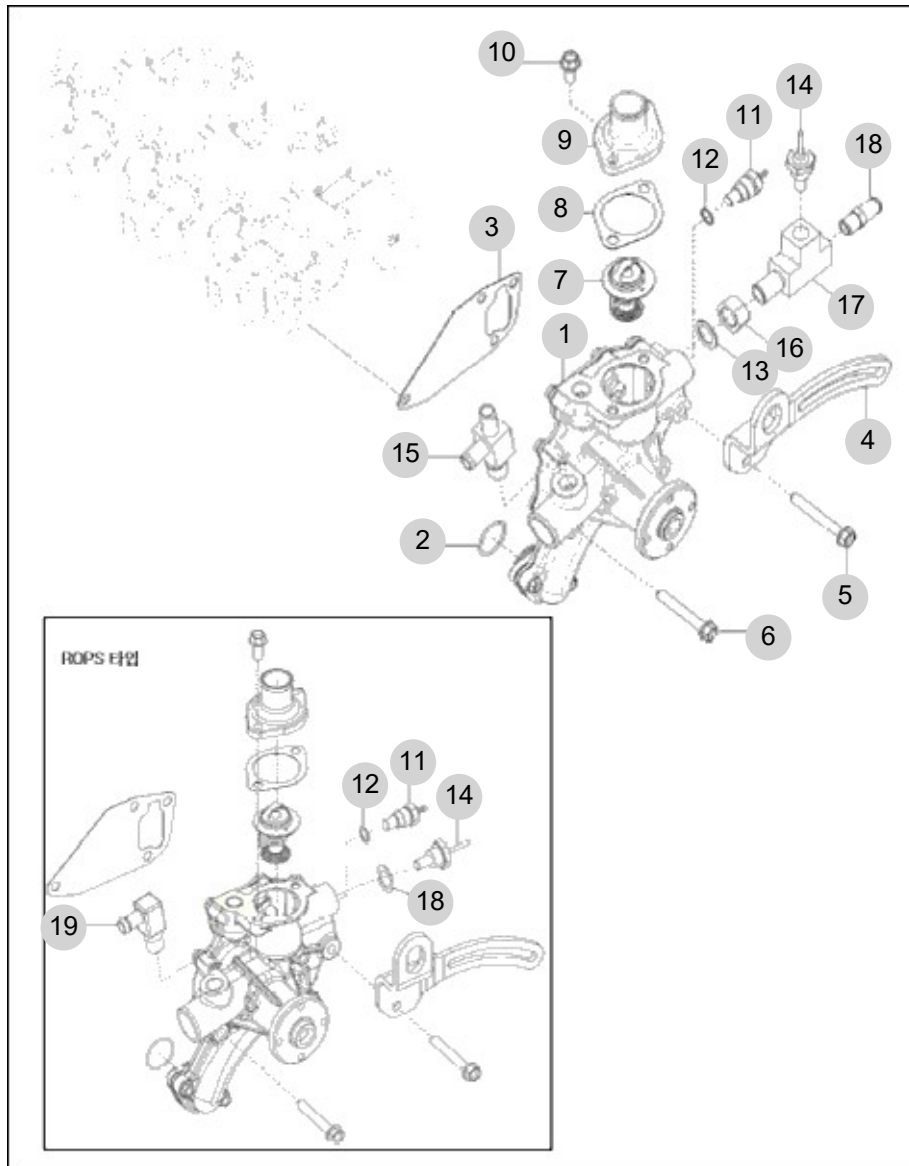
FIG 127

T574NH

COOLING WATER PUMP

년/월
Year/Month

2022-12



NOTE

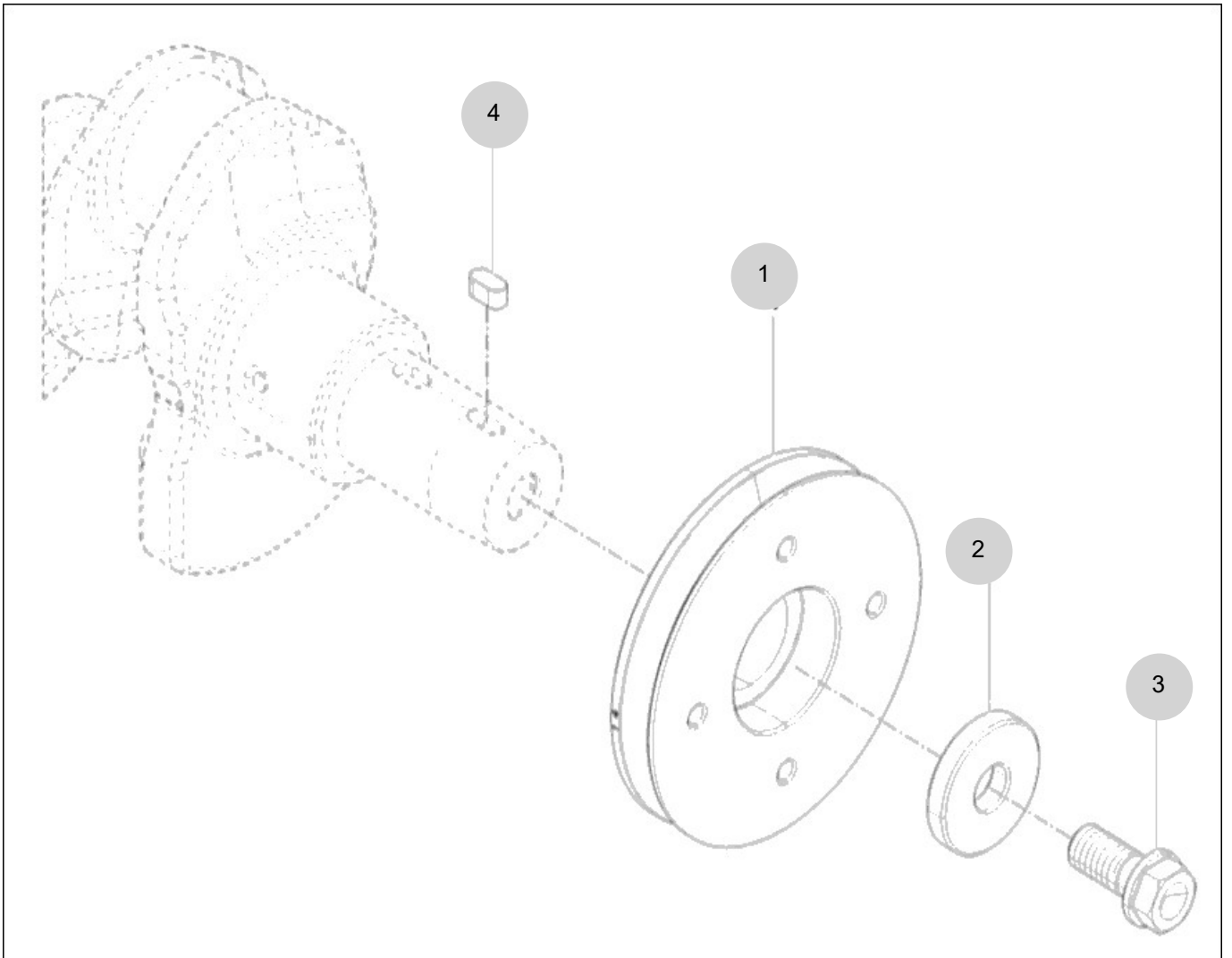
FIG 128

T574NH

CRANK SHAFT PULLEY

년/월
Year/Month

2022-12



NOTE

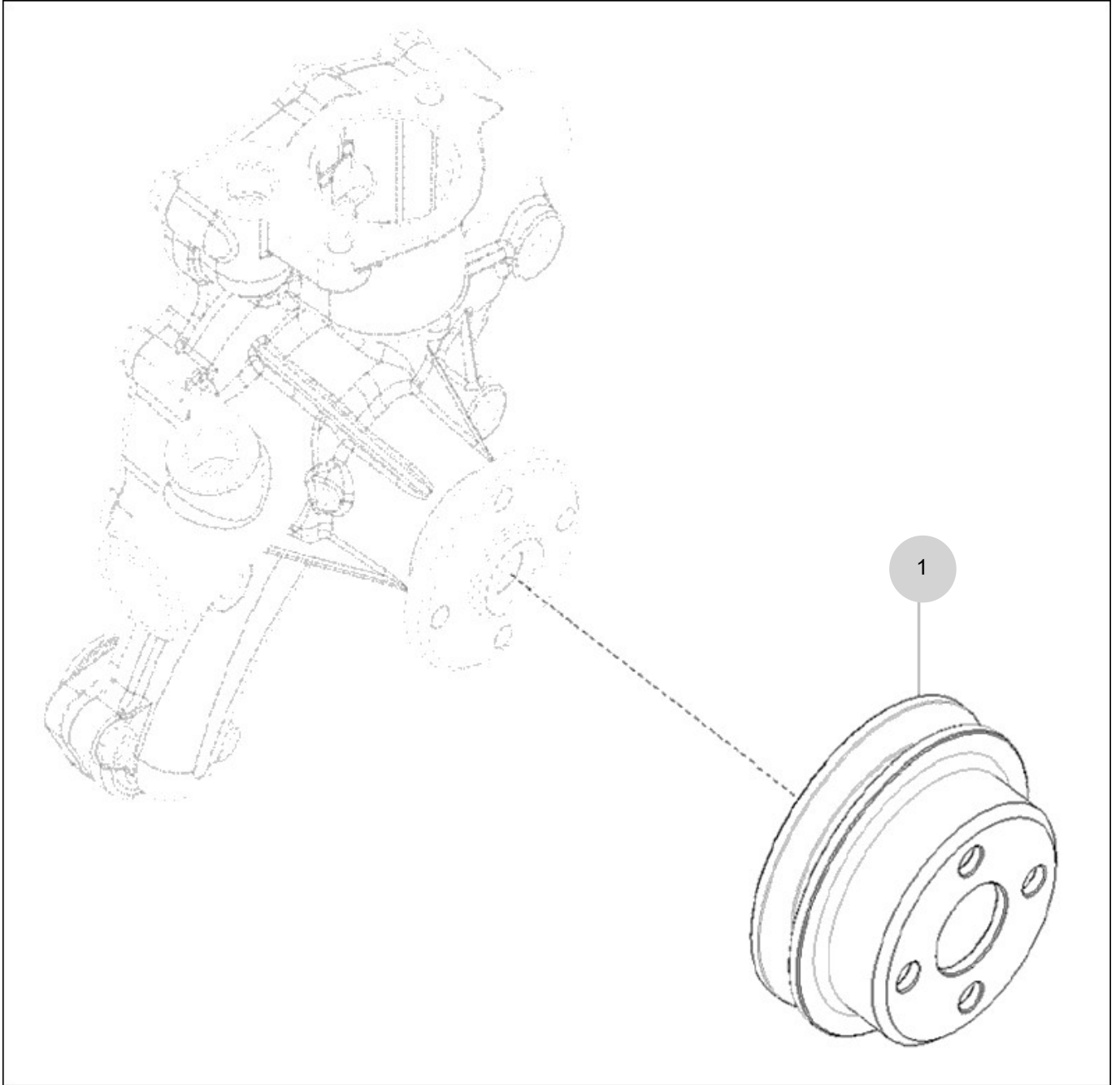
FIG 129

V-PULLEY

년/월
Year/Month

T574NH

2022-12



NOTE

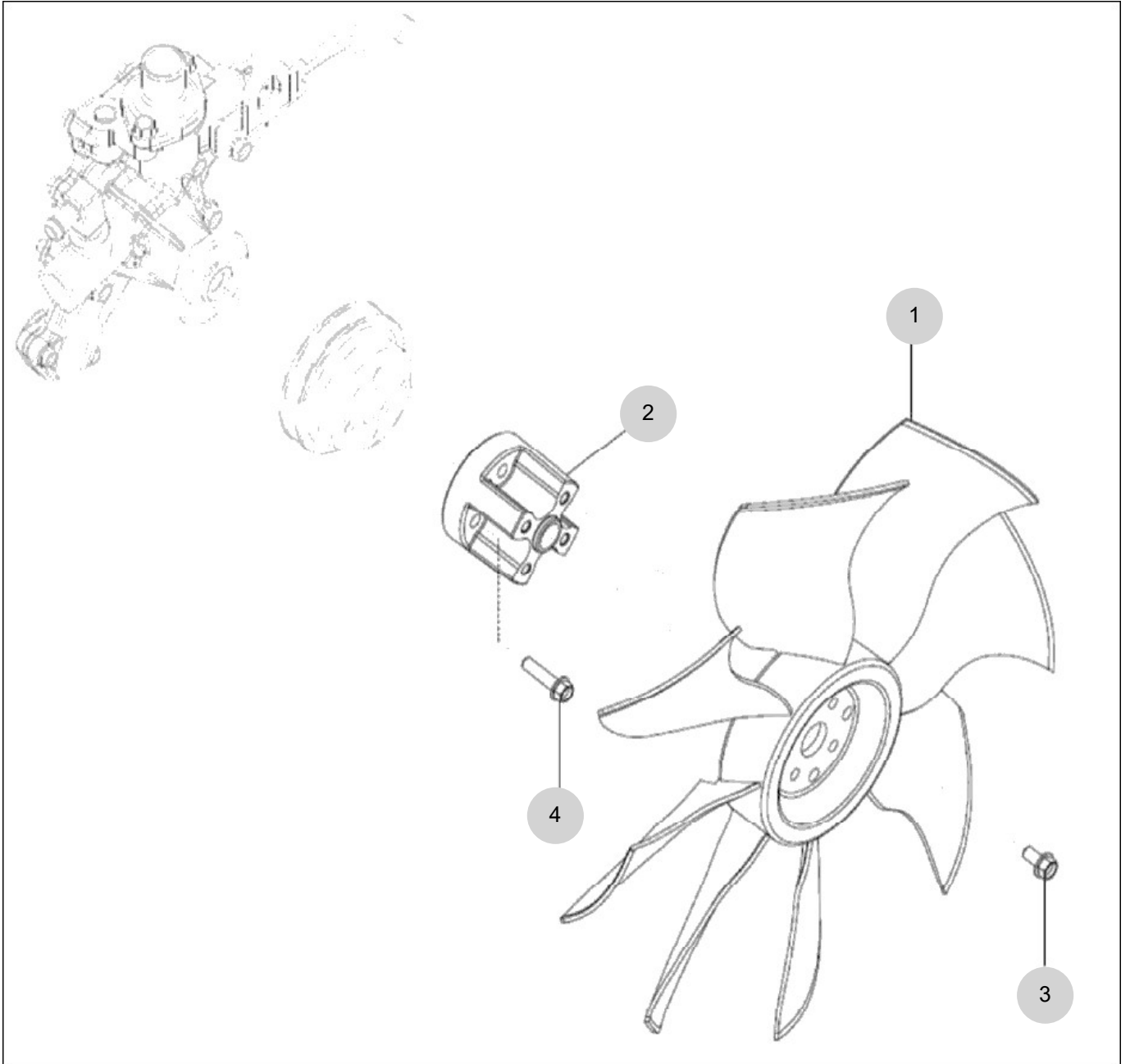
FIG 130

COOLING FAN

년/월
Year/Month

2022-12

T574NH



NOTE

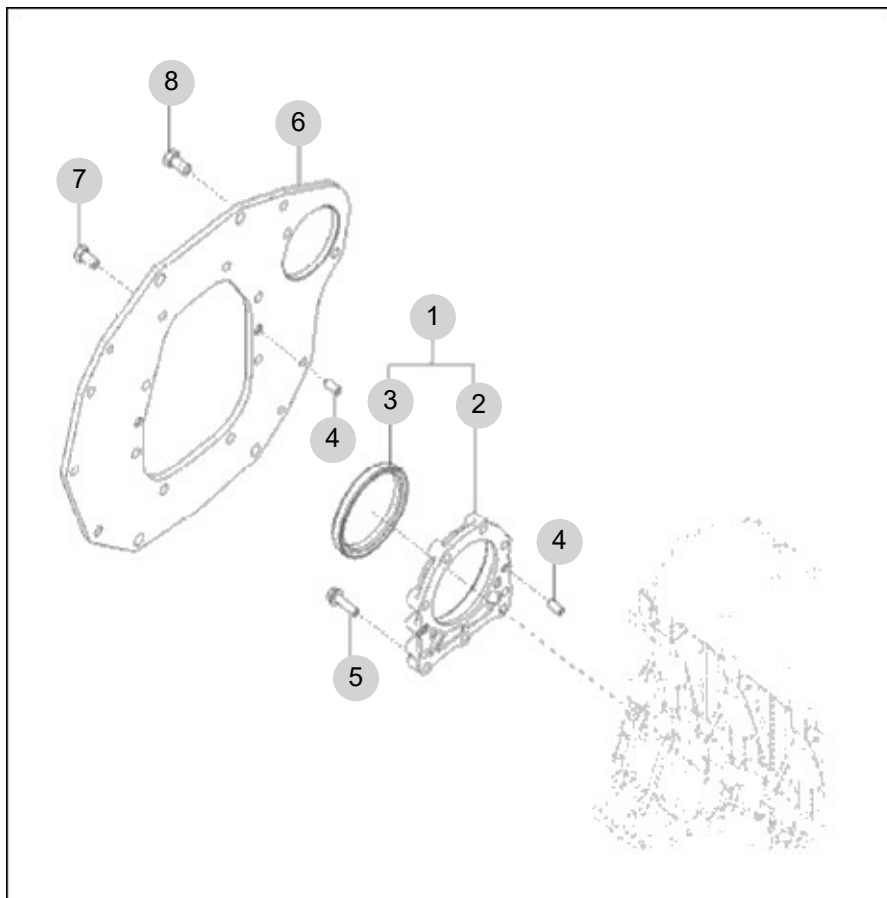
FIG 131

T574NH

FLYWHEEL HOUSING

년/월
Year/Month

2022-12



NOTE

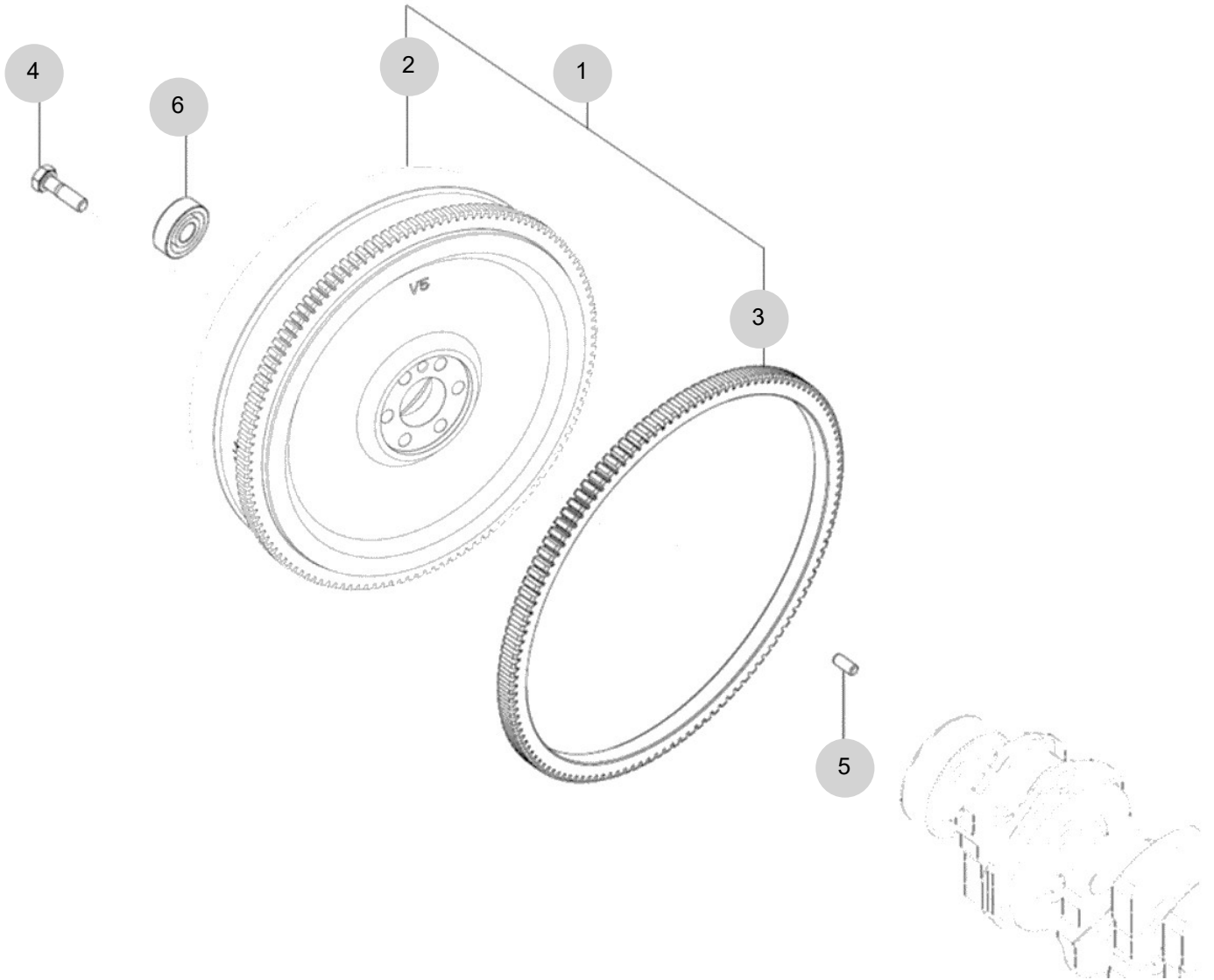
FIG 132

T574NH

FLYWHEEL

년/월
Year/Month

2022-12



NOTE

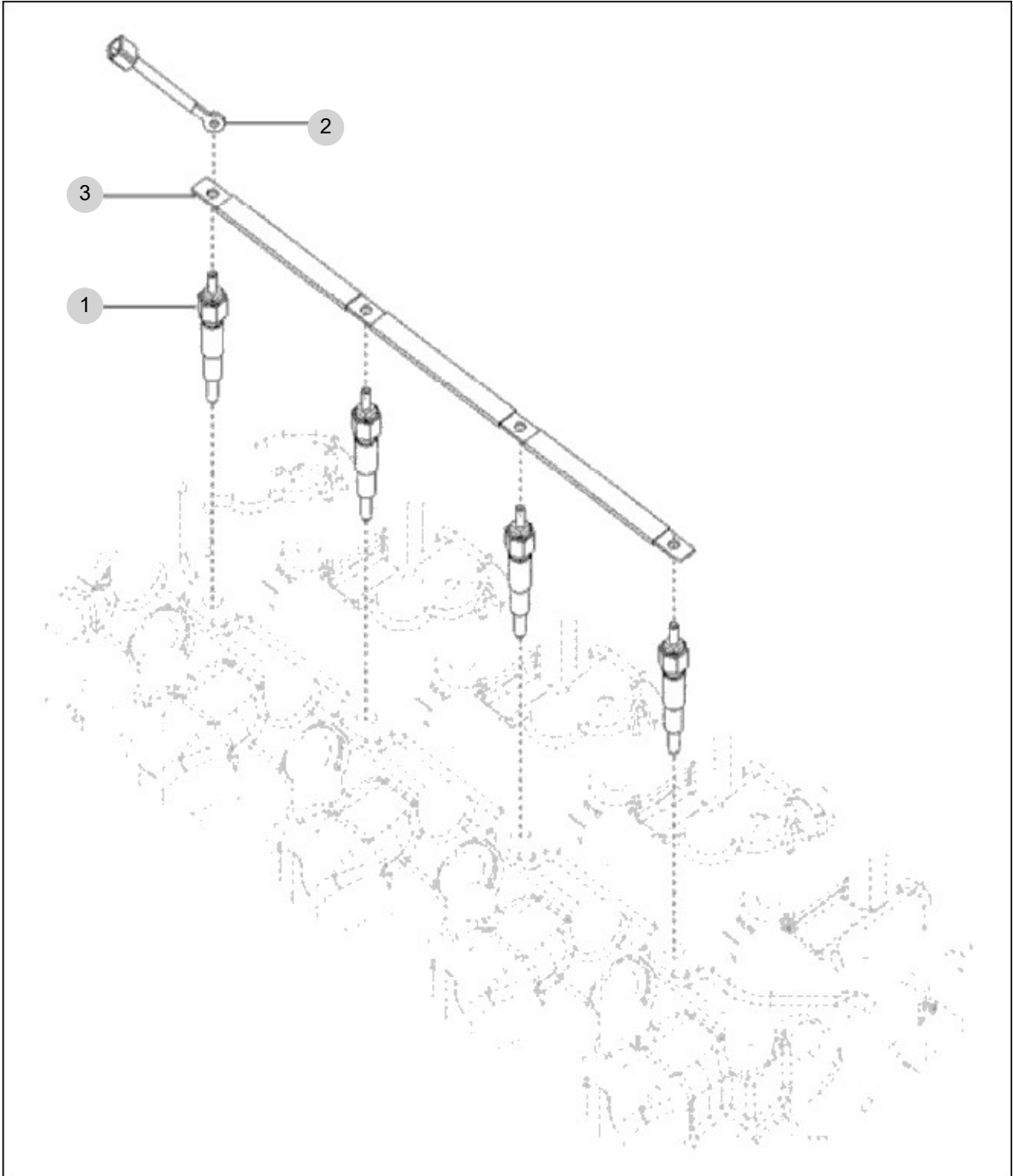
FIG 133

T574NH

GLOW PLUG ASS'Y OPTION

년/월
Year/Month

2022-12



NOTE

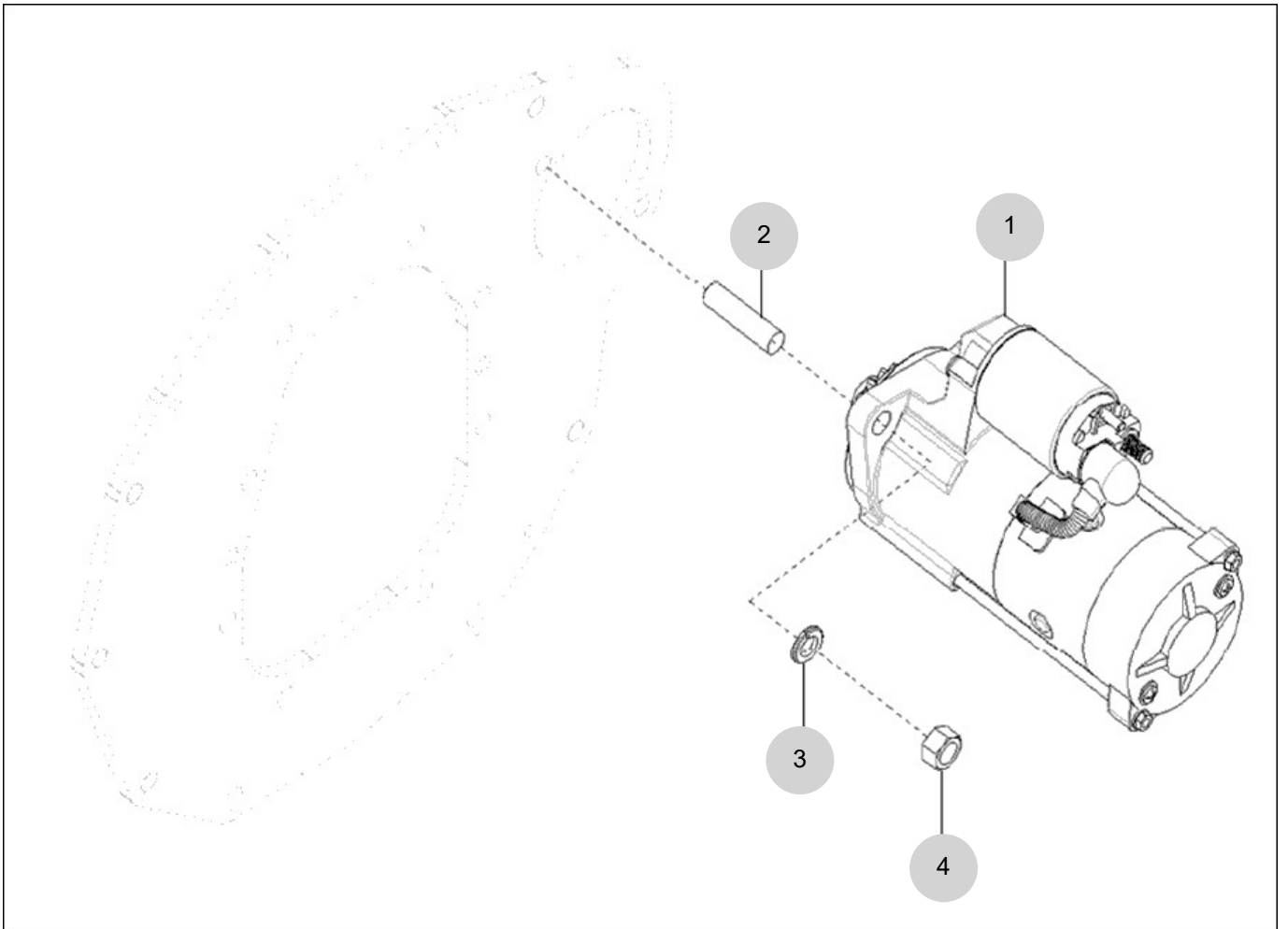
FIG 134

STARTING MOTOR

년/월
Year/Month

2022-12

T574NH



NOTE

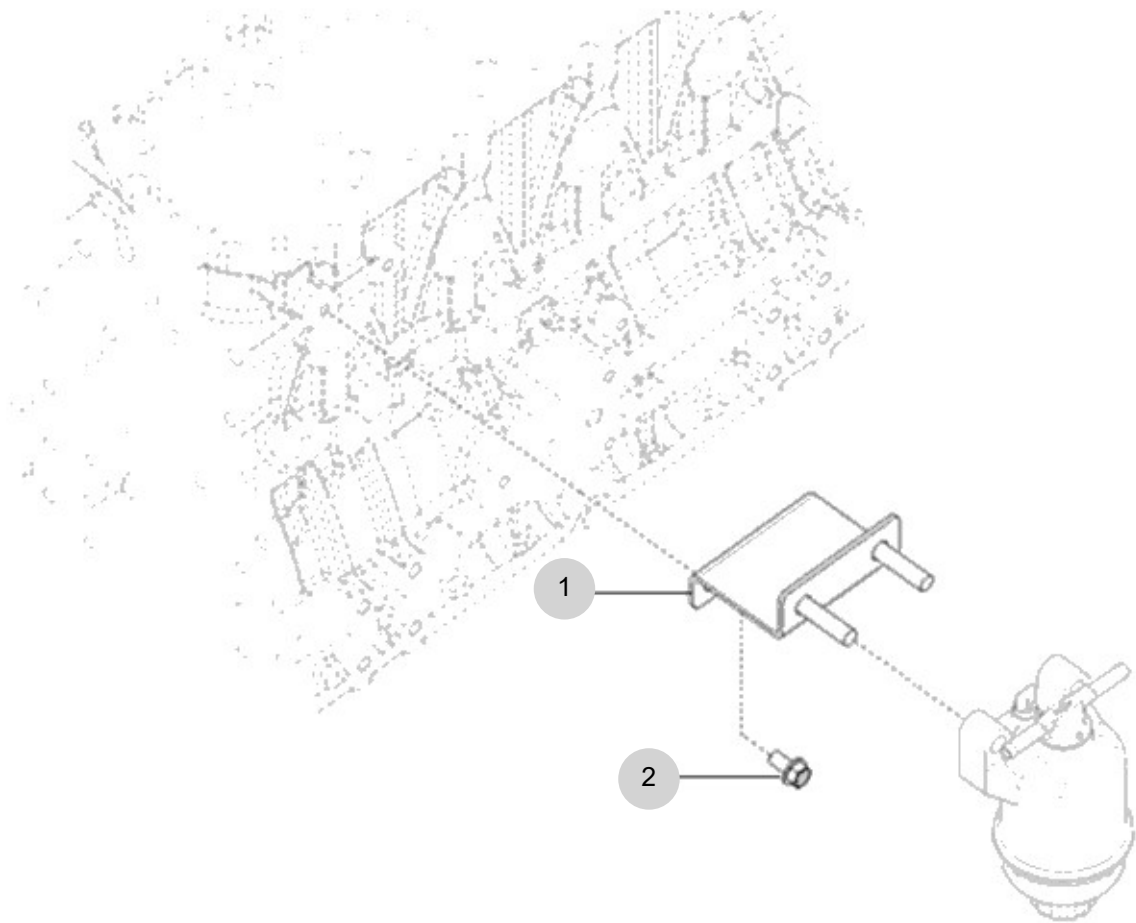
FIG 135

T574NH

FUEL FILTER BRACKET ASS'Y

년/월
Year/Month

2022-12



NOTE

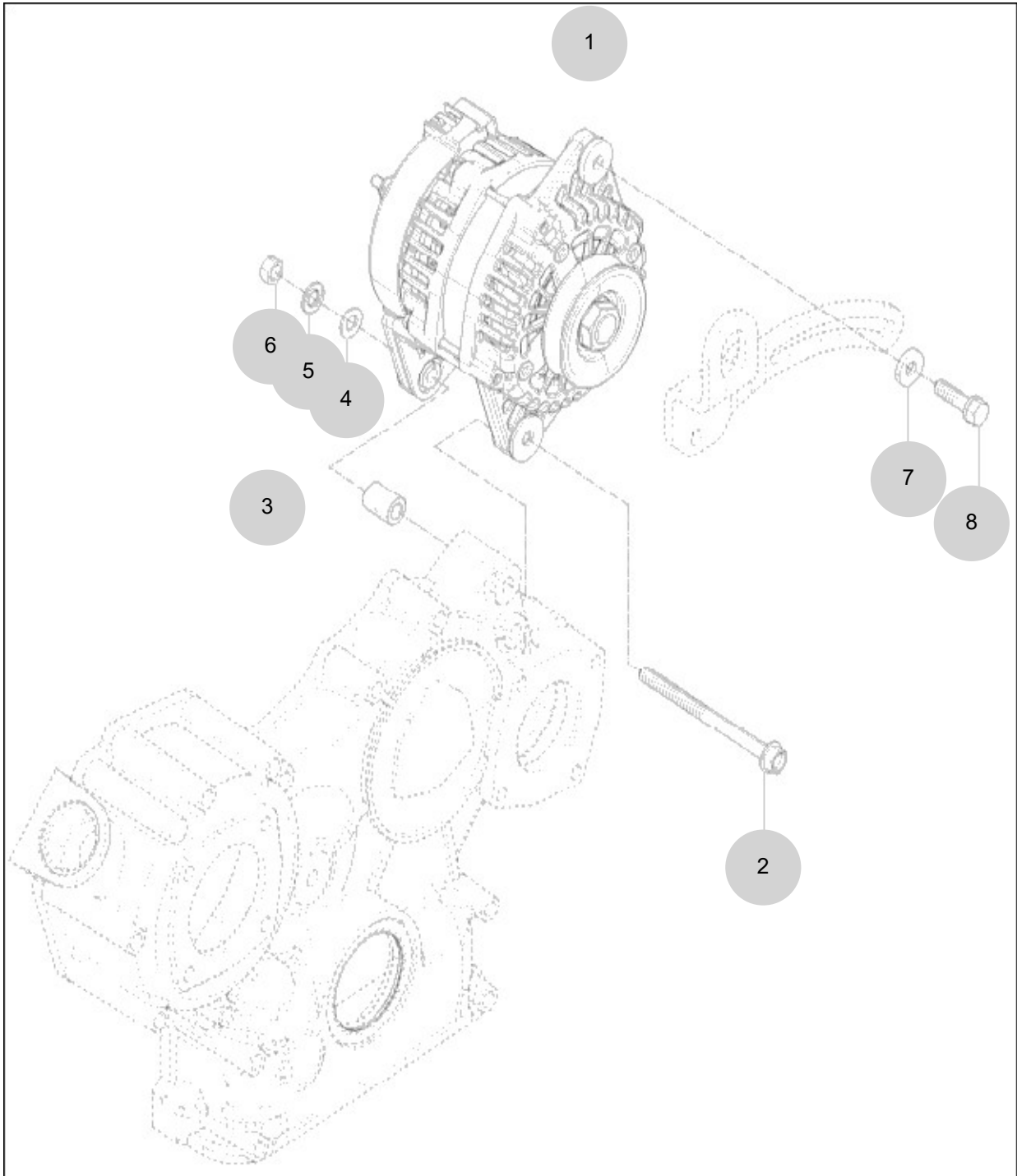
FIG 136

ALTERNATOR

년/월
Year/Month

T574NH

2022-12



NOTE

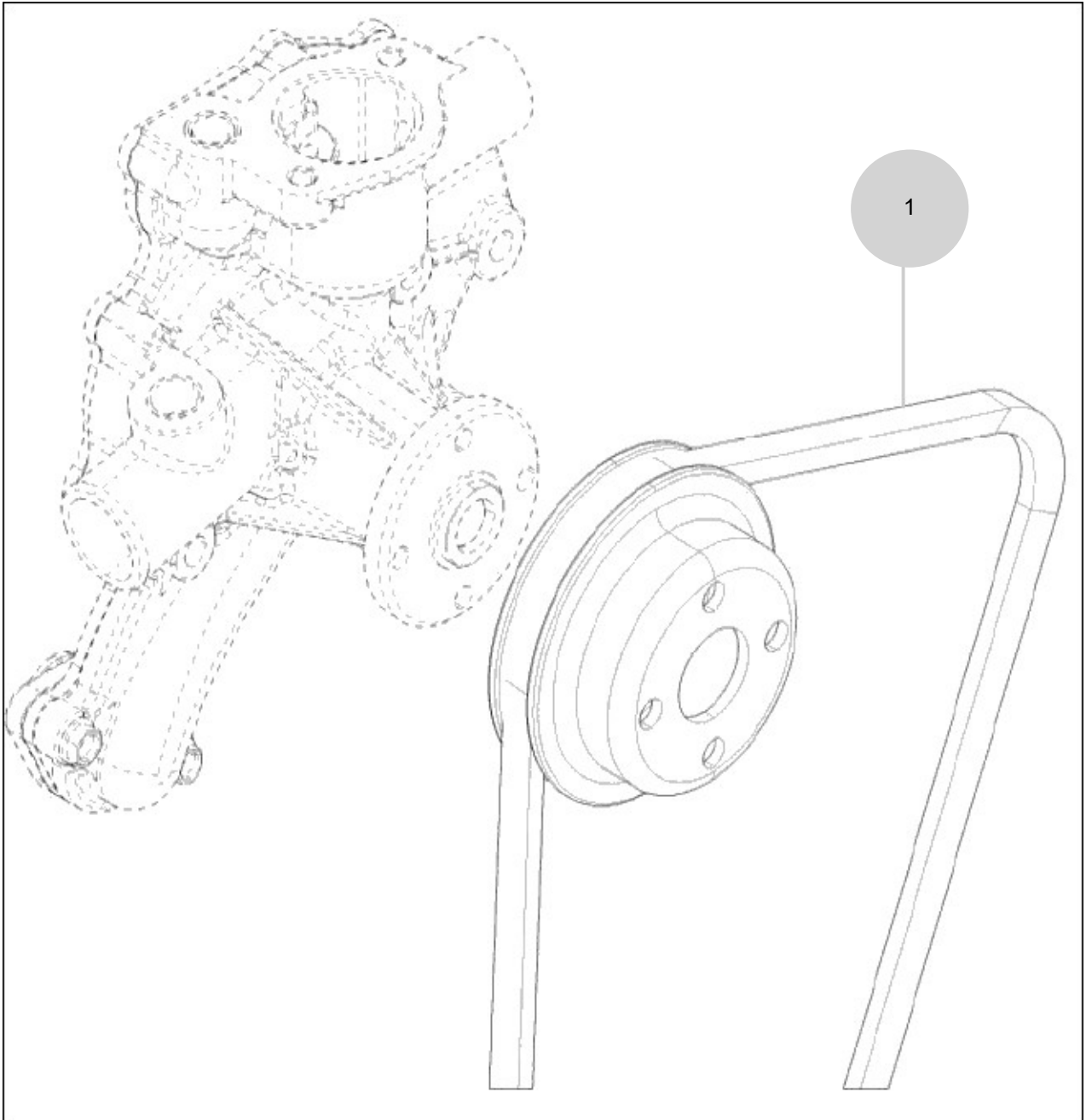
FIG 137

T574NH

V-BELT

년/월
Year/Month

2022-12



NOTE

FIG 137 T574NH		V-BELT						년/월 Year/Month
								2022-12
KEY NO		PART NO	DESCRIPTION	SPEC	QTY	REPAIR	EFFECTIVE DATE	REMARKS
137	1	EA00005549A	V-BELT		1			
NOTE								

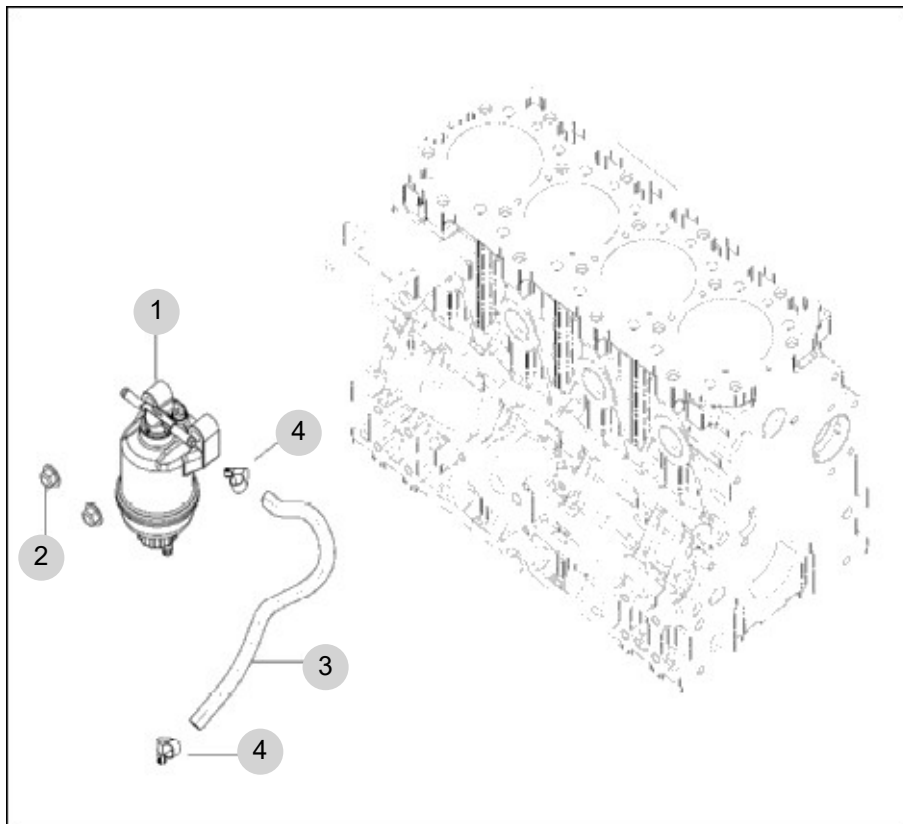
FIG 138

T574NH

FUEL FILTER

년/월
Year/Month

2022-12



NOTE

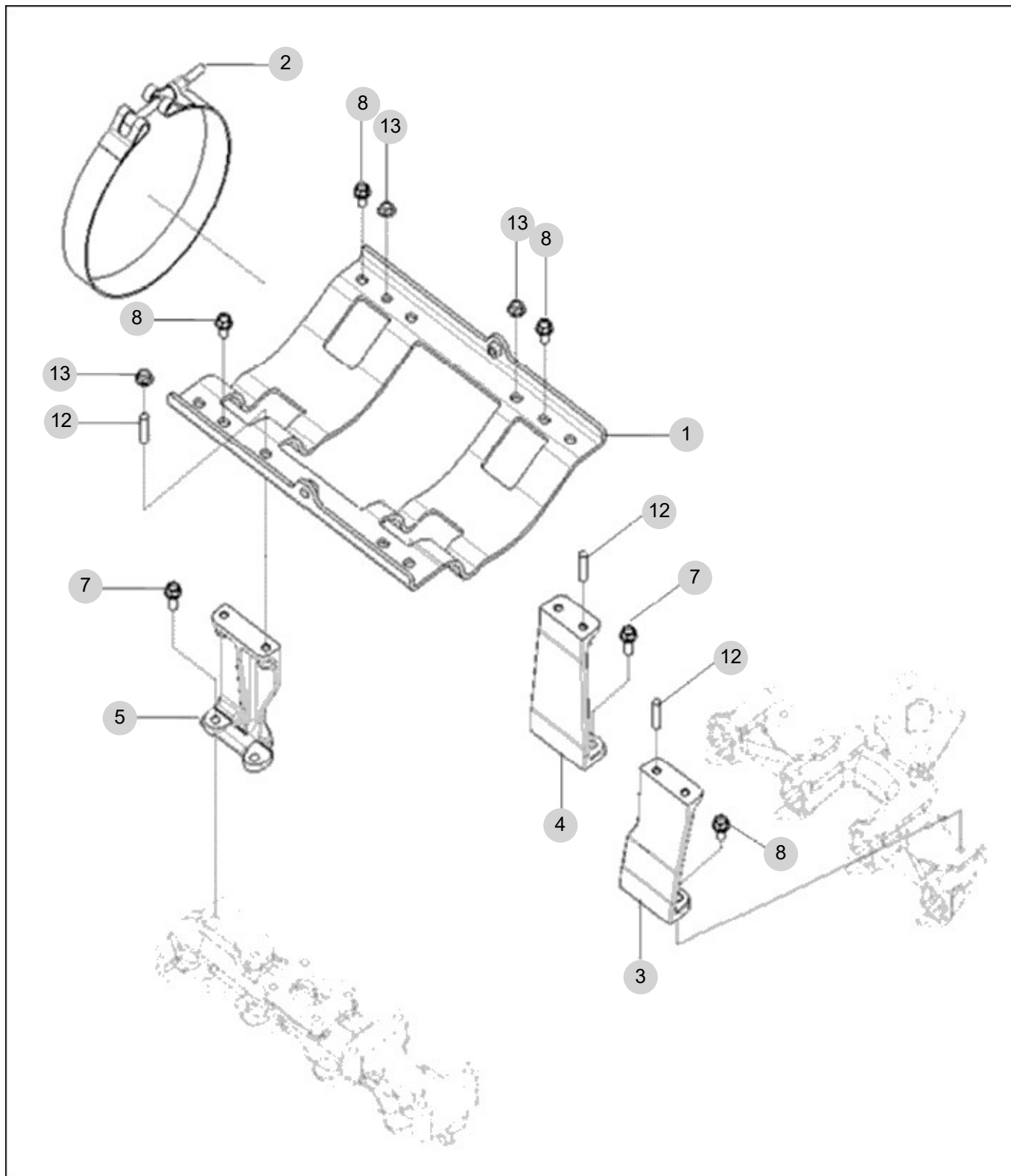
FIG 139A

DPF SUPPORT (T574)

년/월
Year/Month

T574NH

2022-12



NOTE

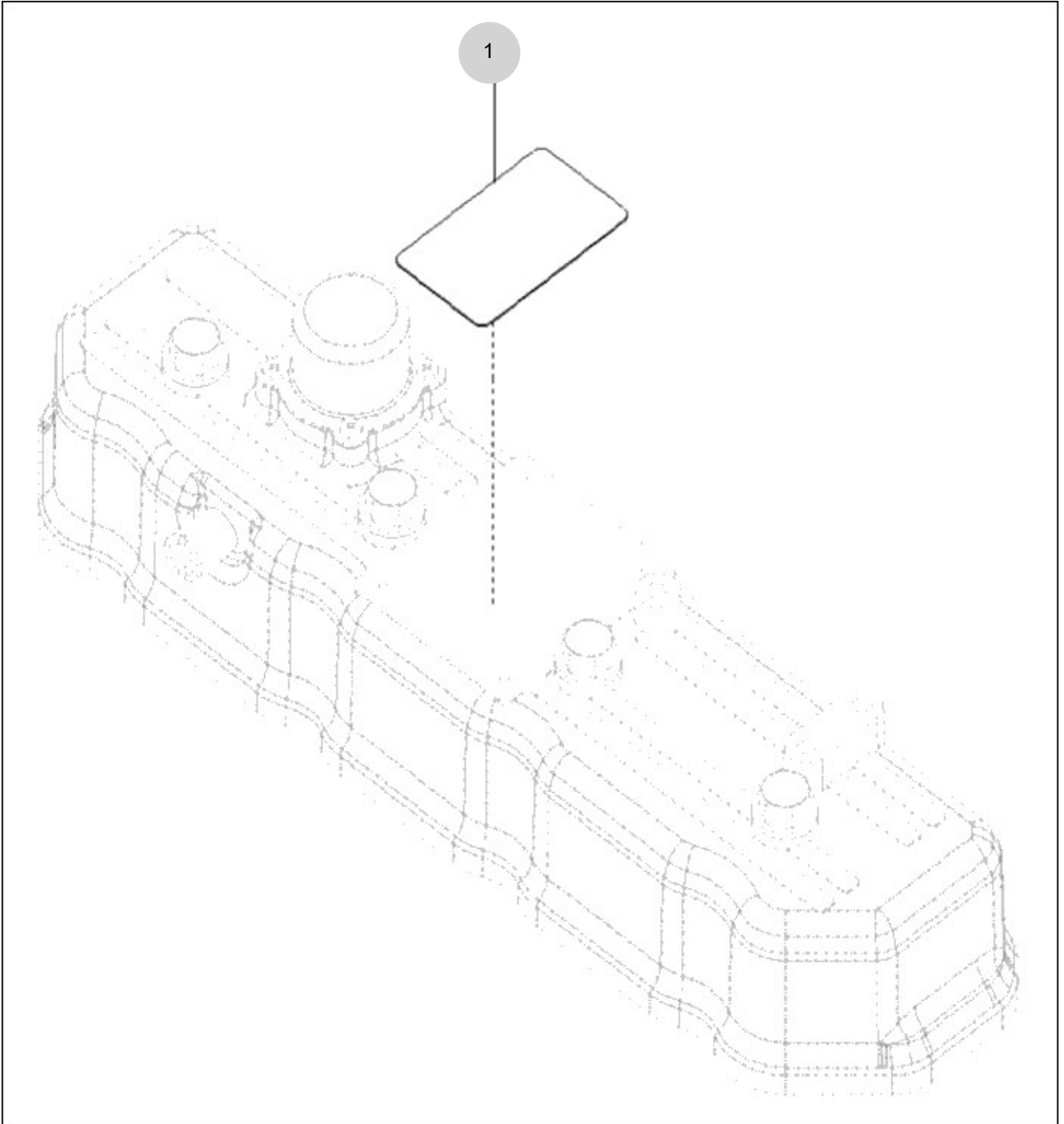
FIG 140

T574NH

DATAPLATE

년/월
Year/Month

2022-12



NOTE

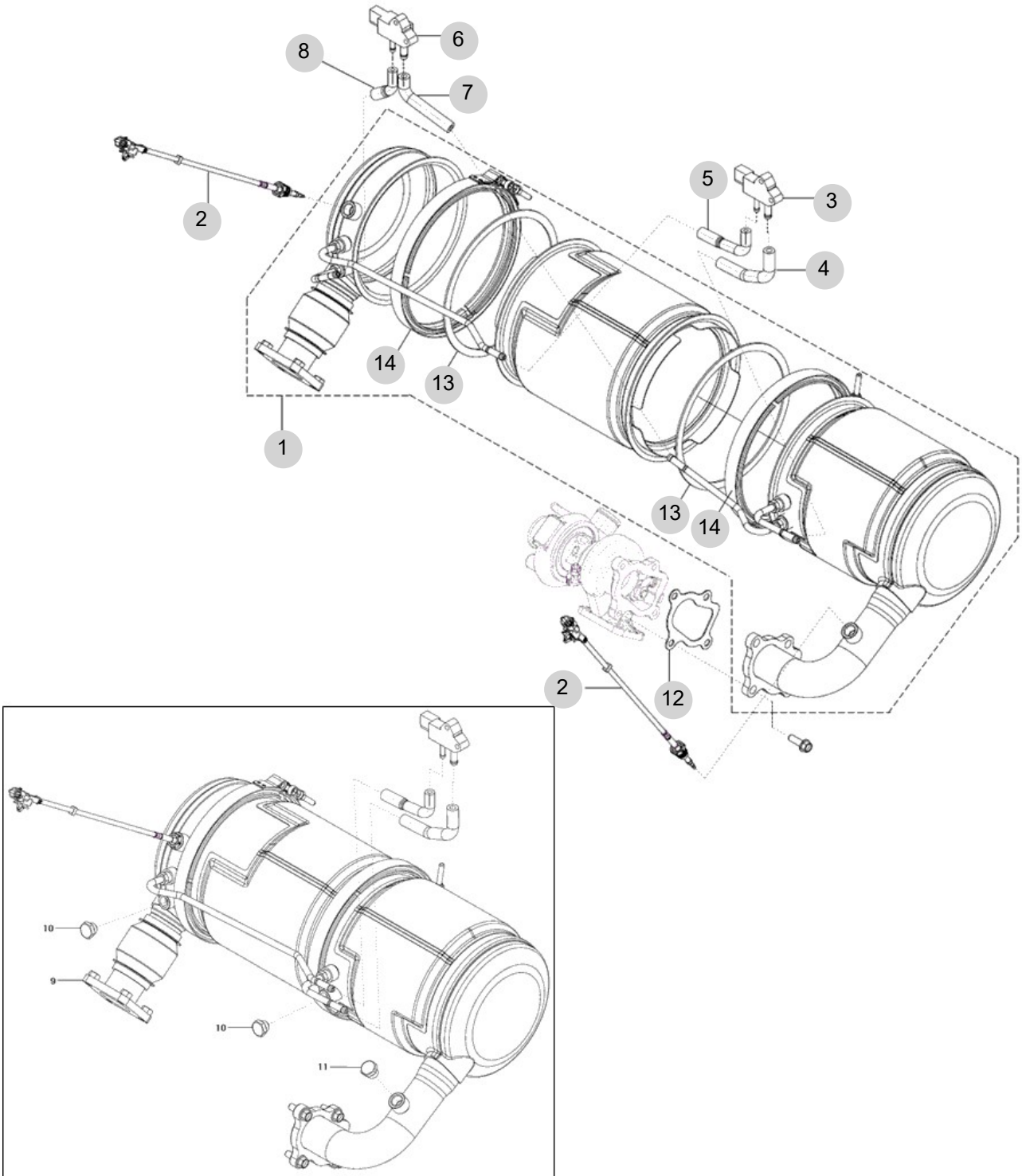
FIG 142A

DPF ASS'Y (T574)

년/월
Year/Month

2022-12

T574NH



NOTE

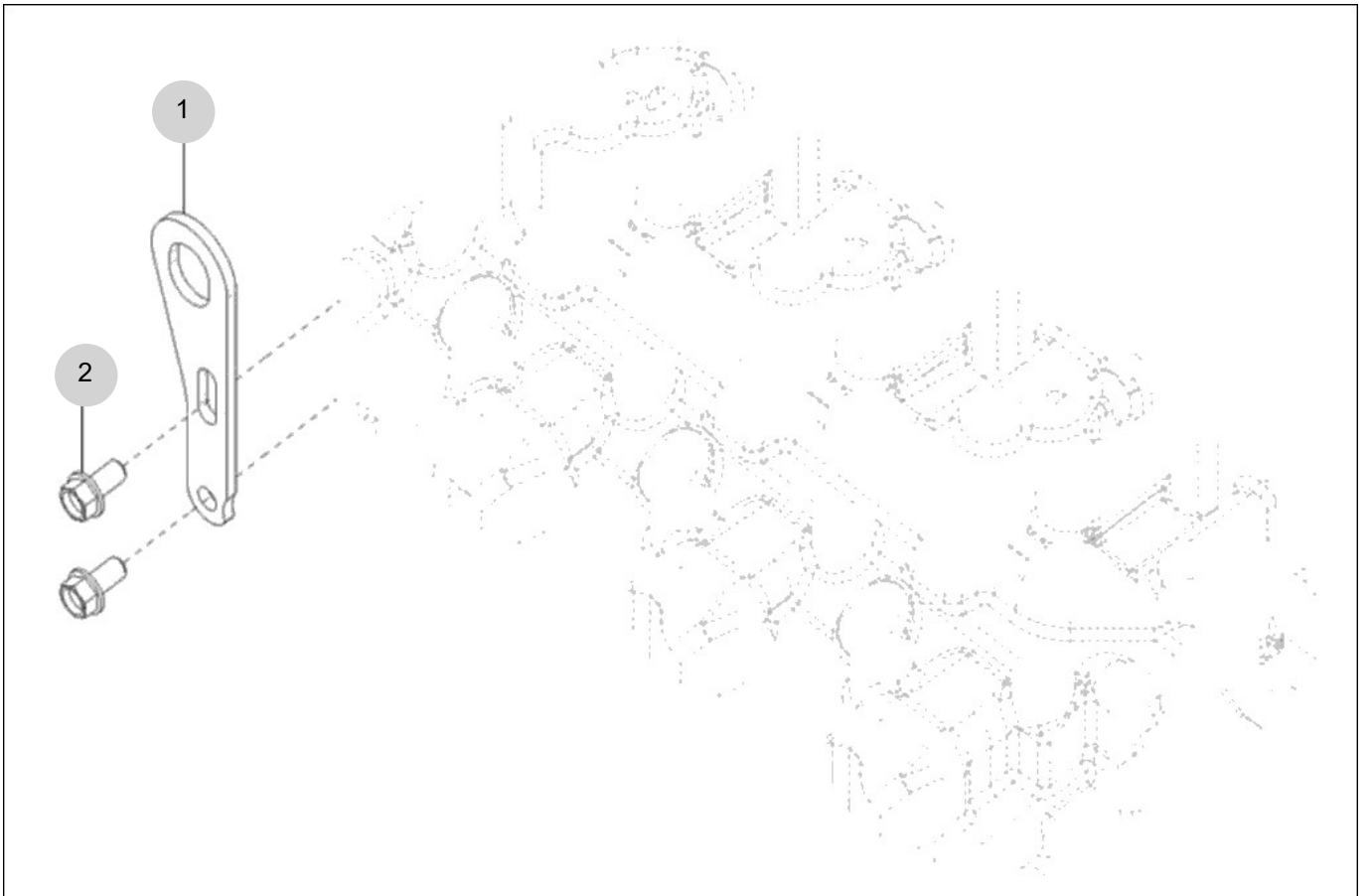
FIG 143

T574NH

LIFT ASS'Y

년/월
Year/Month

2022-12



NOTE

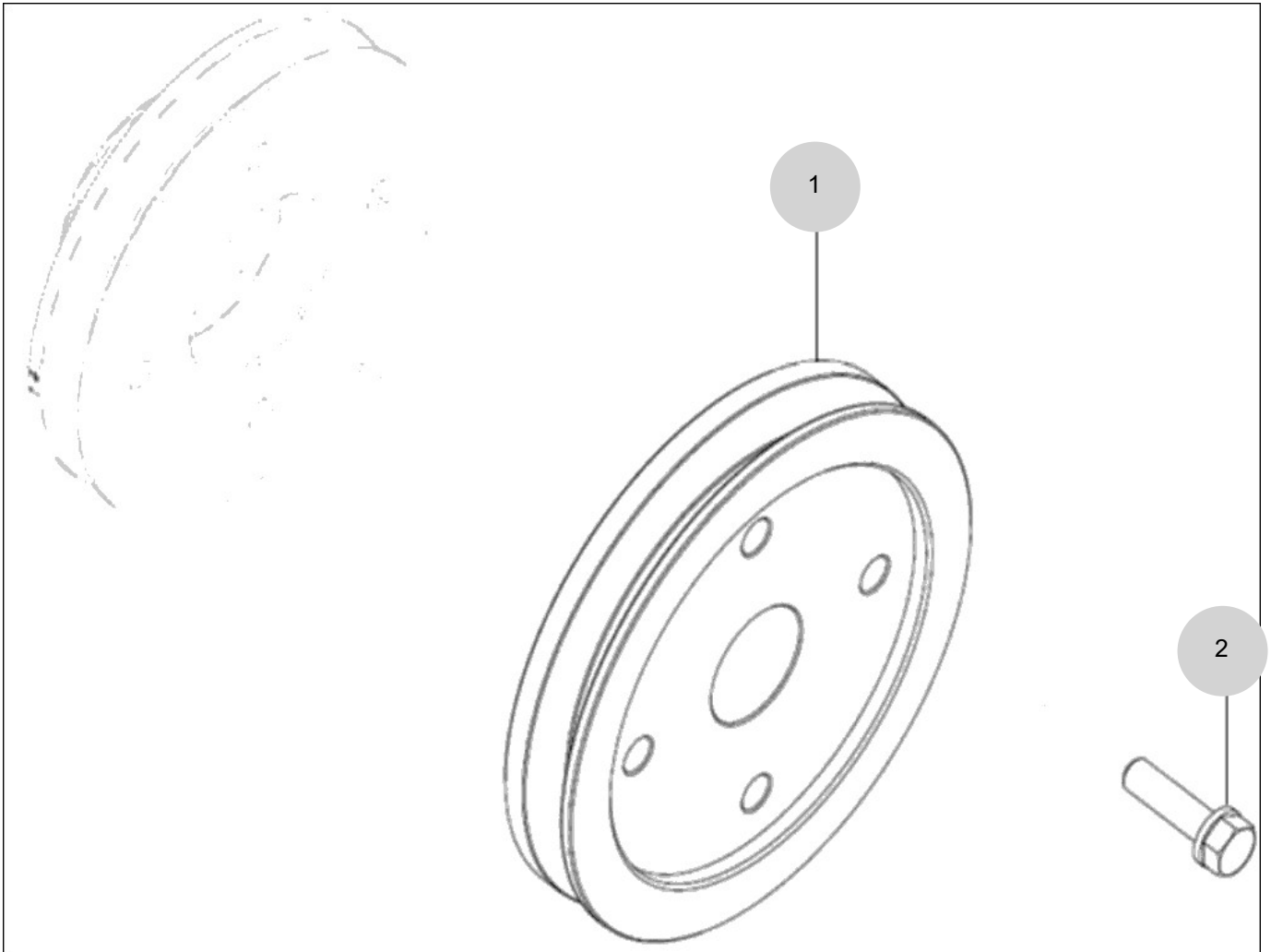
FIG 144

T574NH

COMP . DRIVE PULLEY ASS'Y OPTION

년/월
Year/Month

2022-12



NOTE

FIG 144

T574NH

COMP . DRIVE PULLEY ASS'Y OPTION

년/월
Year/Month

2022-12

KEY NO	PART NO	DESCRIPTION	SPEC	QTY	REPAIR	EFFECTIVE DATE	REMARKS
144	1	HRC7001500A		1			
144	2	26013-080302		4			
NOTE							

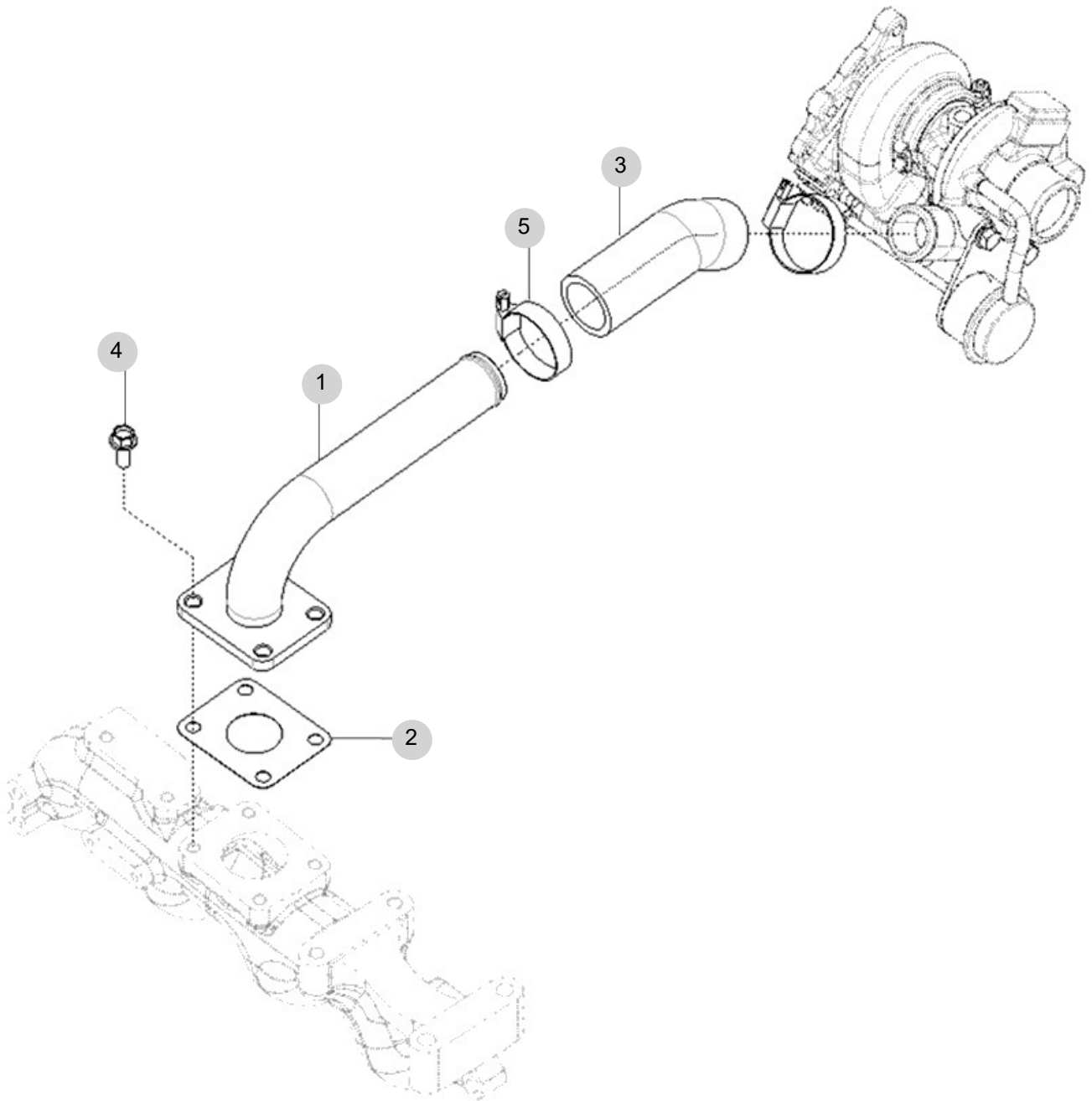
FIG 145

T574NH

INTAKE PIPE

년/월
Year/Month

2022-12



NOTE

FIG 146

T574NH

CCV ASS'Y

년/월
Year/Month

2022-12



NOTE

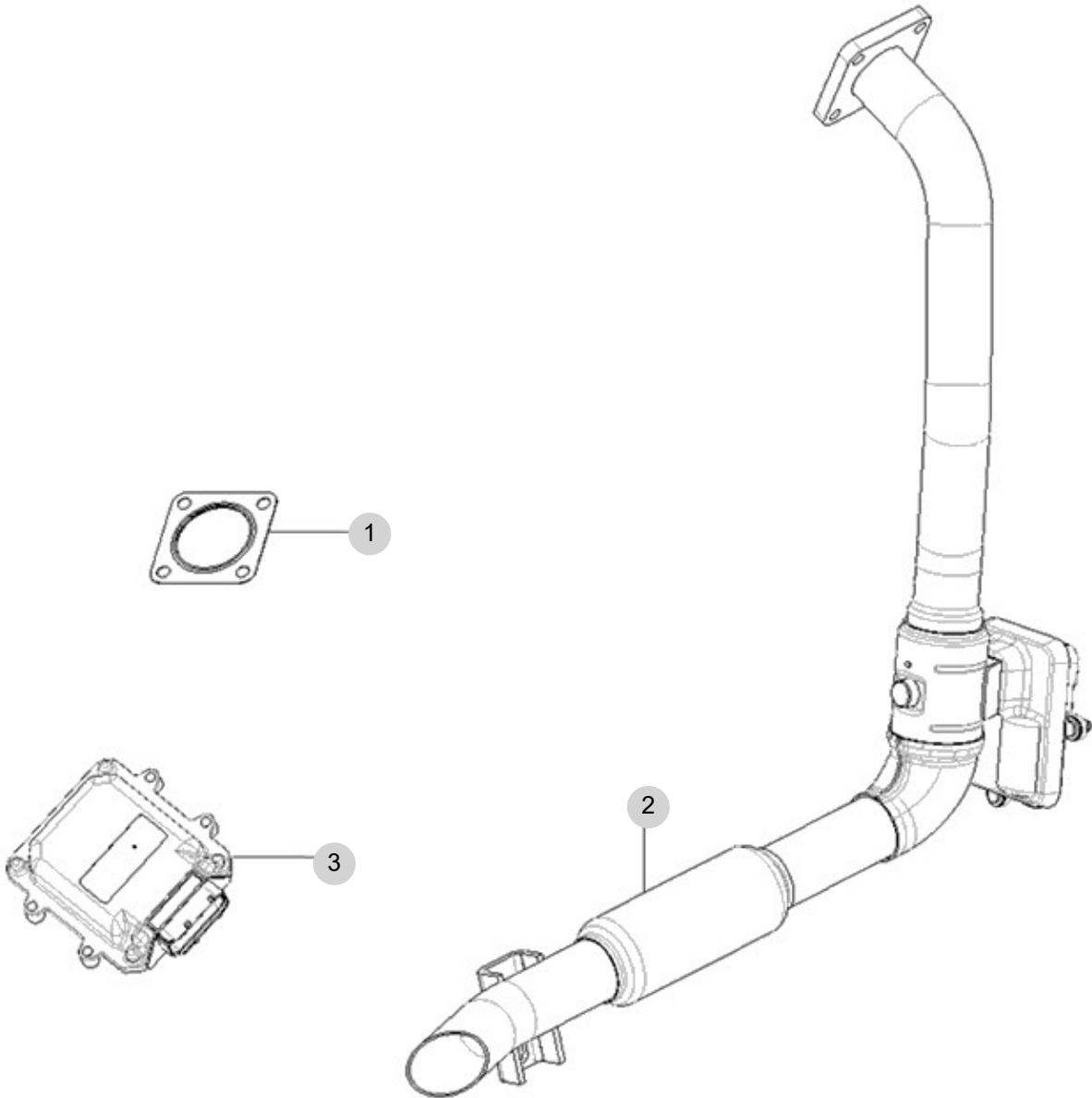
FIG 147

T574NH

LOOSED PARTS

년/월
Year/Month

2022-12



NOTE

2. Engine Accessories PART NO. T2

FIG 201A AIR CLEANER (T574)	111
FIG 202 RADIATOR	113
FIG 203 MUFFLER	115
FIG 204 FUEL HOSE & FILTER	117
FIG 205 FUEL TANK	119
FIG 206 ACCELERATOR	121
FIG 207 OIL COOLER	123

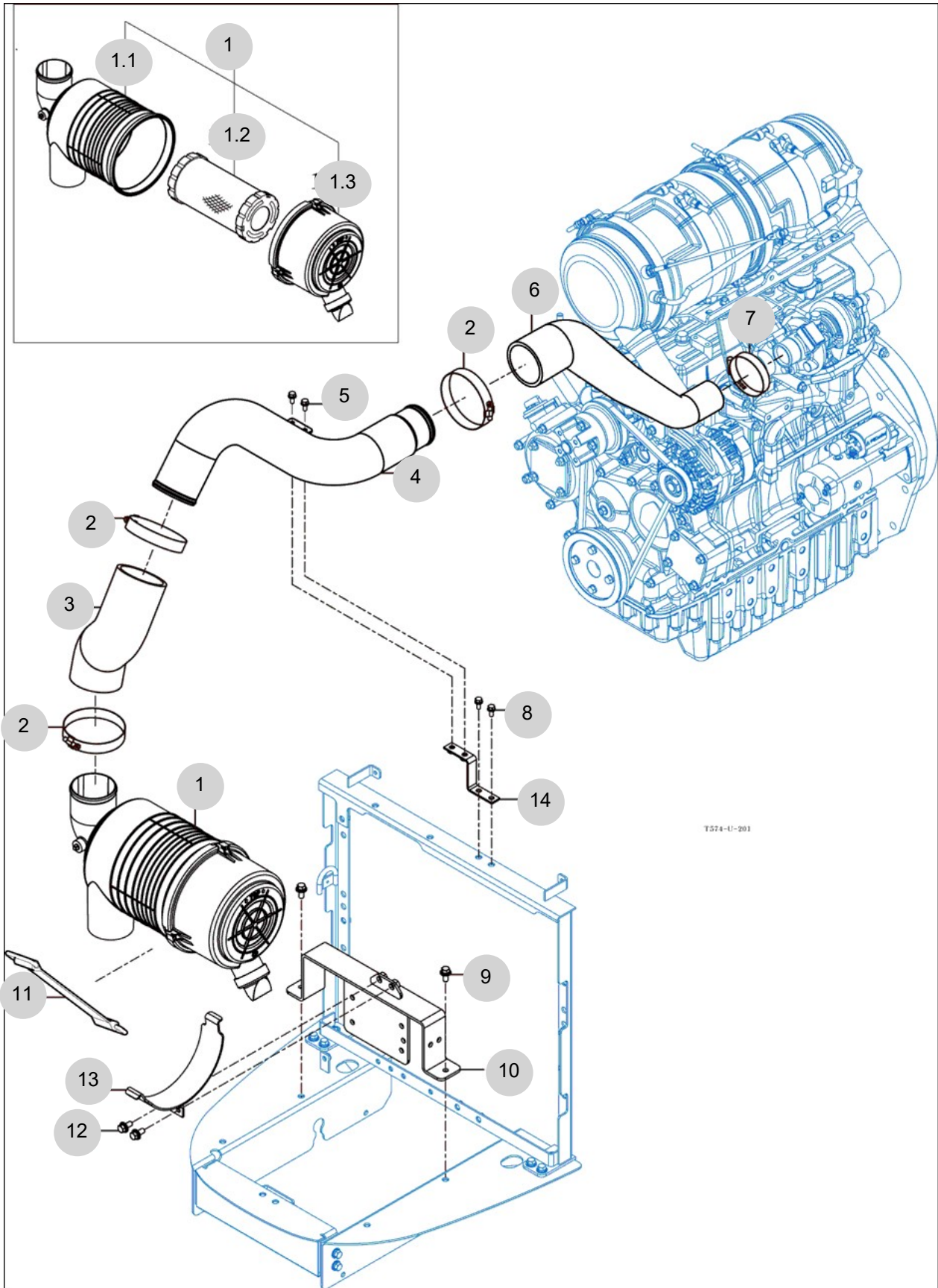
FIG 201A

AIR CLEANER (T574)

년/월
Year/Month

2022-12

T574NH



T574-U-201

NOTE

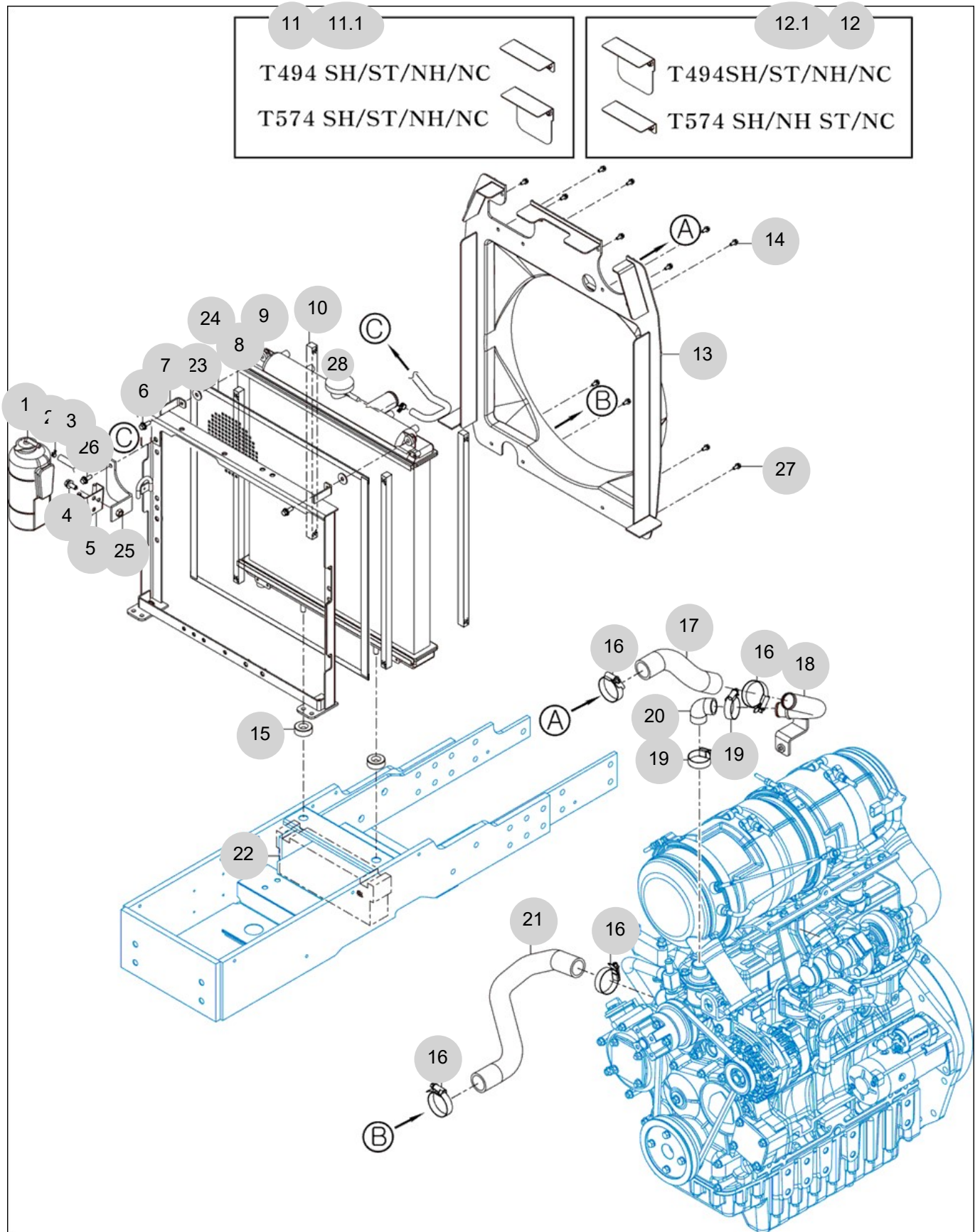
FIG 202

RADIATOR

년/월
Year/Month

2022-12

T574NH



NOTE

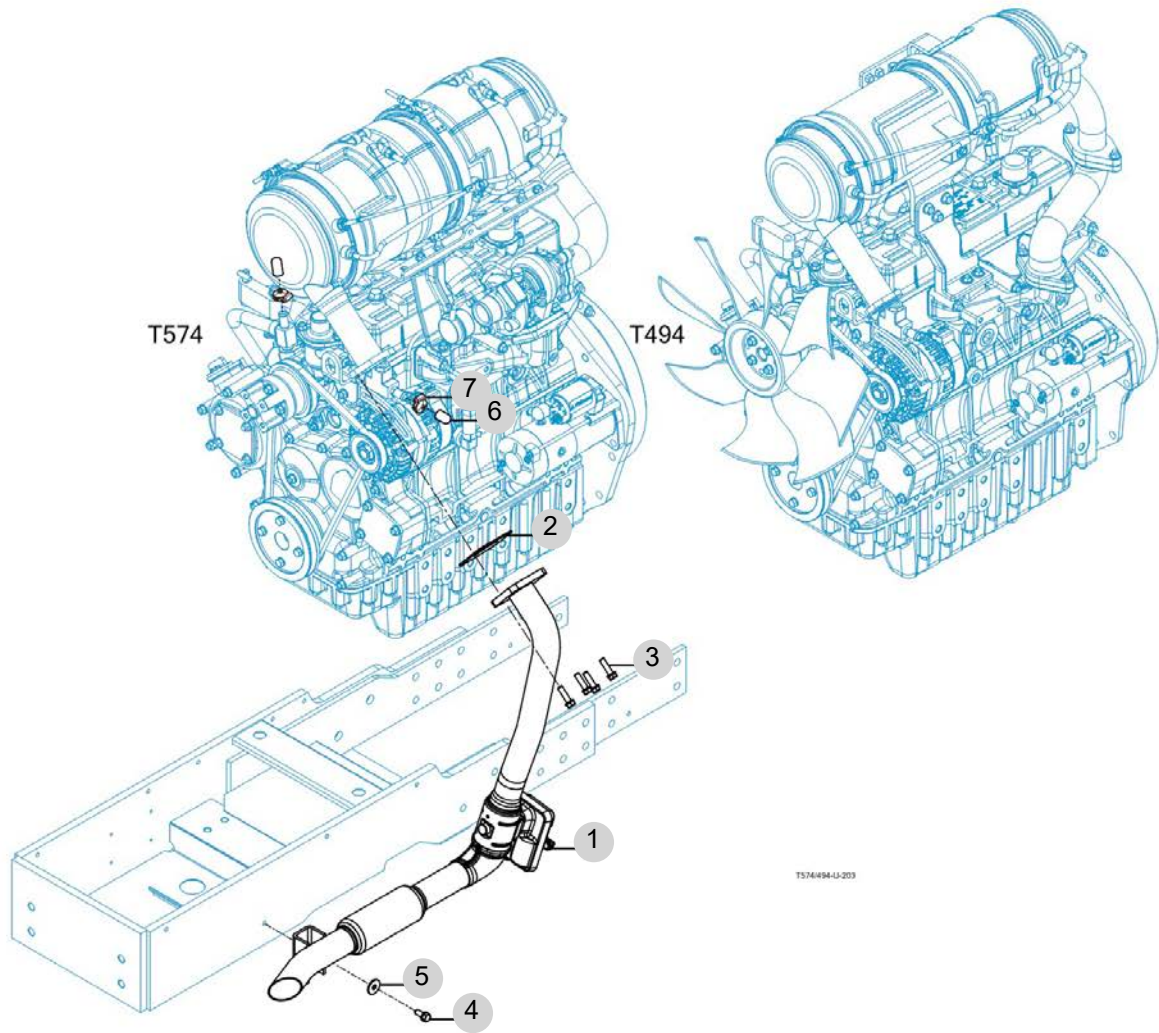
FIG 203

MUFFLER

년/월
Year/Month

2022-12

T574NH



NOTE

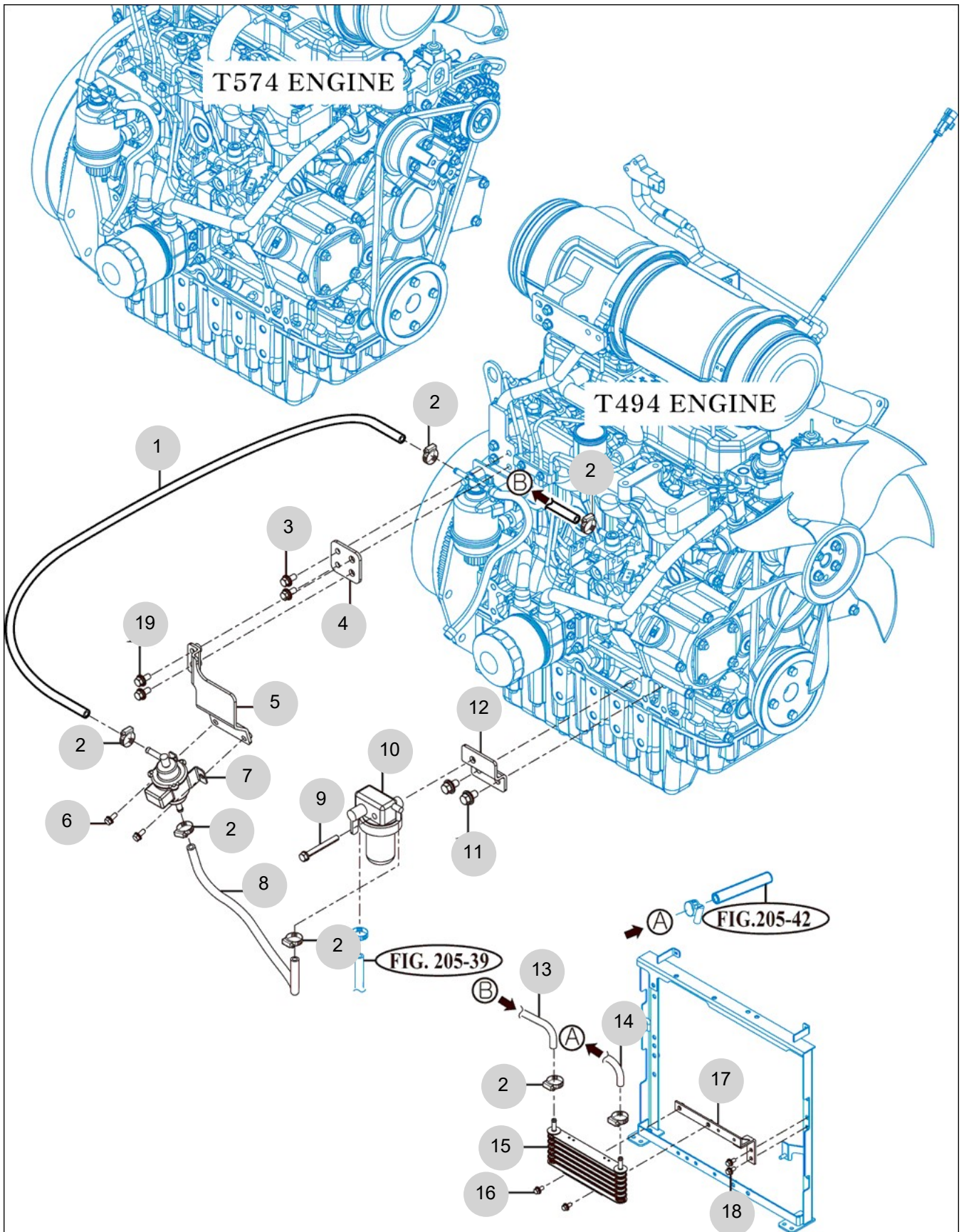
FIG 204

FUEL HOSE & FILTER

년/월
Year/Month

2022-12

T574NH



NOTE

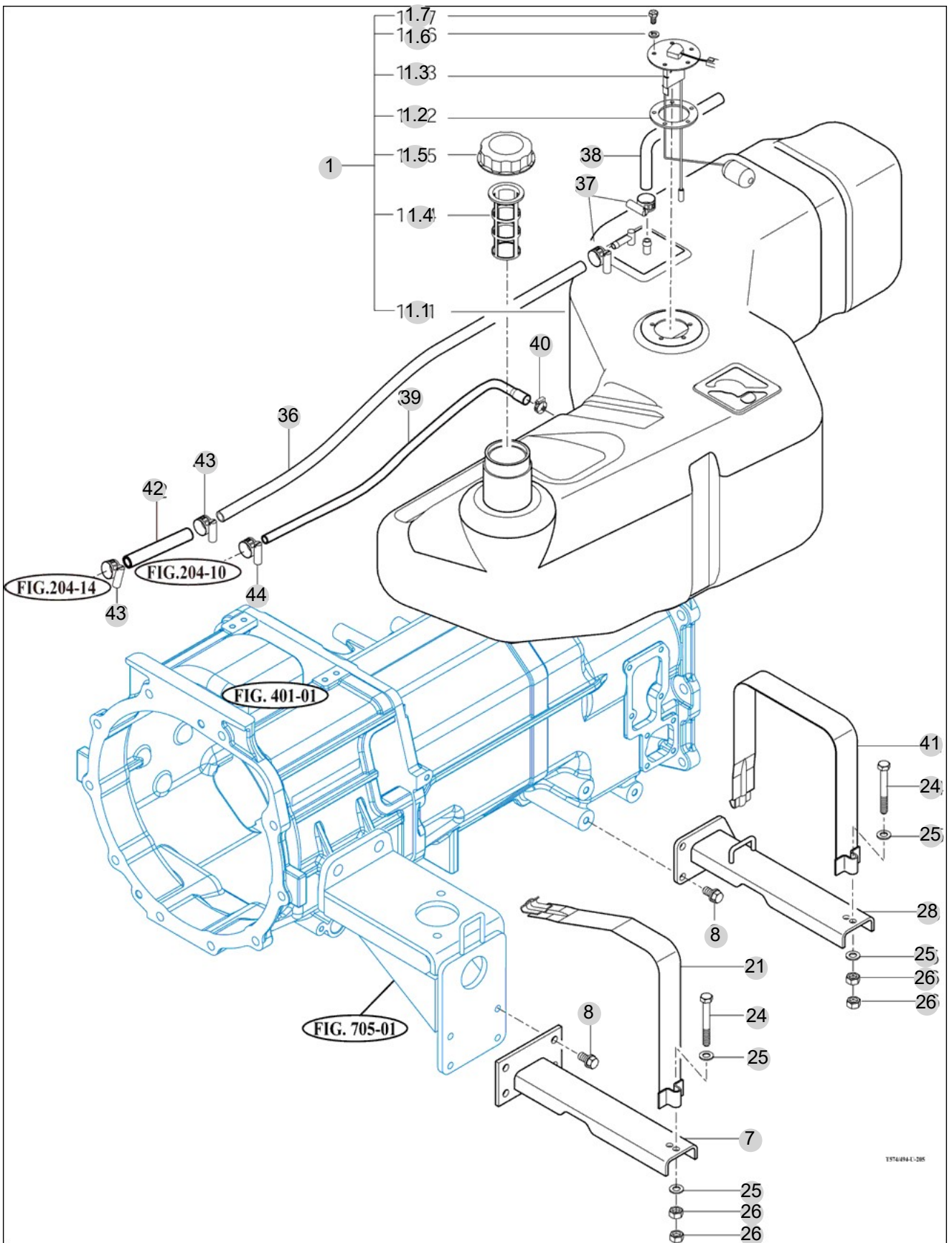
FIG 205

FUEL TANK

년/월
Year/Month

2022-12

T574NH



T574NH-L-205

NOTE

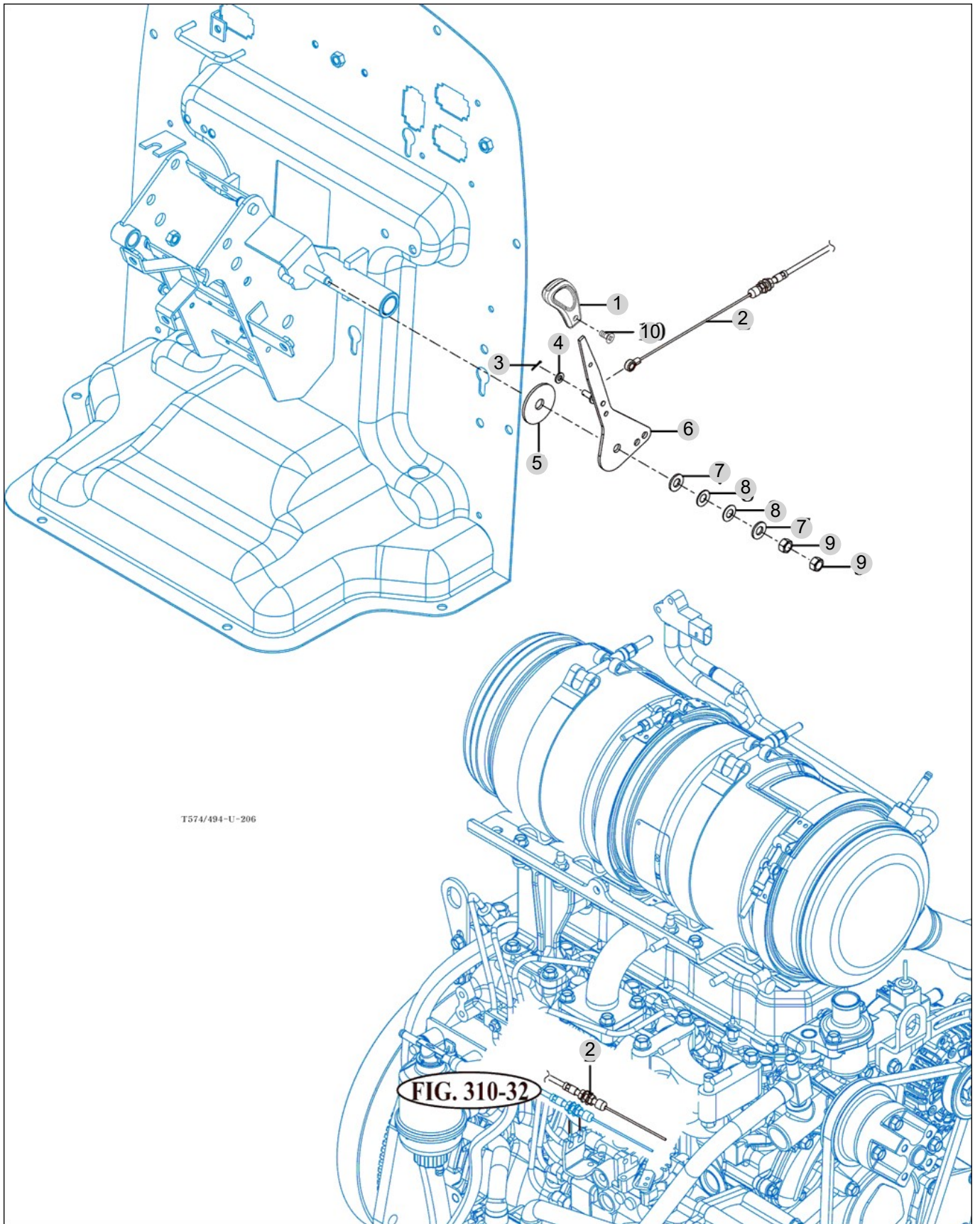
FIG 206

ACCELERATOR

년/월
Year/Month

T574NH

2022-12



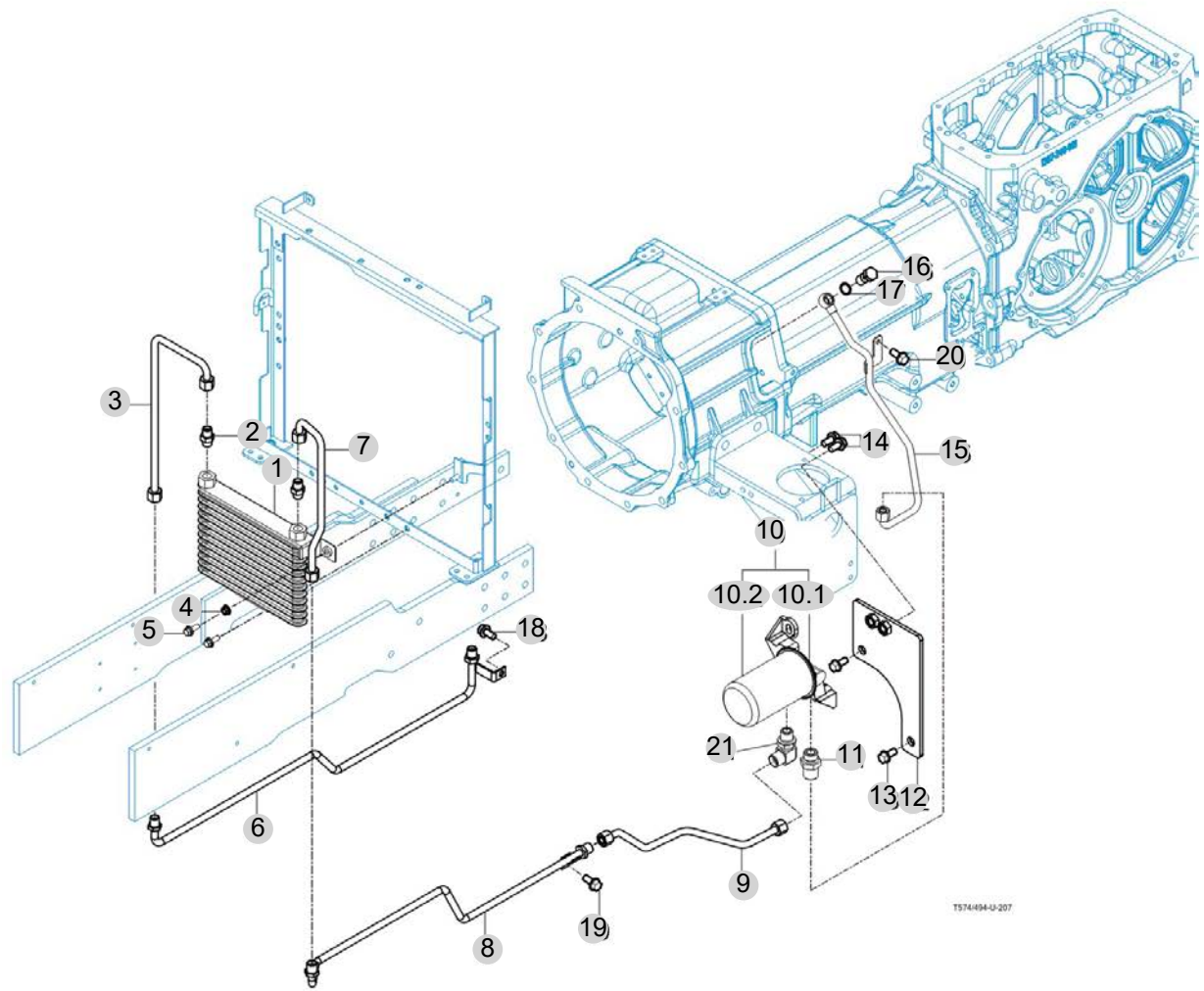
NOTE

FIG 207

OIL COOLER

년/월
Year/Month

2022-12



T574494-U-207

NOTE

3. Clutch/Brake/Steering PART NO. T3

FIG 301 FLYWHEEL HOUSING	126
FIG 302 CLUTCH PEDAL	128
FIG 303 BRAKE	130
FIG 304 BRAKE PEDAL & LINK	132
FIG 305 FRONT WHEEL	134
FIG 306 REAR WHEEL	136
FIG 307 POWER STEERING WHEEL	138
FIG 308 POWER STEERING VALVE	140
FIG 309 POWER STEERING CYLINDER	142
FIG 310 HST CONTROL LINK	144

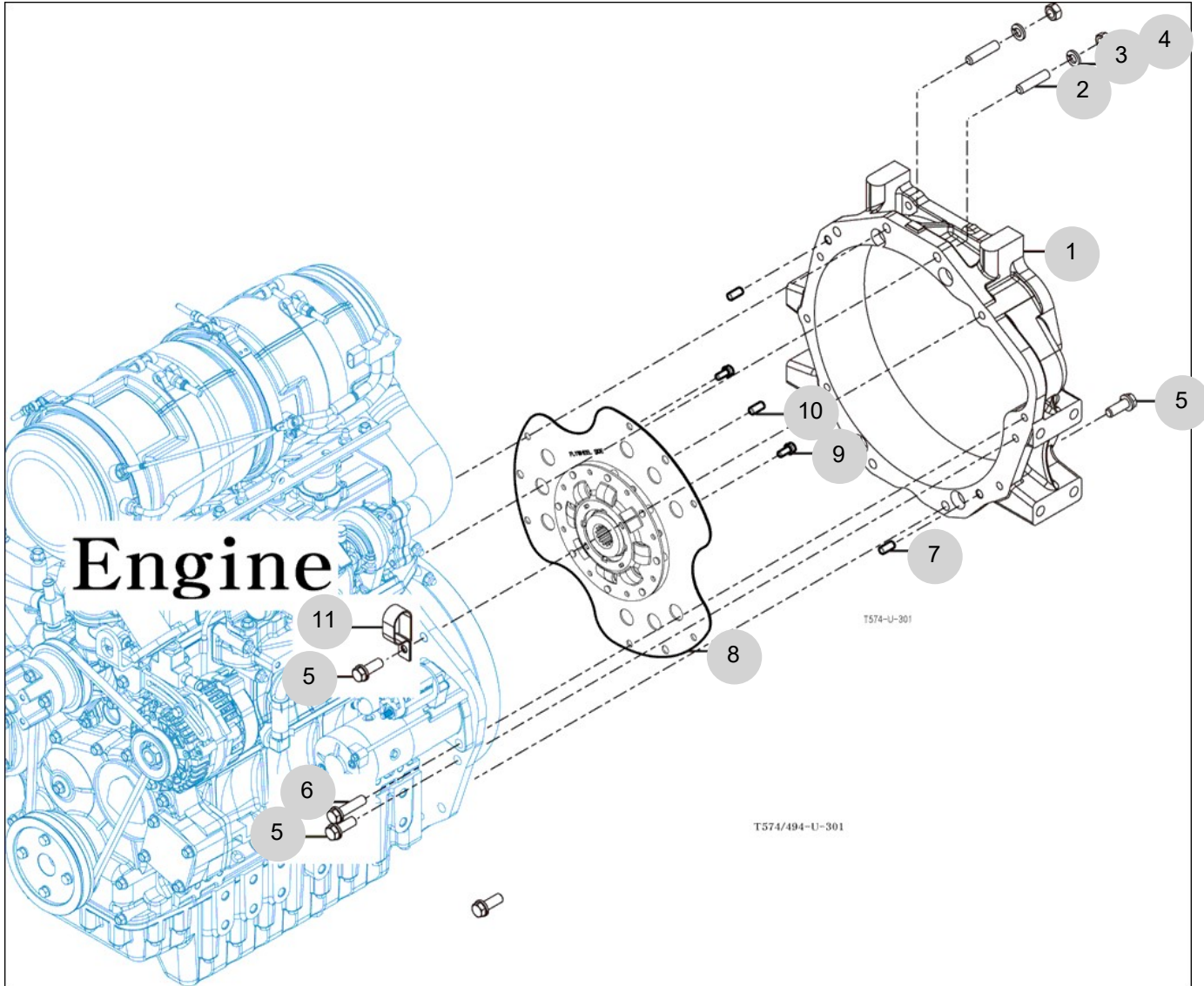
FIG 301

FLYWHEEL HOUSING

년/월
Year/Month

T574NH

2022-12



NOTE

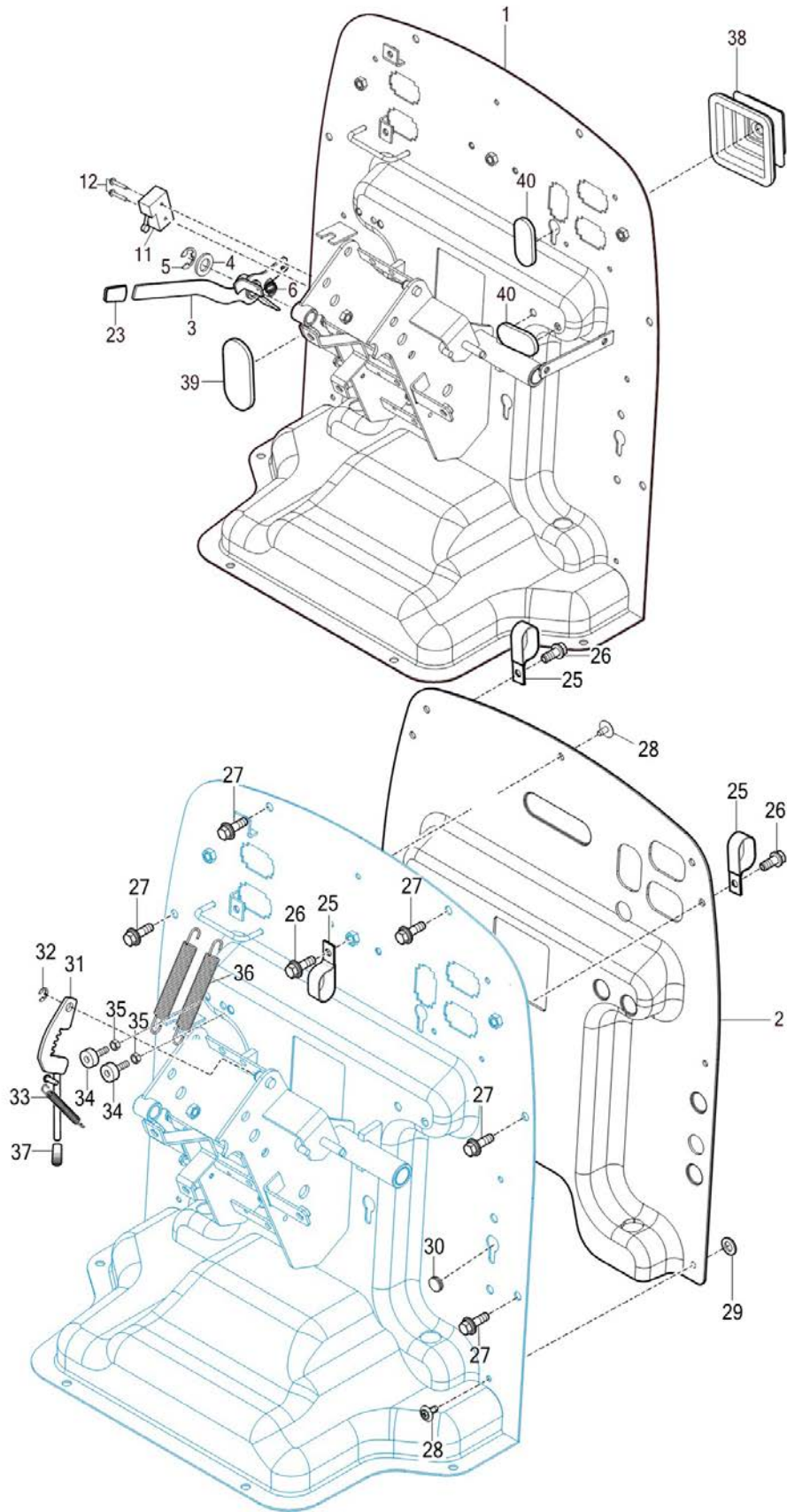
FIG 302

CLUTCH PEDAL

년/월
Year/Month

2022-12

T574NH



NOTE

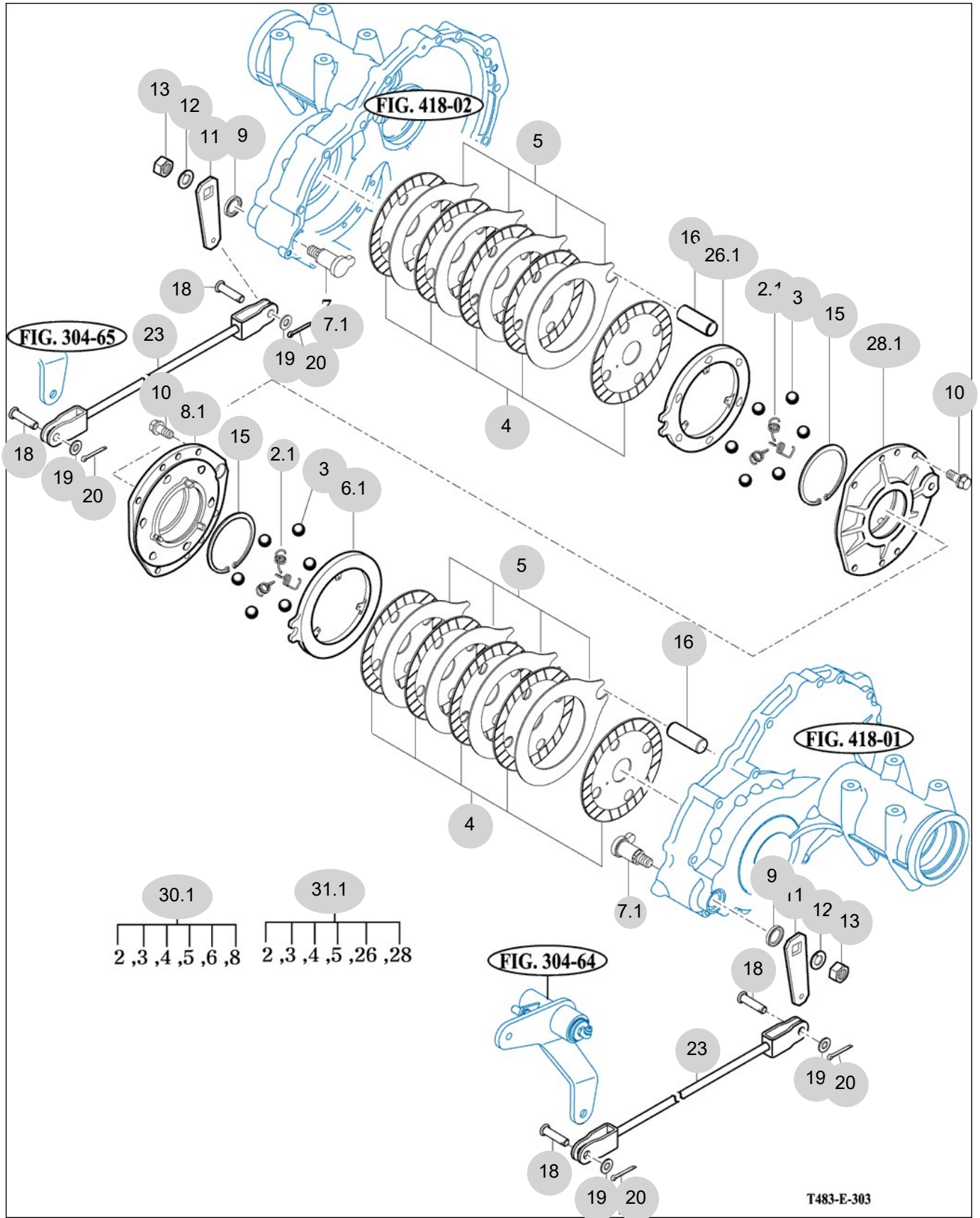
FIG 303

BRAKE

년/월
Year/Month

T574NH

2022-12



NOTE

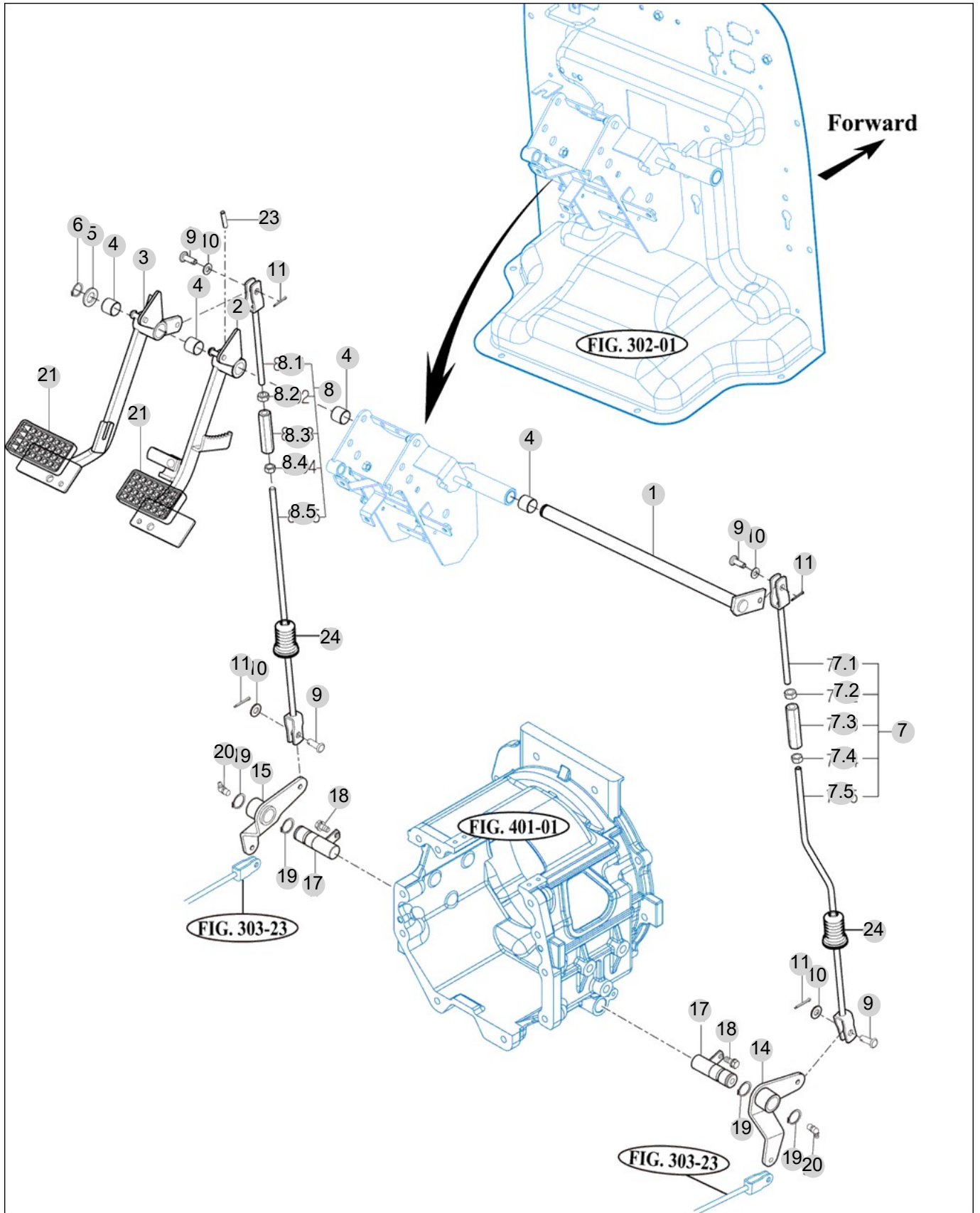
FIG 304

BRAKE PEDAL & LINK

년/월
Year/Month

2022-12

T574NH



NOTE

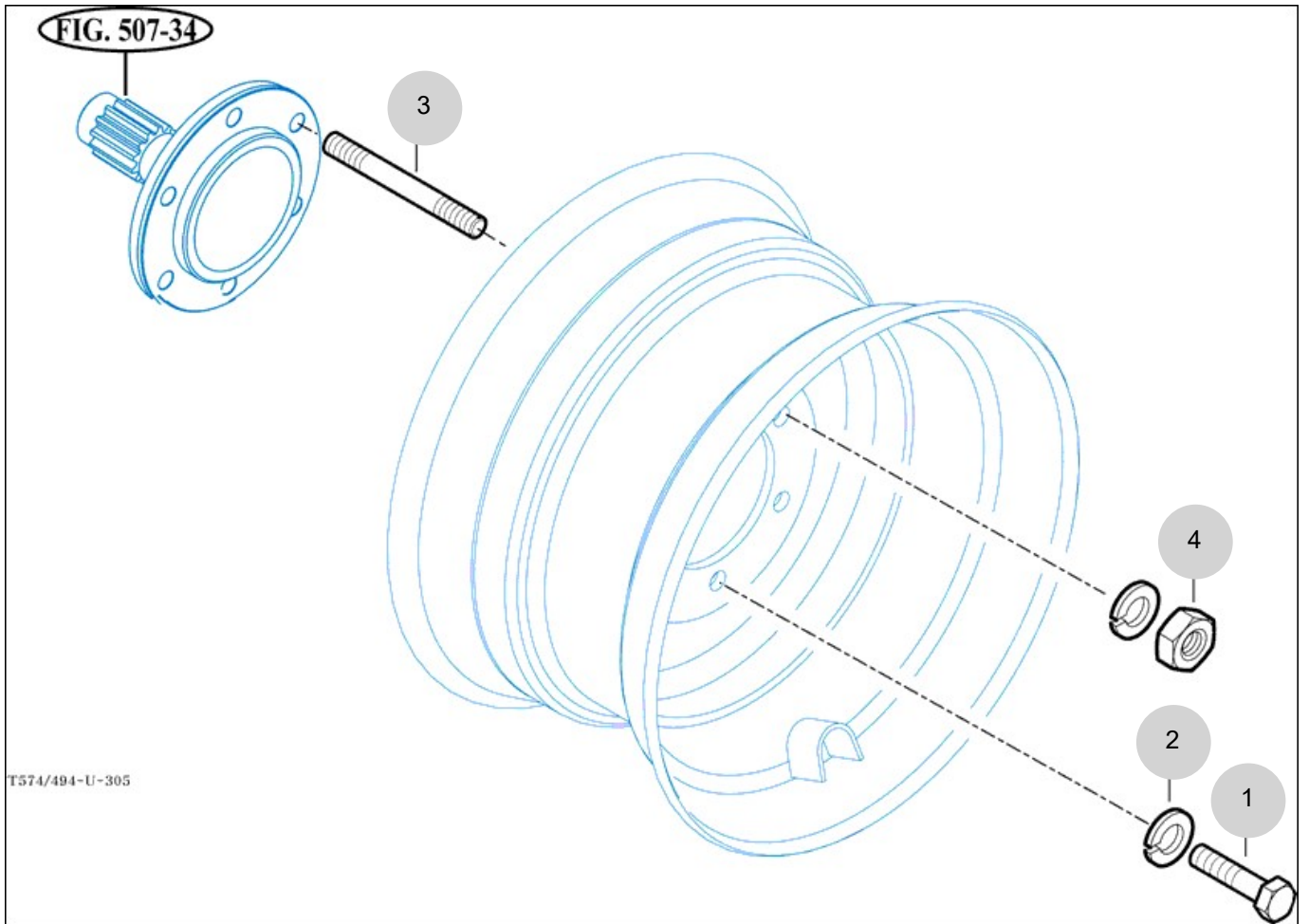
FIG 305

FRONT WHEEL

년/월
Year/Month

T574NH

2022-12



NOTE

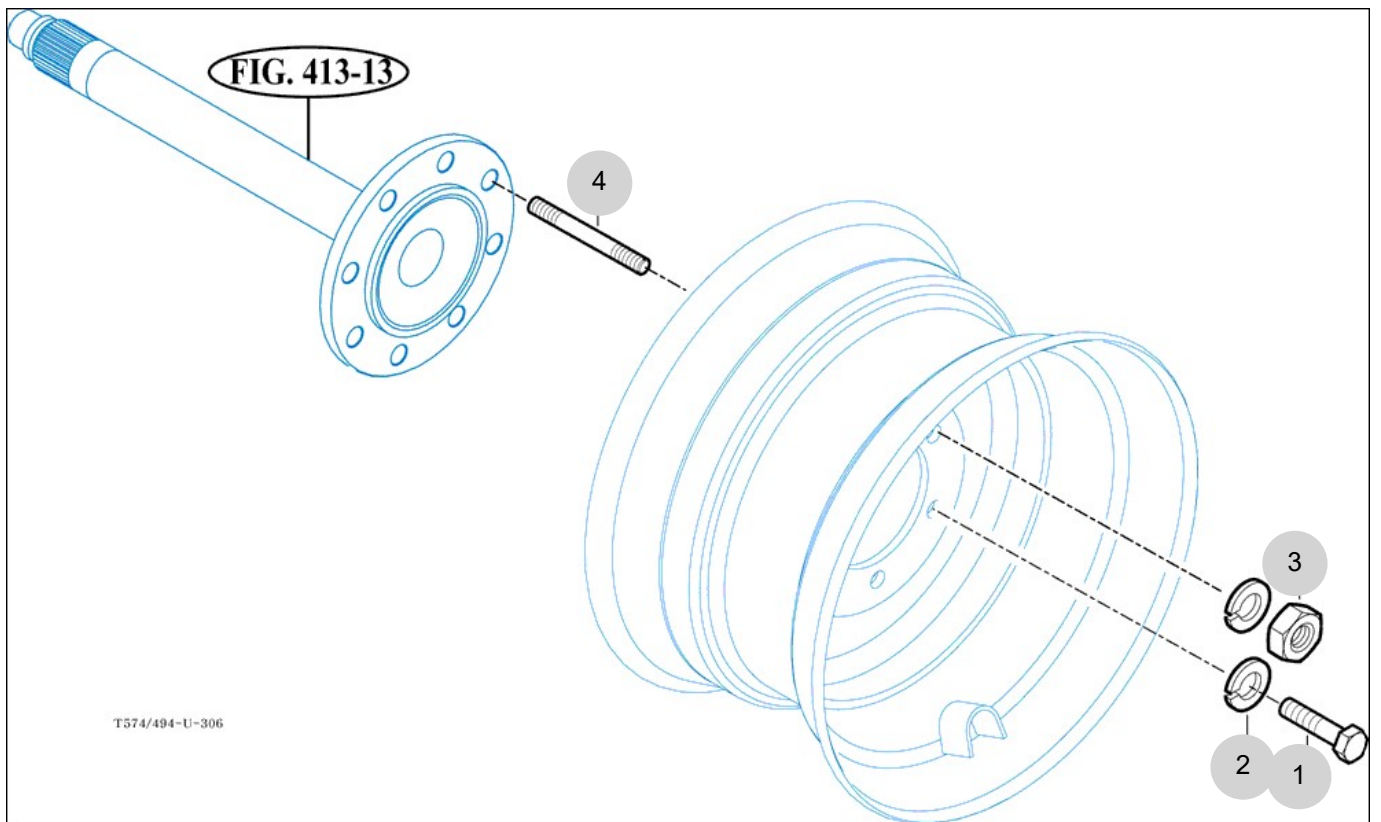
FIG 306

T574NH

REAR WHEEL

년/월
Year/Month

2022-12



T574/494-U-306

NOTE

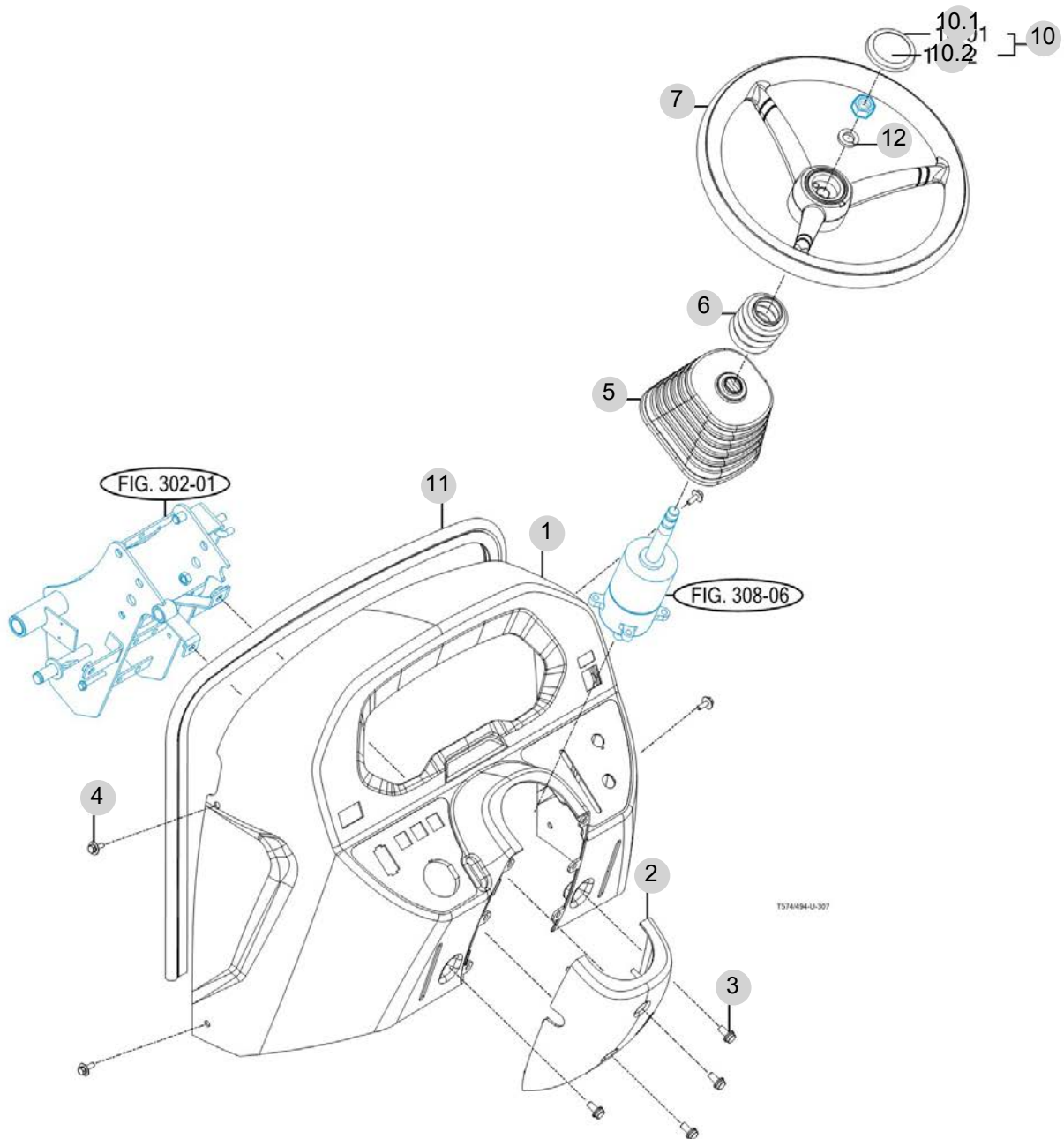
FIG 307

T574NH

POWER STEERING WHEEL

년/월
Year/Month

2022-12



NOTE

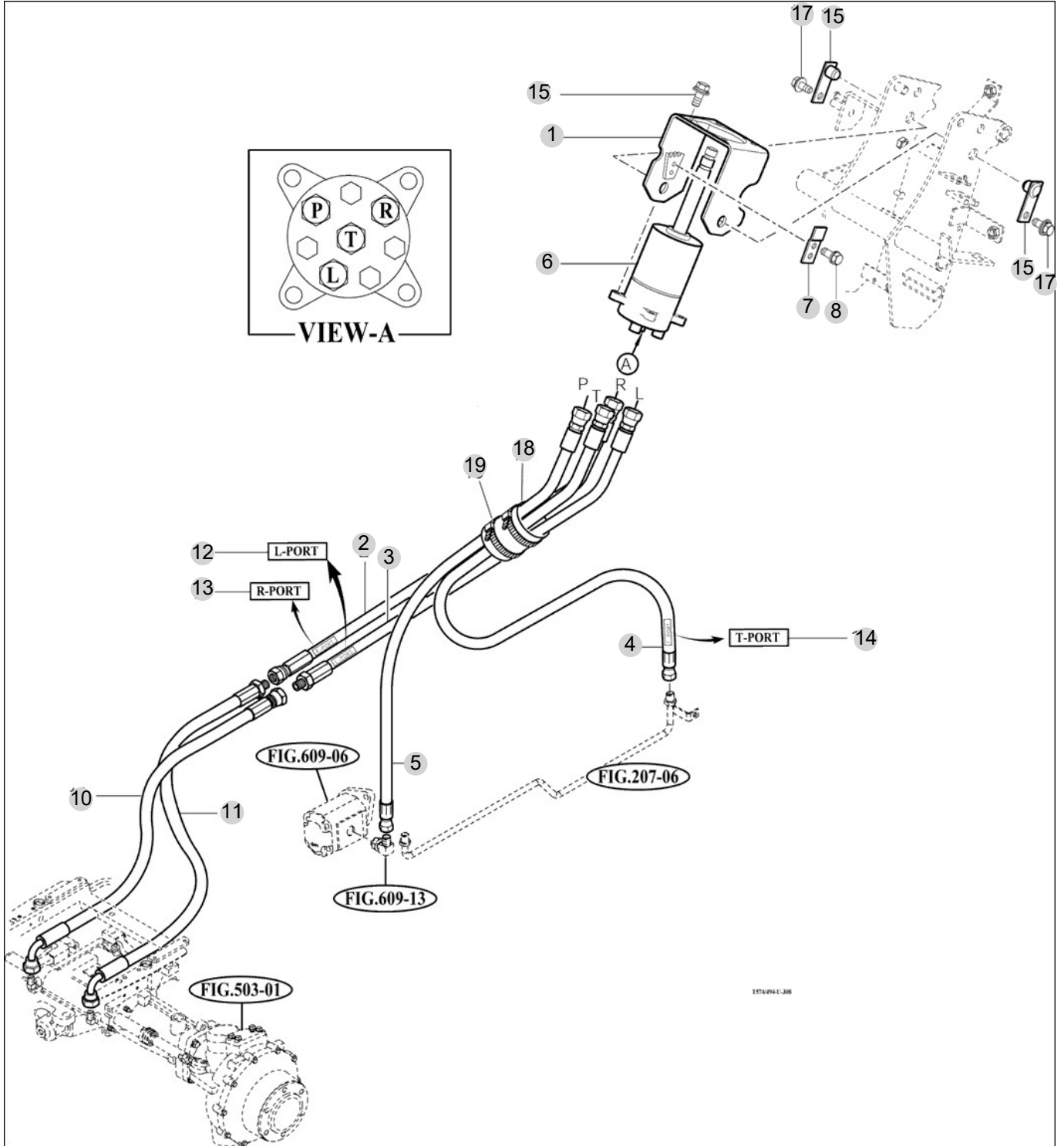
FIG 308

POWER STEERING VALVE

년/월
Year/Month

T574NH

2022-12



NOTE

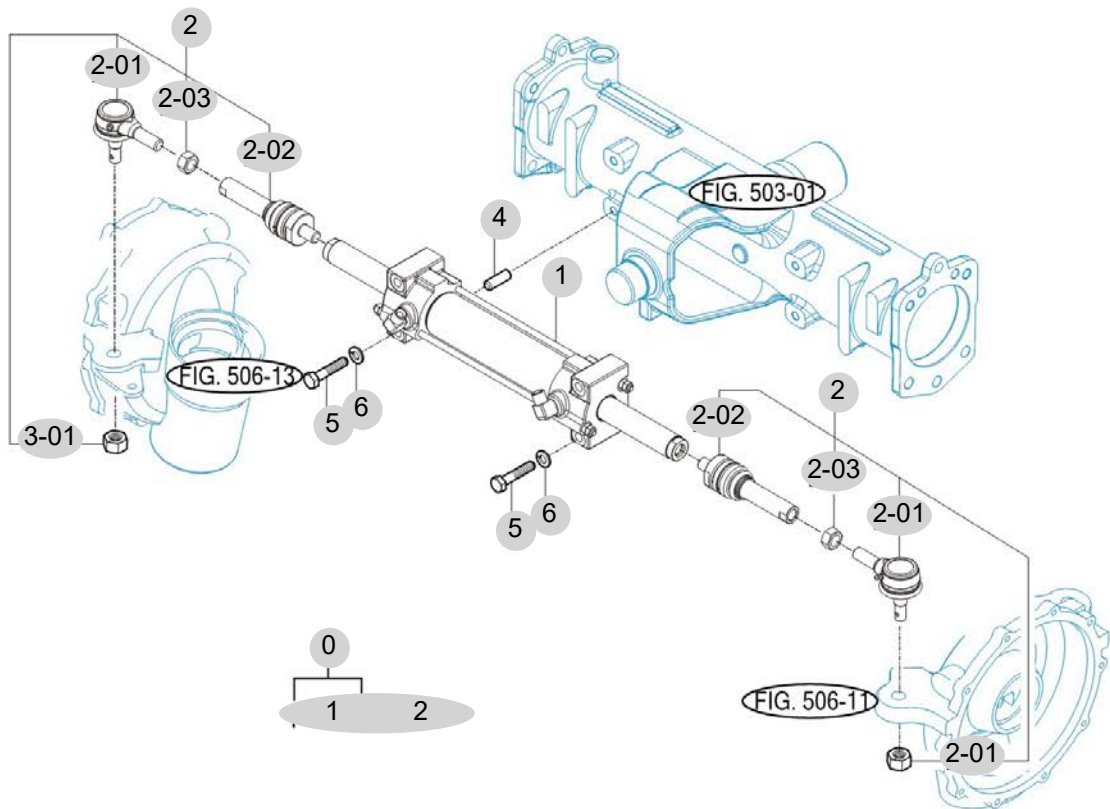
FIG 309

T574NH

POWER STEERING CYLINDER

년/월
Year/Month

2022-12



T5555/T4555E-309

NOTE

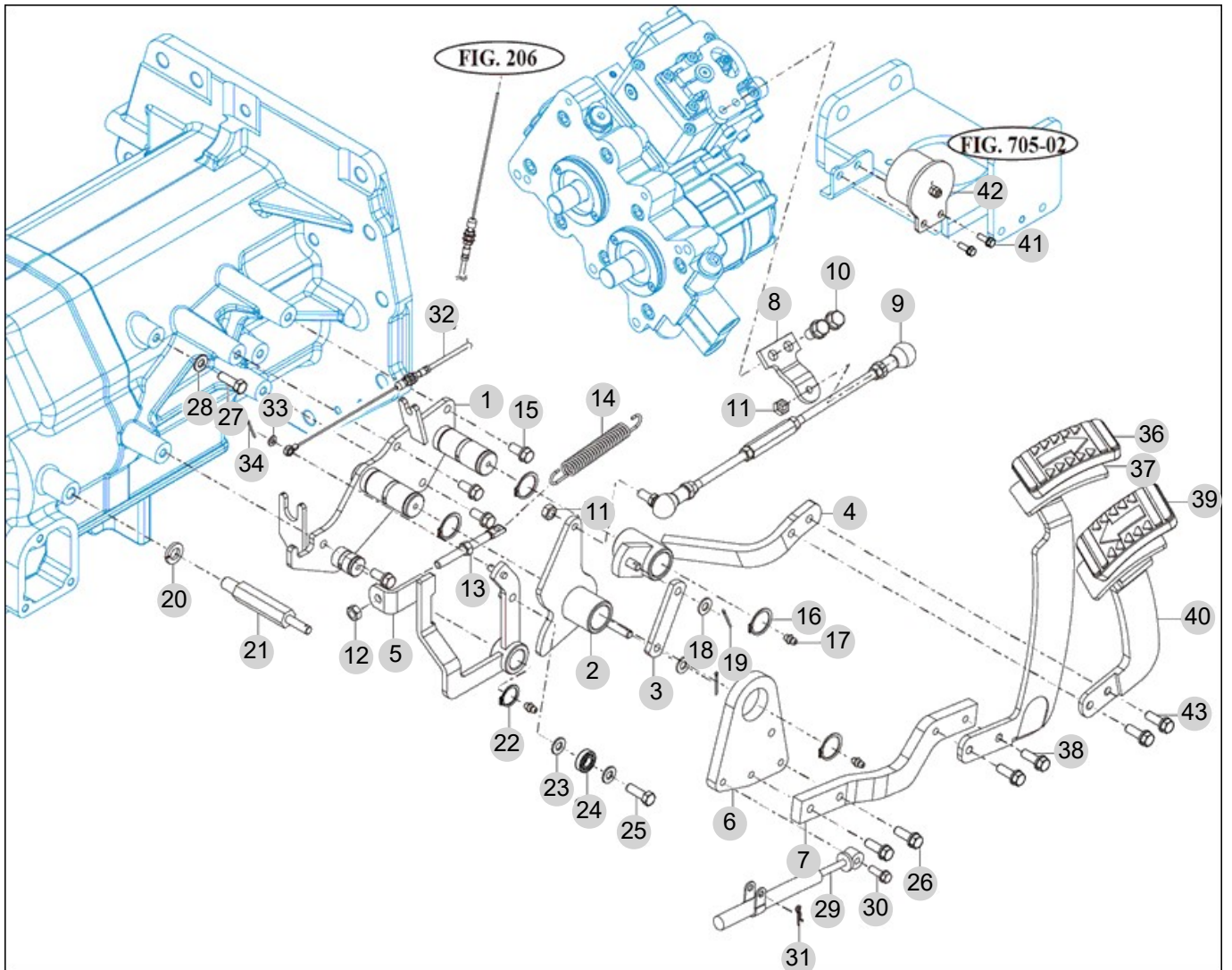
FIG 310

T574NH

HST CONTROL LINK

년/월
Year/Month

2022-12



NOTE

FIG 310		HST CONTROL LINK					년/월	
							Year/Month	
T574NH		2022-12						
KEY NO	PART NO	DESCRIPTION	SPEC	QTY	REPAIR	EFFECTIVE DATE	REMARKS	
310	1	13872313200	BRACKET COMP, HST PEDAL			1		
310	2	13872312300	ARM COMP, FORWARD			1		
310	3	14722310023	PLATE , REVERSE	19X6		1		
310	4	13872312600	ARM COMP, REVERSE			1		
310	5	13872312501	ARM COMP, CAM FOLLOWER			1		
310	6	13872312330	PLATE, CONTROL			1		
310	7	13872310050	PLATE, FORWARD			1		
310	8	13872312110	ARM PLATE, HST			1		
310	8	13872312112	ARM PLATE, HST			1		
310	9	13872325000	ROD ASSY, HST			1		
310	9	13872325002	ROD ASSY, HST			1		
310	10	V2143610020	BOLT , HEX FINE /S	M10X20		2		
310	11	V3013600080	NUT .HEX NORMAL /2	M8		2		
310	12	V3043600080	NUT , HEX/2	M8		1		
310	13	34522150080	ROD , CHAIN(TENSION)(82)	D=8		1		
310	14	14722310033	SPRING , RETURN	D=2.4		1		
310	15	V2173608020	BOLT , HEX/S	M8X20		4		
310	16	V7041400250	C-RING , SHAFT	25		4		
310	17	V7601500000	NIPPLE , GREASE/A-M6F			3		
310	18	V4111600080	WASHER , PLAIN	M8		2		
310	19	V5001920020	PIN , SPLIT	2X20		2		
310	20	V4011600120	WASHER , SPRING	M12		1		
310	21	14722310041	PIN , OIL DAMPER	B=17		1		
310	22	V7041400200	C-RING , SHAFT	20		1		
310	23	V4111600080	WASHER , PLAIN	M8		2		
310	24	14722310060	BEARING , BALL			1		
310	25	V2013608025	BOLT , HEX	M8X25		1		
310	26	V2173608025	BOLT , HEX/S	M8X25		2		
310	27	V2013608045	BOLT , HEX	M8X45		1		
310	28	V3042600080	NUT , HEX/2	M8		1		
310	29	14722312401	DAMPER , OIL	1X1X1		1		
310	30	V2183608030	BOLT , HEX/SP	M8X30		1		
310	31	V5601600008	PIN , SNAP	8		1		
310	32	13871162700	CABLE ASSY, AUTO THROTTLE			1		
310	33	V4111600060	WASHER , PLAIN	M6		1		
310	34	V5001920015	PIN , SPLIT	2X15		1		
310	36	14722312730	PAD	1X1X1		1		
310	37	13872312700GB	PEDAL COMP, FORWARD			1		
310	38	V2173608020	BOLT , HEX/S	M8X20		2		
310	39	14722312730	PAD	1X1X1		1		
310	40	13872312800GB	PEDAL COMP, REVERSE			1		
310	40	13872312801GB	PEDAL COMP, REVERSE			1		
310	41	V2173608020	BOLT , HEX/S	M8X20		2		
310	42	12382323000	MAGNETIC ASSY , CRUISE			1		
310	42	12382323001	MAGNETIC ASSY , CRUISE			1		
NOTE								

4. Transmission PART NO. T4

FIG 401 TRANSMISSION FRONT CASE	148
FIG 402 HST	150
FIG 403 MID TRANSMISSION CASE	152
FIG 404 TRANSTER GEAR SET	154
FIG 405 TRANSMISSION REAR CASE	156
FIG 406 SUB CHANGE GEARS	158
FIG 407 SUB CHANGE SHIFTER	160
FIG 408 DRIVE GEARS	162
FIG 409 4WD CHANGE LEVER	164
FIG 410 P.T.O DRIVE SHAFT	166
FIG 411 P.T.O CHANGE GEARS	168
FIG 412 REAR DIFFERENTIAL GEARS	170
FIG 413 REAR AXLE HOUSING	173

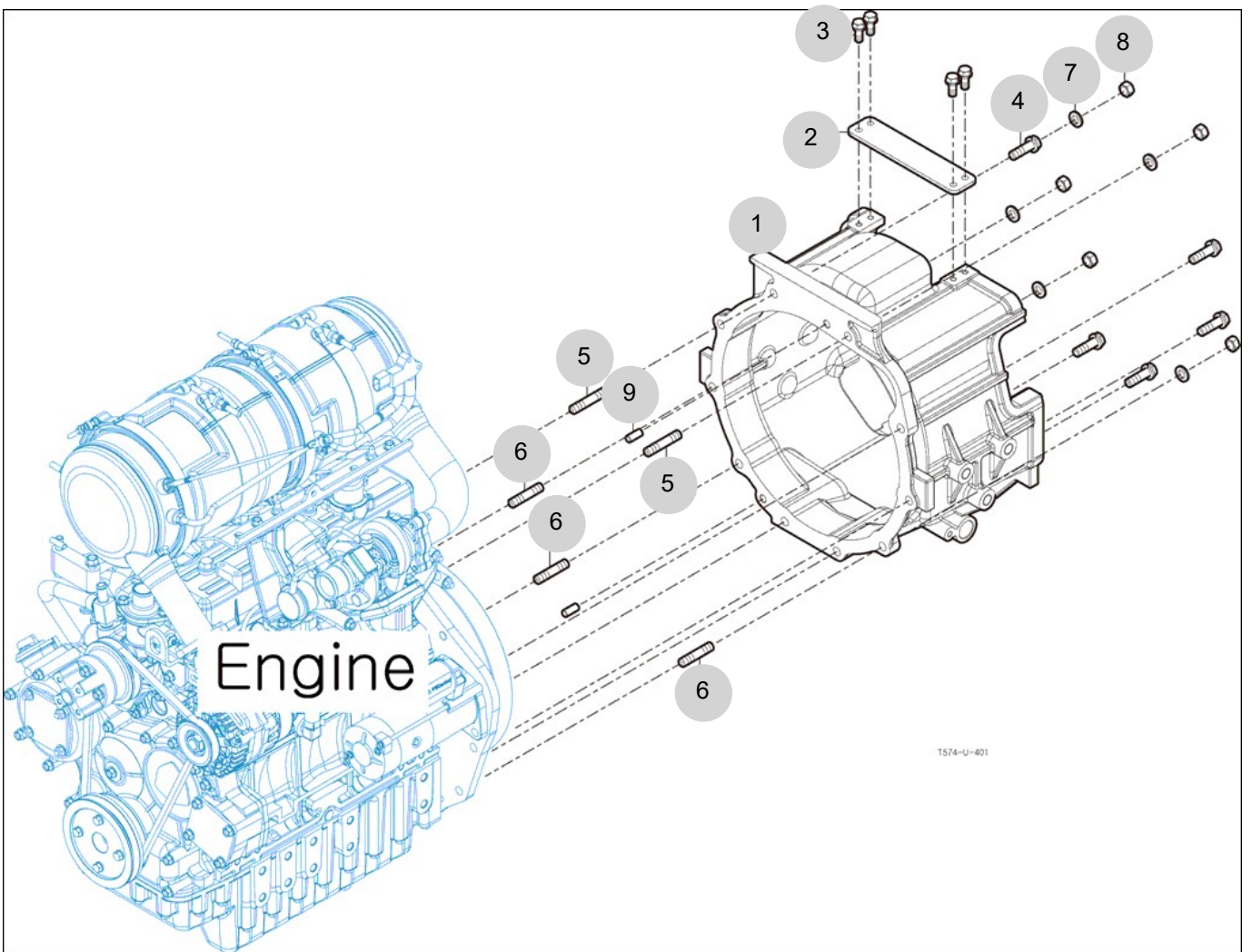
FIG 401

T574NH

TRANSMISSION FRONT CASE

년/월
Year/Month

2022-12



T574-U-401

NOTE

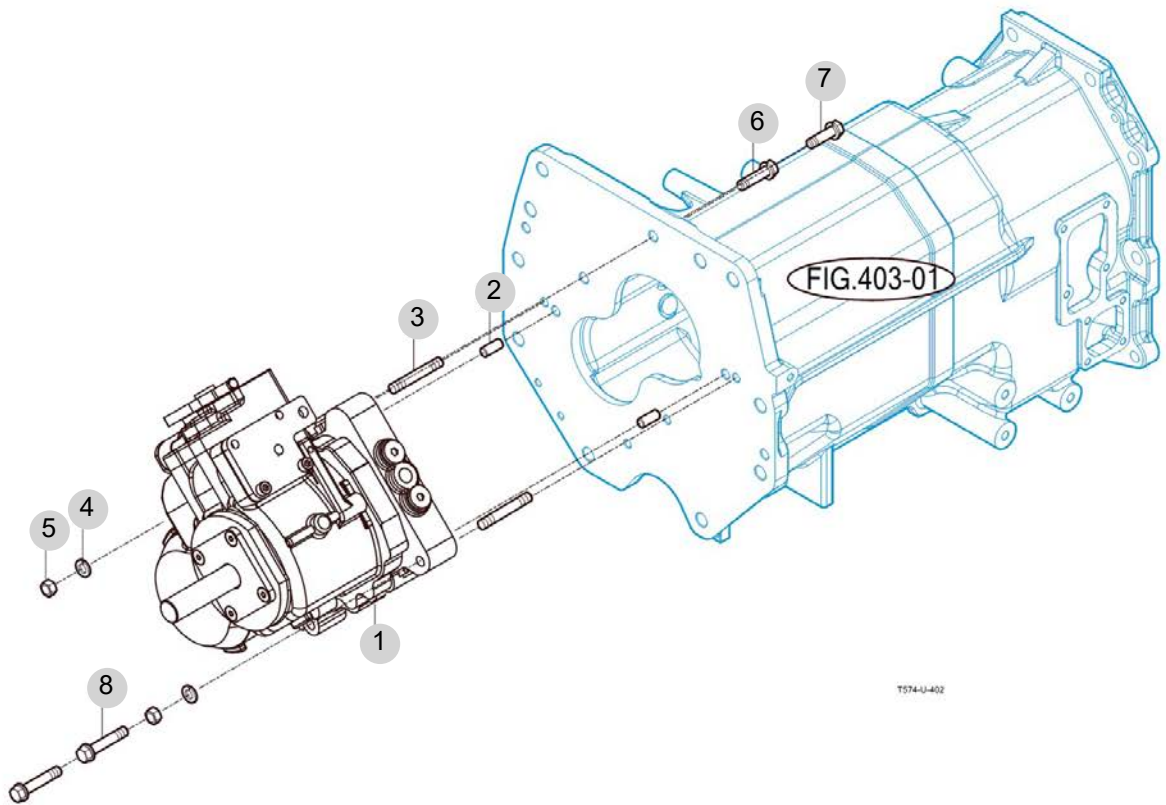
FIG 402

T574NH

HST

년/월
Year/Month

2022-12



T574-U-402

NOTE

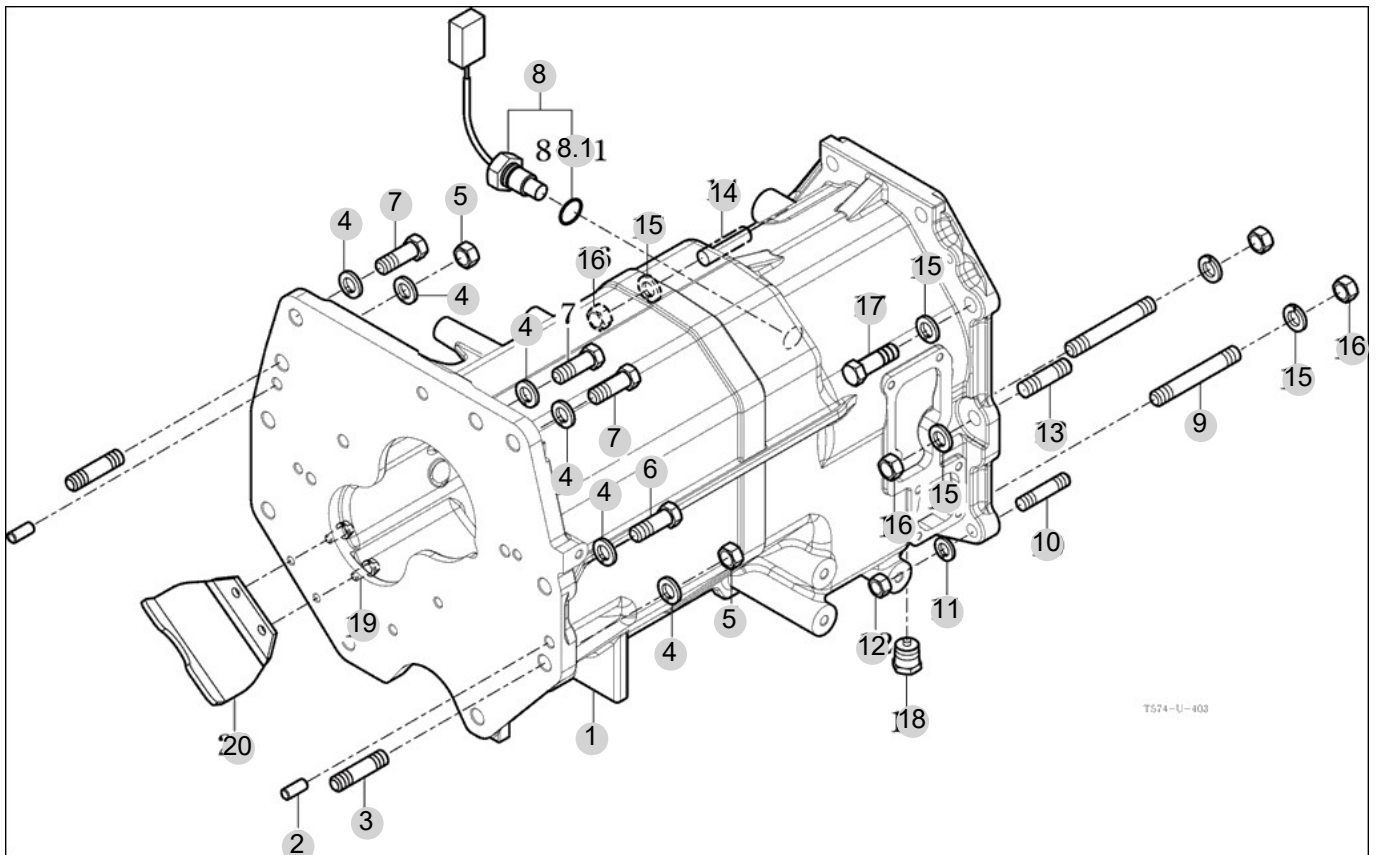
FIG 403

MID TRANSMISSION CASE

년/월
Year/Month

2022-12

T574NH



NOTE

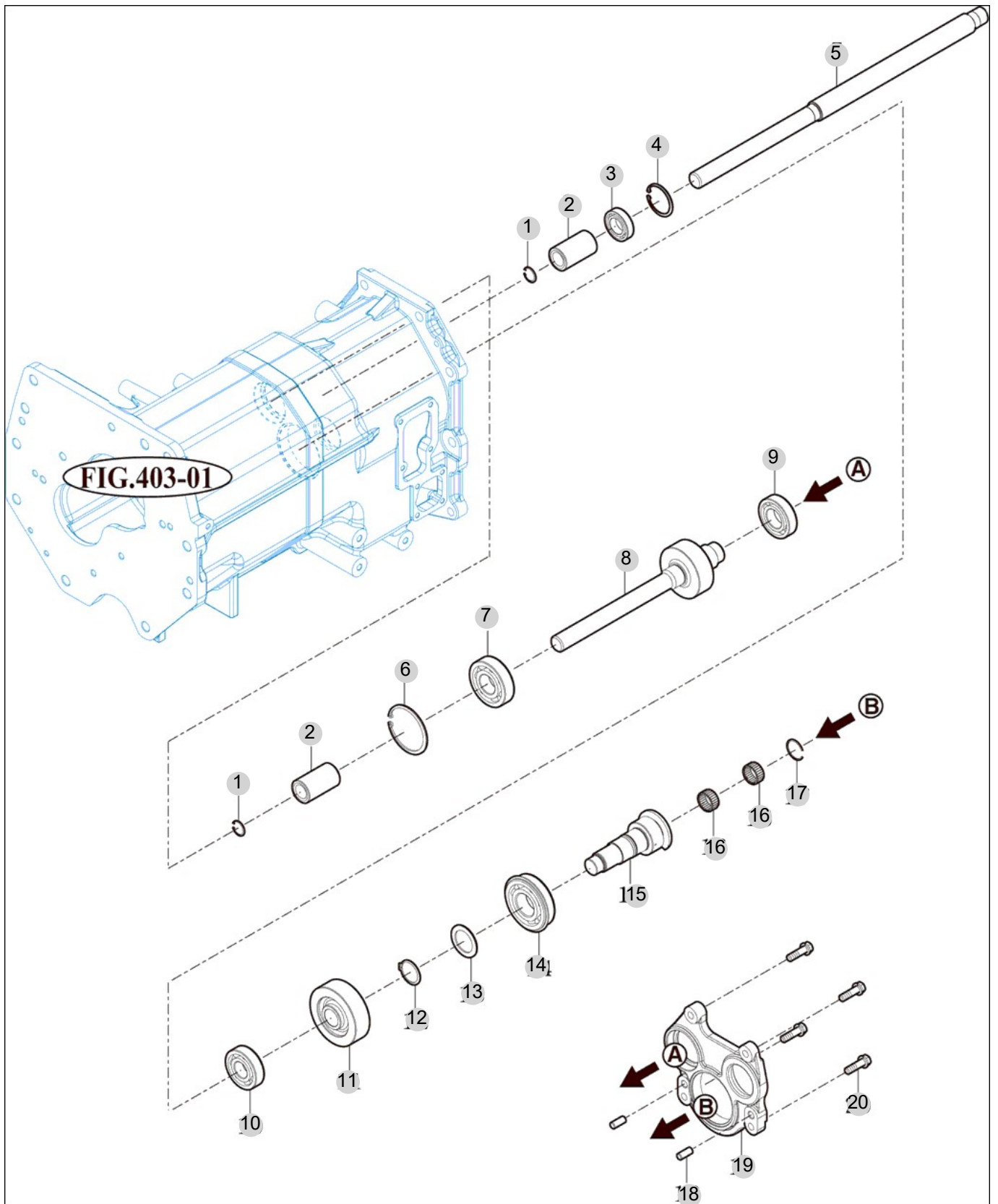
FIG 404

TRANSFER GEAR SET

년/월
Year/Month

T574NH

2022-12



NOTE

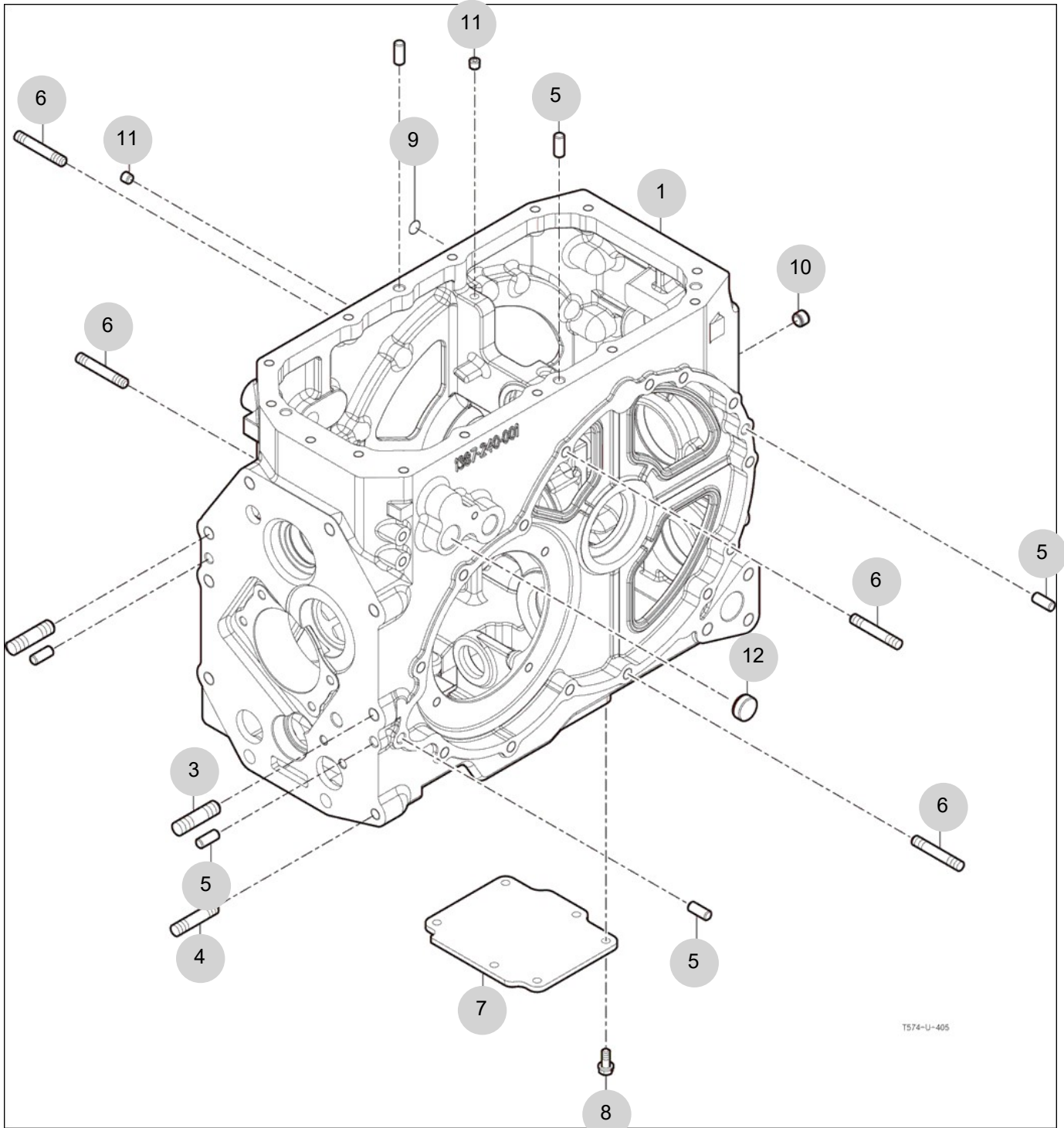
FIG 405

TRANSMISSION REAR CASE

년/월
Year/Month

2022-12

T574NH



T574-U-405

NOTE

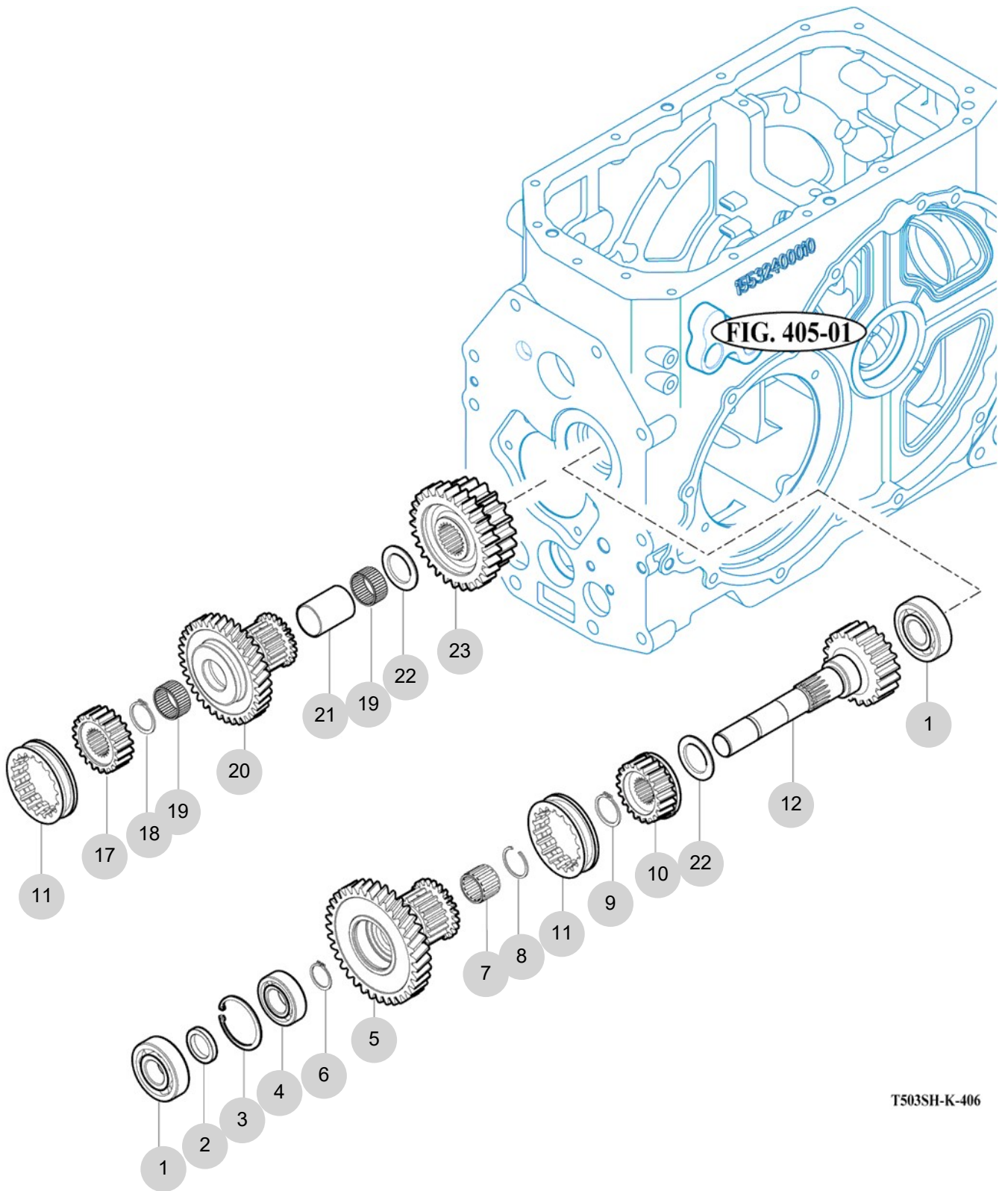
FIG 406

SUB CHANGE GEARS

년/월
Year/Month

2022-12

T574NH



T503SH-K-406

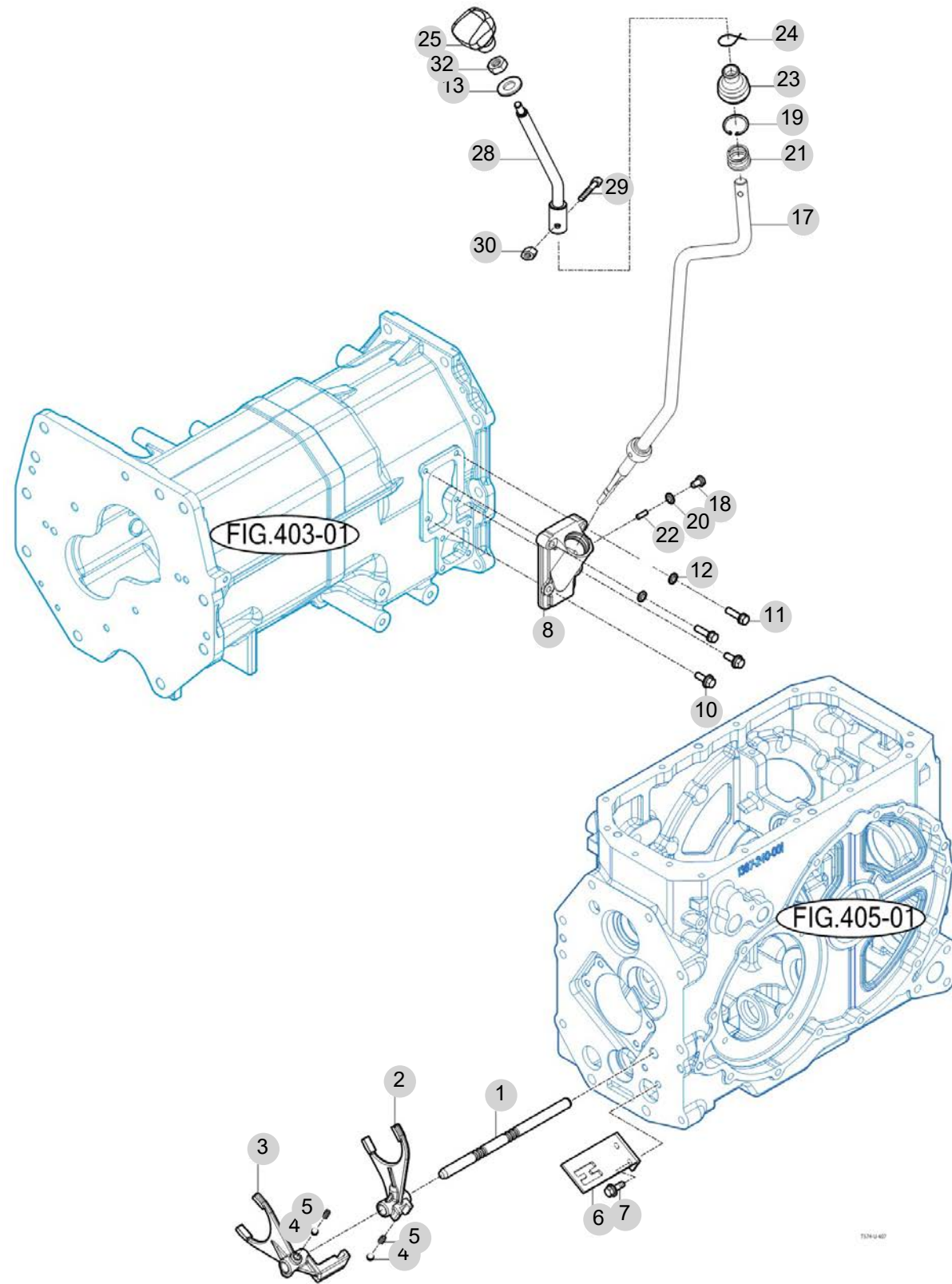
NOTE

FIG 407

SUB CHANGE SHIFTER

년/월
Year/Month

2022-12



NOTE

FIG 407		SUB CHANGE SHIFTER					년/월 Year/Month		
							2022-12		
T574NH		KEY NO	PART NO	DESCRIPTION	SPEC	QTY	REPAIR	EFFECTIVE DATE	REMARKS
407	1	14522590021	STAY , SHIFTER RANGE			1			
407	2	14522590053M	FORK , SHIFTER M-LL			1			
407	3	14522590032M	FORK , SHIFTER H-L			1			
407	4	V6802000010	BALL , STEEL	5/16		2			
407	5	13022250030	SPRING , SHIFTER			2			
407	6	14522590120	GUIDE			1			
407	7	V2173610020	BOLT , HEX/S	M10X20		2			
407	8	14522590011M	METAL SUB			1			
407	10	V2183608025	BOLT , HEX/SP	M8X25		2			
407	11	V2013608030	BOLT , HEX	M8X30		2			
407	12	15602230085	SEAL			2			
407	13	V4111600100	WASHER , PLAIN	M10		1			
407	17	14522812001	LEVER COMP , SHIFT SUB			1			
407	17	13872812000	LEVER COMP , SHIFT SUB			1			
407	18	16007060020	BOLT . DRAIN			1			
407	19	V7051400320	C-RING , HOLE	32		1			
407	20	15602230085	SEAL			1			
407	21	15602900063	SPRING , C020			1			
407	22	V5201006016	PIN , PARALLEL/A	6X16		1			
407	23	15602800044	BOOT			1			
407	24	V5901010070	WIRE , STEEL	1.0X70		1			
407	25	13872810100	GRIP , CHANGE RANGE			1			
407	25	19407513200	GRIP , CHANGE RANGE			1			
407	28	13872913200GB	LEVER COMP , SUB SHIFT			1			
407	29	V2013608035	BOLT , HEX	M8X35		1			
407	30	V3042600080	NUT , HEX/2	M8		1			
407	31	V1222604030	SCREW , C/R PAN/SP			2			
407	32	V3342600100	NUT , HEX FINE/2	M10		1			
407	33	W2013608070	BOLT , HEX	M8X70		1			
407	34	V3043600080	NUT , HEX/2	M8		1			
407	35	13872309900	COMP, LEVER PLATE			1			
407	36	V2183608025	BOLT , HEX/SP	M8X25		1			
407	37	14143120020	SPRING , TENSION 53			2			
407	38	V2013608035	BOLT , HEX			2			
407	38	13872309940	BOLT(M8X35XP1.25)			1			
407	38	V2013608035	BOLT , HEX	M8X35		1			
407	39	V3043600080	NUT , HEX/2	M8		1			
407	40	14586702100	SWITCH ASSY , LIMIT			1			
407	41	13872309930GB	BRACKET, NEUTRAL RANGE			1			
407	42	V2183610025	BOLT , HEX/SP	M10X25		2			
407	43	14466220030	COVER			1			
NOTE									

FIG 408

DRIVE GEARS

년/월
Year/Month

2022-12

T574NH

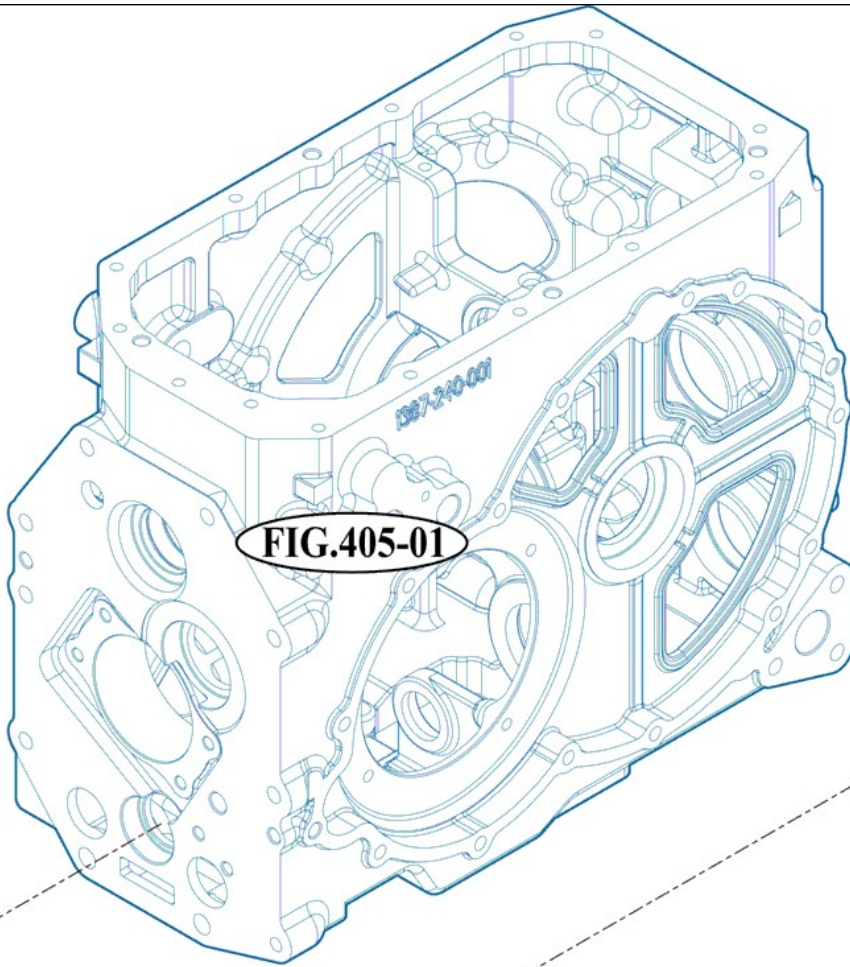
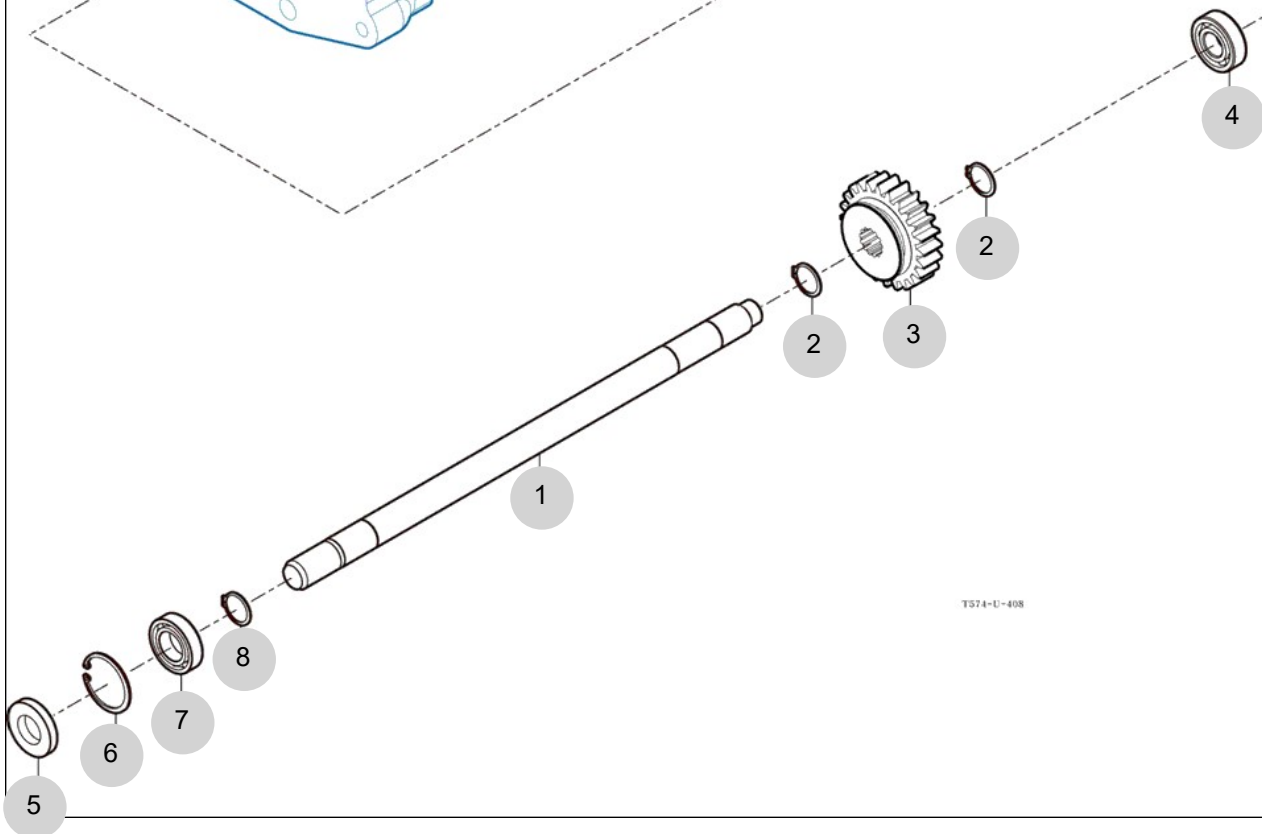


FIG.405-01



T574-U-408

NOTE

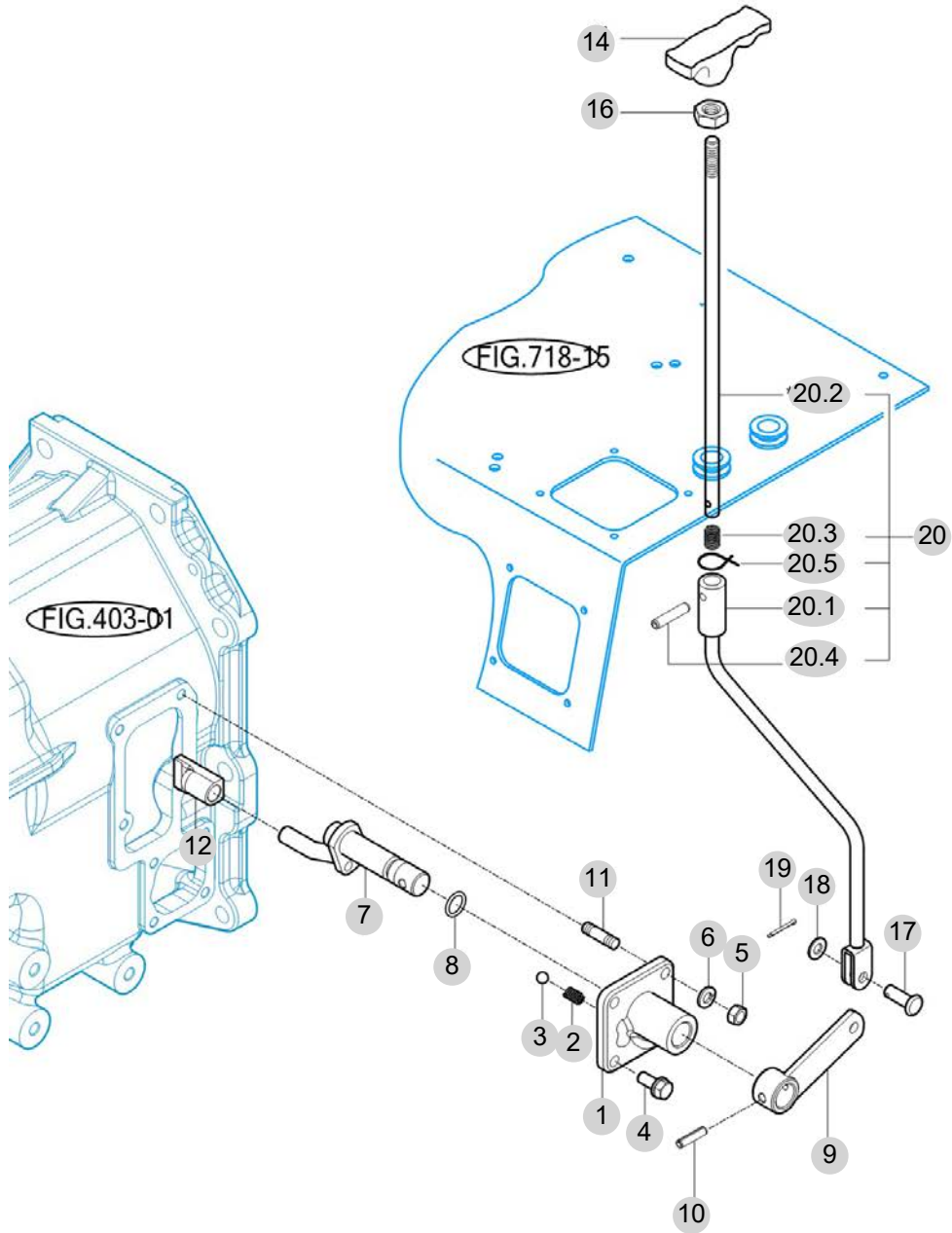
FIG 409

T574NH

4WD CHANGE LEVER

년/월
Year/Month

2022-12



*NOT SERVICED SEPARATELY

T574-U-409

NOTE

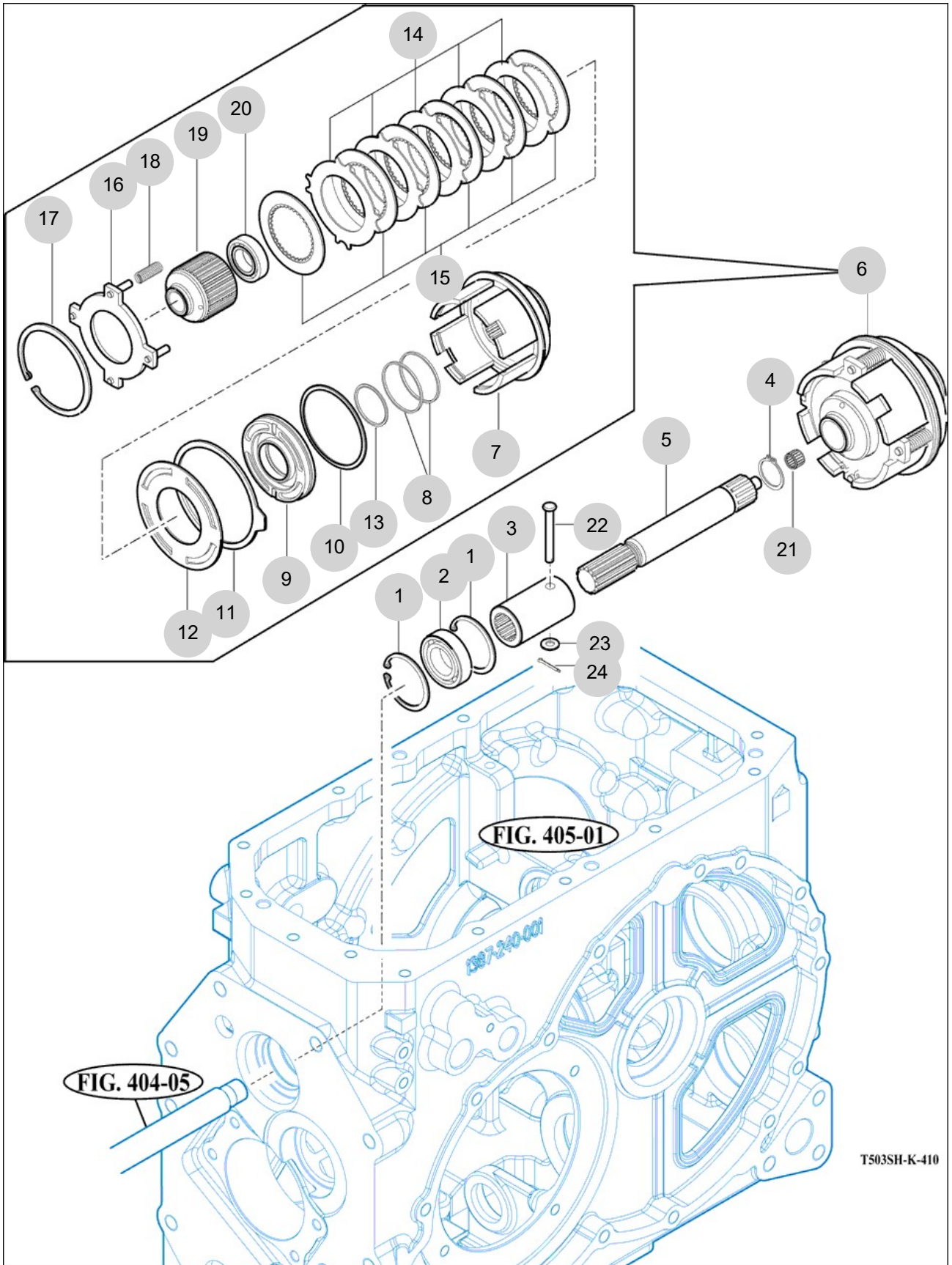
FIG 410

P.T.O DRIVE SHAFT

년/월
Year/Month

T574NH

2022-12



NOTE

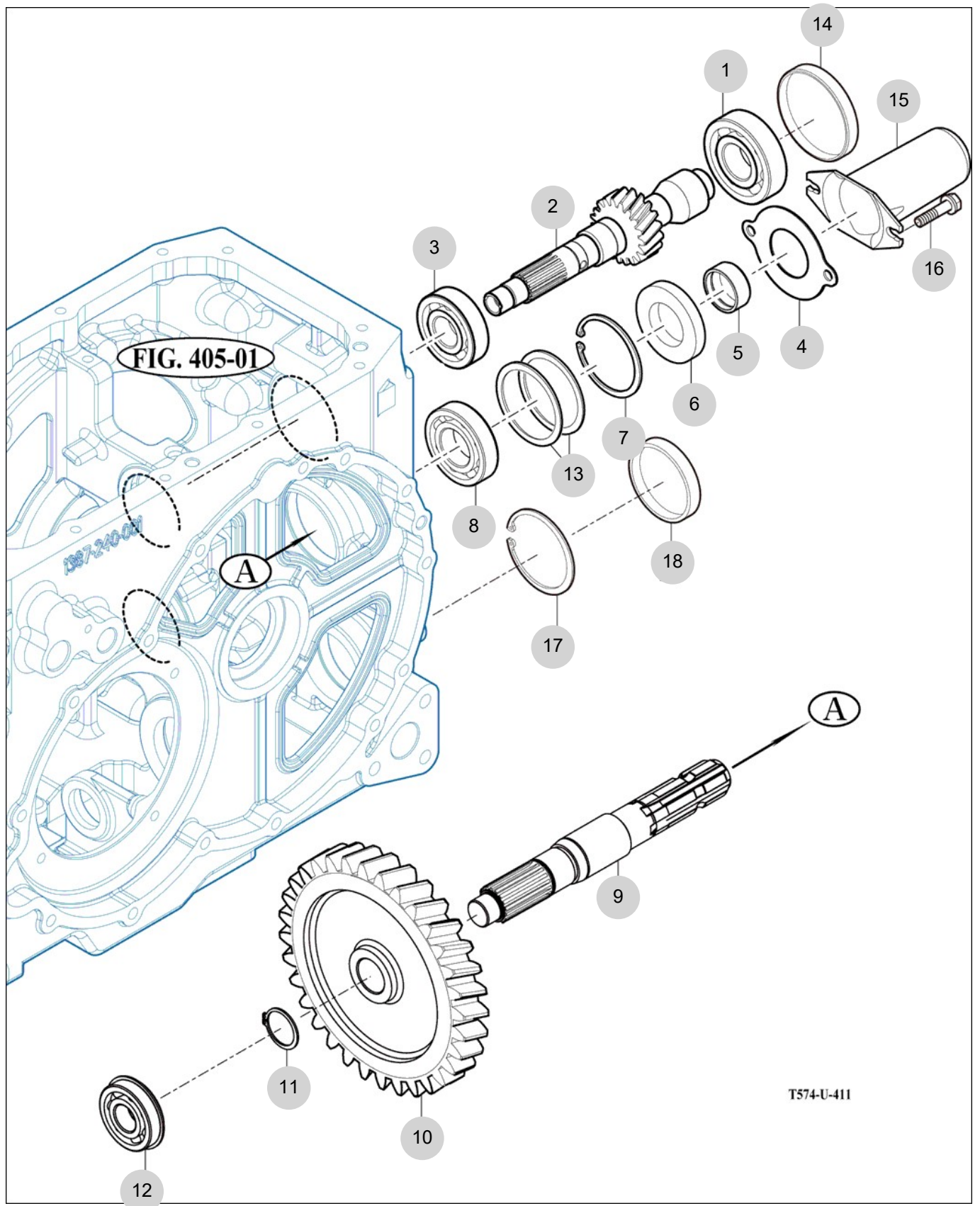
FIG 411

T574NH

P.T.O CHANGE GEARS

년/월
Year/Month

2022-12



NOTE

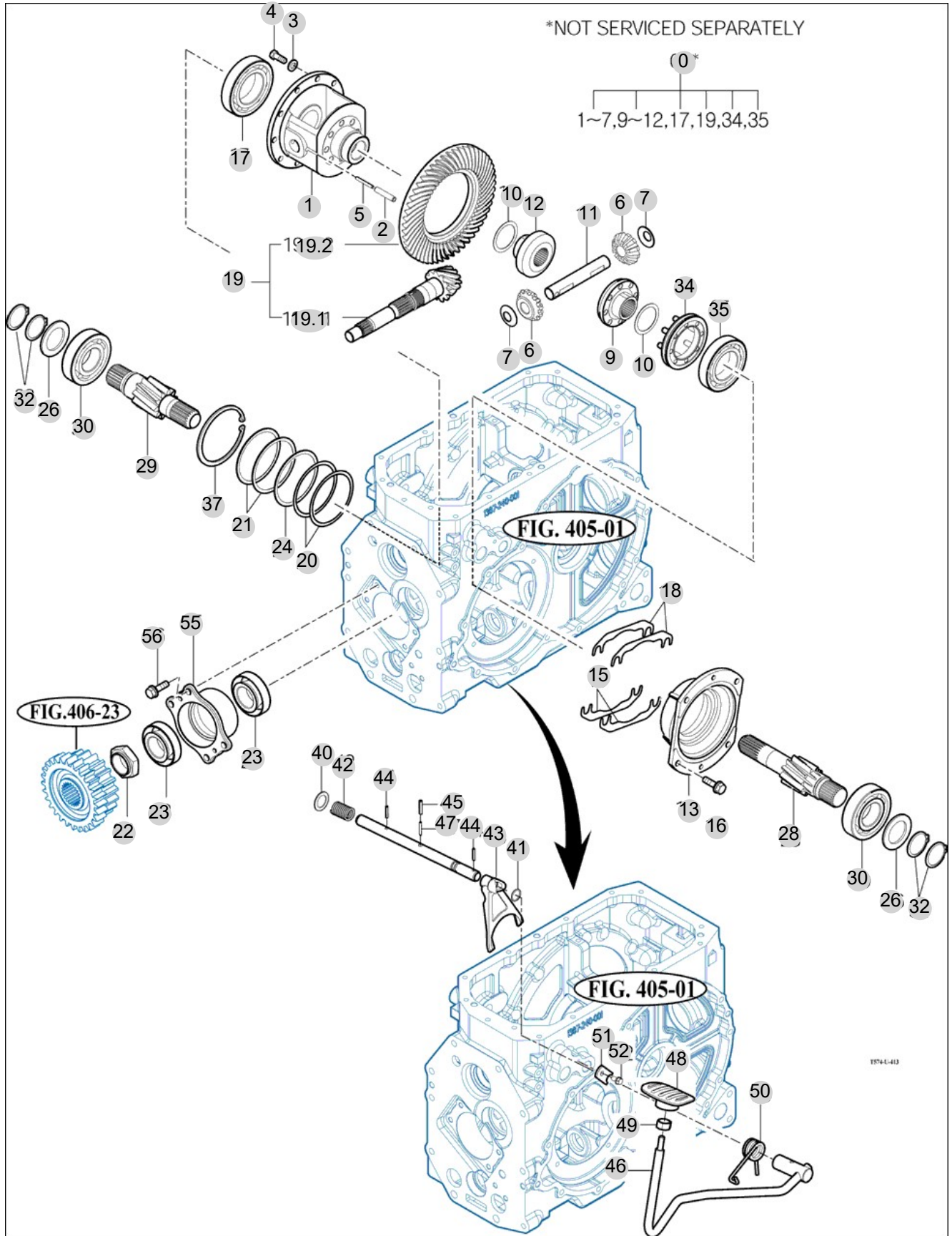
FIG 412

REAR DIFFERENTIAL GEARS

년/월
Year/Month

2022-12

T574NH



NOTE

FIG 412		REAR DIFFERENTIAL GEARS					년/월 Year/Month		
							2022-12		
T574NH		KEY NO	PART NO	DESCRIPTION	SPEC	QTY	REPAIR	EFFECTIVE DATE	REMARKS
412	0	14523031001	DIFF ASSY, RR 47PS			1			
412	1	14523030010M	CASE , DIFF			1			
412	2	V5801408040	PIN , SPRING	8X50		1			
412	3	V4011600100	WASHER , SPRING	M10		10			
412	4	V2024610025	BOLT , HEX FINE	M10X25		10			
412	5	V5801405036	PIN , SPRING	5X36		1			
412	6	14523180041	PINION , DIFF	1X1X1		2			
412	7	14523030080	COLLAR , PINION	T=1.0		2			
412	9	14523180061	PINION , BEVEL 16T LH	1X1X1		1			
412	10	14523030100	WASHER , THRUST	D=52.5		2			
412	11	14523030110	SHAFT , DIFF PINION	D=23		1			
412	12	14523180031	PINION , BEVEL 16T RH	1X1X1		1			
412	13	14523030131M	METAL , DIFF CASE LH			1			
412	15	14523010090	SHIM , B	T=0.2		4			
412	16	V2173610025	BOLT , HEX/S	M10X25		4			
412	17	V6001106212	BEARING , BALL	6212		1			
412	18	14523010080	SHIM , A	T=0.1		2			
412	19	14523022100	GEAR SET , 10-41T			1			
412	19.1	14523022111	PINION , BEVEL			1			
412	19.2	14523022120	GEAR , SPIRAL BEVEL			1			
412	20	14523010050	SHIM , 0.1	T=0.1		1			
412	22	15533030020	NUT , M40 P1,5	육각B=55		1			
412	23	V6321132208	BEARING , TAPER-ROLLER	32208CR		2			
412	24	14523010100	SHIM , 0.2	T=0.2		2			
412	26	15133060030	COLLAR , THRUST 45X68X4			2			
412	28	14523060010	PINION , LH HERICAL11T			1			
412	29	14523060020	PINION , RH HERICAL11T			1			
412	30	V6001106309	BEARING , BALL	6309		2			
412	32	V7041400450	C-RING , SHAFT	45		4			
412	34	14523033400	SLEEVE COMP			1			
412	35	V6001106211	BEARING , BALL	6211		1			
412	37	V7051401100	C-RING , HOLE	110		1			
412	39	15533193010	SHAFT , DIFF LOCK	D=20		1			
412	40	V4111600200	WASHER , PLAIN	M20		1			
412	41	V7201024016	O-RING , P	P16		1			
412	42	17973030420	SPRING	(D=3.6) X22.5X74.5		1			
412	43	14523190011M	FORK , DIFF LOCK			1			
412	44	V5801406032	PIN , SPRING	6X32		2			
412	45	V5801408036	PIN , SPRING	8X36		1			
412	46	15533193100	PEDAL COMP , DIFF LOCK			1			
412	47	V5801405036	PIN , SPRING	5X36		1			
412	48	14521220120	PEDAL COMP,ACCEL	1X1X1		1			
412	49	V3342600100	NUT , HEX FINE/2	M10		1			
412	50	15533190020	SPRING , DIFF PEDAL			1			
412	50	15533190021	SPRING , DIFF PEDAL	D=5.5		1			
NOTE									

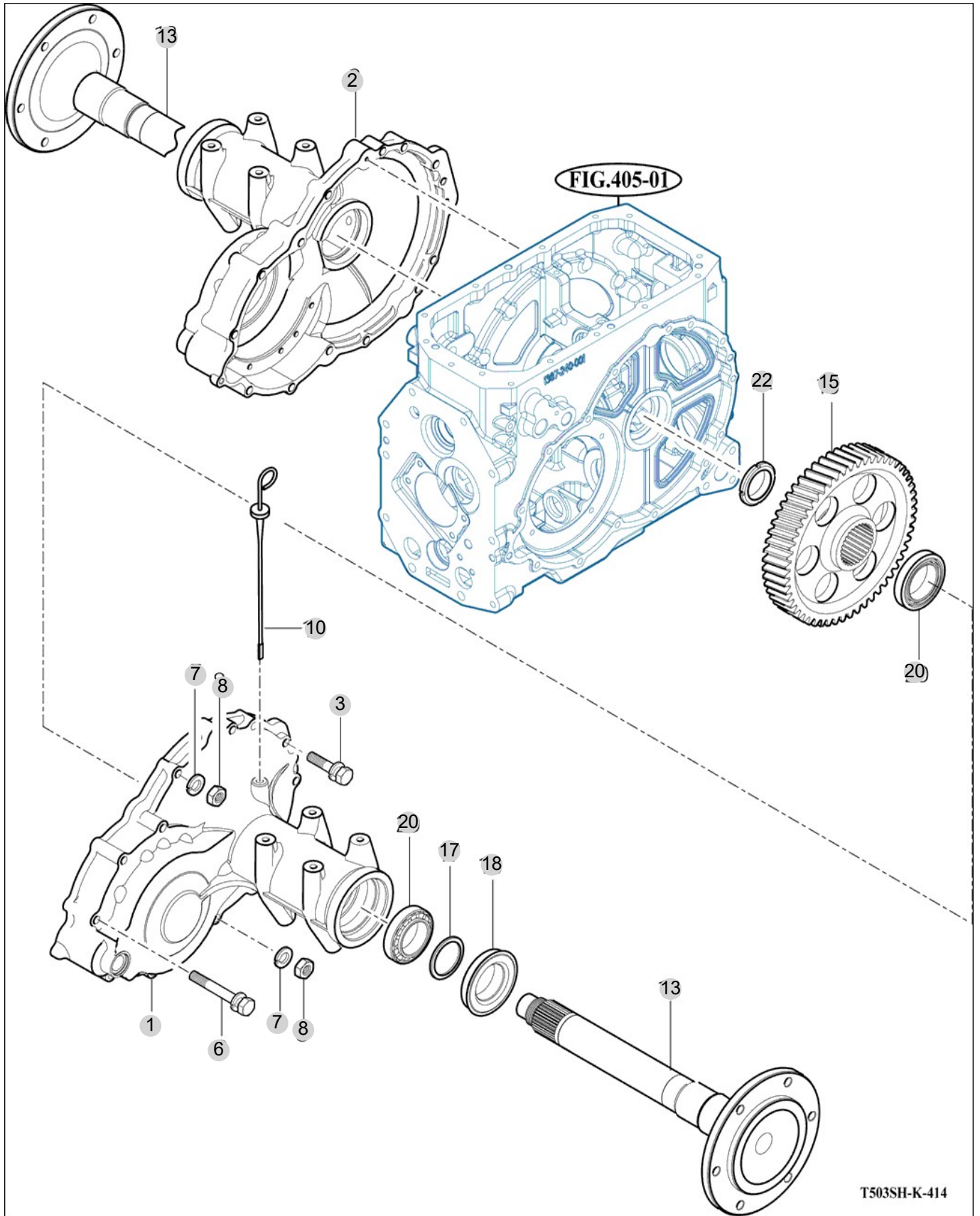
FIG 413

REAR AXLE HOUSING

년/월
Year/Month

T574NH

2022-12



T503SH-K-414

NOTE

5. Front Axle PART NO. T5

FIG 501 FRONT AXLE SUPPORT	176
FIG 502 FRONT DRIVE SHAFT	178
FIG 503 FRONT AXLE HOUSING	180
FIG 504 FRONT DIFFERENTIAL GEARS	182
FIG 505 FRONT GEAR CASE (1)	184
FIG 506 FRONT GEAR CASE (2)	186
FIG 507 FRONT GEAR CASE (3)	188

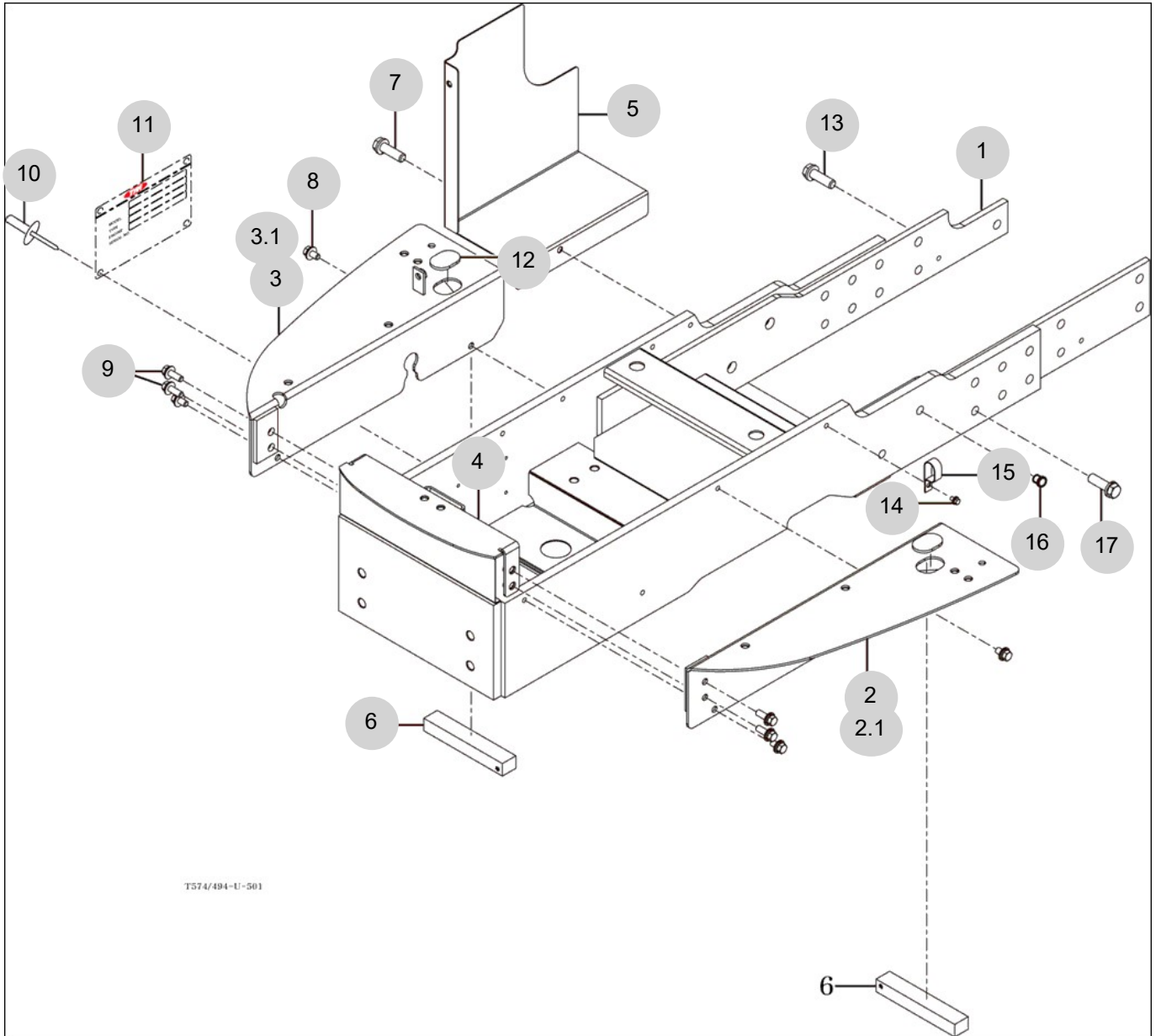
FIG 501

FRONT AXLE SUPPORT

년/월
Year/Month

2022-12

T574NH



NOTE

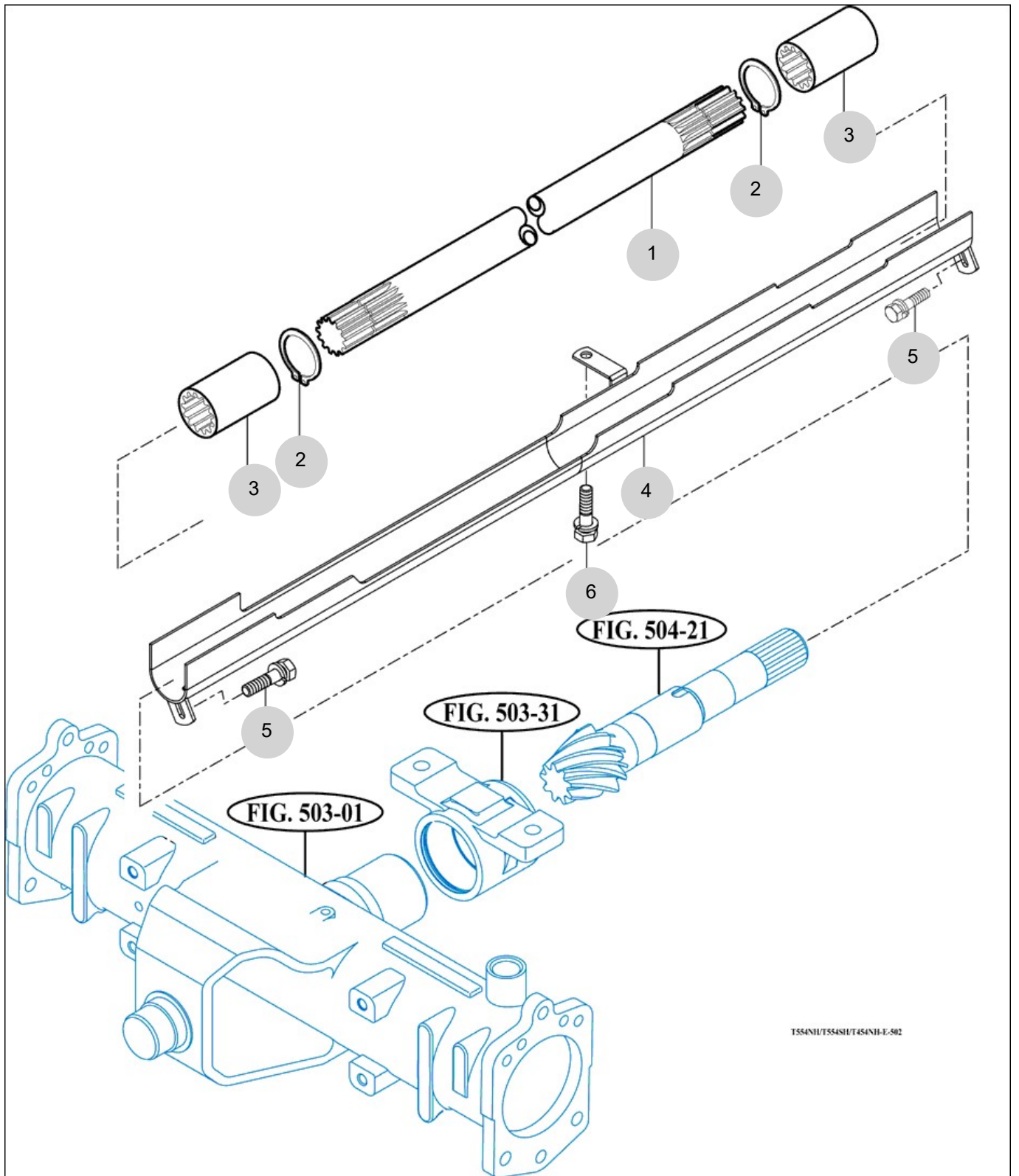
FIG 502

FRONT DRIVE SHAFT

년/월
Year/Month

T574NH

2022-12



T554NH/T554SH/T454NH-E-502

NOTE

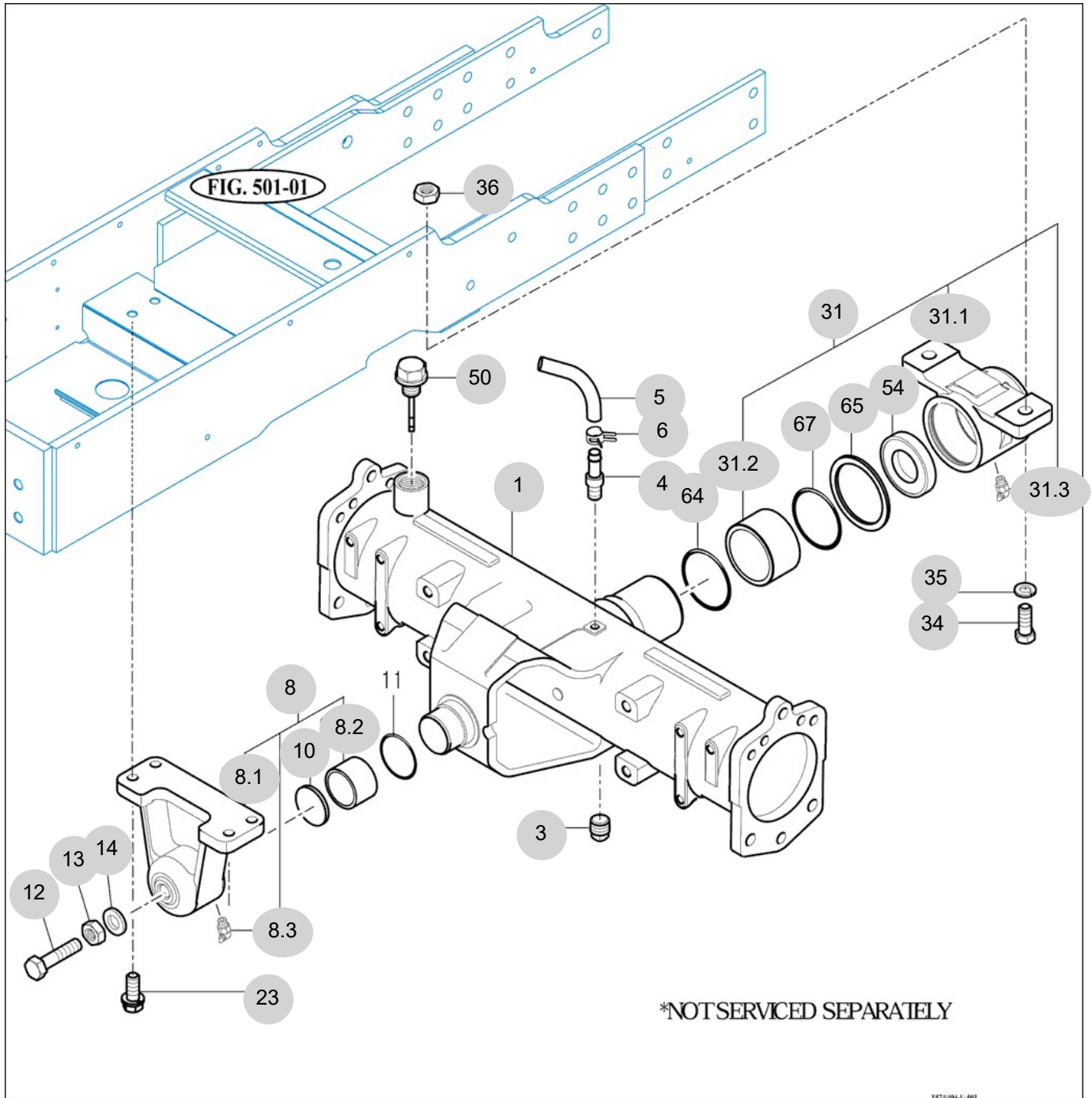
FIG 503

FRONT AXLE HOUSING

년/월
Year/Month

T574NH

2022-12



NOTE

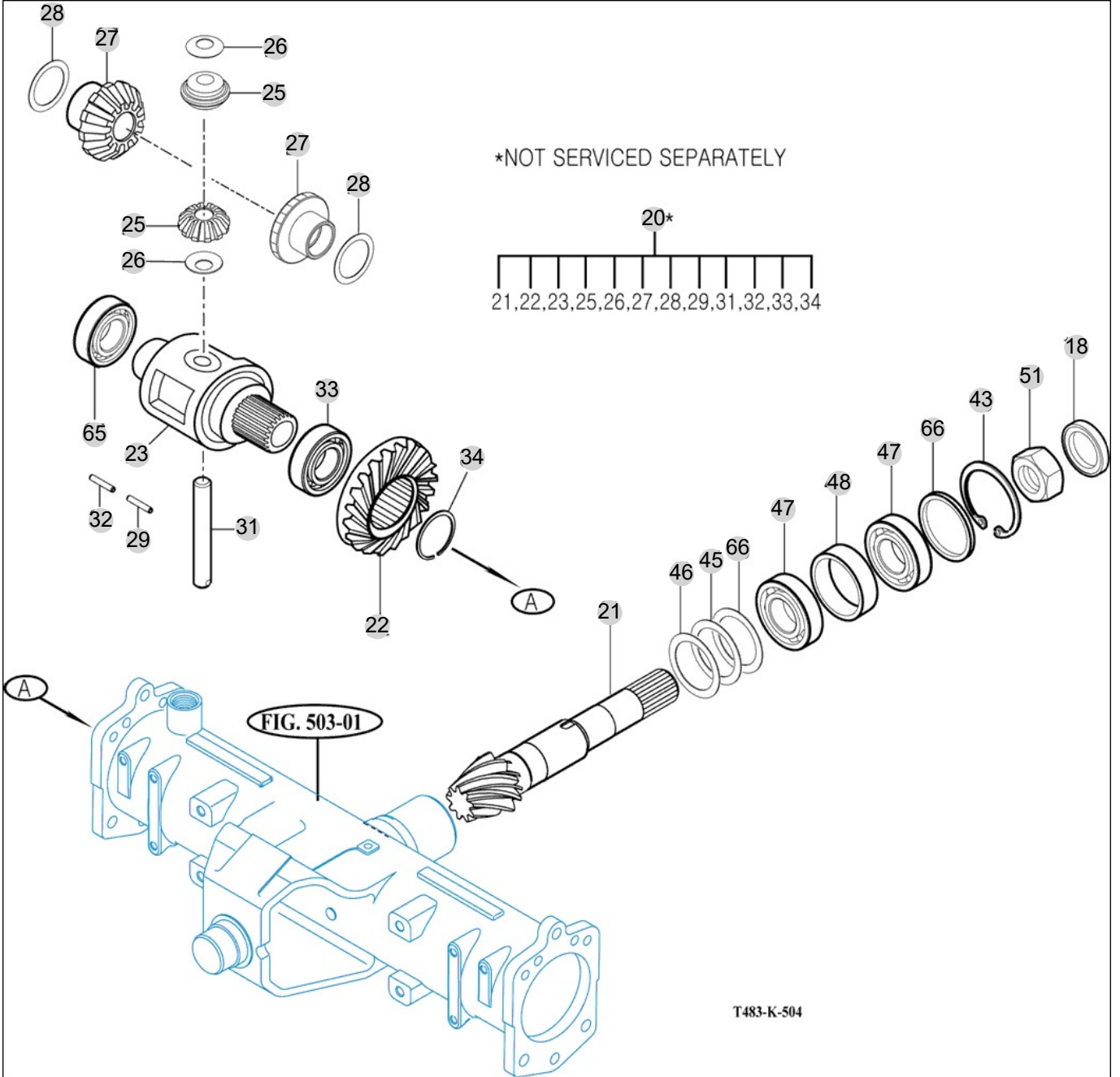
FIG 504

FRONT DIFFERENTIAL GEARS

년/월
Year/Month

2022-12

T574NH



NOTE

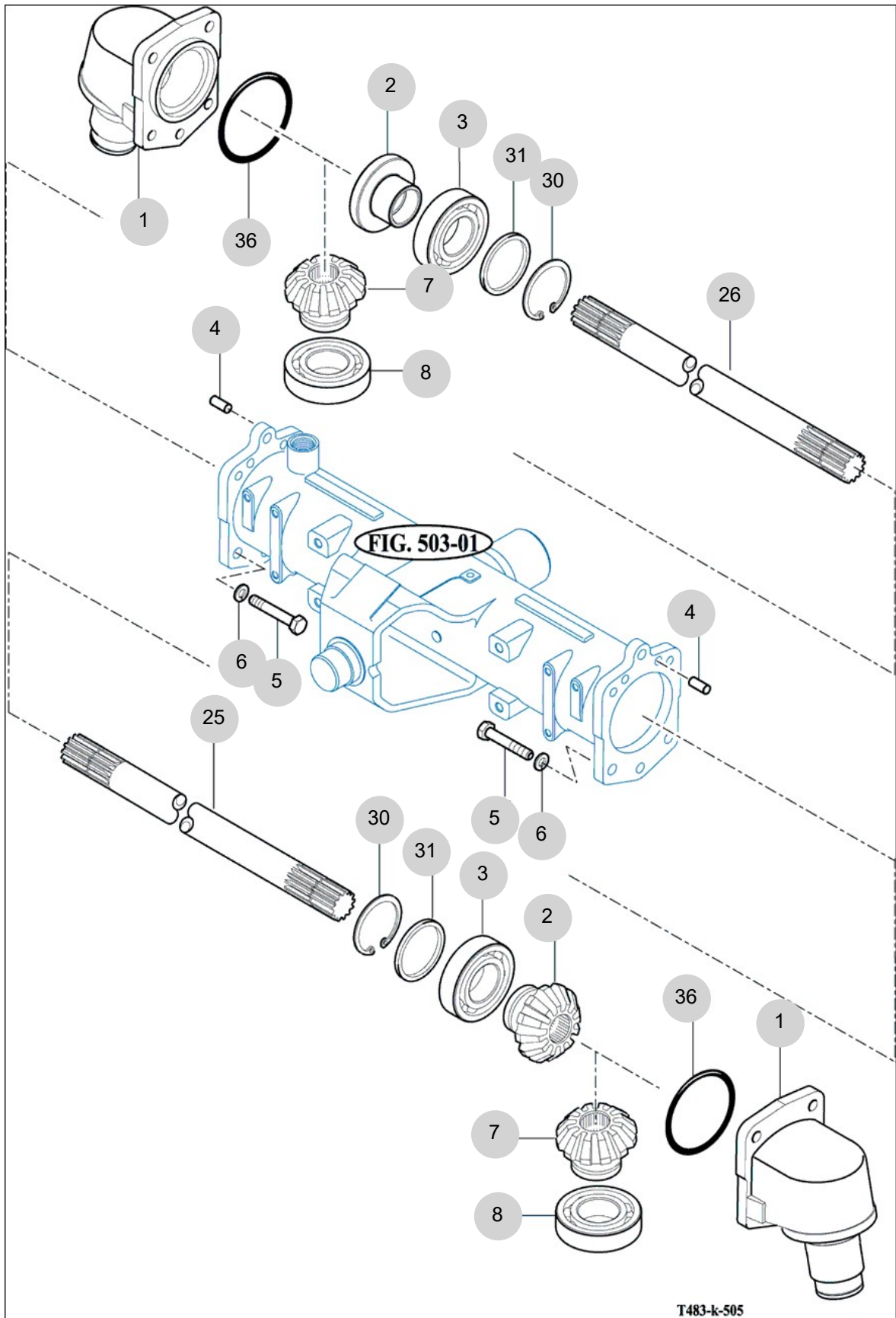
FIG 505

T574NH

FRONT GEAR CASE (1)

년/월
Year/Month

2022-12



T483-k-505

NOTE

FIG 505		FRONT GEAR CASE (1)						년/월	REMARKS
								Year/Month	
T574NH								2022-12	
KEY NO		PART NO	DESCRIPTION	SPEC	QTY	REPAIR	EFFECTIVE DATE		
505	1	16734340010M	CASE , FINAL DRIVE(A)		2				
505	2	16704340021	GEAR , BEVEL 9		2				
505	2	16704340020	GEAR , BEVEL 9		2				
505	3	V6041106208	BEARING , BALL/HL1	6208HL1	2				
505	4	V5201012020	PIN , PARALLEL/A	12X20	4				
505	5	V2024614040	BOLT , HEX FINE	M14	10				
505	6	V4011600140	WASHER , SPRING	M14	10				
505	7	16704340031	GEAR , BEVEL 16		2				
505	7	16704340030	GEAR , BEVEL 16		2				
505	8	V6001106207	BEARING , BALL	6207	2				
505	25	16734350010	SHAFT , 528		1				
505	26	16734350020	SHAFT , 344		1				
505	30	V7051400800	C-RING , HOLE	80	2				
505	31	16704320030	COLLAR , 68X80X2		2				
505	36	V7231020110	O-RING , S	S110	2				
NOTE									

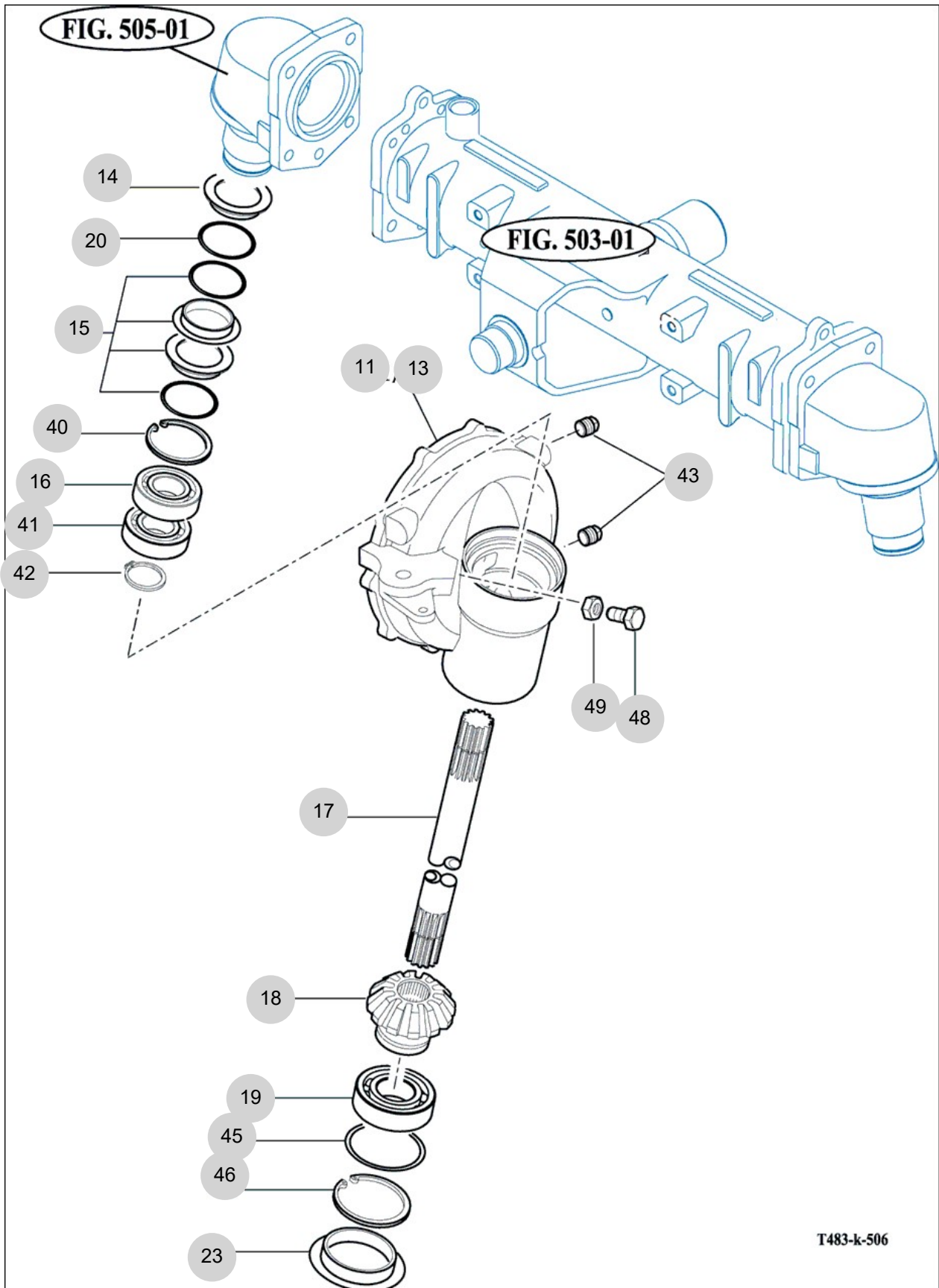
FIG 506

FRONT GEAR CASE (2)

년/월
Year/Month

2022-12

T574NH



NOTE

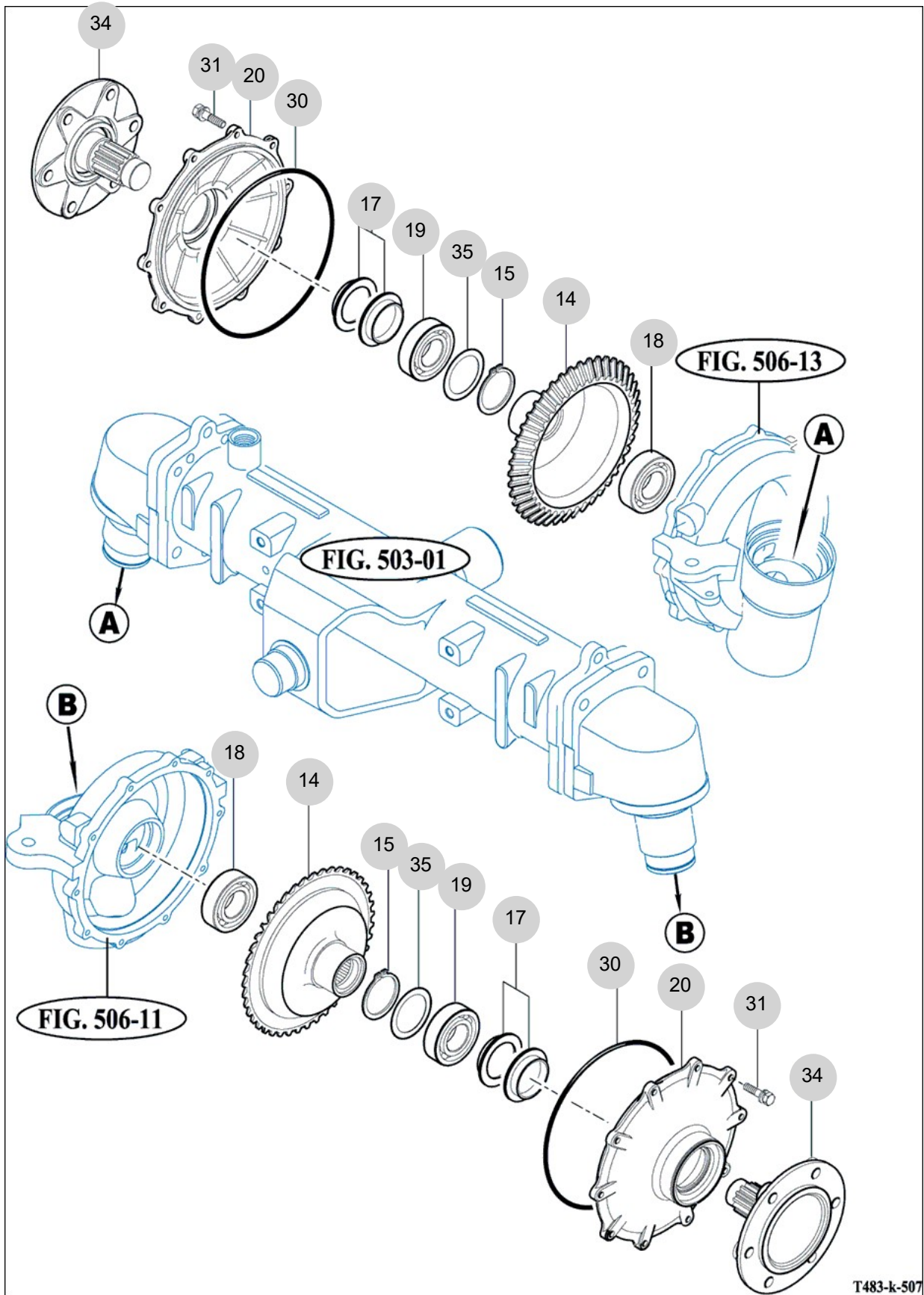
FIG 507

FRONT GEAR CASE (3)

년/월
Year/Month

2022-12

T574NH



NOTE

6. Hydraulic/3P-Link PART NO. T6

FIG 601 CYLINDER CASE	191
FIG 602 LIFT ARM	193
FIG 603 CYLINDER	195
FIG 604 POSITION LINK	197
FIG 605 CONTROL VALVE	199
FIG 606 DRAFT LINK	201
FIG 607 POSITION & DRAFT LEVER	203
FIG 607-2 POSITION & DRAFT LEVER(2)	205
FIG 608 EXTERIOR HYD. VALVE	207
FIG 609 HYDRAULIC PIPE	209
FIG 610 JOYSTICK	211
FIG 612 HITCH & 3-POINT LINK	214
FIG 613 LOWER LINK & LIFT ROD	217

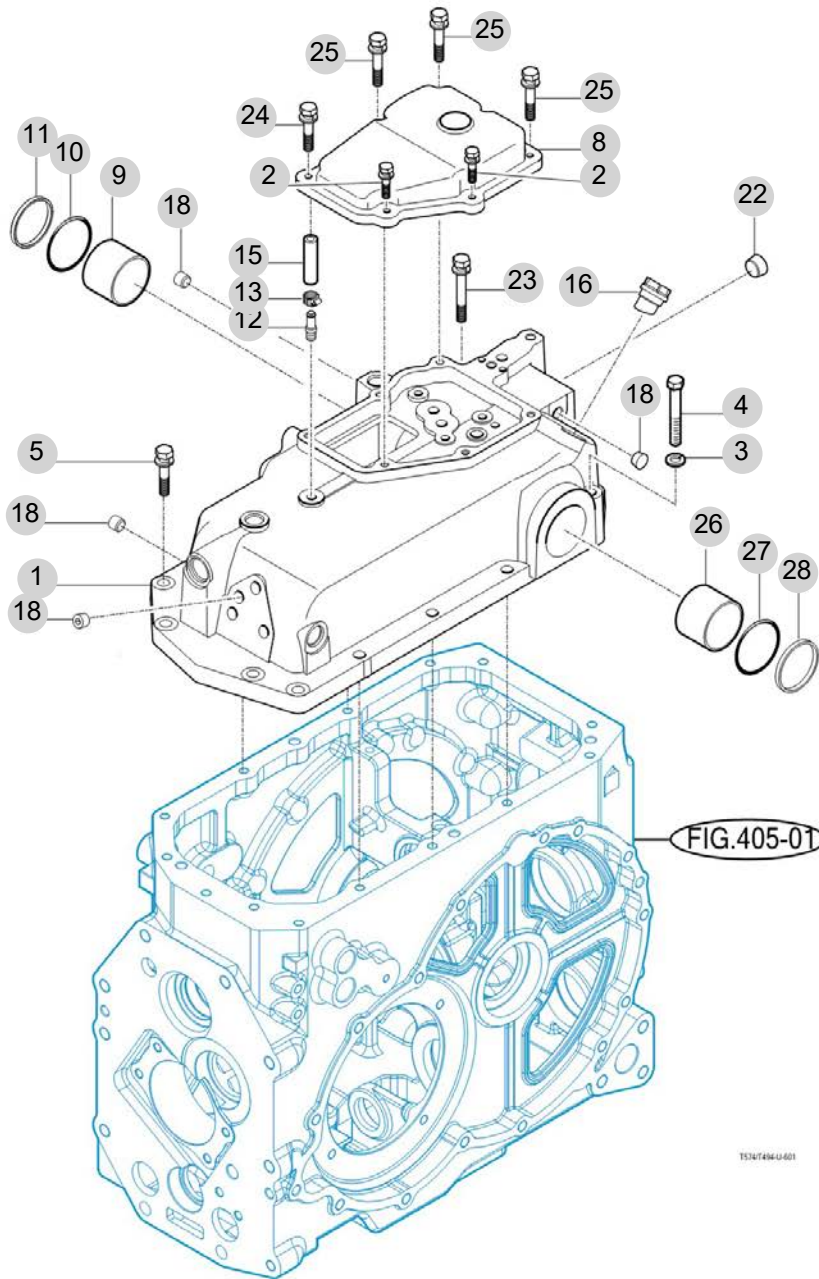
FIG 601

CYLINDER CASE

년/월
Year/Month

2022-12

T574NH



NOTE

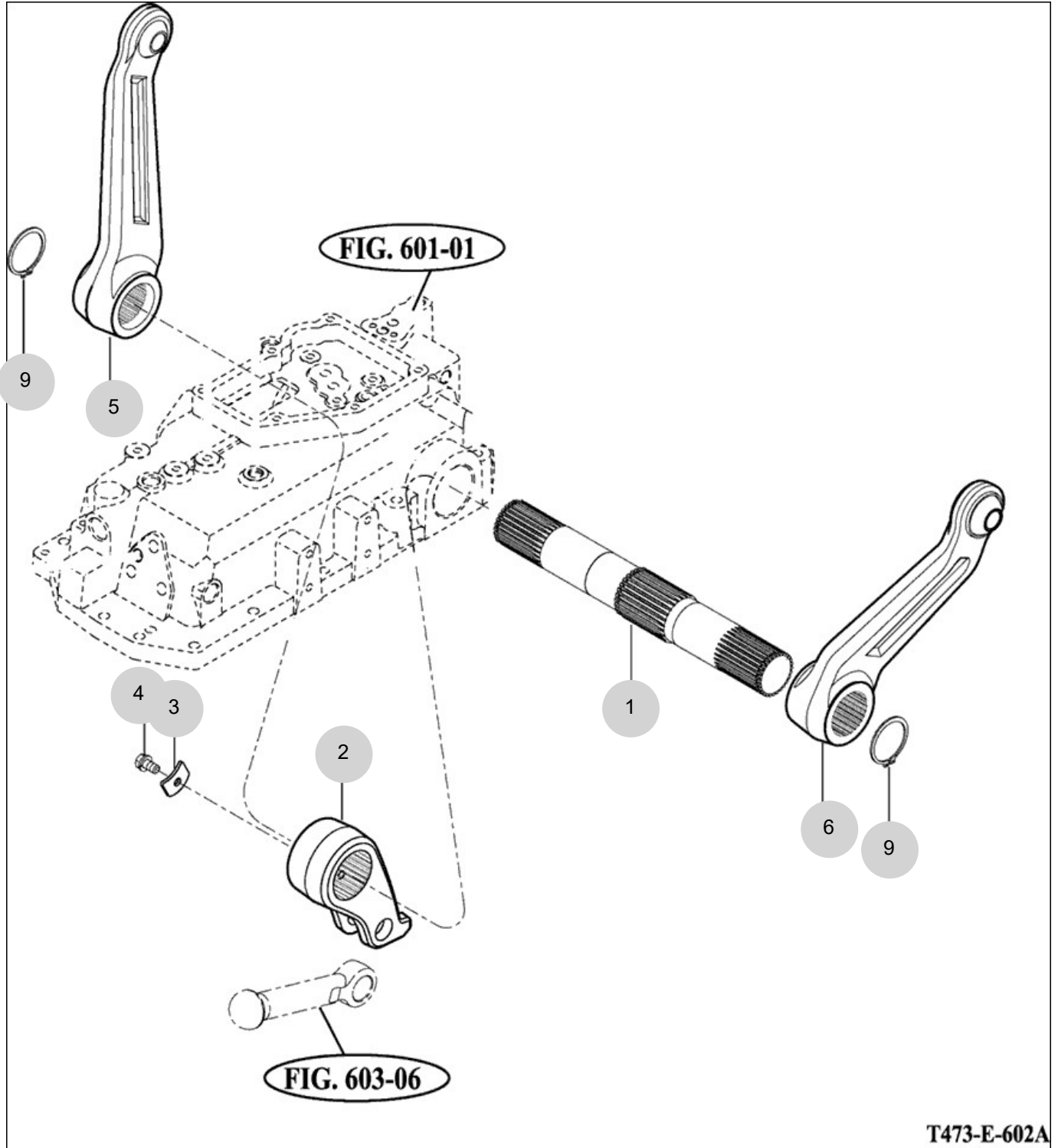
FIG 602

T574NH

LIFT ARM

년/월
Year/Month

2022-12



T473-E-602A

NOTE

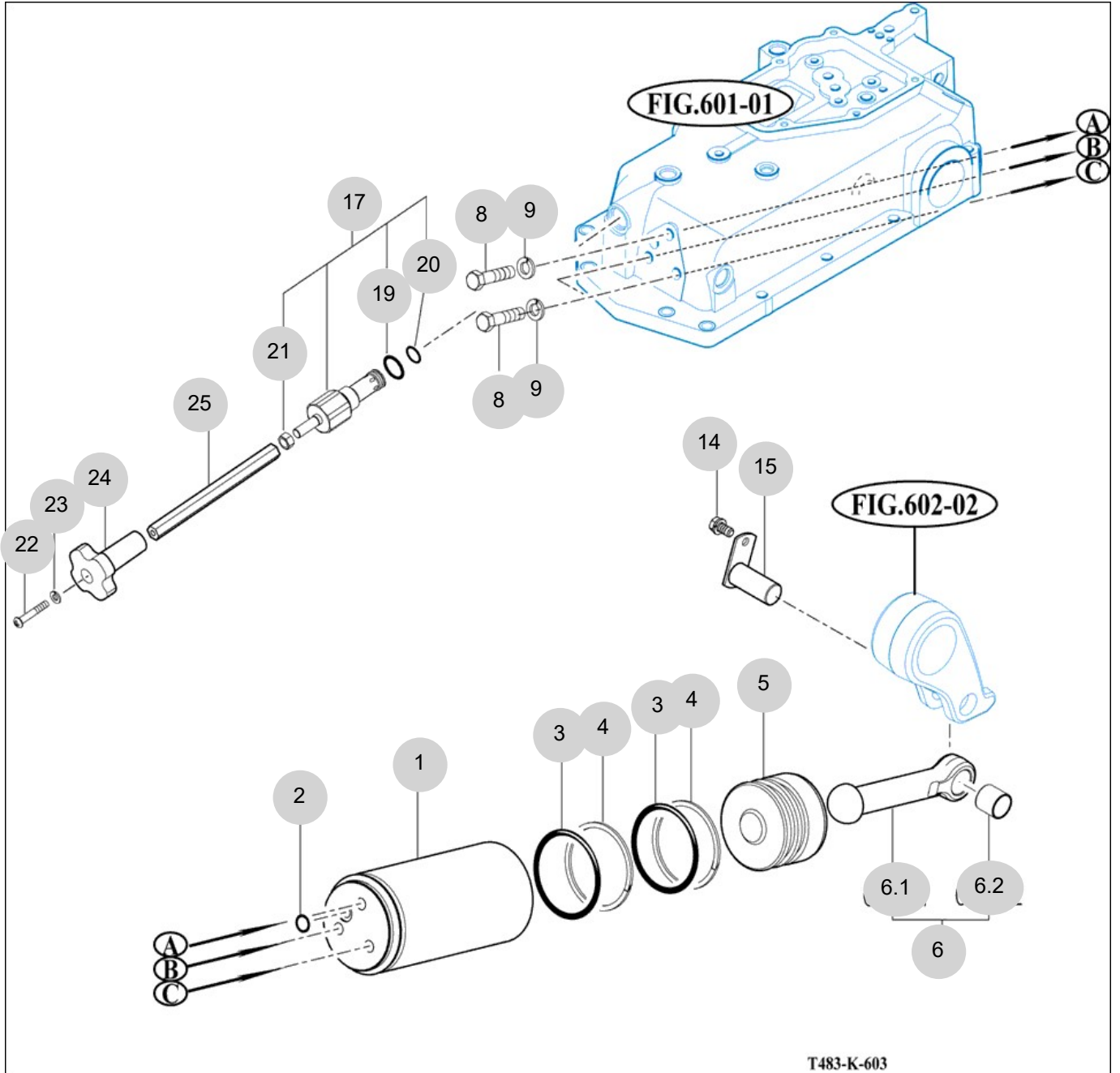
FIG 603

T574NH

CYLINDER

년/월
Year/Month

2022-12



NOTE

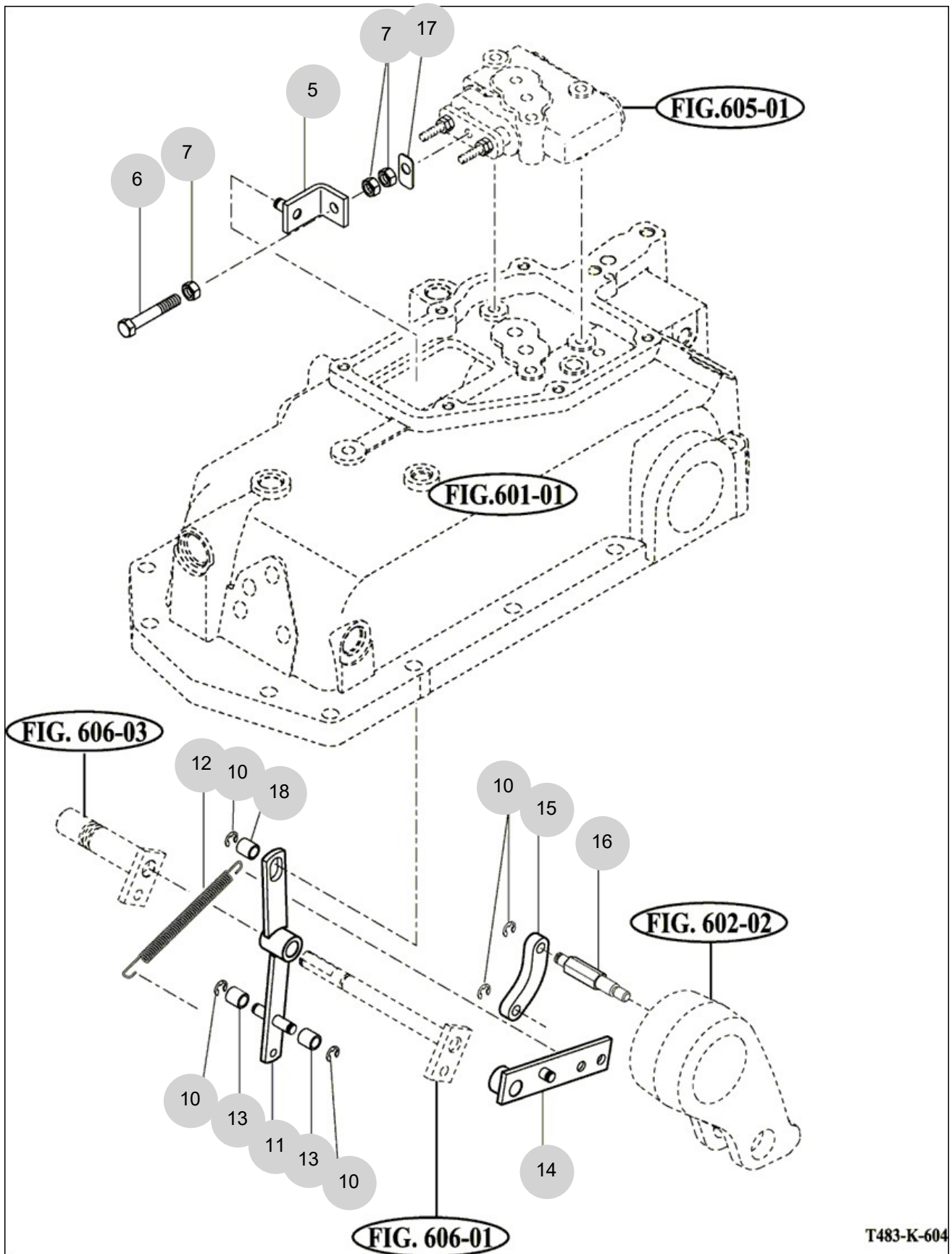
FIG 604

POSITION LINK

년/월
Year/Month

T574NH

2022-12



T483-K-604

NOTE

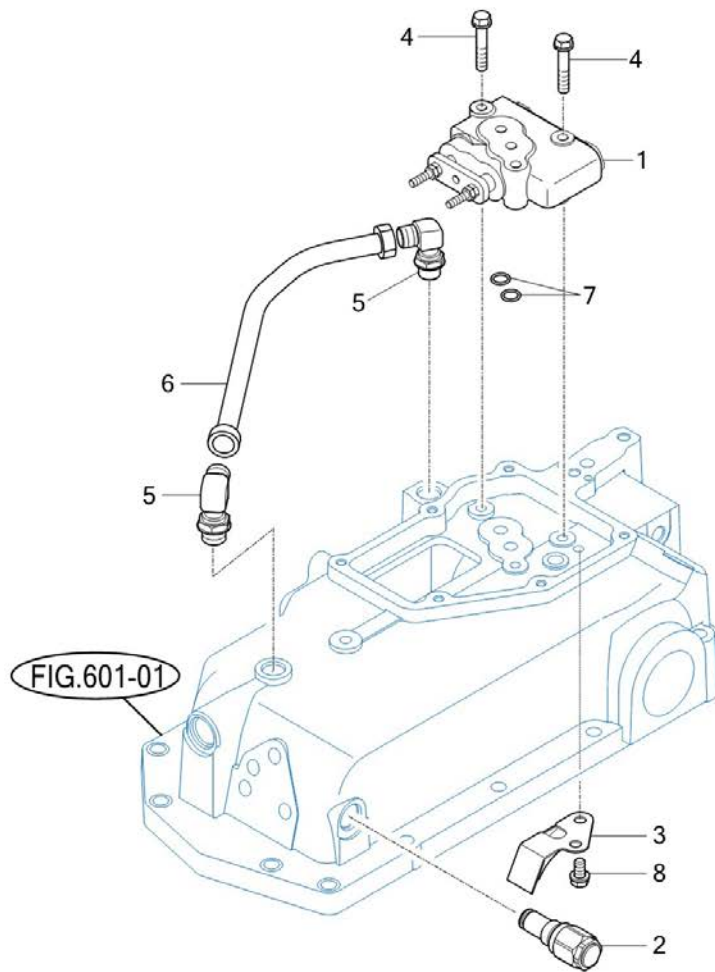
FIG 605

T574NH

CONTROL VALVE

년/월
Year/Month

2022-12



T574-U-605

NOTE

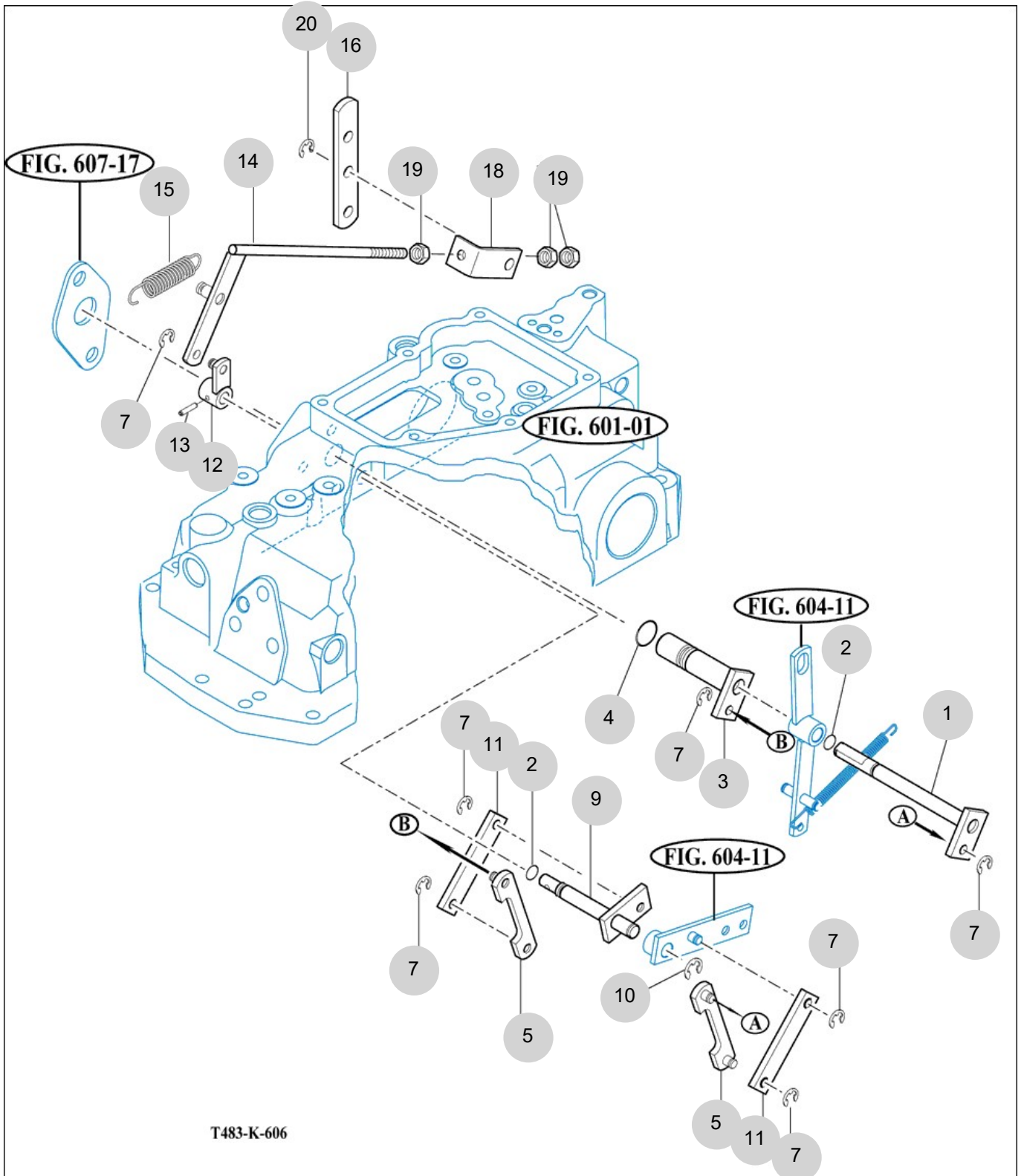
FIG 606

T574NH

DRAFT LINK

년/월
Year/Month

2022-12



NOTE

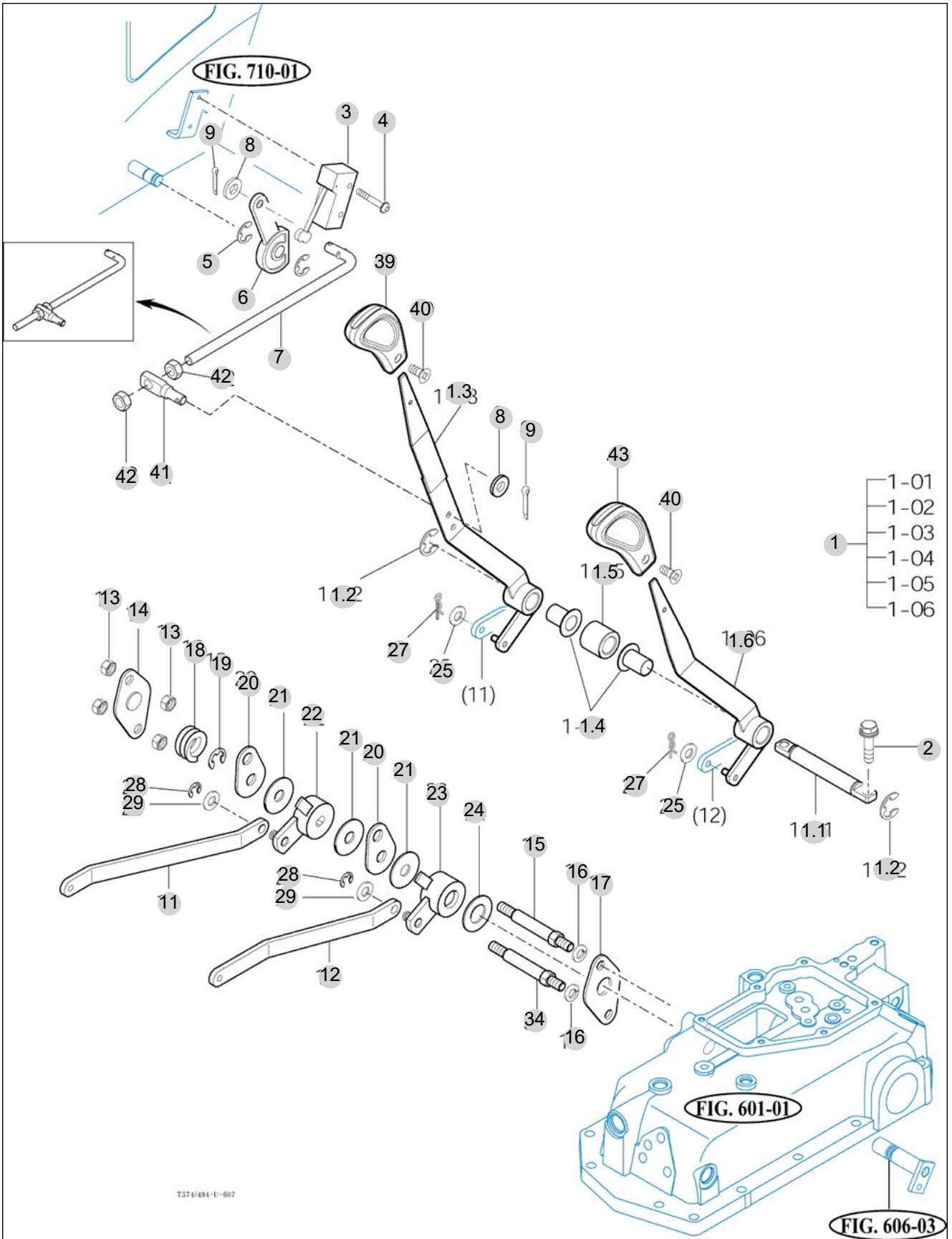
FIG 607

POSITION & DRAFT LEVER

년/월
Year/Month

2022-12

T574NH



NOTE

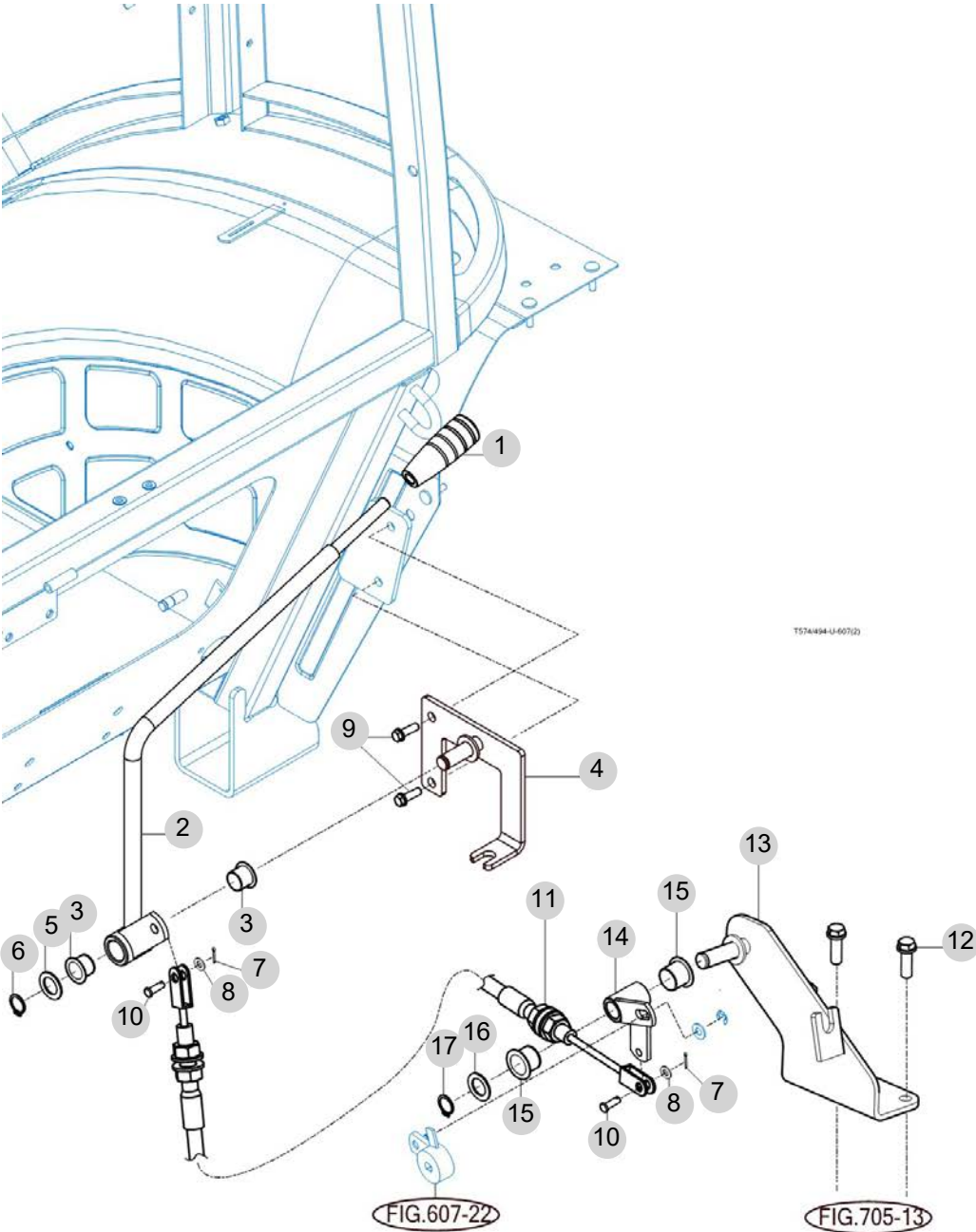
FIG 607 T574NH		POSITION & DRAFT LEVER					년/월 Year/Month		REMARKS	
							2022-12			
							KEY NO	PART NO		
607	1	13877092100	REVER SUB, POSITION/DRAFT		1					
607	1.1	14527092110	SHAFT	D=16	1					
607	1.2	V7081400150	E-RING	15	2					
607	1.3	13877092200GB	LEVER COMP, POSITION		1					
607	1.4	14527092120	BUSH, NYLON/16X18X27	1X1X1	2					
607	1.5	14527092251	COLLER , SPACE	D=30	1					
607	1.6	13877092300GB	LEVER COMP, DRAFT		1					
607	2	V2183608020	BOLT , HEX/SP	M8X20	2					
607	3	16606742301	SWITCH ASSY . LIMIT		1					
607	4	V1222604025	SCREW , C/R PAN/SP	M4X25	2					
607	5	V7081400080	E-RING	8	2					
607	6	14527090020	CAM , SENSER	1X1X1	1					
607	7	19997090010	ROD,SWITCH	6*150*28	1					
607	8	V4111600060	WASHER , PLAIN	M6	2					
607	9	V5001920020	PIN , SPLIT	2X20	2					
607	11	14525070121	PLATE , POSITION	19X6T	1					
607	12	14525070141	PLATE , DRAFTER	19X6T	1					
607	13	V3043600100	NUT , HEX/2	M10	4					
607	14	17995070140	PLATE , C	3.2T	1					
607	15	17995070150	BOLT , SUPPORT	H14X108.9	1					
607	16	V4011600100	WASHER , SPRING	M10	2					
607	17	17995070170	PLATE , D	3.2TX90X50	1					
607	18	17995070180	SPRING	33X23	1					
607	19	V7081400120	E-RING	12	1					
607	20	17995070200	PLATE , A	3.2TX40X62	2					
607	21	17995070211	PLATE , FRICTION	13X40X2T	3					
607	21	13835070210	PLATE , FRICTION		3					
607	22	14525070221	ARM COMP , POSITION	1X1X1	1					
607	23	14525070230	ARM COMP , DRAFT LEVER		1					
607	24	17995070241	PLATE , FRICTION	21*40*2T	1					
607	24	13835070220	PLATE , FRICTION		1					
607	25	V4111600060	WASHER , PLAIN	M6	2					
607	27	21306010180	PIN , SNAP/6	D=1.2	2					
607	28	V7081400080	E-RING	8	2					
607	29	V4111600100	WASHER , PLAIN	M10	2					
607	34	17995070340	BOLT , SUPPORT		1					
607	39	13877553400	GRIP , POSITION LEVER		1					
607	40	V1122605012	SCREW , C/R FLAT	M5X12	2					
607	41	19997090210	PIN , POSITION ROD	10.6*32*8	1					
607	42	V3002600060	NUT , HEX/1	M6	2					
607	43	13877553500	GRIP , DRAFT LEVER		1					
NOTE										

FIG 607-2

POSITION & DRAFT LEVER(2)

년/월
Year/Month

2022-12



NOTE

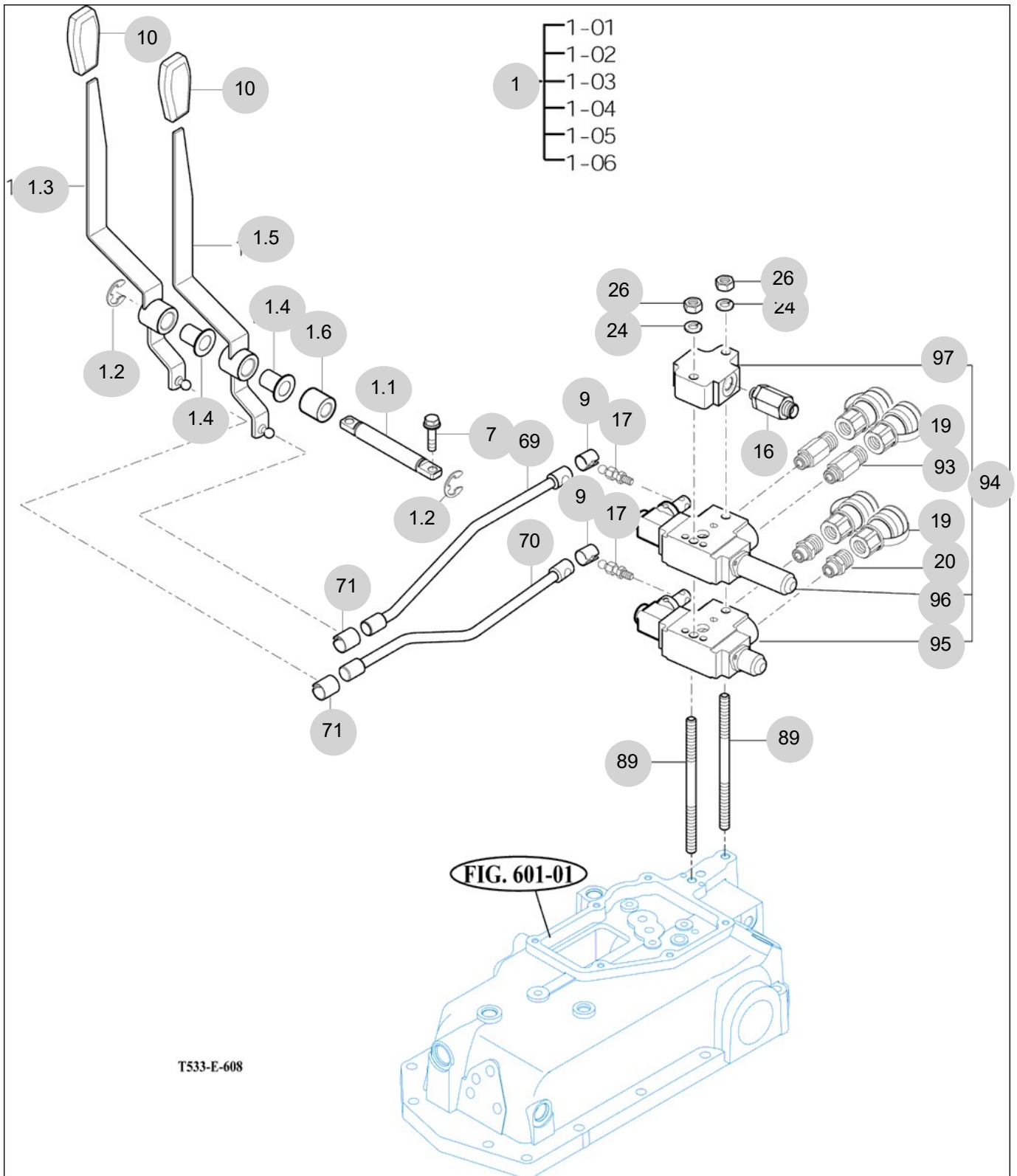
FIG 608

EXTERIOR HYD. VALVE

년/월
Year/Month

2022-12

T574NH



NOTE

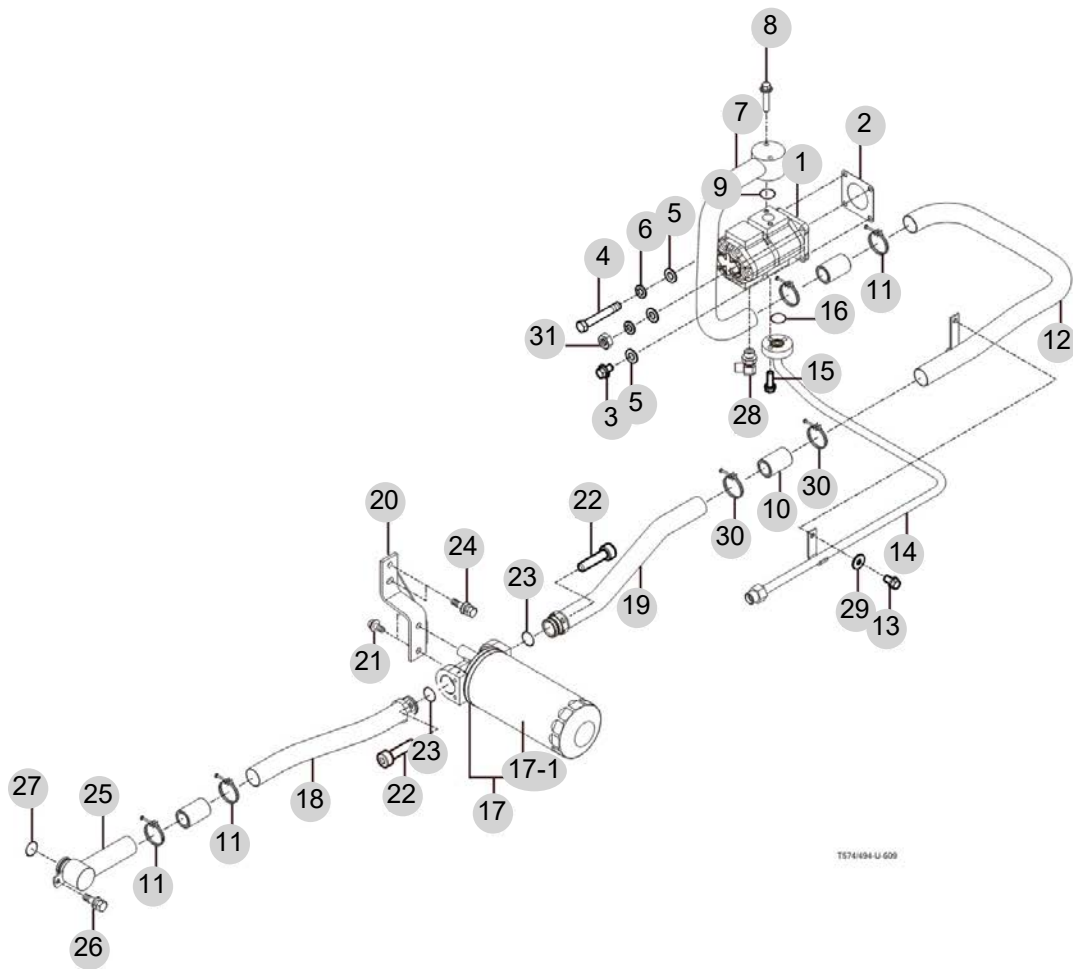
FIG 609

HYDRAULIC PIPE

년/월
Year/Month

2022-12

T574NH



NOTE

FIG 609		HYDRAULIC PIPE						년/월 Year/Month	
								2022-12	
T574NH									
KEY NO	PART NO	DESCRIPTION	SPEC	QTY	REPAIR	EFFECTIVE DATE	REMARKS		
609	1	13875103100	PUMP(13X7.2CC) ASSY, GEAR	1					
609	2	14045030060	PACKING , OIL PUMP	1					
609	3	V2183608040	BOLT , HEX/SP	M8X40	1				
609	4	V2013608170	BOLT , HEX	M8X170	2				
609	5	V4111600080	WASHER , PLAIN	M8	4				
609	6	V4011600080	WASHER , SPRING	M8	3				
609	7	13875152600	PIPE COMP , SUCTION PUMP		1				
609	8	V2173608055	BOLT , HEX/S	M8X55	2				
609	9	V7231020024	O-RING , S	S24	1				
609	10	18015150031	HOSE , 100		3				
609	11	18027090400	BAND CLAMP 40 EMBO TYPE		4				
609	12	13875152401GB	PIPE COMP , SUCTION FR		1				
609	12	13875152402GB	PIPE COMP , SUCTION FR		1				
609	13	V2173608016	BOLT , HEX/S	M8X16	1				
609	14	13875102101GB	PIPE COMP , MAIN FR		1				
609	15	V2113606025	BOLT , HEX /S	M6X25	3				
609	16	V7201124020	O-RING , P	P20	1				
609	17	17975152001	FILTER ASSY , SUCTION 43		1				
609	17-1	17975152101	ELEMENT , SUCTION FILTER TM		1				
609	18	13875152200	PIPE COMP , SUCTION FILTER FR		1				
609	19	13875152301			1				
609	19	13875152302	PIPE COMP , SUCTION FILTER RR		1				
609	20	13875153100	BRACKET COMP , OIL FILTER		1				
609	21	V2183610025	BOLT , HEX/SP	M10X25	2				
609	22	V2205408016	BOLT , HEX-SOCKET	M8X16	2				
609	23	V7211031030	O-RING , G	G30	2				
609	24	V2183608020	BOLT , HEX/SP	M8X20	2				
609	25	13875152100	PIPE COMP , SUCTION RR		1				
609	26	V2173608016	BOLT , HEX/S	M8X16	1				
609	27	V7211031030	O-RING , G	G30	1				
609	28	36313530021	ADAPTER , HIGH-PRESSURE		1				
609	29	35602010150	WASHER , BIND SHAFT		1				
609	30	18027090500	BAND CLAMP 50 EMBO TYPE		2				
609	31	V3042600080	NUT , HEX/2	M8	1				
NOTE									

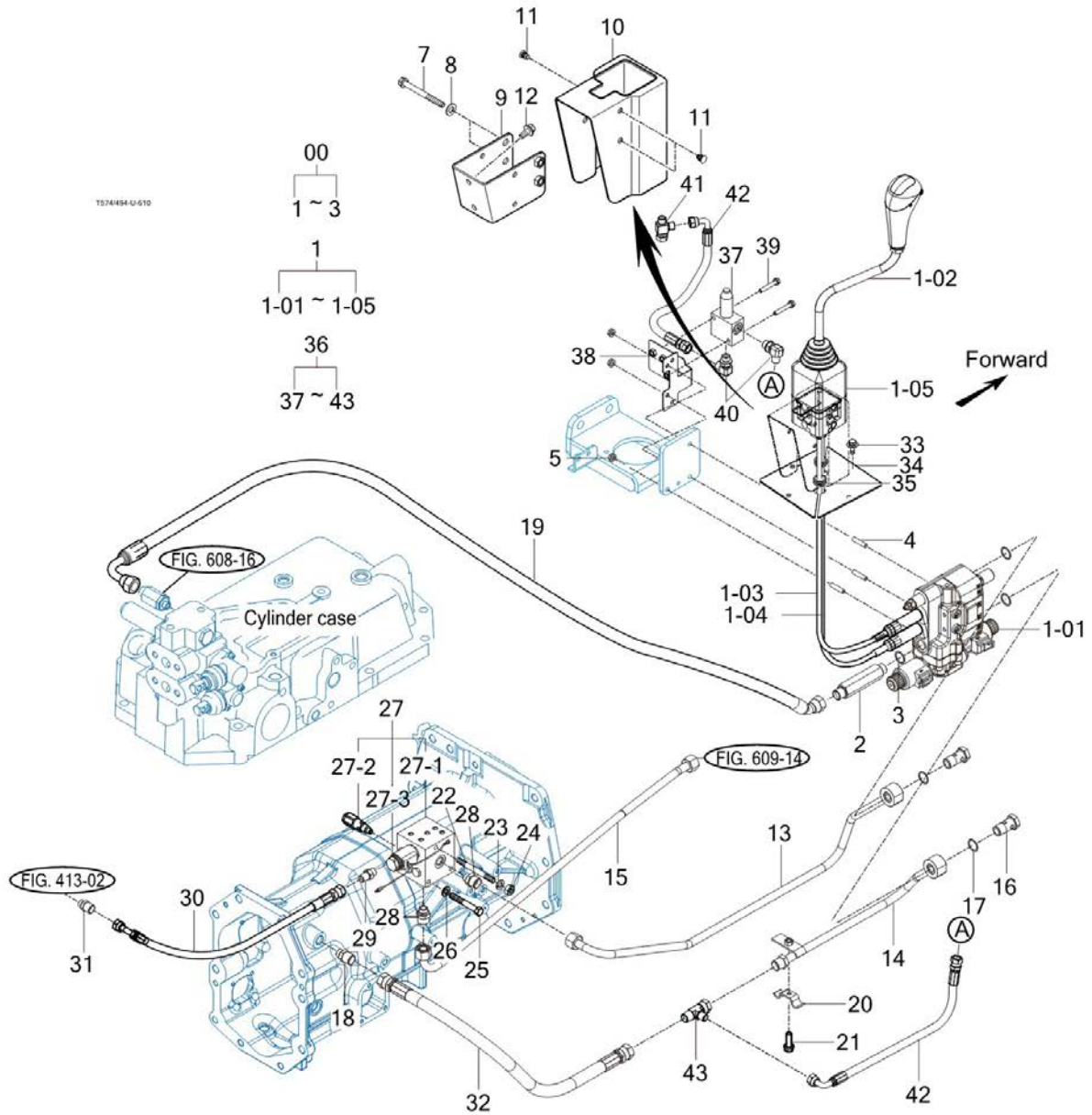
FIG 610

T574NH

JOYSTICK

년/월
Year/Month

2022-12



NOTE

FIG 610		JOYSTICK					년/월	
							Year/Month	
T574NH		2022-12						
KEY NO	PART NO	DESCRIPTION	SPEC	QTY	REPAIR	EFFECTIVE DATE	REMARKS	
610	0	13877753000	LOADER VALVE SUB		1			
610	1	13877752000	JOYSTIC ASSY , LOADER VALVE		1			
610	1.1	13877752100	LOADER VALVE ASSY		1			
610	1.2	13877752200	JOYSTIC LEVER ASSY		1			
610	1.3	13877752300	JOYSTIC CABLE ASSY ,UPR(720)		1			
610	1.4	13877752400	JOYSTIC CABLE ASSY ,LOW(770)		1			
610	1.5	13877752500	BOOT ASSY		1			
610	2	13805410050	UNION , PF1/2-130		1			
610	3	19557753010	BONDED SEAL , PF1/2		1			
610	4	V2513408025	BOLT , STUD/2	M8X25	3			
610	5	V3802600080	NUT , HEX FLANGE	M8	3			
610	7	V2173608085	BOLT , HEX/S	M8X85	2			
610	8	V4111600080	WASHER , PLAIN	M8	2			
610	9	14527103100GB	BRACKET , JOYSTICK	T=3.2	1			
610	10	14527100010	COVER , JOYSTICK T483	T=2.5	1			
610	11	15276040020	CLIP , TRIM	1X1X1	3			
610	12	V2183608020	BOLT , HEX/SP	M8X20	2			
610	13	13875412100GB	PIPE COMP , LOADER P		1			
610	13	13875412101GB	PIPE COMP , LOADER P		1			
610	14	13875412200GB	PIPE COMP , LOADER T		1			
610	14	13875412201GB	PIPE COMP , LOADER T		1			
610	15	13875102201GB	PIPE COMP , MAIN RR		1			
610	16	13875410081	BOLT , EYE JOINT(PF1/2)		2			
610	16	13875410080	BOLT , EYE JOINT(PF1/2)		2			
610	16	13875410082	BOLT , EYE JOINT(PF1/2)		2			
610	17	19555410060	WASHER , GASKET PF1/2		4			
610	17	19557753010	BONDED SEAL , PF1/2		4			
610	18	17995161130	UNION , PF3/8 PF1/2		1			
610	19	13875202300	HOSE ASSY , HYD 1550		1			
610	20	18715404700	CLIP		1			
610	21	V2173608016	BOLT , HEX/S	M8X16	1			
610	22	V2513408090	BOLT , STUD/2	M8X90	1			
610	23	V4011600080	WASHER , SPRING	M8	1			
610	24	V3042600080	NUT , HEX/2	M8	1			
610	25	V2013608090	BOLT , HEX	M8X90	2			
610	26	V4011600080	WASHER , SPRING	M8	1			
610	27	13875182000	VALVE ASSY , PTO		1			
610	27	17975182001	VALVE ASSY , PTO		1			
610	27-1	14725182100	VALVE , PTO		1			
610	27-2	16490110001	VALVE ASSY , RELIEF		1			
610	27-3	14725182210	SOLENOID COIL		1			
610	28	14135160010	UNION, PF3/8 M22		2			
610	29	37681850141	ADAPTER , STRAIGHT		1			
610	30	18717562060	HOSE ASSY , HYD 520		1			
610	31	17971850140	ADAPTER , STRAIGHT PF1/4	1X1X1	1			
NOTE								

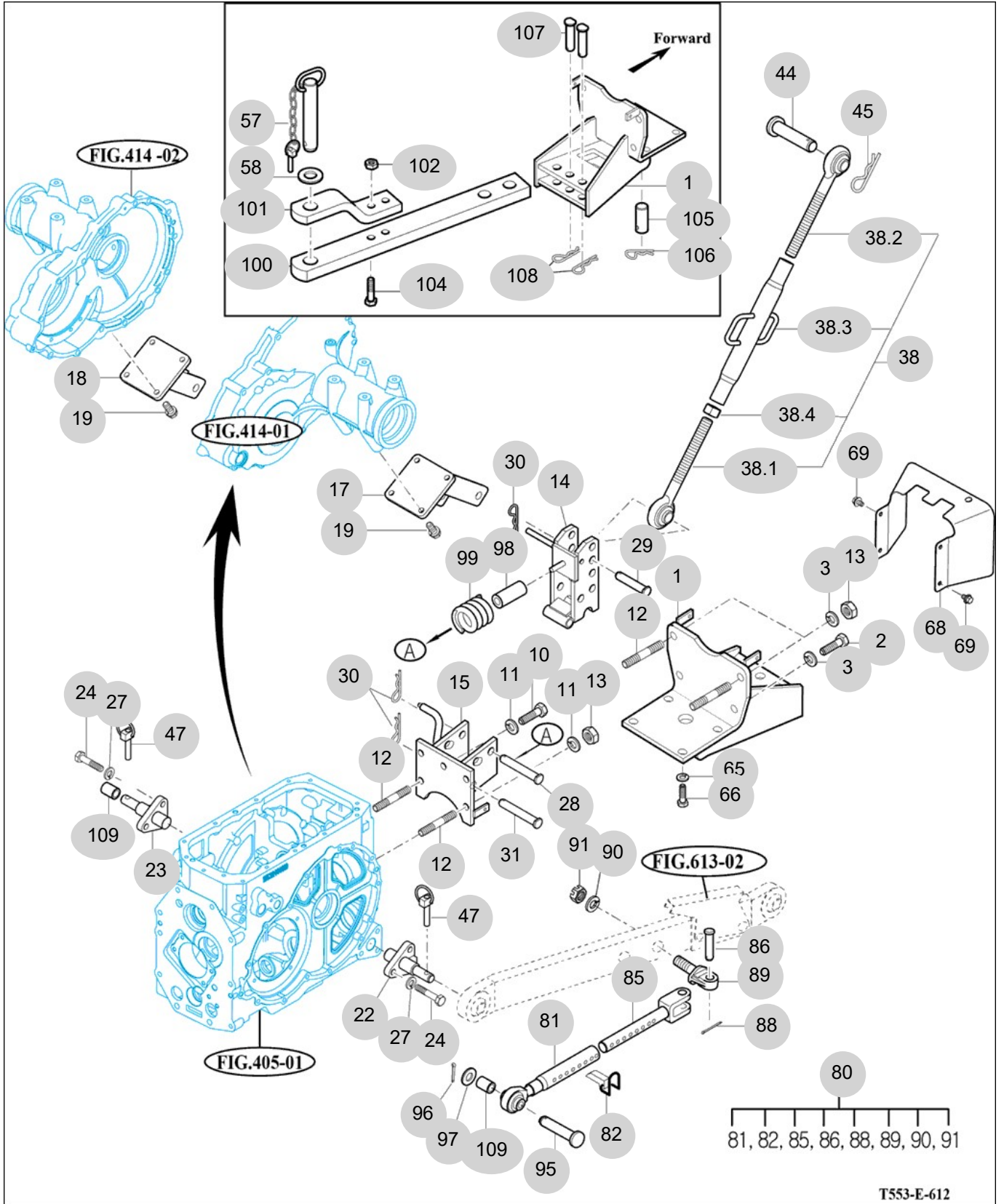
FIG 612

HITCH & 3-POINT LINK

년/월
Year/Month

2022-12

T574NH



T553-E-612

NOTE

FIG 612		HITCH & 3-POINT LINK					년/월 Year/Month		
							2022-12		
T574NH		KEY NO	PART NO	DESCRIPTION	SPEC	QTY	REPAIR	EFFECTIVE DATE	REMARKS
612	1	15535202001GB	BRACKET COMP, SWING DRAWBAR			1			
612	1	15535202002GB	BRACKET COMP, SWING DRAWBAR			1			
612	1	15535202003GB	BRACKET COMP, SWING DRAWBAR			1			
612	2	V2013616035	BOLT, HEX	M16X35		2			
612	3	V4011600160	WASHER, SPRING	M16		4			
612	10	V2013616035	BOLT, HEX	M16X35		3			
612	11	V4011600160	WASHER, SPRING	M16		5			
612	12	V2513416035	BOLT, STUD/2	M16X35		4			
612	13	V3043600160	NUT, HEX/2	M16		4			
612	14	16735222102GB	LINK COMP	1X1X1		1			
612	15	15185222000GB	BRACKET COMP			1			
612	17	14525254100GB	BRACKET COMP, RR			1			
612	18	14525254100GB	BRACKET COMP, RR			1			
612	19	V2173612030	BOLT, HEX/S	M12X30		8			
612	22	15685252204	PIN COMP, LH			1			
612	23	15685252801	PIN COMP, RH			1			
612	24	V2013614040	BOLT, HEX	M14X40		6			
612	27	V4011600140	WASHER, SPRING	M14		6			
612	28	15645250010	PIN, 19X122	D=19		1			
612	29	15645220020	PIN, 19X95	D=19		1			
612	30	14445140051	PIN, 19	D=4.5		3			
612	31	15645250010	PIN, 19X122	D=19		1			
612	38	16505245501GB	LINK ASSY, TOP LINK			1			
612	38	16505245502GB	TOP LINK ASSY			1			
612	44	15645220011	PIN, 19X86	D=19		1			
612	45	14445140051	PIN, 19	D=4.5		1			
612	47	14215020020	PIN, LINK			2			
612	57	S0973063031	PIN ASSY	1X1X1		1			
612	58	15252470010	RUBBER, CUSHION			1			
612	65	V4011600140	WASHER, SPRING	M14		4			
612	66	V2013614035	BOLT, HEX	M14X35		4			
612	68	13605200012GB	COVER, SHIELD	1X1X1		1			
612	69	V2183608016	BOLT, HEX/SP	M8X16		4			
612	80	15155253000GB	LINK ASSY, ADJUSTER	570*60*50		2			
612	81	15155253100	ROD SUB, FR	44*320*60		2			
612	82	17705254200	PIN	1X1X1		2			
612	85	15155253300	ROD SUB, REAR	340*50*50		2			
612	86	15155253400	PIN, ø20X59	ø20X59		2			
612	88	V5001940035	PIN, SPLIT	4X35		2			
612	89	15155253500	EYEBOLT	66*60*40		2			
612	90	V4111600220	WASHER, PLAIN	M22		2			
612	91	V3343600220	NUT, HEX FINE/2	M22		2			
612	95	15645220020	PIN, 19X95	D=19		2			
612	96	V5001950035	PIN, SPLIT	5X35		2			
612	96	14445140051	PIN, 19			2			
NOTE									

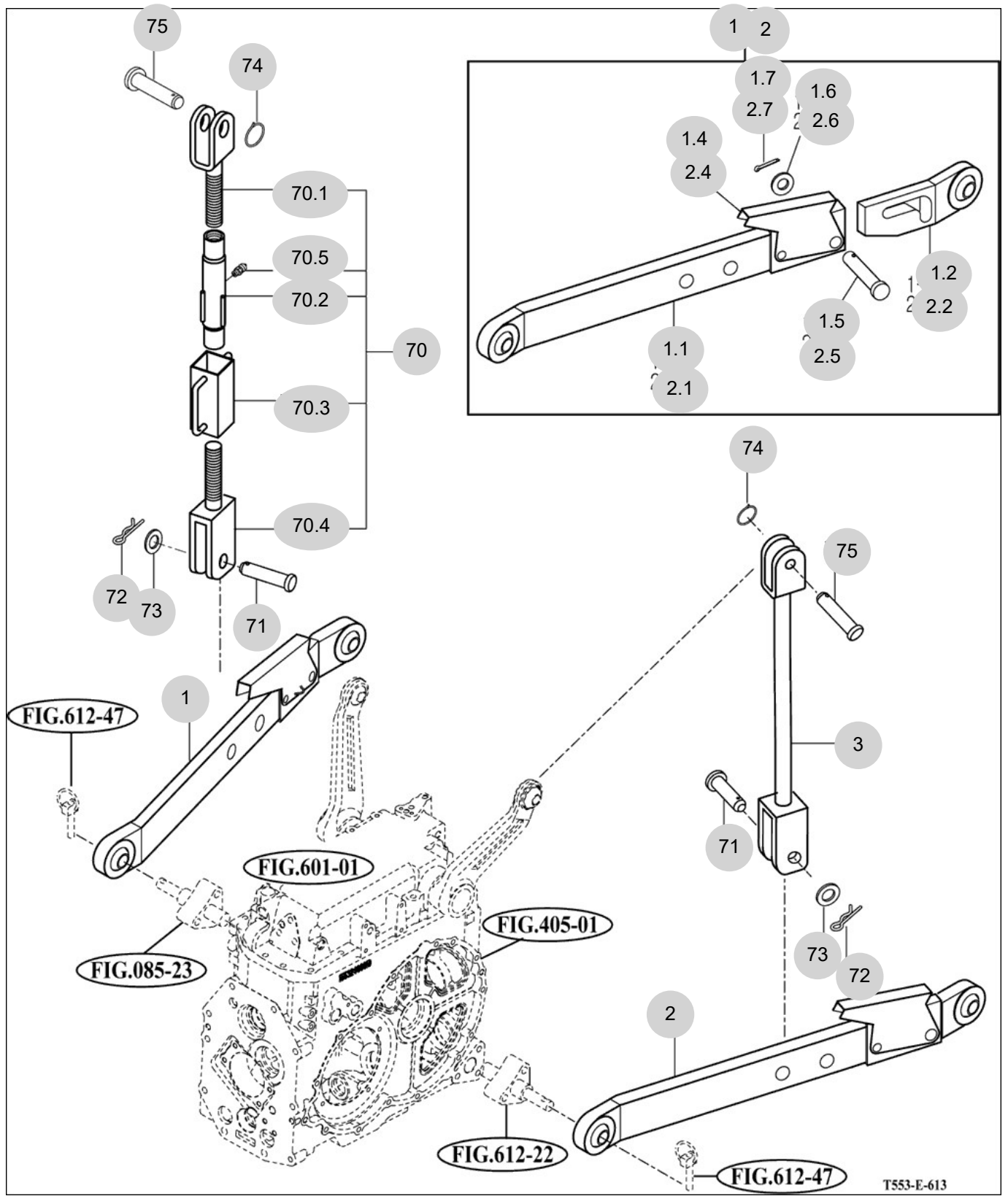
FIG 613

LOWER LINK & LIFT ROD

년/월
Year/Month

2022-12

T574NH



NOTE

7. Sheet Metal & Cabin PART NO. T7

FIG 701 BONNET FRAME	220
FIG 702 BONNET (1)	222
FIG 702-2 BONNET (2)	224
FIG 703 EXTENSION COVER	226
FIG 704-2 LEVER COVER & STEP-NON CAB	228
FIG 705 FRONT & REAR MOUNTING	230
FIG 706 SEAT & MAT	232
FIG 710-2 FRAME & 2POLES-ROPS-NON CAB	234
FIG 713-2 SUB FENDER & COVER-NON CAB	236
FIG 714-2 MIRROR&WORKING LAMP-NON CAB	238

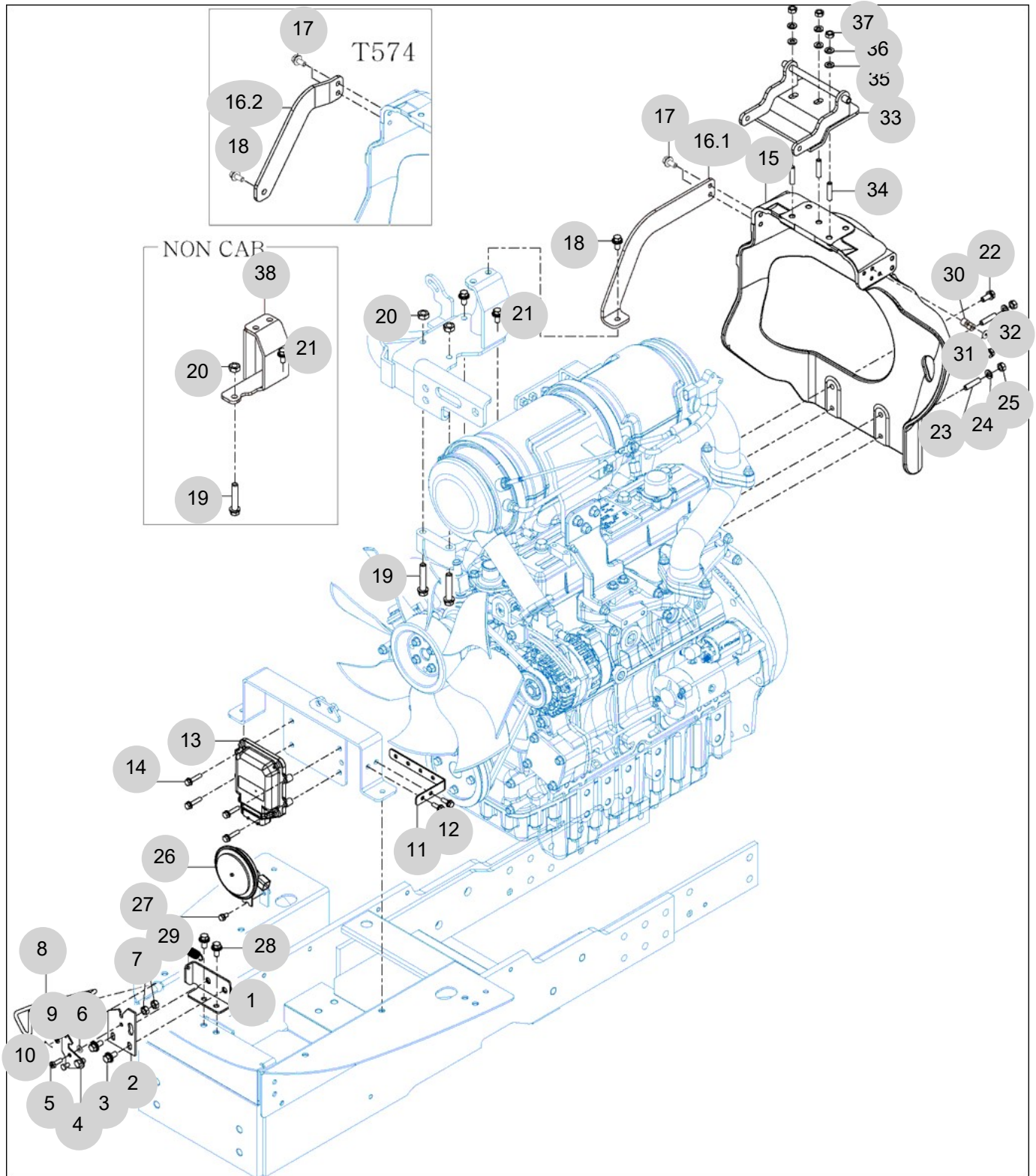
FIG 701

BONNET FRAME

년/월
Year/Month

T574NH

2022-12



NOTE

FIG 701		BONNET FRAME						년/월 Year/Month	
								2022-12	
T574NH									
KEY NO	PART NO	DESCRIPTION	SPEC	QTY	REPAIR	EFFECTIVE DATE	REMARKS		
701	1	14136011300GB	HOOD COMP , LOCK G				1		
701	2	11106024210	STAY , HOOD B				1		
701	3	V2183608020	BOLT , HEX/SP	M8X20			2		
701	4	11106024100	STAY COMP , HOOD A				1		
701	5	V2323606020	BOLT , C/R HEX/SP	M6X20			1		
701	6	V4111600060	WASHER , PLAIN	M6			1		
701	7	V3013600060	NUT .HEX NORMAL /2	M6			2		
701	8	14136024300	ROD COMP, OPEN				1		
701	9	V4111600060	WASHER , PLAIN	M6			1		
701	10	V5001925020	PIN D2.5x20	2.5X20			1		
701	11	13871613400GB	BRACKET , FUSE				1		
701	12	V2183606016	BOLT , HEX/SP	M6X16			2		
701	13	EA00005847A	DPF REGEN CONTROLLER				1		
701	14	V2123606030	BOLT . HEX /SP	M6X30			4		
701	15	13831811100GB	E/G REAR SUPPORTER				1		
701	16.2	13871811200GB	STRUT BAR				1		
701	17	V2183608020	BOLT , HEX/SP	M8X20			2		
701	18	V2183608025	BOLT , HEX/SP	M8X25			1		
701	19	V2173610055	BOLT , HEX/S	M10X55			2		
701	20	V3043600100	NUT , HEX/2	M10			2		
701	21	V2183610025	BOLT , HEX/SP	M10X25			2		
701	22	V2173608025	BOLT , HEX/S	M8X25			2		
701	23	V2513408025	BOLT , STUD/2	M8X25			2		
701	24	V4011600080	WASHER , SPRING	M8			2		
701	25	V3042600080	NUT , HEX/2	M8			2		
701	26	13266212003	HORN				1		
701	27	V2113606012	BOLT , HEX /S	M6X12			1		
701	28	V2183608020	BOLT , HEX/SP	M8X20			2		
701	29	11106020010	SPRING , TENSION 40				1		
701	30	13831811300	SPACER				2		
701	31	V4111600060	WASHER , PLAIN	M6			2		
701	32	V2113606040	BOLT , HEX /S	M6X40			2		
701	33	13876202800GB	PLATE COMP , BONNET HINGE				1		
701	34	V2513410025	BOLT , STUD/2				3		
701	34	V2514410025	BOLT , STUD/2	M10X25			3		
701	35	V4111600100	WASHER , PLAIN	M10			3		
701	36	V4011600100	WASHER , SPRING	M10			3		
701	37	V3013600100	NUT .HEX NORMAL /2	M10			3		
701	38	13801712100GB	STAND COMP				1		
NOTE									

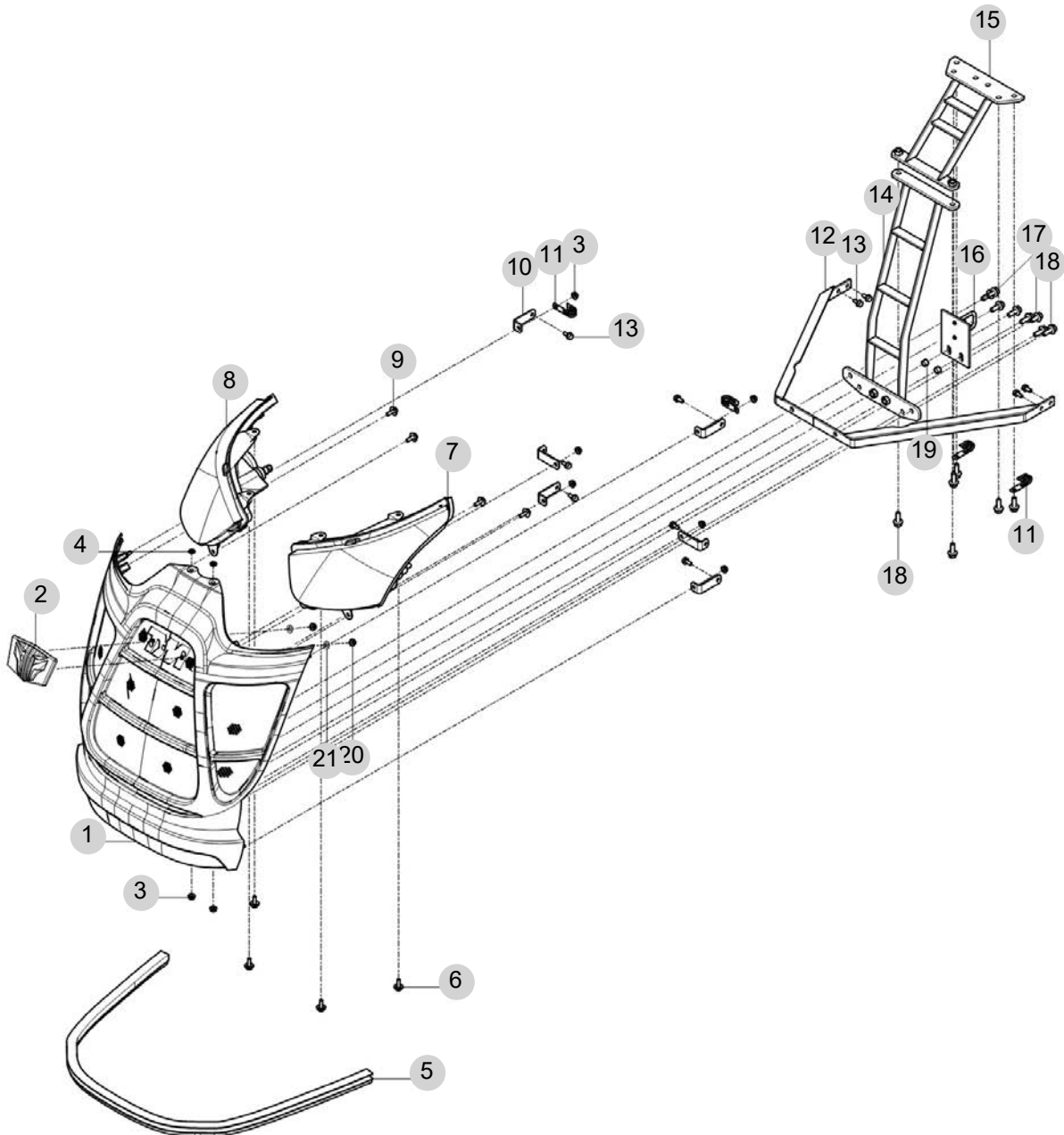
FIG 702

T574NH

BONNET (1)

년/월
Year/Month

2022-12



NOTE

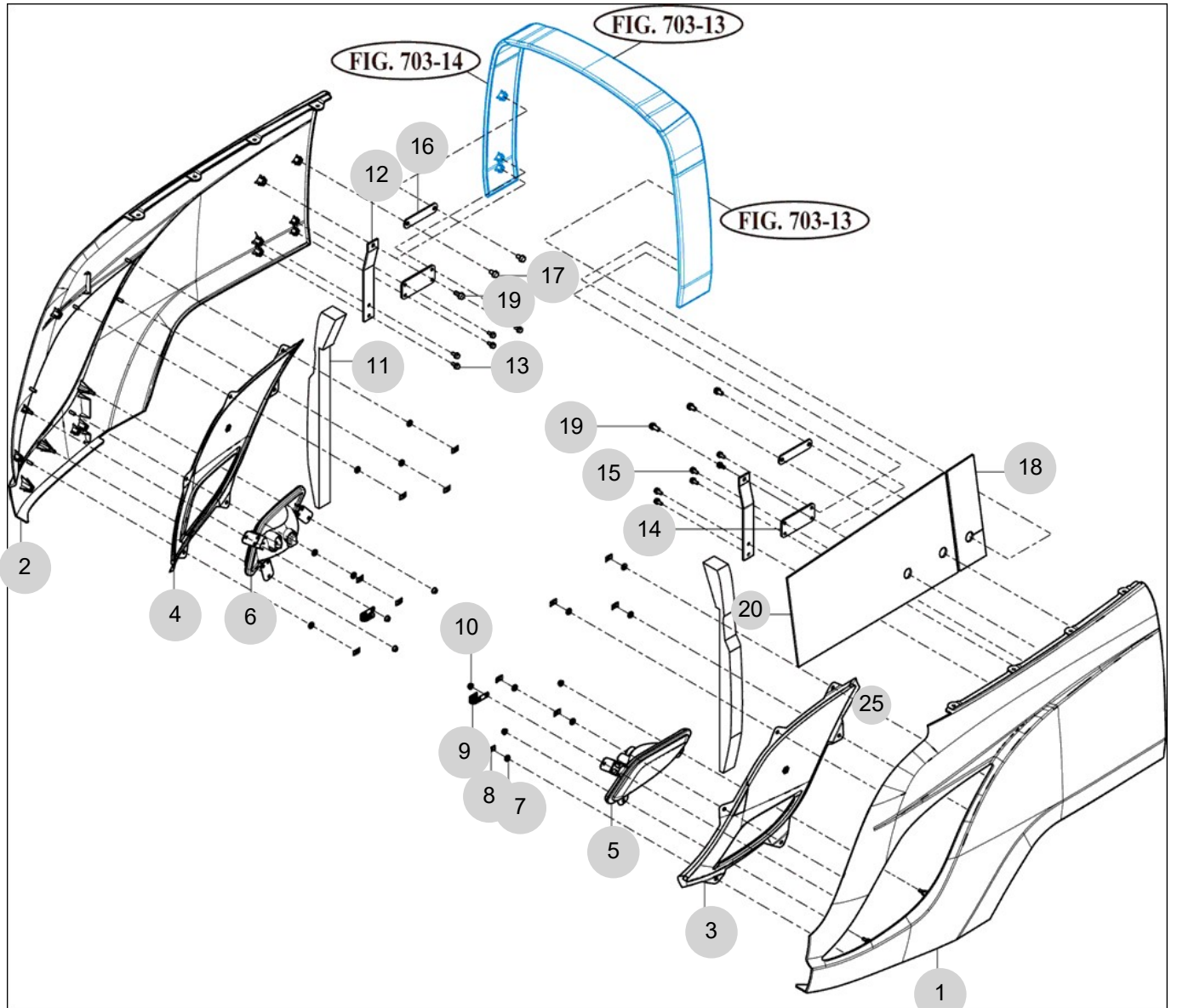
FIG 702-2

T574NH

BONNET (2)

년/월
Year/Month

2022-12



NOTE

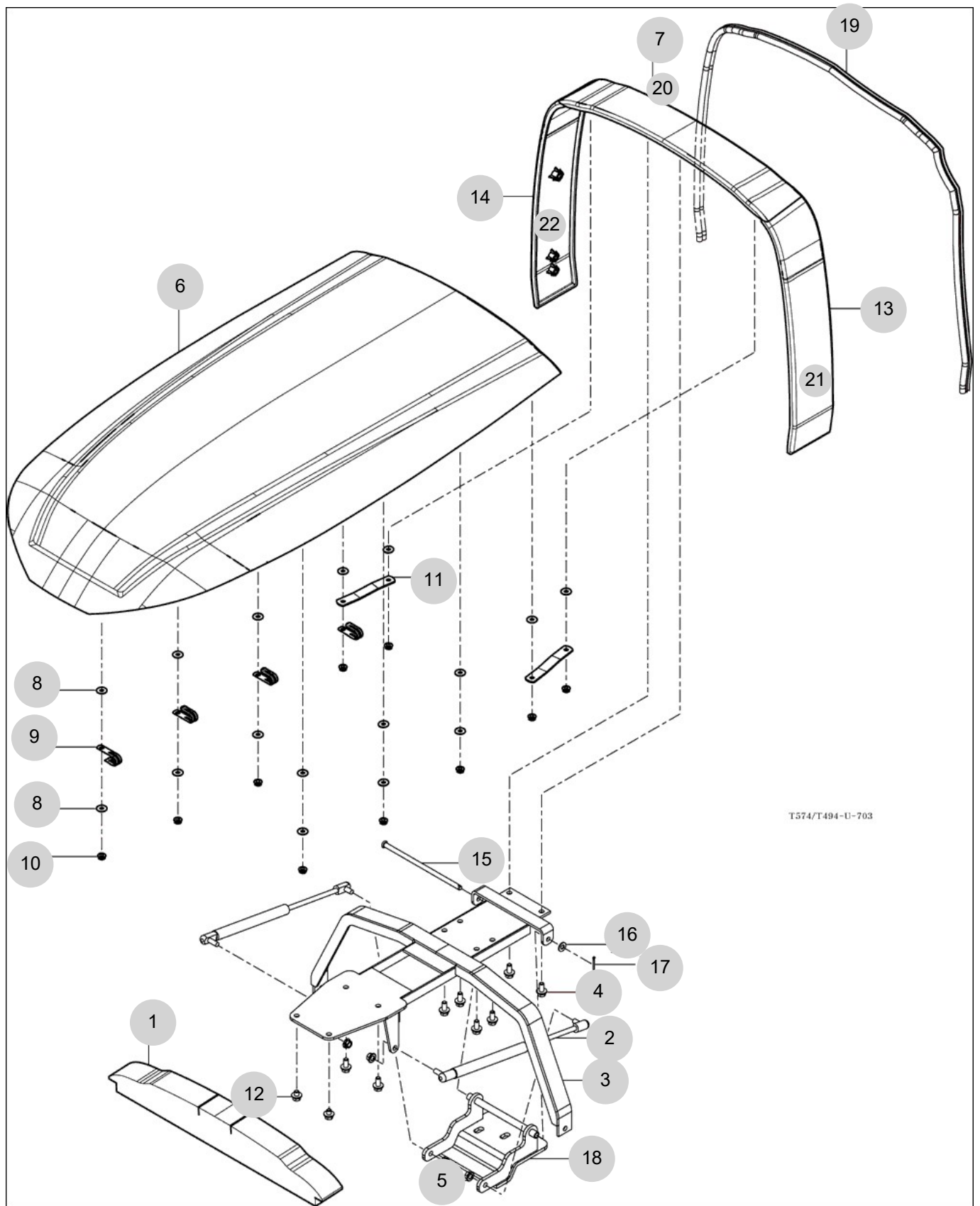
FIG 703

EXTENSION COVER

년/월
Year/Month

2022-12

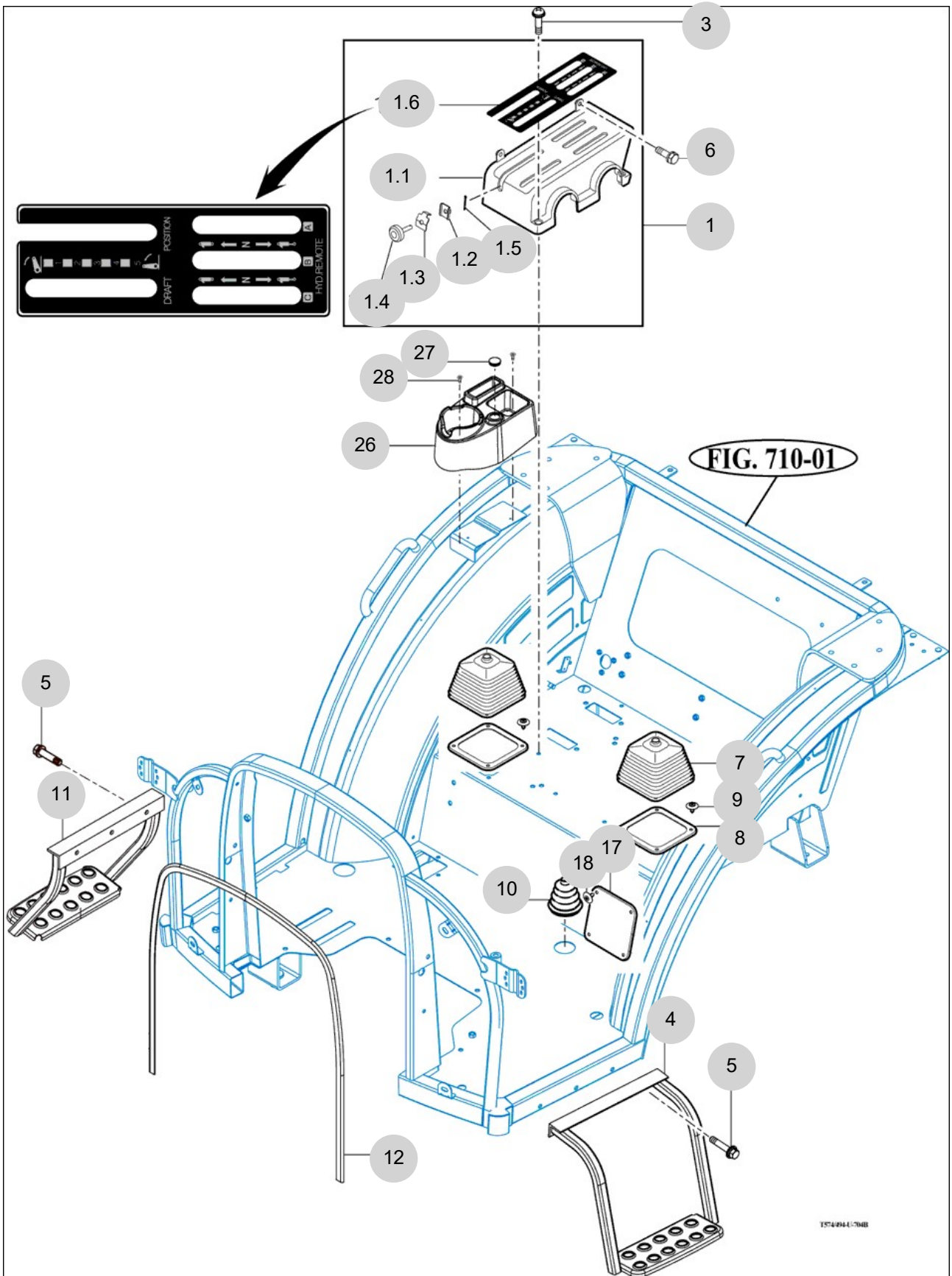
T574NH



T574/T494-U-703

NOTE

T574NH



T5749441-704B

NOTE

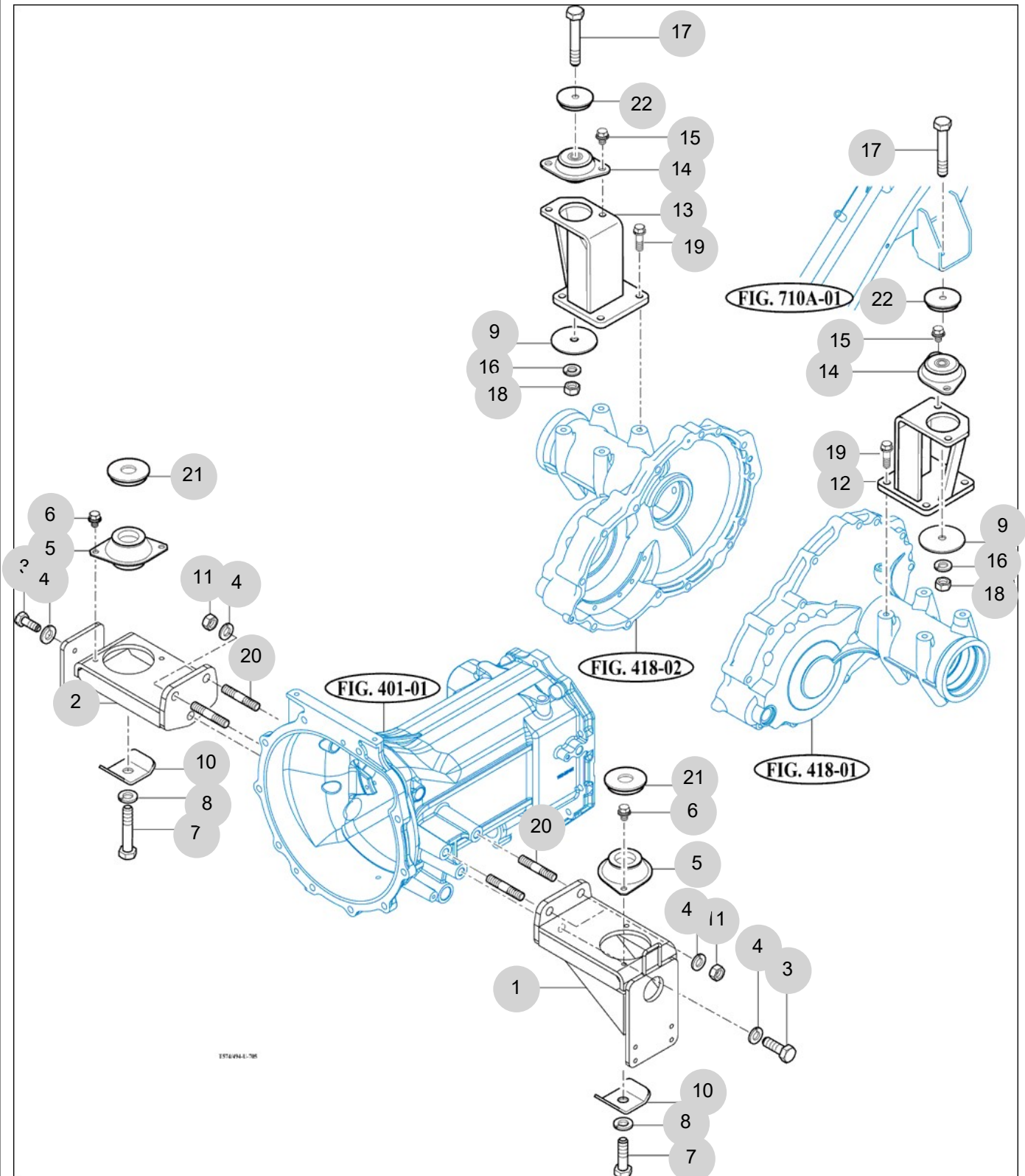
FIG 705

T574NH

FRONT & REAR MOUNTING

년/월
Year/Month

2022-12



NOTE

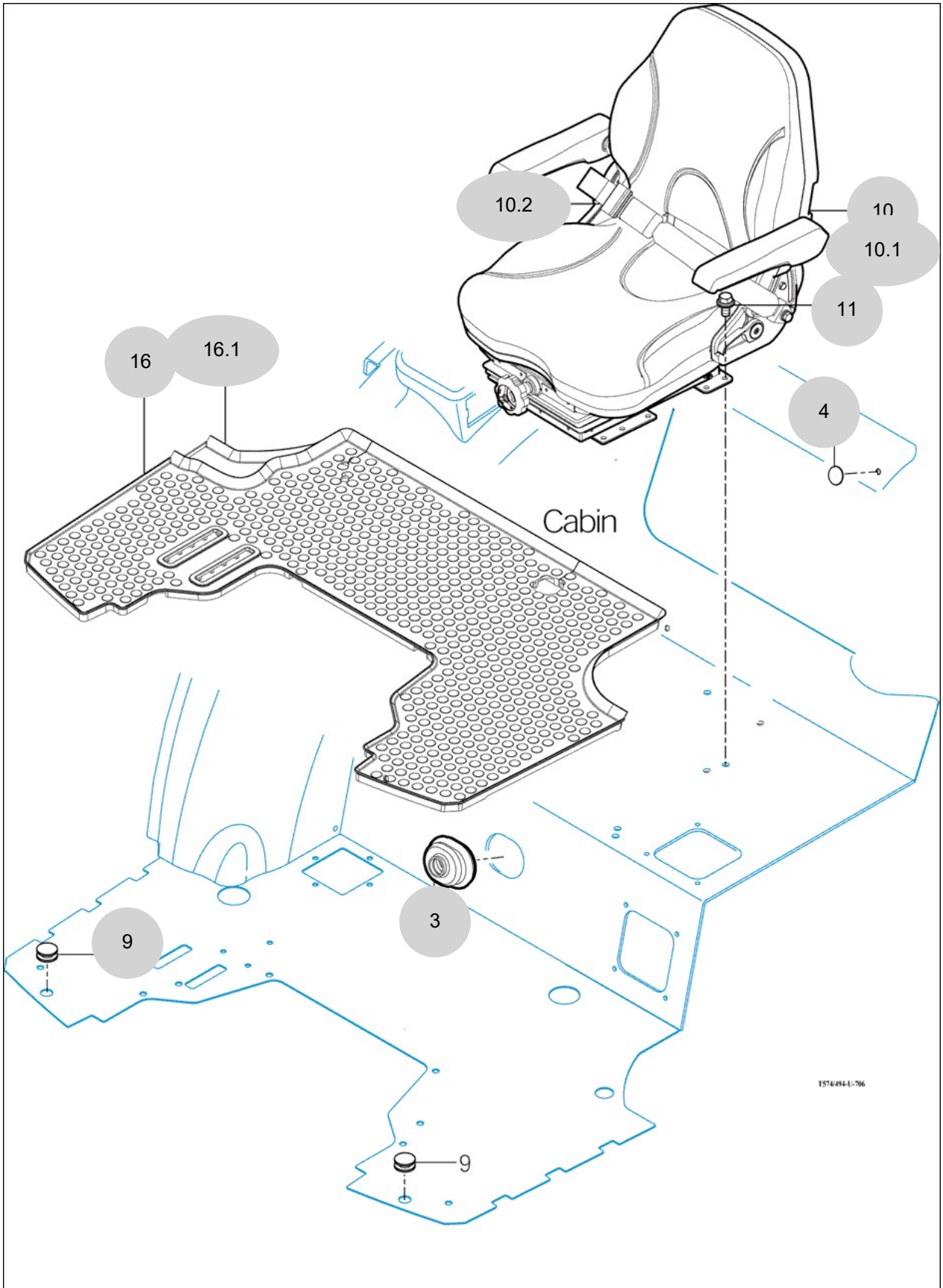
FIG 706

SEAT & MAT

년/월
Year/Month

2022-12

T574NH



NOTE

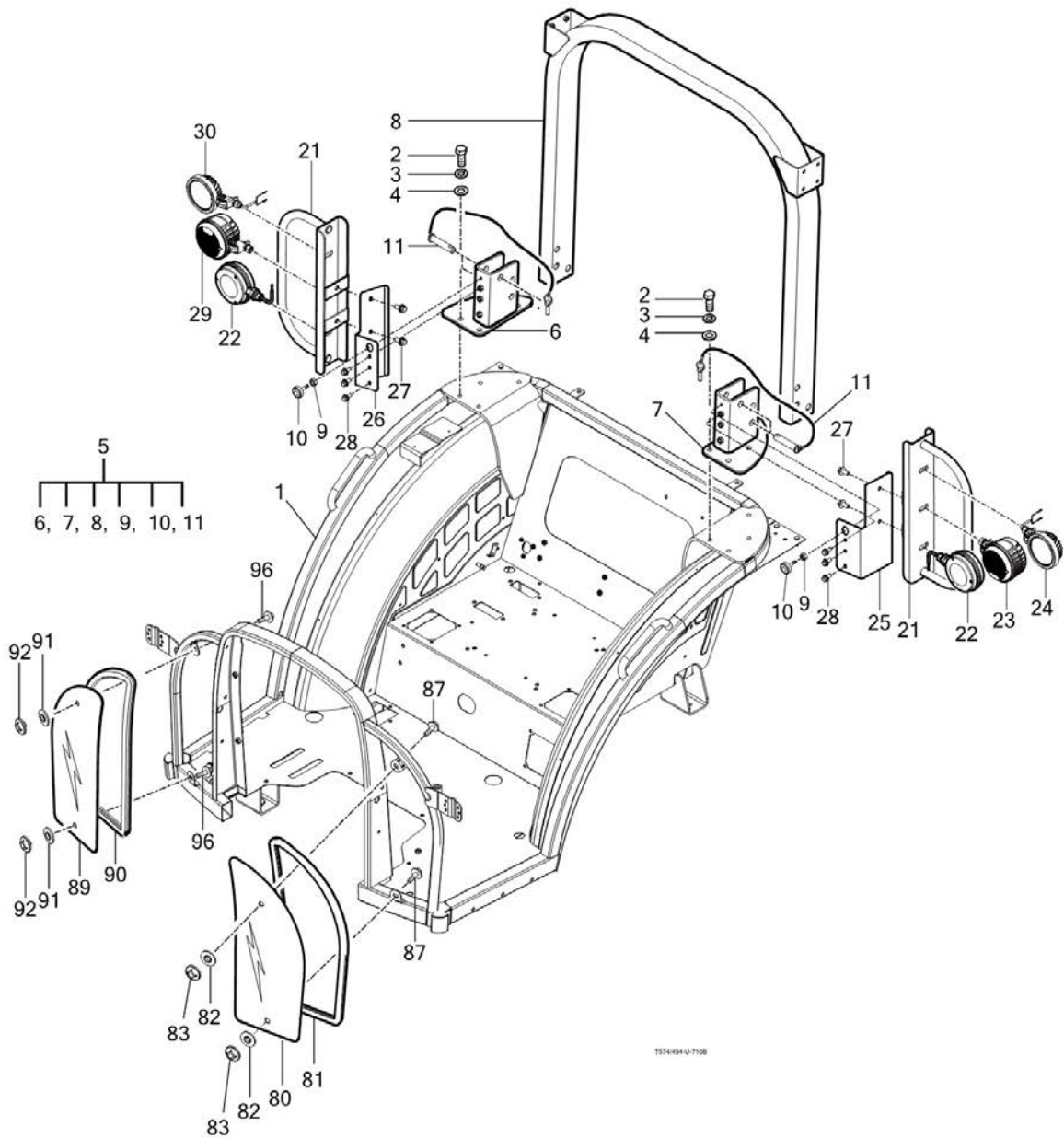
FIG 710-2

FRAME & 2POLES-ROPS-NON CAB

년/월
Year/Month

2022-12

T574NH



NOTE

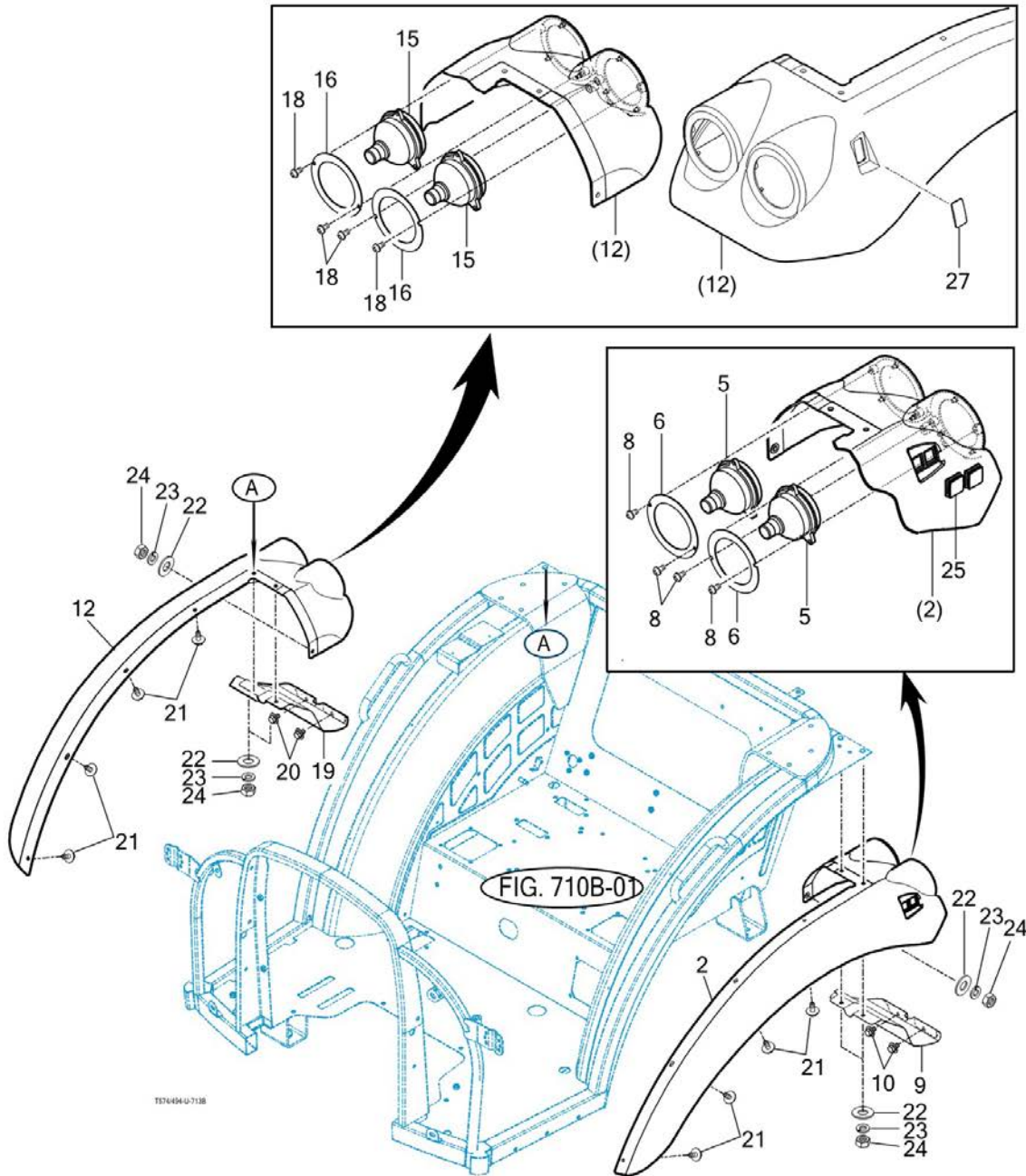
FIG 713-2

SUB FENDER & COVER-NON CAB

년/월
Year/Month

2022-12

T574NH



NOTE

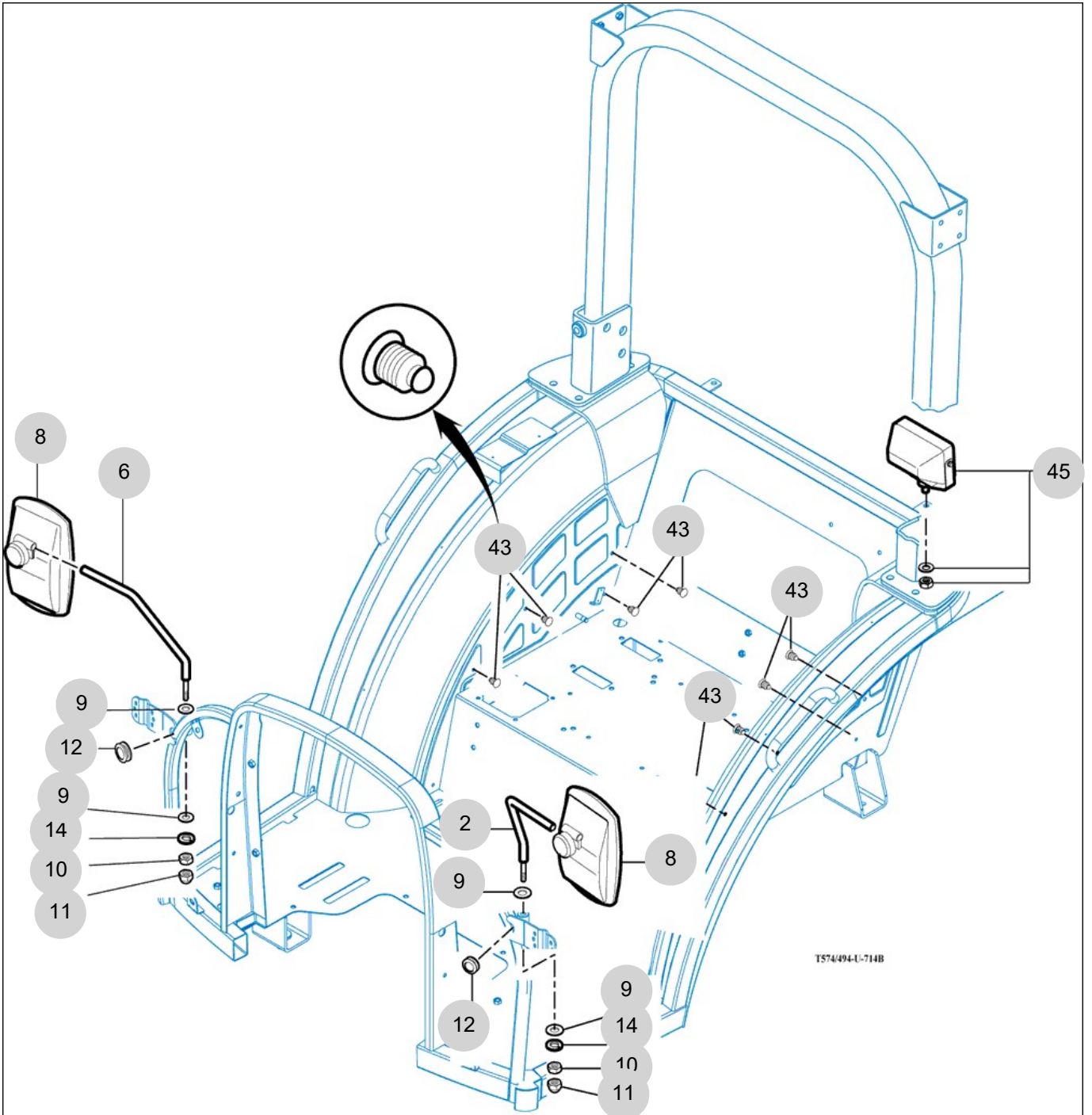
FIG 714-2

MIRROR&WORKING LAMP-NON CAB

년/월
Year/Month

2022-12

T574NH



NOTE

8. Electrical System PART NO. T8

FIG 801 BATTERY & MOUNTING	241
FIG 802 HARNESS LAMP	243
FIG 803 INSTRUMENT PANEL	245
FIG 804 ELECTRIC SYSTEM (1)	247
FIG 805-2 ELECTRIC SYSTEM (2)-NON CAB	249
FIG 806 ELECTRIC SYSTEM (3)	251

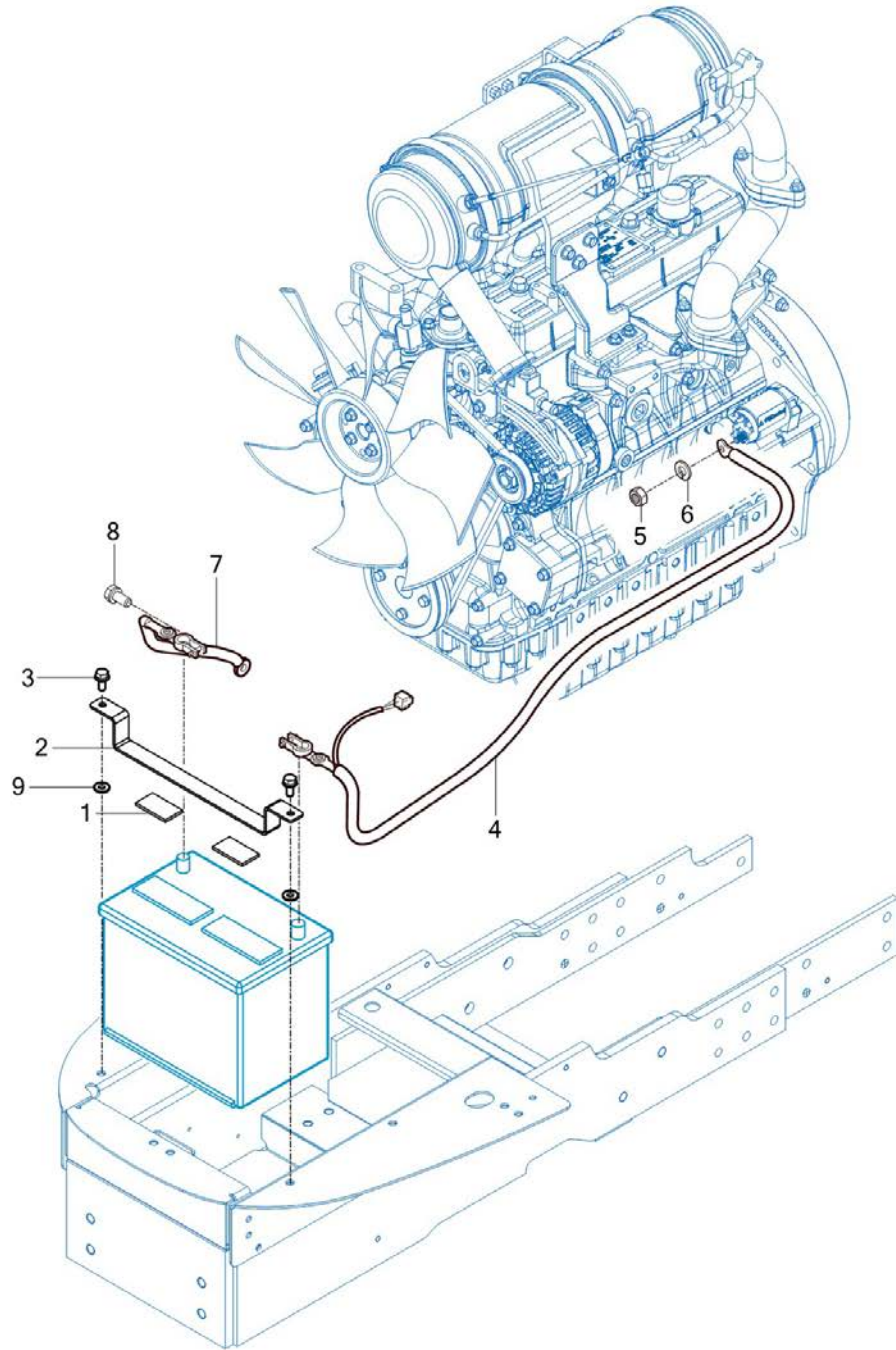
FIG 801

T574NH

BATTERY & MOUNTING

년/월
Year/Month

2022-12



NOTE

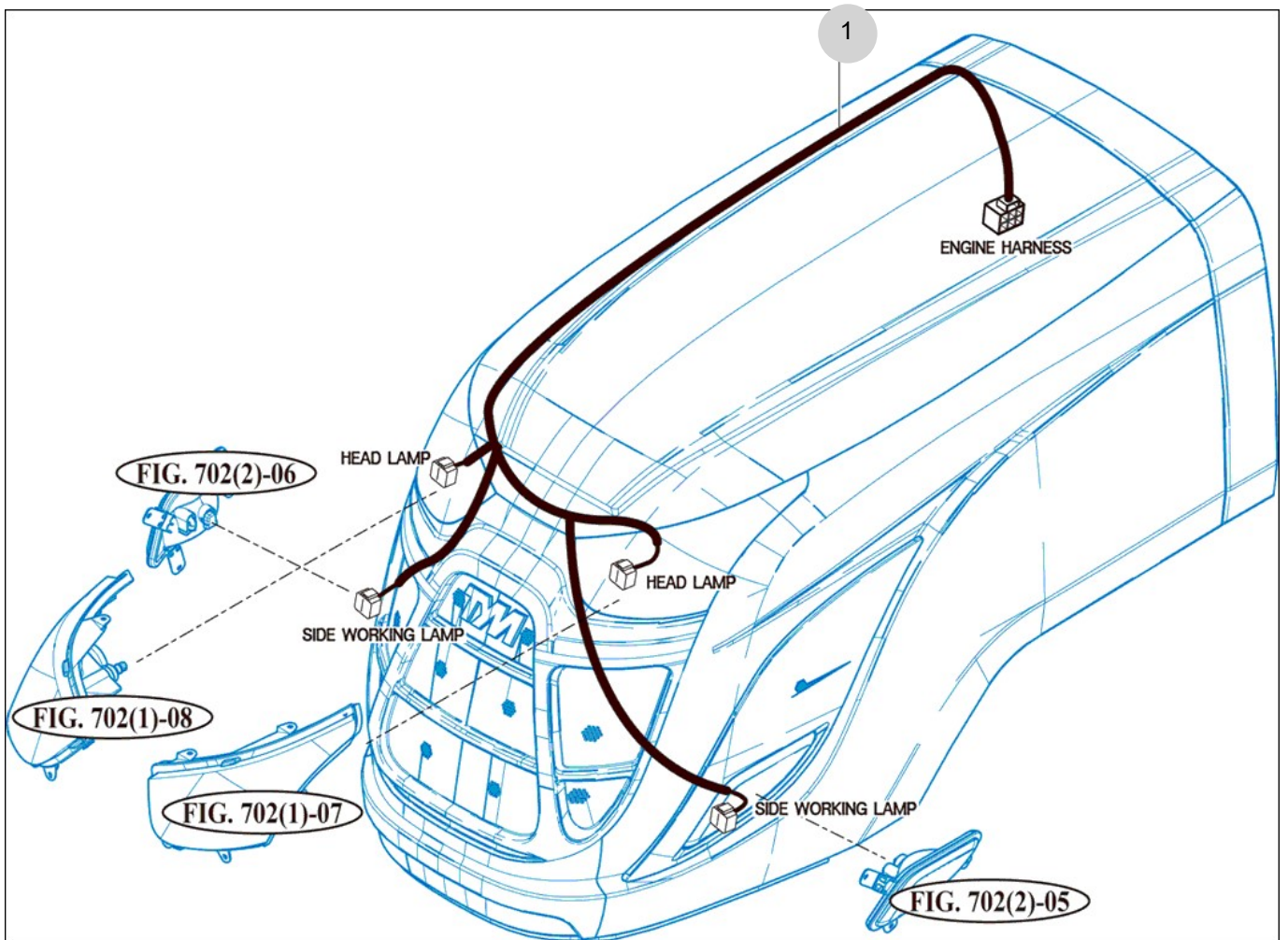
FIG 802

T574NH

HARNESS LAMP

년/월
Year/Month

2022-12



NOTE

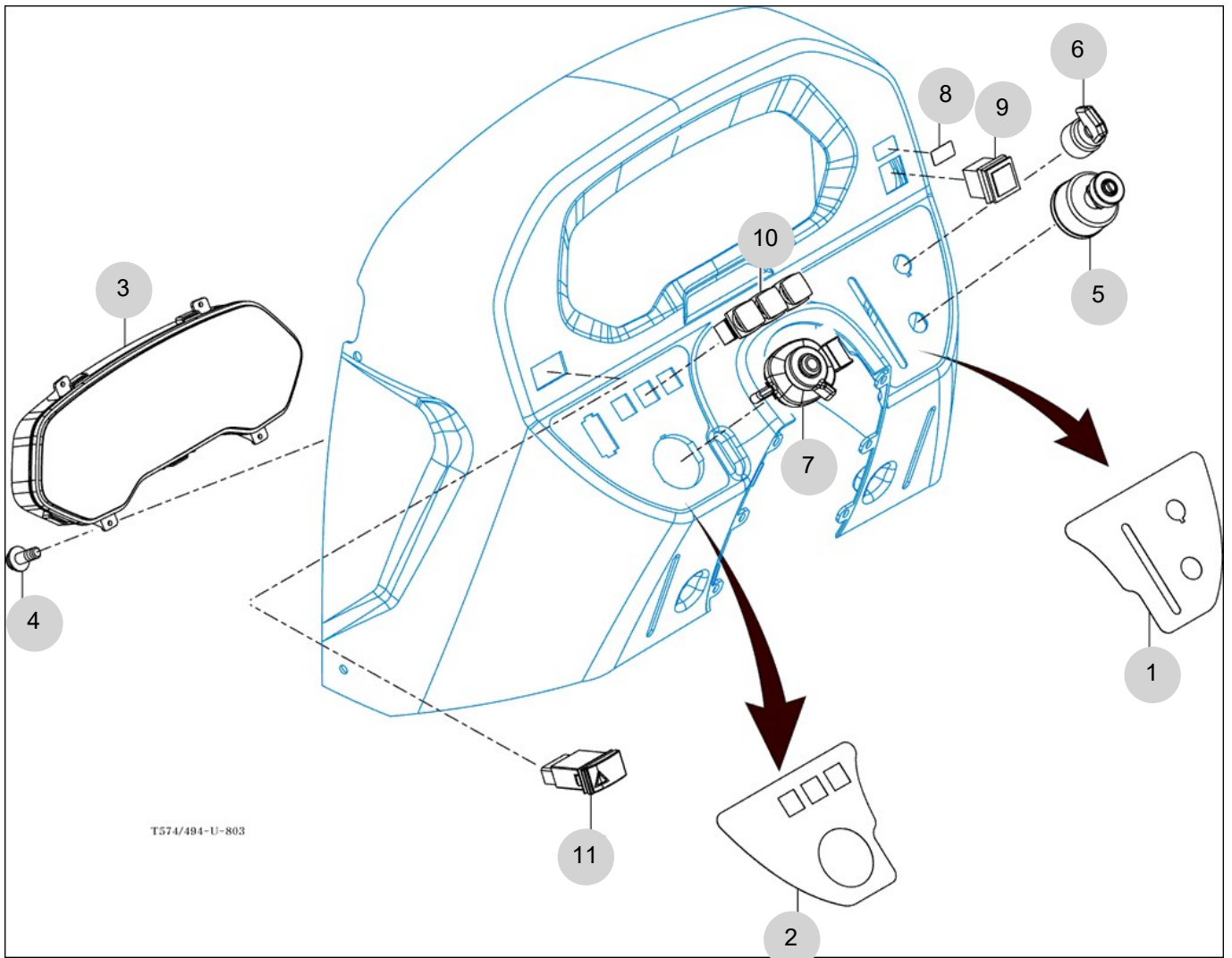
FIG 803

INSTRUMENT PANEL

년/월
Year/Month

T574NH

2022-12



NOTE

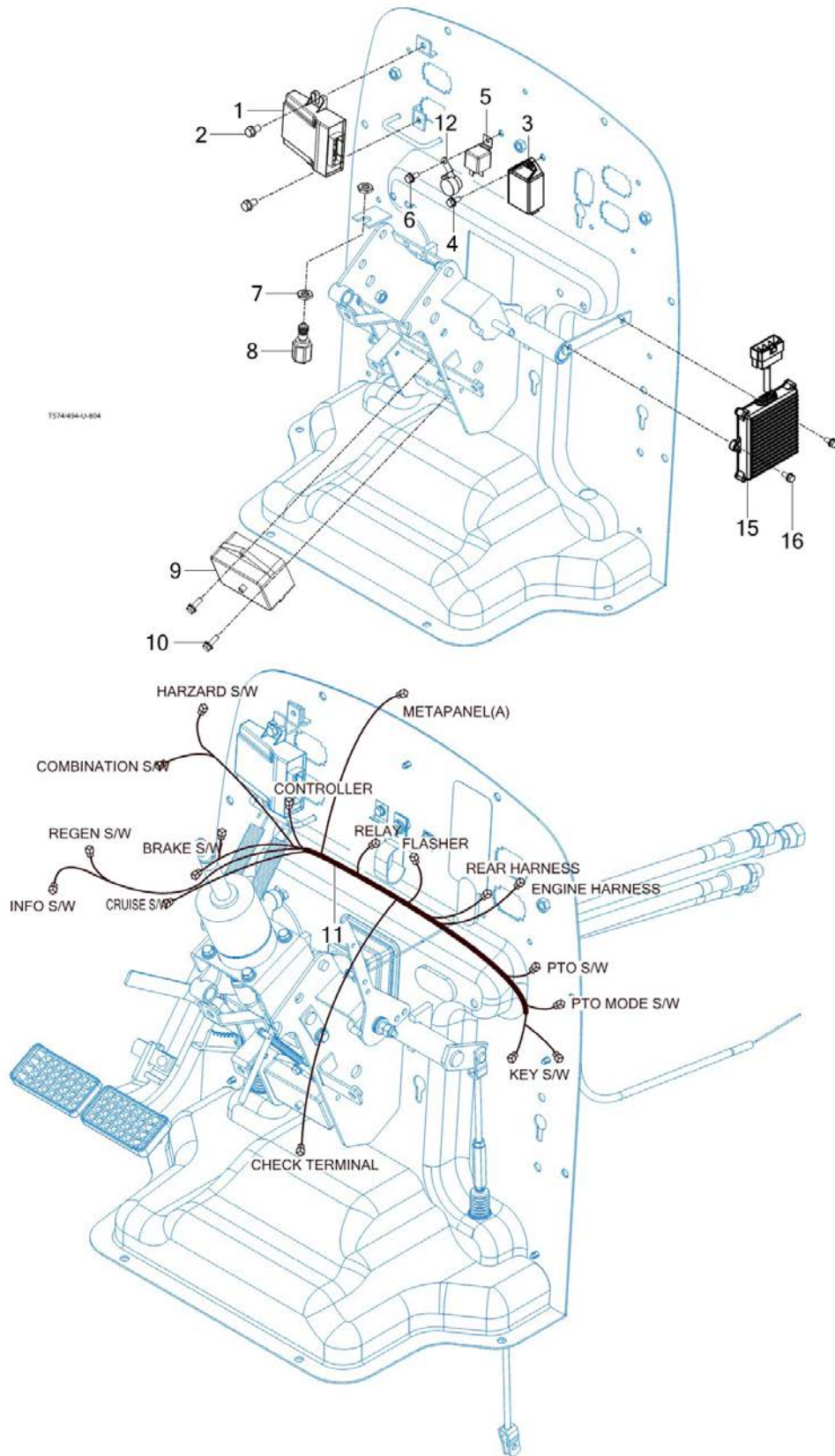
FIG 804

T574NH

ELECTRIC SYSTEM (1)

년/월
Year/Month

2022-12



NOTE

FIG 804 T574NH		ELECTRIC SYSTEM (1)						년/월 Year/Month	REMARKS
								2022-12	
KEY NO		PART NO	DESCRIPTION	SPEC	QTY	REPAIR	EFFECTIVE DATE		
804	1	13836802100	CONTROLLER ASSY		1				
804	2	V2123606016	BOLT , HEX /SP	M6X16	2				
804	3	11466642400	FLASHER ASSY		1				
804	4	V2123606016	BOLT , HEX /SP	M6X16	1				
804	4	V2193606020	BOLT , HEX/SPL		1				
804	5	11616212900	RELAY 5P		1				
804	6	V2123606016	BOLT , HEX /SP	M6X16	1				
804	7	14326210061	NUT , LOCK M12	육각 B=19	2				
804	8	15186213200	SWITCH ASSY , STOP LIGHT		1				
804	9	13836642100	CASE ASSY . FUSE		1				
804	10	V2123606016	BOLT , HEX /SP	M6X16	2				
804	11	13896683000	HARNESS ASSY , MAIN		1				
804	11	13876683003	HARNESS , MAIN		1				
804	11	13876683001	HARNESS , MAIN		1				
804	11	13876683002	HARNESS , MAIN		1				
804	11	13876683003	HARNESS , MAIN		1				
804	12	16586652000	HORN COMP		1				
804	15	11816602200	BLUETOOTH MODUEL ASSY		1				
804	16	V2123606020	BOLT , HEX /SP		2				
NOTE									

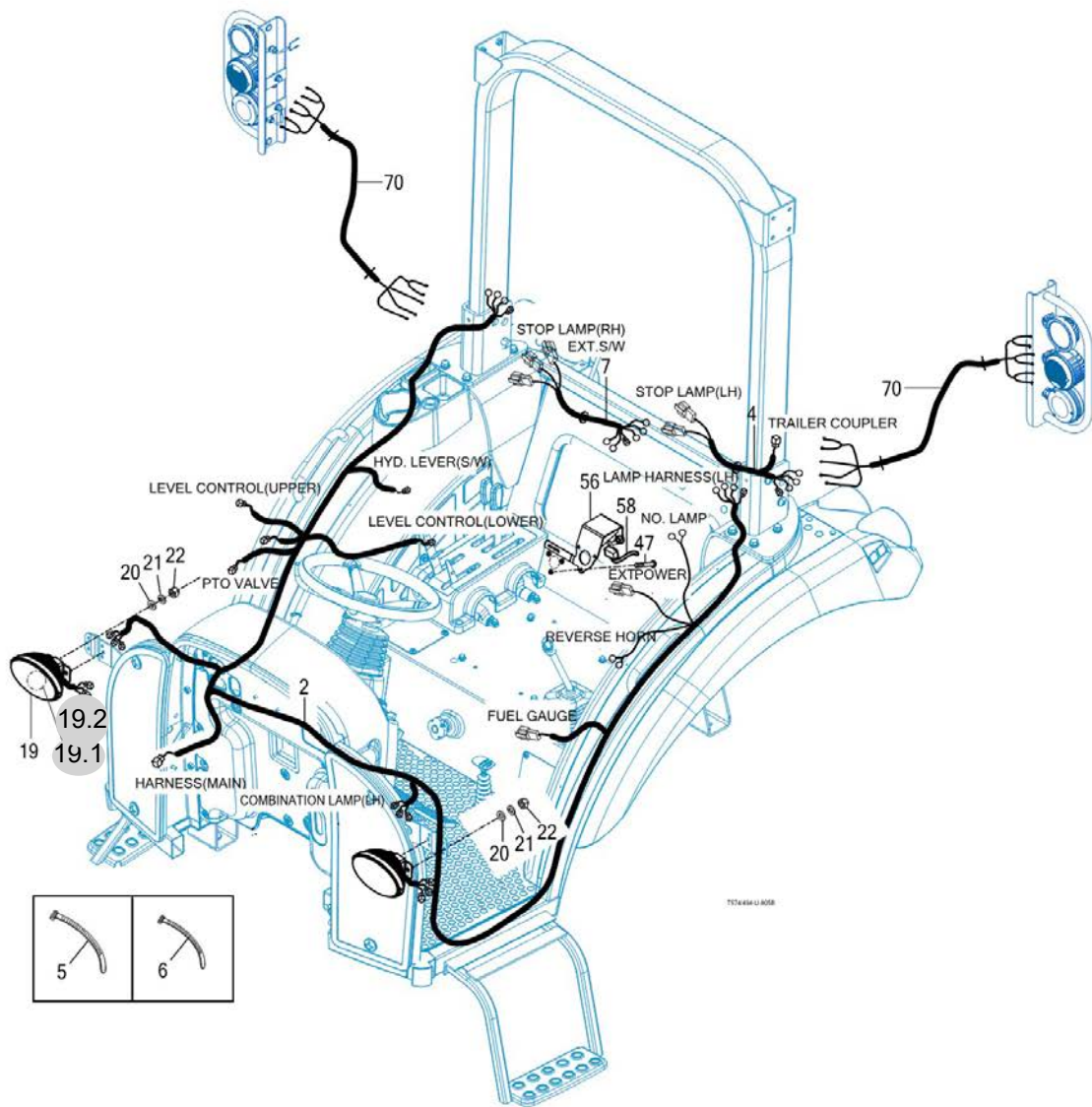
FIG 805-2

ELECTRIC SYSTEM (2)-NON CAB

년/월
Year/Month

T574NH

2022-12



NOTE

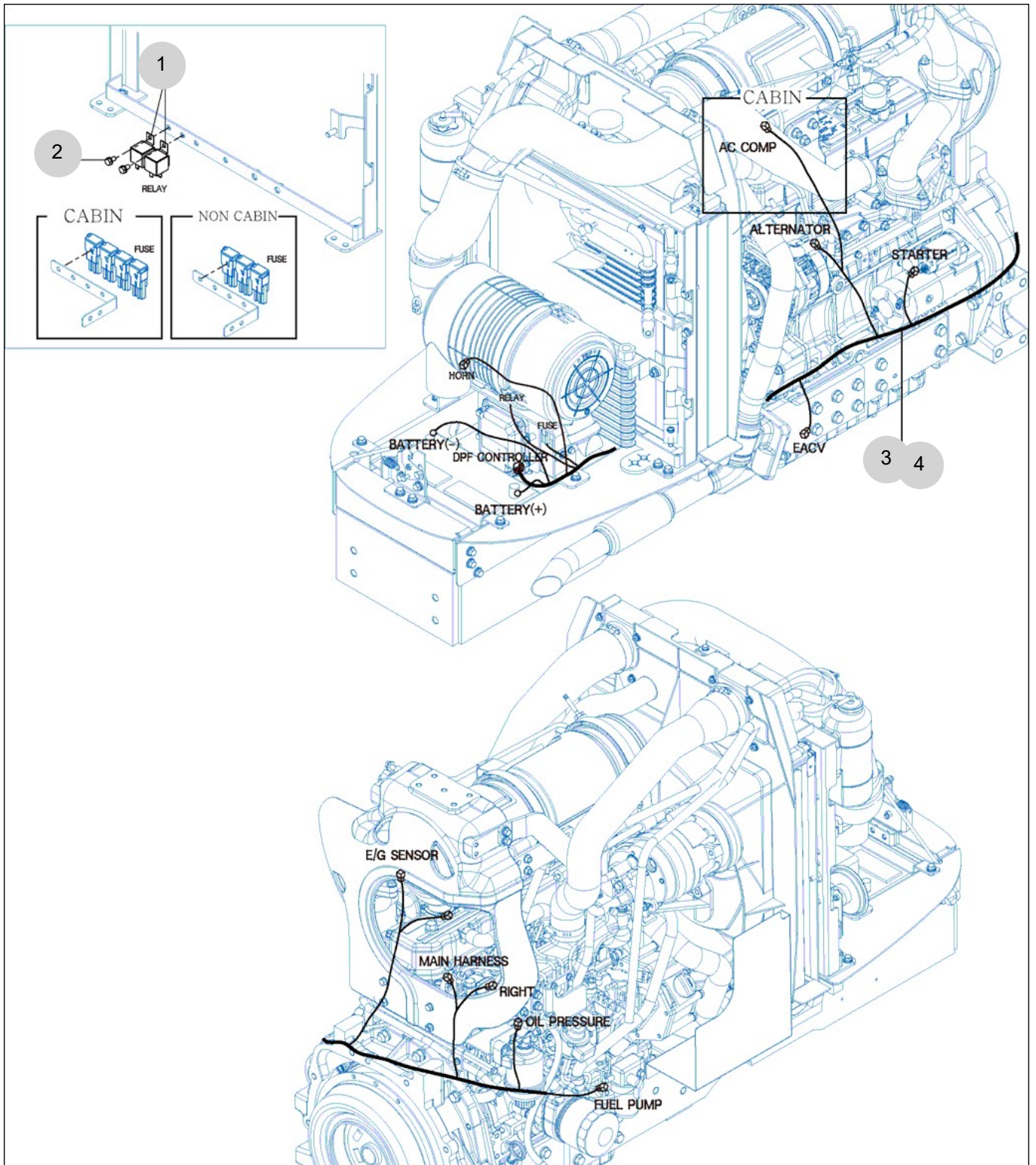
FIG 806

ELECTRIC SYSTEM (3)

년/월
Year/Month

T574NH

2022-12



NOTE

9. Label/Option PART NO. T9

FIG 901 TOOL & ACCESSORY	254
FIG 902 LABEL	256
FIG 902-2 LABEL	258
FIG 903 OPTION	260

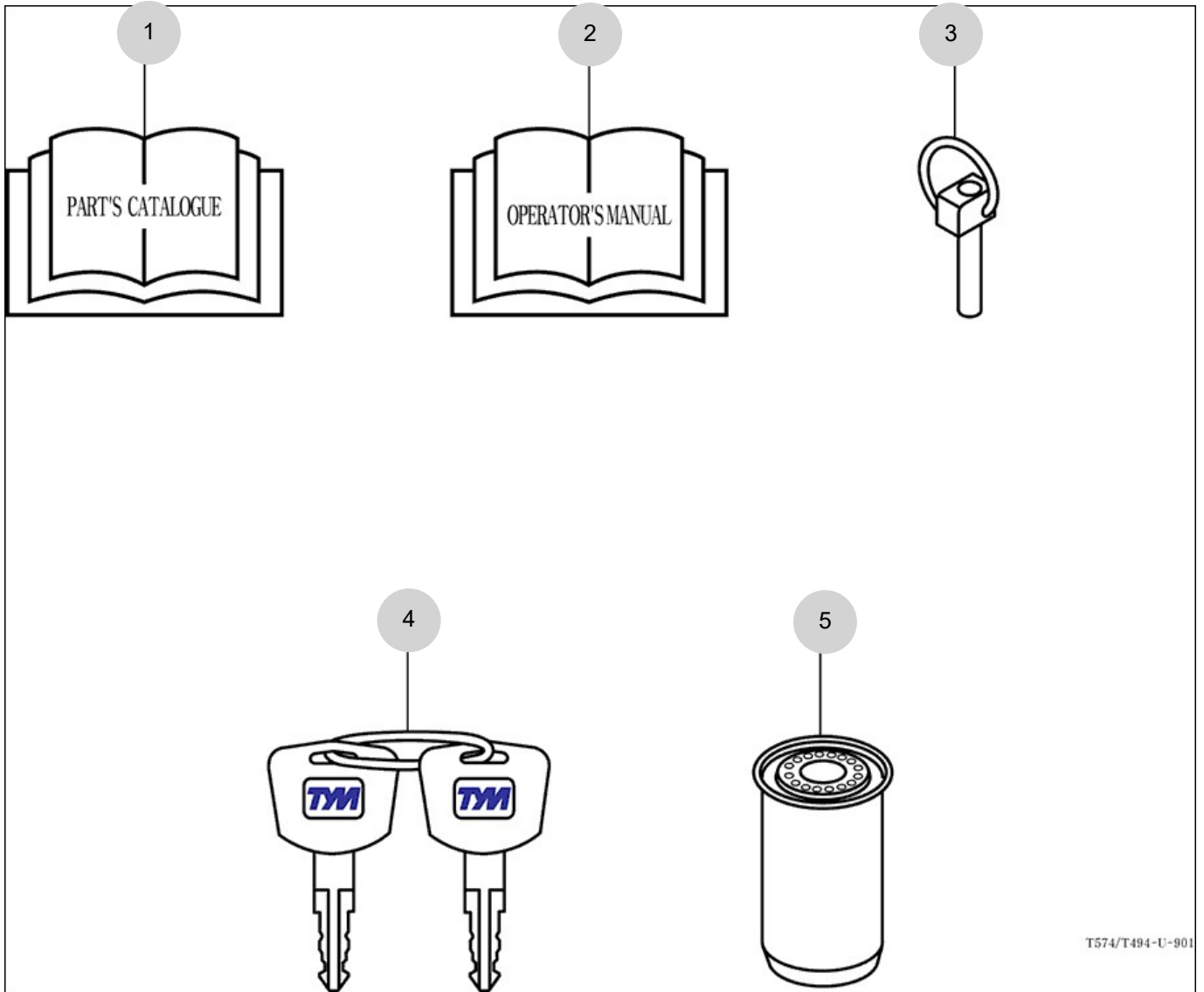
FIG 901

T574NH

TOOL & ACCESSORY

년/월
Year/Month

2022-12



NOTE

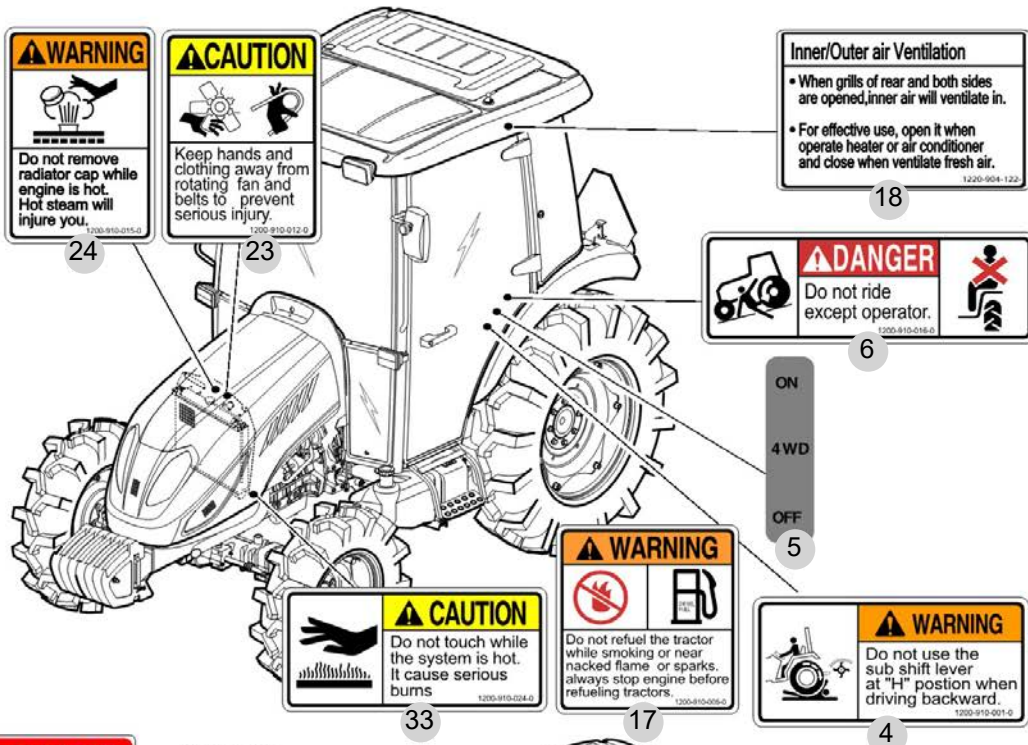
FIG 902

LABEL

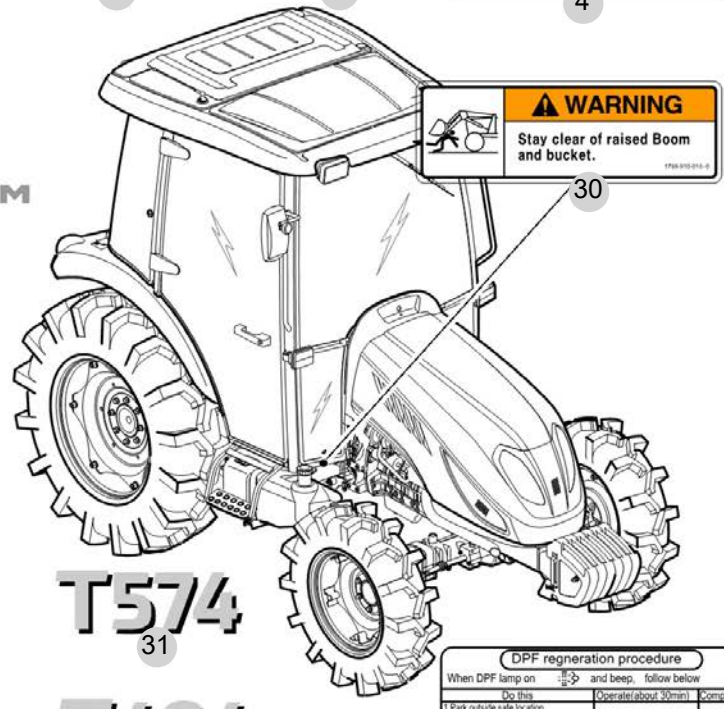
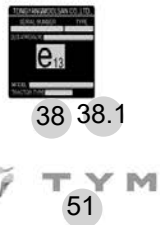
년/월
Year/Month

T574NH

2022-12



DANGER
This Tractor may tip over unexpectedly and quicker than an operator is able to jump free.
1. Never operate a tractor without a proper Roll Over Protection Structure (ROPS)
2. Always wear your seat belt when operating this tractor equipped with roll over protection.
3. Never pull from above or from the rear axle.
4. Do not operate the tractor on steep slopes or near drop offs.
5. Avoid sharp high speed turns.
Serious injury or death may result from tractor upsets.
39



WARNING
Additions, alterations, cracking, damage or corrosion to this structure may adversely affect the performance of the ROPS.
40

WARNING
Death or injury may result if this tractor over turns with the ROPS in the folded down position. Operate this tractor with the ROPS folded down only when necessary. Do not wear seat belt if operated with ROPS folded down. 1220-904-102-0
41

DPF regeneration procedure

When DPF lamp on	Do this	Operate (about 30min)	Complete
1 Park outside safe location	2 Stop all functions.	3 Parking brake ON.	DPF+EGT ON + Button blinking Lamp off
4 Press clutch pedal (Mechanical)	5 Engine speed to Max RPM	6 Press the regen button	
6 Must remain with the vehicle			

For further details, consult your Owner's Manual. 1200-910-001-0
49

NOTE

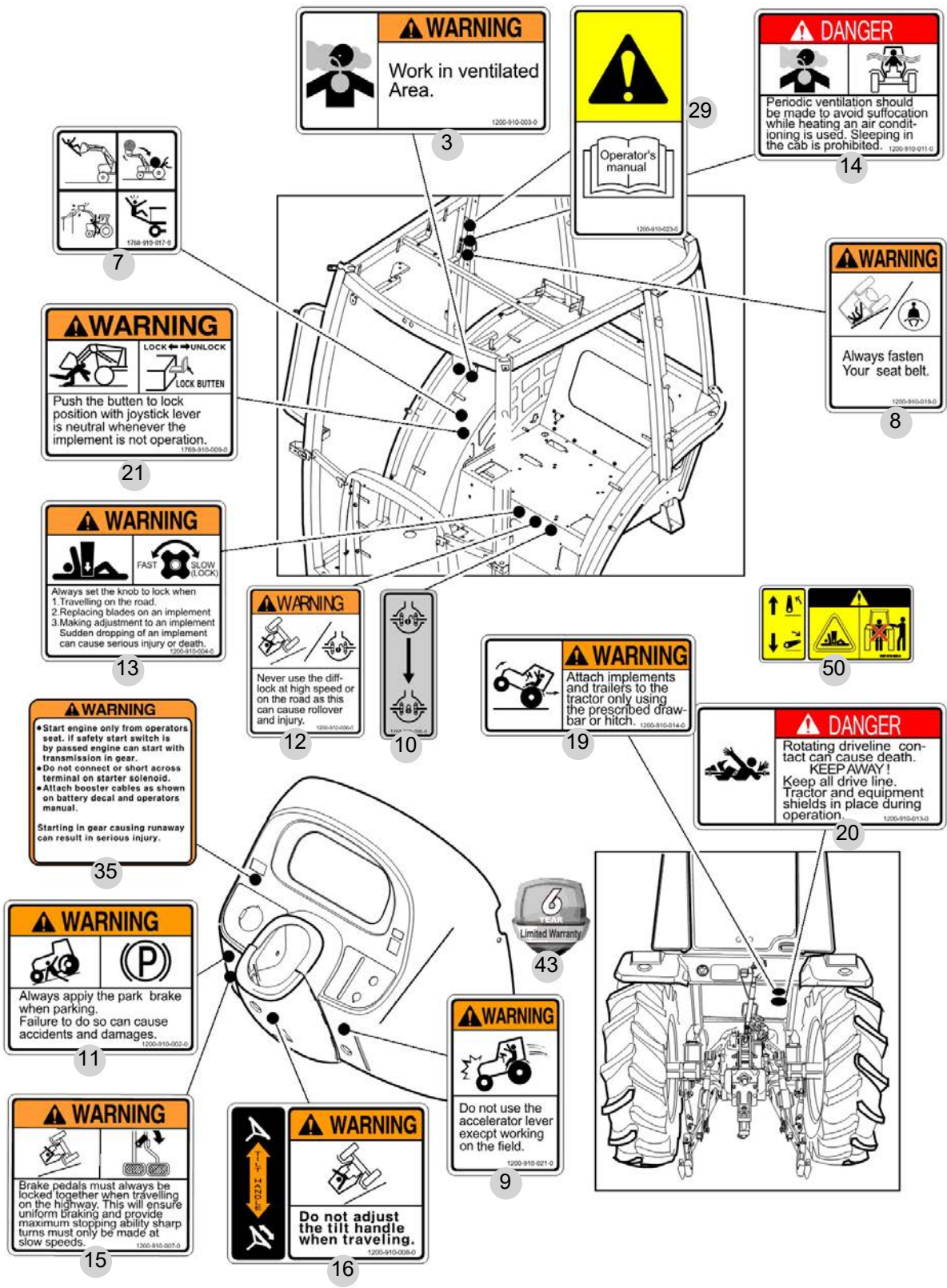
FIG 902-2

LABEL

년/월
Year/Month

T574NH

2022-12



NOTE

FIG 903

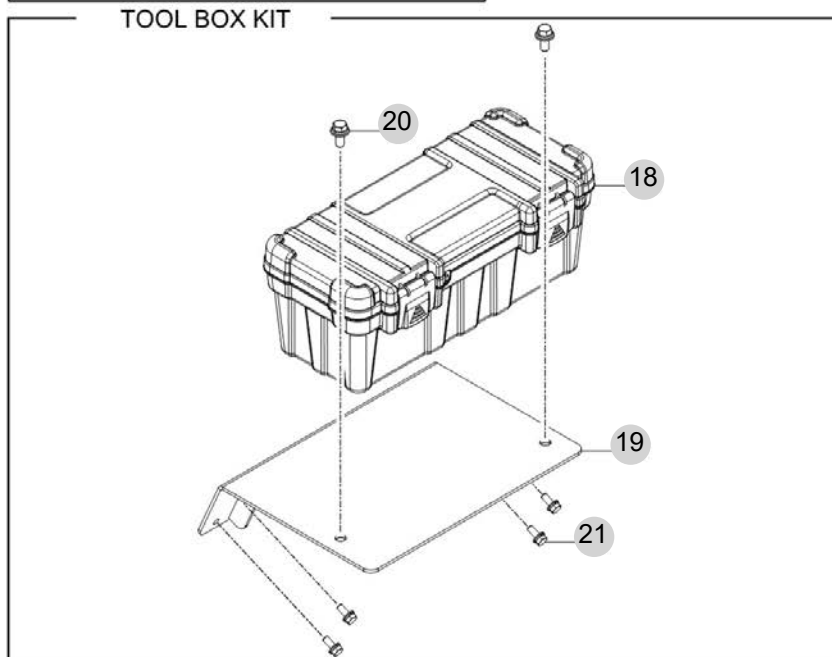
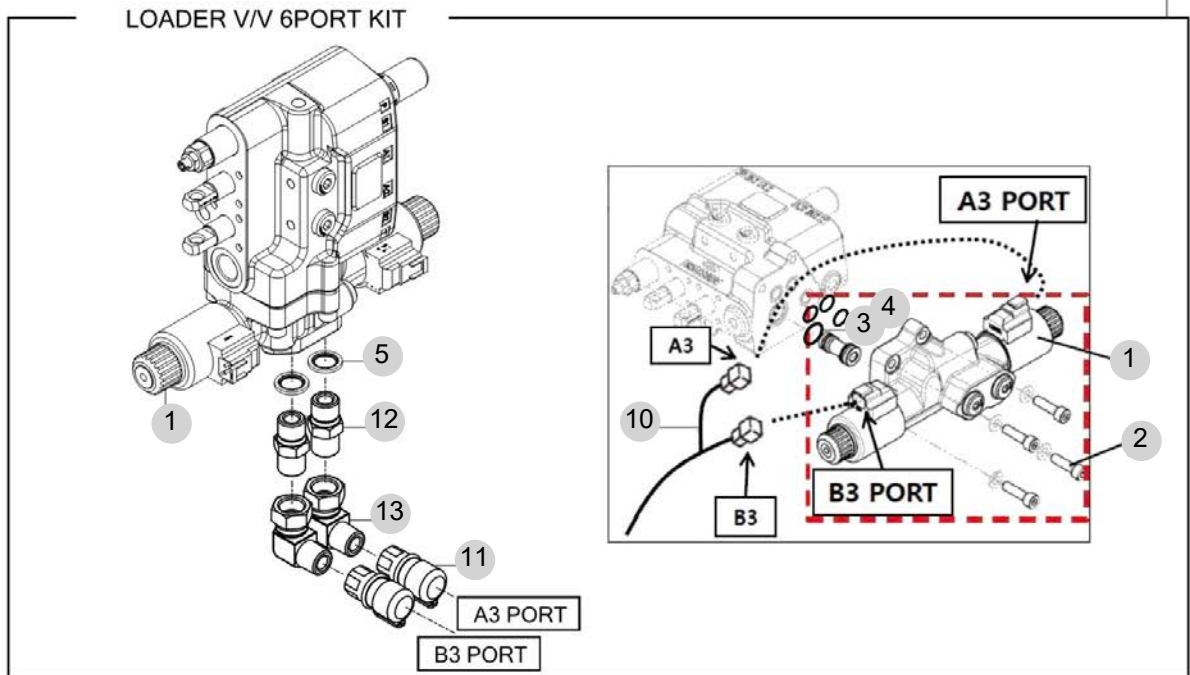
OPTION

년/월
Year/Month

2022-12

T574NH

0



NOTE

