

Parts Catalogue

T474ST



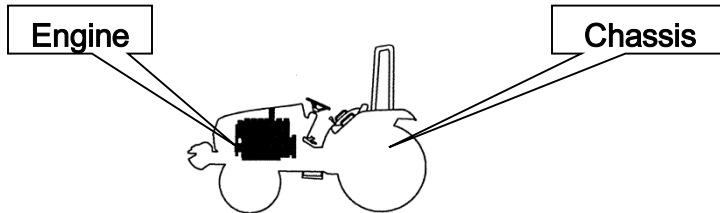
Important tips of Parts Catalogue

We thank you for your purchasing our product, manufactured under strict quality control, by gathering plenty of experiences and new technology, designed for a comfort and pleasant work.

1. Part Composition

This catalogue deals with engine and chassis.

Detailed classifications are listed in the following page.



2. For locating parts easily, Please Note:

A. If you know the assembly where the part is used.

-Refer to the relevant figure from the identifying group symbol illustration,

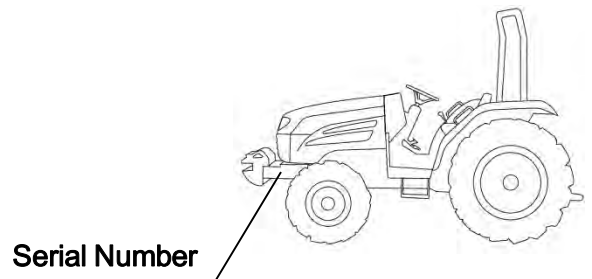
-Locate the relevant chapter

-Refer to the particular chapter desired.

3. For ordering parts

To obtain spare parts please contact your nearest dealer and give him the details listed below.

- ① Tractor Model : Tractor
- ② Tractor Serial Number : W050000
- ③ Part Number : 16001032000
- ④ Description : Air cleaner assembly
- ⑤ Quantity required: 1



4. For ordering PARTS CATALOGUE

This is Priced item and one is to order the same on part No. 13219400020

This supersedes all our editions.

Note) When replacing parts, please use original spare parts to be sure of the performance and the longer life of the product

※ The information in this catalogue may at any time be modified without a prior notice for the improvement of performance, please consult our spare parts dept. for the detailed inquiry.

5. How to use parts catalogue

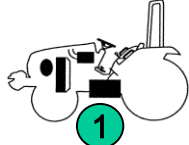
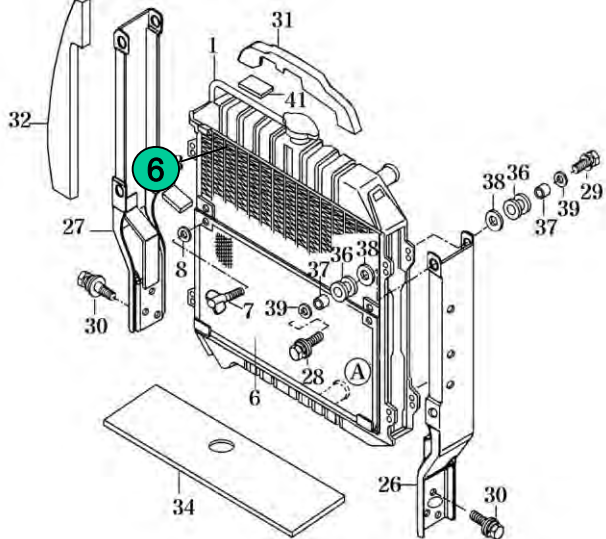

FIG 021 2	3 RADIATOR	P1 4	Year 5 2014	
				
NOTE	13			

FIG 021 2	3 RADIATOR	P1 4	Year 5 2014				
KEY NO	PART NO	PART NAME	SPEC	QTY	REPAIR	E/G SERIAL NO	REMARKS
023 001	14571042001	RADIATOR SET		1			
023 002	14571042101	RADIATOR SET		1			
023 003	14571042171	SHROUD		1			
6 023 006	7 14571042001HB	NET COMP 8					
023 007	V271042012	BOLT, WING	M6X12 9	10	11	12	14
NOTE	13						

- ① Group Indication : Indicate the relevant location of the part with a symbol illustration.
- ② Figure Number: Indicate the relevant section of the machine with a figure number.
- ③ Section Name : Indicate the section name of the machine
- ④ Section Page : Page number of the section in this catalogue.
- ⑤ Date : Show the Year of the section made or updated

⑥ Key number : Indicating number of each parts in the illustration.

⑦ Part Number : Unique part number maintained in our system

The part number starting with V or M means it is TYM s standard part

The alphabet at the end of part number means the status of material or the color of paint

Legend : M:Machining, DG:Dark Gray, BR:Bright Red, SW:Summer White, PB:Pure Black, GB:Glossy Black, SR:Super Red, MS:Metallic Silver DD:Heat proof Black, TY: Tangerine Yellow etc.

⑧ Description : Description of a part, Abbreviation means as follows.

- Indicate the mixture condition of a part

ASSY : Assembly with a mixture of several parts, so can be broke up retaining their original form

COMP : Assembly with a mixture of several parts, but can not be broke up retaining their original form

SUB : mean the same as ASSY but used in lower level in aid.

SET : Part consist of ASSY, COMP, and part(s) as a group

- Indicate the location of a part

LH: Left, RH: Right, FR: Front, RR: Rear, UPR: Upper, LOW: Lower

⑨ Type : Type of the standard items like bolt or nut

⑩ Quantity : Total quantity of the part referred to in the page.

Symbol below indicate options. So, show the quantity of each option.

Note) AR means as requested quantity.

⑪ Repair Parts consumption frequency class: indicate the level of a part in aid of stocking spares, anticipating the service requirements.

A :Fast moving part(frequently required)

B :Medium moving part (sometimes required)

C :Slow moving part(rarely required)

⑫ Modification :

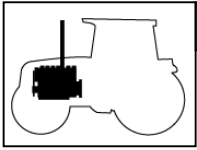
Year/Month~ : From which the change starts

~ Year/Month : To which the part installed

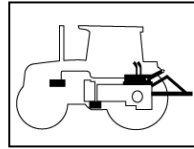
⑬ Notes : explain some reference data

⑭ Remark : indicate reference data or abbreviation in the content.

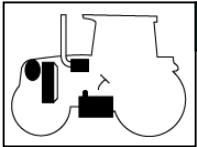
ENGINEERING GROUP INDEX



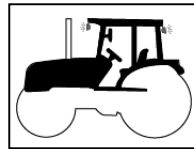
1 ENGINE



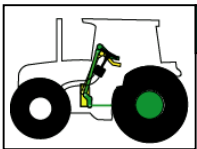
6 HYDRAULICS & 3-POINT LINK



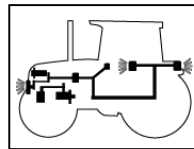
2 ENGINE ACCESSORIES & CONTROL



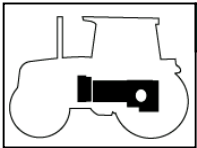
7 SHEET METAL & CABIN



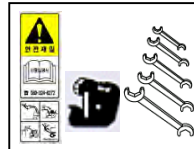
3 CLUTCH, BRAKE, STEERING



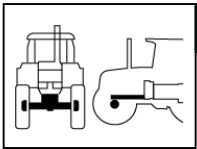
8 ELECTRICALS & HARNESS



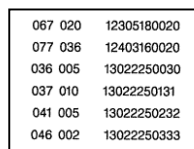
4 TRANSMISSION & REAR AXLE



9 LABEL, TOOLS



5 FRONT AXLE, SUPPORTER & DRIVE SHAFT



10 NUMERICAL INDEX

067 020	12305180020
077 036	12403160020
036 005	13022250030
037 010	13022250131
041 005	13022250232
046 002	13022250333

CONTENTS

ENGINE

1 ENGINE

FIG 101	CYLINDER BLOCK	04
FIG 102	OILJET ASS'Y OPTION	06
FIG 103	CRANK SHAFT	08
FIG 104	PISTON	10
FIG 105	CYLINDER HEAD	12
FIG 106	ROCKER LEVER	14
FIG 107	HEAD COVER	16
FIG 108	GEAR CASE	18
FIG 109	IDLE GEAR	20
FIG 110	CAM SHAFT	22
FIG 111	OIL PUMP	24
FIG 112	HYD. PUMP DRIVE	26
FIG 113	2ND BALANCE	28
FIG 114	OIL PAN	30
FIG 115	INTAKE MANIFOLD	32
FIG 116	EXHAUST MANIFOLD	34
FIG 117	DPF SUPPORT OPTION	36
FIG 118	TURBOCHARGER PLUMBING OPTION	38
FIG 119	BREATHER	40
FIG 120	FUEL INJECTION PUMP	42
FIG 121	FUEL INJECTION VALVE	44
FIG 122	FUEL PIPE ASS'Y	46
FIG 123	OIL FILTER	48
FIG 124	OIL COOLER	50
FIG 125	OIL GAUGUE	52
FIG 126	OIL FILLER CAP	54
FIG 127	COOLING WATER PUMP	56
FIG 128	CRANK SHAFT PULLEY	58
FIG 129	V-PULLEY	60
FIG 130	COOLING FAN	62
FIG 131	FLYWHEEL HOUSING	64

FIG 132 FLYWHEEL	66
FIG 133 GLOW PLUG ASS'Y OPTION	68
FIG 134 STARTING MOTOR	70
FIG 135 FUEL FILTER BRACKET ASSoY	72
FIG 136 ALTERNATOR	74
FIG 137 V-BELT	76
FIG 138 FUEL FILTER	78
FIG 139 DPF SUPPORT	80
FIG 140 DATAPLATE	82
FIG 141 NAME PLATE, STARTING MOTOR	84
FIG 142 DPF ASSoY	86
FIG 143 LIFT ASSoY	88
FIG 144 COMP . DRIVE PULLEY ASSyY OPTION	90

CHASSIS

2 ENGINE ACCESSORIES & CONTROL

FIG 201 AIR CLEANER-----	96
FIG 202 RADIATOR-----	98
FIG 203 MUFFLER-----	100
FIG 204 FUEL TANK & FILTER-----	102
FIG 205 ACCELERATOR-----	104

3 CLUTCH,BRAKE,STEERING

FIG 301 CLUTCH PEDAL-----	110
FIG 302 FLYWHEEL & CLUTCH-----	112
FIG 303 BRAKE PEDAL-----	114
FIG 304 BRAKE-----	116
FIG 306 FRONT WHEEL MOUNTING-----	118
FIG 307 REAR WHEEL MOUNTING-----	120
FIG 308 STEERING WHEEL-----	122
FIG 309 STEERING VALVE & PARKING-----	124
FIG 310 STEERING CYLINDER-----	126

4 TRANSMISSION & REAR AXLE

FIG 401 TRANSMISSION FRONT CASE-----	132
FIG 402 INPUT METAL-----	134
FIG 403 INPUT GEAR-----	136
FIG 404 4WD DRIVE GEAR-----	138
FIG 405 MAIN CHANGE GEARS & REVERSE GEARS-----	140
FIG 406 SUB CHANGE GEARS-----	142
FIG 407 PINION GEARS-----	144

FIG 408 P.T.O DRIVE SHAFT-----	146
FIG 409 P.T.O CHANGE GEARS-----	148
FIG 410 DIFF LOCK-----	150
FIG 411 TRANSMISSION REAR CASE-----	152
FIG 412 REAR AXLE HOUSINGS (1)-----	154
FIG 413 REAR AXLE HOUSINGS (2)-----	156
FIG 414 MAIN CHANGE LEVER-----	158
FIG 415 SUB CHANGE LEVER-----	160
FIG 416 REVERSE LINK-----	162
FIG 417 REVERSE CHANGE LEVER-----	164
FIG 418 4WD CHANGE LEVER-----	166

5 FRONT AXLE

FIG 501 FRONT AXLE BRACKET-----	172
FIG 502 FRONT DIFFERENTIAL GEARS & SHAFT-----	174
FIG 503 FRONT AXLE HOUSING-----	176
FIG 504 FRONT GEAR CASE (1)-----	178
FIG 505 FRONT GEAR CASE (2)-----	180

6 HYDRAULICS & 3-POINT LINK

FIG 601 GEAR PUMP-----	186
FIG 602 CYLINDER CASE-----	188
FIG 603 LIFT ARM-----	190
FIG 604 CYLINDER-----	192
FIG 605 POSITION LINK (1)-----	194
FIG 606 POSITION LINK (2)-----	196
FIG 607 CONTROL VALVE-----	198
FIG 608 POSITION LEVER-----	200
FIG 609 HYDRAULIC PIPE (1)-----	202
FIG 610 HYDRAULIC PIPE (2)-----	204
FIG 611 EXTERIOR HYD.VALVE-----	206
FIG 612 3-POINT LINK-----	208
FIG 613 HITCH & COVER-----	210
FIG 614 EXTERIOR POSITION LEVER-----	212

7**SHEET METAL & R.O.P.S**

FIG 701 HOOD FRAME-----	218
FIG 702 HOOD-----	220
FIG 703 EXTENSION COVER-----	222
FIG 705 DASH PANEL-----	224
FIG 708 FRONT & REAR MOUNTING-----	226
FIG 709 SEAT & MAT-----	228
FIG 710 DOOR-----	230
FIG 711 FRONT GLASS-----	234
FIG 712 REAR GLASS-----	236
FIG 713 SUB FENDER & COVER-----	238
FIG 714 MIRROR-----	240
FIG 715 HEATER & AIR-CON-----	242
FIG 716 HEATER & AIR-CON-----	244
FIG 717 FENDER COVER-----	246
FIG 718 ROOF-----	248
FIG 719 CABIN INTERIOR-----	250

8**ELECTRICALS & HARNESS**

FIG 801 BATTERY & MOUNTING-----	256
FIG 802 LAMP-----	258
FIG 803 INSTRUMENT PANEL-----	260
FIG 804 ELECTRIC SYSTEM-----	262
FIG 805 HARNESS (1) -----	264
FIG 806 HARNESS (2) -----	266

9**WEIGHT, LABEL, TOOLS**

FIG 901 TOOL & ACCESSORY-----	272
FIG 902 LABEL-----	274
FIG 903 OPTION-----	278

10**NUMERICAL INDEX**

ENGINE-----	283
CHASSIS-----	286

ENGINE

1 ENGINE

FIG 101	CYLINDER BLOCK	04
FIG 102	OILJET ASS'Y OPTION	06
FIG 103	CRANK SHAFT	08
FIG 104	PISTON	10
FIG 105	CYLINDER HEAD	12
FIG 106	ROCKER LEVER	14
FIG 107	HEAD COVER	16
FIG 108	GEAR CASE	18
FIG 109	IDLE GEAR	20
FIG 110	CAM SHAFT	22
FIG 111	OIL PUMP	24
FIG 112	HYD. PUMP DRIVE	26
FIG 113	2ND BALANCE	28
FIG 114	OIL PAN	30
FIG 115	INTAKE MANIFOLD	32
FIG 116	EXHAUST MANIFOLD	34
FIG 117	DPF SUPPORT OPTION	36
FIG 118	TURBOCHARGER PLUMBING OPTION	38
FIG 119	BREATHER	40
FIG 120	FUEL INJECTION PUMP	42
FIG 121	FUEL INJECTION VALVE	44
FIG 122	FUEL PIPE ASS'Y	46
FIG 123	OIL FILTER	48
FIG 124	OIL COOLER	50
FIG 125	OIL GAUGUE	52
FIG 126	OIL FILLER CAP	54
FIG 127	COOLING WATER PUMP	56
FIG 128	CRANK SHAFT PULLEY	58
FIG 129	V-PULLEY	60
FIG 130	COOLING FAN	62
FIG 131	FLYWHEEL HOUSING	64

FIG 132 FLYWHEEL	66
FIG 133 GLOW PLUG ASS'Y OPTION	68
FIG 134 STARTING MOTOR	70
FIG 135 FUEL FILTER BRACKET ASSoY	72
FIG 136 ALTERNATOR	74
FIG 137 V-BELT	76
FIG 138 FUEL FILTER	78
FIG 139 DPF SUPPORT	80
FIG 140 DATAPLATE	82
FIG 141 NAME PLATE, STARTING MOTOR	84
FIG 142 DPF ASSoY	86
FIG 143 LIFT ASSoY	88
FIG 144 COMP . DRIVE PULLEY ASSyY OPTION	90

CHASSIS

2 ENGINE ACCESSORIES & CONTROL

FIG 201 AIR CLEANER-----	96
FIG 202 RADIATOR-----	98
FIG 203 MUFFLER-----	100
FIG 204 FUEL TANK & FILTER-----	102
FIG 205 ACCELERATOR-----	104

3**CLUTCH,BRAKE,STEERING**

FIG 301 CLUTCH PEDAL-----	110
FIG 302 FLYWHEEL & CLUTCH-----	112
FIG 303 BRAKE PEDAL-----	114
FIG 304 BRAKE-----	116
FIG 306 FRONT WHEEL MOUNTING-----	118
FIG 307 REAR WHEEL MOUNTING-----	120
FIG 308 STEERING WHEEL-----	122
FIG 309 STEERING VALVE & PARKING-----	124
FIG 310 STEERING CYLINDER-----	126

4**TRANSMISSION & REAR AXLE**

FIG 401 TRANSMISSION FRONT CASE-----	132
FIG 402 INPUT METAL-----	134
FIG 403 INPUT GEAR-----	136
FIG 404 4WD DRIVE GEAR-----	138
FIG 405 MAIN CHANGE GEARS & REVERSE GEARS-----	140
FIG 406 SUB CHANGE GEARS-----	142
FIG 407 PINION GEARS-----	144
FIG 408 P.T.O DRIVE SHAFT-----	146
FIG 409 P.T.O CHANGE GEARS-----	148
FIG 410 DIFF LOCK-----	150
FIG 411 TRANSMISSION REAR CASE-----	152
FIG 412 REAR AXLE HOUSINGS (1)-----	154
FIG 413 REAR AXLE HOUSINGS (2)-----	156
FIG 414 MAIN CHANGE LEVER-----	158
FIG 415 SUB CHANGE LEVER-----	160
FIG 416 REVERSE LINK-----	162
FIG 417 REVERSE CHANGE LEVER-----	164
FIG 418 4WD CHANGE LEVER-----	166

5 FRONT AXLE

FIG 501 FRONT AXLE BRACKET-----172
FIG 502 FRONT DIFFERENTIAL GEARS & SHAFT-----174
FIG 503 FRONT AXLE HOUSING-----176
FIG 504 FRONT GEAR CASE (1)-----178
FIG 505 FRONT GEAR CASE (2)-----180

6 HYDRAULICS & 3-POINT LINK

FIG 601 GEAR PUMP-----	186
FIG 602 CYLINDER CASE-----	188
FIG 603 LIFT ARM-----	190
FIG 604 CYLINDER-----	192
FIG 605 POSITION LINK (1)-----	194
FIG 606 POSITION LINK (2)-----	196
FIG 607 CONTROL VALVE-----	198
FIG 608 POSITION LEVER-----	200
FIG 609 HYDRAULIC PIPE (1)-----	202
FIG 610 HYDRAULIC PIPE (2)-----	204
FIG 611 EXTERIOR HYD.VALVE-----	206
FIG 612 3-POINT LINK-----	208
FIG 613 HITCH & COVER-----	210
FIG 614 EXTERIOR POSITION LEVER-----	212

7**SHEET METAL & R.O.P.S**

FIG 701 HOOD FRAME-----	218
FIG 702 HOOD-----	220
FIG 703 EXTENSION COVER-----	222
FIG 705 DASH PANEL-----	224
FIG 708 FRONT & REAR MOUNTING-----	226
FIG 709 SEAT & MAT-----	228
FIG 710 DOOR-----	230
FIG 711 FRONT GLASS-----	234
FIG 712 REAR GLASS-----	236
FIG 713 SUB FENDER & COVER-----	238
FIG 714 MIRROR-----	240
FIG 715 HEATER & AIR-CON-----	242
FIG 716 HEATER & AIR-CON-----	244
FIG 717 FENDER COVER-----	246
FIG 718 ROOF-----	248
FIG 719 CABIN INTERIOR-----	250

8

ELECTRICALS & HARNESS

FIG 801 BATTERY & MOUNTING-----256
FIG 802 LAMP-----258
FIG 803 INSTRUMENT PANEL-----260
FIG 804 ELECTRIC SYSTEM-----262
FIG 805 HARNESS (1) -----264
FIG 806 HARNESS (2) -----266

9

WEIGHT,LABEL,TOOLS

FIG 901 TOOL & ACCESSORY-----272
FIG 902 LABEL-----274
FIG 903 OPTION-----278

10

NUMERICAL INDEX

ENGINE-----283
CHASSIS-----286

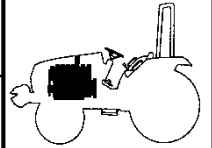
FIG 101

CYLINDER BLOCK

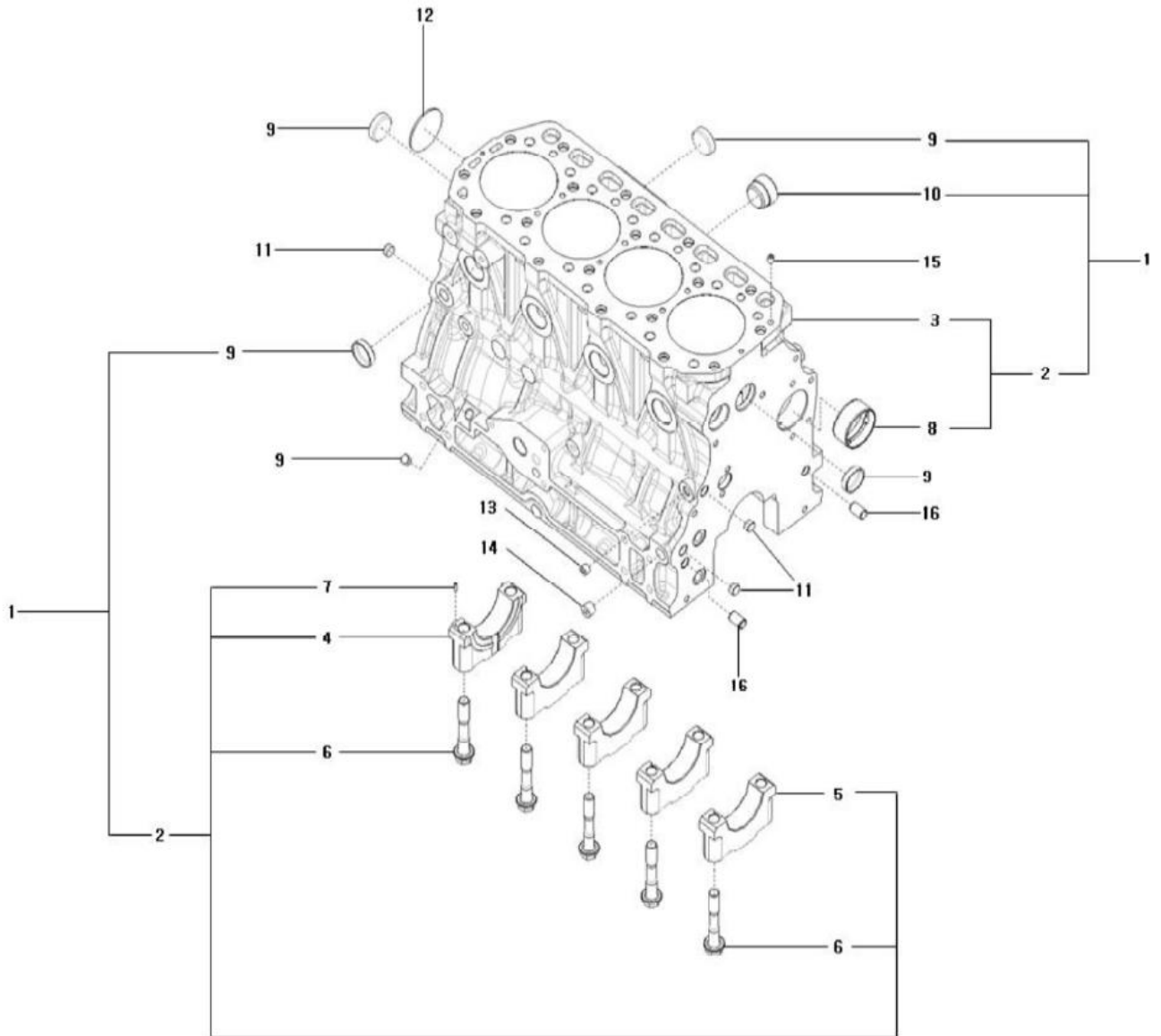
P1

YEAR

2018



T474ST



NOTE

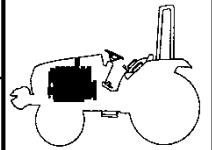
FIG 102

OILJET ASS'Y OPTION

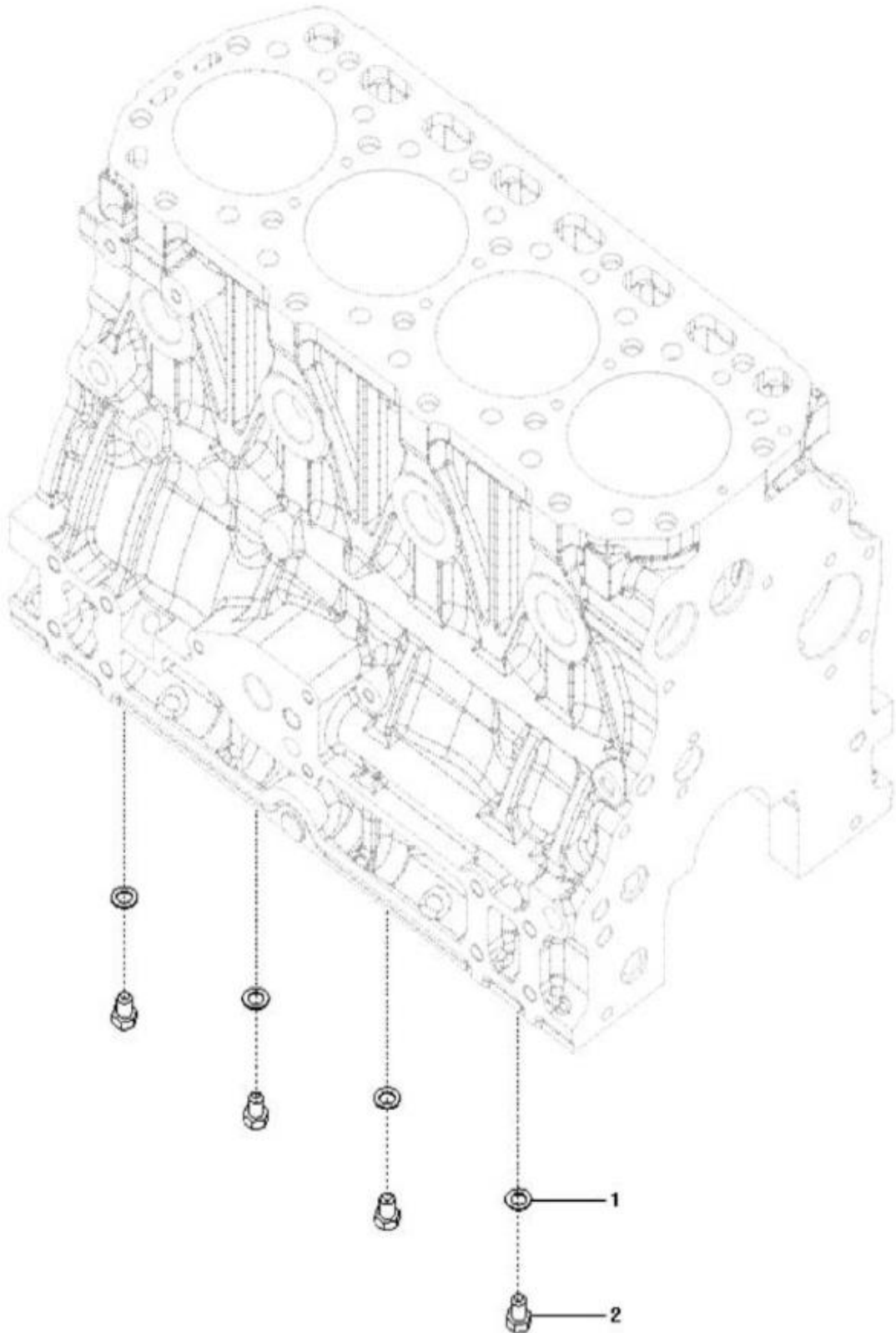
P1

YEAR

2018



T474ST



NOTE

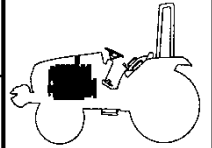
FIG 103

CRANK SHAFT

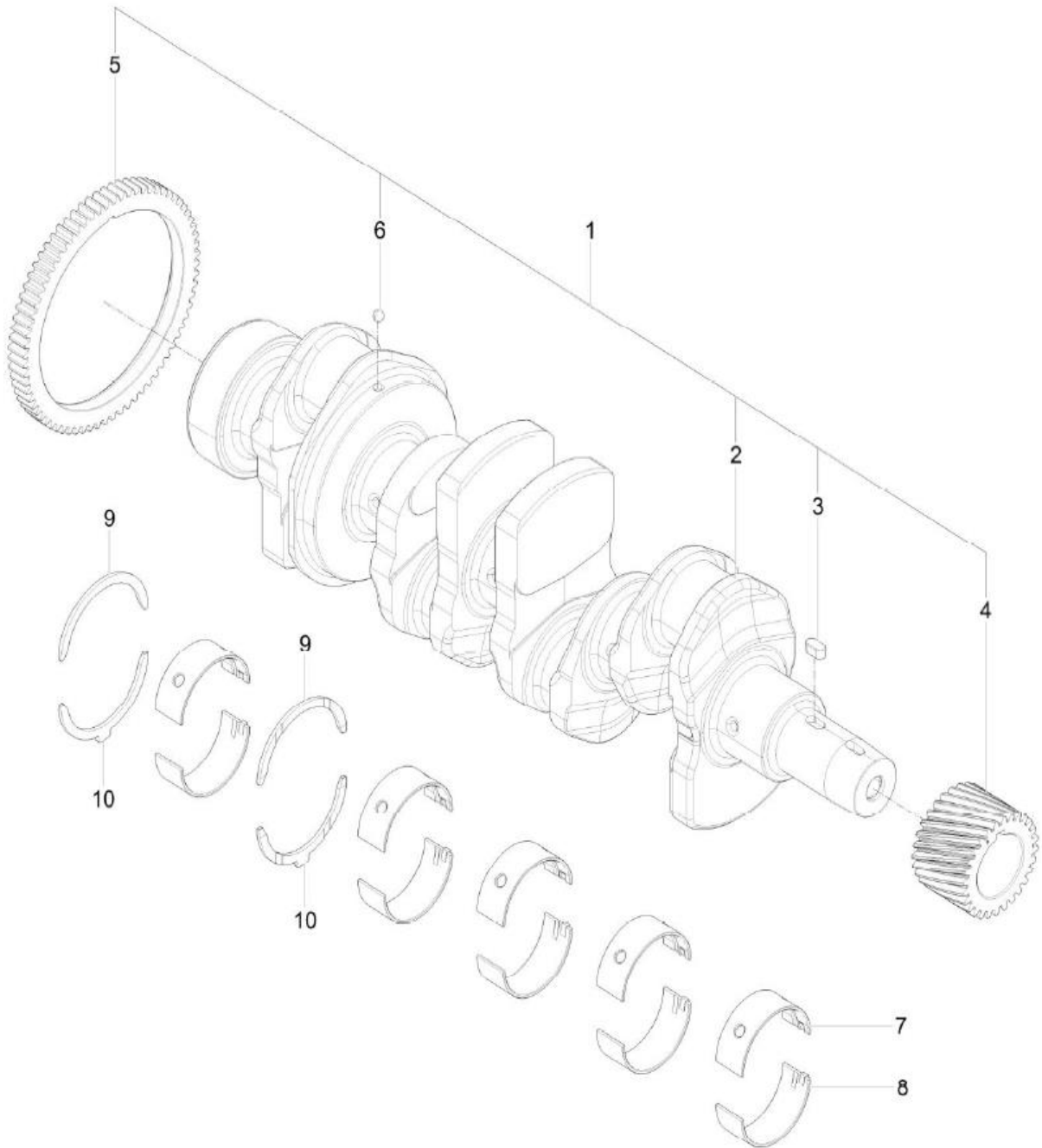
P1

YEAR

2018



T474ST



NOTE

FIG 104

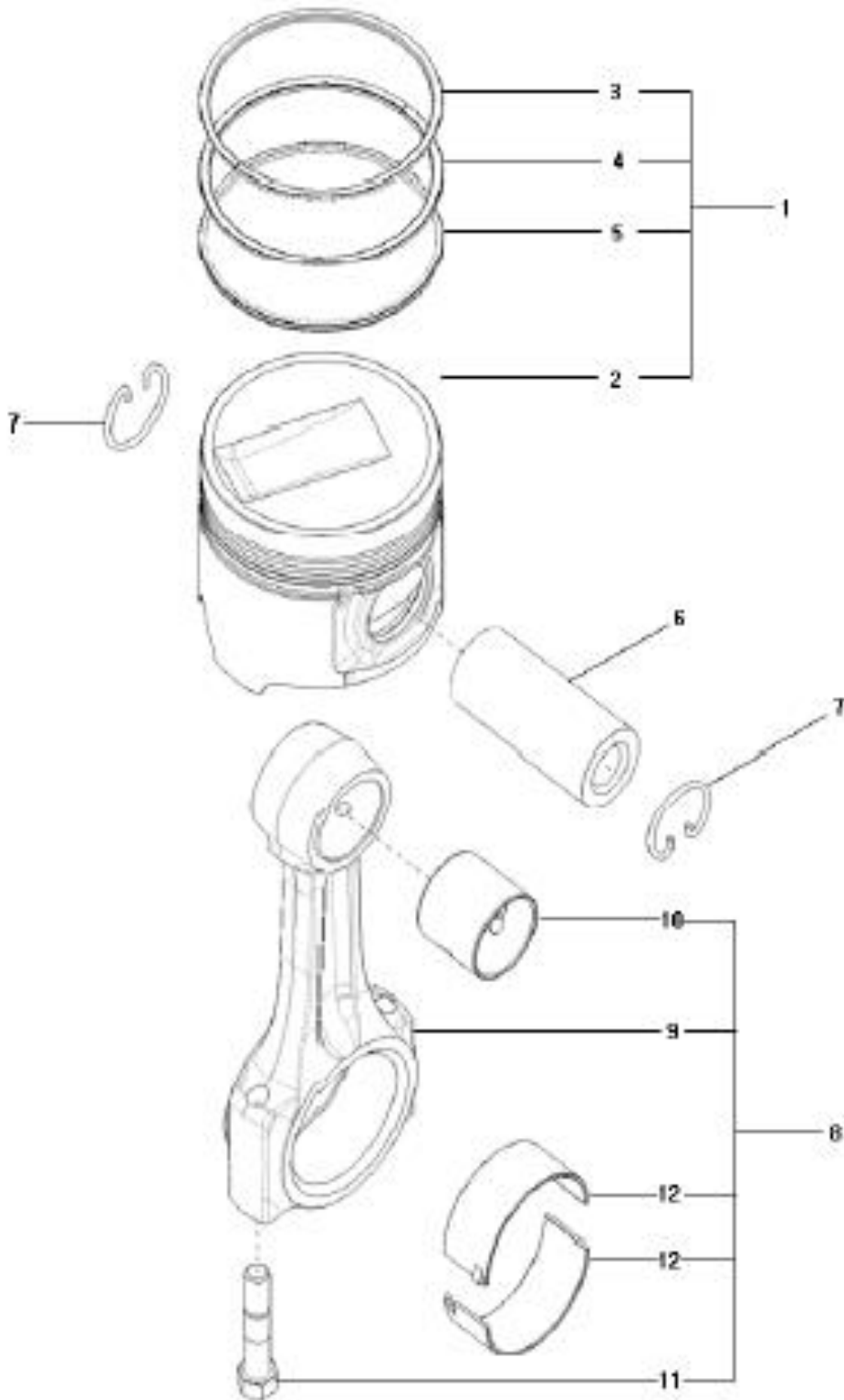
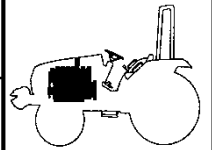
T474ST

PISTON

P1

YEAR

2018



NOTE

FIG 105

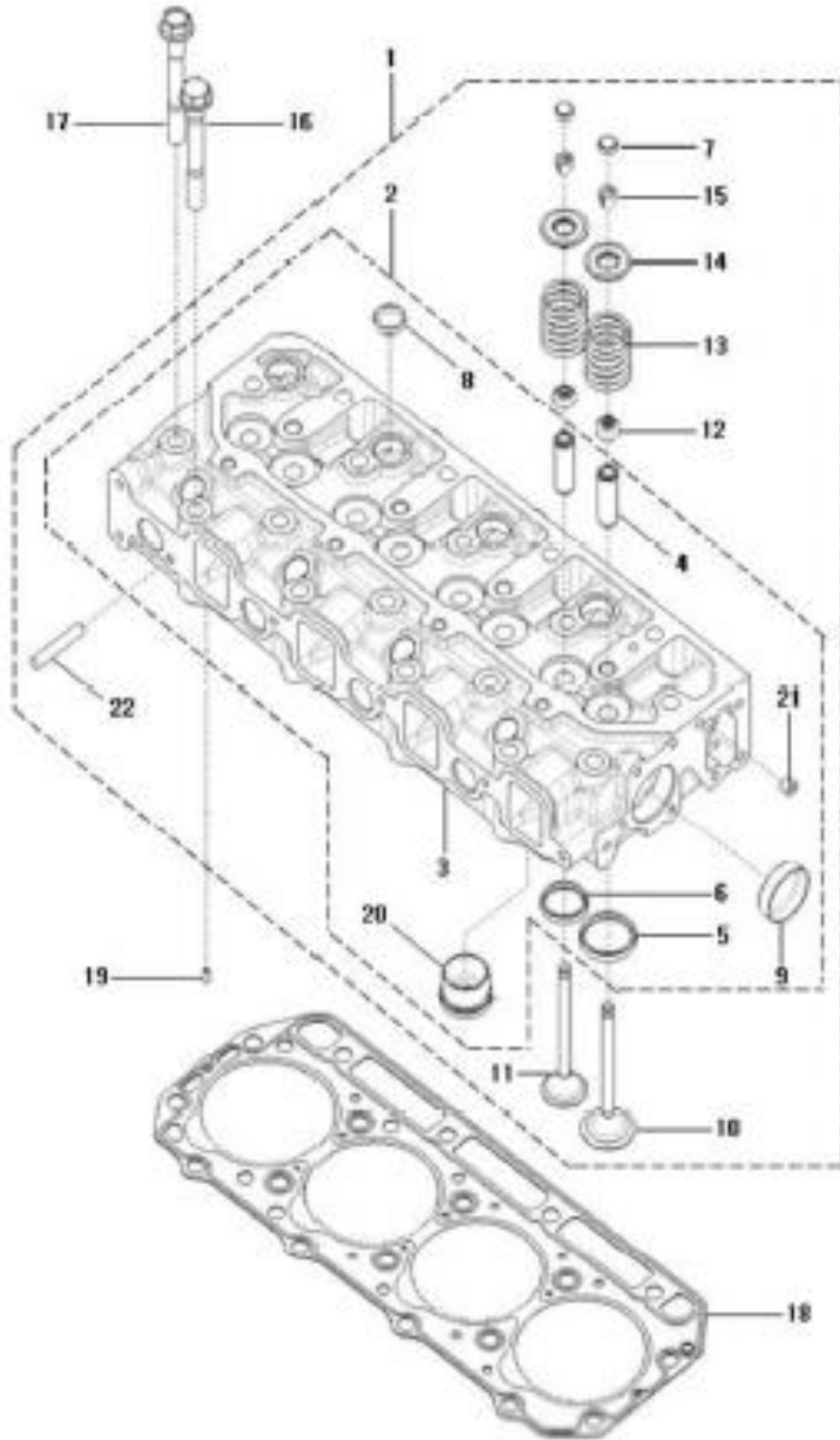
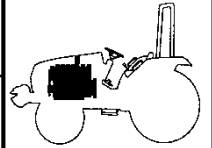
T474ST

CYLINDER HEAD

P1

YEAR

2018



NOTE

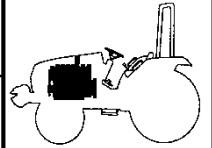
FIG 106

ROCKER LEVER

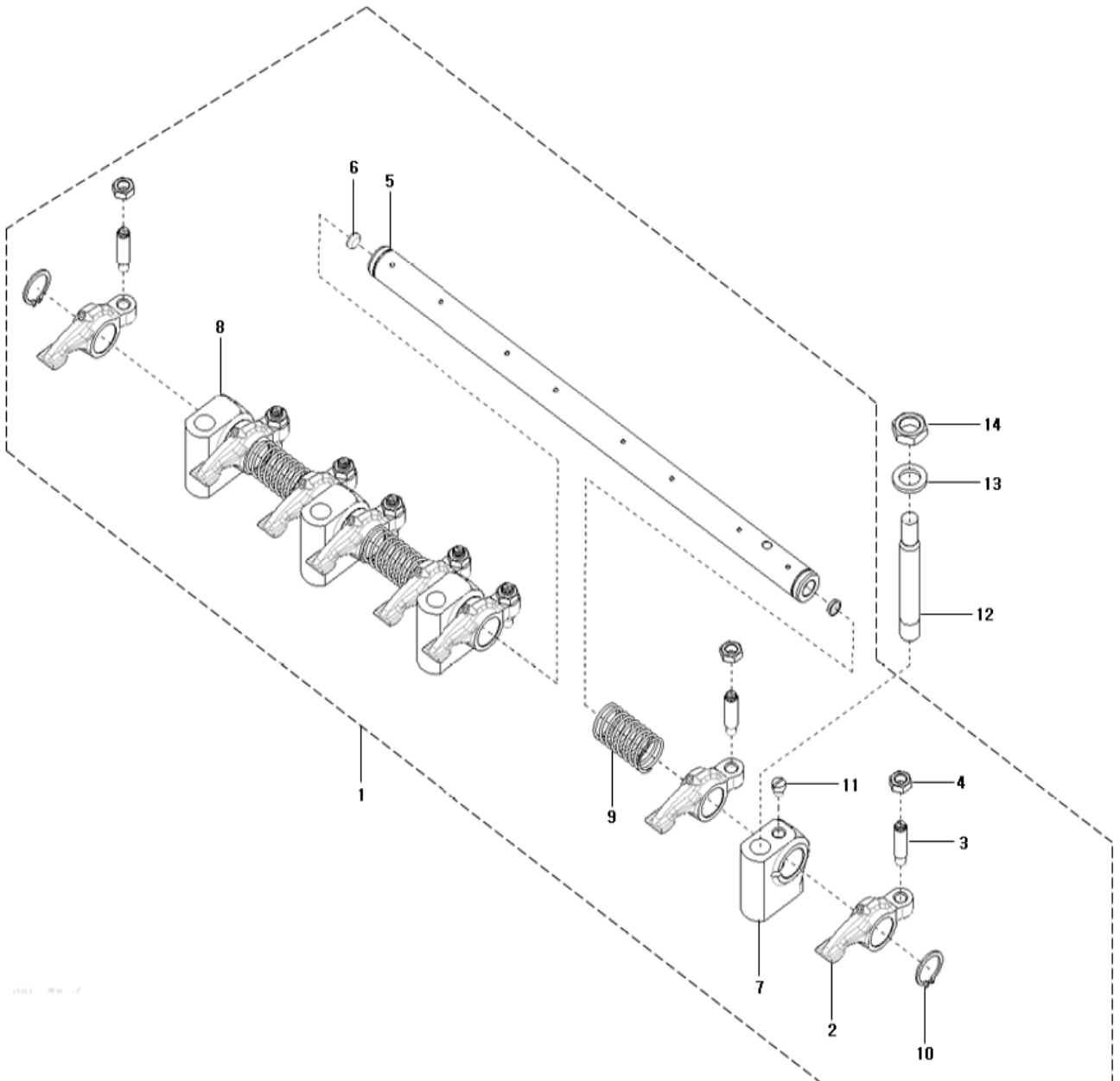
P1

YEAR

2018



T474ST



NOTE

FIG 107

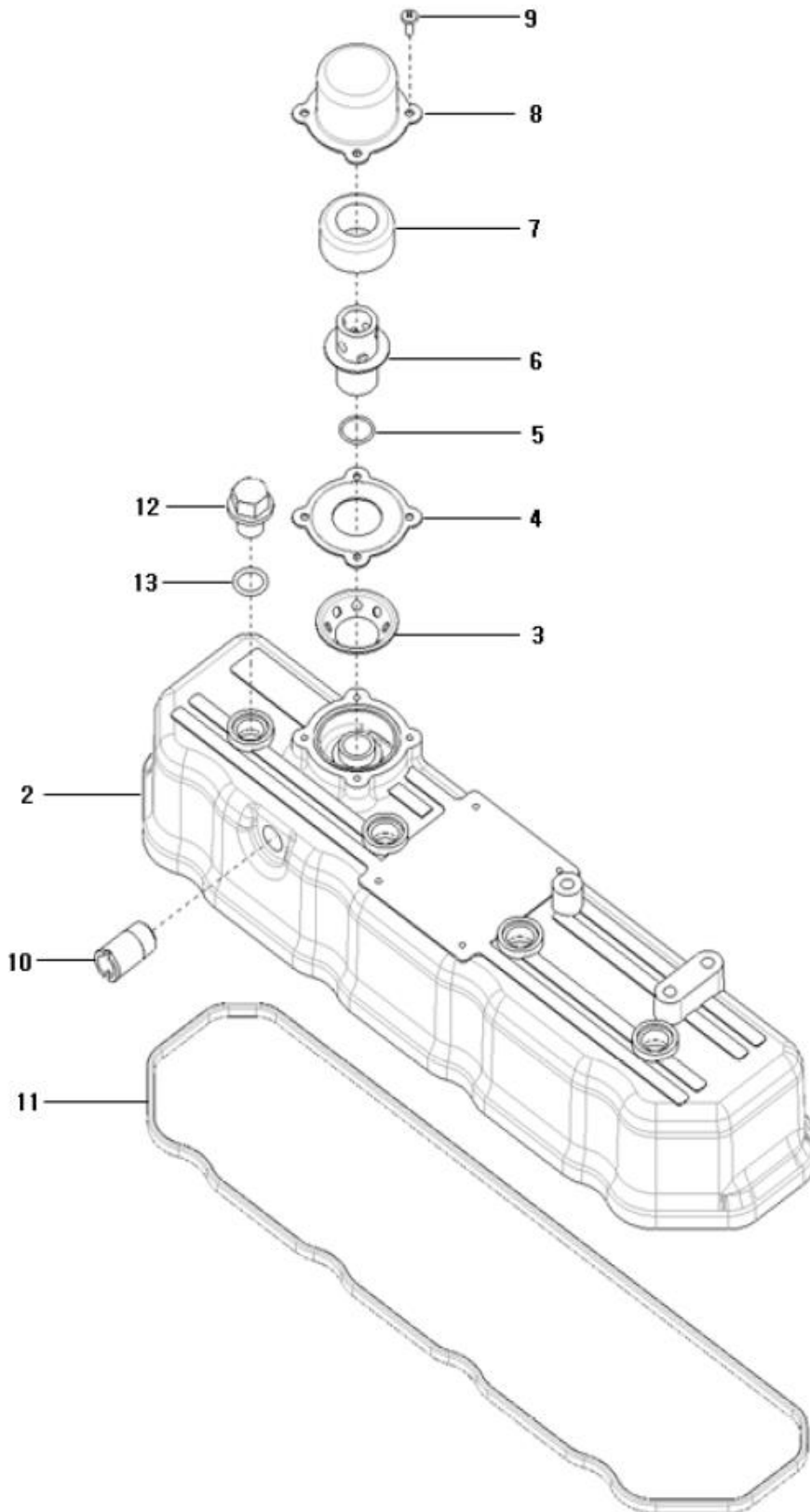
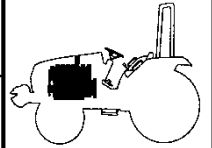
T474ST

HEAD COVER

P1

YEAR

2018



NOTE

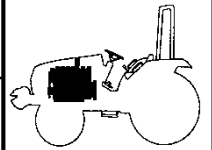
FIG 108

GEAR CASE

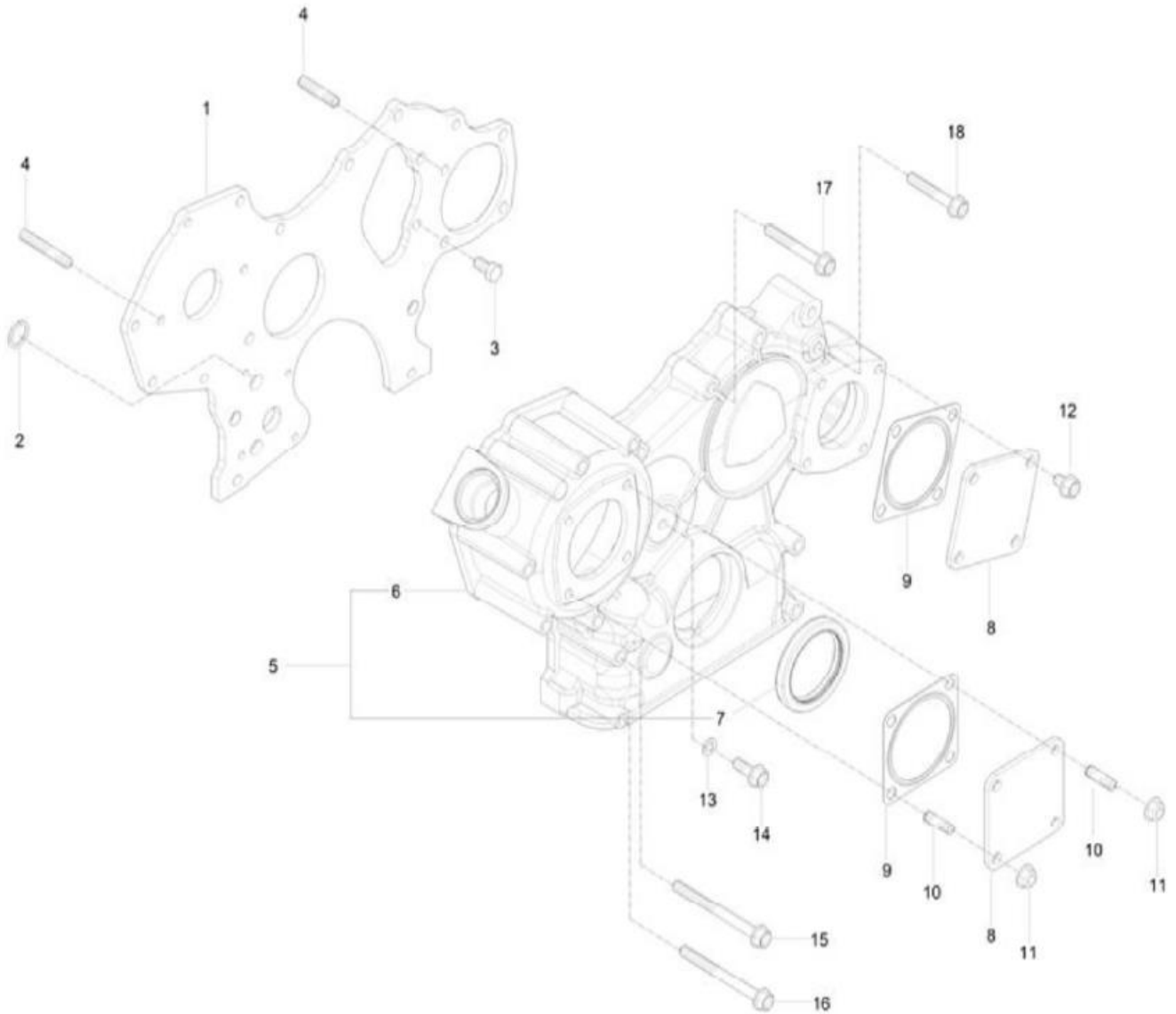
P1

YEAR

2018



T474ST



NOTE

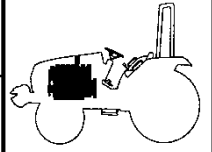
FIG 109

IDLE GEAR

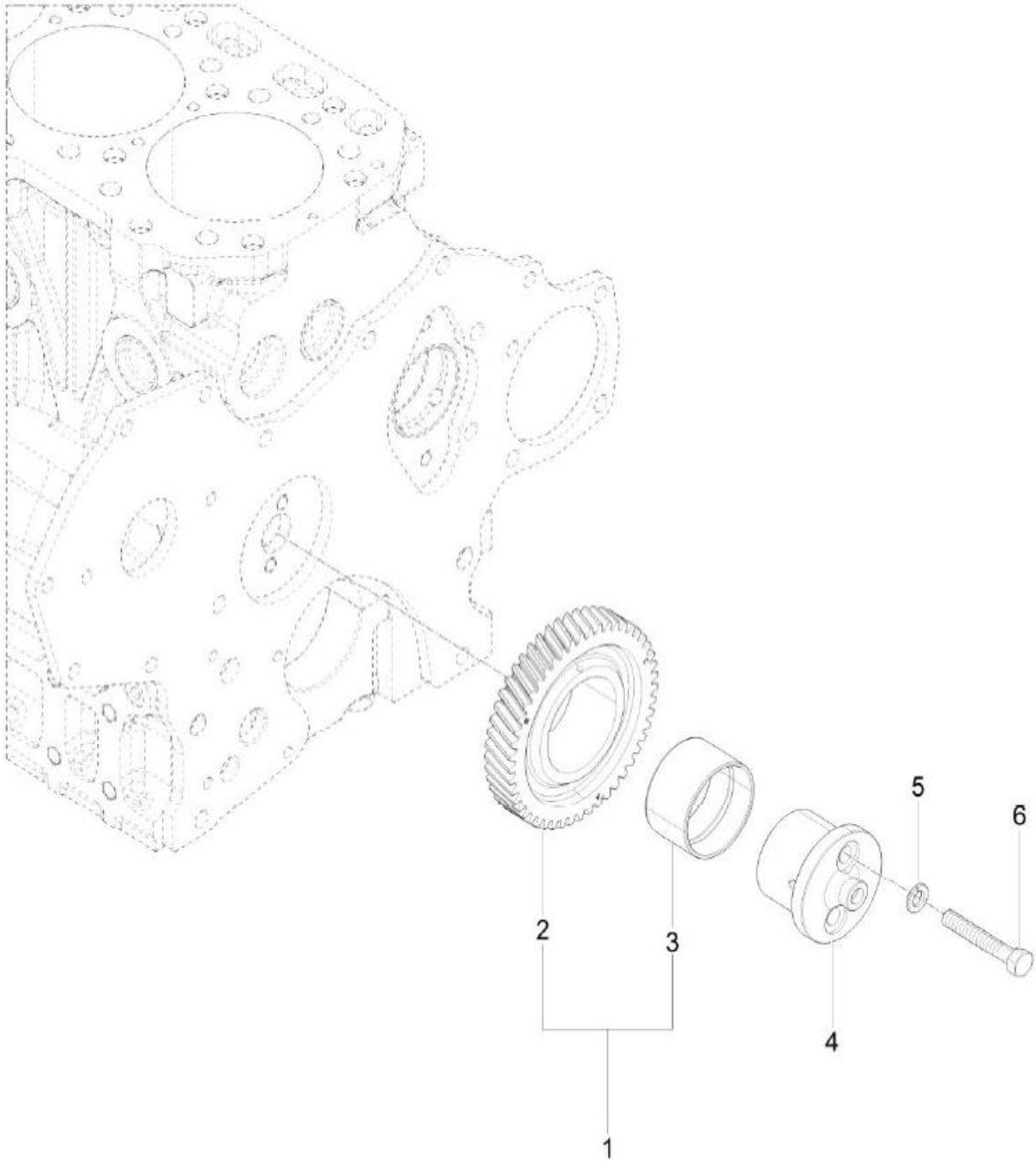
P1

YEAR

2018



T474ST



NOTE

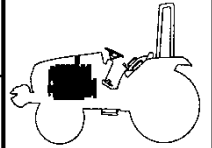
FIG 110

CAM SHAFT

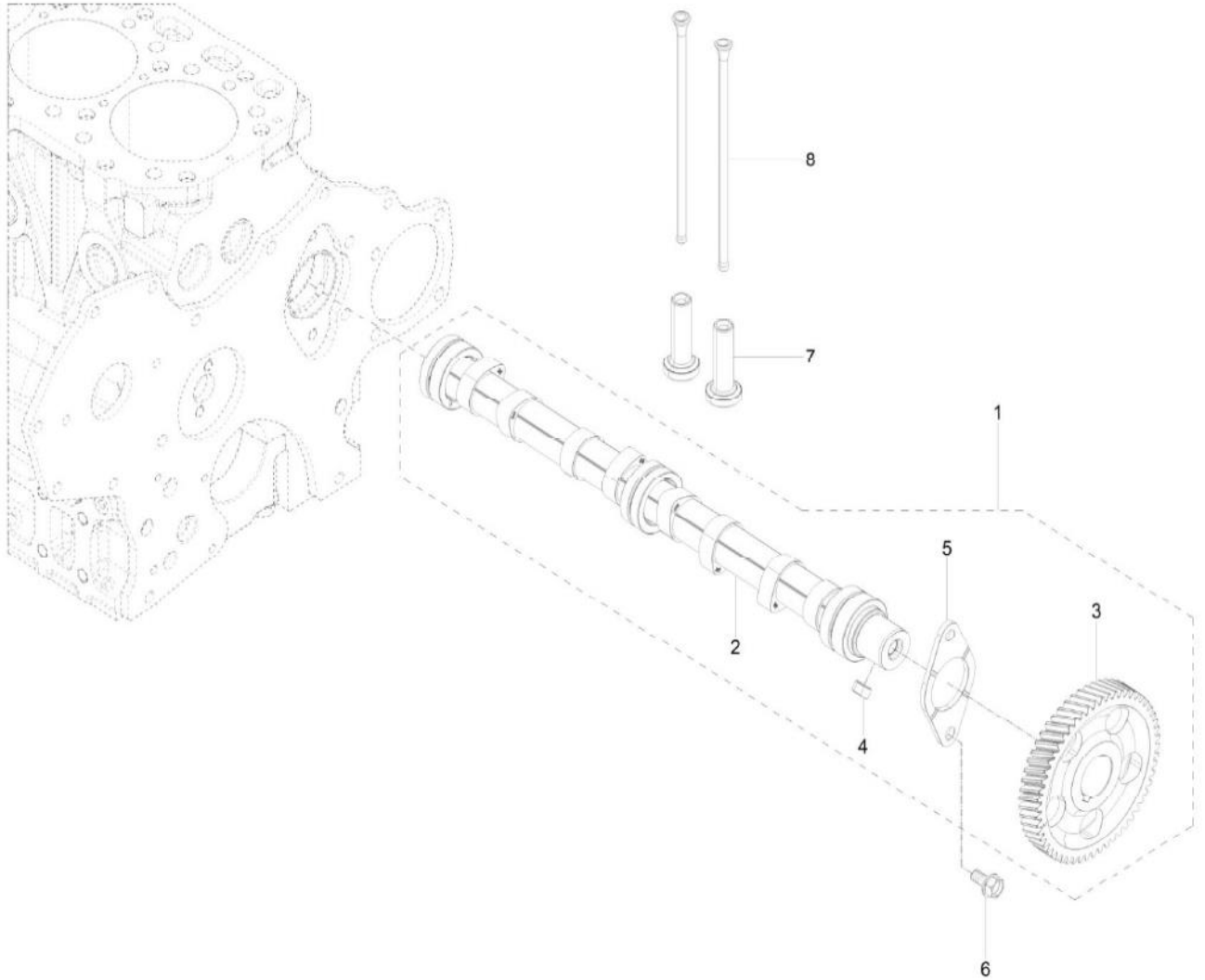
P1

YEAR

2018



T474ST



NOTE

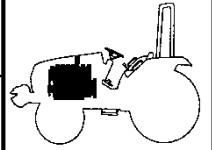
FIG 111

OIL PUMP

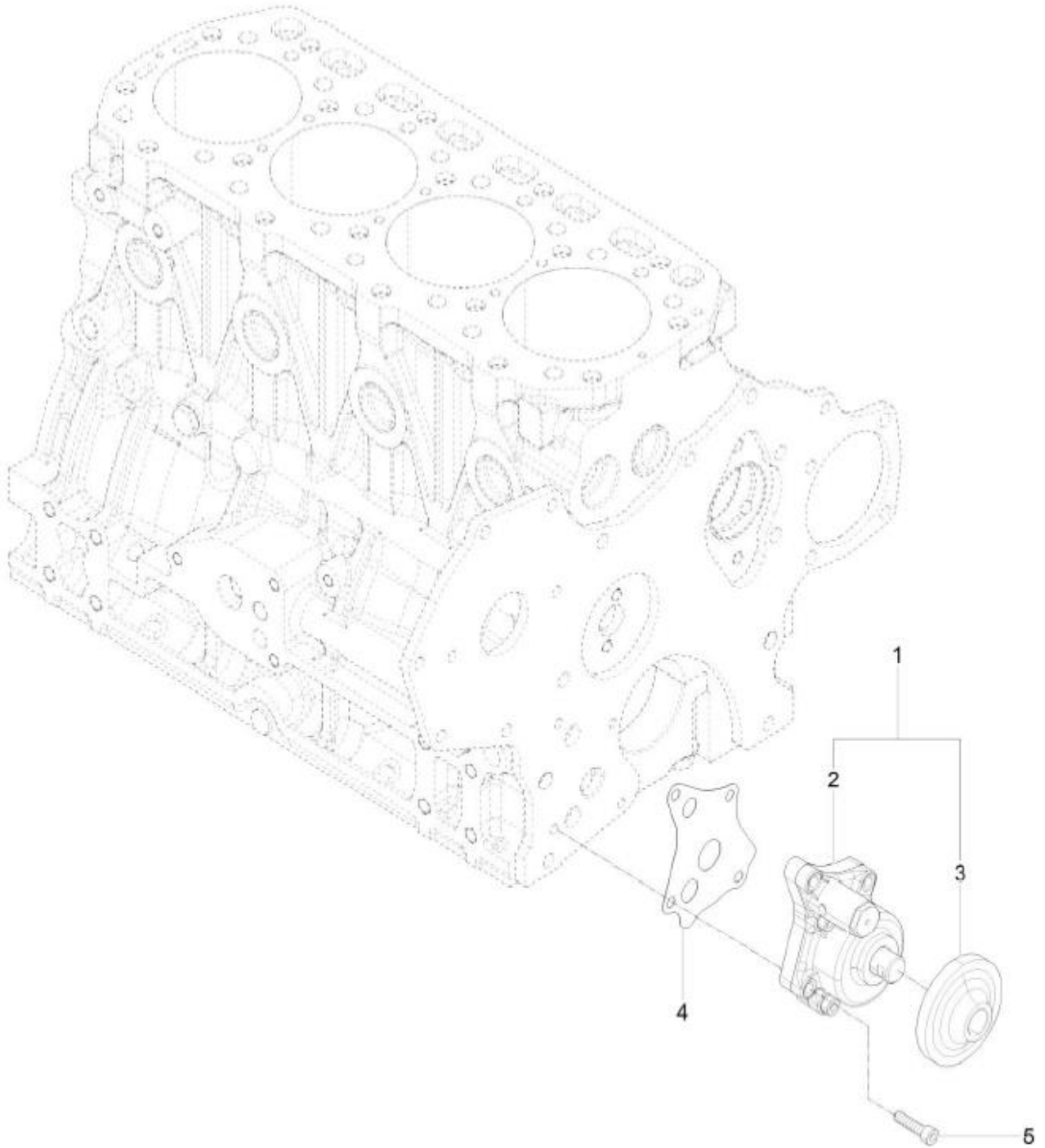
P1

YEAR

2018



T474ST



NOTE

FIG 112

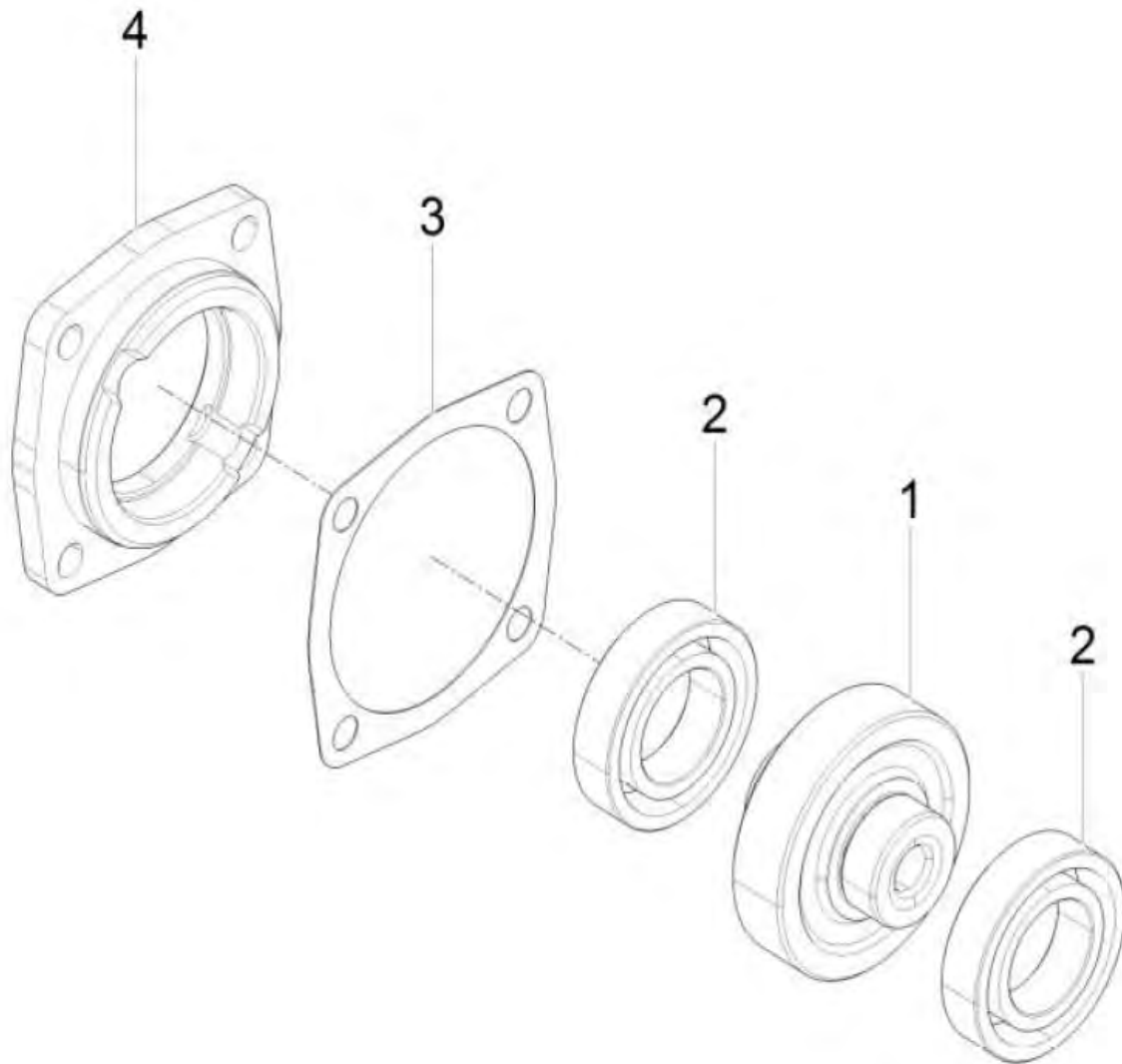
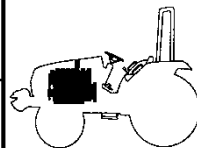
T474ST

HYD. PUMP DRIVE

P1

YEAR

2018



NOTE

FIG 113

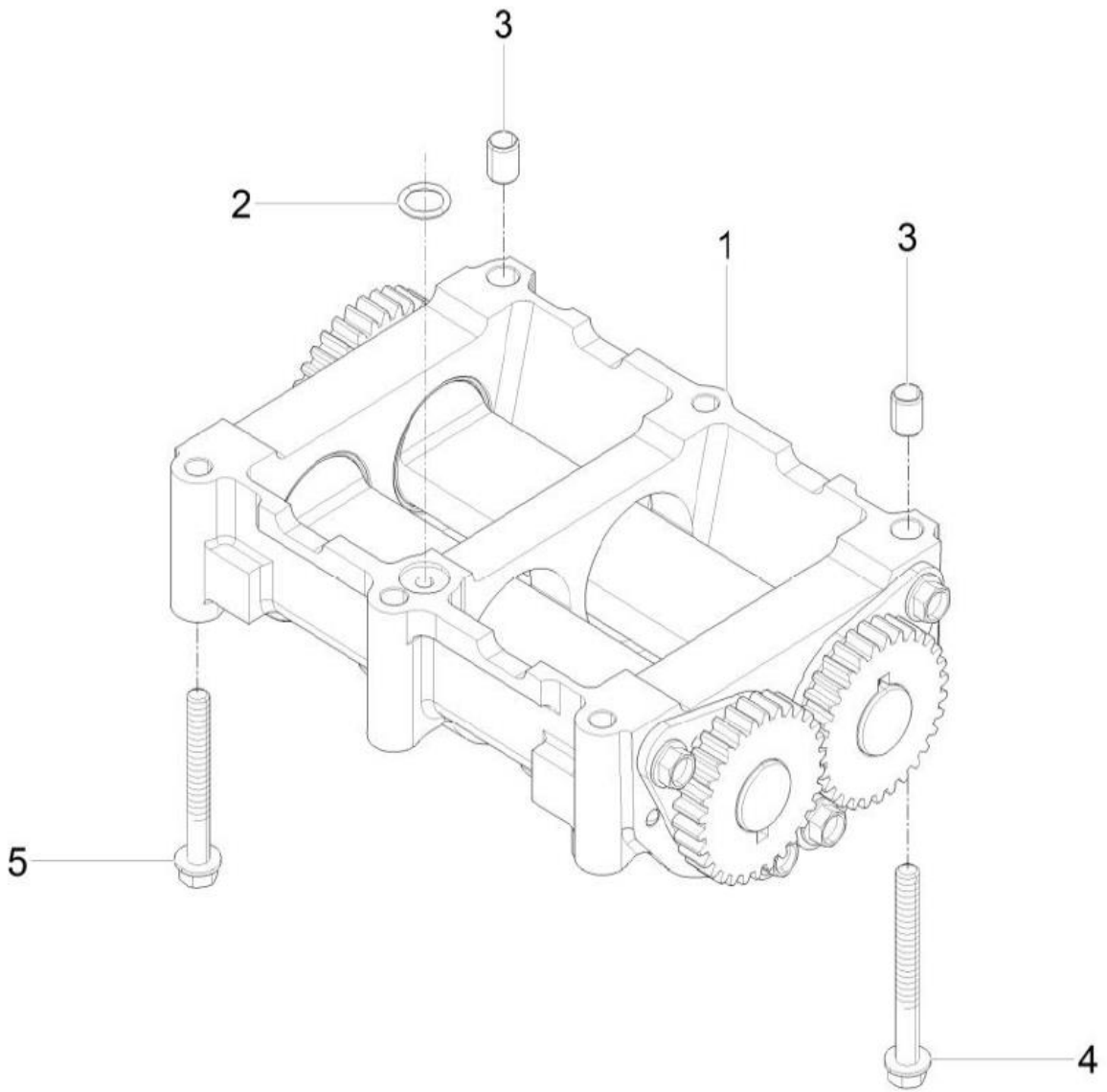
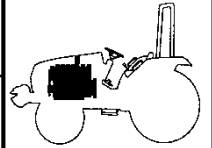
T474ST

2ND BALANCE

P1

YEAR

2018



NOTE

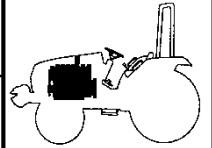
FIG 114

OIL PAN

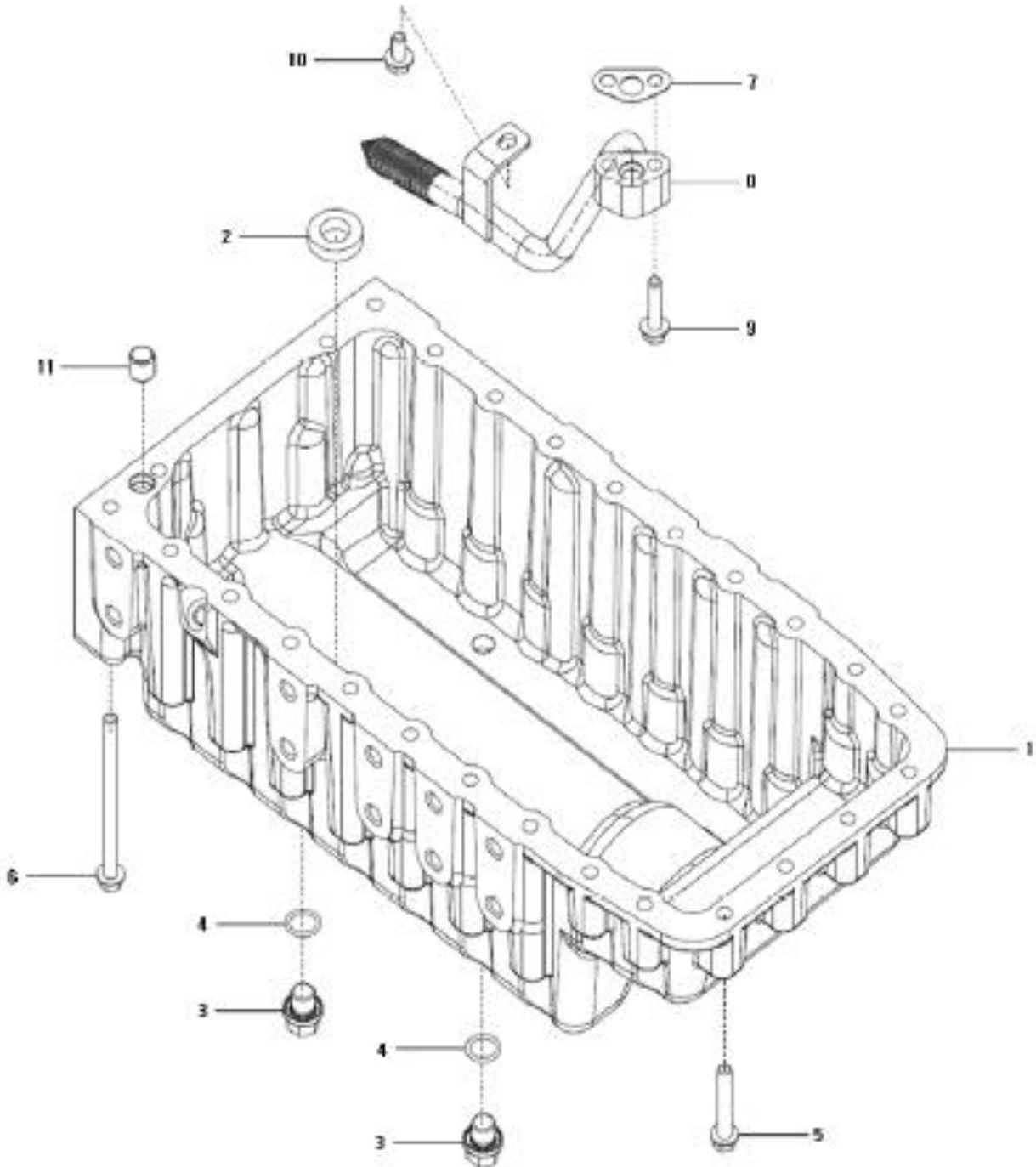
P1

YEAR

2018



T474ST



NOTE

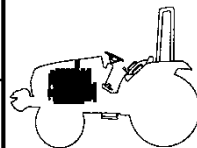
FIG 115

INTAKE MANIFOLD

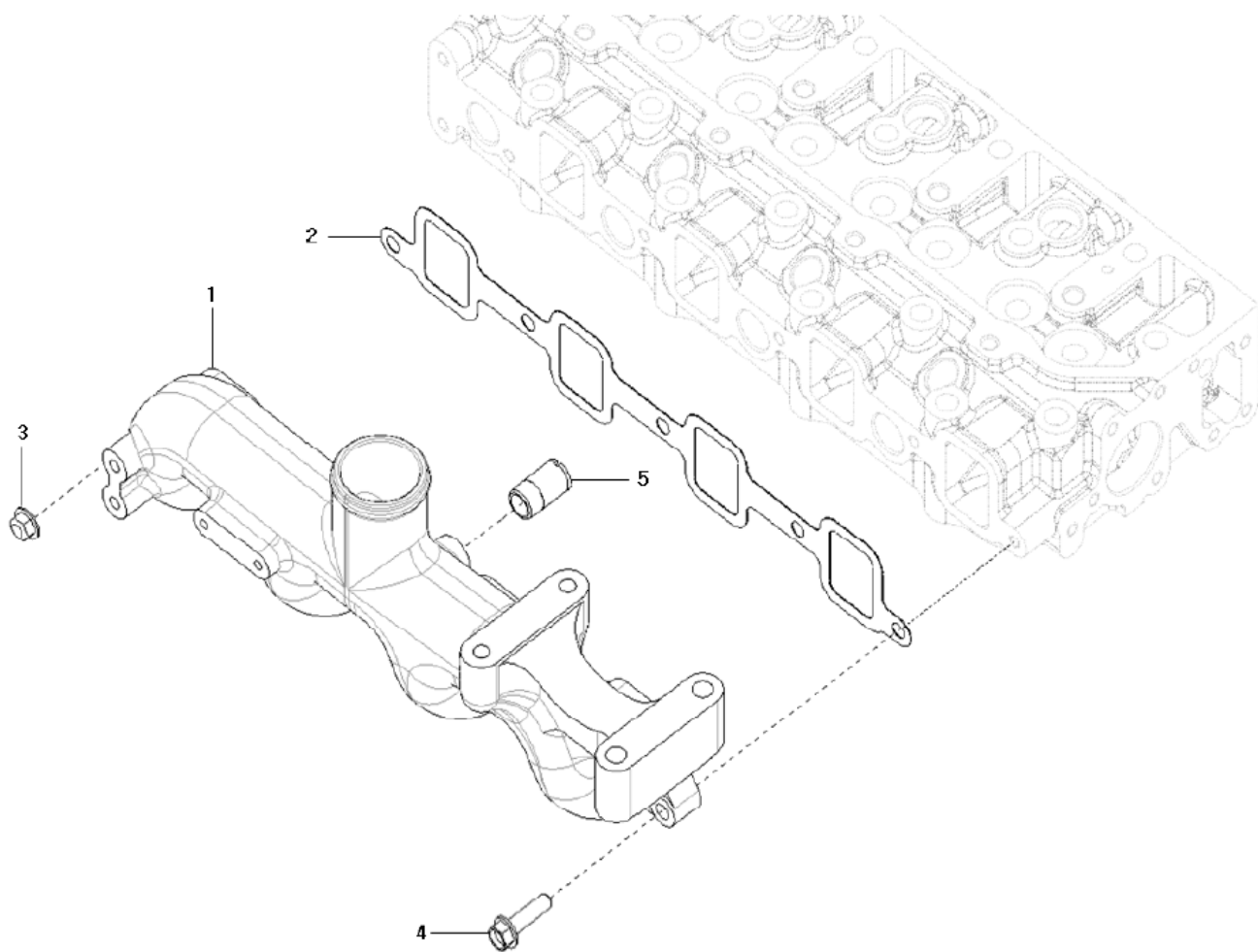
P1

YEAR

2018



T474ST



NOTE

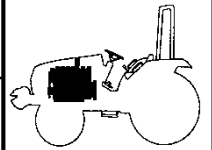
FIG 116

EXHAUST MANIFOLD

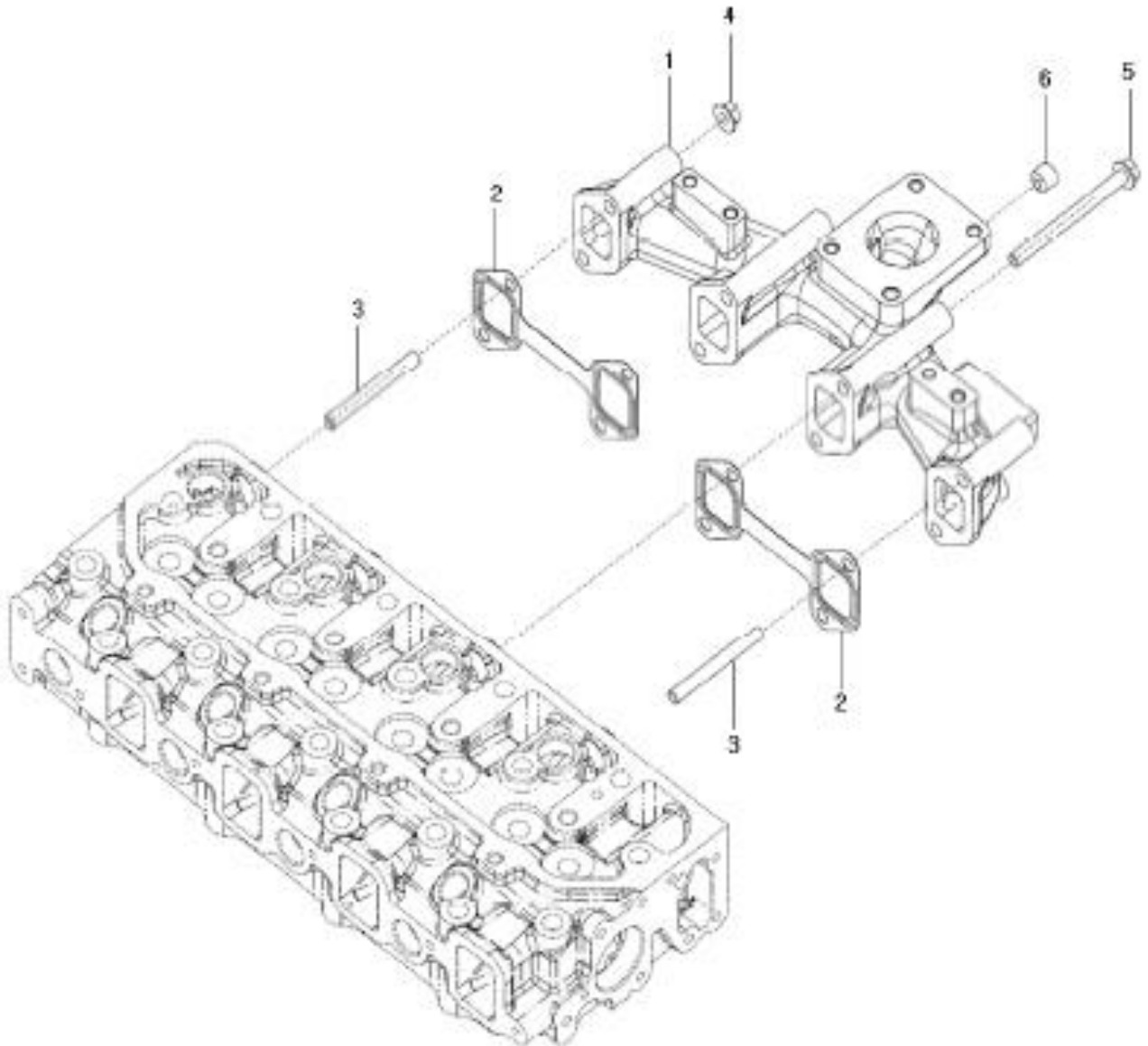
P1

YEAR

2018



T474ST



NOTE

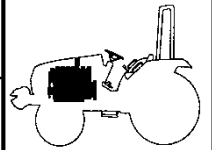
FIG 117

DPF SUPPORT OPTION

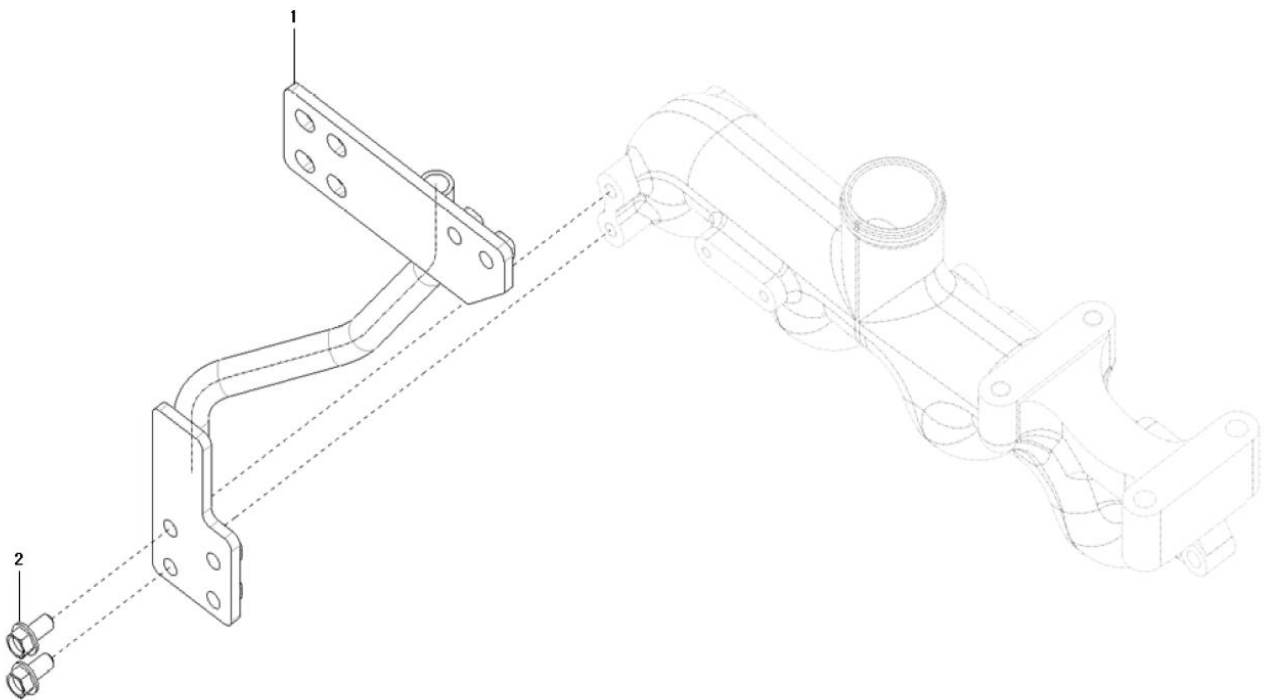
P1

YEAR

2018



T474ST



NOTE

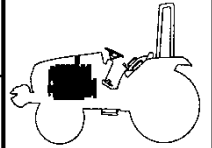
FIG 118

TURBOCHARGER PLUMBING OPTION

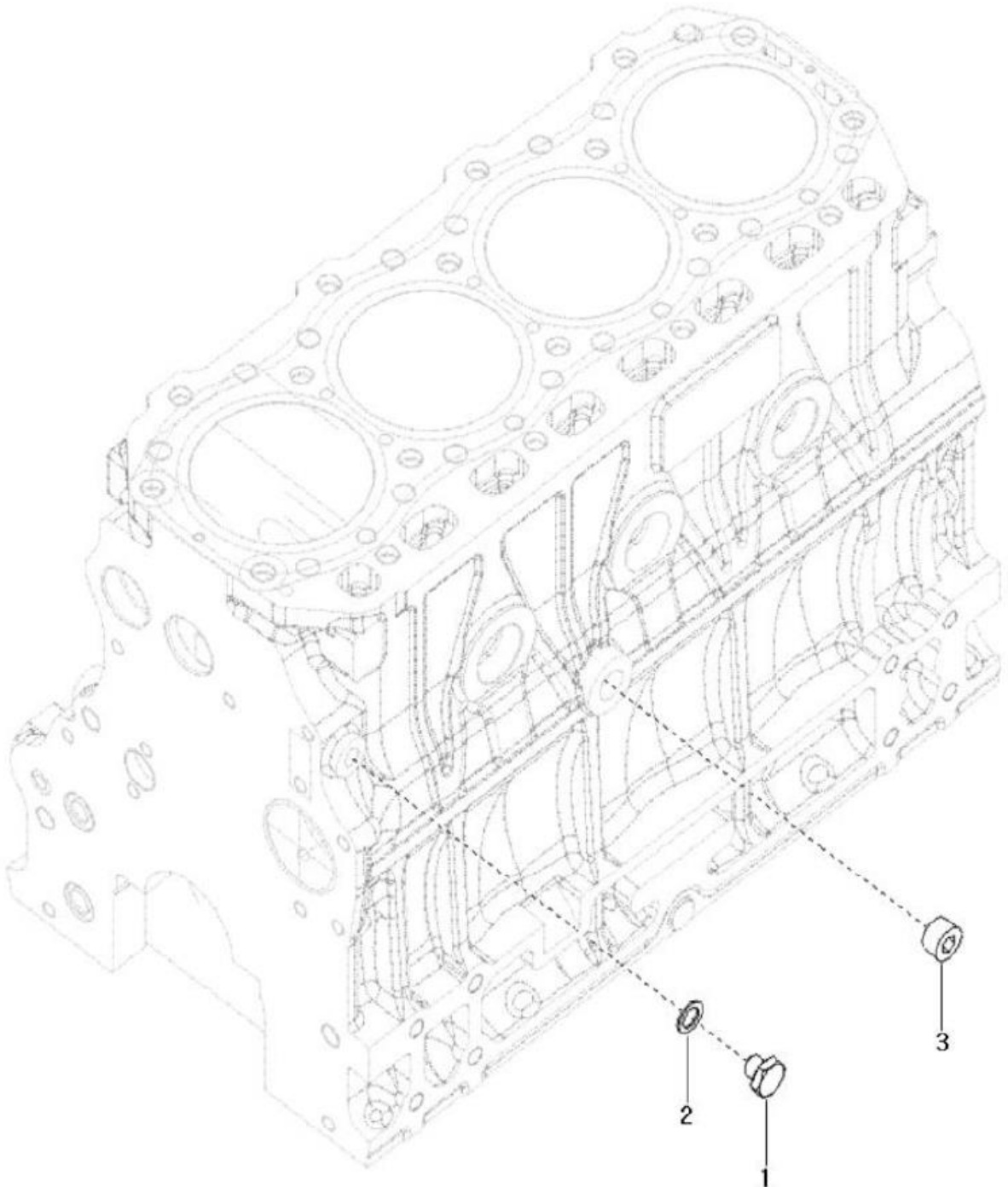
P1

YEAR

2018



T474ST



NOTE

FIG 119

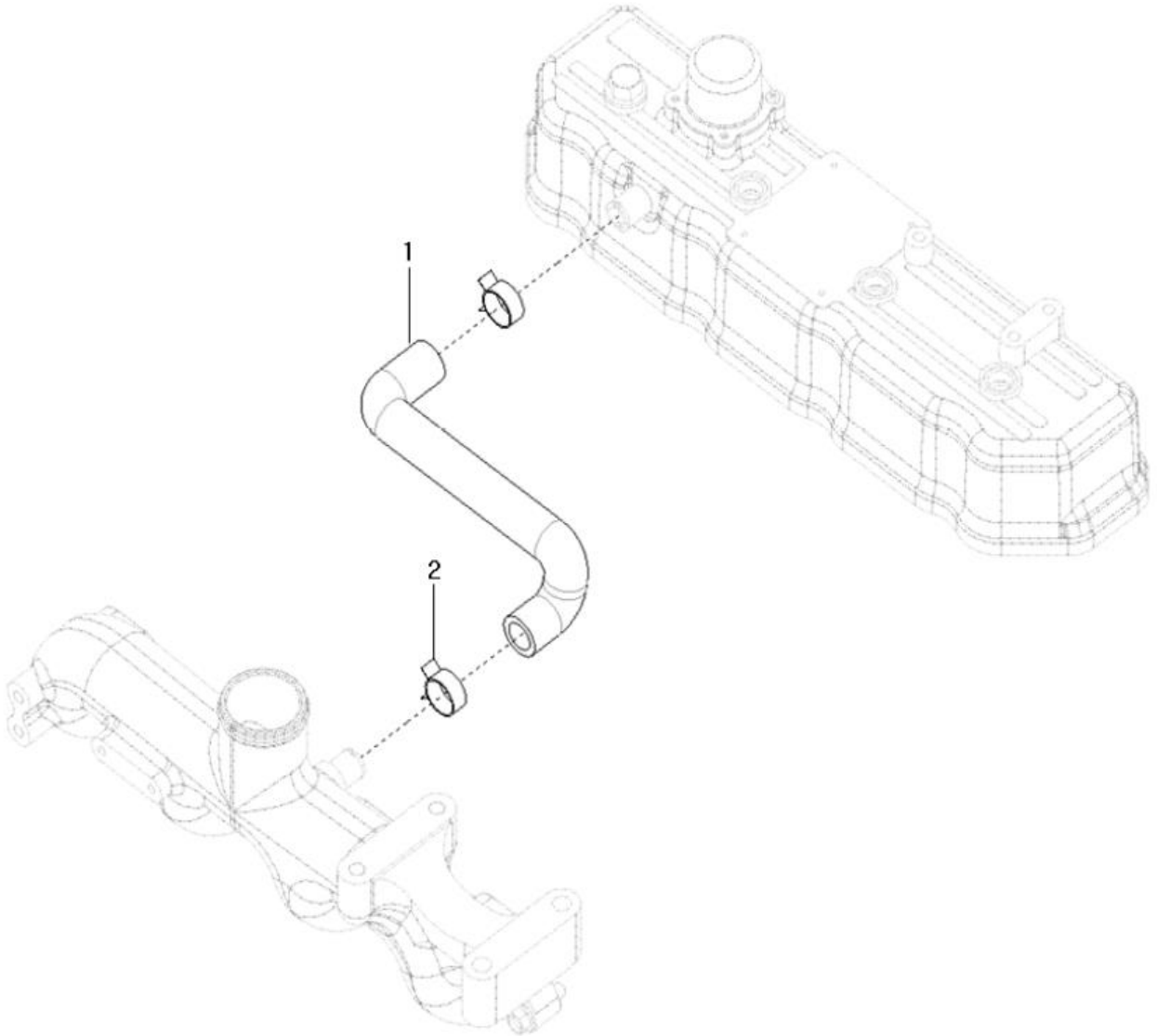
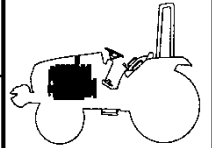
T474ST

BREATHER

P1

YEAR

2018



NOTE

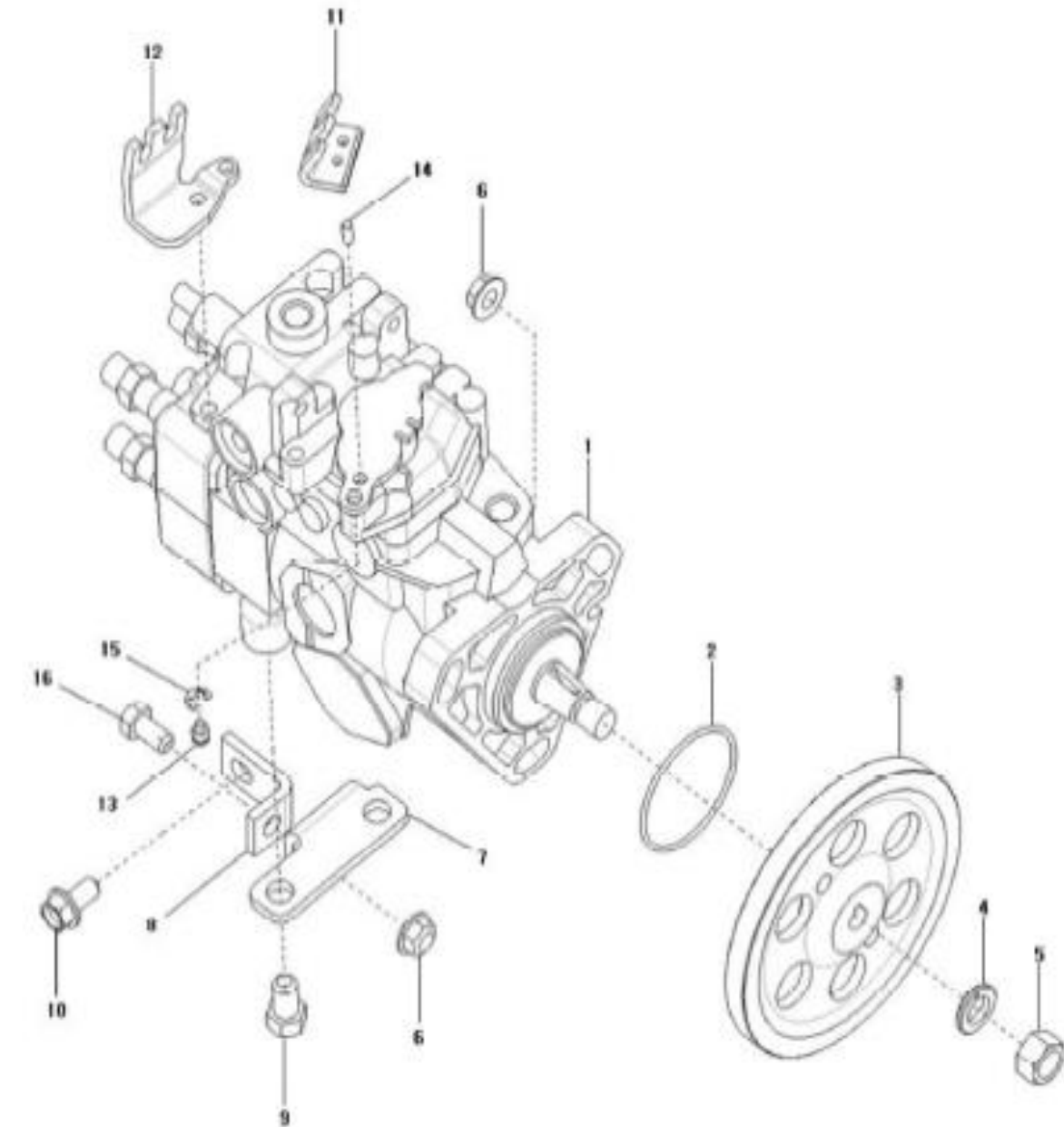
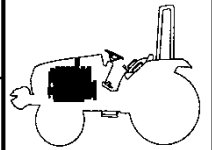
FIG 120

FUEL INJECTION PUMP

P1

YEAR

2018



NOTE

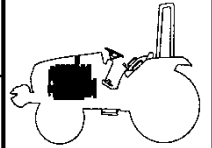
FIG 121

FUEL INJECTION VALVE

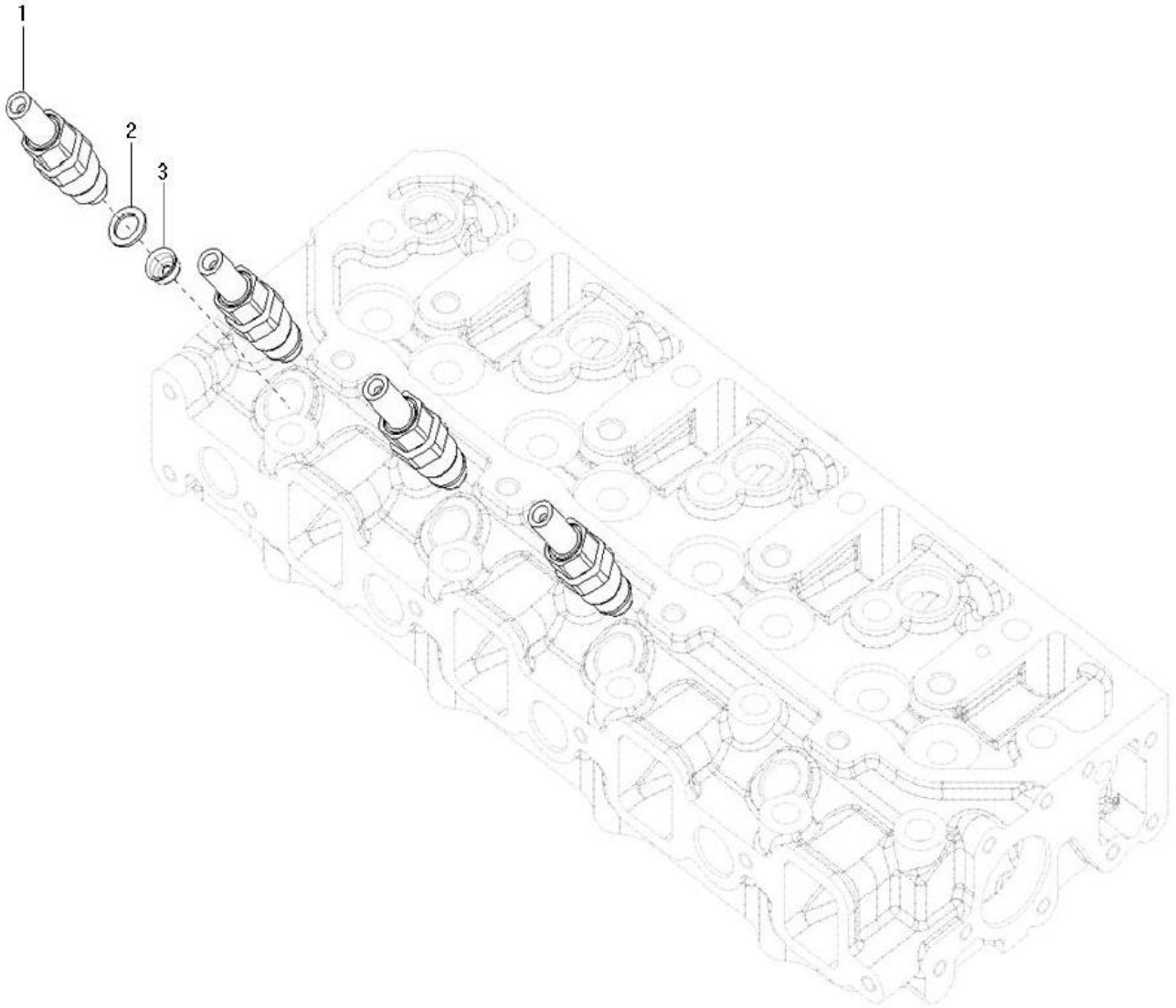
P1

YEAR

2018



T474ST



NOTE

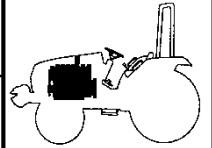
FIG 122

FUEL PIPE ASS'Y

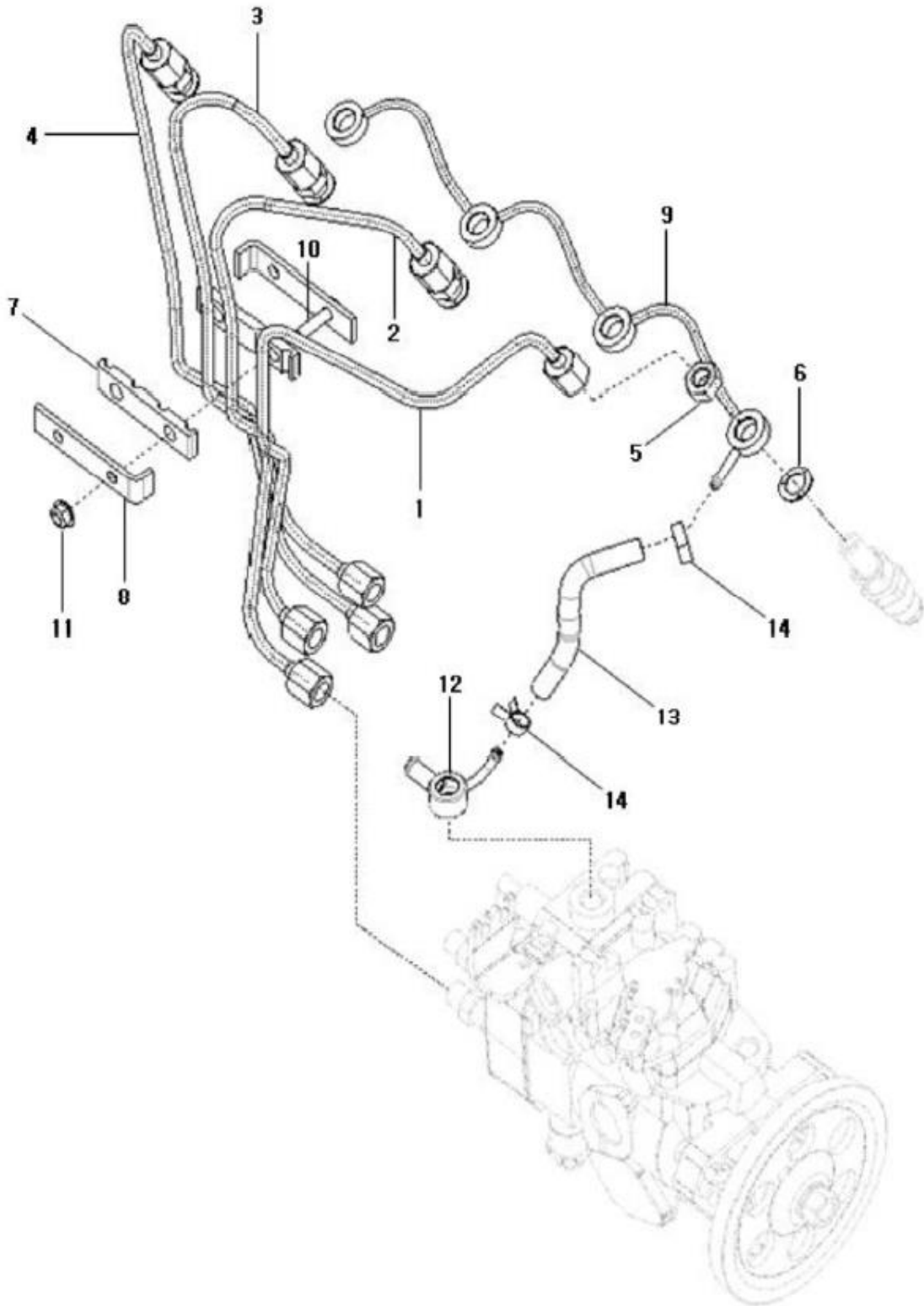
P1

YEAR

2018



T474ST



NOTE

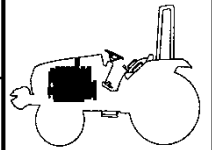
FIG 123

OIL FILTER

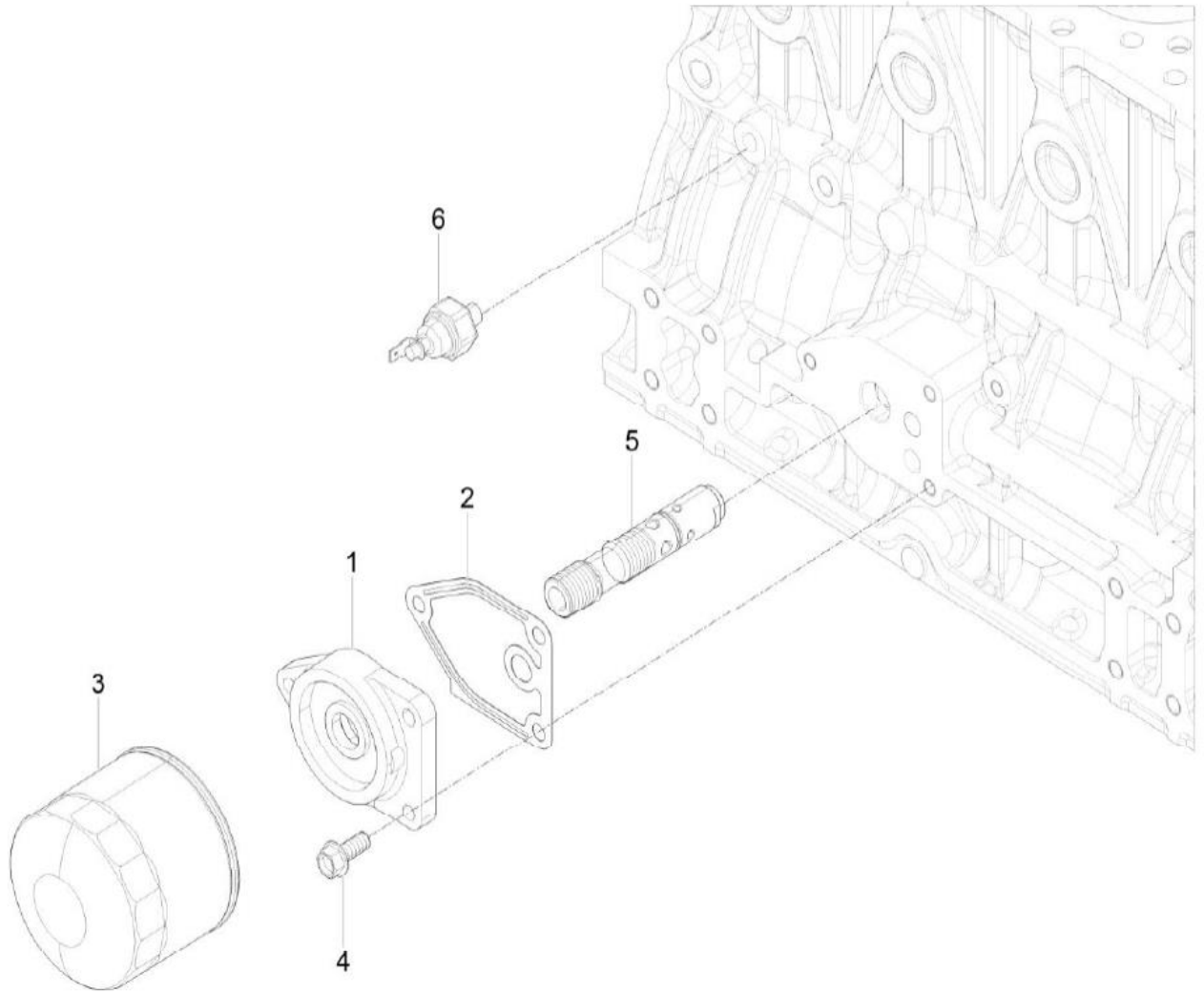
P1

YEAR

2018



T474ST



NOTE

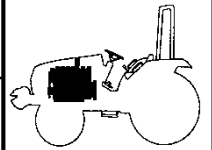
FIG 124

OIL COOLER

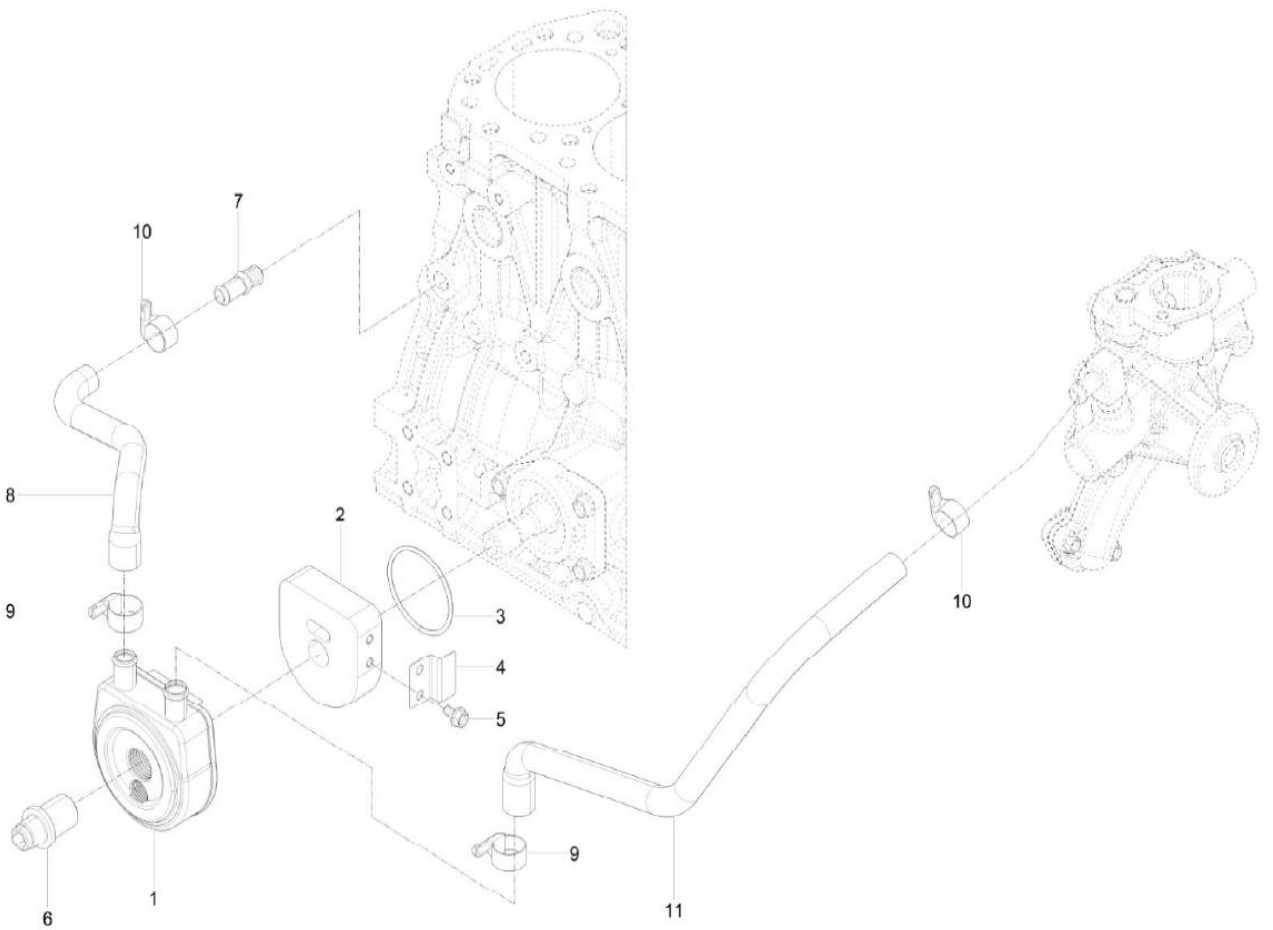
P1

YEAR

2018



T474ST



NOTE

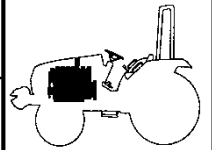
FIG 125

OIL GAUGUE

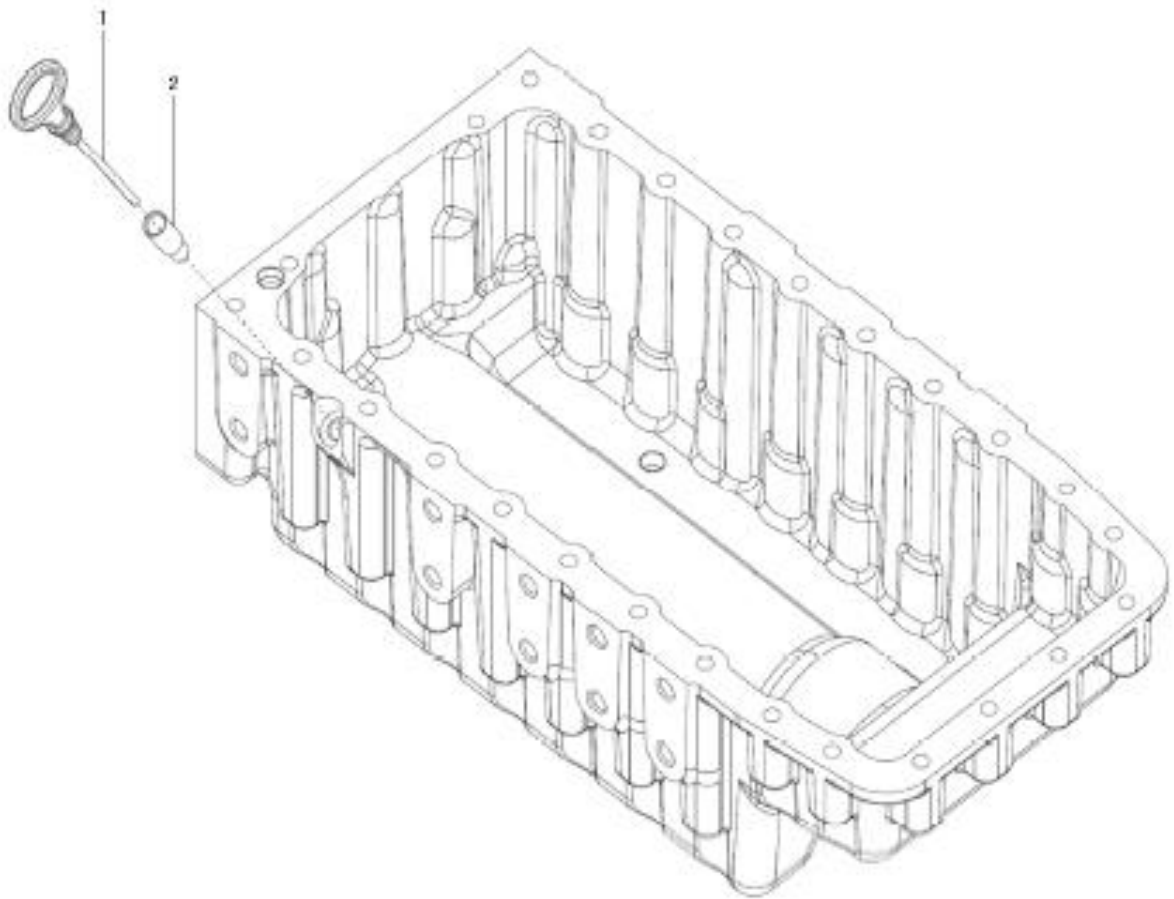
P1

YEAR

2018



T474ST



NOTE

FIG 126

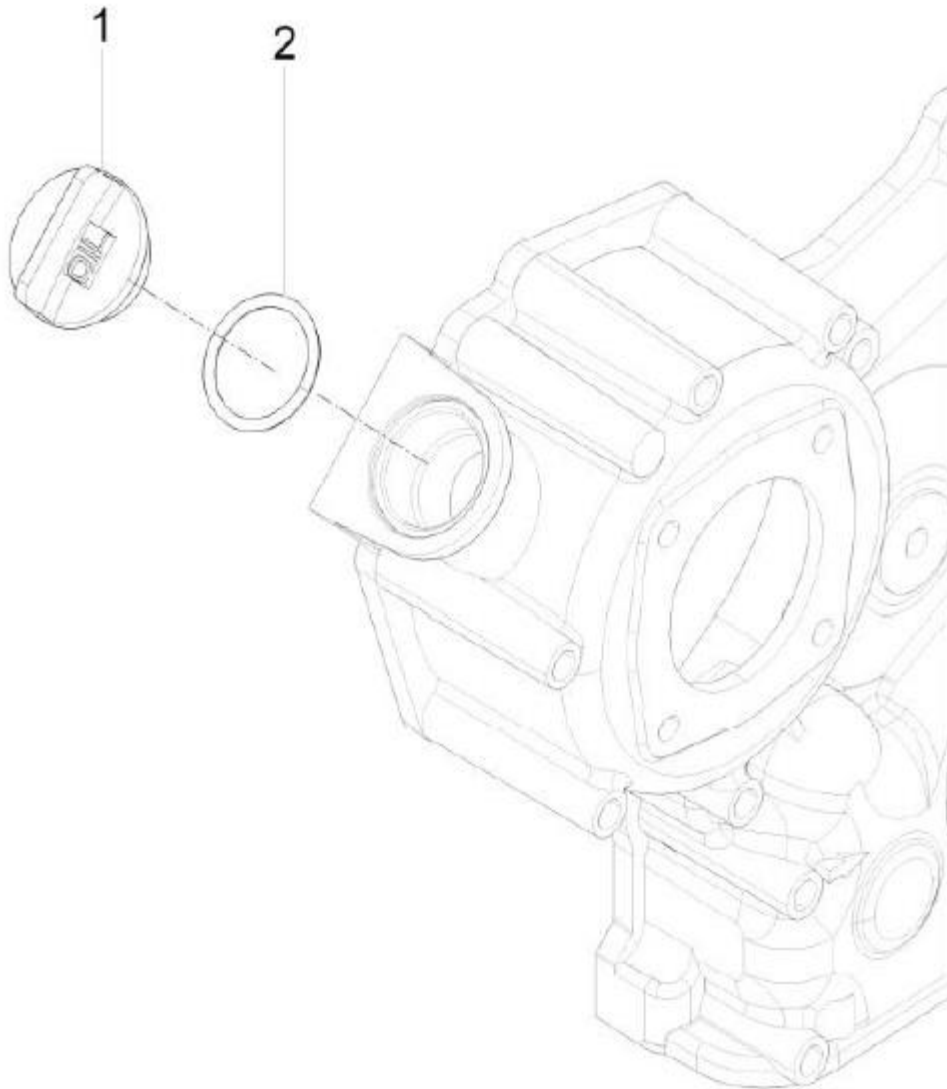
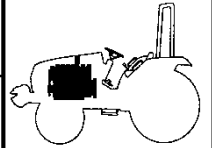
T474ST

OIL FILLER CAP

P1

YEAR

2018



NOTE

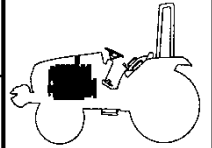
FIG 127

COOLING WATER PUMP

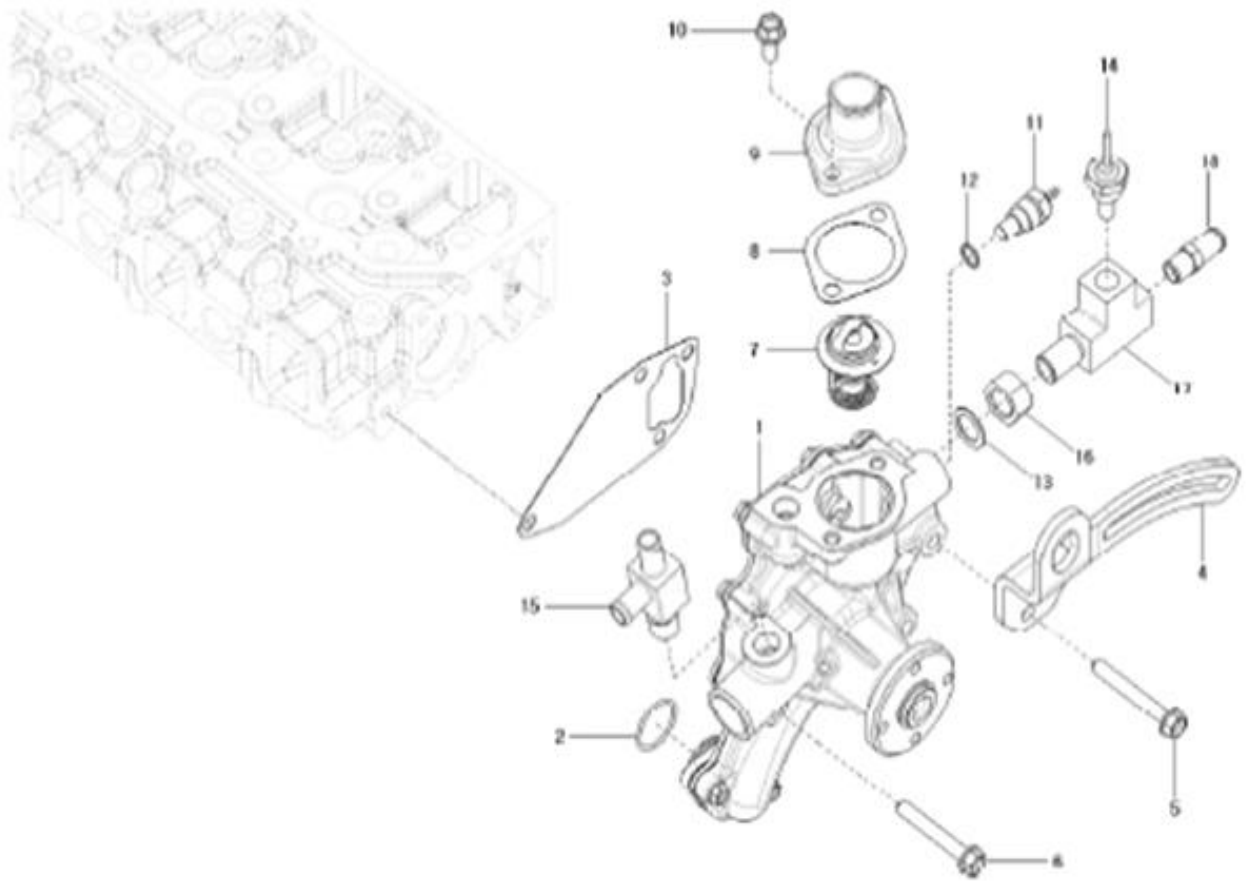
P1

YEAR

2018



T474ST



NOTE

FIG 128

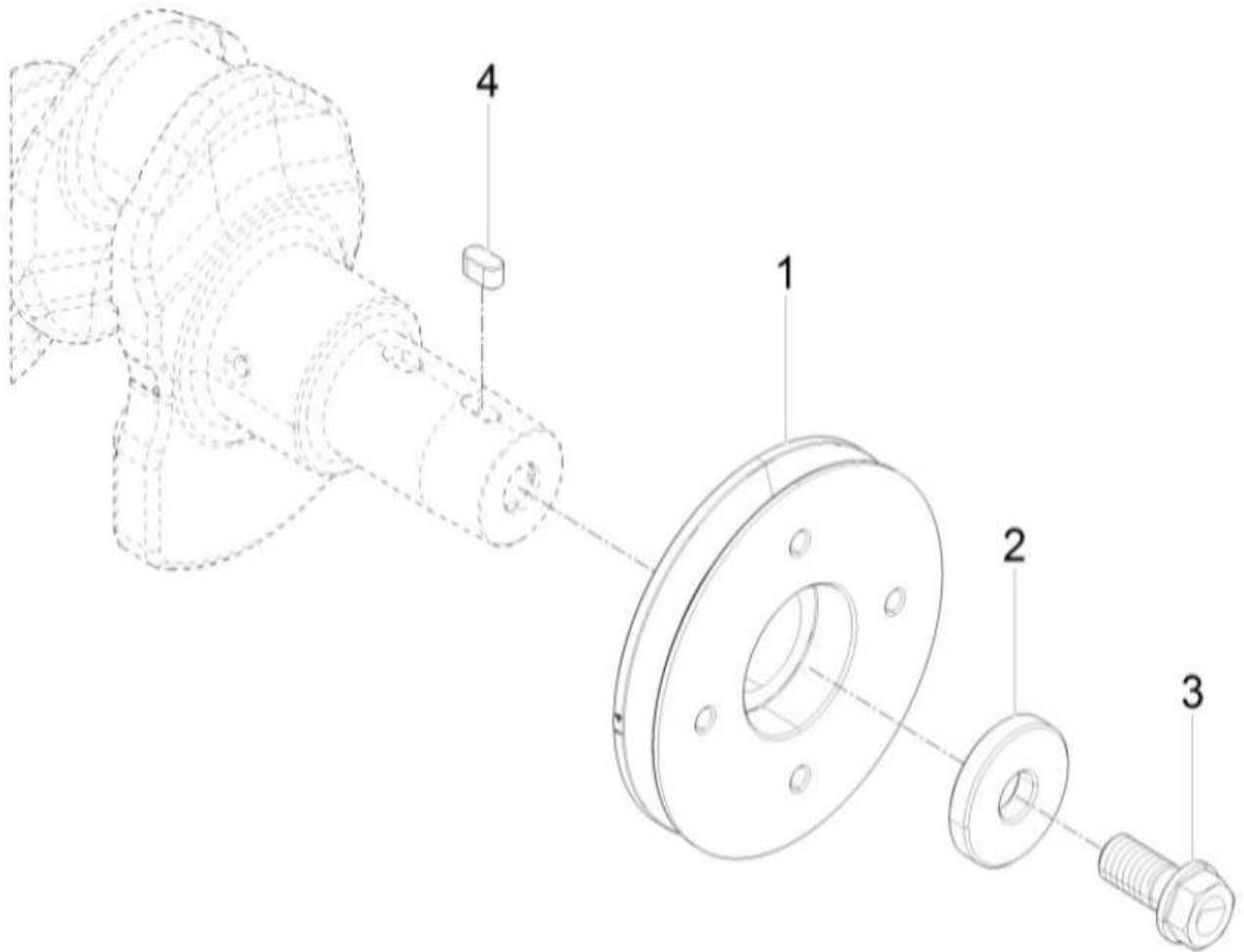
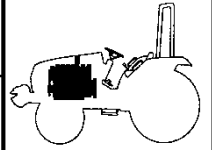
T474ST

CRANK SHAFT PULLEY

P1

YEAR

2018



NOTE

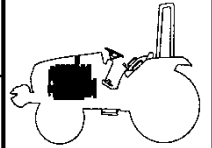
FIG 129

V-PULLEY

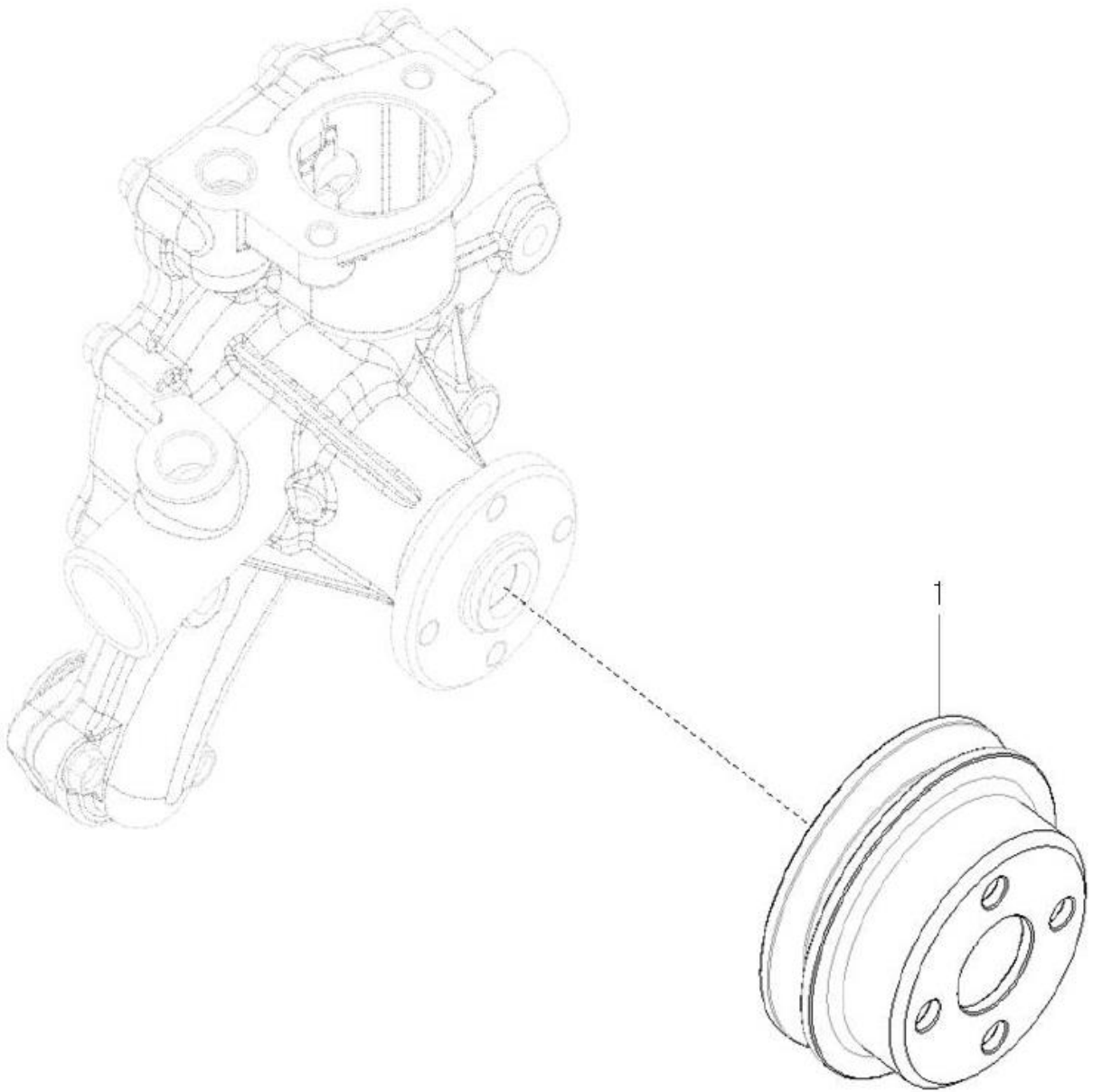
P1

YEAR

2018



T474ST



NOTE

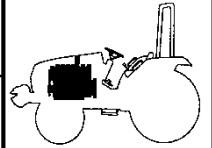
FIG 130

COOLING FAN

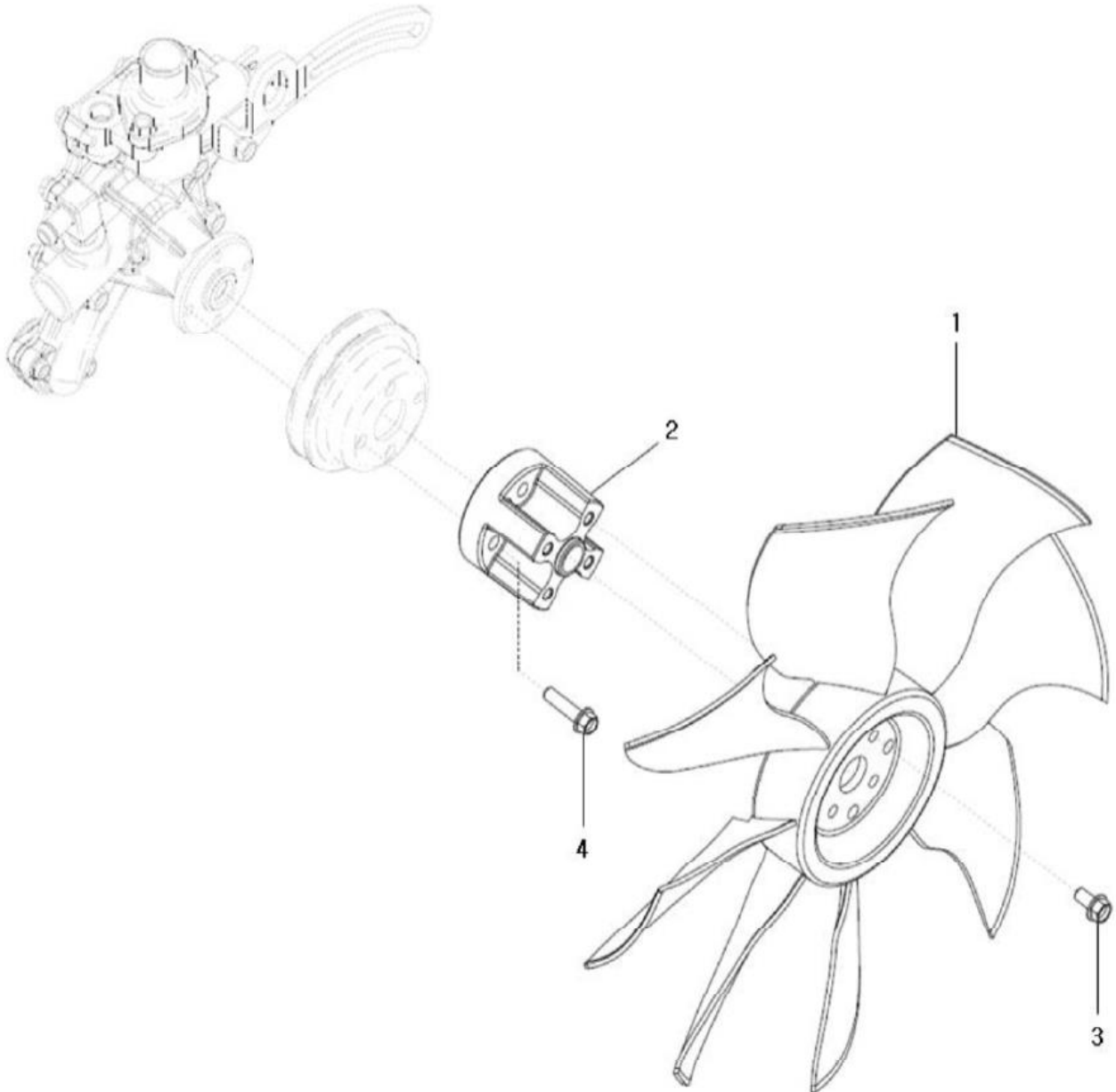
P1

YEAR

2018



T474ST



NOTE

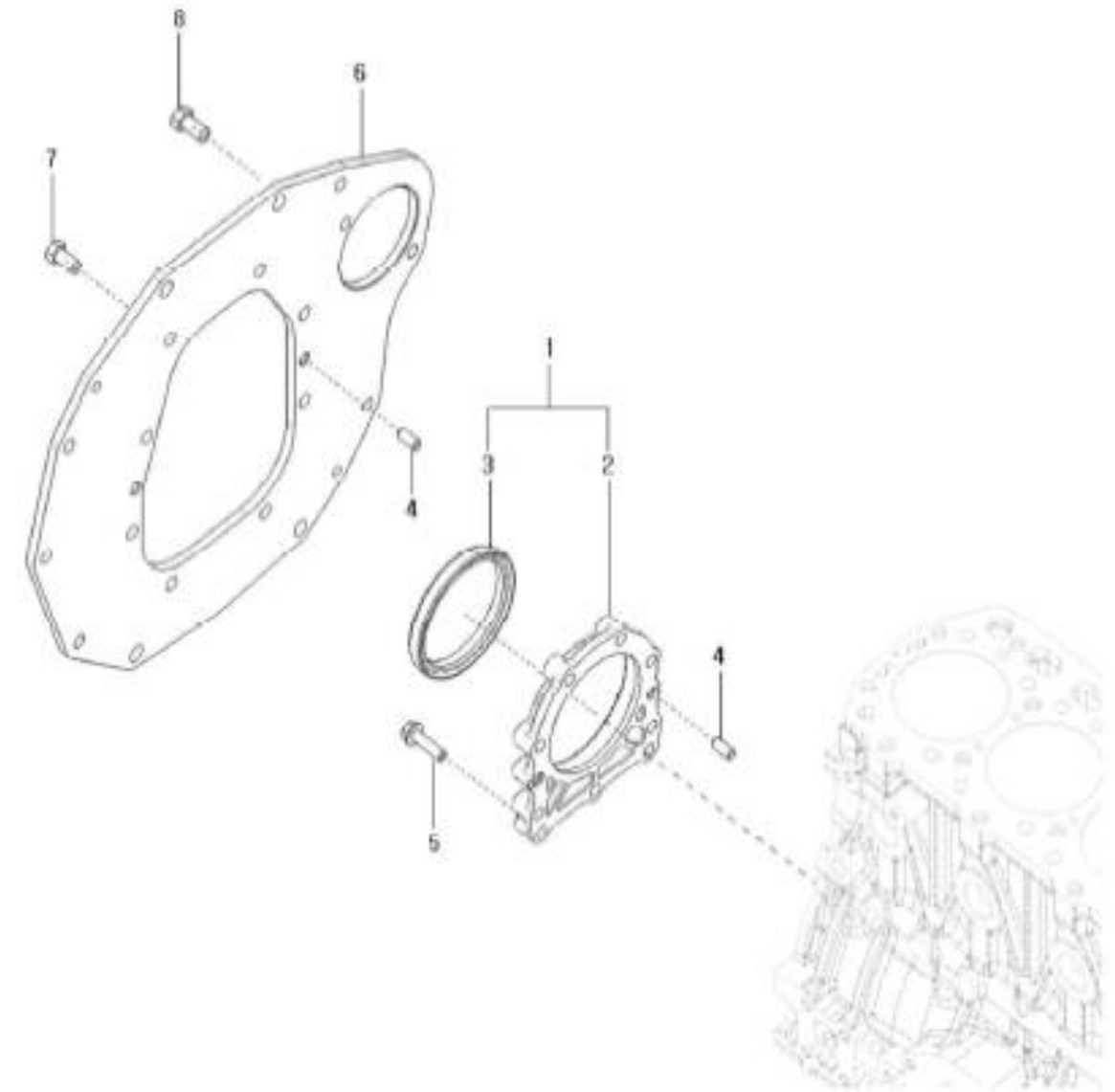
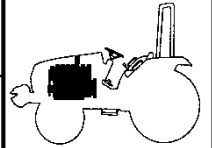
FIG 131

FLYWHEEL HOUSING

P1

YEAR

2018



NOTE

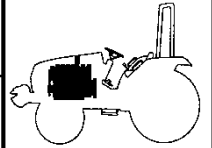
FIG 132

FLYWHEEL

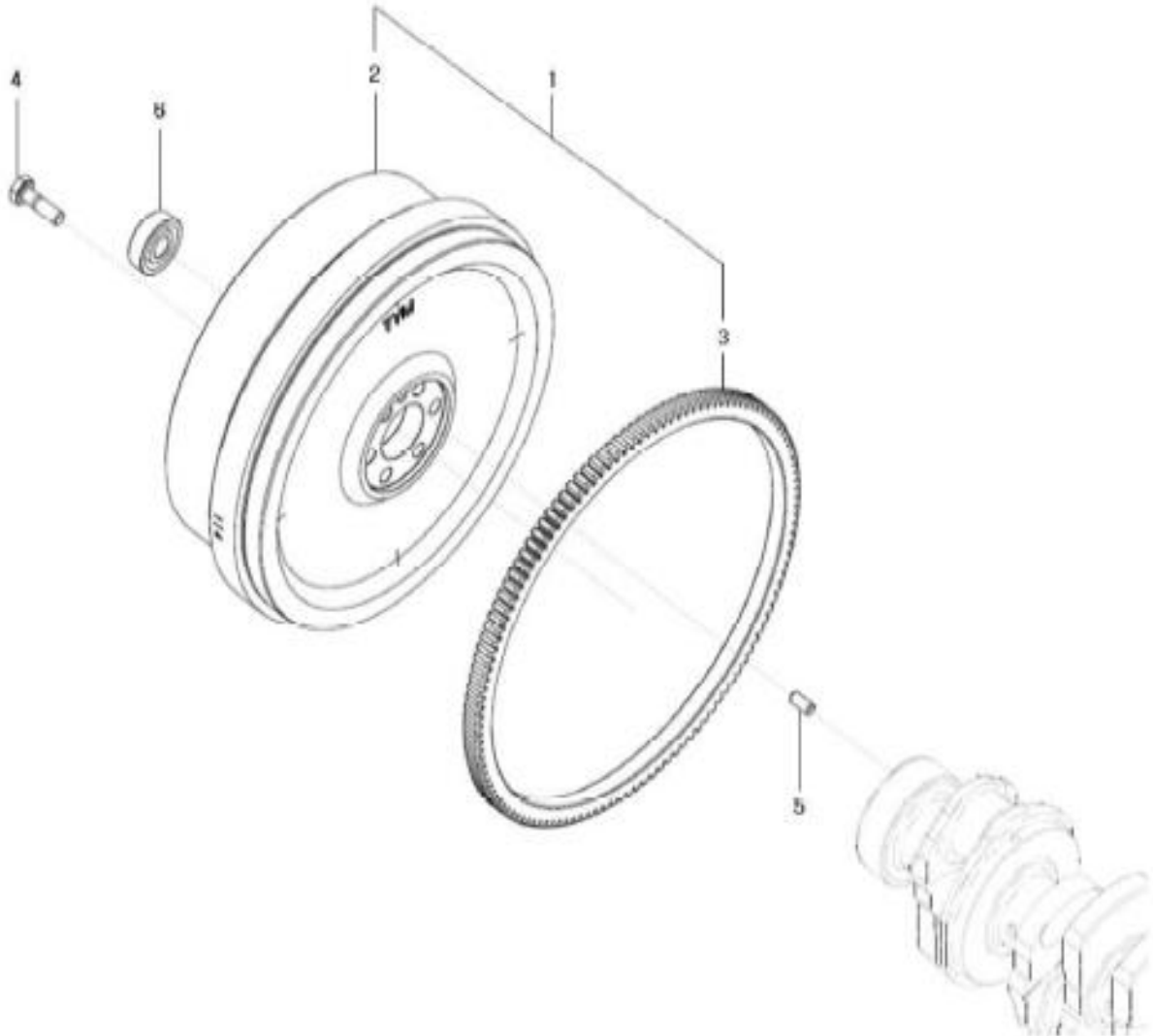
P1

YEAR

2018



T474ST



NOTE

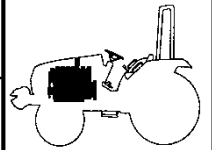
FIG 133

GLOW PLUG ASS'Y OPTION

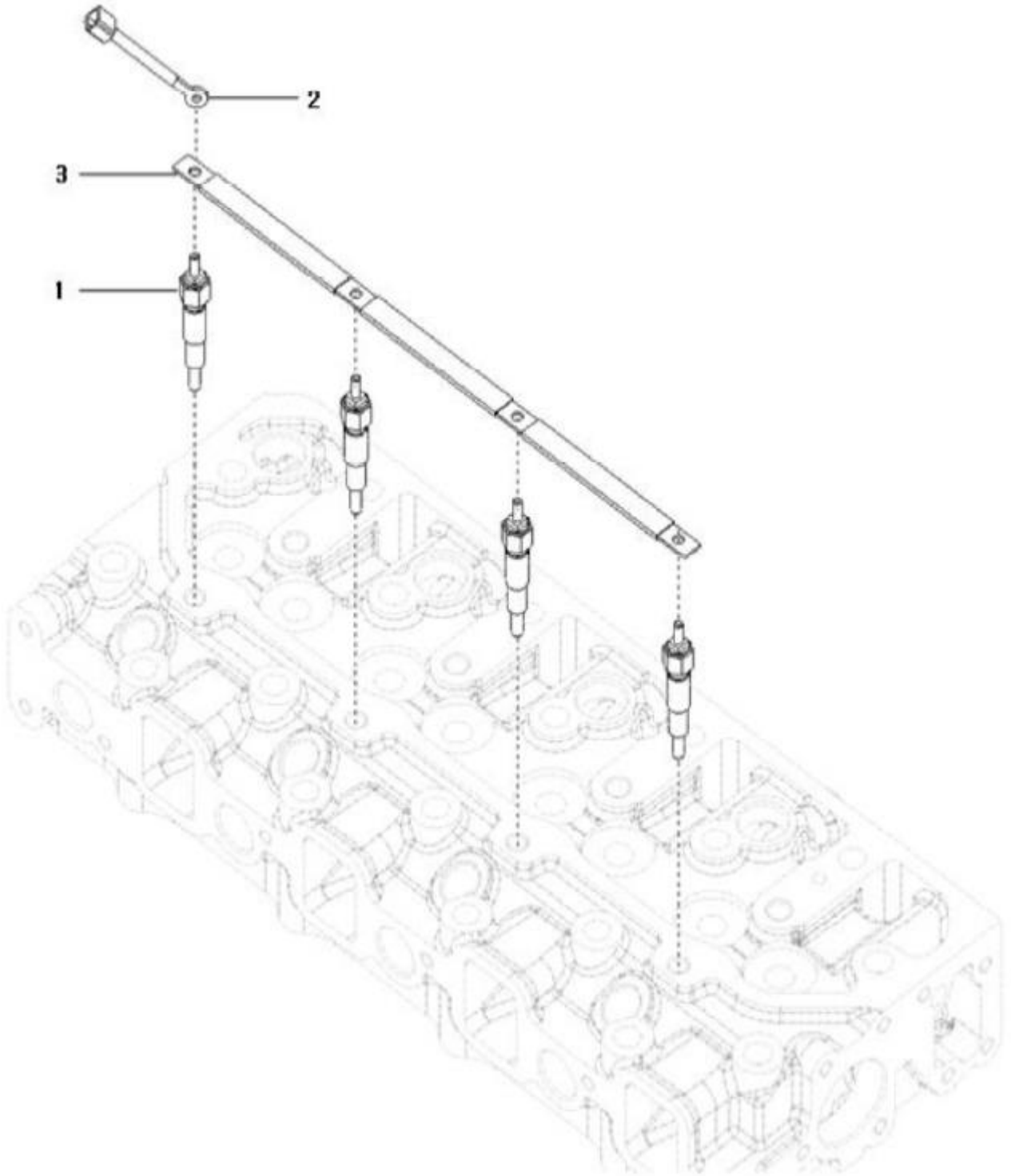
P1

YEAR

2018



T474ST



NOTE

FIG 134

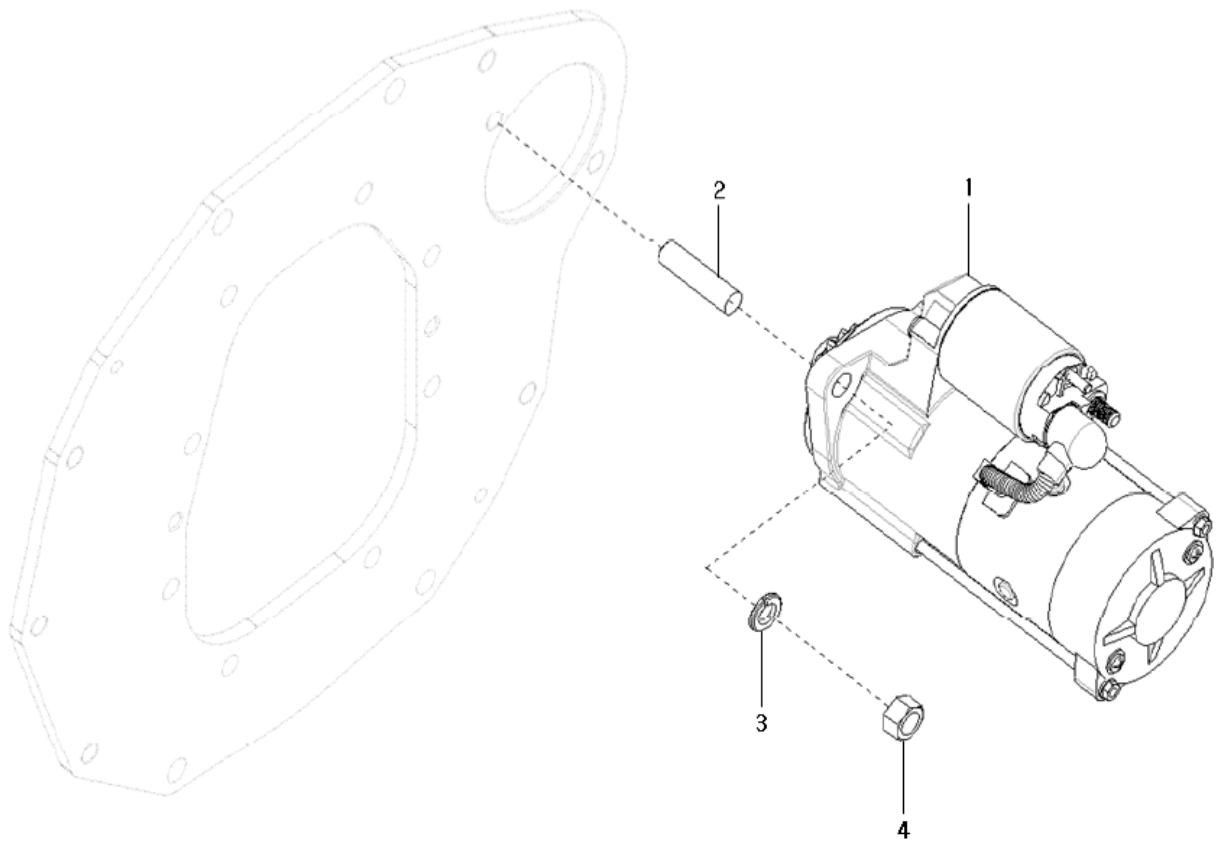
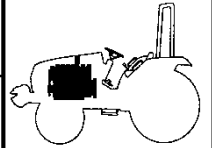
T474ST

STARTING MOTOR

P1

YEAR

2018



NOTE

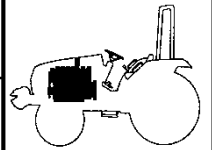
FIG 135

FUEL FILTER BRACKET ASS'Y

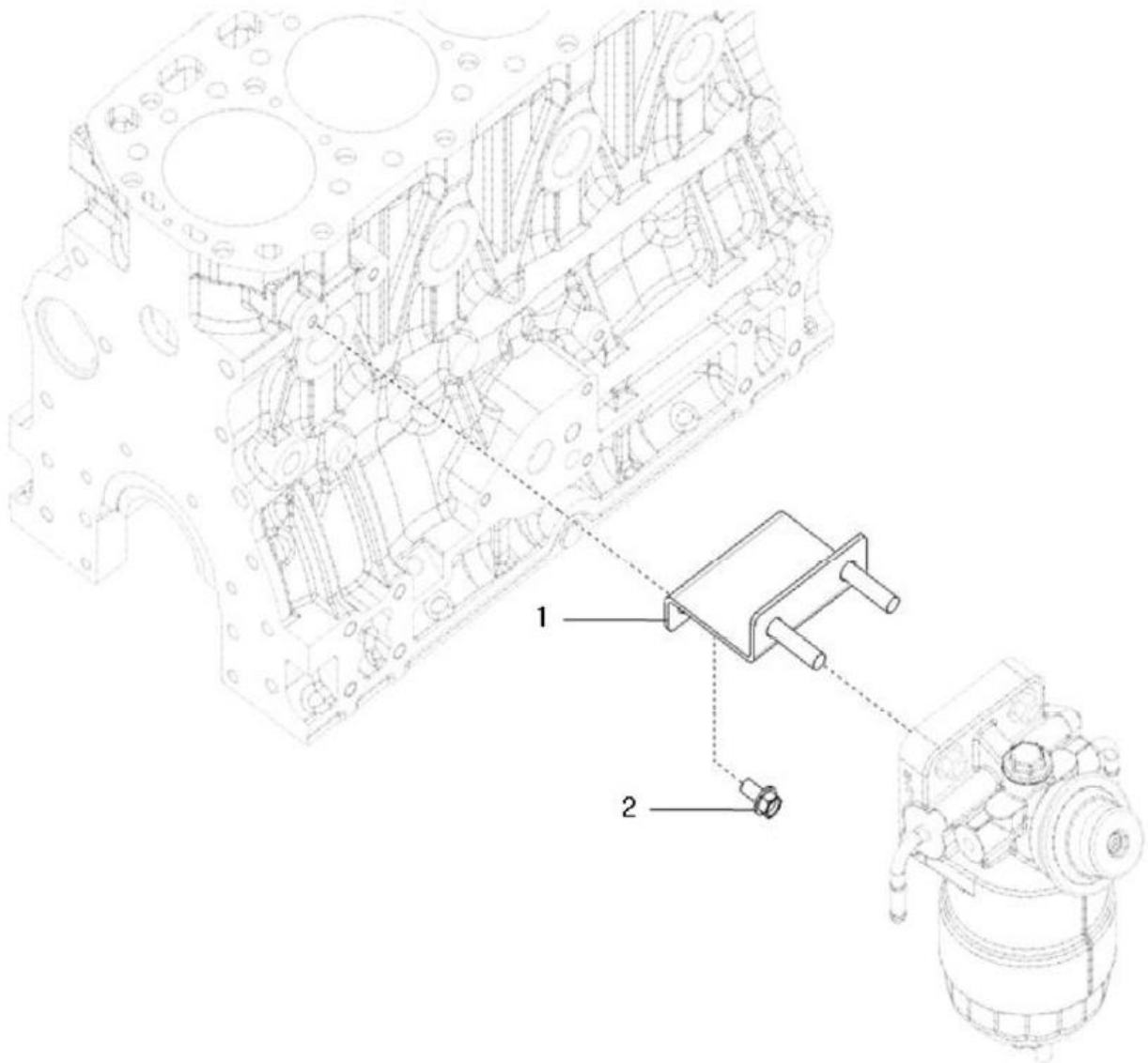
P1

YEAR

2018



T474ST



NOTE

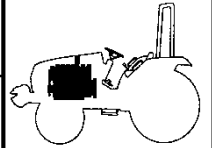
FIG 136

ALTERNATOR

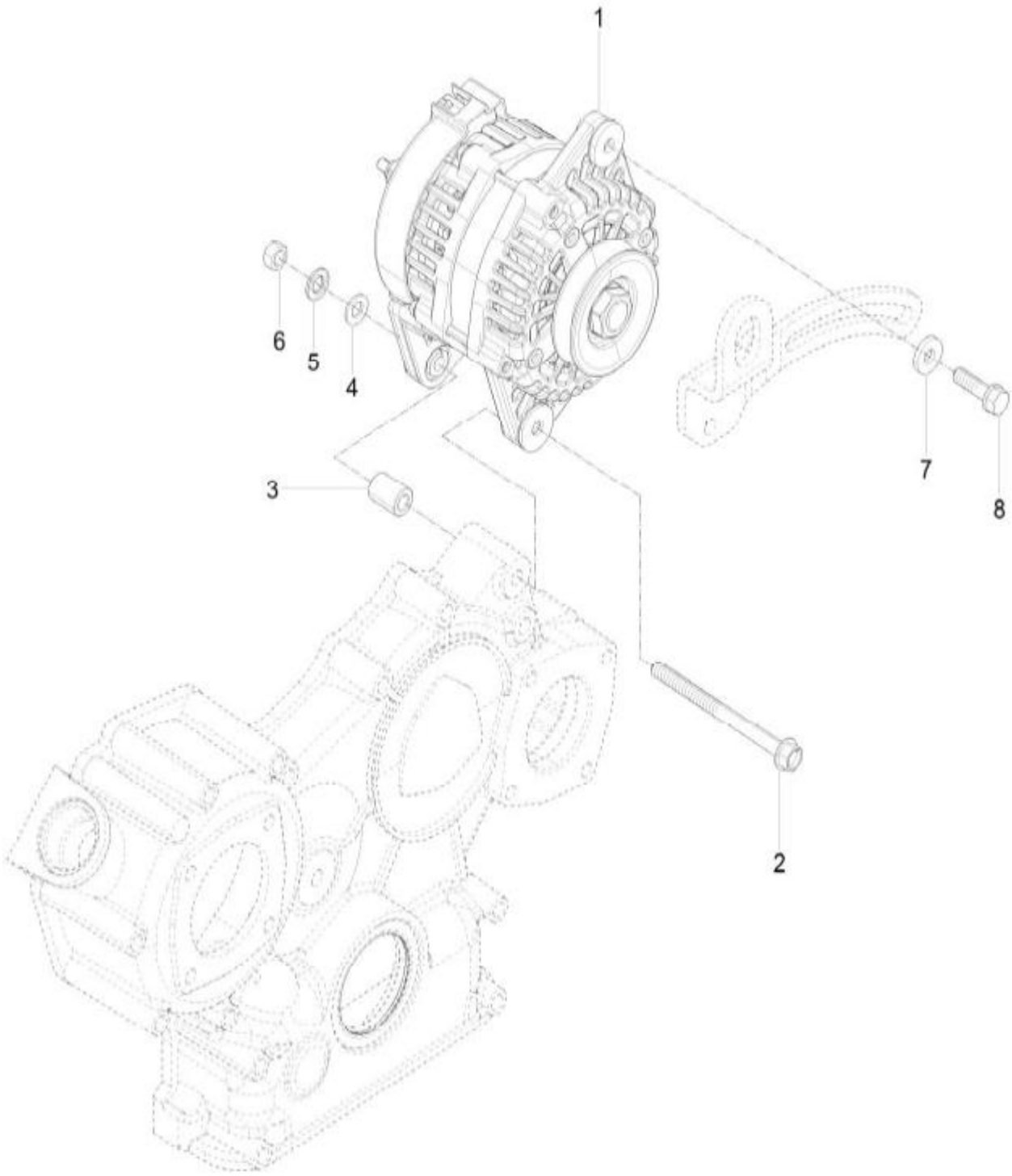
P1

YEAR

2018



T474ST



NOTE

FIG 137

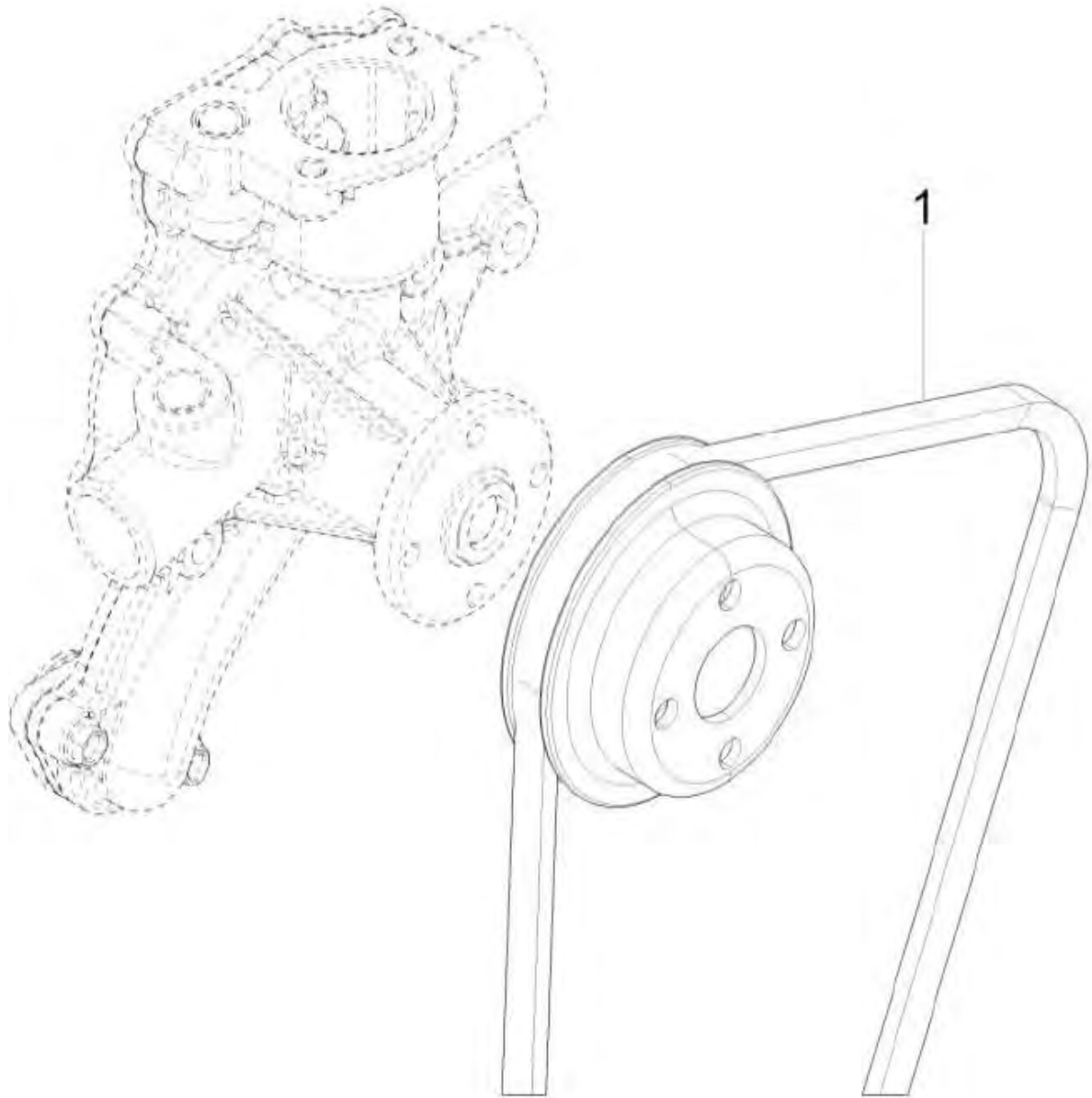
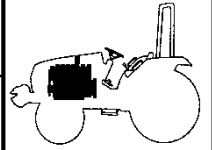
T474ST

V-BELT

P1

YEAR

2018



NOTE

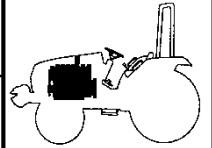
FIG 138

FUEL FILTER

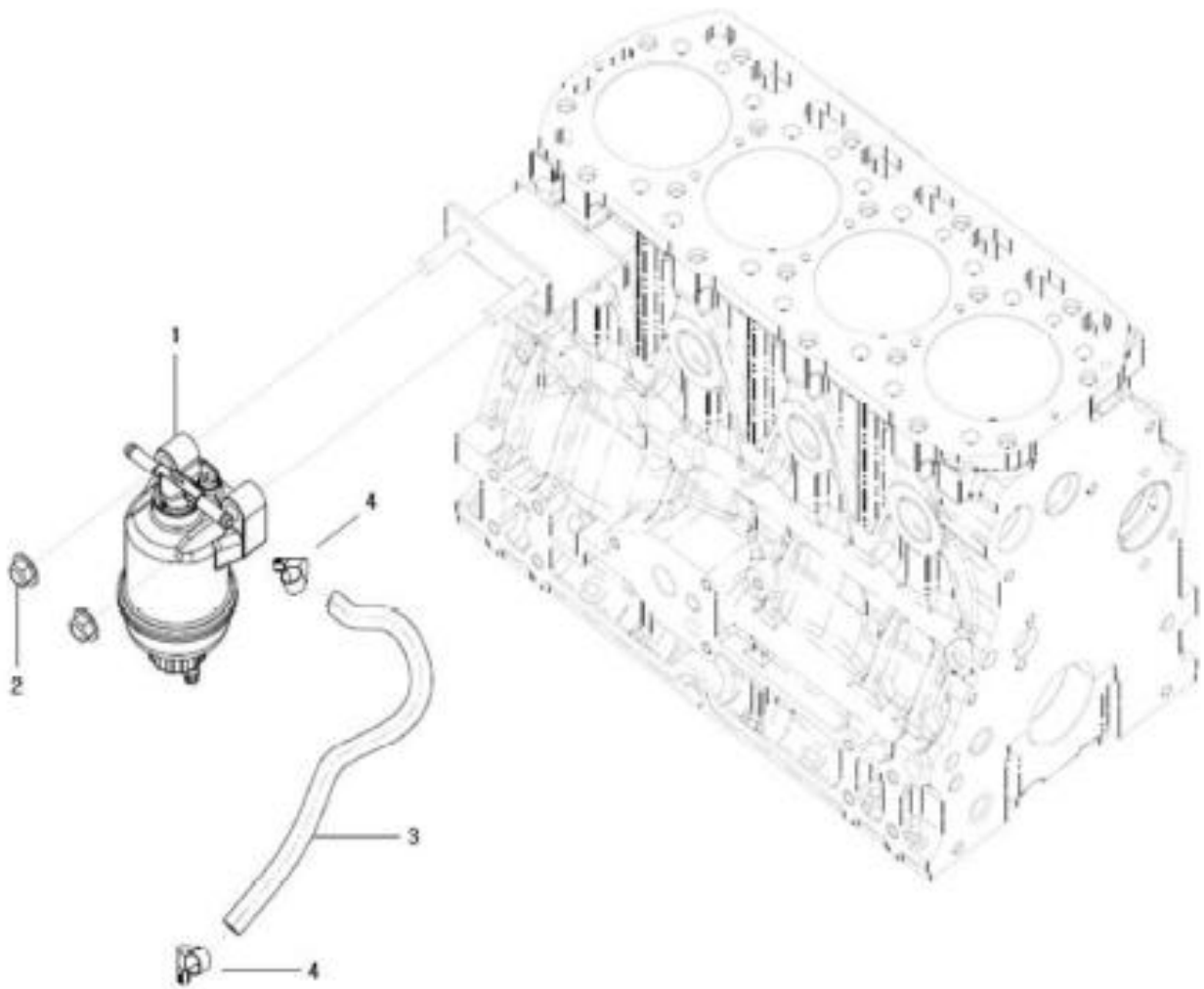
P1

YEAR

2018



T474ST



NOTE

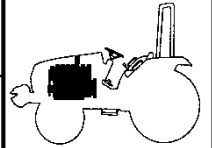
FIG 139

OPF SUPPORT

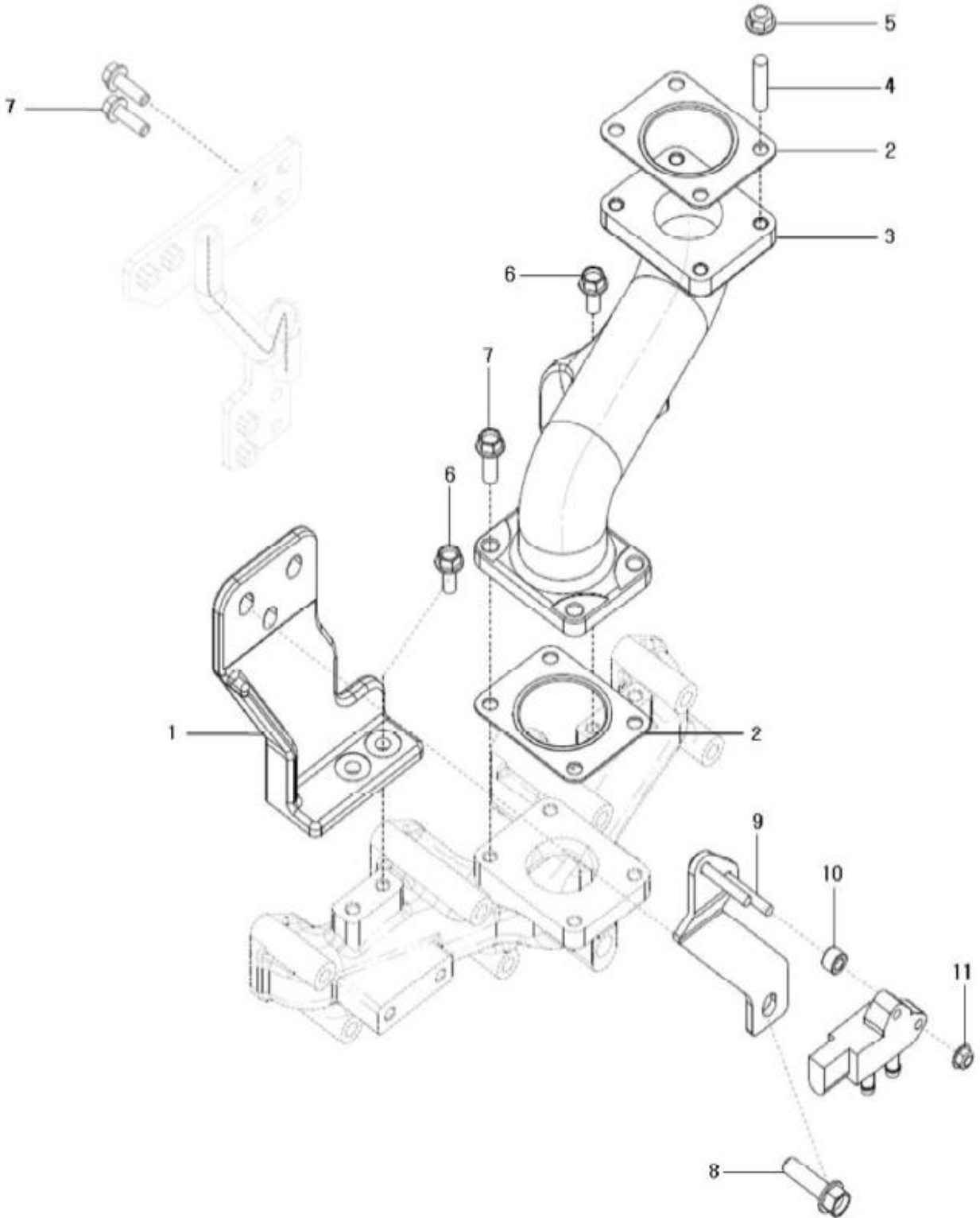
P1

YEAR

2018



T474ST



NOTE

FIG 140

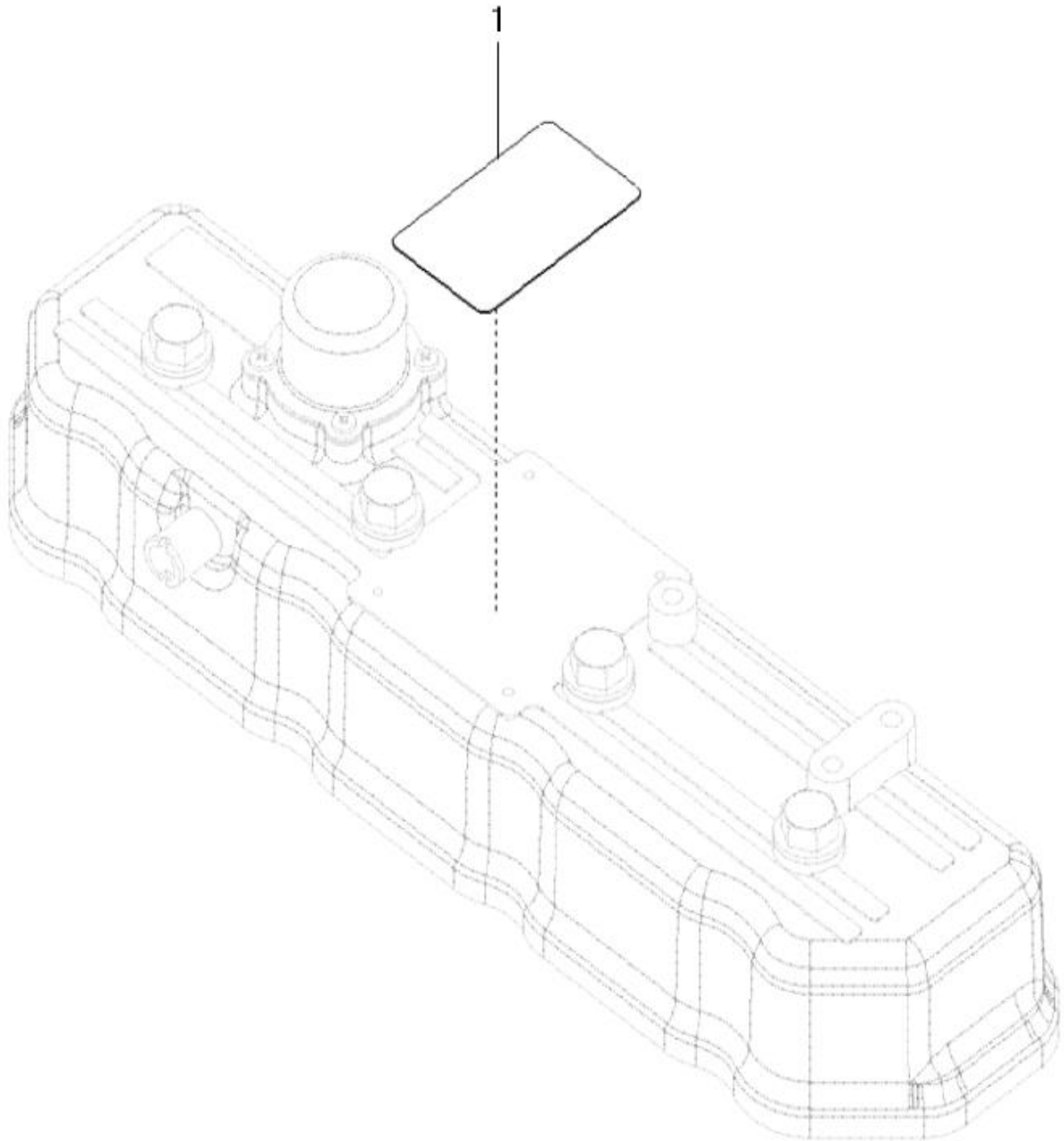
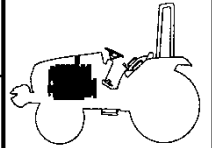
T474ST

DATAPLATE

P1

YEAR

2018



NOTE

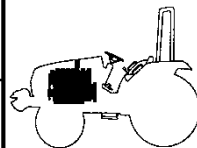
FIG 141

NAME PLATE, STARTING MOTOR

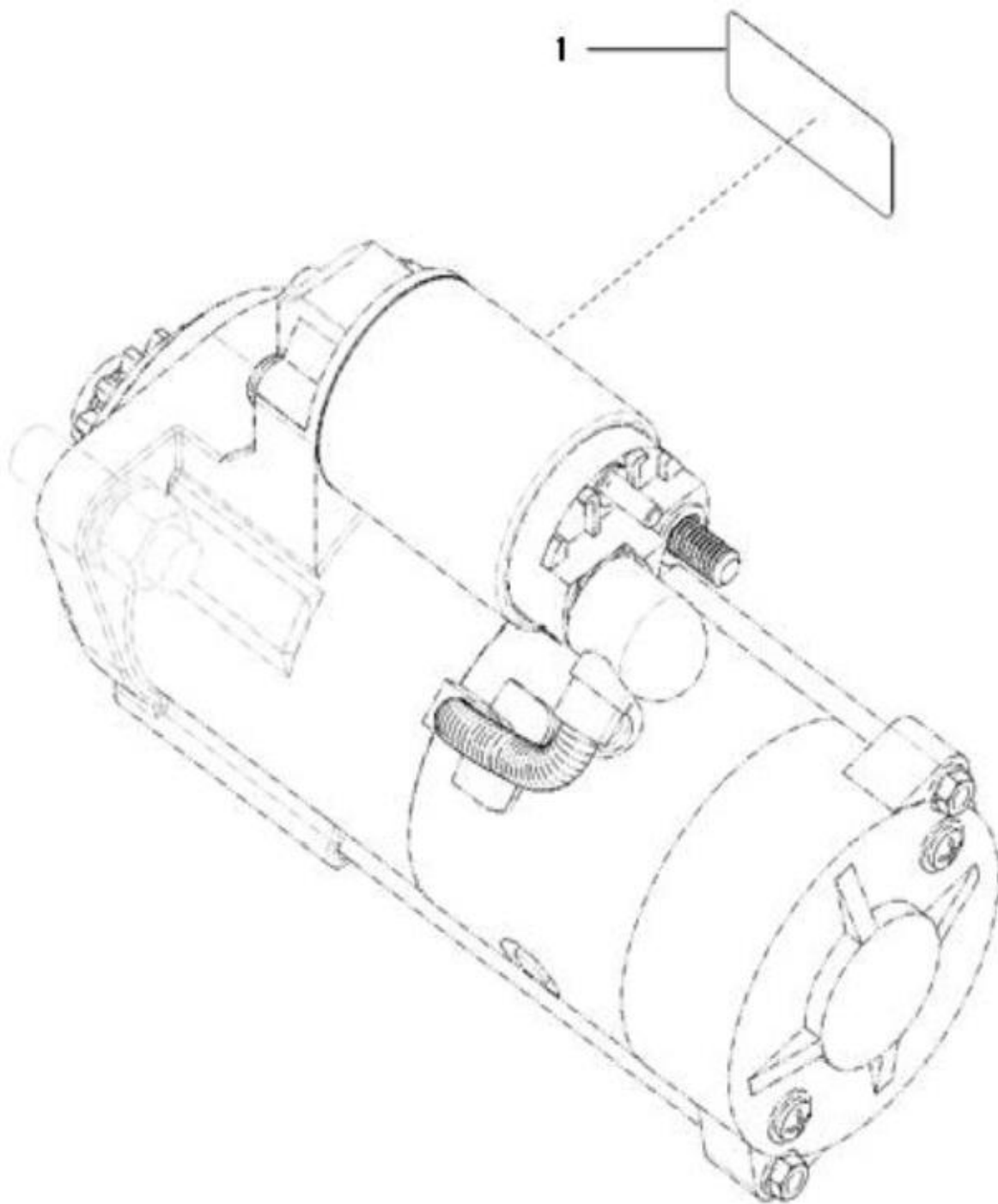
P1

YEAR

2018



T474ST



NOTE

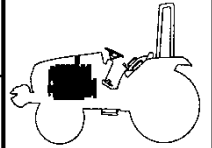
FIG 142

DPF ASS'Y

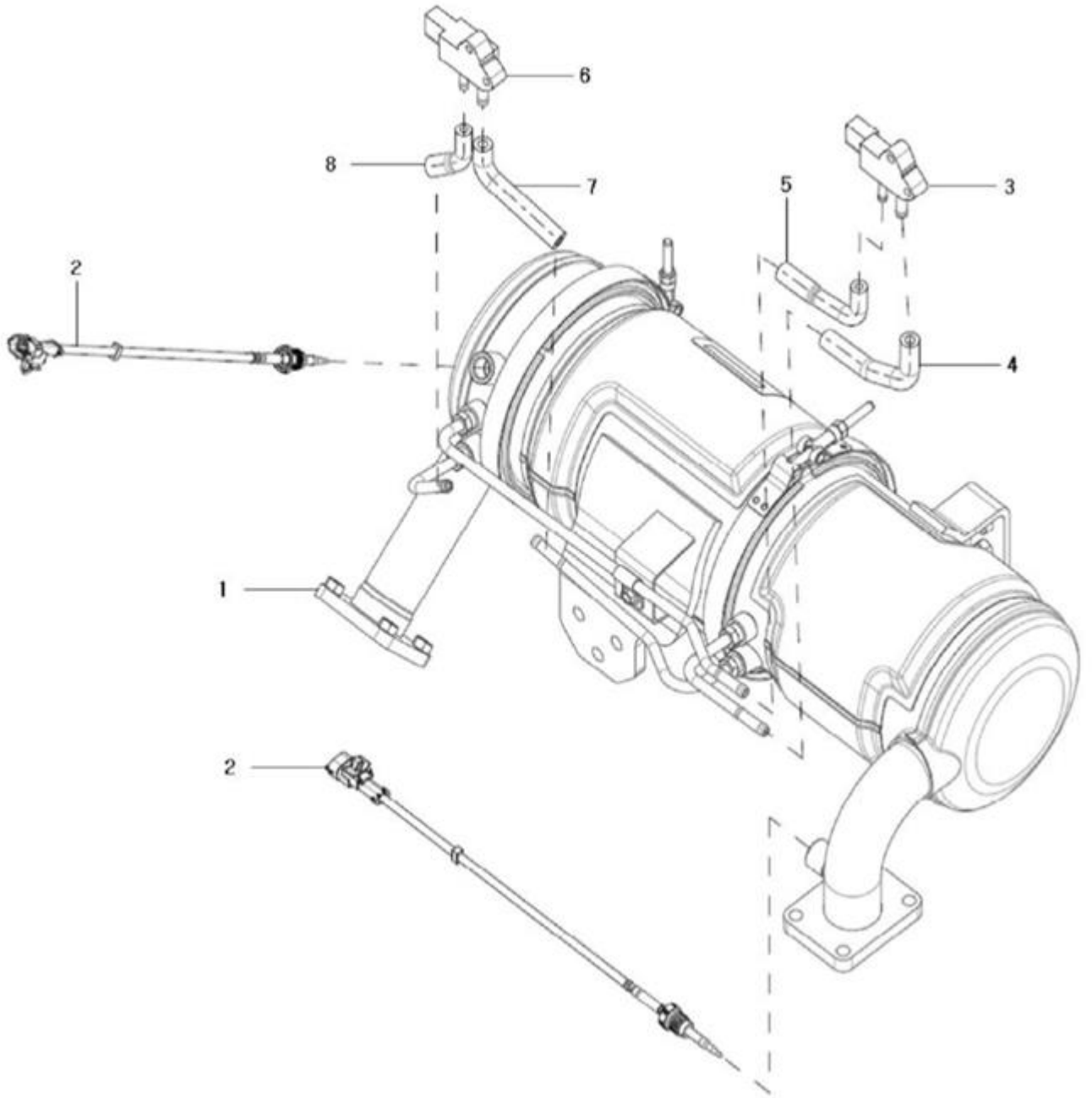
P1

YEAR

2018



T474ST



NOTE

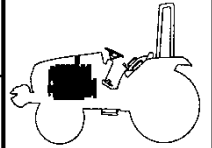
FIG 143

LIFT ASS'Y

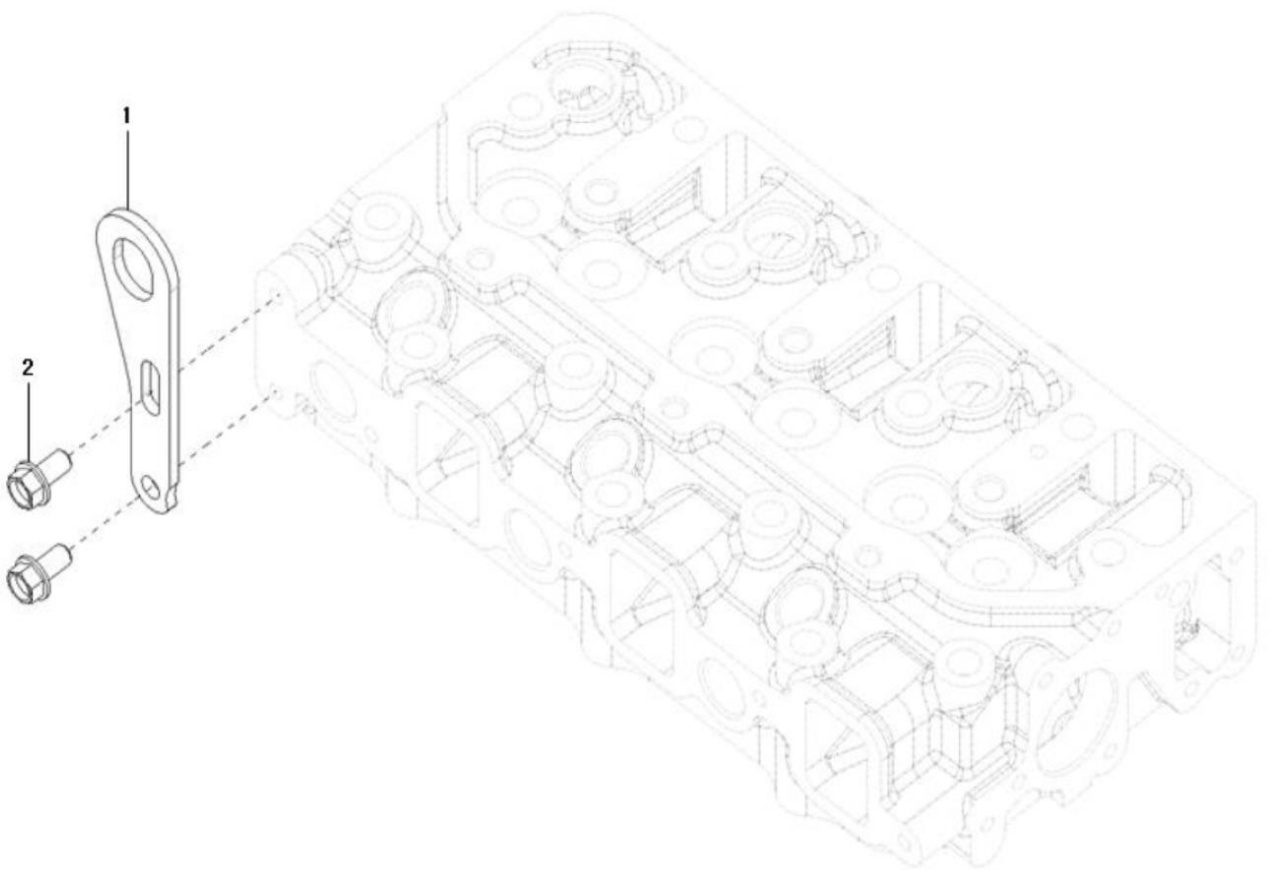
P1

YEAR

2018



T474ST



NOTE

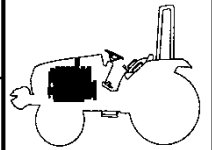
FIG 144

COMP . DRIVE PULLEY ASSyY OPTION

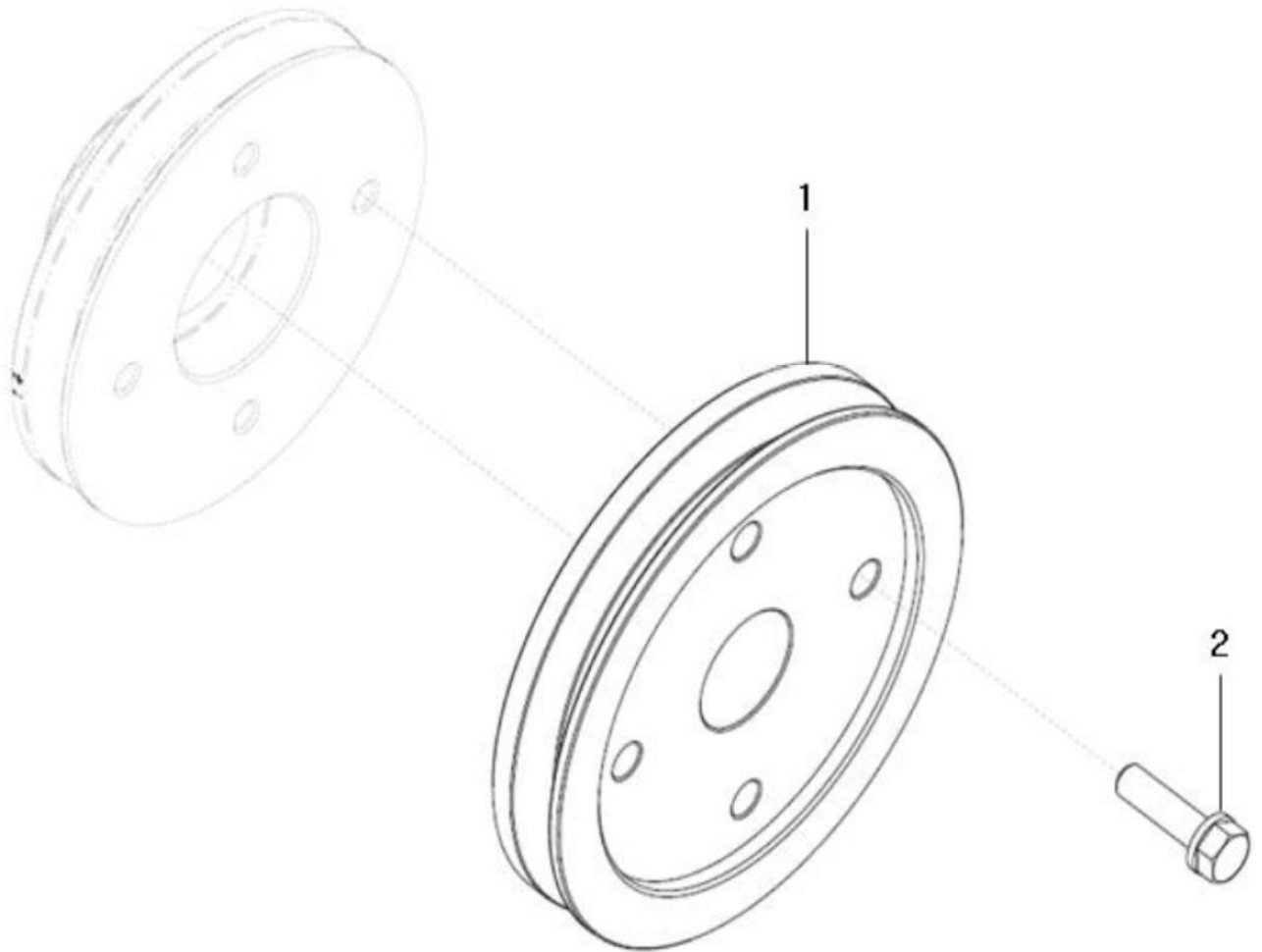
P1

YEAR

2018



T474ST



NOTE

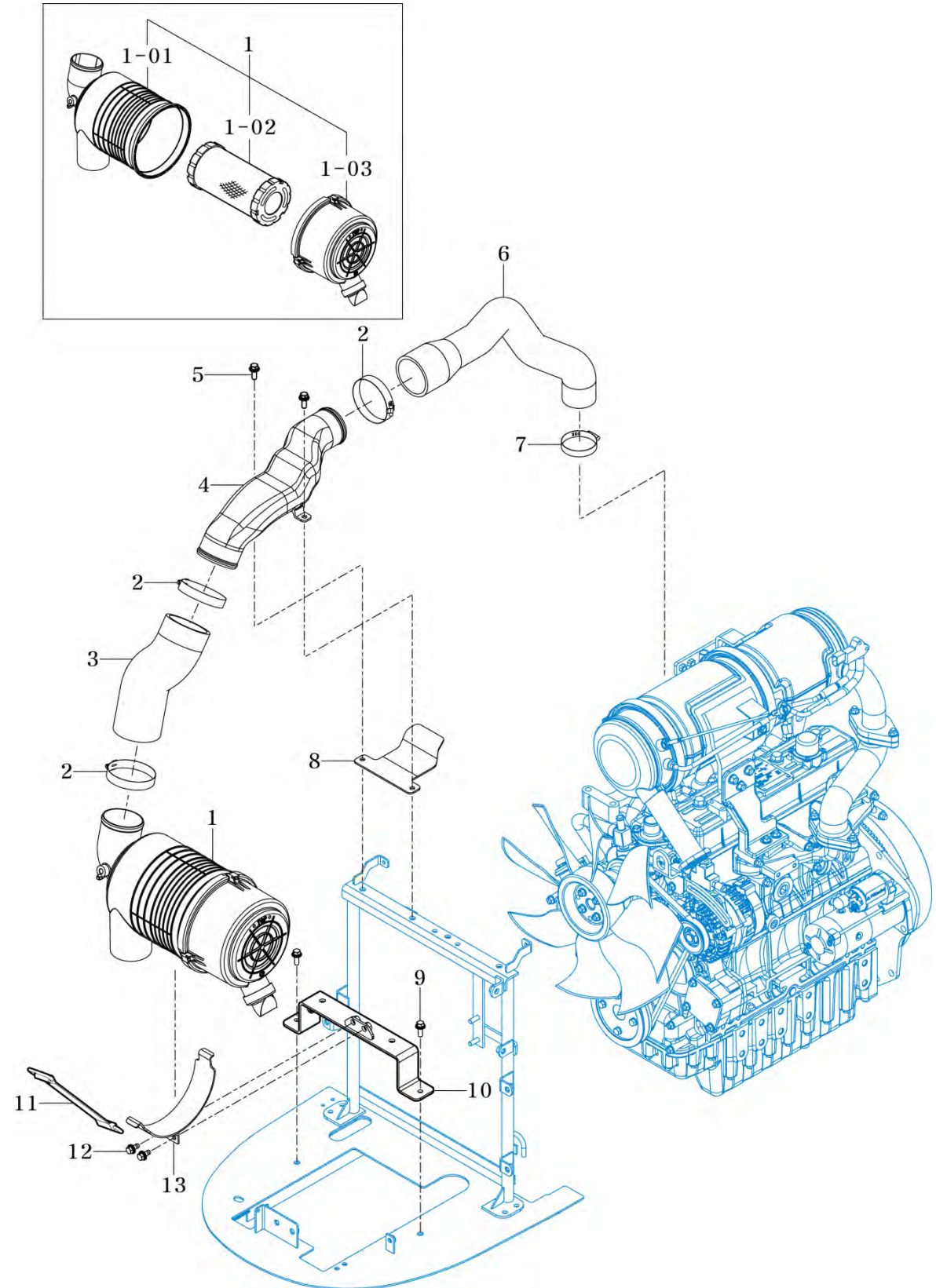
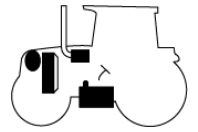
FIG 201

AIR CLEANER

P1

YEAR

2018



NOTE

FIG 202

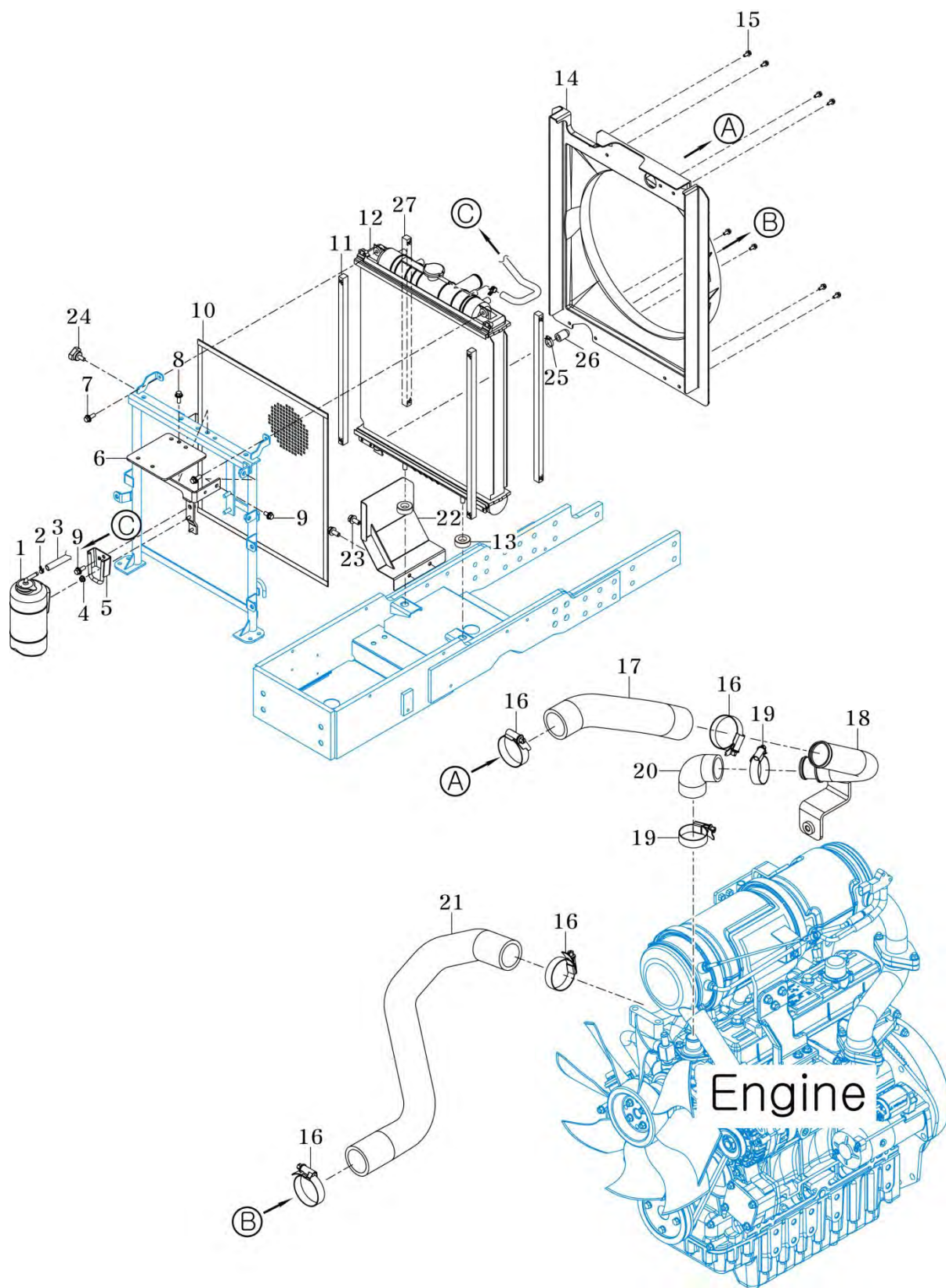
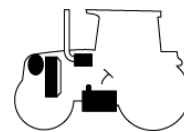
T474ST

RADIATOR

P1

YEAR

2018



NOTE

FIG 203

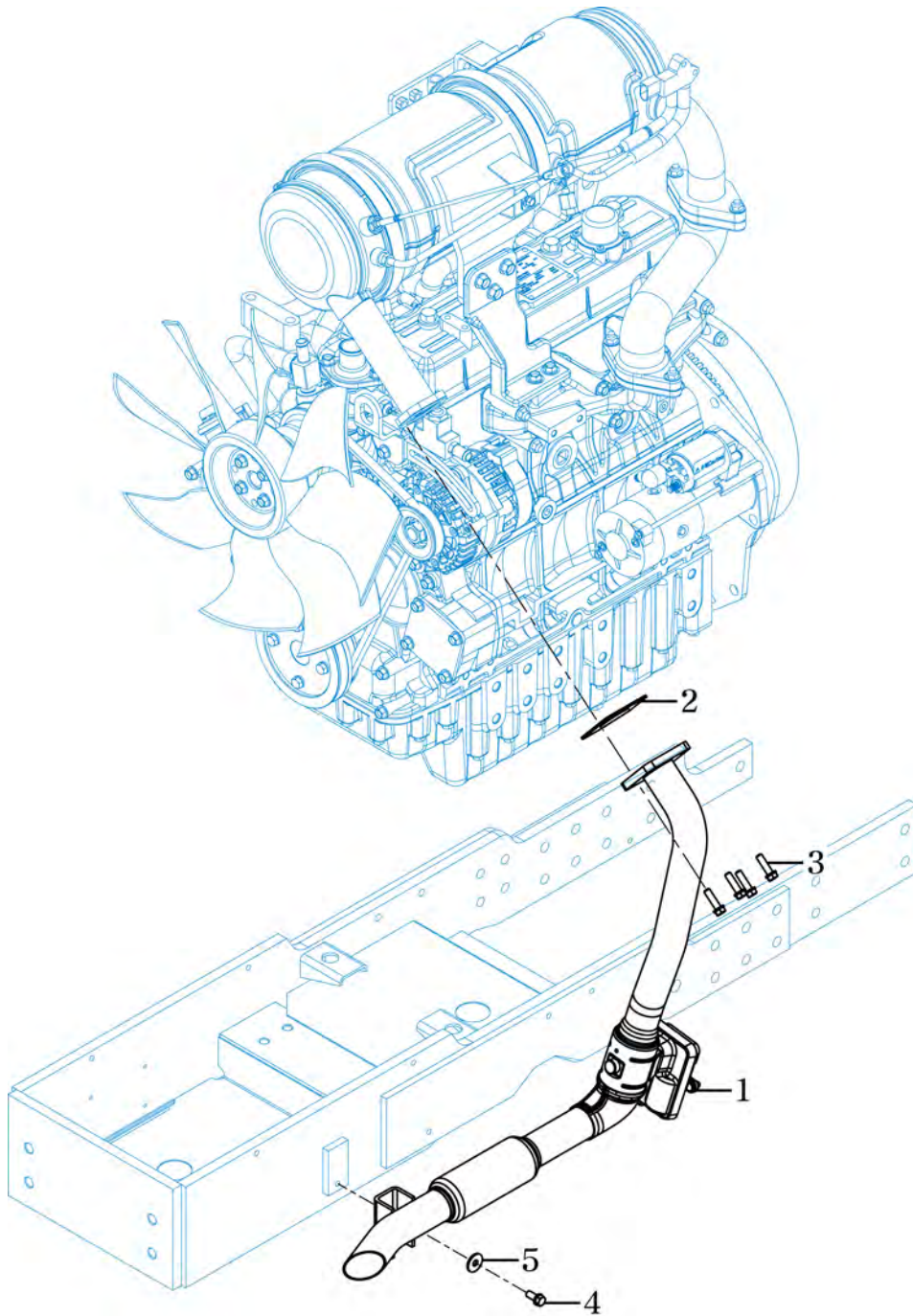
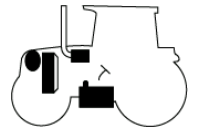
T474ST

MUFFLER

P1

YEAR

2018



T474-U-203

NOTE

FIG 204

FUEL TANK & FILTER

P1

YEAR

2018

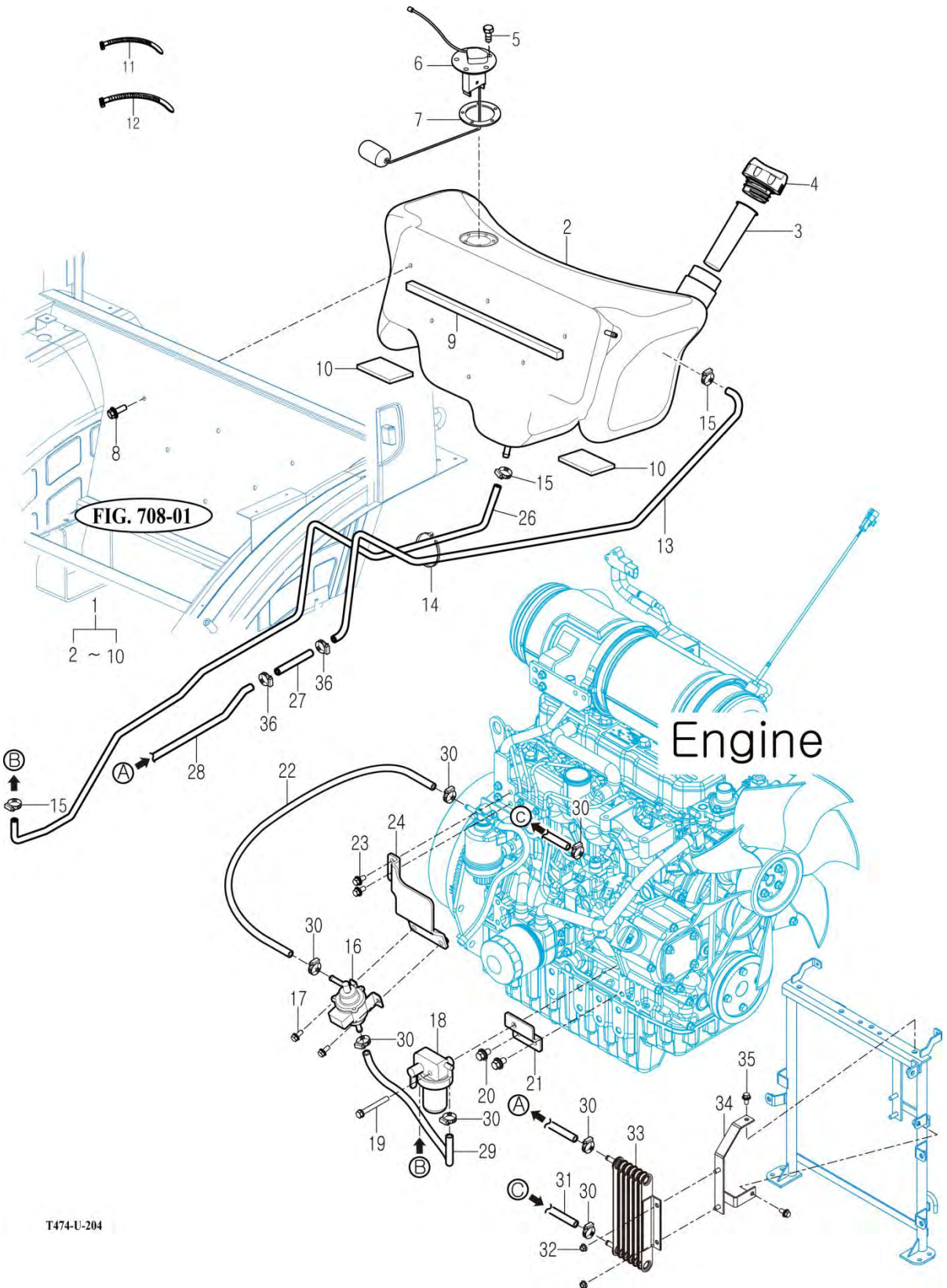
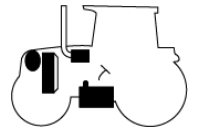


FIG. 708-01

Engine

T474-U-204

NOTE

FIG 205

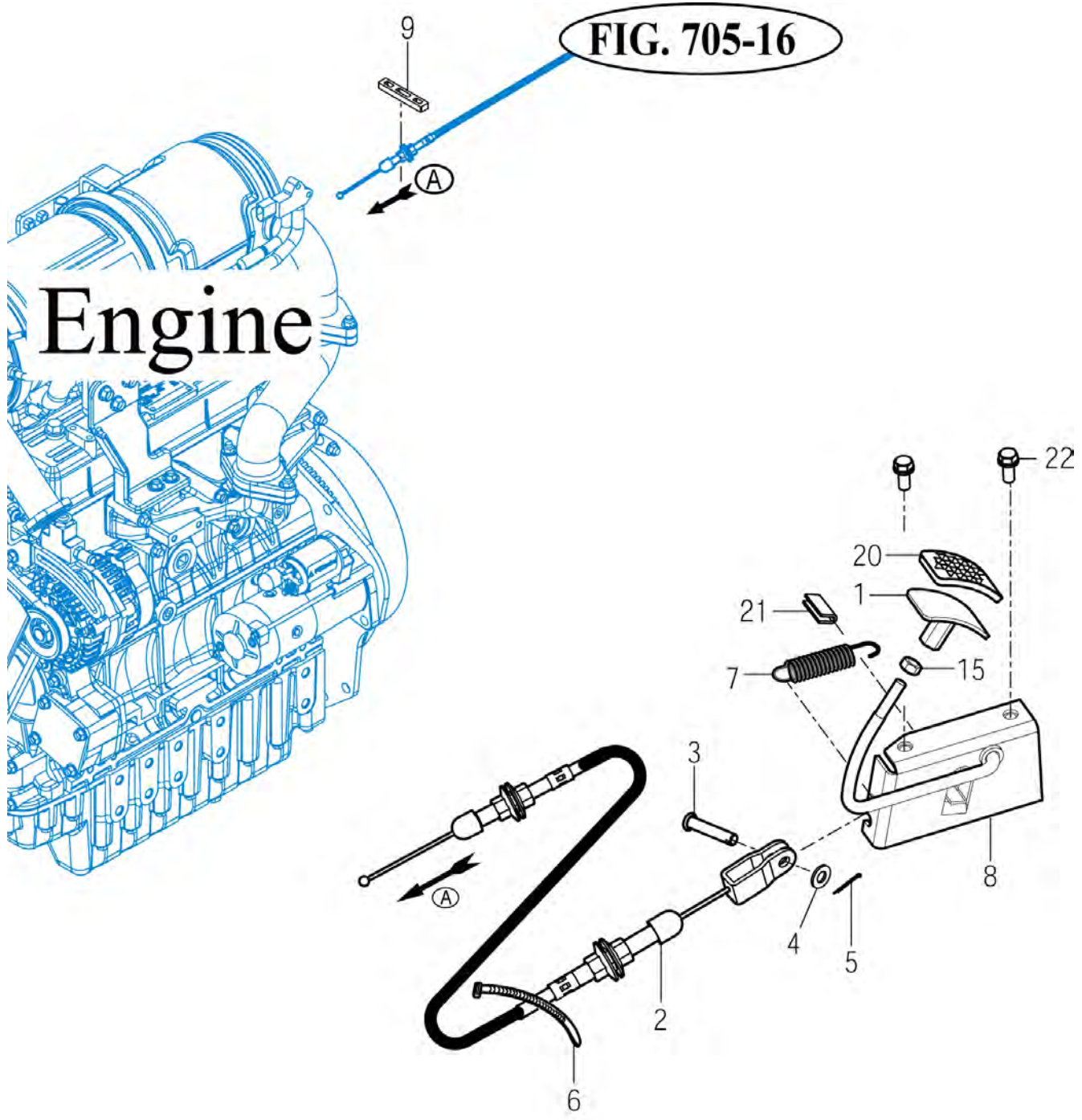
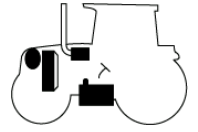
T474ST

ACCELERATOR

P1

YEAR

2018



2540NC-E-205

NOTE

FIG 301

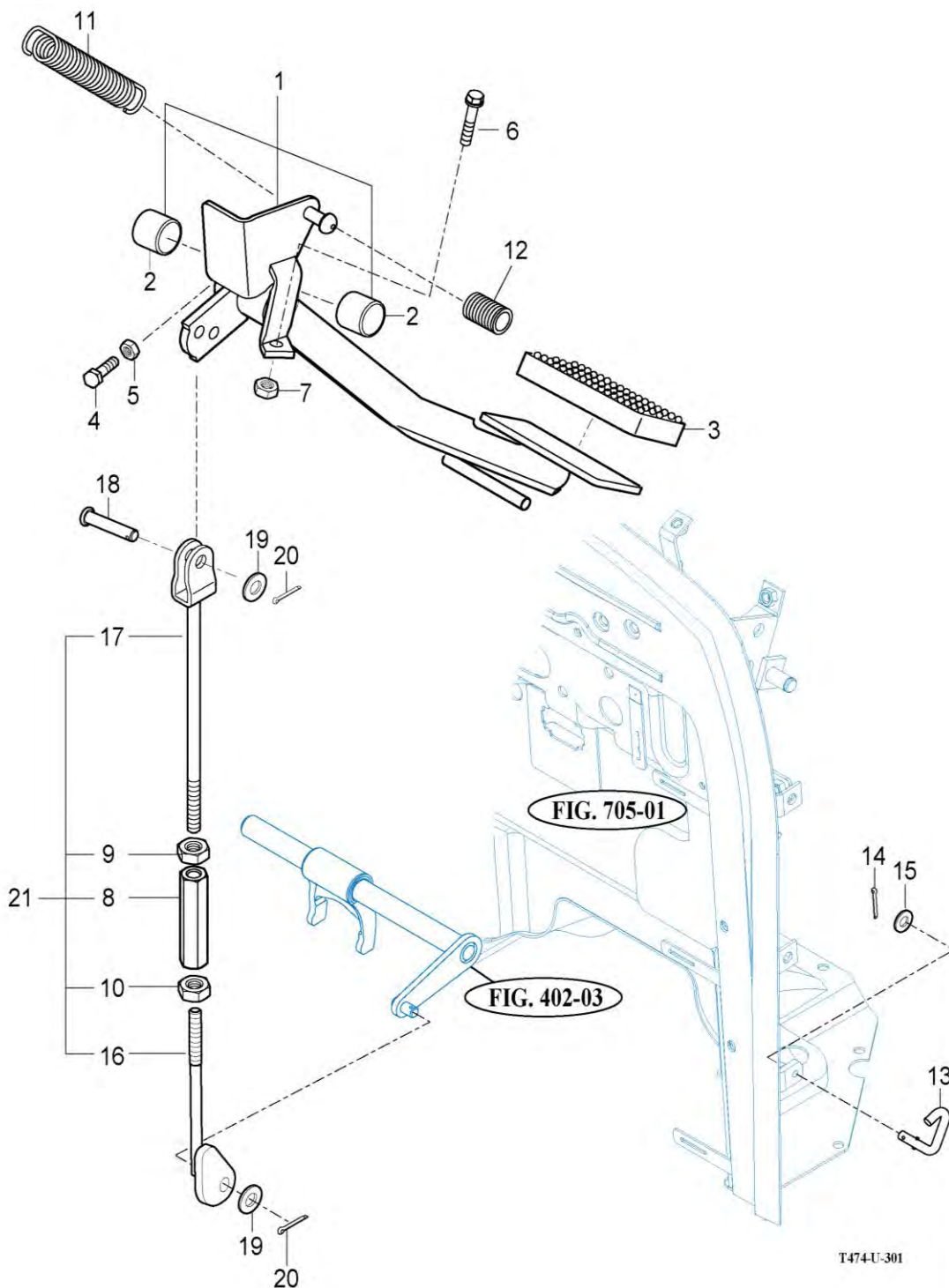
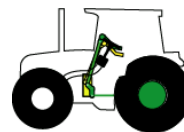
T474ST

CLUTCH PEDAL

P1

YEAR

2018



NOTE

FIG 302

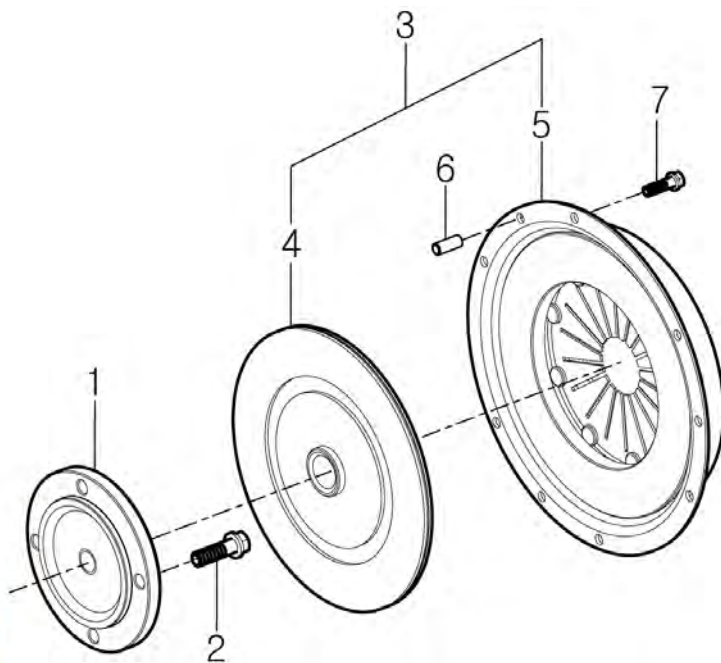
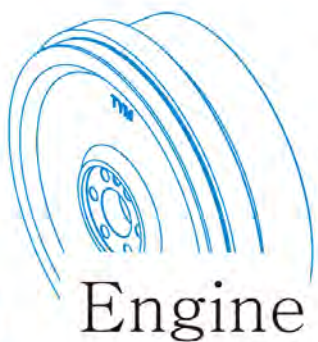
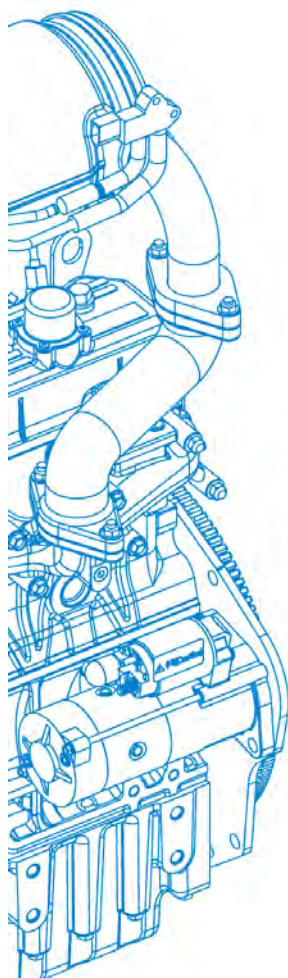
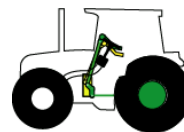
T474ST

FLYWHEEL & CLUTCH

P1

YEAR

2018



T474-U-302

NOTE

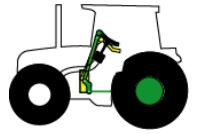
FIG 303

BRAKE PEDAL

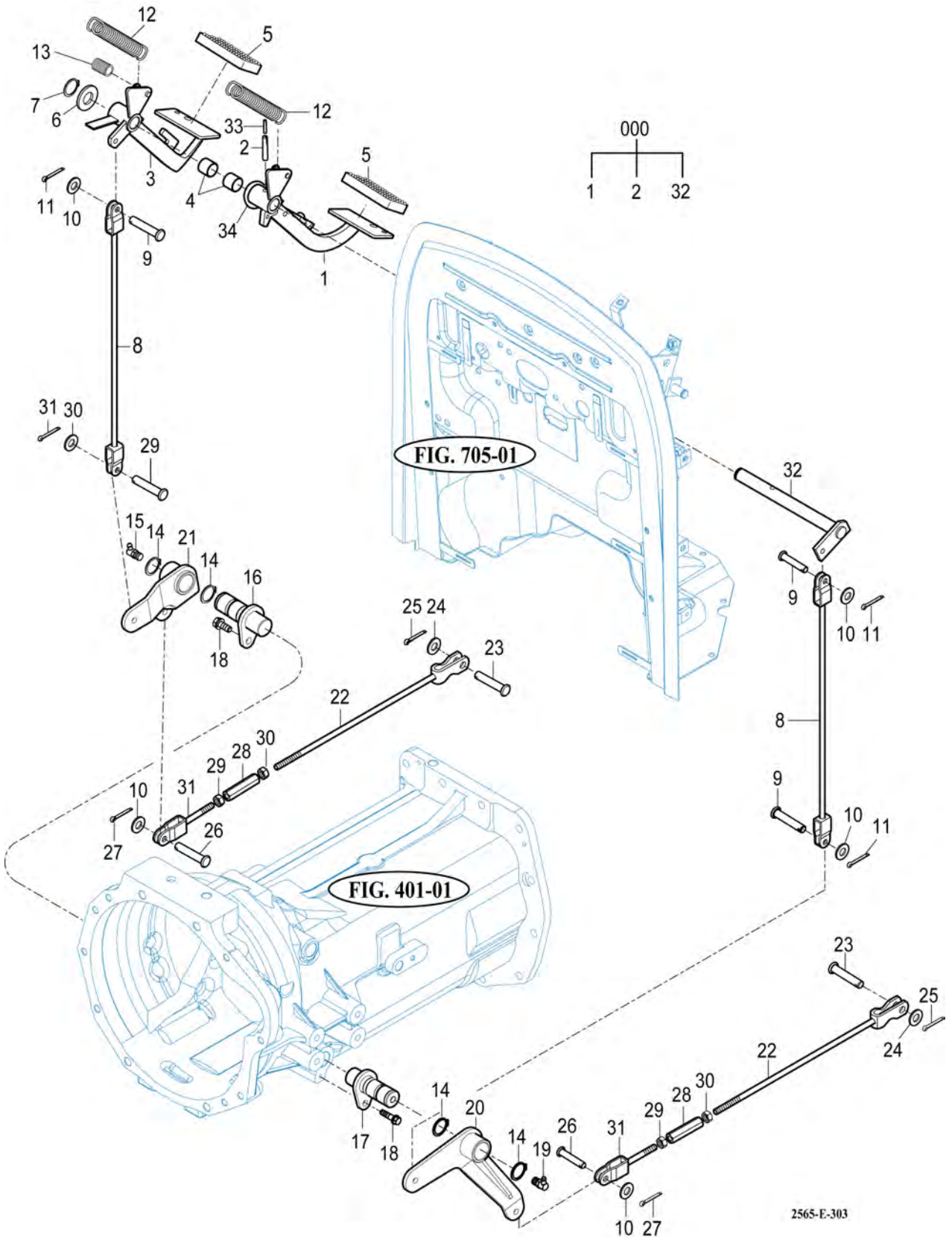
P1

YEAR

2018



T474ST



NOTE

FIG 304

T474ST

BRAKE

P1

YEAR

2018

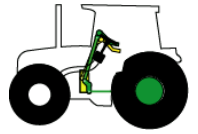
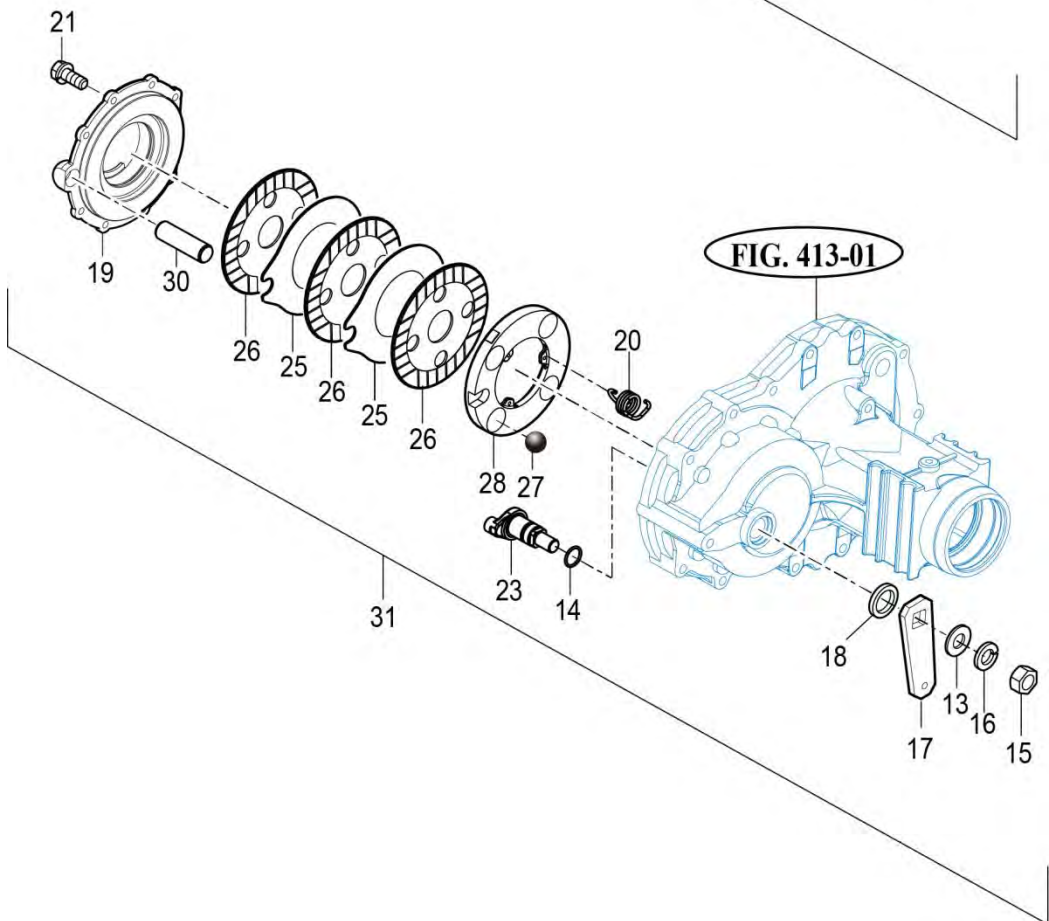
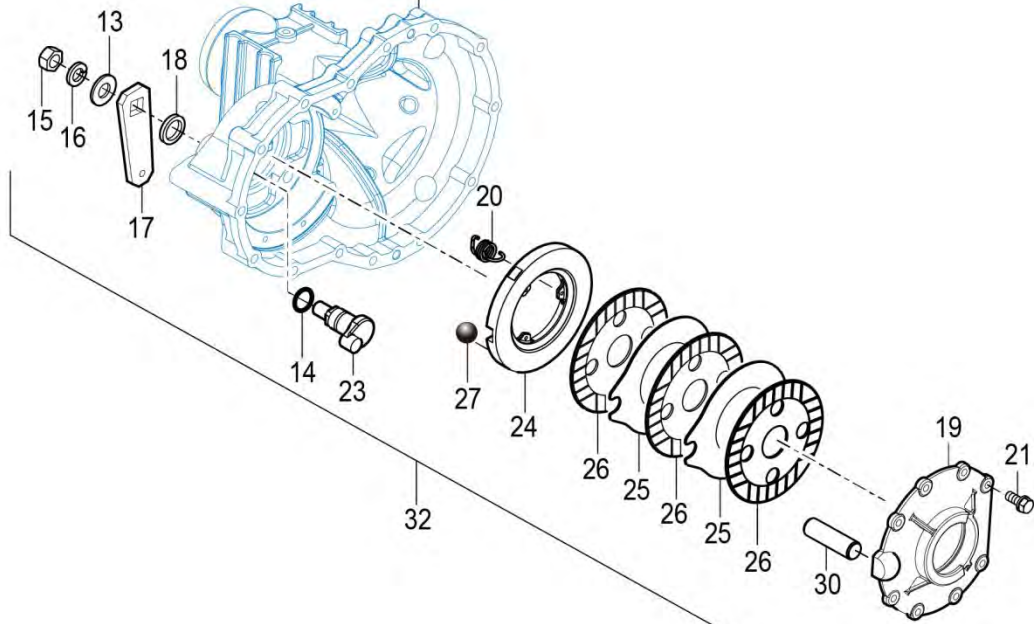


FIG. 413-01



NOTE

FIG 306

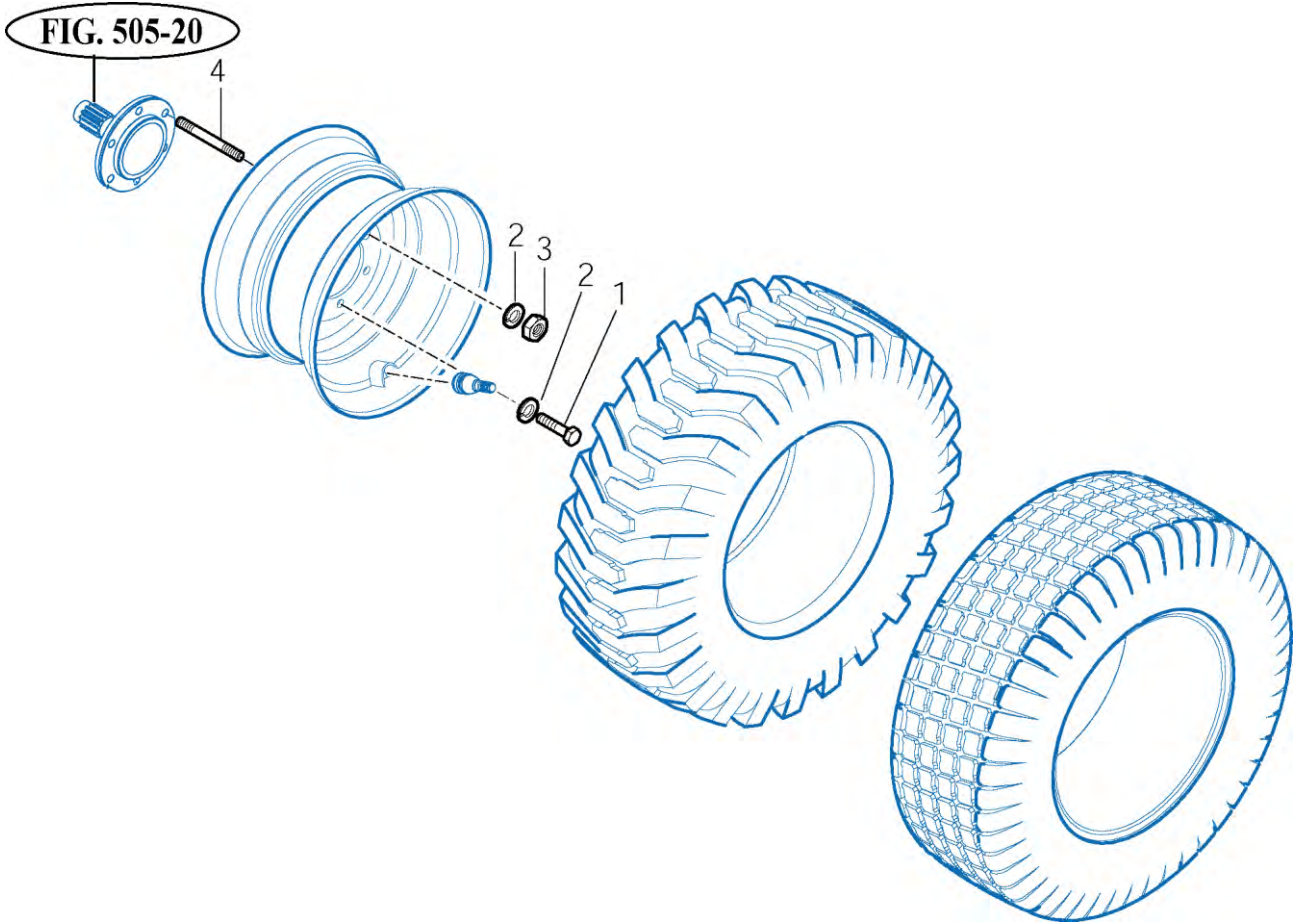
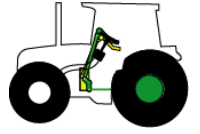
T474ST

FRONT WHEEL MOUNTING

P1

YEAR

2018



NOTE

FIG 307

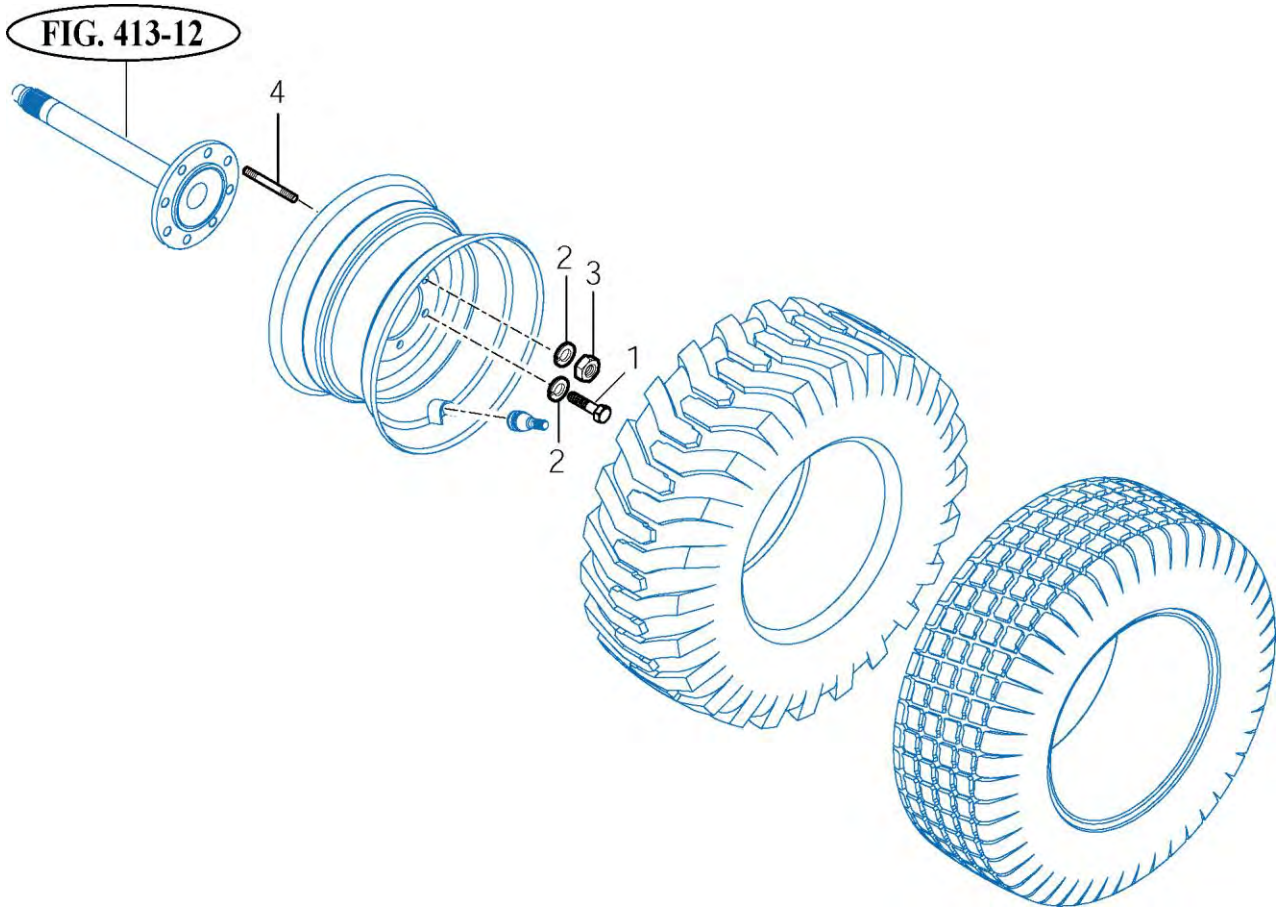
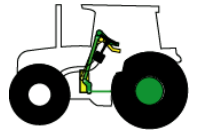
T474ST

REAR WHEEL MOUNTING

P1

YEAR

2018



NOTE

FIG 308

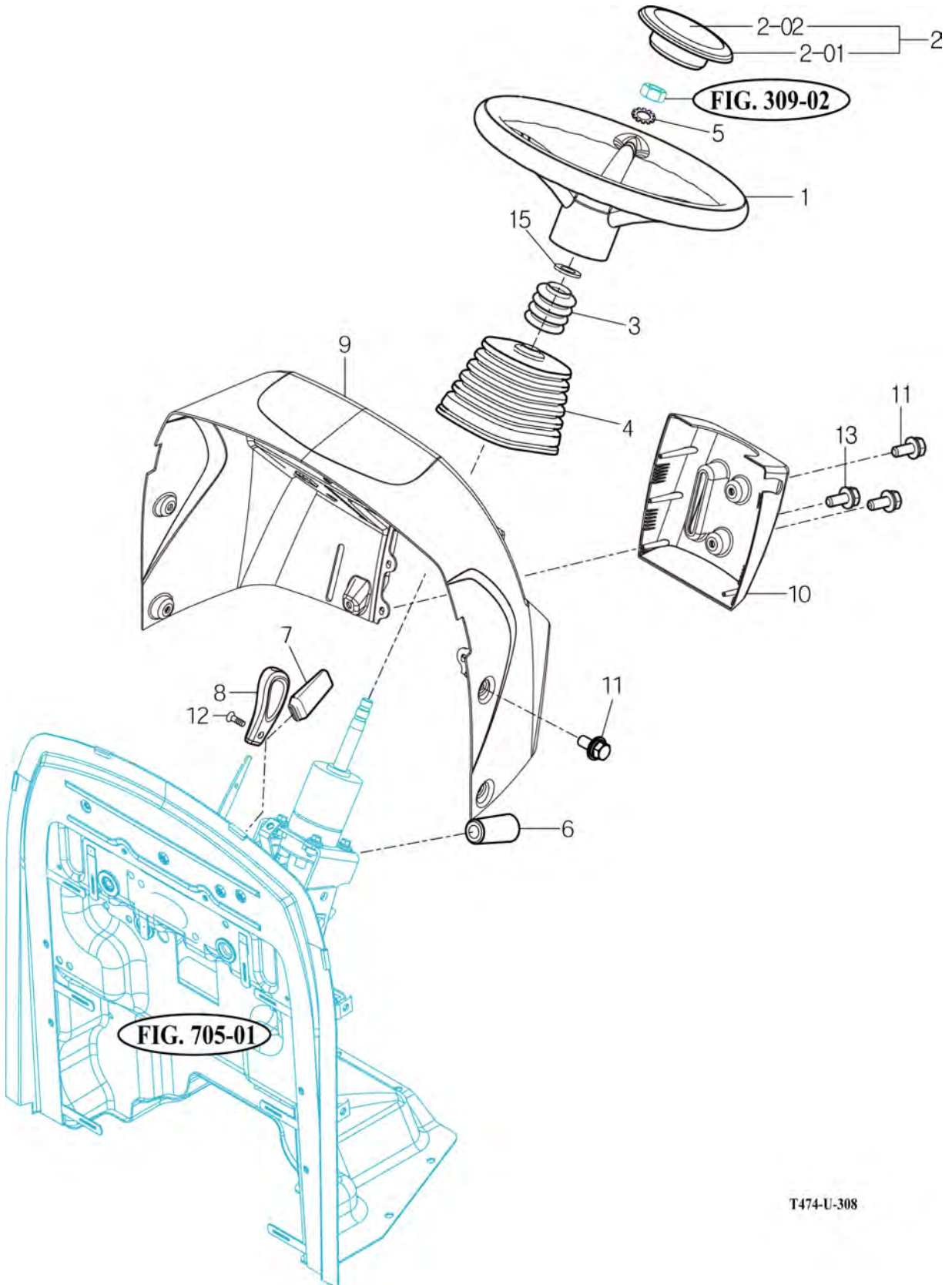
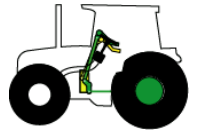
T474ST

STEERING WHEEL

P1

YEAR

2018



T474-U-308

NOTE

FIG 309

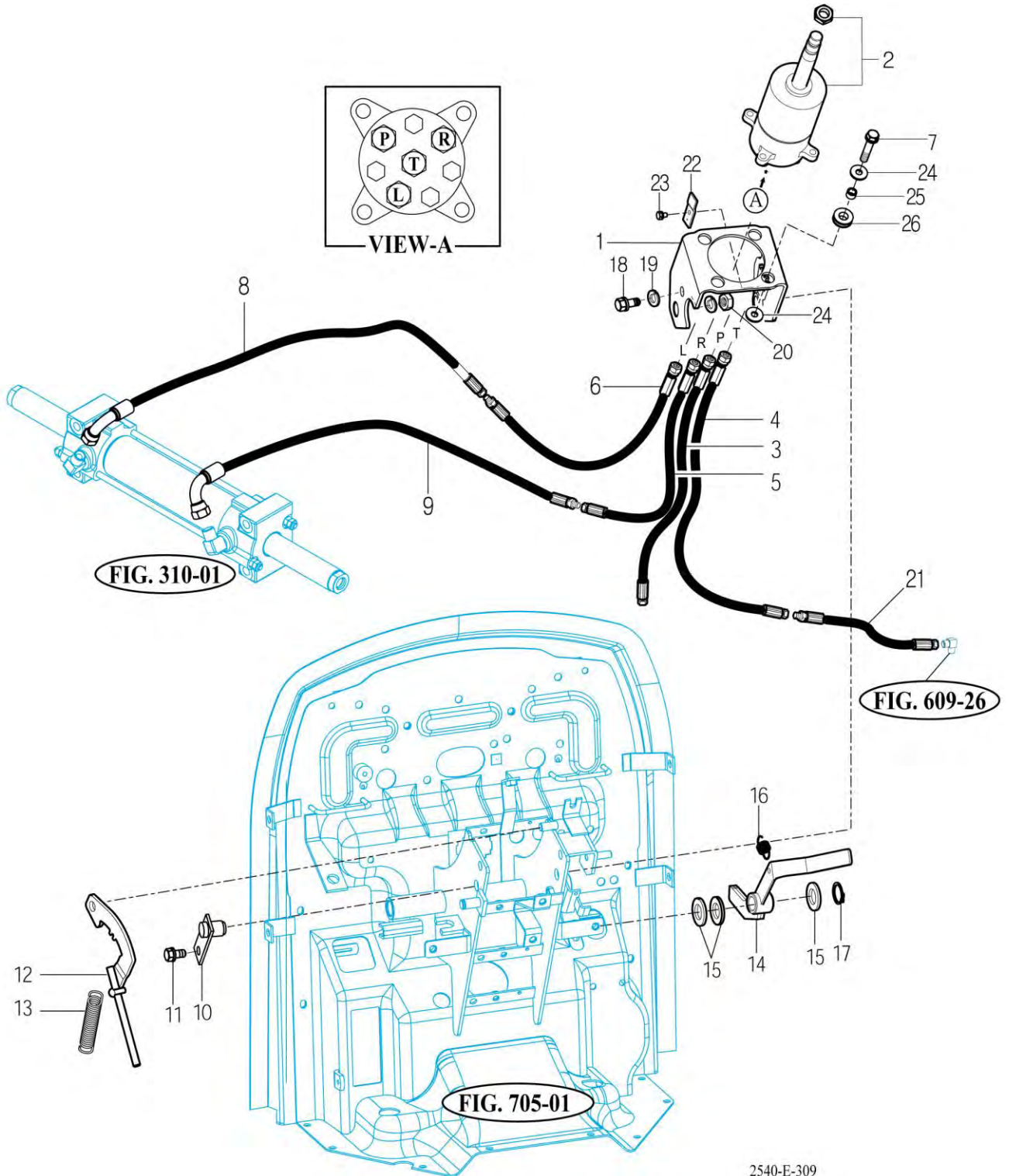
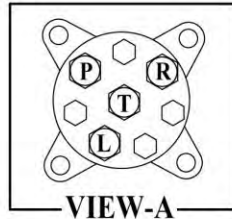
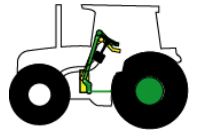
T474ST

STEERING VALVE & PARKING

P1

YEAR

2018



NOTE

FIG 310

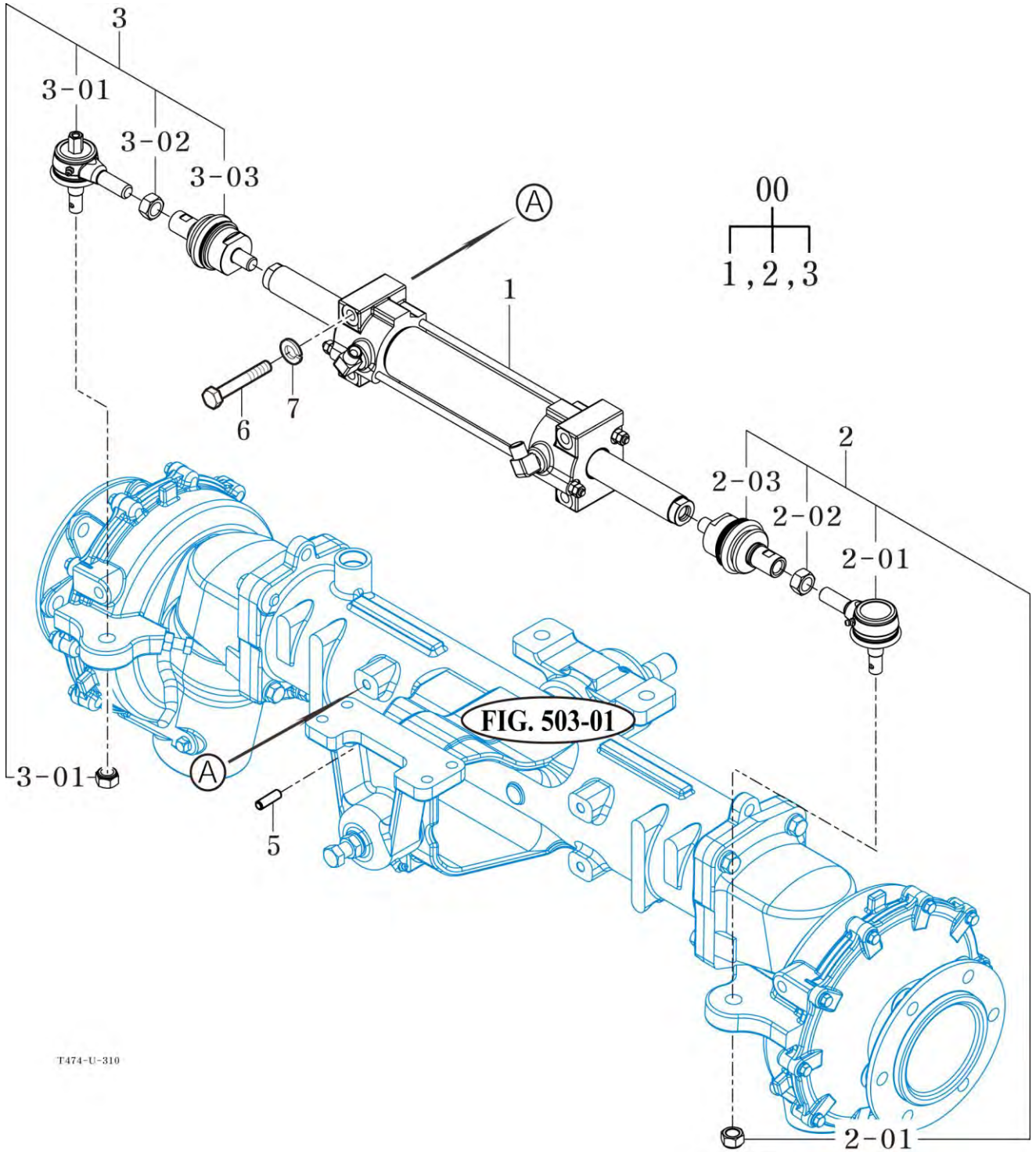
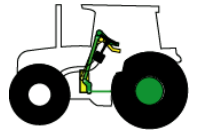
T474ST

STEERING CYLINDER

P1

YEAR

2018



T474-U-310

NOTE

FIG 401

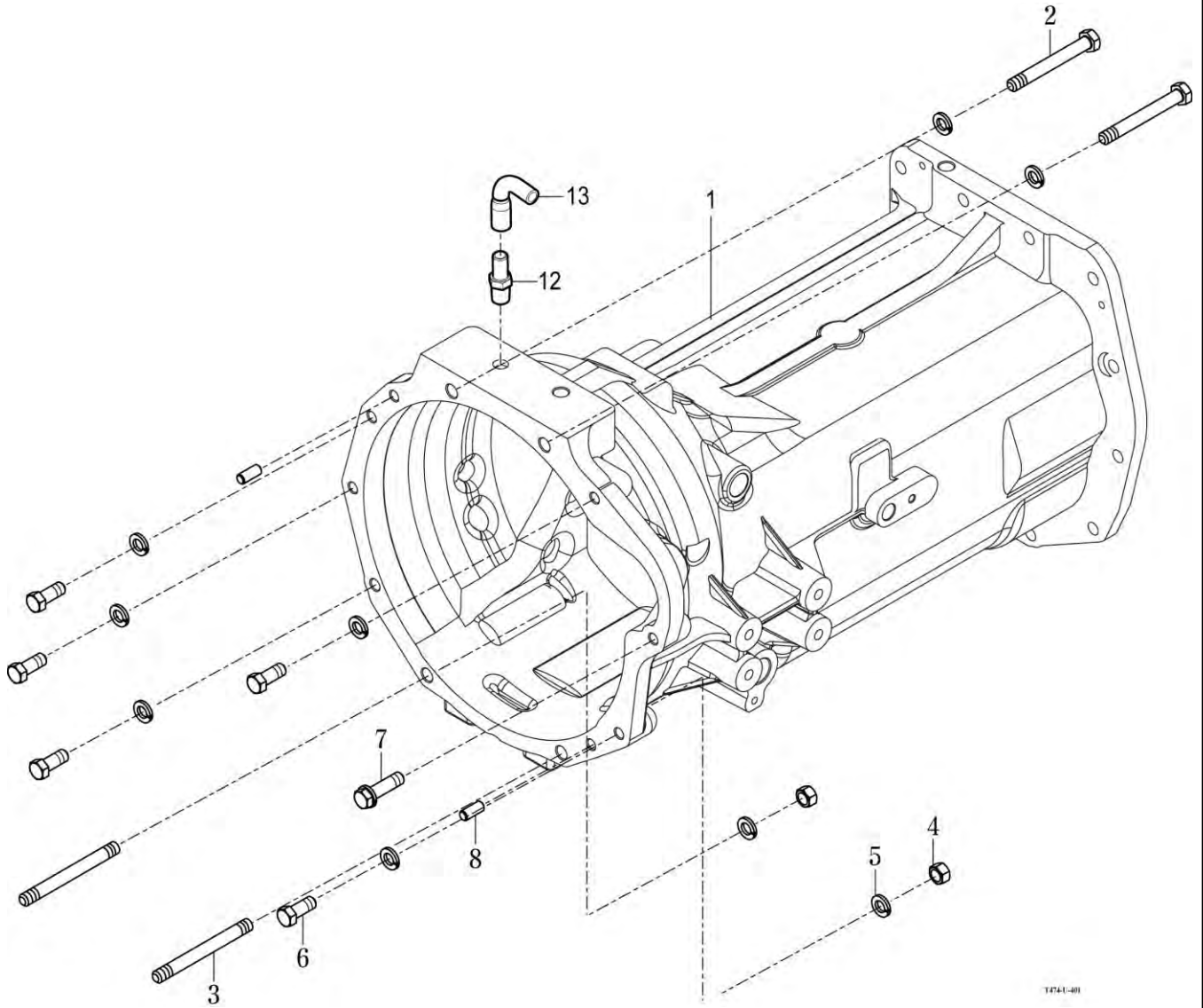
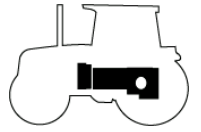
TRANSMISSION FRONT CASE

T474ST

P1

YEAR

2018



T4741-001

NOTE

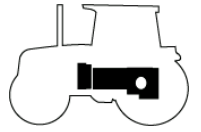
FIG 402

INPUT METAL

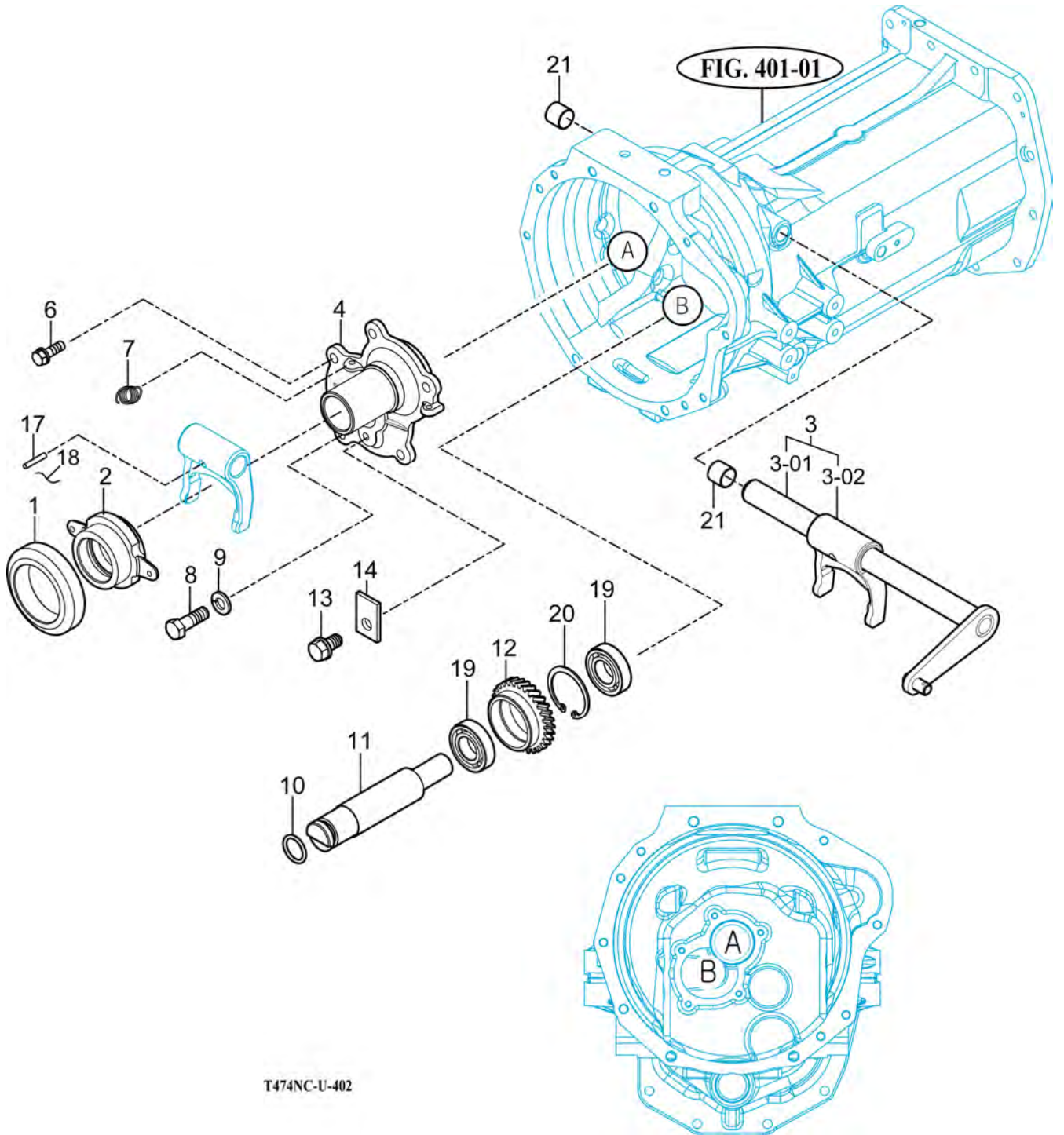
P1

YEAR

2018



T474ST



T474NC-U-402

NOTE

FIG 403

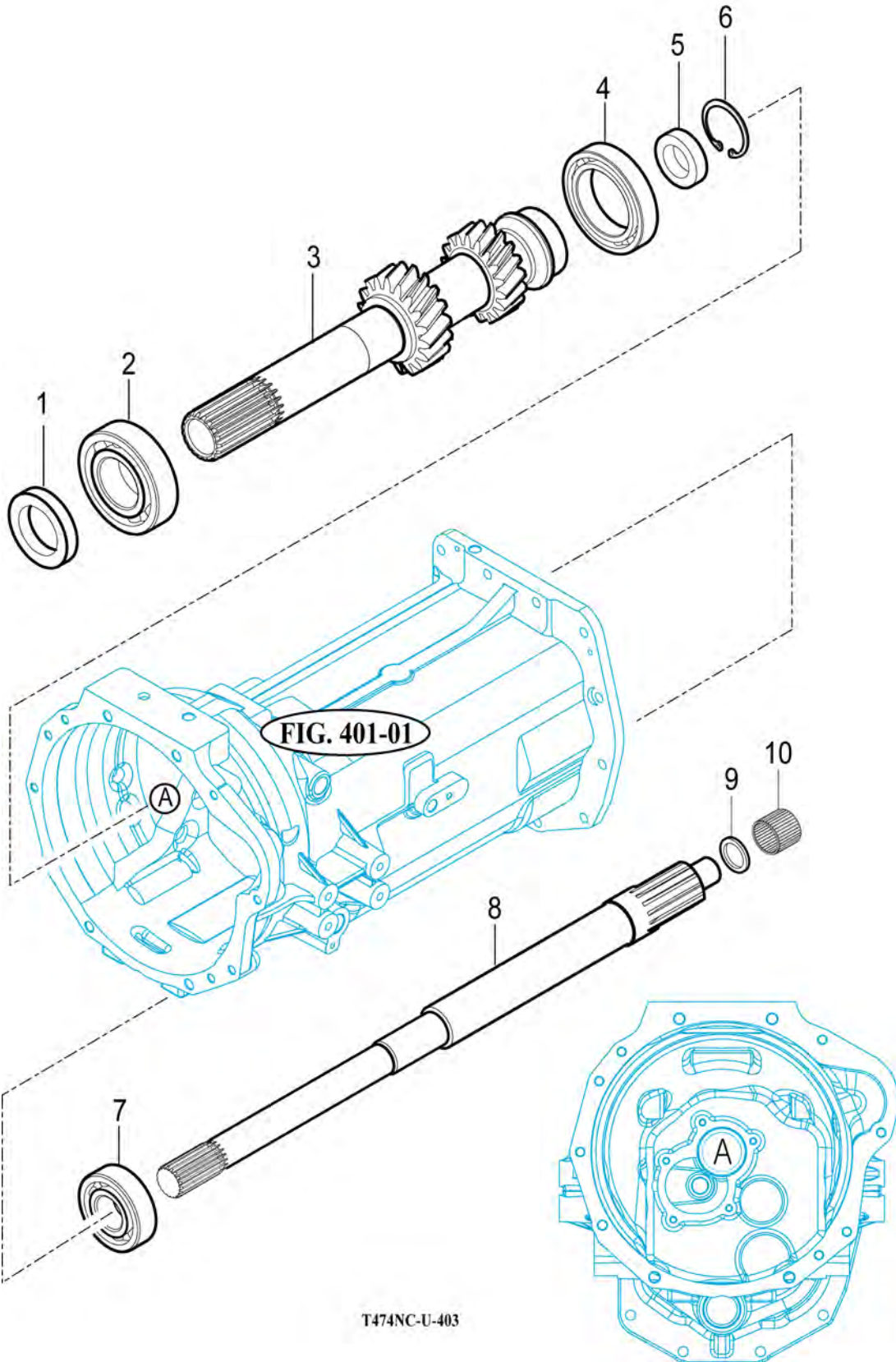
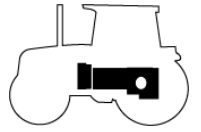
INPUT GEAR

T474ST

P1

YEAR

2018



T474NC-U-403

NOTE

FIG 404

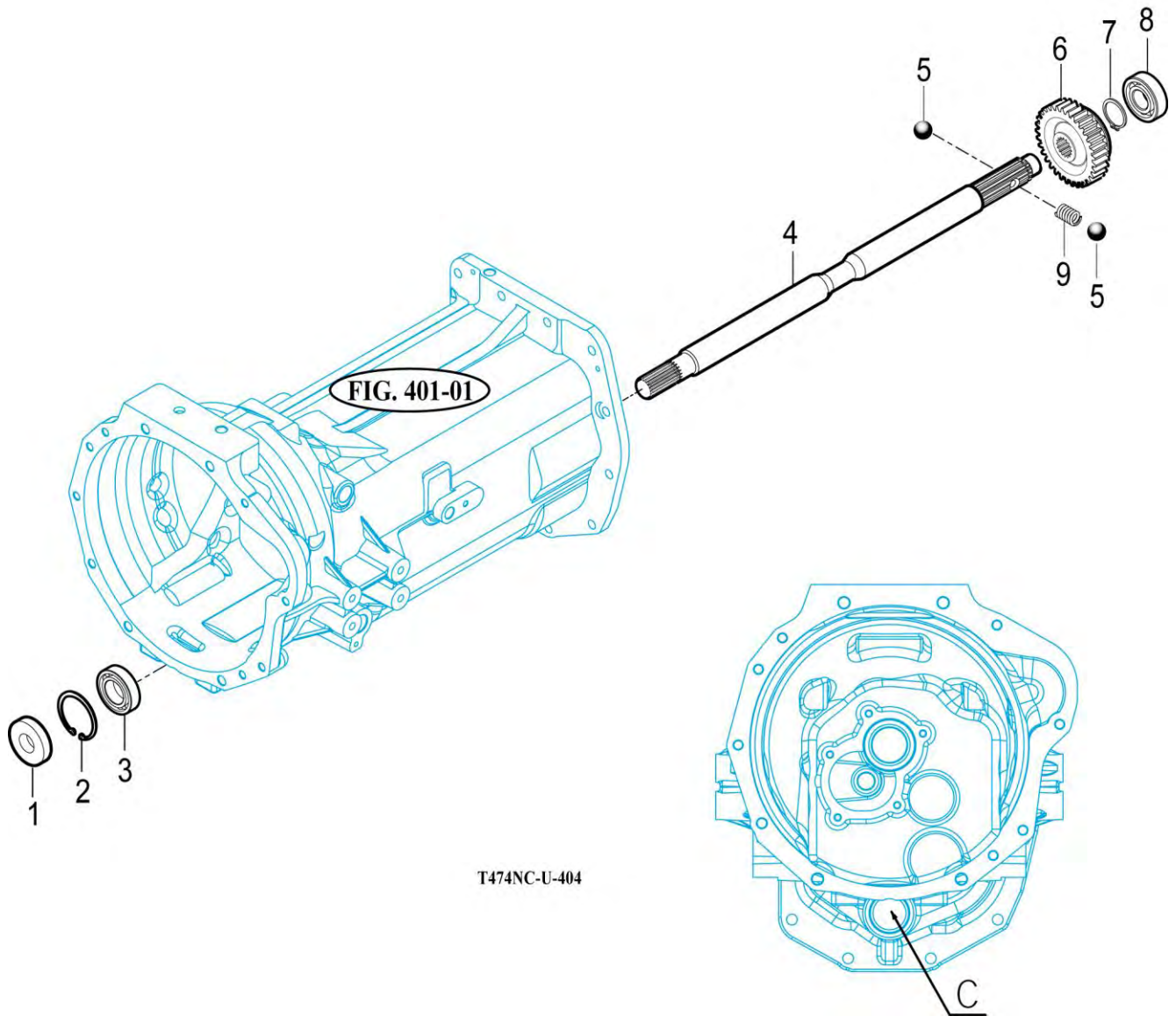
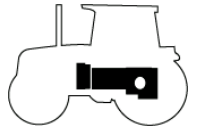
T474ST

4WD DRIVE GEAR

P1

YEAR

2018



T474NC-U-404

NOTE

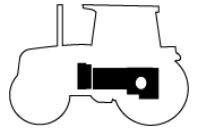
FIG 405

MAIN CHANGE GEARS & REVERSE GEARS

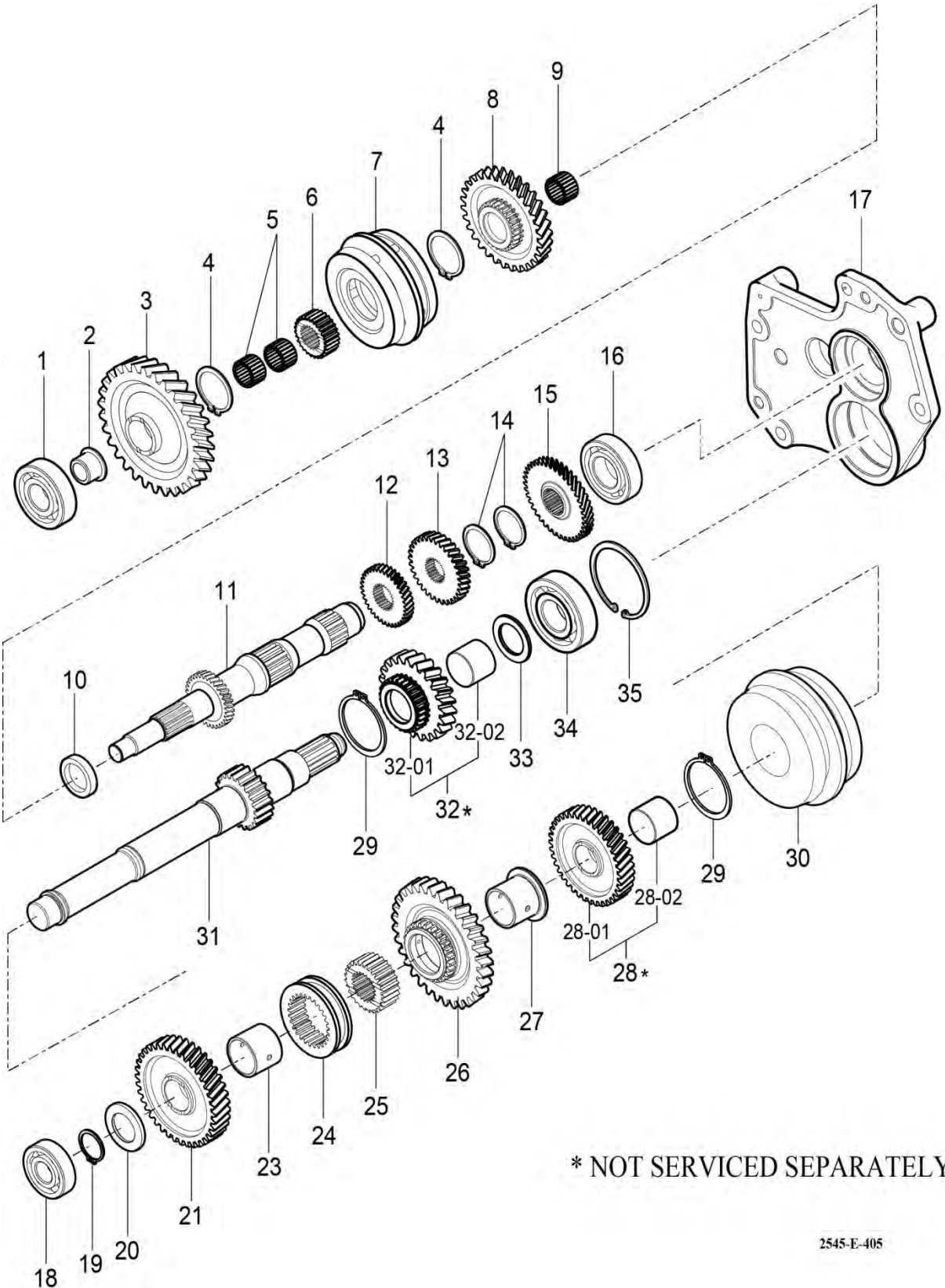
P1

YEAR

2018



T474ST



* NOT SERVICED SEPARATELY

2545-E-405

NOTE

FIG 406

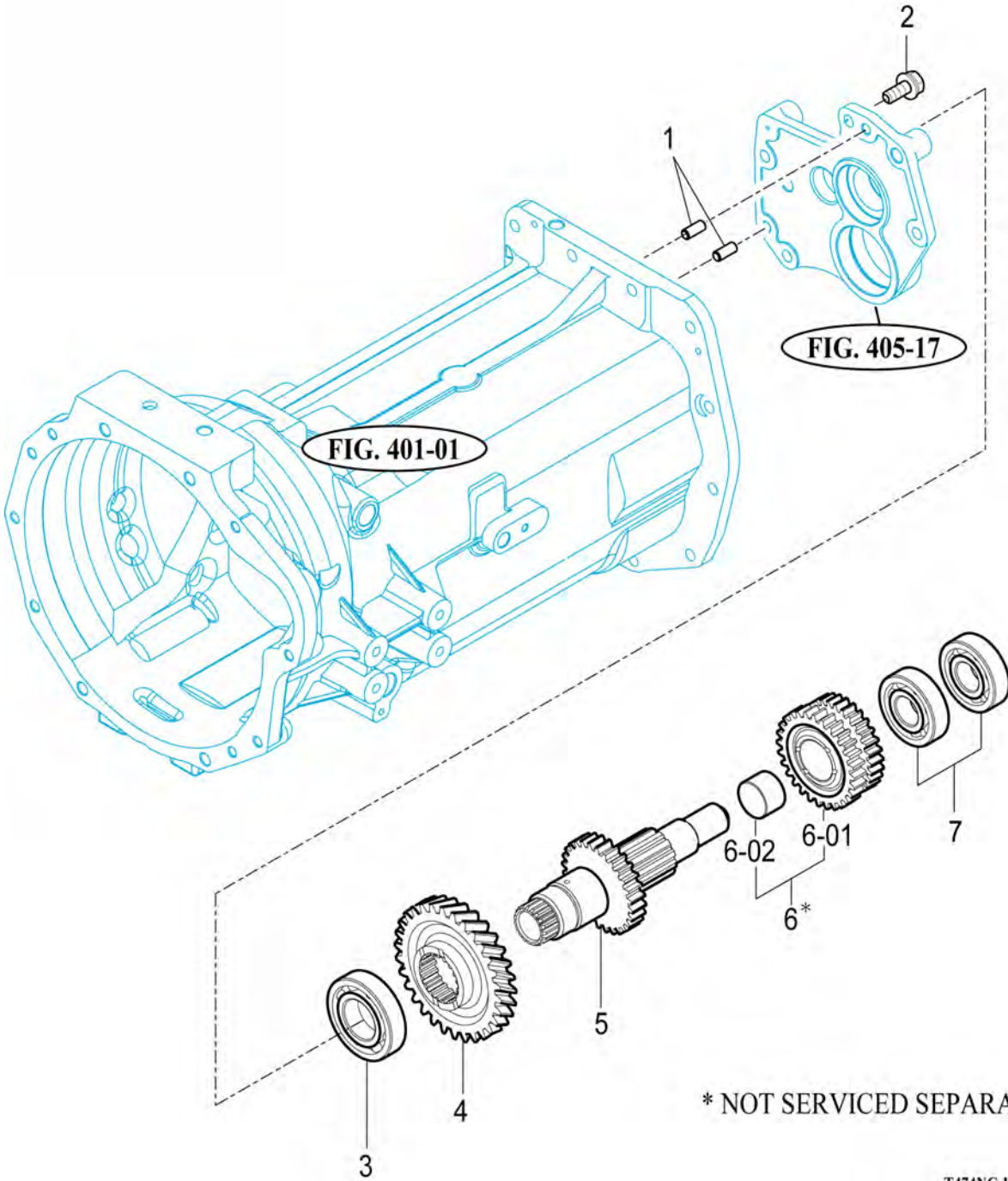
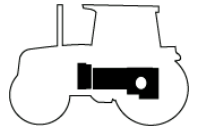
T474ST

SUB CHANGE GEARS

P1

YEAR

2018



* NOT SERVICED SEPARATELY

T474NC-U-406

NOTE

FIG 407

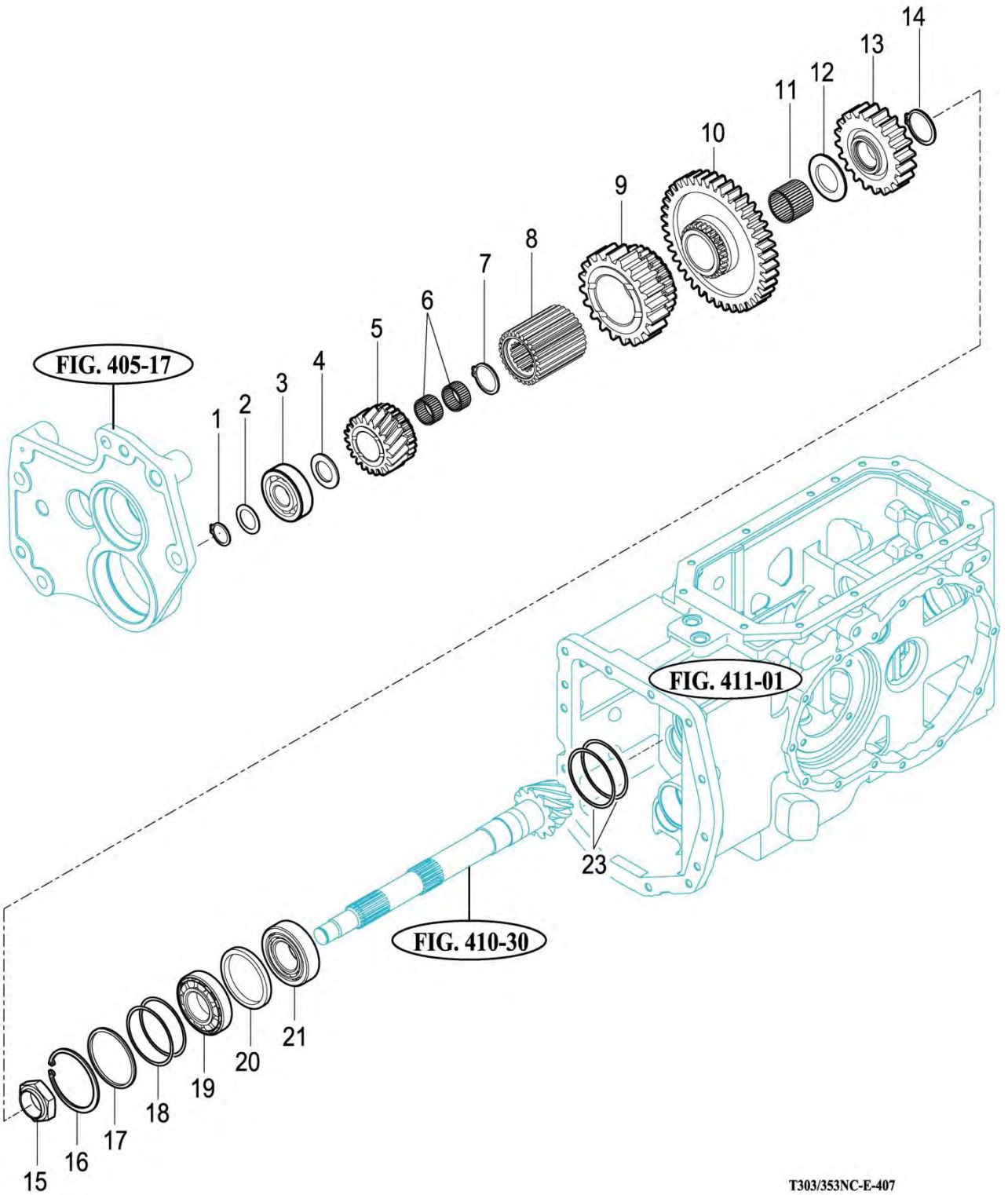
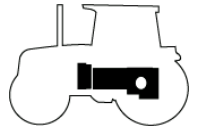
T474ST

PINION GEARS

P1

YEAR

2018



T303/353NC-E-407

NOTE

FIG 408

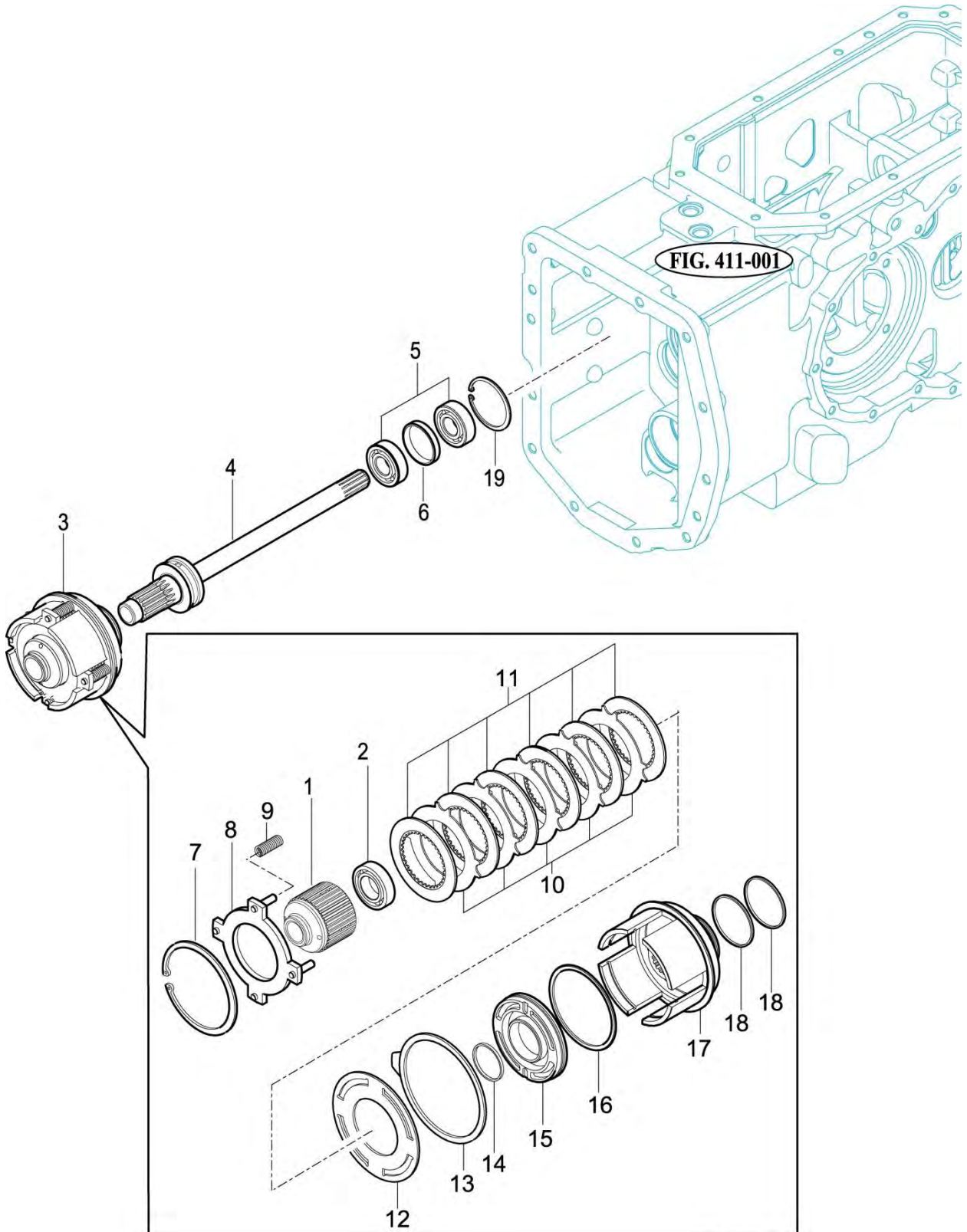
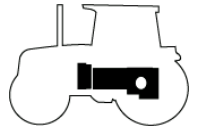
T474ST

P.T.O DRIVE SHAFT

P1

YEAR

2018



T303/353NC-E-408

NOTE

FIG 409

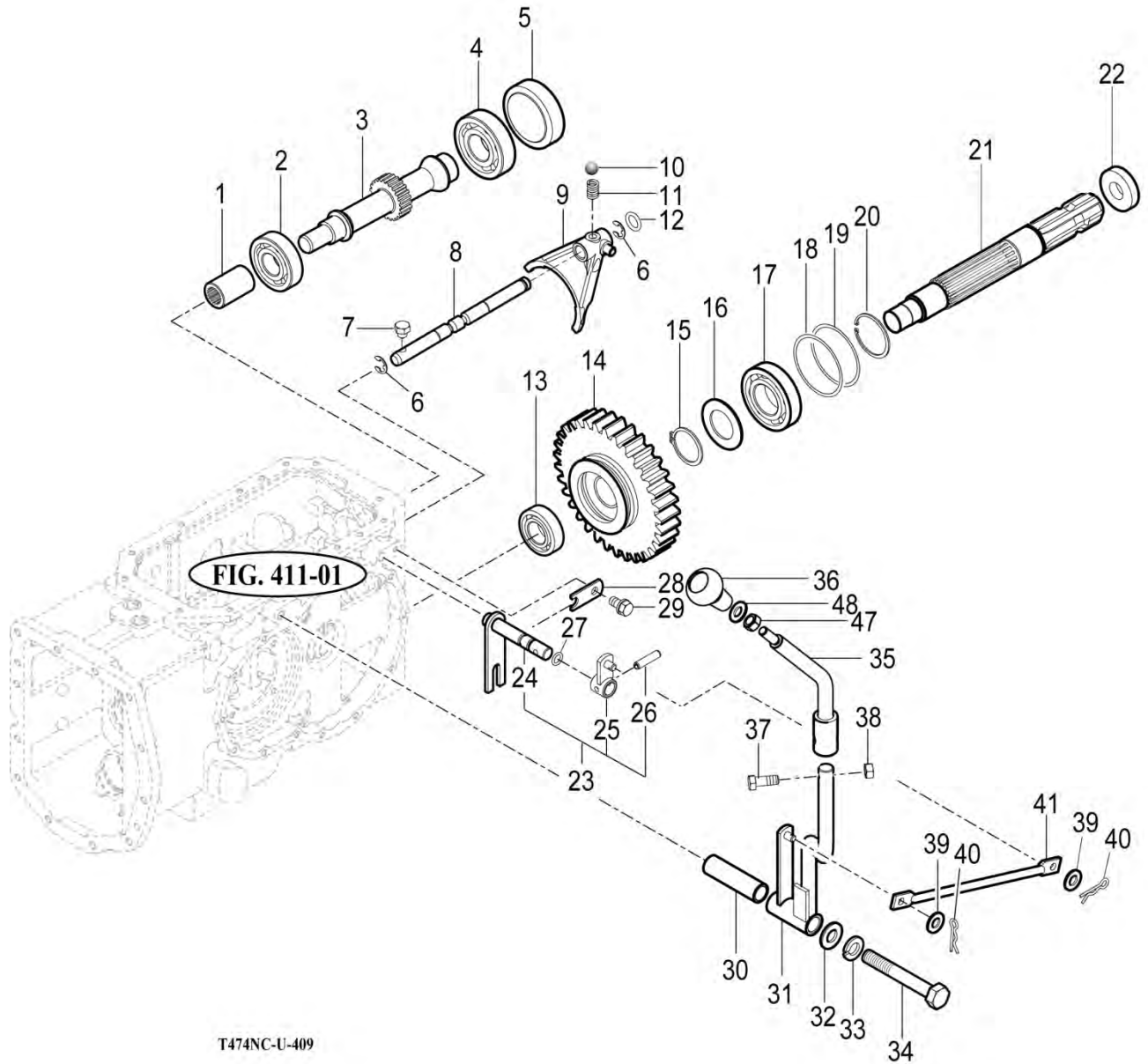
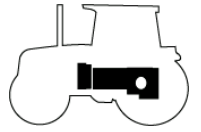
T474ST

P.T.O. CHANGE GEARS

P1

YEAR

2018



NOTE

FIG 410

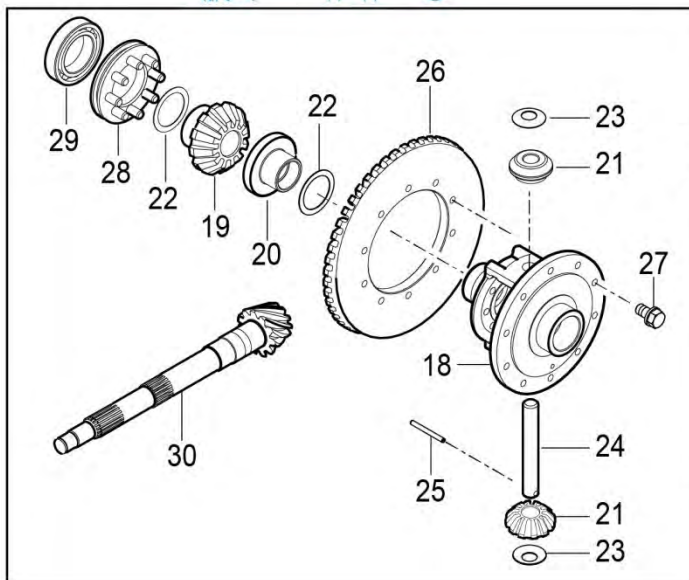
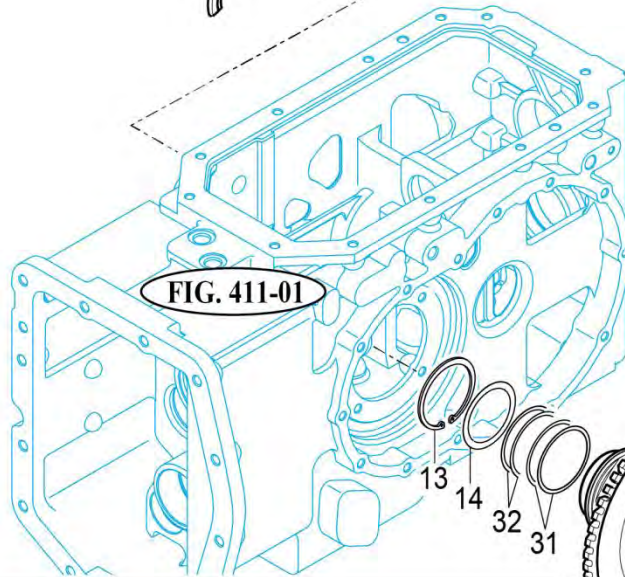
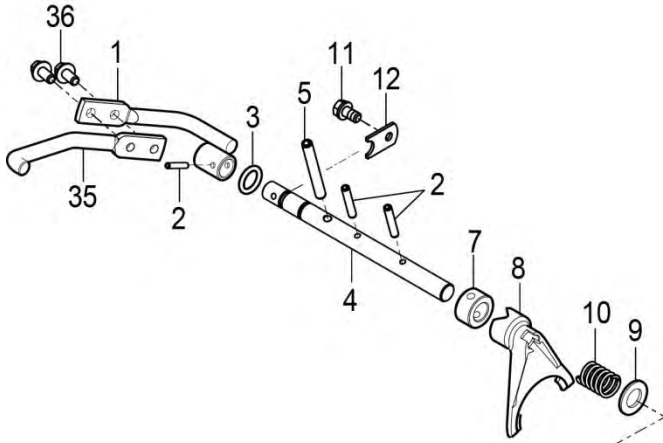
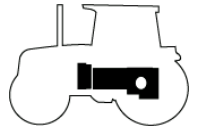
T474ST

DIFF LOCK

P1

YEAR

2018



* NOT SERVICED SEPARATELY

T2545ST-E-410

NOTE

FIG 411

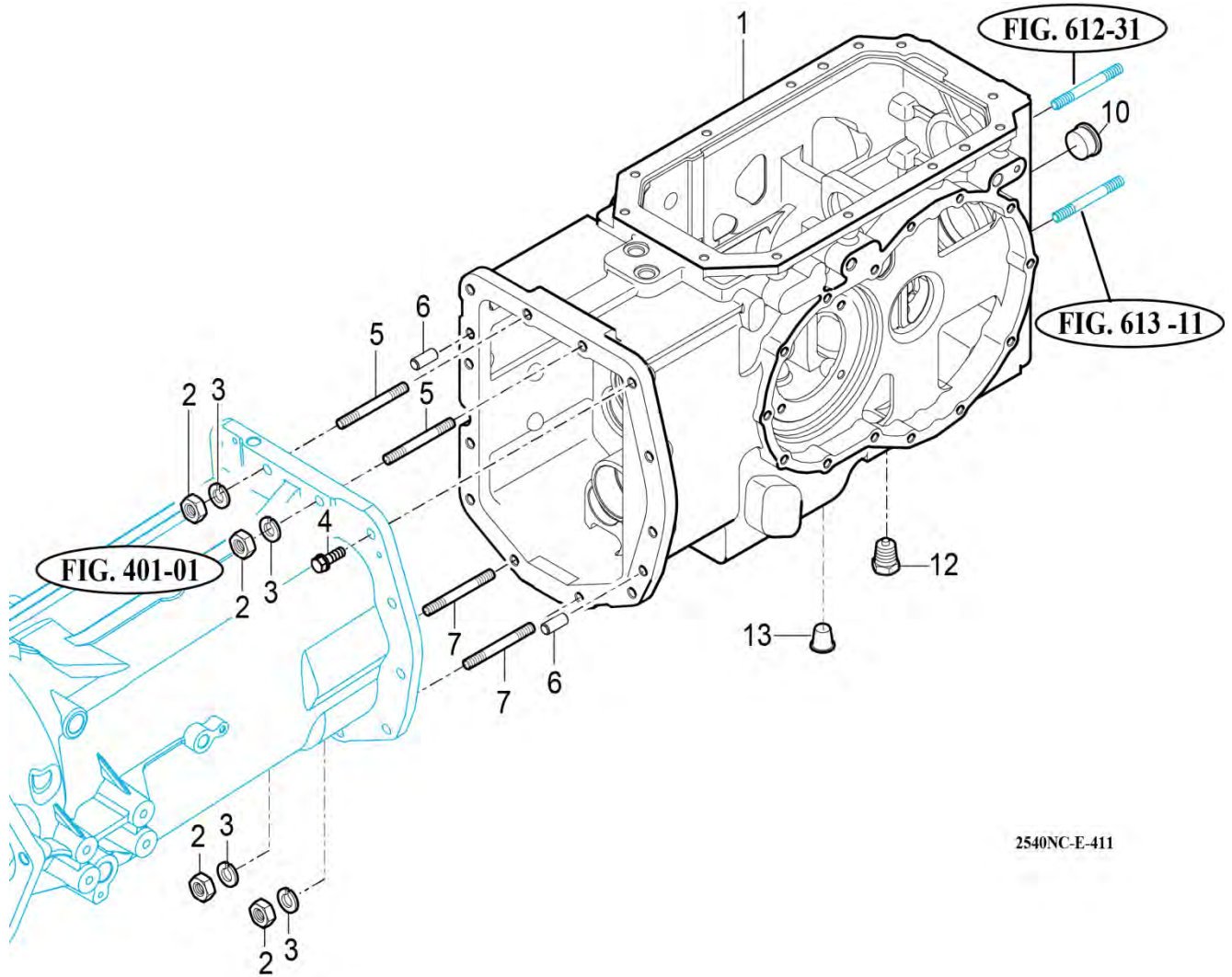
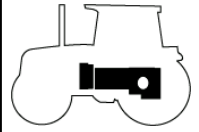
T474ST

TRANSMISSION REAR CASE

P1

YEAR

2018



2540NC-E-411

NOTE

FIG 412

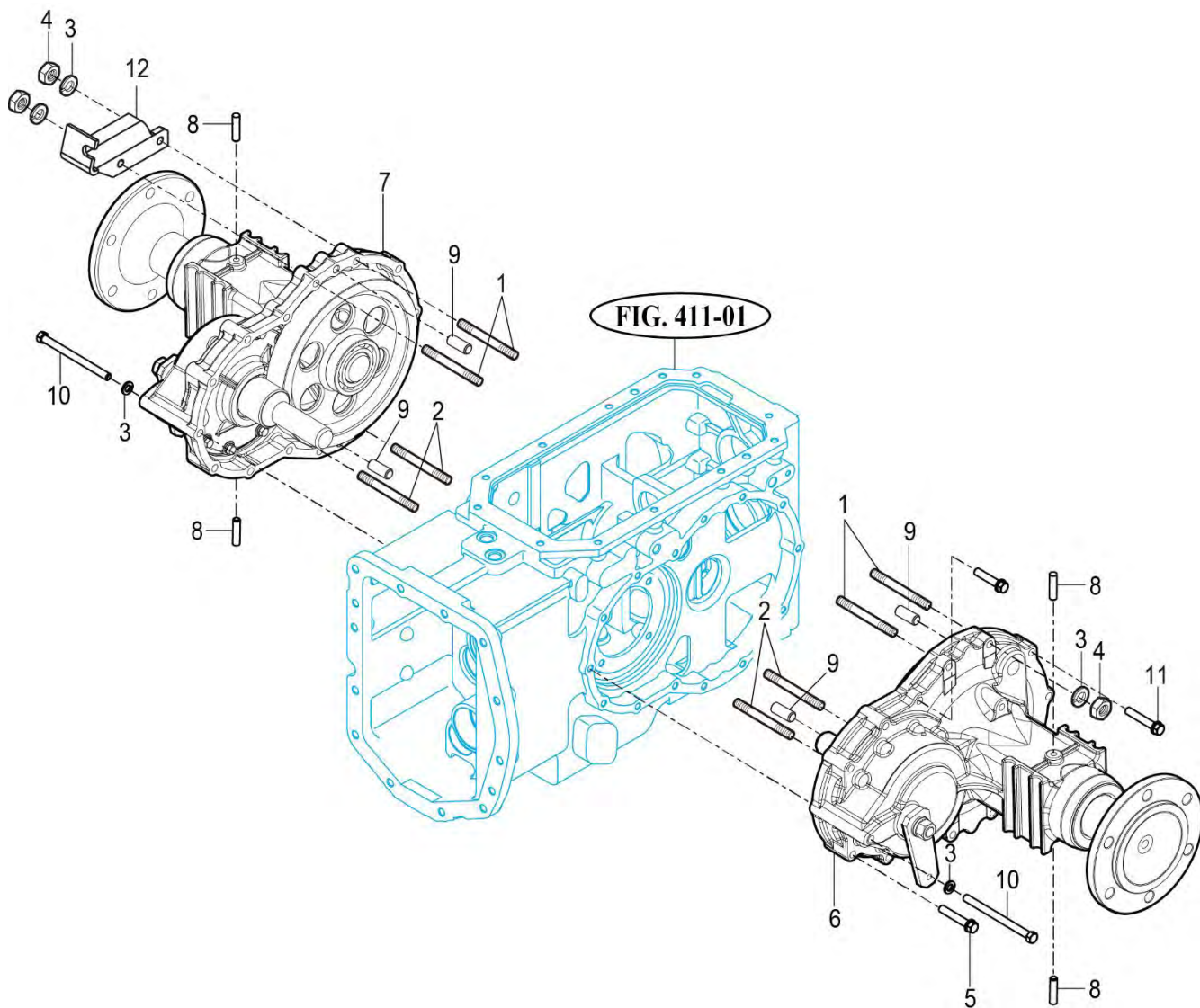
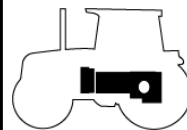
T474ST

REAR AXLE HOUSINGS (1)

P1

YEAR

2018



2545NC-E-412

NOTE

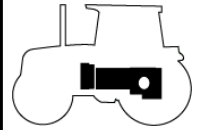
FIG 413

REAR AXLE HOUSINGS (2)

P1

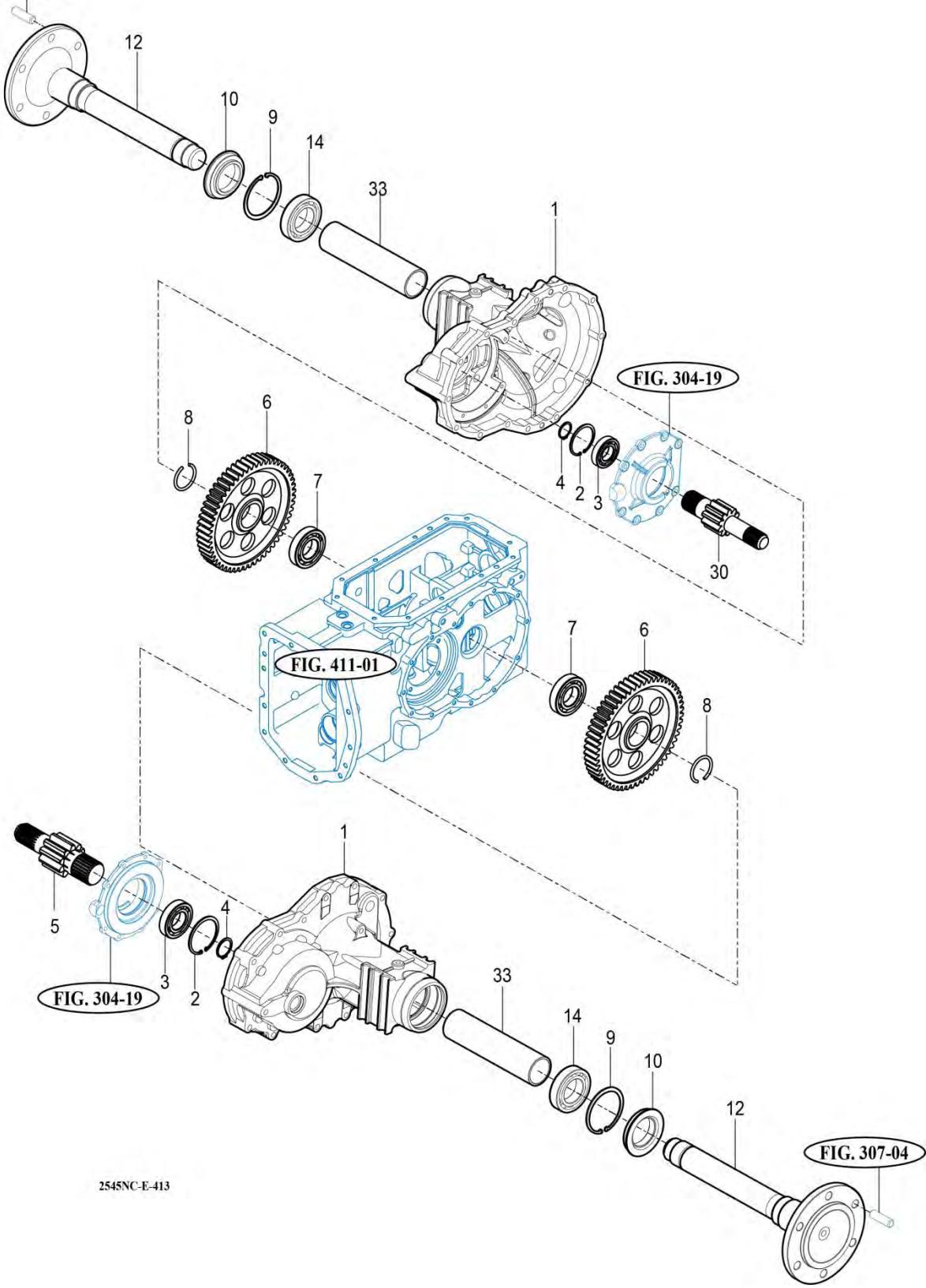
YEAR

2018



T474ST

FIG. 307-04



2545NC-E-413

NOTE

FIG 414

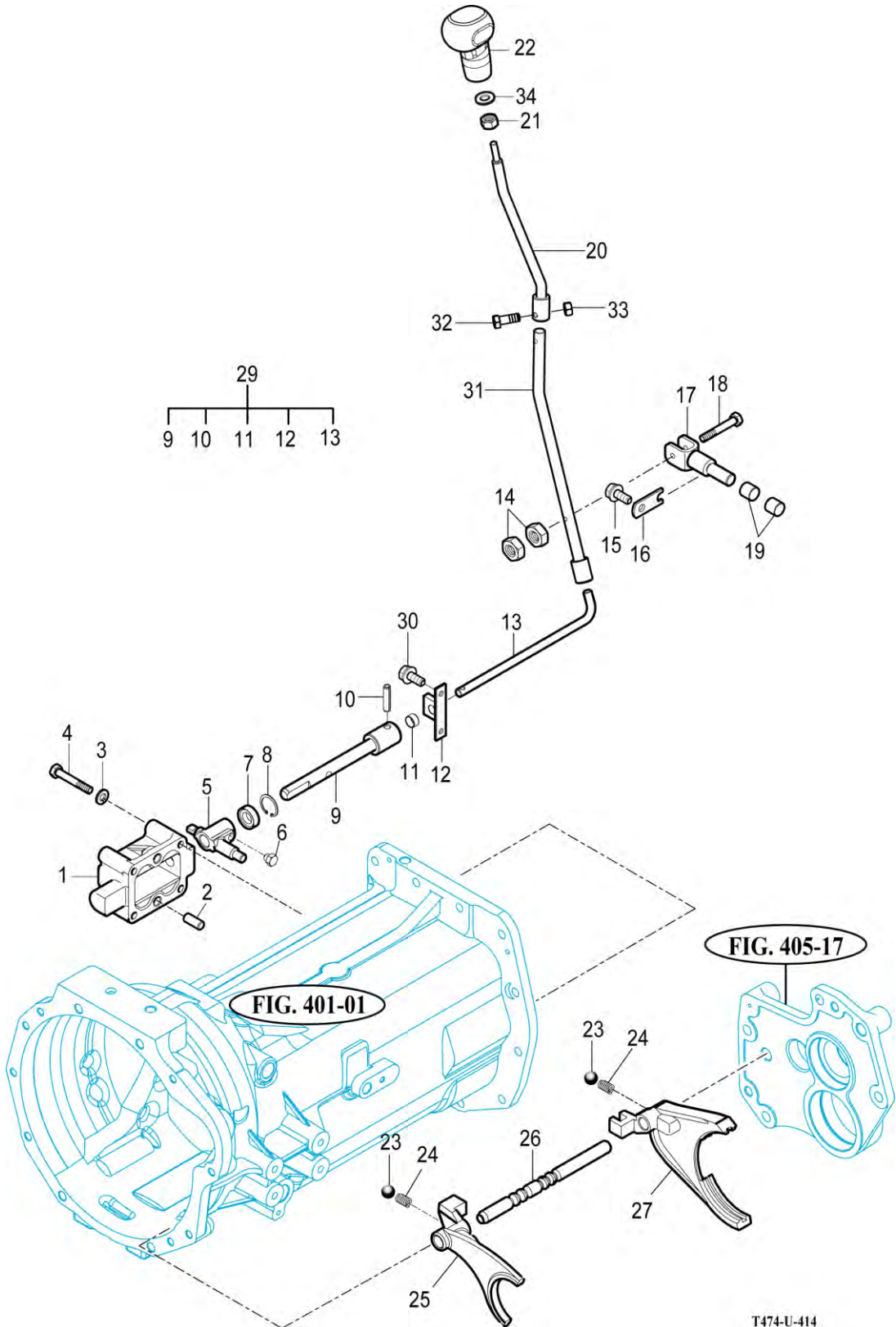
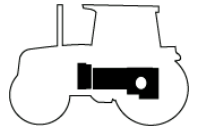
T474ST

MAIN CHANGE LEVER

P1

YEAR

2018



T474-U-414

NOTE

FIG 415

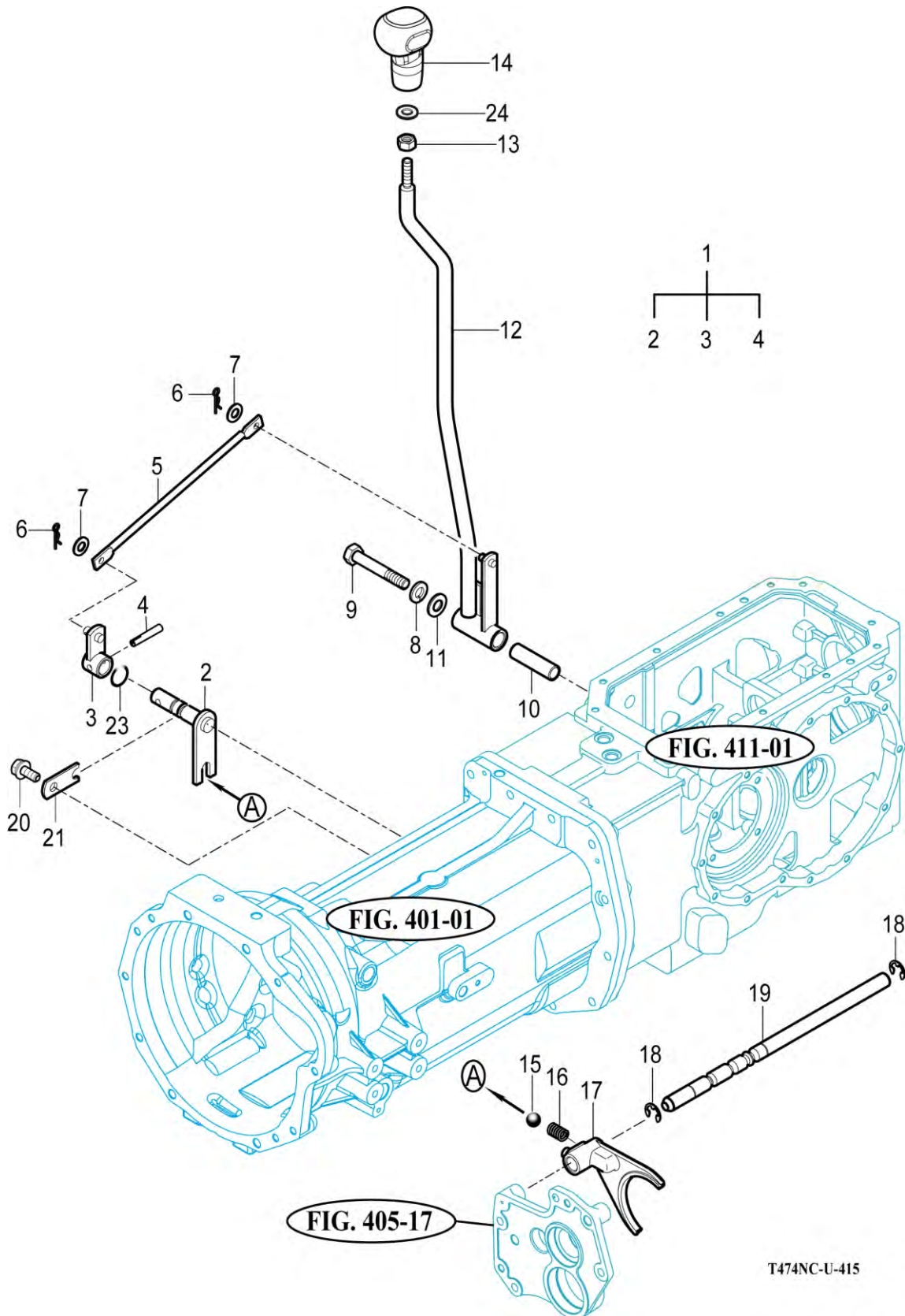
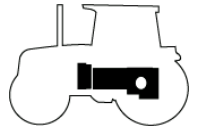
SUB CHANGE LEVER

T474ST

P1

YEAR

2018



T474NC-U-415

NOTE

FIG 416

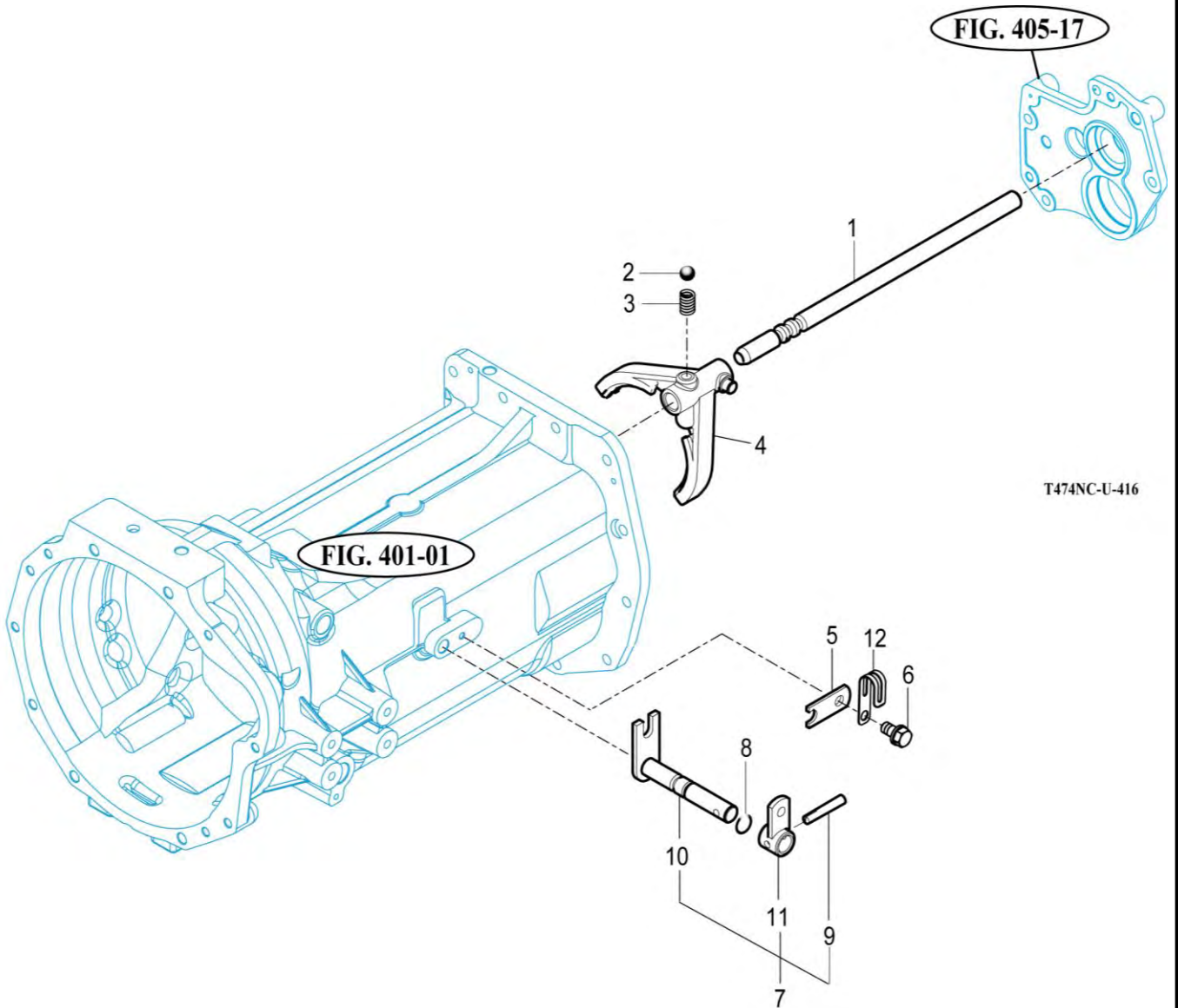
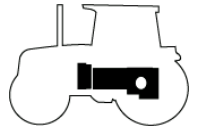
T474ST

REVERSE LINK

P1

YEAR

2018



T474NC-U-416

NOTE

FIG 417

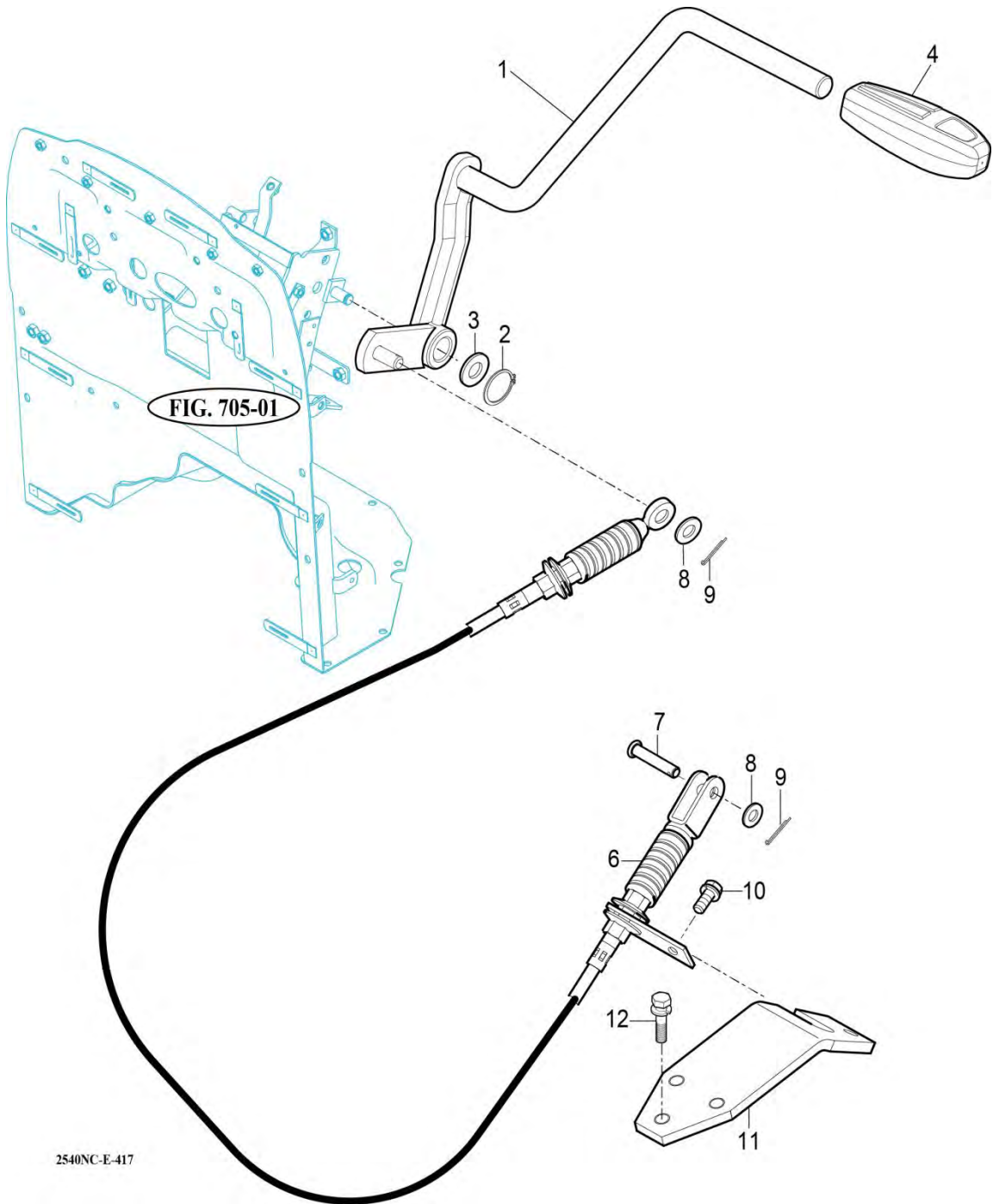
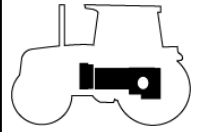
T474ST

REVERSE CHANGE LEVER

P1

YEAR

2018



NOTE

FIG 418

T474ST

4WD CHANGE LEVER

P1

YEAR

2018

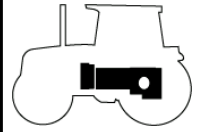
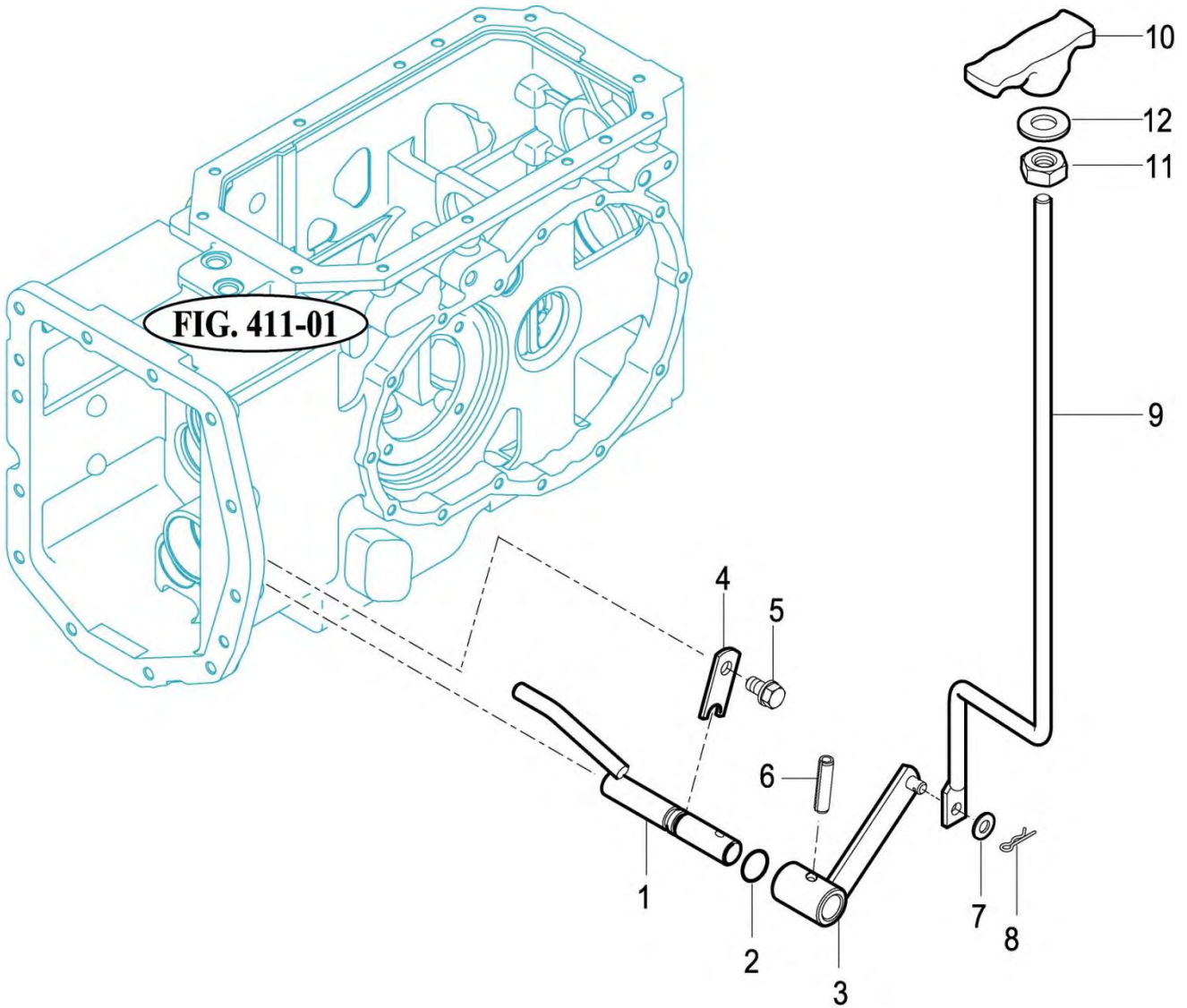


FIG. 411-01



T303/353NC-E-418

NOTE

FIG 501

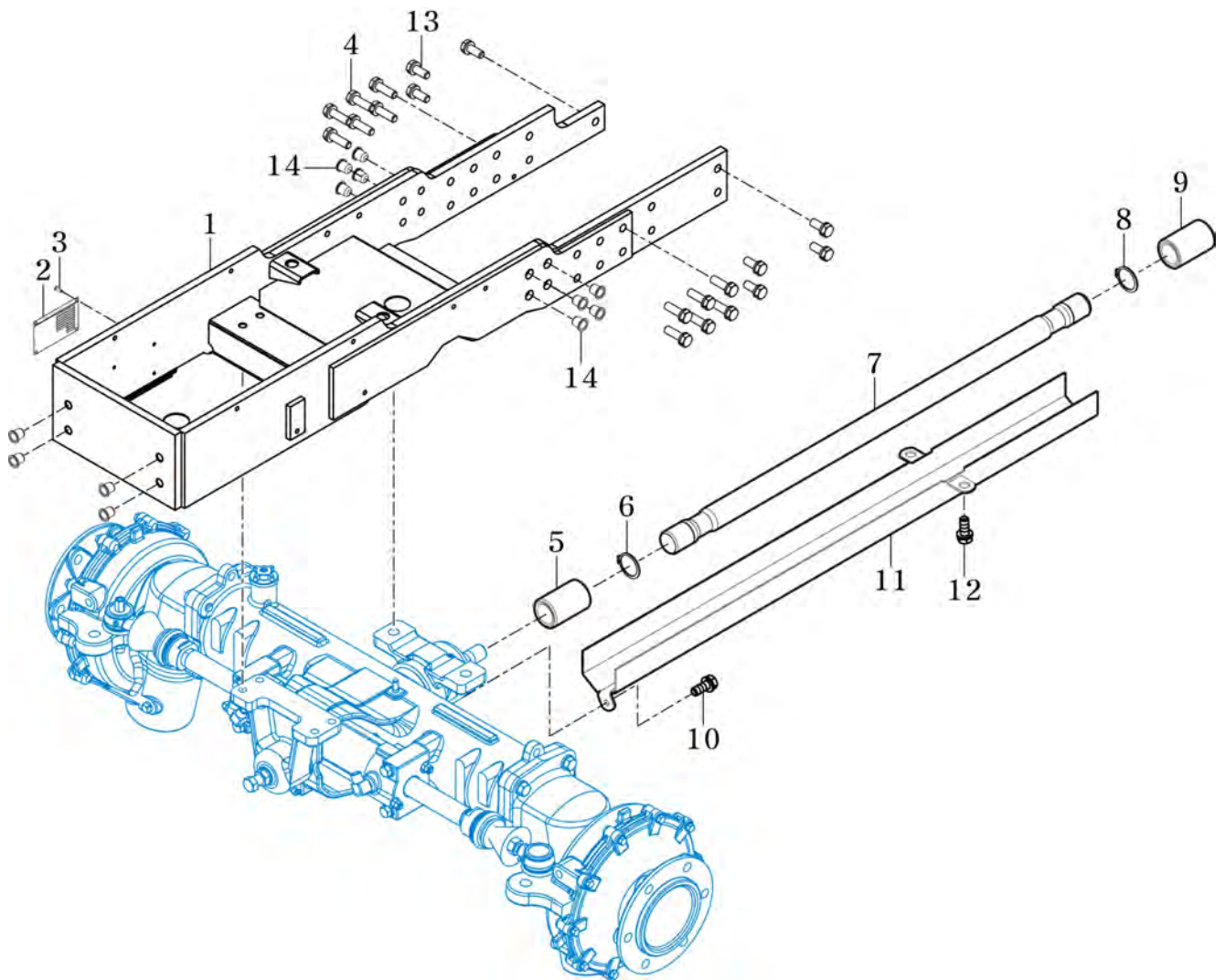
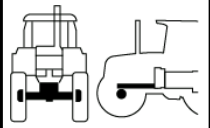
T474ST

FRONT AXLE BRACKET

P1

YEAR

2018



NOTE

FIG 502

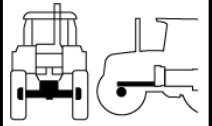
T474ST

FRONT DIFF. GEARS & SHAFT

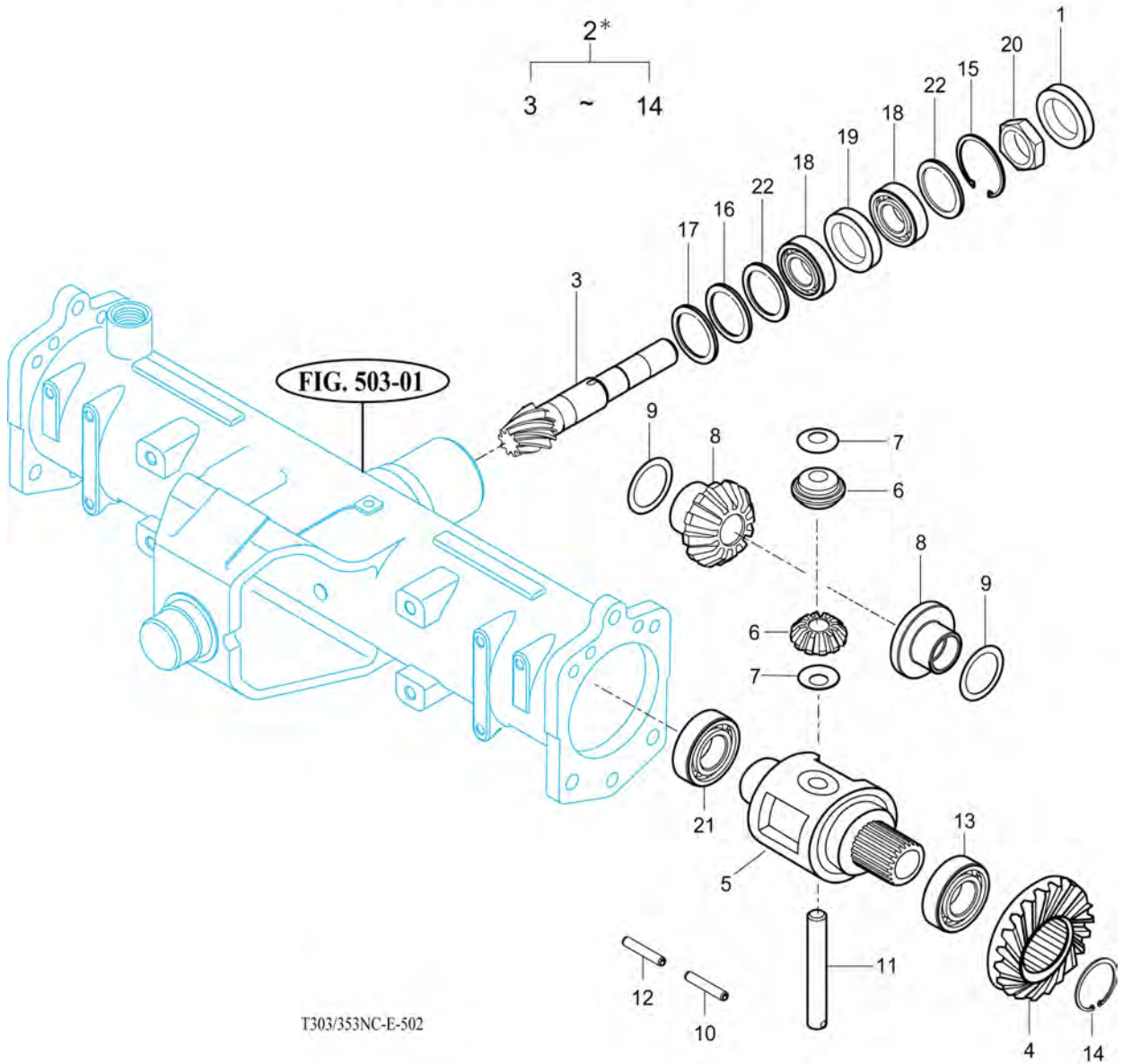
P1

YEAR

2018



* NOT SERVICED SEPARATELY



T303/353NC-E-502

NOTE

FIG 503

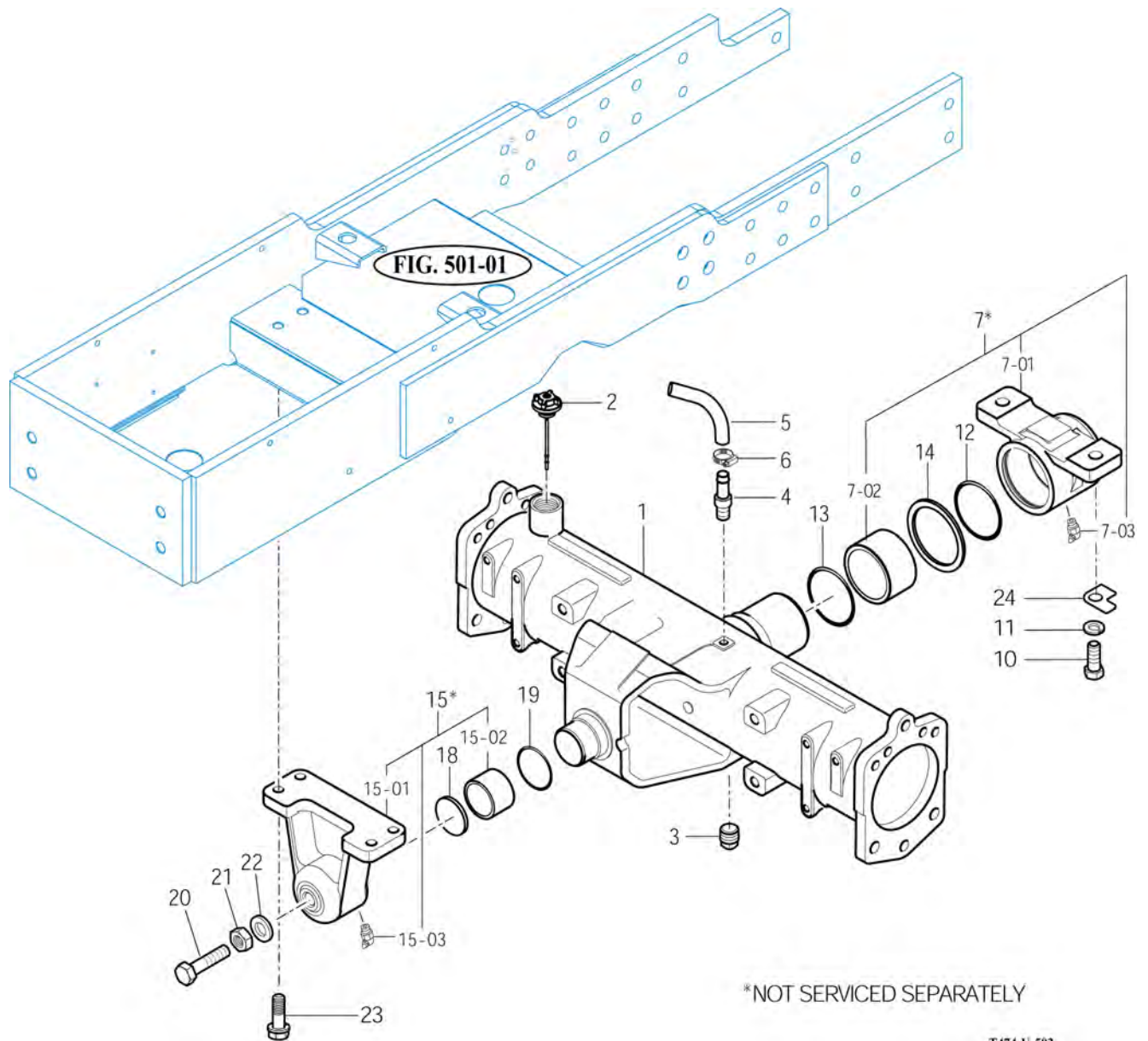
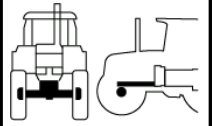
T474ST

FRONT AXLE HOUSING

P1

YEAR

2018



T474-U-503

NOTE

FIG 504

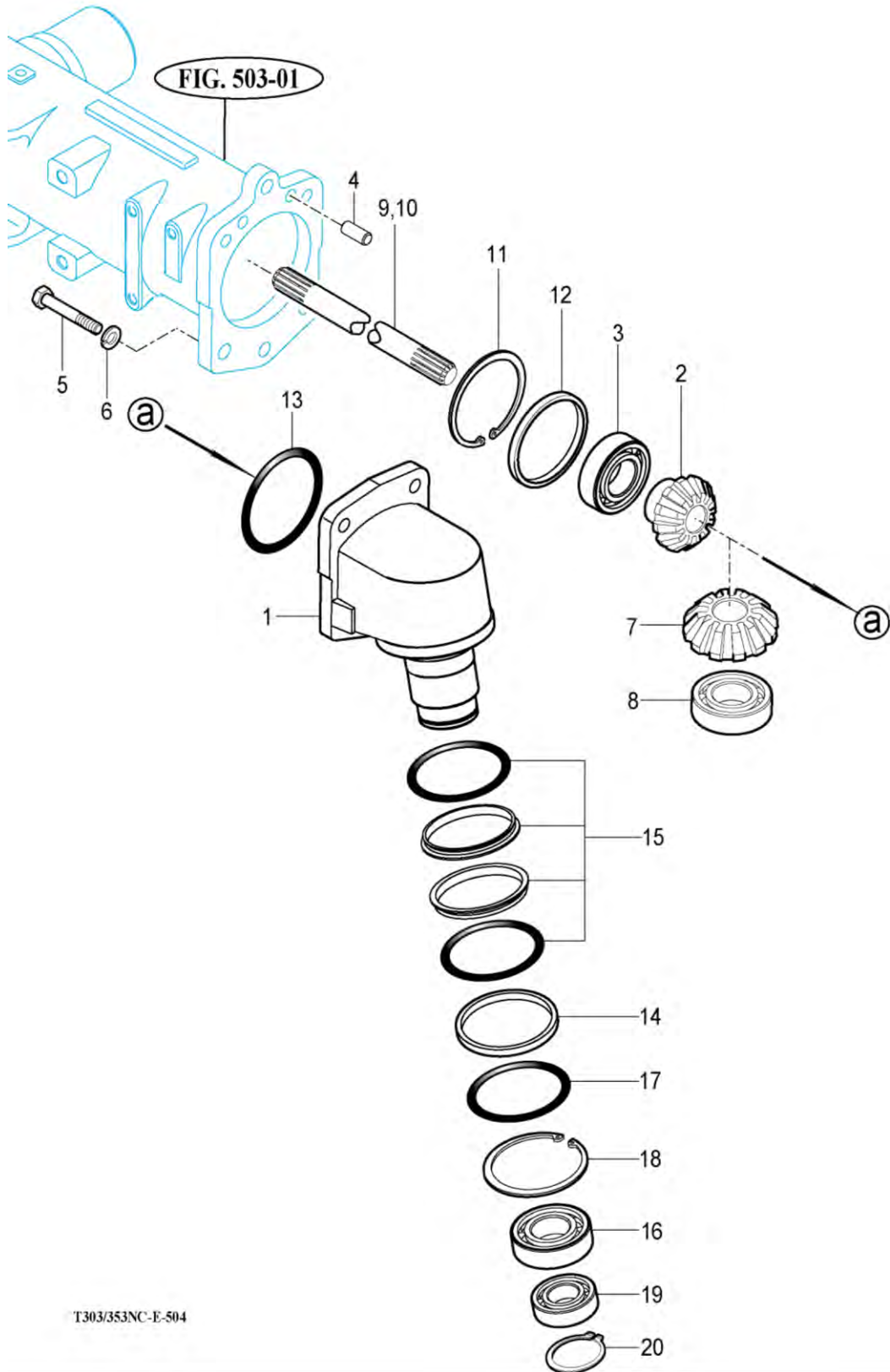
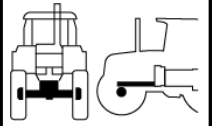
T474ST

FRONT GEAR CASE (1)

P1

YEAR

2018



T303/353NC-E-504

NOTE

FIG 505

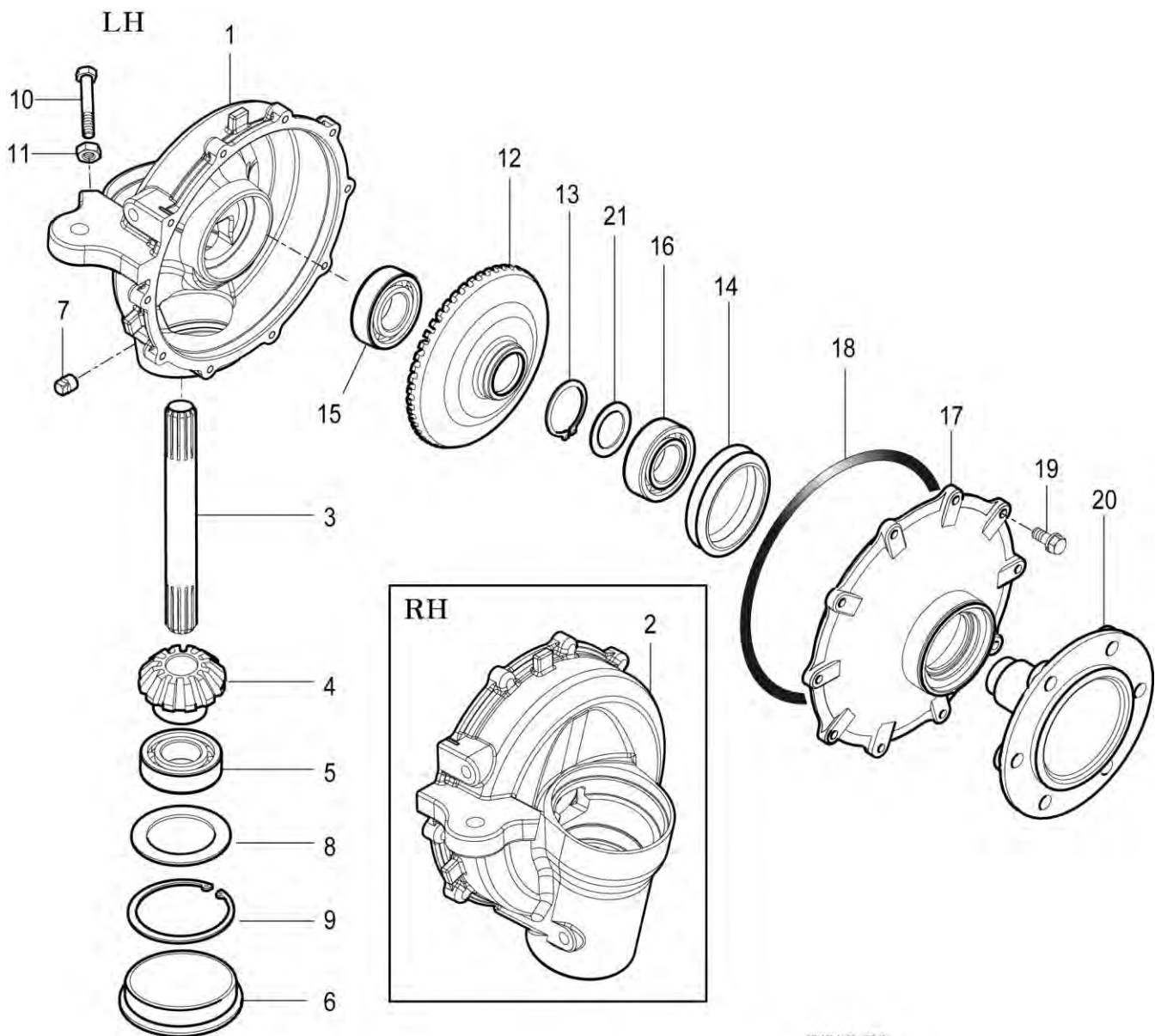
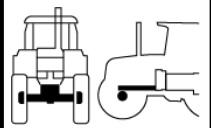
T474ST

FRONT GEAR CASE (2)

P1

YEAR

2018



T474-U-505

NOTE

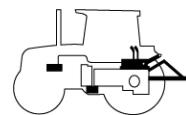
FIG 601

GEAR PUMP

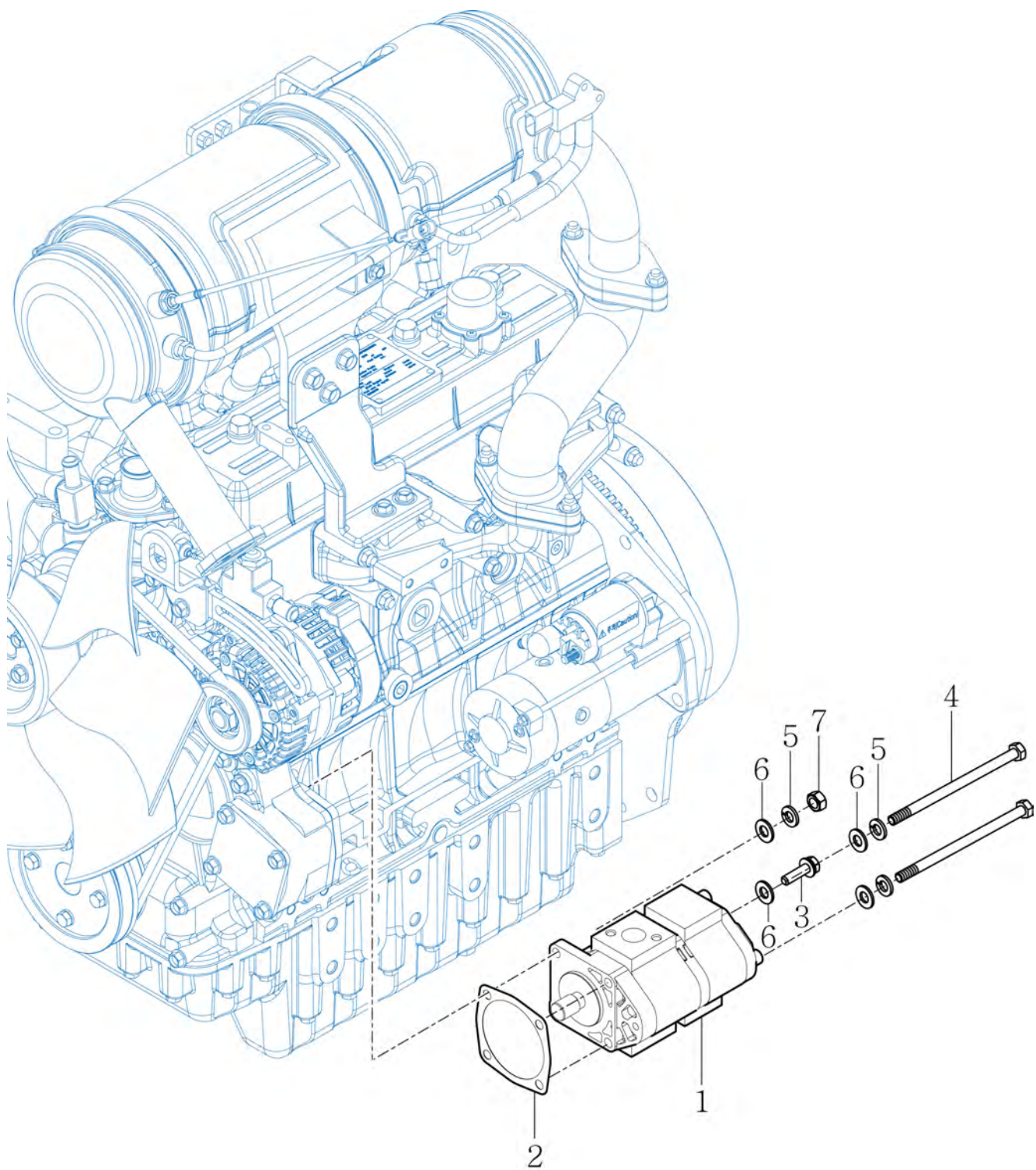
P1

YEAR

2018



T474ST



NOTE

FIG 602

T474ST

CYLINDER CASE

P1

YEAR

2018

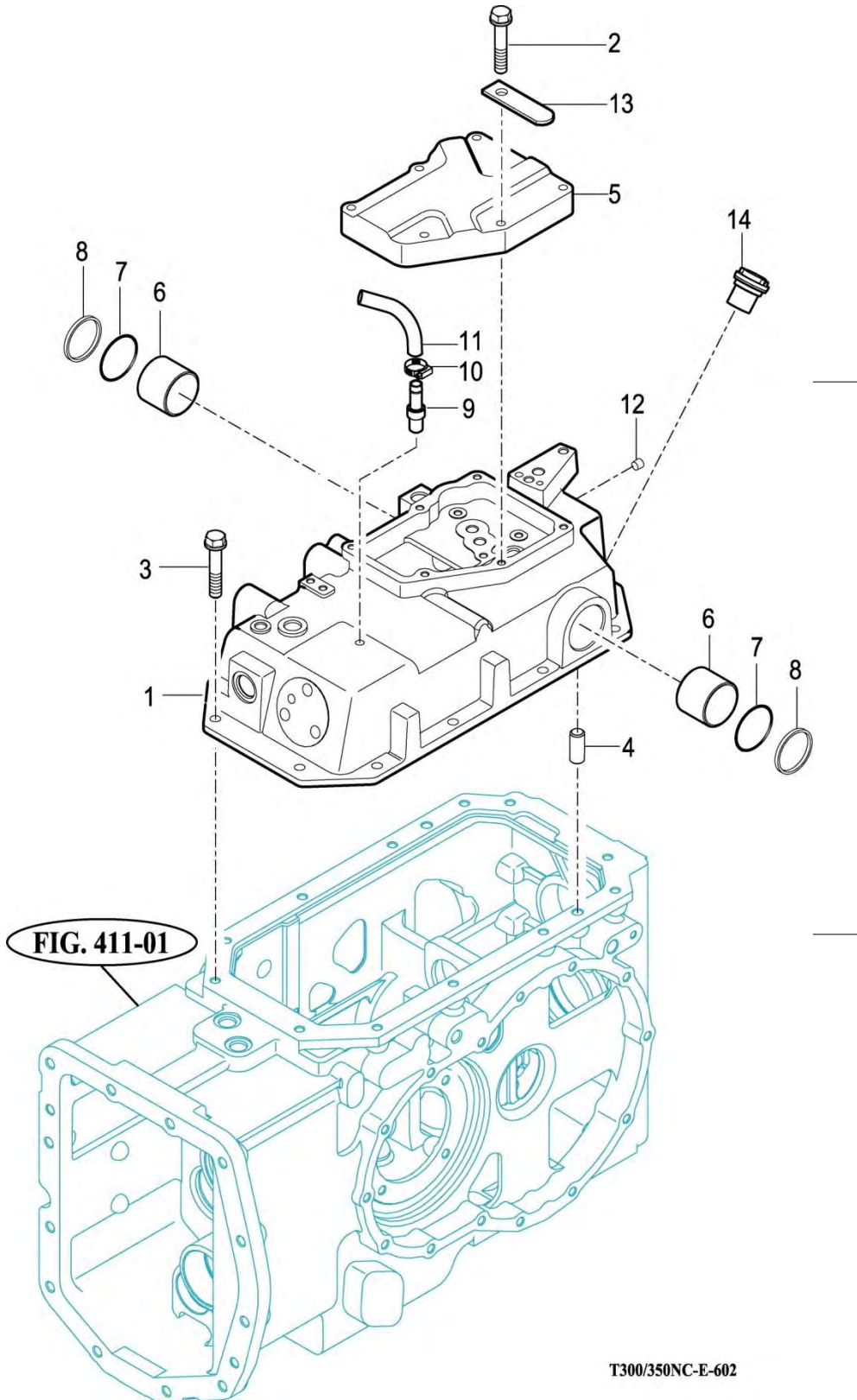
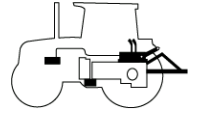


FIG. 411-01

T300/350NC-E-602

NOTE

FIG 603

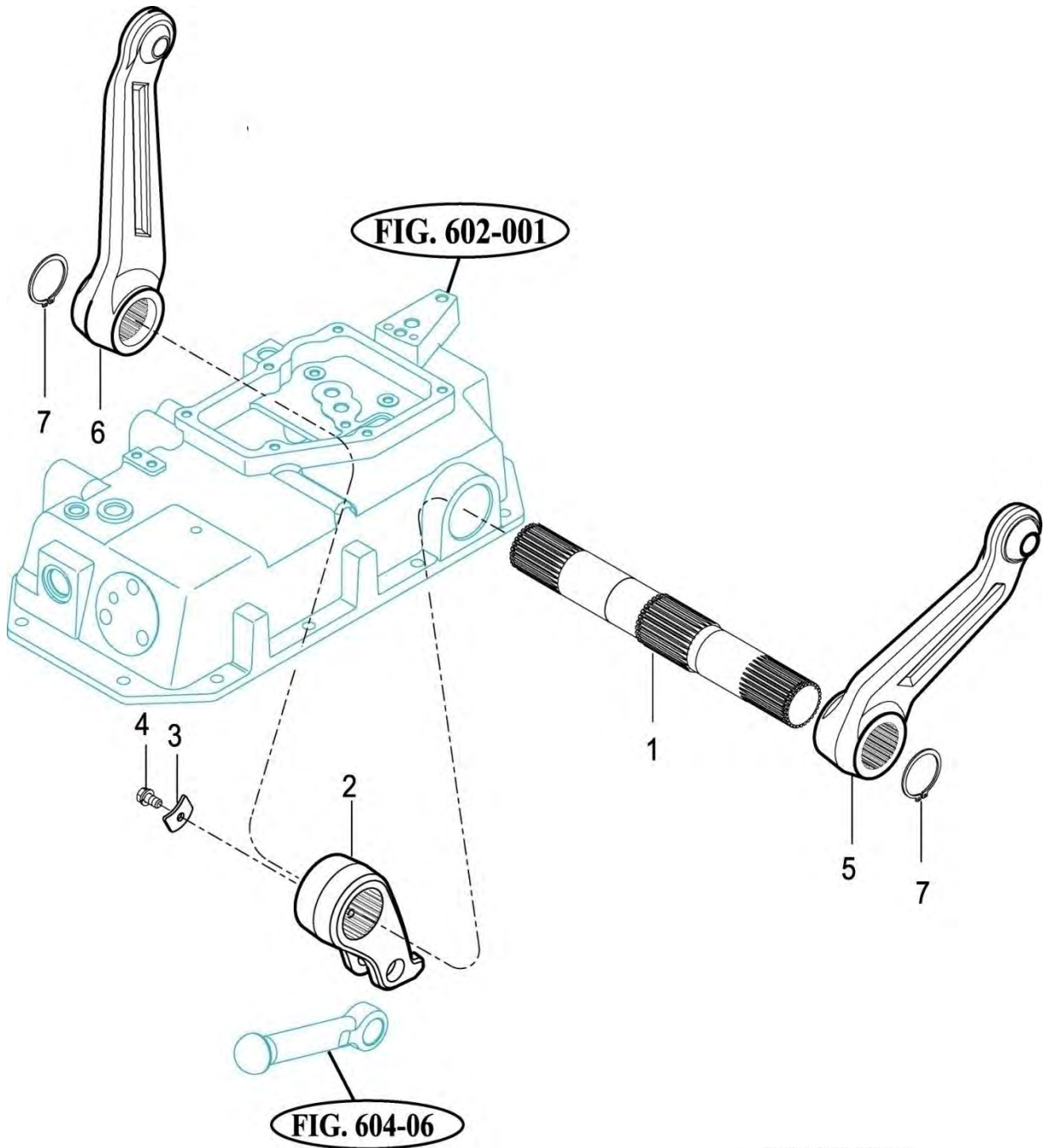
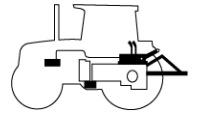
T474ST

LIFT ARM

P1

YEAR

2018



T303/353NC-E-603

NOTE

FIG 604

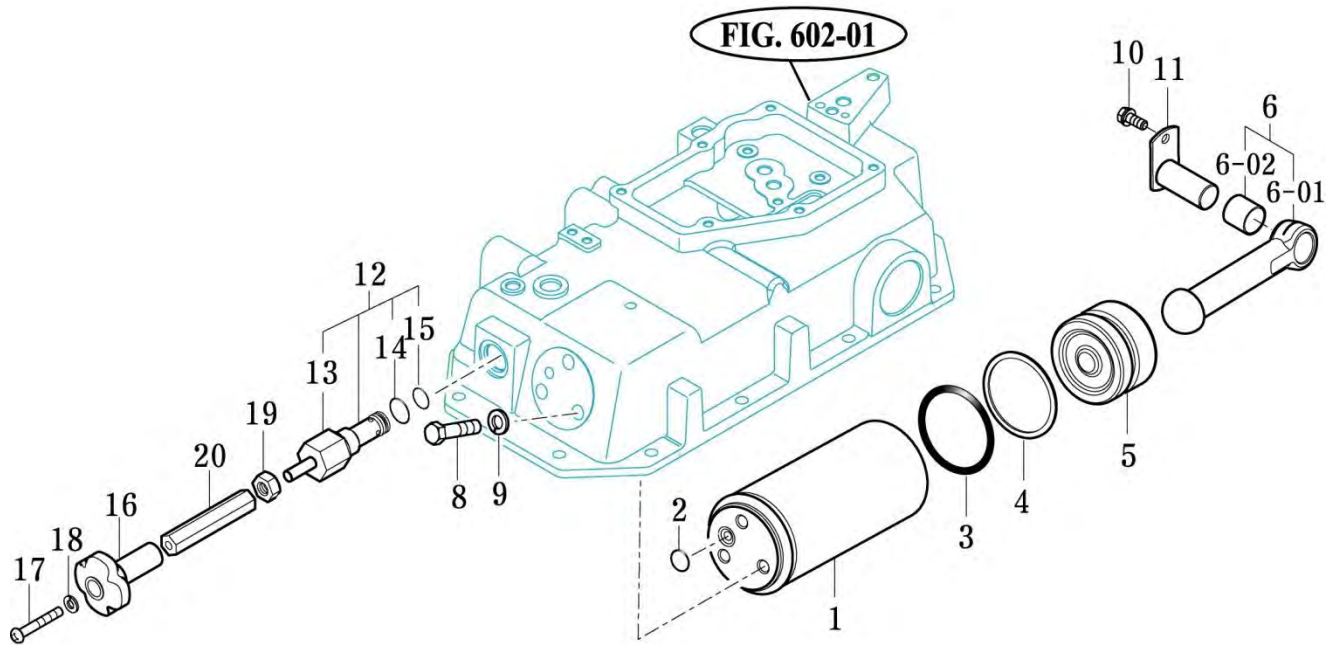
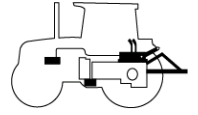
T474ST

CYLINDER

P1

YEAR

2018



T303/353NC-E-604

NOTE

FIG 605

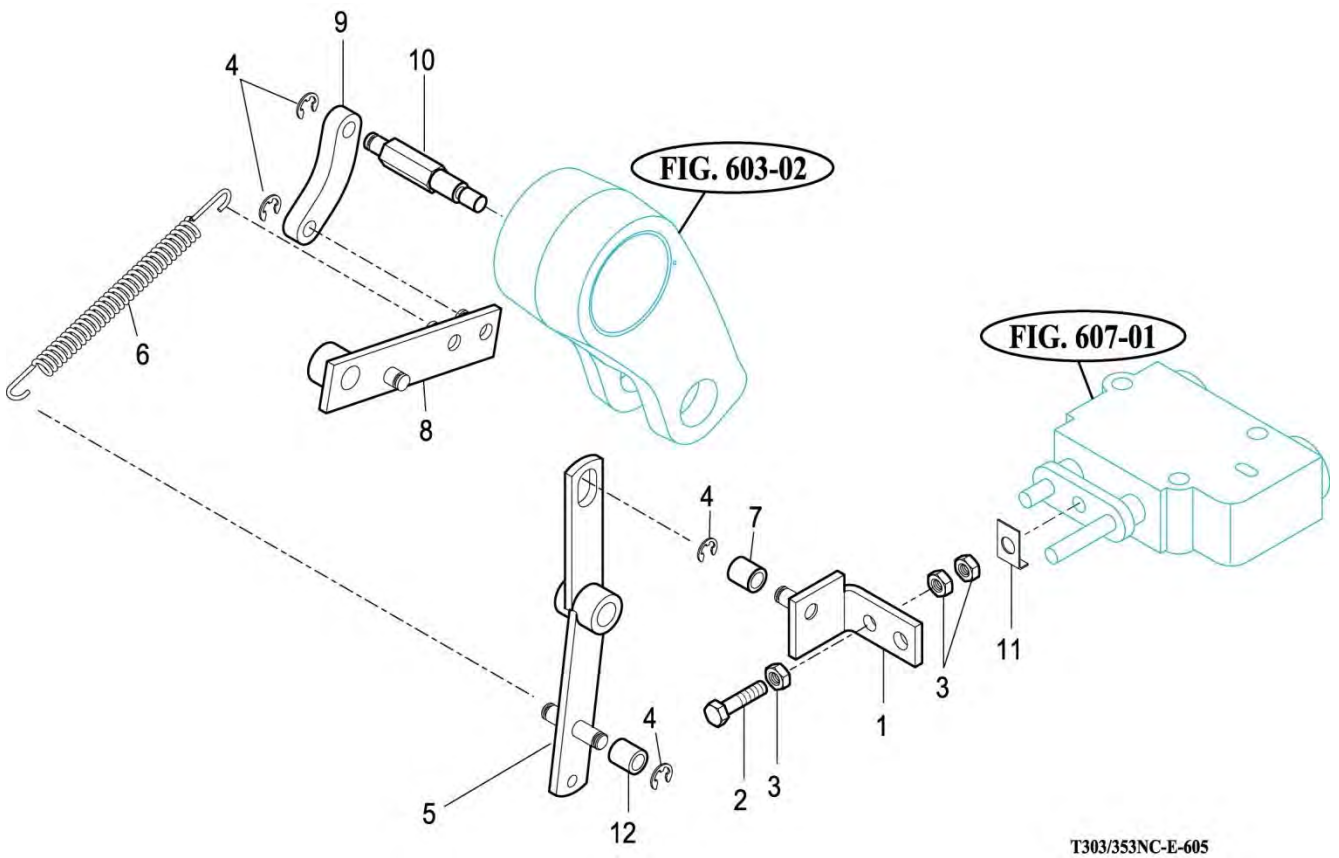
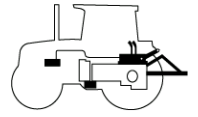
T474ST

POSITION LINK (1)

P1

YEAR

2018



NOTE

FIG 606

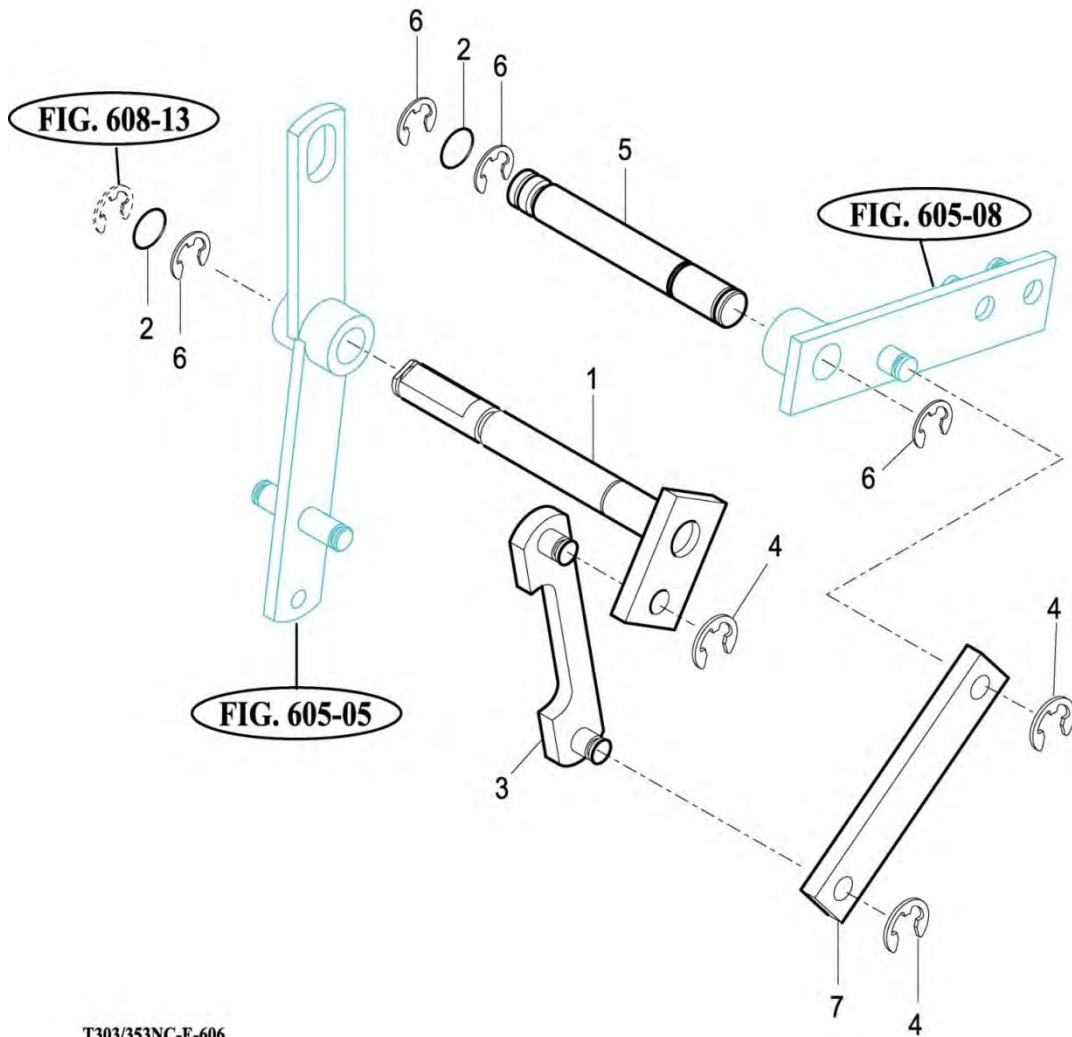
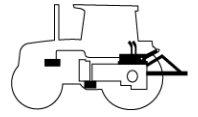
T474ST

POSITION LINK (2)

P1

YEAR

2018



T303/353NC-E-606

NOTE

FIG 607

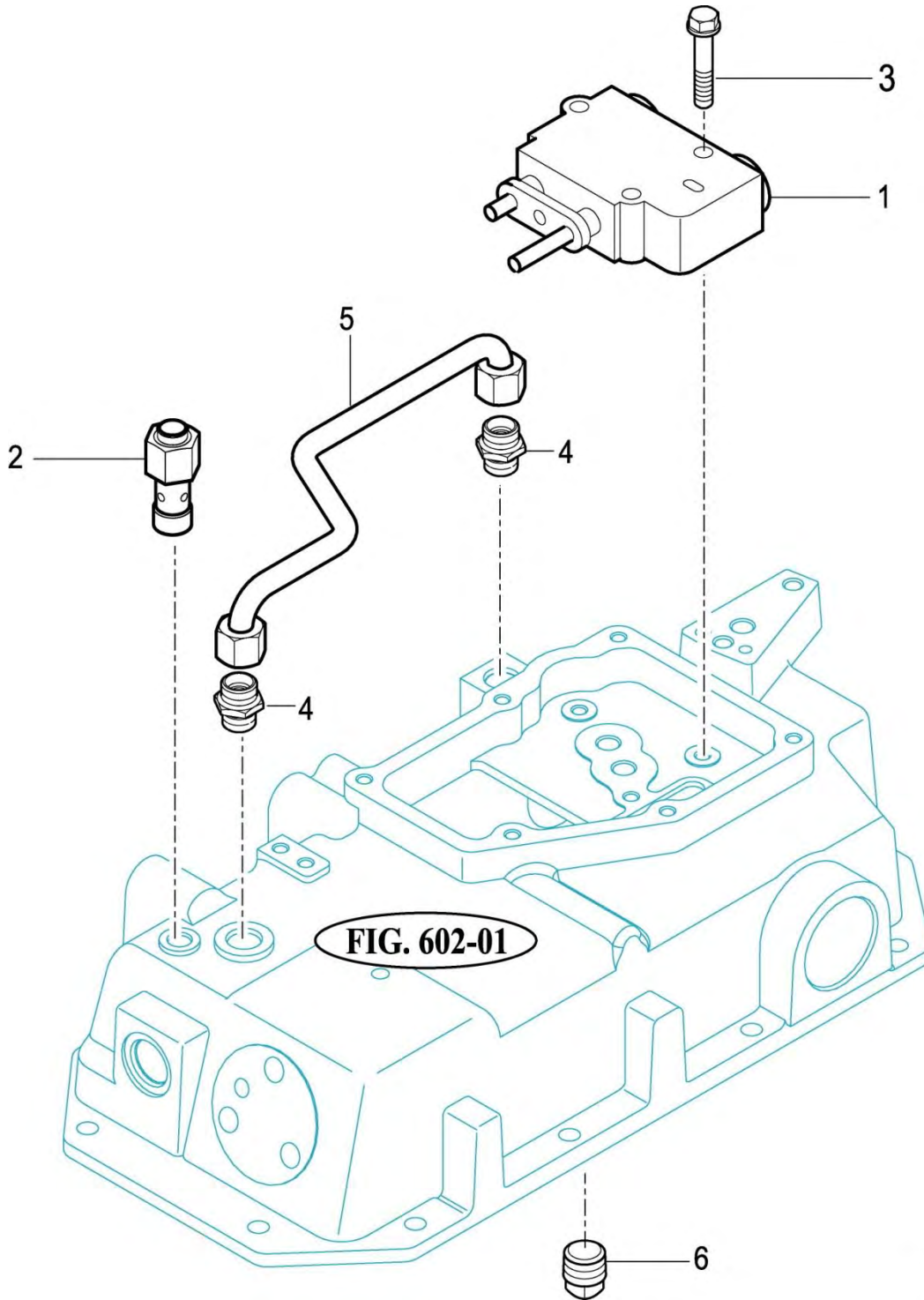
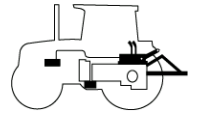
T474ST

CONTROL VALVE

P1

YEAR

2018



T303/353NC-E-607

NOTE

FIG 608

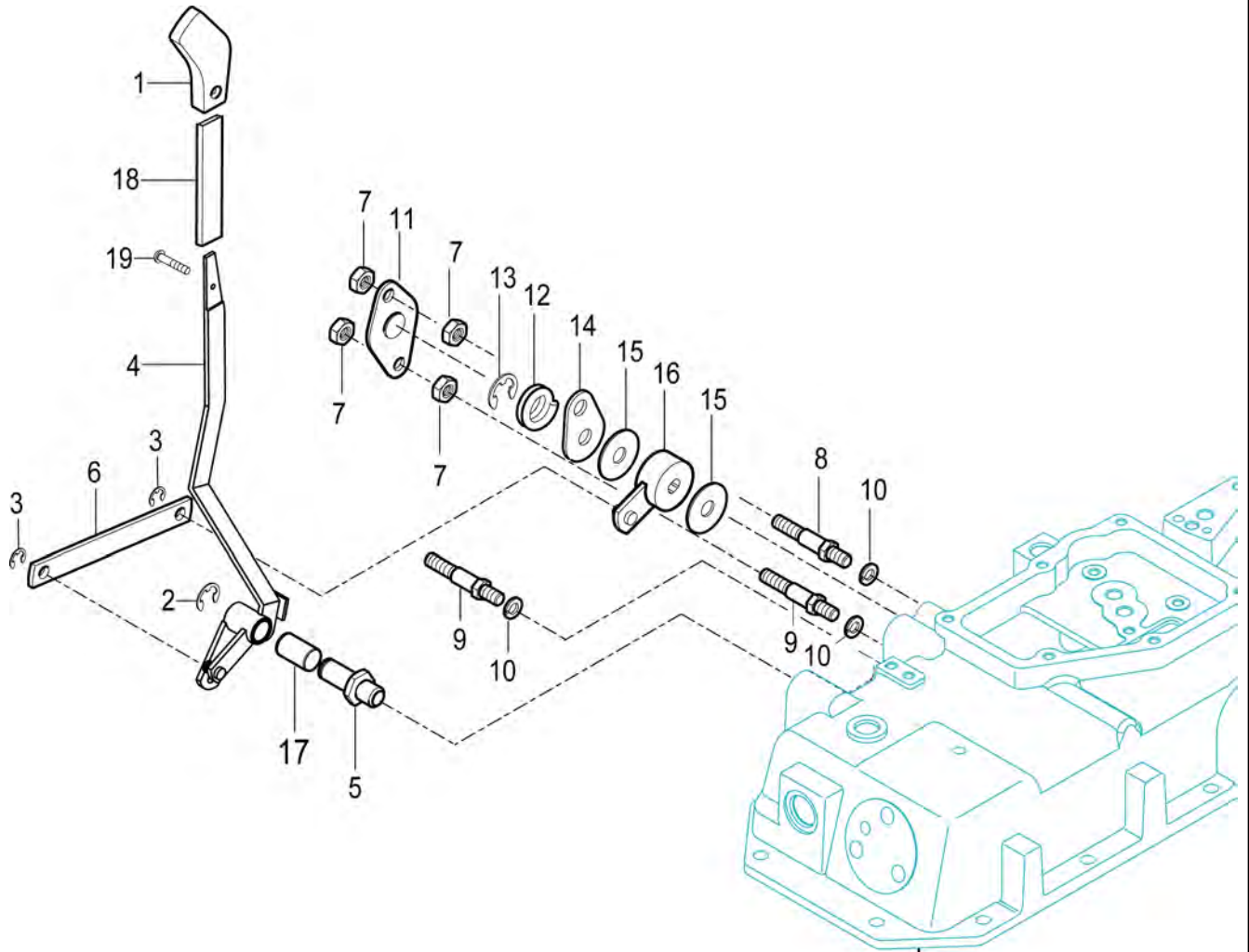
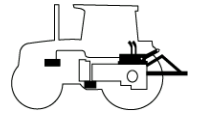
T474ST

POSITION LEVER

P1

YEAR

2018



T303/353NC-E-608

FIG. 602-01

NOTE

FIG 609

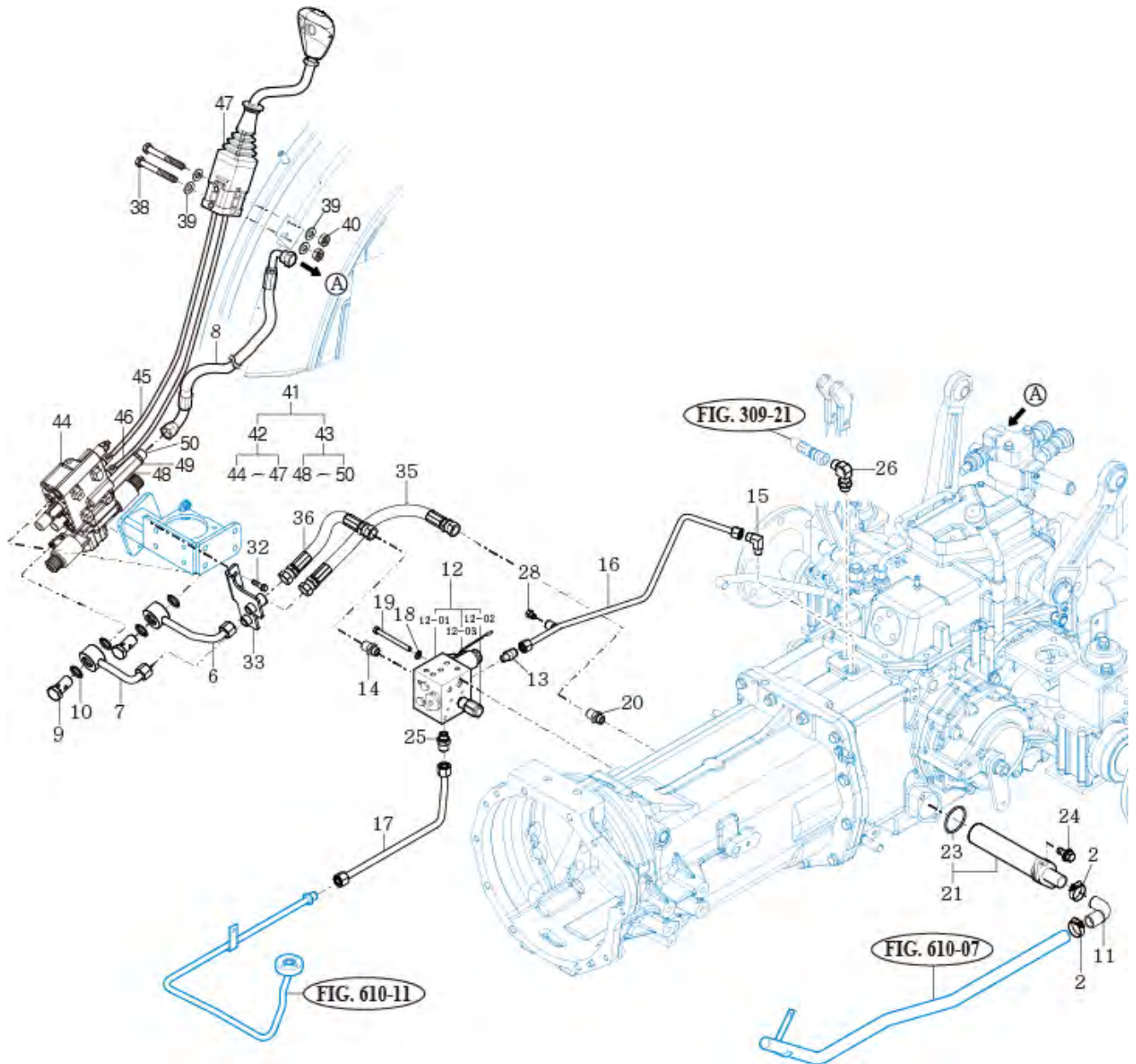
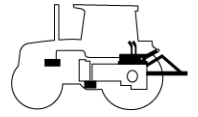
T474ST

HYDRAULIC PIPE (1)

P1

YEAR

2018



NOTE

FIG 610

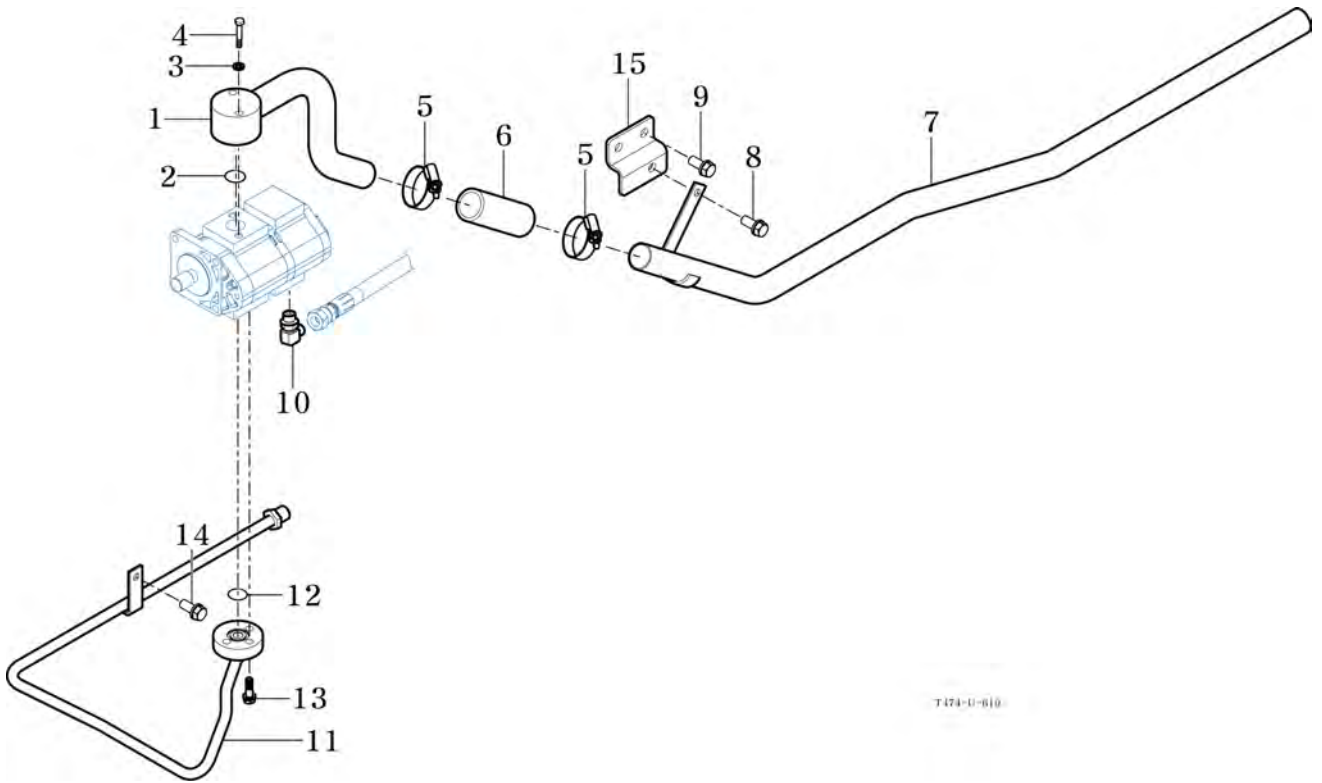
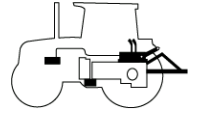
T474ST

HYDRAULIC PIPE (2)

P1

YEAR

2018



7474-0-010

NOTE

FIG 611

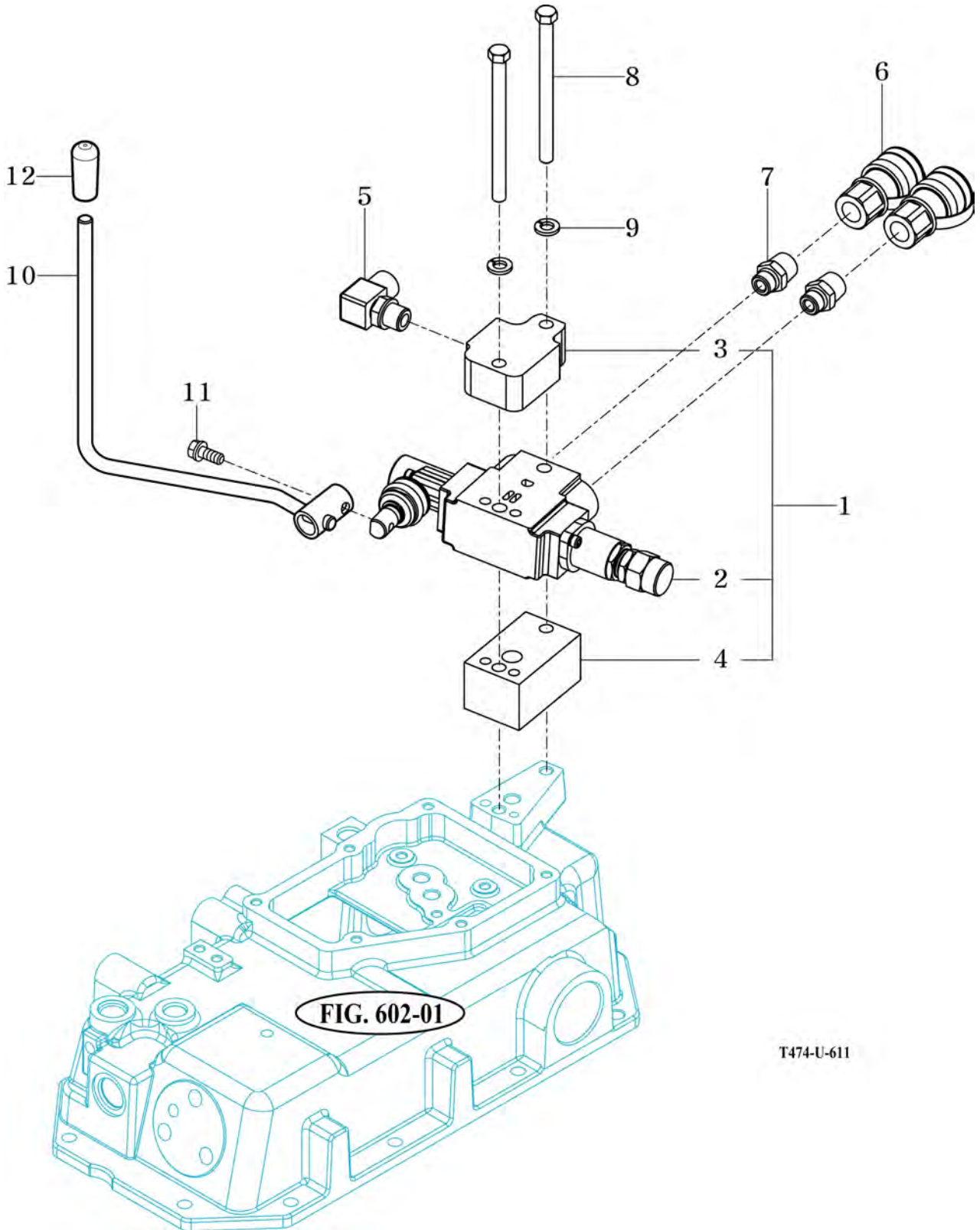
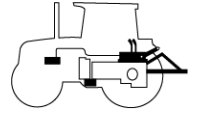
T474ST

EXTERIOR HYD. VALVE

P1

YEAR

2018



NOTE

FIG 612

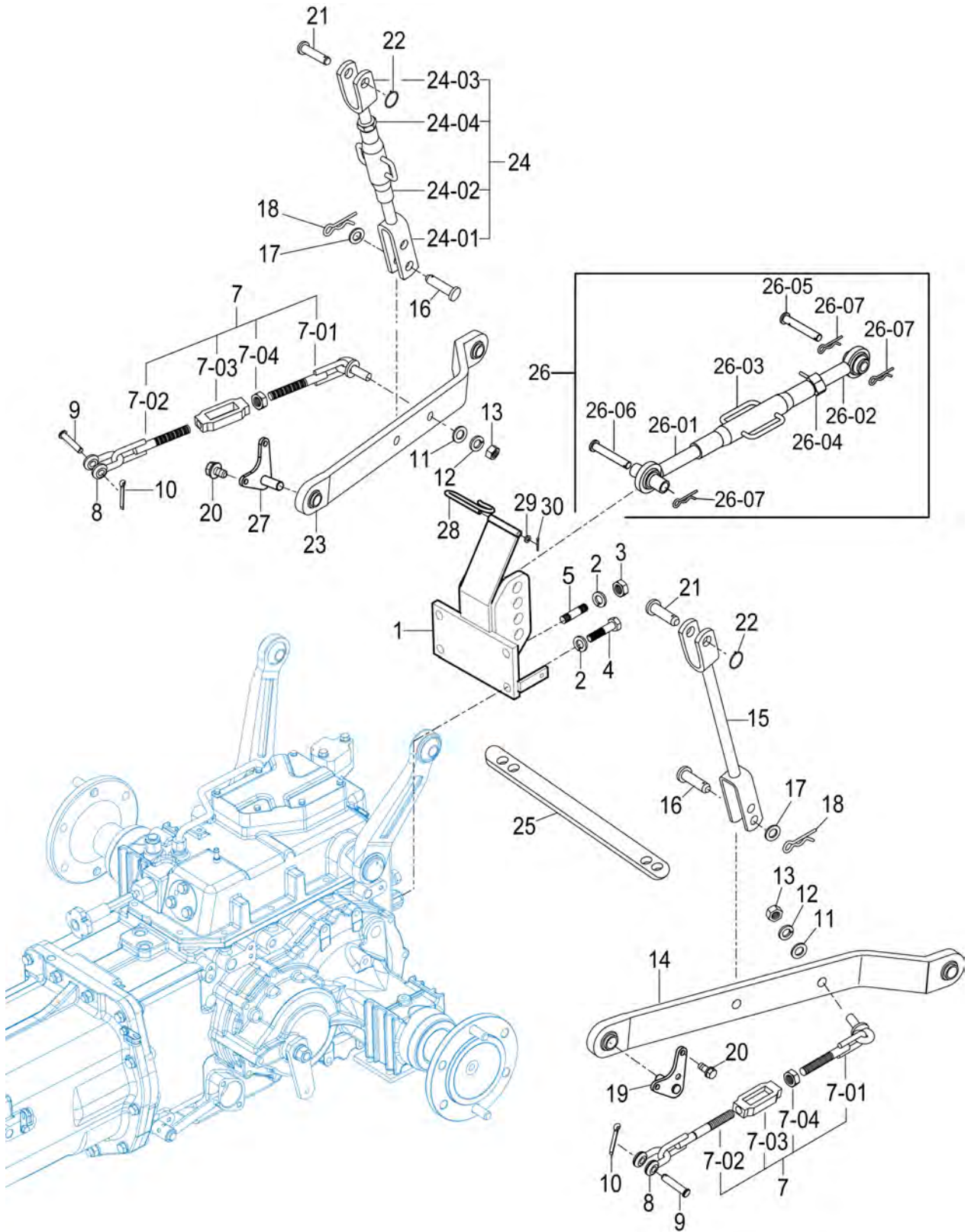
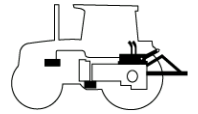
T474ST

3-POINT LINK

P1

YEAR

2018



T474-442

NOTE

FIG 613

T474ST

HITCH & COVER

P1

YEAR

2018

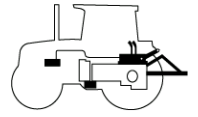
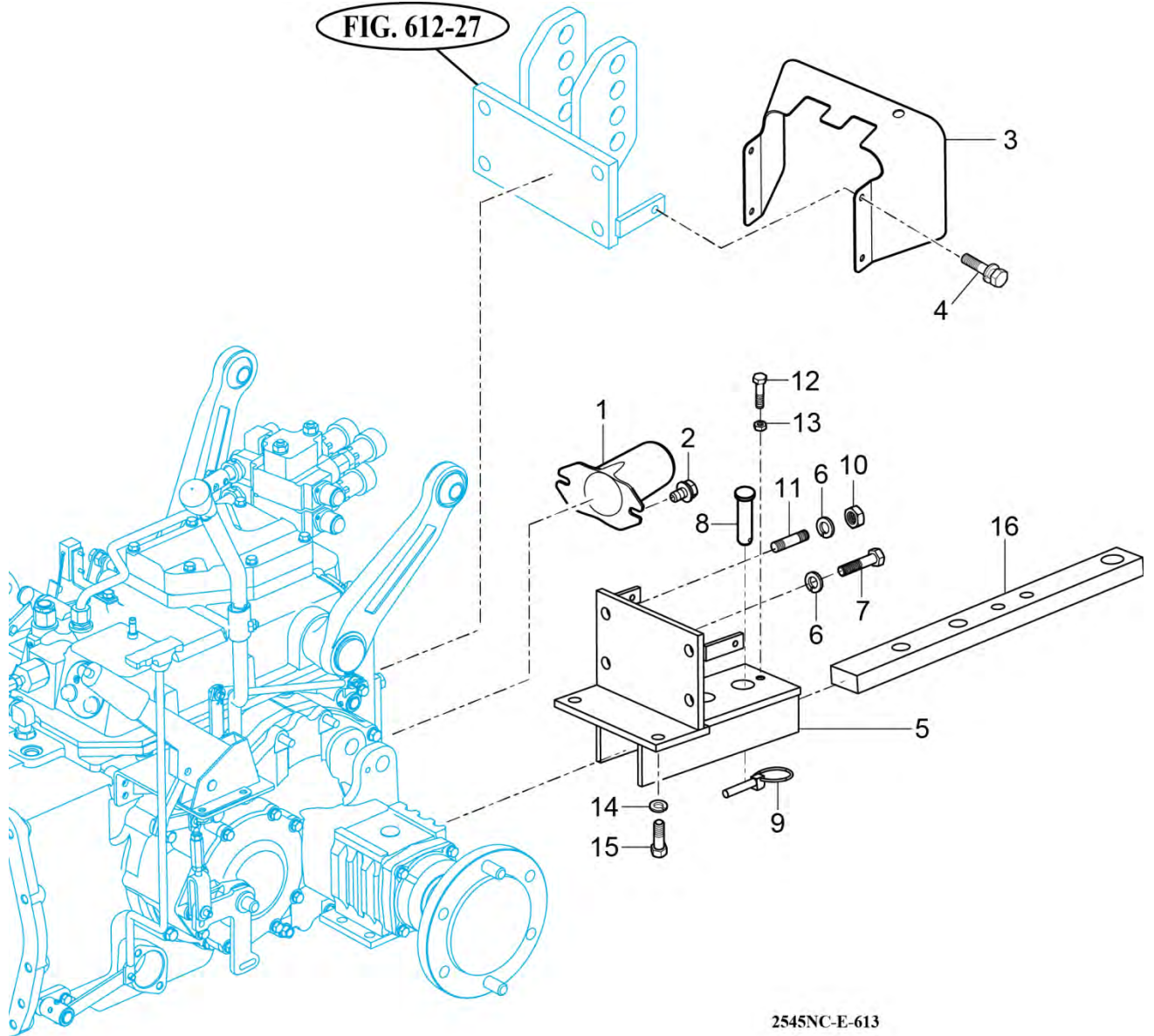


FIG. 612-27



2545NC-E-613

NOTE

FIG 614

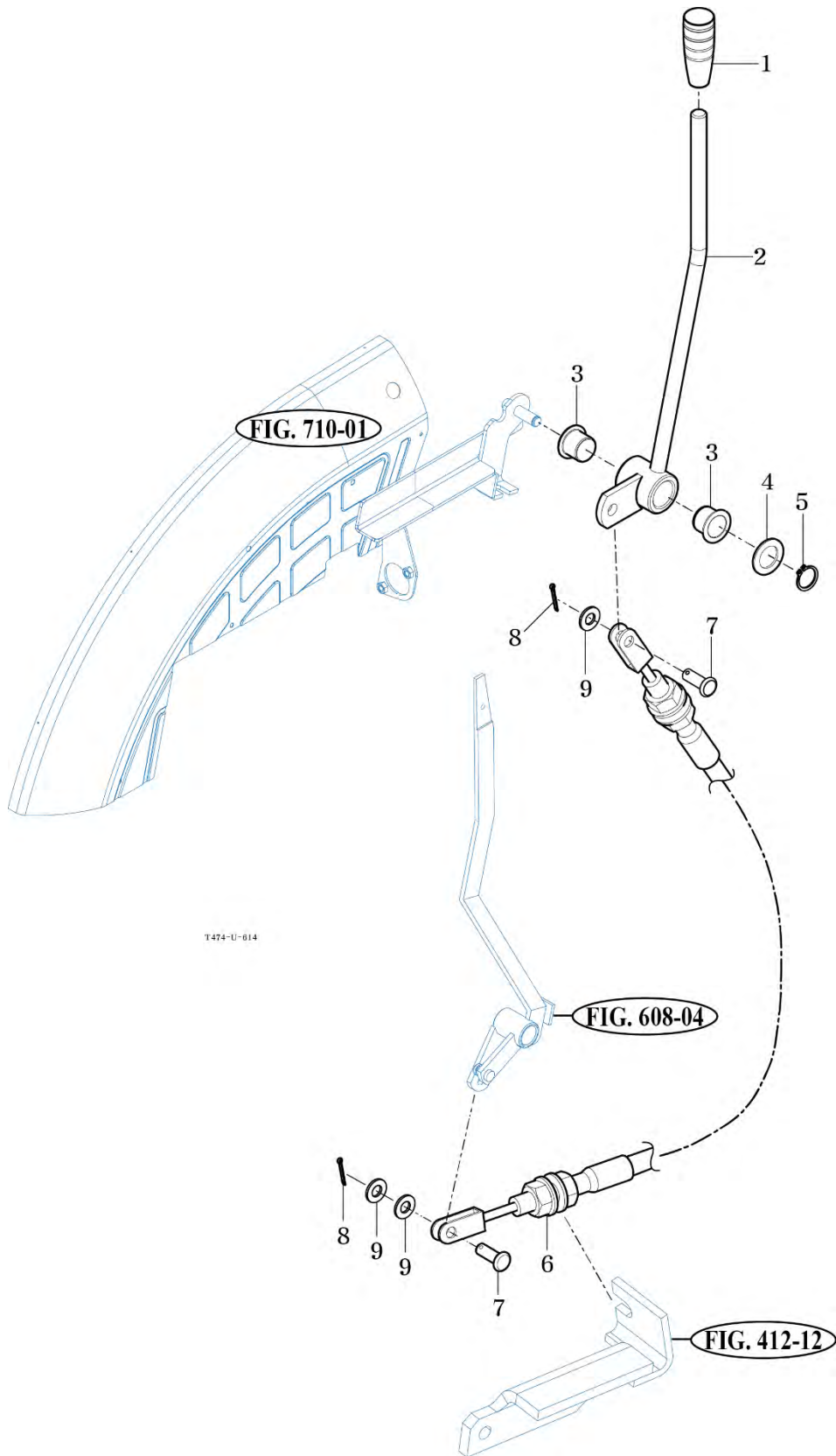
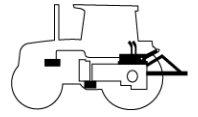
T474ST

EXTERIOR POSITION LEVER

P1

YEAR

2018



NOTE

FIG 701

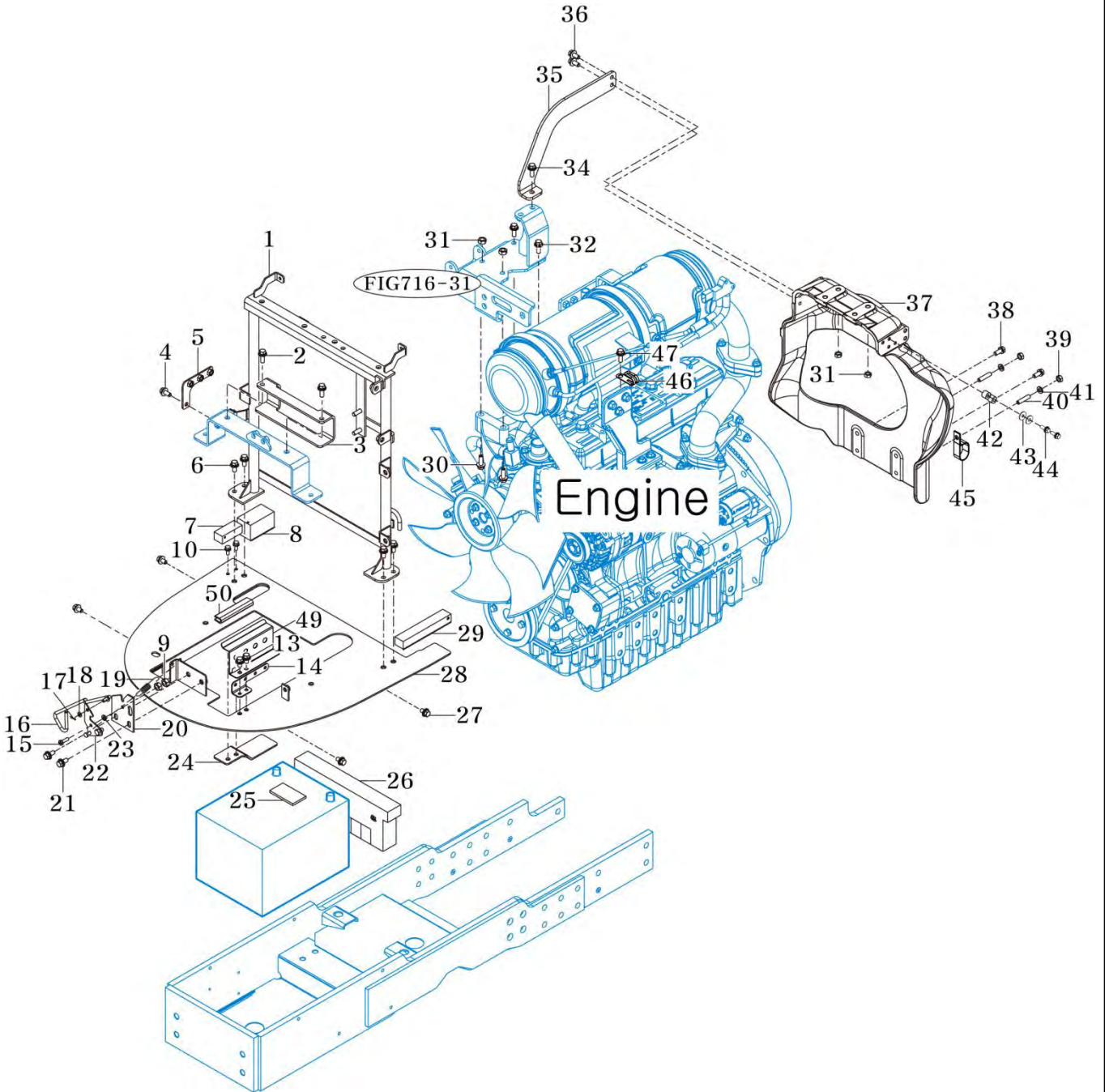
T474ST

HOOD FRAME

P1

YEAR

2018



NOTE

FIG 702

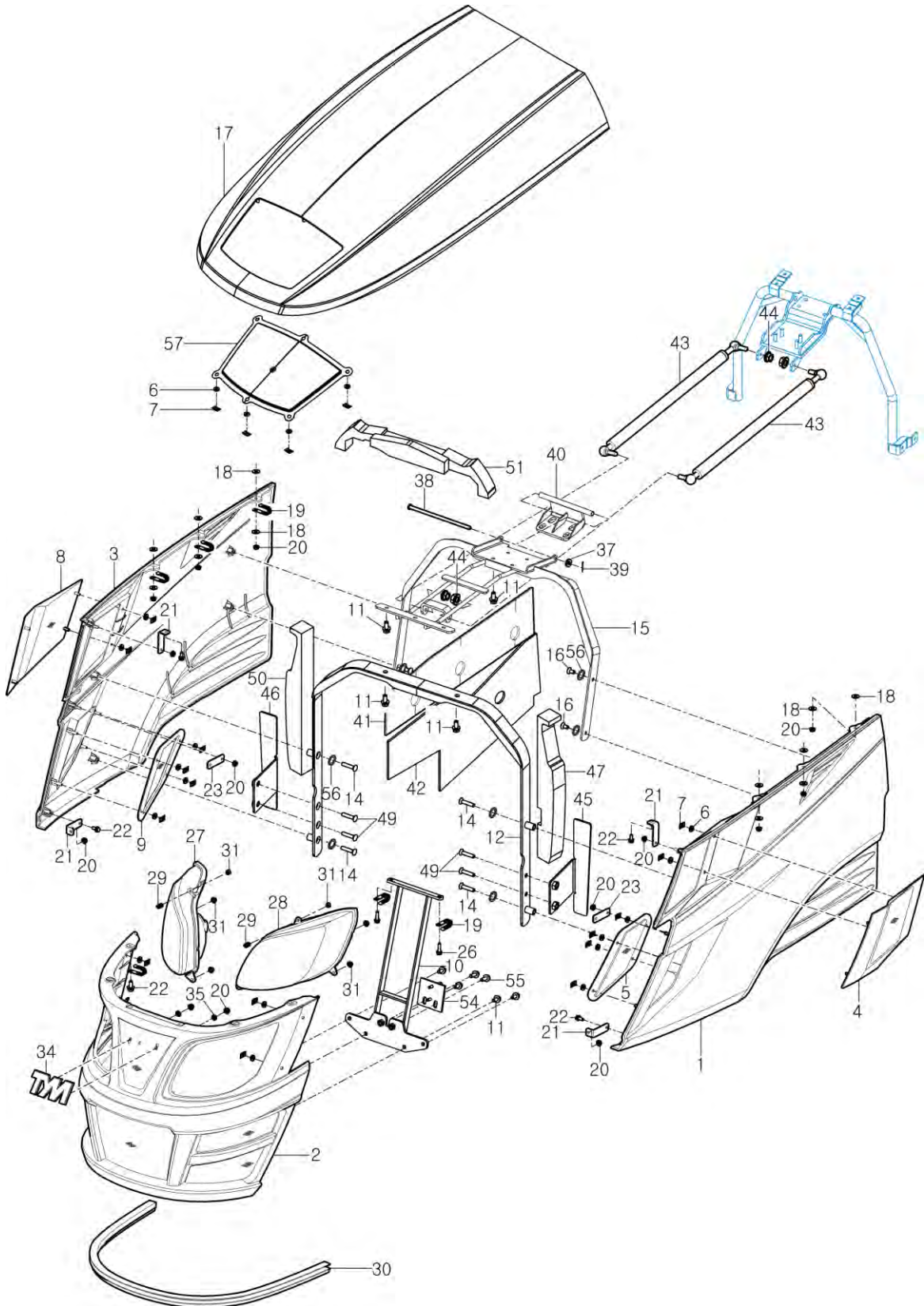
T474ST

HOOD

P1

YEAR

2018



NOTE

FIG 703

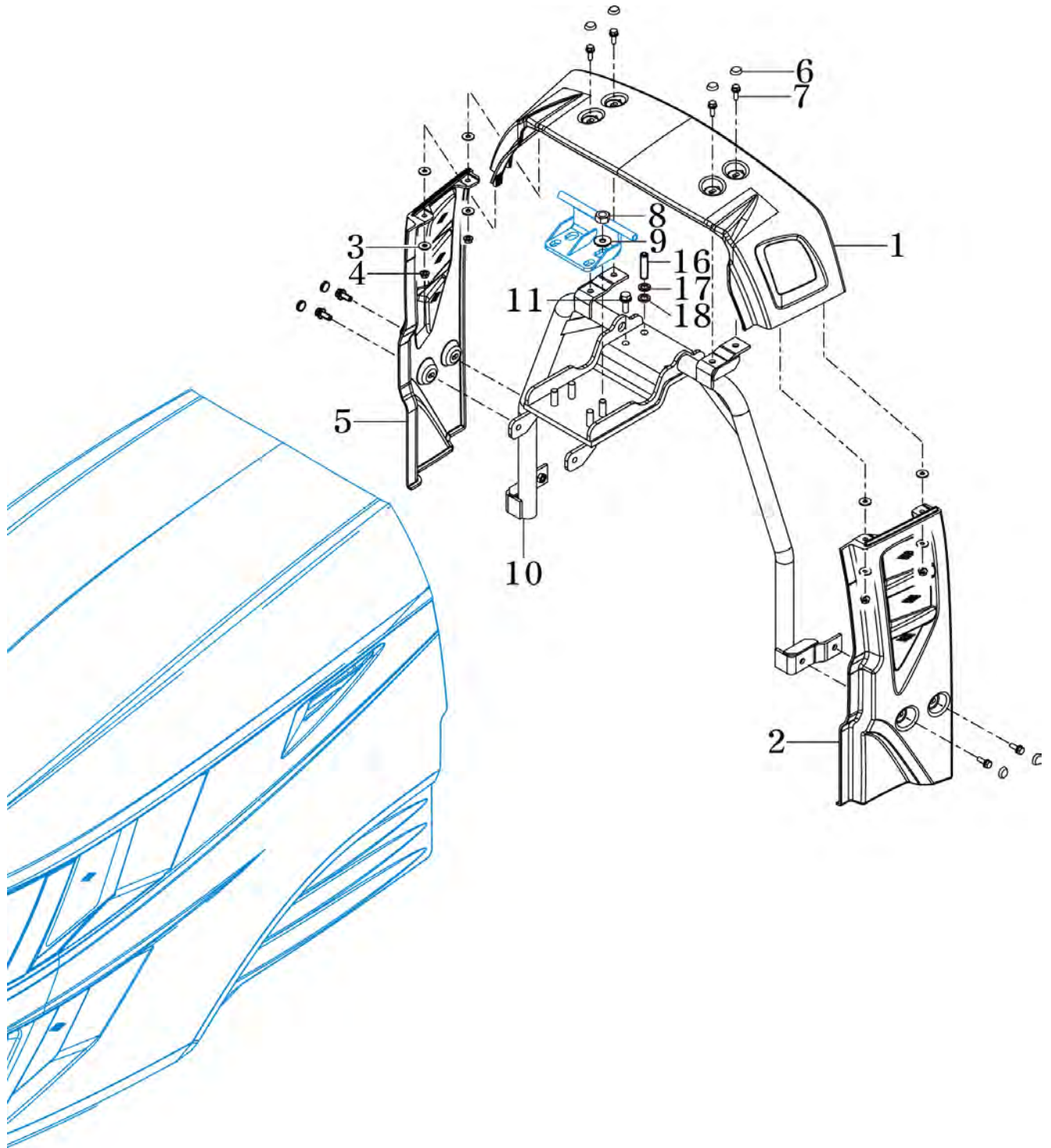
T474ST

EXTENSION COVER

P1

YEAR

2018



NOTE

FIG 705

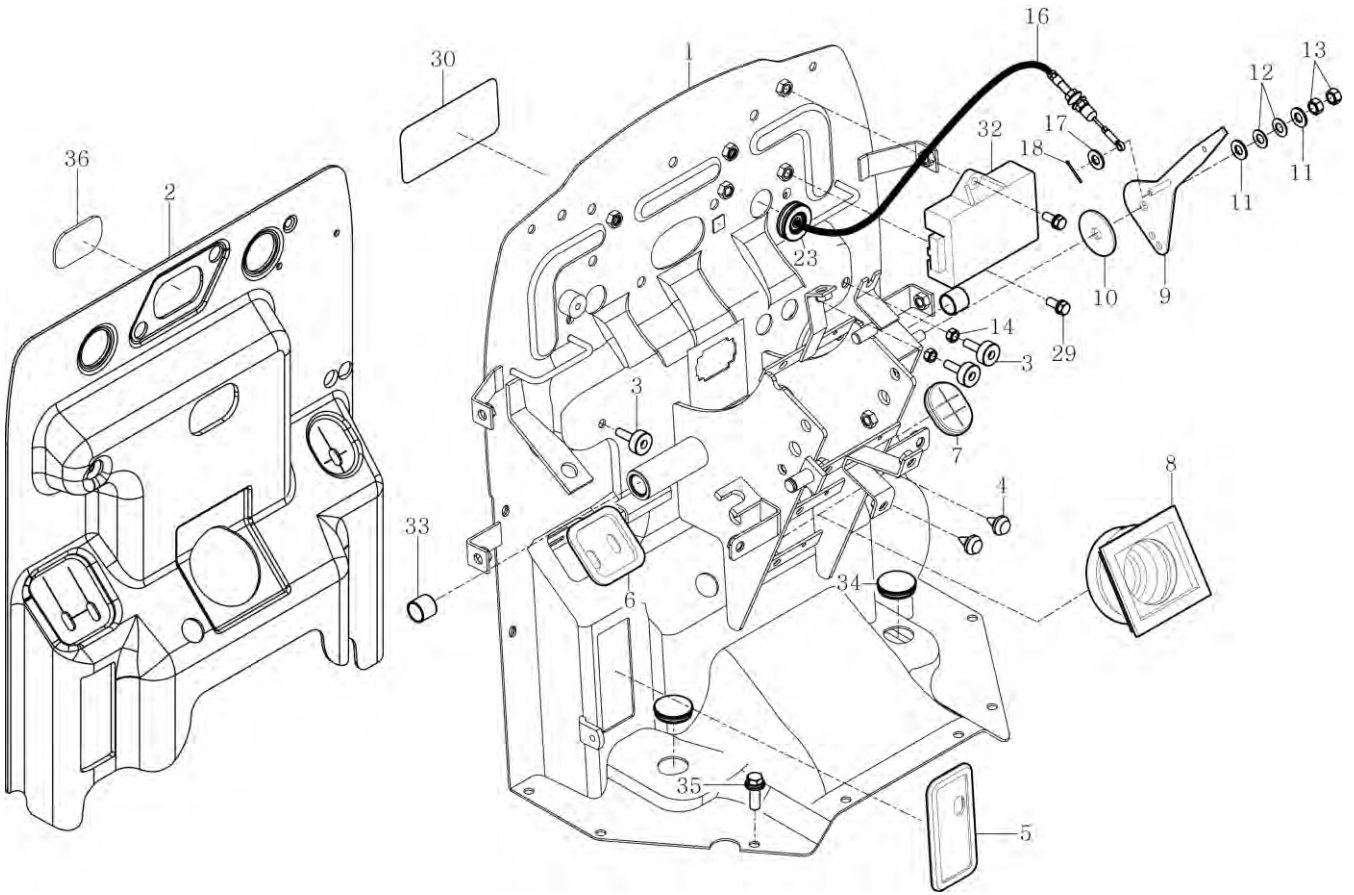
T474ST

DASHBOARD

P1

YEAR

2018



NOTE

FIG 708

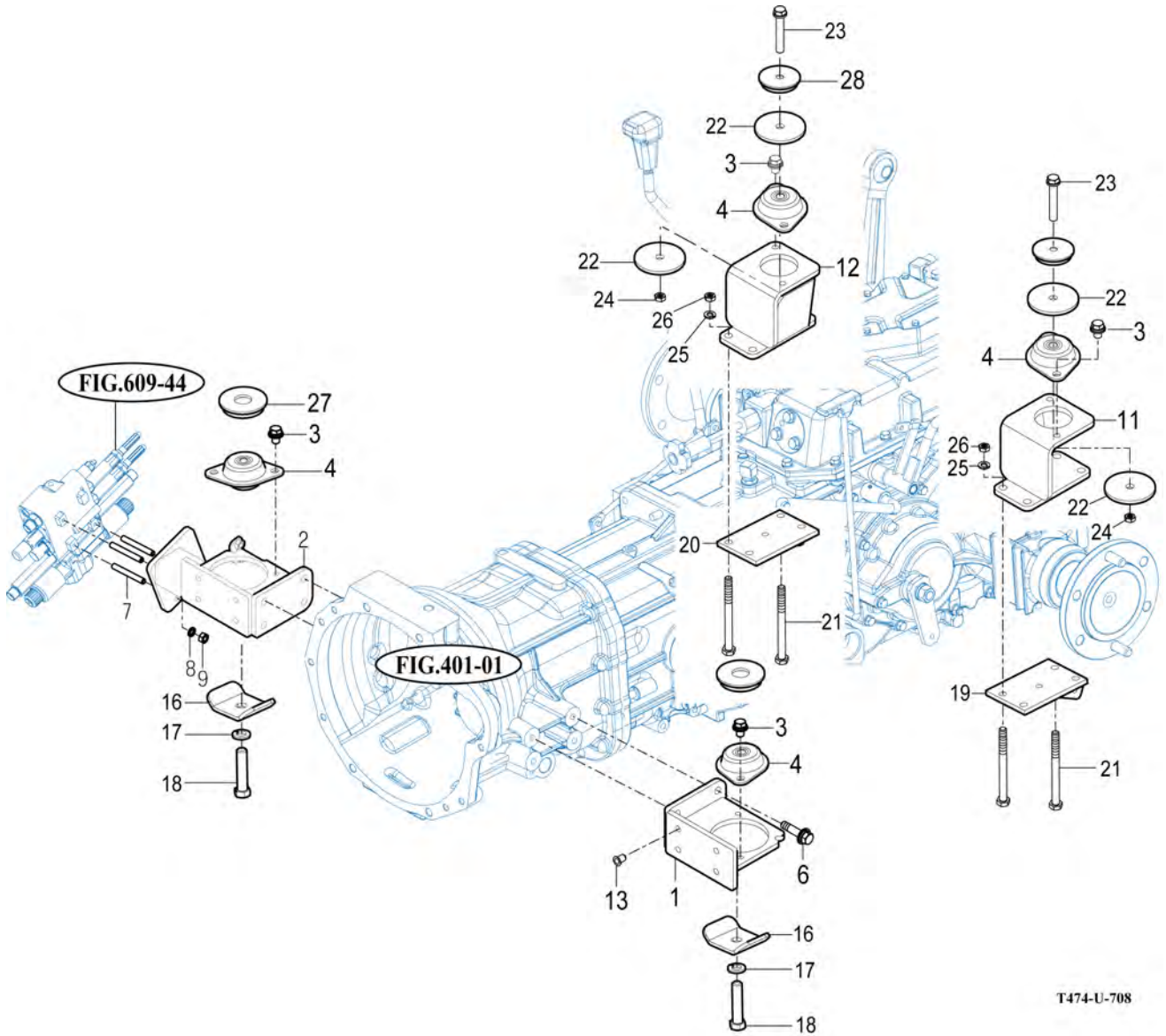
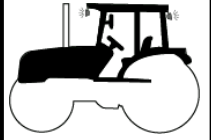
T474ST

FRONT & REAR MOUNTING

P1

YEAR

2018



T474-U-708

NOTE

FIG 709

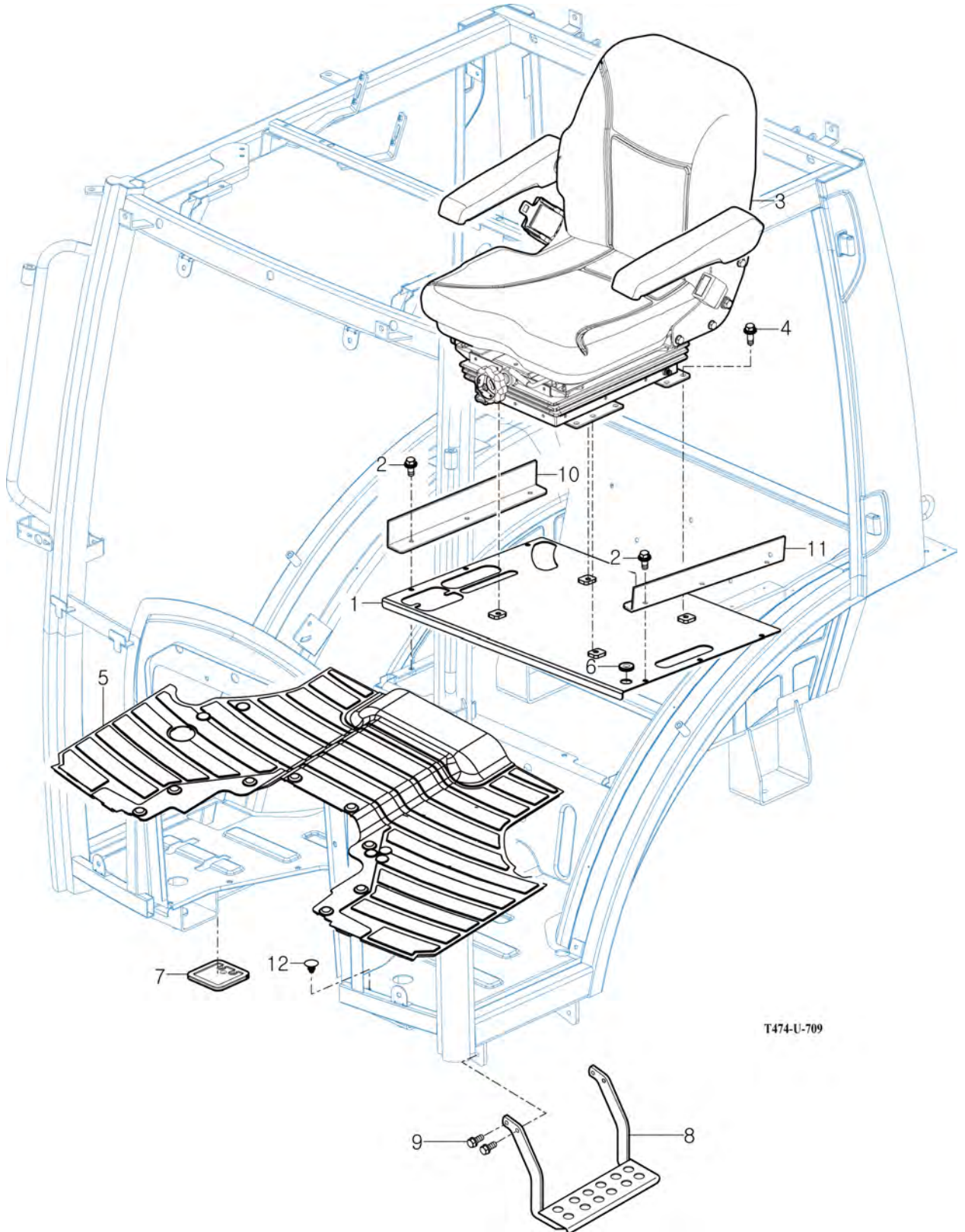
T474ST

SEAT & MAT

P1

YEAR

2018



T474-U-709

NOTE

FIG 710

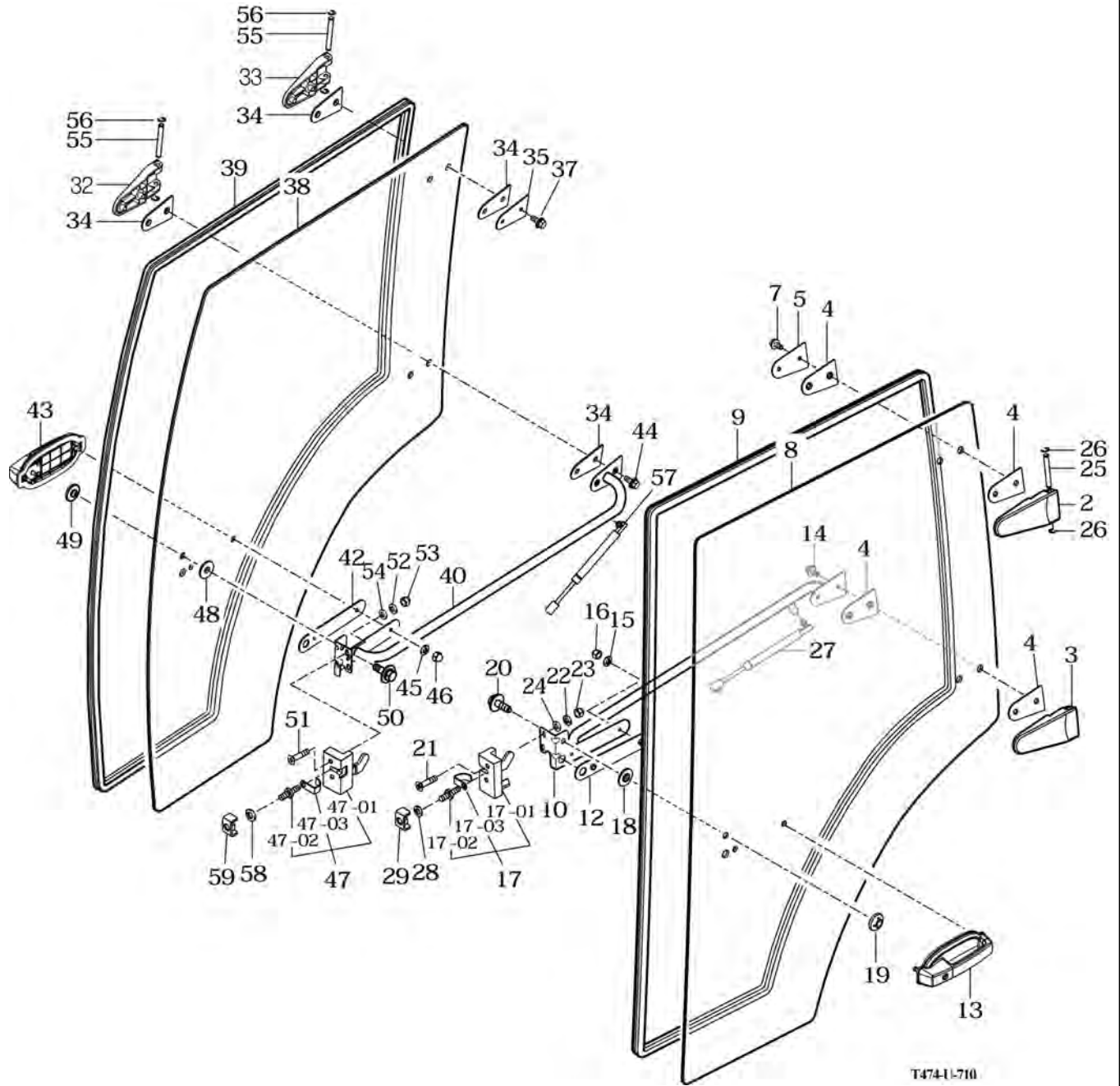
T474ST

DOOR

P1

YEAR

2018



T474-L-710

NOTE

FIG 710

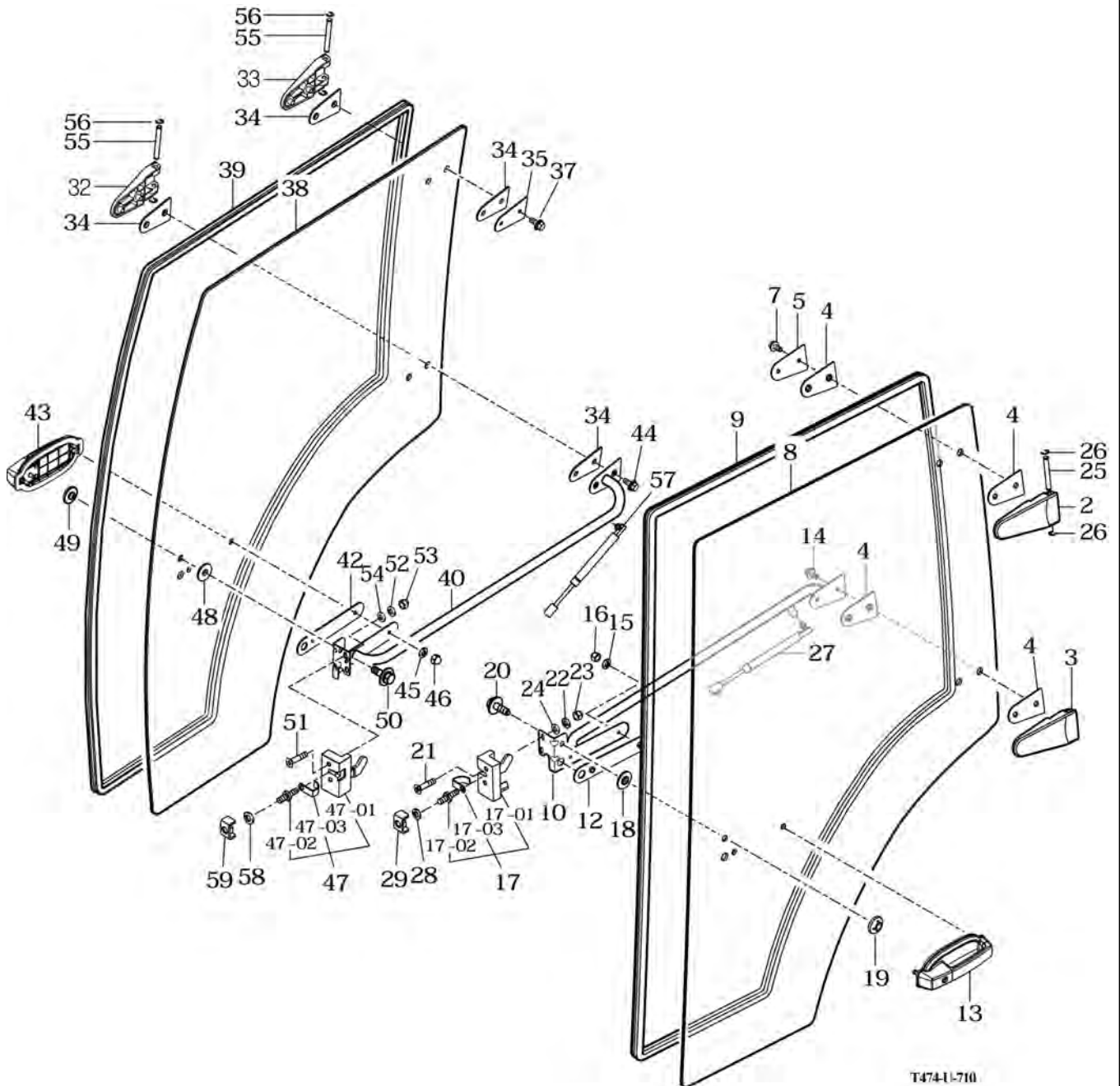
T474ST

DOOR

P2

YEAR

2018



NOTE

FIG 711

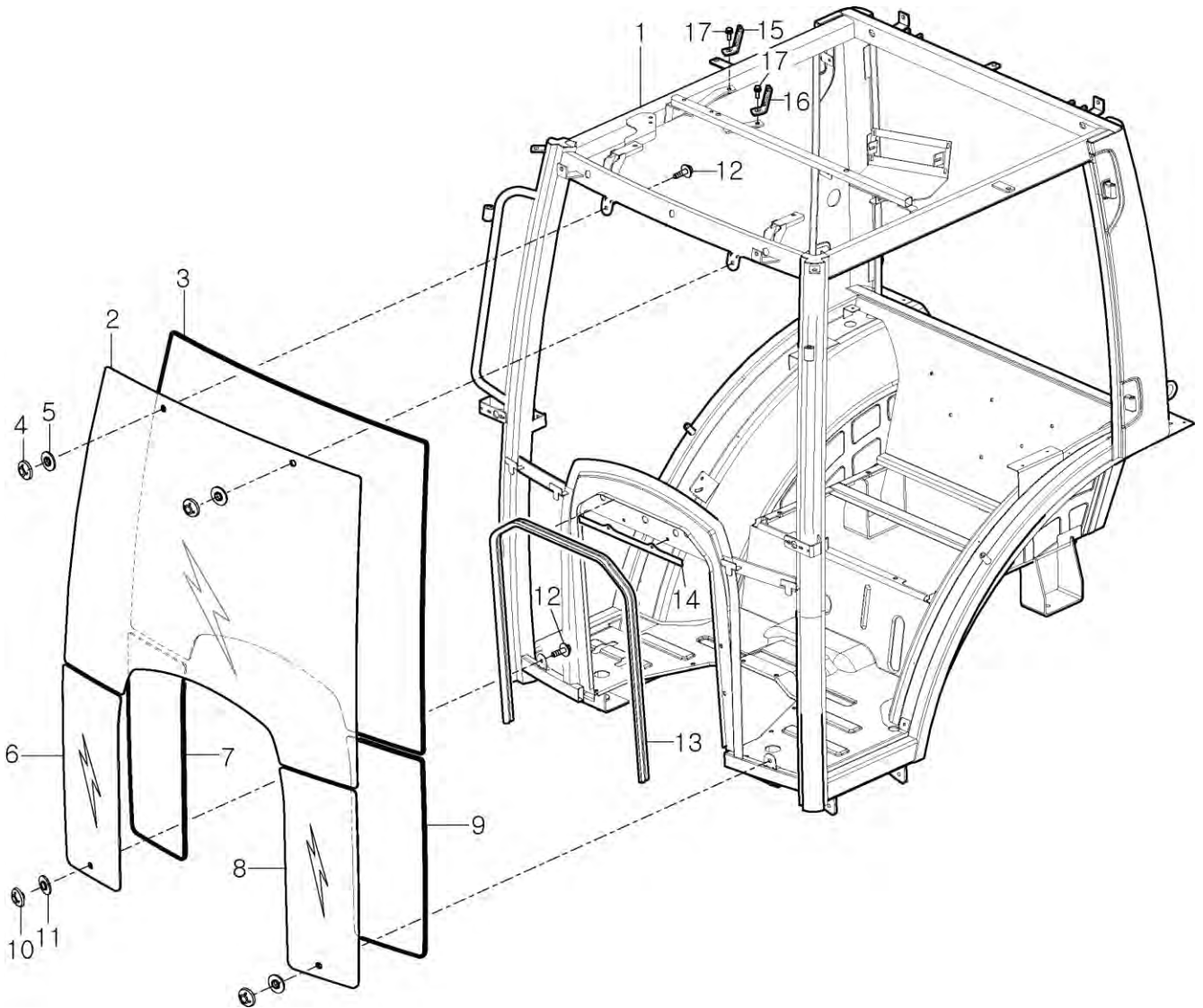
T474ST

FRONT GLASS

P1

YEAR

2018



NOTE

FIG 712

T474ST

REAR GLASS

P1

YEAR

2018

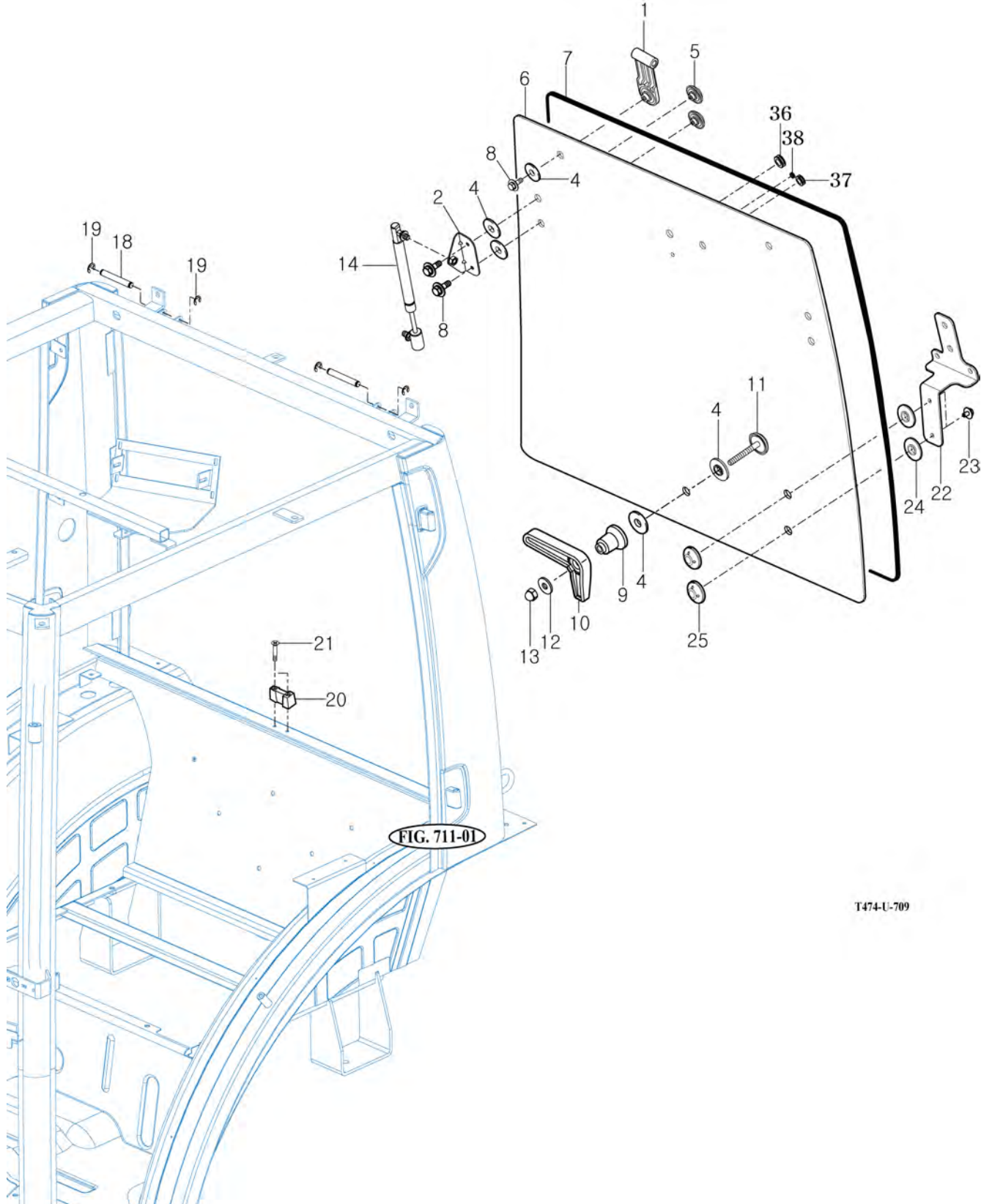


FIG. 711-01

T474-U-709

NOTE

FIG 713

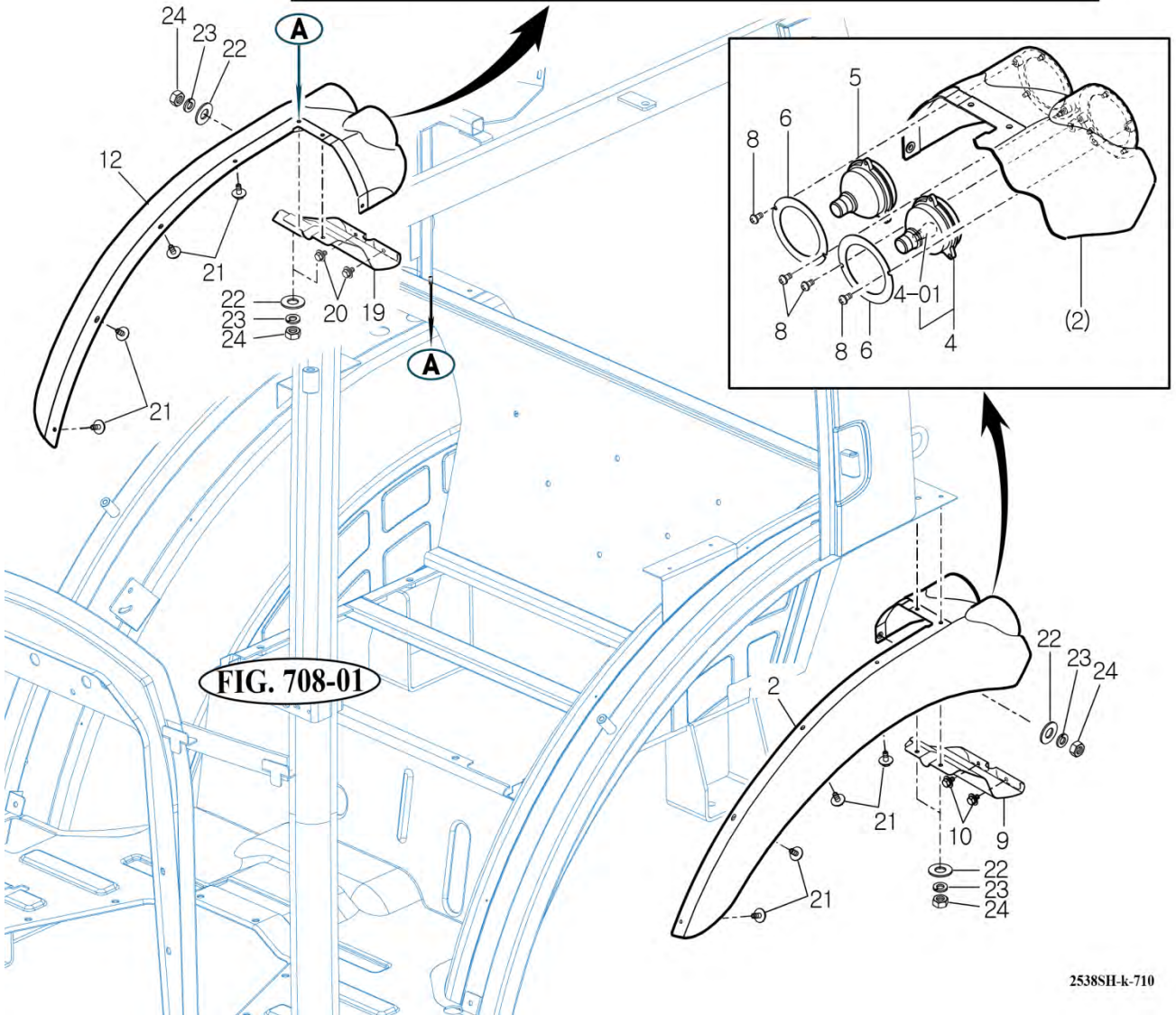
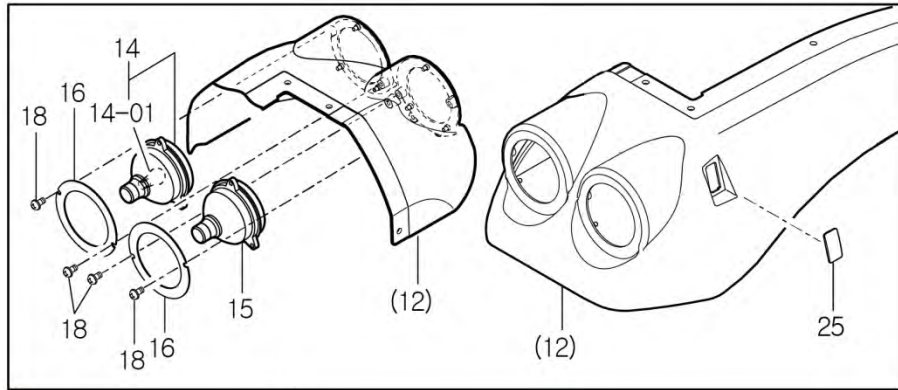
T474ST

SUB FENDER & COVER

P1

YEAR

2018



2538SH-k-710

NOTE

FIG 714

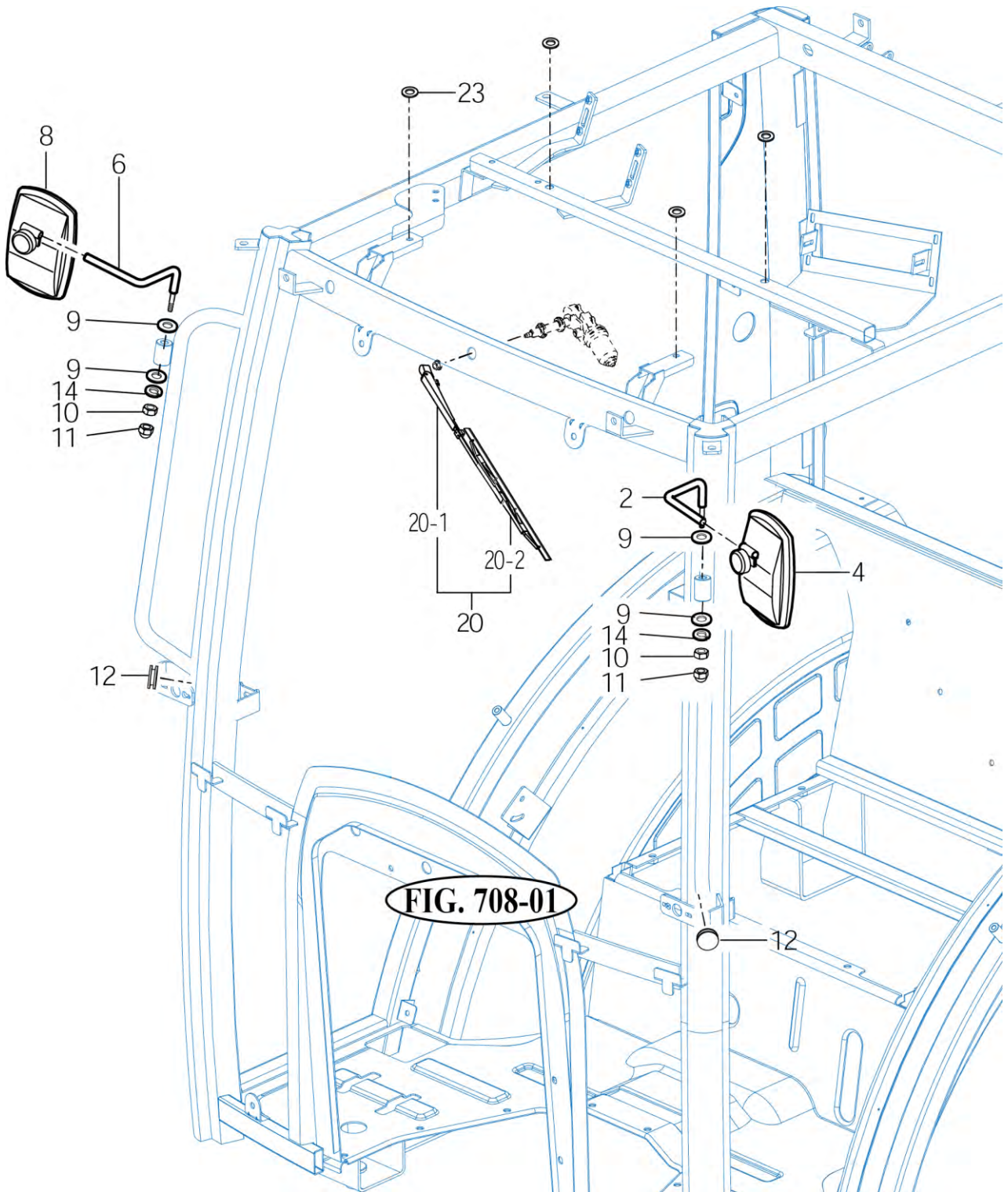
T474ST

MIRROR

P1

YEAR

2018



NOTE

FIG 715

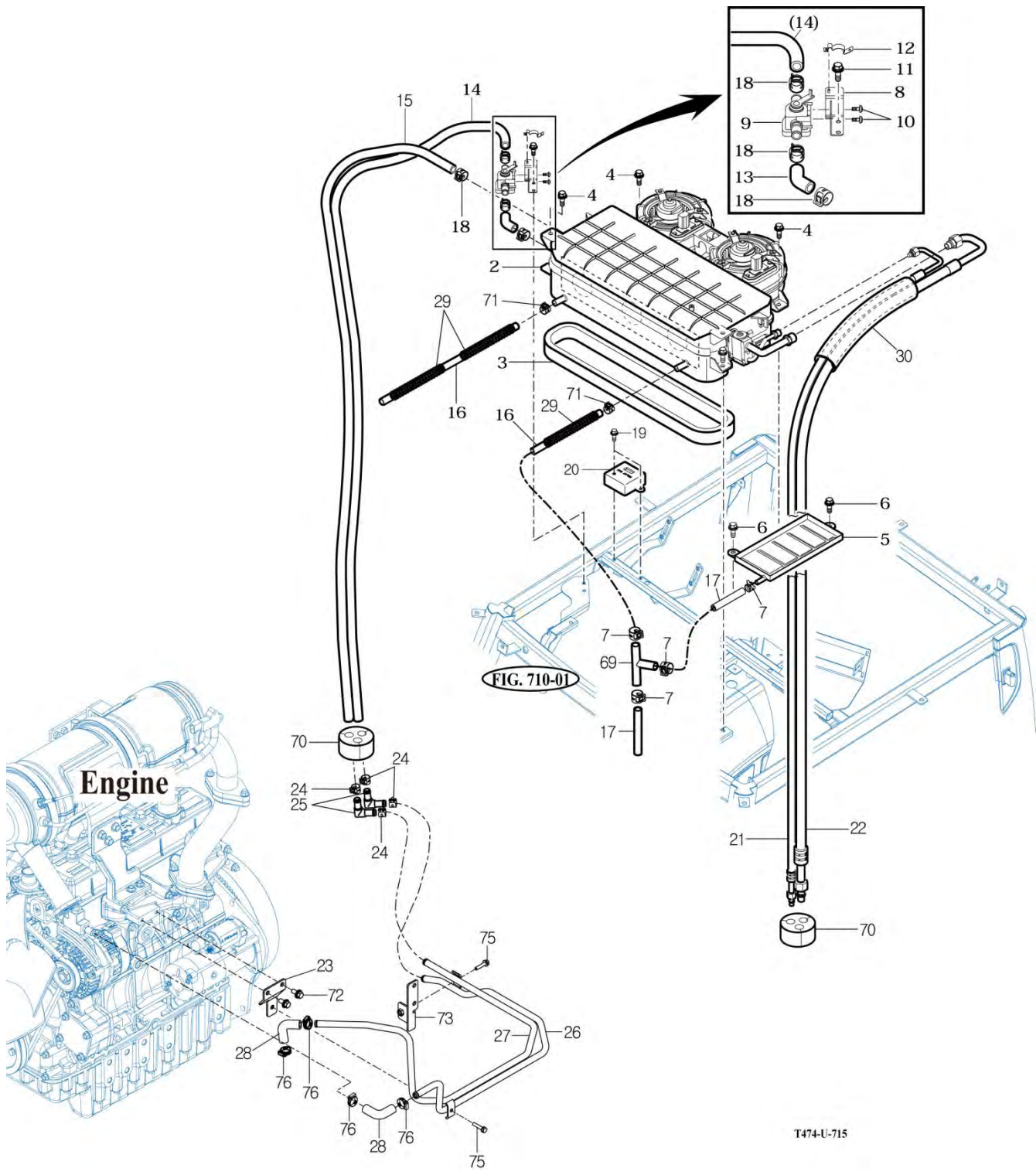
T474ST

HEATER & AIR-CON

P1

YEAR

2018



T474-U-715

NOTE

FIG 716

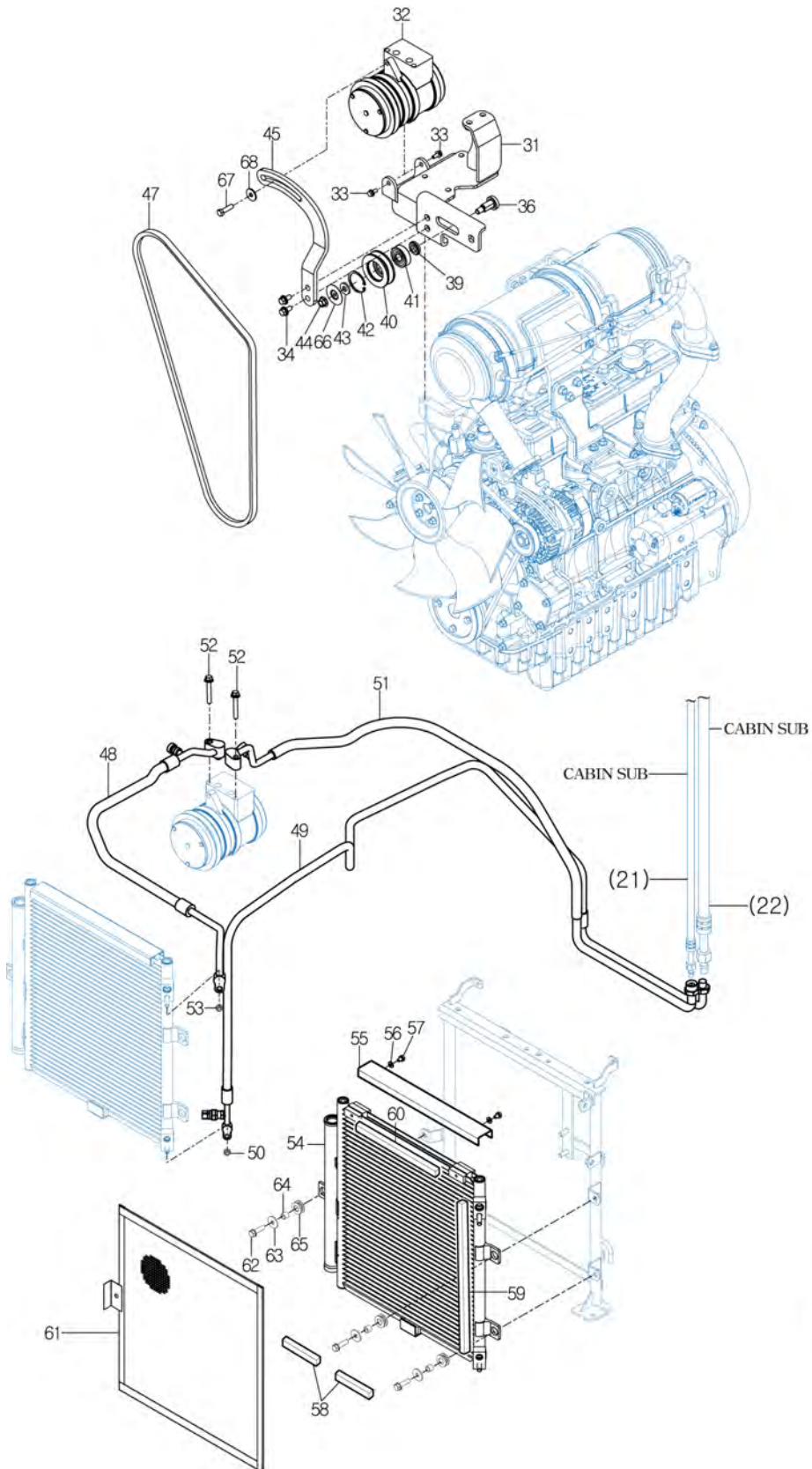
T474ST

HEATER & AIR-CON

P2

YEAR

2018



2538SH-K-712

NOTE

FIG 717

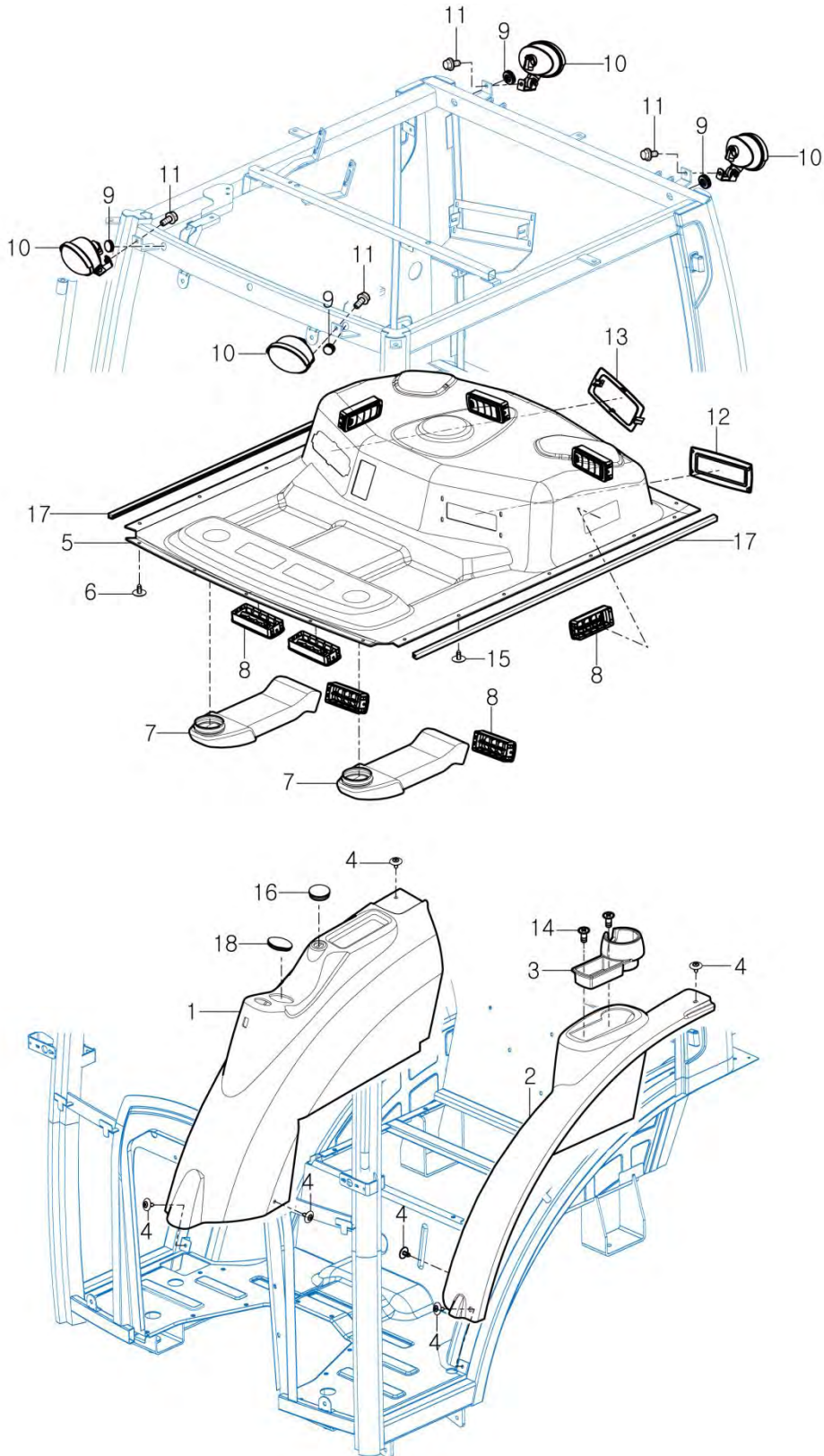
T474ST

FENDER COVER

P1

YEAR

2018



NOTE

FIG 718

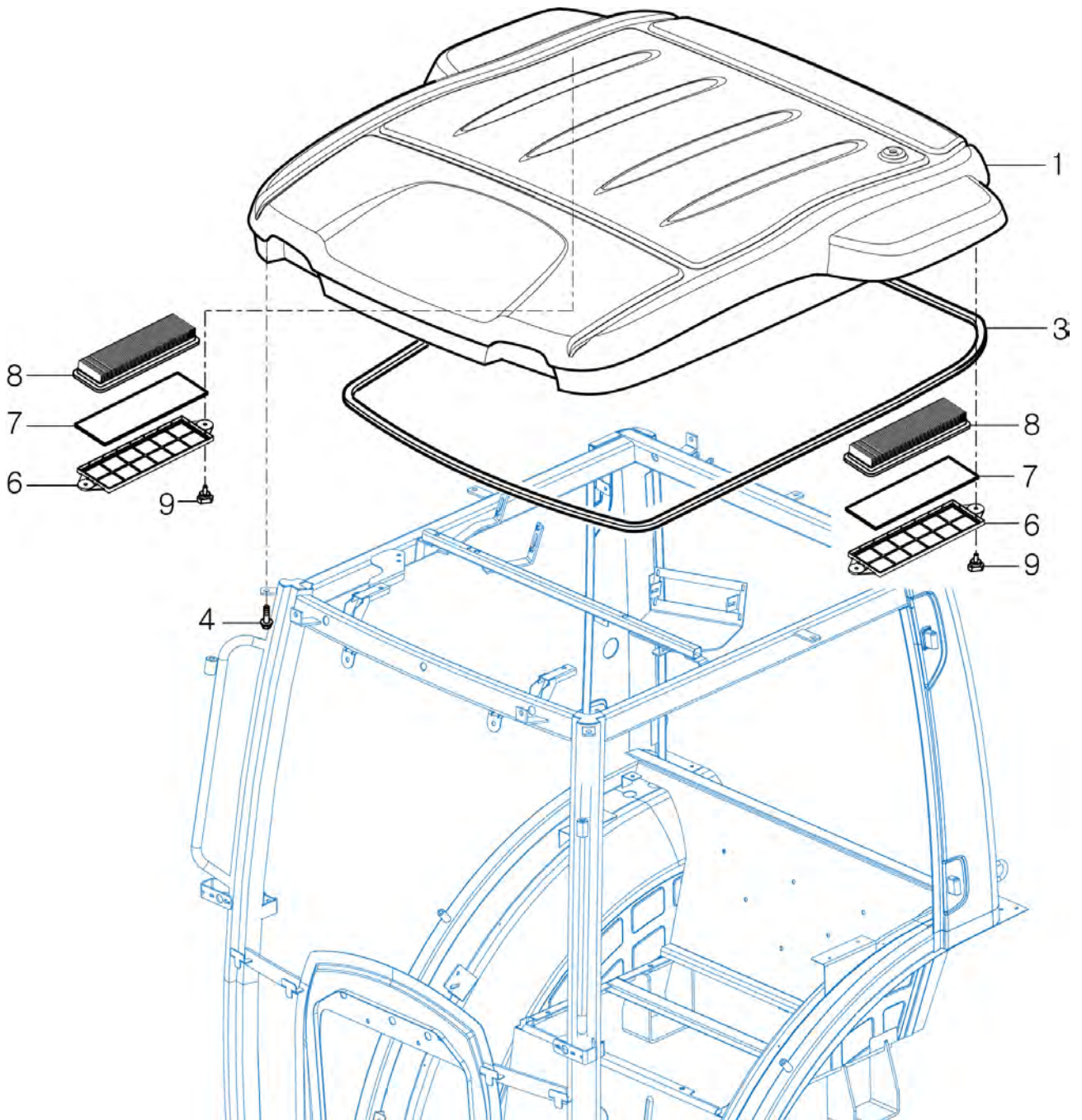
T474ST

ROOF

P1

YEAR

2018



NOTE

FIG 719

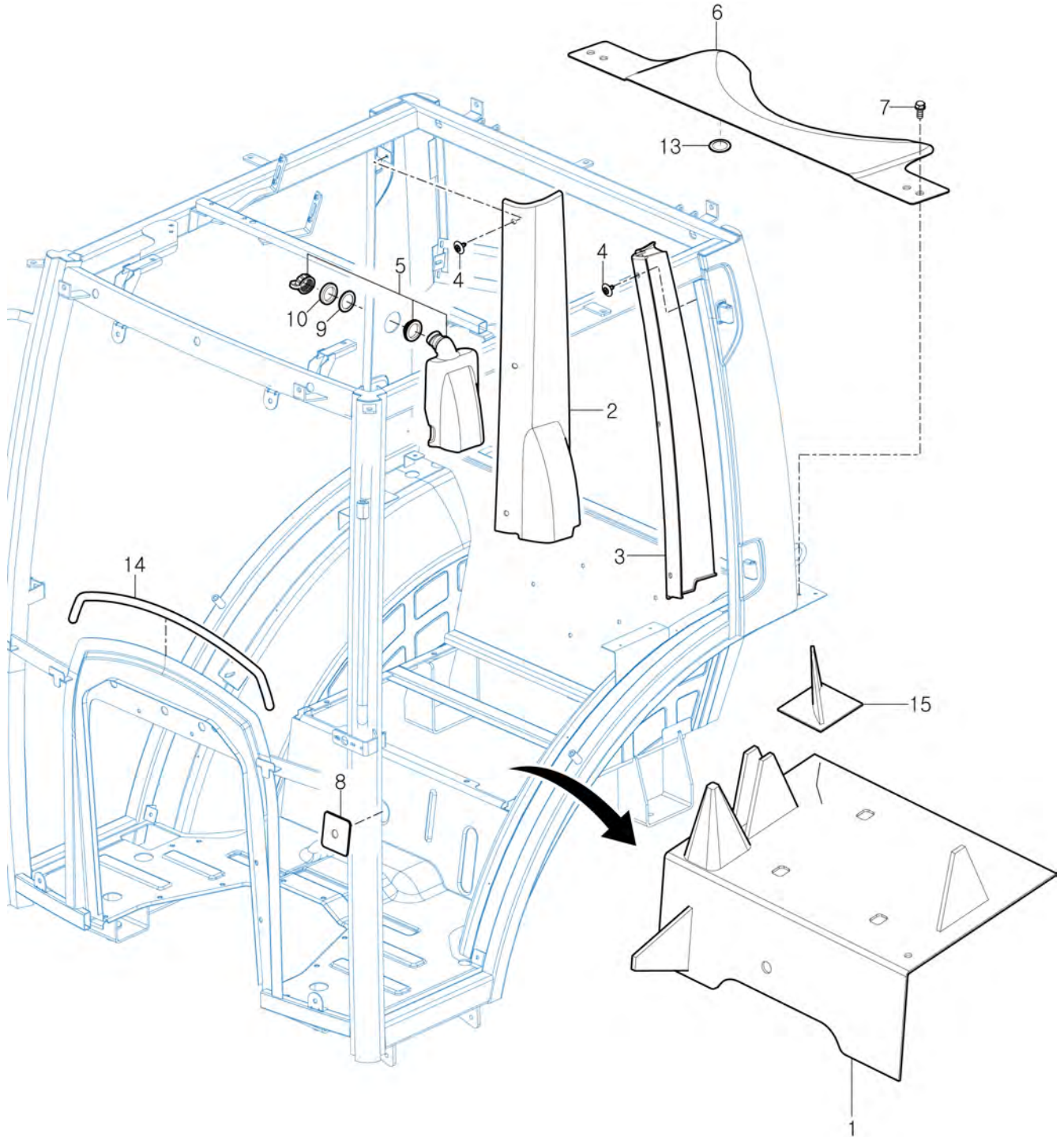
T474ST

CABIN INTERIOR

P1

YEAR

2018



NOTE

FIG 801

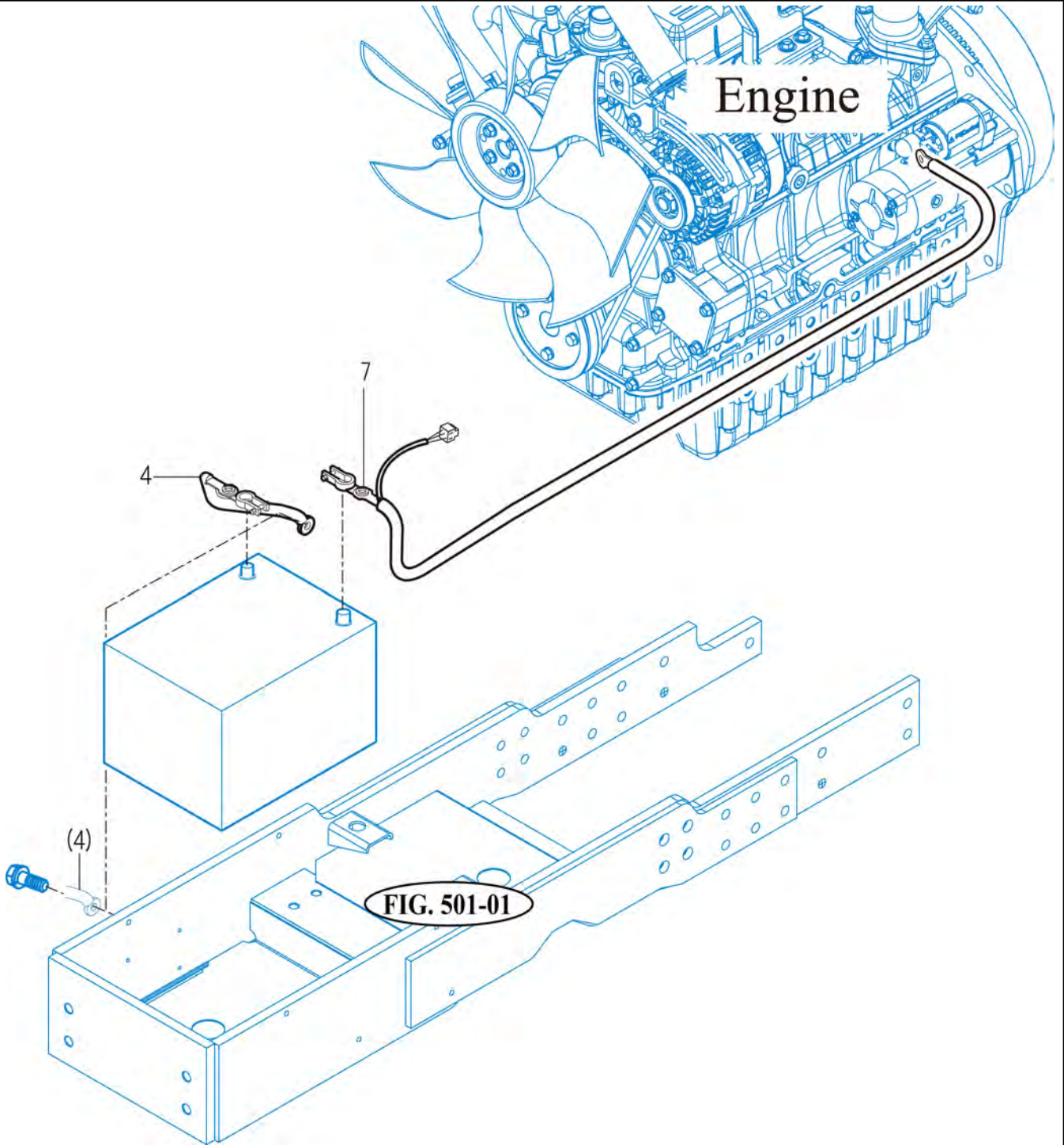
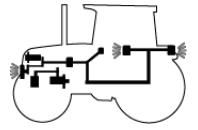
T474ST

BATTERY & MOUNTING

P1

YEAR

2018



NOTE

FIG 802

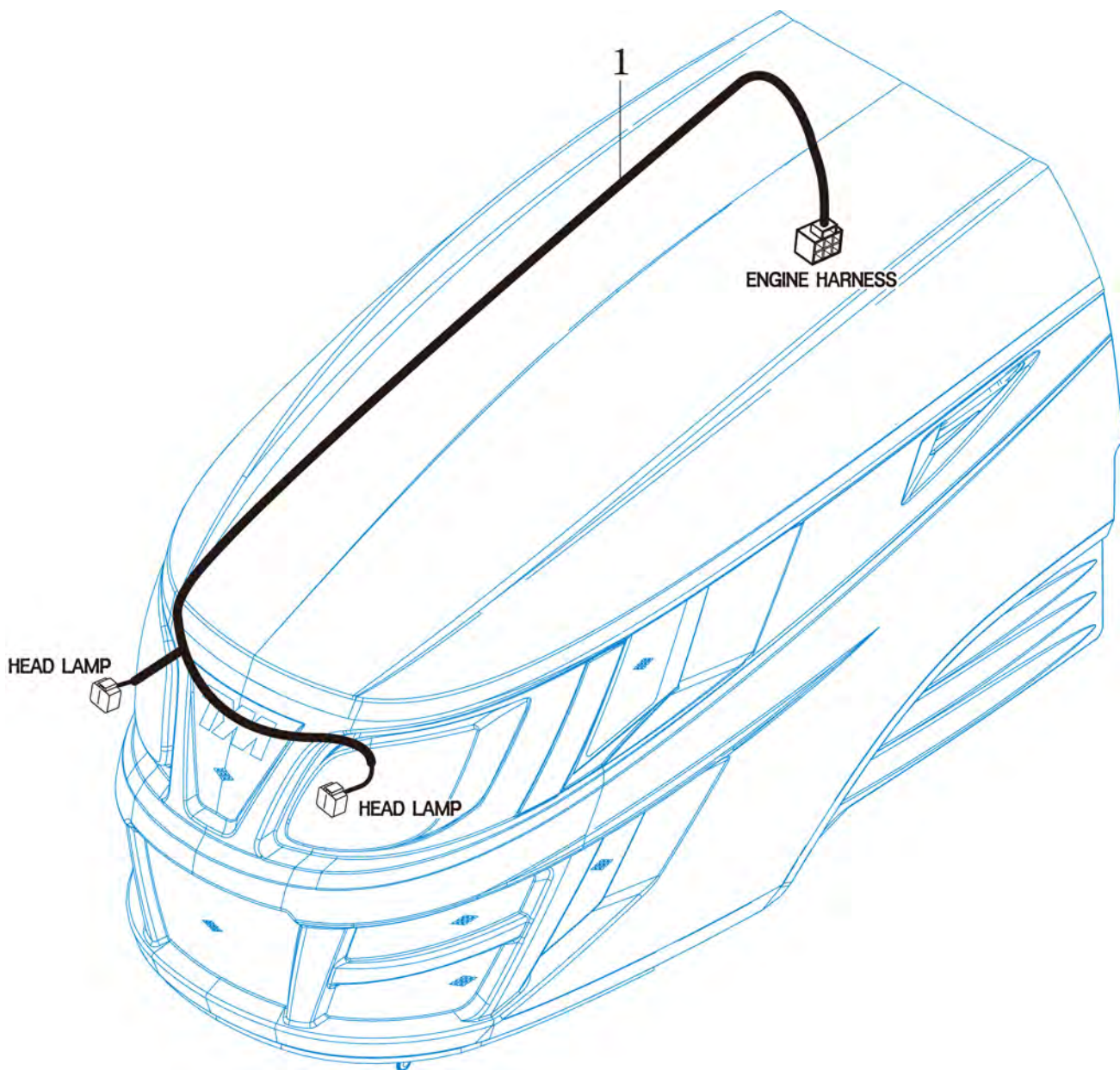
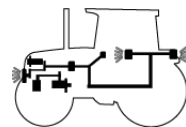
T474ST

LAMP

P1

YEAR

2018



NOTE

FIG 803

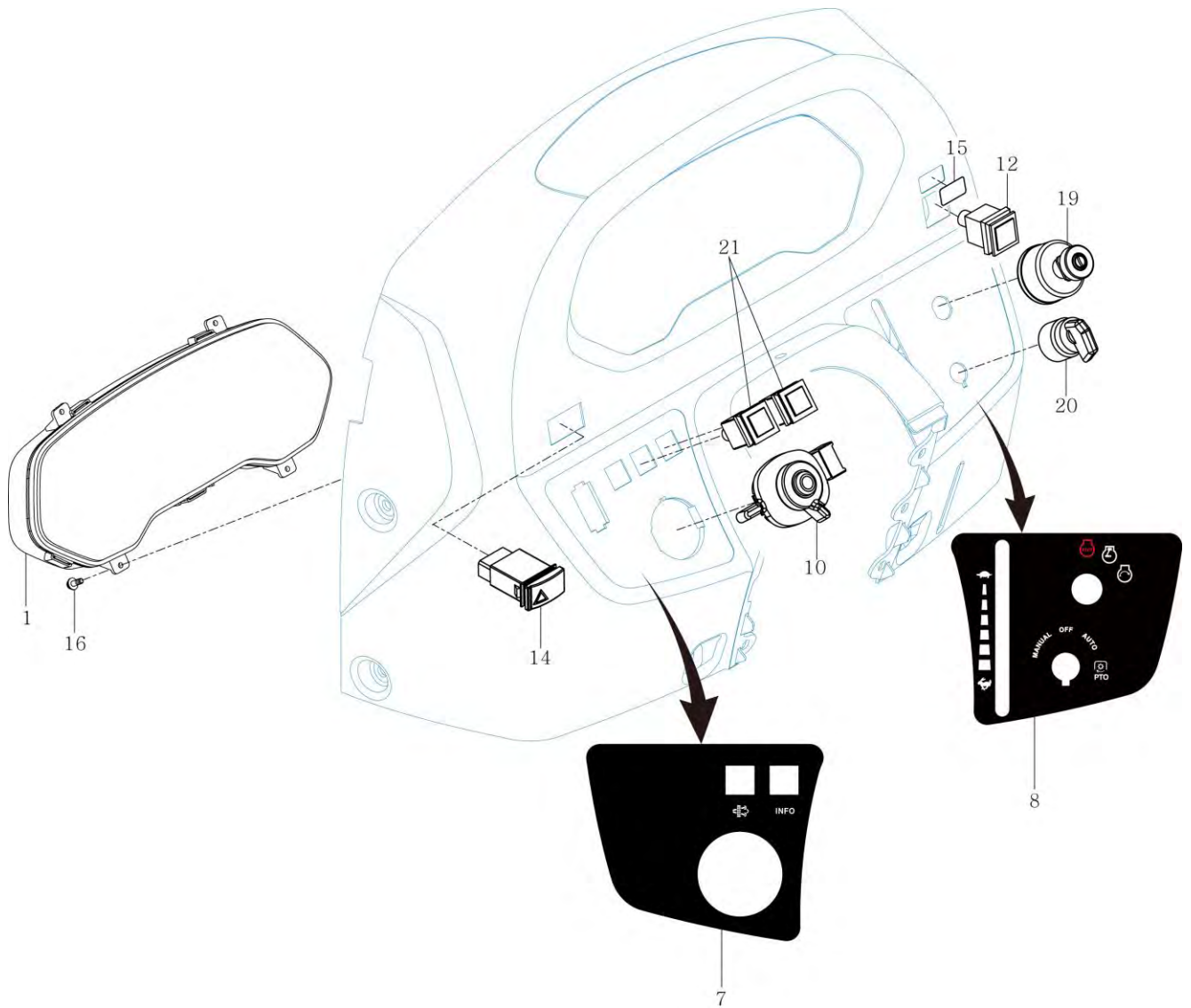
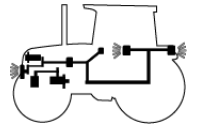
T474ST

INSTRUMENT PANEL

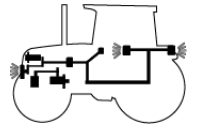
P1

YEAR

2018



NOTE



Forward

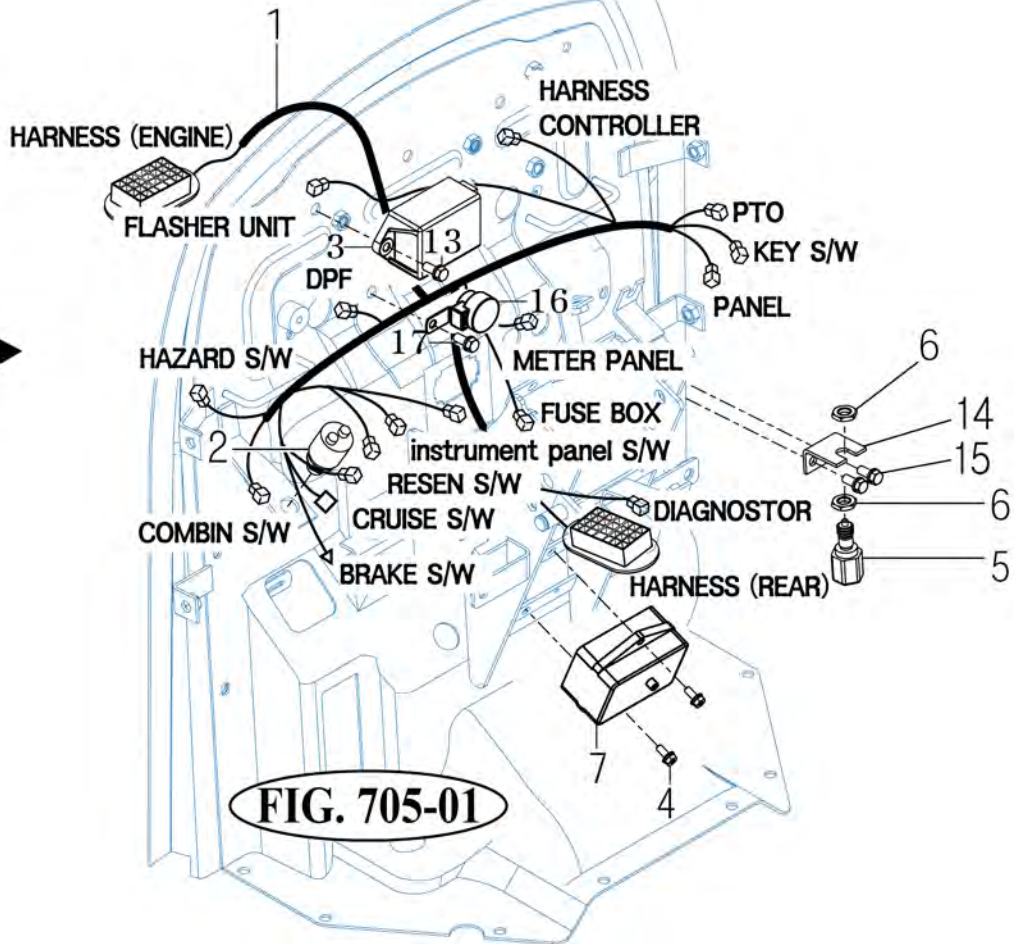
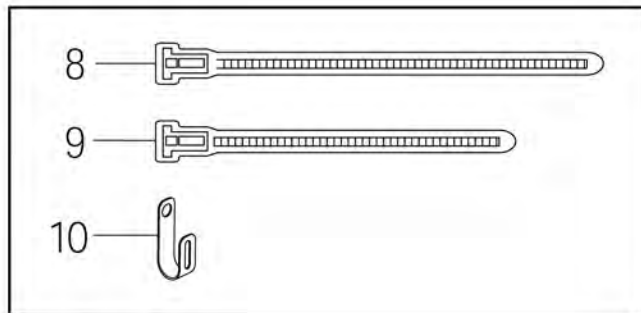


FIG. 705-01



T474-L-884

NOTE

FIG 805

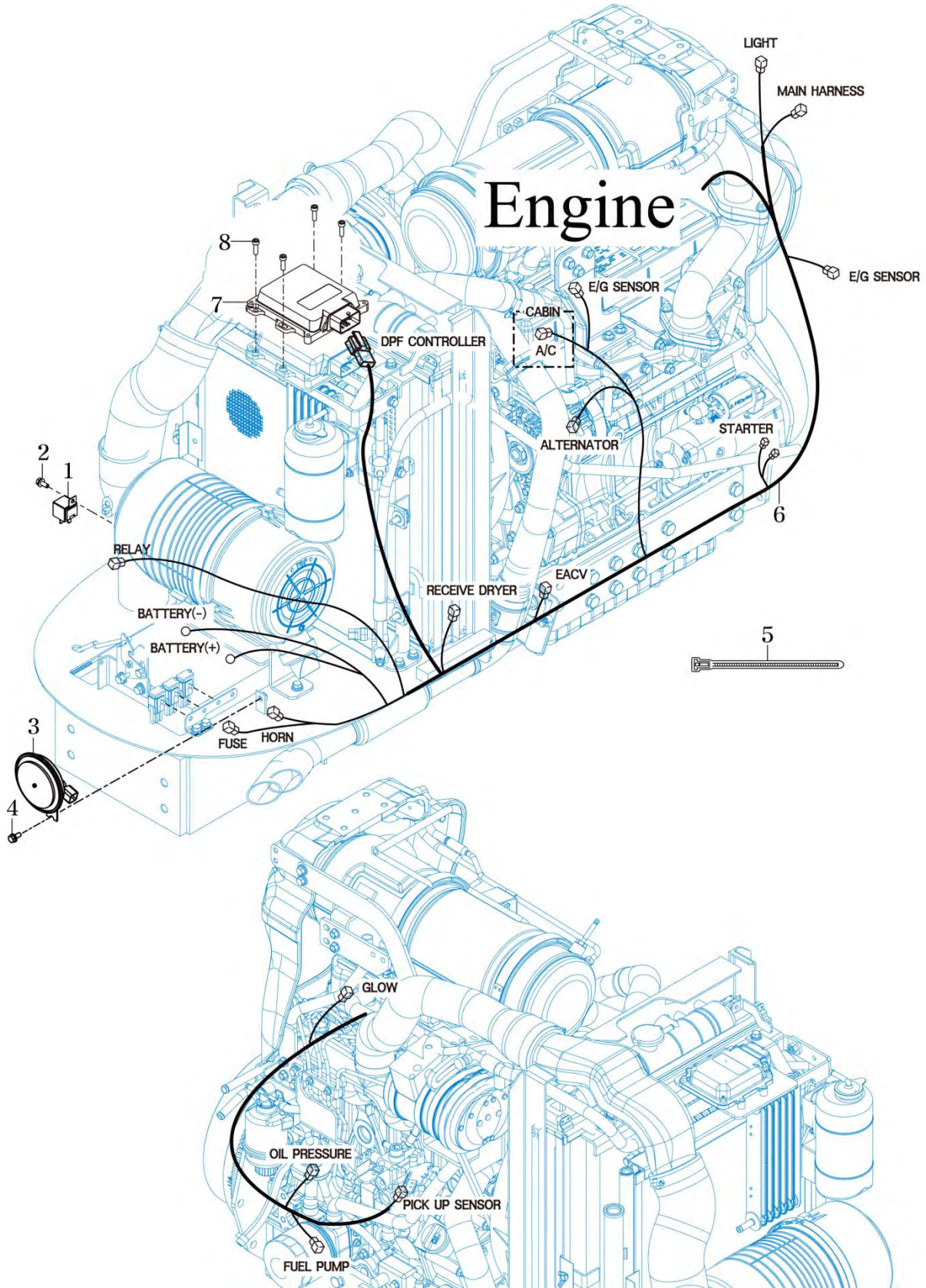
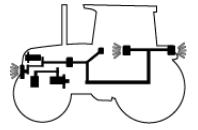
T474ST

HARNESS (1)

P1

YEAR

2018



NOTE

FIG 806

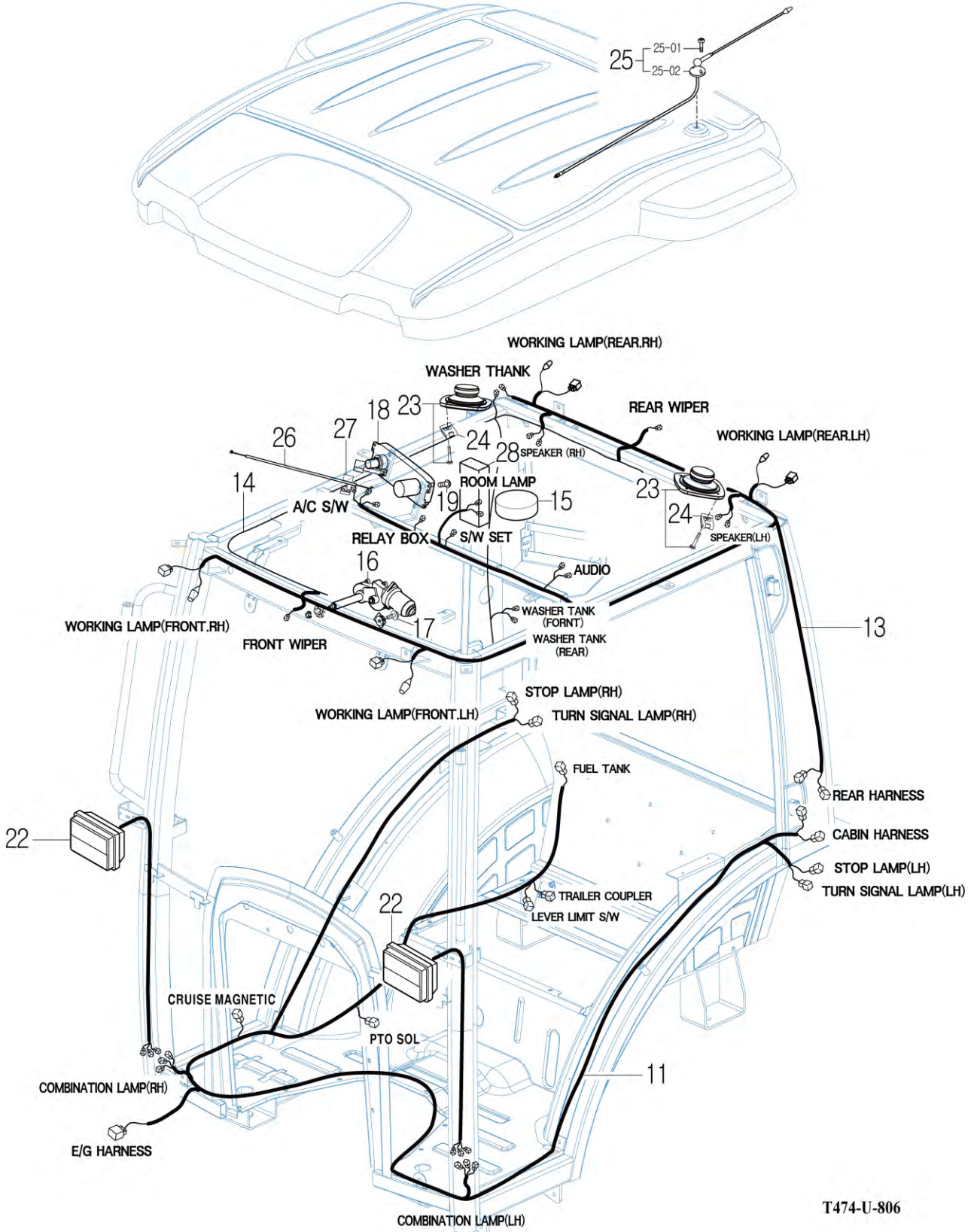
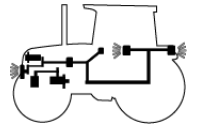
T474ST

HARNESS (2)

P1

YEAR

2018



T474-U-806

NOTE

FIG 901

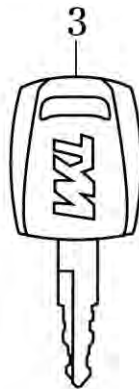
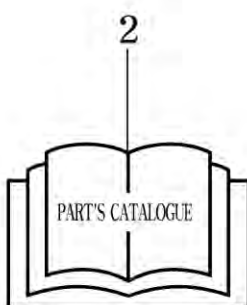
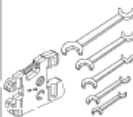
T474ST

TOOL & ACCESSORY

P1

YEAR

2018



T474-U-901

NOTE

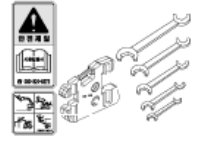
FIG 902

LABEL

P1

YEAR

2018



23



27



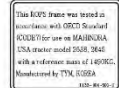
11



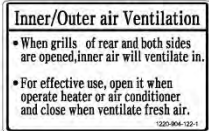
24



22



40



26



15



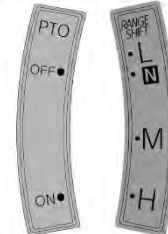
10



54

T474

34



20

21



16



2



29



7



13



6



5



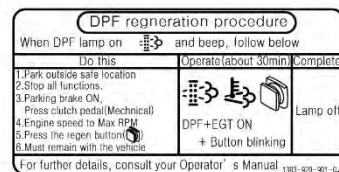
19



25



47



49

NOTE

FIG 902

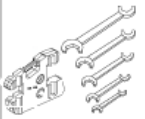
T474ST

LABEL

P2

YEAR

2018



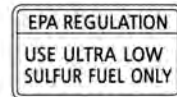
3



14



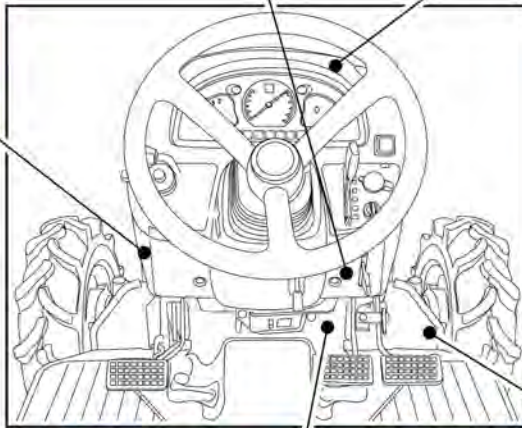
28



39



8



32



33



48



38



37



4



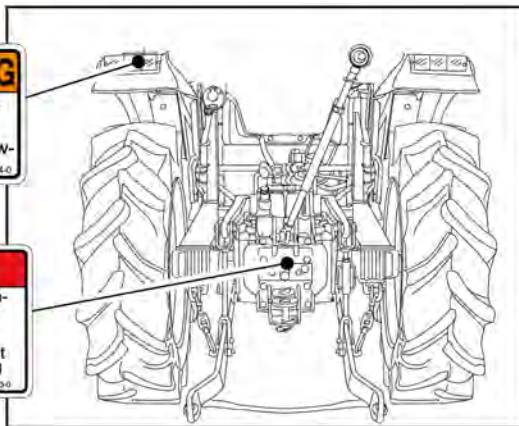
18



17



9



SPEED TABLES

APPLICATION	BREACHER PLASTER	WALK BEHIND MOWER	PLUCK MOWER	FLIP MOWER	DRIVE
SPEED (km/h)	1	2	3	4	5
SPEED (MPH)	0.6	1.2	1.9	2.5	3.1
GEAR RANGE	1	2	3	4	5
GEAR RANGE	1	2	3	4	5
GEAR RANGE	1	2	3	4	5

The proper driving speed and PTO RPM depend on the type of work, line and ground condition. For your safety, operate the tractor at the suitable speed.

44



50

NOTE

FIG 903

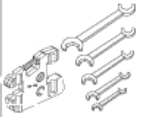
T474ST

OPTION

P1

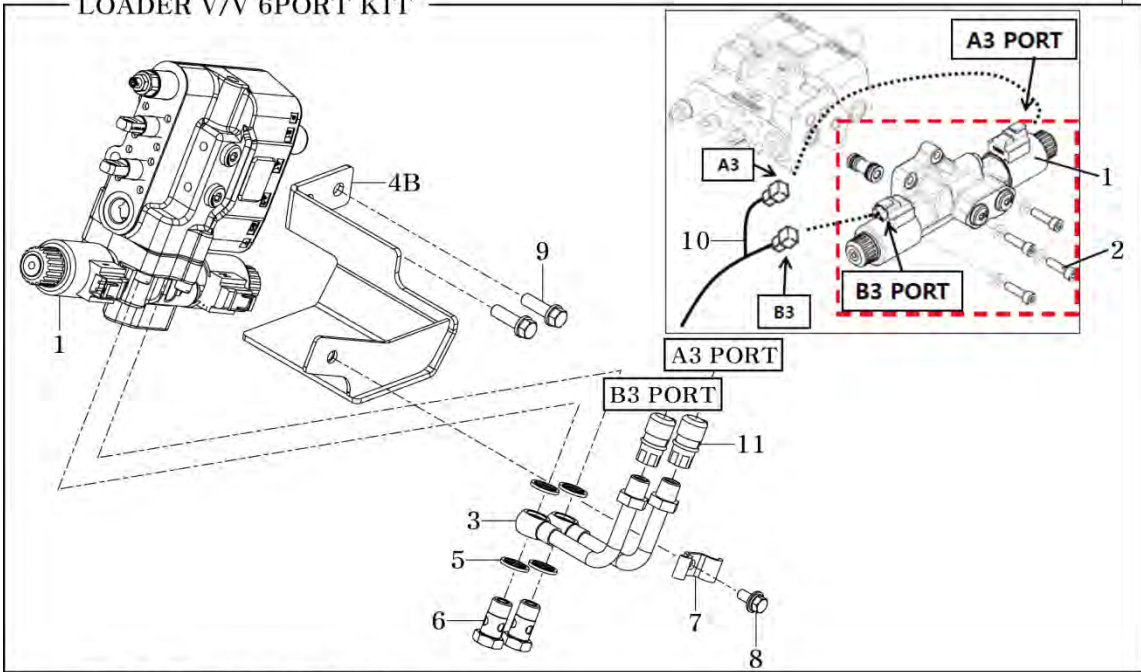
YEAR

2018

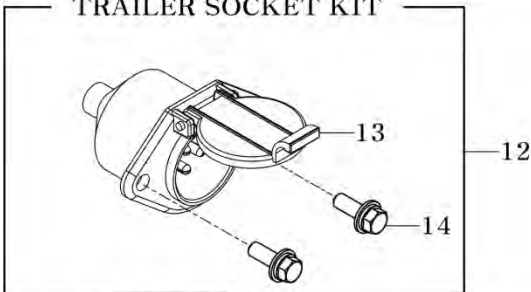


0B

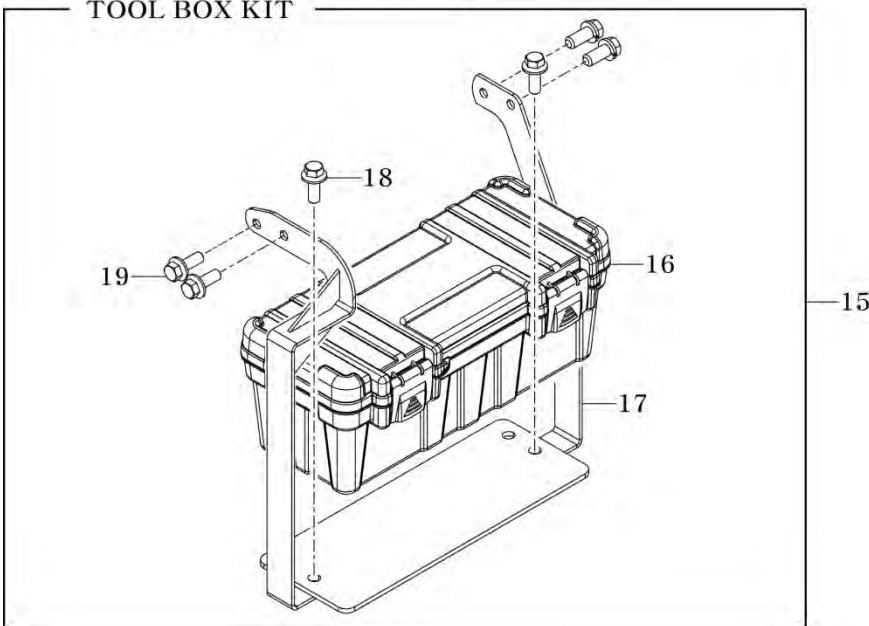
LOADER V/V 6PORT KIT



TRAILER SOCKET KIT



TOOL BOX KIT



NOTE