

T194NHAUZ3

Parts Catalog

목 차

1. 엔진 PART NO. EG

FIG 100 ENGINE	6
FIG 101 CYLINDER BLOCK	8
FIG 102 GEAR HOUSING	10
FIG 103 MOUNTING FLANGE & OIL SUMP	12
FIG 104 CYLINDER HEAD & BONNET	14
FIG 105 EXHAUST MANIFOLD	17
FIG 106 CAMSHAFT & DRIVING GEAR	19
FIG 107 CRANKSHAFT & PISTON	21
FIG 108 LUB OIL SYSTEM	23
FIG 109 COOLING WATER SYSTEM	25
FIG 110 FUEL INJECTION PUMP	27
FIG 111 GOVERNOR	29
FIG 112 FUEL INJECTION VALVE	31
FIG 113 FUEL PIPE	33
FIG 114 STARTING MOTOR	35
FIG 115 GENERATOR	37
FIG 116 ACCESSORY	39
FIG 117 GASKET SET	41

2. 엔진보기품 PART NO. T2

FIG 201 AIR CLEANER	44
FIG 202 RADIATOR	46
FIG 203 MUFFLER	48
FIG 204 FUEL TANK & FUEL LINE	50
FIG 205 ACCELERATOR	52
FIG 206 FUEL FILTER	54
FIG 207 ENGINE MOUNTING	56

3. 클러치/브레이크/스티어링 PART NO. T3

FIG 302 BRAKE PEDAL & LINKAGE	59
-------------------------------	----

FIG 303 SPEED CONTROL	61
FIG 304 DASH COVER	63
FIG 305 STEERING VALVE	65
FIG 306 STEERING CYLINDER	67
FIG 307 TIRE	69

4. 트랜스미션 PART NO. T4

FIG 401 INPUT SHAFT	72
FIG 402 HST	74
FIG 403 PTO CLUTCH SUB& RANGE GEAR SUB	76
FIG 404 SPIRAL BEVEL PINION & 4WD SHAFT SUB	78
FIG 405 INPUT METAL	80
FIG 406 P T O COUNT SHAFT SUB & REAR P.T.O SUB	82
FIG 407 MID P T O IDLE GEAR & MID P T O SUB	84
FIG 408 DIFF LOCK	86
FIG 409 REAR TRANSMISSION CASE	88
FIG 410 REAR AXLE HOUSING	90
FIG 411 RANGE SHIFT LEVER	92
FIG 412 P T O CHANGE LEVER	94
FIG 413 GEAR PUMP & PUMP IDLE GEAR SUB	96

5. 프런트 액슬 PART NO. T5

FIG 501 FRONT DRIVE SHAFT	99
FIG 502 FRONT DIFFERENTIAL GEAR	101
FIG 503 FRONT AXLE HOUSING	103
FIG 504 FRONT GEAR CASE (1)	105
FIG 505 FRONT GEAR CASE (2)	107

6. 유압/3점링크 PART NO. T6

FIG 601 CYLINDER CASE	110
FIG 602 LIFT ARM	112
FIG 603 FLOW CONTROL VALVE	114
FIG 604 MAIN CONTROL VALVE	116
FIG 605 HYDRAULIC SUB	118
FIG 606 HITCH & 3-POINT LINKAGE	120

FIG 607 MID MOWER	122
-------------------	-----

7. 시트메탈/캐빈 PART NO. T7

FIG 701 BONNET	125
FIG 702 FLOOR	127
FIG 703 SEAT	129
FIG 704 ROPS	131
FIG 705 LEVER COVER & FENDER	133
FIG 706 REARVIEW MIRRORS	135
FIG 707 FRONT GLASS	137
FIG 708 DOOR-LH	139
FIG 709 DOOR-RH	141
FIG 710 REAR GLASS	143
FIG 711 ROOF	145
FIG 712 WORKING LAMP & FENDER COVER	147
FIG 713 HEATER SUB	149
FIG 714 CABIN HARNESS	151
FIG 715 REAR WIPER KIT(OPTION)	153

8. 전장 PART NO. T8

FIG 801 BATTERY MOUNTING	156
FIG 802 INSTRUMENT PANEL	158
FIG 803 HARNESS(1)	160
FIG 804 HARNESS(2)	162

9. 라벨/옵션 PART NO. T9

FIG 901 TOOL & ACCESSORY	165
FIG 902 LABEL	167

1. 엔진 PART NO. EG

FIG 100 ENGINE	6
FIG 101 CYLINDER BLOCK	8
FIG 102 GEAR HOUSING	10
FIG 103 MOUNTING FLANGE & OIL SUMP	12
FIG 104 CYLINDER HEAD & BONNET	14
FIG 105 EXHAUST MANIFOLD	17
FIG 106 CAMSHAFT & DRIVING GEAR	19
FIG 107 CRANKSHAFT & PISTON	21
FIG 108 LUB OIL SYSTEM	23
FIG 109 COOLING WATER SYSTEM	25
FIG 110 FUEL INJECTION PUMP	27
FIG 111 GOVERNOR	29
FIG 112 FUEL INJECTION VALVE	31
FIG 113 FUEL PIPE	33
FIG 114 STARTING MOTOR	35
FIG 115 GENERATOR	37
FIG 116 ACCESSORY	39
FIG 117 GASKET SET	41

FIG 100 T194NHAUZ3	ENGINE	년/월 Year/Month 2022-12
-----------------------	--------	------------------------------

INDUSTRIAL ENGINE
3TNV74F-NDKTF2

1

NOTE	
------	--

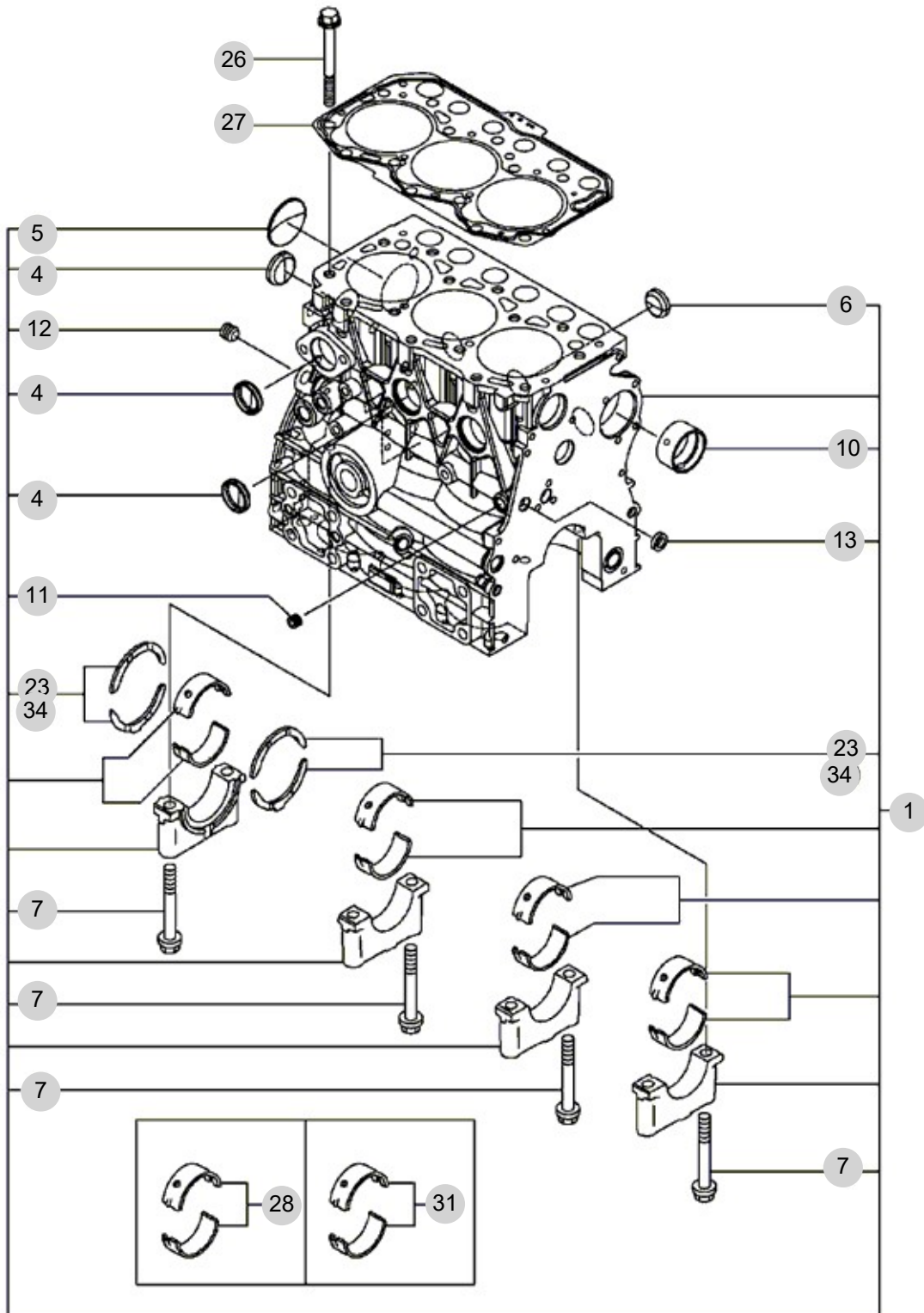
FIG 101

CYLINDER BLOCK

년/월
Year/Month

T194NHAUZ3

2022-12



NOTE

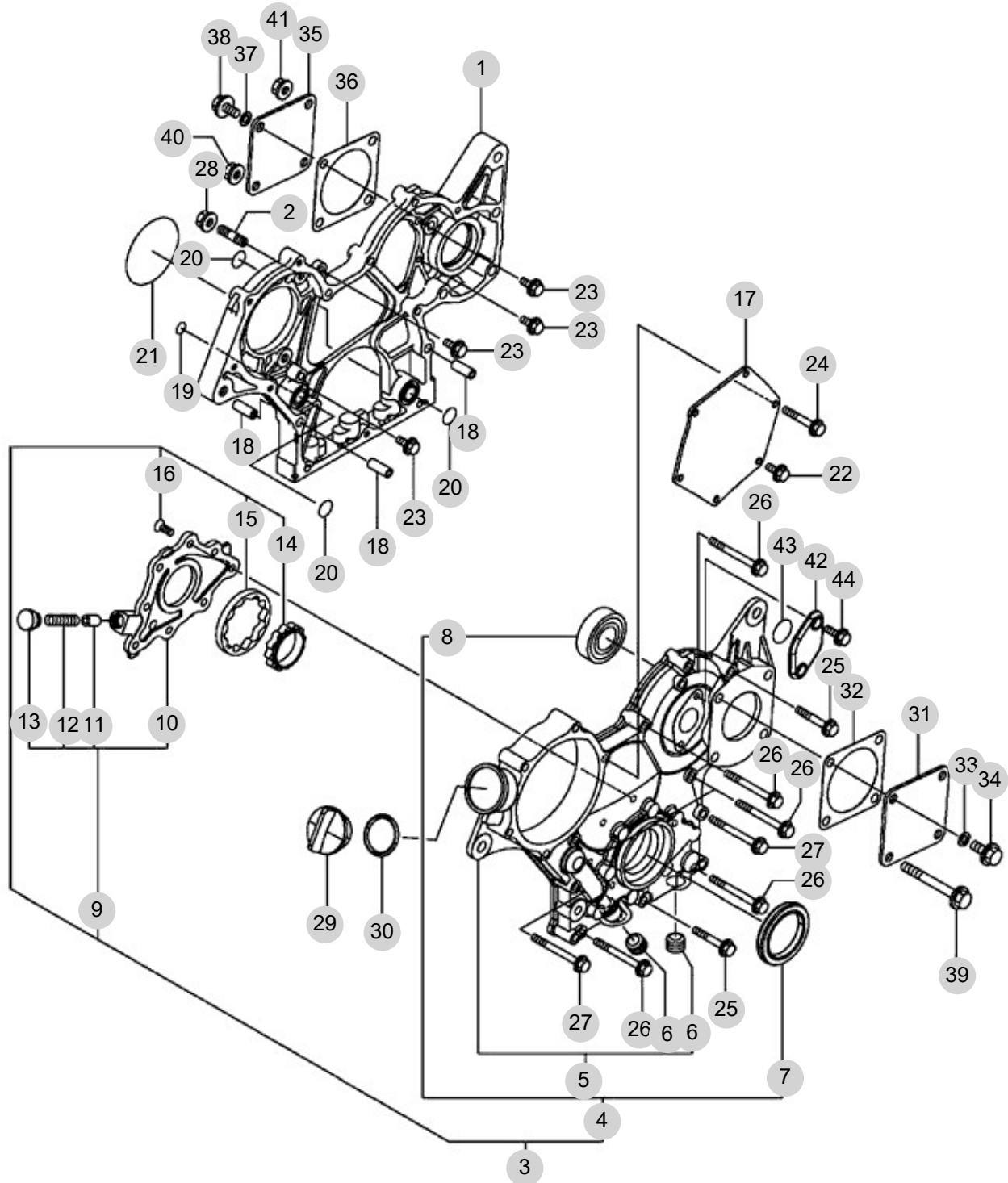
FIG 102

GEAR HOUSING

년/월
Year/Month

T194NHAUZ3

2022-12



NOTE

FIG 102		GEAR HOUSING					년/월	
							Year/Month	
T194NHAUZ3		2022-12						
KEY NO	PART NO	DESCRIPTION	SPEC	QTY	REPAIR	EFFECTIVE DATE	REMARKS	
102	1	119740-01501	CASE, GEAR		1			
102	2	119717-01570	STUD		3			
102	3	119751-01590	COVER ASSY, CASE		1			
102	4	719751-01500	COVER ASSY, CASE		1			
102	5	119751-01521	COVER, GEAR CASE		1			
102	6	23876-030000	PLUG, R03		2			
102	7	119717-01800	SEAL, OIL		1			
102	8	24101-062024	깊은홈 볼베어링		1			
102	9	119717-32100	COVER ASSY, PUMP		1			
102	10	119717-32080	COVER, OIL PUMP		1			
102	11	129900-32130	VALVE, RELIEF		1			
102	12	129001-32320	SPRING		1			
102	13	129001-32330	PLUG		1			
102	14	119717-32110	ROTOR, INNER		1			
102	15	119717-32120	ROTOR, OUTER		1			
102	16	119802-32130	SCREW, M6X16		8			
102	17	119717-01750	COVER, PUMP		1			
102	18	119660-01911	PIPE, KNOCK 6X17		4			
102	19	119624-32040	O-RING, P12.0		1			
102	20	119717-32050	O-RING, P17.0		3			
102	21	121850-51960	O-RING, FUEL PUMP		1			
102	22	26106-060122	BOLT, M6X 12 PLATED		1			
102	23	26106-060162	BOLT, M6X 16 PLATED		4			
102	24	26106-060402	BOLT, M6X 40 PLATED		4			
102	25	26106-060402	BOLT, M6X 40 PLATED		2			
102	26	26106-060602	BOLT, M6X 60 PLATED		7			
102	27	26106-060652	BOLT, M6X 65 PLATED		2			
102	28	26306-080002	NUT, M8		3			
102	29	124160-01751	CAP, FILLER		1			
102	30	24311-000320	운동용O링		1			
102	31	124240-01871	COVER, HYDRAULIC PUMP		1			
102	32	129C26-01890	GASKET, PUMP		1			
102	33	22190-080002	WASHER, SEAL 8		1			
102	34	26106-080122	BOLT, M8X 12 PLATED		1			
102	35	124240-01871	COVER, HYDRAULIC PUMP		1			
102	36	129C26-01890	GASKET, PUMP		1			
102	37	22190-080002	WASHER, SEAL 8		1			
102	38	26106-080142	BOLT, M8X 14 PLATED		1			
102	39	26106-080702	BOLT, M8X 70 PLATED		3			
102	40	26306-080002	NUT, M8		1			
102	41	26306-080002	NUT, M8		2			
102	42	121023-01551	COVER, TACHOMETER		1			
102	43	24341-000240	O-RING, 1AS24.0		1			
102	44	26106-060162	BOLT, M6X 16 PLATED		2			
NOTE								

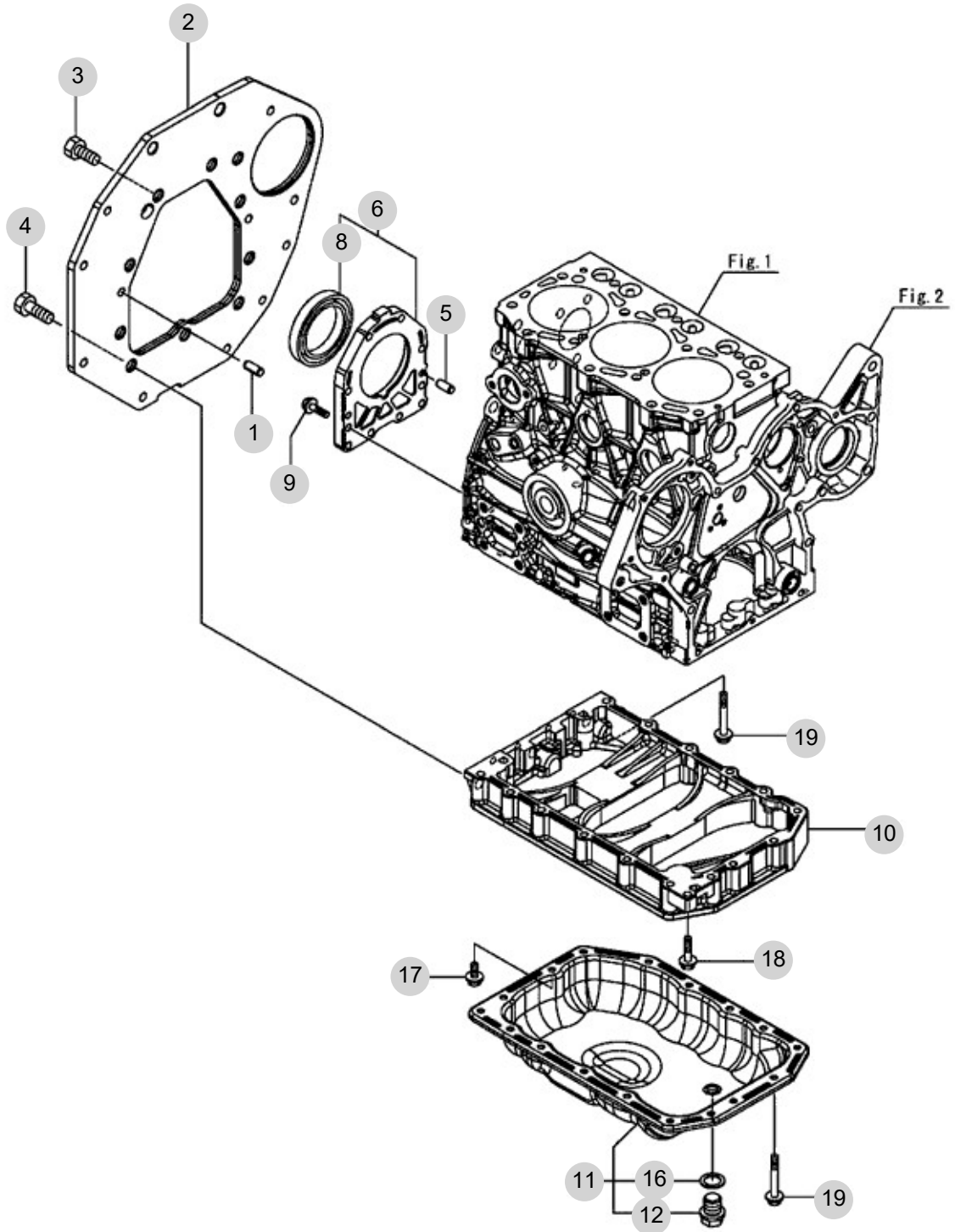
FIG 103

MOUNTING FLANGE & OIL SUMP

년/월
Year/Month

2022-12

T194NHAUZ3



NOTE

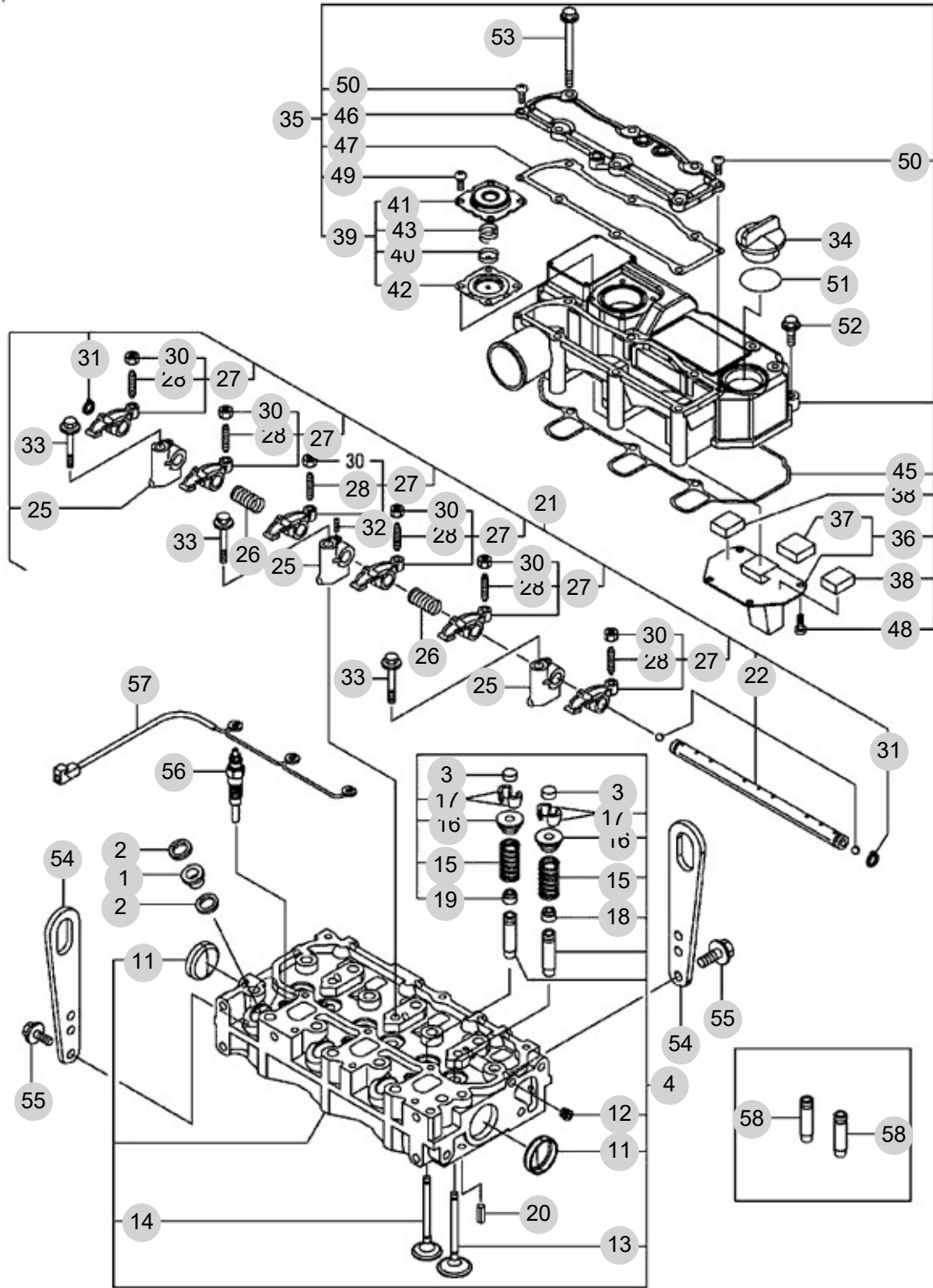
FIG 104

CYLINDER HEAD & BONNET

년/월
Year/Month

2022-12

T194NHAUZ3



NOTE

FIG 104 T194NHAU3		CYLINDER HEAD & BONNET					년/월 Year/Month	
							2022-12	
KEY NO	PART NO	DESCRIPTION	SPEC	QTY	REPAIR	EFFECTIVE DATE	REMARKS	
104	1	129901-11450	PROTECTOR, NOZZLE		3			
104	2	119600-11460	GASKET, NOZZLE		6			
104	3	105010-11490	CAP, VALVE		6			
104	4	119C10-11740	HEAD ASSY, CYLINDER		1			
104	11	119285-11990	PLUG, 35		2			
104	12	23876-005000	PLUG, R005		1			
104	13	119C10-11100	VALVE, INTAKE		3			
104	14	119C10-11110	VALVE, EXHAUST		3			
104	15	119717-11131	SPRING, VALVE		6			
104	16	129508-11180	RETAINER, SPRING		6			
104	17	119717-11190	COTTER, VALVE		12			
104	18	119717-11340	SEAL, VALVE STEM		3			
104	19	119717-11350	SEAL, VALVE STEM		3			
104	20	22351-060012	스프링핀		2			
104	21	119515-11200	SUPPORT ASSY, ROCKER		1			
104	22	119515-11240	SHAFT ASSY, ARM		1			
104	25	119717-11260	SUPPORT, ROCKER ARM		3			
104	26	119515-11280	SPRING, SHAFT		2			
104	27	119717-11650	ARM ASSY, ROCKER INT		6			
104	28	129150-11230	SCREW, VALVE ADJUST		6			
104	30	129150-11750	NUT, M8XP1.0 6		6			
104	31	22242-000120	RING, 12		2			
104	32	26979-050162	SCREW, M5X16		1			
104	33	26106-080402	BOLT, M8X 40 PLATED		3			
104	34	124160-01751	CAP, FILLER		1			
104	35	119515-11380	BONNET ASSY, HEAD		1			
104	36	119717-03031	PLATE, BAFFLE		1			
104	37	119717-03070	BAFFLE, BREATHER		1			
104	38	119717-03070	BAFFLE, BREATHER		2			
104	39	119802-03100	DIAPHRAGM ASSY		1			
104	40	119802-03110	PLATE, DIAPHRAGM		1			
104	41	119802-03121	COVER, DIAPHRAGM		1			
104	42	119802-03131	DIAPHRAGM, BREATHER		1			
104	43	119802-03141	SPRING, DIAPHRAGM		1			
104	45	119515-11310	GASKET, BONNET		1			
104	46	119515-11320	COVER, BONNET		1			
104	47	119515-11330	GASKET, BONNET COVER		1			
104	48	22857-500100	SCREW, 5X10		4			
104	49	22857-500100	SCREW, 5X10		4			
104	50	22857-500160	SCREW, 5X16		2			
104	51	24311-000320	운동용O링		1			
104	52	26106-060202	BOLT, M6X 20 PLATED		3			
104	53	26106-060752	BOLT, M6X 75 PLATED		6			
104	54	129900-07900	LIFTER, ENGINE		2			
104	55	26106-080162	육각플랜지볼트		4			
NOTE								

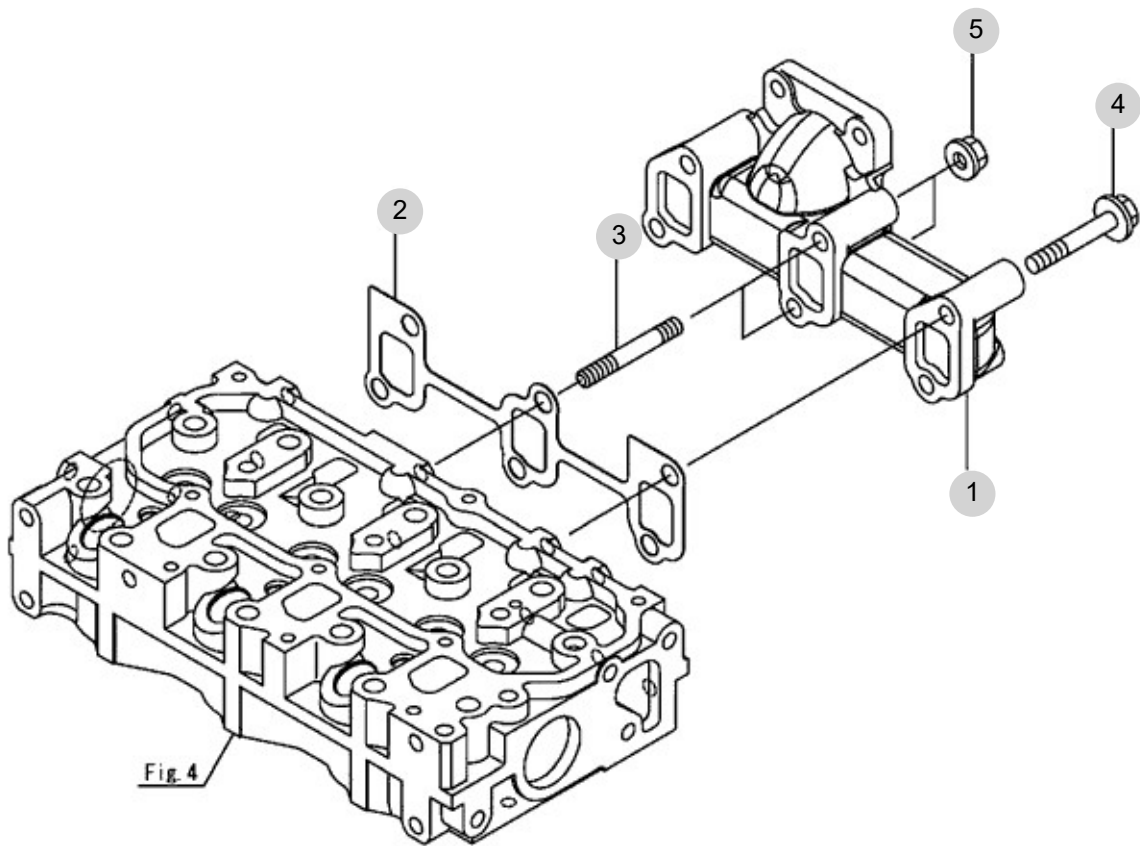
FIG 105

T194NHAUZ3

EXHAUST MANIFOLD

년/월
Year/Month

2022-12



NOTE

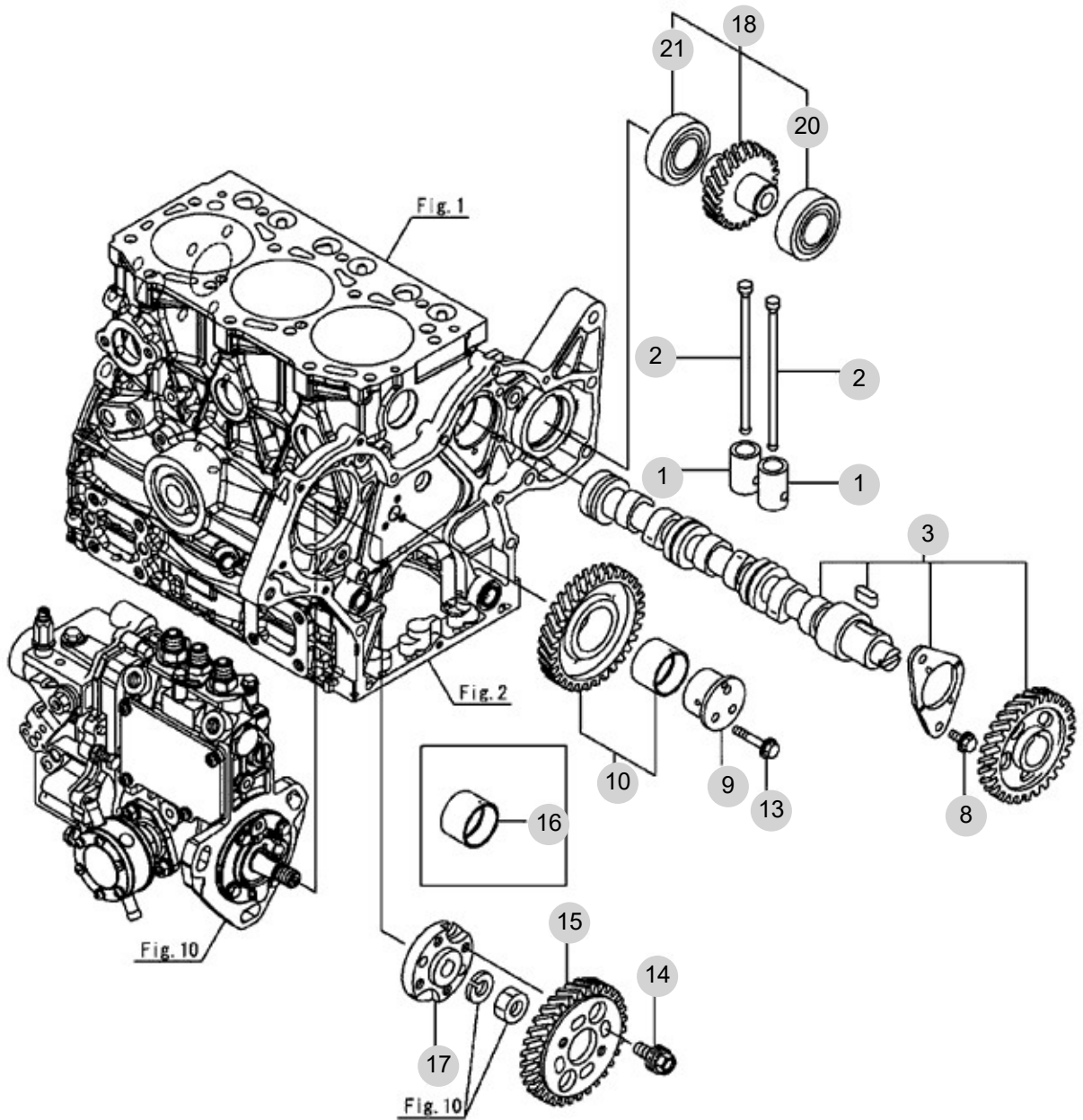
FIG 106

T194NHAUZ3

CAMSHAFT & DRIVING GEAR

년/월
Year/Month

2022-12



NOTE

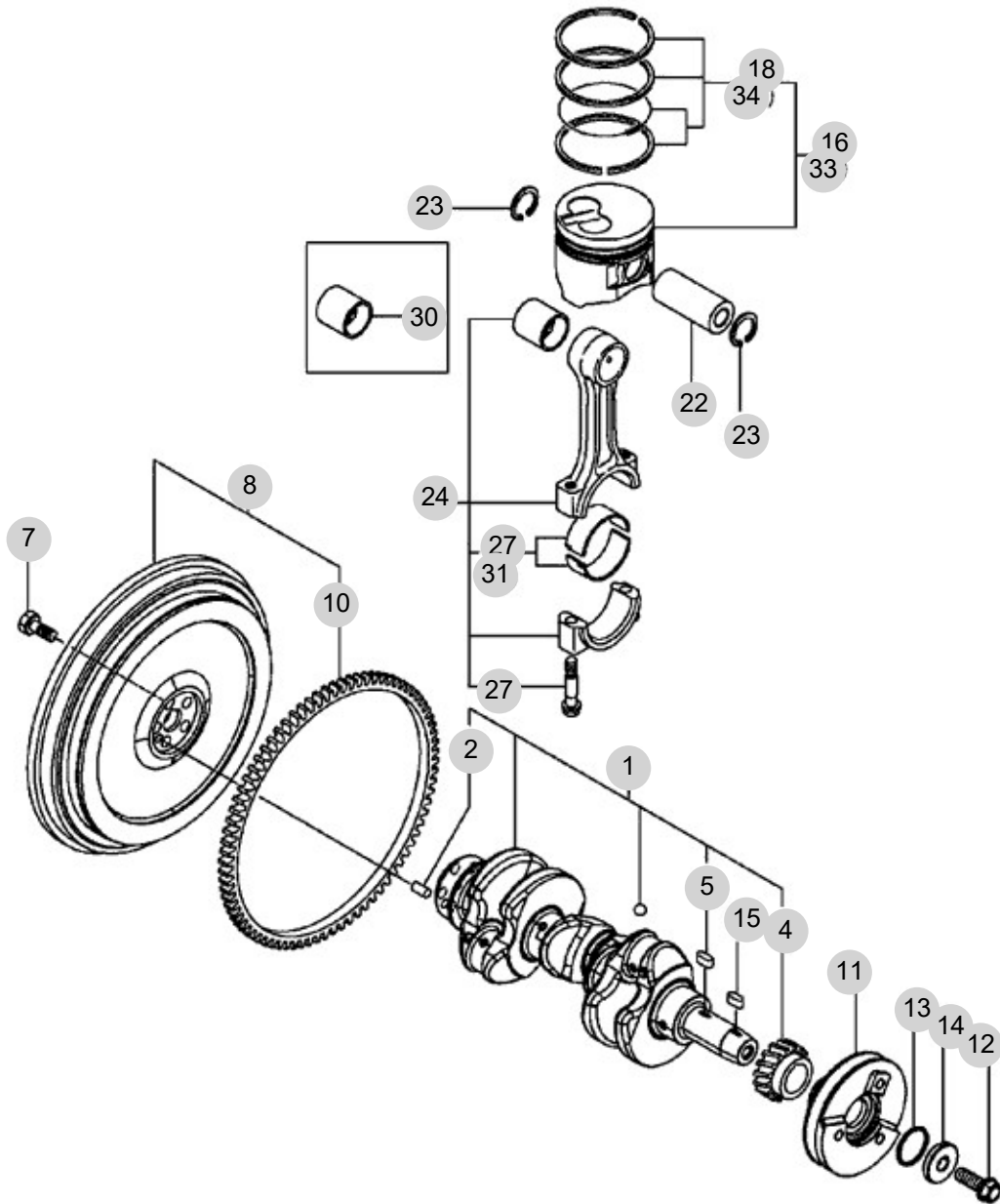
FIG 107

T194NHAUZ3

CRANKSHAFT & PISTON

년/월
Year/Month

2022-12



NOTE

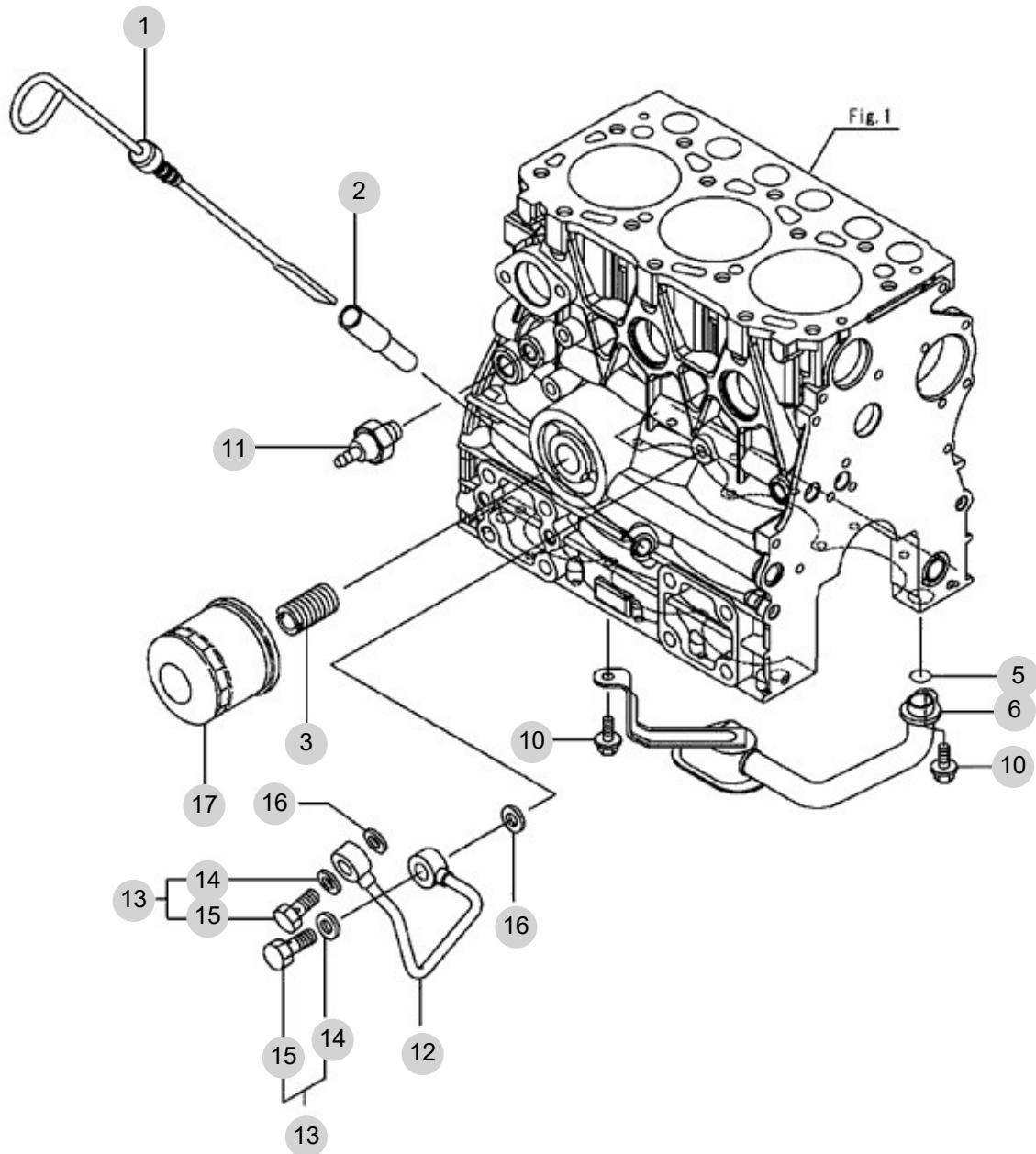
FIG 108

LUB OIL SYSTEM

년/월
Year/Month

2022-12

T194NHAUZ3



NOTE

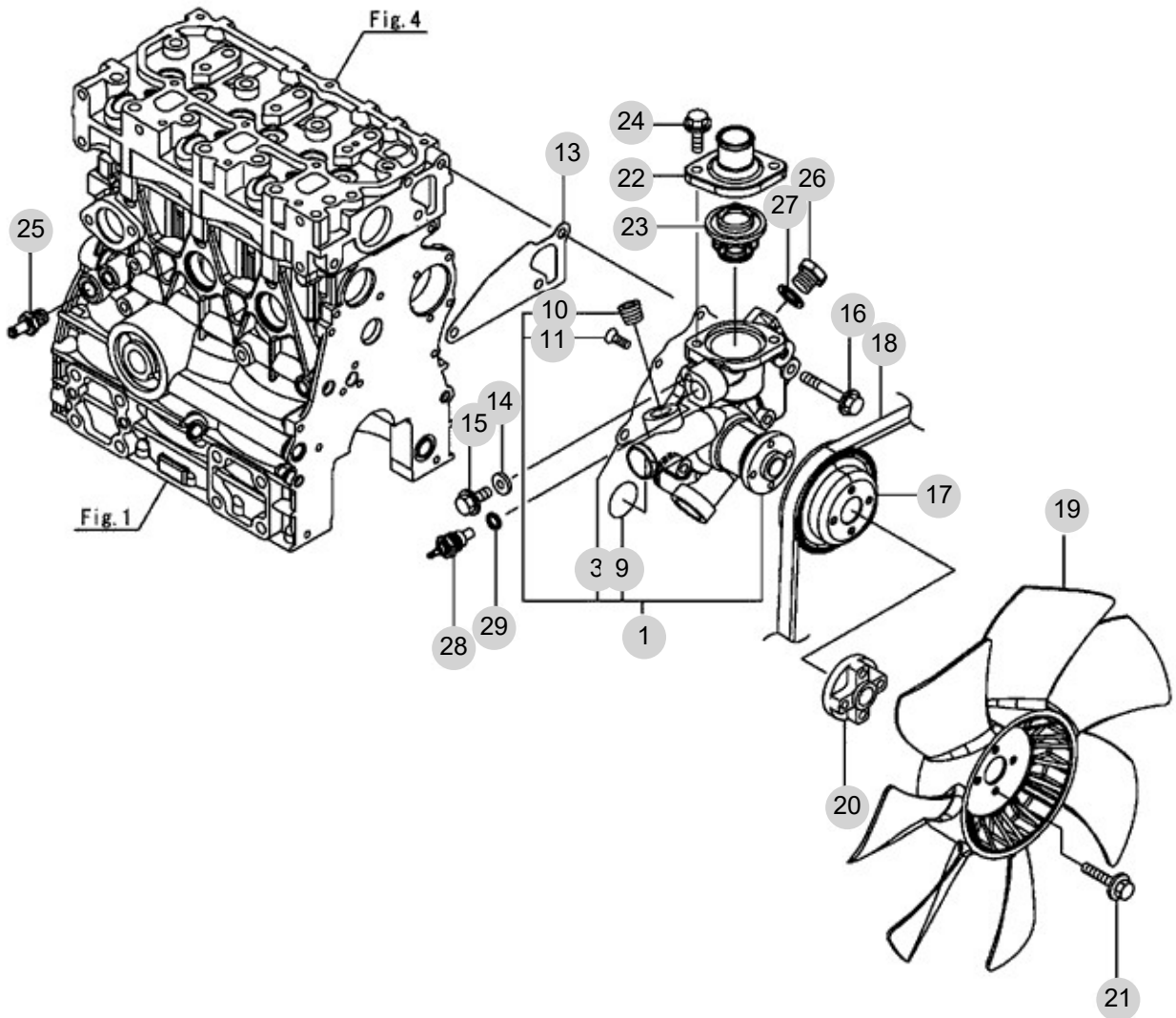
FIG 109

COOLING WATER SYSTEM

년/월
Year/Month

T194NHAUZ3

2022-12



NOTE

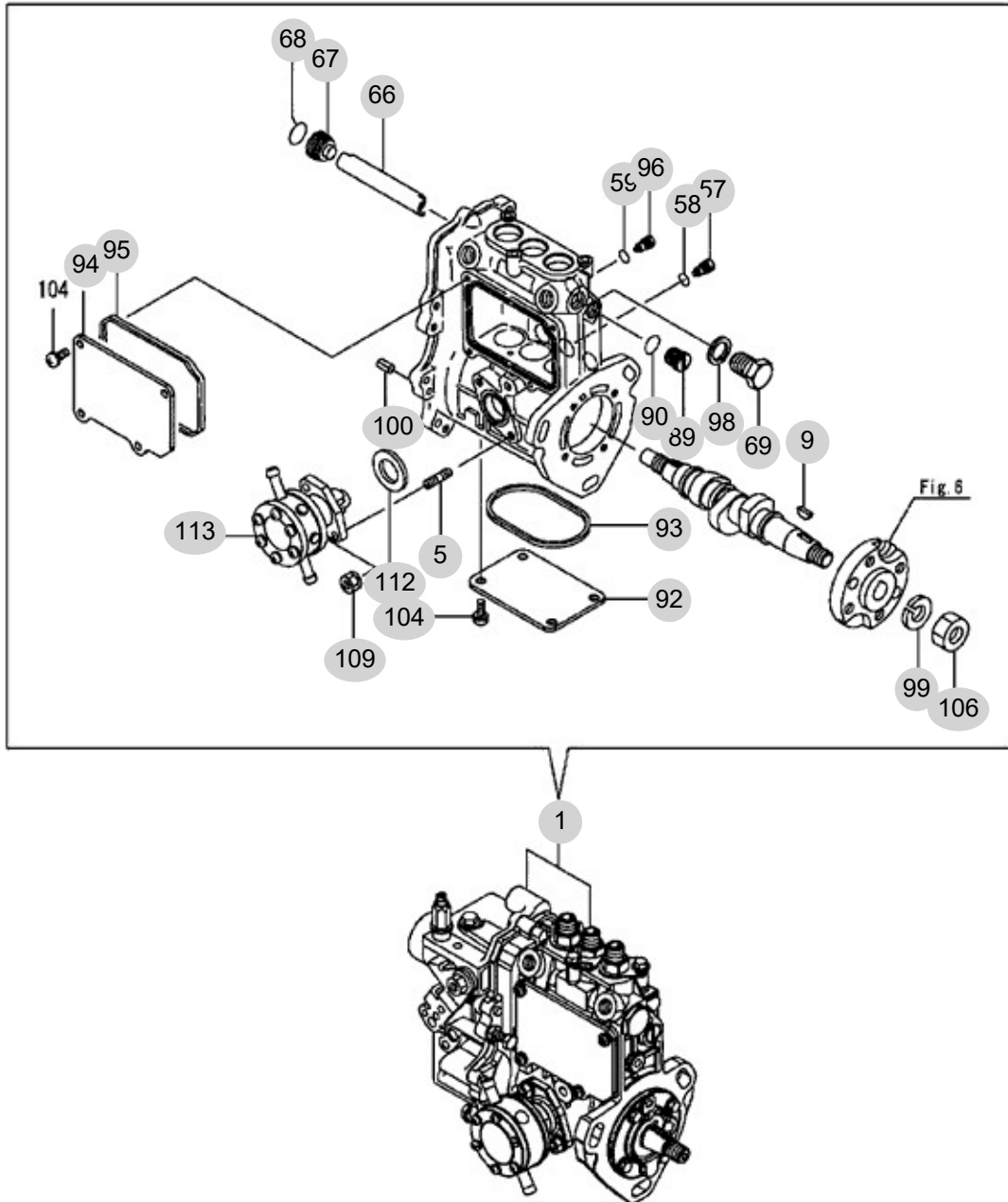
FIG 110

FUEL INJECTION PUMP

년/월
Year/Month

2022-12

T194NHAUZ3



NOTE

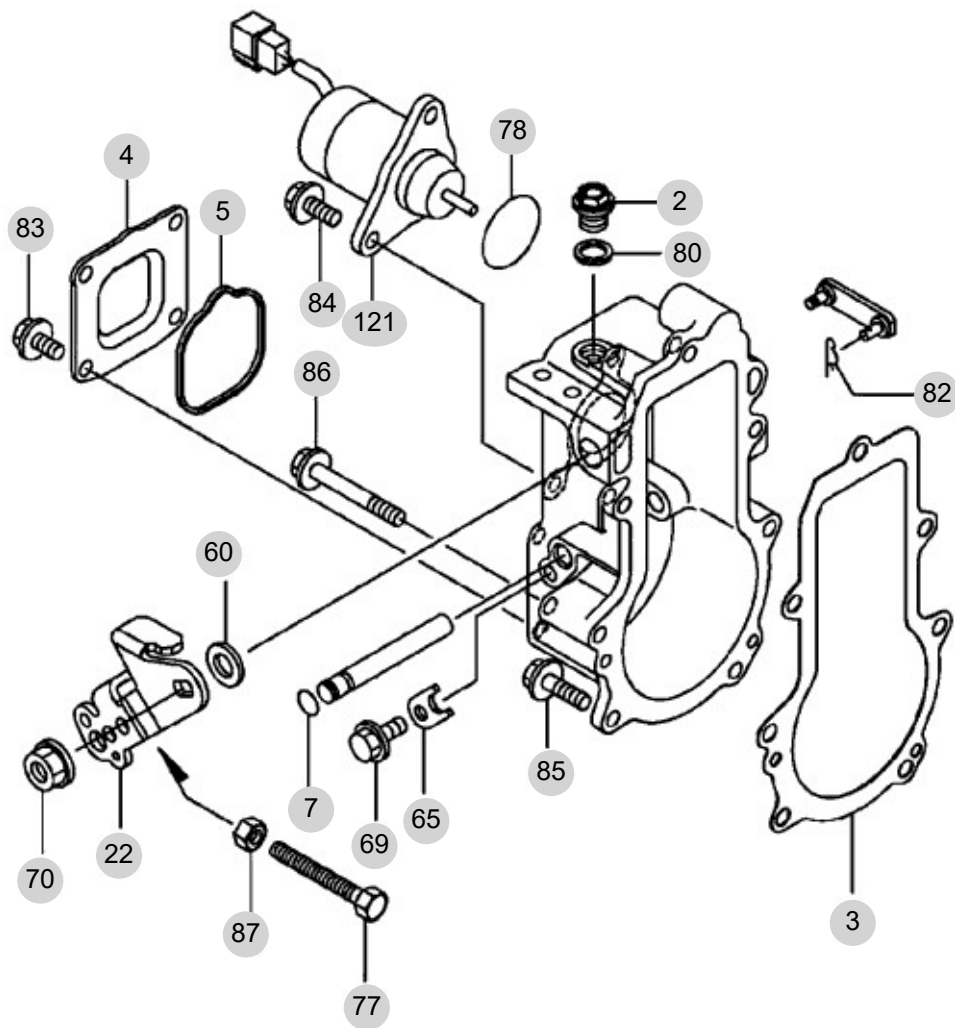
FIG 111

T194NHAUZ3

GOVERNOR

년/월
Year/Month

2022-12



NOTE

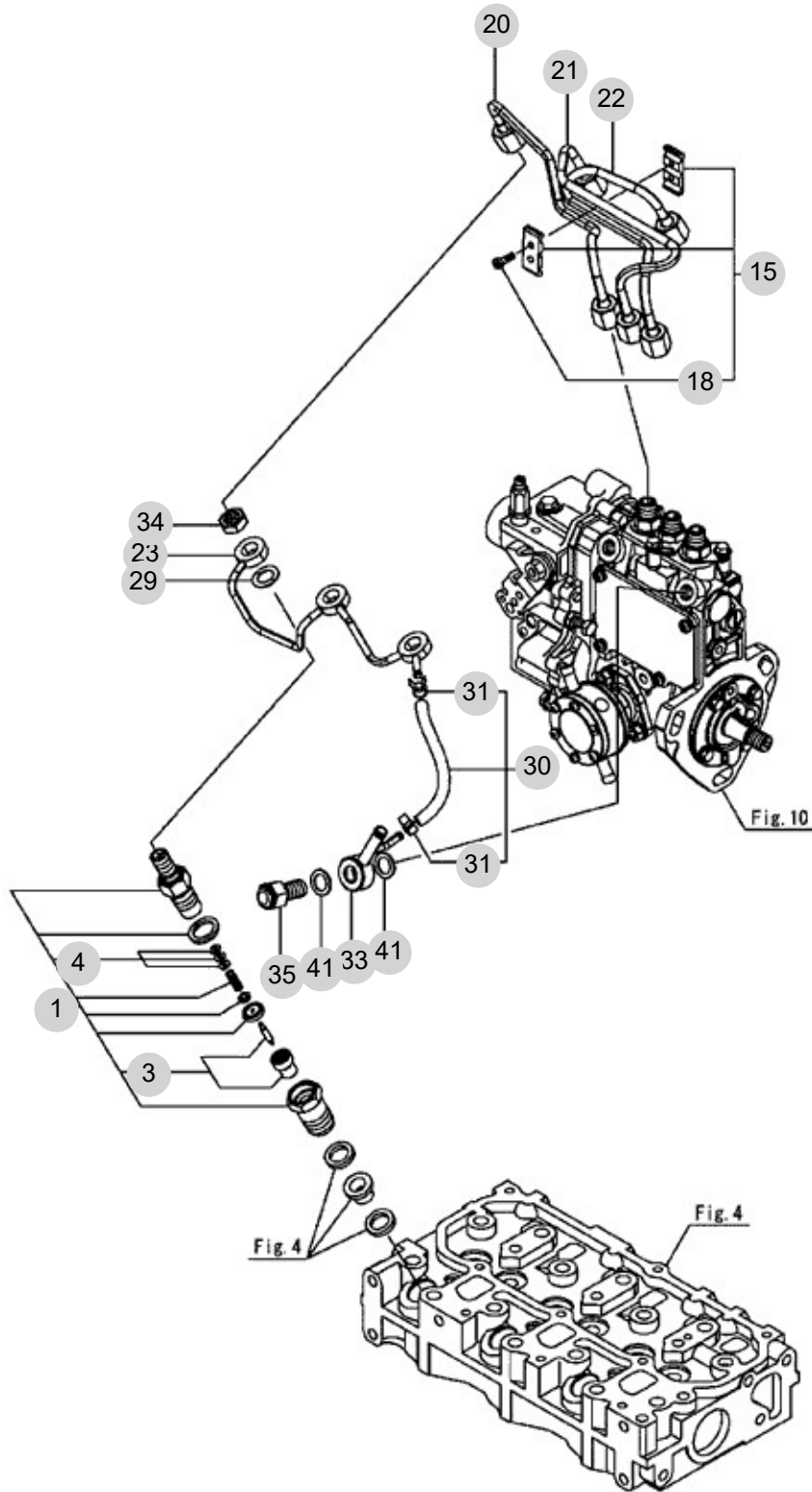
FIG 112

FUEL INJECTION VALVE

년/월
Year/Month

2022-12

T194NHAUZ3



NOTE

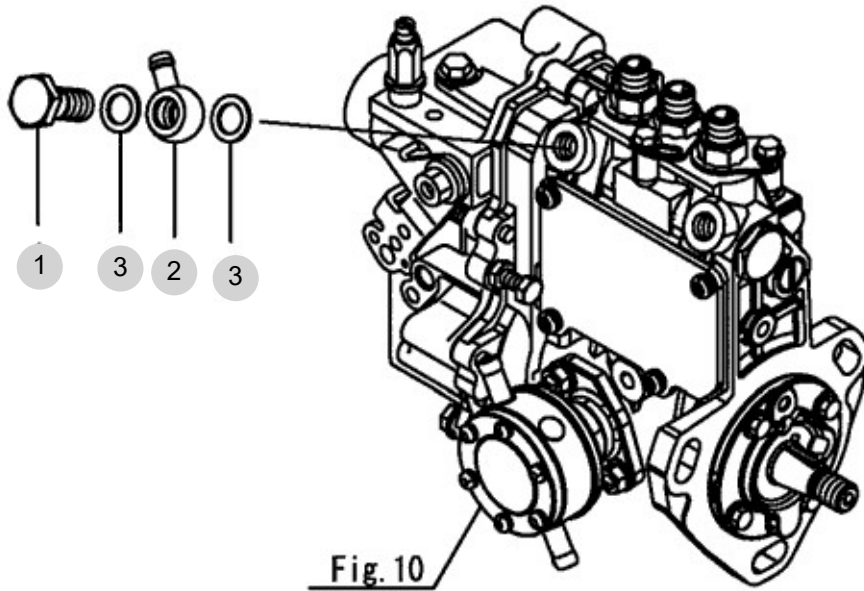
FIG 113

T194NHAUZ3

FUEL PIPE

년/월
Year/Month

2022-12



NOTE

FIG 113 T194NHAUZ3		FUEL PIPE						년/월 Year/Month	
								2022-12	
KEY NO		PART NO	DESCRIPTION	SPEC	QTY	REPAIR	EFFECTIVE DATE	REMARKS	
113	1	103854-39140	BOLT, PIPE JOINT		1				
113	2	101304-59020	JOINT, PIPE 12		1				
113	3	22190-120002	WASHER, SEAL 12		2				
NOTE									

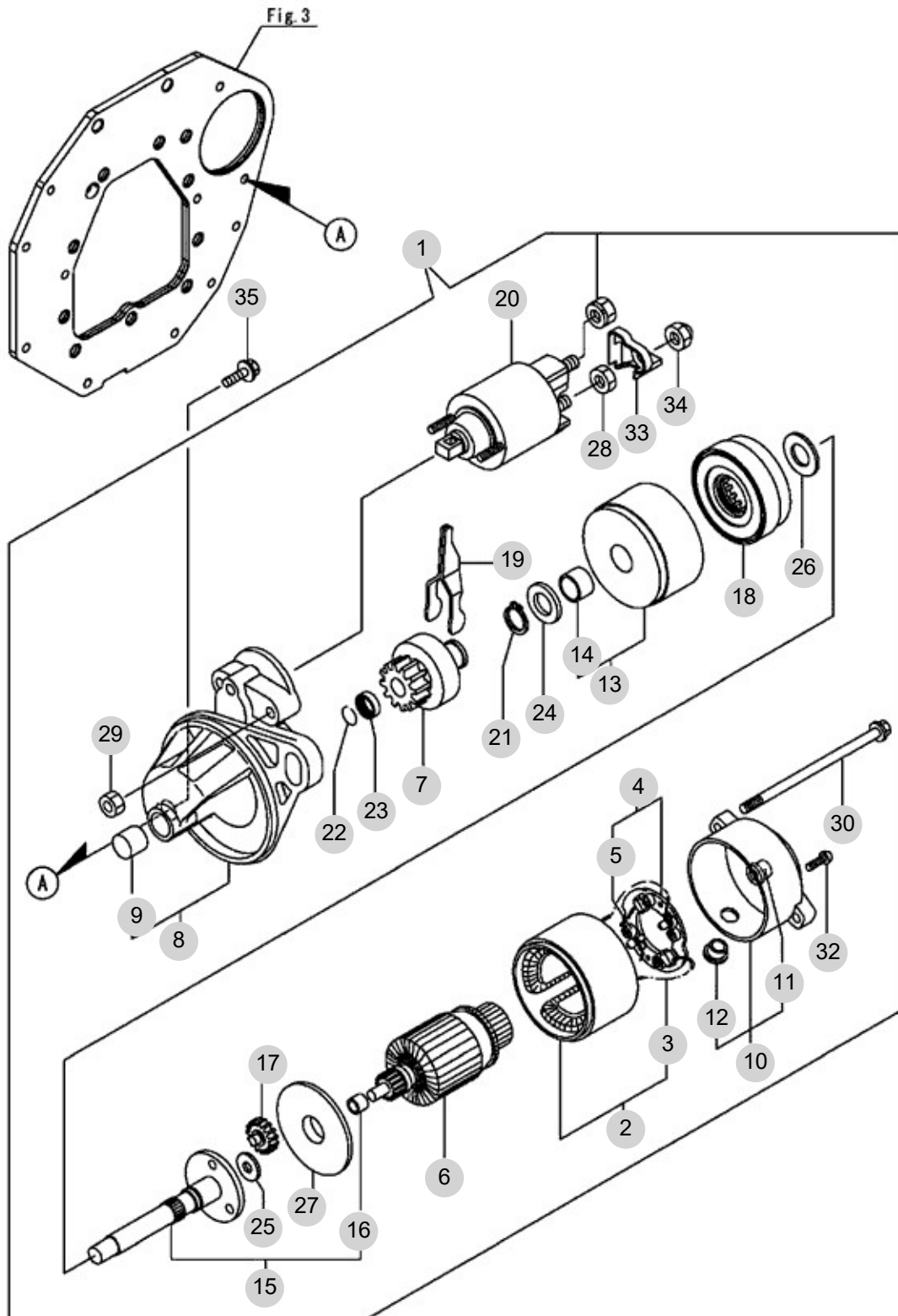
FIG 114

STARTING MOTOR

년/월
Year/Month

T194NHAUZ3

2022-12



NOTE

FIG 115

GENERATOR

년/월
Year/Month

2022-12

T194NHAUZ3

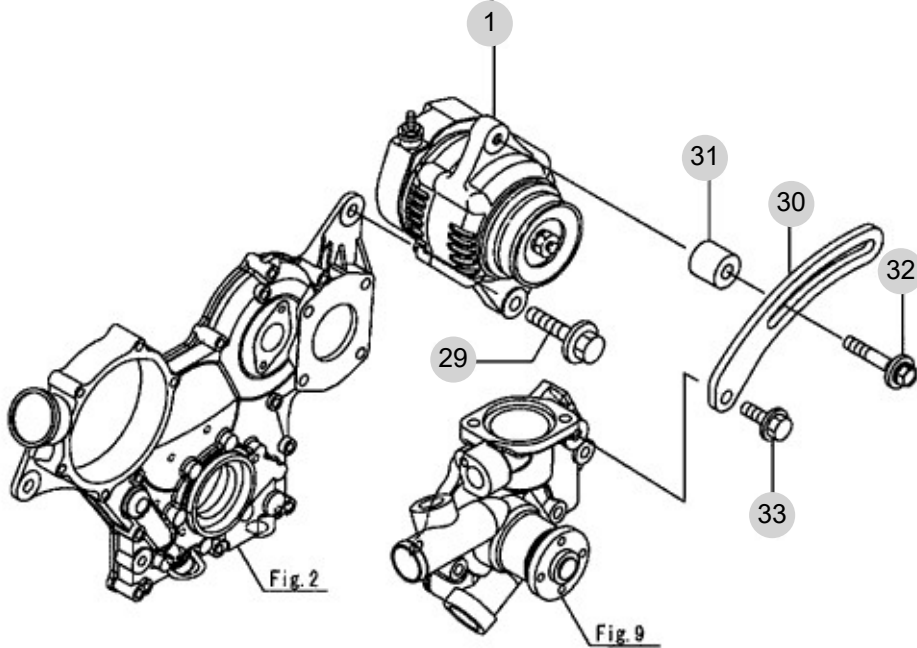
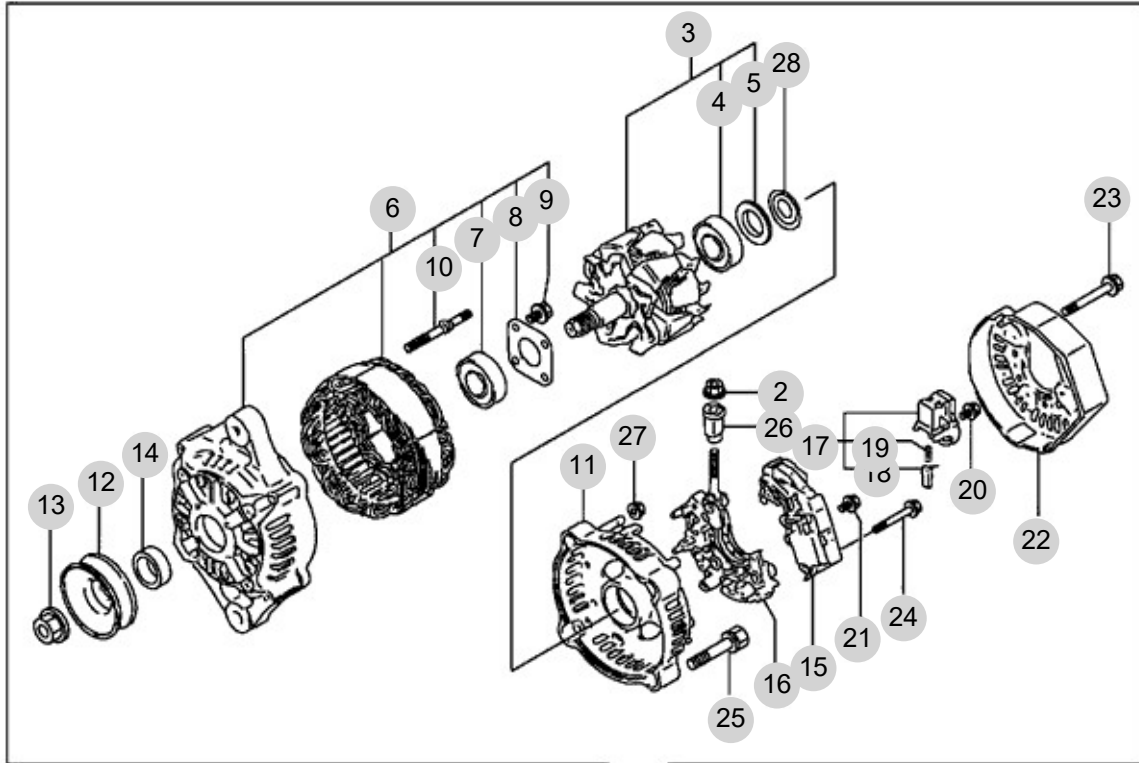


Fig. 2

Fig. 9

NOTE

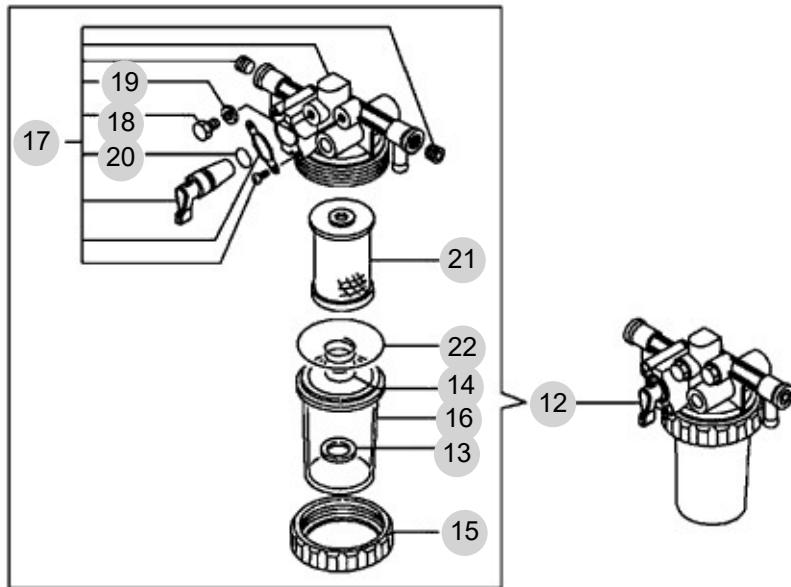
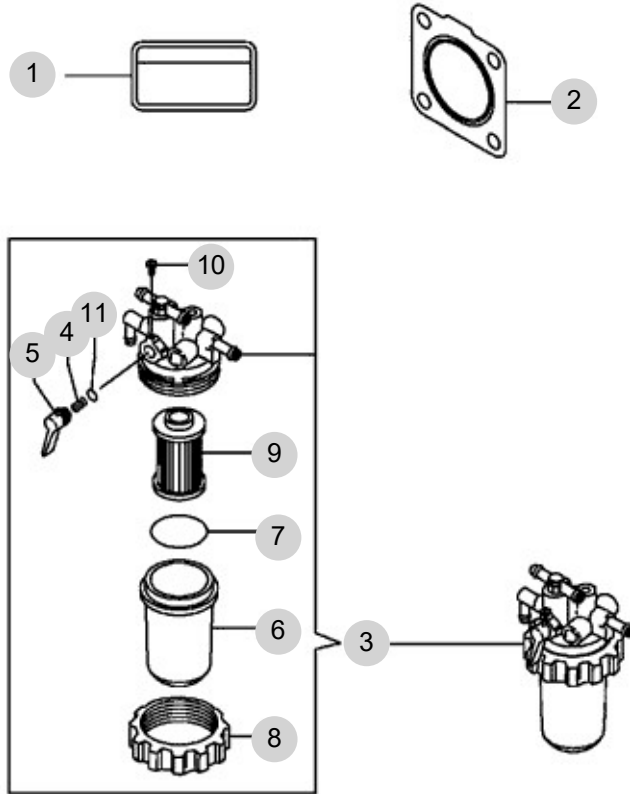
FIG 116

T194NHAUZ3

ACCESSORY

년/월
Year/Month

2022-12



NOTE

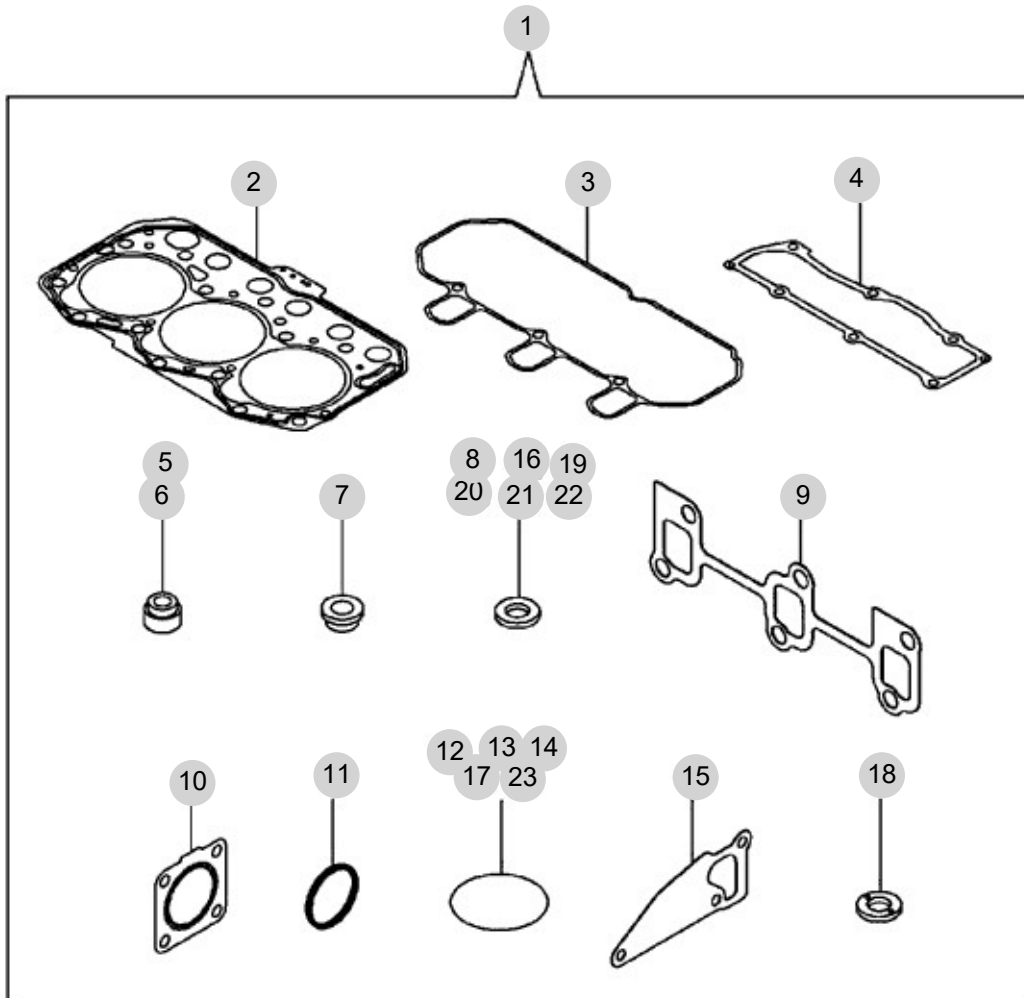
FIG 117

T194NHAUZ3

GASKET SET

년/월
Year/Month

2022-12



22
14
16
13

12

23

NOTE

15

2. 엔진보기품 PART NO. T2

FIG 201 AIR CLEANER	44
FIG 202 RADIATOR	46
FIG 203 MUFFLER	48
FIG 204 FUEL TANK & FUEL LINE	50
FIG 205 ACCELERATOR	52
FIG 206 FUEL FILTER	54
FIG 207 ENGINE MOUNTING	56

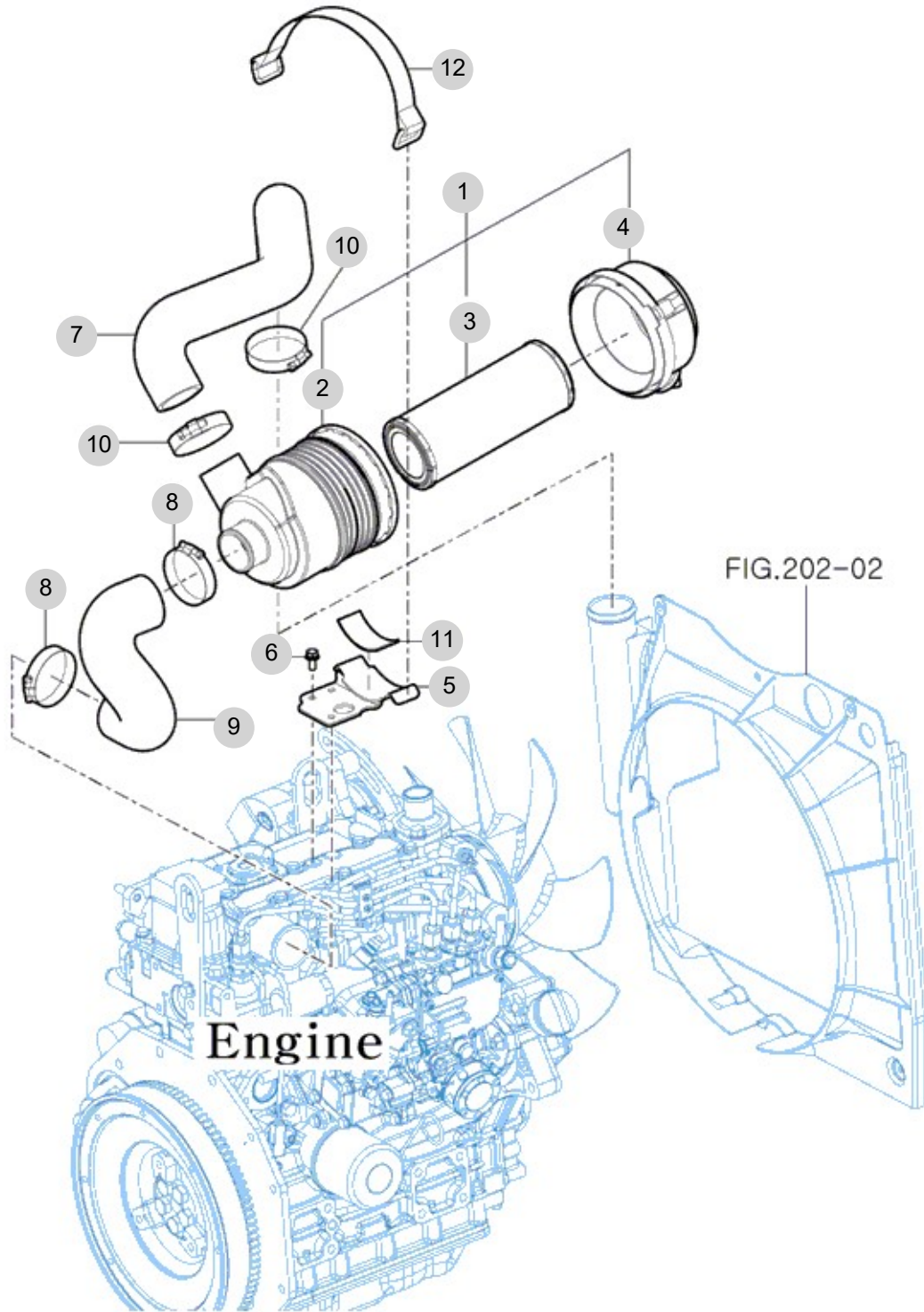
FIG 201

T194NHAUZ3

AIR CLEANER

년/월
Year/Month

2022-12



NOTE

FIG 202

RADIATOR

년/월
Year/Month

2022-12

T194NHAUZ3

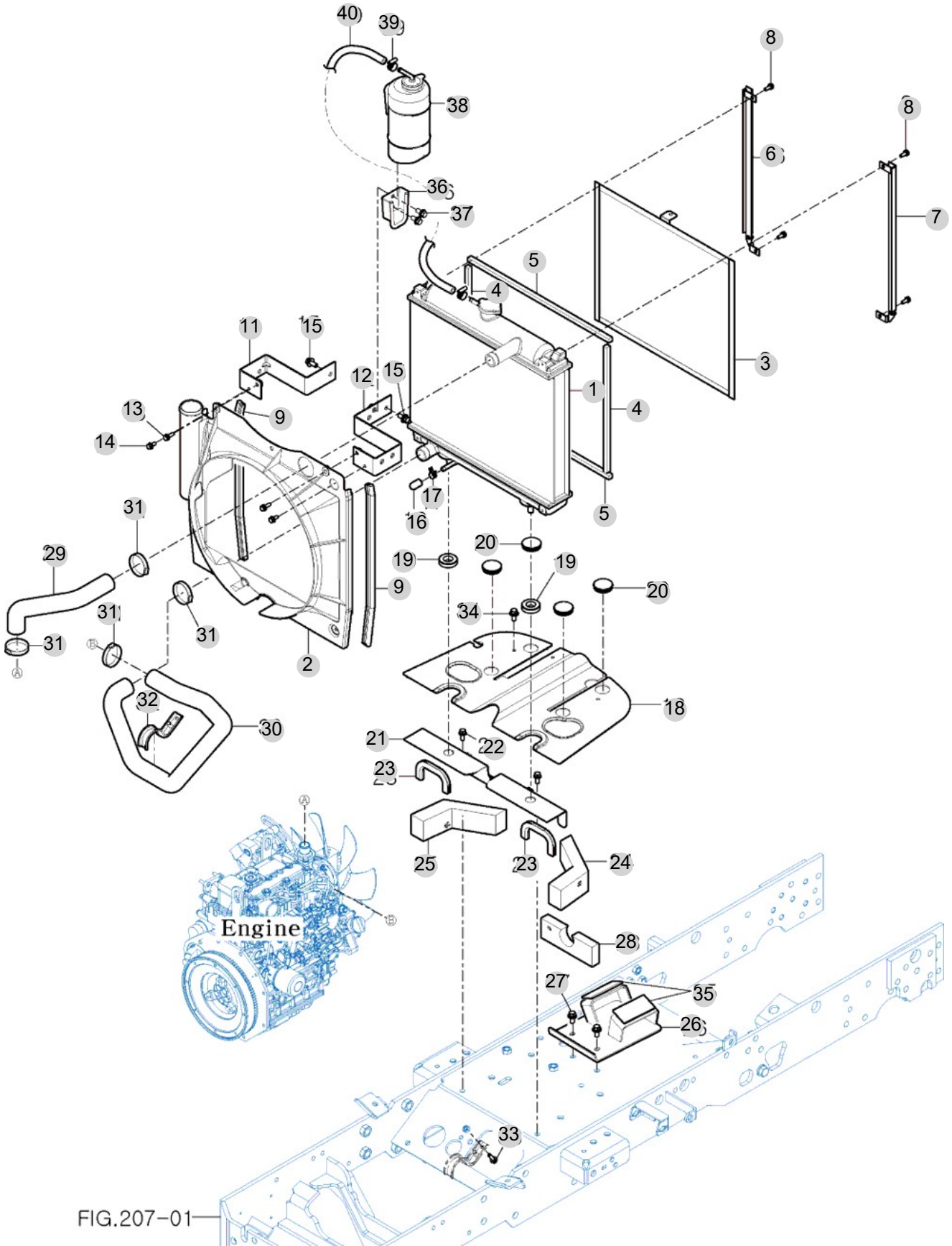


FIG.207-01

NOTE

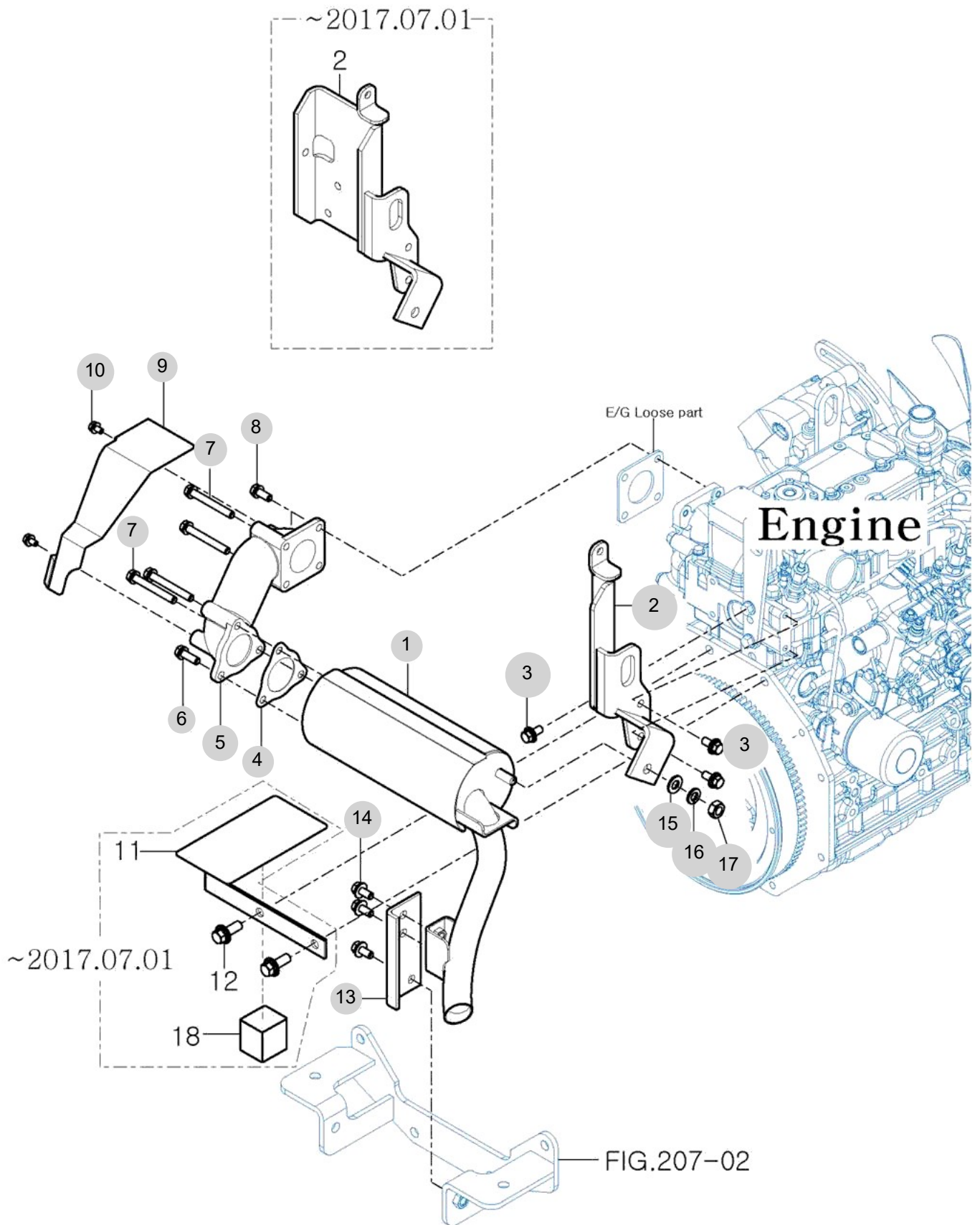
FIG 203

T194NHAUZ3

MUFFLER

년/월
Year/Month

2022-12



NOTE

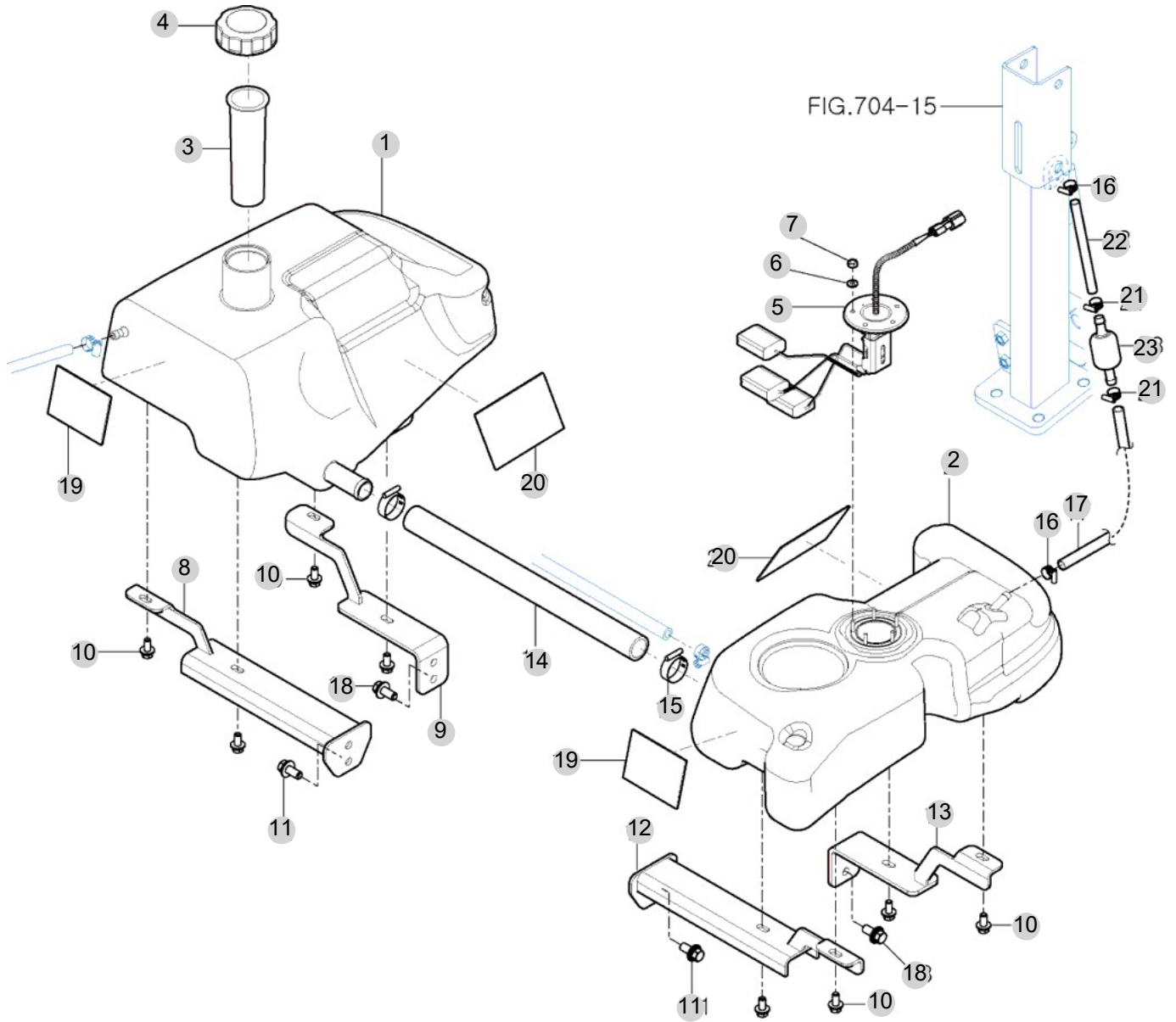
FIG 204

T194NHAUZ3

FUEL TANK & FUEL LINE

년/월
Year/Month

2022-12



NOTE

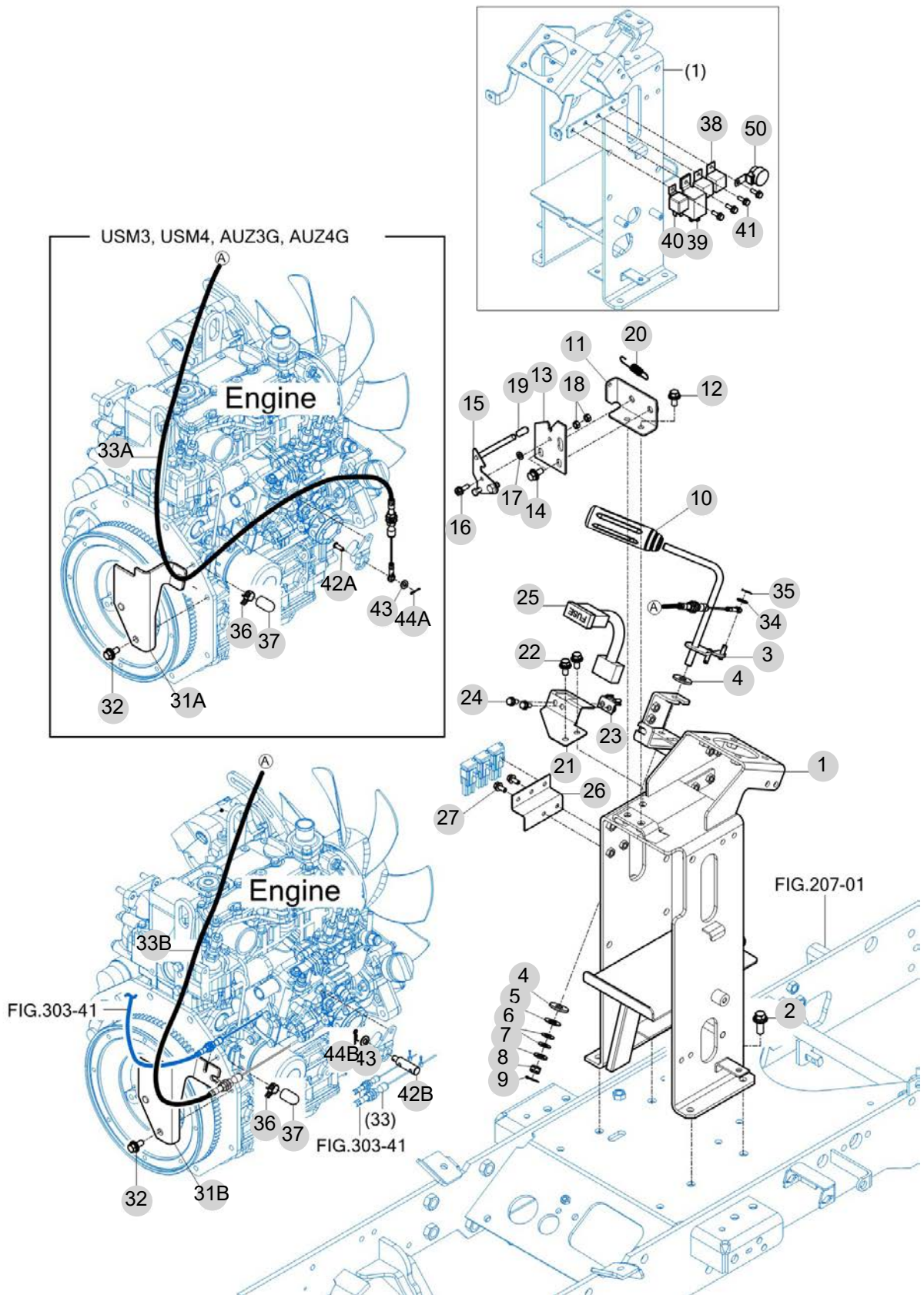
FIG 205

ACCELERATOR

년/월
Year/Month

T194NHAUZ3

2022-12



NOTE

FIG 205			ACCELERATOR				년/월 Year/Month	
T194NHAUZ3							2022-12	
KEY NO	PART NO	DESCRIPTION	SPEC	QTY	REPAIR	EFFECTIVE DATE	REMARKS	
205	1	11611811000GB	대시패널 COMP		1			
205	2	V2183610025	소형육각볼트보통(SP)	M10X25	4			
205	3	11611812500GB	레버 COMP , 액셀레이터		1			
205	4	15965120021	라이닝(11X30X03)	T=3	2			
205	5	36104400180	소입폴리핀 와셔	T=1.0	1			
205	6	14527060010	접시스프링와셔/M10	M10	2			
205	7	V4111600100	평와셔	M10	1			
205	8	V3232600100	소형홍불이육각너트저형	M10	1			
205	9	V5001920015	분할핀	2X15	1			
205	10	17681170050	그립(리버스)	1X1X1	1			
205	11	14136011300GB	후드(잠금/G) COMP		1			
205	12	V2183608020	소형육각볼트보통(SP)	M8X20	2			
205	13	11616024210	후드 스테이 B		1			
205	14	V2183608020	소형육각볼트보통(SP)	M8X20	2			
205	15	11616024100	스테이 COMP , 후드 A		1			
205	16	V2003606020	육각볼트(보통)	M6X20	1			
205	17	V4111600060	평와셔	M6	1			
205	18	V3013600060	육각너트보통2종	M6	2			
205	19	14445070030	레버손잡이	1X1X1	1			
205	20	14143120020	텐션스프링 (53)	D=1.2	1			
205	21	11611812300GB	브래킷, 퓨즈박스		1			
205	22	V2183608020	소형육각볼트보통(SP)	M8X20	2			
205	23	18507024200	퓨즈박스 브래킷 COMP		1			
205	24	V2123606016	육각볼트(SP)	M6X16	2			
205	25	11616802500	퓨즈박스 ASSY		1			
205	26	11611812400GB	퓨즈 플레이트		1			
205	27	V2123606016	육각볼트(SP)	M6X16	2			
205	31A	11611611100GB	액셀 와이어 홀더 COMP		1			
205	32	V2183610020	소형육각볼트보통(SP)	M10X20	1			
205	33A	11611812600	액셀 케이블 ASS'Y		1			
205	34	V4111600060	평와셔	M6	1			
205	35	V5001920020	분할핀	2X20	1			
205	36	36423600080	호스클립(D=12.5)	21X15	1			
205	37	12651040300	캡 , 라디에이터	1X1X1	1			
205	38	11616212900	5P 릴레이		2			
205	39	15606642401	플레셔(3P/금색)	1X1X1	1			
205	40	17686641110	예열릴레이	1X1X1	1			
205	41	V2123606016	육각볼트(SP)	M6X16	4			
205	42A	15601160083	핀 (06X16)		1			
205	43	V4111600060	평와셔	M6	1			
205	44A	V5001920015	분할핀		1			
205	50	16586652000	부저조합		1			
NOTE								

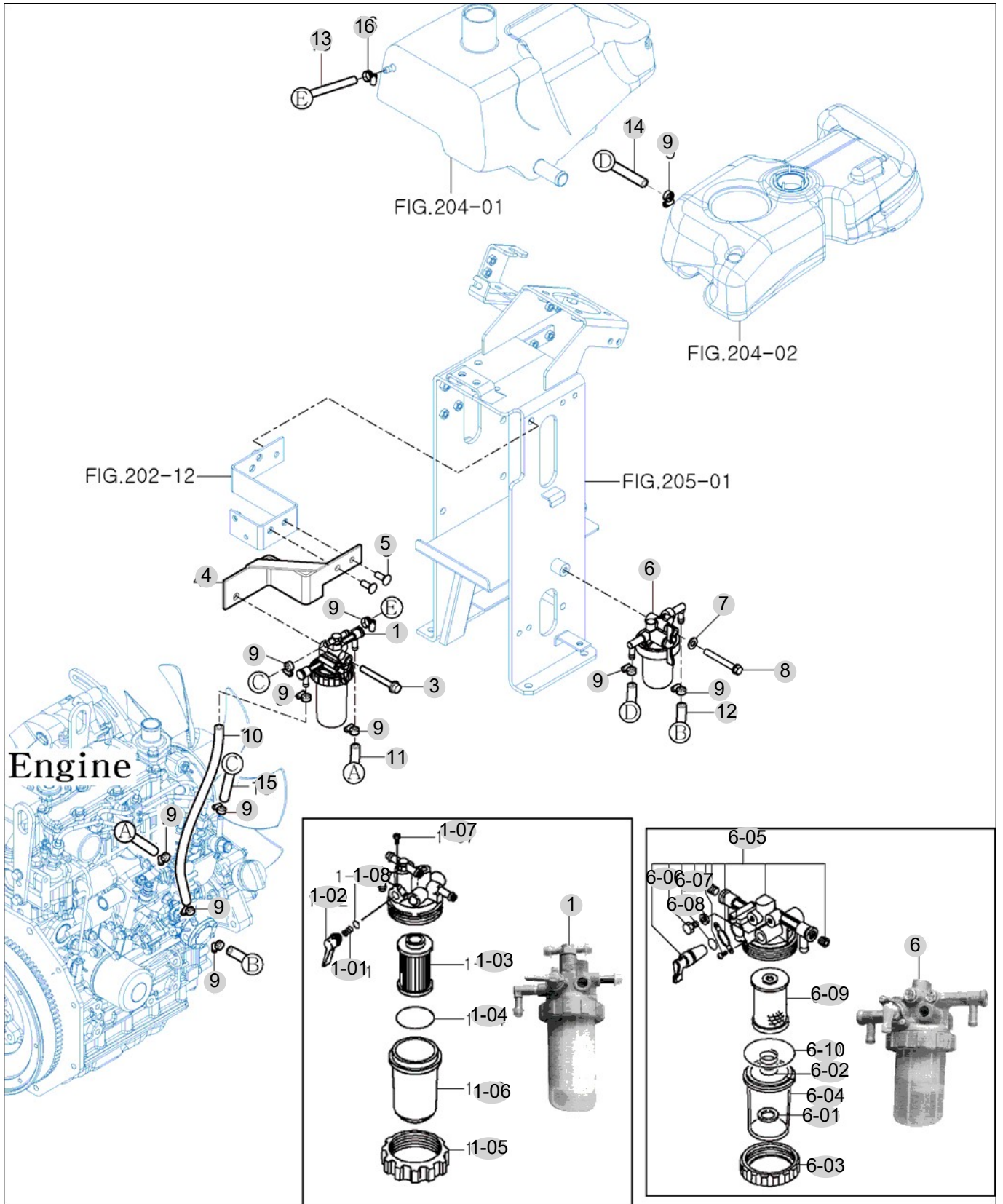
FIG 206

FUEL FILTER

년/월
Year/Month

2022-12

T194NHAUZ3



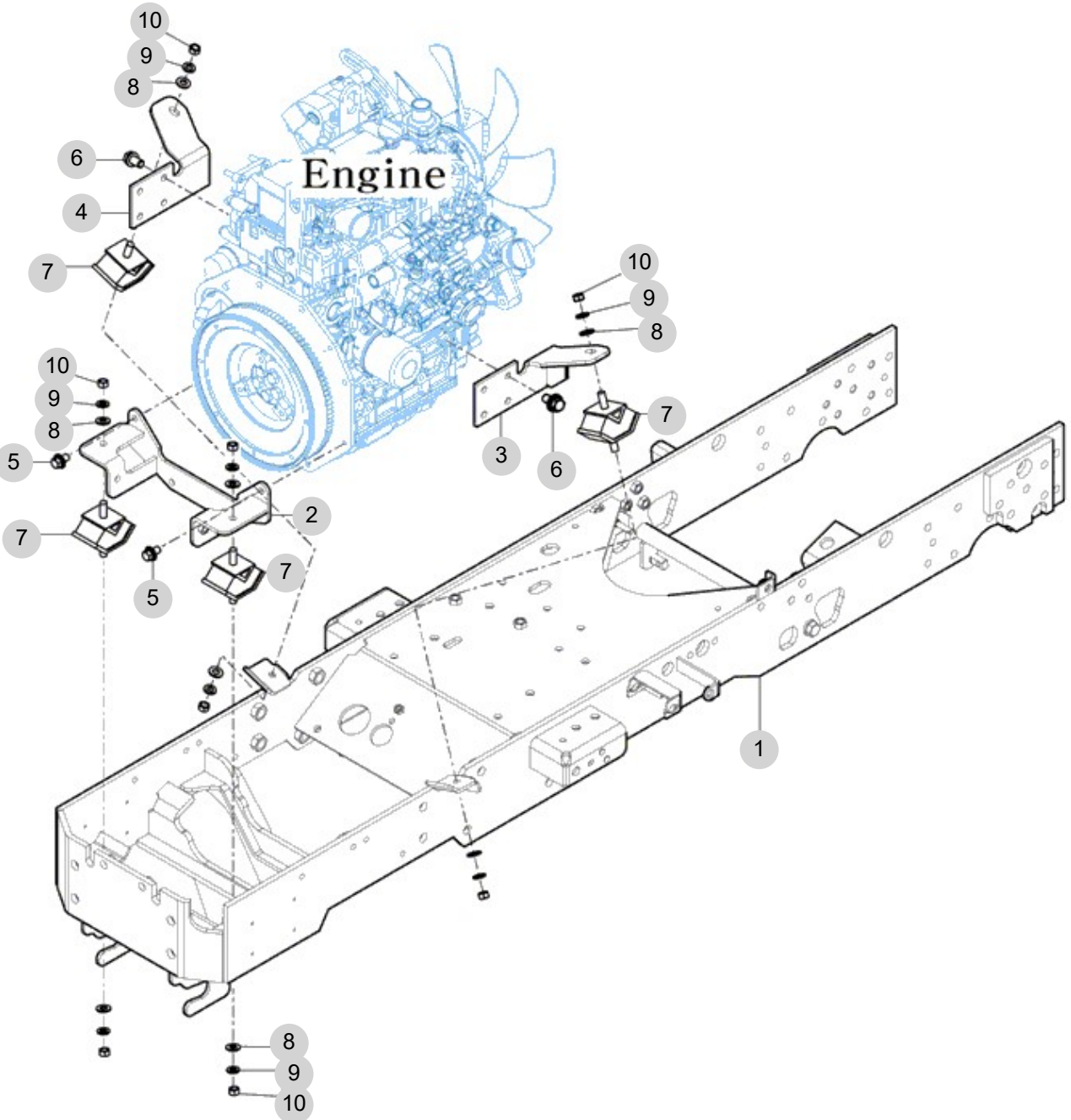
NOTE

FIG 207

ENGINE MOUNTING

년/월
Year/Month

2022-12



NOTE

3. 클러치/브레이크/스티어링 PART NO. T3

FIG 302 BRAKE PEDAL & LINKAGE	59
FIG 303 SPEED CONTROL	61
FIG 304 DASH COVER	63
FIG 305 STEERING VALVE	65
FIG 306 STEERING CYLINDER	67
FIG 307 TIRE	69

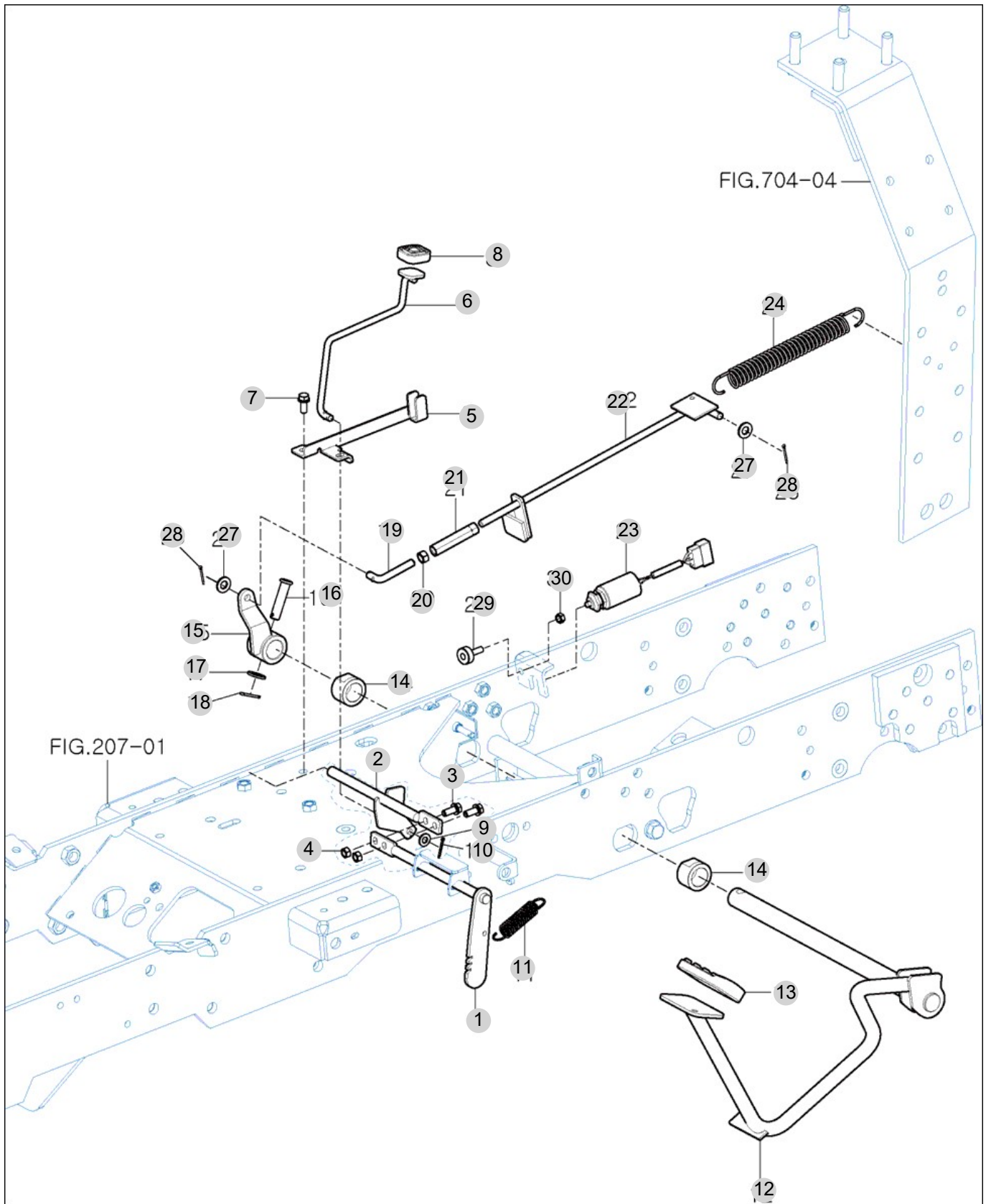
FIG 302

BRAKE PEDAL & LINKAGE

년/월
Year/Month

T194NHAUZ3

2022-12



NOTE

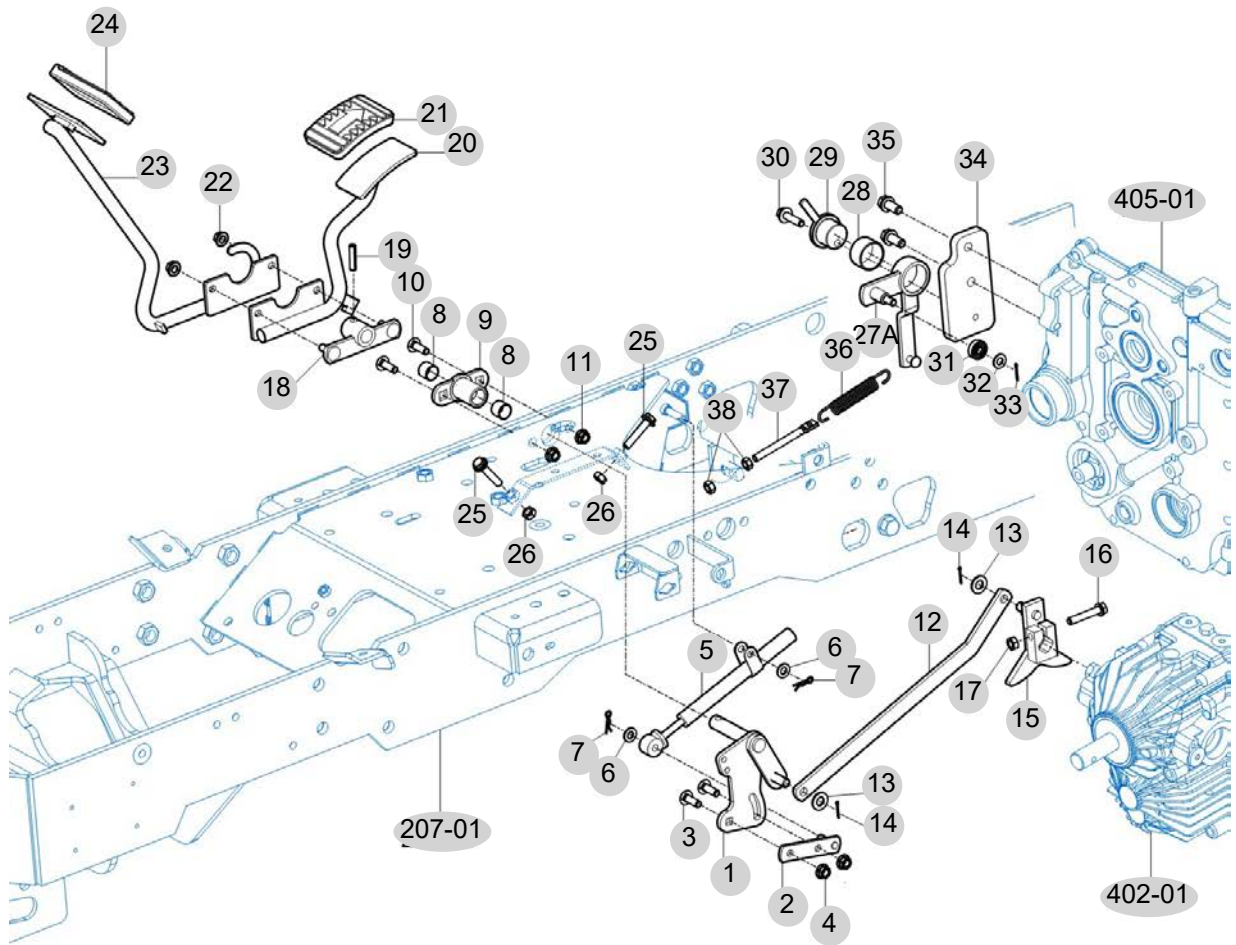
FIG 303

SPEED CONTROL

년/월
Year/Month

2022-12

T194NHAUZ3



NOTE

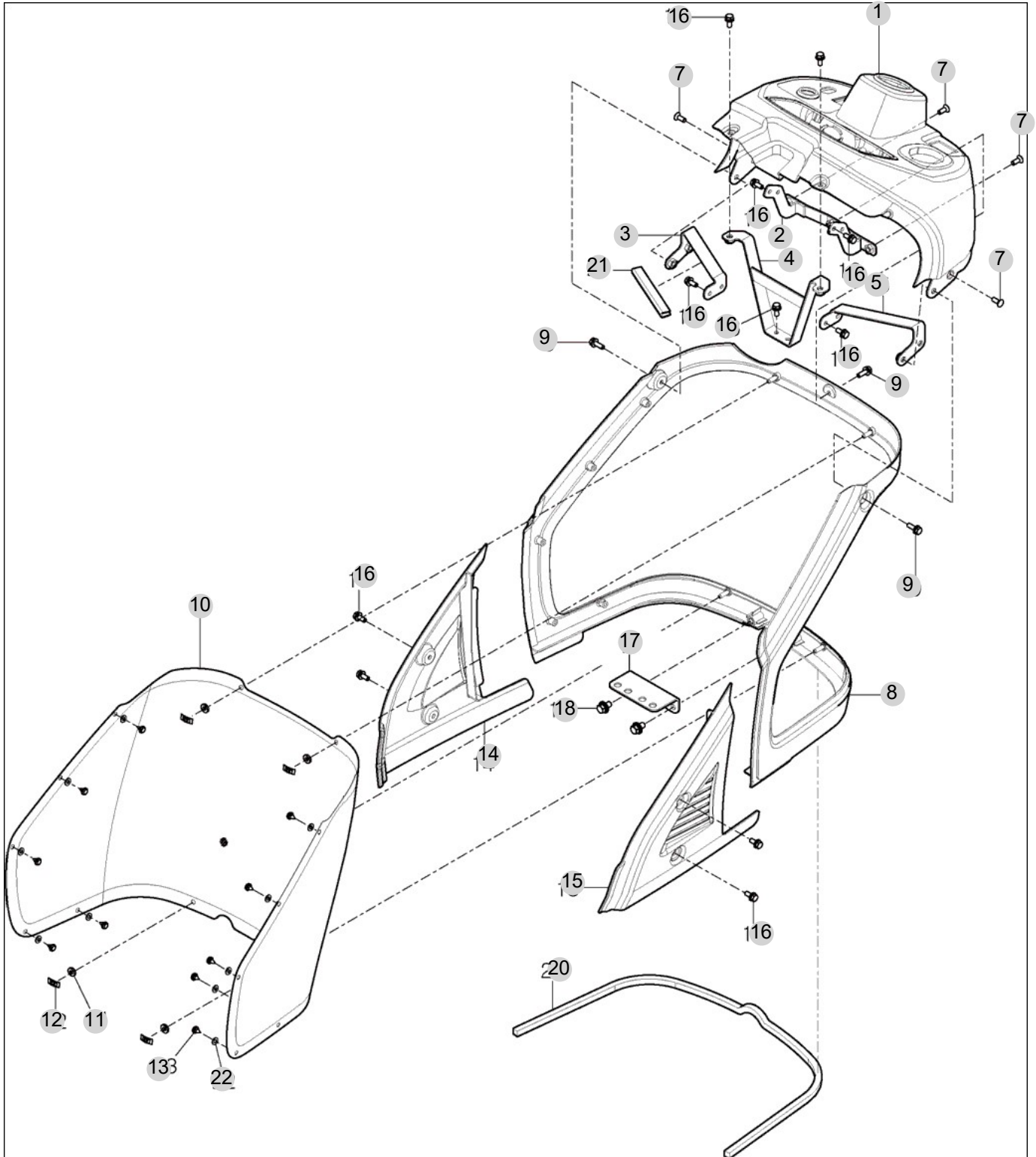
FIG 304

DASH COVER

년/월
Year/Month

2022-12

T194NHAUZ3



NOTE

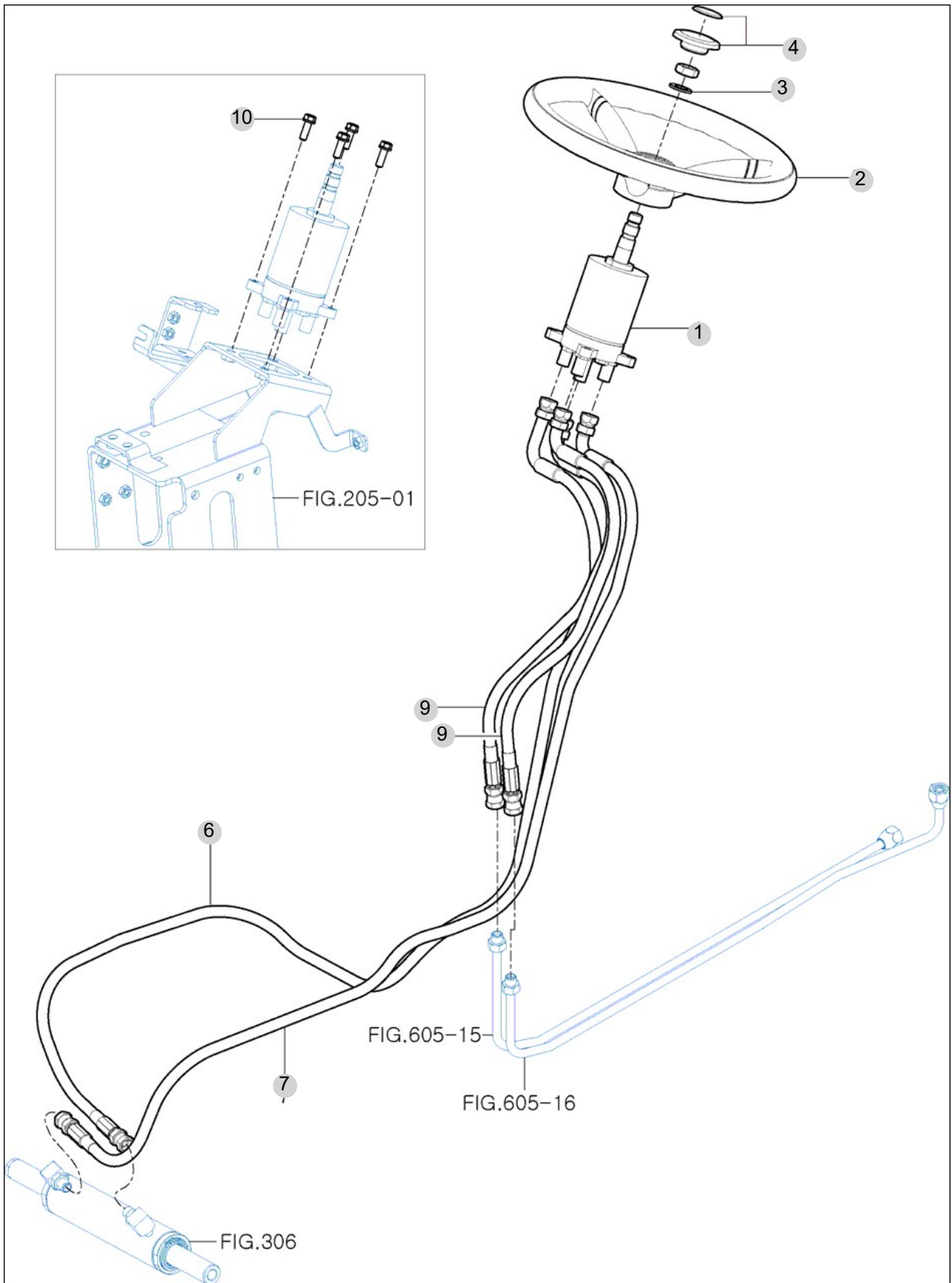
FIG 305

STEERING VALVE

년/월
Year/Month

T194NHAUZ3

2022-12



NOTE

FIG 305 T194NHAUZ3		STEERING VALVE						년/월 Year/Month
								2022-12
KEY NO		PART NO	DESCRIPTION	SPEC	QTY	REPAIR	EFFECTIVE DATE	REMARKS
305	1	11614071000	스티어링 컨트롤 UNIT		1			
305	2	11614012100	스티어링 휠		1			
305	3	V4011600160	스프링와셔	M16	1			
305	4	11644012302	캠(TYM) , 스티어링 휠		1			
305	6	11614073300	유압호스 (1450) ASSY		1			
305	7	11614073400	유압호스 (1430) ASSY		1			
305	9	11614073100	유압호스 (560) ASSY		2			
305	10	V2173608025	소형육각볼트보통(S)	M8X25	4			
NOTE								

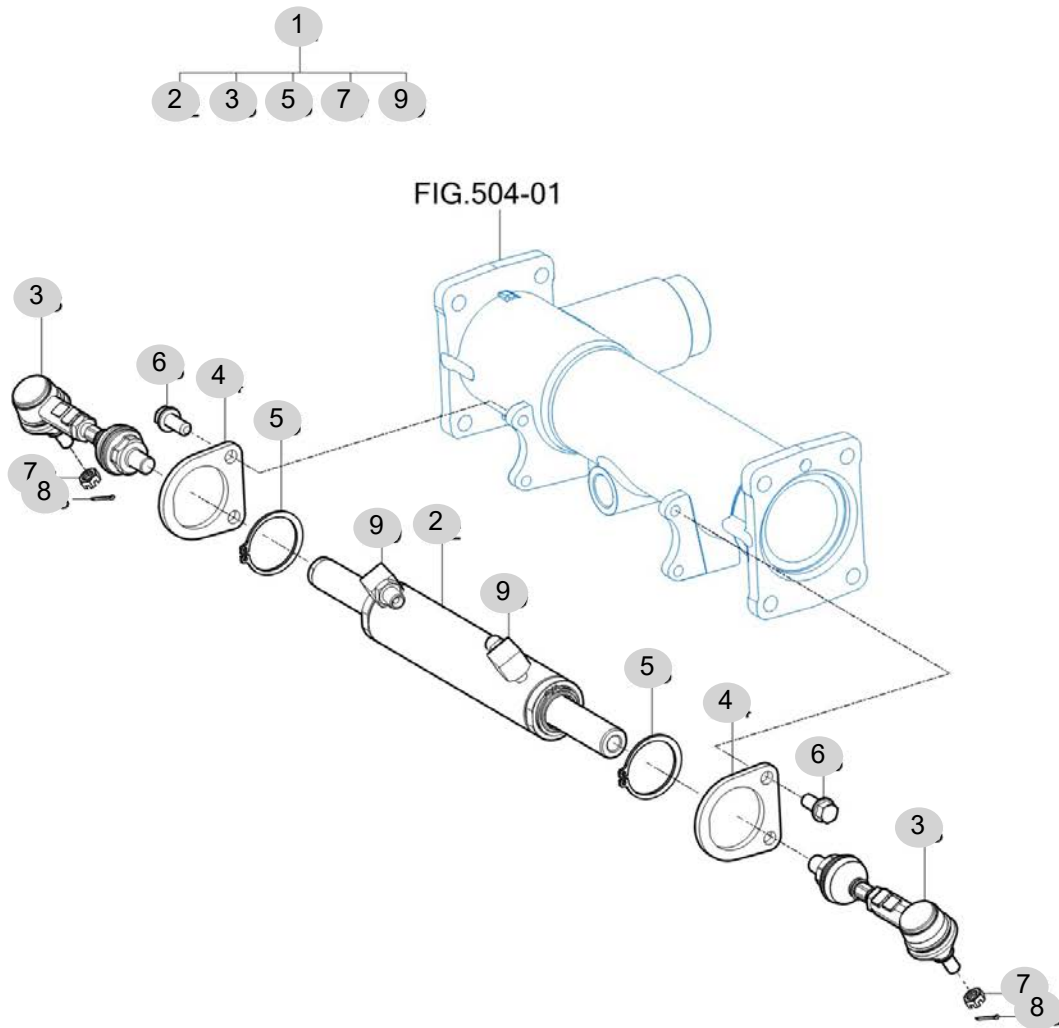
FIG 306

T194NHAUZ3

STEERING CYLINDER

년/월
Year/Month

2022-12



NOTE

FIG 307

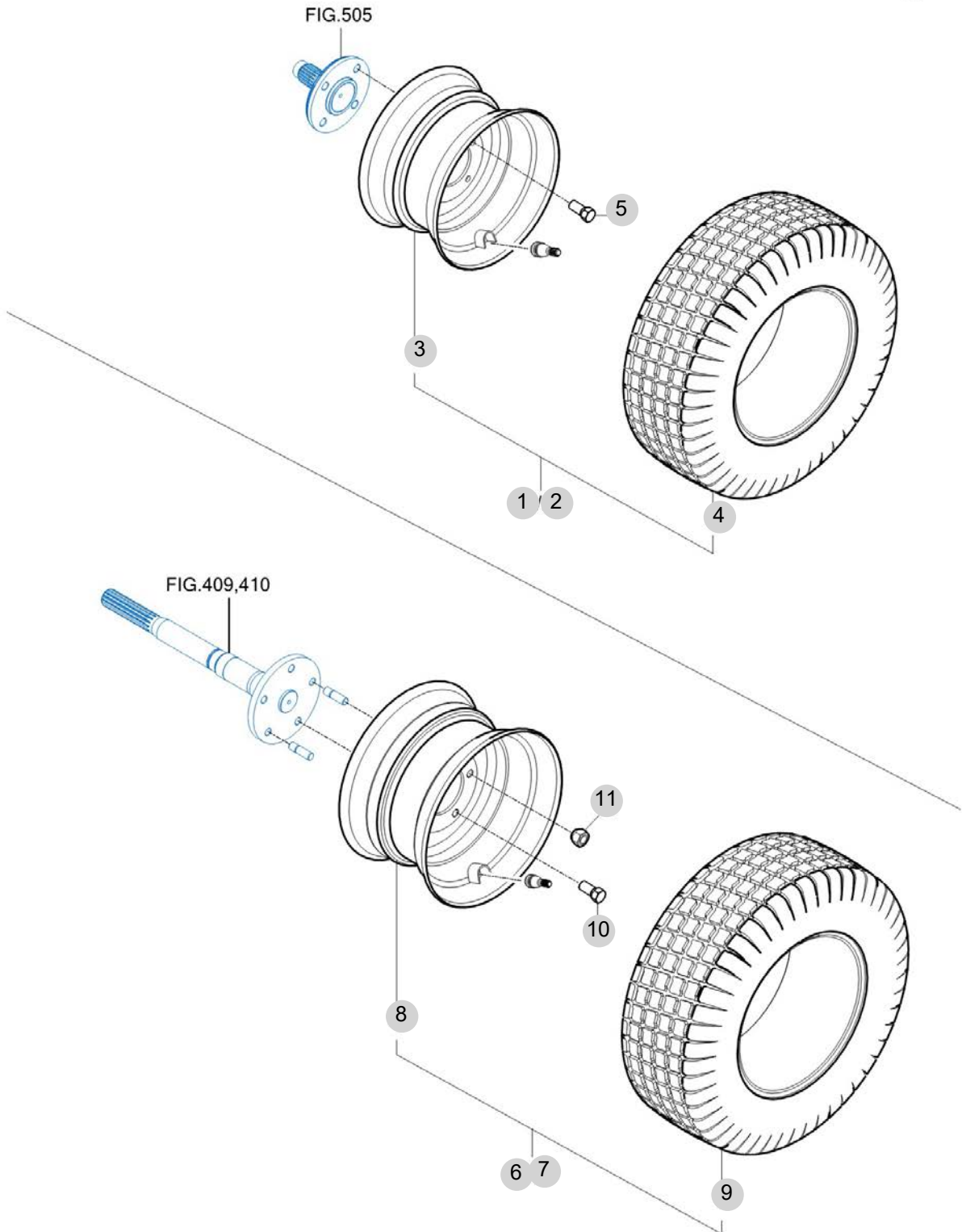
T194NHAUZ3

TIRE

년/월
Year/Month

2022-12

R3



NOTE

4. 트랜스미션 PART NO. T4

FIG 401 INPUT SHAFT	72
FIG 402 HST	74
FIG 403 PTO CLUTCH SUB& RANGE GEAR SUB	76
FIG 404 SPIRAL BEVEL PINION & 4WD SHAFT SUB	78
FIG 405 INPUT METAL	80
FIG 406 P T O COUNT SHAFT SUB & REAR P.T.O SUB	82
FIG 407 MID P T O IDLE GEAR & MID P T O SUB	84
FIG 408 DIFF LOCK	86
FIG 409 REAR TRANSMISSION CASE	88
FIG 410 REAR AXLE HOUSING	90
FIG 411 RANGE SHIFT LEVER	92
FIG 412 P T O CHANGE LEVER	94
FIG 413 GEAR PUMP & PUMP IDLE GEAR SUB	96

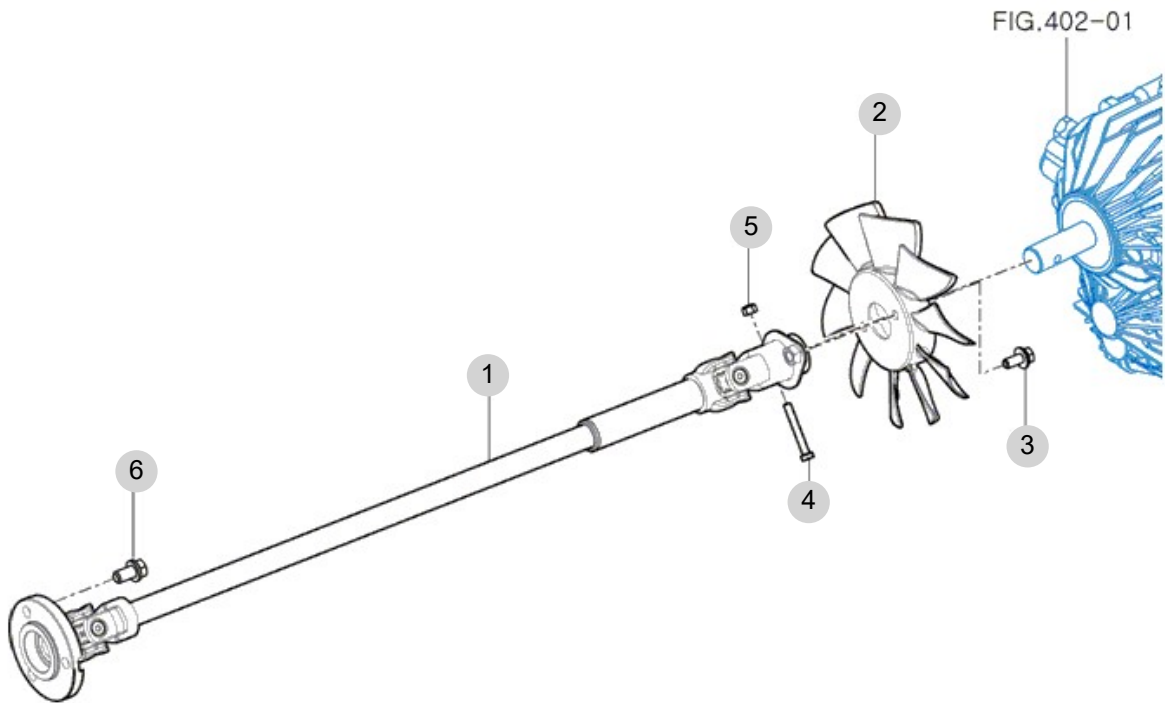
FIG 401

T194NHAUZ3

INPUT SHAFT

년/월
Year/Month

2022-12



NOTE

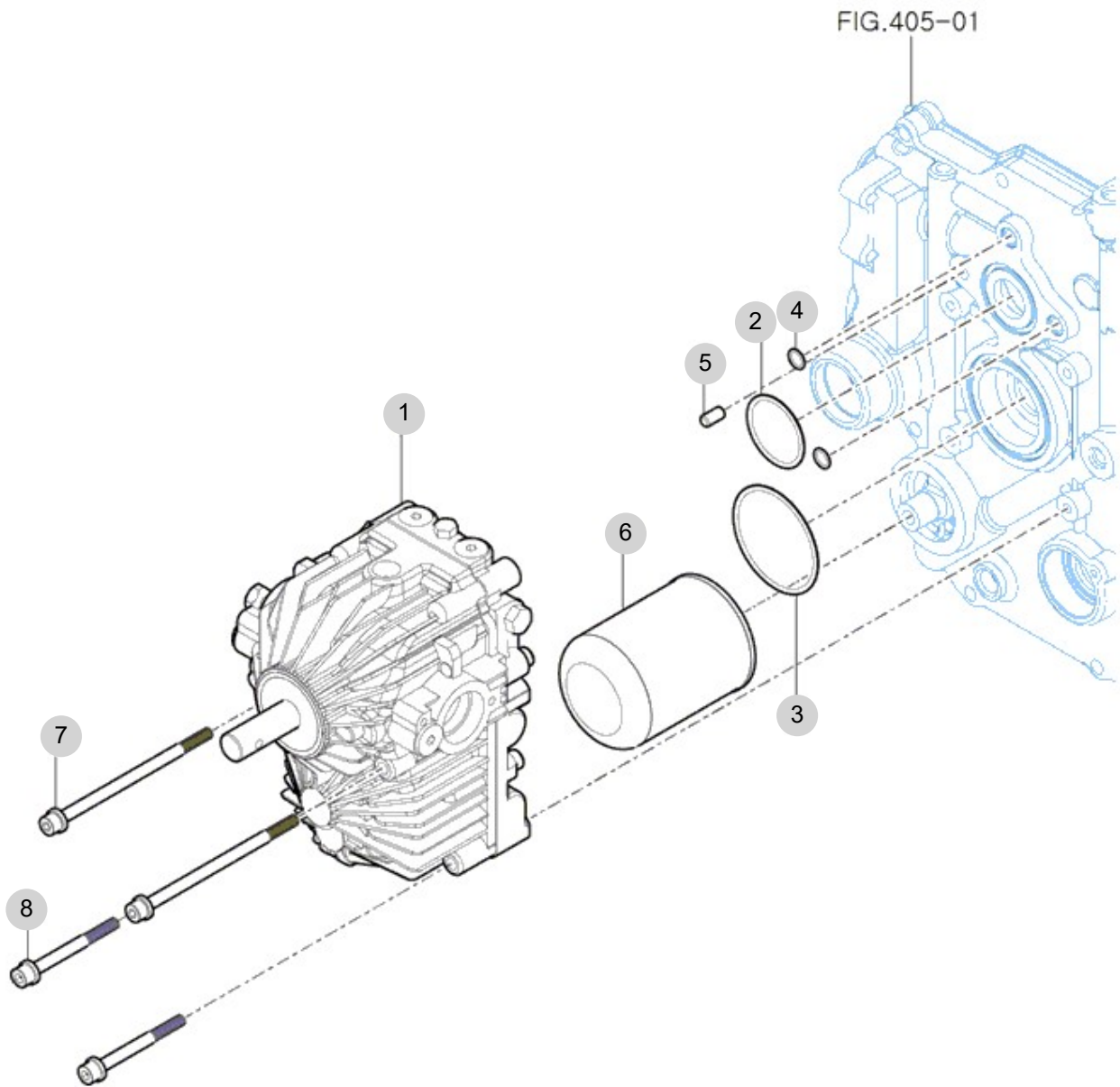
FIG 402

T194NHAUZ3

HST

년/월
Year/Month

2022-12



NOTE

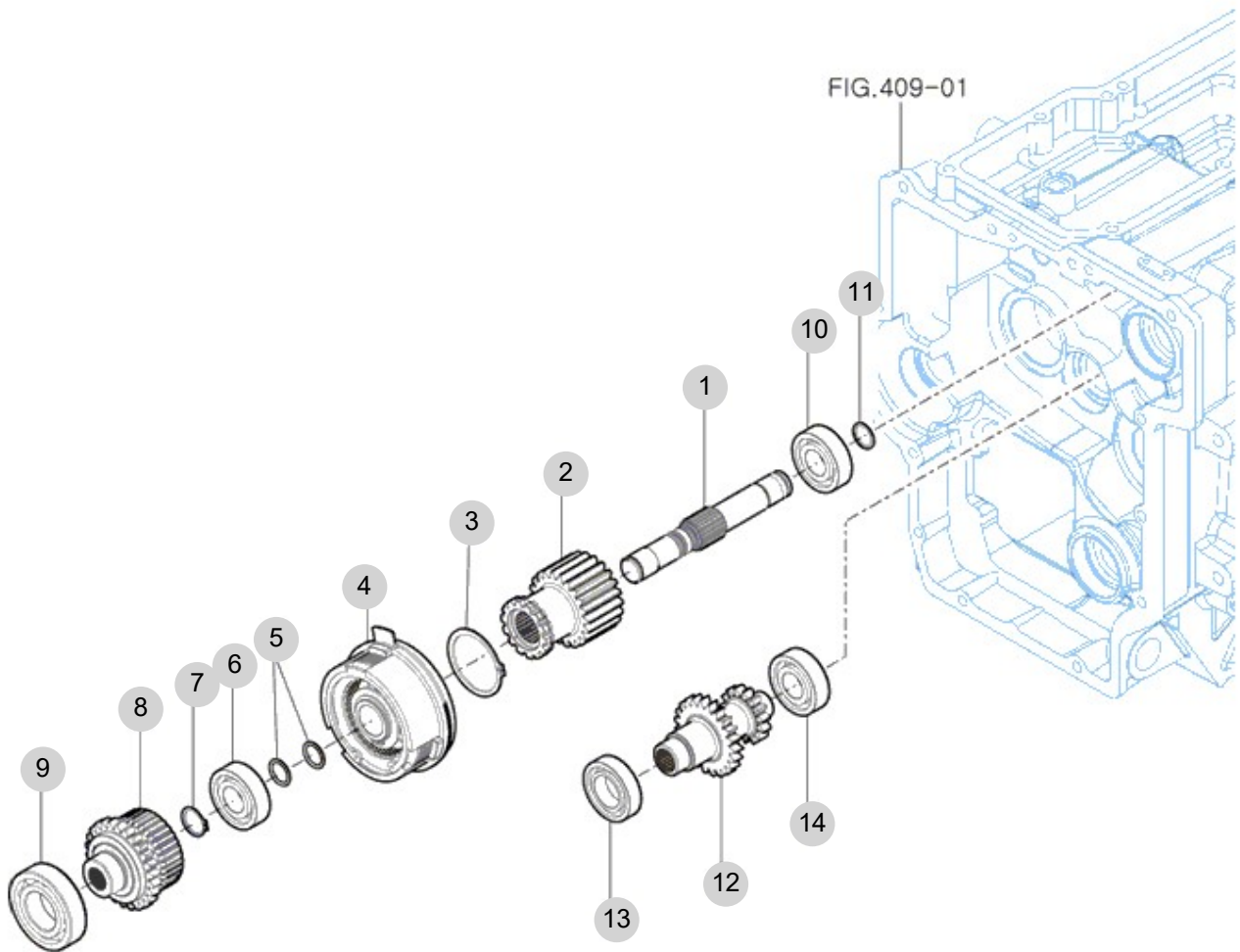
FIG 403

T194NHAUZ3

PTO CLUTCH SUB& RANGE GEAR SUB

년/월
Year/Month

2022-12



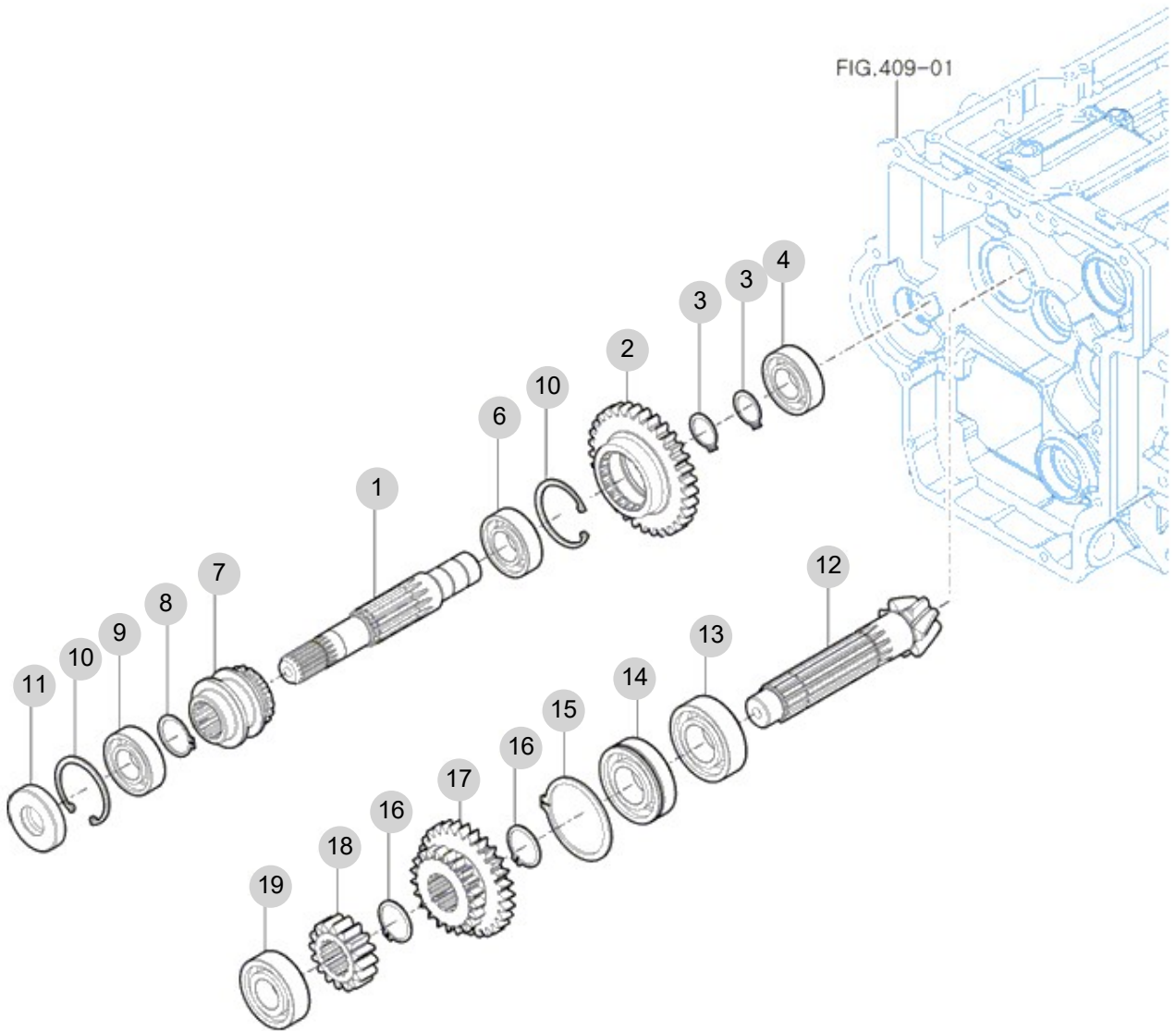
NOTE

FIG 404

SPIRAL BEVEL PINION & 4WD SHAFT SUB

년/월
Year/Month

2022-12



NOTE

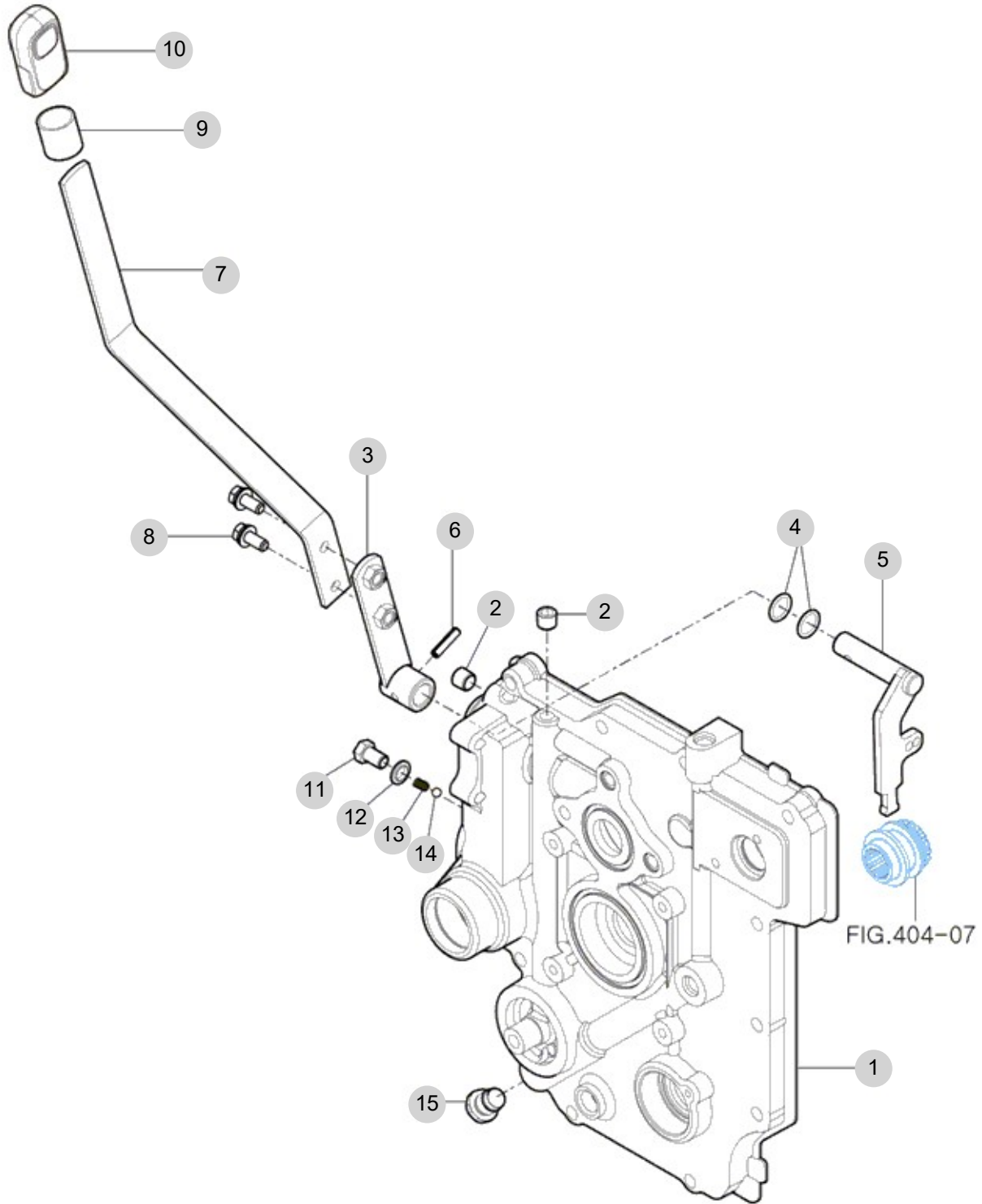
FIG 405

T194NHAUZ3

INPUT METAL

년/월
Year/Month

2022-12



NOTE

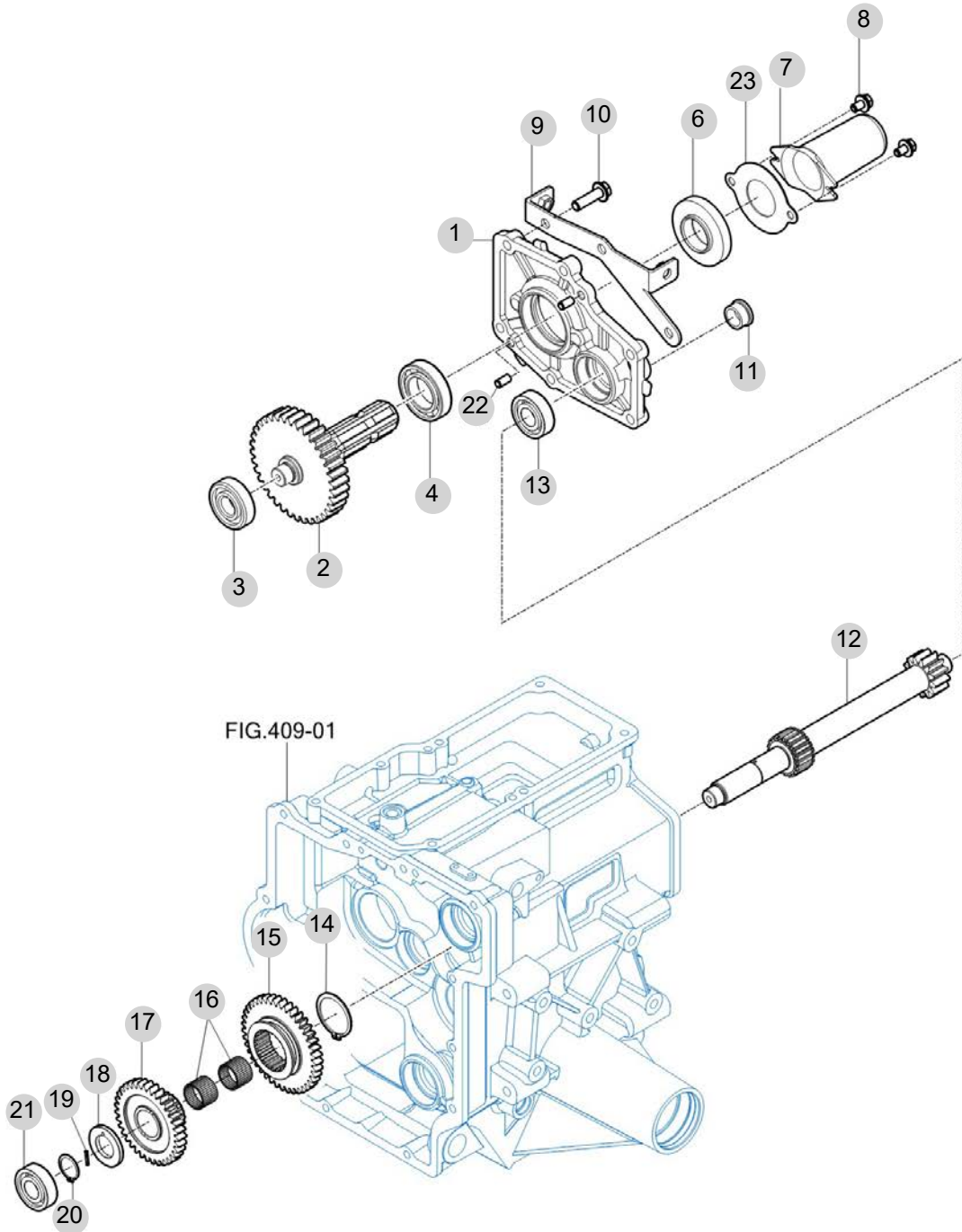
FIG 406

T194NHAUZ3

P T O COUNT SHAFT SUB & REAR P.T.O SUB

년/월
Year/Month

2022-12



NOTE

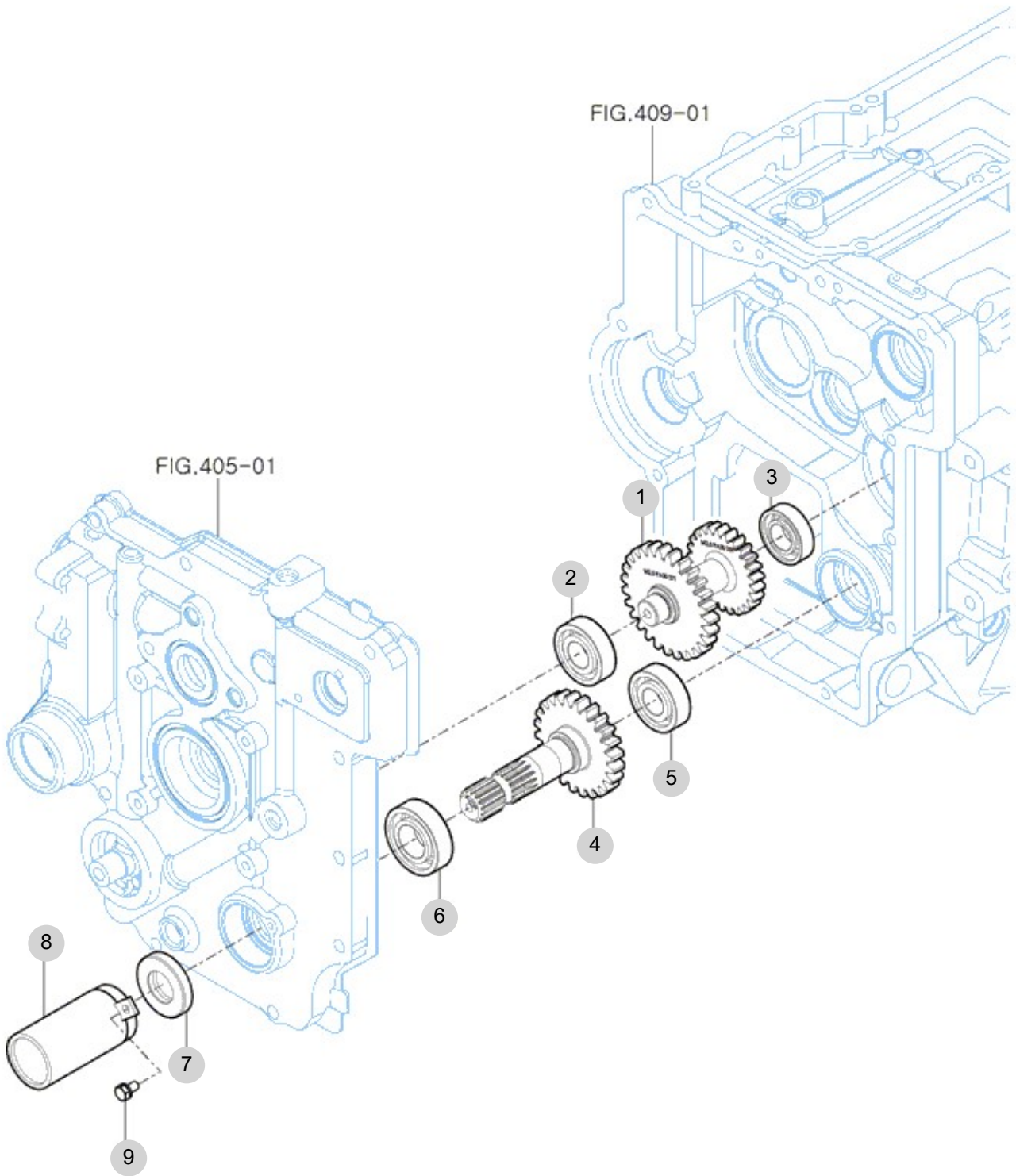
FIG 407

T194NHAUZ3

MID P T O IDLE GEAR & MID P T O SUB

년/월
Year/Month

2022-12



NOTE

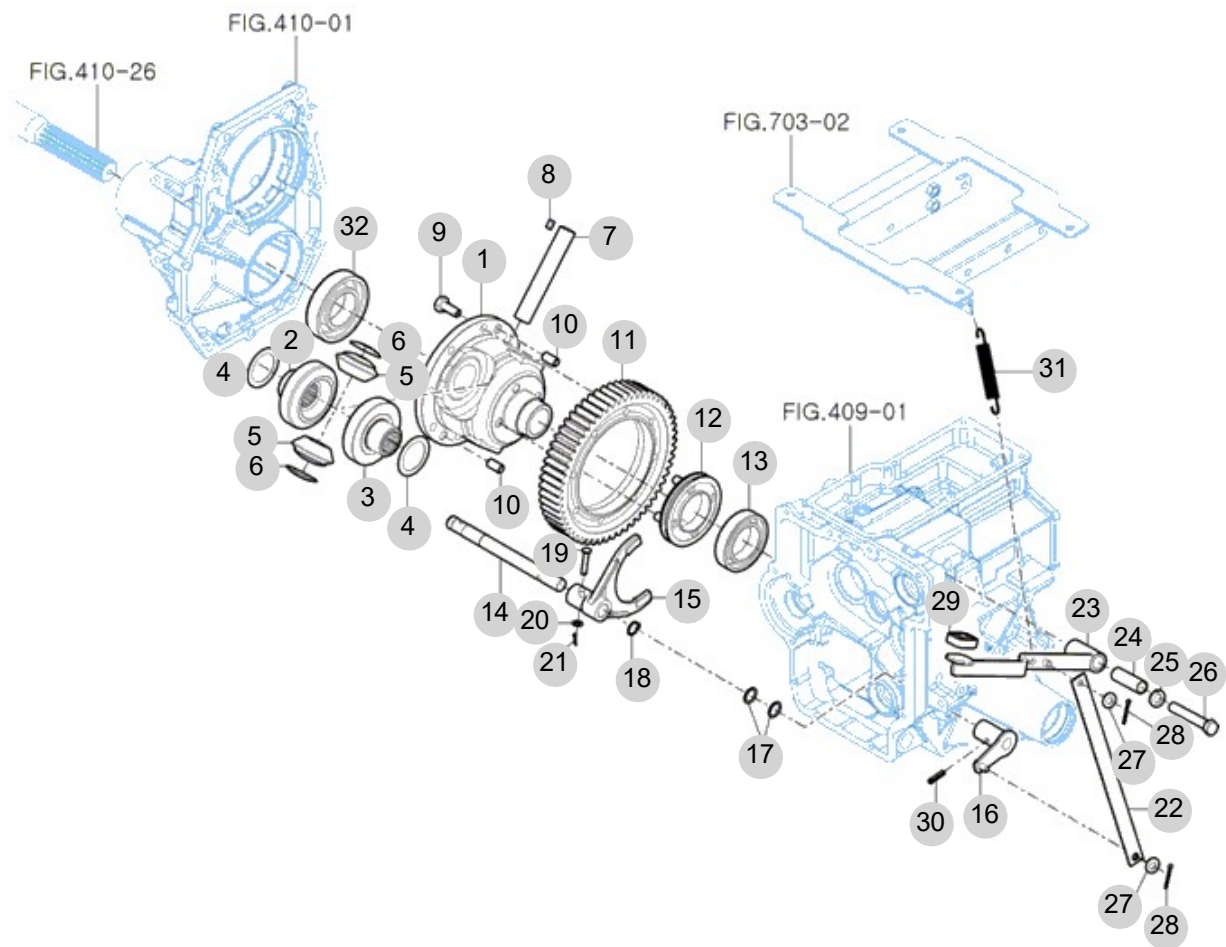
FIG 408

T194NHAUZ3

DIFF LOCK

년/월
Year/Month

2022-12



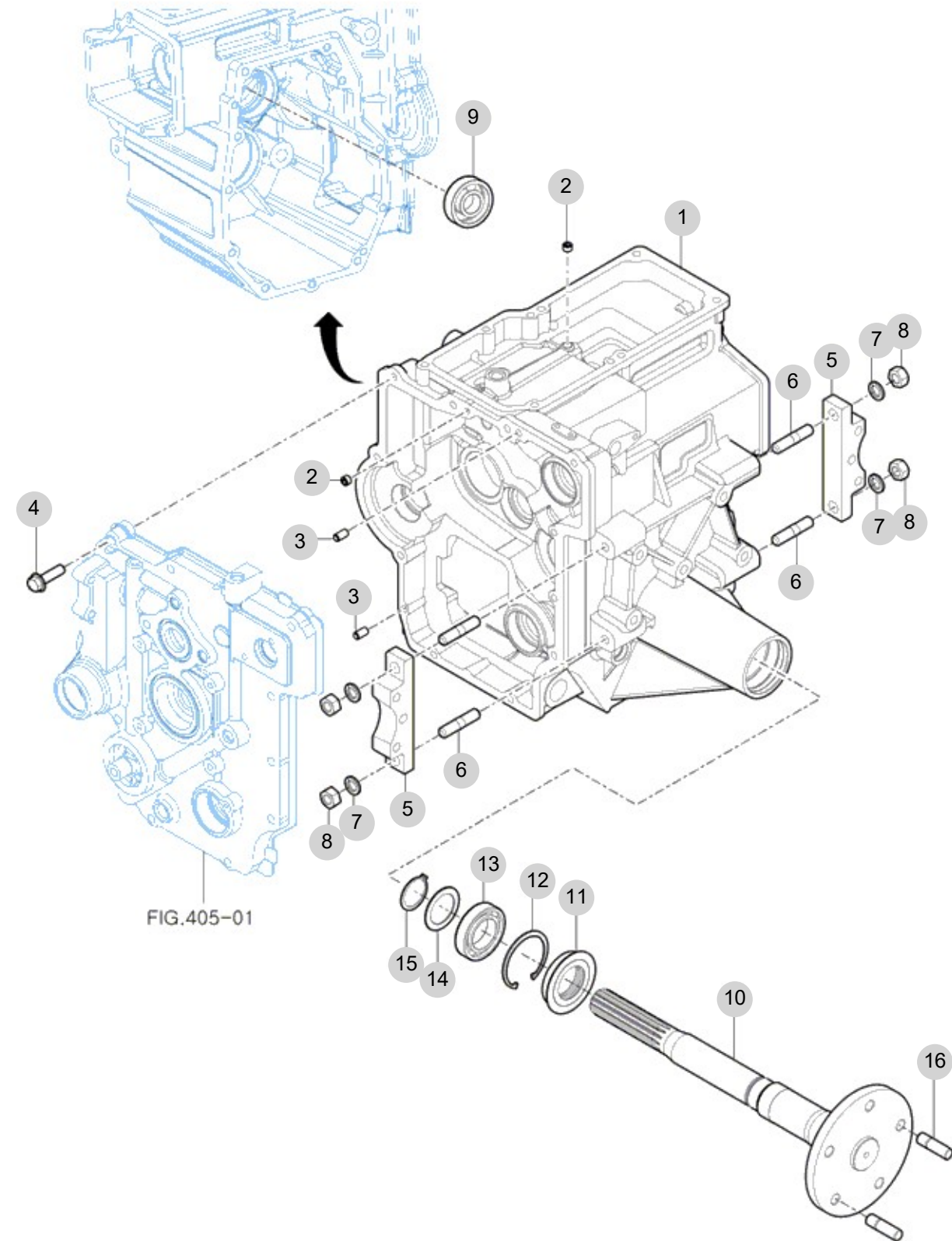
NOTE

FIG 409

REAR TRANSMISSION CASE

년/월
Year/Month

2022-12



NOTE

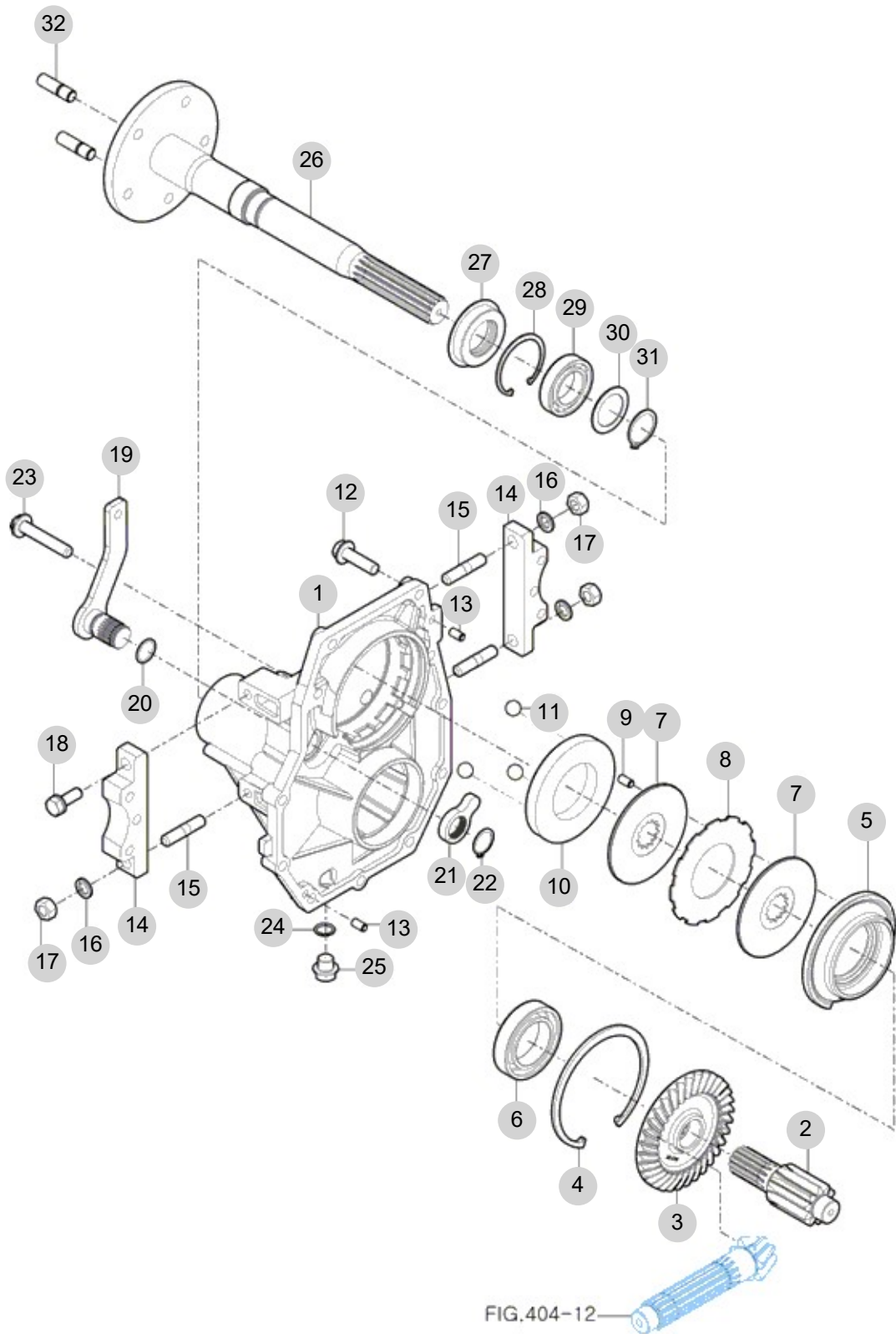
FIG 410

REAR AXLE HOUSING

년/월
Year/Month

2022-12

T194NHAUZ3



NOTE

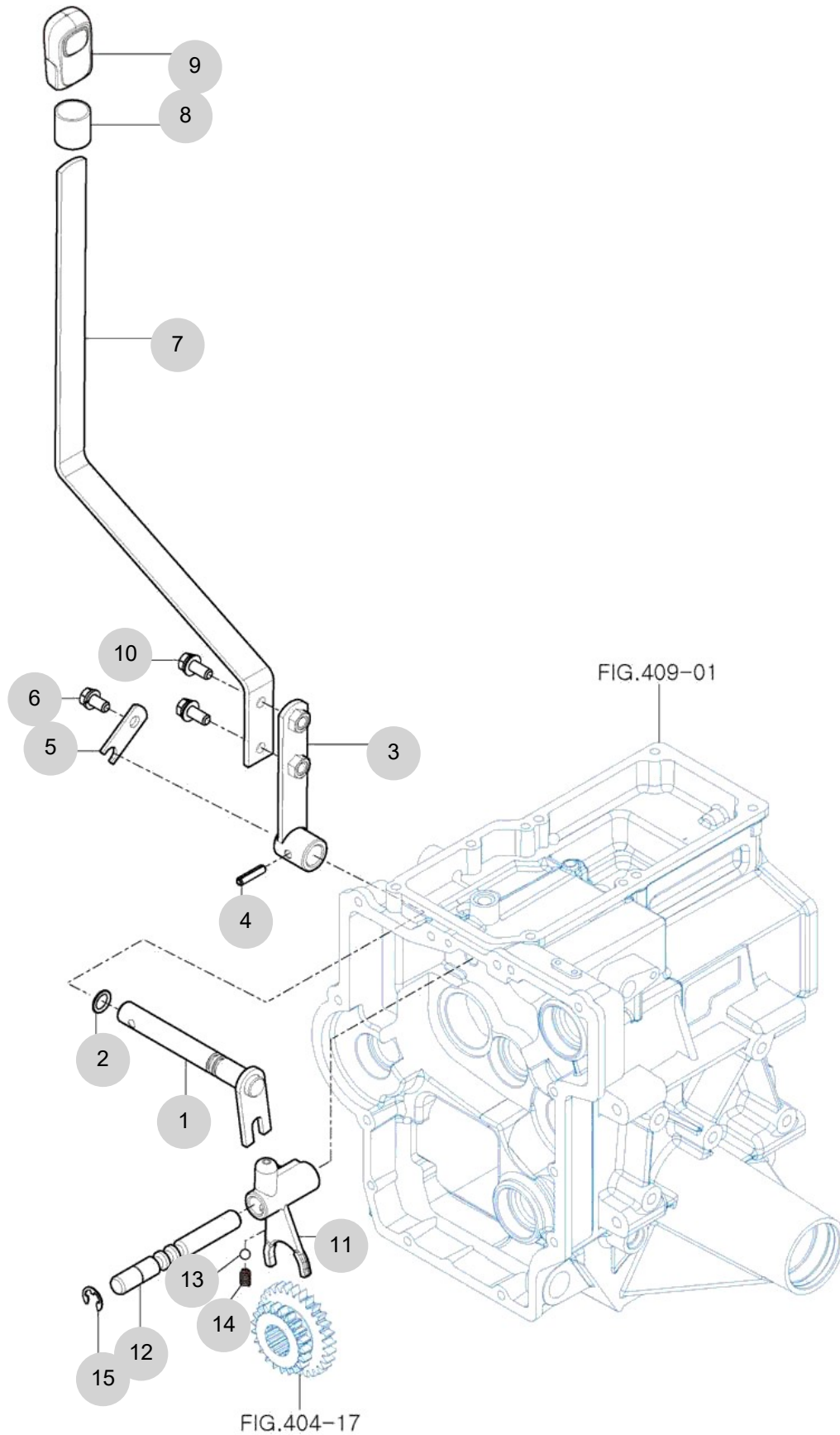
FIG 411

T194NHAUZ3

RANGE SHIFT LEVER

년/월
Year/Month

2022-12



NOTE

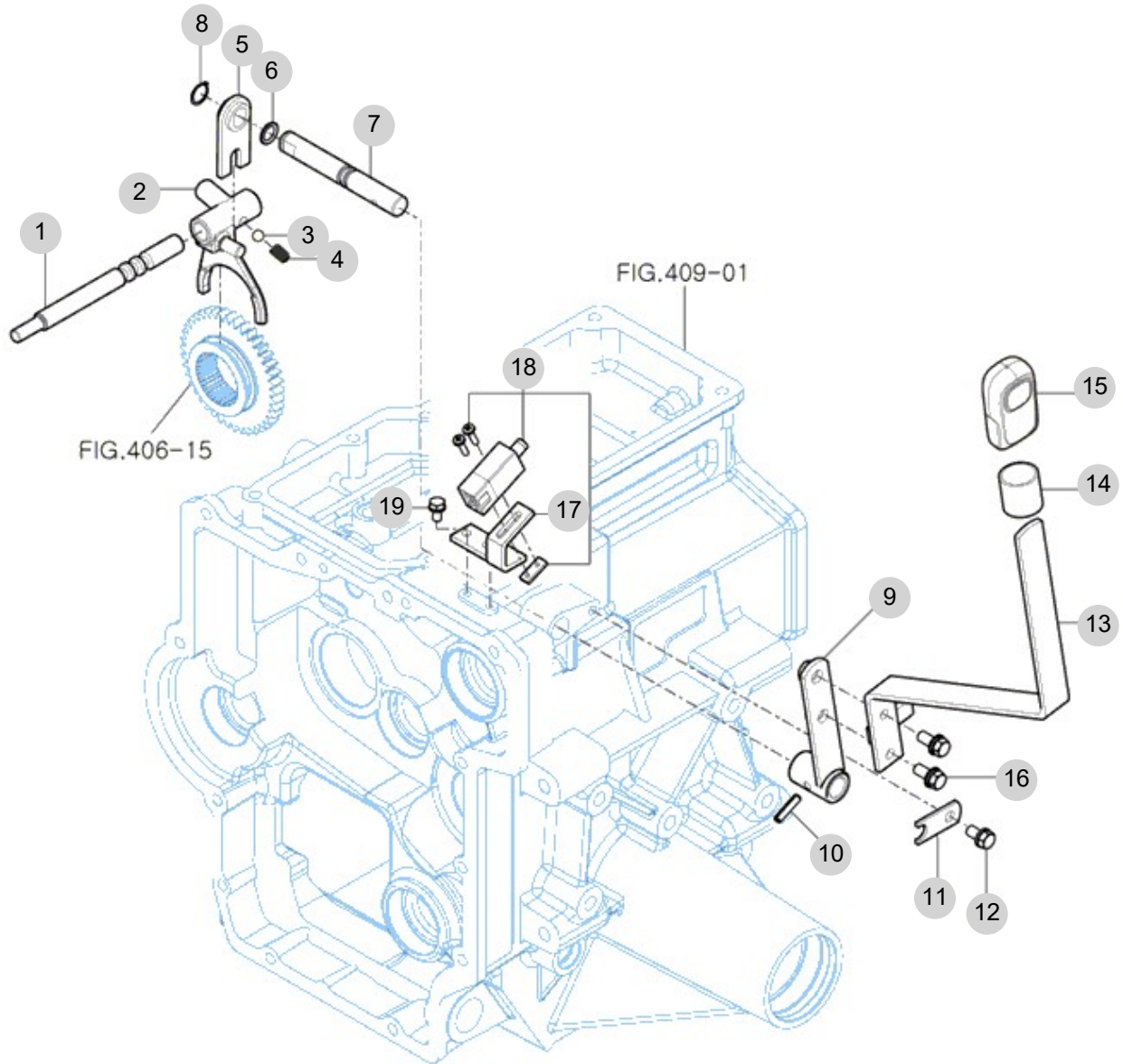
FIG 412

T194NHAUZ3

P T O CHANGE LEVER

년/월
Year/Month

2022-12



NOTE

FIG 412	P T O CHANGE LEVER	년/월 Year/Month
T194NHAUZ3		2022-12

KEY NO	PART NO	DESCRIPTION	SPEC	QTY	REPAIR	EFFECTIVE DATE	REMARKS
412	1	11612320030	PTO 스테이	1			
412	2	11612530050M	PTO 포크	1			
412	3	V6802000010	강구	1			
412	4	V5801405025	스프링핀	1		5X25	
412	5	11612542100	PTO 후크 COMP	1			
412	6	V7201019012	O링(P)	1			
412	7	11612542120	후크	1			
412	8	V7041400160	C형멈춤링(축용)	1		16	
412	9	11612542200	PTO 암 COMP	1			
412	10	V5801406025	스프링핀	1		6X25	
412	11	16702230371	플레이트	1			
412	12	V2173608016	소형육각볼트보통(S)	1		M8X16	
412	13	11612542300	PTO 레버 COMP	1			
412	14	11613160020	튜브(스트레이트, 110)	1			
412	15	11106073040	노브, PTO	1			
412	16	V2183608020	소형육각볼트보통(SP)	2		M8X20	
412	17	11615302100	PTO 스위치 브래킷	1			
412	18	11616642400	스위치 ASSY, 포지션	1			
412	19	V2113606012	육각볼트(S)	2		M6X12	

NOTE	
-------------	--

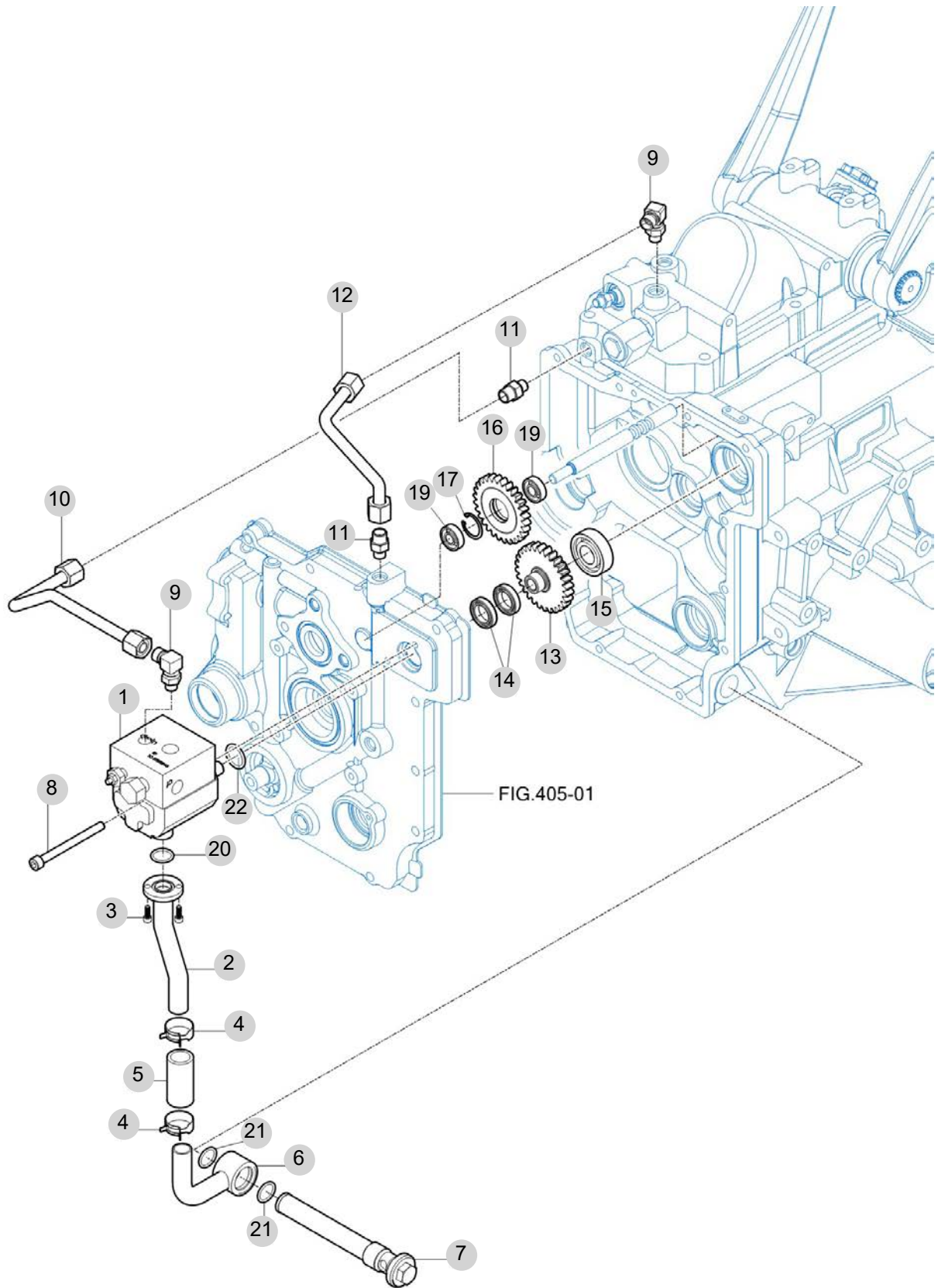
FIG 413

GEAR PUMP & PUMP IDLE GEAR SUB

년/월
Year/Month

2022-12

T194NHAUZ3



NOTE

5. 프런트 액슬 PART NO. T5

FIG 501 FRONT DRIVE SHAFT	99
FIG 502 FRONT DIFFERENTIAL GEAR	101
FIG 503 FRONT AXLE HOUSING	103
FIG 504 FRONT GEAR CASE (1)	105
FIG 505 FRONT GEAR CASE (2)	107

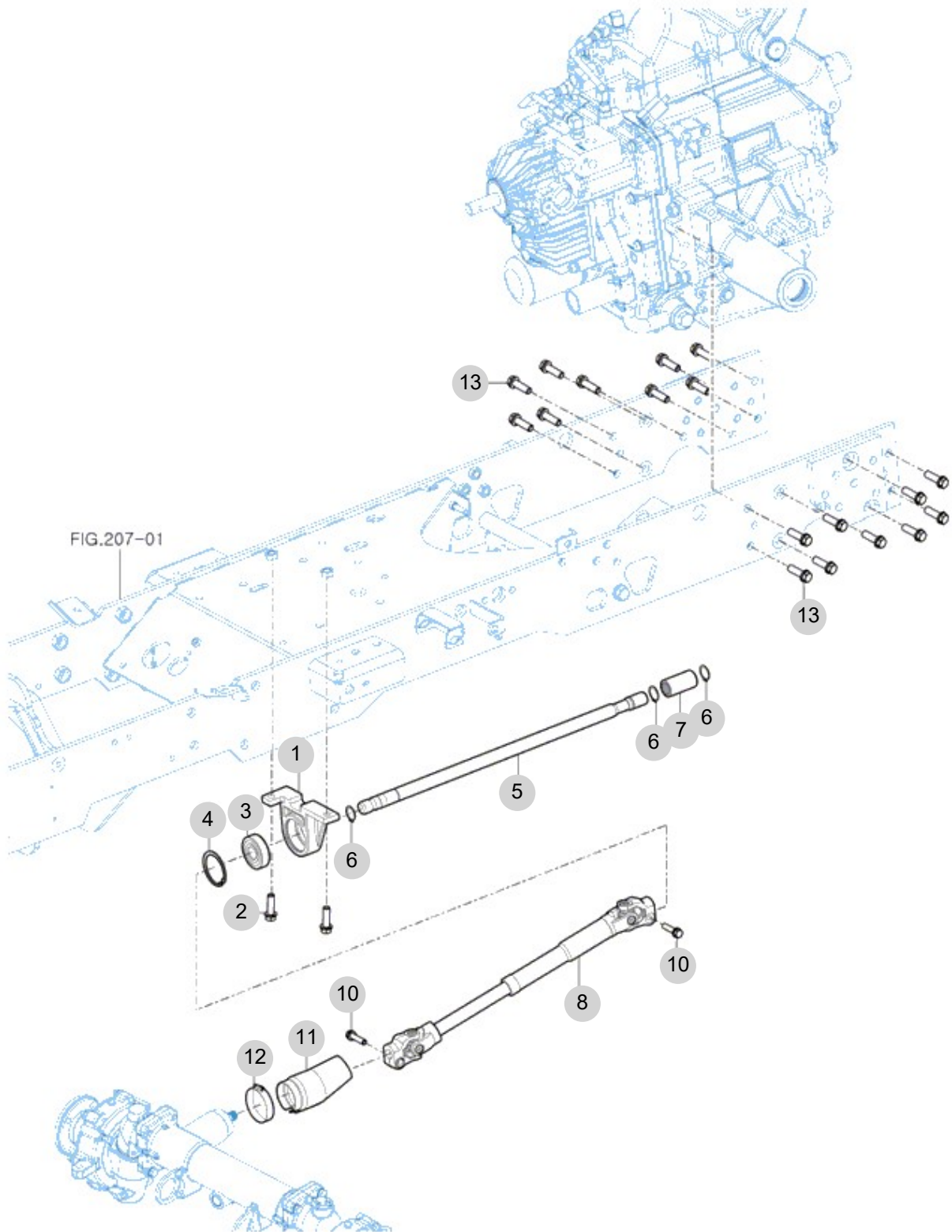
FIG 501

FRONT DRIVE SHAFT

년/월
Year/Month

2022-12

T194NHAUZ3



NOTE

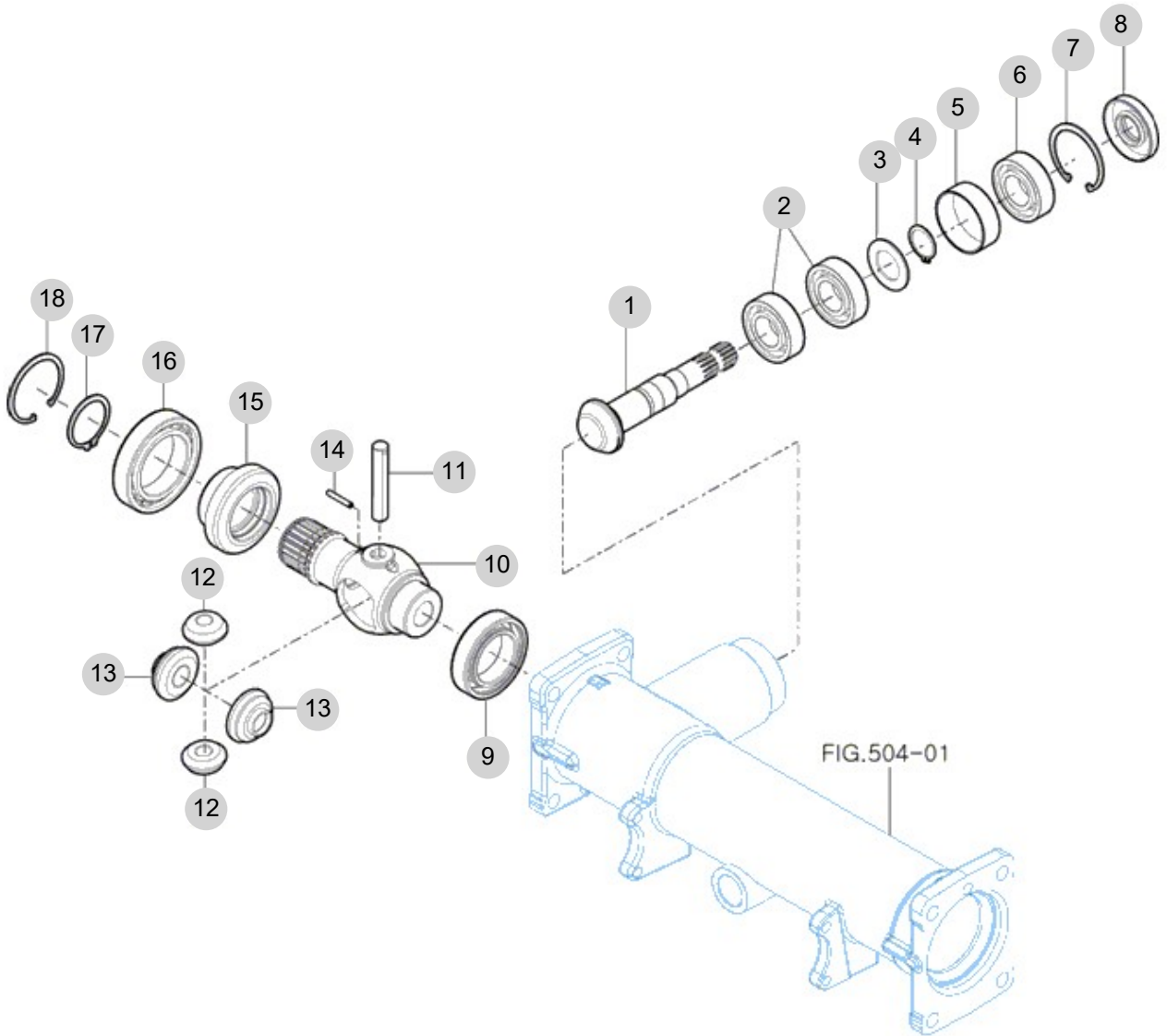
FIG 502

T194NHAUZ3

FRONT DIFFERENTIAL GEAR

년/월
Year/Month

2022-12



NOTE

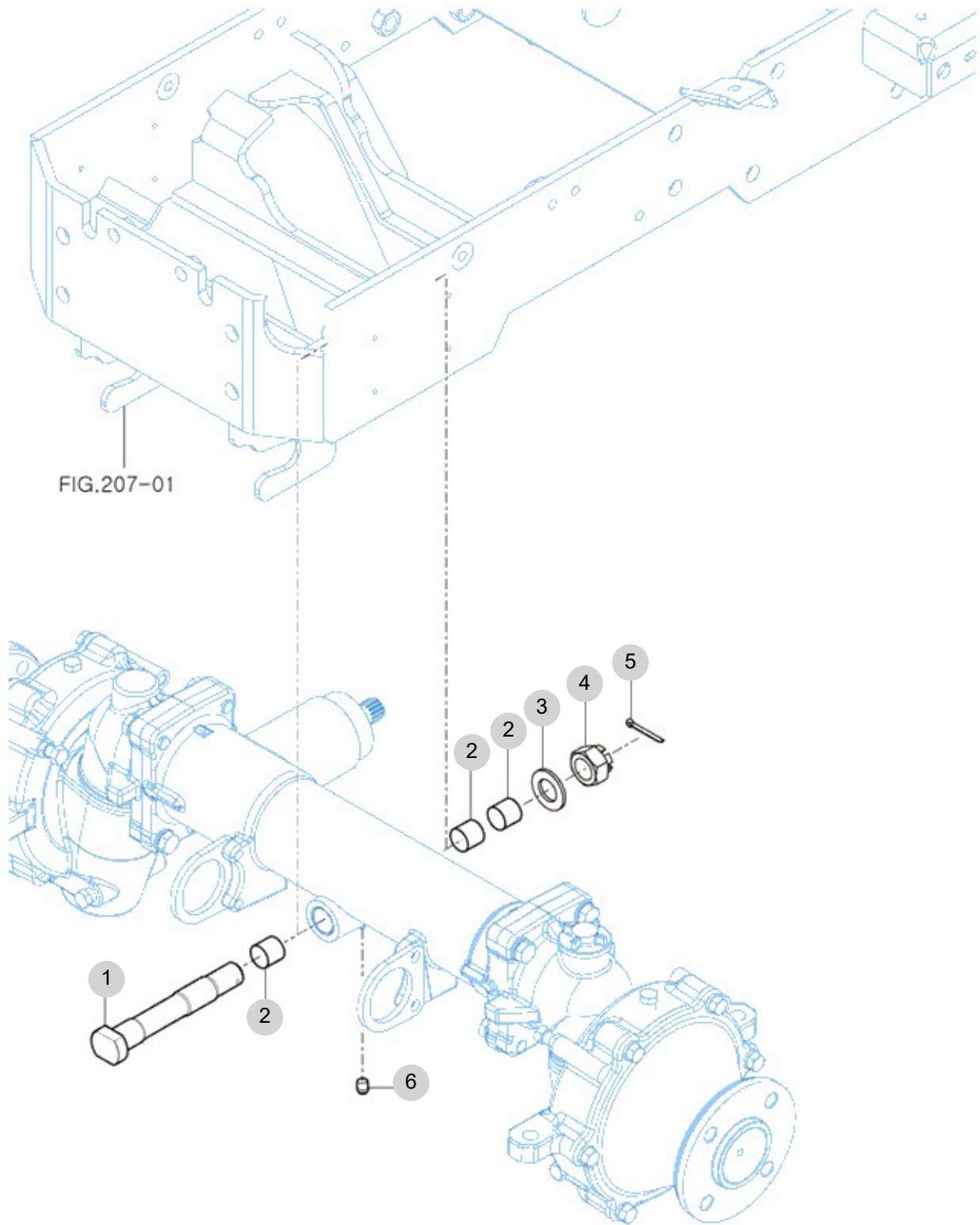
FIG 503

FRONT AXLE HOUSING

년/월
Year/Month

T194NHAUZ3

2022-12



NOTE

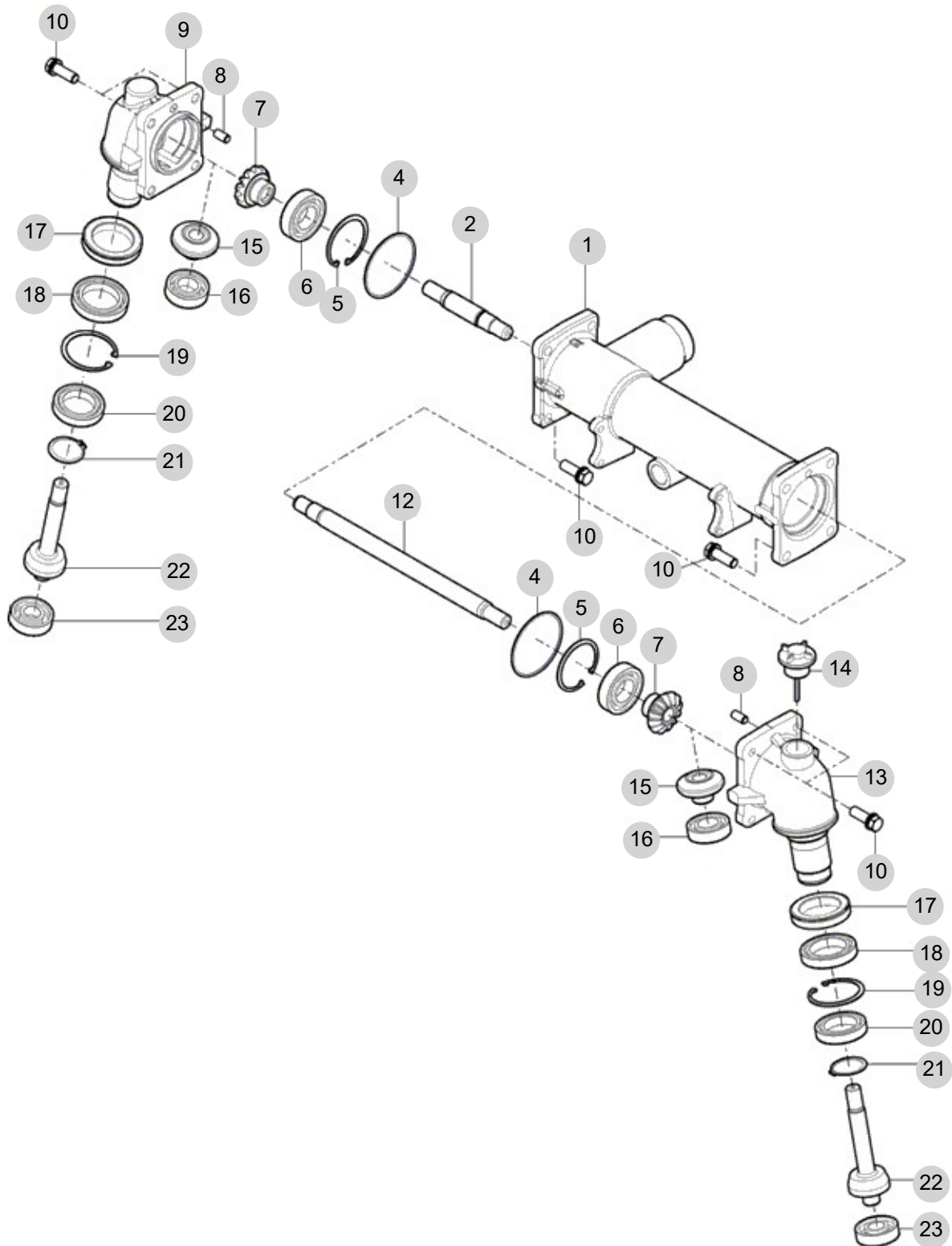
FIG 504

FRONT GEAR CASE (1)

년/월
Year/Month

2022-12

T194NHAUZ3



NOTE

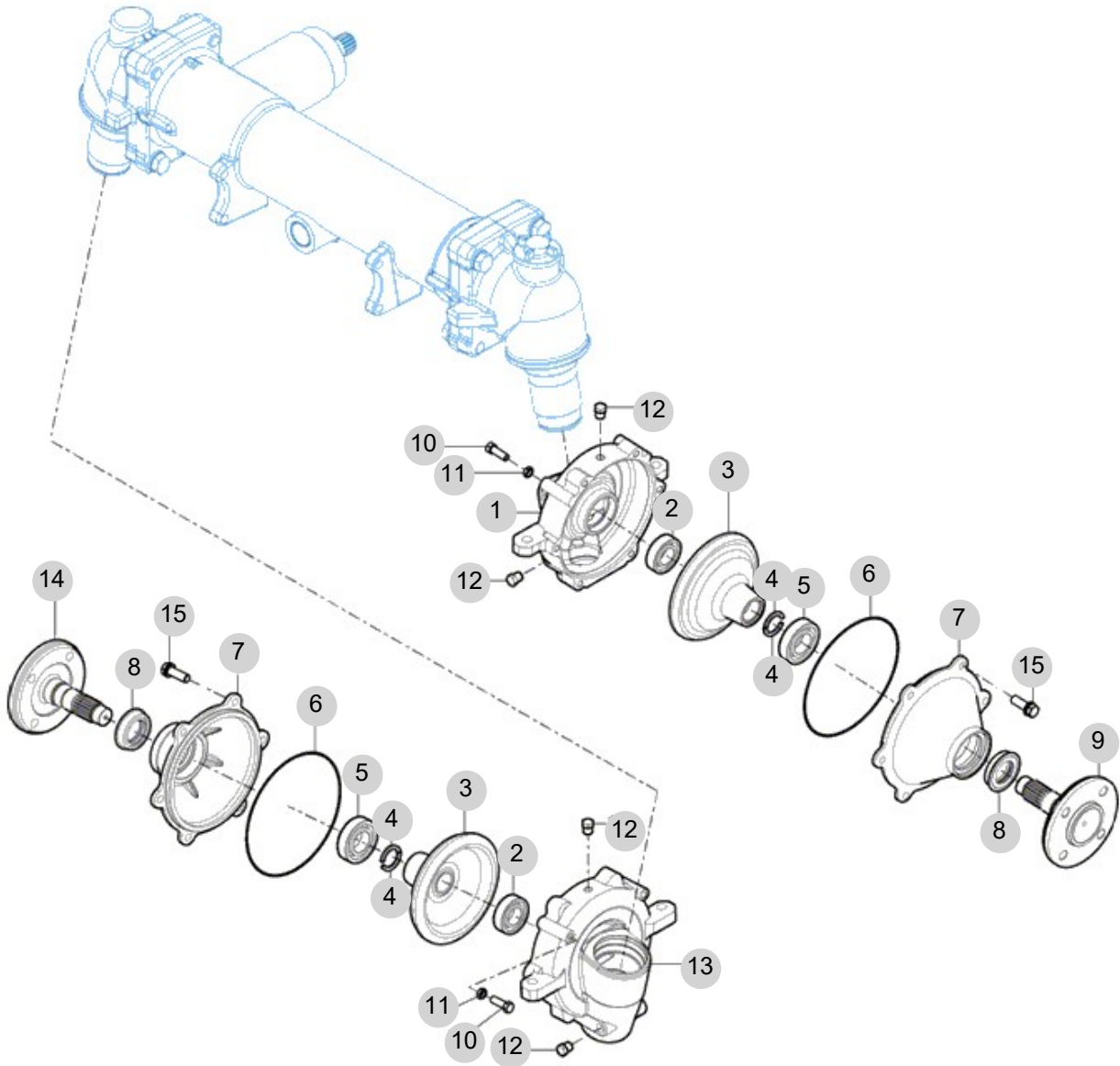
FIG 505

T194NHAUZ3

FRONT GEAR CASE (2)

년/월
Year/Month

2022-12



NOTE

6. 유압/3점링크 PART NO. T6

FIG 601 CYLINDER CASE	110
FIG 602 LIFT ARM	112
FIG 603 FLOW CONTROL VALVE	114
FIG 604 MAIN CONTROL VALVE	116
FIG 605 HYDRAULIC SUB	118
FIG 606 HITCH & 3-POINT LINKAGE	120
FIG 607 MID MOWER	122

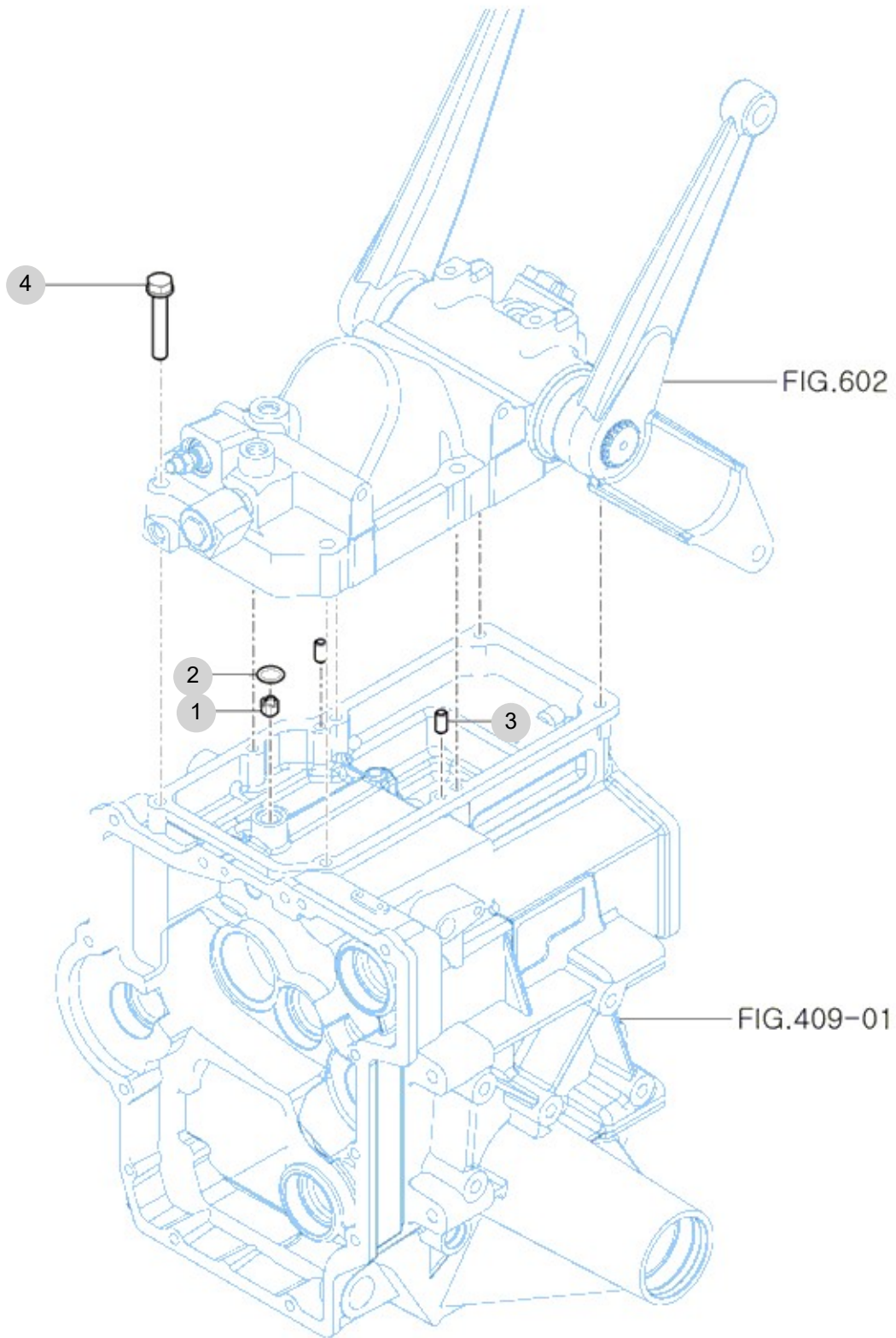
FIG 601

T194NHAUZ3

CYLINDER CASE

년/월
Year/Month

2022-12



NOTE

FIG 602

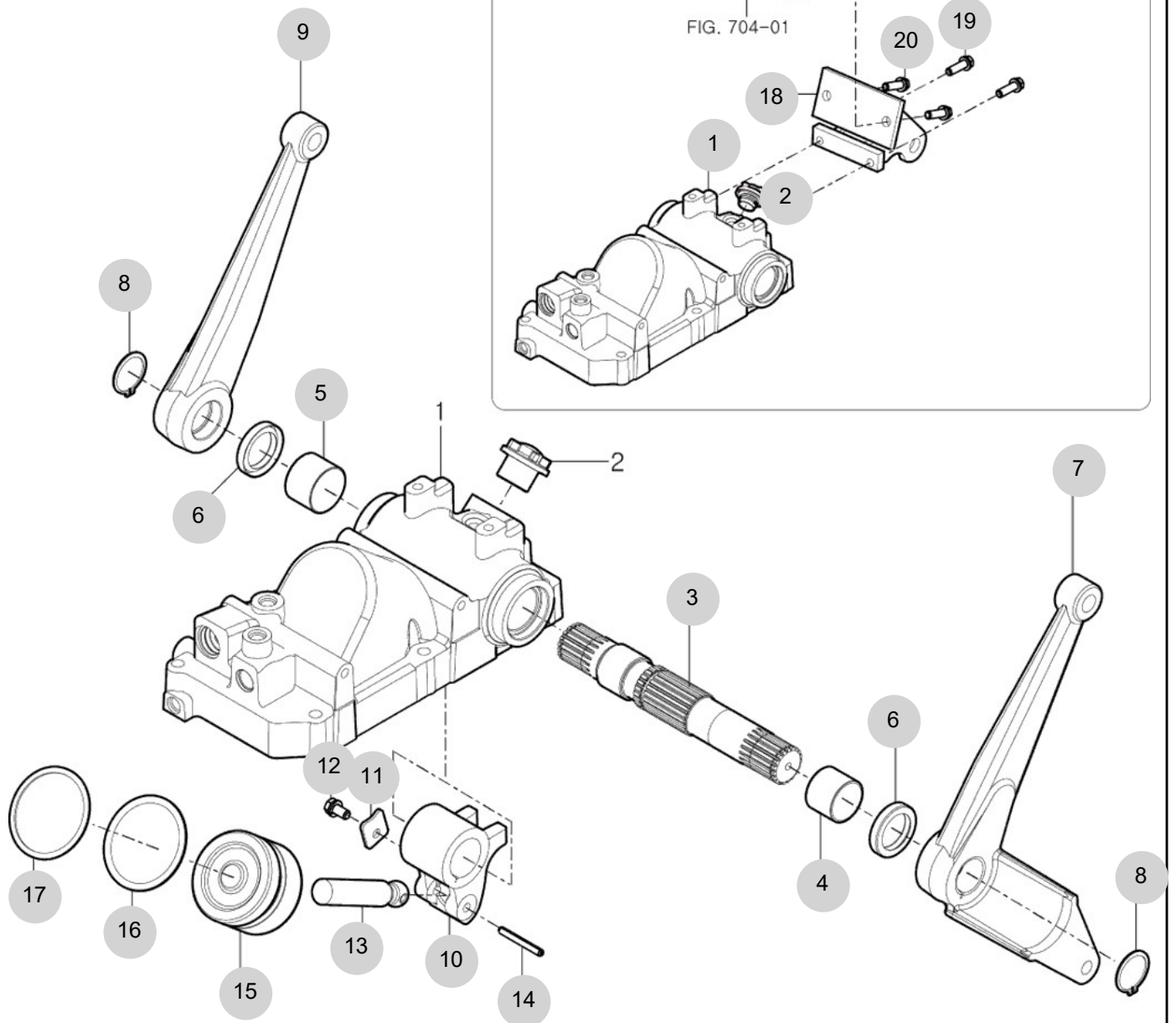
T194NHAUZ3

LIFT ARM

년/월
Year/Month

2022-12

2019.09.01~



NOTE

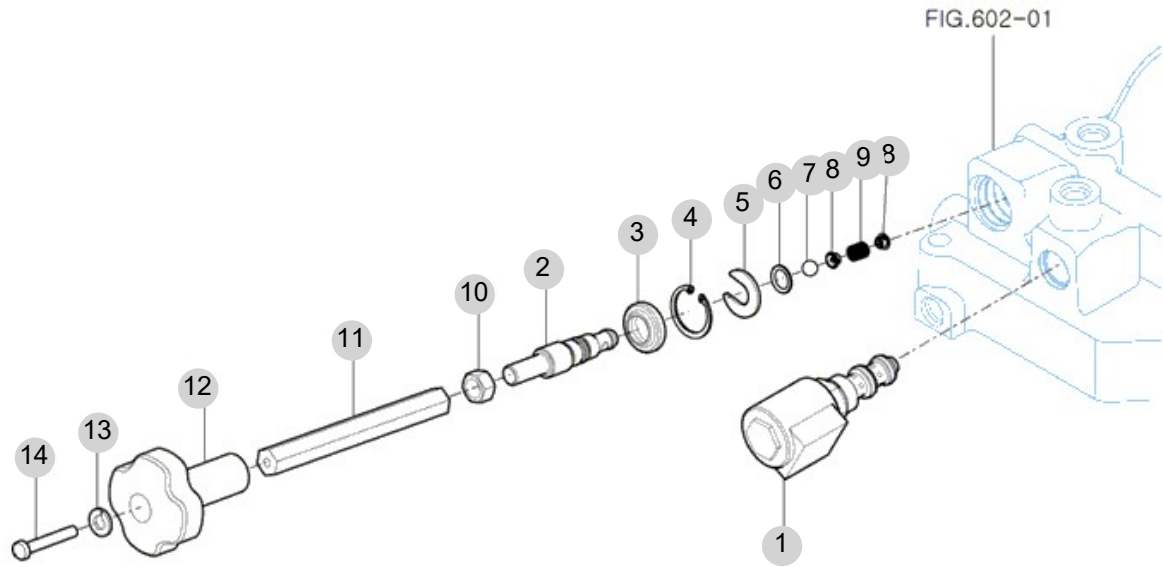
FIG 603

T194NHAUZ3

FLOW CONTROL VALVE

년/월
Year/Month

2022-12



NOTE

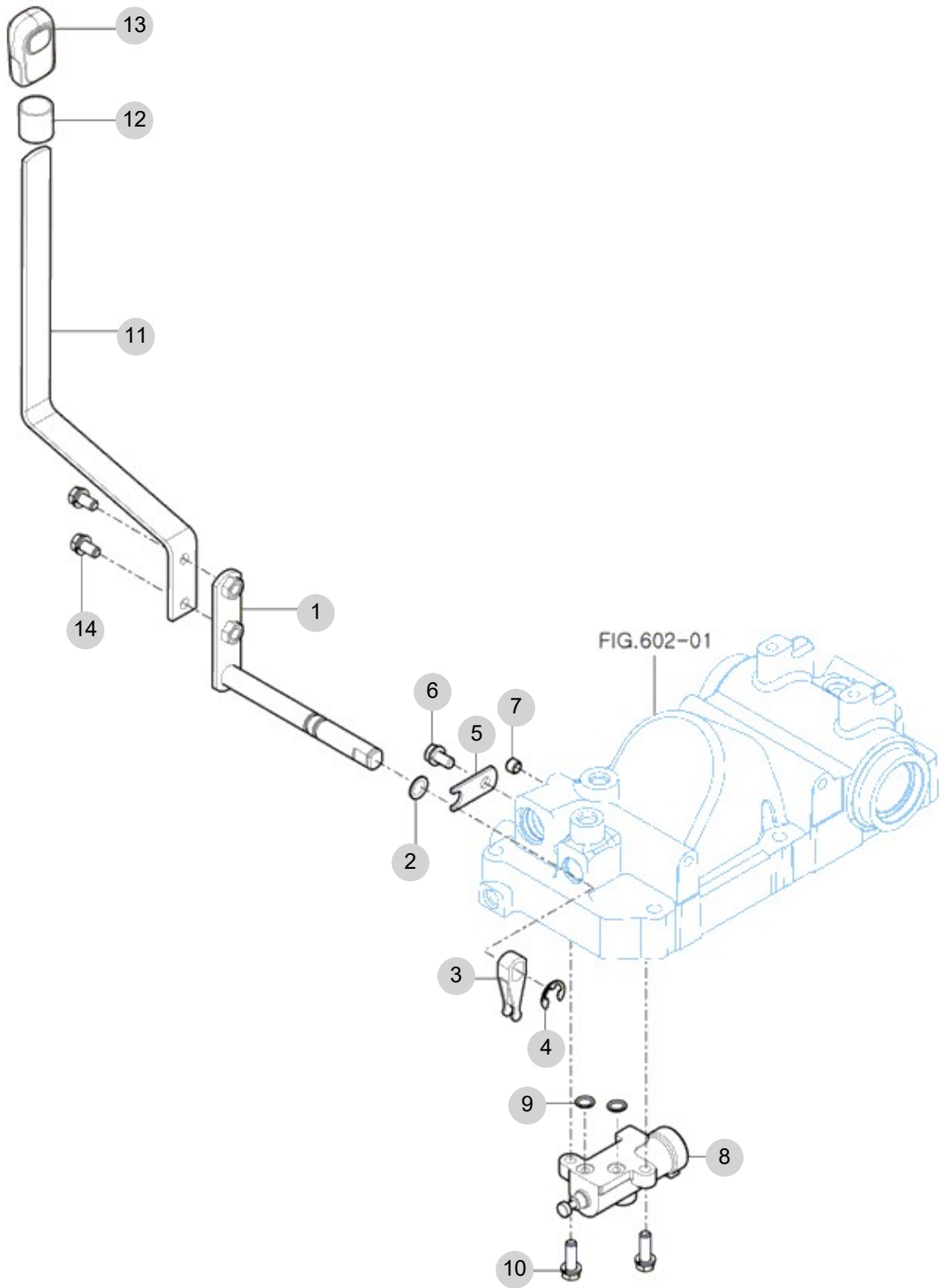
FIG 604

T194NHAUZ3

MAIN CONTROL VALVE

년/월
Year/Month

2022-12



NOTE

FIG 604 T194NHAUZ3		MAIN CONTROL VALVE					년/월 Year/Month	
							2022-12	
KEY NO	PART NO	DESCRIPTION	SPEC	QTY	REPAIR	EFFECTIVE DATE	REMARKS	
604	1	11105052102	포지션 레버 COMP			1		
604	2	V7201019012	O링(P)			1		
604	3	11105050010M	포크(밸브)			1		
604	4	V7081400120	E형멈춤링			1		
604	5	16702230371	플레이트			1		
604	6	V2173608016	소형육각볼트보통(S)	M8X16		1		
604	7	V7801000002	플러그(육각구멍테이퍼)			1		
604	8	11105051000	컨트롤밸브			1		
604	9	V7201024010	O링(P)			2		
604	10	V2173608025	소형육각볼트보통(S)	M8X25		2		
604	11	11615050020	포지션 레버			1		
604	12	11103160020	튜브(스트레이트,60)			1		
604	13	11106073020	노브 , 포지션			2		
604	14	V2183608020	소형육각볼트보통(SP)	M8X20		2		
NOTE								

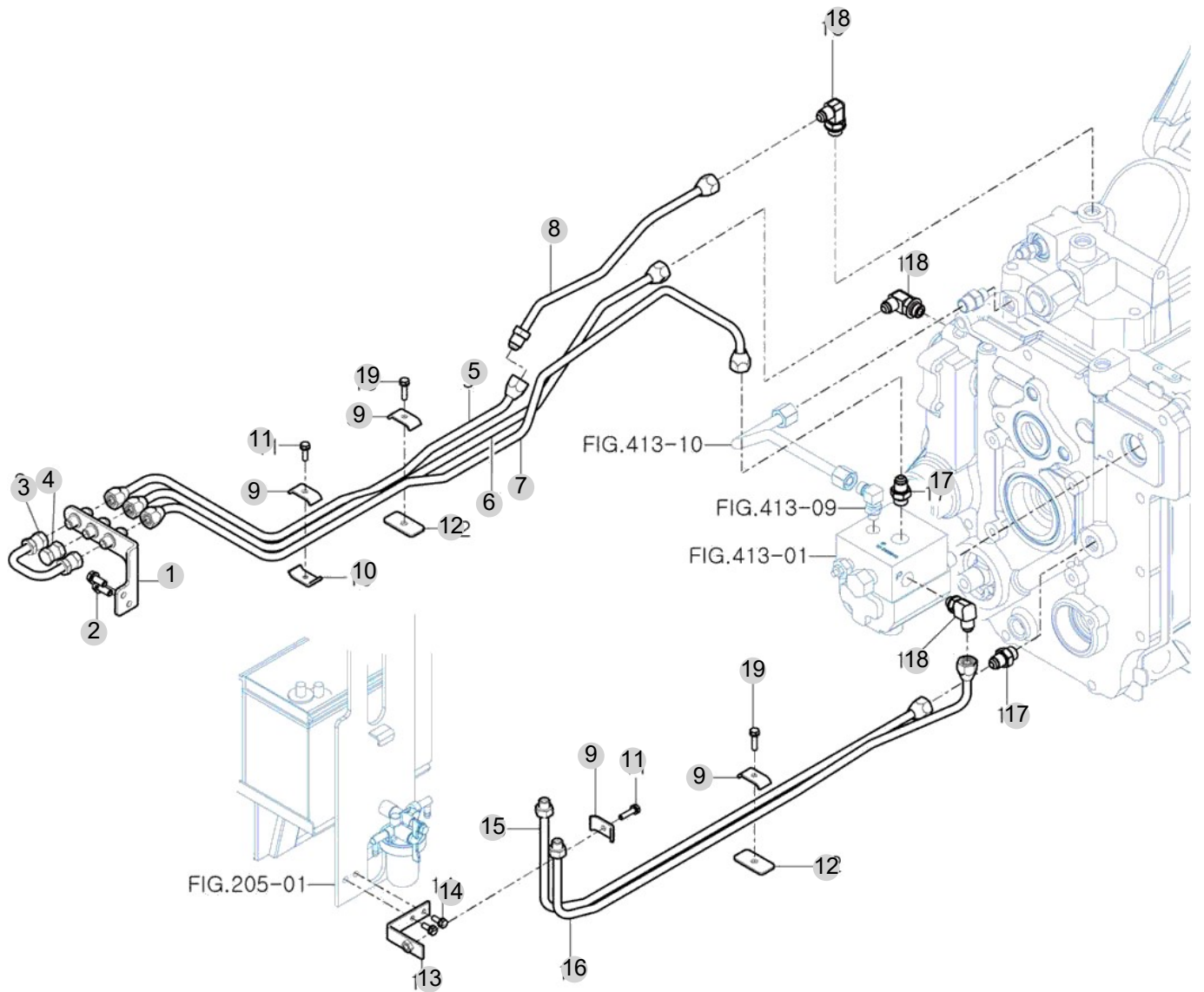
FIG 605

HYDRAULIC SUB

년/월
Year/Month

T194NHAUZ3

2022-12



NOTE

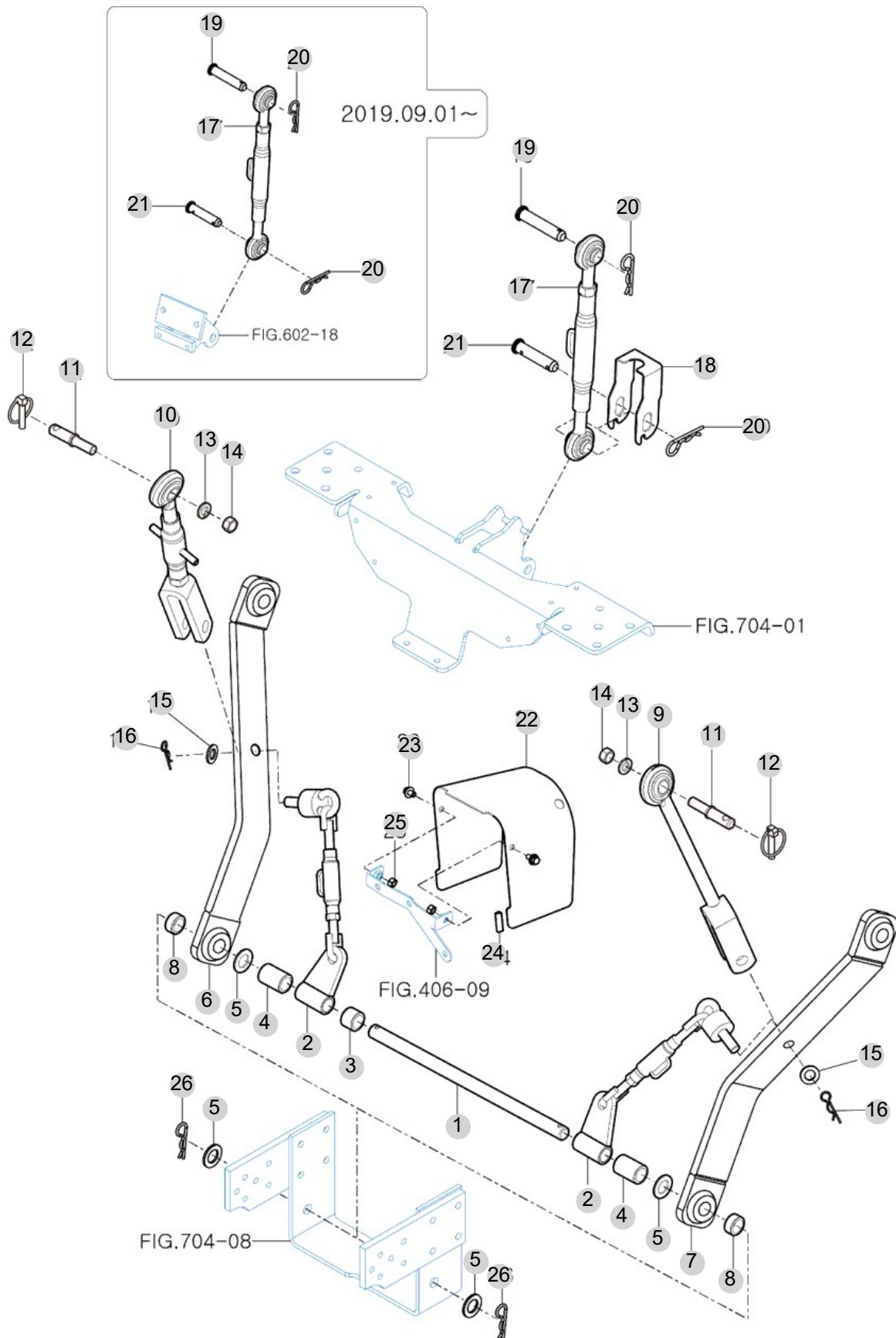
FIG 606

T194NHAUZ3

HITCH & 3-POINT LINKAGE

년/월
Year/Month

2022-12



NOTE

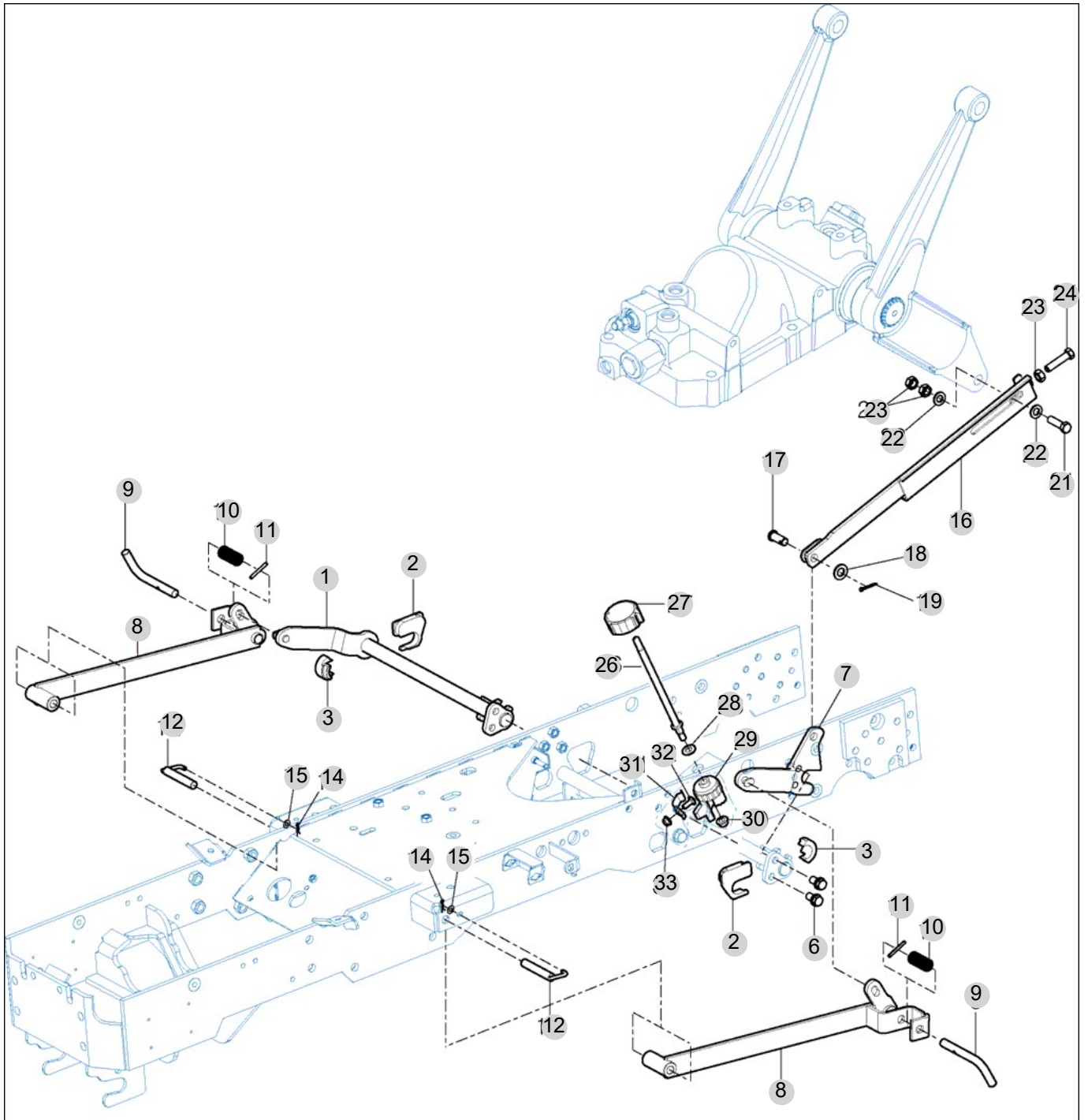
FIG 607

MID MOWER

년/월
Year/Month

2022-12

T194NHAUZ3



NOTE

7. 시트메탈/캐빈 PART NO. T7

FIG 701 BONNET	125
FIG 702 FLOOR	127
FIG 703 SEAT	129
FIG 704 ROPS	131
FIG 705 LEVER COVER & FENDER	133
FIG 706 REARVIEW MIRRORS	135
FIG 707 FRONT GLASS	137
FIG 708 DOOR-LH	139
FIG 709 DOOR-RH	141
FIG 710 REAR GLASS	143
FIG 711 ROOF	145
FIG 712 WORKING LAMP & FENDER COVER	147
FIG 713 HEATER SUB	149
FIG 714 CABIN HARNESS	151
FIG 715 REAR WIPER KIT(OPTION)	153

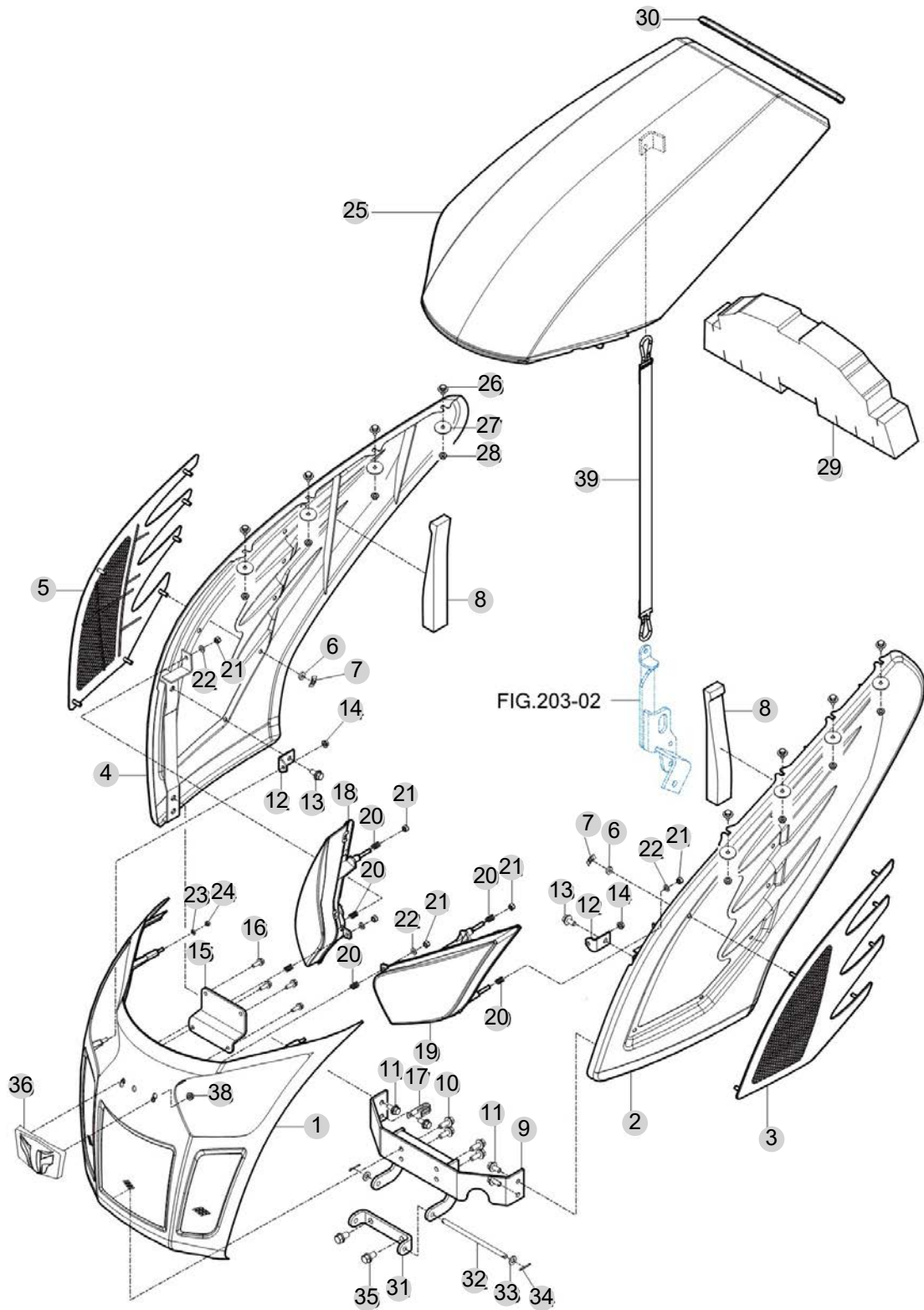
FIG 701

T194NHAUZ3

BONNET

년/월
Year/Month

2022-12



NOTE

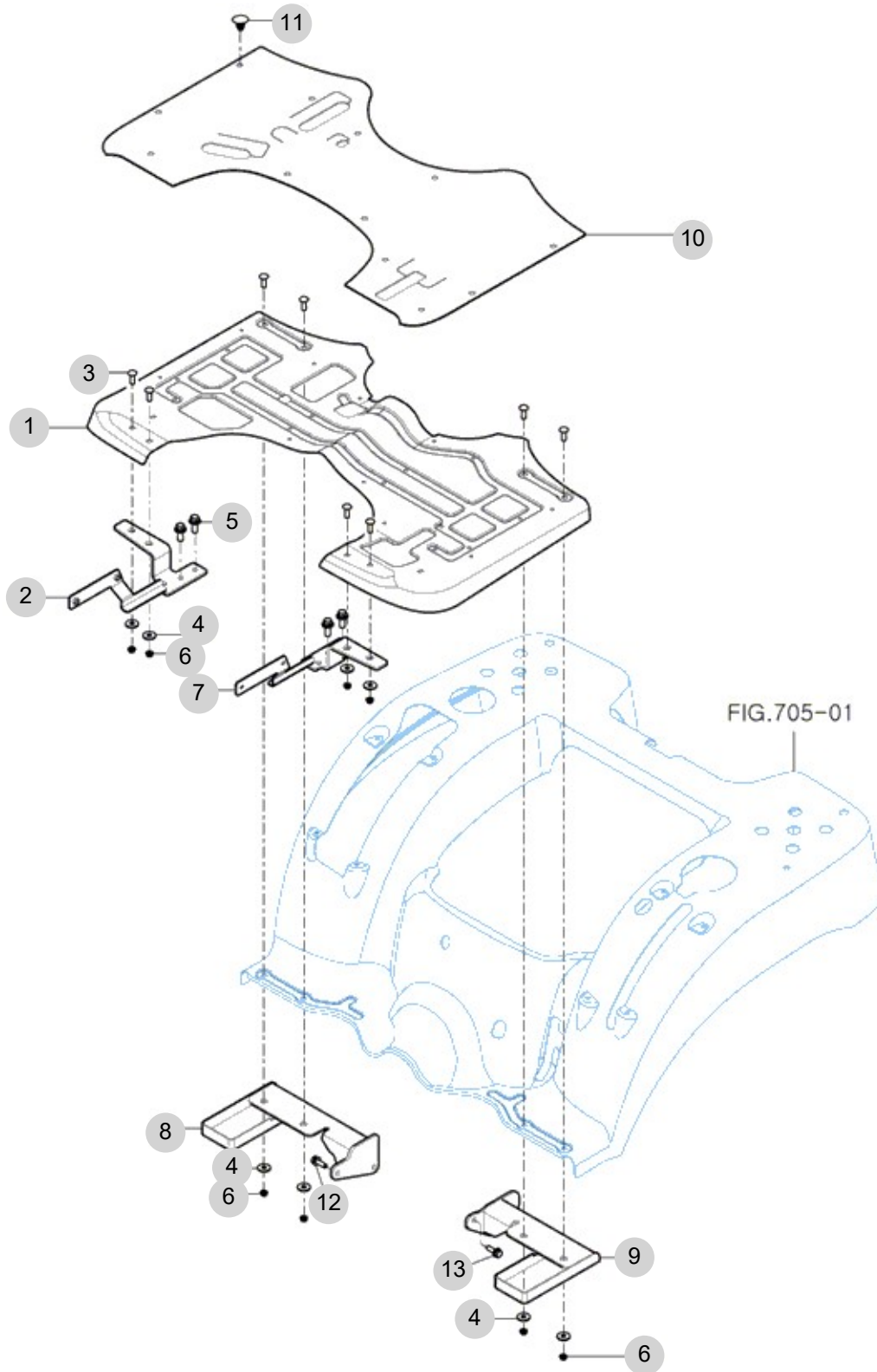
FIG 702

T194NHAUZ3

FLOOR

년/월
Year/Month

2022-12



NOTE

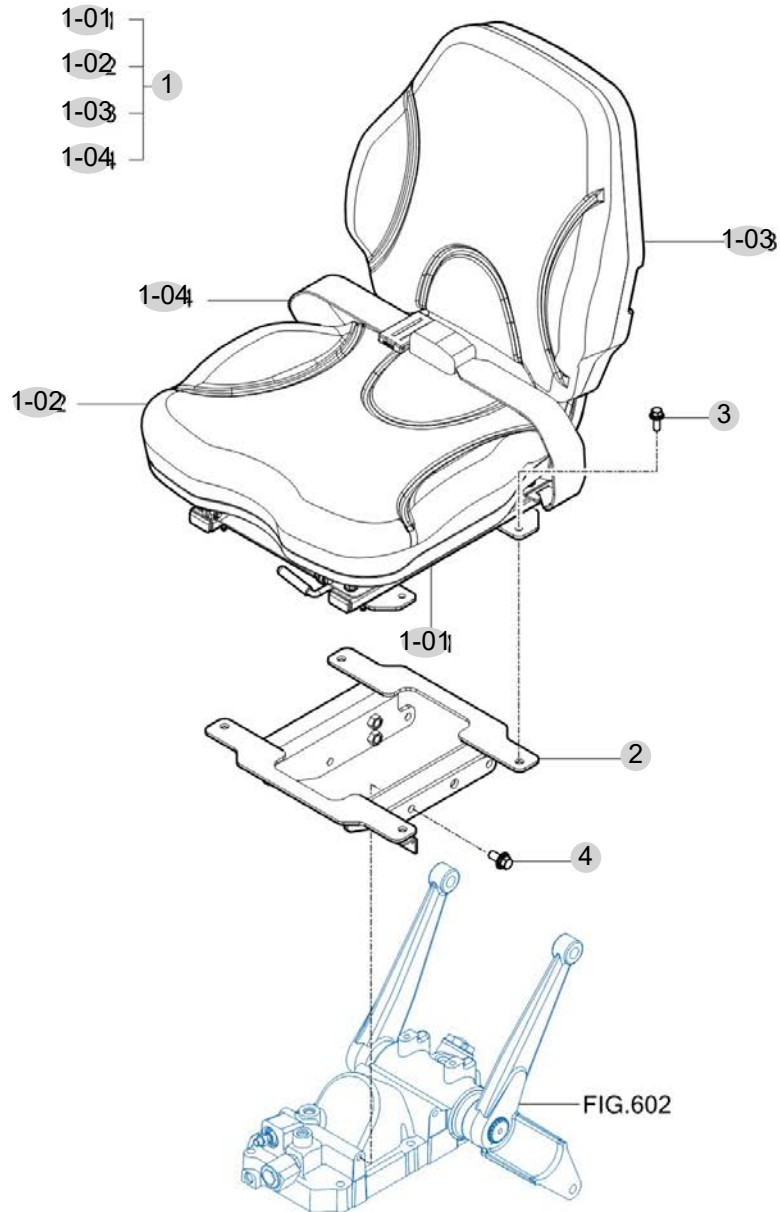
FIG 703

T194NHAUZ3

SEAT

년/월
Year/Month

2022-12



NOTE

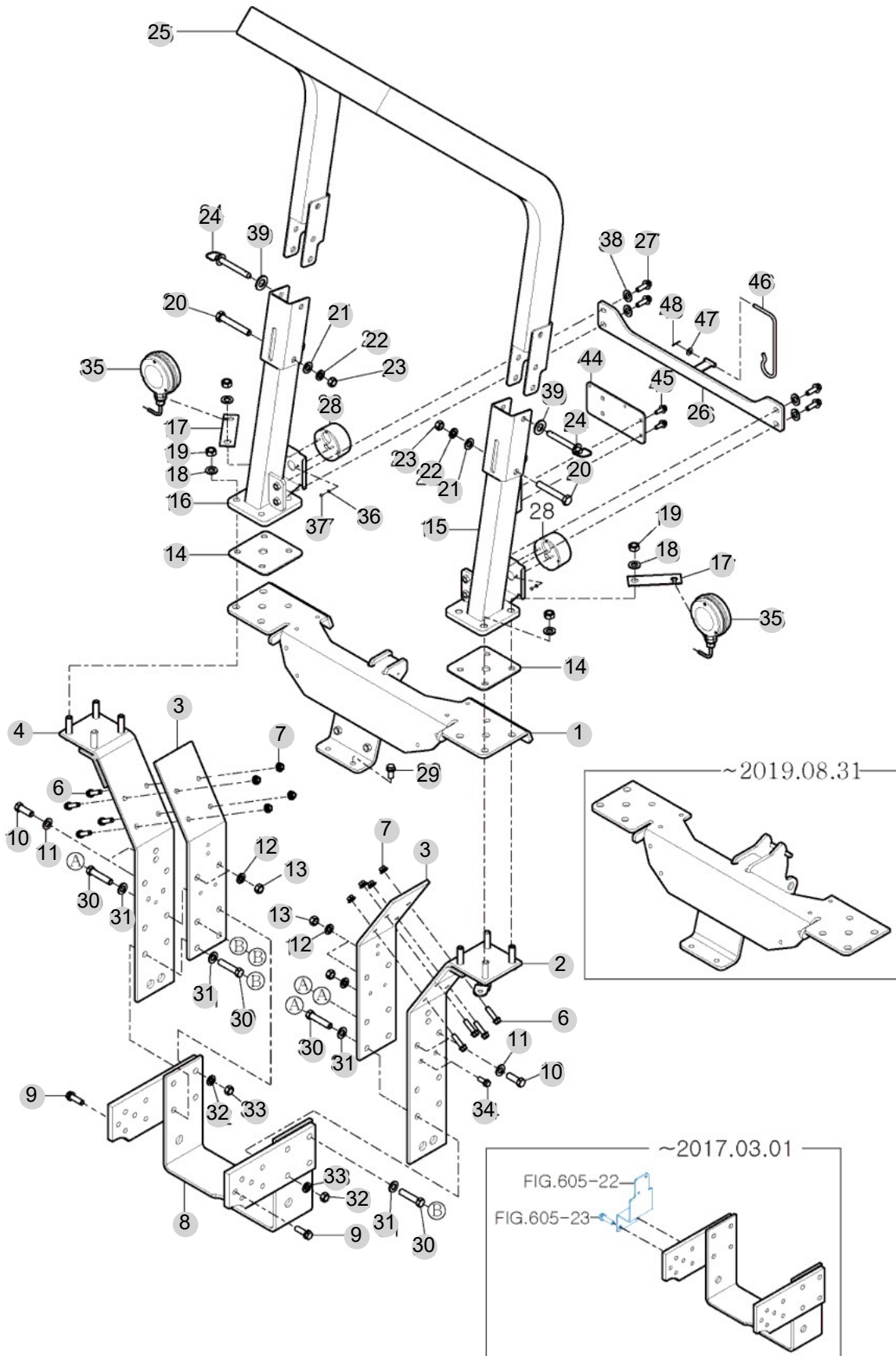
FIG 704

T194NHAUZ3

ROPS

년/월
Year/Month

2022-12



NOTE

FIG 704		ROPS						년/월 Year/Month	
T194NHAUZ3								2022-12	
KEY NO		PART NO	DESCRIPTION	SPEC	QTY	REPAIR	EFFECTIVE DATE	REMARKS	
704	1	11657022600GB	프레임 COMP , 중/서포트		1				
704	2	11617022400GB	프레임 COMP , 좌/서포트		1				
704	3	11617022700GB	보강 브래킷 , 중/서포트		2				
704	4	11617022500GB	프레임 COMP , 우/서포트		1				
704	6	V2173610035	소형육각볼트보통(S)	M10X35	8				
704	7	V3802600100	플랜지볼이육각너트	M10	8				
704	8	11615212101GB	프레임 COMP , 히치		1				
704	9	V2174612040	소형육각볼트보통(S)	M12X40	12				
704	10	V2013614040	소형육각볼트(보통)	M14X40	4				
704	11	V4111600140	평와셔	M14	4				
704	12	V4011600140	스프링와셔	M14	4				
704	13	V3043600140	소형육각너트보통2종	M14	4				
704	14	11617022900	패드(ROPS)		2				
704	15	11617022102GB	프레임 COMP , 좌/하/ROPS		1				
704	16	11617022200GB	프레임 COMP , 우/하/ROPS		1				
704	17	11616562111GB	플레이트 , 램프		2				
704	18	V4011600140	스프링와셔	M14	8				
704	19	V3043600140	소형육각너트보통2종	M14	8				
704	20	V2014614095	소형육각볼트(보통)	14X95	2				
704	21	V4111600140	평와셔	M14	2				
704	22	V4011600140	스프링와셔	M14	2				
704	23	V3043600140	소형육각너트보통2종	M14	2				
704	24	11107027500	고정핀 조합		2				
704	25	11617024100GB	프레임 COMP , 상		1				
704	26	11657022300GB	프레임 COMP , 크로스		1				
704	27	V2174610035	소형육각볼트보통(S)	M10X35	4				
704	28	11106563002	스톱램프 ASSY		2				
704	29	V2173610030	소형육각볼트보통(S)	M10X30	2				
704	30	V2004614070	소형육각볼트(보통)		8				
704	31	V4111600140	평와셔	M14	8				
704	32	V4011600140	스프링와셔	M14	8				
704	33	V3043600140	소형육각너트보통2종	M14	8				
704	34	V2183610025	소형육각볼트보통(SP)	M10X25	2				
704	35	11616562000	램프 ASSY, 양면 방향지시등		2				
704	36	V4011600050	스프링와셔	M5	4				
704	37	V3002600050	육각너트보통1종	M5	4				
704	38	V4111600100	평와셔	M10	4				
704	39	19027722030	그로맷(15X36X3)	1X1X1	2				
704	44	11617012120GB	서포트 플레이트 , SMV		1				
704	45	V2183608025	소형육각볼트보통(SP)	M8X25	2				
704	46	16705251100	후크(튐링크)	D=5	1				
704	47	V4111600050	평와셔	M5	1				
704	48	V5001920015	분할핀	2X15	1				
NOTE									

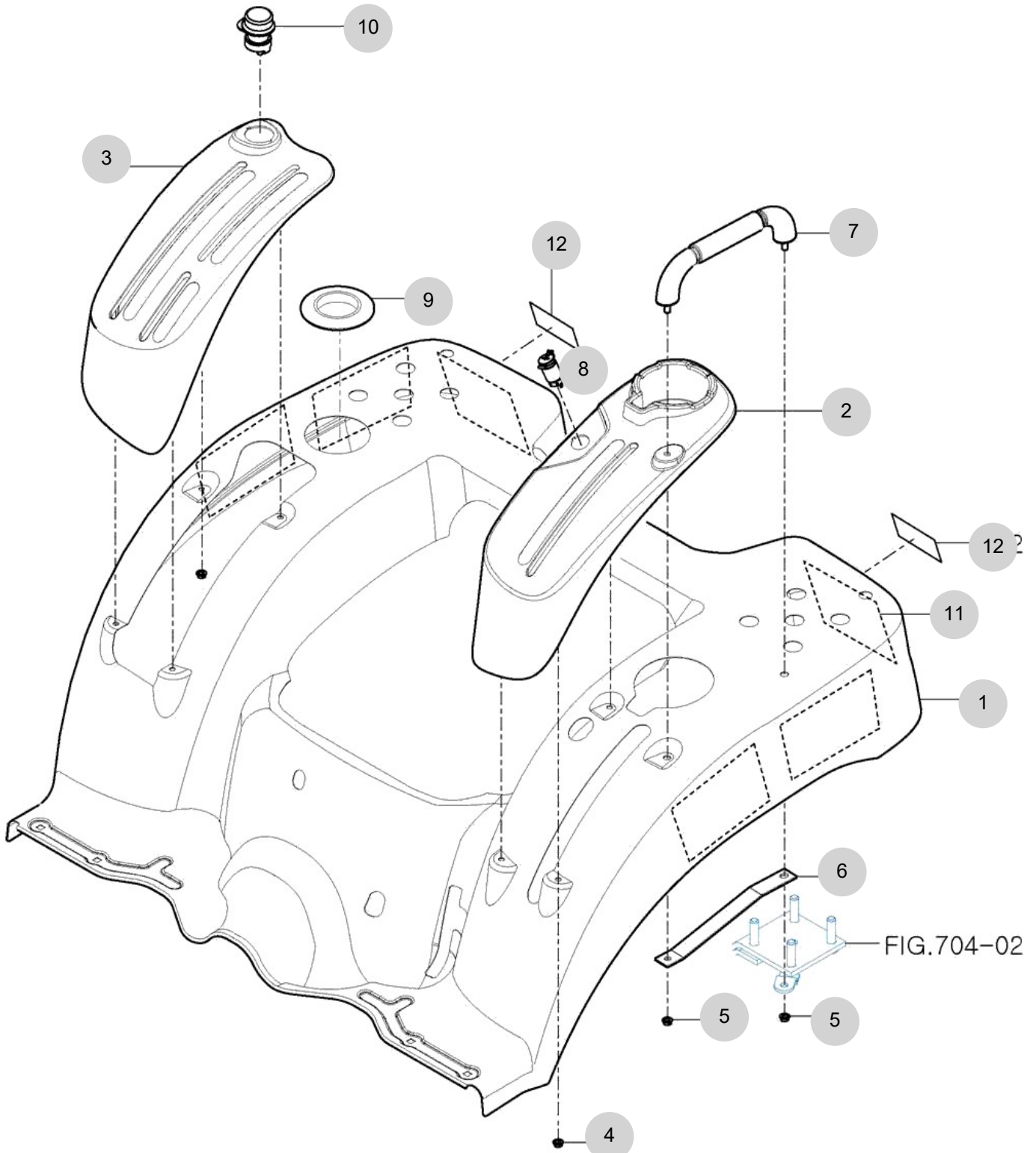
FIG 705

T194NHAUZ3

LEVER COVER & FENDER

년/월
Year/Month

2022-12



NOTE

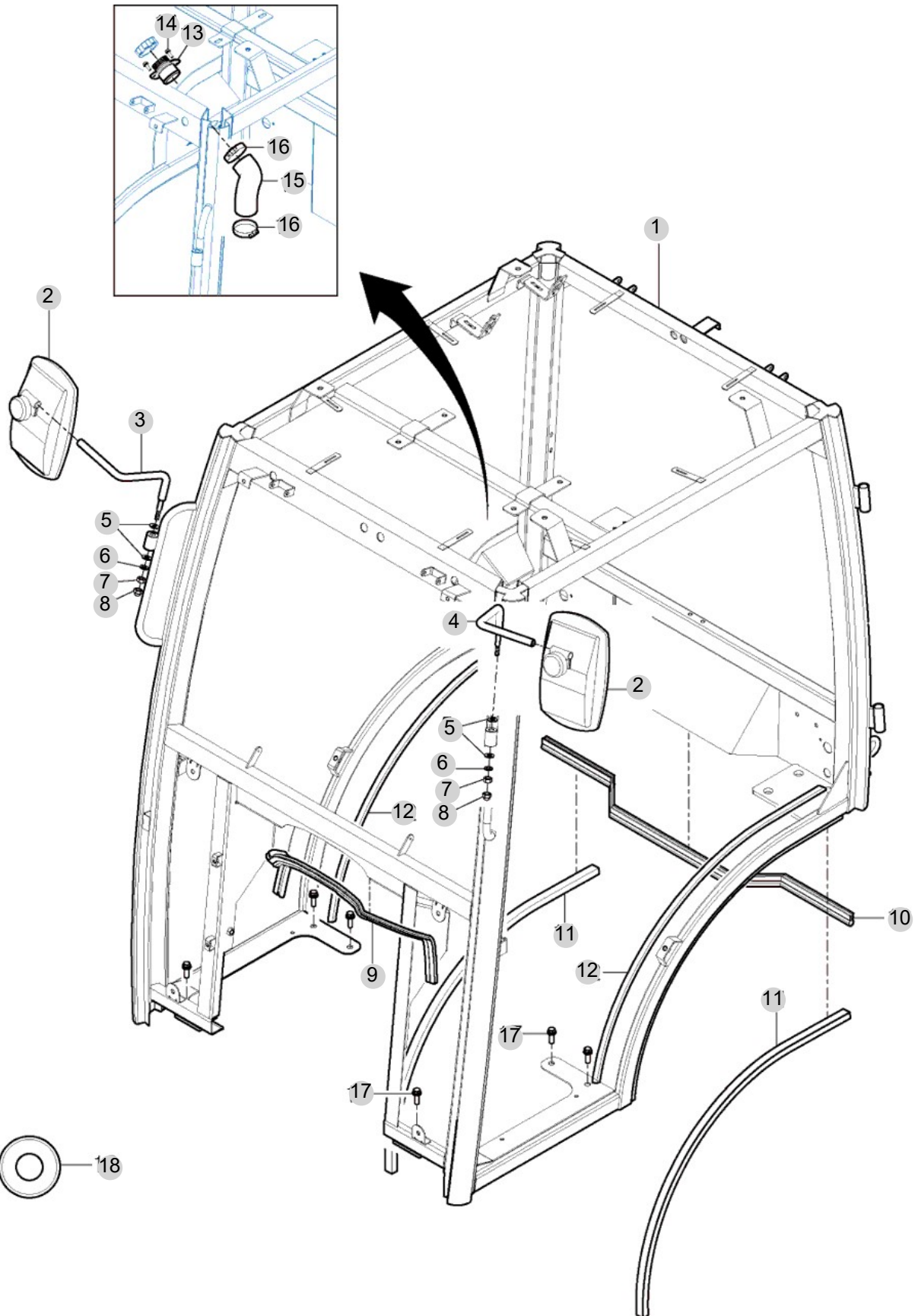
FIG 706

REARVIEW MIRRORS

년/월
Year/Month

2022-12

T194NHAUZ3



NOTE

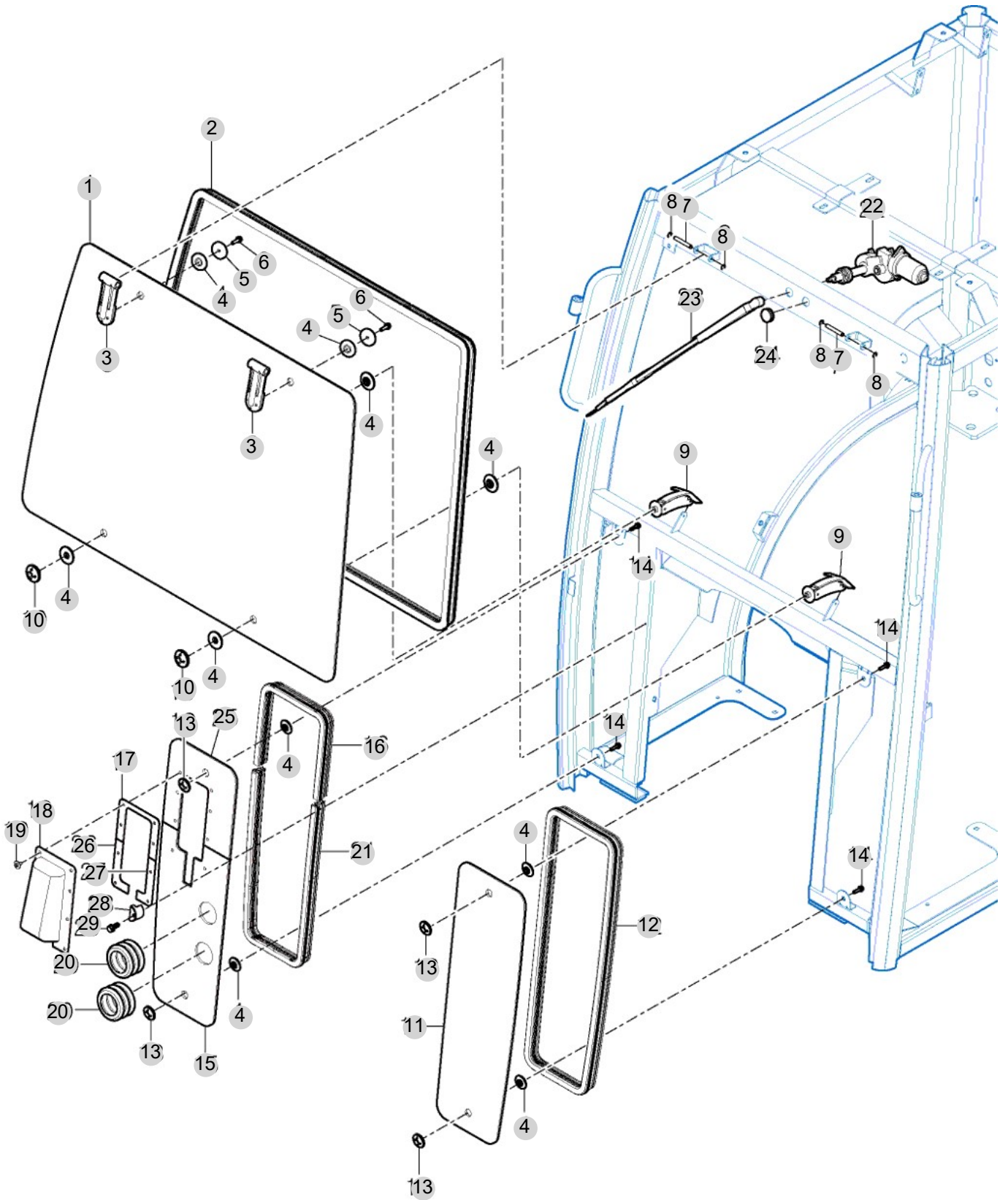
FIG 707

FRONT GLASS

년/월
Year/Month

T194NHAUZ3

2022-12



NOTE

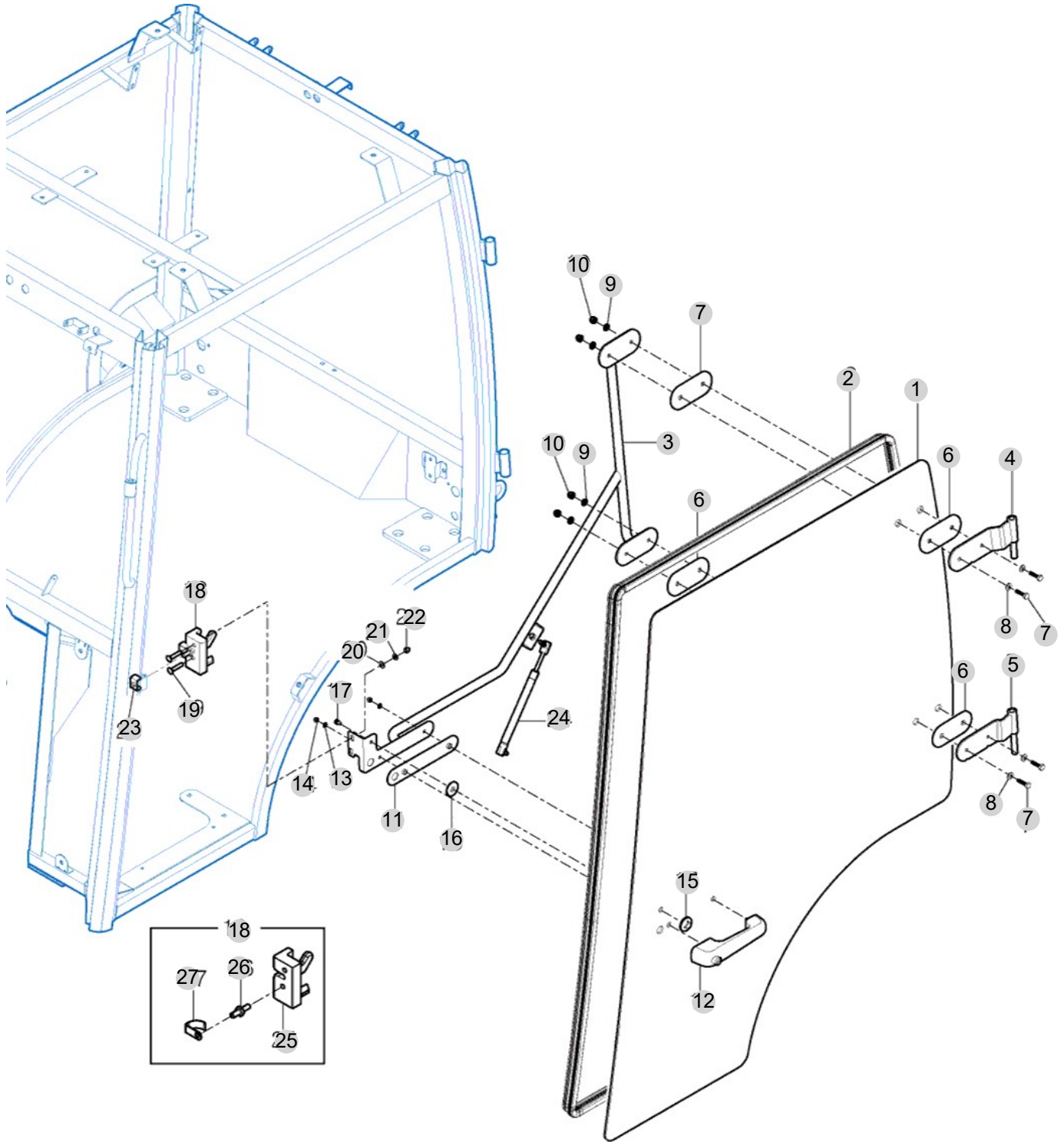
FIG 708

DOOR-LH

년/월
Year/Month

T194NHAUZ3

2022-12



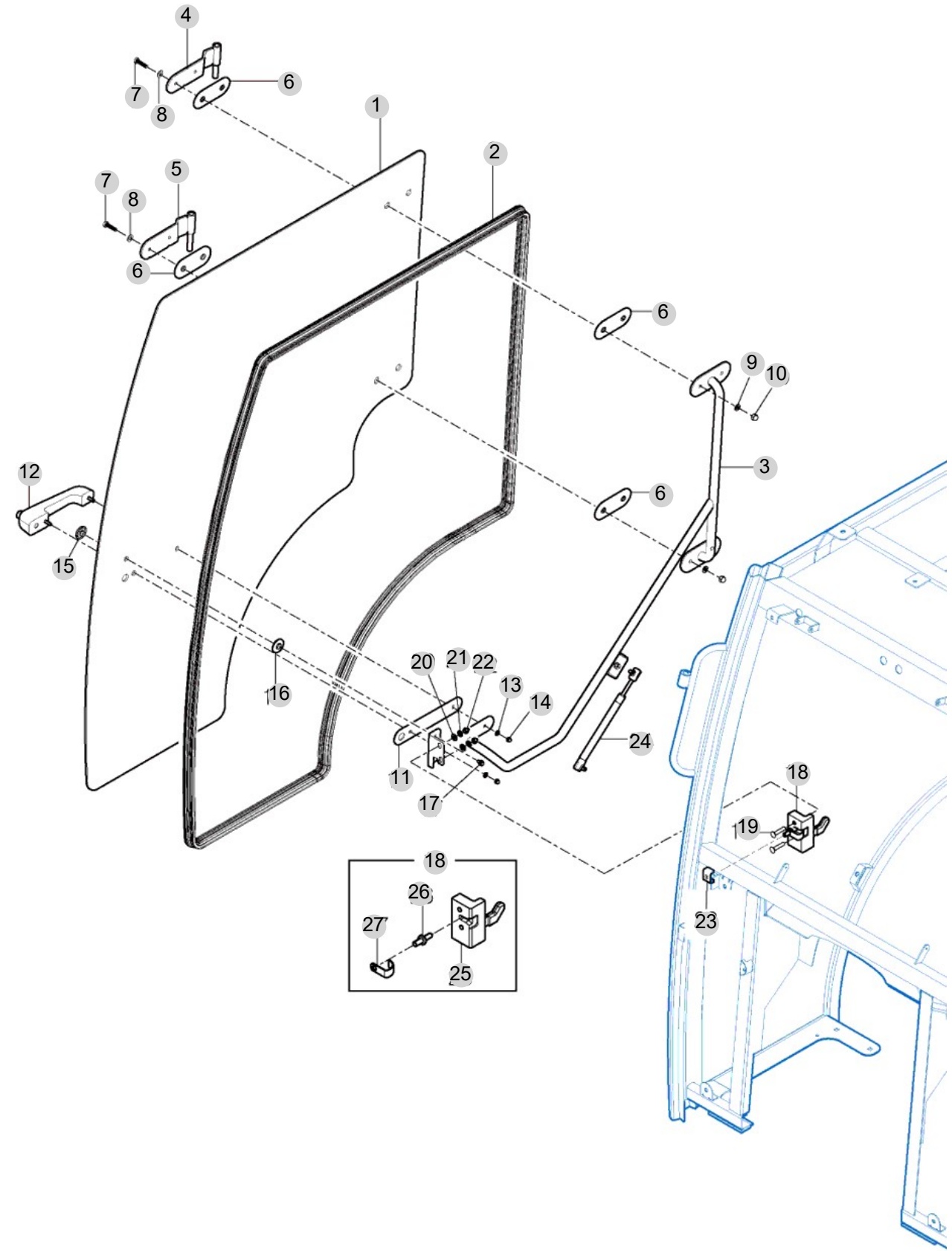
NOTE

FIG 709

DOOR-RH

년/월
Year/Month

2022-12



NOTE

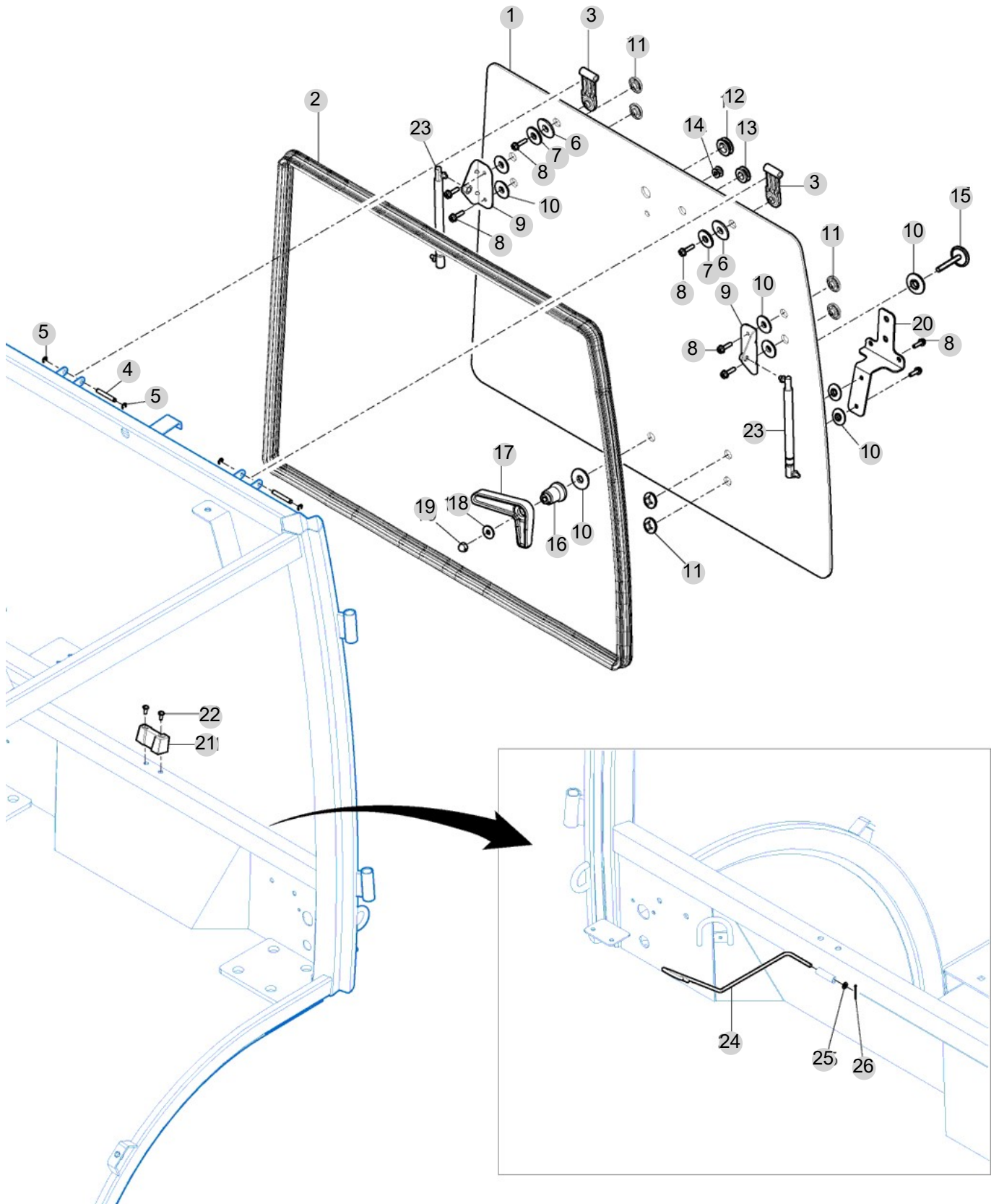
FIG 710

REAR GLASS

년/월
Year/Month

2022-12

T194NHAUZ3



NOTE

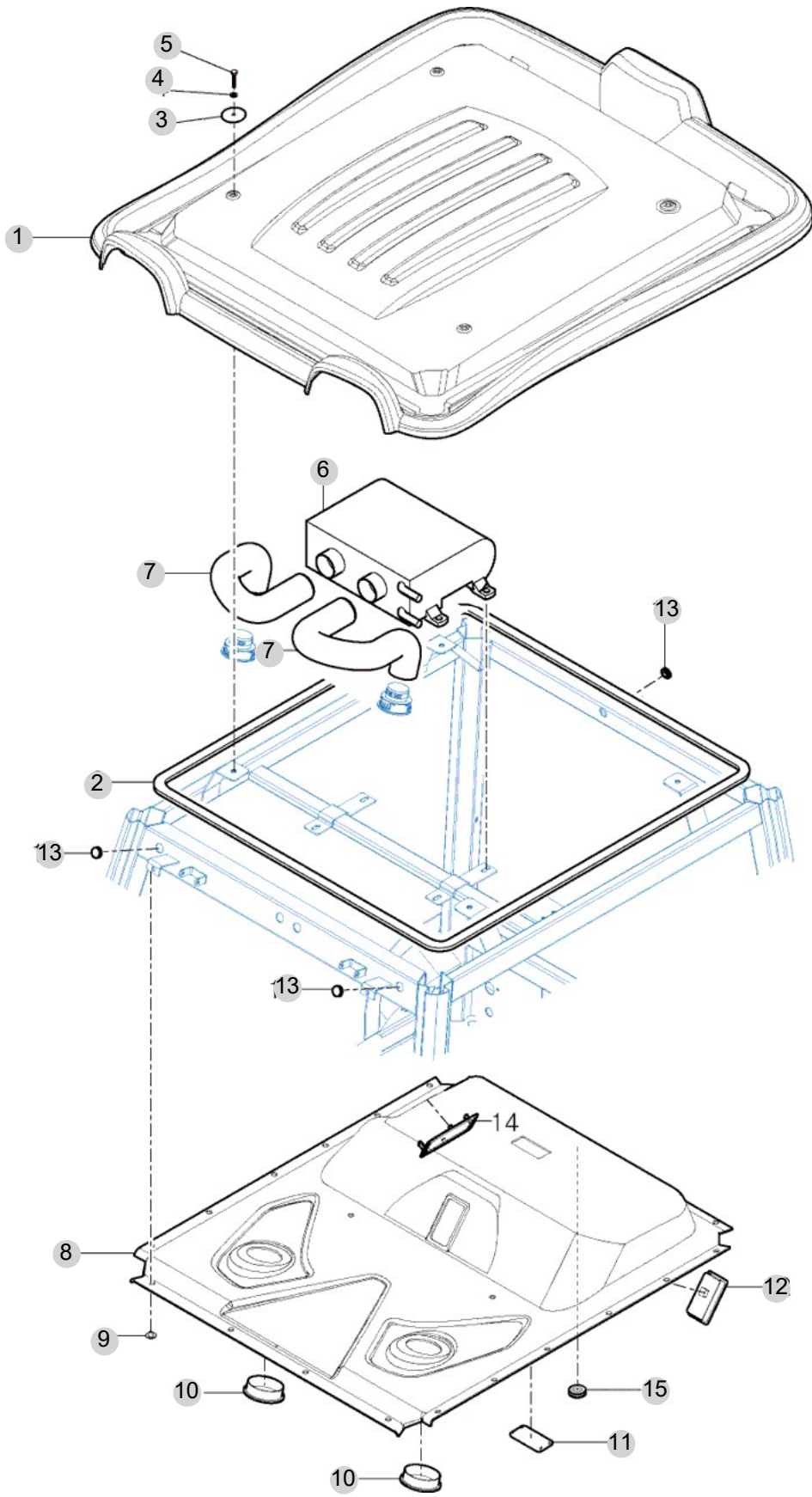
FIG 711

T194NHAUZ3

ROOF

년/월
Year/Month

2022-12



NOTE

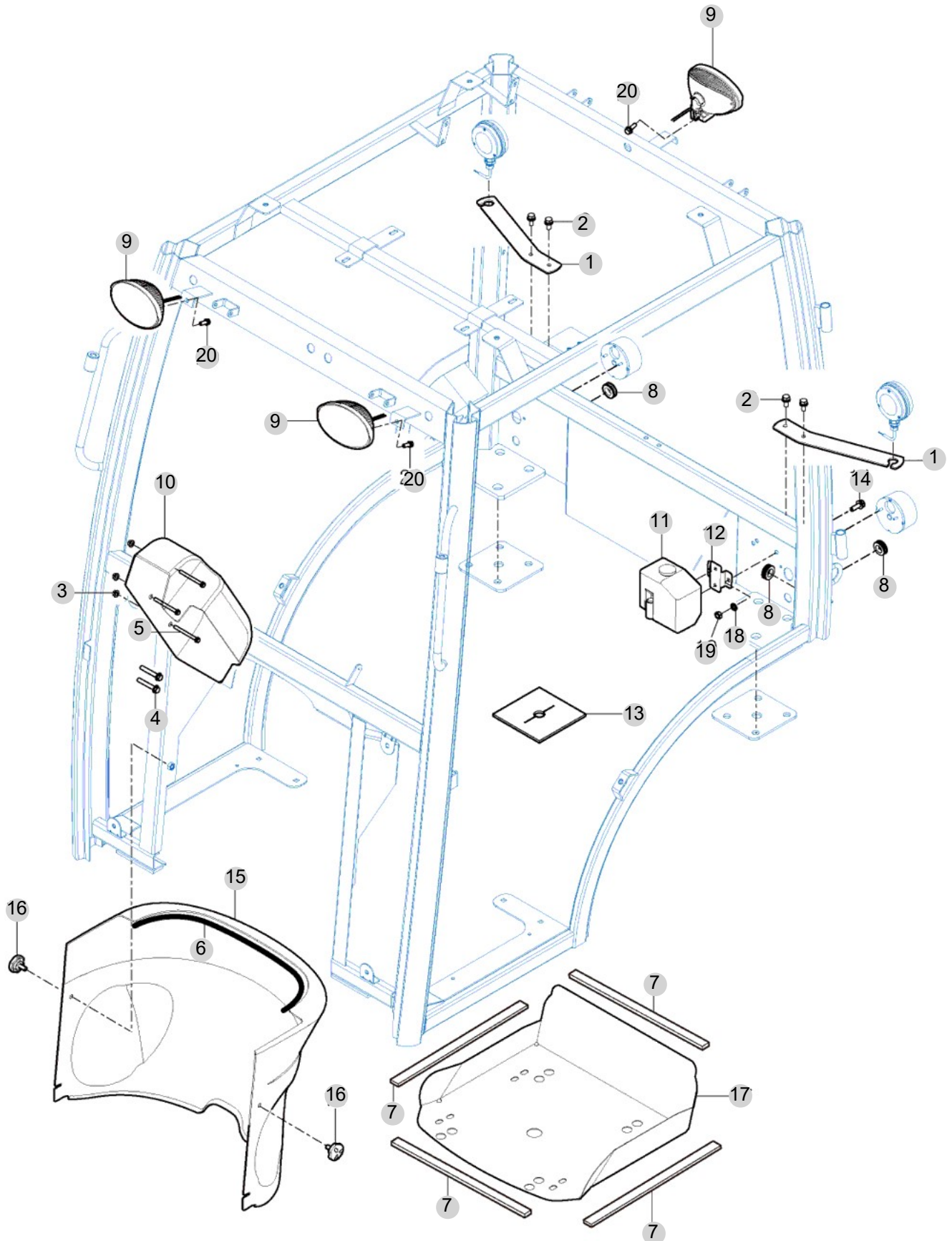
FIG 712

WORKING LAMP & FENDER COVER

년/월
Year/Month

2022-12

T194NHAUZ3



NOTE

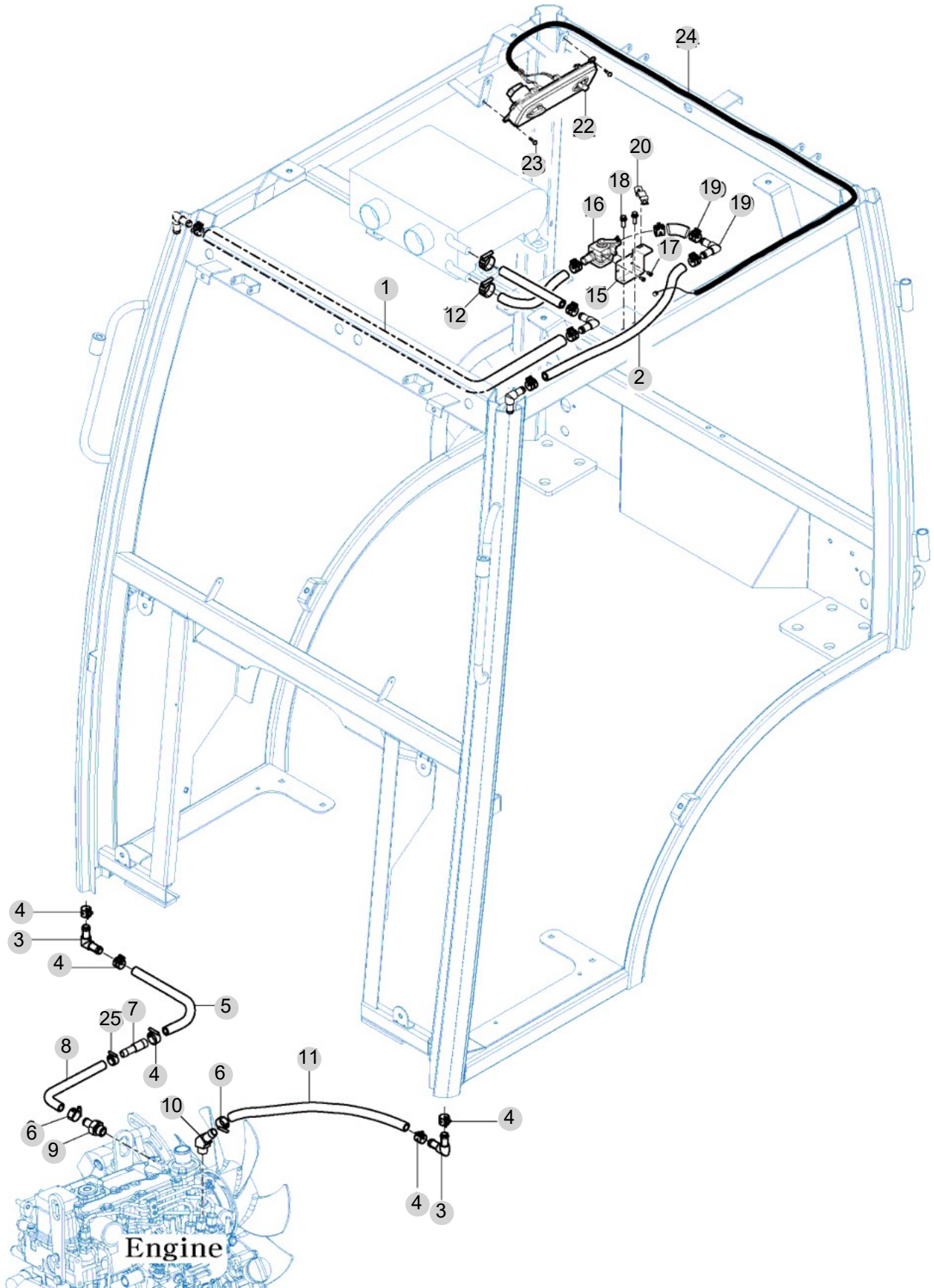
FIG 713

HEATER SUB

년/월
Year/Month

2022-12

T194NHAUZ3



NOTE

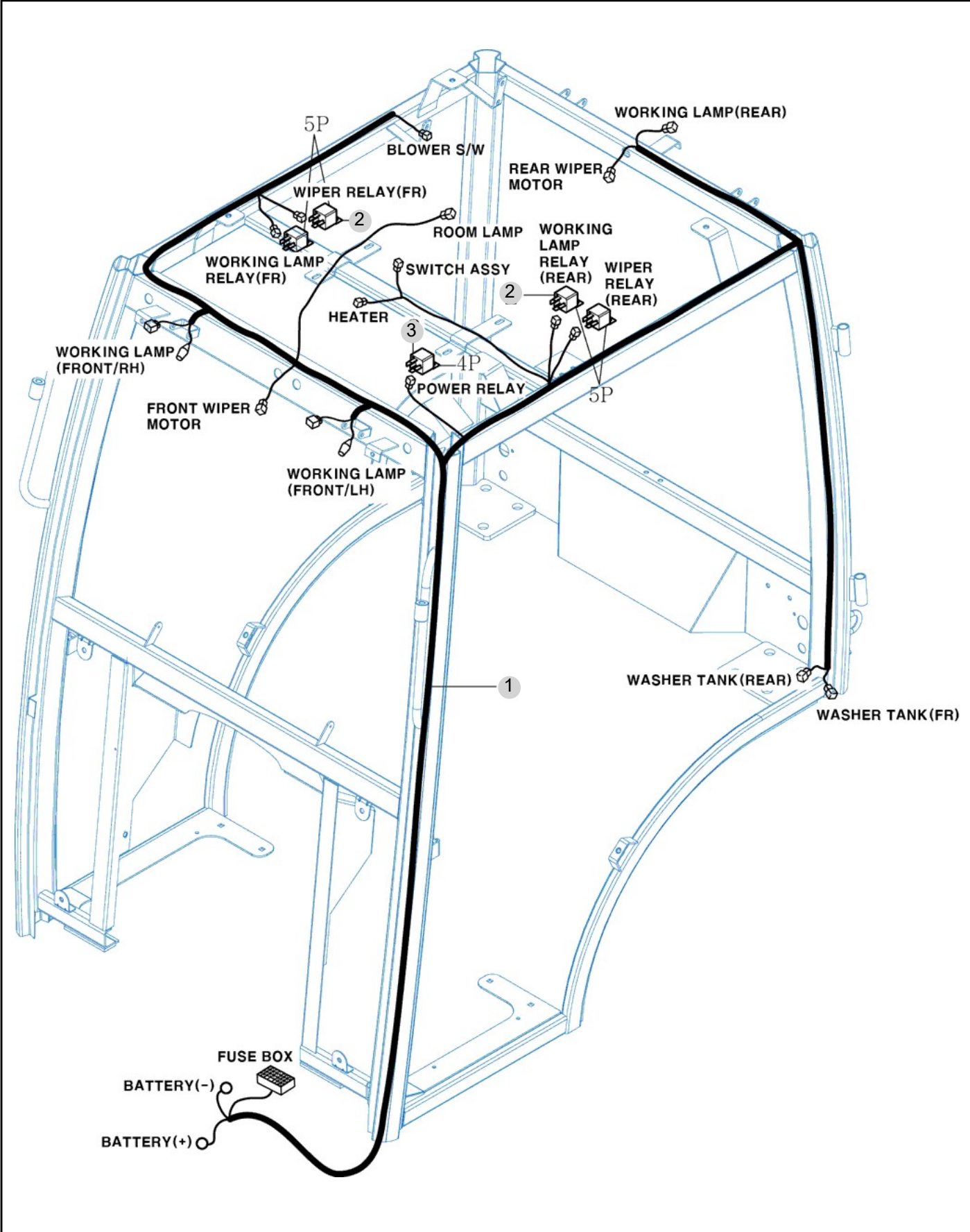
FIG 714

CABIN HARNESS

년/월
Year/Month

T194NHAUZ3

2022-12



NOTE

FIG 714 T194NHAUZ3		CABIN HARNESS					년/월 Year/Month	
							2022-12	
KEY NO	PART NO	DESCRIPTION	SPEC	QTY	REPAIR	EFFECTIVE DATE	REMARKS	
714	1	11297038040	하니스 ASSY , 캐빈			1		
714	2	14946212901	5P 릴레이	G2MT-1125T-RC		4		
714	3	19026493120	4P릴레이	70A		1		
NOTE								

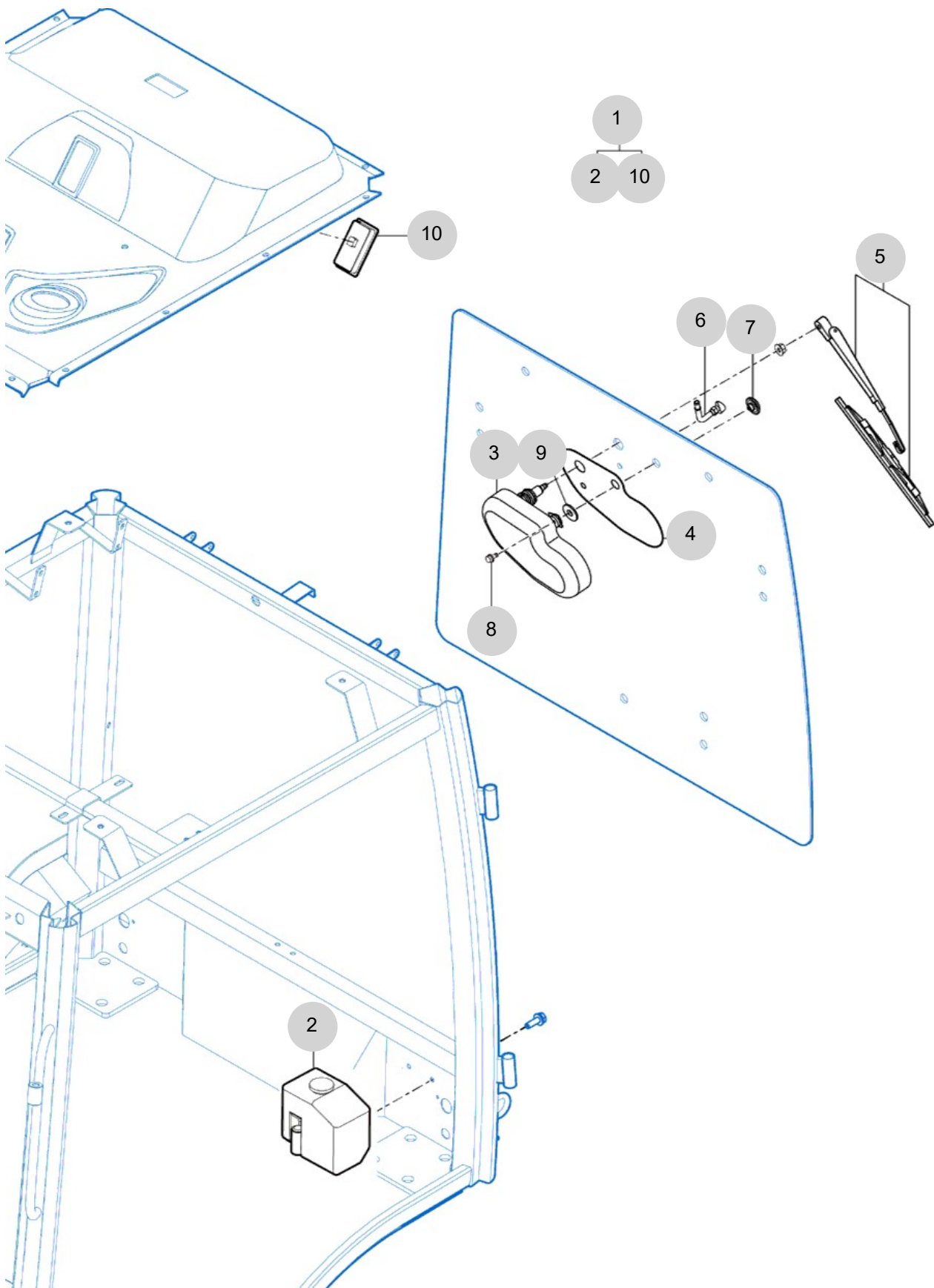
FIG 715

REAR WIPER KIT(OPTION)

년/월
Year/Month

2022-12

T194NHAUZ3



NOTE

8. 전장 PART NO. T8

FIG 801 BATTERY MOUNTING	156
FIG 802 INSTRUMENT PANEL	158
FIG 803 HARNESS(1)	160
FIG 804 HARNESS(2)	162

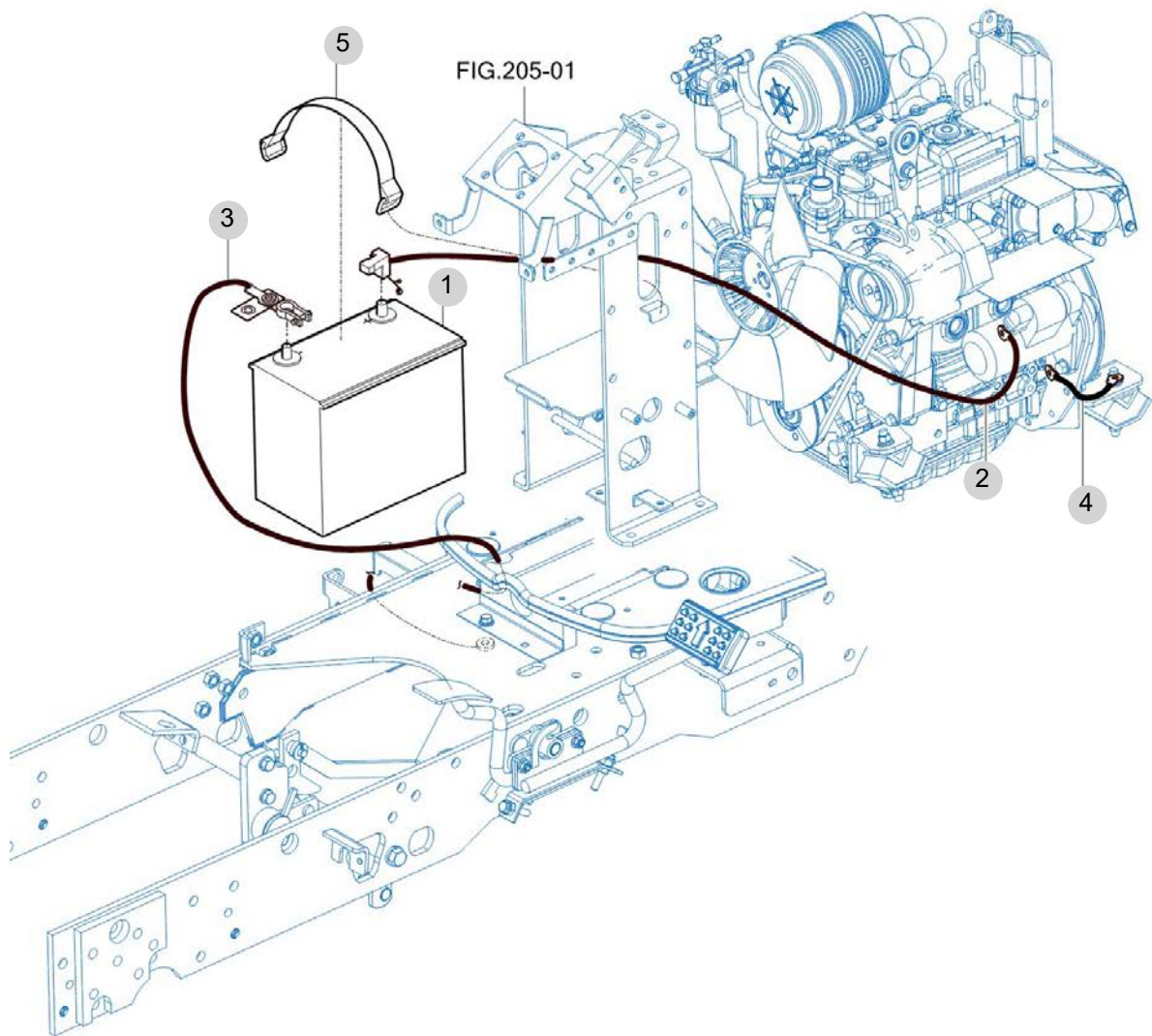
FIG 801

T194NHAUZ3

BATTERY MOUNTING

년/월
Year/Month

2022-12



NOTE

FIG 801 T194NHAUZ3		BATTERY MOUNTING						년/월 Year/Month	
								2022-12	
KEY NO	PART NO	DESCRIPTION	SPEC	QTY	REPAIR	EFFECTIVE DATE	REMARKS		
801	1	13151121002	배터리(12V45AH)ASSY		1				
801	2	11616504200	하니스 ASSY, 배터리		1				
801	3	11616684301	하니스 ASSY, 접지		1				
801	4	11106684300	하니스(접지)ASSY		1				
801	5	36402602001	배터리 누름판 고무 조합		1				
NOTE									

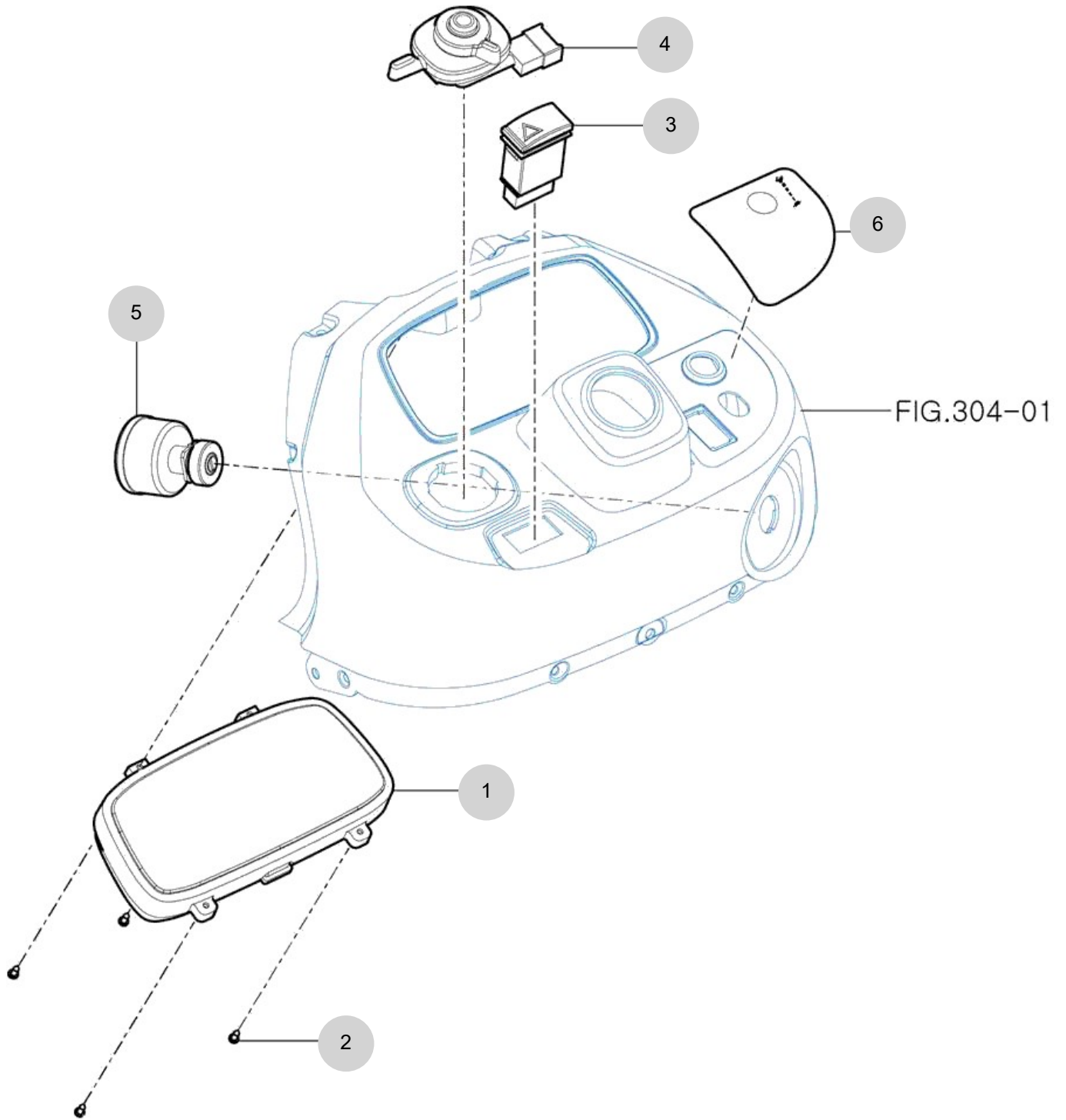
FIG 802

T194NHAUZ3

INSTRUMENT PANEL

년/월
Year/Month

2022-12



NOTE

FIG 802		INSTRUMENT PANEL					년/월 Year/Month
T194NHAUZ3							2022-12

KEY NO	PART NO	DESCRIPTION	SPEC	QTY	REPAIR	EFFECTIVE DATE	REMARKS
802	1	11616602303	메타패널 ASSY	1			
802	2	V1922604016	탭핑나사	4			
802	3	14537072501	캡형비상점멸스위치ASSY	1			
802	4	11616642200	스위치 ASSY, 콤비	1			
802	5	16626582403	스위치(로타리) SET	1			
802	6	11616031030	라벨 , 스토틀	1			
NOTE							

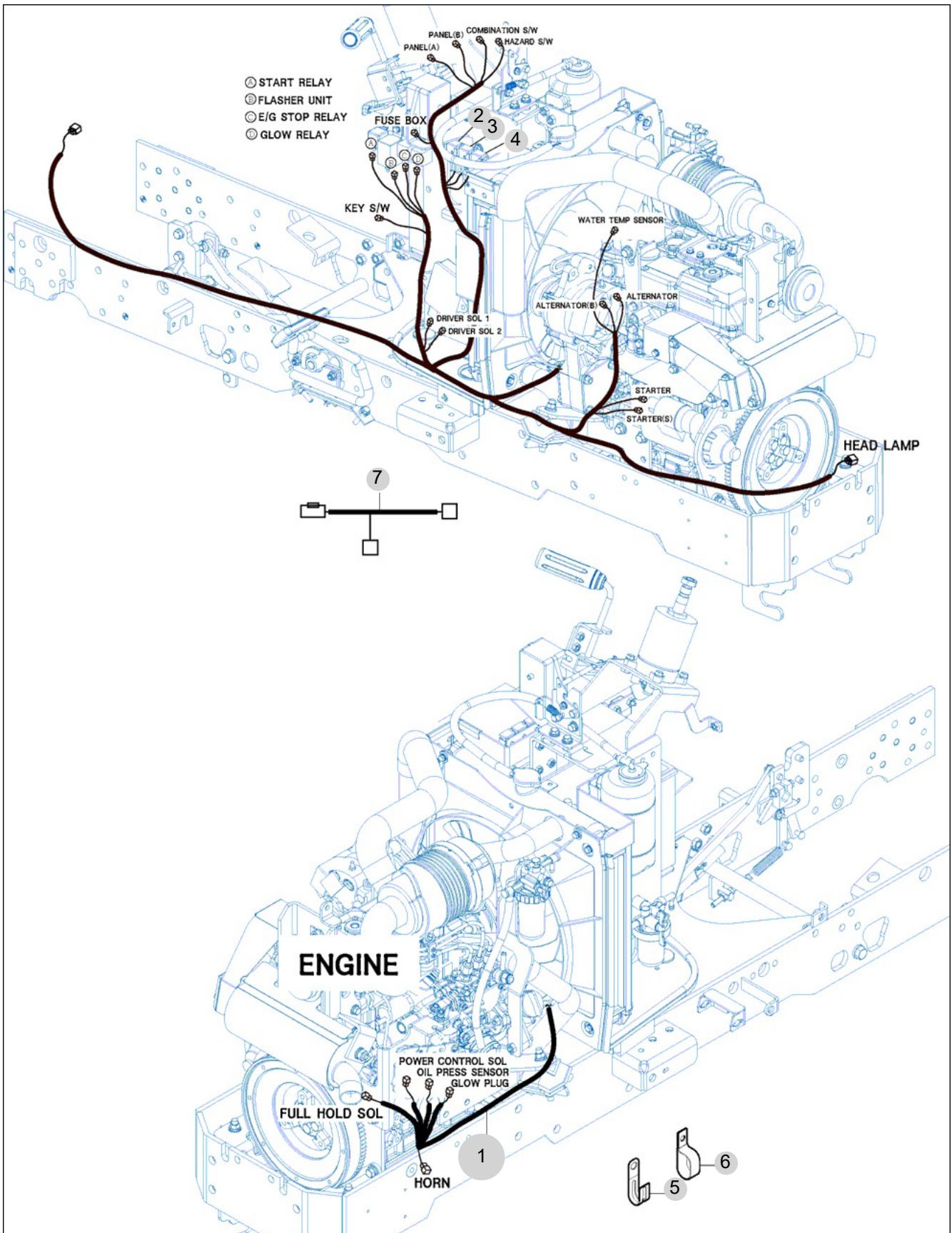
FIG 803

HARNESS(1)

년/월
Year/Month

T194NHAUZ3

2022-12



NOTE

FIG 803		HARNESS(1)						년/월	
								Year/Month	
T194NHAUZ3		2022-12							
KEY NO	PART NO	DESCRIPTION	SPEC	QTY	REPAIR	EFFECTIVE DATE	REMARKS		
803	1	11656682001	하니스 ASSY, 엔진		1				
803	2	11206802120	슬로우블로우퓨즈(30A)	30A	1				
803	3	36502612620	슬로우블로우퓨즈(50A)	50A	1				
803	4	19026802120	슬로우블로우퓨즈(60A)	60A	1				
803	5	37371720110	프래셔하니스클램프		1				
803	6	14441010161	라디에이터호스클램프	1X1X1	1				
803	7	11616683100	하니스 ASSY,헤드램프		1				
NOTE									

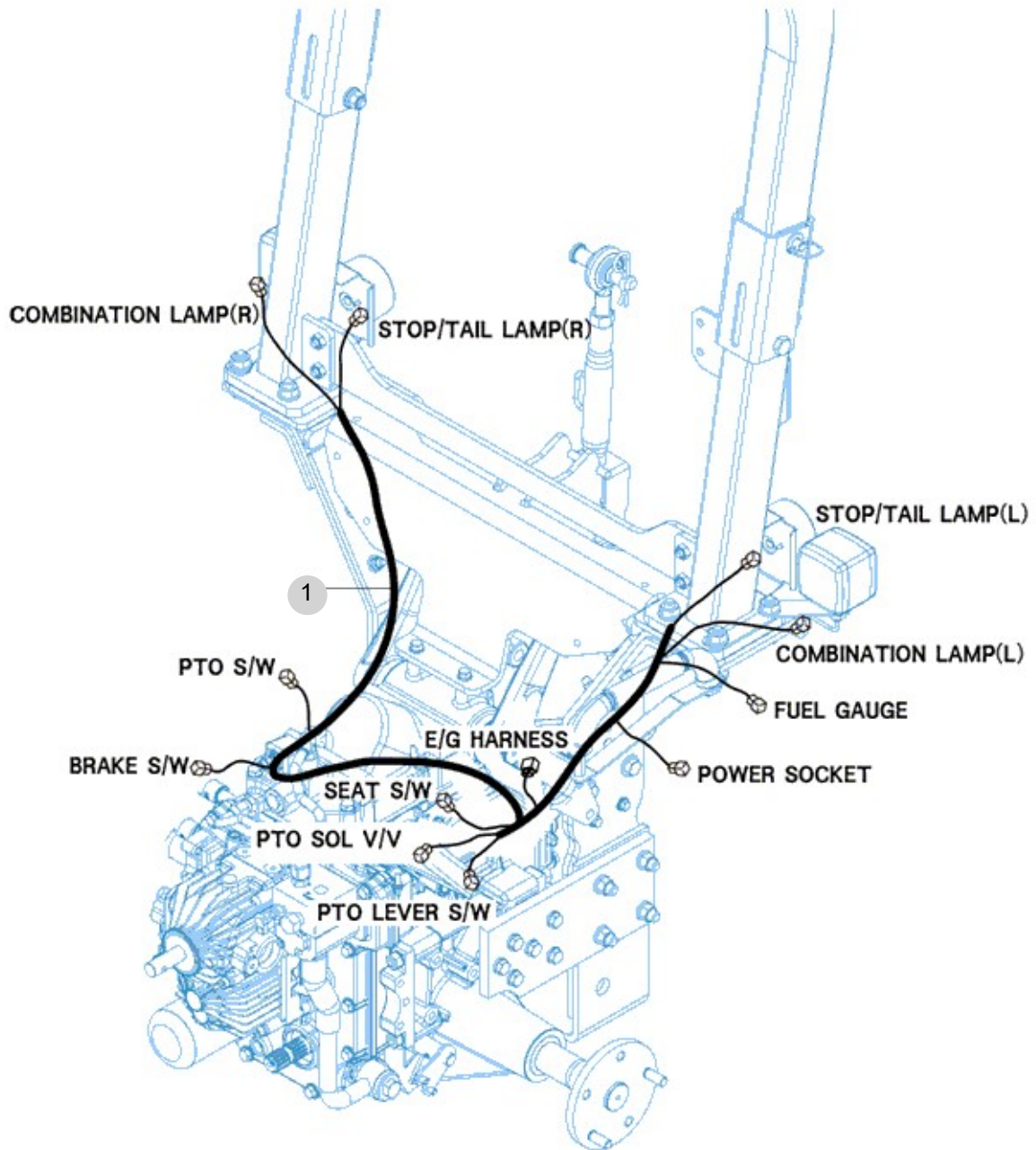
FIG 804

HARNESS(2)

년/월
Year/Month

T194NHAUZ3

2022-12



NOTE

9. 라벨/옵션 PART NO. T9

FIG 901 TOOL & ACCESSORY	165
FIG 902 LABEL	167
FIG 905 AUXILIARY VALVE KIT(OPTION)	169

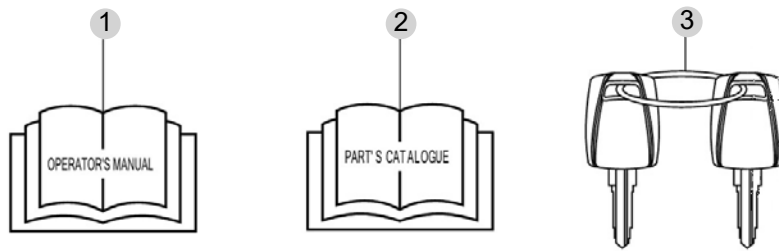
FIG 901

T194NHAUZ3

TOOL & ACCESSORY

년/월
Year/Month

2022-12



NOTE

FIG 902

LABEL

년/월
Year/Month

T194NHAUZ3

2022-12

PARKING BRAKE
Press down the master brake pedal and lock the parking lever at the same time

2

WARNING
Always apply the park brake when parking. Failure to do so can cause accidents and damages.

3

WARNING
• Start engine only from operators seat, if safety start switch is by passed engine can start with transmission in gear.
• Do not connect or short across terminal on starter solenoid.
• Attach booster cables as shown on battery decal and operators manual.
Starting in gear causing runaway can result in serious injury.

4



5

DANGER
Do not ride except operator.

7

WARNING
Always fasten Your seat belt.

8

WARNING
Additions, alterations, cracking, damage or corrosion to this structure may adversely affect the performance of the ROPS.

18

T194

1

TYM

52

DANGER
This Tractor may tip over unexpectedly and quicker than an operator is able to jump free:
1. Never operate a tractor without a proper Roll over Protection Structure (ROPS)
2. Always wear your seat belt when operating this tractor equipped with roll over protection.
3. Never pull from above or from the rear axle.
4. Do not operate the tractor on steep slopes or near drop-offs.
5. Avoid sharp high speed turns. Serious injury or death may result from tractor upsets.

19

WARNING
Death or injury may result if this tractor over turns with the ROPS in the folded down position. Operate this tractor with the ROPS folded down only when necessary. Do not wear seat belt if operated with ROPS folded down.

20



21



25

26

EPA REGULATION
USE ULTRA LOW SULFUR FUEL ONLY

22

WARNING
Do not use the tractor while alcohol or drug impaired or under the influence of any medication. Do not operate the tractor until you are sober and your reaction time is normal.

23

WARNING
Do not use the accelerator lever except working on the field.

24



31

WARNING
Do not remove radiator cap while engine is hot. Hot steam will injure you.

9

WARNING
1. Traveling on the road.
2. Raising blades on an implement.
3. Making adjustment to an implement. Sudden dropping of an implement can cause serious injury or death.

10

WARNING
Never use the differential lock at high speed or on the road as this can cause rollover and injury.

11

CAUTION
Operator's manual

13

CAUTION
Keep hands and clothing away from rotating fan and belts to prevent serious injury.

12



16

HOT

14

CAUTION
Do not touch while the system is hot. It cause serious burns.

15



17



32

WARNING
Breathery Diesel engine exhaust exposes you to chemicals known to the State of California to cause cancer and birth defects or other reproductive harm. Always start and operate the engine in a well-ventilated area. Do not inhale exhaust. Do not get oil on your skin. Do not modify or tamper with the exhaust system. For more information go to www.P65Warnings.ca.gov/label

40

WARNING
Cancer and Reproductive Harm
www.P65Warnings.ca.gov

41



50



51



WARNING
Attach implements and trailers to the tractor only using the prescribed drawbar or hitch.

28

DANGER
Rotating driveline contact can cause death. KEEP AWAY! Keep all drive line, Tractor and equipment shields in place during operation.

29

NOTE

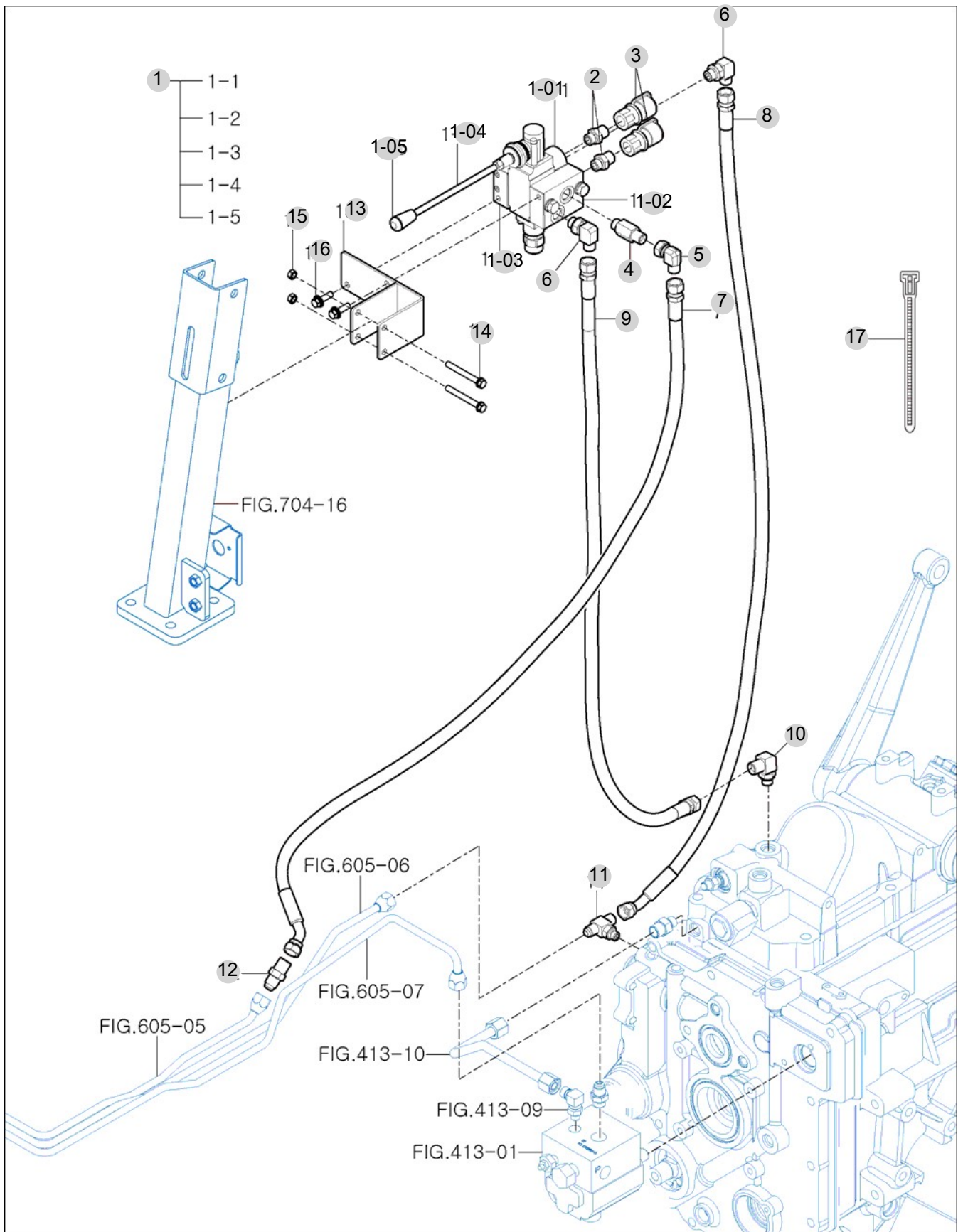
FIG 905

AUXILIARY VALVE KIT(OPTION)

년/월
Year/Month

2022-12

T194NHAUZ3



NOTE

