

T25-B

Parts Catalog

목 차

0. TRACTOR KIT PART NO. TK1

FIG 001 ADAPTER KIT	7
FIG 002 MID P.T.O KIT	9

1. Engine PART NO. EG

FIG 100 ENGINE ASSY	12
FIG 101 CYLINDER BLOCK	14
FIG 102 GEAR HOUSING	16
FIG 103 OIL SUMP	18
FIG 104 CYLINDER HEAD & BONNET	20
FIG 105 EXHAUST MANIFOLD	23
FIG 106 CAMSHAFT & DRIVING GEAR	25
FIG 107 CRANKSHAFT & PISTON	27
FIG 108 LUB. OIL SYSTEM	29
FIG 109 COOLING WATER SYSTEM	31
FIG 110 FUEL INJECTION PUMP	33
FIG 111 GOVERNOR	35
FIG 112 FUEL INJECTION VALVE	37
FIG 113 FUEL FILTER	39
FIG 114 STARTING MOTOR	41
FIG 115 GENERATOR	43
FIG 116 ACCESORY	45

2. Engine Accessories PART NO. T2

FIG 201 AIR CLEANER	48
FIG 202 RADIATOR	50
FIG 203 MUFFLER	52
FIG 204 FUEL TANK & FUEL LINE	54
FIG 205 ACCELERATOR	56
FIG 206 OIL COOLER	58

3. Clutch/Brake/Steering PART NO. T3

FIG 301 FLYWHEEL COVER	61
FIG 302 SPEED CONTROL	63
FIG 303 BRAKE	66
FIG 304 BRAKE PEDAL & LINKAGE	68
FIG 305 STEERING WHEEL & DASH COVER	70
FIG 306 STEERING VALVE	72
FIG 307 STEERING CYLINDER	74
FIG 308 FRONT WHEEL	76
FIG 309 REAR WHEEL	78

4. Transmission PART NO. T4

FIG 401 INPUT SHAFT	81
FIG 402 HST	83
FIG 403 4WD DRIVE GEAR	85
FIG 404 RANGE GEARS	87
FIG 405 P.T.O DRIVE SHAFT	89
FIG 406 P.T.O SHAFT	91
FIG 408 DIFF LOCK	93
FIG 409 REAR TRANSMISSION CASE	95
FIG 410 REAR AXLE HOUSINGS	97
FIG 411 RANGE SHIFT LEVER	99
FIG 412 P.T.O CHANGE LEVER	101
FIG 413 4WD CHANGE LEVER	103

5. Front Axle PART NO. T5

FIG 501 FRAME	106
FIG 502 FRONT DIFFERENTIAL GEARS & SHAFT	108
FIG 503 FRONT AXLE HOUSING	110
FIG 504 FRONT GEAR CASE (1)	112
FIG 505 FRONT GEAR CASE (2)	114

6. Hydraulic/3P-Link PART NO. T6

FIG 601 CYLINDER CASE	117
-----------------------	-----

FIG 602 LIFT ARM	119
FIG 603 FLOW CONTROL VALVE	121
FIG 604 CONTROL VALVE LINKAGE	123
FIG 605 MAIN CONTROL VALVE	125
FIG 606 REMOTE CONTROL VALVE	127
FIG 607 POSITION LEVER LINKAGE	129
FIG 608 GEAR PUMP	131
FIG 609B HYDRAULIC HOSE (1)	133
FIG 610 HYDRAULIC HOSE (2)	135
FIG 611 PTO VALVE	137
FIG 612 3-POINT LINKAGE	139
FIG 613B JOYSTICK LEVER	142
FIG 614 HITCH & COVER	144

7. Sheet Metal & Cabin PART NO. T7

FIG 701 BONNET	147
FIG 702 DASH PANEL	149
FIG 703 FLOOR	151
FIG 704 SEAT	154
FIG 705 ROPS	156
FIG 706 CAB FRAME & DOOR(OPTION)	158
FIG 707 FRONT GLASS(OPTION)	160
FIG 708 SIDE & REAR GLASS(OPTION)	162
FIG 709 ROOF(OPTION)	164
FIG 710 HEATER(OPTION)	166
FIG 711 INTERIOR PART(OPTION)	168
FIG 712 SEAL(OPTION)	170
FIG 713 FRONT & REAR MOUNTING(OPTION)	172

8. Electrical System PART NO. T8

FIG 801 BATTERY & MOUNTING	175
FIG 802 LIGHTS	177
FIG 803 INSTRUMENT PANEL	179
FIG 804 ELECTRIC SYSTEM	181
FIG 805 HARNESS	183
FIG 806 HARNESS	185

9. Label/Option PART NO. T9

FIG 901 TOOL & ACCESSORY	188
FIG 903 LABEL	190
FIG 904 OPTION	192

0. TRACTOR KIT PART NO. TK1

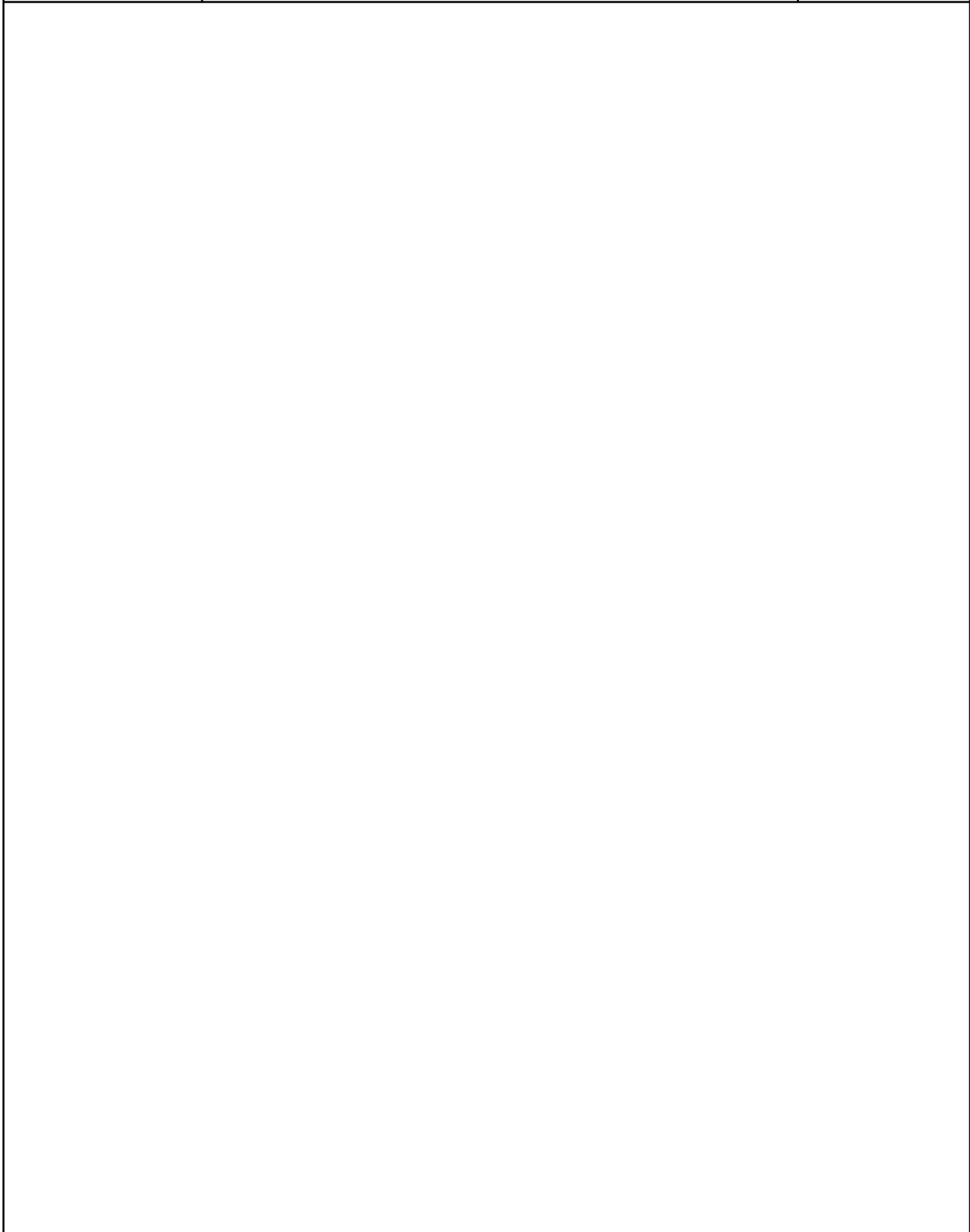
FIG 001 ADAPTER KIT

7

FIG 002 MID P.T.O KIT

9

FIG 001 T25-B	ADAPTER KIT	년/월 Year/Month 2022-12
------------------	-------------	------------------------------



NOTE	
------	--

FIG 002 T25-B	MID P.T.O KIT	년/월 Year/Month 2022-12
------------------	---------------	------------------------------

--	--

NOTE	
------	--

1. Engine PART NO. EG

FIG 100 ENGINE ASSY	12
FIG 101 CYLINDER BLOCK	14
FIG 102 GEAR HOUSING	16
FIG 103 OIL SUMP	18
FIG 104 CYLINDER HEAD & BONNET	20
FIG 105 EXHAUST MANIFOLD	23
FIG 106 CAMSHAFT & DRIVING GEAR	25
FIG 107 CRANKSHAFT & PISTON	27
FIG 108 LUB. OIL SYSTEM	29
FIG 109 COOLING WATER SYSTEM	31
FIG 110 FUEL INJECTION PUMP	33
FIG 111 GOVERNOR	35
FIG 112 FUEL INJECTION VALVE	37
FIG 113 FUEL FILTER	39
FIG 114 STARTING MOTOR	41
FIG 115 GENERATOR	43
FIG 116 ACCESORY	45

FIG 100 T25-B	ENGINE ASSY	년/월 Year/Month 2022-12
------------------	-------------	------------------------------

ENGINE

1

NOTE	
------	--

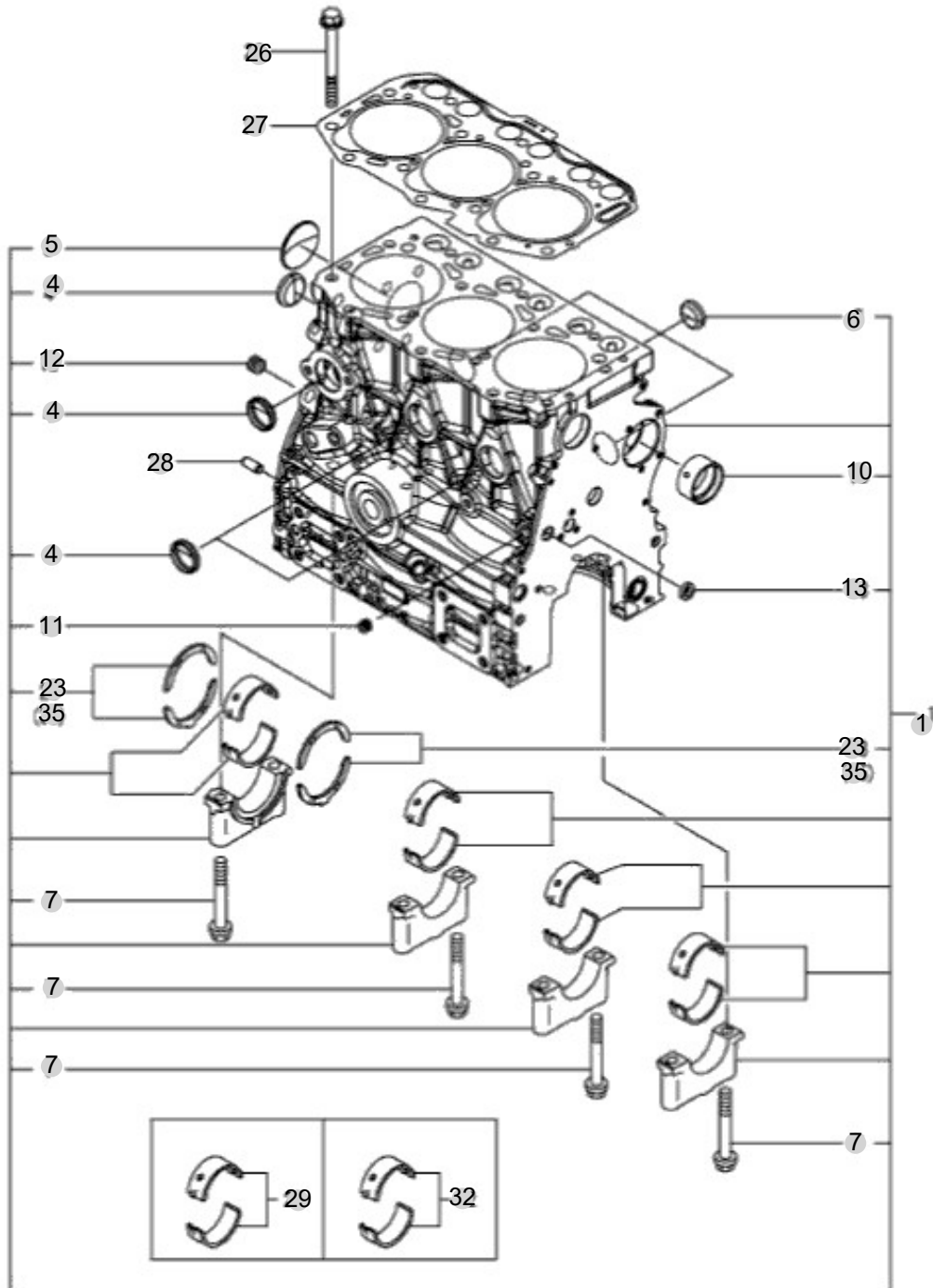
FIG 101

CYLINDER BLOCK

년/월
Year/Month

2022-12

T25-B



NOTE

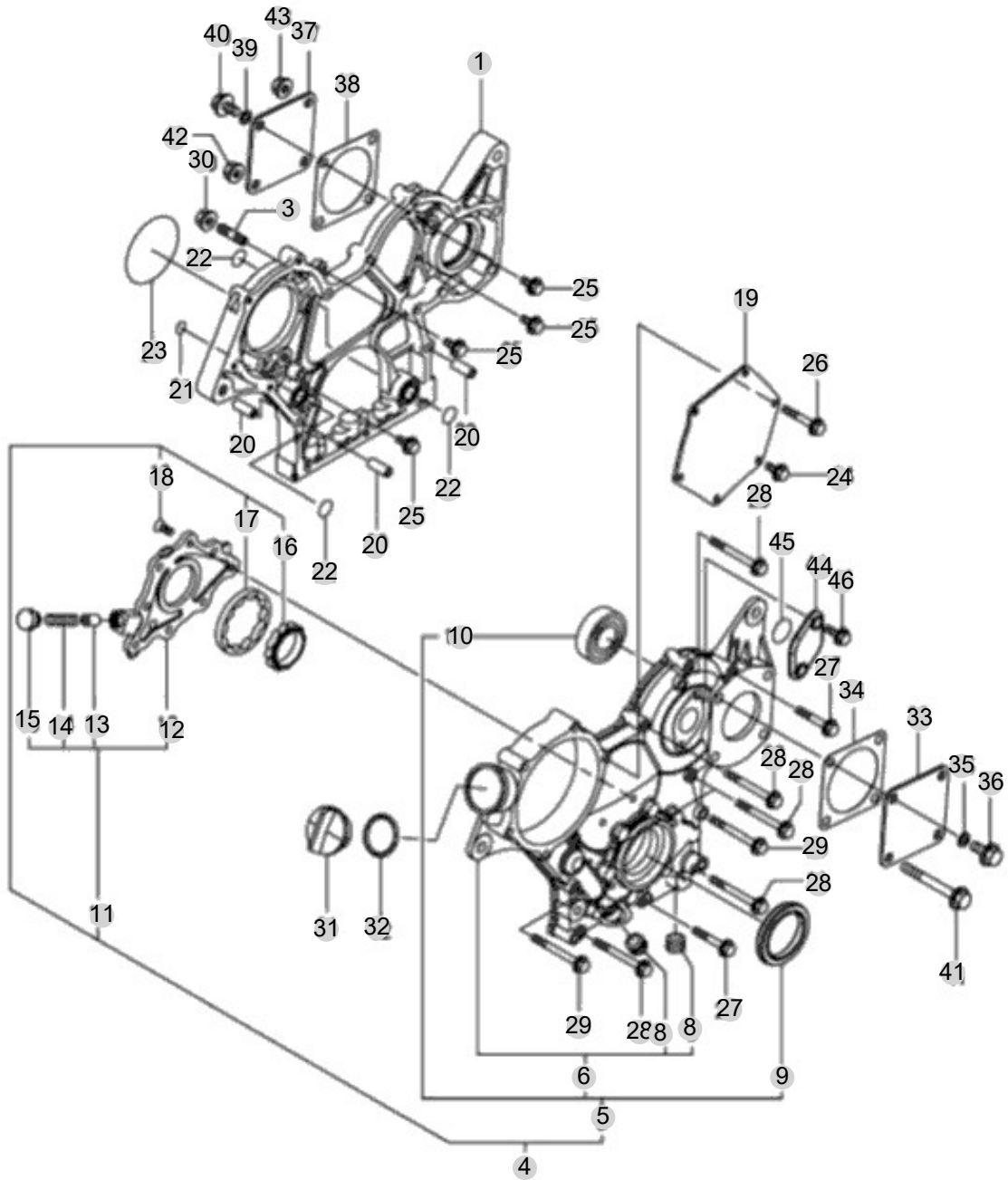
FIG 102

GEAR HOUSING

년/월
Year/Month

2022-12

T25-B



NOTE

FIG 102 T25-B		GEAR HOUSING					년/월 Year/Month	
							2022-12	
KEY NO	PART NO	DESCRIPTION	SPEC	QTY	REPAIR	EFFECTIVE DATE	REMARKS	
102	1	119740-01501	CASE, GEAR		1			
102	3	119717-01570	STUD		3			
102	4	119751-01590	COVER ASSY, CASE		1			
102	5	719751-01500	COVER ASSY, CASE		1			
102	6	119751-01521	COVER, GEAR CASE		1			
102	8	23876-030000	PLUG, R03		2			
102	9	119717-01800	SEAL, OIL		1			
102	10	24101-062024	BEARING, BALL 6202		1			
102	11	119717-32100	COVER ASSY, PUMP		1			
102	12	119717-32080	COVER, OIL PUMP		1			
102	13	129900-32130	VALVE, RELIEF		1			
102	14	129001-32320	SPRING		1			
102	15	129001-32330	PLUG		1			
102	16	119717-32110	ROTOR, INNER		1			
102	17	119717-32120	ROTOR, OUTER		1			
102	18	119802-32130	SCREW, M6X16		8			
102	19	119717-01750	COVER, PUMP		1			
102	20	119660-01911	PIPE, KNOCK 6X17		4			
102	21	119624-32040	O-RING, P12.0		1			
102	22	119717-32050	O-RING, P17.0		3			
102	23	121850-51960	O-RING, FUEL PUMP		1			
102	24	26106-060122	BOLT, M6X 12 PLATED		1			
102	25	26106-060162	BOLT, M6X 16 PLATED		4			
102	26	26106-060402	BOLT, M6X 40 PLATED		4			
102	27	26106-060402	BOLT, M6X 40 PLATED		2			
102	28	26106-060602	BOLT, M6X 60 PLATED		7			
102	29	26106-060652	BOLT, M6X 65 PLATED		2			
102	30	26306-080002	NUT, M8		3			
102	31	124160-01751	CAP, FILLER		1			
102	32	24311-000320	O-RING, 1AP32.0		1			
102	33	124240-01871	COVER, HYDRAULIC PUMP		1			
102	34	129C26-01890	GASKET, PUMP		1			
102	35	22190-080002	WASHER, SEAL 8		1			
102	36	26106-080142	BOLT, M8X 14 PLATED		1			
102	37	124240-01871	COVER, HYDRAULIC PUMP		1			
102	38	129C26-01890	GASKET, PUMP		1			
102	39	22190-080002	WASHER, SEAL 8		1			
102	40	26106-080142	BOLT, M8X 14 PLATED		1			
102	41	26106-080702	BOLT, M8X 70 PLATED		3			
102	42	26306-080002	NUT, M8		1			
102	43	26306-080002	NUT, M8		2			
102	44	121023-01551	COVER, TACHOMETER		1			
102	45	24341-000240	O-RING, 1AS24.0		1			
102	46	26106-060162	BOLT, M6X 16 PLATED		2			
NOTE								

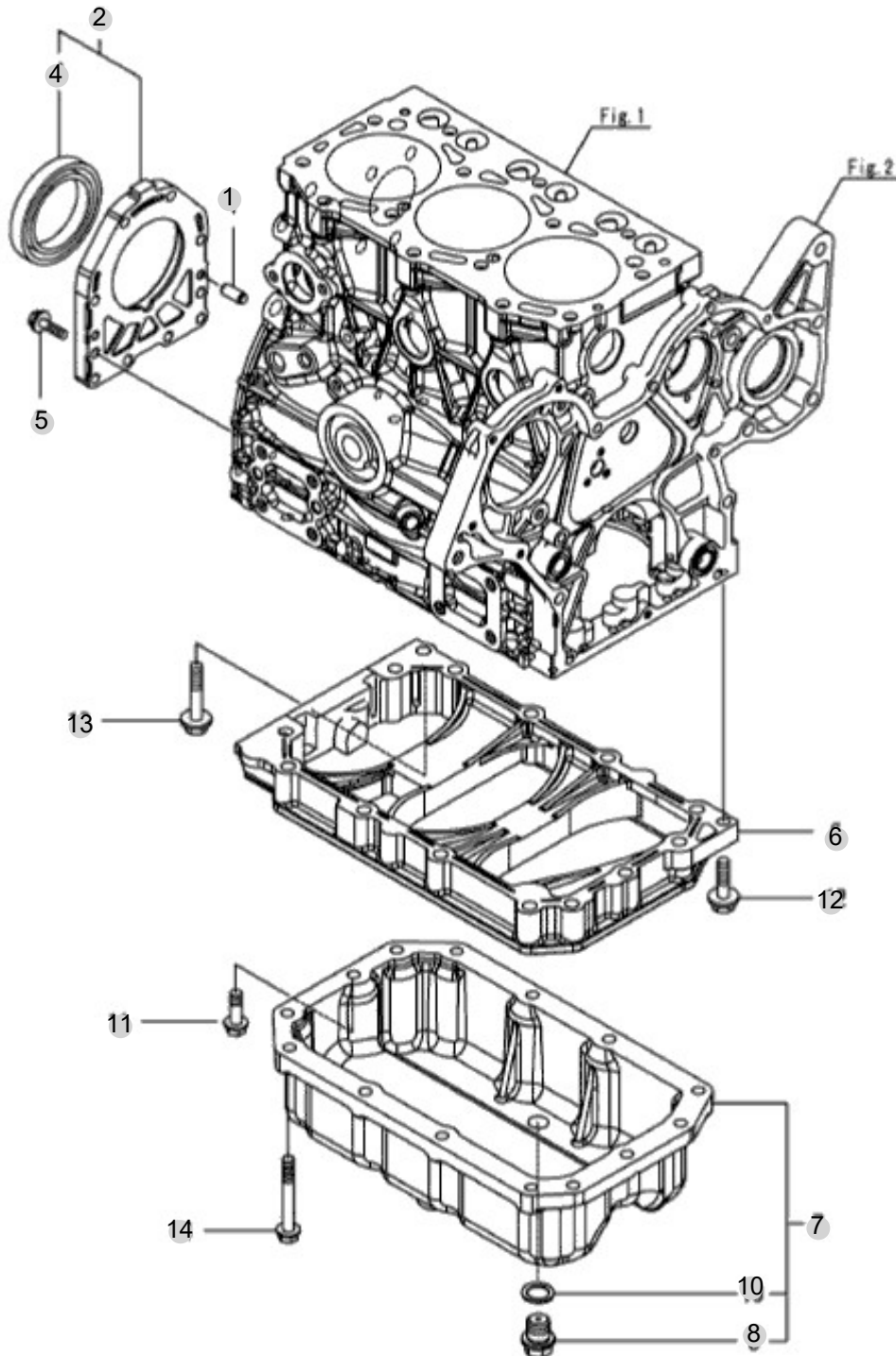
FIG 103

T25-B

OIL SUMP

년/월
Year/Month

2022-12



NOTE

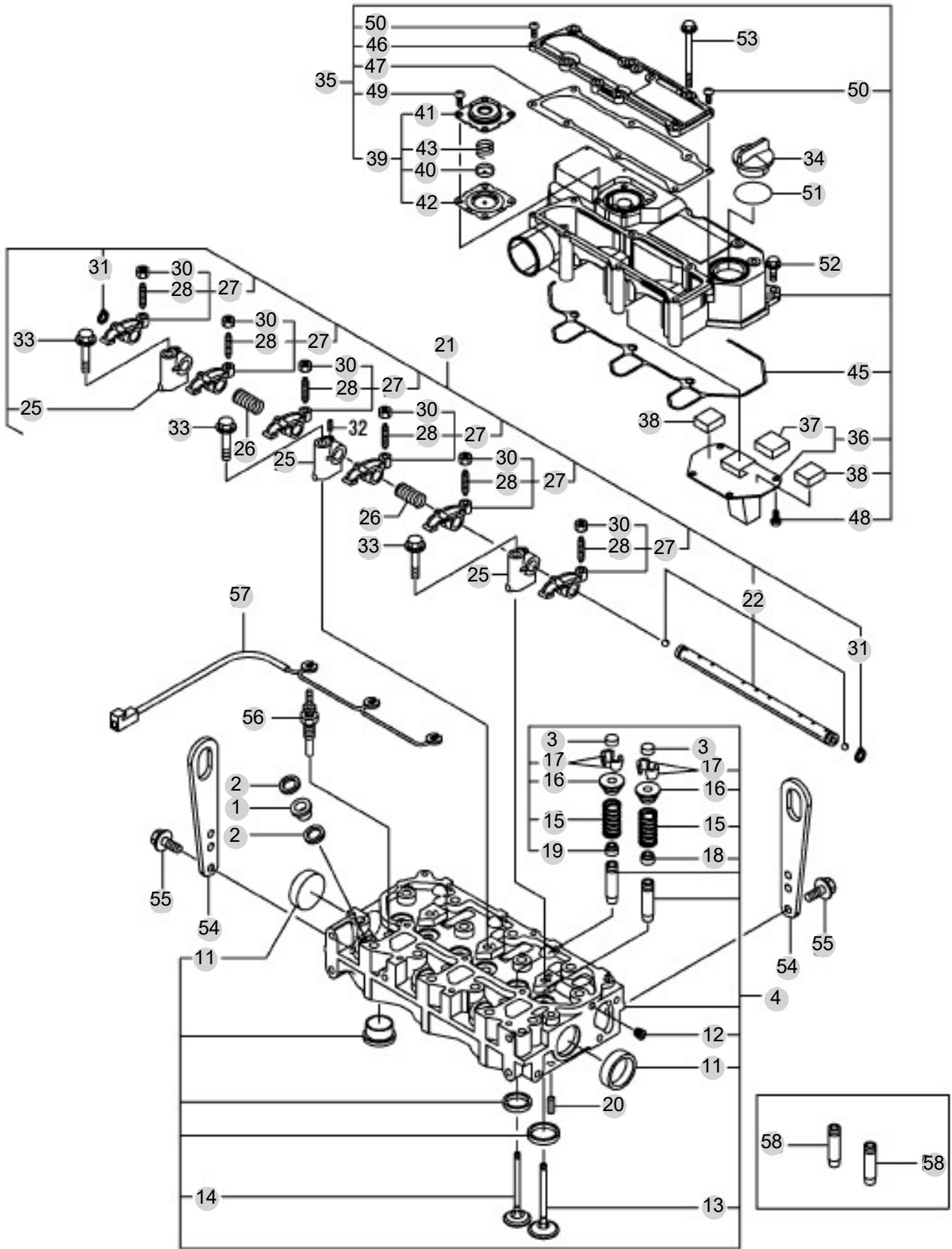
FIG 104

CYLINDER HEAD & BONNET

년/월
Year/Month

2022-12

T25-B



NOTE

FIG 104 T25-B		CYLINDER HEAD & BONNET					년/월 Year/Month	
							2022-12	
KEY NO	PART NO	DESCRIPTION	SPEC	QTY	REPAIR	EFFECTIVE DATE	REMARKS	
104	1	129901-11450	PROTECTOR, NOZZLE		3			
104	2	119600-11460	GASKET, NOZZLE		6			
104	3	105010-11490	CAP, VALVE		6			
104	4	119E10-11750	HEAD ASSY, CYLINDER		1			
104	11	119285-11990	PLUG, 35		2			
104	12	23876-005000	PLUG, R005		1			
104	13	119E10-11100	VALVE, INTAKE		3			
104	14	119E10-11110	VALVE, EXHAUST		3			
104	15	119717-11131	SPRING, VALVE		6			
104	16	129508-11180	RETAINER, SPRING		6			
104	17	119717-11190	COTTER, VALVE		12			
104	18	119717-11340	SEAL, VALVE STEM		3			
104	19	119717-11350	SEAL, VALVE STEM		3			
104	20	22351-060012	PIN, SPRING 6.0X12		2			
104	21	119717-11200	SUPPORT ASSY, ROCKER		1			
104	22	119717-11240	SHAFT ASSY, ARM		1			
104	25	119717-11260	SUPPORT, ROCKER ARM		3			
104	26	119620-11280	SPRING, SHAFT		2			
104	27	119717-11650	ARM ASSY, ROCKER INT		6			
104	28	129150-11230	SCREW, VALVE ADJUST		6			
104	30	129150-11750	NUT, M8XP1.0		6			
104	31	22242-000120	RING, 12		2			
104	32	119260-11270	SCREW		1			
104	33	26106-080402	BOLT, M8X 40 PLATED		3			
104	34	124160-01751	CAP, FILLER		1			
104	35	119717-11381	BONNET ASSY, HEAD		1			
104	36	119717-03031	PLATE, BAFFLE		1			
104	37	119717-03070	BAFFLE, BREATHER		1			
104	38	119717-03070	BAFFLE, BREATHER		2			
104	39	119802-03100	DIAPHRAGM ASSY		1			
104	40	119802-03110	PLATE, DIAPHRAGM		1			
104	41	119802-03121	COVER, DIAPHRAGM		1			
104	42	119802-03131	DIAPHRAGM, BREATHER		1			
104	43	119802-03141	SPRING, DIAPHRAGM		1			
104	45	119718-11310	GASKET, BONNET		1			
104	46	119717-11320	COVER, BONNET		1			
104	47	119717-11331	GASKET, BONNET COVER		1			
104	48	22857-500100	SCREW, 5X10		4			
104	49	22857-500100	SCREW, 5X10		4			
104	50	22857-500160	SCREW, 5X16		2			
104	51	24311-000320	O-RING, 1AP32.0		1			
104	52	26106-060202	BOLT, M6X 20 PLATED		3			
104	53	26106-060752	BOLT, M6X 75 PLATED		6			
104	54	129900-07900	LIFTER, ENGINE		2			
104	55	26106-080162	BOLT, M8X 16 PLATED		4			
NOTE								

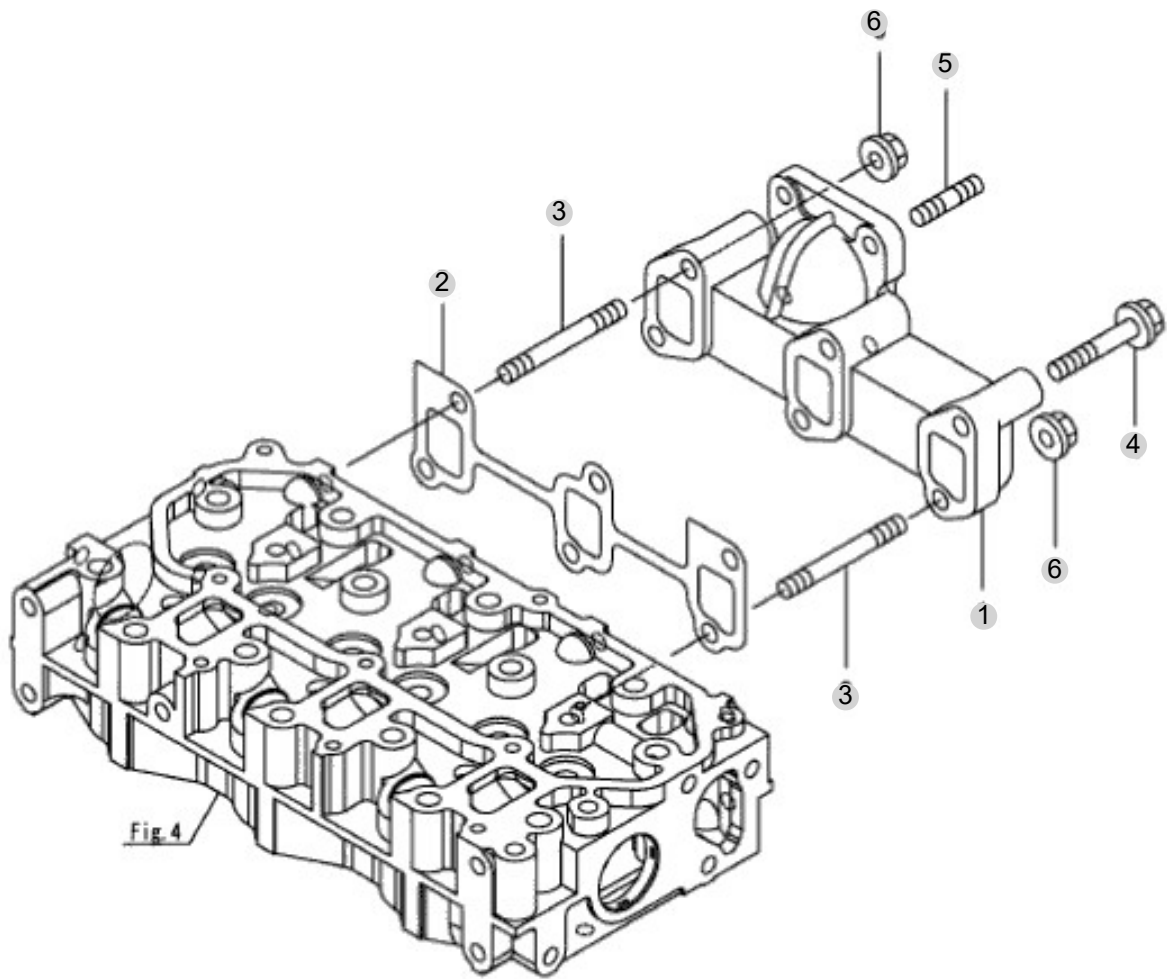
FIG 105

EXHAUST MANIFOLD

년/월
Year/Month

2022-12

T25-B



NOTE

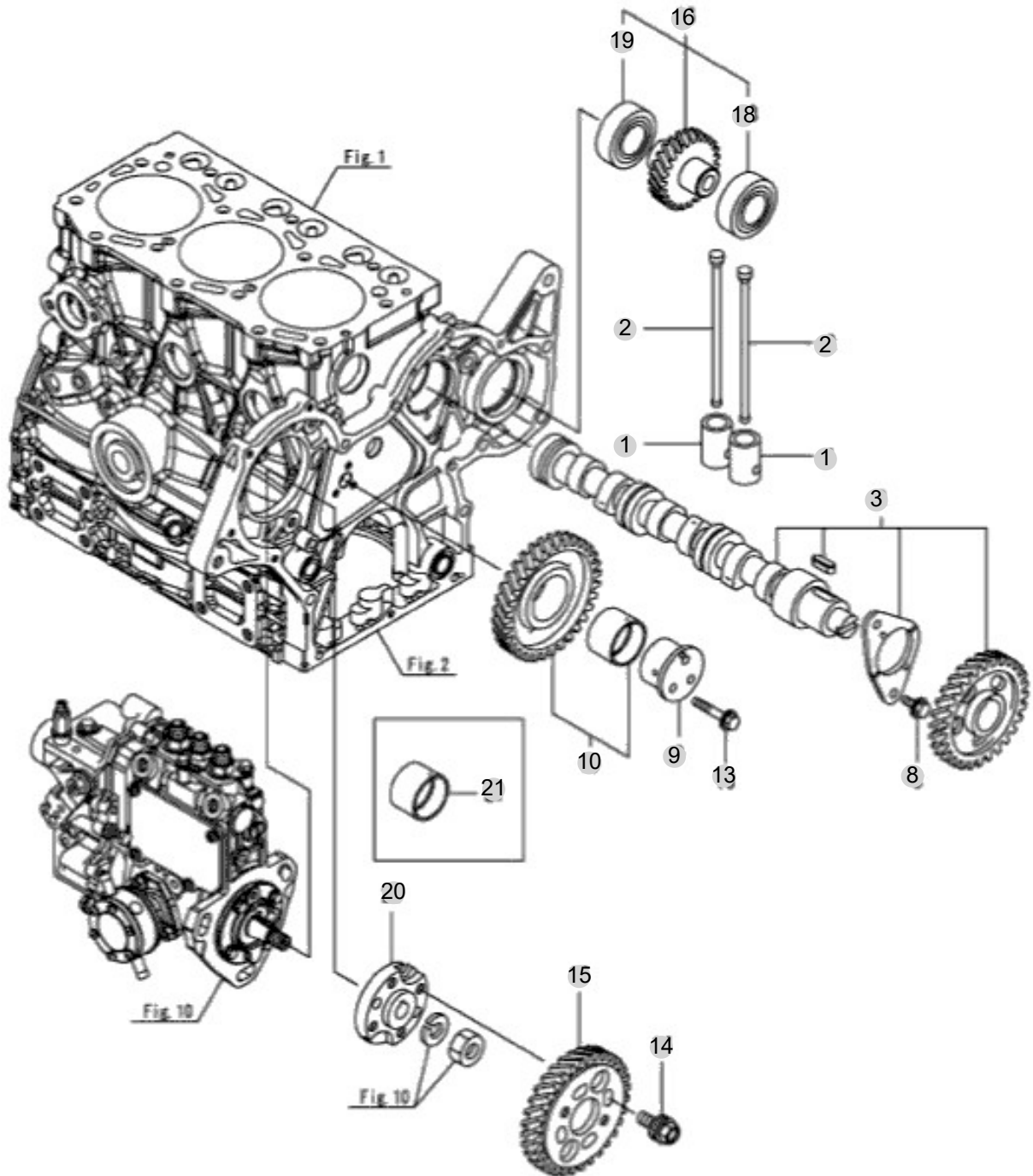
FIG 106

T25-B

CAMSHAFT & DRIVING GEAR

년/월
Year/Month

2022-12



NOTE

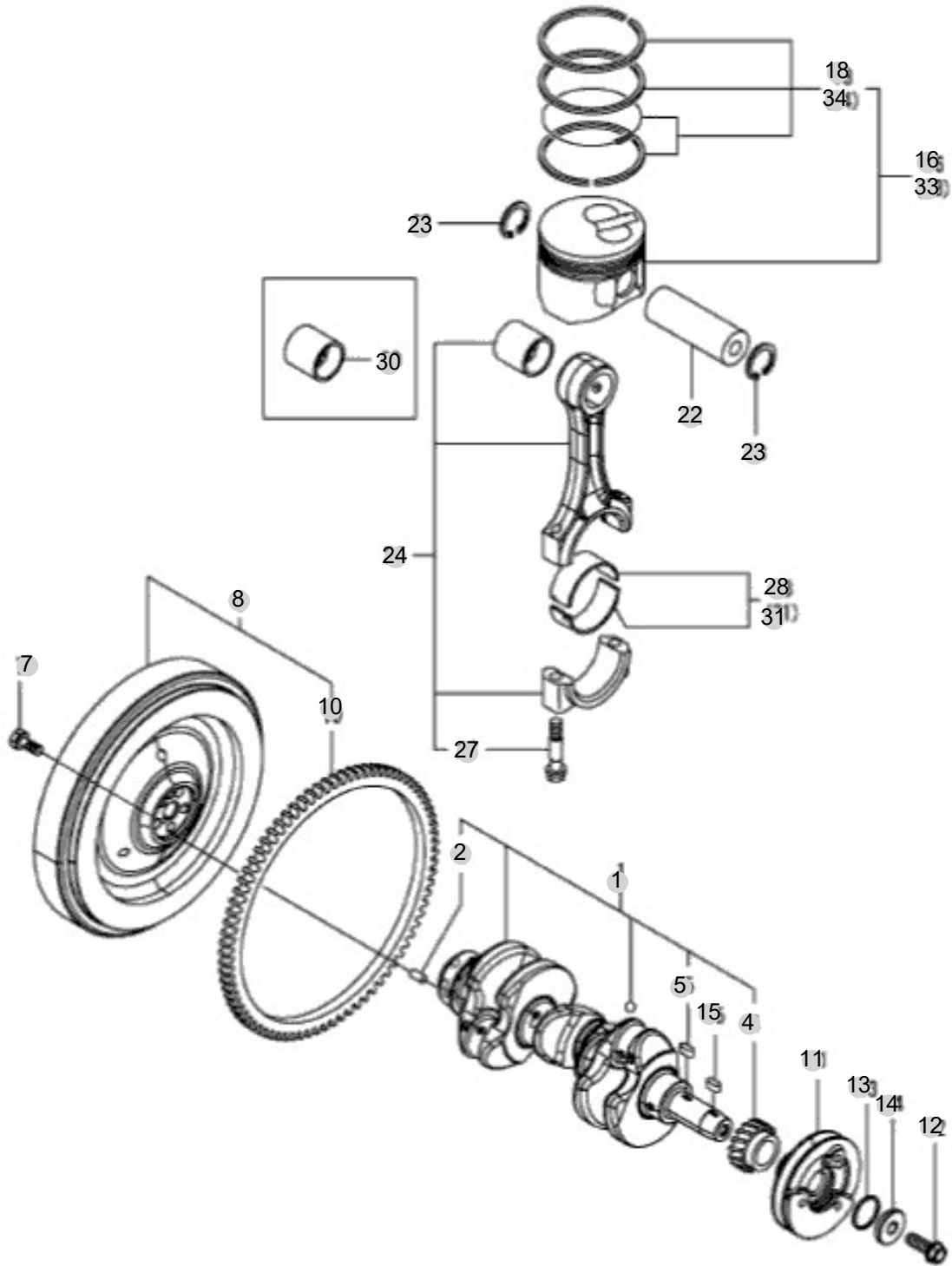
FIG 107

T25-B

CRANKSHAFT & PISTON

년/월
Year/Month

2022-12



NOTE

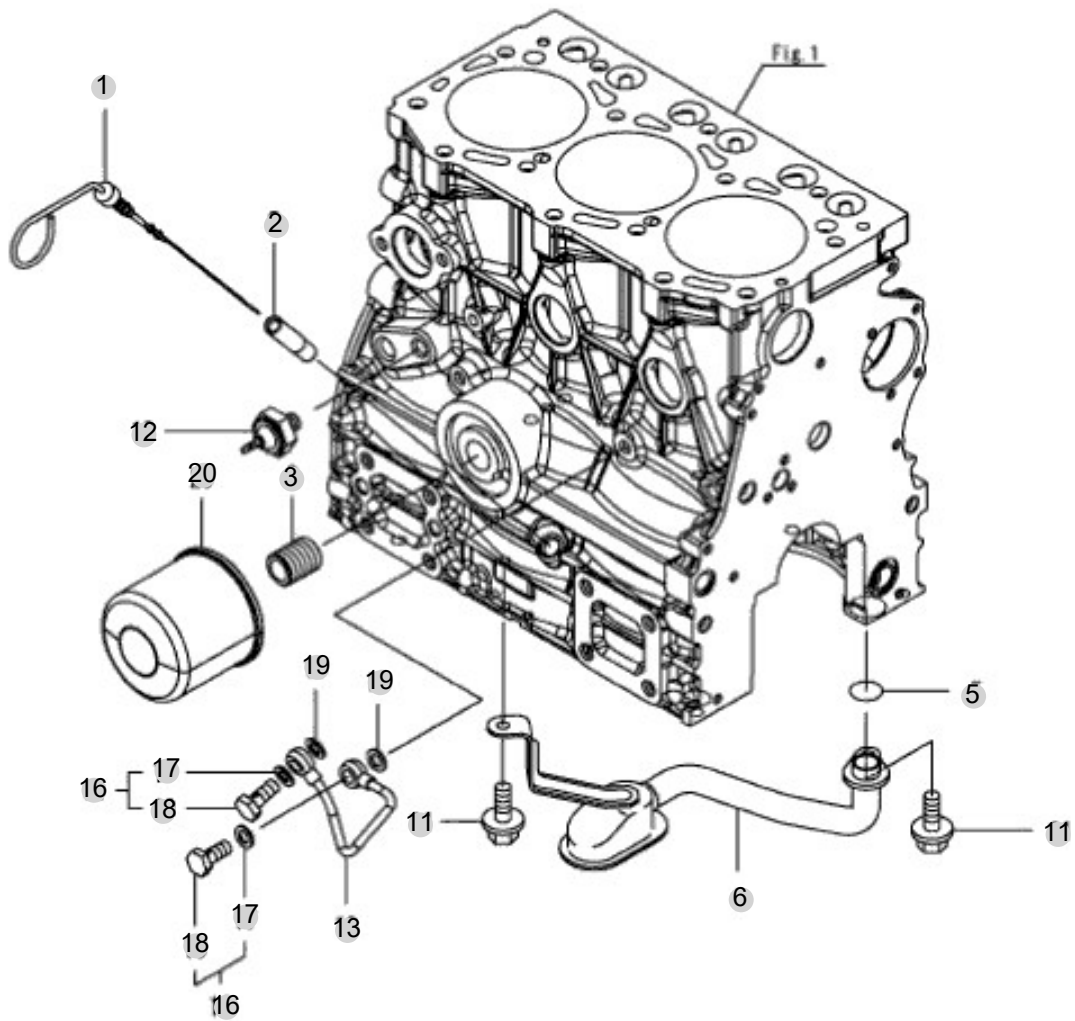
FIG 108

LUB. OIL SYSTEM

년/월
Year/Month

2022-12

T25-B



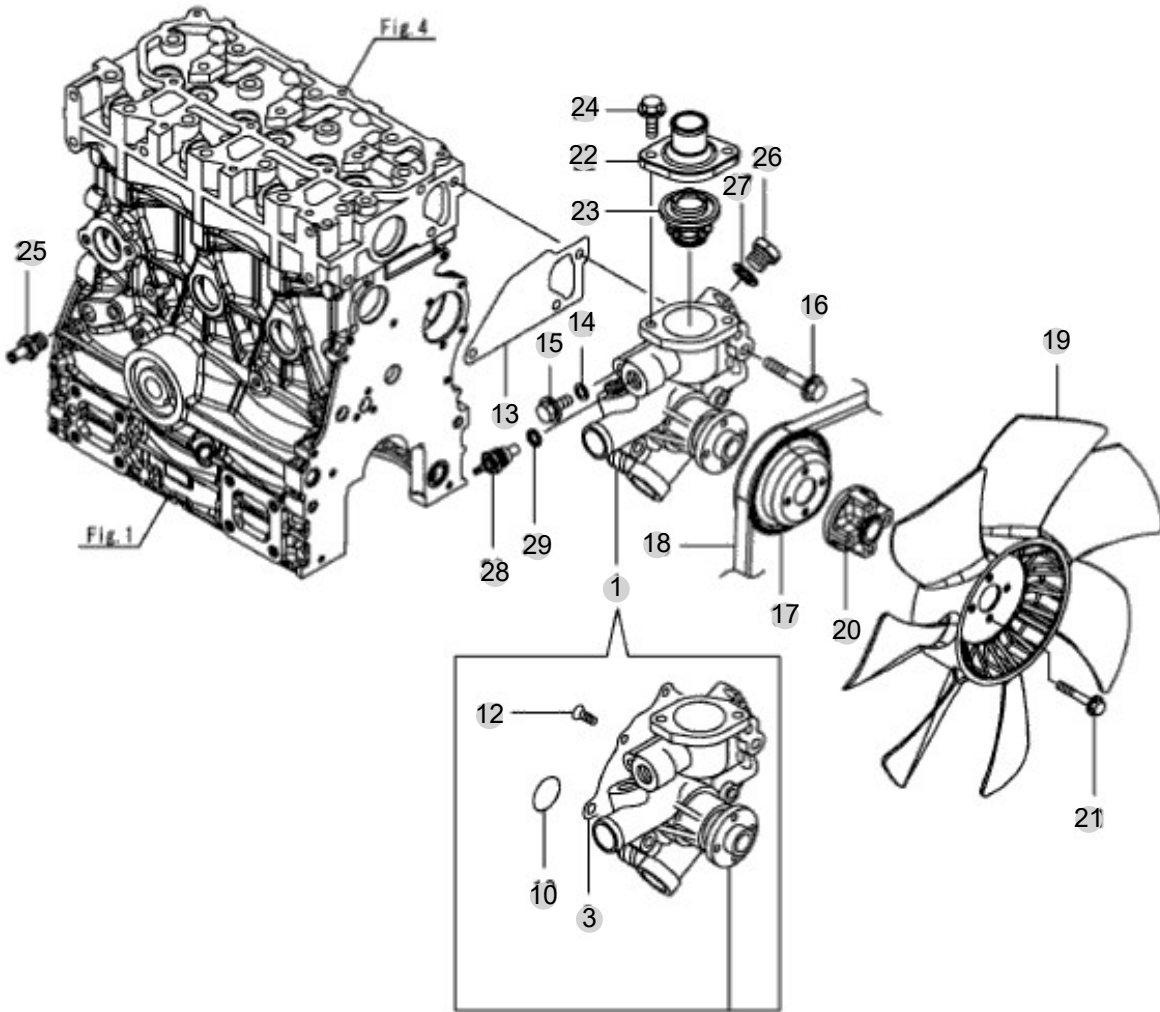
NOTE

FIG 109

COOLING WATER SYSTEM

년/월
Year/Month

2022-12



NOTE

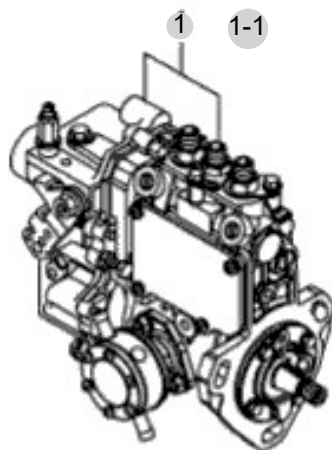
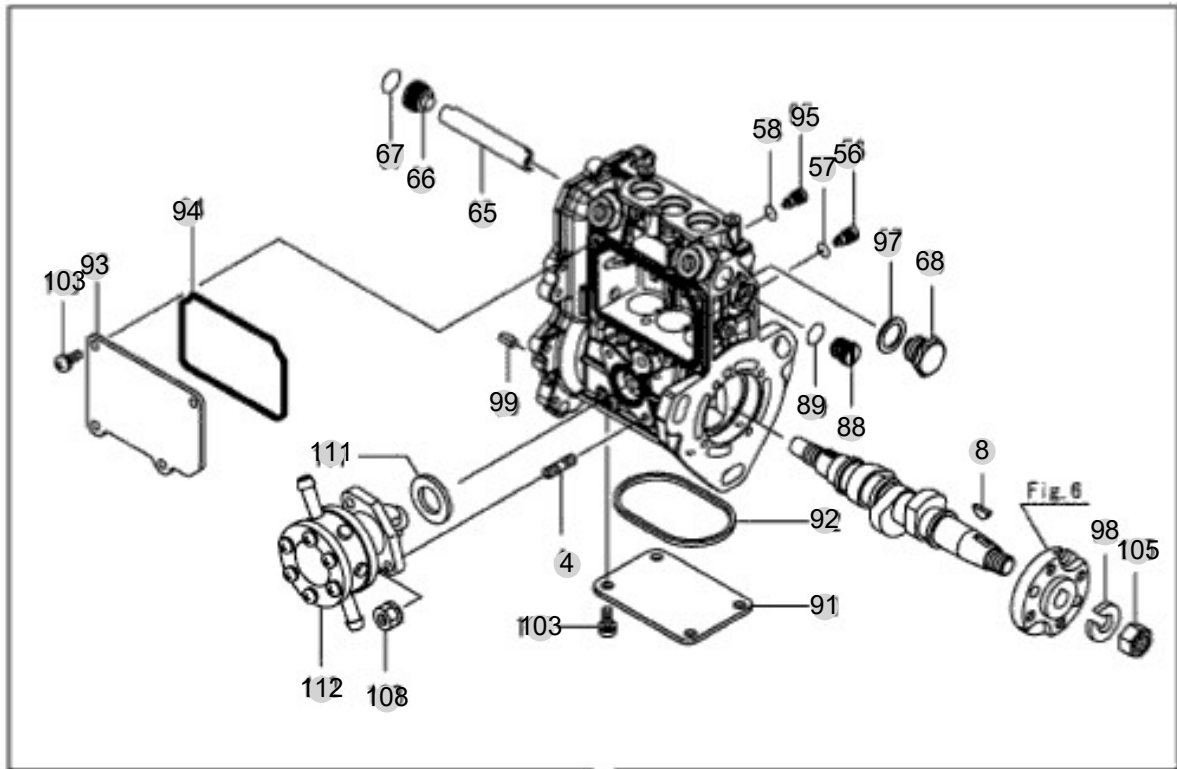
FIG 110

T25-B

FUEL INJECTION PUMP

년/월
Year/Month

2022-12



NOTE

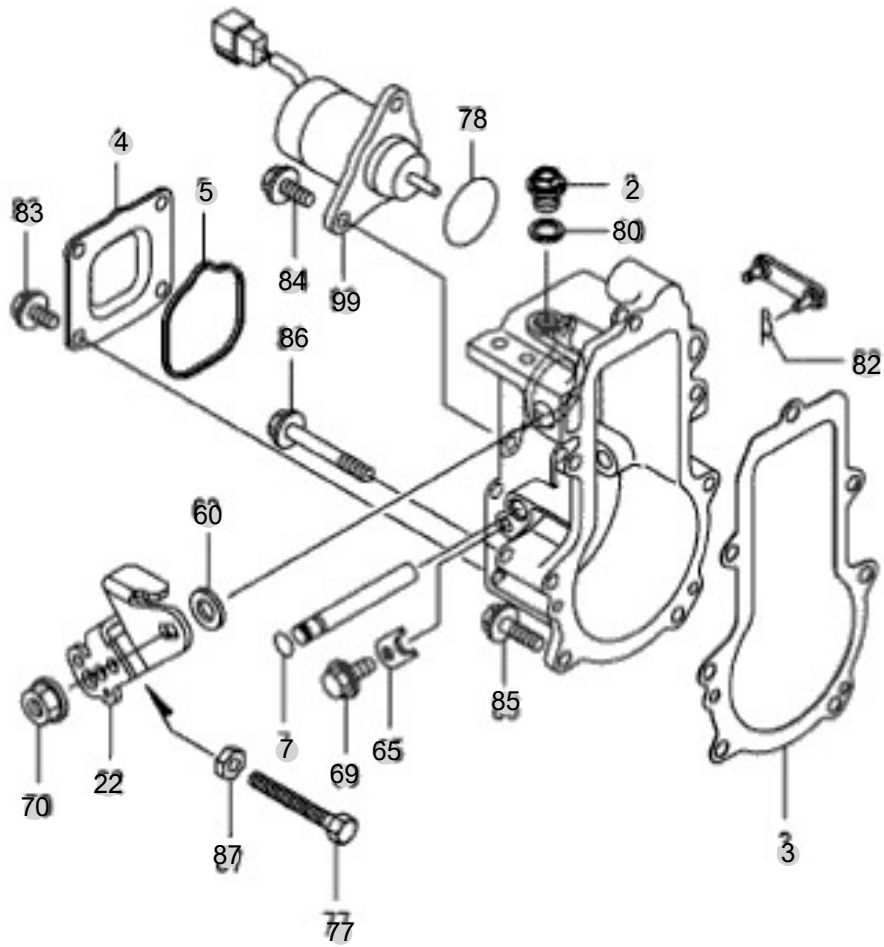
FIG 111

T25-B

GOVERNOR

년/월
Year/Month

2022-12



NOTE

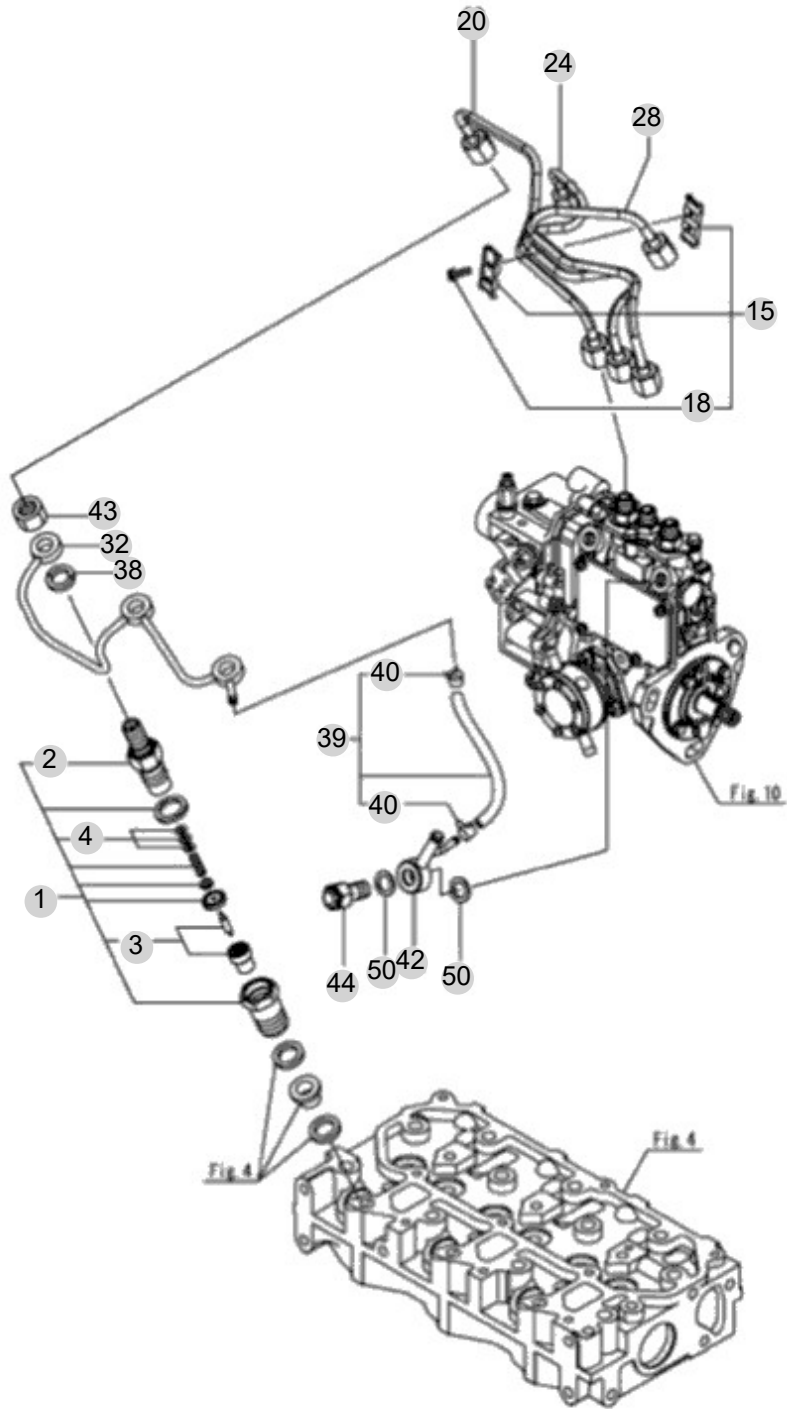
FIG 112

T25-B

FUEL INJECTION VALVE

년/월
Year/Month

2022-12



NOTE

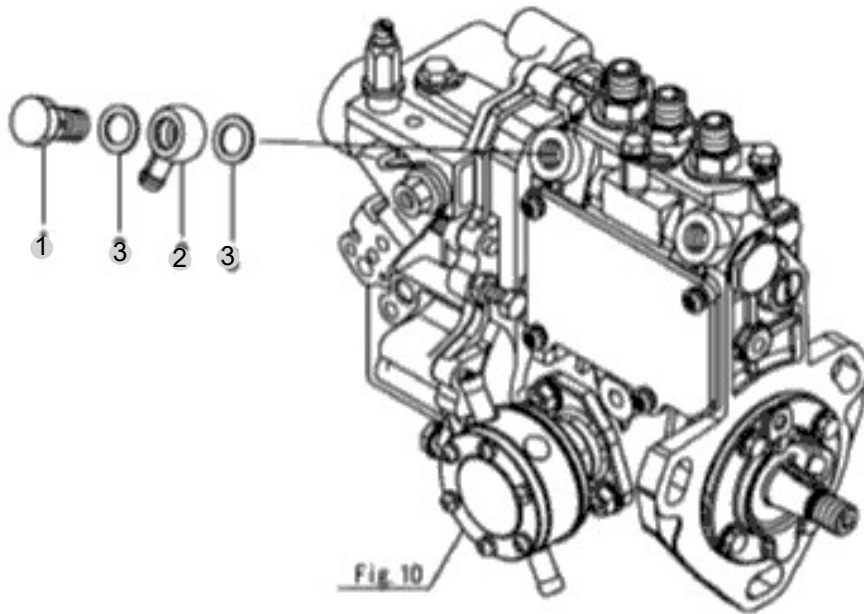
FIG 113

T25-B

FUEL FILTER

년/월
Year/Month

2022-12



NOTE

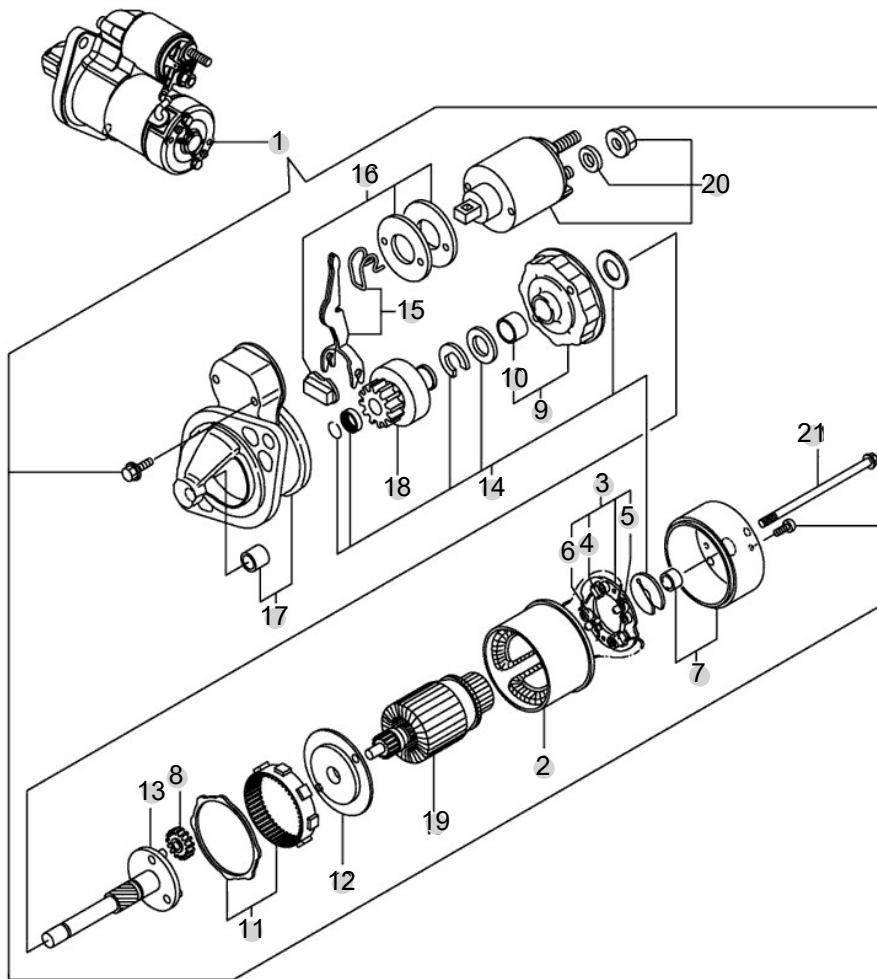
FIG 114

STARTING MOTOR

년/월
Year/Month

2022-12

T25-B



NOTE

FIG 115

GENERATOR

년/월
Year/Month

2022-12

T25-B

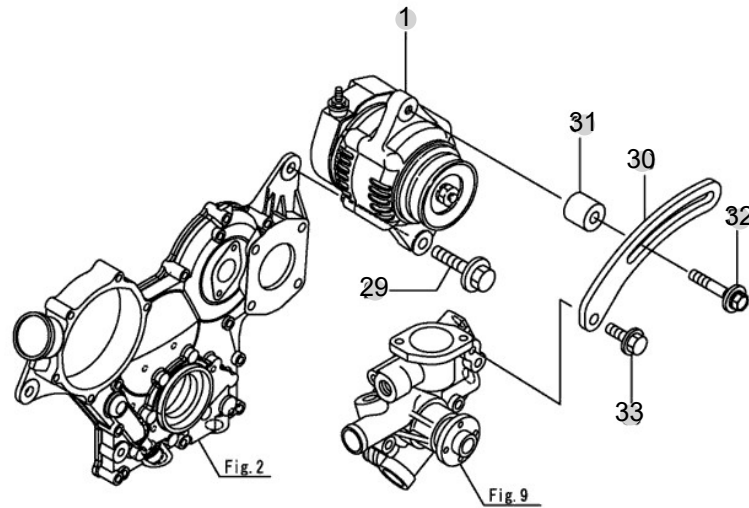
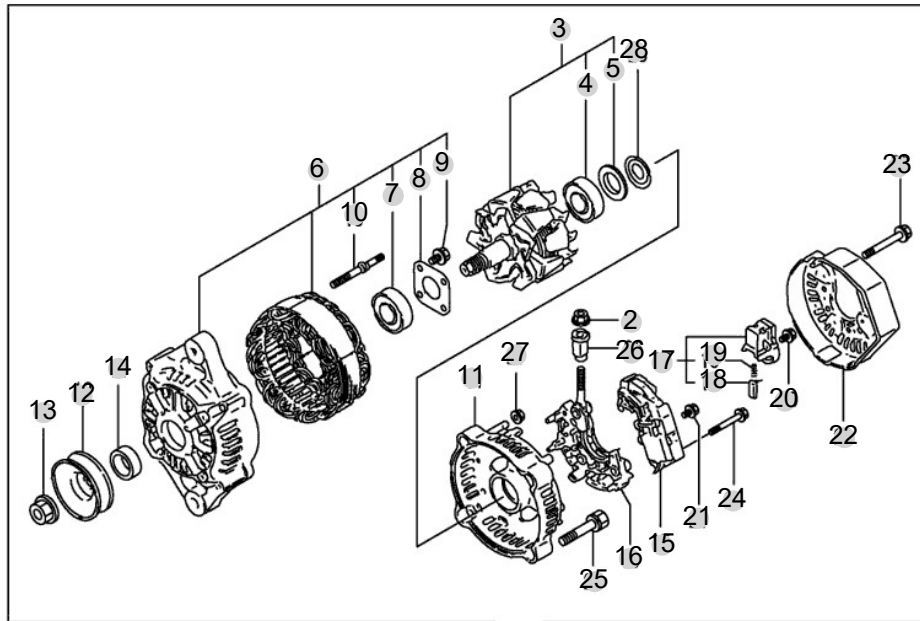


Fig. 2

Fig. 9

NOTE

FIG 115 T25-B	GENERATOR	년/월 Year/Month
		2022-12

KEY NO	PART NO	DESCRIPTION	SPEC	QTY	REPAIR	EFFECTIVE DATE	REMARKS
115	1	129423-77210		1			
115	2	129240-79310		1			
115	3	119620-77380		1			
115	4	123501-79240		1			
115	5	119620-79250		1			
115	6	119620-77421		1			
115	7	119620-79200		1			
115	8	119620-79210		1			
115	9	119620-79220		4			
115	10	119620-79230		2			
115	11	119620-77440		1			
115	12	119620-77461		1			
115	13	119620-77471		1			
115	14	119620-77490		1			
115	15	129423-77730		1			
115	16	119620-79260		1			
115	17	129052-79270		1			
115	18	119620-77480		2			
115	19	119620-79280		2			
115	20	119620-79290		6			
115	21	119620-79300		1			
115	22	129240-79300		1			
115	23	119620-79310		3			
115	24	119620-79320		2			
115	25	119620-79330		2			
115	26	119620-79340		1			
115	27	119620-79350		2			
115	28	119620-79360		1			
115	29	26106-100452		1			
115	30	119515-77330		1			
115	31	124732-77340		1			
115	32	129972-77341		1			
115	33	26106-080202		1			

NOTE	
------	--

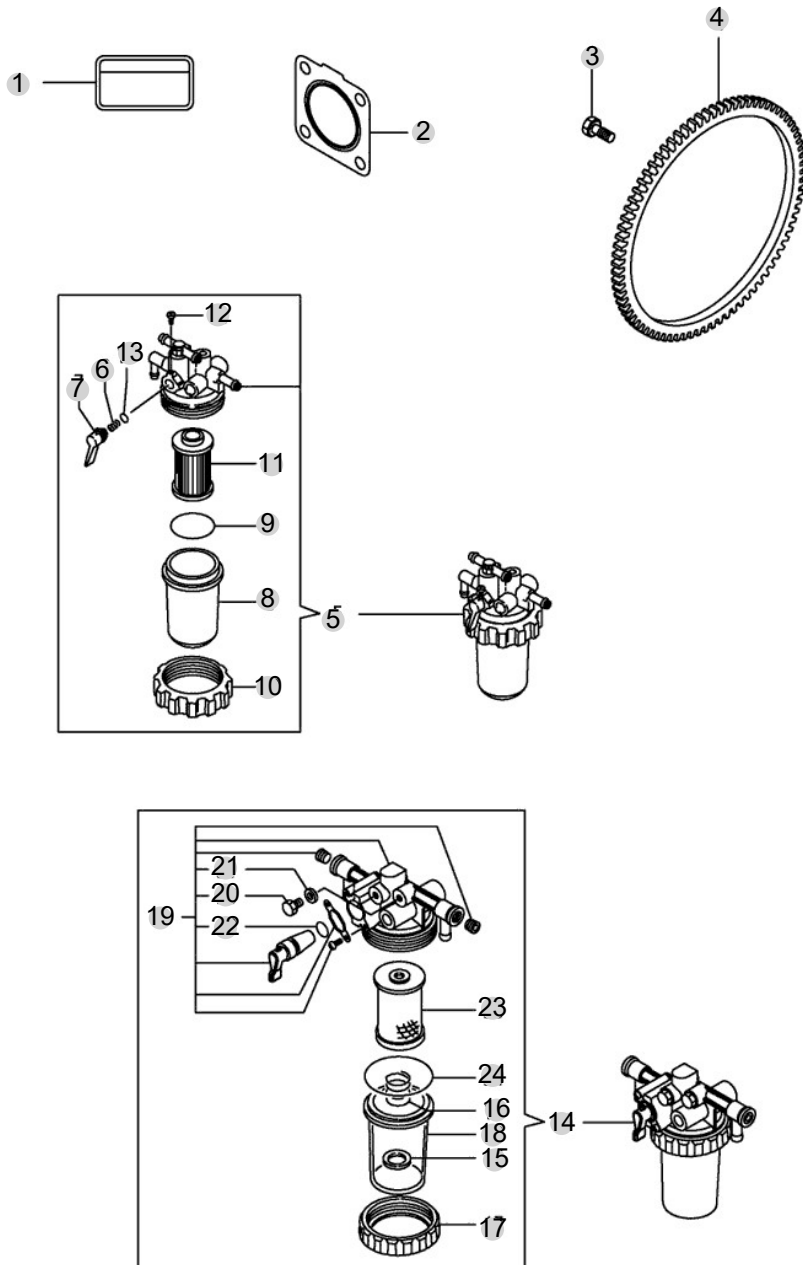
FIG 116

T25-B

ACCESSORY

년/월
Year/Month

2022-12



NOTE

2. Engine Accessories PART NO. T2

FIG 201 AIR CLEANER	48
FIG 202 RADIATOR	50
FIG 203 MUFFLER	52
FIG 204 FUEL TANK & FUEL LINE	54
FIG 205 ACCELERATOR	56
FIG 206 OIL COOLER	58

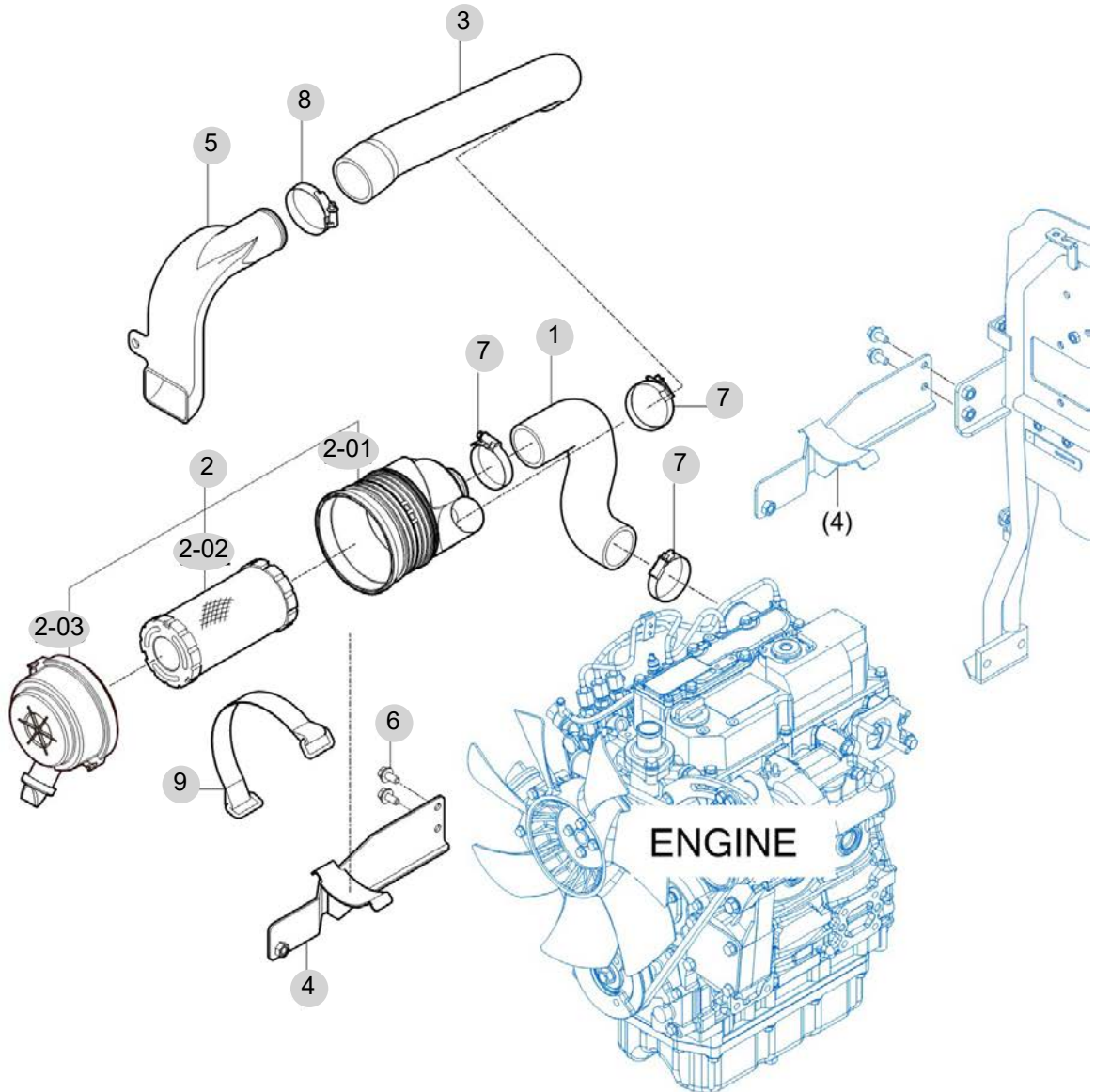
FIG 201

AIR CLEANER

년/월
Year/Month

2022-12

T25-B



NOTE

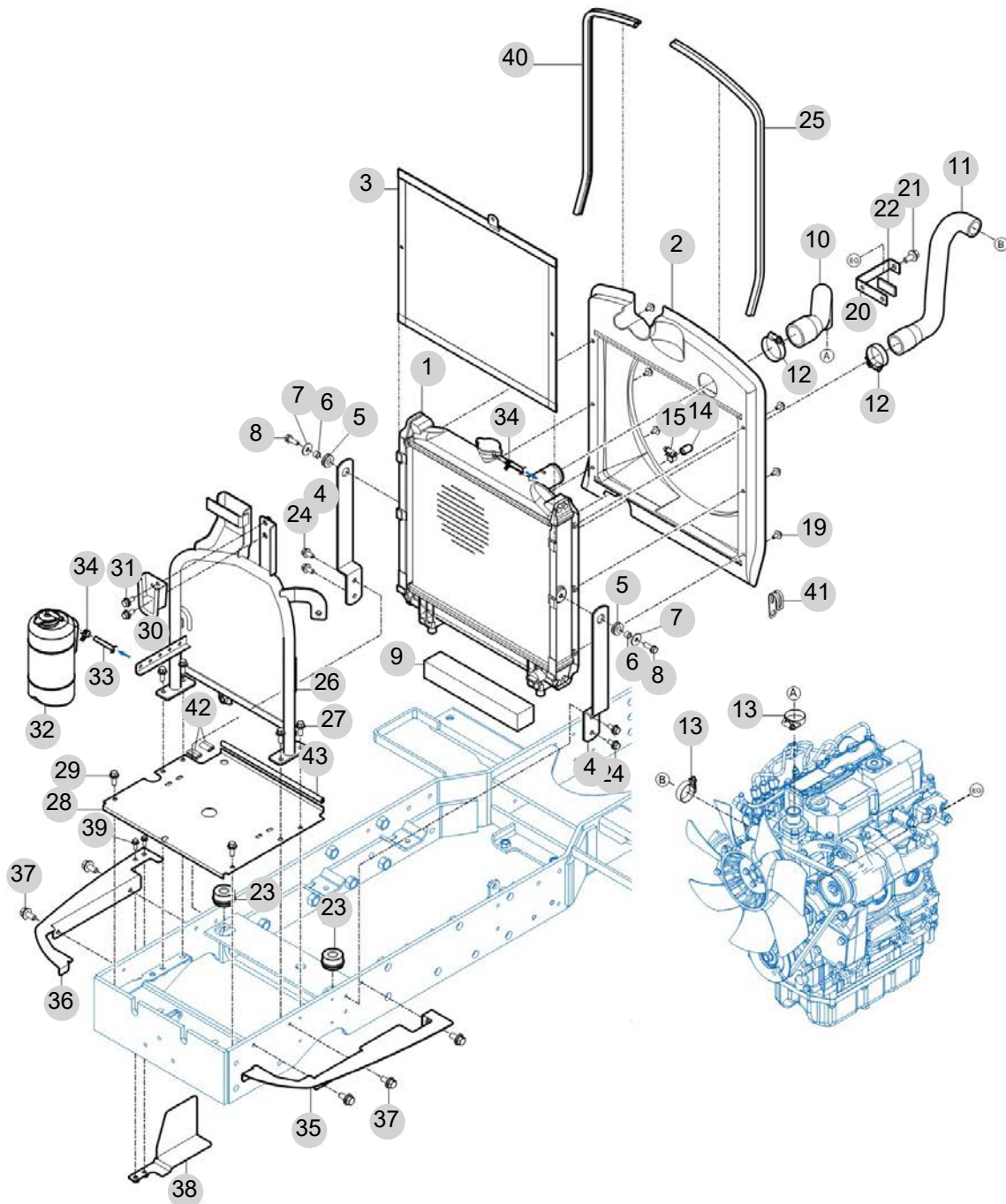
FIG 202

RADIATOR

년/월
Year/Month

2022-12

T25-B



NOTE

FIG 202		RADIATOR					년/월 Year/Month		
							2022-12		
T25-B		KEY NO	PART NO	DESCRIPTION	SPEC	QTY	REPAIR	EFFECTIVE DATE	REMARKS
202	1	13151043000	RADIATOR COMP			1			
202	2	11811521300	SHROUD			1			
202	3	13151042302GB	RADIATOR NET COMP			1			
202	4	13151040031GB	PLATE , RADIATOR FIX			2			
202	5	14046210300	GROMMET			2			
202	6	15991040050	COLLAR , 08X12X08			2			
202	7	35602010150	WASHER , BIND SHAFT			2			
202	8	V2173608025	BOLT , HEX/S			2			
202	9	11811030500	INSULATOR , RADIATOR			1			
202	10	11971511100	HOSE , RADIATOR INLET			1			
202	11	11971511200	HOSE , RADIATOR OUTLET			1			
202	12	18027090500	BAND CLAMP 50 EMBO TYPE			2			
202	13	18027090400	BAND CLAMP 40 EMBO TYPE			2			
202	14	12651040300	CAP , RADIATOR			1			
202	15	18027090160	BAND CLAMP 16 EMBO TYPE			1			
202	19	V2193606016	BOLT , HEX/SPL			6			
202	20	11111040120GB	BRACKET , RD HOSE FIX			1			
202	21	V2183610025	BOLT , HEX/SP			1			
202	22	11101032400	SPONGE , AIRCLEANER			1			
202	23	13151040040	CUSHION , RADIATOR			2			
202	24	V2183608020	BOLT , HEX/SP			4			
202	25	11811512300	INSULATOR , RH/SHROUD			1			
202	26	11811021100GB	FRAME COMP , FRONT			1			
202	27	V2183608025	BOLT , HEX/SP			4			
202	28	11811811210GB	BASE PLATE			1			
202	29	V2183608016	BOLT , HEX/SP			2			
202	30	36753302201GB	HOLDER COMP , TANK/RESERVE			1			
202	31	V2183608020	BOLT , HEX/SP			2			
202	32	16003302101	TANK ASSY , RESERVE			1			
202	33	11811513100	HOSE , 470/RESERVOIR TANK			1			
202	34	36423600080	CLIP , HOSE D=12.5			2			
202	35	11811811310GB	BASE PLATE , LH			1			
202	36	11811811410GB	BASE PLATE , RH			1			
202	37	V2183608016	BOLT , HEX/SP			5			
202	38	11811811600GB	BRACKET COMP , RH/WIND GUIDE			1			
202	39	V2123606016	BOLT , HEX /SP			2			
202	40	11811512400	INSULATOR , LH/SHROUD			1			
202	41	37371720090	CLAMP , W/HARNESS			1			
202	42	12626010200	INSULATOR , SIDE COVER/LOWER			2			
202	42	16991600090	PROTECTOR , 70			1			
202	42	12626010200	INSULATOR , SIDE COVER/LOWER			2			
202	42	11811811700	WEATHER STRIP , E40			2			
202	43	16997021960	INSULATOR , 32			1			
202	43	17136040050	INSULATOR , SUPPORT			1			
NOTE									

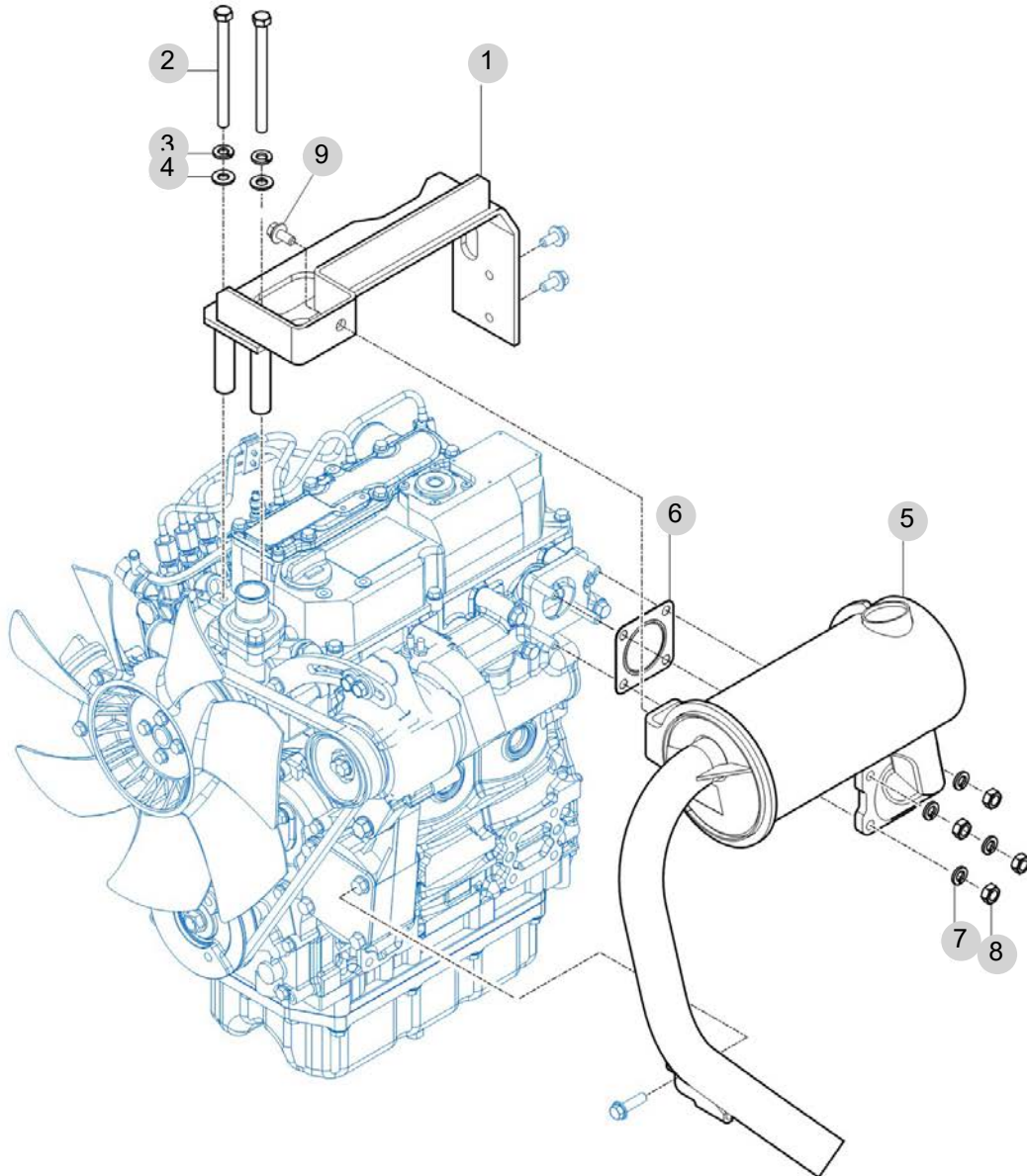
FIG 203

T25-B

MUFFLER

년/월
Year/Month

2022-12



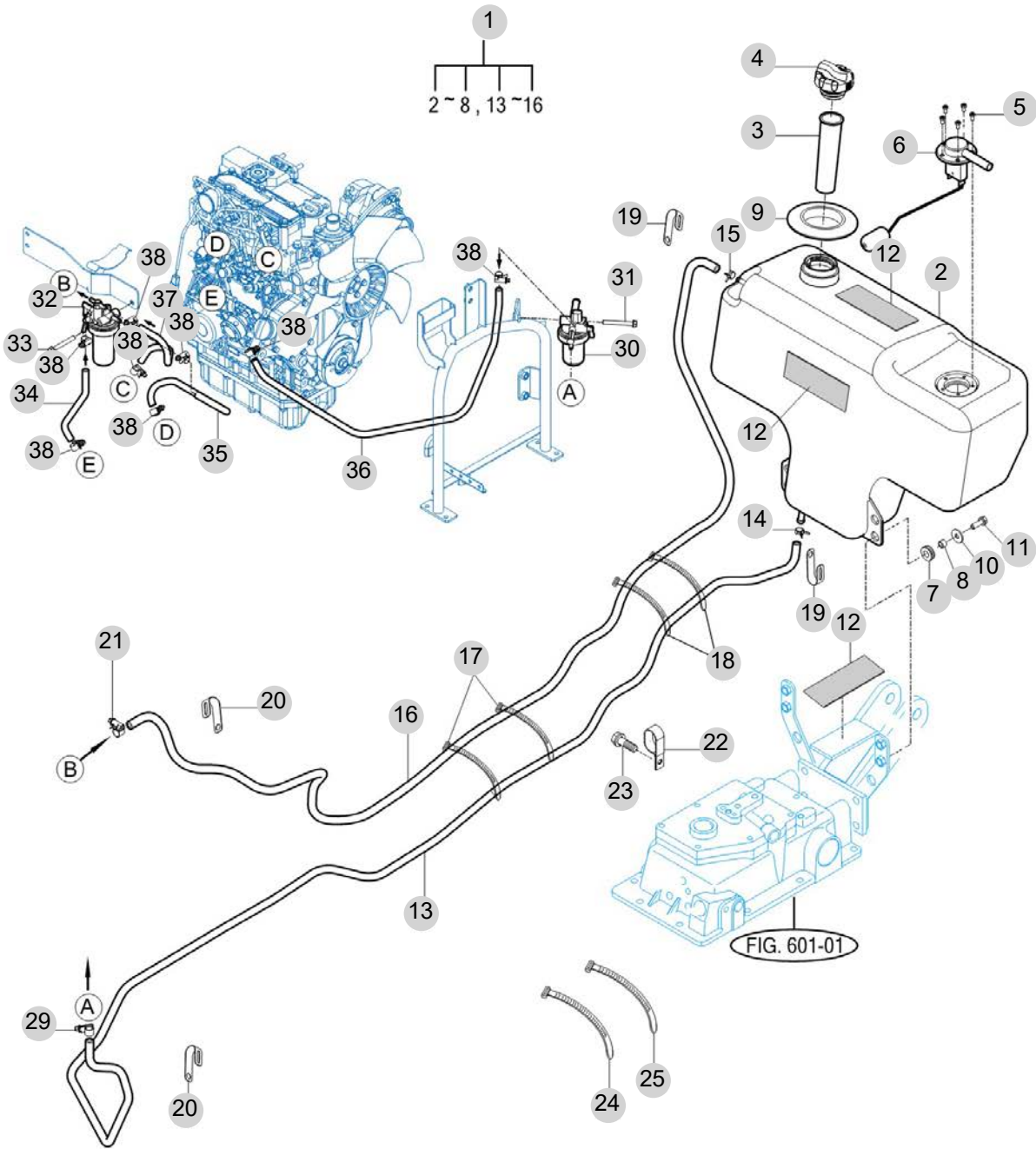
NOTE

FIG 204

FUEL TANK & FUEL LINE

년/월
Year/Month

2022-12



NOTE

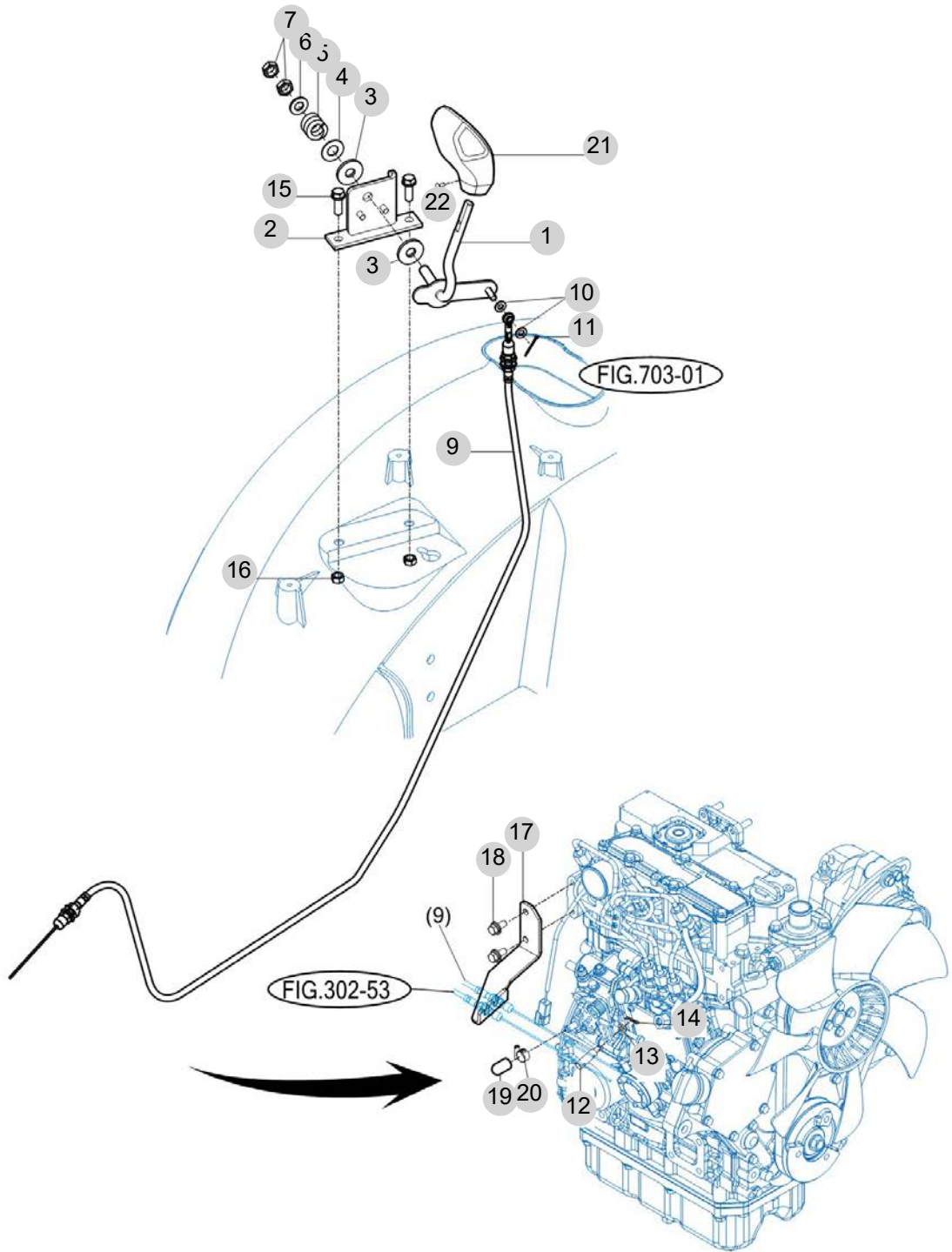
FIG 205

ACCELERATOR

년/월
Year/Month

2022-12

T25-B



NOTE

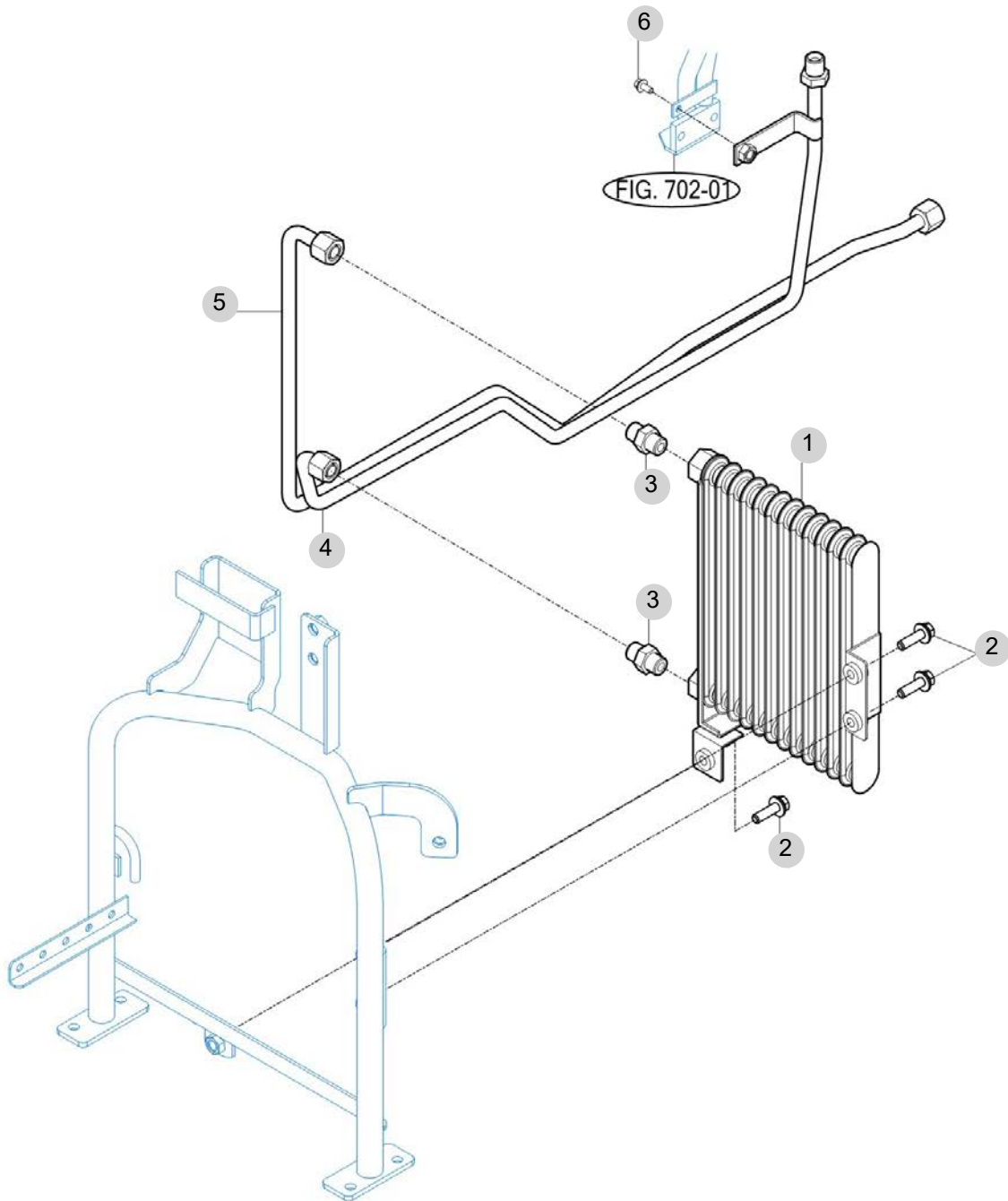
FIG 206

OIL COOLER

년/월
Year/Month

2022-12

T25-B



NOTE

3. Clutch/Brake/Steering PART NO. T3

FIG 301 FLYWHEEL COVER	61
FIG 302 SPEED CONTROL	63
FIG 303 BRAKE	66
FIG 304 BRAKE PEDAL & LINKAGE	68
FIG 305 STEERING WHEEL & DASH COVER	70
FIG 306 STEERING VALVE	72
FIG 307 STEERING CYLINDER	74
FIG 308 FRONT WHEEL	76
FIG 309 REAR WHEEL	78

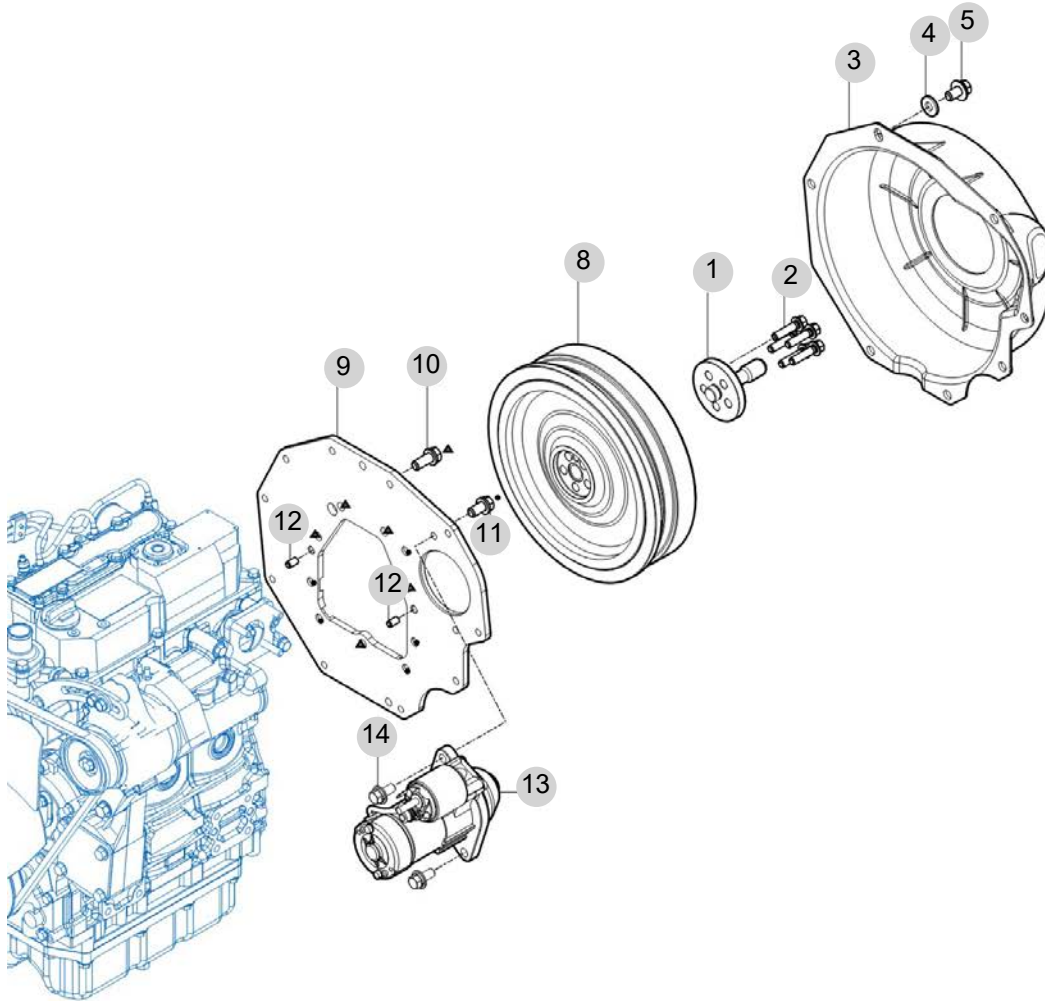
FIG 301

T25-B

FLYWHEEL COVER

년/월
Year/Month

2022-12



NOTE

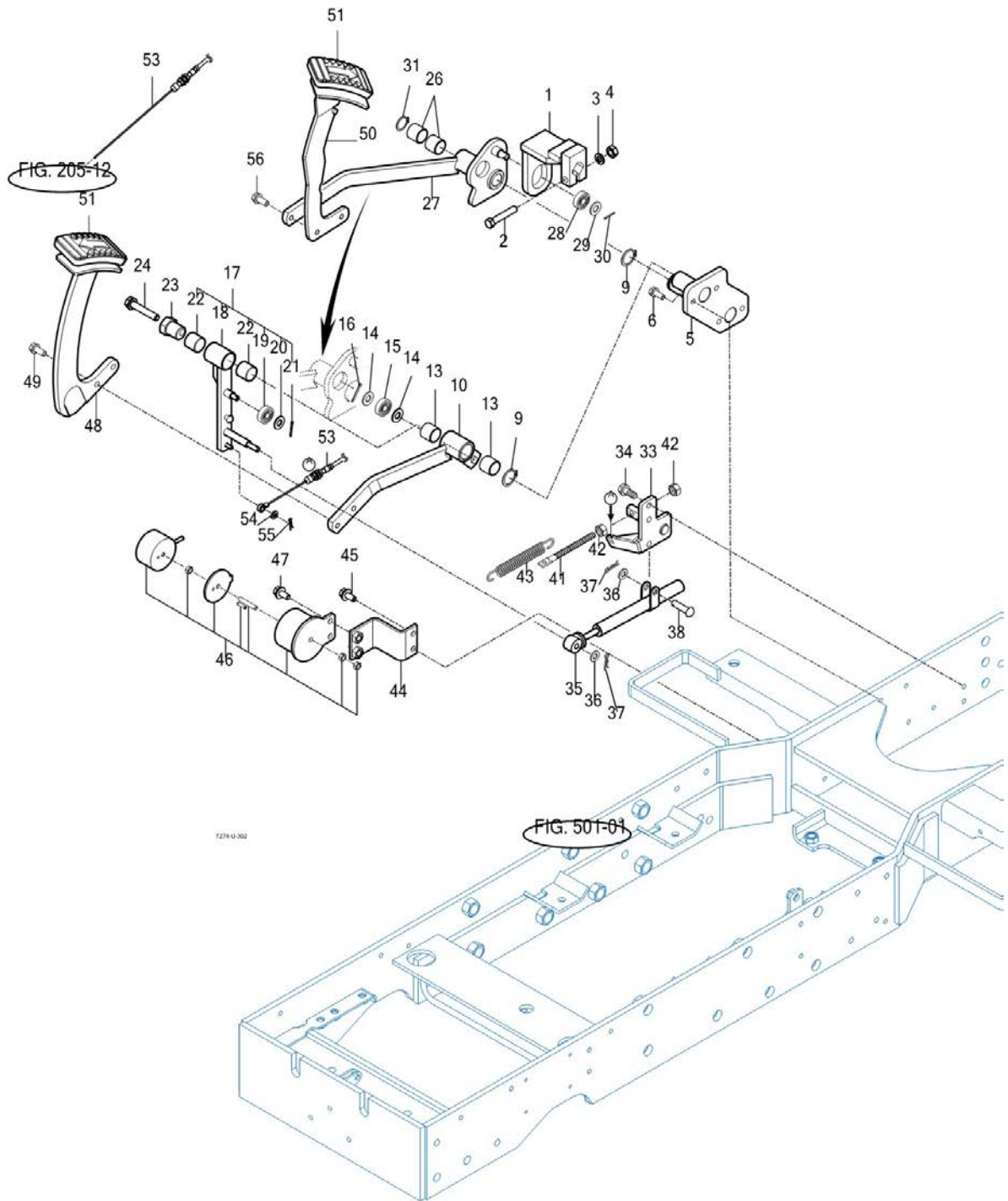
FIG 302

T25-B

SPEED CONTROL

년/월
Year/Month

2022-12



NOTE

FIG 302		SPEED CONTROL					년/월 Year/Month		
							2022-12		
T25-B		KEY NO	PART NO	DESCRIPTION	SPEC	QTY	REPAIR	EFFECTIVE DATE	REMARKS
302	1	11972322100	HOLDER COMP			1			
302	2	V2013610055	BOLT , HEX	M10X55		1			
302	3	V4011600100	WASHER , SPRING	M10		1			
302	4	V3042600100	NUT , HEX/2	M10		1			
302	5	11972322200GB	PIN COMP			1			
302	6	V2173608020	BOLT , HEX/S	M8X20		4			
302	9	V7041400200	C-RING , SHAFT	20		2			
302	10	11972323200GB	ARM COMP , FORWARD			1			
302	13	11972320030	DU BUSH , 25X28X20			2			
302	14	V4111600100	WASHER , PLAIN	M10		2			
302	15	V6001506000	BEARING , BALL	6000DD		1			
302	16	V5001920015	PIN , SPLIT	2X15		1			
302	17	11972324000	CAM SUB ASSY			1			
302	18	11972324100GB	ARM COMP , CAM			1			
302	19	14722310060	BEARING , BALL			1			
302	20	V4111600080	WASHER , PLAIN	M8		1			
302	21	V5001920015	PIN , SPLIT	2x15		1			
302	22	11972320030	DU BUSH , 25X28X20			2			
302	23	11972320020	PIN , NEUTRAL			1			
302	24	V2143610080	BOLT , HEX FINE /S	M10X50		1			
302	26	11972320040	DU BUSH , 25X28X30			2			
302	27	11972322300GB	ARM COMP, REVERSE			1			
302	28	V6001506000	BEARING , BALL	6000DD		1			
302	29	V4111600100	WASHER , PLAIN	M10		1			
302	30	V5001920015	PIN , SPLIT	2X15		1			
302	31	V7041400250	C-RING , SHAFT			1			
302	33	11972325100GB	PIN COMP , SPRING			1			
302	34	V2173608025	BOLT , HEX/S	M8X25		2			
302	35	13152312400	DAMPER , OIL			1			
302	36	V4111600080	WASHER , PLAIN	M8		4			
302	37	V5601600008	PIN , SNAP	8		4			
302	38	14043120060	PIN , YOKE			1			
302	41	34522150080	ROD , CHAIN(TENSION)(82)			1			
302	42	V3043600080	NUT , HEX/2	M8		2			
302	43	14722310033	SPRING , RETURN			1			
302	44	13152332103DG	BRACKET COMP , CRUISE			1			
302	44	13152332103GB	BRACKET COMP , CRUISE			1			
302	45	V2173608020	BOLT , HEX/S	M8X20		2			
302	46	12382323000	MAGNETIC ASSY , CRUISE			1			
302	47	V2173608020	BOLT , HEX/S	M8X20		2			
302	48	13152323303	PEDAL COMP, FORWARD			1			
302	49	V2173608020	BOLT , HEX/S	M8X20		4			
302	49	V2173608020	BOLT , HEX/S			2			
302	50	11972322400GB	PEDAL COMP, REVERSE			1			
302	51	14722312730	PAD			2			
NOTE									

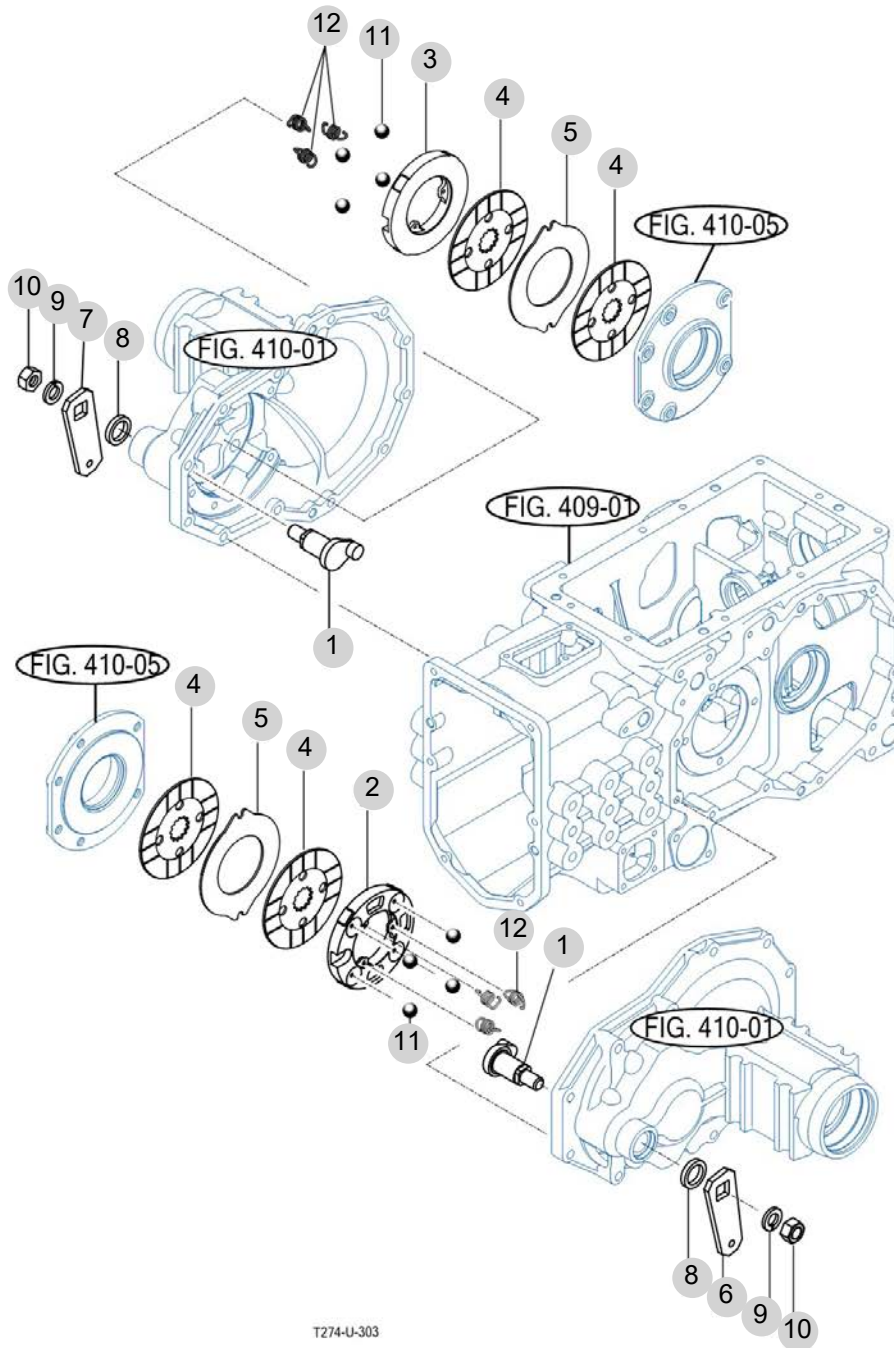
FIG 303

T25-B

BRAKE

년/월
Year/Month

2022-12



T274-U-303

NOTE

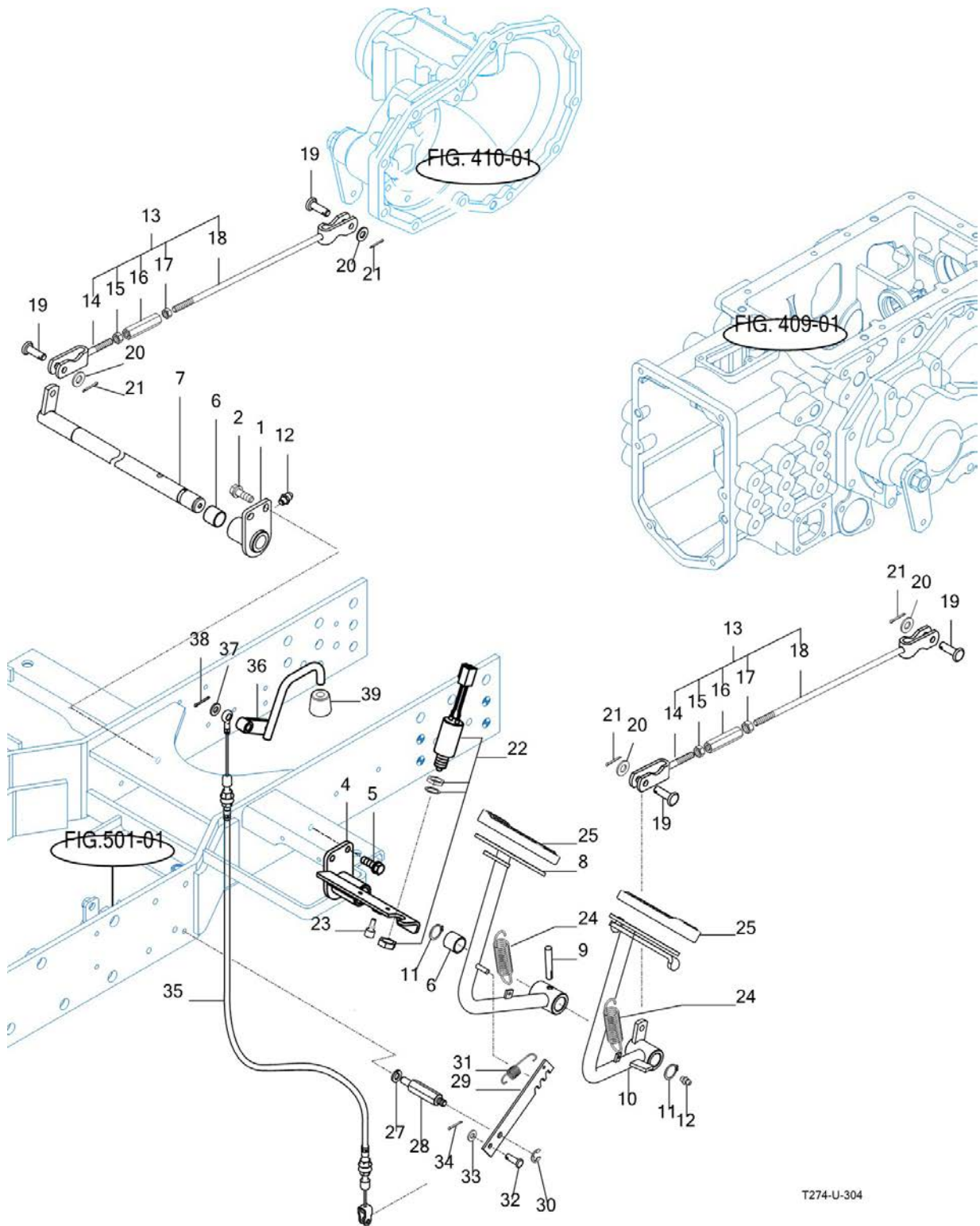
FIG 304

T25-B

BRAKE PEDAL & LINKAGE

년/월
Year/Month

2022-12



T274-U-304

NOTE

FIG 304	BRAKE PEDAL & LINKAGE	년/월 Year/Month
T25-B		2022-12

KEY NO	PART NO	DESCRIPTION	SPEC	QTY	REPAIR	EFFECTIVE DATE	REMARKS
304	1	13153282104GB	HUB COMP , BRAKE RH		1		
304	2	V2173608020	BOLT , HEX/S	M8X20	2		
304	4	13153282204GB	HUB COMP , BRAKE LH		1		
304	5	V2173608020	BOLT , HEX/S	M8X20	2		
304	6	36707030080	BUSH , 20X23X20		2		
304	7	13153282303GB	ARM COMP , BRAKE RH		1		
304	7	13153282303	ARM COMP , BRAKE RH		1		
304	8	13153283103GB	PEDAL COMP , BRAKE RH		1		
304	9	V5801406032	PIN , SPRING	6X32	1		
304	10	13153283203GB	PEDAL COMP , BRAKE LH		1		
304	11	V7041400200	C-RING , SHAFT	20	2		
304	12	V7601500000	NIPPLE , GREASE/A-M6F		2		
304	13	13153284002	ROD ASSY , BRAKE		2		
304	14	14573282200	ROD COMP , FORK 100		2		
304	15	V3043600080	NUT , HEX/2	M8	2		
304	16	16601220020	TURNBUCKLE , M8 L60		2		
304	17	15601320073	NUT , HEX LH		2		
304	18	13153284101	ROD COMP , HOOK		2		
304	19	21443370020	PIN , 08X25		4		
304	20	V4111600080	WASHER , PLAIN	M8	4		
304	21	V5001920015	PIN , SPLIT	2X15	4		
304	22	13153285001	SWITCH ASSY , BRAKE		1		
304	23	21004100070	STOPPER , ARM/CARRYING		2		
304	24	13153280061	SPRING , BRAKE		2		
304	25	13153280050	PAD		2		
304	27	V4011600080	WASHER , SPRING	M8	1		
304	28	13153280023	PIN , PARKING BRAKE		1		
304	29	13153280032GB	STOPPER , PARKING		1		
304	30	V7081400060	E-RING	6	1		
304	31	13153280040	SPRING , PARKING		1		
304	32	16177020090	PIN , 6X15	6X15	1		
304	33	V4111600060	WASHER , PLAIN	M6	1		
304	34	V5001920015	PIN , SPLIT	2X15	1		
304	35	13153286301	CABLE ASSY , PARKING		1		
304	36	13156301001GB	LEVER COMP		1		
304	37	V4111600060	WASHER , PLAIN	M6	1		
304	38	V5001925020	PIN D2.5x20	2.5X20	1		
304	39	12121120090	GRIP , HOOD LOCK		1		

NOTE	
------	--

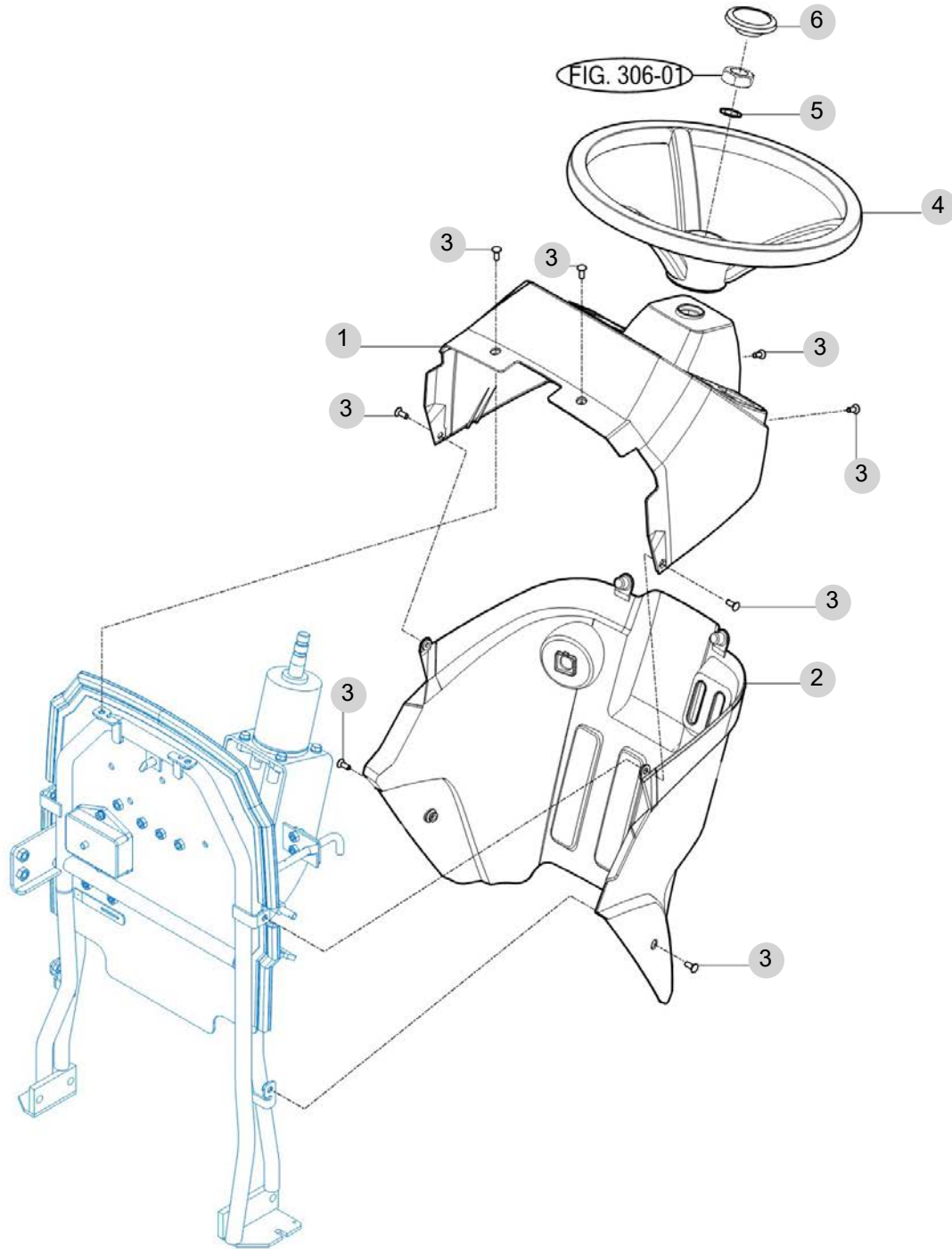
FIG 305

T25-B

STEERING WHEEL & DASH COVER

년/월
Year/Month

2022-12



NOTE

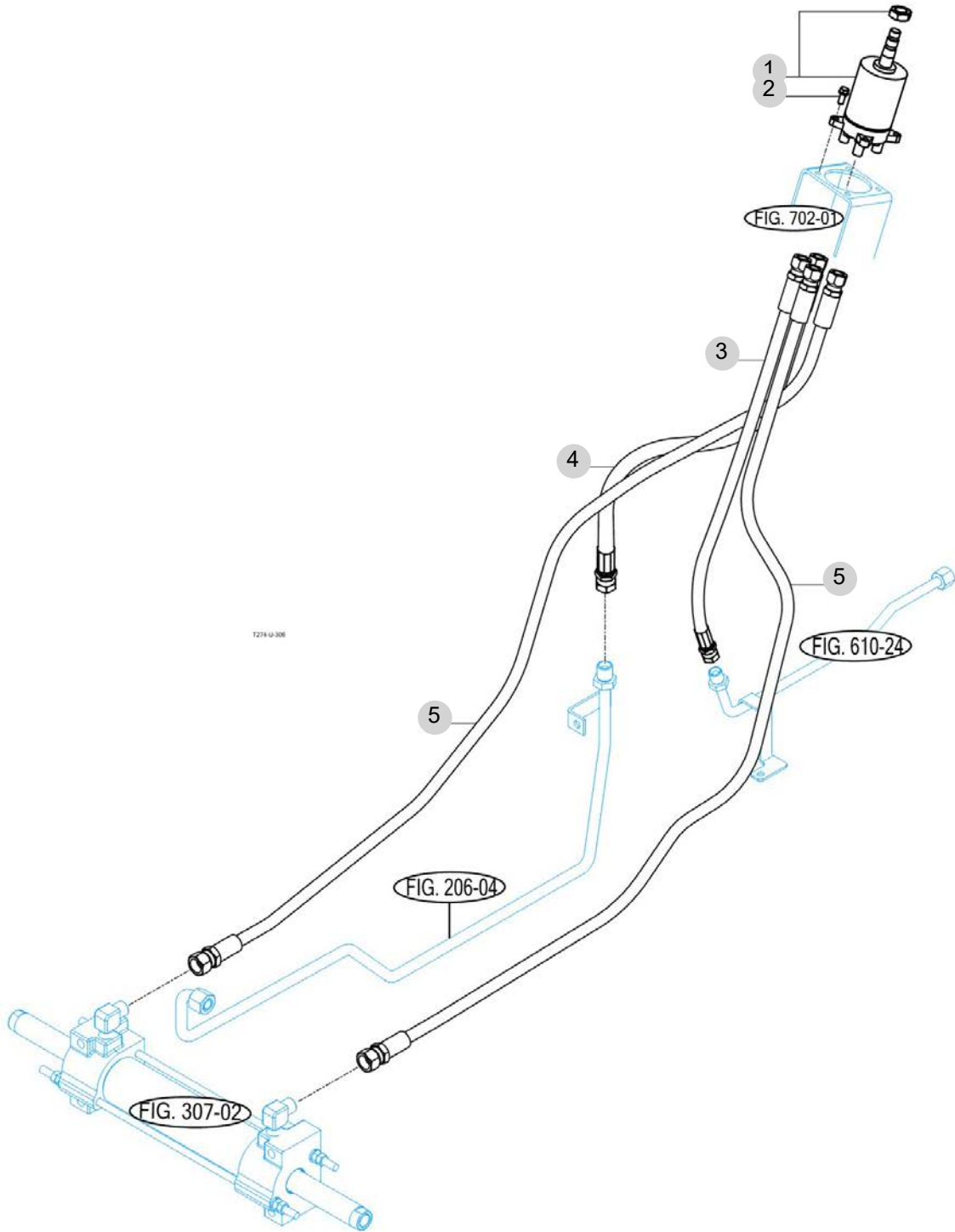
FIG 306

T25-B

STEERING VALVE

년/월
Year/Month

2022-12



NOTE

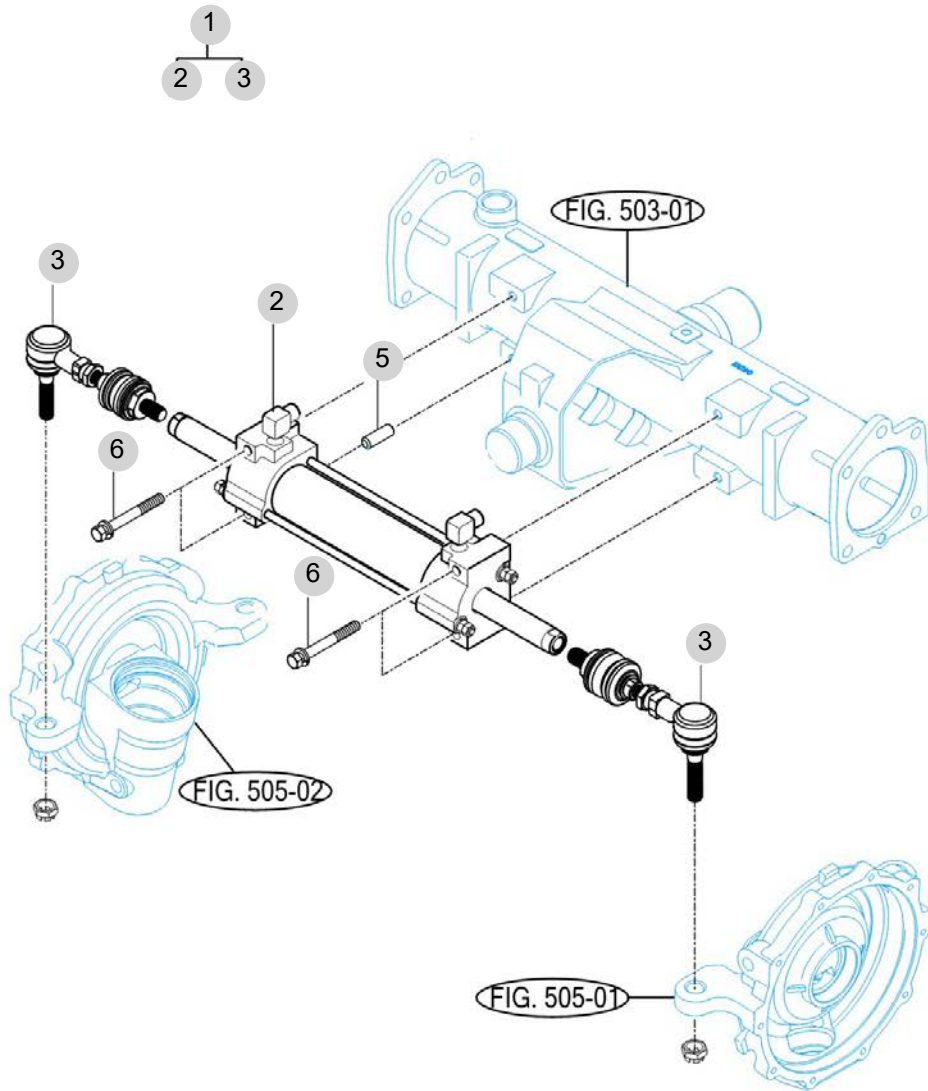
FIG 307

T25-B

STEERING CYLINDER

년/월
Year/Month

2022-12



NOTE

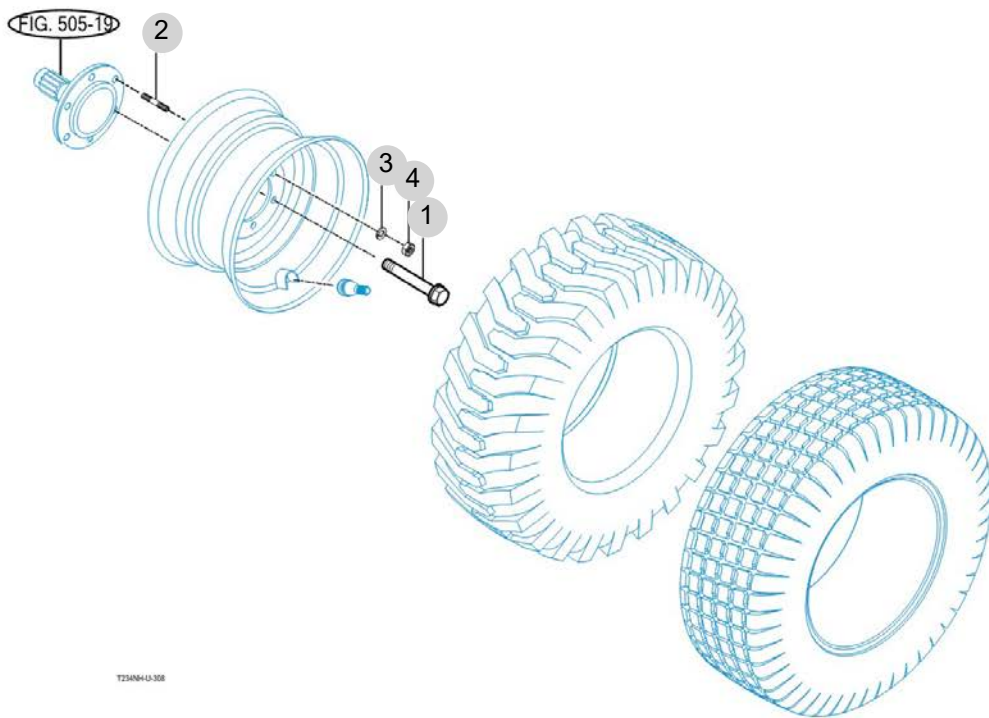
FIG 308

T25-B

FRONT WHEEL

년/월
Year/Month

2022-12



T25064-U3-308

NOTE

FIG 308 T25-B		FRONT WHEEL					년/월 Year/Month			
							2022-12			
							KEY NO	PART NO	DESCRIPTION	SPEC
308	1	V2173612030	BOLT , HEX/S	M12X30	8					
308	2	V2513612030	BOLT , STUD/2	M12X30	4					
308	3	V4011600120	WASHER , SPRING	M12	4					
308	4	V3043600120	NUT , HEX/2	M12	4					
NOTE										

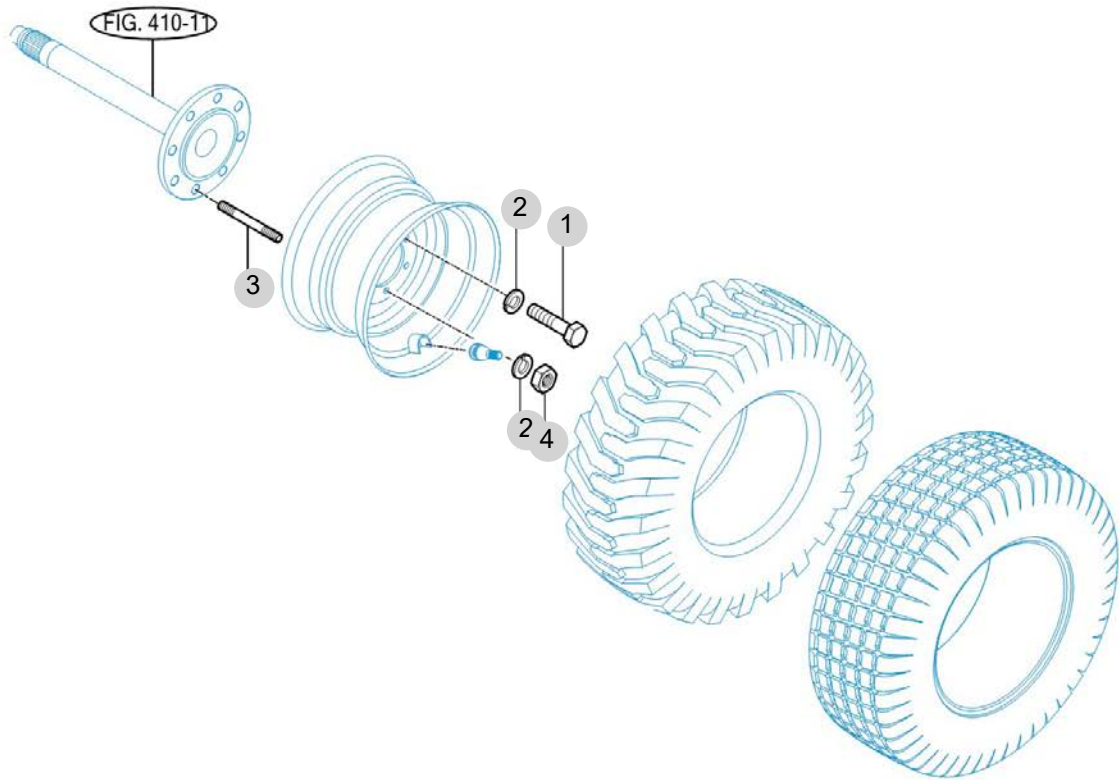
FIG 309

T25-B

REAR WHEEL

년/월
Year/Month

2022-12



NOTE

4. Transmission PART NO. T4

FIG 401 INPUT SHAFT	81
FIG 402 HST	83
FIG 403 4WD DRIVE GEAR	85
FIG 404 RANGE GEARS	87
FIG 405 P.T.O DRIVE SHAFT	89
FIG 406 P.T.O SHAFT	91
FIG 408 DIFF LOCK	93
FIG 409 REAR TRANSMISSION CASE	95
FIG 410 REAR AXLE HOUSINGS	97
FIG 411 RANGE SHIFT LEVER	99
FIG 412 P.T.O CHANGE LEVER	101
FIG 413 4WD CHANGE LEVER	103

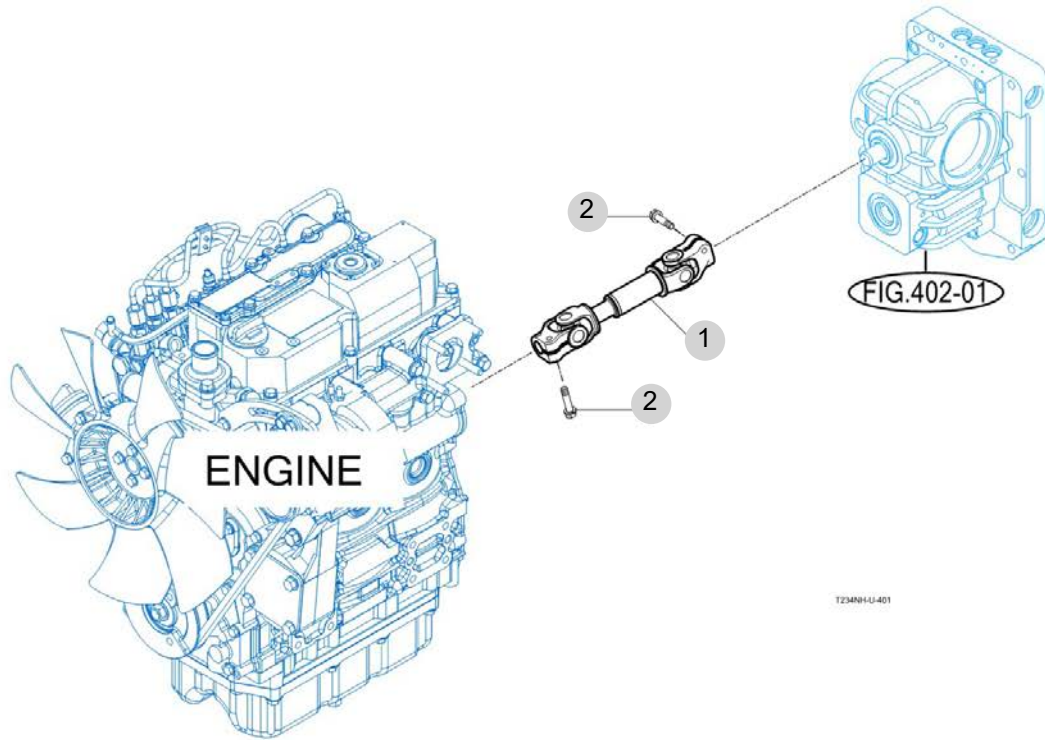
FIG 401

T25-B

INPUT SHAFT

년/월
Year/Month

2022-12



NOTE

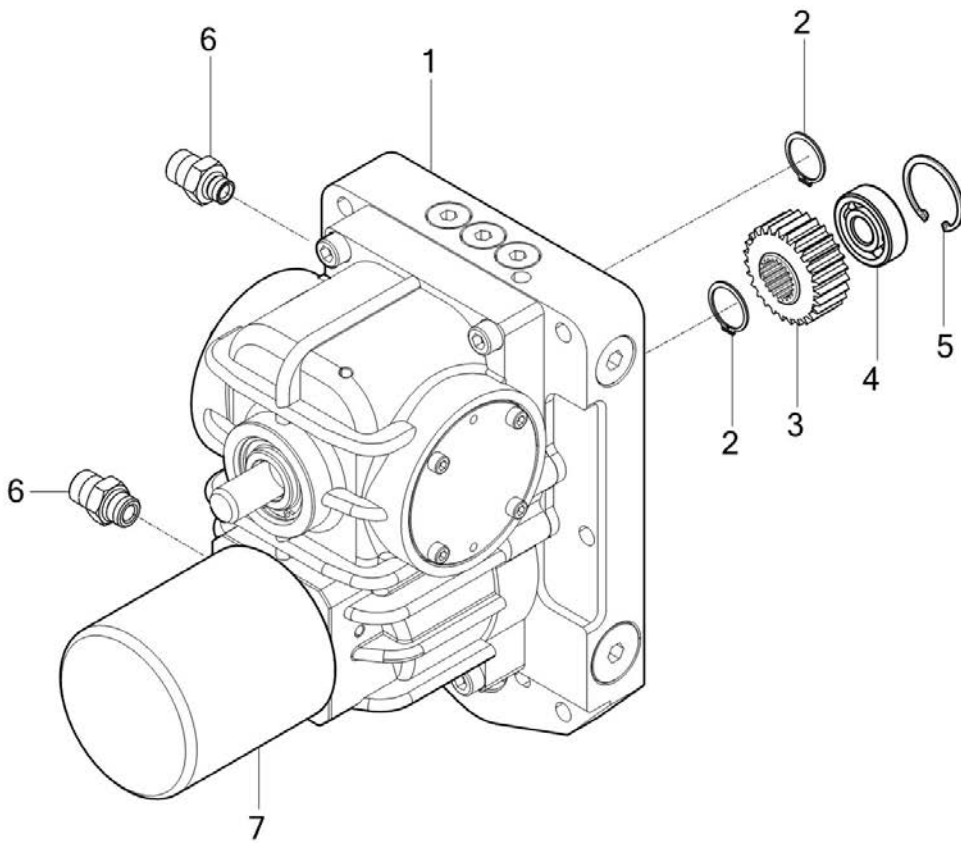
FIG 402

T25-B

HST

년/월
Year/Month

2022-12



NOTE

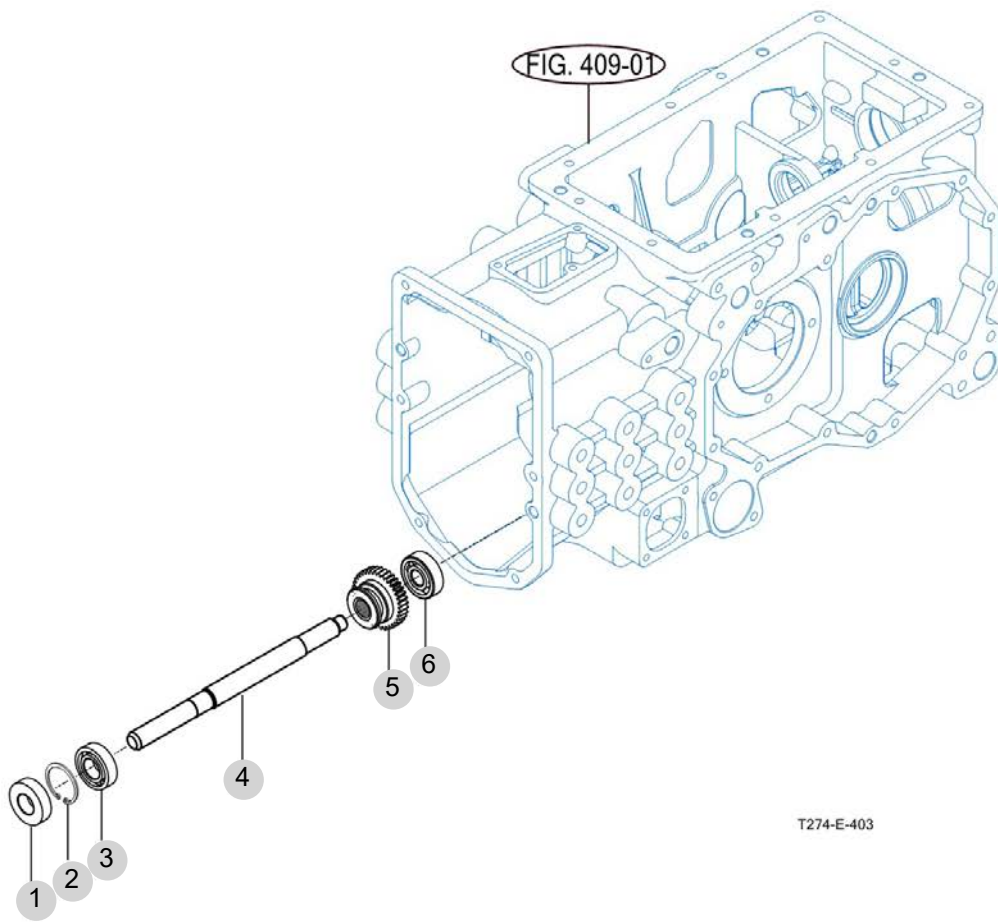
FIG 403

T25-B

4WD DRIVE GEAR

년/월
Year/Month

2022-12



NOTE

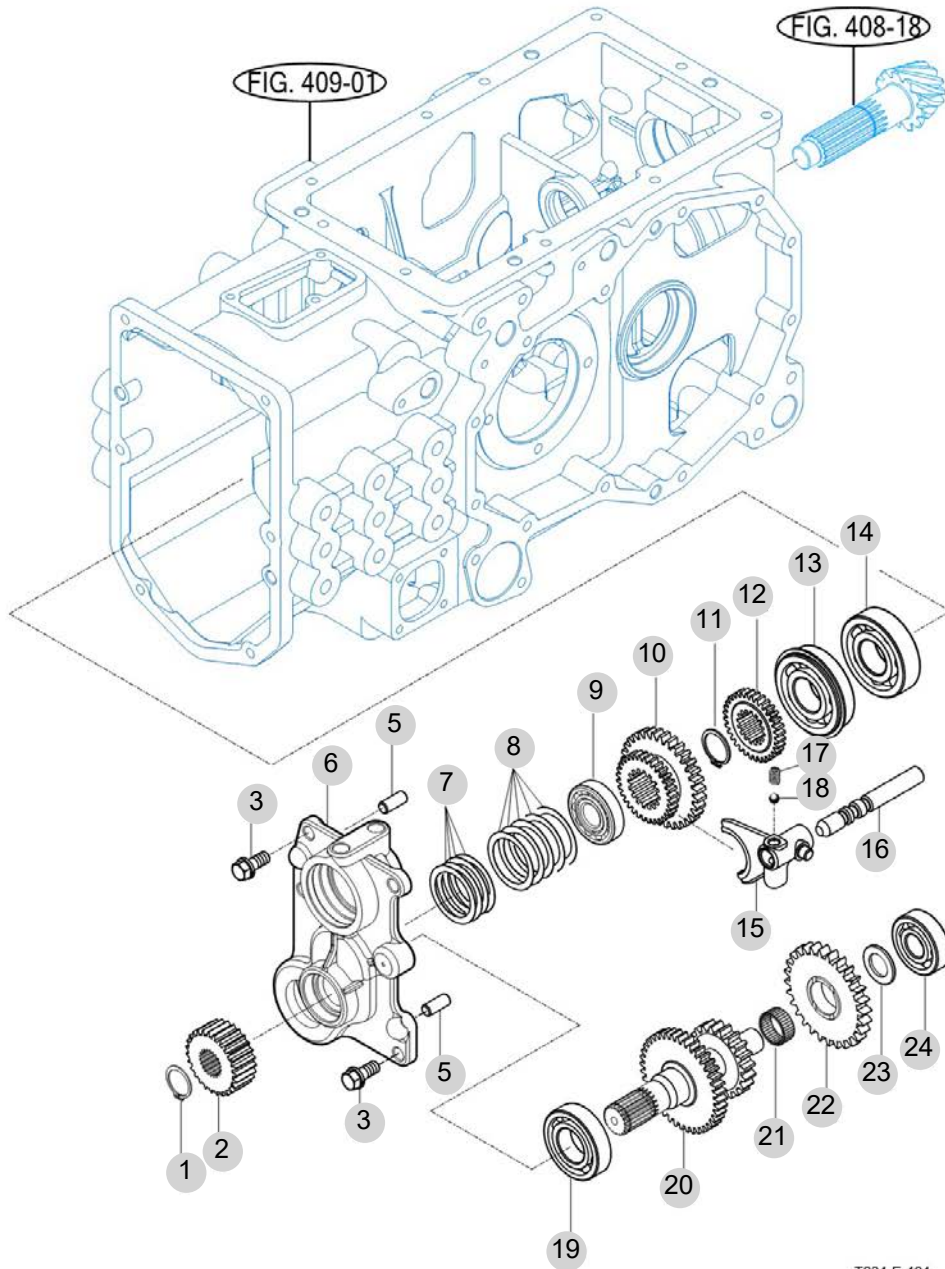
FIG 404

T25-B

RANGE GEARS

년/월
Year/Month

2022-12



T234-E-404

NOTE

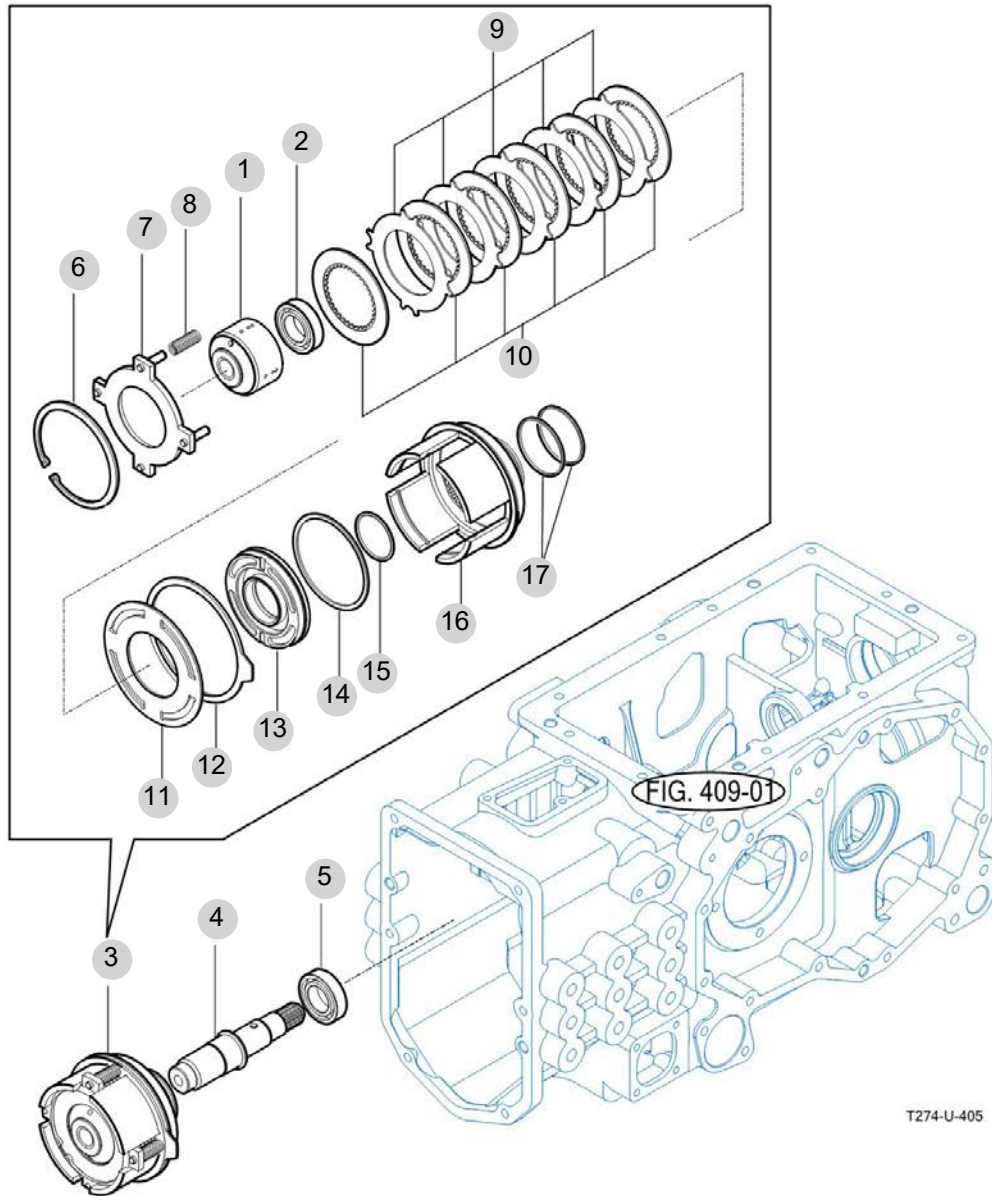
FIG 405

T25-B

P.T.O DRIVE SHAFT

년/월
Year/Month

2022-12



T274-U-405

NOTE

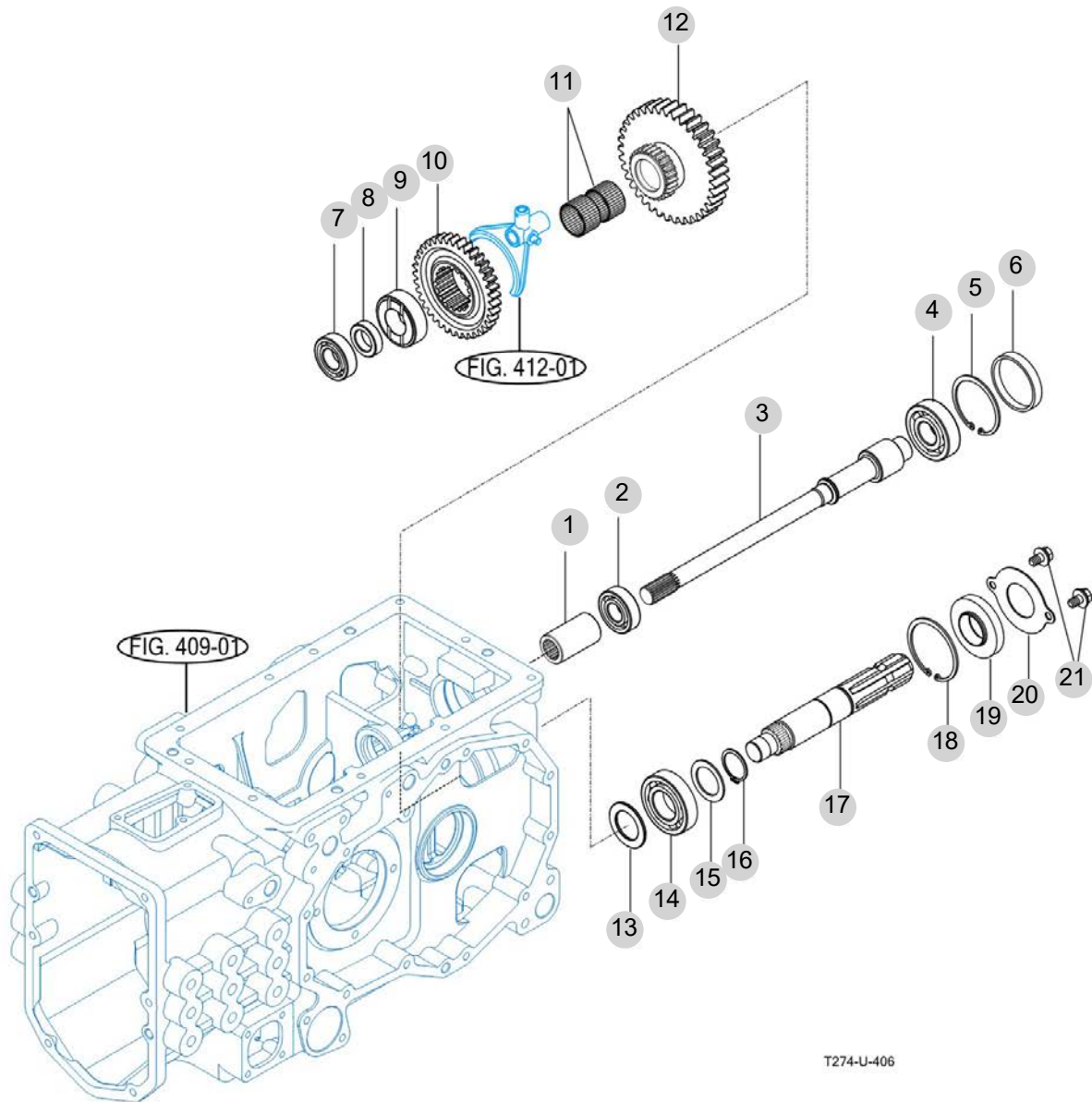
FIG 406

T25-B

P.T.O SHAFT

년/월
Year/Month

2022-12



NOTE

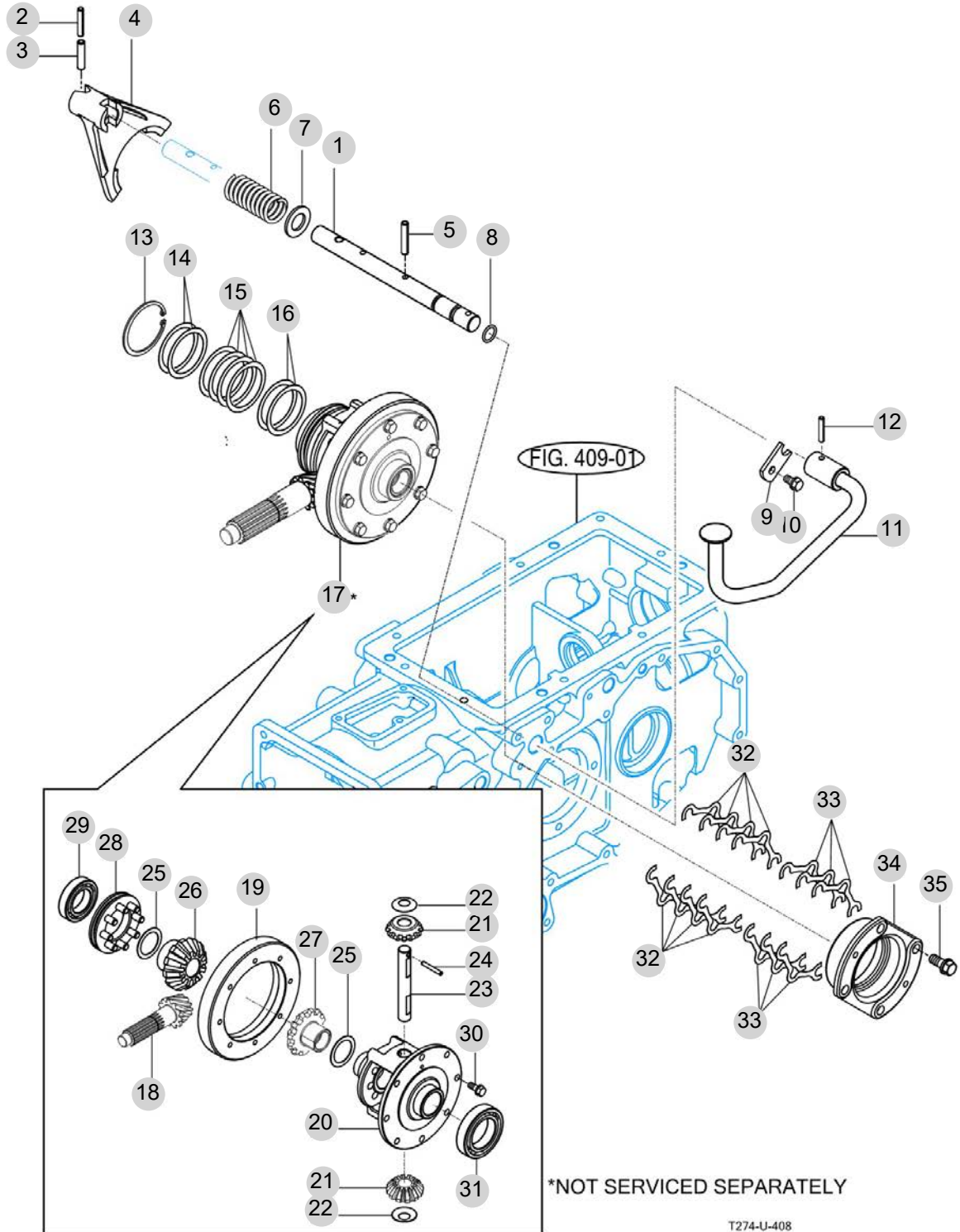
FIG 408

DIFF LOCK

년/월
Year/Month

2022-12

T25-B



*NOT SERVICED SEPARATELY

T274-U-408

NOTE

FIG 408		DIFF LOCK					년/월 Year/Month	
T25-B							2022-12	
KEY NO	PART NO	DESCRIPTION	SPEC	QTY	REPAIR	EFFECTIVE DATE	REMARKS	
408	1	13153190020	SHAFT , DIFF LOCK					
408	2	V5801405036	PIN , SPRING	5X36				
408	3	V5801408036	PIN , SPRING	8X36				
408	4	13153190010M	FORK , DIFF LOCK					
408	5	V5801406032	PIN , SPRING	6X32				
408	6	17973030420	SPRING					
408	7	V4111600200	WASHER , PLAIN	M20				
408	8	V7201024016	O-RING , P	P16				
408	9	16703180191	PLATE , STOP					
408	10	V2173608016	BOLT , HEX/S	M8X16				
408	11	13153193100	PEDAL COMP , DIFF LOCK					
408	12	V5801406028	PIN , SPRING					
408	12	V5801408036	PIN , SPRING	8X32				
408	13	V7051400620	C-RING , HOLE	62				
408	14	13153180110	SHIM , 0.5					
408	15	13153180130	SHIM , 0.2					
408	16	13153180120	SHIM , 0.1					
408	17	13403002000	DIFF ASSY , RR					
408	18	13153002110	PINION , DRIVE 9T					
408	19	13153002120	GEAR , BEVEL 55T					
408	20	13153180011M	CASE , DIFF					
408	21	14443180040	PINION , DIFF 12T					
408	22	14443180050	COLLAR , PINION THRUST					
408	23	13153180070	SHAFT , DIFF PINION					
408	24	V5801405036	PIN , SPRING	5X36				
408	25	13153180080	WASHER, THRUST 34X46X1					
408	26	13153180030	GEAR , BEVEL RH 20T					
408	27	13153180060	GEAR , BEVEL LH 20T					
408	28	13153182100	CLUTCH COMP , DIFF LOCK					
408	29	V6001106007	BEARING , BALL	6007				
408	30	V2173608020	BOLT , HEX/S	M8X20				
408	31	V6001106009	BEARING , BALL	6009				
408	32	13153181030	SHIM , 0.2					
408	33	13153181020	SHIM , 0.1					
408	34	13153181010M	METAL , DIFF CASE					
408	35	V2173610025	BOLT , HEX/S					
NOTE								

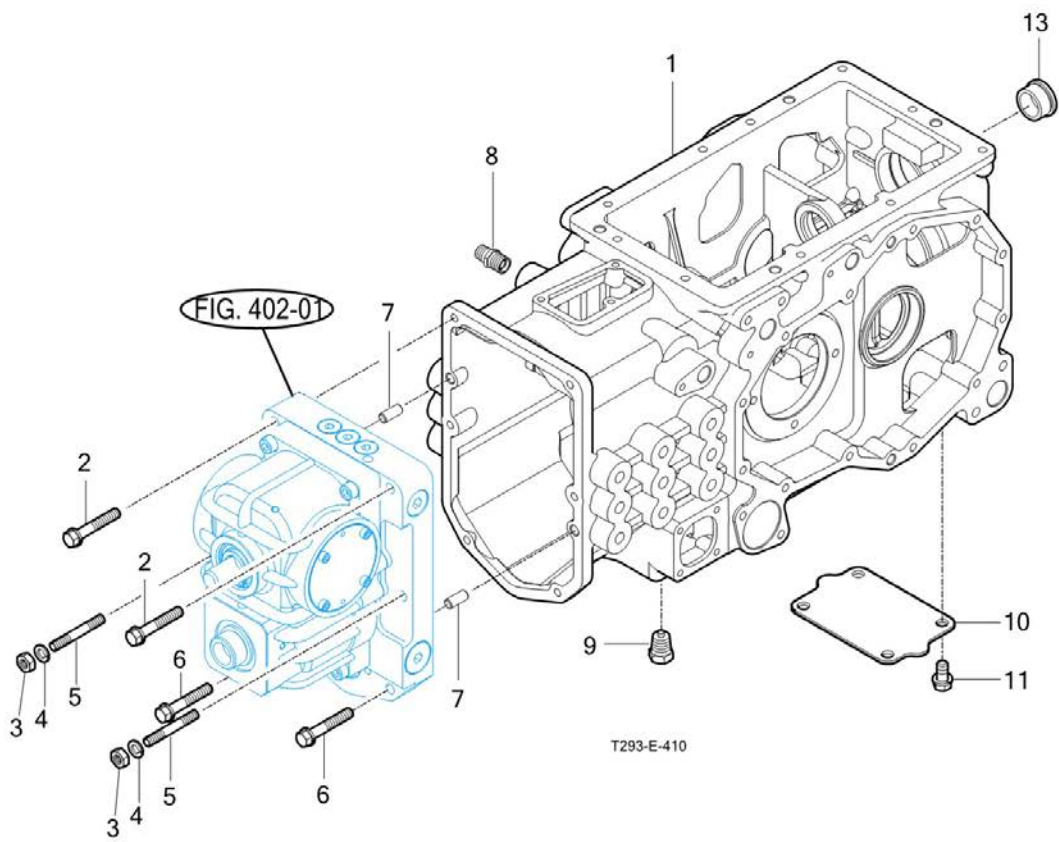
FIG 409

T25-B

REAR TRANSMISSION CASE

년/월
Year/Month

2022-12



T293-E-410

NOTE

FIG 409		REAR TRANSMISSION CASE						년/월	REMARKS
								Year/Month	
T25-B								2022-12	
KEY NO	PART NO	DESCRIPTION	SPEC	QTY	REPAIR	EFFECTIVE DATE	REMARKS		
409	1	13152400018M	CASE , TRANSMISSION RR						
409	1	13152400017M	CASE , TRANSMISSION RR						
409	2	V2173610060	BOLT , HEX/S	M10X60	2				
409	3	V3043600100	NUT , HEX/2	M10	2				
409	4	V4011600100	WASHER , SPRING	M10	2				
409	5	V2513410045	BOLT , STUD/2	M10X45	2				
409	6	V2173610040	BOLT , HEX/S	M10X40	2				
409	7	V5201010022	PIN , PARALLEL/A	10X22	2				
409	8	16994080061	UNION , PT3/8 M18		1				
409	9	16701015001	PLUG ASSY , DRAIN (MAGNET)		1				
409	10	13152401011	PLATE		1				
409	11	V2173610020	BOLT , HEX/S	M10X20	4				
409	13	11103062000	GAUGE ASSY , OIL LEVEL		1				
NOTE									

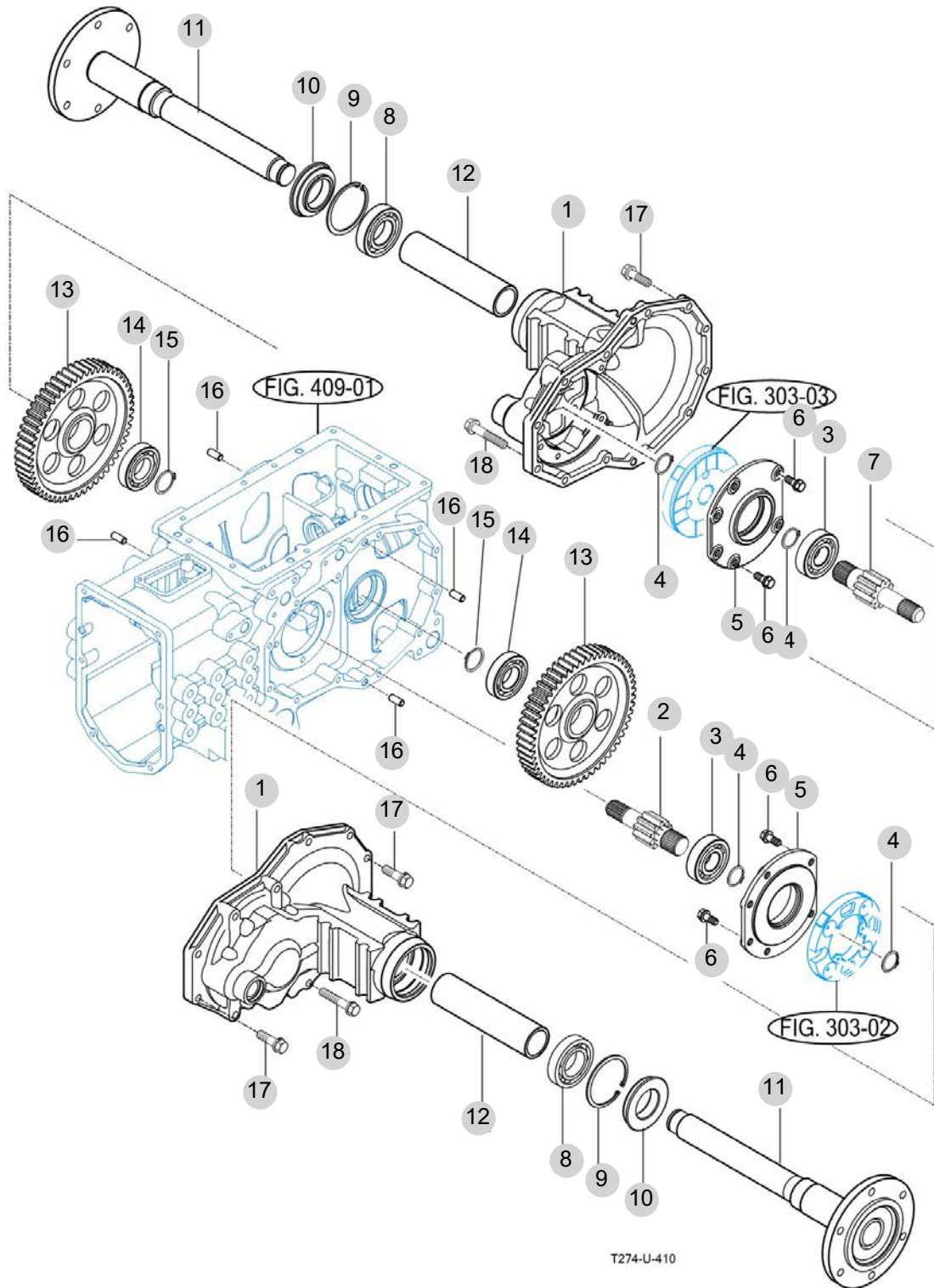
FIG 410

REAR AXLE HOUSINGS

년/월
Year/Month

2022-12

T25-B



T274-U-410

NOTE

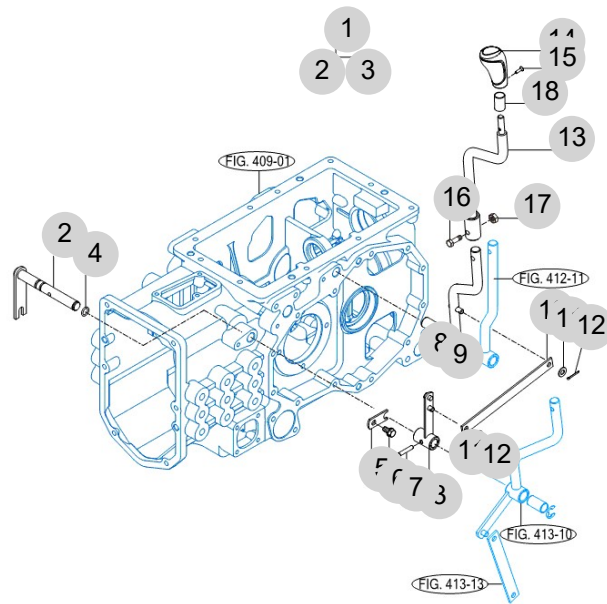
FIG 411

T25-B

RANGE SHIFT LEVER

년/월
Year/Month

2022-12



NOTE

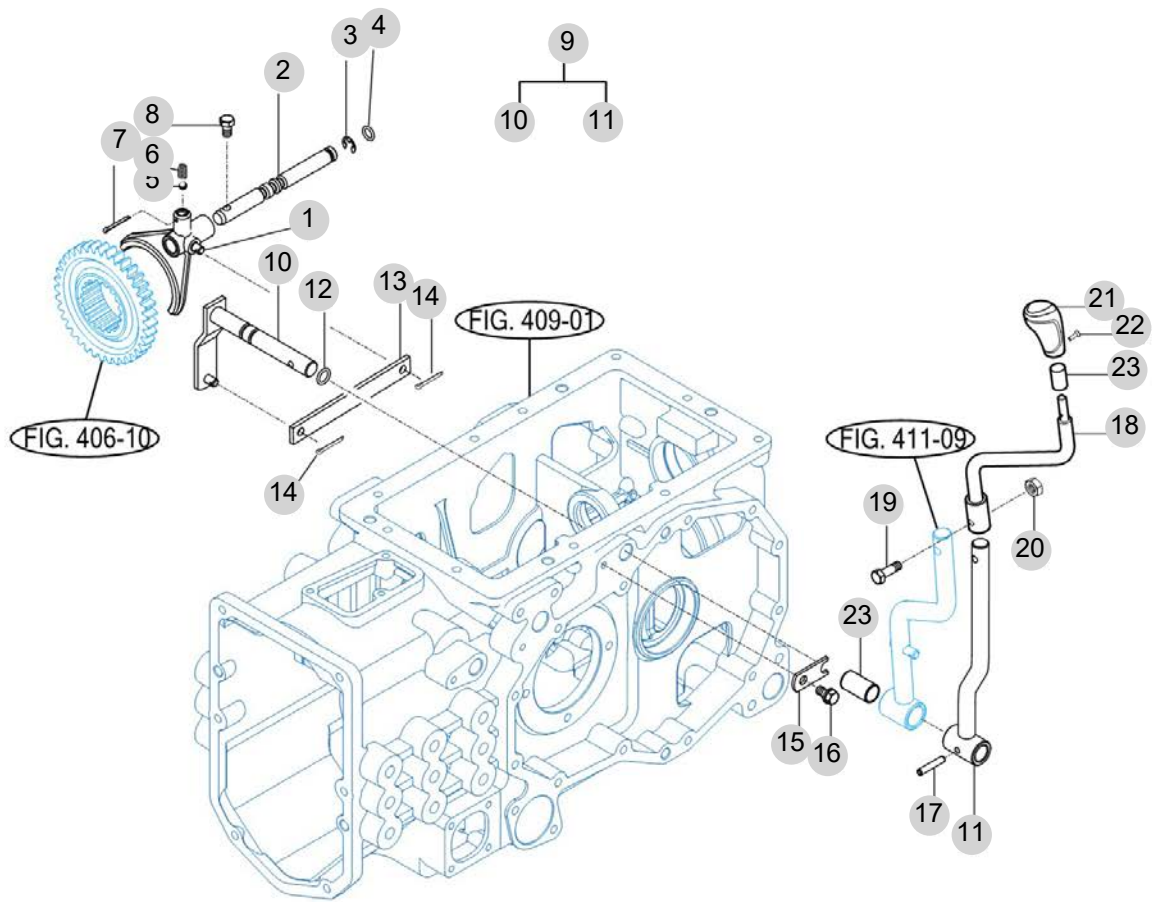
FIG 412

T25-B

P.T.O CHANGE LEVER

년/월
Year/Month

2022-12



T274-U-412

NOTE

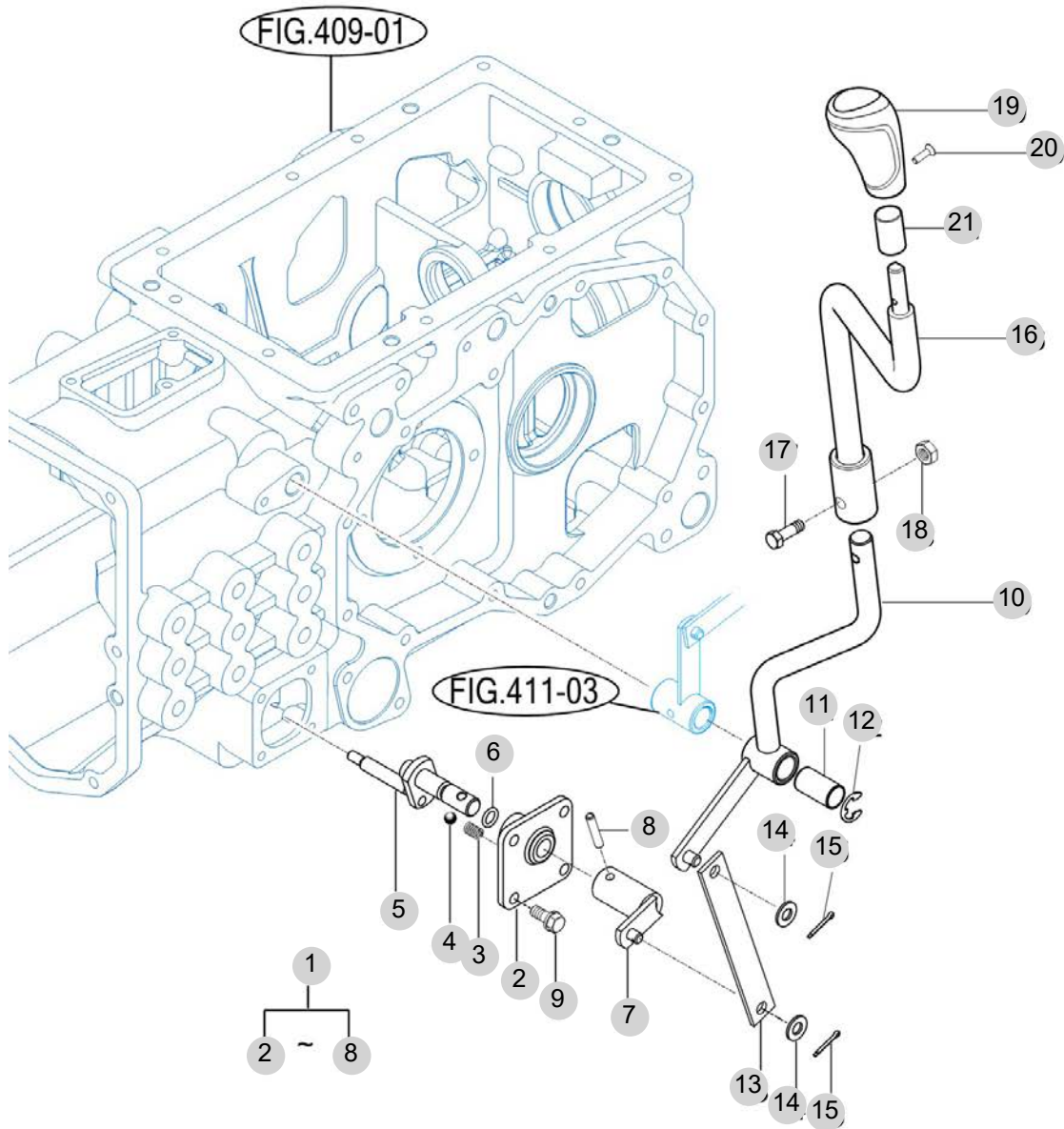
FIG 413

4WD CHANGE LEVER

년/월
Year/Month

2022-12

T25-B



T274-U-413

NOTE

5. Front Axle PART NO. T5

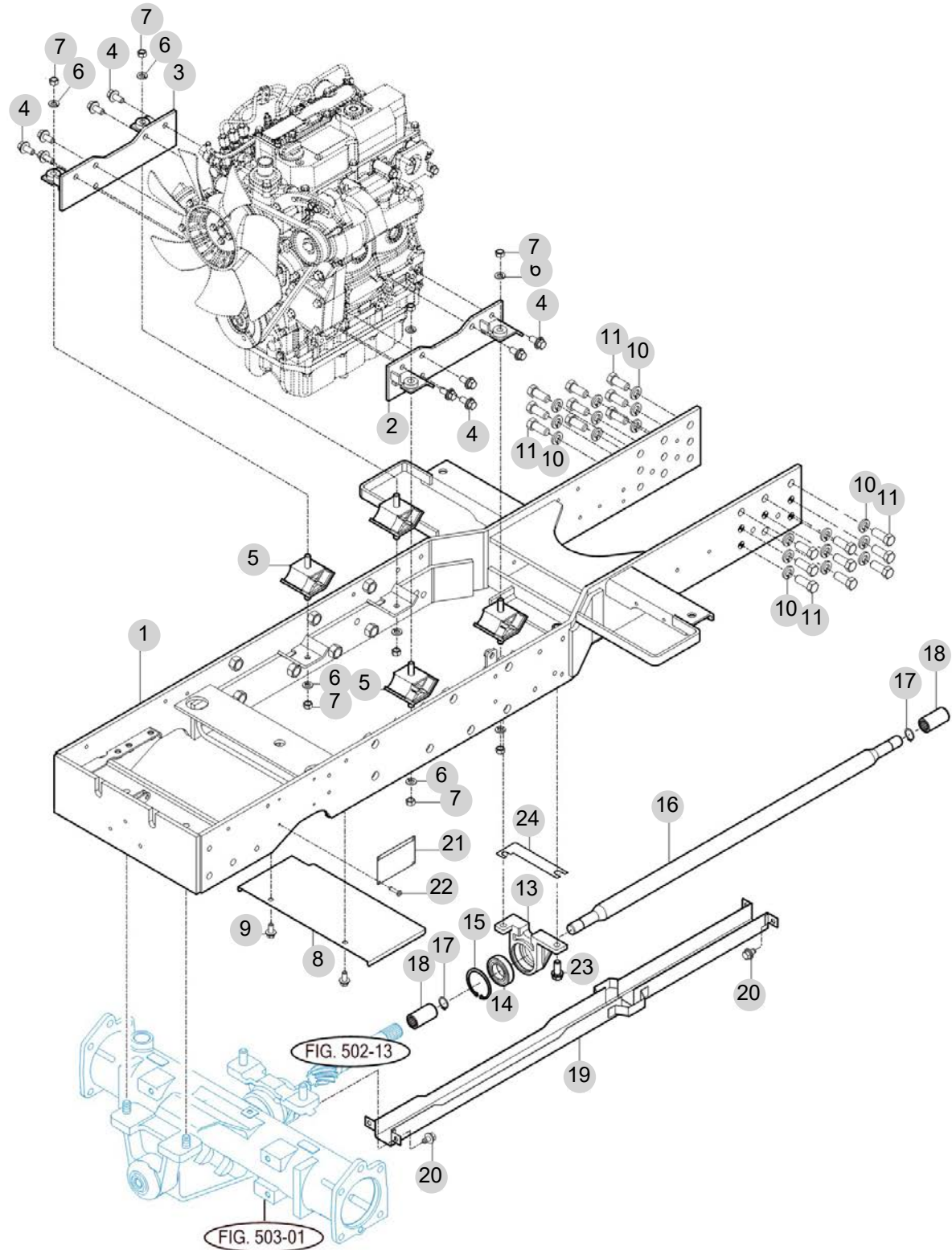
FIG 501 FRAME	106
FIG 502 FRONT DIFFERENTIAL GEARS & SHAFT	108
FIG 503 FRONT AXLE HOUSING	110
FIG 504 FRONT GEAR CASE (1)	112
FIG 505 FRONT GEAR CASE (2)	114

FIG 501

FRAME

년/월
Year/Month

2022-12



NOTE

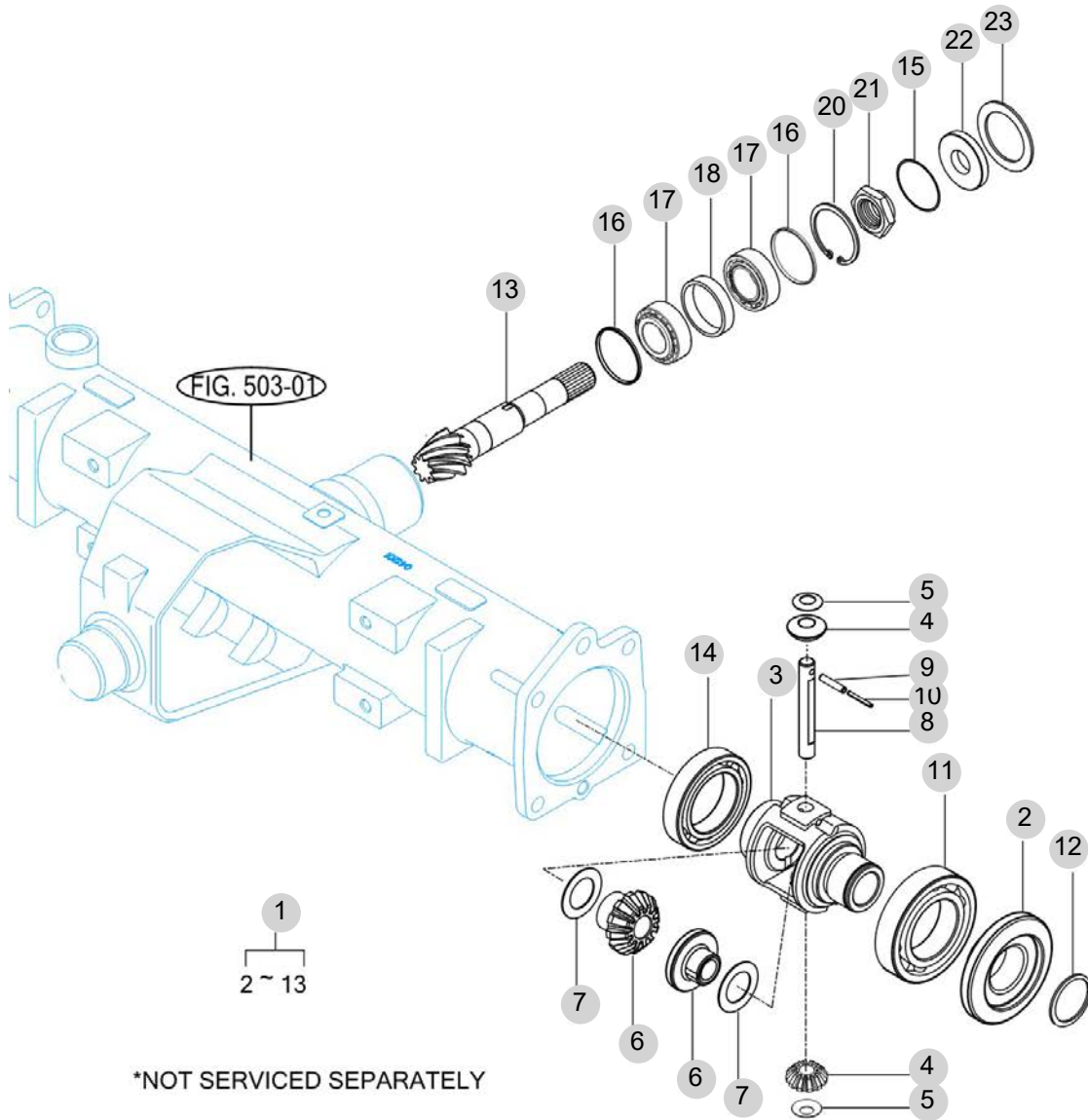
FIG 502

FRONT DIFFERENTIAL GEARS & SHAFT

년/월
Year/Month

2022-12

T25-B



*NOT SERVICED SEPARATELY

T293-E-502

NOTE

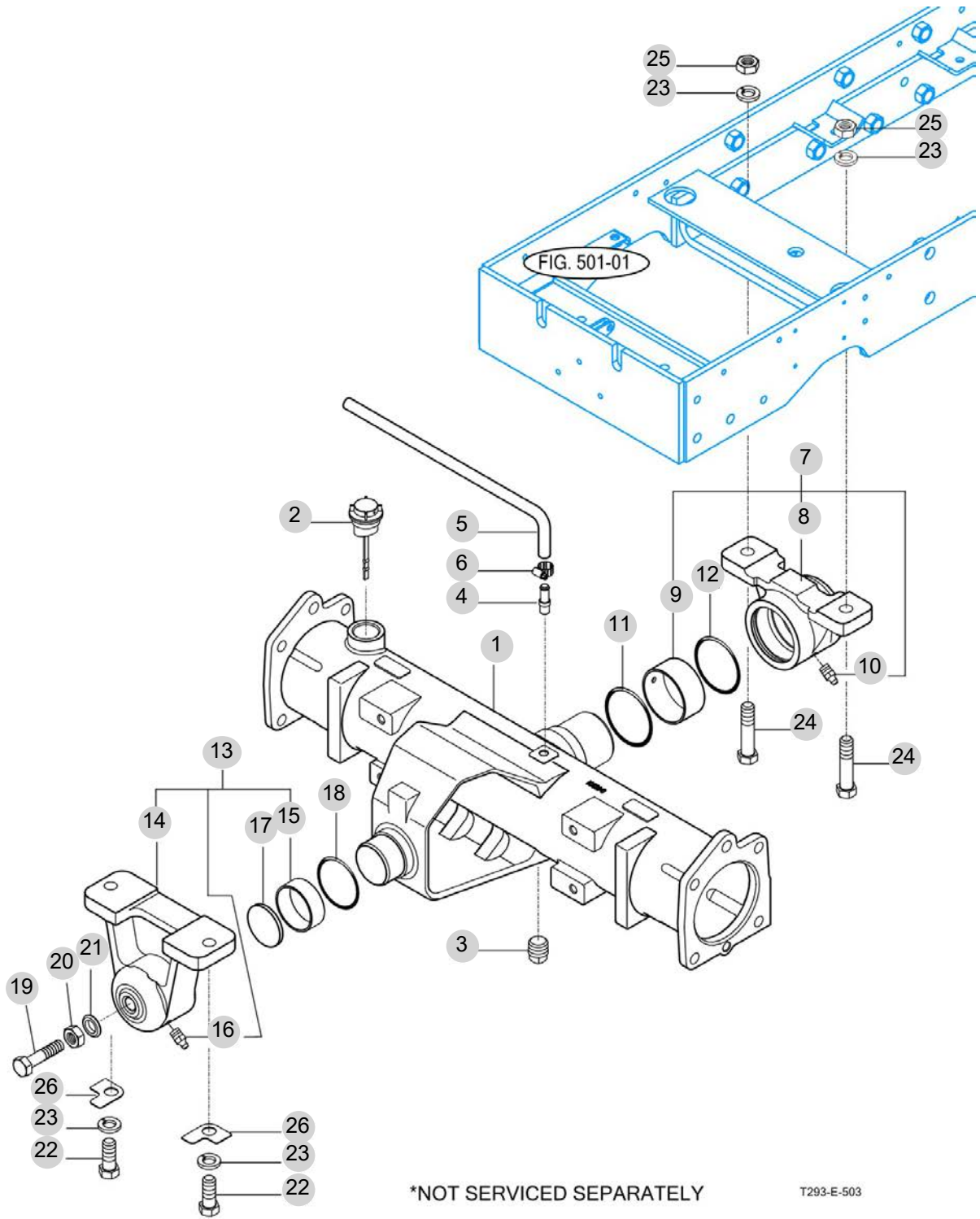
FIG 503

FRONT AXLE HOUSING

년/월
Year/Month

T25-B

2022-12



*NOT SERVICED SEPARATELY

T293-E-503

NOTE

FIG 503 T25-B	FRONT AXLE HOUSING	년/월 Year/Month 2022-12
-------------------------	---------------------------	----------------------------------

KEY NO	PART NO	DESCRIPTION	SPEC	QTY	REPAIR	EFFECTIVE DATE	REMARKS
503	1	13154120014M	HOUSING , FRONT AXLE		1		
503	1	13154120015M	HOUSING , FRONT AXLE		1		
503	2	13154122300	CAP ASSY , OIL		1		
503	2	11104125100	CAP ASSY , OIL		1		
503	3	V7811600008	PLUG , SQUARE	R1/2	1		
503	4	17994360221	CONNECTOR		1		
503	5	19021024300	HOSE . 530		1		
503	6	17131049210	HOSE CLIP 11		1		
503	7	13754122200	METAL ASSY , RR PIVOT		1		
503	8	13154122211M	METAL , RR PIVOT		1		
503	9	13154122220	BUSH , 60X65X30		1		
503	10	V7631500000	NIPPLE , GREASE/B-PT		1		
503	11	V7211031065	O-RING , G	G65	1		
503	12	V7211031060	O-RING , G	G60	1		
503	13	13754122100	METAL ASSY , FR PIVOT		1		
503	14	13154122110M	METAL , FR PIVOT		1		
503	15	16704332220	BUSH , 50X55X20		1		
503	16	V7631500000	NIPPLE , GREASE/B-PT		1		
503	17	16704020020	SPACER (F)		1		
503	18	V7211031055	O-RING , G	G55	1		
503	19	V2004616050	BOLT , HEX	M16X50	1		
503	20	V3052600160	NUT , HEX/3	M16	1		
503	21	14444120090	WASHER , SEAL		1		
503	22	V2013614035	BOLT , HEX	M14X35	2		
503	23	V4011600140	WASHER , SPRING	M14	4		
503	24	V2013614050	BOLT , HEX	M14X50	2		
503	25	V3043600140	NUT , HEX/2	M14	2		
503	26	14151060010	WASHER		2		

NOTE	
------	--

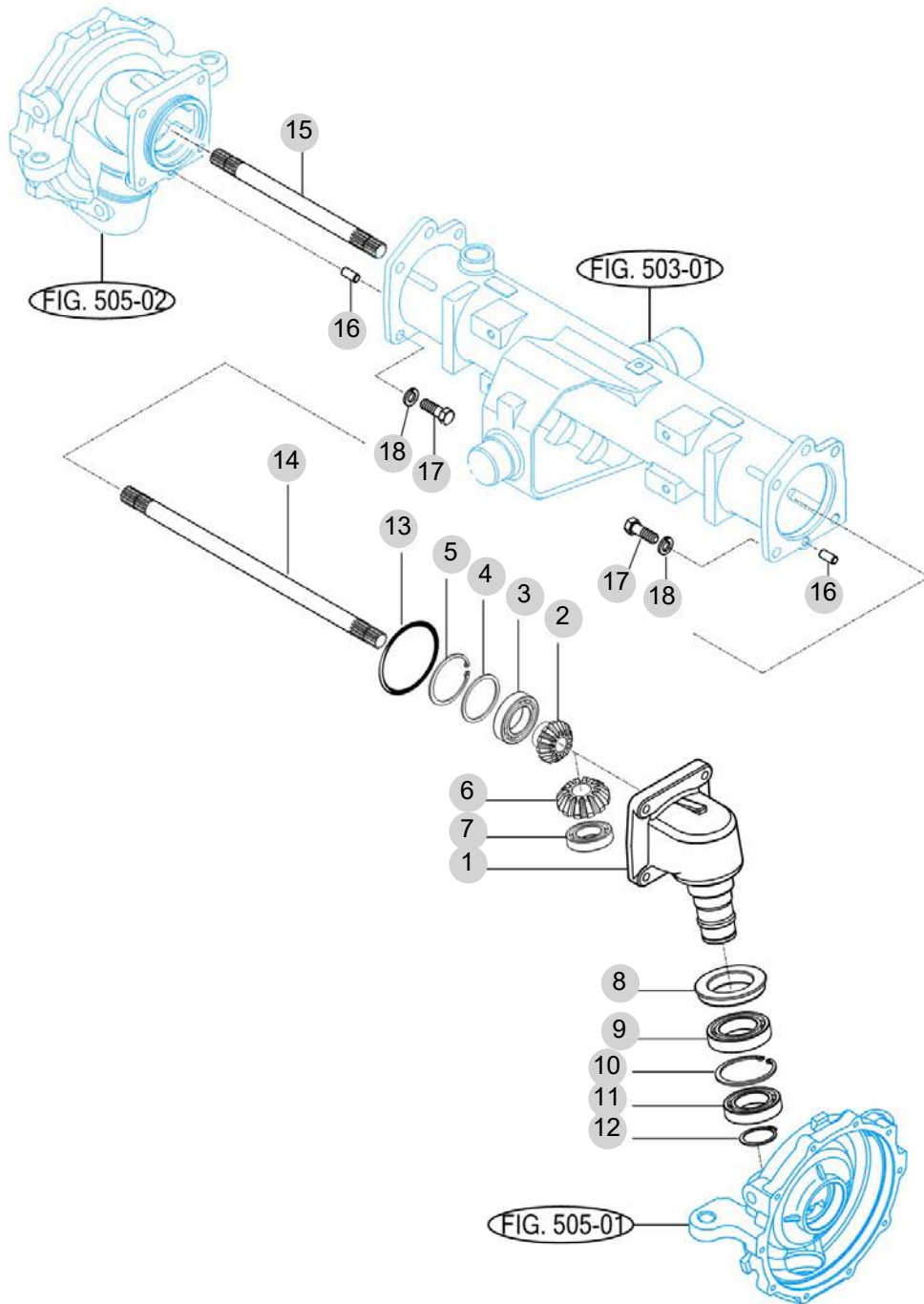
FIG 504

T25-B

FRONT GEAR CASE (1)

년/월
Year/Month

2022-12



T293-E-504

NOTE

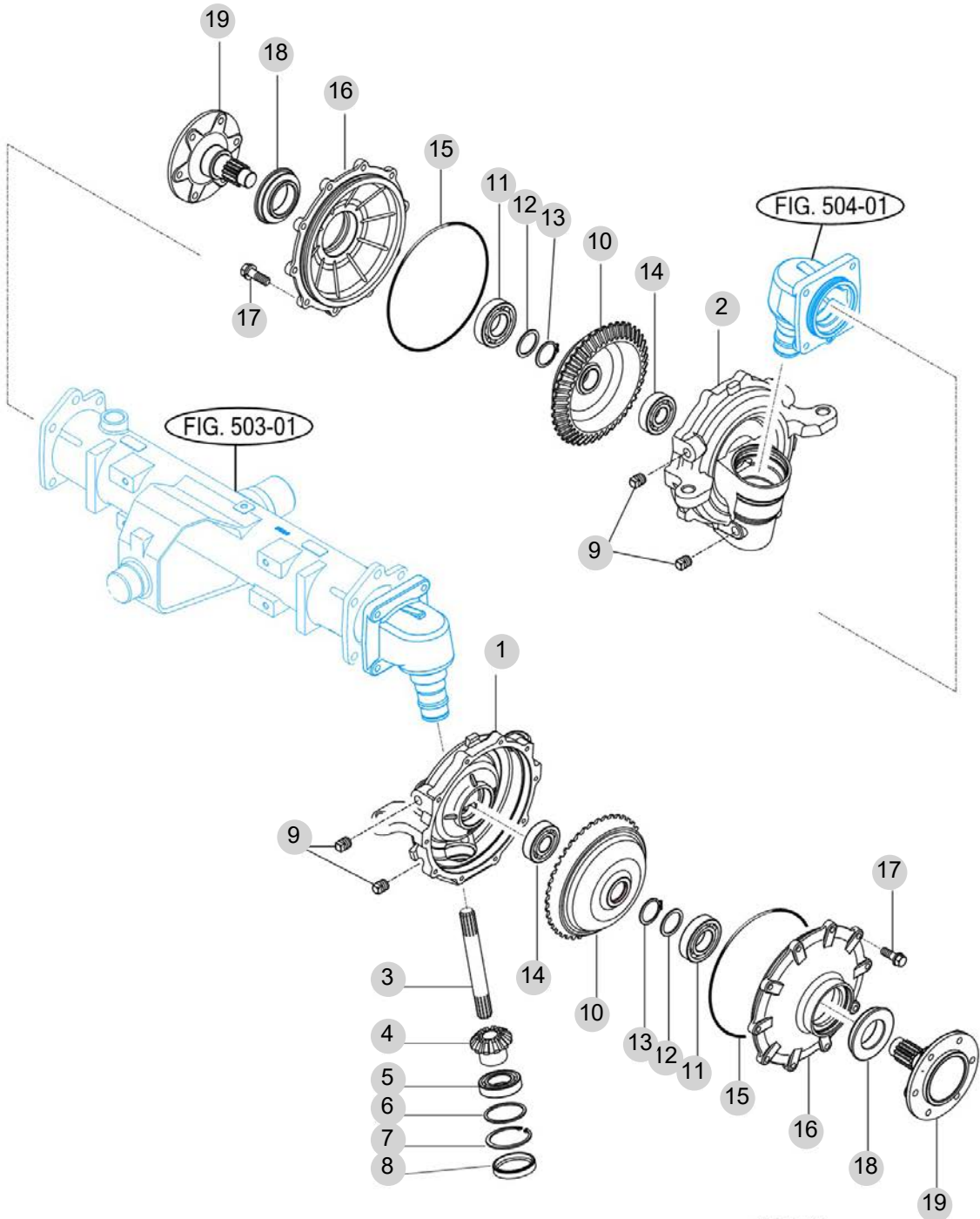
FIG 505

T25-B

FRONT GEAR CASE (2)

년/월
Year/Month

2022-12



T293-E-505

NOTE

6. Hydraulic/3P-Link PART NO. T6

FIG 601 CYLINDER CASE	117
FIG 602 LIFT ARM	119
FIG 603 FLOW CONTROL VALVE	121
FIG 604 CONTROL VALVE LINKAGE	123
FIG 605 MAIN CONTROL VALVE	125
FIG 606 REMOTE CONTROL VALVE	127
FIG 607 POSITION LEVER LINKAGE	129
FIG 608 GEAR PUMP	131
FIG 609B HYDRAULIC HOSE (1)	133
FIG 610 HYDRAULIC HOSE (2)	135
FIG 611 PTO VALVE	137
FIG 612 3-POINT LINKAGE	139
FIG 613B JOYSTICK LEVER	142
FIG 614 HITCH & COVER	144

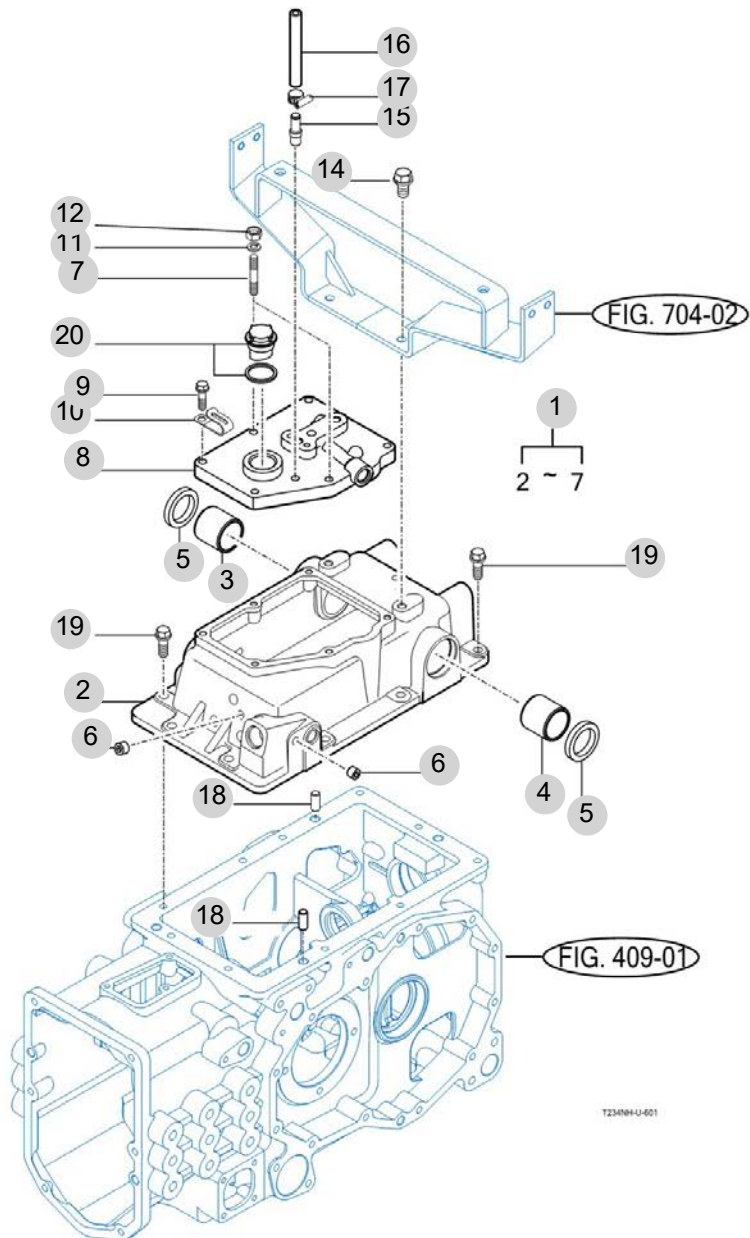
FIG 601

T25-B

CYLINDER CASE

년/월
Year/Month

2022-12



NOTE

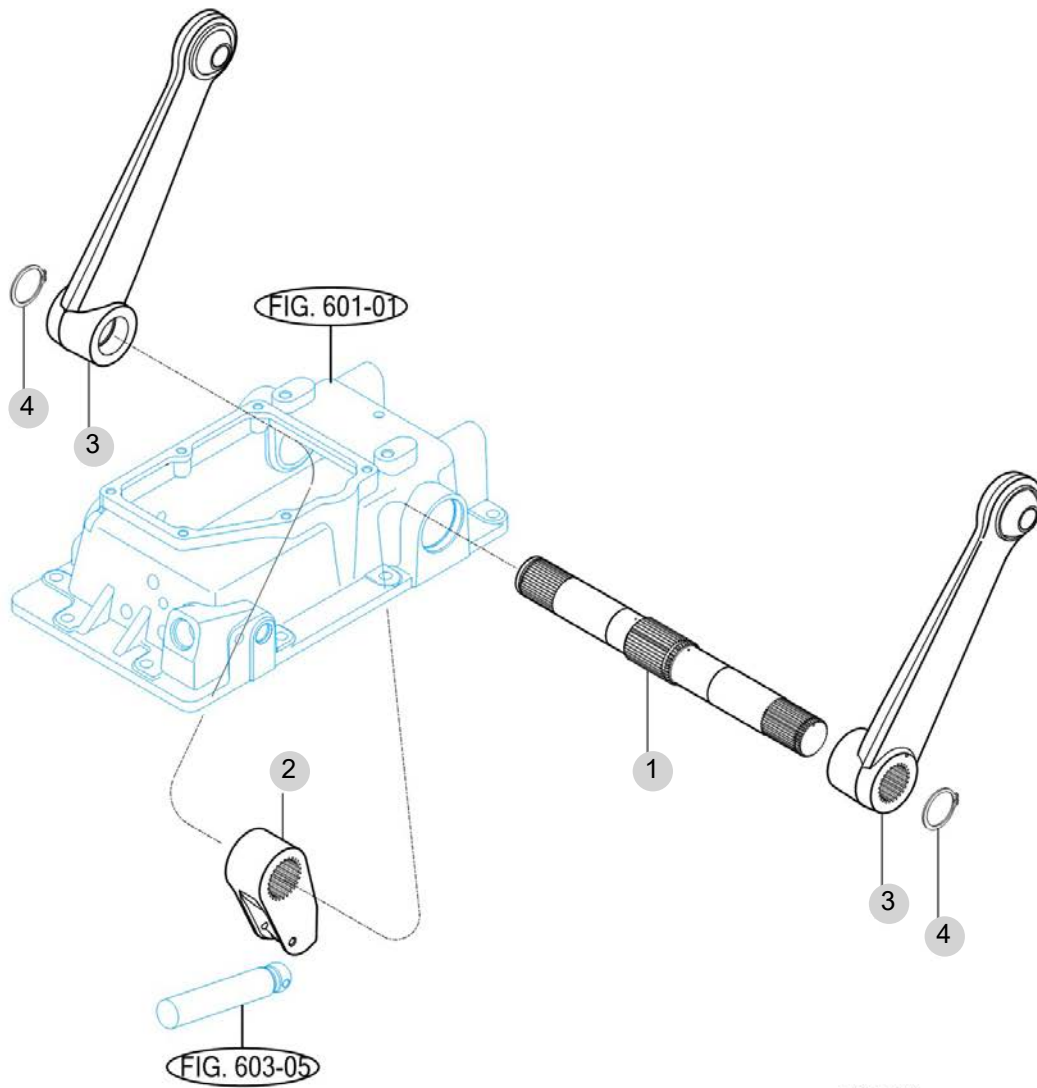
FIG 602

T25-B

LIFT ARM

년/월
Year/Month

2022-12



T293-E-602

NOTE

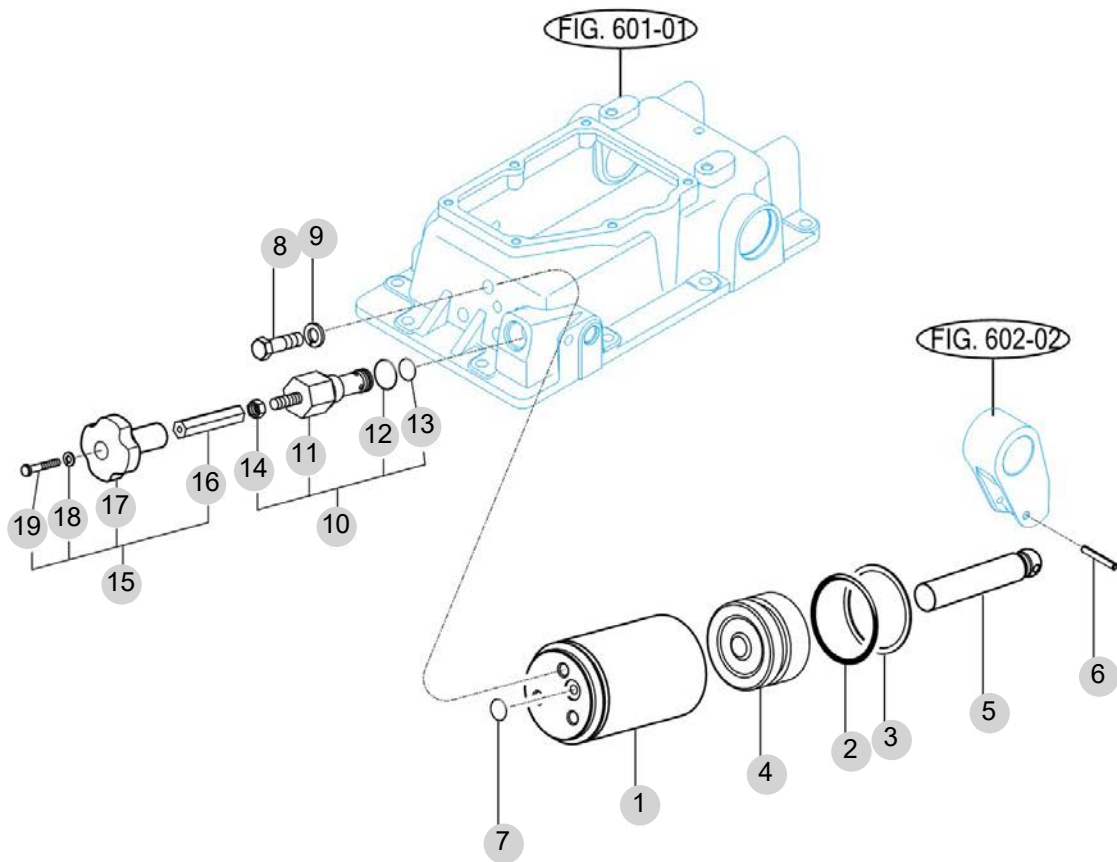
FIG 603

T25-B

FLOW CONTROL VALVE

년/월
Year/Month

2022-12



T293-E-603

NOTE

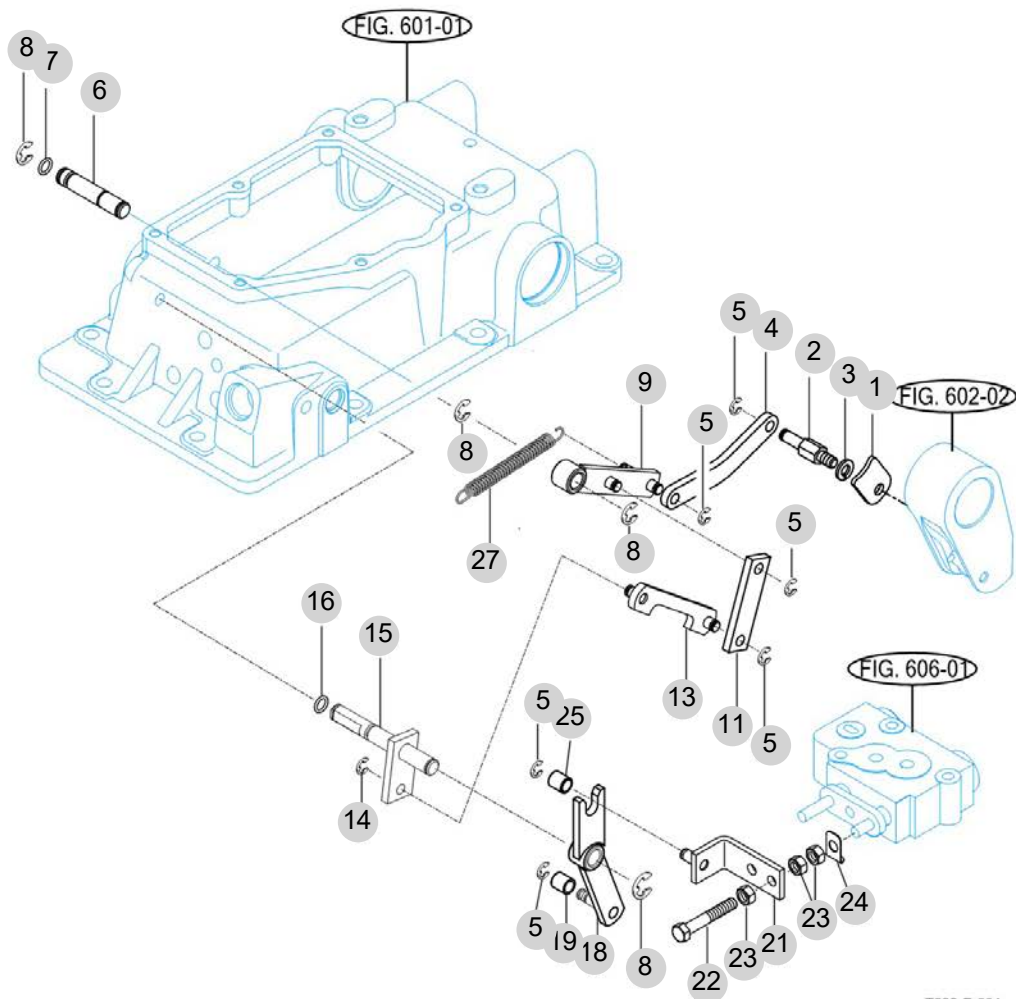
FIG 604

CONTROL VALVE LINKAGE

년/월
Year/Month

2022-12

T25-B



T293-E-604

NOTE

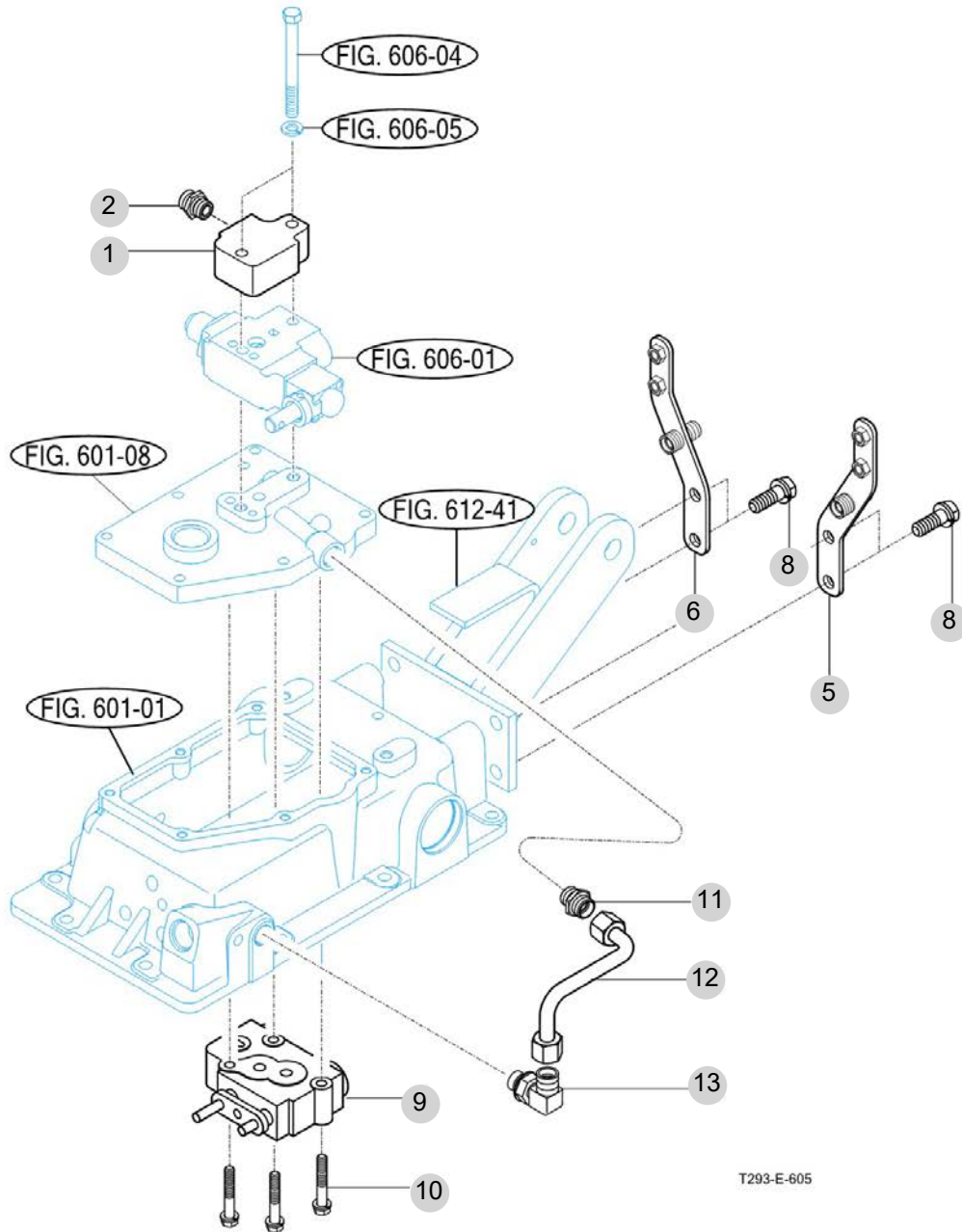
FIG 605

T25-B

MAIN CONTROL VALVE

년/월
Year/Month

2022-12



NOTE

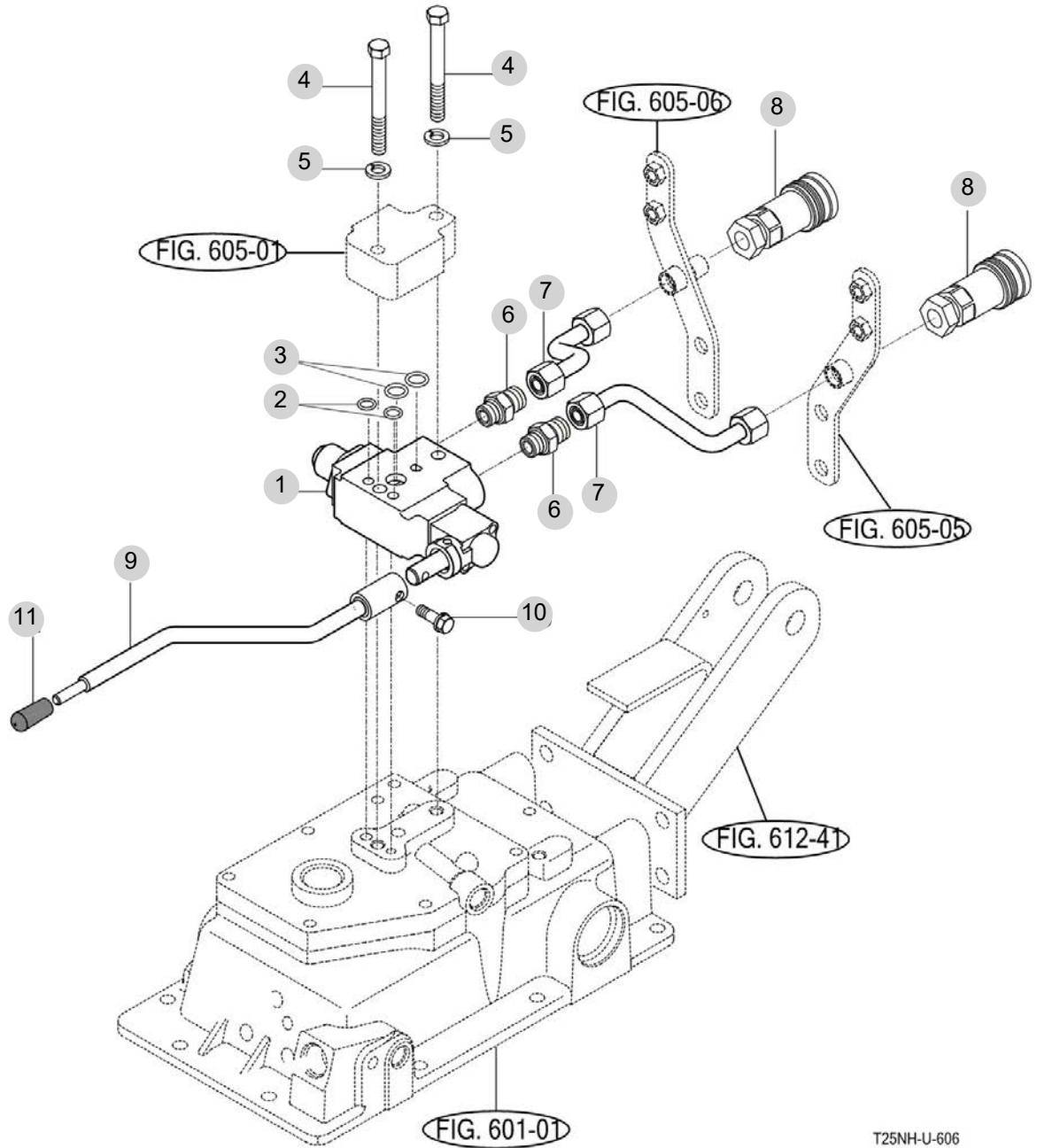
FIG 606

T25-B

REMOTE CONTROL VALVE

년/월
Year/Month

2022-12



T25NH-U-606

NOTE

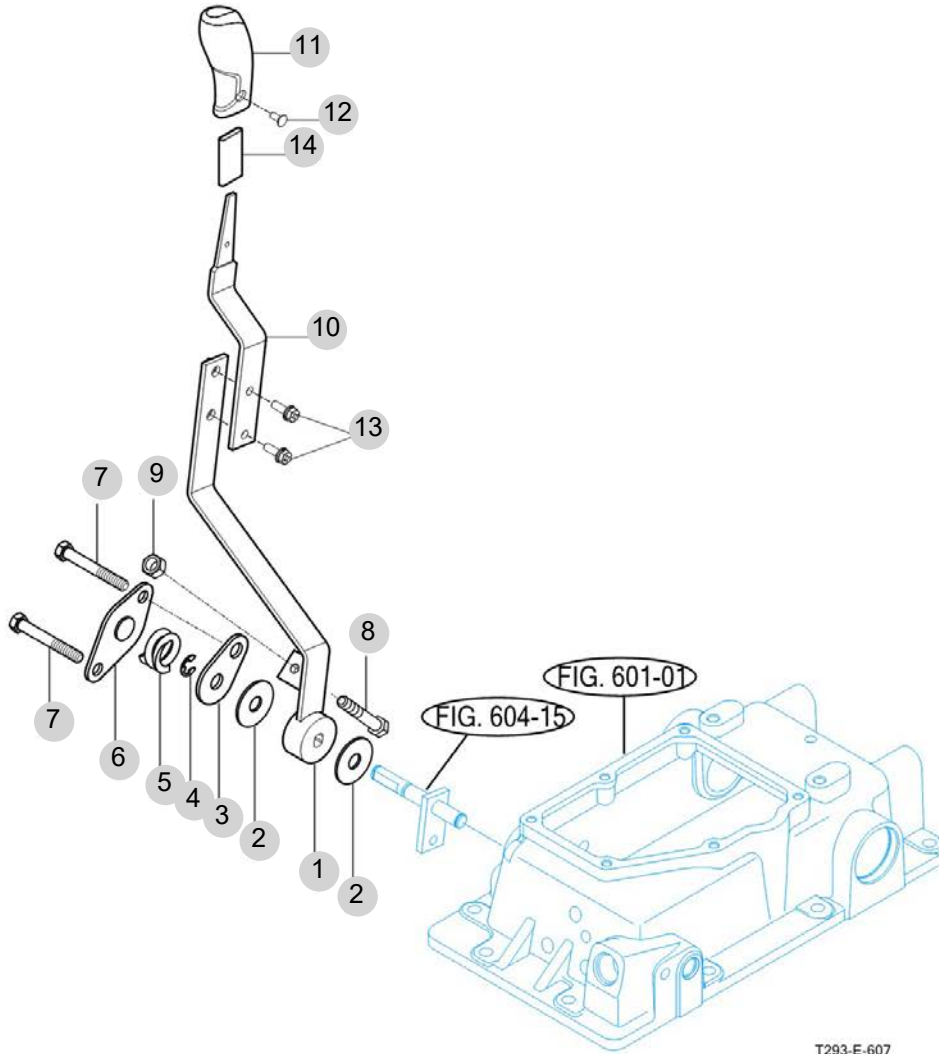
FIG 607

T25-B

POSITION LEVER LINKAGE

년/월
Year/Month

2022-12



T293-E-607

NOTE

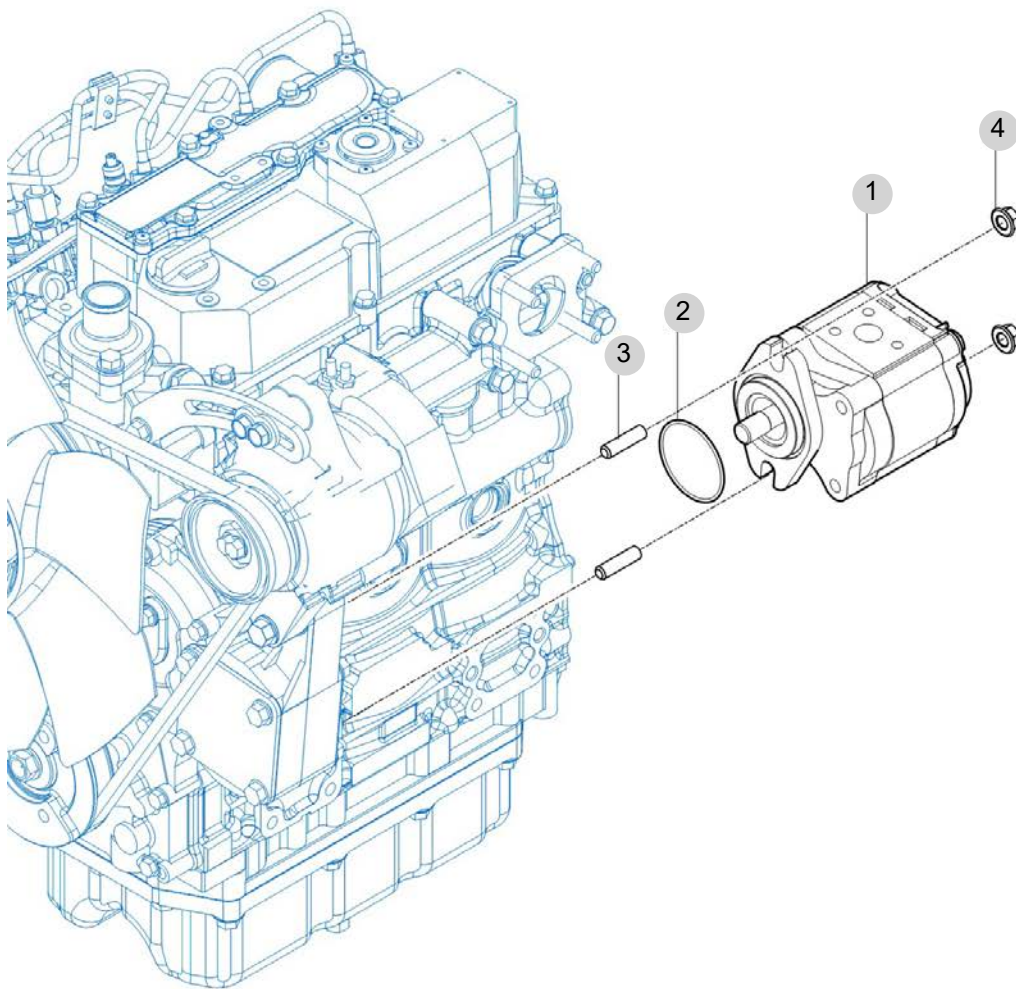
FIG 608

GEAR PUMP

년/월
Year/Month

2022-12

T25-B



NOTE

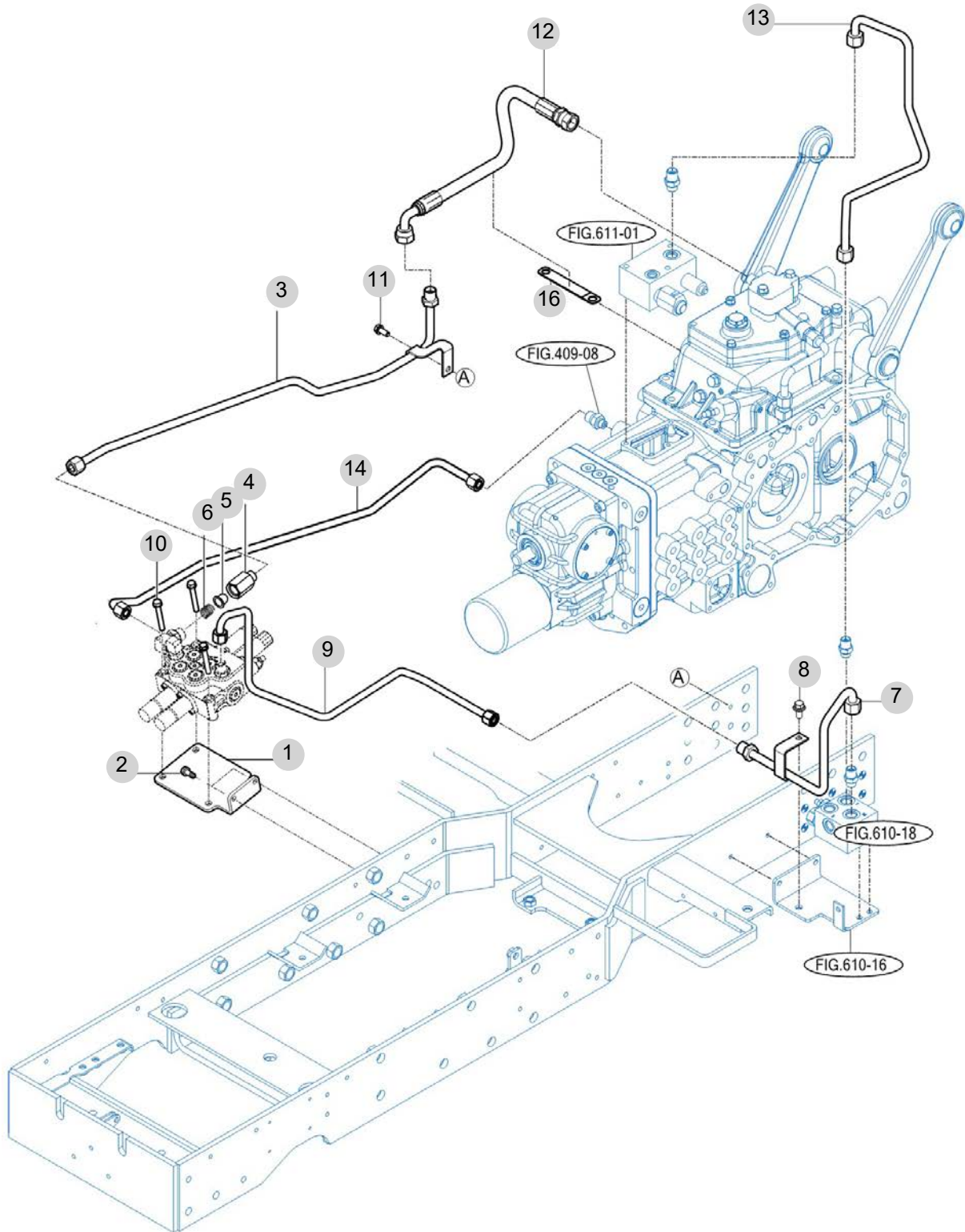
FIG 609B

T25-B

HYDRAULIC HOSE (1)

년/월
Year/Month

2022-12



NOTE

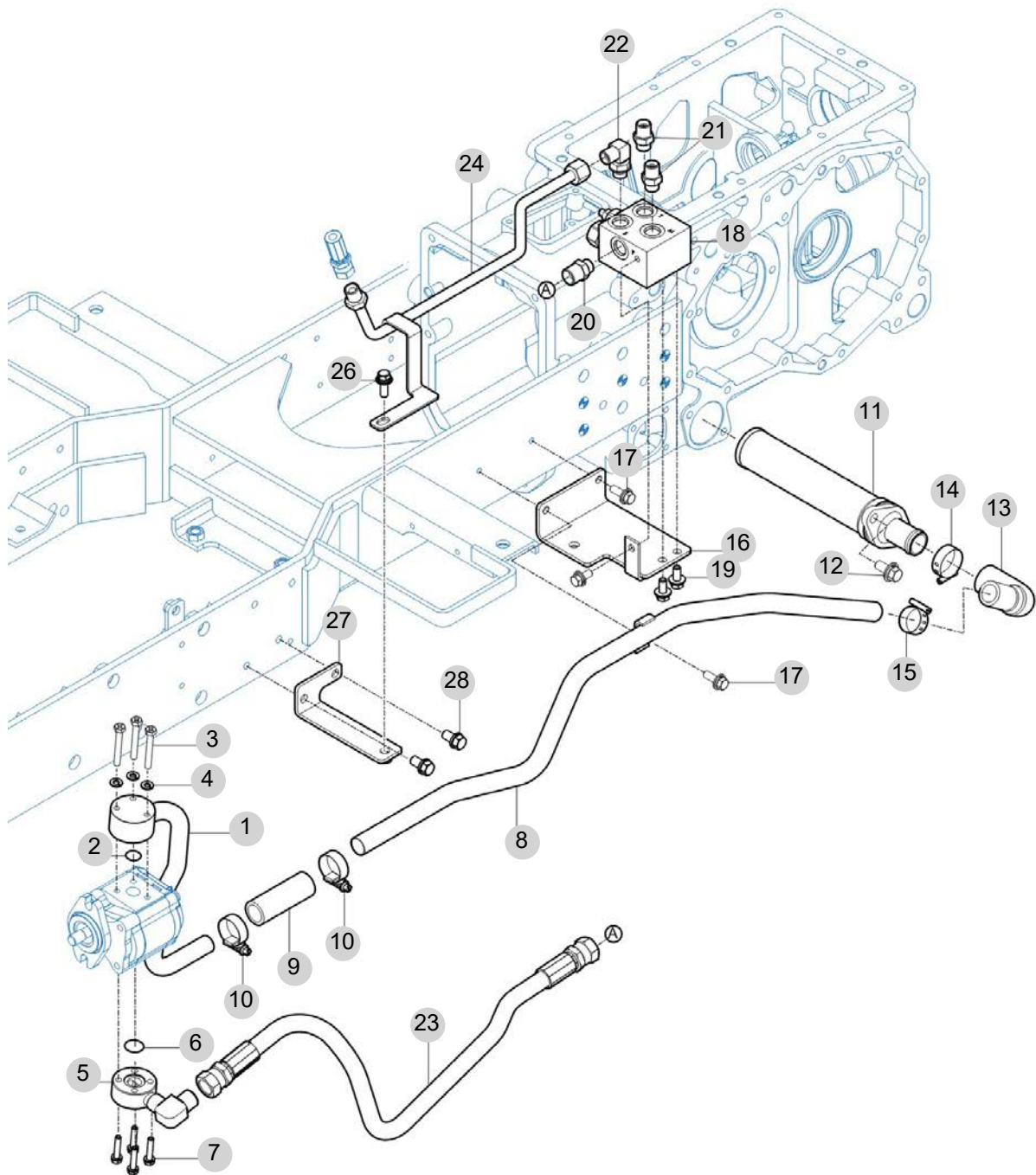
FIG 610

T25-B

HYDRAULIC HOSE (2)

년/월
Year/Month

2022-12



NOTE

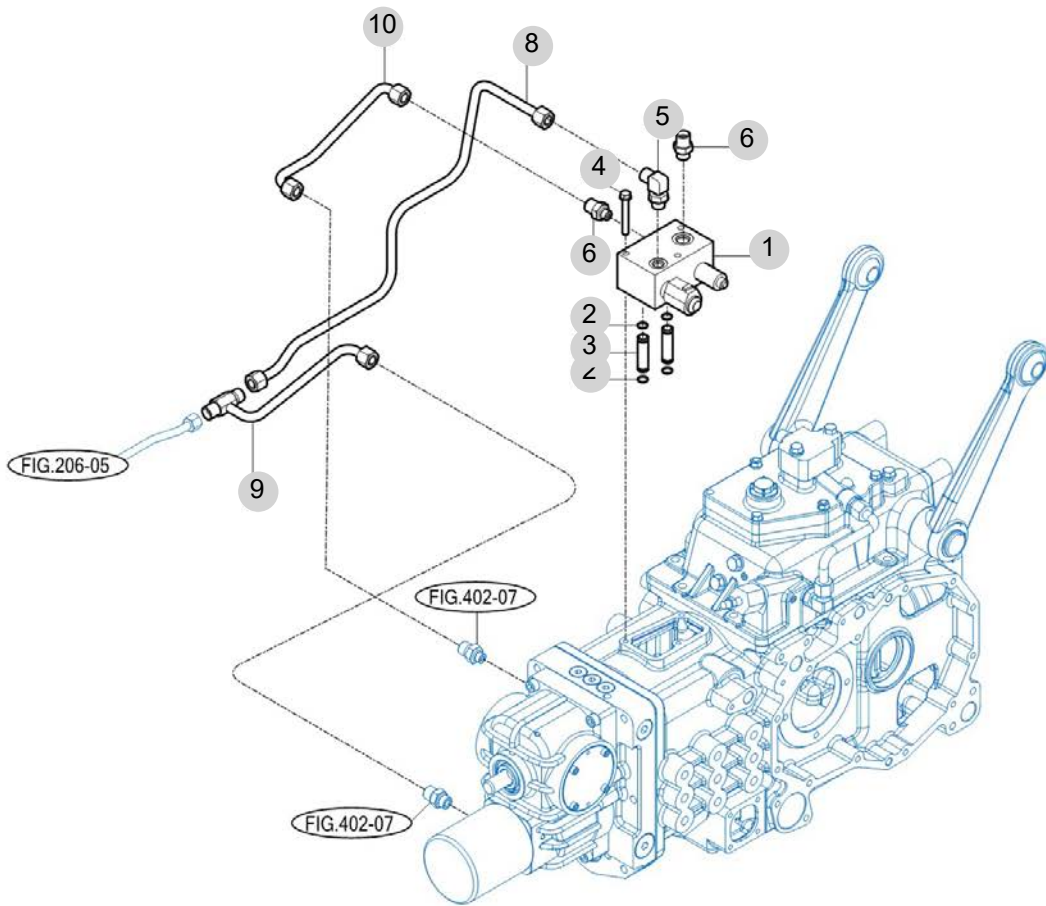
FIG 611

T25-B

PTO VALVE

년/월
Year/Month

2022-12



NOTE

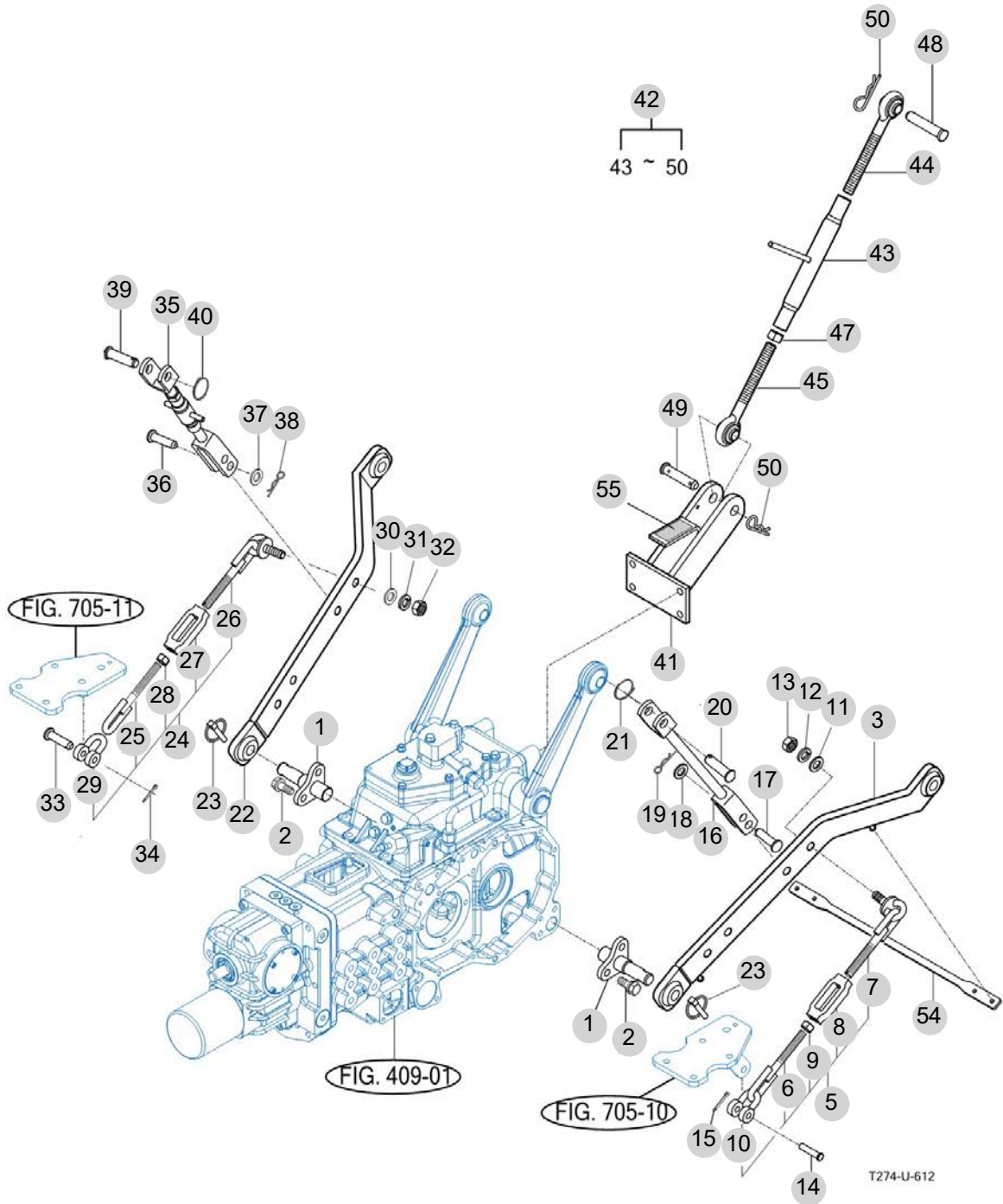
FIG 612

3-POINT LINKAGE

년/월
Year/Month

T25-B

2022-12



T274-U-612

NOTE

FIG 612		3-POINT LINKAGE					년/월 Year/Month		
							2022-12		
T25-B		KEY NO	PART NO	DESCRIPTION	SPEC	QTY	REPAIR	EFFECTIVE DATE	REMARKS
612	1	13155205100	PIN COMP, 115			2			
612	2	V2173612030	BOLT , HEX/S	M12X30		4			
612	3	13155202202	LOWER LINK COMP , LH			1			
612	5	13155202501	CHAIN ASSY , CHECK			1			
612	6	14585142600	CHAIN COMP , RH CHECK			1			
612	7	14585142700	CHAIN COMP , LH CHECK			1			
612	8	13155202511	TURNBUCKLE			1			
612	9	V3012600140	NUT , HEX/2	M14		1			
612	10	14585142520	SHACKLE , CHECK CHAIN			1			
612	11	V4111600160	WASHER , PLAIN	M16		1			
612	12	V4011600160	WASHER , SPRING	M16		1			
612	13	V3313600160	NUT , HEX FINE/2	M16		1			
612	14	79636110030	PIN , 12X48			1			
612	15	V5001930020	PIN , SPLIT	3X20		1			
612	16	13155202401	LIFT ROD COMP , LH			1			
612	17	79636130050	PIN , 16X60			1			
612	18	V4111600160	WASHER , PLAIN	M16		1			
612	19	13059310030	PIN			1			
612	20	12505243500	PIN			1			
612	21	12505240060	Spring			1			
612	22	13155203102	LOWER LINK COMP , RH			1			
612	23	14215020020	PIN , LINK			2			
612	24	13155202501	CHAIN ASSY , CHECK			1			
612	25	14585142600	CHAIN COMP , RH CHECK			1			
612	26	14585142700	CHAIN COMP , LH CHECK			1			
612	27	13155202511	TURNBUCKLE			1			
612	28	V3012600140	NUT , HEX/2	M14		1			
612	29	14585142520	SHACKLE , CHECK CHAIN			1			
612	30	V4111600160	WASHER , PLAIN	M16		1			
612	31	V4011600160	WASHER , SPRING	M16		1			
612	32	V3313600160	NUT , HEX FINE/2	M16		1			
612	33	79636110030	PIN , 12X48			1			
612	34	V5001930020	PIN , SPLIT	3X20		1			
612	35	13155203201	LIFT ROD ASSY , RH			1			
612	36	79636130050	PIN , 16X60			1			
612	37	V4111600160	WASHER , PLAIN	M16		1			
612	38	13059310030	PIN			1			
612	39	12505243500	PIN			1			
612	40	12505240060	Spring			1			
612	41	13155204104	BRACKET COMP , TOP LINK			1			
612	42	13155206002	TOP LINK ASSY			1			
612	42	13155206003	TOP LINK ASSY			1			
612	42	13155206004	TOP LINK ASSY			1			
612	43	13155206111	TURN BUCKLE			1			
612	44	13155206121	JOINT , LH			1			
NOTE									

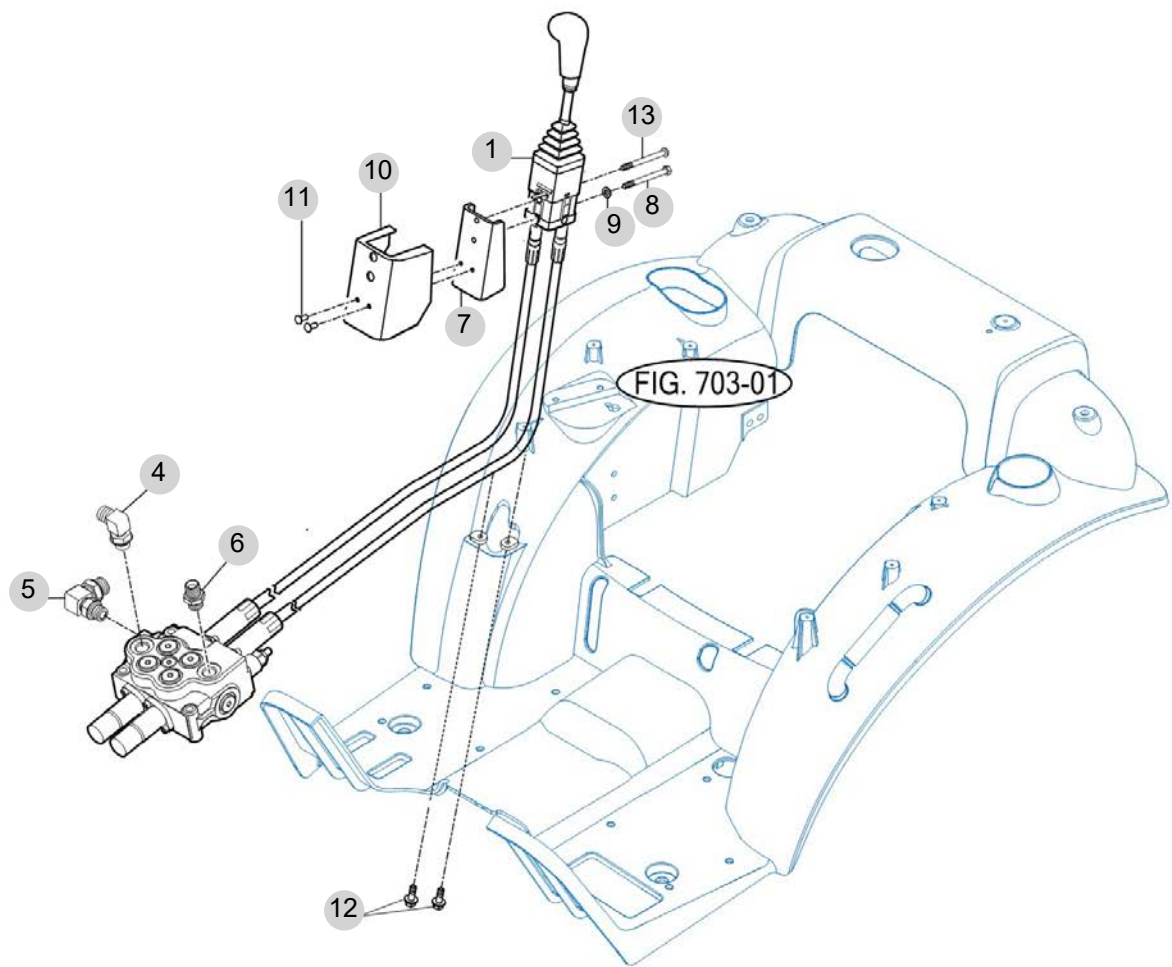
FIG 613B

T25-B

JOYSTICK LEVER

년/월
Year/Month

2022-12



RK25-U-613

NOTE

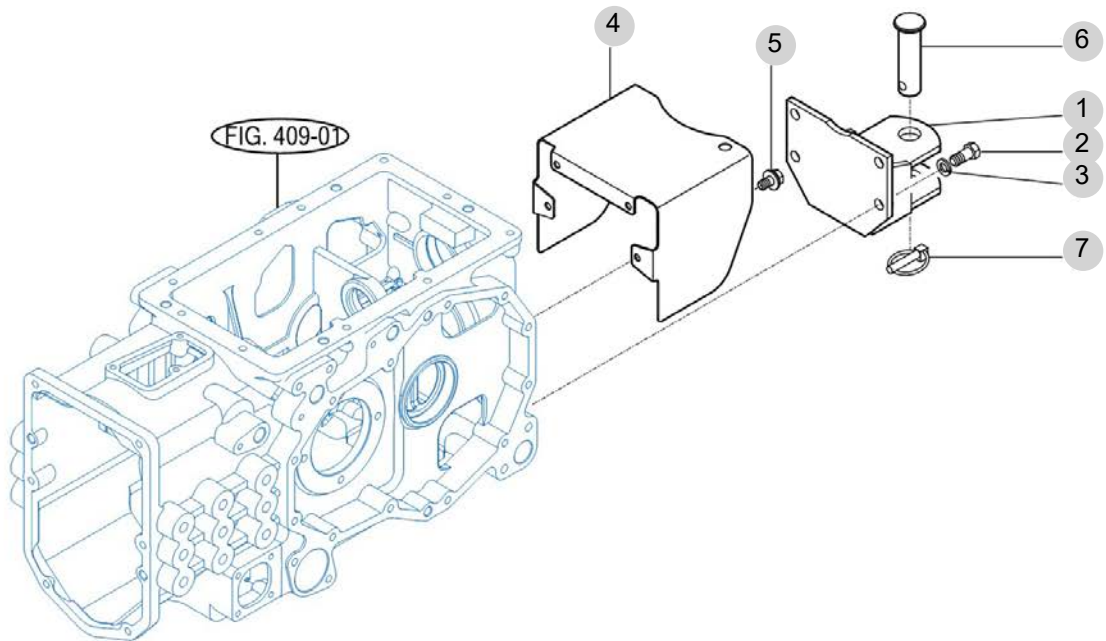
FIG 614

T25-B

HITCH & COVER

년/월
Year/Month

2022-12



NOTE

7. Sheet Metal & Cabin PART NO. T7

FIG 701 BONNET	147
FIG 702 DASH PANEL	149
FIG 703 FLOOR	151
FIG 704 SEAT	154
FIG 705 ROPS	156
FIG 706 CAB FRAME & DOOR(OPTION)	158
FIG 707 FRONT GLASS(OPTION)	160
FIG 708 SIDE & REAR GLASS(OPTION)	162
FIG 709 ROOF(OPTION)	164
FIG 710 HEATER(OPTION)	166
FIG 711 INTERIOR PART(OPTION)	168
FIG 712 SEAL(OPTION)	170
FIG 713 FRONT & REAR MOUNTING(OPTION)	172

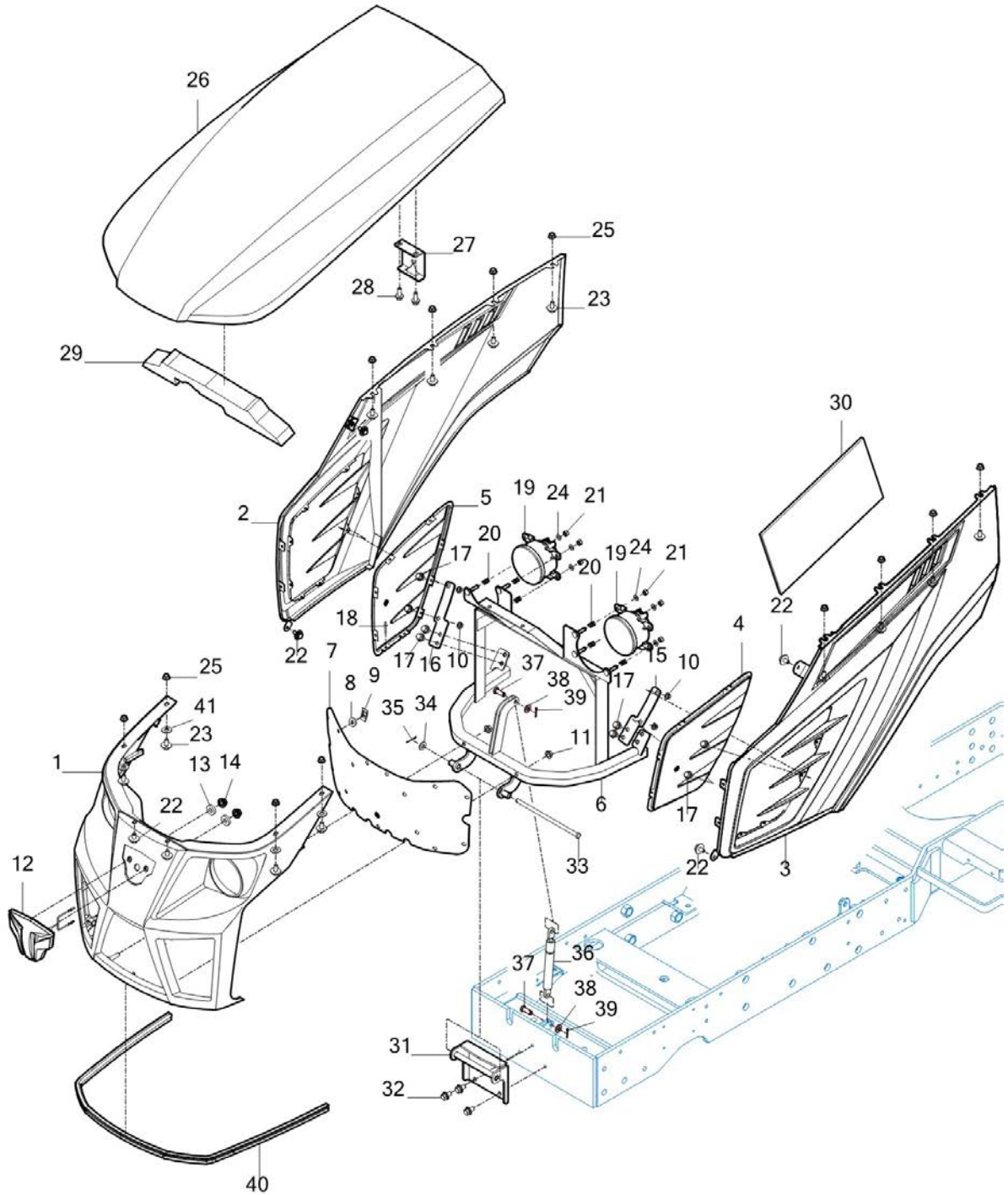
FIG 701

BONNET

년/월
Year/Month

2022-12

T25-B



NOTE

FIG 701		BONNET					년/월 Year/Month	
							2022-12	
T25-B								
KEY NO	PART NO	DESCRIPTION	SPEC	QTY	REPAIR	EFFECTIVE DATE	REMARKS	
701	1	11816012400GB	GRILL COMP		1			
701	2	11816012300SR	SIDE PANEL COMP , RH		1			
701	3	11816012200SR	SIDE PANEL COMP , LH		1			
701	4	11816020020GB	NET , LH / SIDE PANEL		1			
701	5	11816020030GB	NET , RH / SIDE PANEL		1			
701	6	11816022100GB	HOOD FRAME COMP		1			
701	7	11816020010GB	NET , FR / GRILL		1			
701	8	14446010150	WASHER , NET		15			
701	9	V3501600060	NUT , PUSH-ON SPRING		15			
701	10	V3802600060	NUT , HEX FLANGE		4			
701	10	V3802600060	NUT , HEX FLANGE		4			
701	11	V3802600060	NUT , HEX FLANGE		2			
701	11	V3802600060	NUT , HEX FLANGE		4			
701	12	11816010100	EMBLEM ASSY , LED		1			
701	13	V4111600060	WASHER , PLAIN		2			
701	14	V3802600060	NUT , HEX FLANGE		2			
701	15	11816022210GB	FIX PLATE , LH		1			
701	16	11816022310GB	FIX PLATE , RH		1			
701	17	V2193606016	BOLT , HEX/SPL		8			
701	18	V5502040093	RIVET , BLIND		14			
701	19	11816020090	HEAD LAMP , LED		2			
701	20	16998010080	SPRING , HC016		6			
701	21	19027210060	NUT , NYLON , M6		6			
701	22	V2193606016	BOLT , HEX/SPL		6			
701	23	V2193606016	BOLT , HEX/SPL		12			
701	24	V4111600060	WASHER , PLAIN		6			
701	25	V3802600060	NUT , HEX FLANGE		12			
701	26	11816012100SR	HOOD		1			
701	27	13156012213	BRACKET , STAY		1			
701	28	V2183608020	BOLT , HEX/SP		2			
701	29	11816020060	INSULATOR , UPPER / HOOD		1			
701	30	16506010140	SPONGE		1			
701	31	11816013100GB	BRACKET COMP , HINGE		1			
701	32	V2173608020	BOLT , HEX/S		3			
701	32	V2183608025	BOLT , HEX/SP		3			
701	33	13016202060	PIN , HOOD		1			
701	34	V4111600080	WASHER , PLAIN		1			
701	35	V5001925020	PIN D2.5x20		1			
701	36	11816022400	GAS SPRING , 70kgf		1			
701	37	14322420010	PIN		2			
701	38	V4111600080	WASHER , PLAIN		2			
701	39	V5001925015	PIN , SPLIT		2			
701	40	11816020040	INSULATOR , LOW / HOOD		1			
701	41	19026112050	WASHER , 6X30X2.3		4			
NOTE								

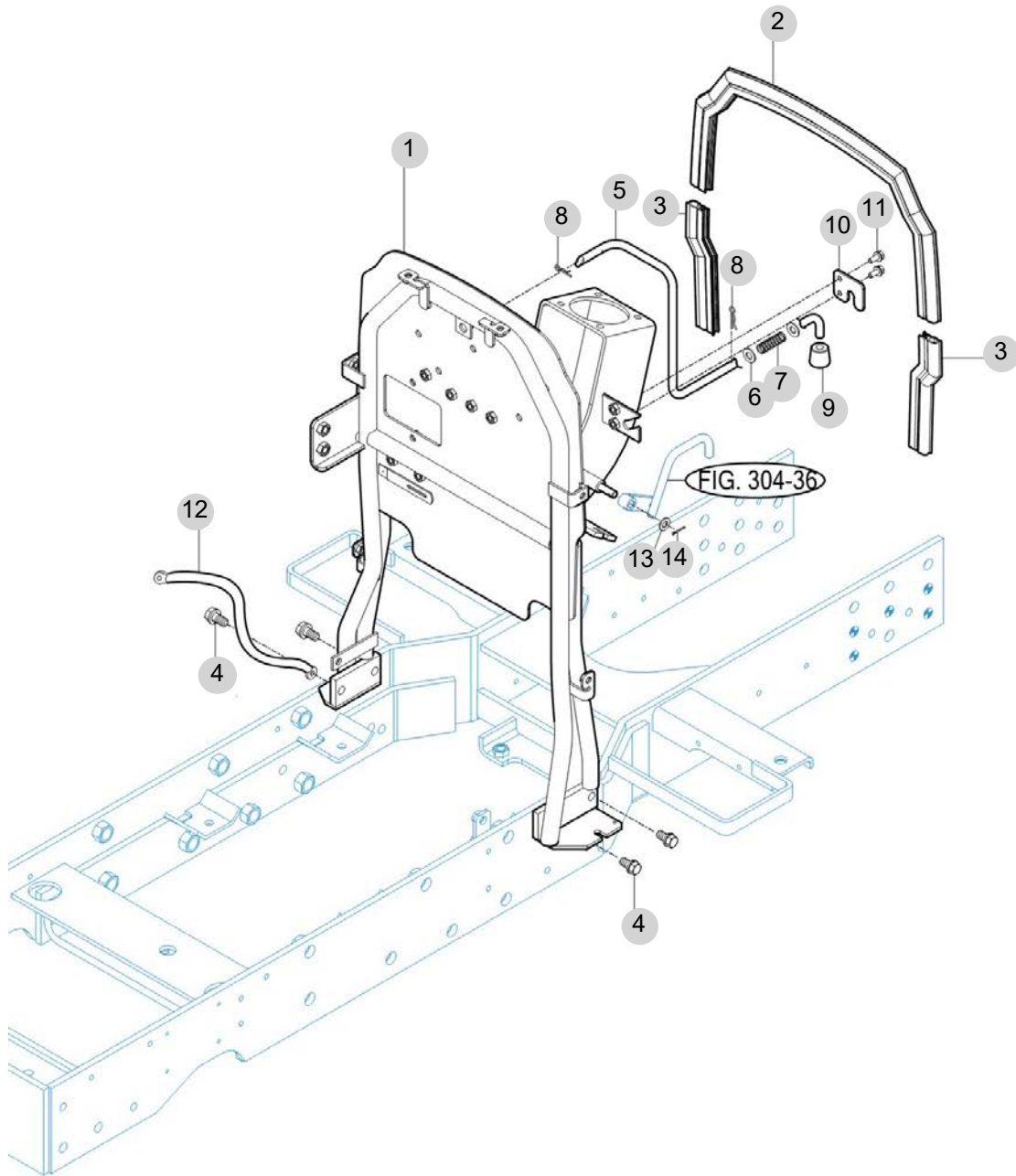
FIG 702

T25-B

DASH PANEL

년/월
Year/Month

2022-12



NOTE

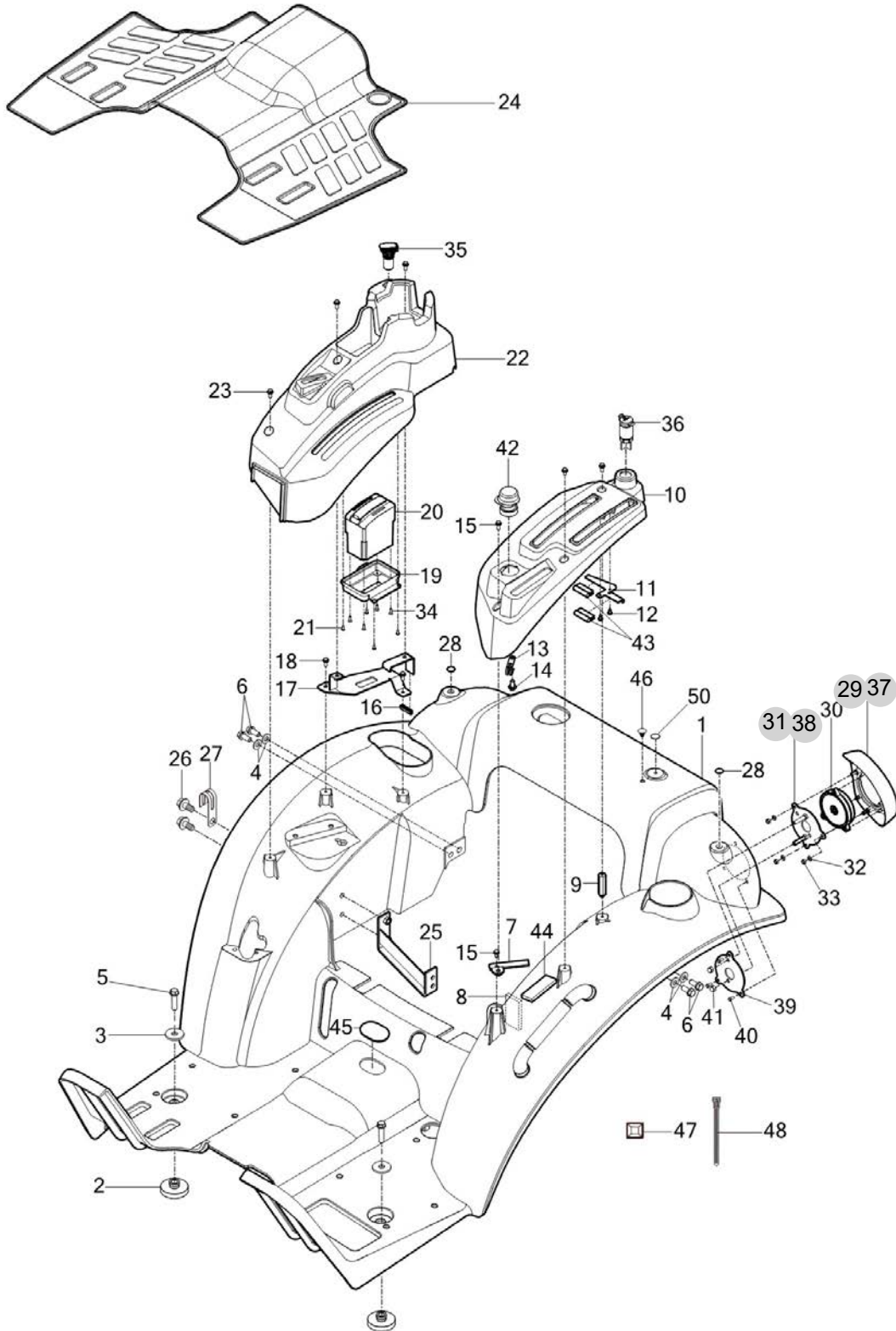
FIG 703

T25-B

FLOOR

년/월
Year/Month

2022-12



NOTE

FIG 703		FLOOR					년/월 Year/Month	
							2022-12	
T25-B								
KEY NO	PART NO	DESCRIPTION	SPEC	QTY	REPAIR	EFFECTIVE DATE	REMARKS	
703	1	13156402114SR	PANEL , FLOOR		1			
703	2	13156252121	INSULATOR		2			
703	3	13156252110	PLATE		2			
703	4	V4111600100	WASHER , PLAIN	M10	4			
703	5	V2173612040	BOLT , HEX/S	M12X40	2			
703	6	V2173610040	BOLT , HEX/S	M10X40	4			
703	7	11817082300GB	BRACKET COMP , FR/LEVER COVER		1			
703	8	11816400010	INSULATOR , 4WD		1			
703	9	11817095440	BOLT , COVER		1			
703	10	11817082100	LEVERCOVER SUB , LH		1			
703	11	11816400020GB	PLATE, PTO LEVER		1			
703	12	V1902605012	SCREW , TAPPING C/R PAN/3		2			
703	13	37371720090	CLAMP , W/HARNESS		1			
703	14	19406110080	TAPPING SCREW , TRUSS/6X16		1			
703	15	V1222806012	SCREW , C/R PAN/SP		4			
703	16	11816030020	INSULATOR , RH / LEVER COVER		1			
703	17	11817082400GB	BRACKET COMP , LEVER COVER		1			
703	18	V1222806012	SCREW , C/R PAN/SP		2			
703	19	11817082220NG	LEVER COVER , LOW / RH		1			
703	20	11816602300	WIRELESS CHARGE ASSY		1			
703	21	V1922604012	SCREW , TAPPING		4			
703	22	11817082210NG	LEVER COVER , UPPER /RH		1			
703	23	V1222806012	SCREW , C/R PAN/SP		3			
703	24	13186412110	MAT , FLOOR		1			
703	25	13196253100GB	PLATE COMP, RH SUPPROT FENDER		1			
703	26	V2183608025	BOLT , HEX/SP		2			
703	27	14256210040	CLAMP , 9		1			
703	28	16606070031	CAP , 9		2			
703	29	11817023500NG	LAMP COMP , STOP COVER LH		1			
703	30	11817023400	LAMP ASSY . STOP		2			
703	31	11817023700	FIX PLATE COMP , LH / STOP LAMP		1			
703	32	V4011600060	WASHER , SPRING		6			
703	33	V3412700080	NUT , SMALL CAP		6			
703	34	V1122804012	SCREW , C/R FLAT		4			
703	35	11817018500	USB SOCKET ASSY		1			
703	36	10037018500	SOCKET ASSY , POWER		1			
703	37	11817023600NG	STOP LAMP COVER , RH		1			
703	38	11817023800	FIX PLATE COMP , RH / STOP LAMP		1			
703	39	11817023710	FIX PLATE , STOP LAMP		2			
703	40	13366050120	SCREW , TAPPING C/R PAN/4		6			
703	40	V1922605012	SCREW , TAPPING		6			
703	41	V3412700080	NUT , SMALL CAP		4			
703	42	11106644000	SWITCH ASSY , PTO		1			
703	43	11816400030	INSULATOR , 40 / LEVERCOVER		2			
703	44	11816400040	INSULATOR , LOW /4WD LEVER		1			
NOTE								

FIG 703		FLOOR						년/월 Year/Month	
								2022-12	
T25-B									
KEY NO	PART NO	DESCRIPTION	SPEC	QTY	REPAIR	EFFECTIVE DATE	REMARKS		
703	45	14706300020	CAP , SLOW RETURN	1					
703	46	15276040020	CLIP , TRIM	2					
703	47	14536680010	MOUNT , TIE	2					
703	48	13764020030	CABLE TIE , 140	2					
703	50	34520690510	SEAL	1					
NOTE									

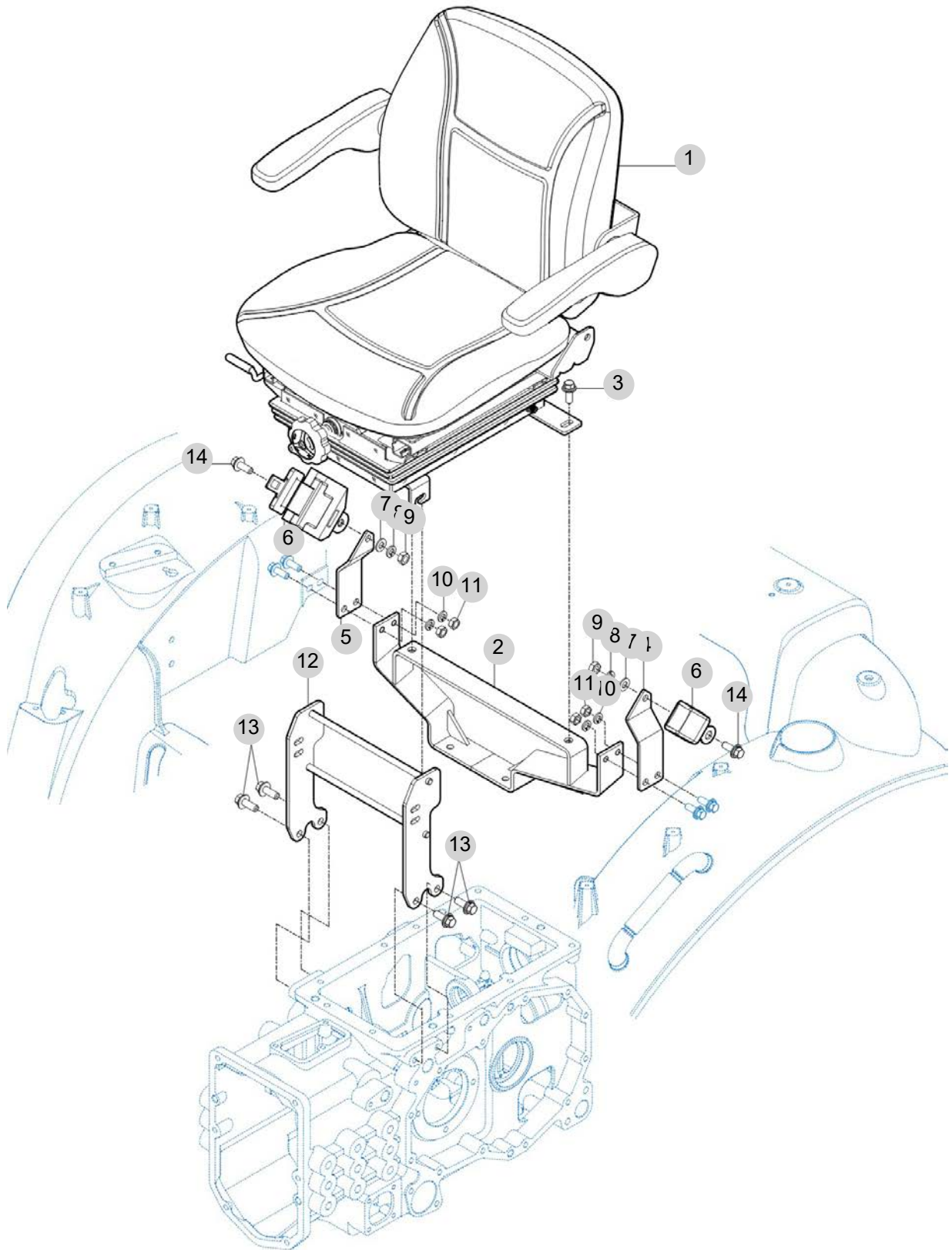
FIG 704

T25-B

SEAT

년/월
Year/Month

2022-12



NOTE

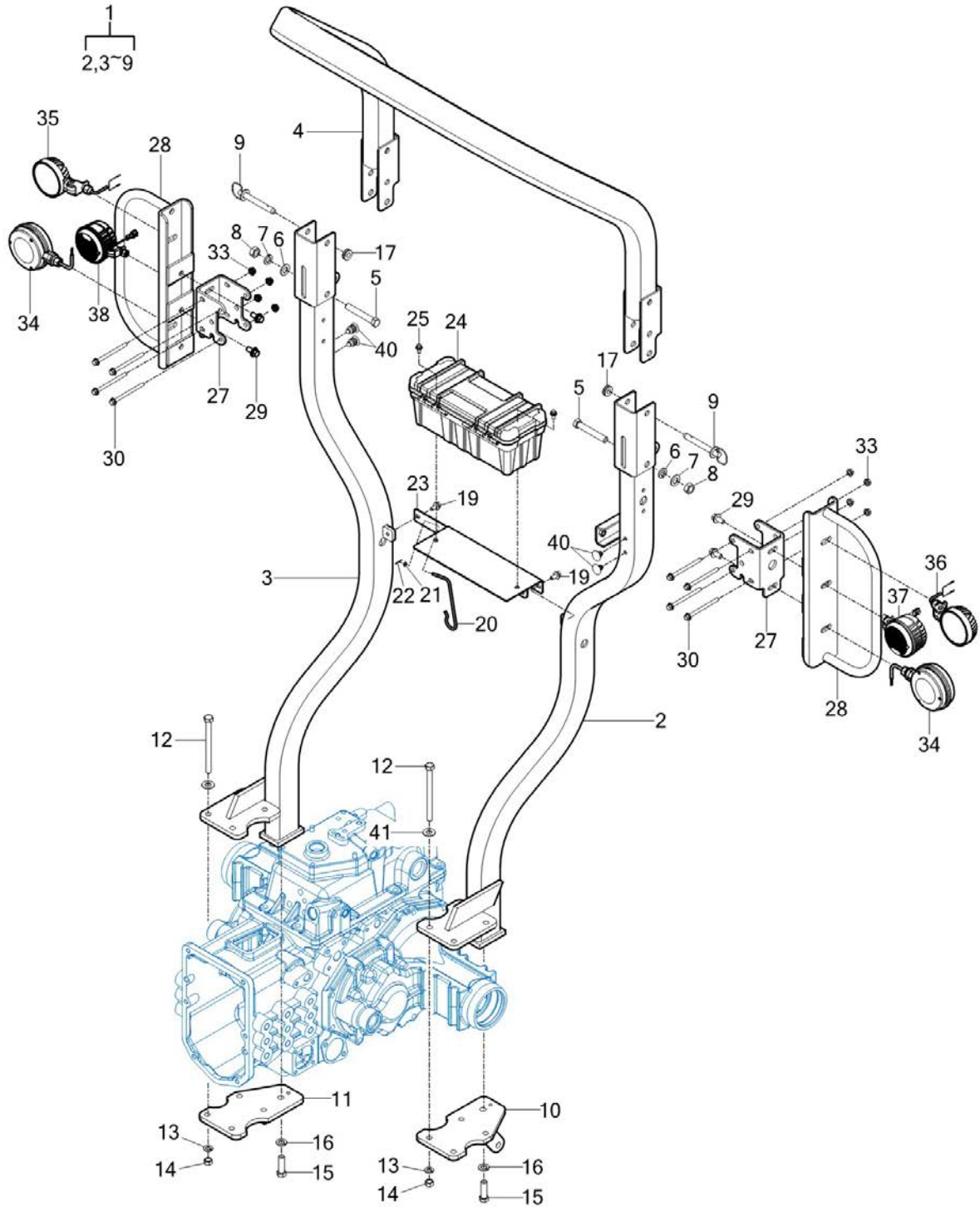
FIG 705

ROPS

년/월
Year/Month

T25-B

2022-12



NOTE

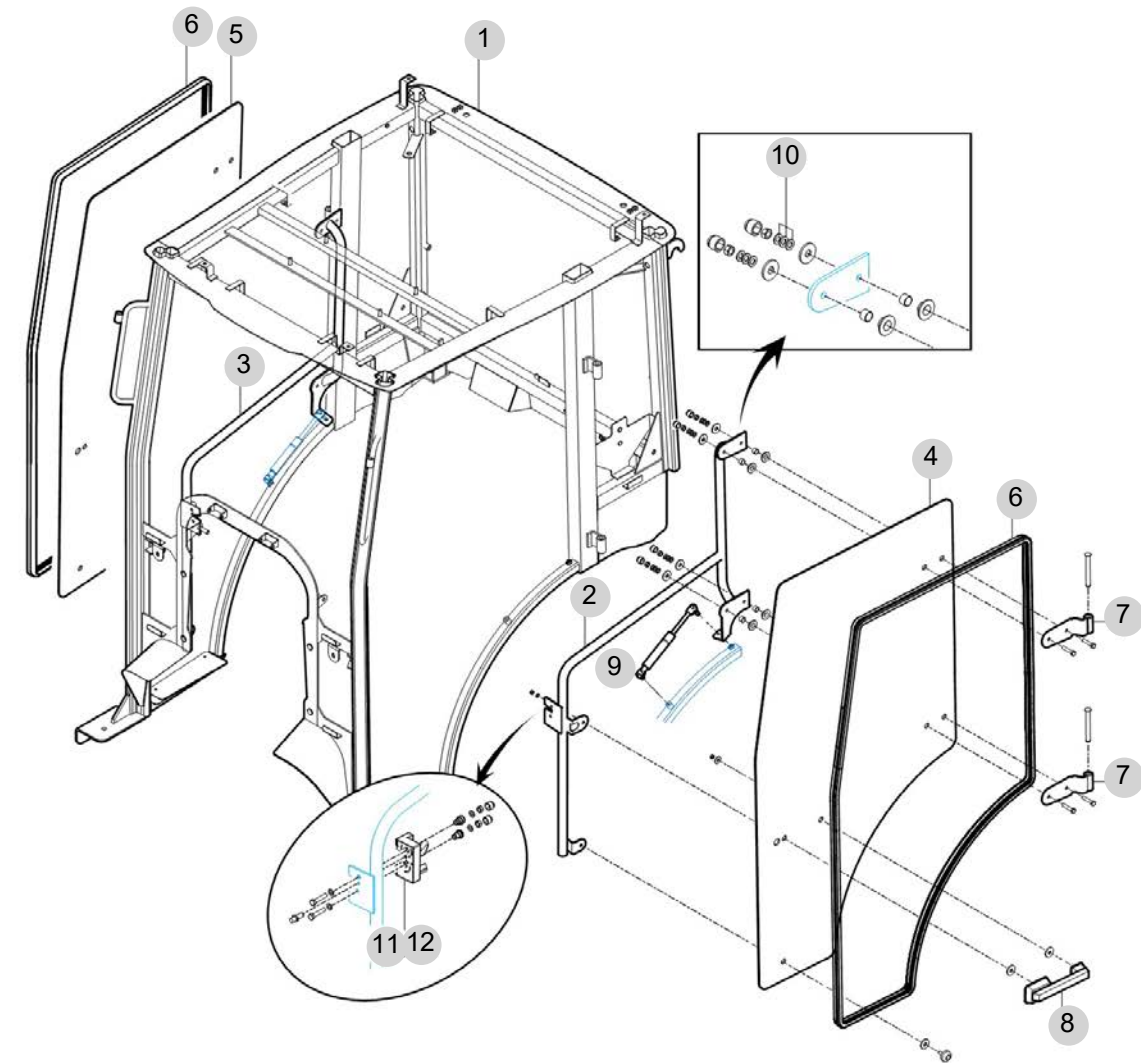
FIG 705 T25-B		ROPS					년/월 Year/Month	
							2022-12	
KEY NO	PART NO	DESCRIPTION	SPEC	QTY	REPAIR	EFFECTIVE DATE	REMARKS	
705	1	11817022000	ROPS ASSY		1			
705	2	11817022100GB	FRAME COMP , LH		1			
705	3	11817023100GB	FRAME COMP , RH		1			
705	4	13397024100GB	FRAME COMP , UPR		1			
705	5	V2004614090	BOLT , HEX		2			
705	6	V4111600140	WASHER , PLAIN		2			
705	7	V4011600140	WASHER , SPRING		2			
705	8	V3043600140	NUT , HEX/2		2			
705	9	16507027500	PIN COMP , FIXED		2			
705	10	11817022201GB	BRACKET COMP , LH		1			
705	11	11817023201GB	BRACKET COMP , RH		1			
705	12	V2004612150	BOLT , HEX		8			
705	13	V4011600120	WASHER , SPRING		8			
705	14	V3043600120	NUT , HEX/2		8			
705	15	V2013614045	BOLT , HEX		2			
705	16	V4011600120	WASHER , SPRING		2			
705	17	14046210300	GROMMET		2			
705	18	13197035401GB	BRACKET COMP		1			
705	19	V2183608025	BOLT , HEX/SP		2			
705	20	16705251100	HOOK , TOPLINK		1			
705	20	14527071350	HOOK , TOPLINK		1			
705	20	14527071350	HOOK , TOPLINK		1			
705	21	V4111600050	WASHER , PLAIN		1			
705	22	V5001920015	PIN , SPLIT		1			
705	23	11817011100GB	BRACKET COMP , TOOLBOX		1			
705	23	11817035400GB	BRACKET COMP , TOOLBOX		1			
705	24	V2183606016	BOLT , HEX/SP		2			
705	24	13836081180	TOOL BOX		1			
705	25	V2183608020	BOLT , HEX/SP		2			
705	26	V2183606020	BOLT , HEX/SP		2			
705	27	11817120010GB	PLATE , COMBI		2			
705	28	11817122100GB	BRACKET COMP , COMBI LAMP		2			
705	29	V2183610025	BOLT , HEX/SP		4			
705	30	V2013608100	BOLT , HEX		8			
705	31	V4111600080	WASHER , PLAIN		8			
705	32	V4011600080	WASHER , SPRING		8			
705	33	V3802600080	NUT , HEX FLANGE		8			
705	34	11616562000	LAMP ASSY , DOUBLE-SIDE		2			
705	35	11817025800	LAMP ASSY , WORKING RH		1			
705	36	11817025700	LAMP ASSY , WORKING LH		1			
705	37	11817025500	W.P SPEAKER ASSY(LH)		1			
705	38	11817025600	W.P SPEAKER ASSY (RH)		1			
705	39	11817012010GB	BRACKET , SMV		1			
705	40	15276040020	CLIP , TRIM		4			
705	41	V4111600120	WASHER , PLAIN		8			
NOTE								

FIG 706

CAB FRAME & DOOR(OPTION)

년/월
Year/Month

2022-12



NOTE

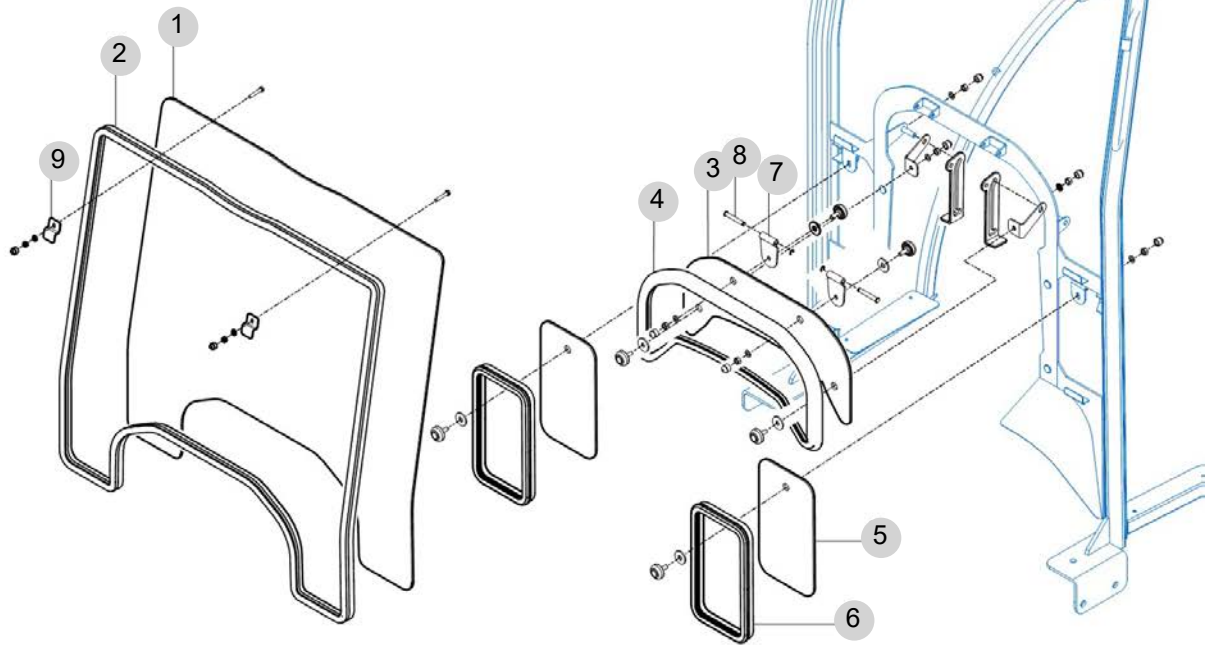
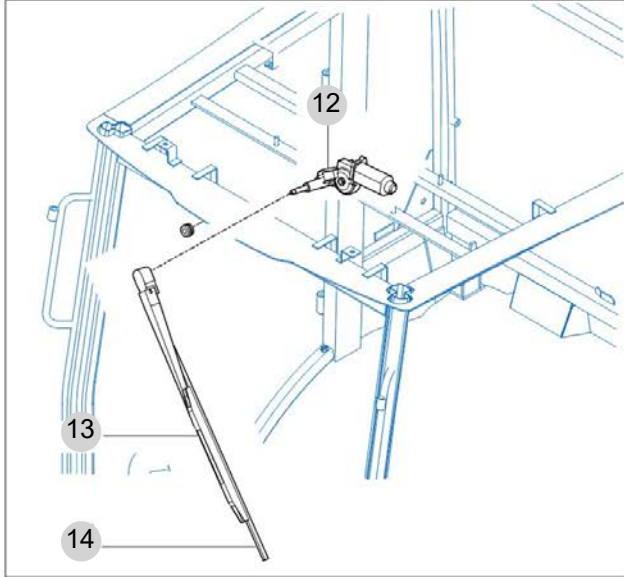
FIG 707

FRONT GLASS(OPTION)

년/월
Year/Month

2022-12

T25-B



NOTE

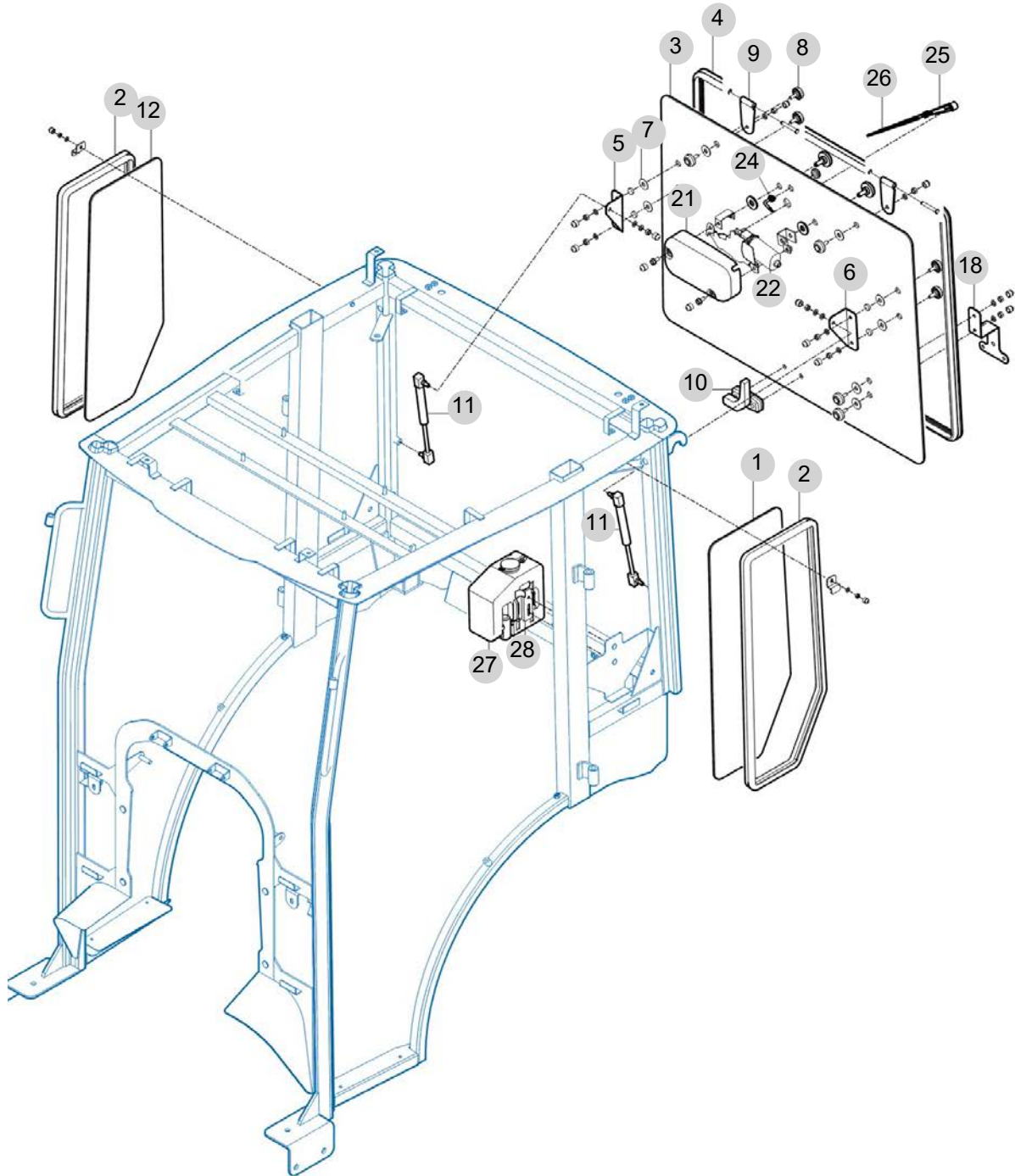
FIG 708

T25-B

SIDE & REAR GLASS(OPTION)

년/월
Year/Month

2022-12



NOTE

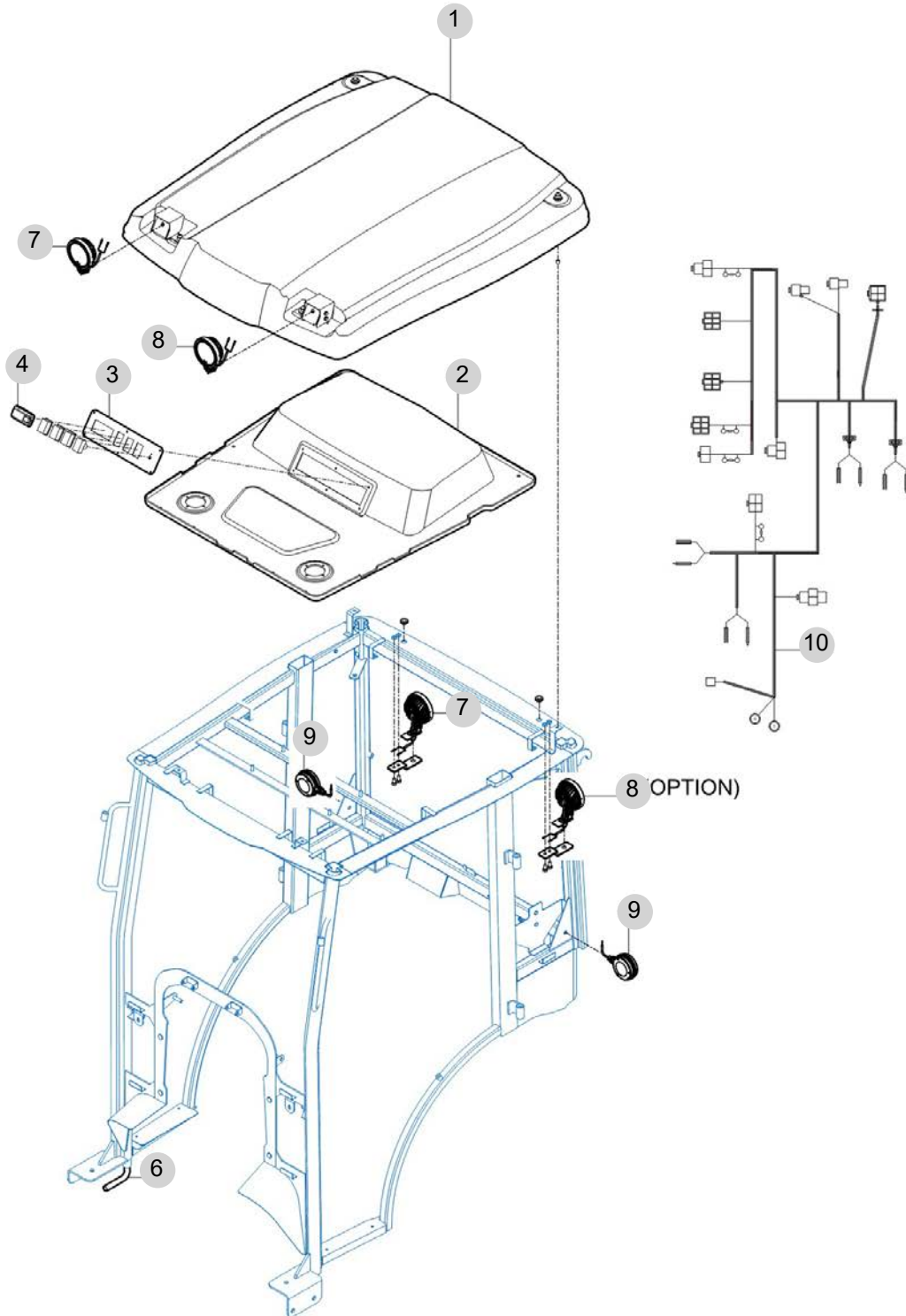
FIG 709

ROOF(OPTION)

년/월
Year/Month

2022-12

T25-B



NOTE

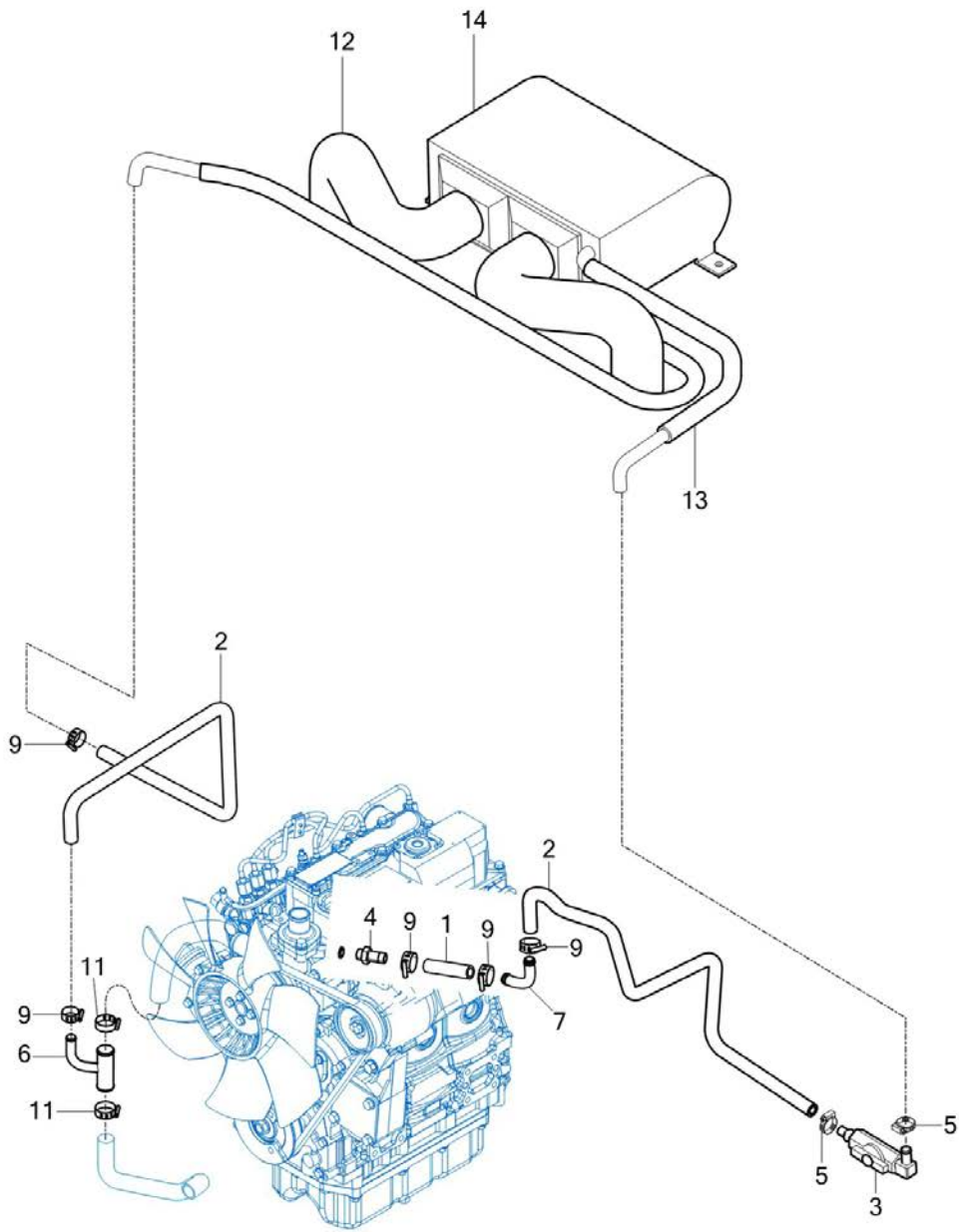
FIG 710

T25-B

HEATER(OPTION)

년/월
Year/Month

2022-12



NOTE

FIG 710 T25-B		HEATER(OPTION)						년/월 Year/Month
								2022-12
KEY NO		PART NO	DESCRIPTION	SPEC	QTY	REPAIR	EFFECTIVE DATE	REMARKS
710	1	11817081120	HOSE , ENGINE/OUT		1			
710	2	11817081130	HEATER HOSE , THERMOSTAT		2			
710	3	11818202100	VALVE ASSY , HEATER		1			
710	4	13347033170	ADAPTOR(M16X1.5)		1			
710	5	37681850160	BAND CLAMP 25		2			
710	6	11108202700	PIPE COMP		1			
710	7	13347023400	PIPE , CONNECTOR		1			
710	9	1802709320	BAND CLAMP 32		5			
710	11	18027090500	BAND CLAMP 50 EMBO TYPE		2			
710	12	13347023360	HOSE , DUCT		2			
710	13	13347026400	HOSE , HEATER		2			
710	14	13347026300	HEATER ASSY		1			
NOTE								

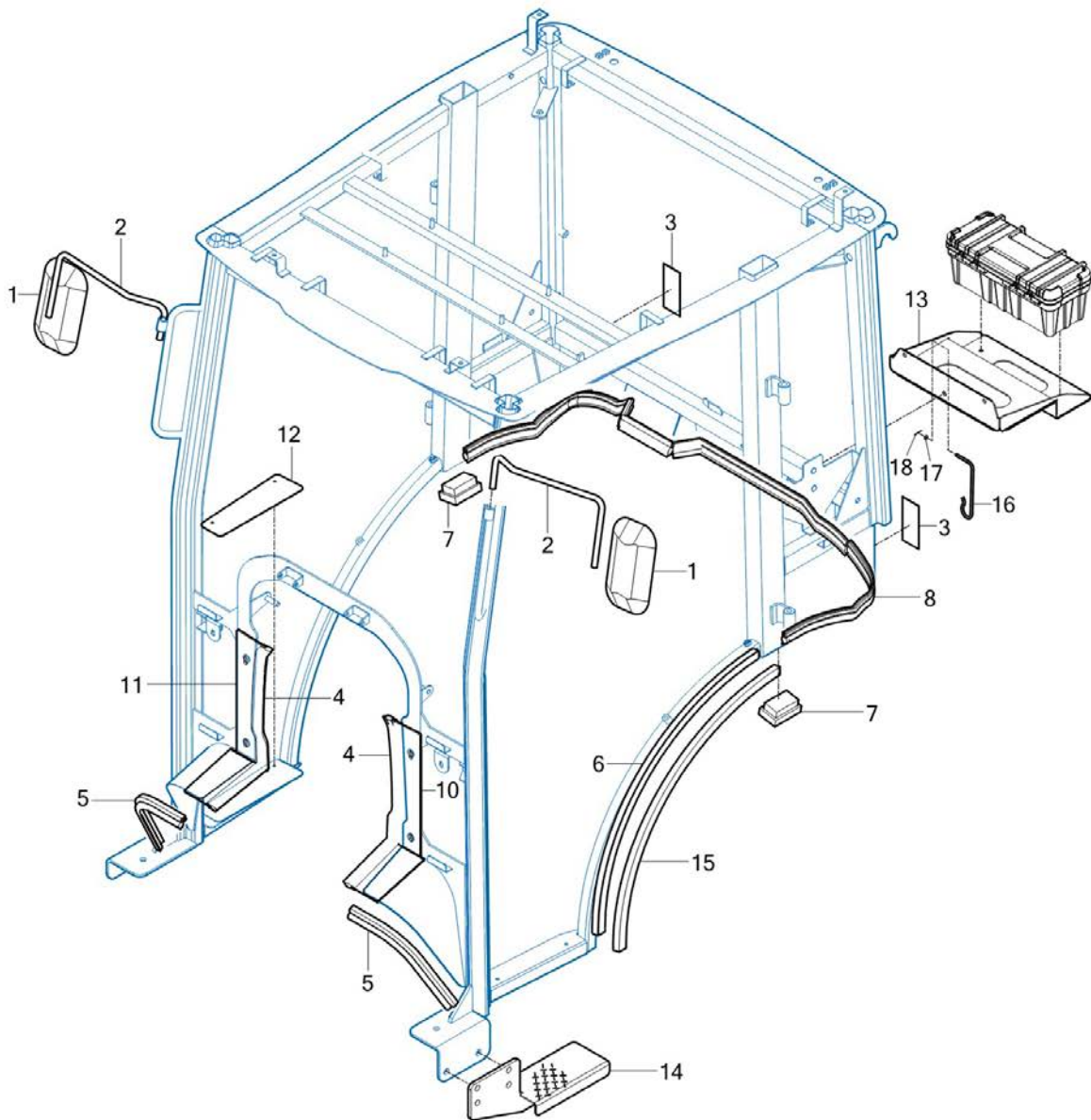
FIG 711

T25-B

INTERIOR PART(OPTION)

년/월
Year/Month

2022-12



NOTE

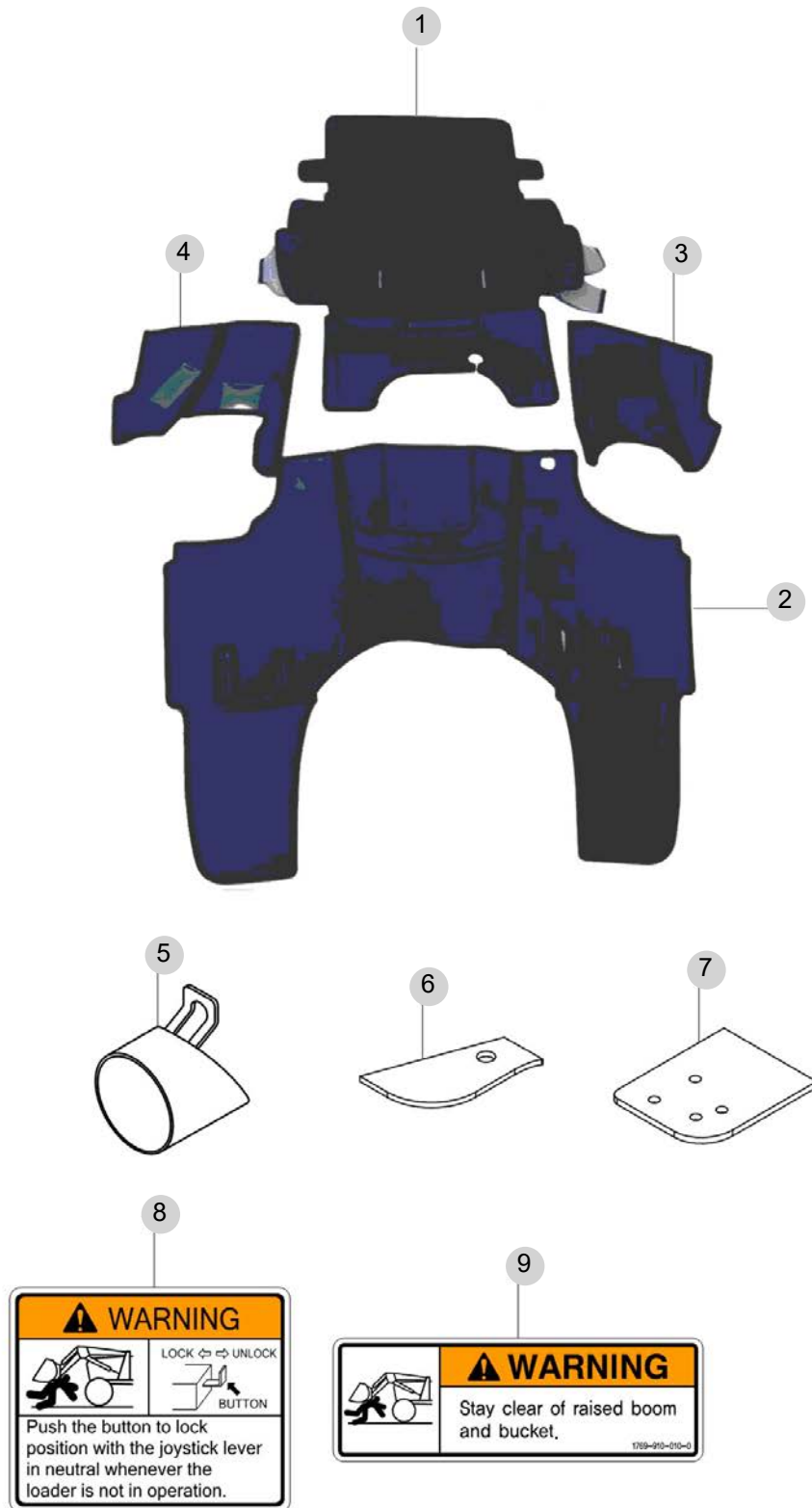
FIG 712

T25-B

SEAL(OPTION)

년/월
Year/Month

2022-12



NOTE

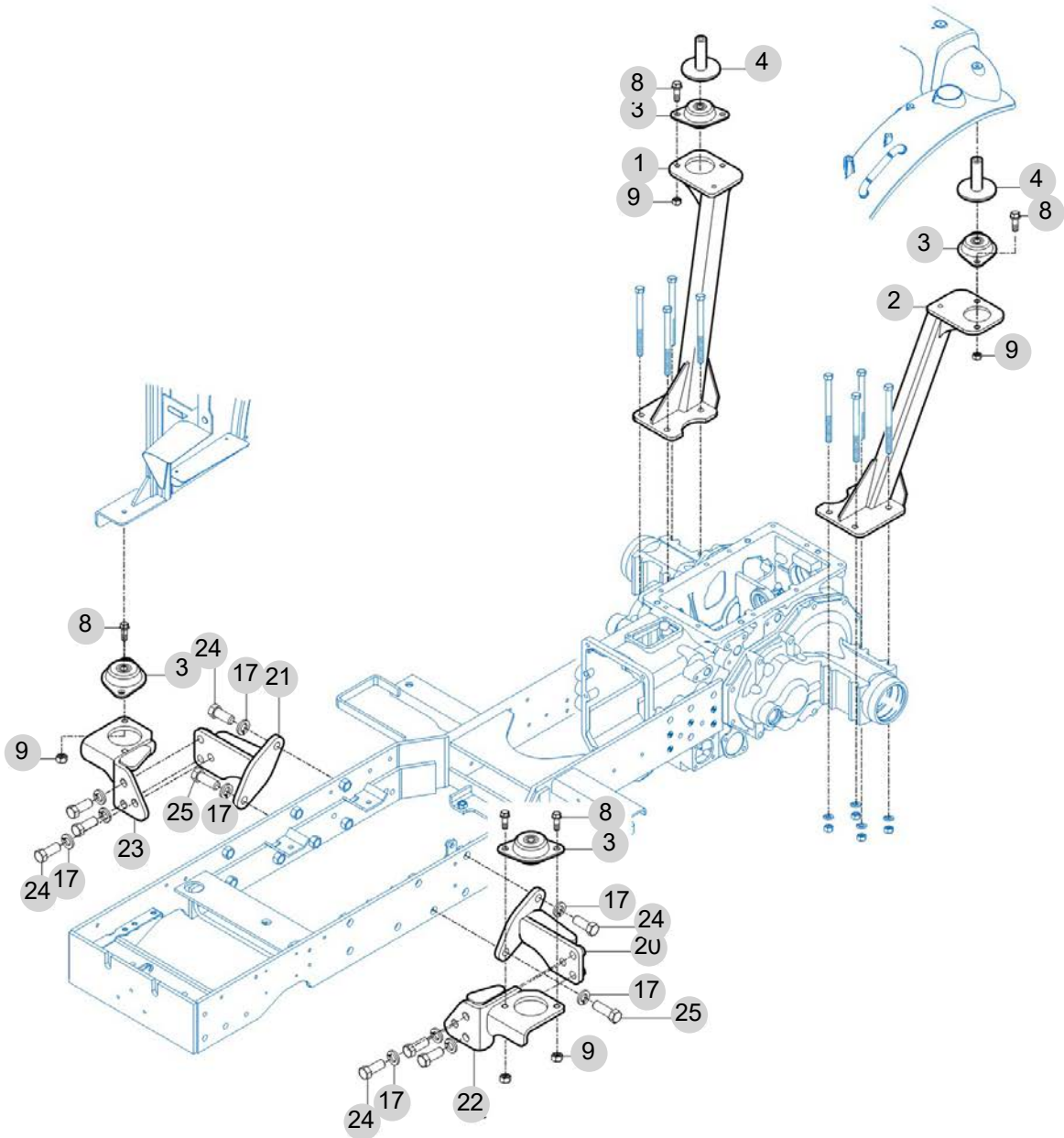
FIG 713

T25-B

FRONT & REAR MOUNTING(OPTION)

년/월
Year/Month

2022-12



NOTE

8. Electrical System PART NO. T8

FIG 801 BATTERY & MOUNTING	175
FIG 802 LIGHTS	177
FIG 803 INSTRUMENT PANEL	179
FIG 804 ELECTRIC SYSTEM	181
FIG 805 HARNESS	183
FIG 806 HARNESS	185

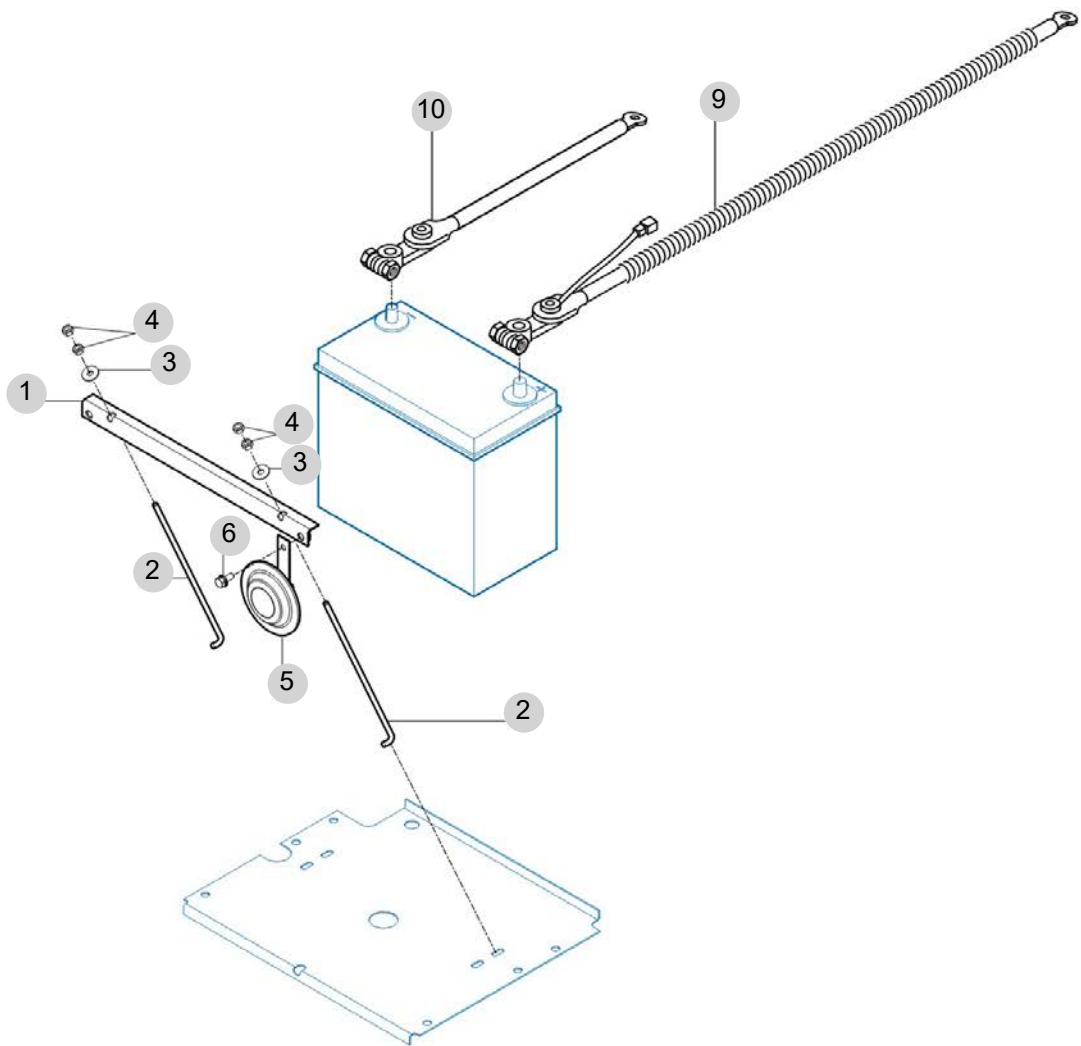
FIG 801

T25-B

BATTERY & MOUNTING

년/월
Year/Month

2022-12



NOTE

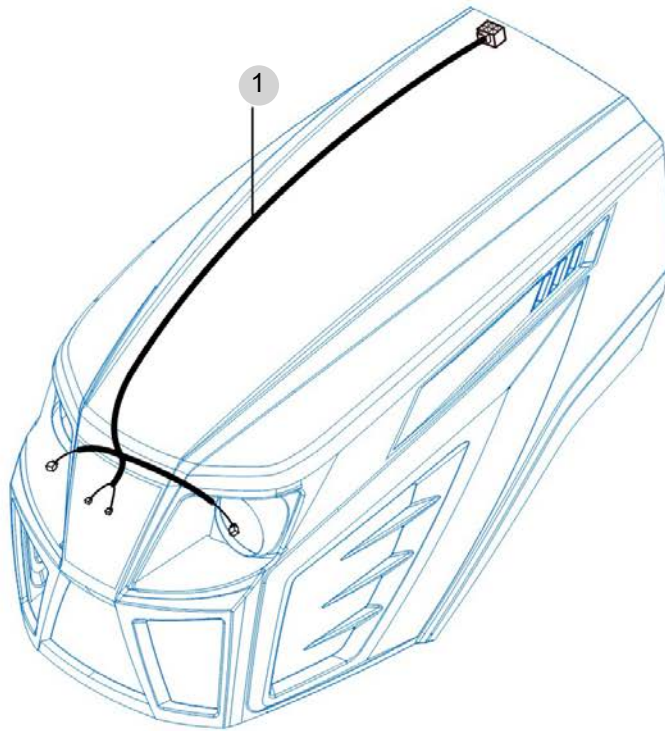
FIG 802

T25-B

LIGHTS

년/월
Year/Month

2022-12



NOTE

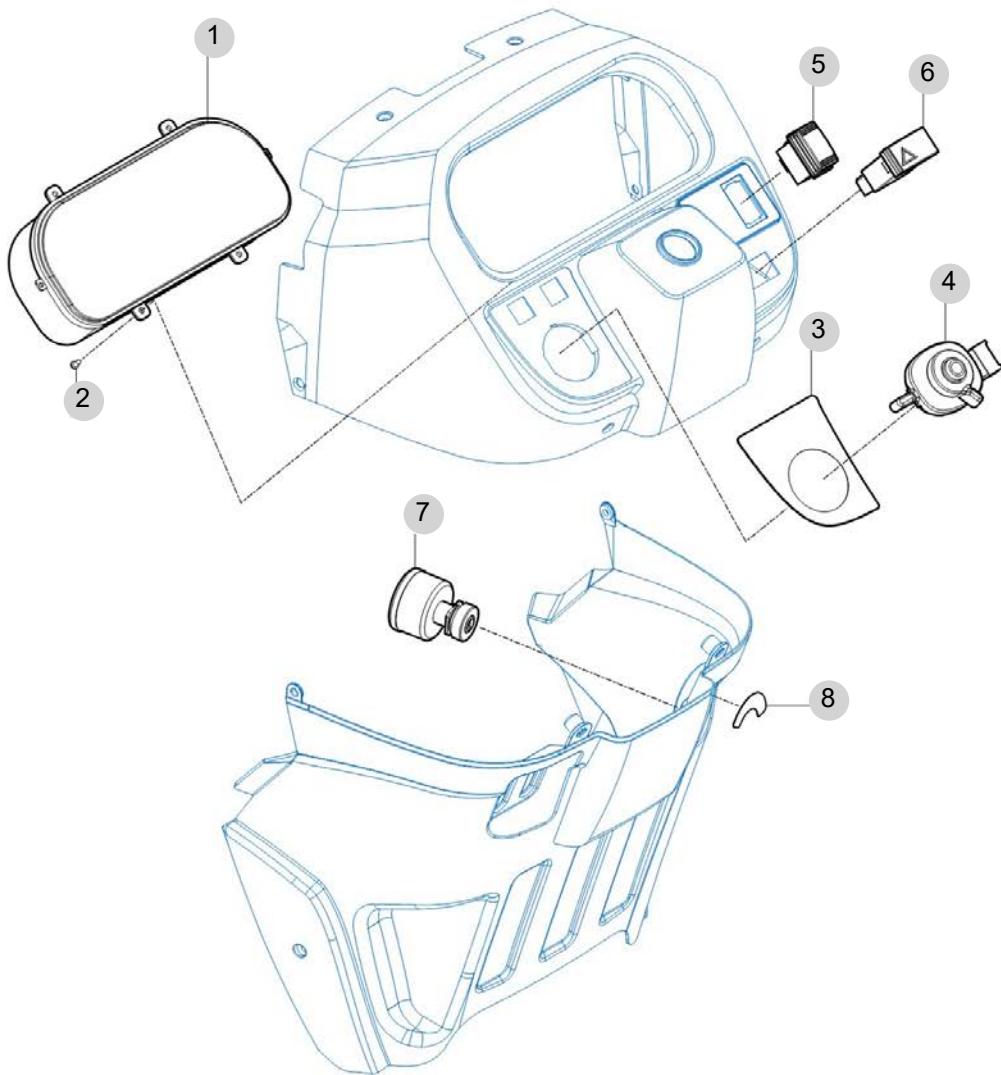
FIG 803

T25-B

INSTRUMENT PANEL

년/월
Year/Month

2022-12



NOTE

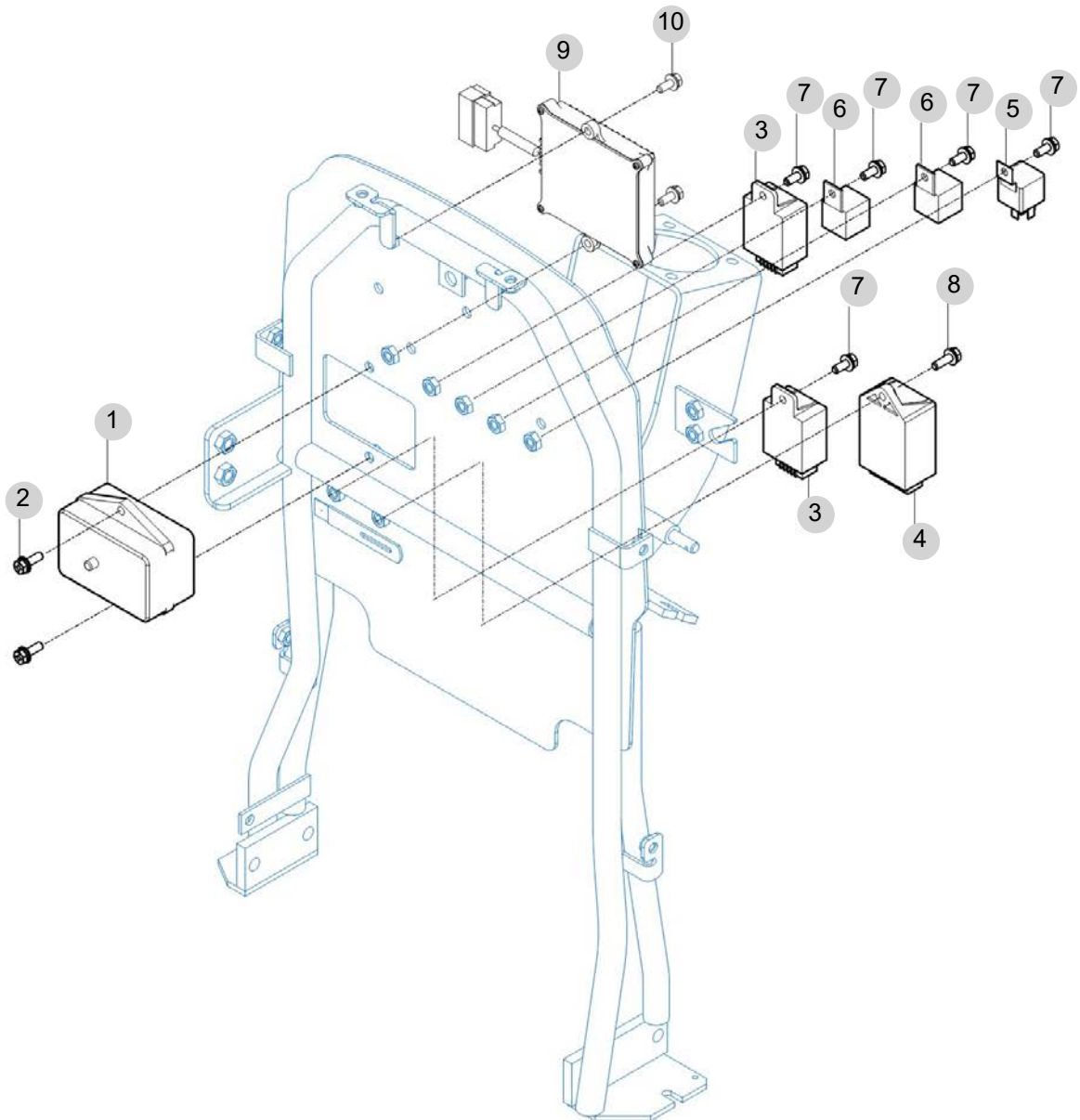
FIG 804

T25-B

ELECTRIC SYSTEM

년/월
Year/Month

2022-12



NOTE

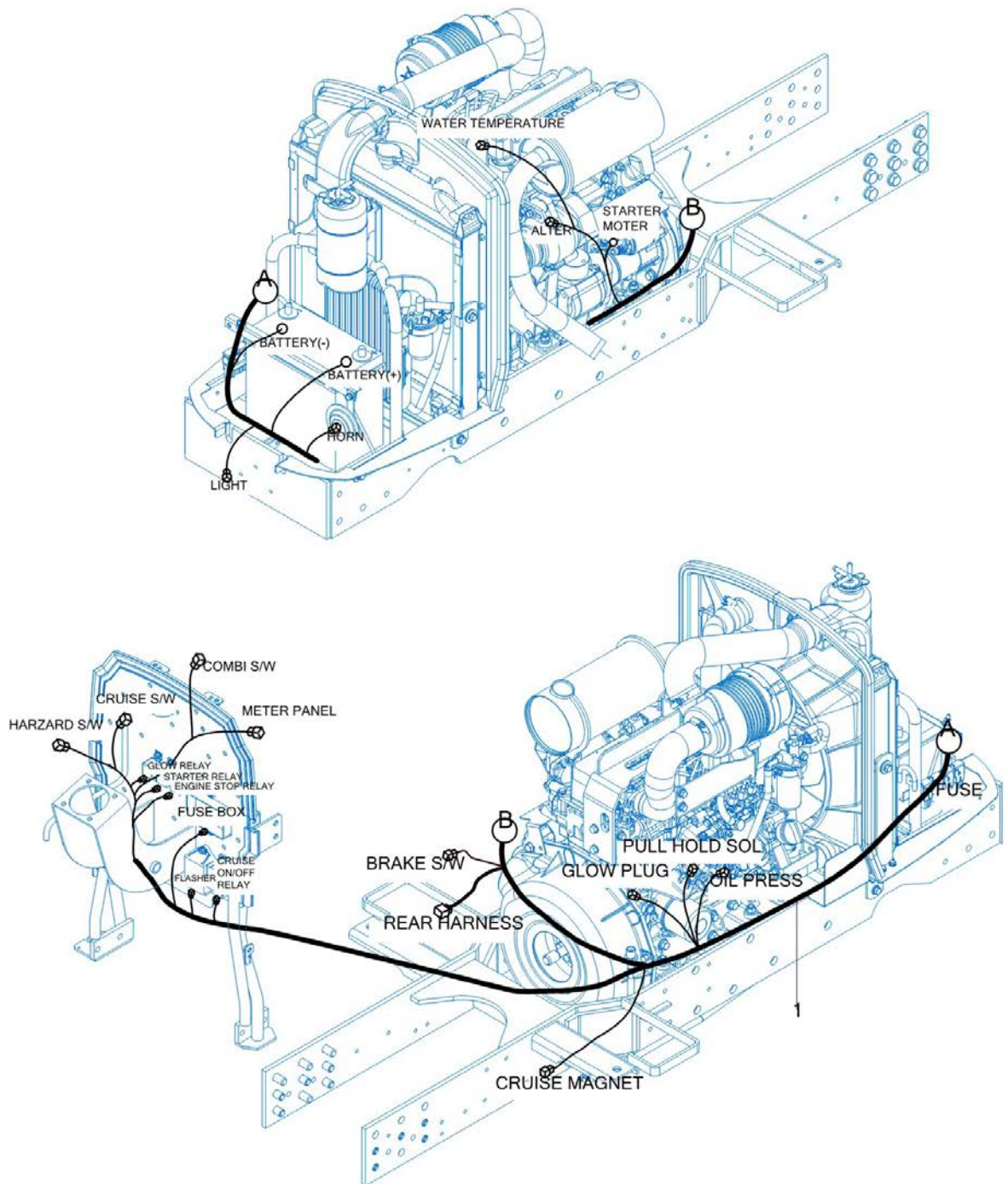
FIG 805

HARNESS

년/월
Year/Month

T25-B

2022-12



NOTE

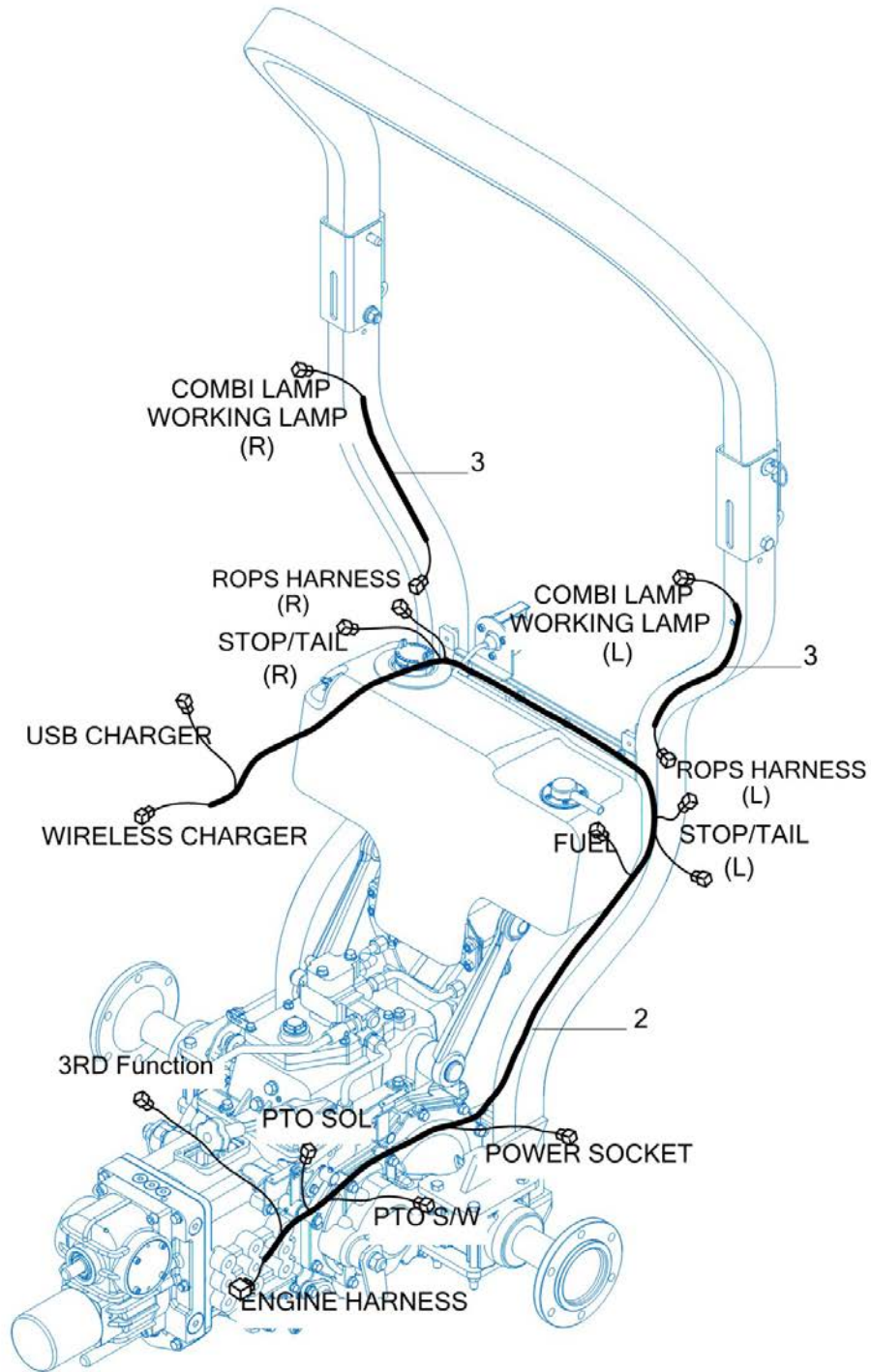
FIG 806

HARNESS

년/월
Year/Month

2022-12

T25-B



NOTE

9. Label/Option PART NO. T9

FIG 901 TOOL & ACCESSORY	188
FIG 903 LABEL	190
FIG 904 OPTION	192
FIG 905 MID P.T.O OPTION	194

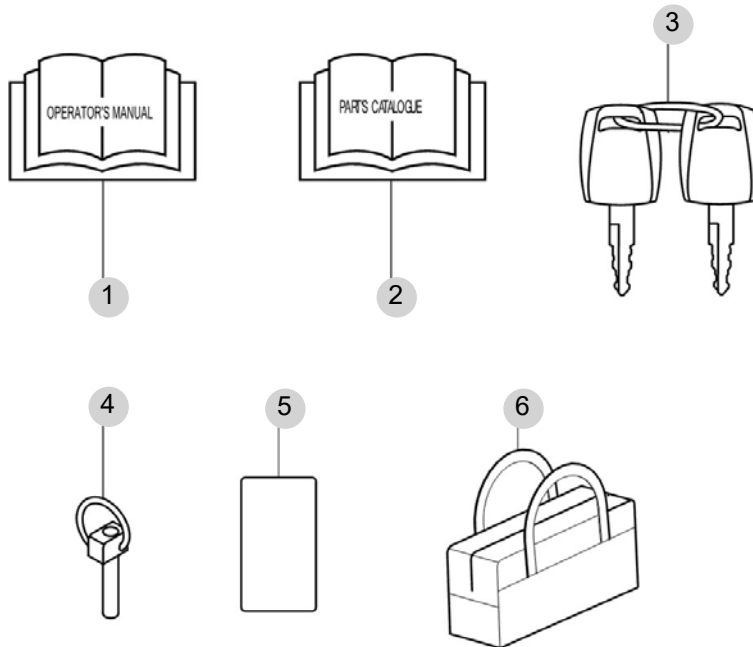
FIG 901

T25-B

TOOL & ACCESSORY

년/월
Year/Month

2022-12



T2744-901

NOTE

WARNING

Always apply the park brake when parking. Failure to do so can cause accidents and damages.

1200-910-022-0

1

WARNING

Always set the knob to lock when

1. Travelling on the road.
2. Replacing blades on an implement
3. Making adjustment to an implement

Sudden dropping of an implement can cause serious injury or death.

1200-910-026-0

3

WARNING

Do not refuel the tractor while smoking or near naked flame or sparks. Always stop engine before refueling tractors.

1200-910-028-0

4

WARNING

Never use the diff-lock at high speed or on the road as this can cause rollover and injury.

1200-910-026-0

5

WARNING

Brake pedals must always be locked together when travelling on the highway. This will ensure uniform braking and provide maximum stopping ability sharp turns must only be made at slow speeds.

1200-910-027-0

6

CAUTION

Keep hands and clothing away from rotating fan and belts to prevent serious injury.

1200-910-012-0

7

DANGER

Rotating driveline contact can cause death. **KEEP AWAY!** Keep all drive line. Tractor and equipment shields in place during operation.

1200-910-013-0

8

WARNING

Attach implements and trailers to the tractor only using the prescribed drawbar or hitch.

1200-910-014-0

9

WARNING

Do not remove radiator cap while engine is hot. Hot steam will injure you.

1200-910-016-0

10



40

DANGER

Do not ride except operator.

1200-910-018-0

11

WARNING

Always fasten Your seat belt.

1200-910-019-0

12

CAUTION

Do not touch while the system is hot. It cause serious burns.

1200-910-024-0

14

T25

18

Operator's manual

1200-910-023-0

13

1200-910-020-0

1768-910-017-0

15

16

PARKING BRAKE

Press down the master brake pedal and lock the parking lever at the same time

1177-906-011-0

21

EPA REGULATION

USE ULTRA LOW SULFUR FUEL ONLY

26



WARNING

Additions, alterations, cracking, damage or corrosion to this structure may adversely affect the performance of the ROPS.

23

WARNING

Do not use the accelerator lever except working on the field.

1200-910-021-0

31



35



27

This ROPS frame was tested in accordance with OECD standard(Code7) for use on TYM tractor model T25 with a reference mass of 965kg. Manufactured by TYM, KOREA

1181-910-005-0

36

WARNING

Cancer and Reproductive Harm

www.P65Warnings.ca.gov

39

DANGER

This Tractor may tip over unexpectedly and quicker than an operator is able to jump free

1. Never operate a tractor without a proper Roll over Protection Structure.(ROPS)
2. Always wear your seat belt when operating this tractor equipped with roll over protection.
3. Never pull from above or from the rear axle.
4. Do not operate the tractor on steep slopes or near drop offs
5. Avoid sharp high speed turns

Serious injury or death may result from tractor upsets.

1220-904-5011-0

24

WARNING

Death or injury may result if this tractor over turns with the ROPS in the folded down position. Operate this tractor with the ROPS folded down only when necessary. Do not wear seat belt if operated with ROPS folded down

1220-904-502-0

25

WARNING

Push the button to lock position with joystick lever is neutral whenever the implement is not operation.

1200-910-025-0

32

WARNING

Stay clear of raised Boom and bucket.

1200-910-011-0

33

WARNING

Exhausting diesel engine exhaust exposes you to chemicals known to the State of California to cause cancer and birth defects or other reproductive harm. Always start and operate the engine in a well-ventilated area. Do not inhale exhaust. Do not adjust the turbocharger. Do not modify or tamper with the exhaust system. Do not idle the engine except as necessary. For more information go to www.P65Warnings.ca.gov/ diesel

1200-910-022-0

38

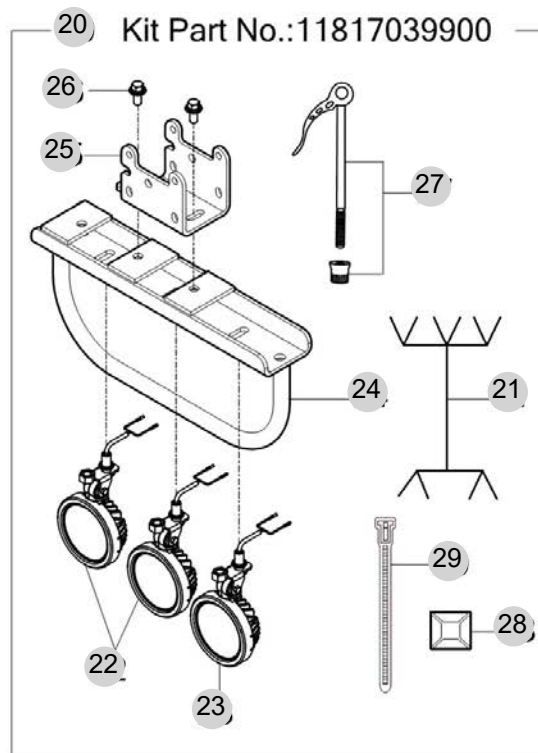
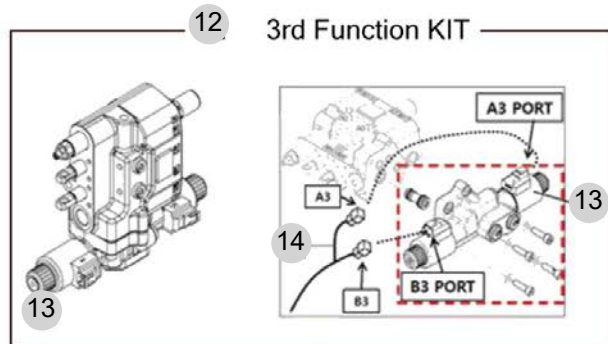
FIG 904

T25-B

OPTION

년/월
Year/Month

2022-12



NOTE

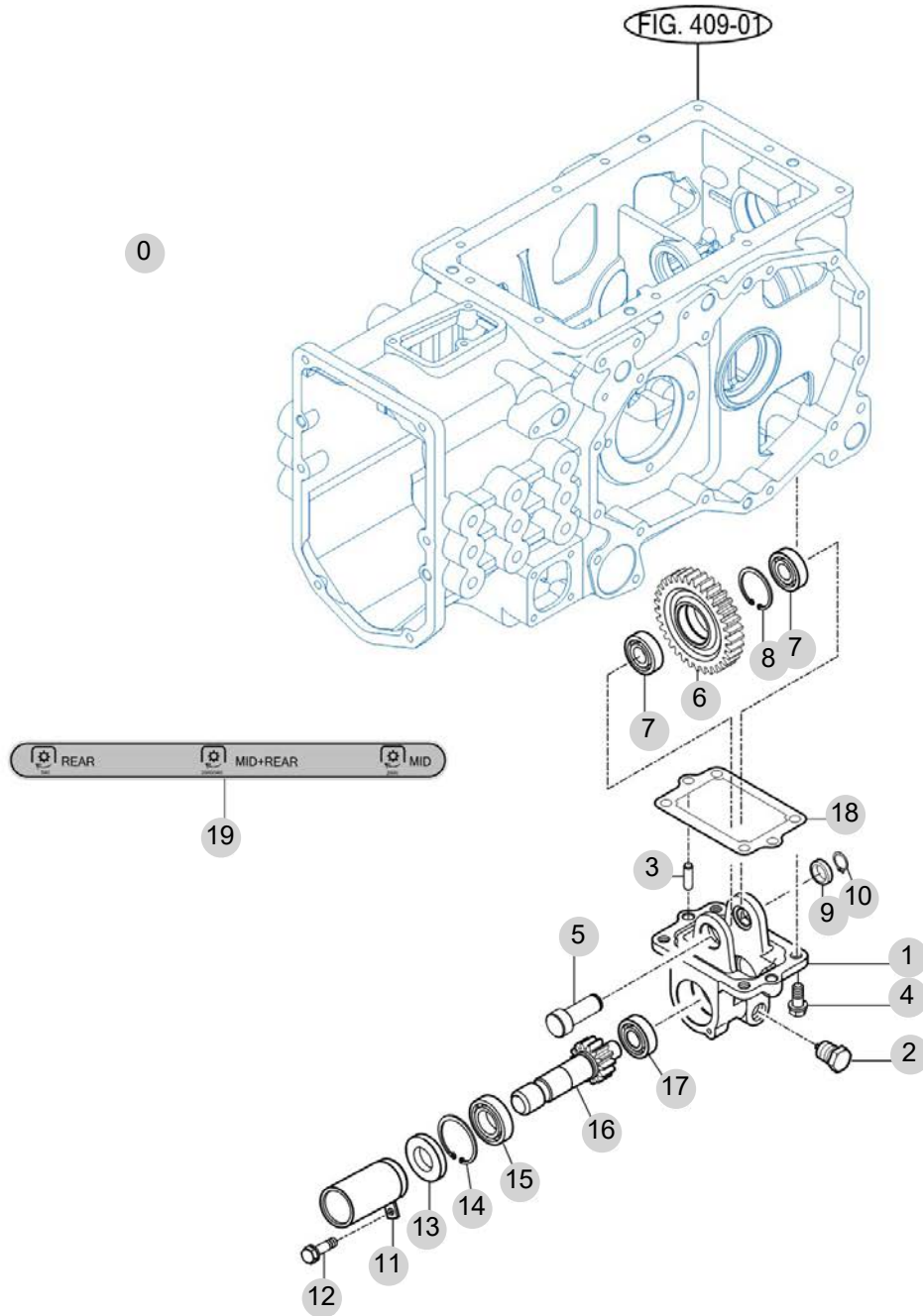
FIG 905

MID P.T.O OPTION

년/월
Year/Month

2022-12

T25-B



NOTE

