

T555NHGBC

Parts Catalog

목 차

1. 엔진 PART NO. EG

FIG 100 ENGINE	7
FIG 101A CYLINDER BLOCK (T554)	9
FIG 102 GEAR HOUSING	11
FIG 103 FLYWHEEL HOUSING & OIL SUMP	13
FIG 104A CYLINDER HEAD & BONNET (T554)	15
FIG 105A SUCTION MANIFOLD (T554)	18
FIG 106A EXHAUST MANIFOLD (T554)	20
FIG 107A DIESEL PARTICULATE FILTER (T554)	22
FIG 108 CAMSHAFT & DRIVING GEAR	24
FIG 109 TURBINE (T554)	26
FIG 110A CRANKSHAFT & PISTON (T554)	28
FIG 111 BALANCER	30
FIG 112A LUB. OIL SYSTEM (T554)	32
FIG 113 LUB. OIL LINE (T554)	34
FIG 114 COOLING WATER SYSTEM	36
FIG 115 FUEL SUPPLY PUMP	38
FIG 116A FUEL INJECTION VALVE (T554)	40
FIG 117 FUEL LINE	42
FIG 118 STARTING MOTOR	44
FIG 119 GENERATOR	46
FIG 120A ELECTRONIC CONTROL UNIT (T554)	48
FIG 121A ELECTRIC PARTS (T554)	50
FIG 122A ACCESSORY (T554)	52

2. 엔진보기품 PART NO. T2

FIG 201 AIR CLEANER	55
FIG 202 RADIATOR	57
FIG 203 MUFFLER	59
FIG 204 FUEL HOSE & FILTER	61
FIG 205 FUEL TANK	63

FIG 206 ACCELERATOR	65
FIG 207 OIL COOLER	67
FIG 208 COOLING FAN	69

3. 클러치/브레이크/스티어링 PART NO. T3

FIG 301 CLUTCH	72
FIG 302 CLUTCH PEDAL	74
FIG 303 BRAKE	76
FIG 304 BRAKE PEDAL & LINK	78
FIG 305A FRONT WHEEL	80
FIG 305B FRONT WHEEL (R4 OPTION)	82
FIG 306A REAR WHEEL	84
FIG 306B REAR WHEEL (R4 OPTION)	86
FIG 307 POWER STEERING WHEEL	88
FIG 308 POWER STEERING VALVE	90
FIG 309 POWER STEERING CYLINDER	92

4. 트랜스미션 PART NO. T4

FIG 401 TRANSMISSION FRONT CASE	95
FIG 402 HST	97
FIG 403 MID TRANSMISSION CASE	99
FIG 404 TRANSTER GEAR SET	101
FIG 405 TRANSMISSION REAR CASE	103
FIG 406 SUB CHANGE GEARS	105
FIG 407 SUB CHANGE SHIFTER	107
FIG 408 DRIVE GEARS	109
FIG 409 4WD CHANGE LEVER	111
FIG 410 P.T.O DRIVE SHAFT	113
FIG 411 P.T.O CHANGE GEARS	115
FIG 412 REAR DIFFERENTIAL GEARS	117
FIG 413 REAR AXLE HOUSING	120
FIG 414 P.T.O CHANGE SHIFTER	122

5. 프런트 액슬 PART NO. T5

FIG 501 FRONT AXLE SUPPORT	125
----------------------------	-----

FIG 502 FRONT DRIVE SHAFT	127
FIG 503 FRONT AXLE HOUSING	129
FIG 504 FRONT DIFFERENTIAL GEARS	131
FIG 505 FRONT GEAR CASE (1)	133
FIG 506 FRONT GEAR CASE (2)	135
FIG 507 FRONT GEAR CASE (3)	137

6. 유압/3점 링크 PART NO. T6

FIG 601 CYLINDER CASE	140
FIG 602 LIFT ARM	142
FIG 603 CYLINDER	144
FIG 604 POSITION LINK	146
FIG 605 CONTROL VALVE	148
FIG 606 DRAFT LINK	150
FIG 607 POSITION & DRAFT LEVER	152
FIG 608 EXTERIOR HYD.VALVE	154
FIG 609 HYDRAULIC PIPE	156
FIG 610 JOYSTICK	159
FIG 611 HYDRAULIC HOSE	161
FIG 612 HITCH & 3-POINT LINK	163
FIG 613 LOWER LINK & LIFT ROD	166

7. 시트메탈/캐빈 PART NO. T7

FIG 701 HOOD (1)	169
FIG 702 HOOD (2)	171
FIG 704B LEVER COVER & STEP-Non CAB	173
FIG 705 FRONT & REAR MOUNTING	175
FIG 706 SEAT & MAT	177
FIG 710B FRAME&2POLES ROPS-Non CAB	179
FIG 713B SUB FENDER&COVER-Non CAB	181
FIG 714B MIRROR&WORKING LAMP-Non CAB	183
FIG 718 CABIN INTERIOR	185
FIG 719 PEDAL SUB ASSY	187

8. 전장 PART NO. T8

FIG 801 BATTERY MOUNTING	190
--------------------------	-----

FIG 802 LIGHT & BACK LAMP	192
FIG 803 INSTRUMENT PANEL	194
FIG 804 ELECTRIC SYSTEM (1)	196
FIG 805B ELECTRIC SYSTEM (2)-Non CAB	198
FIG 806 ELECTRIC SYSTEM (3)	200

9. 라벨/옵션 PART NO. T9

FIG 901 TOOL & ACCESSORY	203
FIG 902 WEIGHT	205
FIG 903-1 LABEL	207

1. 엔진 PART NO. EG

FIG 100 ENGINE	7
FIG 101A CYLINDER BLOCK (T554)	9
FIG 102 GEAR HOUSING	11
FIG 103 FLYWHEEL HOUSING & OIL SUMP	13
FIG 104A CYLINDER HEAD & BONNET (T554)	15
FIG 105A SUCTION MANIFOLD (T554)	18
FIG 106A EXHAUST MANIFOLD (T554)	20
FIG 107A DIESEL PARTICULATE FILTER (T554)	22
FIG 108 CAMSHAFT & DRIVING GEAR	24
FIG 109 TURBINE (T554)	26
FIG 110A CRANKSHAFT & PISTON (T554)	28
FIG 111 BALANCER	30
FIG 112A LUB. OIL SYSTEM (T554)	32
FIG 113 LUB. OIL LINE (T554)	34
FIG 114 COOLING WATER SYSTEM	36
FIG 115 FUEL SUPPLY PUMP	38
FIG 116A FUEL INJECTION VALVE (T554)	40
FIG 117 FUEL LINE	42
FIG 118 STARTING MOTOR	44
FIG 119 GENERATOR	46
FIG 120A ELECTRONIC CONTROL UNIT (T554)	48
FIG 121A ELECTRIC PARTS (T554)	50
FIG 122A ACCESSORY (T554)	52

FIG 100 T555NHGBC	ENGINE	년/월 Year/Month
		2022-12

--	--

NOTE	
------	--

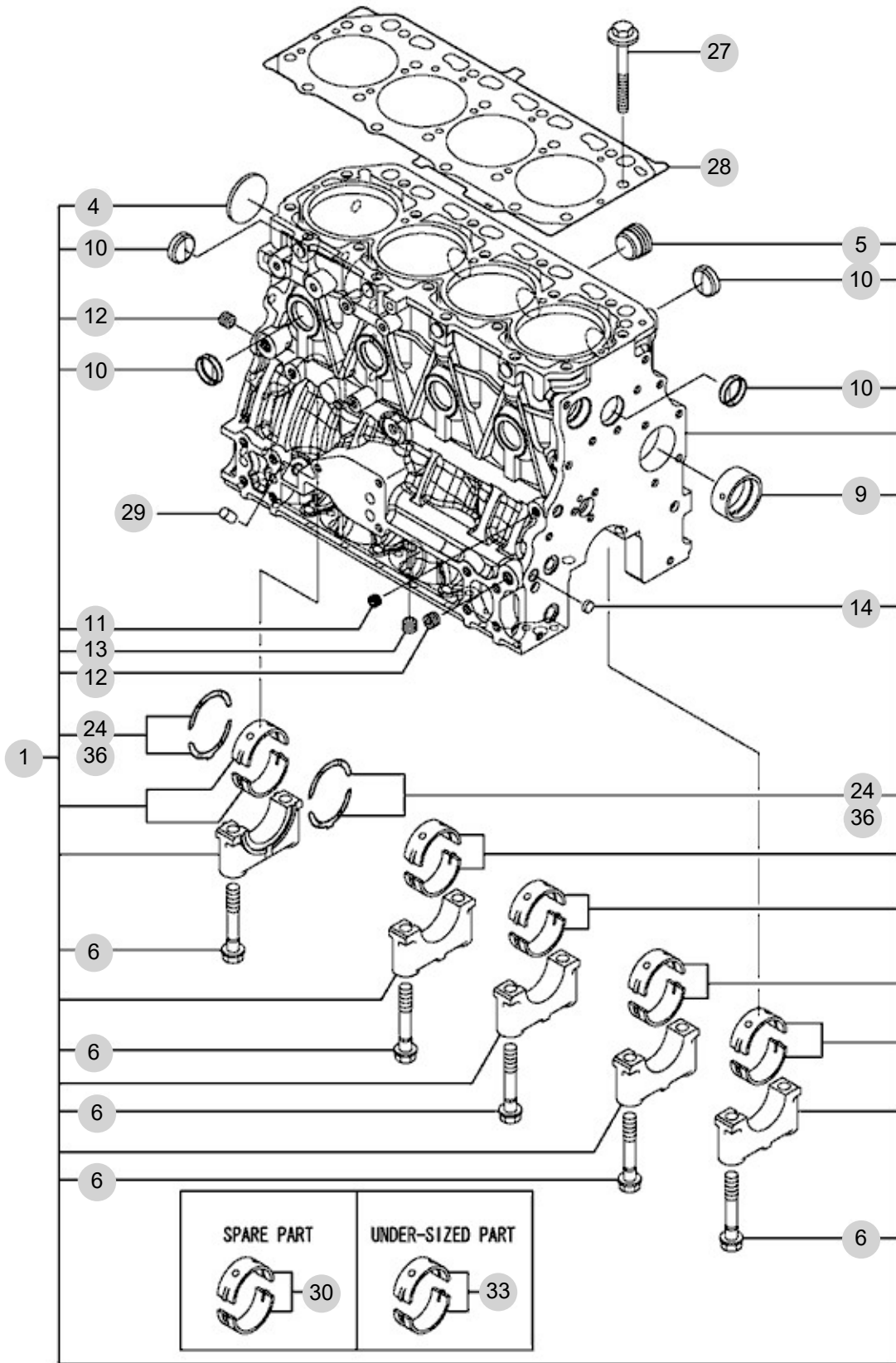
FIG 101A

CYLINDER BLOCK (T554)

년/월
Year/Month

2022-12

T555NHGBC



NOTE

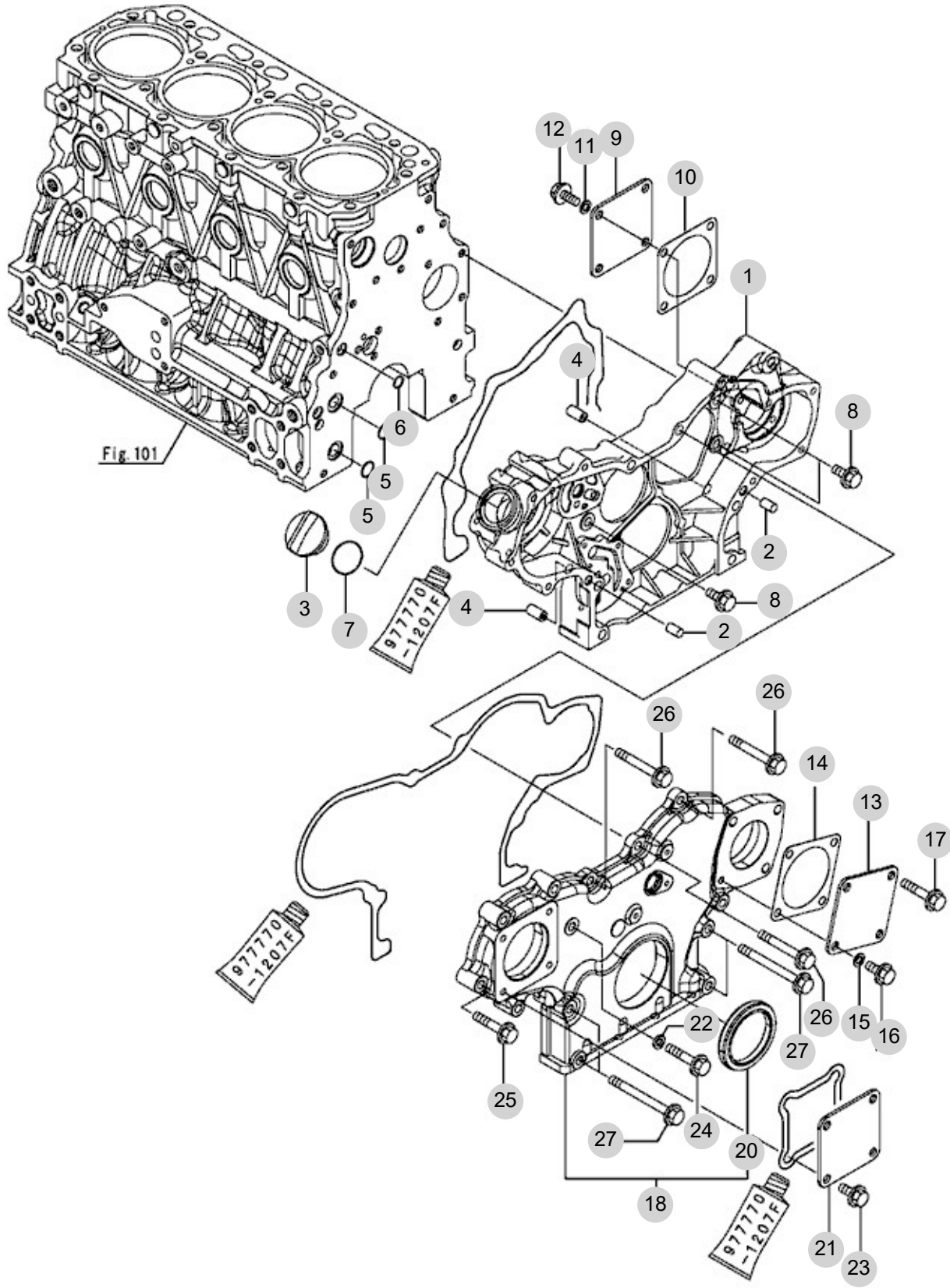
FIG 102

GEAR HOUSING

년/월
Year/Month

2022-12

T555NHGBC



NOTE

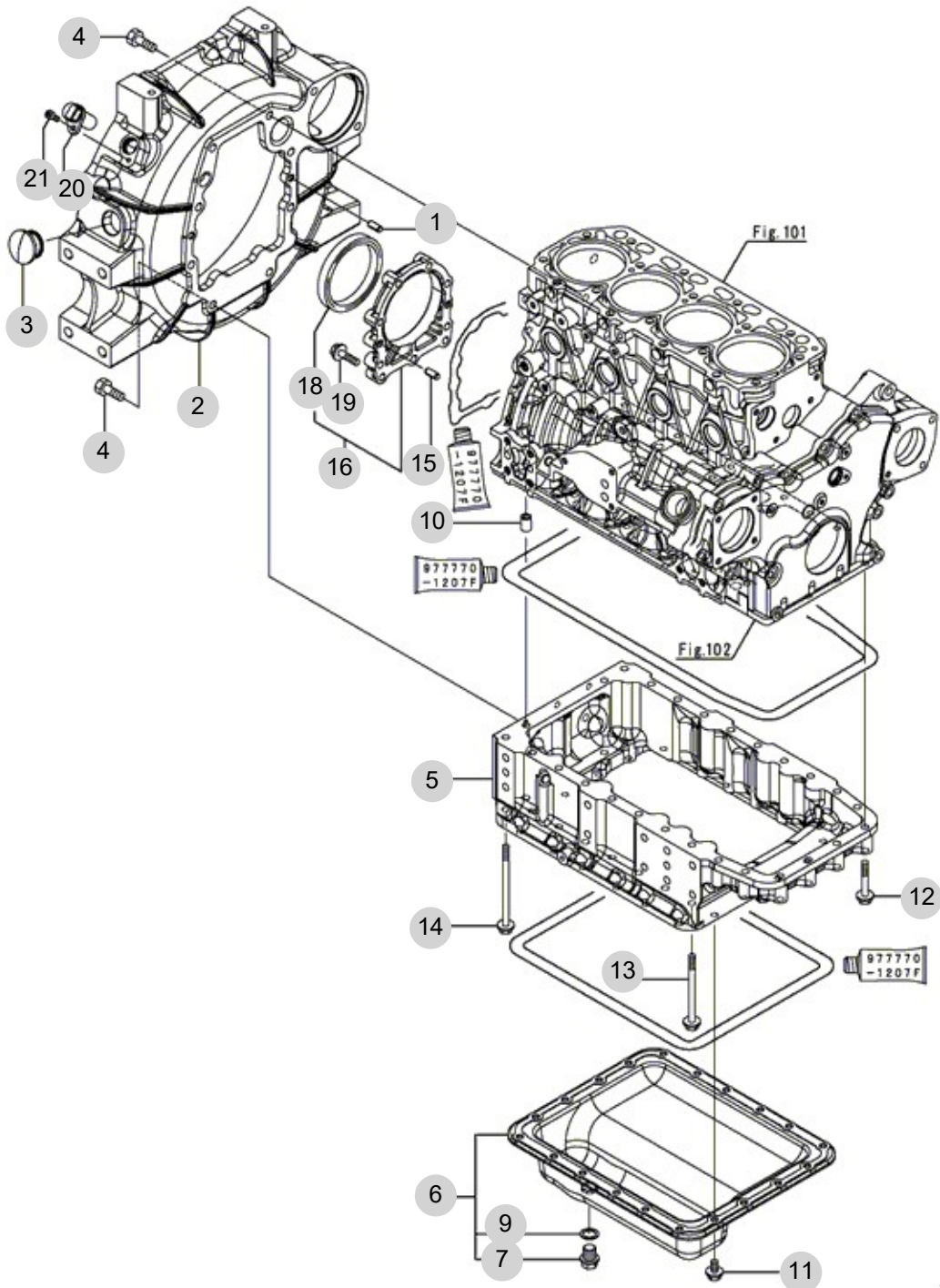
FIG 103

T555NHGBC

FLYWHEEL HOUSING & OIL SUMP

년/월
Year/Month

2022-12



NOTE

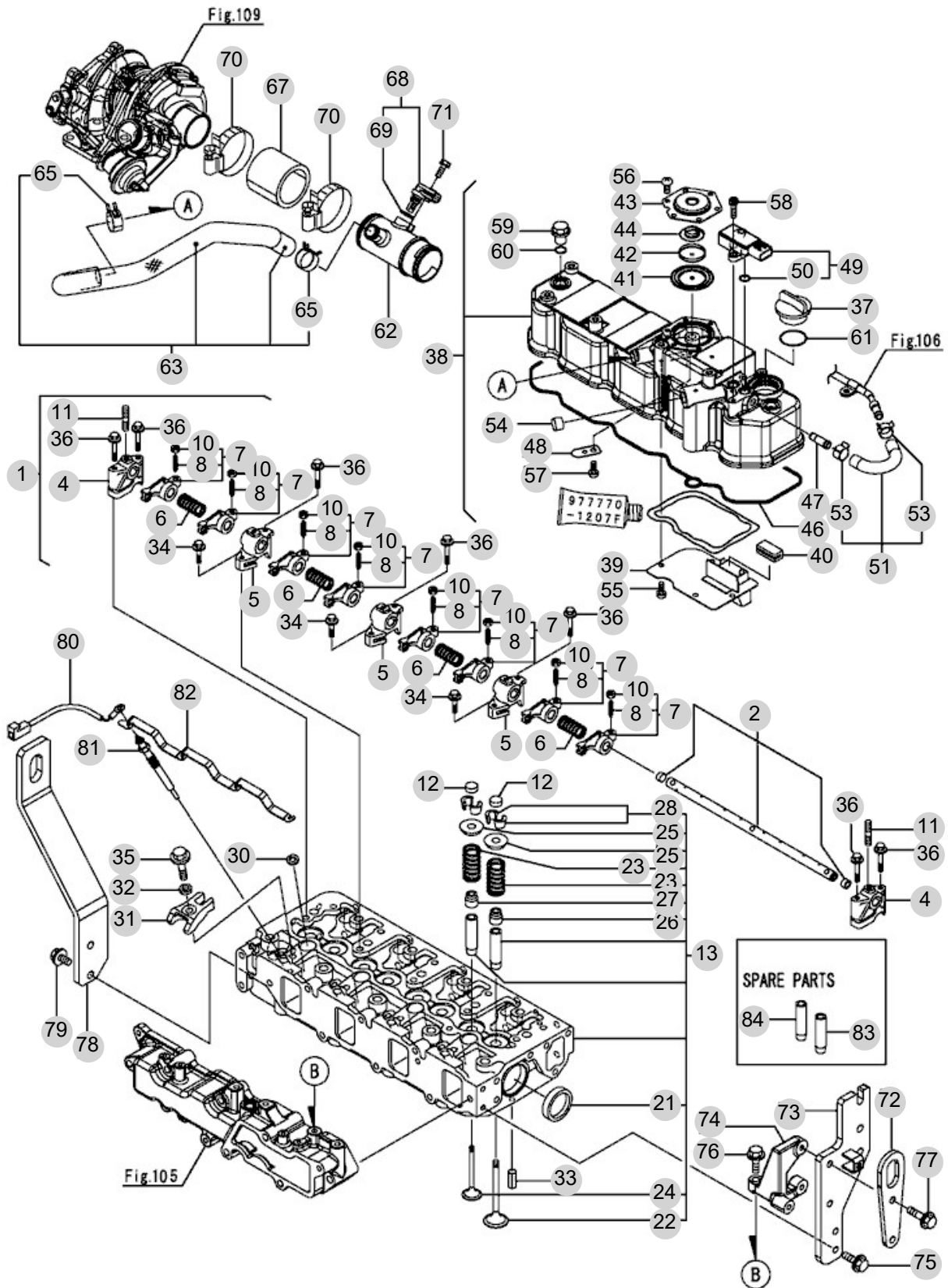
FIG 104A

CYLINDER HEAD & BONNET (T554)

년/월
Year/Month

2022-12

T555NHGBC



NOTE

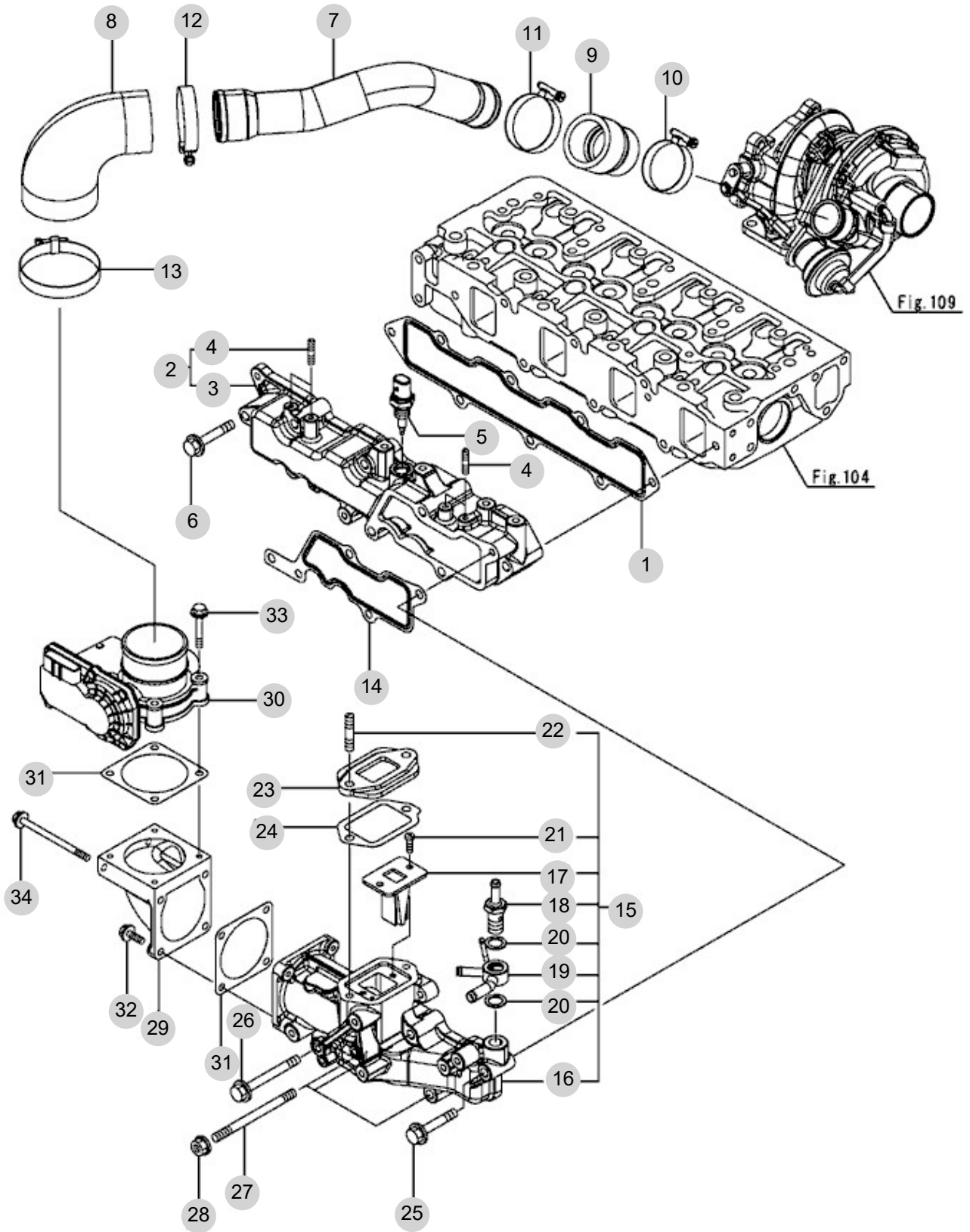
FIG 104A T555NHGBC		CYLINDER HEAD & BONNET (T554)					년/월 Year/Month	
							2022-12	
KEY NO	PART NO	DESCRIPTION	SPEC	QTY	REPAIR	EFFECTIVE DATE	REMARKS	
104A	1	129601-11241	SHAFT ASSY, ROCKER		1			
104A	2	129601-11251	SHAFT, ROCKER ARM		1			
104A	4	119802-11260	SUPPORT, ?ROCKER?ARM		2			
104A	5	119802-11270	SUPPORT, ROCKER ARM		3			
104A	6	129150-11280	SPRING		4			
104A	7	129004-11650	ARM, ?ROCKER		8			
104A	8	129150-11230	SCREW, VALVE ADJUST		8			
104A	10	129150-11750	NUT, M8		8			
104A	11	26226-080182	STUD, ?M8X18		3			
104A	12	129150-11370	CAP, VALVE		8			
104A	13	129C01-11700	HEAD ASSY, CYLINDER		1			
104A	21	27241-400000	PLUG, ?40		2			
104A	22	129005-11100	VALVE, INTAKE		4			
104A	23	129795-11120	SPRING, VALVE		8			
104A	24	129100-11130	VALVE, ?EXHAUST		4			
104A	25	129795-11180	RETAINER, SPRING		8			
104A	26	124460-11340	SEAL, VALVE STEM		4			
104A	27	129A00-11340	SEAL, ?VALVE?STEM		4			
104A	28	27310-080001	COTTER, 8		8			
104A	30	129978-11871	GASKET, INJECTOR		4			
104A	31	129A00-11900	RETAINER, ?INJECTOR		4			
104A	32	120270-54410	WASHER, INJECTOR		4			
104A	33	22351-060012	스프링핀		2			
104A	34	26106-080252	육각플랜지볼트		3			
104A	35	26106-080352	육각플랜지볼트		4			
104A	36	26106-080502	BOLT, M8X50 PLATED		7			
104A	37	124160-01751	COVER, ?FILLER		1			
104A	38	129C01-11351	BONNET ASSY		1			
104A	39	129004-03010	PLATE		1			
104A	40	129150-03070	BAFFLE, ?BREATHER		1			
104A	41	123907-03100	DIAPHRAGM		1			
104A	42	123907-03110	PLATE		1			
104A	43	123907-03120	PLATE, ?BREATHER		1			
104A	44	123907-03140	SPRING, DIAPHRAGM		1			
104A	46	129C00-11310	GASKET, COVER		1			
104A	47	129A00-11330	JOINT		1			
104A	48	129009-11340	SPRING		1			
104A	49	129A00-12703	SENSOR, PRESSURE		1			
104A	50	129A00-12780	O-RING, PRES?SENSOR		2			
104A	51	129A00-13360	HOSE ASSY, PRES EXH		1			
104A	53	129A00-13380	CLIP, HOSE 14		2			
104A	54	119640-61400	PLUG		1			
104A	55	22857-500100	SCREW, 5X10		4			
104A	56	22857-500100	SCREW, 5X10		6			
104A	57	22857-500100	SCREW, ?5X10		1			
NOTE								

FIG 105A

SUCTION MANIFOLD (T554)

년/월
Year/Month

2022-12



NOTE

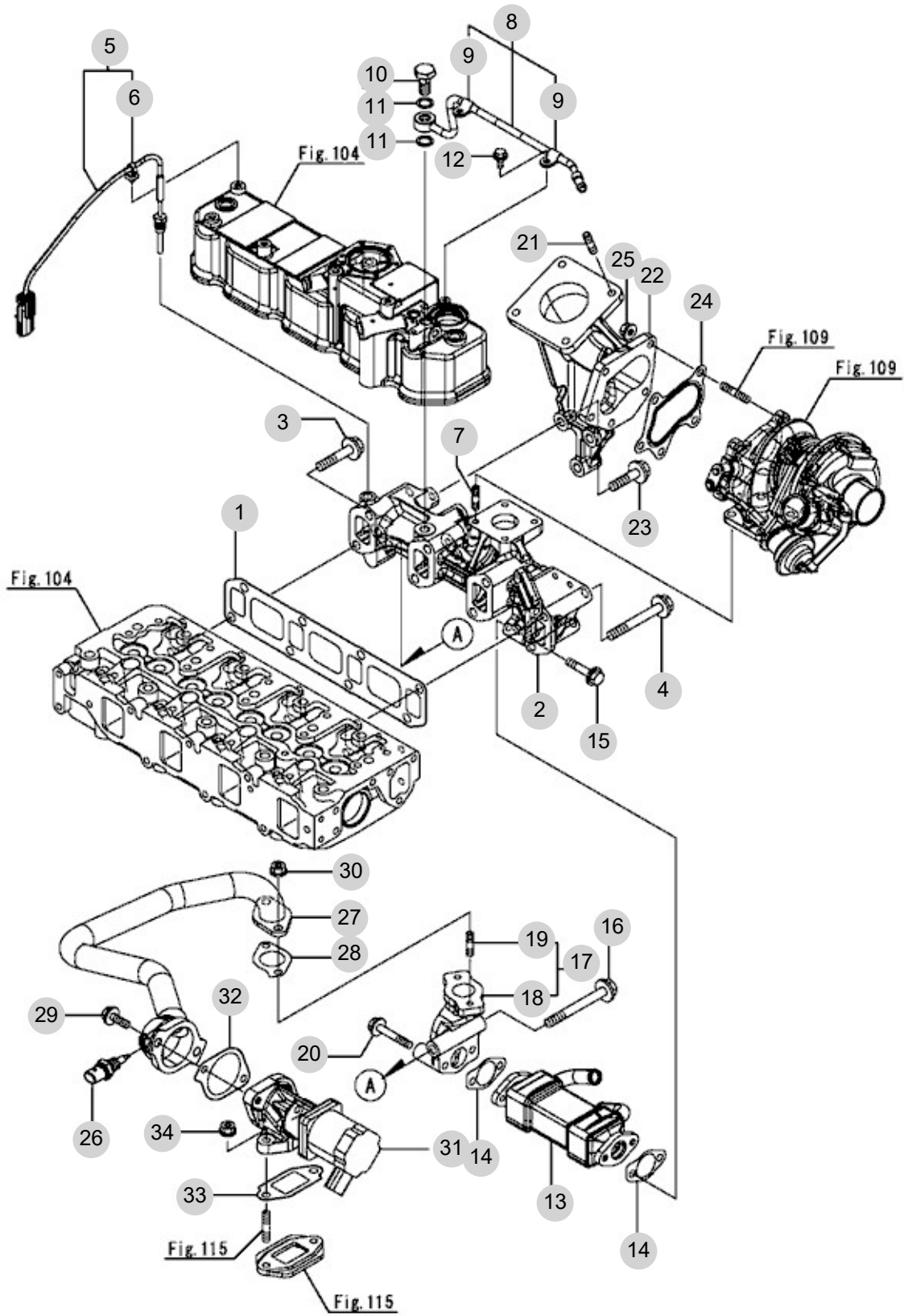
FIG 106A

EXHAUST MANIFOLD (T554)

년/월
Year/Month

2022-12

T555NHGBC



NOTE

FIG 106A T555NHGBC		EXHAUST MANIFOLD (T554)					년/월 Year/Month	
							2022-12	
KEY NO	PART NO	DESCRIPTION	SPEC	QTY	REPAIR	EFFECTIVE DATE	REMARKS	
106A	1	129C00-13110	GASKET, EXH MANIFOLD		1			
106A	2	129C01-13110	MANIFOLD, EXHAUST		1			
106A	3	129A01-13600	BOLT, ?M10X50?10.9T		1			
106A	4	129A00-13610	BOLT, M10X80		7			
106A	5	129C01-13770	SENSOR, EXH TEMP		1			
106A	6	129A00-91200	BAND?CLIP		1			
106A	7	129418-18320	STUD, M8X20		4			
106A	8	129A00-13300	PIPE ASSY, EXHAUST P		1			
106A	9	23297-080061	CLAMP, ?A8X6		2			
106A	10	129A00-13350	BOLT, PIPE JOINT		1			
106A	11	23414-120000	GASKET, 12X1.0		2			
106A	12	26106-060122	BOLT, ?M6X12?PLATED		2			
106A	13	129A00-13400	COOLER, EGR		1			
106A	14	129A00-13410	GASKET, EGR COOLER		2			
106A	15	119802-13600	BOLT, ?M8X40		2			
106A	16	129978-13700	BOLT, FLANGE 10X90		1			
106A	17	129A00-13851	PIPE CMP, EGR OUT		1			
106A	18	129A00-13861	PIPE, EGR?OUT		1			
106A	19	129418-18320	STUD, M8X20		2			
106A	20	26106-080502	BOLT, M8X50 PLATED		2			
106A	21	123900-13130	STUD, ?M10X22		4			
106A	22	129C01-13360	PIPE, EXHAUST		1			
106A	23	129C01-13600	FLANGE BOLT, 10X40		3			
106A	24	129508-18090	가스켓(터보차져)	1X1X1	1			
106A	25	26306-080002	NUT, M8		5			
106A	26	129A00-13751	SENSOR, EGR GAS TEMP		1			
106A	27	129C00-13800	PIPE (EGR?CMP)		1			
106A	28	129927-13810	GASKET		1			
106A	29	26106-080252	육각플랜지볼트		2			
106A	30	26306-080002	NUT, ?M8		2			
106A	31	129C00-13901	VALVE, EGR		1			
106A	32	129A00-13910	GASKET, EGR-V IN		1			
106A	33	129A00-13920	GASKET (EGR-V?OUT)		1			
106A	34	26306-080002	NUT, M8		2			
NOTE								

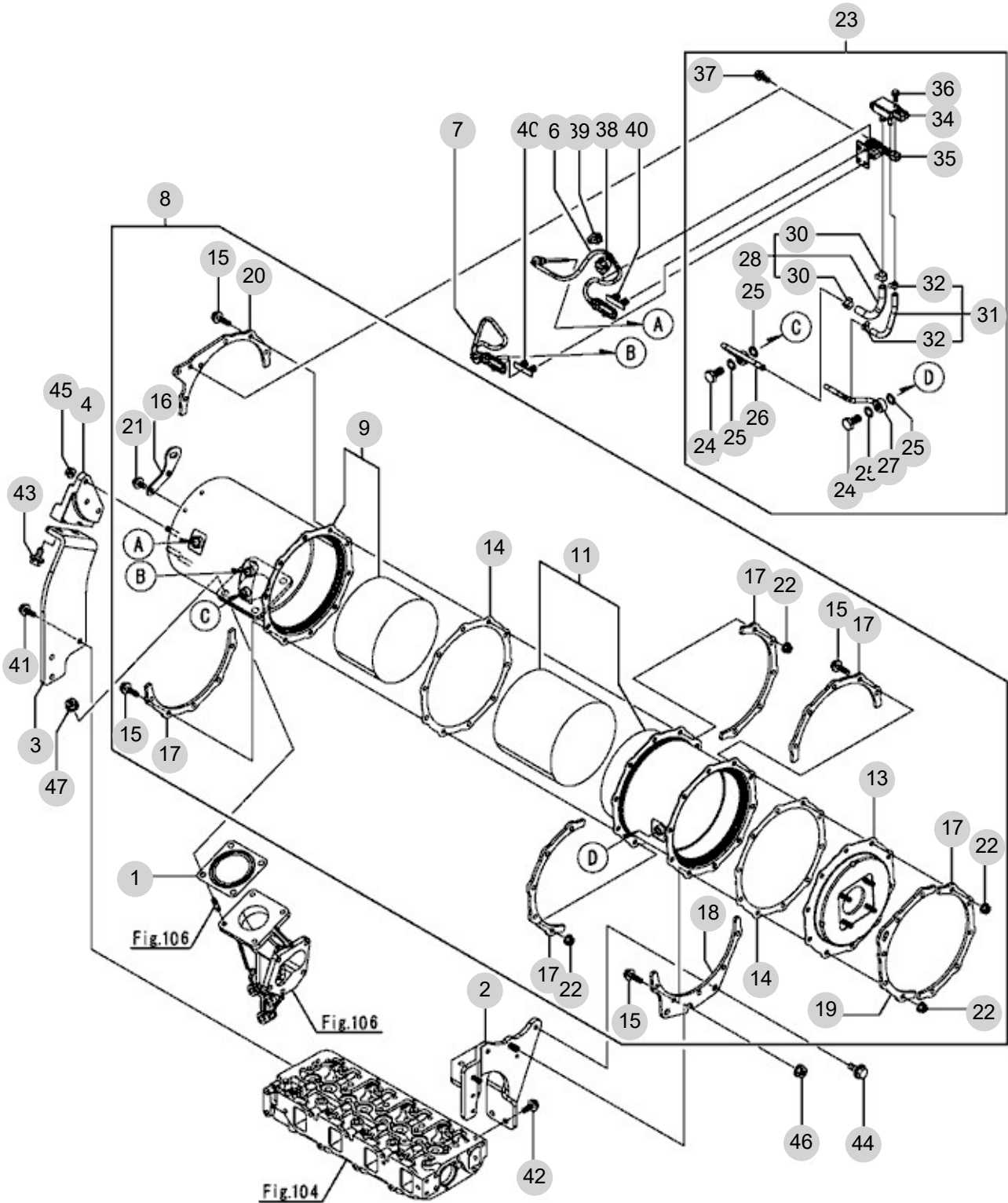
FIG 107A

T555NHGBC

DIESEL PARTICULATE FILTER (T554)

년/월
Year/Month

2022-12



NOTE

FIG 107A T555NHGBC		DIESEL PARTICULATE FILTER (T554)					년/월 Year/Month	
							2022-12	
KEY NO	PART NO	DESCRIPTION	SPEC	QTY	REPAIR	EFFECTIVE DATE	REMARKS	
107A	1	128300-13230	GASKET,SILENCER		1			
107A	2	129C01-16811	STAY,DPF		1			
107A	3	129C01-16820	STAY,DPF		1			
107A	4	129C01-16830	STAY,DPF		1			
107A	6	129C00-13940	SENSOR,EXH.TEMP		1			
107A	7	129C00-13950	SENSOR,EXH.TEMP		1			
107A	8	129C01-16011	DPFASSY		1			
107A	9	129C01-16210	CASE,DOC		1			
107A	11	129C01-16410	CASE,SOOT FILTER		1			
107A	13	129C01-16550	FLANGE,OUTLET		1			
107A	14	129E00-16600	GASKET,DPF		2			
107A	15	129A00-16610	BOLT,M8X28 10.9T		20			
107A	16	129C01-16680	LIFTER,DPF		1			
107A	17	129C01-16700	STIFFENER,DPF A		5			
107A	18	129C01-16721	STIFFENER,DPF B		1			
107A	19	129C01-16740	STIFFENER,DPF C		1			
107A	20	129C01-16750	STIFFENER,DPF C		1			
107A	21	26106-080142	BOLT,M8X14 PLATED		2			
107A	22	26306-080002	NUT,M8		20			
107A	23	129E01-17220	SENSORUNIT, PRESSURE		1			
107A	24	129A00-13350	BOLT, PIPE JOINT		2			
107A	25	129A00-17311	GASKET,SENSOR		4			
107A	26	129E00-17310	PIPEASSY,PRES EXH		1			
107A	27	129E00-17360	PIPEASSY,PRES EXH		1			
107A	28	129C01-17610	HOSEASSY,PRES EXH		1			
107A	30	129A00-17520	CLIP,HOSE		2			
107A	31	129A00-17670	HOSEASSY,PRES EXH		1			
107A	32	129A00-17570	CLIP,HOSE		2			
107A	34	129A00-17702	SENSOR,PRESSURE		1			
107A	35	129A00-17780	BRACKET,SENSOR		1			
107A	36	26106-060162	BOLT,M6X16 PLATED		2			
107A	37	26106-080202	볼트	8X20	2			
107A	38	129A00-91200	BAND CLIP		1			
107A	39	129C00-91200	BAND		1			
107A	40	129A00-91430	CLIP,CONNECTOR		2			
107A	41	26106-080202	볼트	8X20	3			
107A	42	26106-080202	볼트	8X20	2			
107A	43	26106-100202	육각플랜지볼트		2			
107A	44	26106-100202	육각플랜지볼트		2			
107A	45	26306-080002	NUT,M8		3			
107A	46	26306-100002	NUT,M10		1			
107A	47	26306-100002	NUT,M10		4			
NOTE								

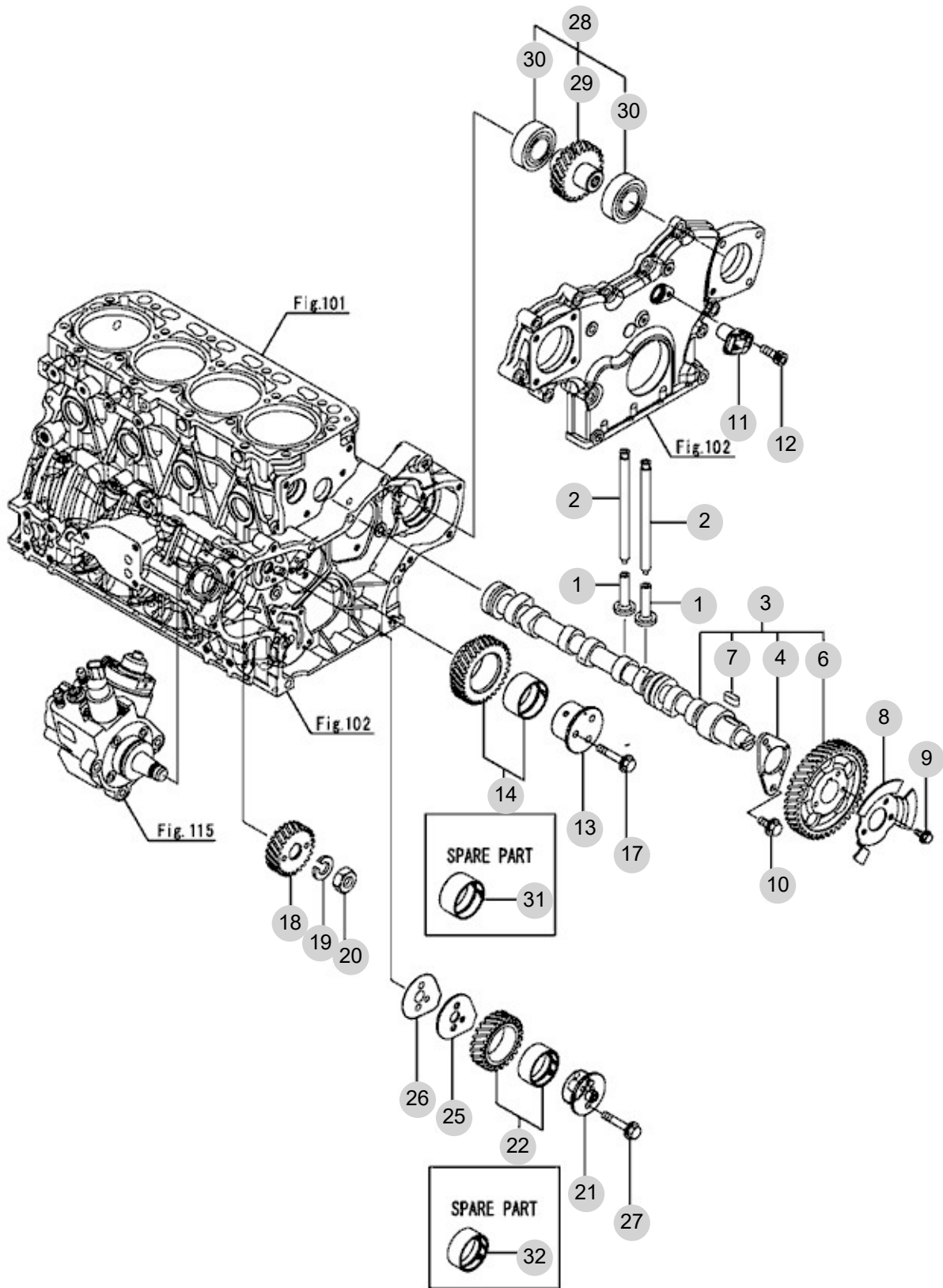
FIG 108

T555NHGBC

CAMSHAFT & DRIVING GEAR

년/월
Year/Month

2022-12



NOTE

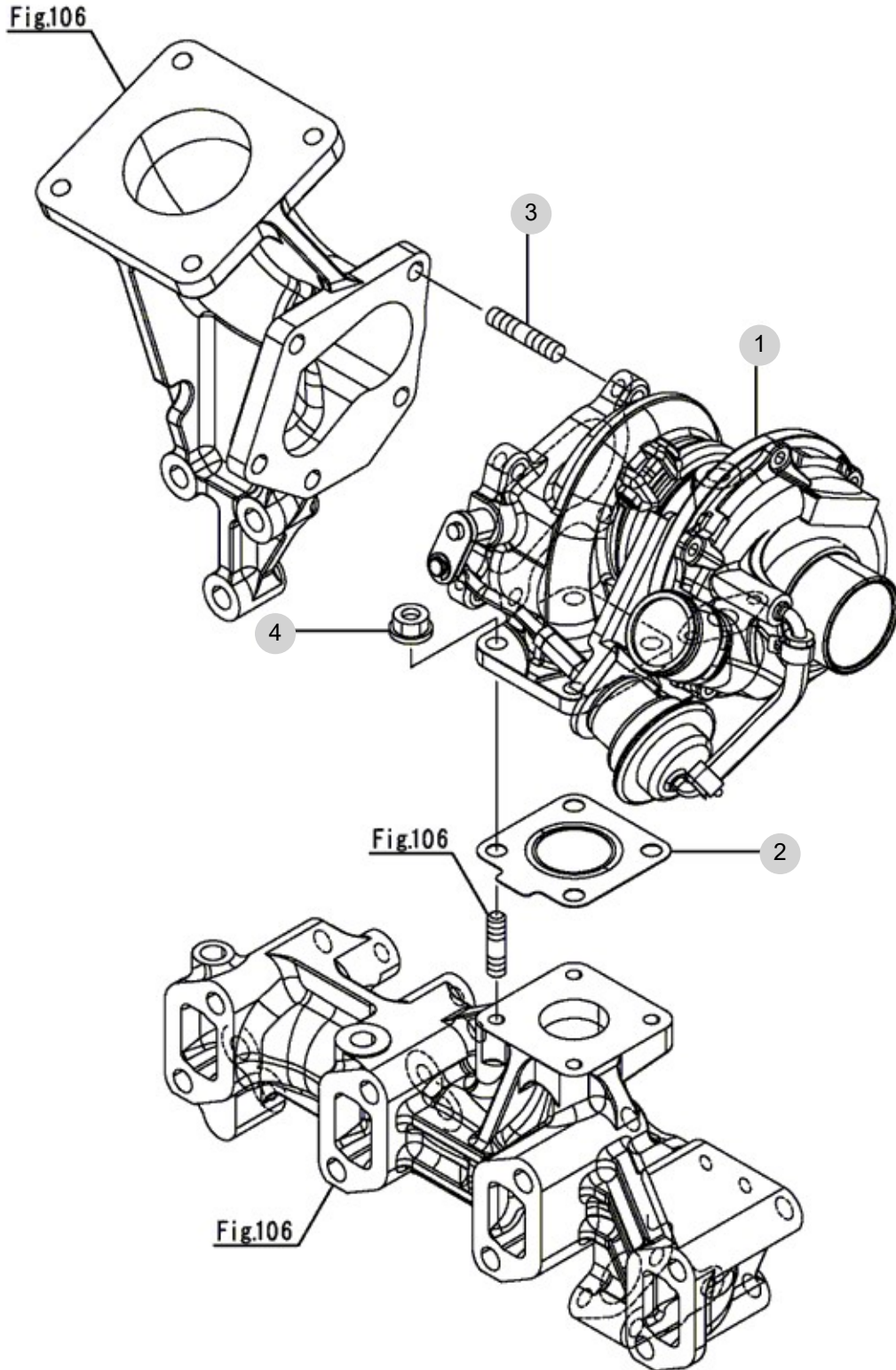
FIG 109

T555NHGBC

TURBINE (T554)

년/월
Year/Month

2022-12



NOTE

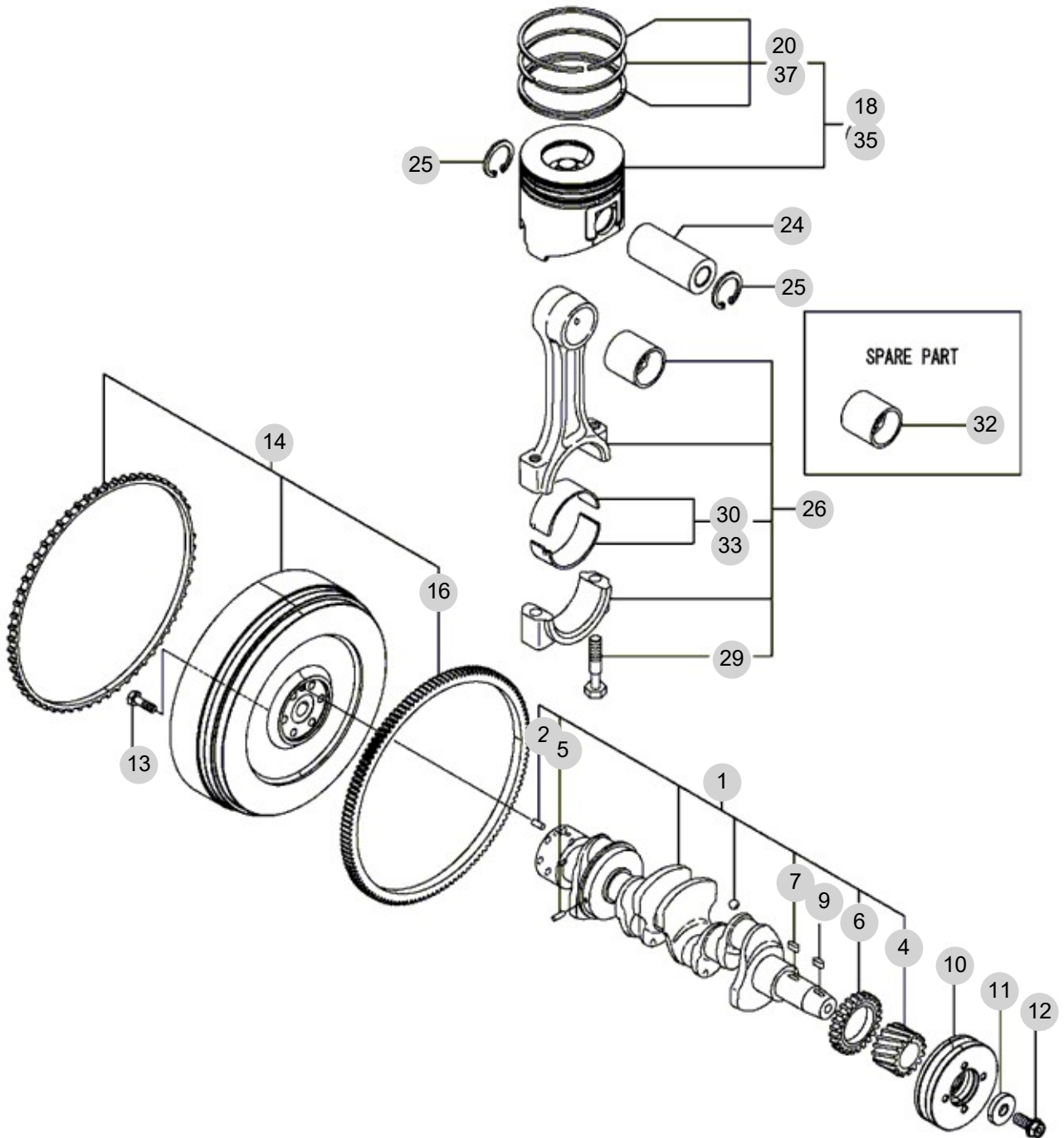
FIG 110A

T555NHGBC

CRANKSHAFT & PISTON (T554)

년/월
Year/Month

2022-12



NOTE

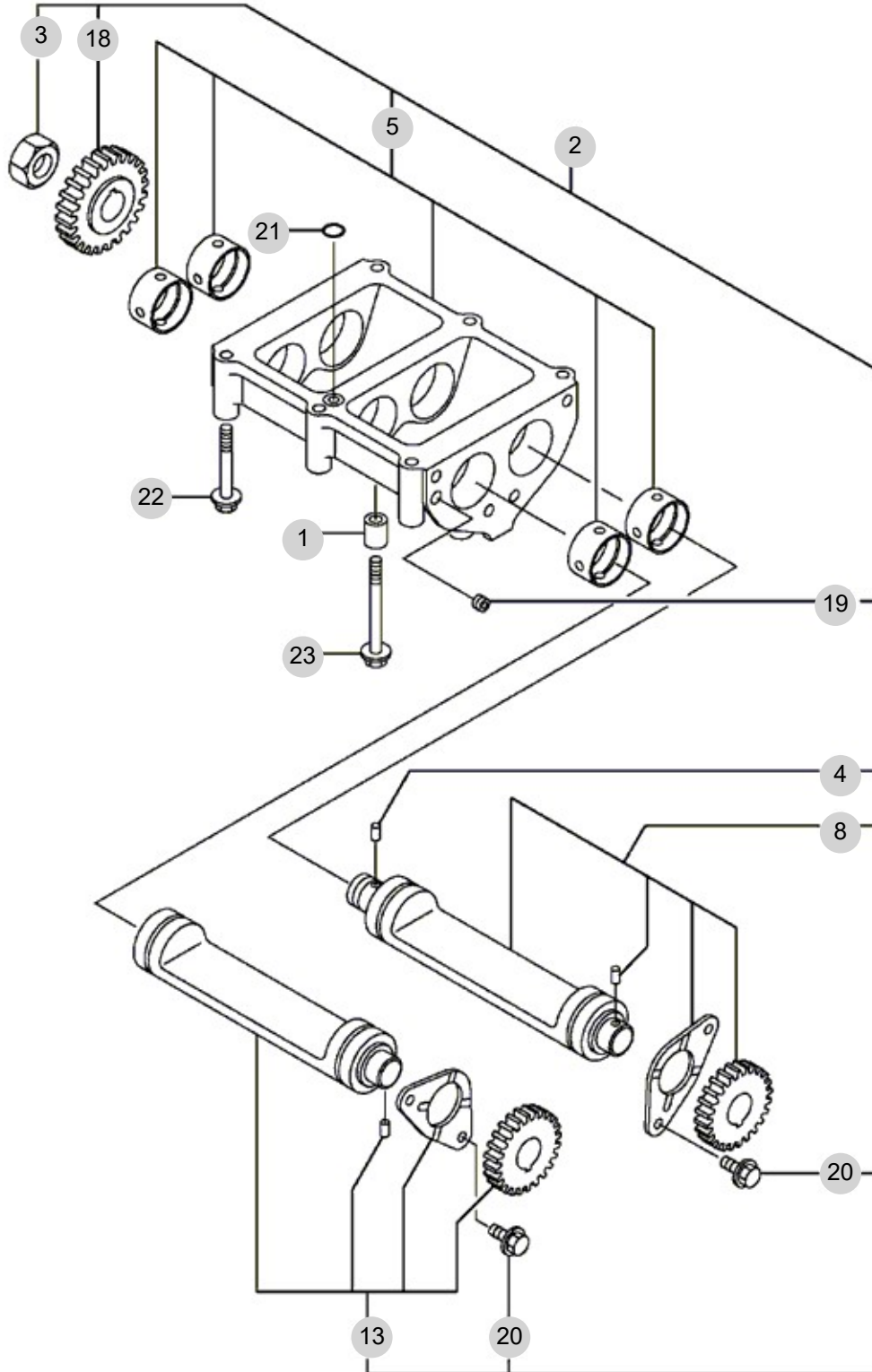
FIG 111

BALANCER

년/월
Year/Month

2022-12

T555NHGBC



NOTE

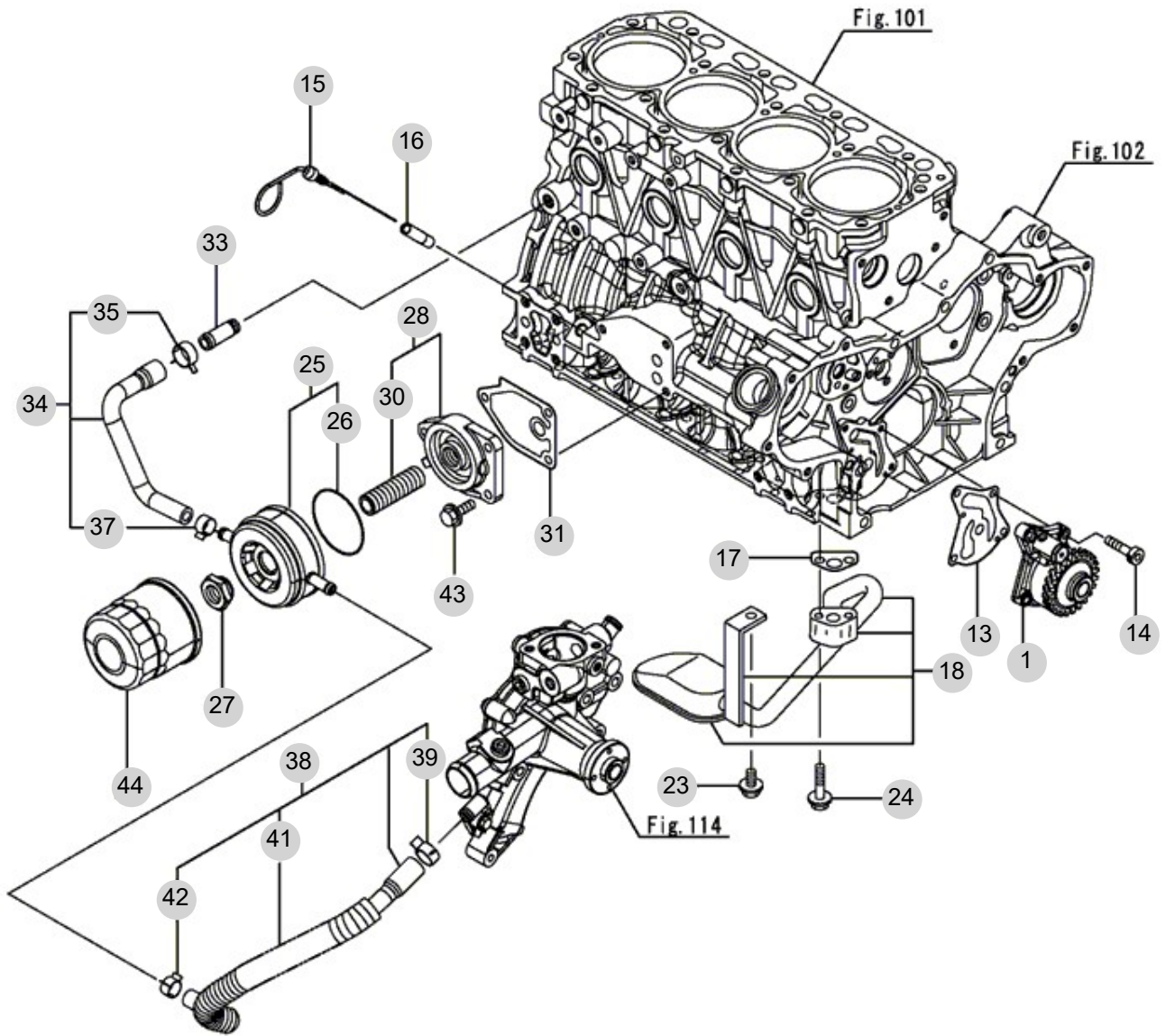
FIG 112A

T555NHGBC

LUB. OIL SYSTEM (T554)

년/월
Year/Month

2022-12



NOTE

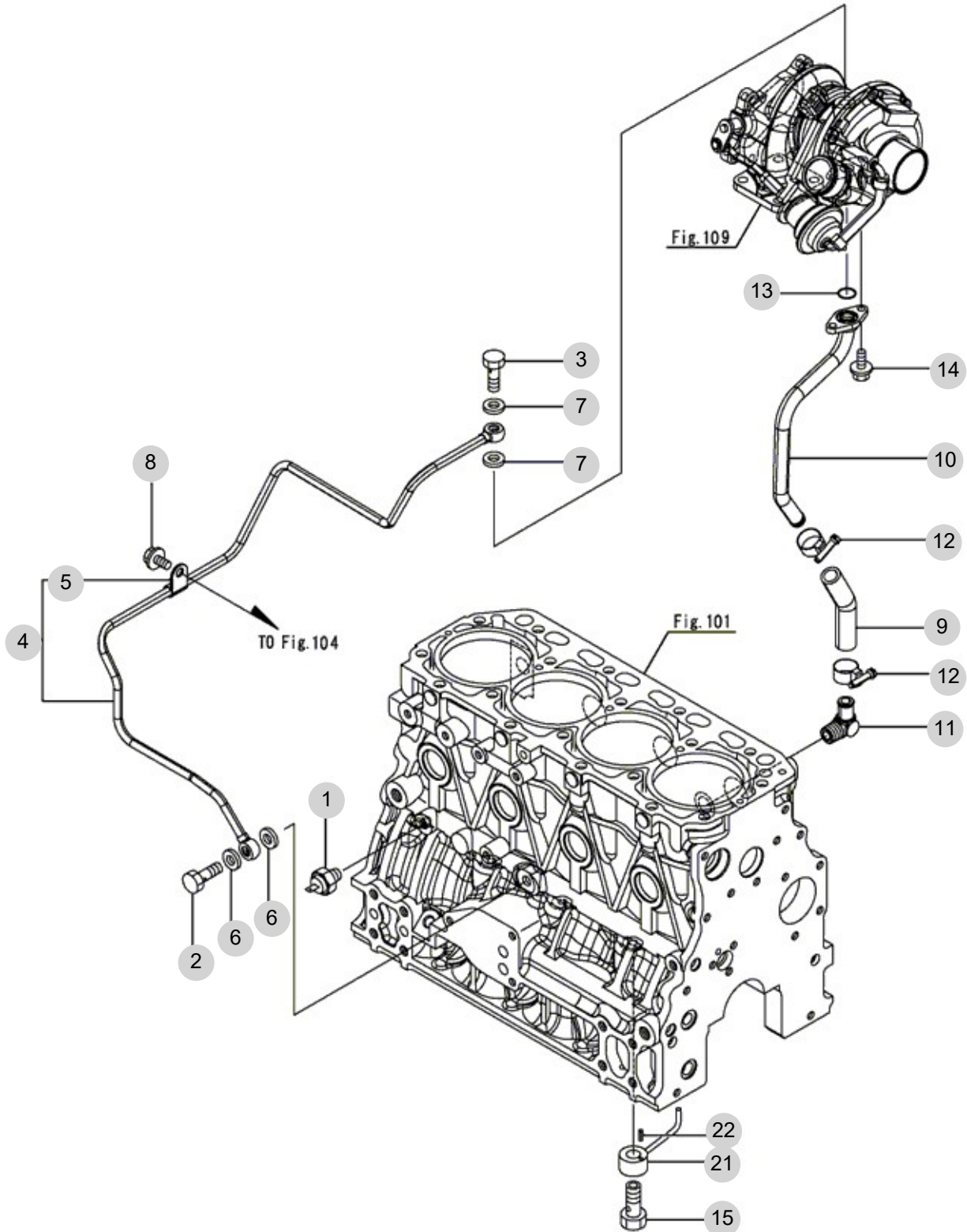
FIG 113

T555NHGBC

LUB. OIL LINE (T554)

년/월
Year/Month

2022-12



NOTE

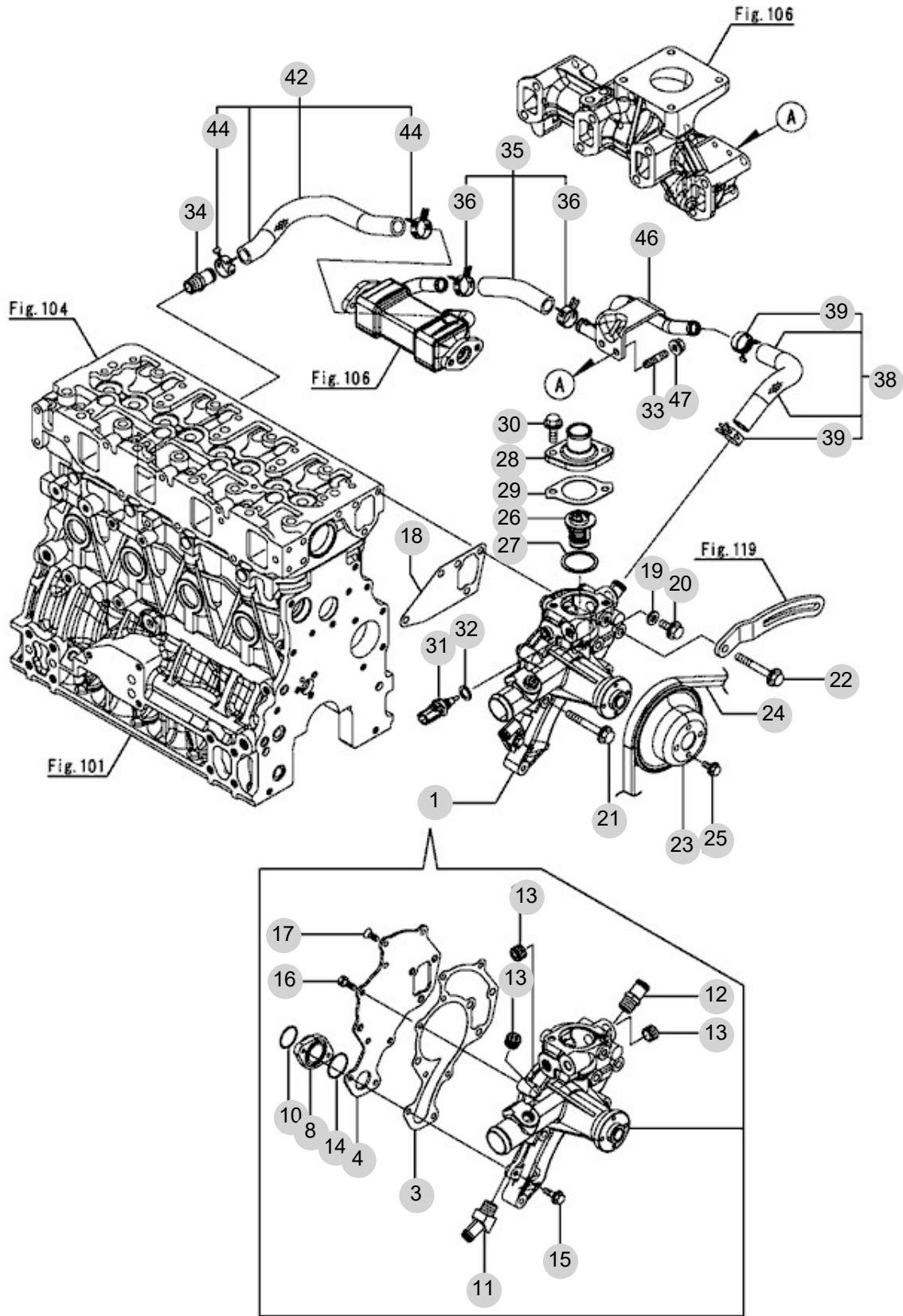
FIG 114

COOLING WATER SYSTEM

년/월
Year/Month

2022-12

T555NHGBC



NOTE

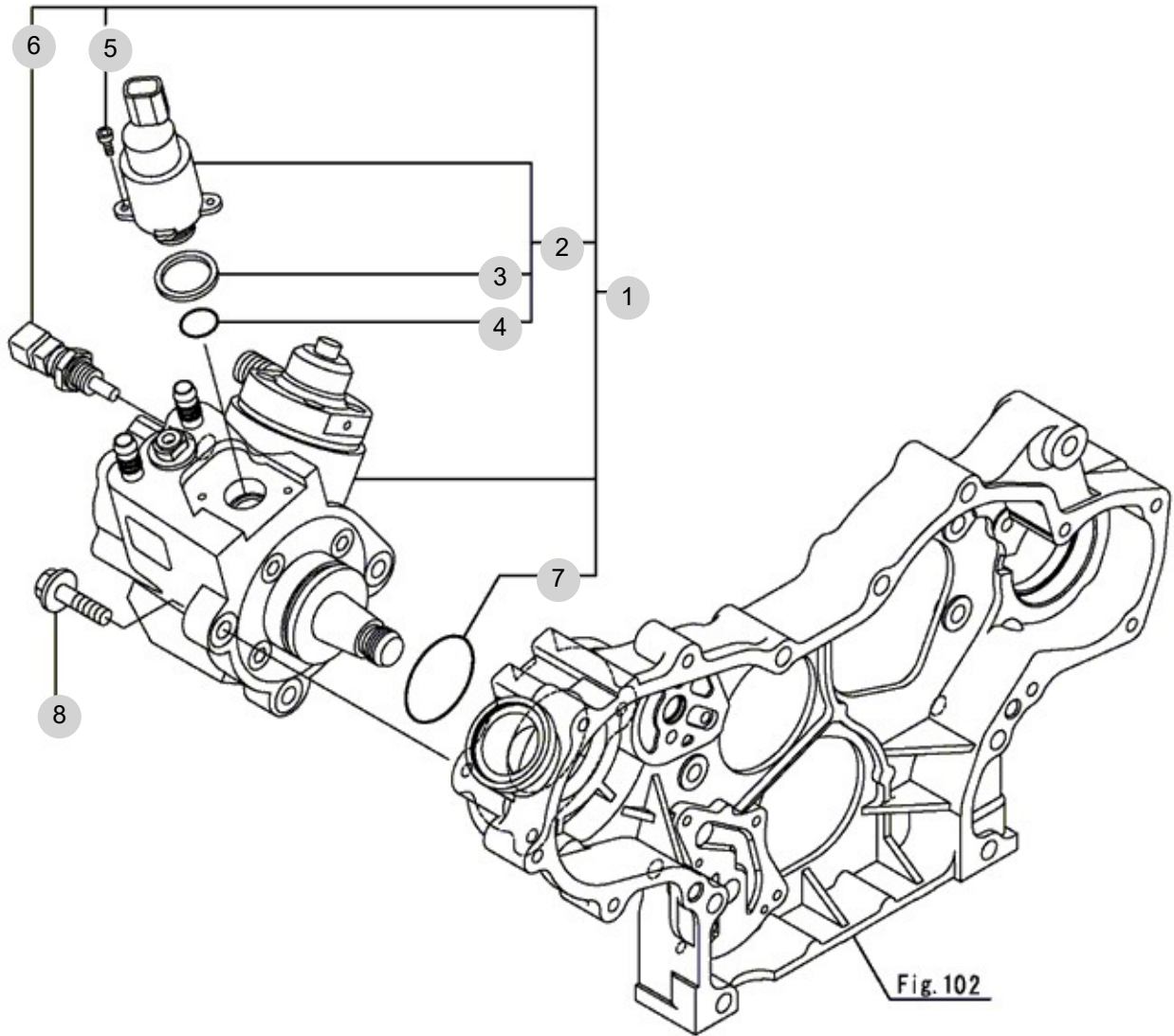
FIG 115

T555NHGBC

FUEL SUPPLY PUMP

년/월
Year/Month

2022-12



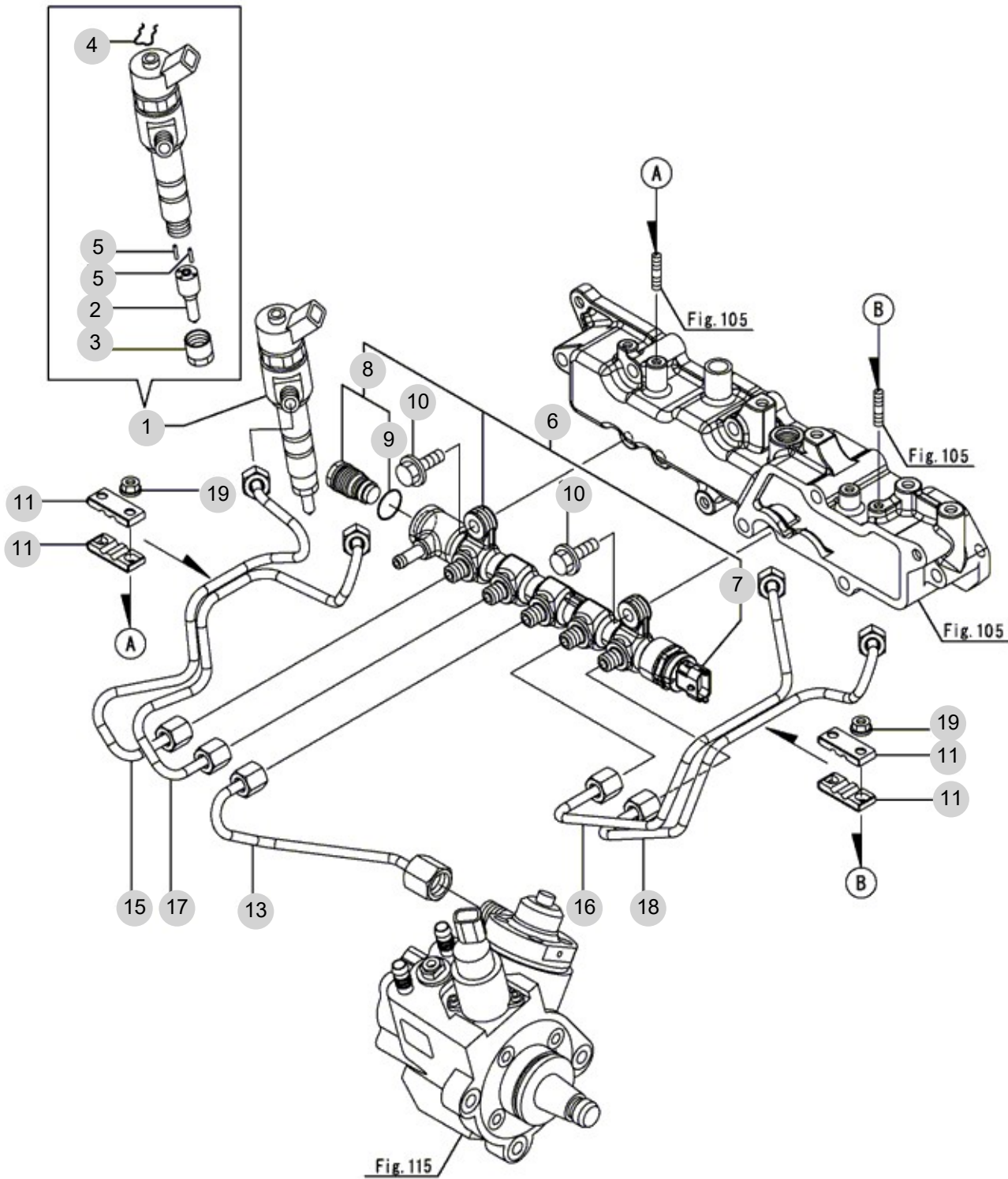
NOTE

FIG 116A

FUEL INJECTION VALVE (T554)

년/월
Year/Month

2022-12



NOTE

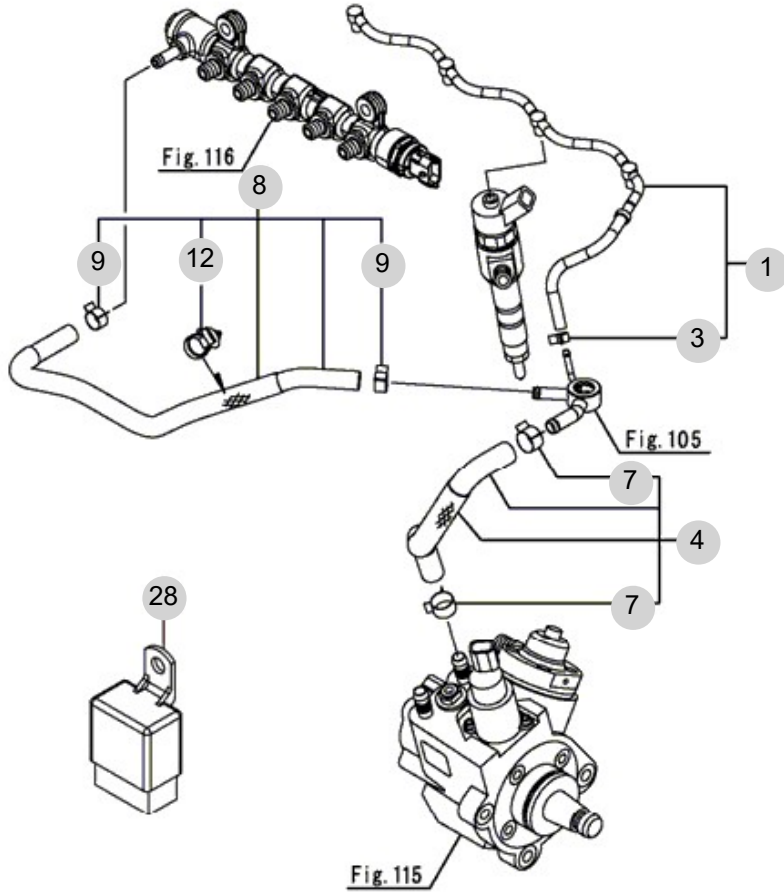
FIG 117

T555NHGBC

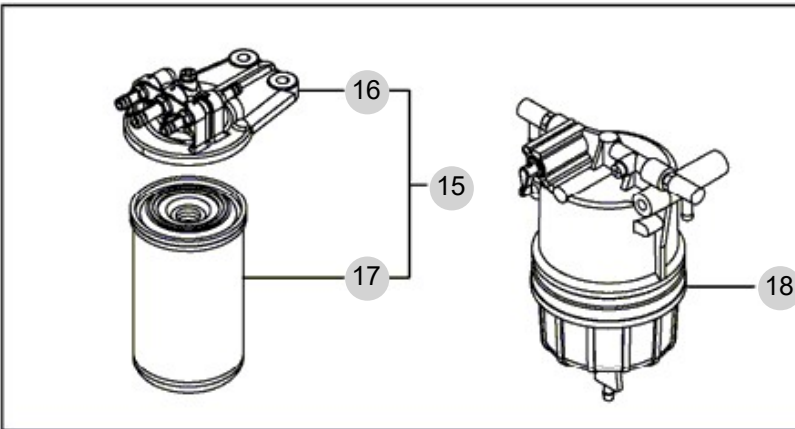
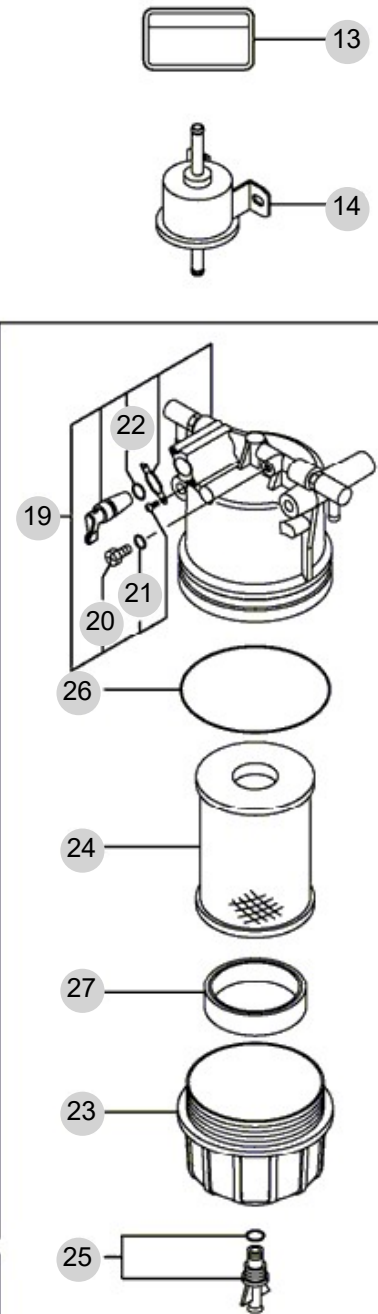
FUEL LINE

년/월
Year/Month

2022-12



LOOSE PARTS



NOTE

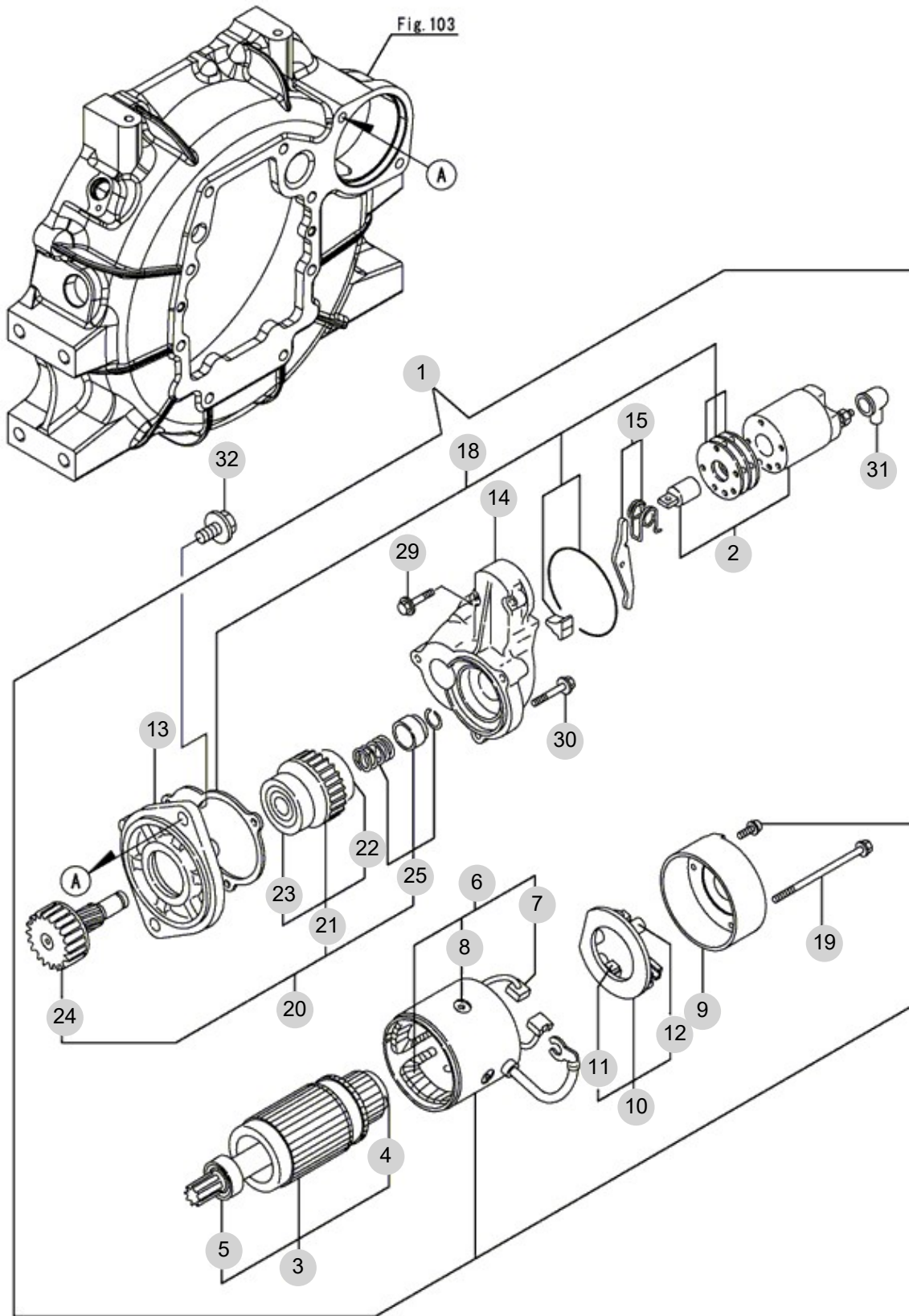
FIG 118

STARTING MOTOR

년/월
Year/Month

2022-12

T555NHGBC



NOTE

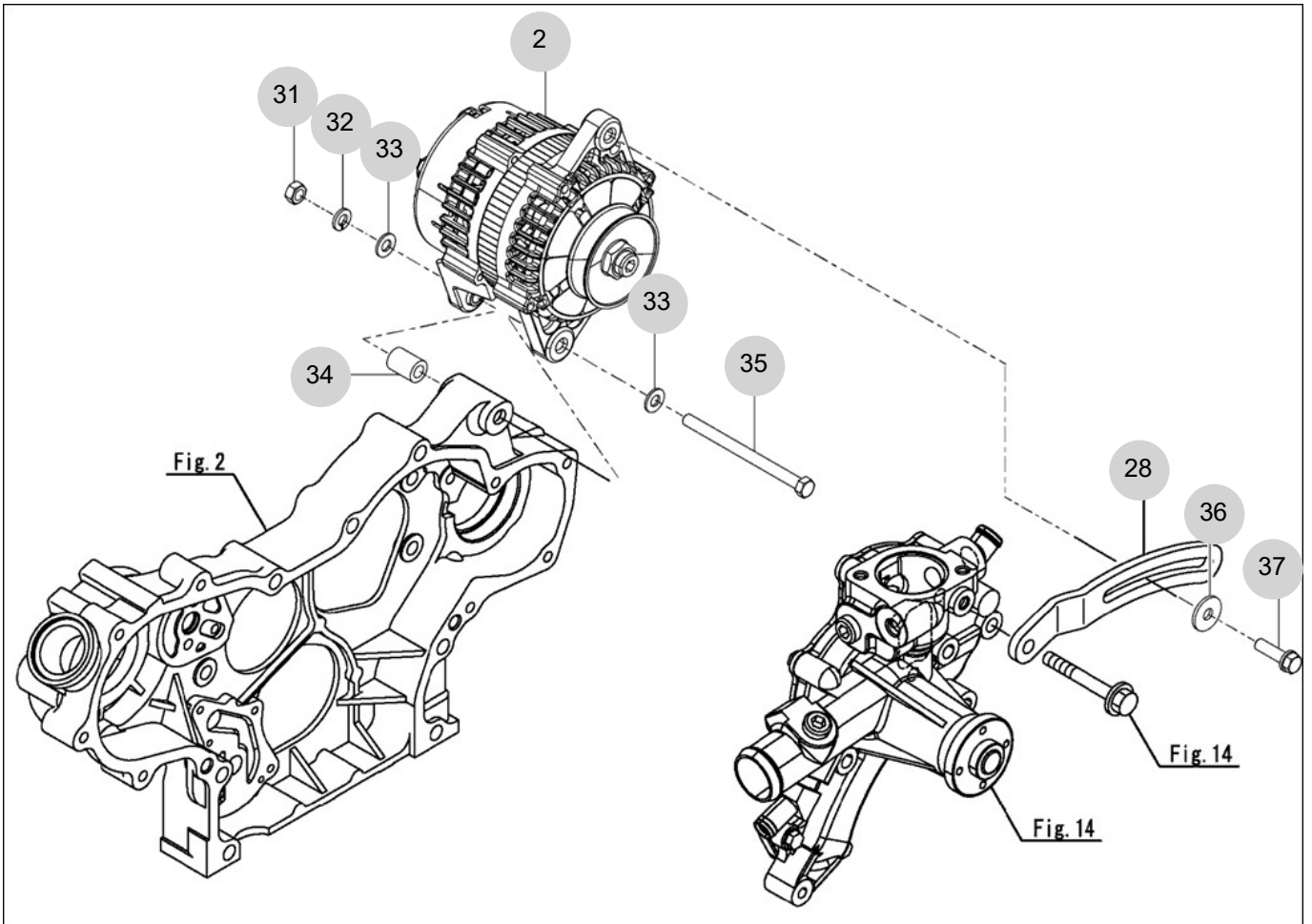
FIG 119

T555NHGBC

GENERATOR

년/월
Year/Month

2022-12



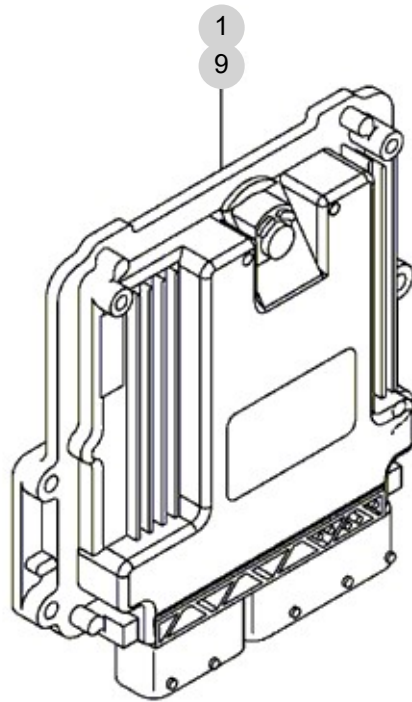
NOTE

FIG 120A
T555NHGBC

ELECTRONIC CONTROL UNIT (T554)

년/월
Year/Month

2022-12



NOTE

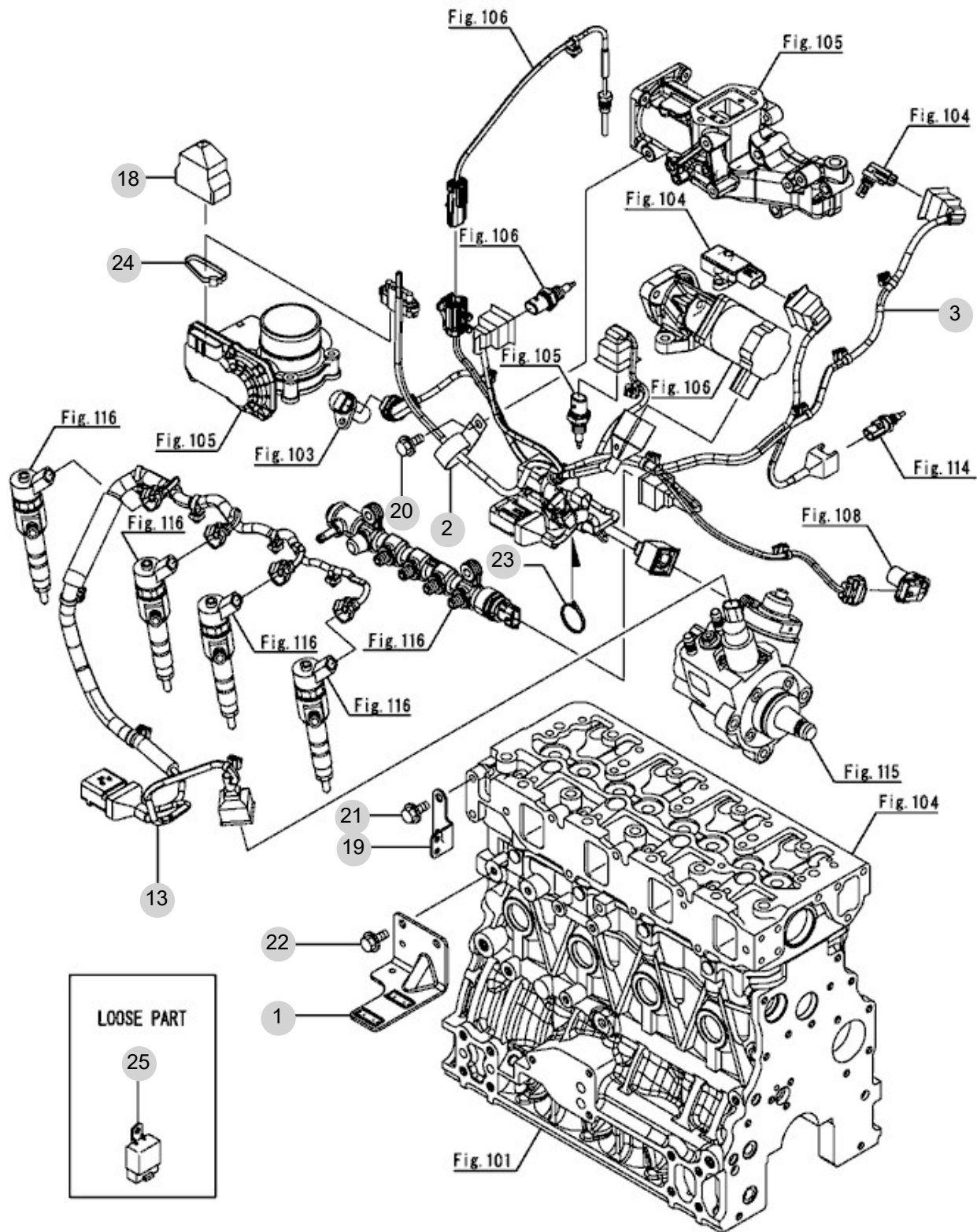
FIG 121A

T555NHGBC

ELECTRIC PARTS (T554)

년/월
Year/Month

2022-12



NOTE

FIG 122A

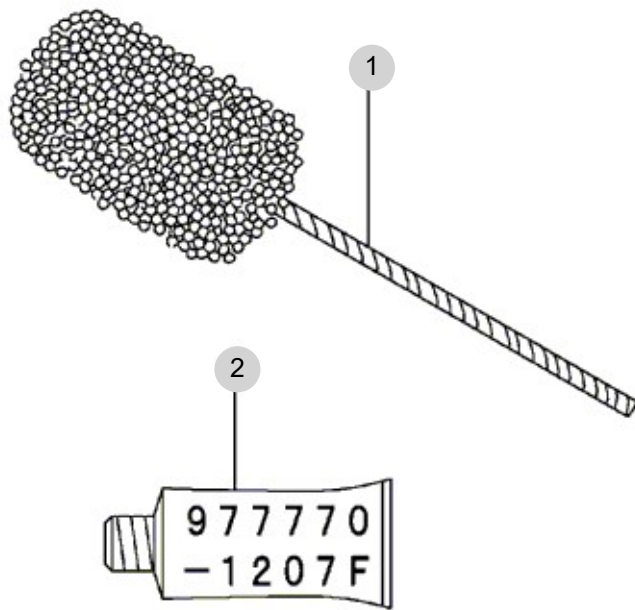
T555NHGBC

ACCESSORY (T554)

년/월
Year/Month

2022-12

OPTIONAL PARTS



NOTE

2. 엔진보기품 PART NO. T2

FIG 201 AIR CLEANER	55
FIG 202 RADIATOR	57
FIG 203 MUFFLER	59
FIG 204 FUEL HOSE & FILTER	61
FIG 205 FUEL TANK	63
FIG 206 ACCELERATOR	65
FIG 207 OIL COOLER	67
FIG 208 COOLING FAN	69

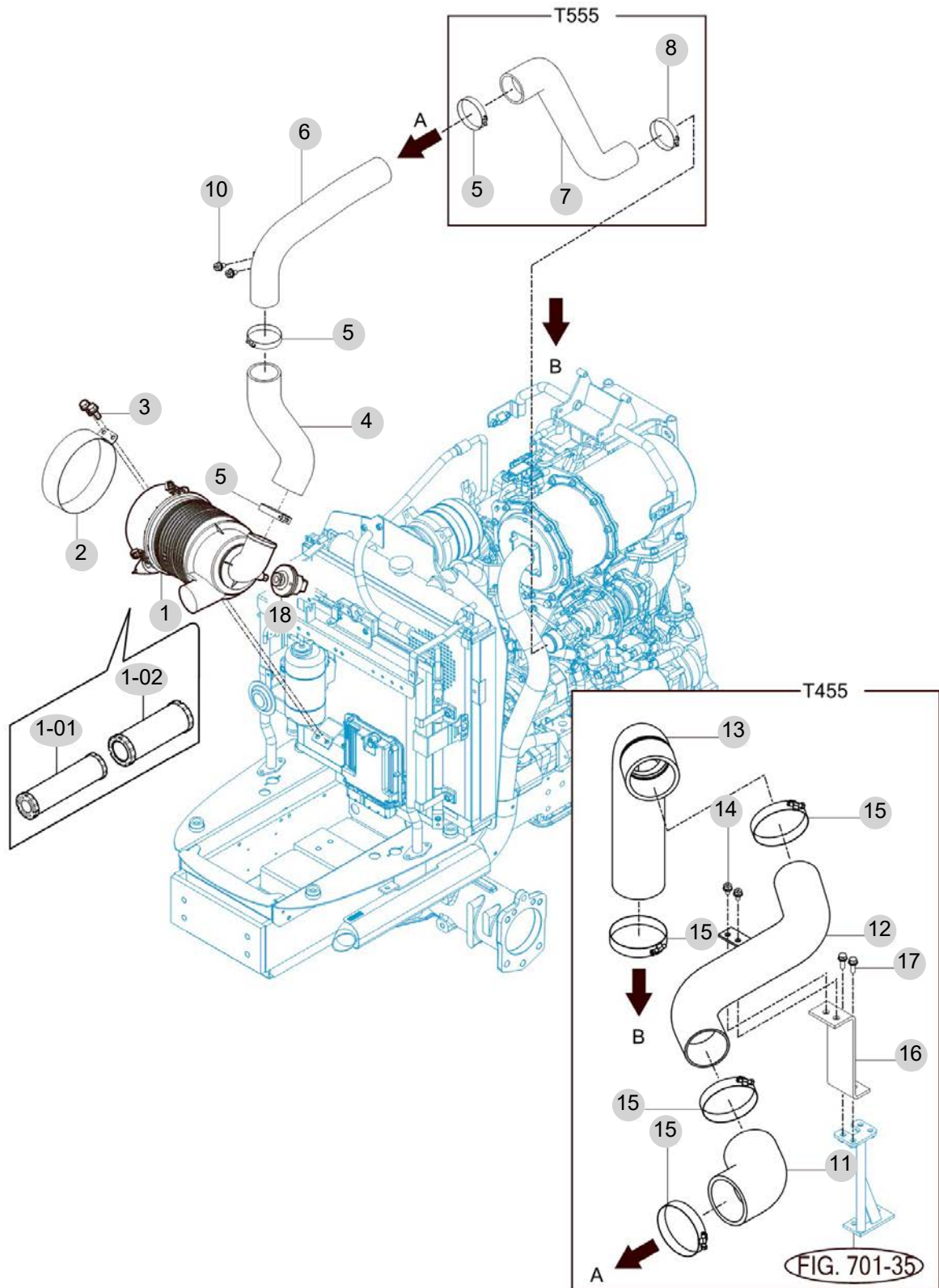
FIG 201

T555NHGBC

AIR CLEANER

년/월
Year/Month

2022-12



NOTE

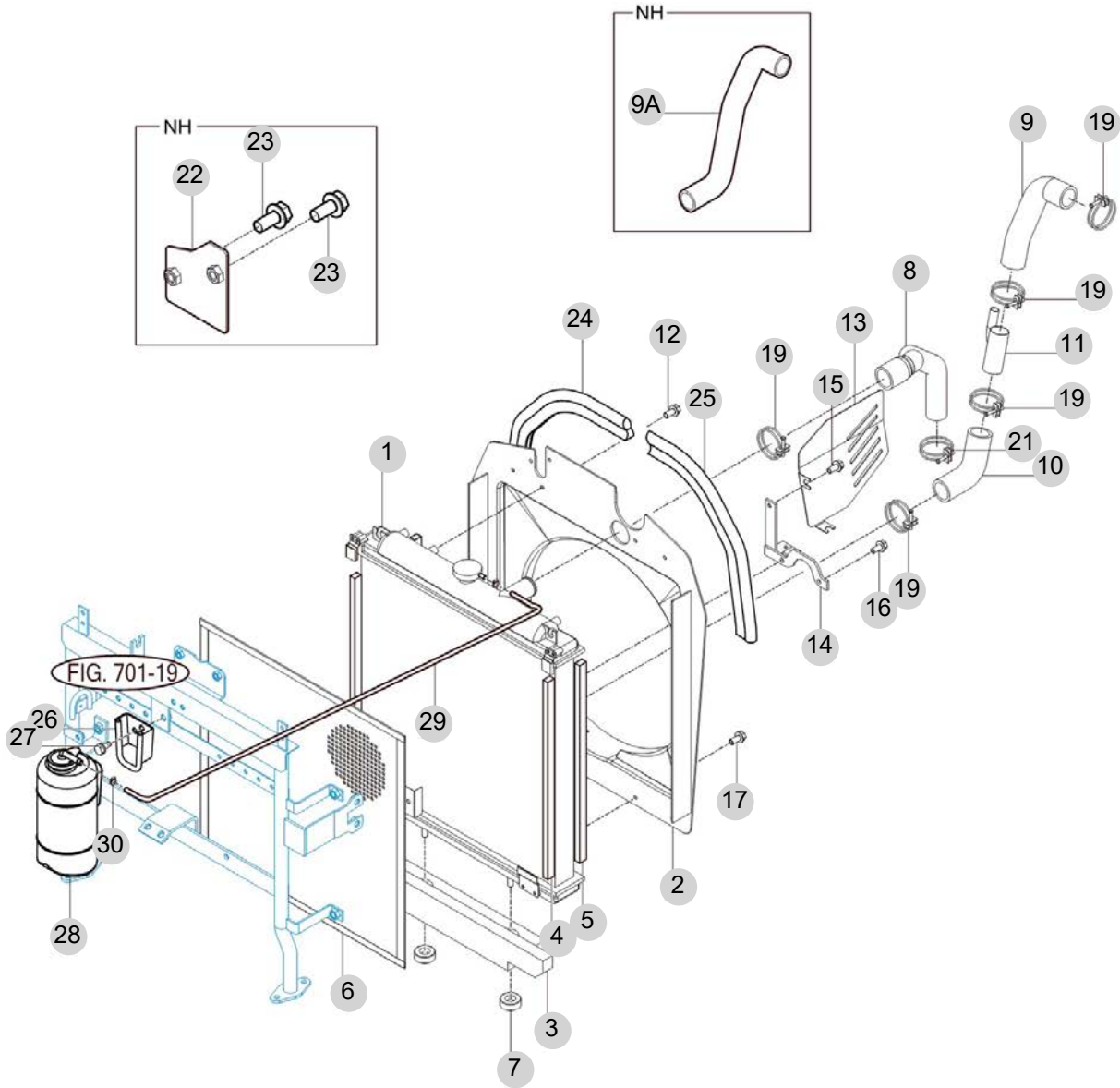
FIG 202

T555NHGBC

RADIATOR

년/월
Year/Month

2022-12



NOTE

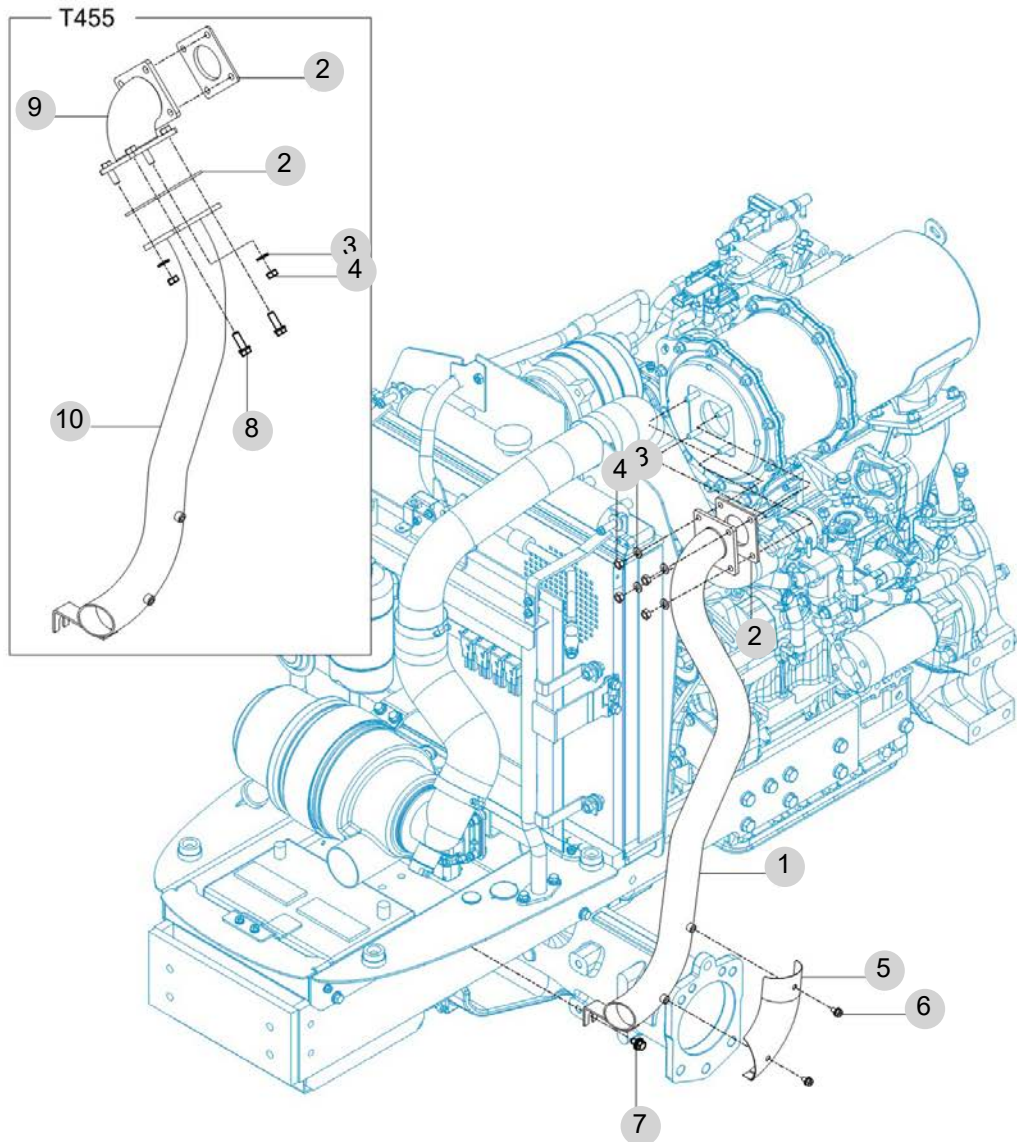
FIG 203

T555NHGBC

MUFFLER

년/월
Year/Month

2022-12



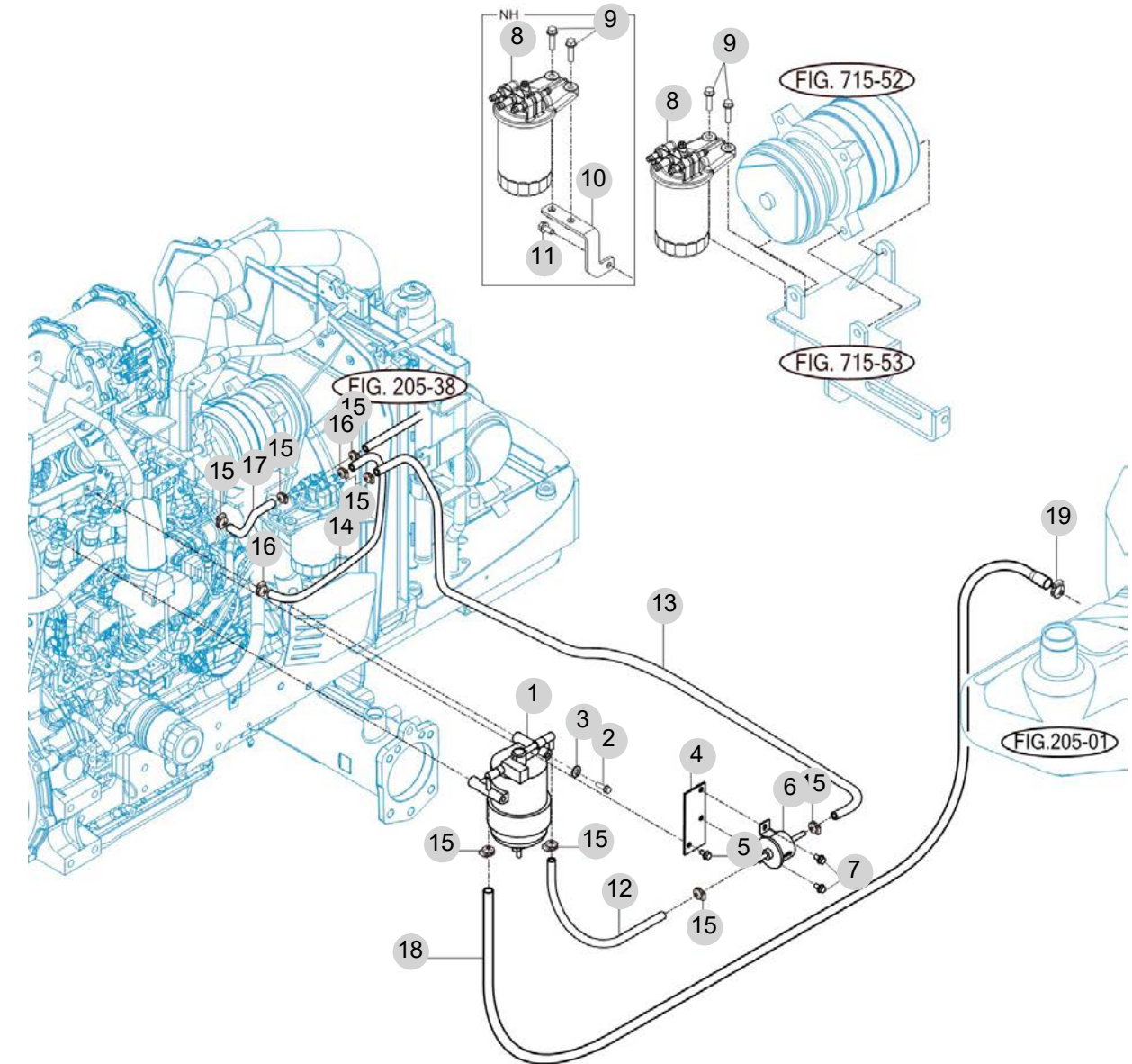
NOTE

FIG 204

FUEL HOSE & FILTER

년/월
Year/Month

2022-12



NOTE

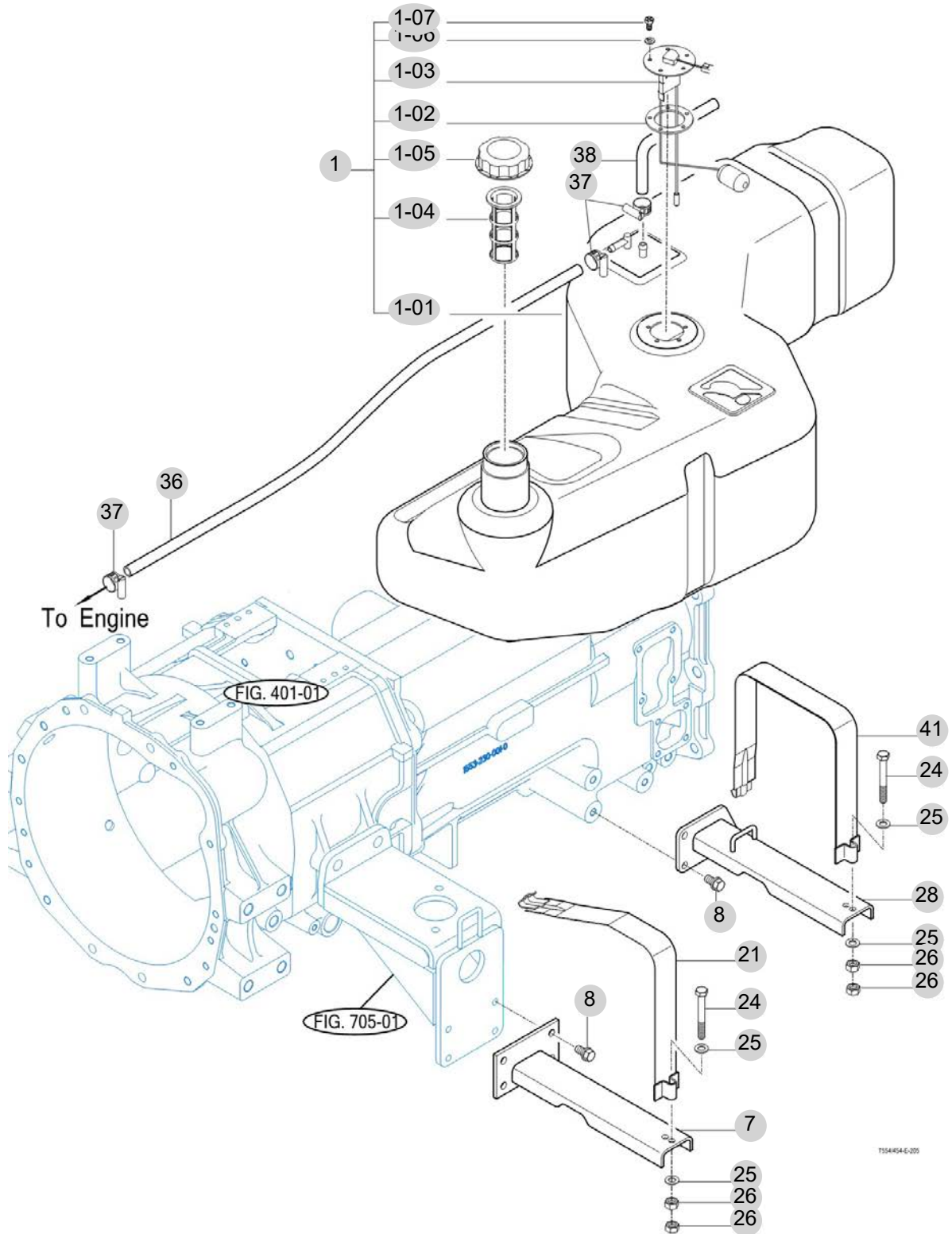
FIG 205

FUEL TANK

년/월
Year/Month

2022-12

T555NHGBC



NOTE

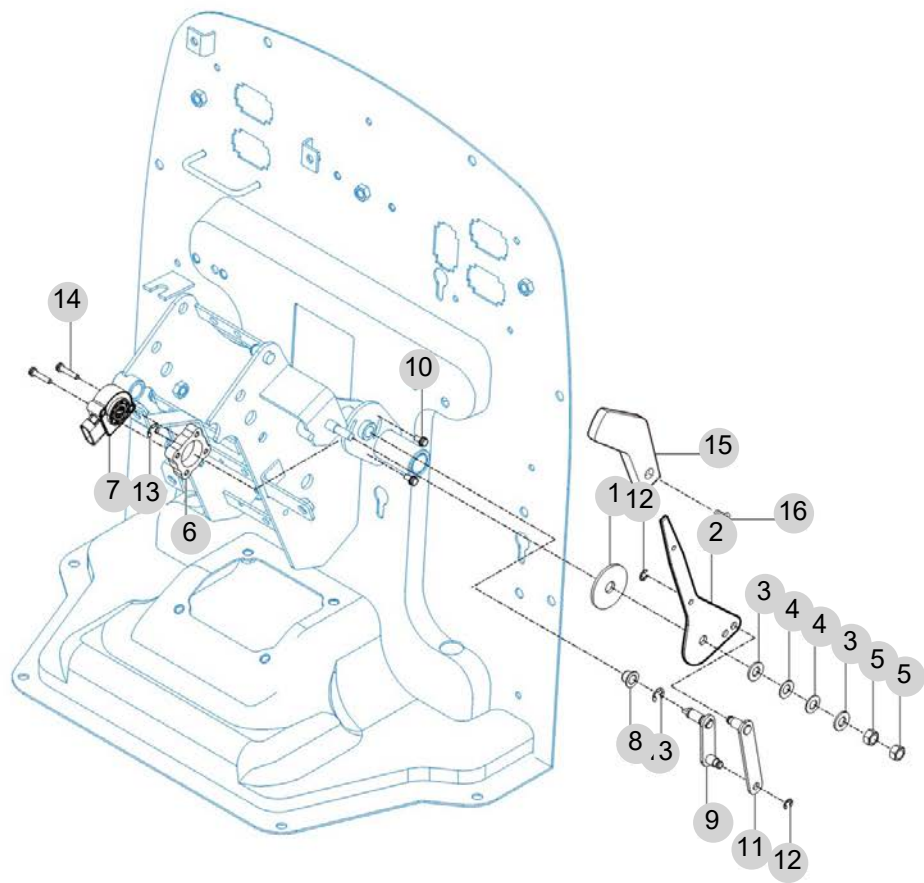
FIG 206

T555NHGBC

ACCELERATOR

년/월
Year/Month

2022-12



NOTE

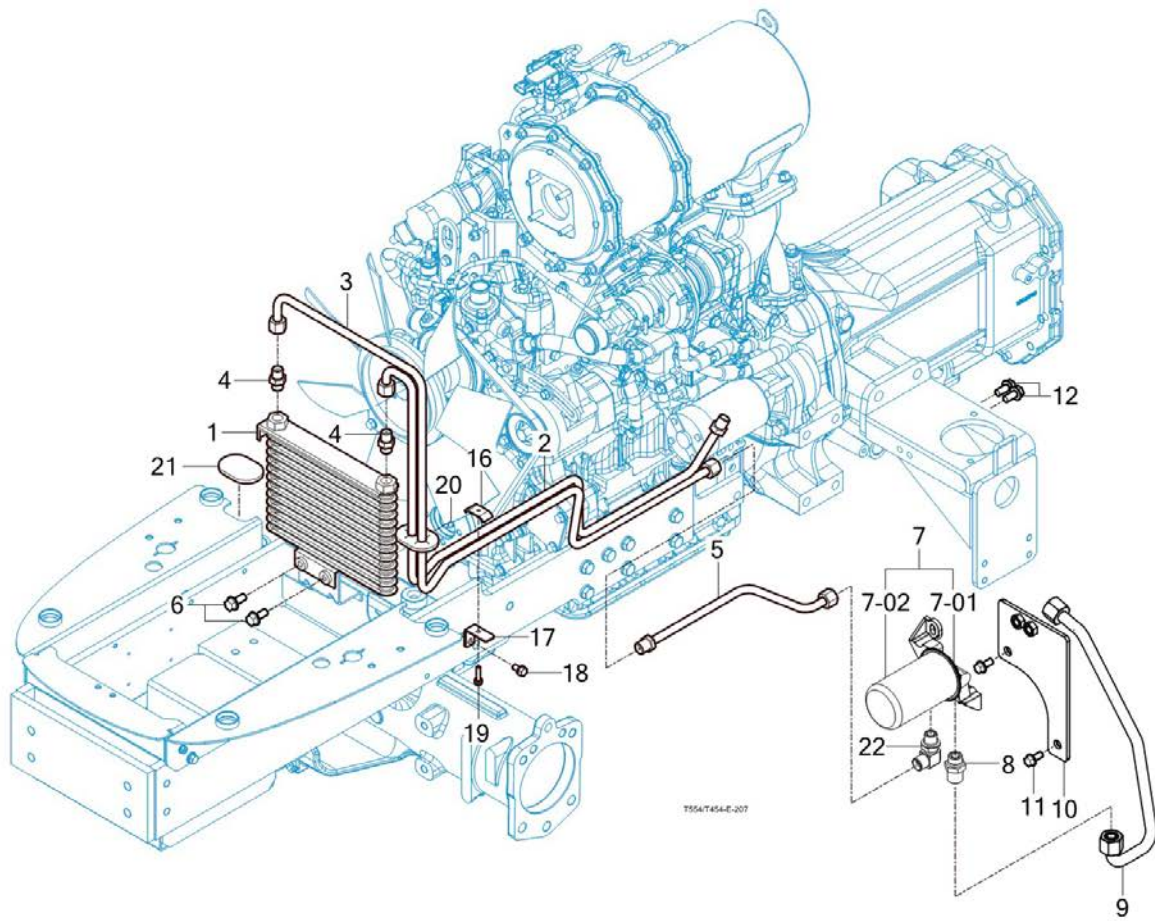
FIG 207

T555NHGBC

OIL COOLER

년/월
Year/Month

2022-12



NOTE

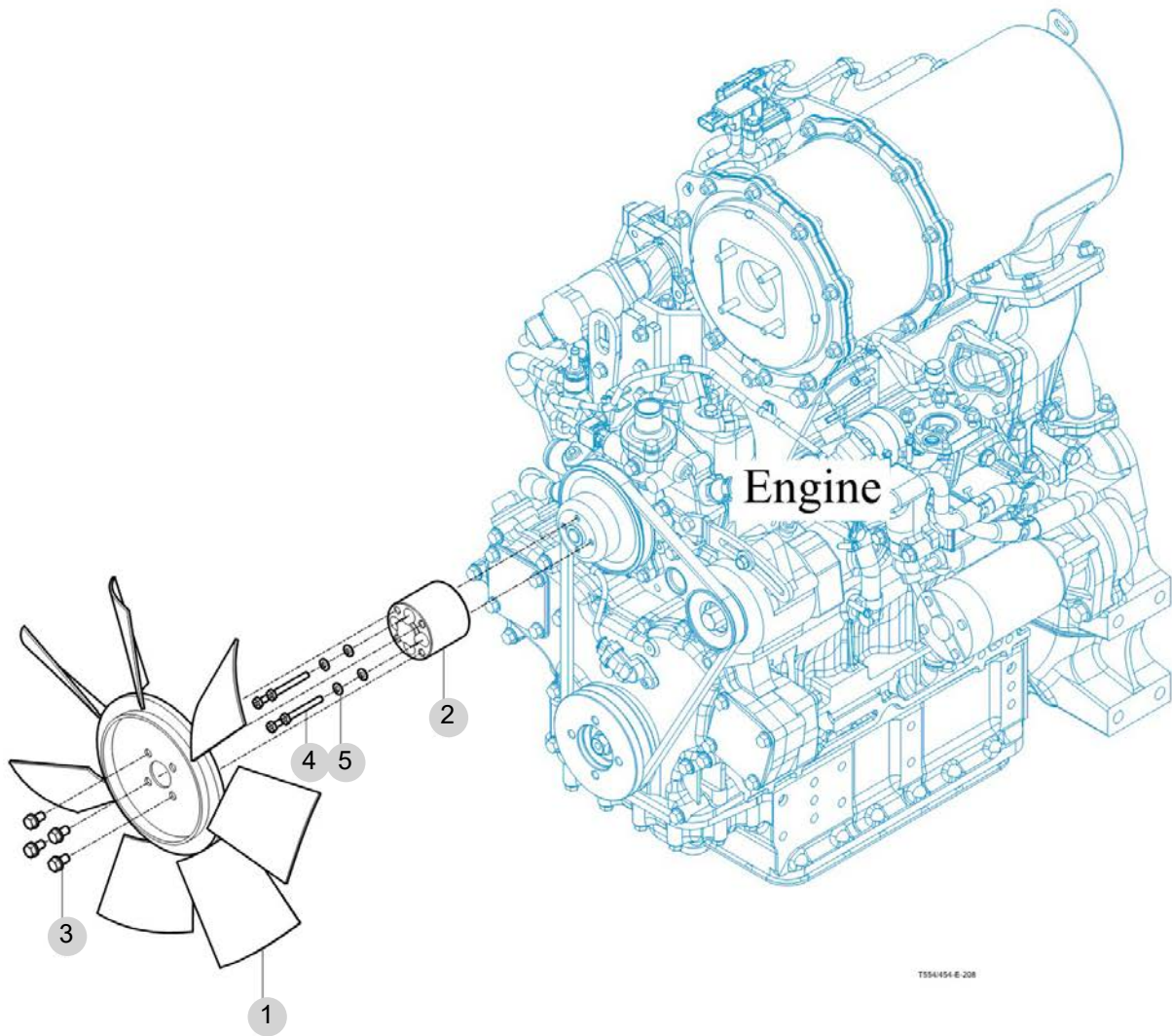
FIG 208

T555NHGBC

COOLING FAN

년/월
Year/Month

2022-12



NOTE

3. 클러치/브레이크/스티어링 PART NO. T3

FIG 301 CLUTCH	72
FIG 302 CLUTCH PEDAL	74
FIG 303 BRAKE	76
FIG 304 BRAKE PEDAL & LINK	78
FIG 305A FRONT WHEEL	80
FIG 305B FRONT WHEEL (R4 OPTION)	82
FIG 306A REAR WHEEL	84
FIG 306B REAR WHEEL (R4 OPTION)	86
FIG 307 POWER STEERING WHEEL	88
FIG 308 POWER STEERING VALVE	90
FIG 309 POWER STEERING CYLINDER	92

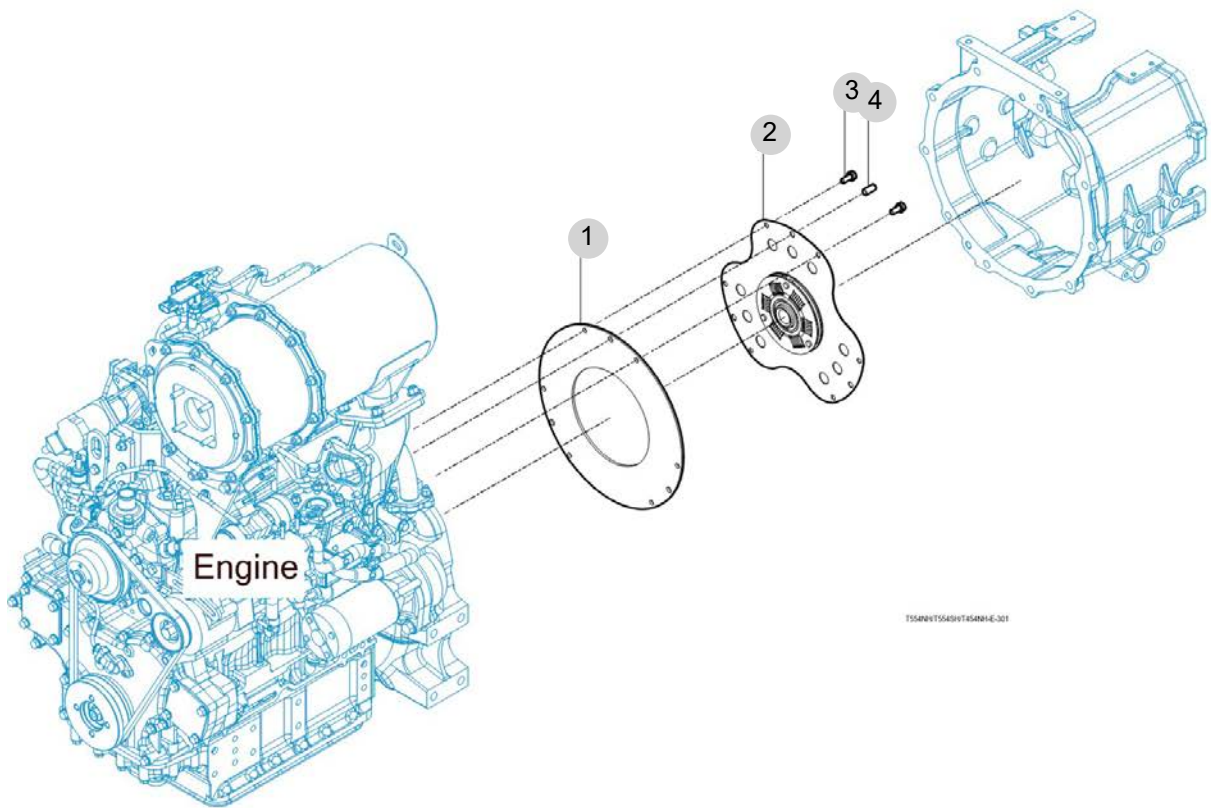
FIG 301

T555NHGBC

CLUTCH

년/월
Year/Month

2022-12



NOTE

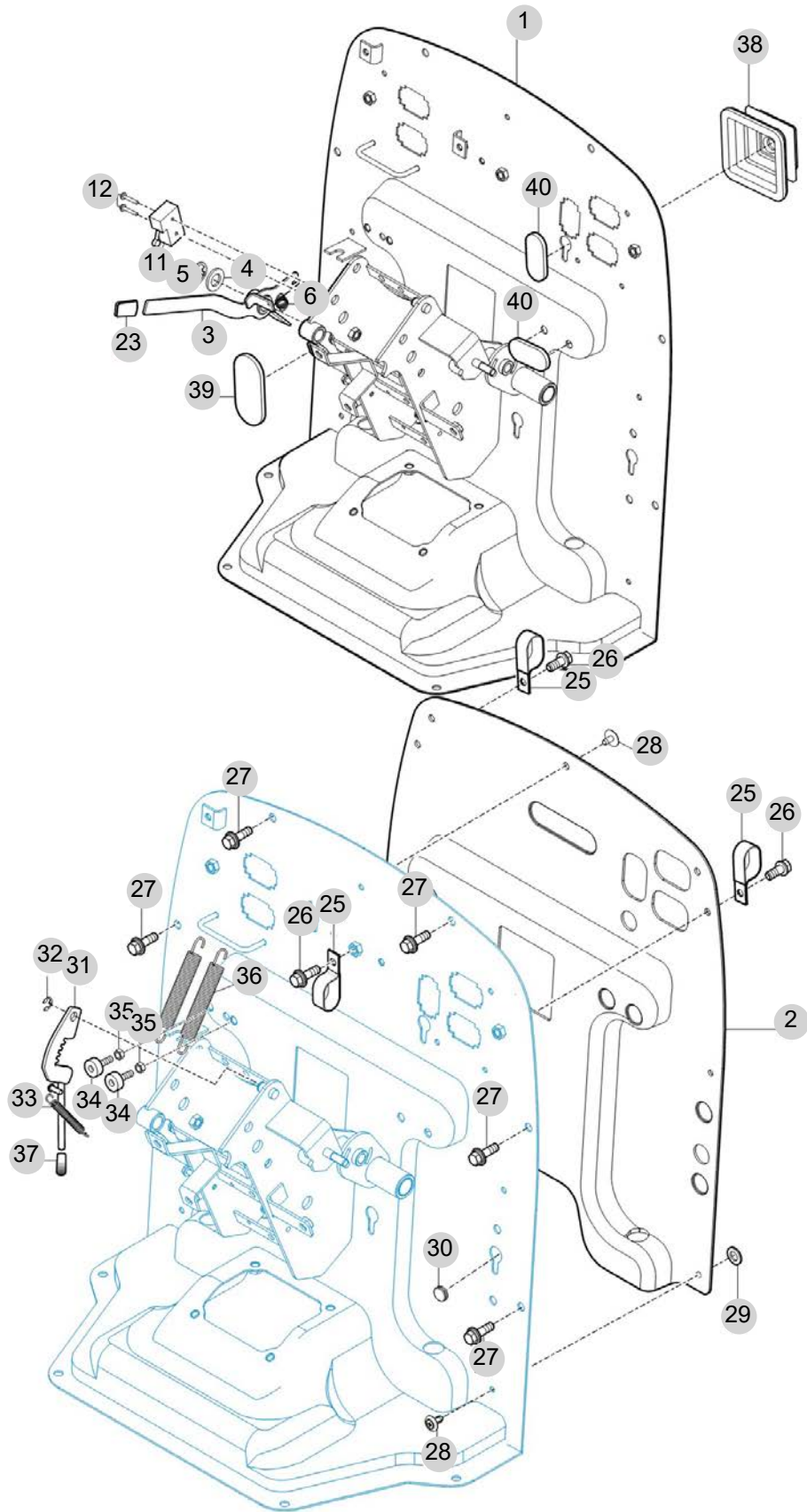
FIG 302

CLUTCH PEDAL

년/월
Year/Month

2022-12

T555NHGBC



NOTE

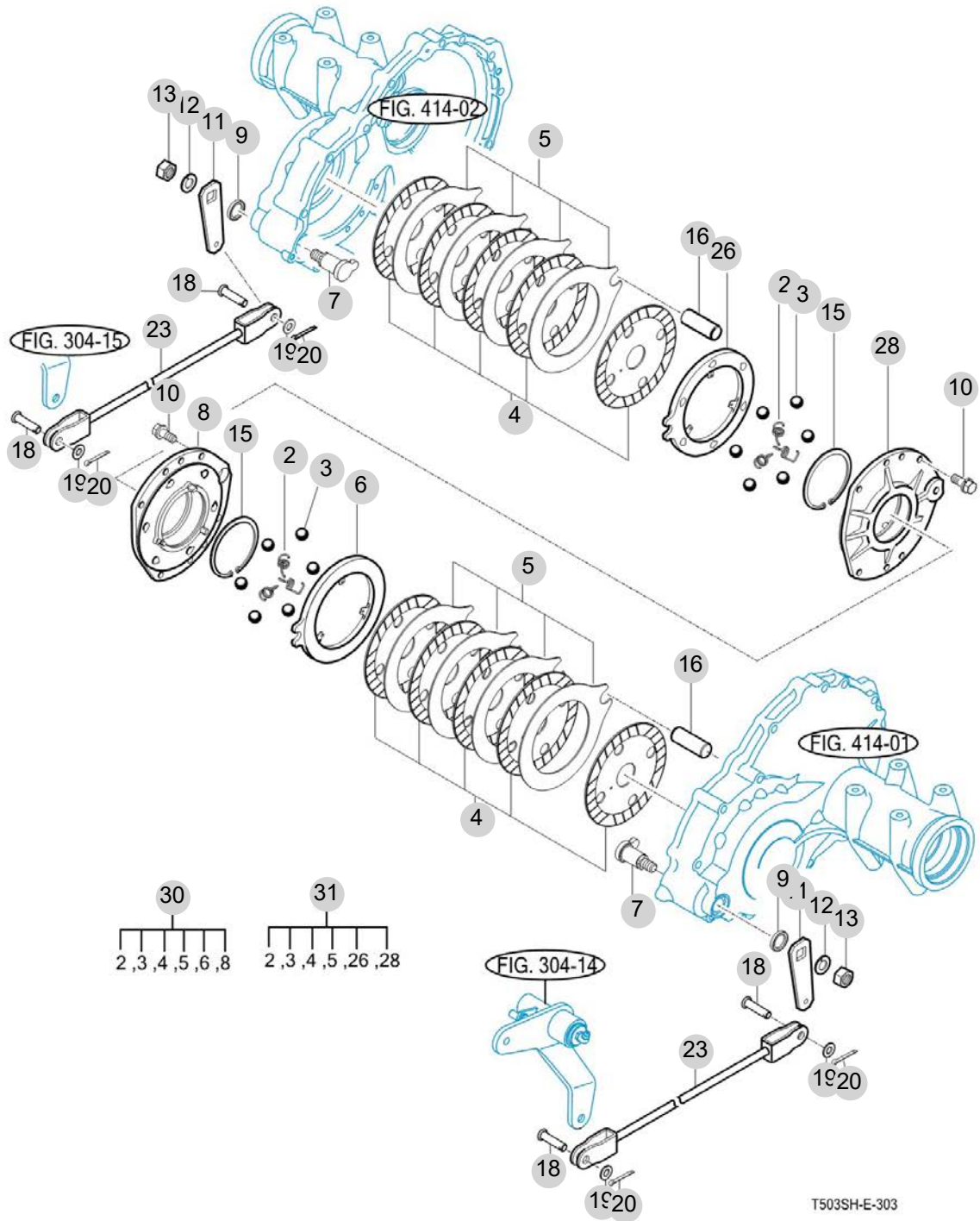
FIG 303

T555NHGBC

BRAKE

년/월
Year/Month

2022-12



T503SH-E-303

NOTE

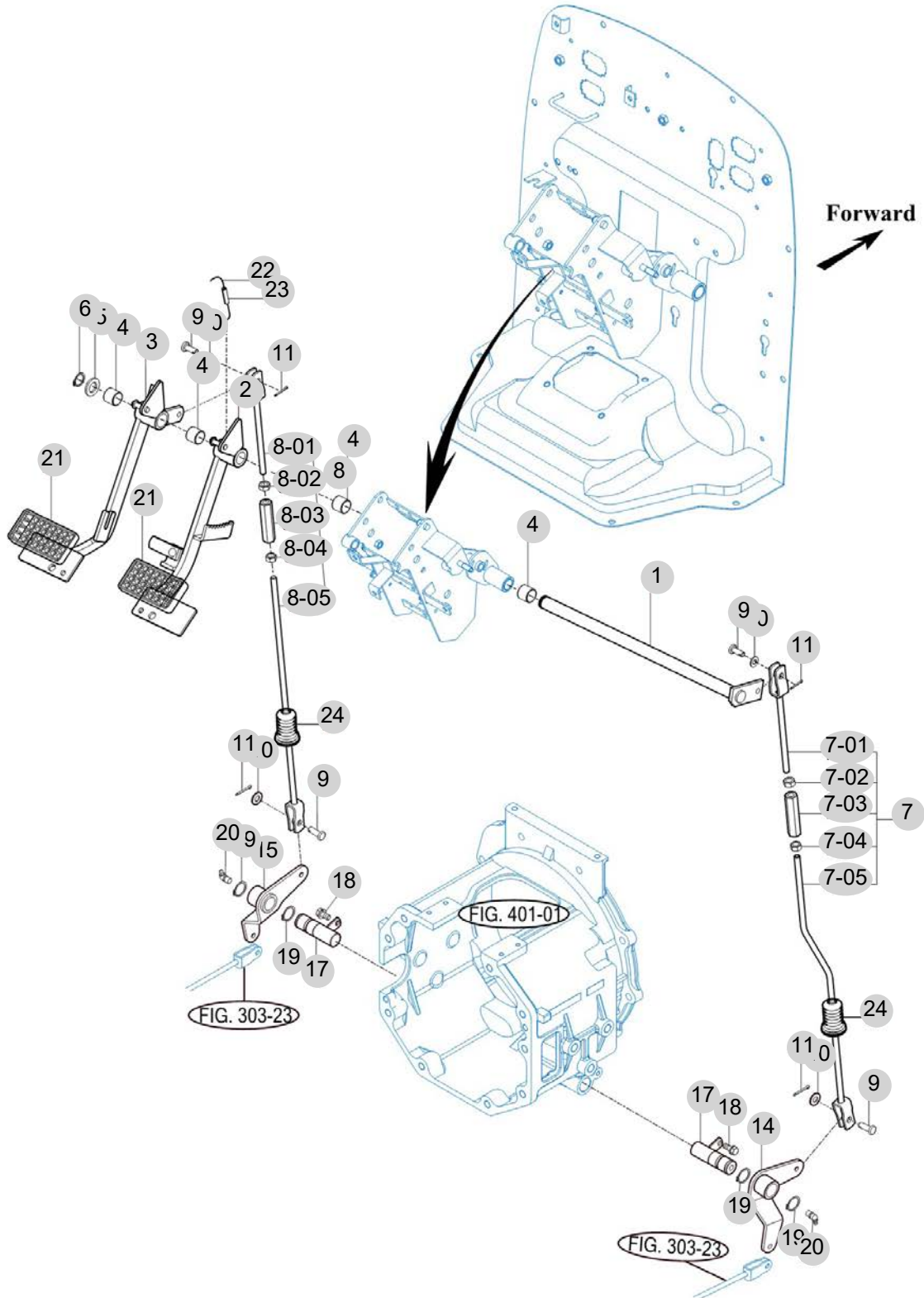
FIG 304

T555NHGBC

BRAKE PEDAL & LINK

년/월
Year/Month

2022-12



NOTE

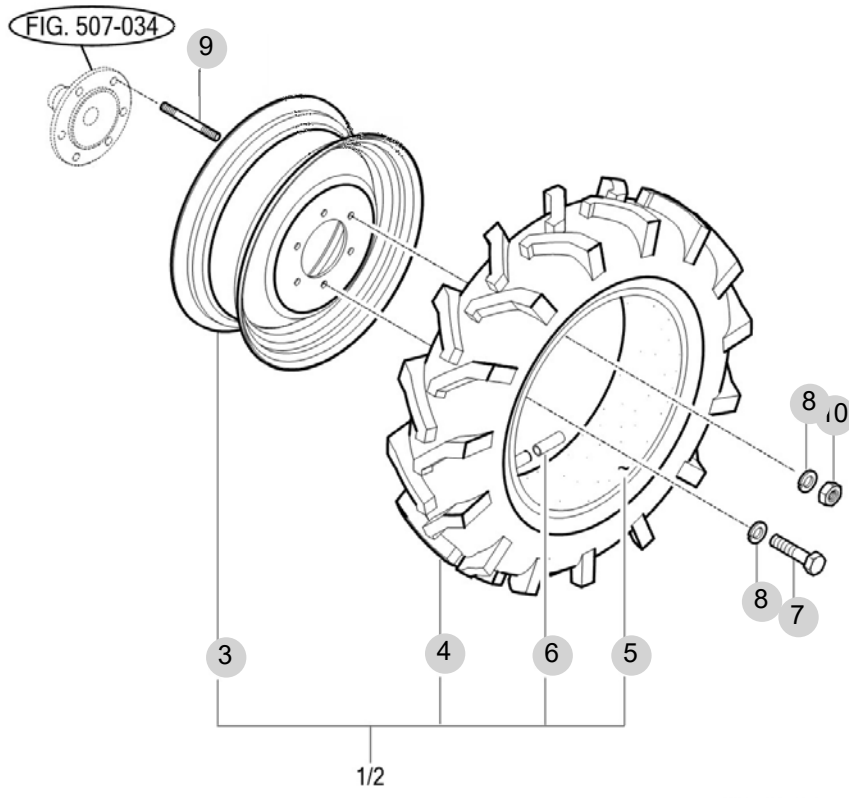
FIG 305A

T555NHGBC

FRONT WHEEL

년/월
Year/Month

2022-12



NOTE

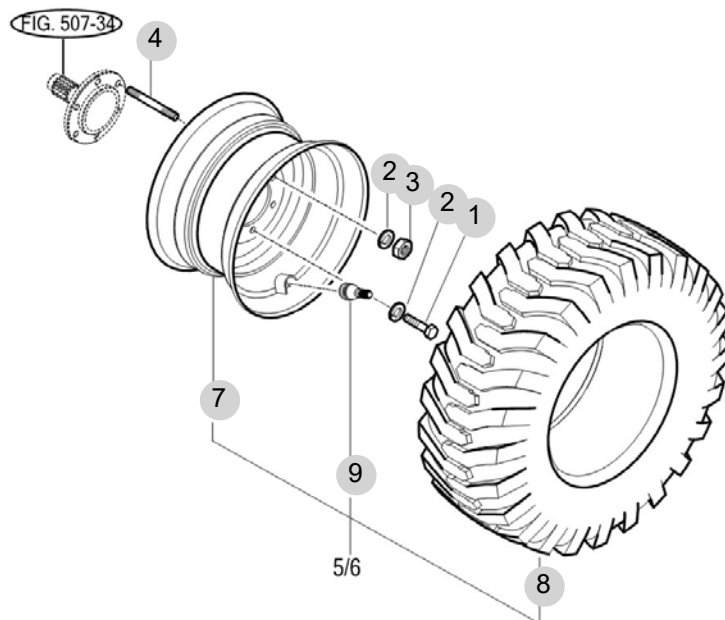
FIG 305B

T555NHGBC

FRONT WHEEL (R4 OPTION)

년/월
Year/Month

2022-12



T503HST-E-305B

NOTE

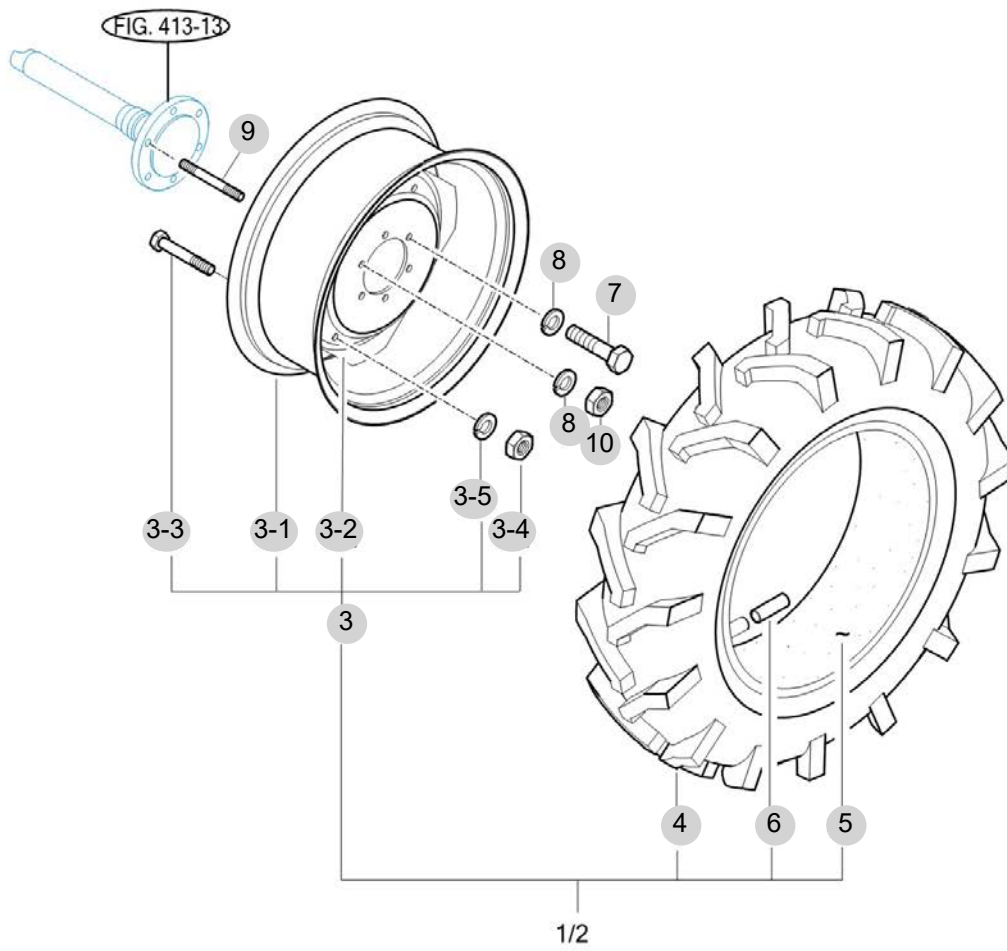
FIG 306A

T555NHGBC

REAR WHEEL

년/월
Year/Month

2022-12



T503HST-E-306A

NOTE

FIG 306A T555NHGBC		REAR WHEEL						년/월 Year/Month	REMARKS
								2022-12	
KEY NO	PART NO	DESCRIPTION	SPEC	QTY	REPAIR	EFFECTIVE DATE			
306A	1	16503202100	타이어(13.6-26/LH) ASSY				1		
306A	2	16503202200	타이어(13.6-26/RH) ASSY				1		
306A	3	14623172000MS	휠 림ASSY(W11-26)				2		
306A	3	14623172000SR	휠 림ASSY(W11-26)				1		
306A	3	14623172000MS	휠 림ASSY(W11-26)				1		
306A	3-01	14623172200	휠(W11-26) COMP				2		
306A	3-02	14623182110	리어휠디스크				2		
306A	3-03	15263202031	볼트				12		
306A	3-04	15263202041	록크 너트				12		
306A	3-05	15263202050	와셔				12		
306A	4	14623172111	타이어(13.6-26,8PR,R1)				2		
306A	5	14623172120	튜브(13.6-26)				2		
306A	6	V9993000010	타이어밸브캡				2		
306A	7	15603200010	보울트(스타드,M16X30)				4		
306A	8	V2014616030	소형육각볼트(보통)	M16X30			8		
306A	9	V3043600160	소형육각너트보통2종	M16			4		
306A	10	V4011600160	스프링와셔	M16			12		
NOTE									

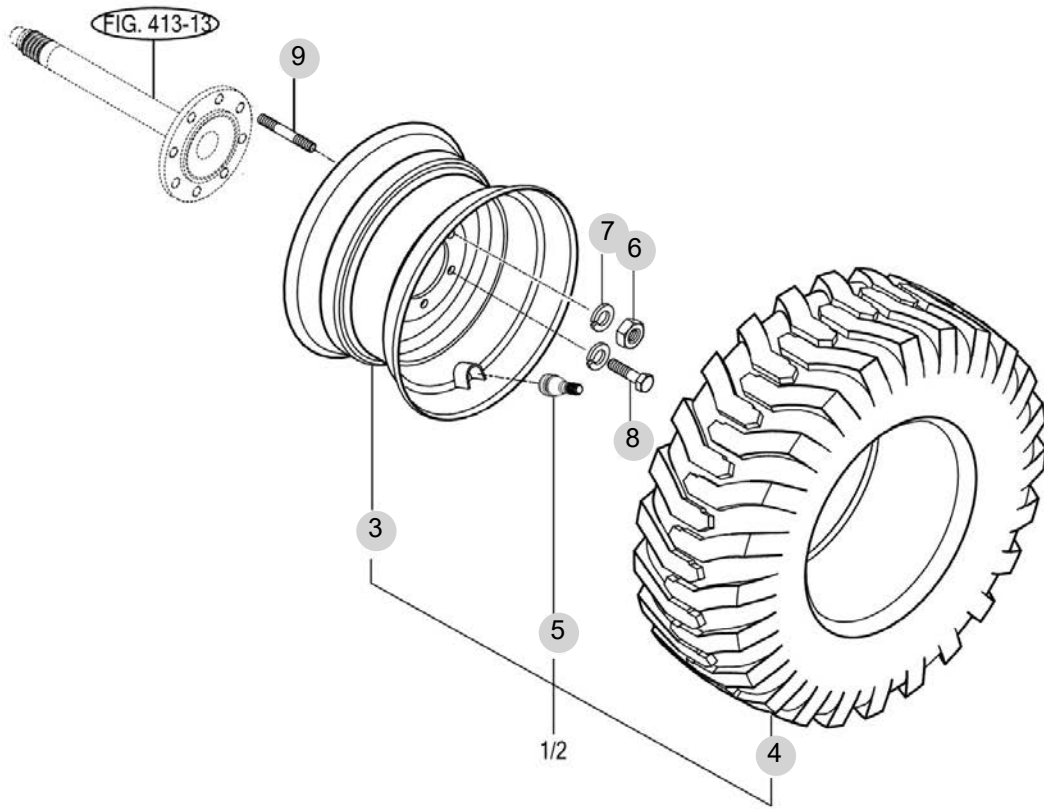
FIG 306B

T555NHGBC

REAR WHEEL (R4 OPTION)

년/월
Year/Month

2022-12



T503HST-E-306B

NOTE

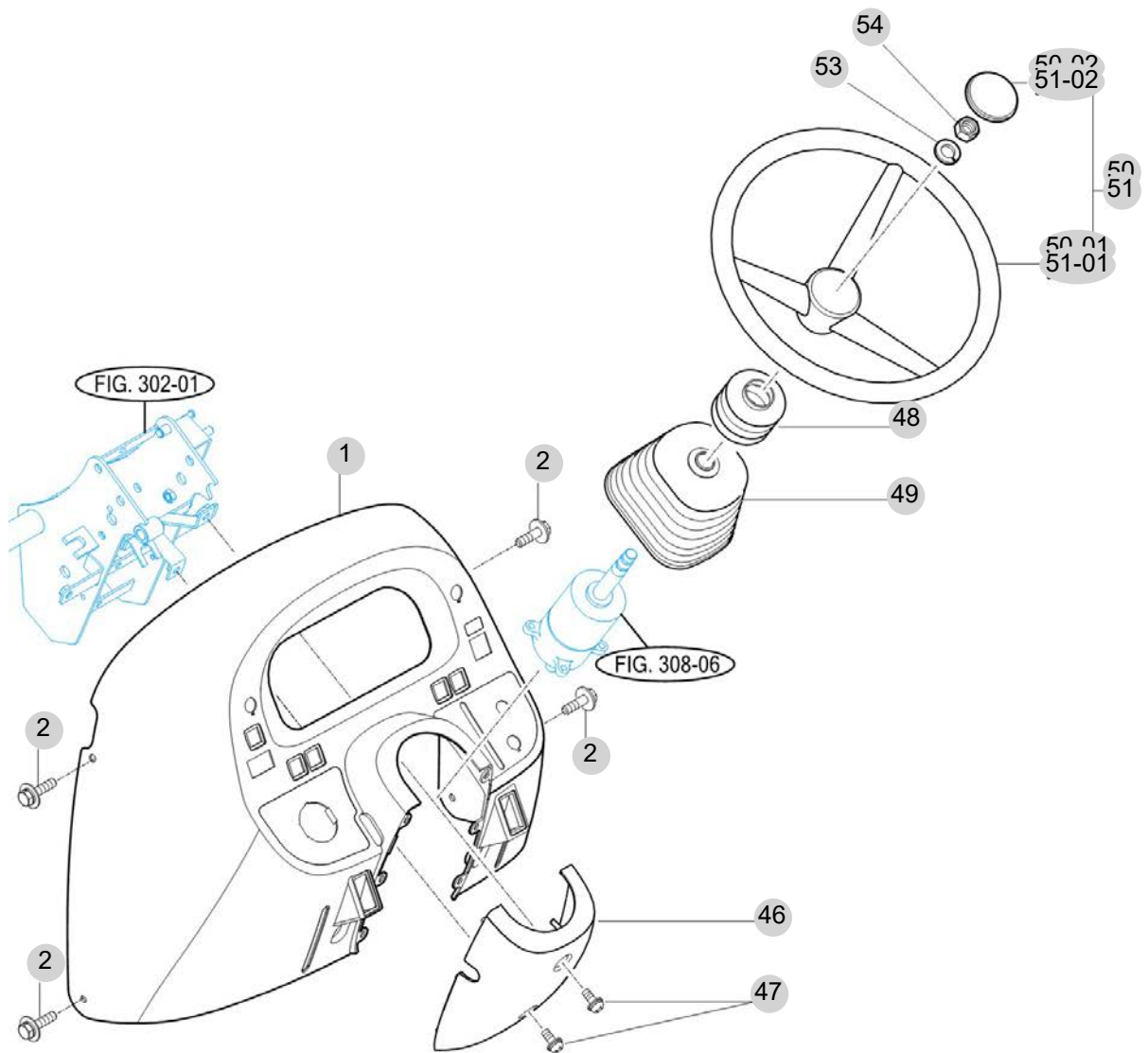
FIG 307

T555NHGBC

POWER STEERING WHEEL

년/월
Year/Month

2022-12



T503SH-K-307

NOTE

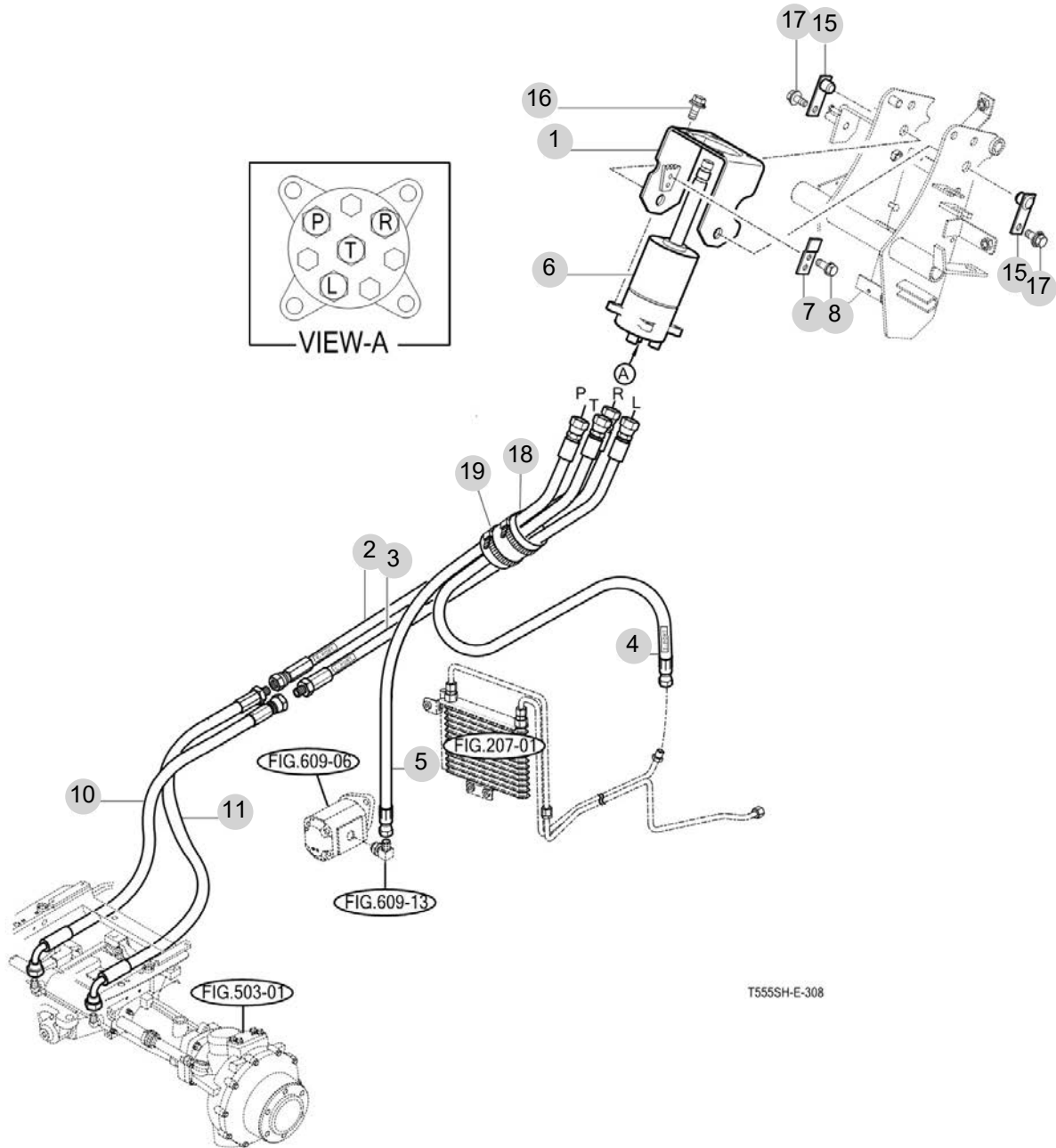
FIG 308

T555NHGBC

POWER STEERING VALVE

년/월
Year/Month

2022-12



T555SH-E-308

NOTE

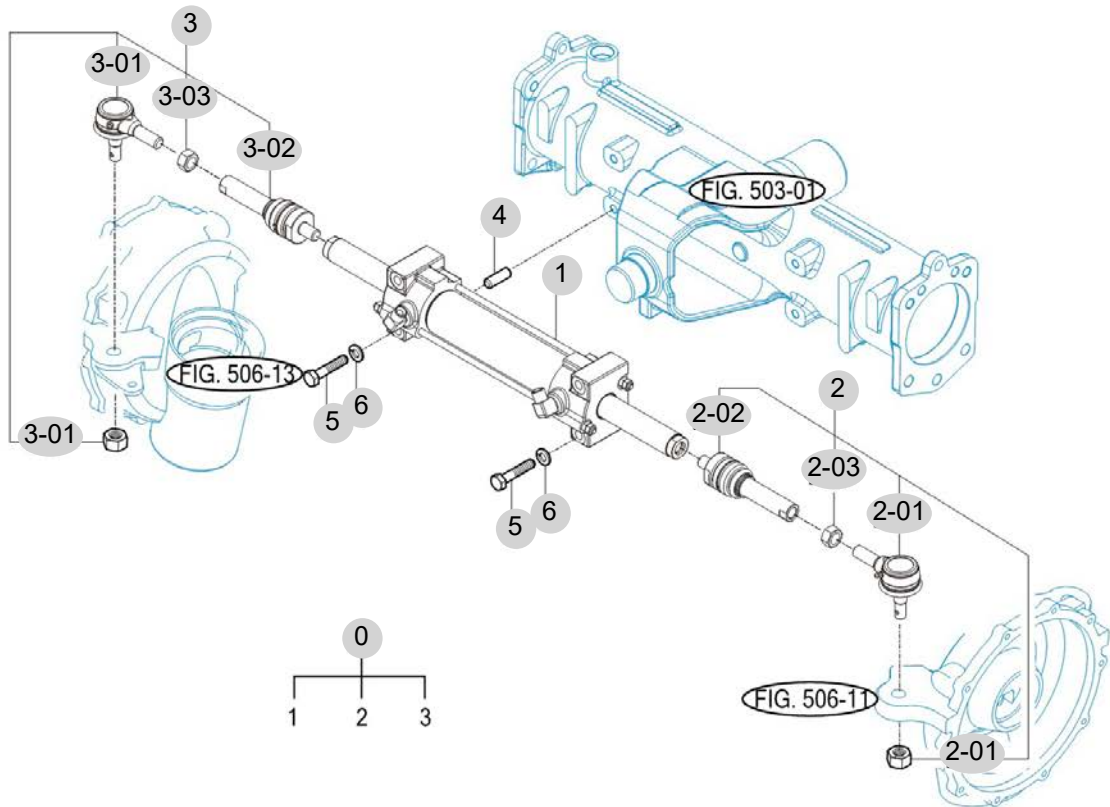
FIG 309

T555NHGBC

POWER STEERING CYLINDER

년/월
Year/Month

2022-12



NOTE

4. 트랜스미션 PART NO. T4

FIG 401 TRANSMISSION FRONT CASE	95
FIG 402 HST	97
FIG 403 MID TRANSMISSION CASE	99
FIG 404 TRANSTER GEAR SET	101
FIG 405 TRANSMISSION REAR CASE	103
FIG 406 SUB CHANGE GEARS	105
FIG 407 SUB CHANGE SHIFTER	107
FIG 408 DRIVE GEARS	109
FIG 409 4WD CHANGE LEVER	111
FIG 410 P.T.O DRIVE SHAFT	113
FIG 411 P.T.O CHANGE GEARS	115
FIG 412 REAR DIFFERENTIAL GEARS	117
FIG 413 REAR AXLE HOUSING	120
FIG 414 P.T.O CHANGE SHIFTER	122

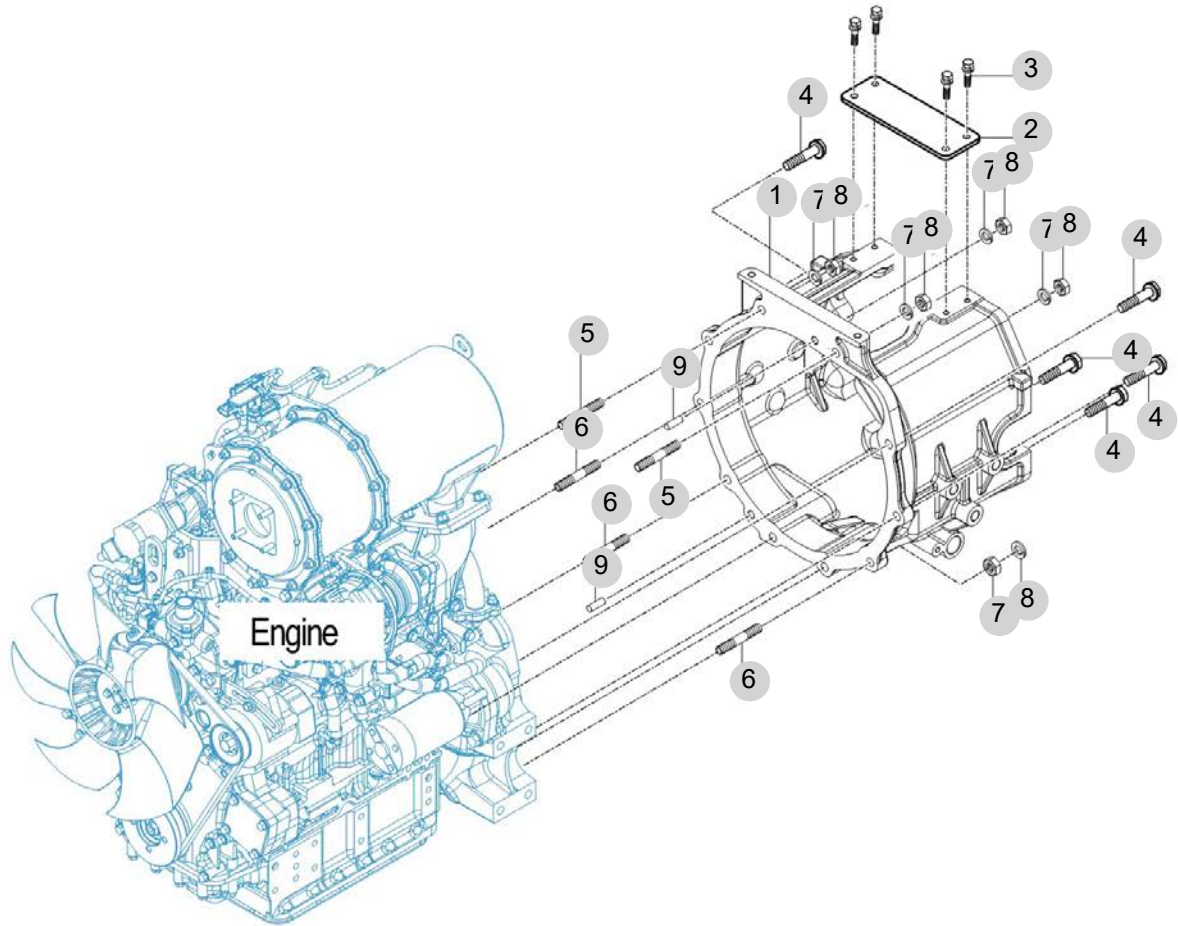
FIG 401

T555NHGBC

TRANSMISSION FRONT CASE

년/월
Year/Month

2022-12



NOTE

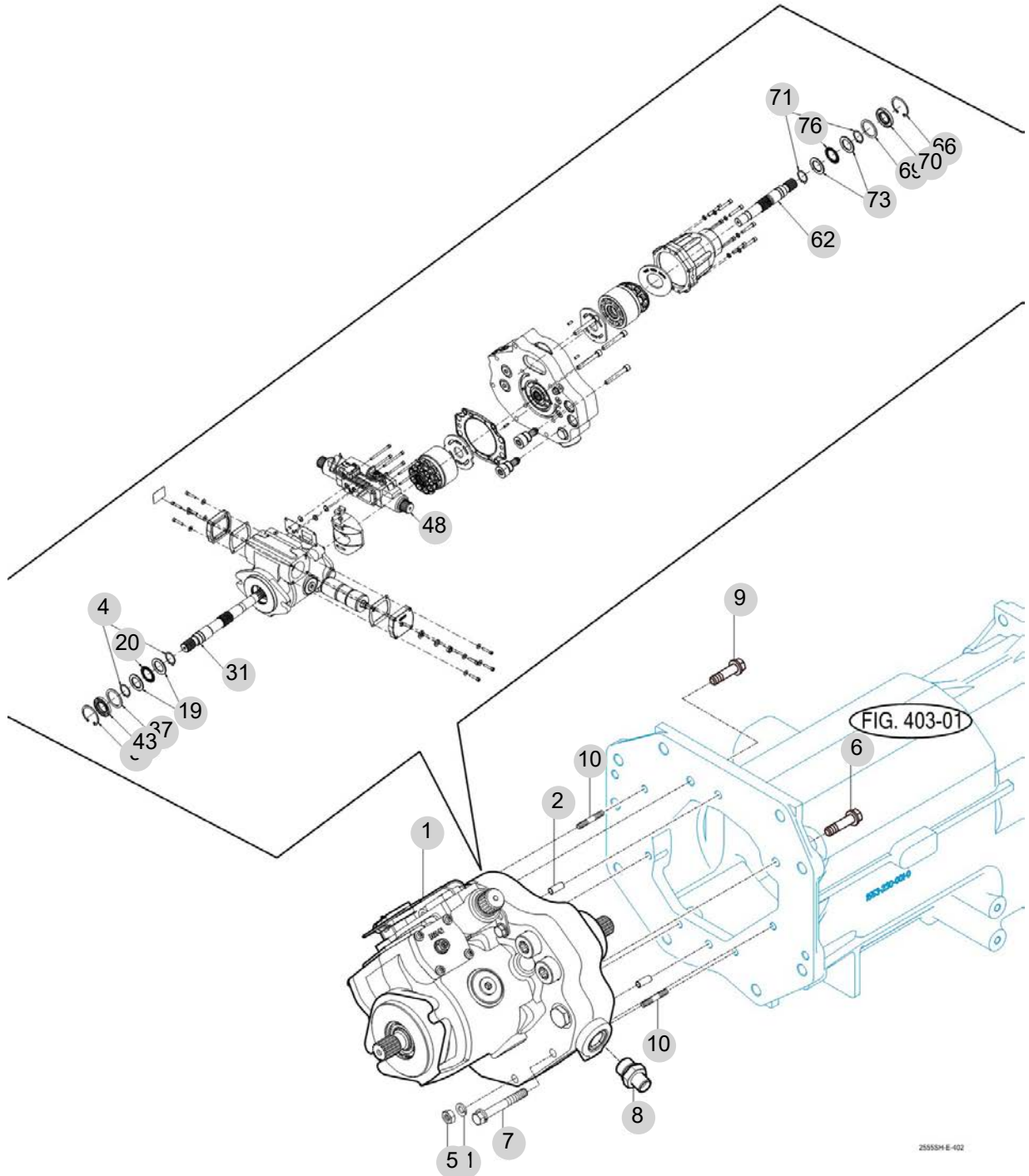
FIG 402

T555NHGBC

HST

년/월
Year/Month

2022-12



NOTE

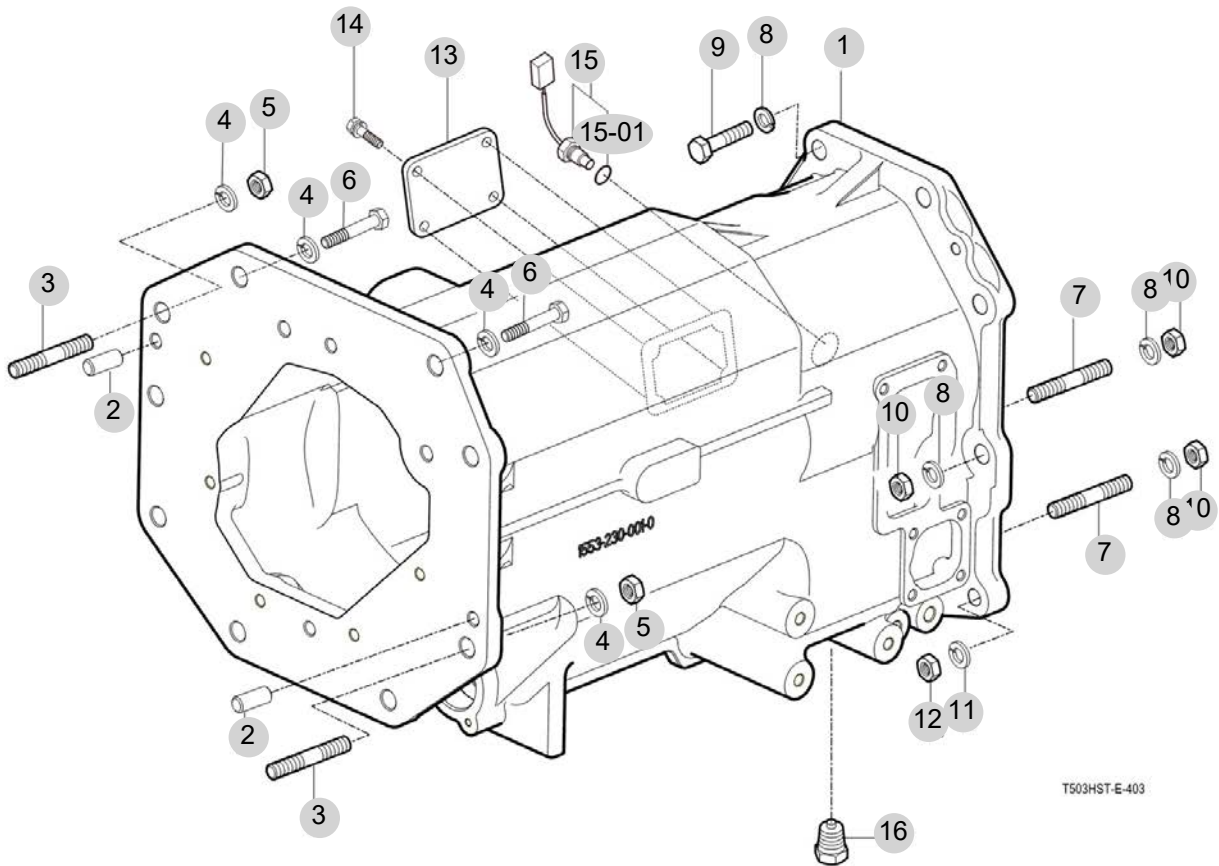
FIG 403

T555NHGBC

MID TRANSMISSION CASE

년/월
Year/Month

2022-12



NOTE

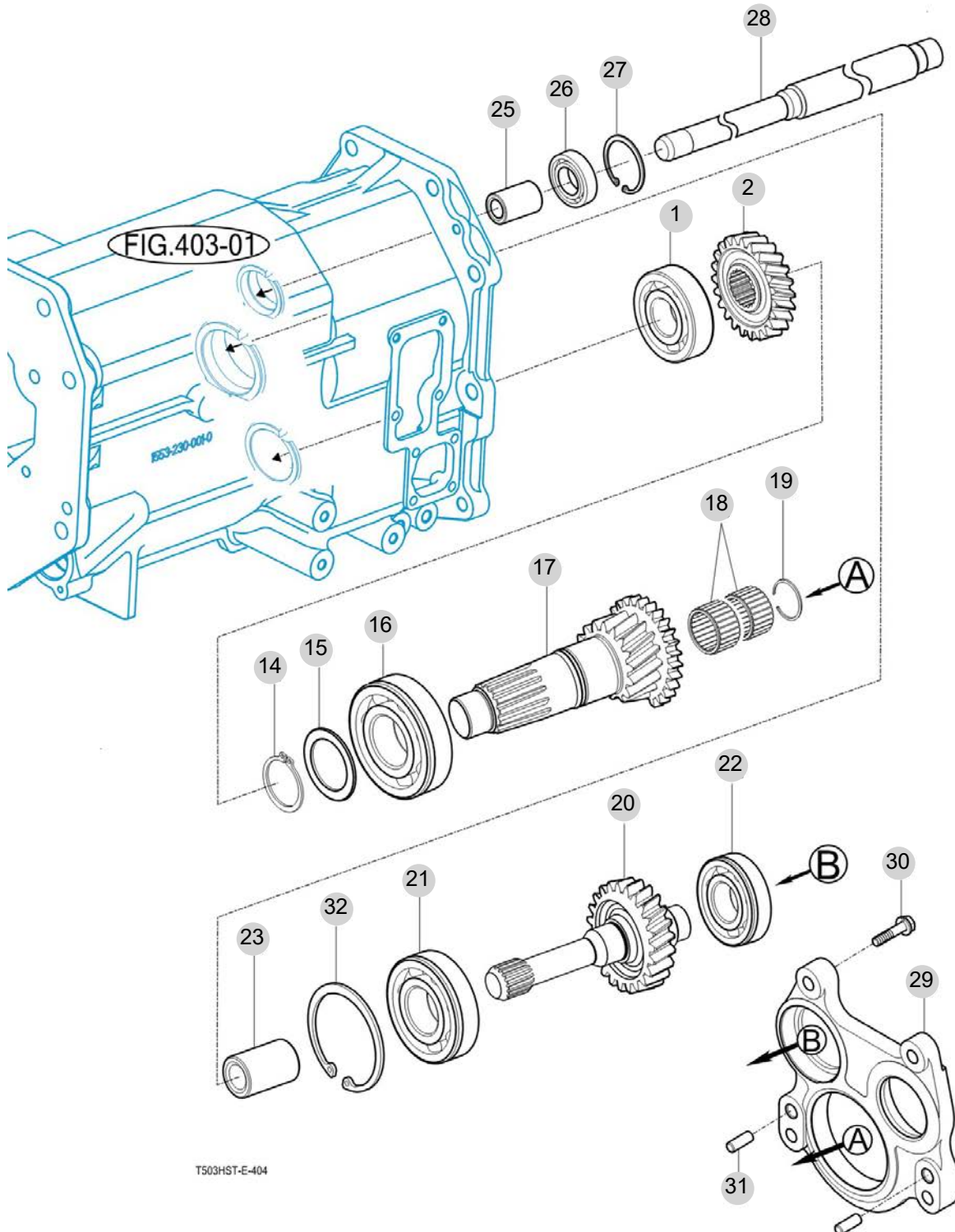
FIG 404

TRANSFER GEAR SET

년/월
Year/Month

2022-12

T555NHGBC



NOTE

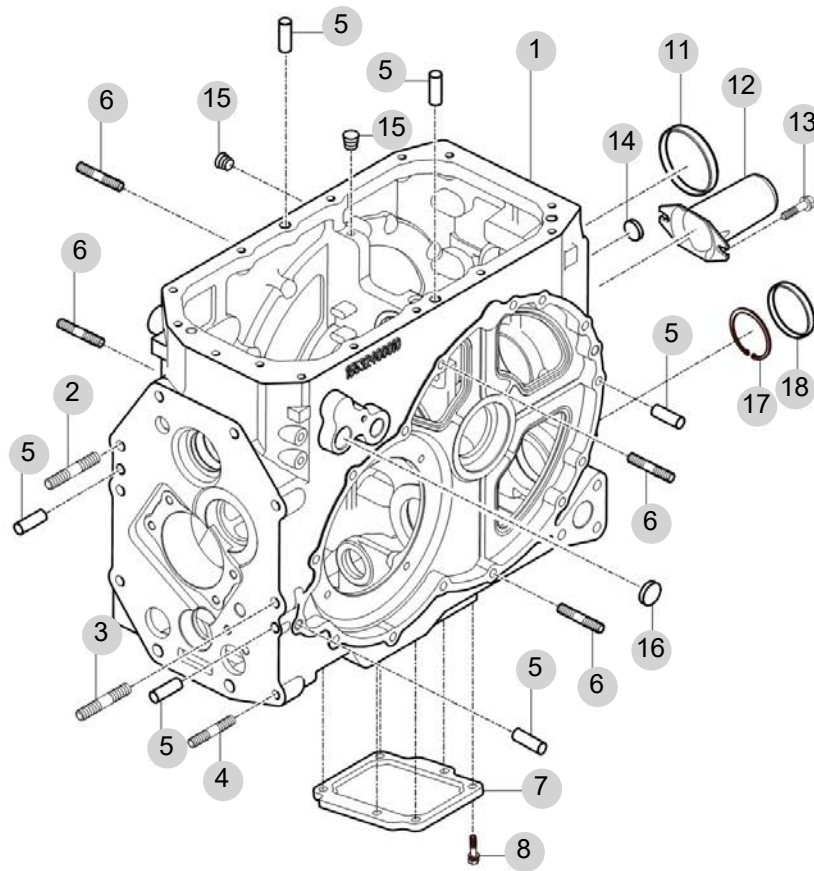
FIG 405

T555NHGBC

TRANSMISSION REAR CASE

년/월
Year/Month

2022-12



T503HST-E-405

NOTE

FIG 405 T555NHGBC		TRANSMISSION REAR CASE					년/월 Year/Month	
							2022-12	
KEY NO	PART NO	DESCRIPTION	SPEC	QTY	REPAIR	EFFECTIVE DATE	REMARKS	
405	1	15532400011M	케이스, 리어		1			
405	2	V2513414040	스터드볼트2중	M14X40	1			
405	3	V2513414035	스터드볼트2중	M14X35	1			
405	4	V2514412040	스터드볼트2중	M12X40	1			
405	5	V5201010022	평행핀(A)	10X22	8			
405	6	V2514410050	스터드볼트2중	M10X50	4			
405	7	15532401011	미드PTO 커버		1			
405	8	V2173608020	소형육각볼트보통(S)	M8X20	6			
405	11	14254330180	캡(72)		1			
405	12	14443140091	PTO축 캡		1			
405	13	V2183608016	소형육각볼트보통(SP)	M8X16	2			
405	14	15152730050	PTO씰 ,A		1			
405	15	V7801000002	플러그(육각구멍테이퍼)	PT1/8	2			
405	17	V7051400620	C형멈춤링(구멍용)	62	1			
405	18	14443140080	씰(62)		1			
NOTE								

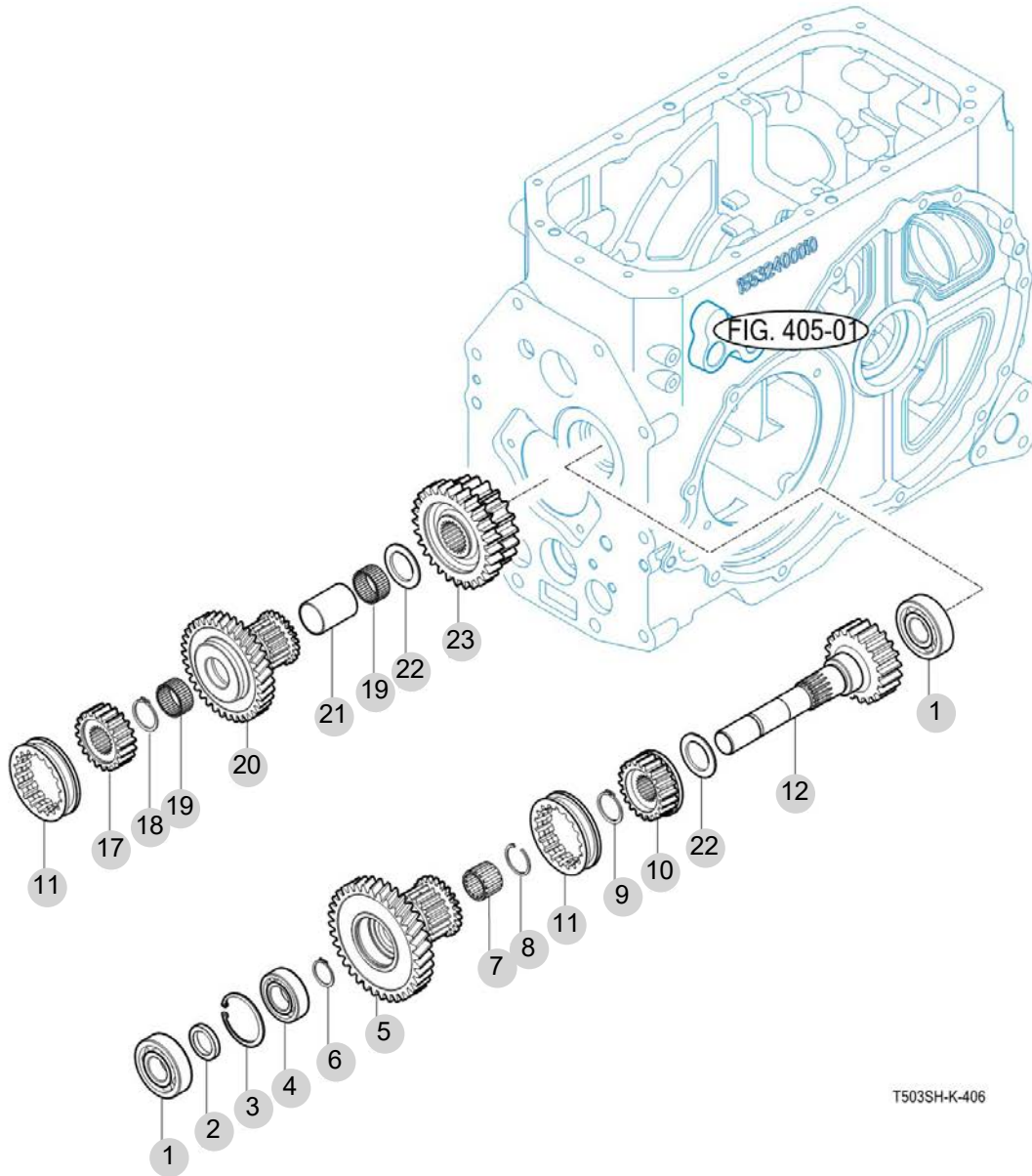
FIG 406

T555NHGBC

SUB CHANGE GEARS

년/월
Year/Month

2022-12



T503SH-K-406

NOTE

FIG 406 T555NHGBC			SUB CHANGE GEARS				년/월 Year/Month	
							2022-12	
KEY NO	PART NO	DESCRIPTION	SPEC	QTY	REPAIR	EFFECTIVE DATE	REMARKS	
406	1	V6041106305	볼베어링(HL1)	6305HL1	2			
406	2	14522240180	스페이서(25X36X06)		1			
406	3	V7051400520	C형멈춤링(구멍용)	52	1			
406	4	V6001106205	볼베어링	6205	1			
406	5	15532300040	기어(S-H/20-38)		1			
406	6	V7041400250	C형멈춤링(축용)	25	1			
406	7	15683020010	베어링(니들)(RS253224)	KT253224E02C 3	1			
406	8	15642080080	스냅링	AR32	1			
406	9	V7041400300	C형멈춤링(축용)	30	1			
406	10	15532430110	허브(30X66X24)		1			
406	11	15242360050	슬라이드커플링		2			
406	12	15532300050	기어(S/27)		1			
406	17	15642430110	허브(30X62X19)		1			
406	18	V7041400300	C형멈춤링(축용)	30	1			
406	19	V6544303517	니들베어링(케이지)	KT303517	2			
406	20	15532300070	기어, S/35T		1			
406	21	14522430020	스페이서(34X1.8)		1			
406	22	15642160041	와셔(30X46X03)		2			
406	23	15532300060	기어(S-S/35-25)		1			
NOTE								

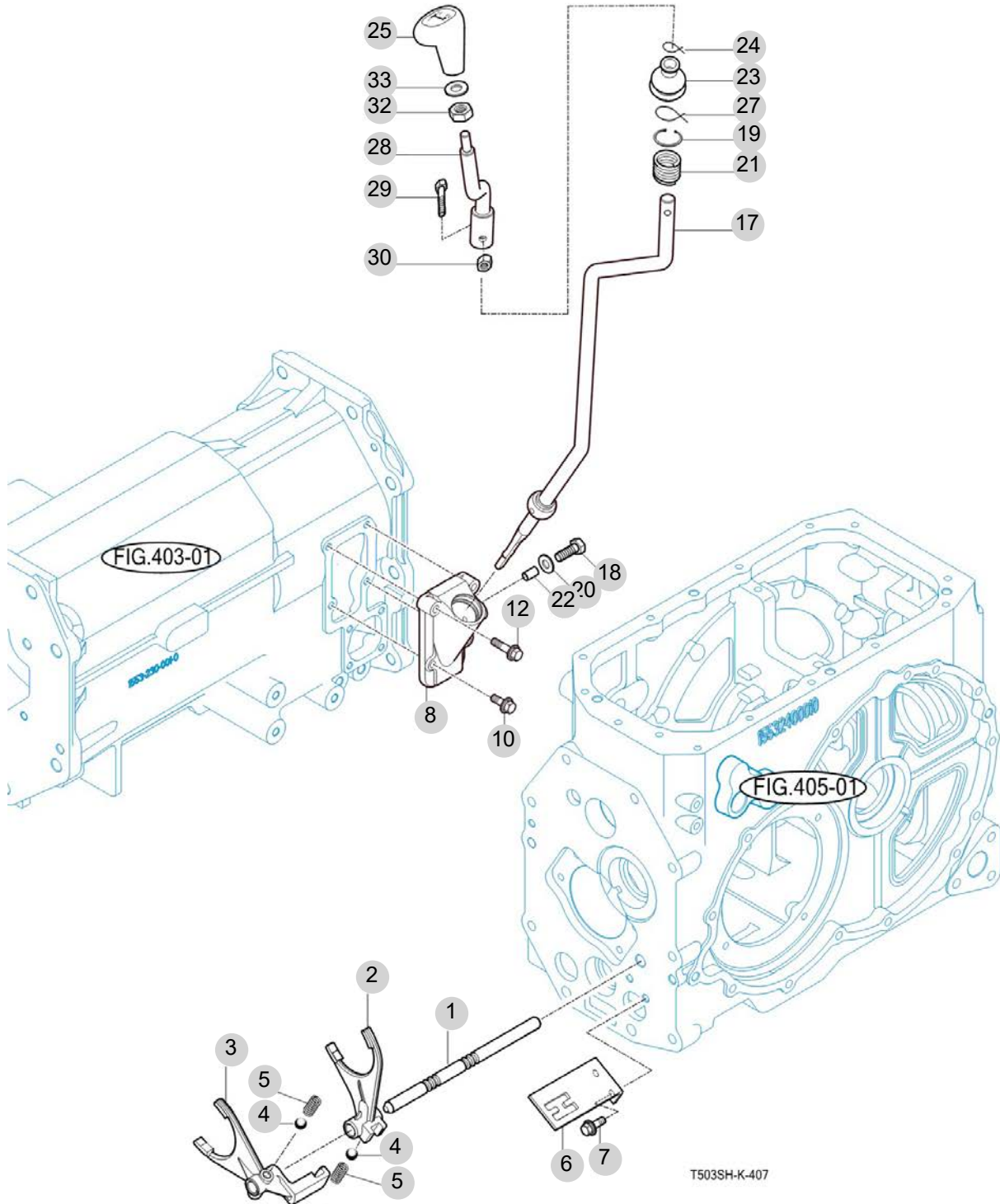
FIG 407

SUB CHANGE SHIFTER

년/월
Year/Month

2022-12

T555NHGBC



NOTE

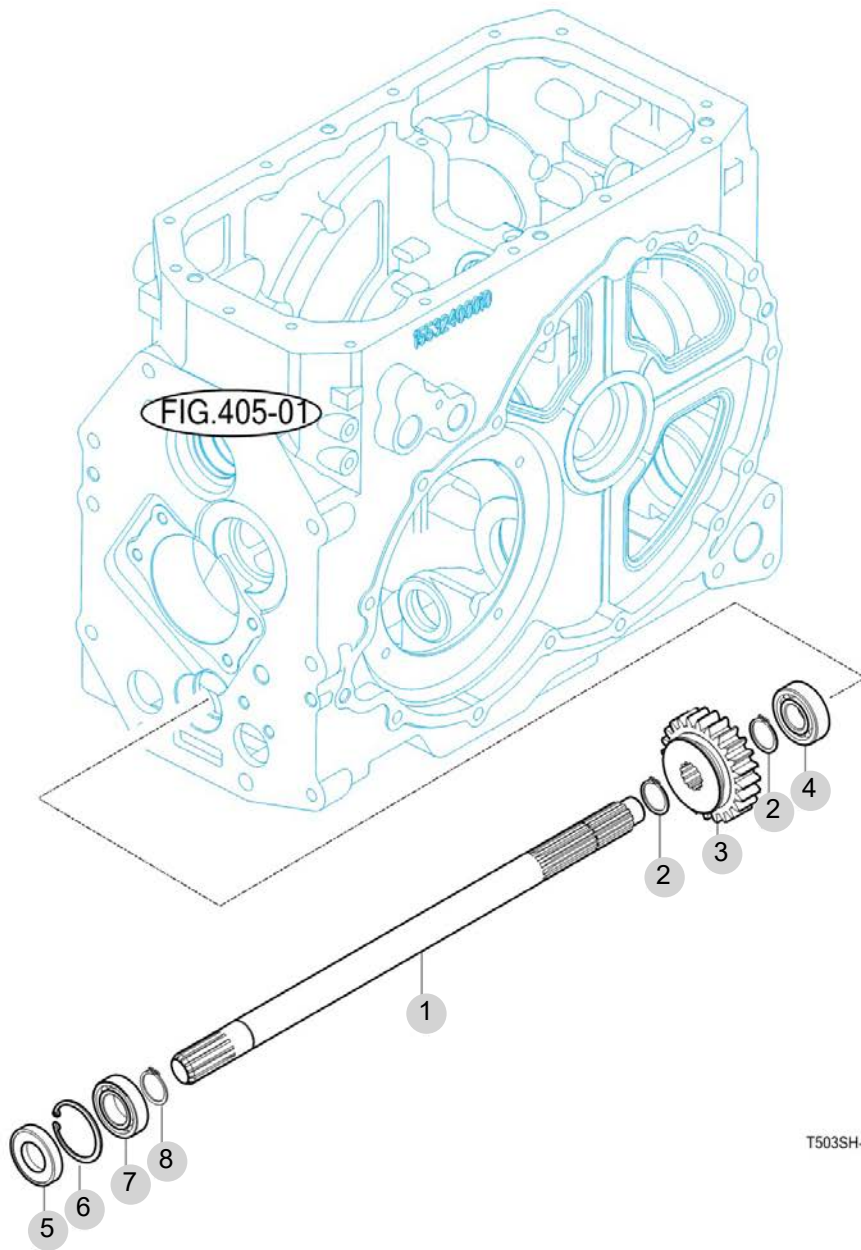
FIG 408

T555NHGBC

DRIVE GEARS

년/월
Year/Month

2022-12



T503SH-k-408

NOTE

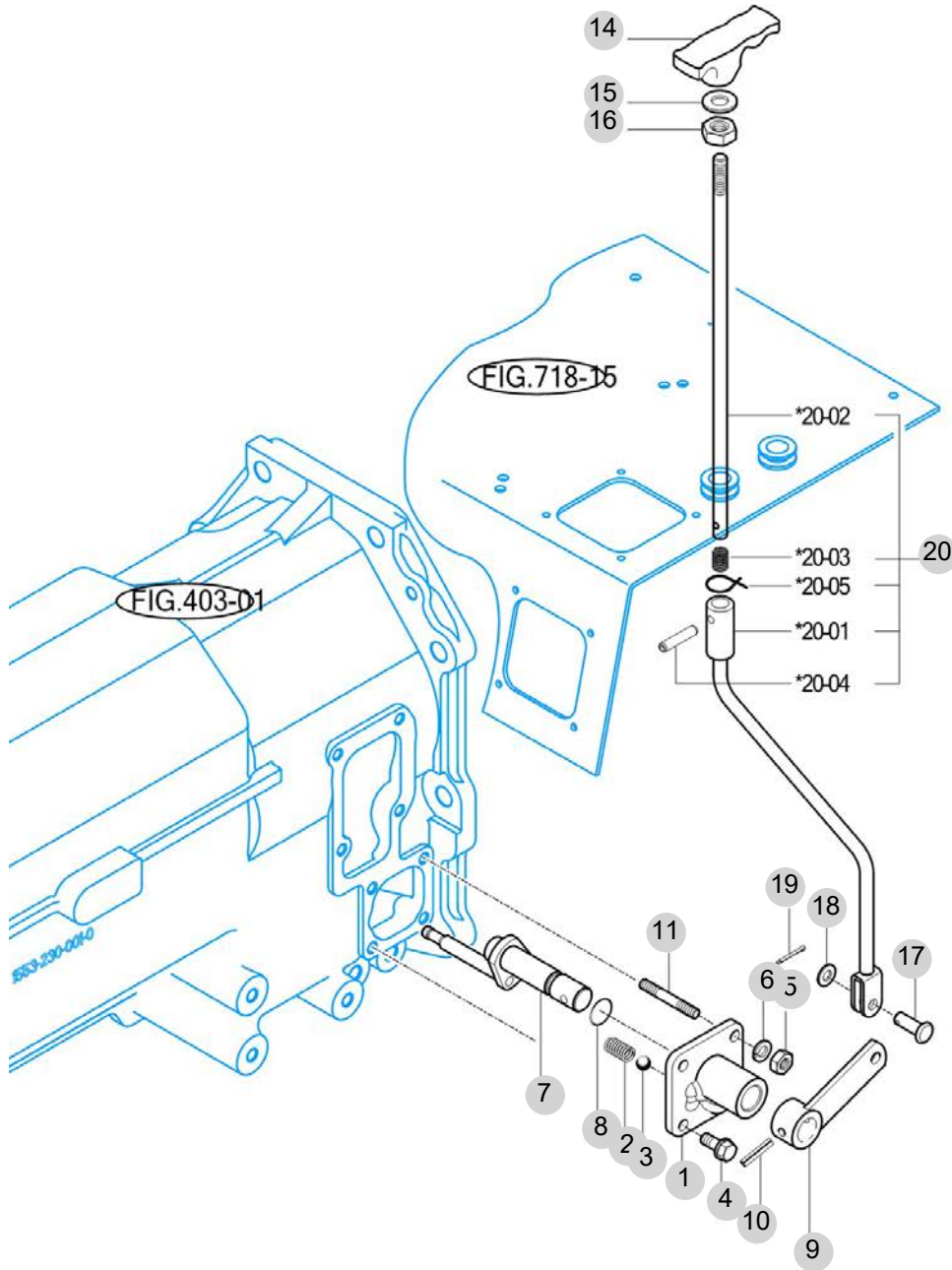
FIG 409

T555NHGBC

4WD CHANGE LEVER

년/월
Year/Month

2022-12



*NOT SERVICED SEPARATELY

T503SH-E-409

NOTE

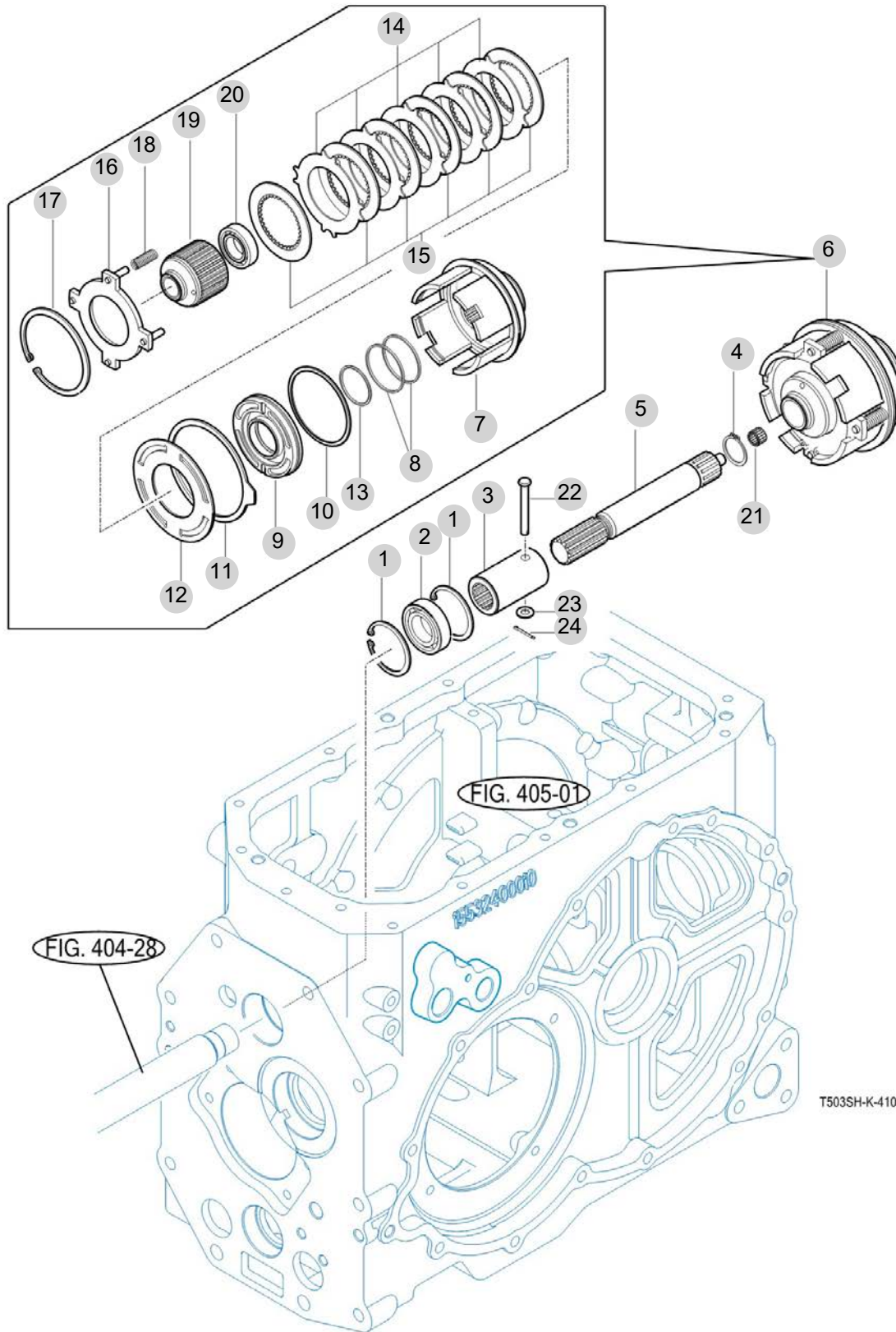
FIG 410

T555NHGBC

P.T.O DRIVE SHAFT

년/월
Year/Month

2022-12



NOTE

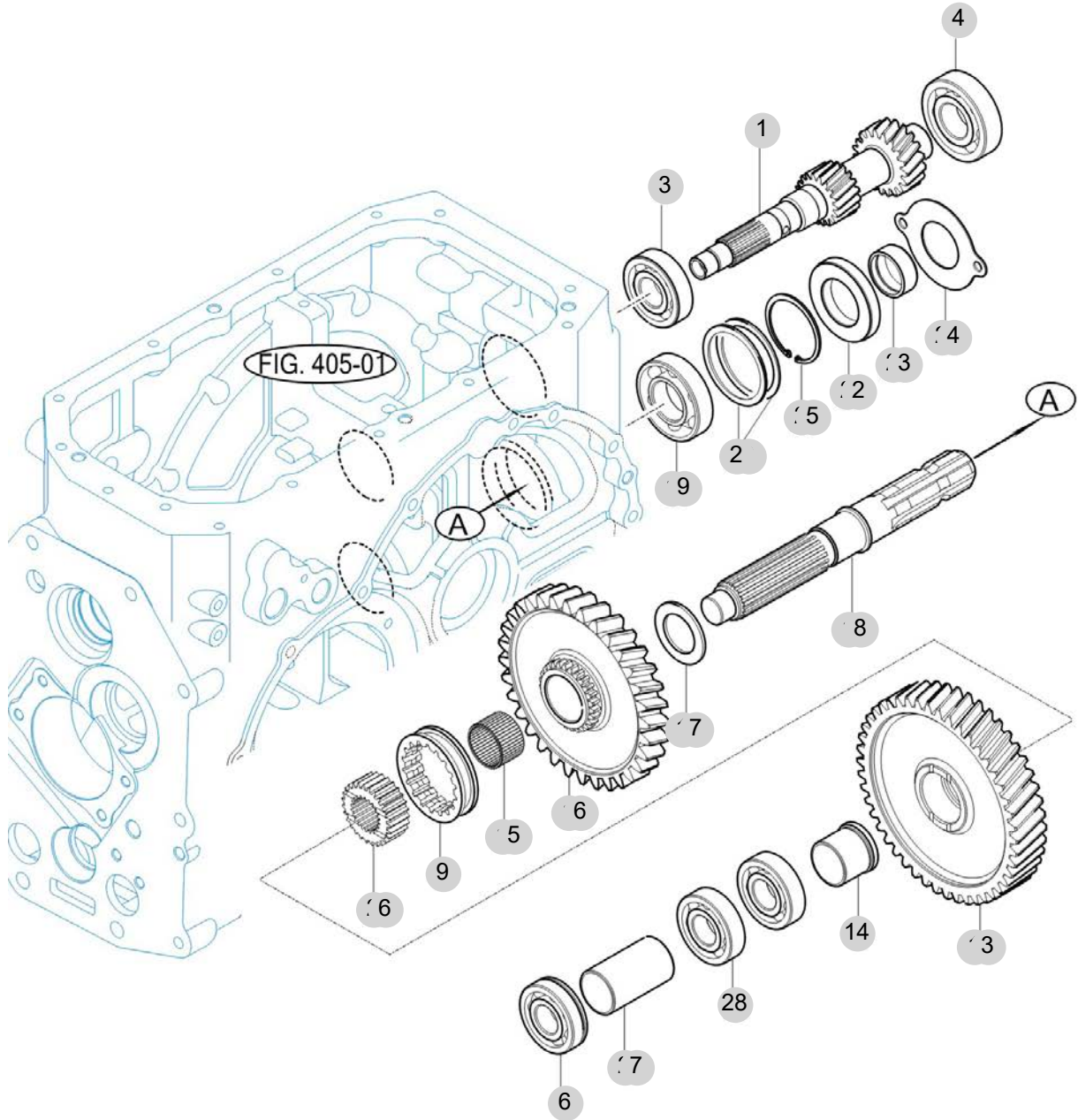
FIG 411

T555NHGBC

P.T.O CHANGE GEARS

년/월
Year/Month

2022-12



T503SH-E-411B

NOTE

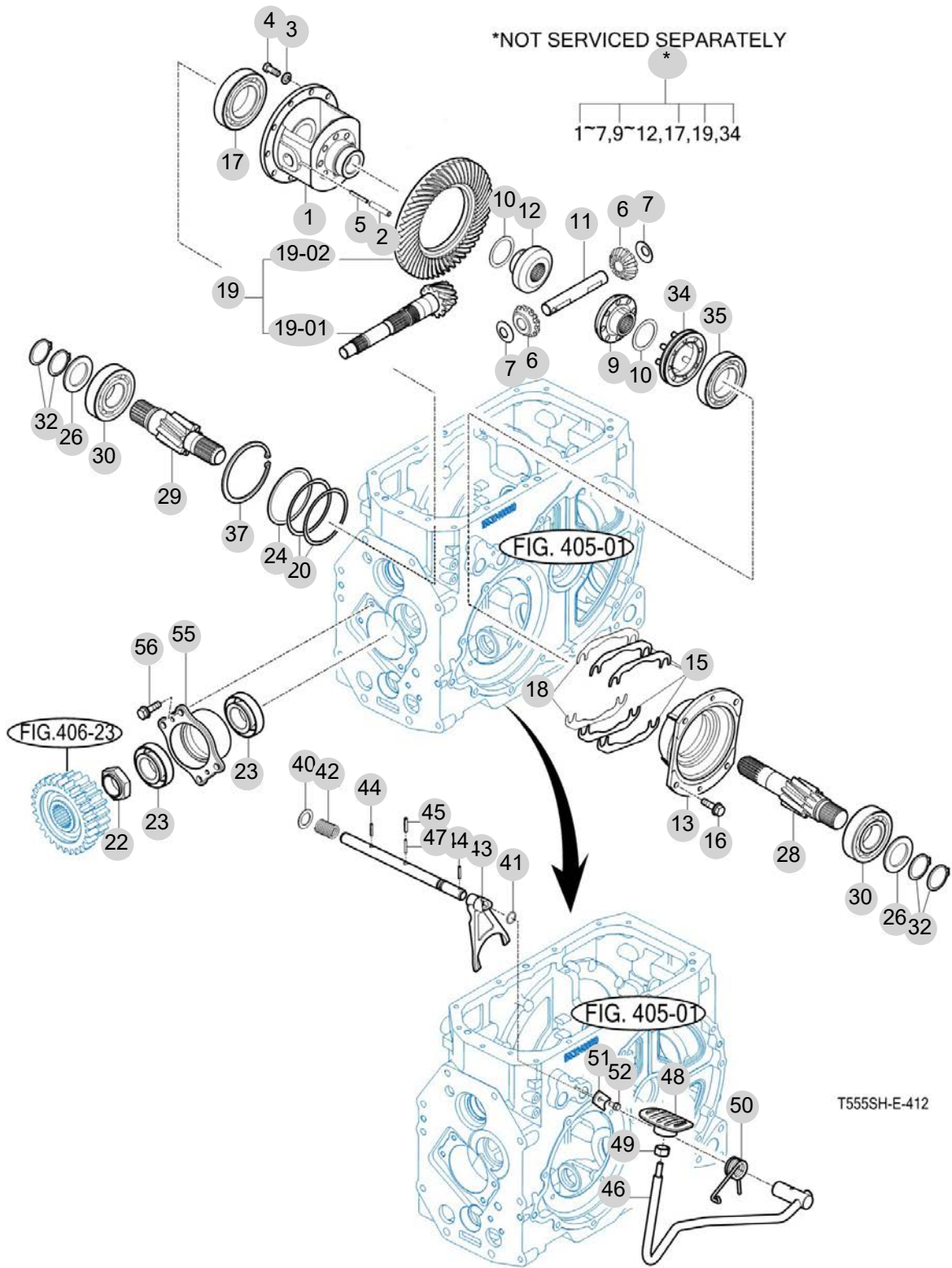
FIG 412

REAR DIFFERENTIAL GEARS

년/월
Year/Month

2022-12

T555NHGBC



T555SH-E-412

NOTE

FIG 412		REAR DIFFERENTIAL GEARS					년/월 Year/Month		
							2022-12		
T555NHGBC		KEY NO	PART NO	DESCRIPTION	SPEC	QTY	REPAIR	EFFECTIVE DATE	REMARKS
412	0	14523031001	리어차동장치(47PS)ASSY			1			
412	1	14523030010M	케이스(디프)			1			
412	2	V5801408040	스프링핀	8X40		1			
412	3	V4011600100	스프링와셔	M10		10			
412	4	V2024610025	소형육각볼트(가는)	M10X25		10			
412	5	V5801405036	스프링핀	5X36		1			
412	6	14523180041	피니언(차동)			2			
412	7	14523030080	칼라(피니언)			2			
412	9	14523180061	피니언(베벨/16 LH)			1			
412	10	14523030100	와셔(스러스트)			2			
412	11	14523030110	디프피니언샤프트			1			
412	12	14523180031	피니언(베벨/16 RH)			1			
412	13	14523030131M	메탈(LH/디프케이스)			1			
412	15	14523010090	심(B)	T=0.2		4			
412	16	V2173610025	소형육각볼트보통(S)	M10X25		4			
412	17	V6001106212	볼베어링	6212		1			
412	18	14523010080	심(A)	T=0.1		2			
412	19	14523022100	기어(10X41)SET			1			
412	19-01	14523022111	베벨피니언			1			
412	19-02	14523022120	스파이럴베벨기어			1			
412	20	14523010050	심(0.1)	T=0.1		1			
412	22	15533030020	너트(M40XP1.5)			1			
412	23	V6321132208	테이퍼롤러베어링(보통)	32208CR		2			
412	24	14523010100	심(0.2)	T=0.2		2			
412	26	15133060030	스러스트칼라(45X68X4)			2			
412	28	14523060011	피니언(헬리컬/11/LH)			1			
412	29	14523060021	피니언(헬리컬/11/RH)			1			
412	30	V6041106309	볼베어링(HL1)	6309		2			
412	32	V7041400450	C형멈춤링(축용)	45		4			
412	34	14523033400	슬리브COMP			1			
412	35	V6001106211	볼베어링	6211		1			
412	37	V7051401100	C형멈춤링(구멍용)	R110		1			
412	39	15533193010	디프록 샤프트			1			
412	40	V4111600200	평와셔	M20		1			
412	41	V7201024016	O링(P)	P16		1			
412	42	17973030420	스프링			1			
412	43	14523190011M	포크(디프록)			1			
412	44	V5801406032	스프링핀	6X32		2			
412	45	V5801408036	스프링핀	8X36		1			
412	46	15533193100	디프록페달COMP			1			
412	47	V5801405036	스프링핀	5X36		1			
412	48	14521220120	페달COMP,액셀			1			
412	49	V3342600100	소형육각너트가는2종	M10		1			
412	50	15533190020	스프링(디프 페달)			1			
412	50	15533190021	스프링(디프 페달)			1			
NOTE									

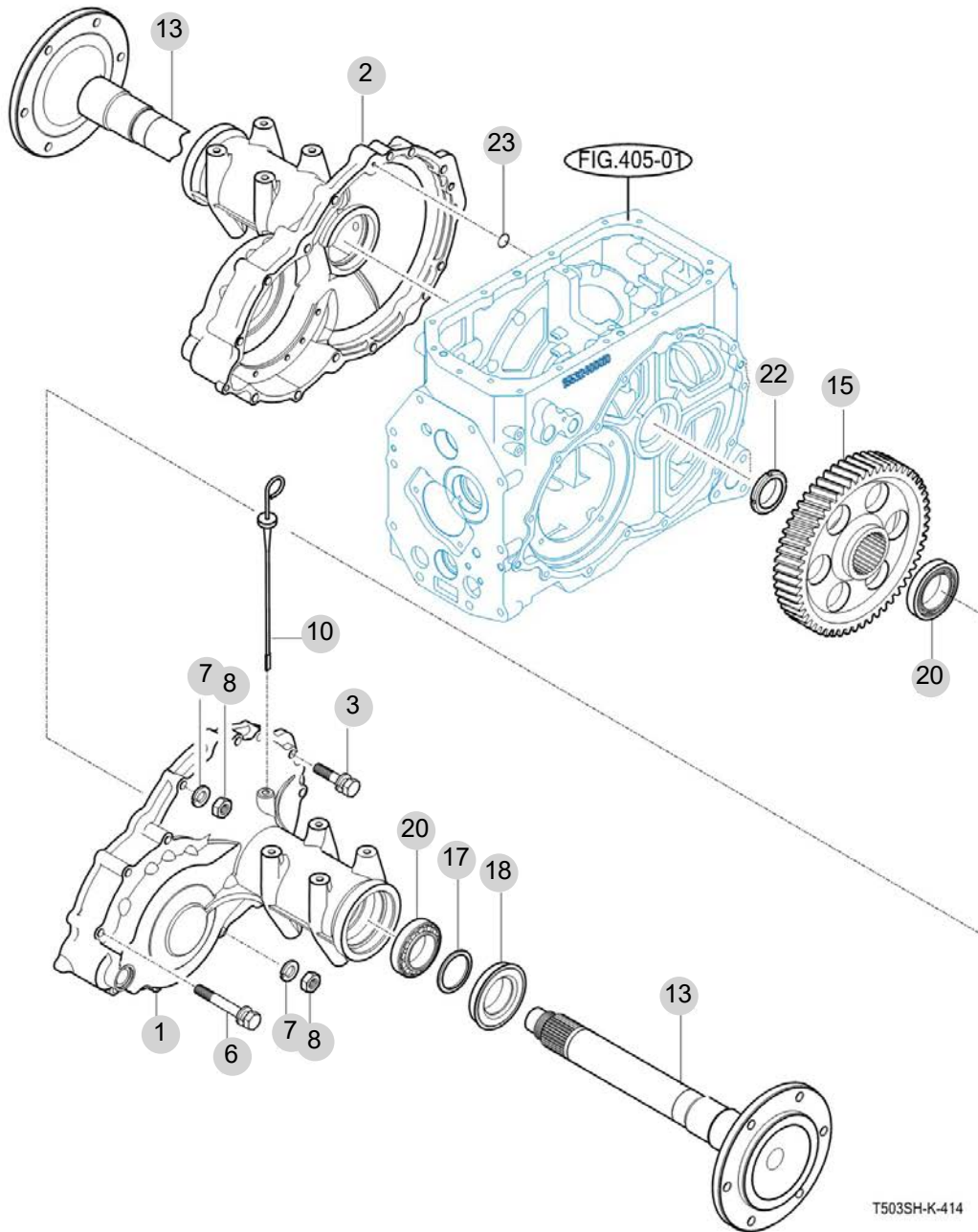
FIG 413

REAR AXLE HOUSING

년/월
Year/Month

2022-12

T555NHGBC



NOTE

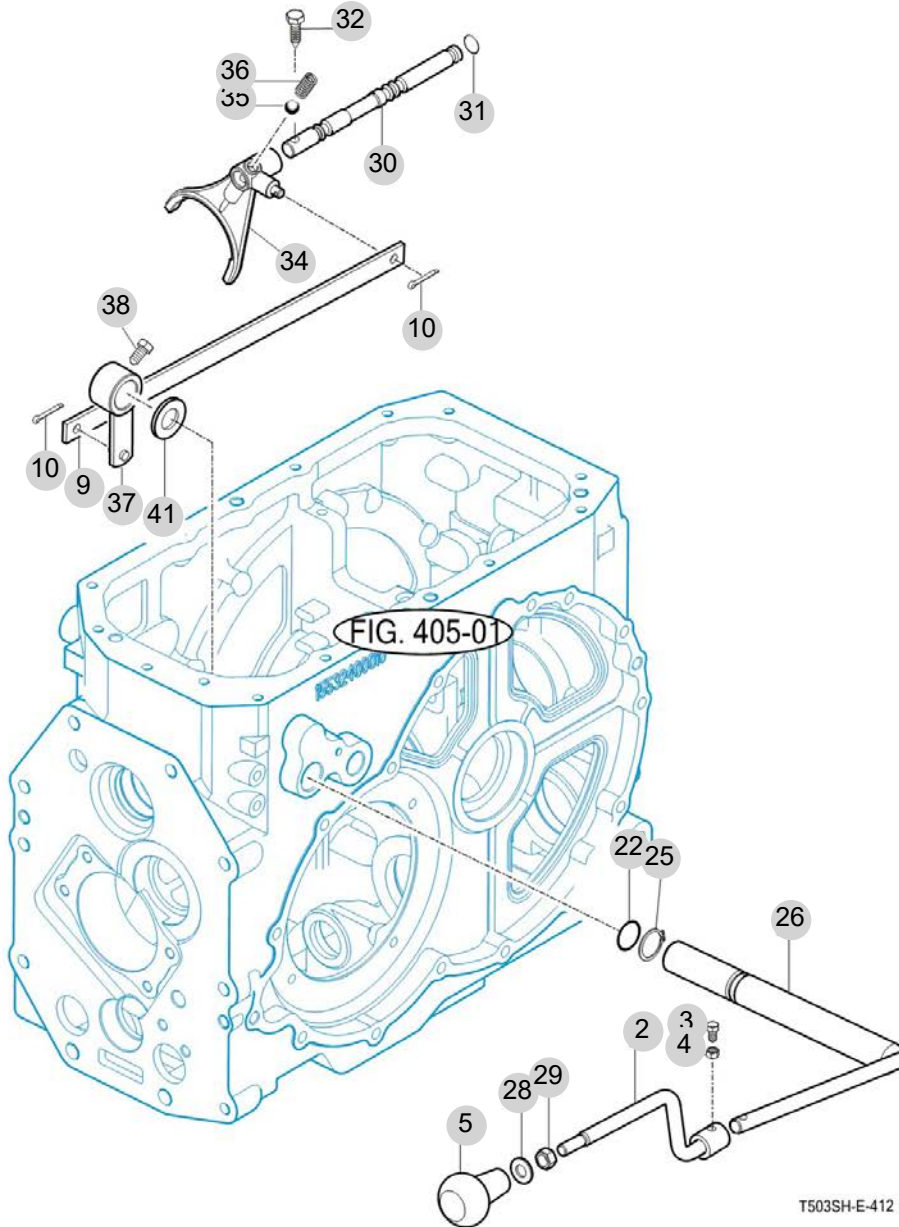
FIG 414

T555NHGBC

P.T.O CHANGE SHIFTER

년/월
Year/Month

2022-12



NOTE

5. 프런트 액슬 PART NO. T5

FIG 501 FRONT AXLE SUPPORT	125
FIG 502 FRONT DRIVE SHAFT	127
FIG 503 FRONT AXLE HOUSING	129
FIG 504 FRONT DIFFERENTIAL GEARS	131
FIG 505 FRONT GEAR CASE (1)	133
FIG 506 FRONT GEAR CASE (2)	135
FIG 507 FRONT GEAR CASE (3)	137

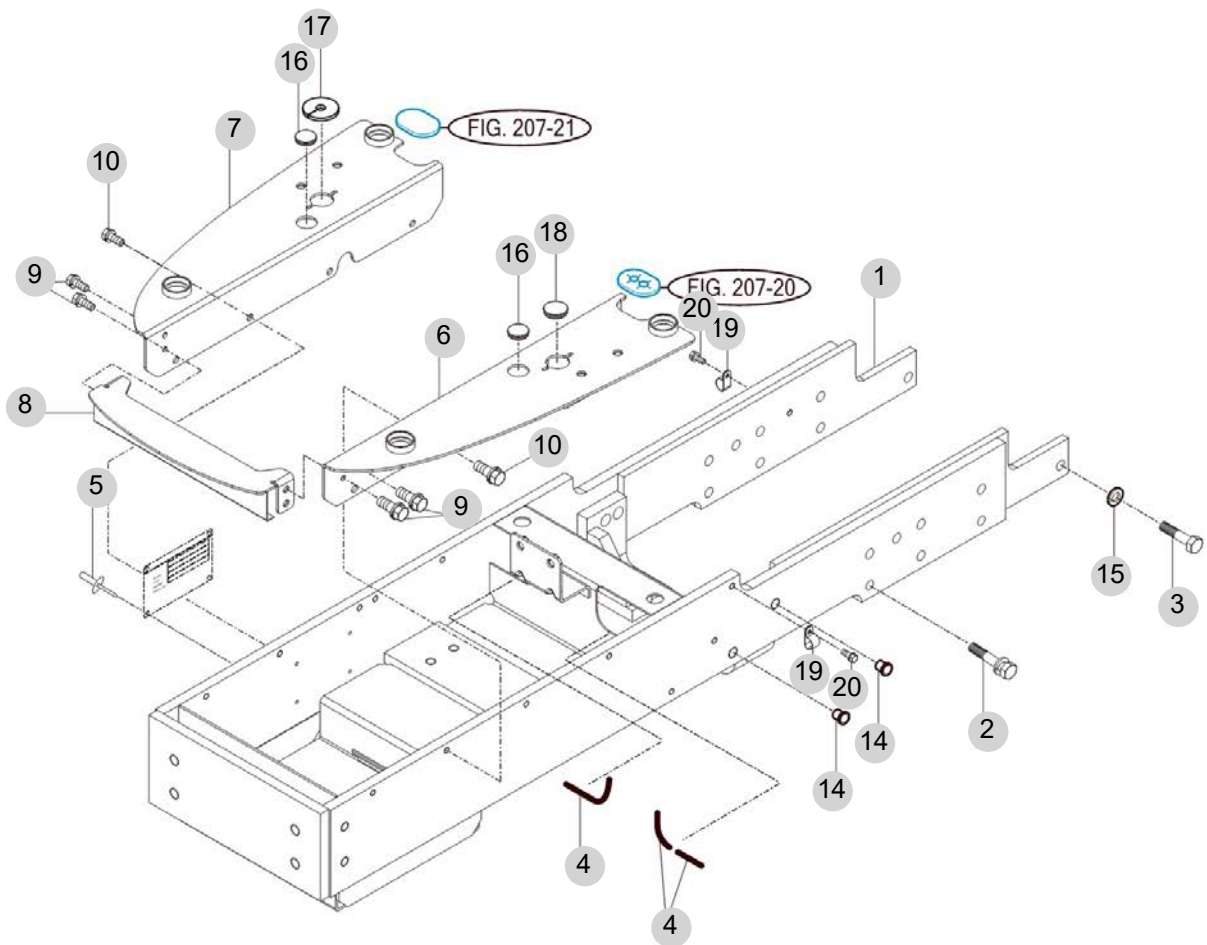
FIG 501

T555NHGBC

FRONT AXLE SUPPORT

년/월
Year/Month

2022-12



NOTE

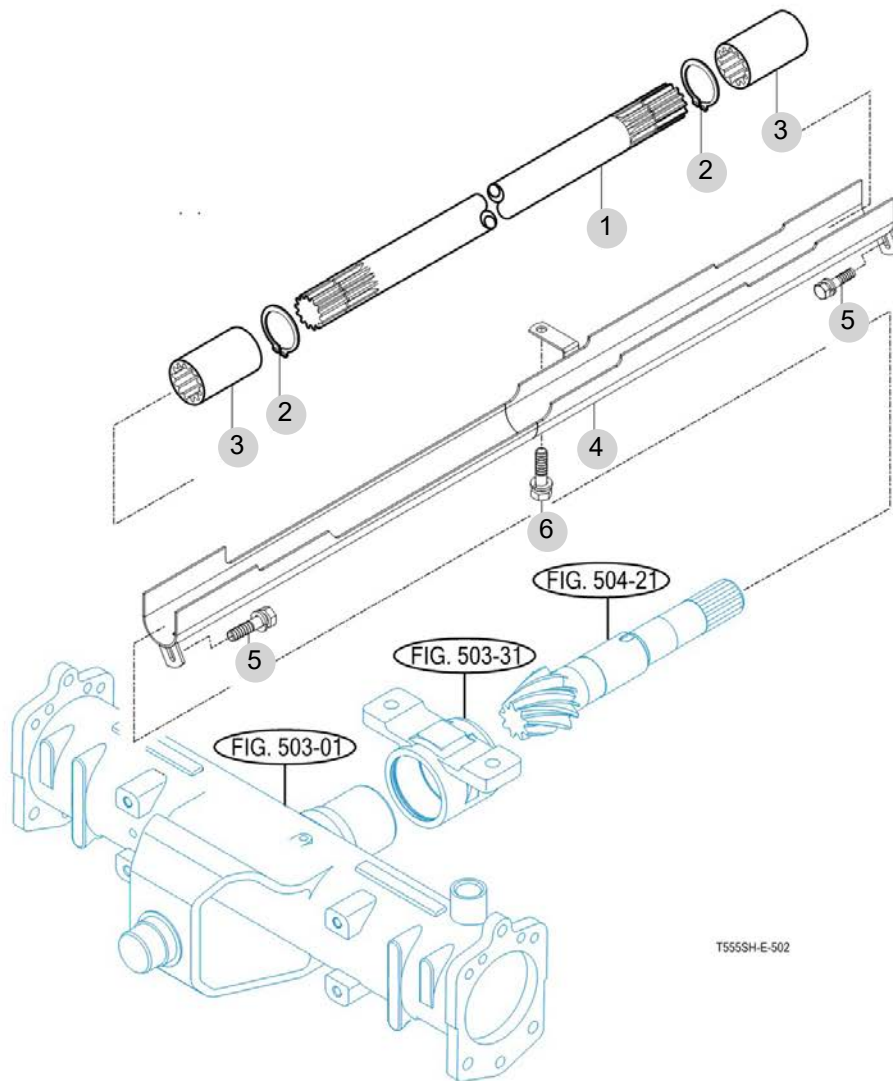
FIG 502

T555NHGBC

FRONT DRIVE SHAFT

년/월
Year/Month

2022-12



T555SH-E-502

NOTE

FIG 502 T555NHGBC		FRONT DRIVE SHAFT						년/월 Year/Month
		2022-12						
KEY NO	PART NO		DESCRIPTION	SPEC	QTY	REPAIR	EFFECTIVE DATE	REMARKS
502	1	18994310010	샤프트		1			
502	2	V7041400250	C형멈춤링(축용)	25	2			
502	3	14251320150	커플링		2			
502	4	17484312001GB	커버COMP, 4WD		1			
502	5	V2113606010	육각볼트(S)	M6X10	2			
502	6	V2183608012	소형육각볼트보통(SP)	M8X12	1			
NOTE								

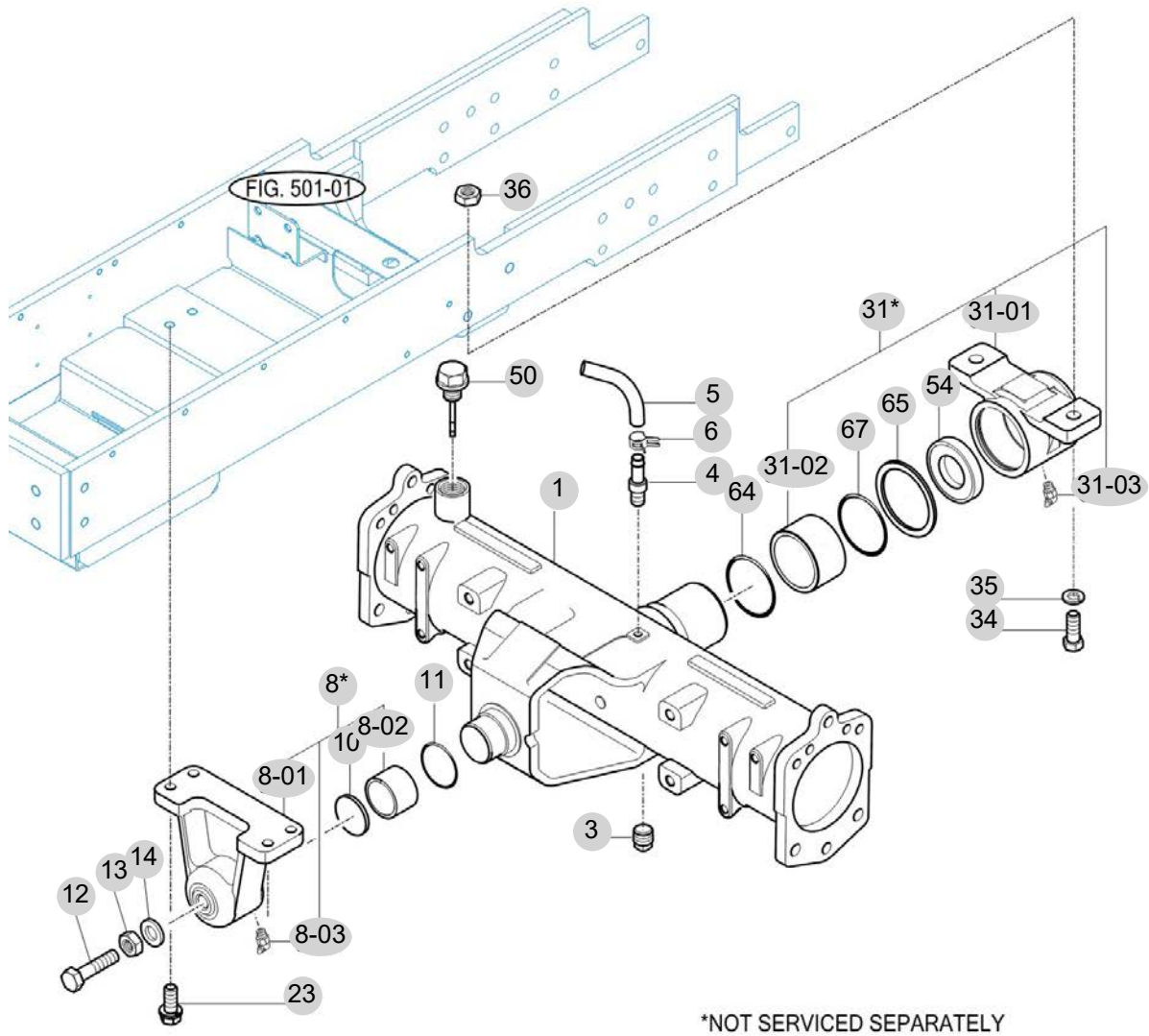
FIG 503

T555NHGBC

FRONT AXLE HOUSING

년/월
Year/Month

2022-12



T554454-E-503

NOTE

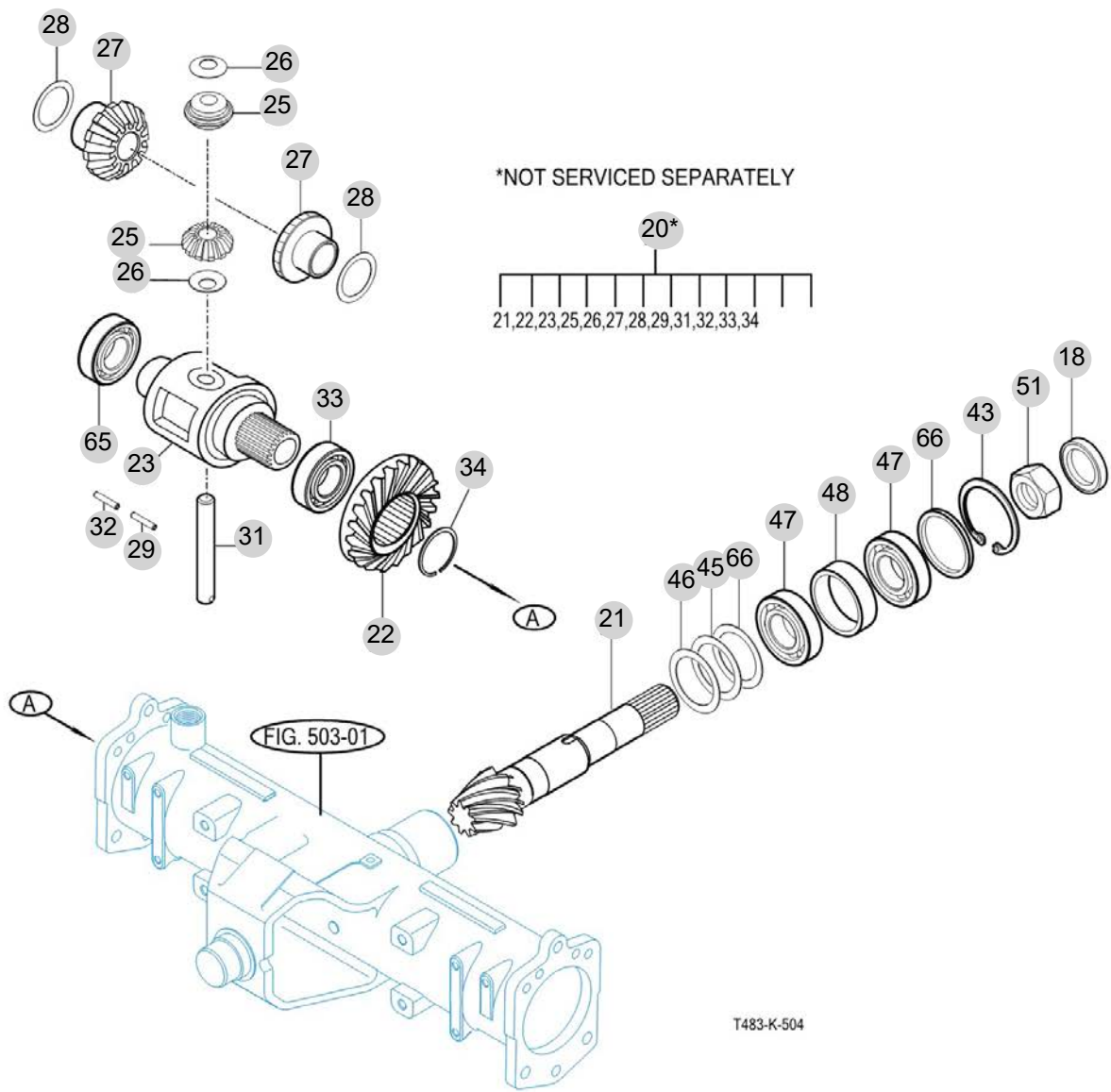
FIG 504

T555NHGBC

FRONT DIFFERENTIAL GEARS

년/월
Year/Month

2022-12



T483-K-504

NOTE

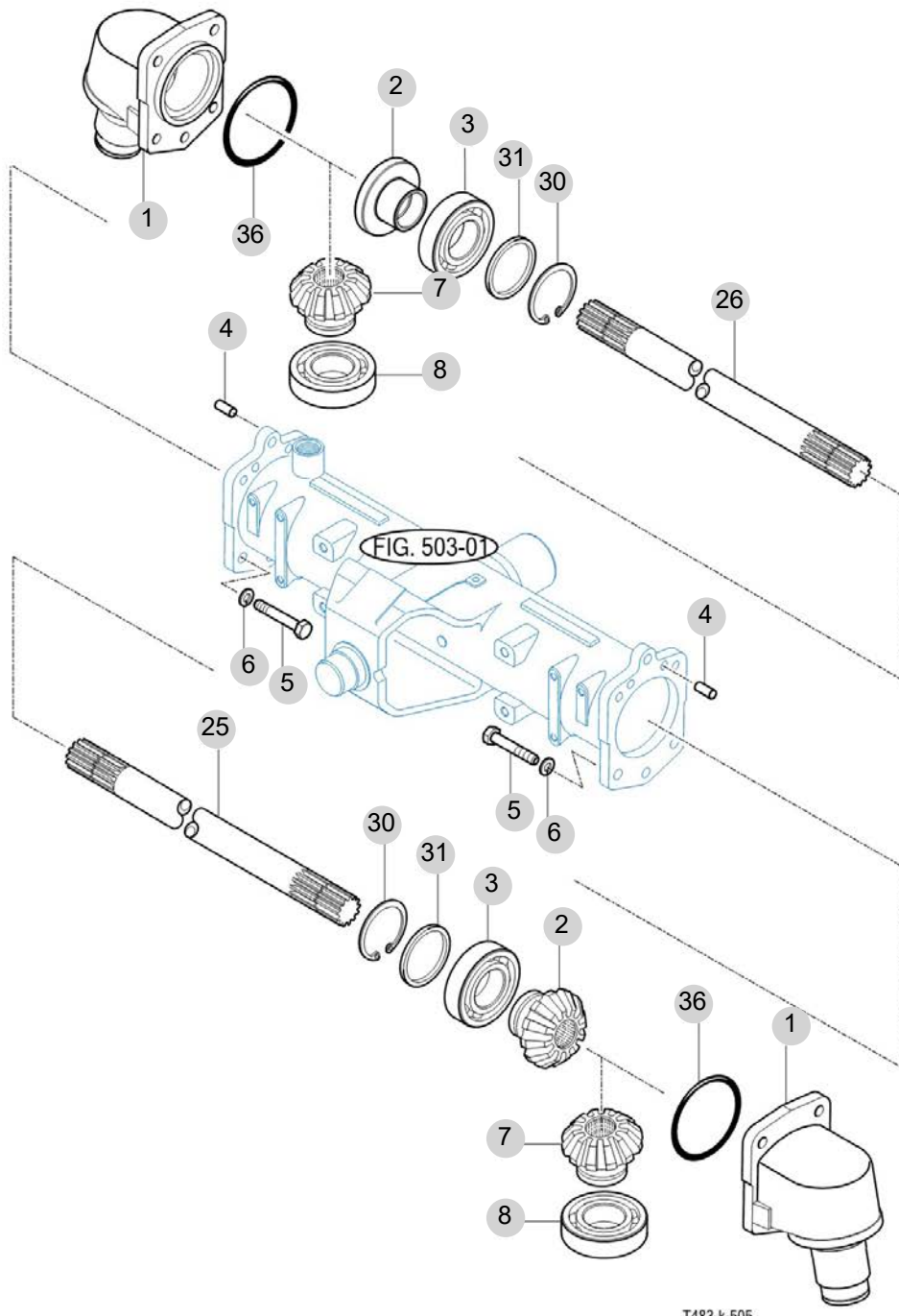
FIG 505

T555NHGBC

FRONT GEAR CASE (1)

년/월
Year/Month

2022-12



NOTE

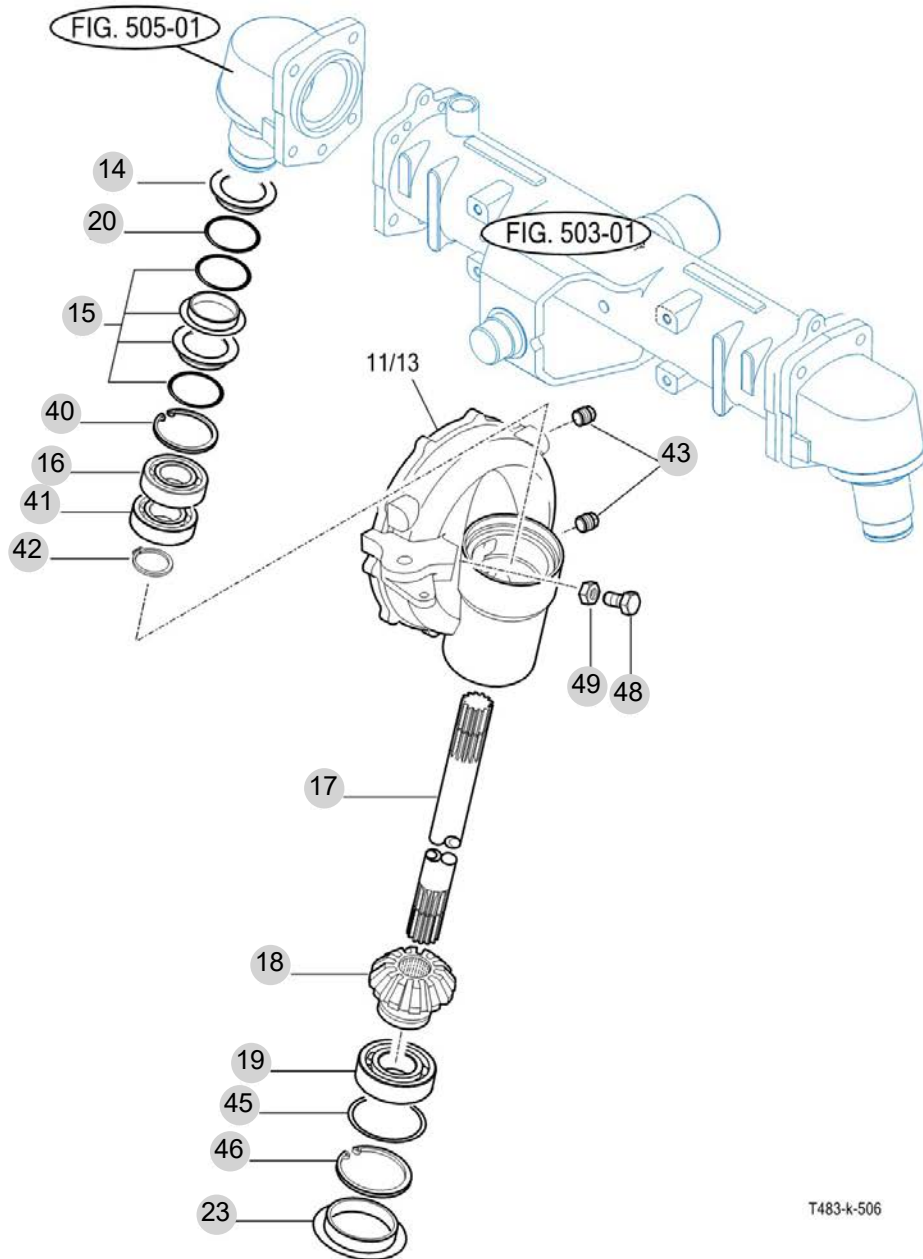
FIG 506

T555NHGBC

FRONT GEAR CASE (2)

년/월
Year/Month

2022-12



T483-k-506

NOTE

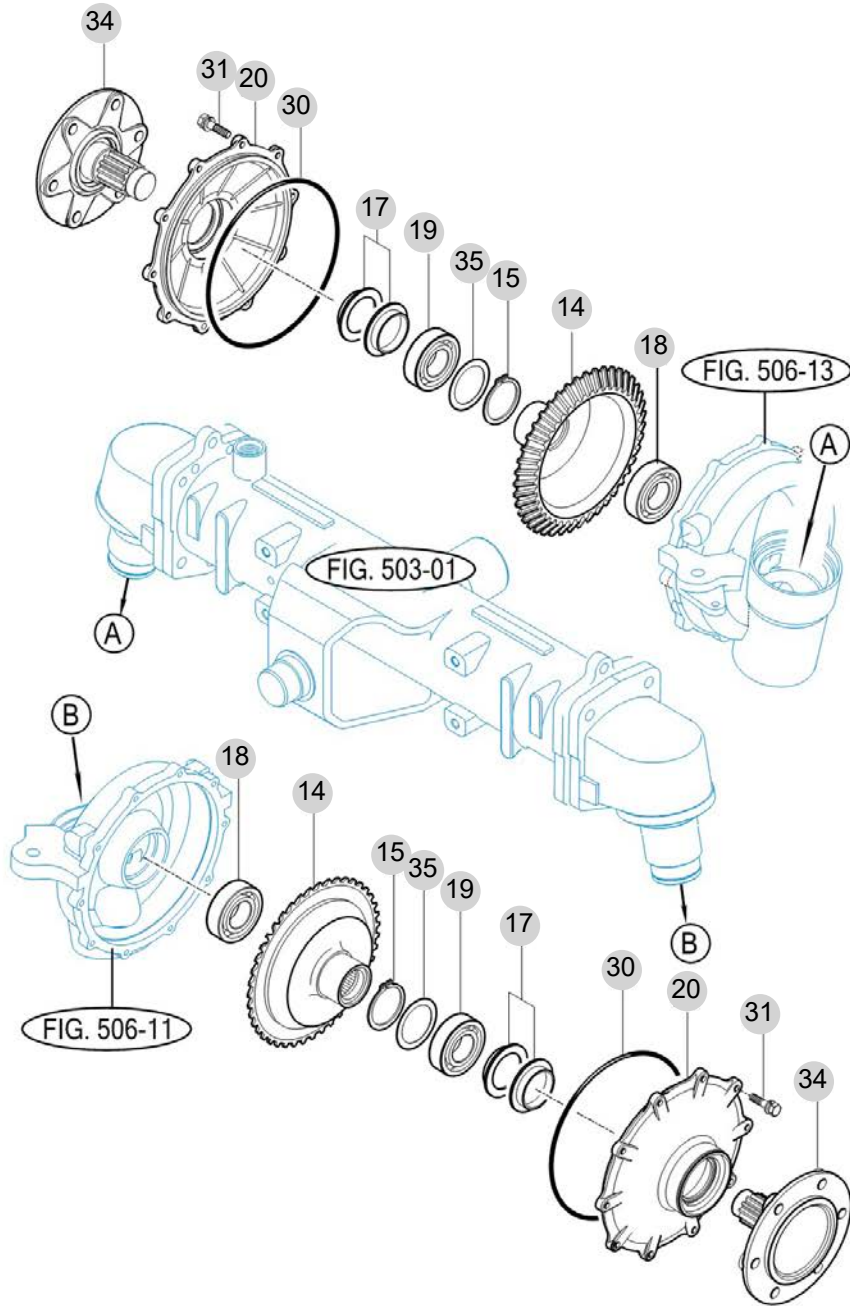
FIG 507

T555NHGBC

FRONT GEAR CASE (3)

년/월
Year/Month

2022-12



T483-k-507

NOTE

6. 유압/3점링크 PART NO. T6

FIG 601 CYLINDER CASE	140
FIG 602 LIFT ARM	142
FIG 603 CYLINDER	144
FIG 604 POSITION LINK	146
FIG 605 CONTROL VALVE	148
FIG 606 DRAFT LINK	150
FIG 607 POSITION & DRAFT LEVER	152
FIG 608 EXTERIOR HYD.VALVE	154
FIG 609 HYDRAULIC PIPE	156
FIG 610 JOYSTICK	159
FIG 611 HYDRAULIC HOSE	161
FIG 612 HITCH & 3-POINT LINK	163
FIG 613 LOWER LINK & LIFT ROD	166

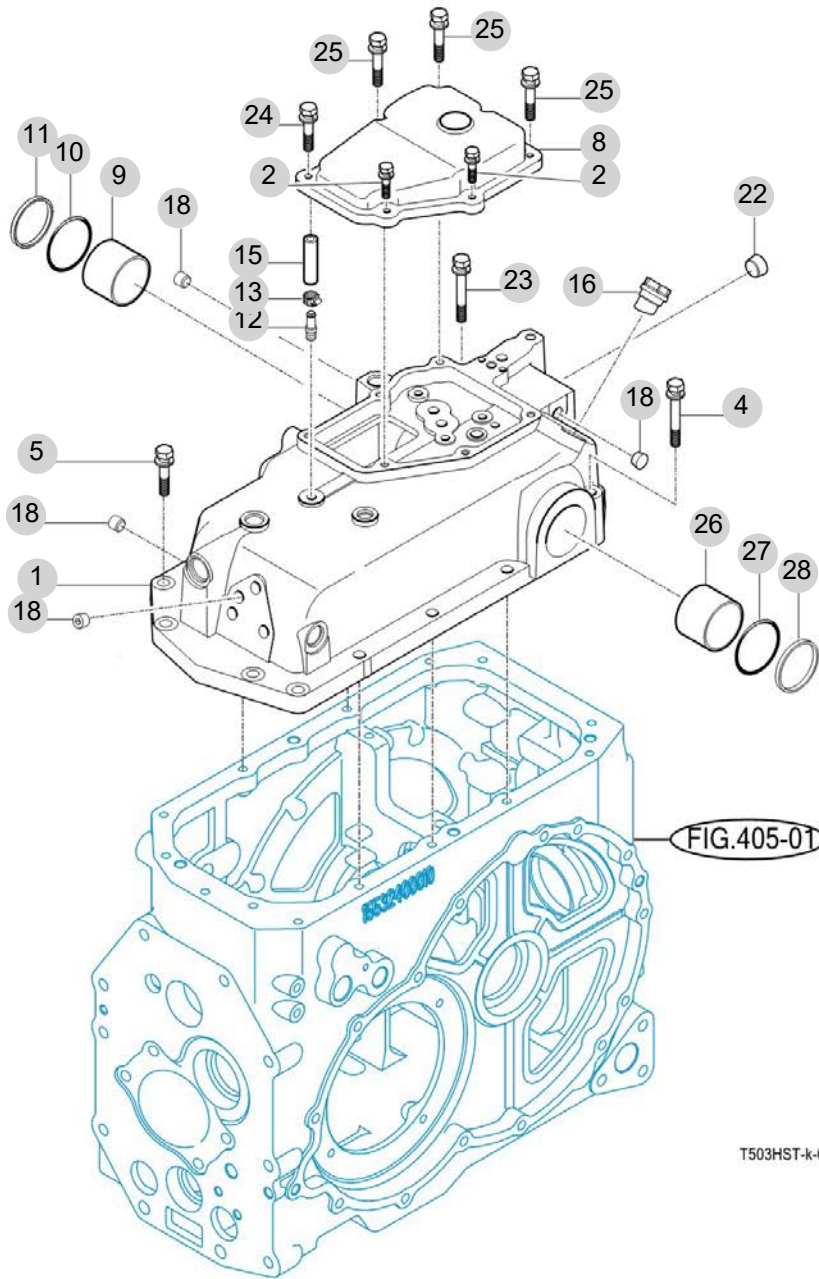
FIG 601

T555NHGBC

CYLINDER CASE

년/월
Year/Month

2022-12



T503HST-k-601

NOTE

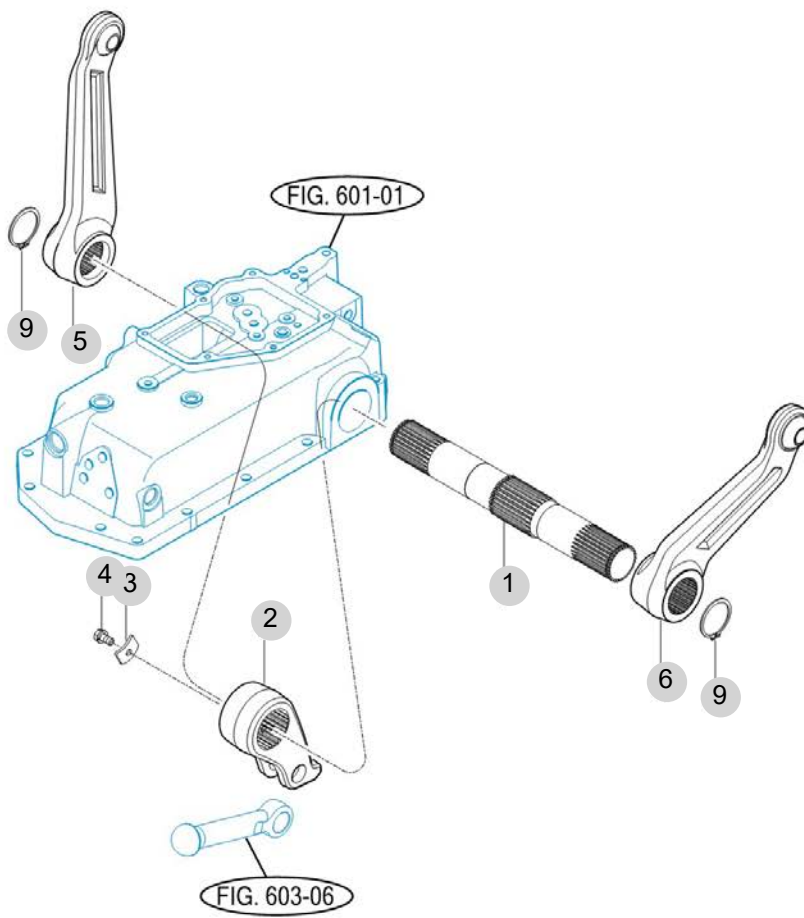
FIG 602

T555NHGBC

LIFT ARM

년/월
Year/Month

2022-12



T483-K-602

NOTE

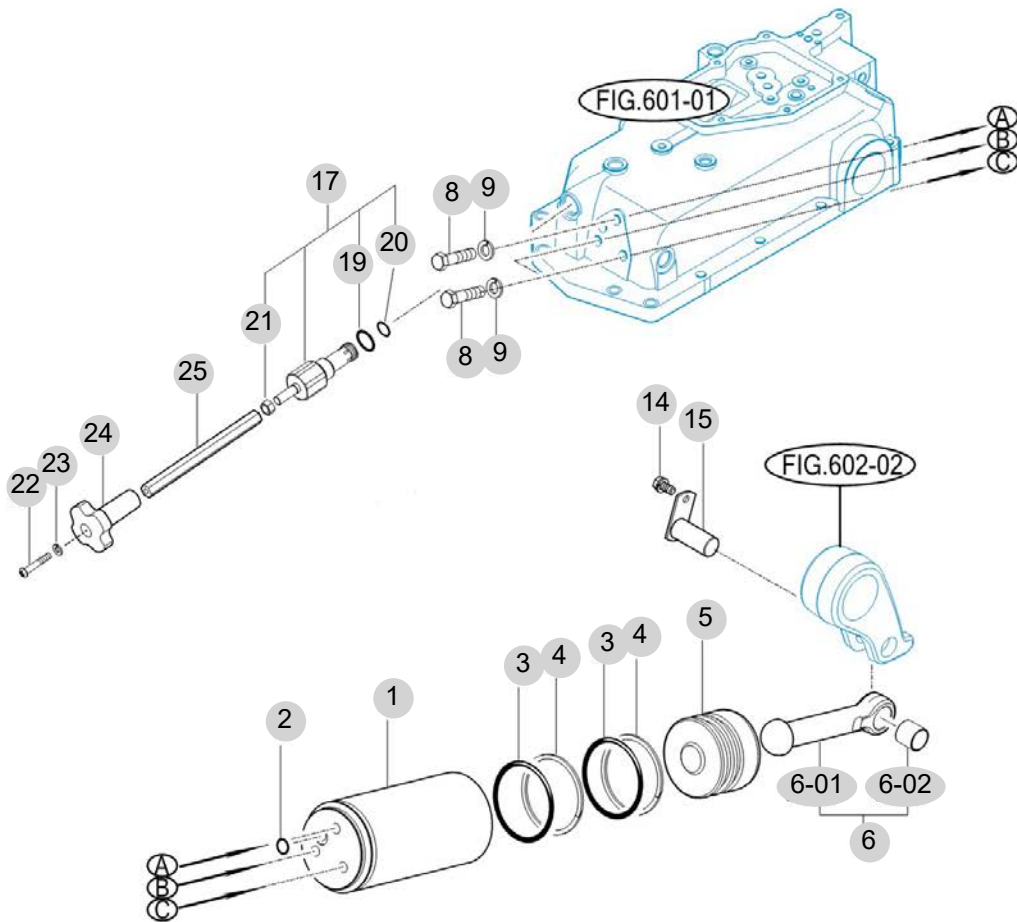
FIG 603

T555NHGBC

CYLINDER

년/월
Year/Month

2022-12



T483-K-603

NOTE

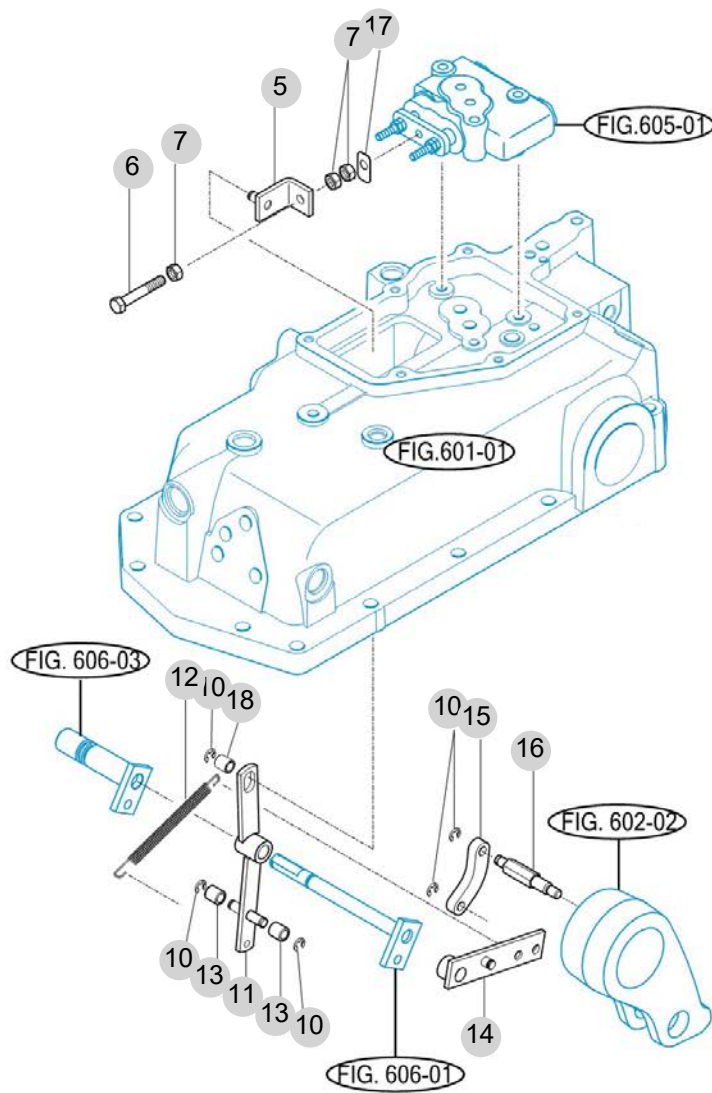
FIG 604

T555NHGBC

POSITION LINK

년/월
Year/Month

2022-12



T483-K-604

NOTE

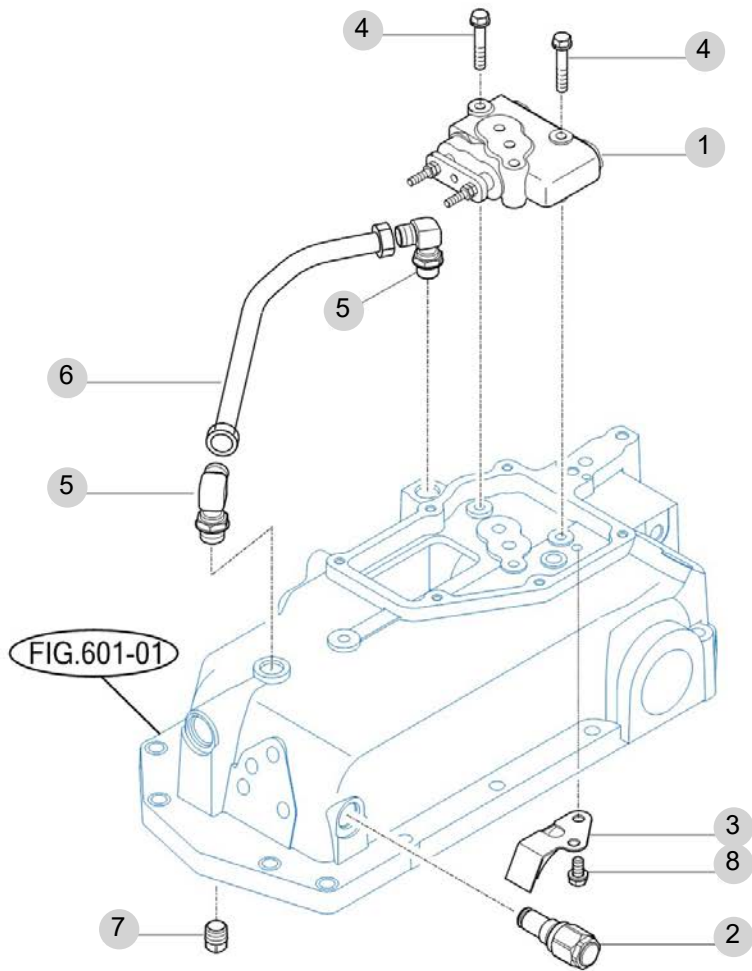
FIG 605

T555NHGBC

CONTROL VALVE

년/월
Year/Month

2022-12



T483-K-605

NOTE

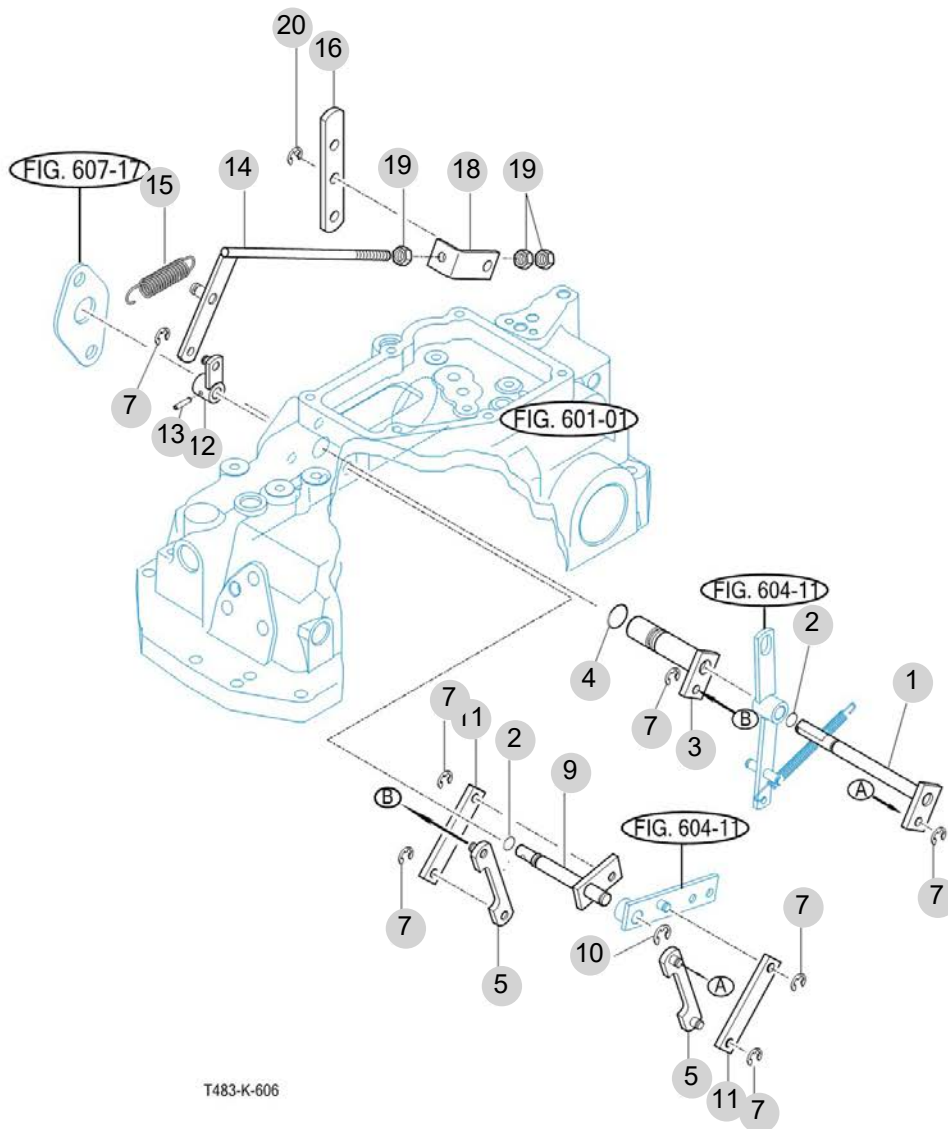
FIG 606

T555NHGBC

DRAFT LINK

년/월
Year/Month

2022-12



T483-K-606

NOTE

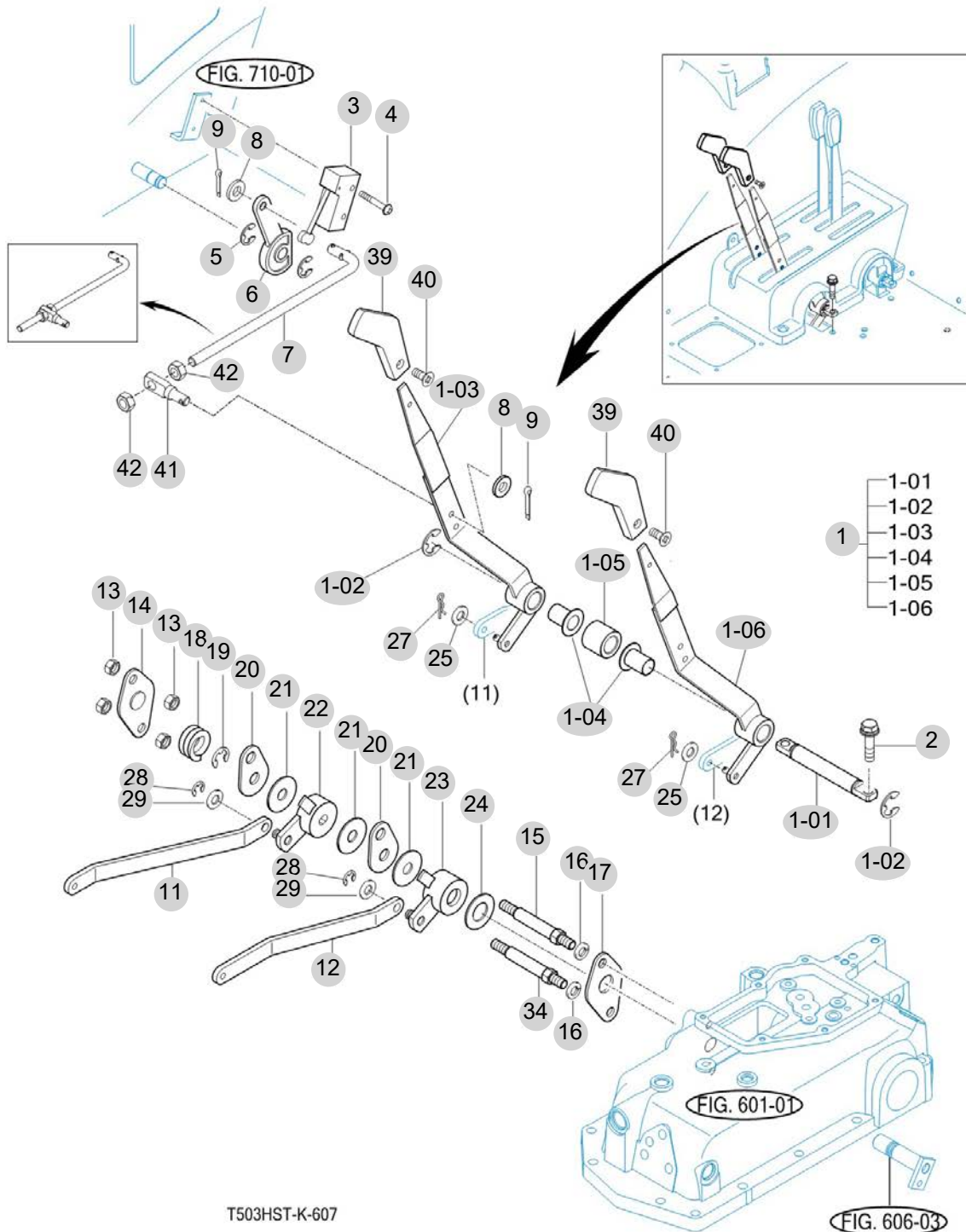
FIG 607

T555NHGBC

POSITION & DRAFT LEVER

년/월
Year/Month

2022-12



NOTE

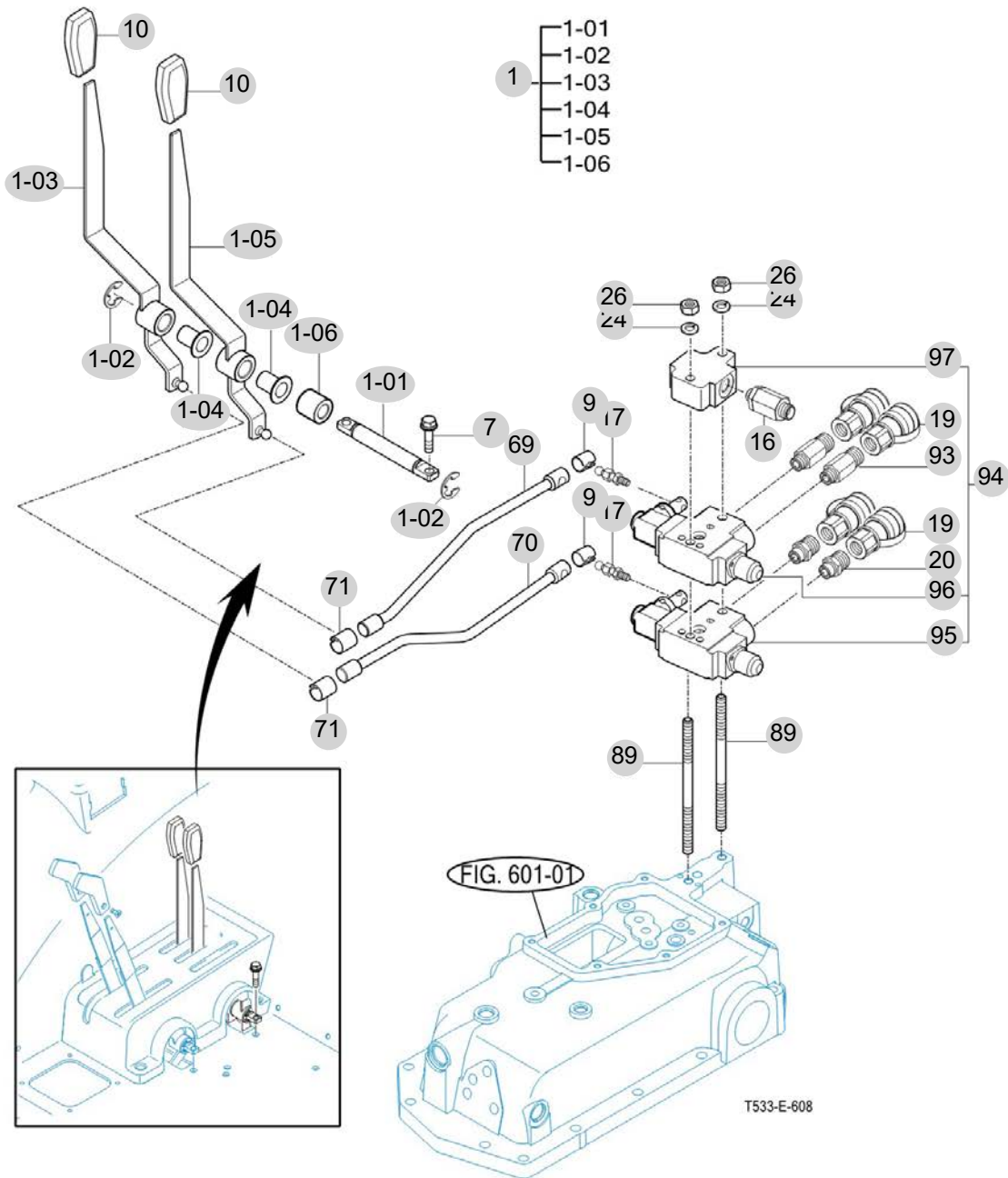
FIG 608

T555NHGBC

EXTERIOR HYD.VALVE

년/월
Year/Month

2022-12



NOTE

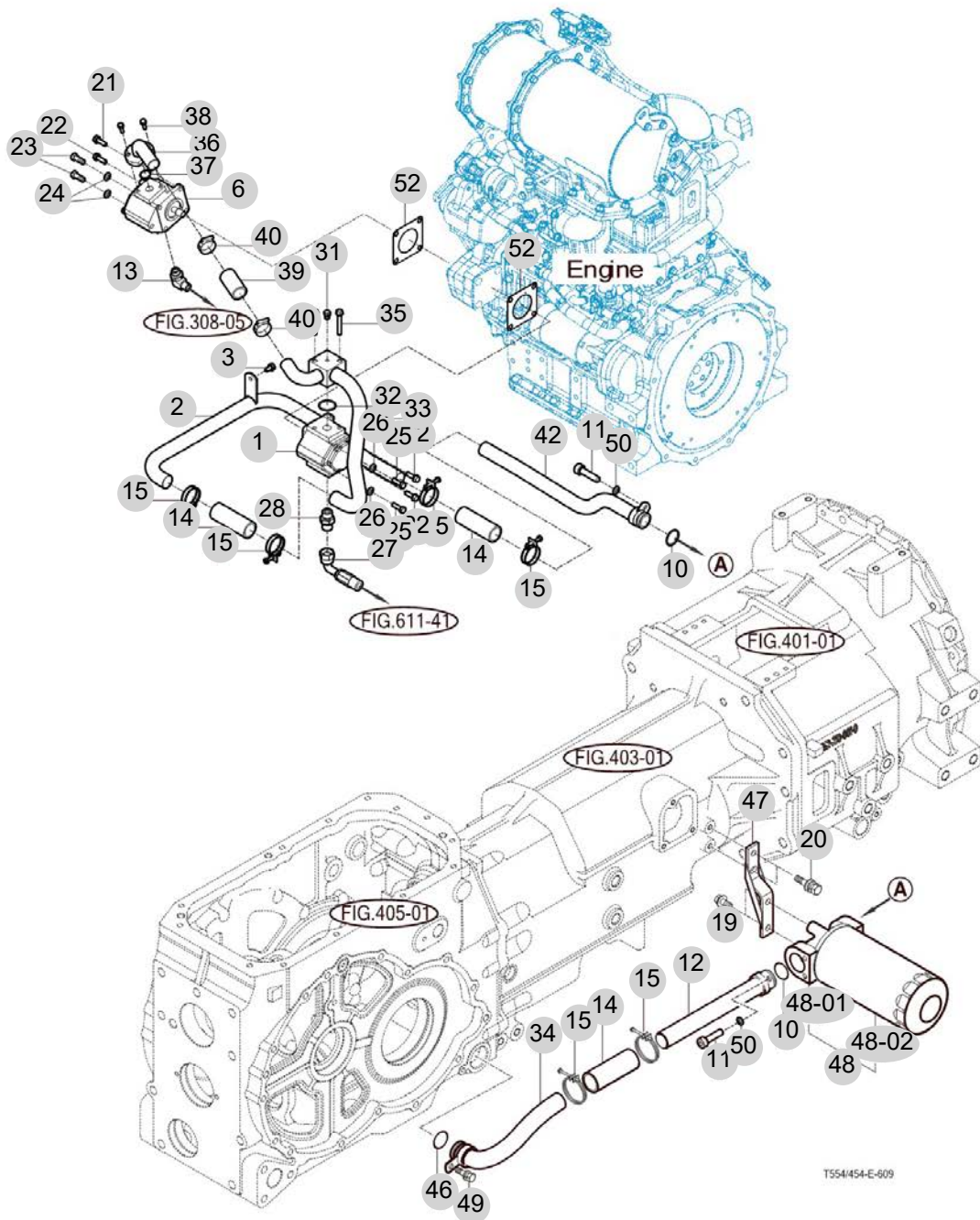
FIG 609

HYDRAULIC PIPE

년/월
Year/Month

T555NHGBC

2022-12



NOTE

FIG 609 T555NHGBC		HYDRAULIC PIPE					년/월 Year/Month	
							2022-12	
KEY NO	PART NO	DESCRIPTION	SPEC	QTY	REPAIR	EFFECTIVE DATE	REMARKS	
609	1	15115100001	기어펌프(MAIN)ASSY			1		
609	2	17465152201GB	흡입 파이프 COMP (FR/RR)			1		
609	2	17465152202GB	흡입 파이프 COMP (FR/RR)			1		
609	3	V2173608016	소형육각볼트보통(S)			1		
609	6	15115200000	기어펌프(PS)ASSY			1		
609	10	V7211031030	O링(G)			2		
609	11	V2205408016	육각홀트	M8X16		2		
609	12	14525153401	파이프(석션/F)COMP			1		
609	12	14525153401PC	파이프(석션/F)COMP			1		
609	12	14525153401	파이프(석션/F)COMP			1		
609	13	36313530021	어댑터(고압)			1		
609	14	15605150031	호스(100)			3		
609	15	18027090400	밴드 클램프 40 흡식	D=40		6		
609	19	V2183610025	소형육각볼트보통(SP)	M10X25		2		
609	20	V2183608020	소형육각볼트보통(SP)	M8X20		2		
609	21	V2173608040	소형육각볼트보통(S)	M8X40		1		
609	22	V2173608025	소형육각볼트보통(S)	M8X25		3		
609	23	V2013608110	소형육각볼트(보통)	M8X110		2		
609	24	V4011600080	스프링와셔	M8		2		
609	25	V2013608110	소형육각볼트(보통)	M8X110		2		
609	26	V4011600080	스프링와셔	M8		2		
609	27	14525152331	유압호스(1560)ASSY			1		
609	28	16582630620	콘넥터(PF1/2)			1		
609	31	13267060022	드레인플러그			1		
609	32	V7211031030	O링(G)			1		
609	33	17465153301GB	흡입 파이프 COMP (앞)			1		
609	33	17465153302GB	흡입 파이프 COMP (앞)			1		
609	33	17465153303GB	흡입 파이프 COMP (앞)			1		
609	34	14525162402PC	파이프(석션/RR)COMP			1		
609	34	14525162403	파이프(석션/RR)COMP			1		
609	35	V2173608055	소형육각볼트보통(S)	M8X55		2		
609	36	15155152901GB	파이프(석션/P)COMP			1		
609	37	V7201024018	O링(P)	P18		1		
609	38	V2113606020	육각볼트(S)	M6X20		2		
609	39	19955100010	호스(26X34X60)			1		
609	40	18027090400	밴드 클램프 40 흡식			2		
609	42	14525152101	파이프(석션/R/IN)COMP			1		
609	42	14525152102	파이프 COMP , 석션/R/IN			1		
609	42	14525152102PC	파이프 COMP , 석션/R/IN			1		
609	42	14525152103	파이프 COMP , 석션/R/IN			1		
609	46	V7211031030	O링(G)	G30		1		
609	47	14525150000GB	브래킷(오일필터)			1		
609	47	14525150000	브래킷(오일필터)			1		
609	47	14525150001	브래킷(오일필터)			1		
609	48	17975152001	필터(흡입/43)ASSY			1		
NOTE								

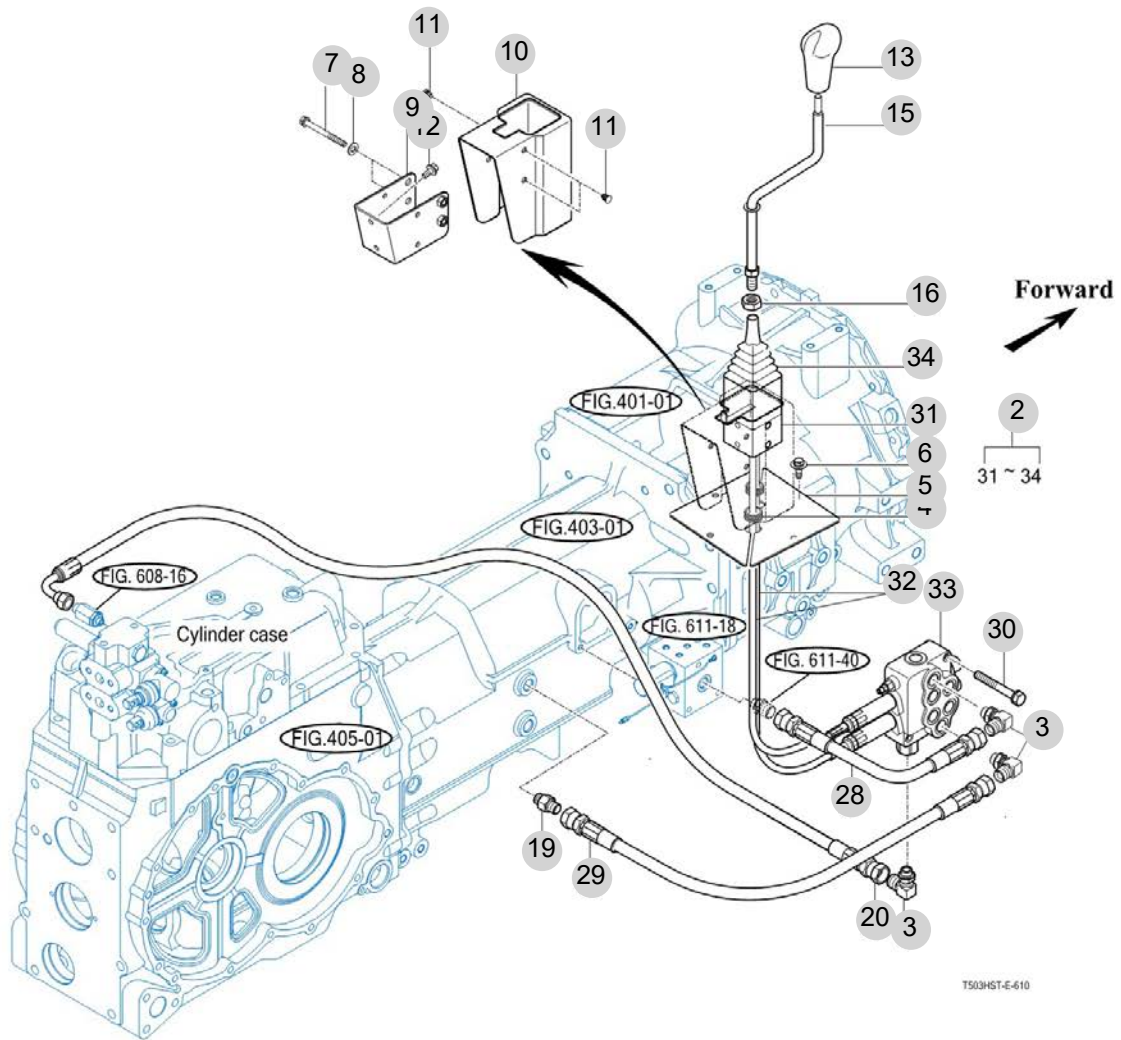
FIG 610

T555NHGBC

JOYSTICK

년/월
Year/Month

2022-12



NOTE

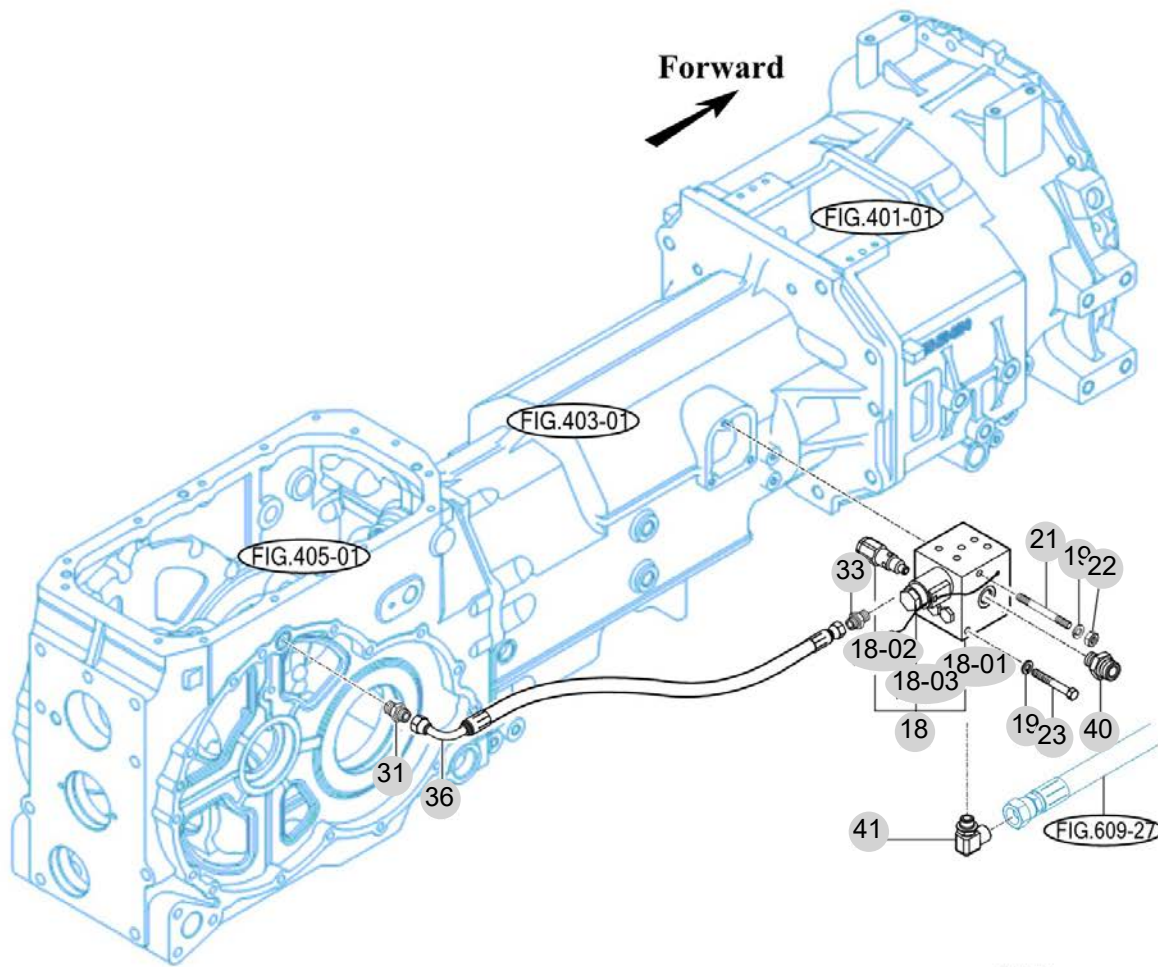
FIG 611

T555NHGBC

HYDRAULIC HOSE

년/월
Year/Month

2022-12



T5549A-E-611

NOTE

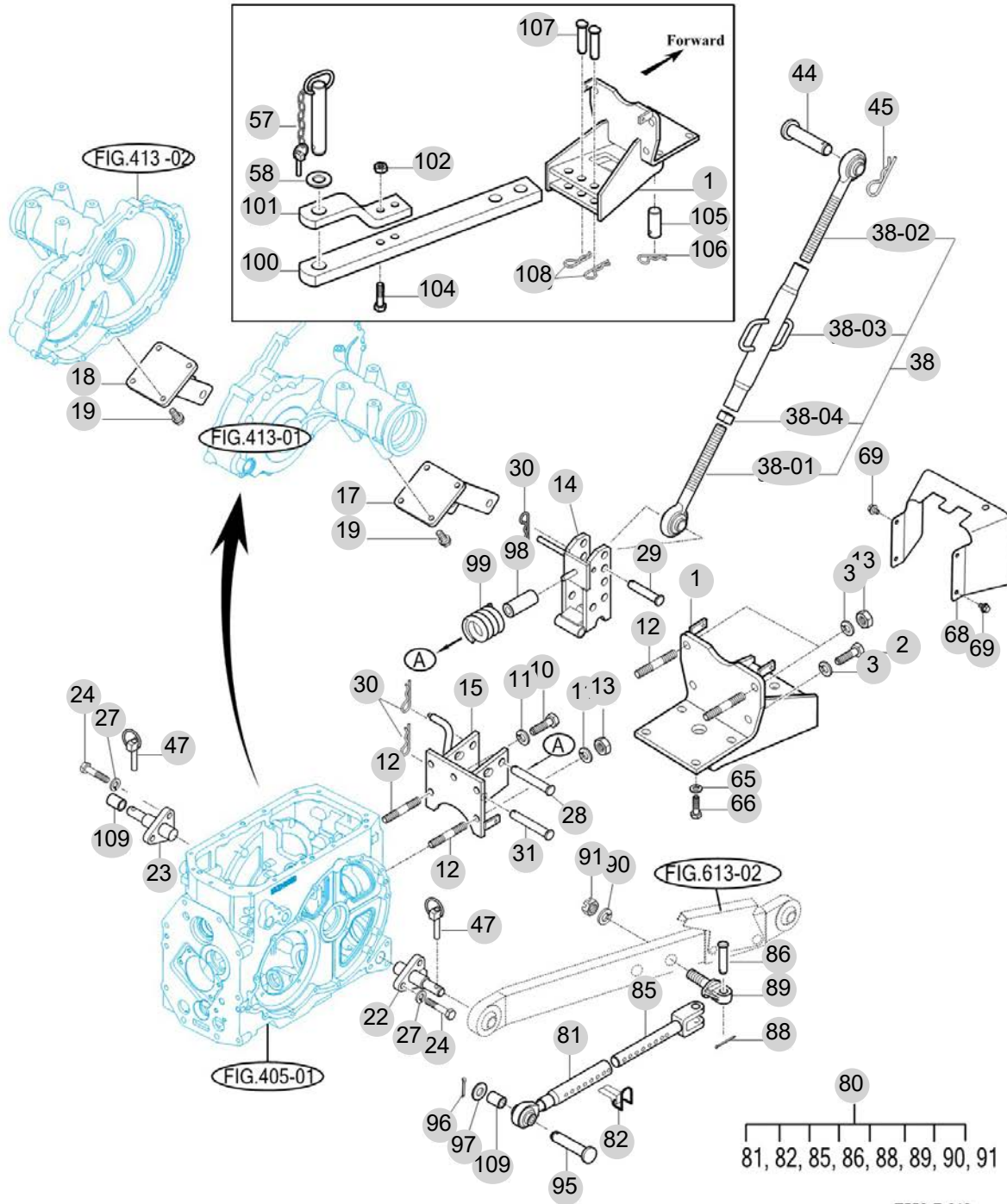
FIG 612

HITCH & 3-POINT LINK

년/월
Year/Month

2022-12

T555NHGBC



T553-E-612

NOTE

FIG 612		HITCH & 3-POINT LINK					년/월	
							Year/Month	
T555NHGBC		2022-12						
KEY NO	PART NO	DESCRIPTION	SPEC	QTY	REPAIR	EFFECTIVE DATE	REMARKS	
612	1	15535202002GB	스윙드로바 브래킷, COMP		1			
612	1	15535202003GB	스윙드로바 브래킷, COMP		1			
612	2	V2013616035	소형육각볼트(보통)	M16X35	2			
612	3	V4011600160	스프링와셔	M16	4			
612	10	V2013616035	소형육각볼트(보통)	M16X35	3			
612	11	V4011600160	스프링와셔	M16	5			
612	12	V2513416035	스터드볼트2종	M16X35	4			
612	13	V3043600160	소형육각너트보통2종	M16	4			
612	14	16735222102GB	링크 COMP		1			
612	15	15185222000GB	브래킷 COMP		1			
612	17	14525254100GB	브래킷(후)COMP		1			
612	18	14525254100GB	브래킷(후)COMP		1			
612	19	V2173612030	소형육각볼트보통(S)	M12X30	8			
612	22	15685252204	핀(L) COMP		1			
612	23	15685252801	핀(R) COMP		1			
612	24	V2013614040	소형육각볼트(보통)	M14X40	6			
612	27	V4011600140	스프링와셔	M14	6			
612	28	15645250010	핀(19X122)		1			
612	29	15645220020	핀(19X95)		1			
612	30	14445140051	헤어핀(19)		3			
612	31	15645250010	핀(19X122)		1			
612	38	16505245501GB	톱링크ASSY		1			
612	38	16505245502GB	톱링크 ASSY		1			
612	38-01	16505245510	톱링크COMP(RH)		1			
612	38-02	16505245520	톱링크COMP(LH)		1			
612	38-03	14555140251	턴버클 조합(톱링크)		1			
612	38-04	16505245530	육각너트		1			
612	44	15645220011	핀(19X86)		1			
612	45	14445140051	헤어핀(19)		1			
612	47	14215020020	링크핀		2			
612	57	S0973063031	핀ASSY		1			
612	58	15252470010	쿠션고무		1			
612	65	V4011600140	스프링와셔	M14	4			
612	66	V2013614035	소형육각볼트(보통)	M14X35	4			
612	68	13605200012GB	커버(씰드)		1			
612	69	V2183608016	소형육각볼트보통(SP)		4			
612	80	15155253000GB	조정링크(완)ASSY		2			
612	81	15155253100	로드 SUB, FR		2			
612	82	17705254200	린치핀		2			
612	85	15155253300	로드 SUB, RR		2			
612	86	15155253400	핀, ø20X59		2			
612	88	V5001940035	분할핀	4.0X35	2			
612	89	15155253500	아이볼트		2			
612	90	V4111600220	평와셔	M22	2			
612	91	V3343600220	소형육각너트가는2종	M22	2			
NOTE								

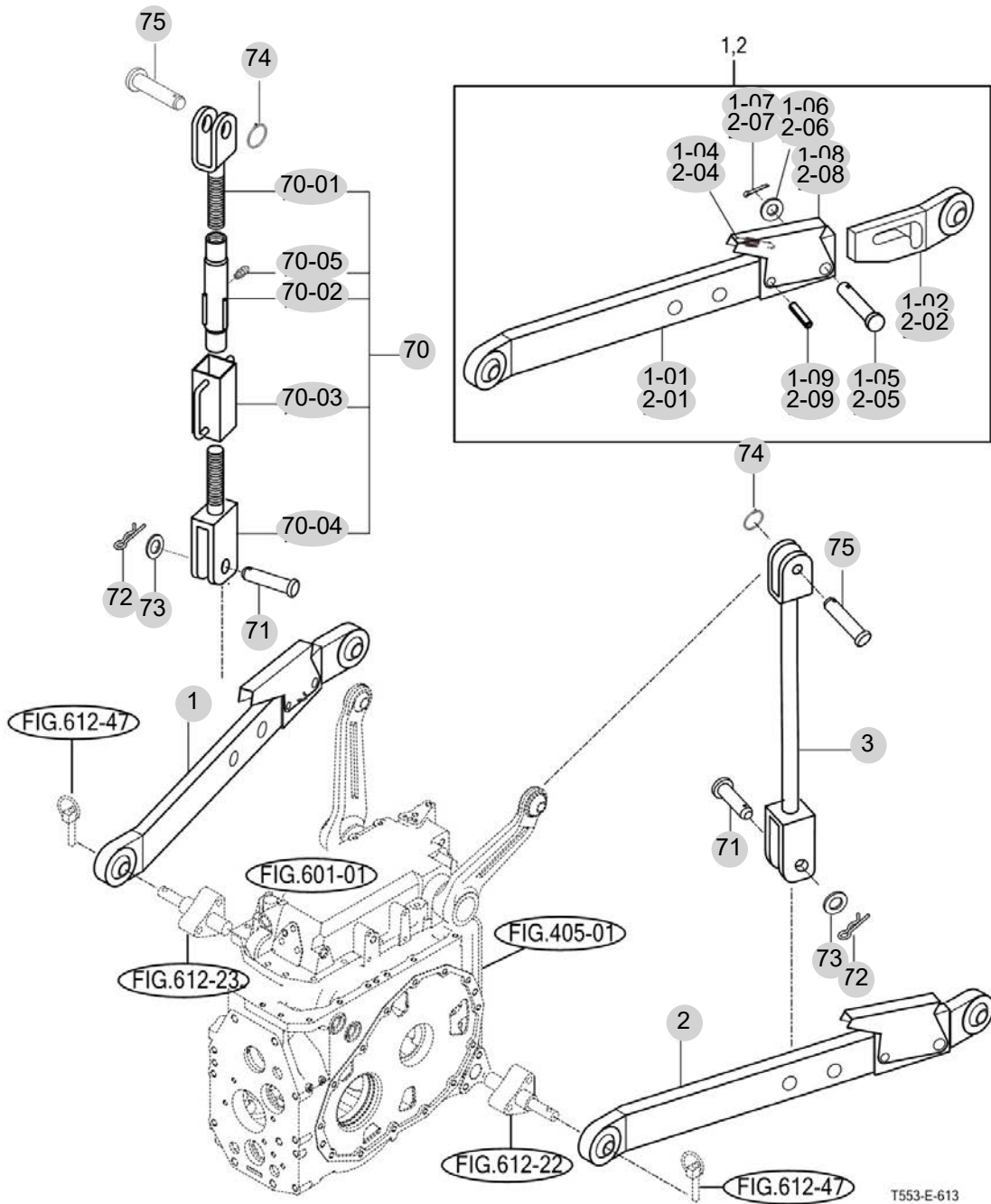
FIG 613

LOWER LINK & LIFT ROD

년/월
Year/Month

2022-12

T555NHGBC



NOTE

7. 시트메탈/캐빈 PART NO. T7

FIG 701 HOOD (1)	169
FIG 702 HOOD (2)	171
FIG 704B LEVER COVER & STEP-Non CAB	173
FIG 705 FRONT & REAR MOUNTING	175
FIG 706 SEAT & MAT	177
FIG 710B FRAME&2POLES ROPS-Non CAB	179
FIG 713B SUB FENDER&COVER-Non CAB	181
FIG 714B MIRROR&WORKING LAMP-Non CAB	183
FIG 718 CABIN INTERIOR	185
FIG 719 PEDAL SUB ASSY	187

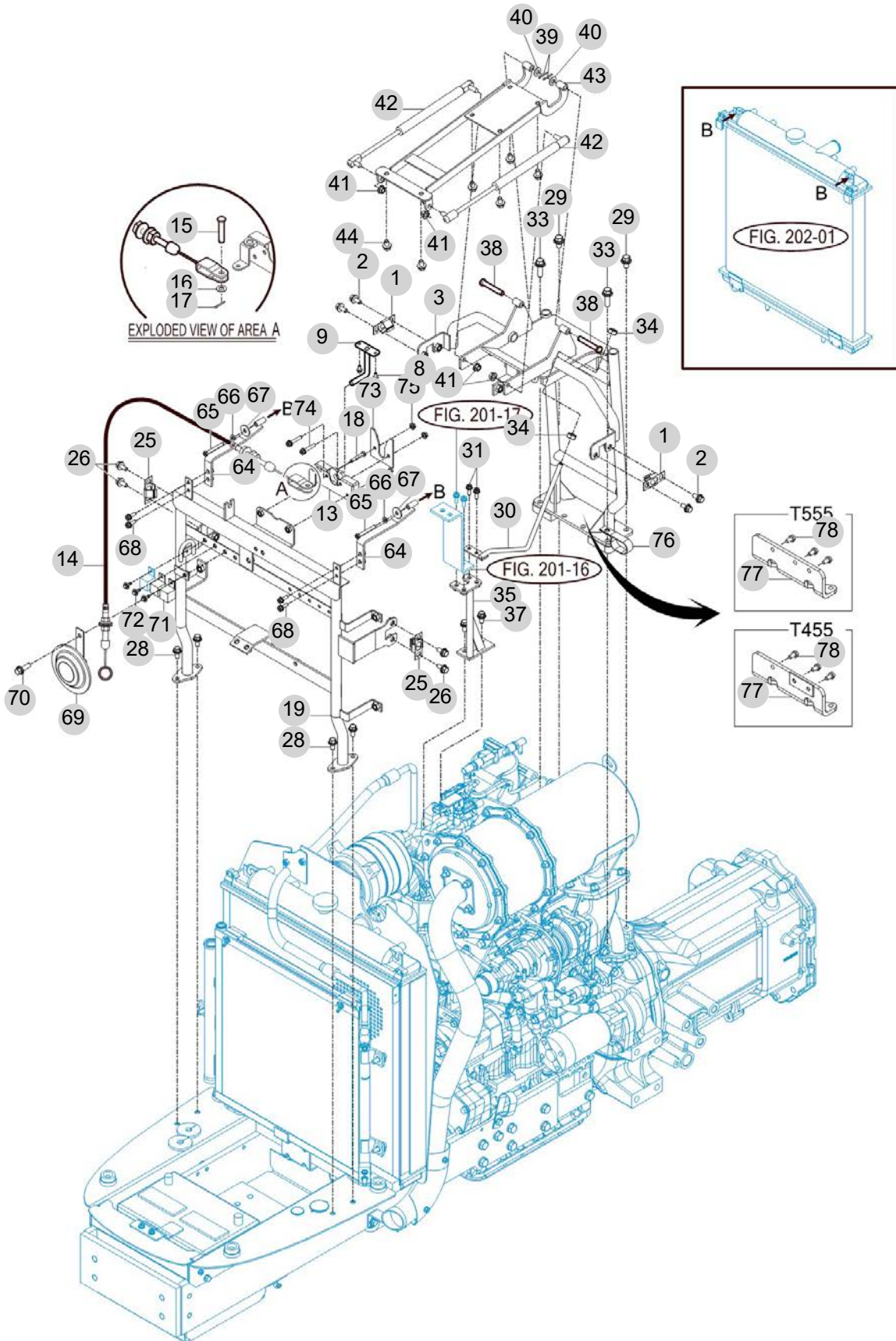
FIG 701

T555NHGBC

HOOD (1)

년/월
Year/Month

2022-12



NOTE

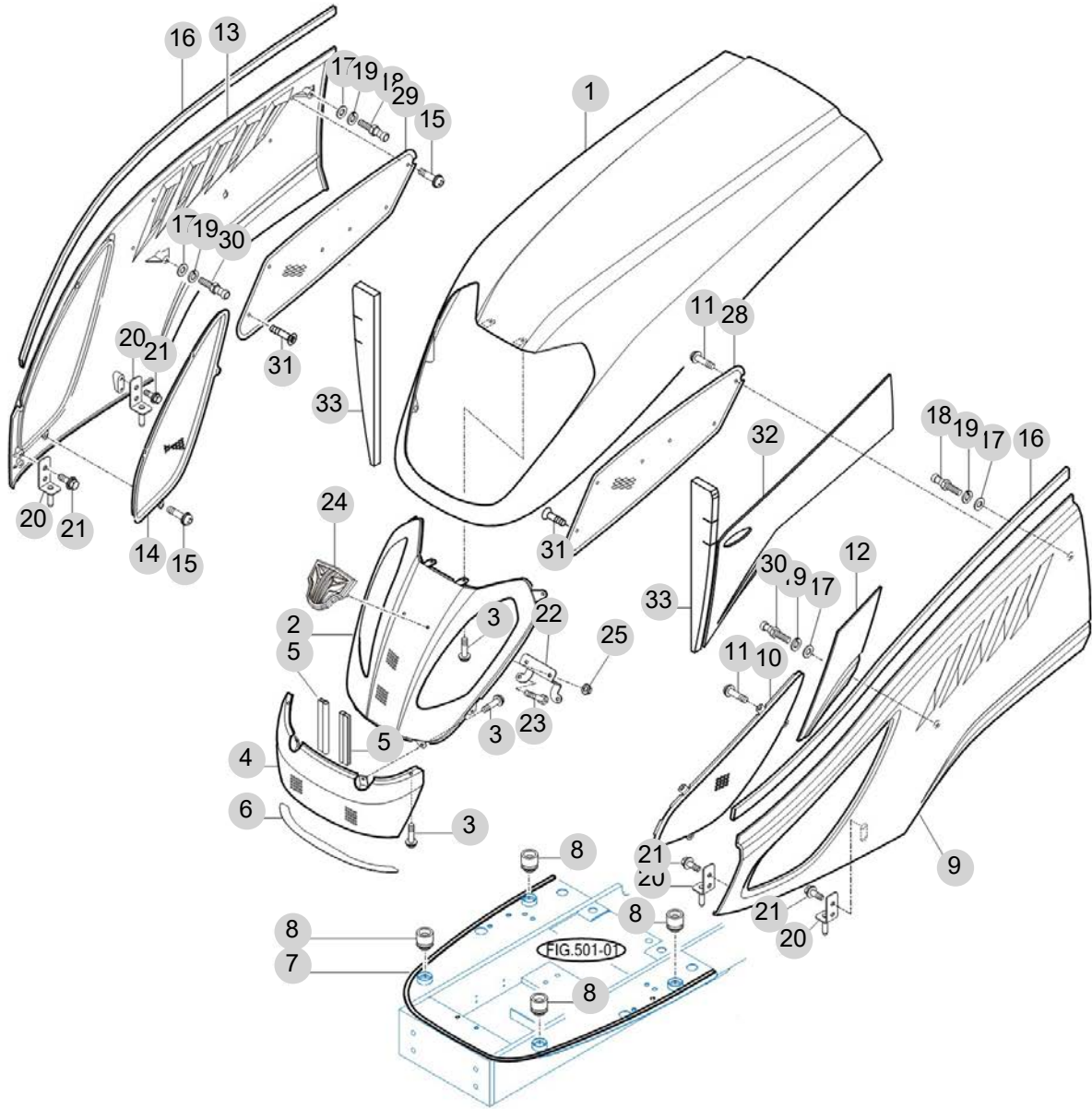
FIG 702

T555NHGBC

HOOD (2)

년/월
Year/Month

2022-12



T554/454-E-702

NOTE

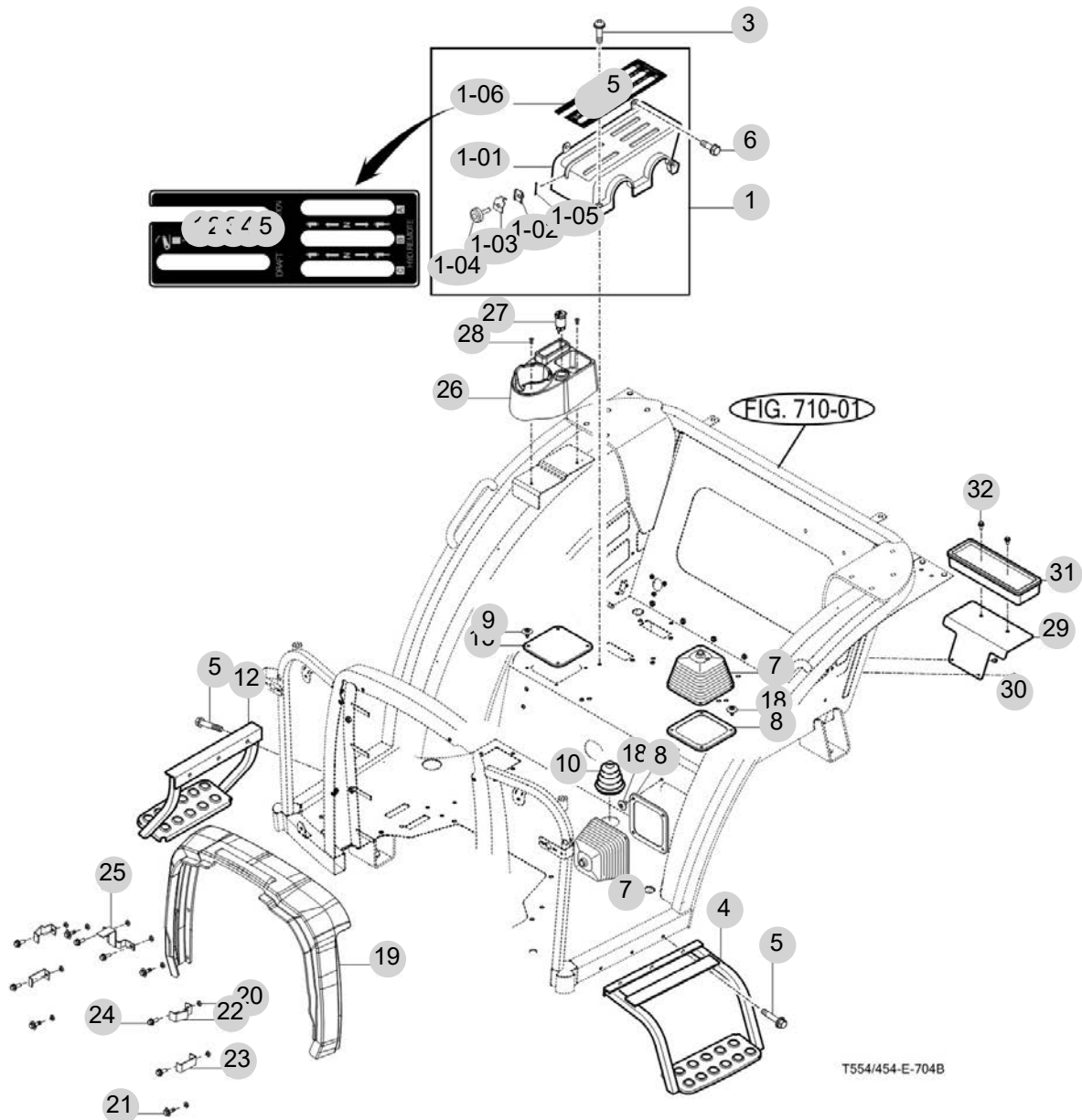
FIG 704B

T555NHGBC

LEVER COVER & STEP-Non CAB

년/월
Year/Month

2022-12



NOTE

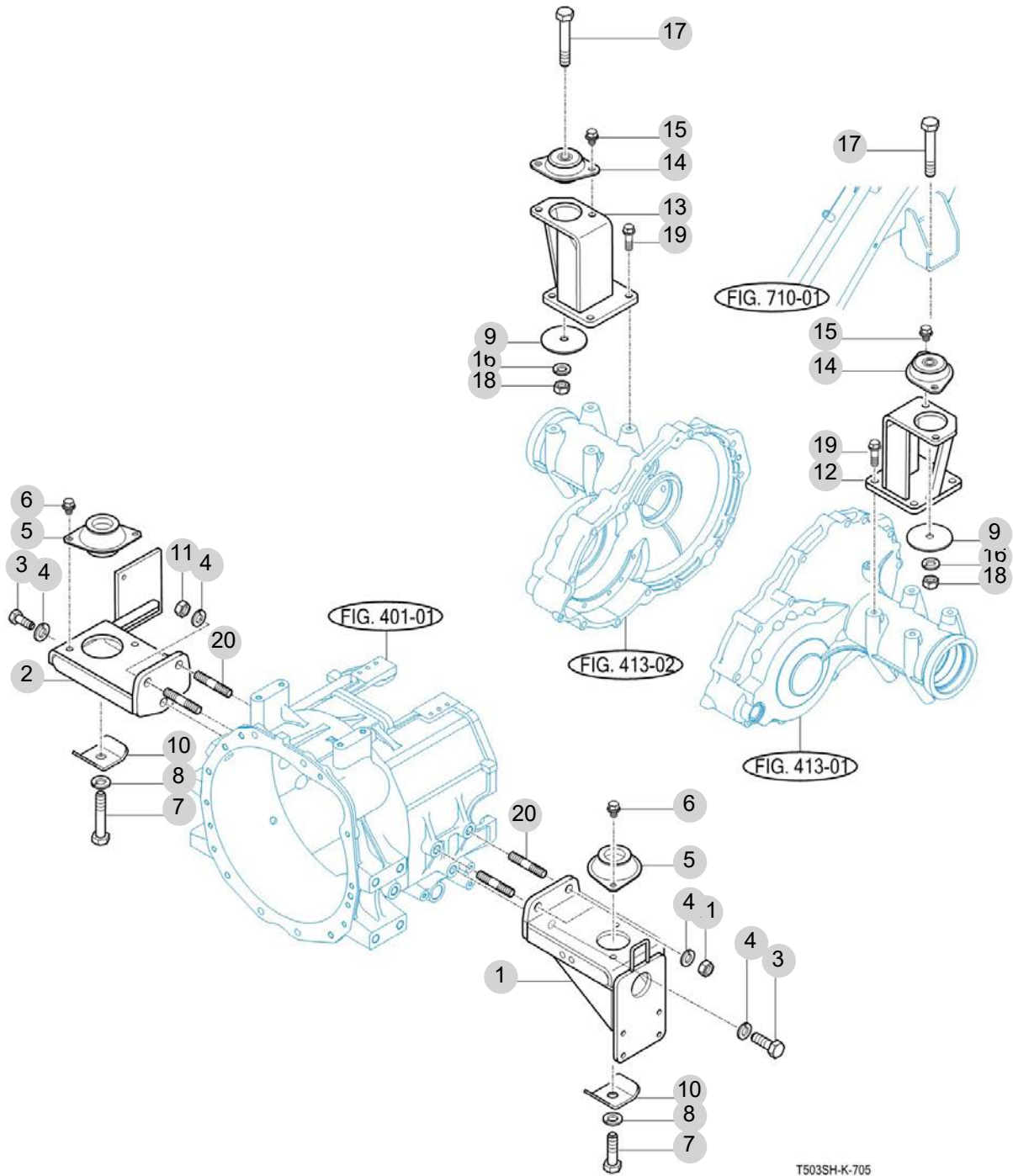
FIG 705

T555NHGBC

FRONT & REAR MOUNTING

년/월
Year/Month

2022-12



T503SH-K-705

NOTE

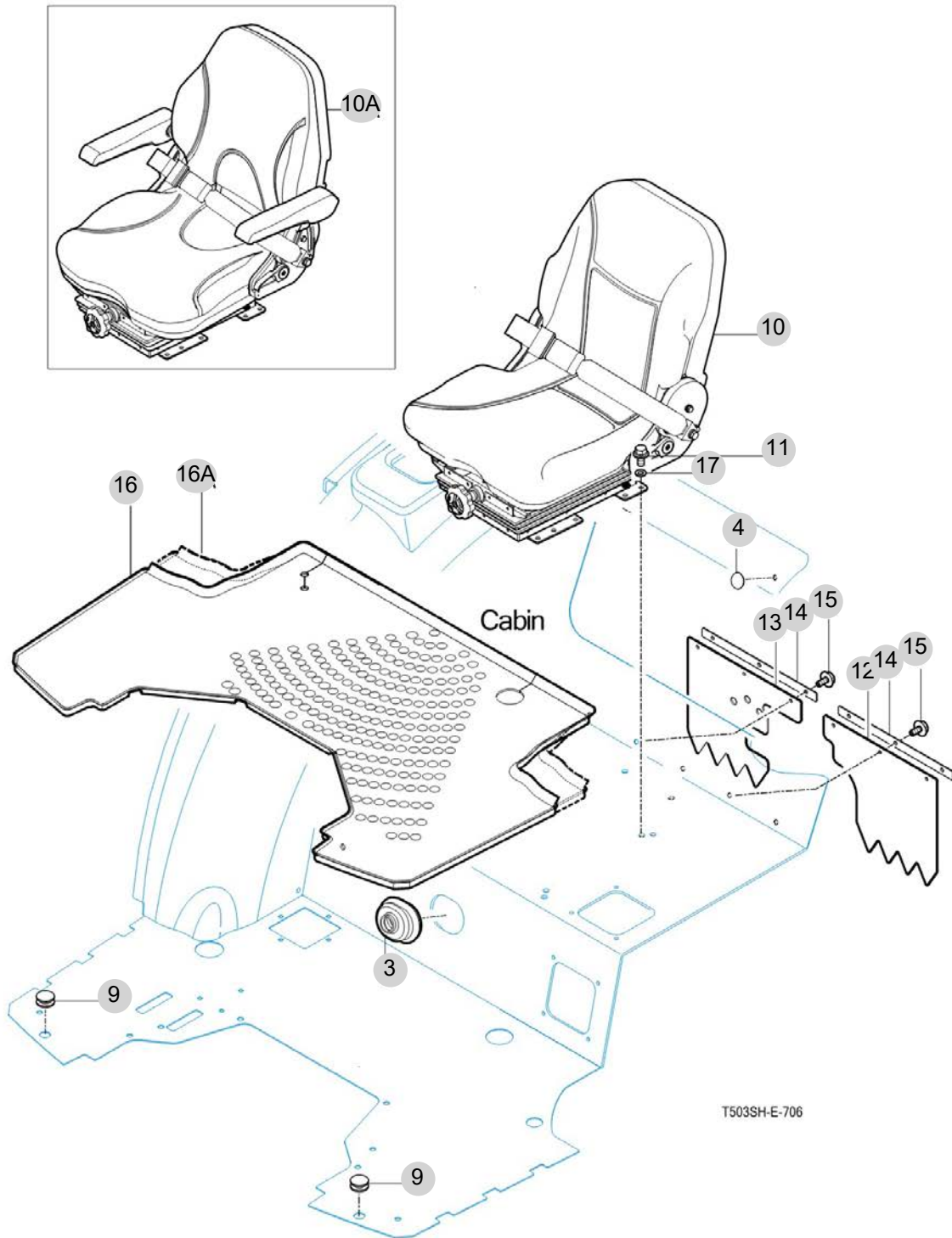
FIG 706

SEAT & MAT

년/월
Year/Month

2022-12

T555NHGBC



NOTE

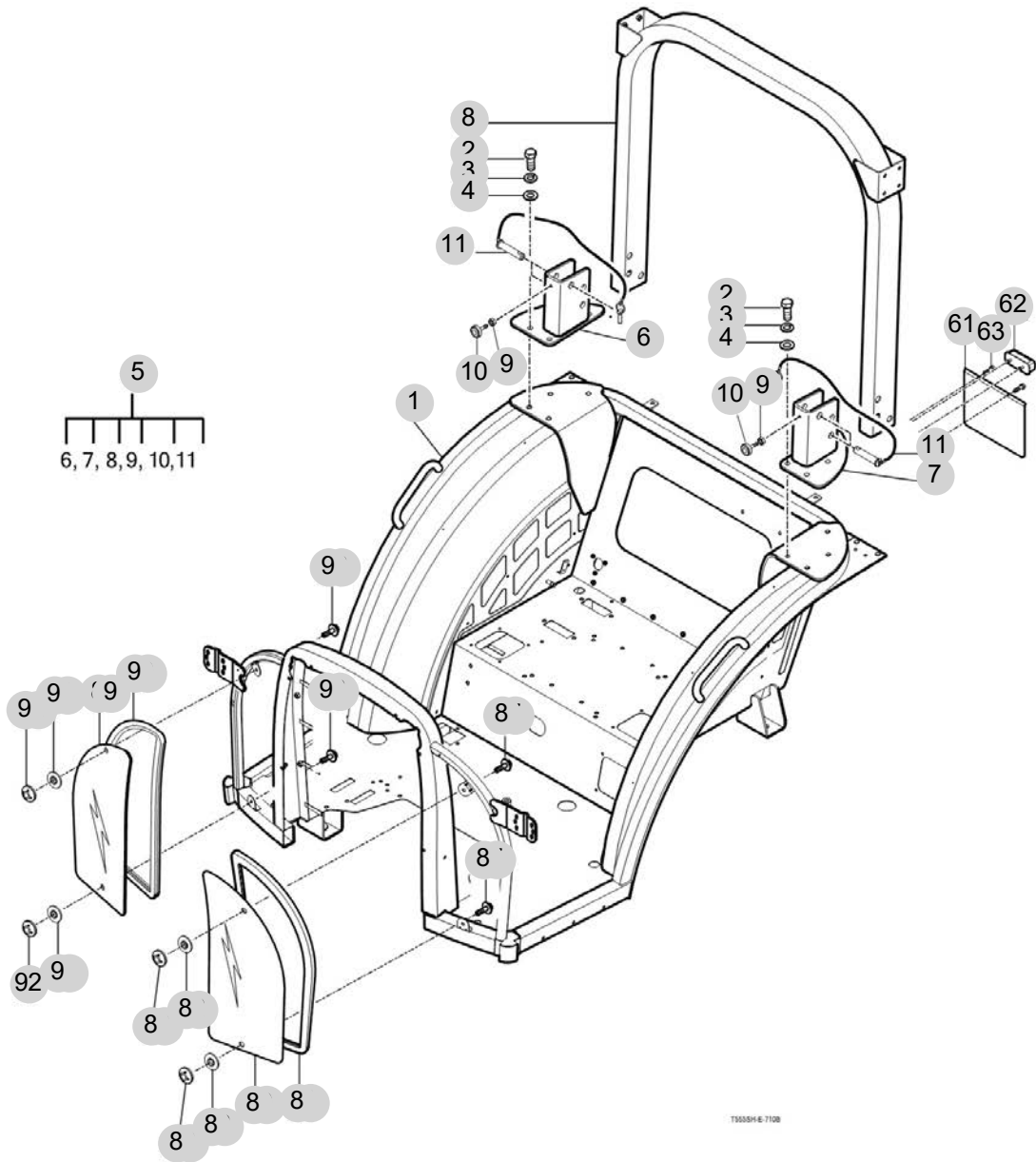
FIG 710B

T555NHGBC

FRAME&2POLES ROPS-Non CAB

년/월
Year/Month

2022-12



T555NHG-710B

NOTE

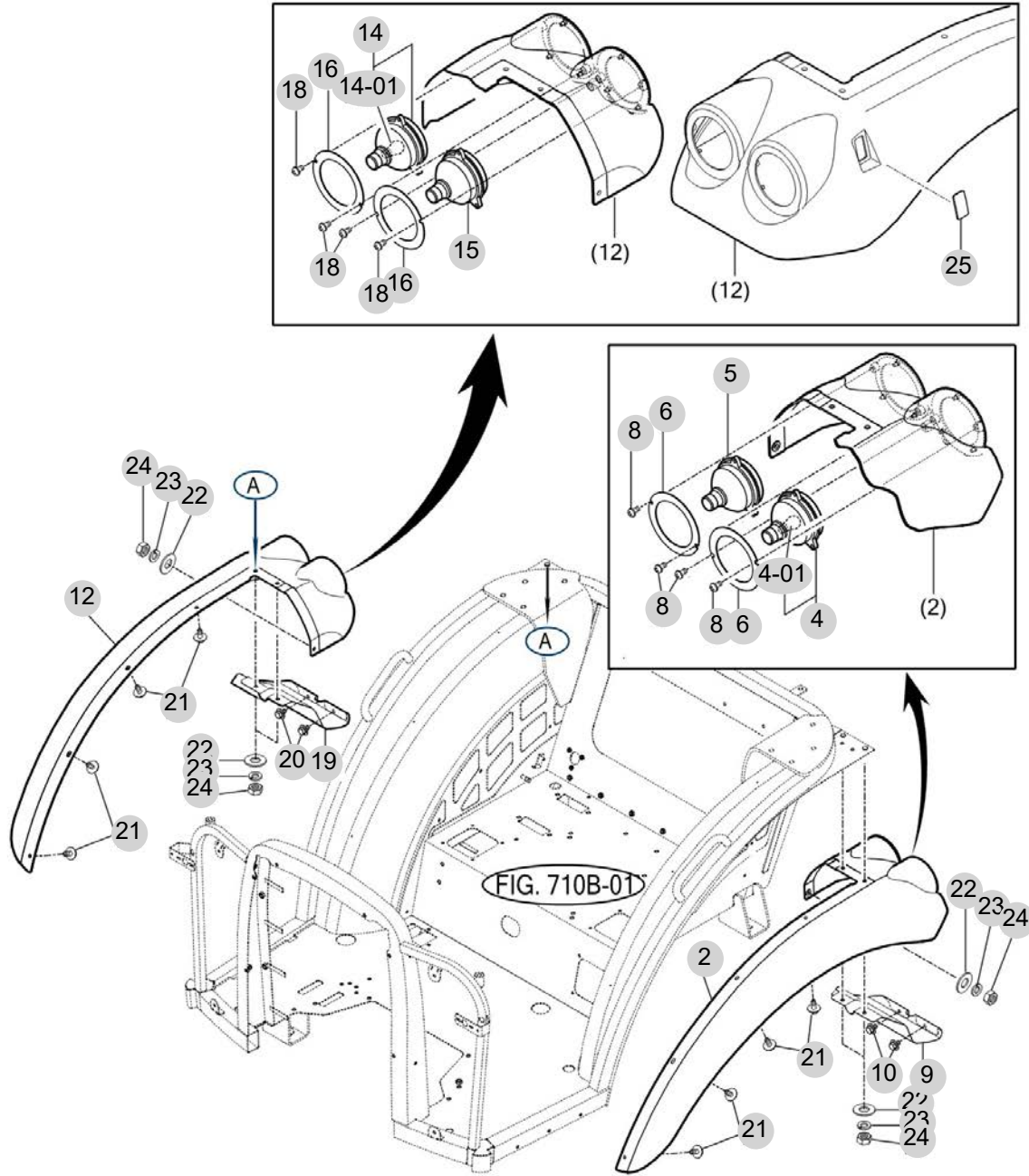
FIG 713B

T555NHGBC

SUB FENDER&COVER-Non CAB

년/월
Year/Month

2022-12



T553-E-713B

NOTE

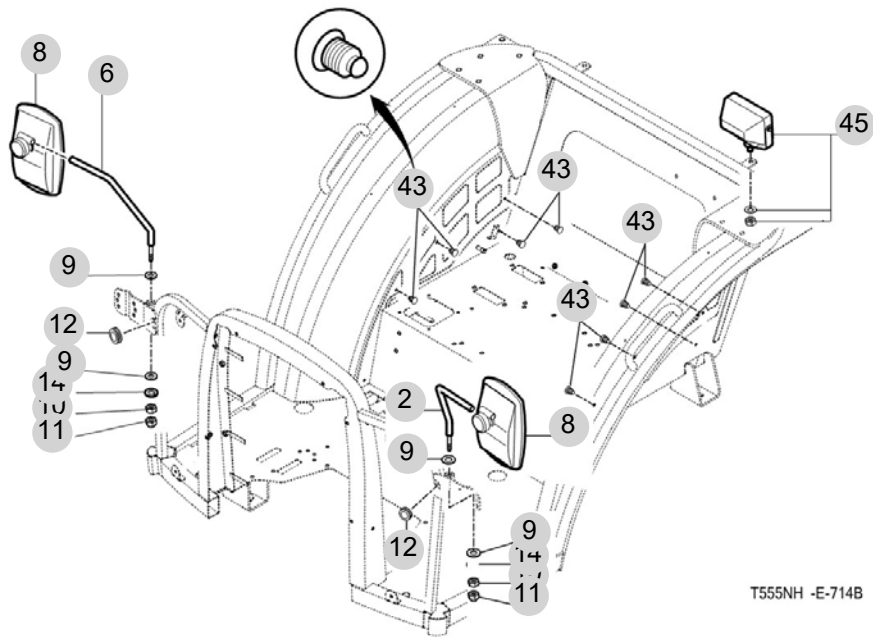
FIG 714B

T555NHGBC

MIRROR&WORKING LAMP-Non CAB

년/월
Year/Month

2022-12



NOTE

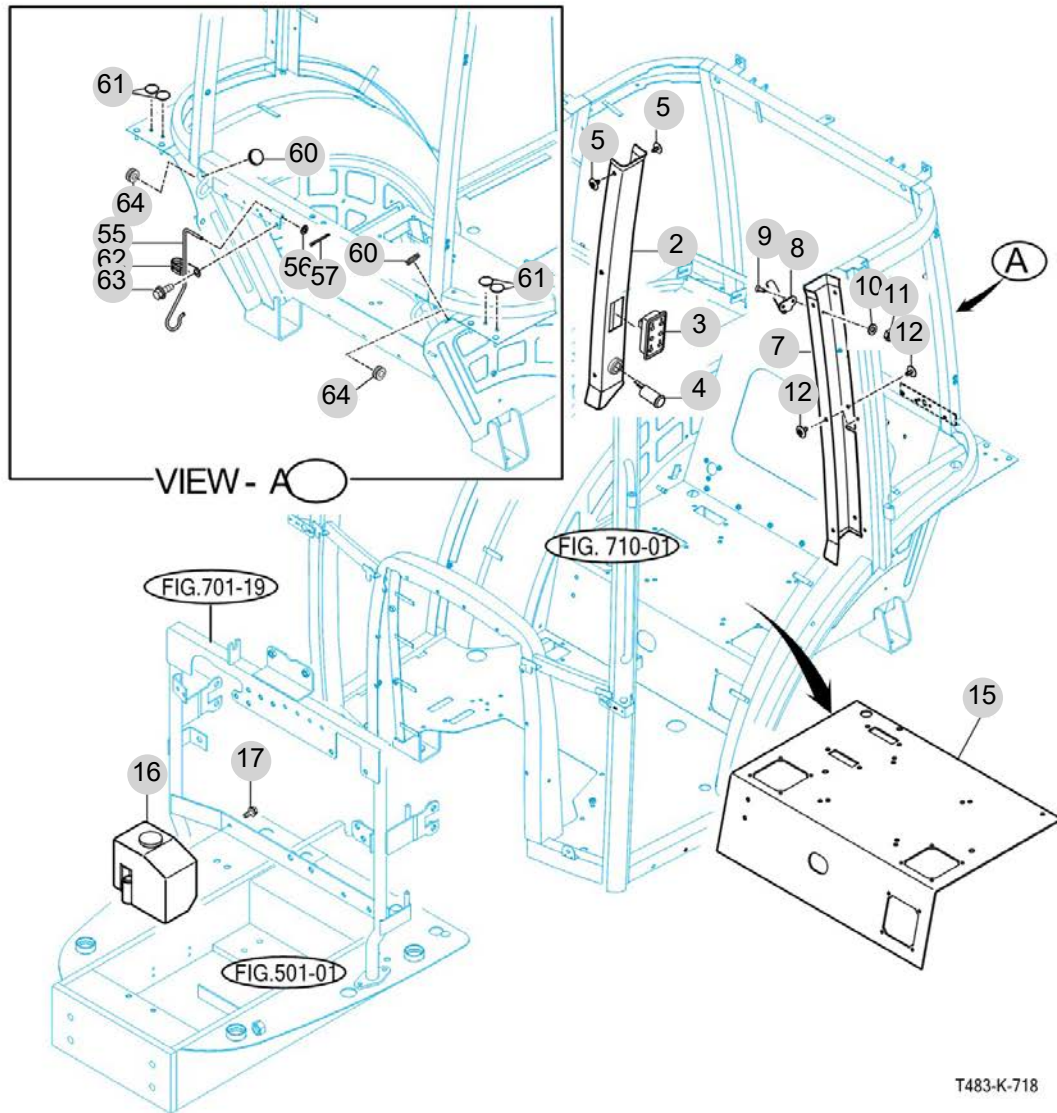
FIG 718

T555NHGBC

CABIN INTERIOR

년/월
Year/Month

2022-12



T483-K-718

NOTE

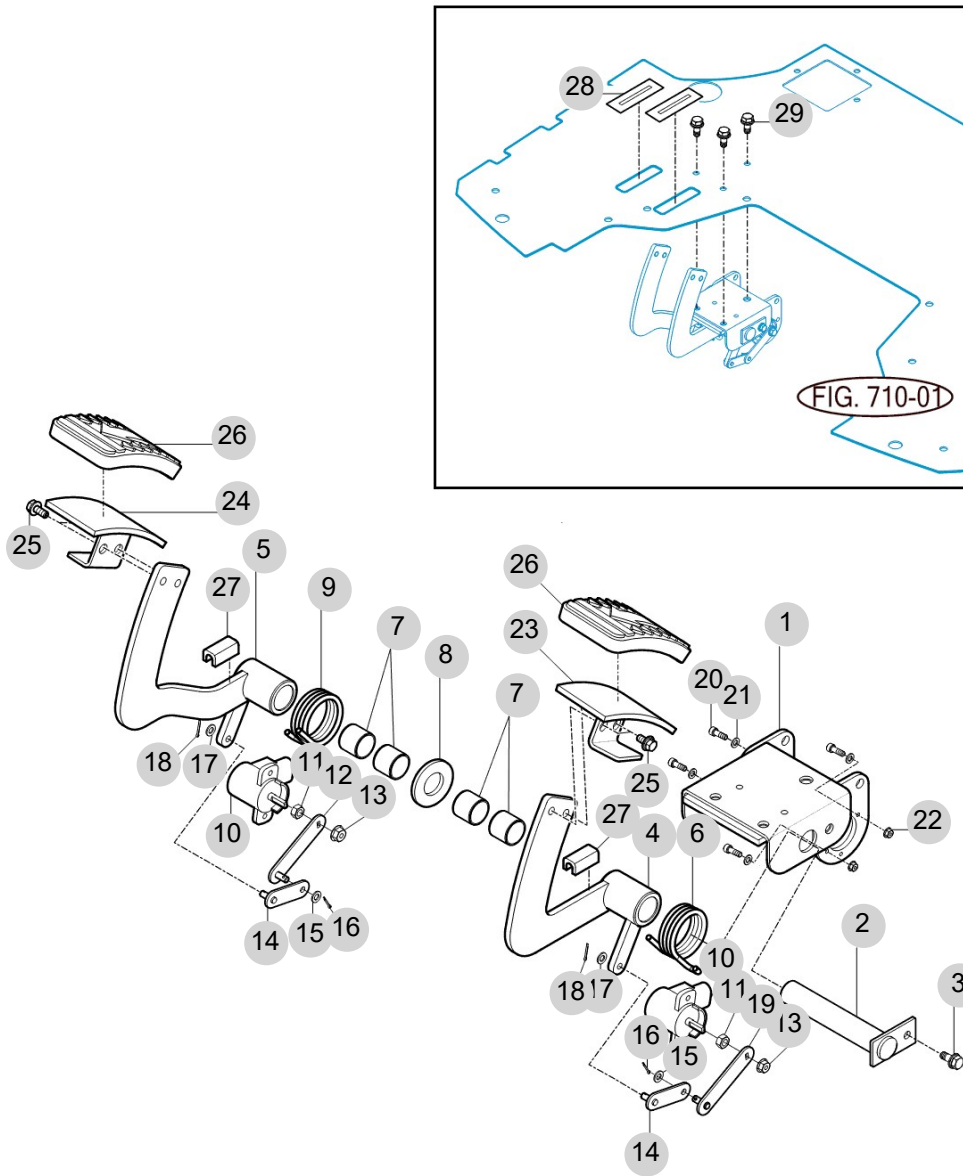
FIG 719

T555NHGBC

PEDAL SUB ASSY

년/월
Year/Month

2022-12



NOTE

8. 전장 PART NO. T8

FIG 801 BATTERY MOUNTING	190
FIG 802 LIGHT & BACK LAMP	192
FIG 803 INSTRUMENT PANEL	194
FIG 804 ELECTRIC SYSTEM (1)	196
FIG 805B ELECTRIC SYSTEM (2)-Non CAB	198
FIG 806 ELECTRIC SYSTEM (3)	200

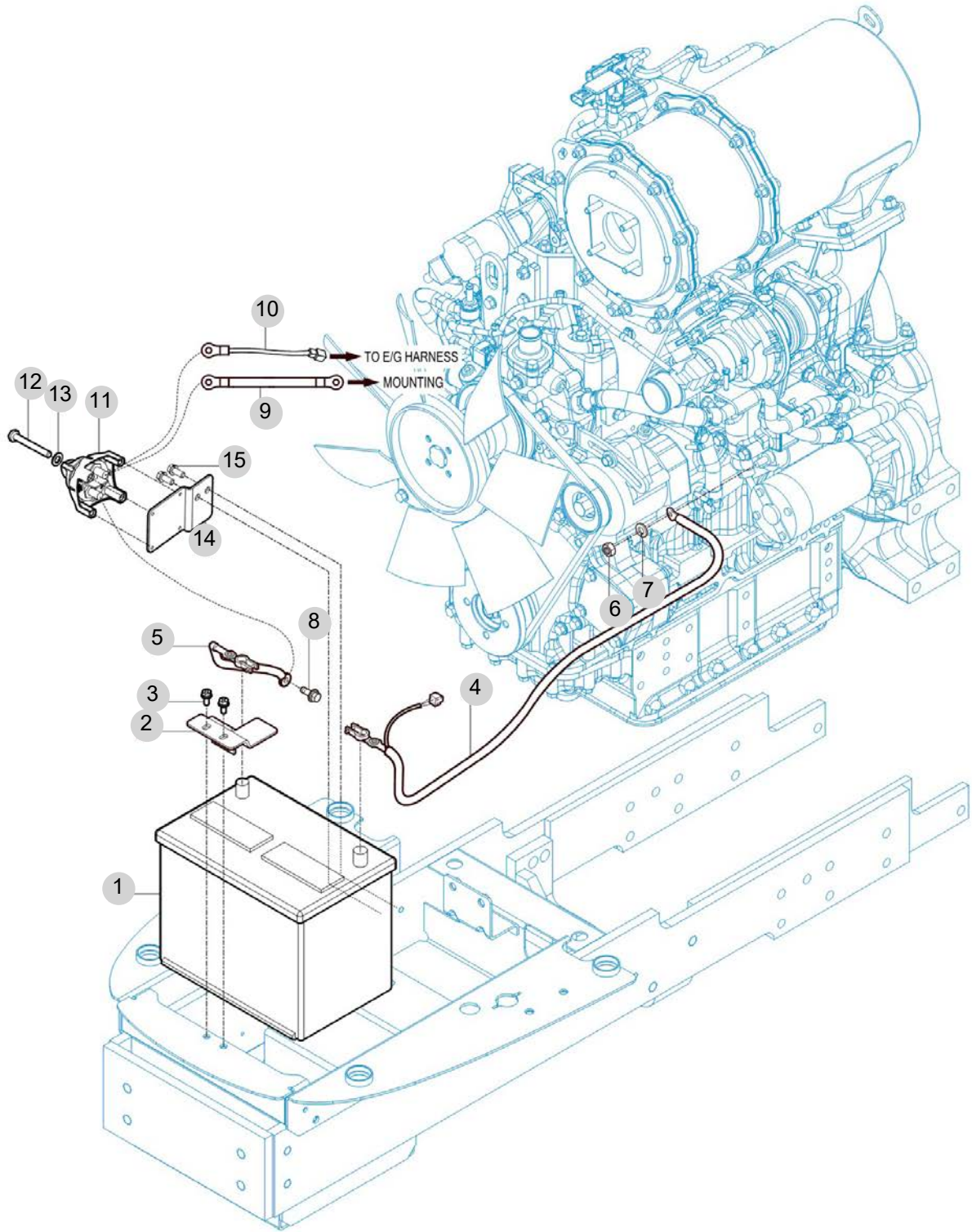
FIG 801

BATTERY MOUNTING

년/월
Year/Month

2022-12

T555NHGBC



NOTE

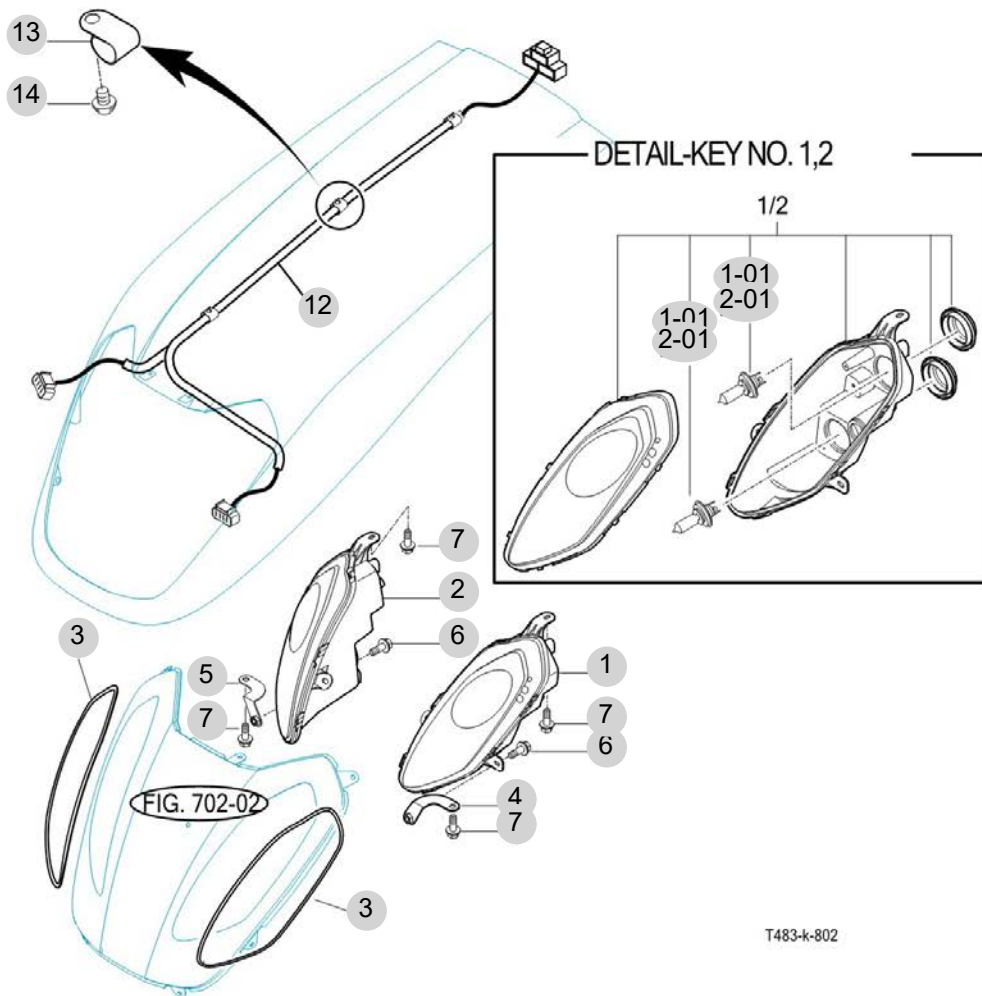
FIG 802

T555NHGBC

LIGHT & BACK LAMP

년/월
Year/Month

2022-12



NOTE

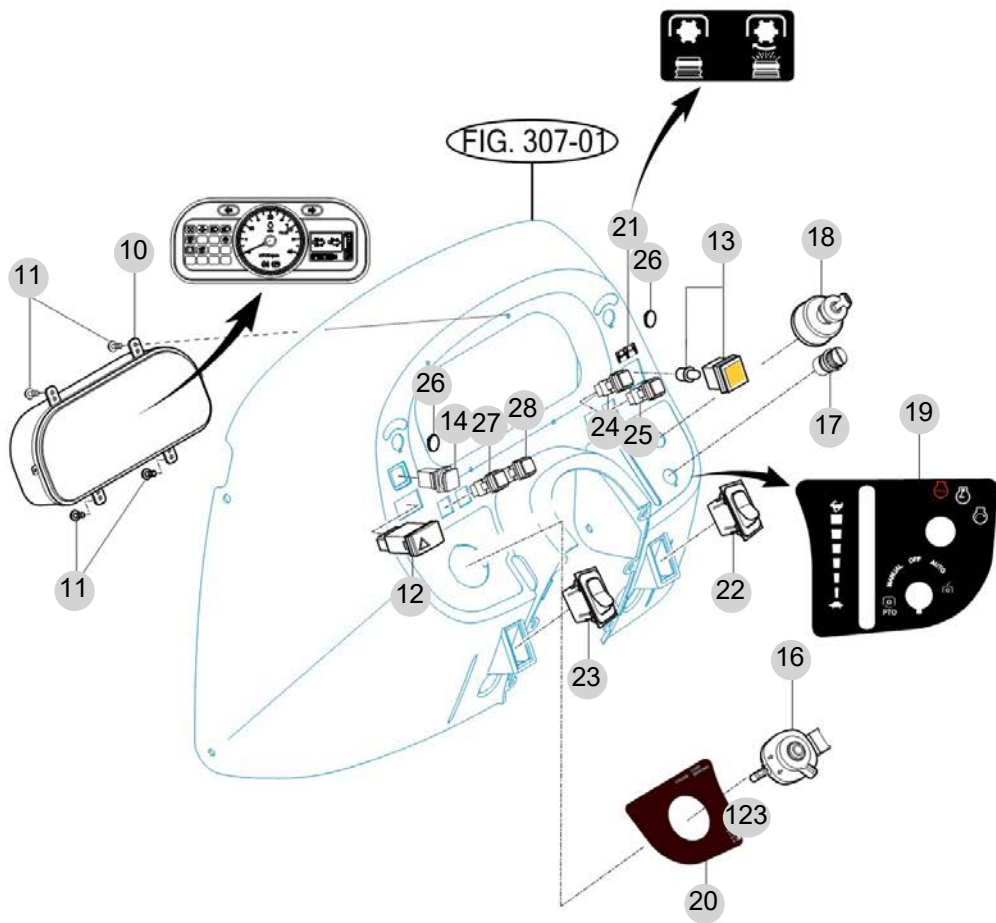
FIG 803

T555NHGBC

INSTRUMENT PANEL

년/월
Year/Month

2022-12



NOTE

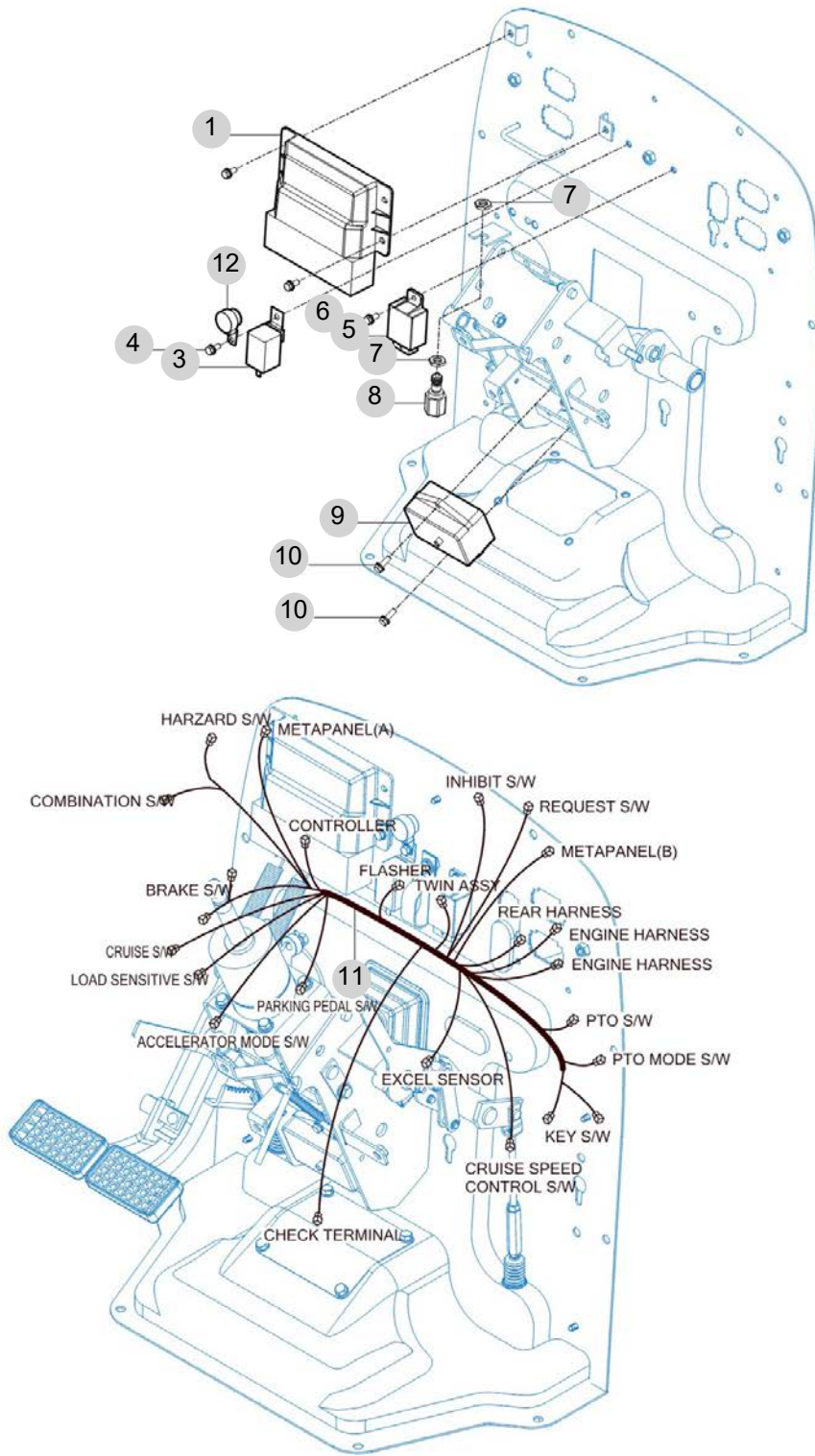
FIG 804

T555NHGBC

ELECTRIC SYSTEM (1)

년/월
Year/Month

2022-12



NOTE

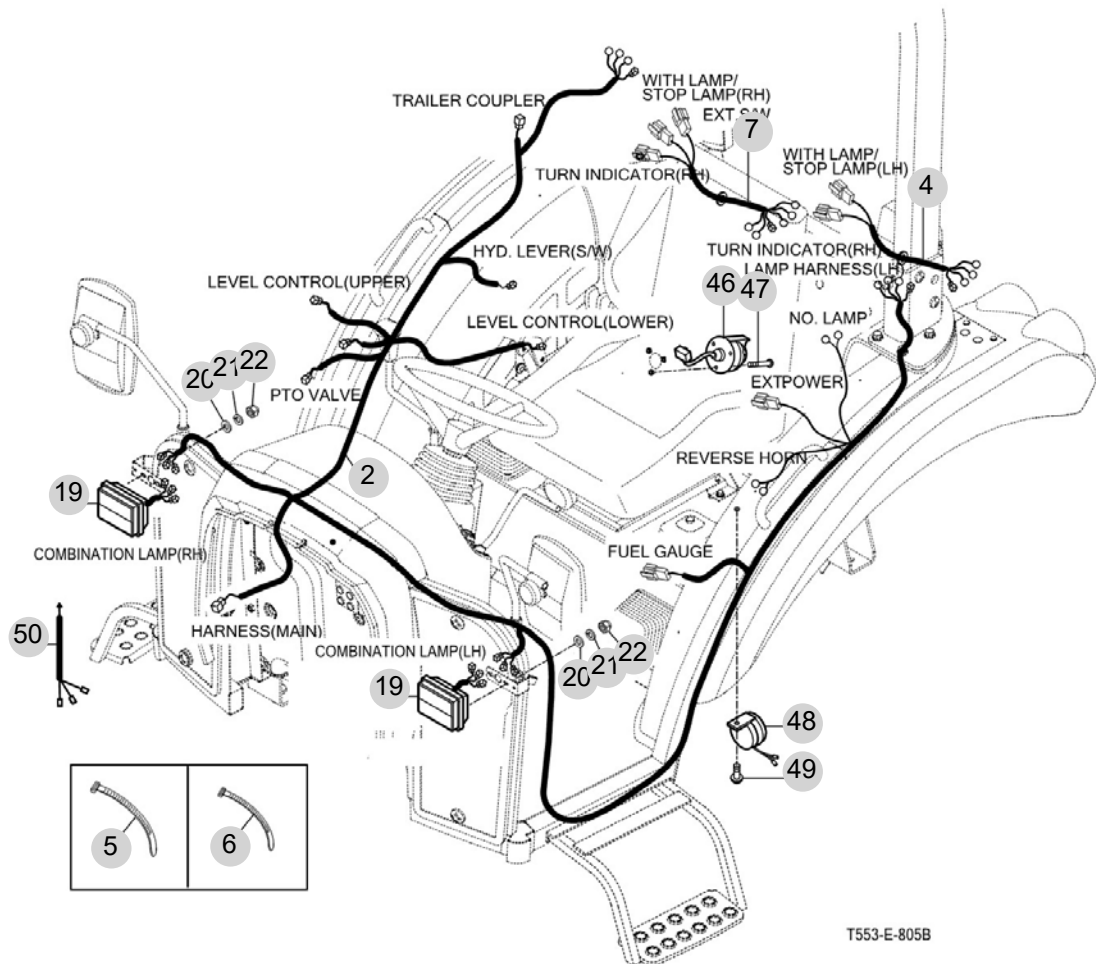
FIG 805B

T555NHGBC

ELECTRIC SYSTEM (2)-Non CAB

년/월
Year/Month

2022-12



T553-E-805B

NOTE

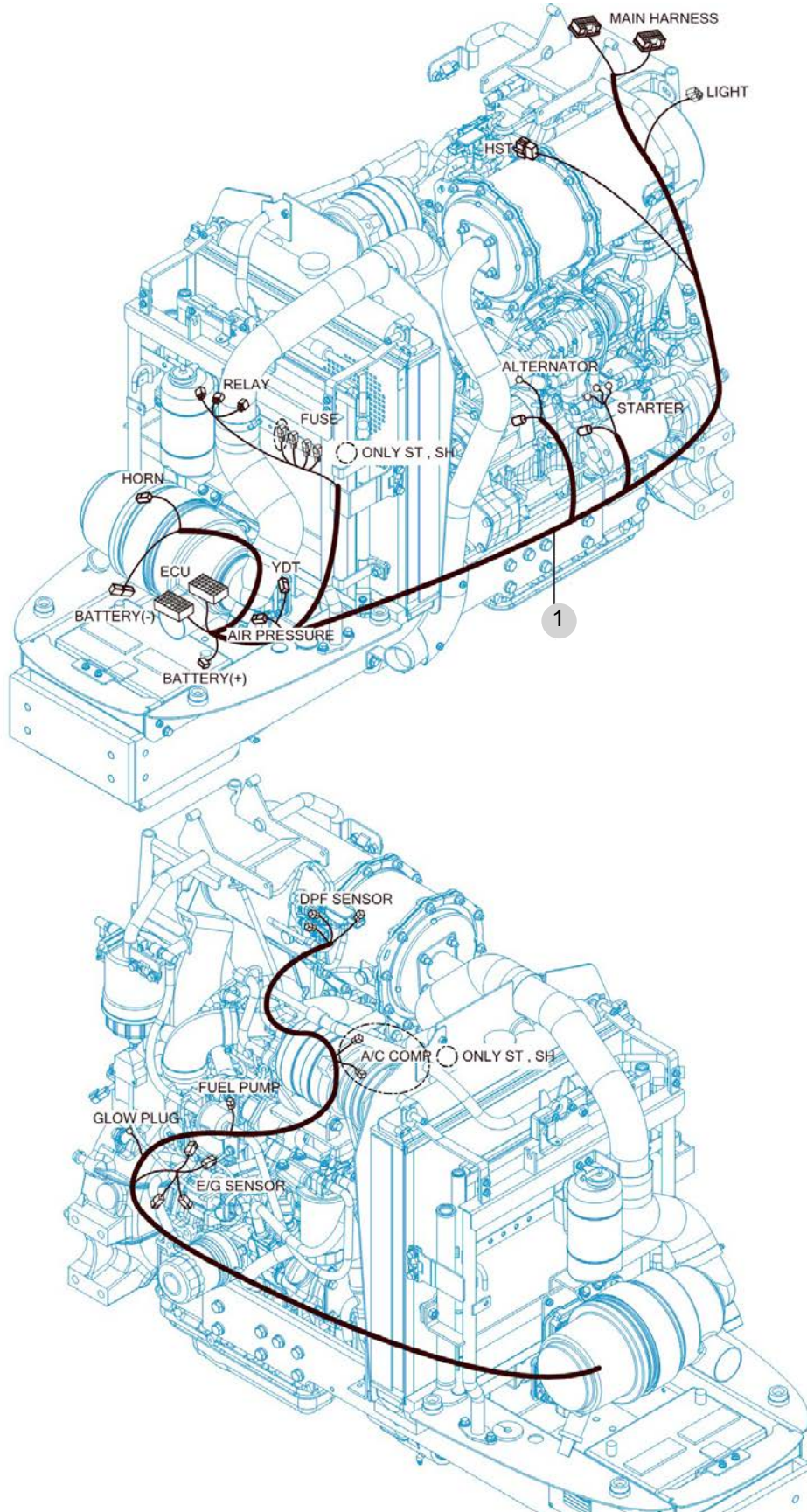
FIG 806

ELECTRIC SYSTEM (3)

년/월
Year/Month

T555NHGBC

2022-12



NOTE

9. 라벨/옵션 PART NO. T9

FIG 901 TOOL & ACCESSORY	203
FIG 902 WEIGHT	205
FIG 903-1 LABEL	207
FIG 903-2 LABEL	209

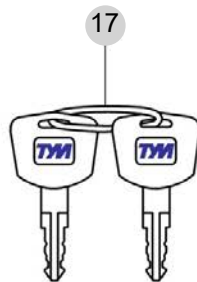
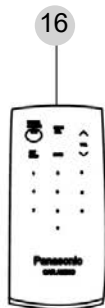
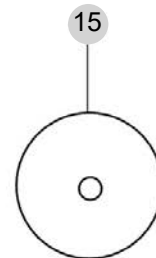
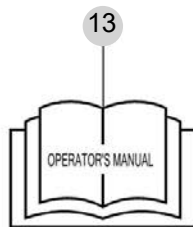
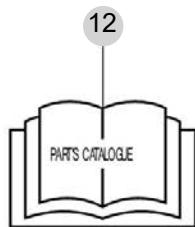
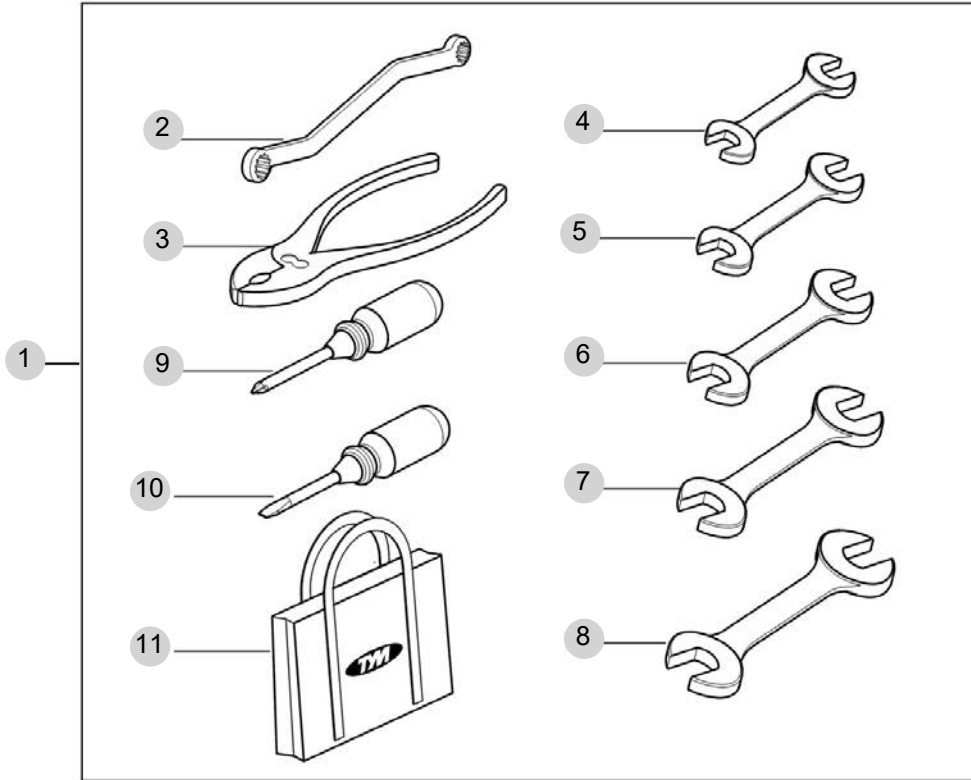
FIG 901

T555NHGBC

TOOL & ACCESSORY

년/월
Year/Month

2022-12



NOTE

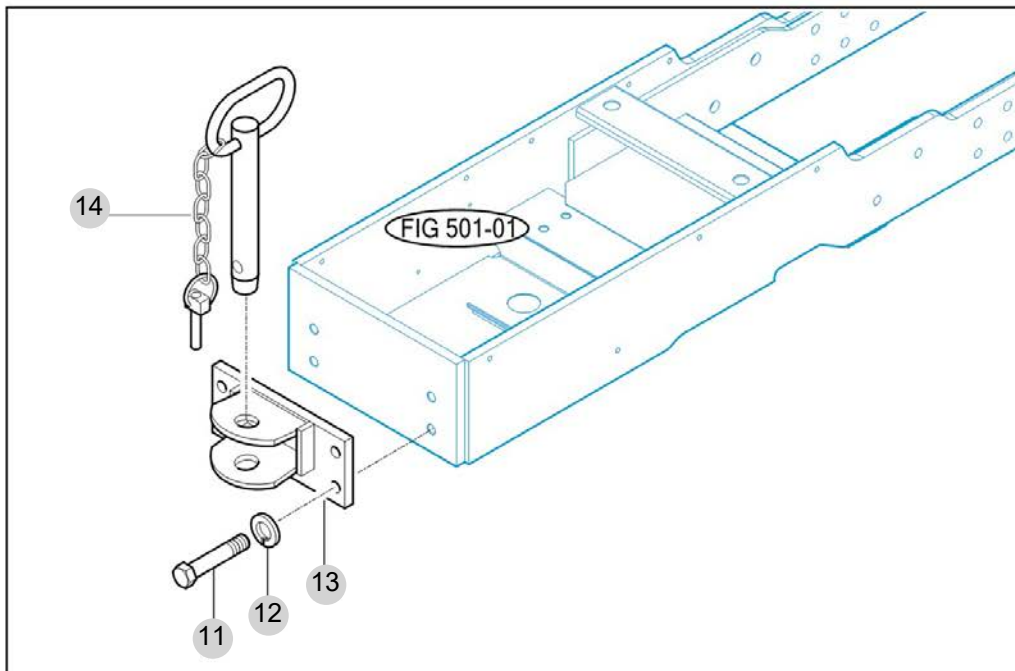
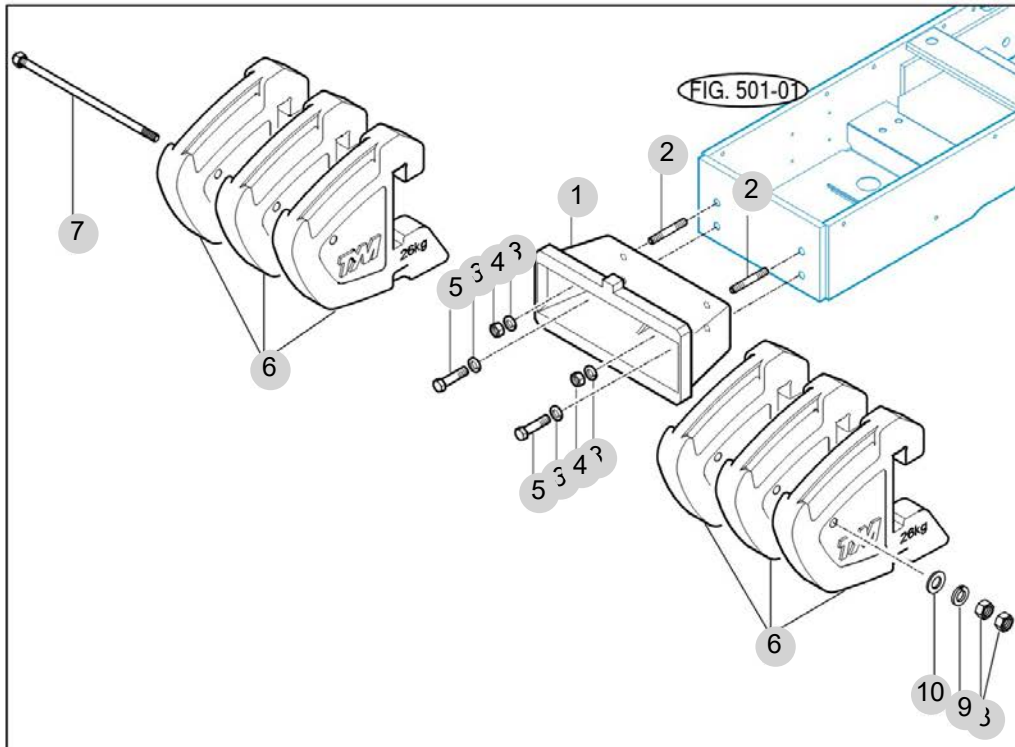
FIG 902

T555NHGBC

WEIGHT

년/월
Year/Month

2022-12



T575-E-902

NOTE

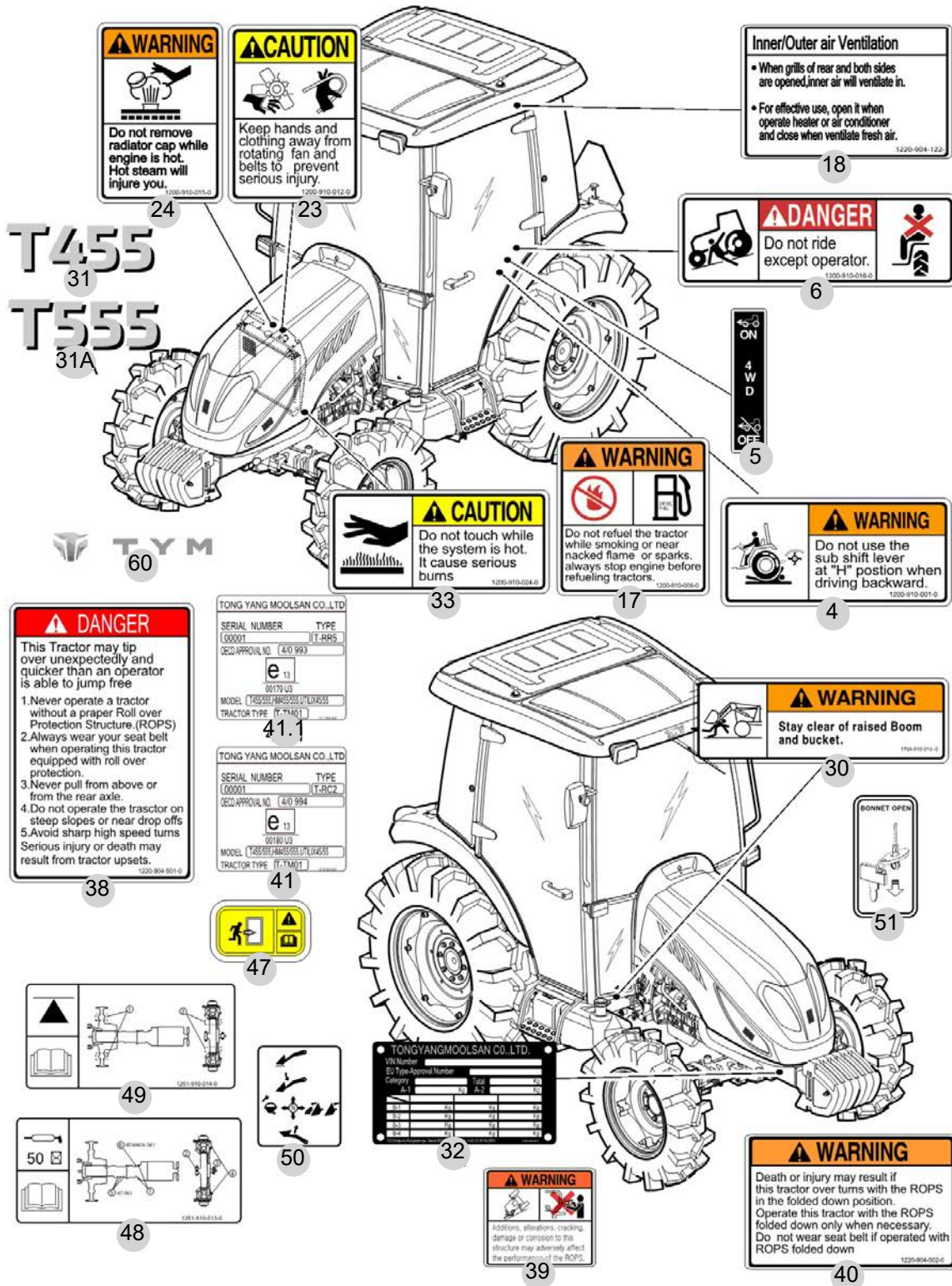
FIG 903-1

LABEL

년/월
Year/Month

T555NHGBC

2022-12



NOTE

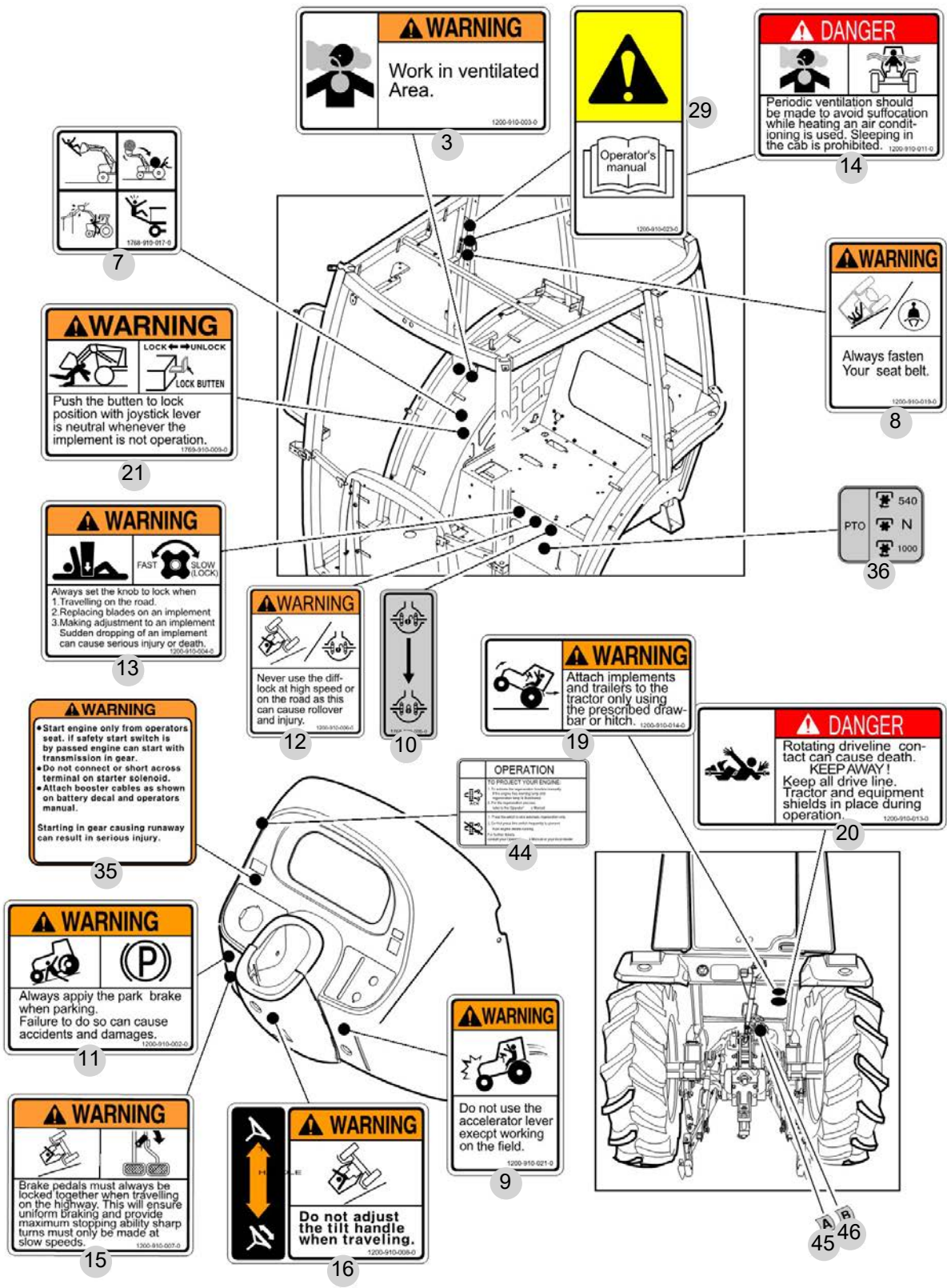
FIG 903-2

T555NHGBC

LABEL

년/월
Year/Month

2022-12



NOTE

