

4815R\_US\_FL(AC02164) TRACTOR

## Parts Catalogue



# CONTENTS

| GROUP NO  | GROUP NAME                        | PAGE |
|-----------|-----------------------------------|------|
| G. ENGINE |                                   |      |
| A01_007   | CYLINDER BLOCK                    | 6    |
| A02_005   | DRIVE PULLY                       | 8    |
| A03_004   | CRANK SHAFT PULLEY                | 10   |
| A04_005   | GLOW PLUG ASS'Y OPTION            | 12   |
| A05_005   | CRANK SHAFT ASS'Y OPTION          | 14   |
| A06_004   | BREATHER OPTION                   | 16   |
| A07_005   | CAMSHAFT                          | 18   |
| A08_003   | ALTERNATOR                        | 20   |
| A09_003   | COOLING WATER PUMP                | 22   |
| A10_010   | COOLING FAN SPACER                | 24   |
| A11_007   | INJECTOR                          | 26   |
| A12_014   | FUEL INJECTON                     | 28   |
| A13_005   | PLUMBING, FUEL                    | 30   |
| A14_003   | FUEL FILTER BRACKET               | 33   |
| A16_018   | FUEL FILTER ASS'Y OPTION          | 35   |
| A17_014   | INTAKE MANIFOLD ASS'Y OPTION      | 37   |
| A18_011   | FLYWHEEL                          | 39   |
| A19_007   | FLYWHEEL HOUSING                  | 41   |
| A20_010   | HEAD, CYLINDER                    | 43   |
| A21_004   | HEAD COVER                        | 45   |
| A23_009   | TURBOCHARGER SUPPORT ASS'Y OPTION | 47   |
| A25_002   | OIL JET ASS'Y OPTION              | 49   |
| A26_005   | COOLER, ENGINE OIL                | 51   |
| A27_005   | OIL PAN ASS'Y OPTION              | 53   |
| A28_001   | PUMP, LUBRICATING OIL             | 55   |
| A29_005   | FILTER, LUBRICATING OIL           | 57   |
| A30_003   | FRONT GEAR ACCESSORY DRIVE        | 59   |
| A31_007   | PISTON                            | 61   |
| A32_003   | LEVER, LOCKER                     | 63   |
| A33_013   | EXHAUST MANIFOLD                  | 65   |
| A35_002   | IDLE GEAR                         | 67   |
| A36_004   | COVER, FRONT GEAR                 | 69   |
| A37_001   | BALANCE ASS'Y                     | 71   |
| A38_009   | GAUGE, OIL LEVEL                  | 73   |

# CONTENTS

| GROUP NO                       | GROUP NAME              | PAGE |
|--------------------------------|-------------------------|------|
| <b>G. ENGINE</b>               |                         |      |
| A39_001                        | OIL FILLER CAP          | 75   |
| A40_003                        | LIFT ASS'Y OPTION       | 77   |
| A42_003                        | MOTER, STARTIONS        | 79   |
| A43_001                        | DPF SUPPORT OPTION      | 81   |
| A44_006                        | DPF MOUNTING OPTION     | 83   |
| A45_011                        | DPF                     | 85   |
| A48_006                        | V-BELT                  | 87   |
| <b>B. ENGINE ACCESSORIES</b>   |                         |      |
| B01010                         | (FUEL TANK)             | 89   |
| B02020                         | (RADIATOR)              | 91   |
| B03010                         | (AIR CLEANER)           | 93   |
| B05011                         | (LEVER ACCELERATOR)     | 95   |
| <b>C. CLUTCH, BREAK, LEVER</b> |                         |      |
| C02010-B                       | (BRAKE PEDAL)           | 97   |
| C02050                         | (PARKING BRAKE)         | 99   |
| C04010                         | (SHUTTLE ASS'Y)         | 101  |
| <b>D. HYDRAULIC</b>            |                         |      |
| D01010-B                       | (HYD PUMP)              | 103  |
| D01020-B                       | (LOW PRESSURE PIPE)     | 105  |
| D01040                         | (HYD FILTER)            | 107  |
| D02010                         | (STEERING COLUMN)       | 109  |
| D02030                         | (P.S.T HOSE)            | 111  |
| D02040                         | (P.S.T CYLINDER)        | 113  |
| <b>E. FRONT AXLE</b>           |                         |      |
| E01010                         | (FRONT AXLE CASE)       | 115  |
| E01013                         | (SPACER)                | 117  |
| E01030                         | (GEAR CASE, FRONT AXLE) | 119  |
| E01070                         | (FRONT DRIVE SHAFT)     | 121  |
| E01080                         | (TIE ROD)               | 123  |
| <b>F. TRANSMISSION</b>         |                         |      |
| F01010-B                       | (CLUTCH HOUSING)        | 125  |
| F01020                         | (TRANSMISSION CASE)     | 127  |
| F01030                         | (REAR AXLE HOUSING)     | 129  |
| F02010                         | (CLUTCH RELEASE)        | 131  |

# CONTENTS

| GROUP NO                     | GROUP NAME                     | PAGE |
|------------------------------|--------------------------------|------|
| <b>F. TRANSMISSION</b>       |                                |      |
| F02020                       | (CLUTCH SHAFT)                 | 133  |
| F03010                       | (MAIN SHIFT DRIVE SHAFT)       | 135  |
| F03040                       | (RANGE SHIFT DRIVE SHAFT)      | 137  |
| F04010                       | (FRONT DRIVE SHAFT)            | 139  |
| F05020                       | RING GEAR&DIFF.GEAR ASS'Y      | 141  |
| F05020                       | (REAR DIFFERENTIAL ASS'Y)      | 143  |
| F06030                       | (BRAKE)                        | 145  |
| F07030                       | (PTO DRIVE SHAFT)              | 147  |
| F07070                       | (MAIN P.T.O SHAFT)             | 149  |
| F08021                       | (FORK, PTO SHIFT)              | 151  |
| F08060                       | (FORK, MAIN SHIFT)             | 153  |
| F10010                       | (CASE, HYD CYLINDER)           | 155  |
| F10020                       | (LIFT ARM)                     | 157  |
| F10030                       | (SAFETY VALVE)                 | 159  |
| F10031                       | (RELIEF)                       | 161  |
| F10040                       | (STOP VALVE)                   | 163  |
| F10061                       | (DRAFT/POSITION CONTROL LEVER) | 165  |
| F10063                       | (DRAFT CONTROL)                | 167  |
| F10064                       | (POSITION CONTROL LEVER)       | 169  |
| F11020                       | (LEVER ASS'Y, RANGE SHIFT)     | 171  |
| F11060                       | (DIFFERENTIAL LOCK)            | 173  |
| F11080                       | (4WD LEVER)                    | 175  |
| <b>G. SHEET METAL, CABIN</b> |                                |      |
| G01020                       | BONNET                         | 177  |
| G01040                       | LOCKING ASS'Y, BONNET          | 179  |
| G01060-B                     | (BONNET SUPPORT)               | 181  |
| G01062                       | FIXED BRACKET, BONNET          | 183  |
| G01080                       | FRONT AXLE BRACKET             | 185  |
| G04060                       | FOOT REST ASS'Y                | 187  |
| G04070                       | SEAT                           | 189  |
| G04090                       | FENDER                         | 191  |
| G04120                       | ROPS FRAME ASS'Y               | 193  |
| G05020                       | TOP LINK                       | 195  |
| G05030                       | LOWER LINK                     | 197  |

# CONTENTS

| GROUP NO                | GROUP NAME            | PAGE |
|-------------------------|-----------------------|------|
| G. SHEET METAL, CABIN   |                       |      |
| G05050                  | LIFT LINK             | 199  |
| G05070                  | DRAWBAR HITCH         | 201  |
| G05090                  | SIDE COVER            | 203  |
| G06010                  | TOOL BOX & CUP HOLDER | 205  |
| H. ELECTRICALS, HARNESS |                       |      |
| H01030                  | BATTERY               | 207  |
| H03000                  | HARNESS               | 209  |
| H04051                  | SWITCH/DASHBOARD      | 211  |
| H04070                  | CONTROLLER            | 213  |
| I. WEIGHT, TOOLS, TIRE  |                       |      |
| I03000                  | NAME PLATE            | 215  |
| I06010                  | SUN VISOR(OPTION)     | 217  |

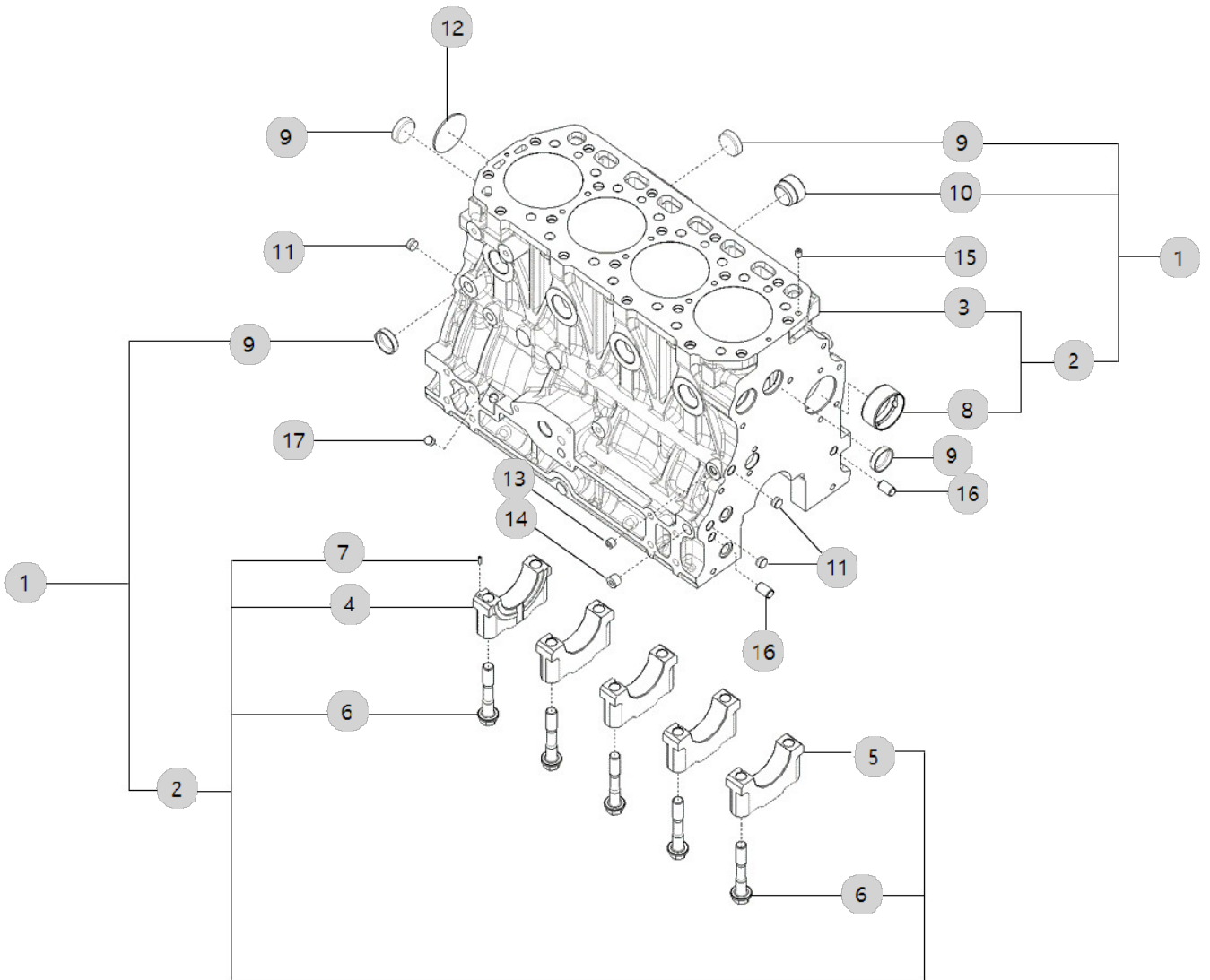
A01\_007

A2300N4-UTR\_4  
(AB00277)

# CYLINDER BLOCK

Year/Month

2022-12-15





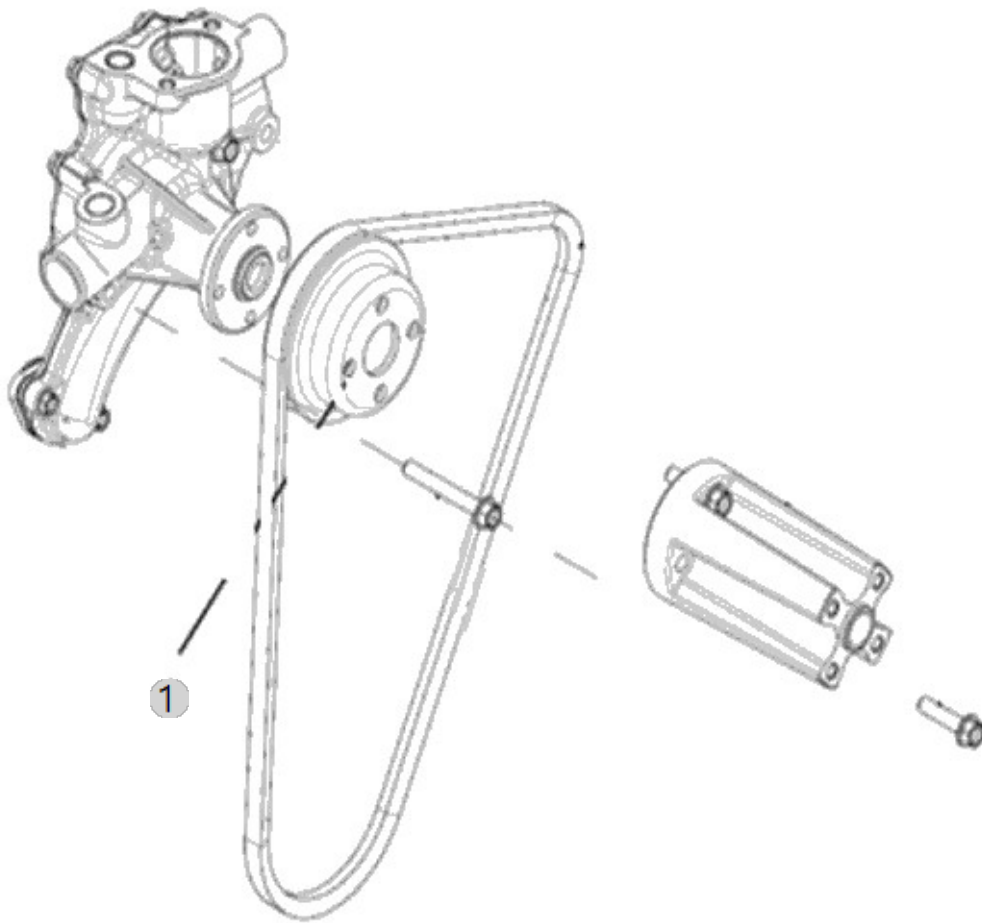
A02\_005

A2300N4-UTR\_4  
(AB00277)

# DRIVE PULLEY

Year/Month

2022-12-15







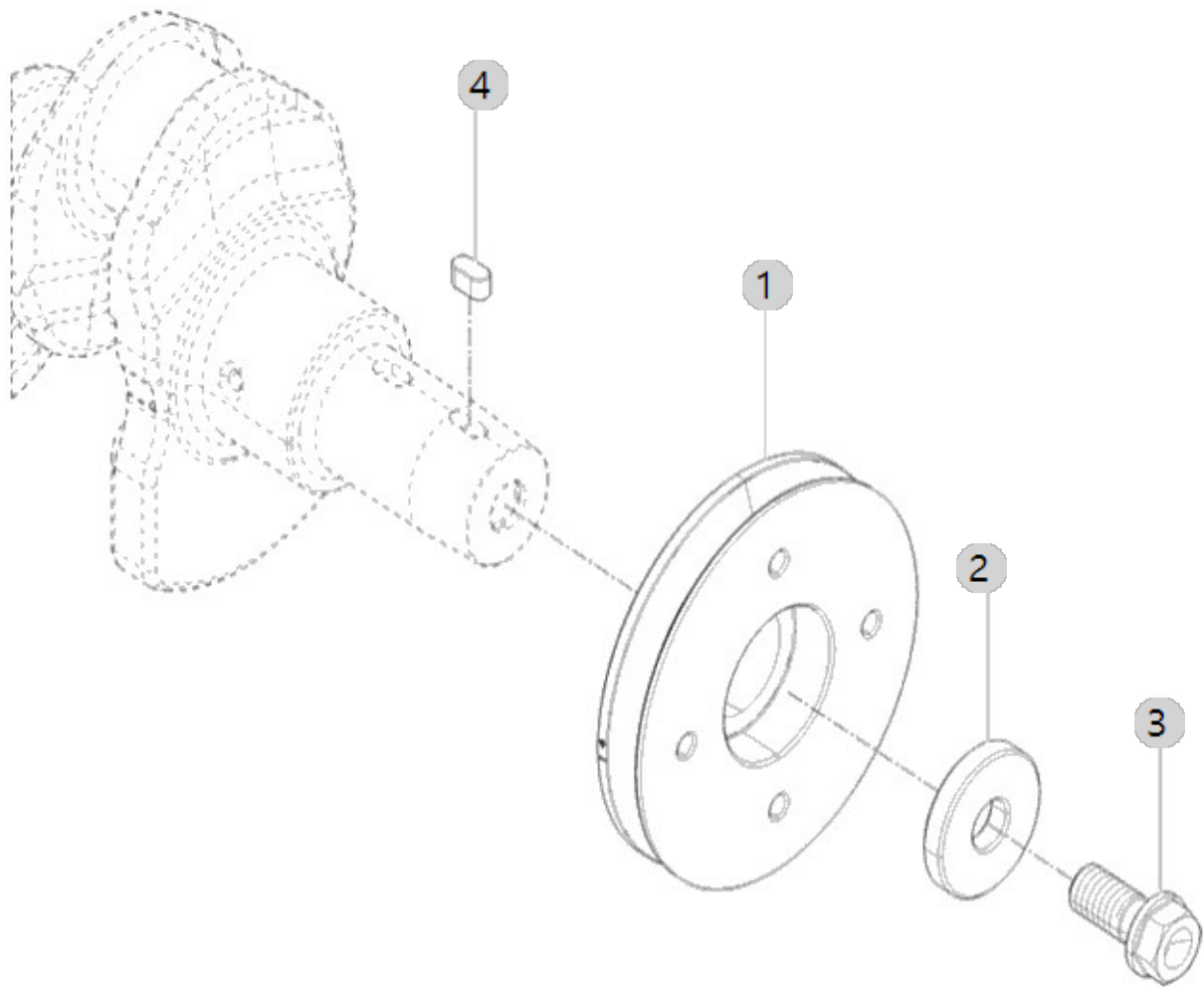
A03\_004

A2300N4-UTR\_4  
(AB00277)

# CRANK SHAFT PULLEY

Year/Month

2022-12-15





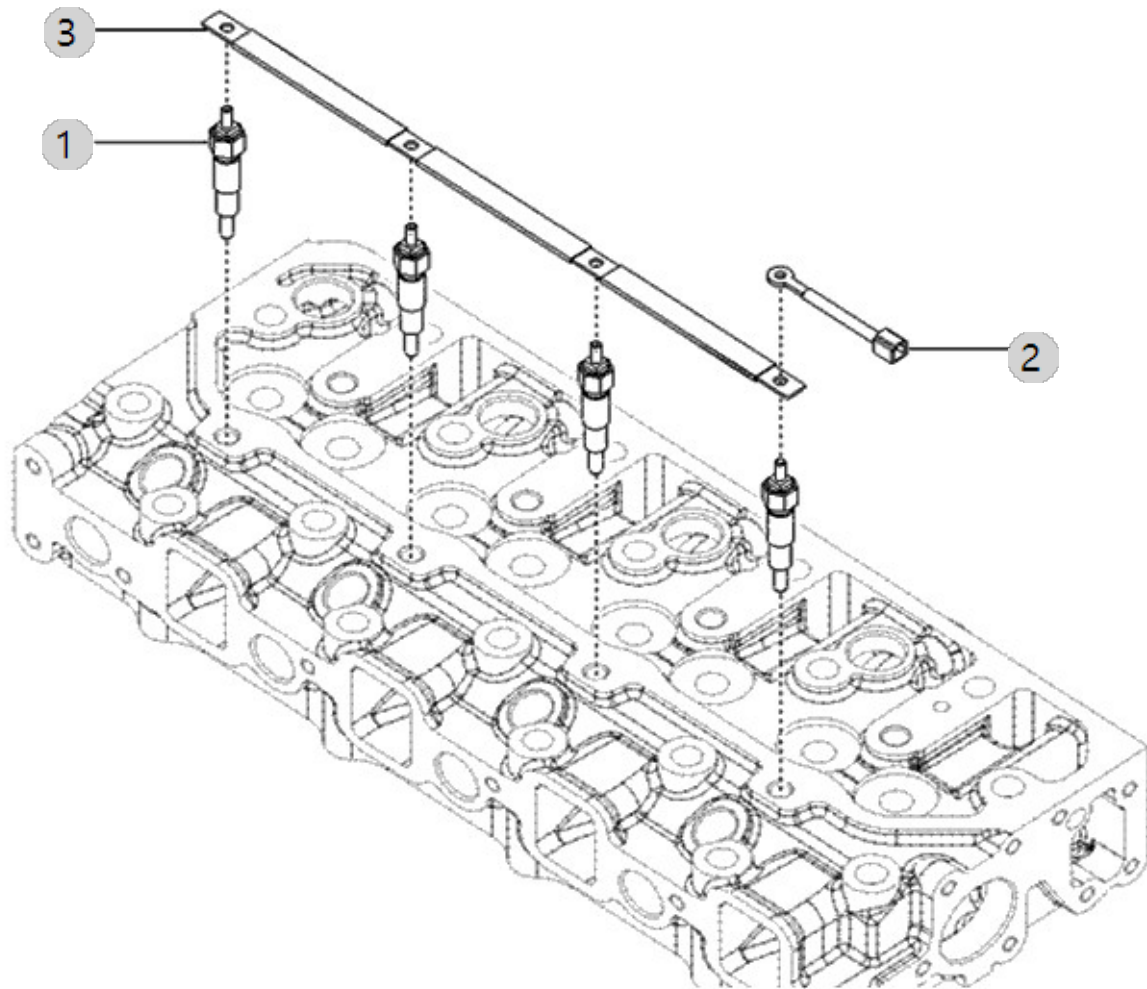
A04\_005

A2300N4-UTR\_4  
(AB00277)

### GLOW PLUG ASS'Y OPTION

Year/Month

2022-12-15





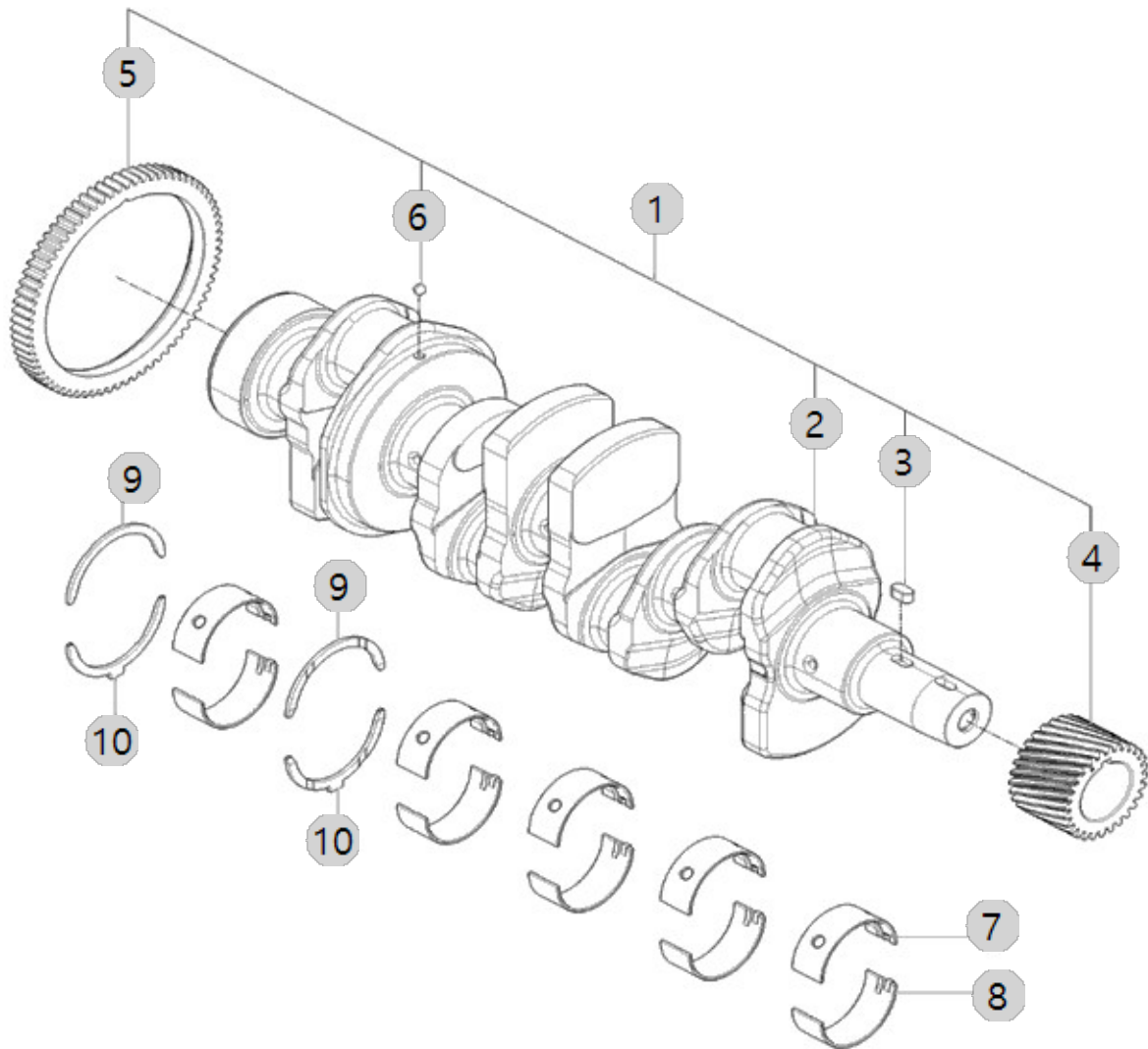
A05\_005

A2300N4-UTR\_4  
(AB00277)

### CRANK SHAFT ASS'Y OPTION

Year/Month

2022-12-15





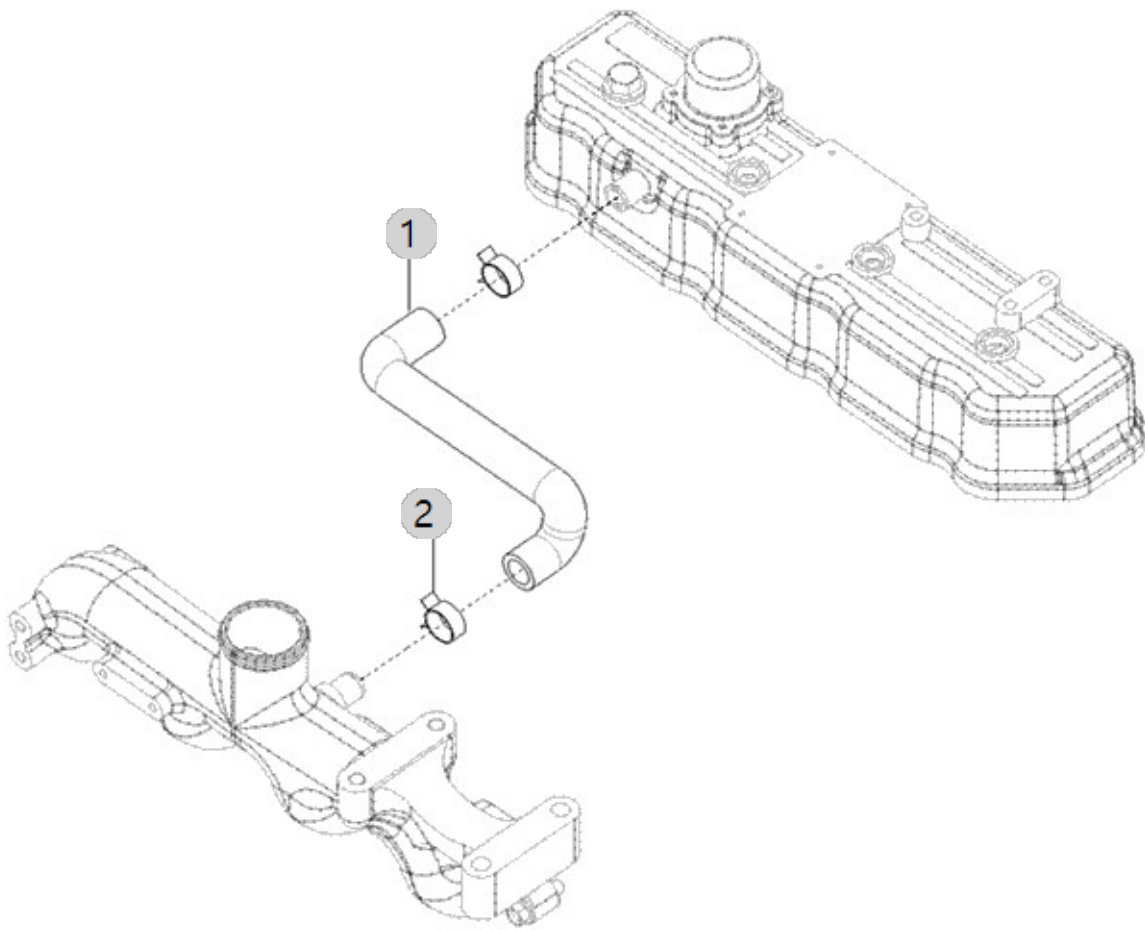
A06\_004

A2300N4-UTR\_4  
(AB00277)

BREATHER OPTION

Year/Month

2022-12-15







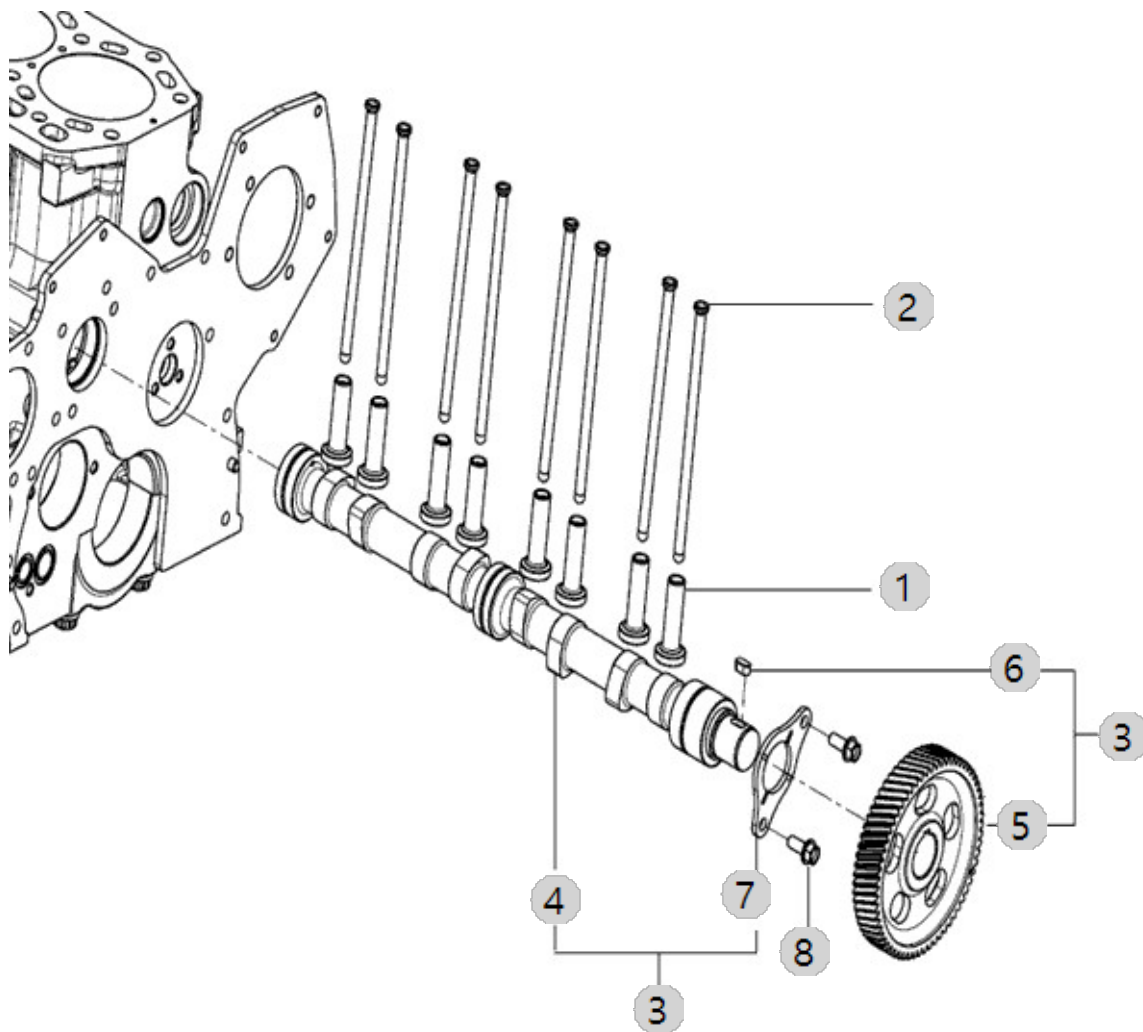
A07\_005

A2300N4-UTR\_4  
(AB00277)

# CAMSHAFT

Year/Month

2022-12-15





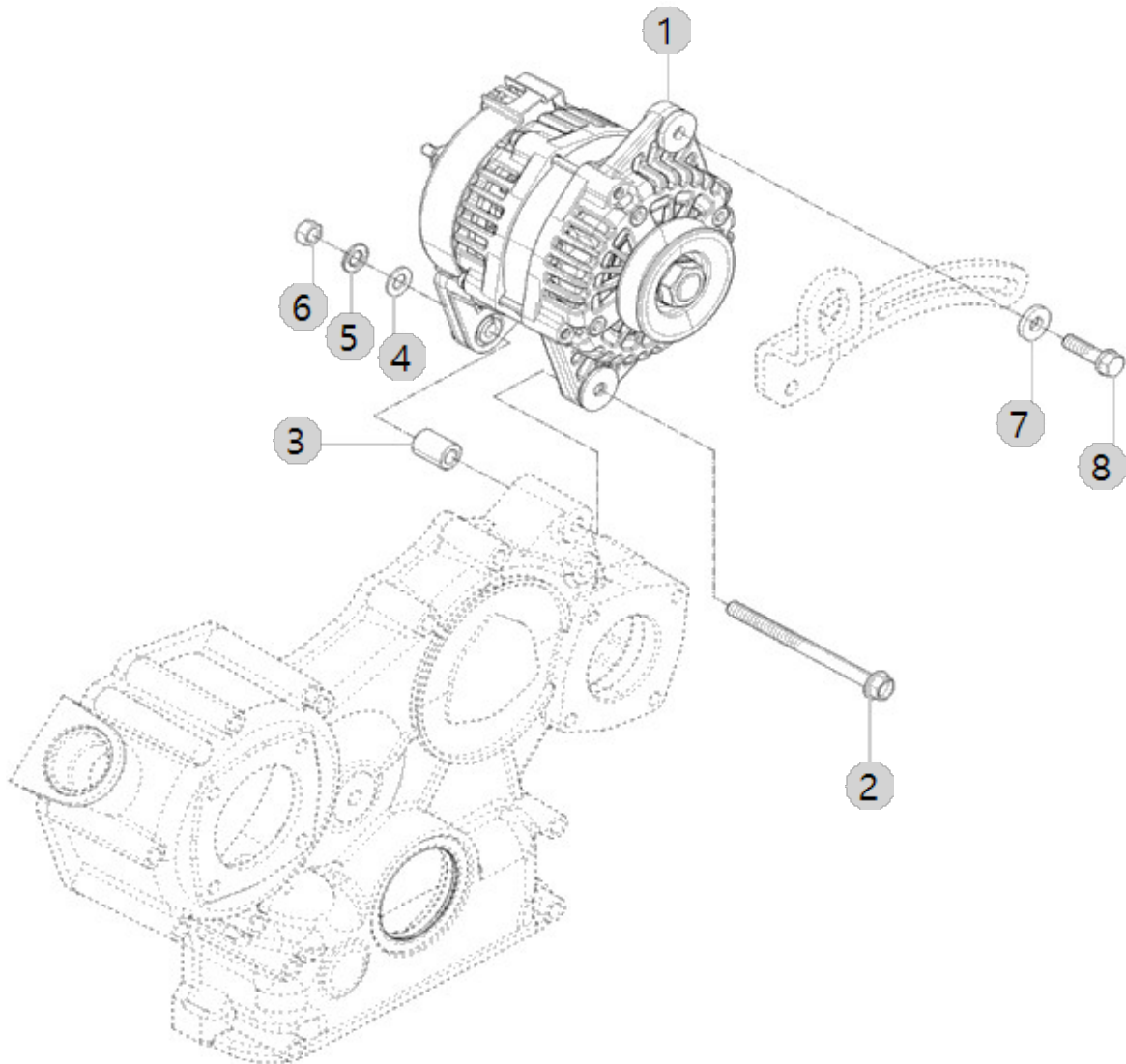
A08\_003

A2300N4-UTR\_4  
(AB00277)

# ALTERNATOR

Year/Month

2022-12-15





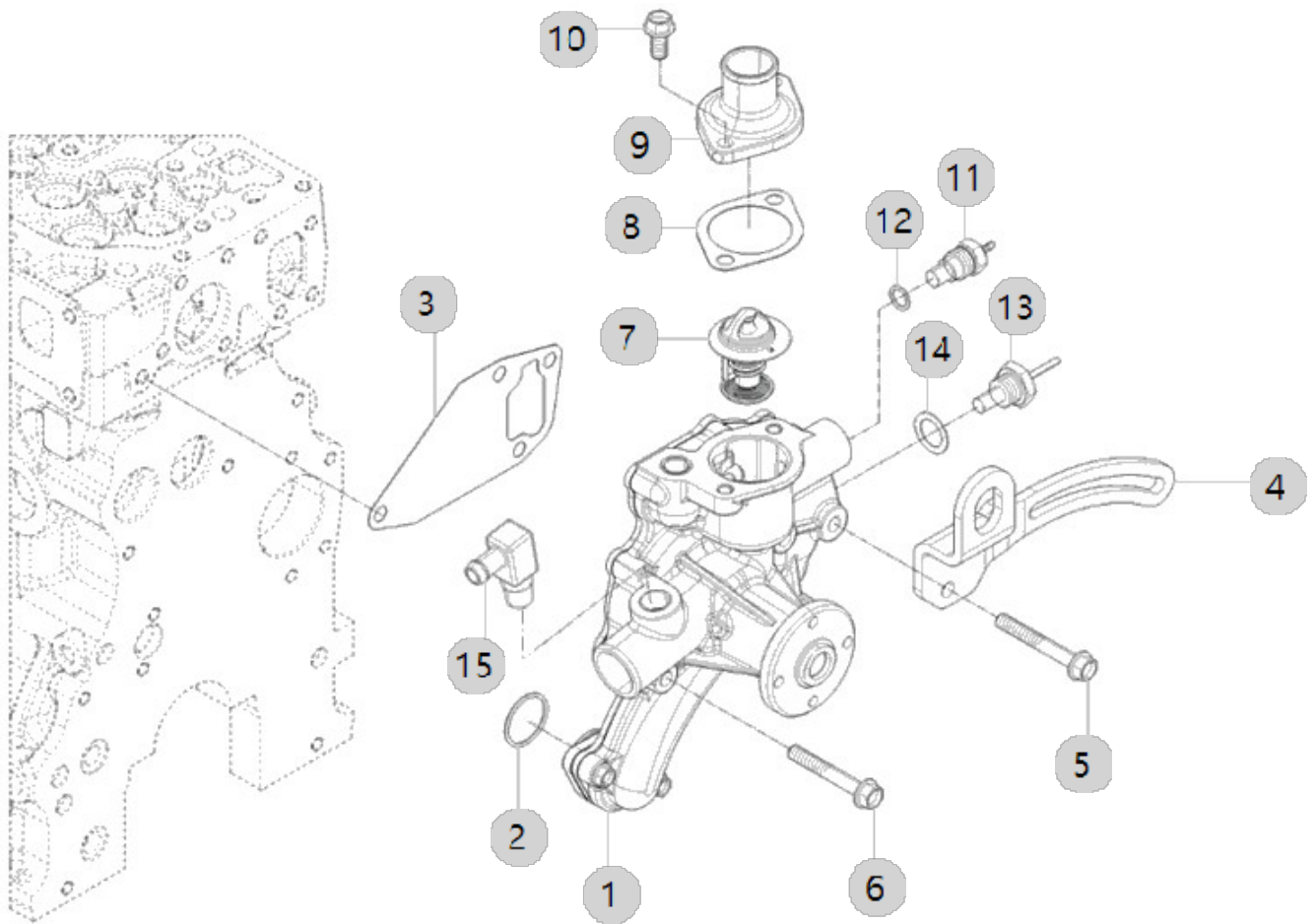
A09\_003

A2300N4-UTR\_4  
(AB00277)

### COOLING WATER PUMP

Year/Month

2022-12-15





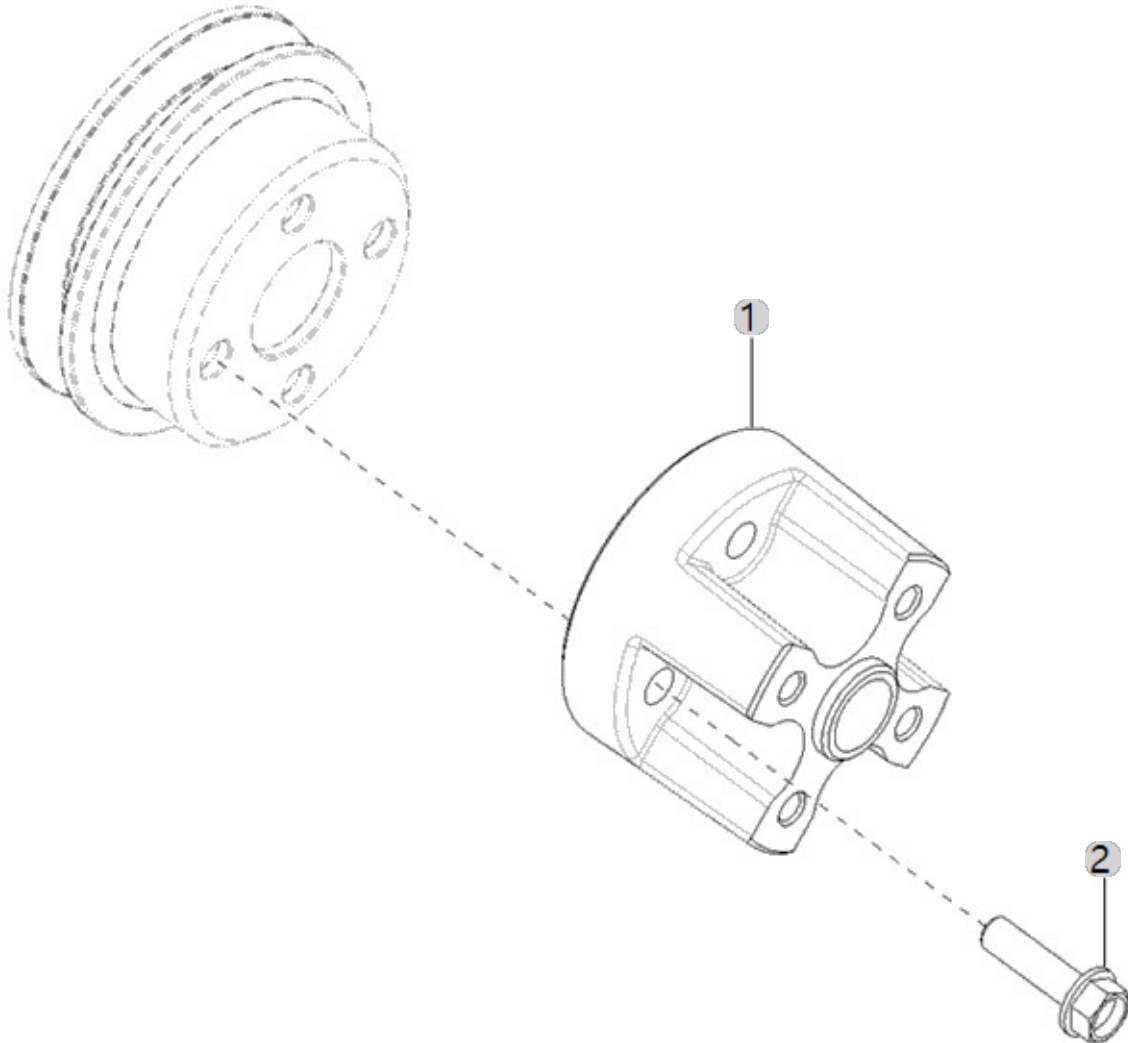
A10\_010

A2300N4-UTR\_4  
(AB00277)

COOLING FAN SPACER

Year/Month

2022-12-15







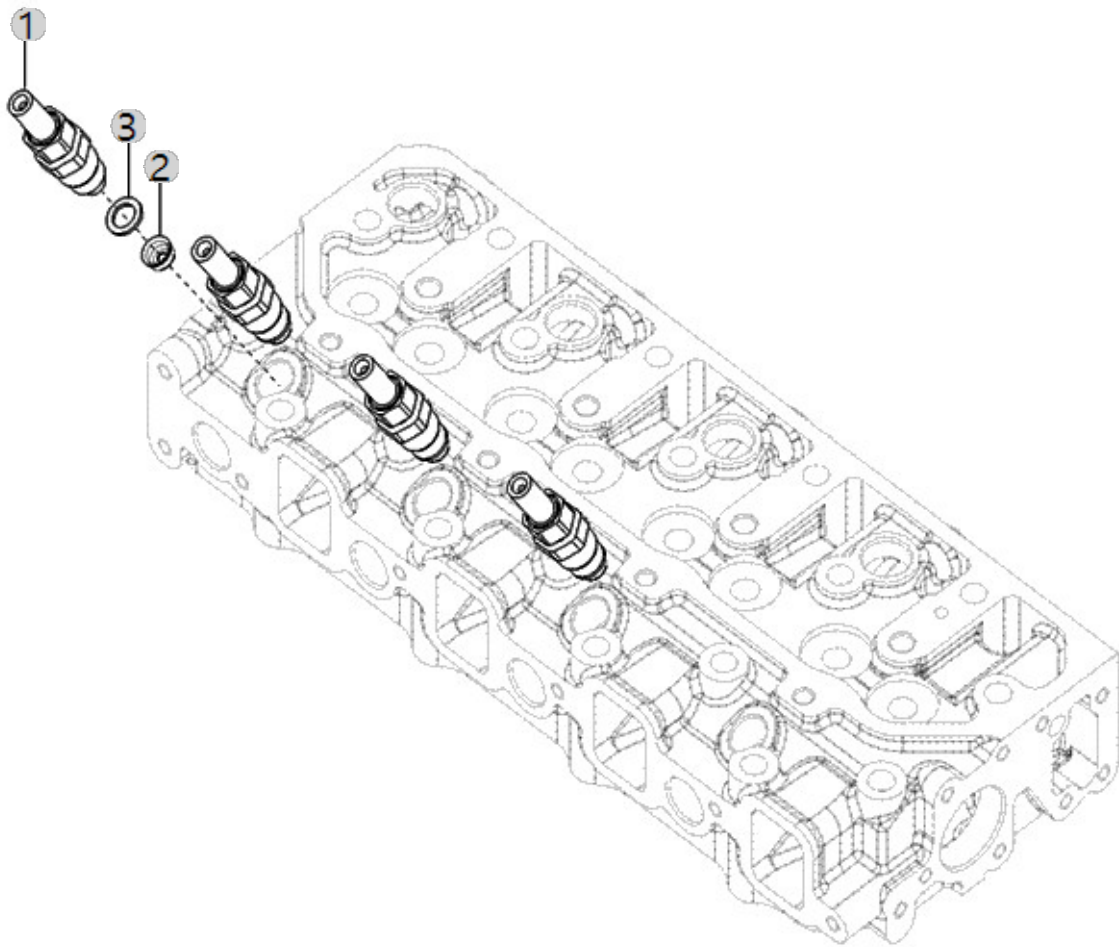
A11\_007

A2300N4-UTR\_4  
(AB00277)

# INJECTOR

Year/Month

2022-12-15





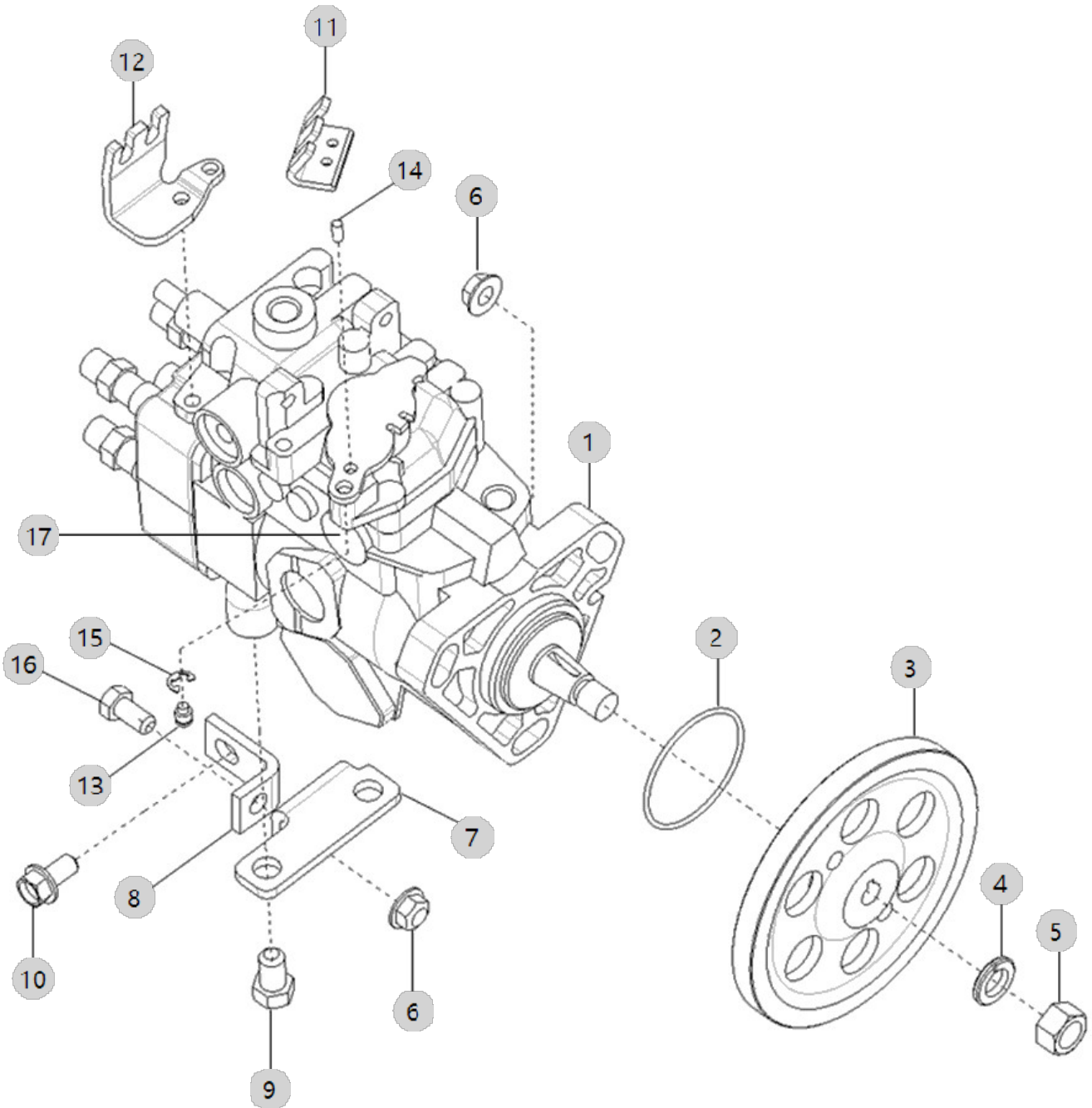
A12\_014

A2300N4-UTR\_4  
(AB00277)

# FUEL INJECTOR

Year/Month

2022-12-15





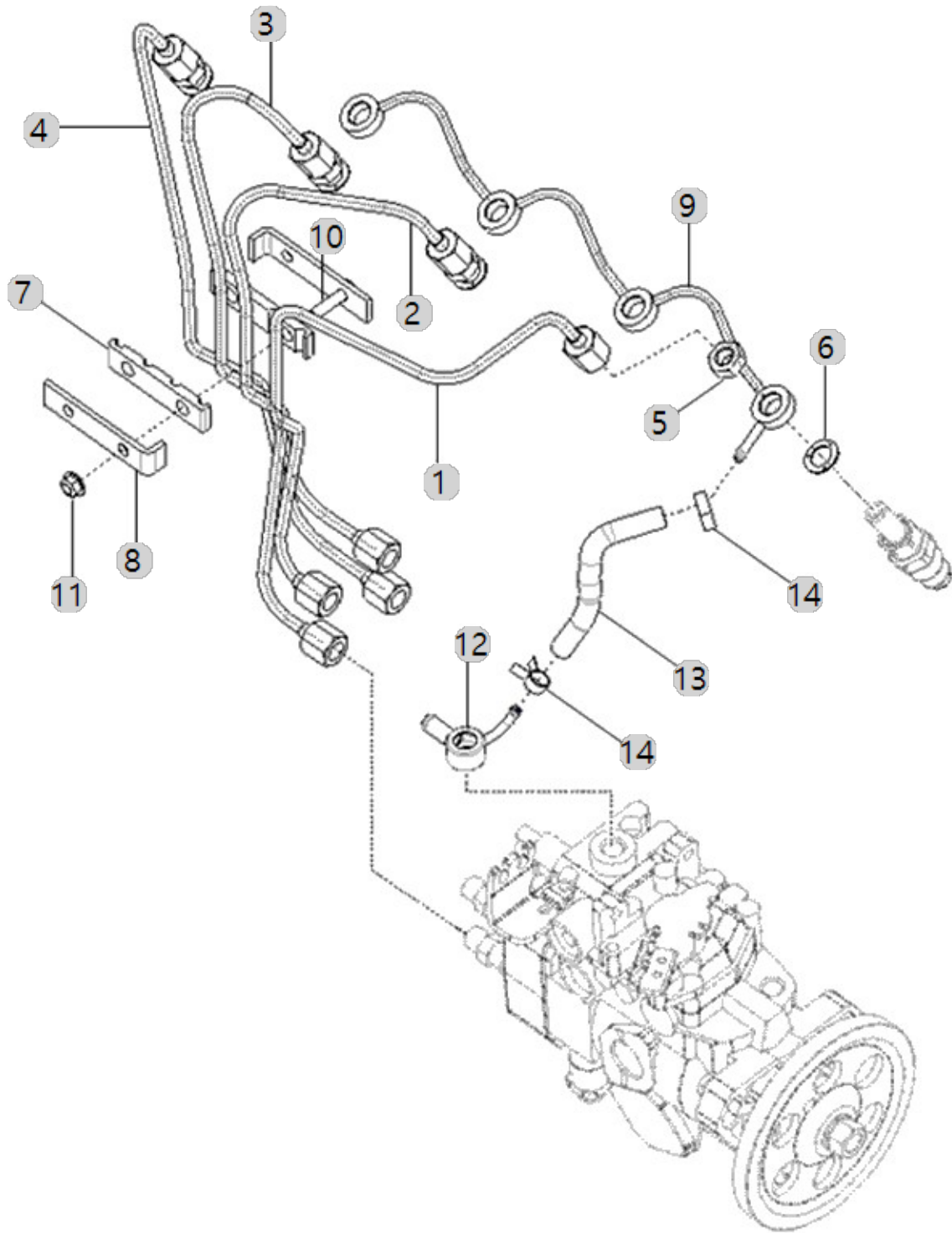
A13\_005

A2300N4-UTR\_4  
(AB00277)

PLUMBING, FUEL

Year/Month

2022-12-15



| A13_005<br>A2300N4-UTR_4<br>(AB00277) |                   | PLUMBING, FUEL         |                            |             |              | Year/Month<br>2022-12-15 |
|---------------------------------------|-------------------|------------------------|----------------------------|-------------|--------------|--------------------------|
| 순번<br>(NO)                            | 부품번호<br>(PART NO) | 품명<br>(PART NAME)      | 품명<br>(PART NAME)          | 수량<br>(QTY) | 규격<br>(SPEC) | 비고<br>(REMARK)           |
| 1                                     | HRA150050DB0      | 299,A202322,연료파이프조합(A) | PIPE ASSY, FUEL SUPPLY A   | 1           |              |                          |
| 1                                     | HRA150050DB0      | 299,A202322,연료파이프조합(A) | PIPE ASSY, FUEL SUPPLY A   | 1           |              |                          |
| 1                                     | HRA150050DB0      | 299,A202322,연료파이프조합(A) | PIPE ASSY, FUEL SUPPLY A   | 1           |              |                          |
| 1                                     | HRA150050DC0      | 연료파이프조합(A)             | TUBE,INJECTOR FUEL SUPPLY  | 1           |              |                          |
| 2                                     | HRA150060DB0      | 300,A202322,연료파이프조합(B) | PIPE ASSY, FUEL SUPPLY (B) | 1           |              |                          |
| 2                                     | HRA150060DC0      | 연료파이프조합(B)             | TUBE,INJECTOR FUEL SUPPLY  | 1           |              |                          |
| 2                                     | HRA150060DB0      | 300,A202322,연료파이프조합(B) | PIPE ASSY, FUEL SUPPLY (B) | 1           |              |                          |
| 2                                     | HRA150060DB0      | 300,A202322,연료파이프조합(B) | PIPE ASSY, FUEL SUPPLY (B) | 1           |              |                          |
| 3                                     | HRA150070DB0      | 301,A202322,연료파이프조합(C) | PIPE ASSY, FUEL SUUPPLY C  | 1           |              |                          |
| 3                                     | HRA150070DB0      | 301,A202322,연료파이프조합(C) | PIPE ASSY, FUEL SUUPPLY C  | 1           |              |                          |
| 3                                     | HRA150070DC0      | 연료파이프조합(C)             | TUBE,INJECTOR FUEL SUPPLY  | 1           |              |                          |
| 3                                     | HRA150070DB0      | 301,A202322,연료파이프조합(C) | PIPE ASSY, FUEL SUUPPLY C  | 1           |              |                          |
| 4                                     | HRA150080DC0      | 연료파이프조합(D)             | TUBE,INJECTOR FUEL SUPPLY  | 1           |              |                          |
| 4                                     | HRA150080DB0      | 302,A202322,연료파이프조합(D) | PIPE ASSY, FUEL SUPPLY D   | 1           |              |                          |
| 4                                     | HRA150080DB0      | 302,A202322,연료파이프조합(D) | PIPE ASSY, FUEL SUPPLY D   | 1           |              |                          |
| 4                                     | HRA150080DB0      | 302,A202322,연료파이프조합(D) | PIPE ASSY, FUEL SUPPLY D   | 1           |              |                          |
| 5                                     | HK13450000A4      | 육각고정너트                 | NUT,REGULARHEXAGON         | 4           | M12X1.5      |                          |
| 5                                     | HK13450000A4      | 육각고정너트                 | NUT,REGULARHEXAGON         | 4           | M12X1.5      |                          |
| 5                                     | HK13450000A4      | 육각고정너트                 | NUT,REGULARHEXAGON         | 4           | M12X1.5      |                          |
| 5                                     | HK13450000A4      | 육각고정너트                 | NUT,REGULARHEXAGON         | 4           | M12X1.5      |                          |
| 6                                     | HK13440000A4      | 306,ALL,패킹(조인트)(와류실)   | GASKET,FUELMANIFOLD        | 4           |              |                          |
| 6                                     | HK13440000A4      | 306,ALL,패킹(조인트)(와류실)   | GASKET,FUELMANIFOLD        | 4           |              |                          |
| 6                                     | HK13440000A4      | 306,ALL,패킹(조인트)(와류실)   | GASKET,FUELMANIFOLD        | 4           |              |                          |
| 6                                     | HK13440000A4      | 306,ALL,패킹(조인트)(와류실)   | GASKET,FUELMANIFOLD        | 4           |              |                          |
| 7                                     | HRA1502700A4      | 462,ALL,브래킷고무          | RUBBER,BRACKET             | 2           |              |                          |
| 7                                     | HRA1502700A4      | 462,ALL,브래킷고무          | RUBBER,BRACKET             | 2           |              |                          |
| 7                                     | HRA1502700A4      | 462,ALL,브래킷고무          | RUBBER,BRACKET             | 2           |              |                          |
| 7                                     | HRA1502700A4      | 462,ALL,브래킷고무          | RUBBER,BRACKET             | 2           |              |                          |
| 8                                     | HRA1502800A4      | 브래킷판                   | CLAMP,TUBE                 | 1           | T 3.2        |                          |
| 8                                     | HRA1502800A4      | 브래킷판                   | CLAMP,TUBE                 | 2           | T 3.2        |                          |
| 8                                     | HRA1502800A4      | 브래킷판                   | CLAMP,TUBE                 | 1           | T 3.2        |                          |
| 8                                     | HRA1502800A4      | 브래킷판                   | CLAMP,TUBE                 | 1           | T 3.2        |                          |
| 8                                     | HRA1502800B4      | 브래킷판                   | CLAMP,TUBE                 | 2           | T 3.2        |                          |
| 9                                     | HRA1500900C3      | 퇴유파이프조합                | PIPE ASSY, FUEL RETURN     | 1           |              |                          |
| 9                                     | HRA1500900C3      | 퇴유파이프조합                | PIPE ASSY, FUEL RETURN     | 1           |              |                          |
| 9                                     | HRA1500900D3      | 퇴유파이프조합                | PIPE ASSY, FUEL            | 1           |              |                          |
| 9                                     | HRA1500900C3      | 퇴유파이프조합                | PIPE ASSY, FUEL RETURN     | 1           |              |                          |
| 10                                    | HRA1502600B4      | 브래킷(연료파이프)             | BRACKET,PIPE               | 1           |              |                          |
| 10                                    | HRA1502600B4      | 브래킷(연료파이프)             | BRACKET,PIPE               | 1           |              |                          |
| 10                                    | HRA1502600B4      | 브래킷(연료파이프)             | BRACKET,PIPE               | 1           |              |                          |
| 10                                    | HRA1502600B4      | 브래킷(연료파이프)             | BRACKET,PIPE               | 1           |              |                          |
| 11                                    | 26367-060002      | 플랜지너트                  | Nut, Hexa (Φ6)             | 2           | M6XP1.0      |                          |
| 11                                    | 26367-060002      | 플랜지너트                  | Nut, Hexa (Φ6)             | 2           | M6XP1.0      |                          |
| 11                                    | 26367-060002      | 플랜지너트                  | Nut, Hexa (Φ6)             | 2           | M6XP1.0      |                          |
| 11                                    | 26367-060002      | 플랜지너트                  | Nut, Hexa (Φ6)             | 2           | M6XP1.0      |                          |





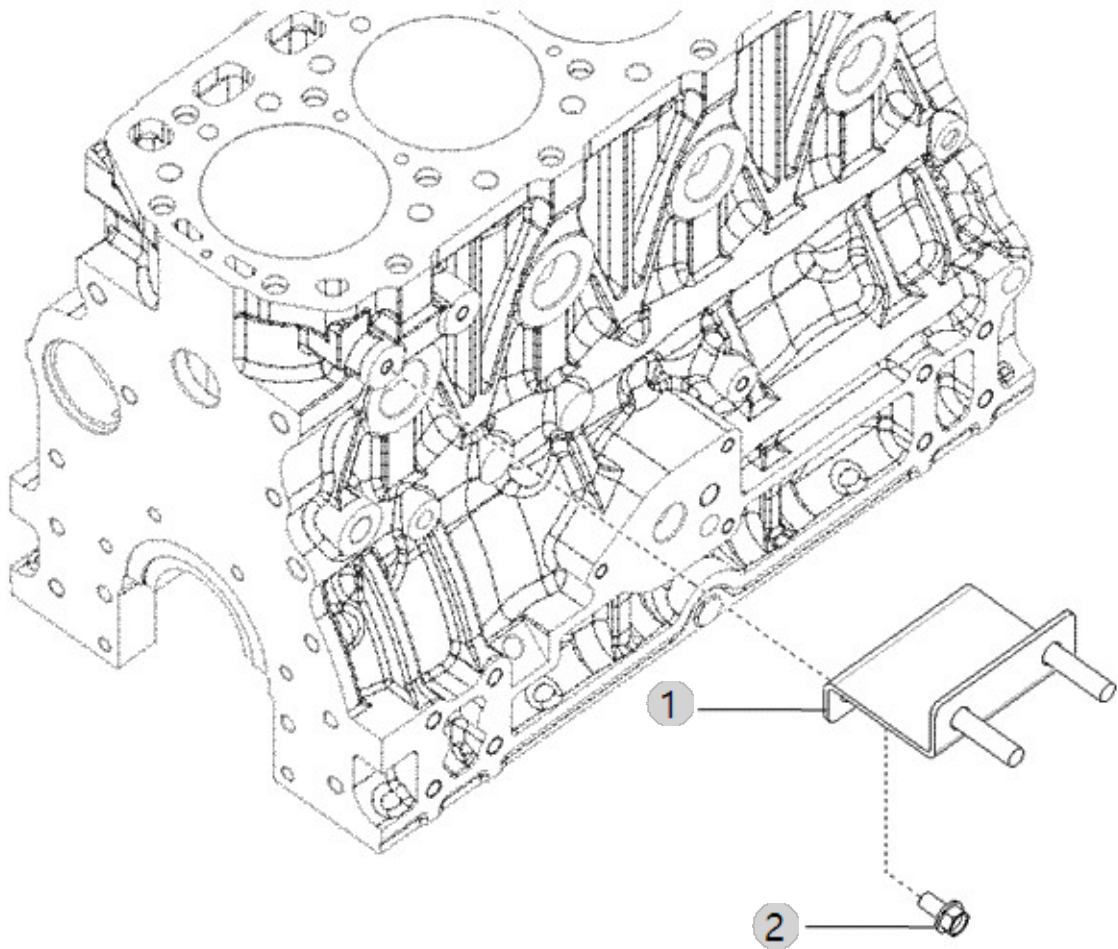
A14\_003

A2300N4-UTR\_4  
(AB00277)

### FUEL FILTER BRACKET

Year/Month

2022-12-15





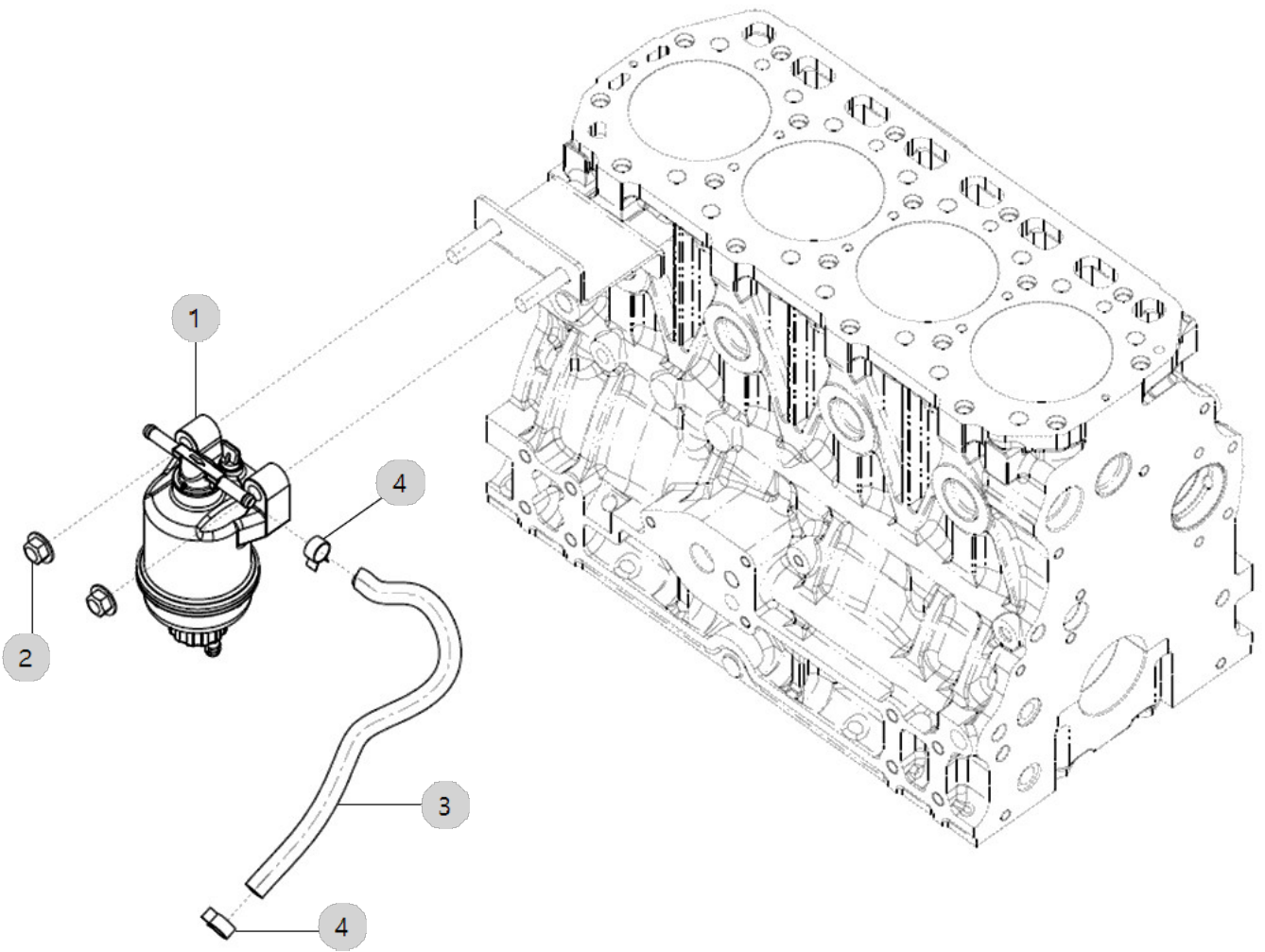
A16\_018

A2300N4-UTR\_4  
(AB00277)

FUEL FILTER ASS'Y OPTION

Year/Month

2022-12-15





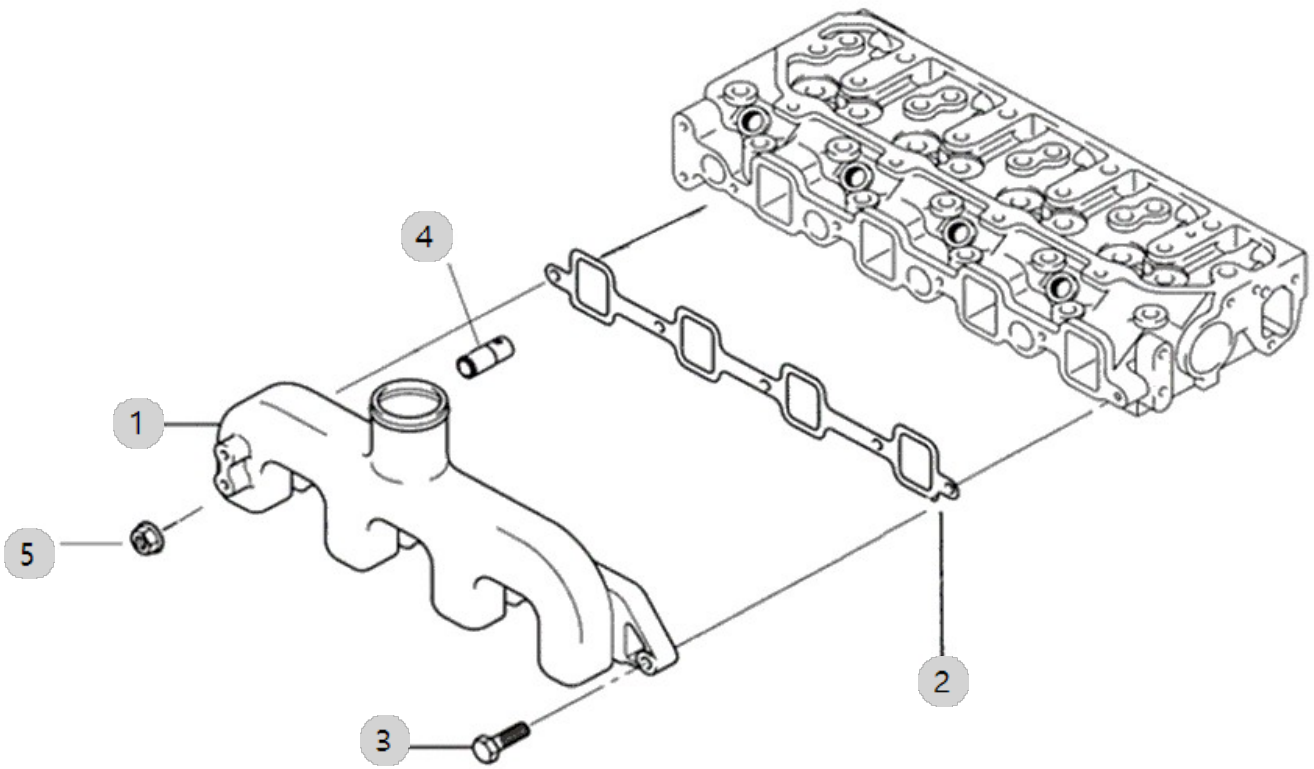
A17\_014

A2300N4-UTR\_4  
(AB00277)

INTAKE MANIFOLD ASS'Y OPTION

Year/Month

2022-12-15





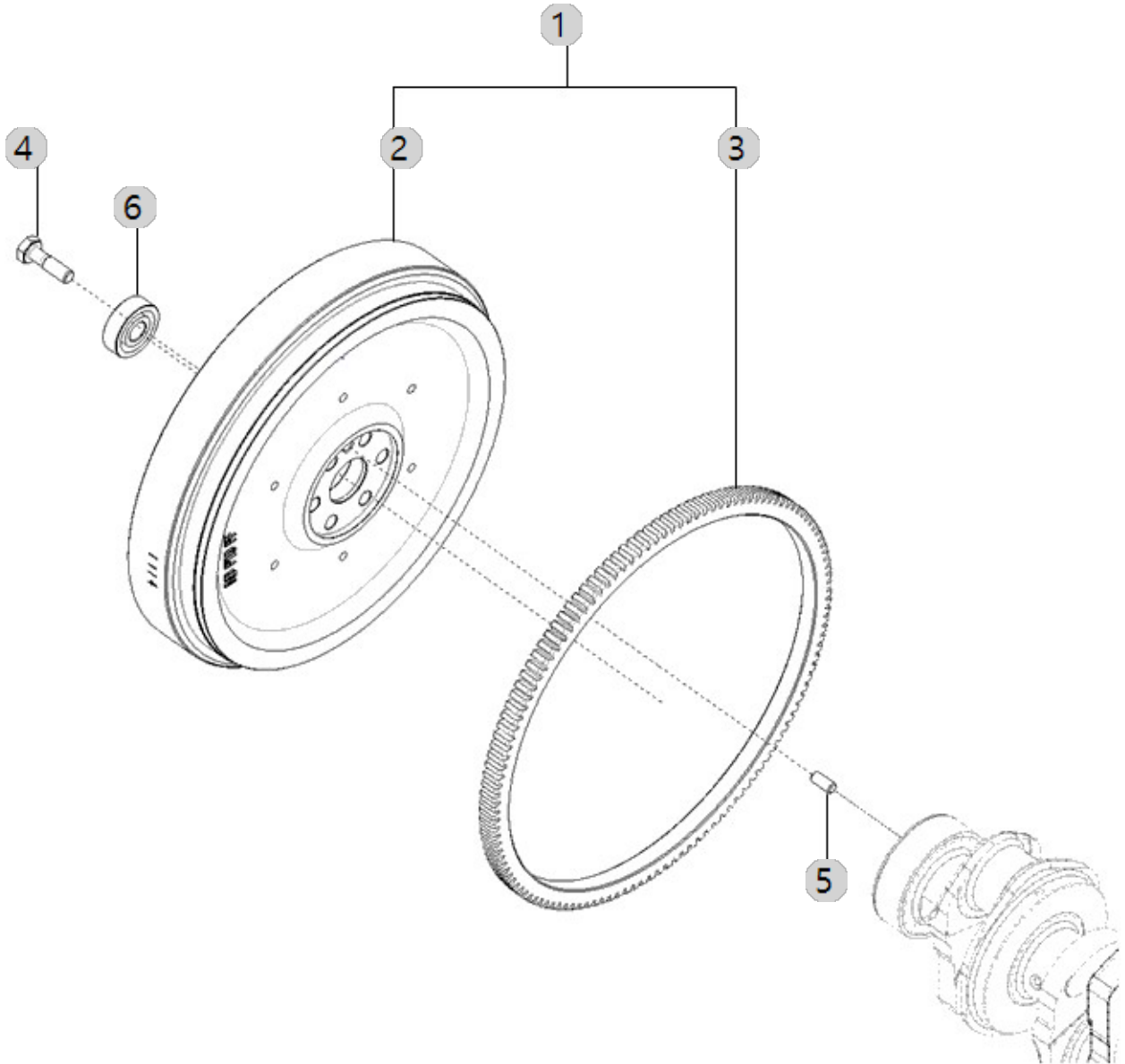
A18\_011

A2300N4-UTR\_4  
(AB00277)

# FLYWHEEL

Year/Month

2022-12-15







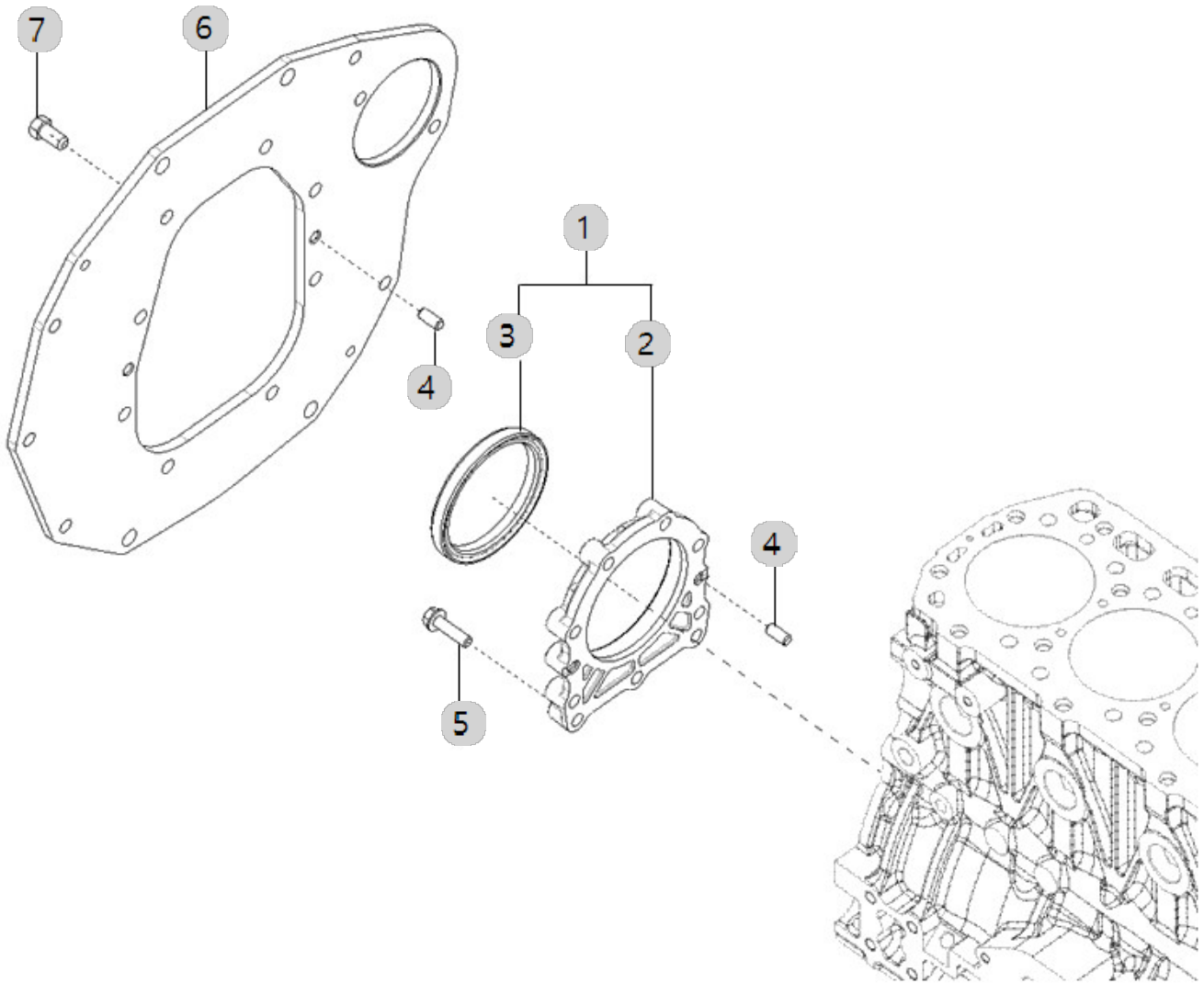
A19\_007

A2300N4-UTR\_4  
(AB00277)

# FLYWHEEL HOUSING

Year/Month

2022-12-15





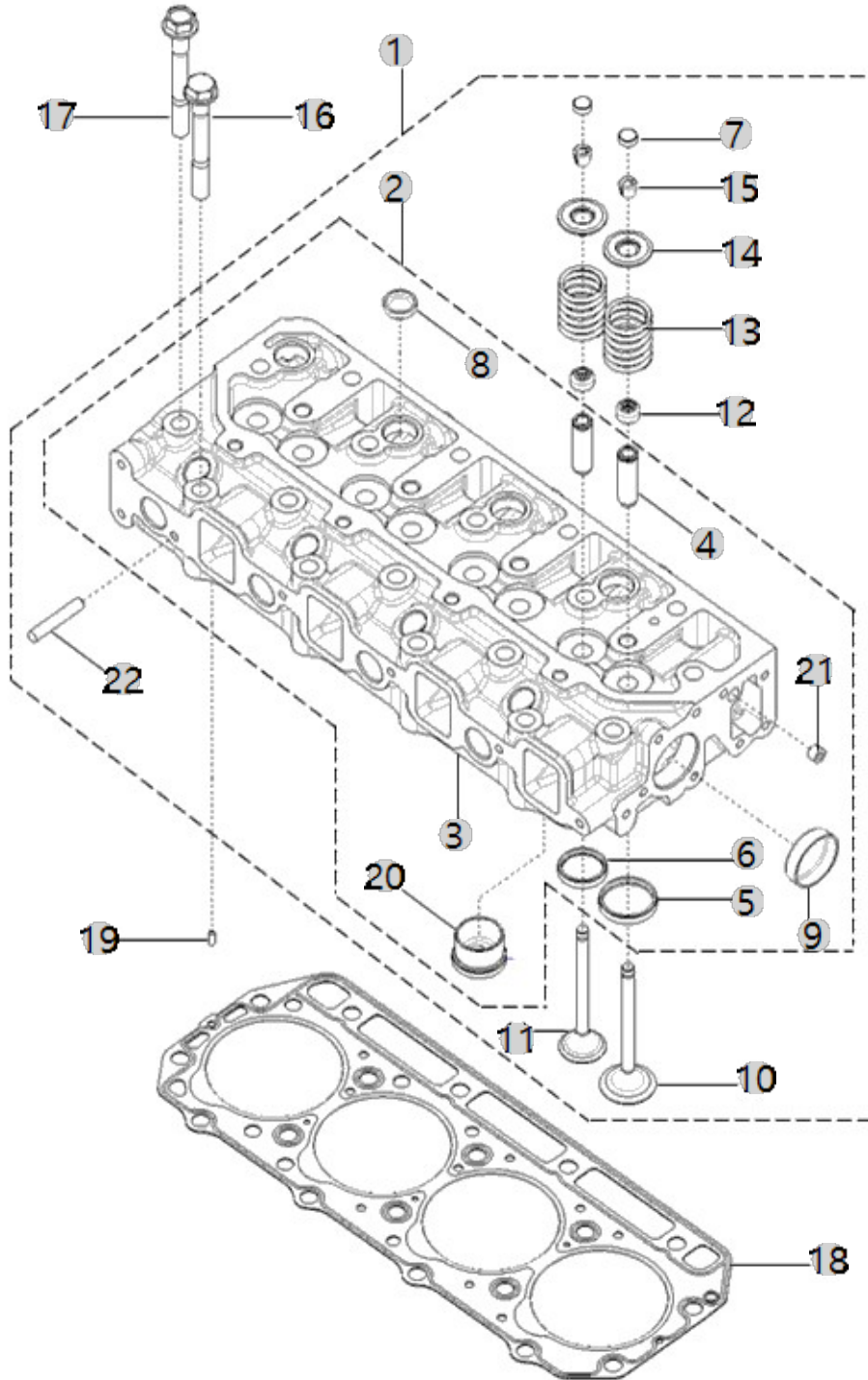
A20\_010

A2300N4-UTR\_4  
(AB00277)

HEAD, CYLINDER

Year/Month

2022-12-15



|                                       |                |            |
|---------------------------------------|----------------|------------|
| A20_010<br>A2300N4-UTR_4<br>(AB00277) | HEAD, CYLINDER | Year/Month |
|                                       |                | 2022-12-15 |

| 순번<br>(NO) | 부품번호<br>(PART NO) | 품명<br>(PART NAME)         | 품명<br>(PART NAME)         | 수량<br>(QTY) | 규격<br>(SPEC) | 비고<br>(REMARK) |
|------------|-------------------|---------------------------|---------------------------|-------------|--------------|----------------|
| 1          | EA00005930A       | 실린더헤드조합-A2300N4-KTR_4     | CYLINDER HEAD ASSY        | 1           |              |                |
| 2          | EA00005931A       | 실린더헤드조합                   | CYLINDER HEAD ASSY        | 1           |              |                |
| 3          | EA00005932A       | 실린더헤드                     | CYLINDER HEAD             | 1           |              |                |
| 4          | HRA0400103C4      | 배기밸브가이드                   | GUIDEVALVE STEM           | 8           | D13/D8       |                |
| 5          | HRA0400104B4      | 흡기밸브시트                    | SEAT,ENGINEINTAKEVALVE    | 4           |              |                |
| 6          | HRA0400105B4      | 배기밸브시트                    | SEAT,ENGINE EXHAUST VALVE | 4           |              |                |
| 7          | HK03680000B4      | 344,ALL, 밸브캡              | CAP, VALVE                | 8           |              |                |
| 8          | 27241-220000      | 캡형플러그 22                  | PLUG,EXPANSION            | 8           |              |                |
| 9          | 27241-400000      | 캡형플러그 40 (335,ALL,PLUG40) | PLUG (D40)                | 2           |              |                |
| 10         | HRA0400200A4      | 337,ALL, 흡기밸브             | VALVE,INTAKE              | 4           |              |                |
| 11         | HRA0400300A4      | 338,ALL, 배기밸브             | VALVE,EXHAUST             | 4           |              |                |
| 12         | HA03070000A4      | 340,ALL, 밸브축시일            | SEAL, VALVESTEM           | 8           |              |                |
| 13         | HRA0400700A4      | 341,ALL, 밸브스프링            | SPRING, VALVE             | 8           |              |                |
| 14         | HRA0400800A4      | 342,ALL, 밸브스프링리테이너        | RETAINER, VALVESPING      | 8           |              |                |
| 15         | HRA0400900A4      | 343,ALL, 밸브스프링코터          | COTTER, VALVE             | 16          |              |                |
| 16         | HRA0100700A4      | 347,ALL, 볼트(실린더헤드)        | SCREW, HEXFLANGEHEADCAP   | 4           | M11X1.5X92   |                |
| 17         | HRA0100500A4      | 실린더헤드 볼트                  | SCREW, HEXFLANGEHEADCAP   | 14          | M11X1.5      |                |
| 18         | HRA0100400B2      | 헤드개스킷                     | GASKET, CYLINDER HEAD     | 1           | T1.28        |                |
| 19         | 22312-040100      | 평행핀                       | PIN, DOWEL (4-10)         | 2           | D4X10        |                |
| 20         | EA00005449A       | 예연소실(T5)                  | PRE-CHAMBER               | 4           |              |                |
| 21         | 23871-010000      | 테이퍼플러그                    | PLUG                      | 1           | PT1/8        |                |
| 22         | 26216-080352      | 심음볼트(1.5D)                | BOLT, STUD 8 X 35         | 1           | M8X1.25X35   |                |

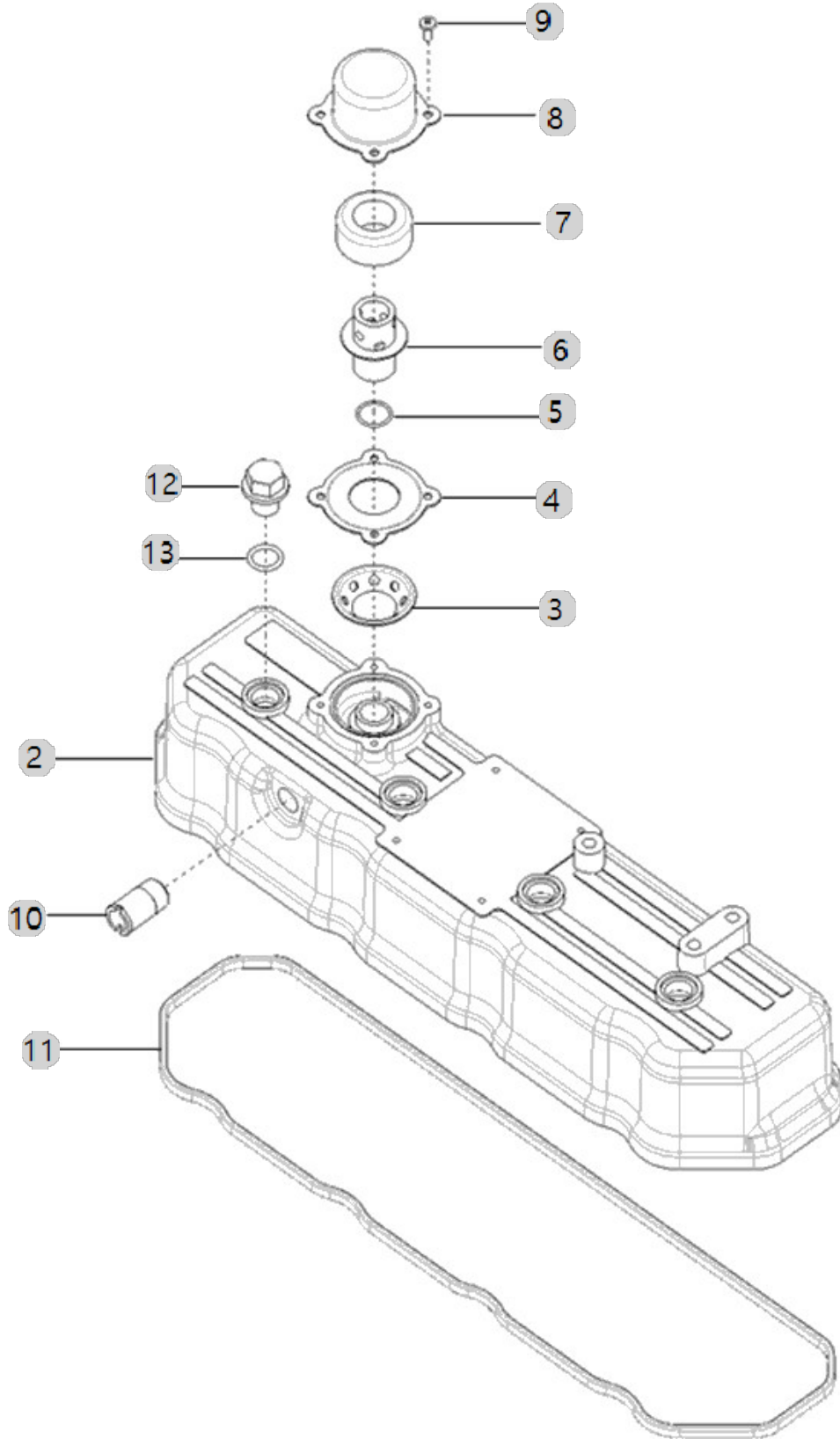
A21\_004

A2300N4-UTR\_4  
(AB00277)

# HEAD COVER

Year/Month

2022-12-15





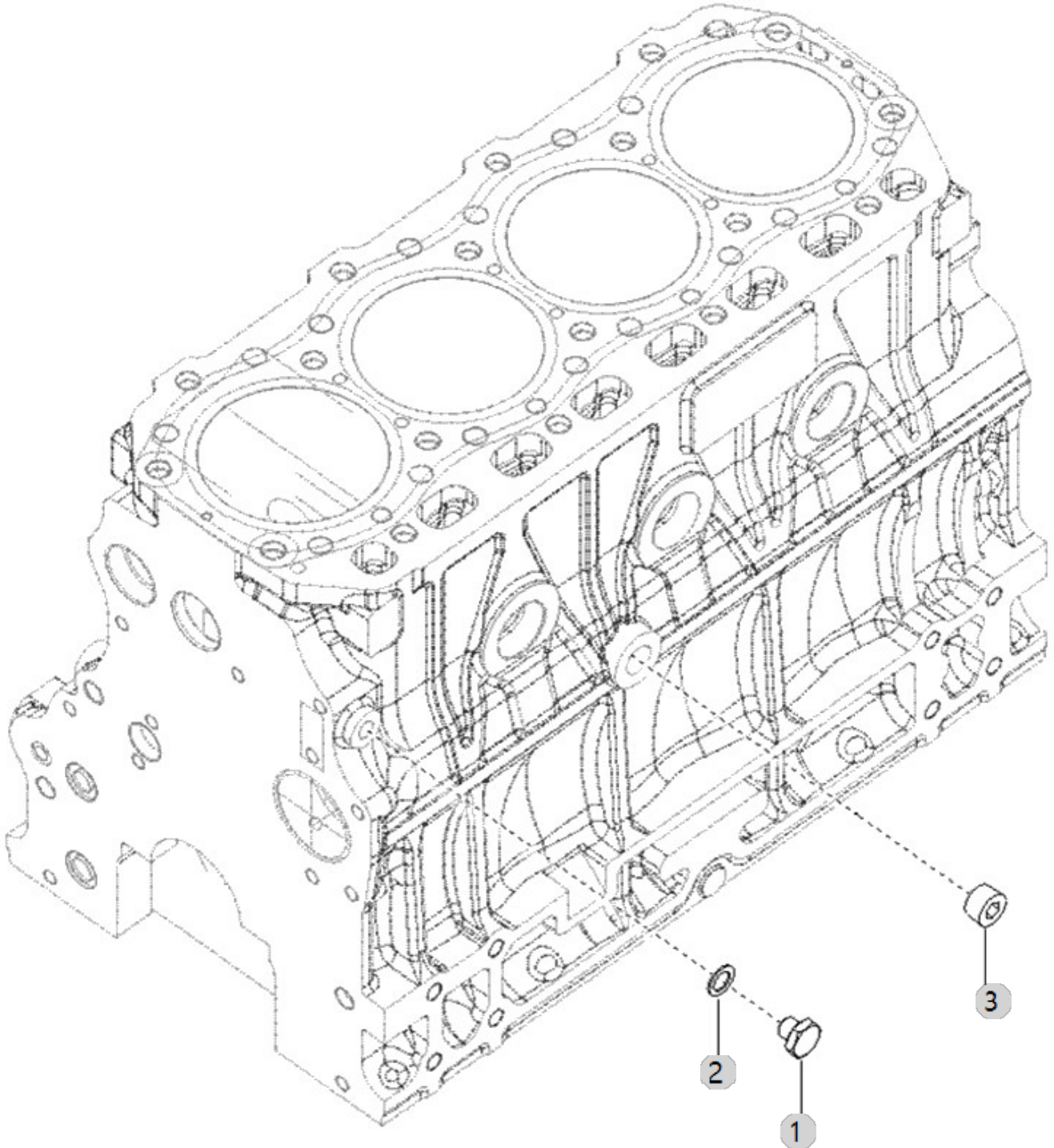
A23\_009

A2300N4-UTR\_4  
(AB00277)

TURBOCHARGER SUPPORT ASS'Y OPTION

Year/Month

2022-12-15







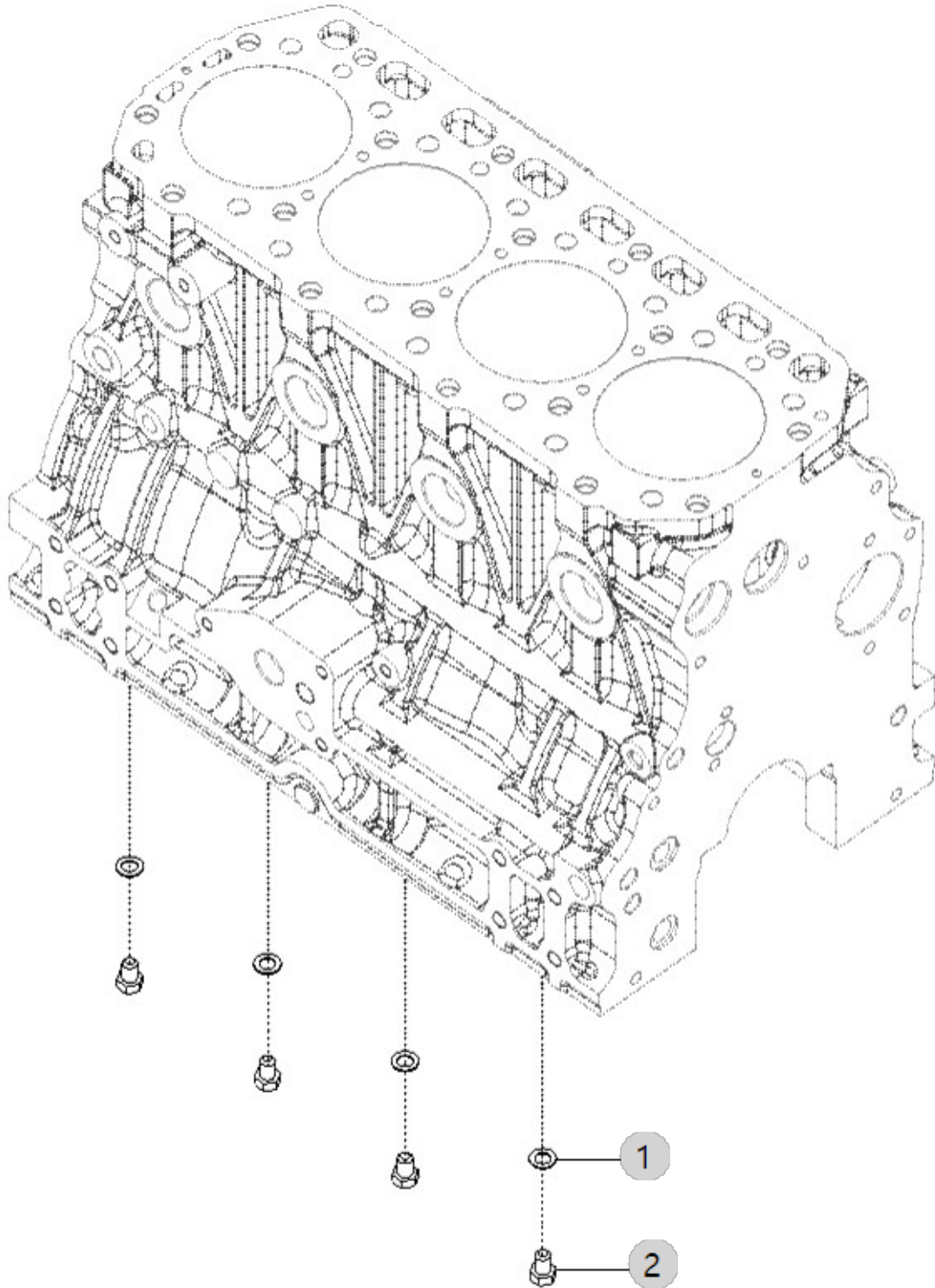
A25\_002

A2300N4-UTR\_4  
(AB00277)

### OIL JET ASS'Y OPTION

Year/Month

2022-12-15





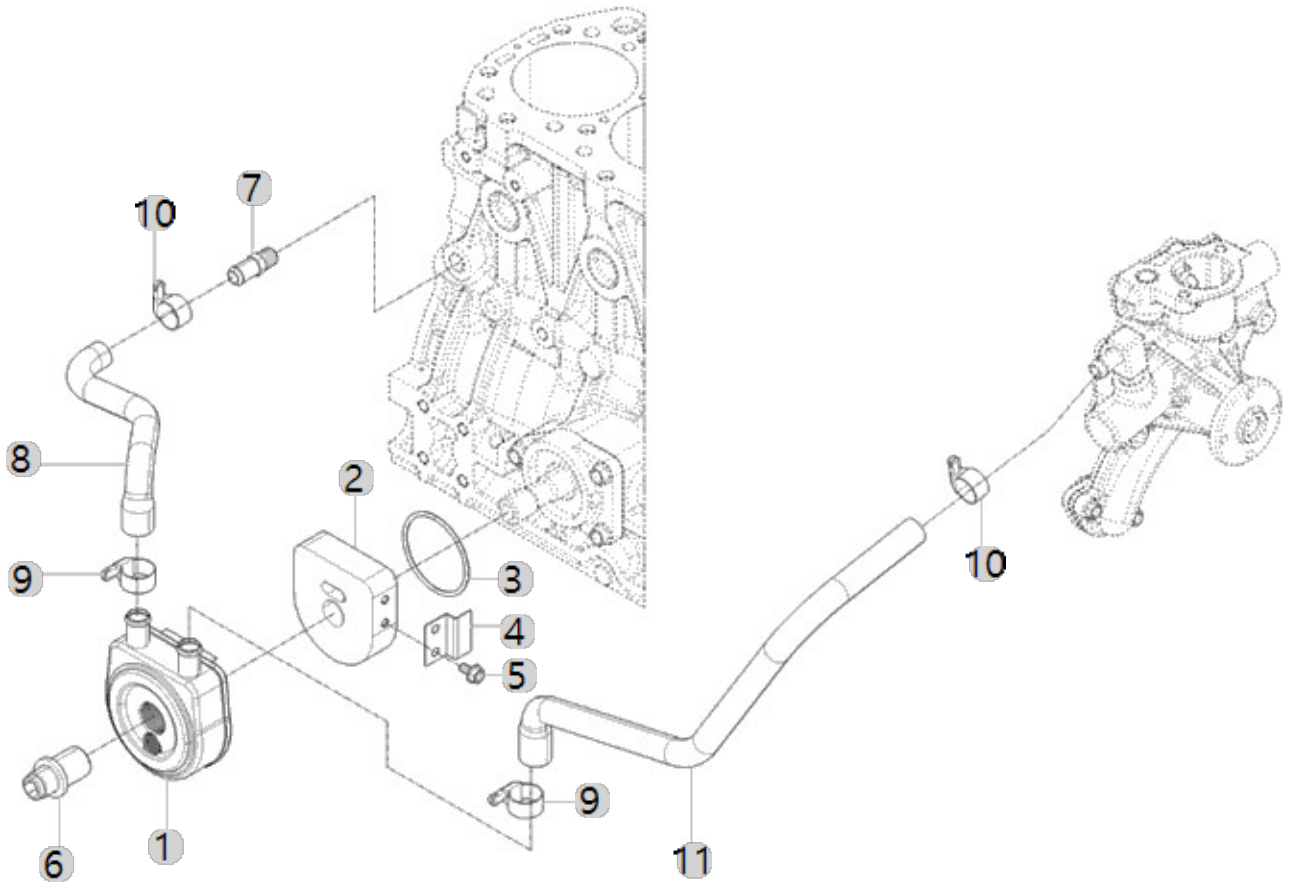
A26\_005

A2300N4-UTR\_4  
(AB00277)

COOLER, ENGINE OIL

Year/Month

2022-12-15





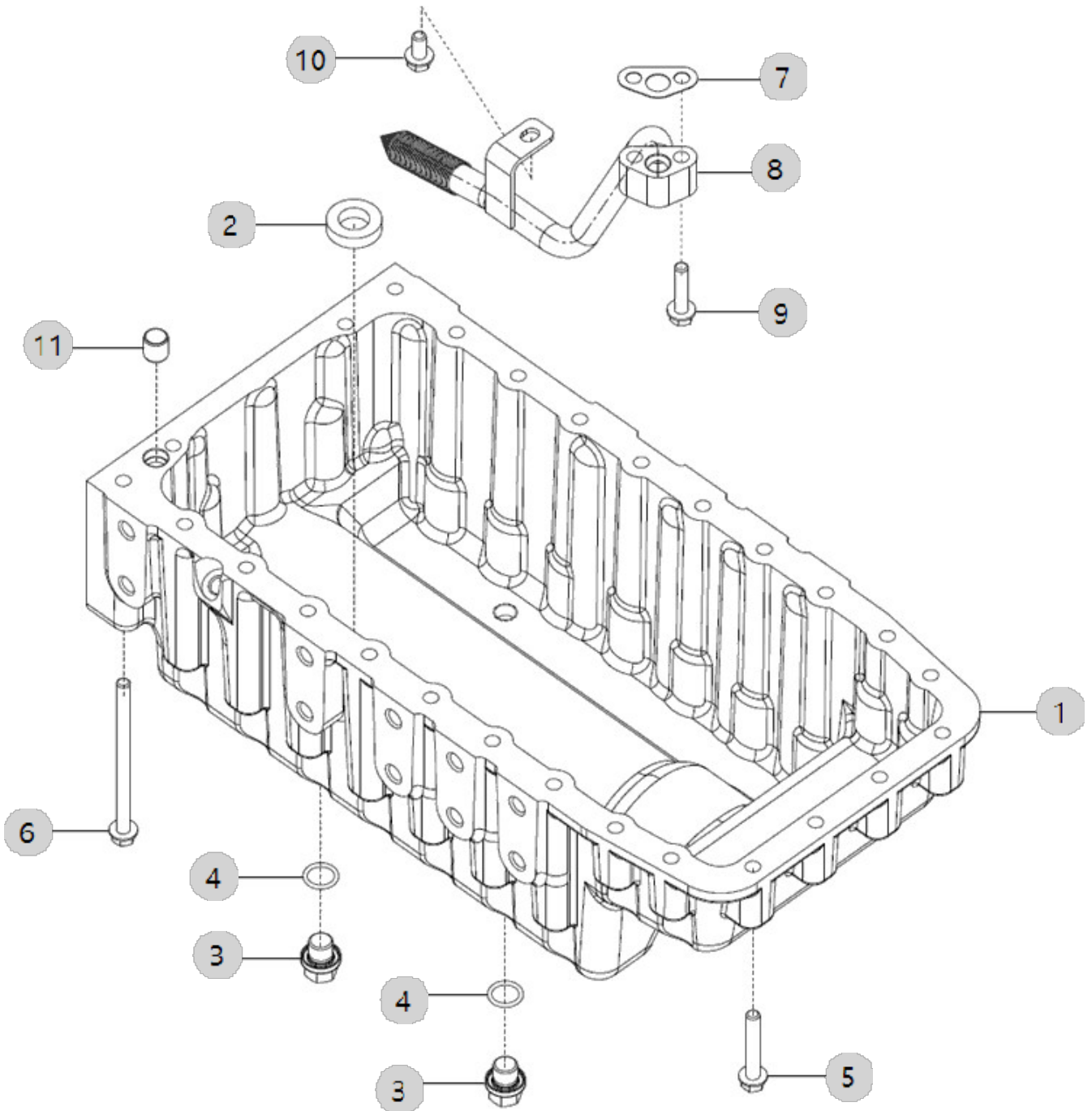
A27\_005

A2300N4-UTR\_4  
(AB00277)

OIL PAN ASS'Y OPTION

Year/Month

2022-12-15





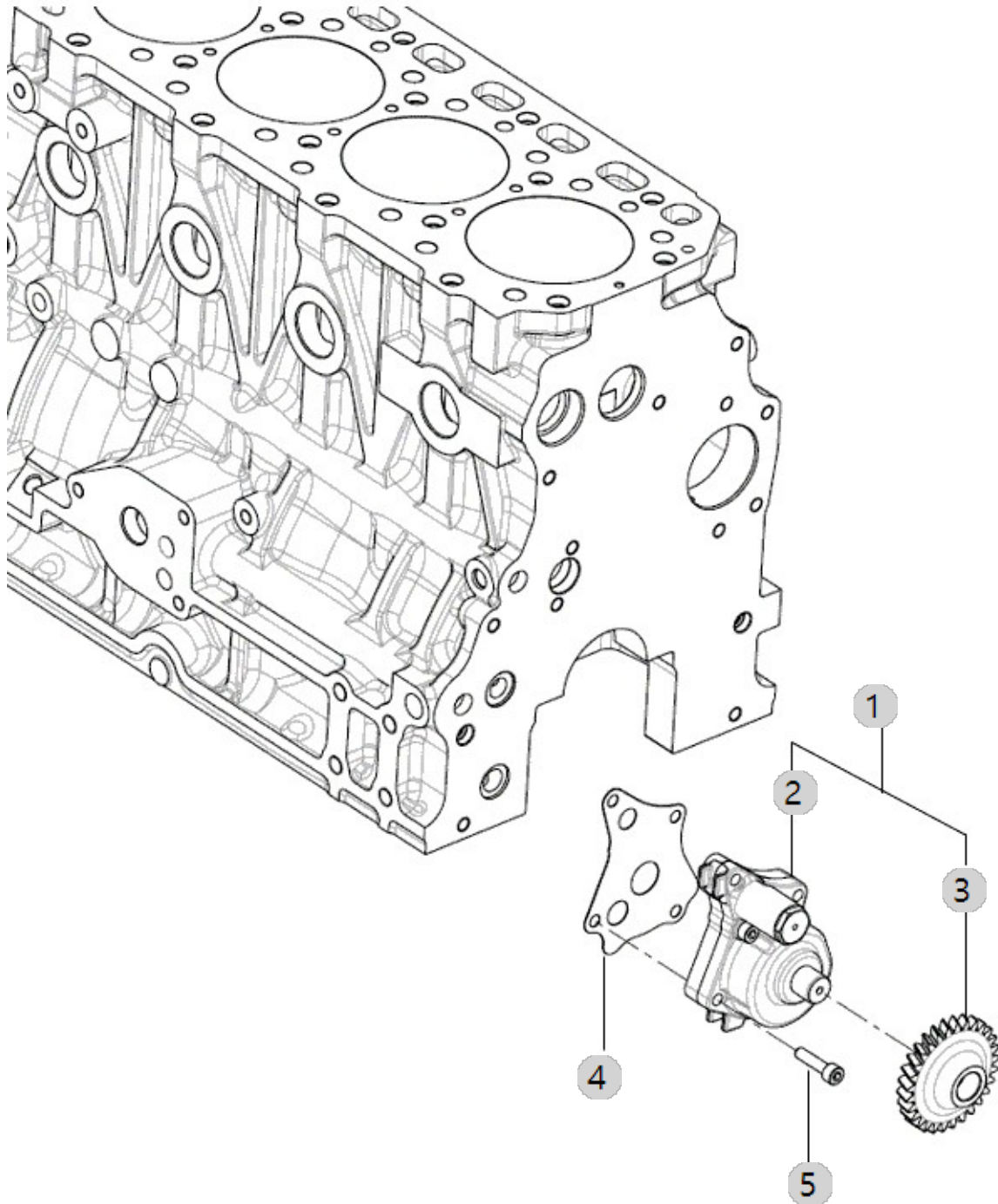
A28\_001

A2300N4-UTR\_4  
(AB00277)

PUMP, LUBRICATING OIL

Year/Month

2022-12-15







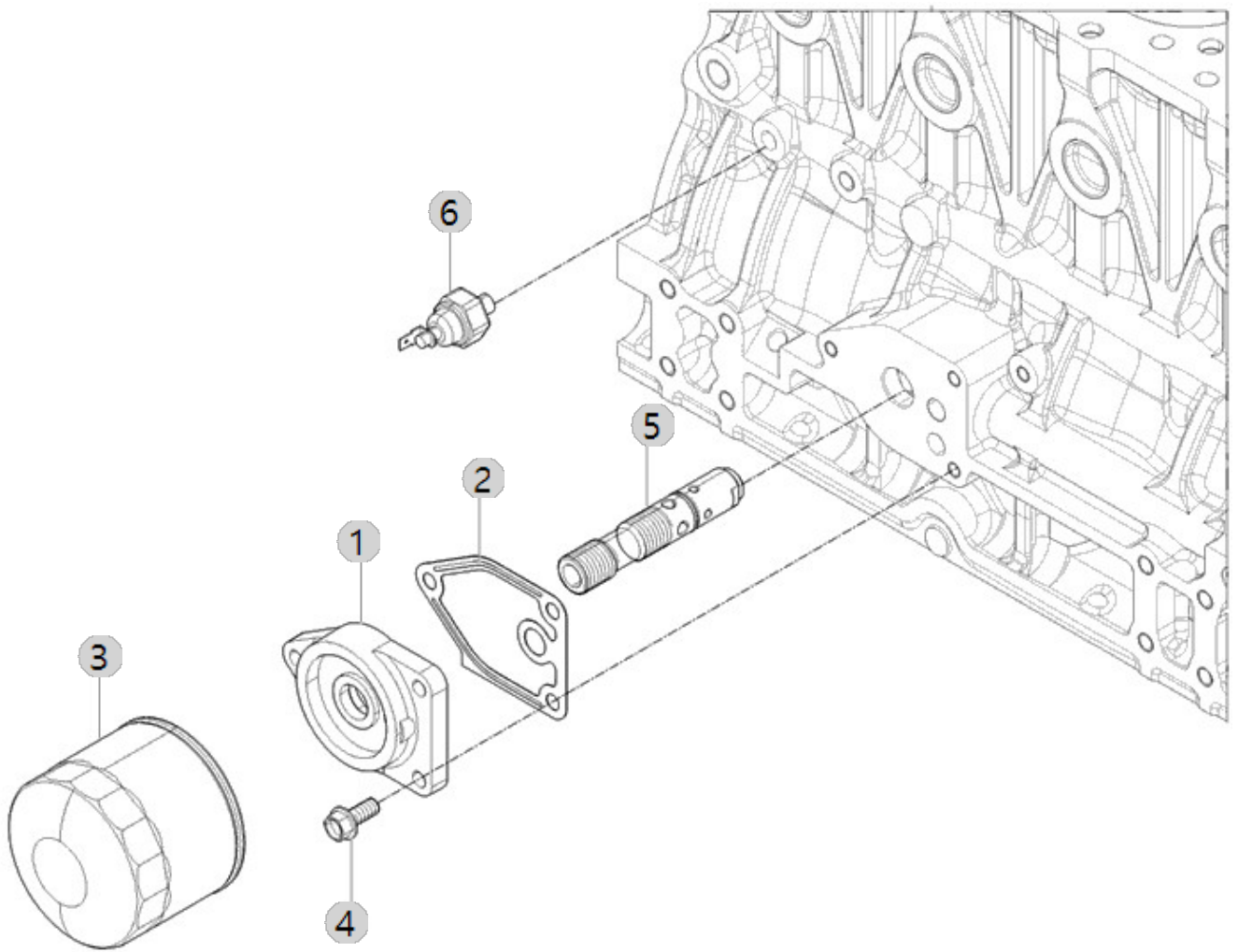
A29\_005

A2300N4-UTR\_4  
(AB00277)

FILTER, LUBRICATING OIL

Year/Month

2022-12-15





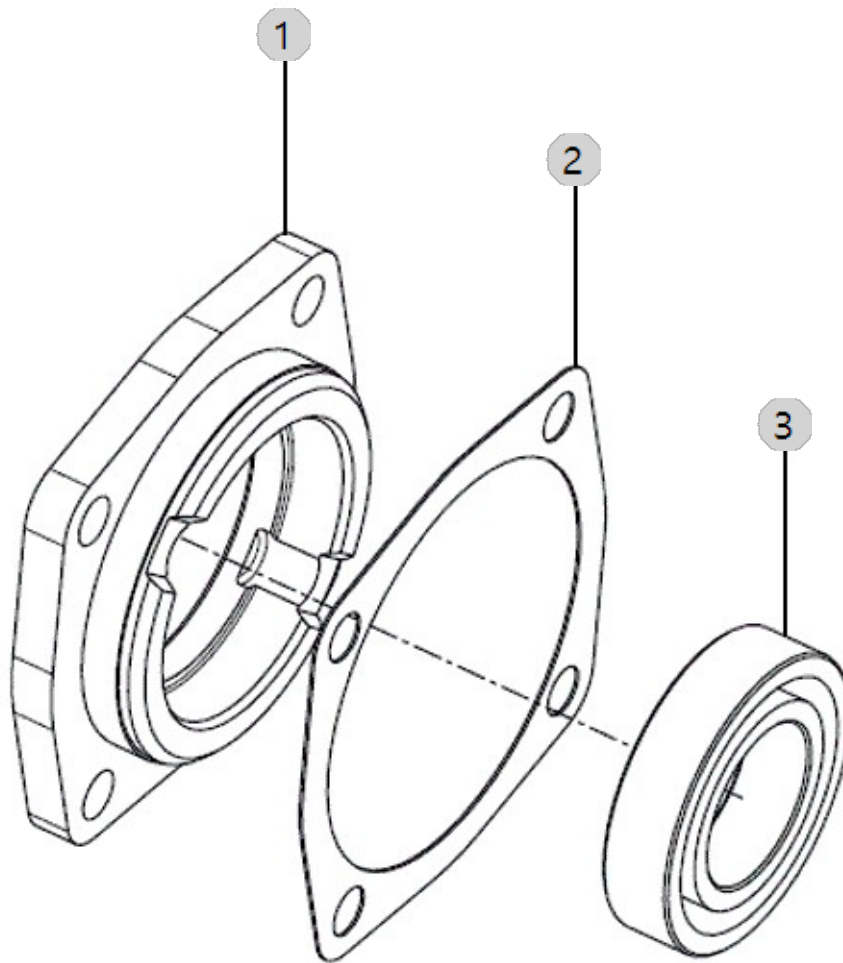
A30\_003

A2300N4-UTR\_4  
(AB00277)

### FRONT GEAR ACCESSORY DRIVE

Year/Month

2022-12-15





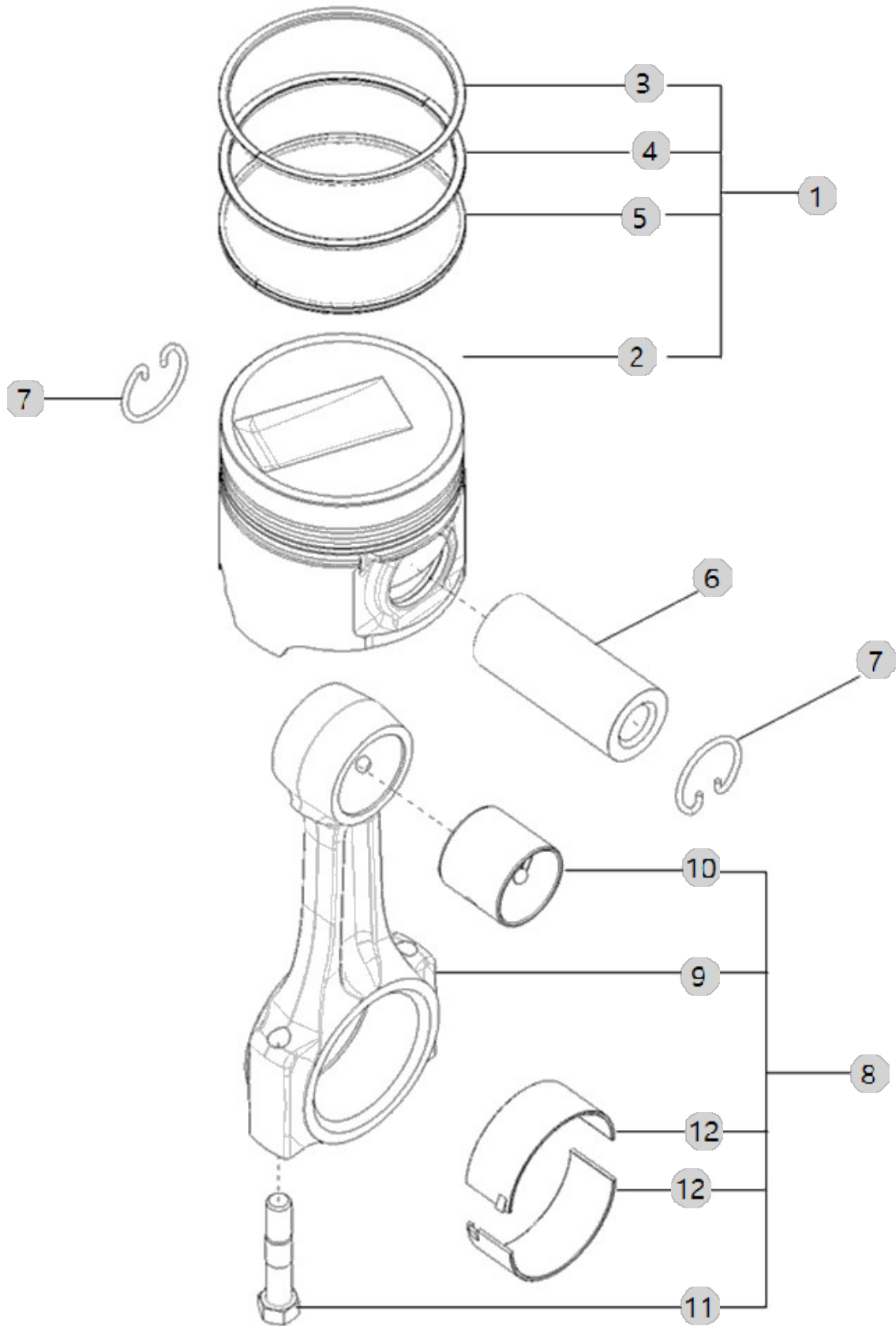
A31\_007

A2300N4-UTR\_4  
(AB00277)

# PISTON

Year/Month

2022-12-15



|  |               |                              |
|--|---------------|------------------------------|
| <b>A31_007</b><br>A2300N4-UTR_4<br>(AB00277) | <b>PISTON</b> | Year/Month<br><br>2022-12-15 |
|--|---------------|------------------------------|

| 순번<br>(NO) | 부품번호<br>(PART NO) | 품명<br>(PART NAME)     | 품명<br>(PART NAME)            | 수량<br>(QTY) | 규격<br>(SPEC) | 비고<br>(REMARK) |
|------------|-------------------|-----------------------|------------------------------|-------------|--------------|----------------|
| 1          | HRA0801300A9      | 피스톤조합                 | PISTON ASS'Y                 | 4           |              |                |
| 2          | HRA0801301C1      | 피스톤A2300(T),A1700     | PISTON,ENGINE A2300(T),A1700 | 4           |              |                |
| 2          | HRA0801301B1      | 피스톤 A2300(T),A1700    | PISTON,ENGINE                | 4           |              |                |
| 3          | HRA0801303A4      | 401,A172322,피스톤링(1ST) | RING,1STCOMPRESSIONPISTON    | 4           |              |                |
| 4          | HRA0801304B4      | 739,A172322,피스톤링(2ND) | RING,2NDCOMPRESSIONPISTON    | 4           |              |                |
| 5          | HRA0801305B4      | 740,A172322,피스톤링(OIL) | RING,OILPISTON               | 4           |              |                |
| 6          | HK27150000D4      | 피스톤핀                  | PIN,PISTON                   | 4           |              |                |
| 6          | HK27150000C4      | 피스톤핀                  | PIN,PISTON                   | 4           |              |                |
| 7          | HA08070000A4      | 468,ALL, 멈춤링          | RING,RETAINING               | 8           |              |                |
| 8          | HRA0801600C9      | 커넥팅로드조합               | ROD,ENGINE CONNECTING        | 4           |              |                |
| 8          | HRA0801600B9      | 커넥팅로드조합               | ROD,ENGINE CONNECTING        | 4           |              |                |
| 9          | HRA0801601C2      | 커넥팅로드                 | ROD,ENGINE CONNECTING        | 4           |              |                |
| 9          | HRA0801601B2      | 커넥팅로드                 | ROD,ENGINE CONNECTING        | 4           |              |                |
| 10         | HRA0801603A4      | 409,ALL, 부시(피스톤핀)     | BUSHING                      | 4           |              |                |
| 10         | HRA0801603B4      | 부시(피스톤핀)              | BUSHING                      | 4           |              |                |
| 11         | HRA0801602A4      | 408,ALL,볼트(커넥팅로드)     | SCREW,HEXAGONHEADCAP         | 8           |              |                |
| 12         | HRA0801700A3      | 커넥팅로드 베어링             | CONNECTING ROD BEARING       | 8           |              |                |

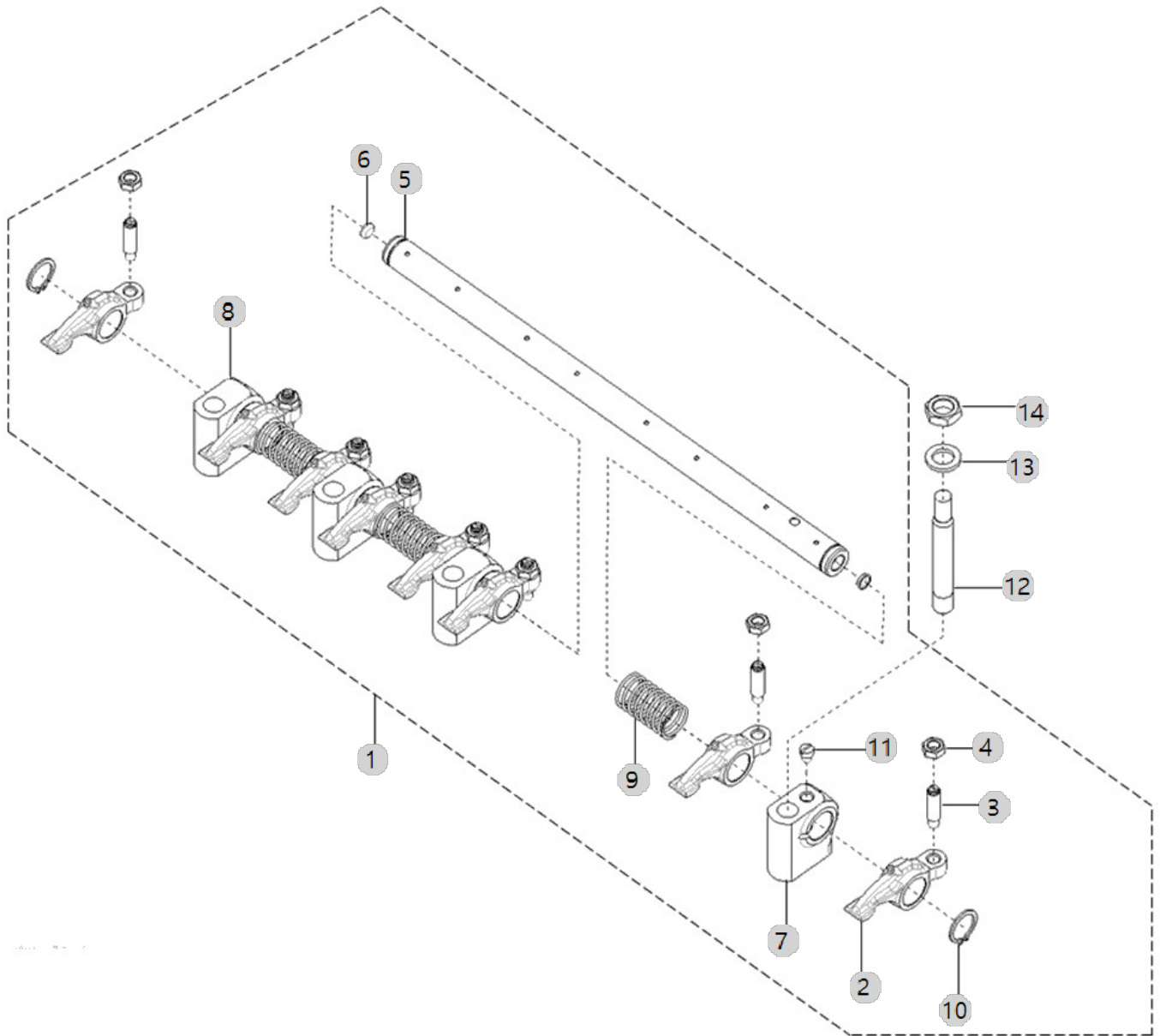
A32\_003

A2300N4-UTR\_4  
(AB00277)

# LEVER, LOCKER

Year/Month

2022-12-15







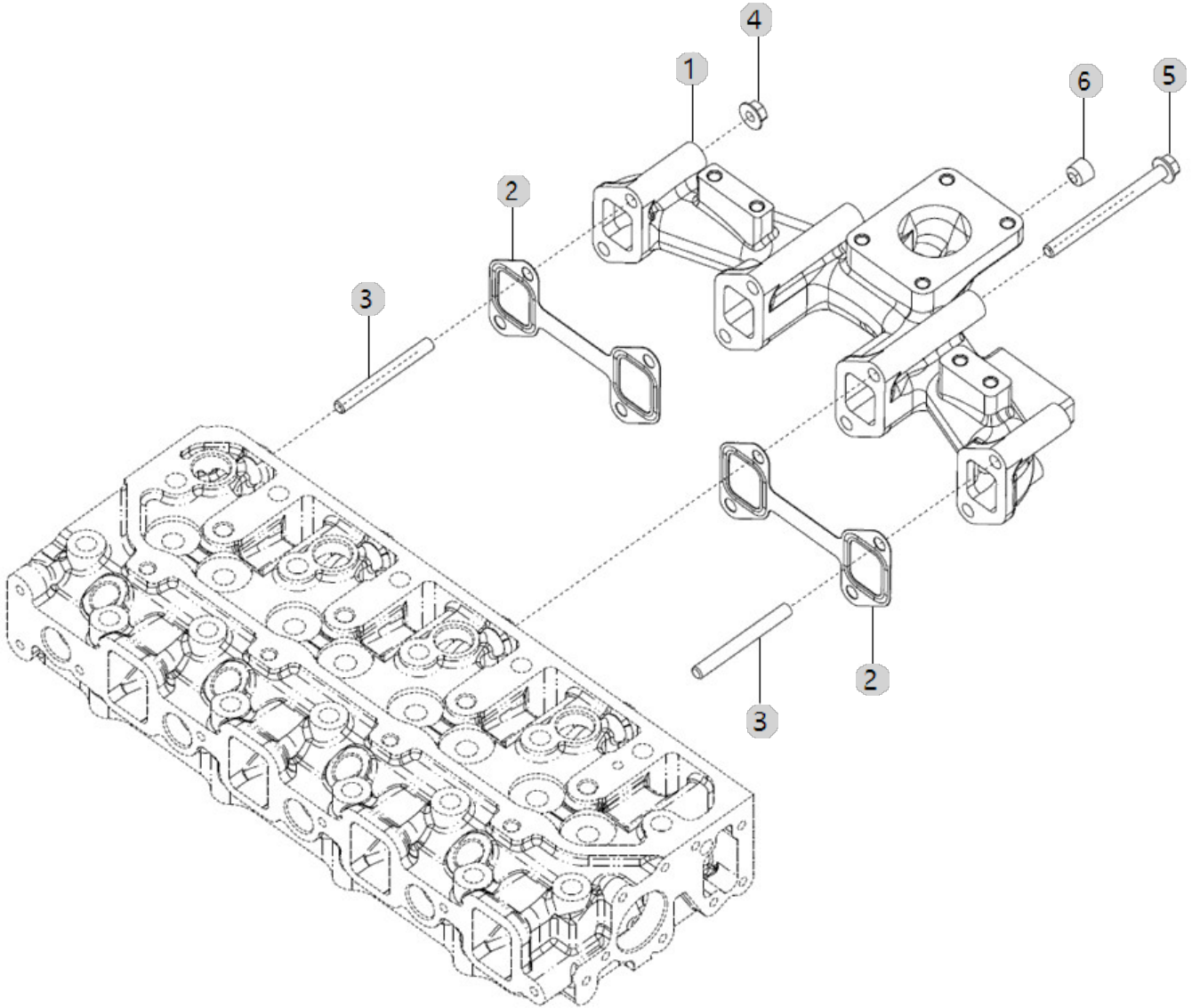
A33\_013

A2300N4-UTR\_4  
(AB00277)

# EXHAUST MANIFOLD

Year/Month

2022-12-15





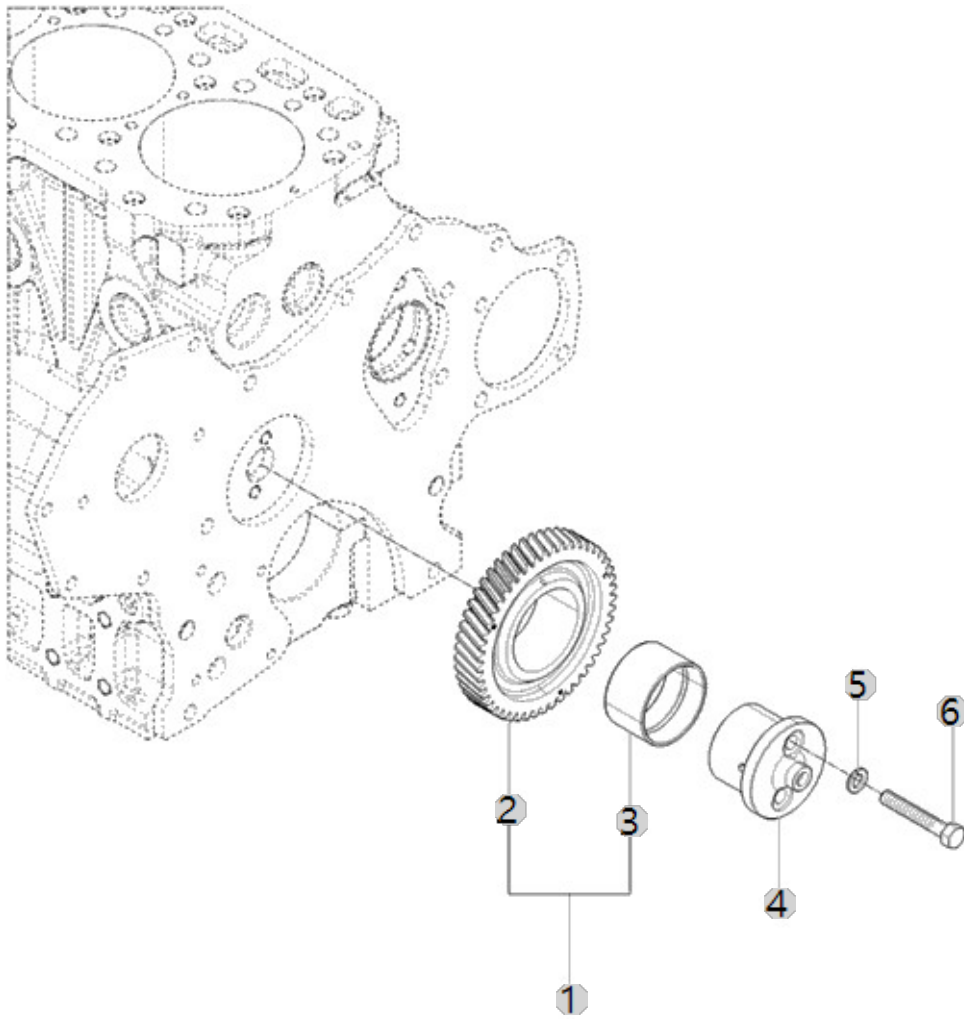
A35\_002

A2300N4-UTR\_4  
(AB00277)

# IDLE GEAR

Year/Month

2022-12-15





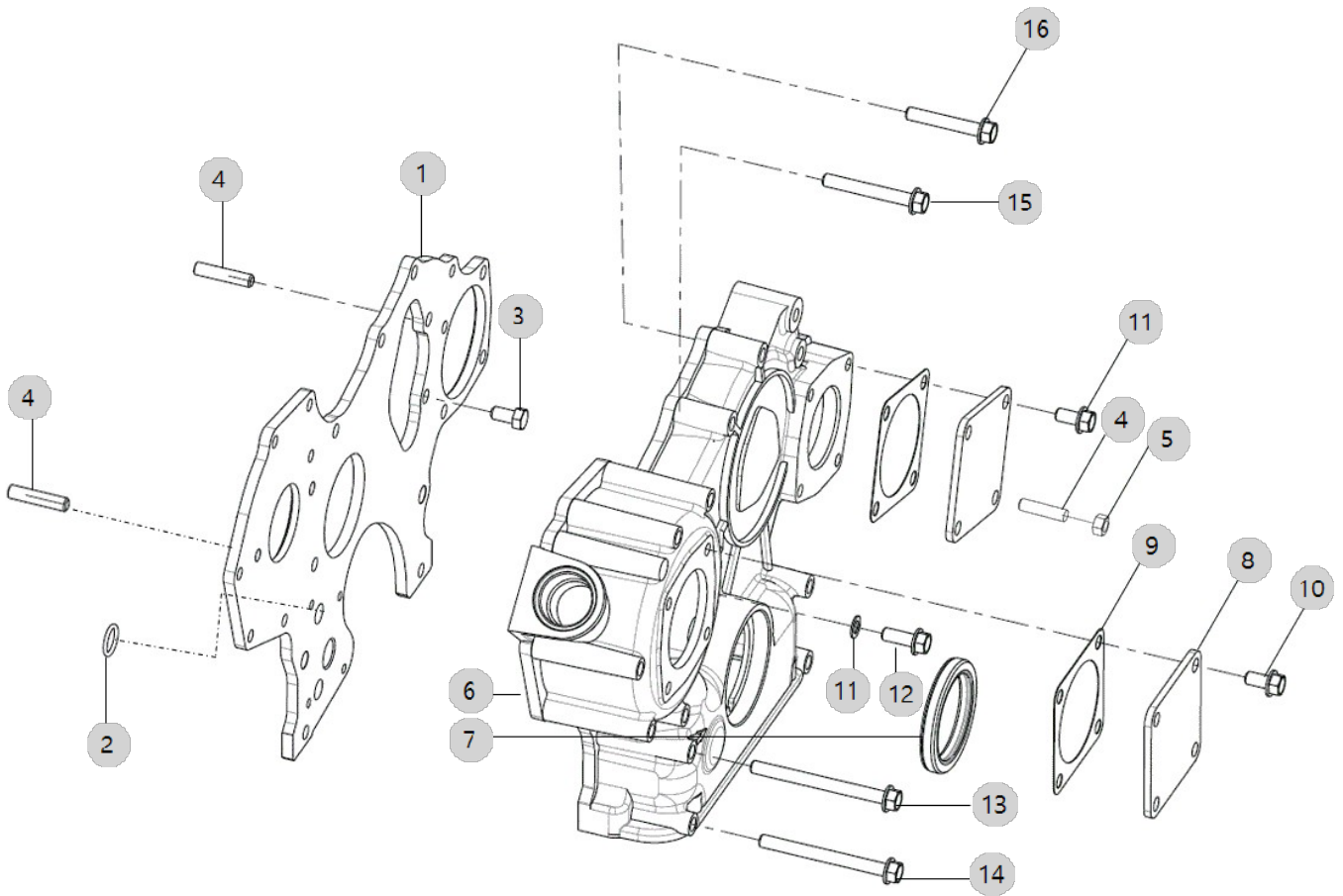
A36\_004

A2300N4-UTR\_4  
(AB00277)

# COVER, FRONT GEAR

Year/Month

2022-12-15





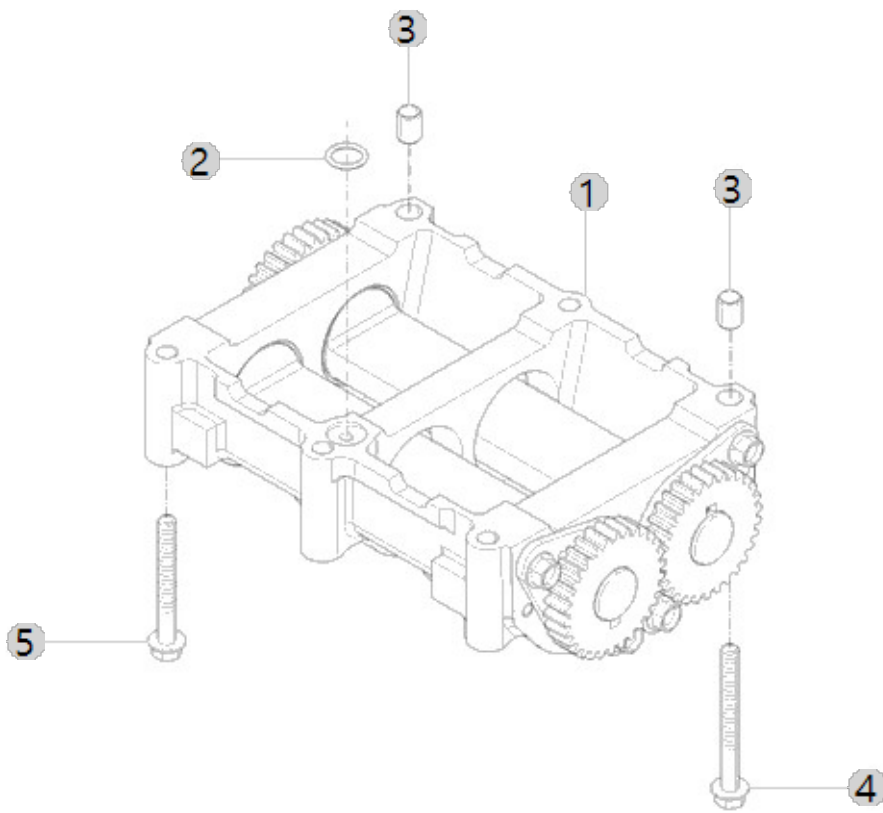
A37\_001

A2300N4-UTR\_4  
(AB00277)

BALANCE ASS'Y

Year/Month

2022-12-15







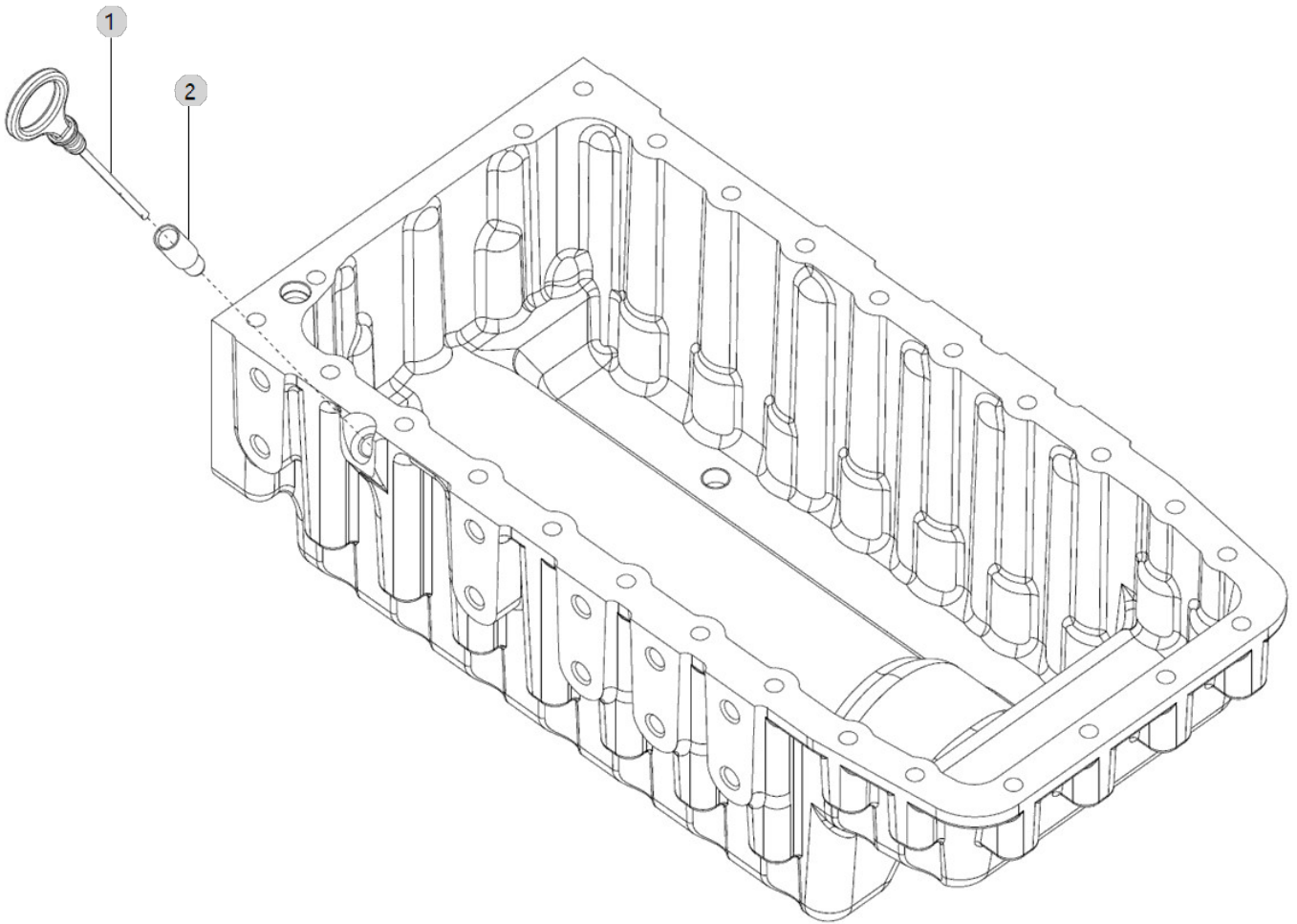
A38\_009

A2300N4-UTR\_4  
(AB00277)

GAUGE, OIL LEVEL

Year/Month

2022-12-15





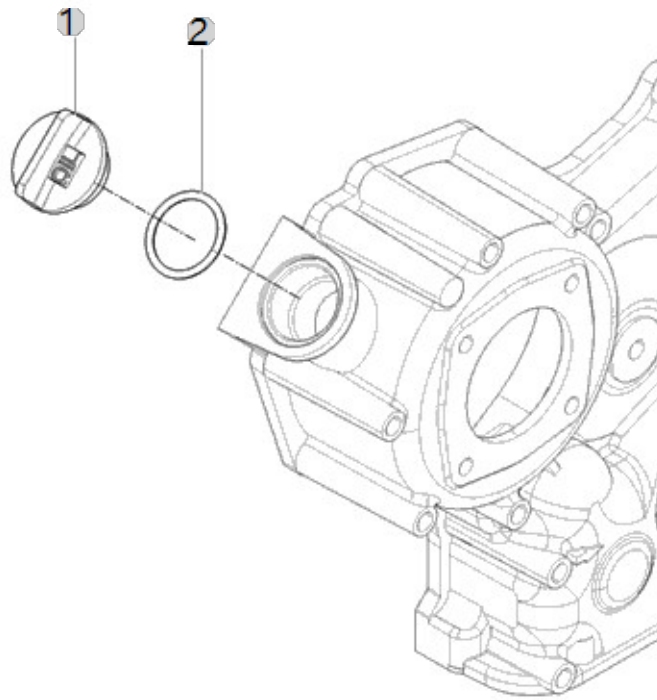
A39\_001

A2300N4-UTR\_4  
(AB00277)

# OIL FILLER CAP

Year/Month

2022-12-15





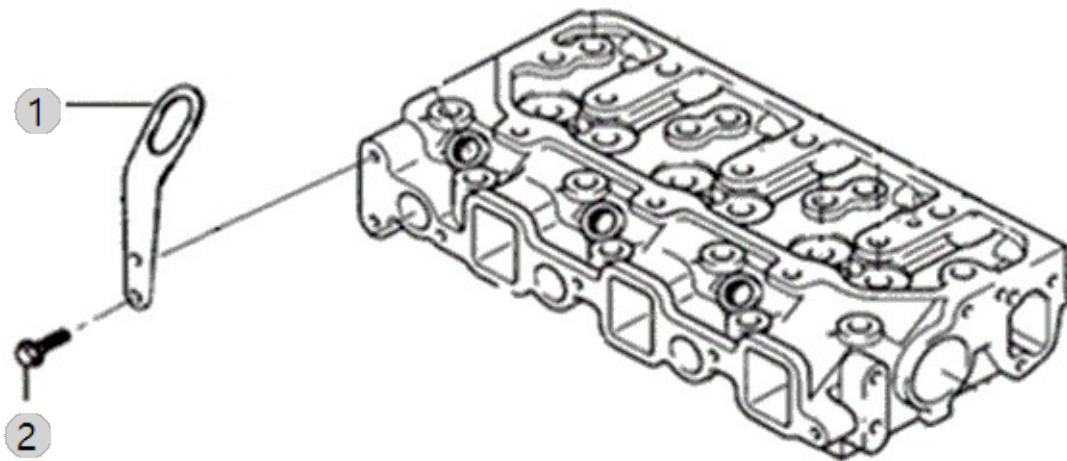
A40\_003

A2300N4-UTR\_4  
(AB00277)

LIFT ASS'Y OPTION

Year/Month

2022-12-15





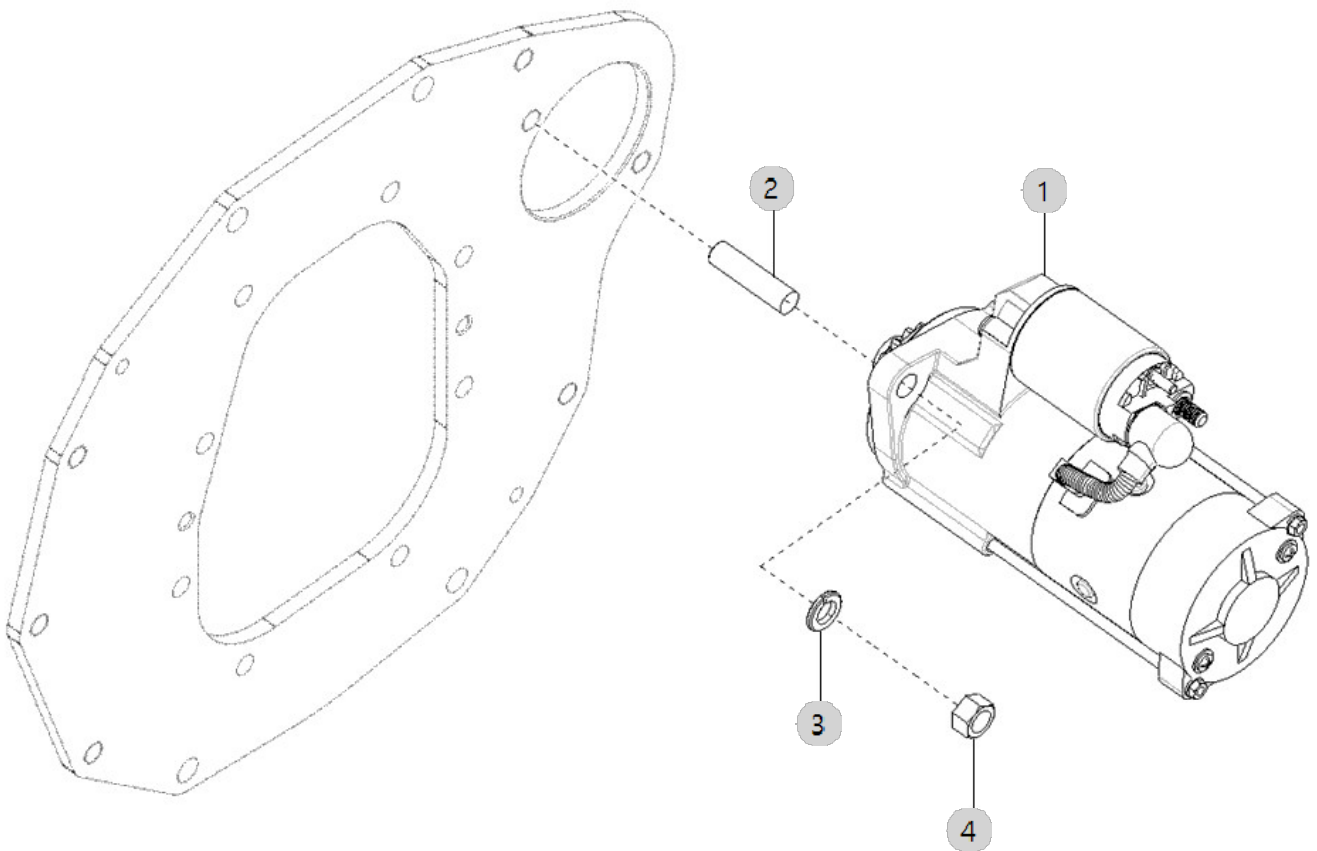
A42\_003

A2300N4-UTR\_4  
(AB00277)

### MOTER, STARTIONS

Year/Month

2022-12-15







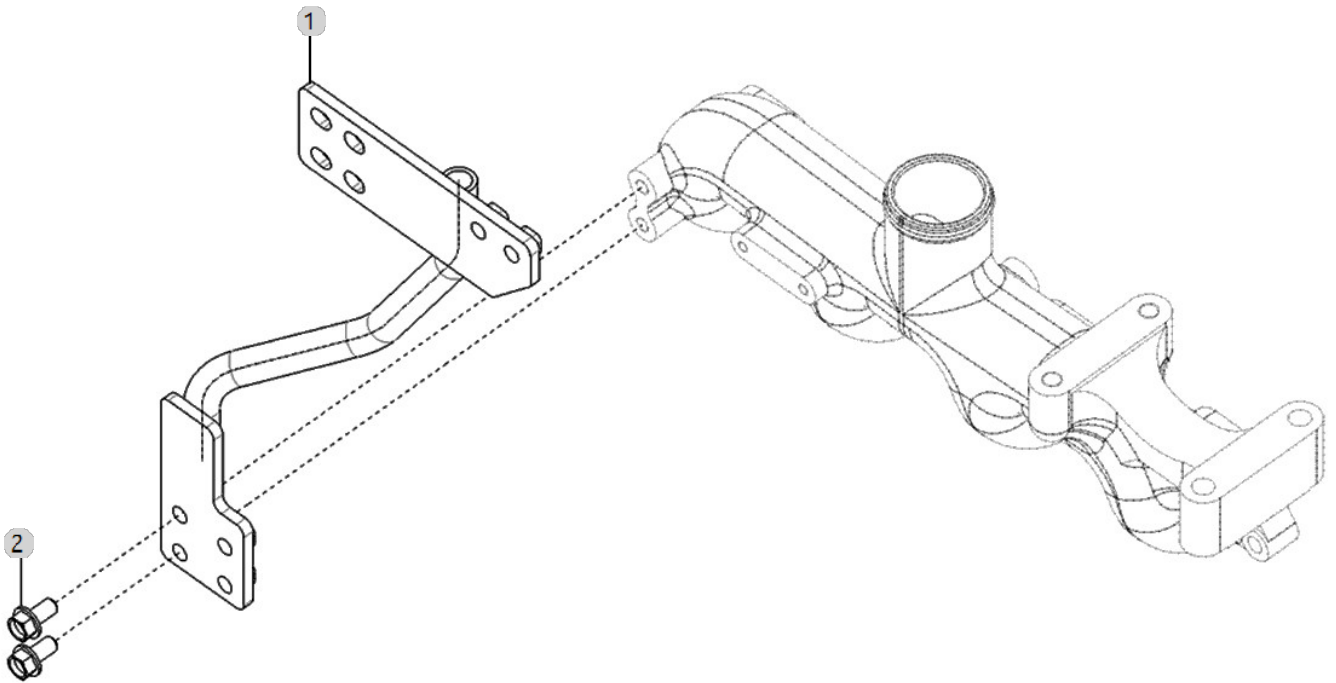
A43\_001

A2300N4-UTR\_4  
(AB00277)

DPF SUPPORT OPTION

Year/Month

2022-12-15





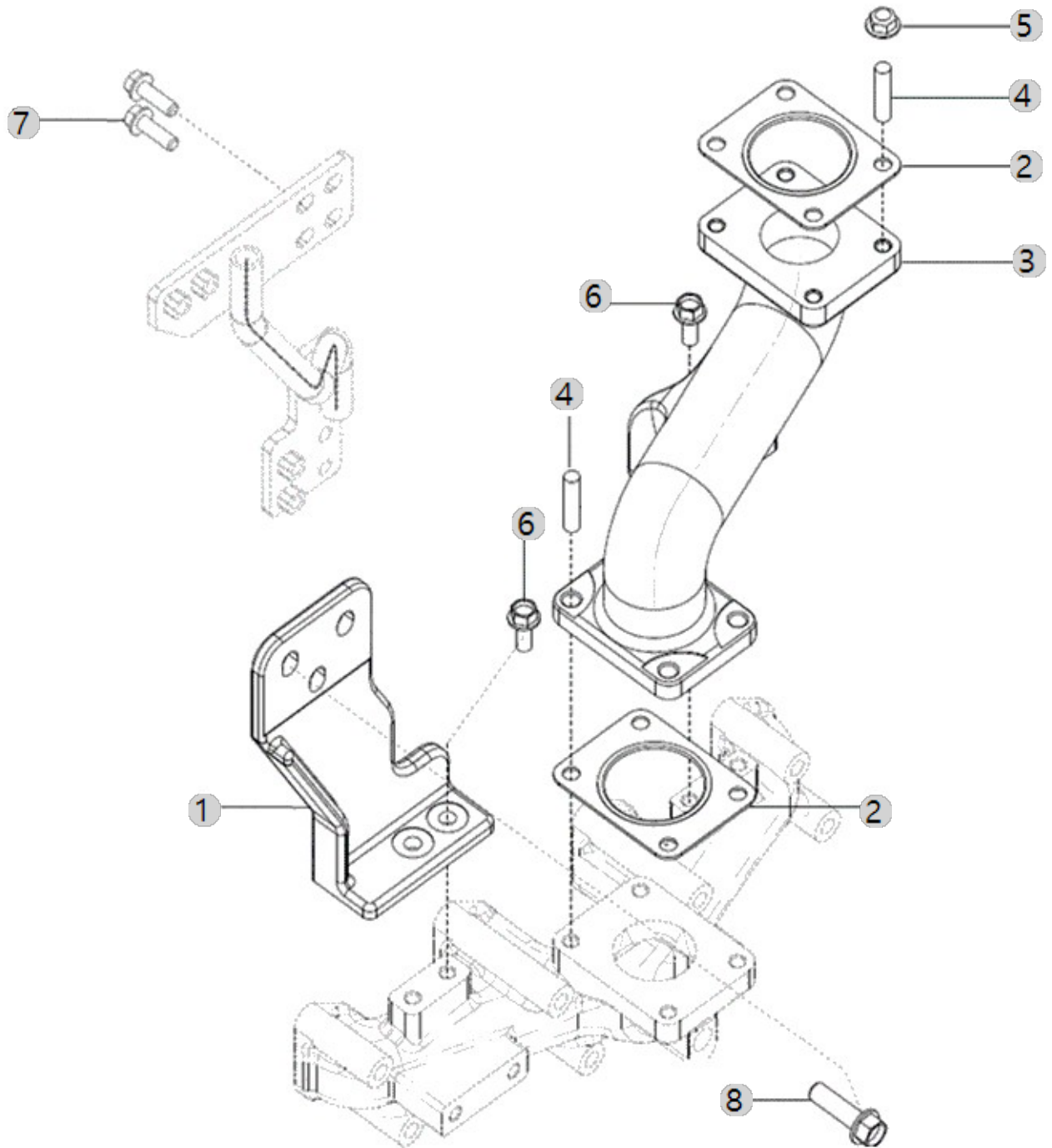
A44\_006

A2300N4-UTR\_4  
(AB00277)

### DPF MOUNTING OPTION

Year/Month

2022-12-15





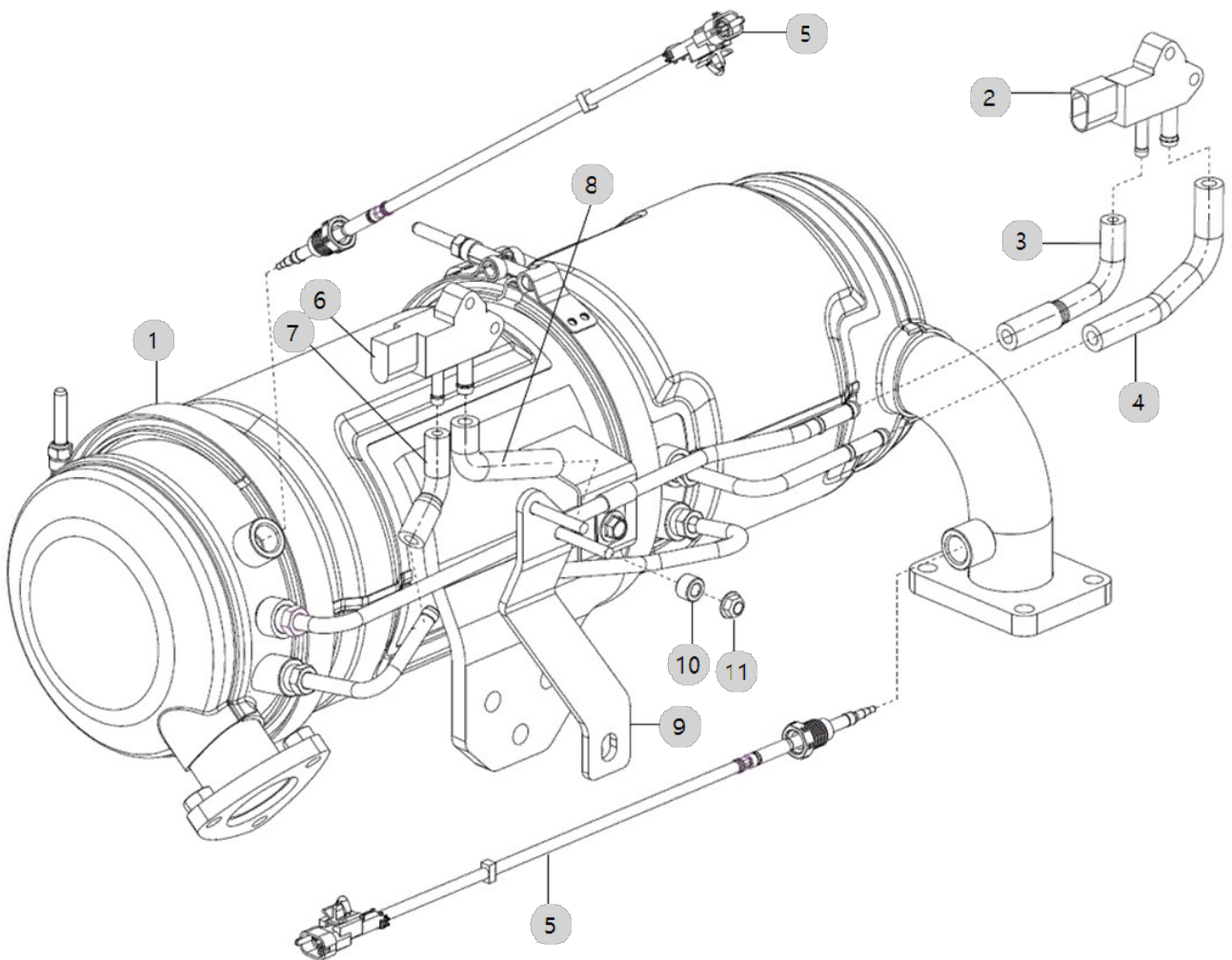
A45\_011

A2300N4-UTR\_4  
(AB00277)

DPF

Year/Month

2022-12-15





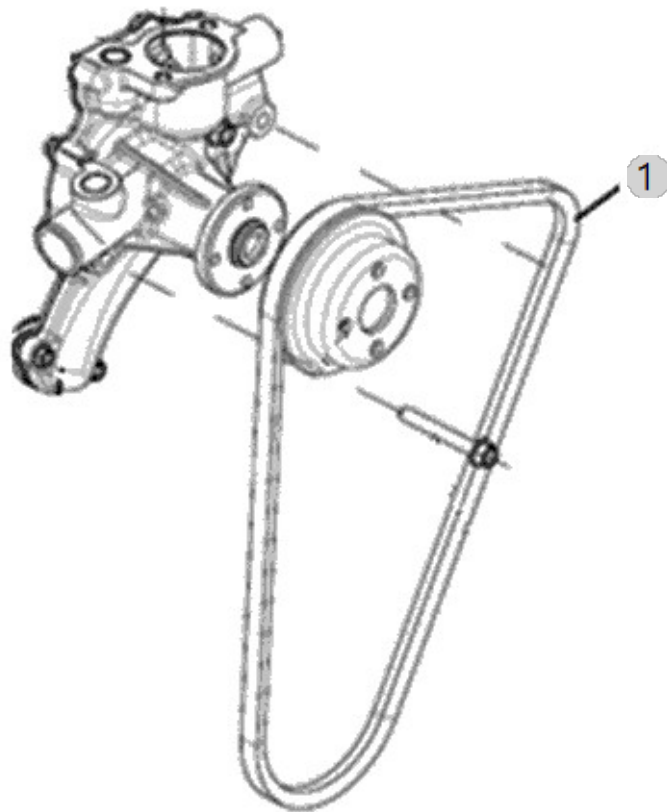
A48\_006

A2300N4-UTR\_4  
(AB00277)

V-BELT

Year/Month

2022-12-15







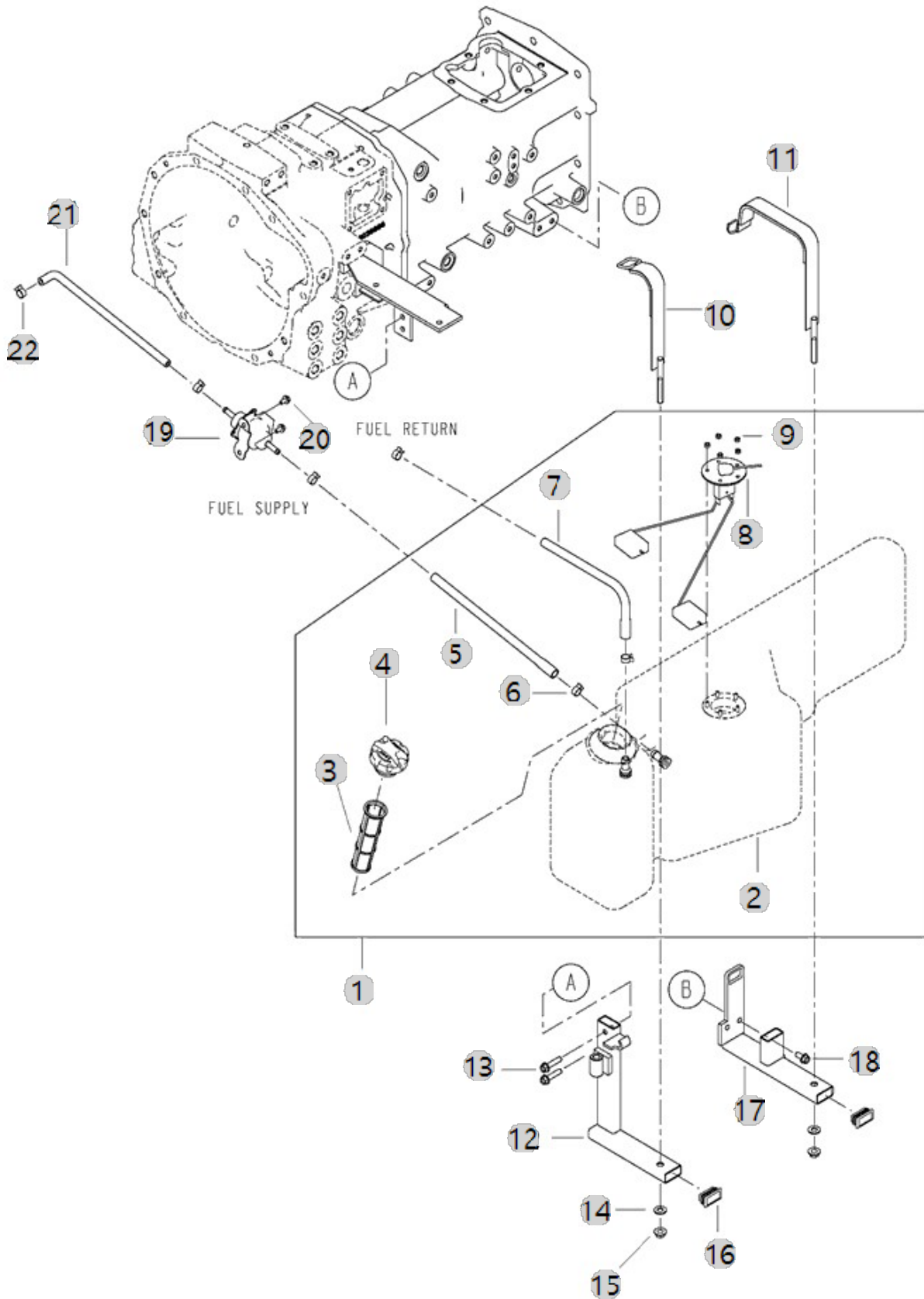
B01010

4815R\_US\_FL  
(AC02164)

(FUEL TANK)

Year/Month

2022-12-15





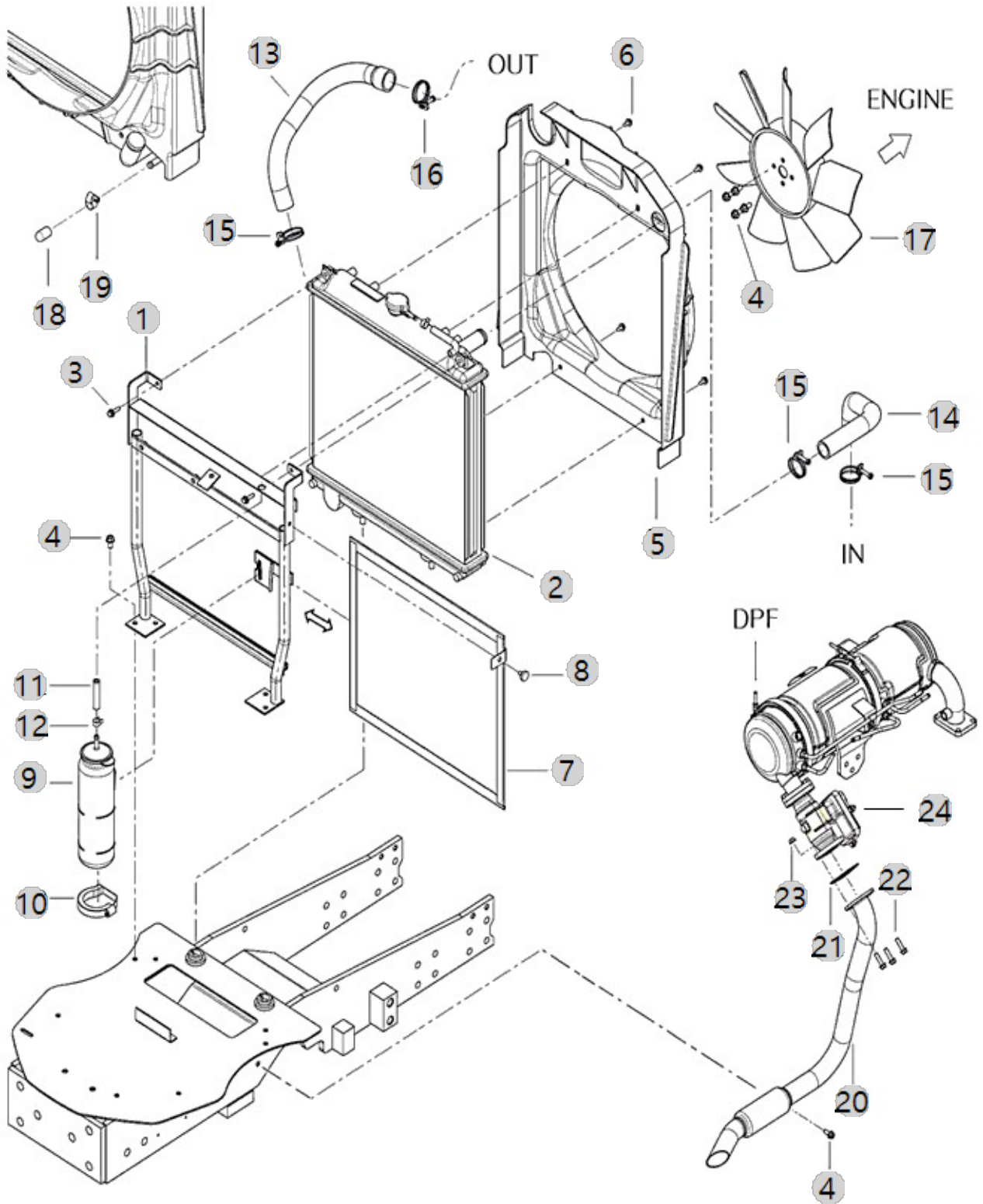
B02020

4815R\_US\_FL  
(AC02164)

(RADIATOR)

Year/Month

2022-12-15





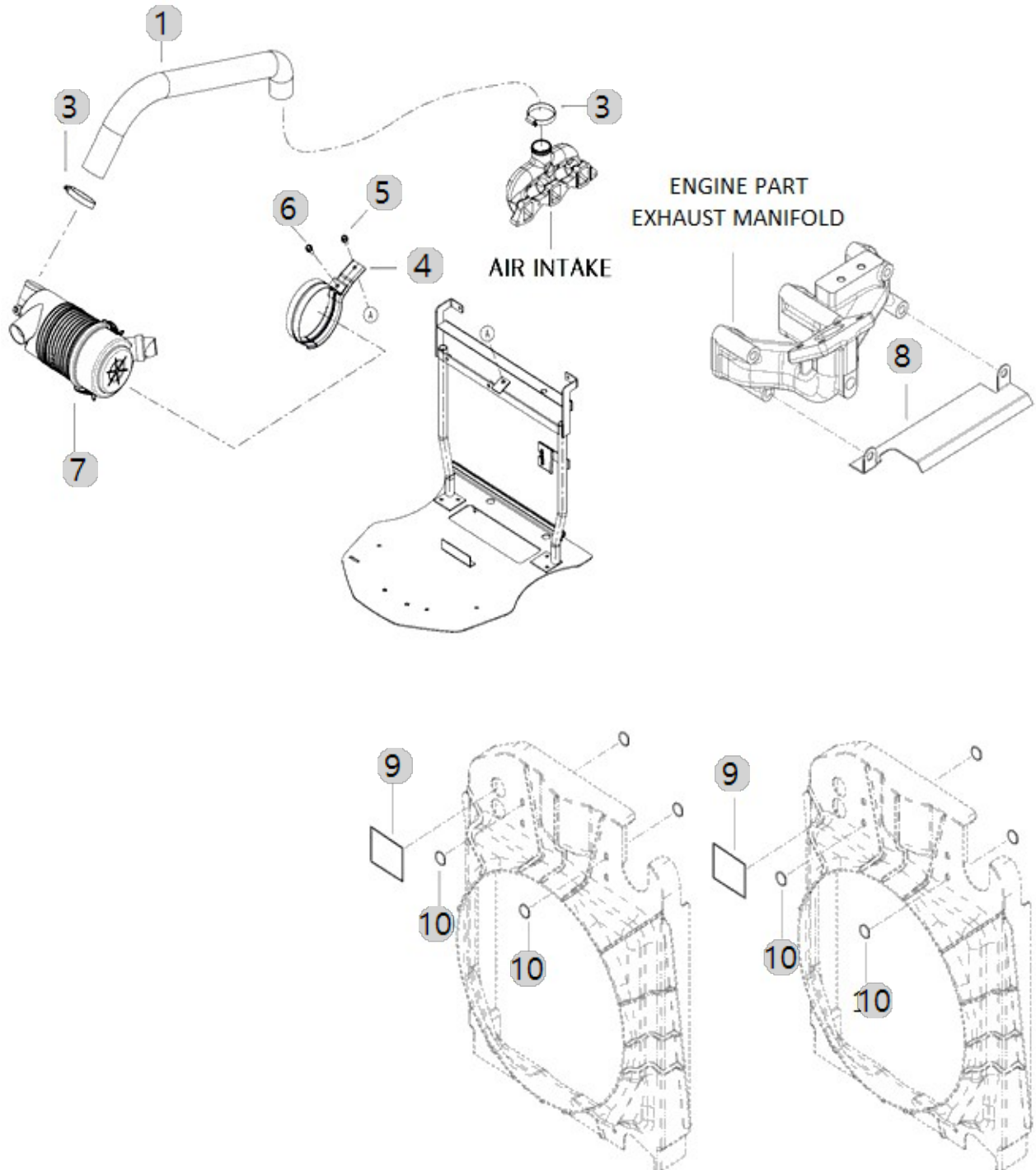
B03010

4815R\_US\_FL  
(AC02164)

(AIR CLEANER)

Year/Month

2022-12-15





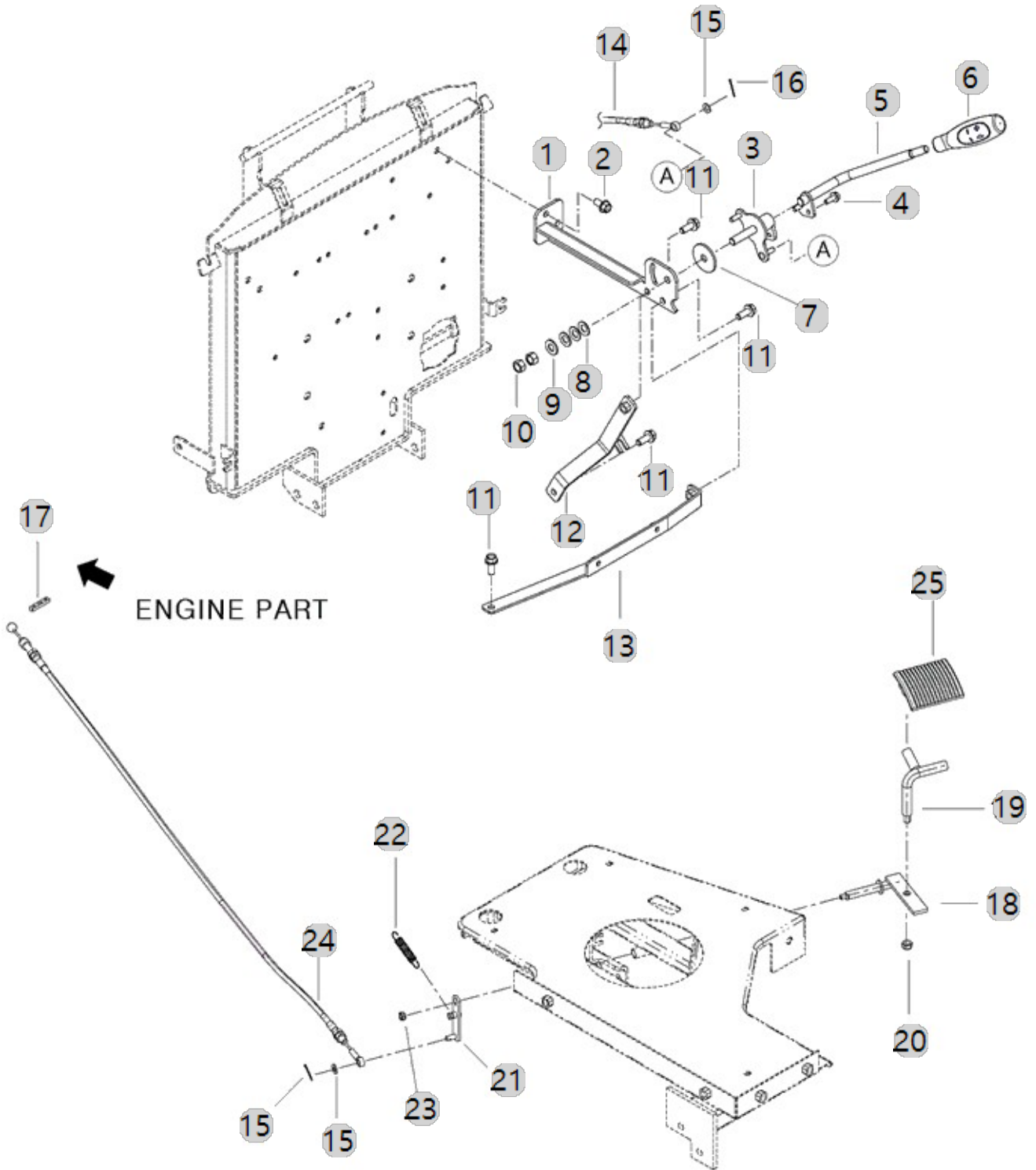
B05011

4815R\_US\_FL  
(AC02164)

(LEVER ACCELERATOR)

Year/Month

2022-12-15







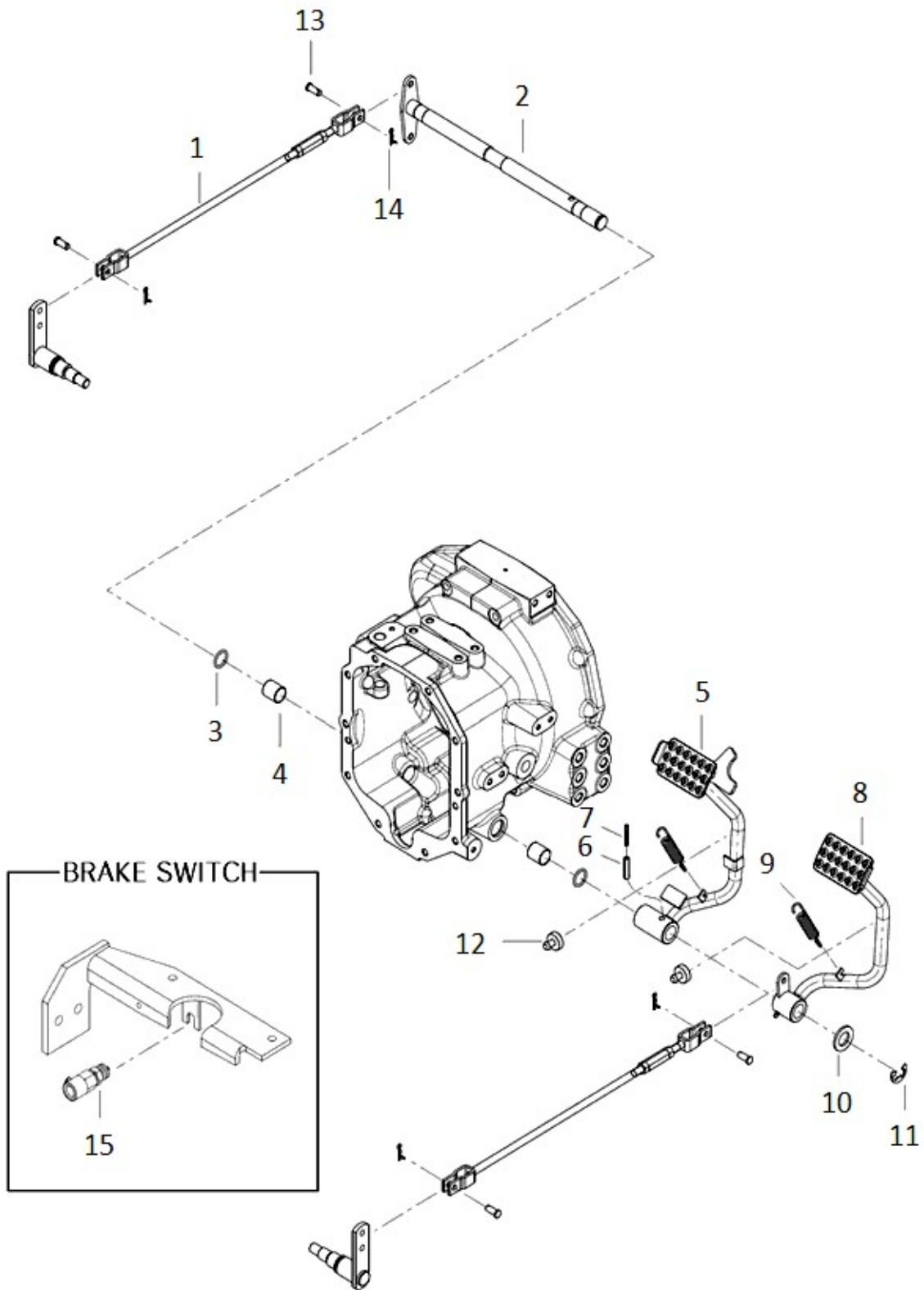
C02010-B

4815R\_US\_FL  
(AC02164)

(BRAKE PEDAL)

Year/Month

2022-12-15





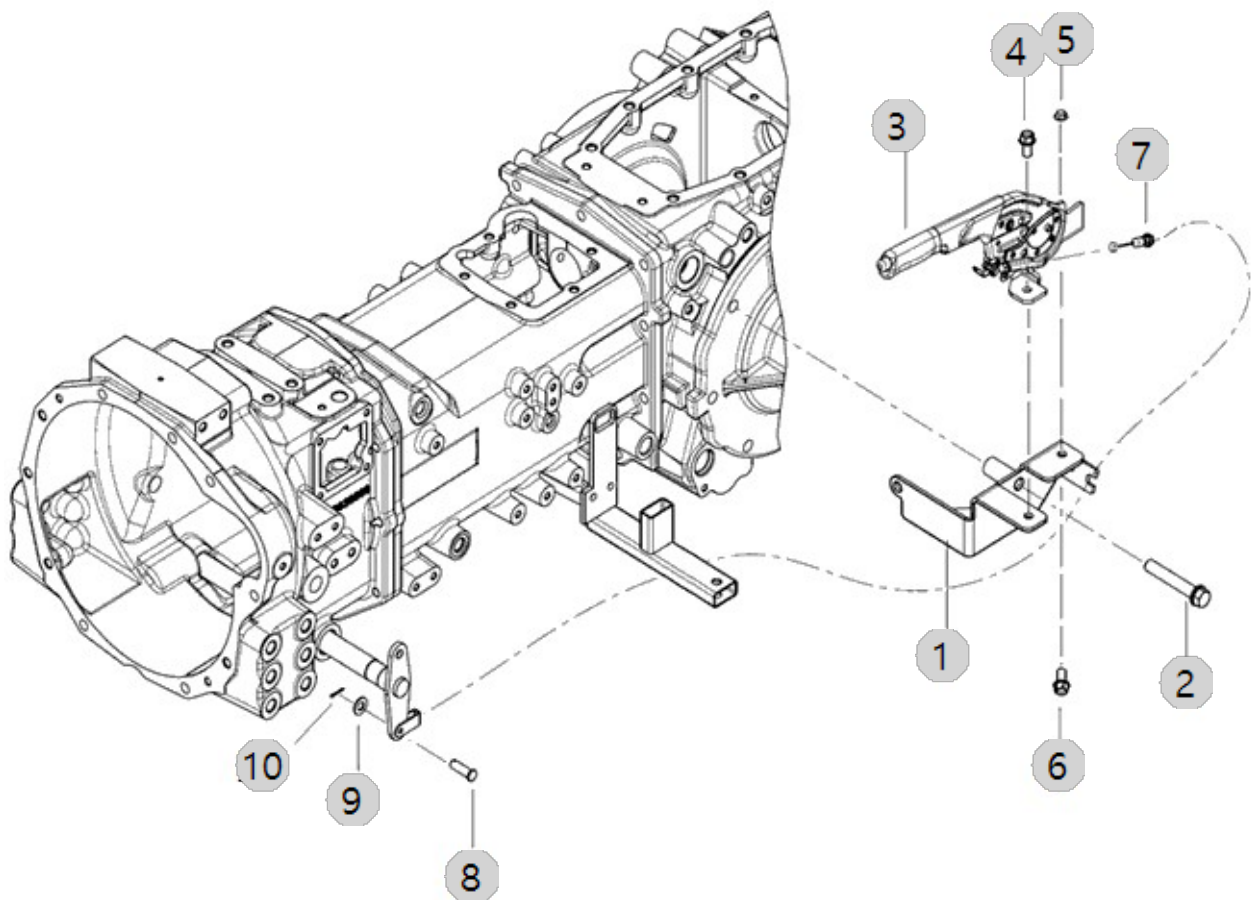
C02050

4815R\_US\_FL  
(AC02164)

(PARKING BRAKE)

Year/Month

2022-12-15





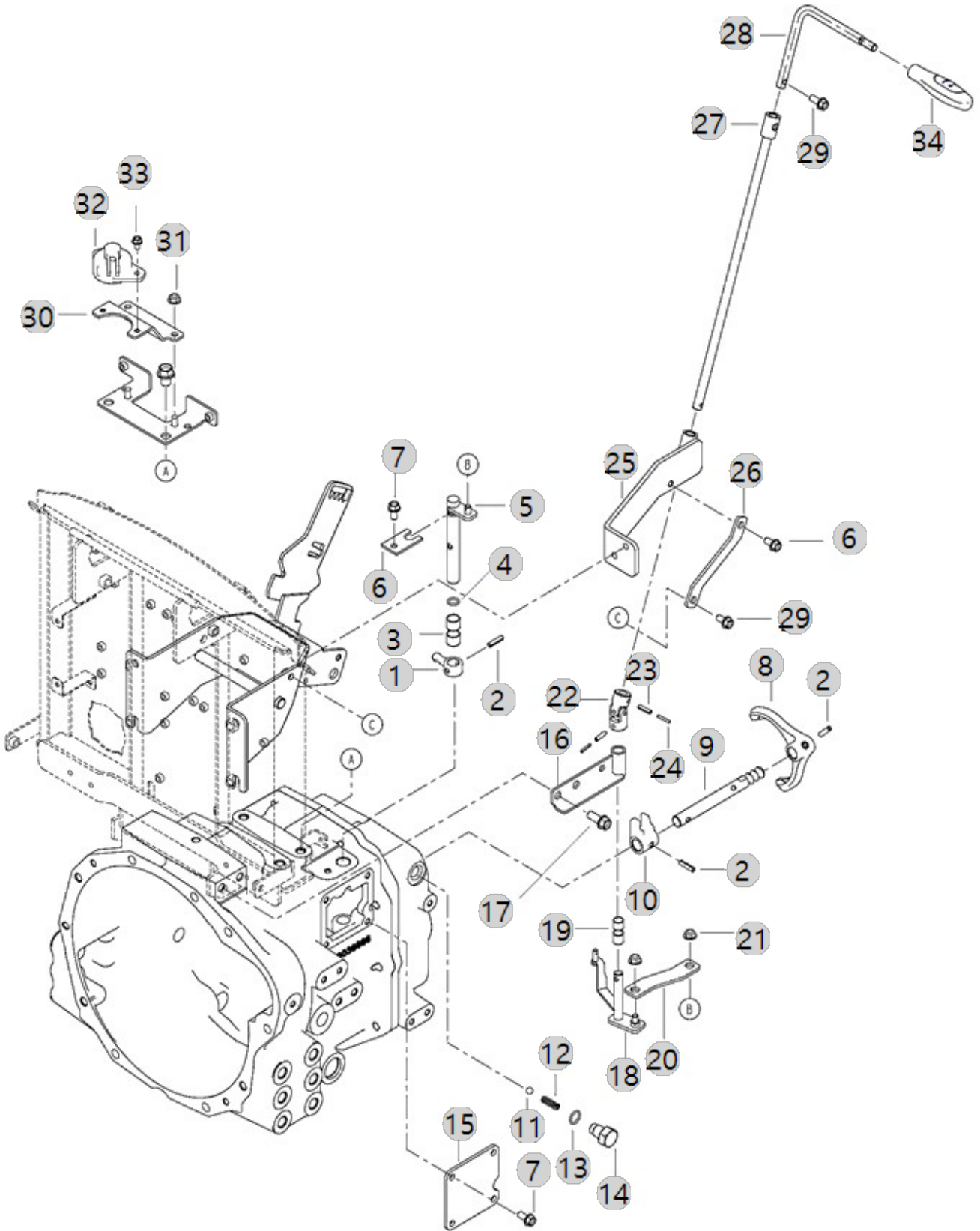
C04010

4815R\_US\_FL  
(AC02164)

(SHUTTLE ASS'Y)

Year/Month

2022-12-15



| C04010<br>4815R_US_FL<br>(AC02164) |                   | (SHUTTLE ASS'Y)   |                             |             |              | Year/Month<br>2022-12-15 |
|------------------------------------|-------------------|-------------------|-----------------------------|-------------|--------------|--------------------------|
| 순번<br>(NO)                         | 부품번호<br>(PART NO) | 품명<br>(PART NAME) | 품명<br>(PART NAME)           | 수량<br>(QTY) | 규격<br>(SPEC) | 비고<br>(REMARK)           |
| 1                                  | TA00038532A       | 주변속암              | ARM-M/SHIFT                 | 1           |              |                          |
| 2                                  | 22351-060025      | SPRINGPIN6X25     | PIN, SPRING (6-25)          | 3           | D6X25        |                          |
| 3                                  | 24550-016150      | 드라이부시             | DRYBUSH                     | 2           |              |                          |
| 4                                  | 24311-000120      | O-링 495-12        | O-RING, DYNAMIC (Φ12)       | 1           | P12          |                          |
| 5                                  | TA00065140B       | 셔틀 축 조합           | ASSY, SHUTTLE SHAFT         | 1           |              |                          |
| 6                                  | TA00039028A       | 플레이트              | PLATE                       | 1           |              |                          |
| 7                                  | 26106-080162      | 플랜지볼트 8X16        | SCREW,HEXFLANGEHEADCAP      | 6           | M8XP1.25X16  |                          |
| 8                                  | TA00038785A       | 셔틀 포크             | FORK, SHUTTLE               | 1           |              |                          |
| 9                                  | TA00038503B       | 전후진포크축            | SHAFT, F/R                  | 1           |              |                          |
| 9                                  | TA00038503A       | 전후진포크축            | SHAFT, F/R                  | 1           |              |                          |
| 10                                 | TA00038399A       | 셔틀 시프터            | SHIFTER, SHUTTLE            | 1           |              |                          |
| 11                                 | 24190-110001      | 강구 11/32          | Ball, Steel (11/32)         | 1           | 11/32        |                          |
| 12                                 | TA00038502A       | 스프링               | SPRING                      | 1           |              |                          |
| 13                                 | 24311-000150      | O-링(P형)           | O-RING, DYNAMIC (Φ15)       | 1           | P15          |                          |
| 14                                 | TA00038524F       | 볼트                | BOLT                        | 1           |              |                          |
| 15                                 | TA00039099B       | 셔틀 커버             | COVER                       | 1           |              |                          |
| 16                                 | TA00065177D       | 셔틀 링크 브래킷         | BRACKET, SHUTTLE LINK       | 1           |              |                          |
| 16                                 | TA00065177B       | 셔틀 링크 브래킷         | BRACKET, SHUTTLE LINK       | 1           |              |                          |
| 17                                 | 26106-100202      | 육각플랜지볼트           | HEX BOLT, (10-20)           | 2           | M10XP1.5X20  |                          |
| 18                                 | TA00065142B       | 셔틀 링크 C           | LINK, SHUTTLE C             | 1           |              |                          |
| 18                                 | TA00065142A       | 셔틀 링크 C           | LINK, SHUTTLE C             | 1           |              |                          |
| 18                                 | TA00065142C       | 셔틀 링크 C           | LINK, SHUTTLE C             | 1           |              |                          |
| 19                                 | 24550-012150      | 드라이부시             | BUSH                        | 4           | 12X15        |                          |
| 20                                 | TA00065141B       | 연결 플레이트           | PLATE                       | 1           |              |                          |
| 21                                 | 26367-080002      | 259, 육각플랜지너트      | HEX FLANGE NUT (Φ8)         | 4           | M8XP1.25     |                          |
| 22                                 | TA00060736A       | 조인트               | JOINT                       | 1           |              |                          |
| 23                                 | 22351-050020      | 스프링핀 5X20         | PIN, SPRING (5-20)          | 1           | D5X20        |                          |
| 24                                 | 22351-030020      | 스프링핀 3X20         | PIN, SPRING (3X20)          | 1           | D3X20        |                          |
| 25                                 | TA00069052B       | 셔틀레버 브래킷 조합       | BRACKET ASSY, SHUTTLE LEVER | 1           |              |                          |
| 25                                 | TA00069052A       | 셔틀레버 브래킷 조합       | BRACKET ASSY, SHUTTLE LEVER | 1           |              |                          |
| 26                                 | TA00069055B       | 지지 브래킷            | BRACKET, SUPPORT            | 1           |              |                          |
| 26                                 | TA00069055A       | 지지 브래킷            | BRACKET, SUPPORT            | 1           |              |                          |
| 27                                 | TA00069067A       | 셔틀로드 조합           | SHUTTLE ROD ASSY            | 1           |              |                          |
| 28                                 | TA00069070B       | 셔틀레버              | SHUTTLE LEVER               | 1           |              |                          |
| 28                                 | TA00069070A       | 셔틀레버              | SHUTTLE LEVER               | 1           |              |                          |
| 28                                 | TA00069070C       | 셔틀레버              | SHUTTLE LEVER               | 1           |              |                          |
| 29                                 | 26106-080202      | 육각플랜지볼트           | SQR FLANGE BOLT             | 2           | M8XP1.25X20  |                          |
| 30                                 | TA00065189B       | 센서 취부 브래킷         | BRACKET                     | 1           |              |                          |
| 30                                 | TA00065189A       | 센서 취부 브래킷         | BRACKET                     | 1           |              |                          |
| 31                                 | 26367-080002      | 259, 육각플랜지너트      | HEX FLANGE NUT (Φ8)         | 2           | M8XP1.25     |                          |
| 32                                 | TCD9110000C2      | 스위치(FR)           | SWITCH(FR)                  | 1           |              |                          |
| 32                                 | TCD9110000D2      | 스위치(FR)           | SWITCH(FR)                  | 1           |              |                          |
| 33                                 | 26106-060122      | 육각플랜지볼트           | HEX BOLT (6-12)             | 2           | M6XP1.0X12   |                          |
| 34                                 | TA00056013A       | 셔틀 노브 조합(복미)      | KNOB (LEVER SHUTTLE)        | 1           |              |                          |

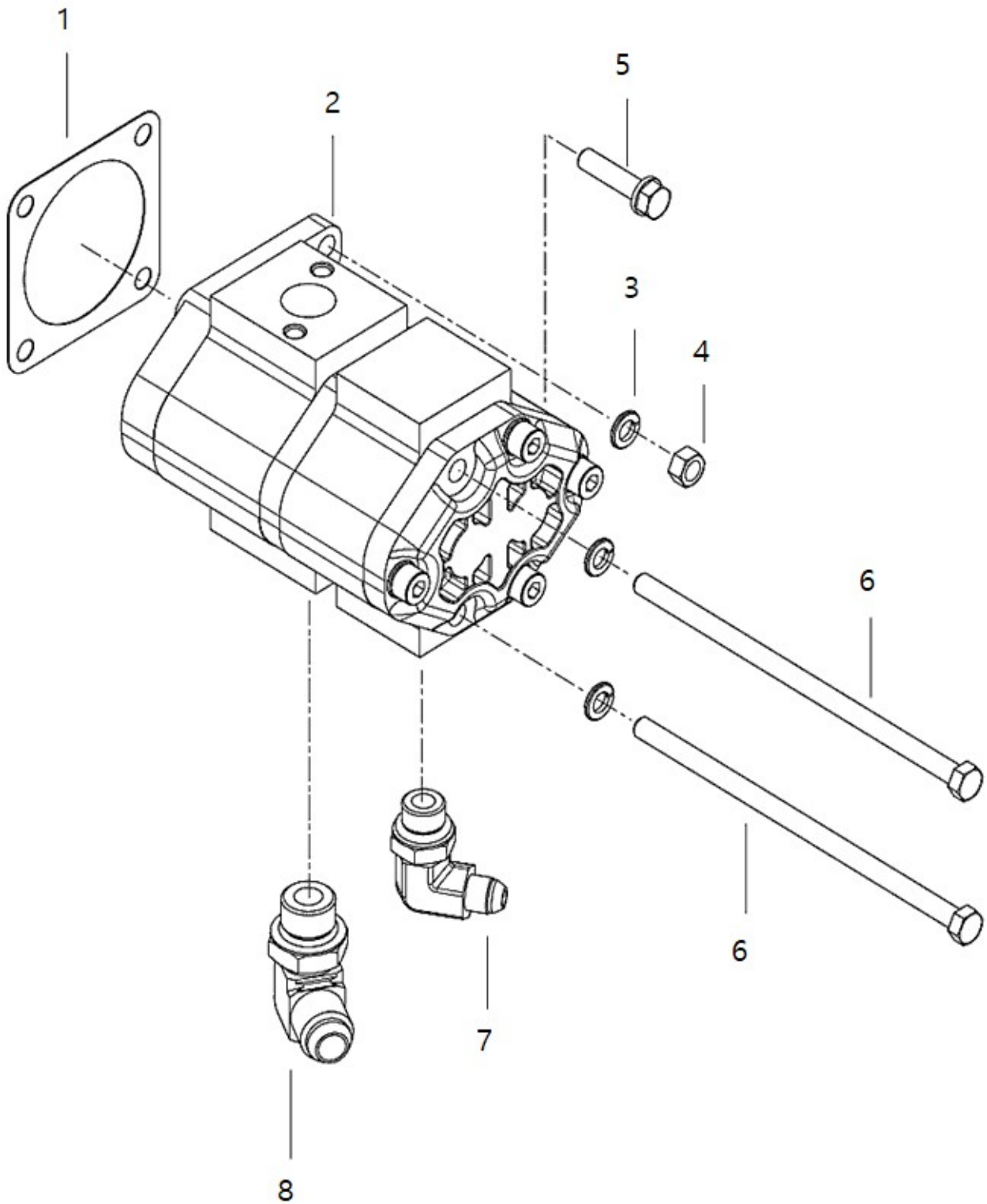
D01010-B

4815R\_US\_FL  
(AC02164)

(HYD PUMP)

Year/Month

2022-12-15







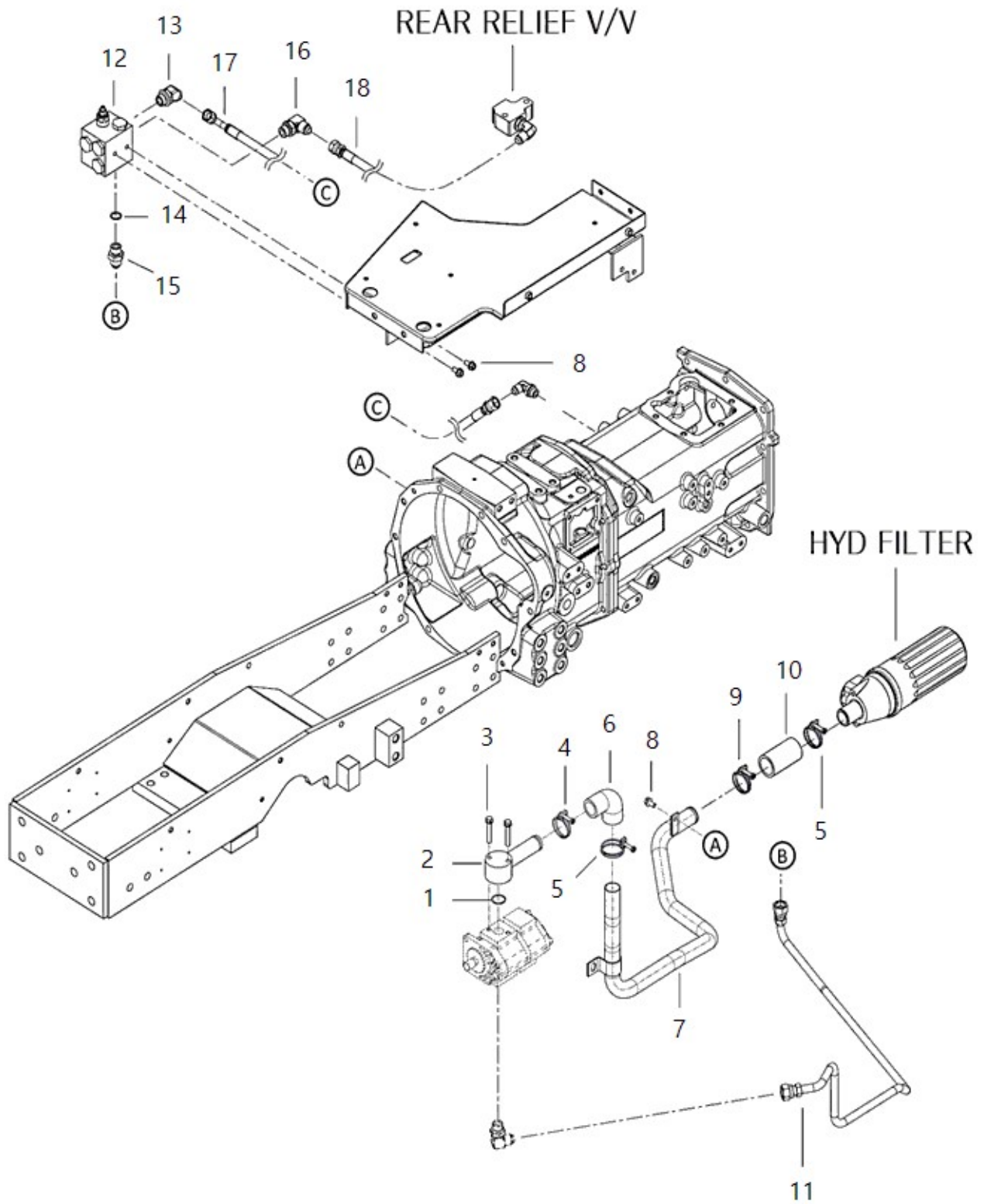
D01020-B

4815R\_US\_FL  
(AC02164)

(LOW PRESSURE PIPE)

Year/Month

2022-12-15





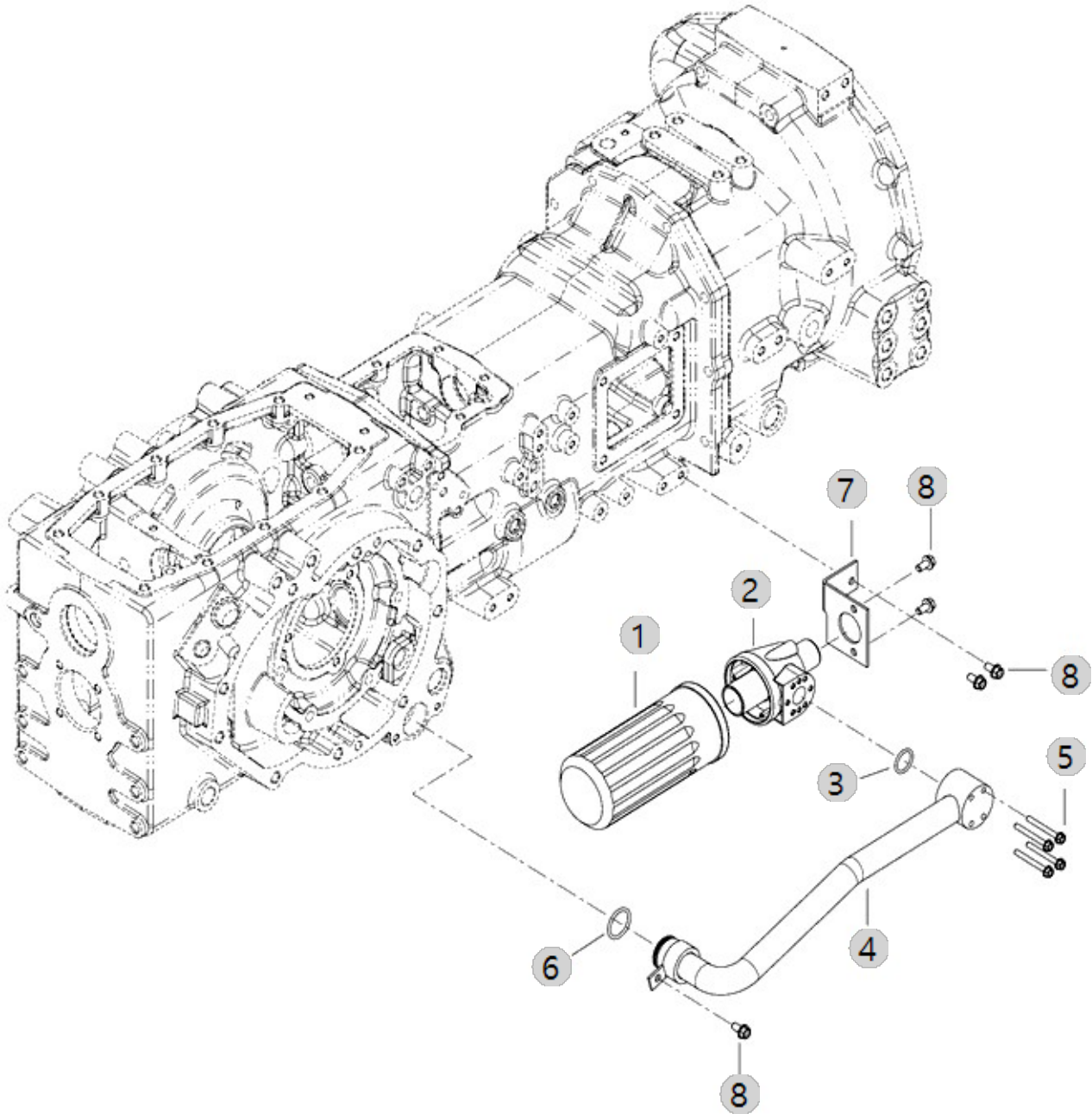
D01040

4815R\_US\_FL  
(AC02164)

(HYD FILTER)

Year/Month

2022-12-15









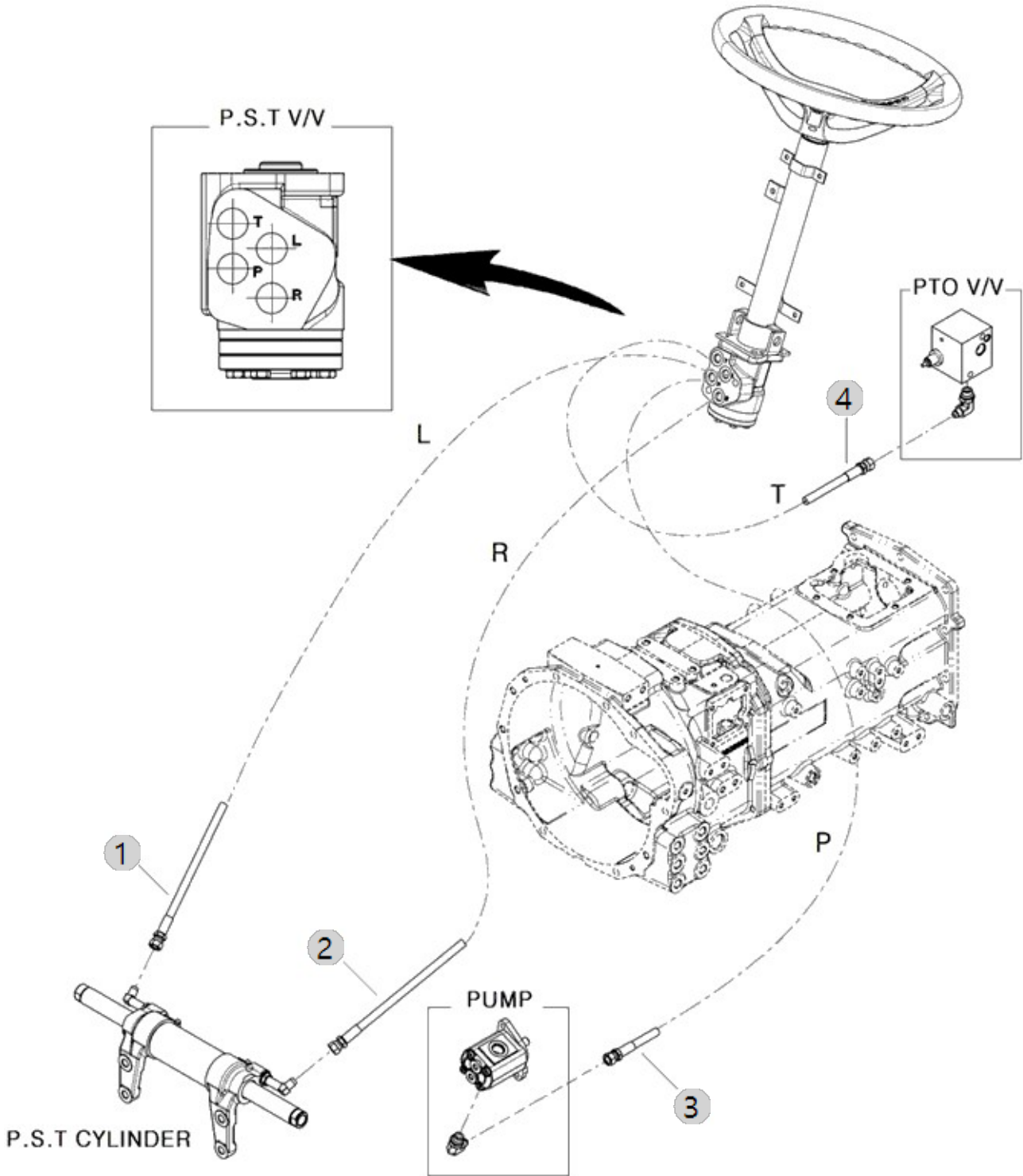
D02030

4815R\_US\_FL  
(AC02164)

(P.S.T HOSE)

Year/Month

2022-12-15







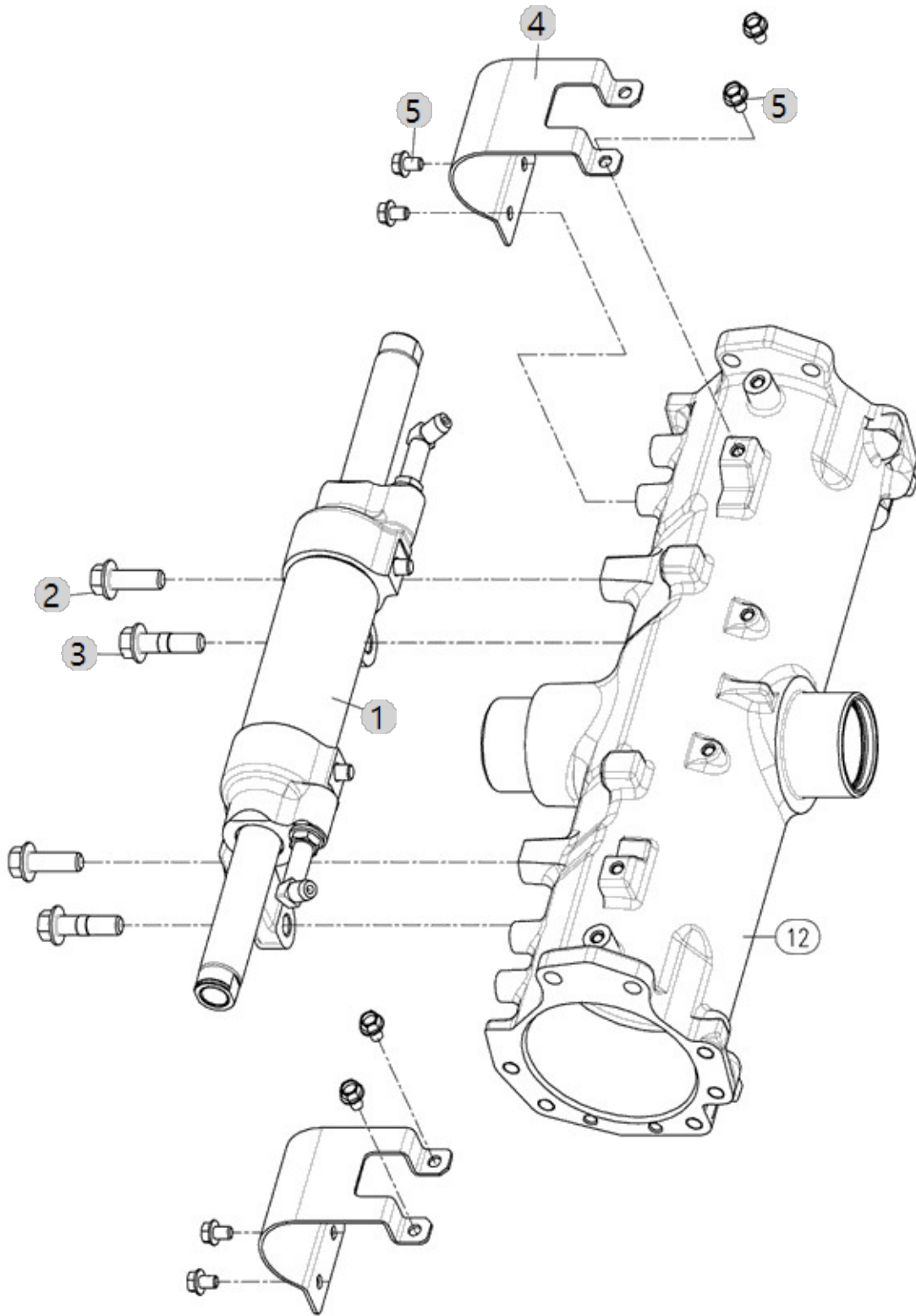
D02040

4815R\_US\_FL  
(AC02164)

(P.S.T CYLINDER)

Year/Month

2022-12-15





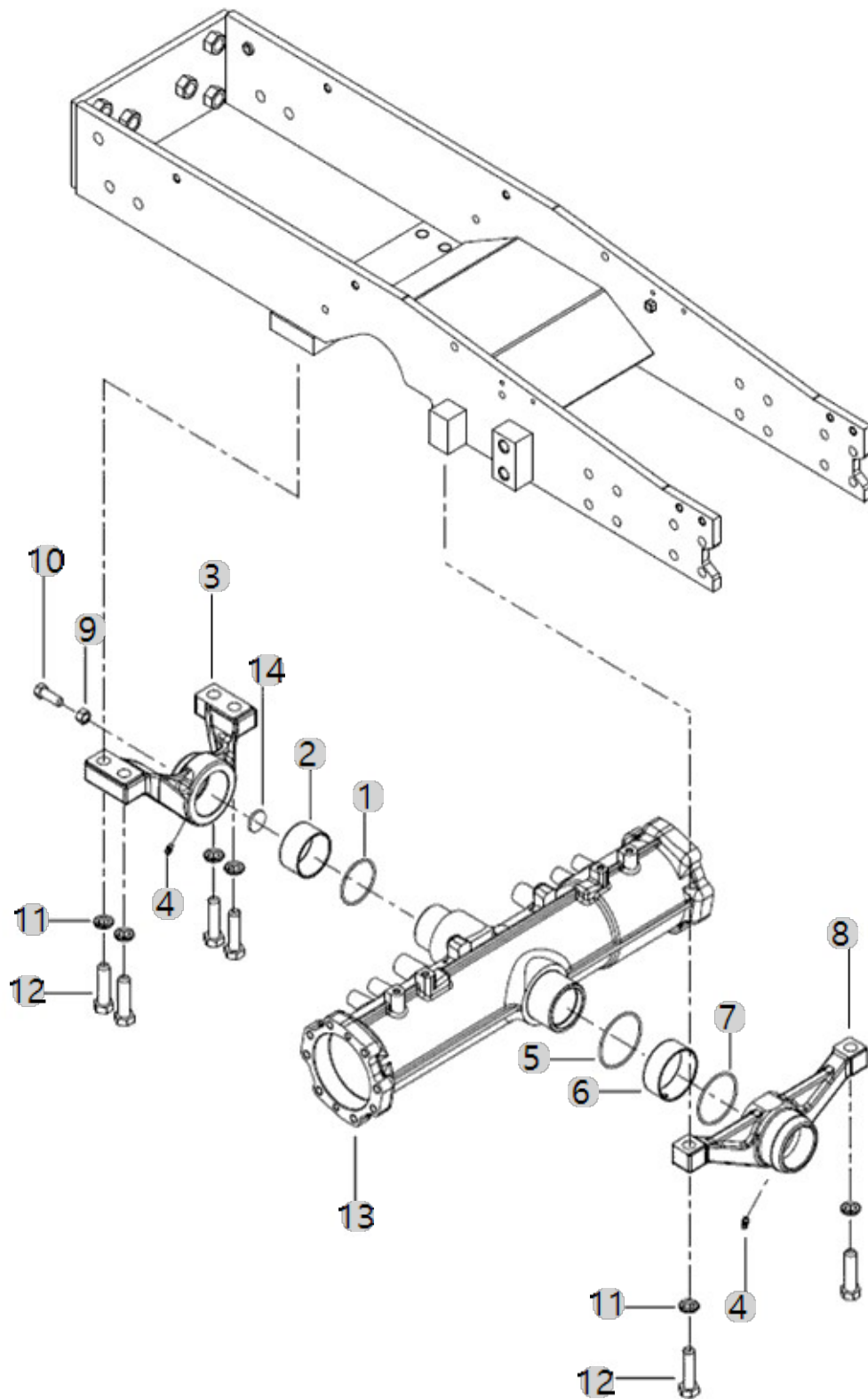
E01010

4815R\_US\_FL  
(AC02164)

(FRONT AXLE CASE)

Year/Month

2022-12-15





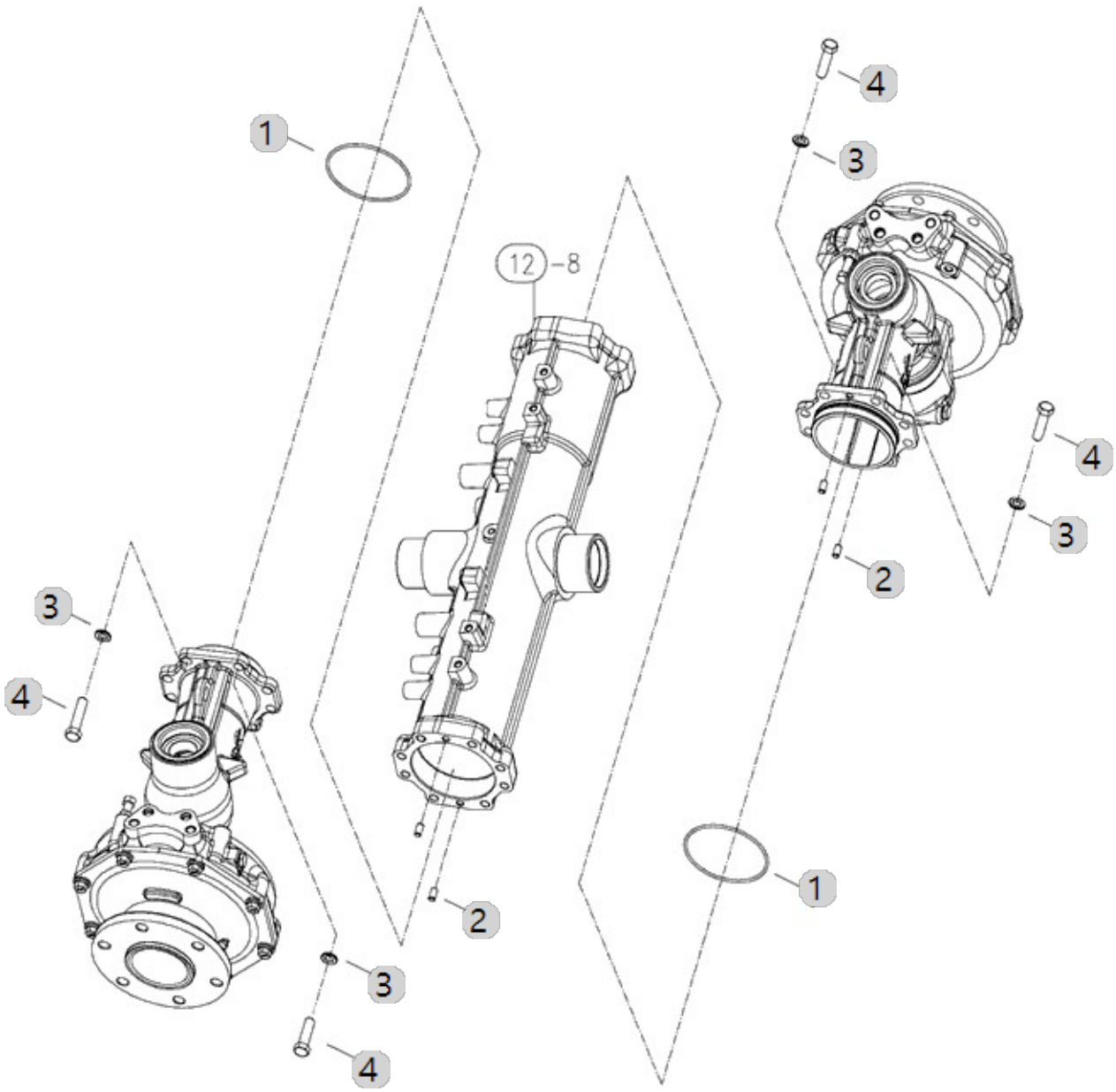
E01013

4815R\_US\_FL  
(AC02164)

(SPACER)

Year/Month

2022-12-15





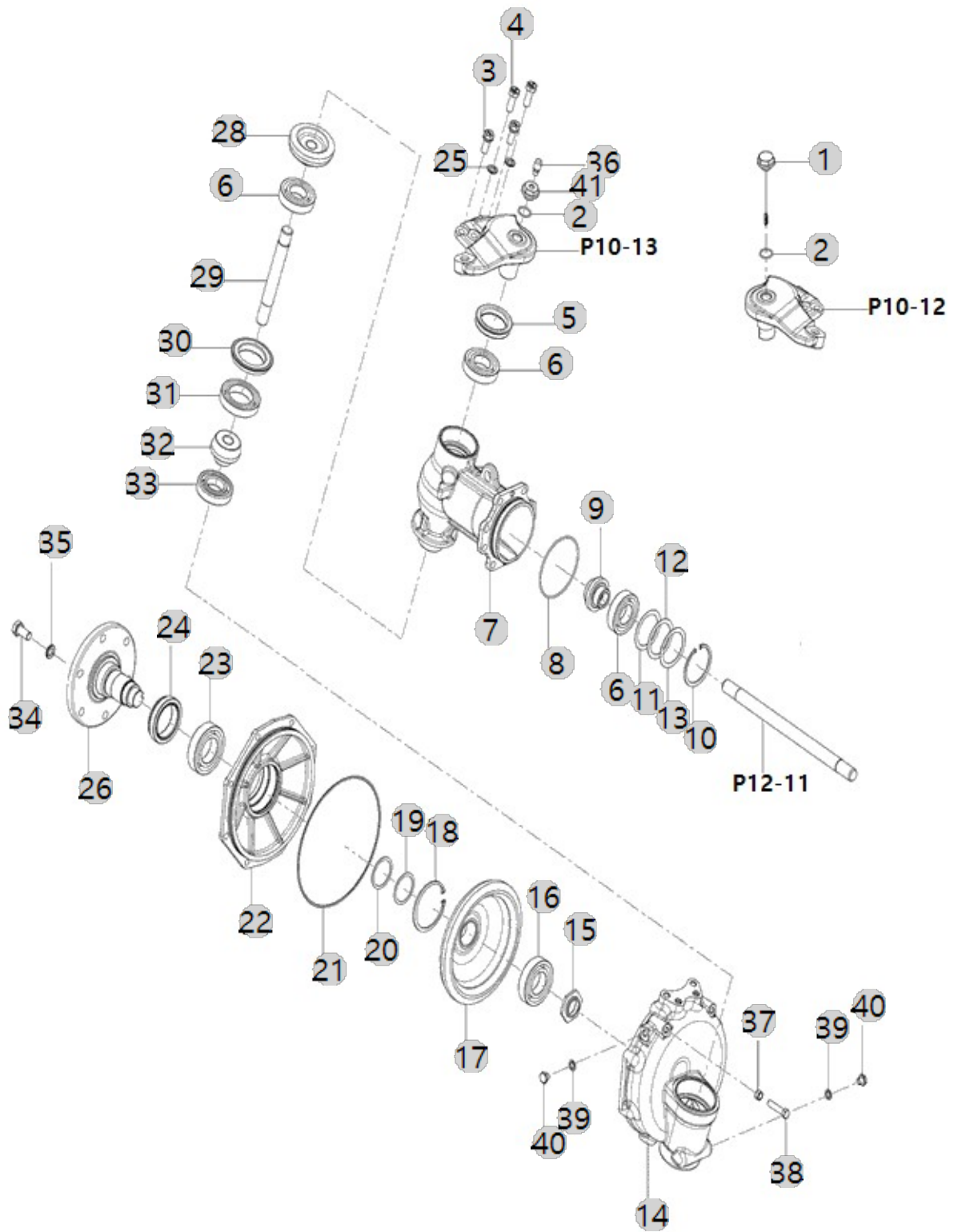
E01030

4815R\_US\_FL  
(AC02164)

(GEAR CASE, FRONT AXLE)

Year/Month

2022-12-15



| E01030<br>4815R_US_FL<br>(AC02164) |                   | (GEAR CASE, FRONT AXLE) |                         |             |              | Year/Month<br>2022-12-15 |
|------------------------------------|-------------------|-------------------------|-------------------------|-------------|--------------|--------------------------|
| 순번<br>(NO)                         | 부품번호<br>(PART NO) | 품명<br>(PART NAME)       | 품명<br>(PART NAME)       | 수량<br>(QTY) | 규격<br>(SPEC) | 비고<br>(REMARK)           |
| 36                                 | TA00049842B       | 에어브리더(STEEL)            | AIR BREATHER            | 1           |              |                          |
| 1                                  | TA00033805A       | 검유봉                     | OIL GUAGE               | 1           |              |                          |
| 2                                  | 24311-000220      | O-RING1AP-22.0          | O-RING, DYNAMIC (Φ22)   | 2           | 1A P22.0     |                          |
| 3                                  | TA00033468C       | 와셔조립육각볼트                | BOLT W/ WASHER          | 4           |              |                          |
| 4                                  | TA00033475B       | 리머볼트                    | SPACER                  | 4           |              |                          |
| 5                                  | FE78010000B       | 오일실 (특수) 55x72x13.5     | OIL SEAL (55X72X13.5)   | 2           | 55X72X13.5   |                          |
| 6                                  | 24101-062074      | 볼베어링6207                | BALL BEARING (#6207)    | 6           | #6207        |                          |
| 7                                  | TA00033457C       | 프런트기어케이스                | CASE, FRONT GEAR        | 2           |              |                          |
| 8                                  | 24321-001050      | O-링                     | O-RING                  | 2           |              |                          |
| 9                                  | TA00033461B       | 전1축피니언9T                | PINION, FRONT 1ST SHAFT | 2           |              |                          |
| 10                                 | 22252-000720      | 구멍용스냅링72                | RING, CIRCLIP (Φ 72)    | 2           | D72          |                          |
| 11                                 | TA00033489A       | 심 0.2T                  | SHIM 0.2T               | 2           |              |                          |
| 12                                 | TA00033488A       | 심 0.3T                  | SHIM 0.3T               | 2           |              |                          |
| 13                                 | TA00033487A       | 심 0.5T                  | SHIM 0.5T               | 2           |              |                          |
| 14                                 | TA00033458C       | 프런트기어박스                 | GEAR BOX, FRONT         | 2           |              |                          |
| 15                                 | TA00033481A       | 로크너트                    | LOCK NUT                | 2           |              |                          |
| 16                                 | 24101-062084      | 볼베어링6208                | Bearing, Ball (#6208)   | 2           | #6208        |                          |
| 17                                 | TA00033474A       | 베벨기어 49T                | GEAR, BEVEL 49T         | 2           |              |                          |
| 18                                 | 22252-000850      | 써클립85H                  | RING, CIRCLIP (Φ 85)    | 2           |              |                          |
| 19                                 | TA00033486A       | 심 0.2T                  | SHIM 0.2T               | 1           |              |                          |
| 20                                 | TA00033485A       | 심 0.5T                  | SHIM 0.5T               | 1           |              |                          |
| 21                                 | TA00033939A       | O링                      | O RING                  | 2           |              |                          |
| 22                                 | TA00033459C       | 프런트베어링케이스               | BEARING CASE, FRONT     | 1           |              |                          |
| 23                                 | 24101-062094      | 볼베어링6209                | BALL BEARING (#6209)    | 2           | #6209        |                          |
| 24                                 | TA00041359A       | 오일씰                     | OILSEAL                 | 2           |              |                          |
| 25                                 | 22217-120000      | 스프링와셔                   | WASHER, SPRING (Φ 12)   | 2           | M12          |                          |
| 26                                 | TA00033460C       | 프런트스핀들                  | SPINDLE, FRONT          | 2           |              |                          |
| 26                                 | TA00033460E       | 프런트스핀들                  | SPINDLE, FRONT          | 2           |              |                          |
| 26                                 | TA00033460D       | 프런트스핀들                  | SPINDLE, FRONT          | 2           |              |                          |
| 27                                 | TA00033469B       | 와셔조립육각볼트                | BOLT W/ WASHER          | 16          |              |                          |
| 28                                 | TA00033463A       | 전2축기어                   | FRONT 2ND AXLE LH       | 2           |              |                          |
| 29                                 | TA00033464A       | 전2축                     | FRONT 2ND SHAFT         | 2           |              |                          |
| 30                                 | TC60110000A3      | 오일실(AJ)                 | SEAL, OIL               | 2           |              |                          |
| 31                                 | 24101-060104      | 볼베어링6010                | Bearing, Ball (#6010)   | 2           | #6010        |                          |
| 32                                 | TA00033473A       | 베벨기어 11T                | GEAR, BEVEL 11T         | 2           |              |                          |
| 33                                 | TC60340000A4      | 베어링TM207C3              | BEARING(TM207C3)        | 2           | TM207C3      |                          |
| 34                                 | TD23120000B4      | 프런트 허브 볼트(M14X28)       | BOLT                    | 12          | M14XP1.5     |                          |
| 35                                 | 22217-140000      | 스프링와셔14                 | WASHER, SPRING (Φ 14)   | 12          | M14          |                          |
| 36                                 | TA00049842A       | 에어브리더(STEEL)            | AIR BREATHER            | 1           |              |                          |
| 37                                 | 26716-100001      | 육각너트                    | NUT                     | 2           |              |                          |
| 38                                 | 26112-100452      | 육각볼트                    | BOLT                    | 2           |              |                          |
| 39                                 | 22190-100000      | 실와셔                     | WASHER                  | 4           | M10          |                          |
| 40                                 | 23887-100002      | 플러그(미터)                 | SCREW,HEXAGONHEADCAP    | 4           | M10          |                          |
| 41                                 | TA00049843B       | 에어브리더 플러그               | ADAPTHER                | 1           |              |                          |



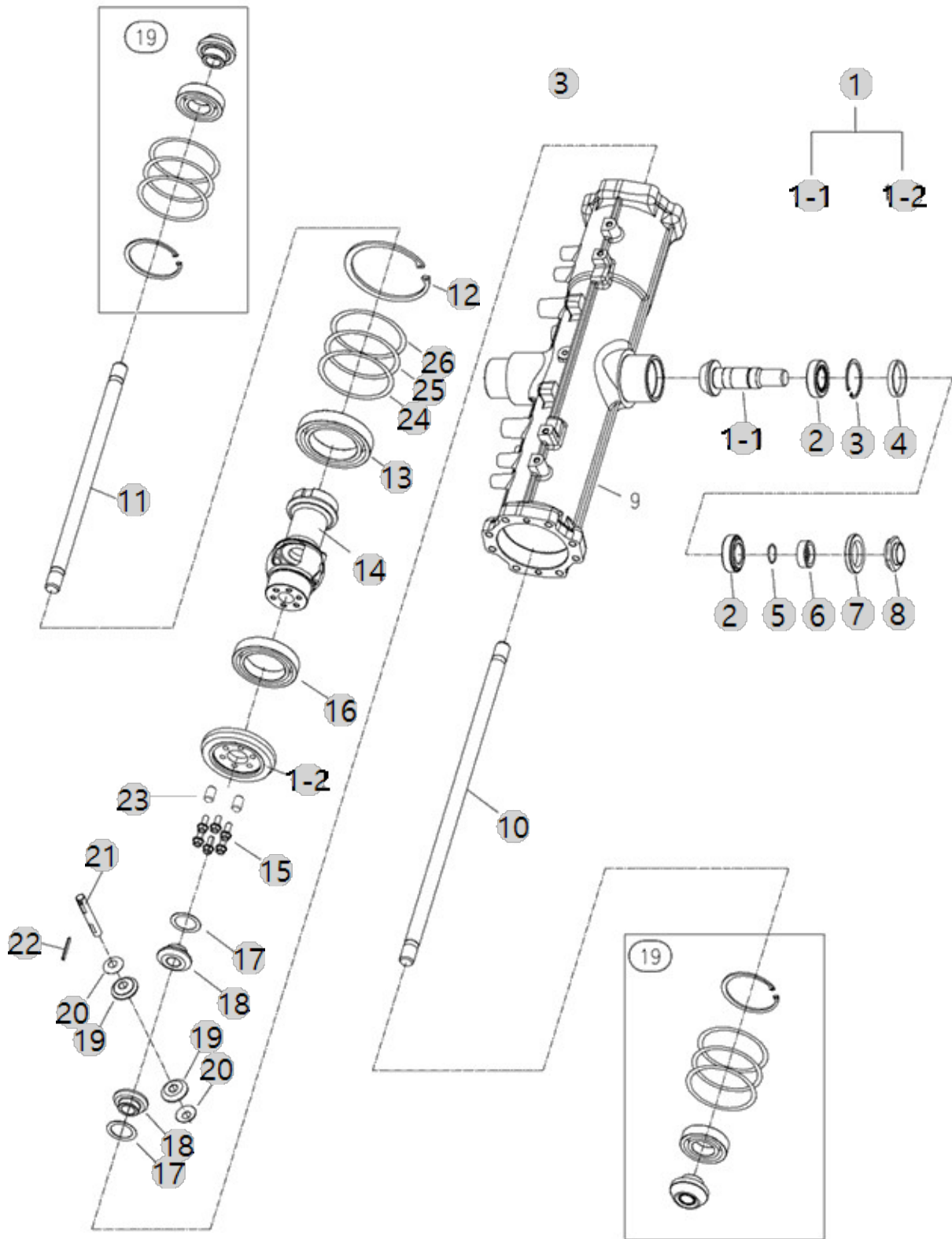
E01070

4815R\_US\_FL  
(AC02164)

(FRONT DRIVE SHAFT)

Year/Month

2022-12-15





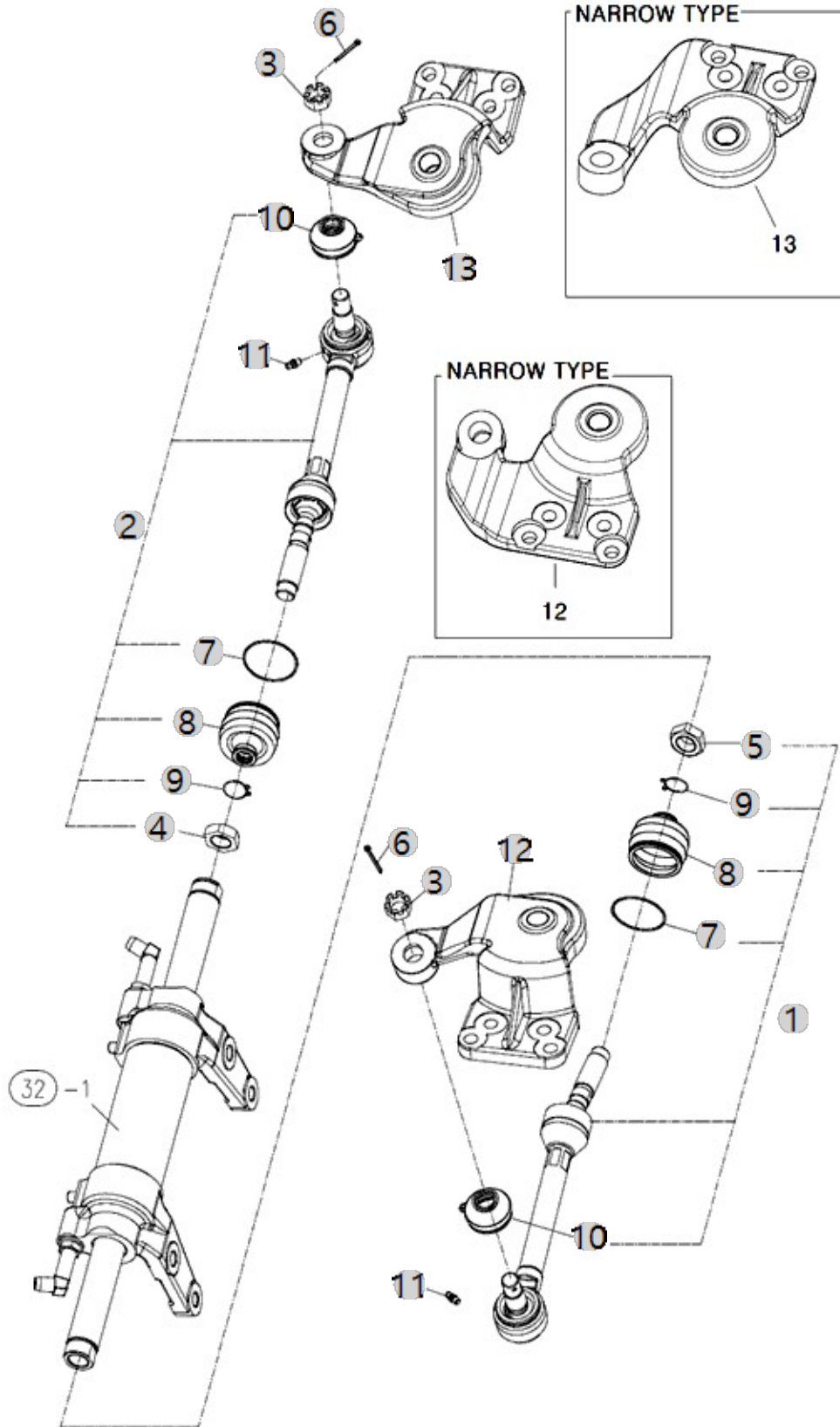
E01080

4815R\_US\_FL  
(AC02164)

(TIE ROD)

Year/Month

2022-12-15





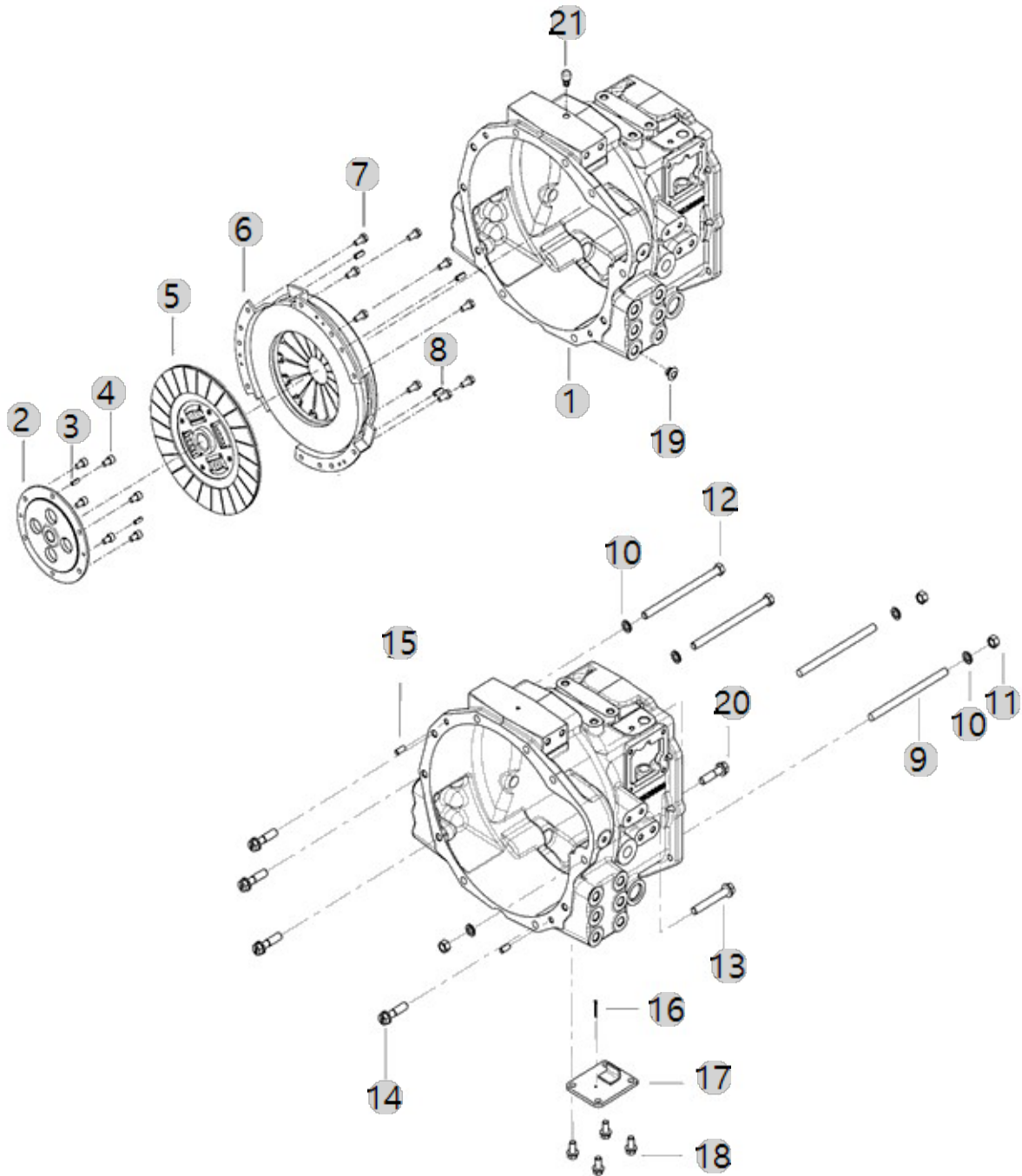
F01010-B

BRANSON 15R  
TM\_US\_FL(AC01899)

(CLUTCH HOUSING)

Year/Month

2022-12-15





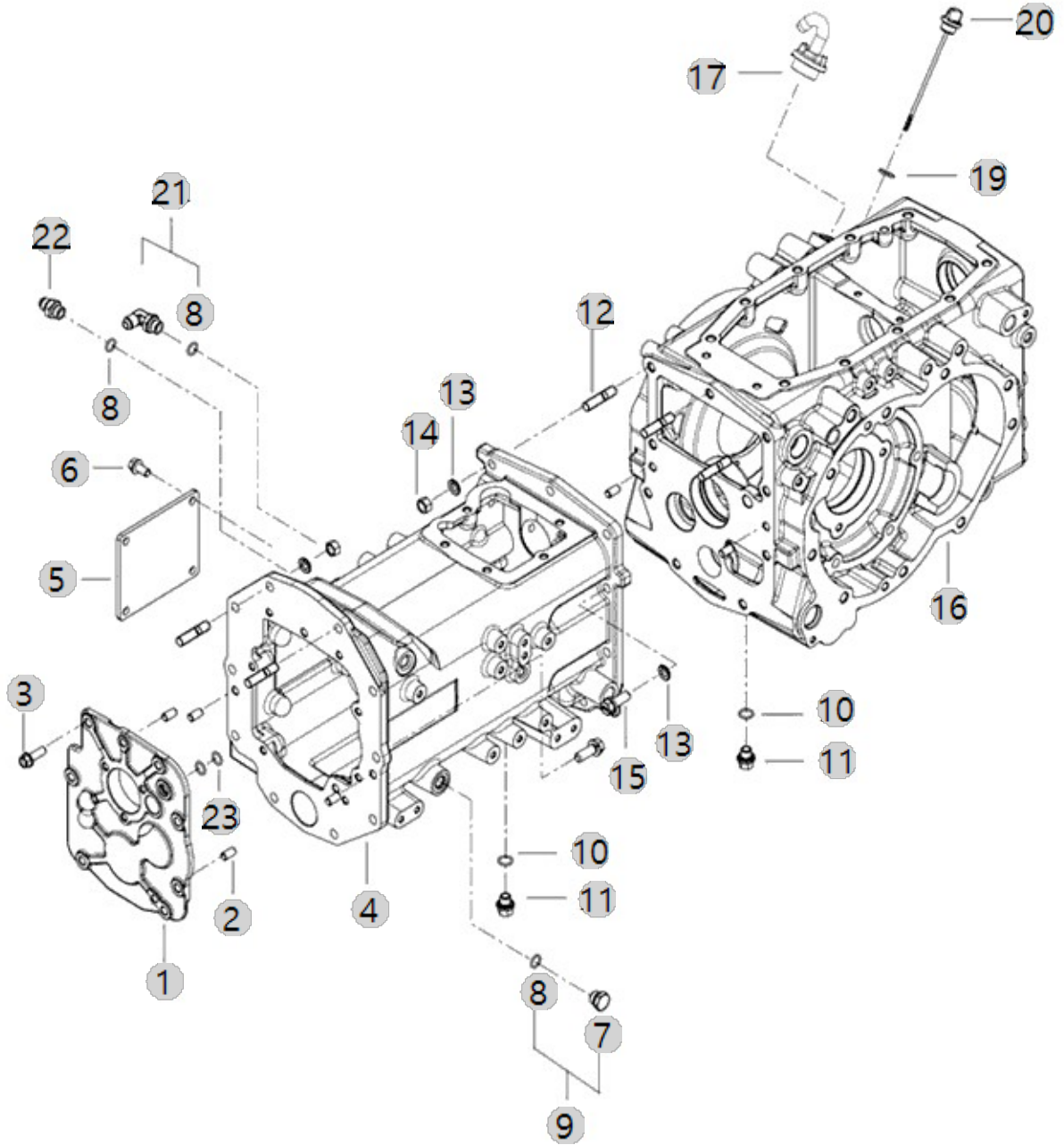
F01020

BRANSON 15R  
TM\_US\_FL(AC01899)

(TRANSMISSION CASE)

Year/Month

2022-12-15







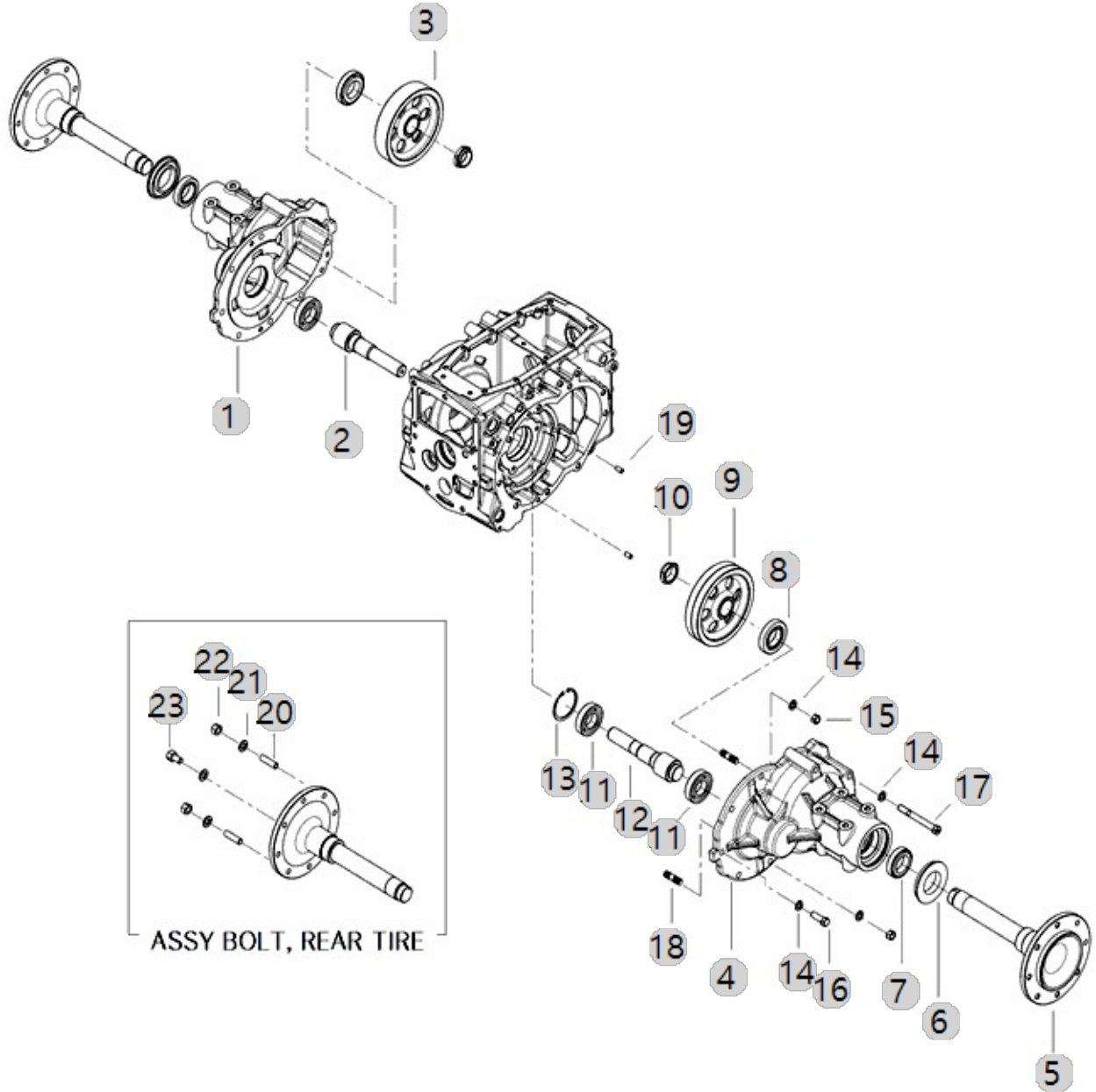
F01030

BRANSON 15R  
TM\_US\_FL(AC01899)

(REAR AXLE HOUSING)

Year/Month

2022-12-15





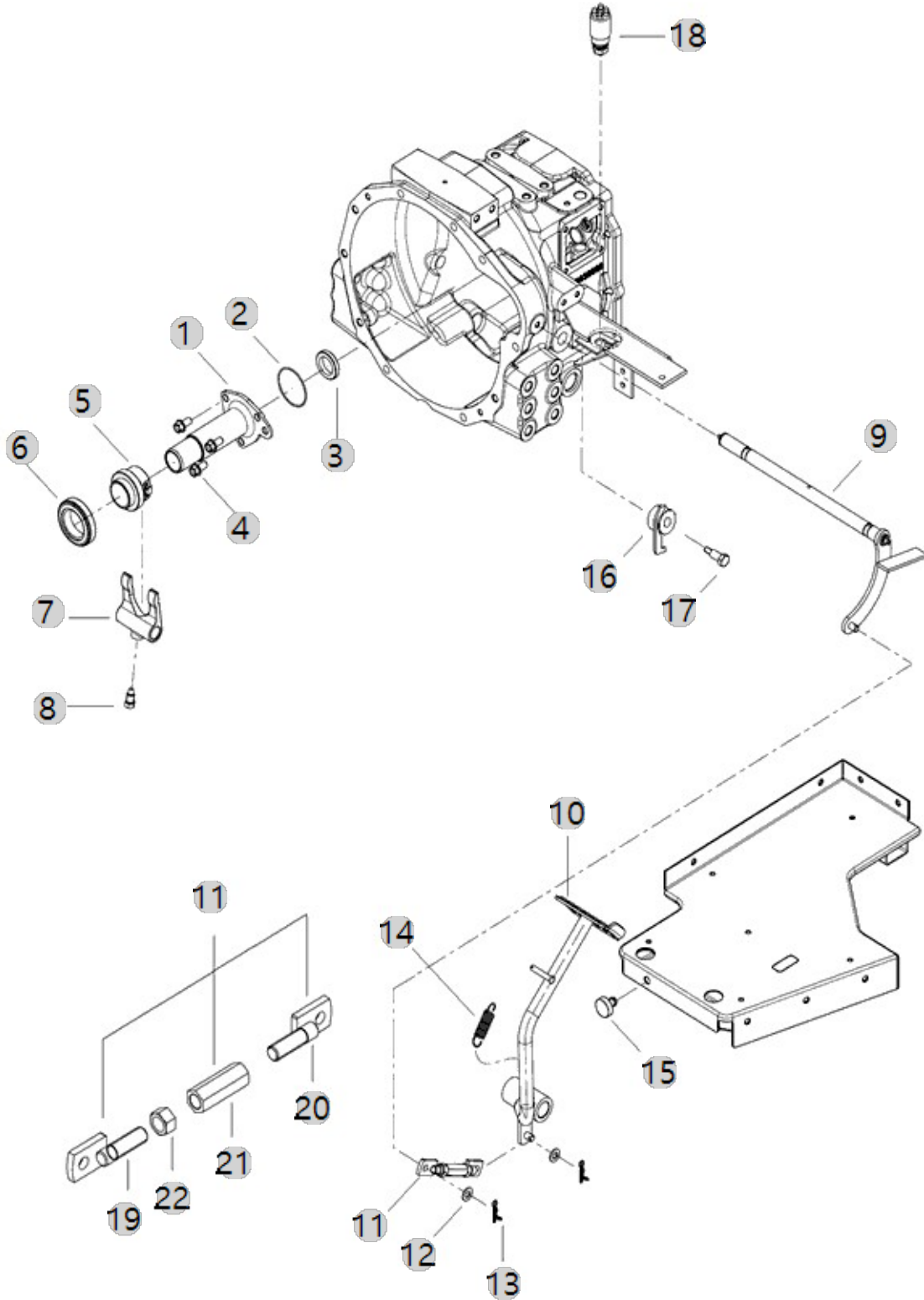
F02010

BRANSON 15R  
TM\_US\_FL(AC01899)

(CLUTCH RELEASE)

Year/Month

2022-12-15





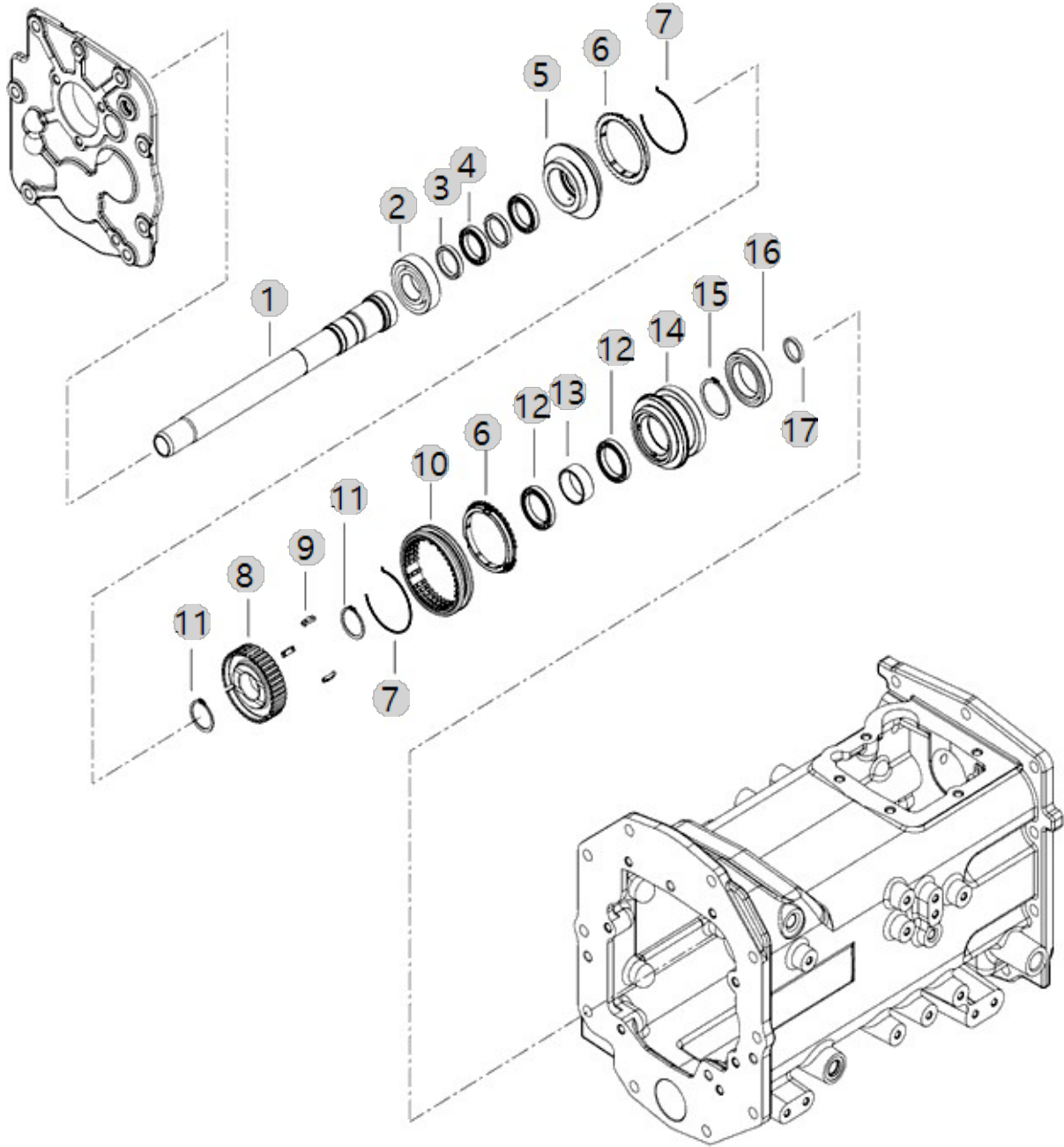
F02020

BRANSON 15R  
TM\_US\_FL(AC01899)

(CLUTCH SHAFT)

Year/Month

2022-12-15





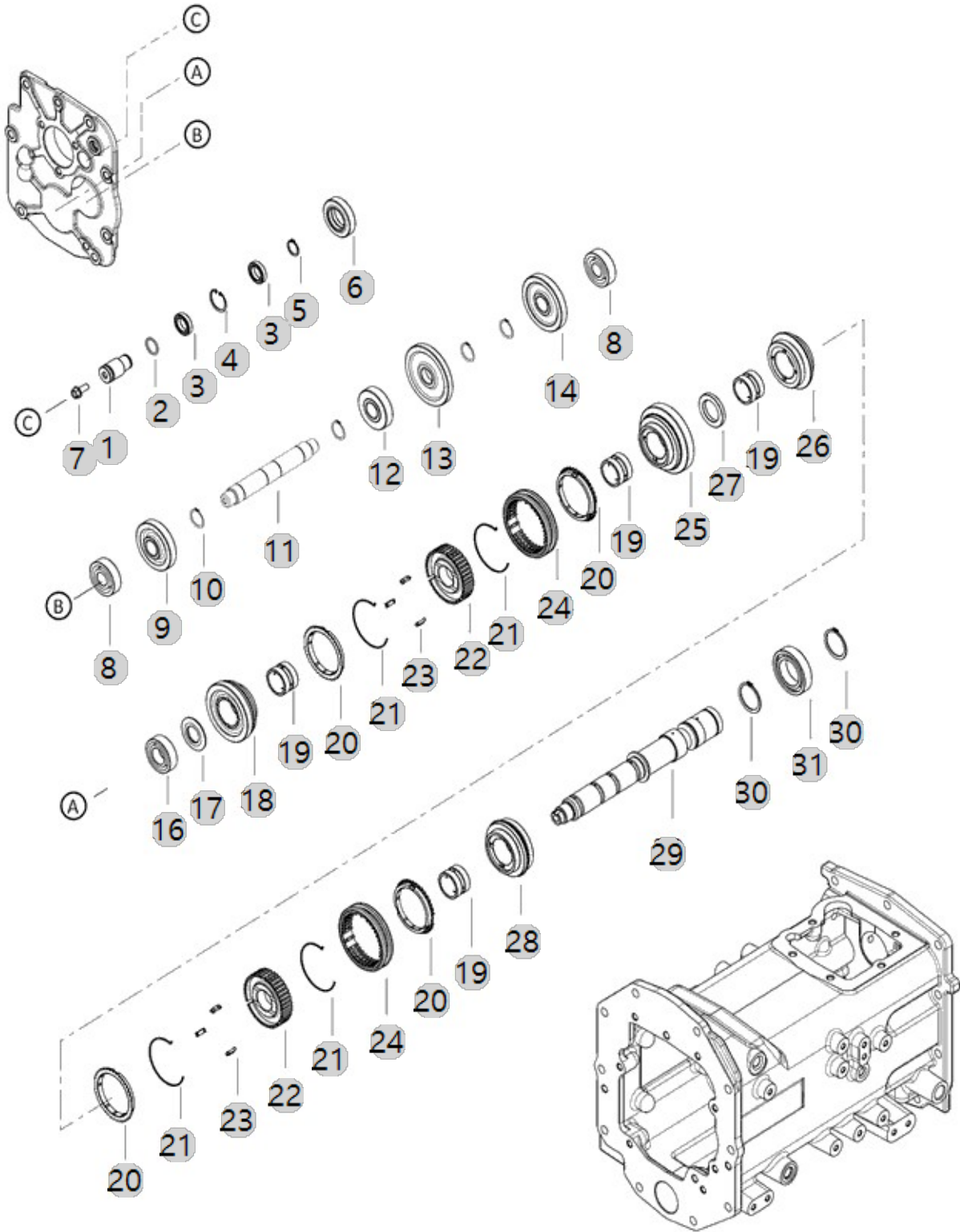
F03010

BRANSON 15R  
TM\_US\_FL(AC01899)

(MAIN SHIFT DRIVE SHAFT)

Year/Month

2022-12-15







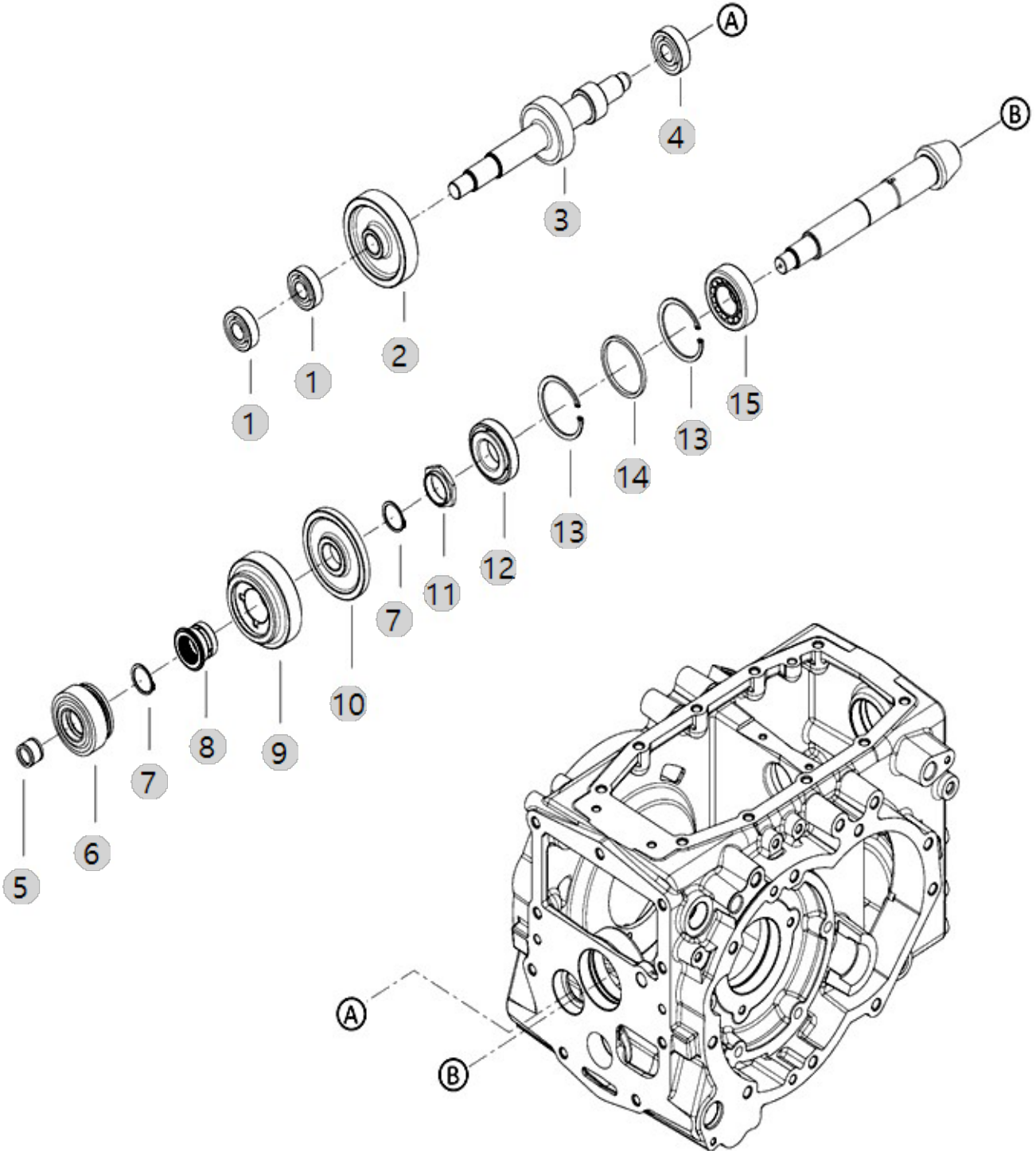
F03040

BRANSON 15R  
TM\_US\_FL(AC01899)

(RANGE SHIFT DRIVE SHAFT)

Year/Month

2022-12-15





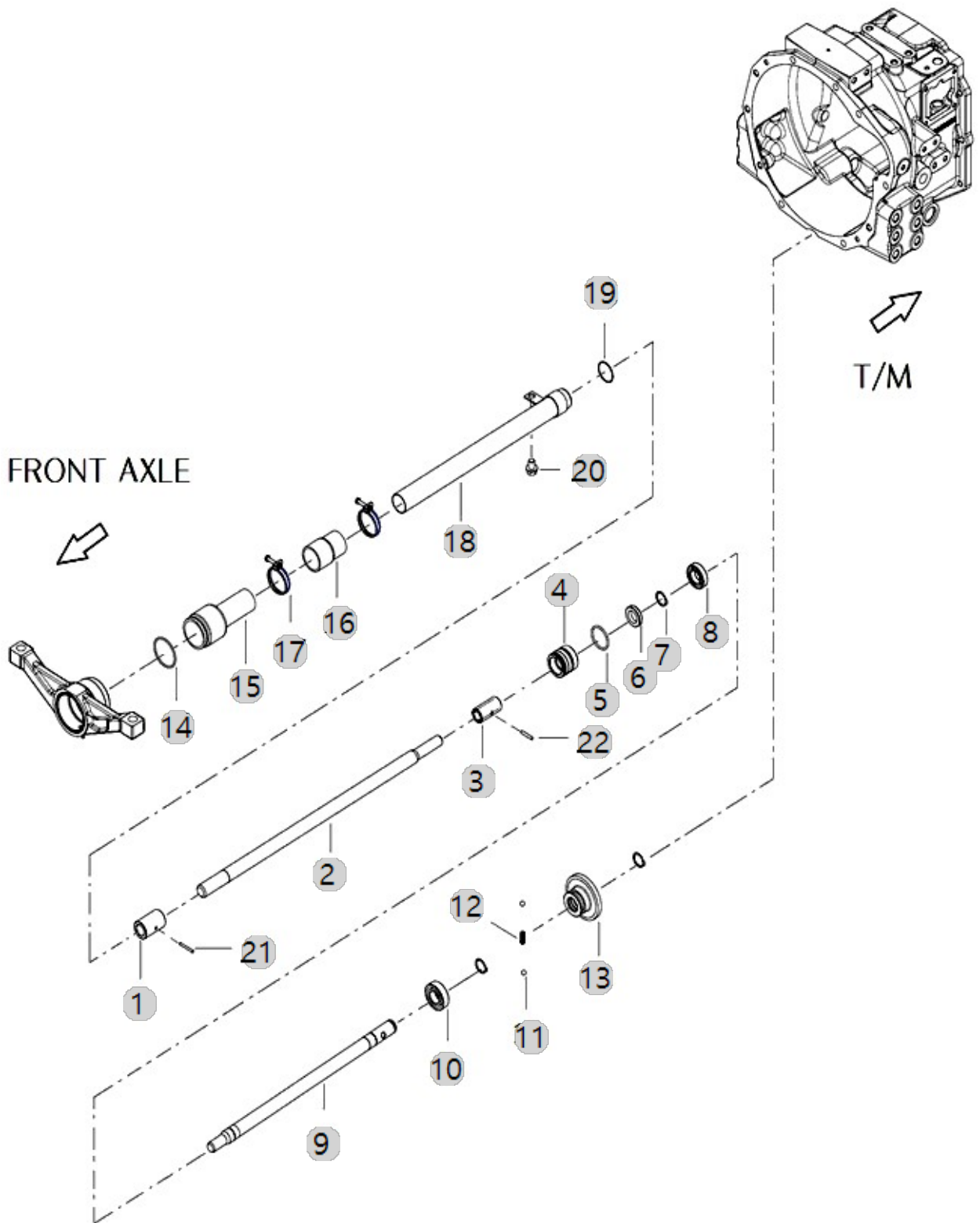
F04010

BRANSON 15R  
TM\_US\_FL(AC01899)

(FRONT DRIVE SHAFT)

Year/Month

2022-12-15





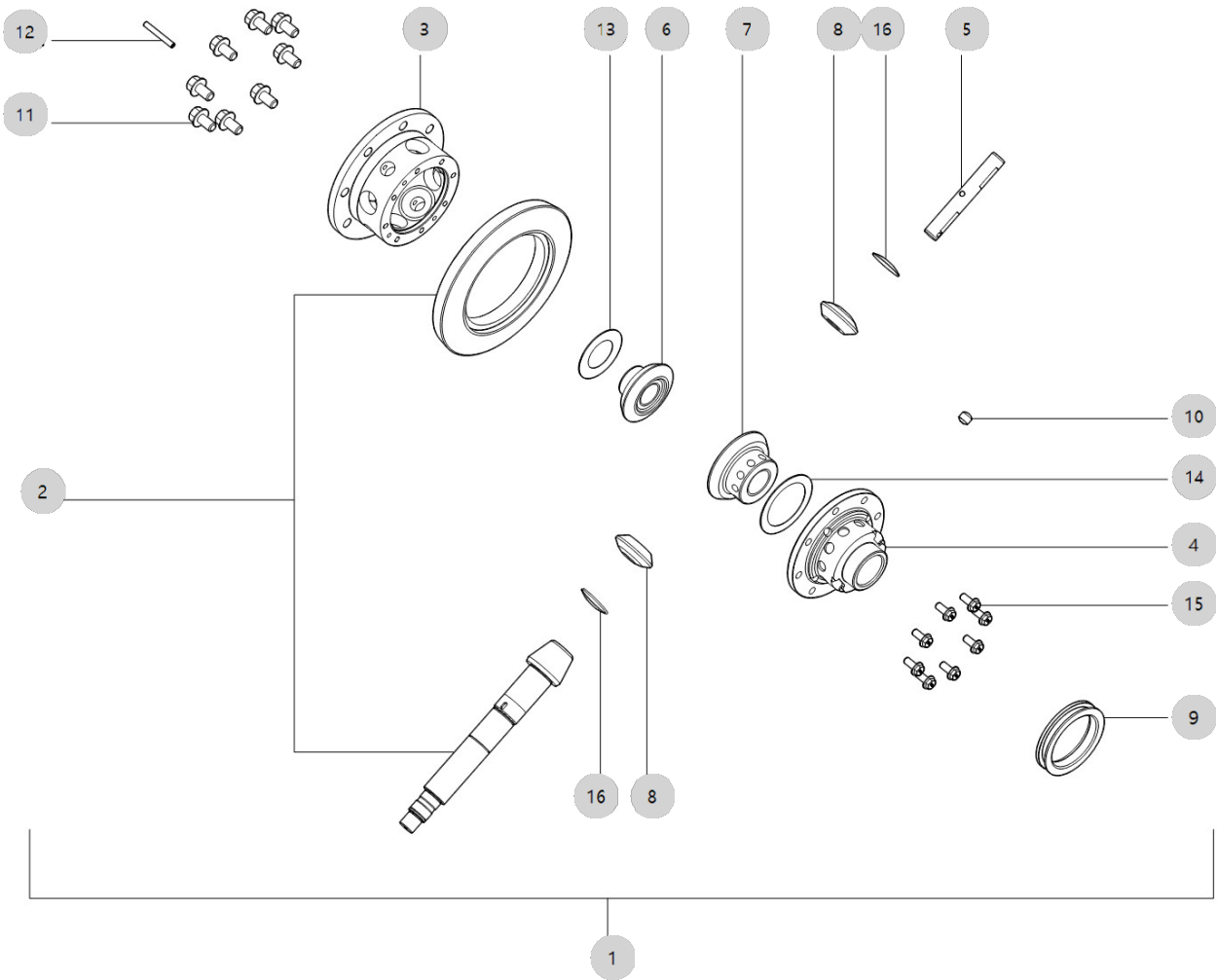
F05020

BRANSON 15R  
TM\_US\_FL(AC01899)

# RING GEAR&DIFF.GEAR ASS'Y

Year/Month

2022-12-15





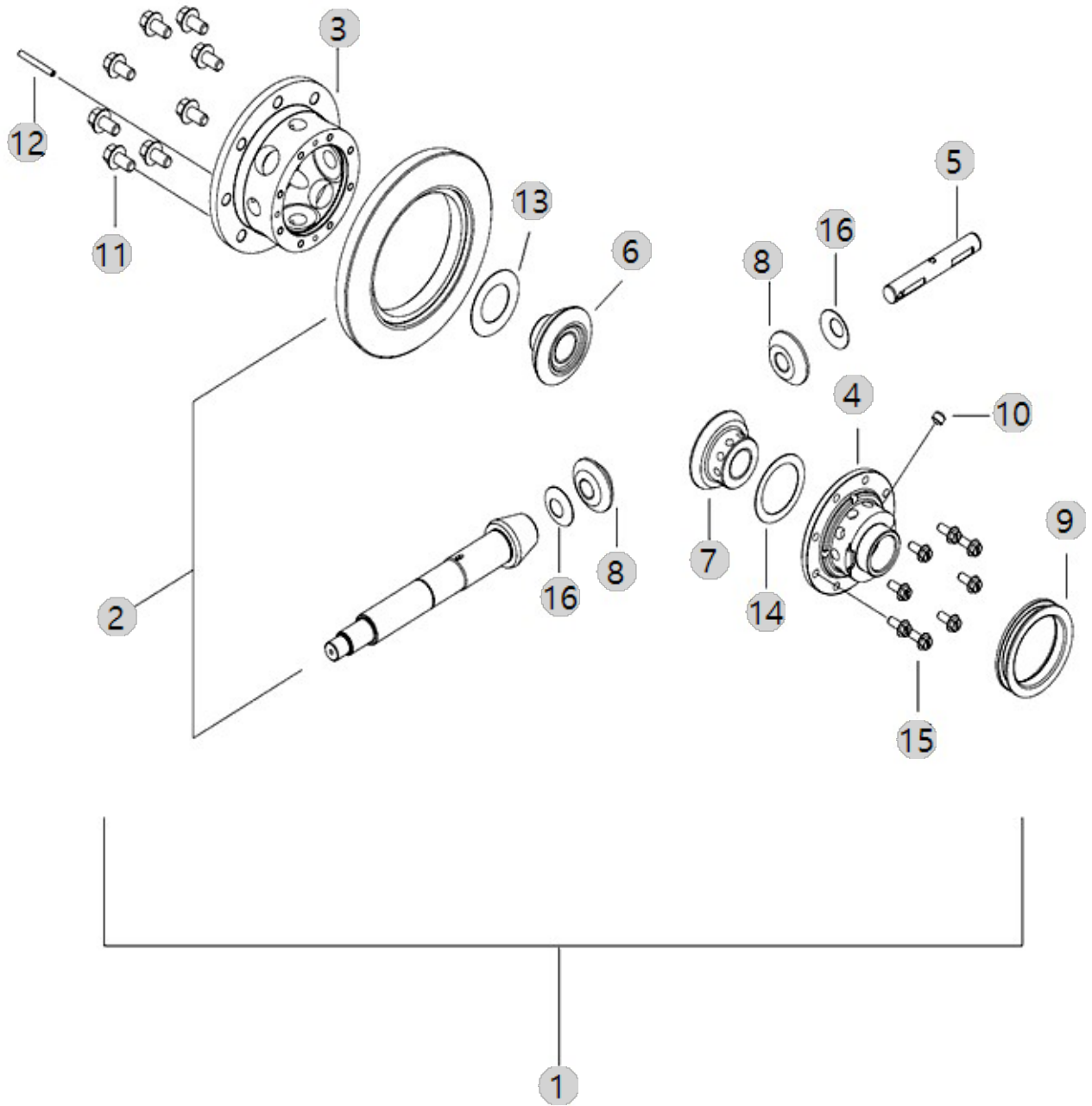
F05020

BRANSON 15R  
TM\_US\_FL(AC01899)

(REAR DIFFERENTIAL ASS'Y)

Year/Month

2022-12-15







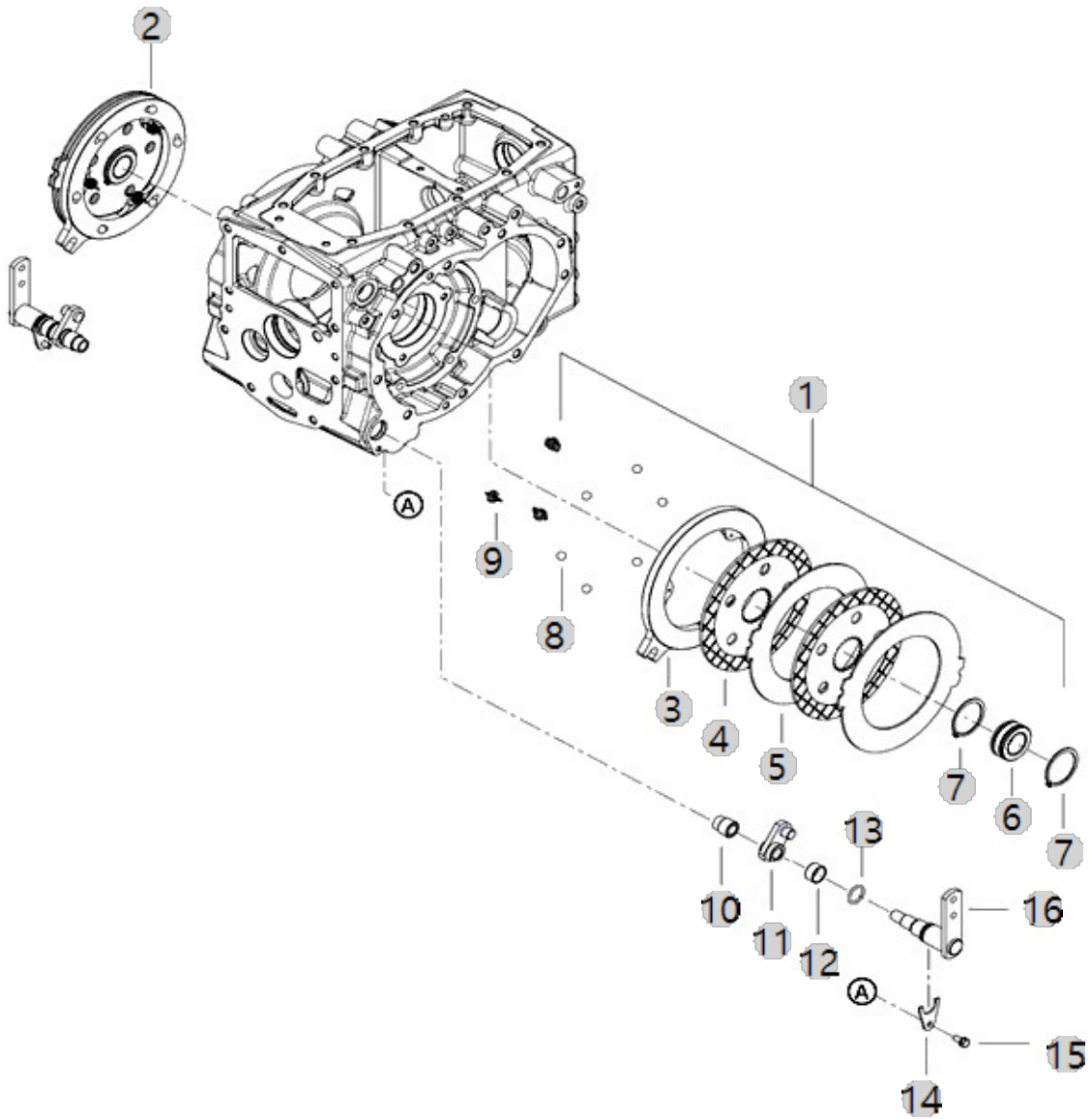
F06030

BRANSON 15R  
TM\_US\_FL(AC01899)

(BRAKE)

Year/Month

2022-12-15





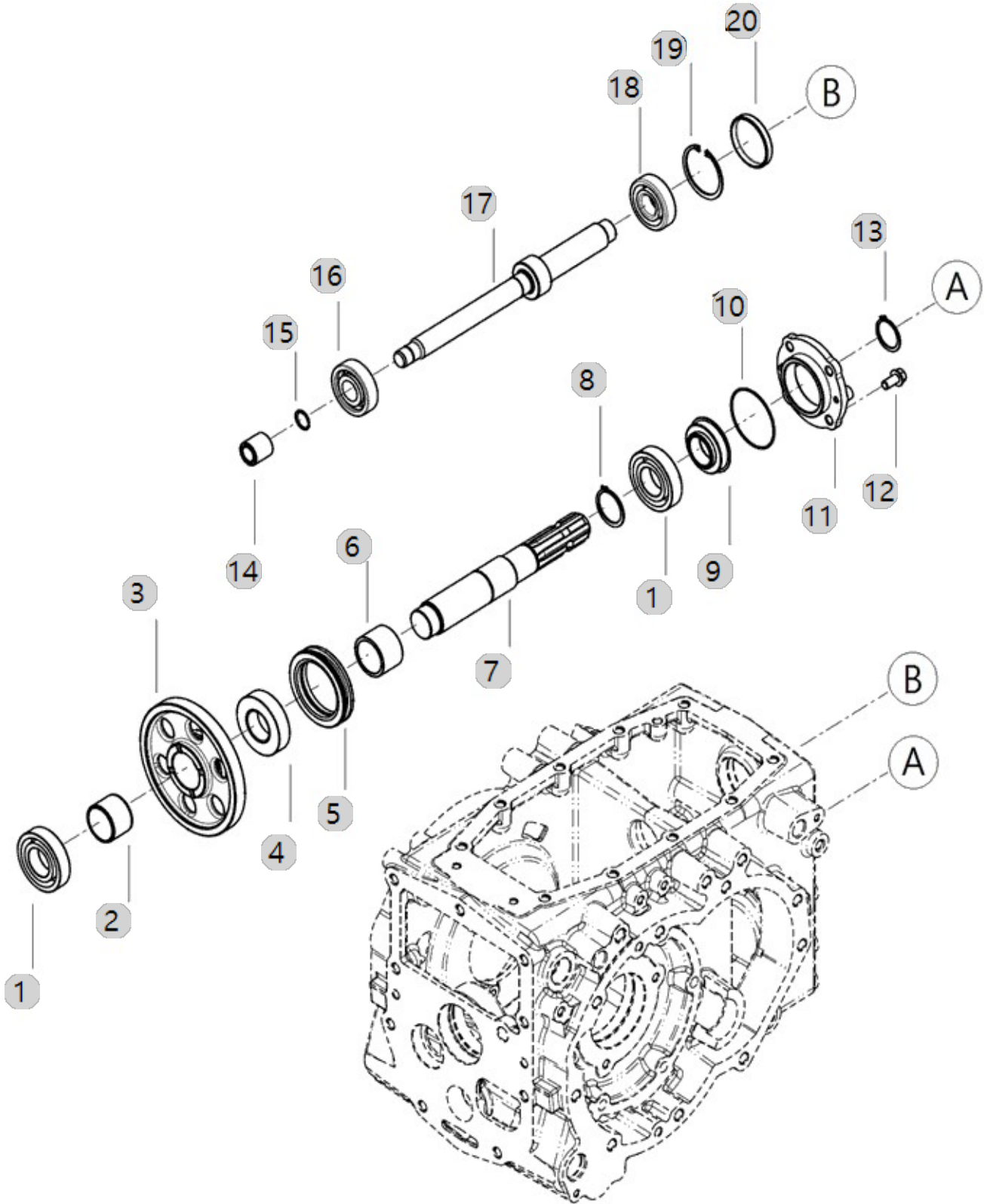
F07030

BRANSON 15R  
TM\_US\_FL(AC01899)

(PTO DRIVE SHAFT)

Year/Month

2022-12-15



|  |                   |            |
|--|-------------------|------------|
| F07030<br>BRANSON 15R<br>TM_US_FL(AC01899) | (PTO DRIVE SHAFT) | Year/Month |
|  |                   | 2022-12-15 |

| 순번<br>(NO) | 부품번호<br>(PART NO) | 품명<br>(PART NAME)   | 품명<br>(PART NAME)        | 수량<br>(QTY) | 규격<br>(SPEC) | 비고<br>(REMARK) |
|------------|-------------------|---------------------|--------------------------|-------------|--------------|----------------|
| 1          | TA00059186A       | 볼베어링(6207)          | BALL BEARING             | 2           |              |                |
| 2          | TA00039162C       | 부시(PTO1단)           | BUSH                     | 1           |              |                |
| 3          | TA00058017B       | PTO피동기어1단           | PTO DRIVEN 1ST GEAR      | 1           |              |                |
| 3          | TA00041007A       | PTO피동기어1단           | GEAR, PTO1               | 1           |              |                |
| 4          | TZ4510000B3       | PTO허브               | HUB,P.T.O                | 1           |              |                |
| 5          | TZ45110000C4      | PTO슬리브              | SLEEVE,P.T.O             | 1           |              |                |
| 6          | TA00058019B       | 스페이서                | SPACER                   | 1           |              |                |
| 7          | TA00038293D       | PTO축                | SHAFT, PTO               | 1           |              |                |
| 8          | 22242-000400      | 축용스냅링40             | SNAP RING, SHAFT (Φ 40)  | 1           | D40          |                |
| 9          | TT62040000A3      | PTO 오일실 QLF35X60X19 | PTO OIL SEAL QLF35X60X19 | 1           | 35X60X19     |                |
| 10         | 24341-000700      | O링(70-S)            | O-RING, FIX (Φ70)        | 1           | 1A S70.0     |                |
| 11         | TA00038449B       | PTO축 커버             | COVER                    | 1           |              |                |
| 12         | 26106-100202      | 육각플랜지볼트             | HEX BOLT, (10-20)        | 4           | M10XP1.5X20  |                |
| 13         | 22242-000350      | 축용스냅링35             | SNAP RING, SHAFT (Φ 35)  | 1           | D35          |                |
| 14         | TA00038269A       | 조인트                 | JOINT                    | 1           |              |                |
| 15         | 22242-000200      | 축용스냅링20             | SNAP RING, SHAFT (Φ 20)  | 1           | D20(축용)      |                |
| 16         | TA00059201A       | 볼베어링(6305)          | BALL BEARING             | 1           |              |                |
| 17A        | TA00058016A       | PTO구동축              | SHAFT, PTO1              | 1           |              |                |
| 17B        | TA00058807A       | PTO구동기어축            | SHAFT, PTO DRIVE         | 1           |              |                |
| 18         | TA00059202A       | 볼베어링(6305C3)        | BALL BEARING             | 1           |              |                |
| 19         | 22252-000620      | 구멍용스냅링62            | RING, CIRCLIP (Φ 62)     | 1           | D62(구멍용)     |                |
| 20         | 27260-620000      | 실링캡                 | SEALING CAP              | 1           |              |                |

F07070

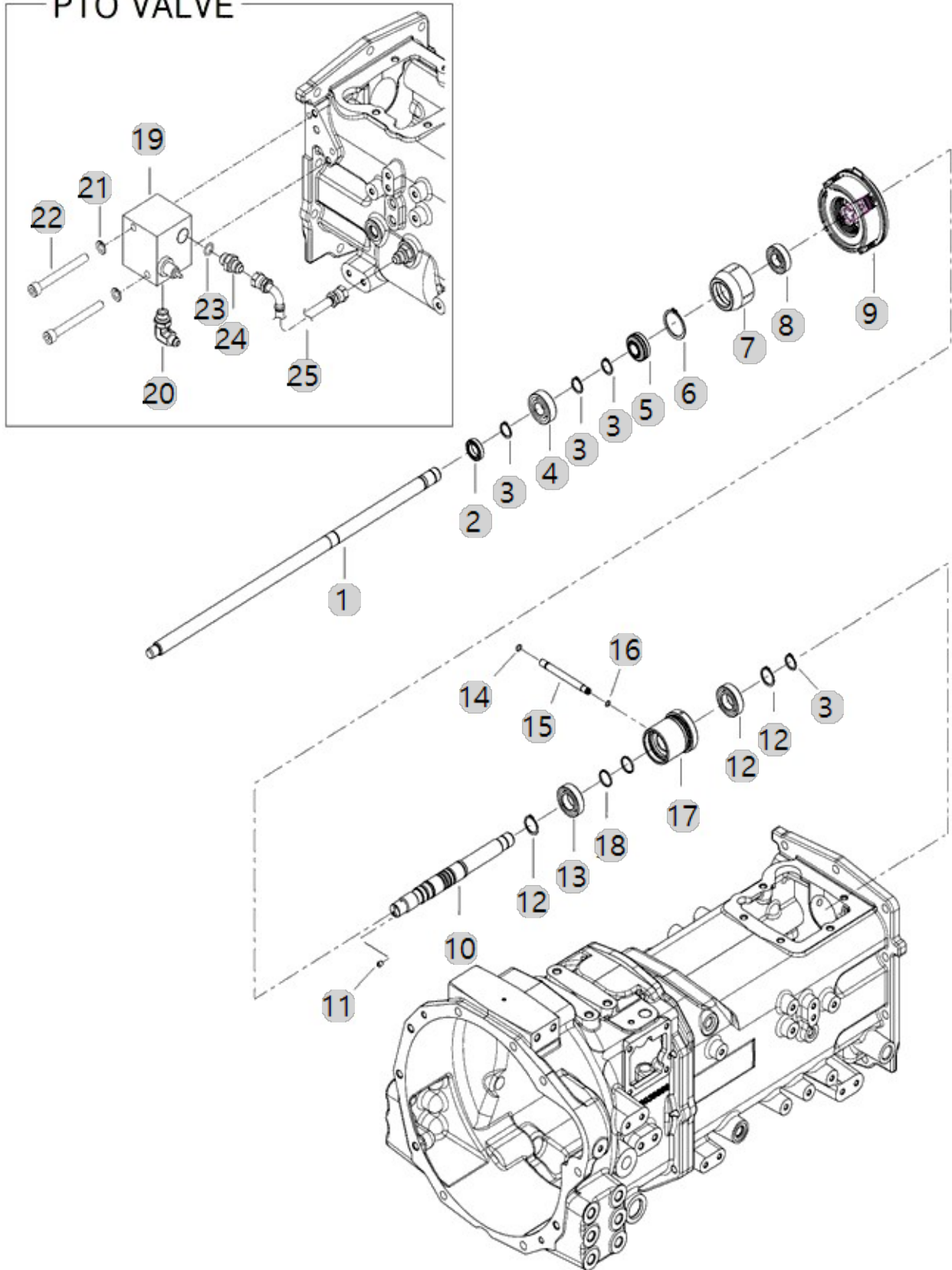
BRANSON 15R  
TM\_US\_FL(AC01899)

(MAIN P.T.O SHAFT)

Year/Month

2022-12-15

PTO VALVE











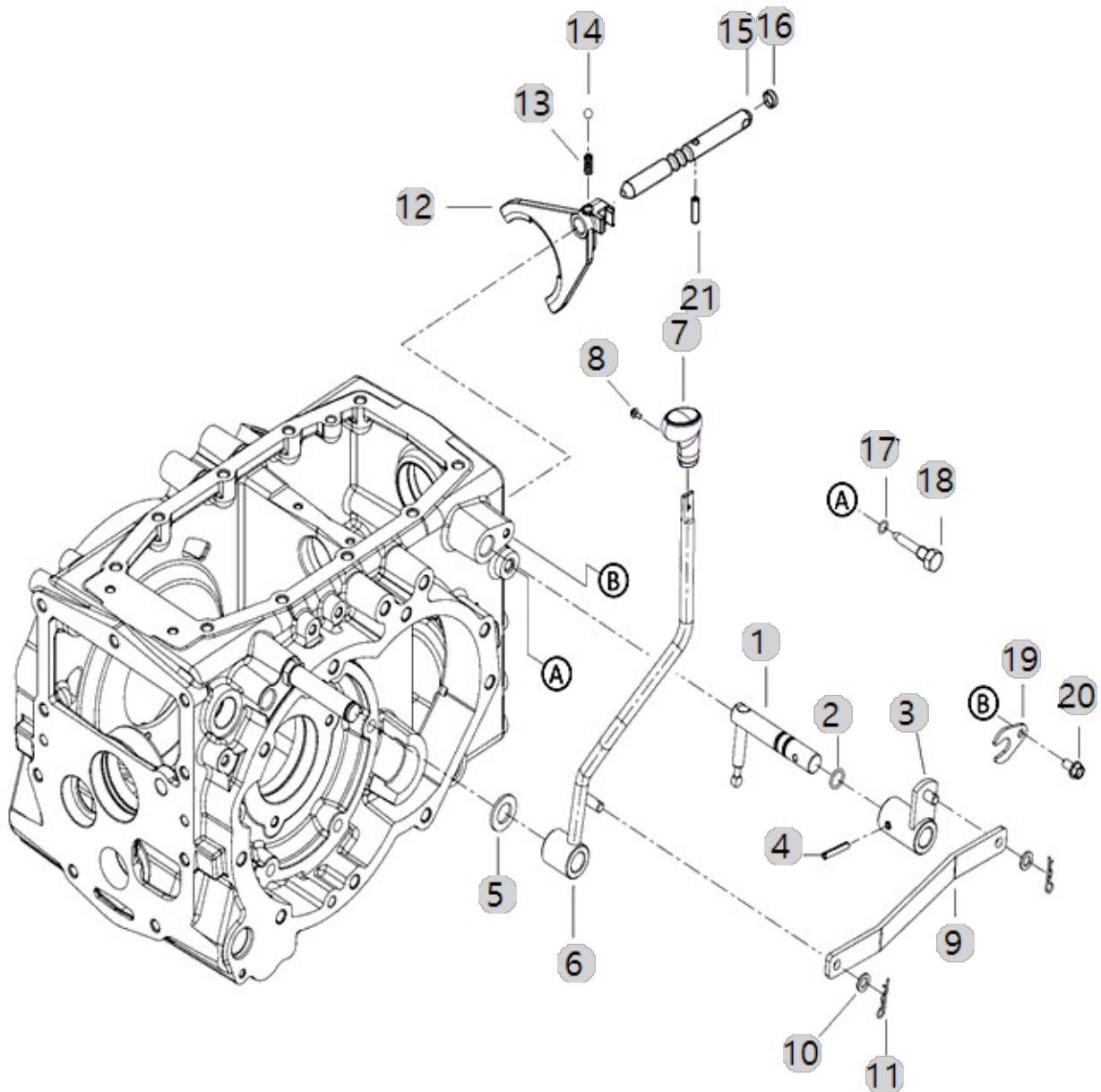
F08060

BRANSON 15R  
TM\_US\_FL(AC01899)

(FORK, MAIN SHIFT)

Year/Month

2022-12-15





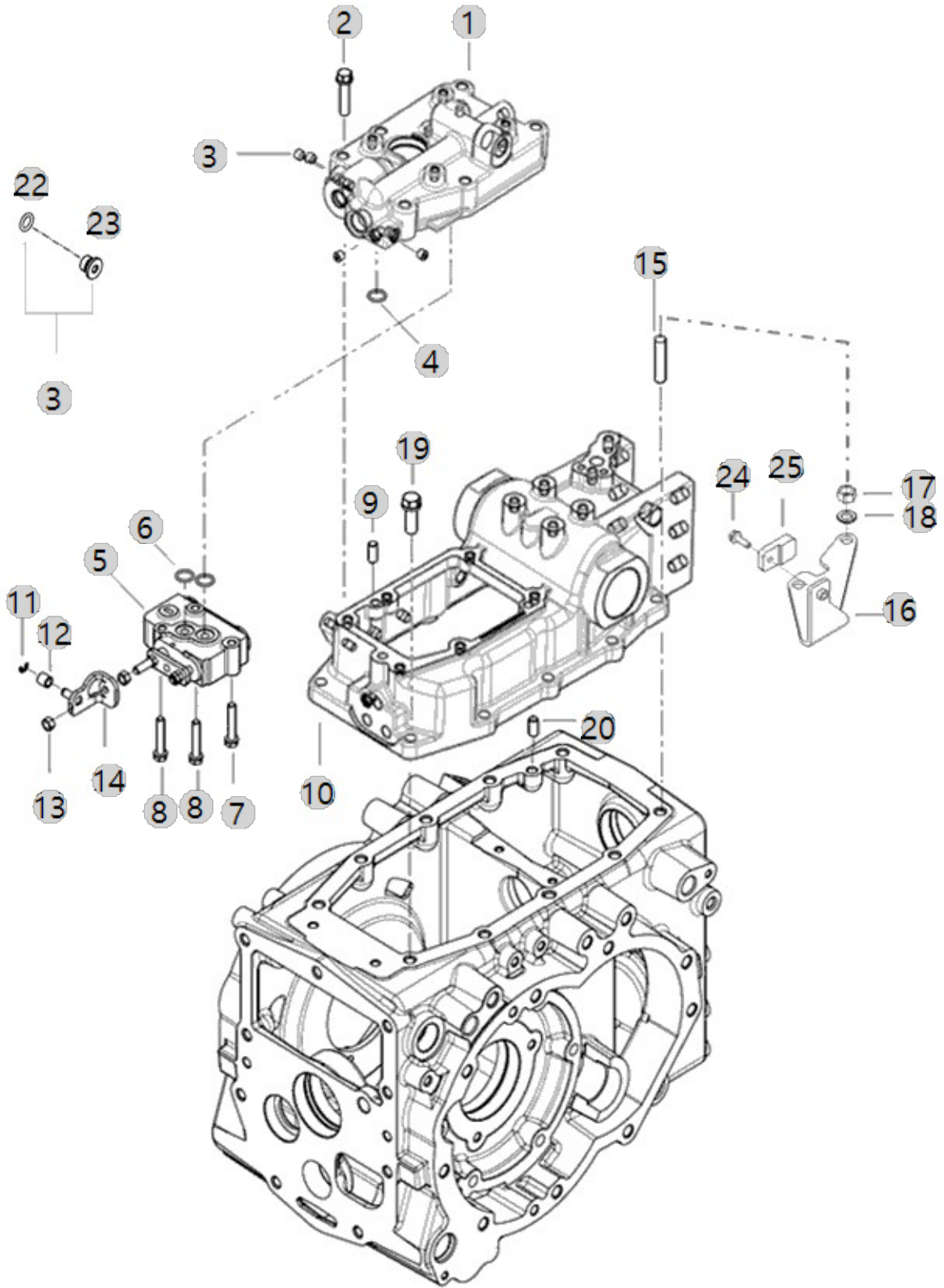
F10010

BRANSON 15R  
TM\_US\_FL(AC01899)

(CASE, HYD CYLINDER)

Year/Month

2022-12-15





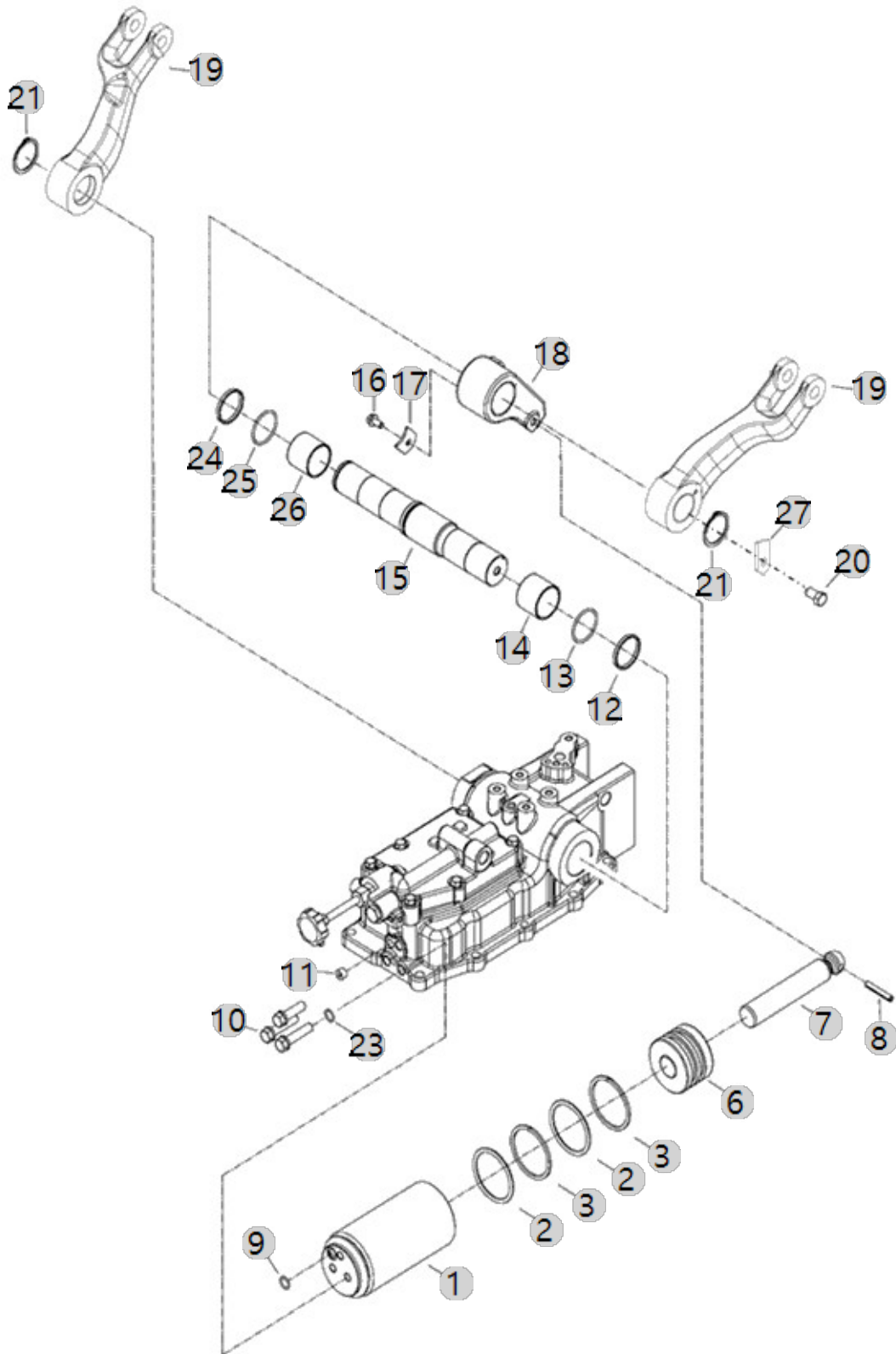
F10020

BRANSON 15R  
TM\_US\_FL(AC01899)

(LIFT ARM)

Year/Month

2022-12-15





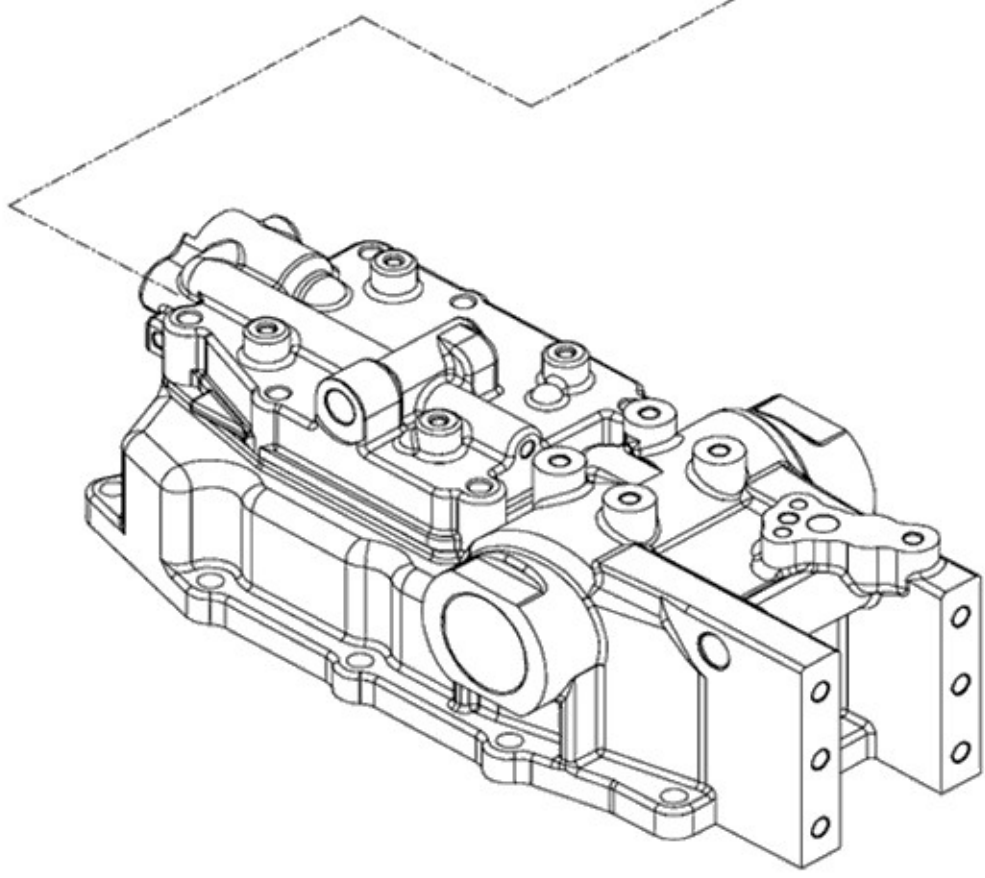
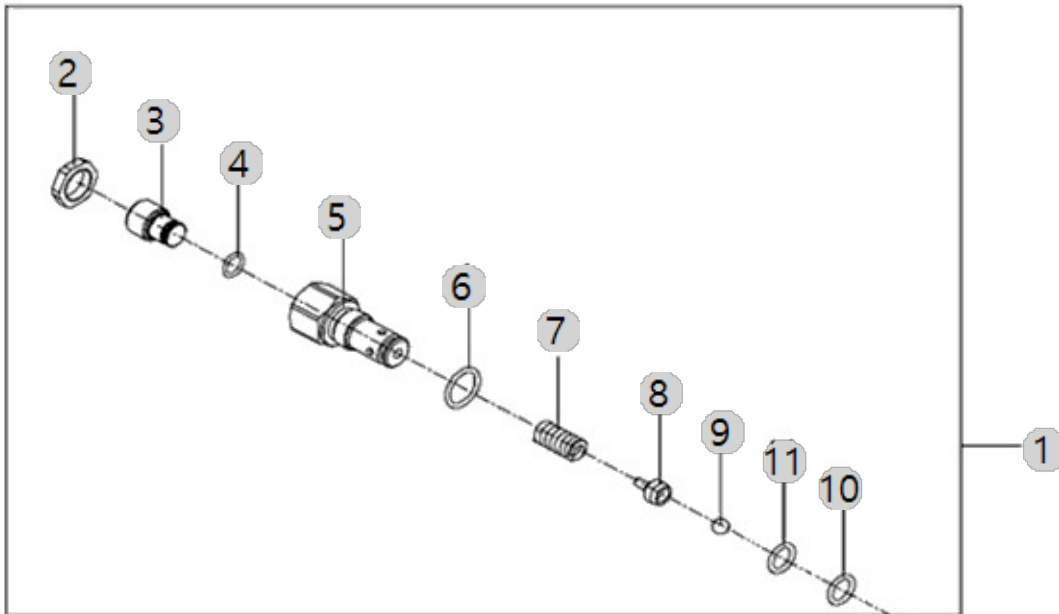
F10030

BRANSON 15R  
TM\_US\_FL(AC01899)

(SAFETY VALVE)

Year/Month

2022-12-15







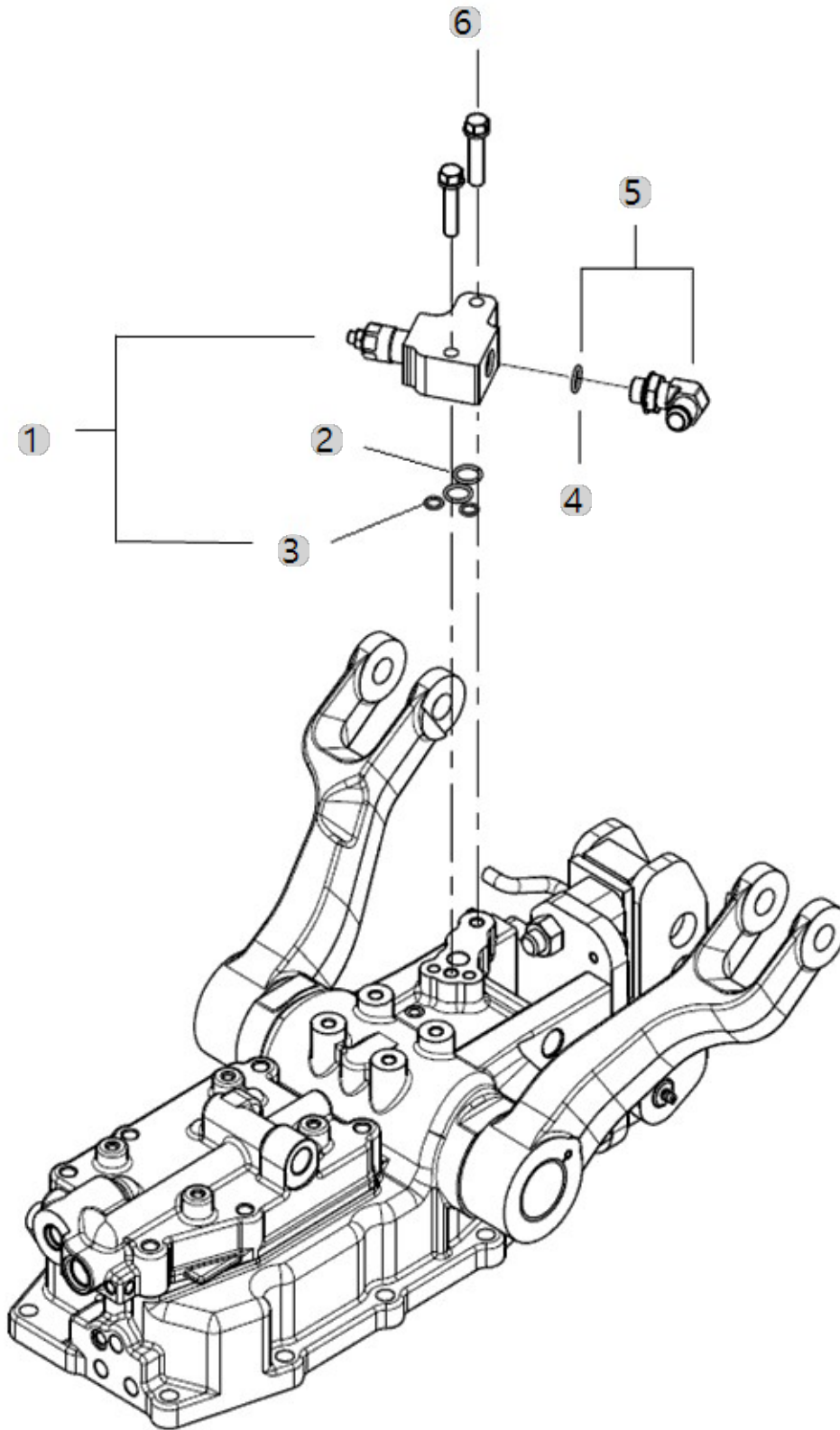
F10031

BRANSON 15R  
TM\_US\_FL(AC01899)

(RELIEF)

Year/Month

2022-12-15





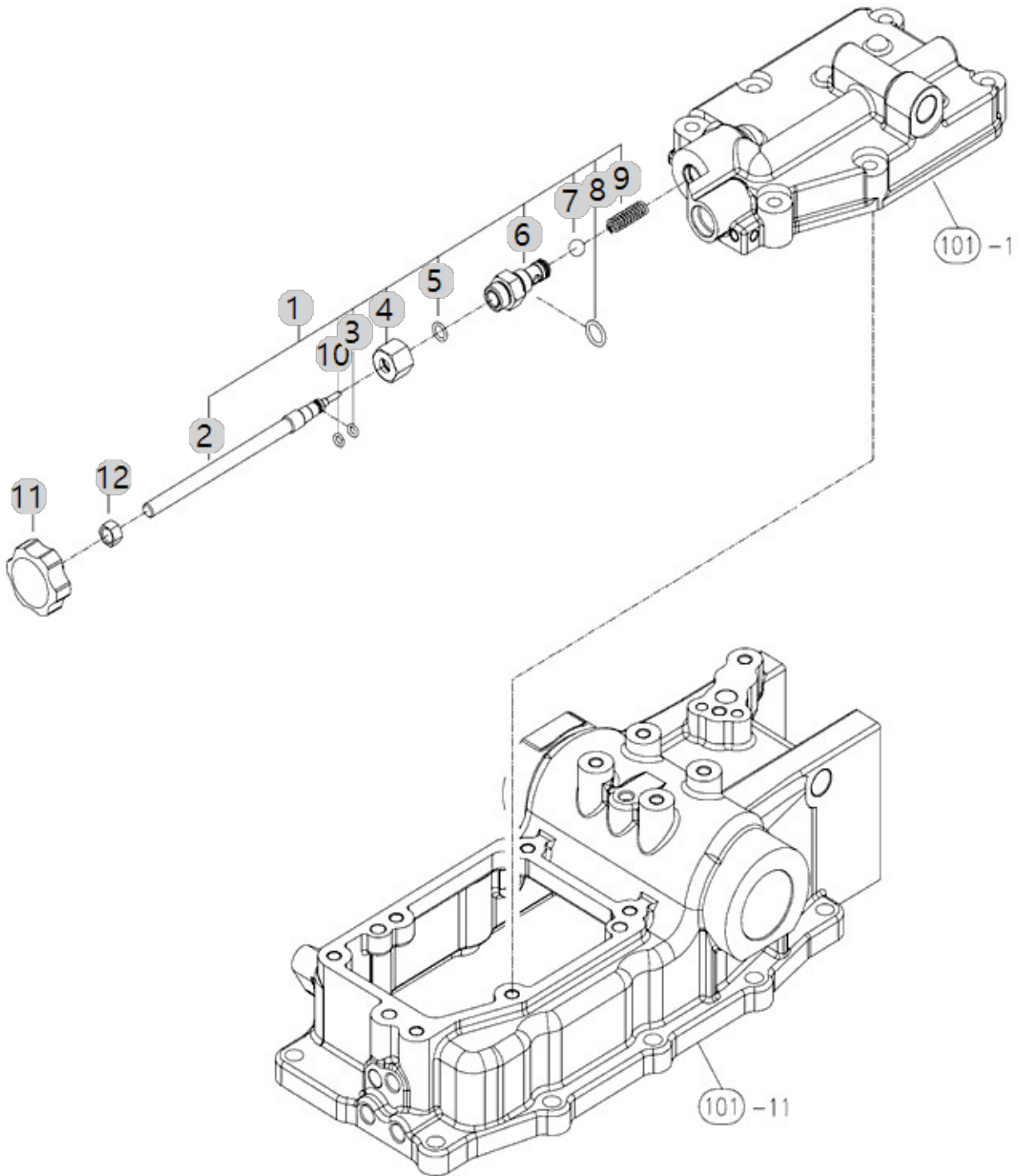
F10040

BRANSON 15R  
TM\_US\_FL(AC01899)

(STOP VALVE)

Year/Month

2022-12-15





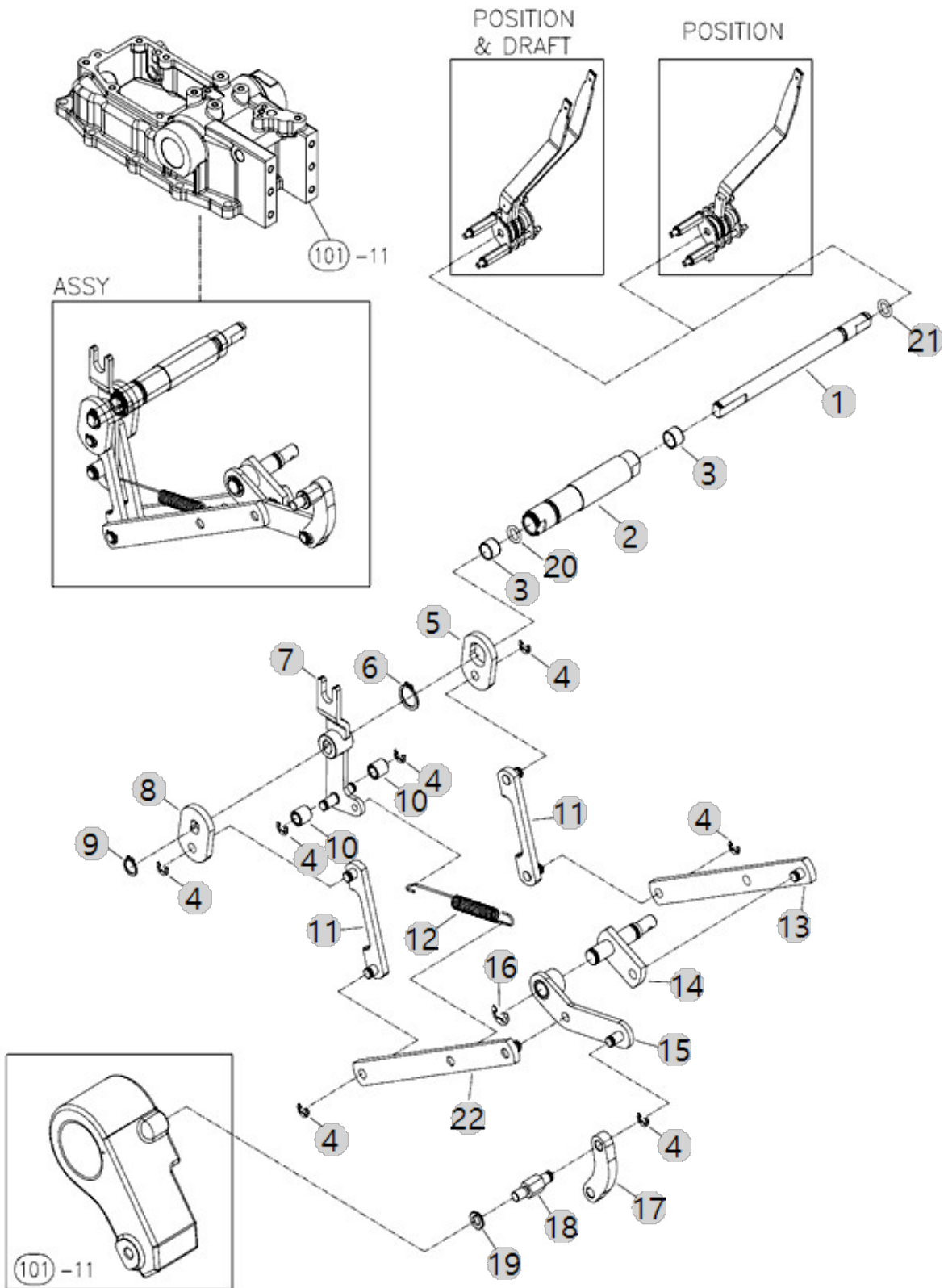
F10061

BRANSON 15R  
TM\_US\_FL(AC01899)

(DRAFT/POSITION CONTROL LEVER)

Year/Month

2022-12-15





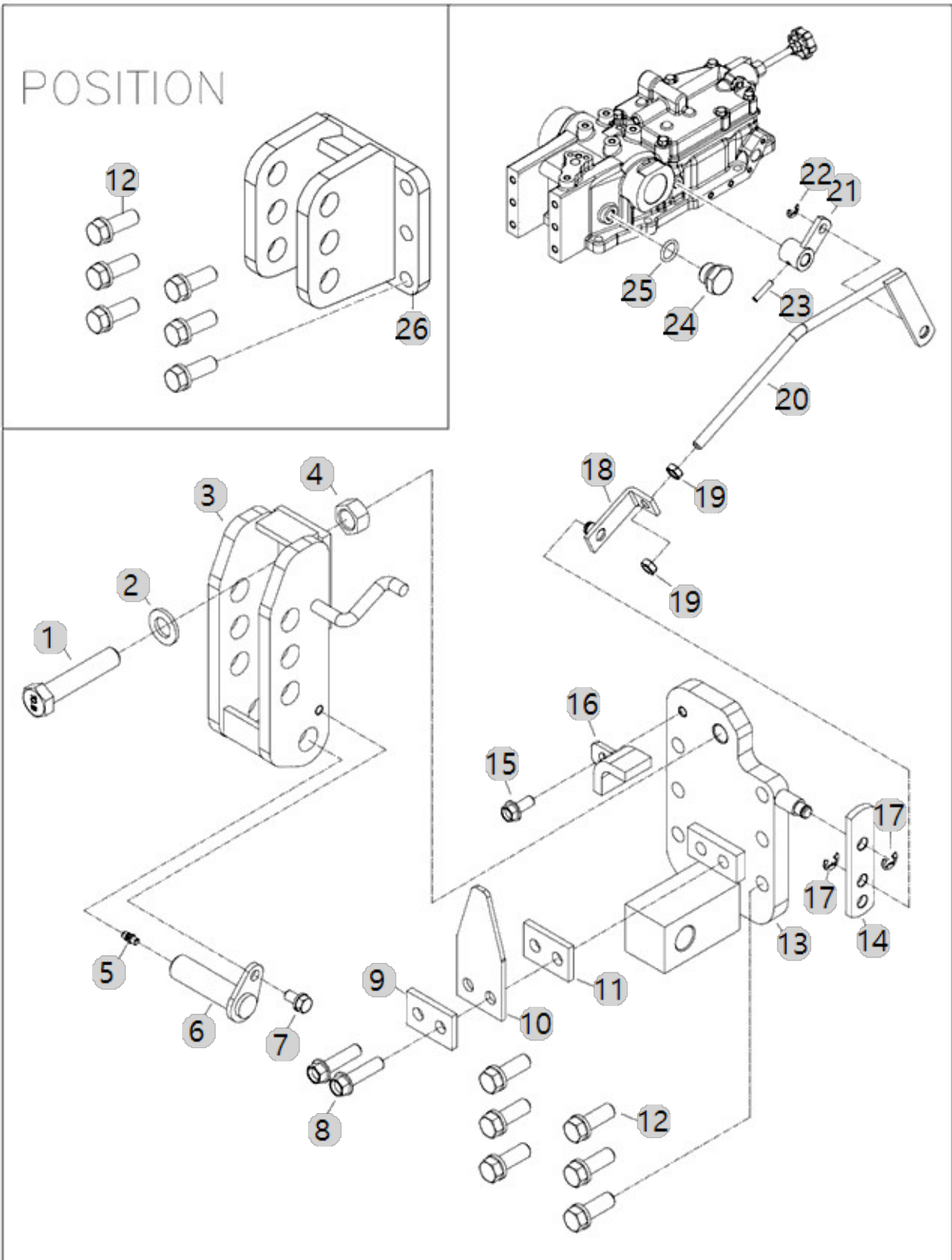
F10063

BRANSON 15R  
TM\_US\_FL(AC01899)

(DRAFT CONTROL)

Year/Month

2022-12-15



| F10063<br>BRANSON 15R<br>TM_US_FL(AC01899) |                   | (DRAFT CONTROL)    |                         |             |              | Year/Month     |
|--|-------------------|--------------------|-------------------------|-------------|--------------|----------------|
|  |                   |                    |                         |             |              | 2022-12-15     |
| 순번<br>(NO)                                 | 부품번호<br>(PART NO) | 품명<br>(PART NAME)  | 품명<br>(PART NAME)       | 수량<br>(QTY) | 규격<br>(SPEC) | 비고<br>(REMARK) |
| 1  | TA00000660A       | 육각볼트(M16XP1.5X80)  | BOLT                    | 1           | M16XP1.5X80  |                |
| 2  | 22137-160000      | 와셔                 | WASHER, PLAIN (Φ 16)    | 1           | M16          |                |
| 3  | TA00033138B       | 톱링크힌지D             | HINGE D, TOP LINK       | 1           |              |                |
| 4  | 26736-160002      | 특수NUT              | HEXNUT                  | 1           | M16XP1.5     |                |
| 5  | TA27160000A       | 그리스니플              | NIPPLE                  | 1           |              |                |
| 6  | TTB3090000A       | 힌지핀                | PIN, HINGE              | 1           |              |                |
| 7  | 26013-080162      | 와셔조립육각볼트(+SW)      | Bolt, Hexa (8-16)       | 1           | M8XP1.25X16  |                |
| 8  | 26106-100402      | 플랜지보울트             | SCREW,HEXFLANGEHEADCAP  | 2           | M10X1.5X40   |                |
| 9  | TA00034144A       | 고정판                | PLATE                   | 1           |              |                |
| 10   | TA00033137A       | 힌지판                | PLATE, HINGE            | 1           |              |                |
| 11   | TA00034144A       | 고정판                | PLATE                   | 1           |              |                |
| 12   | 26013-120352      | 와셔조립육각볼트(+SW)      | SCREW,CAPTIVEWASHERCAP  | 6           | M12XP1.75X0  |                |
| 13   | TA00034018B       | 힌지서포터 조합           | SUPPORT D, HINGE ASS'Y  | 1           |              |                |
| 14   | TA00033143C       | 플레이트               | PLATE                   | 1           |              |                |
| 15   | 26106-080202      | 육각플랜지볼트            | SQR FLANGE BOLT         | 1           | M8XP1.25X20  |                |
| 16   | TA00034142B       | 연결판 조합             | PLATE ASS'Y             | 1           |              |                |
| 17   | 22272-000080      | E형스냅링8             | RING, CIRCLIP (Φ 08)    | 2           | D8           |                |
| 18   | TA00033144B       | 플레이트조합             | PLATE ASSY              | 1           |              |                |
| 19   | 26756-080002      | 고정너트M8             | NUT                     | 2           | M8X1.25      |                |
| 20   | TA00033150B       | 견인제어로드             | CONTROL ROD, DRAFT      | 1           |              |                |
| 21   | TA00033147B       | 링크조합(OUT)          | LINK ASSY (OUT)         | 1           |              |                |
| 22   | 22272-000060      | SNAP RING          | RING, CIRCLIP (Φ 06)    | 1           | D6           |                |
| 23   | 22351-040020      | 스프링핀               | PIN, SPRING (4X20)      | 1           | D4X20        |                |
| 24   | NTA1130100A       | 몸체                 | BODY                    | 1           |              |                |
| 25   | 24311-000140      | 441,ALL,O-RINGP-14 | O-RING, DYNAMIC (Φ14)   | 1           | P14          |                |
| 26   | TA00034323A       | 톱링크 브래킷 조합         | BRACKET ASS'Y, TOP LINK | 1           |              |                |



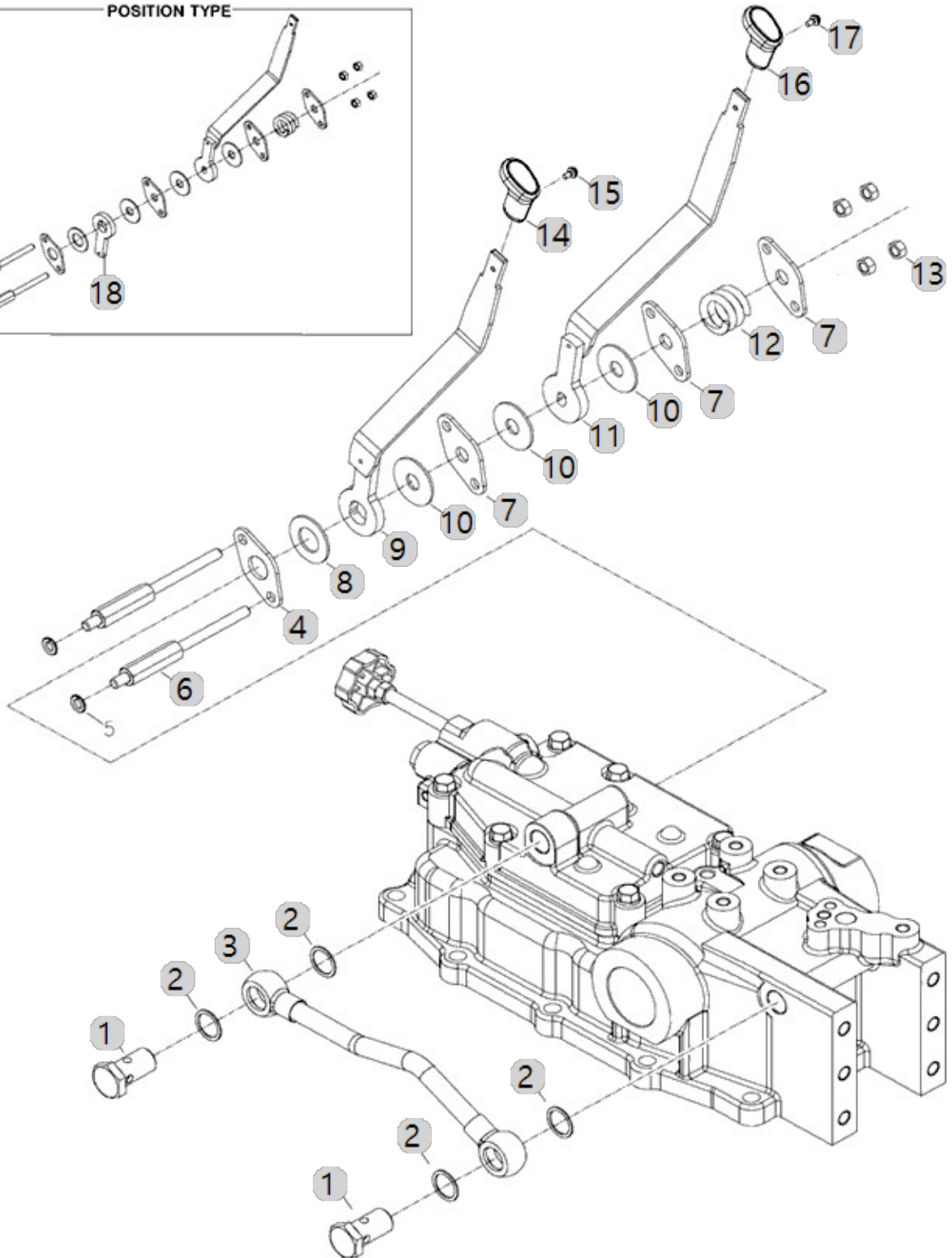
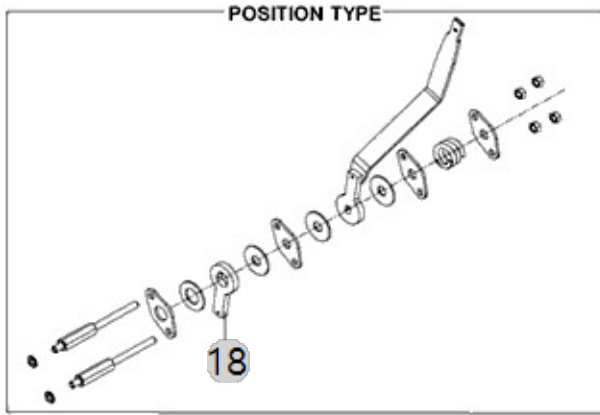
F10064

BRANSON 15R  
TM\_US\_FL(AC01899)

(POSITION CONTROL LEVER)

Year/Month

2022-12-15





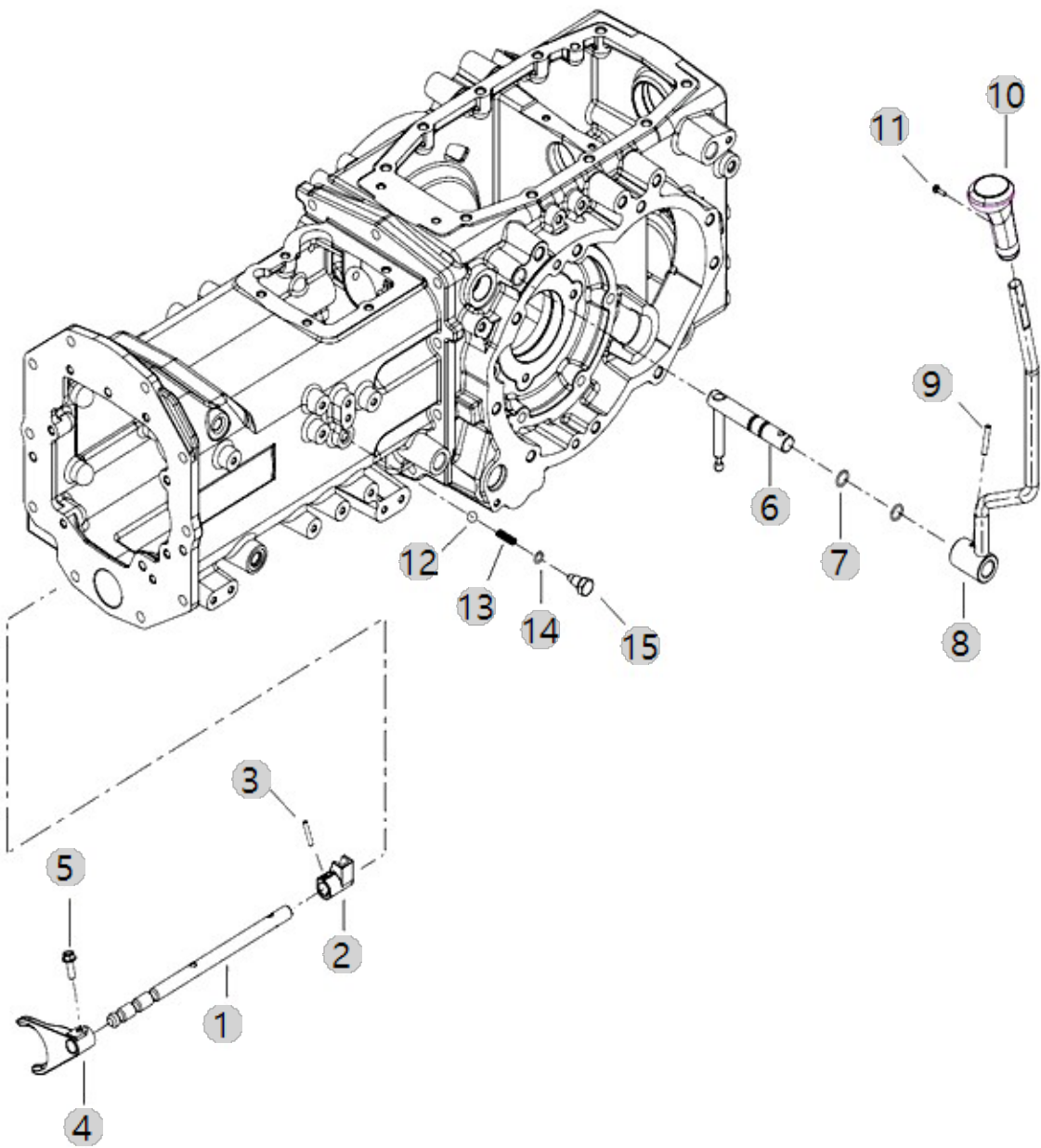
F11020

BRANSON 15R  
TM\_US\_FL(AC01899)

(LEVER ASS'Y, RANGE SHIFT)

Year/Month

2022-12-15





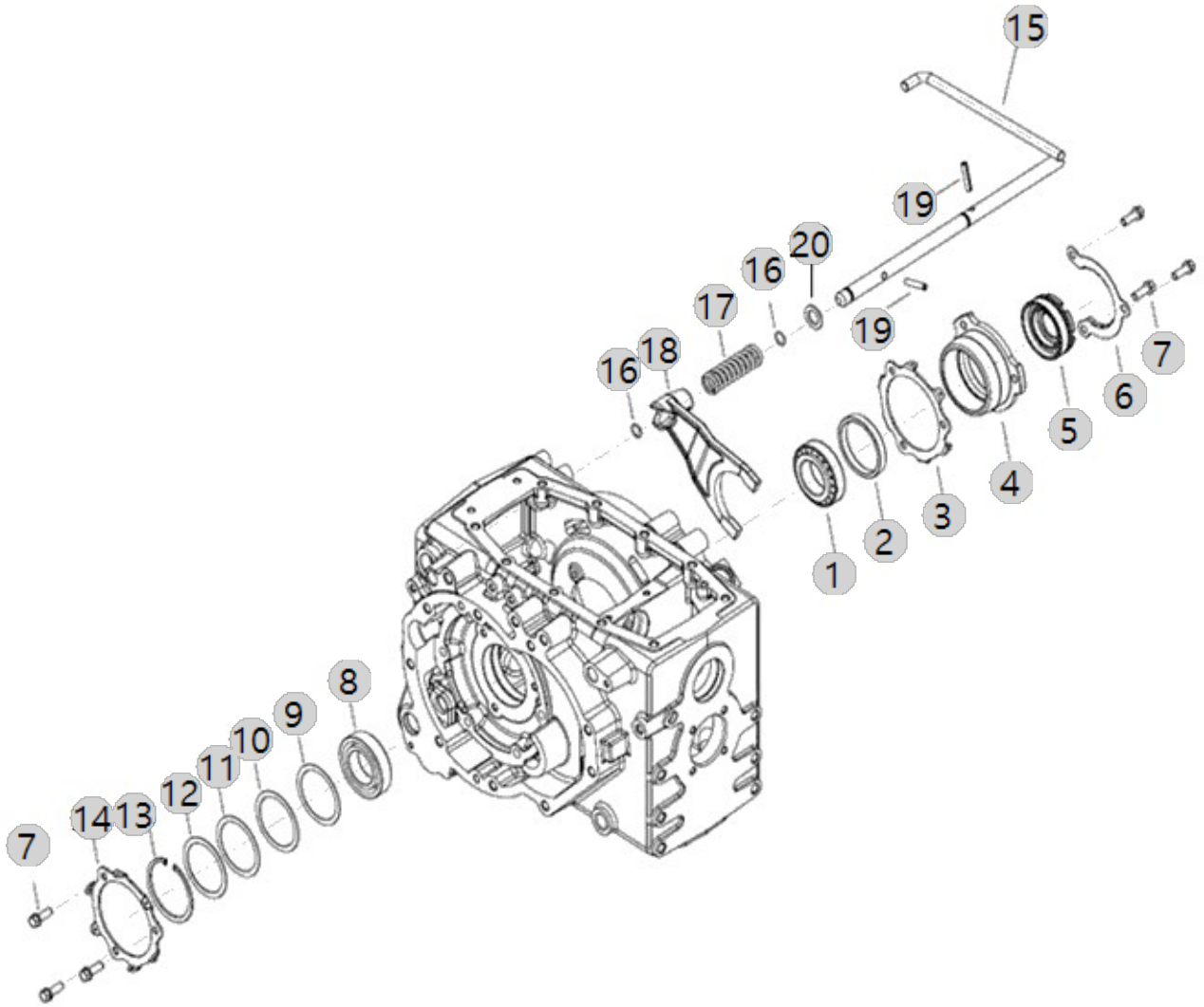
F11060

BRANSON 15R  
TM\_US\_FL(AC01899)

(DIFFERENTIAL LOCK)

Year/Month

2022-12-15





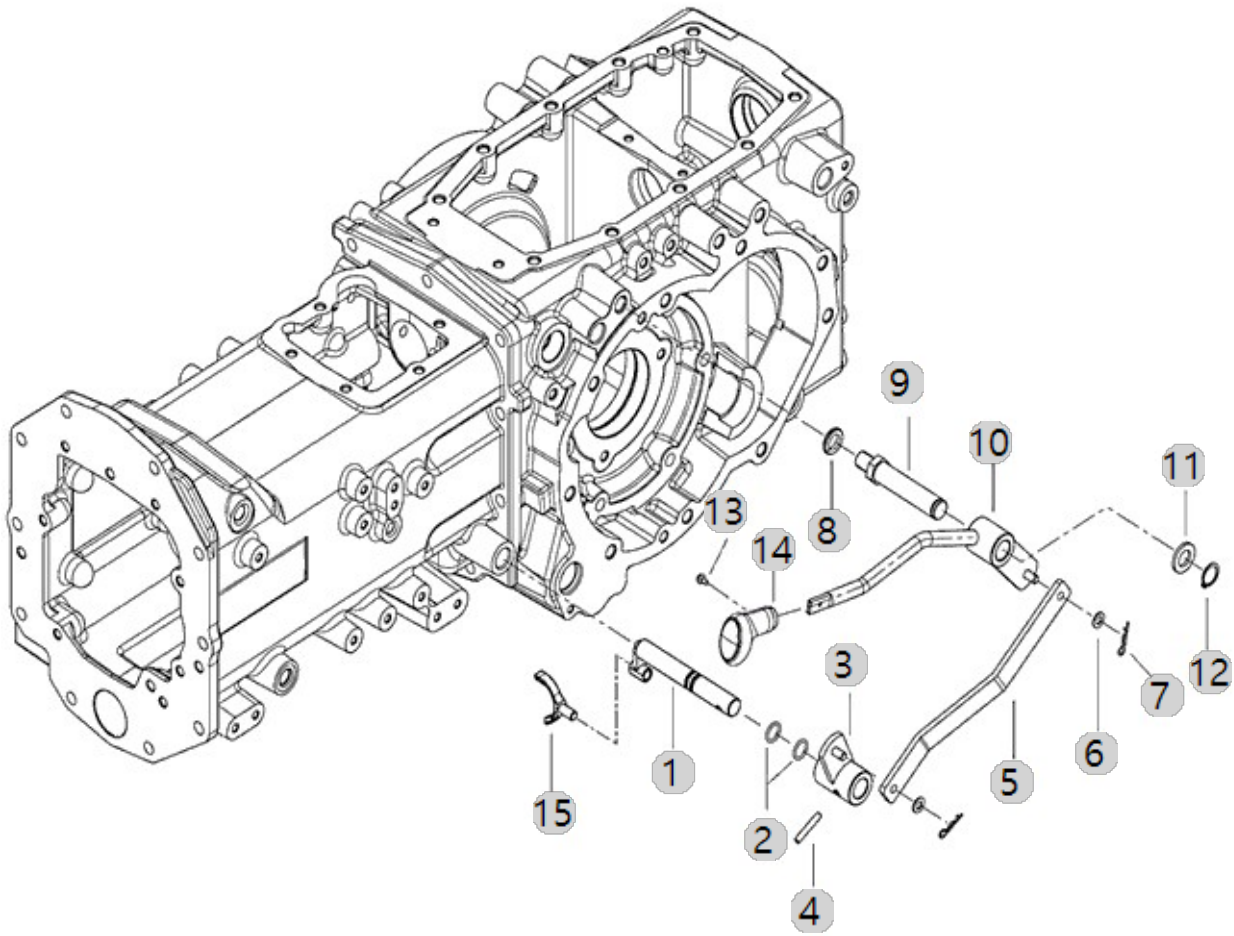
F11080

BRANSON 15R  
TM\_US\_FL(AC01899)

(4WD LEVER)

Year/Month

2022-12-15







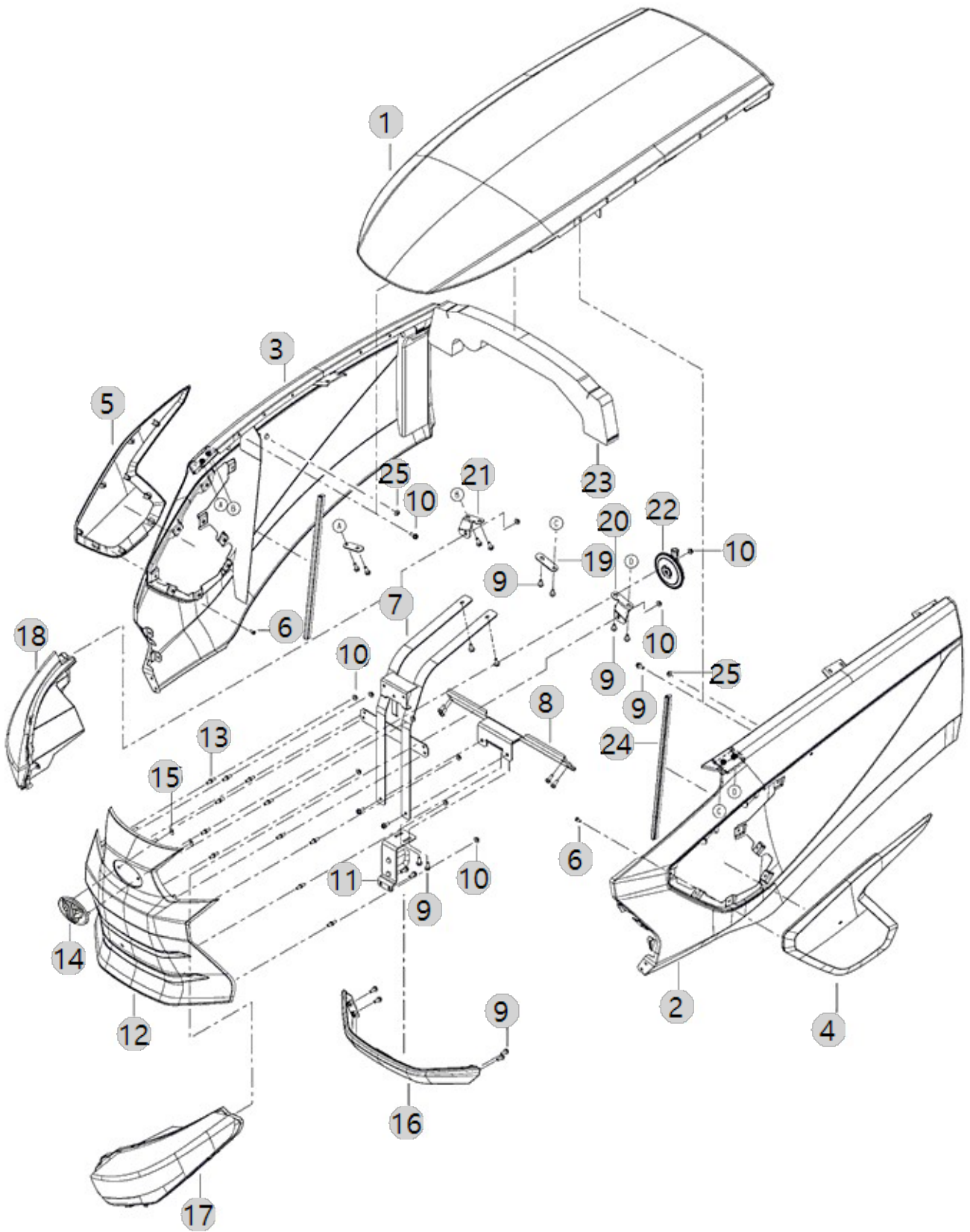
G01020

4815R\_US\_FL  
(AC02164)

# BONNET

Year/Month

2022-12-15





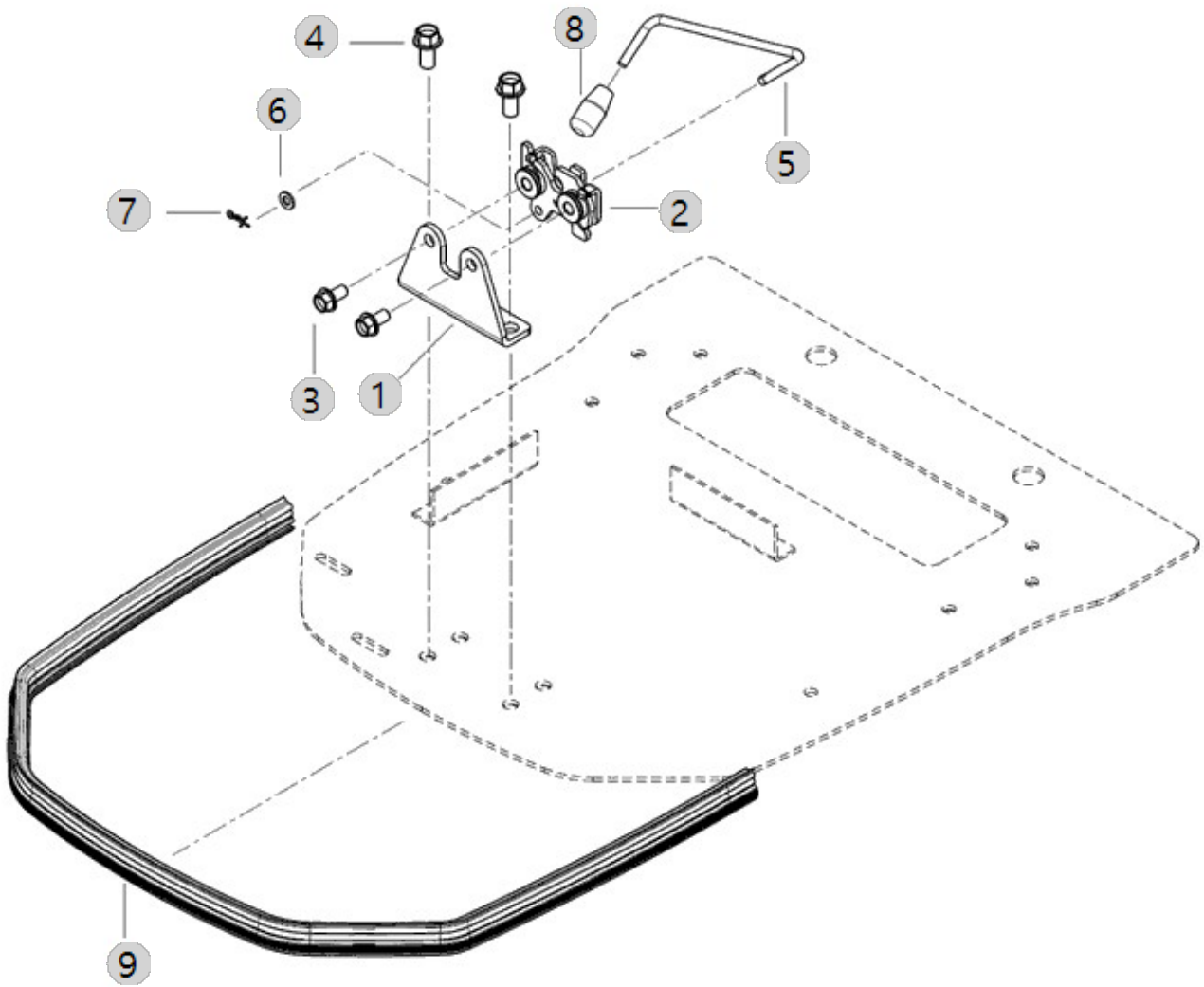
G01040

4815R\_US\_FL  
(AC02164)

LOCKING ASS'Y, BONNET

Year/Month

2022-12-15





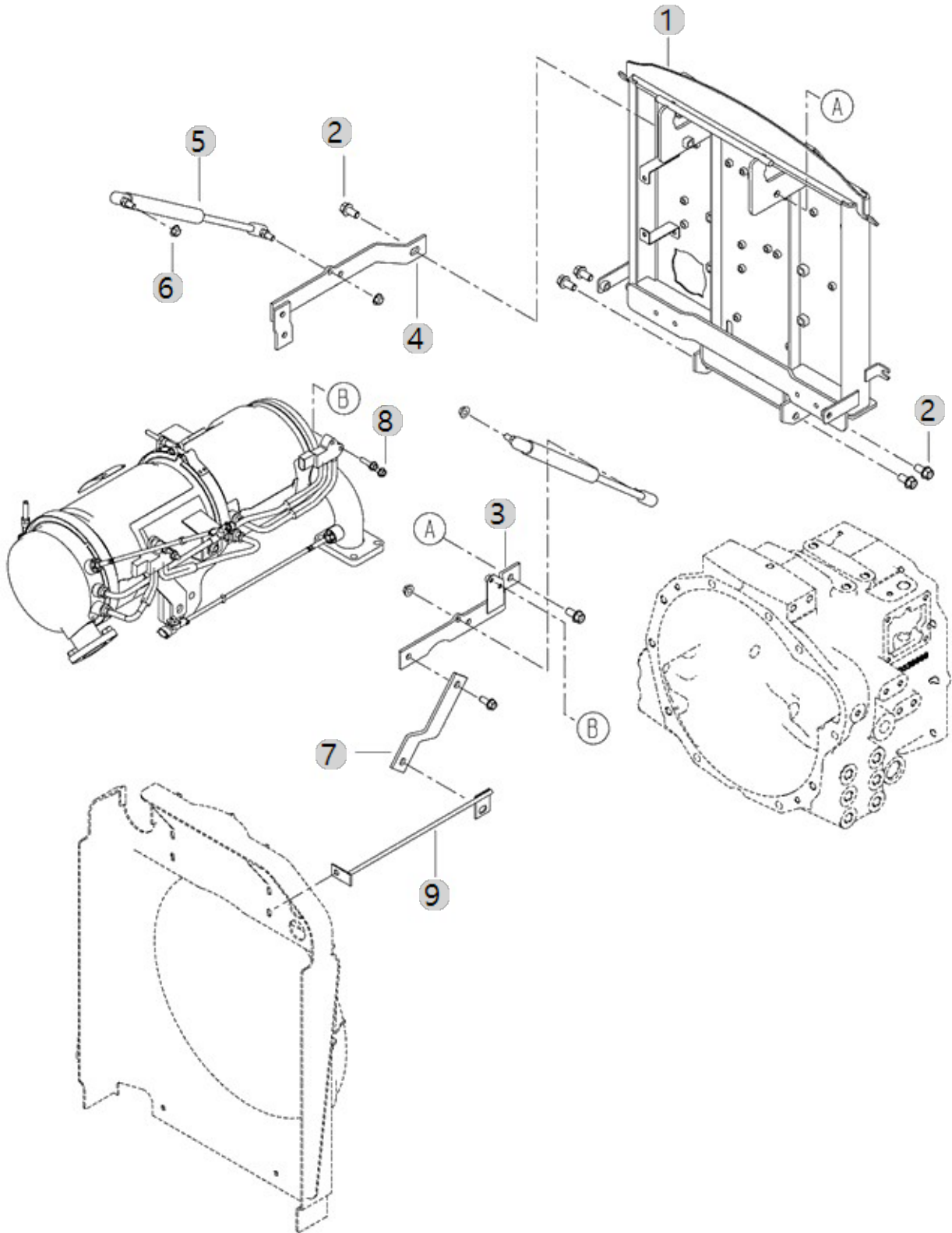
G01060-B

4815R\_US\_FL  
(AC02164)

(BONNET SUPPORT)

Year/Month

2022-12-15



|                                      |                  |            |
|--------------------------------------|------------------|------------|
| G01060-B<br>4815R_US_FL<br>(AC02164) | (BONNET SUPPORT) | Year/Month |
|                                      |                  | 2022-12-15 |

| 순번<br>(NO) | 부품번호<br>(PART NO) | 품 명<br>(PART NAME) | 품 명<br>(PART NAME)  | 수량<br>(QTY) | 규격<br>(SPEC) | 비고<br>(REMARK) |
|------------|-------------------|--------------------|---------------------|-------------|--------------|----------------|
| 1          | TA00065201C       | 힌지 프레임 조합          | ASSY, HINGE FRAME   | 1           |              |                |
| 1          | TA00065201E       | 힌지 프레임 조합          | ASSY, HINGE FRAME   | 1           |              |                |
| 1          | TA00065201B       | 힌지 프레임 조합          | ASSY, HINGE FRAME   | 1           |              |                |
| 1          | TA00065201D       | 힌지 프레임 조합          | ASSY, HINGE FRAME   | 1           |              |                |
| 2          | 26106-100202      | 육각플랜지볼트            | HEX BOLT, (10-20)   | 6           | M10XP1.5X20  |                |
| 3          | TA00040849D       | 고정브라켓 좌            | BRACKET L           | 1           |              |                |
| 3          | TA00040849C       | 고정브라켓 좌            | BRACKET L           | 1           |              |                |
| 3          | TA00040849E       | 고정브라켓 좌            | BRACKET L           | 1           |              |                |
| 4          | TA00040848C       | 고정브라켓 우            | BRACKET L           | 1           |              |                |
| 4          | TA00040848D       | 고정브라켓 우            | BRACKET L           | 1           |              |                |
| 5          | TA00067716A       | 가스실린더              | GAS CYLINDER        | 2           |              |                |
| 6          | 26367-080002      | 259, 육각플랜지너트       | HEX FLANGE NUT (Φ8) | 4           | M8XP1.25     |                |
| 7          | TA00040850B       | 연결 브래킷             | BRACKET             | 1           |              |                |
| 8          | 26106-060252      | 육각플랜지볼트            | Screw, (6-25)       | 2           | M6XP1.0X25   |                |
| 9          | TA00054098A       | 서포트조합(A4800)       | SUPPORT ASSY        | 1           |              |                |
| 9          | TA00041934B       | 서포트조합(T4)          | SUPPORT ASSY(T4)    | 1           |              |                |
| 9A         | TA00041934C       | 서포트조합(T4)          | SUPPORT ASSY(T4)    | 1           |              |                |

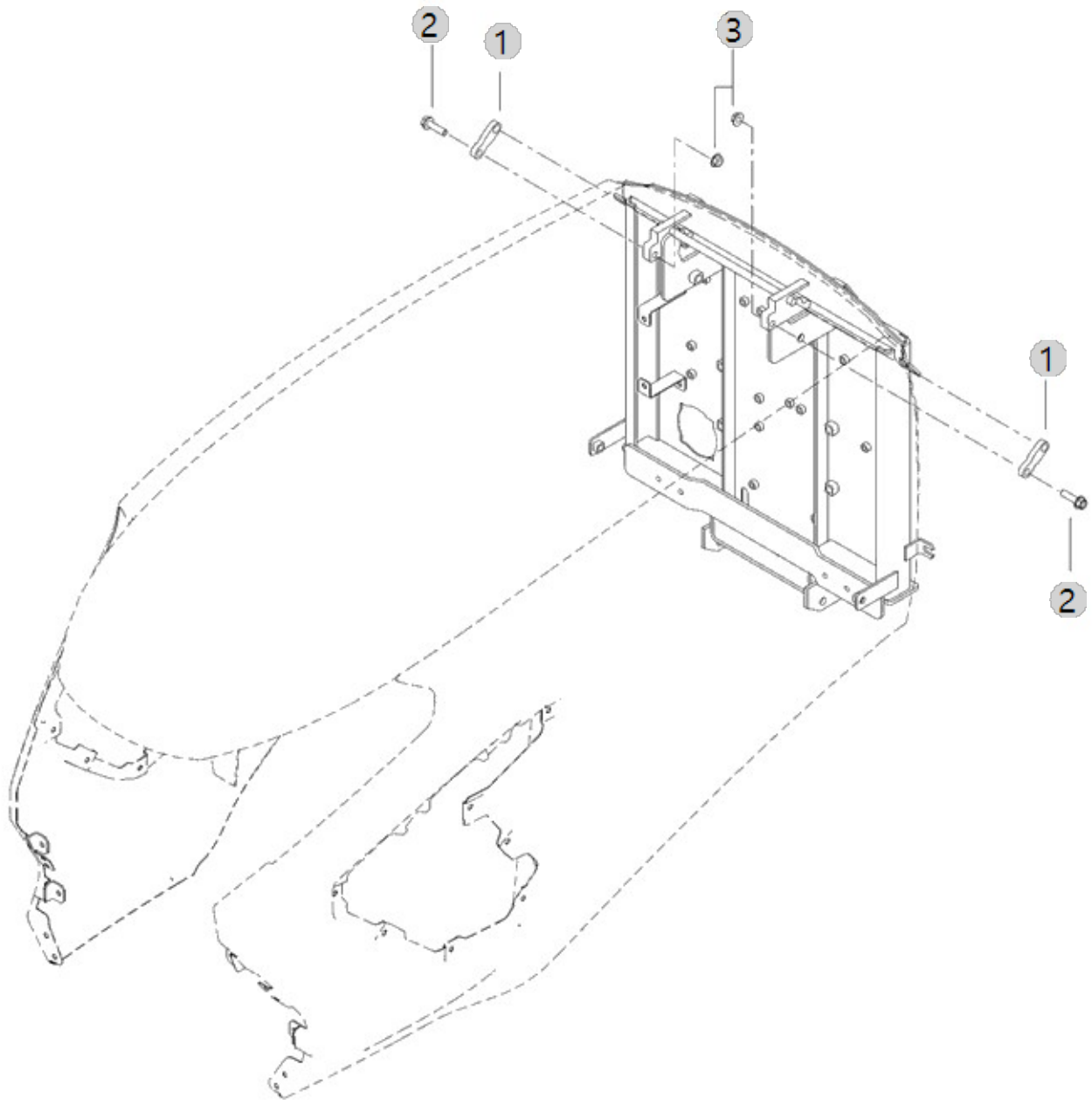
G01062

4815R\_US\_FL  
(AC02164)

FIXED BRACKET, BONNET

Year/Month

2022-12-15







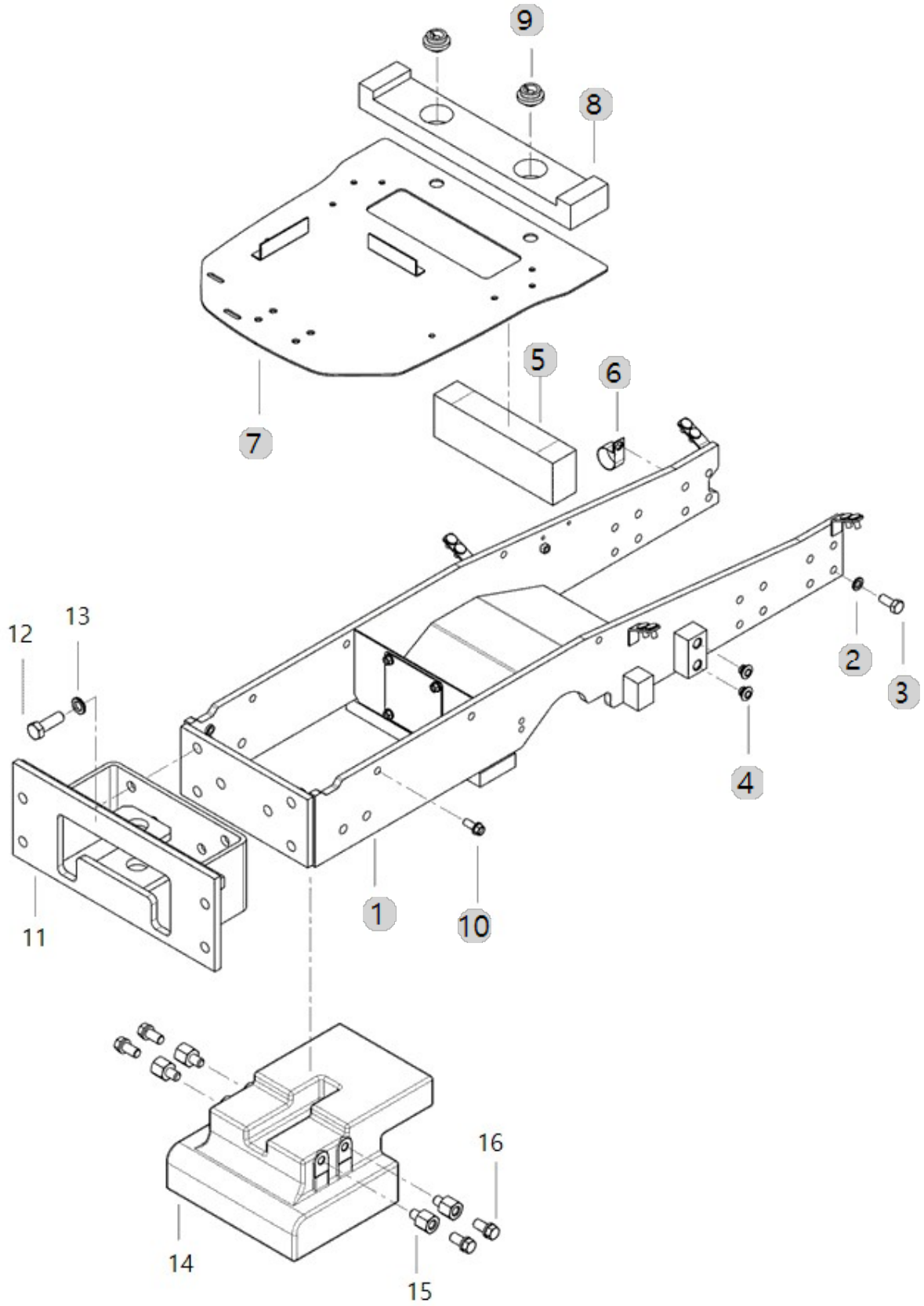
G01080

4815R\_US\_FL  
(AC02164)

# FRONT AXLE BRACKET

Year/Month

2022-12-15





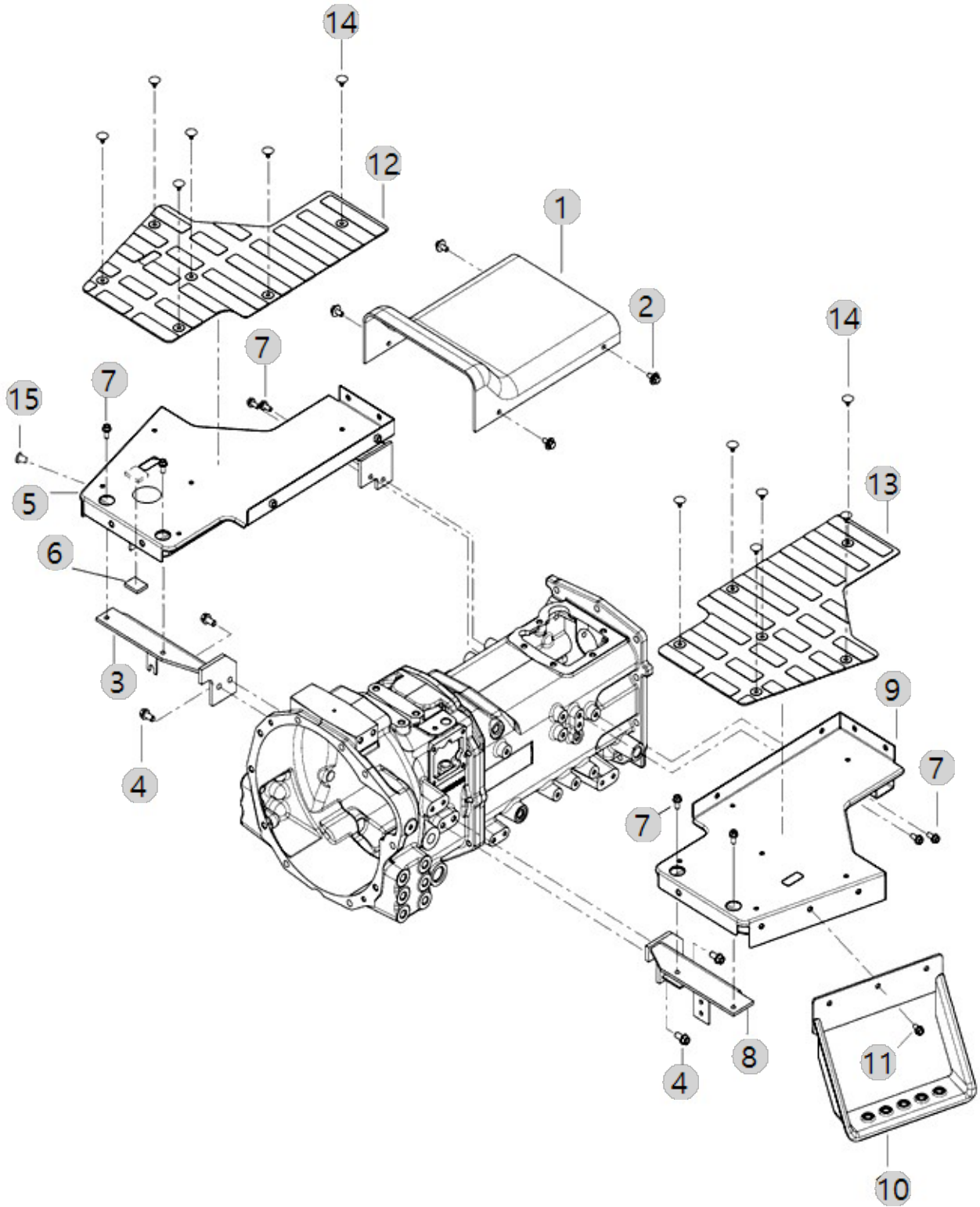
G04060

4815R\_US\_FL  
(AC02164)

FOOT REST ASS'Y

Year/Month

2022-12-15





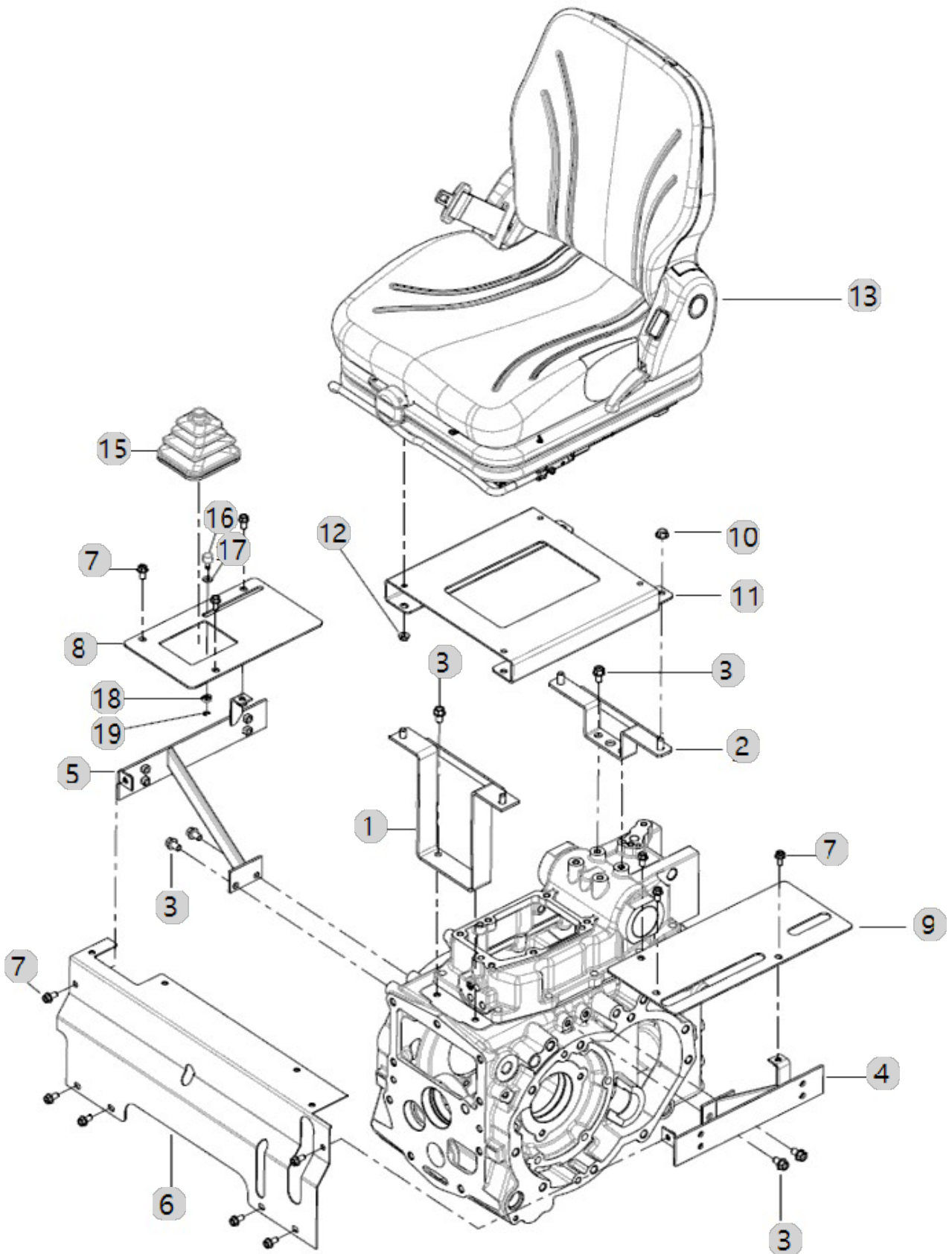
G04070

4815R\_US\_FL  
(AC02164)

SEAT

Year/Month

2022-12-15





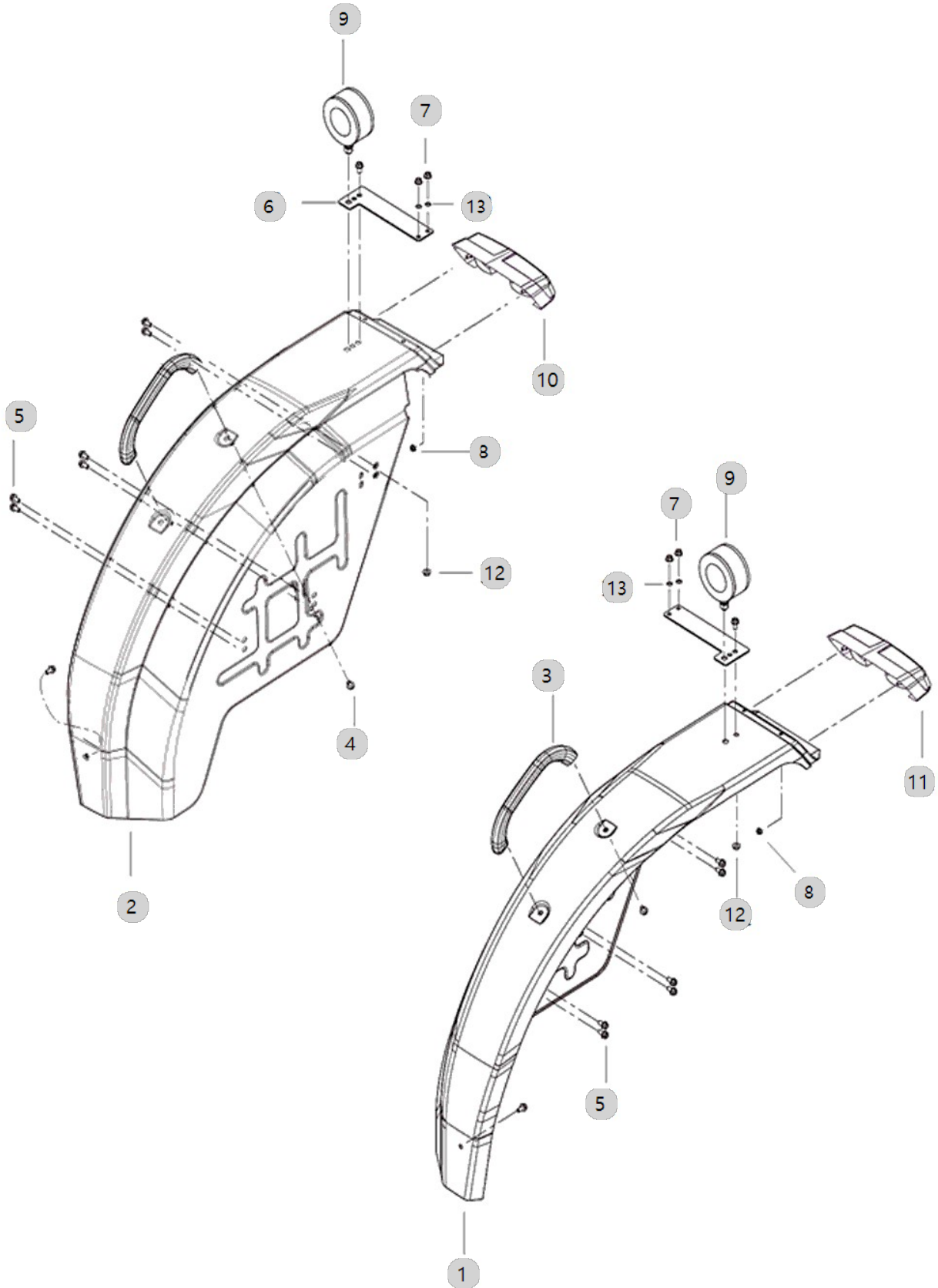
G04090

4815R\_US\_FL  
(AC02164)

FENDER

Year/Month

2022-12-15







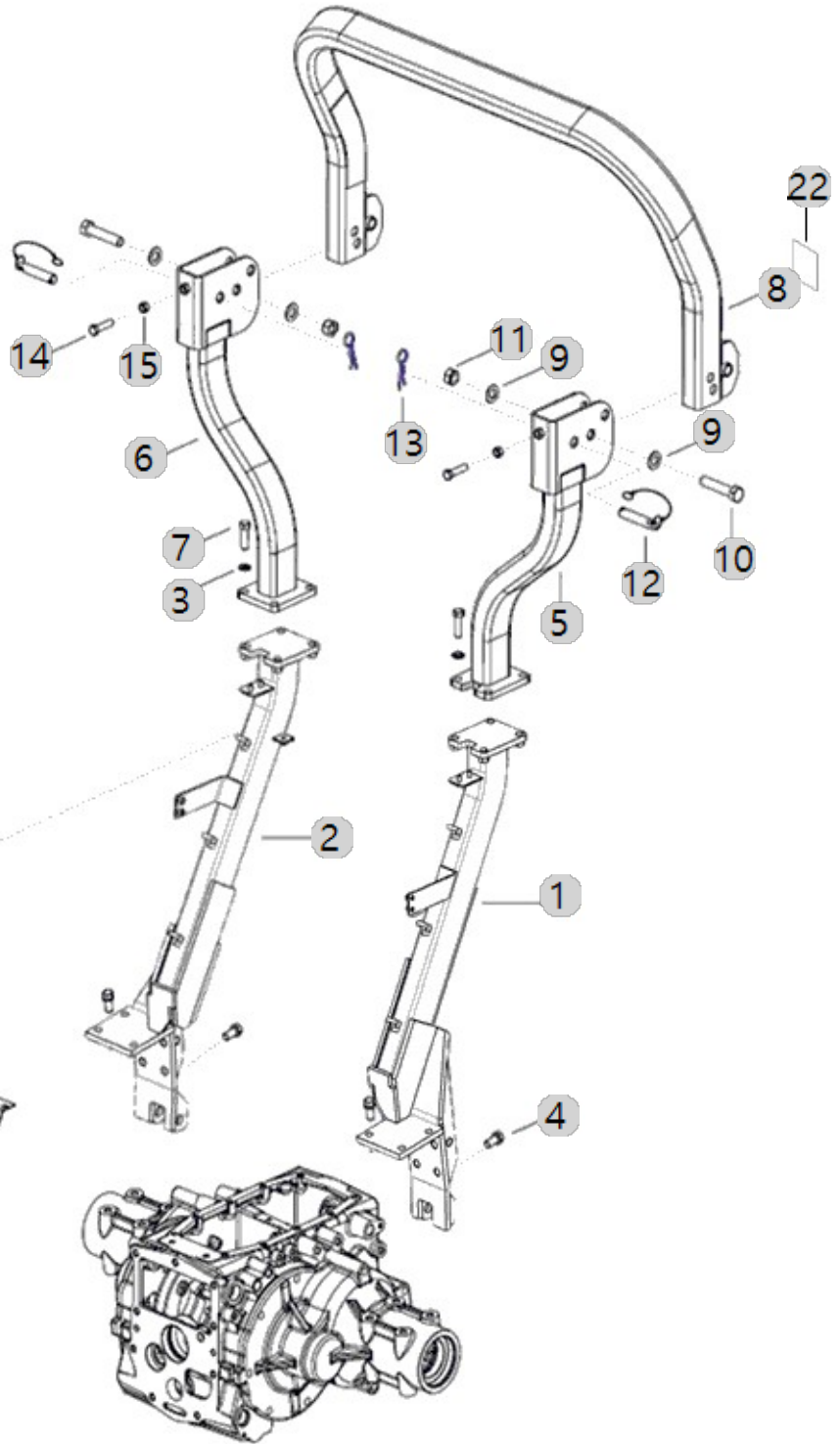
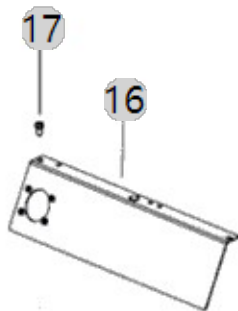
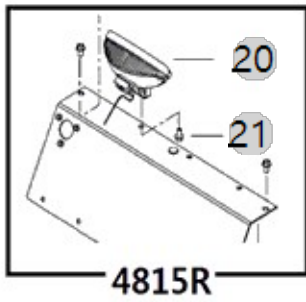
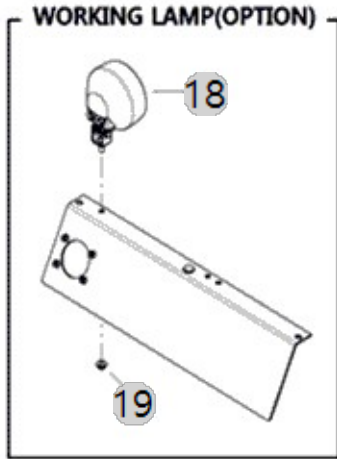
G04120

4815R\_US\_FL  
(AC02164)

ROPS FRAME ASS'Y

Year/Month

2022-12-15



| G04120<br>4815R_US_FL<br>(AC02164) |                   | ROPS FRAME ASS'Y  |                        |             |              | Year/Month<br>2022-12-15 |
|------------------------------------|-------------------|-------------------|------------------------|-------------|--------------|--------------------------|
| 순번<br>(NO)                         | 부품번호<br>(PART NO) | 품명<br>(PART NAME) | 품명<br>(PART NAME)      | 수량<br>(QTY) | 규격<br>(SPEC) | 비고<br>(REMARK)           |
| 1                                  | TA00040789J       | 하부프레임조합(내수)       | LOWER FRAME ASSY       | 1           |              |                          |
| 1                                  | TA00040789I       | 하부프레임조합(내수)       | LOWER FRAME ASSY       | 1           |              |                          |
| 2                                  | TA00040846I       | 하부프레임조합RH(내수)     | FRAME ASS'Y(R), LOWER  | 1           |              |                          |
| 2                                  | TA00040846H       | 하부프레임조합RH(내수)     | FRAME ASS'Y(R), LOWER  | 1           |              |                          |
| 3                                  | 22217-140000      | 스프링와셔14           | WASHER, SPRING (Φ 14)  | 8           | M14          |                          |
| 4                                  | 26013-140302      | 와셔조립육각볼트(+SW)     | BOLT(+SW)              | 14          | M14X2.00X03  |                          |
| 5                                  | TA00039014F       | 중간프레임조합(좌)        | MIDDLE ROPS FRAME (L)  | 1           |              |                          |
| 5                                  | TA00039014G       | 중간프레임조합(좌)        | LOWER FRMAE ASS'Y      | 1           |              |                          |
| 6                                  | TA00039361F       | 중간프레임조합(우)        | LOWER FRAME ASS'Y (RH) | 1           |              |                          |
| 6                                  | TA00039361E       | 중간프레임조합(우)        | MIDDLE ROPS FRAME (R)  | 1           |              |                          |
| 7                                  | 26116-140452      | 볼트7T(14X45)       | BOLT                   | 8           | M14X2X45     |                          |
| 8                                  | TA00046791B       | ROPS조합(US)        | ROPS ASSY(US)          | 1           |              |                          |
| 8                                  | TA00046791C       | ROPS조합(US)        | ROPS ASS'Y(US)         | 1           |              |                          |
| 9                                  | 22137-180000      | 평와셔               | WASHER, PLAIN (Φ 18)   | 4           |              |                          |
| 10                                 | 26116-180902      | 육각볼트              | BOLT                   | 2           | M18X90       |                          |
| 11                                 | TA00047305B       | U너트(나일론)          | U-NUT                  | 2           |              |                          |
| 12                                 | NTF8400000B3      | ROPS 핀            | ROPSPIN                | 2           |              |                          |
| 13                                 | TTE7010000C4      | 스냅핀               | SNAP PIN               | 2           | D3.2         |                          |
| 14                                 | 26116-120504      | 육각볼트              | BOLT                   | 2           | M12X1.75X50  |                          |
| 15                                 | 26716-120002      | 295,ALL,육각너트      | HEXA NUT295            | 2           | M12X1.75     |                          |
| 16                                 | TA00039353G       | 후방지지대조합           | REAR SUPPORT ASSY      | 1           |              |                          |
| 16                                 | TA00039353F       | 후방지지대조합           | REAR SUPPORT ASSY      | 1           |              |                          |
| 17                                 | 26106-080162      | 플랜지볼트8X16         | SCREW,HEXFLANGEHEADCAP | 2           | M8XP1.25X16  |                          |
| 18                                 | CEG6250000A2      | 작업등조합             | Lamp Ass'y, Working    | 1           |              |                          |
| 19                                 | 26367-080002      | 259, 육각플랜지너트      | HEX FLANGE NUT (Φ8)    | 1           | M8XP1.25     |                          |
| 20                                 | HA00001839B       | LED 작업등 (스위치 일체형) | LED WORKING LAMP       | 1           |              |                          |
| 20                                 | HA00001839A       | LED 작업등 (스위치 일체형) | LED WORKING LAMP       | 1           |              |                          |
| 21                                 | 26106-060122      | 육각플랜지볼트           | HEX BOLT (6-12)        | 1           | M6XP1.0X12   |                          |
| 22                                 | TA00060593A       | 리플렉터(90X115)      | REFLECTOR              | 2           |              |                          |

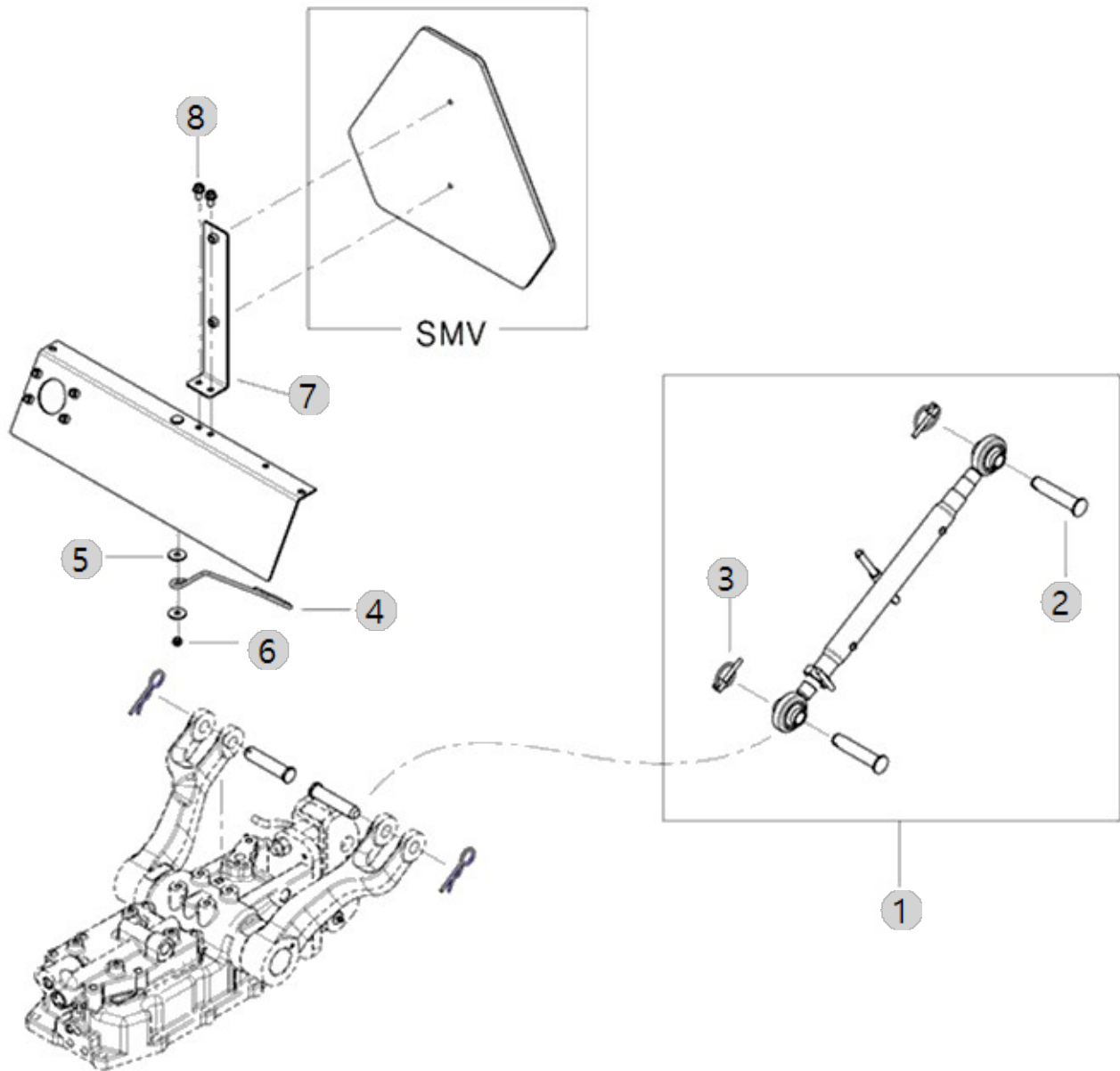
G05020

4815R\_US\_FL  
(AC02164)

TOP LINK

Year/Month

2022-12-15





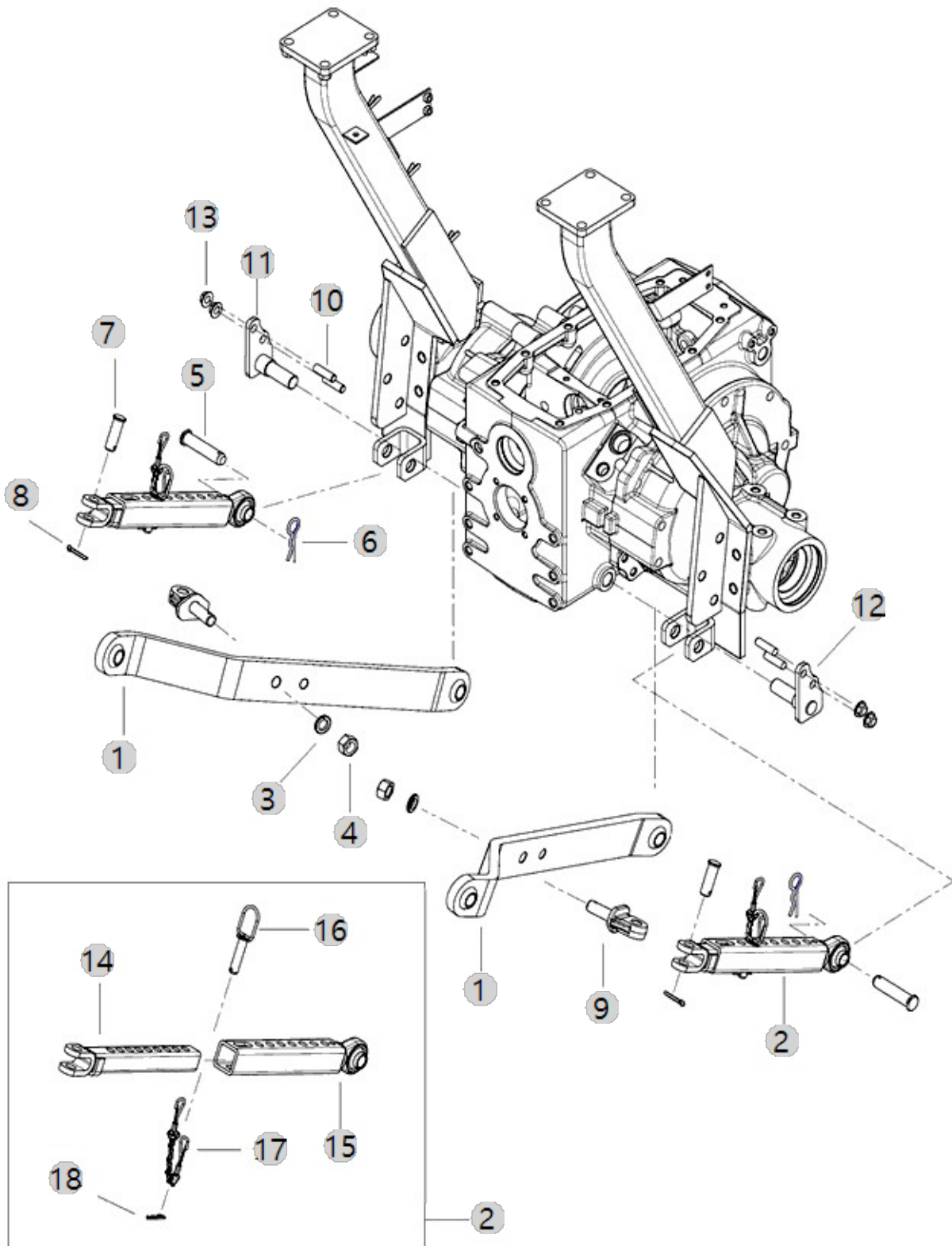
G05030

4815R\_US\_FL  
(AC02164)

# LOWER LINK

Year/Month

2022-12-15





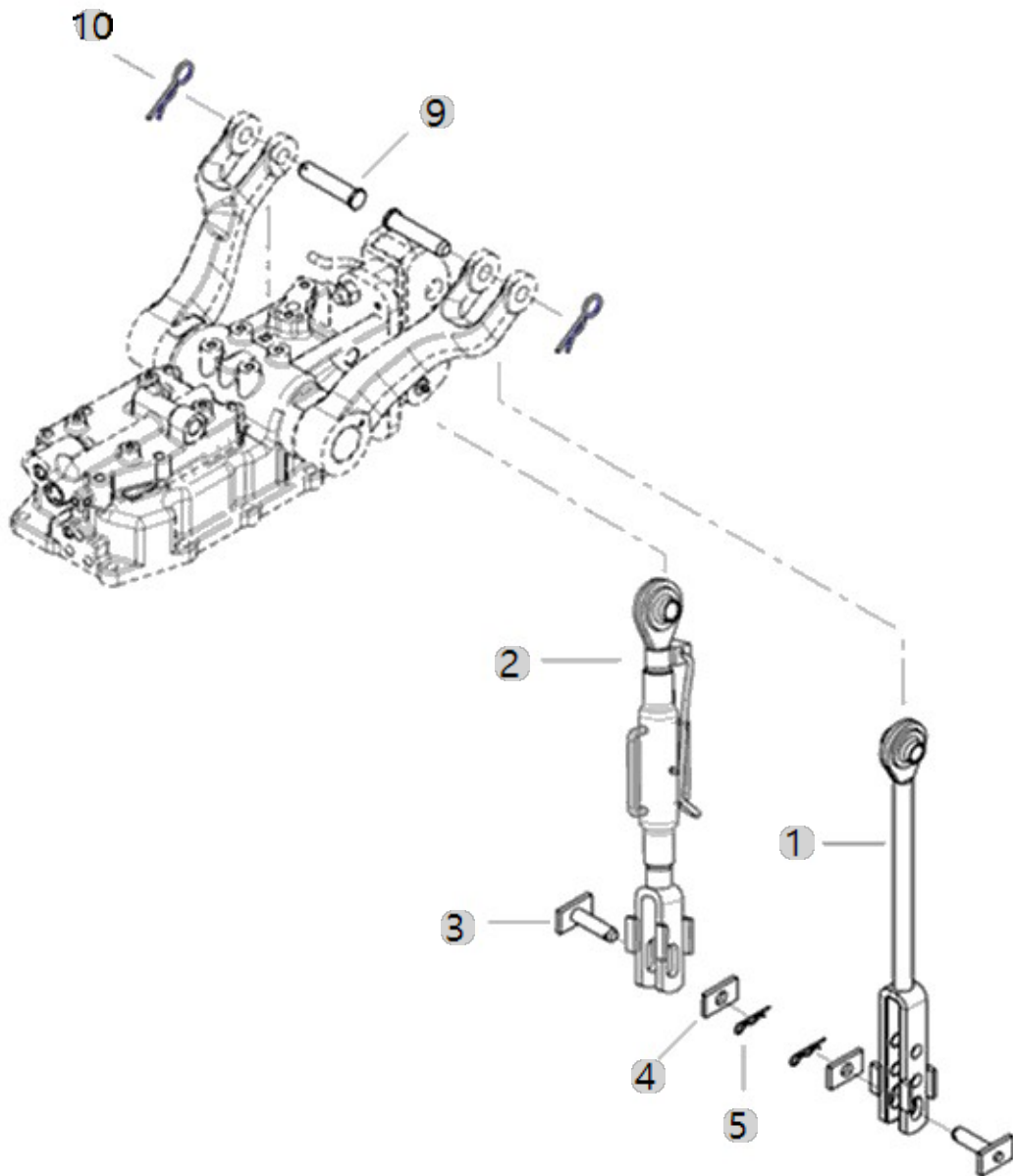
G05050

4815R\_US\_FL  
(AC02164)

LIFT LINK

Year/Month

2022-12-15







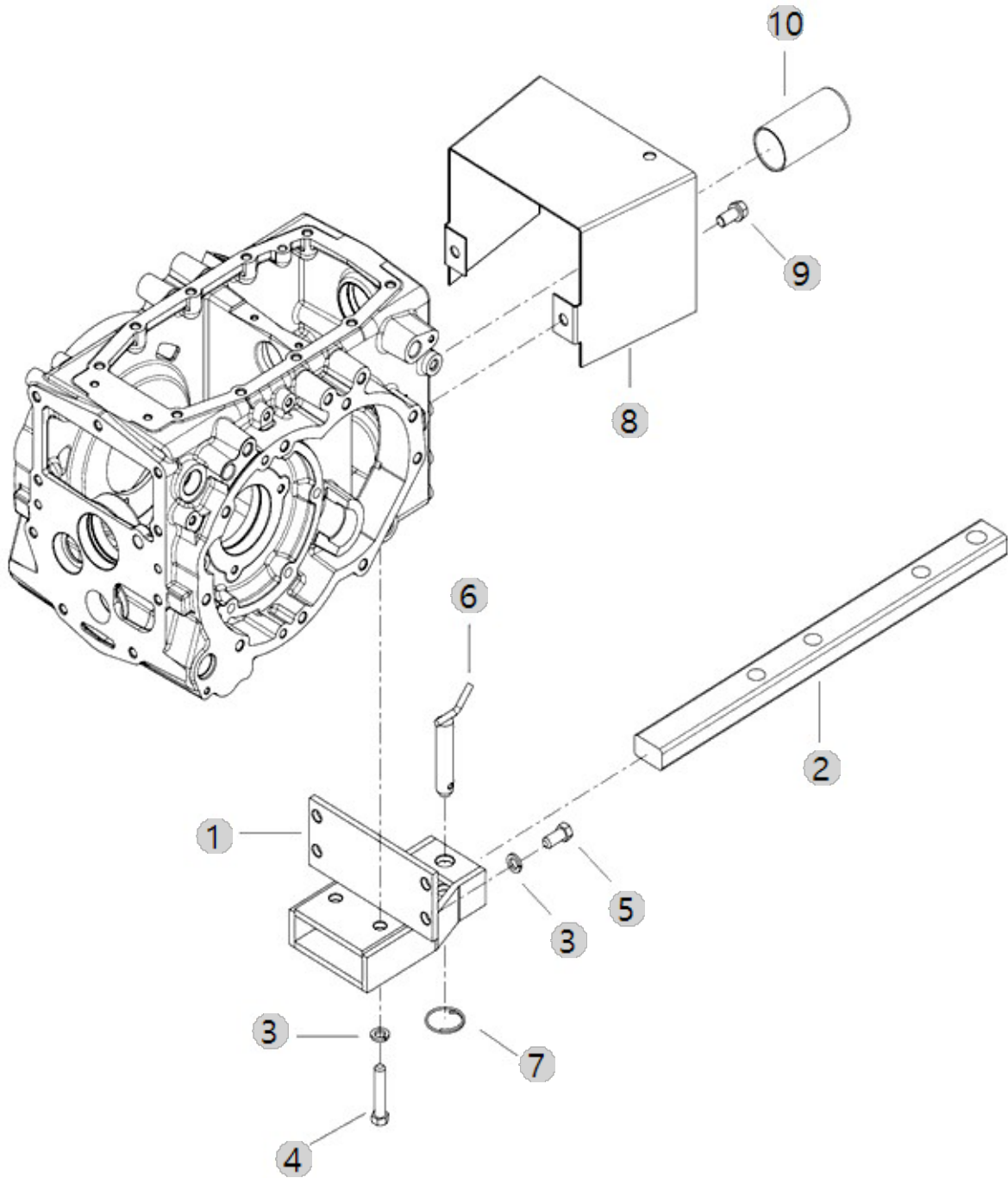
G05070

4815R\_US\_FL  
(AC02164)

# DRAWBAR HITCH

Year/Month

2022-12-15





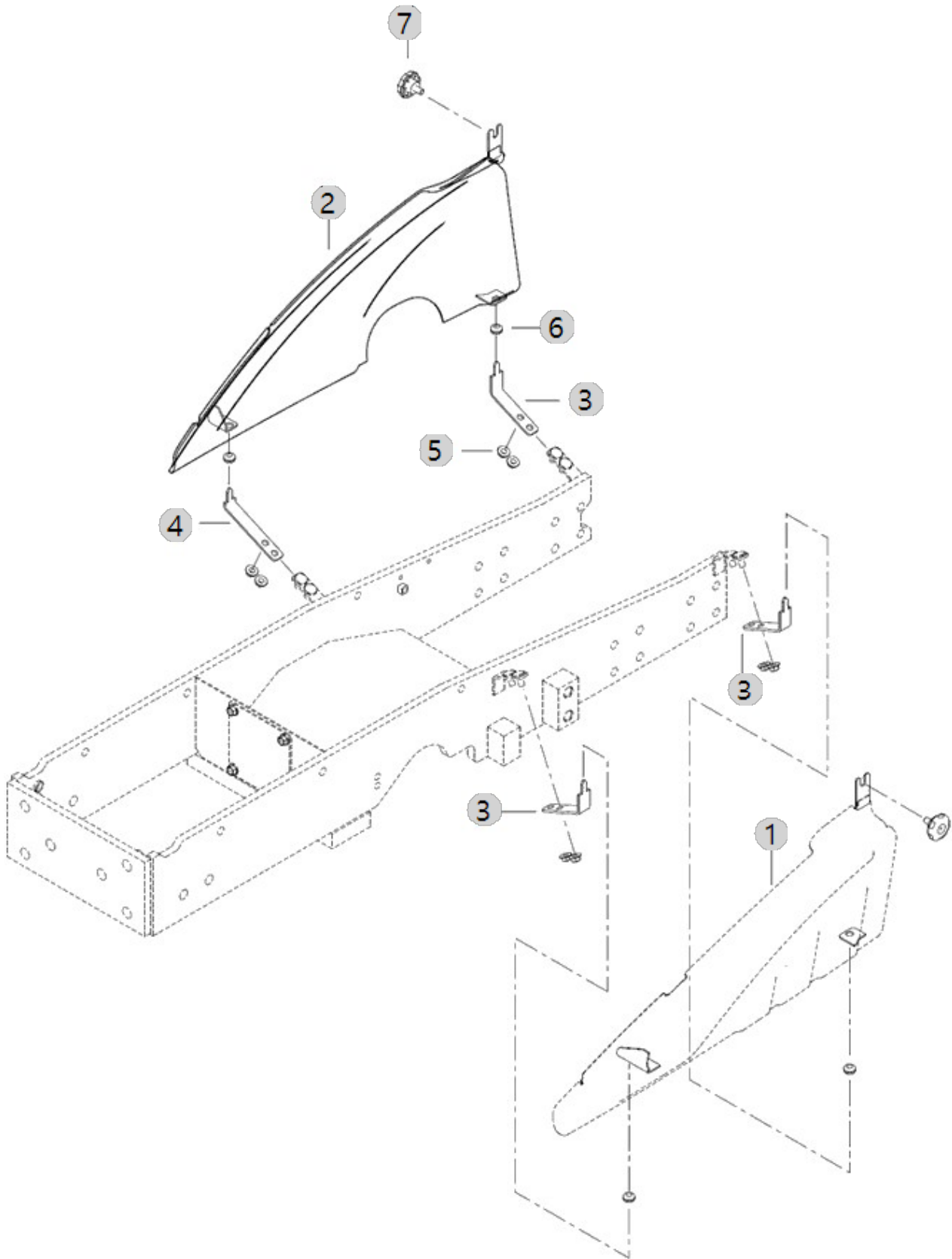
G05090

4815R\_US\_FL  
(AC02164)

SIDE COVER

Year/Month

2022-12-15





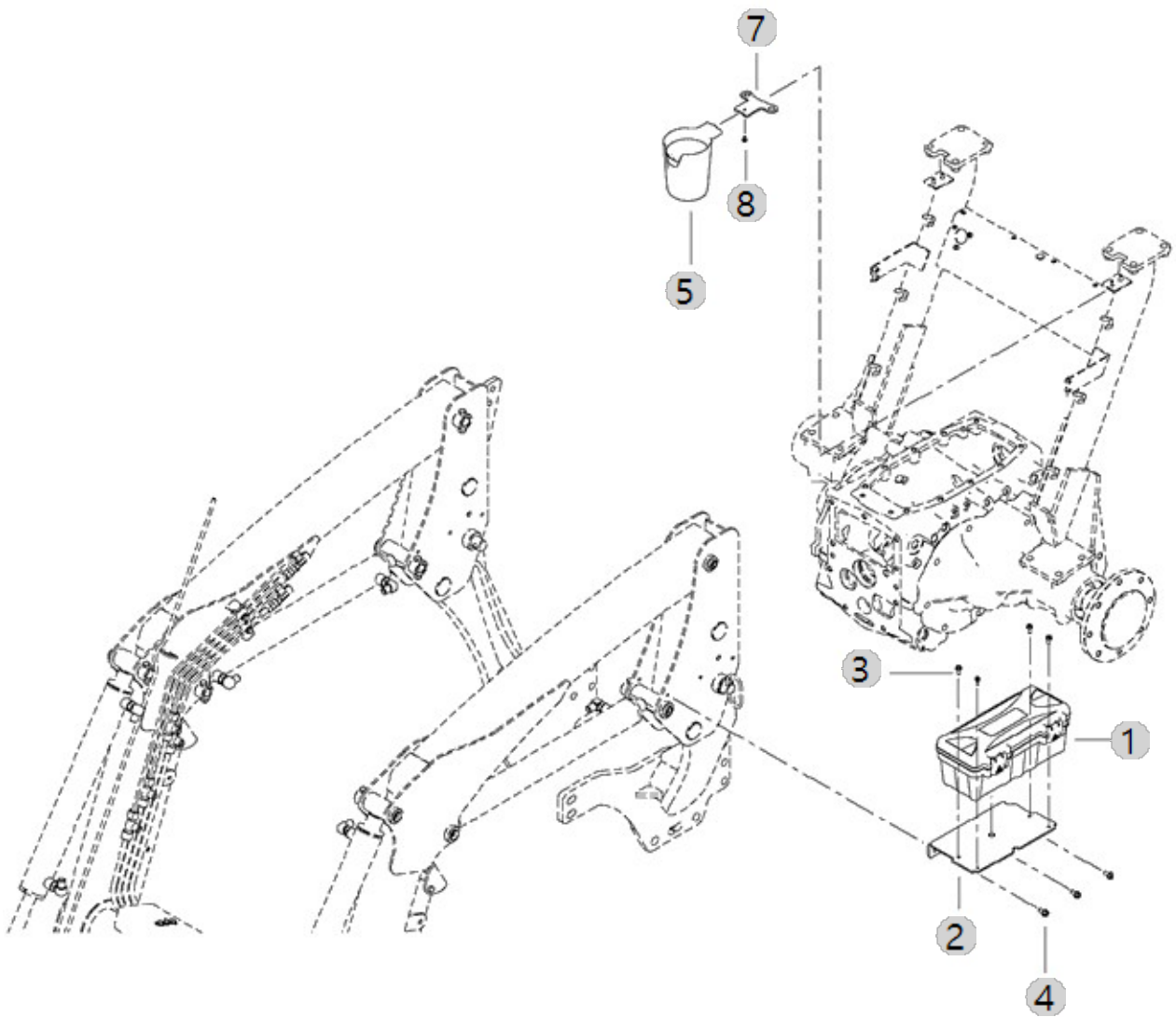
G06010

4815R\_US\_FL  
(AC02164)

TOOL BOX & CUP HOLDER

Year/Month

2022-12-15





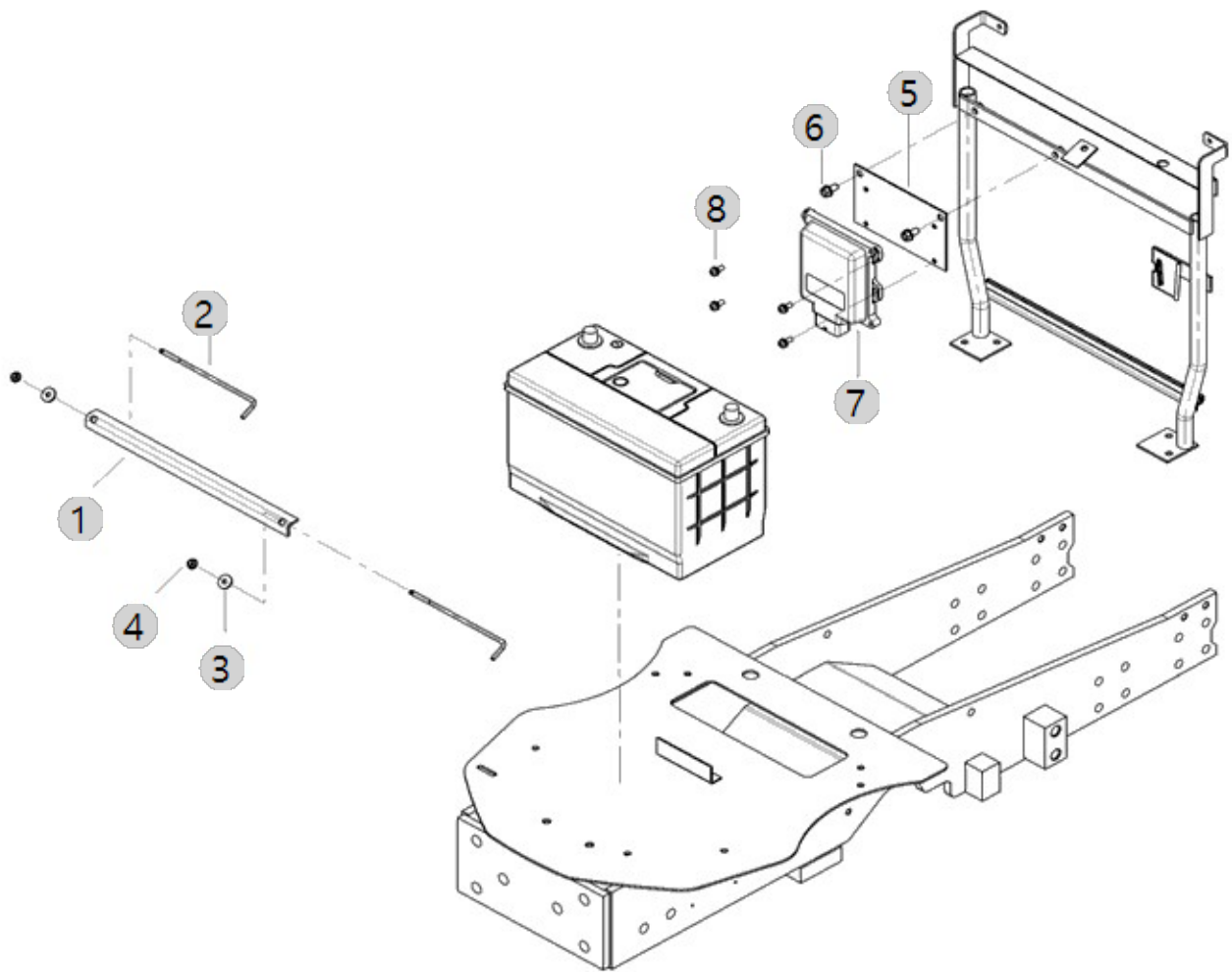
H01030

4815R\_US\_FL  
(AC02164)

BATTERY

Year/Month

2022-12-15







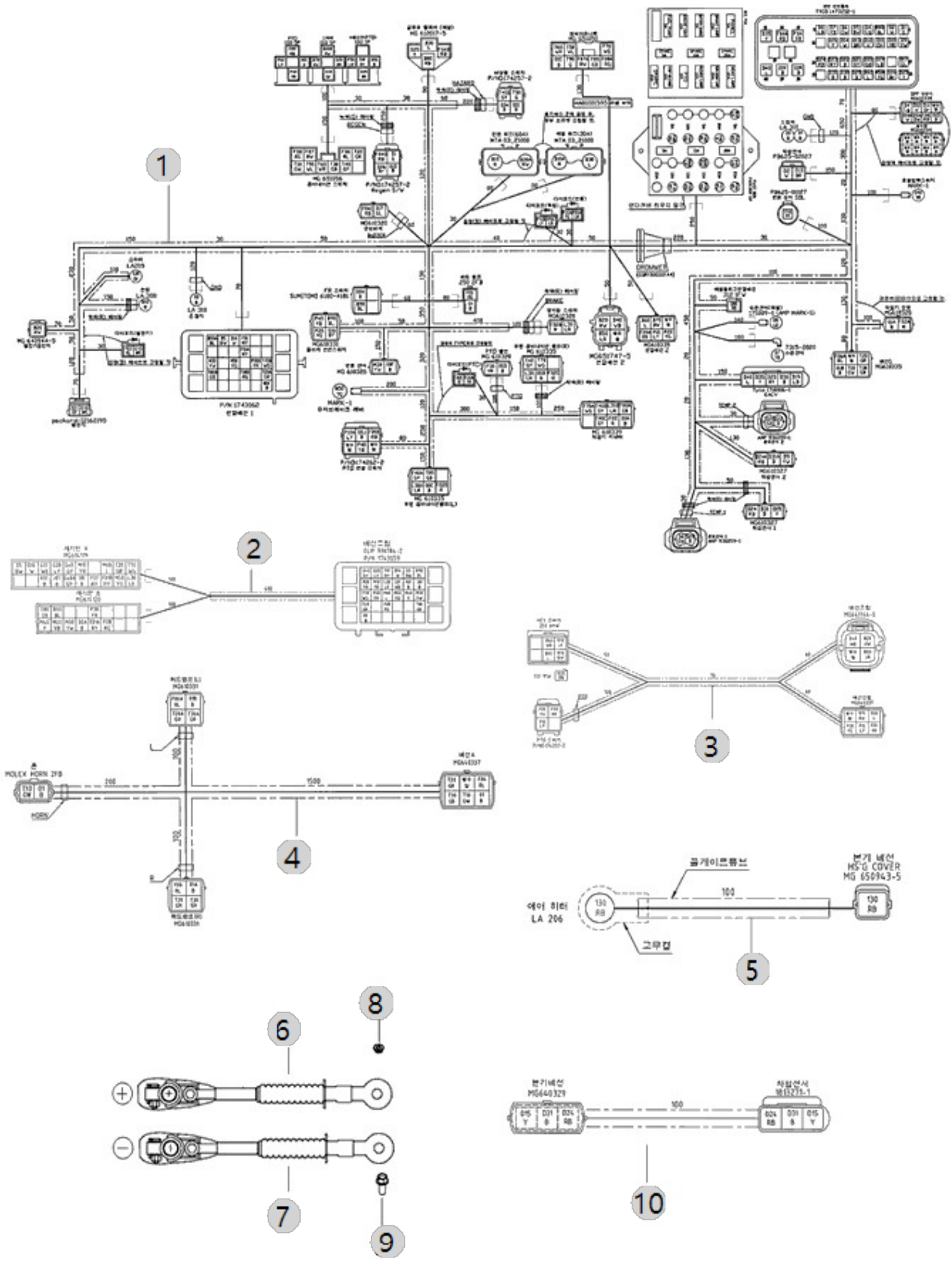
H03000

4815R\_US\_FL  
(AC02164)

# HARNESS

Year/Month

2022-12-15





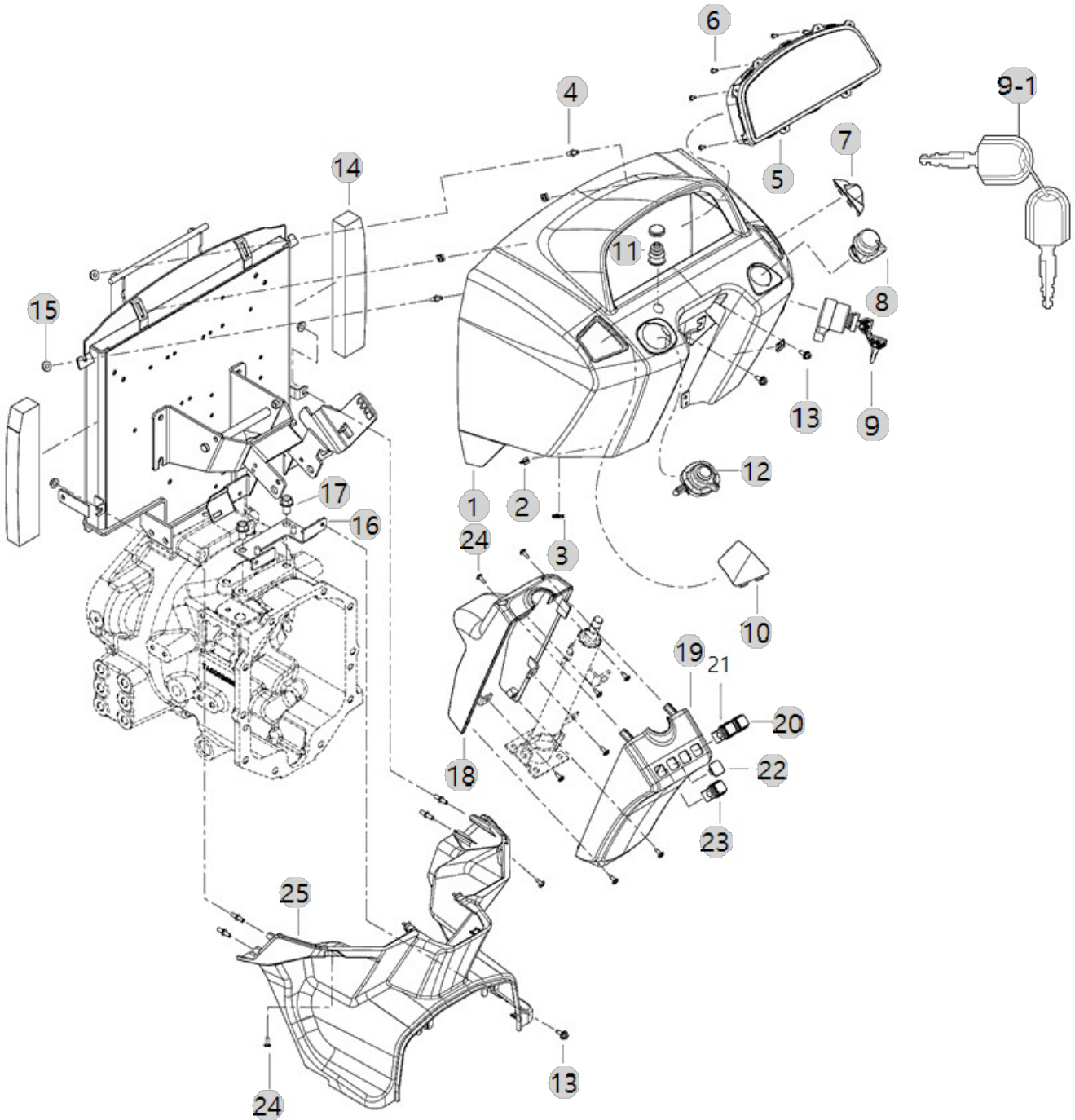
H04051

4815R\_US\_FL  
(AC02164)

SWITCH/DASHBOARD

Year/Month

2022-12-15



| H04051<br>4815R_US_FL<br>(AC02164) |                   | SWITCH/DASHBOARD  |                                   |             |              | Year/Month<br>2022-12-15 |
|------------------------------------|-------------------|-------------------|-----------------------------------|-------------|--------------|--------------------------|
| 순번<br>(NO)                         | 부품번호<br>(PART NO) | 품명<br>(PART NAME) | 품명<br>(PART NAME)                 | 수량<br>(QTY) | 규격<br>(SPEC) | 비고<br>(REMARK)           |
| 1                                  | TA00065077B       | 대시보드              | DASHBOARD                         | 1           |              |                          |
| 2                                  | TA00065398A       | 클립                | CLIP                              | 4           |              |                          |
| 3                                  | TTD7110000C4      | 스피드 너트 5008       | SPEED NUT NS5008                  | 2           | 0.7T         |                          |
| 3                                  | TTD7110000B4      | 스피드 너트 5008       | SPEED NUT NS5008                  | 2           | 0.7T         |                          |
| 4                                  | TA00001332C       | 인서트볼트 M6          | INSERT BOLT(M6)                   | 6           | M6           |                          |
| 5                                  | HA00001543A       | 계기판(소형_CAN)       | PANEL ASSY, METER                 | 1           |              |                          |
| 5                                  | HA00001412A       | 계기판(칼라)           | METER ASSY                        | 1           |              |                          |
| 5B                                 | HA00001543B       | 계기판(소형_CAN)       | PANNEL                            | 1           |              |                          |
| 6                                  | 22867-400120      | 태핑나사4X12          | TAPPING SCREW 4X12                | 8           | M4X12        |                          |
| 7                                  | TA00065083A       | 레버커버(악셀)          | COVER, ACCEL LEVER                | 1           |              |                          |
| 8                                  | HA00001350B       | PTO 스위치 (영문)      | PTO SWITCH                        | 1           |              |                          |
| 8                                  | HA00001350A       | PTO 스위치 (영문)      | PTO SWITCH                        | 1           |              |                          |
| 9                                  | HA00002081B       | 키스위치 조합(N)        | KEY SWITCH (N)                    | 1           |              |                          |
| 9                                  | HA00002081A       | 키스위치 조합(N)        | KEY SWITCH (N)                    | 1           |              |                          |
| 9-1                                | HA00002184A       | Key Set (구 KM)    | KEY SET                           | 1           |              |                          |
| 10                                 | TA00065082A       | 레버커버(HST)         | LEVER COVER, HST                  | 1           |              |                          |
| 11                                 | FTE0300000A4      | 부츠(차동페달)          | BOOTS                             | 1           |              |                          |
| 12                                 | HA00000067A       | 콤비네이션스위치 2        | COMBINATION SWITCH                | 1           |              |                          |
| 13                                 | TCE9010000C4      | 쇄기볼트              | BOLT                              | 4           | NONE         |                          |
| 14                                 | TA00066004A       | 대시보드 우레탄          | URETHANE, DASH BOARD              | 2           |              |                          |
| 15                                 | 26367-060002      | 플랜지너트             | Nut, Hexa (Φ6)                    | 6           | M6XP1.0      |                          |
| 16                                 | TA00065187A       | 로워커버 고정 브래킷       | BRACKET                           | 1           |              |                          |
| 16                                 | TA00065187C       | 로워커버 고정 브래킷       | BRACKET                           | 1           |              |                          |
| 16                                 | TA00065187B       | 로워커버 고정 브래킷       | BRACKET                           | 1           |              |                          |
| 17                                 | 26106-120162      | 육각플랜지볼트           | BOLT                              | 2           |              |                          |
| 18                                 | TA00065080A       | 컬럼커버(후)           | COVER, COULMN R                   | 1           |              |                          |
| 19                                 | TA00065079B       | 컬럼커버(전)           | COVER, COULMN F                   | 1           |              |                          |
| 19                                 | TA00065079A       | 컬럼커버(전)           | COVER, COULMN F                   | 1           |              |                          |
| 20                                 | HA00001310A       | 비상등스위치            | HAZARD S/W                        | 1           |              |                          |
| 22                                 | TA00047320A       | 스위치 캡             | CAP, SWITCH                       | 3           |              |                          |
| 22                                 | TA00047320B       | 스위치 캡             | CAP, SWITCH                       | 3           |              |                          |
| 23                                 | HA00001517A       | 재생스위치(방수)         | REGEN S/W                         | 1           |              |                          |
| 24                                 | TTD7090000C4      | (+)자 홈볼이 태핑 나사    | CROSS RECESSED HEAD TAPPING SCREW | 10          | M5X16        |                          |
| 25                                 | TA00065078B       | 로워커버              | COVER, LOWER                      | 1           |              |                          |
| 25                                 | TA00065078A       | 로워커버              | COVER, LOWER                      | 1           |              |                          |

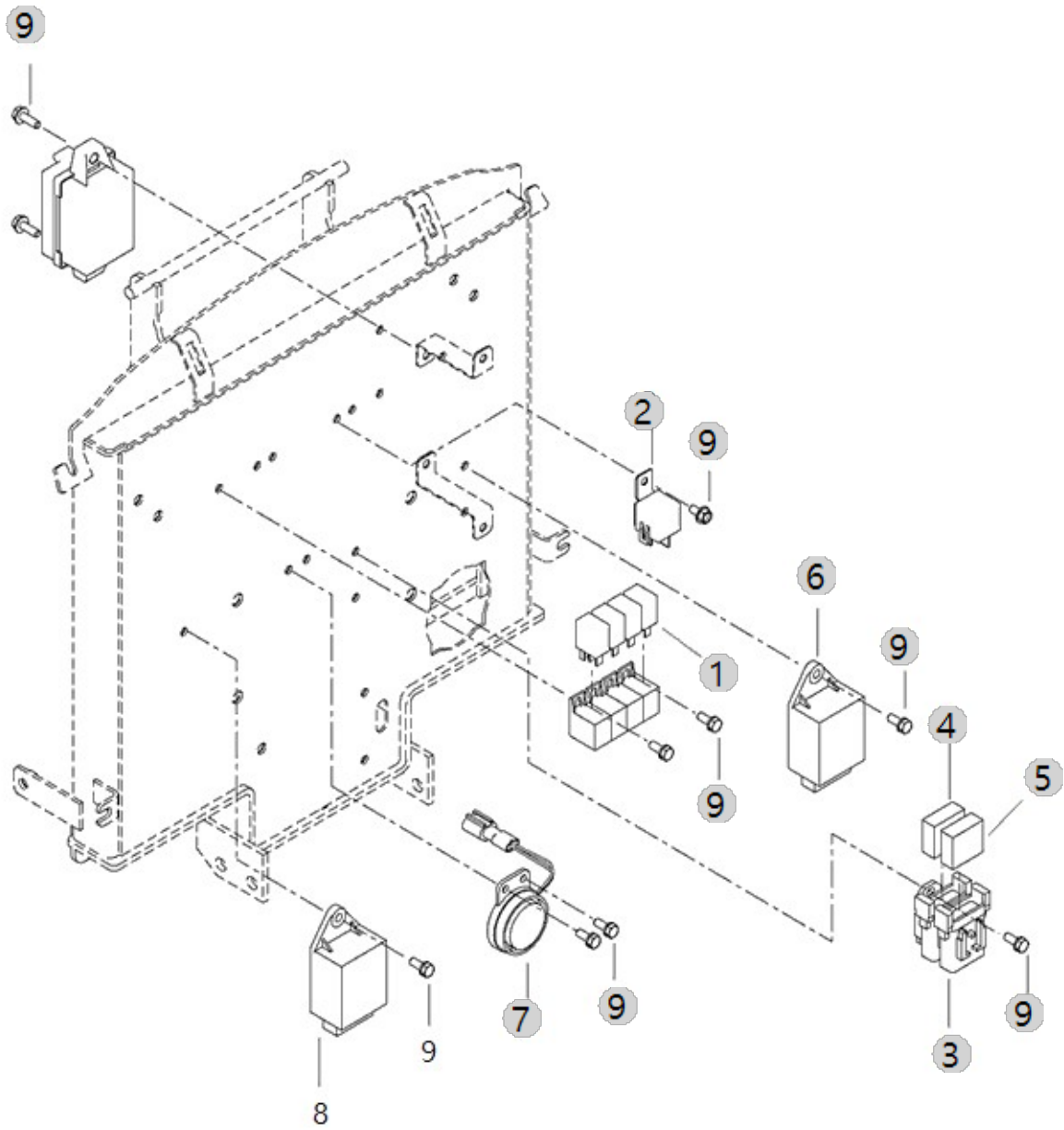
H04070

4815R\_US\_FL  
(AC02164)

CONTROLLER

Year/Month

2022-12-15





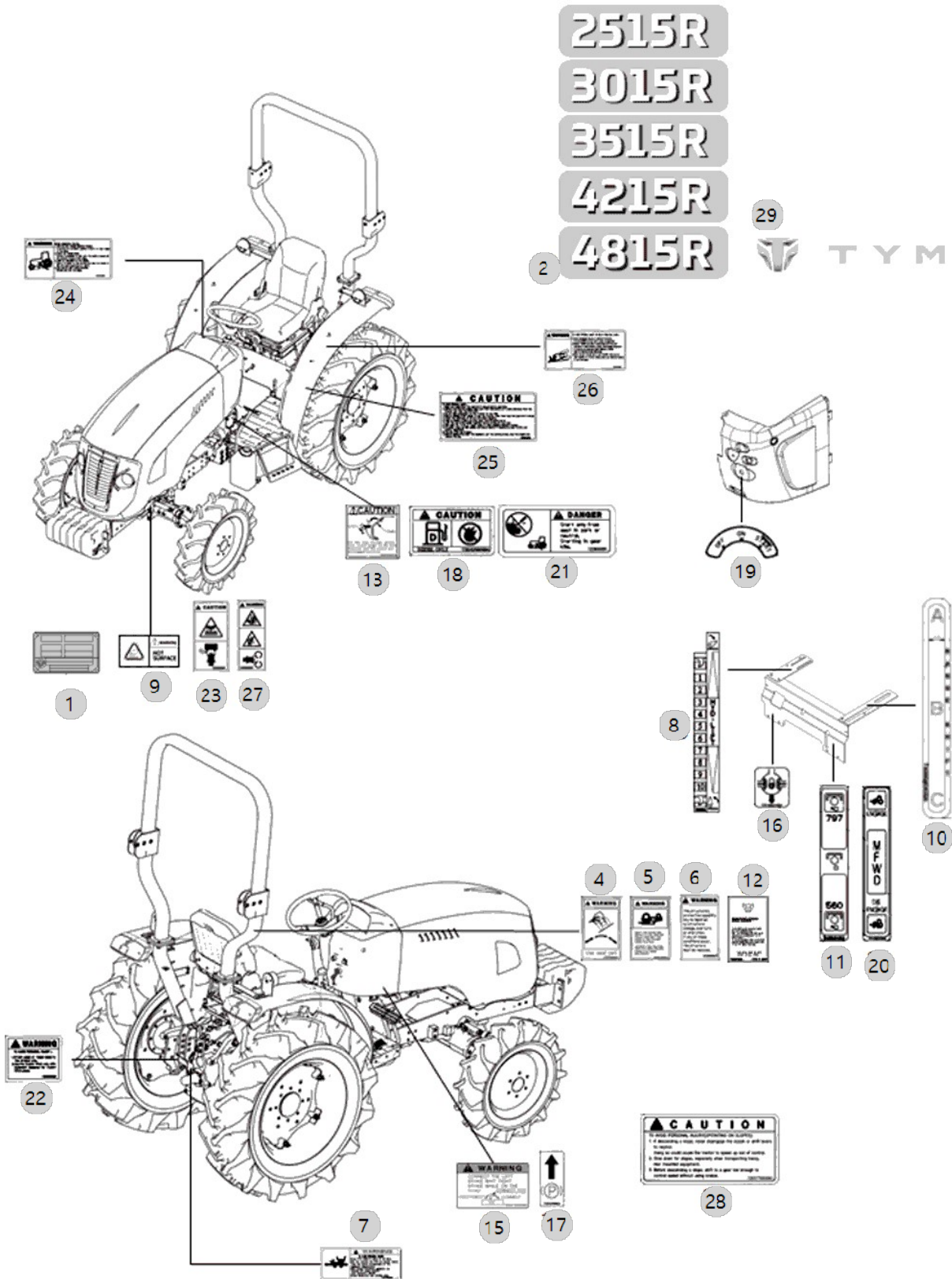
I03000

4815R\_US\_FL  
(AC02164)

NAME PLATE

Year/Month

2022-12-15







I06010

4815R\_US\_FL  
(AC02164)

### SUN VISOR(OPTION)

Year/Month

2022-12-15

