

F36CHN\_EU\_FL(AC02134) TRACTOR

## Parts Catalogue



# CONTENTS

GROUP NO	GROUP NAME	PAGE
G. ENGINE		
A01_004	CYLINDER BLOCK	6
A02_005	DRIVE PULLY	8
A03_003	CRANK SHAFT PULLEY	10
A04_004	GLOW PLUG ASS'Y OPTION	12
A05_003	CRANK SHAFT ASS'Y OPTION	14
A06_002	BREATHER OPTION	16
A07_002	CAMSHAFT	18
A08_006	ALTERNATOR	20
A09_002	COOLING WATER PUMP	22
A10_004	COOLING FAN SPACER	24
A11_005	INJECTOR	26
A12_006	FUEL INJECTON	28
A13_002	PLUMBING, FUEL	30
A14_001	FUEL FILTER BRACKET	32
A16_018	FUEL FILTER ASS'Y OPTION	34
A17_021	INTAKE MANIFOLD ASS'Y OPTION	36
A18_005	FLYWHEEL	38
A19_005	FLYWHEEL HOUSING	40
A20_007	HEAD, CYLINDER	42
A21_002	HEAD COVER	44
A23_003	TURBOCHARGER SUPPORT ASS'Y OPTION	46
A26_001	COOLER, ENGINE OIL	48
A27_004	OIL PAN ASS'Y OPTION	50
A28_001	PUMP, LUBRICATING OIL	52
A29_005	FILTER, LUBRICATING OIL	54
A30_003	FRONT GEAR ACCESSORY DRIVE	56
A31_003	PISTON	58
A32_002	LEVER, LOCKER	60
A33_006	EXHAUST MANIFOLD	62
A35_002	IDLE GEAR	64
A36_002	COVER, FRONT GEAR	66
A38_004	GAUGE, OIL LEVEL	68
A39_001	OIL FILLER CAP	70
A40_003	LIFT ASS'Y OPTION	72

# CONTENTS

GROUP NO	GROUP NAME	PAGE
<b>G. ENGINE</b>		
A41_001	COMP,DRIVE PULLEY ASS'Y OPTION	74
A42_003	MOTER, STARTIONS	76
A43_001	DPF SUPPORT OPTION	78
A44_003	DPF MOUNTING OPTION	80
A45_001	DPF	82
A48_006	V-BELT	84
<b>B. ENGINE ACCESSORIES</b>		
B01010	FUEL TANK	86
B02020A	RADIATOR	88
B03010A	AIR CLEANER	90
B05011	LEVER ACCELERATOR	92
<b>C. CLUTCH, BREAK, LEVER</b>		
C02000	BRAKE	94
C02010	BRAKE PEDAL	96
C02050	PARKING BRAKE	99
C03010	HYD SHIFT TRANSMISSION PEDAL	101
C04040	DIFFERENTIAL	104
<b>D. HYDRAULIC</b>		
D01010A	HYD PUMP	106
D01020A	LOW PRESSURE PIPE	108
D01040	HYD FILTER	110
D02010	STEERING COLUMN	112
D02030	P.S.T HOSE	114
D02040A	P.S.T CYLINDER	116
D03010	OIL COOLER	118
<b>E. FRONT AXLE</b>		
E01010A	FRONT AXLE CASE	120
E01013	SPACER	122
E01030A	GEAR CASE, FRONT AXLE	124
E01070A	FRONT DRIVE SHAFT	127
E01080A	TIE ROAD	129
<b>F. TRANSMISSION</b>		
F01010	CLUTCH HOUSING	131
F01020	TRANSMISSION CASE	133

# CONTENTS

GROUP NO	GROUP NAME	PAGE
<b>F. TRANSMISSION</b>		
F01030	REAR AXLE HOUSING	135
F01050	HYD SHIFT TRANSMISSION HOUSING	138
F03040	RANGE SHIFT GEAR	140
F04010	FORNT DRIVE SHAFT	142
F05020	RING GEAR&DIFF.GEAR ASS'Y	144
F05020	RING GEAR&DIFF.GEAR ASS'Y	146
F07030	PTO DRIVE SHAFT	148
F07070	MAIN P.T.O SHAFT	150
F08060	FORK & LEVER, PTO	152
F10010	CASE, HYD CYLINDER	154
F10020	LIFT ARM	156
F10030	SAFETY VALVE	158
F10040	STOP VALVE	160
F10061	DRAFT/POSITION CONTROL LEVER	162
F10063	DRAFT CONTROL LEVER	164
F10064	POSITION CONTROL LEVER	166
F10120	REAR SCV	168
F11020	LEVER ASS'Y, RANGE SHIFT	171
F11080	4WD LEVER	173
<b>G. SHEET METAL, CABIN</b>		
G01020	BONNET	175
G01021	BONNET URETHANE	177
G01040	LOCKING ASS'Y, BONNET	179
G01060A	FIXED BRACKET, BONNET	181
G01080	FRONT AXLE BRACKET	183
G02010-A	CABIN FRAME ASS'Y	185
G02010-B	CABIN FRAME ASS'Y	187
G02011	PILLAR COVER ASS'Y	189
G02020	DASHBOARD	191
G02030	SIDE MIRROR ASS'Y	193
G02050_J	DOOR ASS'Y	195
G02050_W	DOOR ASS'Y	198
G02071	FRONT WINDOW ASS'Y	200
G02072	REAR WINDOWS ASS'Y	202

# CONTENTS

GROUP NO	GROUP NAME	PAGE
G. SHEET METAL, CABIN		
G02131	ROOF(OUTER)	204
G02132	ROOF/INNER	206
G02140	DRIVER'S SEAT	208
G02180	FENDER COVER	210
G02190	FENDER	212
G03010	A/C ASS'Y, CABIN	214
G03020	A/C DUCT ASS'Y	216
G03091A	COMPRESSOR	218
G03092A	TENSION PULLY	220
G05020	TOP LINK, LIFT LINK	222
G05030	LOWER LINK	224
G05070	DRAWBAR HITCH	226
H. ELECTRICALS, HARNESS		
H01030	BATTERY	228
H03000	HARNASS	230
H04050	SWITCH	232
I. WEIGHT, TOOLS, TIRE		
I03000A	NAME PLATE	234
I03060	NUMBER PALTE ASS'Y	236
I05000	TIRE	238

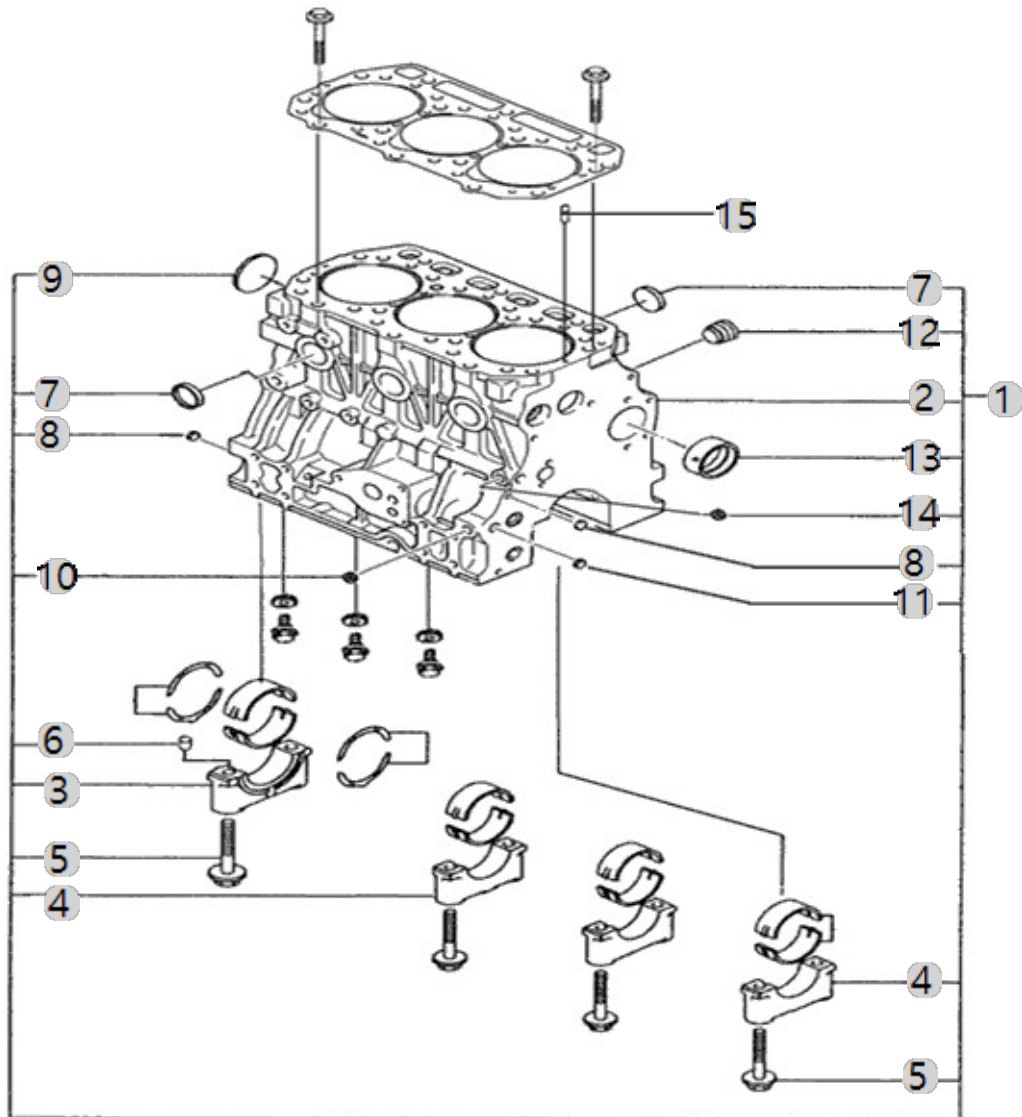
A01\_004

A1700N4-ETC\_5  
(AB00325)

### CYLINDER BLOCK

Year/Month

2023-01-17





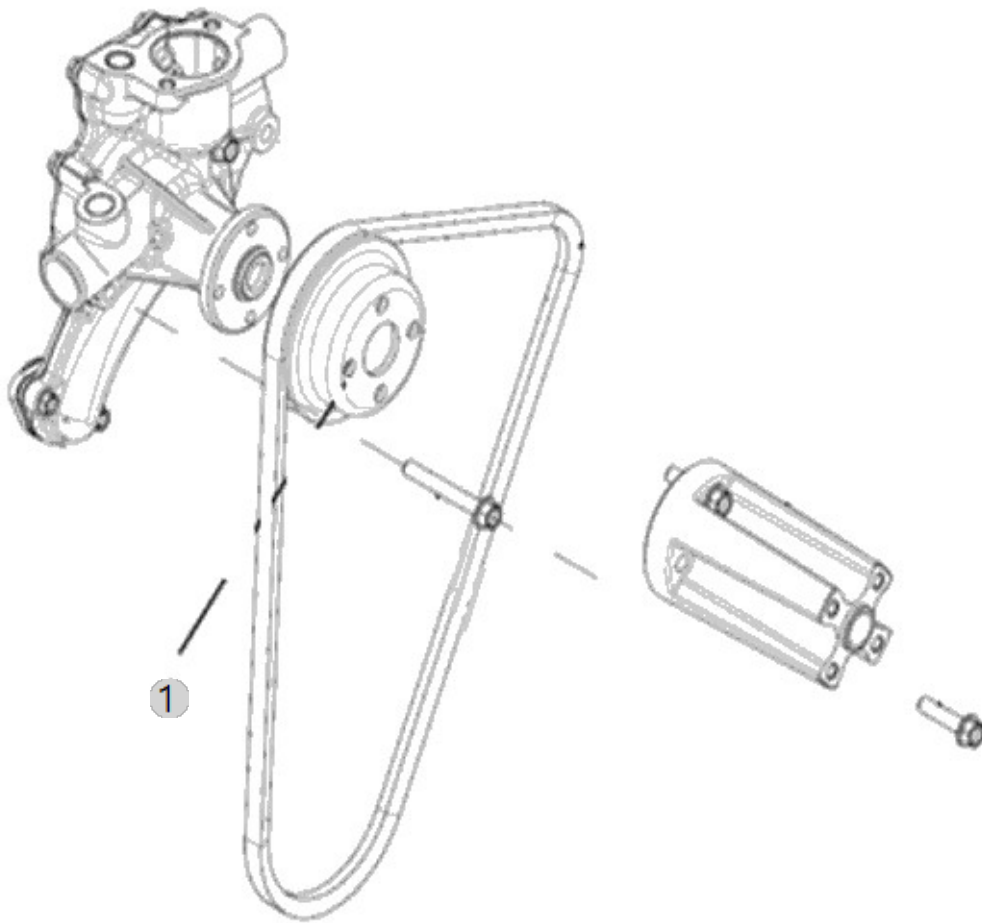
A02\_005

A1700N4-ETC\_5  
(AB00325)

DRIVE PULLY

Year/Month

2023-01-17







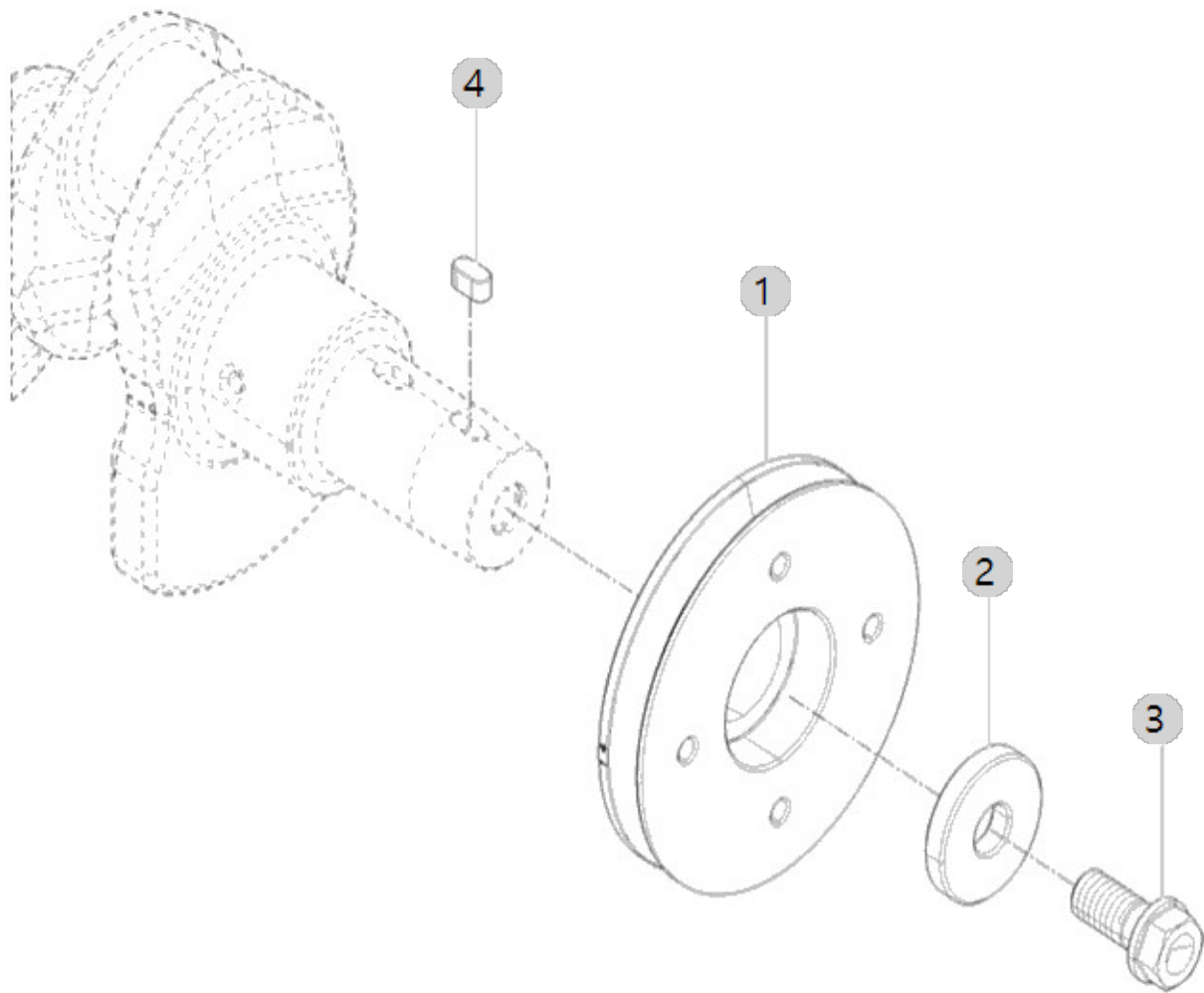
A03\_003

A1700N4-ETC\_5  
(AB00325)

# CRANK SHAFT PULLEY

Year/Month

2023-01-17





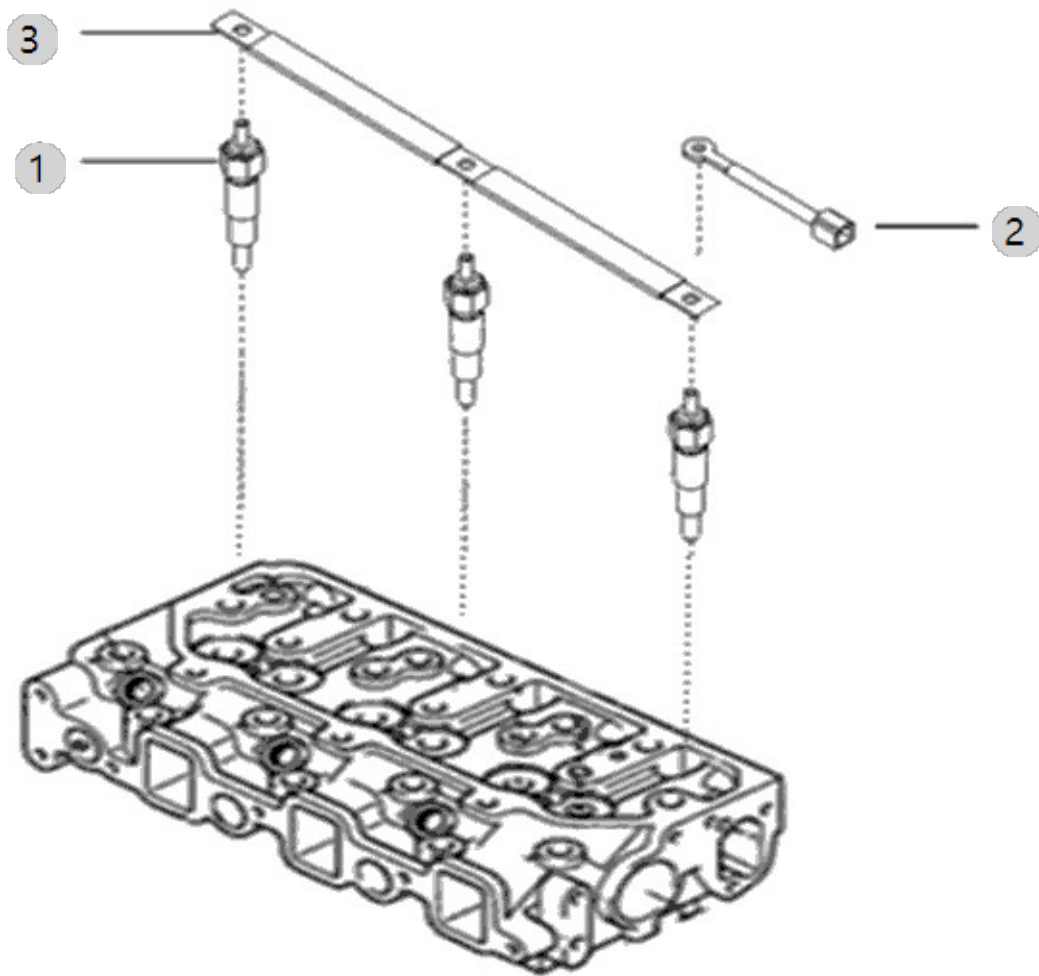
A04\_004

A1700N4-ETC\_5  
(AB00325)

### GLOW PLUG ASS'Y OPTION

Year/Month

2023-01-17





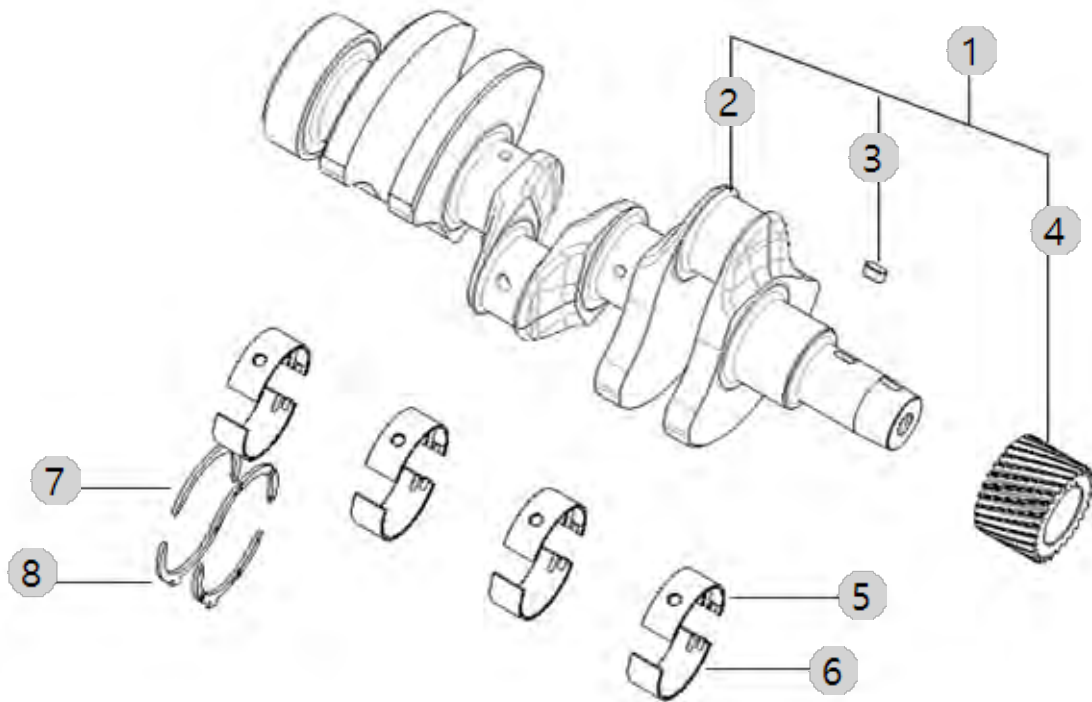
A05\_003

A1700N4-ETC\_5  
(AB00325)

CRANK SHAFT ASS'Y OPTION

Year/Month

2023-01-17





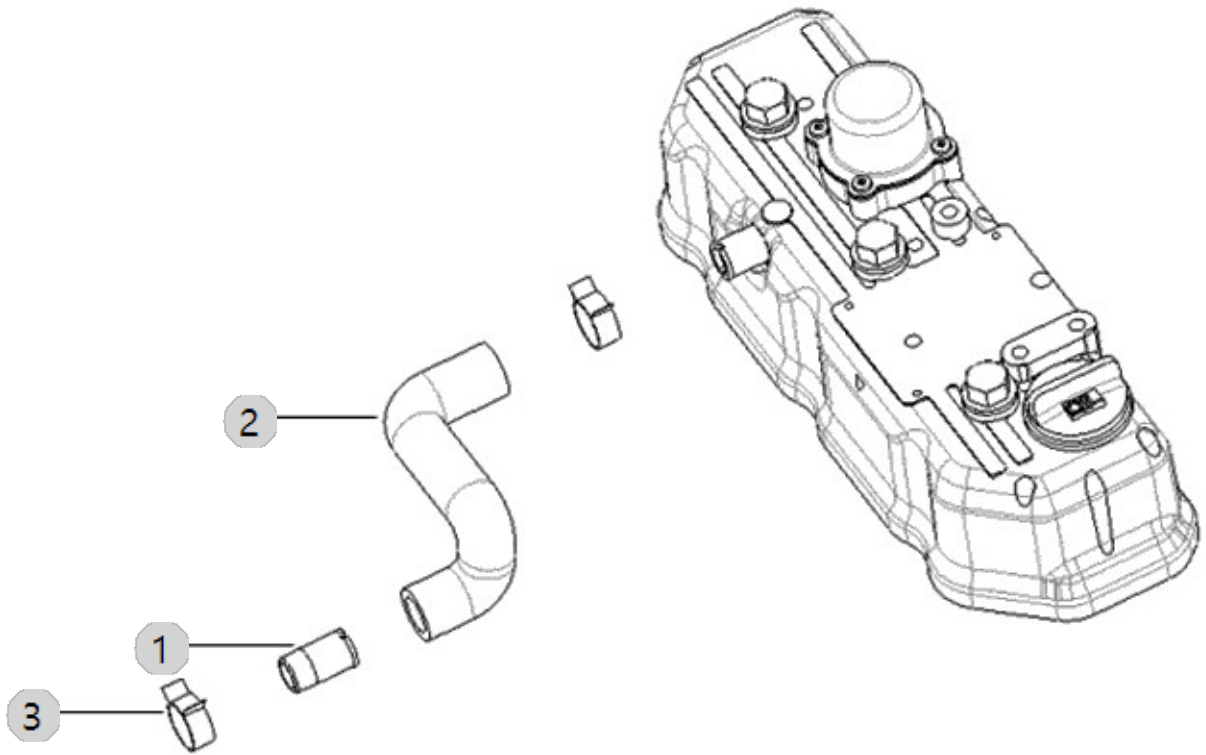
A06\_002

A1700N4-ETC\_5  
(AB00325)

BREATHER OPTION

Year/Month

2023-01-17







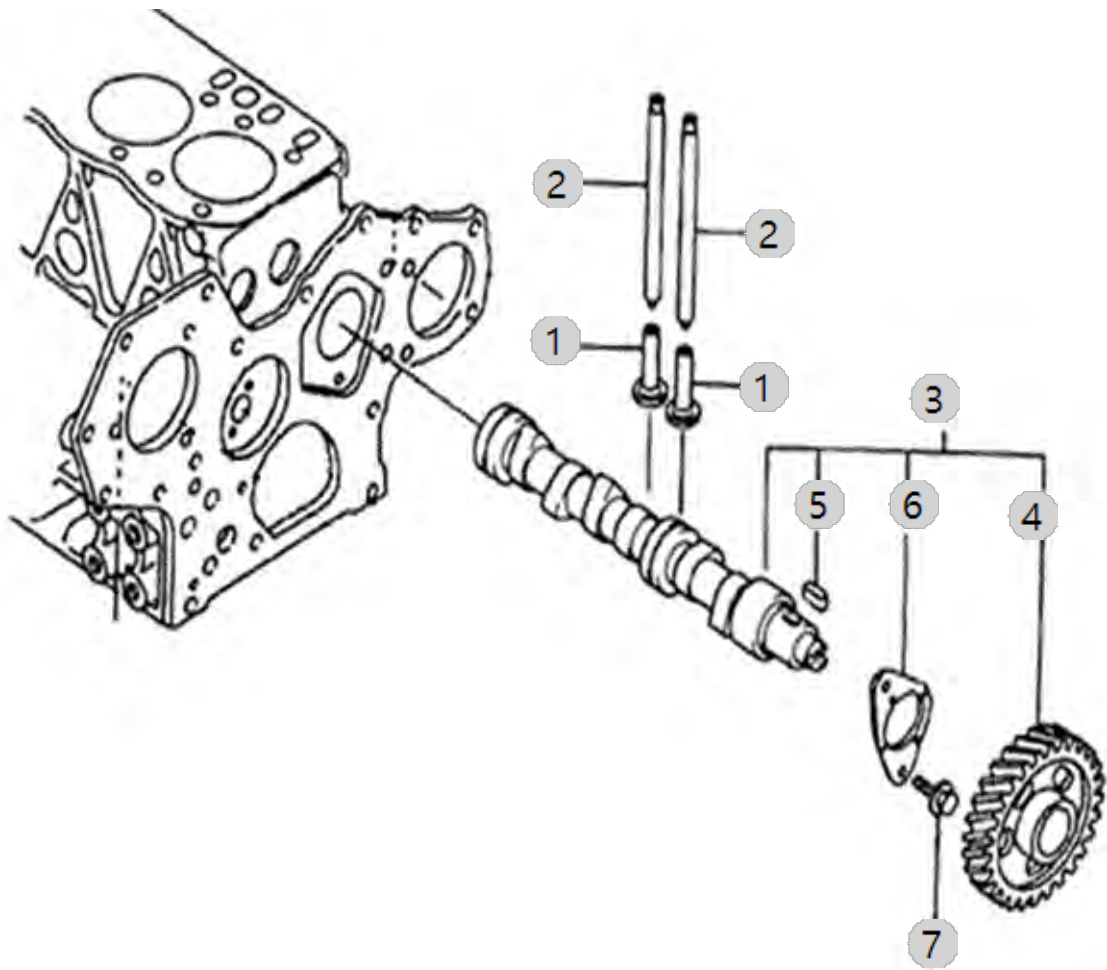
A07\_002

A1700N4-ETC\_5  
(AB00325)

# CAMSHAFT

Year/Month

2023-01-17





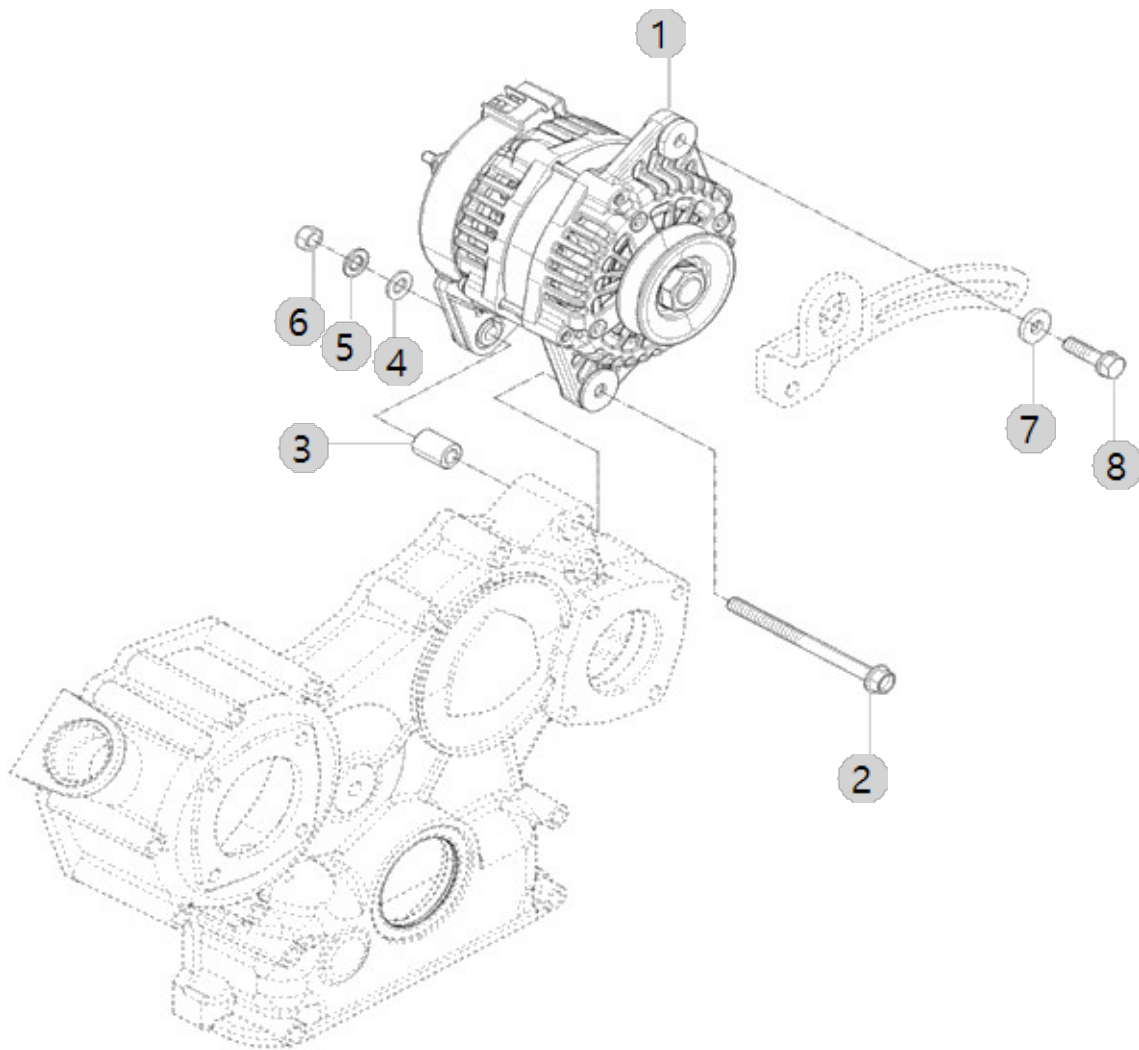
A08\_006

A1700N4-ETC\_5  
(AB00325)

# ALTERNATOR

Year/Month

2023-01-17





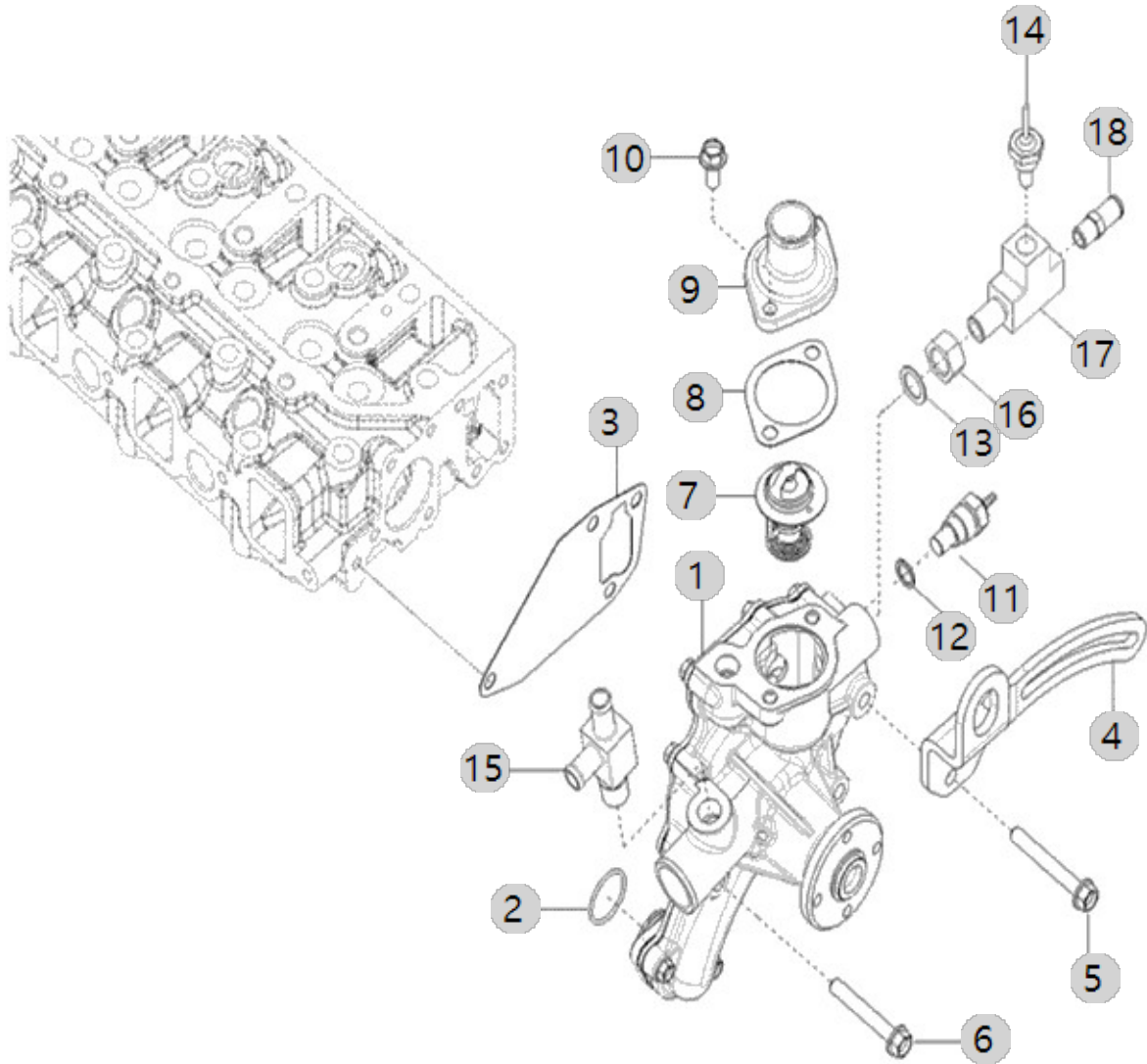
A09\_002

A1700N4-ETC\_5  
(AB00325)

### COOLING WATER PUMP

Year/Month

2023-01-17





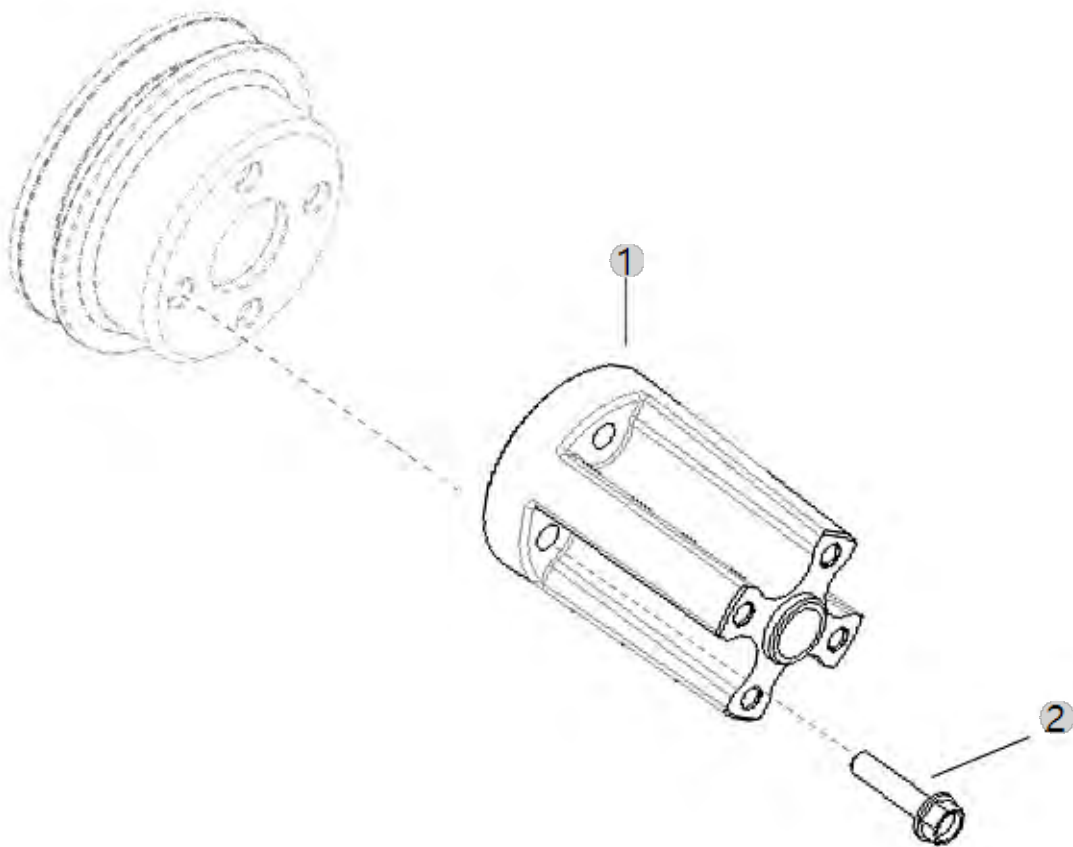
A10\_004

A1700N4-ETC\_5  
(AB00325)

### COOLING FAN SPACER

Year/Month

2023-01-17







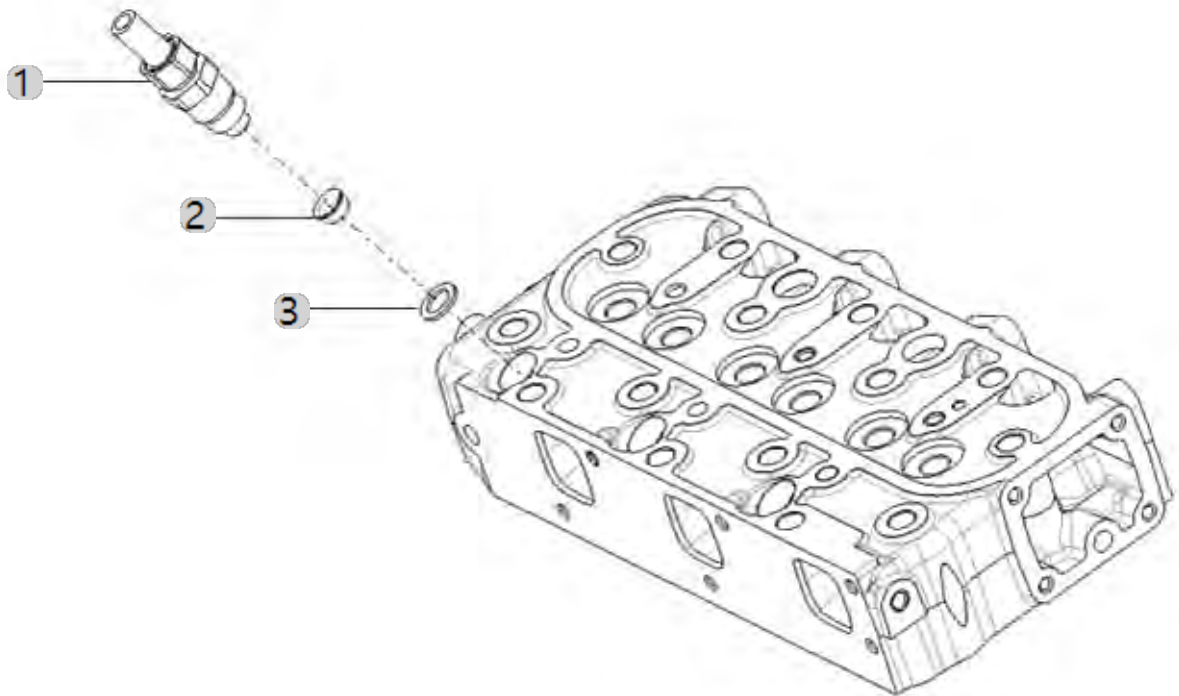
A11\_005

A1700N4-ETC\_5  
(AB00325)

# INJECTOR

Year/Month

2023-01-17





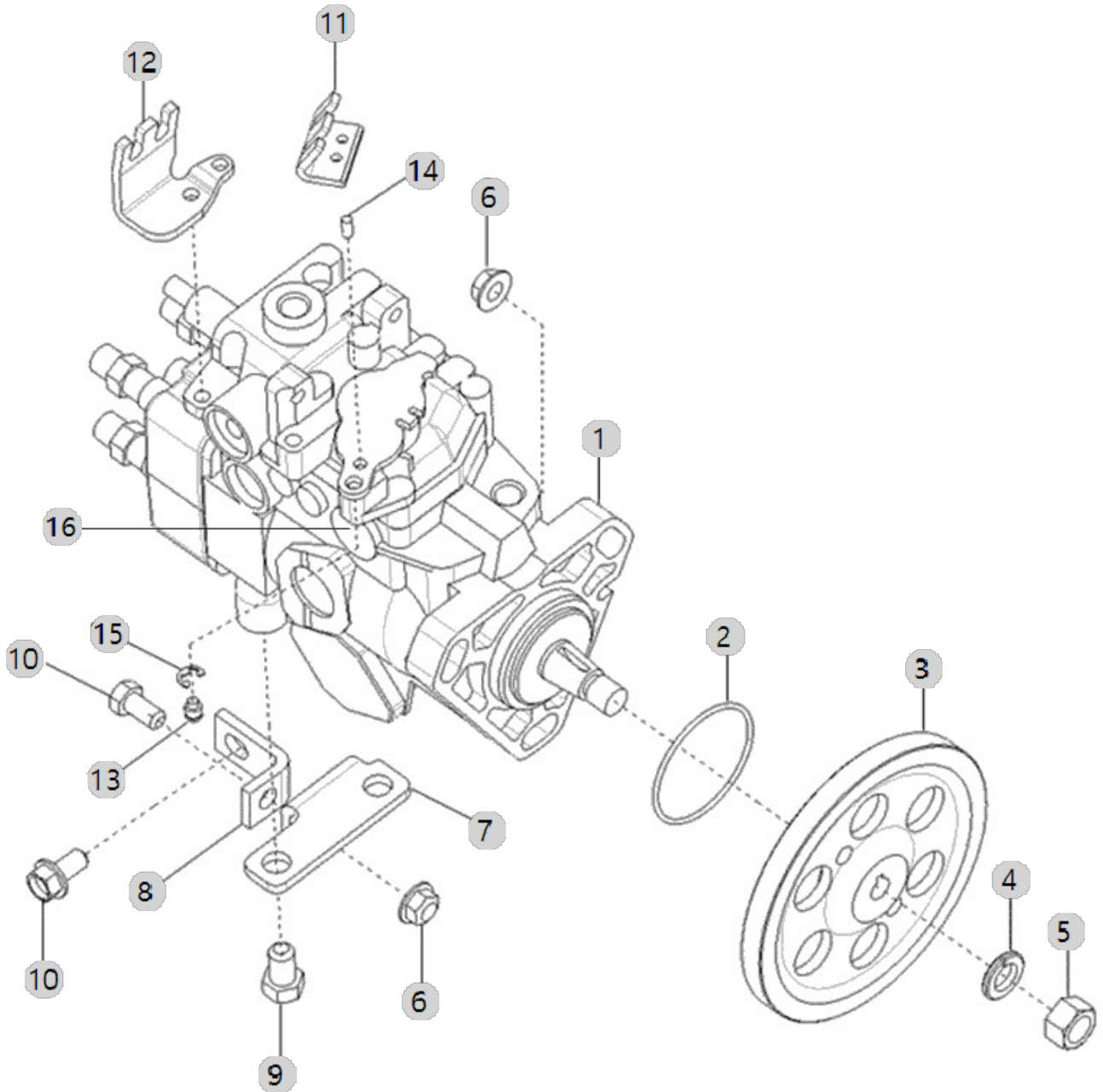
A12\_006

A1700N4-ETC\_5  
(AB00325)

# FUEL INJECTOR

Year/Month

2023-01-17





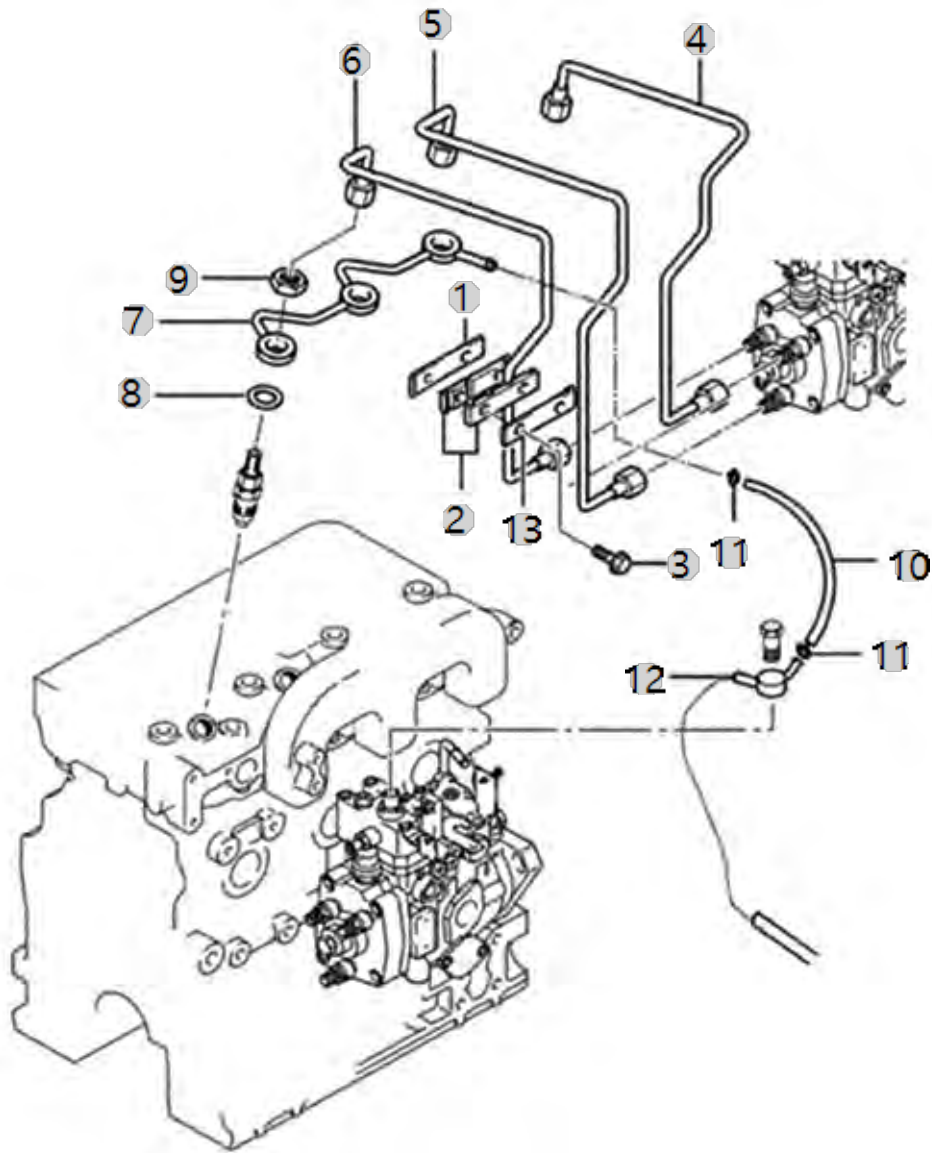
A13\_002

A1700N4-ETC\_5  
(AB00325)

PLUMBING, FUEL

Year/Month

2023-01-17





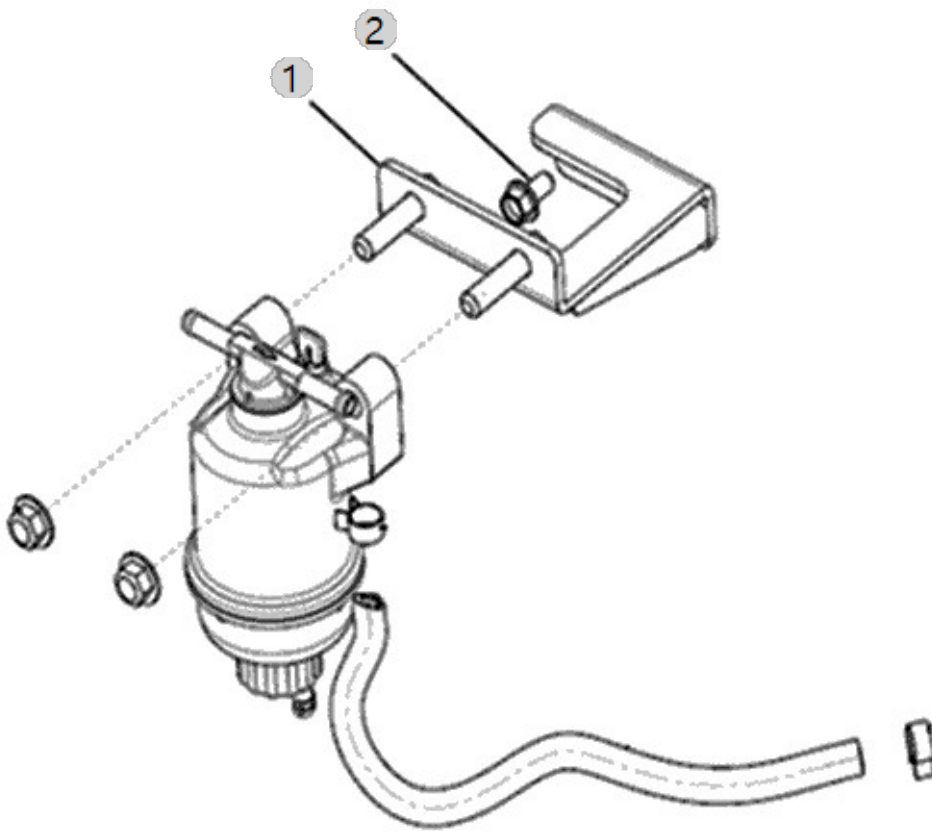
A14\_001

A1700N4-ETC\_5  
(AB00325)

### FUEL FILTER BRACKET

Year/Month

2023-01-17







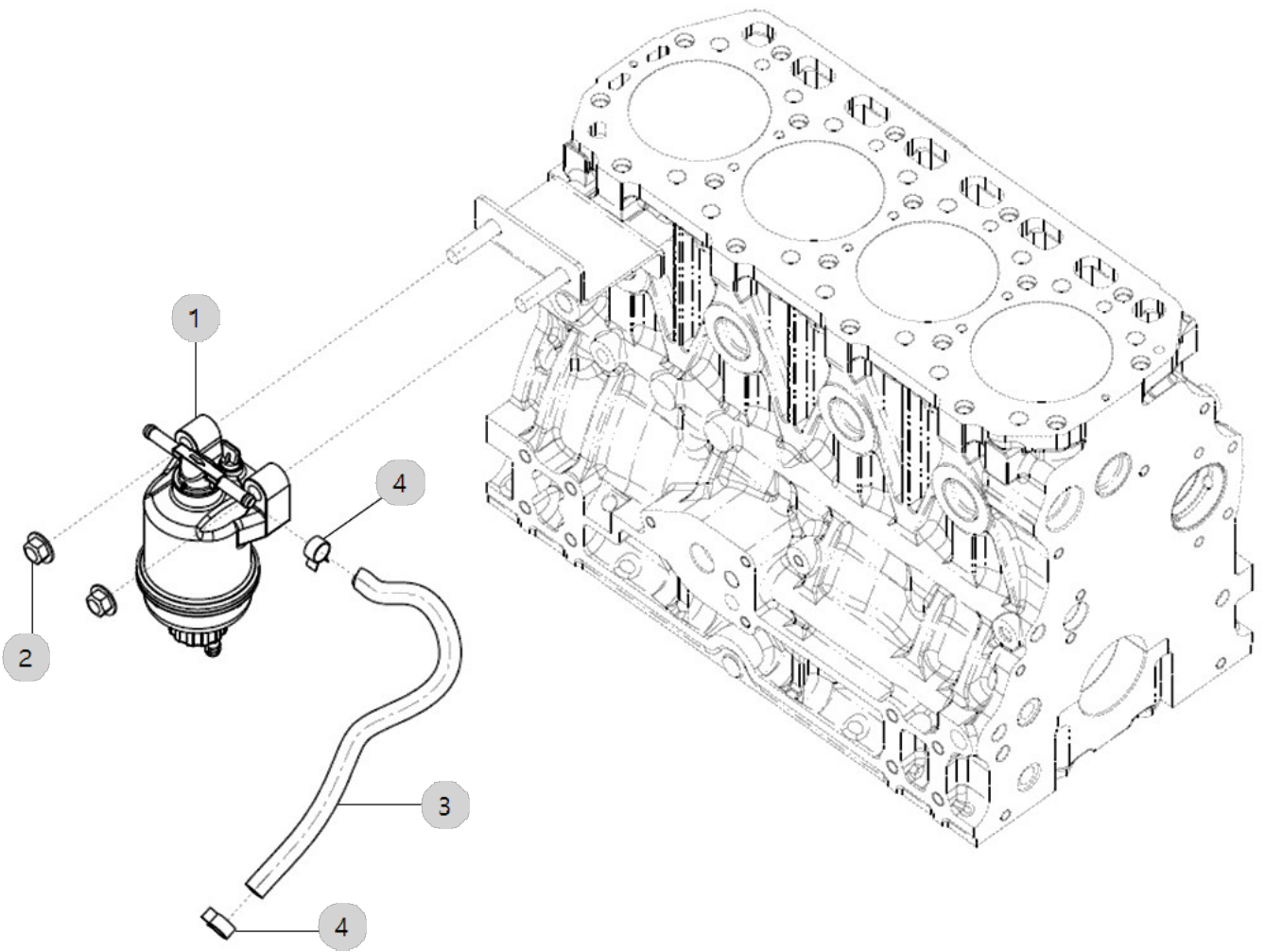
A16\_018

A1700N4-ETC\_5  
(AB00325)

FUEL FILTER ASS'Y OPTION

Year/Month

2023-01-17





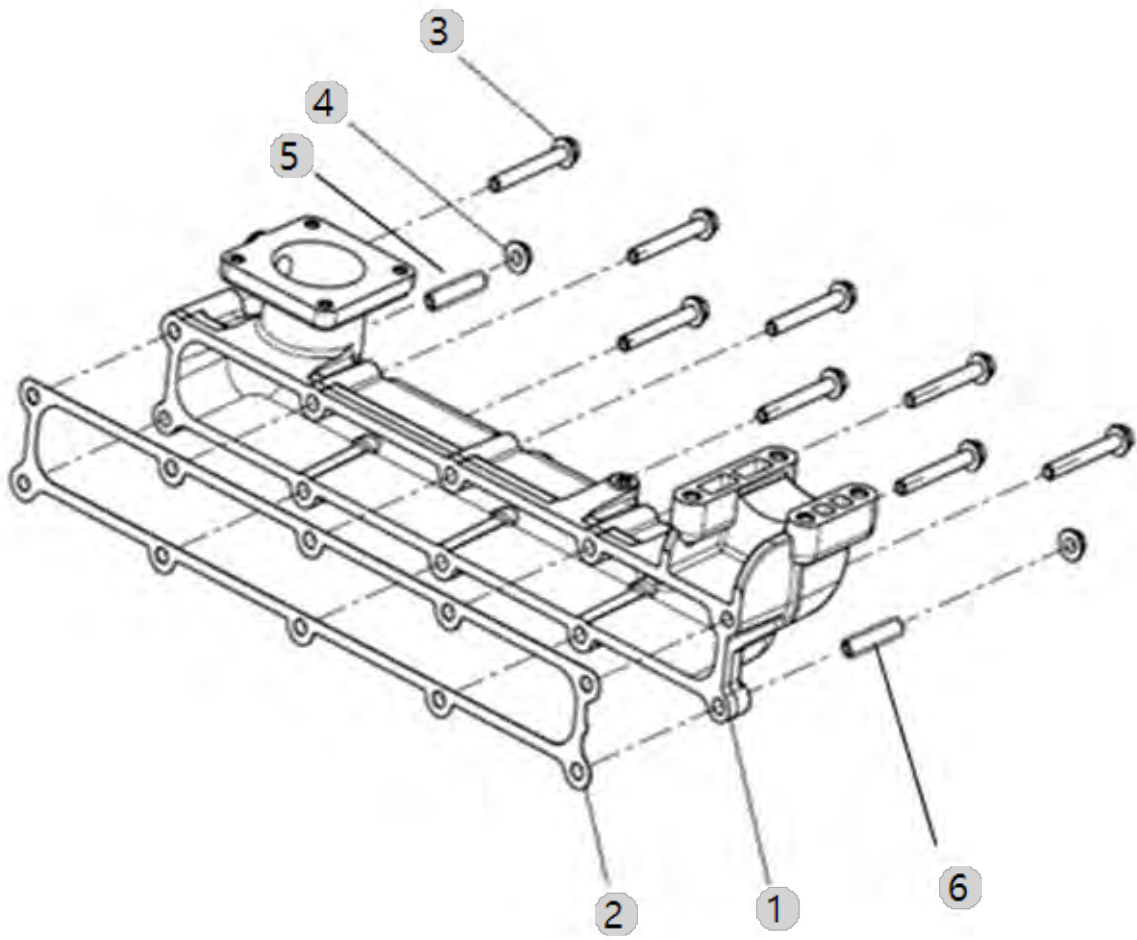
A17\_021

A1700N4-ETC\_5  
(AB00325)

### INTAKE MANIFOLD ASS'Y OPTION

Year/Month

2023-01-17



A17_021		INTAKE MANIFOLD ASS'Y OPTION				Year/Month
A1700N4-ETC_5 (AB00325)						2023-01-17
순번 (NO)	부품번호 (PART NO)	품명 (PART NAME)	품명 (PART NAME)	수량 (QTY)	규격 (SPEC)	비고 (REMARK)
1	EA00000220E	흡기매니폴드	MANIFOLD, AIR INTAKE	1		
2	EA00000221A	패킹(흡기매니폴드)	GASKET,INTAKE MANIFOLD	1		
3	26106-080702	볼트	SCREW,HEXFLANGEHEADCAP	8		
4	26367-080002	259, 육각플랜지너트	HEX FLANGE NUT (Φ8)	2	M8XP1.25	
5	26216-080302	심음보울트(1.5D)	STUD[1.5D],8X30	1	M8X1.25X30	
6	26216-080402	심음볼트	STUD BOLT	1		

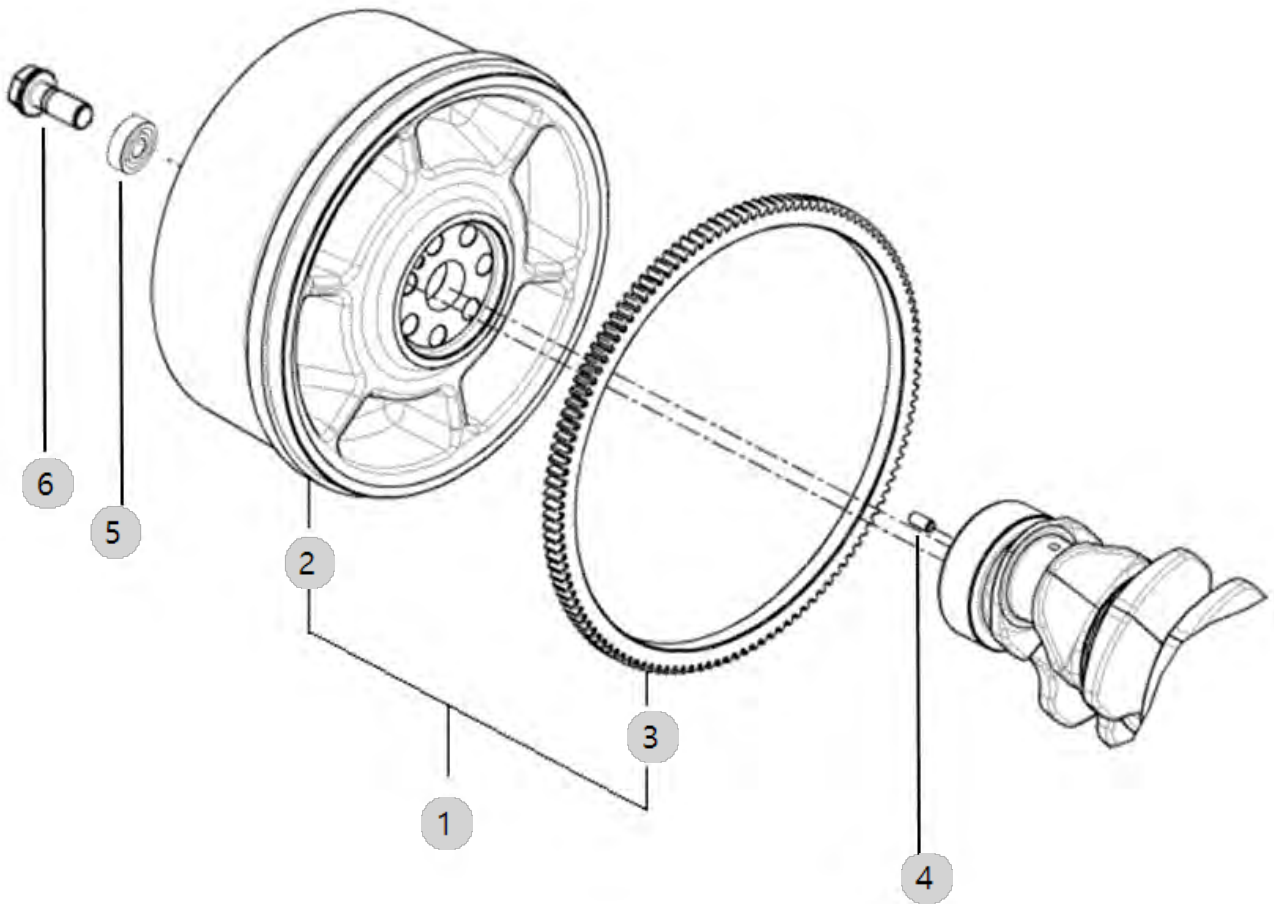
A18\_005

A1700N4-ETC\_5  
(AB00325)

# FLYWHEEL

Year/Month

2023-01-17





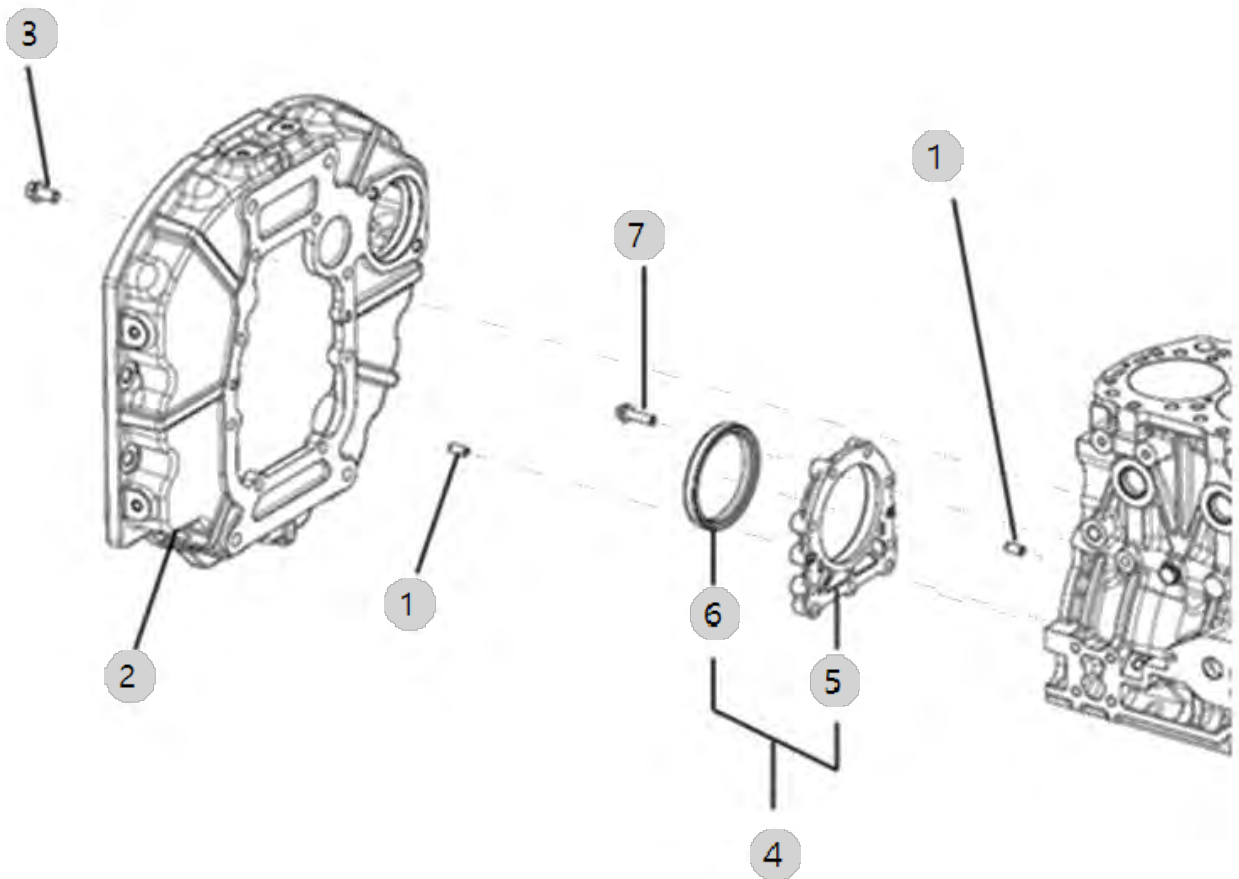
A19\_005

A1700N4-ETC\_5  
(AB00325)

# FLYWHEEL HOUSING

Year/Month

2023-01-17







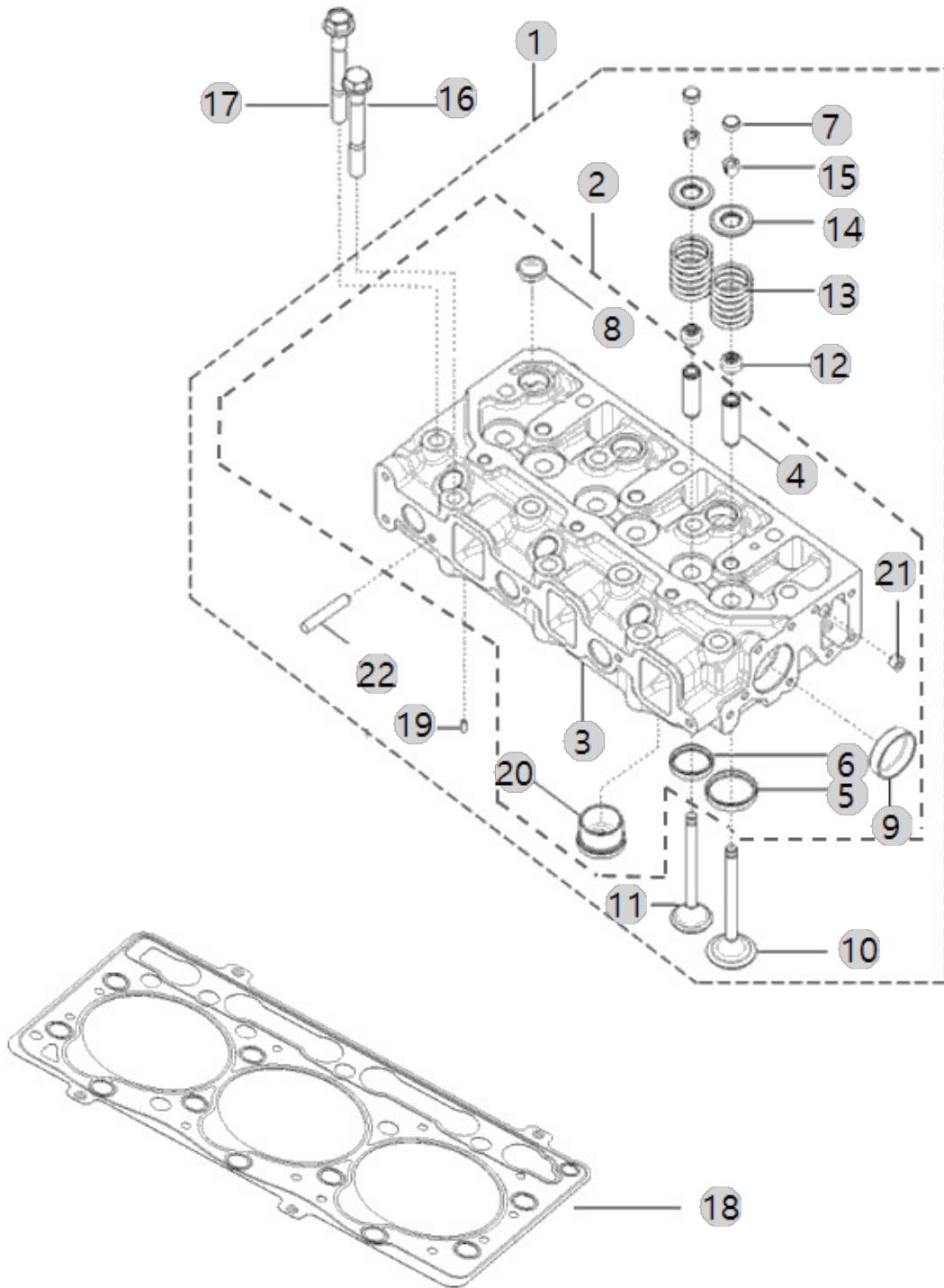
A20\_007

A1700N4-ETC\_5  
(AB00325)

HEAD, CYLINDER

Year/Month

2023-01-17



<b>A20_007</b> A1700N4-ETC_5 (AB00325)		<b>HEAD, CYLINDER</b>				Year/Month 2023-01-17
--	--	-----------------------	--	--	--	--------------------------

순번 (NO)	부품번호 (PART NO)	품명 (PART NAME)	품명 (PART NAME)	수량 (QTY)	규격 (SPEC)	비고 (REMARK)
1	EA00005926A	실린더헤드조합-A1700N4-ETR_4	CYLINDER HEAD ASS'Y	1		
2	EA00005927A	실린더헤드조합	CYLINDER HEAD ASS'Y	1		
3	EA00005928A	실린더헤드	CYLINDER HEAD	1		
4	HRA0400103C4	배기밸브가이드	GUIDEVALVE STEM	6	D13/D8	
5	HRA0400104B4	흡기밸브시트	SEAT,ENGINEINTAKEVALVE	3		
6	HRA0400105B4	배기밸브시트	SEAT,ENGINE EXHAUST VALVE	3		
7	HK03680000B4	344,ALL,밸브캡	CAP,VALVE	6		
8	27241-220000	캡형플러그 22	PLUG,EXPANSION	6		
9	27241-400000	캡형플러그 40 (335,ALL,PLUG40)	PLUG (D40)	2		
10	HRA0400200A4	337,ALL,흡기밸브	VALVE,INTAKE	3		
11	HRA0400300A4	338,ALL,배기밸브	VALVE,EXHAUST	3		
12	HA03070000A4	340,ALL,밸브축시일	SEAL,VALVESTEM	6		
13	HRA0400700A4	341,ALL,밸브스프링	SPRING,VALVE	6		
14	HRA0400800A4	342,ALL,밸브스프링리테이너	RETAINER,VALVESPRING	6		
15	HRA0400900A4	343,ALL,밸브스프링코터	COTTER,VALVE	12		
16	HRA0100700A4	347,ALL,볼트(실린더헤드)	SCREW,HEXFLANGEHEADCAP	3	M11X1.5X92	
17	HRA0100500A4	실린더헤드 볼트	SCREW,HEXFLANGEHEADCAP	11	M11X1.5	
18	HRR0100400B2	헤드가스켓	GASKET, CYLINDER HEAD	1		
19	22312-040100	평행핀	PIN, DOWEL (4-10)	2	D4X10	
20	EA00005449A	예연소실(T5)	PRE-CHAMBER	3		
21	23871-010000	테이퍼플러그	PLUG	1	PT1/8	
22	26216-080352	심음볼트(1.5D)	BOLT, STUD 8 X 35	1	M8X1.25X35	

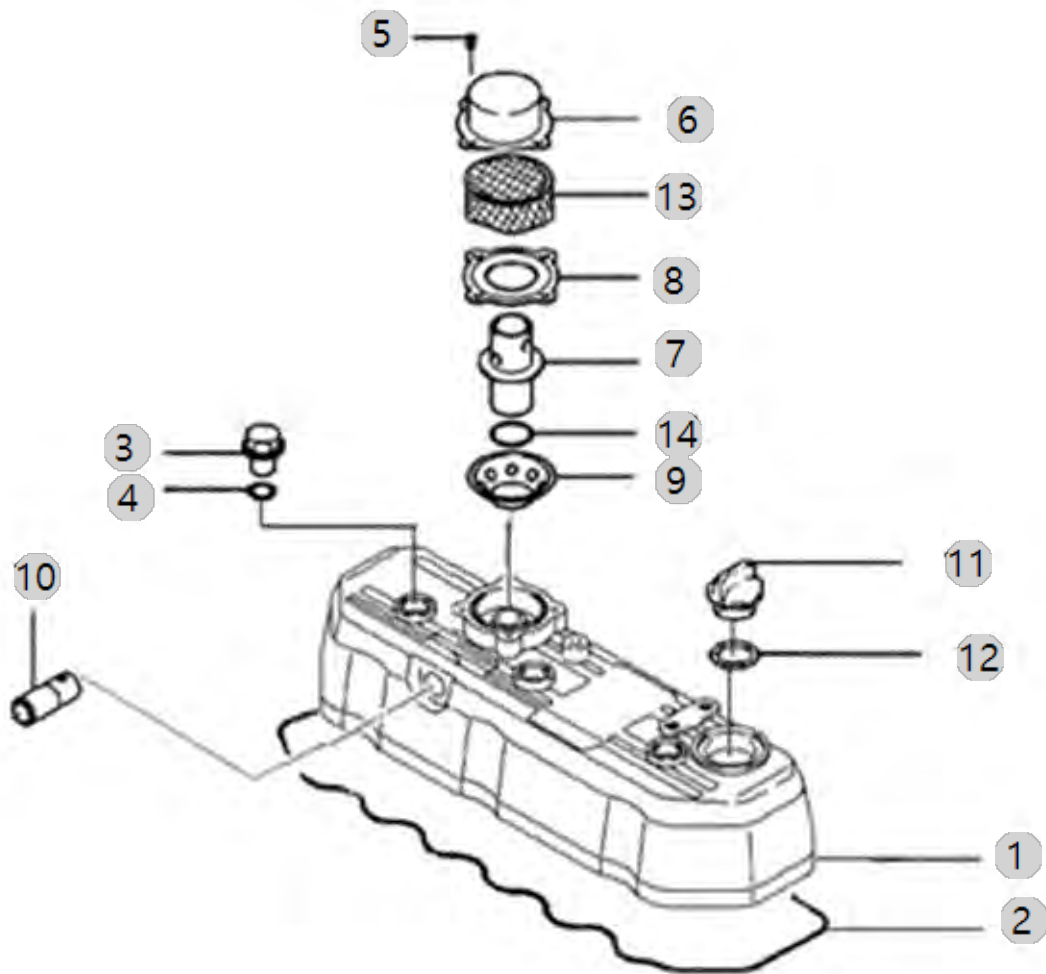
A21\_002

A1700N4-ETC\_5  
(AB00325)

# HEAD COVER

Year/Month

2023-01-17



A21_002 A1700N4-ETC_5 (AB00325)		HEAD COVER				Year/Month 2023-01-17
순번 (NO)	부품번호 (PART NO)	품명 (PART NAME)	품명 (PART NAME)	수량 (QTY)	규격 (SPEC)	비고 (REMARK)
1	HRD0402300B0	헤드커버조합 - A1700	COVER,VALVE	1		
1	HRD0402300C0	헤드커버	COVER, VALVE	1		
2	HRD0402400B3	헤드커버패킹 - A1700	PACKING,HEAD COVER	1		
3	HA03520000B4	440,ALL,상부커버캡	NUT,HEXAGONCAP	3		
4	24311-000140	운동용O링	SEAL,ORING	3	P14	
5	26587-040102	245,ALL,스크로우(3X54X10)	SCREW,FILLISTERHEADCAP	4	M4X10	
6	HRA0403600A4	589,ALL,브리더커버	COVER,BREATHER	1	T1.2	
6	HRA0403600B4	브리더커버	COVER,BREATHER	1	T1.2	
7	HRA0403700A4	590,ALL,가이드조합	Valve, Pressure Relief	1		
7	HRA0403700B4	가이드조합	VALVE,PRESSURE RELIEF	1		
8	HRA0403800A4	브리더 커버 가스켓	GASKET,BREATHER	1	T0.5	
9	HRA0403900A4	592,ALL,브리더조절판	PLATE,BREATHERADJUSTING	1	T1.2	
9	HRA0403900B4	브리더조절판	PLATE,BREATHER ADJUSTING	1	T1.2	
10	HRA0404000A4	597,A14172023,연결관	TUBE,BREATHER	1	D17.3XT2.3	
11	HC03470000B4	급유구	CAP,FILTER	1		
12	24311-000320	O링(P형)	O-RING, DYNAMIC (Φ32)	1	P32	
13	HC03720000B4	배플	BAFFLE	1	17MMX155M	
14	24341-000160	O-링(S형)	O-RING, FIX (Φ16)	1	S10	

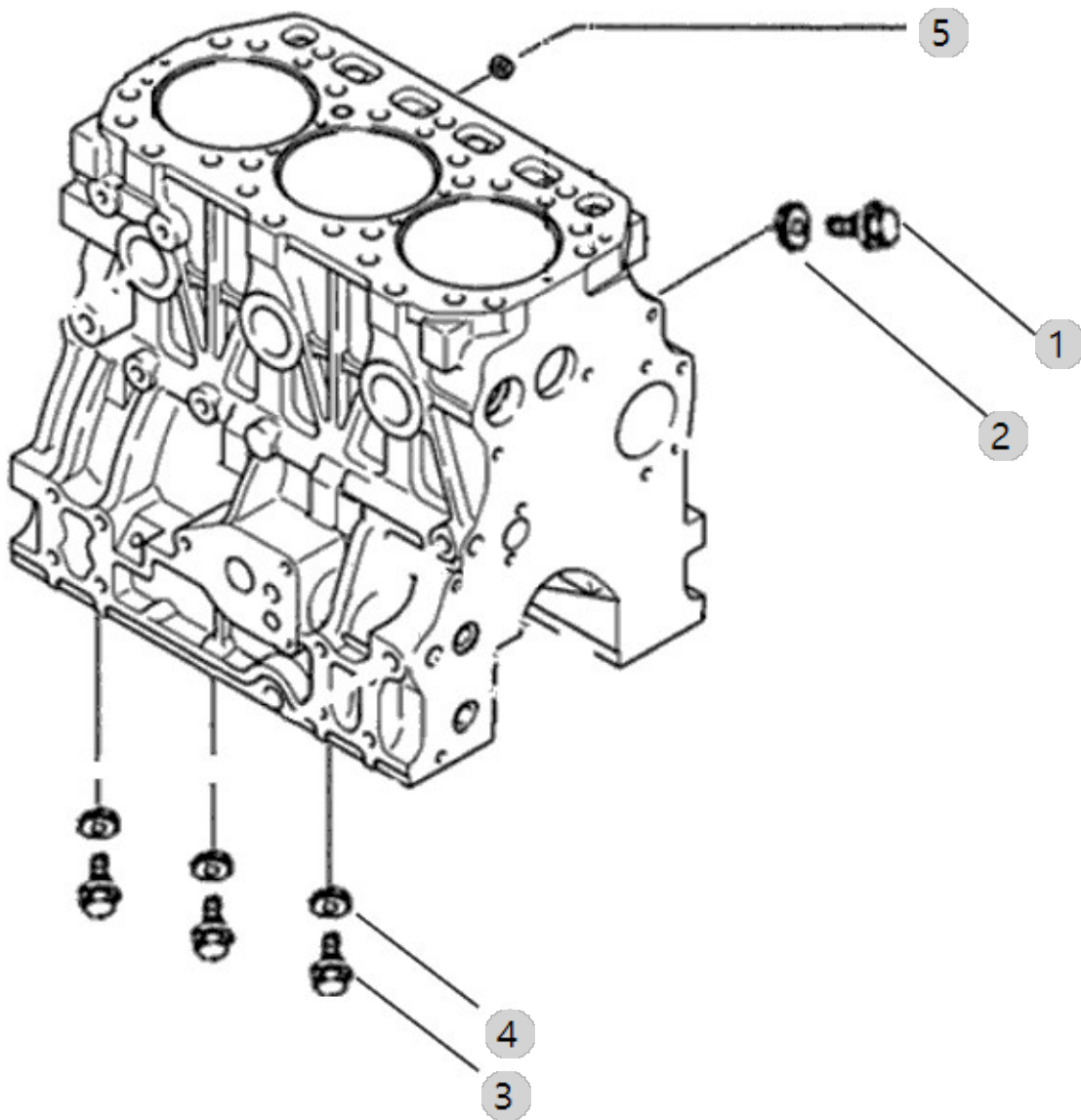
A23\_003

A1700N4-ETC\_5  
(AB00325)

TURBOCHARGER SUPPORT ASS'Y OPTION

Year/Month

2023-01-17





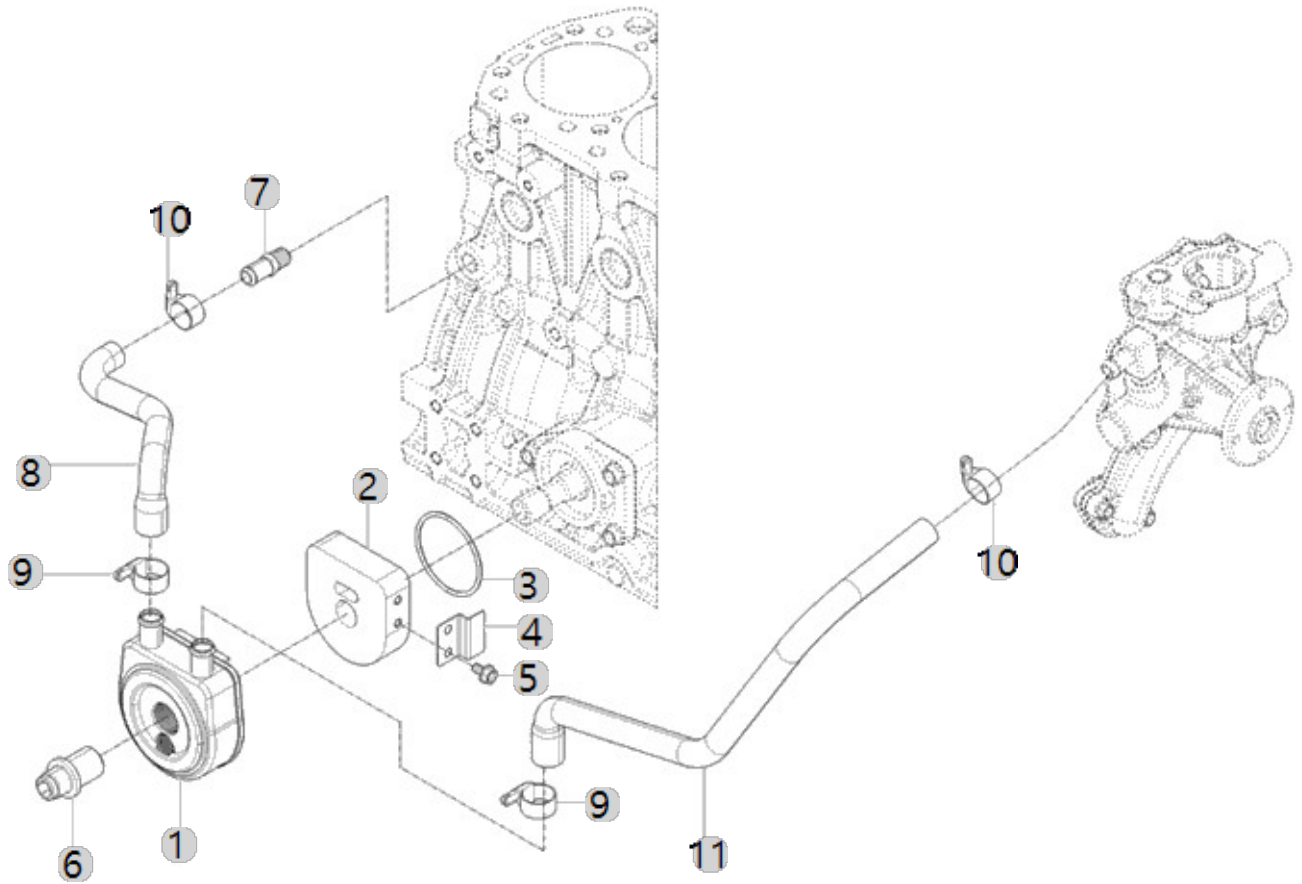
A26\_001

A1700N4-ETC\_5  
(AB00325)

COOLER, ENGINE OIL

Year/Month

2023-01-17







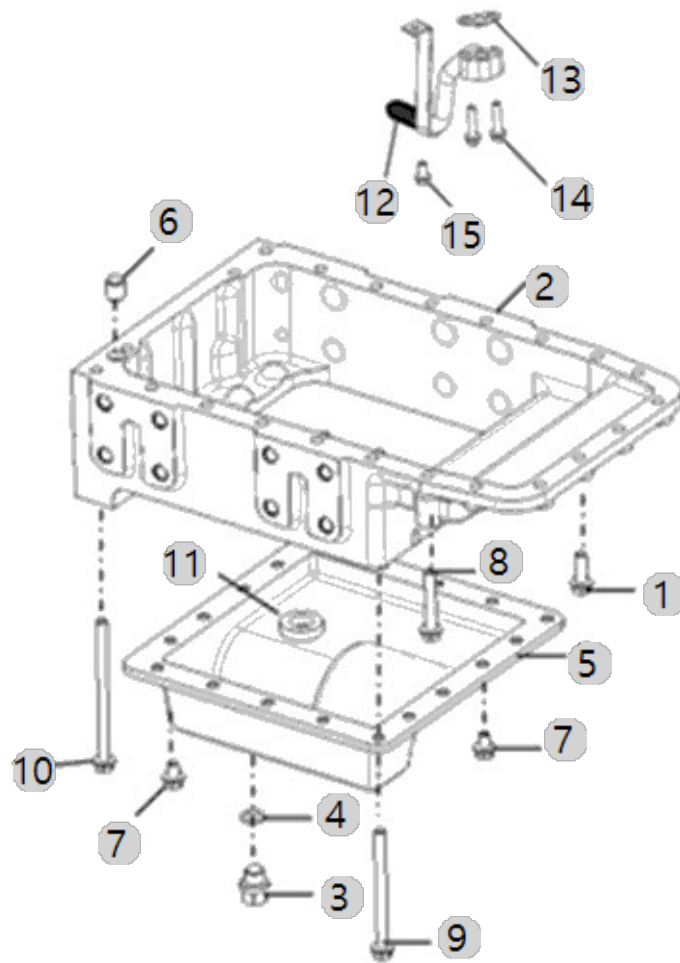
A27\_004

A1700N4-ETC\_5  
(AB00325)

### OIL PAN ASS'Y OPTION

Year/Month

2023-01-17



A27_004 A1700N4-ETC_5 (AB00325)		OIL PAN ASS'Y OPTION				Year/Month 2023-01-17
순번 (NO)	부품번호 (PART NO)	품명 (PART NAME)	품명 (PART NAME)	수량 (QTY)	규격 (SPEC)	비고 (REMARK)
1	26106-080252	육각플랜지볼트	SCREW,HEXFLANGEHEADCAP	6	M8XP1.25X25	
2	HRD0300400B0	오일팬	ADOPTOR,OILPAN	1		
3	23490-140002	393,A202322,드레인플러그	Plug, Drain	1	M14	
4	24311-000160	O-링 P 16	O-RING, DYNAMIC (Φ16)	1	P16	
5	HRD0300700A1	하부커버	PAN,OIL	1	T1.6	
6	HRA0300800A4	노크핀	PIN,GUIDE	1		
7	26106-080122	육각플랜지볼트	Bolt, Hexa (8-12)	8	M8XP1.25X12	
8	26106-080502	328,ALL,육각플랜지볼트	SCREW,HEXFLANGEHEADCAP	2	M8X1.25X50	
9	26106-081002	육각플랜지볼트	SCREW,HEXFLANGEHEADCAP	10	M8X1.25X100	
10	26106-081202	BOLTM8X120PLATED	SCREW,HEXFLANGEHEADCAP	4		
11	HF01470000A4	392,ALL,자석	MAGNET	1		
12	EA00006364B	오일흡입관 조합	TUBE, LUB OIL SUCTION	1		
12	HRD1100800B2	오일흡입관조합	TUBE,LUBOILSUCTION	1		
13	HRD1100700B4	패킹(오일흡입관)	GASKET, OIL PAN	1	T0.5	
13	HRD1100700A4	오일흡입관 가스켓	GASKET,OILPAN	1	T0.5	
14	26106-080352	육각플랜지볼트	SCREW,HEXFLANGEHEADCAP	2	M8XP1.25X35	
15	26106-080162	플랜지볼트 8X16	SCREW,HEXFLANGEHEADCAP	1	M8XP1.25X16	

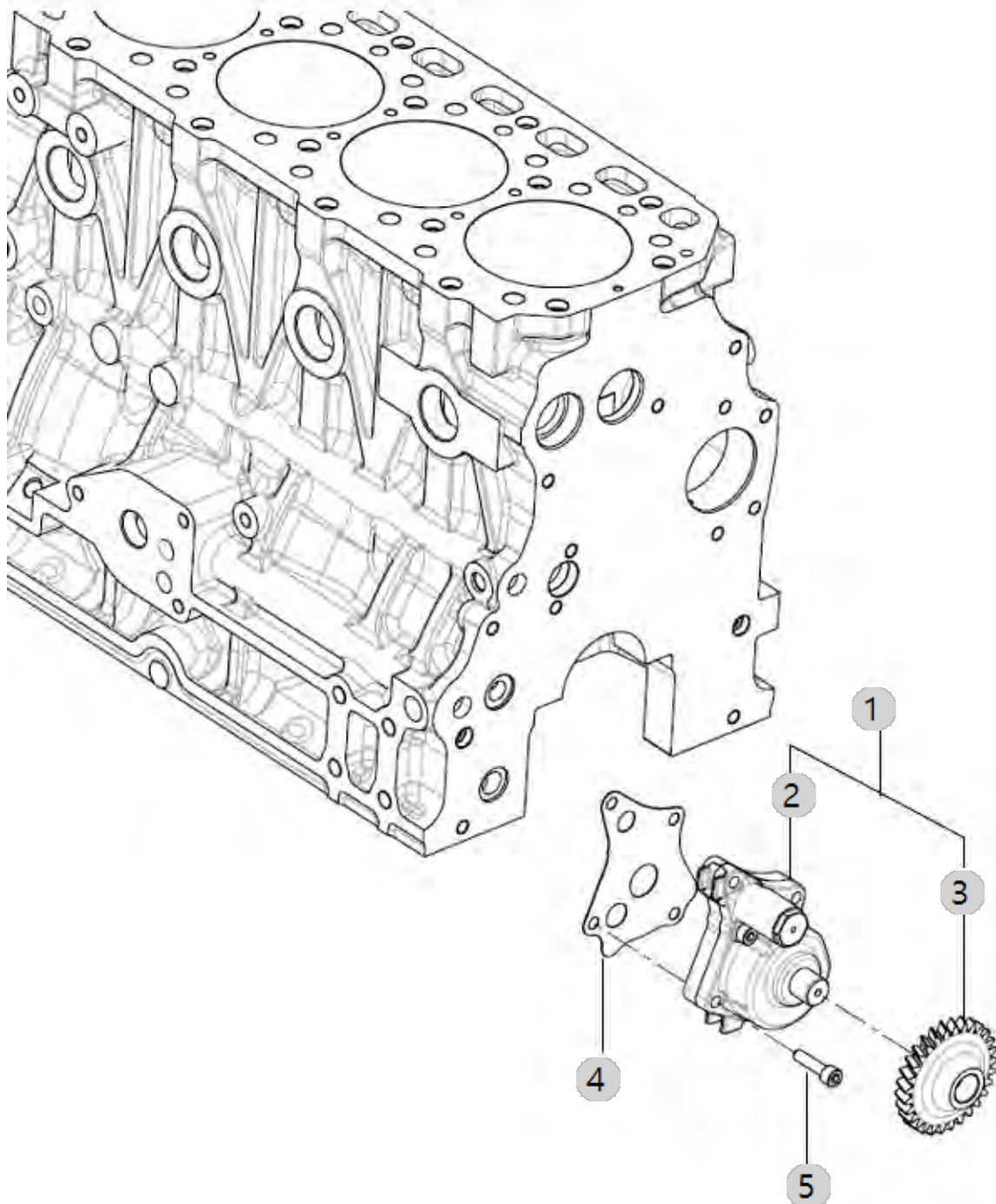
A28\_001

A1700N4-ETC\_5  
(AB00325)

PUMP, LUBRICATING OIL

Year/Month

2023-01-17





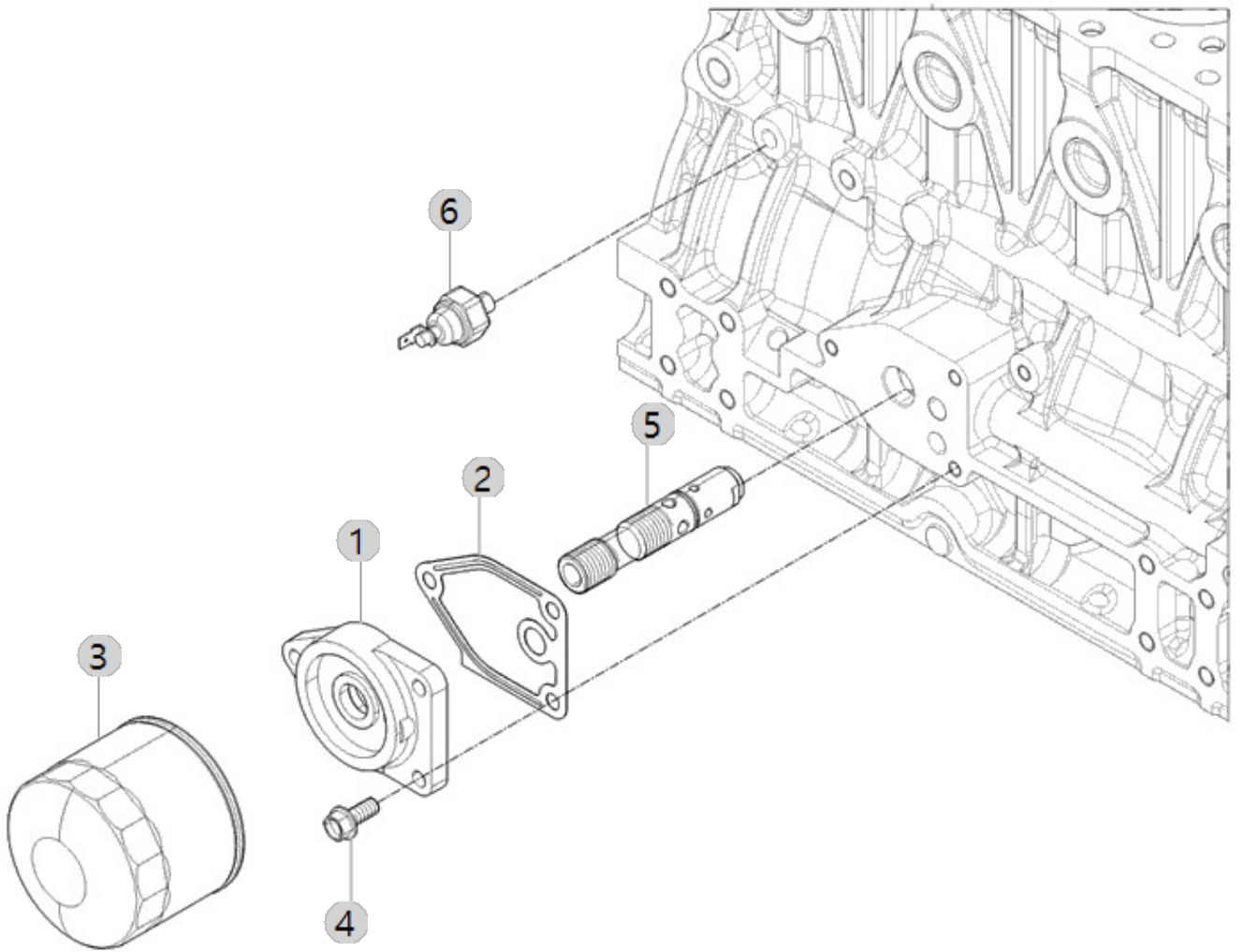
A29\_005

A1700N4-ETC\_5  
(AB00325)

FILTER, LUBRICATING OIL

Year/Month

2023-01-17





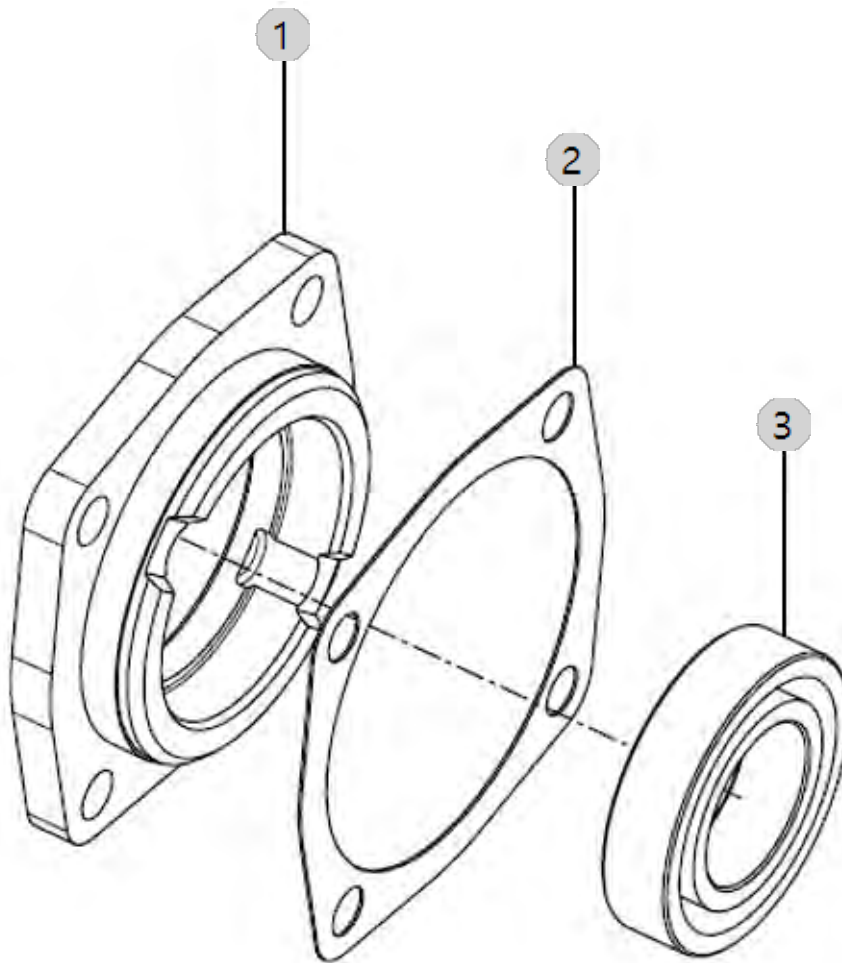
A30\_003

A1700N4-ETC\_5  
(AB00325)

FRONT GEAR ACCESSORY DRIVE

Year/Month

2023-01-17







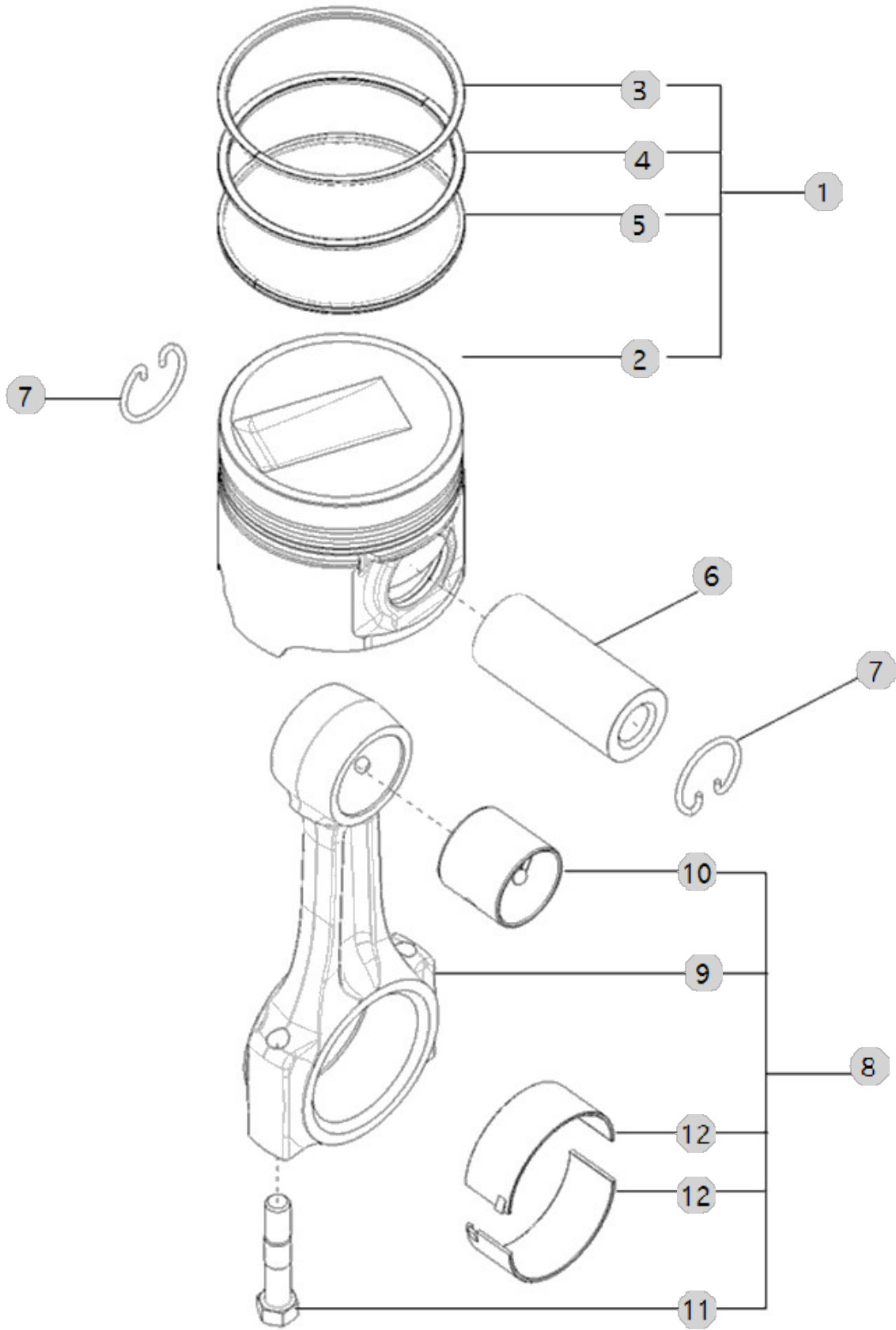
A31\_003

A1700N4-ETC\_5  
(AB00325)

# PISTON

Year/Month

2023-01-17





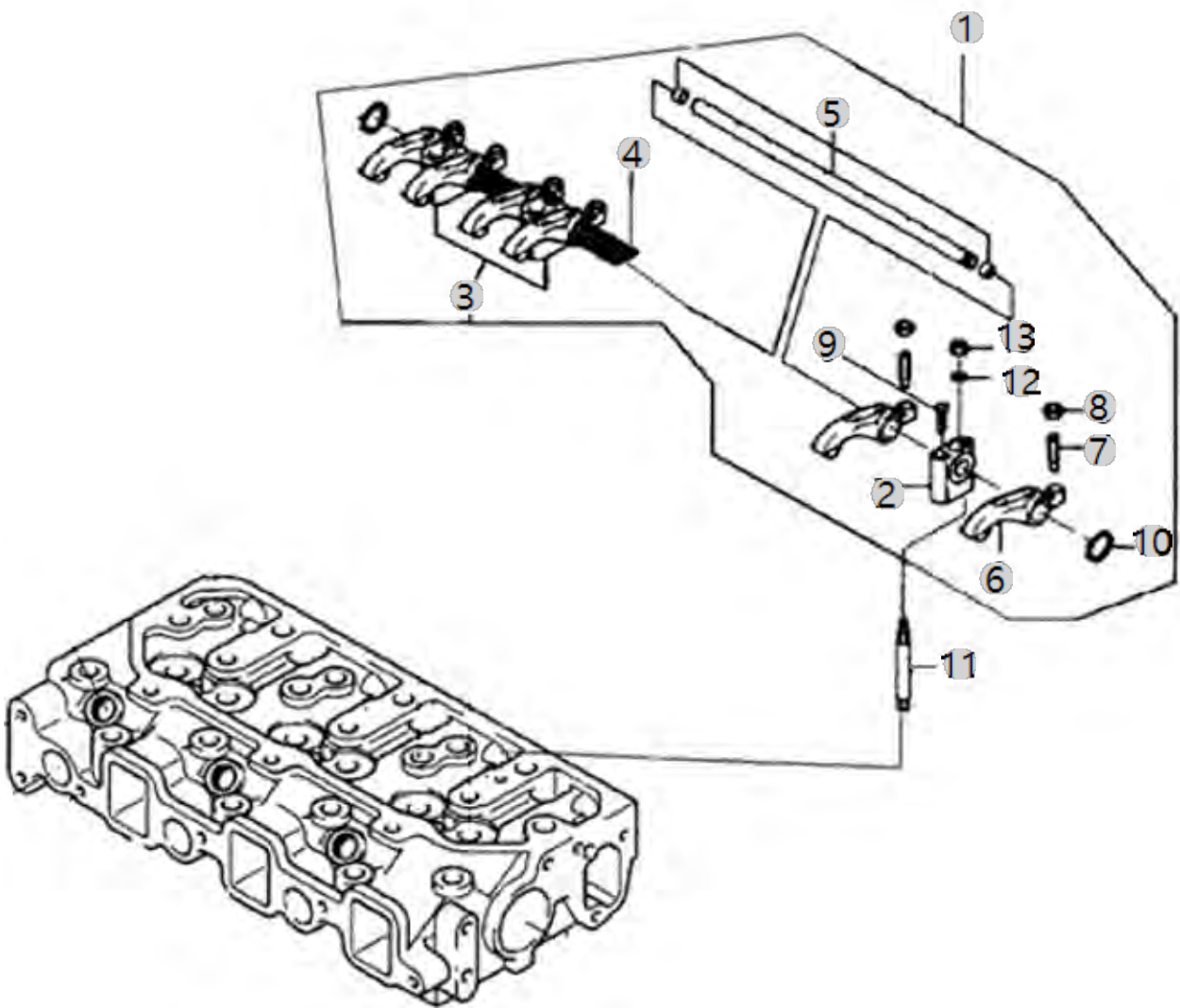
A32\_002

A1700N4-ETC\_5  
(AB00325)

LEVER, LOCKER

Year/Month

2023-01-17





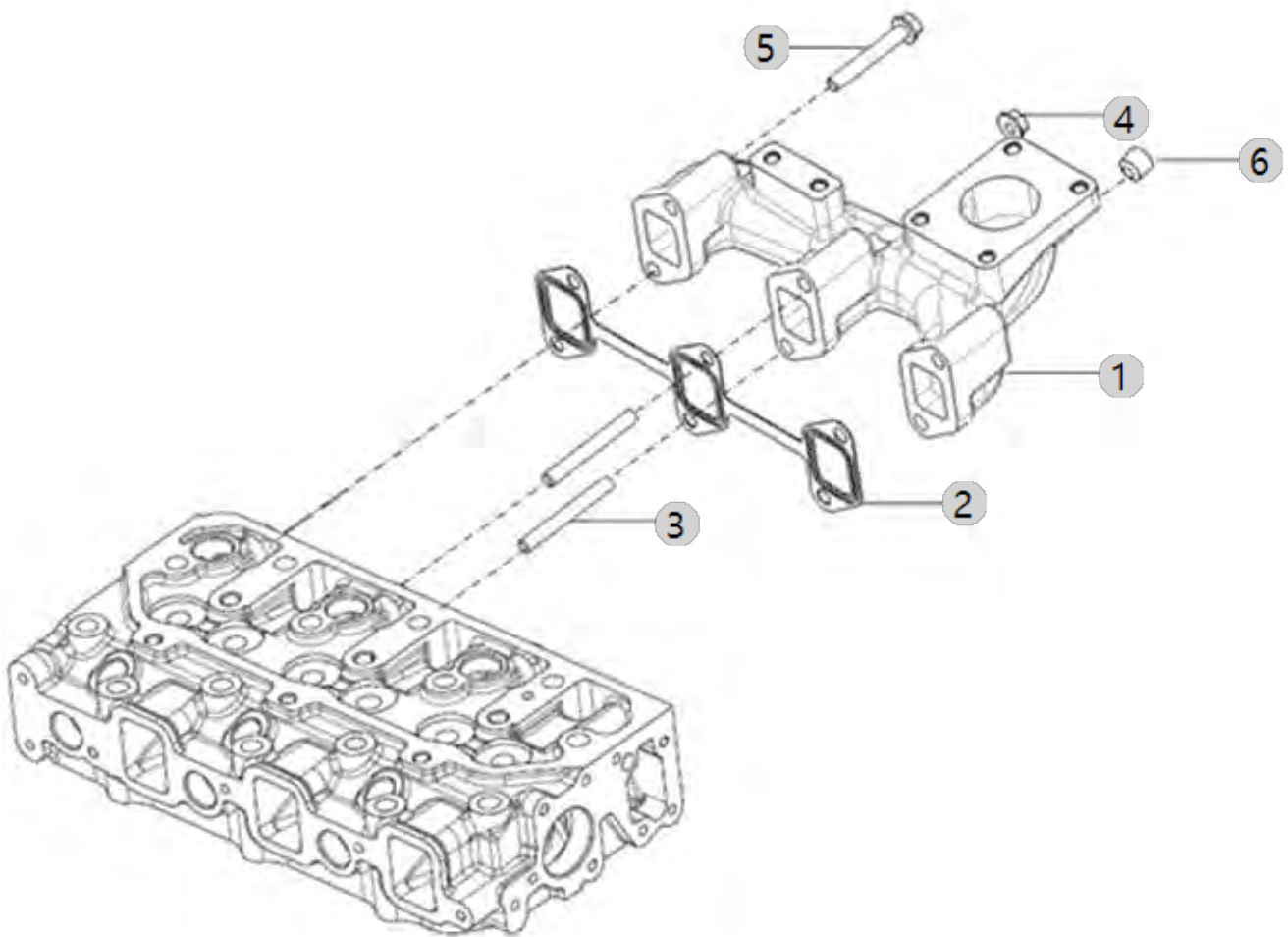
A33\_006

A1700N4-ETC\_5  
(AB00325)

# EXHAUST MANIFOLD

Year/Month

2023-01-17





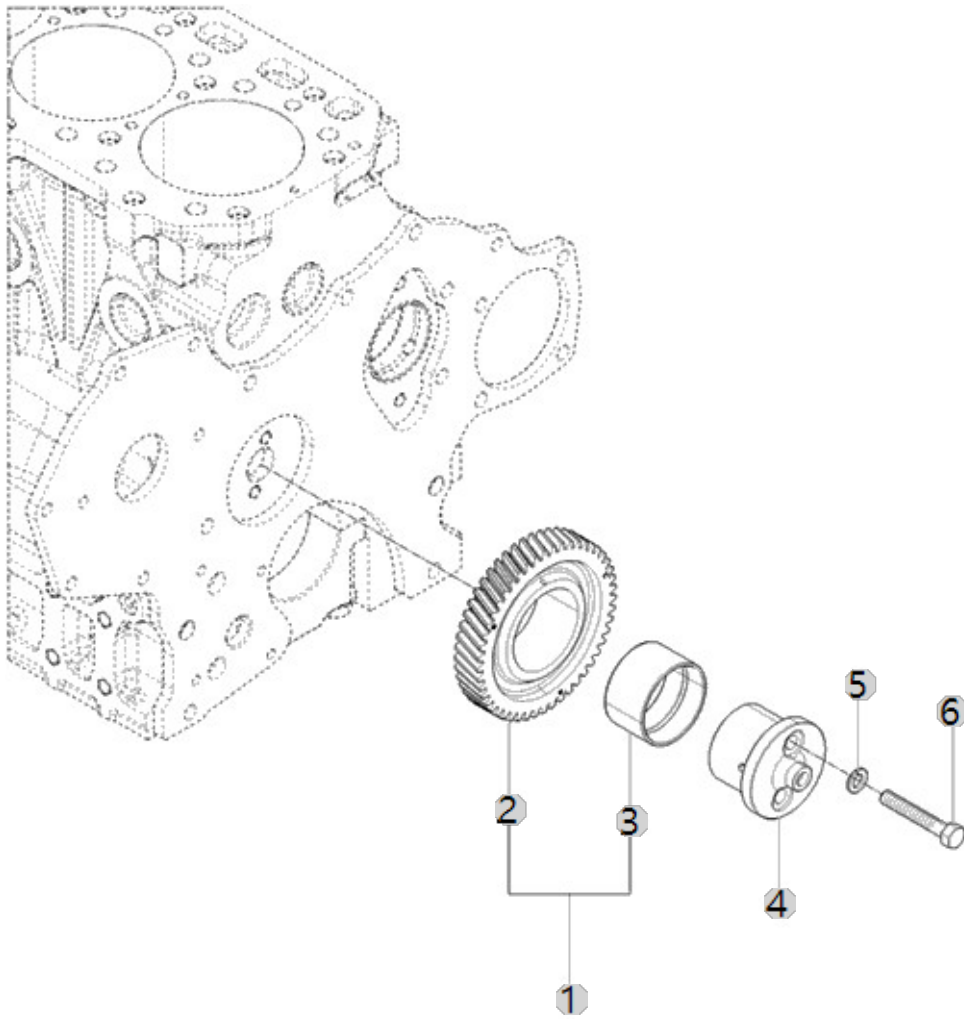
A35\_002

A1700N4-ETC\_5  
(AB00325)

# IDLE GEAR

Year/Month

2023-01-17







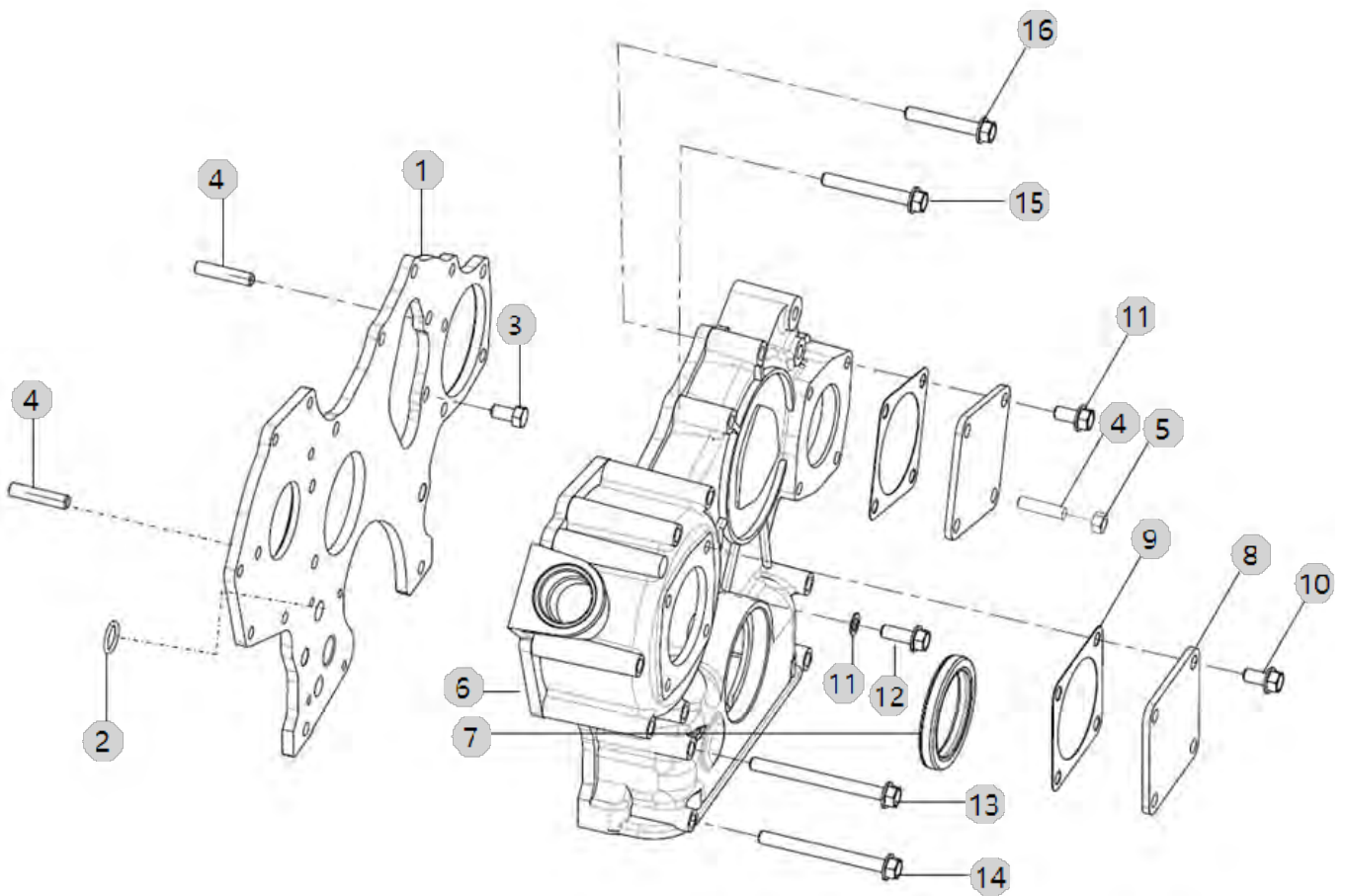
A36\_002

A1700N4-ETC\_5  
(AB00325)

### COVER, FRONT GEAR

Year/Month

2023-01-17





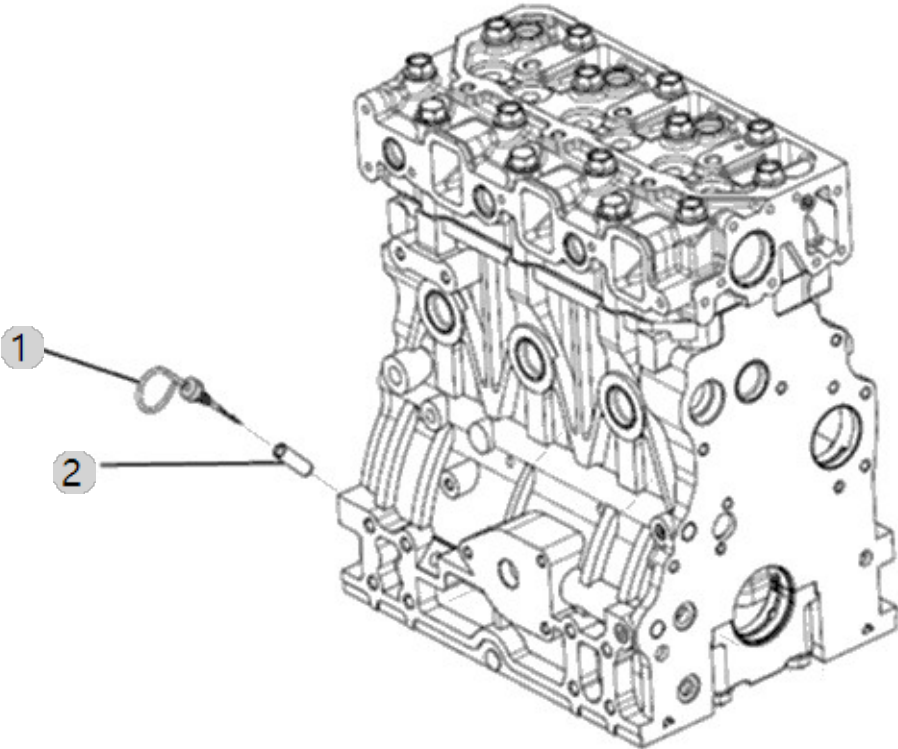
A38\_004

A1700N4-ETC\_5  
(AB00325)

GAUGE, OIL LEVEL

Year/Month

2023-01-17





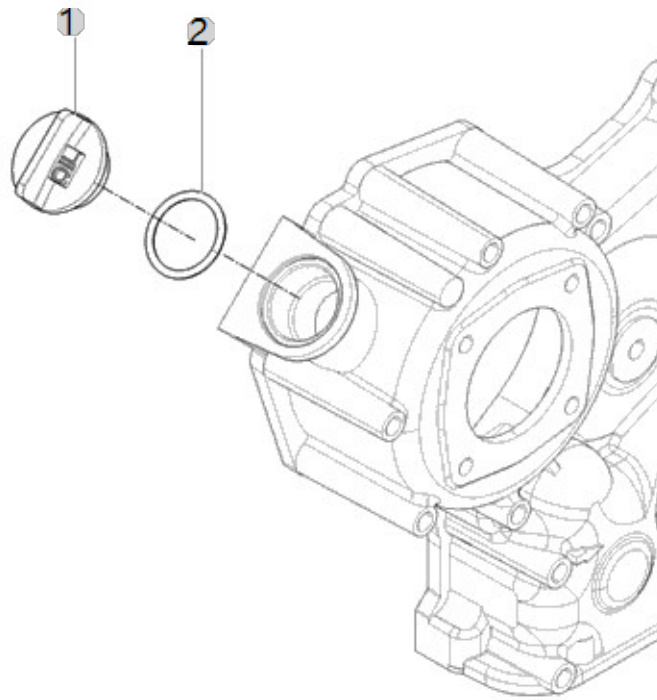
A39\_001

A1700N4-ETC\_5  
(AB00325)

### OIL FILLER CAP

Year/Month

2023-01-17





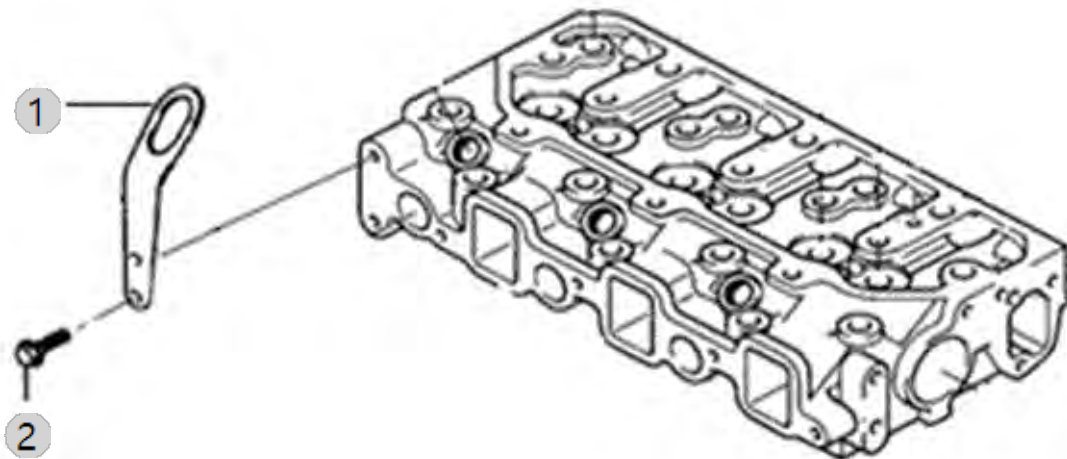
A40\_003

A1700N4-ETC\_5  
(AB00325)

LIFT ASS'Y OPTION

Year/Month

2023-01-17







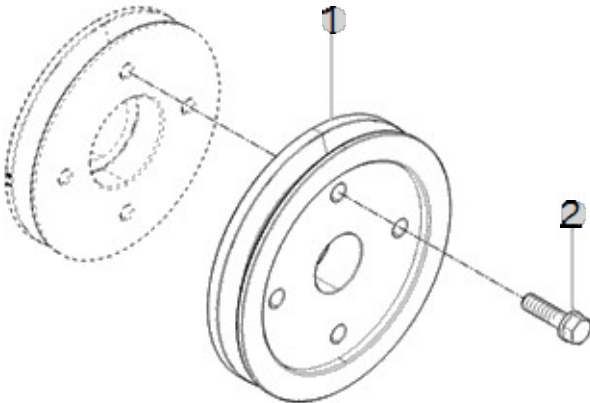
A41\_001

A1700N4-ETC\_5  
(AB00325)

COMP,DRIVE PULLEY ASS'Y OPTION

Year/Month

2023-01-17





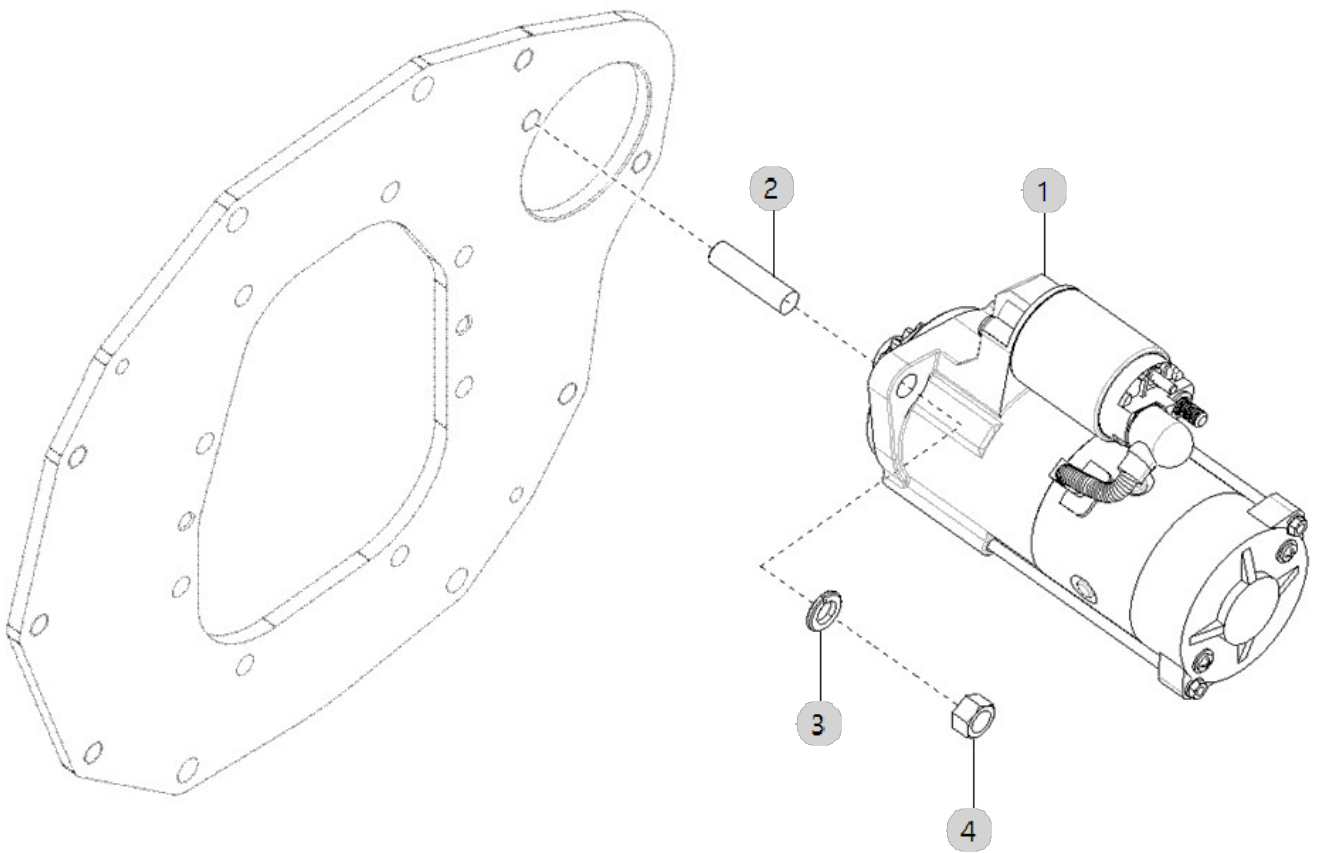
A42\_003

A1700N4-ETC\_5  
(AB00325)

MOTER, STARTIONS

Year/Month

2023-01-17





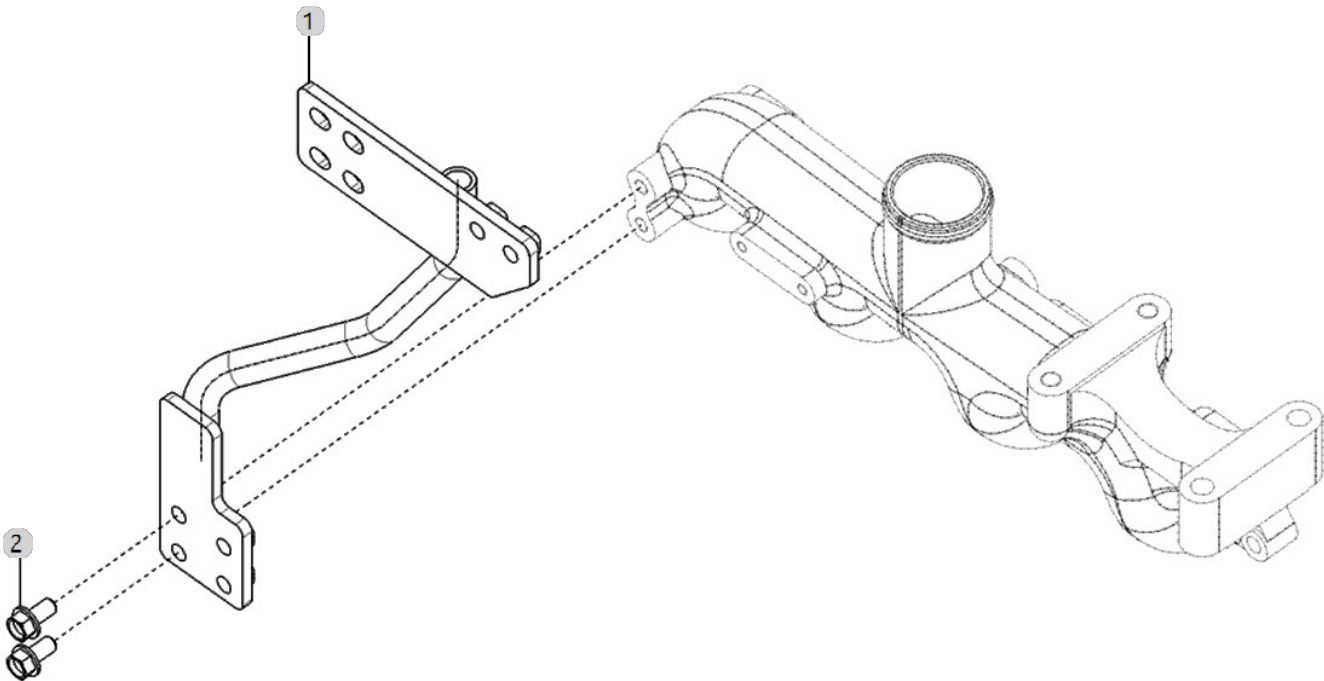
A43\_001

A1700N4-ETC\_5  
(AB00325)

DPF SUPPORT OPTION

Year/Month

2023-01-17





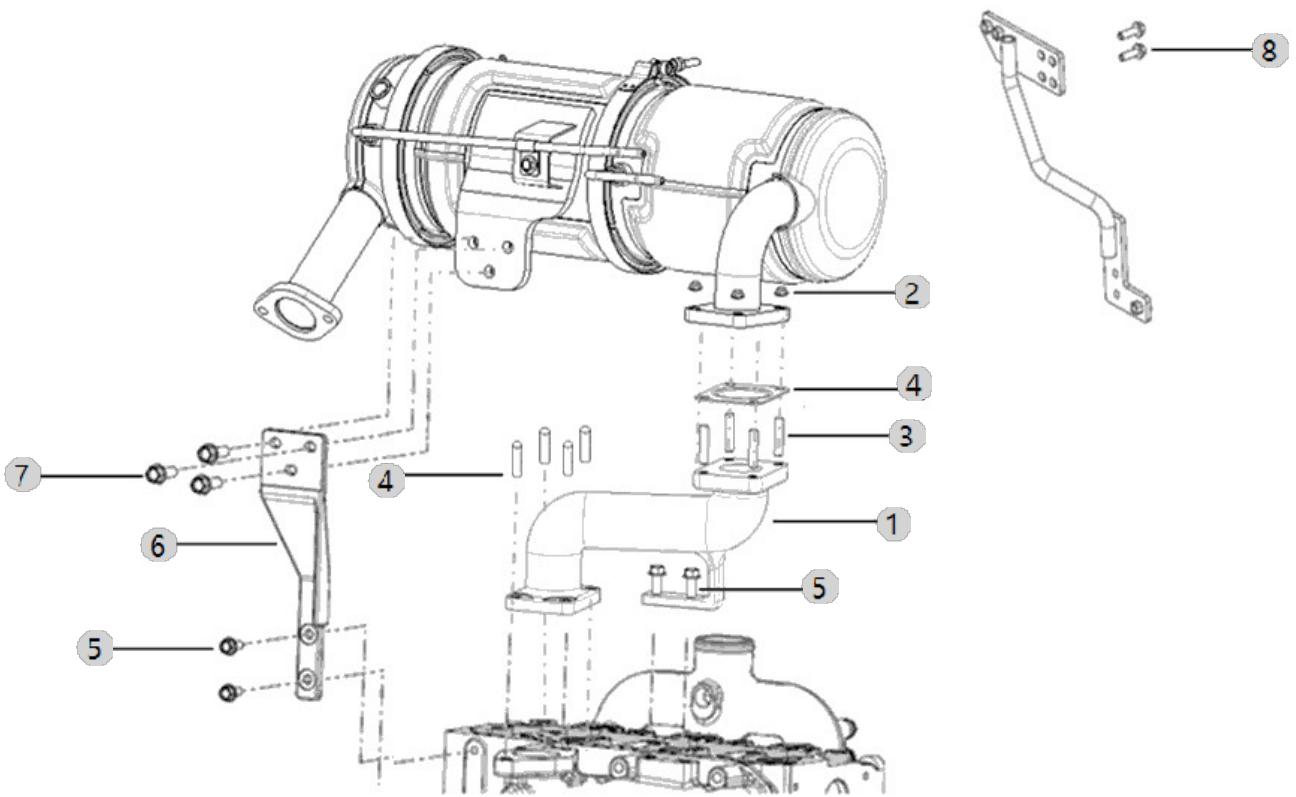
A44\_003

A1700N4-ETC\_5  
(AB00325)

### DPF MOUNTING OPTION

Year/Month

2023-01-17







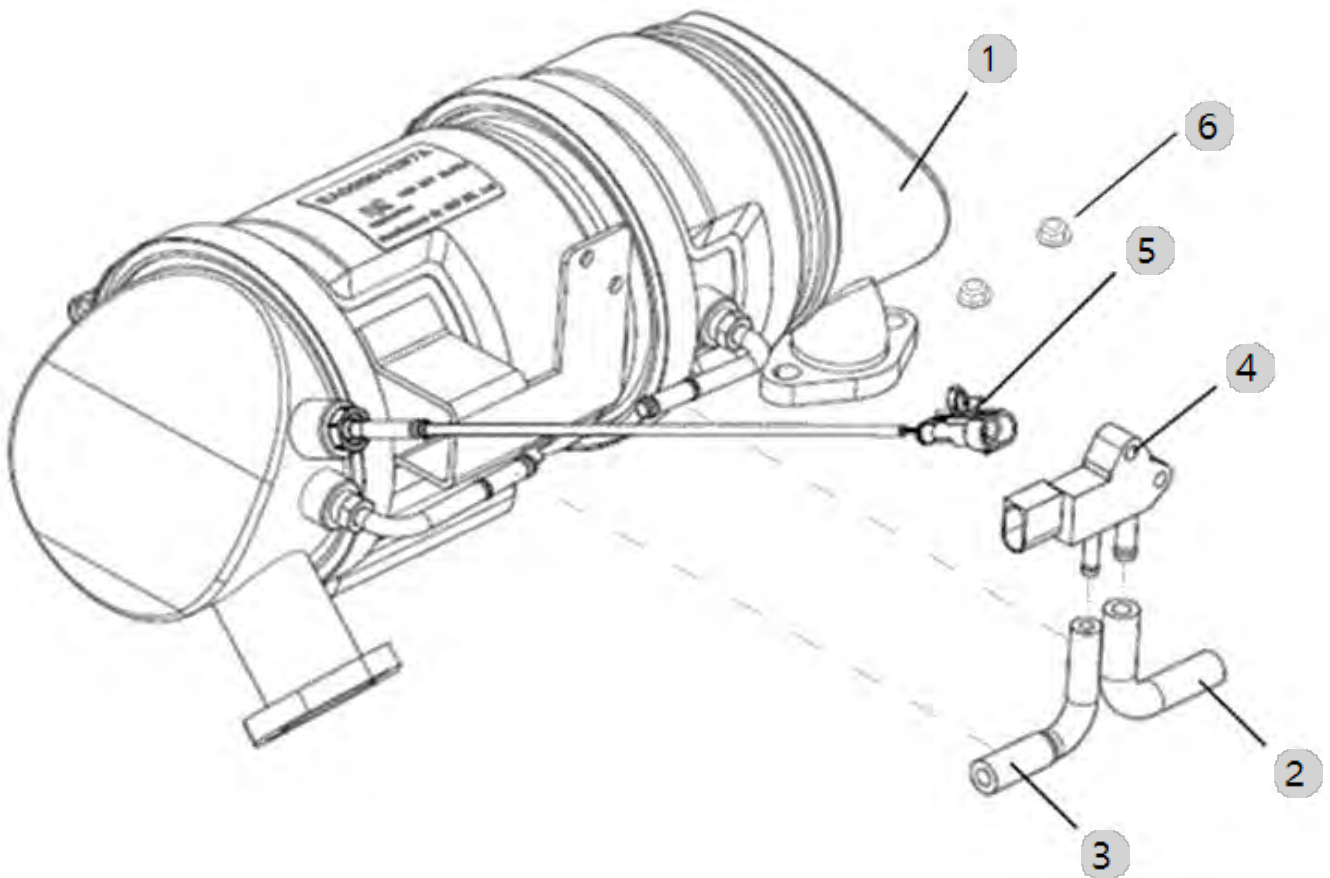
A45\_001

A1700N4-ETC\_5  
(AB00325)

DPF

Year/Month

2023-01-17





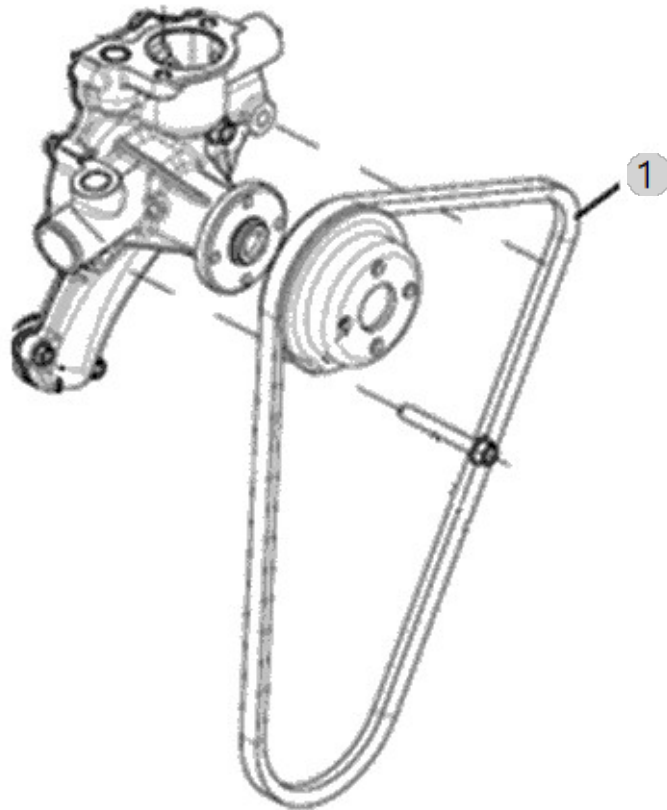
A48\_006

A1700N4-ETC\_5  
(AB00325)

V-BELT

Year/Month

2023-01-17





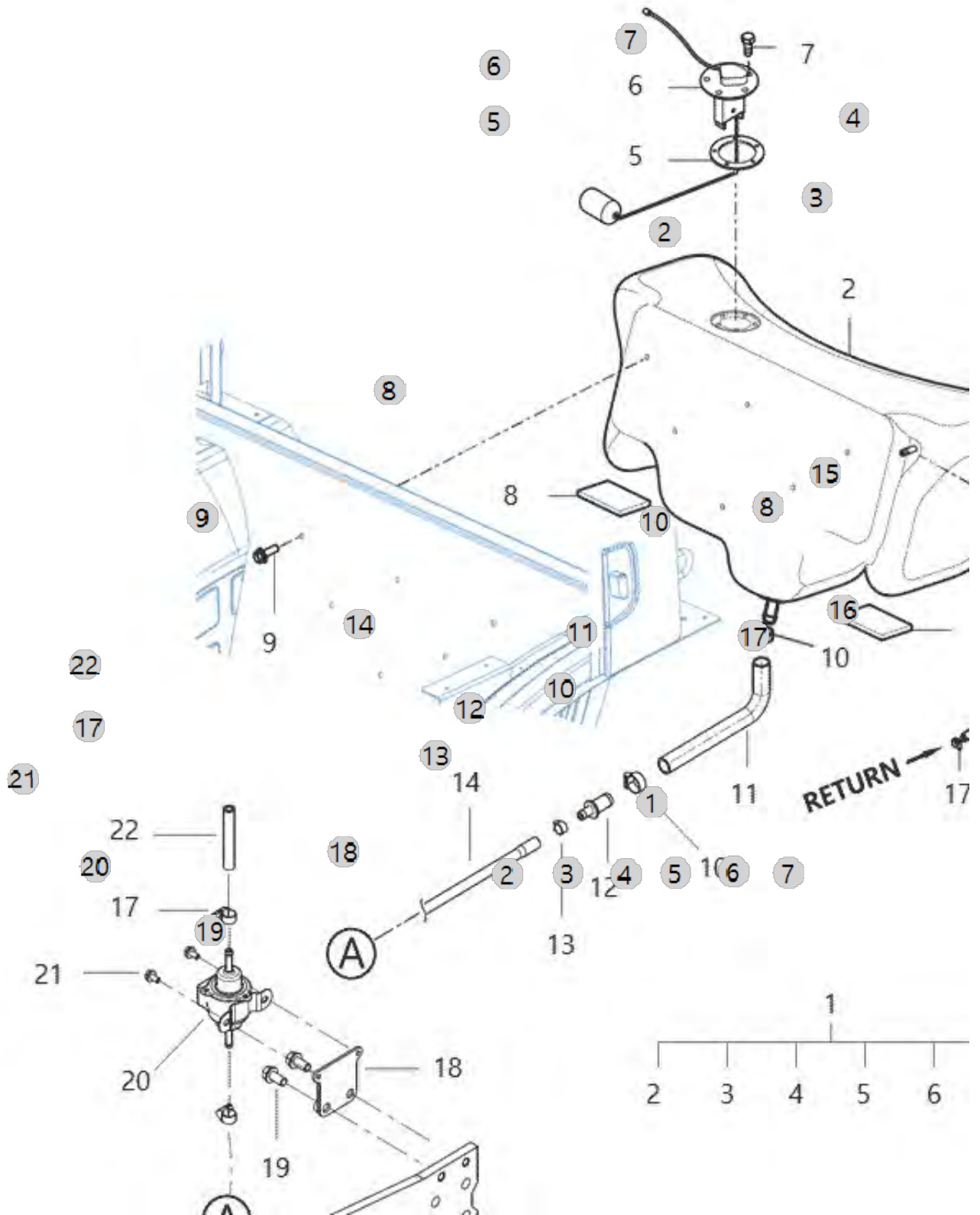
B01010

F36CHN\_EU\_FL  
(AC02134)

FUEL TANK

Year/Month

2023-01-17





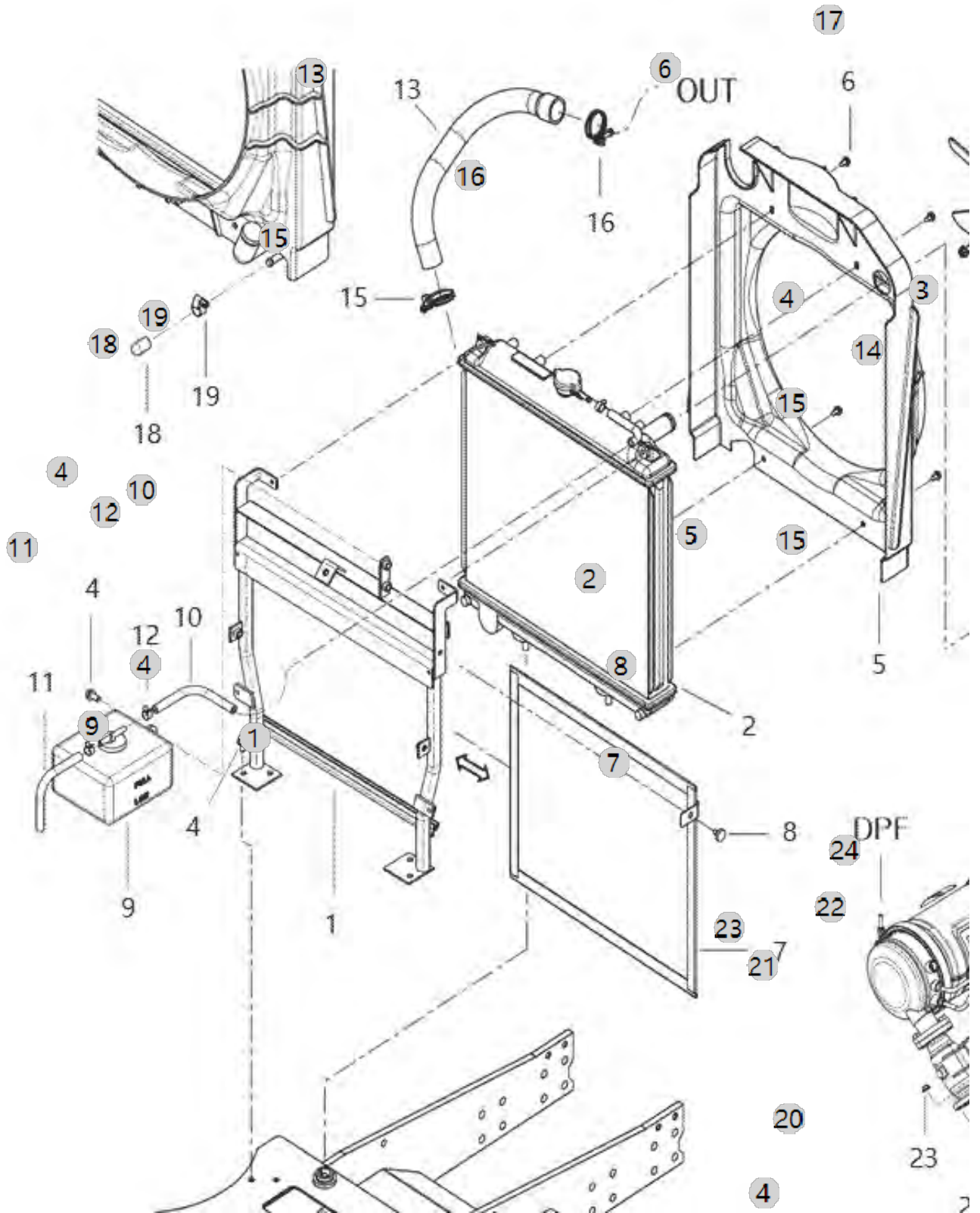
B02020A

F36CHN\_EU\_FL  
(AC02134)

# RADIATOR

Year/Month

2023-01-17





B02020A F36CHN_EU_FL (AC02134)		RADIATOR				Year/Month 2023-01-17
순번 (NO)	부품번호 (PART NO)	품명 (PART NAME)	품명 (PART NAME)	수량 (QTY)	규격 (SPEC)	비고 (REMARK)
1	TA00054329C	라디에이터 브래킷 조합(K3C)	BRACKET ASSY, RADIATOR	1		
1	TA00054329E	라디에이터 브래킷 조합(K3C)	RADIATOR BRACKET ASS'Y, K3C	1		
1	TA00054329B	라디에이터 브래킷 조합(K3C)	BRACKET ASSY, RADIATOR	1		
1	TA00054329D	라디에이터 브래킷 조합(K3C)	RADIATOR BRACKET ASS'Y, K3C	1		
2	HRA1203000B1	라디에이터조합	RADIATOR ASSY	1		
3	26014-060252	와셔조립육각볼트(+SW,PW)	Bolt, Hexa (6-25)	2	M06X1.00X02	
4	26106-080162	플랜지볼트 8X16	SCREW,HEXFLANGEHEADCAP	7	M8XP1.25X16	
5	TA00040421C	슈라우드	SHROUD	1		
5	TA00040421B	슈라우드	SHROUD	1		
6	HRA1203200A4	태핑나사	TAPPINGSCREW	4		
7	TA00040713B	방진망조합	NET, ASSY	1		
7	TA00040713D	방진망조합	NET, ASS'Y	1		
7	TA00040713C	방진망조합	NET, ASSY	1		
8	CA00009493A	고정나사(검정)	FIX BOILT (BLACK)	1		
9	TA00041471B	냉각수보조탱크조합	SUB TANK ASS'Y	1		
9	TA00041471A	냉각수 보조탱크 조합	SUB TANK ASS'Y	1		
10	23980-730250	플로토히스	FLOAT HOSE	1	7.3X250	
11	23980-730800	플루우트히스(에어브리더)	HOSE(AIR BREATHER)	1	D7.3X800	
12	23080-013000	히스 클립	Clamp, Hose (Φ13)	2	D13	
13	TA00039707B	냉각수 히스 B	HOSE B	1		
13	TA00039707A	냉각수 히스 B	HOSE B	1		
14	TA00060737A	냉각수 히스 A	HOSE A	1		
15	23010-038000	히스밴드	HOSEBAND	3	D38	
16	23010-040000	히스밴드40	HOSEBAND	1	D40	
17	TA00048457B	냉각팬(D385)	COOLING PAN(D385)	1		
17	TA00048457A	냉각팬(D385)	FAN, COOLING	1		
18	HRC1201200A4	오일쿨러캡	CAP,COOLER	1		
19	23000-016000	히스클립	Clip, Hose (Φ16)	1	D16	
20	TA00060420A	배기파이프 조합(RESONATOR)	EXHAUST PIPE ASSY(RESONATOR)	1		
21	EA00006088A	가스켓(배기밸브)	GASKET, ASSEMBLE TYPE ELECTRONIC EXHAUST VALVE	2	T2.0	
22	26106-080302	육각플랜지볼트	HEX BOLT, FLANGE	3	M8XP1.25X30	
23	26367-080002	259, 육각플랜지너트	HEX FLANGE NUT (Φ8)	3	M8XP1.25	
24	EA00005795B	전자식배기밸브ASS'Y(조립식)	ELECTRONIC EXHAUST VALVE ASS'Y (ASSEMBLE TYPE)	1		
24	EA00005795C	전자식배기밸브ASS'Y(조립식)	ELECTRONIC EXHAUST VALVE ASS'Y (ASSEMBLE TYPE)	1		

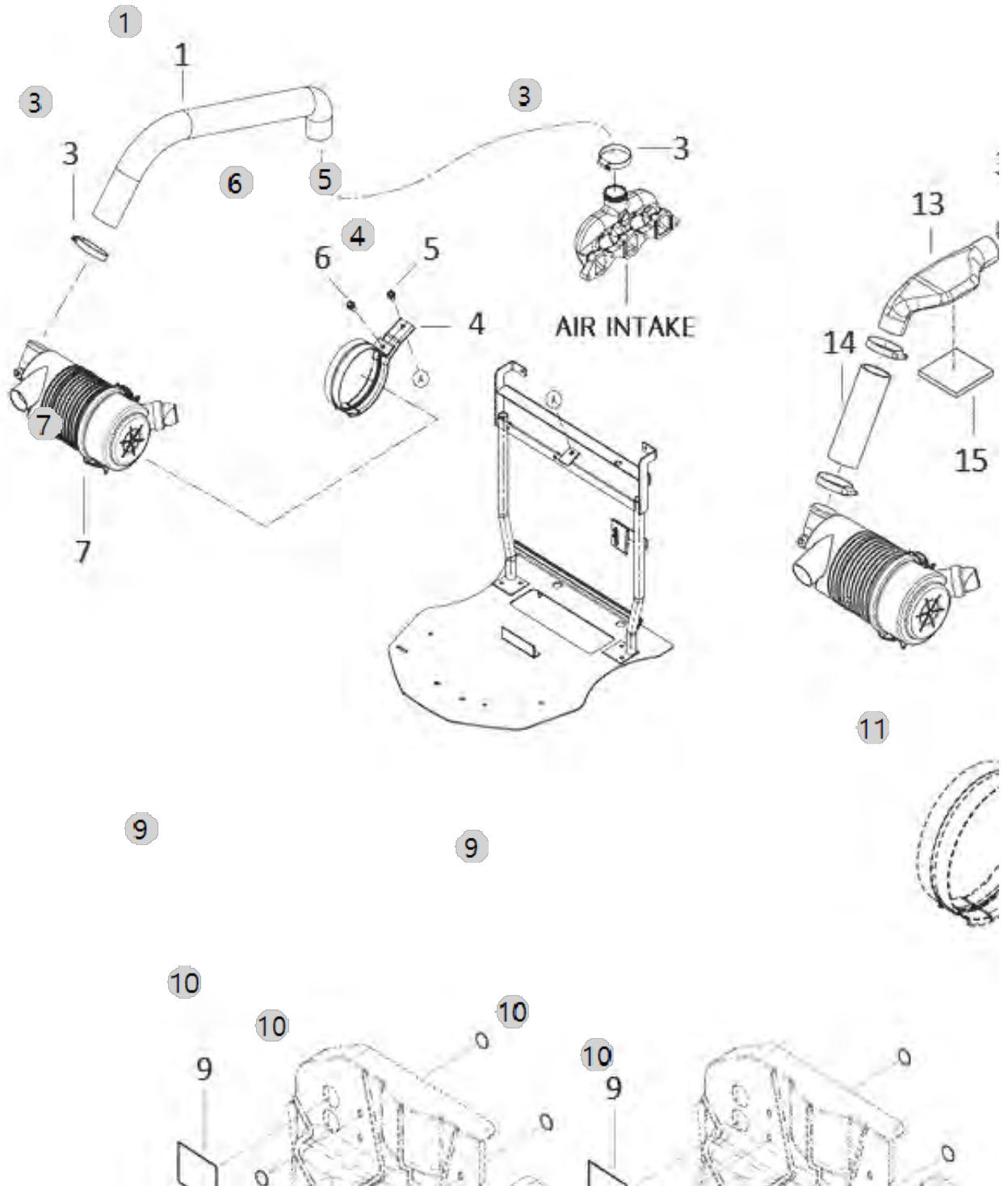
B03010A

F36CHN\_EU\_FL  
(AC02134)

# AIR CLEANER

Year/Month

2023-01-17





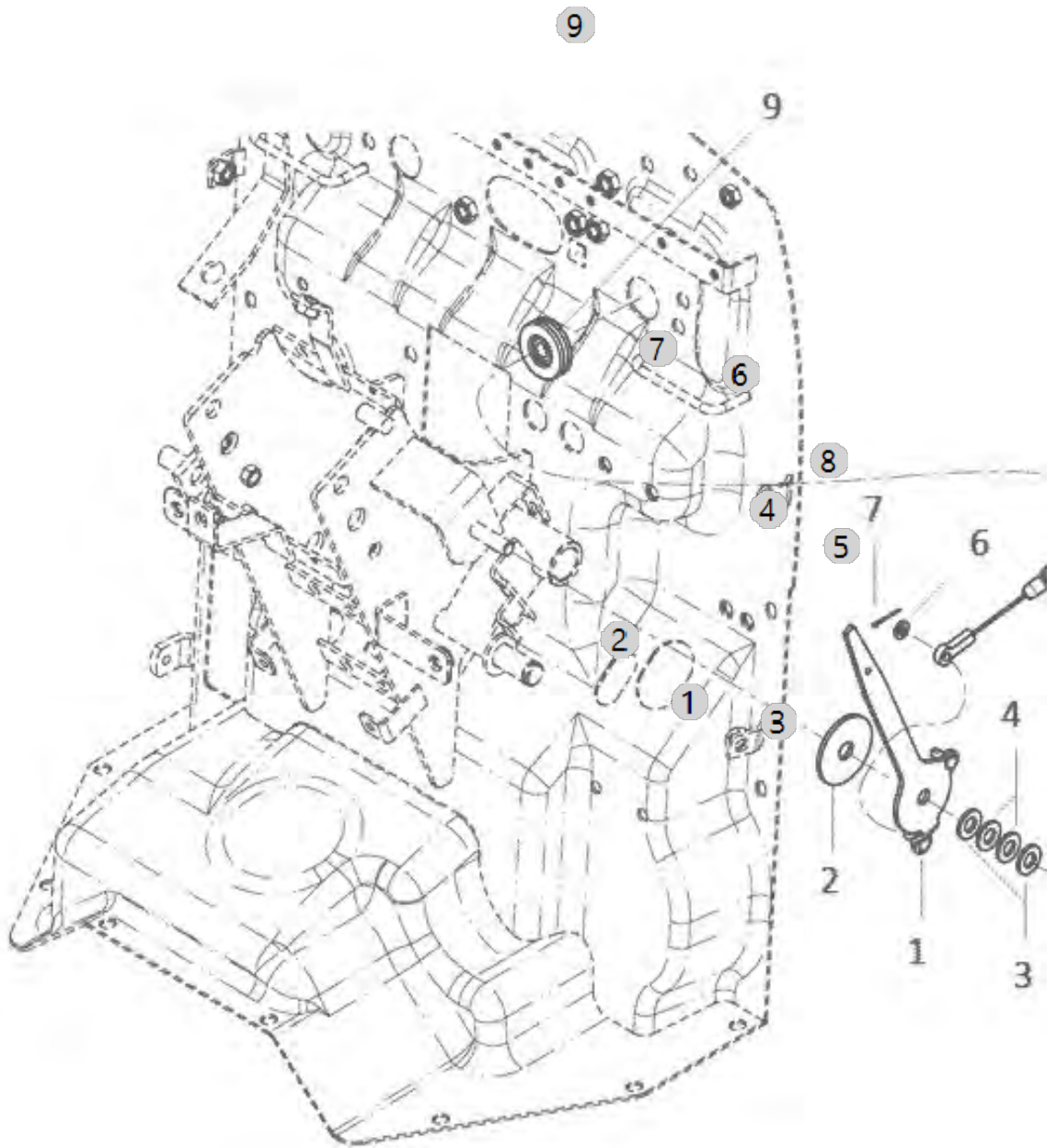
B05011

F36CHN\_EU\_FL  
(AC02134)

# LEVER ACCELERATOR

Year/Month

2023-01-17





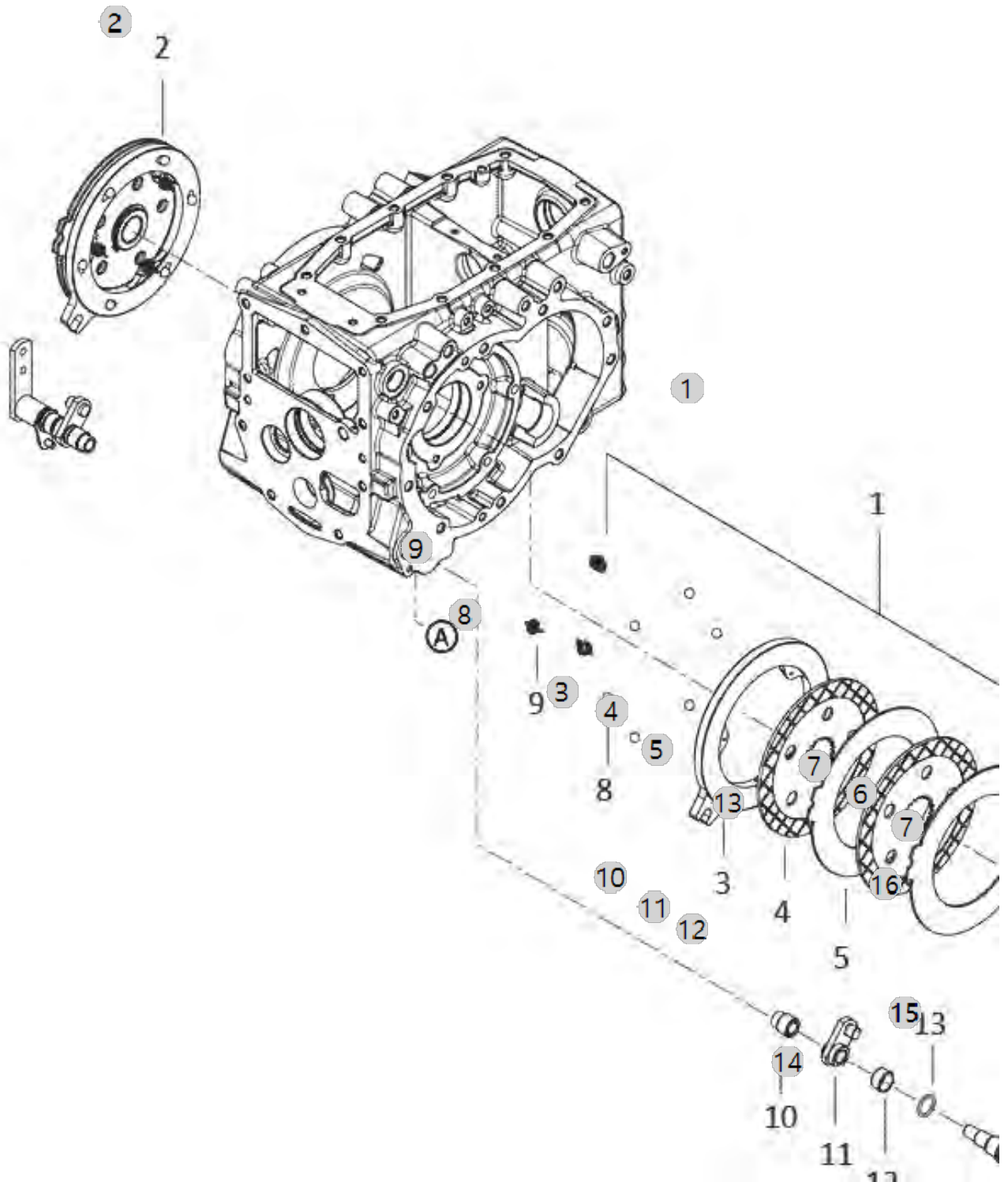
C02000

F36CHN\_EU\_FL  
(AC02134)

BRAKE

Year/Month

2023-01-17



C02000 F36CHN_EU_FL (AC02134)	BRAKE	Year/Month
		2023-01-17

순번 (NO)	부품번호 (PART NO)	품명 (PART NAME)	품명 (PART NAME)	수량 (QTY)	규격 (SPEC)	비고 (REMARK)
1	TA00038592B	브레이크 조합(좌)	BRAKE ASSY (LH)	1		
2	TA00038593B	브레이크 조합(우)	BRAKE ASSY (RH)	1		
3	TA00038520A	캠플레이트(좌)	CAM PLATE (LH)	1		
3	TA00038521A	캠플레이트(우)	CAM PLATE (RH)	1		
4	TA00038495B	디스크	DISK	4		
5	TA00038493A	압력판	PRESSURE PLATE	4		
6	TA00038494A	보스	BOSS	2		
7	22242-000580	축용스냅링58	SNAP RING	4		
8	24190-160001	강구1/2	BALL,STEEL	12		
9	TN50070000A4	스프링	SPRING	6	D2.3	
10	TA00038463C	브레이크 레버 부싱	BRAKE LEVER BUSHING	2		
10	TA00038463B	브레이크 레버 부싱	BRAKE LEVER BUSHING	2		
11	TA00038466C	브레이크 내측 암	BRAKE INNER ARM	2		
11	TA00038466B	브레이크 내측 암	BRAKE INNER ARM	2		
12	24550-025150	BUSH25X15	BUSH 25X15	2	25X15	
13	24311-000250	O-RINGP25	O-RING, DYNAMIC (Φ25)	2		
14	TA00038470A	플레이트	PLATE	2		
14	TA00038470B	플레이트	PLATE	2		
15	26013-080182	와셔조립육각볼트(+SW)	SCREW,CAPTIVEWASHERCAP	2	M8XP1.25X18	
16	TA00038474F	브레이크 레버	BRAKE LEVER	2		
16	TA00038474C	브레이크 레버	BRAKE LEVER	2		
16	TA00038474E	브레이크 레버	BRAKE LEVER	2		
16	TA00038474D	브레이크 레버	BRAKE LEVER	2		

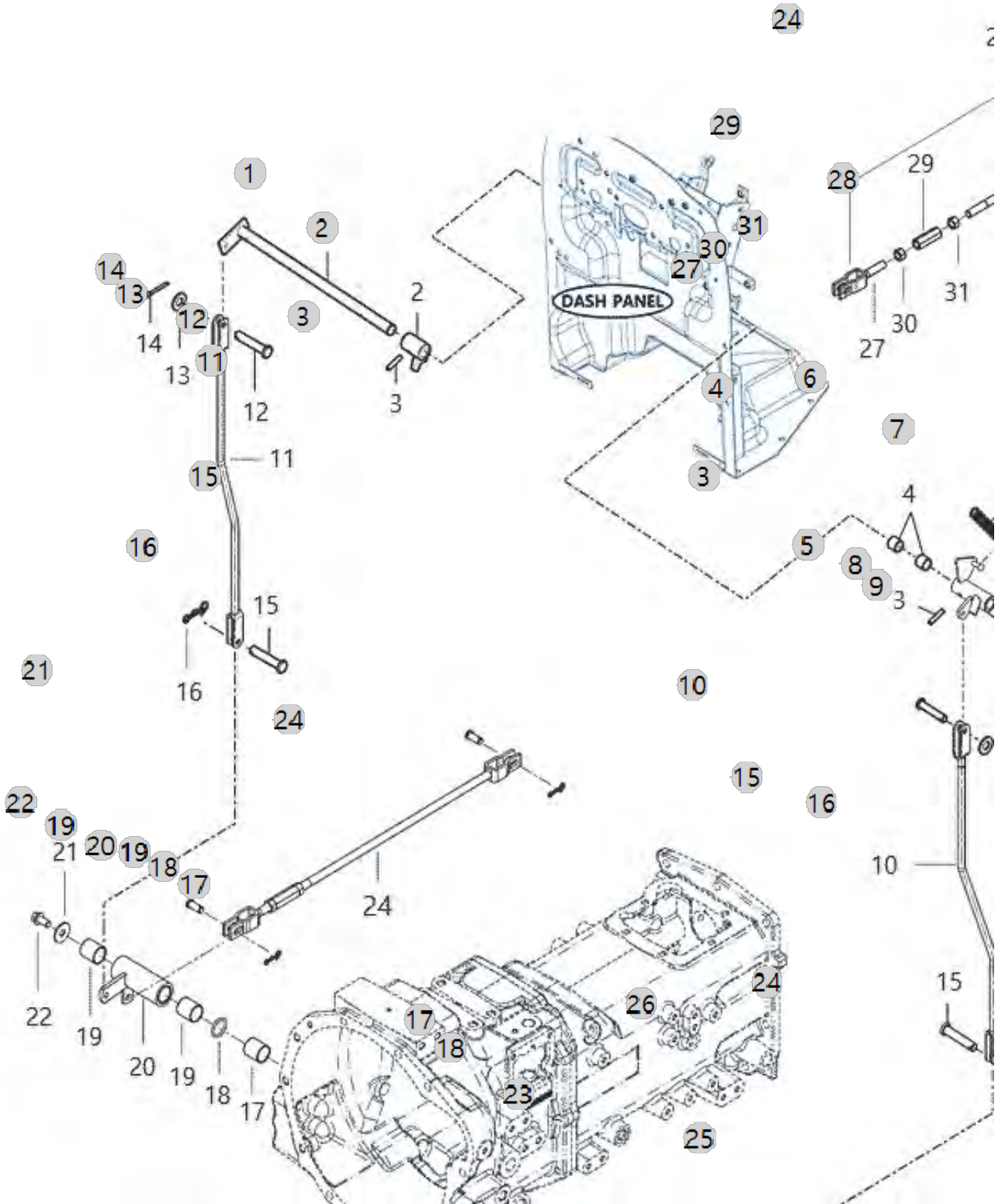
C02010

F36CHN\_EU\_FL  
(AC02134)

# BRAKE PEDAL

Year/Month

2023-01-17





C02010 F36CHN_EU_FL (AC02134)		BRAKE PEDAL				Year/Month 2023-01-17
순번 (NO)	부품번호 (PART NO)	품명 (PART NAME)	품명 (PART NAME)	수량 (QTY)	규격 (SPEC)	비고 (REMARK)
1	TA00055998A	암(브레이크)COMP-HST	ARM(BRAKE) COMP-HST	1		
1	TA00055998B	암(브레이크)COMP-HST	ARM(BRAKE) COMP-HST	1		
2	TA00057275B	암(주차브레이크)COMP-HST	ARM(PARKING BRAKE) COMP_HST	1		
2	TA00057275A	암(주차브레이크)COMP-HST	ARM(PARKING BRAKE) COMP_HST	1		
3	22351-080036	스프링핀8X36	PIN, SPRING (8-36)	2	D8X36	
4	TA00051760A	부시(20X23X20)	BUSH , 20X23X20	2		
5	TA00056000B	브레이크페달(HST)	BRAKE PEDAL, HST	1		
5	TA00056000A	브레이크페달(HST)	PEDAL COMP , RH BRAKE	1		
6	TA00052470B	클러치 리턴 스프링	RETURN SPRING , CLUTCH	1		
6	TA00052470A	클러치 리턴 스프링	RETURN SPRING , CLUTCH	1		
7	TA00055564A	패드	PAD	1		
8	22137-200000	평와셔	WASHER , PLAIN	1		
9	22242-000200	축용스냅링20	SNAP RING, SHAFT (Φ 20)	1	D20(축용)	
10	TA00054019A	브레이크 로드(L)	ROD ASSY, BRAKE(L)	1		
10	TA00054019C	브레이크 로드(L)	ROD ASSY, BRAKE(L)	1		
10	TA00054019B	브레이크 로드(L)	ROD ASSY, BRAKE(L)	1		
11	TA00054021A	브레이크 로드(R)	ROD ASSY, BRAKE(R)	1		
11	TA00054021B	브레이크 로드(R)	ROD ASSY, BRAKE(R)	1		
12	TA00051397A	핀	PIN	2		
12	TA00051397B	핀	PIN	2		
13	22137-080000	와셔8	WASHER, PLAIN (Φ 08)	2	M8	
14	22417-200200	할핀	PIN , COTTER (2-20)	2	D1.8	
15	22487-080160	두부핀 8X16	PIN, HEAD (08-16)	2	D8X16	
16	22360-080000	스냅핀8	PIN , SNAP (8Φ)	2	D8	
17	24550-025300	드라이부시	DRY BUSH	2	25X30	
18	24311-000250	O-RINGP25	O-RING, DYNAMIC (Φ25)	2		
19	24550-025300	드라이부시	DRY BUSH	2	25X30	
20	TA00054016C	브레이크 링크(우)조합	BRAKE LINK ASS'Y, RH	1		
20	TA00054016B	브레이크 링크(우)조합	LINK ASSY, BRAKE(R)	1		
21	22157-100000	평와셔	WASHER, PLAIN (Φ 10)	1	M10	
22	26106-100202	육각플랜지볼트	HEX BOLT, (10-20)	1	M10XP1.5X20	
23	TA00054012B	브레이크 축 조합	SHAFT ASSY, BRAKE	1		
23	TA00054012C	브레이크 축 조합	SHAFT ASSY, BRAKE	1		
24	TA00038925D	브레이크 로드 조합	BRAKE ROD ASS'Y	2		
24	TA00038925A	브레이크 로드 조합	ROD ASSY	2		
24	TA00038925C	브레이크 로드 조합	BRAKE ROD ASS'Y	2		
24	TA00038925E	브레이크 로드 조합	BRAKE ROD ASS'Y	2		
24	TA00038925B	브레이크 로드 조합	ROD ASSY	2		
25	22487-100200	두부핀 10X20	PIN, HEAD (10-20)	4	D10X20	
26	RR51230000C4	빠짐방지 스패핀 10	PIN 10, COME-OFF SNAP	4	D1.8	
26	RR51230000B4	빠짐방지 스패핀 10	SNAP PIN	4	D1.8	
26	RR51230000D4	빠짐방지 스패핀 10	PIN 10, COME-OFF SNAP	4	D1.8	
26	RR51230000C	빠짐방치 스패핀 10	SNAP PIN	4		
27	TA00036183D	로드(좌)	ROD ASS'Y L	2		
27	TA00036183A	로드(좌)	ROD ASSY L	2		



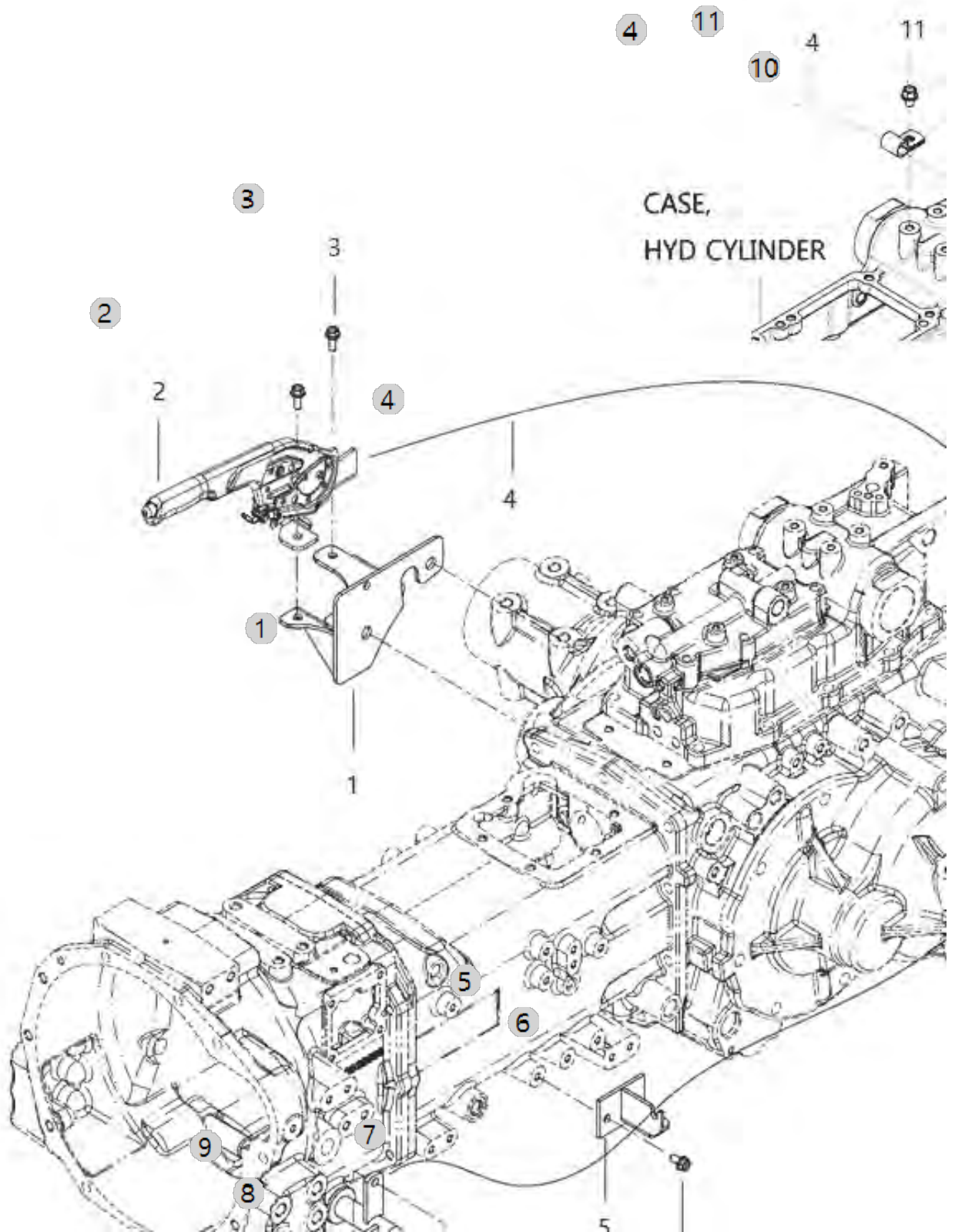
C02050

F36CHN\_EU\_FL  
(AC02134)

# PARKING BRAKE

Year/Month

2023-01-17





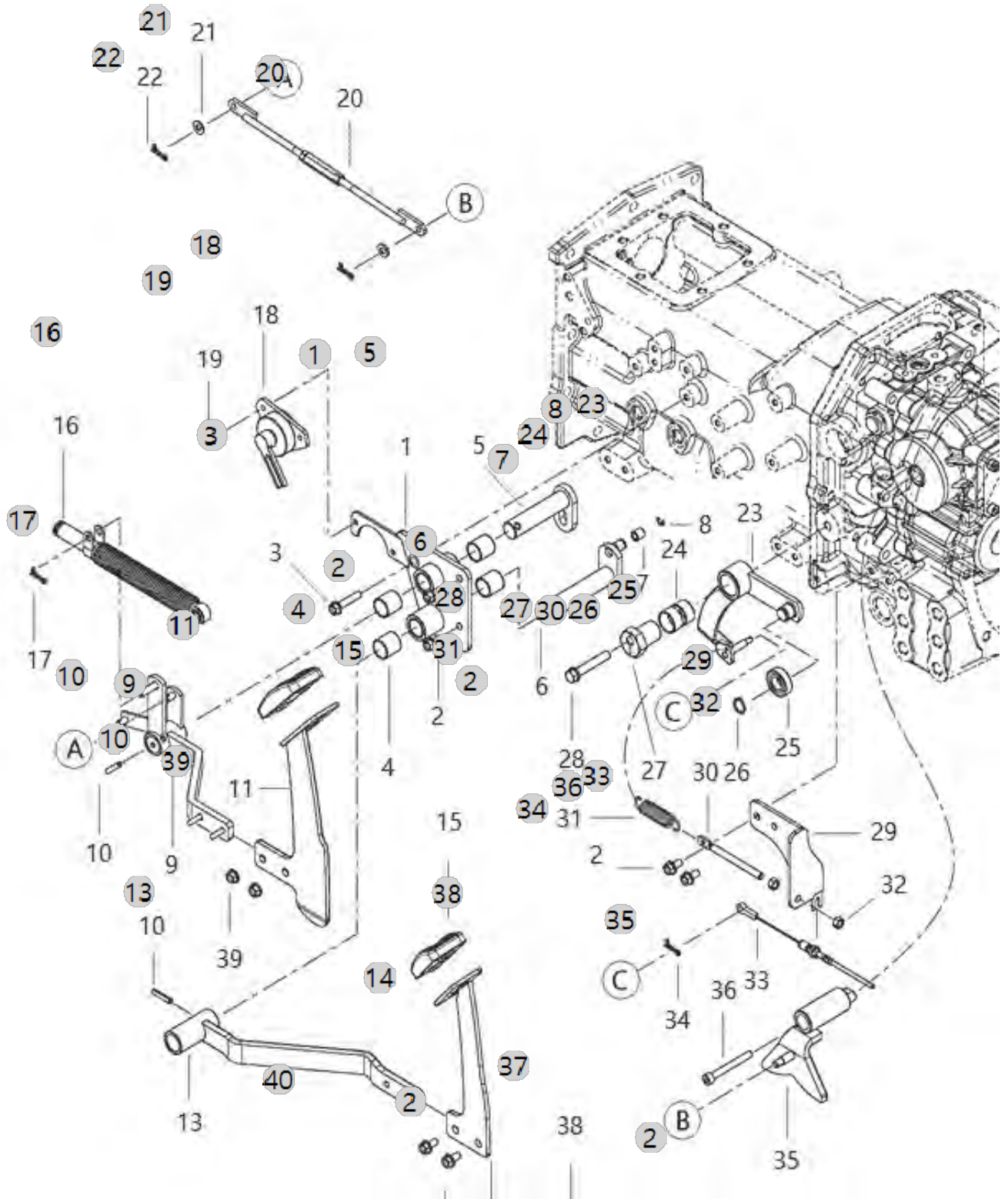
C03010

F36CHN\_EU\_FL  
(AC02134)

### HYD SHIFT TRANSMISSION PEDAL

Year/Month

2023-01-17



C03010 F36CHN_EU_FL (AC02134)		HYD SHIFT TRANSMISSION PEDAL				Year/Month 2023-01-17
순번 (NO)	부품번호 (PART NO)	품명 (PART NAME)	품명 (PART NAME)	수량 (QTY)	규격 (SPEC)	비고 (REMARK)
1	TA00054821A	HST페달 브래킷 조합	BRACKET ASSY, PEDAL	1		
1	TA00054821B	HST페달 브래킷 조합	HST PEDAL BRACKET ASS'Y	1		
2	26106-080162	플랜지볼트8X16	SCREW,HEXFLANGEHEADCAP	8	M8XP1.25X16	
3	26106-080402	451,ALL,플랜지볼트	SCREW,HEXFLANGEHEADCAP	1		
4	24550-022250	드라이부시	BUSH	4		
5	TA00042599C	축조합(전진)	SHAFT ASSY(F)	1		
5	TA00042599B	축조합(전진)	SHAFT ASSY(F)	1		
6	TA00042600B	축조합(후진)	SHAFT ASSY(R)	1		
6	TA00042600C	축조합(후진)	SHAFT ASSY(R)	1		
7	TA00033126A	롤러	ROLLER	1		
8	22272-000060	SNAP RING	RING, CIRCLIP (Φ 06)	1	D6	
9	TA00054825C	전진페달조합	PEDAL ASS'Y, FRONT	1		
9	TA00054825B	전진페달조합	PEDAL ASS'Y, FRONT	1		
9	TA00054825D	전진페달조합	FORWAHD PEDAL ASS'Y	1	4215CH	
10	22351-060030	스프링핀	PIN, SPRING (6-30)	2		
11	TA00054831B	전진페달	FRONT PEDAL	1		
11	TA00054831C	전진페달	FRONT PEDAL	1		
12	26106-080162	플랜지볼트8X16	SCREW,HEXFLANGEHEADCAP	2	M8XP1.25X16	
13	TA00054829B	후진페달조합	REVERSE GEAR PEDAL ASS'Y	1		
13	TA00054829A	후진페달조합	PEDAL ASS'Y, REAR	1		
14	TA00054833B	후진페달	REAR PEDAL	1		
14	TA00054833C	후진페달	REAR PEDAL	1		
15	TA00001508A	전후진페달커버	PEDAL COVER	2		
16	RA00007052A	오일댐퍼(한일)	OIL DAMPER(HANIL)	1		
17	RR64050000B4	빠짐방지 스톱핀 8	PIN 8, COME-OFF SNAP	2	D1.6	
17	RR64050000B	빠짐방지 스톱핀8	SNAP PIN	2		
17	RR64050000C4	빠짐방지 스톱핀 8	PIN 8, COME-OFF SNAP	2	D1.6	
18	TCD9110000B2	스위치(FR)	SWITCH ASS'Y	1		
18	TCD9110000D2	스위치(FR)	SWITCH(FR)	1		
18	TCD9110000C2	스위치(FR)	SWITCH(FR)	1		
19	26014-060162	와셔조립육각볼트(+SW,PW)	Bolt, Hexa (6-16)	2	M6XP1.0X16	
20	TA00057926B	HST페달로드조합	ROD ASSY	1		
20	TA00057926A	HST페달로드조합	ROD ASSY	1		
21	22137-080000	와셔8	WASHER, PLAIN (Φ 08)	2	M8	
22	RR64050000B	빠짐방지 스톱핀8	SNAP PIN	2		
22	RR64050000C4	빠짐방지 스톱핀 8	PIN 8, COME-OFF SNAP	2	D1.6	
22	RR64050000B4	빠짐방지 스톱핀 8	PIN 8, COME-OFF SNAP	2	D1.6	
23	TA00054883A	중립 조절 브래킷	ARM ASSY	1		
23	TA00054883C	중립 조절 브래킷	NEUTRAL BRACKET	1		
23	TA00054883B	중립 조절 브래킷	ARM ASSY	1		
24	24550-025150	BUSH25X15	BUSH 25X15	2	25X15	
25	24104-060034	볼베어링6003UU	Bearing, Ball (#6003) Dubble Cap	1	#6003UU	
26	22242-000170	축용스냅링17	SNAP RING, SHAFT (Φ 17)	1	D17(축용)	
27	TA00001830C	축	SHAFT	1	D36	
27	TA00001830B	축	SHAFT	1	D36	



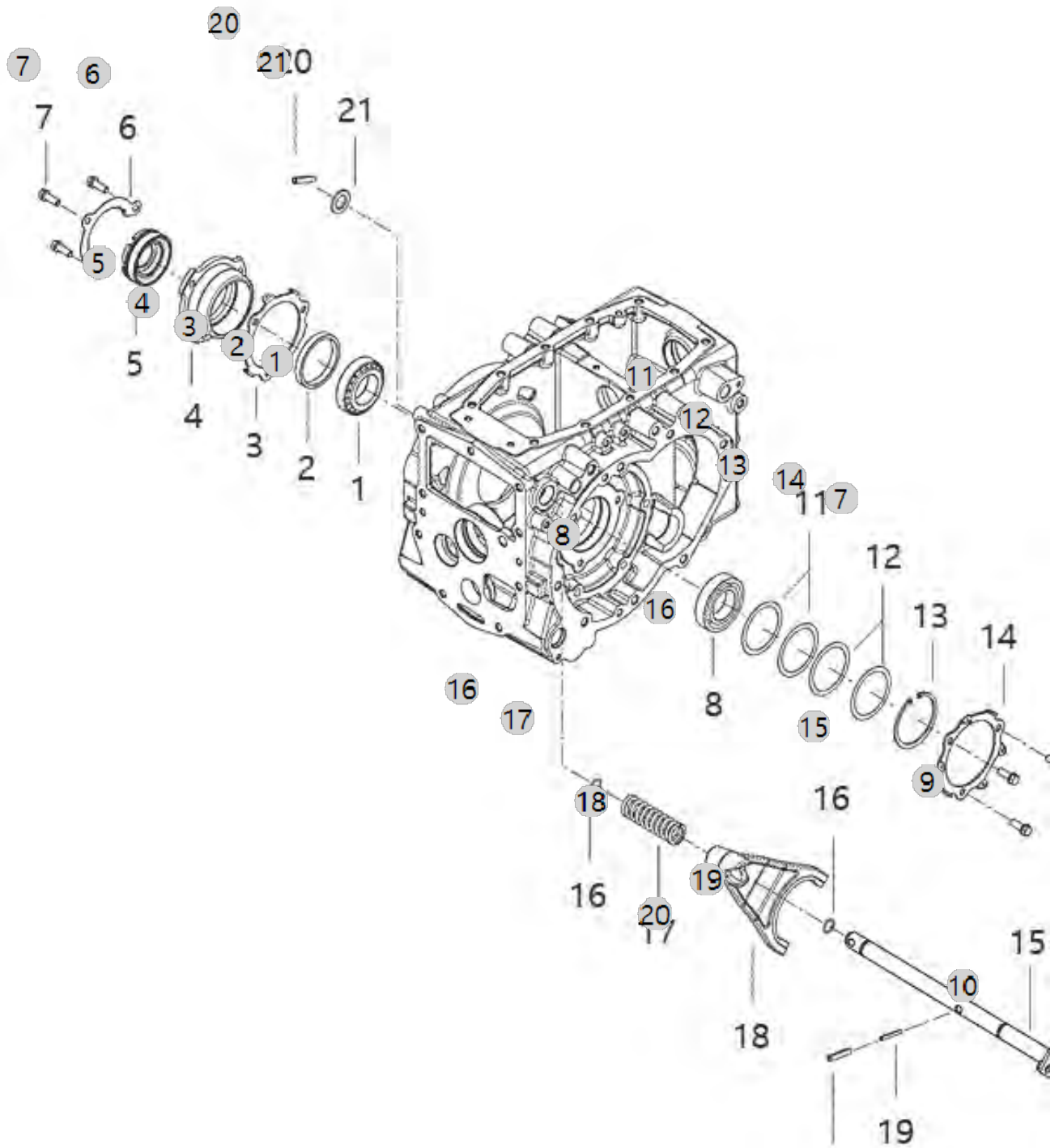
C04040

F36CHN\_EU\_FL  
(AC02134)

DIFFERENTIAL

Year/Month

2023-01-17





C04040 F36CHN_EU_FL (AC02134)		DIFFERENTIAL				Year/Month 2023-01-17
순번 (NO)	부품번호 (PART NO)	품명 (PART NAME)	품명 (PART NAME)	수량 (QTY)	규격 (SPEC)	비고 (REMARK)
1	FGH0220000A4	테이퍼롤러베어링(32210J)	BEARING(32210J)	1		
2	TA00038525A	스페이서	SPACER	1		
3	TA00038662B	스프링홀더	SPRING HOLDER	1		
4	TA00038533A	베어링 서포트	SUPPORT	1		
5	TA00038537A	스크류	SCREW	1		
6	TA00038665B	고정플레이트	FIX PLATE	1		
7	26013-100302	와셔조립육각볼트(+SW)	SCREW,CAPTIVEWASHERCAP	6	M10XP1.5X30	
8	24101-062104	볼베어링6210	BALL BEARING #6210 -> FGF4200000A4	1	#6210	
9	TA00054976B	차동페달	DIFFERENTIAL PEDAL	1		
9	TA00054976A	차동페달	DIFFERENTIAL PEDAL	1		
10	26106-080202	육각플랜지볼트	SQR FLANGE BOLT	2	M8XP1.25X20	
11	TA00038526A	심(0.1T)	SHIM(0.1T)	2		
12	TA00038527A	심(0.2T)	RANER(0.2T)	2		
13	22252-000900	구멍용스냅링90	RING, CIRCLIP (Φ 90)	1	D90	
14	TA00038662B	스프링홀더	SPRING HOLDER	1		
15	TA00054974A	차동페달 조합(K3Ch)	DIFFERENTIAL PEDAL	1		
16	24311-000160	O-링 P 16	O-RING, DYNAMIC (Φ16)	2	P16	
17	TA00038543A	차동장치 스프링	SPRING	1		
18	TA00038685B	차동포크	DIFFERENTIAL FORK	1		
18	TA00038685D	차동포크	DIFFERENTIAL FORK	1		
18	TA00038685C	차동포크	DIFFERENTIAL FORK	1		
19	22351-050040	스프링핀5X40	PIN, SPRING (5-04)	1	D5X40	
20	22351-080040	스프링핀8X40	PIN, SPRING (8-40)	2	D8X40	
21	22117-200000	평와셔	WASHER	1	M20	

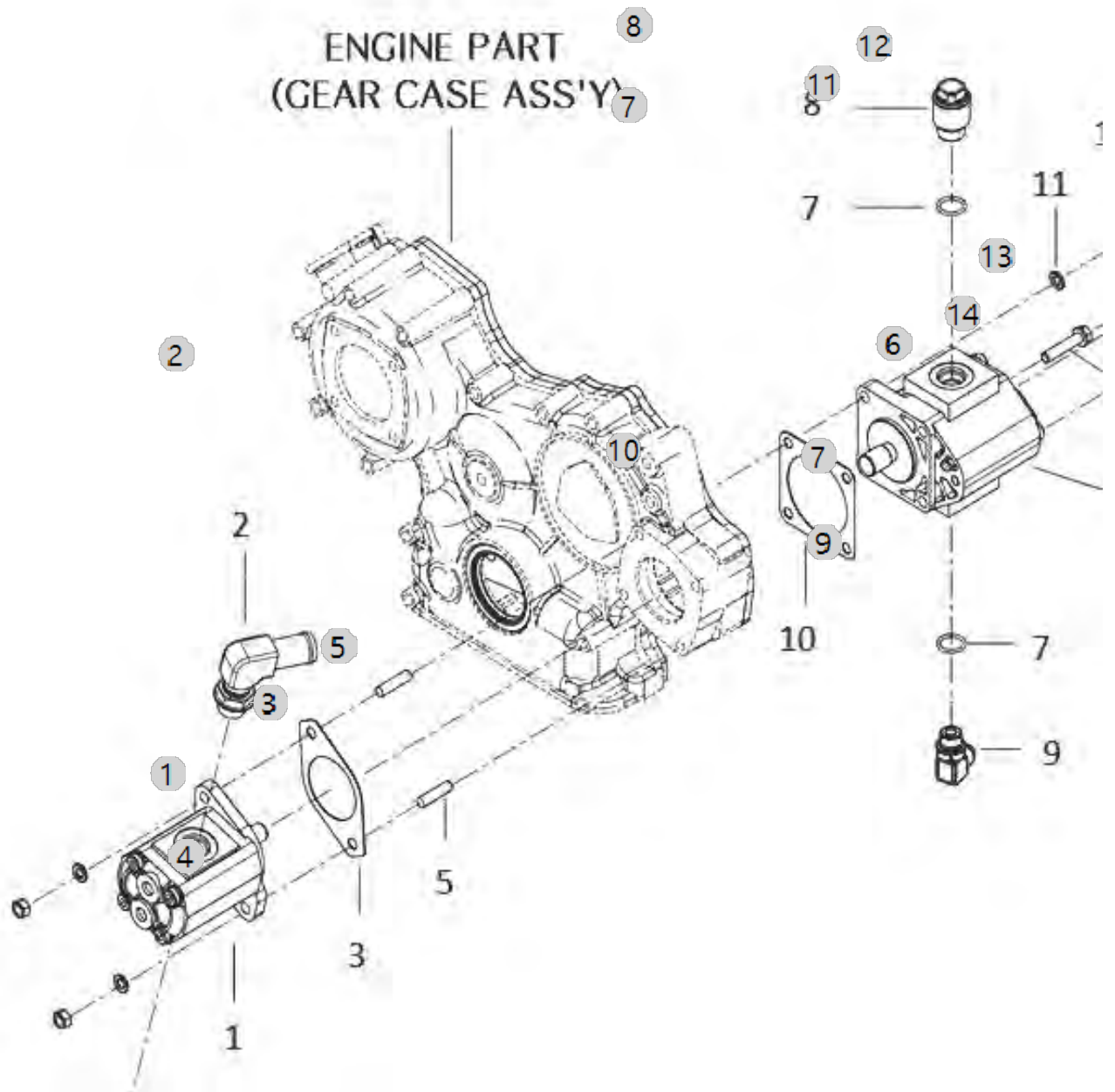
D01010A

F36CHN\_EU\_FL  
(AC02134)

# HYD PUMP

Year/Month

2023-01-17





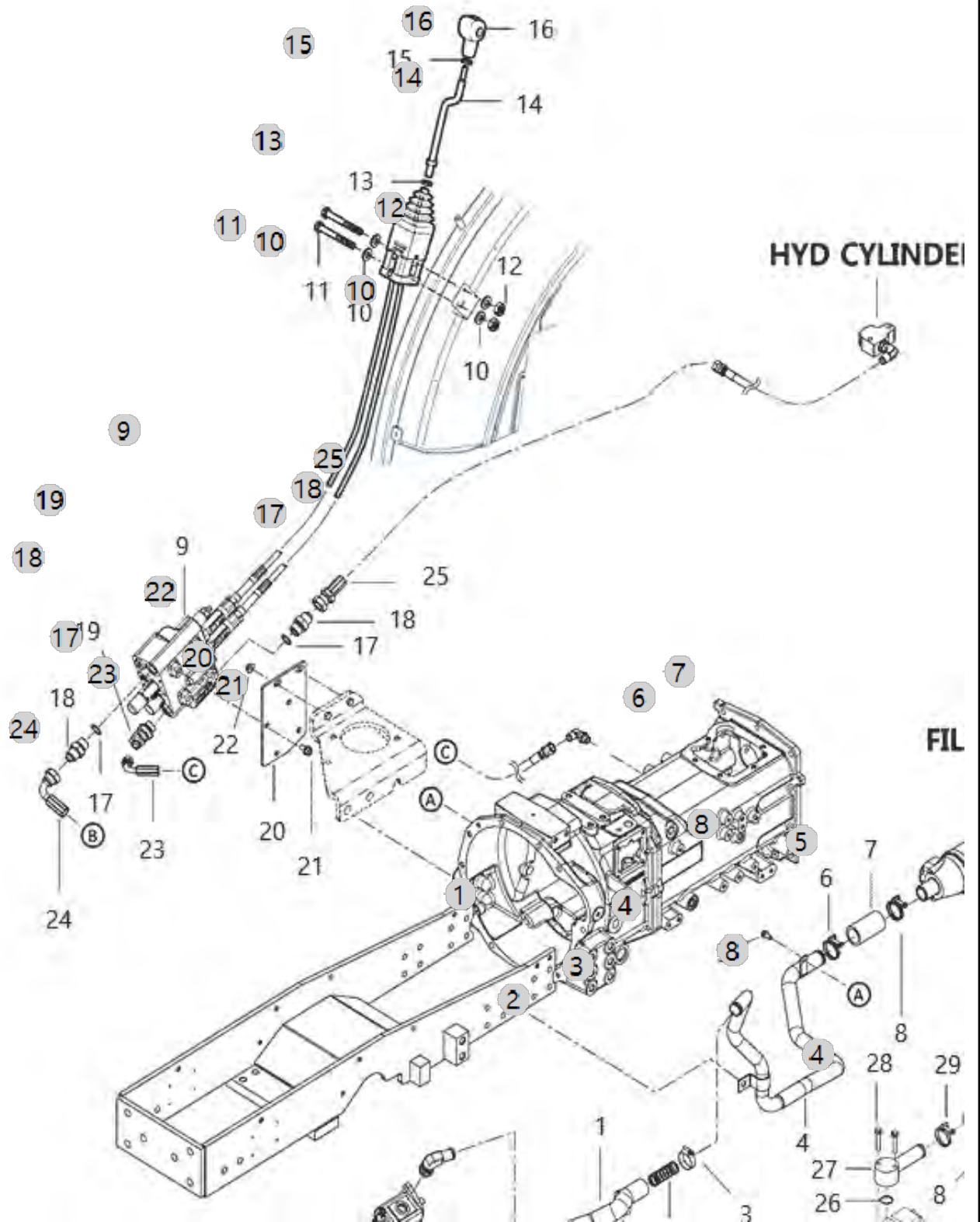
D01020A

F36CHN\_EU\_FL  
(AC02134)

LOW PRESSURE PIPE

Year/Month

2023-01-17





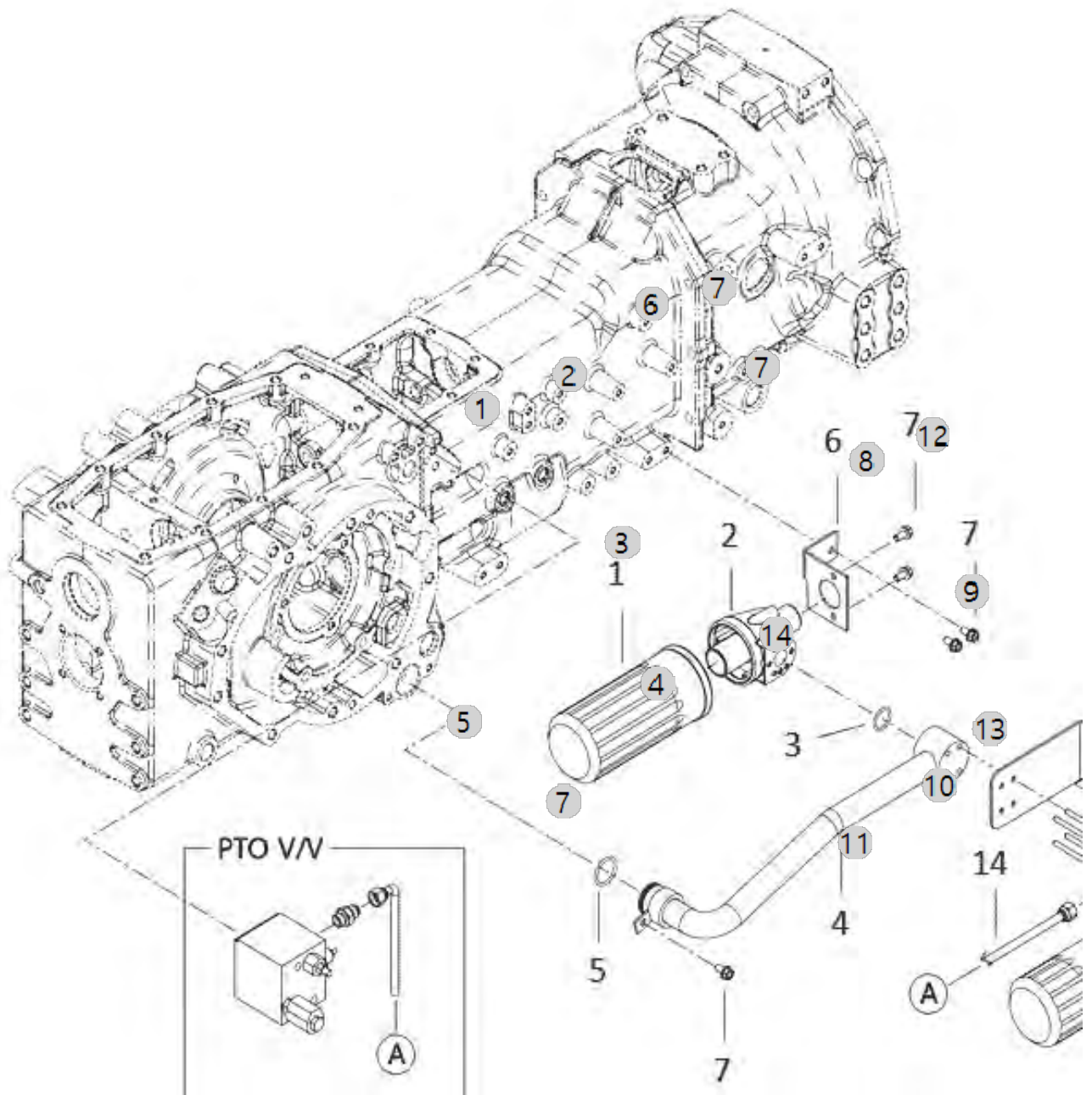
D01040

F36CHN\_EU\_FL  
(AC02134)

# HYD FILTER

Year/Month

2023-01-17



D01040 F36CHN_EU_FL (AC02134)		HYD FILTER				Year/Month
						2023-01-17
순번 (NO)	부품번호 (PART NO)	품명 (PART NAME)	품명 (PART NAME)	수량 (QTY)	규격 (SPEC)	비고 (REMARK)
1	TA00025525B	유압 필터	FILTER, HYD OIL (20R/20C SERIES)	1		
1	TA00025525C	유압 필터	HYD. FILTER	1		
2	TTB8020011A3	필터커버	COVER: FILTER	1		
3	24321-000250	O-링	O-RING	1	25G	
4	TA00053960A	저압파이프(필터)	LOWER PRESSURE PIPE(FILTER)	1		
5	24311-000320	O링(P형)	O-RING, DYNAMIC (Φ32)	1	P32	
6	TA00053957B	필터 브래킷	BRACKET, FILTER	1		
6	TA00053957A	필터 브래킷	BRACKET, FILTER	1		
7	26106-080162	플랜지볼트8X16	SCREW,HEXFLANGEHEADCAP	5	M8XP1.25X16	
8	TA00043722B	필터커버브라켓	BRACKET	1		
8	TA00043722A	필터커버브라켓	BRACKET	1		
8	TA00043722C	필터커버브라켓	FILTER COVER BRACKET	1		
9	26013-060602	와셔조립육각볼트	DRY BUSH BOLT	4		
10	TA00043718A	필터커버(HST)	COVER, FILTER	1		
11	TA00043153A	HST 유압 필터	FILTER, HST OIL (new)	1		
11	TA00043153B	HST OIL 필터	HST OIL FILTER	1		
12	26106-080122	육각플랜지볼트	Bolt, Hexa (8-12)	2	M8XP1.25X12	
13	CEE4050000B4	자리부착엘보3/8	ELBOW(3/8)	2		
13	CEE4050000A	자리부착엘보3/8	ELBOW(3/8)	2		
14	TA00043154B	유압호스A	HOSE A	1		

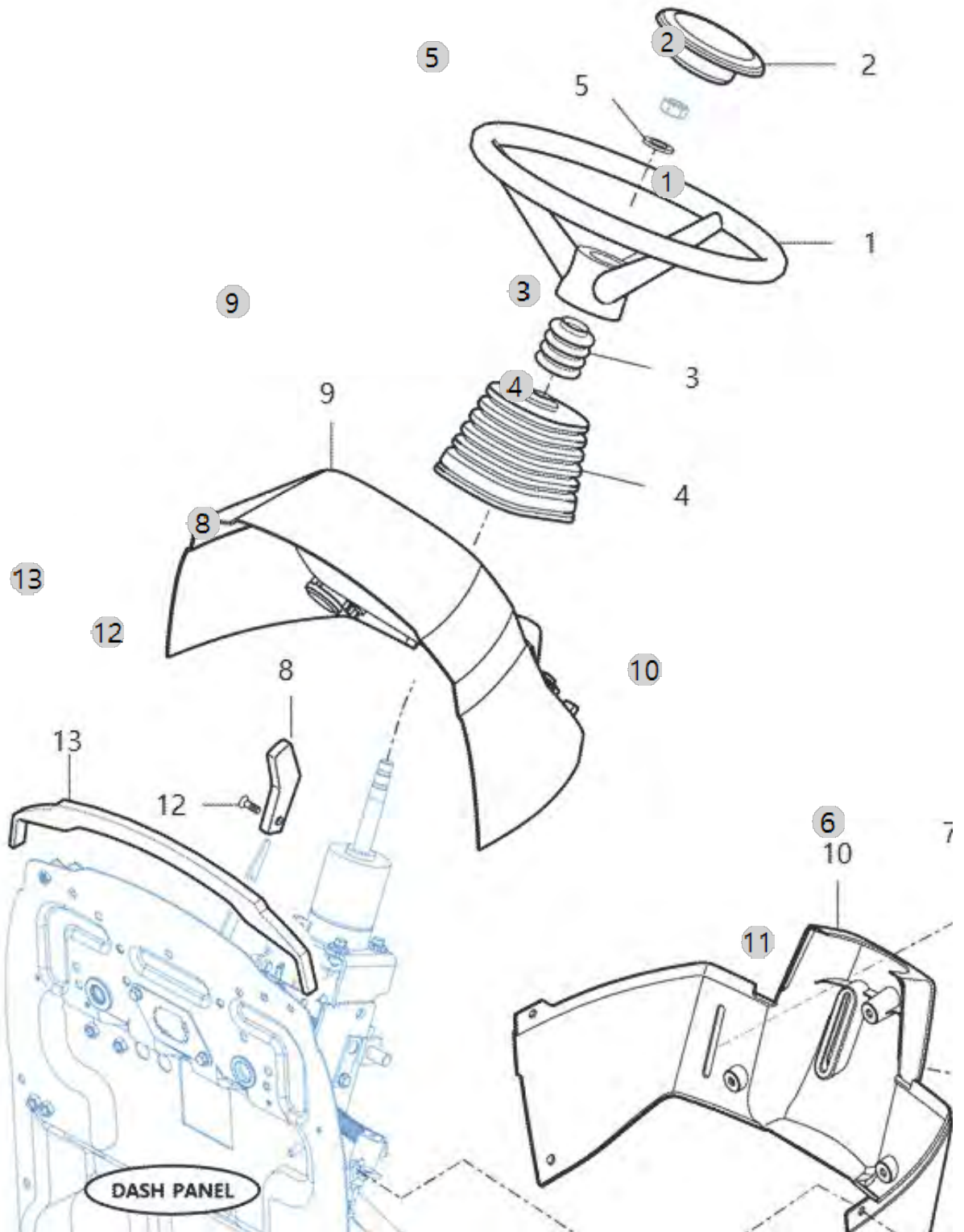
D02010

F36CHN\_EU\_FL  
(AC02134)

# STEERING COLUMN

Year/Month

2023-01-17







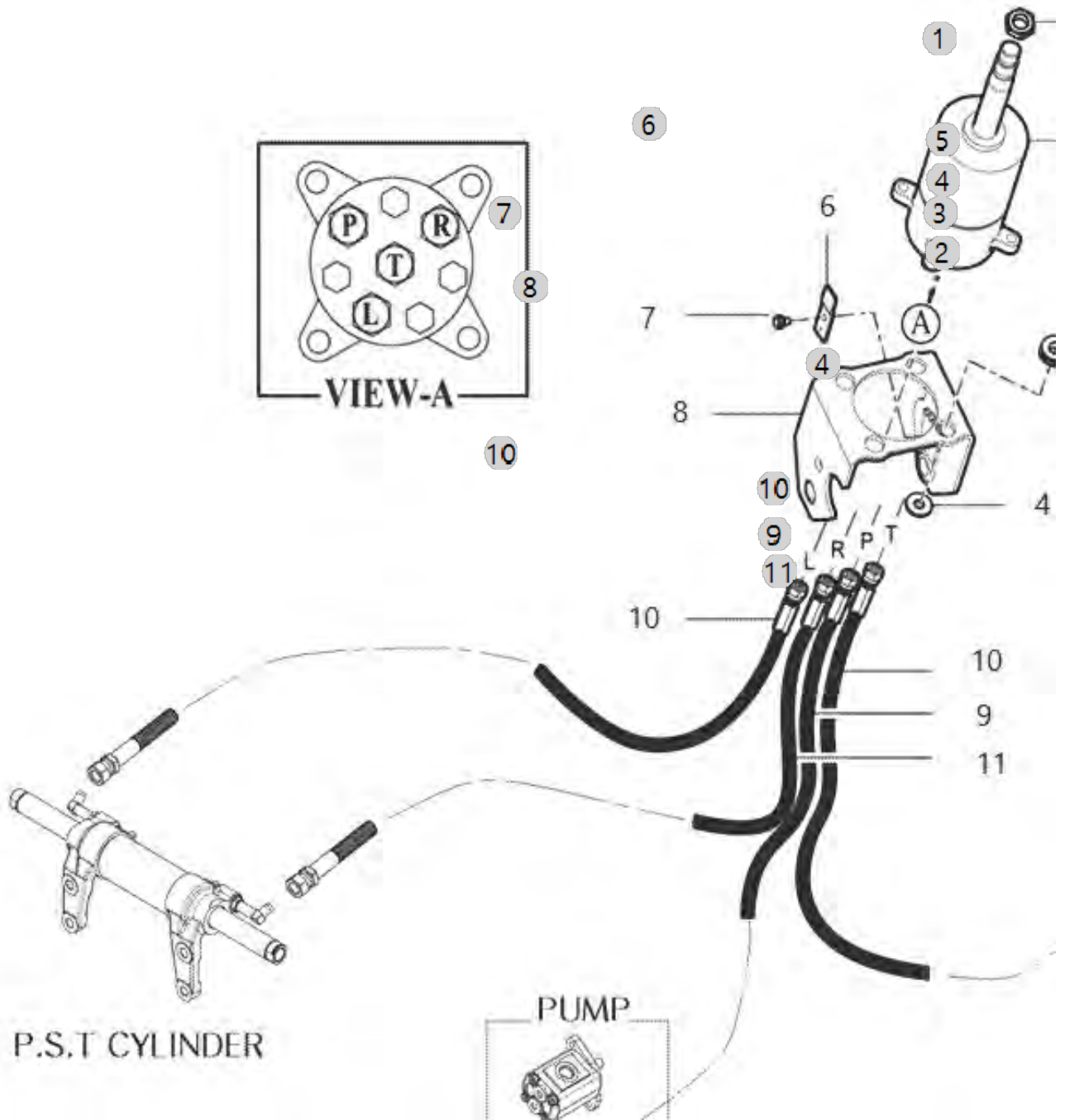
D02030

F36CHN\_EU\_FL  
(AC02134)

### P.S.T HOSE

Year/Month

2023-01-17





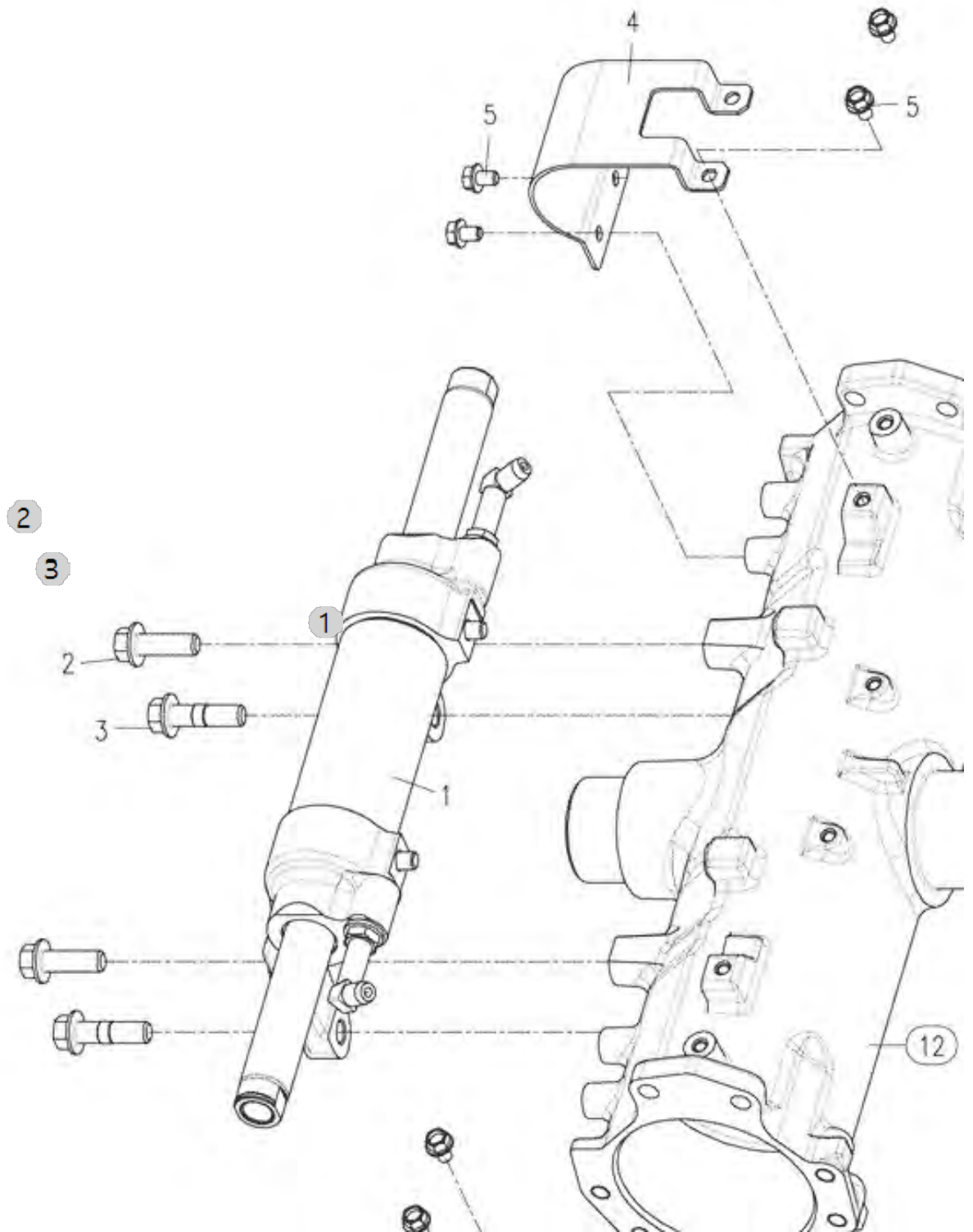
D02040A

F36CHN\_EU\_FL  
(AC02134)

P.S.T CYLINDER

Year/Month

2023-01-17





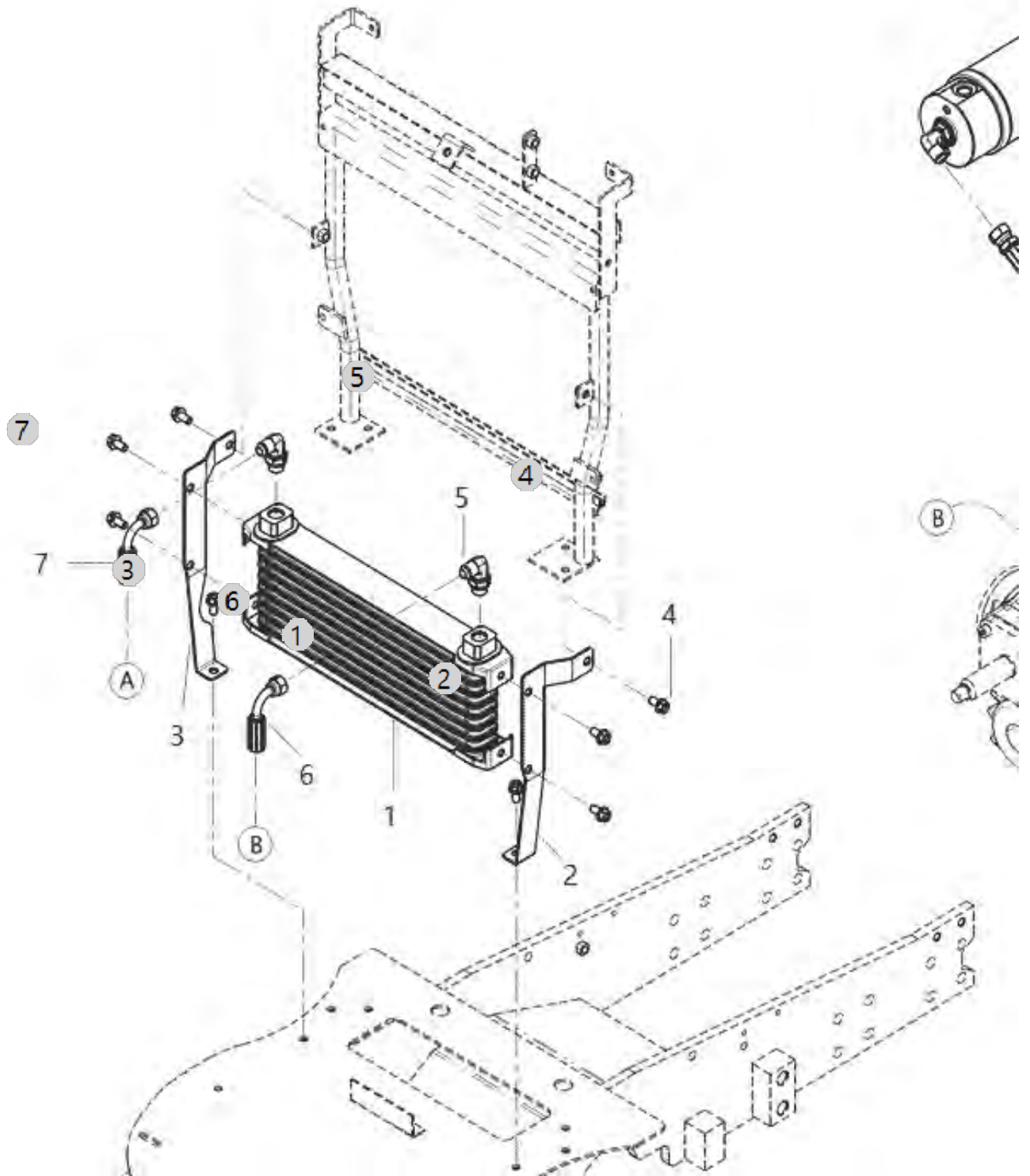
D03010

F36CHN\_EU\_FL  
(AC02134)

# OIL COOLER

Year/Month

2023-01-17





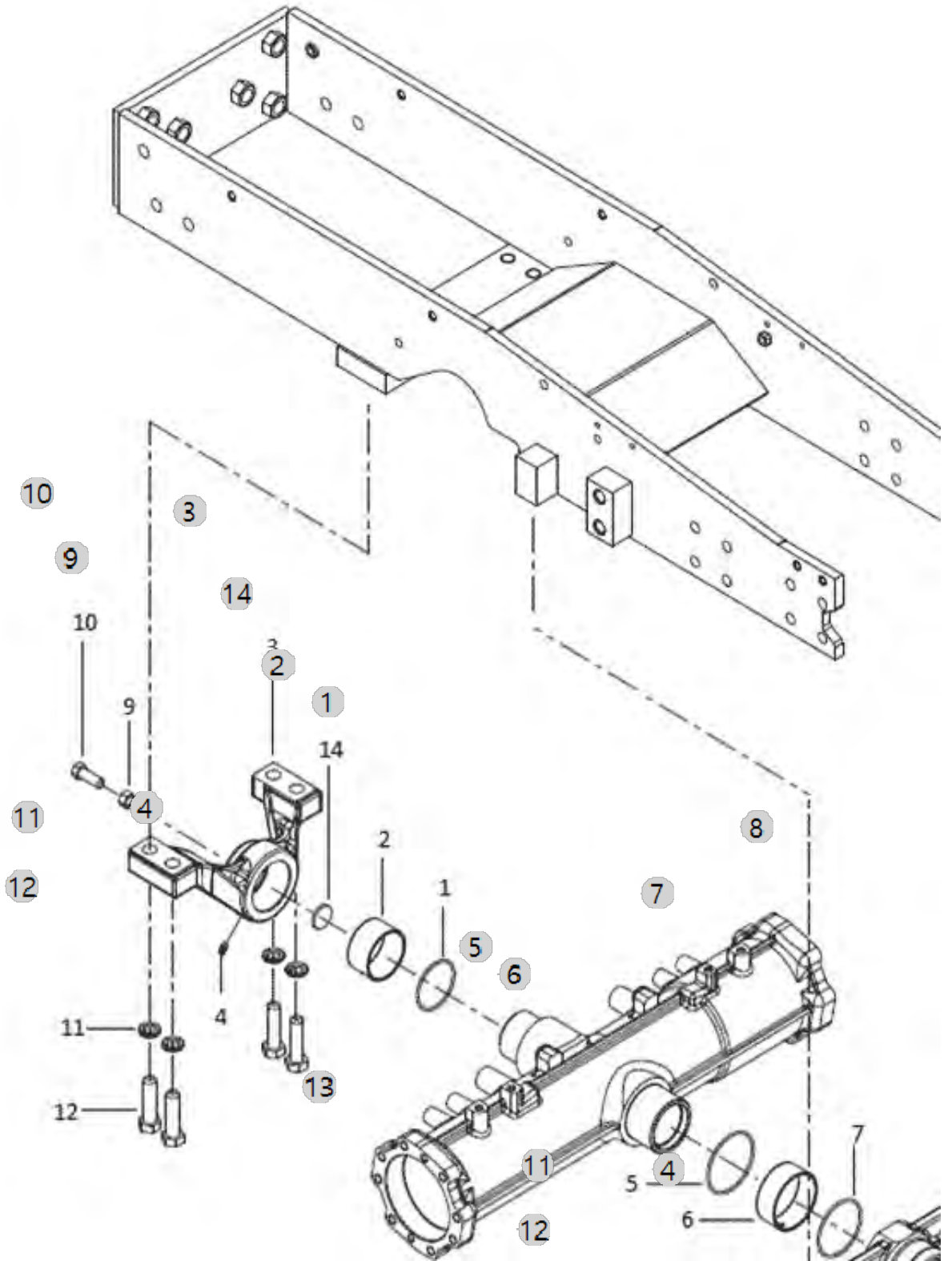
E01010A

F36CHN\_EU\_FL  
(AC02134)

# FRONT AXLE CASE

Year/Month

2023-01-17







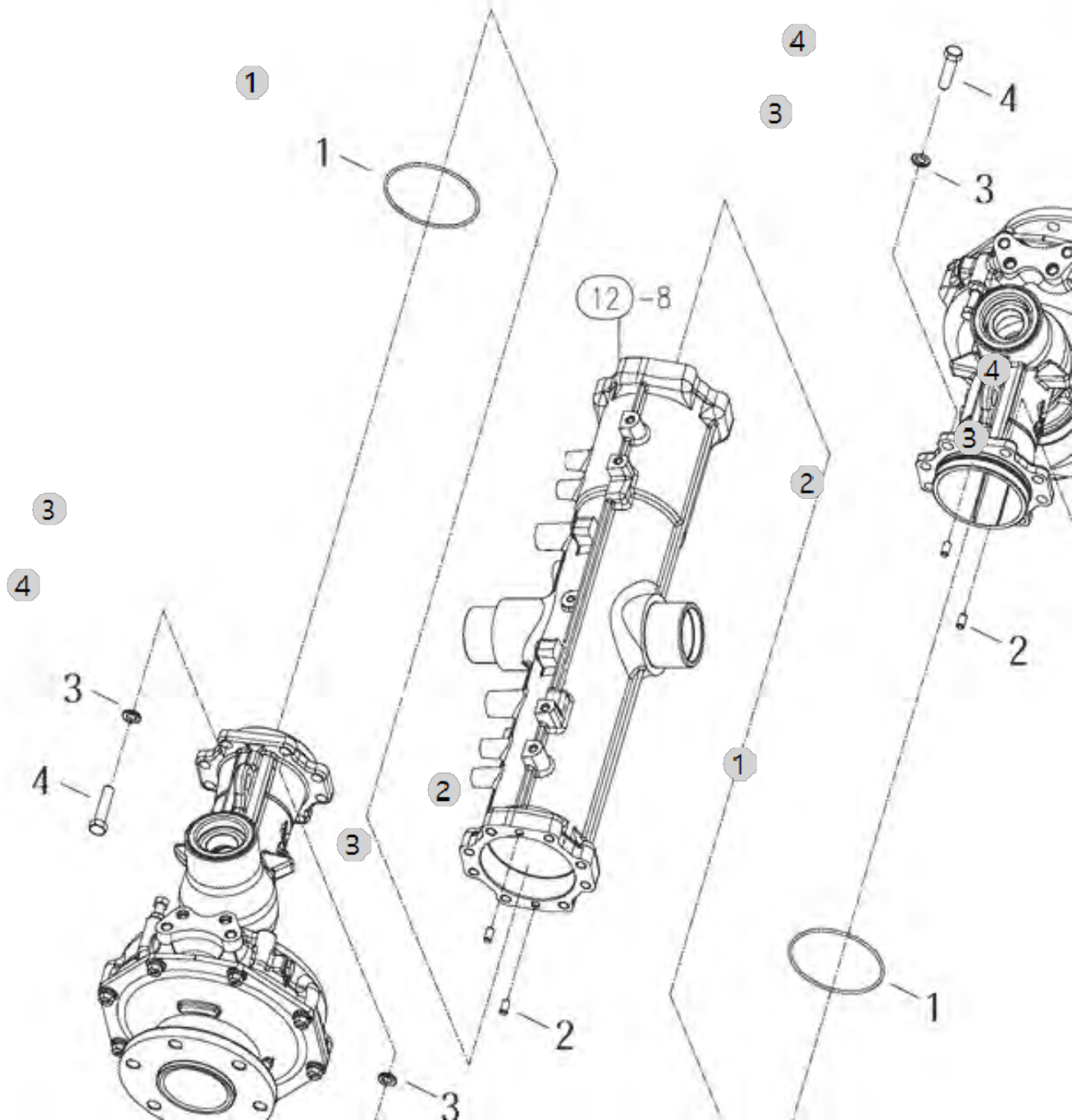
E01013

F36CHN\_EU\_FL  
(AC02134)

SPACER

Year/Month

2023-01-17





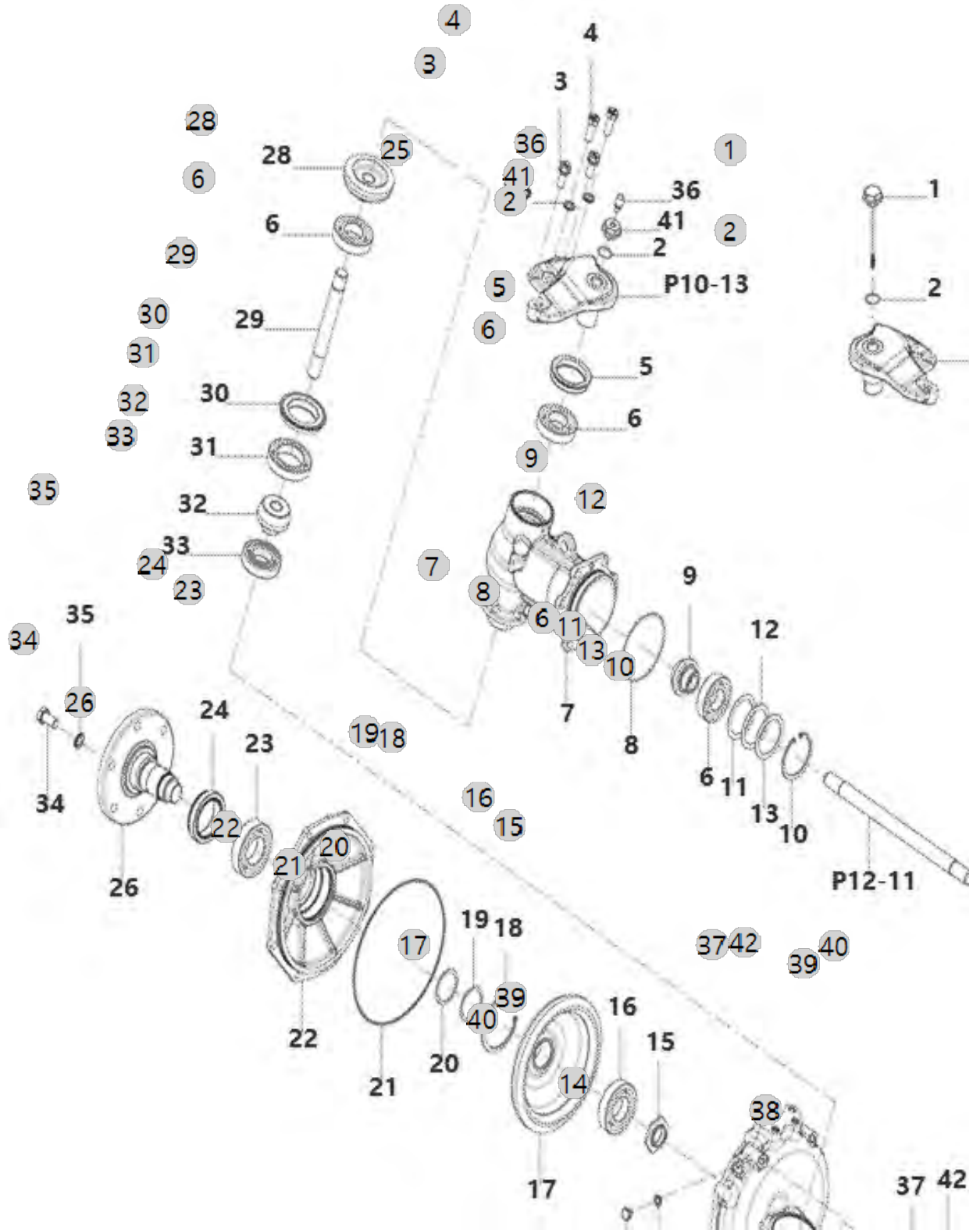
E01030A

F36CHN\_EU\_FL  
(AC02134)

### GEAR CASE, FRONT AXLE

Year/Month

2023-01-17



E01030A F36CHN_EU_FL (AC02134)		GEAR CASE, FRONT AXLE				Year/Month 2023-01-17
순번 (NO)	부품번호 (PART NO)	품명 (PART NAME)	품명 (PART NAME)	수량 (QTY)	규격 (SPEC)	비고 (REMARK)
1	TA00041646A	검유봉	DIP STICK	1		
2	24311-000220	O-RING1AP-22.0	O-RING, DYNAMIC (Φ22)	2	1A P22.0	
3	TA00033468C	와셔조립육각볼트	BOLT W/ WASHER	4		
3	TA00033468B	와셔조립육각볼트	BOLT W/ WASHER	4		
4	TA00033475B	리머볼트	SPACER	4		
4	TA00033475A	리머볼트	RIMER BOLT	4		
5	FE78010000B	오일실 (특수) 55x72x13.5	OIL SEAL (55X72X13.5)	2	55X72X13.5	
6	24101-062074	볼베어링6207	BALL BEARING (#6207)	6	#6207	
7	TA00041533B	프런트기어케이스	FRONT GEAR CASE L	2		
8	24321-001050	O-링	O-RING	2		
9	TA00033461B	전1축피니언9T	PINION, FRONT 1ST SHAFT	2		
9	TA00033461A	전1축피니언9T	PINION, FRONT 1ST SHAFT	2		
10	22252-000720	구멍용스냅링72	RING, CIRCLIP (Φ 72)	2	D72	
11	TA00033489A	심 0.2T	SHIM 0.2T	2		
12	TA00033488A	심 0.3T	SHIM 0.3T	2		
13	TA00033487A	심 0.5T	SHIM 0.5T	2		
14	TA00033458B	프런트기어박스	GEAR BOX, FRONT	2		
15	TA00033481A	로크너트	LOCK NUT	2		
16	24101-062084	볼베어링6208	Bearing, Ball (#6208)	2	#6208	
17	TA00033474A	베벨기어 49T	GEAR, BEVEL 49T	2		
18	22252-000850	써클립85H	RING, CIRCLIP (Φ 85)	2		
19	TA00033486A	심 0.2T	SHIM 0.2T	1		
20	TA00033485A	심 0.5T	SHIM 0.5T	1		
21	TA00033939A	O링	O RING	2		
22	TA00033459B	프런트베어링케이스	BEARING CASE, FRONT	1		
23	24101-062094	볼베어링6209	BALL BEARING (#6209)	2	#6209	
24	TA00041359A	오일실	OILSEAL	2		
25	22217-120000	스프링와셔	WASHER, SPRING (Φ 12)	2	M12	
26	TA00033460D	프런트스핀들	SPINDLE, FRONT	2		
26	TA00033460B	프런트스핀들	SPINDLE, FRONT	2		
26	TA00033460E	프런트스핀들	SPINDLE, FRONT	2		
27	TA00033469B	와셔조립육각볼트	BOLT W/ WASHER	16		
27	TA00033469A	와셔조립육각볼트	BOLT W/ WASHER	16		
28	TA00033463A	전2축기어	FRONT 2ND AXLE LH	2		
29	TA00033464A	전2축	FRONT 2ND SHAFT	2		
30	TC60110000A3	오일실(AJ)	SEAL, OIL	2		
31	24101-060104	볼베어링6010	Bearing, Ball (#6010)	2	#6010	
32	TA00033473A	베벨기어 11T	GEAR, BEVEL 11T	2		
33	TC60340000A4	베어링TM207C3	BEARING(TM207C3)	2	TM207C3	
34	TD23120000B4	프런트 허브 볼트(M14X28)	BOLT	12	M14XP1.5	
34	TD23120000A4	보울트(M14X28)	BOLT	12	M14XP1.5	
35	22217-140000	스프링와셔14	WASHER, SPRING (Φ 14)	12	M14	
36	TA00049842A	에어브리더(STEEL)	AIR BREATHER	1		
36	TA00049842B	에어브리더(STEEL)	AIR BREATHER	1		
37	TA00058880A	스톱퍼(30.5)	STOPPER(30.5)	2		



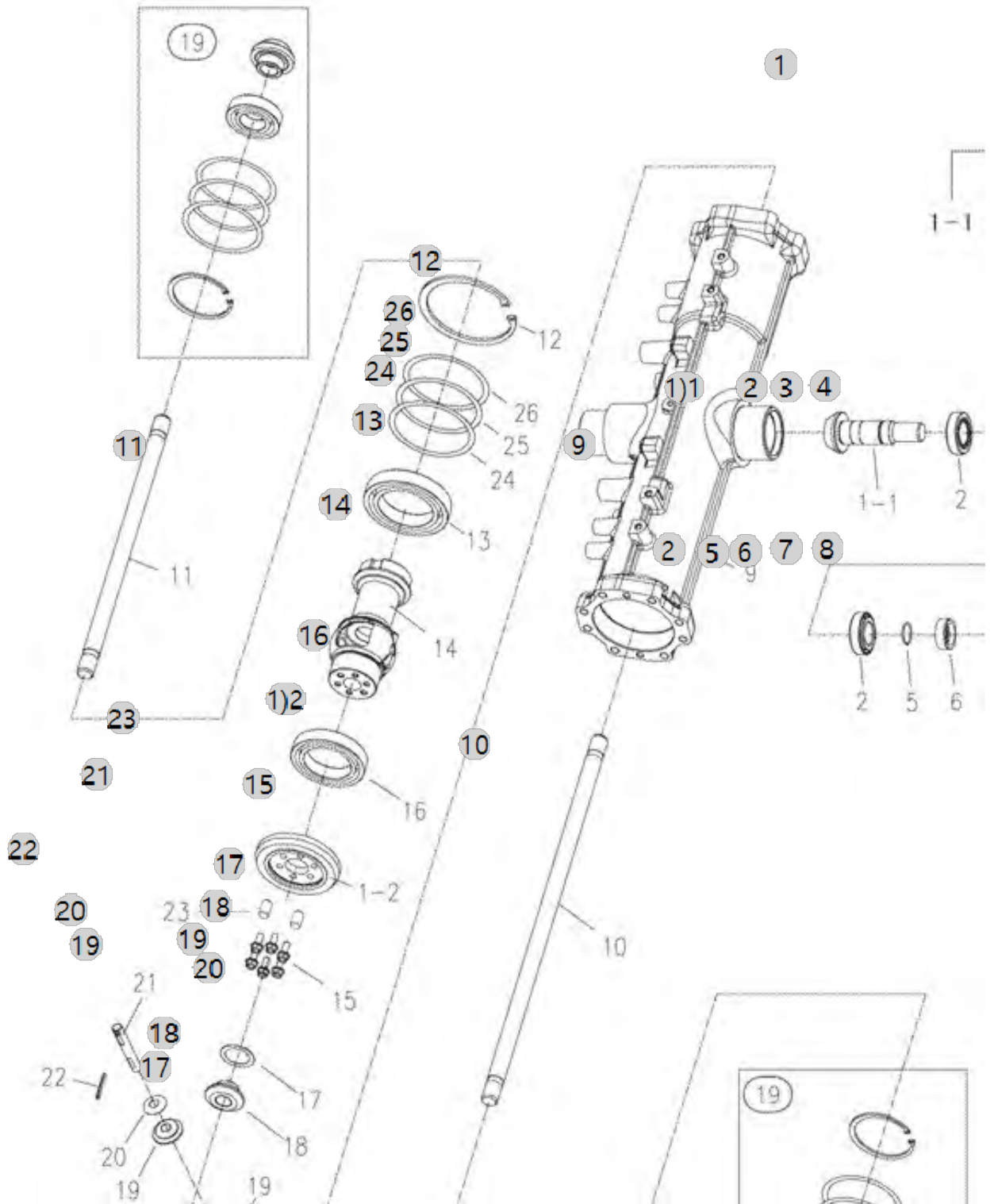
E01070A

F36CHN\_EU\_FL  
(AC02134)

# FRONT DRIVE SHAFT

Year/Month

2023-01-17







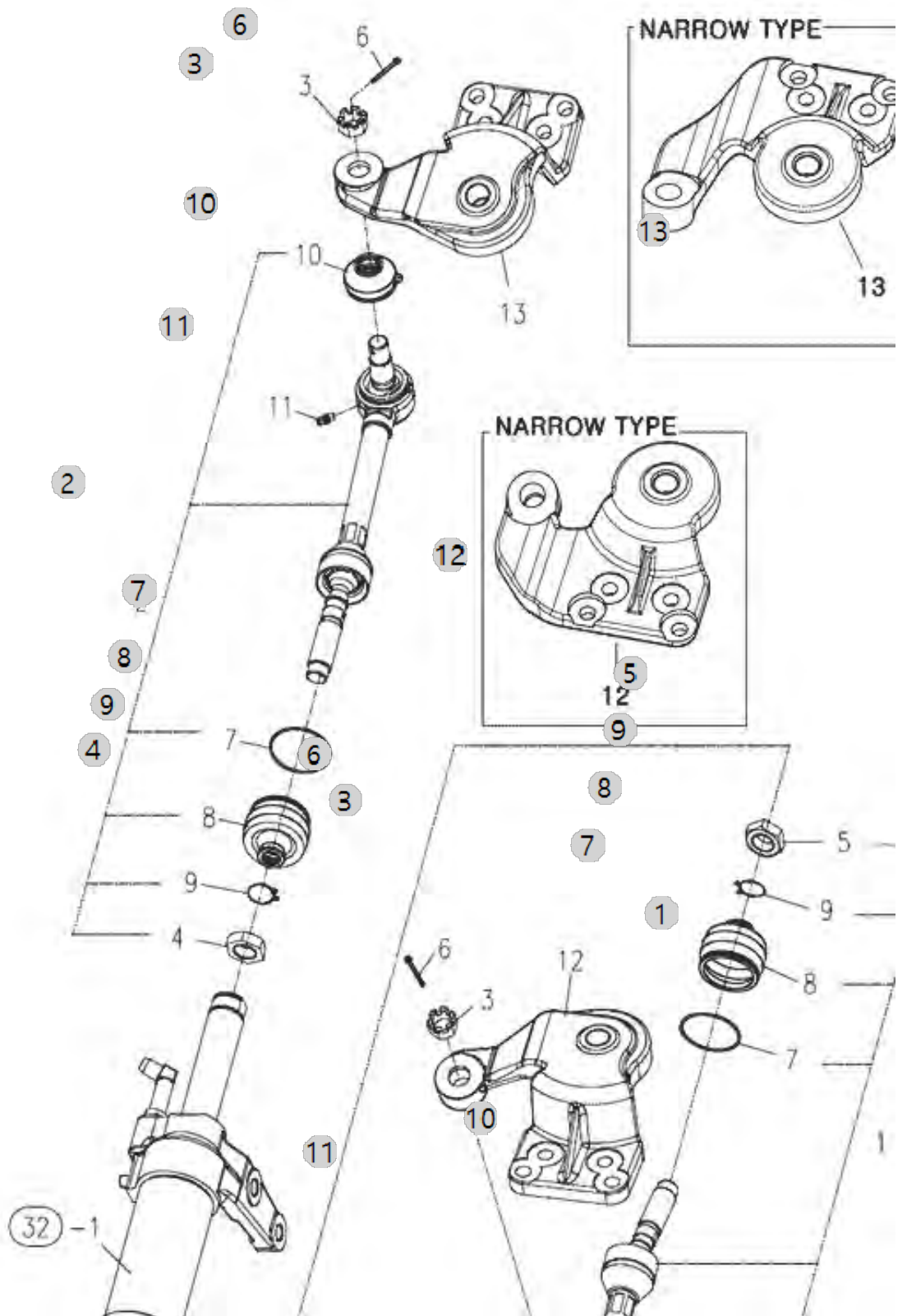
E01080A

F36CHN\_EU\_FL  
(AC02134)

TIE ROAD

Year/Month

2023-01-17





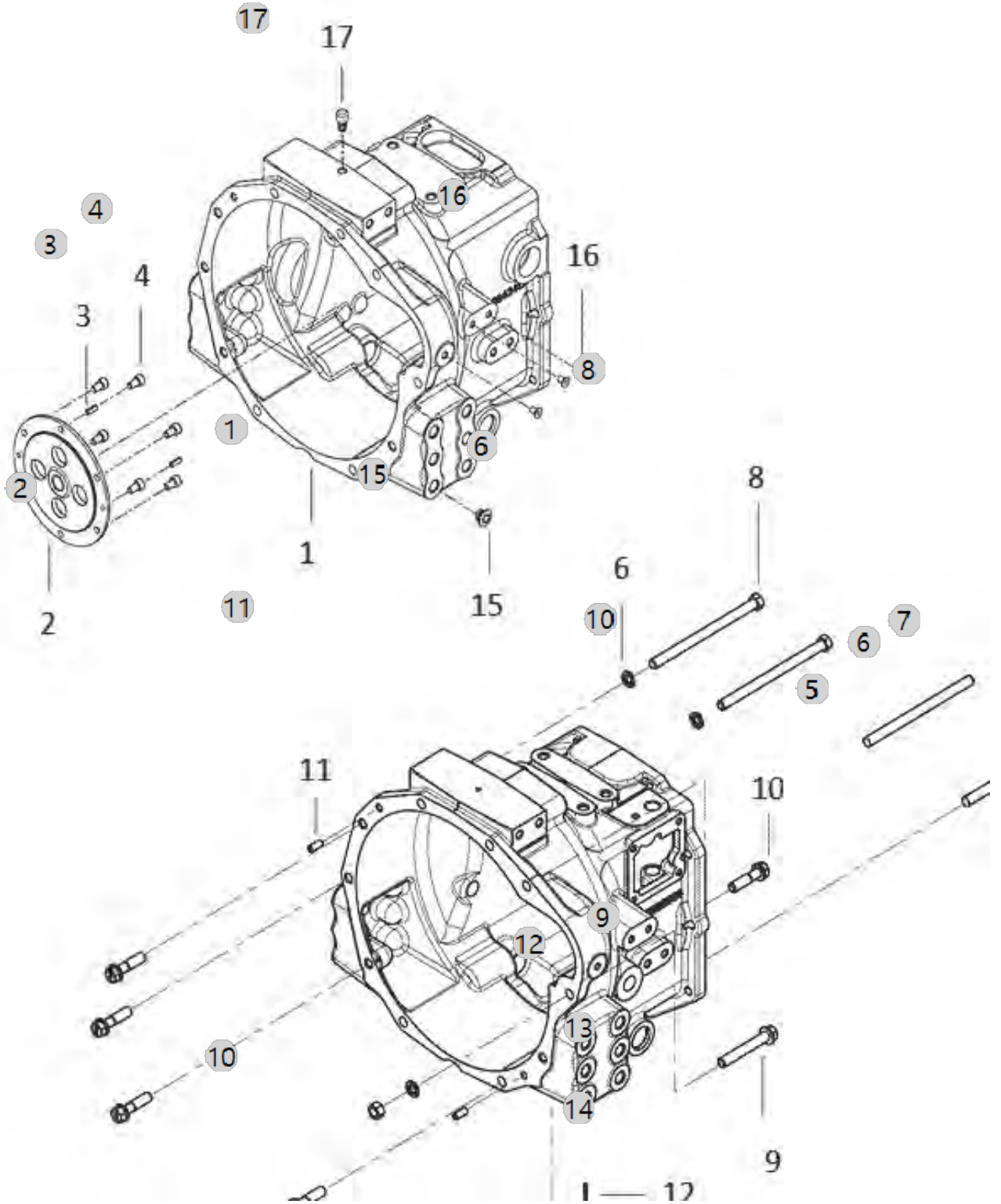
F01010

BRANSON K3CH  
TM\_EU(AC01568)

# CLUTCH HOUSING

Year/Month

2023-01-17





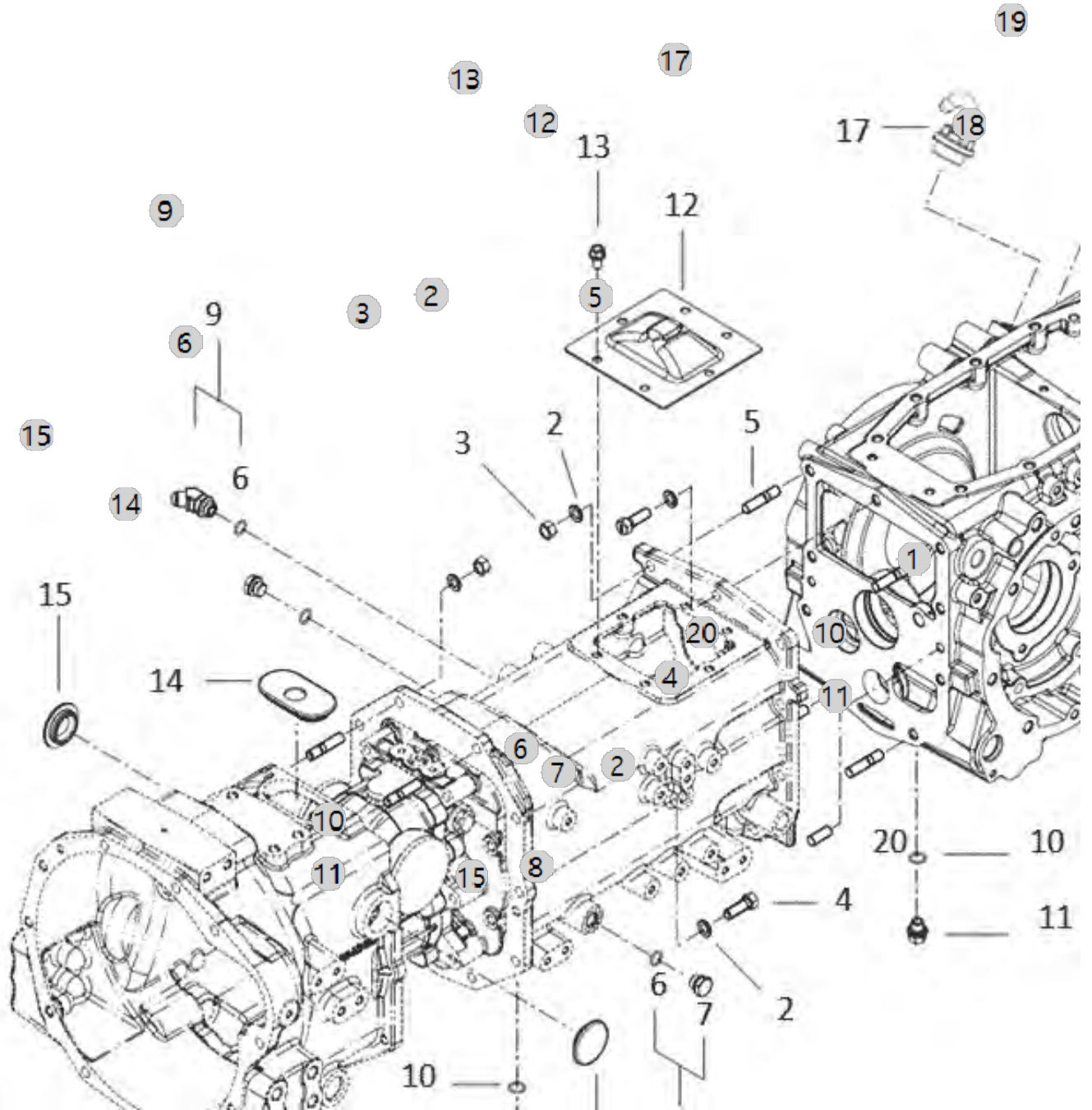
F01020

BRANSON K3CH  
TM\_EU(AC01568)

TRANSMISSION CASE

Year/Month

2023-01-17



F01020 BRANSON K3CH TM_EU(AC01568)	TRANSMISSION CASE				Year/Month
					2023-01-17

순번 (NO)	부품번호 (PART NO)	품 명 (PART NAME)	품 명 (PART NAME)	수량 (QTY)	규격 (SPEC)	비고 (REMARK)
1	TA00043199C	후차축케이스(HST)	REAR AXLE CASE	1		
1	TA00043199H	후차축케이스(HST)	REAR AXLE CASE	1		
1	TA00043199B	후차축케이스(HST)	REAR AXLE CASE	1		
1	TA00043199D	후차축케이스(HST)	REAR AXLE CASE	1		
1	TA00043199E	후차축케이스(HST)	REAR AXLE CASE	1		
1	TA00043199F	후차축케이스(HST)	REAR AXLE CASE	1		
1	TA00043199G	후차축케이스(HST)	REAR AXLE CASE	1		
2	22217-120000	스프링와셔	WASHER, SPRING (Φ 12)	19	M12	
3	26716-120002	295,ALL,육각너트	HEXA NUT295	6	M12X1.75	
4	TH22090000A4	보울트(M12xP1.75x35)	BOLT (M12 P1.75X35)	13	NONE	
4	TH22090000B4	보울트(M12xP1.75x35)	WASHER ASSY HEX BOLT	13	-	
5	FT80120000A4	심음볼트(12X38)	StudBolt(12X38)	6		
5	FT80120000B4	심음볼트	STUD BOLT(12X38)	6		
6	24311-000140	운동용O링	SEAL,ORING	3	P14	
7	NTA1130100A9	몸체	PLUG	2		
8	NTA1130000A4	플러그	PLUG	2	PF3/8	
8	NTA1130000B4	플러그	PLUG	2		
9	FT33060000A4	아답터	45ELBOW[3/8]	1		
9	FT33060000B4	45도 어댑터(3/8)	45ELBOW[3/8]	1		
10	24311-000160	O-링 P 16	O-RING, DYNAMIC (Φ16)	2	P16	
11	TB28120000C	퇴유플러그	OUT OIL PLUG	2		
11	TB28120000D4	퇴유플러그	PLUG	2	D23	DEL.20220331
12	TA00042422A	PTO클러치커버	COVER	1		
13	26106-100162	플랜지볼트M10X16	SCREW,HEXFLANGEHEADCAP	6	M10XP1.5X16	
14	TA00043328A	HST고무커버	COVER, RUBBER	1		
15	TA00042481A	고무플러그	PLUG,RUBBER	2		
17	FT80370000A4	주유구캡	CAP,INTAKE	1		
18	24311-000180	O-RING(P18)	O-RING, DYNAMIC (Φ18)	1	P18	
19	TA00038076B	검유봉	LOD	1		
19	TA00038076A	검유봉	LOD	1		
20	22312-100180	평행핀	PIN, DOWEL (10-18)	2	D10X18	

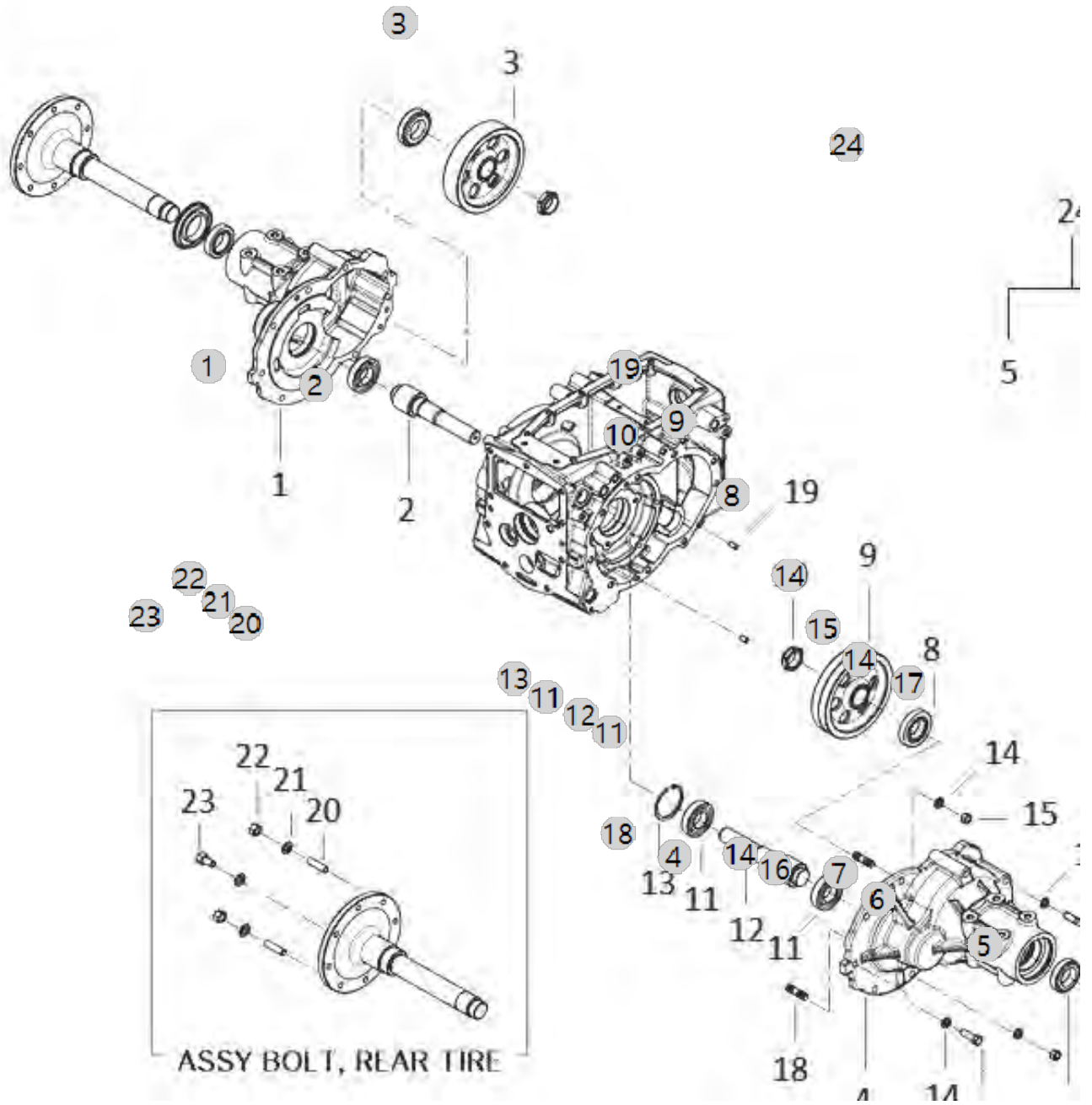
F01030

BRANSON K3CH  
TM\_EU(AC01568)

# REAR AXLE HOUSING

Year/Month

2023-01-17



F01030 BRANSON K3CH TM_EU(AC01568)		REAR AXLE HOUSING				Year/Month 2023-01-17
순번 (NO)	부품번호 (PART NO)	품명 (PART NAME)	품명 (PART NAME)	수량 (QTY)	규격 (SPEC)	비고 (REMARK)
1	TA00038690C	후차축하우징(R)	REAR AXLE HOUSING R	1		
1	TA00038690B	후차축하우징(R)	REAR AXLE HOUSING R	1		
1	TA00038690D	후차축하우징(R)	REAR AXLE HOUSING R	1		
1	TA00038690E	후차축하우징(R)	REAR AXLE HOUSING R	1		
1	TA00038690G	후차축하우징(R)	REAR AXLE HOUSING R	1		
2	TA00038395B	파이널 피니언(우)	FINAL_REAR_PINION(R)	1		
2	TA00038395C	파이널 피니언(우)	FINAL_REAR_PINION(R)	1		
2	TA00038395D	파이널 피니언(우)	FINAL_REAR_PINION(R)	1		
2	TA00038395E	파이널 피니언(우)	FINAL_REAR_PINION(R)	1		
3	TA00038393B	파이널기어(우)	FINAL_REAR_GEAR (R)	1		
3	TA00038393C	파이널기어(우)	FINAL_REAR_GEAR (R)	1		
4	TA00038689C	후차축하우징(좌)	REAR AXLE HOUSING L	1		
4	TA00038689B	후차축하우징(좌)	REAR AXLE HOUSING L	1		
4	TA00038689D	후차축하우징(좌)	REAR AXLE HOUSING L	1		
4	TA00038689E	후차축하우징(좌)	REAR AXLE HOUSING L	1		
4	TA00038689G	후차축하우징(좌)	REAR AXLE HOUSING L	1		
5	TA00038361C	후차축	REAR AXLE SHAFT	2		
5	TA00038361B	후차축	REAR AXLE SHAFT	2		
5	TA00038361D	후차축	REAR AXLE SHAFT	2		
6	TA00033423A	오일실(후차축)	SEAL, OIL (REAR AXLE)	2		
7	24141-320090	테이퍼롤러베어링	TAPER ROLLER BEARING	2	NONE	
8	24141-302090	테이퍼롤러베어링	BEARING	2	NONE	
9	TA00038359B	파이널기어(좌)	FINAL RING GEAR	1		
9	TA00038359C	파이널기어(좌)	FINAL RING GEAR	1		
10	TA00038354A	로크너트	LOCK NUT	2		
10	TA00038354B	락너트(K3)	LOCK NUT	2		
11	TT21040000A4	볼베어링(TMB208)	BEARING	4	TMB208	
12	TA00038394B	파이널 피니언(좌)	FINAL_REAR_PINION(L)	1		
12	TA00038394C	파이널 피니언(좌)	FINAL_REAR_PINION(L)	1		
12	TA00038394D	파이널 피니언(좌)	FINAL_REAR_PINION(L)	1		
12	TA00038394E	파이널 피니언(좌)	FINAL_REAR_PINION(L)	1		
13	22252-000800	구멍용스냅링80	RING, CIRCLIP (Φ 80)	2	D80	
14	22217-140000	스프링와셔14	WASHER, SPRING (Φ 14)	18	M14	
15	26716-140002	육각너트	NUT	4	M14X2.0	
16	FT08110000A4	볼트(M14X42)	BOLT(M14X42)	6	M14XP2.0X42	
16	FT08110000B4	볼트	BOLT(M14X42)	6	M14XP2.0X42	
17	TA00038428B	볼트(M14x130)	BOLT	8		
17	TA00038428C	볼트(M14x130)	BOLT	8		
18	FB80120000A4	심음볼트(M14X38)	STUD BOLT(M14X38)	4	M14XP2.0X38	
18	FB80120000B4	심음볼트(M14X38)	STUD BOLT(M14X38)	4		
19	22312-100180	평행핀	PIN, DOWEL (10-18)	4	D10X18	
20	TT85150000A4	심음볼트	Bolt	4	M14XP1.5	
20	TT85150000B4	심음볼트	BOLT	4	M14XP1.5	
21	TB29430000A4	와셔	WASHER	16	T3.5X35X35	
21	TB29430000B4	와셔	WASHER	16		



F01030 BRANSON K3CH TM_EU(AC01568)		REAR AXLE HOUSING				Year/Month 2023-01-17
순번 (NO)	부품번호 (PART NO)	품명 (PART NAME)	품명 (PART NAME)	수량 (QTY)	규격 (SPEC)	비고 (REMARK)
22	TB29420000B4	너트	NUT M14	4	육각22X20	
22	TB29420000A4	너트M14	NUT M14	4	육각22X20	
23	TB29440000B4	육각볼트	BOLTM14X35	12	M14X35	
23	TB29440000A4	보울트M14X35	BOLTM14X35	12	M14X35	
24	TA00047839A	후차축 조합(K3)	REAR AXLE ASSY	2		

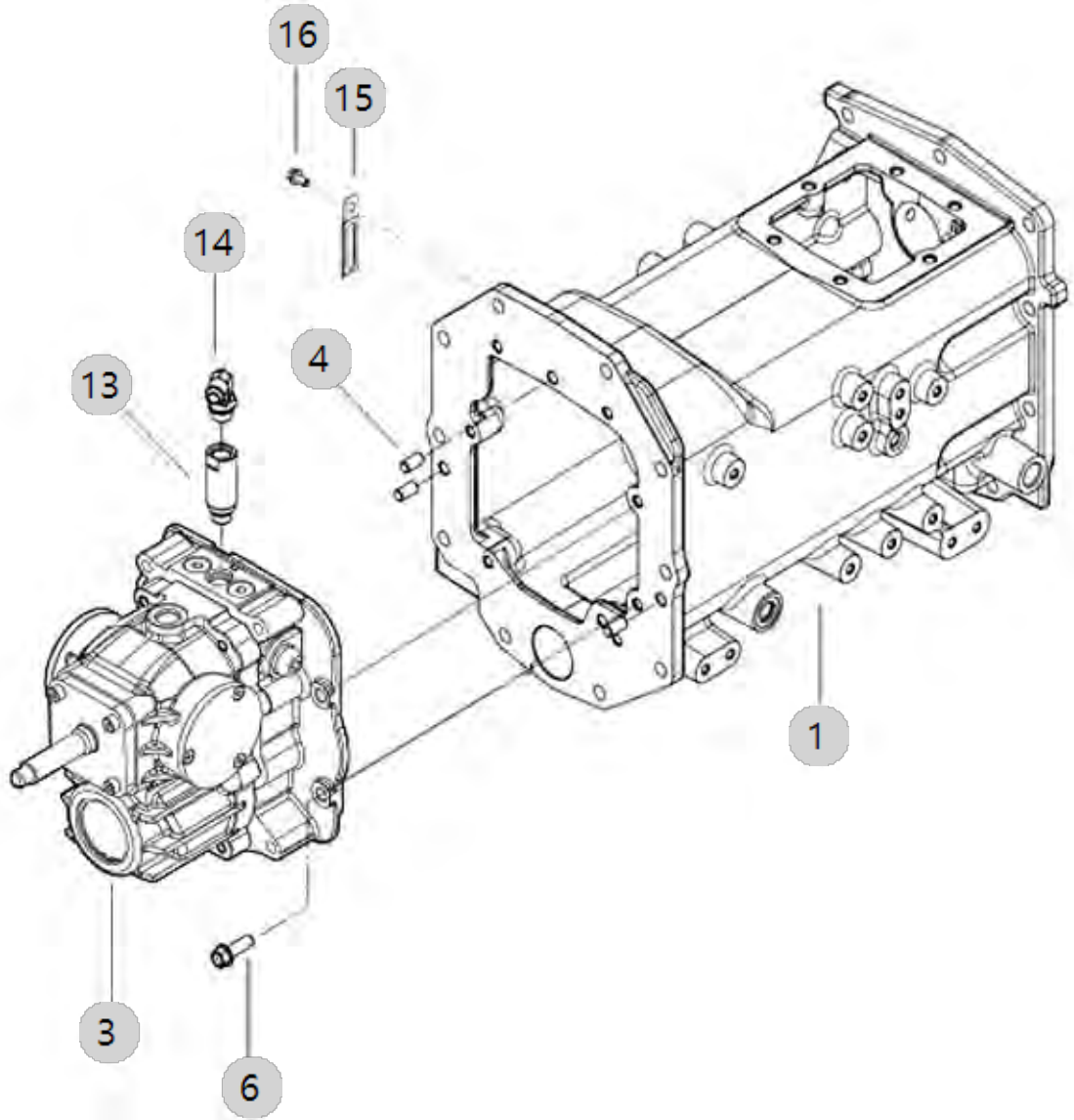
F01050

BRANSON K3CH  
TM\_EU(AC01568)

### HYD SHIFT TRANSMISSION HOUSING

Year/Month

2023-01-17





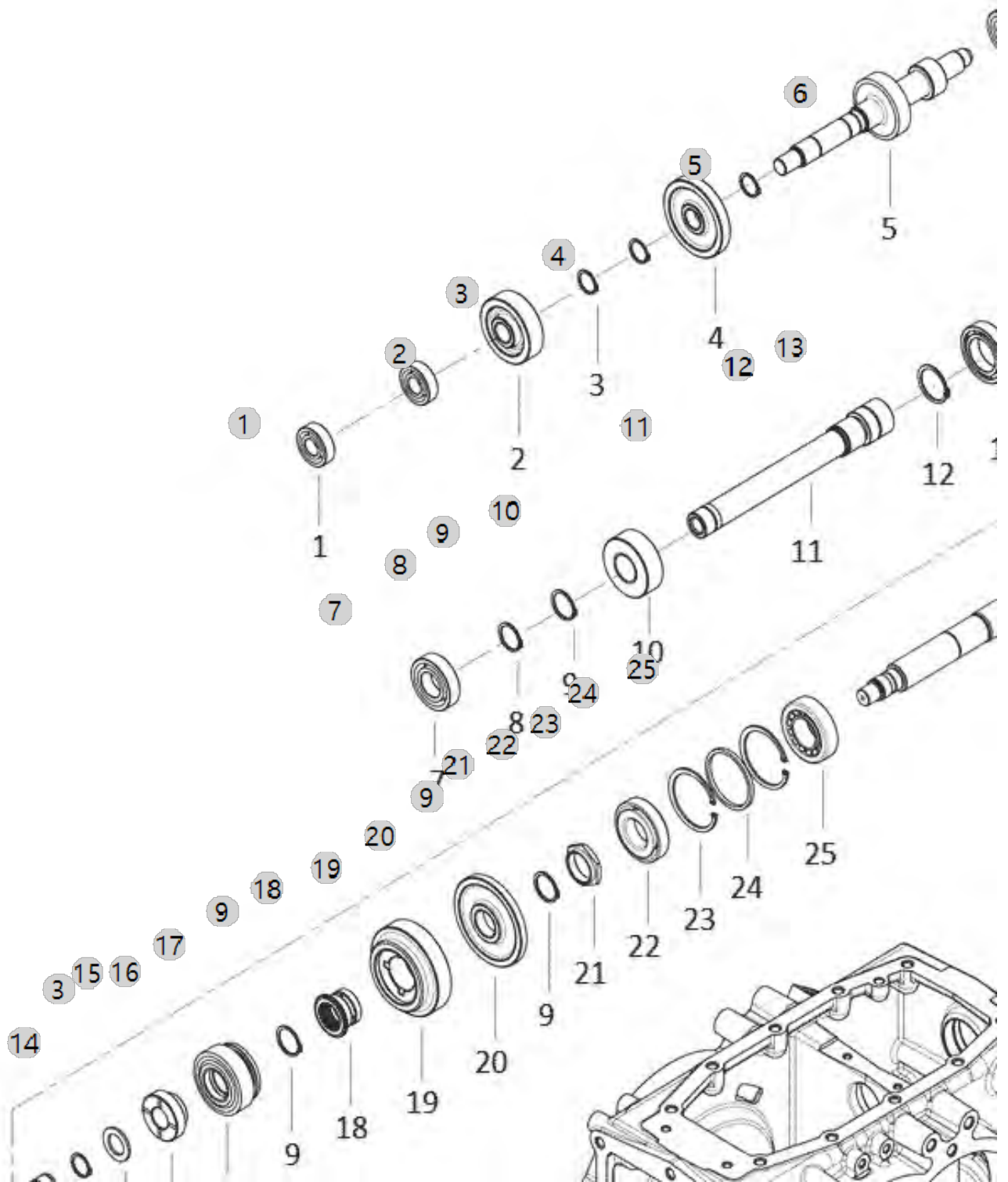
F03040

BRANSON K3CH  
TM\_EU(AC01568)

RANGE SHIFT GEAR

Year/Month

2023-01-17





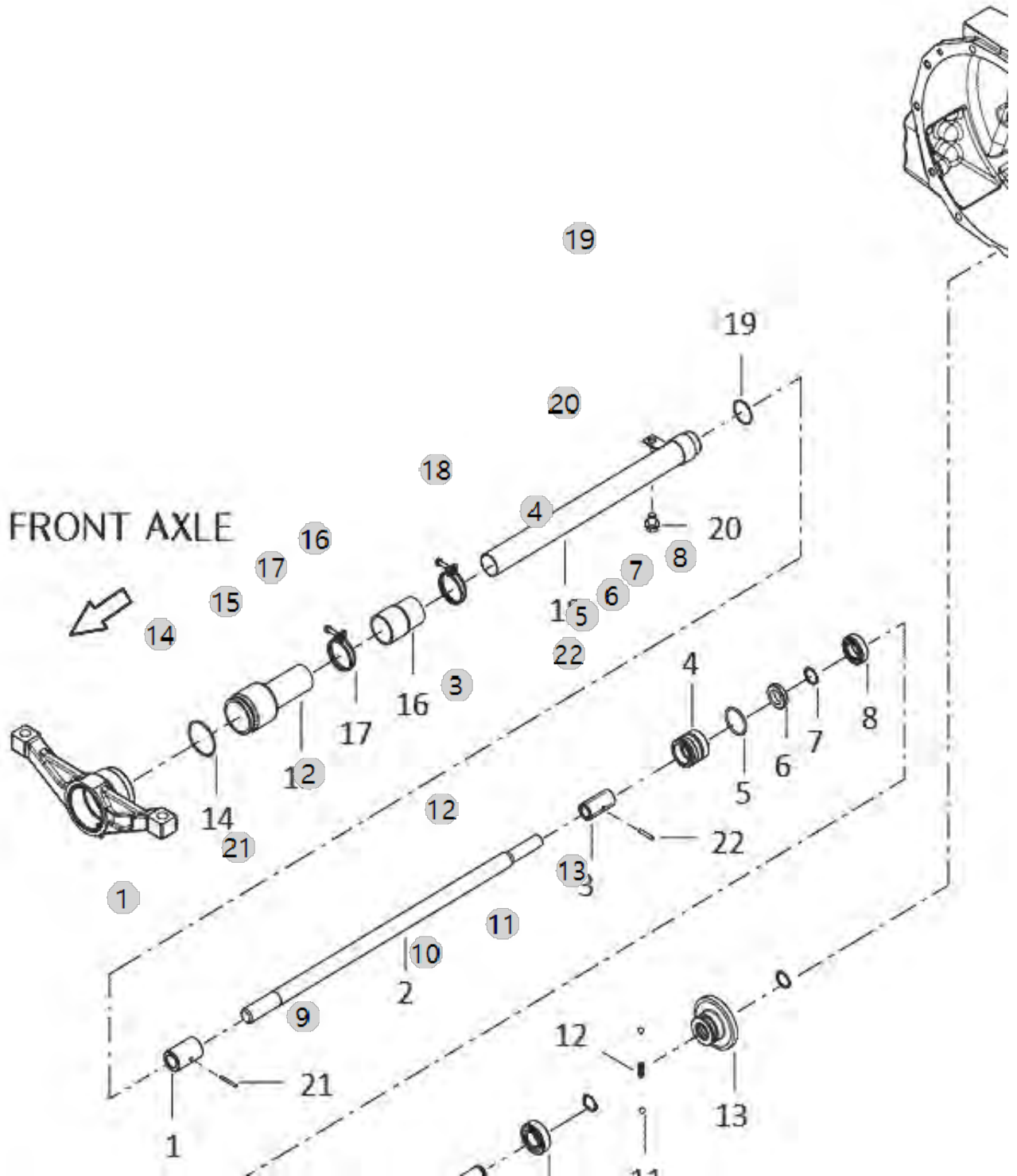
F04010

BRANSON K3CH  
TM\_EU(AC01568)

### FORNT DRIVE SHAFT

Year/Month

2023-01-17



F04010 BRANSON K3CH TM_EU(AC01568)		FORNT DRIVE SHAFT				Year/Month 2023-01-17
순번 (NO)	부품번호 (PART NO)	품명 (PART NAME)	품명 (PART NAME)	수량 (QTY)	규격 (SPEC)	비고 (REMARK)
1	NT15080000B	커플링R	COUPLE RING R	1		
1	NT15080000B4	커플링 R	COUPLING(R)	1	D35	
2	TA00038621C	프로펠라축	PROPELLER SHAFT	1		
3	TA00038620B	4륜구동 조인트	4WD JOINT	1		
3	TA00038620C	4륜구동 조인트	4WD JOINT	1		
4	TA00038089A	오일 씬 하우징	HOUSING, OIL SEAL	1		
4	TA00038089B	오일 씬 하우징	HOUSING, OIL SEAL	1		
5	24311-000410	O-RINGP41	O-RING	1	41P	
6	24421-254008	오일씬TC254008(E810,86-13)	Seal, Oil (#25-40-08)	1	TC25X40X8	
7	22242-000250	축용스냅링25	SNAP RING, SHAFT (Φ 25)	3	D25	
8	24101-060050	깊은홈볼베어링(60계열)	DEEP GROOVE BALL BEARING	1	#6005	
9	TA00038094B	4륜구동축	SHAFT 4WD DRV	1		
10	24101-062054	볼베어링6205	Bearing, Ball (#6205)	1	#6205UU	
11	24190-110001	강구11/32	Ball, Steel (11/32)	2	11/32	
12	TA00038591A	스프링	SPRING	1		
13	TA00038090C	4륜 피동기어	GEAR 4WD DRVN	1		
13	TA00038090D	4륜 피동기어	GEAR 4WD DRVN	1		
13	TA00050634A	4륜피동기어	FOUR WHEEL DRIVEN GEAR	1		
14	24321-000550	O-링	SEAL,O-RING	1	1A G55.0	
15	TA00040522A	축 커버(전)	COVER	1		
15	TA00040522B	축 커버(전)	SHAFT COVER	1		
16	TA00040524B	축 커버 부츠	BOOTS	1		
16	TA00040524C	축 커버 부츠	BOOTS	1		
17	23000-048000	호스클램프	CLAMP,HOSE	2	D48	
18	TA00040523B	축 커버(후)	COVER	1		
18	TA00040523D	축 커버(후)	COVER	1		
18	TA00040523C	축 커버(후)	COVER	1		
18	TA00040523E	축 커버(후)	SHAFT COVER	1		
19	24341-000380	고정용S형O링	O-RING	1		
20	26106-120162	육각플랜지볼트	BOLT	1		
21	22351-040036	스프링핀	SPRING PIN	1	D4X36	
22	22351-050030	스프링핀F형5X30	PIN, SPRING (5-03)	1	D5X30	

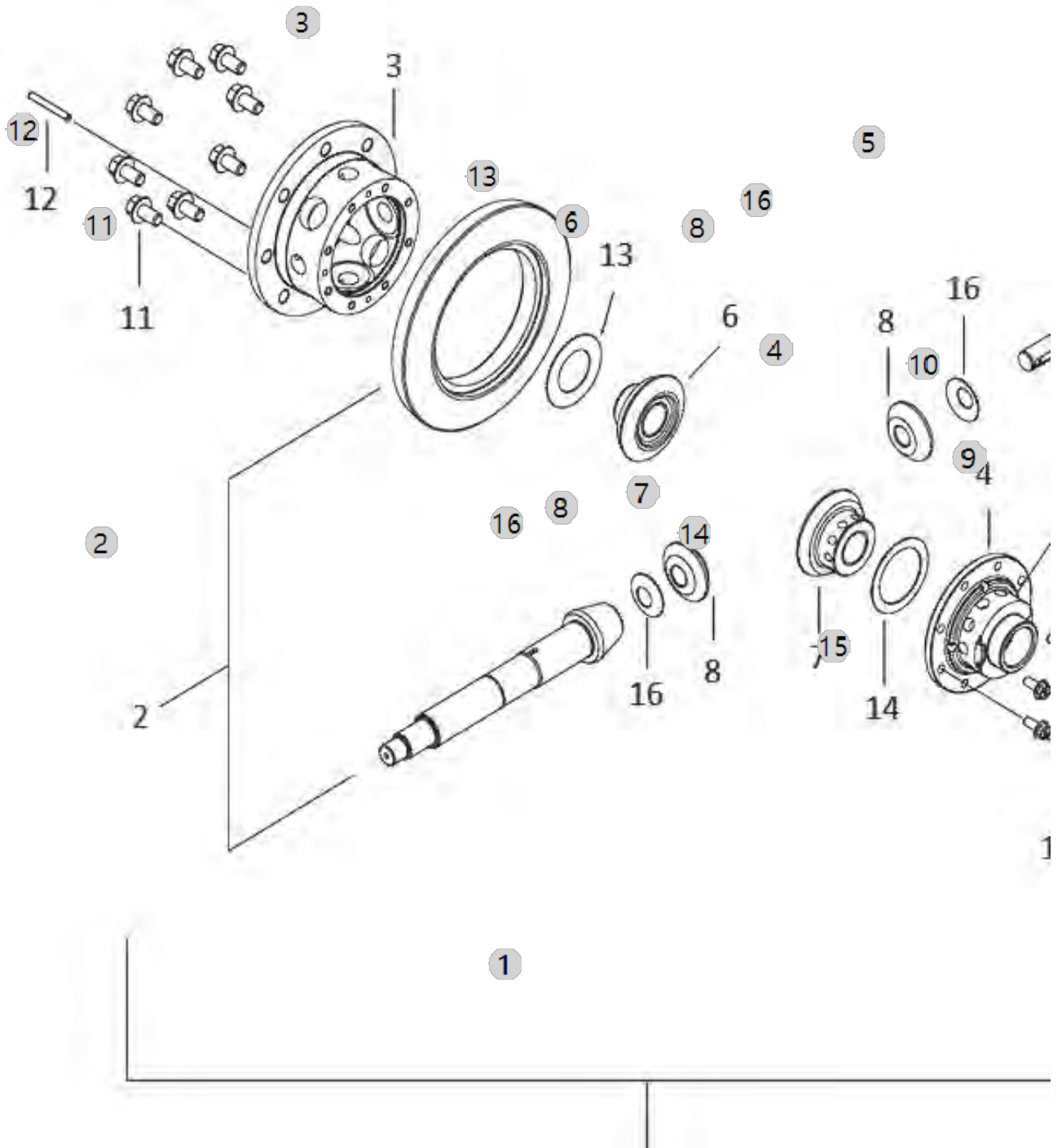
F05020

BRANSON K3CH  
TM\_EU(AC01568)

RING GEAR&DIFF.GEAR ASS'Y

Year/Month

2023-01-17







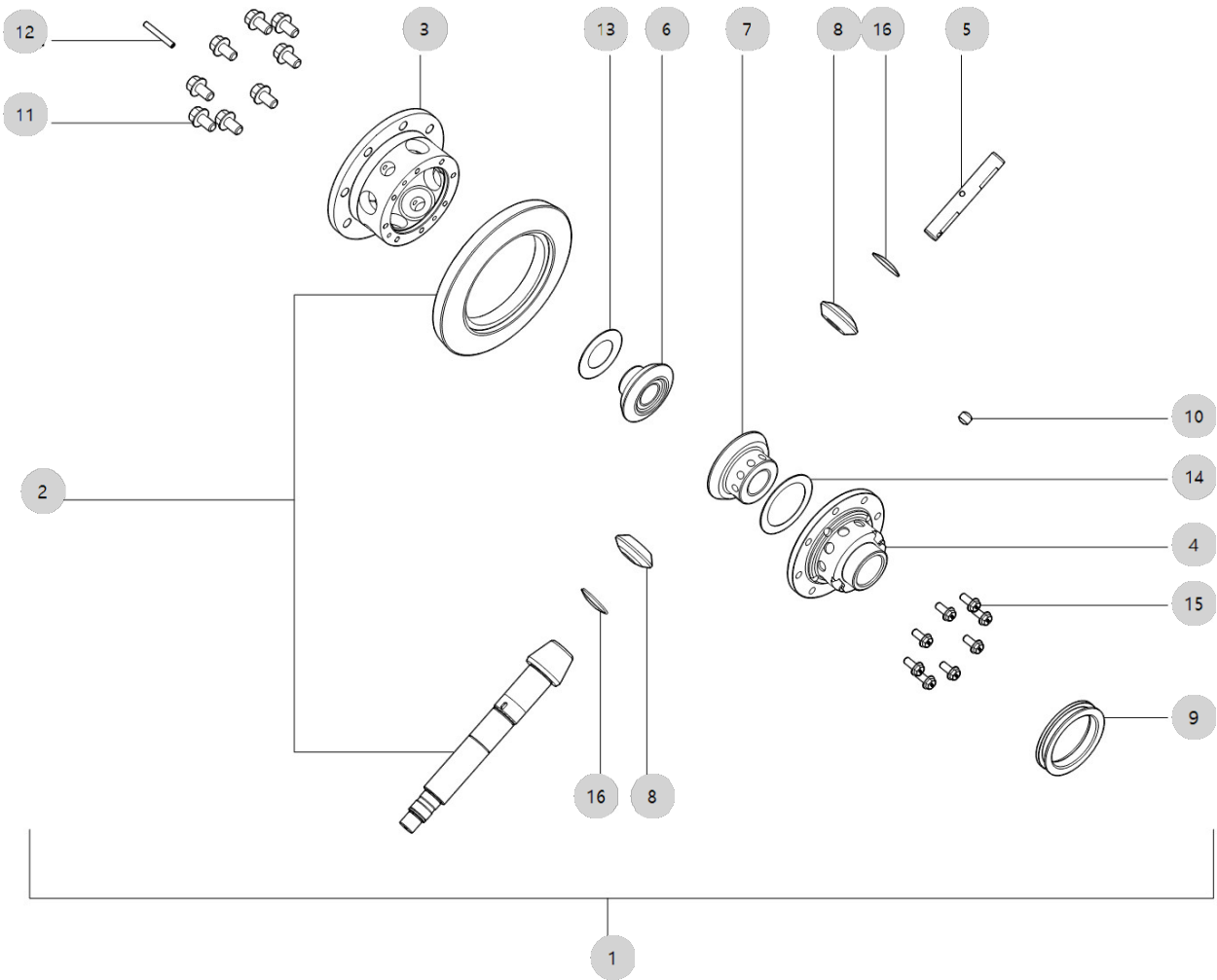
F05020

BRANSON K3CH  
TM\_EU(AC01568)

# RING GEAR&DIFF.GEAR ASS'Y

Year/Month

2023-01-17





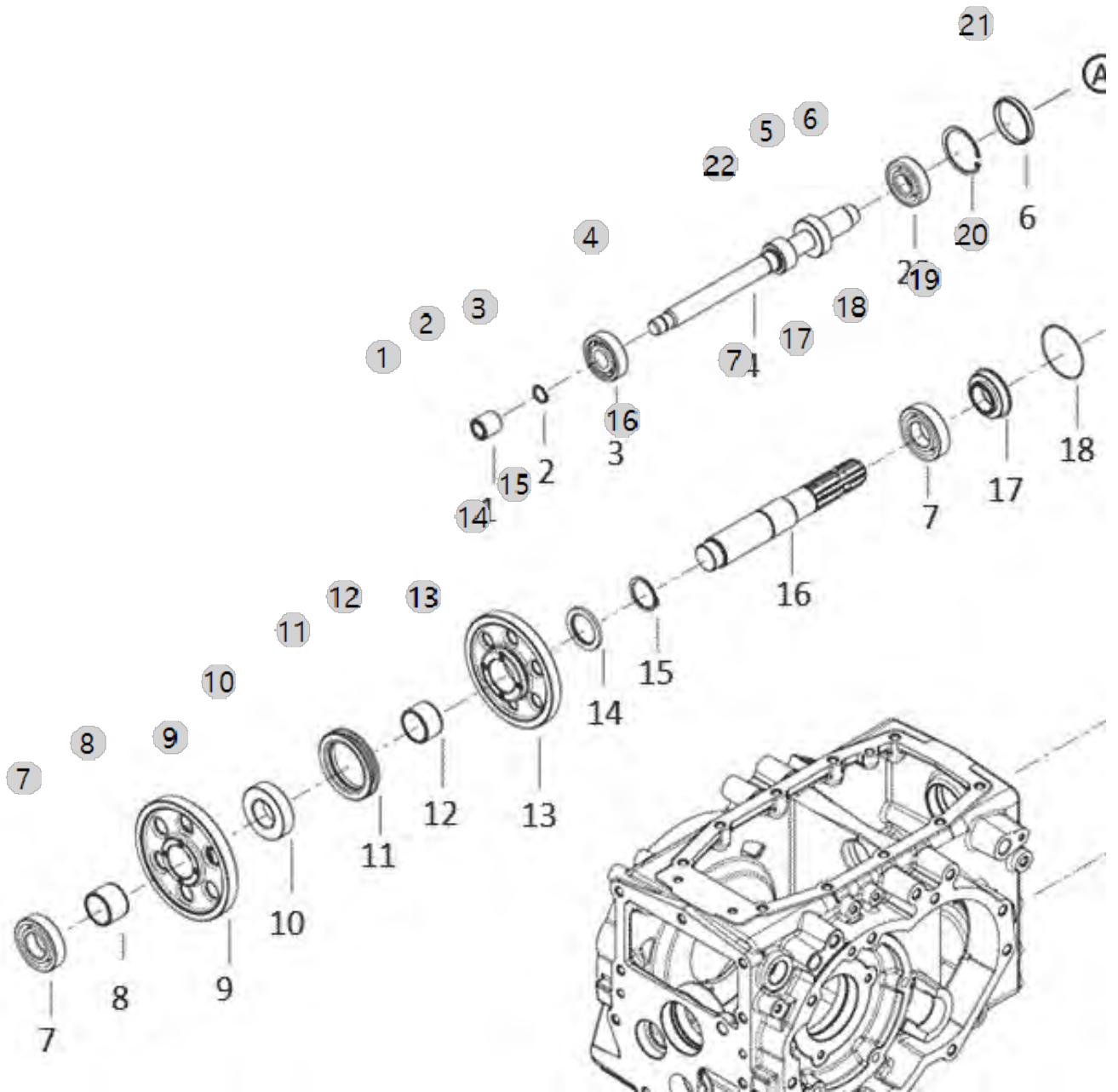
F07030

BRANSON K3CH  
TM\_EU(AC01568)

PTO DRIVE SHAFT

Year/Month

2023-01-17



F07030 BRANSON K3CH TM_EU(AC01568)		PTO DRIVE SHAFT				Year/Month
						2023-01-17
순번 (NO)	부품번호 (PART NO)	품명 (PART NAME)	품명 (PART NAME)	수량 (QTY)	규격 (SPEC)	비고 (REMARK)
1	TA00038269A	조인트	JOINT	1		
2	22242-000200	축용스냅링20	SNAP RING, SHAFT (Φ 20)	1	D20(축용)	
3	CT85150000A4	베어링6305HL	Bearing #6305	1	#6305	
4	TA00041006A	PTO구동기어축(1-2)	SHAFT, PTO DRIVE	1		
4	TA00041006B	PTO구동기어축(1-2)	SHAFT, PTO DRIVE	1		
5	22252-000620	구멍용스냅링62	RING, CIRCLIP (Φ 62)	1	D62(구멍용)	
6	27260-620000	실링캡	SEALING CAP	1		
7	24101-062074	볼베어링6207	BALL BEARING (#6207)	2	#6207	
8	TA00039162B	부시(PTO1단)	BUSH	1		
8	TA00039162C	부시(PTO1단)	BUSH	1		
9	TA00041007A	PTO피동기어1단	GEAR, PTO1	1		
10	TZ45100000A3	PTO허브	HUB,P.T.O	1		
10	TZ45100000B3	PTO허브	HUB,P.T.O	1		
11	TZ45110000C4	PTO슬리브	SLEEVE,P.T.O	1		
12	TA00040193B	부시(PTO2단)	SLEEVE	1		
12	TA00040193C	부시(PTO2단)	SLEEVE	1		
13	TA00041008A	PTO피동기어2단	GEAR, PTO2	1		
14	FGG8040000B	와셔(40X57.1X4.5T)	WASHER	1		
14	FGG8040000B4	와셔(40X57.1X4.5T)	WASHER(40.5X57.1X4.5T)	1		
15	22242-000400	축용스냅링40	SNAP RING, SHAFT (Φ 40)	1	D40	
16	TA00038293C	PTO축	SHAFT, PTO	1		
16	TA00038293B	PTO축	SHAFT, PTO	1		
16	TA00038293D	PTO축	SHAFT, PTO	1		
17	TT62040000A3	PTO 오일실 QLF35X60X19	PTO OIL SEAL QLF35X60X19	1	35X60X19	
18	24341-000700	O링(70-S)	O-RING, FIX (Φ70)	1	1A S70.0	
19	TA00038449B	PTO축 커버	COVER	1		
20	22242-000350	축용스냅링35	SNAP RING, SHAFT (Φ 35)	1	D35	
21	26106-100202	육각플랜지볼트	HEX BOLT, (10-20)	4	M10XP1.5X20	
22	24101-063050	깊은홈볼베어링(63계열)	DEEP GROOVE BALL BEARING	1	#6305	

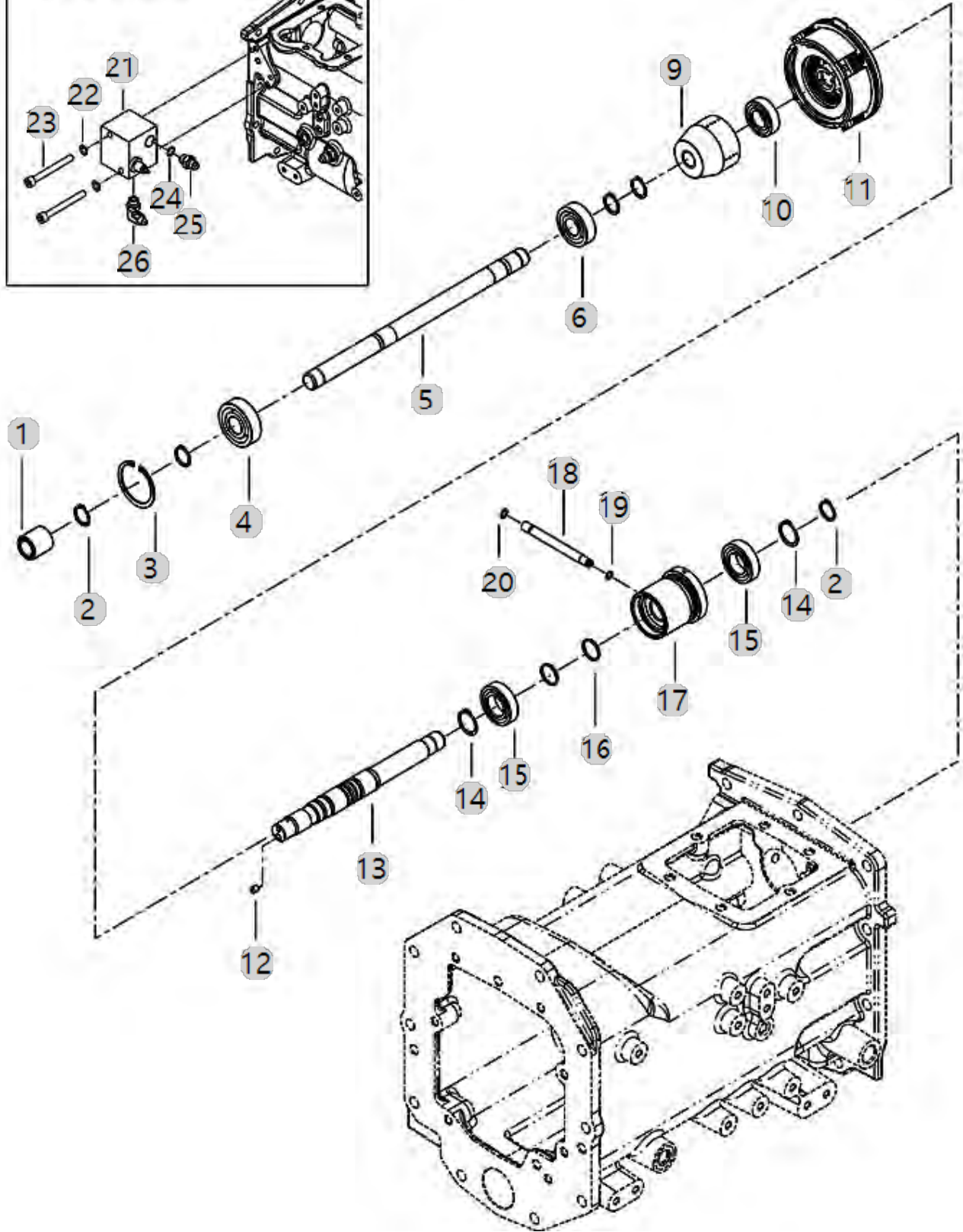
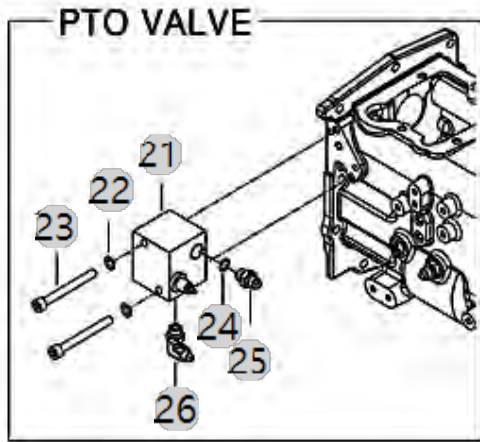
F07070

BRANSON K3CH  
TM\_EU(AC01568)

MAIN P.T.O SHAFT

Year/Month

2023-01-17





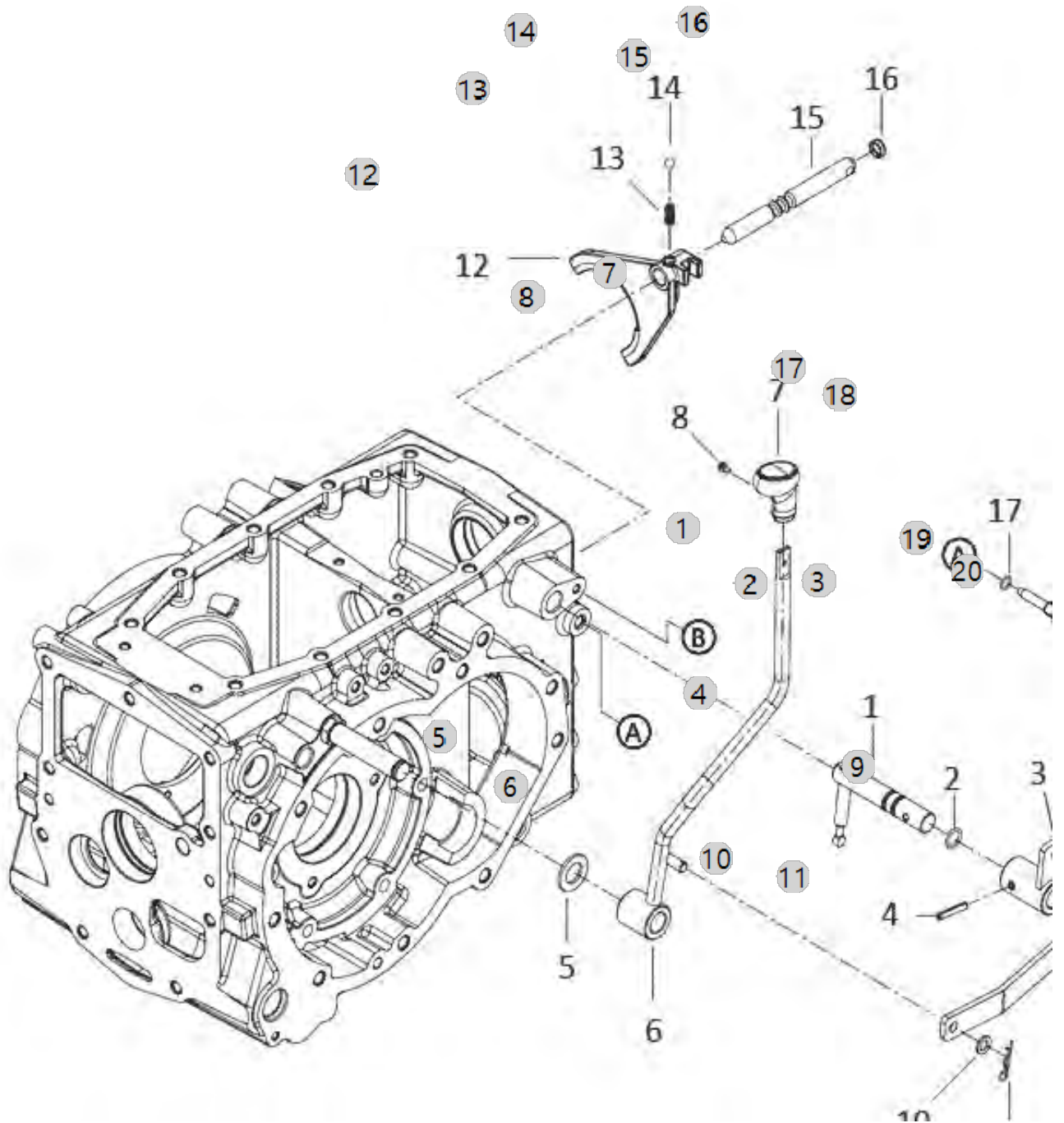
F08060

BRANSON K3CH  
TM\_EU(AC01568)

FORK & LEVER, PTO

Year/Month

2023-01-17







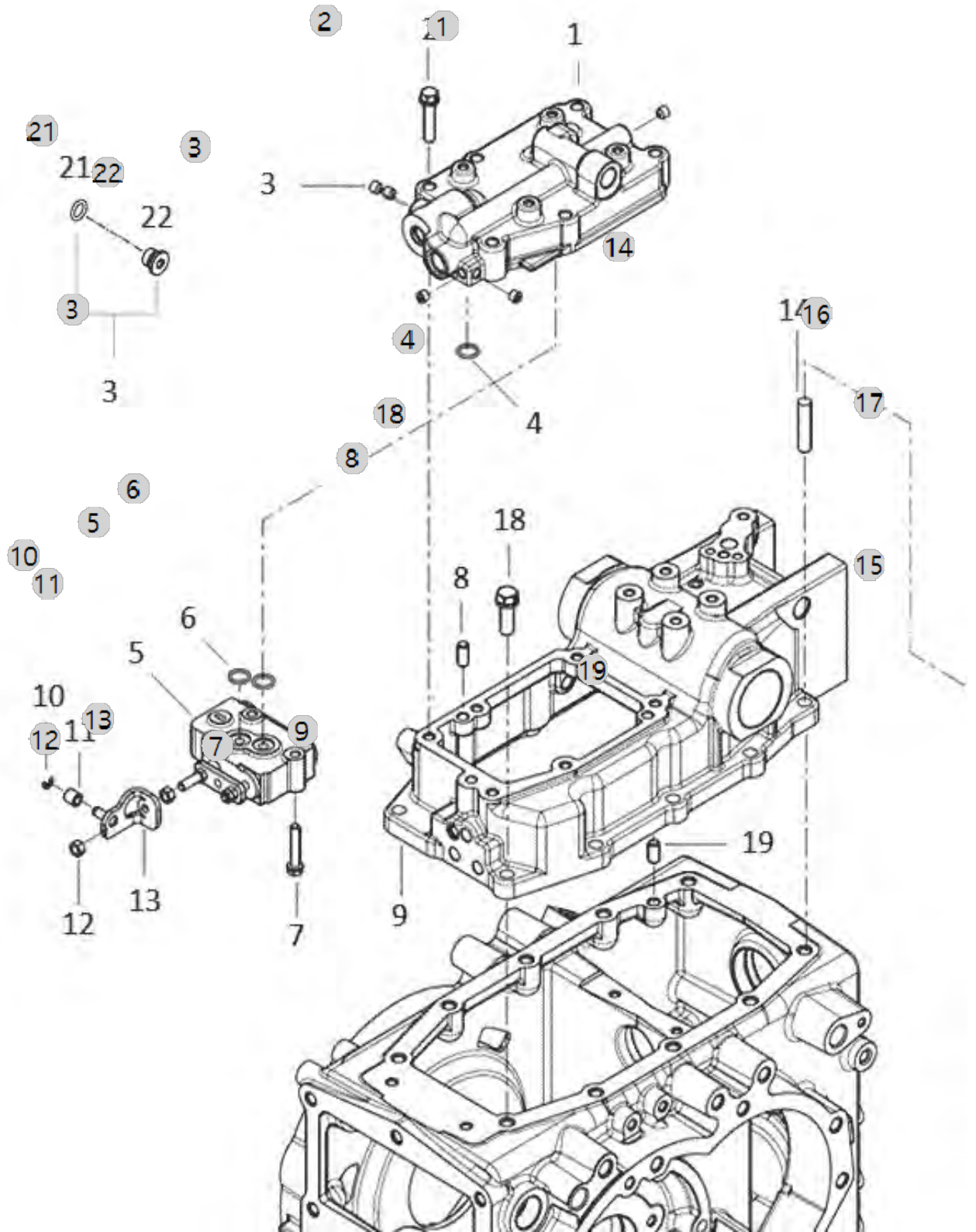
F10010

BRANSON K3CH  
TM\_EU(AC01568)

CASE, HYD CYLINDER

Year/Month

2023-01-17





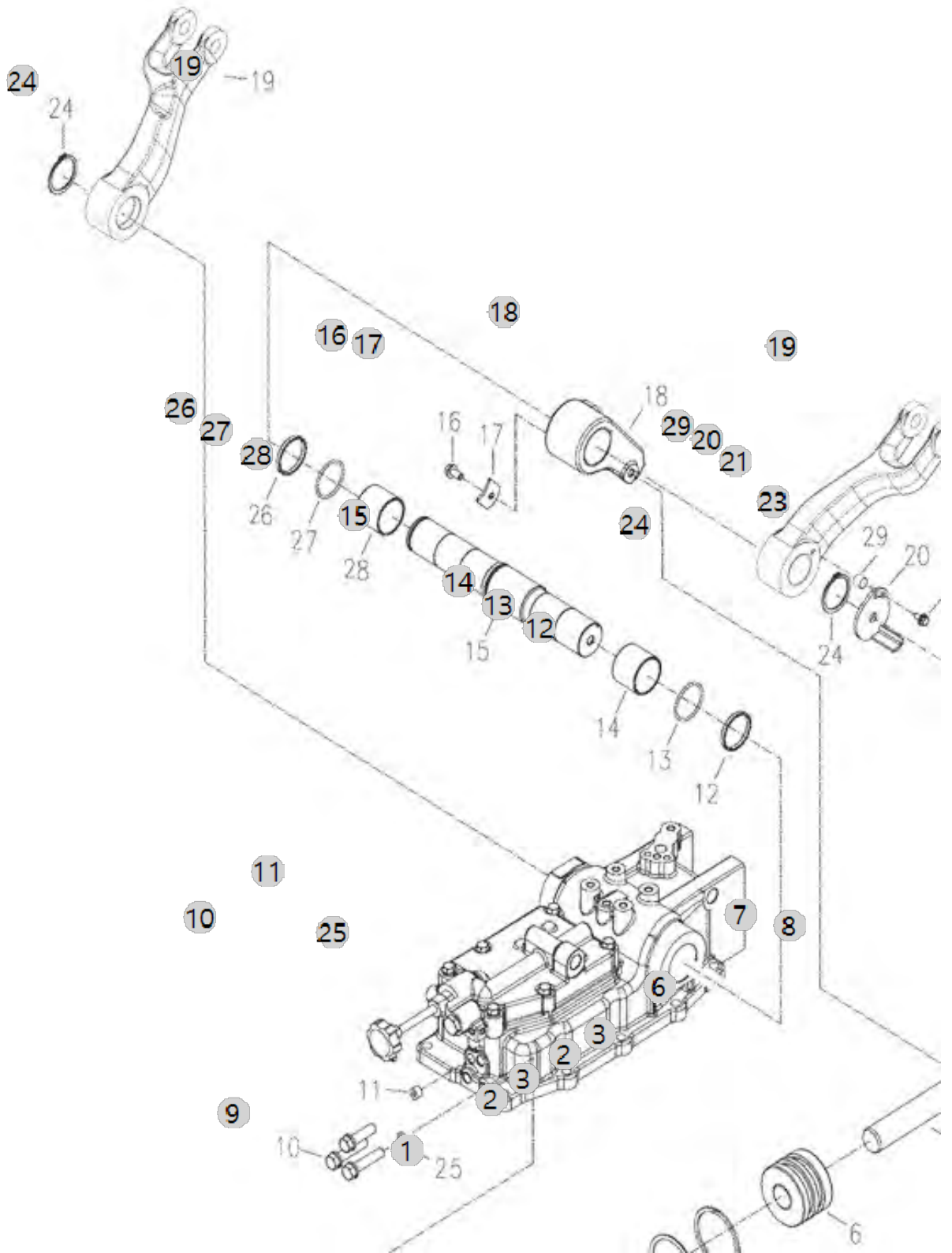
F10020

BRANSON K3CH  
TM\_EU(AC01568)

LIFT ARM

Year/Month

2023-01-17





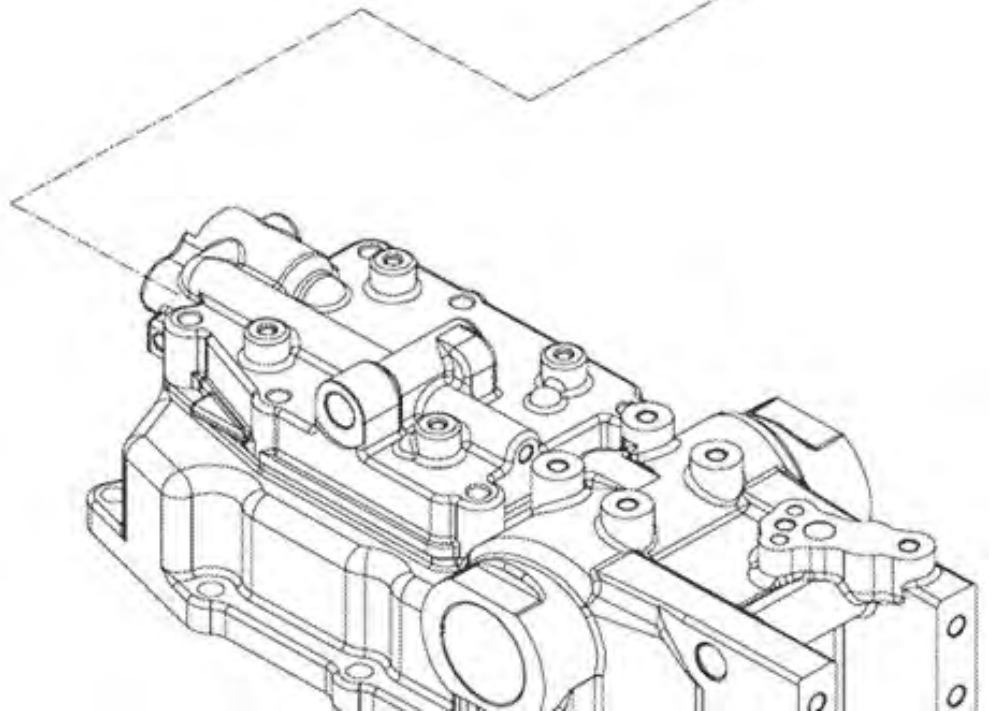
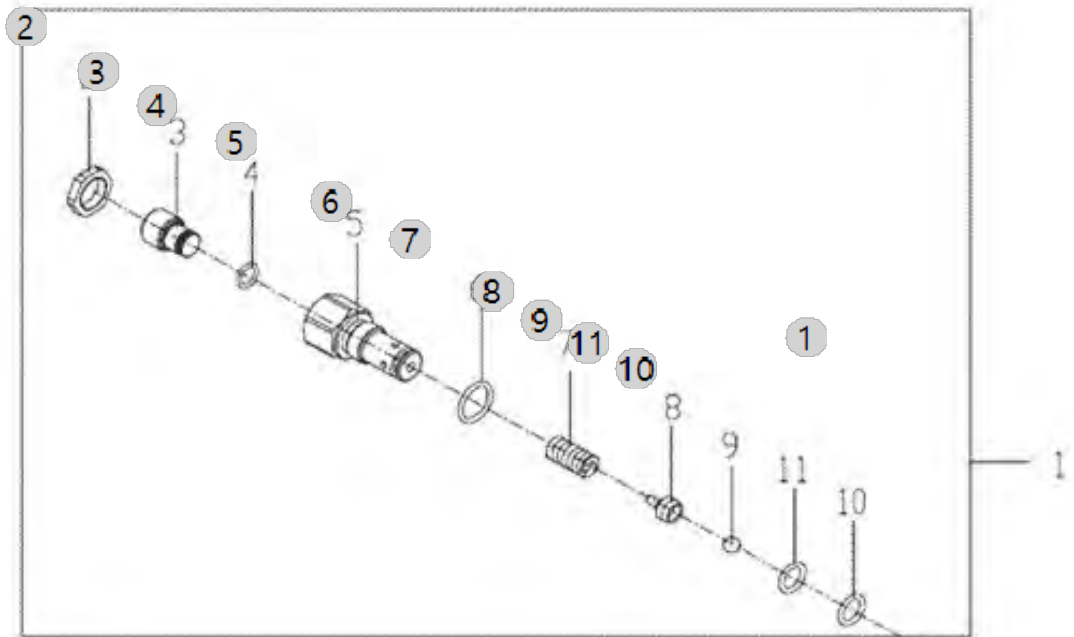
F10030

BRANSON K3CH  
TM\_EU(AC01568)

### SAFETY VALVE

Year/Month

2023-01-17





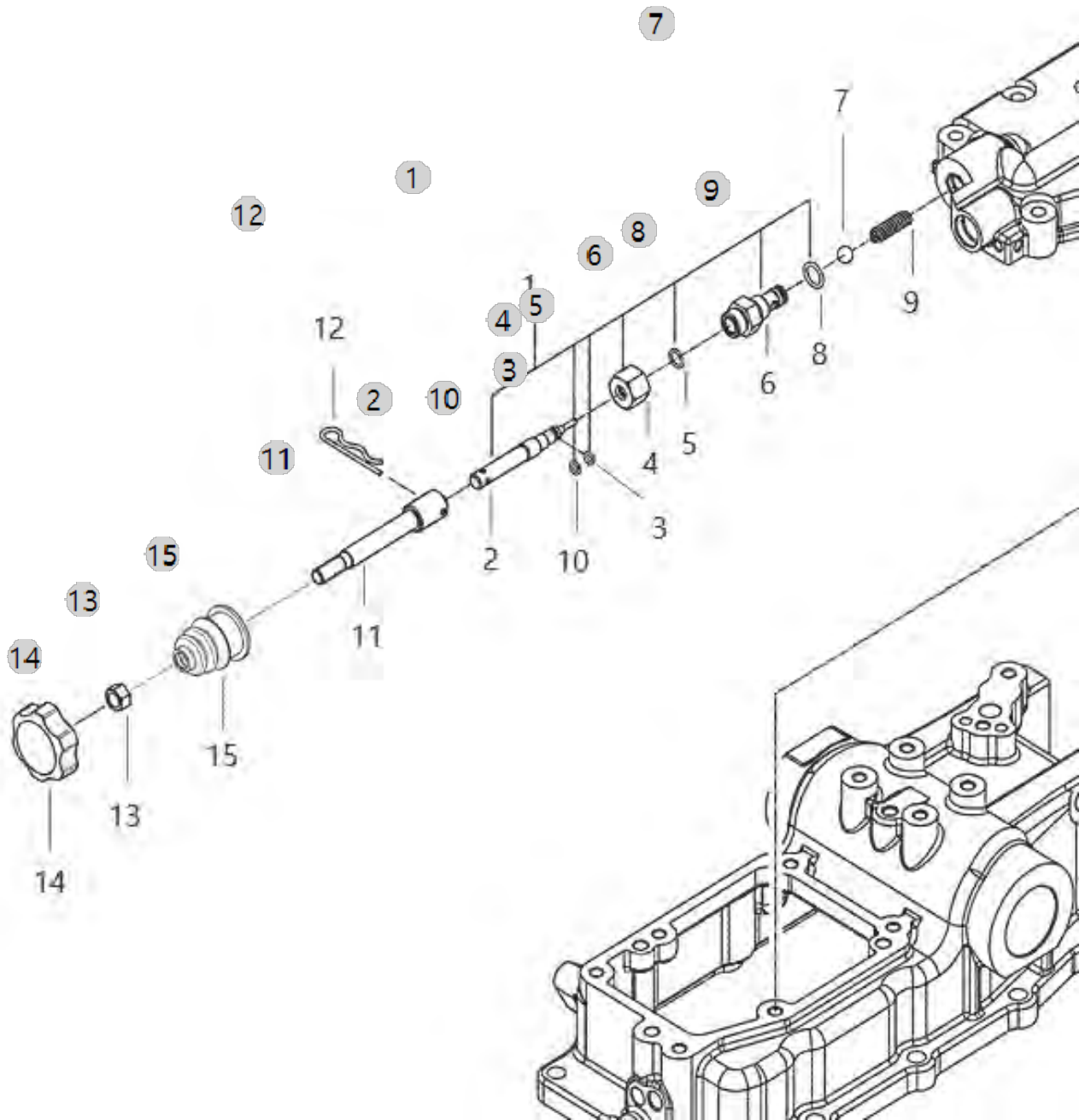
F10040

BRANSON K3CH  
TM\_EU(AC01568)

# STOP VALVE

Year/Month

2023-01-17





F10040 BRANSON K3CH TM_EU(AC01568)	STOP VALVE	Year/Month 2023-01-17
--	------------	--------------------------

순번 (NO)	부품번호 (PART NO)	품명 (PART NAME)	품명 (PART NAME)	수량 (QTY)	규격 (SPEC)	비고 (REMARK)
1	TA00046966A	하강속도 조절 밸브 조합	FLOW REGULATOR ASSY	1		
1	TA00046966B	하강속도 조절 밸브 조합	FLOW REGULATOR ASSY	1		
2	TA00046967A	하강속도 조절 스크류	SCREW	1		
3	24315-000060	운동용O링	O RING	1		
4	TA00033888A	너트	NUT	1		
4	TA00033888B	너트	NUT	1		
5	24311-000100	O-링1AP10.0	O-RING, DYNAMIC (Φ10)	1	P10	
6	TA00033890B	하강속도 조절밸브 몸체	BODY	1		
6	TA00033890C	하강속도 조절밸브 몸체	BODY	1		
7	24190-140001	강구	STEEL BALL	1		
8	24311-000140	운동용O링	SEAL,ORING	1	P14	
9	TA00034091B	잠금 밸브 스프링	SPRING, LOCKING VALVE	1		
10	TA00036537A	백업링	RING, BACK UP	1		
11	TA00046969A	봉	BAR	1		
11	TA00046969B	스톱볼트	STOPBOLT	1		
11	TA00046969C	스톱볼트	STOP BOLT	1		
12	22360-180000	스냅핀	SNAP_PIN	1	D18	
13	26716-100002	육각너트	Nut, Hexa (Φ10)	1	M10XP1.5	
14	TTA9040000A4	노브	KNOB	1		
14	TTA9040000B4	노브	KNOB	1		
14	TTA9040000D4	노브	KNOB	1		
15	FTE0300000A4	부츠(자동페달)	BOOTS	1		

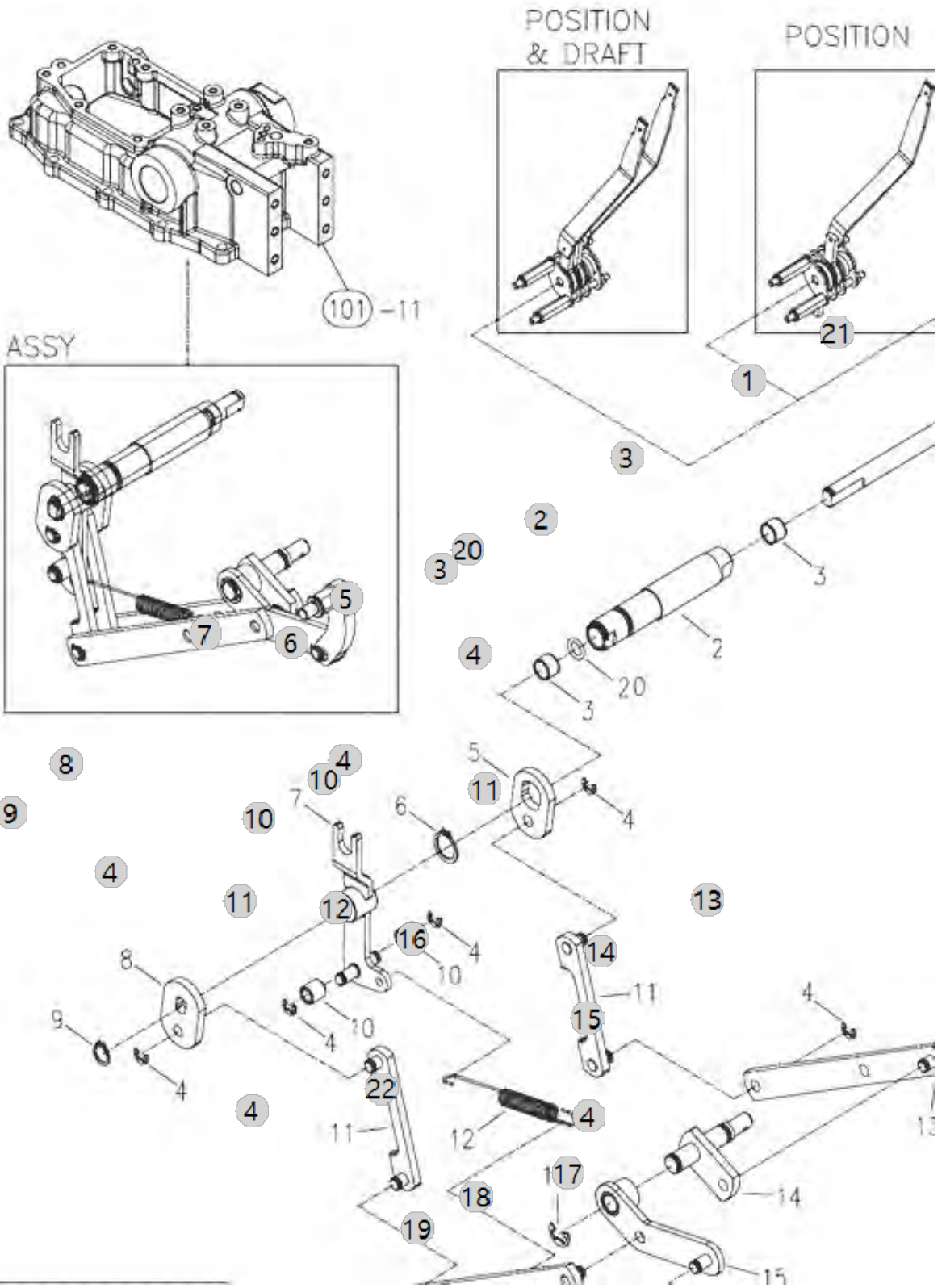
F10061

BRANSON K3CH  
TM\_EU(AC01568)

DRAFT/POSITION CONTROL LEVER

Year/Month

2023-01-17





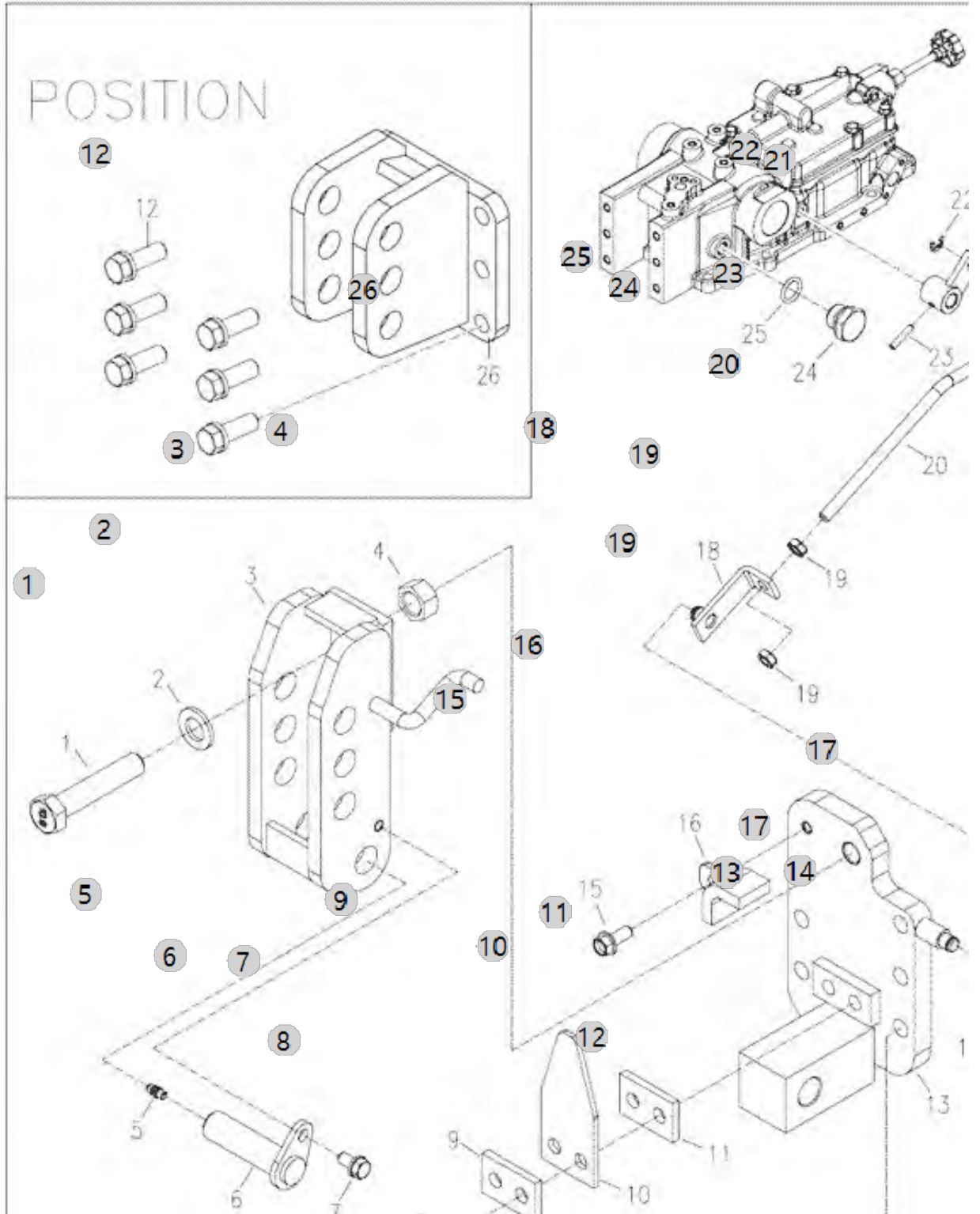
F10063

BRANSON K3CH  
TM\_EU(AC01568)

DRAFT CONTROL LEVER

Year/Month

2023-01-17





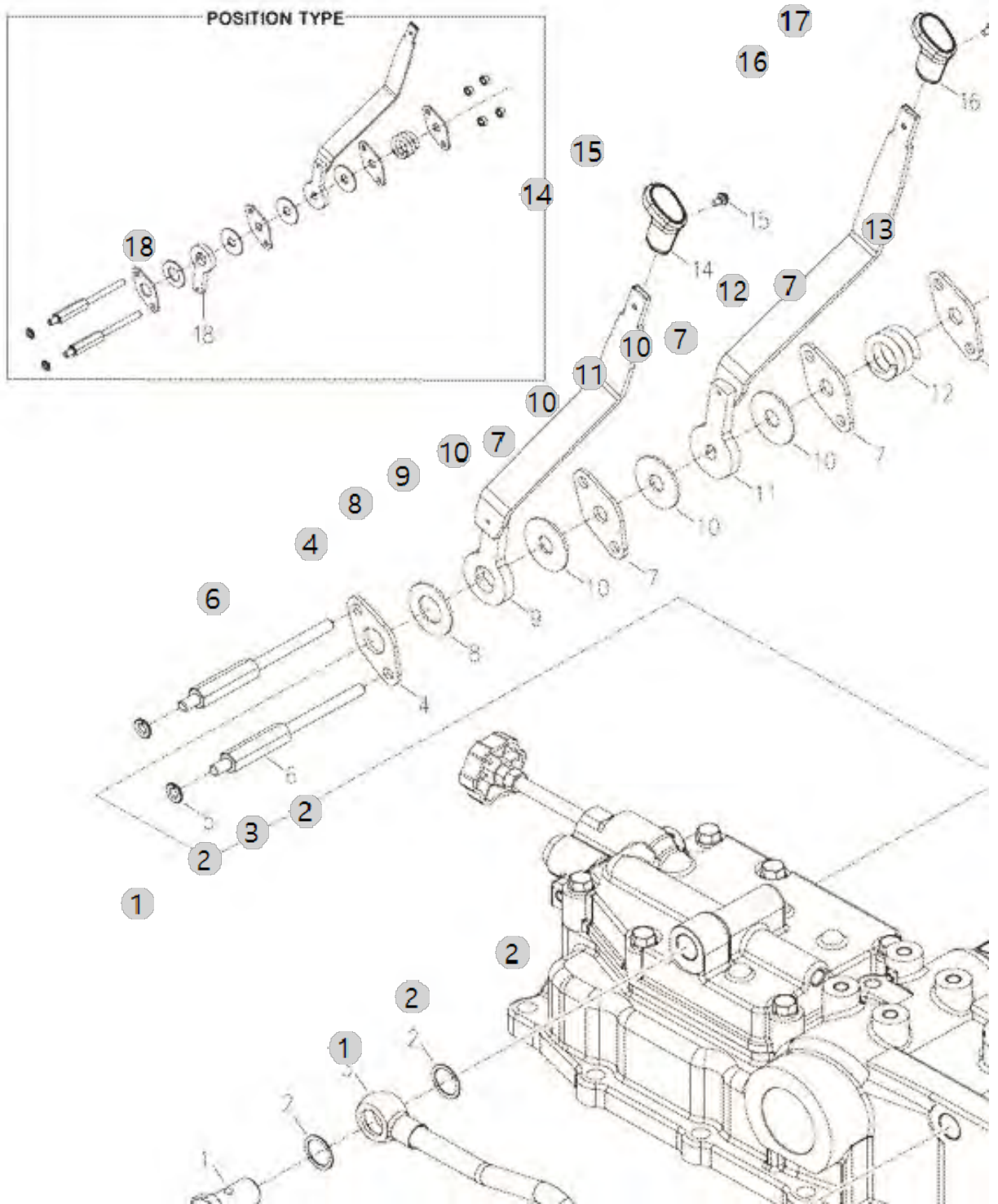
F10064

BRANSON K3CH  
TM\_EU(AC01568)

POSITION CONTROL LEVER

Year/Month

2023-01-17



<b>F10064</b> BRANSON K3CH TM_EU(AC01568)		<b>POSITION CONTROL LEVER</b>				Year/Month
						2023-01-17
순번 (NO)	부품번호 (PART NO)	품명 (PART NAME)	품명 (PART NAME)	수량 (QTY)	규격 (SPEC)	비고 (REMARK)
1	TTB418000A4	중공볼트	BOLT	2	M20XP1.5	
1	TTB418000B4	중공볼트	BOLT	2	M20XP1.5	
2	TA00036405A	본디드실(M20)	BONDED SEAL	4		
3	TA00034085B	취부대	MOUNTING SUPPORT	1		
3	TA00034085C	취부대	MOUNTING SUPPORT	1		
4	TA00033964A	브래킷	BRACKET	1		
6	TA00033978A	볼트	BOLT	2		
6	TA00033978B	볼트	BOLT	2		
7	TA00033965A	브래킷 A	BRACKET A	3		
8	TA00033155A	마찰판	FRICTION PLATE	1		
9	TA00034008A	D 레버 조합	LEVER, D-CONTROL	1		
10	TA00033966A	플레이트 A	PLATE A	3		
11	TA00042363A	P레버 조합(복미)	POSITION LEVER ASSY(US)	1		
12	TA00033901A	스프링	SPRING	1		
12	TA00033901B	스프링	SPRING	1		
13	26716-080002	육각너트	NUT,HEX (D8)	4	M8xP1.25	
14	TA00058250A	오토 노브 조합	LEVER, D-CONTROL	1		
14-1	TA00030763A	오토 노브	KNOB, DRAFT CONTROL	1		
15	26023-040102	와셔조립납비작은나사(SW+PW)	SCREW W/WASHER	1	M4X10	
16	TA00056011A	위치제어 노브 조합	LEVER, P-CONTRON	1		
16-1	TA00030762A	포지션 레버 노브	KNOB, POSITOIN CONTROL	1		
17	26023-040162	와셔조립납비작은나사(SW+PW)	SCREW	1	M4X16	
18	TA00033156A	견인제어레버암	LEVER ARM, DRAFT	1		
18	TA00033156B	견인제어레버암	LEVER ARM, DRAFT	1		

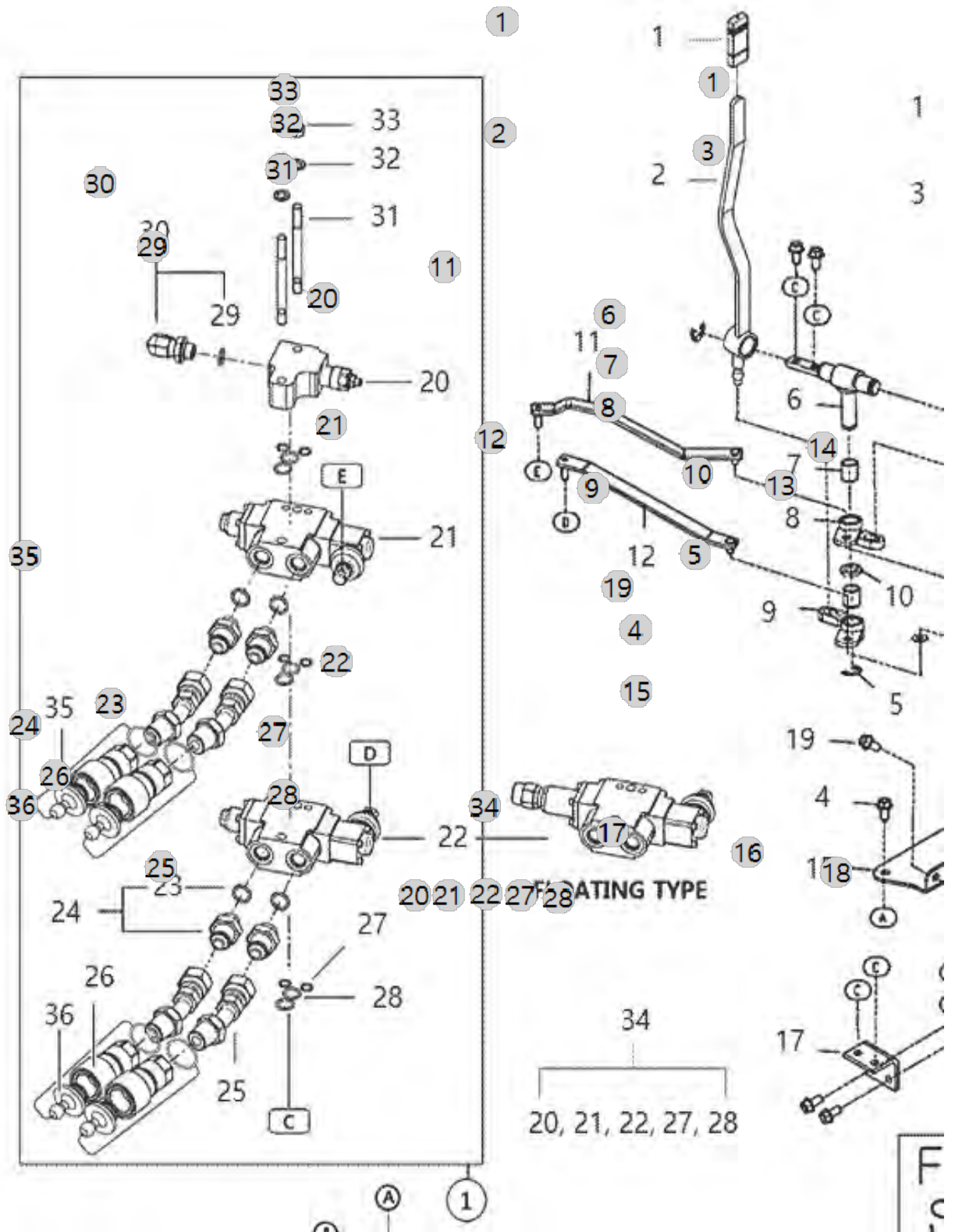
F10120

BRANSON K3CH  
TM\_EU(AC01568)

REAR SCV

Year/Month

2023-01-17





F10120 BRANSON K3CH TM_EU(AC01568)		REAR SCV				Year/Month 2023-01-17
순번 (NO)	부품번호 (PART NO)	품명 (PART NAME)	품명 (PART NAME)	수량 (QTY)	규격 (SPEC)	비고 (REMARK)
1	RN7530000A4	레버 손잡이	GRIP, LEVER(BLACK)	2		
2	TA00055308A	레버A조합(K3C)	LEVER ASS'Y(A)	1		
2	TA00055308B	레버A조합(K3C)	LEVER ASS'Y(A)	1		
3	TA00055309A	레버B조합(K3C)	LEVER ASS'Y(B)	1		
3	TA00055309B	레버B조합(K3C)	LEVER ASS'Y(B)	1		
4	26106-080162	플랜지볼트8X16	SCREW,HEXFLANGEHEADCAP	6	M8XP1.25X16	
5	22272-000120	E형스냅링12	RING, CIRCLIP (Φ 12)	3	D12	
6	TA00034042B	축 조합	SHAFT ASS'Y	1		
6	TA00034042A	축 조합	SHAFT ASS'Y	1		
6	TA00034042C	축 조합	SHAFT ASS'Y	1		
6	TA00034042D	축 조합	SHAFT ASS'Y	1		
7	24550-016200	드라이부시16X20	DRY BUSH 16X20	4		
8	TA00036430A	보스 A 조합 PTO 3단	BOSS B ASS'Y PTO 3SD	1		
8	TA00036430B	보스 A 조합 PTO 3단	BOSS B ASS'Y PTO 3SD	1		
9	TA00036429A	보스 B 조합 PTO 3단	BOSS B ASS'Y PTO 3SD	1		
9	TA00036429B	보스 B 조합 PTO 3단	BOSS B ASS'Y PTO 3SD	1		
10	TA00034062A	플레이트	PLATE	1		
11	TA00036297A	링크 2 조합	LINK ASSY 2	1		
11	TA00036297B	링크 2 조합	LINK ASSY 2	1		
11	TA00036297C	링크 2 조합	LINK ASSY 2	1		
12	TA00034019A	링크1조합	LINK 1 ASS'Y	1		
12	TA00034019B	링크1조합	LINK 1 ASS'Y	1		
13	22137-080000	와셔8	WASHER, PLAIN (Φ 08)	4	M8	
14	22417-200200	할핀	PIN , COTTER (2-20)	4	D1.8	
15	TA00036443B	브래킷	BRACKET	1		
15	TA00036443C	브래킷	BRACKET	1		
16	TA00036941A	SCV 고정 레버 브래킷 조합	HOLDING BRACKET, SCV LEVER	1		
16	TA00036941B	SCV 고정 레버 브래킷 조합	HOLDING BRACKET, SCV LEVER	1		
17	TA00036949A	고정브라켓	BRACKET	1		
17	TA00036949B	고정브라켓	BRACKET	1		
18	26106-100162	플랜지볼트M10X16	SCREW,HEXFLANGEHEADCAP	2	M10XP1.5X16	
19	26106-080182	444,ALL,플랜지볼트	SCREW,HEXFLANGEHEADCAP	4		
20	TA00033977A	컨트롤 릴리프	COVER RELIEF	1		
20	TA00033977B	컨트롤 릴리프	COVER RELIEF	1		
20	TA00033977C	컨트롤 릴리프	COVER RELIEF	1		
21	TA00034056B	SCV 2	BLOCK 2	1		
21	TA00034056A	SCV 2	SCV 2	1		
21	TA00034056C	SCV 2	BLOCK 2	1		
22	TA00028226A	SCV 1	REAR SCV 1	1		
22	TA00028226B	SCV 1	SCV	1		
22	TA00028226C	SCV 1	SCV 1	1		
22	TA00048561A	SCV(FLOATING)	SCV(FLOATING)	1		
22	TA00048561C	SCV(FLOATING)	SCV(FLOATING)	1		
22	TA00048561B	SCV(FLOATING)	SCV(FLOATING)	1		
23	24311-000160	O-링 P 16	O-RING, DYNAMIC (Φ16)	4	P16	



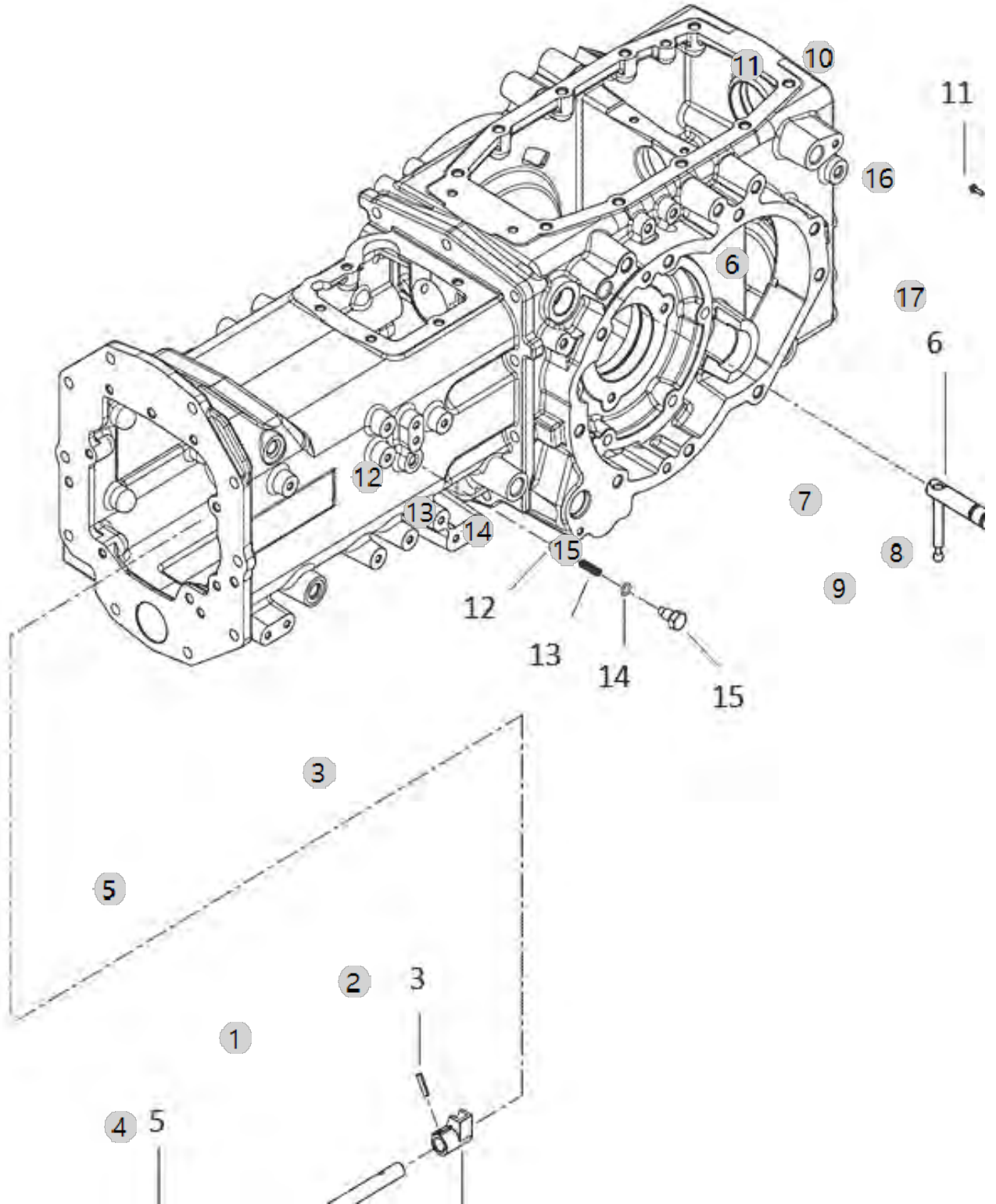
F11020

BRANSON K3CH  
TM\_EU(AC01568)

LEVER ASS'Y, RANGE SHIFT

Year/Month

2023-01-17



F11020 BRANSON K3CH TM_EU(AC01568)	LEVER ASS'Y, RANGE SHIFT	Year/Month
		2023-01-17

순번 (NO)	부품번호 (PART NO)	품명 (PART NAME)	품명 (PART NAME)	수량 (QTY)	규격 (SPEC)	비고 (REMARK)
1	TA00038541B	부변속 포크축	RAIL, RANGE	1		
1	TA00042214A	부변속 포크축(HST)	SHAFT FORK (HST)	1		
2	TA00038542B	부변속시프터	ADAPTOR, RANGE	1		
2	TA00038542C	부변속시프터	ADAPTOR, RANGE	1		
3	22351-060025	SPRINGPIN6X25	PIN, SPRING (6-25)	2	D6X25	
4	TA00038735B	부변속 포크	FORK, RANGE SHIFT	1		
4	TA00038735C	부변속 포크	FORK, RANGE SHIFT	1		
5	26013-080302	와셔조립육각볼트(+SW)	HEX BOLT W/WASHER	1	M8XP1.25X30	
6	TA00038546C	부변속변속축	SHIFT	1		
6	TA00038546B	부변속변속축	SHIFT	1		
6	TA00038546D	부변속변속축	SHIFT	1		
6	TA00038546F	부변속변속축	SHIFT	1		
7	24311-000160	O-링 P 16	O-RING, DYNAMIC (Φ16)	2	P16	
8	TA00055259A	부변속레버 조합(K3C)	LEVER ASSY, SUB SHIFT	1		
8	TA00055259B	부변속레버 조합(K3C)	RANGE SHIFT LEVER ASS'Y, K3C	1		
9	TA00059644A	코일스프링핀(6-35)	COIL SPRING PIS	1		
10	TA00062668A	부변속노브조합	KNOB	1		
10-1	TA00040350A	부변속 노브 조합(K3)	KNOB, RANGE SHIFT(K3)	1		
11	26023-040162	와셔조립납비작은나사(SW+PW)	SCREW	1	M4X16	
12	24190-110001	강구11/32	Ball, Steel (11/32)	1	11/32	
13	TA00038502A	스프링	SPRING	1		
14	24311-240100	O-링(P형)	SEAL, O-RING	1	P10	
15	TA00038540A	볼트	BOLT, RAIL	1		
15	TA00038540B	볼트	BOLT, RAIL	1		
16	TA00055261B	부변속레버(상)	LEVER ASSY, SUB SHIFT	1		
16	TA00055261C	부변속레버(상)	LEVER ASSY, SUB SHIFT	1		
16	TA00055261D	부변속레버(상)	RANGE SHIFT LEVER, UPR	1		
16	TA00055261E	부변속레버(상)	RANGE SHIFT LEVER, UPR	1		
17	26106-060352	플랜지볼트	FLANGEBOLT	1	M6	

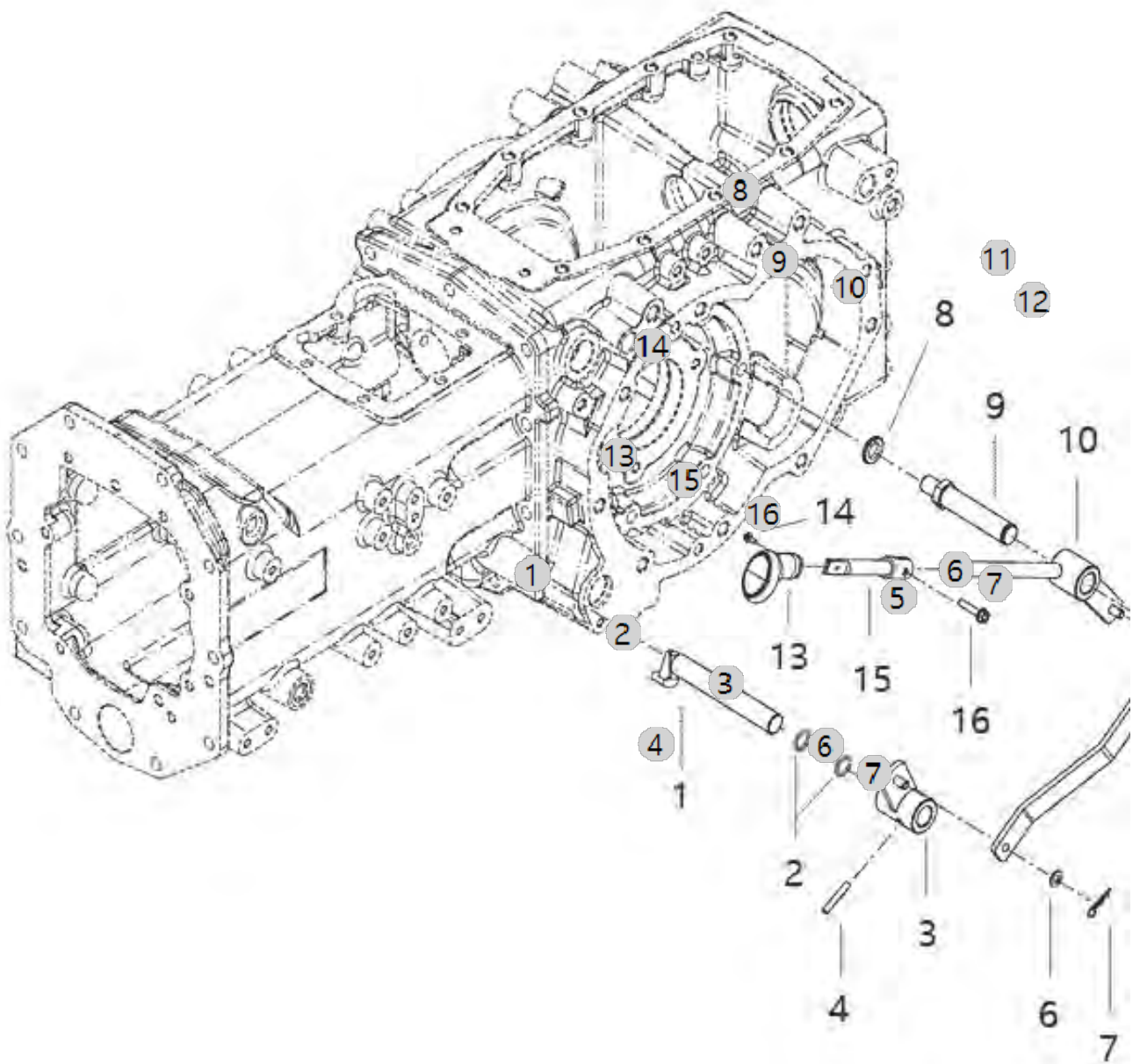
F11080

BRANSON K3CH  
TM\_EU(AC01568)

4WD LEVER

Year/Month

2023-01-17





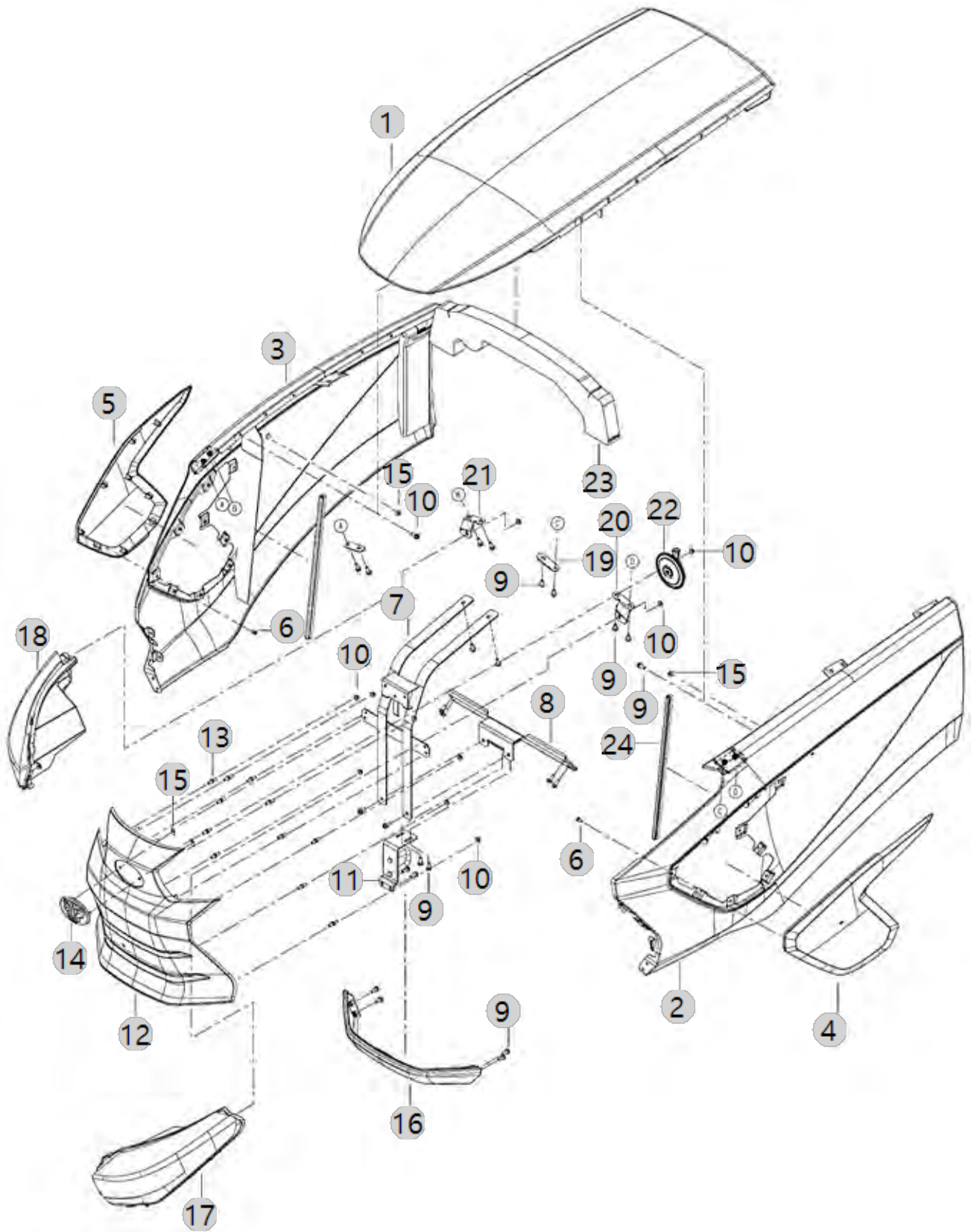
G01020

F36CHN\_EU\_FL  
(AC02134)

# BONNET

Year/Month

2023-01-17







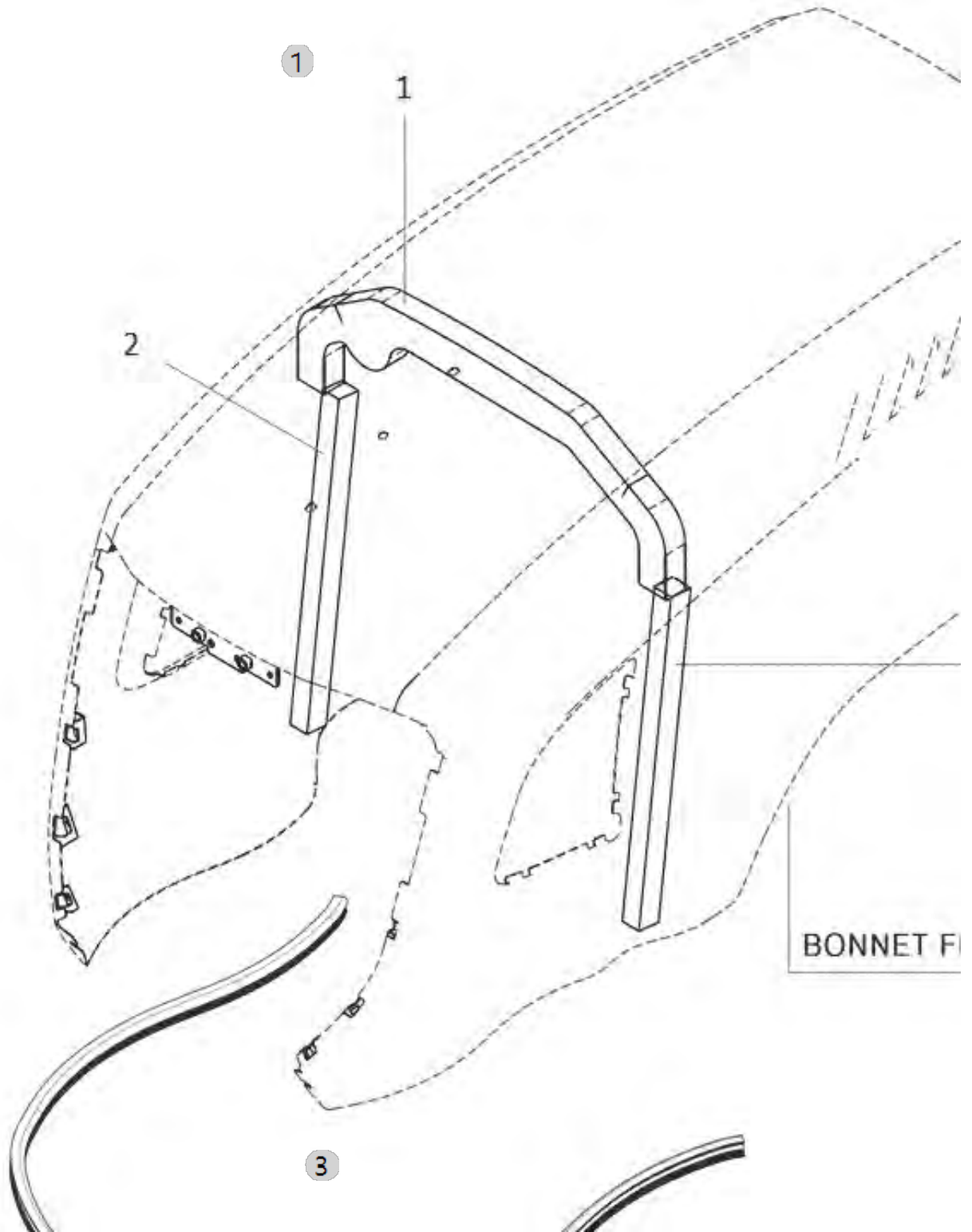
G01021

F36CHN\_EU\_FL  
(AC02134)

BONNET URETHANE

Year/Month

2023-01-17





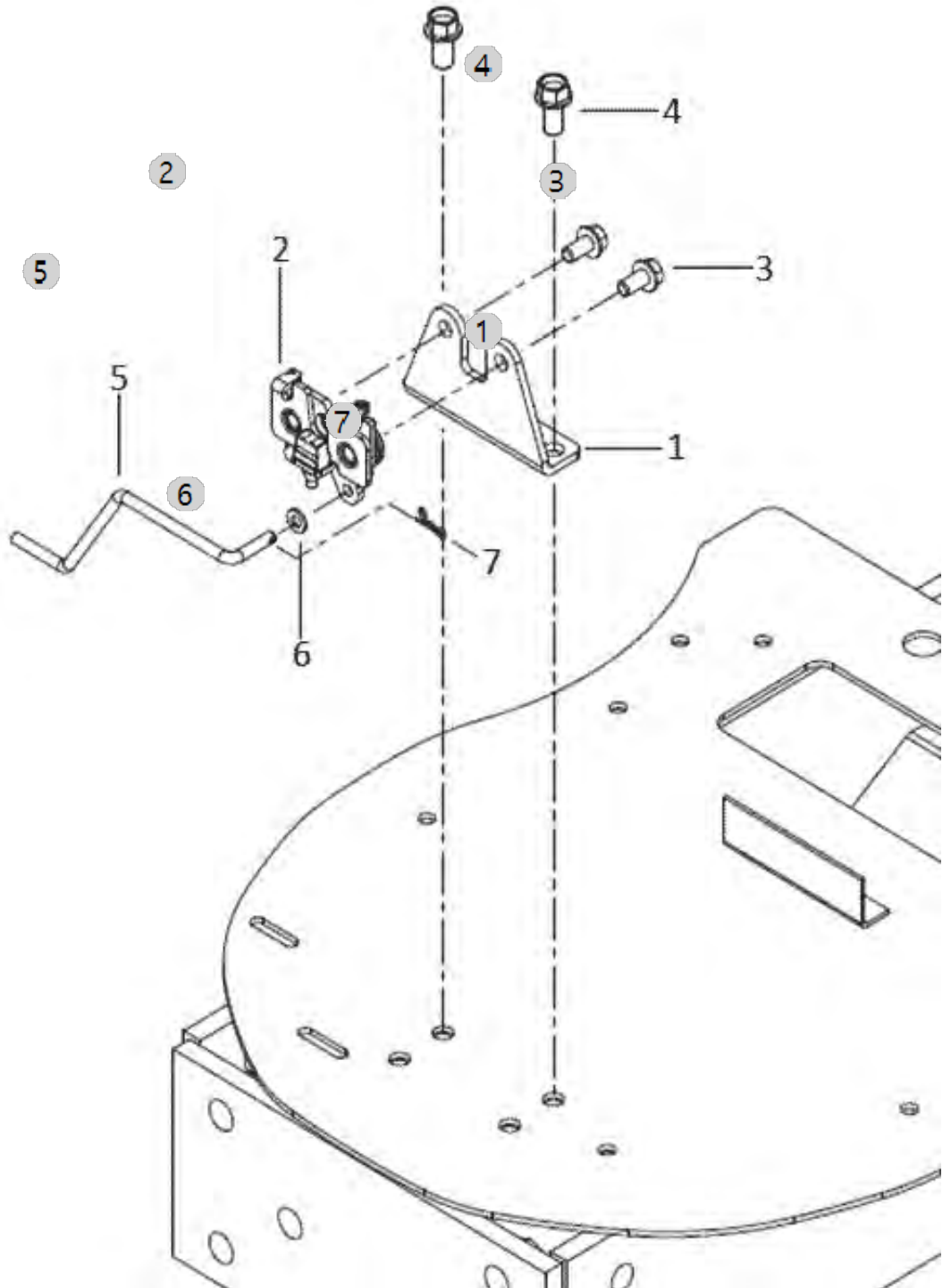
G01040

F36CHN\_EU\_FL  
(AC02134)

LOCKING ASS'Y, BONNET

Year/Month

2023-01-17





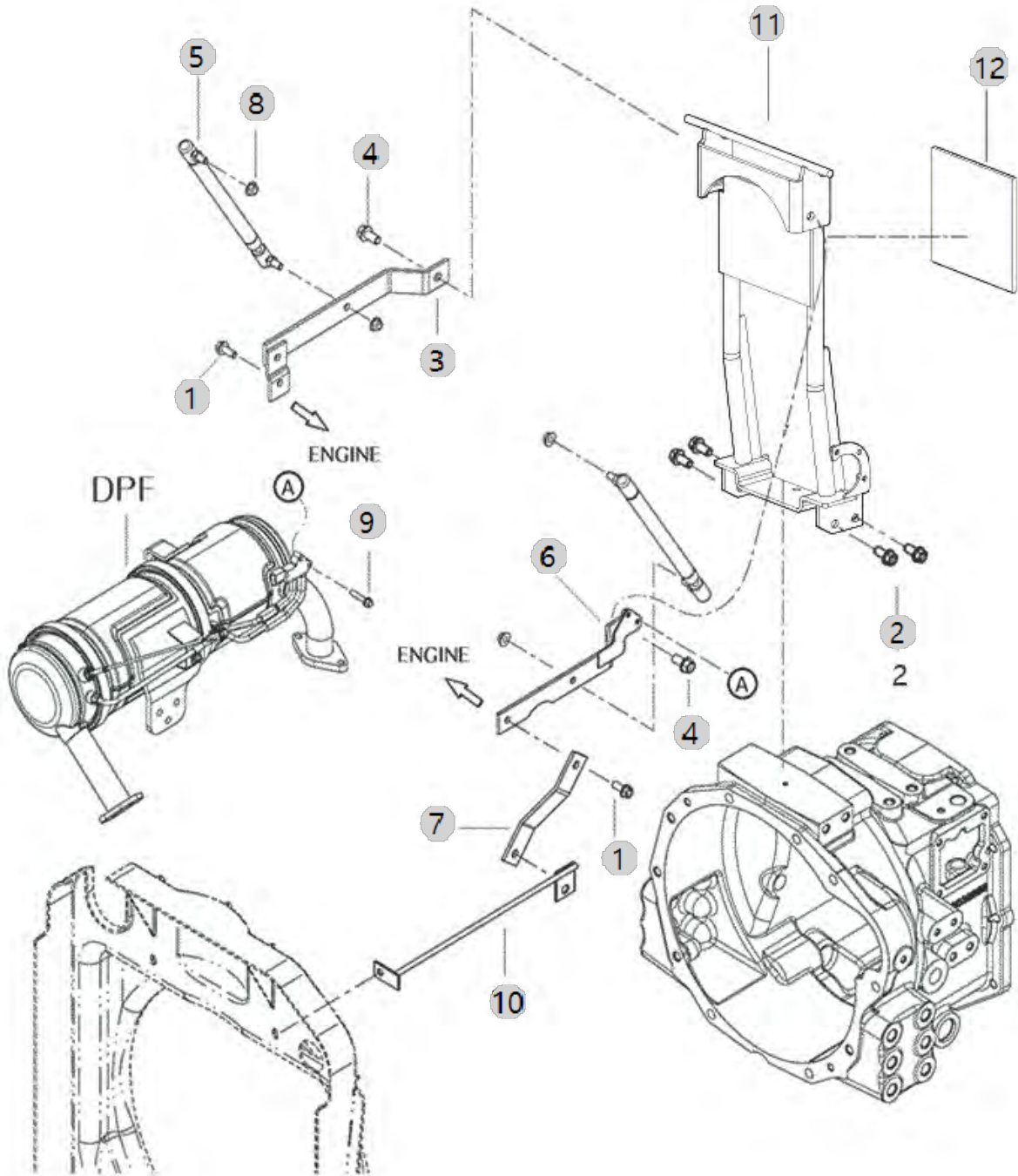
G01060A

F36CHN\_EU\_FL  
(AC02134)

FIXED BRACKET, BONNET

Year/Month

2023-01-17



G01060A F36CHN_EU_FL (AC02134)		FIXED BRACKET, BONNET				Year/Month 2023-01-17
순번 (NO)	부품번호 (PART NO)	품명 (PART NAME)	품명 (PART NAME)	수량 (QTY)	규격 (SPEC)	비고 (REMARK)
1	26106-080202	육각플랜지볼트	SQR FLANGE BOLT	3	M8XP1.25X20	
2	26106-100222	육각플랜지볼트	BOLT	4		
3	TA00040848D	고정브라켓 우	BRACKET L	1		
3	TA00040848A	고정브라켓 우	BRACKET L	1		
3	TA00040848C	고정브라켓 우	BRACKET L	1		
3	TA00040848B	고정브라켓 우	BRACKET L	1		
4	26106-100202	육각플랜지볼트	HEX BOLT, (10-20)	2	M10XP1.5X20	
5	TA00067716A	가스실린더	GAS CYLINDER	2		
6	TA00040849D	고정브라켓 좌	BRACKET L	1		
6	TA00040849C	고정브라켓 좌	BRACKET L	1		
6	TA00040849E	고정브라켓 좌	BRACKET L	1		
6	TA00040849B	고정브라켓 좌	BRACKET L	1		
7	TA00040850B	연결 브래킷	BRACKET	1		
8	26367-080002	259, 육각플랜지너트	HEX FLANGE NUT (Φ8)	4	M8XP1.25	
9	26106-060252	육각플랜지볼트	Screw, (6-25)	2	M6XP1.0X25	
10	TA00041934C	서포트조합(T4)	SUPPORT ASS'Y(T4)	1		
10	TA00041934B	서포트조합(T4)	SUPPORT ASSY(T4)	1		
11	TA00065495B	본네트 힌지 조합	ASSY. BONNET HINGE	1		
11	TA00065495D	본네트 힌지 조합	ASSY. BONNET HINGE	1		
11	TA00065495A	본네트 힌지 조합	ASSY. BONNET HINGE	1		
11	TA00065495C	본네트 힌지 조합	ASSY. BONNET HINGE	1		
12	TA00072201A	방열판	INSULATOR	1		

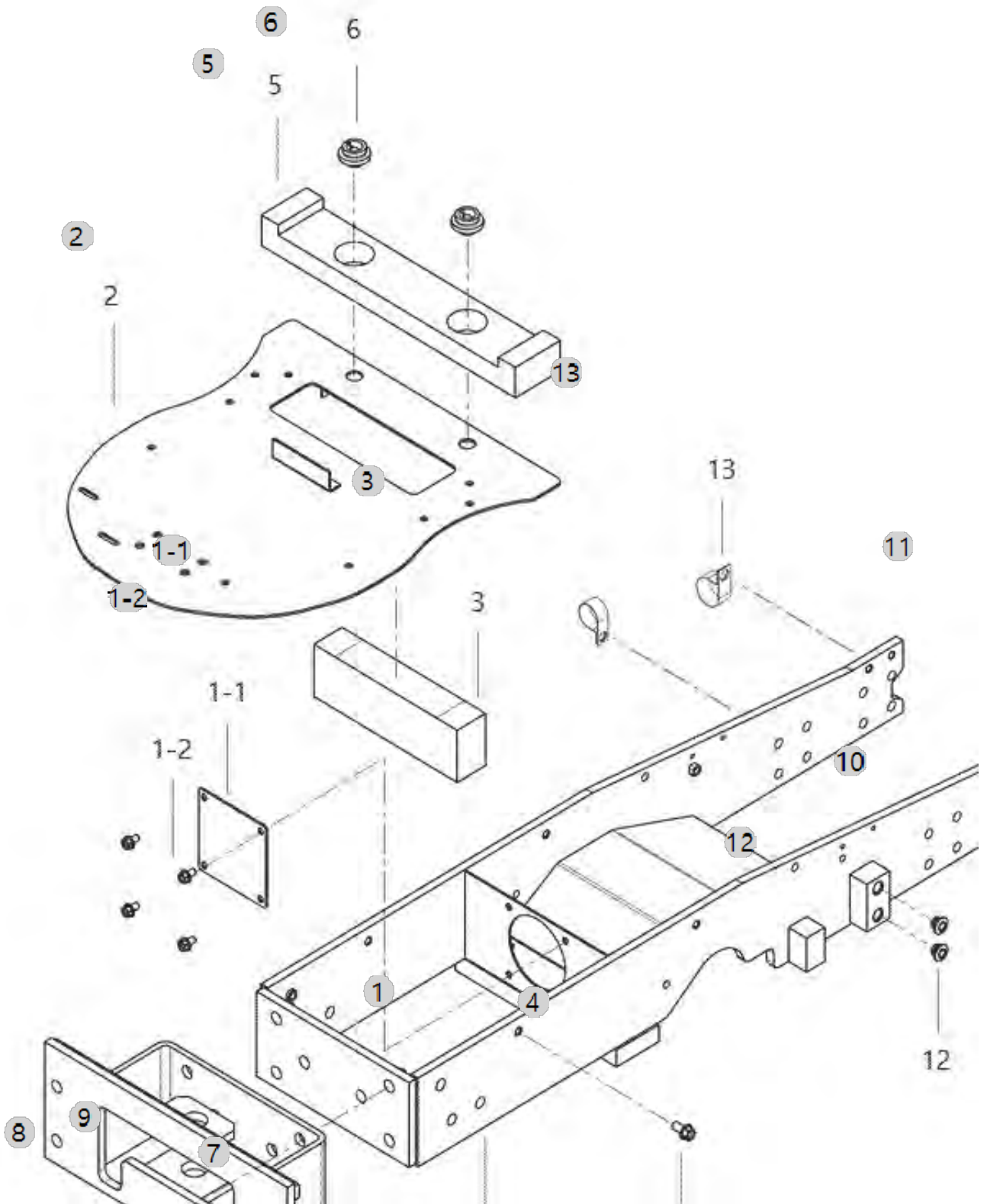
G01080

F36CHN\_EU\_FL  
(AC02134)

# FRONT AXLE BRACKET

Year/Month

2023-01-17



<b>G01080</b> F36CHN_EU_FL (AC02134)	<b>FRONT AXLE BRACKET</b>	Year/Month
		2023-01-17

순번 (NO)	부품번호 (PART NO)	품명 (PART NAME)	품명 (PART NAME)	수량 (QTY)	규격 (SPEC)	비고 (REMARK)
1	TA00065227B	프런트 액슬 브래킷(3)	BRACKET, FRONT AXLE	1		
1-1	TA00057575A	전방PTO먼지커버	COVER	1		
1-2	26106-081402	육각플랜지볼트		4	M8X1.25X140	
2	TA00065260D	플레이트 조합(C3)	ASSY, PLATE	1		
3	TA00040607B	우레탄(프런트액슬)	URETHANE	1		
3	TA00040607C	우레탄(프런트액슬)	URETHANE	1		
4	26106-100202	육각플랜지볼트	HEX BOLT, (10-20)	4	M10XP1.5X20	
5	TA00040608B	우레탄(라디에이터)	URETHANE	1		
6	HRA1203300A4	방진고무	RUBBER, VIBRATION PROOF	2		
7	TA00040753B	프런트히치조합	FRONT HITCH ASSY	1		
7	TA00040753D	프런트히치조합	FRONT HITCH ASS'Y	1		
7	TA00040753C	프런트히치조합	FRONT HITCH ASS'Y	1		
8	26116-160502	볼트(16*2*50)	BOLT	6		
9	22217-160000	스프링와셔	WASHER, SPRING (Φ 16)	6	M16	
10	22217-120000	스프링와셔	WASHER, SPRING (Φ 12)	16	M12	
11	TC54220000A4	볼트 M12X30	TC54220000A4	16		
11	TC54220000B4	볼트 M12X30	BOLT_M12X30	16		
12	TA00055258A	고무플러그(14)	PLUG(14)	4		
13	TA00003081A	클립M12	CLIP	2		
13	TA00003081B	클립M12	CLIP	2		



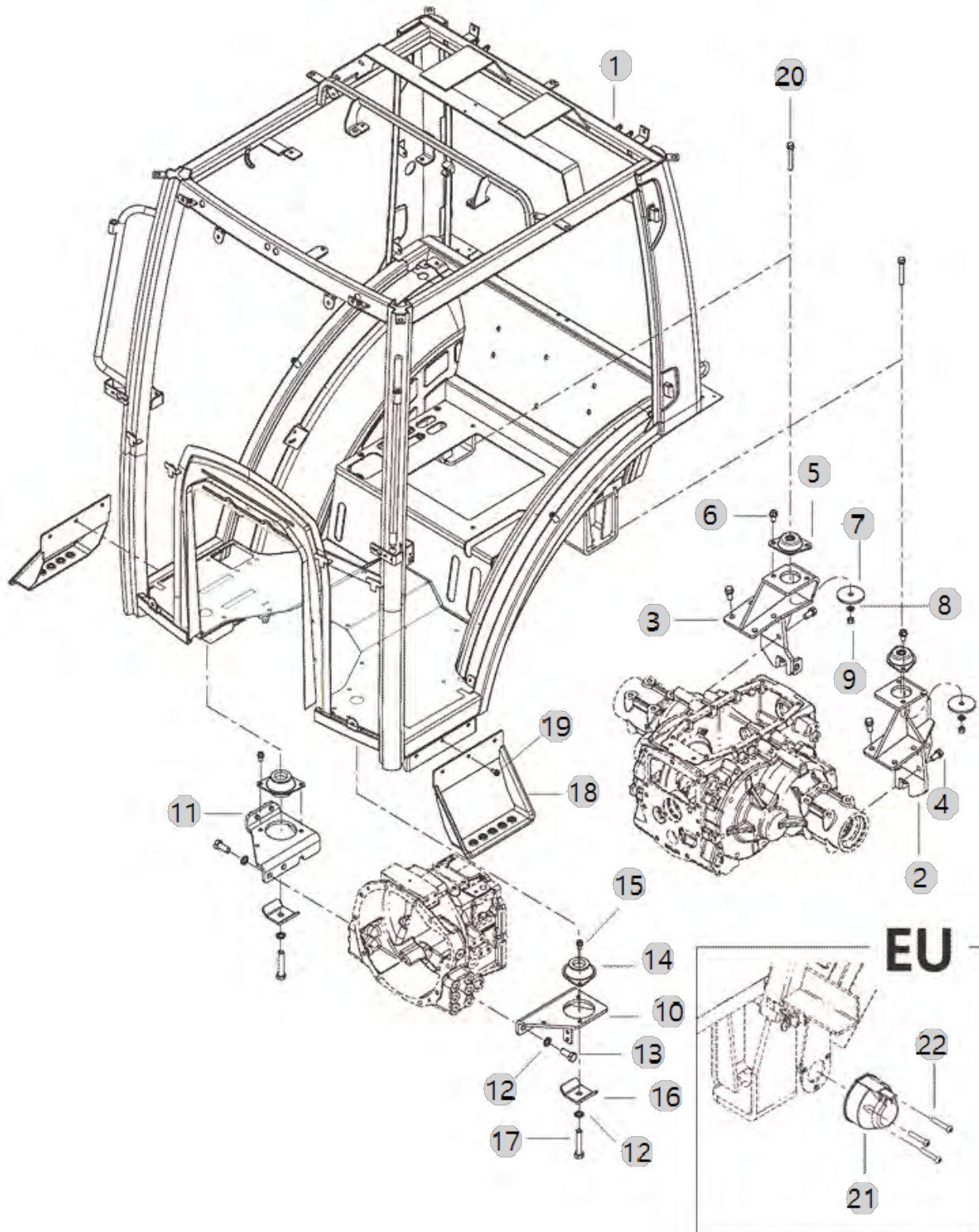
G02010-A

F36CHN\_EU\_FL  
(AC02134)

### CABIN FRAME ASS'Y

Year/Month

2023-01-17



G02010-A F36CHN_EU_FL (AC02134)		CABIN FRAME ASS'Y				Year/Month 2023-01-17
순번 (NO)	부품번호 (PART NO)	품명 (PART NAME)	품명 (PART NAME)	수량 (QTY)	규격 (SPEC)	비고 (REMARK)
1	TA00055771E	캐빈프레임 조합(K3Ch)	CABIN FRAME ASSY	1		
1	TA00055771G	캐빈프레임 조합(K3Ch)	CABIN FRAME ASS'Y(K3CH)	1		
1	TA00055771B	캐빈프레임 조합(K3Ch)	CABIN FRAME ASSY	1		
1	TA00055771I	캐빈프레임 조합(K3Ch)	CABIN FRAME ASS'Y(K3CH)	1		
1	TA00055771D	캐빈프레임 조합(K3Ch)	CABIN FRAME ASSY	1		
1	TA00055771F	캐빈프레임 조합(K3Ch)	CABIN FRAME ASS'Y(K3CH)	1		
1	TA00055771H	캐빈프레임 조합(K3Ch)	CABIN FRAME ASS'Y(K3CH)	1		
1	TA00055771C	캐빈프레임 조합(K3Ch)	CABIN FRAME ASSY	1		
2	TA00054223B	후방마운팅 브래킷(L)	BRACKET, REAR(L)	1		
2	TA00054223A	후방마운팅 브래킷(L)	BRACKET, REAR(L)	1		
2	TA00054223C	후방마운팅 브래킷(L)	BRACKET MOUNTING, REAR(L)	1		
3	TA00054229A	후방마운팅 브래킷(R)	BRACKET, REAR(R)	1		
3	TA00054229C	후방마운팅 브래킷(R)	BRACKET MOUNTING, REAR(R)	1		
3	TA00054229B	후방마운팅 브래킷(R)	BRACKET, REAR(R)	1		
4	26013-140302	와셔조립육각볼트(+SW)	BOLT(+SW)	16	M14X2.00X03	
5	TA00051552A	인슈레타	INSULATOR	2		
6	26106-120202	육각플랜지볼트	BOLT	4		
7	TA00054947B	와셔(R)	WASHER R	2		
7	TA00054947A	와셔(R)	WASHER R	2		
8	22217-120000	스프링와셔	WASHER, SPRING (Φ 12)	2	M12	
9	26716-120002	295,ALL,육각너트	HEXA NUT295	2	M12X1.75	
10	TA00054213B	전방마운팅 브래킷(L)	BRACKET, FRONT(L)	1		
10	TA00054213C	전방마운팅 브래킷(L)	MOUNTING BRACKET, FRONT(L)	1		
11	TA00054843B	전방마운팅 브래킷R	BRACKET, FRONT(R)	1		
11	TA00054843C	전방마운팅 브래킷R	MOUNTING BRACKET, FRONT(R)	1		
12	22217-160000	스프링와셔	WASHER, SPRING (Φ 16)	6	M16	
13	26116-160402	볼트	BOLT	4		
14	TA00057877A	방진고무조합(F)	CUSHION RUBBER, FRONT	2		
15	26106-100162	플랜지볼트M10X16	SCREW,HEXFLANGEHEADCAP	4	M10XP1.5X16	
16	TA00054946B	와셔(F)	WASHER F	2		
16	TA00054946A	와셔(F)	WASHER F	2		
17	TA00000660A	육각볼트(M16XP1.5X80)	BOLT	2	M16XP1.5X80	
17	TA00000660B	육각볼트(M16XP1.5X80)	BOLT	2	M16XP1.5X80	
18	TA00042391A	보조발판조합(K3)	SUPPORT FOOT REST ASSY	2		
18	TA00042391C	보조발판조합(K3)	SUPPORT FOOT REST ASSY	2		
18	TA00042391B	보조발판조합(K3)	SUPPORT FOOT REST ASSY	2		
19	26106-080162	플랜지볼트8X16	SCREW,HEXFLANGEHEADCAP	6	M8XP1.25X16	
20	26013-120802	와셔조립육각볼트	BOLT(+SW)	2	M12X1.75X80	
21	HA00001506A	트레일러 연결소켓(유럽)	TRAILER SOCKET	1		
22	26557-060352	[+]자홈남비작은나사	SCREW,+GROOVE	3	M6XP1.0X35	

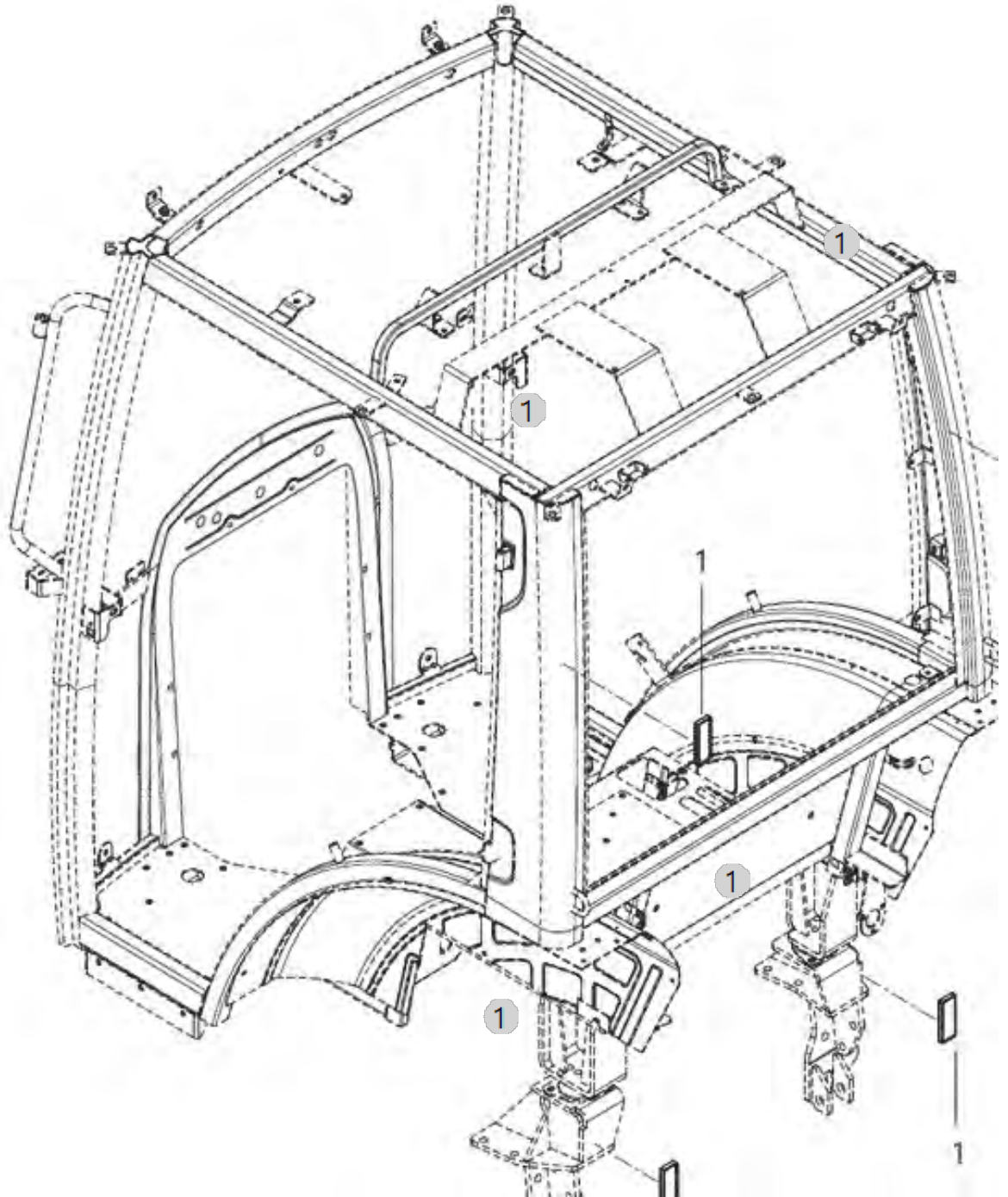
G02010-B

F36CHN\_EU\_FL  
(AC02134)

CABIN FRAME ASS'Y

Year/Month

2023-01-17





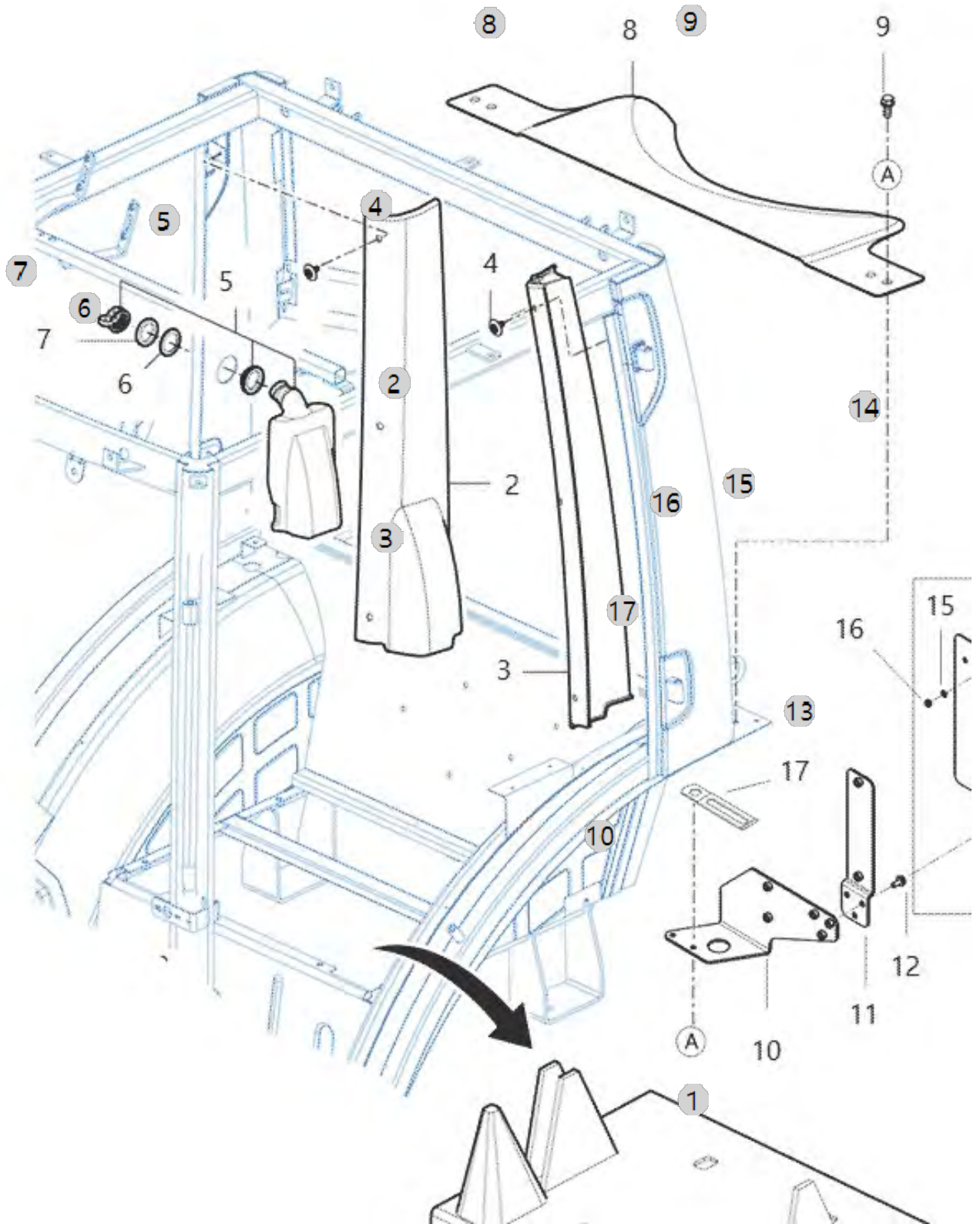
G02011

F36CHN\_EU\_FL  
(AC02134)

PILLAR COVER ASS'Y

Year/Month

2023-01-17





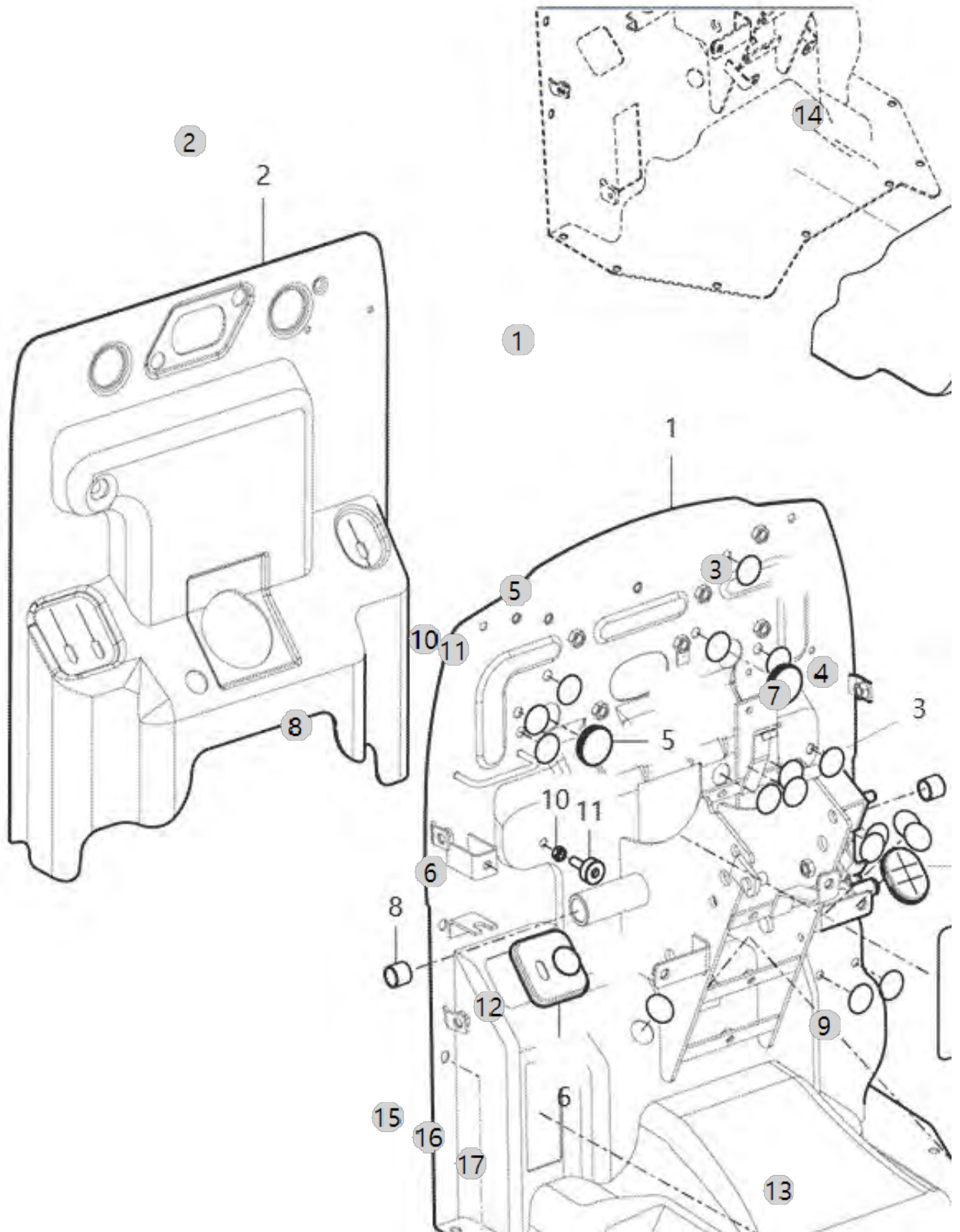
G02020

F36CHN\_EU\_FL  
(AC02134)

# DASHBOARD

Year/Month

2023-01-17



G02020 F36CHN_EU_FL (AC02134)		DASHBOARD				Year/Month 2023-01-17
순번 (NO)	부품번호 (PART NO)	품명 (PART NAME)	품명 (PART NAME)	수량 (QTY)	규격 (SPEC)	비고 (REMARK)
1	TA00055270C	대시 판넬 조합(HST)	STAY ASSY(HST)	1		
1	TA00055270B	대시 판넬 조합(HST)	STAY ASSY(HST)	1		
1	TA00055270D	대시 판넬 조합(HST)	DASH PANEL ASSY(HST)	1		
2	TA00055528A	인슐레이터, 데쉬	INSULATOR, DASH	1		
3	TA00055556A	막음라벨, D30	LABEL, SEAL D30	18		
4	TA00057833A	라벨(대시판넬)	LABEL, DASH PANEL	1		
5	TA00052095A	고무 캡	CAP, RUBBER 30	2		
6	TA00055553A	인슈레타(롯데/좌)	INSULATOR(L)	1		
7	TA00055554A	인슈레타(롯데)	INSULATOR	1		
8	TA00051760A	부시(20X23X20)	BUSH, 20X23X20	2		
9	TA00055558A	부츠(스티어링호스)	BOOT, STEERING HOSE	1		
10	26716-080002	육각너트	NUT,HEX (D8)	1	M8xP1.25	
11	TA00052169A	러버, 쿠션 B	RUBBER, CUSHION B	1		
12	26014-080202	와셔볼이볼트(PW+SW)	BOLT, HEX. 8-20	8	M8XP1.25X20	
13	TA00055557A	막음라벨, 클러치	LABEL, SEAL CLUTCH	1		
14	TA00057366A	인슐레이터	INSULATOR	1		
15	TTD6440000A4	쿠션고무	CUSHION, RUBBER	4		
16	22157-080000	평와셔8(대형)	WASHER, PLAIN (Φ 08)	4	M8	
17	26013-080202	와셔조립육각볼트(+SW)	Bolt, Hexa (8-20)	4	M8XP1.25X20	



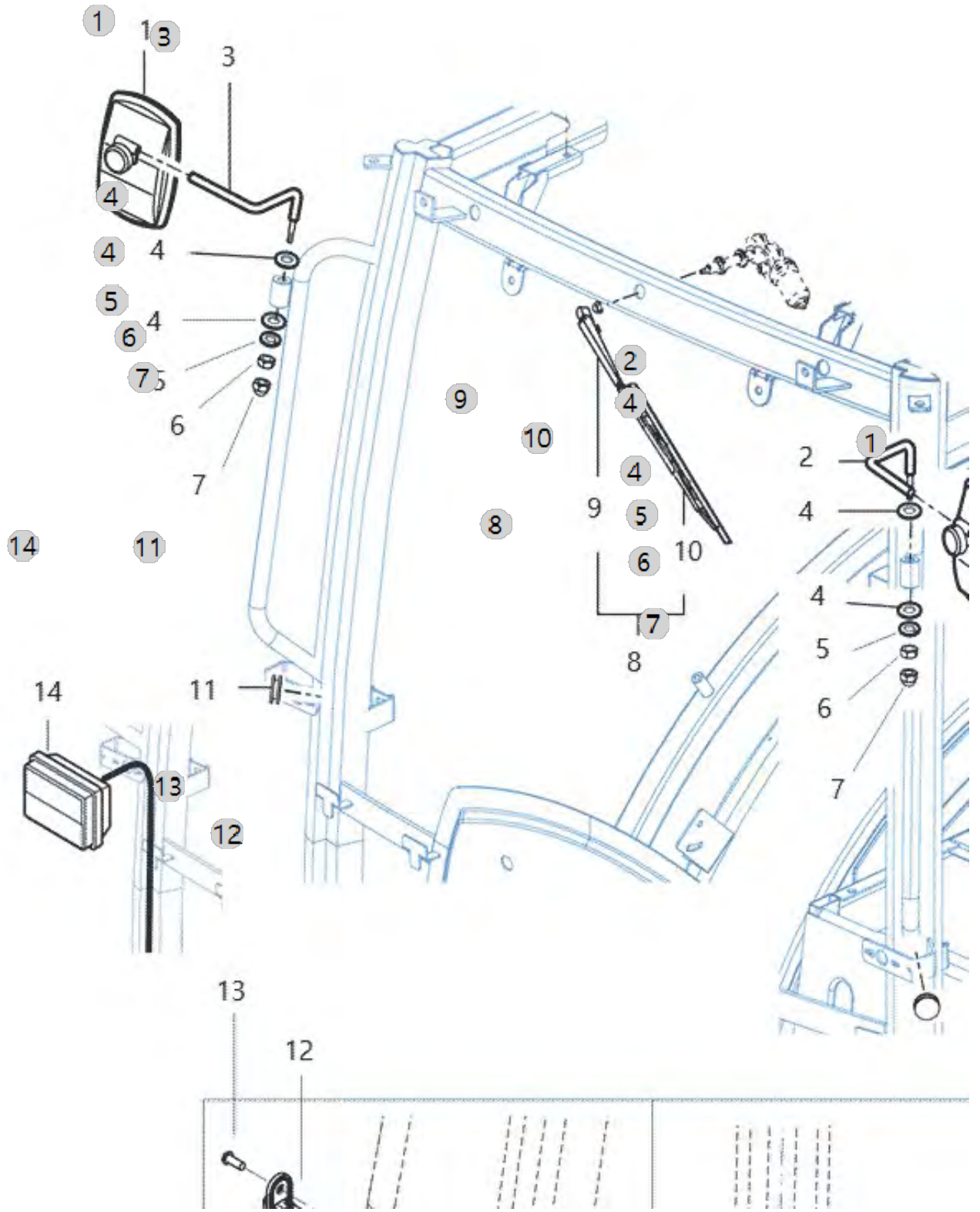
G02030

F36CHN\_EU\_FL  
(AC02134)

SIDE MIRROR ASS'Y

Year/Month

2023-01-17





G02050\_J

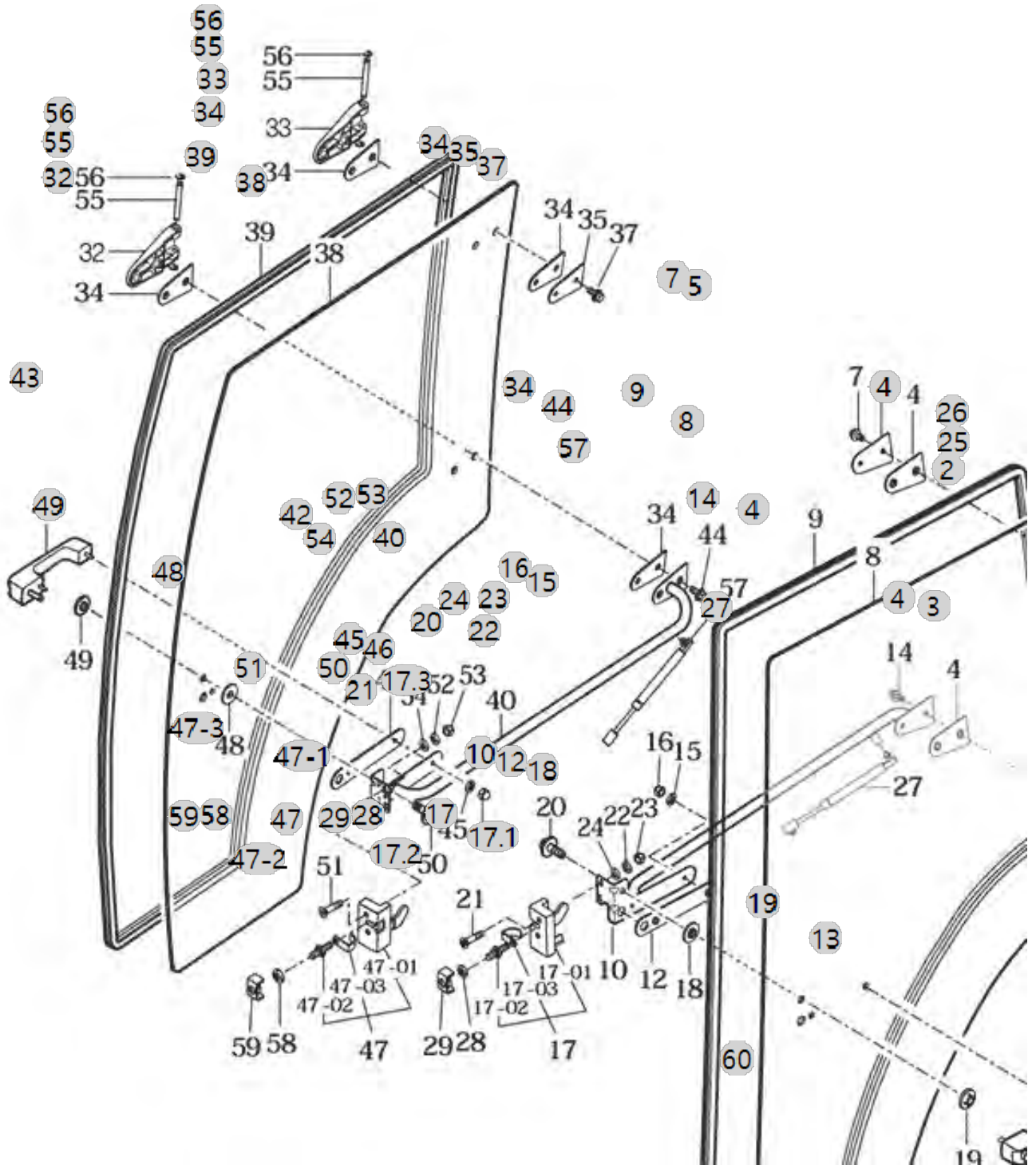
F36CHN\_EU\_FL  
(AC02134)

DOOR ASS'Y

Year/Month

2023-01-17

61



G02050_J F36CHN_EU_FL (AC02134)		DOOR ASS'Y				Year/Month 2023-01-17
순번 (NO)	부품번호 (PART NO)	품명 (PART NAME)	품명 (PART NAME)	수량 (QTY)	규격 (SPEC)	비고 (REMARK)
2	TA00055490A	도어힌지조합 , 상/LH	HINGE COMP , UPR/LH	1		
3	TA00055491A	도어힌지조합 , 상/RH	HINGE COMP , UPR/RH	1		
4	TA00055492A	개스킷, 도어힌지	GASKET , DOOR HINGE	4		
5	TA00055501A	플레이트,도어힌지	PLATE , DOOR HINGE	1		
7	26014-080202	와셔볼이볼트(PW+SW)	BOLT, HEX. 8-20	2	M8XP1.25X20	
8	TA00055493A	그라스 도어/LH	GLASS LH/ DOOR	1		
9	TA00055494A	인슐레이터 , 도어	INSULATOR , DOOR	1		
10	TA00055502A	가이드 조합 , LH/도어	GUIDE COMP , LH/ DOOR	1		
12	TA00055495A	개스킷, 도어손잡이	GASKET,DOOR GRIP	1		
13	TA00055496A	잠금장치 손잡이ASSY	GRIP ASSY, LOCK/HANDLE	1		
14	26014-080202	와셔볼이볼트(PW+SW)	BOLT, HEX. 8-20	2	M8XP1.25X20	
15	22217-060000	스프링와셔	WASHER, SPRING (Φ 06)	2	M6	
16	26656-060002	캡너트	CAP NUT	2	M6	
17	TA00055497A	록크SET,LH/도어	LOCK SET , LH/DOOR	1		
17.1	TA00055500A	로크ASSY,LH/도어	LOCK ASSY, LH/DOOR	1		
17.2	TA00055498A	스트라이크	STRIKER	1		
17.3	TA00055499A	가이드	GUARD	1		
18	TA00051654A	크로메트(13X17X02)	GROMMET , 13X17X02	1		
19	TA00051656A	그라스너트조합	NUT COMP , GLASS	1		
20	26014-060122	와셔조립육각볼트(+SW,PW)	Bolt, Hexa (6-12)	1	M6X1.0X12	
21	26577-080402	(+)자홈접시작은나사	SCREW , C/R FLAT	2	M8X40	
22	22217-080000	스프링와셔8	WASHER, SPRING (Φ 08)	2	M8	
23	26656-080002	캡너트M8	CAP NUT M8	2		
24	22137-080000	와셔8	WASHER, PLAIN (Φ 08)	2	M8	
25	TA00055506A	핀 , 도어힌지	PIN, HINGE DOOR	2		
26	22272-000070	E형스냅링	RING, CIRCLIP (Φ 07)	4	D7	
27	TA00055507A	댐퍼(도어)ASSY_20kg	DAMPER ASSY , DOOR	1		
28	22217-100000	스프링와셔	WASHER, SPRING (Φ 10)	1	M10	
29	TA00055508A	브래킷 조합,도어로크	BRACKET COMP , DOOR LOCK	1		
32	TA00055490A	도어힌지조합 , 상/LH	HINGE COMP , UPR/LH	1		
33	TA00055491A	도어힌지조합 , 상/RH	HINGE COMP , UPR/RH	1		
34	TA00055492A	개스킷, 도어힌지	GASKET , DOOR HINGE	4		
35	TA00055501A	플레이트,도어힌지	PLATE , DOOR HINGE	1		
37	26014-080202	와셔볼이볼트(PW+SW)	BOLT, HEX. 8-20	2	M8XP1.25X20	
38	TA00055511A	그라스 , 도어/RH	GLASS , RH/DOOR	1		
39	TA00055494A	인슐레이터 , 도어	INSULATOR , DOOR	1		
40	TA00055512A	가이드 조합 , RH/도어	GUIDE COMP , RH/DOOR	1		
42	TA00055495A	개스킷, 도어손잡이	GASKET,DOOR GRIP	1		
43	TA00055496A	잠금장치 손잡이ASSY	GRIP ASSY, LOCK/HANDLE	1		
44	26014-080202	와셔볼이볼트(PW+SW)	BOLT, HEX. 8-20	2	M8XP1.25X20	
45	22217-060000	스프링와셔	WASHER, SPRING (Φ 06)	2	M6	
46	26656-060002	캡너트	CAP NUT	2	M6	
47	TA00055515A	록크SET,RH/도어	LOCK SET , RH/DOOR	1		
47-1	TA00055516A	로크ASSY,RH/도어	LOCK ASSY, RH/DOOR	1		
47-2	TA00055498A	스트라이크	STRIKER	1		



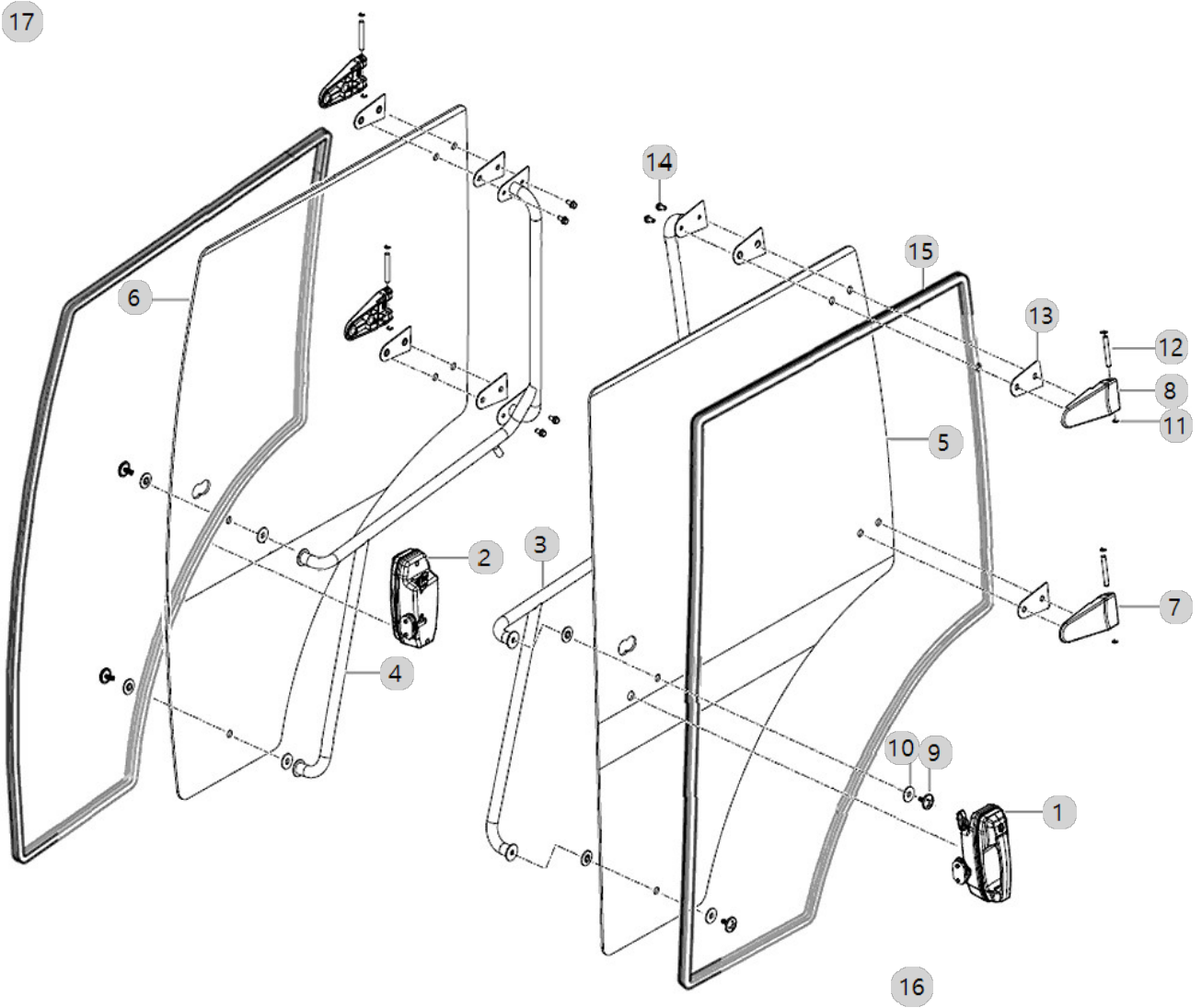
G02050\_W

F36CHN\_EU\_FL  
(AC02134)

DOOR ASS'Y

Year/Month

2023-01-17





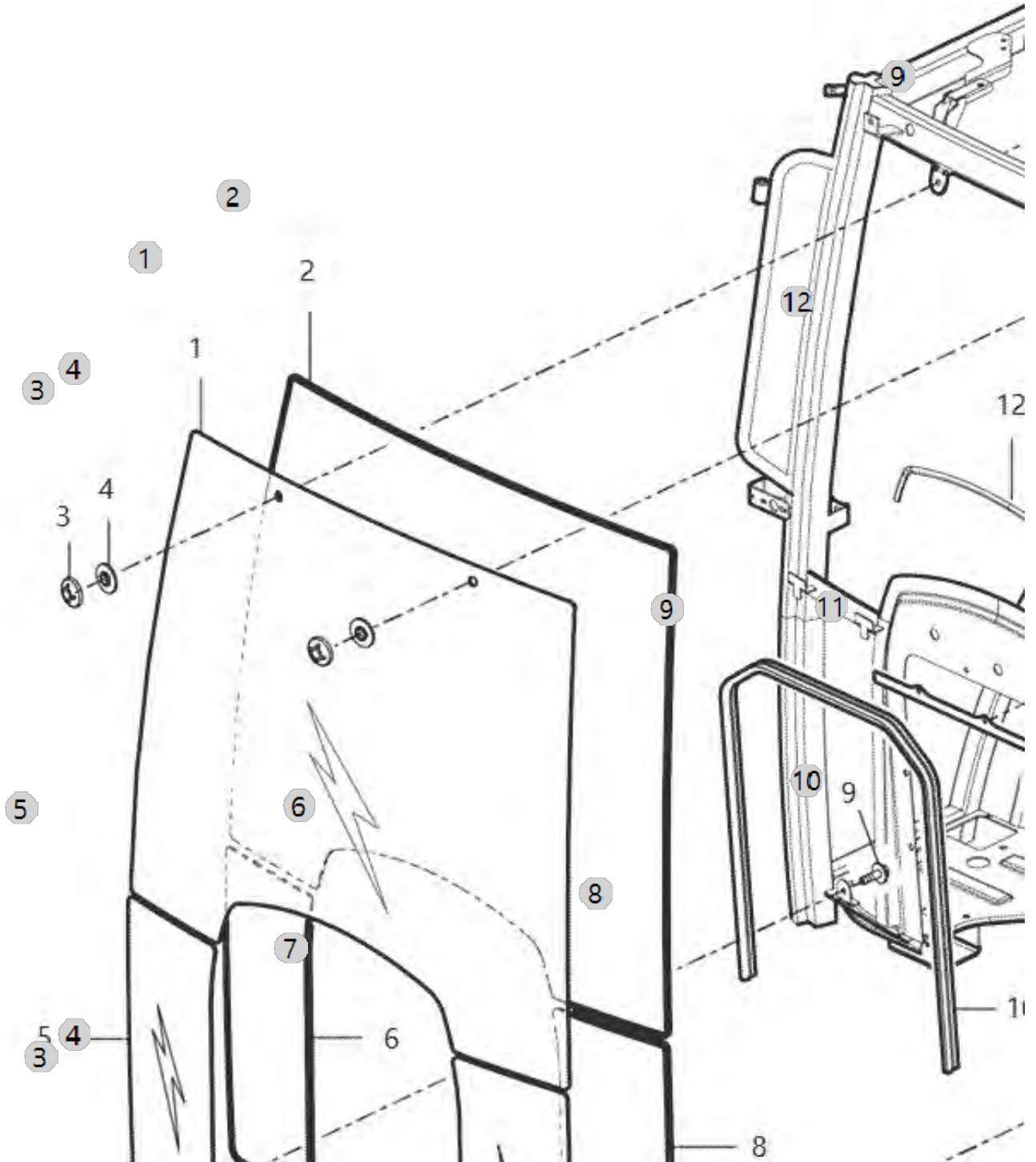
G02071

F36CHN\_EU\_FL  
(AC02134)

FRONT WINDOW ASS'Y

Year/Month

2023-01-17







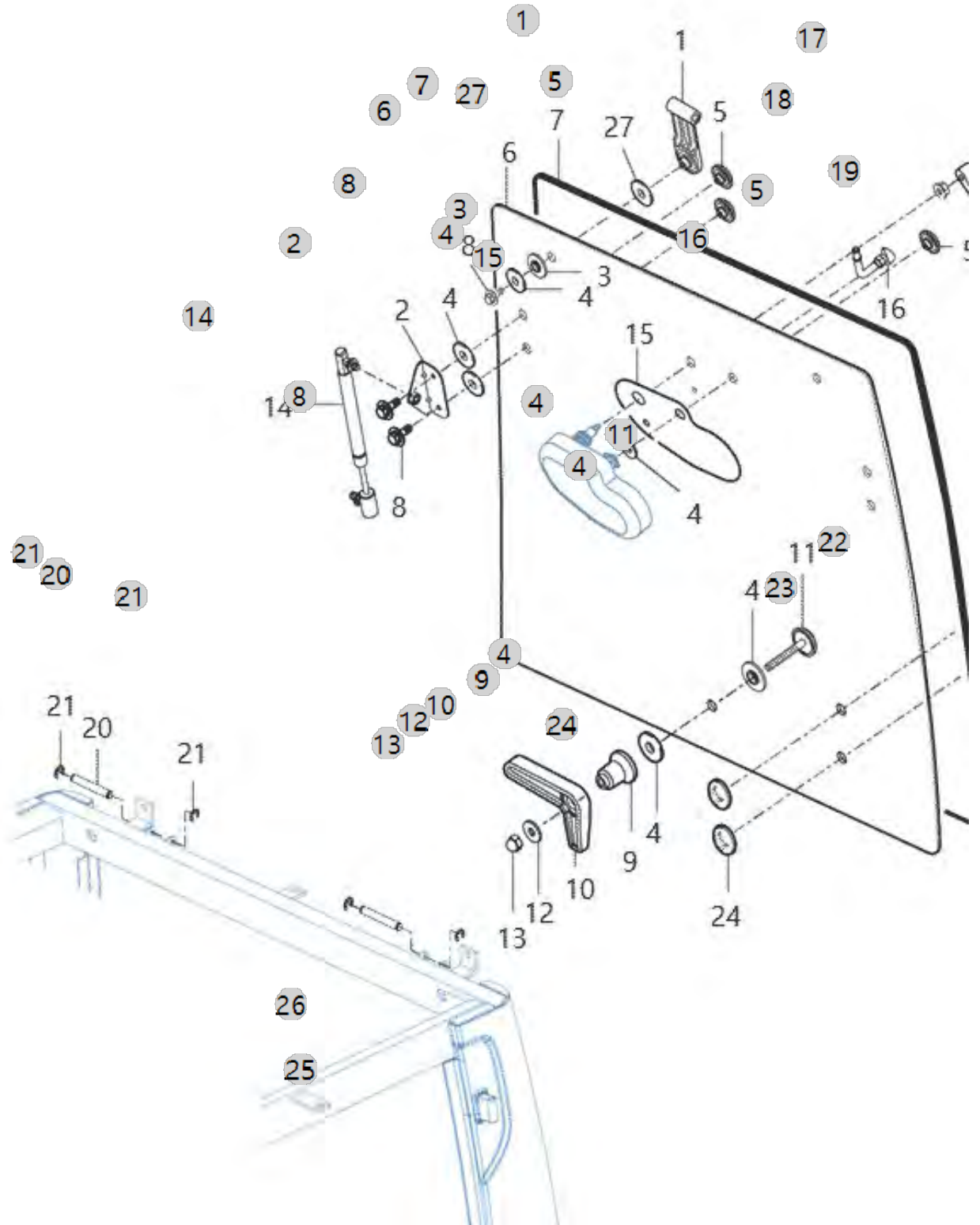
G02072

F36CHN\_EU\_FL  
(AC02134)

REAR WINDOWS ASS'Y

Year/Month

2023-01-17





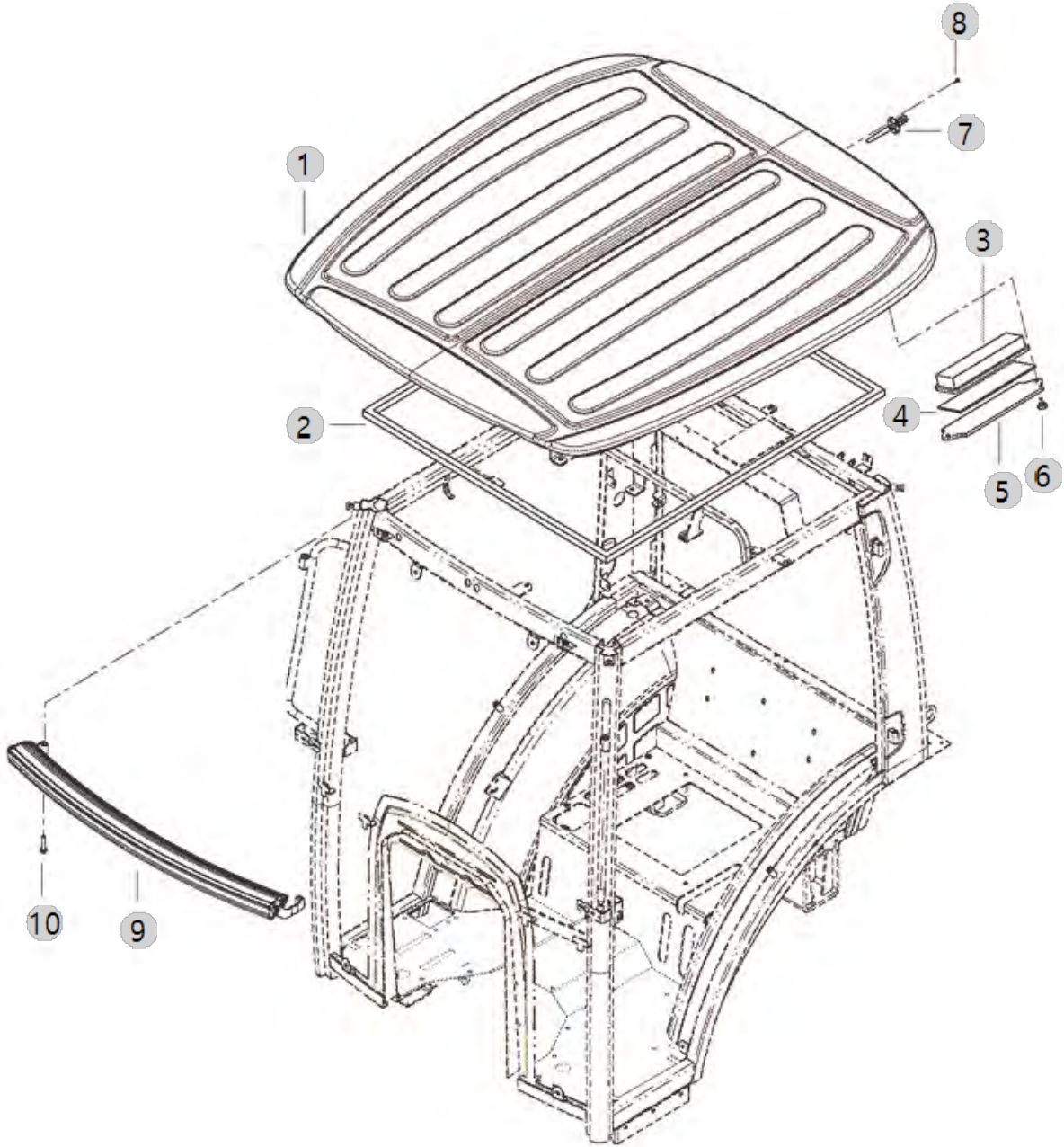
G02131

F36CHN\_EU\_FL  
(AC02134)

ROOF(OUTER)

Year/Month

2023-01-17





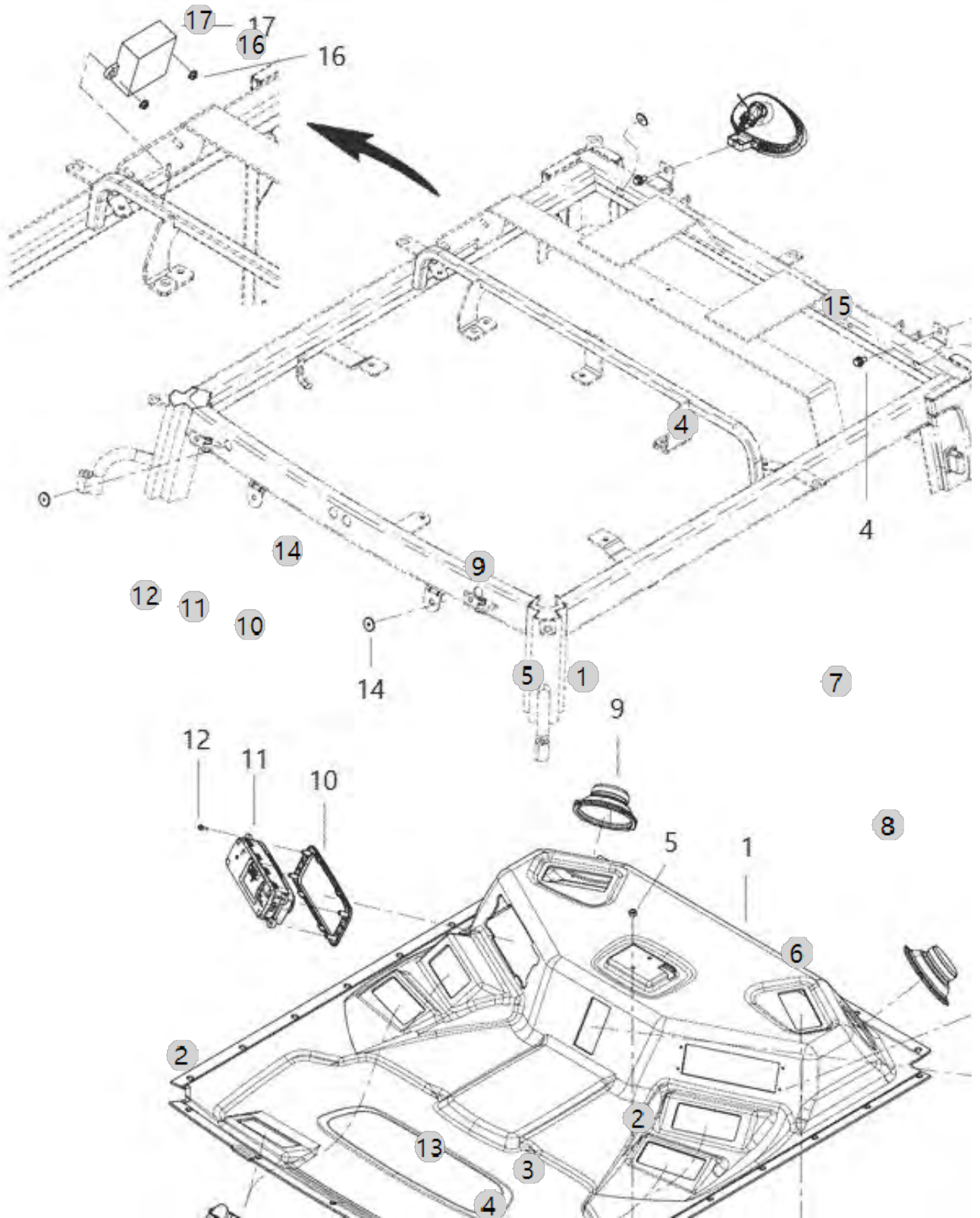
G02132

F36CHN\_EU\_FL  
(AC02134)

ROOF/INNER

Year/Month

2023-01-17





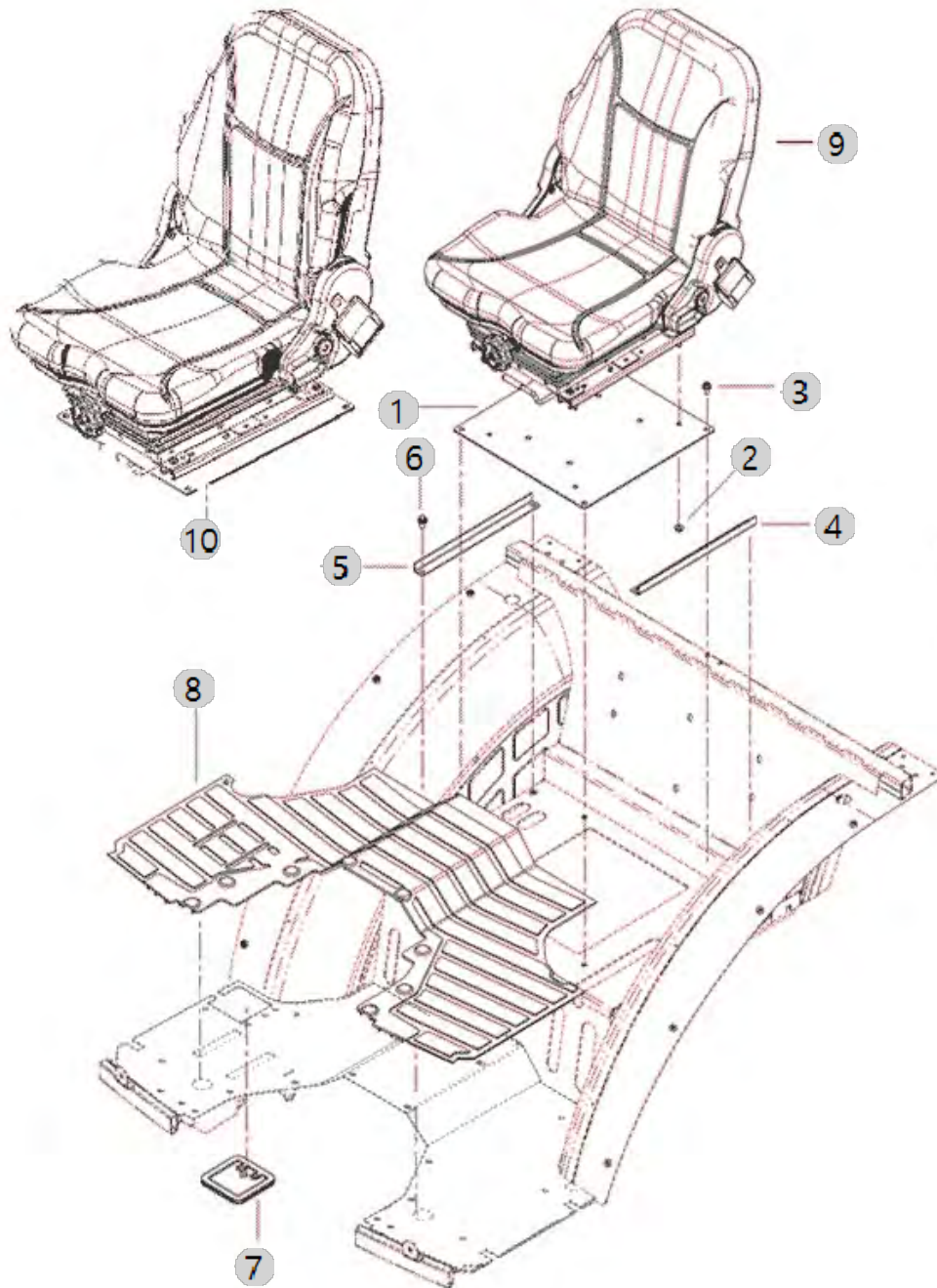
G02140

F36CHN\_EU\_FL  
(AC02134)

# DRIVER'S SEAT

Year/Month

2023-01-17







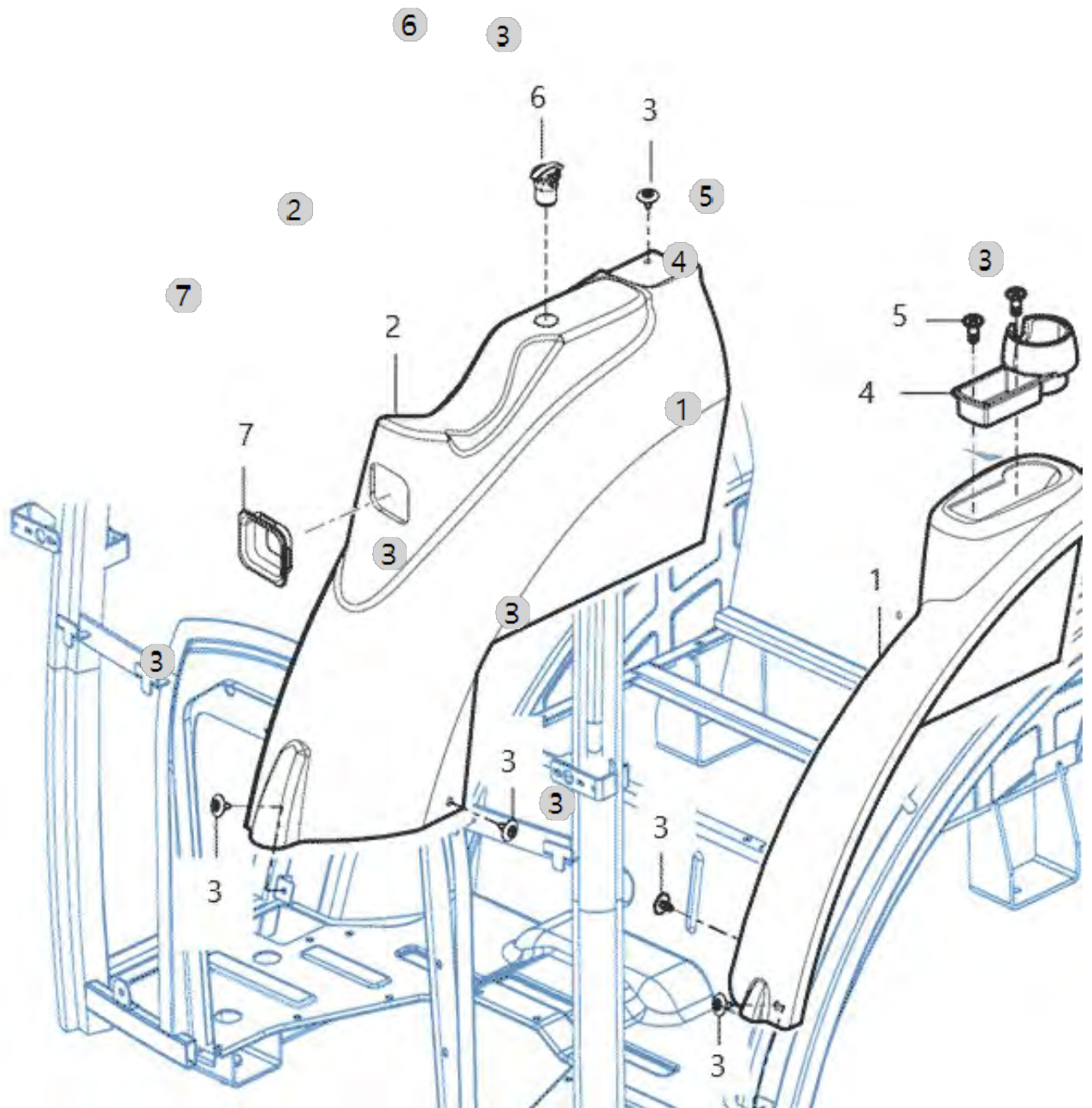
G02180

F36CHN\_EU\_FL  
(AC02134)

# FENDER COVER

Year/Month

2023-01-17





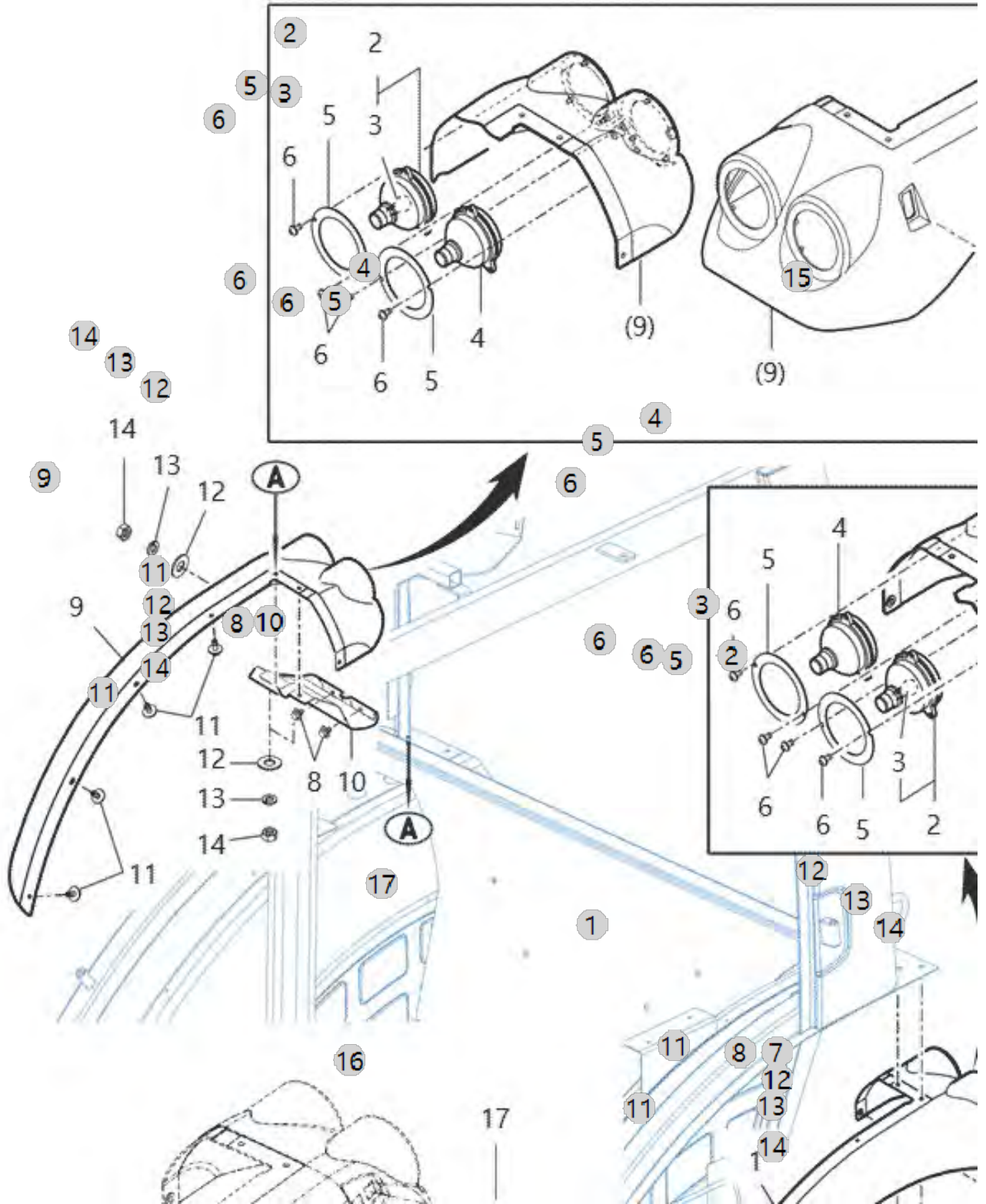
G02190

F36CHN\_EU\_FL  
(AC02134)

FENDER

Year/Month

2023-01-17





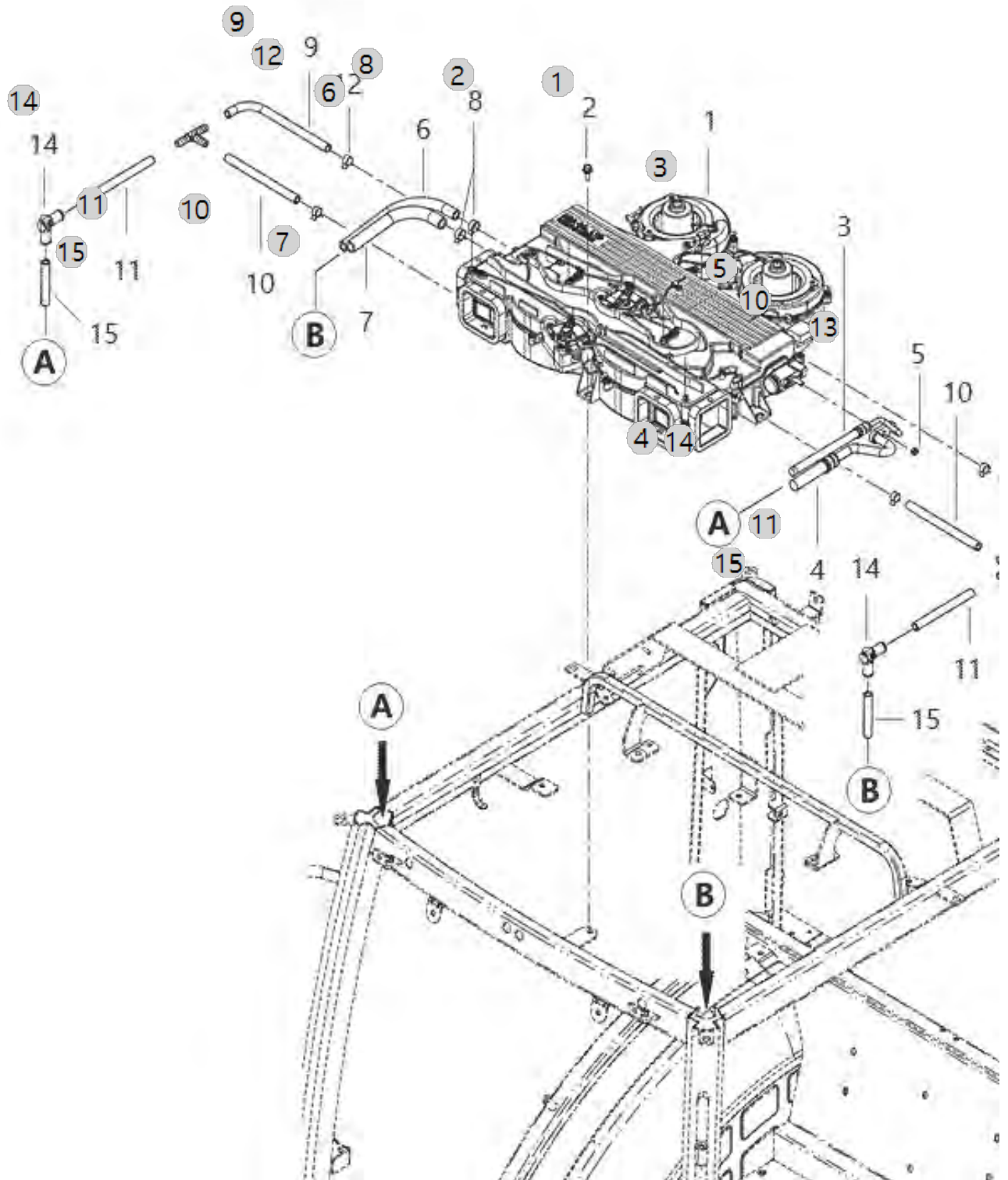
G03010

F36CHN\_EU\_FL  
(AC02134)

A/C ASS'Y, CABIN

Year/Month

2023-01-17





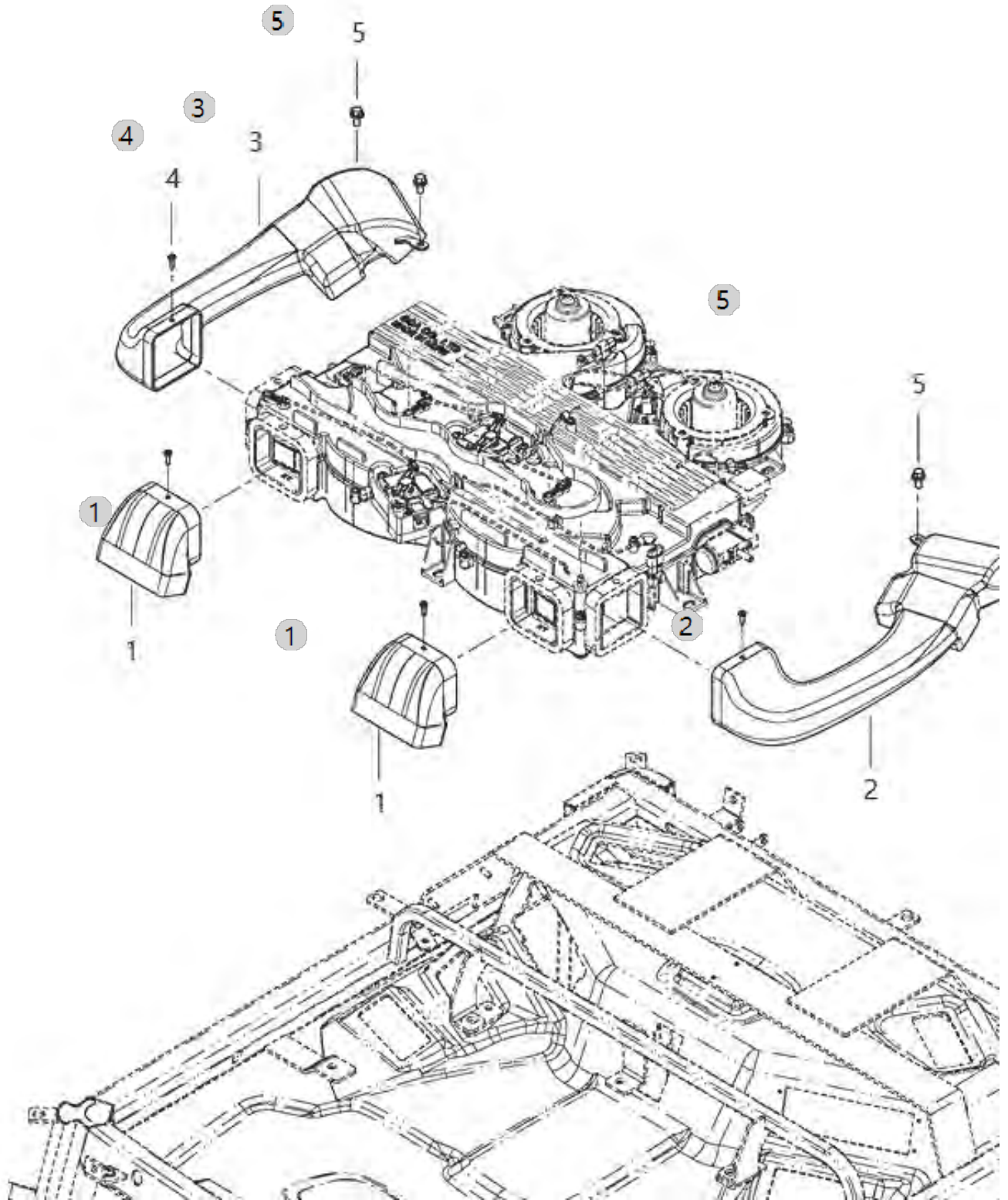
G03020

F36CHN\_EU\_FL  
(AC02134)

### A/C DUCT ASS'Y

Year/Month

2023-01-17







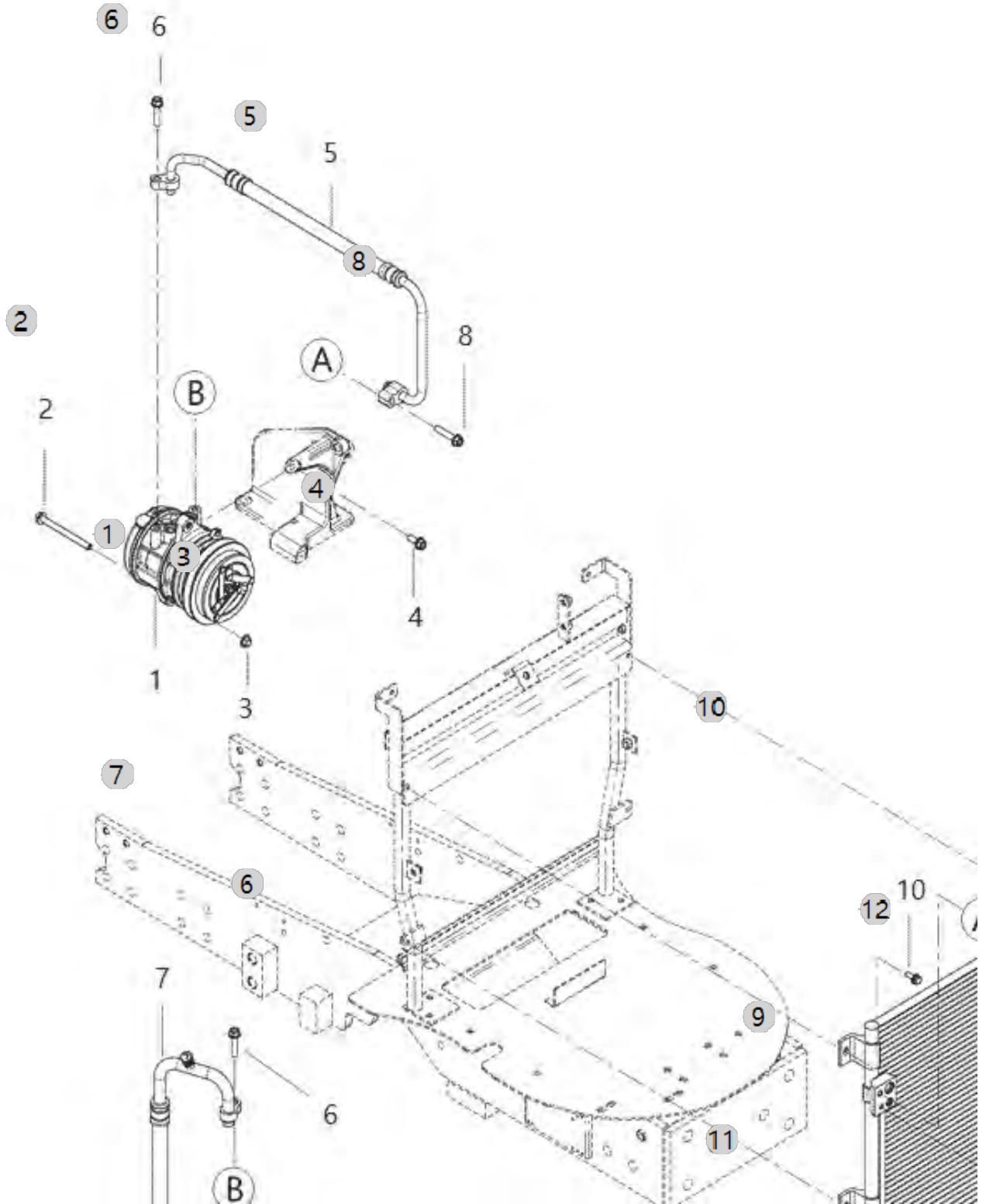
G03091A

F36CHN\_EU\_FL  
(AC02134)

# COMPRESSOR

Year/Month

2023-01-17





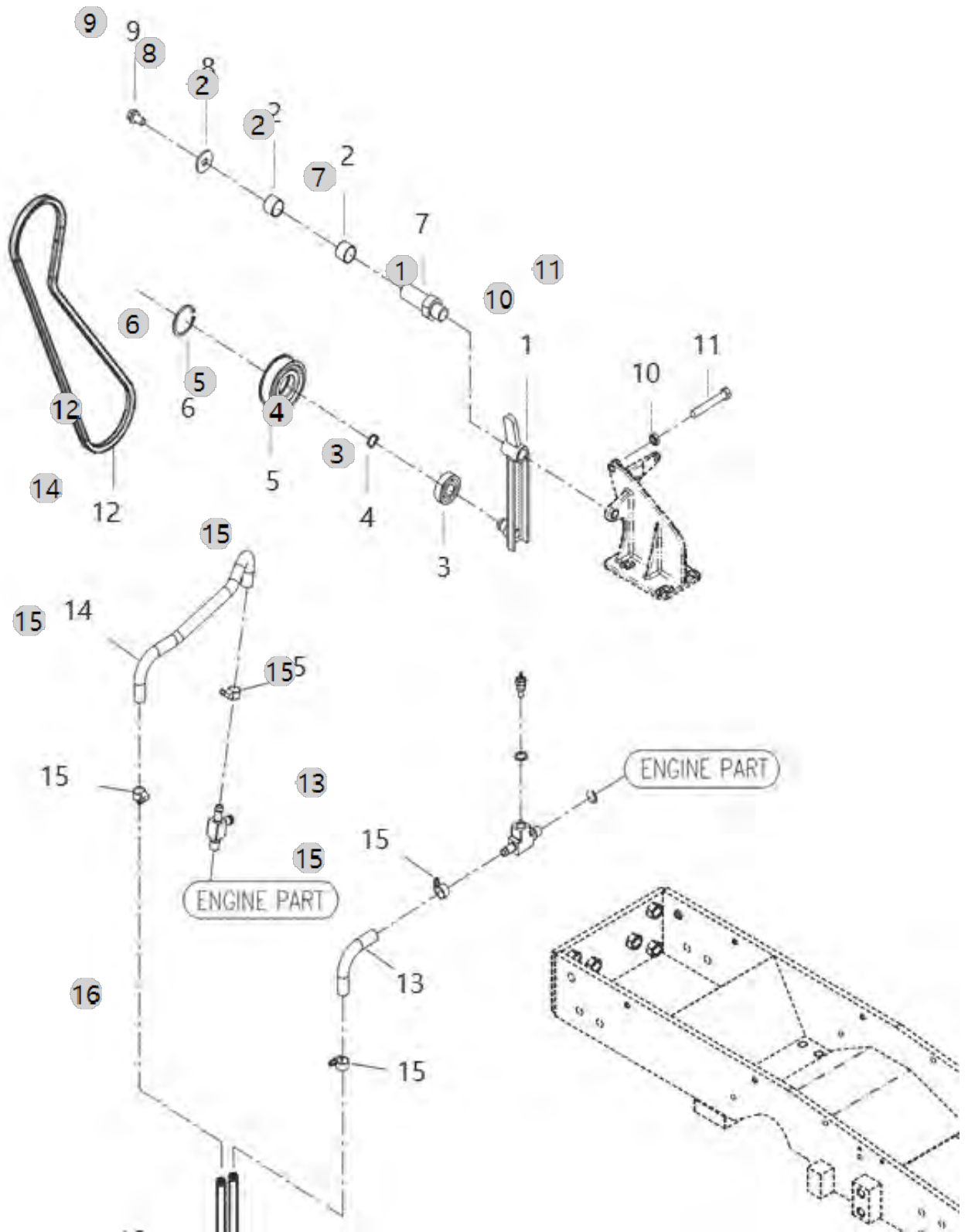
G03092A

F36CHN\_EU\_FL  
(AC02134)

# TENSION PULLY

Year/Month

2023-01-17





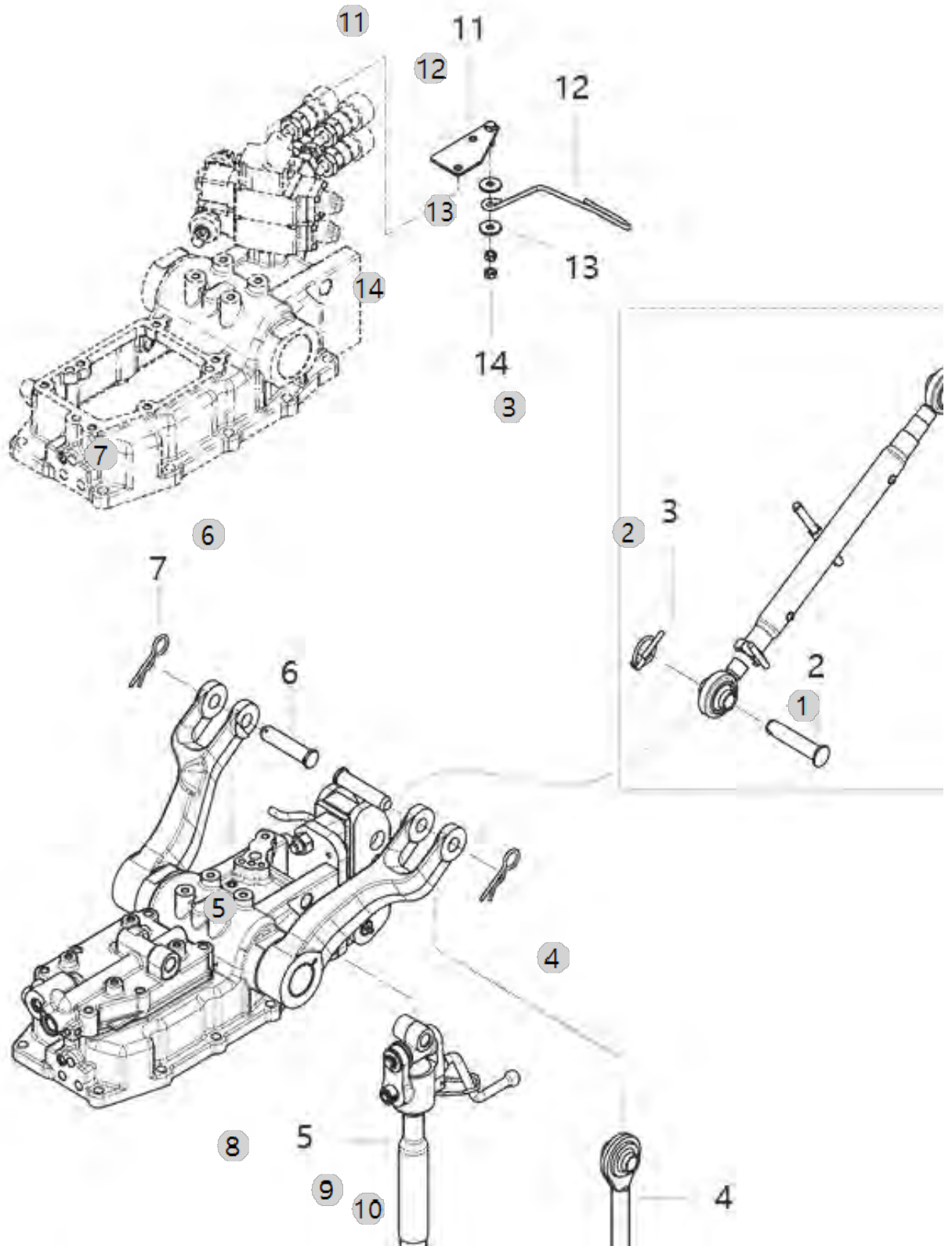
G05020

F36CHN\_EU\_FL  
(AC02134)

### TOP LINK, LIFT LINK

Year/Month

2023-01-17





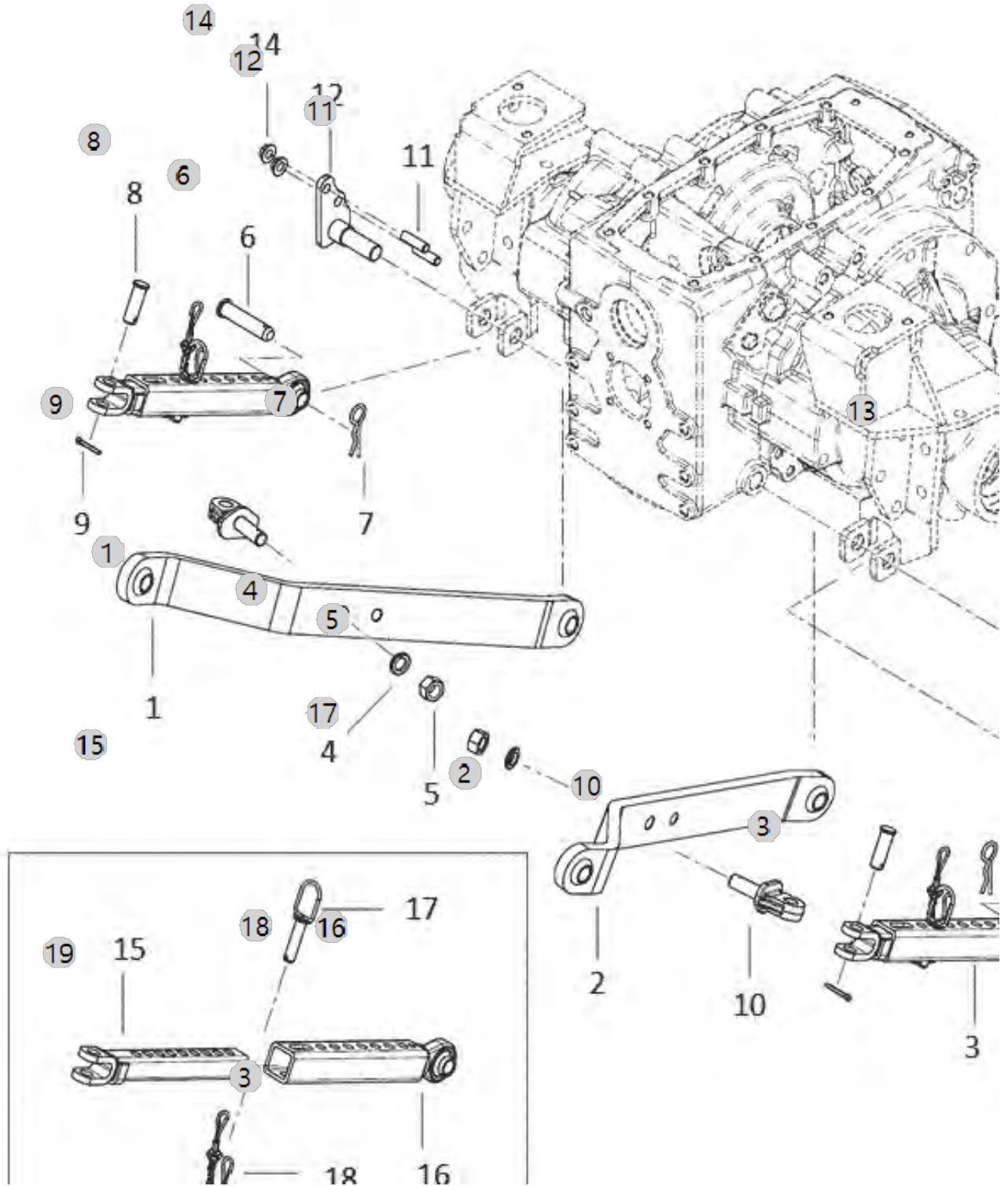
G05030

F36CHN\_EU\_FL  
(AC02134)

LOWER LINK

Year/Month

2023-01-17





G05030 F36CHN_EU_FL (AC02134)		LOWER LINK				Year/Month 2023-01-17
순번 (NO)	부품번호 (PART NO)	품명 (PART NAME)	품명 (PART NAME)	수량 (QTY)	규격 (SPEC)	비고 (REMARK)
1	TA00055188D	하부링크조합(좌)	LOWER LINK ASS'Y L	1		
1	TA00055188C	하부링크조합(좌)	LOWER LINK ASS'Y L	1		
1	TA00055188E	하부링크조합(좌)	LOWER LINK ASS'Y L	1		
1	TA00055188B	하부링크조합(좌)	LOWER LINK(L)	1		
2	TA00055189D	하부링크조합(우)	LOWER LINK ASS'Y R	1		
2	TA00055189C	하부링크조합(우)	LOWER LINK ASS'Y R	1		
2	TA00055189E	하부링크조합(우)	LOWER LINK ASS'Y R	1		
2	TA00055189B	하부링크조합(우)	LOWER LINK(R)	1		
3	TA00041947E	체크-바(K3)	CHECK-BAR	2		
3	TA00041947B	체크-바(K3)	CHECK-BAR	2		
3	TA00041947D	체크-바(K3)	CHECK-BAR	2		
3	TA00041947C	체크-바(K3)	CHECK-BAR(K3)	2		
4	22217-180000	스프링와셔	WASHER, SPRING (Φ 18)	2	M18	
5	26736-180002	너트	NUT	2	M18	
6	TTE7290000C4	핀	PIN	2	D19	
6	TTE7290000B	핀	PIN	2		
7	TA00059528A	빠짐방지 스냅핀16	SNAP PIN	2		
8	FTF0090000B4	책체인 핀	PIN, CHECK CHAIN	2		
8	FTF0090000D4	책체인 핀	PIN, CHECK CHAIN	2		
8	FTF0090000A4	책체인 핀	PIN, CHECK CHAIN	2		
8	FTF0090000C4	책체인 핀	PIN, CHECK CHAIN	2		
9	22417-500320	할핀	PIN , COTTER (5-32)	2	5X32	
10	TA00016119A	연결볼트(PF)	EYE BOLT, LOWER LINK	2		
10	TA00016119C	연결볼트(PF)	BOLT	2		
10	TA00016119B	연결볼트(PF)	BOLT	2		
11	26216-120252	심음볼트	STUD BOLT	4	12X25	
12	TA00039356C	하부링크핀(좌)	LOWER LINK PIN(LH)	1		
12	TA00039356B	하부링크 핀(좌)	LOWER LINK PIN(LH)	1		
13	TA00039490C	하부링크 핀(우) 조합	LOWER LINK PIN RH ASSY	1		
13	TA00039490B	하부링크 핀(우) 조합	LOWER LINK PIN RH ASSY	1		
14	26367-120002	플랜지너트	NUT	4		
15	TA00041949A	체크-바R	CHECKBAR R	2		
16	TA00041948B	체크-바F	CHECKBAR F	2		
16	TA00041948C	체크-바F	CHECKBAR F	2		
17	FBF0050000B4	체크 핀	CONNECT PIN	2	-	
17	FBF0050000A4	체크 핀	CONNECT PIN -> FBF0020000A2	2	-	
17	FBF0050000C4	체크 핀	PIN	2	-	
18	FBF0060000A4	연결고리	CONNECT LINK	2	-	
18	FBF0060000B4	연결고리	HOOK	2	-	
19	22360-140000	스냅핀	PIN , SNAP (4Φ)	2	D14	

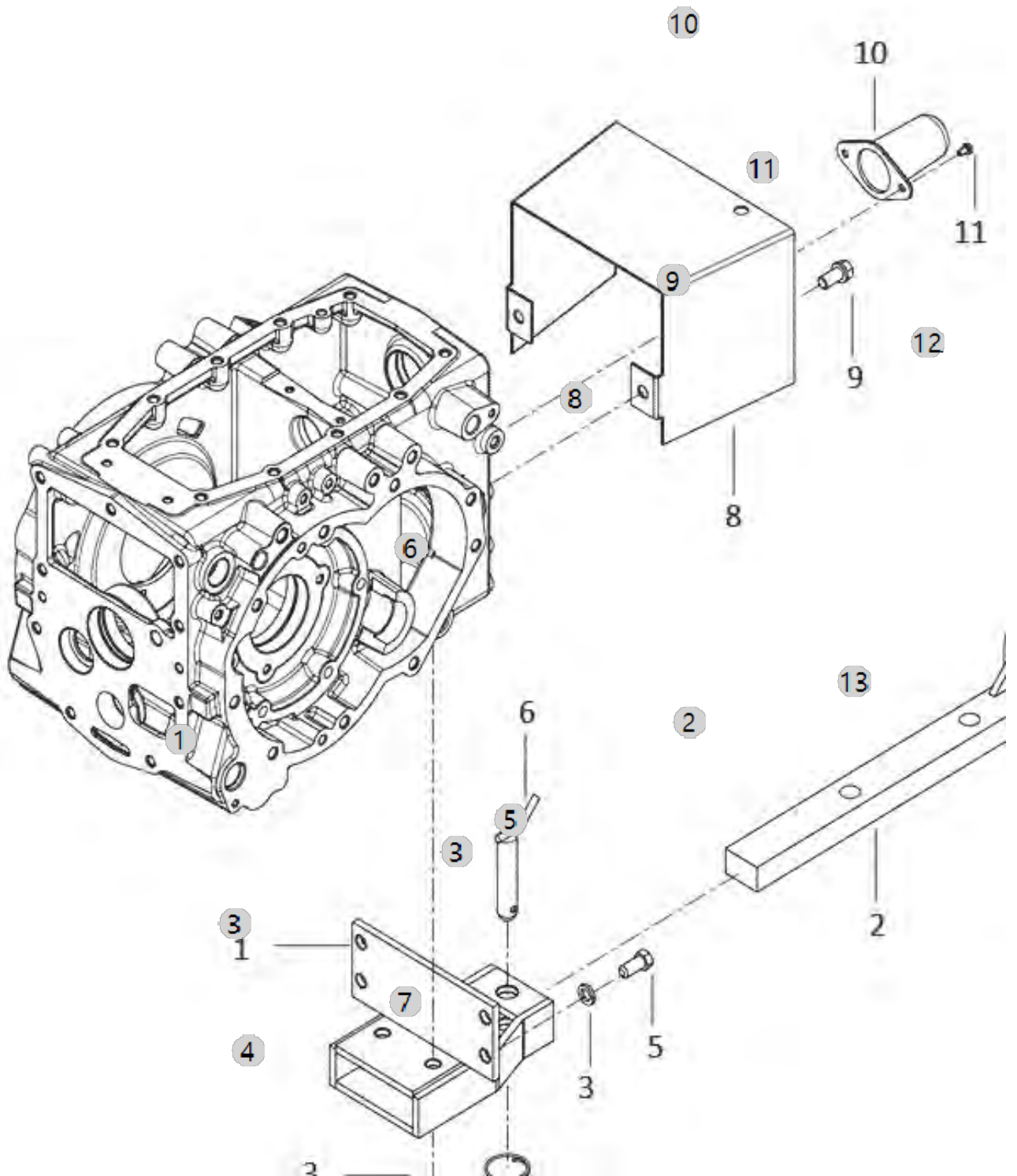
G05070

F36CHN\_EU\_FL  
(AC02134)

### DRAWBAR HITCH

Year/Month

2023-01-17





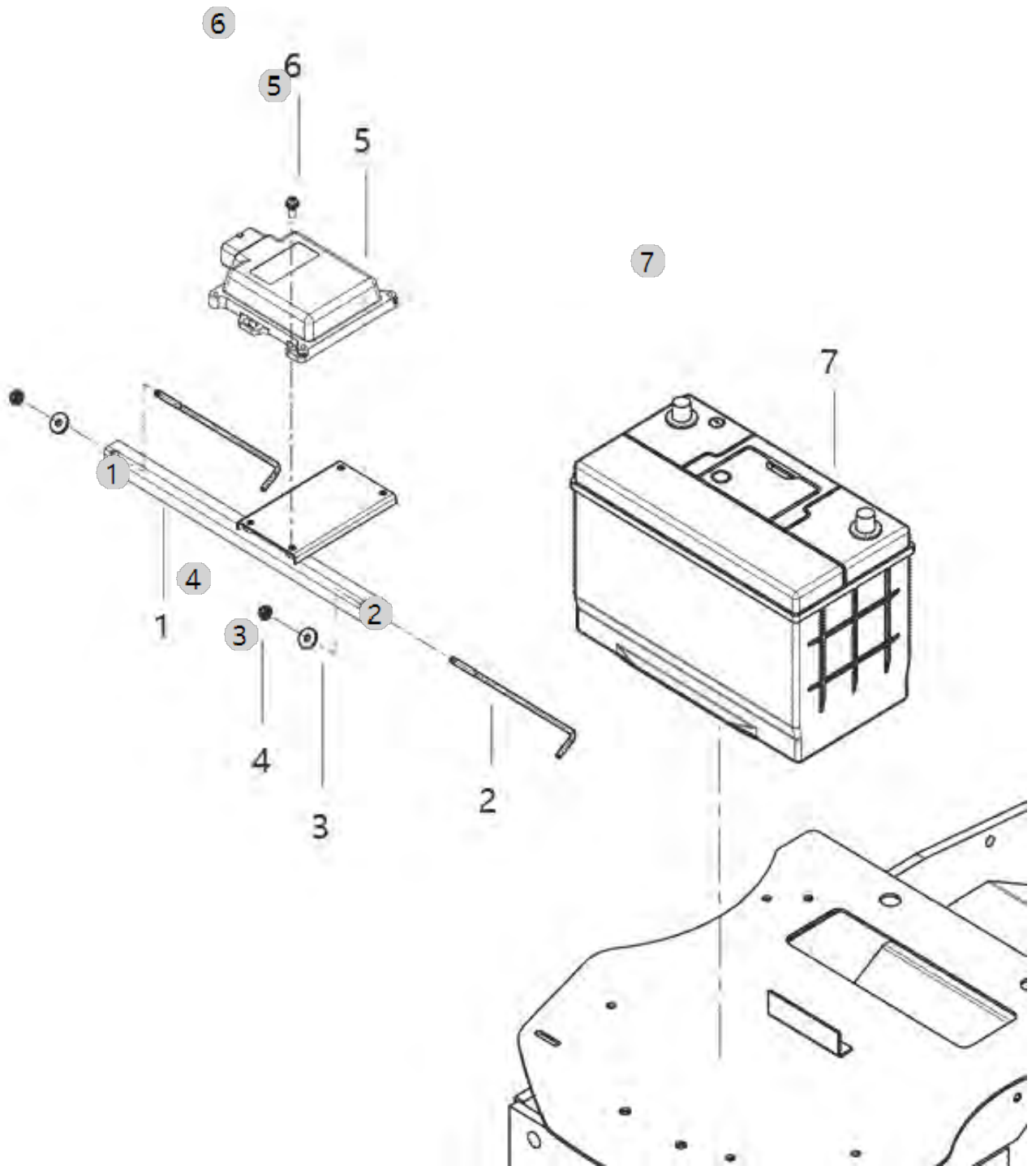
H01030

F36CHN\_EU\_FL  
(AC02134)

BATTERY

Year/Month

2023-01-17





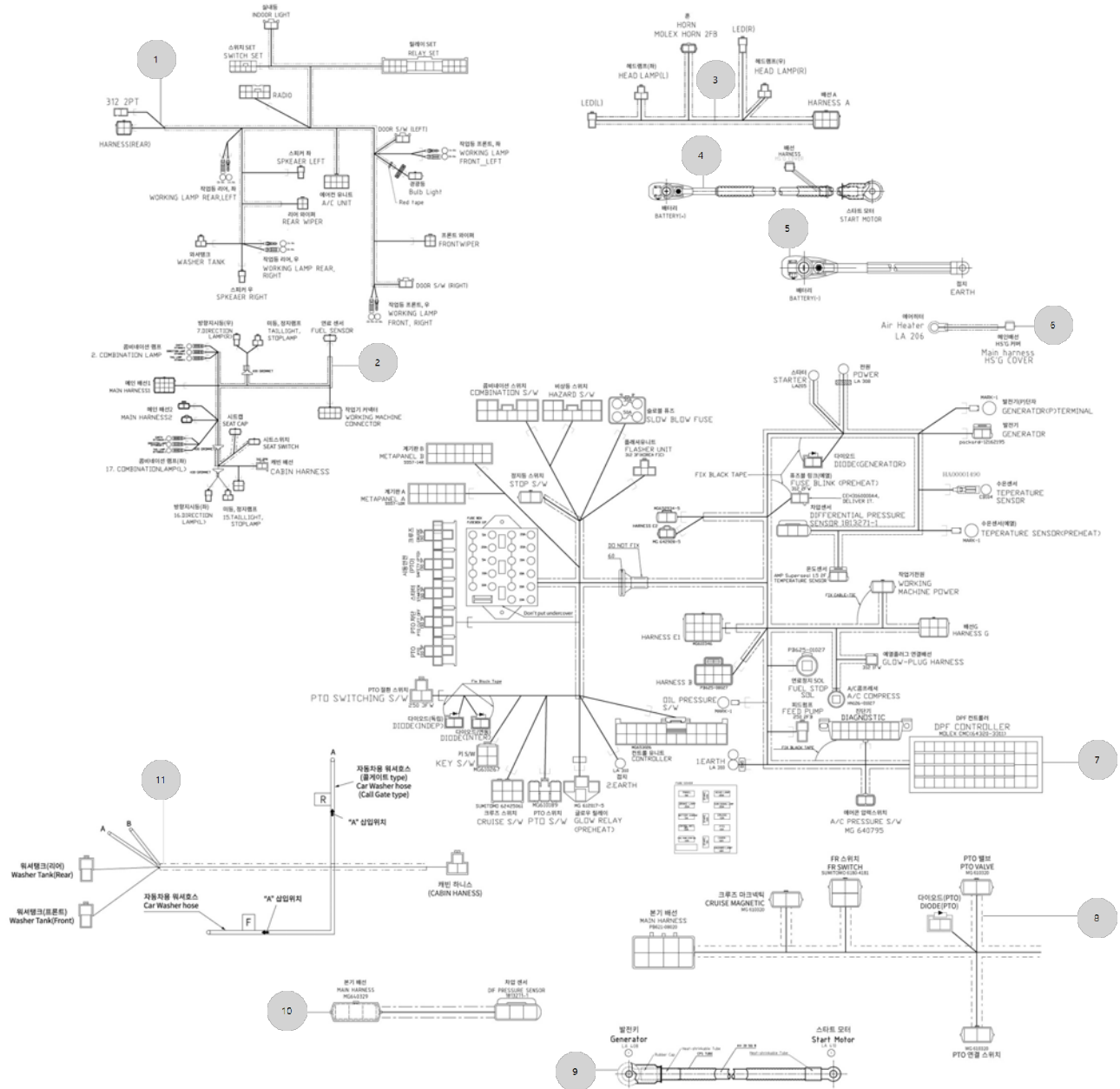
H03000

F36CHN\_EU\_FL  
(AC02134)

# HRANESS

Year/Month

2023-01-17





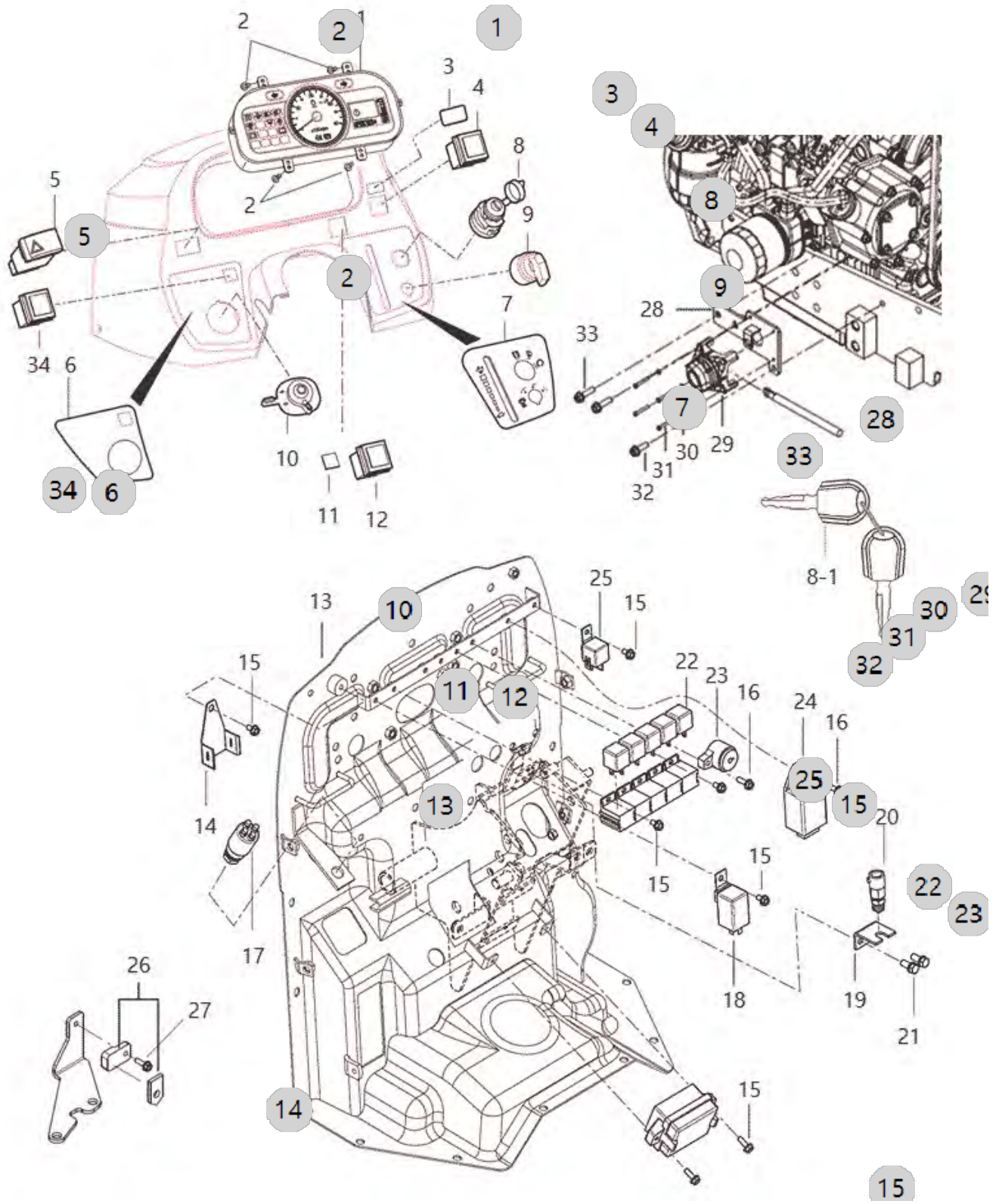
H04050

F36CHN\_EU\_FL  
(AC02134)

SWITCH

Year/Month

2023-01-17







I03000A

F36CHN\_EU\_FL  
(AC02134)

NAME PLATE

Year/Month

2023-01-17

1-1 **F36Chn**

1-2 **F42Chn**

1-3 **F50Chn**

2

3

4

5

6

7

8

9

10

11

12

13

14

15

16

17

18

19

20

21

22

23

24

25

26

27

24

25

26



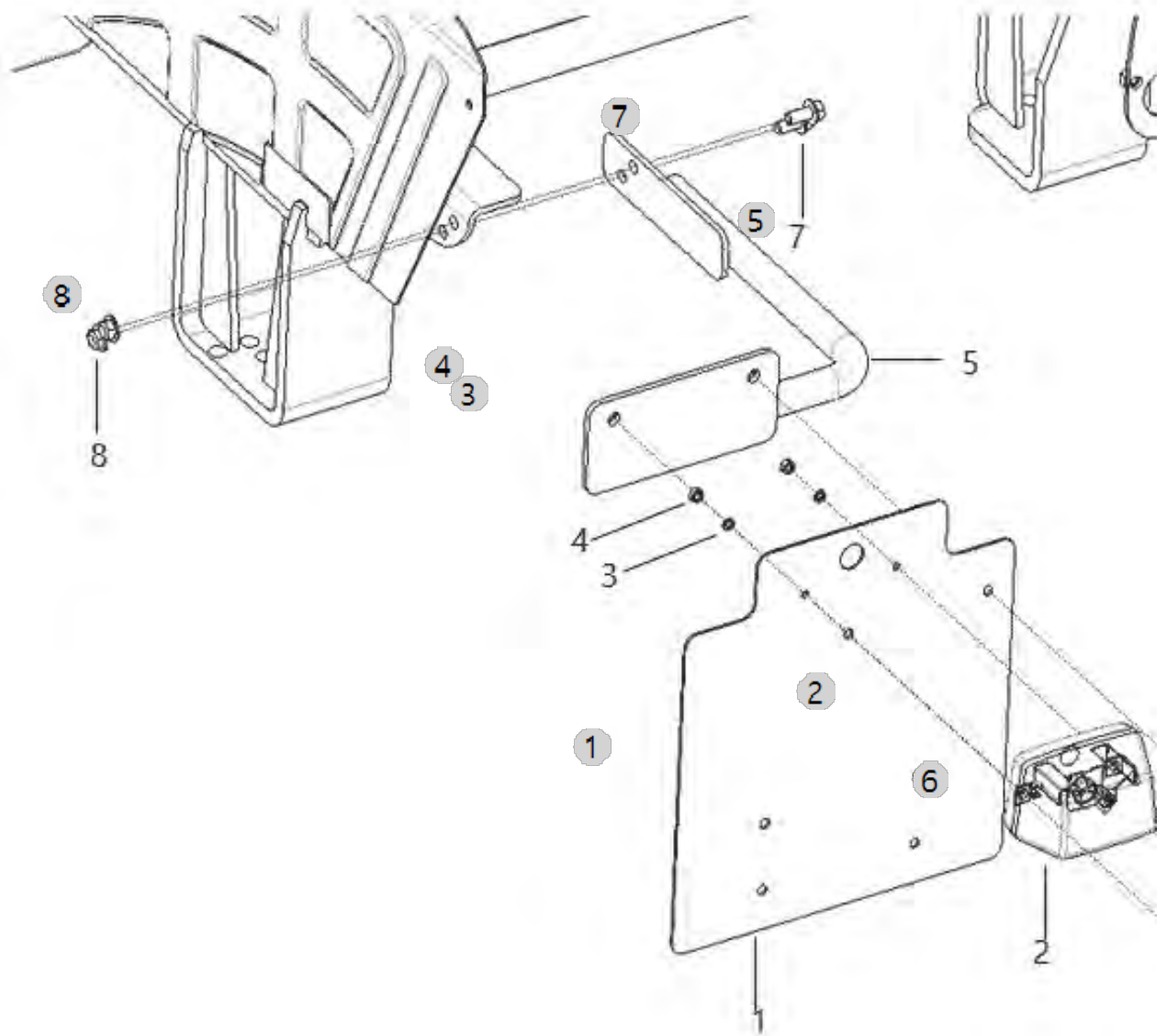
I03060

F36CHN\_EU\_FL  
(AC02134)

NUMBER PALTE ASS'Y

Year/Month

2023-01-17





I05000

F36CHN\_EU\_FL  
(AC02134)

TIRE

Year/Month

2023-01-17

