

6225H(AC02122) TRACTOR

Parts Catalogue



# CONTENTS

GROUP NO	GROUP NAME	PAGE
G. ENGINE		
A01_021	CYLINDER BLOCK	6
A02_005	DRIVE PULLY	8
A03_004	CRANK SHAFT PULLEY	10
A04_005	GLOW PLUG ASS'Y OPTION	12
A05_005	CRANK SHAFT ASS'Y OPTION	14
A06_006	BREATHER OPTION	16
A07_005	CAMSHAFT	18
A08_003	ALTERNATOR	20
A09_003	COOLING WATER PUMP	22
A10_006	COOLING FAN SPACER	24
A11_007	INJECTOR	26
A12_014	FUEL INJECTON	28
A13_005	PLUMBING, FUEL	30
A14_003	FUEL FILTER BRACKET	33
A16_003	FUEL FILTER ASS'Y OPTION	35
A17_008	INTAKE MANIFOLD ASS'Y OPTION	37
A18_011	FLYWHEEL	39
A19_009	FLYWHEEL HOUSING	41
A20_011	HEAD, CYLINDER	43
A21_004	HEAD COVER	45
A23_008	TURBOCHARGER SUPPORT ASS'Y OPTION	47
A24_003	TURBOCHARGER	49
A25_003	OIL JET ASS'Y OPTION	51
A26_005	COOLER, ENGINE OIL	53
A27_010	OIL PAN ASS'Y OPTION	55
A28_001	PUMP, LUBRICATING OIL	57
A29_005	FILTER, LUBRICATING OIL	59
A30_003	FRONT GEAR ACCESSORY DRIVE	61
A31_007	PISTON	63
A32_003	LEVER, LOCKER	65
A33_011	EXHAUST MANIFOLD	67
A35_002	IDLE GEAR	69
A36_004	COVER, FRONT GEAR	71
A37_001	BALANCE ASS'Y	73

# CONTENTS

GROUP NO	GROUP NAME	PAGE
<b>G. ENGINE</b>		
A38_007	GAUGE, OIL LEVEL	75
A39_001	OIL FILLER CAP	77
A40_003	LIFT ASS'Y OPTION	79
A42_003	MOTER, STARTIONS	81
A43_001	DPF SUPPORT OPTION	83
A44_008	DPF MOUNTING OPTION	85
A45_012	DPF	87
A48_006	V-BELT	89
A51_006	INTAKE HOSE ASSY OPTION	91
A52_007	CCV ASS'Y	93
<b>B. ENGINE ACCESSORIES</b>		
B01010	FUEL TANK	95
B02020	RADIATOR	97
B05011	LEVER ACCELERATOR	99
<b>C. CLUTCH, BREAK, LEVER</b>		
C02010	BRAKE PEDAL	101
C02050	PARKING BRAKE	103
C03010	HYD SHIFT TRANSMISSION PEDAL	105
C04071	LEVER ASS'Y, PTO SPEED CHANGE	108
<b>D. HYDRAULIC</b>		
D01010	HYD PUMP	110
D01020	LOW PRESSURE PIPE	112
D01040	HYD FILTER	114
D02010	STEERING WHEEL	116
D02030	PST HOSE	118
D02040	PST CYLINDER	120
D03010	OIL COOLER	122
D04000	HYDRAULIC CYLINDER	124
<b>E. FRONT AXLE</b>		
E01010	FRONT AXLE CASE	126
E01013	FRONT AXLE CASE/SPACER	128
E01030	GEAR CASE, FRONT AXLE	130
E01070	FORNT DRIVE SHAFT	133
E01080	TIE ROD	135

# CONTENTS

GROUP NO	GROUP NAME	PAGE
<b>F. TRANSMISSION</b>		
F01010	CLUTCH HOUSING	137
F01030	HOUSING, REAR AXLE	139
F01050	HYD SHIFT TRANSMISSION HOUSING	141
F02080	CLUTH DISC	143
F02110	PROPELLER SHAFT	145
F03030	HYD SHIFT TRANSMISSION GEAR	147
F04000	FRONT DRIVE & RANGE SHIFT GEAR	149
F05000	DIFFERENTIAL ASS'Y	151
F06030	BRAKE	154
F06031	SUPPORT, BRAKE	156
F07000	PTO	158
F07050	PTO VALVE	161
F08060	FORK, PTO SHIFT	163
F10020	LIFT ARM	165
F10030	SAFTY VALVE	167
F10040	STOP VALVE	169
F10061	DRAFT/ POSITION CONTROL LEVER	171
F10063	DRAFT CONTROL	173
F10064	POSITION CONTROL LEVER	175
F10120	REAR SCV	177
F11020	FRONT DRIVE & RANGE SHIFT LEVER	180
<b>G. SHEET METAL, CABIN</b>		
G01020	BONNET	182
G01060	FIXED BRACKET, BONNET	185
G01080	FRONT AXLE BRACKET	187
G02020	DASH BOARD	189
G02150	FLOOR MAT	191
G04070	DRIVER'S SEAT	193
G04090	FENDER	195
G04120	ROPS	197
G05000	TOP LINK, LIFT LINK	199
G05030	LOWER LINK	201
G05070	DRAWBAR	203
<b>H. ELECTRICALS, HARNESS</b>		



# CONTENTS

GROUP NO	GROUP NAME	PAGE
H. ELECTRICALS, HARNESS		
H01030	BATTERY	205
H02020	COMBINATION LAMP	207
H03000	HARNESS	209
H04030	INSTRUMENT PANEL	211
H04050	SWITCH	213
H04090	HORN	215
I. WEIGHT, TOOLS, TIRE		
I01010	FRONT WEIGHT	217
I03000	NAME PLATE	219
I05010	FRONT WHEEL&TIRE	221
I05020	REAR WHEEL&TIRE ASSY	223
I07010	SPARE TOOLS	225

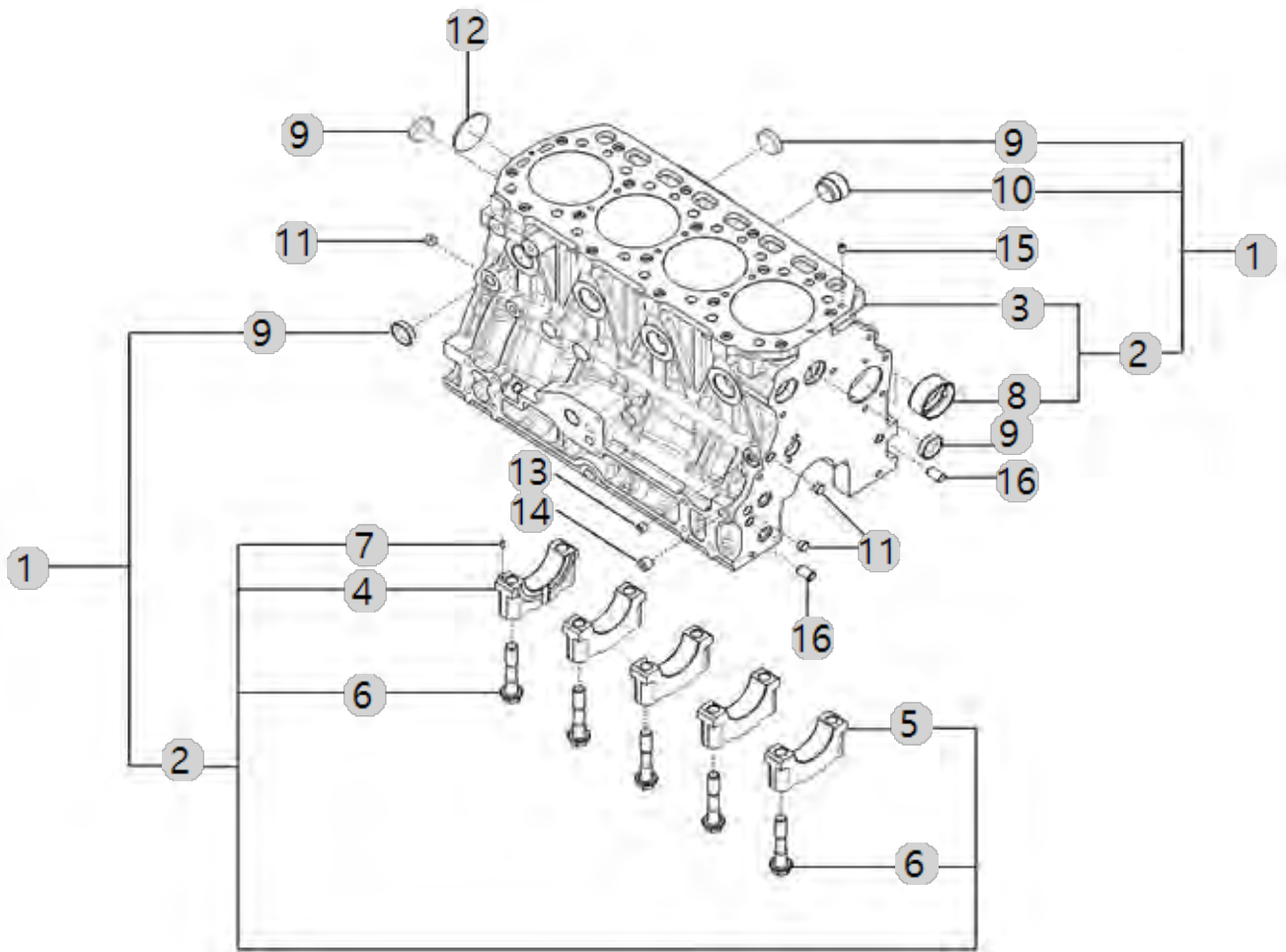
A01\_021

A2300T3-ETR\_5  
(AB00332)

### CYLINDER BLOCK

Year/Month

2023-01-18





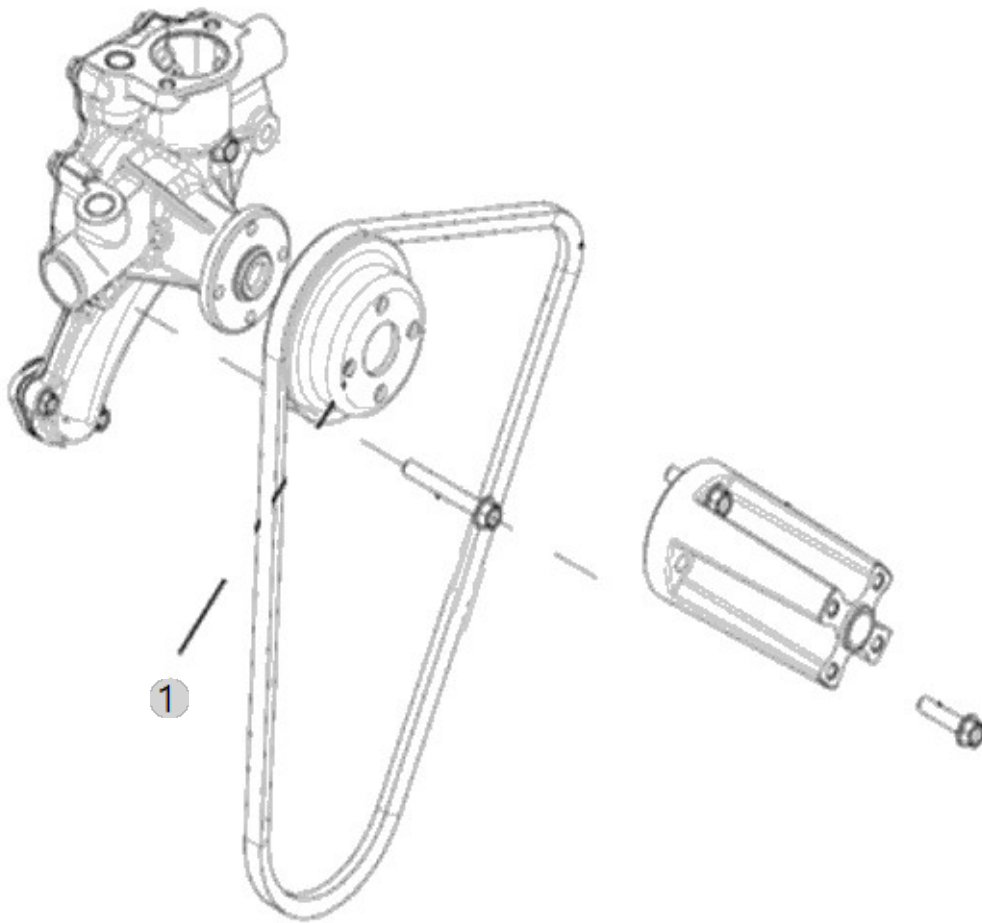
A02\_005

A2300T3-ETR\_5  
(AB00332)

# DRIVE PULLEY

Year/Month

2023-01-18





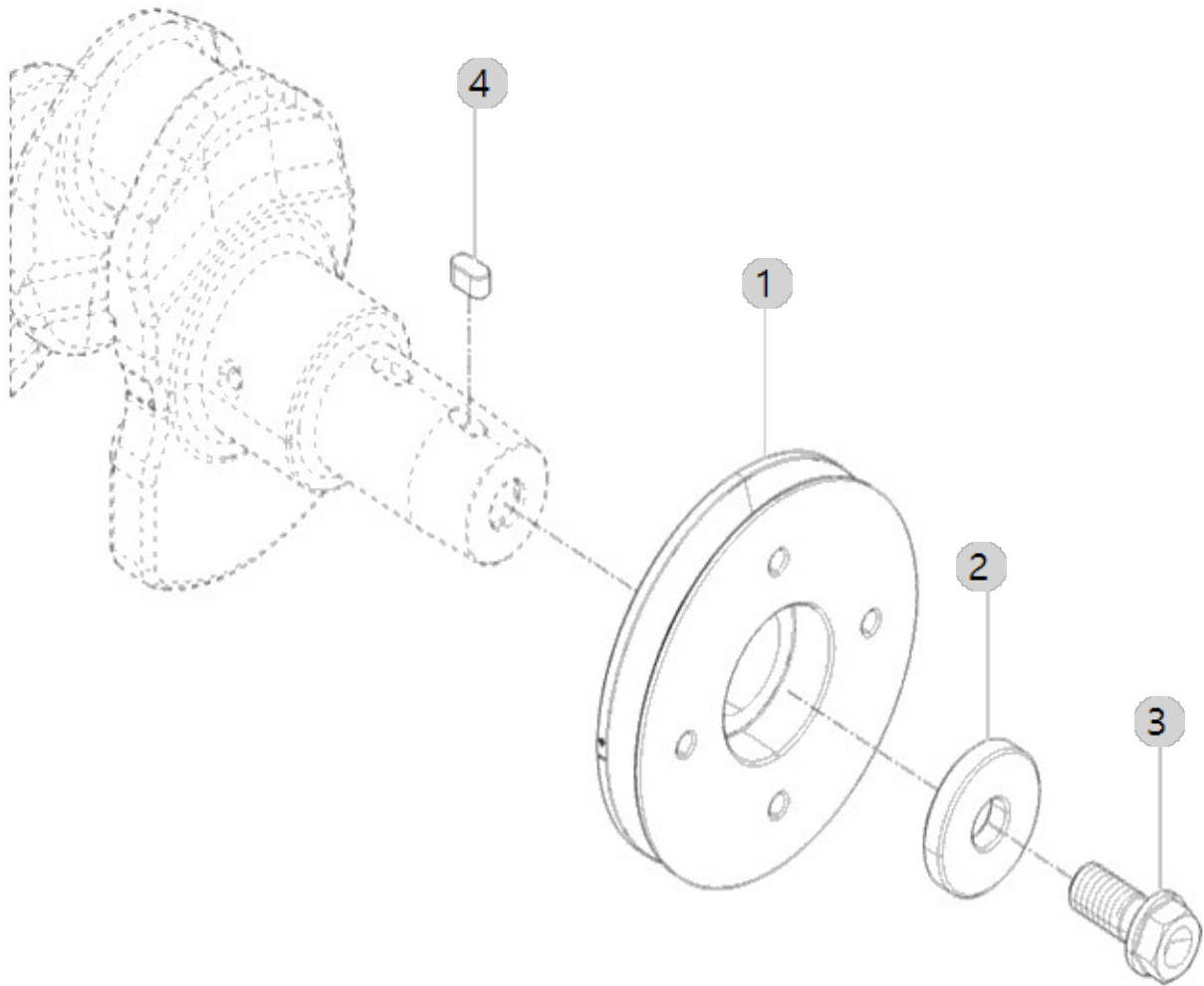
A03\_004

A2300T3-ETR\_5  
(AB00332)

# CRANK SHAFT PULLEY

Year/Month

2023-01-18





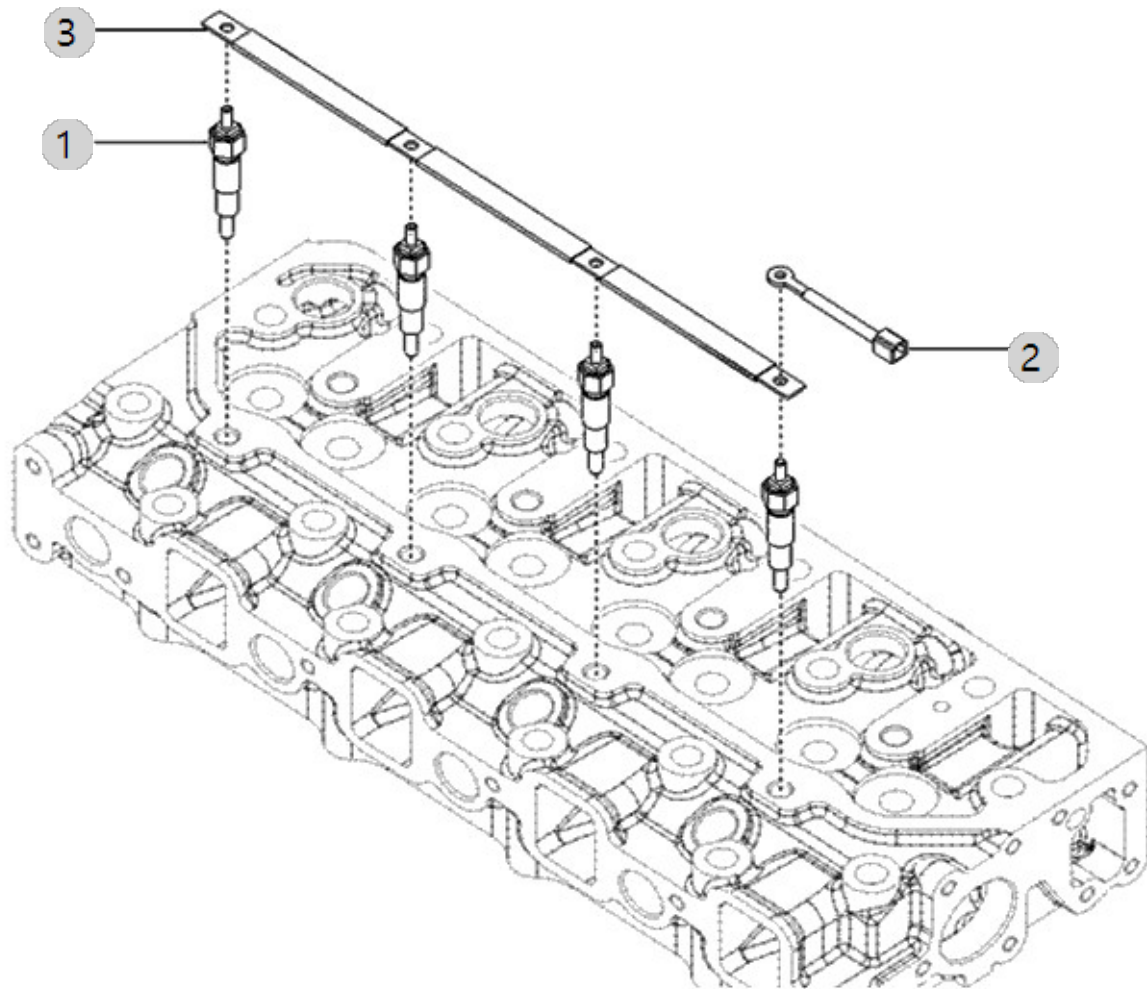
A04\_005

A2300T3-ETR\_5  
(AB00332)

### GLOW PLUG ASS'Y OPTION

Year/Month

2023-01-18







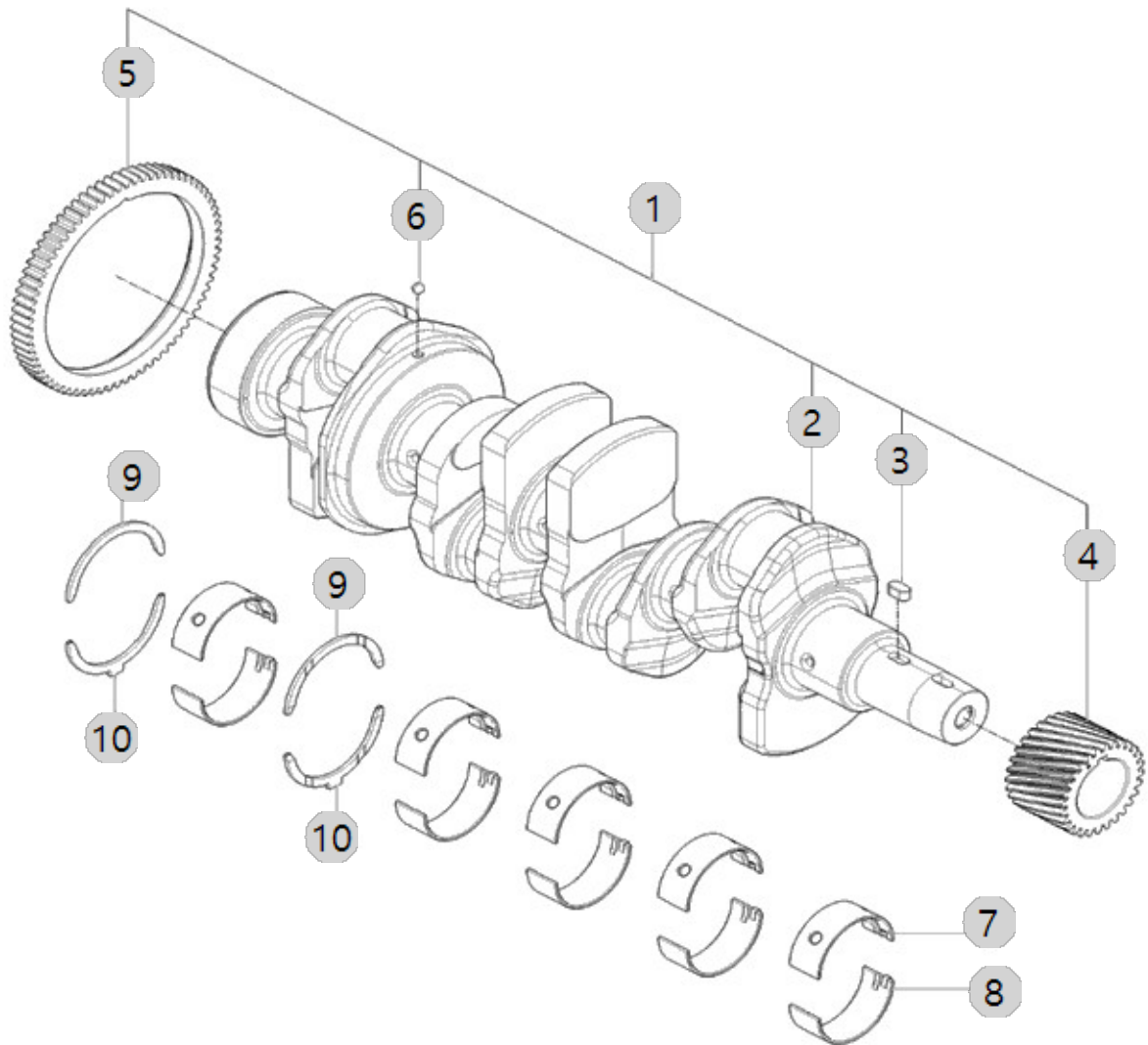
A05\_005

A2300T3-ETR\_5  
(AB00332)

### CRANK SHAFT ASS'Y OPTION

Year/Month

2023-01-18





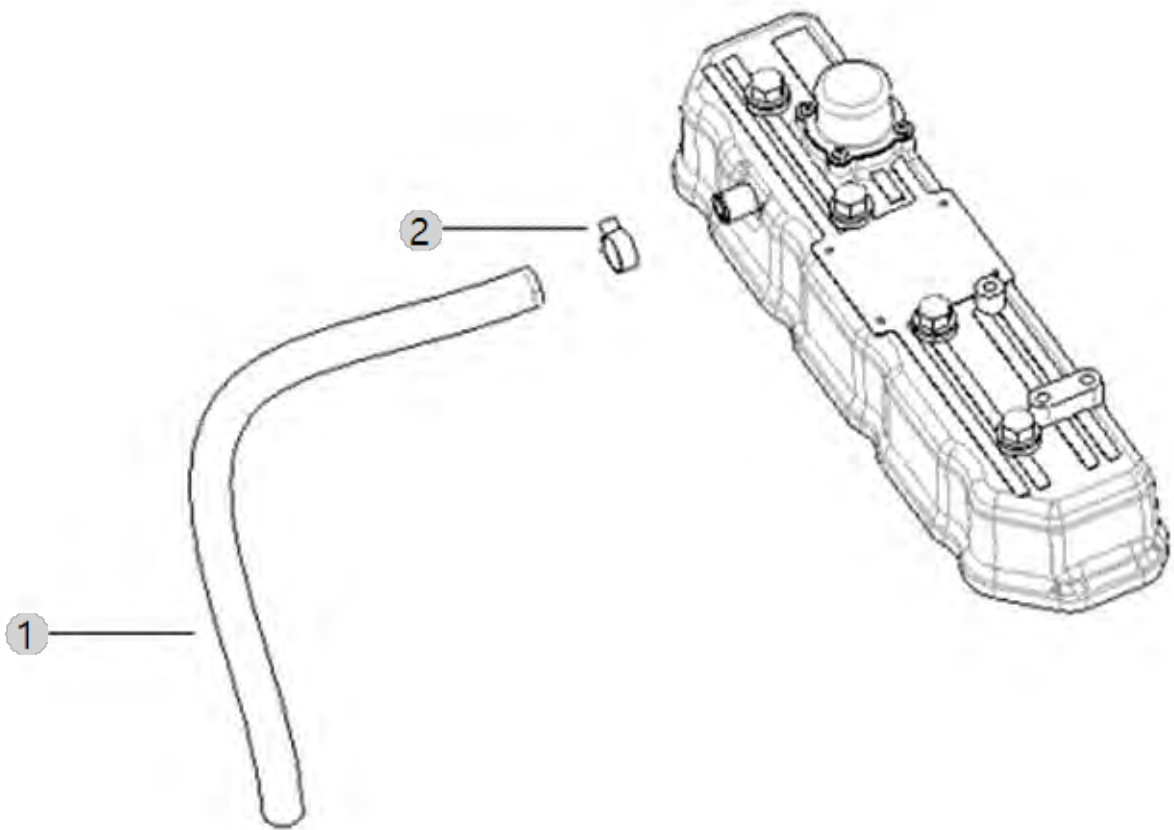
A06\_006

A2300T3-ETR\_5  
(AB00332)

BREATHER OPTION

Year/Month

2023-01-18





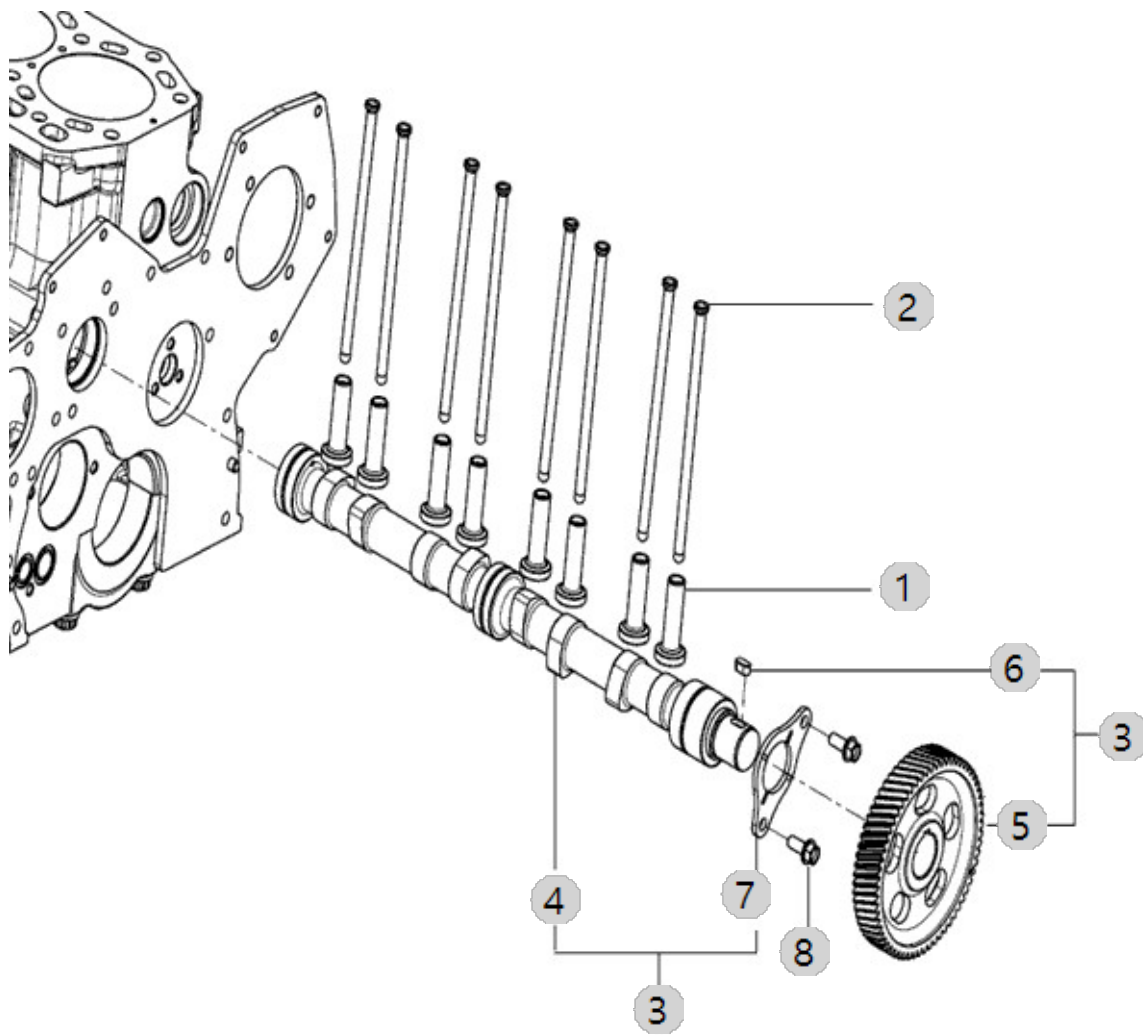
A07\_005

A2300T3-ETR\_5  
(AB00332)

# CAMSHAFT

Year/Month

2023-01-18





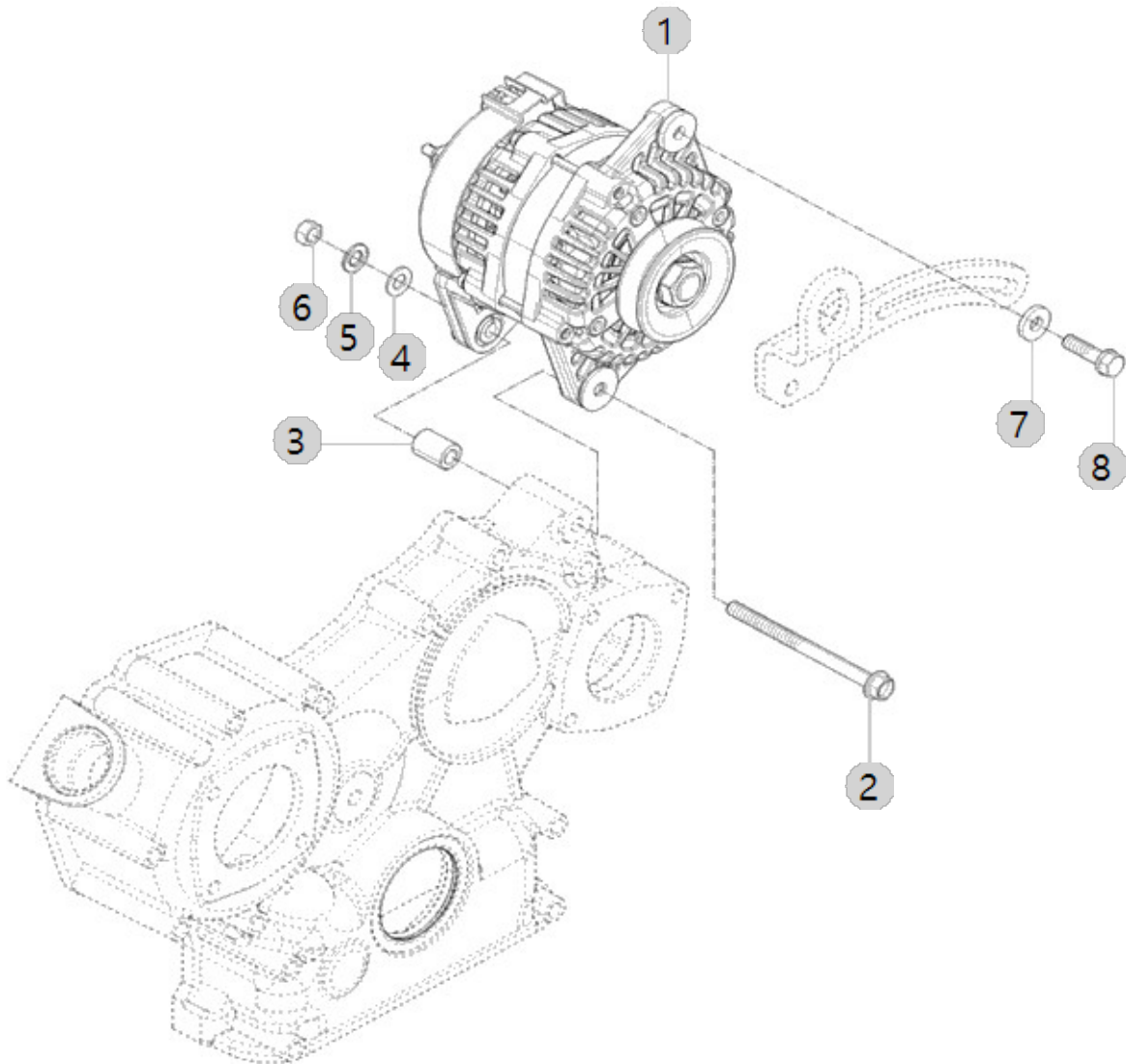
A08\_003

A2300T3-ETR\_5  
(AB00332)

# ALTERNATOR

Year/Month

2023-01-18







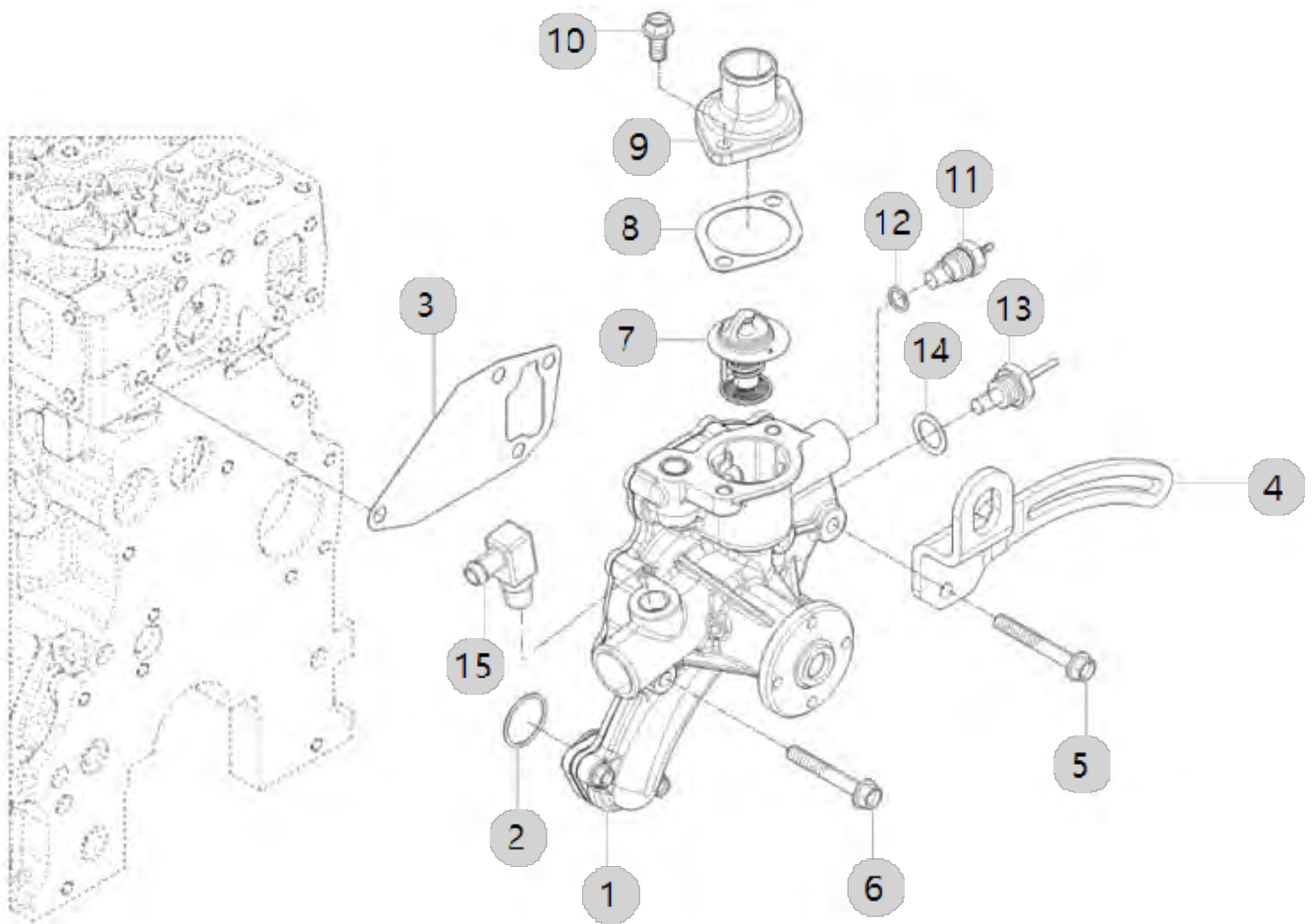
A09\_003

A2300T3-ETR\_5  
(AB00332)

### COOLING WATER PUMP

Year/Month

2023-01-18





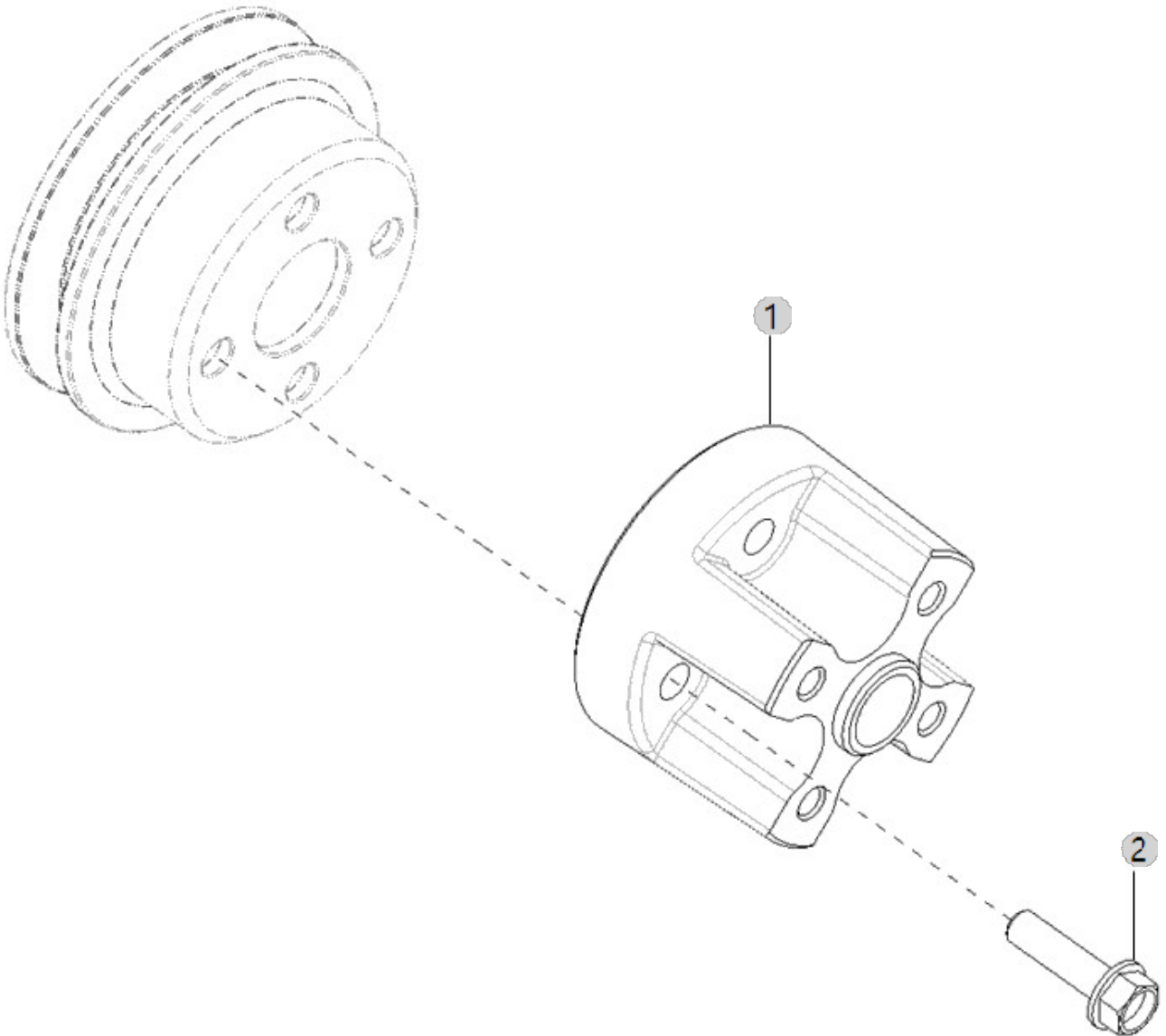
A10\_006

A2300T3-ETR\_5  
(AB00332)

COOLING FAN SPACER

Year/Month

2023-01-18





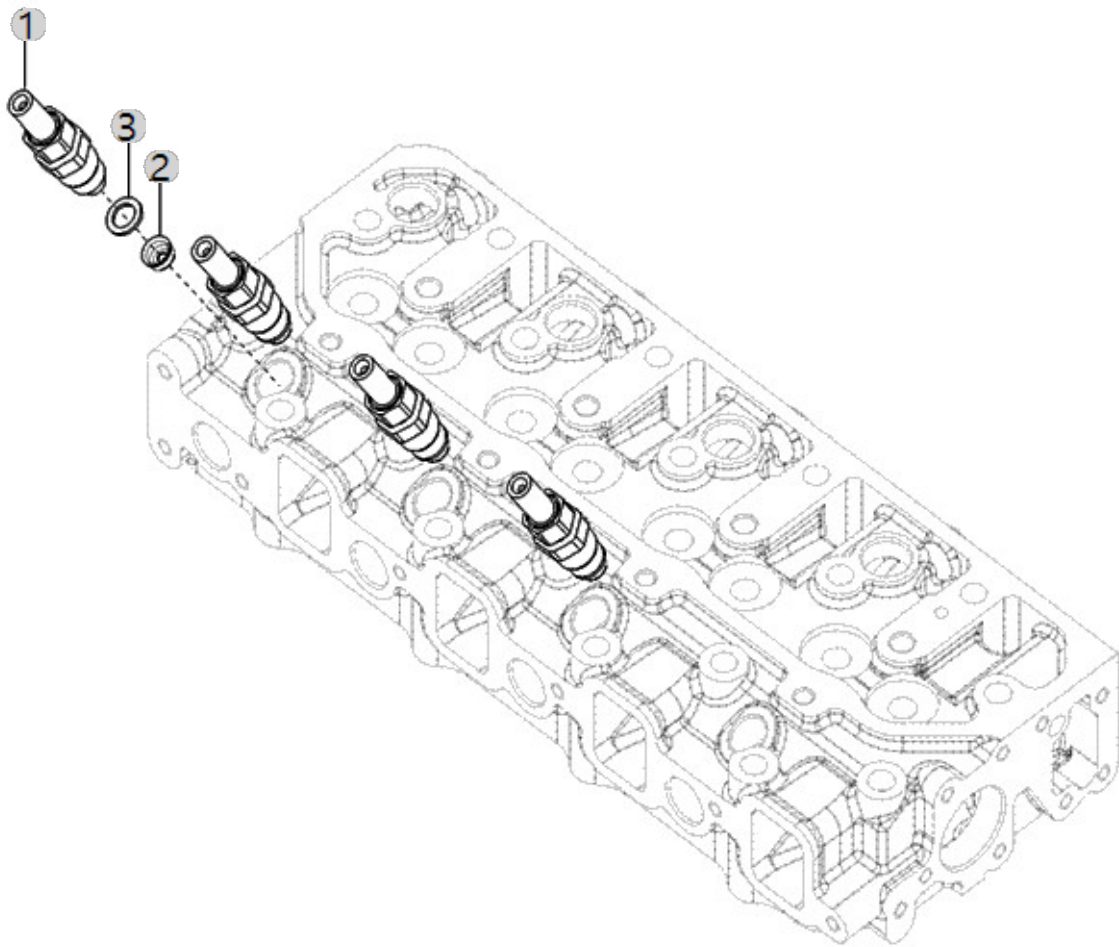
A11\_007

A2300T3-ETR\_5  
(AB00332)

# INJECTOR

Year/Month

2023-01-18





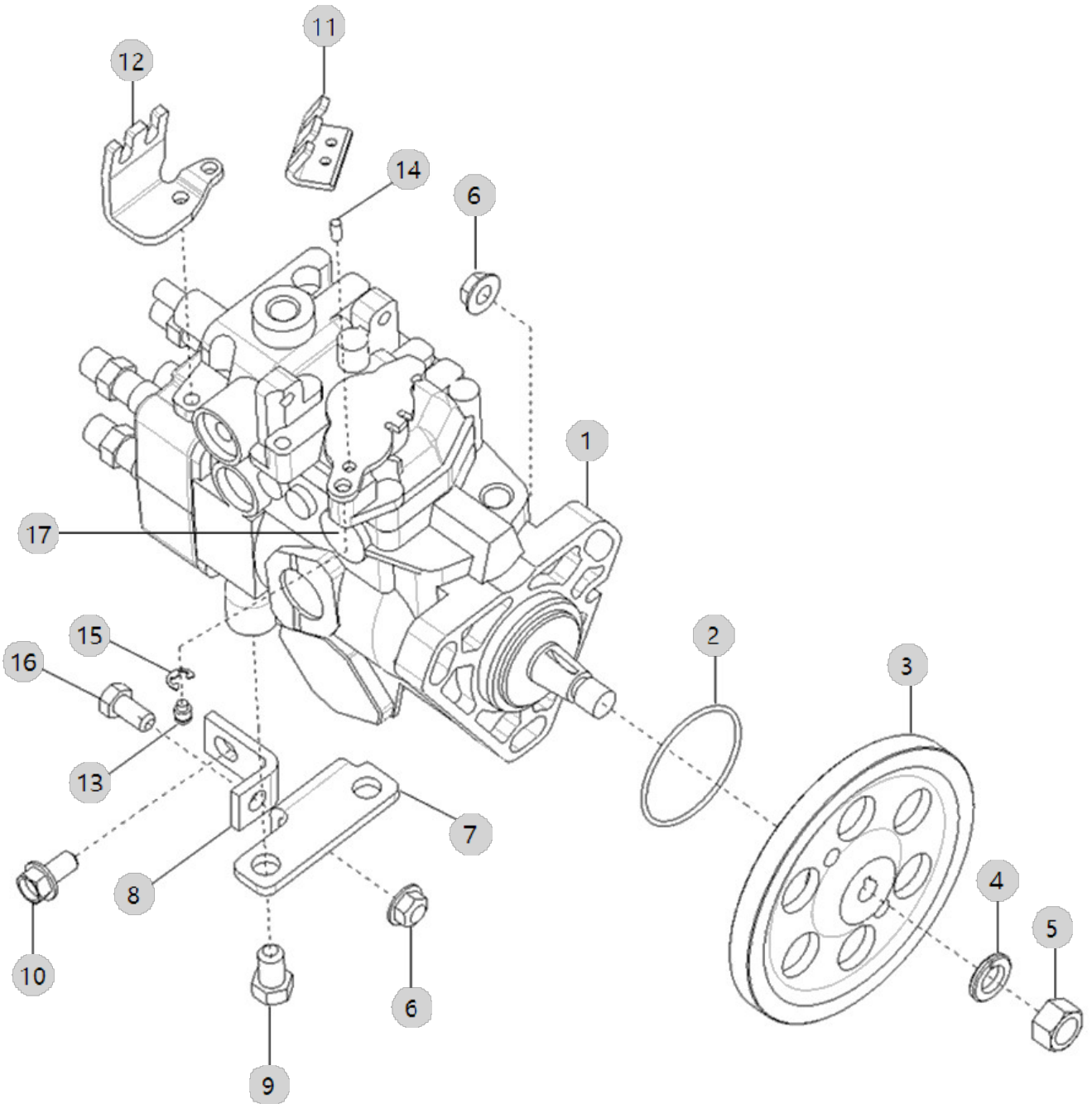
A12\_014

A2300T3-ETR\_5  
(AB00332)

# FUEL INJECTOR

Year/Month

2023-01-18







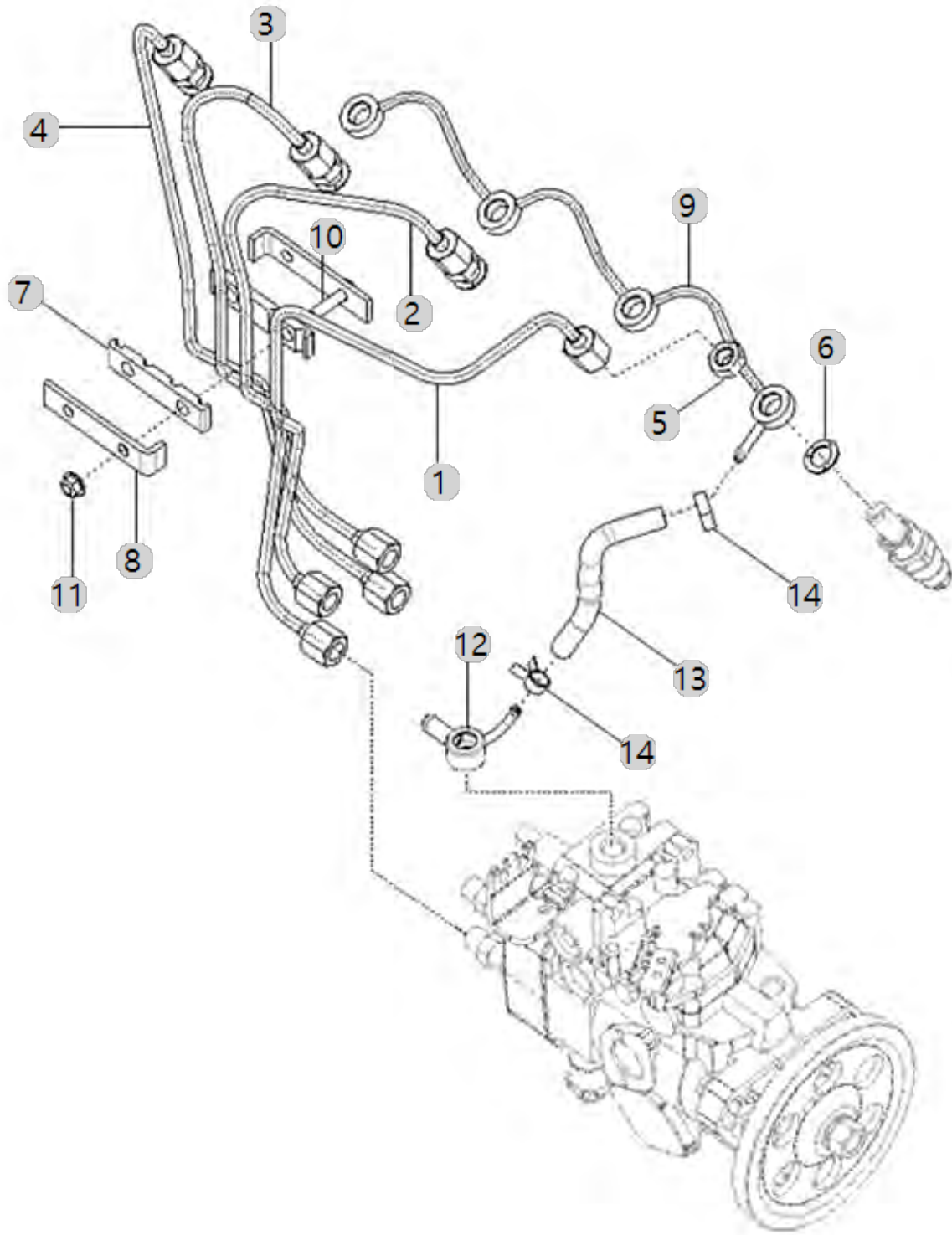
A13\_005

A2300T3-ETR\_5  
(AB00332)

PLUMBING, FUEL

Year/Month

2023-01-18



A13_005 A2300T3-ETR_5 (AB00332)		PLUMBING, FUEL				Year/Month 2023-01-18
순번 (NO)	부품번호 (PART NO)	품명 (PART NAME)	품명 (PART NAME)	수량 (QTY)	규격 (SPEC)	비고 (REMARK)
1	HRA150050DB0	299,A202322,연료파이프조합(A)	PIPE ASSY, FUEL SUPPLY A	1		
1	HRA150050DB0	299,A202322,연료파이프조합(A)	PIPE ASSY, FUEL SUPPLY A	1		
1	HRA150050DC0	연료파이프조합(A)	TUBE,INJECTOR FUEL SUPPLY	1		
1	HRA150050DB0	299,A202322,연료파이프조합(A)	PIPE ASSY, FUEL SUPPLY A	1		
2	HRA150060DC0	연료파이프조합(B)	TUBE,INJECTOR FUEL SUPPLY	1		
2	HRA150060DB0	300,A202322,연료파이프조합(B)	PIPE ASSY, FUEL SUPPLY (B)	1		
2	HRA150060DB0	300,A202322,연료파이프조합(B)	PIPE ASSY, FUEL SUPPLY (B)	1		
2	HRA150060DB0	300,A202322,연료파이프조합(B)	PIPE ASSY, FUEL SUPPLY (B)	1		
3	HRA150070DB0	301,A202322,연료파이프조합(C)	PIPE ASSY, FUEL SUUPPLY C	1		
3	HRA150070DC0	연료파이프조합(C)	TUBE,INJECTOR FUEL SUPPLY	1		
3	HRA150070DB0	301,A202322,연료파이프조합(C)	PIPE ASSY, FUEL SUUPPLY C	1		
3	HRA150070DB0	301,A202322,연료파이프조합(C)	PIPE ASSY, FUEL SUUPPLY C	1		
4	HRA150080DB0	302,A202322,연료파이프조합(D)	PIPE ASSY, FUEL SUPPLY D	1		
4	HRA150080DB0	302,A202322,연료파이프조합(D)	PIPE ASSY, FUEL SUPPLY D	1		
4	HRA150080DC0	연료파이프조합(D)	TUBE,INJECTOR FUEL SUPPLY	1		
5	HK13450000A4	육각고정너트	NUT,REGULARHEXAGON	4	M12X1.5	
5	HK13450000A4	육각고정너트	NUT,REGULARHEXAGON	4	M12X1.5	
5	HK13450000A4	육각고정너트	NUT,REGULARHEXAGON	4	M12X1.5	
5	HK13450000A4	육각고정너트	NUT,REGULARHEXAGON	4	M12X1.5	
6	HK13440000A4	306,ALL,패킹(조인트)(와류실)	GASKET,FUELMANIFOLD	4		
6	HK13440000A4	306,ALL,패킹(조인트)(와류실)	GASKET,FUELMANIFOLD	4		
6	HK13440000A4	306,ALL,패킹(조인트)(와류실)	GASKET,FUELMANIFOLD	4		
6	HK13440000A4	306,ALL,패킹(조인트)(와류실)	GASKET,FUELMANIFOLD	4		
7	HRA1502700A4	462,ALL,브래킷고무	RUBBER,BRACKET	2		
7	HRA1502700A4	462,ALL,브래킷고무	RUBBER,BRACKET	2		
7	HRA1502700A4	462,ALL,브래킷고무	RUBBER,BRACKET	2		
7	HRA1502700A4	462,ALL,브래킷고무	RUBBER,BRACKET	2		
8	HRA1502800A4	브래킷판	CLAMP,TUBE	1	T 3.2	
8	HRA1502800A4	브래킷판	CLAMP,TUBE	2	T 3.2	
8	HRA1502800A4	브래킷판	CLAMP,TUBE	1	T 3.2	
8	HRA1502800A4	브래킷판	CLAMP,TUBE	1	T 3.2	
8	HRA1502800B4	브래킷판	CLAMP,TUBE	2	T 3.2	
9	HRA1500900C3	퇴유파이프조합	PIPE ASSY, FUEL RETURN	1		
9	HRA1500900C3	퇴유파이프조합	PIPE ASSY, FUEL RETURN	1		
9	HRA1500900D3	퇴유파이프조합	PIPE ASSY, FUEL	1		
9	HRA1500900C3	퇴유파이프조합	PIPE ASSY, FUEL RETURN	1		
10	HRA1502600B4	브래킷(연료파이프)	BRACKET,PIPE	1		
10	HRA1502600B4	브래킷(연료파이프)	BRACKET,PIPE	1		
10	HRA1502600B4	브래킷(연료파이프)	BRACKET,PIPE	1		
10	HRA1502600B4	브래킷(연료파이프)	BRACKET,PIPE	1		
11	26367-060002	플랜지너트	Nut, Hexa (Φ6)	2	M6XP1.0	
11	26367-060002	플랜지너트	Nut, Hexa (Φ6)	2	M6XP1.0	
11	26367-060002	플랜지너트	Nut, Hexa (Φ6)	2	M6XP1.0	
11	26367-060002	플랜지너트	Nut, Hexa (Φ6)	2	M6XP1.0	



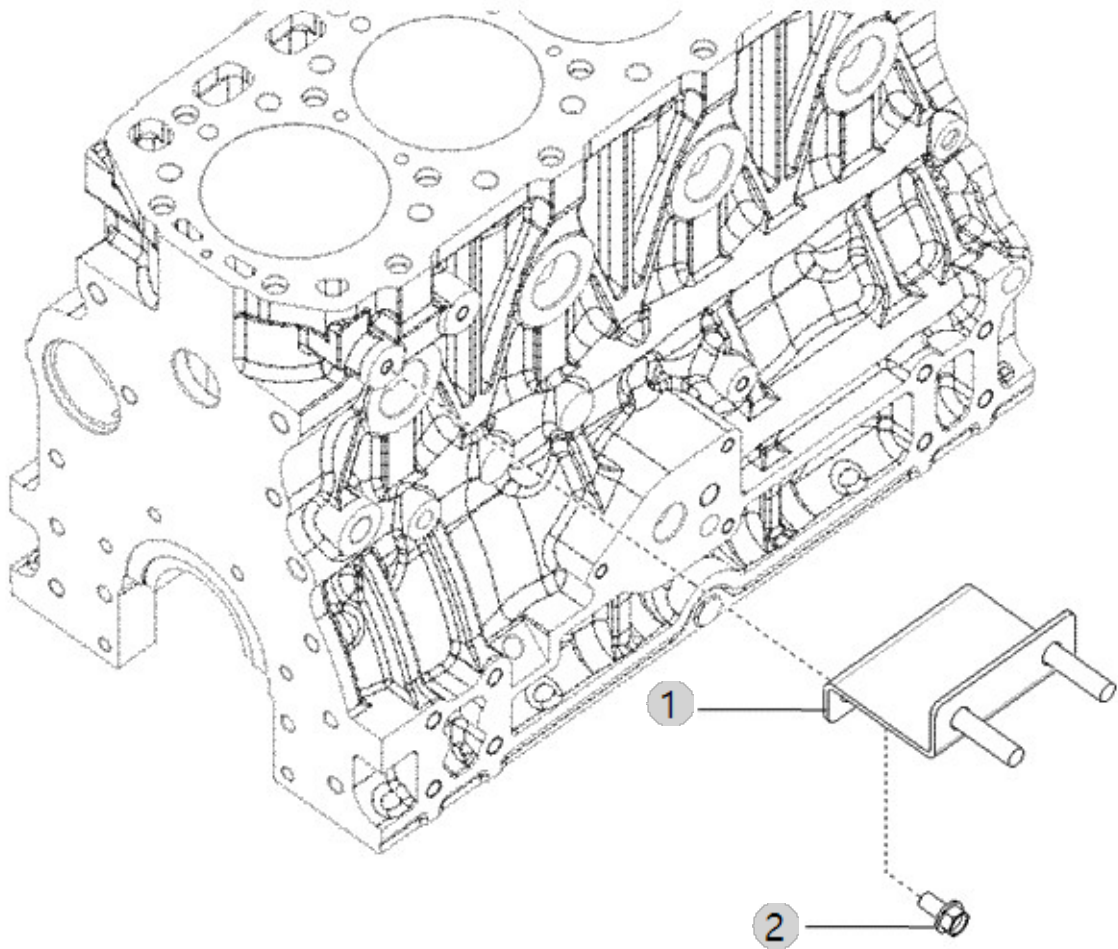
A14\_003

A2300T3-ETR\_5  
(AB00332)

### FUEL FILTER BRACKET

Year/Month

2023-01-18





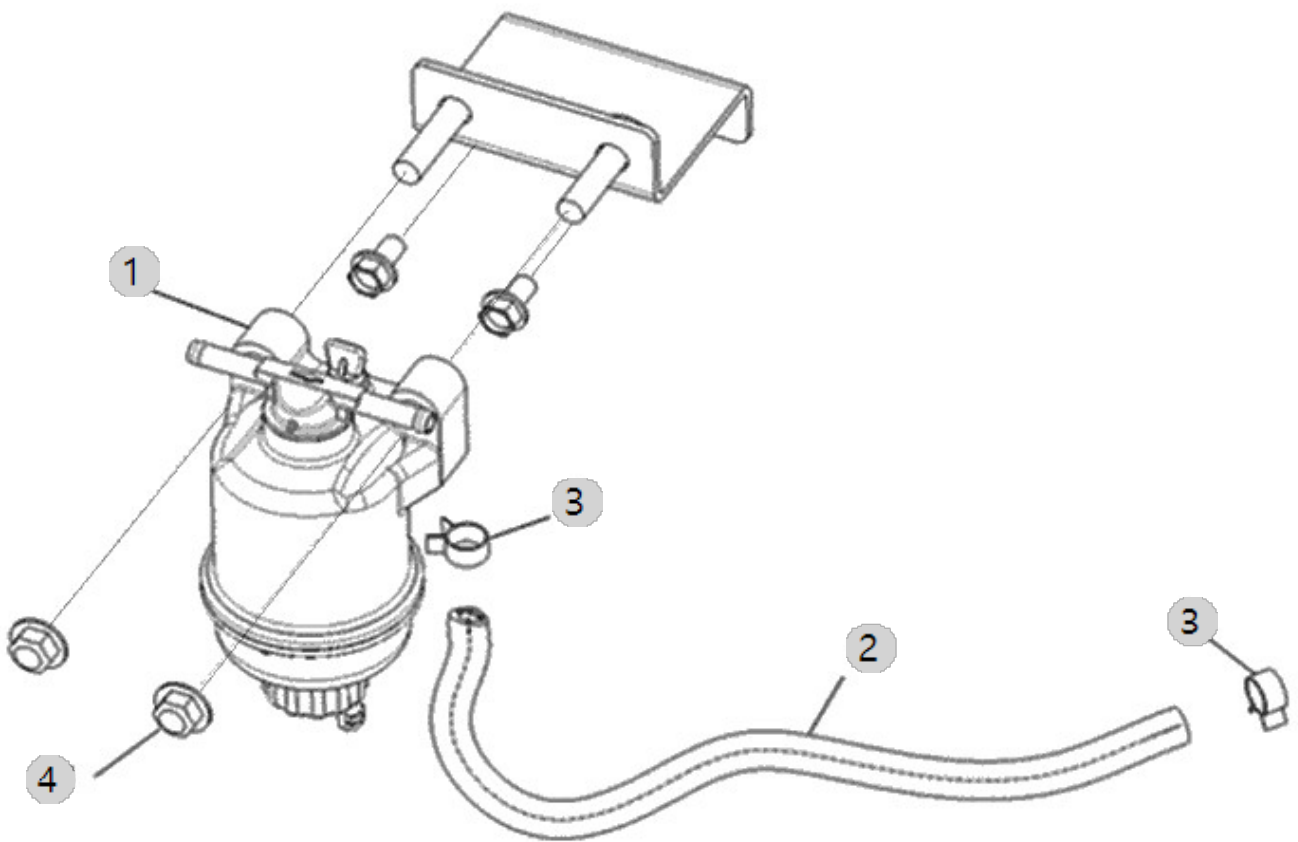
A16\_003

A2300T3-ETR\_5  
(AB00332)

FUEL FILTER ASS'Y OPTION

Year/Month

2023-01-18









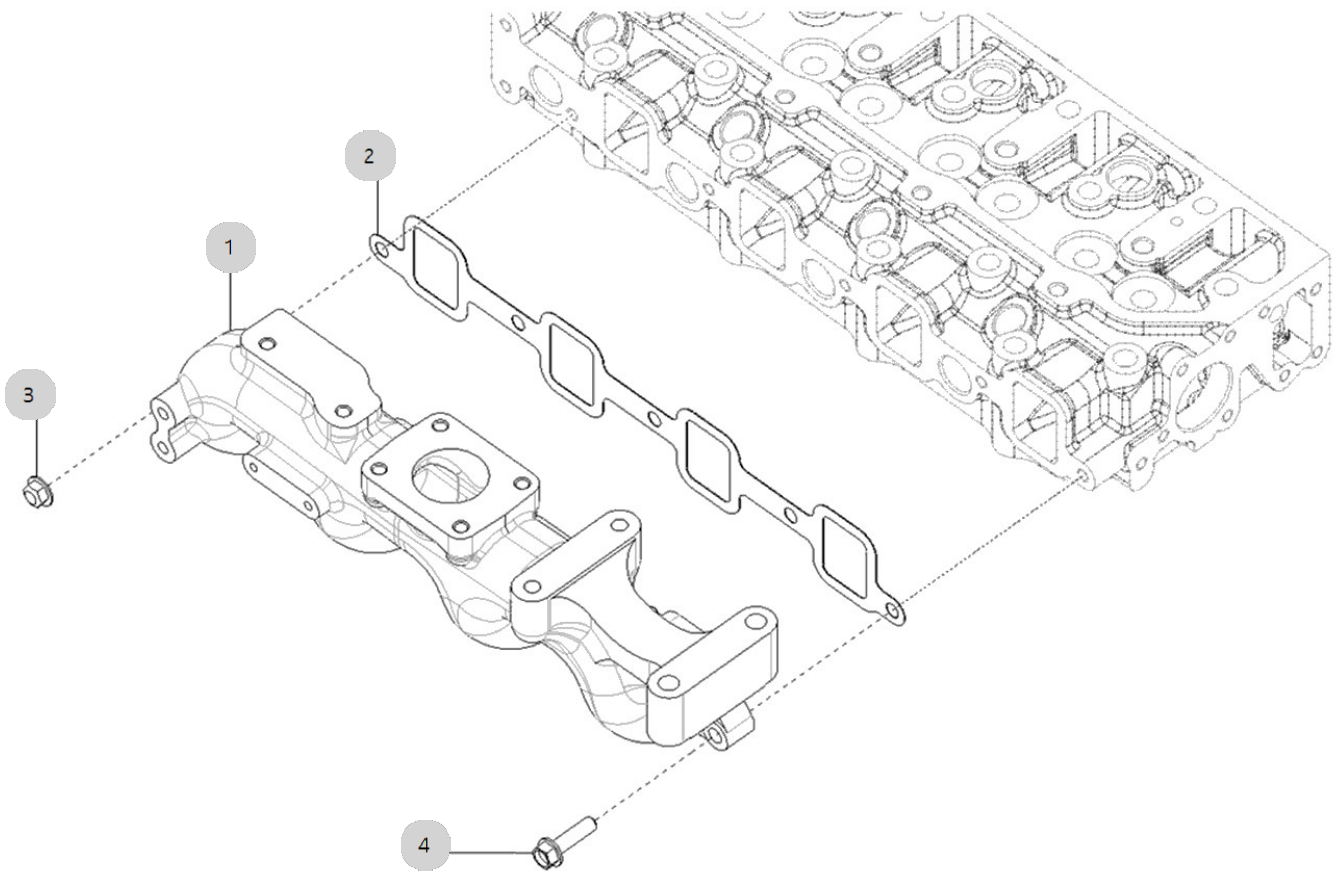
A17\_008

A2300T3-ETR\_5  
(AB00332)

### INTAKE MANIFOLD ASS'Y OPTION

Year/Month

2023-01-18





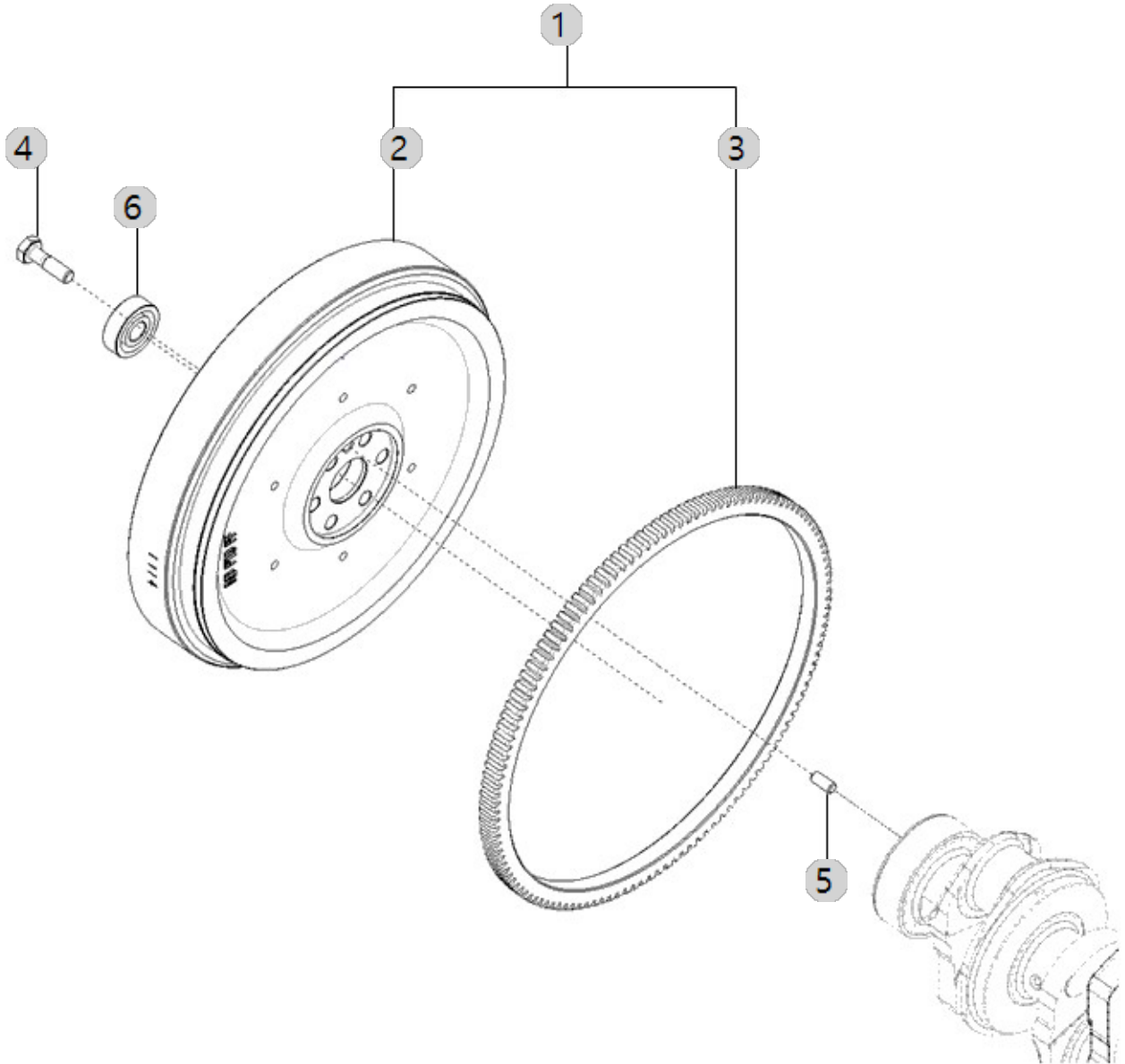
A18\_011

A2300T3-ETR\_5  
(AB00332)

# FLYWHEEL

Year/Month

2023-01-18





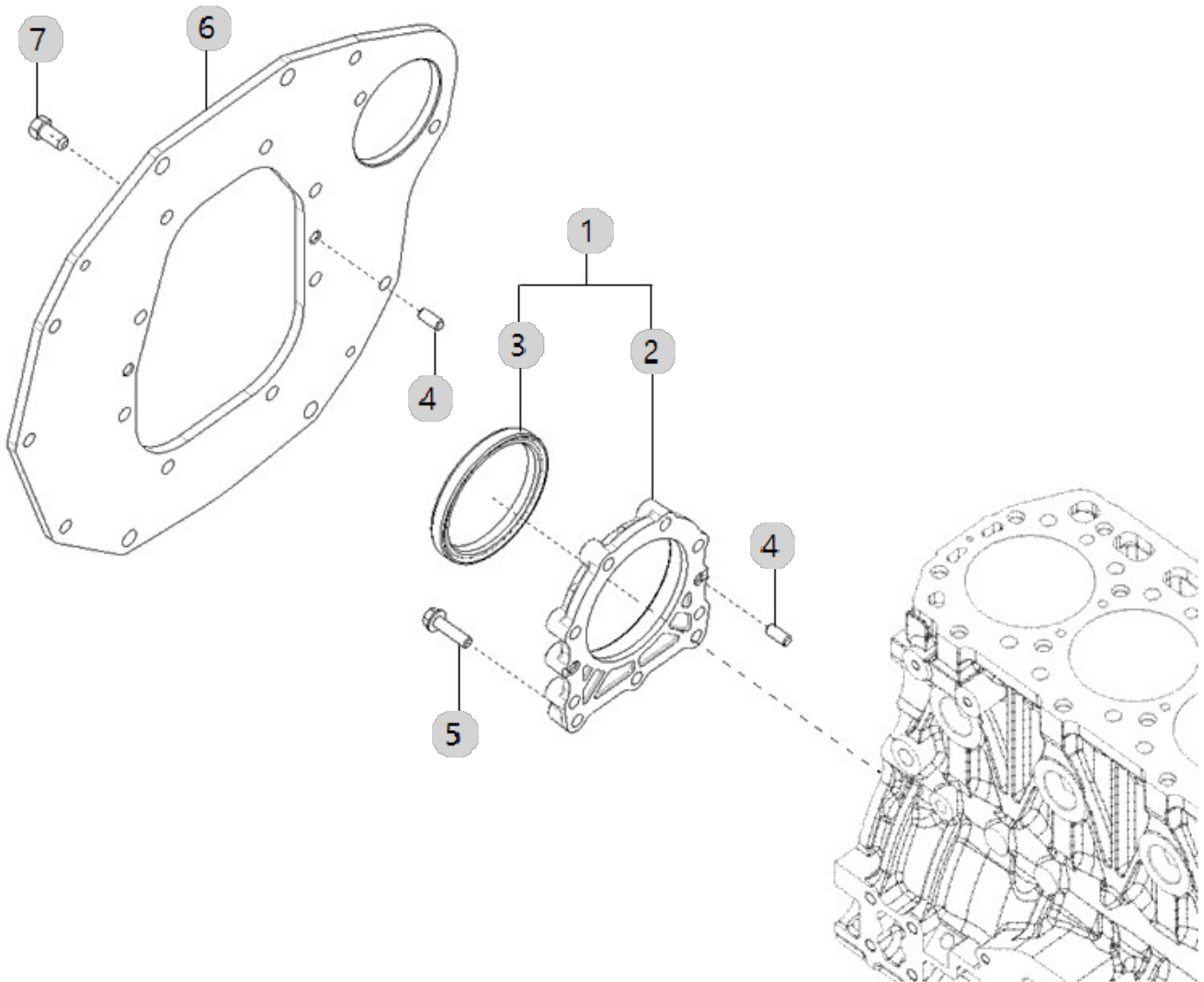
A19\_009

A2300T3-ETR\_5  
(AB00332)

# FLYWHEEL HOUSING

Year/Month

2023-01-18





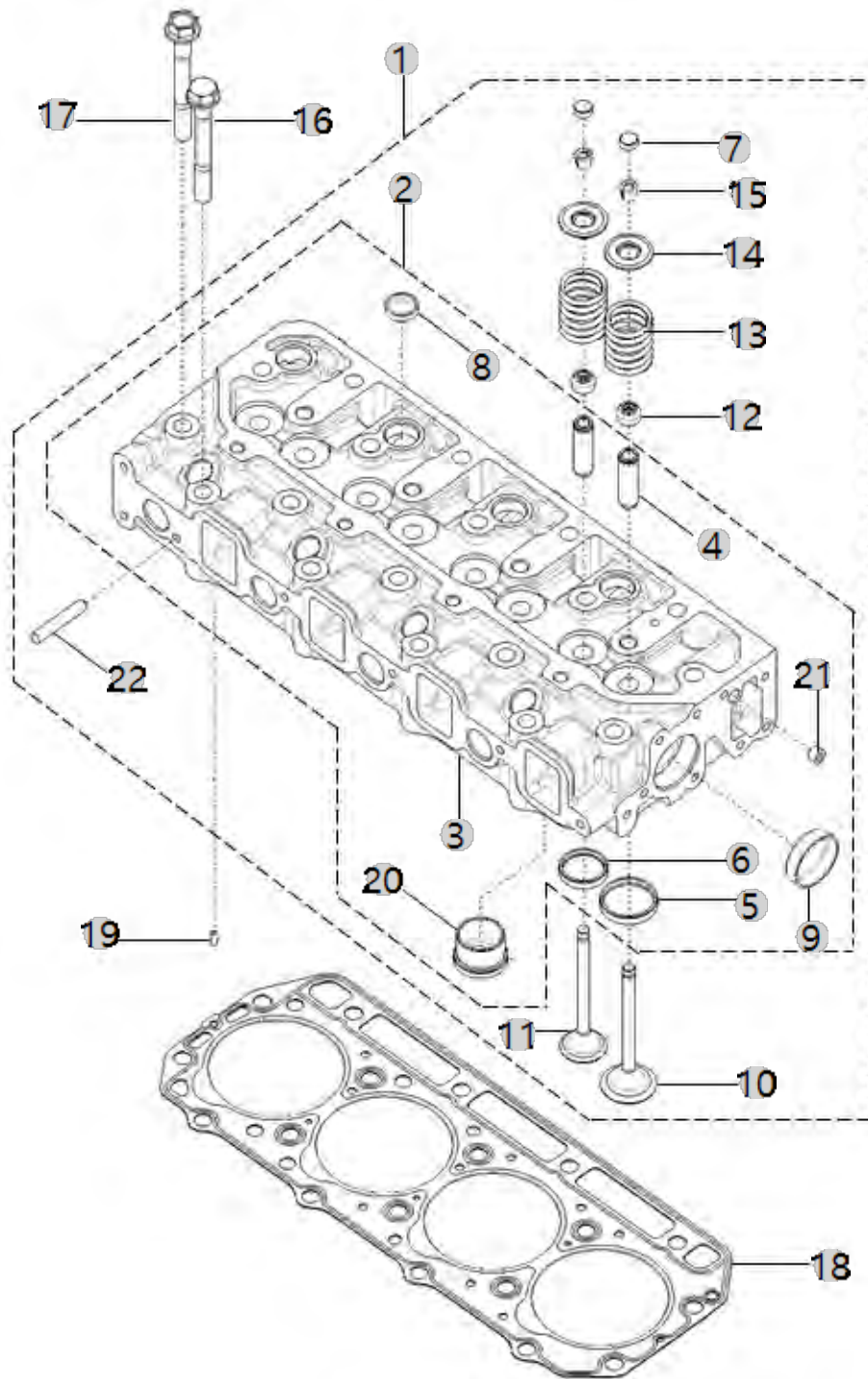
A20\_011

A2300T3-ETR\_5  
(AB00332)

HEAD, CYLINDER

Year/Month

2023-01-18







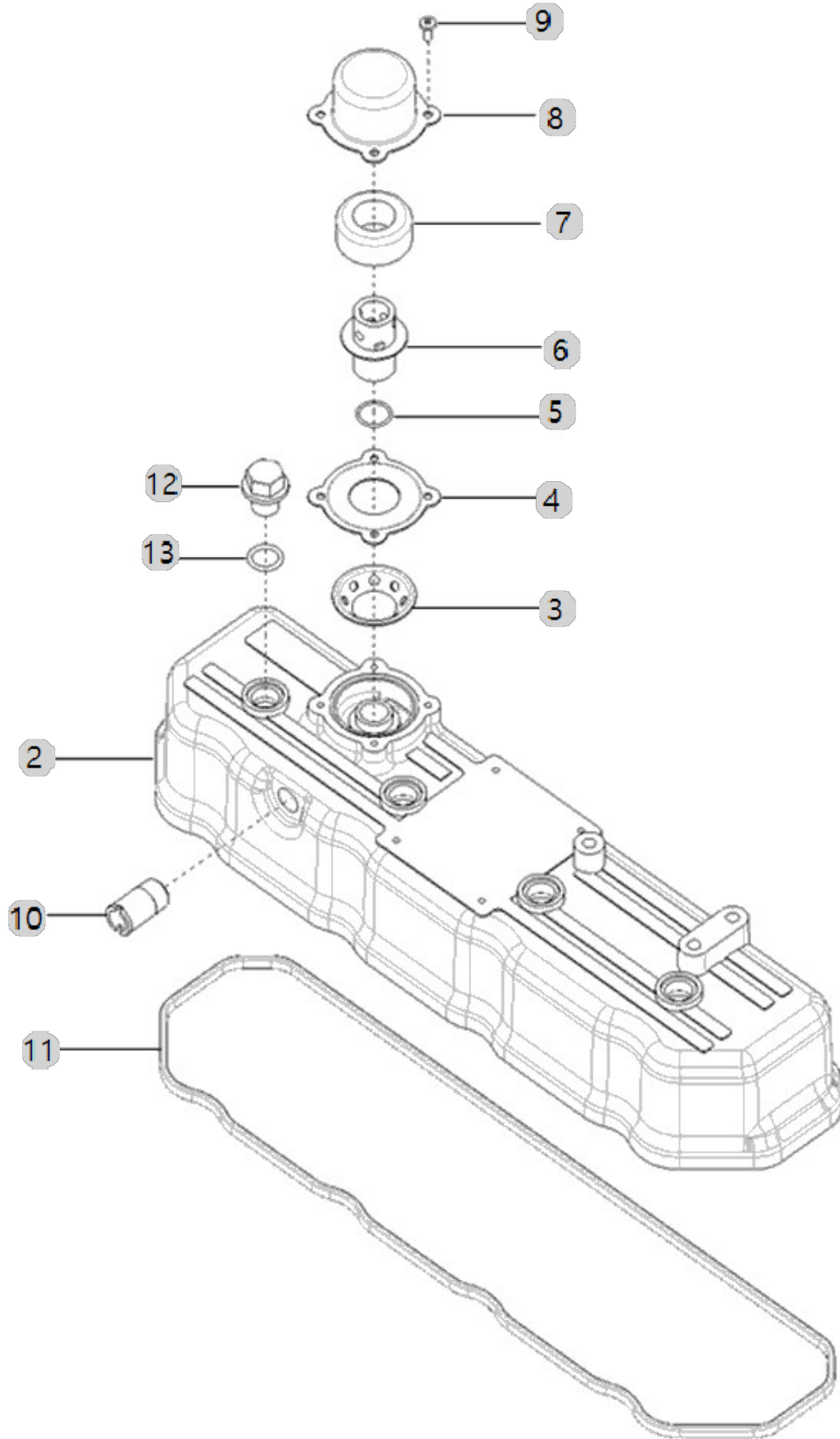
A21\_004

A2300T3-ETR\_5  
(AB00332)

# HEAD COVER

Year/Month

2023-01-18





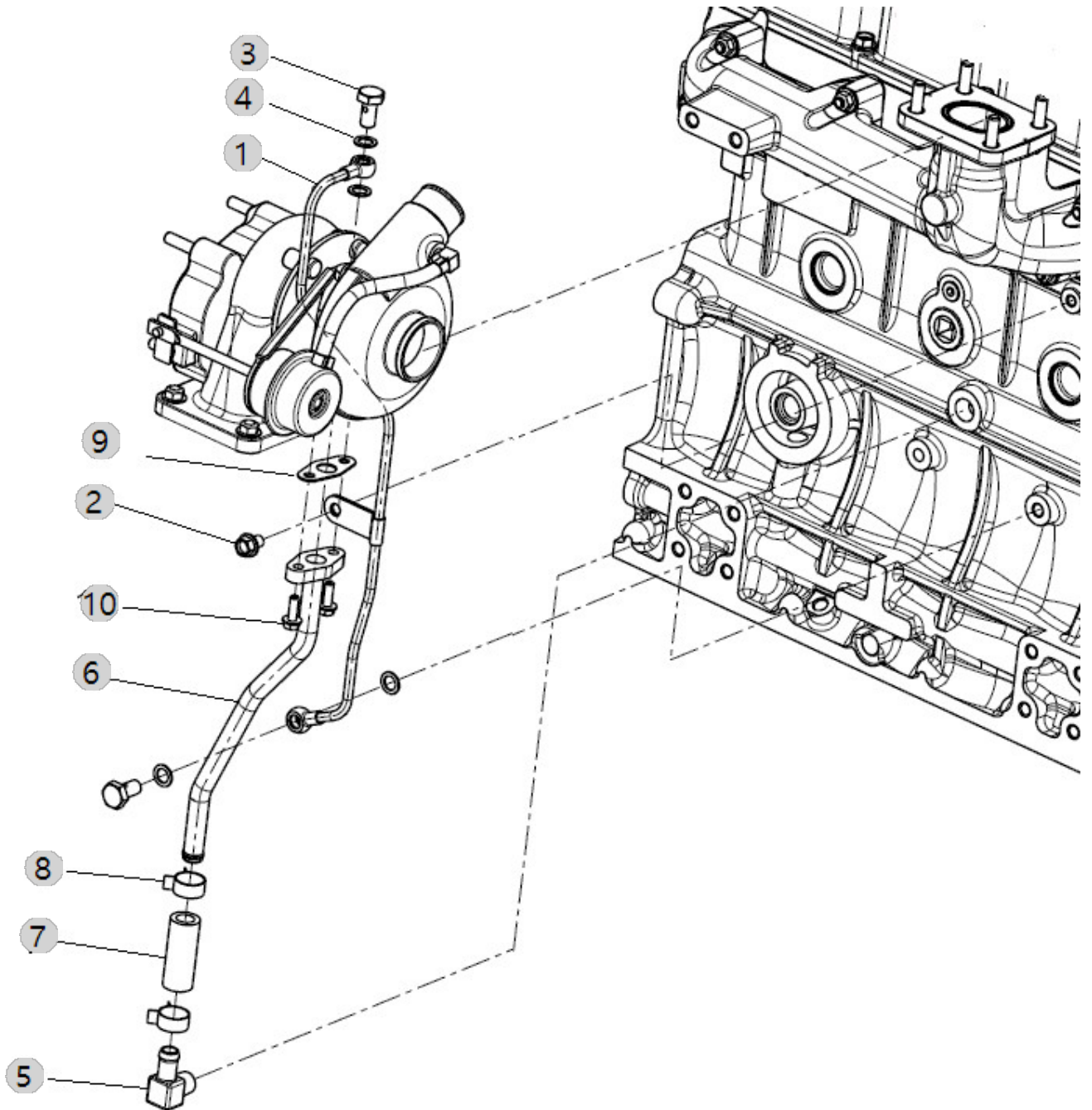
A23\_008

A2300T3-ETR\_5  
(AB00332)

TURBOCHARGER SUPPORT ASS'Y OPTION

Year/Month

2023-01-18



A23_008 A2300T3-ETR_5 (AB00332)	TURBOCHARGER SUPPORT ASS'Y OPTION	Year/Month
		2023-01-18

순번 (NO)	부품번호 (PART NO)	품명 (PART NAME)	품명 (PART NAME)	수량 (QTY)	규격 (SPEC)	비고 (REMARK)
1	EA00003503B	윤활유관 T/C IN	TUBE,TUR OIL SUPPLY	1		
1	EA00003503C	윤활유관 T/C IN	TUBE,TUR OIL SUPPLY	1		
2	26106-080122	육각플랜지볼트	Bolt, Hexa (8-12)	1	M8XP1.25X12	
3	HA09220000A4	428,A22,파이프보울트	SCREW,BANJOCONNECTOR	2	M10X1.25	
4	23414-100000	429,A202322,패킹10	PLAIN WASHER (D10)	4	M10	
5	HRF1105000A4	90도엘보 3/8	ELBOW,PLAIN UNION	1		
6	EA00003504D	윤활유관 T/C OUT	TUBE,TUR OIL DRAIN	1		
6	EA00003504B	윤활유관 T/C OUT	TUBE,TUR OIL DRAIN	1		
6	EA00003504C	윤활유관 T/C OUT	TUBE,TUR OIL DRAIN	1		
7	HRU0430900C3	호스쥔인트	HOSE, PLAIN	1	도중기입	
8	EA00006186A	KALE클램프	KALE CLAMP	2		
9	HP09350000A4	433,A22,패킹	GASKET,OILDRAIN	1		
10	26106-060182	434,A22,육각플랜지볼트	Bolt, Hexa (6-18)	2	M6X1.0X18	

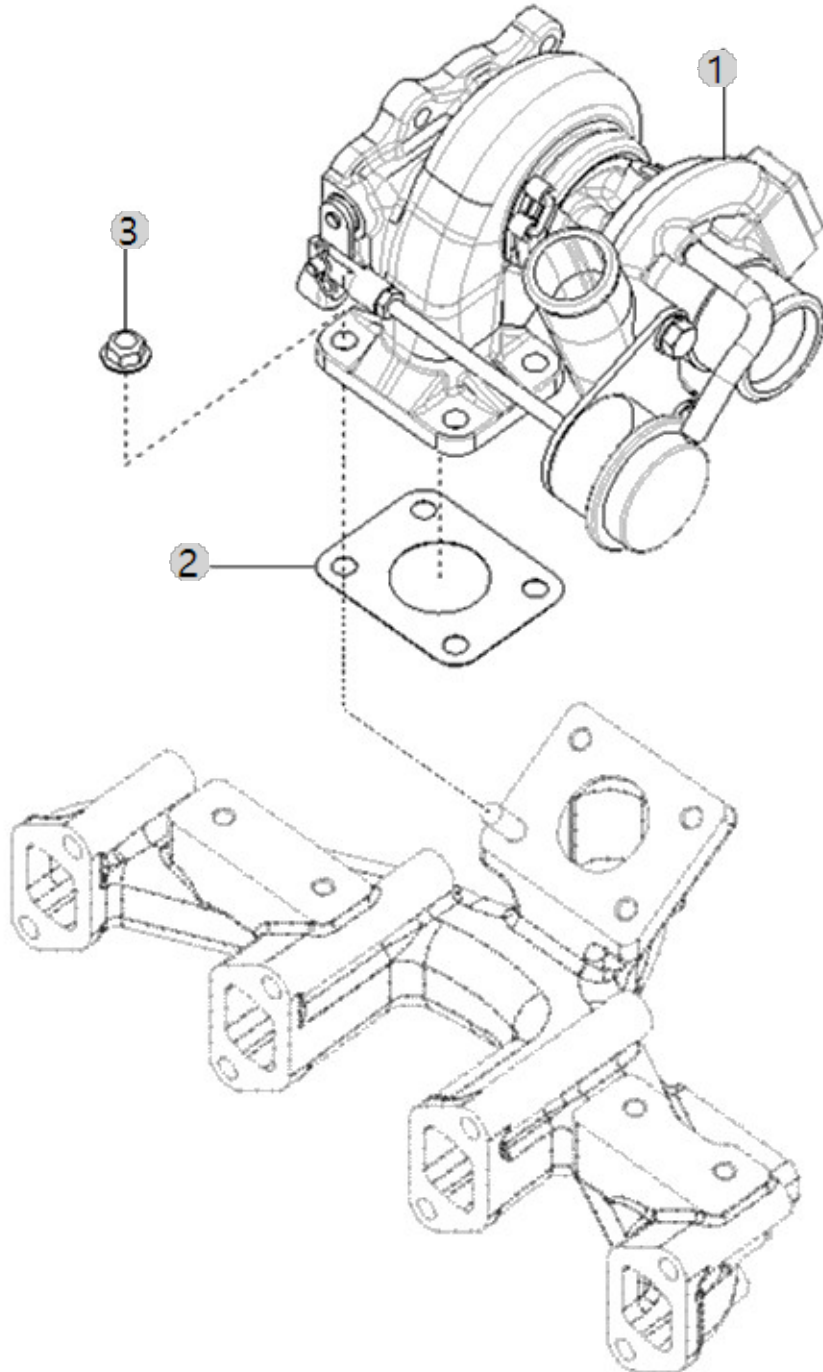
A24\_003

A2300T3-ETR\_5  
(AB00332)

TURBOCHARGER

Year/Month

2023-01-18







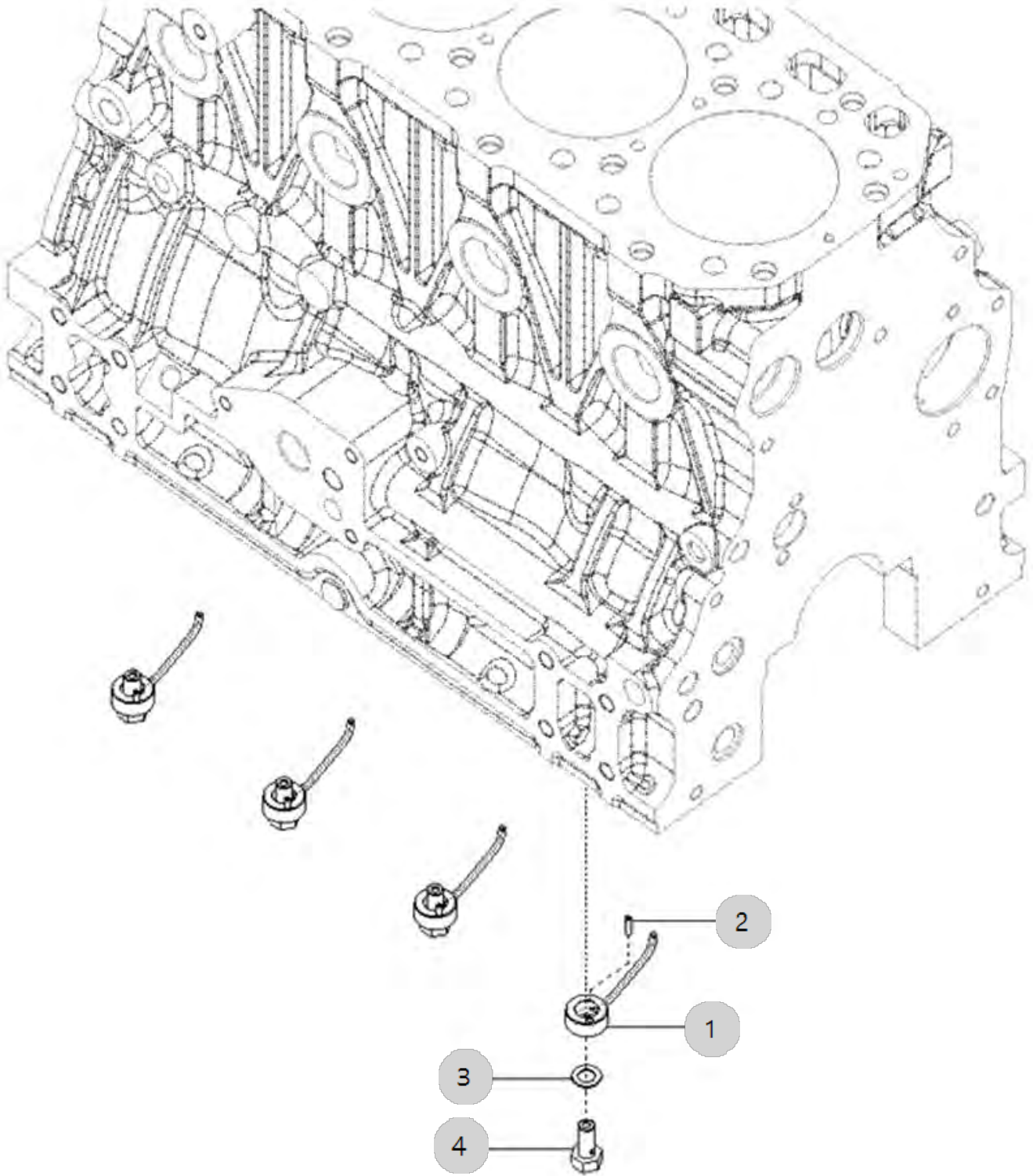
A25\_003

A2300T3-ETR\_5  
(AB00332)

OIL JET ASS'Y OPTION

Year/Month

2023-01-18







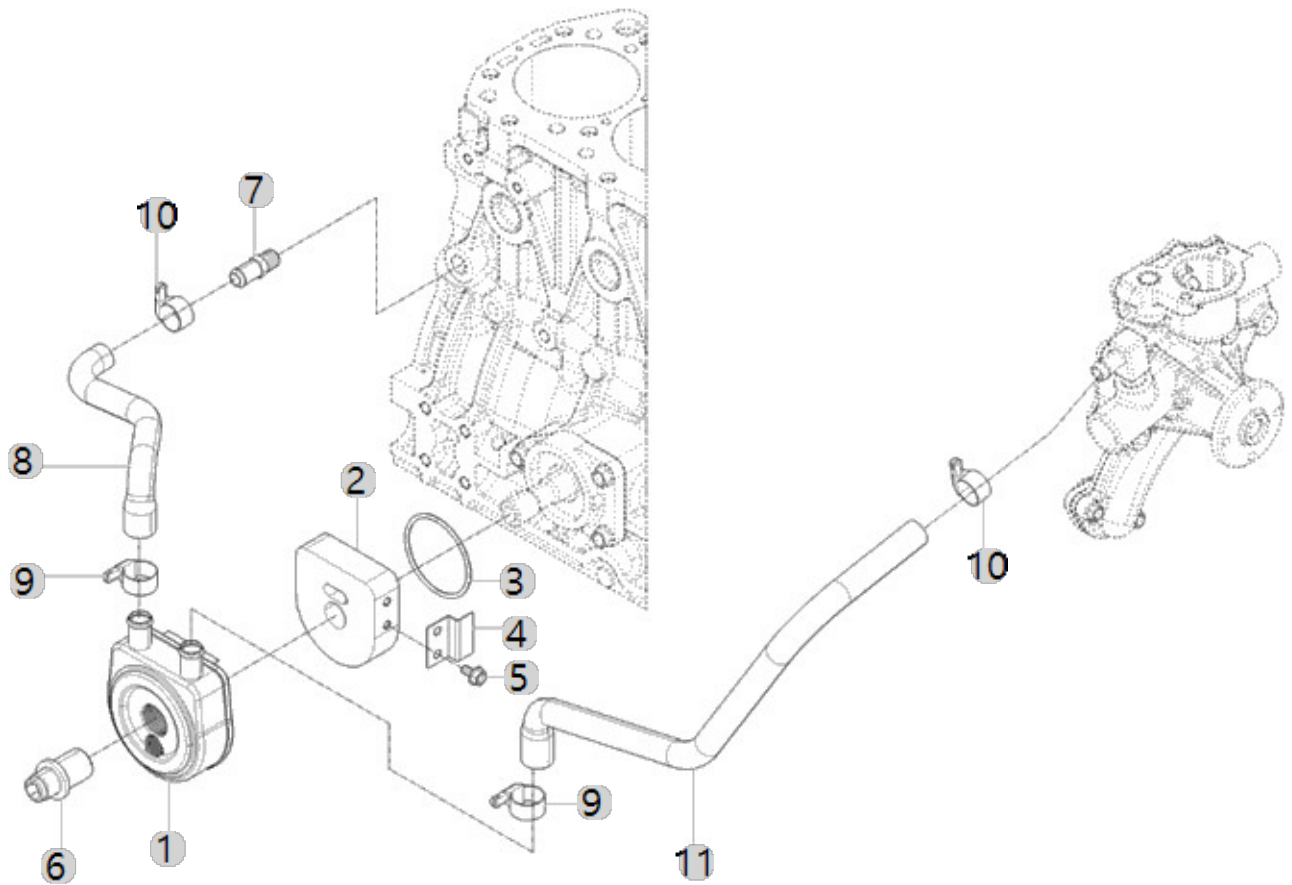
A26\_005

A2300T3-ETR\_5  
(AB00332)

### COOLER, ENGINE OIL

Year/Month

2023-01-18





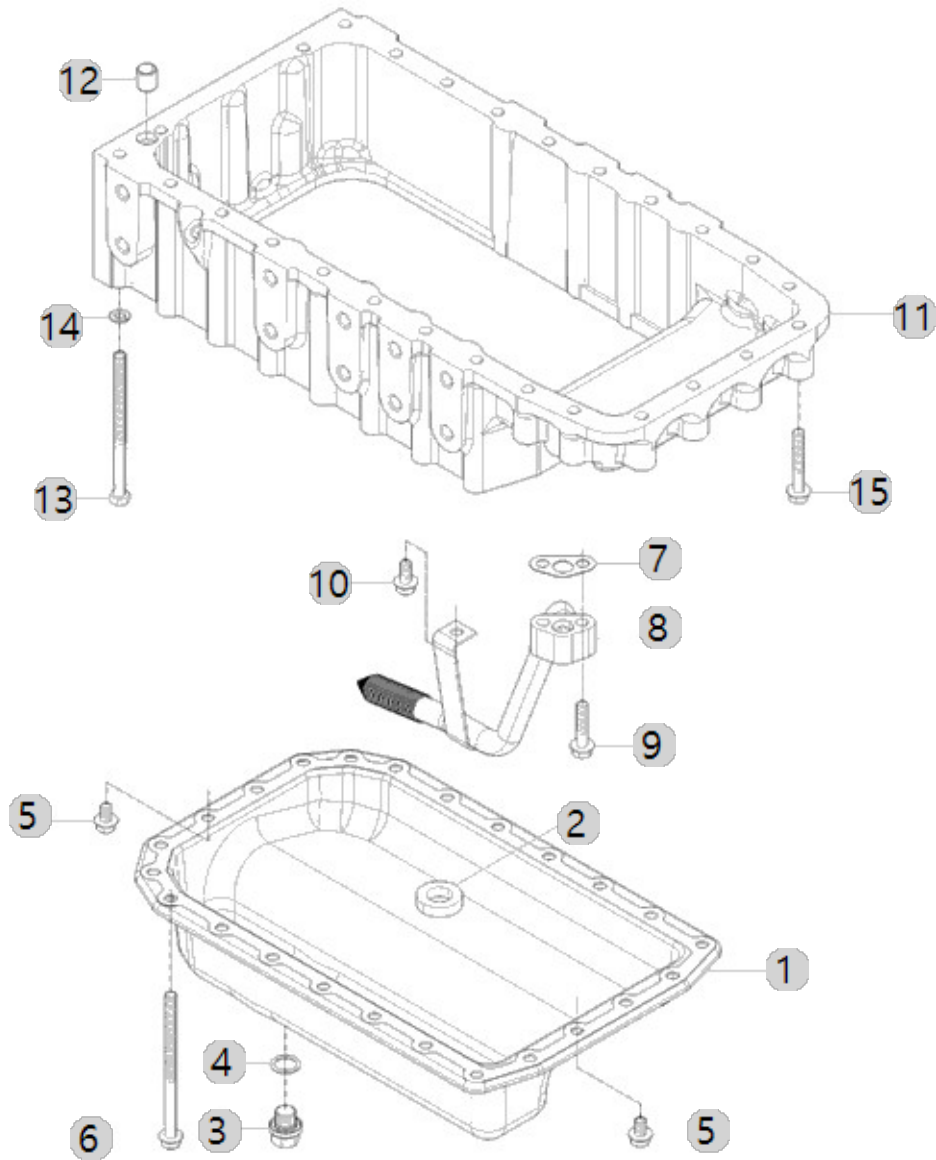
A27\_010

A2300T3-ETR\_5  
(AB00332)

OIL PAN ASS'Y OPTION

Year/Month

2023-01-18





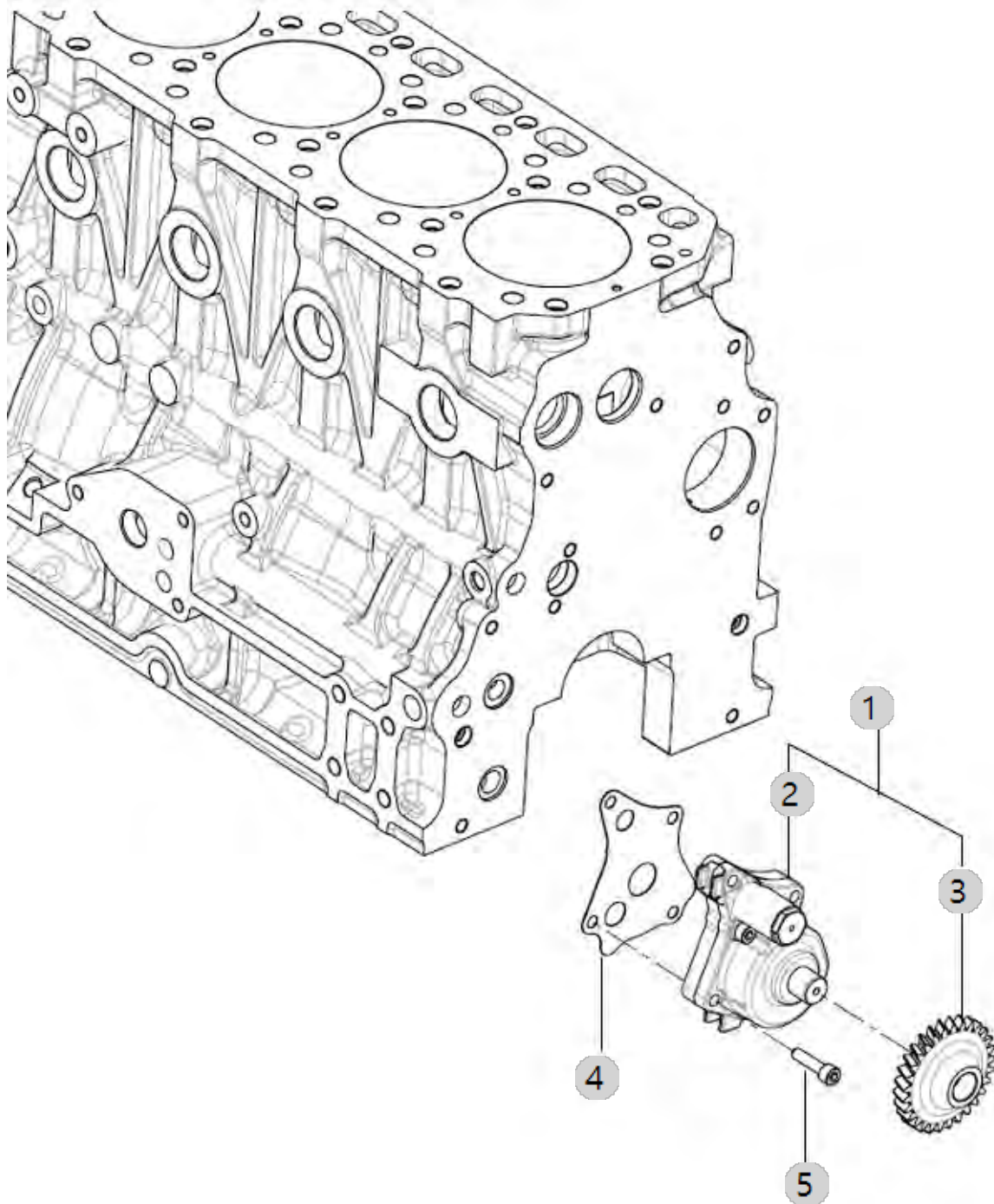
A28\_001

A2300T3-ETR\_5  
(AB00332)

PUMP, LUBRICATING OIL

Year/Month

2023-01-18





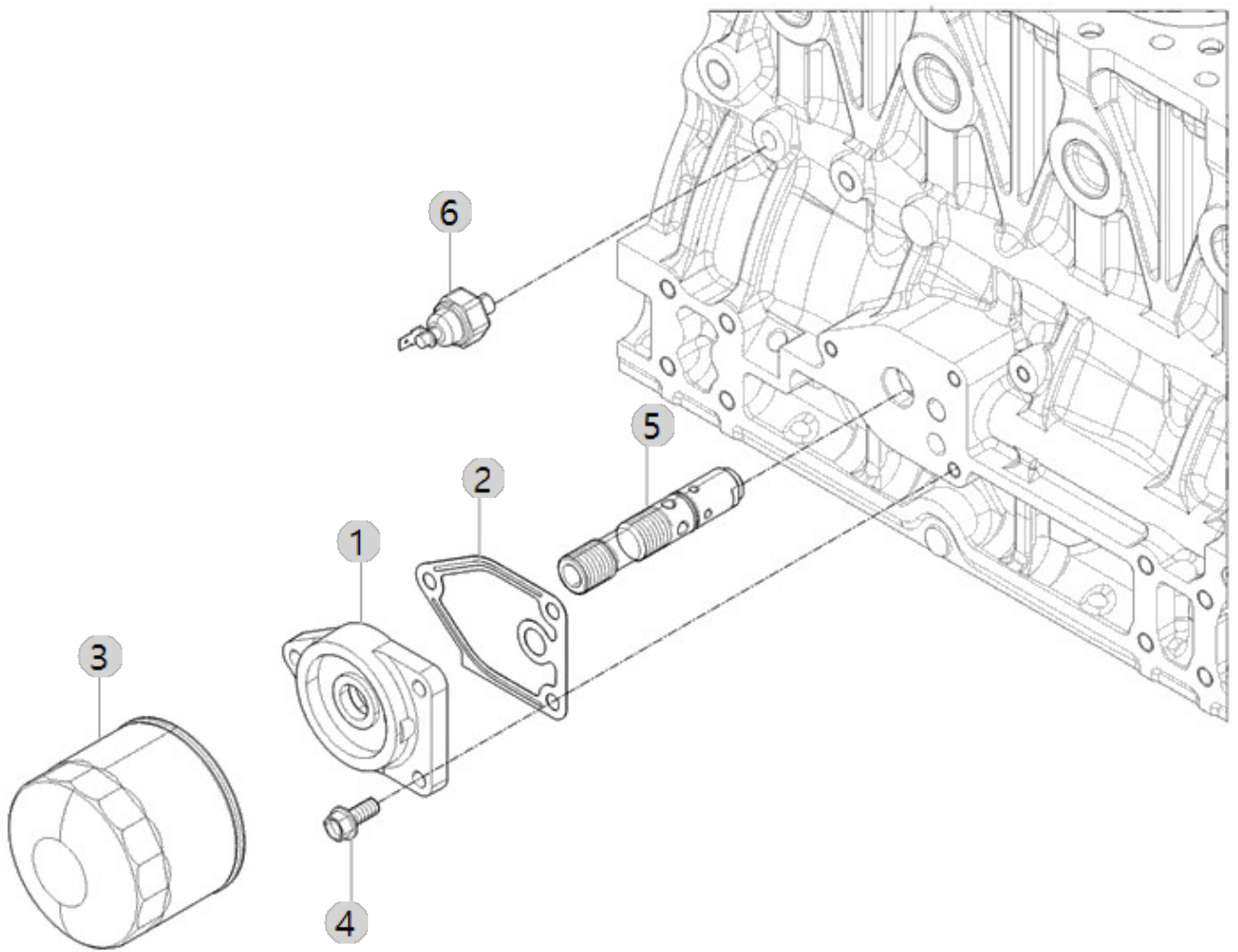
A29\_005

A2300T3-ETR\_5  
(AB00332)

FILTER, LUBRICATING OIL

Year/Month

2023-01-18







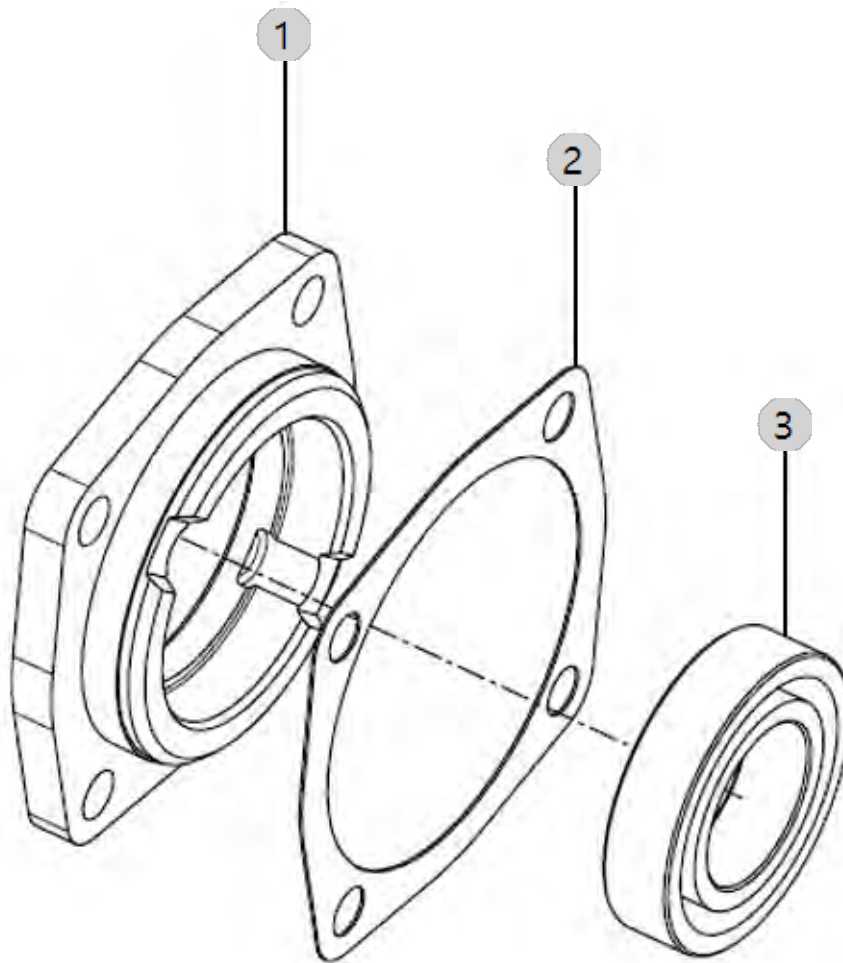
A30\_003

A2300T3-ETR\_5  
(AB00332)

FRONT GEAR ACCESSORY DRIVE

Year/Month

2023-01-18





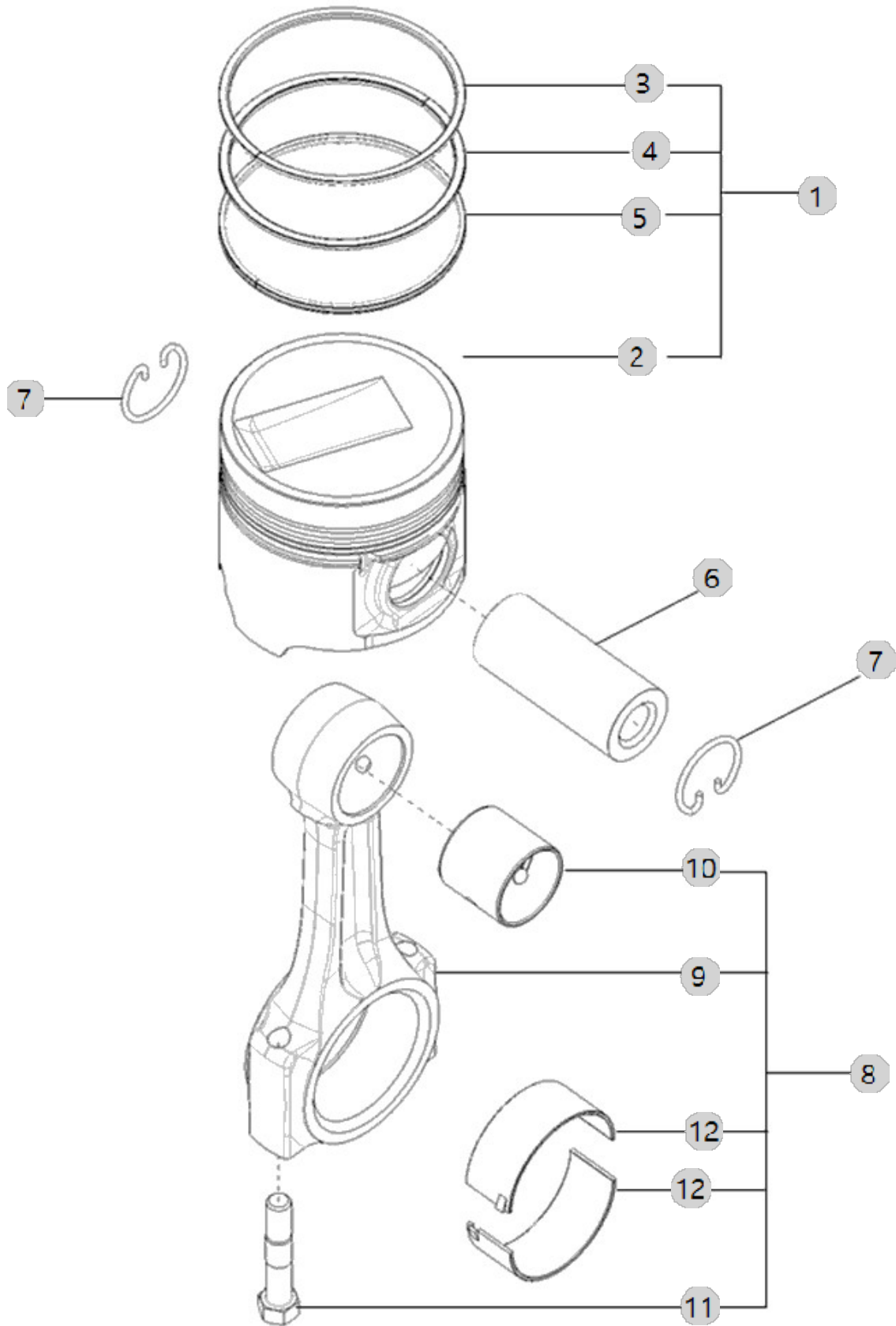
A31\_007

A2300T3-ETR\_5  
(AB00332)

# PISTON

Year/Month

2023-01-18





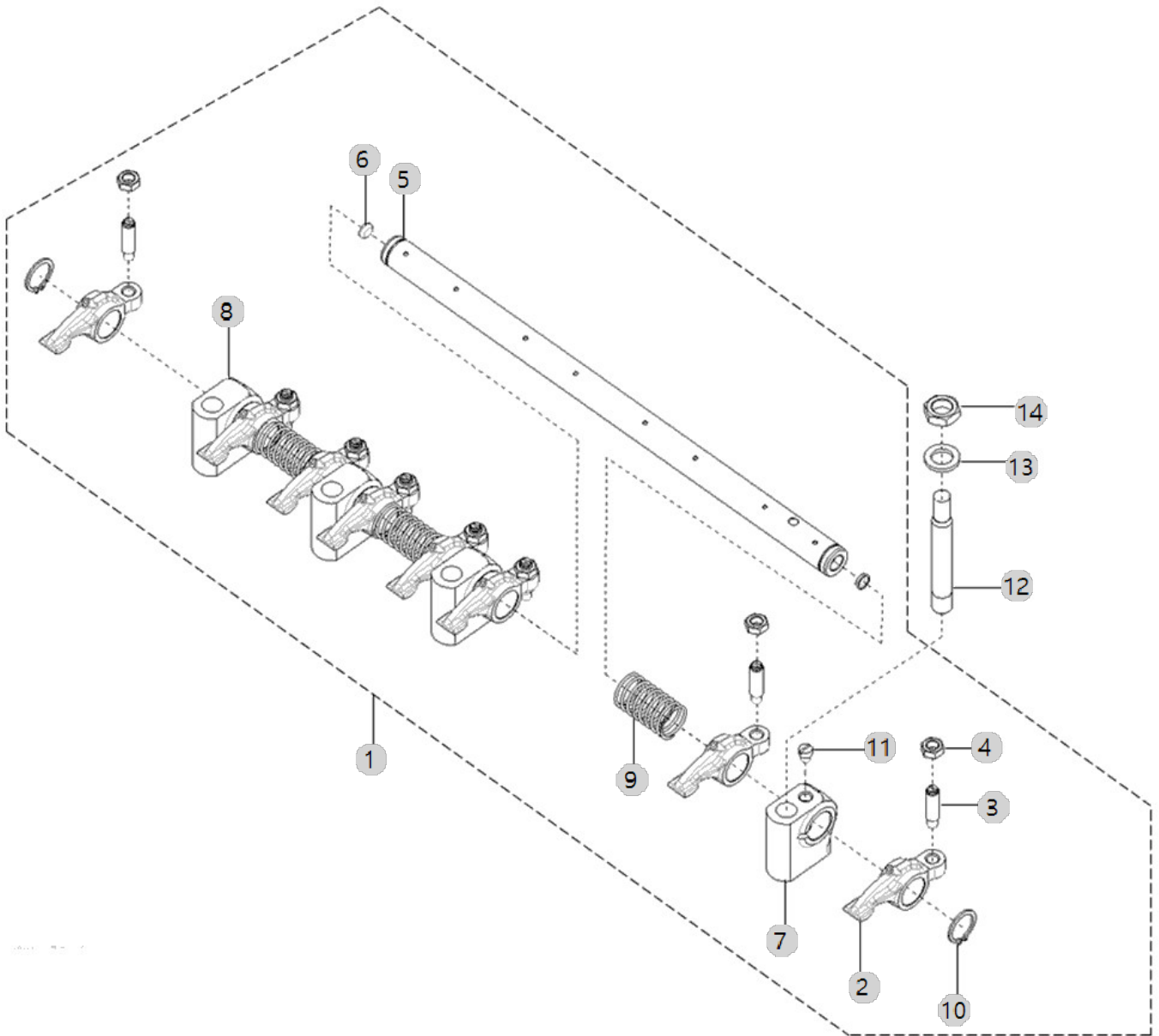
A32\_003

A2300T3-ETR\_5  
(AB00332)

LEVER, LOCKER

Year/Month

2023-01-18





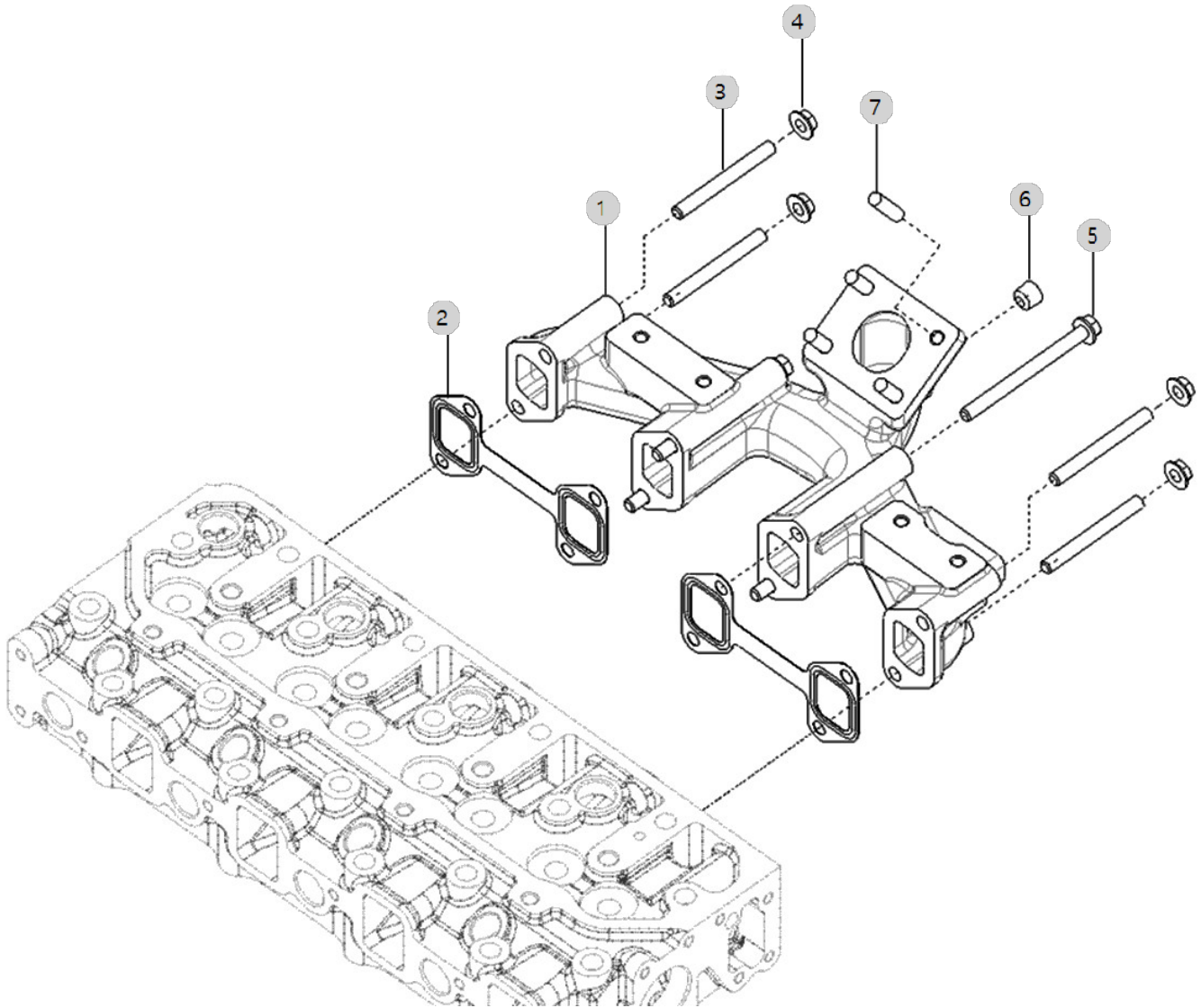
A33\_011

A2300T3-ETR\_5  
(AB00332)

# EXHAUST MANIFOLD

Year/Month

2023-01-18







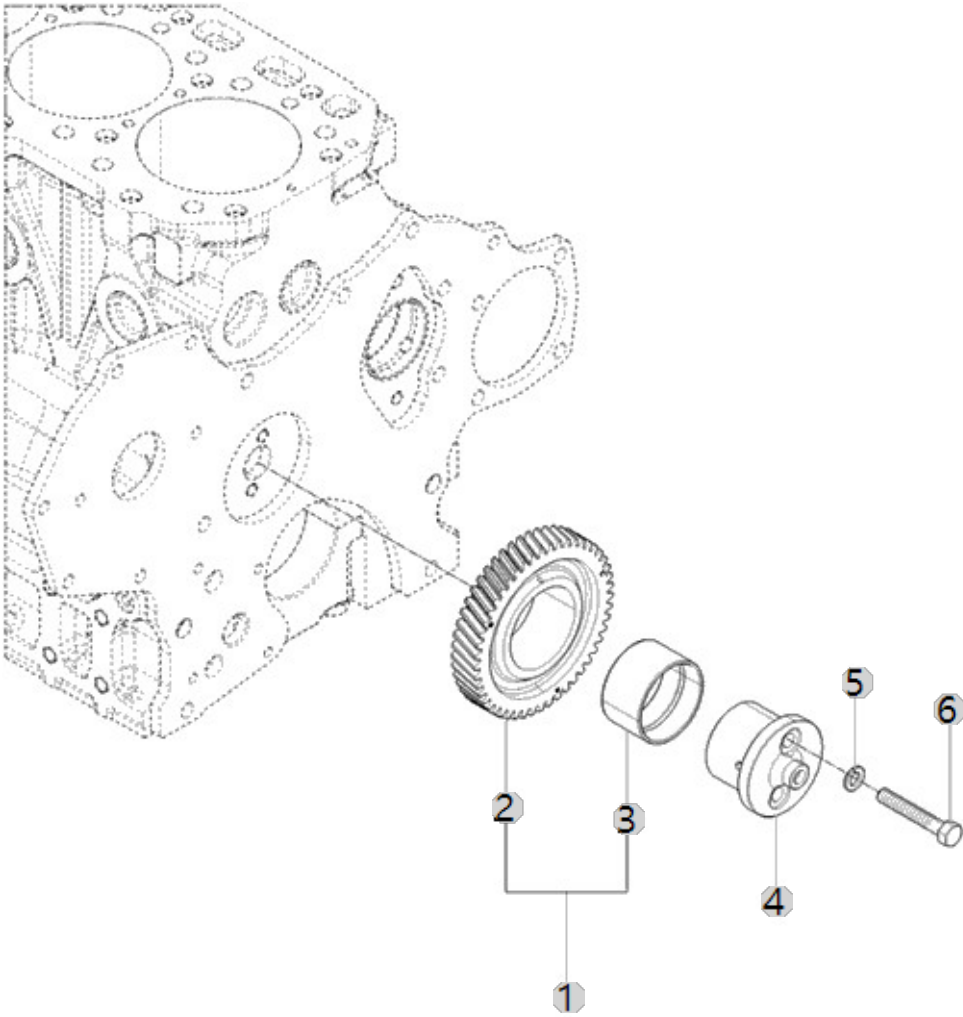
A35\_002

A2300T3-ETR\_5  
(AB00332)

IDLE GEAR

Year/Month

2023-01-18





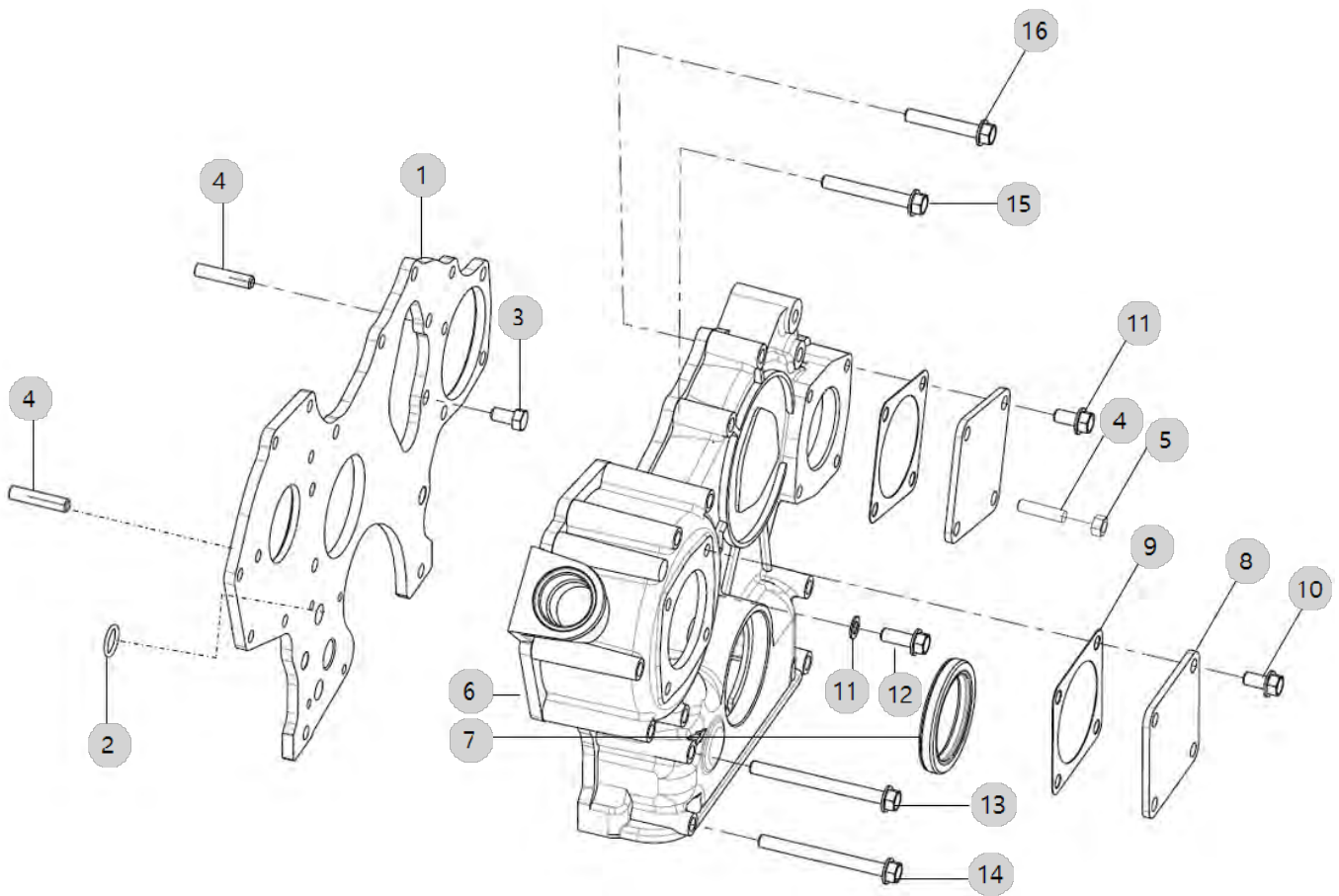
A36\_004

A2300T3-ETR\_5  
(AB00332)

### COVER, FRONT GEAR

Year/Month

2023-01-18





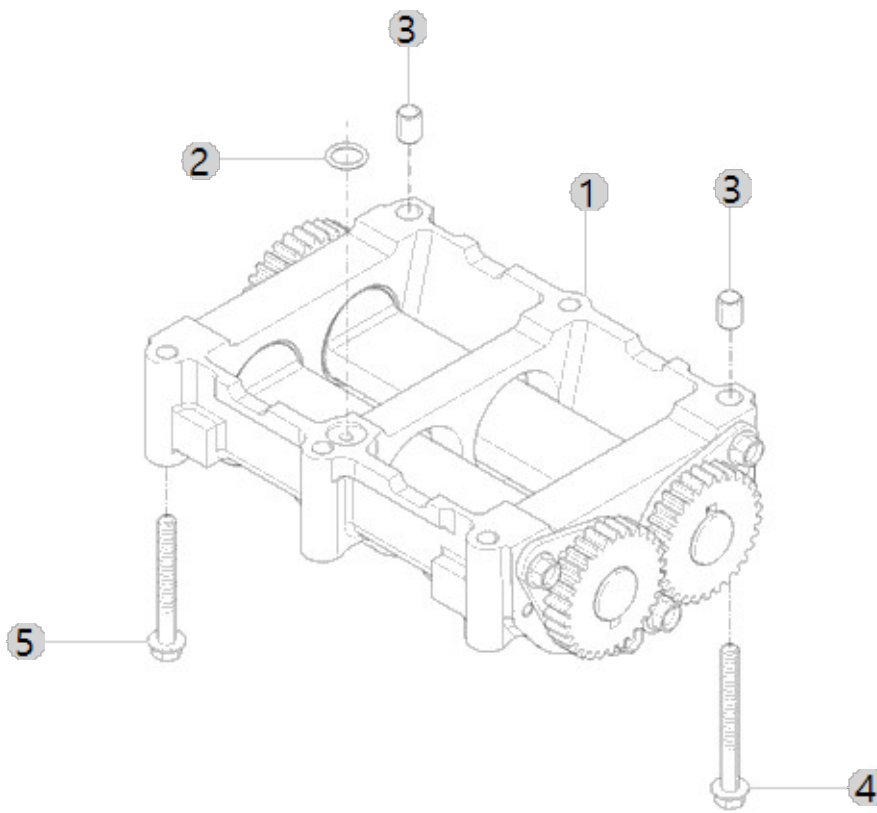
A37\_001

A2300T3-ETR\_5  
(AB00332)

BALANCE ASS'Y

Year/Month

2023-01-18





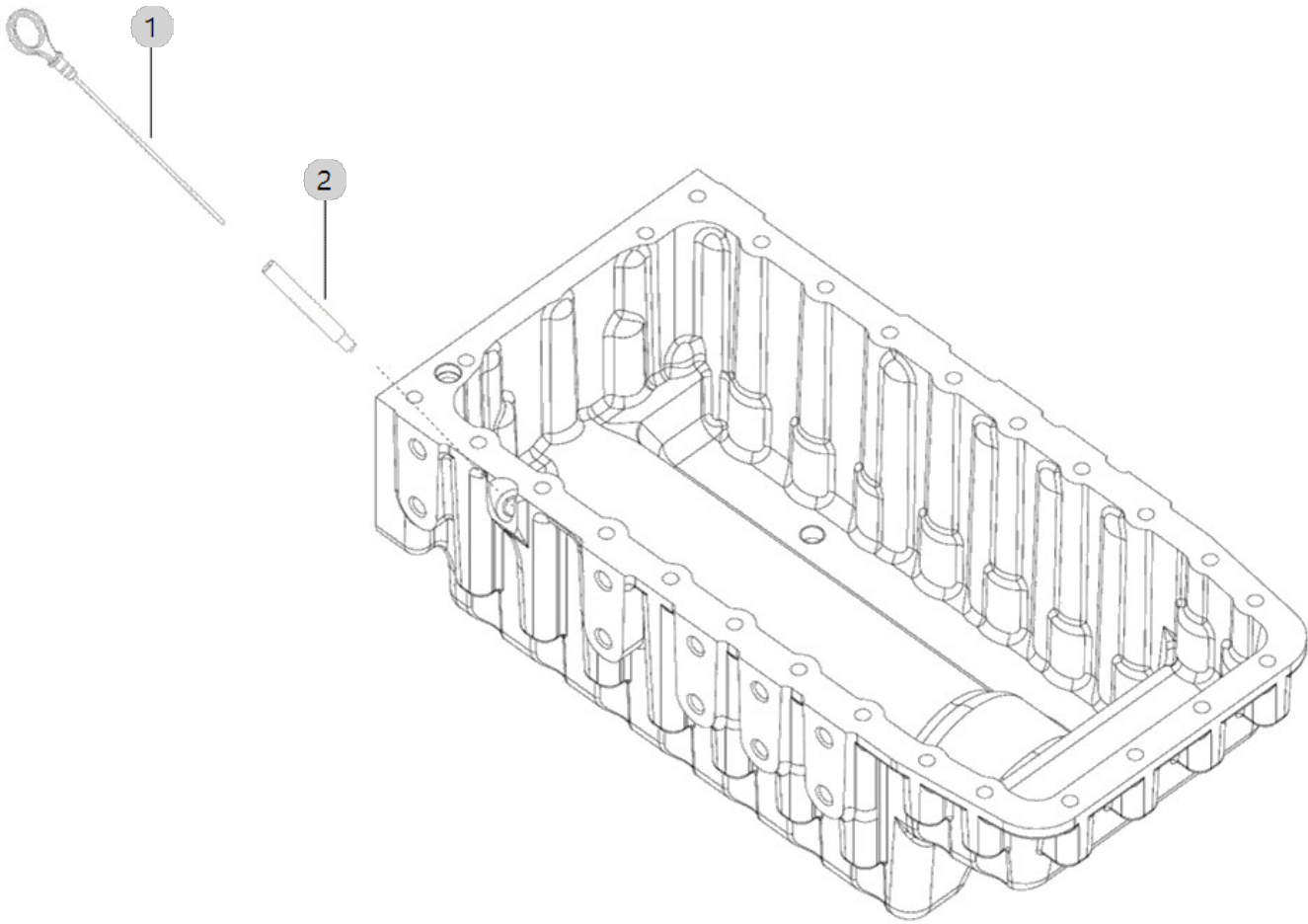
A38\_007

A2300T3-ETR\_5  
(AB00332)

GAUGE, OIL LEVEL

Year/Month

2023-01-18







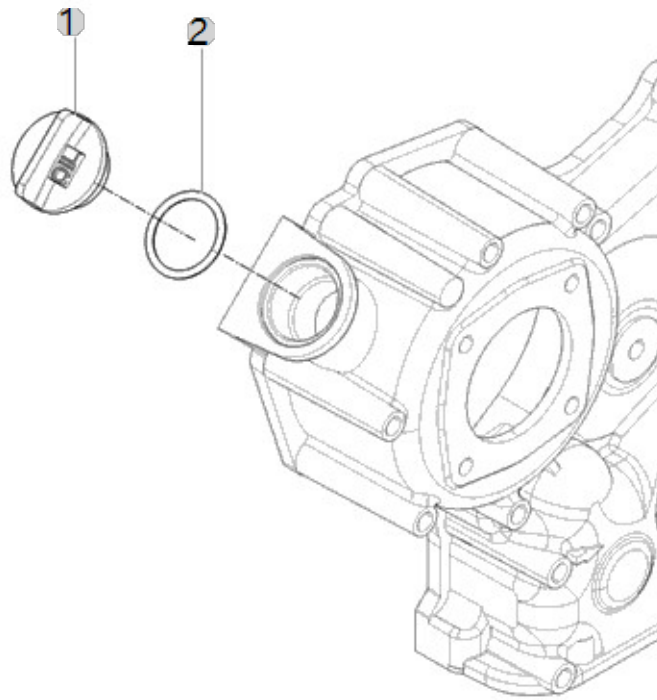
A39\_001

A2300T3-ETR\_5  
(AB00332)

### OIL FILLER CAP

Year/Month

2023-01-18





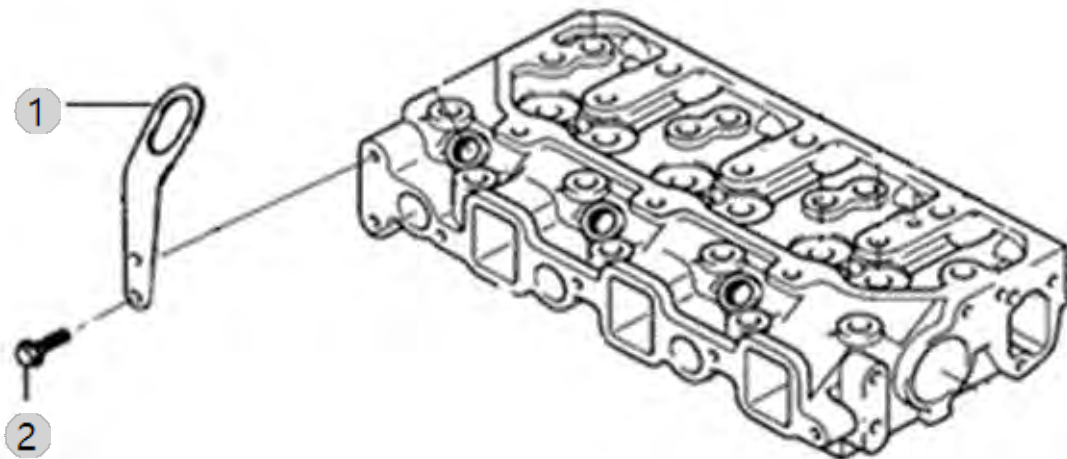
A40\_003

A2300T3-ETR\_5  
(AB00332)

LIFT ASS'Y OPTION

Year/Month

2023-01-18





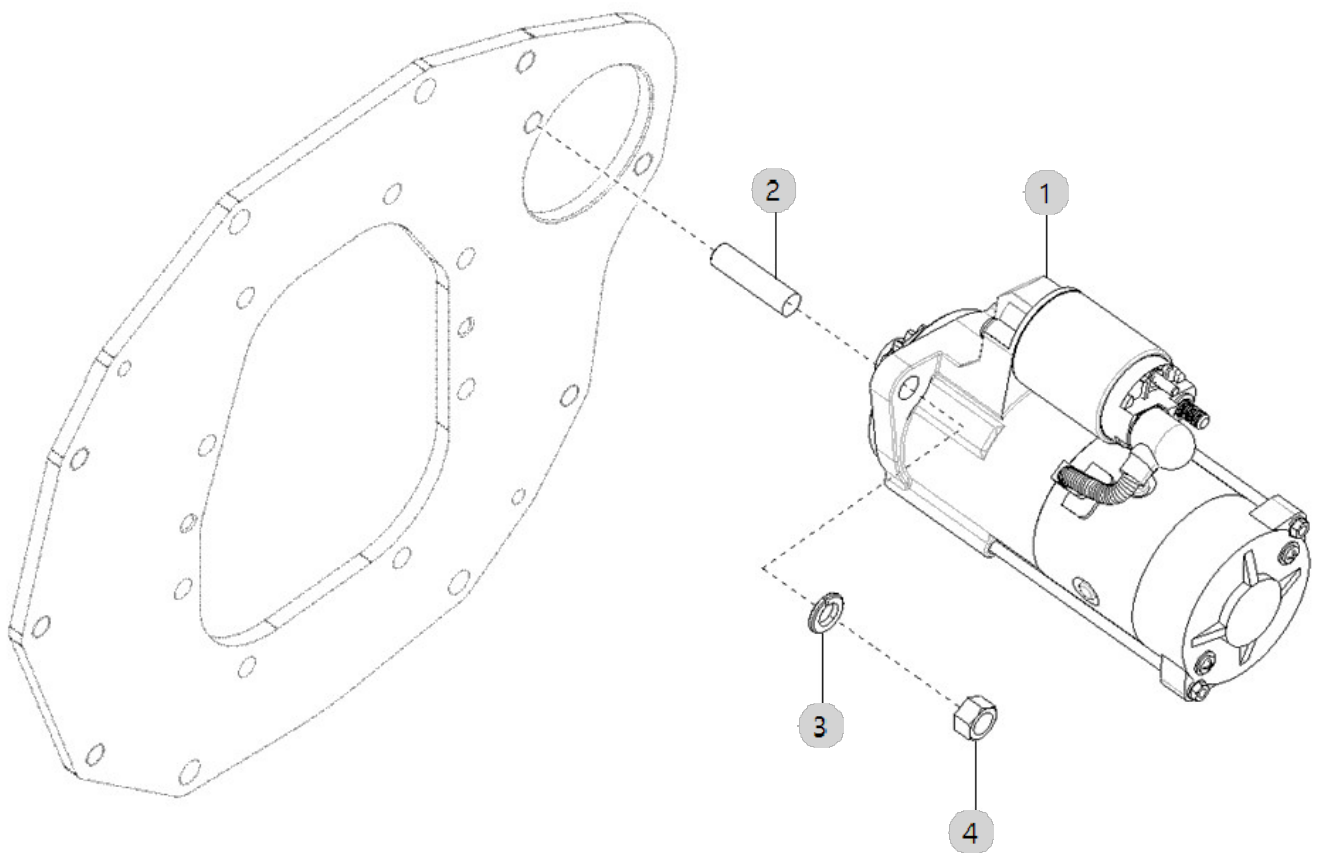
A42\_003

A2300T3-ETR\_5  
(AB00332)

### MOTER, STARTIONS

Year/Month

2023-01-18





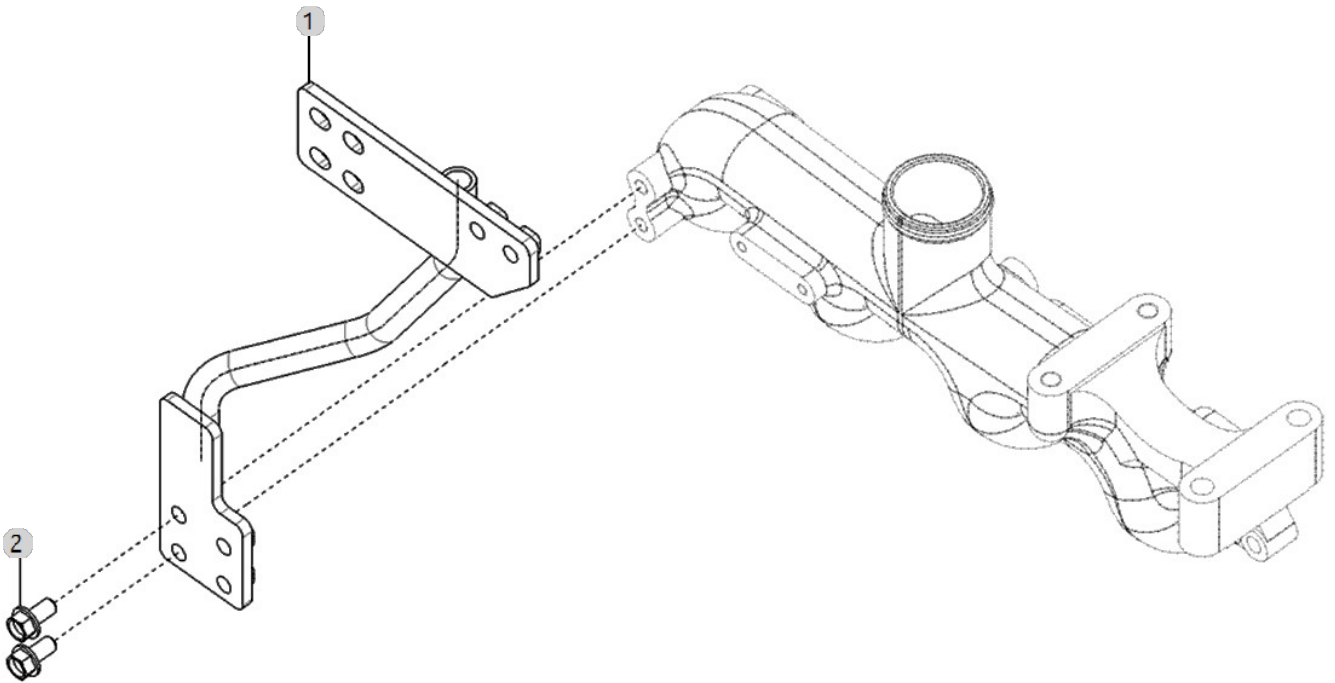
A43\_001

A2300T3-ETR\_5  
(AB00332)

DPF SUPPORT OPTION

Year/Month

2023-01-18







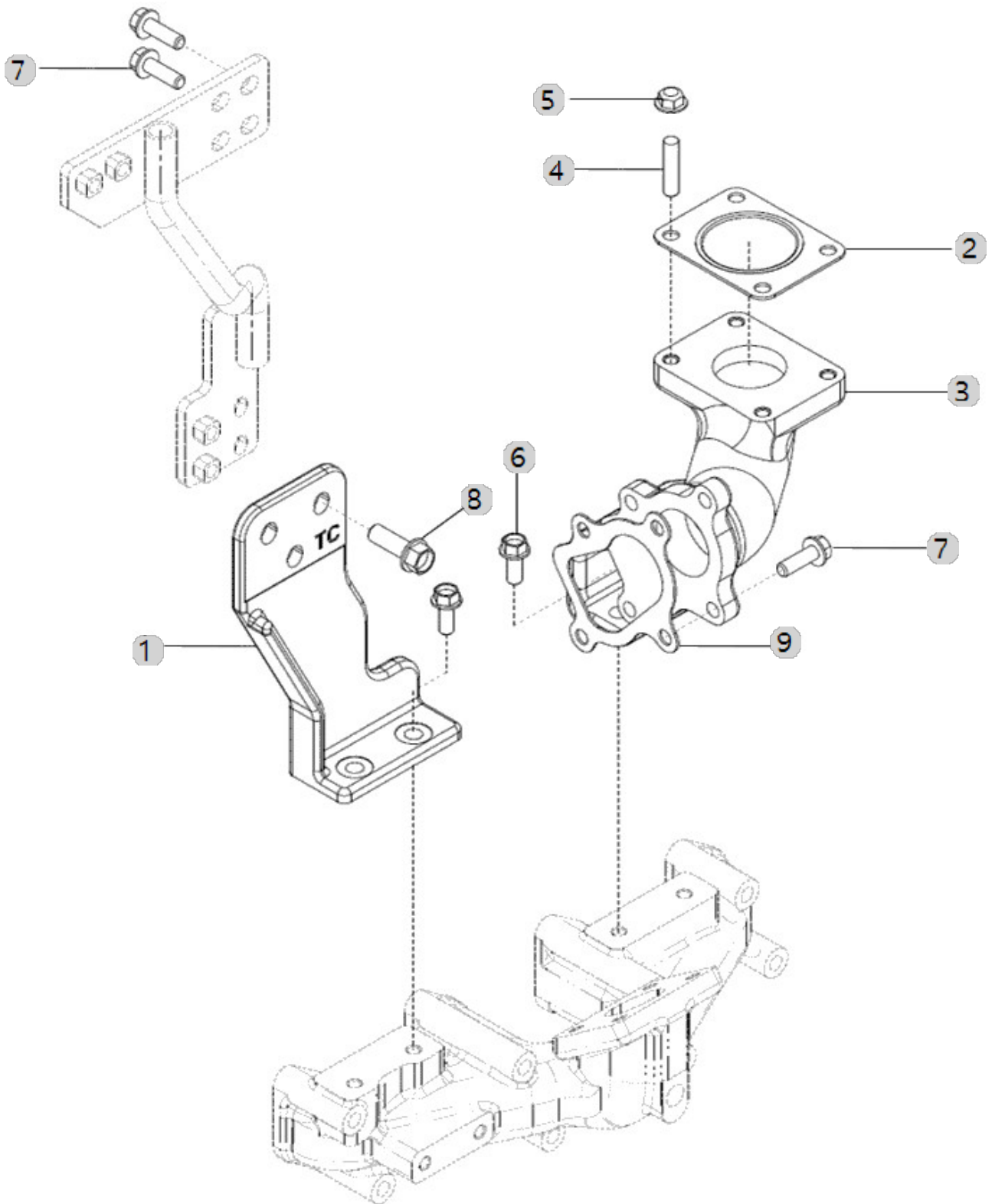
A44\_008

A2300T3-ETR\_5  
(AB00332)

### DPF MOUNTING OPTION

Year/Month

2023-01-18





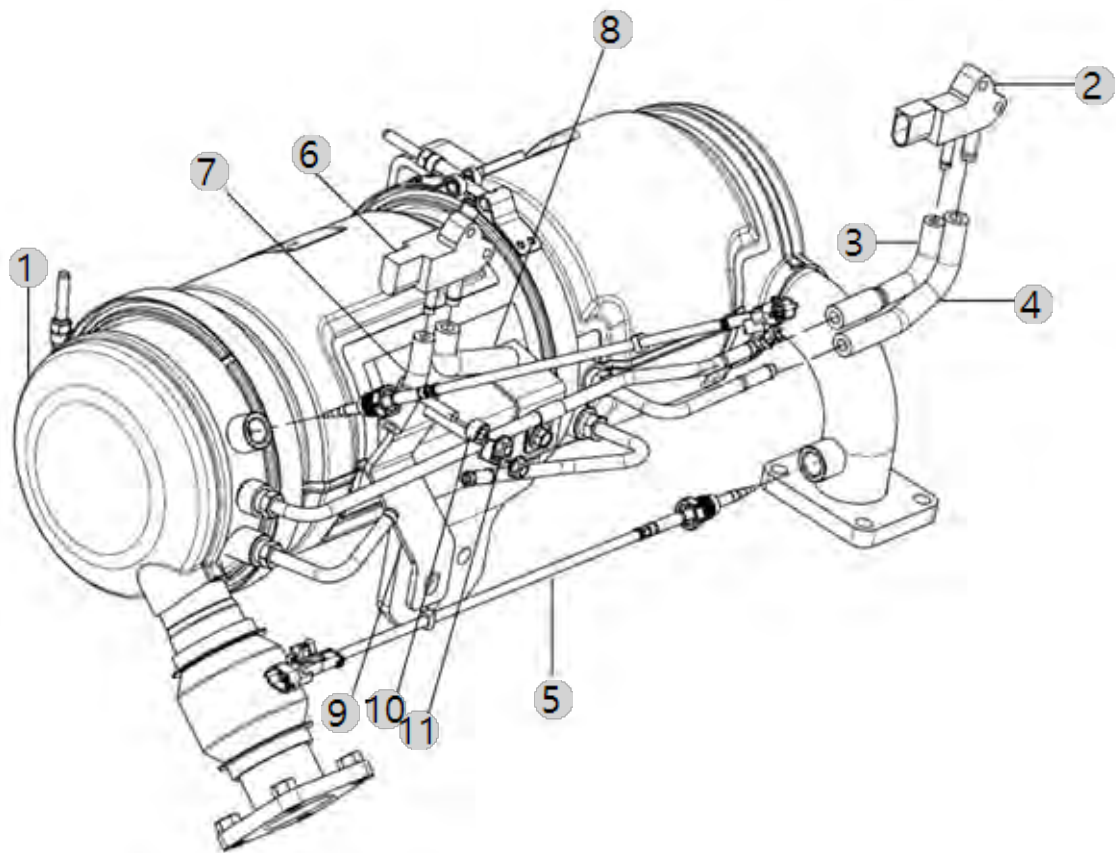
A45\_012

A2300T3-ETR\_5  
(AB00332)

DPF

Year/Month

2023-01-18





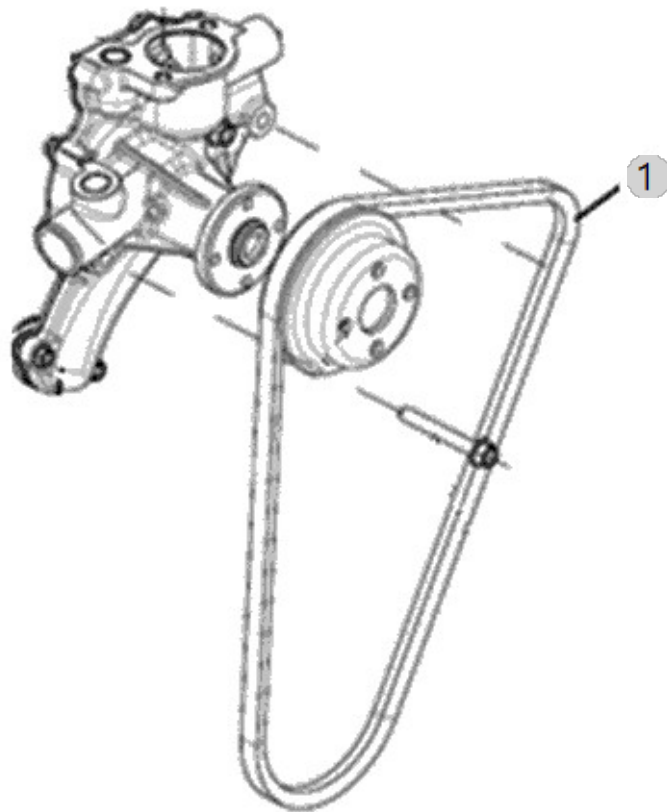
A48\_006

A2300T3-ETR\_5  
(AB00332)

V-BELT

Year/Month

2023-01-18





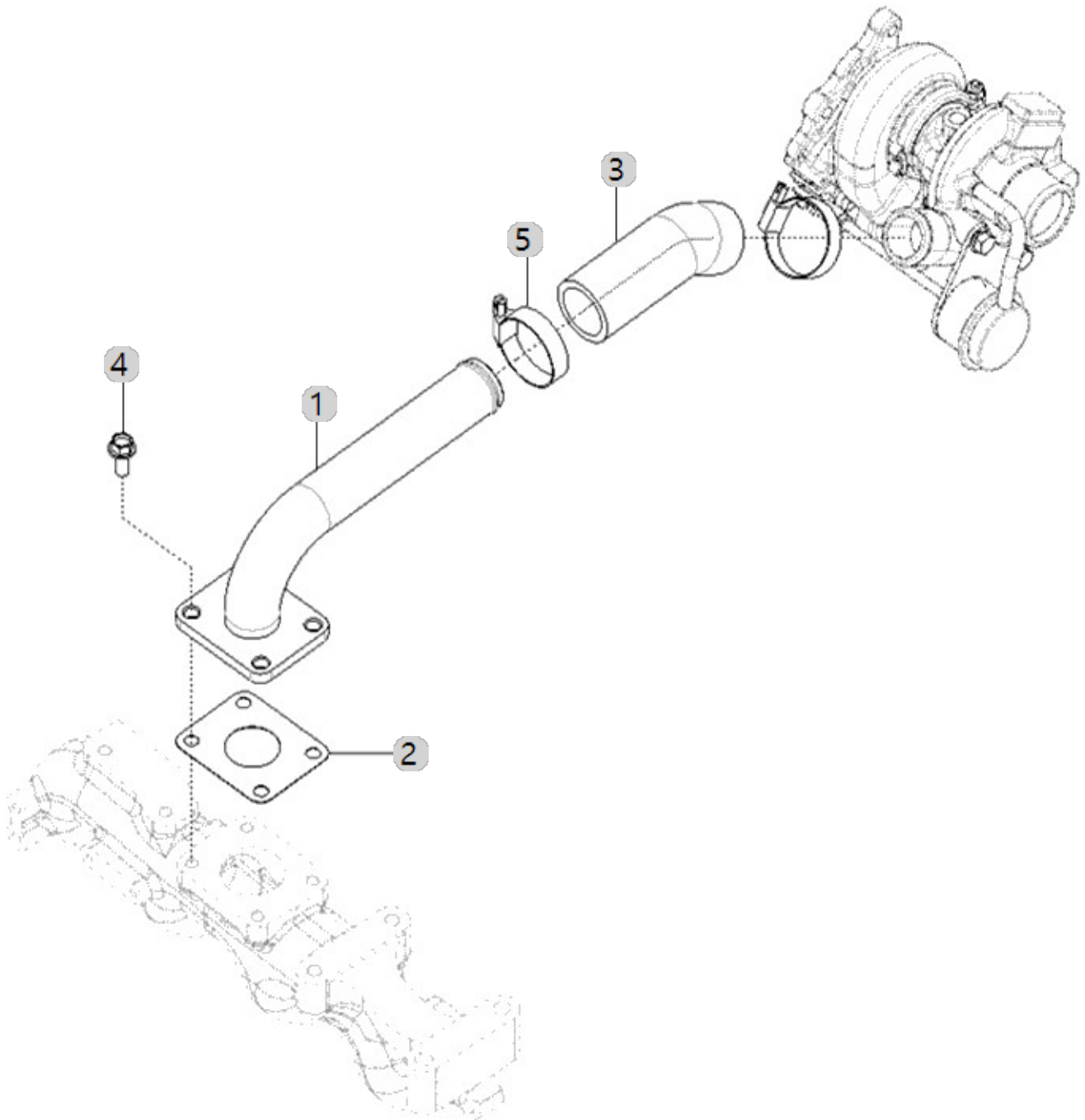
A51\_006

A2300T3-ETR\_5  
(AB00332)

### INTAKE HOSE ASSY OPTION

Year/Month

2023-01-18







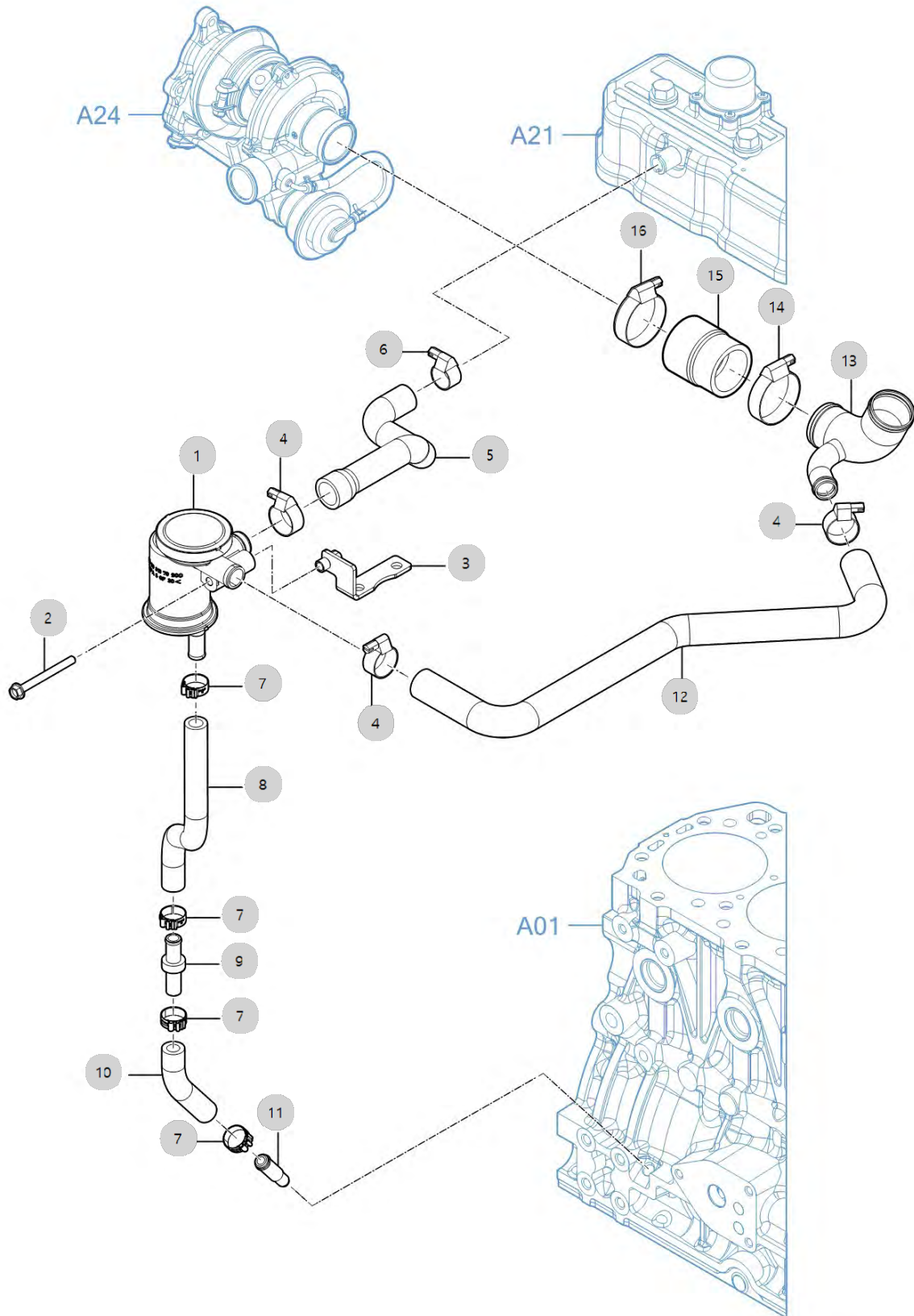
A52\_007

A2300T3-ETR\_5  
(AB00332)

### CCV ASS'Y

Year/Month

2023-01-18





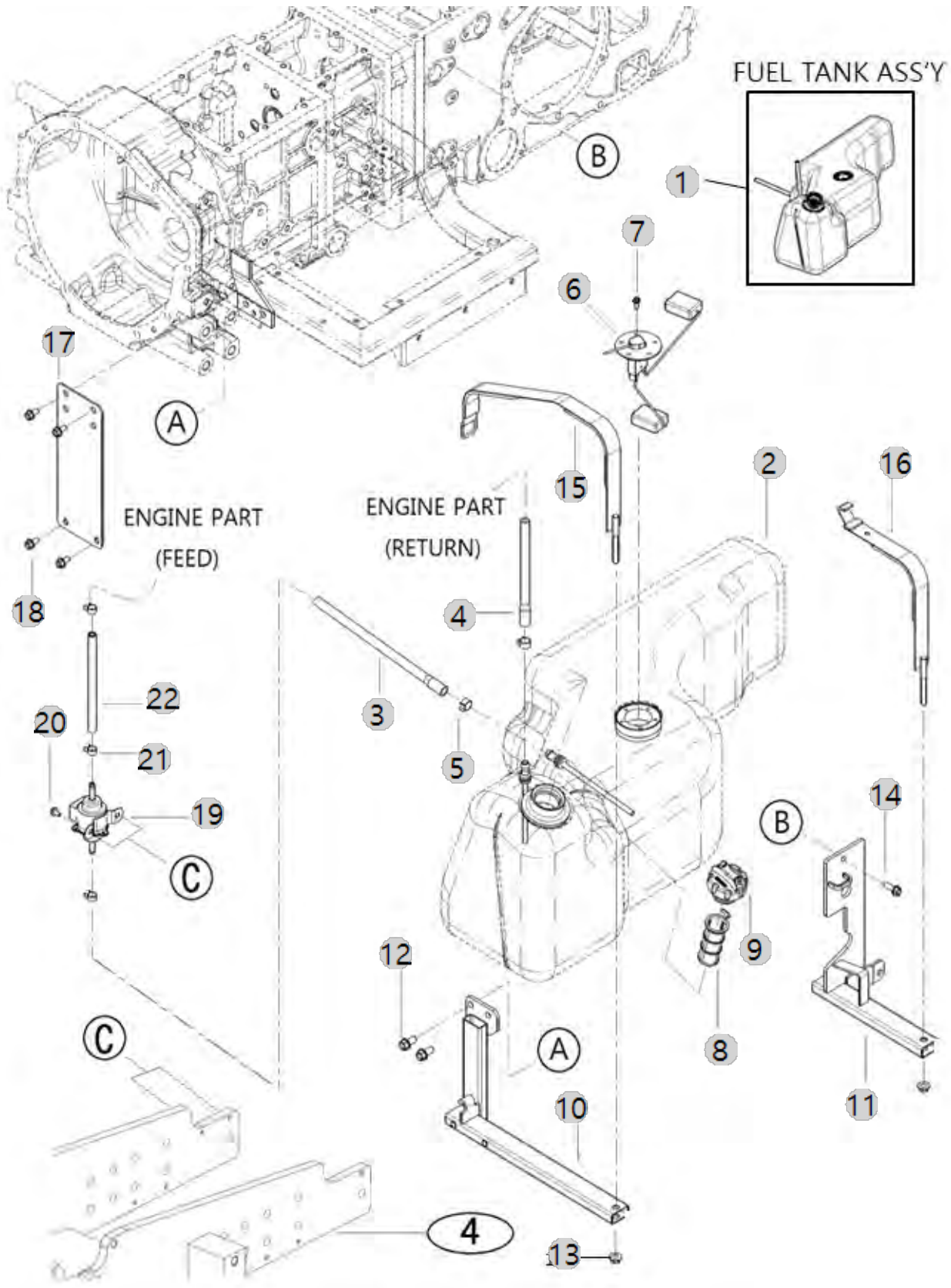
B01010

Year/Month

6225H(AC02122)

FUEL TANK

2023-01-18



B01010  6225H(AC02122)	FUEL TANK	Year/Month
		2023-01-18

순번 (NO)	부품번호 (PART NO)	품명 (PART NAME)	품명 (PART NAME)	수량 (QTY)	규격 (SPEC)	비고 (REMARK)
1	TA00037917C	연료탱크 총조합	FUEL TANK ASSY	1		
2	TA00035291D	연료탱크조합	FUEL TANK ASSY	1		
3	TA00036178C	연료호스(850)조합	FUEL LINE(1000)	1		
4	TA00036175C	연료호스(1100)조합	FUEL LINE(1100)	1		
5	23080-015000	호스클램프	Clamp, Hose (Φ15)	2	D15	
6	HA00000855A	연료센서(EXCELLENT)	FUEL SENSOR	1		
7	26106-050142	육각플랜지볼트	HEX FLANGE BOLT (5-14)	5		
8	TA00056576A	연료여과망	FUEL TANK STRAINER	1		
9	TA00037880A	주유구 캡	FUEL CAP	1		
10	TA00035817F	연료탱크전방서포트	FUEL TANK SUPPORT ASSY	1		
10	TA00035817I	연료탱크전방서포트	FUEL TANK SUPPORT ASSY	1		
10	TA00035817G	연료탱크전방서포트	FUEL TANK SUPPORT ASSY	1		
11	TA00035819D	연료탱크후방서포트	FUEL TANK REAR SUPPORT	1		
11	TA00035819F	연료탱크후방서포트	FUEL TANK REAR SUPPORT	1		
12	26106-100202	육각플랜지볼트	HEX BOLT, (10-20)	6	M10XP1.5X20	
12	26106-100202	육각플랜지볼트	HEX BOLT, (10-20)	10	M10XP1.5X20	
13	26367-100002	263,ALL,고정너트(우나사)	NUT,HEXAGONFLANGE	2	M10X1025	
14	26106-080252	육각플랜지볼트	SCREW,HEXFLANGEHEADCAP	1	M8XP1.25X25	
15	TA00035957G	전방밴드조합	FRONT BAND ASSY	1		
15	TA00035957E	전방밴드조합	FRONT BAND ASSY	1		
16	TA00035974H	후방밴드조합	BAND REAR ASSY	1		
16	TA00035974F	후방밴드조합	BAND REAR ASSY	1		
17	TA00035811D	연료탱크 커버	FUEL TANK COVER	1		
17	TA00035811C	연료탱크 커버	COVER	1		
18	26106-080162	플랜지볼트 8X16	SCREW,HEXFLANGEHEADCAP	4	M8XP1.25X16	
19	HF20190000A2	피드펌프	PUMP ASSY, FUEL FEED	1		
19	HA00001612	피드펌프	FEED PUMP	1		
20	26106-060122	육각플랜지볼트	HEX BOLT (6-12)	2	M6XP1.0X12	
20	26106-060122	육각플랜지볼트	HEX BOLT (6-12)	2	M6XP1.0X12	
21	23080-013000	호스 클립	Clamp, Hose (Φ13)	2	D13	
22	TA00055012C	연료호스(PF)	HOSE, FUEL	1		

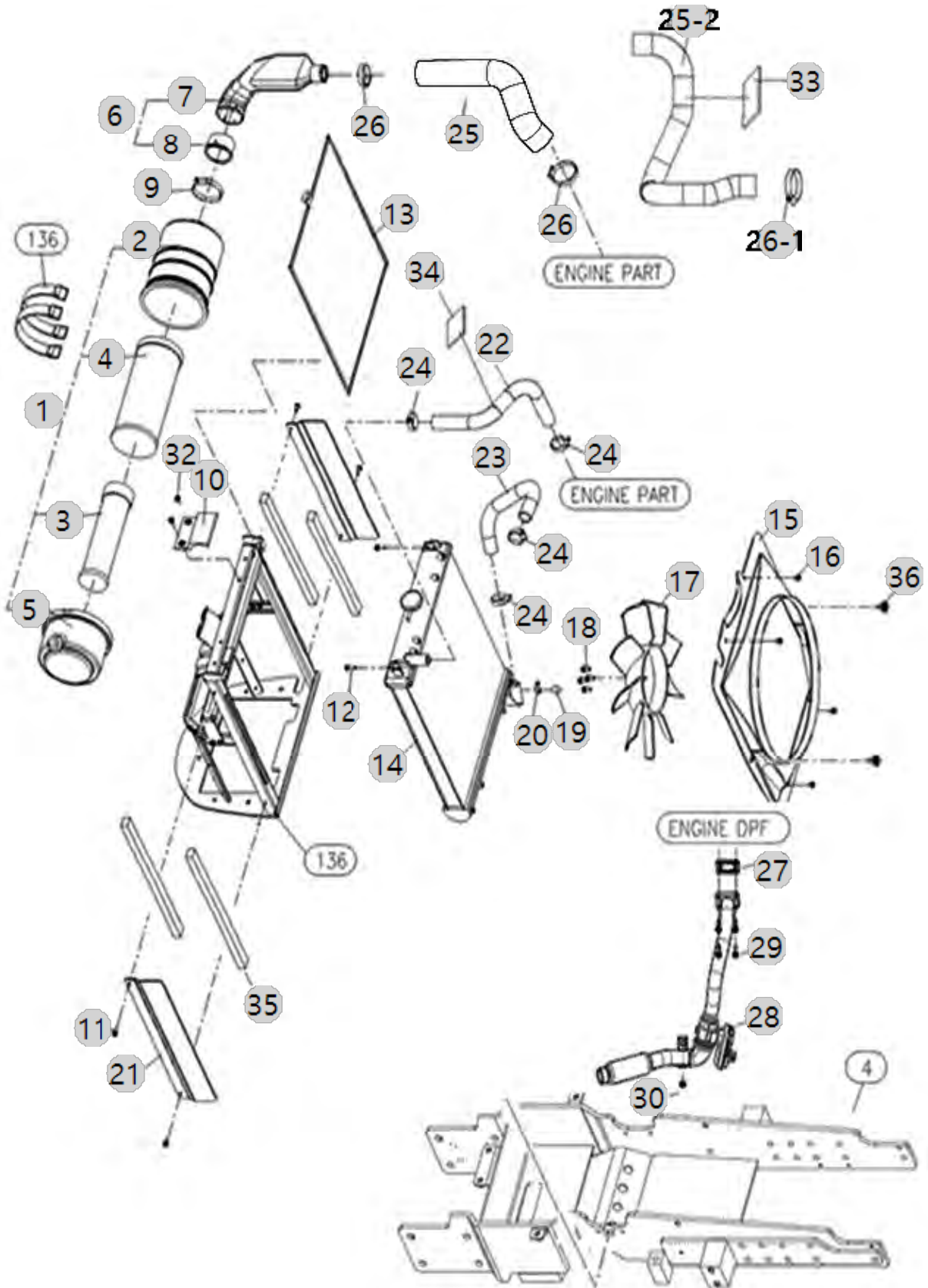
B02020

Year/Month

6225H(AC02122)

# RADIATOR

2023-01-18





<b>B02020</b>  6225H(AC02122)	<b>RADIATOR</b>	Year/Month  2023-01-18
-------------------------------------	-----------------	------------------------------

순번 (NO)	부품번호 (PART NO)	품명 (PART NAME)	품명 (PART NAME)	수량 (QTY)	규격 (SPEC)	비고 (REMARK)
1	HLT0621000A2	에어크리너 조합	AIRCLEANER ASSY	1		
2	HLT0621010A9	에어크리너본체	BODY, AIRCLEANER	1		
3	HLT0621020A9	에어크리너엘레먼트(외)	ELEMENT AIR CLEANER (OUTER)	1		
4	HLT0621030A9	에어크리너엘레먼트(내)	ELEMENT, AIR CLEANER (INNER)	1		
5	HLT0621040A9	커버(에어크리너)	COVER	1		
6	TA00034859A	흡기 파이프 조합	INTAKE PIPE ASSY	1		
7	TA00034847A	흡기 파이프	INTAKE PIPE	1		
8	TA00021622A	흡기파이프시일	SEAL	1	-	
9	23000-080000	호스클램프80	HOSECLAMP80	1	D80	
10	TA00025591A	방진 고무	CUSHION RUBBER	1		
11	26106-060162	육각플랜지 볼트	HEXFLANGE BOLT	4	M6XP1.0X16	
12	26014-060252	와셔조립육각볼트(+SW,PW)	Bolt, Hexa (6-25)	2	M06X1.00X02	
13	TA00024833C	방진망 조합	DUSTPROOF NET ASSY	1		
13	TA00024833B	방진망	NET	1		
14	EA00003972A	라디에이터(3.5mm피치)	RADIATOR	1		
14	EA00001873A	라디에이터 - 20R, DynaQ	RADIATOR	1		
15	TA00032760F	슈라우드	SHROUD	1		
16	HRA1203200A4	태핑나사	TAPPINGSCREW	4		
17	TA00034662A	냉각팬, DynaQ (d=400mm)	COOLING FAN (D400)	1		
18	26106-080162	플랜지볼트8X16	SCREW,HEXFLANGEHEADCAP	4	M8XP1.25X16	
19	HRC1201200A4	오일쿨러캡	CAP,COOLER	1		
20	23000-016000	호스클립	Clip, Hose (Φ16)	1	D16	
21	TA00049446A	라디에이터브래킷 조합	BRACKET ASSY, RADIATOR	2		
21	TA00049446B	라디에이터브래킷 조합	BRACKET ASSY, RADIATOR	2		
22	TA00060727A	냉각수호스A	COOLING WATER HOSE A	1		
23	TA00025609C	냉각수 호스 (B)	HOSE IN COOLING	1		
24	23010-038000	호스밴드	HOSEBAND	4	D38	
25	TA00072194A	흡기호스	INTAKE HOSE	1		
25	TA00035217A	흡기호스	INTAKE HOSE	1		
26	23000-054000	호스클램프54	HOSECLAMP54	1	D54	
27	HK0514000EA4	개스킷(소음기)	GASKET	1		
28	EA00005796C	전자식배기밸브ASSY(20(S))	ELECTRONIC EXHAUST VALVE ASSY	1		
28	EA00005796B	전자식배기밸브ASSY(20(S))	ELECTRONIC EXHAUST VALVE ASSY	1		
29	26106-080252	육각플랜지볼트	SCREW,HEXFLANGEHEADCAP	4	M8XP1.25X25	
30	26106-080122	육각플랜지볼트	Bolt, Hexa (8-12)	1	M8XP1.25X12	
31	TA00026821A	커버	COVER	1	T1.6	
32	26015-060162	와셔조립육각볼트(S+PW)	BOLT	2	M6XP1.0X16	
33	TA00036162C	흡기호스(Turbo)방열판	INSULATOR	2		
34	TA00036163C	냉각수 호스A 방열판	GUIDE(L),FOOT REST	3		
35	TA00036707A	시일(RD)	SEAL(RD)	4		
36	26106-080162	플랜지볼트8X16	SCREW,HEXFLANGEHEADCAP	2	M8XP1.25X16	

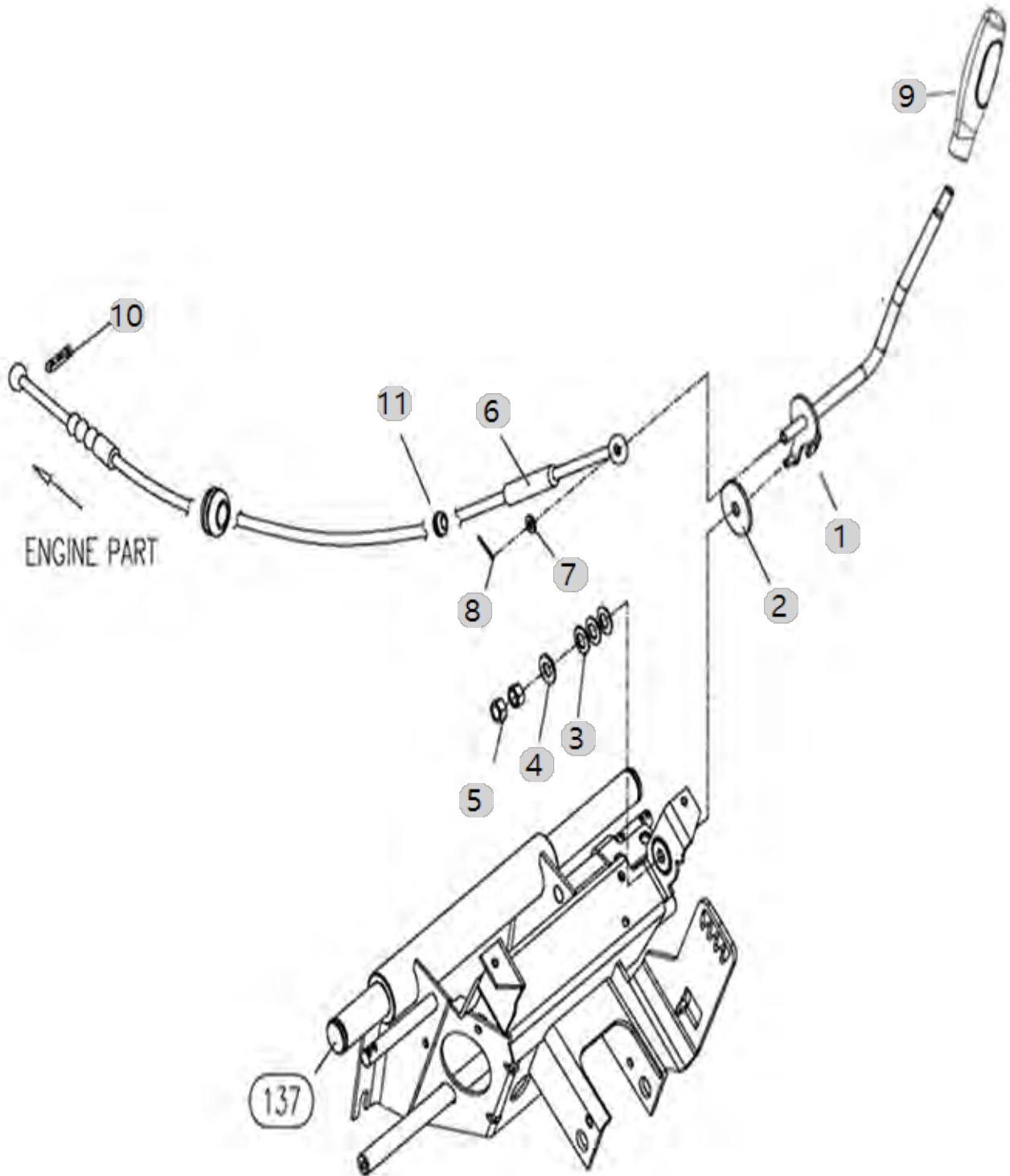
B05011

Year/Month

6225H(AC02122)

LEVER ACCELERATOR

2023-01-18







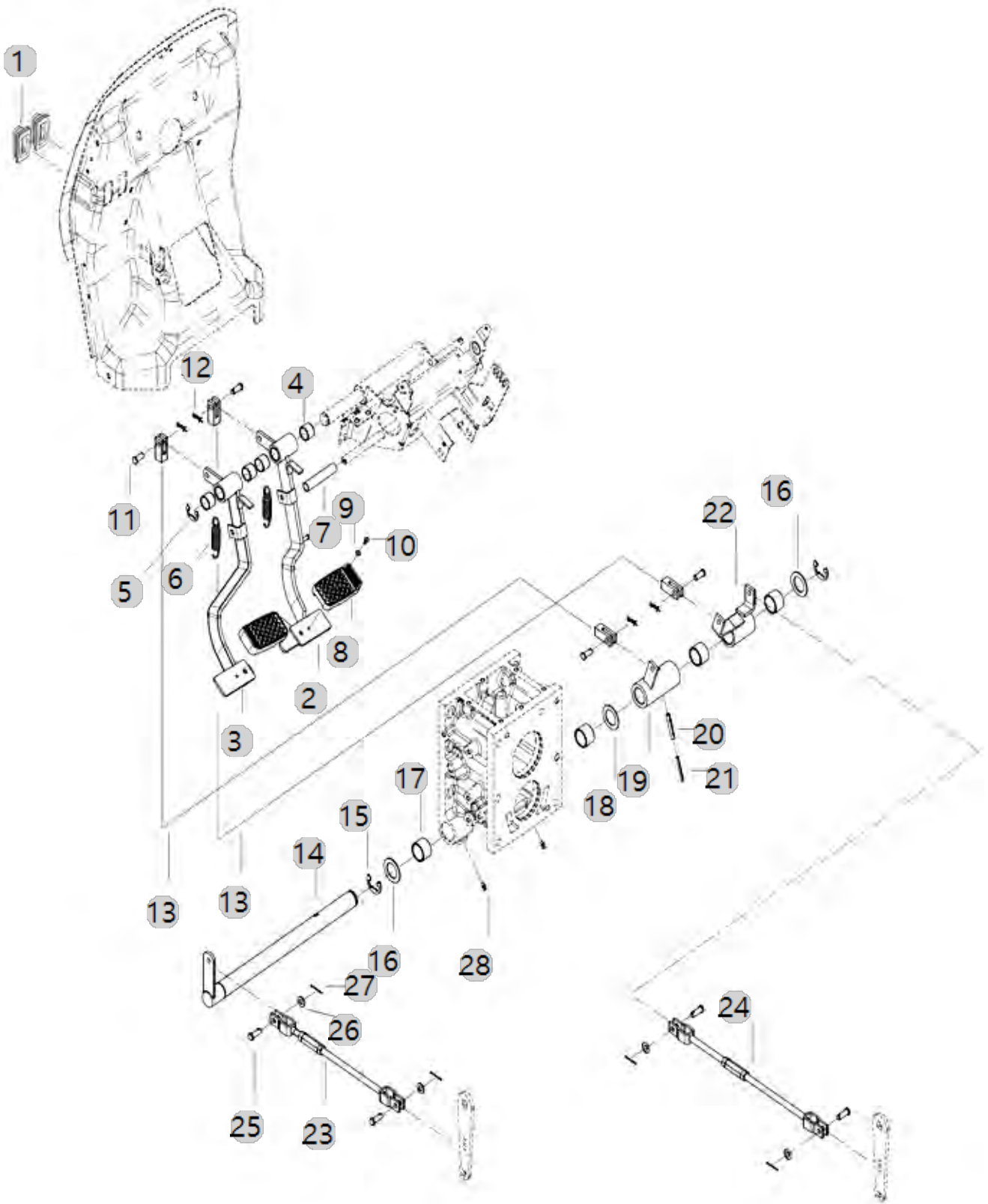
C02010

Year/Month

6225H(AC02122)

BRAKE PEDAL

2023-01-18





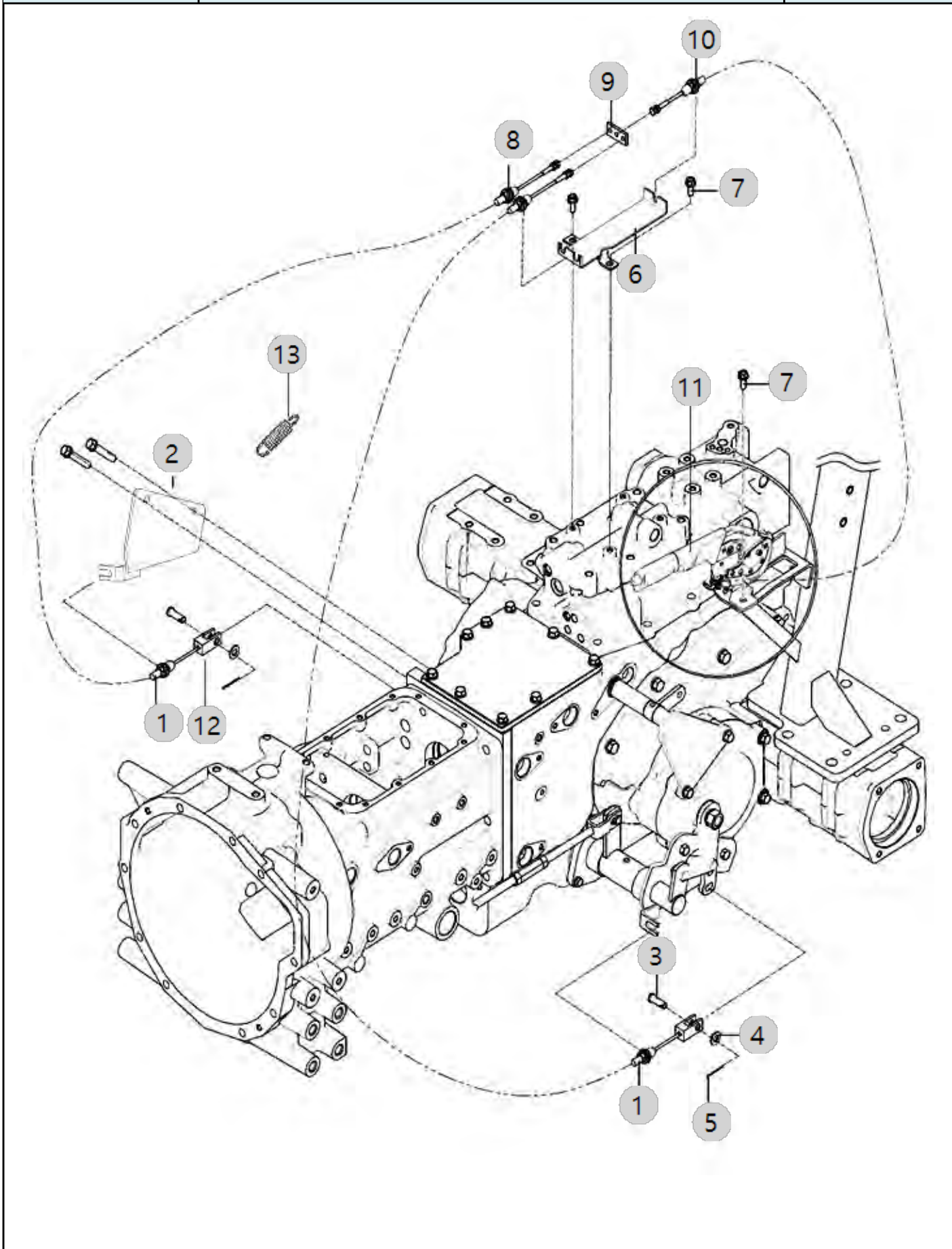
C02050

Year/Month

6225H(AC02122)

PARKING BRAKE

2023-01-18





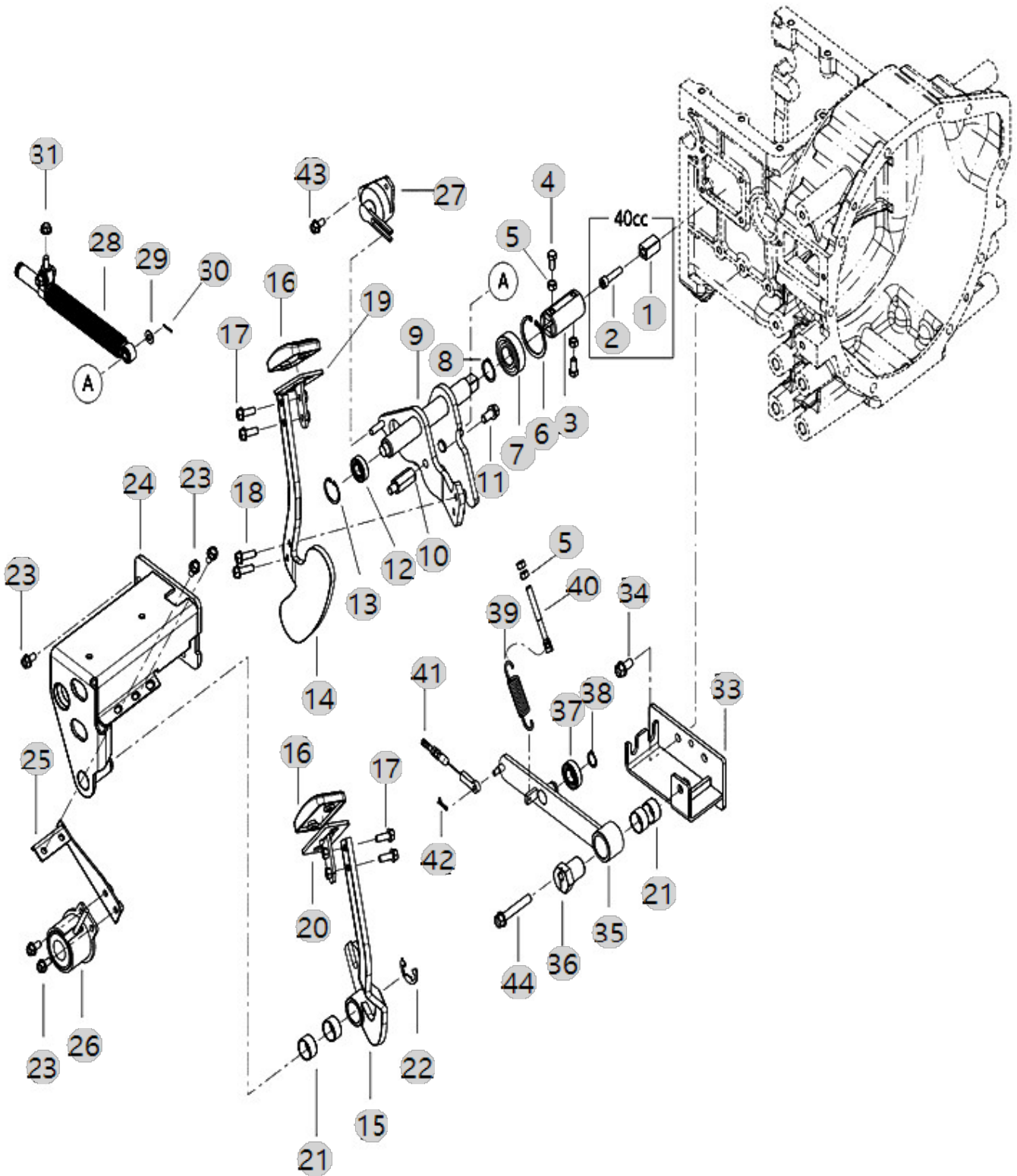
C03010

Year/Month

6225H(AC02122)

### HYD SHIFT TRANSMISSION PEDAL

2023-01-18





C03010 6225H(AC02122)		HYD SHIFT TRANSMISSION PEDAL				Year/Month 2023-01-18
순번 (NO)	부품번호 (PART NO)	품명 (PART NAME)	품명 (PART NAME)	수량 (QTY)	규격 (SPEC)	비고 (REMARK)
1	TA00040896D	HST 축	HST SHAFT	1		
2	26453-080452	육각구멍볼이볼트	BOLT	1		
3	TA00039621B	연결조인트(cabin)	JOINT	1		
4	26116-080182	CAPSCREW(19M7139)	CAPSCREW(19M7139)	2	M8X1.25X18	
5	26716-080002	육각너트	NUT,HEX (D8)	4	M8xP1.25	
6	22252-000520	CIRCLIP52	RING, CIRCLIP (Φ 52)	1	D52(구멍용)	
7	24104-062054	볼베어링6205UU	BALL BEARING (#6205UU)	1	#6205UU	
9	TA00040947D	hst 암조합	HST ARM ASSY	1		
10	TA00001502B	볼트 축	SHAFT, BLOT	1	육각17	
11	26013-100222	와셔조립육각볼트	HEXA BOLT	1	M10X1.5X22	
12	24104-060024	볼베어링6002UU	Bearing, Ball (#6002) Dubble Cap	1	#6002UU	
13	22252-000320	구멍용스냅링32	RING, CIRCLIP (Φ 32)	1	D32	
14	TA00041385C	hst전진페달암	HST PEDAL ARM	1		
14	TA00041385D	hst전진페달암	HST PEDAL ARM	1		
15	TA00040950B	후진 페달 암 조합	REVERSE PEDAL ARM ASS'Y	1		
15	TA00040950A	후진 페달 암 조합	PEDAL(R) ASSY	1		
16	TA00001508A	전후진페달커버	PEDAL COVER	2		
17	26106-080222	육각플랜지보울트	SCREW, HEX FLANGE HEAD CAP	4	M8X1.25X22	
18	26106-080252	육각플랜지볼트	SCREW,HEXFLANGEHEADCAP	4	M8XP1.25X25	
19	TA00001865D	전진 페달 조합	PEDAL ASS'Y	1	-	
20	TA00001873D	후진 페달 조합	REVERSE PEDAL ASS'Y	1	-	
21	24550-025150	BUSH25X15	BUSH 25X15	4	25X15	
22	22272-000190	E형스냅링	RING, CIRCLIP (Φ 19)	1	D19	
23	26106-080162	플랜지볼트8X16	SCREW,HEXFLANGEHEADCAP	8	M8XP1.25X16	
24	TA00040631C	취부브래킷조합	BRACKET ASSY	1		
24	TA00040631D	취부브래킷조합	BRACKET ASS'Y	1		
25	TA00001957E	전자석 브래킷 조합	MAGNET BRACKET ASS'Y	1	-	
26	HA00000037A	전자석	CRUISE MAGNET	1		
27	TCD9110000B2	스위치(FR)	SWITCH ASS'Y	1		
27	TCD9110000D2	스위치(FR)	SWITCH(FR)	1		
27	TCD9110000C2	스위치(FR)	SWITCH(FR)	1		
28	TA00001909A	댐퍼	DAMPER	1		
29	22137-080000	와셔8	WASHER, PLAIN (Φ 08)	1	M8	
30	22417-200140	가름 핀2.0X14	PIN , COTTER (2-14)	1	D2.0X14	
31	26367-080002	259, 육각플랜지너트	HEX FLANGE NUT (Φ8)	1	M8XP1.25	
33	TA00044601C	와이어 브래킷 조합(4기통)	BRACKET ASS'Y, WIRE	1		
33	TA00044601B	와이어 브래킷 조합(4기통)	BRACKET ASSY, WIRE	1		
34	26106-100202	육각플랜지볼트	HEX BOLT, (10-20)	2	M10XP1.5X20	
35	TA00044088C	암조합	ARM ASSY	1		
35	TA00044088D	암조합	ARM ASS'Y	1		
36	TA00001830D	축	SHAFT	1	D36	
37	24104-060034	볼베어링6003UU	Bearing, Ball (#6003) Dubble Cap	1	#6003UU	
38	22242-000170	축용스냅링17	SNAP RING, SHAFT (Φ 17)	1	D17(축용)	
39	CA45140000A4	스프링2.3X17.3X74	SPRING2.3X17.3X74	1	D2.3	
39	CA45140000B4	스프링 2.3x17.3x74	SPRING2.3X17.3X74	1	D2.3	



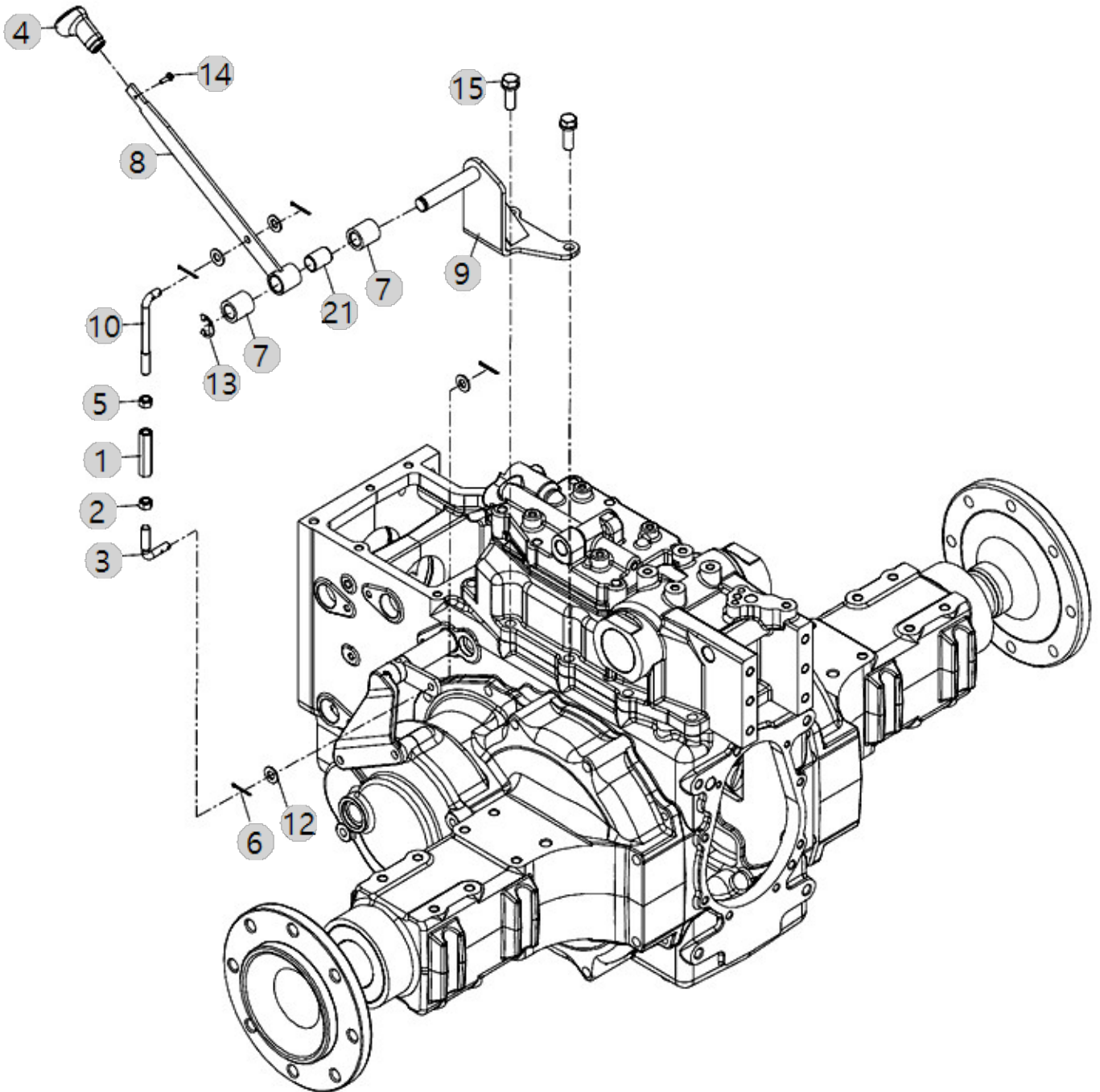
C04071

Year/Month

6225H(AC02122)

### LEVER ASS'Y, PTO SPEED CHANGE

2023-01-18







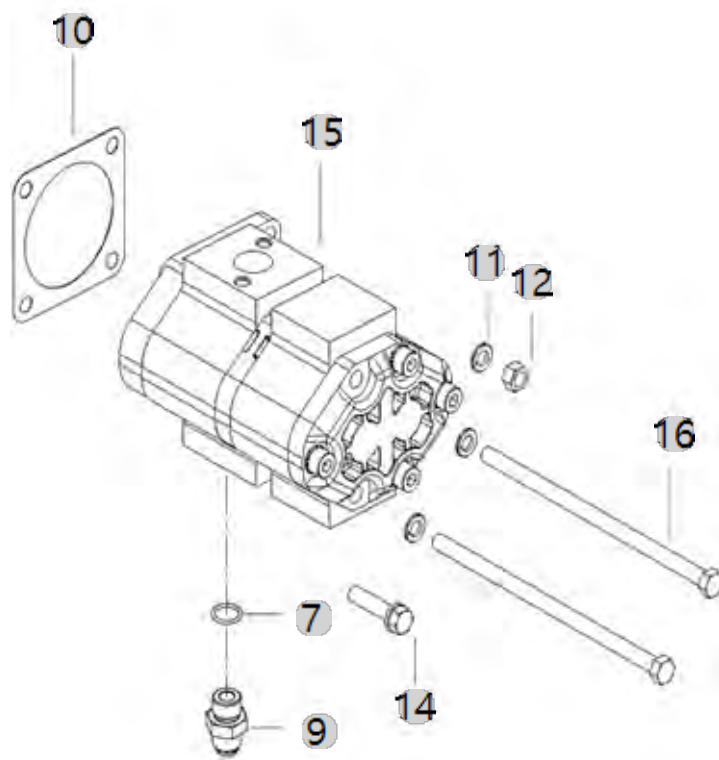
D01010

Year/Month

6225H(AC02122)

HYD PUMP

2023-01-18





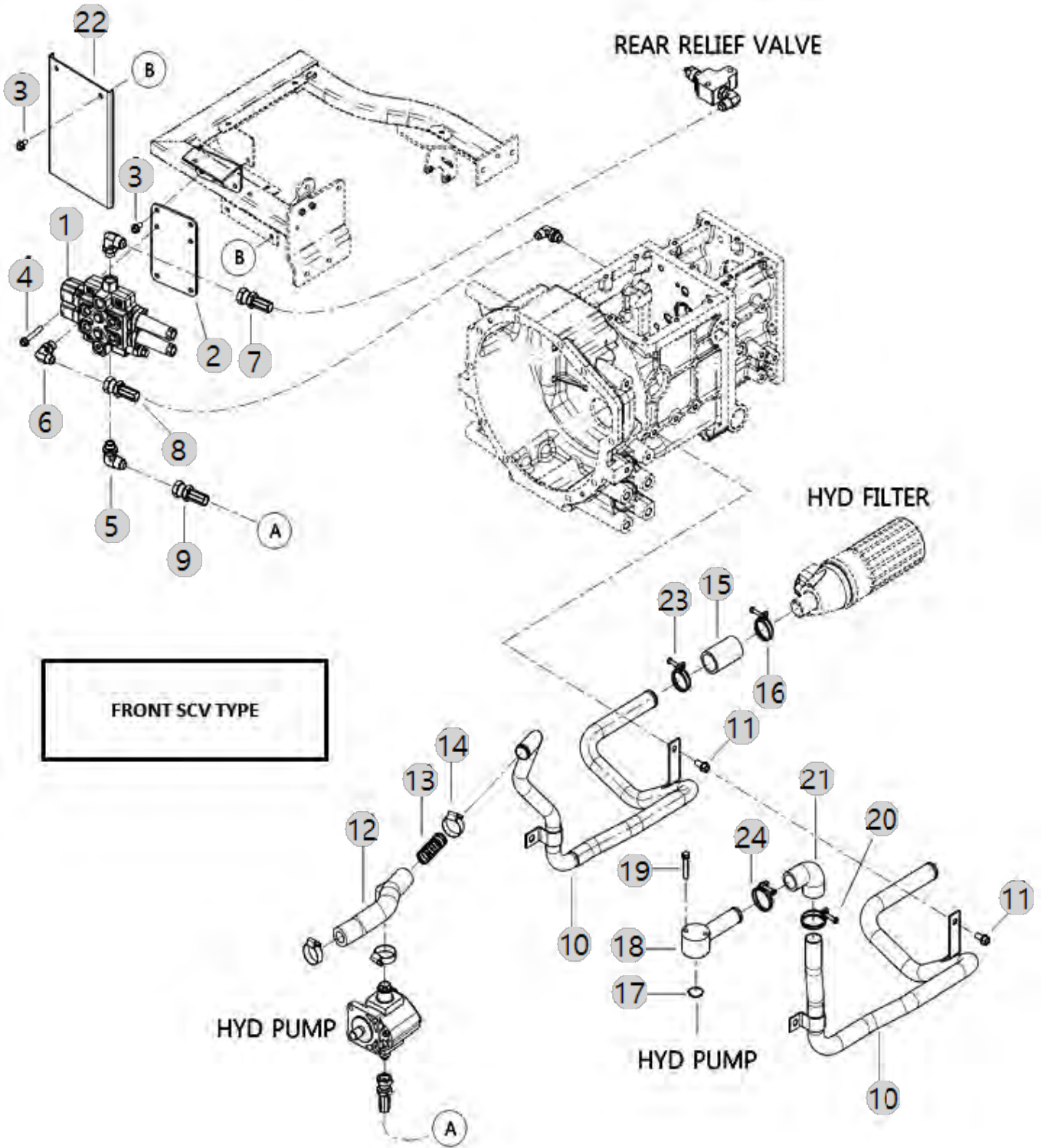
D01020

Year/Month

6225H(AC02122)

LOW PRESSURE PIPE

2023-01-18





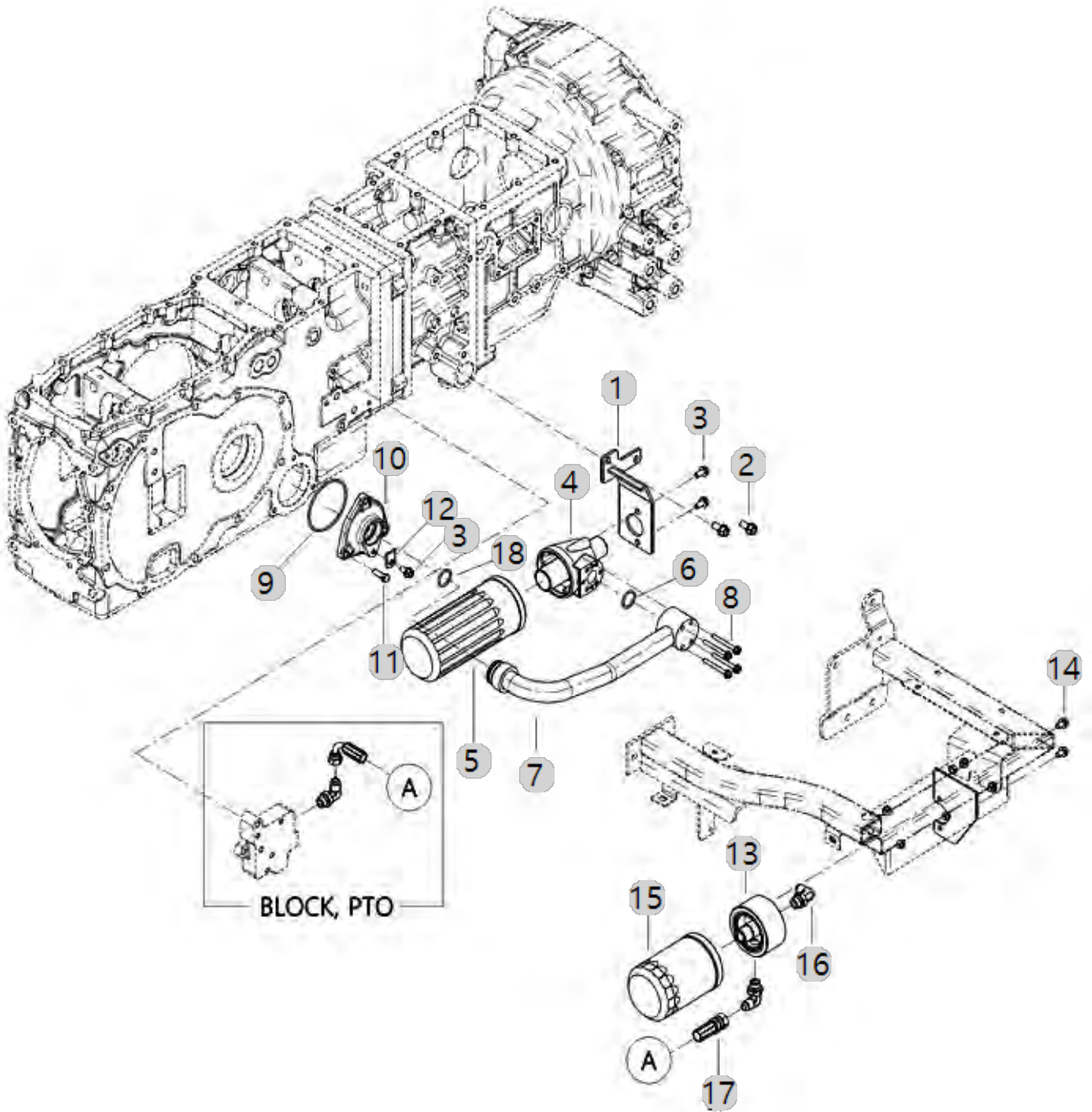
D01040

Year/Month

6225H(AC02122)

HYD FILTER

2023-01-18







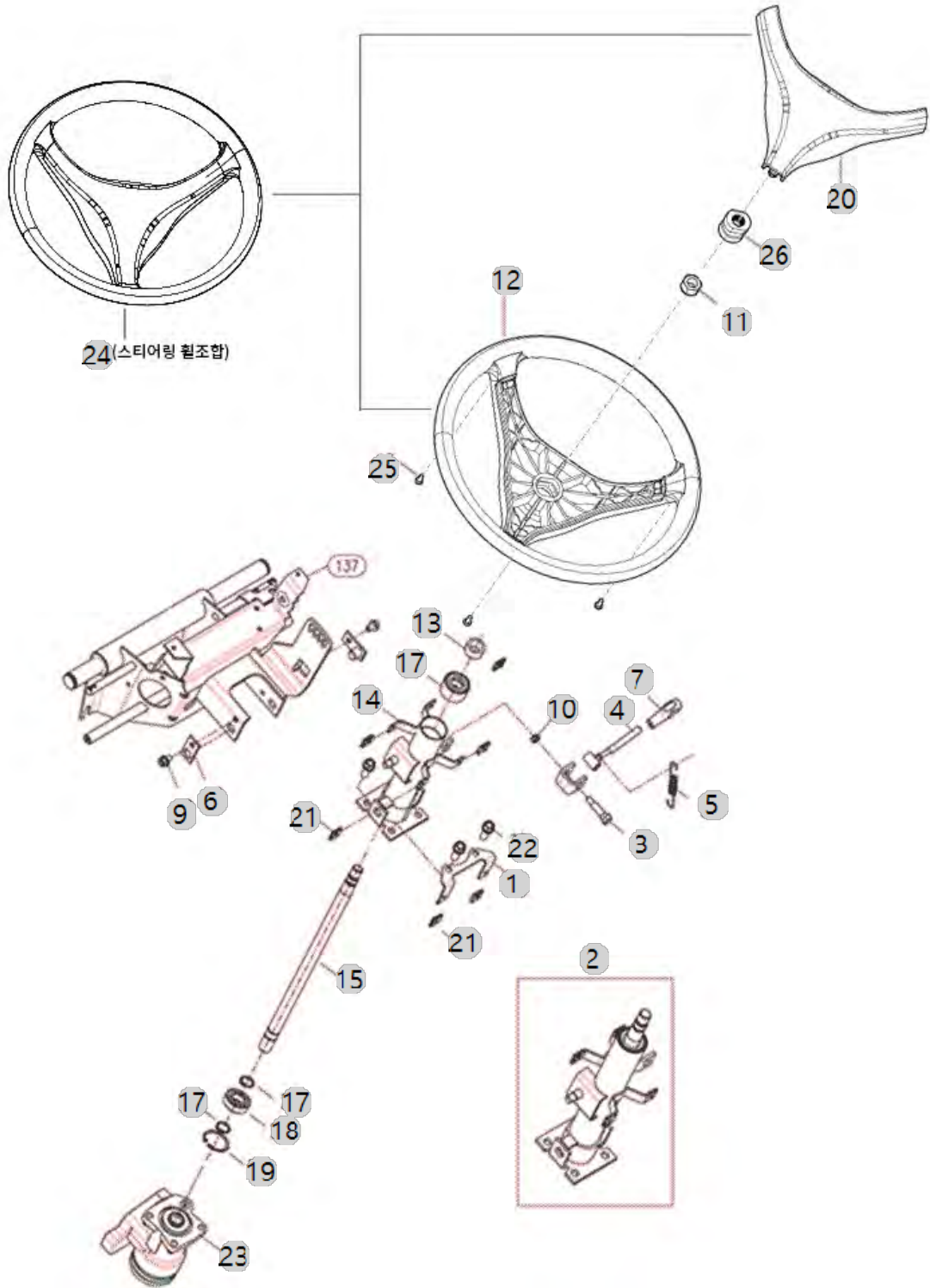
D02010

Year/Month

6225H(AC02122)

# STEERING WHEEL

2023-01-18







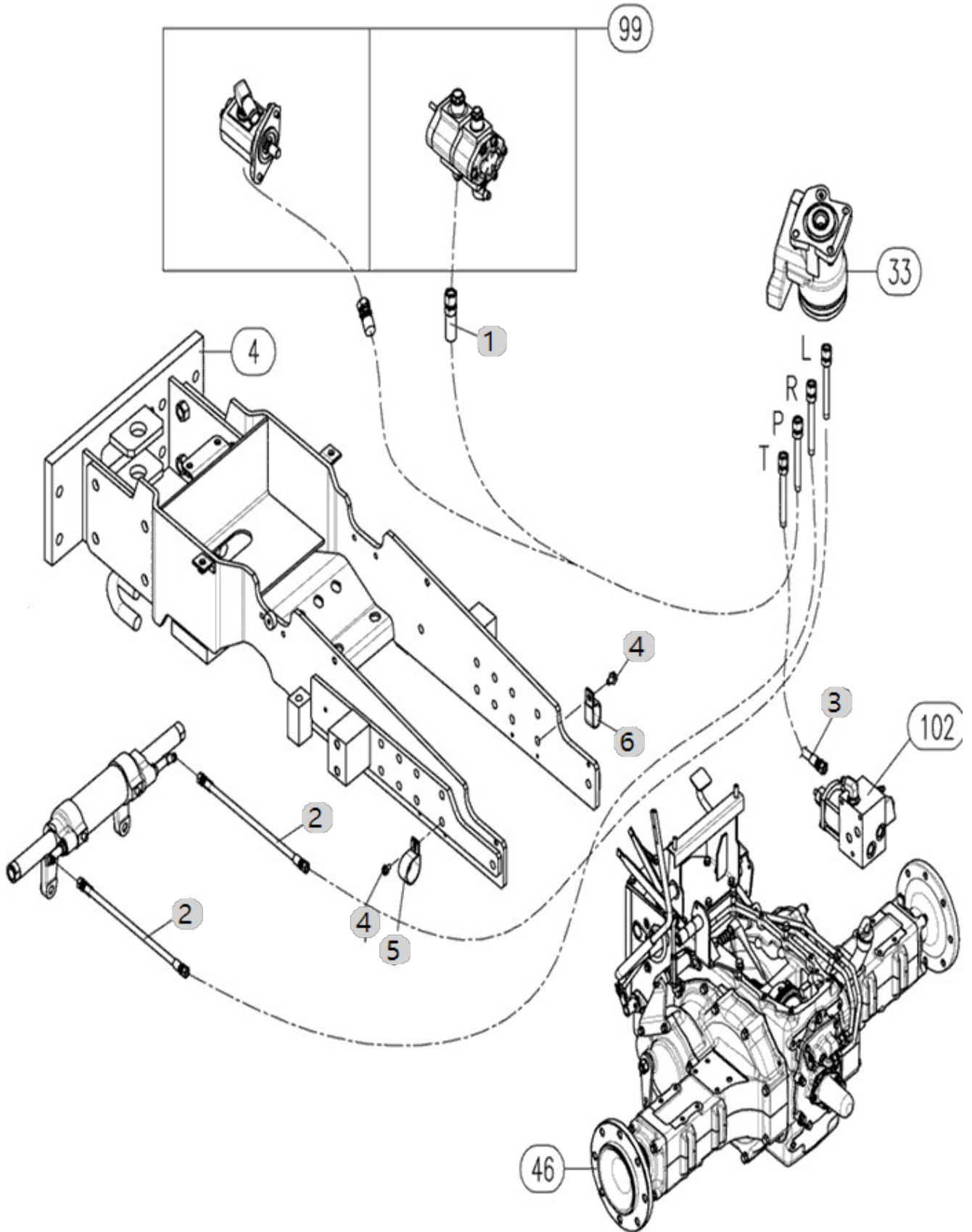
D02030

Year/Month

6225H(AC02122)

PST HOSE

2023-01-18





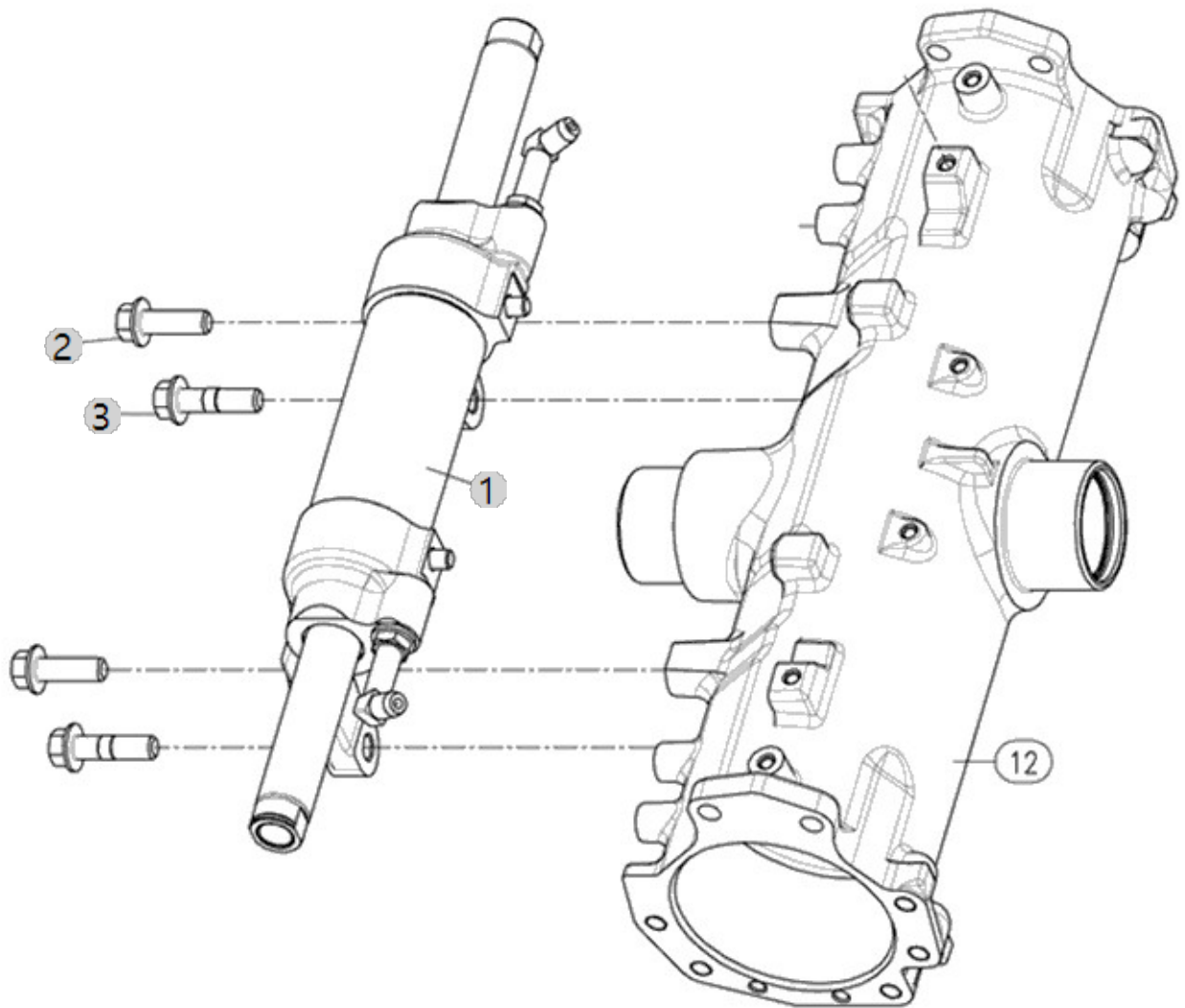
D02040

Year/Month

6225H(AC02122)

PST CYLINDER

2023-01-18





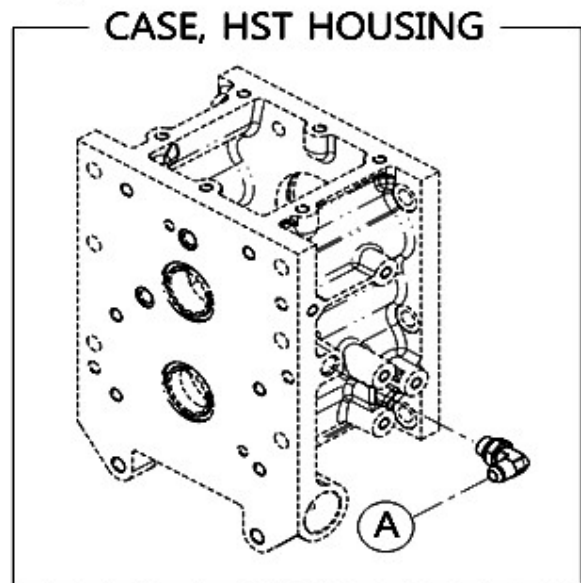
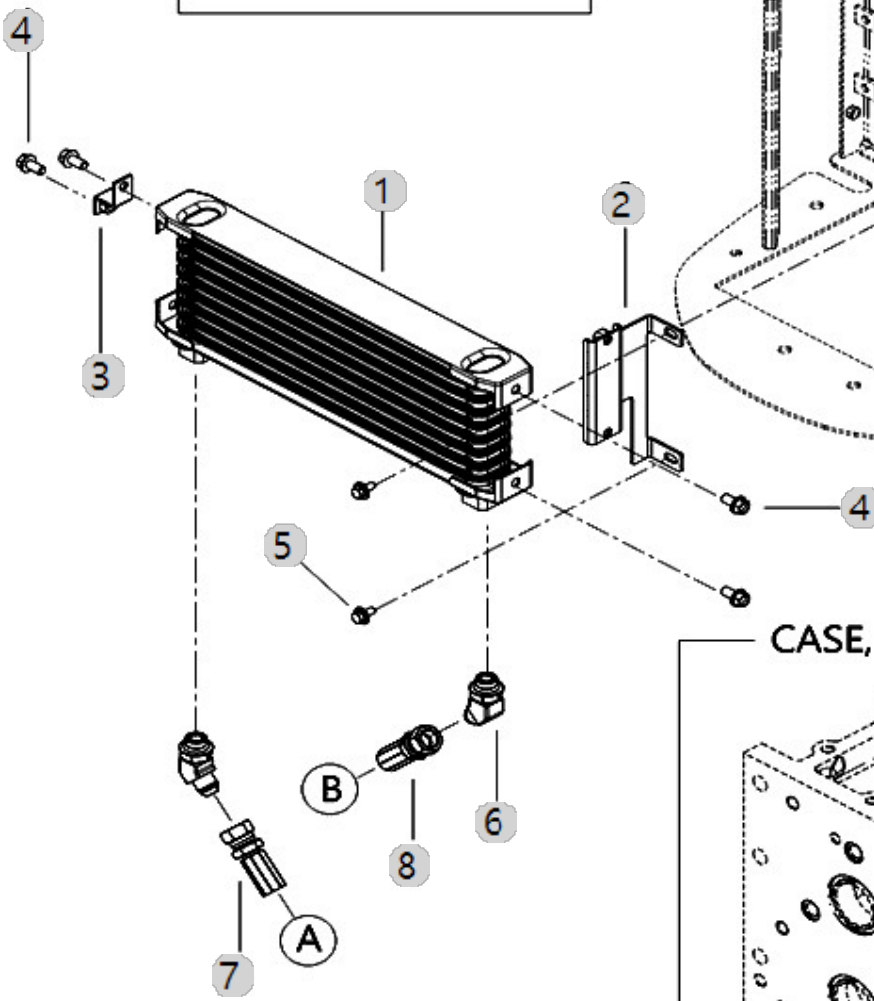
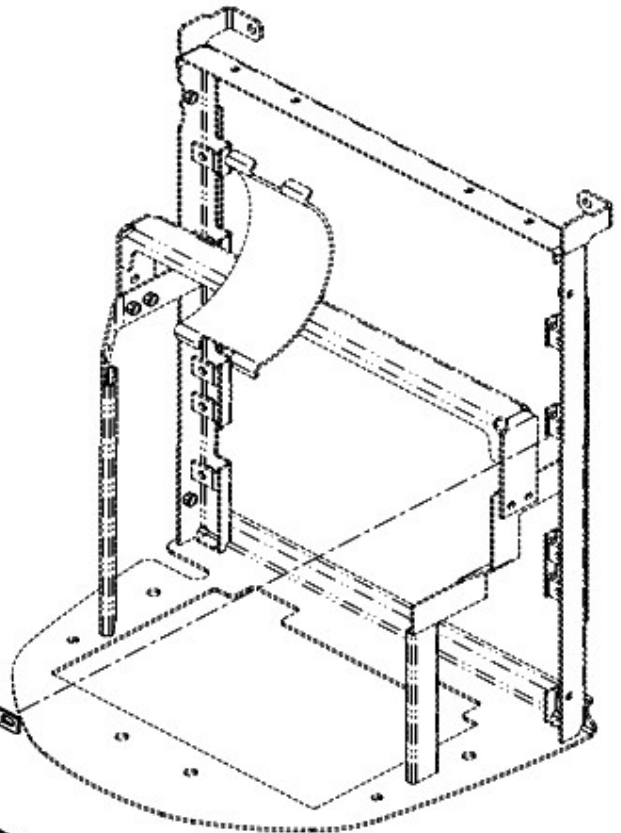
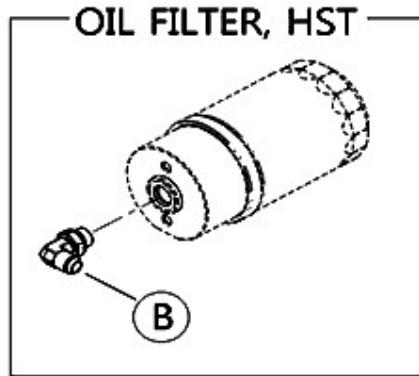
D03010

Year/Month

6225H(AC02122)

OIL COOLER

2023-01-18







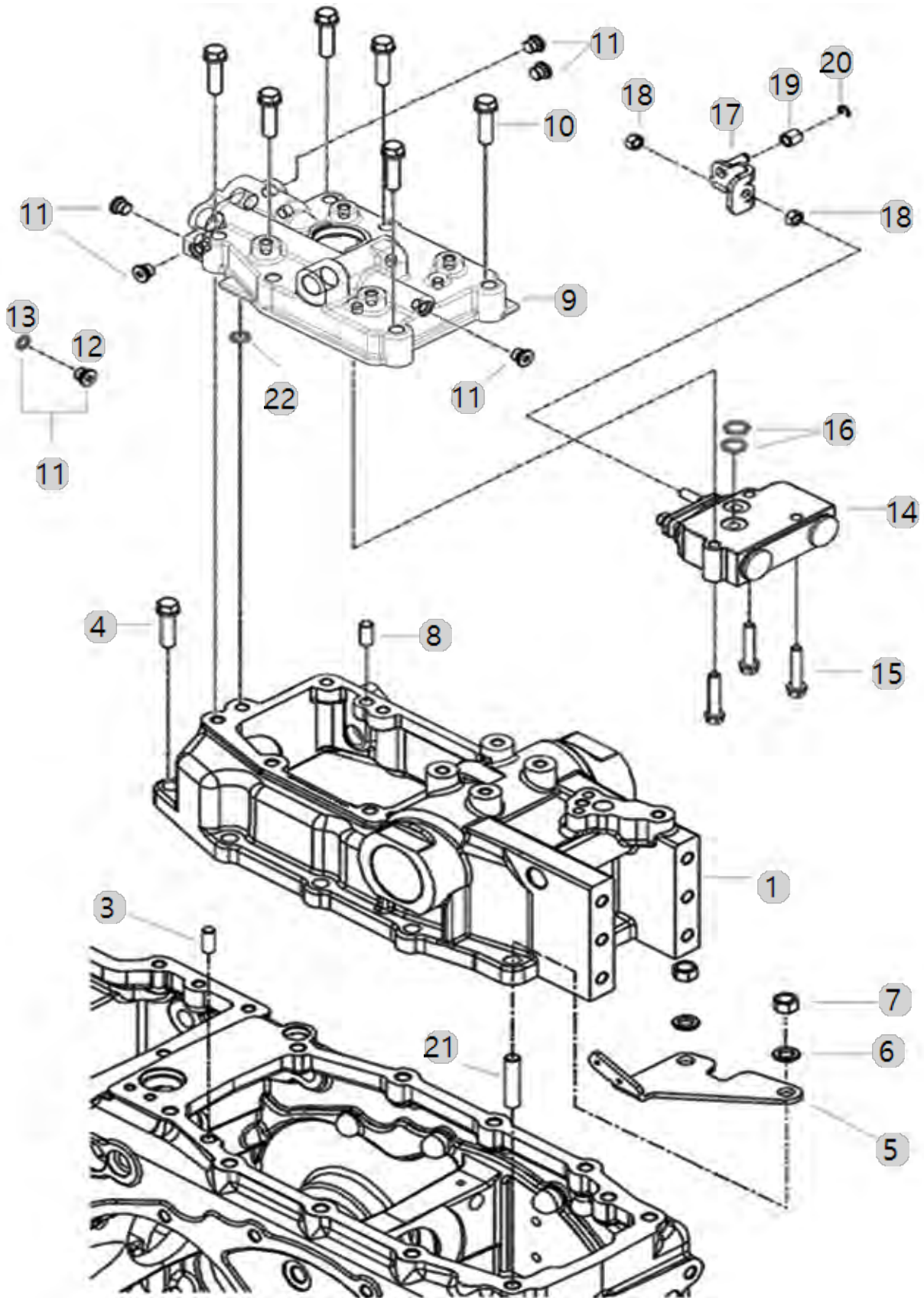
D04000

6225H(AC02122)

HYDRAULIC CYLINDER

Year/Month

2023-01-18







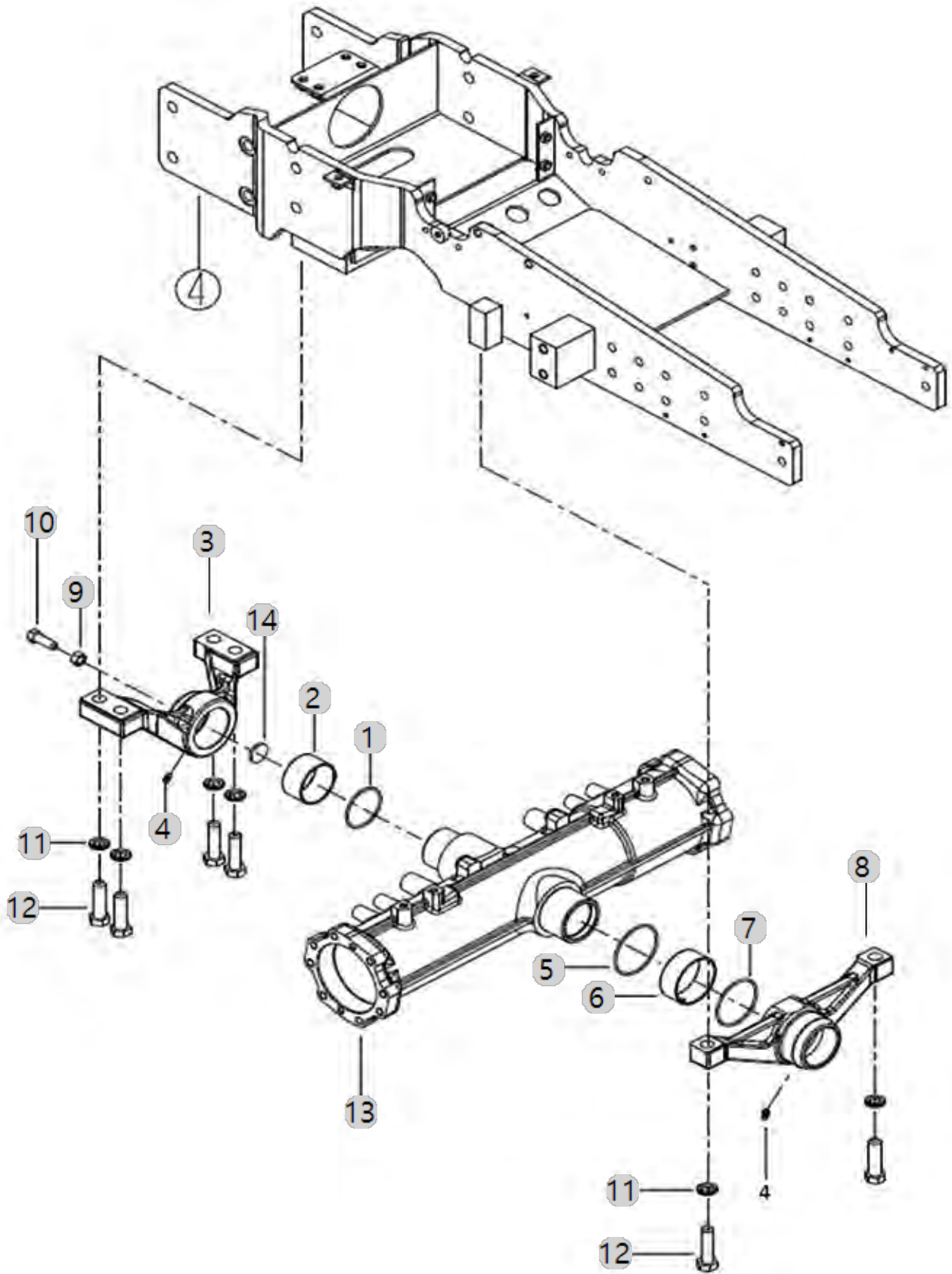
E01010

Year/Month

6225H(AC02122)

FRONT AXLE CASE

2023-01-18





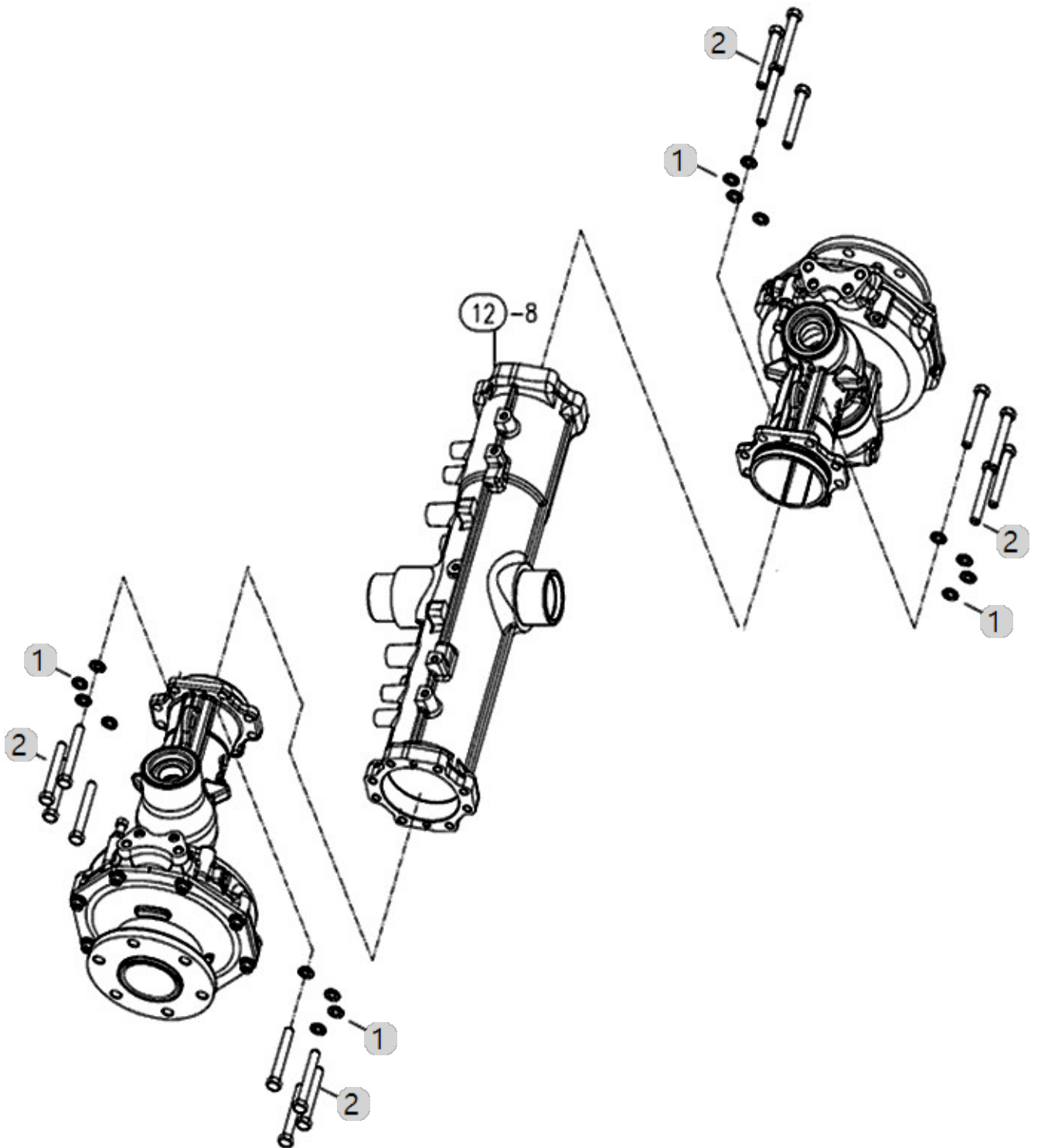
E01013

Year/Month

6225H(AC02122)

FRONT AXLE CASE/SPACER

2023-01-18





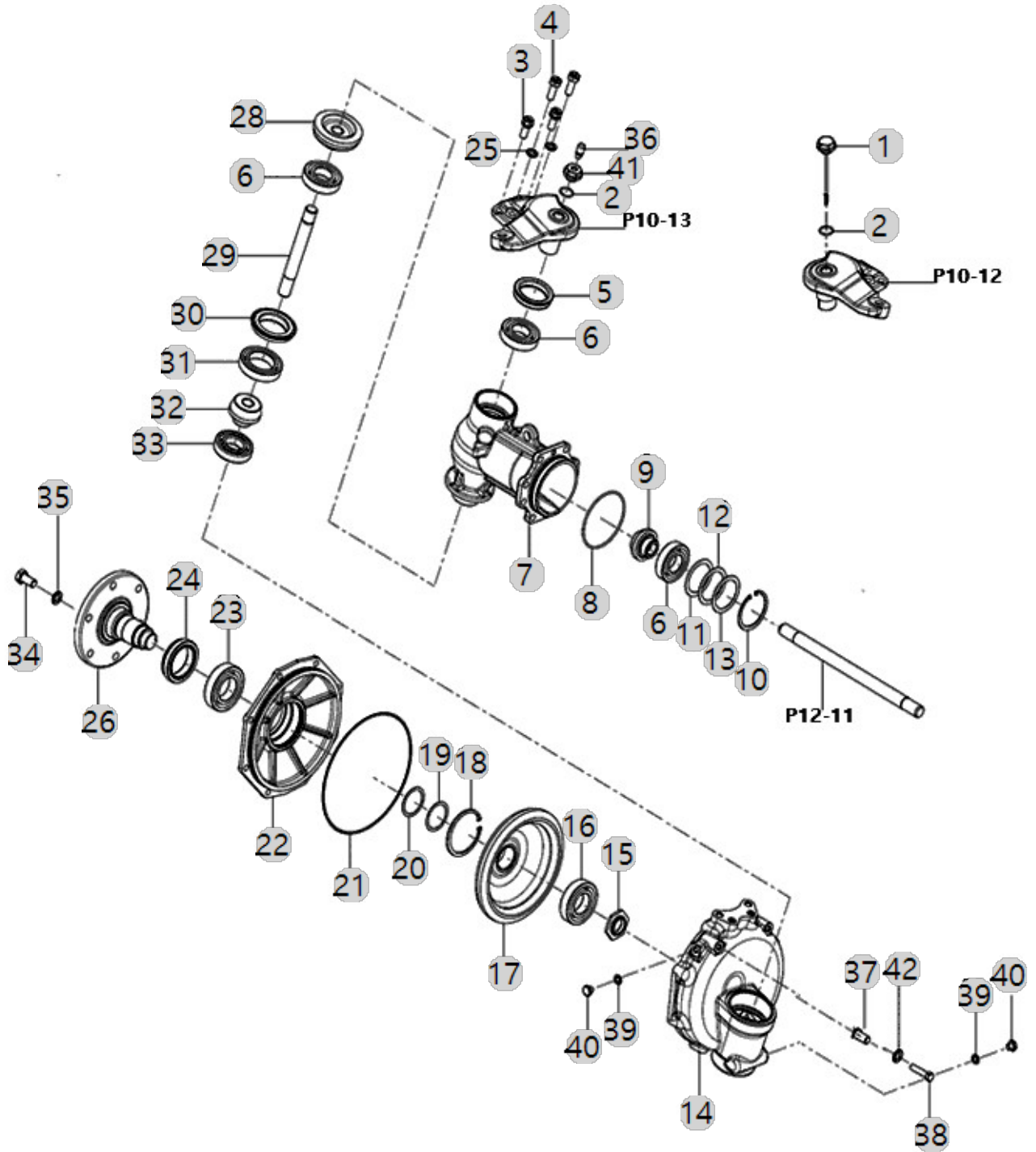
E01030

Year/Month

6225H(AC02122)

GEAR CASE, FRONT AXLE

2023-01-18





E01030 6225H(AC02122)		GEAR CASE, FRONT AXLE				Year/Month 2023-01-18
순번 (NO)	부품번호 (PART NO)	품명 (PART NAME)	품명 (PART NAME)	수량 (QTY)	규격 (SPEC)	비고 (REMARK)
1	TA00033805A	검유봉	OIL GUAGE	1		
1	TA00033805A	검유봉	OIL GUAGE	1		
2	24311-000220	O-RING1AP-22.0	O-RING, DYNAMIC (Φ22)	2	1A P22.0	
2	24311-000220	O-RING1AP-22.0	O-RING, DYNAMIC (Φ22)	2	1A P22.0	
3	TA00033468C	와셔조립육각볼트	BOLT W/ WASHER	4		
3	TA00033468C	와셔조립육각볼트	BOLT W/ WASHER	4		
4	TA00033475B	리머볼트	SPACER	4		
4	TA00033475B	리머볼트	SPACER	4		
5	FE78010000B	오일실 (특수) 55x72x13.5	OIL SEAL (55X72X13.5)	2	55X72X13.5	
6	24101-062074	볼베어링6207	BALL BEARING (#6207)	6	#6207	
7	TA00048728A	프런트기어케이스(20)	CASE, FRONT GEAR	2		
7	TA00033457C	프런트기어케이스	CASE, FRONT GEAR	2		
8	24321-001050	O-링	O-RING	2		
9	TA00033461B	전1축피니언9T	PINION, FRONT 1ST SHAFT	2		
9	TA00033461A	전1축피니언9T	PINION, FRONT 1ST SHAFT	2		
10	22252-000720	구멍용스냅링72	RING, CIRCLIP (Φ 72)	2	D72	
11	TA00033489A	심 0.2T	SHIM 0.2T	2		
12	TA00033488A	심 0.3T	SHIM 0.3T	2		
13	TA00033487A	심 0.5T	SHIM 0.5T	2		
14	TA00033458C	프런트기어박스	GEAR BOX, FRONT	2		
14	TA00033458B	프런트기어박스	GEAR BOX, FRONT	2		
15	TA00033481A	로크너트	LOCK NUT	2		
16	24101-062084	볼베어링6208	Bearing, Ball (#6208)	2	#6208	
17	TA00033474A	베벨기어 49T	GEAR, BEVEL 49T	2		
18	22252-000850	써클립85H	RING, CIRCLIP (Φ 85)	2		
19	TA00033486A	심 0.2T	SHIM 0.2T	1		
20	TA00033485A	심 0.5T	SHIM 0.5T	1		
21	TA00033939A	O링	O RING	2		
22	TA00033459B	프런트베어링케이스	BEARING CASE, FRONT	2		
22	TA00033459C	프런트베어링케이스	BEARING CASE, FRONT	1		
23	24101-062094	볼베어링6209	BALL BEARING (#6209)	2	#6209	
24	TA00041359A	오일실	OILSEAL	2		
25	22217-120000	스프링와셔	WASHER, SPRING (Φ 12)	2	M12	
26	TA00033460D	프런트스핀들	SPINDLE, FRONT	2		
26	TA00033460C	프런트스핀들	SPINDLE, FRONT	2		
26	TA00033460E	프런트스핀들	SPINDLE, FRONT	2		
26	TA00033460B	프런트스핀들	SPINDLE, FRONT	2		
27	TA00033469B	와셔조립육각볼트	BOLT W/ WASHER	16		
28	TA00033463A	전2축기어	FRONT 2ND AXLE LH	2		
29	TA00033464A	전2축	FRONT 2ND SHAFT	2		
30	TC60110000A3	오일실(AJ)	SEAL, OIL	2		
31	24101-060104	볼베어링6010	Bearing, Ball (#6010)	2	#6010	
32	TA00033473A	베벨기어 11T	GEAR, BEVEL 11T	2		
33	TC60340000A4	베어링TM207C3	BEARING(TM207C3)	2	TM207C3	
33	TT63050000A4	베어링TMB207	BEARING	2	TMB207	





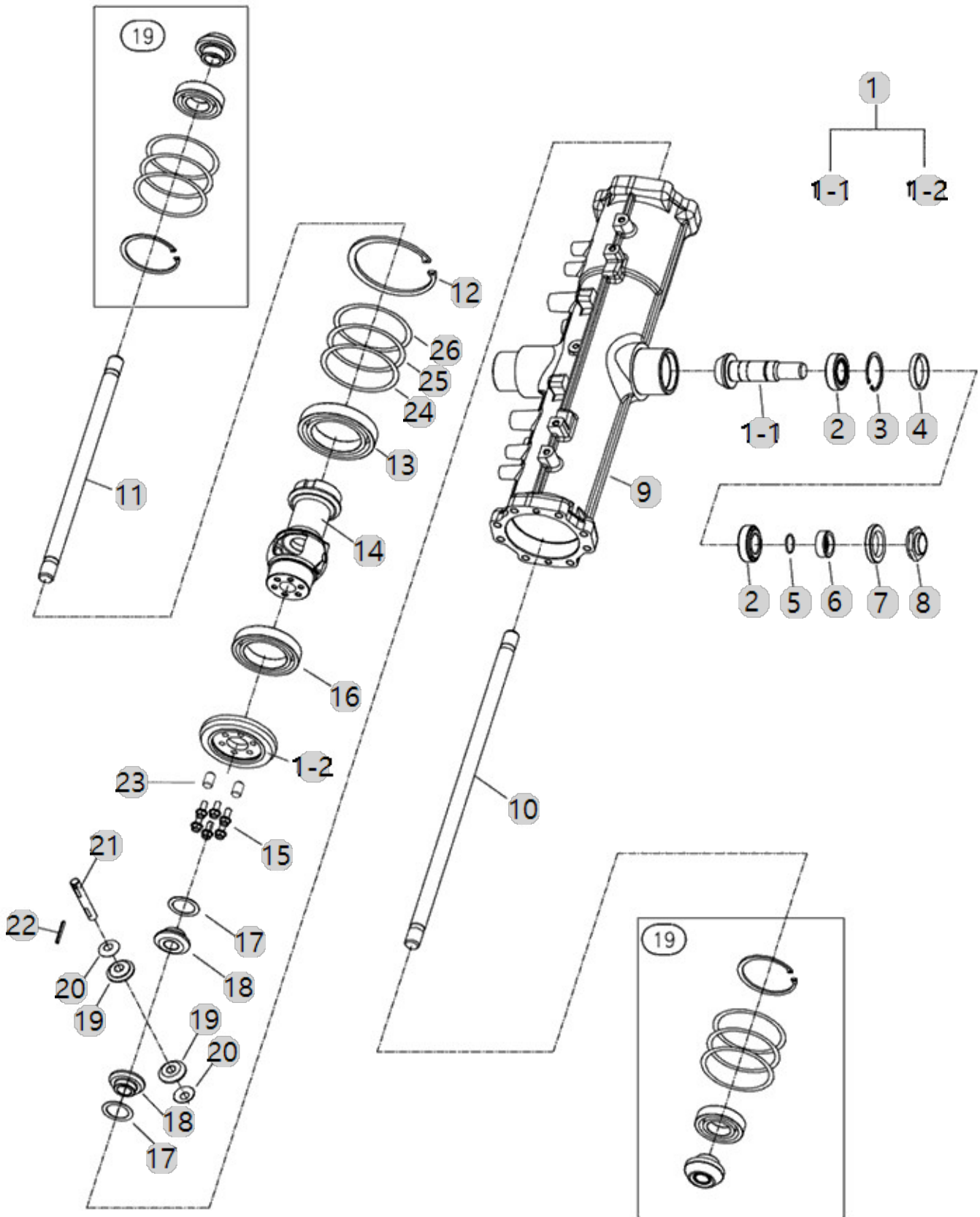
E01070

Year/Month

6225H(AC02122)

# FORNT DRIVE SHAFT

2023-01-18



E01070 6225H(AC02122)	FORNT DRIVE SHAFT	Year/Month
		2023-01-18

순번 (NO)	부품번호 (PART NO)	품명 (PART NAME)	품명 (PART NAME)	수량 (QTY)	규격 (SPEC)	비고 (REMARK)
1	TA00033454C	링기어조합	RING GEAR ASSY	1		
1-1	TA00033455B	카운터축	COUNT SHAFT	1		
1-2	TA00033456C	링기어	RING GEAR	1		
2	24141-320060	테이퍼롤러베어링320060	BEARING, ROLLER (#32-00-60)	2	32006	
3	22252-000550	구멍용스냅링(C형)	RING, CIRCLIP (Φ 55)	1	D55	
4	TA00033478A	간격판	PLATE	1		
5	24311-000300	O링(P형)	O RING(P TYPE)	1	P30	
6	TA00033471A	부시	BUSH	1		
7	24421-405508	오일실TC405508	OIL SEAL	1		
8	TA00033472A	너트	NUT	1		
9	TA00033449A	전차축케이스	CASE, FRONT AXLE	1		
10	TA00033827A	전1축LH_20h	1ST SHAFT	1		
11	TA00033828A	전1축RH_20h	1ST SHAFT	1		
12	22252-001100	구멍용스냅링	RING, CIRCLIP (Φ110)	2	D110	
13	24101-060144	볼베어링6014	BALL BEARING (#6014)	1	#6014	
14	TA00033451C	차동케이스	DIFF. CASE	1		
15	TA00054318B	볼트(M8X1.0)	BOLT	6		
16	24101-060134	볼베어링6013	BALL BEARING (#6013)	2		
17	TC57120000A4	차동사이드기어라이너	LINER, DIFFERENTIAL GEAR	2		
18	TC57090000A4	차동사이드기어14	GEAR, DIFFERENTIAL 14	2		
19	TC57100000A4	차동피니언기어10	DIFFERENTIAL PINION GEAR 10	2		
20	TC57130000A4	차동피니언라이너	LINER, DIFFERENTIAL PINION	2		
21	TC57110000B4	차동피니언축	SHAFT, PINION	1		
22	22351-040040	스프링핀	PIN, SPRING (4-04)	1	D4X40	
23	22312-080140	평행핀	PIN, DOWEL (8-14)	2	D8X14	
24	TA00033482A	심 0.5T	SHIM 0.5T	1		
25	TA00033483A	심 0.3T	SHIM 0.3T	1		
26	TA00033484A	심 0.2T	SHIM 0.2T	1		

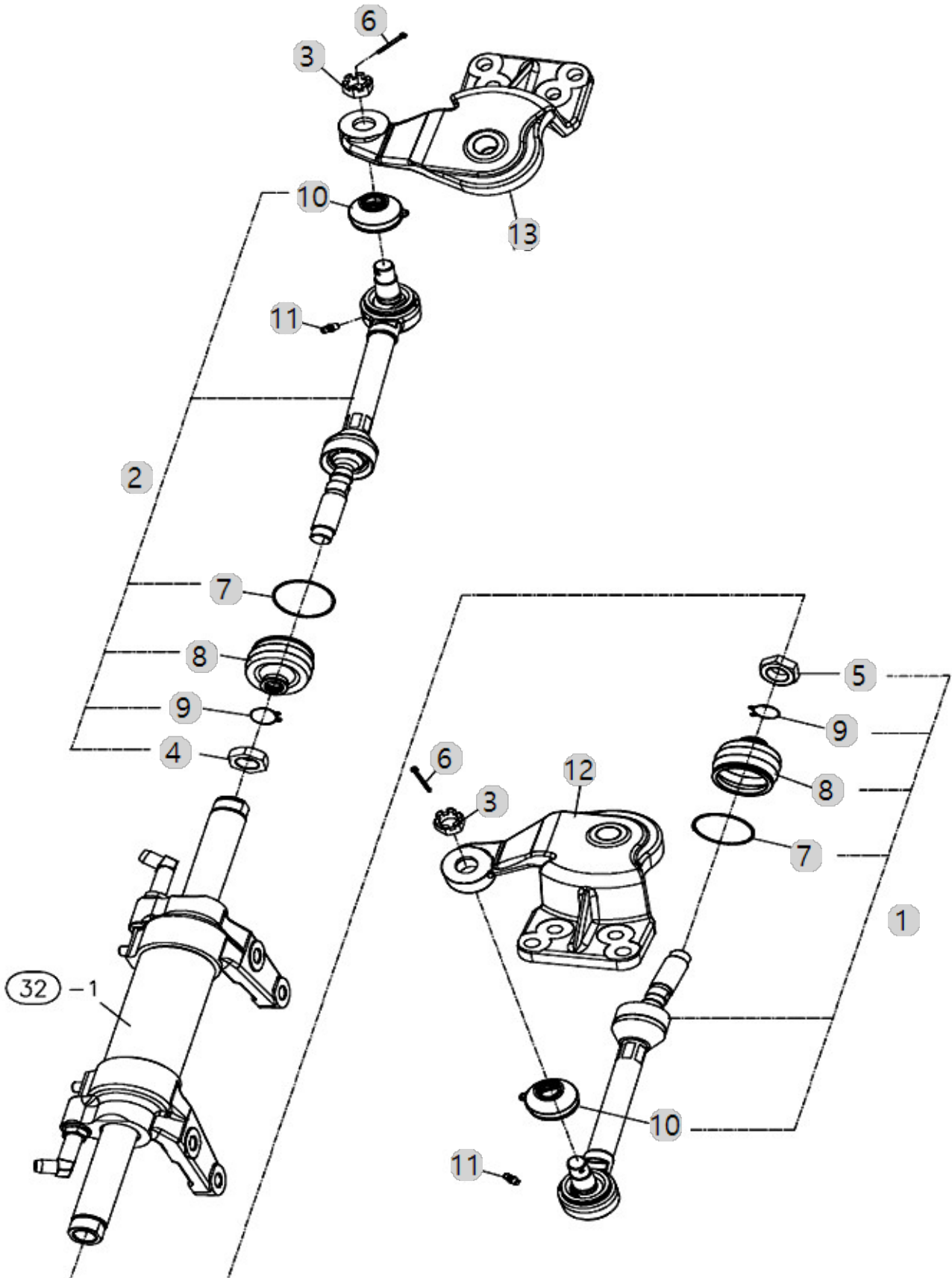
E01080

Year/Month

6225H(AC02122)

TIE ROD

2023-01-18





F01010

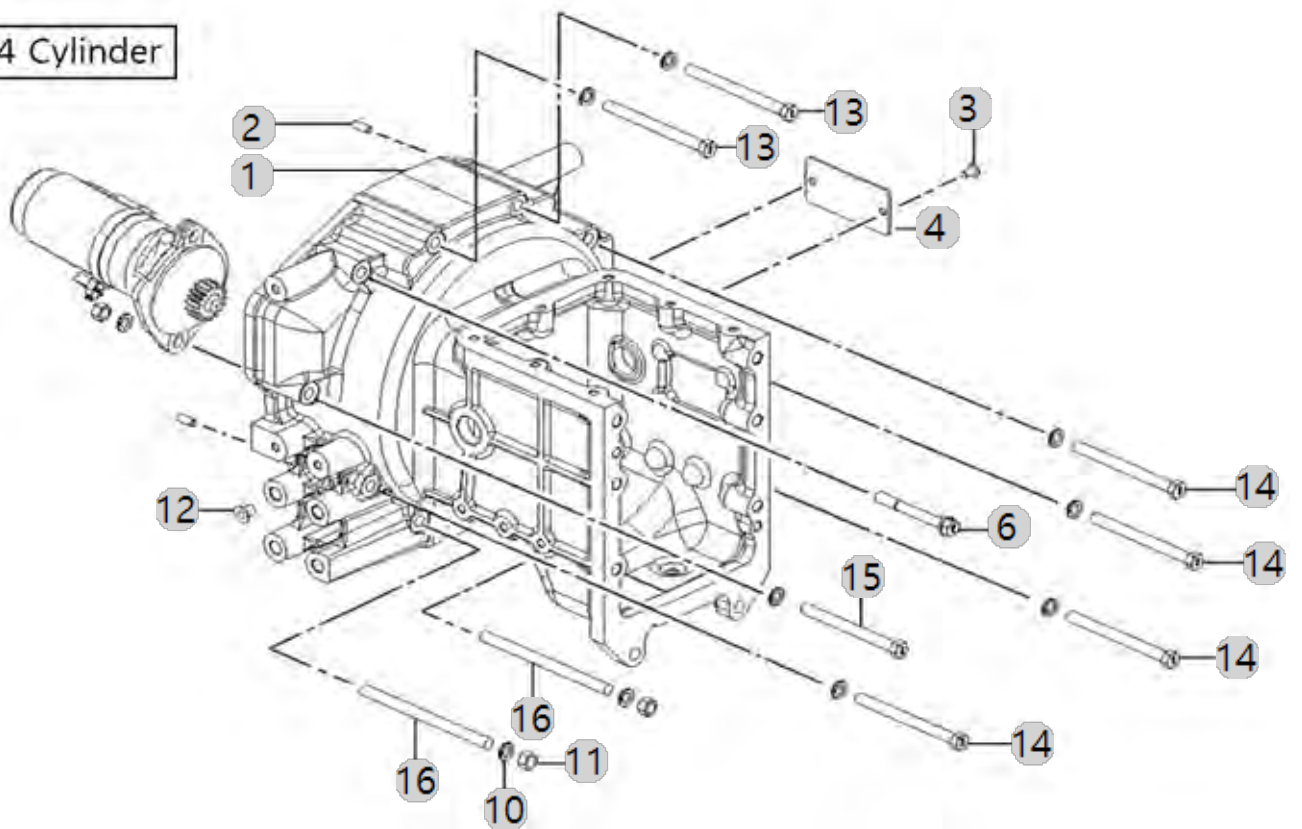
25HST TM총조합  
(NEC)(AC01475)

CLUTCH HOUSING

Year/Month

2023-01-18

4 Cylinder







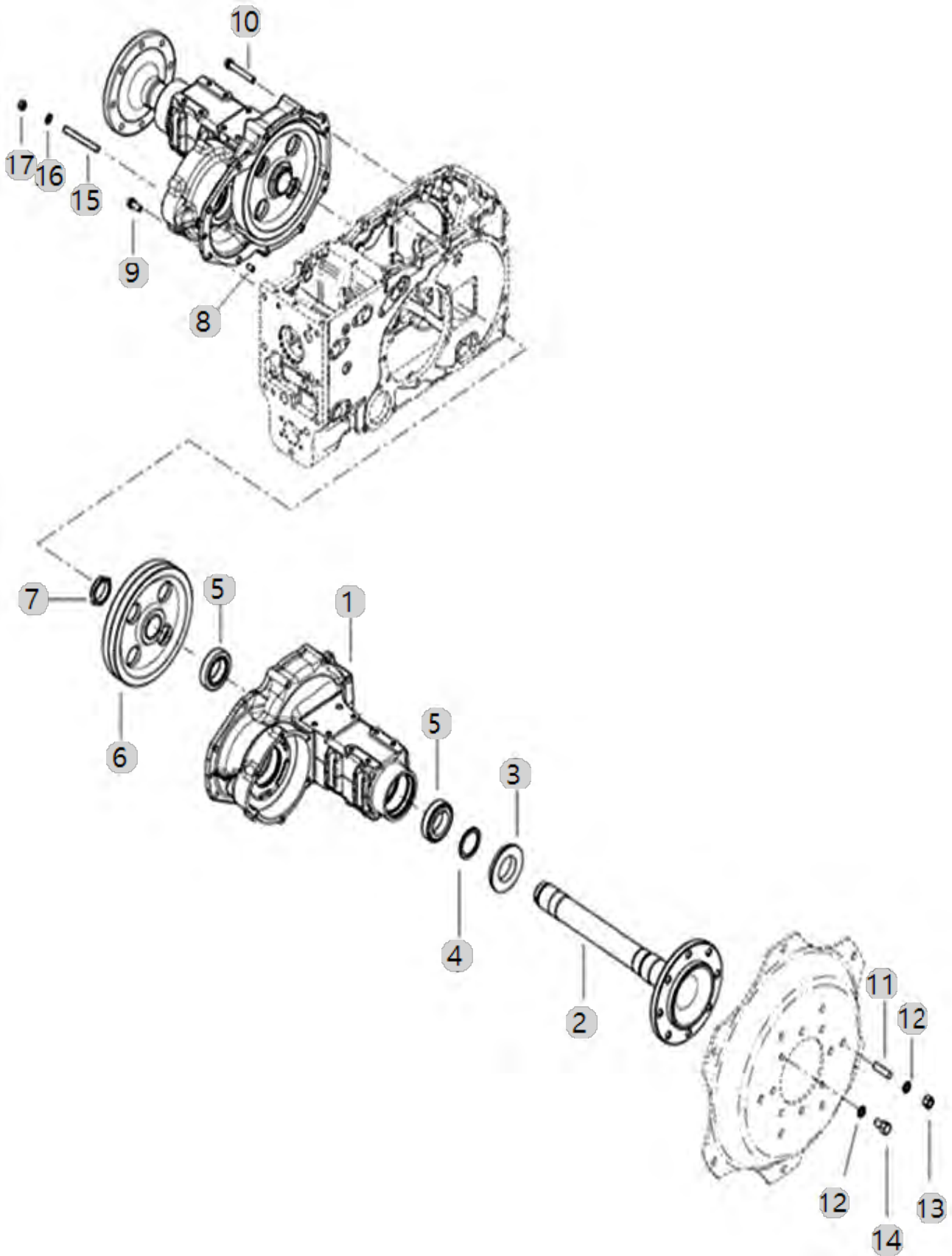
F01030

25HST TM총조합  
(NEC)(AC01475)

HOUSING, REAR AXLE

Year/Month

2023-01-18







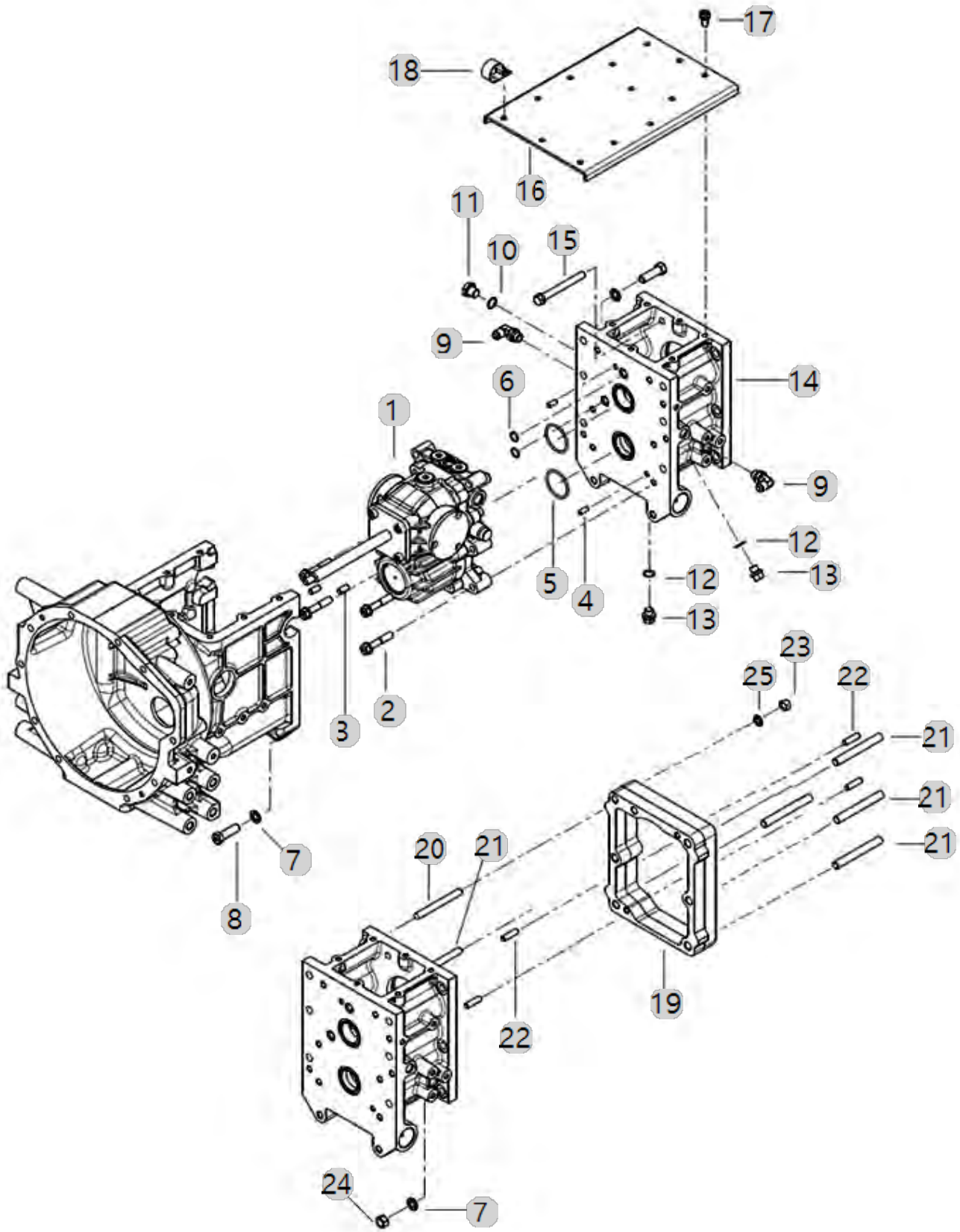
F01050

25HST TM총조합  
(NEC)(AC01475)

HYD SHIFT TRANSMISSION HOUSING

Year/Month

2023-01-18



F01050		HYD SHIFT TRANSMISSION HOUSING				Year/Month
25HST TM총조합 (NEC)(AC01475)						2023-01-18
순번 (NO)	부품번호 (PART NO)	품명 (PART NAME)	품명 (PART NAME)	수량 (QTY)	규격 (SPEC)	비고 (REMARK)
1	TA00056348A	40cc_HST	40CC_HST	1		
1	TA00056348B	40cc_HST	40CC_HST	1		
1	TA00056348C	40cc_HST	40CC_HST	1		
1	TA00056348D	40cc_HST	40CC_HST	1		
1B	TA00056348B	40cc_HST	40CC_HST	1		
1B	TA00056348C	40cc_HST	40CC_HST	1		
1B	TA00056348D	40cc_HST	40CC_HST	1		
2	TA00000957C	와셔조립육각볼트	HEX BOLT, W/WASHER	4		
2	TA00000957B	와셔조립 육각볼트(+SW)	HEX BOLT, W/WASHER	4	M12XP1.75X6	
3	22312-100200	평행핀	PIN, DOWEL (10-20)	2	D10X20	
4	22312-080180	평행핀	PIN, DOWEL (8-18)	2	D8X18	
5	24311-000500	O링	O-RING, DYNAMIC (Φ50)	2	P50	
6	24311-000150	O-링(P형)	O-RING, DYNAMIC (Φ15)	2	P15	
7	22217-140000	스프링와셔14	WASHER, SPRING (Φ 14)	13	M14	
8	FT08090000C4	볼트(M14X45)	BOLT	8	M12X45	
8	FT08090000A4	볼트(M14X45)	BOLT (M14X45)	8	M4X2.0X45	
8	FT08090000D4	볼트(M14X45)		8	M12X45	
9	CEE4050000A4	자리부착엘보3/8	ELBOW (3/8)	2		
9	CEE4050000B4	자리부착엘보3/8	ELBOW(3/8)	2		
10	TTA1140000A4	동패킹	PACKING	1		
11	TTA1130000A4	플러그	PLUG	1	PF3/8	
12	24311-000160	O-링 P 16	O-RING, DYNAMIC (Φ16)	2	P16	
13	23491-140002	플러그	PLUG, DRAIN -> 23490-140002	2	M14	
14	TA00000503H	하우징 케이스	HOUSING CASE	1	NONE	
14	TA00000503I	하우징 케이스	HOUSING CASE	1	NONE	
15	26013-121102	보울트12X110	BOLT12X110	1	M12X1.75X11	
16	TA00001059A	커버	COVER	1	4.5T	
17	26106-100202	육각플랜지볼트	HEX BOLT, (10-20)	10	M10XP1.5X20	
18	TA00003081A	클립M12	CLIP	1		
18	TA00003081B	클립M12	CLIP	1		
19	NT36200000E	스페이서(미션케이스)	SPACER	1		
19	NT36200000E3	스페이서(미션케이스)	SPACER(MISSION CASE)	1		
20	26216-120952	심음볼트(M12*95)	BOLT	1		
21	26216-140952	심음볼트(M14*95)	STUD BOLT	5		
22	NT41430000A4	평행핀	PARALLEL PIN	4	D10X36	
23	26716-120002	295,ALL,육각너트	HEXA NUT295	1	M12X1.75	
24	26716-140002	육각너트	NUT	5	M14X2.0	
25	22217-120000	스프링와셔	WASHER, SPRING (Φ 12)	1	M12	

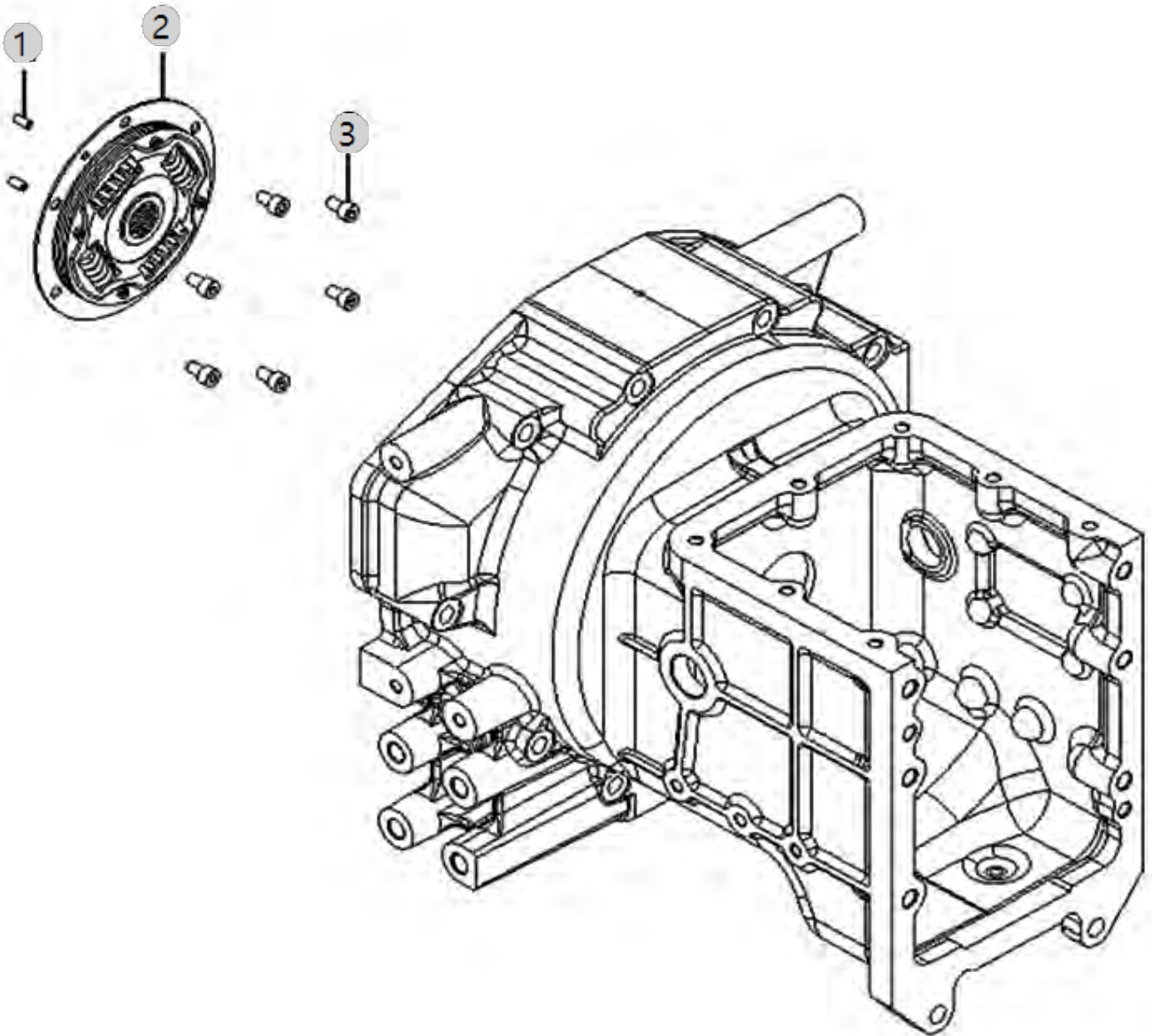
F02080

25HST TM총조합  
(NEC)(AC01475)

CLUTH DISC

Year/Month

2023-01-18





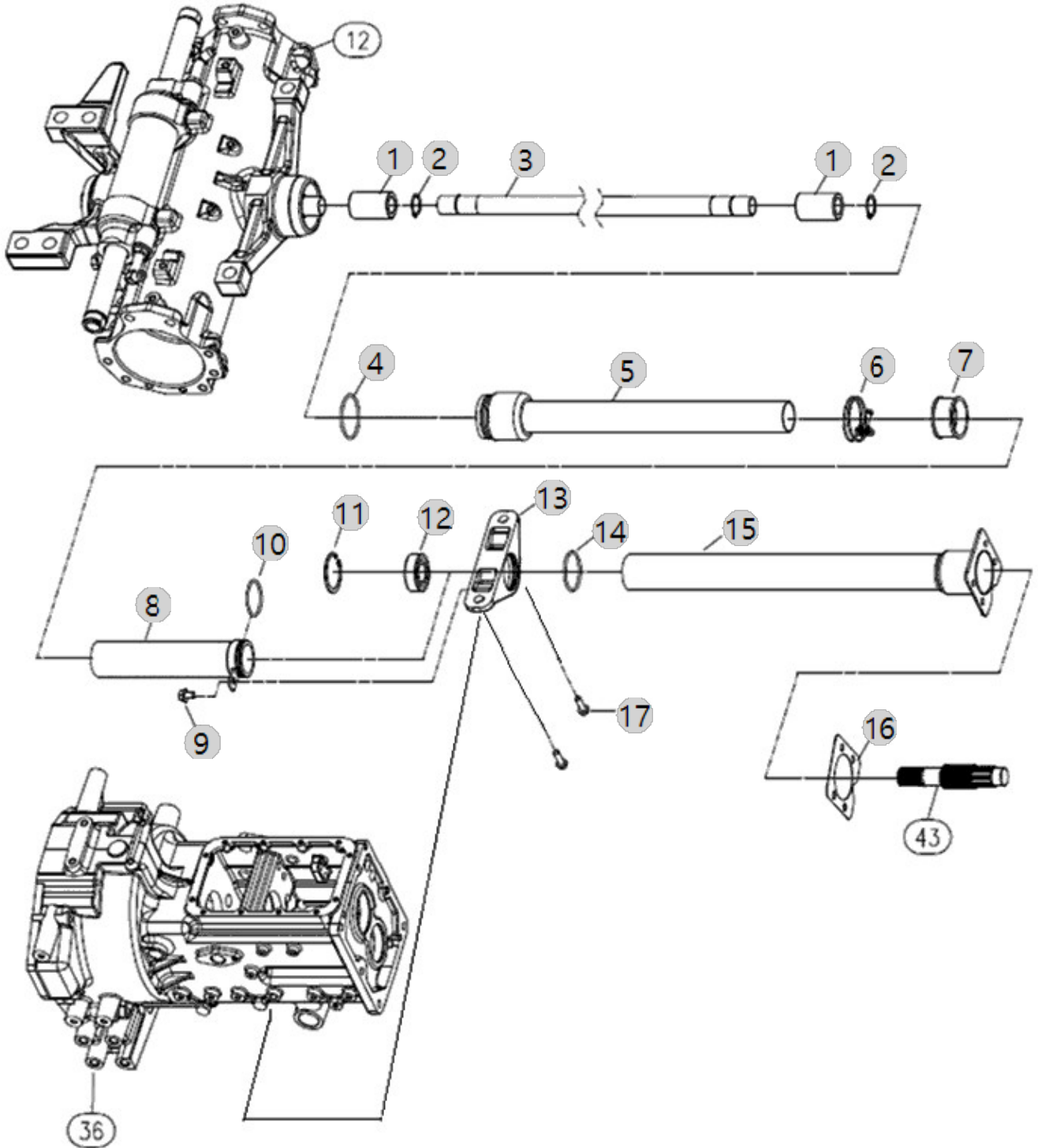
F02110

25HST TM총조합  
(NEC)(AC01475)

PROPELLER SHAFT

Year/Month

2023-01-18







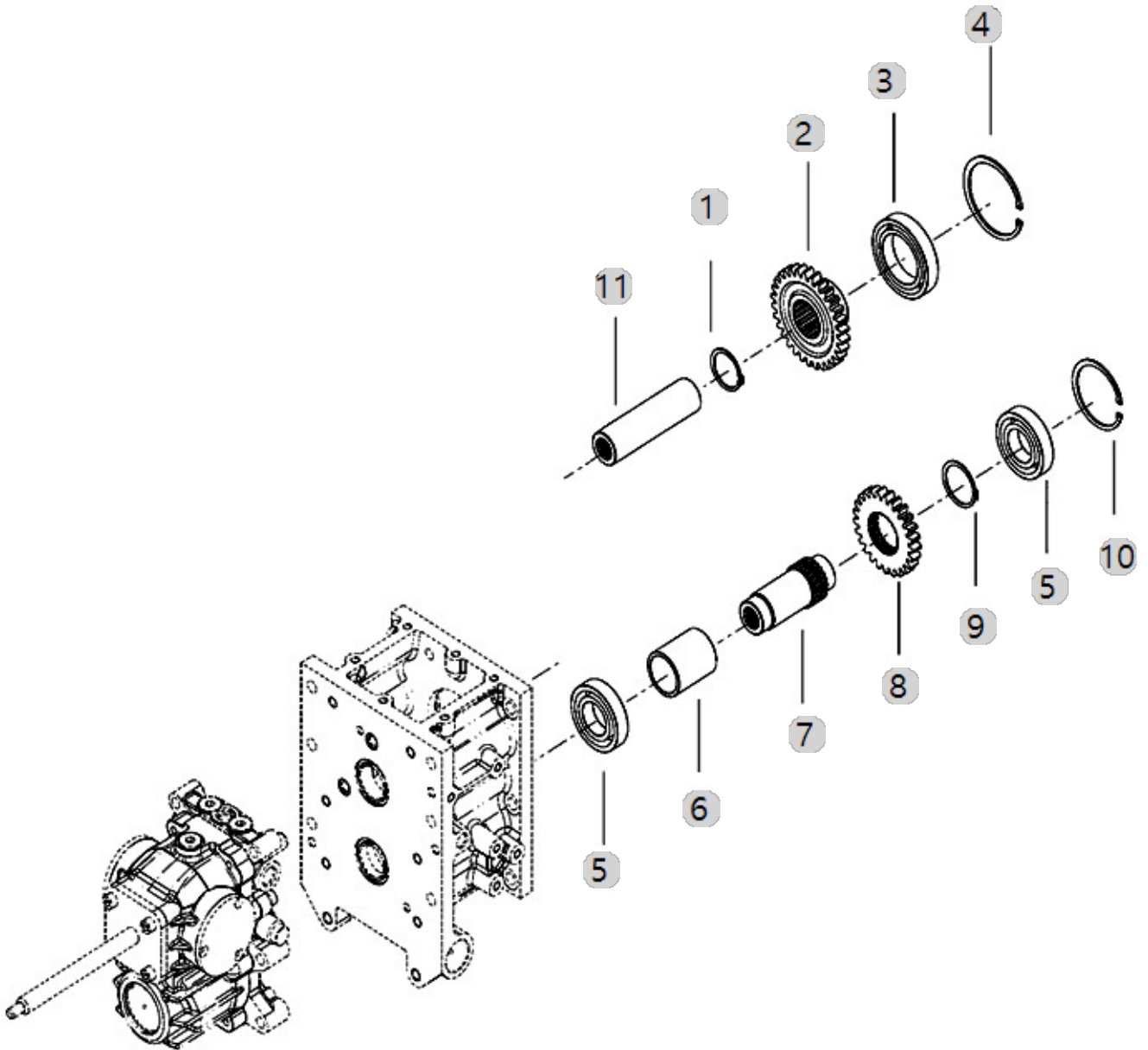
F03030

25HST TM총조합  
(NEC)(AC01475)

HYD SHIFT TRANSMISSION GEAR

Year/Month

2023-01-18







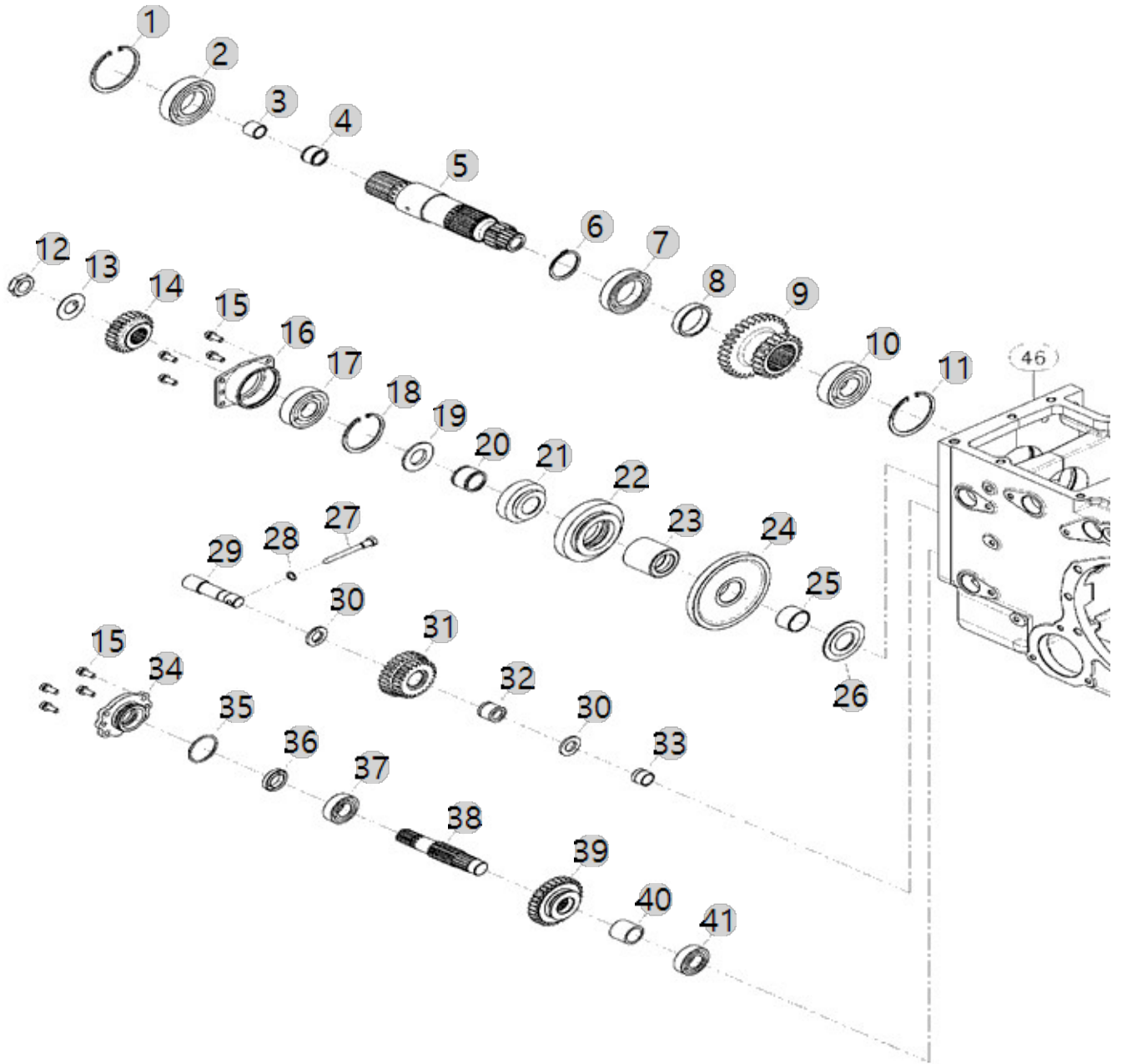
F04000

25HST TM총조합  
(NEC)(AC01475)

FRONT DRIVE & RANGE SHIFT GEAR

Year/Month

2023-01-18





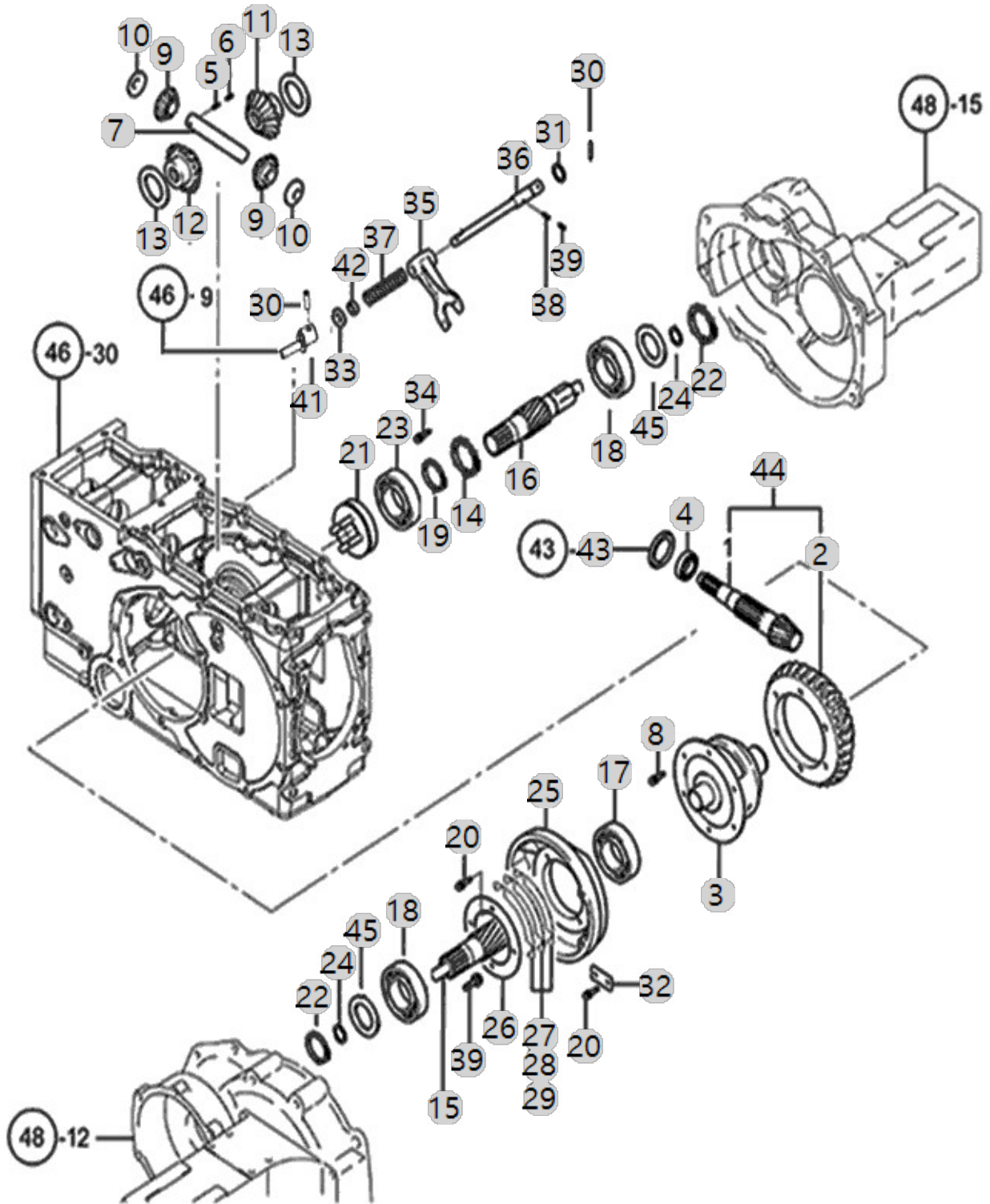
F05000

25HST TM총조합  
(NEC)(AC01475)

DIFFERENTIAL ASS'Y

Year/Month

2023-01-18



F05000 25HST TM총조합 (NEC)(AC01475)		DIFFERENTIAL ASS'Y				Year/Month
						2023-01-18
순번 (NO)	부품번호 (PART NO)	품명 (PART NAME)	품명 (PART NAME)	수량 (QTY)	규격 (SPEC)	비고 (REMARK)
1	TN49510000B2	카운터축	COUNTERSAHFT	1		
2	TN49520000D2	링기어	RINGGEAR	1		
3	TN49030000E2	차동케이스	CASE,DIFFERENTIAL	1		
4	TT78020000A3	베어링NJ307R	BEARINGNJ307R	1	NJ307R	DEL.20220323
5	22312-060360	평행핀	PIN, DOWEL (6-36)	1	D6X36	
6	22351-060032	스프링핀	PIN, SPRING (6-32)	1	D6X32	
7	TF64080000A4	피니언축	PINIONSHAFT	1		
8	TF64090000A4	볼트	BOLT	6	M10X1.25X25	
8	TF64090000B4	볼트	BOLT	6		
9	TF64100000B3	차동피니언	PINION	2		
10	TF64110000A4	피니언라이너	PINIONLINER	2	T1.0	
11	TF64120000C3	차동사이드기어(A)	차동사이드기어(A)	1		
11	TF64120000A3	차동사이드기어(A)	DIFF.SIDEGEAR(A)	1		
12	TF64130000A3	차동사이드기어(B)	DIFF.SIDEGEAR(B)	1		
13	TF64140000B4	사이드기어라이너	SIDEGEARLINER	2		
14	22252-000800	구멍용스냅링80	RING, CIRCLIP (Φ 80)	1	D80	
15	TA00032603E	파이널 피니언(좌)	FINAL PINION(L)	1		
16	TA00032596E	파이널 피니언(우)	FINAL PINION(R)	1		
17	24101-062114	볼베어링6211	Bearing, Ball (#6211)	1	#6211	
18	TF64190000A4	베어링6308HL1	BALL BEARING (#6308HL1) -> TF64190000A3	2	NJ307R	DEL.20220323
19	22242-000500	축용스냅링50	SNAP RING, SHAFT (Φ50)	1	D50	
20	26013-080202	와셔조립육각볼트(+SW)	Bolt, Hexa (8-20)	4	M8XP1.25X20	
21	TF64250000B3	데프록스러스트	THRUST, DIFF-LOCK ASSY	1		
22	22252-000900	구멍용스냅링90	RING, CIRCLIP (Φ 90)	2	D90	
23	24101-060104	볼베어링6010	Bearing, Ball (#6010)	1	#6010	
24	22242-000400	축용스냅링40	SNAP RING, SHAFT (Φ 40)	2	D40	
25	TN49550000B2	캐리어	CARRIOR	1		
26	TN49590000A4	리테이너	RETAINER	1		
27	TZ49560000A4	심A(0.5)	SHIMA	3		
28	TZ49570000A4	심B(0.3)	SHIMB	3		
29	TZ49580000A4	심C(0.1)	SHIMC	2		
30	22351-080032	스프링핀	PIN, SPRING (8-32)	2	D8X32	
31	24311-000160	O-링 P 16	O-RING, DYNAMIC (Φ16)	1	P16	
32	TB32360000A4	리테이너	RETAINER	2	T4.5X25X50	
33	TN49380000A4	와셔	WASHER	1	T4.2X30X30	
34	26013-080202	와셔조립육각볼트(+SW)	Bolt, Hexa (8-20)	9	M8XP1.25X20	
35	TN49400000B2	차동포크	FORKDIFFERENTIALLOCK	1		
36	TA00027271B	포크축	SHAFT	1		
36	TA00027271C	포크축	SHAFT	1		
37	TN49430000A4	스프링	SPRING	1	D4.0	
38	22351-080040	스프링핀8X40	PIN, SPRING (8-40)	1	D8X40	
39	22351-050040	스프링핀5X40	PIN, SPRING (5-04)	1	D5X40	
41	TA00027987B	차동링크	LINK	1	NONE	
41	TA00027987C	차동링크	LINK	1	NONE	
42	24421-152507	오일실TC152507	Seal, Oil (#15-25-07)	1	TC15X25X7	





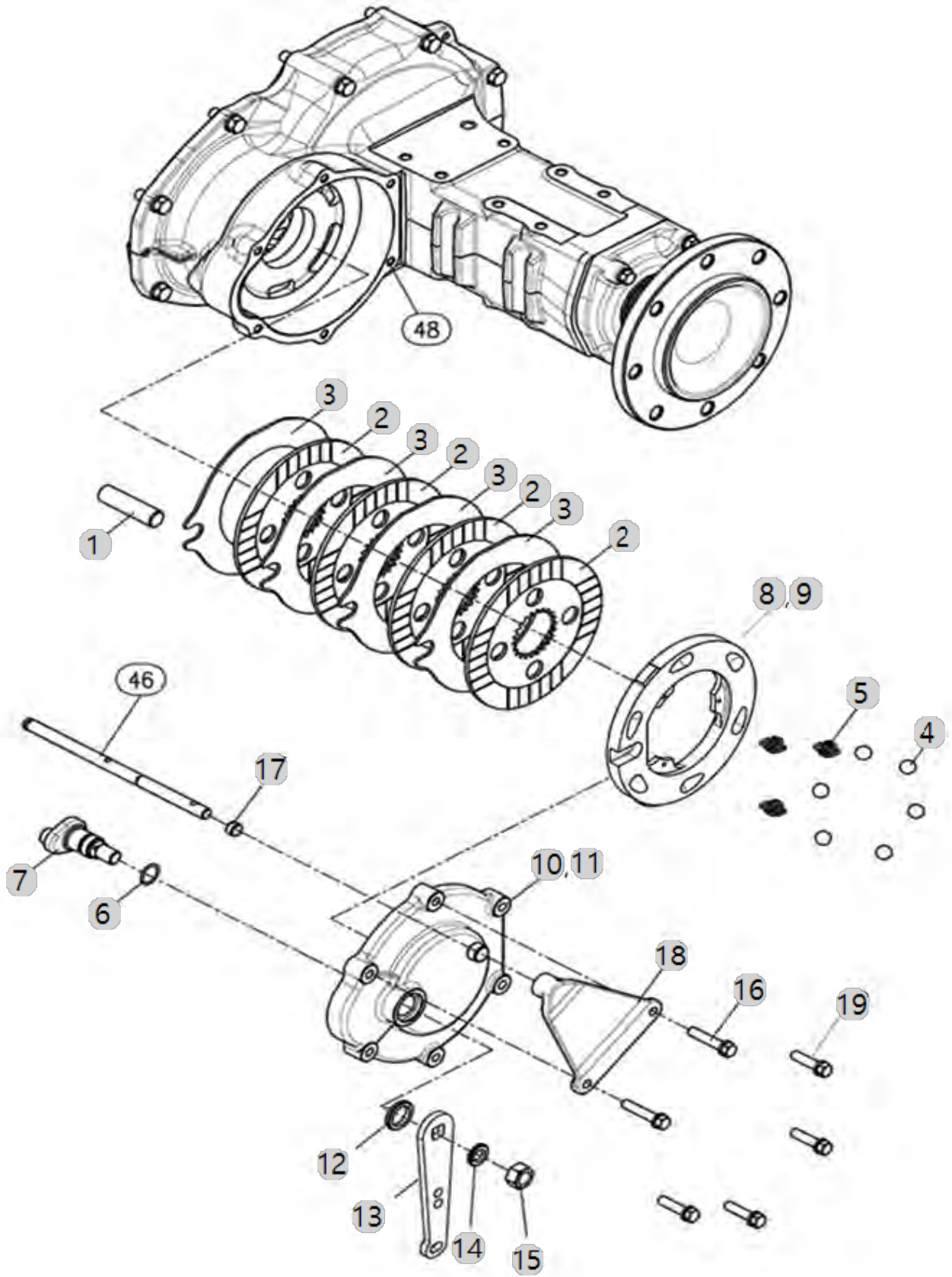
F06030

25HST TM총조합  
(NEC)(AC01475)

BRAKE

Year/Month

2023-01-18







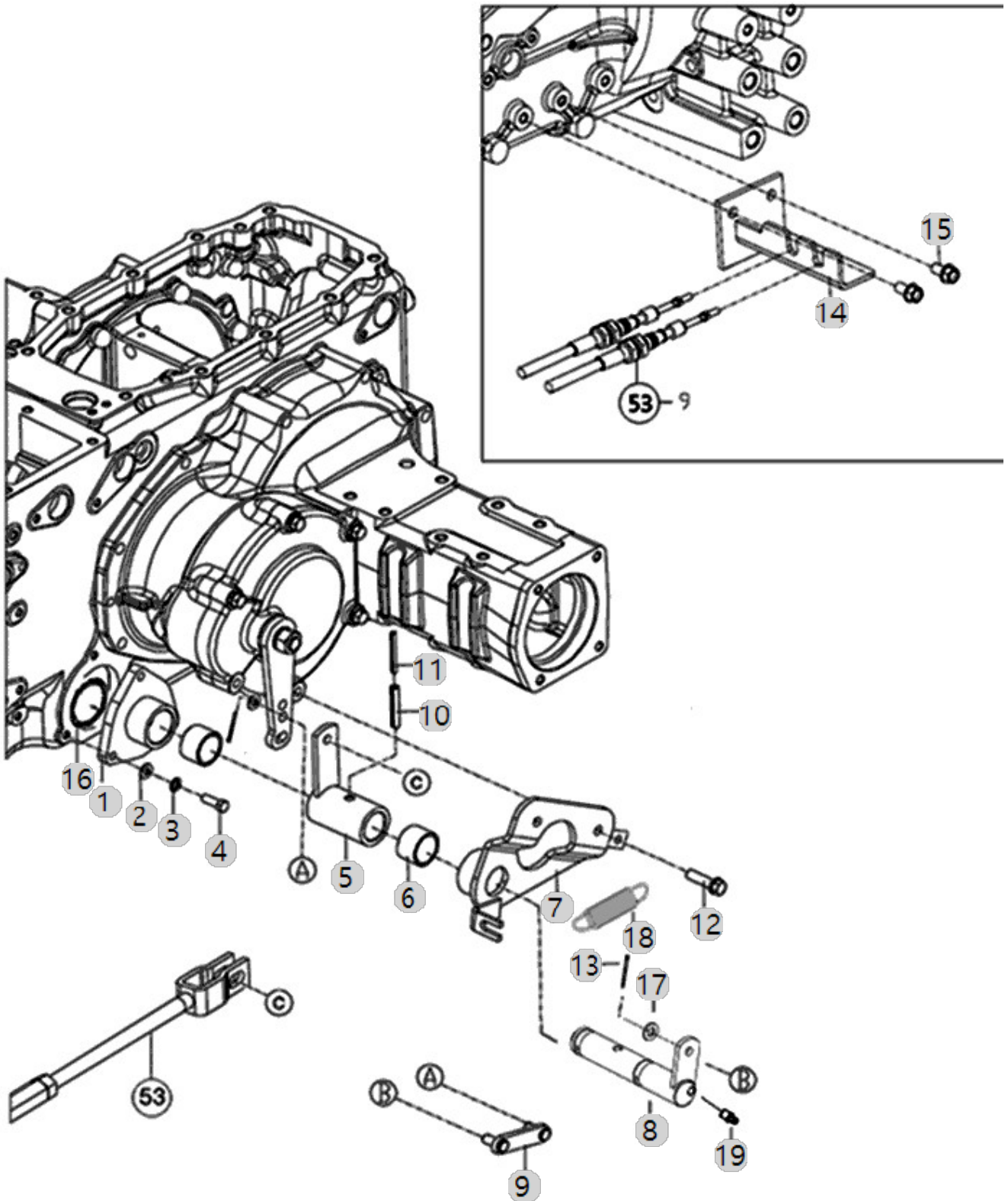
F06031

25HST TM총조합  
(NEC)(AC01475)

SUPPORT, BRAKE

Year/Month

2023-01-18





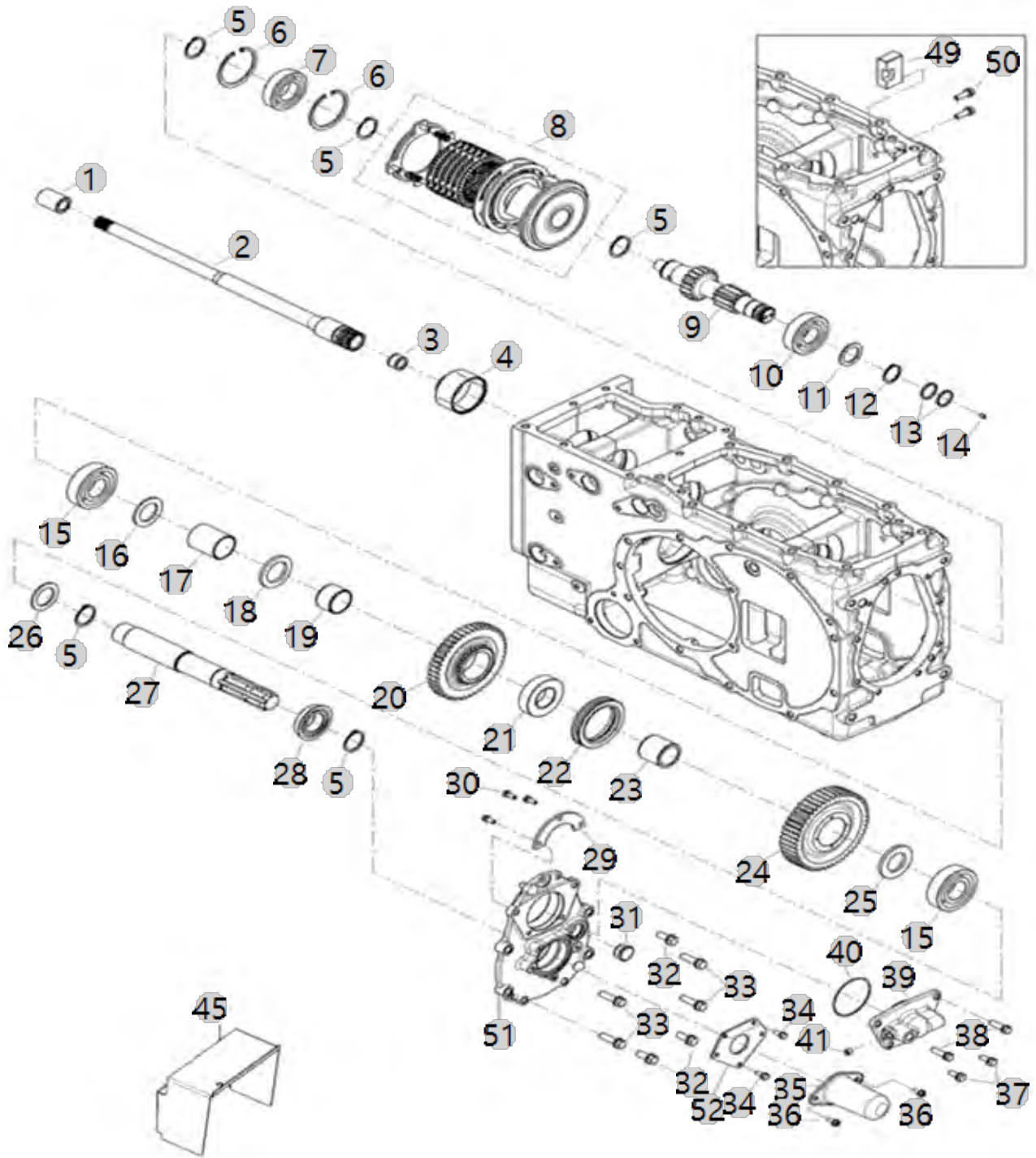
F07000

25HST TM총조합  
(NEC)(AC01475)

PTO

Year/Month

2023-01-18



F07000 25HST TM총조합 (NEC)(AC01475)		PTO				Year/Month 2023-01-18
순번 (NO)	부품번호 (PART NO)	품명 (PART NAME)	품명 (PART NAME)	수량 (QTY)	규격 (SPEC)	비고 (REMARK)
1	TN4520000A4	조인트	JOINT	1		
2	TA00015484A	FLOODLAMP(AL156627)	FLOODLAMP	1		
2	TA00015848A	PTO연결축(HST)20	PTO SHAFT(HST)	1		
3	24161-182417	니들베어링	Bearing, Needle (#18-24-17)	1	KT182417	
4	NT4548000A3	PTO커플링	PTO COUPLING	1		
5	22242-000350	축용스냅링35	SNAP RING, SHAFT (Φ 35)	5	D35	
6	22252-000720	구멍용스냅링72	RING, CIRCLIP (Φ 72)	2	D72	
7	24101-062074	볼베어링6207	BALL BEARING (#6207)	1	#6207	DEL.20220323
8	TA00026514D	PTO클러치팩	PTO CLUTCH PACK	1		
9	NT4592000A2	PTO변속축	SHAFT, PTO SHIFT	1		
10	24101-063064	볼베어링6306	Bearing, Ball (#6306)	1	#6306	DEL.20220323
11	TN4552000A4	칼라	COLLAR	1		
12	22242-000300	축용스냅링30	SNAP RING, SHAFT (Φ 30)	1	D30	
13	TT64070000B	시일링	SEALING	2		
13	TT64070000B4	시일링	SEAL RING	2	26X30X3	
14	TT64080000A4	멈춤나사 M7X1	RETAININGSCREWM7X1	1	M7XP1.0	
15	24101-063074	볼베어링6307	Bearing, Ball (#6307)	2	#6307	DEL.20220323
16	NT45670000B	스러스트와셔	THRUST WASHER	1		
16	NT45670000B4	스러스트와셔	THRUST WASHER	1	3.0T	
17	NT45680000B	스페이서	SPACER	1		
17	NT45680000B4	스페이서	SPACER	1	D45XT2.6	
18	NT45440000B	칼라	COLLAR	1		
18	NT45440000C4	칼라	COLLAR	1		
19	TA00033210A	니들부시D	NEEDLE BUSH D	2		
20	TA00033211B	PTO기어46T	GEAR 46T, PTO	1		
20	TA00033211C	PTO기어46T	GEAR 46T, PTO	1		
21	TZ4510000A3	PTO허브	HUB,P.T.O	2		
21	TZ4510000B3	PTO허브	HUB,P.T.O	2		
22	TZ45110000C4	PTO슬리브	SLEEVE,P.T.O	2		
23	TA00033209A	니들부시B	NEEDLE BUSH B	1		
24	TA00033212C	PTO기어49T	GEAR 49T, PTO	1		
25	TZ45140000B4	칼라	COLLAR	1	5T	
26	TA00033212B	PTO기어49T	GEAR 49T, PTO	1		
27	NT45130000B3	PTO축	shaft, PTO	1		
27	TZ45140000A4	칼라	COLLAR	1		
28	TN45120000A4	와셔	WASHER	1	T3.0X60X60	
29	NT45130000B	PTO축	SHAFT,P.T.O	1		
30	TT62040000A3	PTO 오일실 QLF35X60X19	PTO OIL SEAL QLF35X60X19	1	35X60X19	
31	NT45640000A4	베어링커버	Bearing Cover	1		
32	26013-060162	와셔조립육각볼트(+SW)	Bolt, Hexa (6-16)	3	M6XP1.0X16	
33	TCA8130000A4	검유창	SIGHTGLASS -> NT45690000A4	1		
34	26013-100252	와셔조립육각볼트(+SW)	SCREW, CAPTIVE WASHER CAP	3	M10X1.50X02	
35	26013-100352	볼트	Bolt, Hexa (10-35)	4		
36	26013-060162	와셔조립육각볼트(+SW)	Bolt, Hexa (6-16)	3	M6XP1.0X16	
37	TT80030000A3	P.T.O커버	P.T.OCOVER	1		





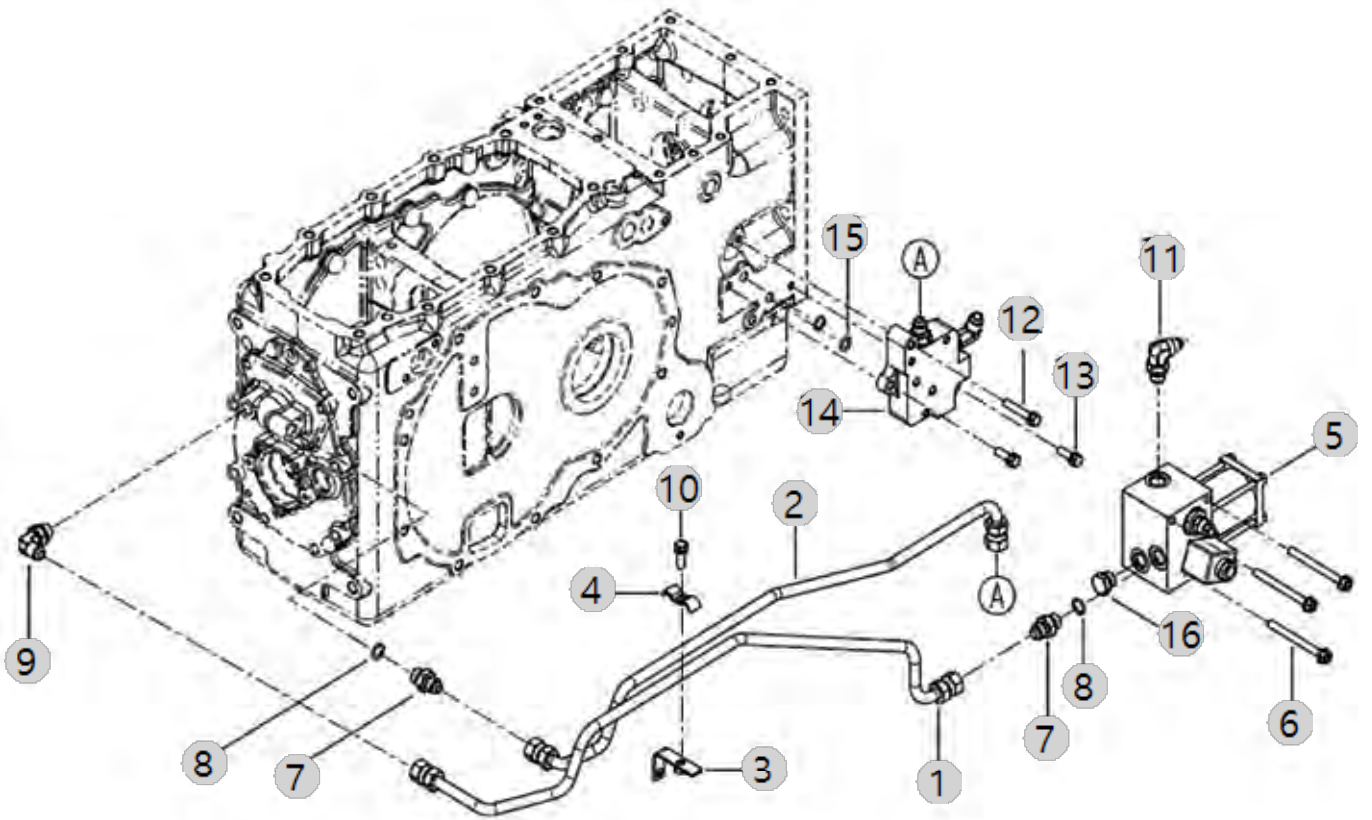
F07050

25HST TM총조합  
(NEC)(AC01475)

PTO VALVE

Year/Month

2023-01-18







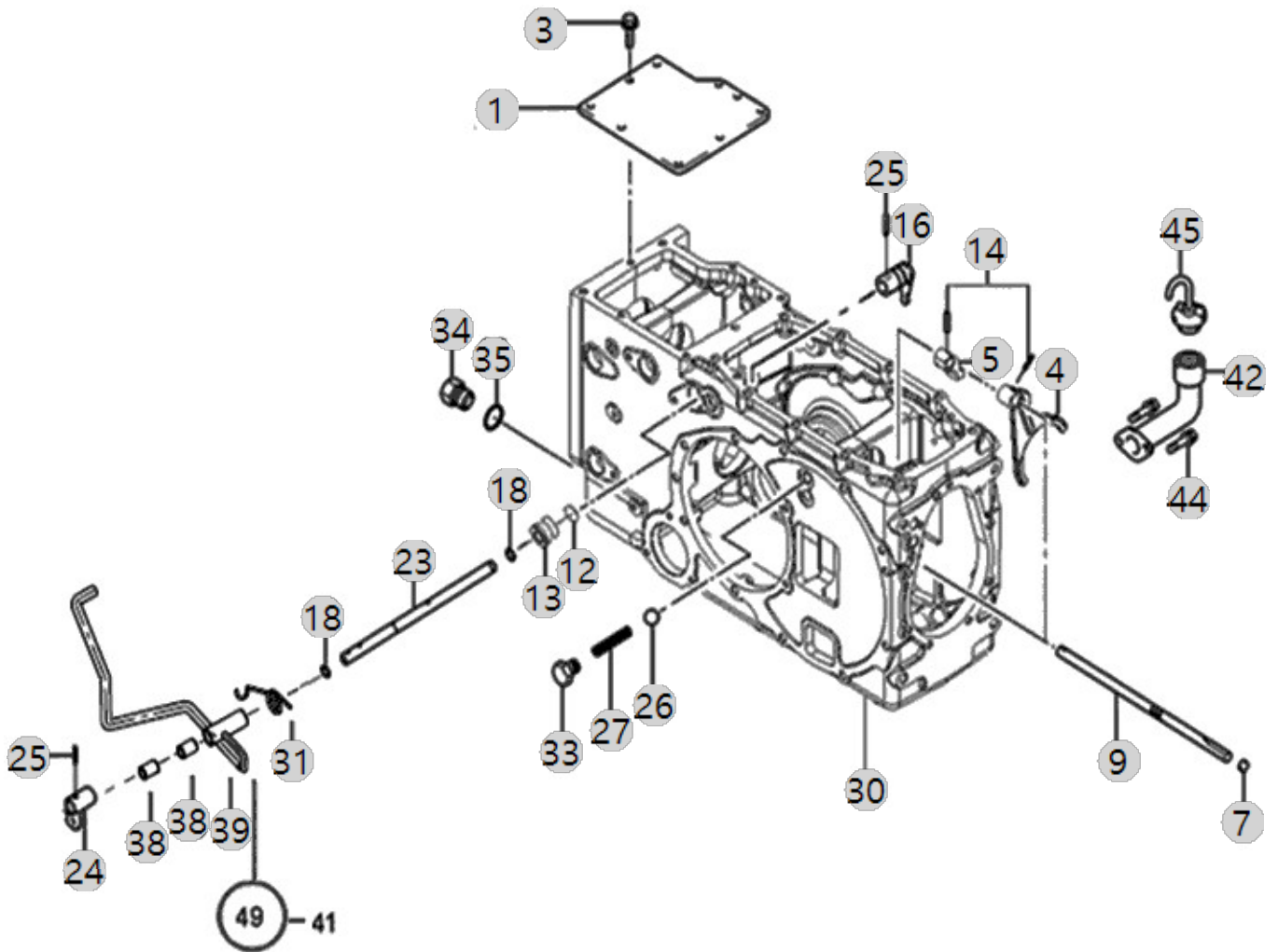
F08060

25HST TM총조합  
(NEC)(AC01475)

FORK, PTO SHIFT

Year/Month

2023-01-18





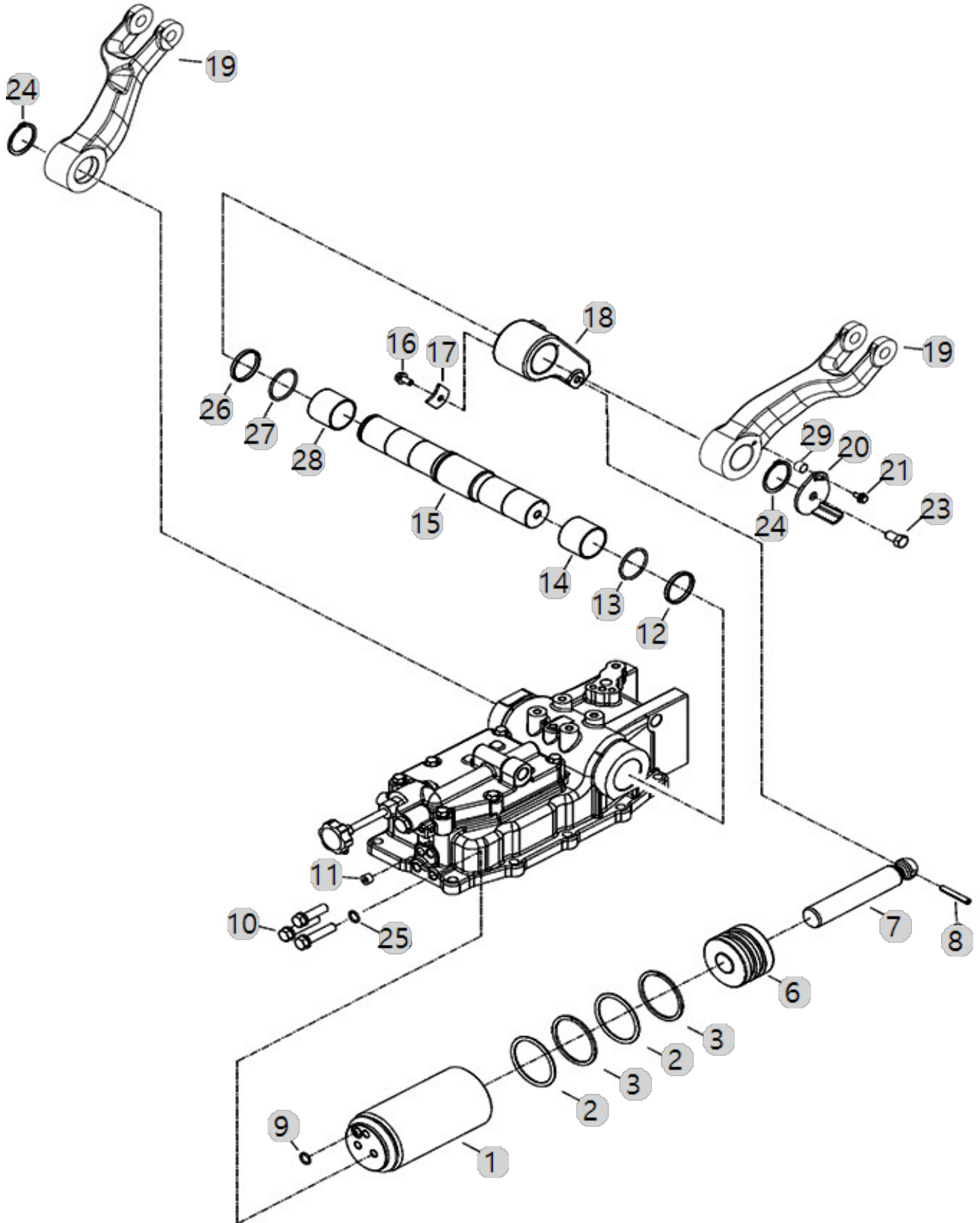
F10020

25HST TM총조합  
(NEC)(AC01475)

LIFT ARM

Year/Month

2023-01-18





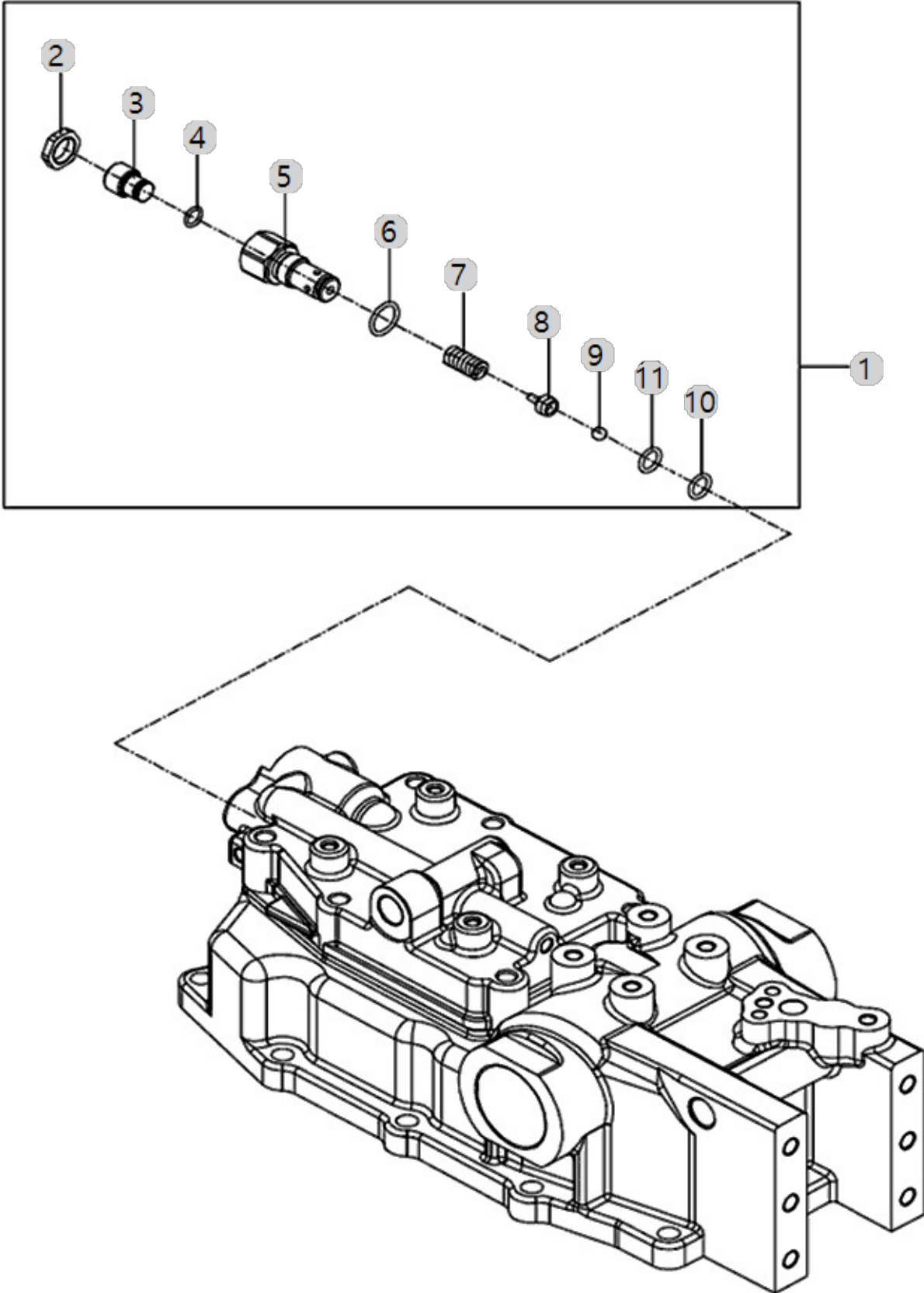
F10030

25HST TM총조합  
(NEC)(AC01475)

SAFTY VALVE

Year/Month

2023-01-18







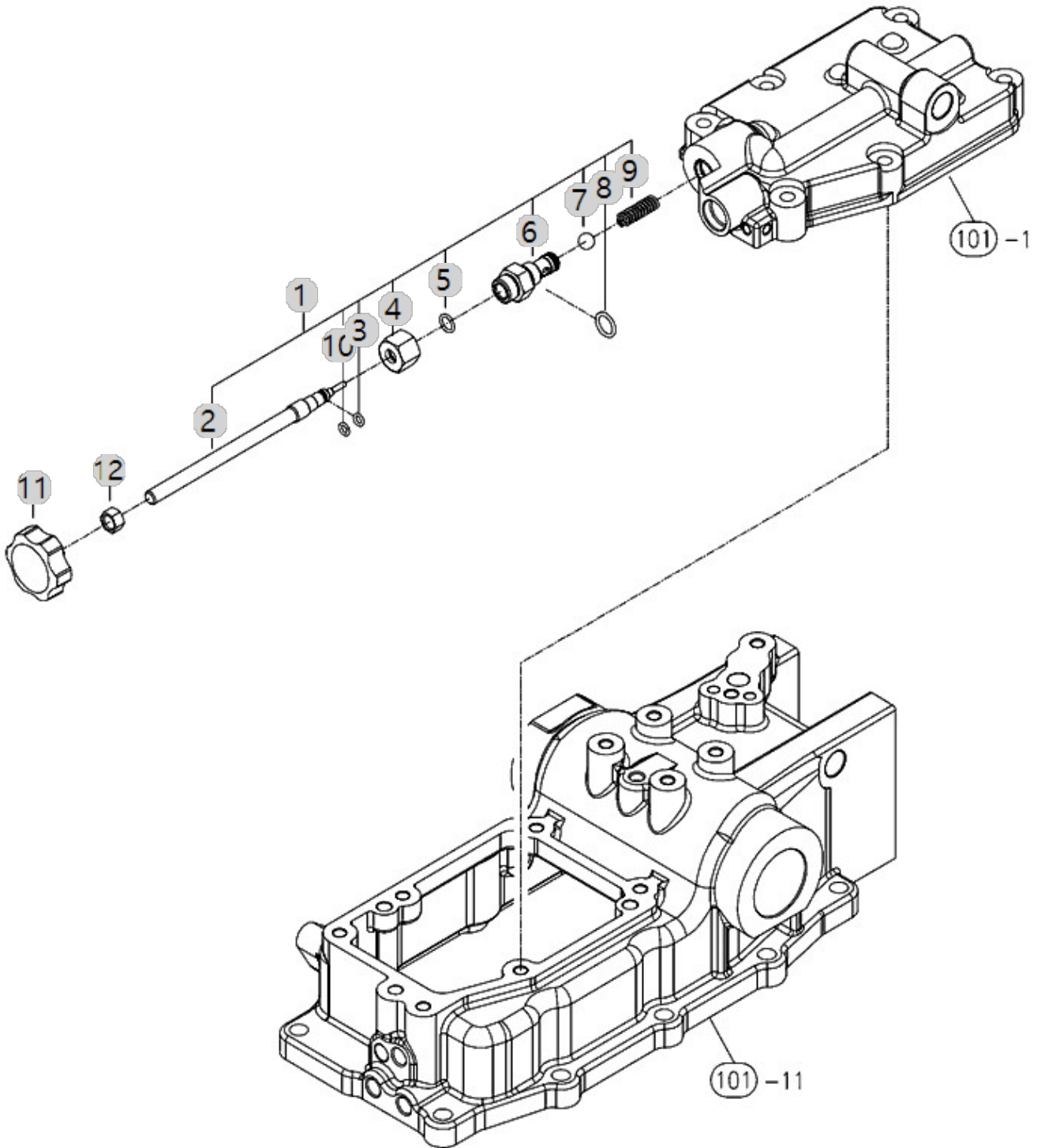
F10040

25HST TM총조합  
(NEC)(AC01475)

STOP VALVE

Year/Month

2023-01-18







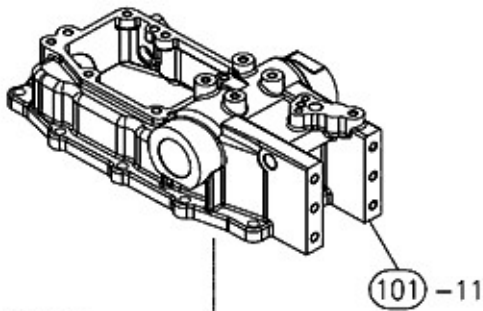
F10061

25HST TM총조합  
(NEC)(AC01475)

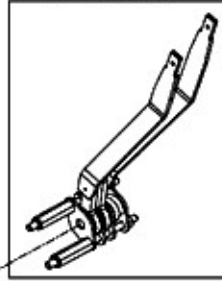
DRAFT/ POSITION CONTROL LEVER

Year/Month

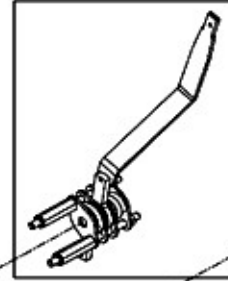
2023-01-18



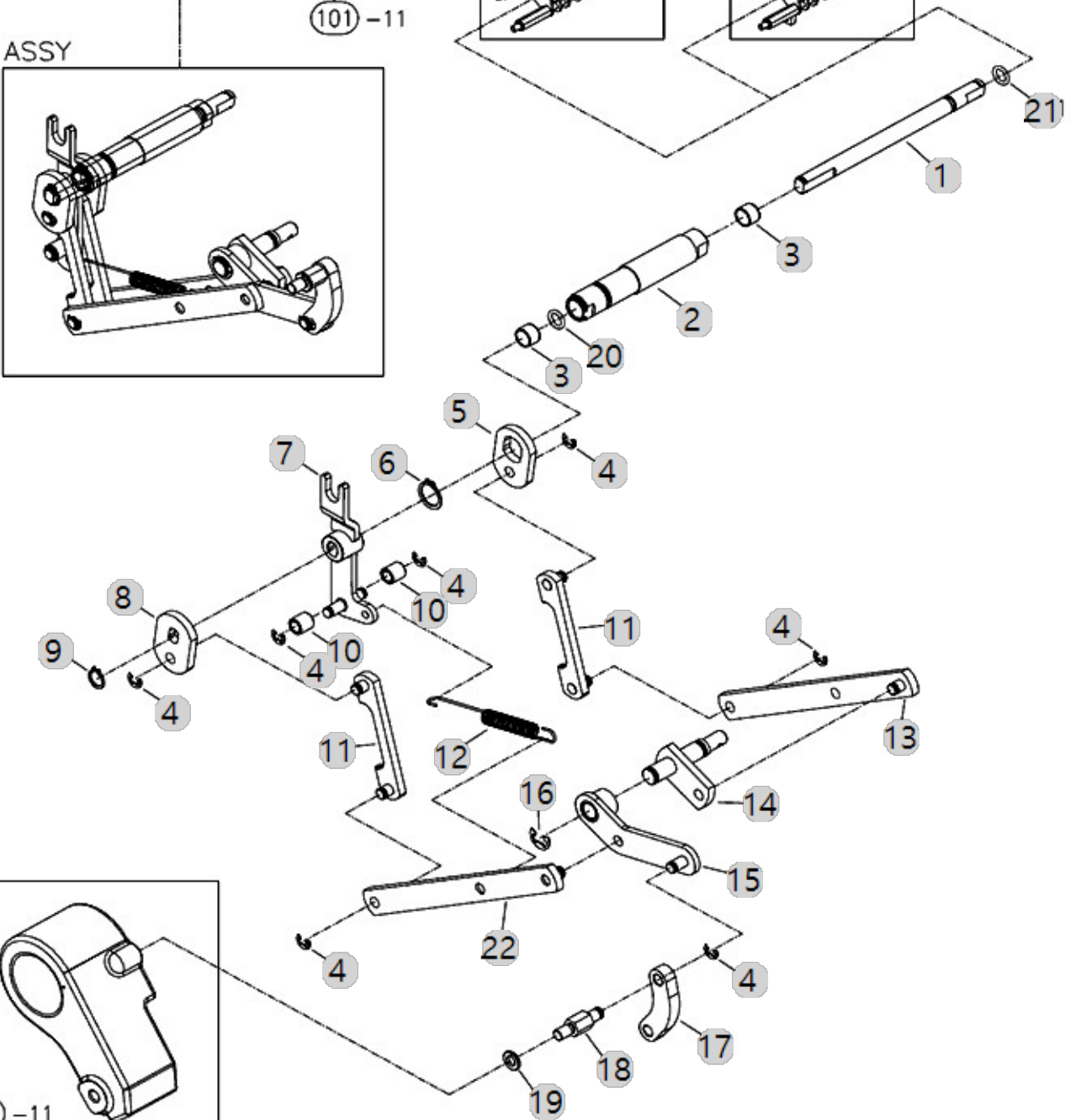
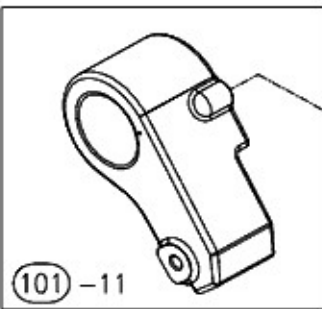
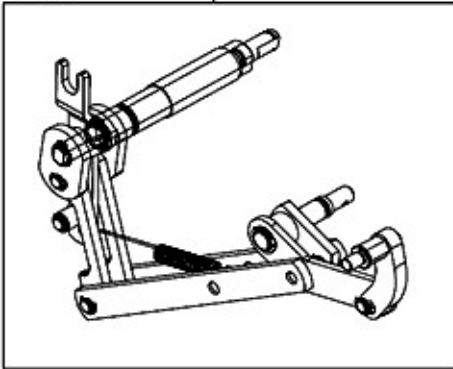
POSITION  
& DRAFT



POSITION



ASSY





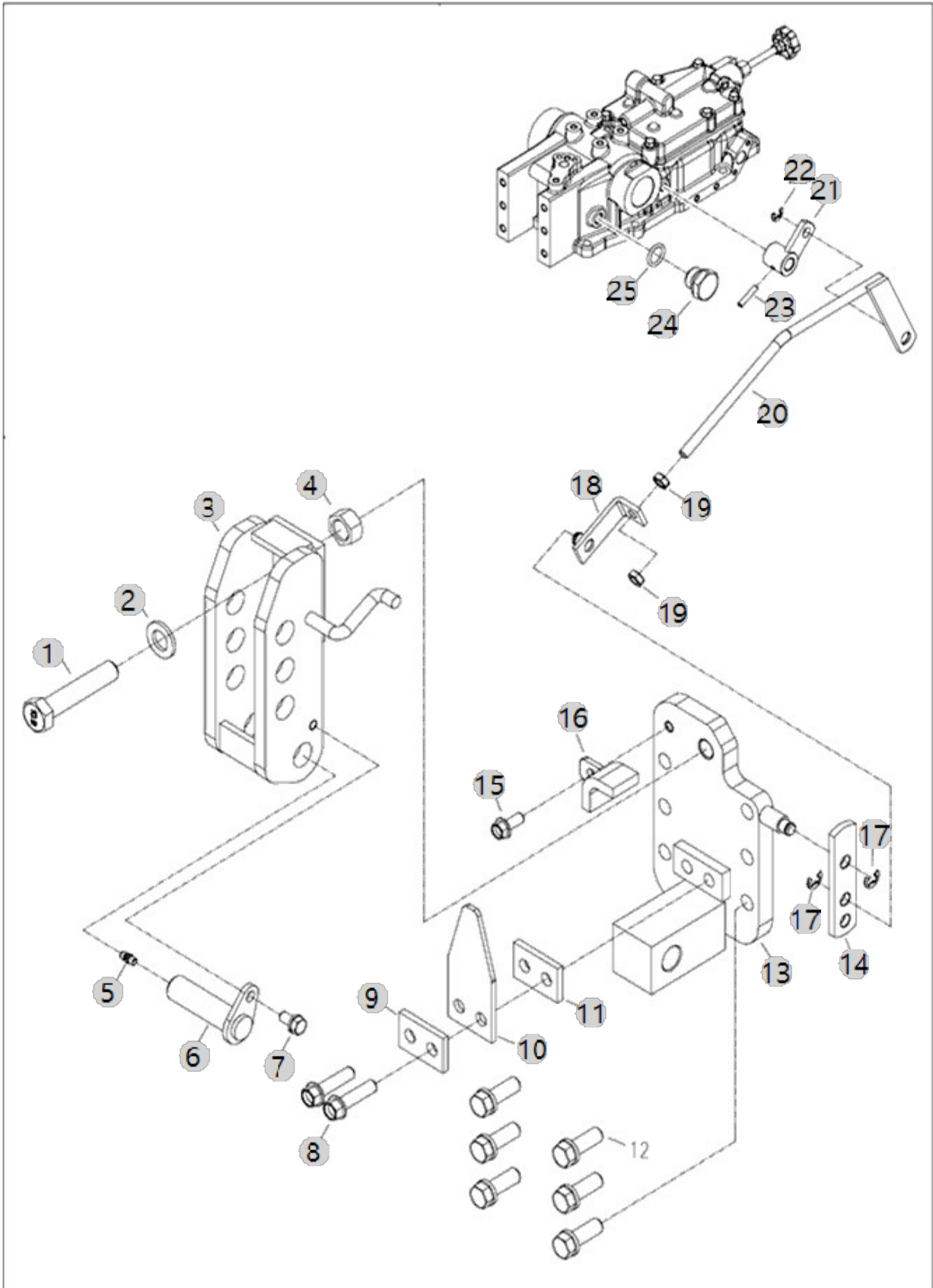
F10063

25HST TM총조합  
(NEC)(AC01475)

DRAFT CONTROL

Year/Month

2023-01-18





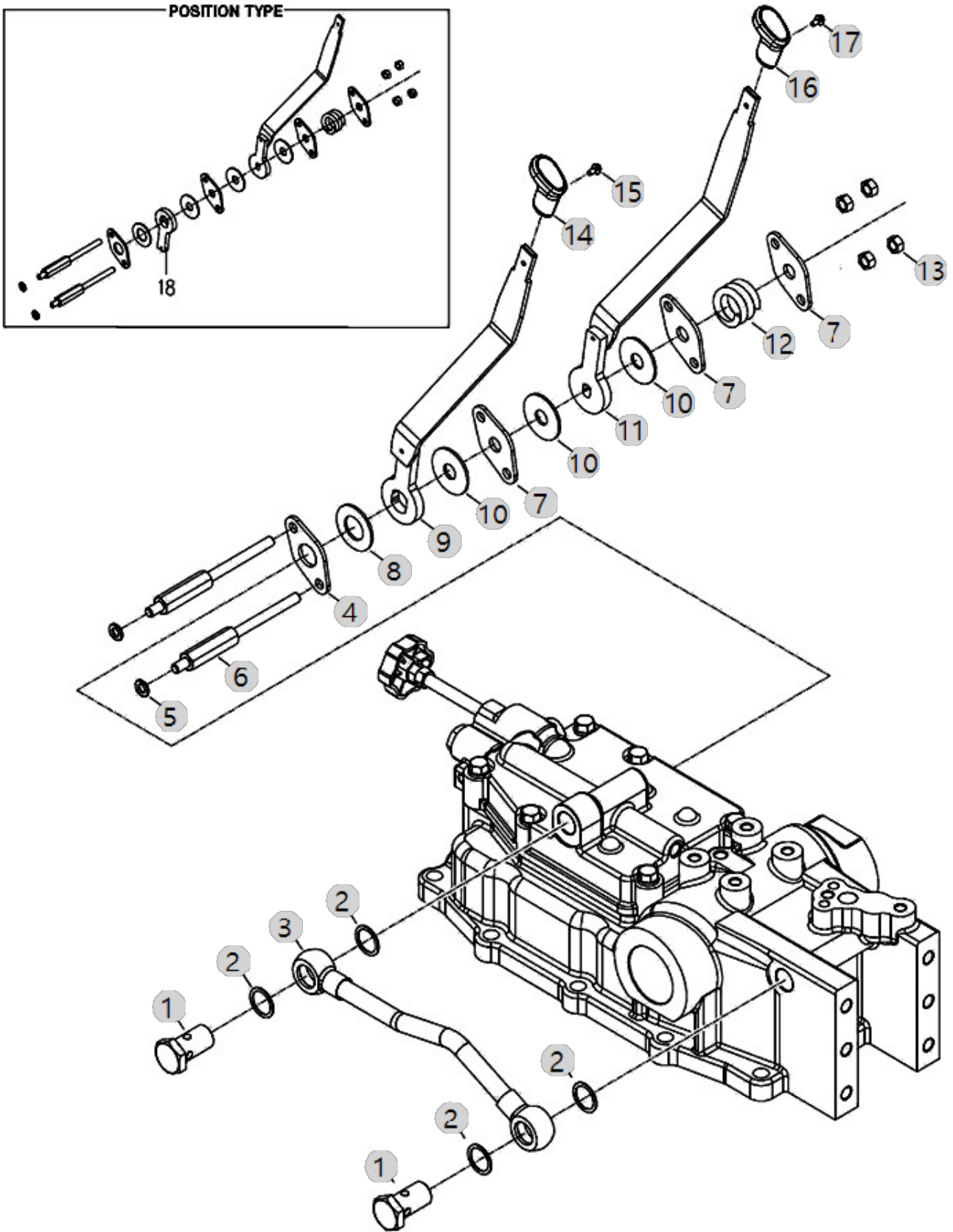
F10064

25HST TM총조합  
(NEC)(AC01475)

POSITION CONTROL LEVER

Year/Month

2023-01-18









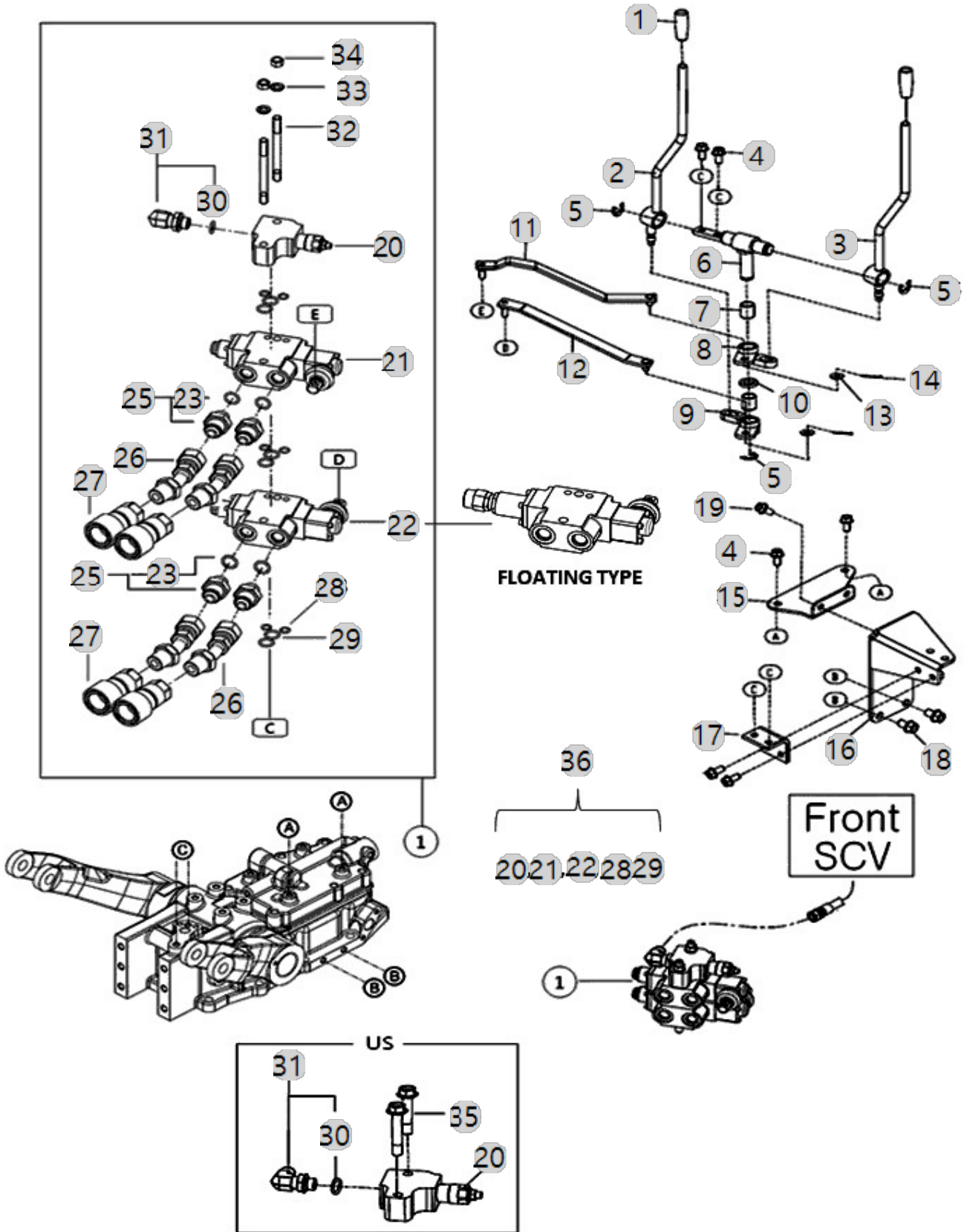
F10120

25HST TM총조합  
(NEC)(AC01475)

REAR SCV

Year/Month

2023-01-18



F10120 25HST TM총조합 (NEC)(AC01475)		REAR SCV				Year/Month
						2023-01-18
순번 (NO)	부품번호 (PART NO)	품명 (PART NAME)	품명 (PART NAME)	수량 (QTY)	규격 (SPEC)	비고 (REMARK)
1	VD05460000A	SCV레버 노브	KNOB, SCV LEVER	2		
2	TA00034047C	레버 A 조합	LEVER A ASS'Y	1		
3	TA00034049C	레버 B 조합	LEVER B ASS'Y	1		
4	26106-080162	플랜지볼트8X16	SCREW,HEXFLANGEHEADCAP	6	M8XP1.25X16	
5	22272-000120	E형스냅링12	RING, CIRCLIP (Φ 12)	3	D12	
6	TA00034042A	축 조합	SHAFT ASS'Y	1		
6	TA00034042D	축 조합	SHAFT ASS'Y	1		
7	24550-016200	드라이부시16X20	DRY BUSH 16X20	4		
8	TA00036430A	보스 A 조합 PTO 3단	BOSS B ASS'Y PTO 3SD	1		
8	TA00036430B	보스 A 조합 PTO 3단	BOSS B ASS'Y PTO 3SD	1		
9	TA00036429A	보스 B 조합 PTO 3단	BOSS B ASS'Y PTO 3SD	1		
9	TA00036429B	보스 B 조합 PTO 3단	BOSS B ASS'Y PTO 3SD	1		
10	TA00034062A	플레이트	PLATE	1		
11	TA00036297C	링크 2 조합	LINK ASSY 2	1		
12	TA00034019C	링크1조합	LINK(1) ASS'Y	1		
12	TA00034019B	링크1조합	LINK 1 ASS'Y	1		
13	22137-080000	와셔8	WASHER, PLAIN (Φ 08)	4	M8	
14	22417-200200	할핀	PIN, COTTER (2-20)	4	D1.8	
15	TA00036443B	브래킷	BRACKET	1		
15	TA00036443C	브래킷	BRACKET	1		
16	TA00036941A	SCV 고정 레버 브래킷 조합	HOLDING BRACKET, SCV LEVER	1		
16	TA00036941B	SCV 고정 레버 브래킷 조합	HOLDING BRACKET, SCV LEVER	1		
17	TA00036949A	고정브라켓	BRACKET	1		
17	TA00036949B	고정브라켓	BRACKET	1		
18	26106-100162	플랜지볼트M10X16	SCREW,HEXFLANGEHEADCAP	2	M10XP1.5X16	
19	26106-080182	444,ALL,플랜지볼트	SCREW,HEXFLANGEHEADCAP	4		
20	TA00033977B	컨트롤 릴리프	COVER RELIEF	1		
20	TA00033977B	컨트롤 릴리프	COVER RELIEF	1		
20	TA00033977C	컨트롤 릴리프	COVER RELIEF	1		
21	TA00037393A	SCV2(D)	SCV2(D)	1		
22A	TA00028226A	SCV 1	REAR SCV 1	1		
22A	TA00028226B	SCV 1	SCV	1		
22A	TA00028226C	SCV 1	SCV 1	1		
22B	TA00048561C	SCV(FLOATING)	SCV(FLOATING)	1		
22B	TA00048561A	SCV(FLOATING)	SCV(FLOATING)	1		
23	24311-000160	O-링 P 16	O-RING, DYNAMIC (Φ16)	4	P16	
25	TA00042245D	아댑터(PF1/2)	ADAPTOR	4		
25	TA00042245C	아댑터(PF1/2)	ADAPTER	4		
26	TA00042242B	SCV연결파이프(K3)	PIPE, SCV	4		
26	TA00042242D	SCV연결파이프(K3)	SCV EXTENSION PIPE(K3)	4		
27	FBA3150000C4	조인트암(1/2")	JOINT ARM(1/2)	4		
27	FBA3150000B3	조인트암(1/2")	"ARM, JOINT(1/2")"	4		
28	24311-000100	O-링1AP10.0	O-RING, DYNAMIC (Φ10)	4	P10	
29	24311-000160	O-링 P 16	O-RING, DYNAMIC (Φ16)	4	P16	
30	24311-000140	운동용O링	SEAL,ORING	1	P14	



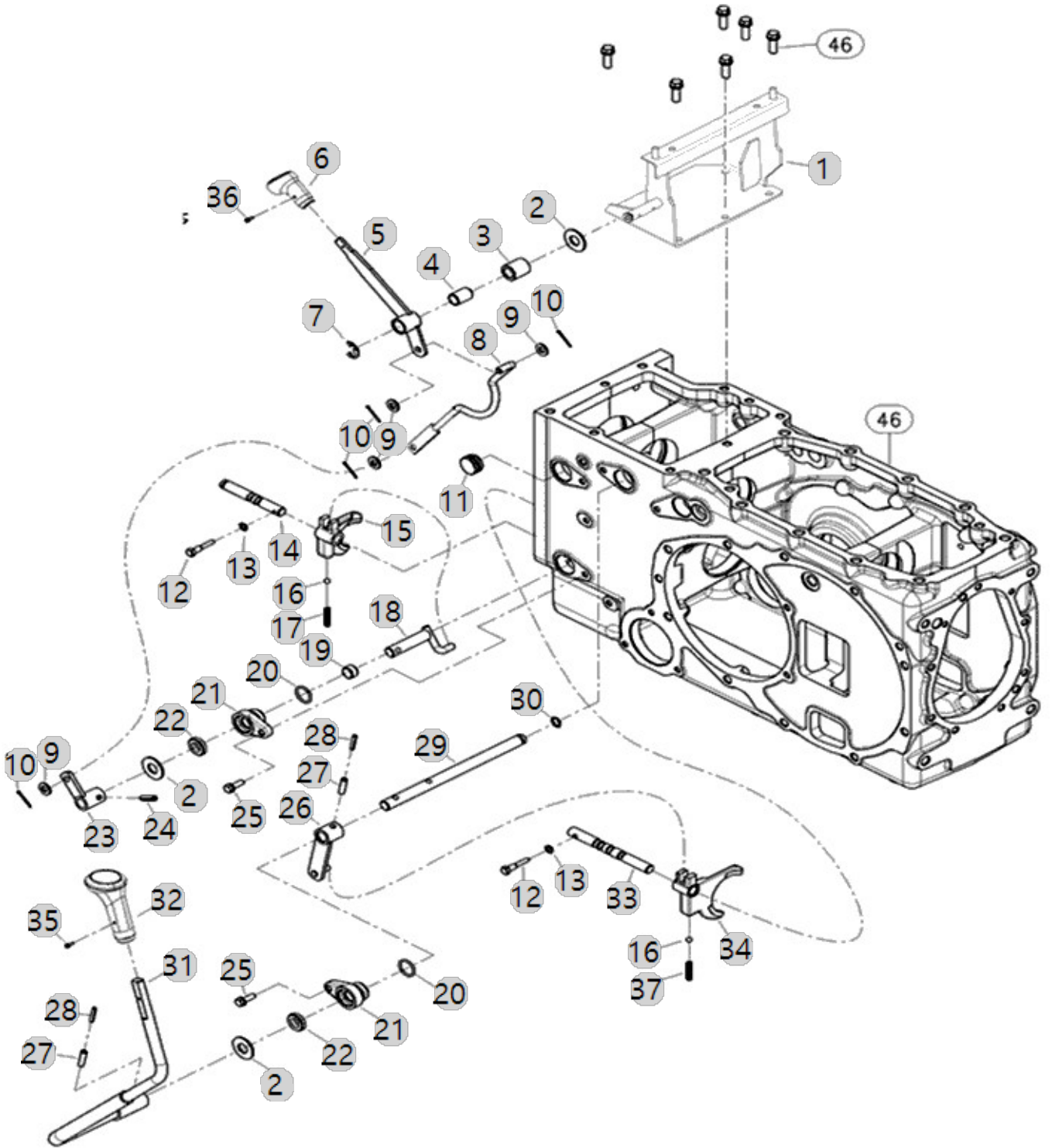
F11020

25HST TM총조합  
(NEC)(AC01475)

FRONT DRIVE & RANGE SHIFT LEVER

Year/Month

2023-01-18







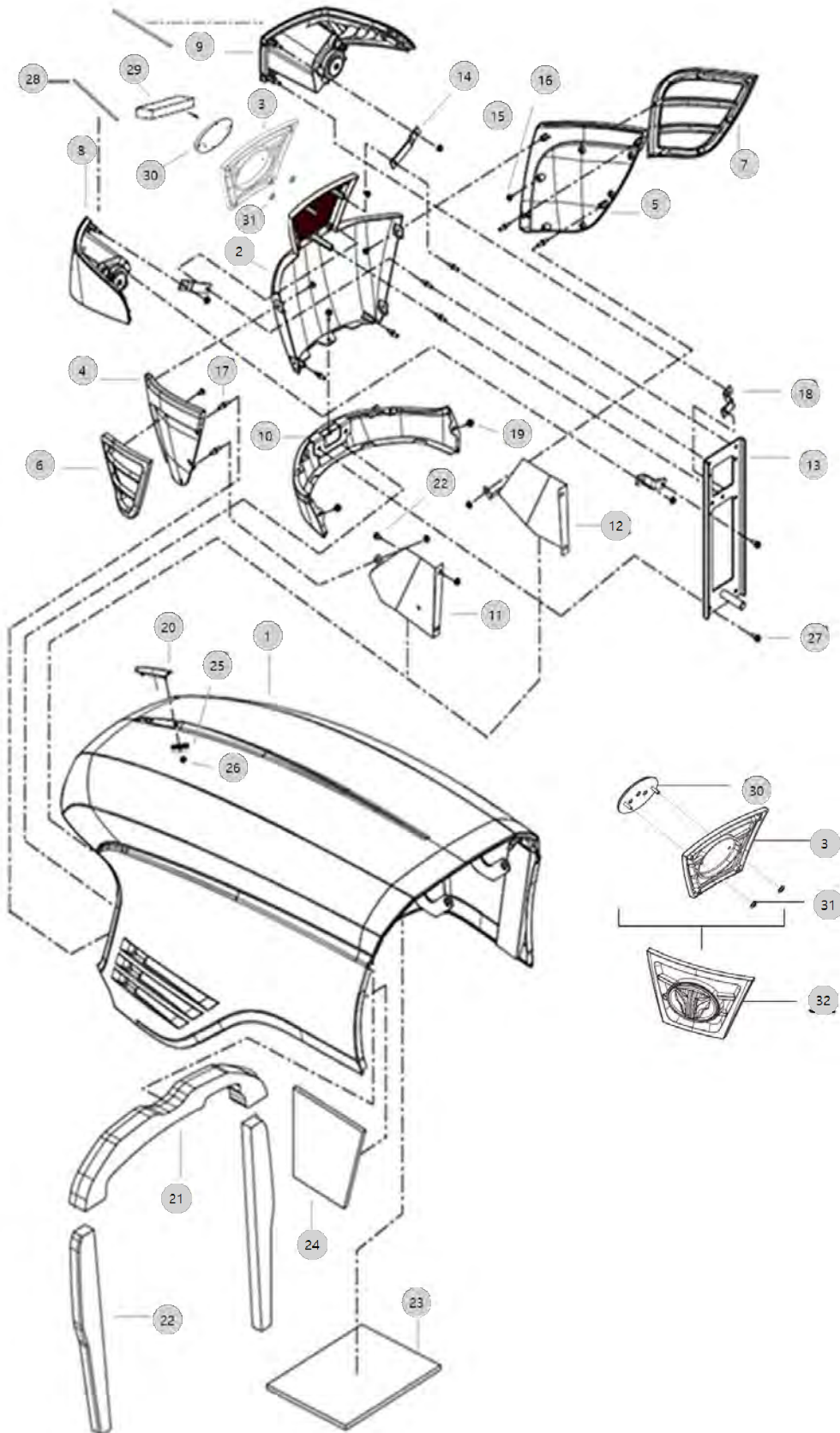
G01020

Year/Month

6225H(AC02122)

# BONNET

2023-01-18



G01020 6225H(AC02122)		BONNET				Year/Month 2023-01-18
순번 (NO)	부품번호 (PART NO)	품명 (PART NAME)	품명 (PART NAME)	수량 (QTY)	규격 (SPEC)	비고 (REMARK)
1	TA00072438A	본네트 프레임 조합	BONNET FRAME ASSY	1		
2	TA00042482C	프런트마스크(전)	FRONT MASK, MIDDLE	1		
2	TA00042482B	프런트마스크(전)	FRONT MASK, MIDDLE	1		
3	TA00052249B	프런트 마스크 그릴(전)	GRILL, FRONT MASK	1		
3	TA00052249A	프런트 마스크 그릴(전)	GRILL, FRONT MASK	1		
4	TA00042483B	프런트마스크(좌)	FRONT MASK, LH	1		
5	TA00042485B	프런트마스크(우)	FRONT MASK, RH	1		
6	TA00042484C	프런트마스크 그릴(좌)	FRONT MASK GRIL, LH	1		
6	TA00042484B	프런트마스크 그릴(좌)	FRONT MASK GRIL, LH	1		
7	TA00042486B	프런트마스크 그릴(우)	FRONT MASK GRIL, RH	1		
7	TA00042486C	프런트마스크 그릴(우)	FRONT MASK GRIL, RH	1		
8	HA00001143B	전조등조합L	HEAD LAMP(L)	1		
8	HA00001143E	전조등조합L	HEAD LAMP(L)	1		
9	HA00001144E	전조등조합R	HEAD LAMP(R)	1		
9	HA00001144B	전조등조합R	HEAD LAMP(R)	1		
10	TA00072395A	후드(하)조합	HOOD(UNDER) ASSY	1		
11	TA00045591B	타공망조합(좌)	WIRE NETTING ASS'Y(L)	1		
11	TA00044323A	타공망조합(좌)	WIRE NETTING ASS'Y(L)	1		
12	TA00045592B	타공망조합(우)	WIRE NETTING ASS'Y(R)	1		
12	TA00044325A	타공망조합(우)	WIRE NETTING ASS'Y(R)	1		
13	TA00053541C	지지브라켓조합(25유립)	BRACKET ASS'Y	1		
13	TA00053541B	지지브라켓조합(25유립)	BRACKET ASSY	1		
13	TA00042503F	지지브라켓조합	BRACKET ASSY, SUPPORT	1		
14	TA00044134A	램프 고정 브래킷 A	LAMP BRACKET A	2		
15	26367-060002	플랜지너트	Nut, Hexa (Φ6)	21	M6XP1.0	
16	22587-480124	냄비머리태핑나사	TAPPING SCREW	20	4.8X12	
17	TA00001332C	인서트볼트 M6	INSERT BOLT(M6)	17	M6	
17	TA00001332A	인서트볼트 M6	INSERT BOLT(M6)	17	M6	
18	TA00044136A	램프 고정 브래킷 B	LAMP BRACKET B	2		
19	26106-060162	육각플랜지 볼트	HEXFLANGE BOLT	11	M6XP1.0X16	
20	TA00020285A	엠블렘	EMBLEM	1		
21	TA00036482B	스폰지	SEAL	1		
22	TA00044322A	본네트 실(SIDE)	SEAL, BONNET	2		
23	TA00020835A	방열판(하)	HEAT INSULATOR, HOOD	1		
24	TA00020834A	방열판(상)	HEAT INSULATOR, HOOD	1		
25	TTD6440000A2	쿠션고무		2		
25	TTD6440000A4	쿠션고무	CUSHION, RUBBER	2		
26	TB41290000A4	평너트	NUT	2	0.4TX12X22	
26	TB41290000D4	평너트	NUT	2	0.4T	
26	TB41290000C4	평너트	NUT	2	0.4T	
27	26106-080162	플랜지볼트8X16	SCREW,HEXFLANGEHEADCAP	3	M8XP1.25X16	
28	TA00055321A	전조등 실	HEADLAMP SEAL	2		
29	TA00055322A	프런트 마스크 실	FRONT MASK SEAL	1		
30	TA00071736A	엠블렘(TYM)	EMBLEM(TYM)	1		
31	FE06040000A	푸시 너트 6	NUT 6, PUSH	2	0.4T	





G01060

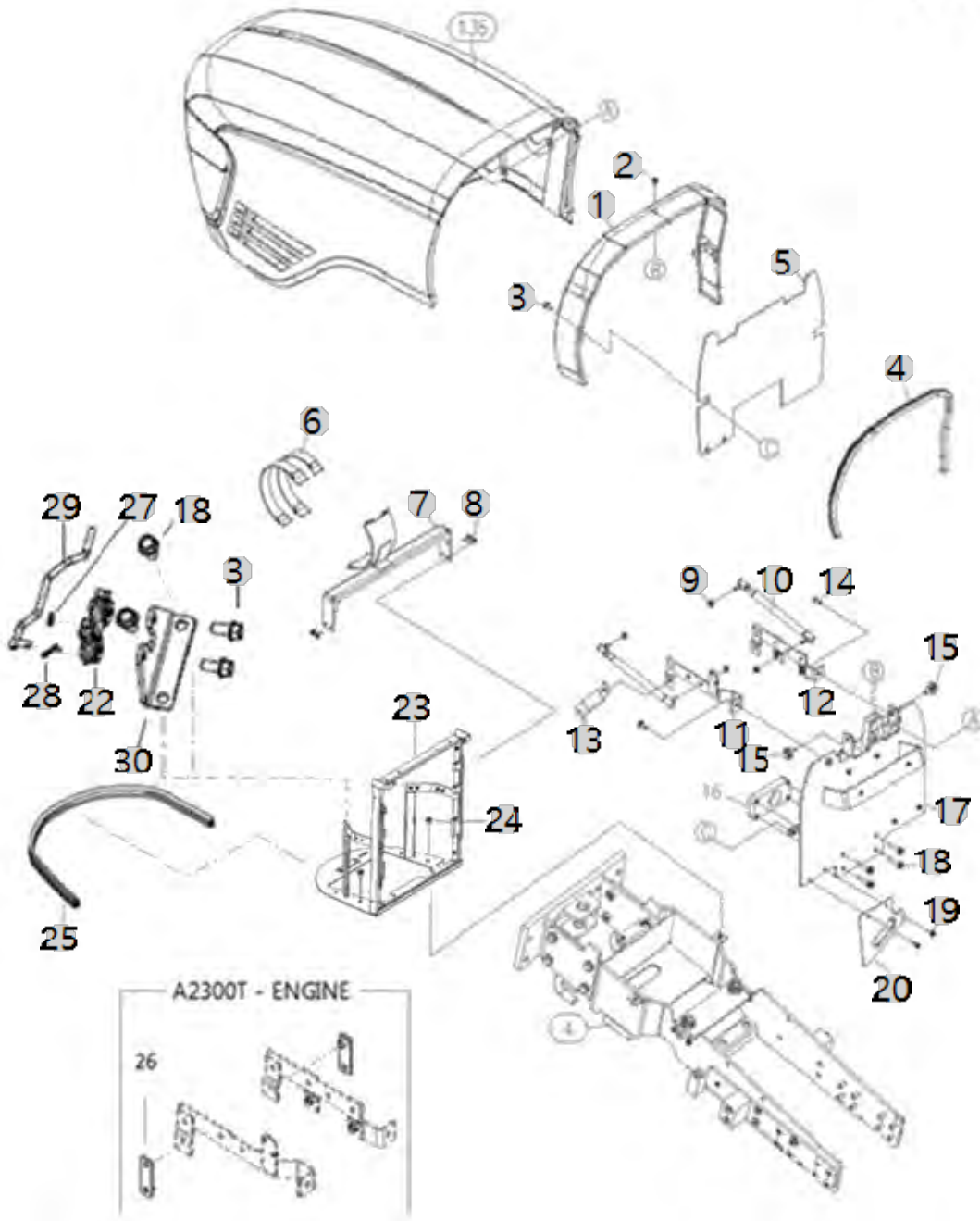
Year/Month

6225H(AC02122)

FIXED BRACKET, BONNET

2023-01-18

# US(TIER4)





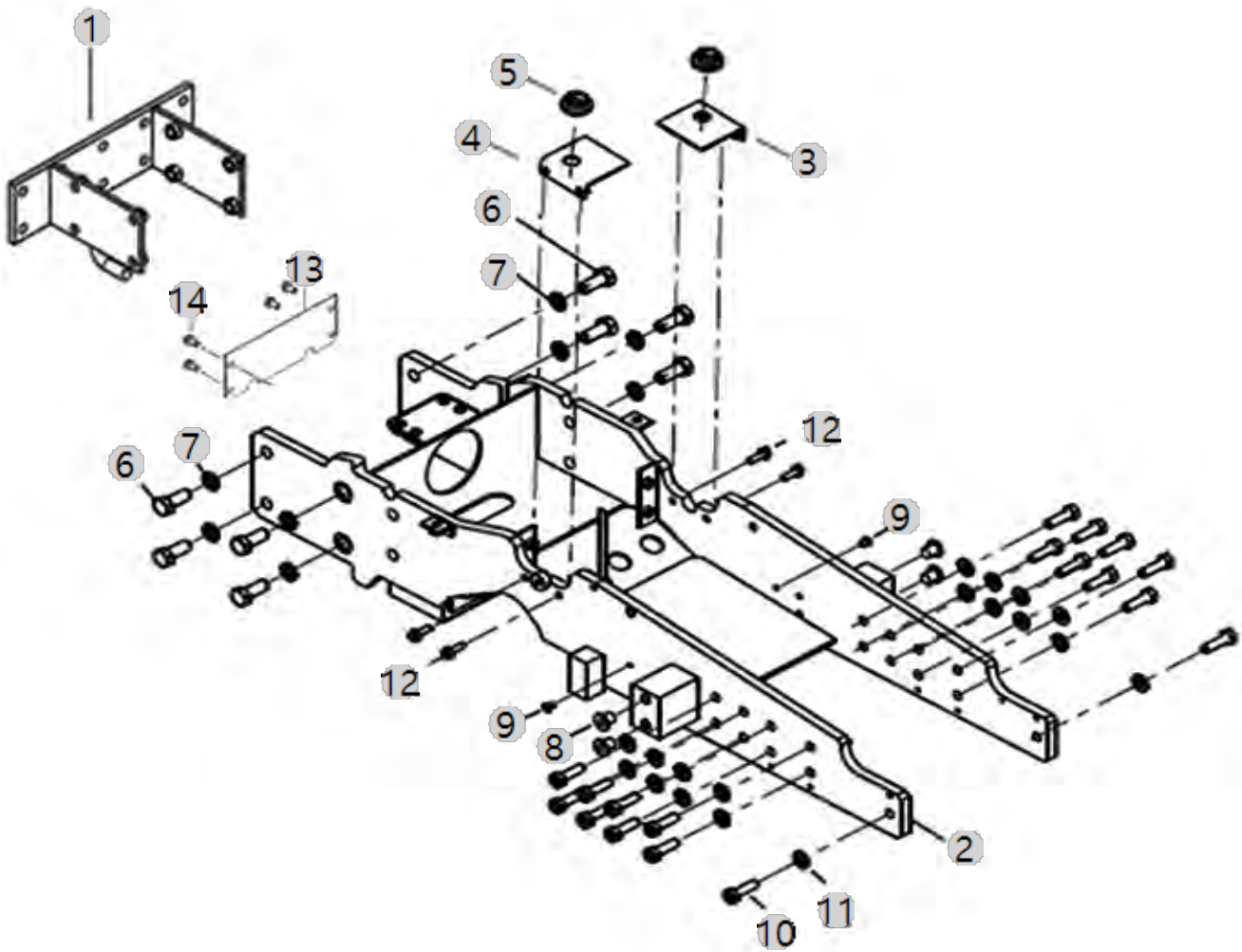
G01080

Year/Month

6225H(AC02122)

FRONT AXLE BRACKET

2023-01-18





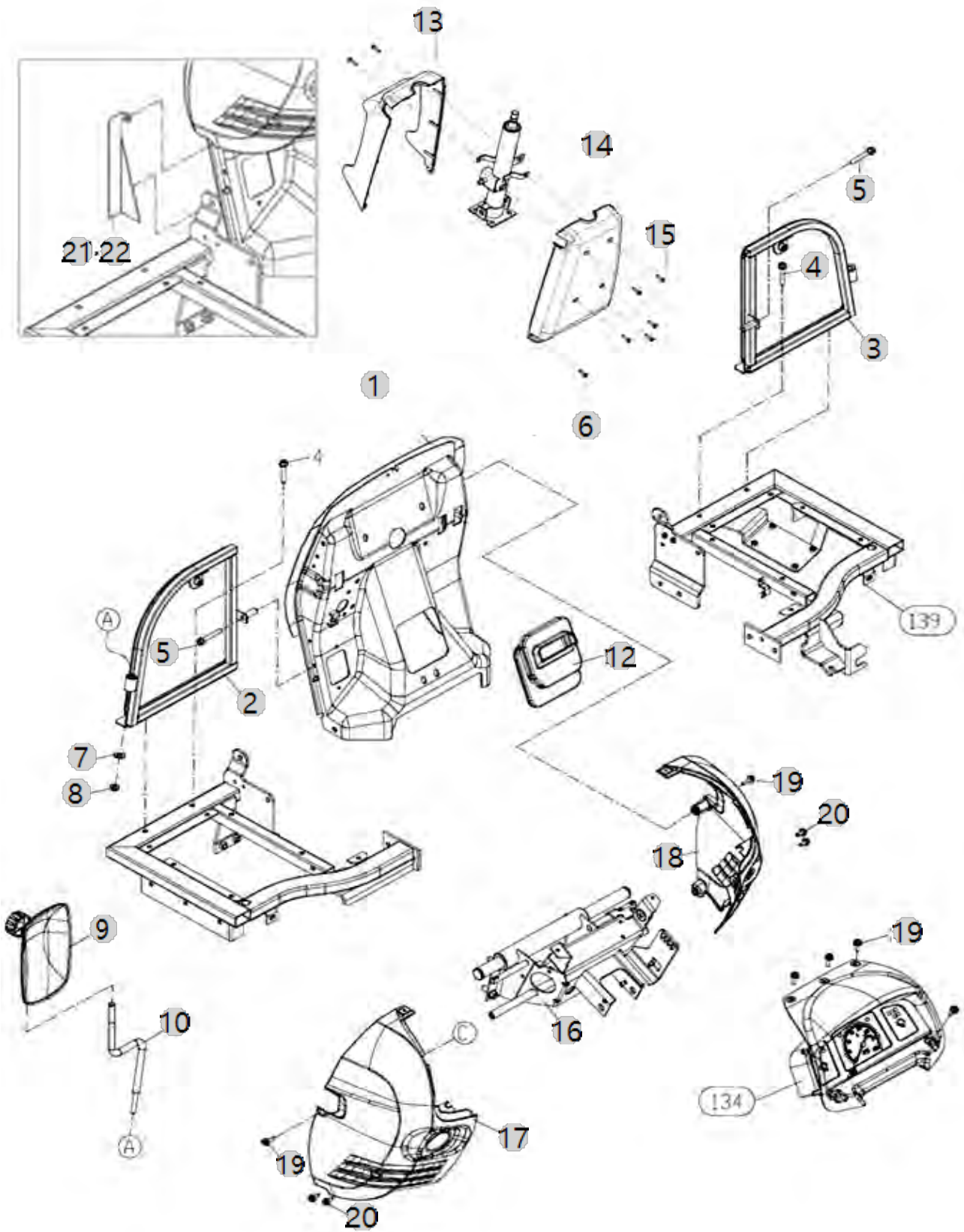
G02020

Year/Month

6225H(AC02122)

# DASH BOARD

2023-01-18









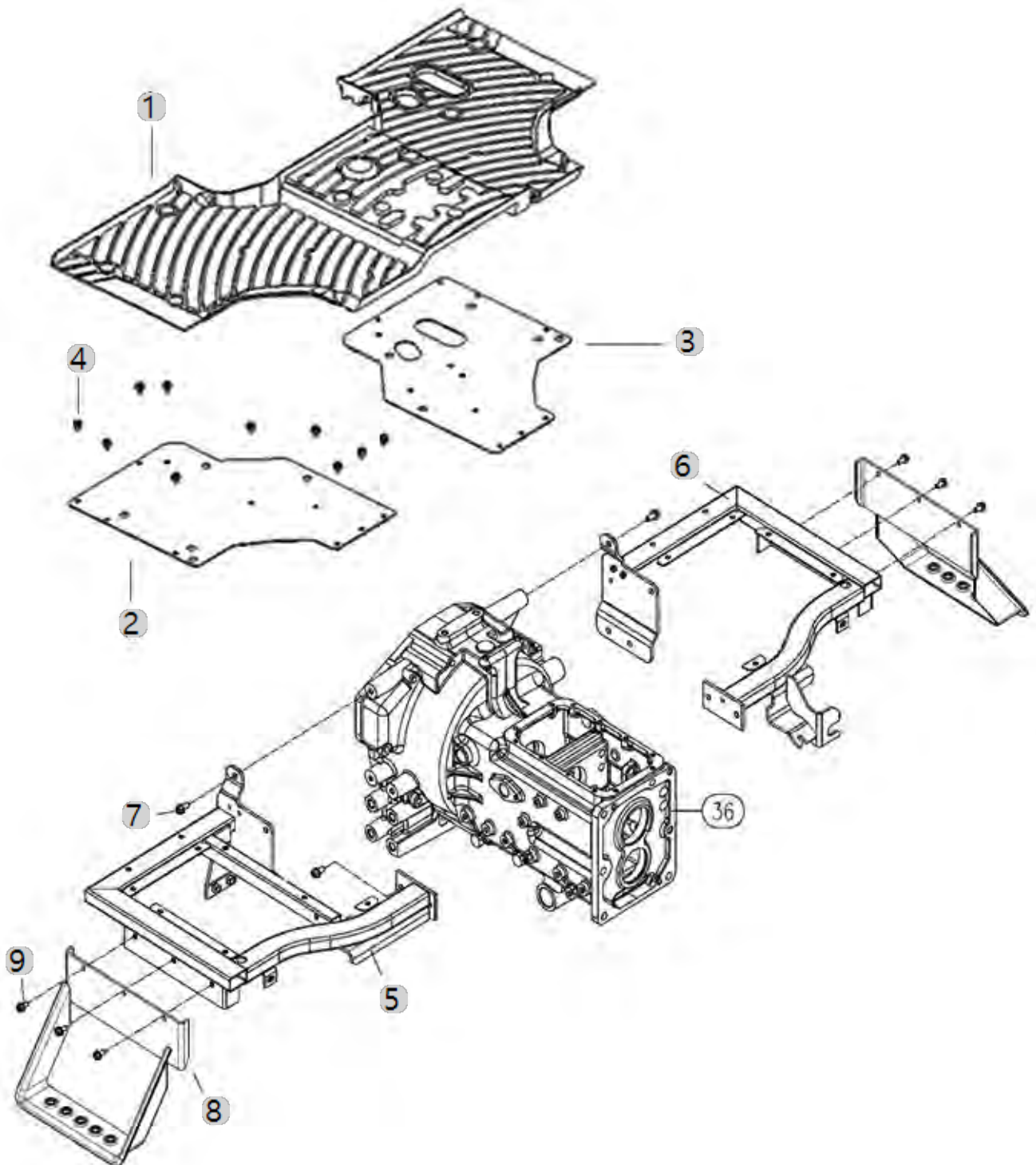
G02150

Year/Month

6225H(AC02122)

# FLOOR MAT

2023-01-18





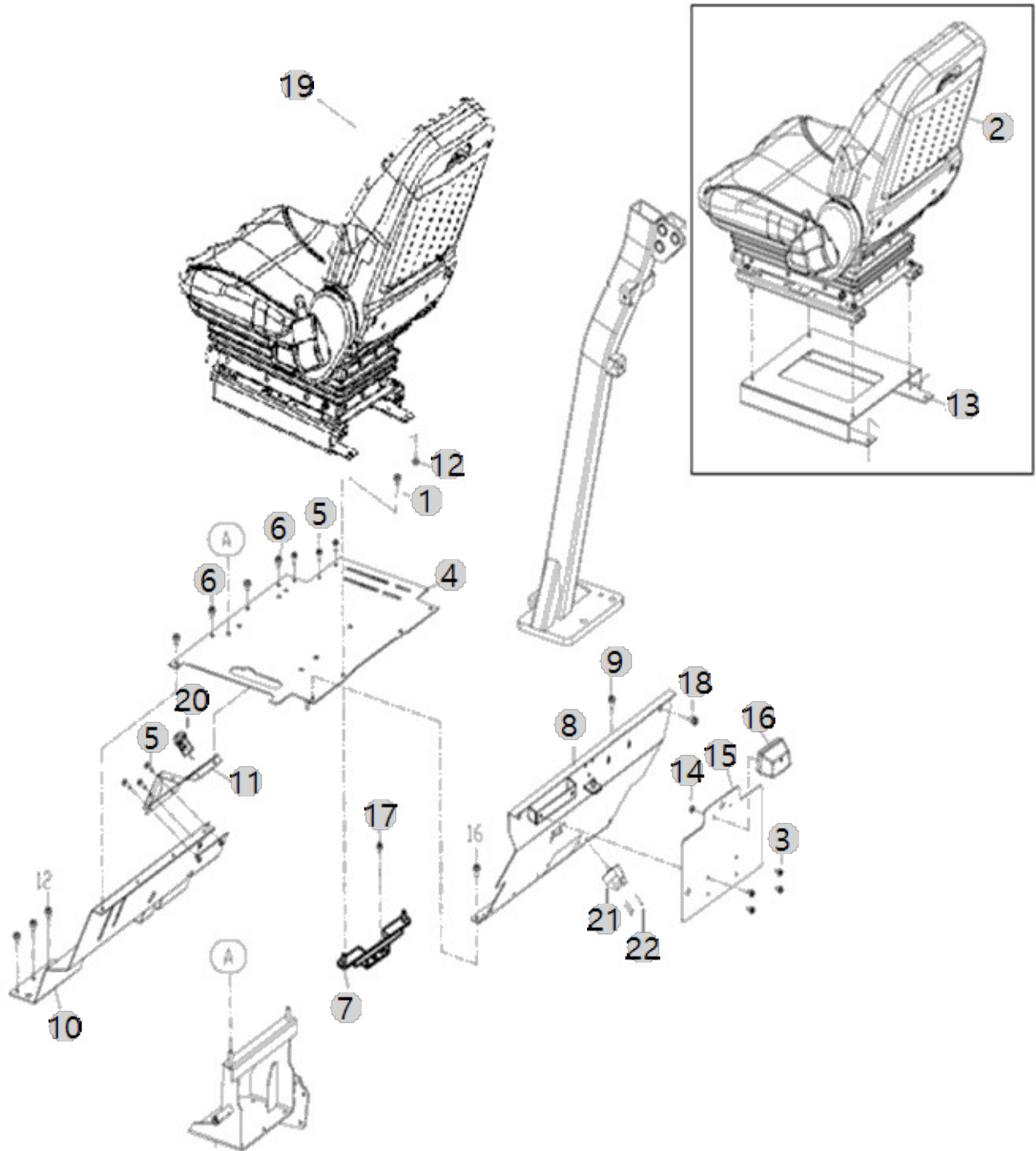
G04070

Year/Month

6225H(AC02122)

# DRIVER'S SEAT

2023-01-18



G04070 6225H(AC02122)	DRIVER'S SEAT	Year/Month
		2023-01-18

순번 (NO)	부품번호 (PART NO)	품명 (PART NAME)	품명 (PART NAME)	수량 (QTY)	규격 (SPEC)	비고 (REMARK)
B	26716-050002	너트M5	Nut, Hexa (Φ5)	2	M5X0.8	
1	26367-100002	263,ALL,고정너트(우나사)	NUT,HEXAGONFLANGE	4	M10X1025	
2	TA00051290F	시트	SEAT ASS'Y(25SE)	1		
2	TA00051290E	시트	SEAT ASS'Y(25SE)	1		
2	TA00051290D	시트	SEAT ASSY(25SE)	1		
2	TA00028164D	시트 조합	SEAT ASSY, 20C	1		
2	TA00072854A	시트_TYM(W09)	SEAT	1		
2	TA00028164C	시트 (20Se Cabin용)	20C SERIES SEAT	1		
3	26106-060122	육각플랜지볼트	HEX BOLT (6-12)	3	M6XP1.0X12	
4	TA00034087G	의자 프레임 커버 조합	COVER,SEAT FRAME	1		
4	TA00034087F	의자 프레임 커버 조합	COVER,SEAT FRAME	1		
5	26106-080122	육각플랜지볼트	Bolt, Hexa (8-12)	12	M8XP1.25X12	
6	TA00034064D	브래킷 조합	BRACKET ASS'Y	1		
6	TA00034064C	브래킷 조합	BRACKET ASS'Y	1		
7	TA00037253E	후면커버 조합(EU)	COVER ASS'Y, REAR	1		
7	TA00037253D	후면커버 조합(EU)	COVER ASS'Y, REAR	1		
8	26106-080162	플랜지볼트8X16	SCREW,HEXFLANGEHEADCAP	4	M8XP1.25X16	
10	TA00037275B	커버조합(hst)	COVER ASS'Y	1		
10	TA00037275A	커버조합(hst)	COVER ASS'Y	1		
11	26367-080002	259, 육각플랜지너트	HEX FLANGE NUT (Φ8)	4	M8XP1.25	
12	TA00041888B	시트브래킷(유럽)	SEAT_BRAKET(EU)	1		
12	TA00041888C	시트브래킷(유럽)	SEAT_BRAKET(EU)	1		
12	TA00041888A	시트브래킷(유럽)	SEAT_BRAKET(EU)	1		
14	TA00018438C	번호판등 브래킷	BRACKET, NAME PLATE LAMP	1	T1.6	
14	TA00018438B	번호판등 브래킷	BRACKET NAMEPLATE LAMP	1	T1.6	
15	FBK182000EA3	번호판램프	NUMBER PLATE LAMP	1		
16	26106-100162	플랜지볼트M10X16	SCREW,HEXFLANGEHEADCAP	1	M10XP1.5X16	
18	26106-080402	451,ALL,플랜지볼트	SCREW,HEXFLANGEHEADCAP	2		
19	TA00063123B	시트조합(EU)_ROPS	SEAT ASS'Y(EU)_ROPS	1		
19	HA00000454C	트레일러 연결소켓	TRAILERSOCKET	1		
20	26557-060352	[+]자홈남비작은나사	SCREW,+GROOVE	3	M6XP1.0X35	
21	26106-060162	육각플랜지 볼트	HEXFLANGEBOLT	8	M6XP1.0X16	
22	TA00059721B	먼지커버조합	DUST COVER ASS'Y	1		
22	TA00059721A	먼지커버조합	COVER ASSY	1		
23	TA00063121B	시트조합_ROPS	SEAT ASS'Y_ROPS	1		
23	TA00063121A	시트조합_ROPS	SEAT ASS'Y_ROPS	1		
23	TA00072857A	시트조합_TYM_ROPS(EU)	SEAT_ASSY	1		
24	HA00001517A	재생스위치(방수)	REGEN S/W	1		

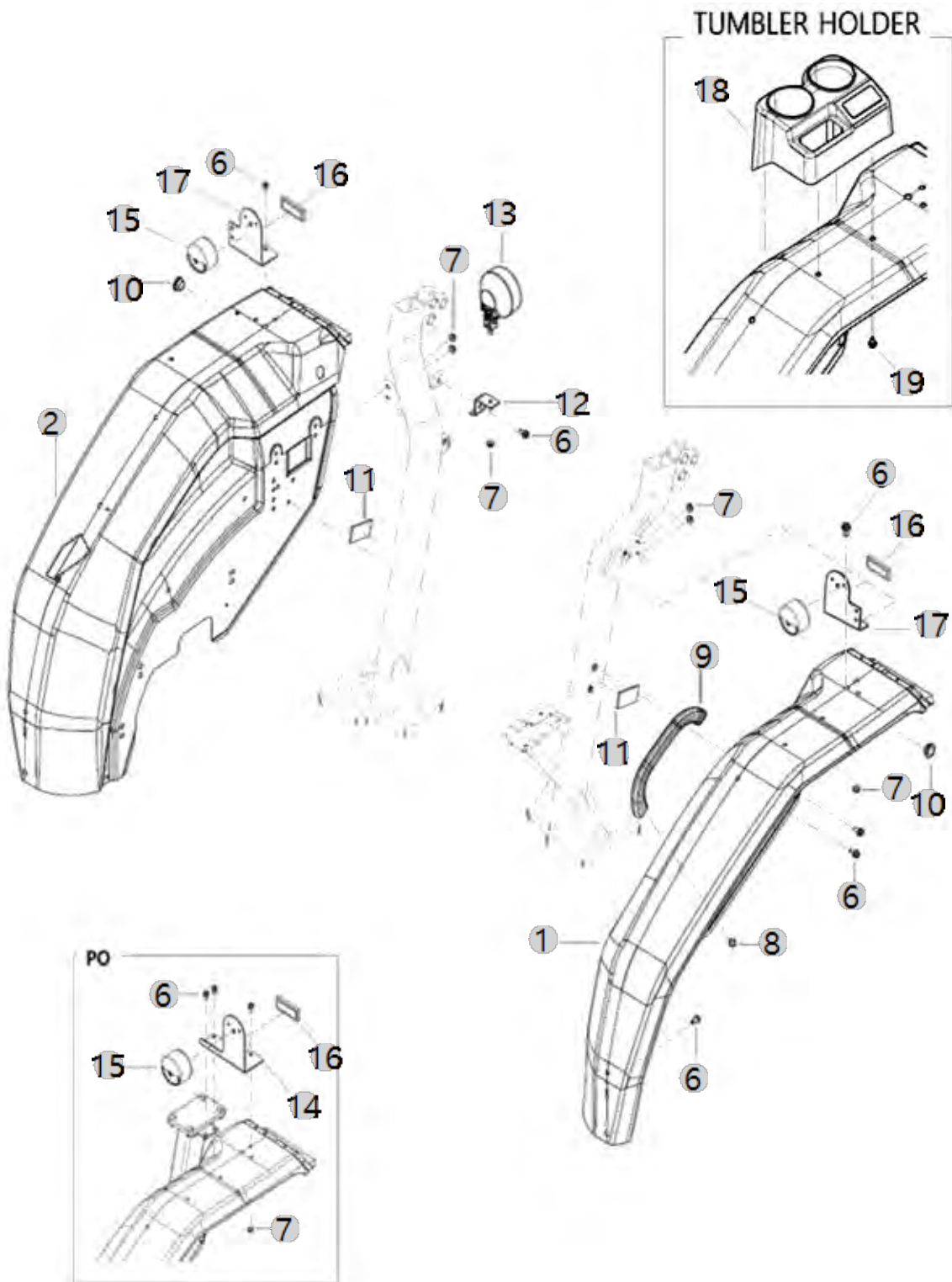
G04090

Year/Month

6225H(AC02122)

FENDER

2023-01-18







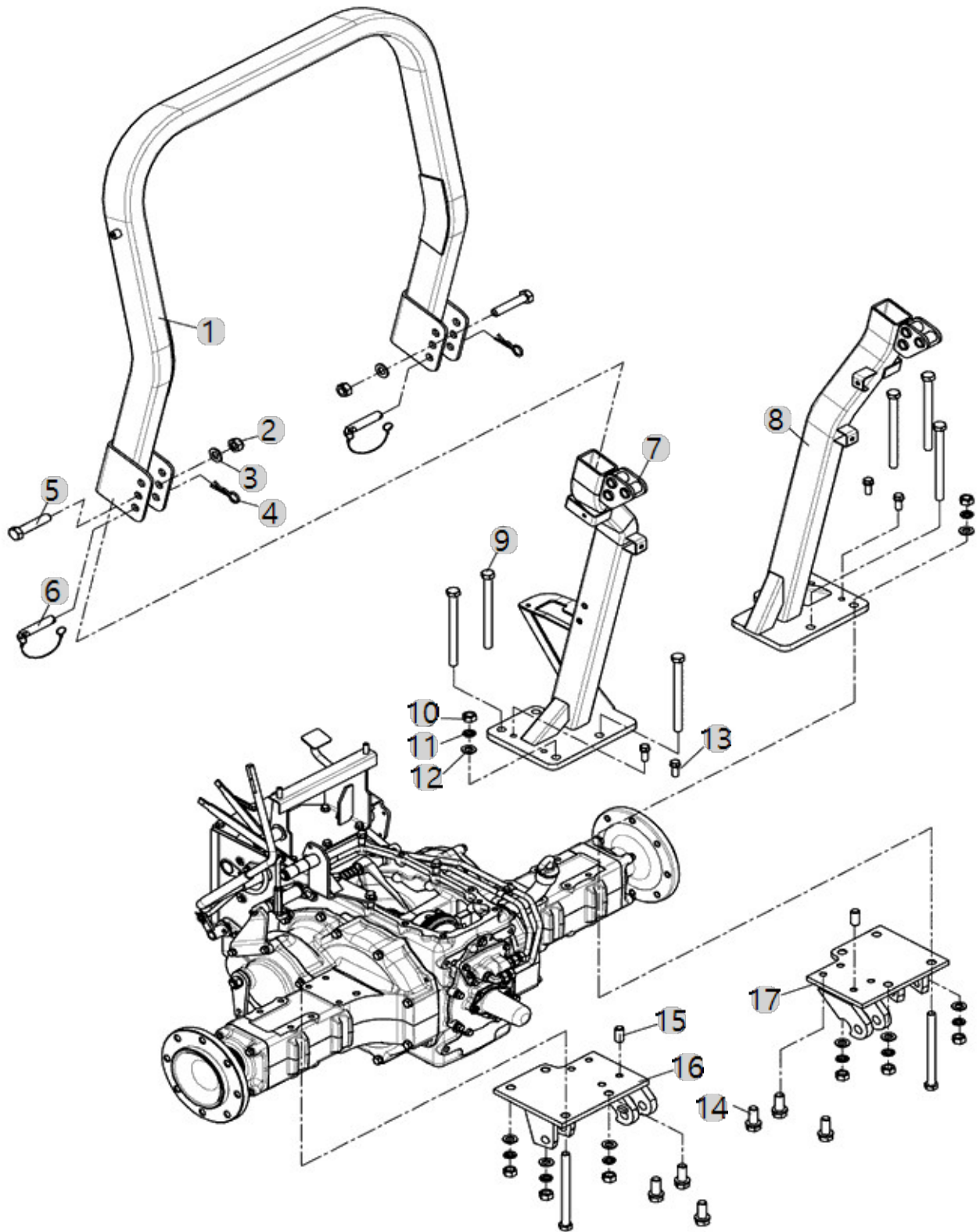
G04120

Year/Month

6225H(AC02122)

ROPS

2023-01-18







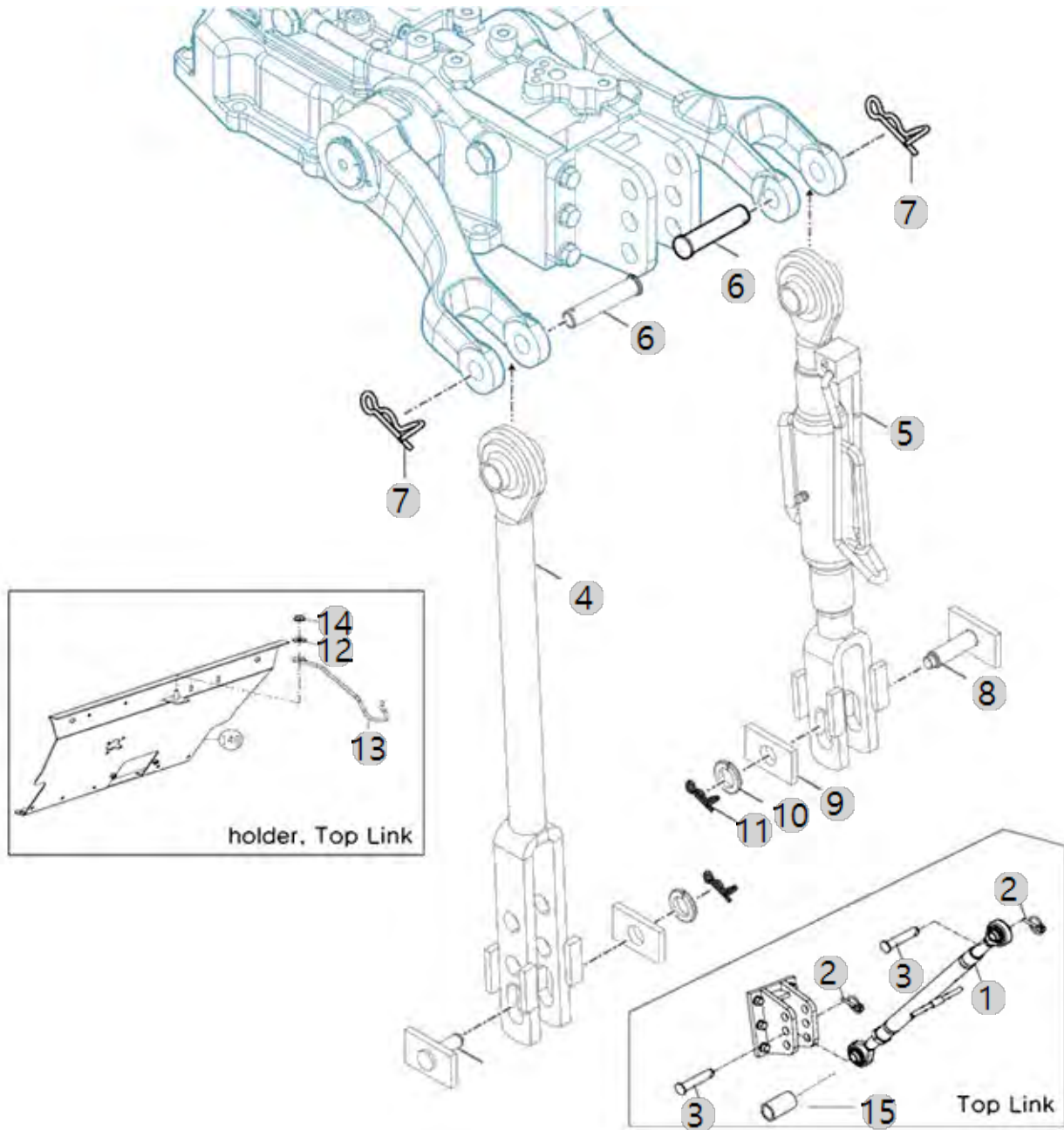
G05000

Year/Month

6225H(AC02122)

# TOP LINK, LIFT LINK

2023-01-18





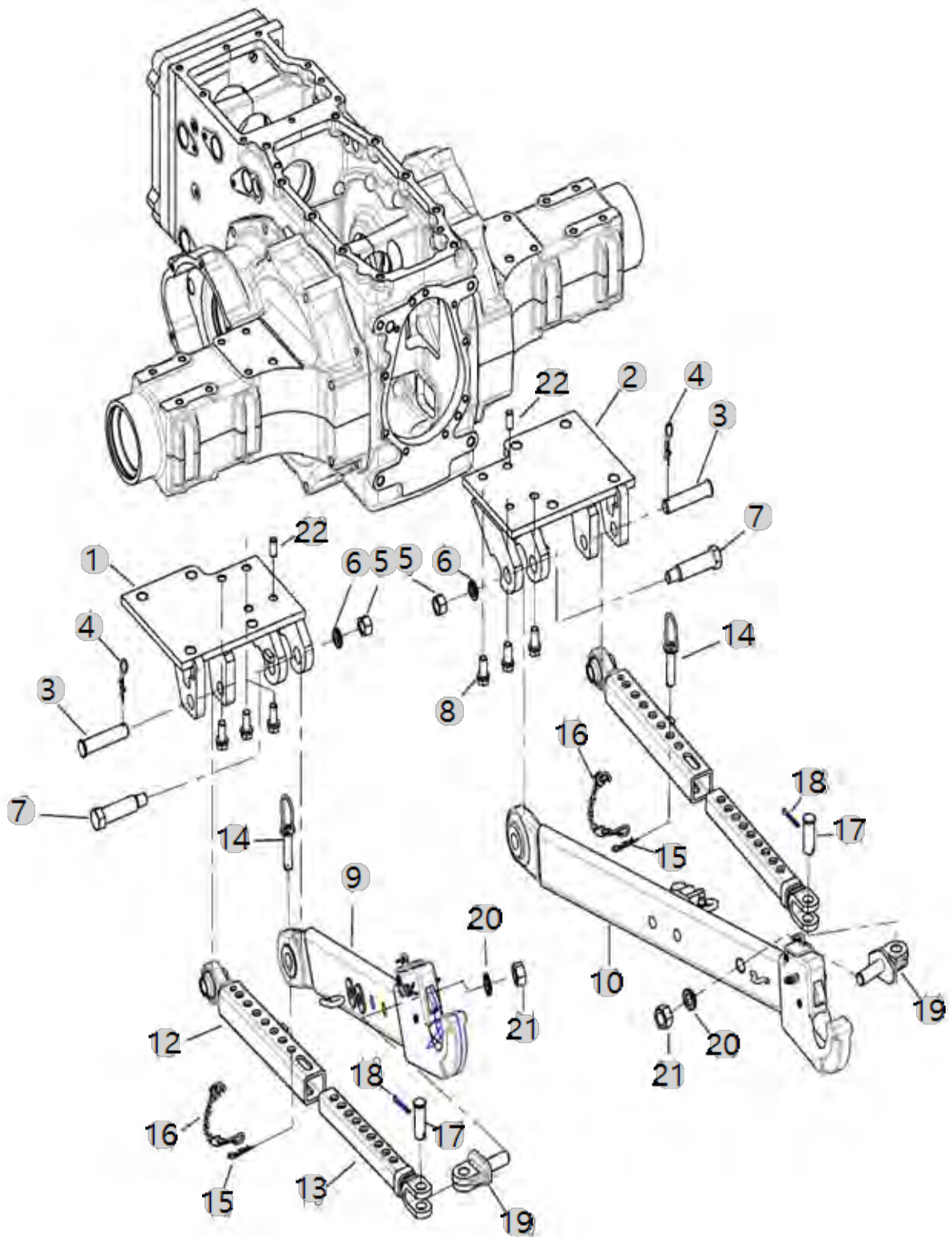
G05030

Year/Month

6225H(AC02122)

LOWER LINK

2023-01-18





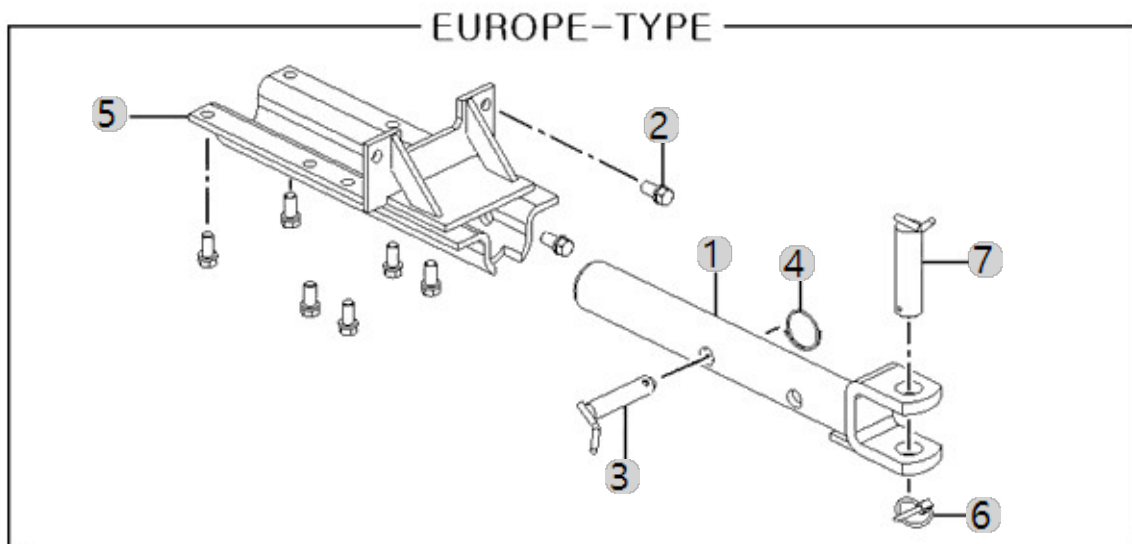
G05070

Year/Month

6225H(AC02122)

# DRAWBAR

2023-01-18







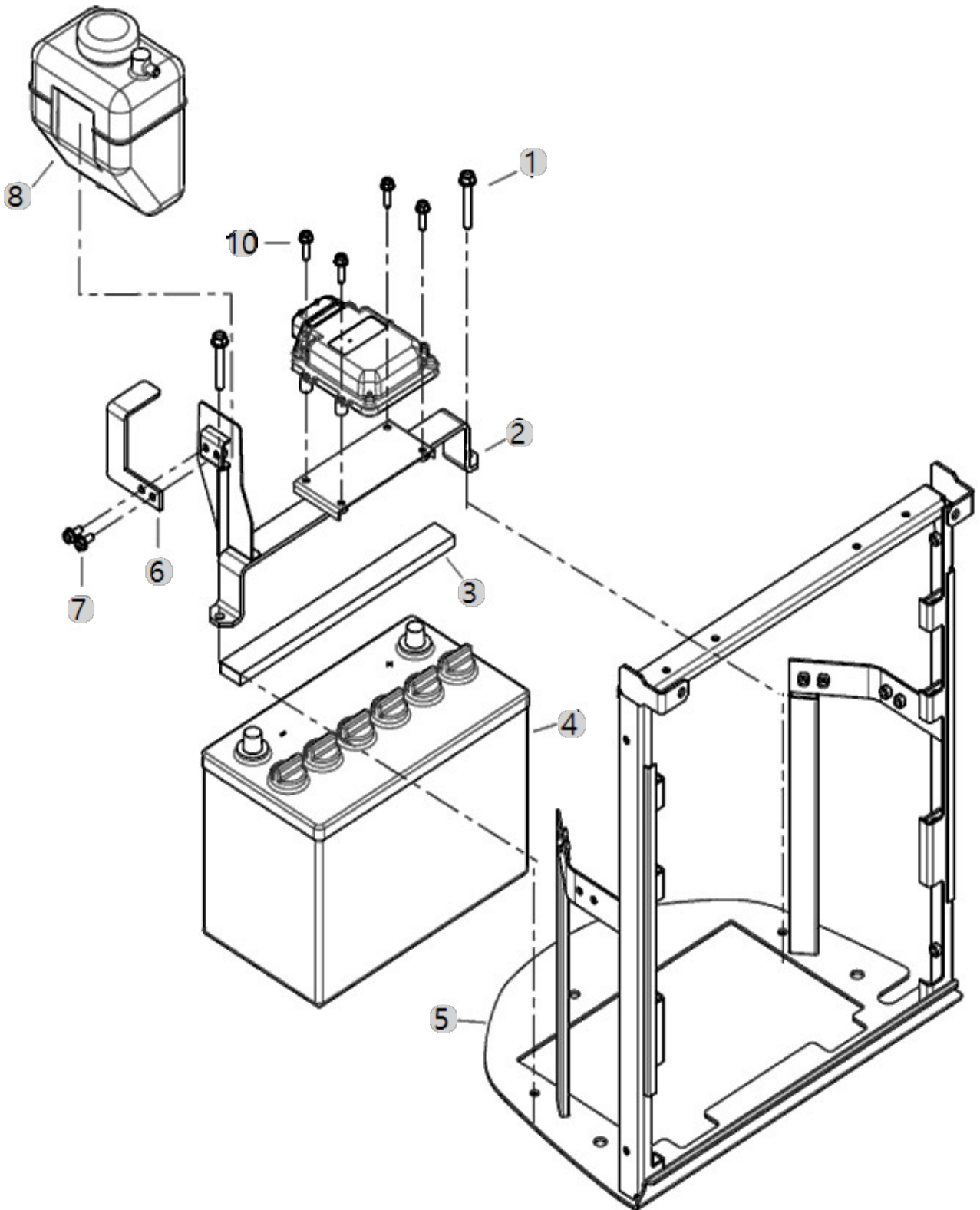
H01030

Year/Month

6225H(AC02122)

BATTERY

2023-01-18





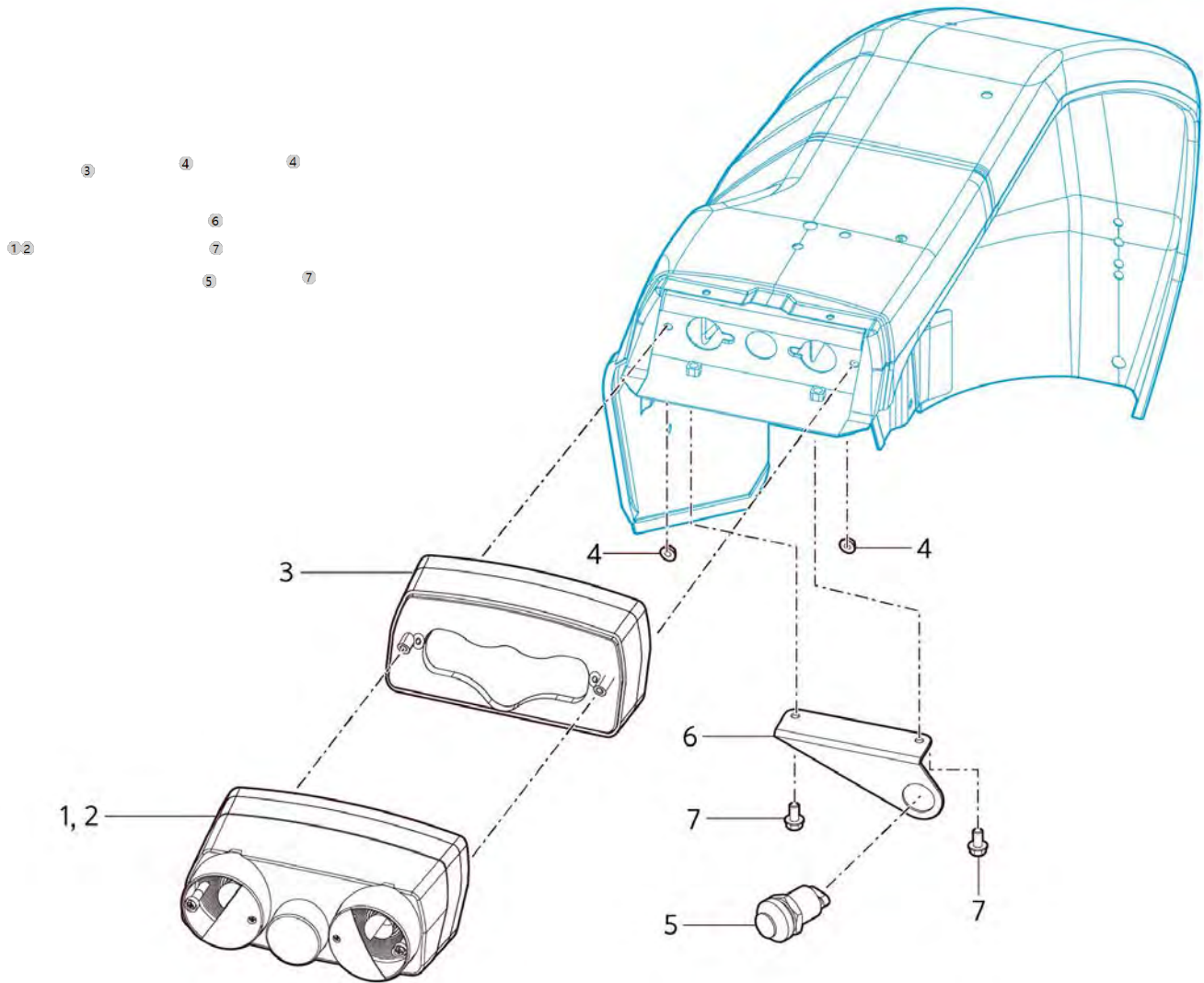
H02020

Year/Month

6225H(AC02122)

# COMBINATION LAMP

2023-01-18









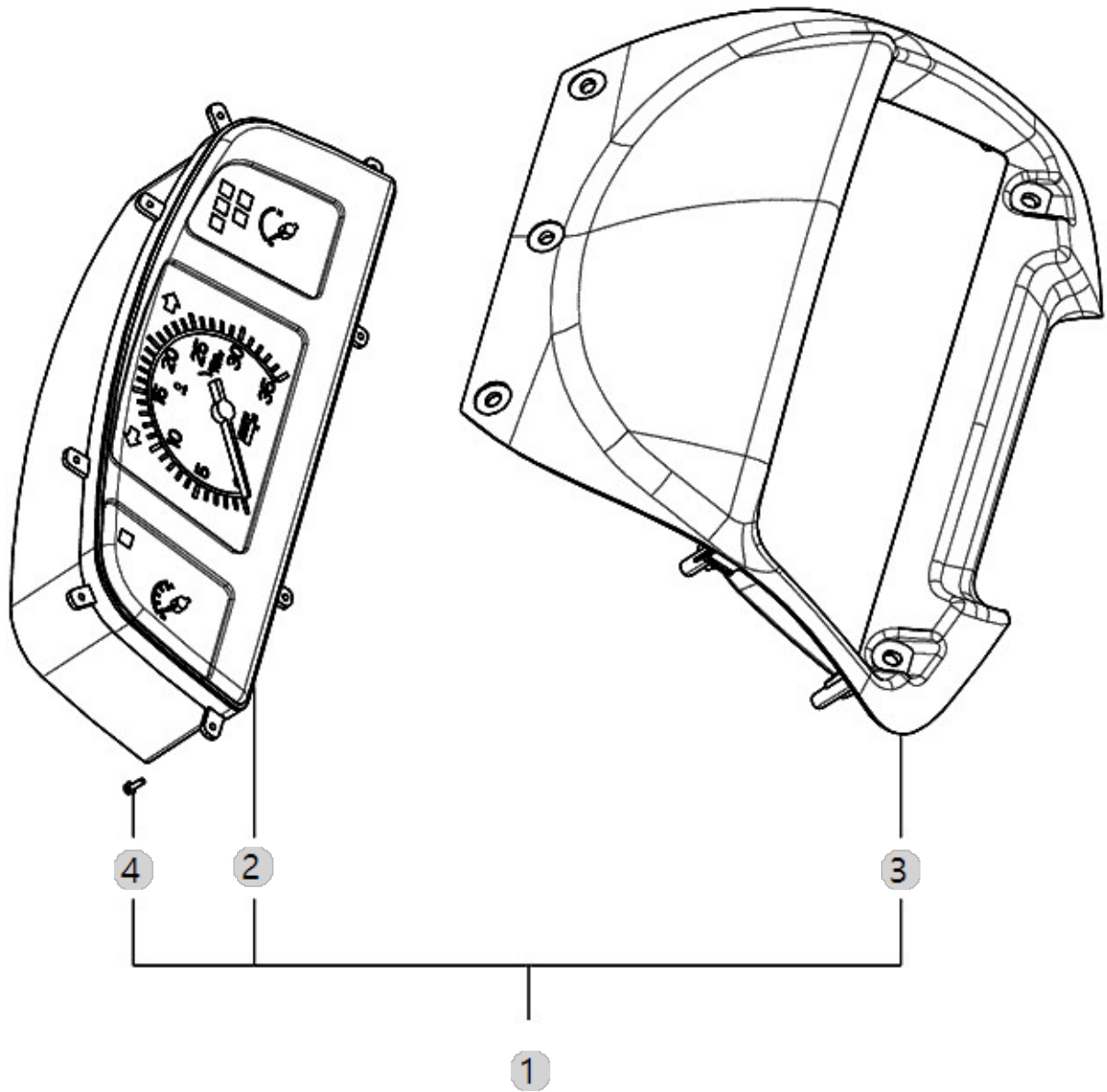
H04030

Year/Month

6225H(AC02122)

INSTRUMENT PANEL

2023-01-18







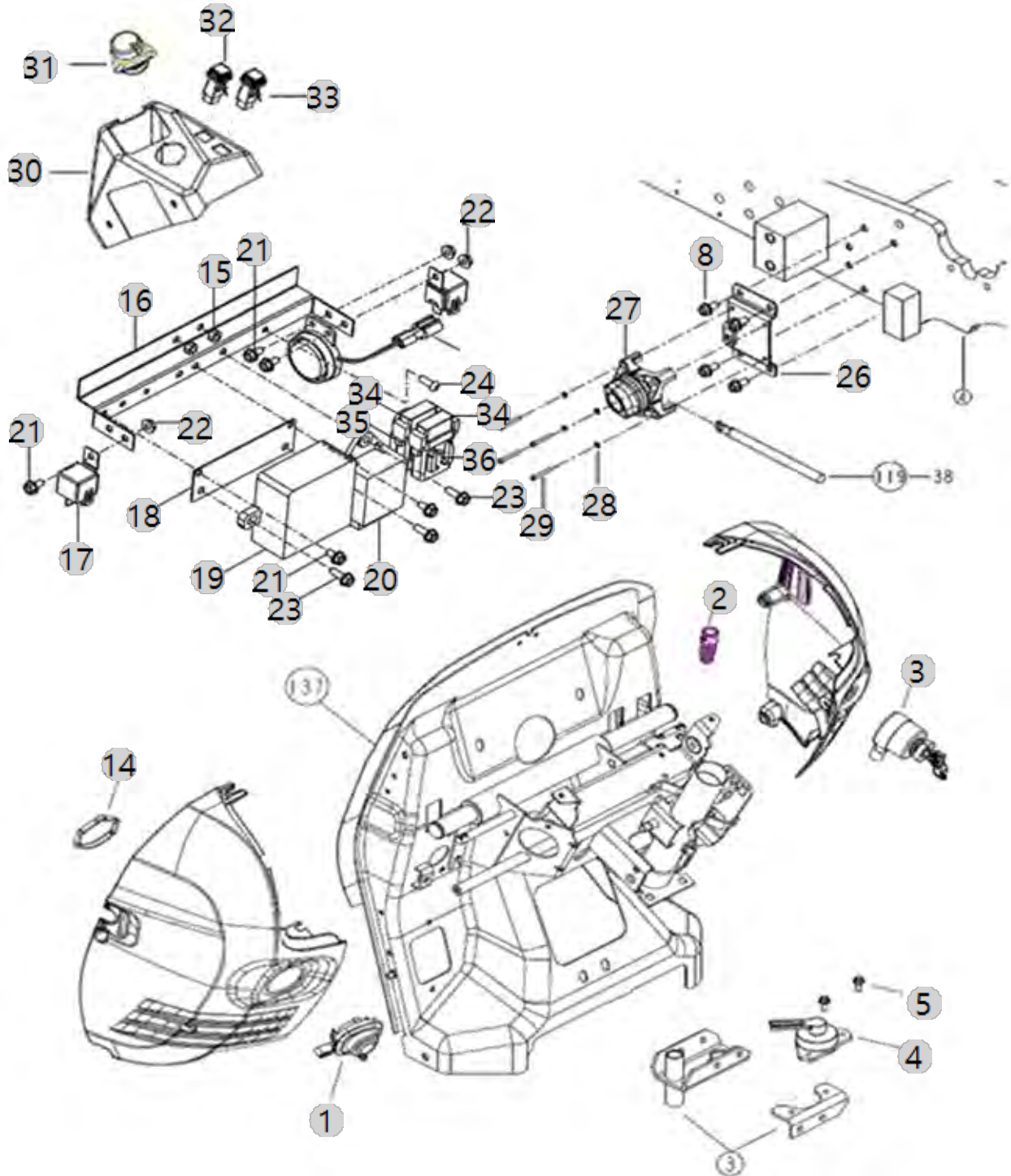
H04050

Year/Month

6225H(AC02122)

SWITCH

2023-01-18





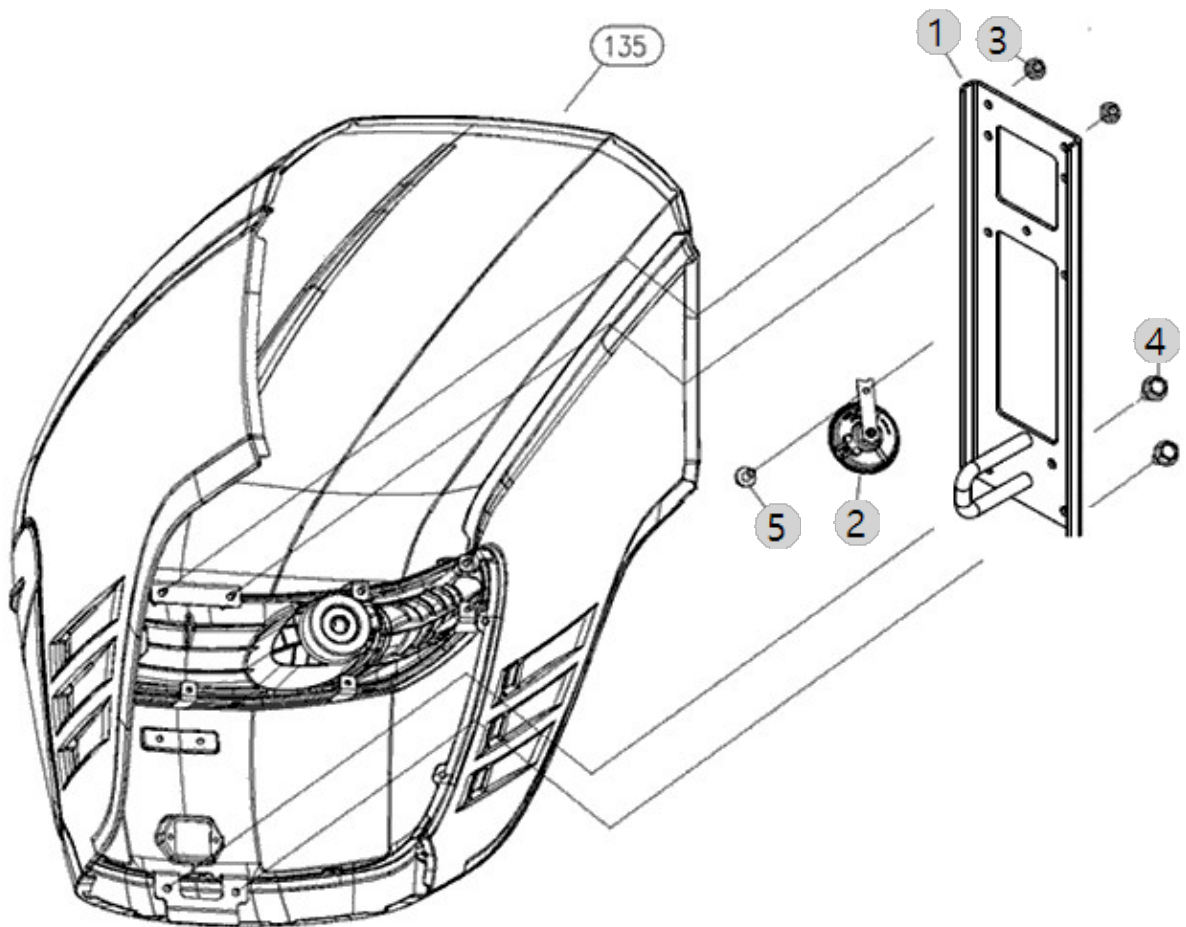
H04090

Year/Month

6225H(AC02122)

# HORN

2023-01-18





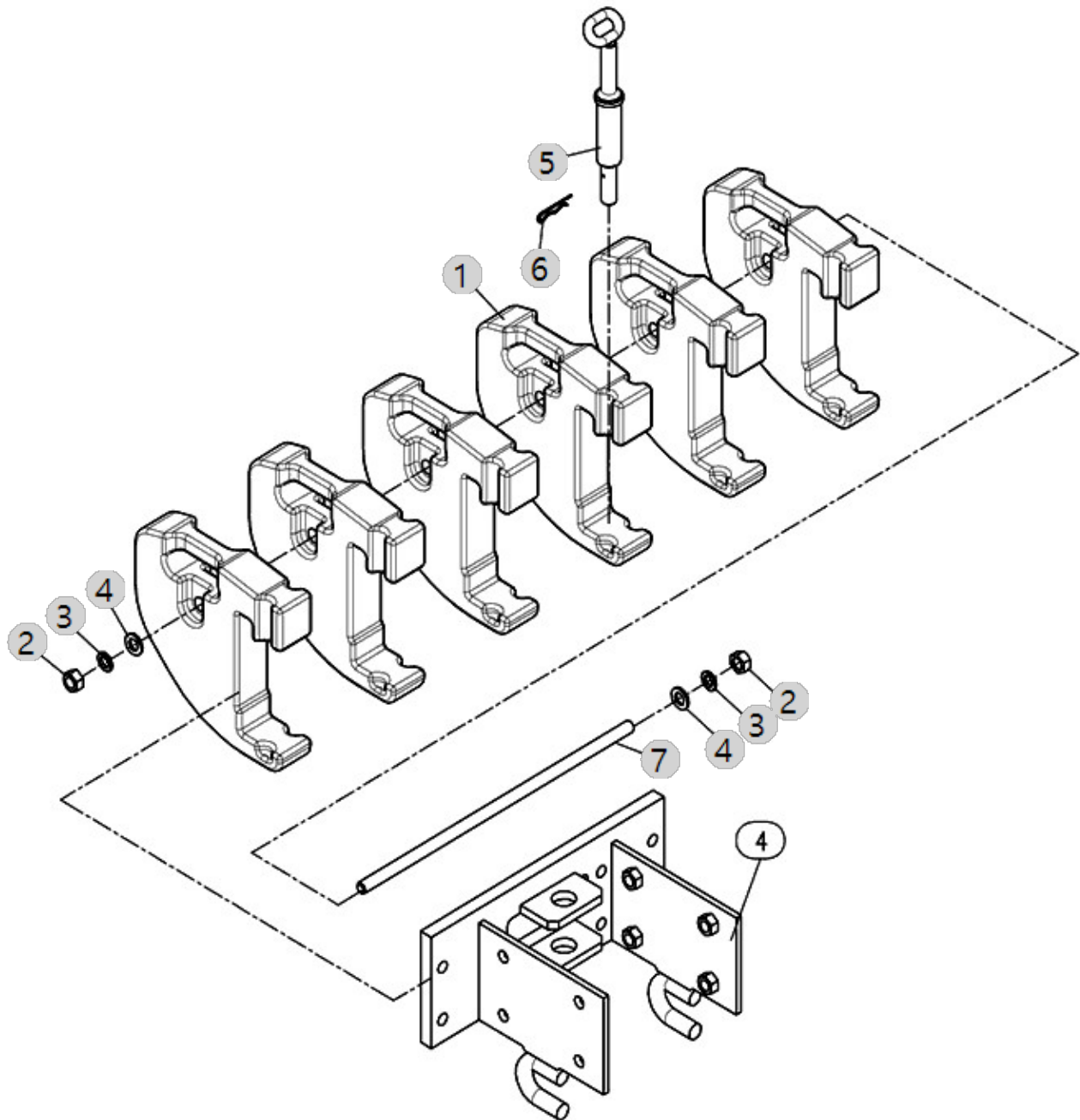
I01010

Year/Month

6225H(AC02122)

FRONT WEIGHT

2023-01-18







<p>103000 6225H(AC02122)</p>	<p>NAME PLATE</p>	<p>Year/Month 2023-01-18</p>
----------------------------------	-------------------	----------------------------------

1-1

**5025h**

1-2

**6225h**

3

TYM CORPORATION			
EU NO			
TYPE			
PIN NUMBER			
TOTAL	KG A1	KG A2	KG
B-1	T-1	T-2	T-3
B-2			
B-3			
B-4			

4

Use seat belt

5

OPERATOR SAFETY  
BEFORE THE TRACTOR  
STARTS TO MOVE, THE  
OPERATOR MUST WEAR  
THE SEAT BELT.  
OTHERWISE, THE  
OPERATOR MAY BE  
KILLED OR SERIOUSLY  
INJURED.

2

6

**WARNING**  
This structure's protective capability may be impaired by structural damage, overturn, or alteration. If any of these conditions occur, the structure must be replaced.

7

**Vertical 700 Kg**  
**Horizontal 4,000 Kg**

**e6**

TAD007286A 000099NS

8

경고등 표시명판

9

**WARNING**  
PERSONAL SAFETY  
Always use proper safety procedures. Do not touch the loader bucket or any other part of the loader when the tractor is in motion. Do not touch the loader bucket when the tractor is in motion. Do not touch the loader bucket when the tractor is in motion.

10

**WARNING**  
CONTACT THE LEFT HAND SIDE OF THE TRACTOR WHEN THE TRACTOR IS IN MOTION.

11

TZE413000094

12

**CAUTION**  
DIESEL ONLY TZE413000004

13

14

**DANGER**  
Start only from seat in park or neutral. Starting in gear kills.

15

**WARNING**  
TO AVOID PERSONAL SAFETY:  
1. Attach push or spread loads to the chassis only.  
2. Use the 3-point hitch only with equipment designed for 3-point hitch usage.

16

**WARNING**  
Before dismounting tractor:  
1. Stop the tractor and set the parking brake.  
2. Turn the tractor off and wait for the engine to stop.  
3. Do not touch any part of the tractor until the engine has stopped.  
4. Do not touch any part of the tractor until the engine has stopped.

17

**CAUTION**  
SAFETY INSTRUCTIONS  
1. Read and understand the safety instructions before operation.  
2. Do not use the tractor on uneven ground or on a slope.  
3. Do not use the tractor on a slope that is steeper than the maximum safe slope.  
4. Do not use the tractor on a slope that is steeper than the maximum safe slope.  
5. Do not use the tractor on a slope that is steeper than the maximum safe slope.

18

**CAUTION**  
TO AVOID PERSONAL SAFETY (STARTING IN GEAR):  
1. Start only from seat in park or neutral.  
2. Start only from seat in park or neutral.  
3. Start only from seat in park or neutral.

19

POP'S MODEL - KMG40S  
SERIAL NUMBER

THIS DECAL WAS MANUFACTURED BY TYM CORPORATION. FOR TYM CORPORATION AND WAS TESTED IN ACCORDANCE WITH OECD CODES. IT WAS DESIGNED FOR A MAXIMUM ENGINE HORSEPOWER OF 50HP AND FITS TYM 5000 TRACTOR.

THIS DECAL MUST BE KEPT INTACT AT ALL TIMES.

TAD0072300A MADE IN KOREA

20

**WARNING**  
Set loader joystick safety lock during no use.

21

**USING DRAFT**  
AFTER RECEIVING A 50-T ASSEMBLY, THE CONNECTING PLATE TOWARD OPPOSITE WHEN YOU DO NOT USE DRAFT YOU MUST RETURN CONNECTING PLATE TO THE ORIGINAL POSITION.

22

23

24

How to use rear remote  
Lever Rear Remote Connection

25

BONNET OPEN

26

27

28

**WARNING**  
SAFETY INSTRUCTIONS  
1. Read and understand the safety instructions before operation.  
2. Do not use the tractor on uneven ground or on a slope.  
3. Do not use the tractor on a slope that is steeper than the maximum safe slope.  
4. Do not use the tractor on a slope that is steeper than the maximum safe slope.

29

30

**CAUTION**  
HOT SURFACE  
DO NOT TOUCH THE HOT SURFACE OF THE TRACTOR. IT MAY CAUSE BURNS OR OTHER INJURIES.



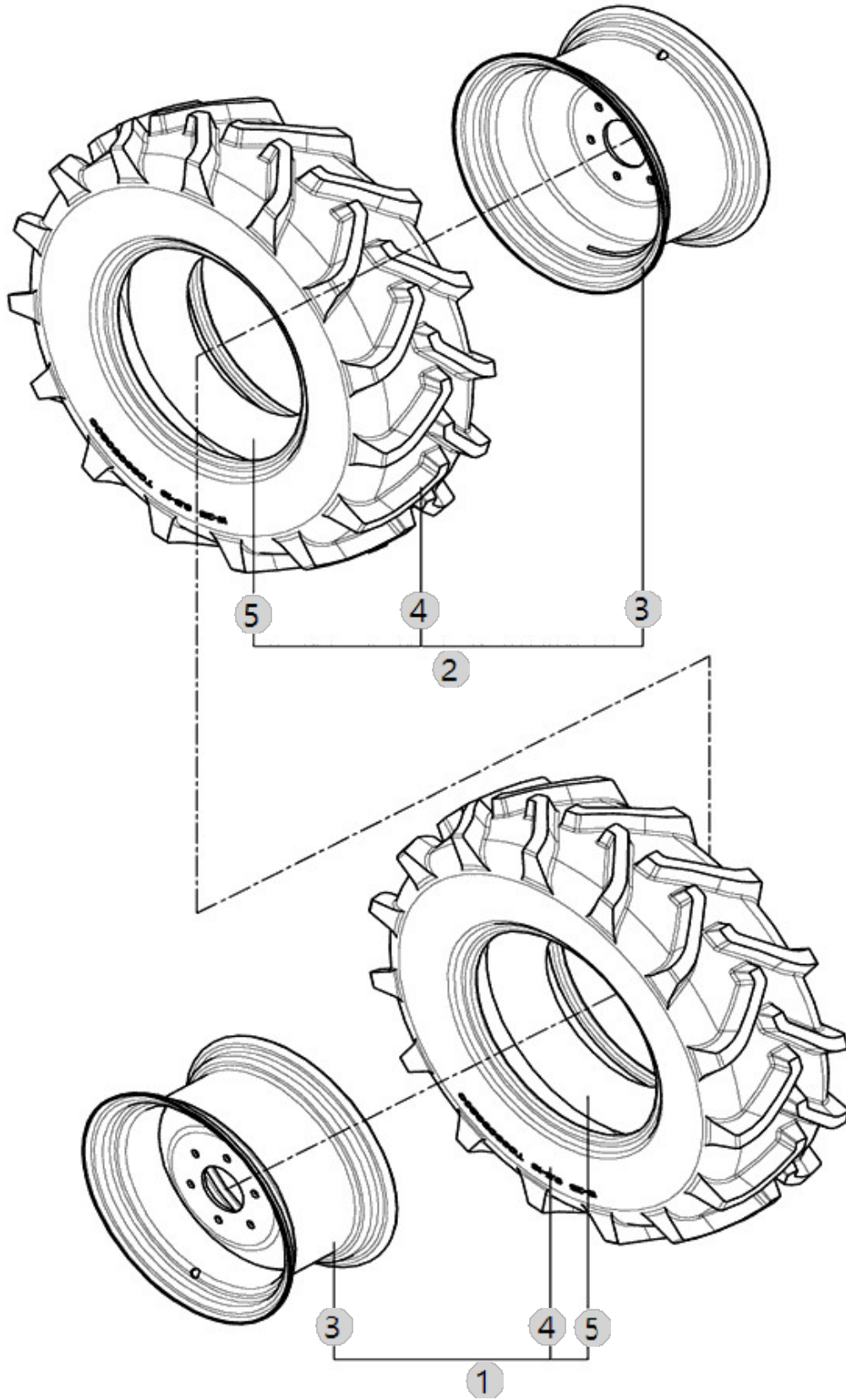
I05010

Year/Month

6225H(AC02122)

FRONT WHEEL&TIRE

2023-01-18







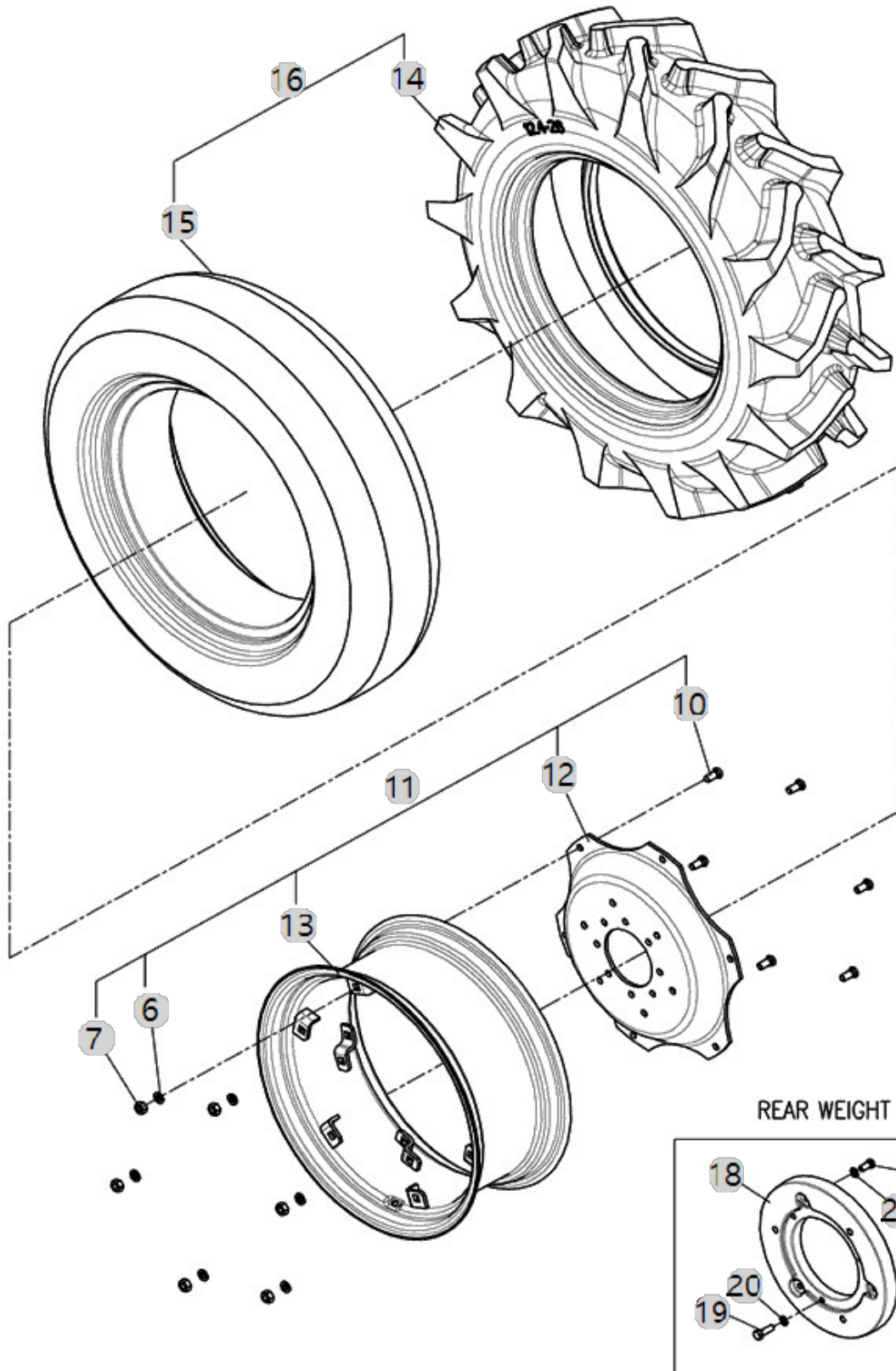
I05020

Year/Month

6225H(AC02122)

REAR WHEEL&TIRE ASSY

2023-01-18





I07010

6225H(AC02122)

SPARE TOOLS

Year/Month

2023-01-18

