

T475NHEU

Parts Catalog

목 차

1. 엔진 PART NO. EG

FIG 100 ENGINE	8
FIG 101 CYLINDER BLOCK	10
FIG 102 OILJET ASS'Y OPTION	12
FIG 103 CRANK SHAFT	14
FIG 104 PISTON	16
FIG 105 CYLINDER HEAD	18
FIG 106 ROCKER LEVER	20
FIG 107 HEAD COVER	22
FIG 108 GEAR CASE	24
FIG 109 IDLE GEAR	26
FIG 110 CAM SHAFT	28
FIG 111 OIL PUMP	30
FIG 112 HYD. PUMP DRIVE	32
FIG 113 2ND BALANCE	34
FIG 114 OIL PAN	36
FIG 115 INTAKE MANIFOLD	38
FIG 116 EXHAUST MANIFOLD	40
FIG 117 DPF SUPPORT OPTION	42
FIG 118 TURBOCHARGER PLUMBING OPTION	44
FIG 119 BREATHER	46
FIG 120 FUEL INJECTION PUMP	48
FIG 121 FUEL INJECTION VALVE	50
FIG 122 FUEL PIPE ASS'Y	52
FIG 123 OIL FILTER	54
FIG 124 OIL COOLER	56
FIG 125 OIL GAUGUE	58
FIG 126 OIL FILLER CAP	60
FIG 127 COOLING WATER PUMP	62
FIG 128 CRANK SHAFT PULLEY	64
FIG 129 V-PULLEY	66
FIG 130 COOLING FAN	68

FIG 131 FLYWHEEL HOUSING	70
FIG 132 FLYWHEEL	72
FIG 133 GLOW PLUG ASS'Y OPTION	74
FIG 134 STARTING MOTOR	76
FIG 135 FUEL FILTER BRACKET ASS'Y	78
FIG 136 ALTERNATOR	80
FIG 137 V-BELT	82
FIG 138 FUEL FILTER	84
FIG 139 DPF SUPPORT	86
FIG 140 DATAPLATE	88
FIG 142 DPF ASS'Y	90
FIG 143 LIFT ASS'Y	92
FIG 144 COMP. DRIVE PULLEY ASS'Y OPTION	94
FIG 145 LOOSED PARTS	96

2. 엔진보기품 PART NO. T2

FIG 201 AIR CLEANER	99
FIG 202 RADIATOR	101
FIG 203 MUFFLER	103
FIG 204 FUEL TANK & FILTER	105
FIG 205 OIL COOLER	107

3. 클러치/브레이크/스티어링 PART NO. T3

FIG 302 FLYWHEEL & CLUTCH	110
FIG 303 BRAKE PEDAL	112
FIG 304 BRAKE	114
FIG 306 FRONT WHEEL MOUNTING	116
FIG 307 REAR WHEEL MOUNTING	118
FIG 308 STEERING WHEEL	120
FIG 309 STEERING VALVE & PARKING	122
FIG 310 STEERING CYLINDER	124

4. 트랜스미션 PART NO. T4

FIG 401 TRANSMISSION FRONT CASE	127
FIG 402 HST	129

FIG 403 MID CASE	131
FIG 404 4WD DRIVE GEAR	133
FIG 405 INPUT GEAR	135
FIG 406 SUB CHANGE GEARS	137
FIG 407 PINION GEARS	139
FIG 408 P.T.O DRIVE SHAFT	141
FIG 409 P.T.O CHANGE GEARS	143
FIG 410 DIFF LOCK	146
FIG 411 TRANSMISSION REAR CASE	148
FIG 412 REAR AXLE HOUSINGS (1)	150
FIG 413 REAR AXLE HOUSINGS (2)	152
FIG 415 SUB CHANGE LEVER	154
FIG 416 FORWARD & REVERSE CONTROL LINKAGE	156
FIG 418 4WD CHANGE LEVER	158

5. 프런트 액슬 PART NO. T5

FIG 501 FRONT AXLE BRACKET	161
FIG 502 FRONT DIFF. GEARS & SHAFT	163
FIG 503 FRONT AXLE HOUSING	165
FIG 504 FRONT GEAR CASE (1)	167
FIG 505 FRONT GEAR CASE (2)	169

6. 유압/3점링크 PART NO. T6

FIG 601 GEAR PUMP	172
FIG 602 CYLINDER CASE	174
FIG 603 LIFT ARM	176
FIG 604 CYLINDER	178
FIG 605 POSITION LINK (1)	180
FIG 606 POSITION LINK (2)	182
FIG 607 CONTROL VALVE	184
FIG 608 POSITION LEVER	186
FIG 609 HYDRAULIC PIPE (1)	188
FIG 610 HYDRAULIC PIPE (2)	191
FIG 611 EXTERIOR HYD. VALVE	193
FIG 612 3-POINT LINK	195
FIG 613 HITCH & COVER	198

FIG 614 EXTERIOR POSITION LEVER	200
7. 시트메탈/캐빈 PART NO. T7	
FIG 701 HOOD FRAME	203
FIG 702 HOOD	206
FIG 703 EXTENSION COVER	209
FIG 704 FENDER & REAR FRAME	211
FIG 705 DASH PANEL	214
FIG 706 FLOOR PANEL	216
FIG 707 SEAT	218
FIG 708 FRONT & REAR MOUNTING	220
FIG 709 ROPS	222
8. 전장 PART NO. T8	
FIG 801 BATTERY & MOUNTING	225
FIG 802 LAMP	227
FIG 803 INSTRUMENT PANEL	229
FIG 804 ELECTRIC SYSTEM	231
FIG 805 HARNESS	233
9. 라벨/옵션 PART NO. T9	
FIG 901 TOOL & ACCESSORY	236
FIG 902 WEIGHT	238
FIG 903-1 LABEL	240

1. 엔진 PART NO. EG

FIG 100 ENGINE	8
FIG 101 CYLINDER BLOCK	10
FIG 102 OILJET ASS'Y OPTION	12
FIG 103 CRANK SHAFT	14
FIG 104 PISTON	16
FIG 105 CYLINDER HEAD	18
FIG 106 ROCKER LEVER	20
FIG 107 HEAD COVER	22
FIG 108 GEAR CASE	24
FIG 109 IDLE GEAR	26
FIG 110 CAM SHAFT	28
FIG 111 OIL PUMP	30
FIG 112 HYD. PUMP DRIVE	32
FIG 113 2ND BALANCE	34
FIG 114 OIL PAN	36
FIG 115 INTAKE MANIFOLD	38
FIG 116 EXHAUST MANIFOLD	40
FIG 117 DPF SUPPORT OPTION	42
FIG 118 TURBOCHARGER PLUMBING OPTION	44
FIG 119 BREATHER	46
FIG 120 FUEL INJECTION PUMP	48
FIG 121 FUEL INJECTION VALVE	50
FIG 122 FUEL PIPE ASS'Y	52
FIG 123 OIL FILTER	54
FIG 124 OIL COOLER	56
FIG 125 OIL GAUGUE	58
FIG 126 OIL FILLER CAP	60
FIG 127 COOLING WATER PUMP	62
FIG 128 CRANK SHAFT PULLEY	64
FIG 129 V-PULLEY	66
FIG 130 COOLING FAN	68
FIG 131 FLYWHEEL HOUSING	70
FIG 132 FLYWHEEL	72
FIG 133 GLOW PLUG ASS'Y OPTION	74
FIG 134 STARTING MOTOR	76
FIG 135 FUEL FILTER BRACKET ASS'Y	78
FIG 136 ALTERNATOR	80
FIG 137 V-BELT	82

FIG 138 FUEL FILTER	84
FIG 139 DPF SUPPORT	86
FIG 140 DATAPLATE	88
FIG 142 DPF ASS'Y	90
FIG 143 LIFT ASS'Y	92
FIG 144 COMP. DRIVE PULLEY ASS'Y OPTION	94
FIG 145 LOOSED PARTS	96

FIG 100 T475NHEU	ENGINE	년/월 Year/Month
		2022-12
NOTE		

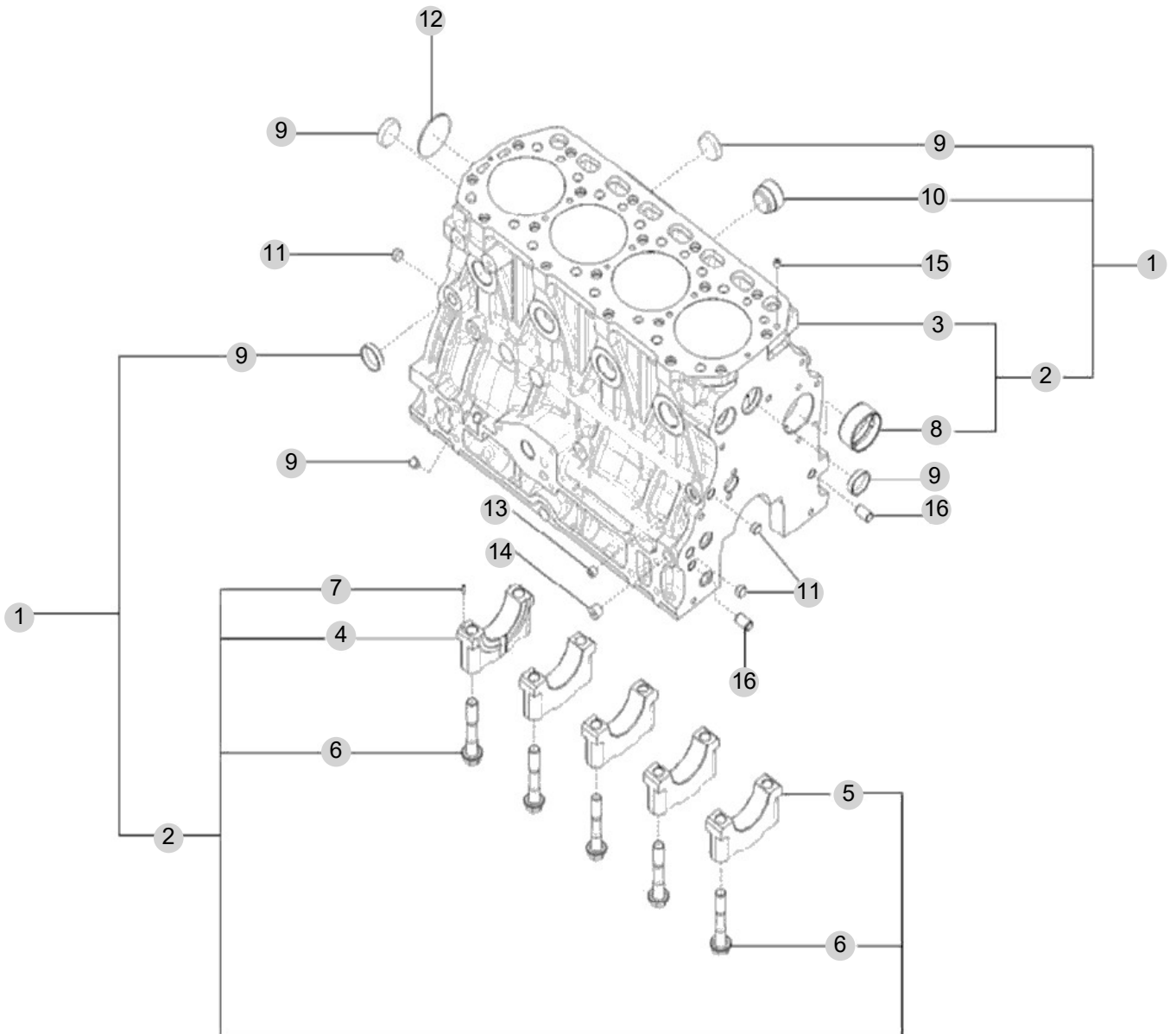
FIG 101

T475NHEU

CYLINDER BLOCK

년/월
Year/Month

2022-12



NOTE

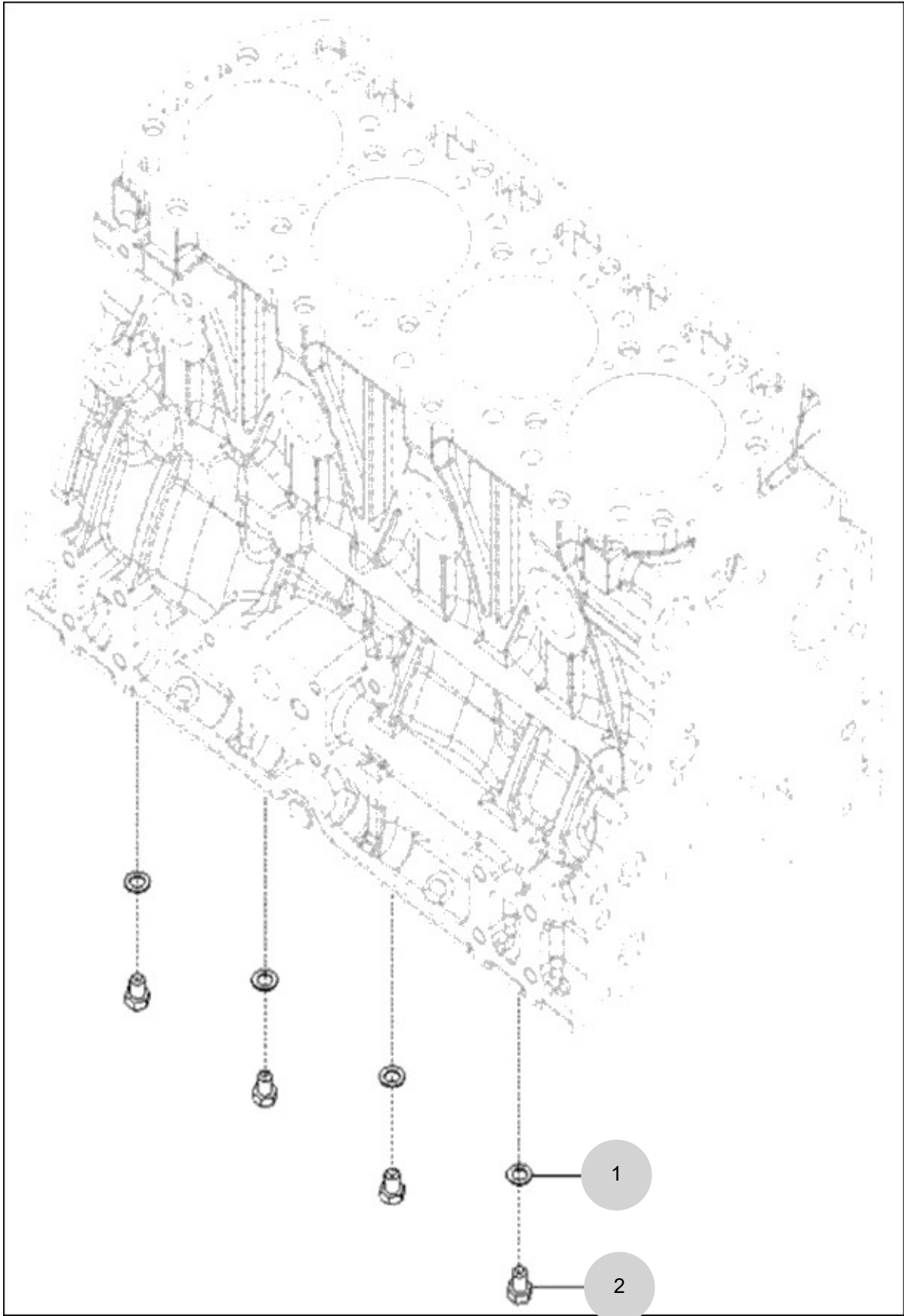
FIG 102

OILJET ASS'Y OPTION

년/월
Year/Month

T475NHEU

2022-12



NOTE

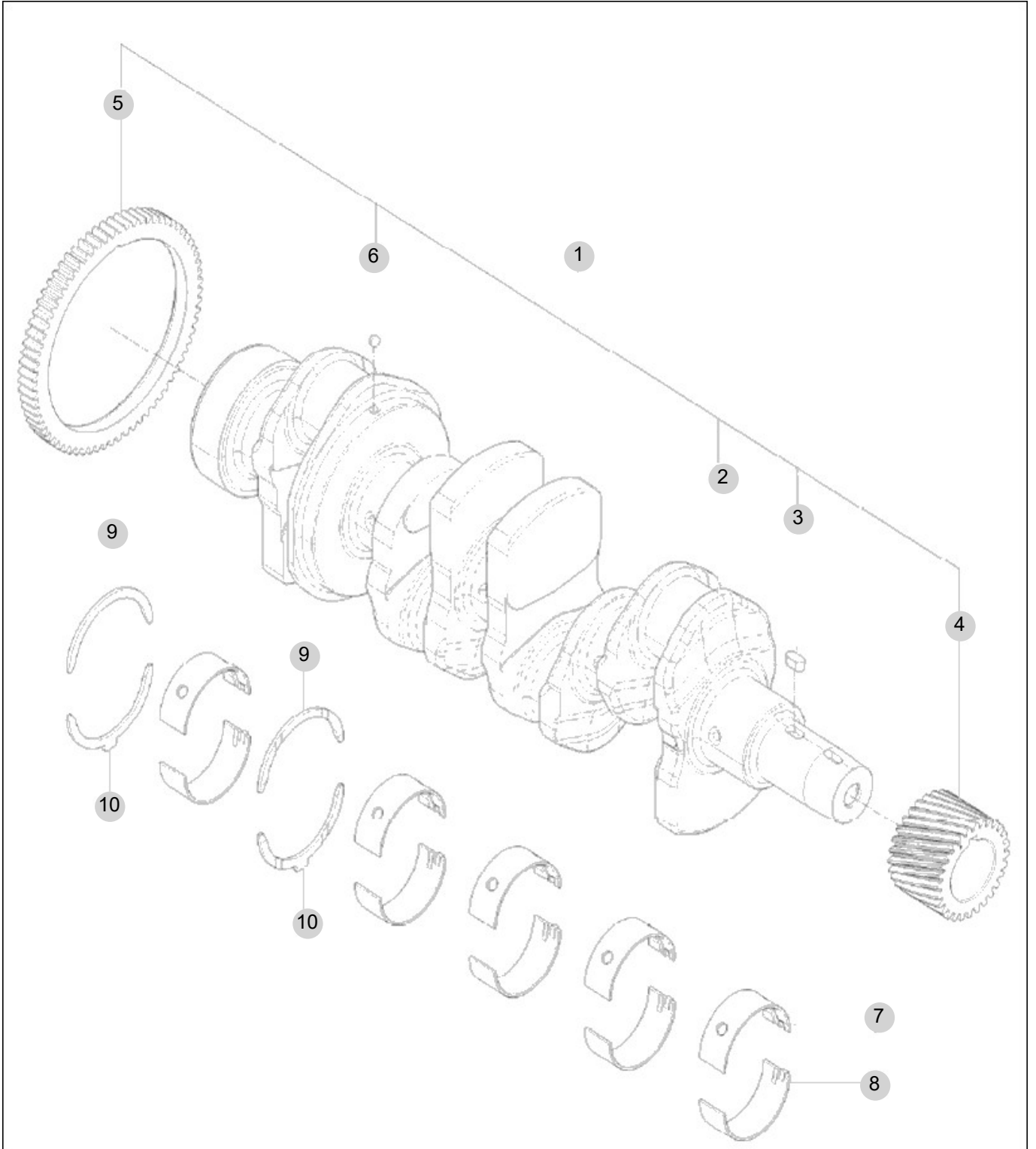
FIG 103

T475NHEU

CRANK SHAFT

년/월
Year/Month

2022-12



NOTE

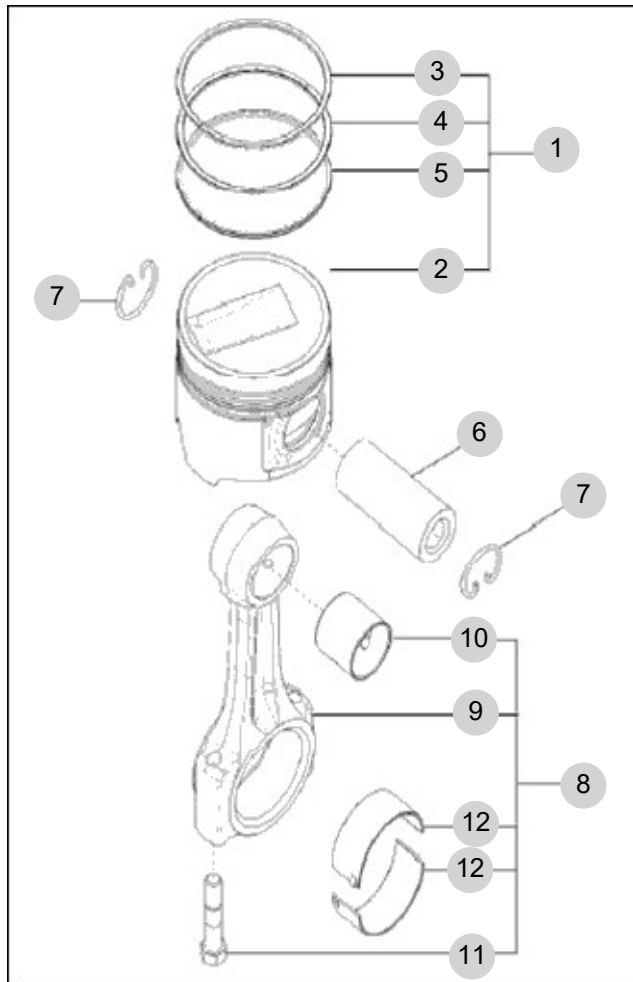
FIG 104

T475NHEU

PISTON

년/월
Year/Month

2022-12



NOTE

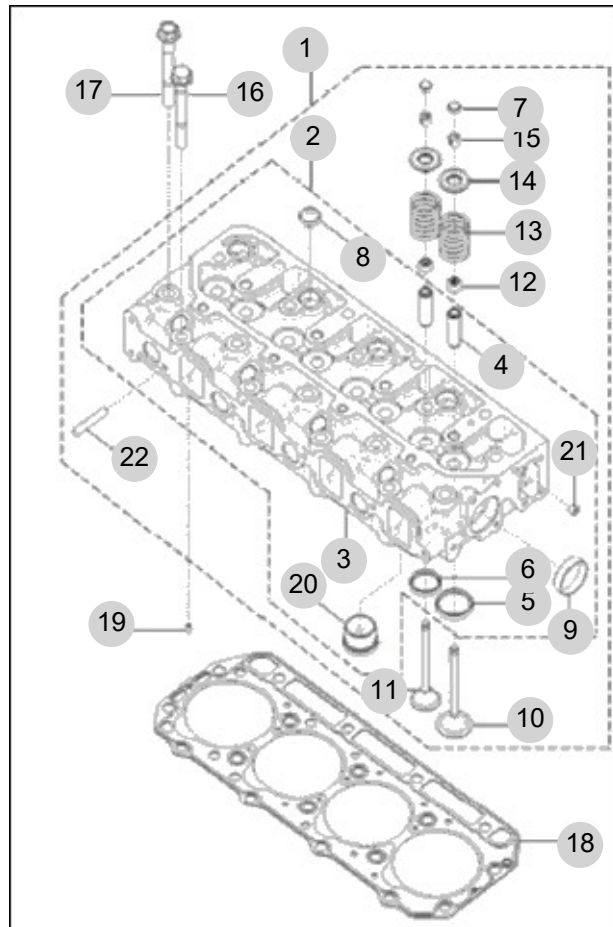
FIG 105

CYLINDER HEAD

년/월
Year/Month

2022-12

T475NHEU



NOTE

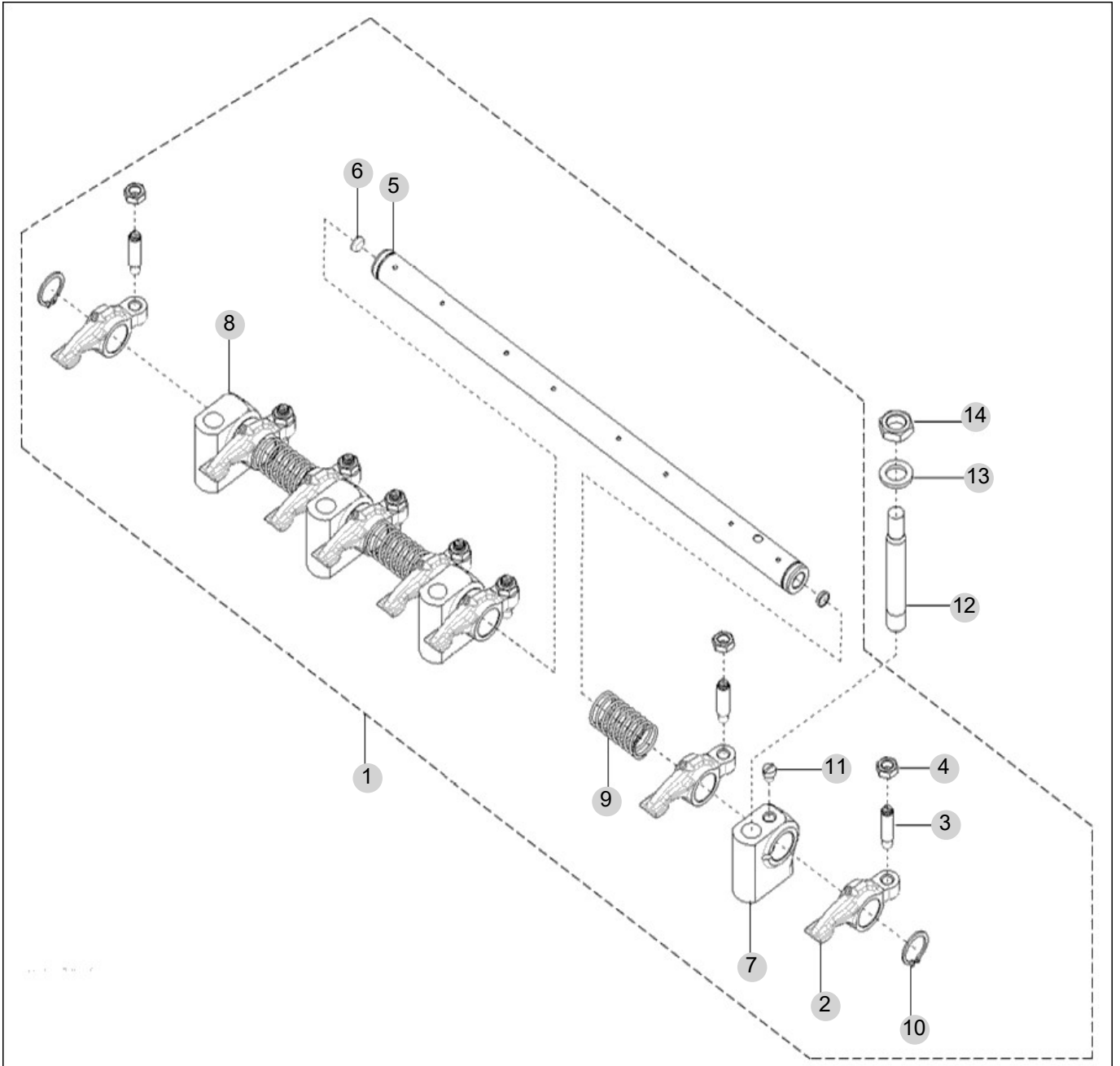
FIG 106

T475NHEU

ROCKER LEVER

년/월
Year/Month

2022-12



NOTE

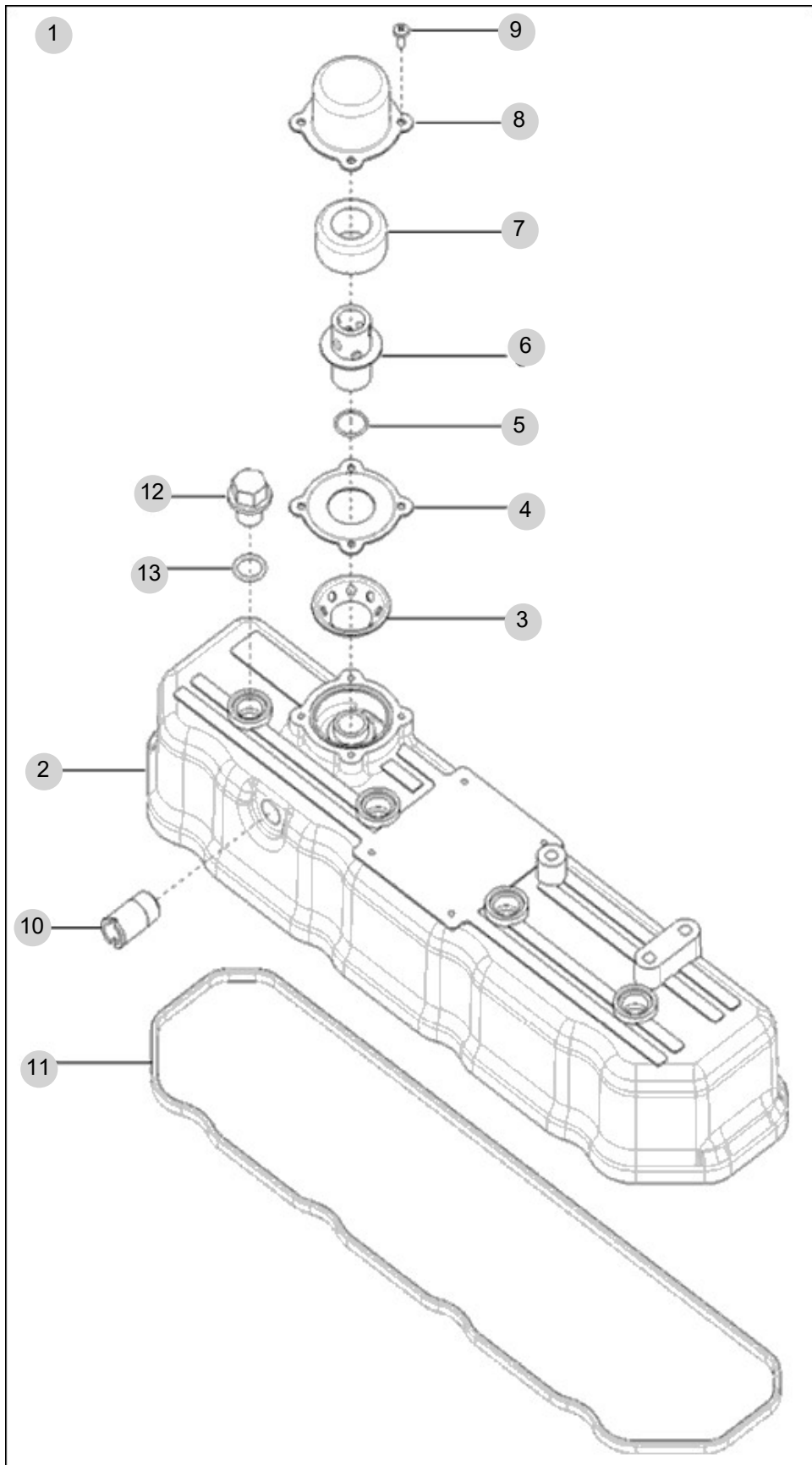
FIG 107

T475NHEU

HEAD COVER

년/월
Year/Month

2022-12



NOTE

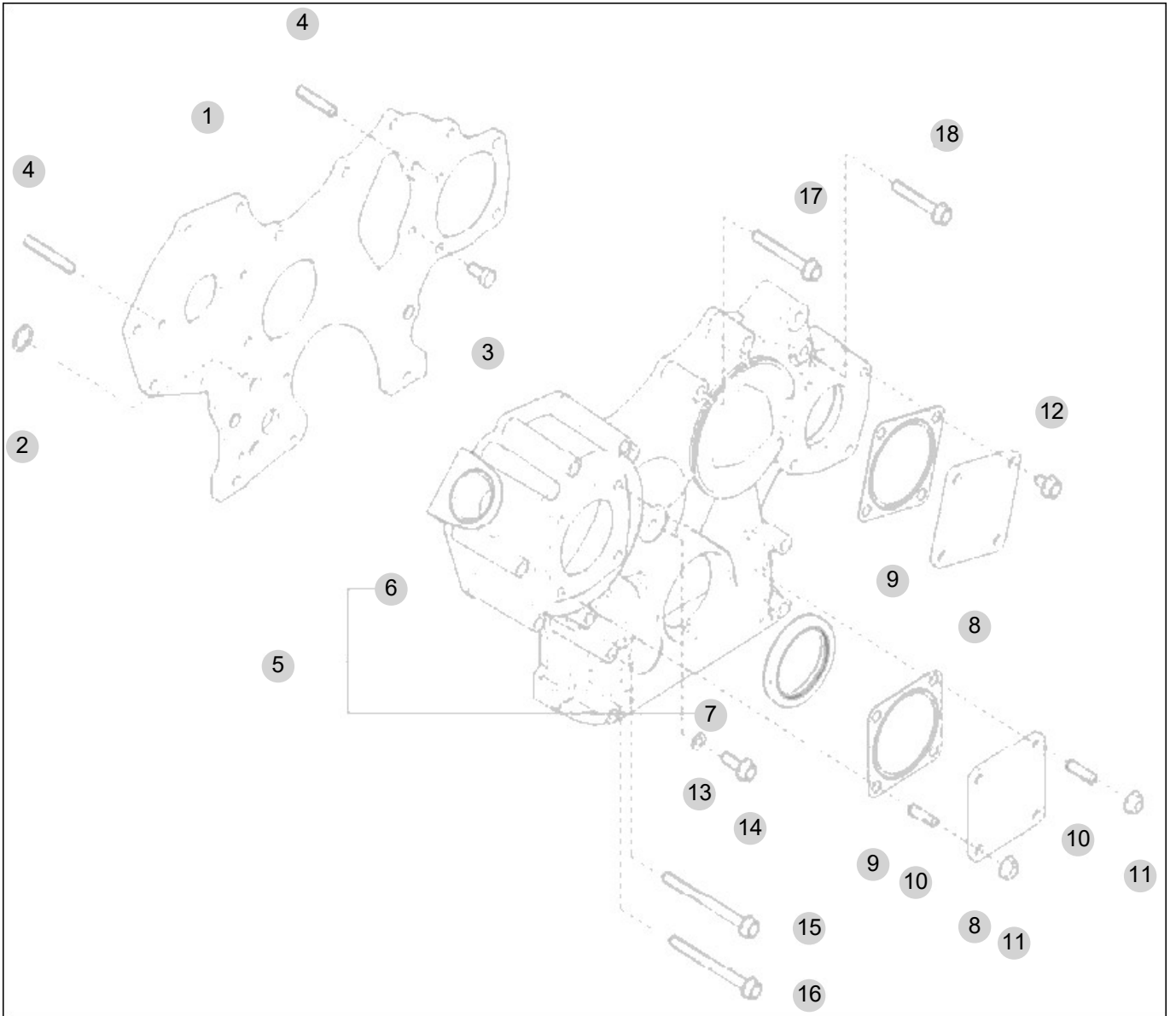
FIG 108

T475NHEU

GEAR CASE

년/월
Year/Month

2022-12



NOTE

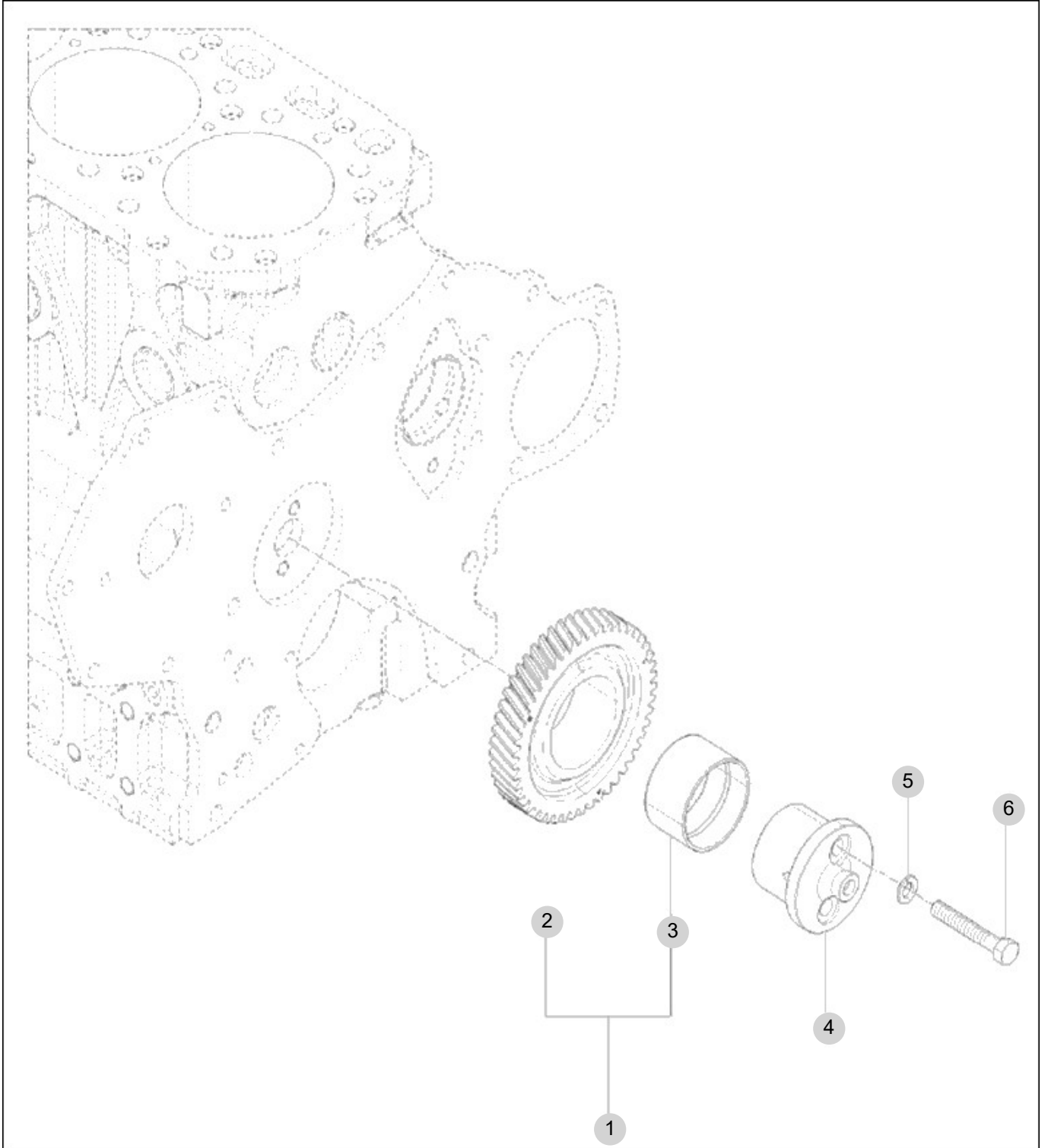
FIG 109

T475NHEU

IDLE GEAR

년/월
Year/Month

2022-12



NOTE

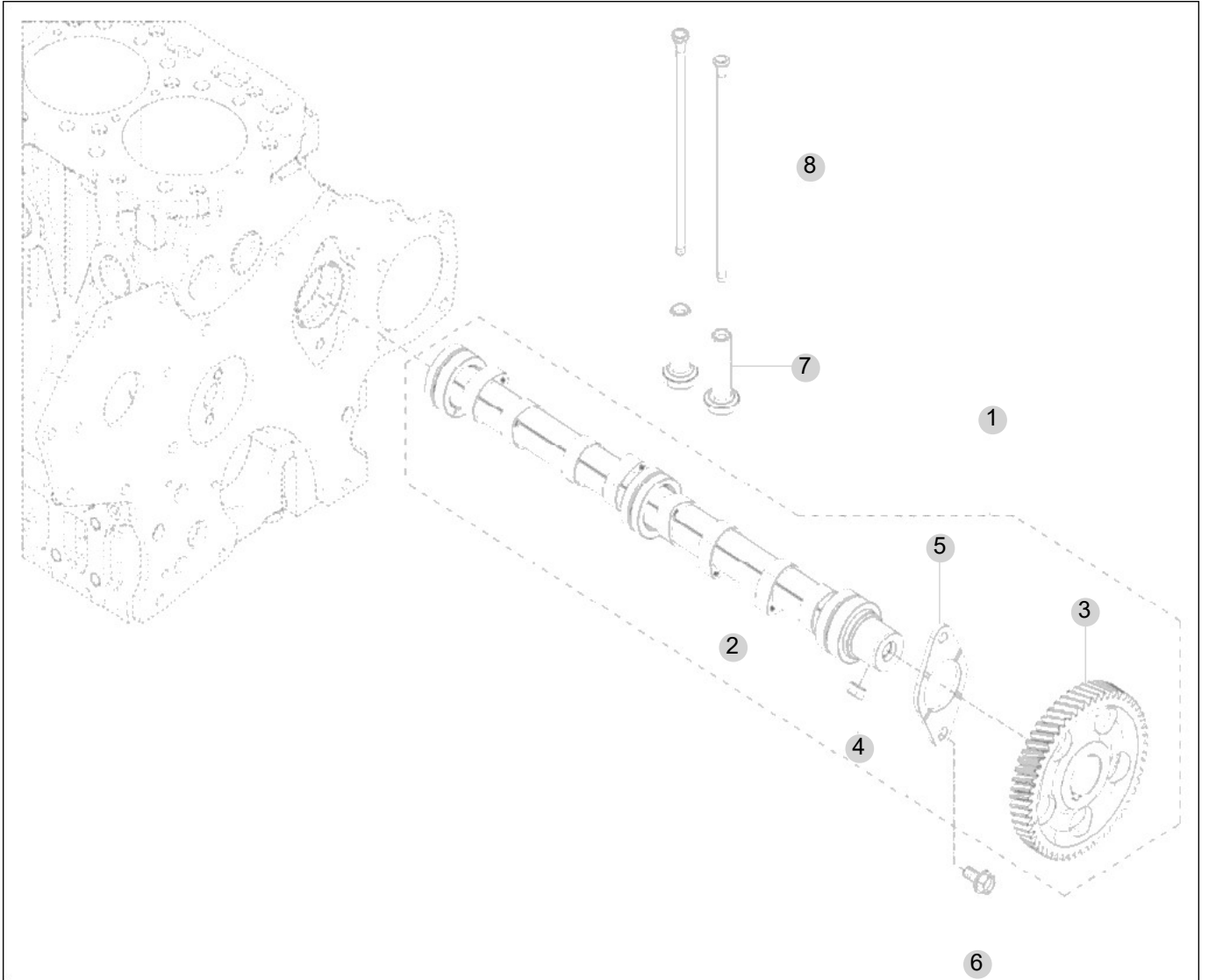
FIG 110

CAM SHAFT

년/월
Year/Month

T475NHEU

2022-12



NOTE

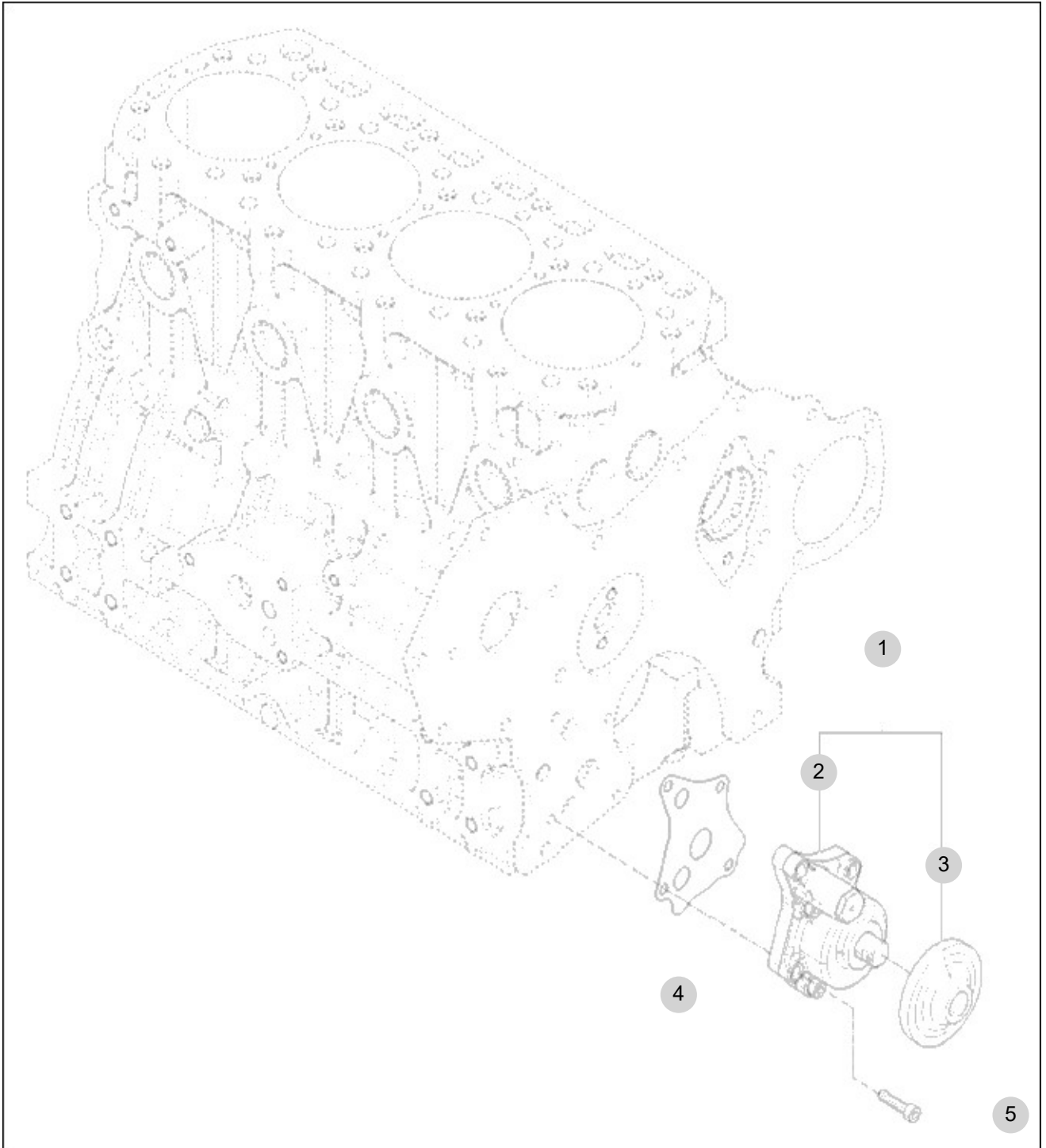
FIG 111

OIL PUMP

년/월
Year/Month

T475NHEU

2022-12



NOTE

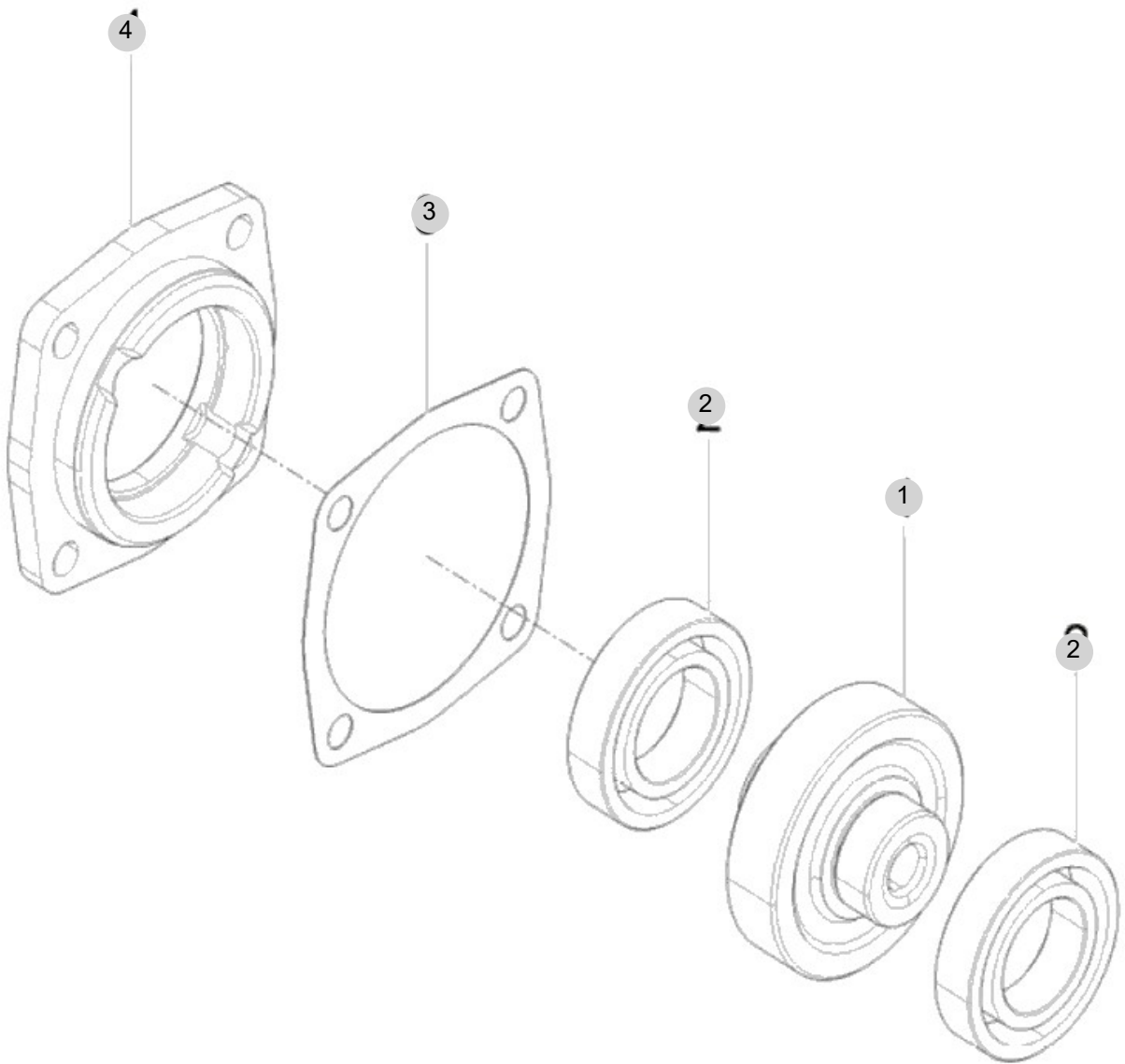
FIG 112

T475NHEU

HYD. PUMP DRIVE

년/월
Year/Month

2022-12



NOTE

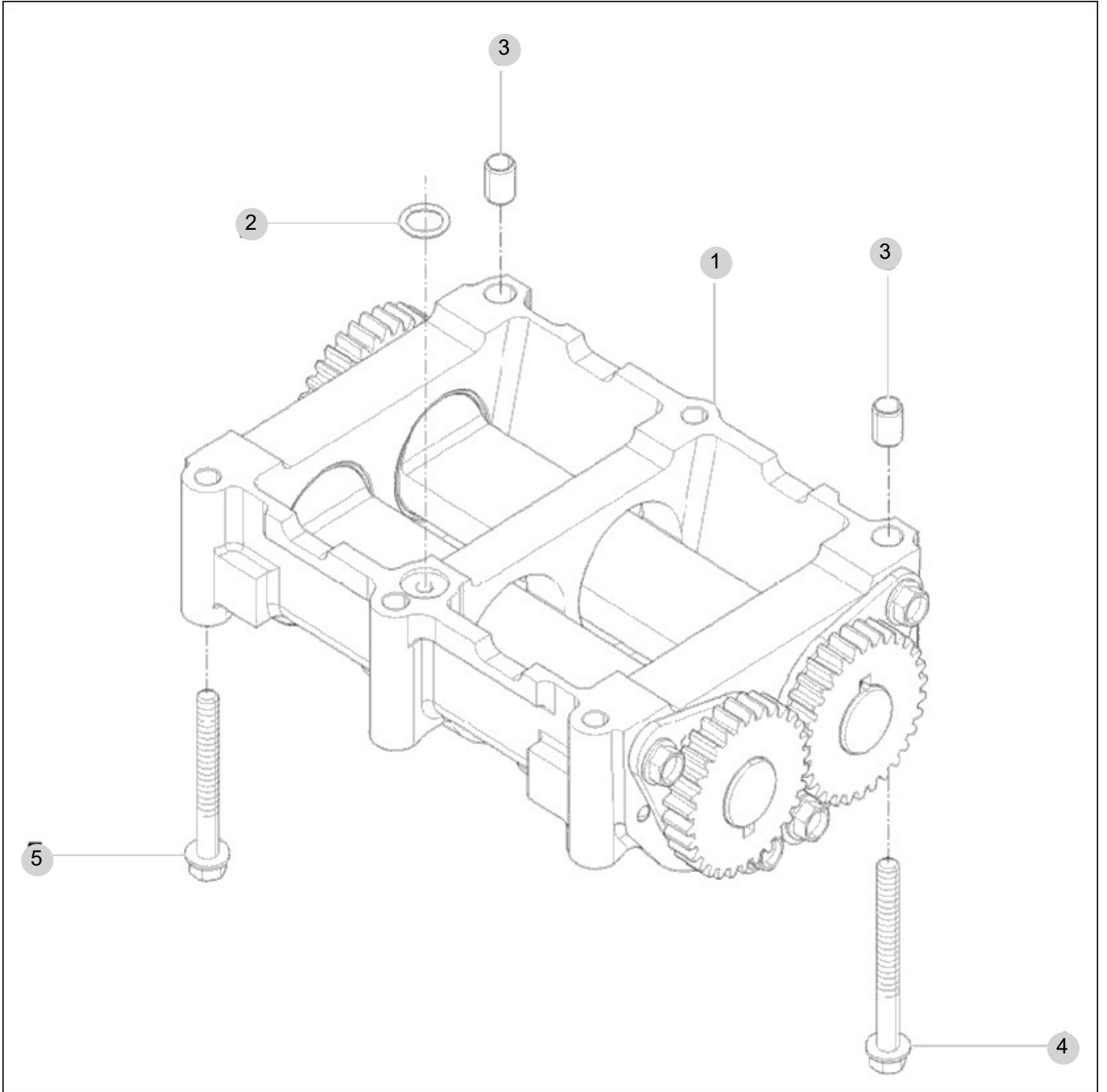
FIG 113

T475NHEU

2ND BALANCE

년/월
Year/Month

2022-12



NOTE

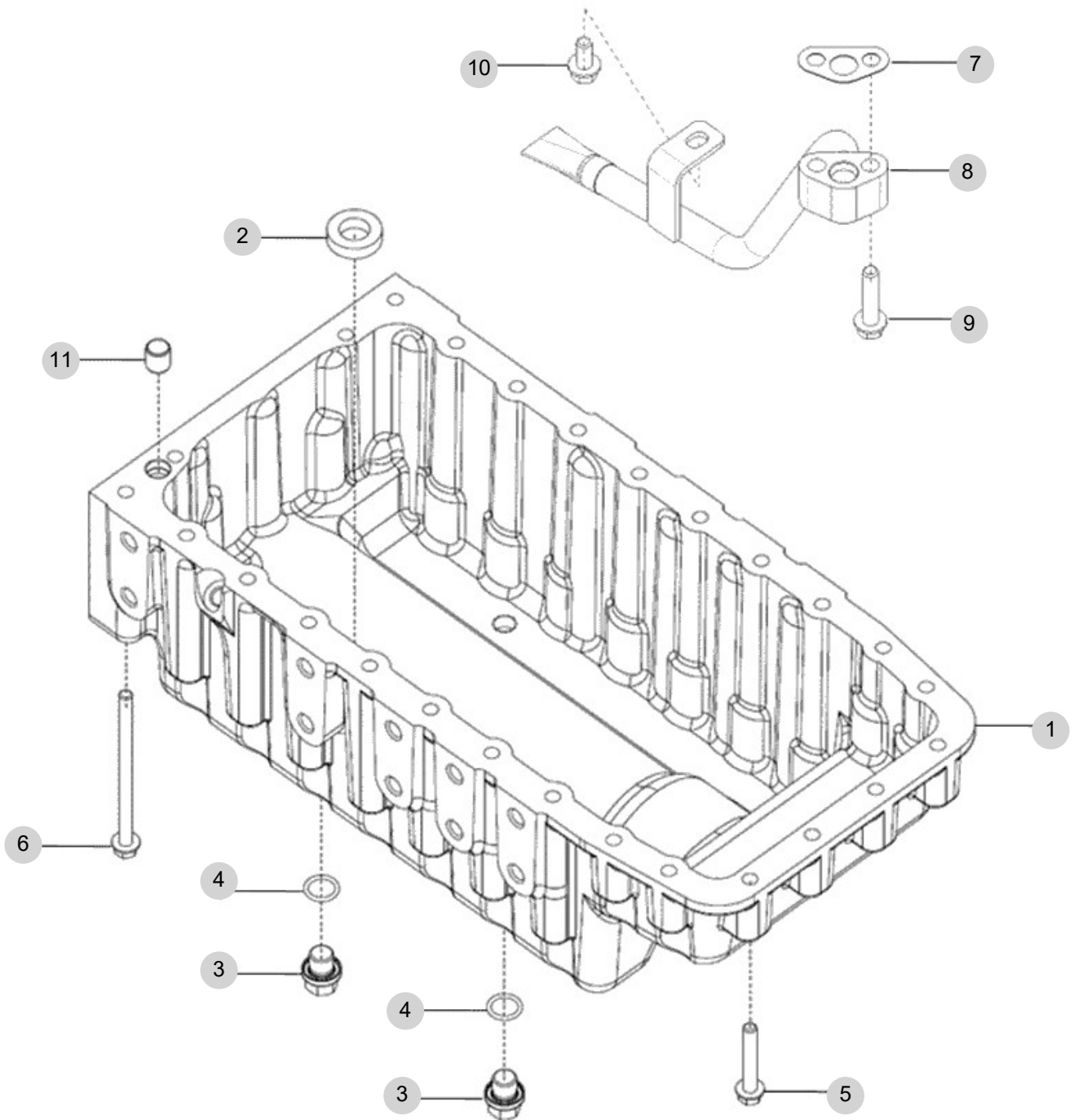
FIG 114

T475NHEU

OIL PAN

년/월
Year/Month

2022-12



NOTE

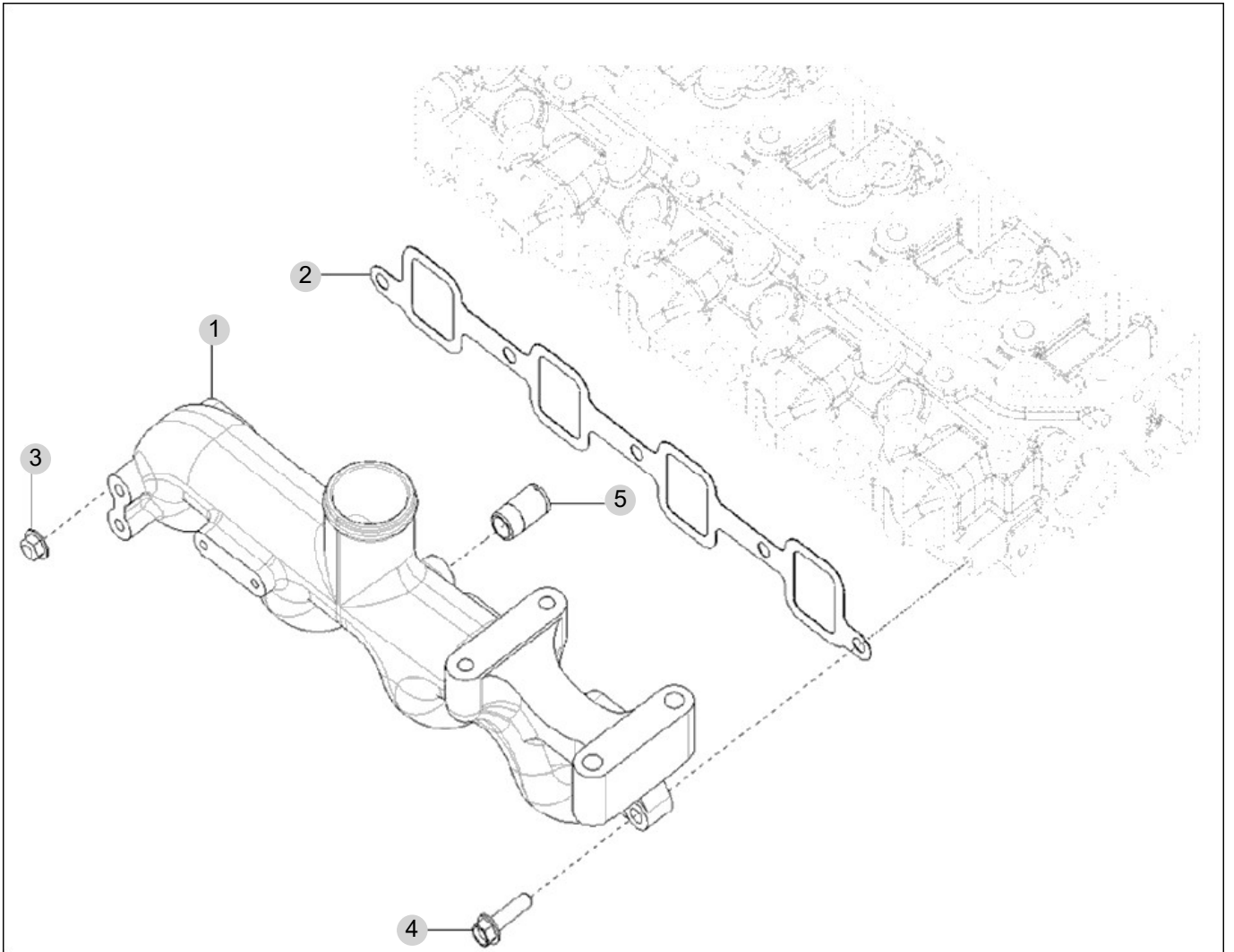
FIG 115

T475NHEU

INTAKE MANIFOLD

년/월
Year/Month

2022-12



NOTE

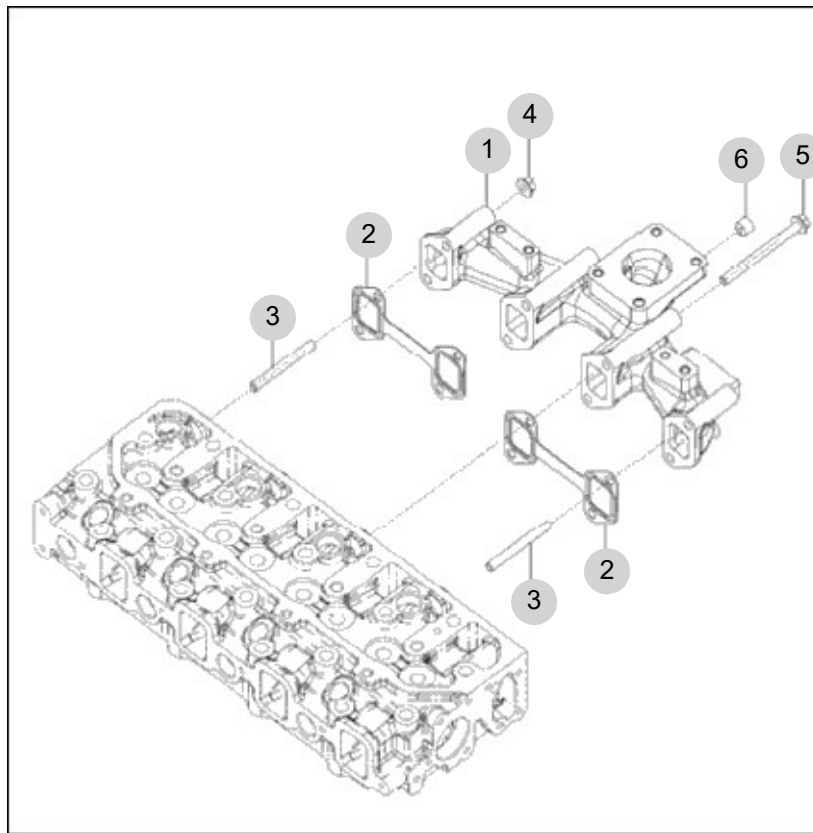
FIG 116

T475NHEU

EXHAUST MANIFOLD

년/월
Year/Month

2022-12



NOTE

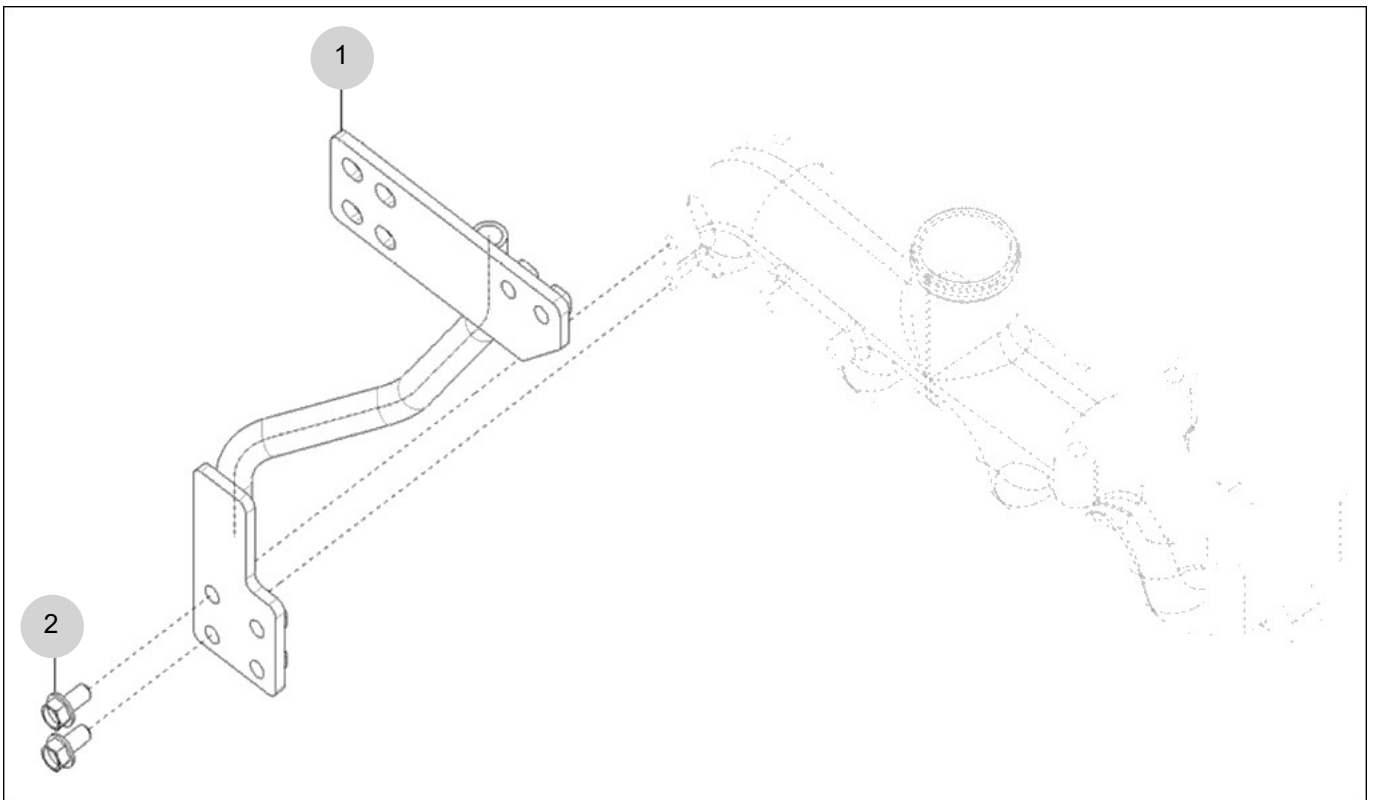
FIG 117

T475NHEU

DPF SUPPORT OPTION

년/월
Year/Month

2022-12



NOTE

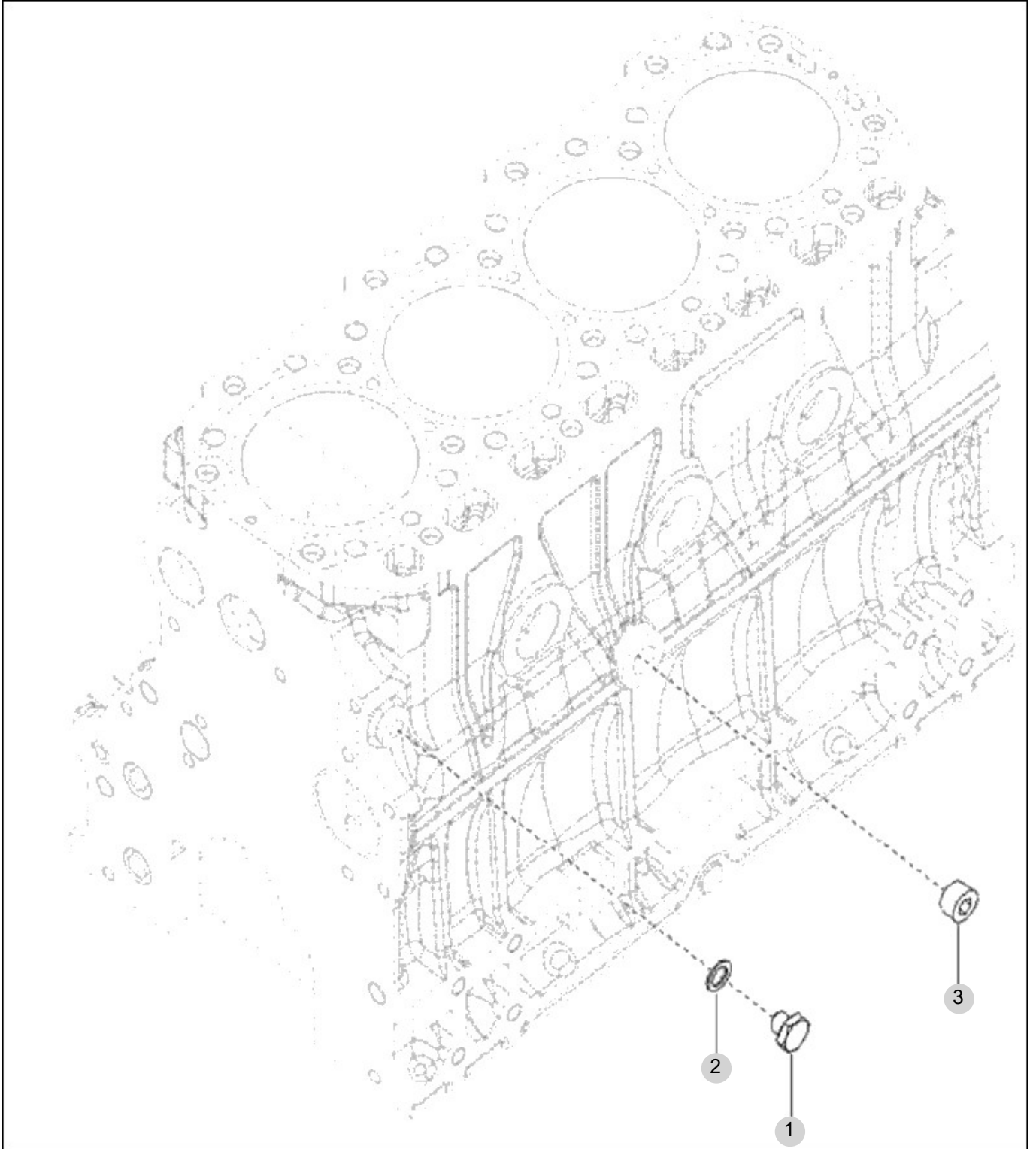
FIG 118

TURBOCHARGER PLUMBING OPTION

T475NHEU

년/월
Year/Month

2022-12



NOTE

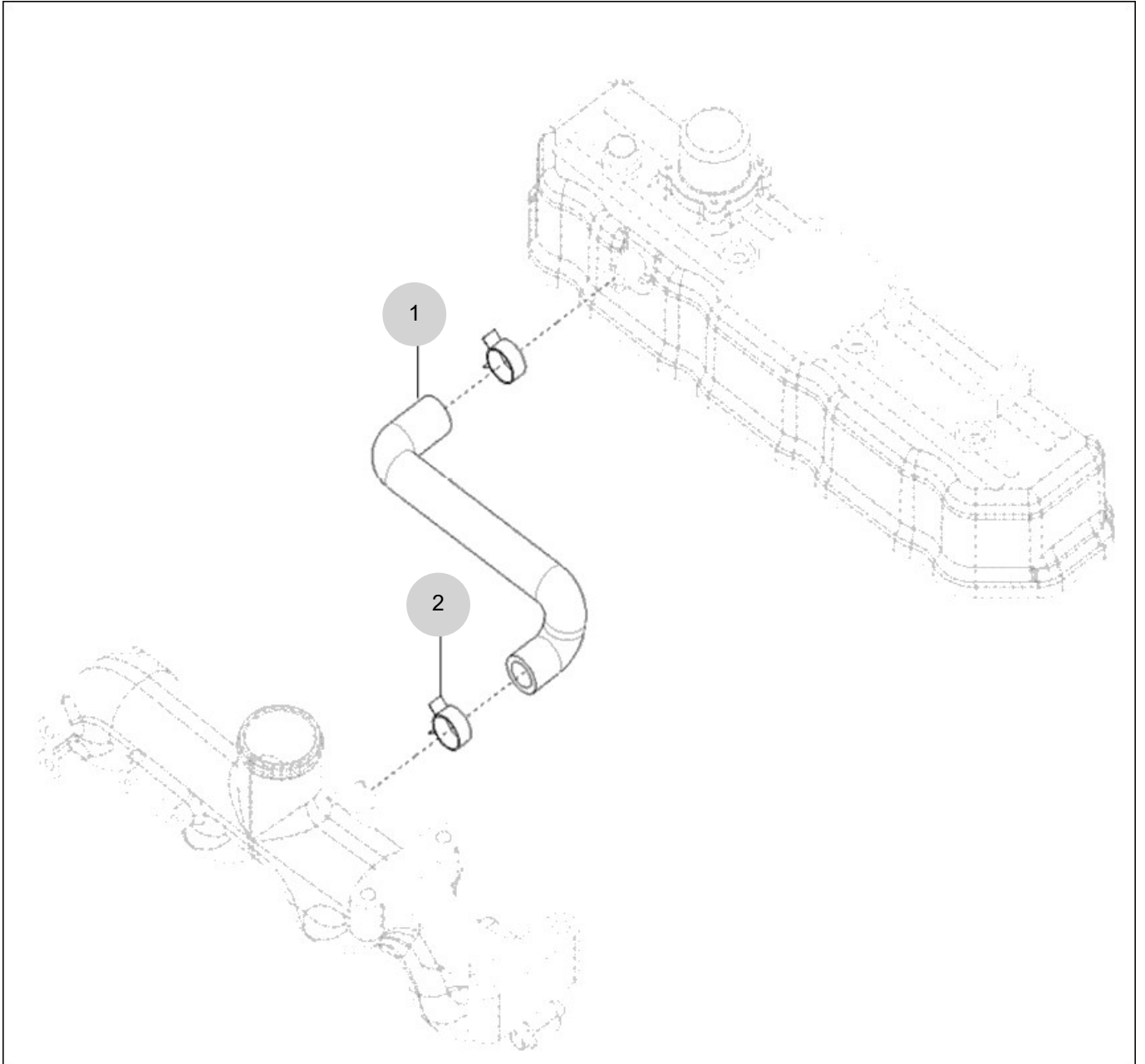
FIG 119

T475NHEU

BREATHER

년/월
Year/Month

2022-12



NOTE

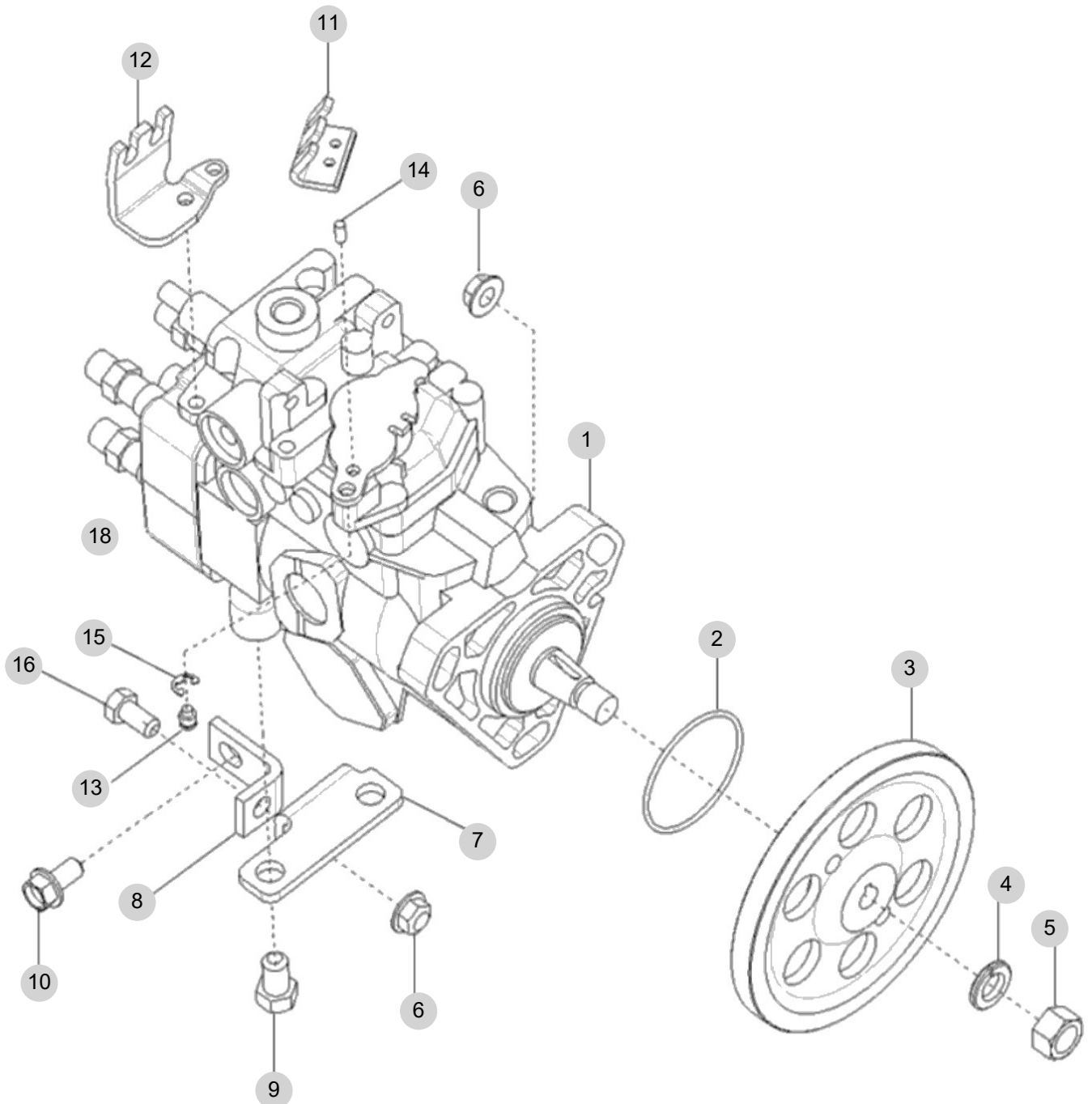
FIG 120

FUEL INJECTION PUMP

년/월
Year/Month

T475NHEU

2022-12



NOTE

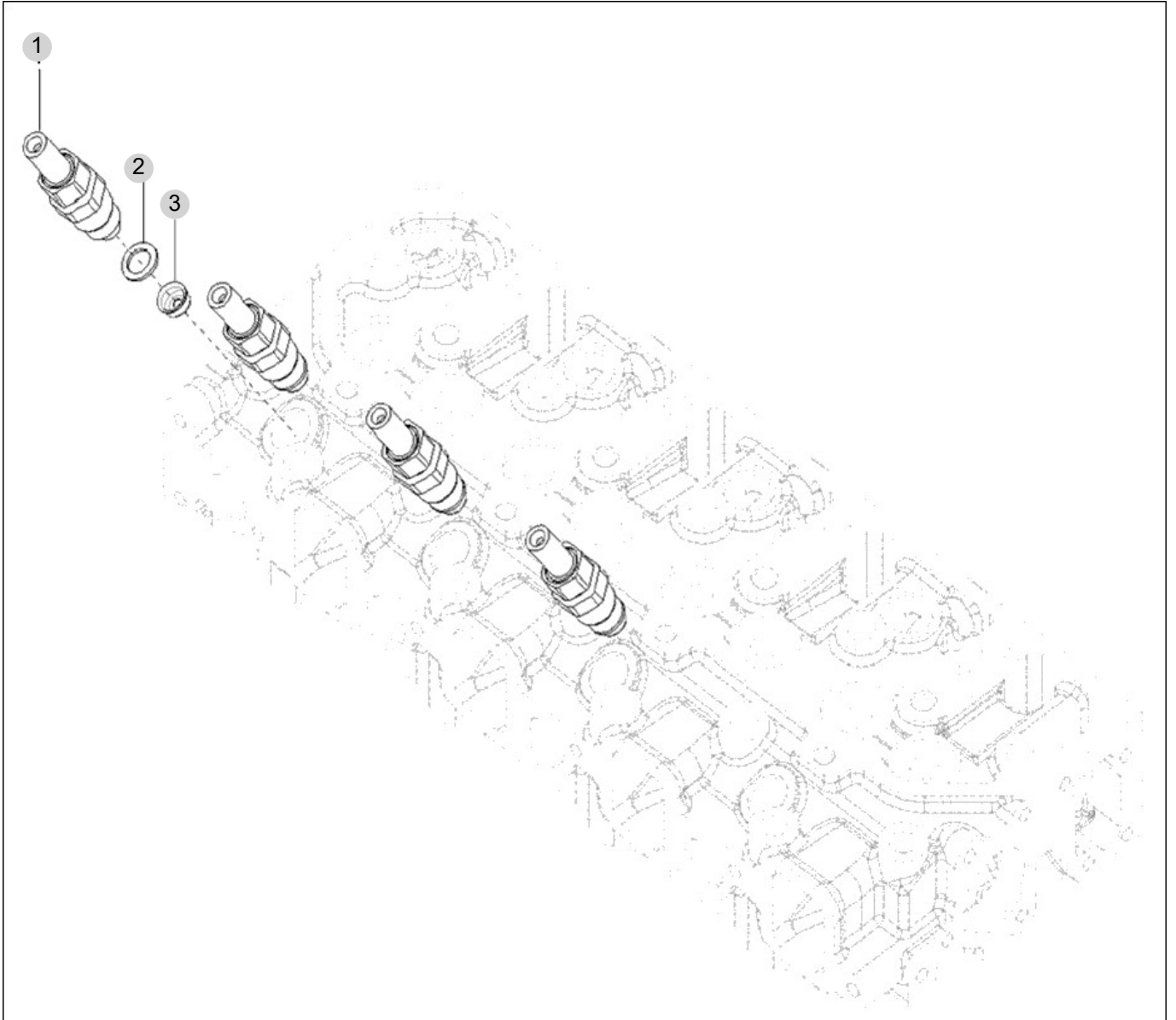
FIG 121

T475NHEU

FUEL INJECTION VALVE

년/월
Year/Month

2022-12



NOTE

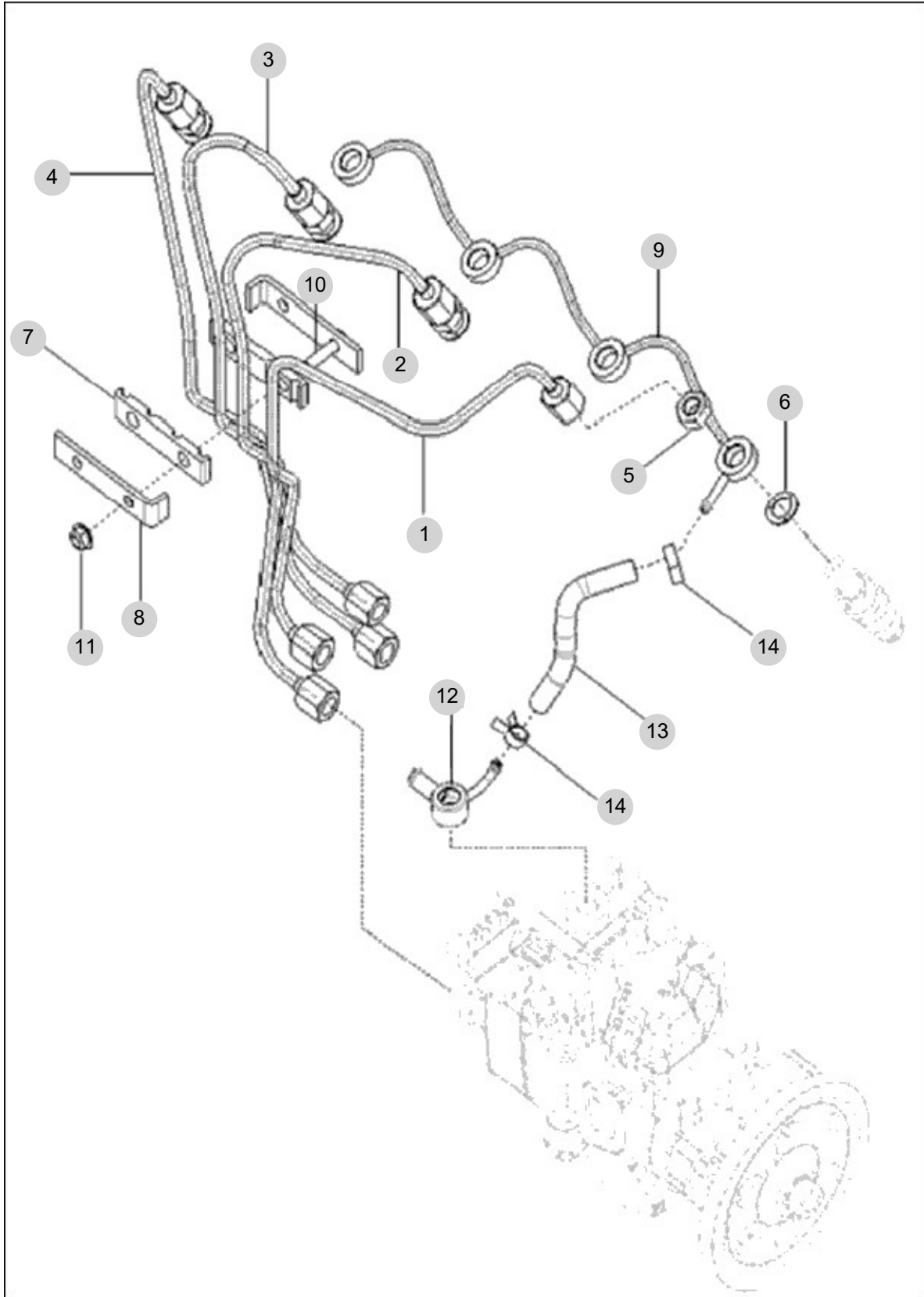
FIG 122

FUEL PIPE ASS'Y

년/월
Year/Month

T475NHEU

2022-12



NOTE

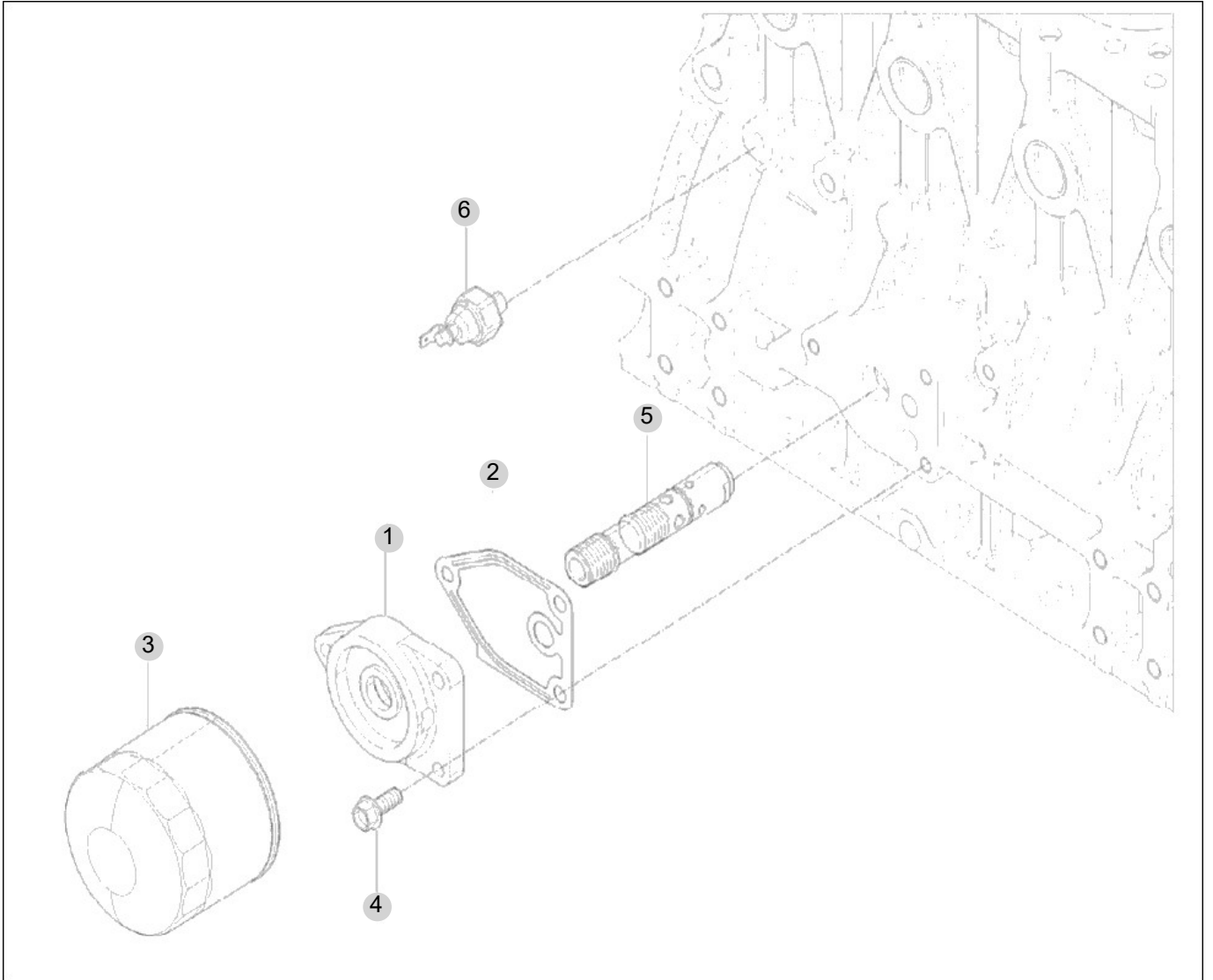
FIG 123

T475NHEU

OIL FILTER

년/월
Year/Month

2022-12



NOTE

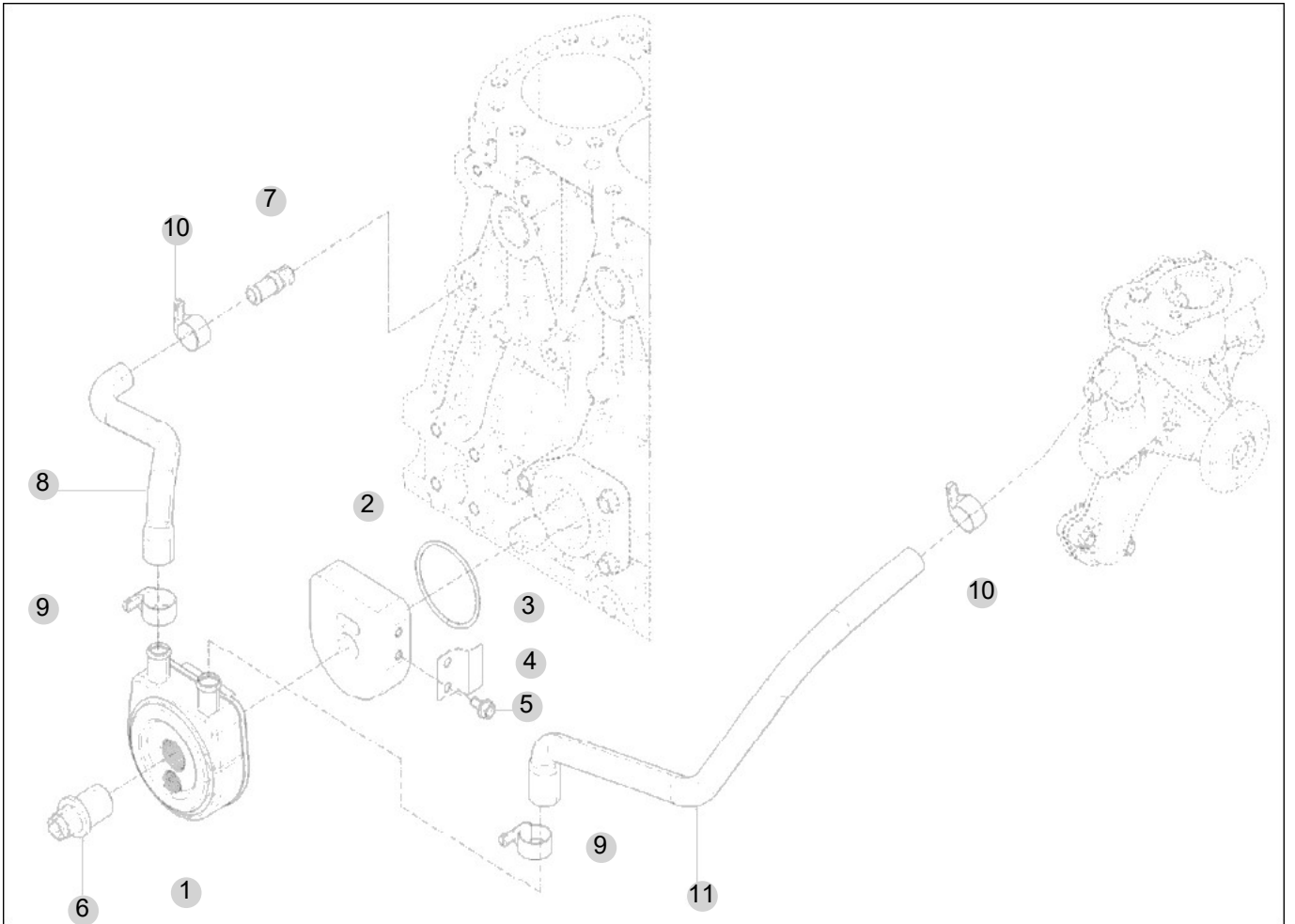
FIG 124

OIL COOLER

년/월
Year/Month

T475NHEU

2022-12



NOTE

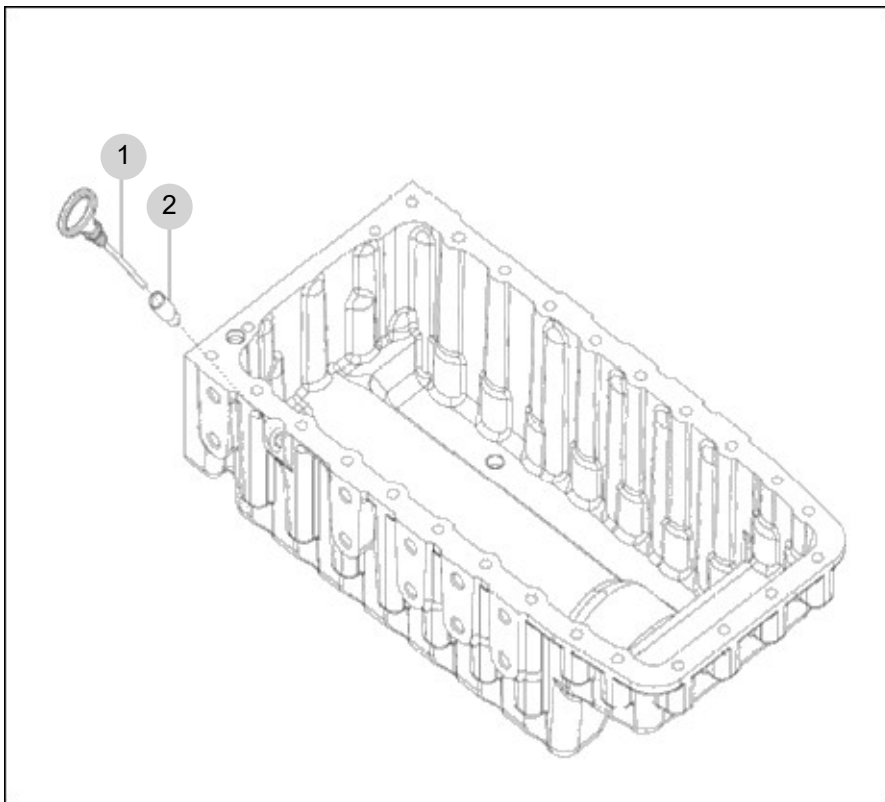
FIG 125

OIL GAUGUE

년/월
Year/Month

T475NHEU

2022-12



NOTE

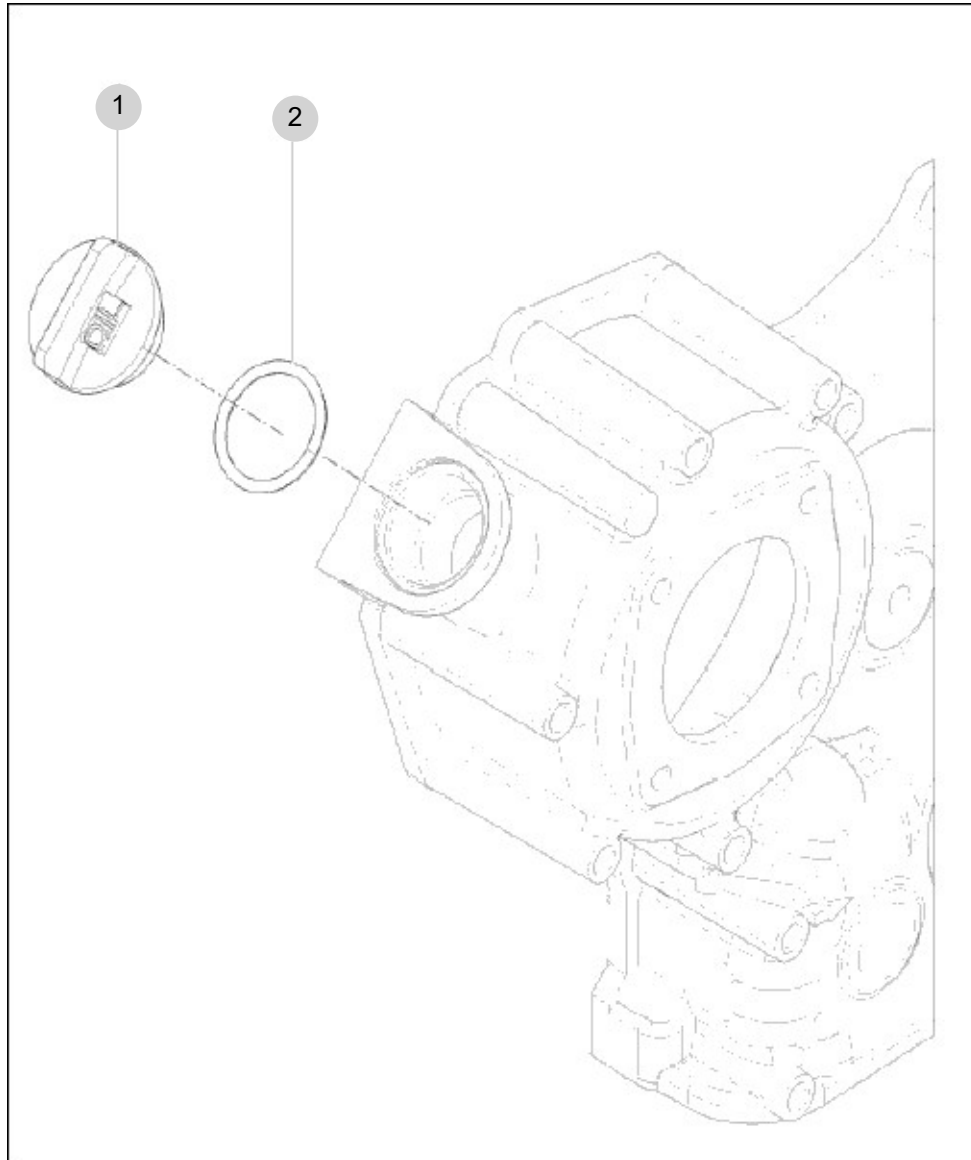
FIG 126

T475NHEU

OIL FILLER CAP

년/월
Year/Month

2022-12



NOTE

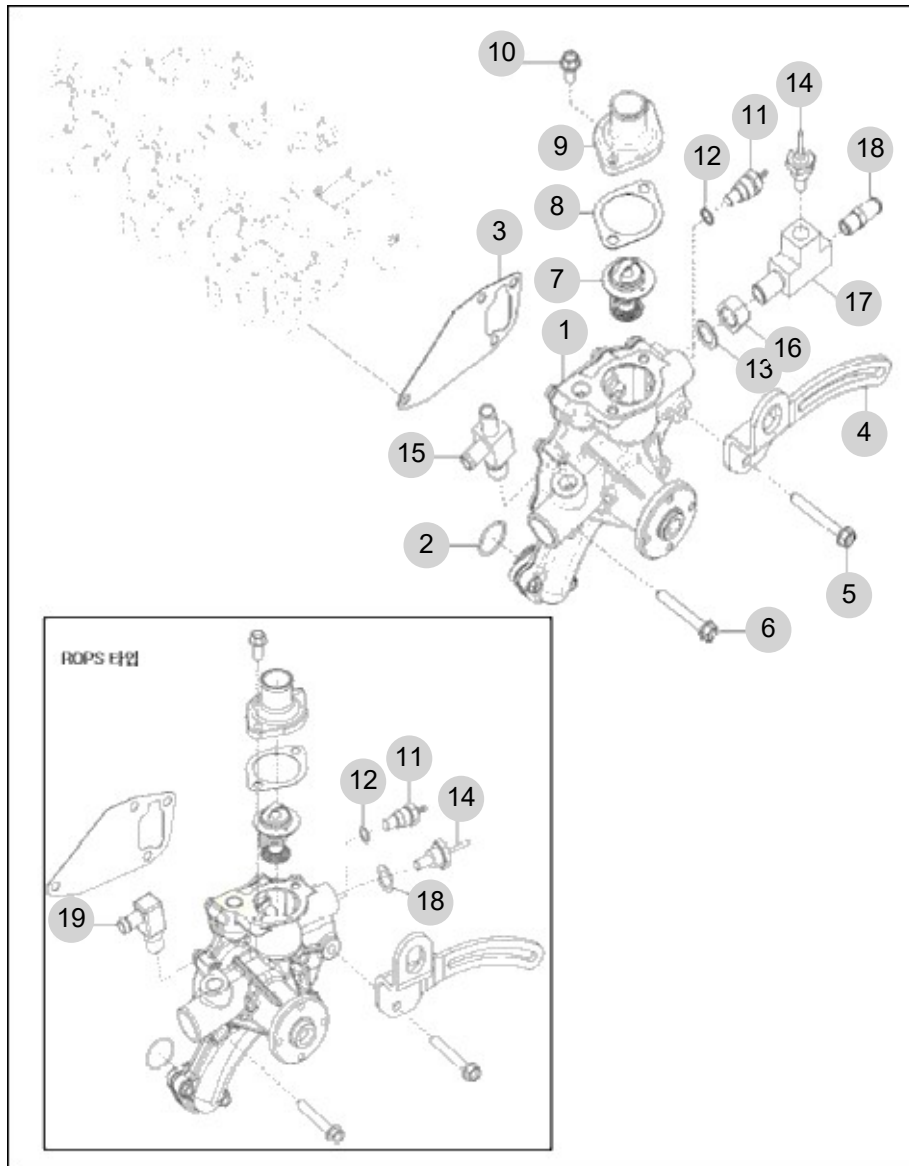
FIG 127

COOLING WATER PUMP

년/월
Year/Month

2022-12

T475NHEU



NOTE

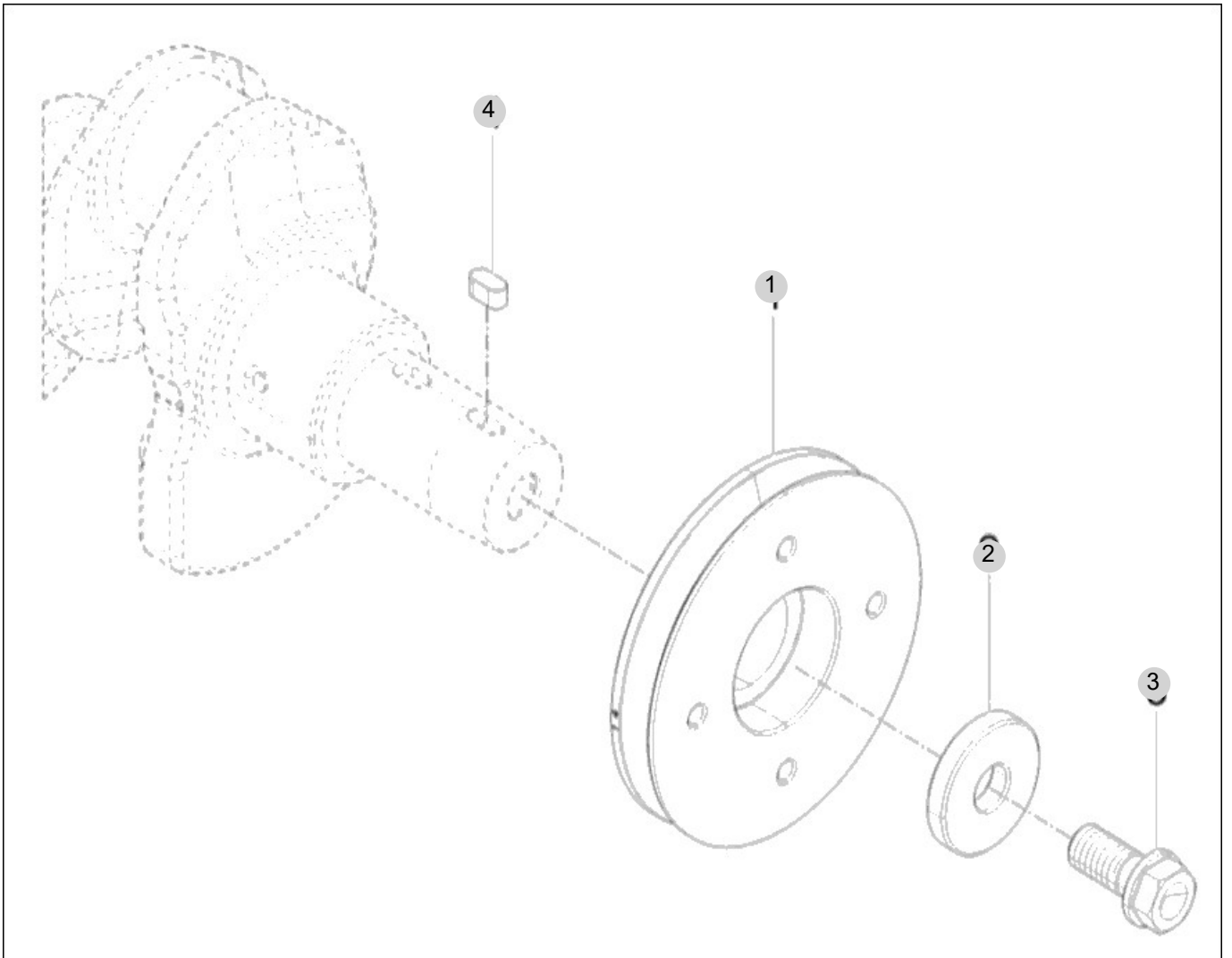
FIG 128

T475NHEU

CRANK SHAFT PULLEY

년/월
Year/Month

2022-12



NOTE

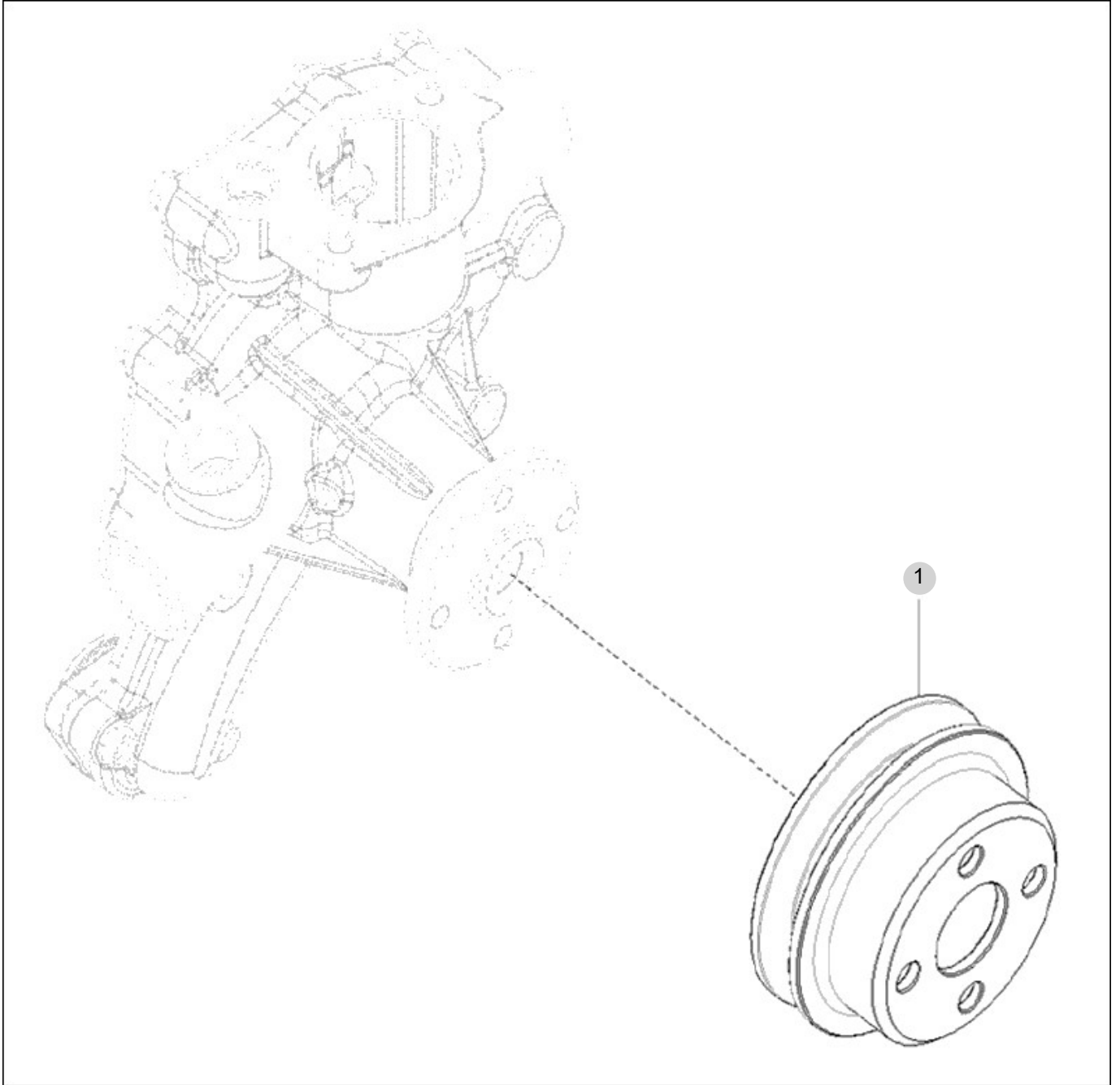
FIG 129

V-PULLEY

년/월
Year/Month

T475NHEU

2022-12



NOTE

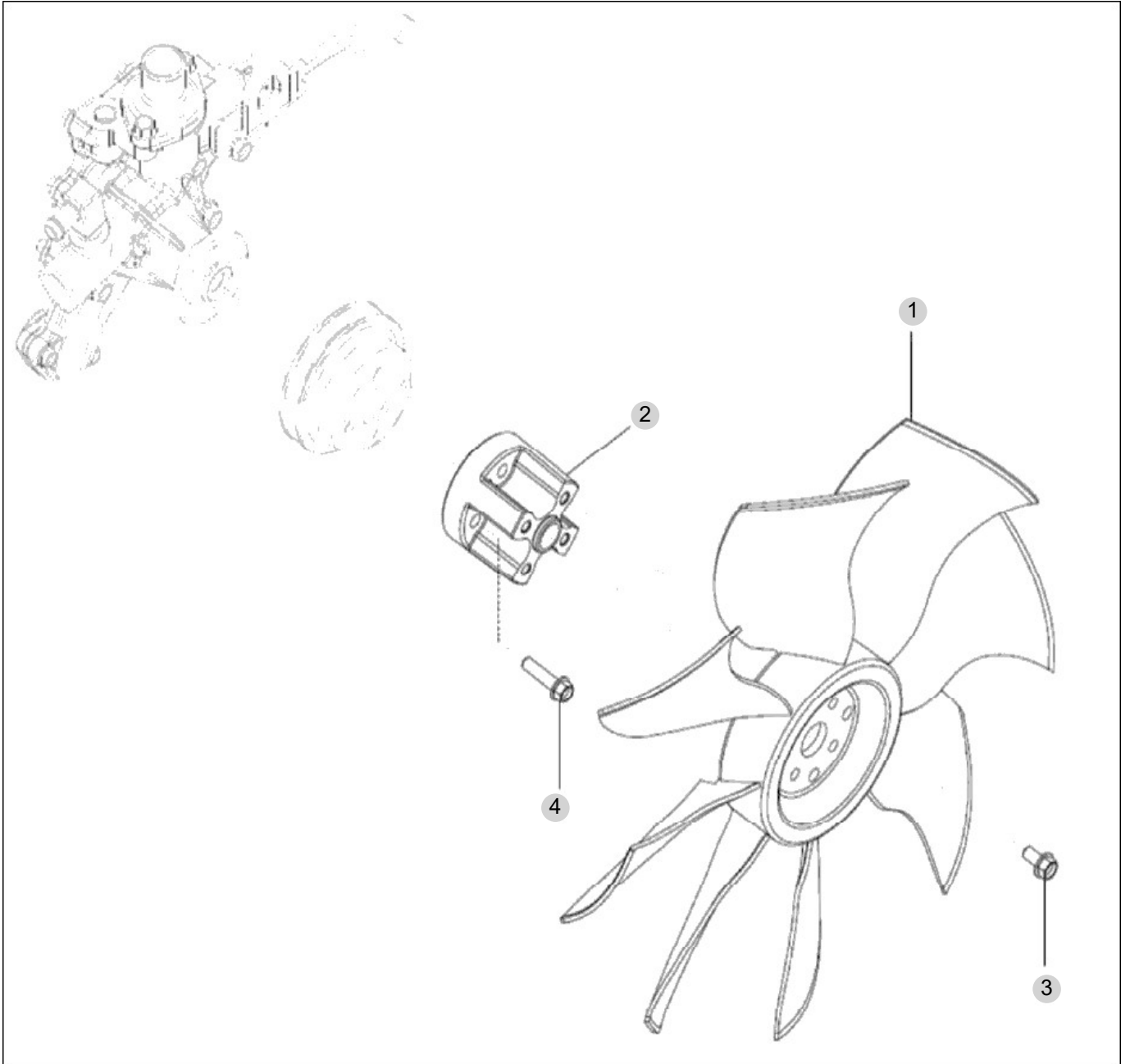
FIG 130

COOLING FAN

년/월
Year/Month

T475NHEU

2022-12



NOTE

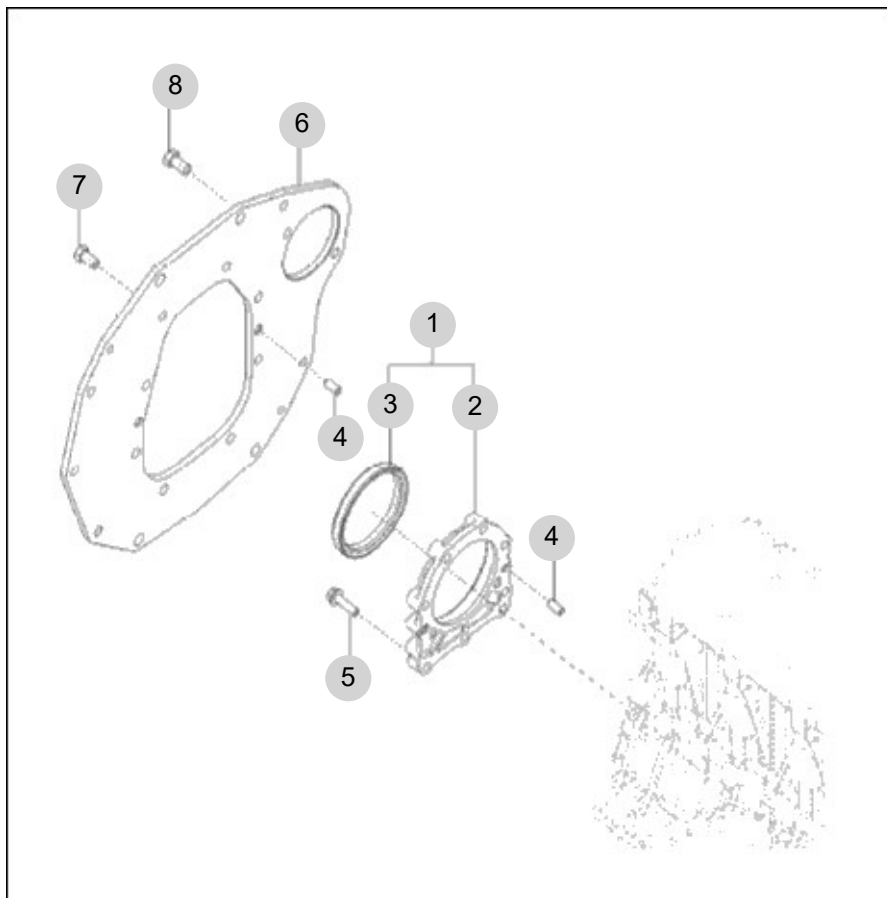
FIG 131

T475NHEU

FLYWHEEL HOUSING

년/월
Year/Month

2022-12



NOTE

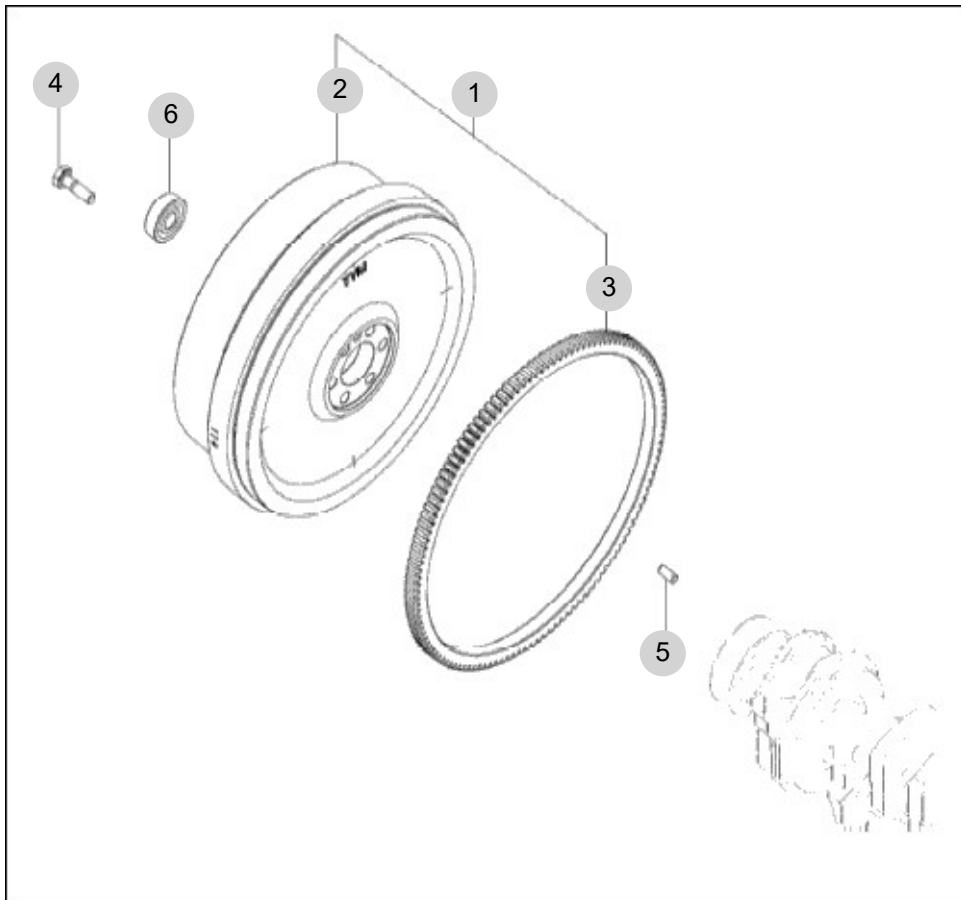
FIG 132

T475NHEU

FLYWHEEL

년/월
Year/Month

2022-12



NOTE

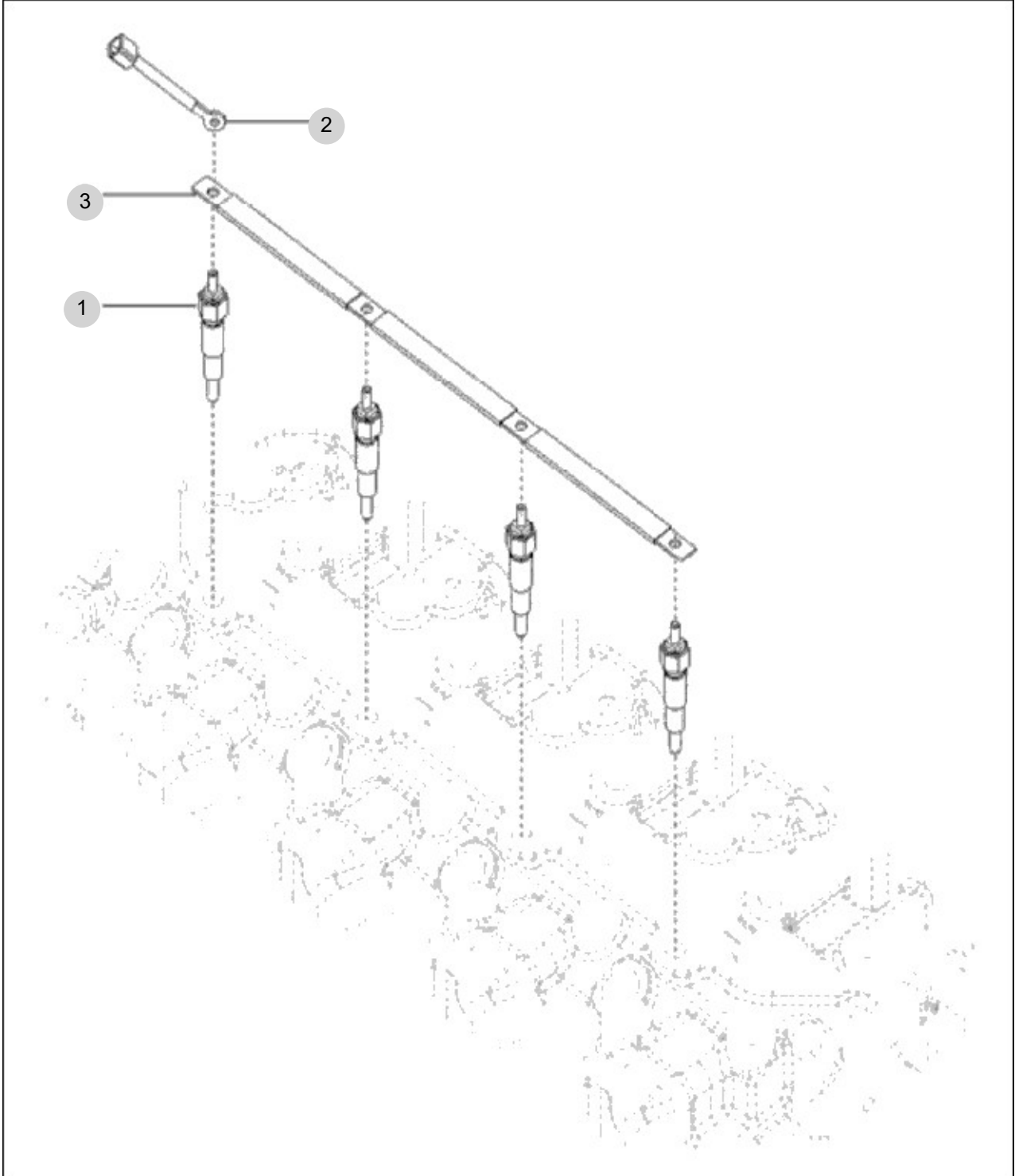
FIG 133

T475NHEU

GLOW PLUG ASS'Y OPTION

년/월
Year/Month

2022-12



NOTE

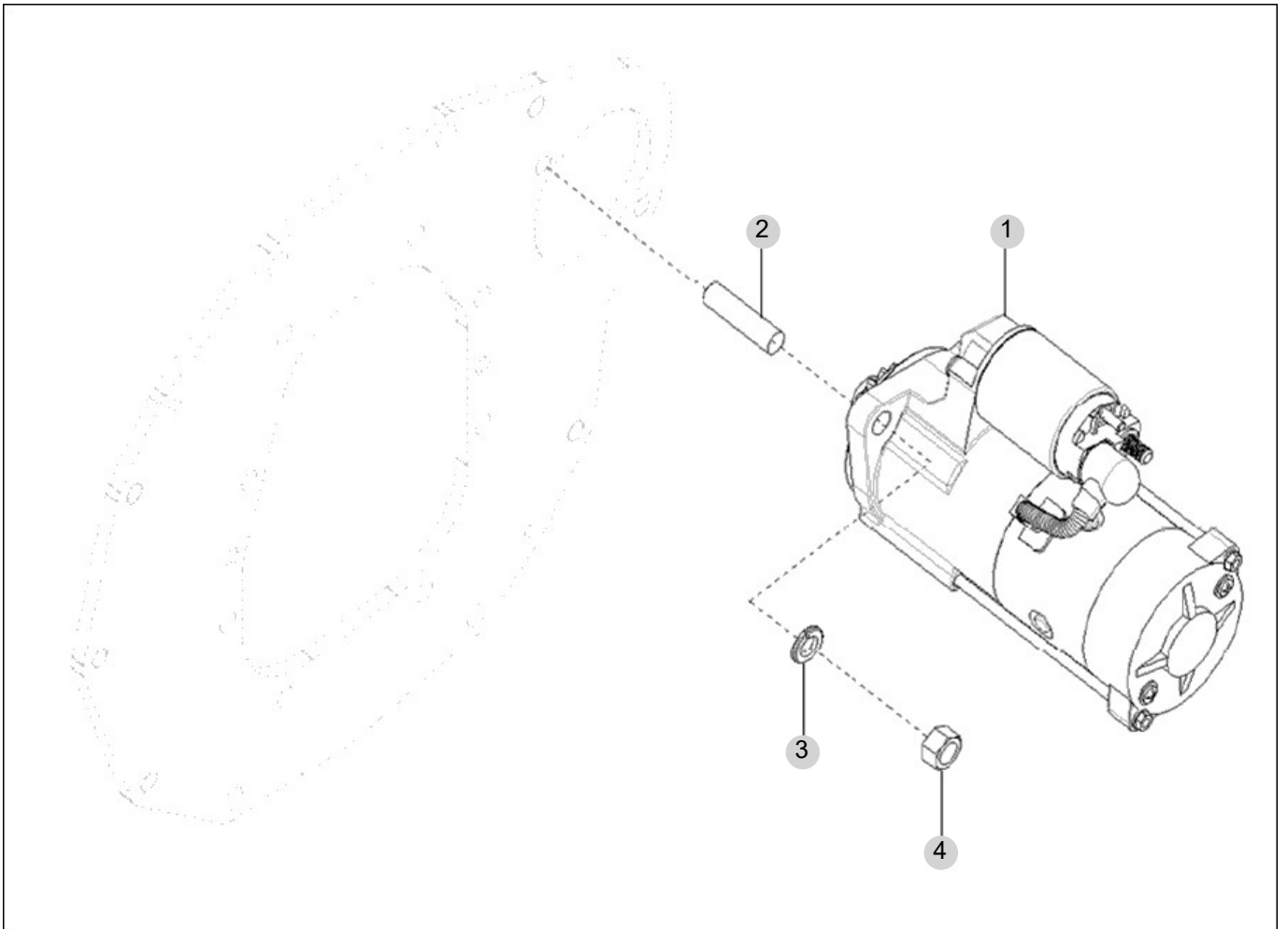
FIG 134

T475NHEU

STARTING MOTOR

년/월
Year/Month

2022-12



NOTE

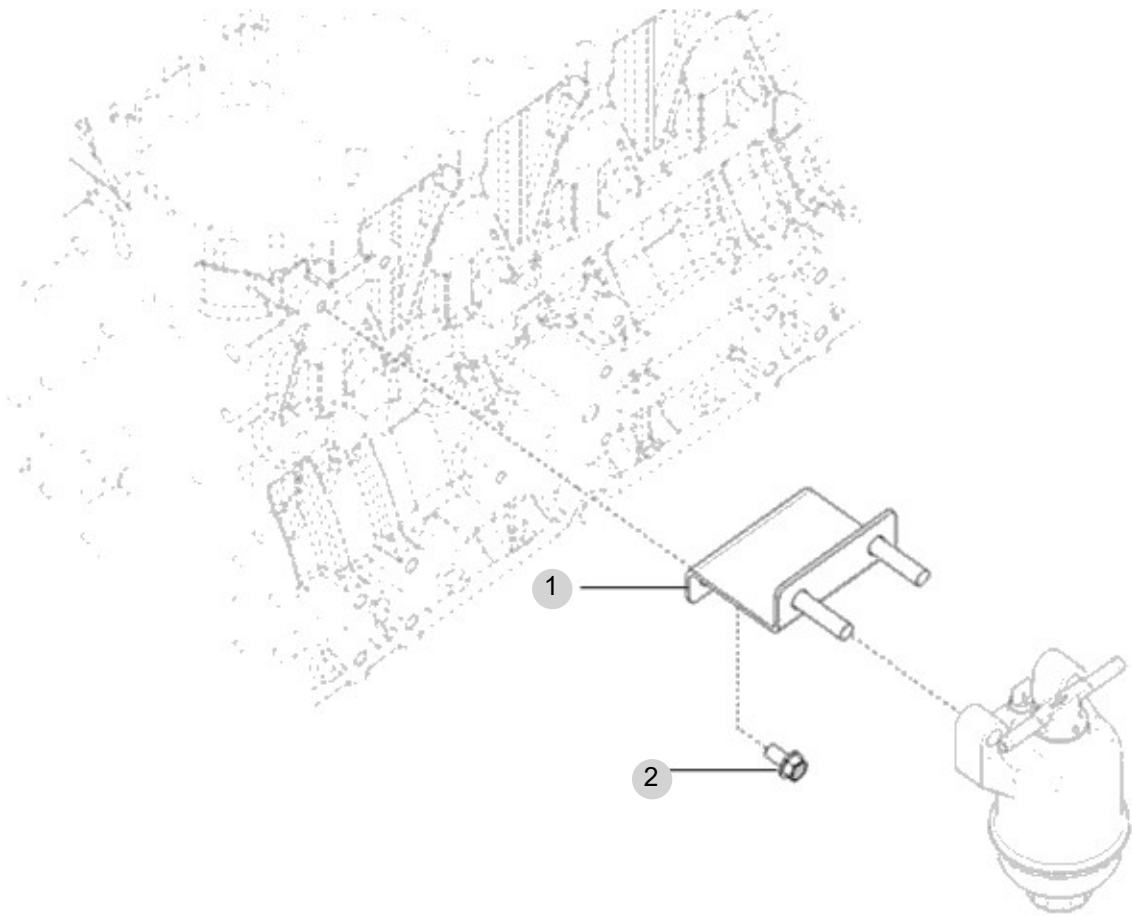
FIG 135

T475NHEU

FUEL FILTER BRACKET ASS'Y

년/월
Year/Month

2022-12



NOTE

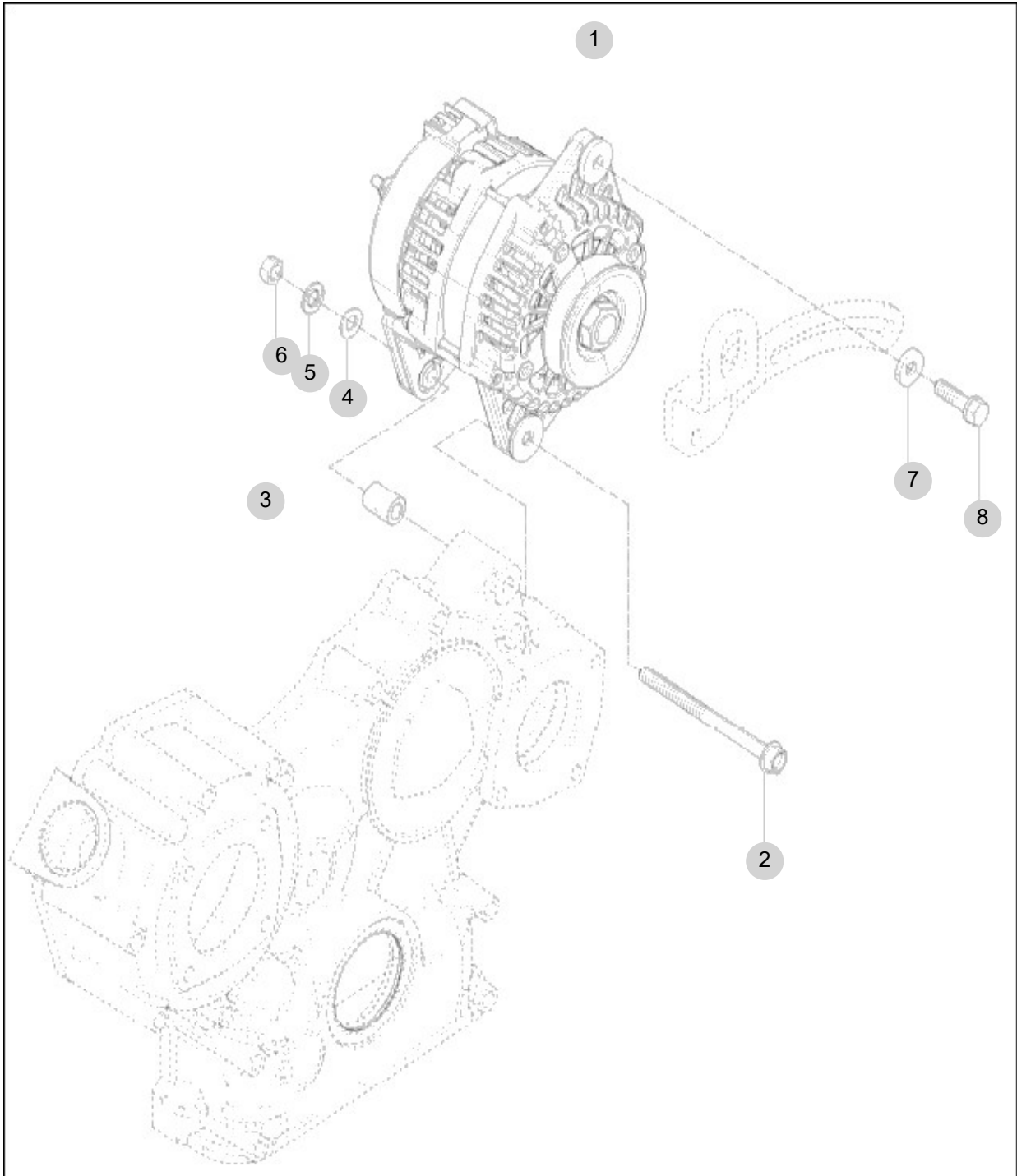
FIG 136

ALTERNATOR

년/월
Year/Month

T475NHEU

2022-12



NOTE

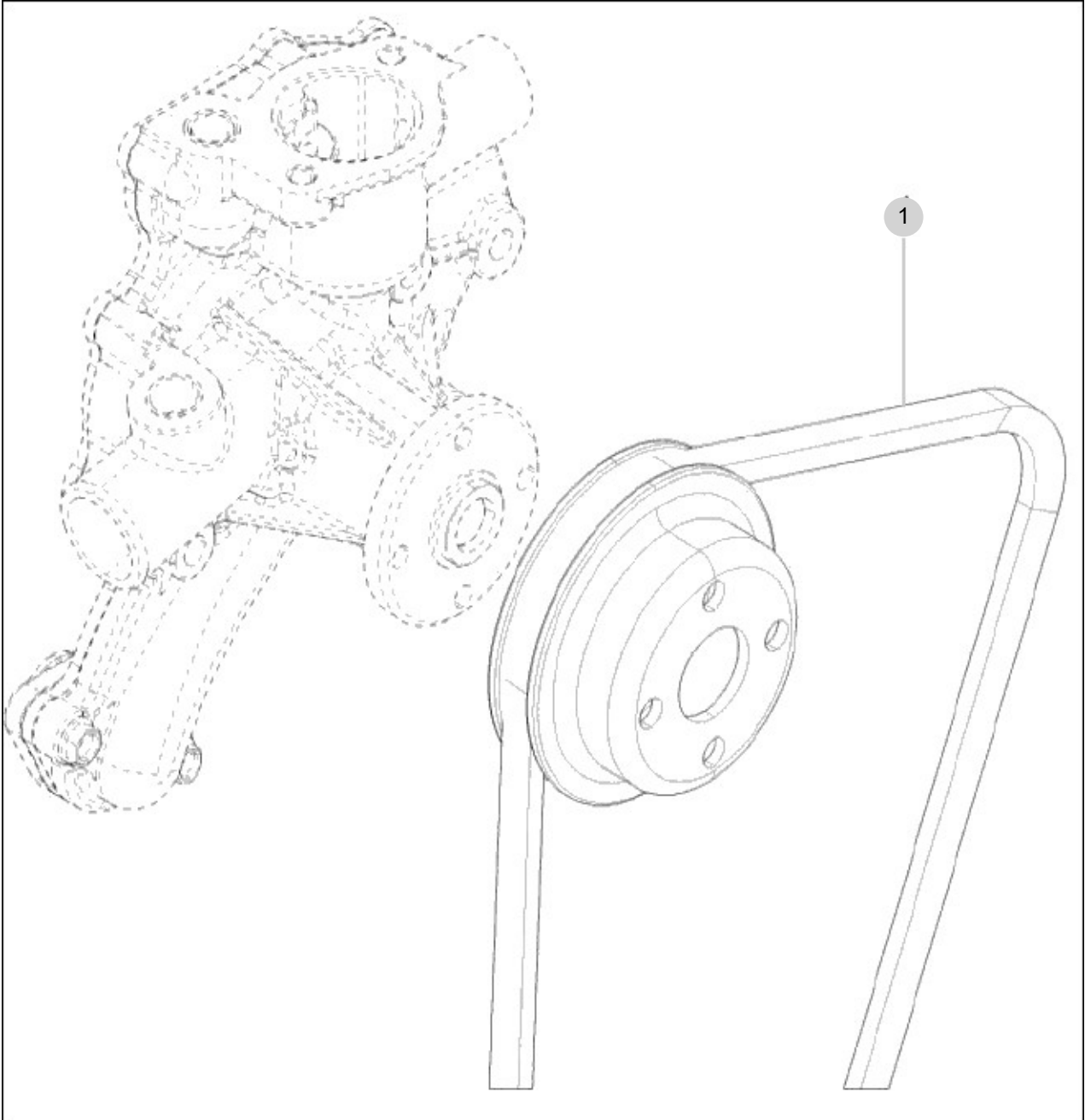
FIG 137

T475NHEU

V-BELT

년/월
Year/Month

2022-12



NOTE

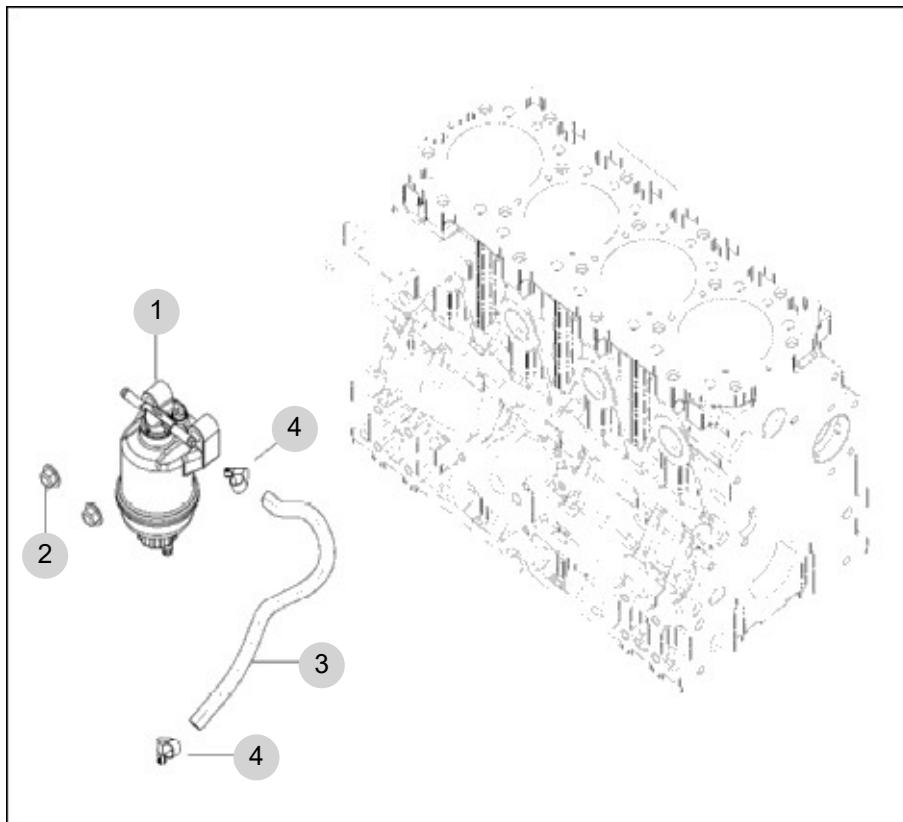
FIG 138

T475NHEU

FUEL FILTER

년/월
Year/Month

2022-12



NOTE

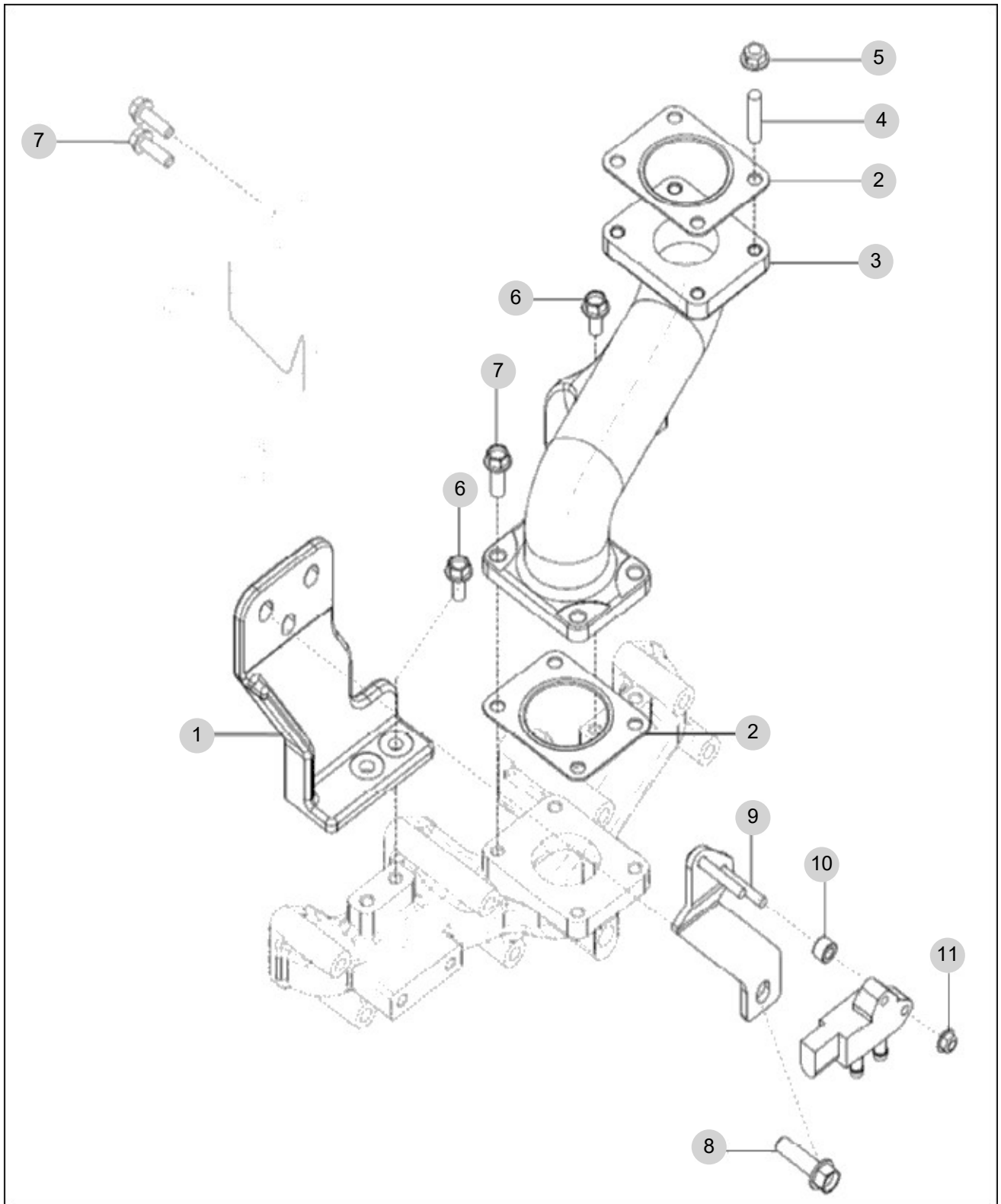
FIG 139

DPF SUPPORT

년/월
Year/Month

T475NHEU

2022-12



NOTE

FIG 139 T475NHEU	DPF SUPPORT	년/월 Year/Month
		2022-12

KEY NO	PART NO	DESCRIPTION	SPEC	QTY	REPAIR	EFFECTIVE DATE	REMARKS
139	1	EA00003136C	DPF 고정 하우징A				
139	1	EA00003136A	DPF_HOUSING_A				
139	2	EA00005692A	머플러가스켓				
139	3	EA00003137B	DPF_HOUSING_A				
139	4	26126-080252	STUD				
139	5	26367-080002	육각플랜지너트				
139	6	26106-080202	HEX. FLANGE BOLT				
			8X20				
139	7	26106-080252	육각플랜지볼트				
139	8	26106-100302	HEX. FLANGE BOLT				
139	9	EA00005867A	BRACKET, DIFF.PRESSURE SENSOR				
139	10	EA00005886A	SPACER, DIFF.PRESSURE SENSOR				
139	11	26367-060002	육각플랜지너트				
NOTE							

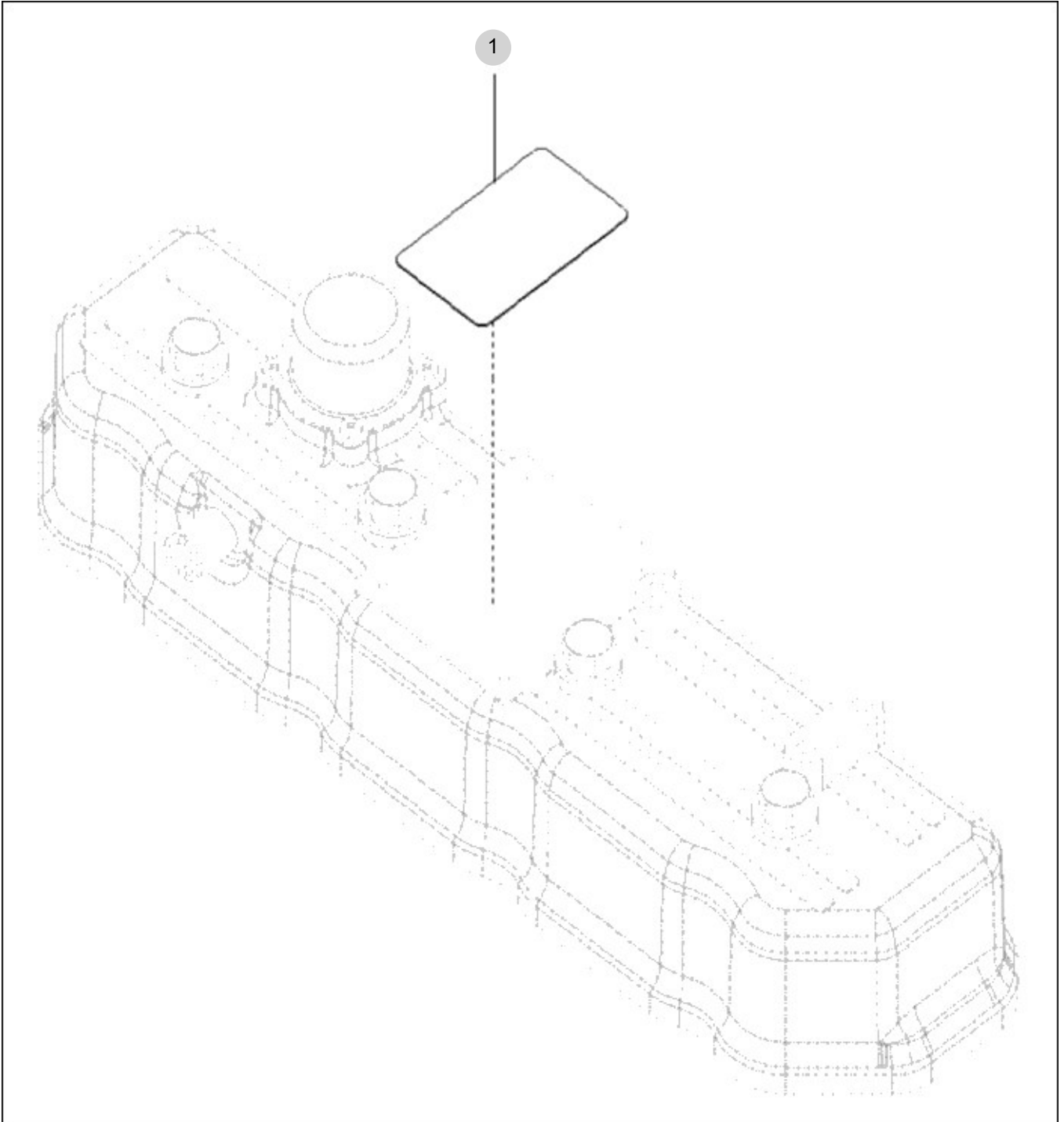
FIG 140

T475NHEU

DATAPLATE

년/월
Year/Month

2022-12



NOTE

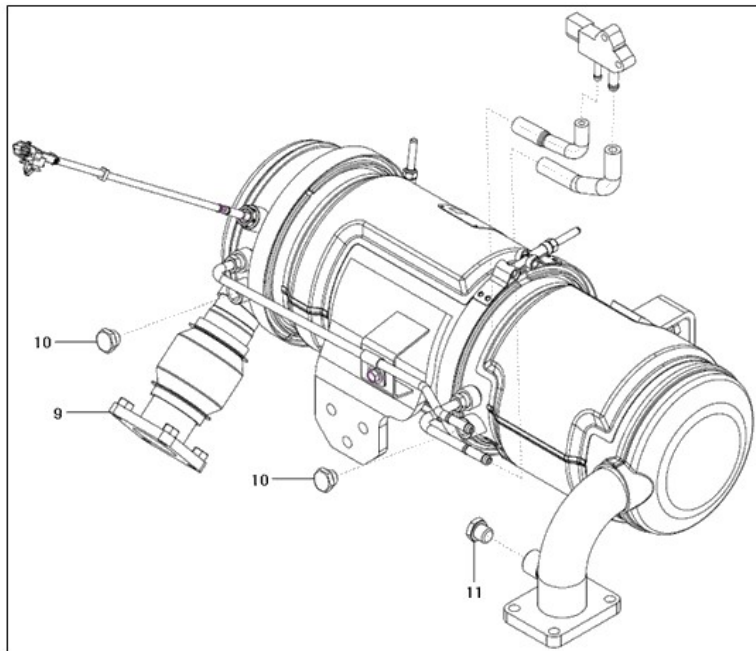
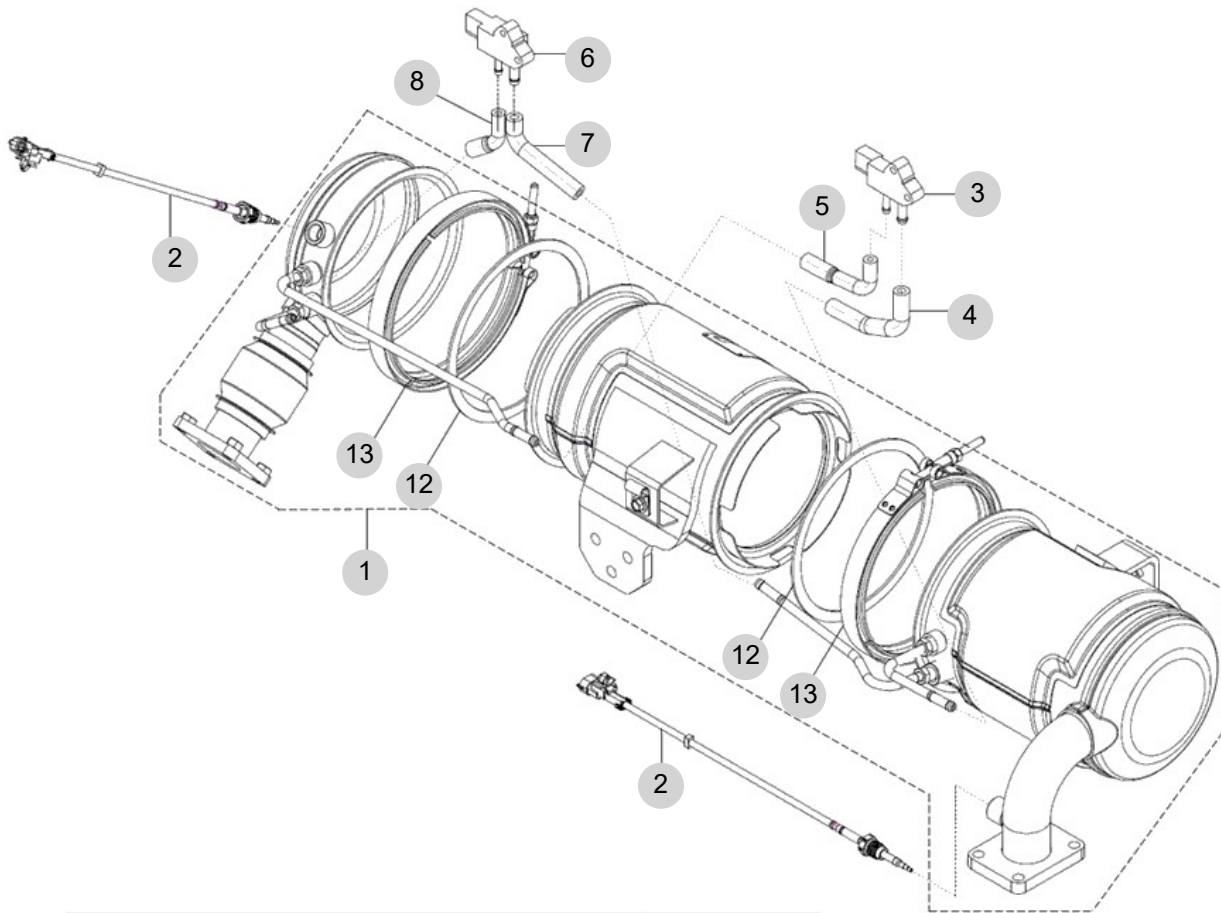
FIG 142

T475NHEU

DPF ASS'Y

년/월
Year/Month

2022-12



NOTE

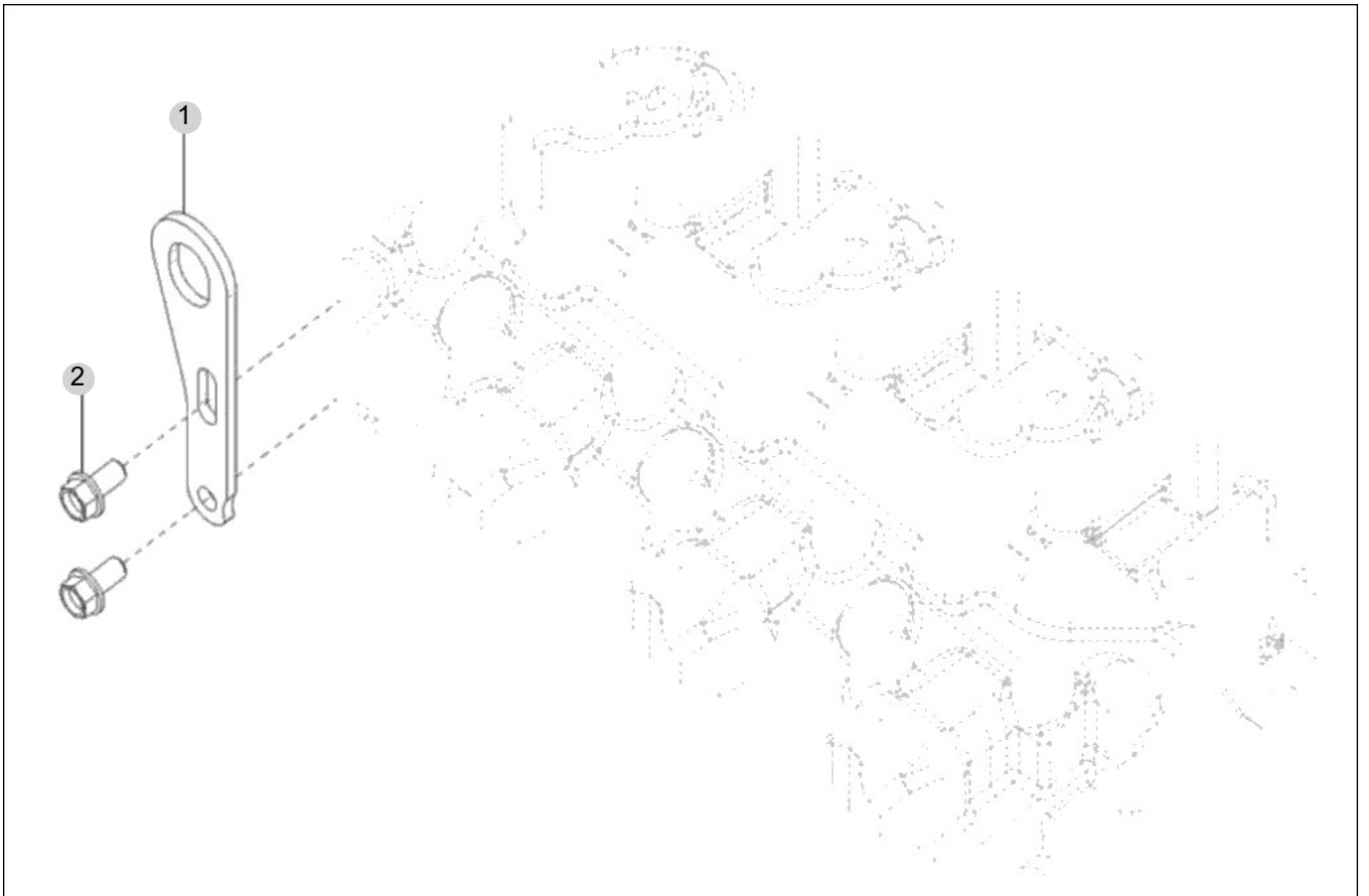
FIG 143

T475NHEU

LIFT ASS'Y

년/월
Year/Month

2022-12



NOTE

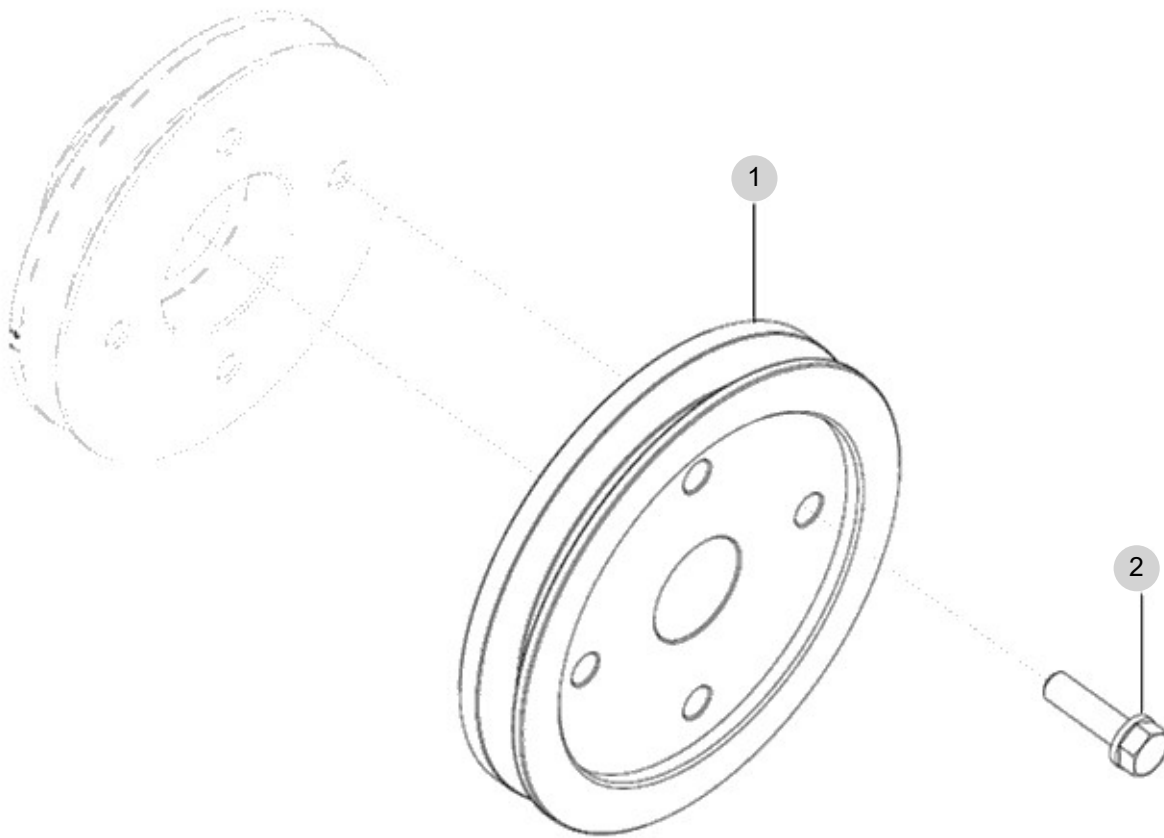
FIG 144

COMP. DRIVE PULLEY ASS'Y OPTION

년/월
Year/Month

T475NHEU

2022-12



NOTE

FIG 144		COMP. DRIVE PULLEY ASS'Y OPTION						년/월 Year/Month	
T475NHEU								2022-12	
KEY NO	PART NO	DESCRIPTION	SPEC	QTY	REPAIR	EFFECTIVE DATE	REMARKS		
144	1	HRC7001500A	컴프레셔구동V-폴리			1			
144	2	26013-080302	와셔조립육각볼트			4			
NOTE									

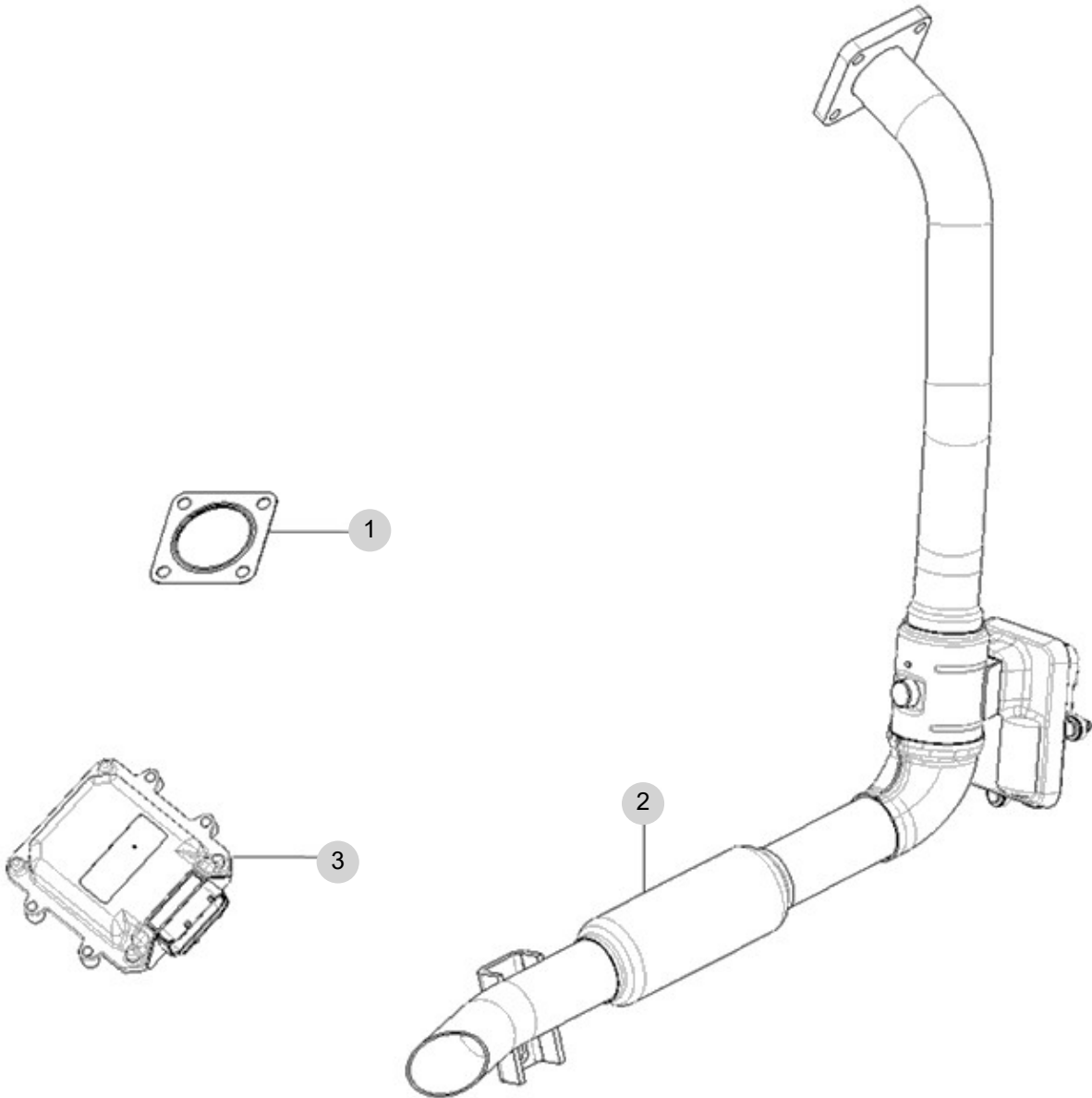
FIG 145

T475NHEU

LOOSED PARTS

년/월
Year/Month

2022-12



NOTE

2. 엔진보기품 PART NO. T2

FIG 201 AIR CLEANER	99
FIG 202 RADIATOR	101
FIG 203 MUFFLER	103
FIG 204 FUEL TANK & FILTER	105
FIG 205 OIL COOLER	107

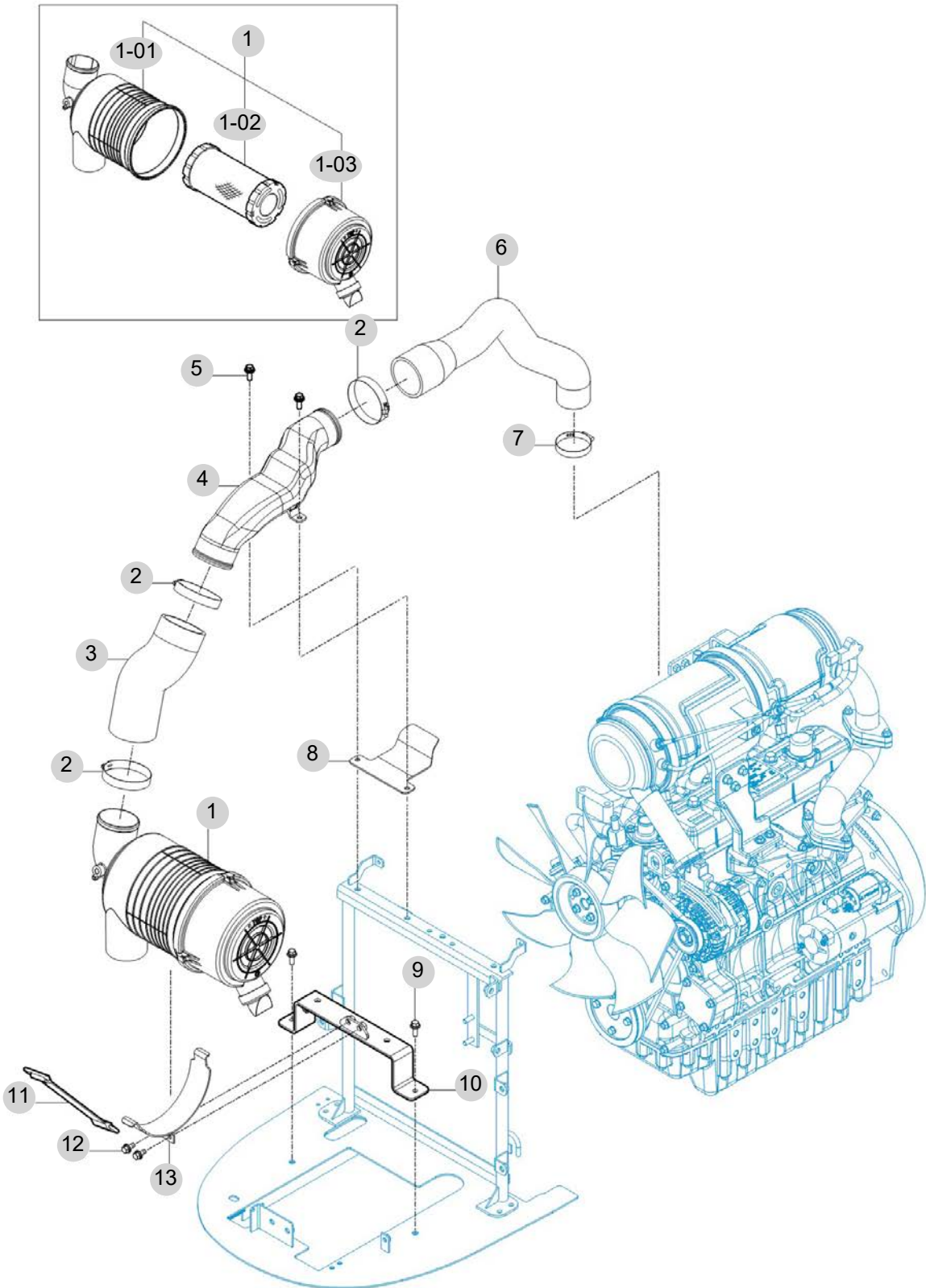
FIG 201

AIR CLEANER

년/월
Year/Month

2022-12

T475NHEU



NOTE

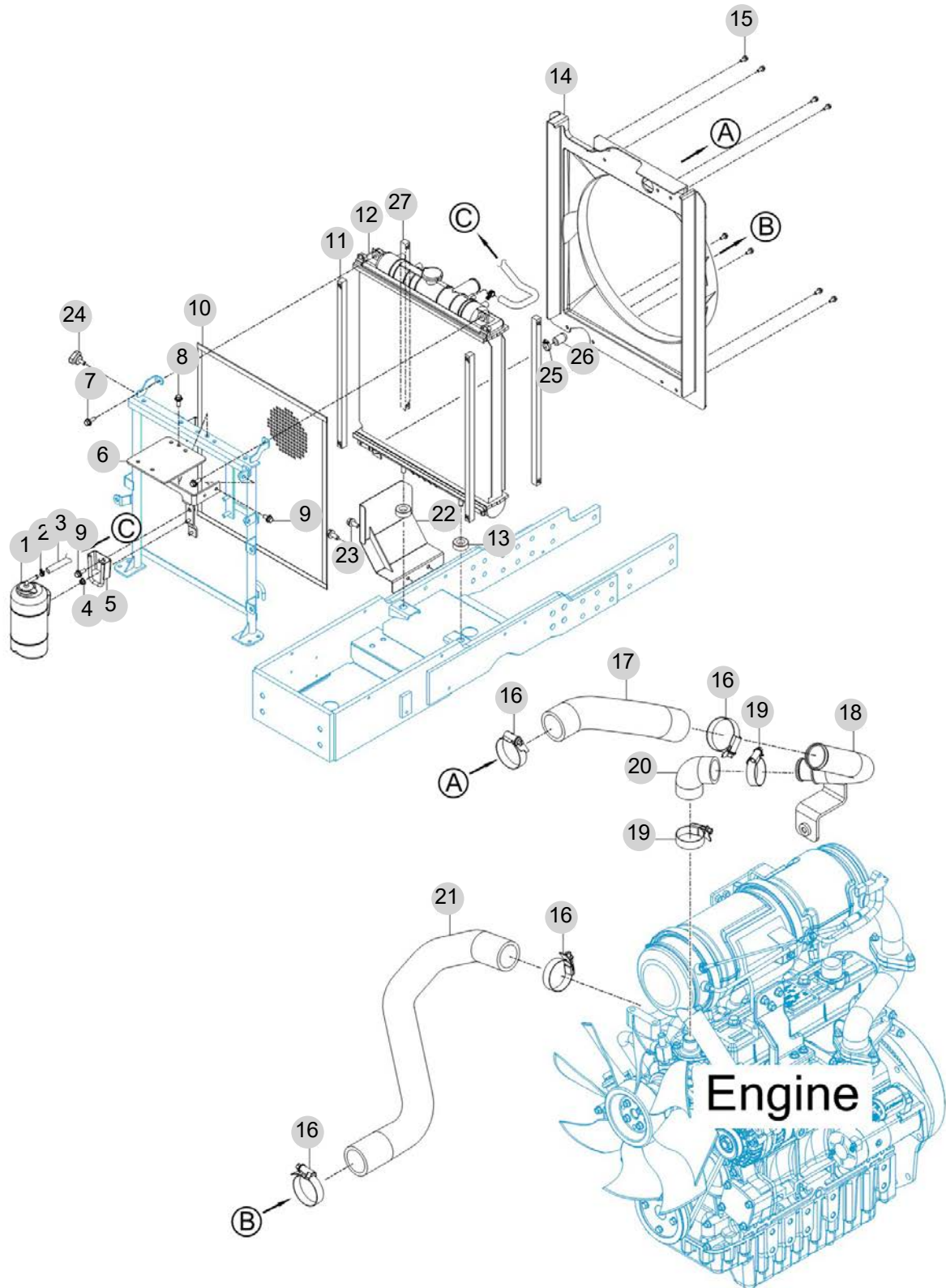
FIG 202

T475NHEU

RADIATOR

년/월
Year/Month

2022-12



NOTE

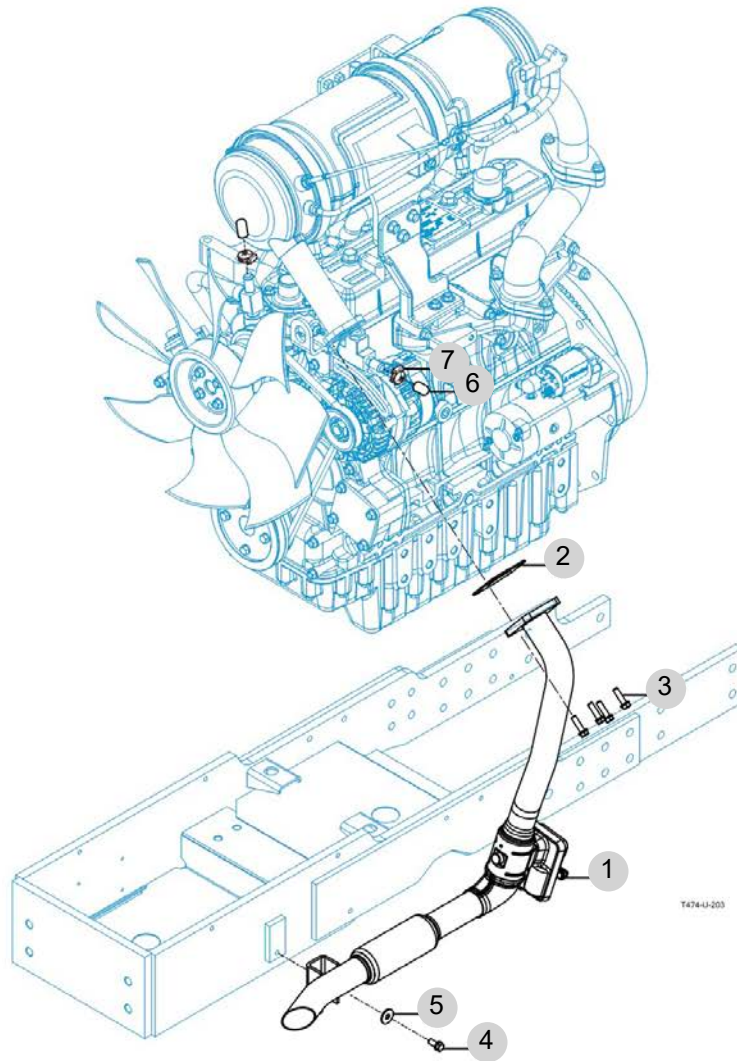
FIG 203

T475NHEU

MUFFLER

년/월
Year/Month

2022-12



NOTE

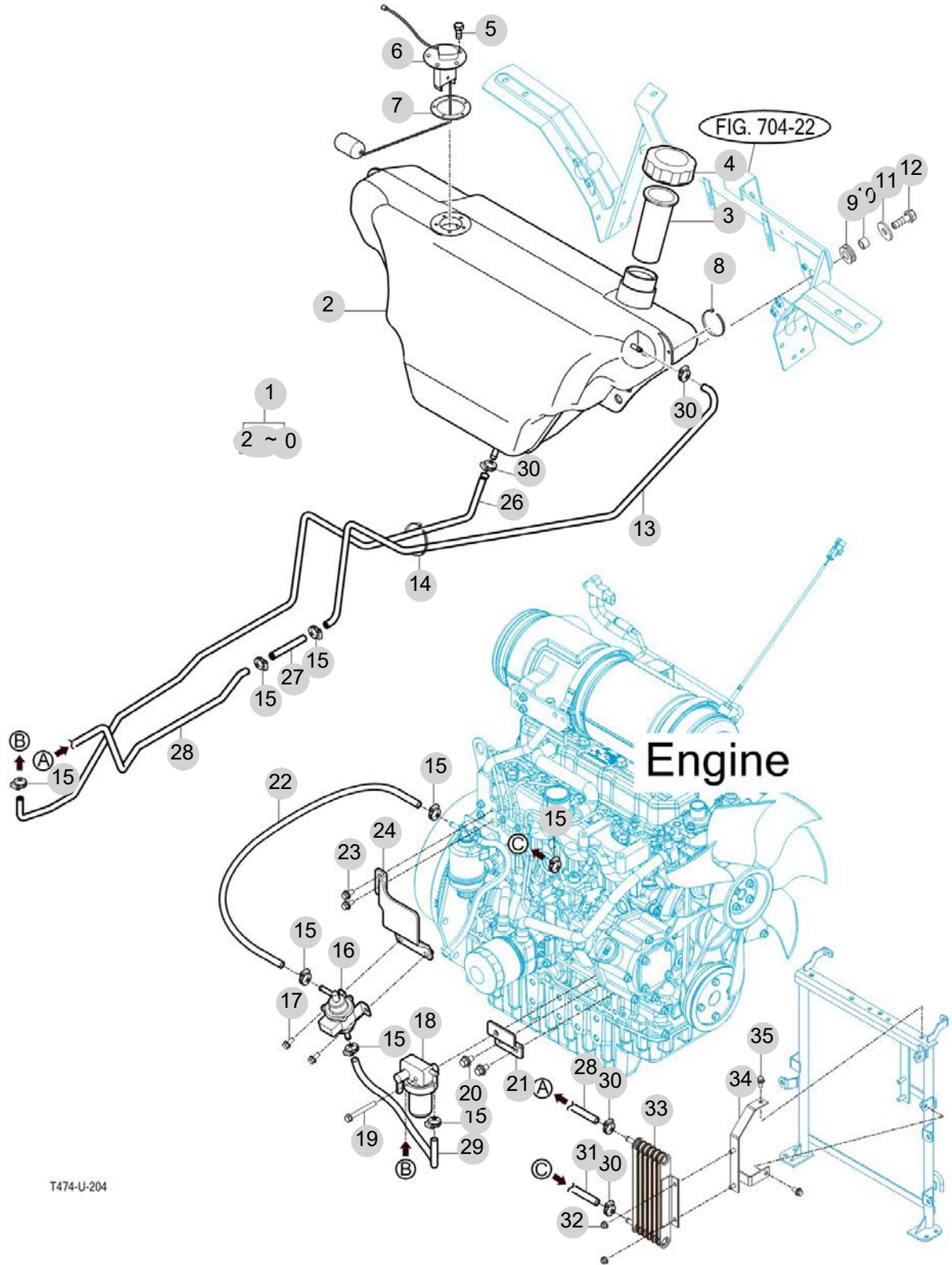
FIG 204

FUEL TANK & FILTER

년/월
Year/Month

2022-12

T475NHEU



NOTE

FIG 204 T475NHEU	FUEL TANK & FILTER	년/월
		Year/Month
		2022-12

KEY NO	PART NO	DESCRIPTION	SPEC	QTY	REPAIR	EFFECTIVE DATE	REMARKS
204	1	13921116200	연료 탱크 SUB ASSY				
204	2	12621122100	연료탱크				
204	3	16731112130	여과기				
204	4	13603102000	캡(탱크)ASSY				
204	5	V2053605010	심자흡육각볼트				
204	6	16706642301	게이지(연료) ASSY				
204	7	16996210370	고무패킹				
204	8	13764020030	케이블타이(140)				
204	9	14046210300	그로맷				
204	10	15991040050	칼라(08X12X08)				
204	11	35602010150	결속축와셔				
204	12	V2173608025	소형육각볼트보통(S)	M8X25			
204	13	12341112231	드레인 호스, 2260				
204	14	13764020030	케이블타이(140)				
204	15	18027090160	밴드 클램프 16 홈식				
204	16	16999052300	연료펌프ASSY				
204	17	V2323606016	심자흡육각볼트(SP)	M6X16			
204	18	15721022100	SEPARATOR , FUEL WATER				
204	19	V2173608070	소형육각볼트보통(S)	M8X70			
204	20	V2183610020	소형육각볼트보통(SP)	M10X20			
204	21	13831412600GB	브래킷 COMP , 필터				
204	22	13831410010	연료호스 E400				
204	23	V2183608025	소형육각볼트보통(SP)	M8X25			
204	24	13831412700GB	브래킷 COMP , 피드 펌프				
204	26	13811113100	호스 ASSY , 연료/필터				
204	27	17401117300	호스 조인트				
204	28	13831113200	연료 호스 , 리턴				
204	29	13831410020	연료호스 430				
204	30	18027090200	밴드 클램프 20 홈식				
204	31	13831410030	연료호스 1400				
204	32	V3802600080	플랜지붙이육각너트				
204	33	18501044100	연료쿨러 COMP				
204	34	13831412100GB	브래킷 COMP , 연료쿨러				
204	35	V2183608020	소형육각볼트보통(SP)	M8X20			

NOTE

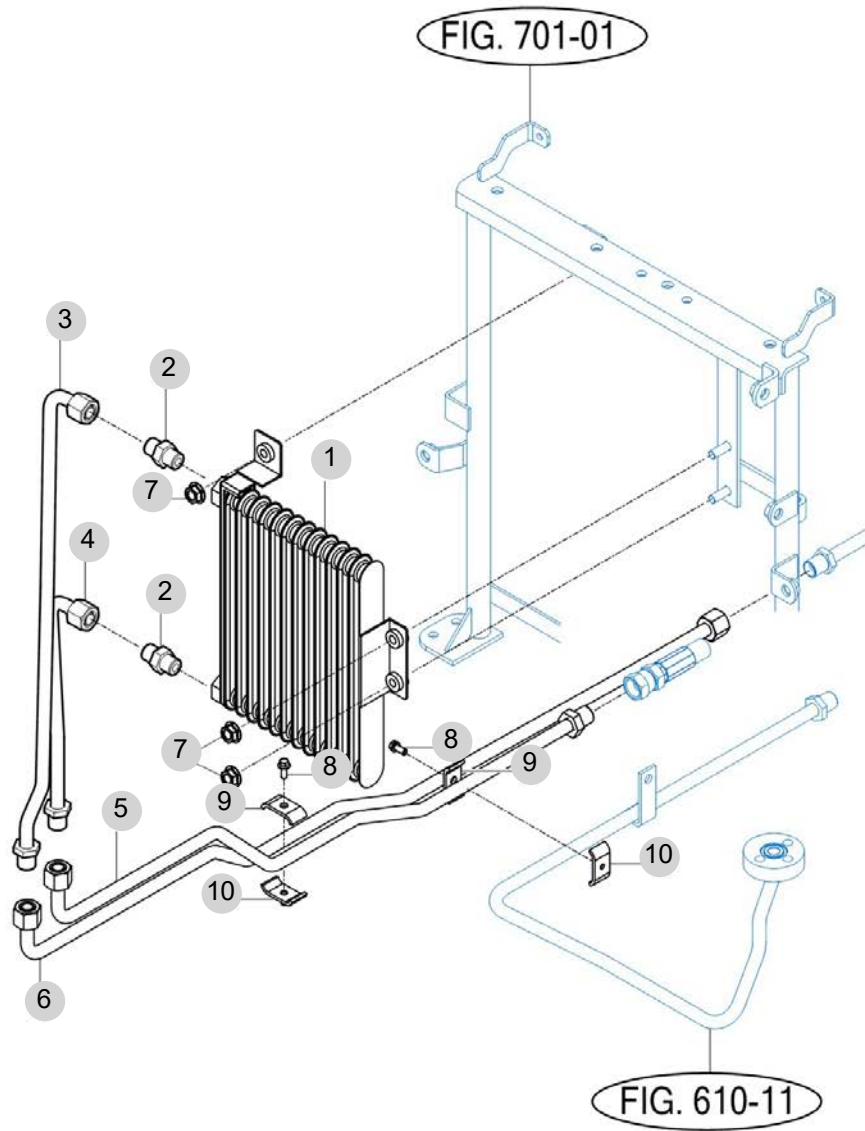
FIG 205

T475NHEU

OIL COOLER

년/월
Year/Month

2022-12



NOTE

3. 클러치/브레이크/스티어링 PART NO. T3

FIG 302 FLYWHEEL & CLUTCH	110
FIG 303 BRAKE PEDAL	112
FIG 304 BRAKE	114
FIG 306 FRONT WHEEL MOUNTING	116
FIG 307 REAR WHEEL MOUNTING	118
FIG 308 STEERING WHEEL	120
FIG 309 STEERING VALVE & PARKING	122
FIG 310 STEERING CYLINDER	124

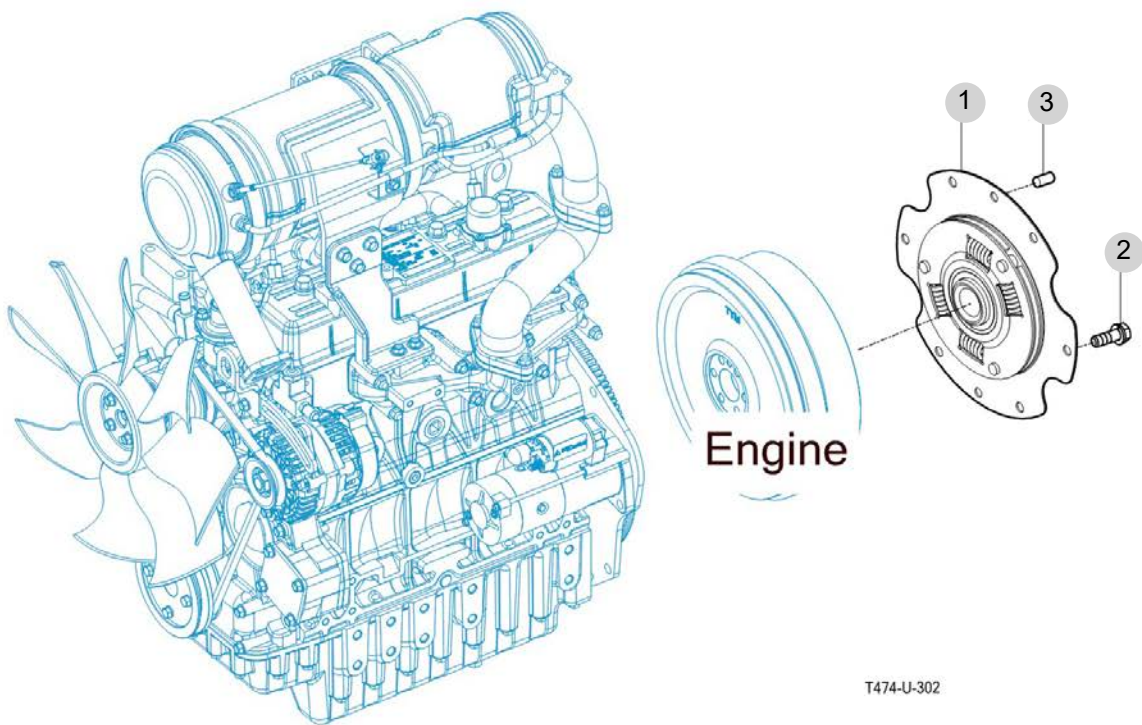
FIG 302

FLYWHEEL & CLUTCH

년/월
Year/Month

T475NHEU

2022-12



NOTE

FIG 302 T475NHEU		FLYWHEEL & CLUTCH					년/월 Year/Month	
							2022-12	
KEY NO	PART NO	DESCRIPTION	SPEC	QTY	REPAIR	EFFECTIVE DATE	REMARKS	
302	1	12381212000	댐퍼 플랜지 어셈블리		1			
302	2	V2173608020	소형육각볼트보통(S)	M8X20	6			
302	3	V5211008016	평행핀(B)	8X16	3			
NOTE								

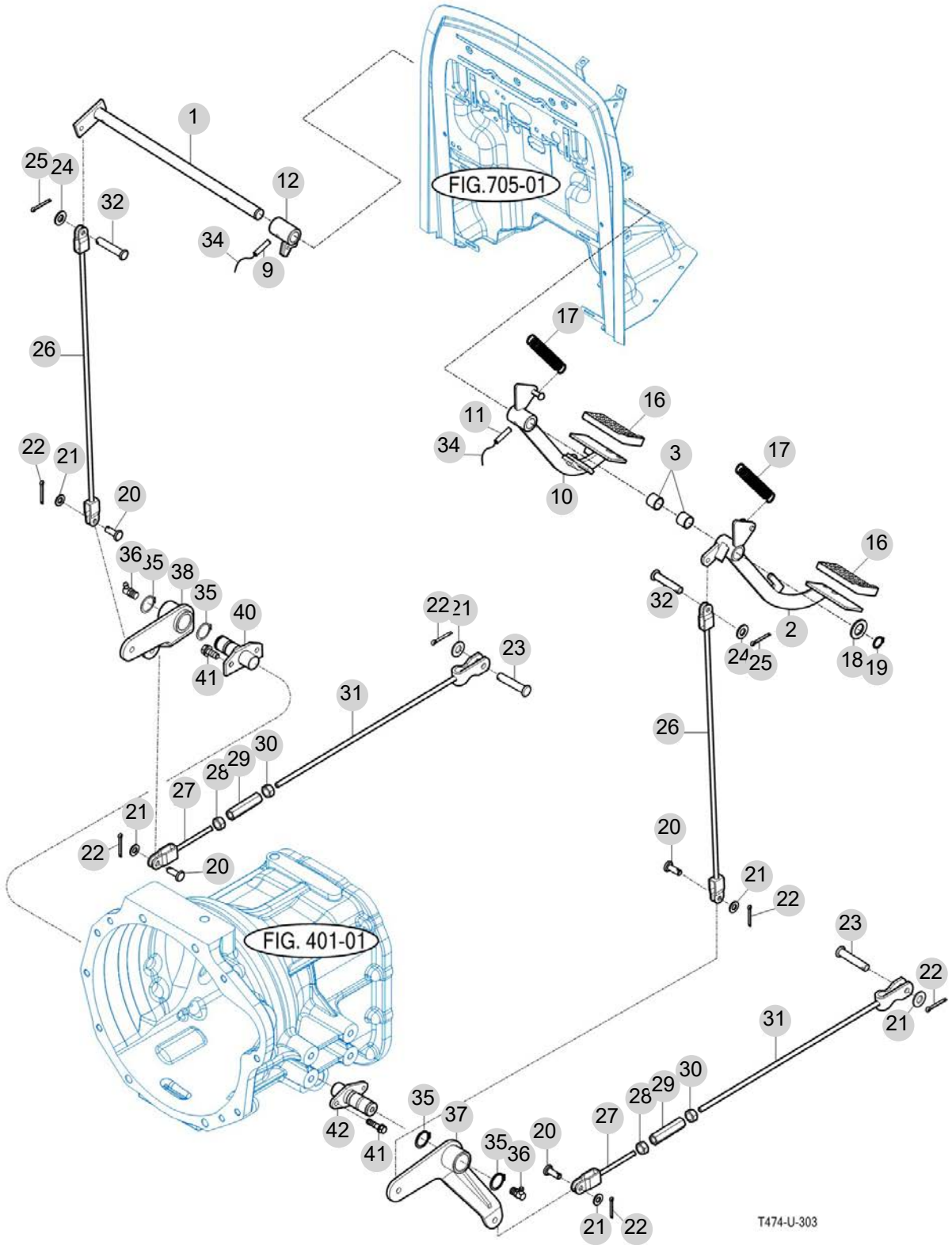
FIG 303

T475NHEU

BRAKE PEDAL

년/월
Year/Month

2022-12



T474-U-303

NOTE

FIG 303		BRAKE PEDAL					년/월 Year/Month	
T475NHEU						2022-12		
KEY NO	PART NO	DESCRIPTION	SPEC	QTY	REPAIR	EFFECTIVE DATE	REMARKS	
303	1	12383292100GB	브레이크(암) COMP	1				
303	2	12383292200GB	페달(브레이크,LH) COMP	1				
303	2	12383292201GB	페달(브레이크,LH) COMP	1				
303	2	12383292202GB	페달(브레이크,LH) COMP	1				
303	3	35017030080	DU부시(20X23X20)	2				
303	3	36707030080	부시(20X23X20)	2				
303	9	V5801405036	스프링핀	2				
303	10	12383292300GB	페달(브레이크,RH) COMP	1				
303	10	12383292301GB	페달(브레이크,RH) COMP	1				
303	10	12383292302GB	페달(브레이크,RH) COMP	1				
303	11	V5801408036	스프링핀	2				
303	12	12383293100	파킹(암)COMP	1				
303	16	15241220010	패드	3				
303	17	14041200081	클러치리턴스프링	3				
303	18	V4111600200	평와셔	M20	1			
303	19	V7041400200	C형멈춤링(축용)	20	1			
303	20	14322420010	핀	4				
303	21	V4111600080	평와셔	M8	6			
303	22	V5001920020	분할핀	2X20	6			
303	23	14043120060	요오크핀 (A)	2				
303	24	V4111600080	평와셔	M8	2			
303	25	V5001920020	분할핀	2				
303	26	16703292501	로드(후크,504)COMP	2				
303	26	16703292501GB	로드(후크,504)COMP	1				
303	27	12383282201	로드 COMP , 전	2				
303	28	V3043600080	소형육각너트보통2종	M8	2			
303	29	16601220020	터언버클(M8,60)	2				
303	30	15601320073	육각너트(SM,LH,M8)	2				
303	31	12383282301	로드 COMP , 후	2				
303	32	14322420010	핀	2				
303	34	V5901010150	철선	2				
303	35	V7041400250	C형멈춤링(축용)	25	4			
303	36	V7631500000	그리스니플(B-PT)	B-PT1/8	2			
303	37	12623283300GB	브레이크암(L)COMP	1				
303	38	12623283400GB	브레이크암(R)COMP	1				
303	40	14573283101	핀(87)COMP	1				
303	41	V2173608020	소형육각볼트보통(S)	M8X20	2			
303	42	13833283100	핀 COMP	1				
NOTE								

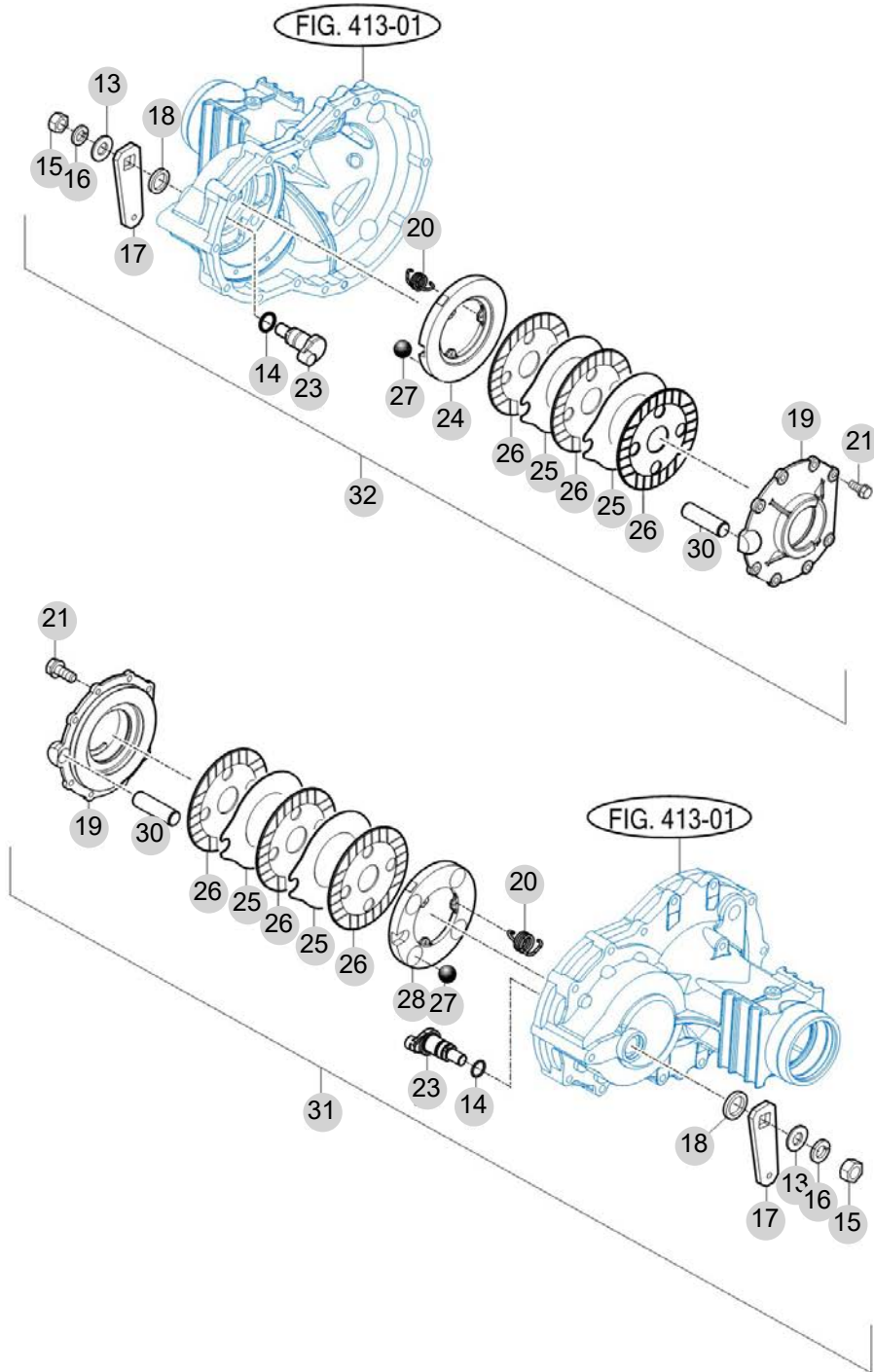
FIG 304

T475NHEU

BRAKE

년/월
Year/Month

2022-12



NOTE

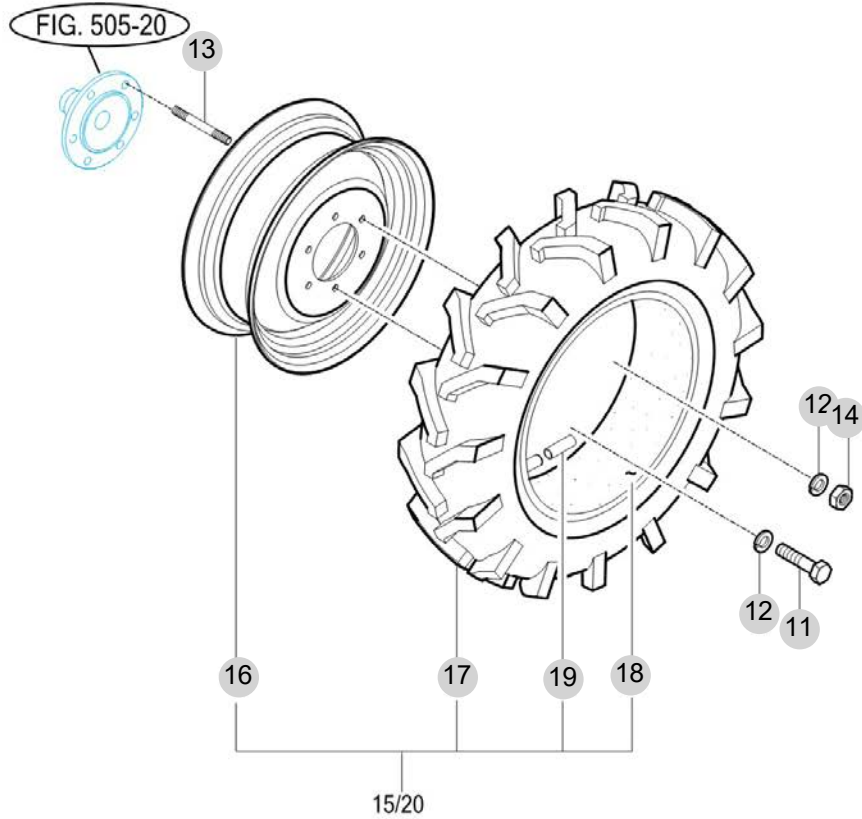
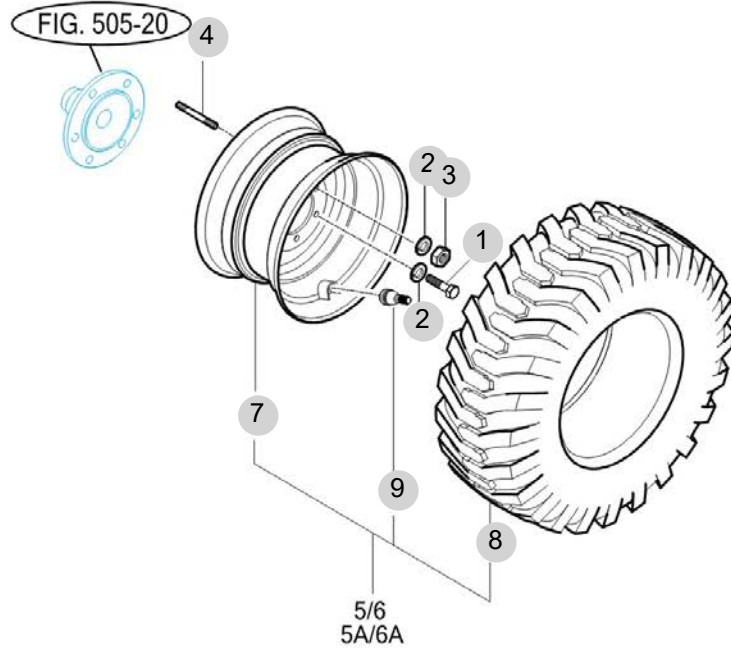
FIG 306

T475NHEU

FRONT WHEEL MOUNTING

년/월
Year/Month

2022-12



T394-E-306

NOTE

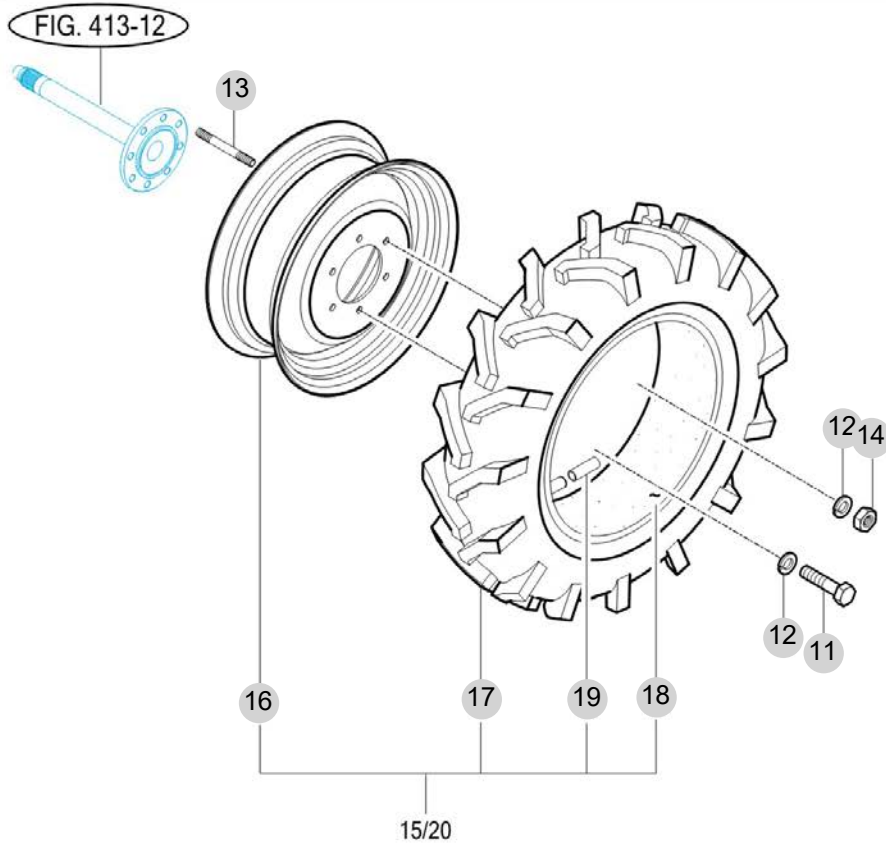
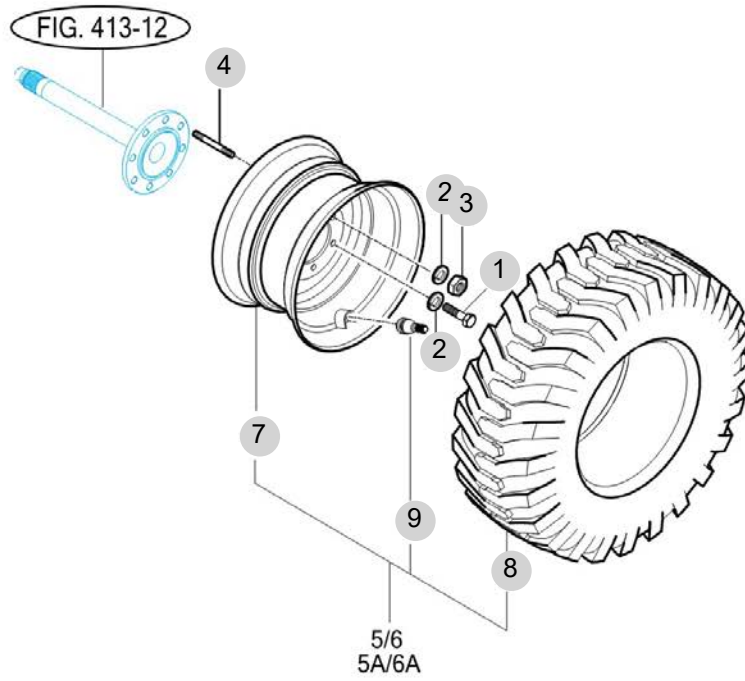
FIG 307

T475NHEU

REAR WHEEL MOUNTING

년/월
Year/Month

2022-12



T394-E-307

NOTE

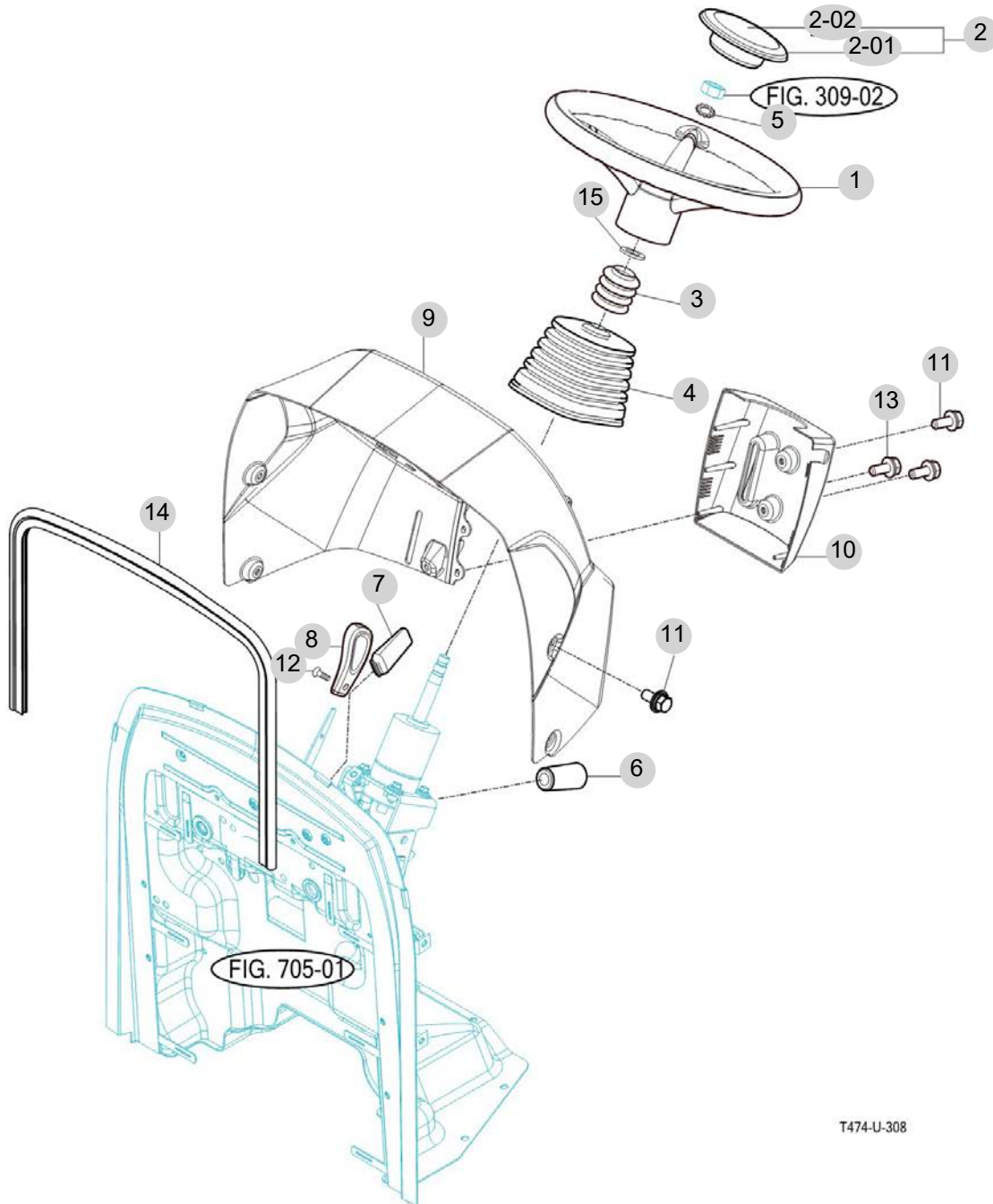
FIG 308

T475NHEU

STEERING WHEEL

년/월
Year/Month

2022-12



T474-U-308

NOTE

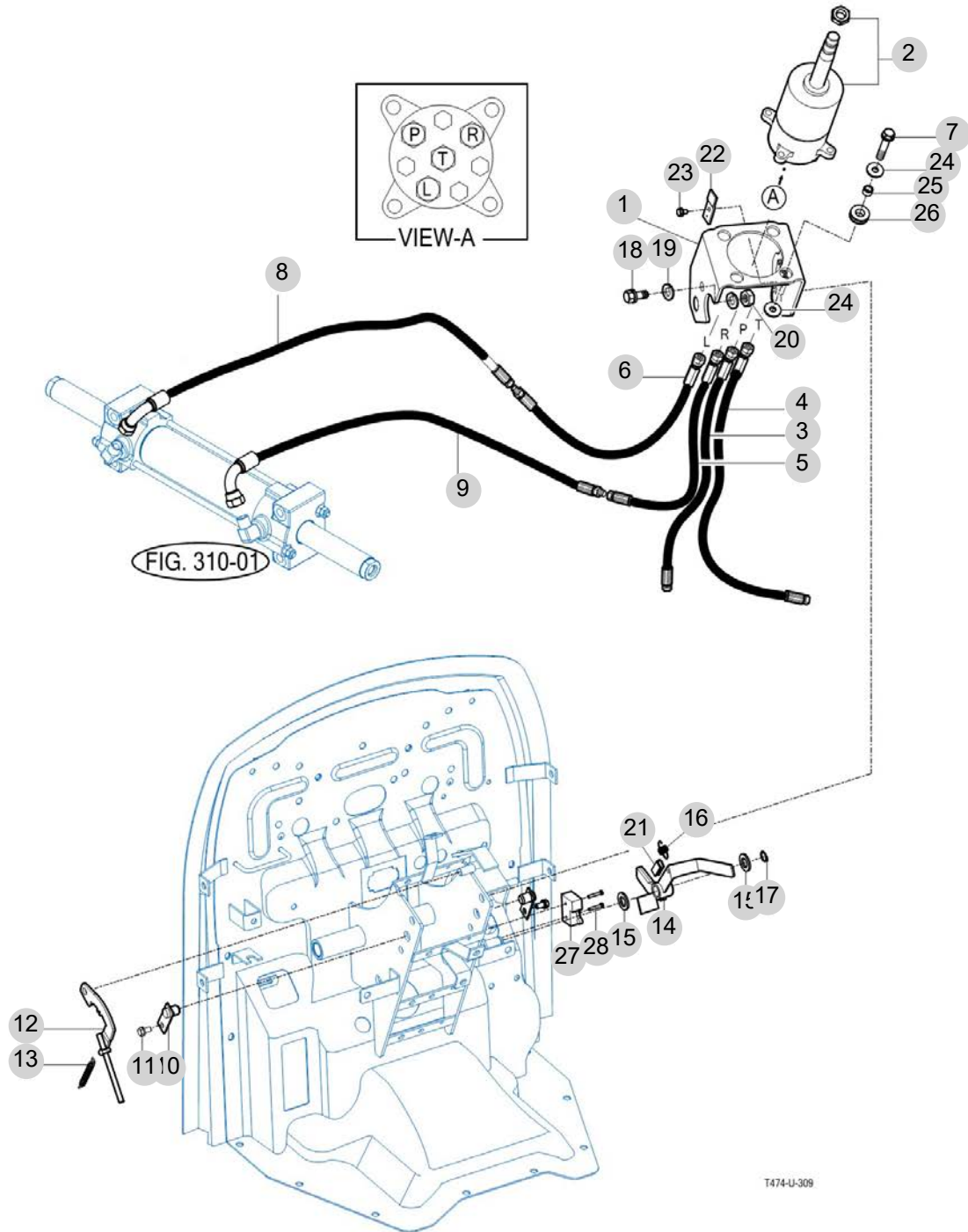
FIG 309

STEERING VALVE & PARKING

년/월
Year/Month

2022-12

T475NHEU



NOTE

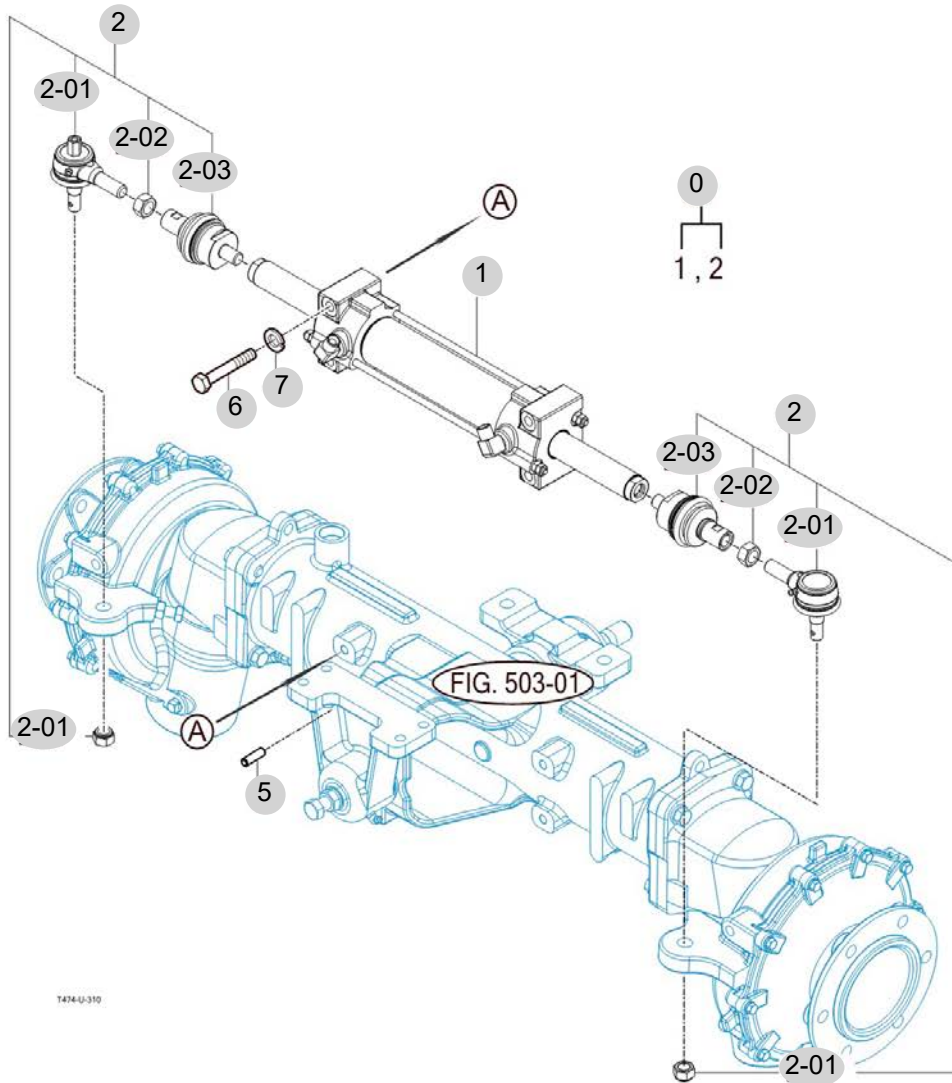
FIG 310

T475NHEU

STEERING CYLINDER

년/월
Year/Month

2022-12



NOTE

4. 트랜스미션 PART NO. T4

FIG 401 TRANSMISSION FRONT CASE	127
FIG 402 HST	129
FIG 403 MID CASE	131
FIG 404 4WD DRIVE GEAR	133
FIG 405 INPUT GEAR	135
FIG 406 SUB CHANGE GEARS	137
FIG 407 PINION GEARS	139
FIG 408 P.T.O DRIVE SHAFT	141
FIG 409 P.T.O CHANGE GEARS	143
FIG 410 DIFF LOCK	146
FIG 411 TRANSMISSION REAR CASE	148
FIG 412 REAR AXLE HOUSINGS (1)	150
FIG 413 REAR AXLE HOUSINGS (2)	152
FIG 415 SUB CHANGE LEVER	154
FIG 416 FORWARD & REVERSE CONTROL LINKAGE	156
FIG 418 4WD CHANGE LEVER	158

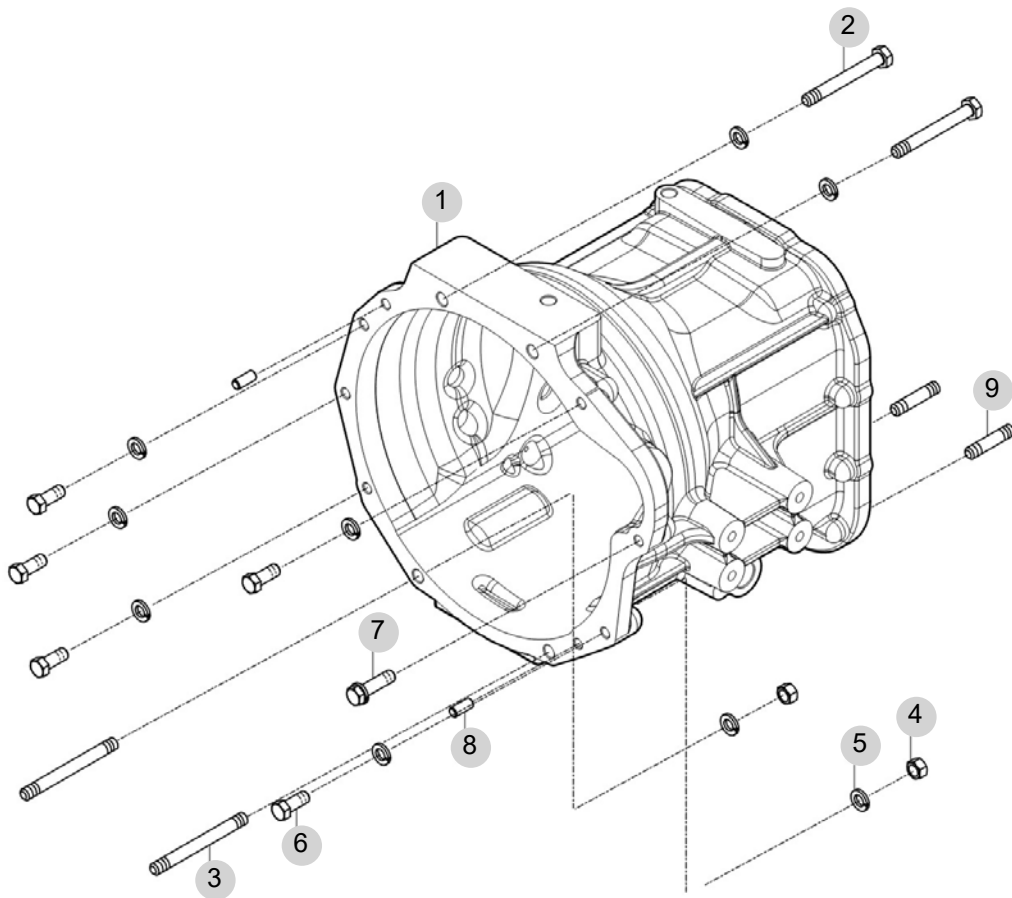
FIG 401

T475NHEU

TRANSMISSION FRONT CASE

년/월
Year/Month

2022-12



T475U-001

NOTE

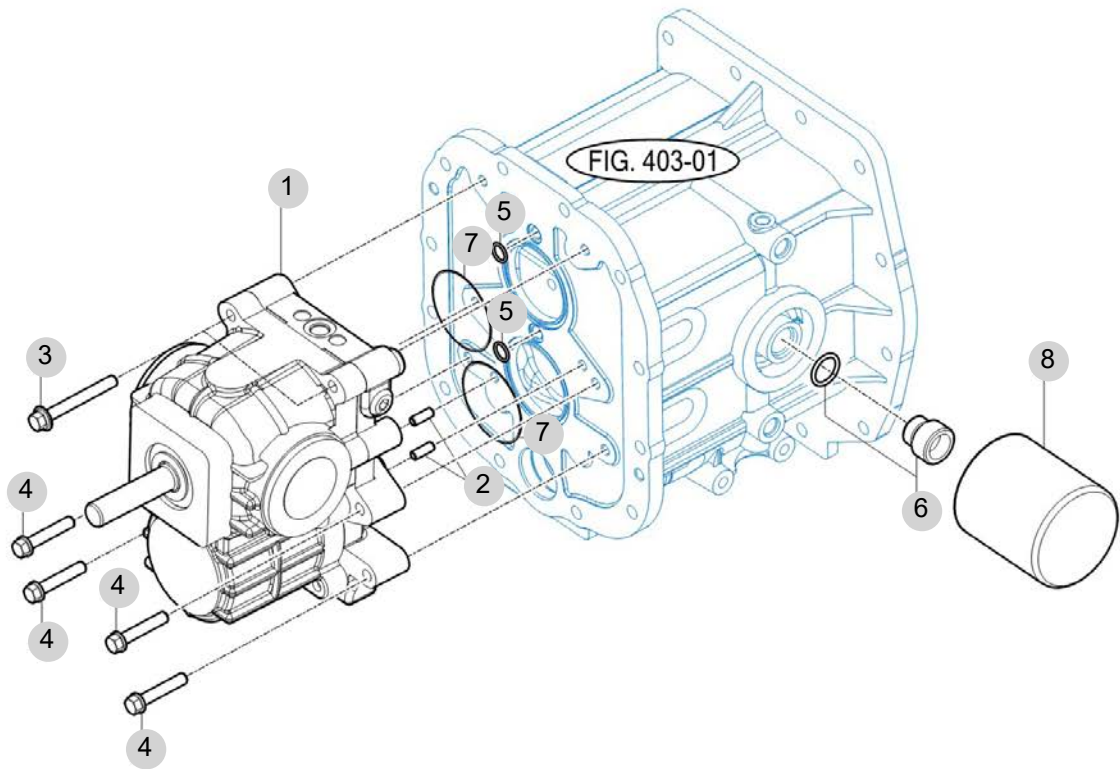
FIG 402

T475NHEU

HST

년/월
Year/Month

2022-12



NOTE

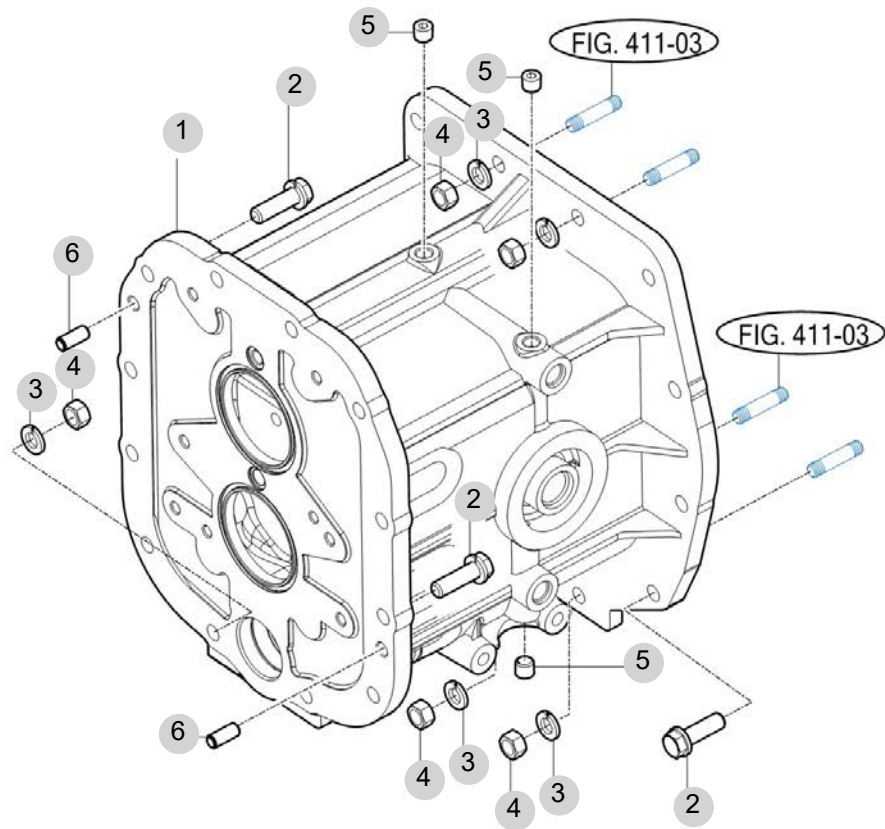
FIG 403

T475NHEU

MID CASE

년/월
Year/Month

2022-12



NOTE

FIG 403 T475NHEU	MID CASE	년/월 Year/Month
		2022-12

KEY NO	PART NO	DESCRIPTION	SPEC	QTY	REPAIR	EFFECTIVE DATE	REMARKS
403	1	12382200011M	미드 트랜스미션 케이스	1			
403	2	V2173612040	소형육각볼트보통(S)	18			
403	3	V4011600120	스프링와셔	6			
403	4	V3043600120	소형육각너트보통2종	6			
403	5	V7801000004	플러그(육각구멍테이퍼)	3			
403	6	V5201010022	평행핀(A)	2			
NOTE							

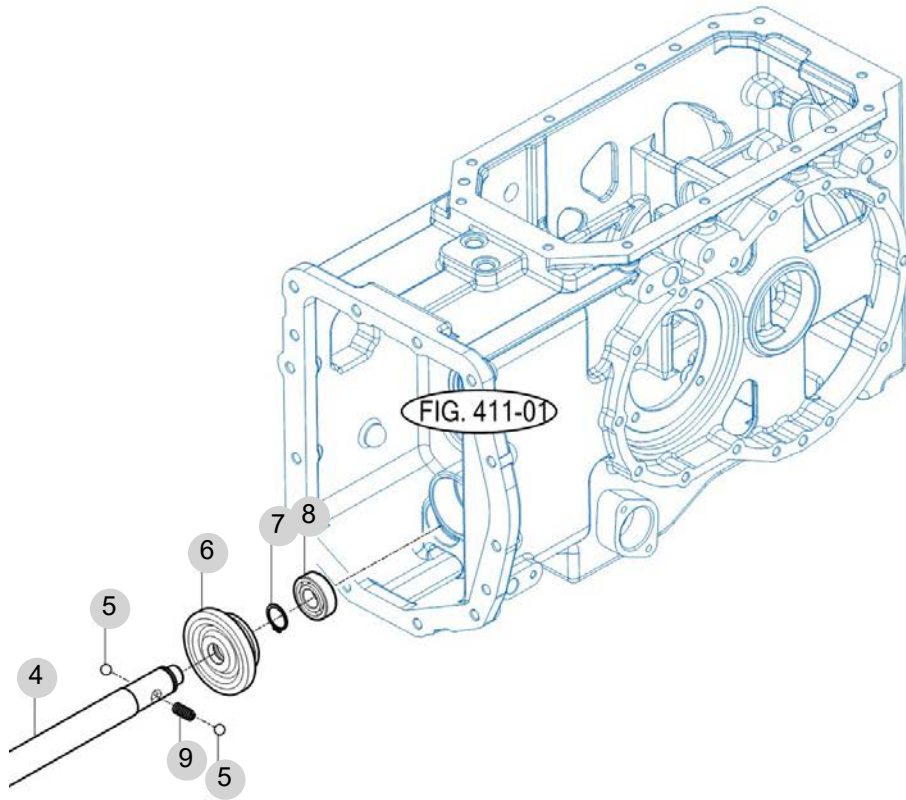
FIG 404

T475NHEU

4WD DRIVE GEAR

년/월
Year/Month

2022-12



NOTE

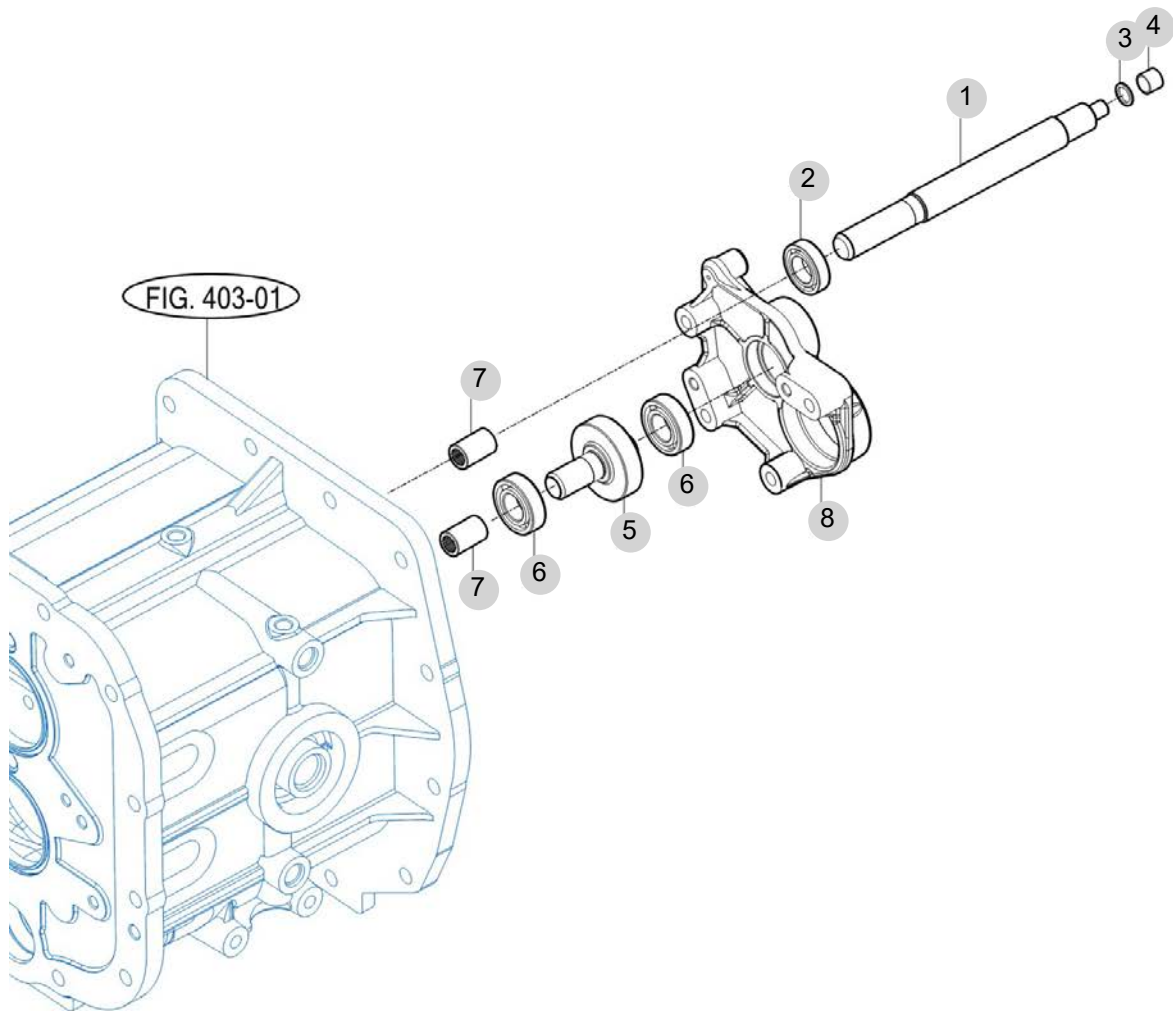
FIG 405

T475NHEU

INPUT GEAR

년/월
Year/Month

2022-12



NOTE

FIG 405 T475NHEU		INPUT GEAR						년/월 Year/Month	
								2022-12	
KEY NO		PART NO	DESCRIPTION	SPEC	QTY	REPAIR	EFFECTIVE DATE	REMARKS	
405	1	12382162010	PTO 인풋 샤프트		1				
405	2	V6001106005	볼베어링	6005	1				
405	3	16702191050	와셔(15.2X21X2)		1				
405	4	V6544141813	니들베어링(케이지)		1				
405	5	12382311020	인풋 기어(22)		1				
405	6	V6001106205	볼베어링	6205	2				
405	7	14251320150	커플링		2				
405	8	12382200200M	베어링 메탈		1				
NOTE									

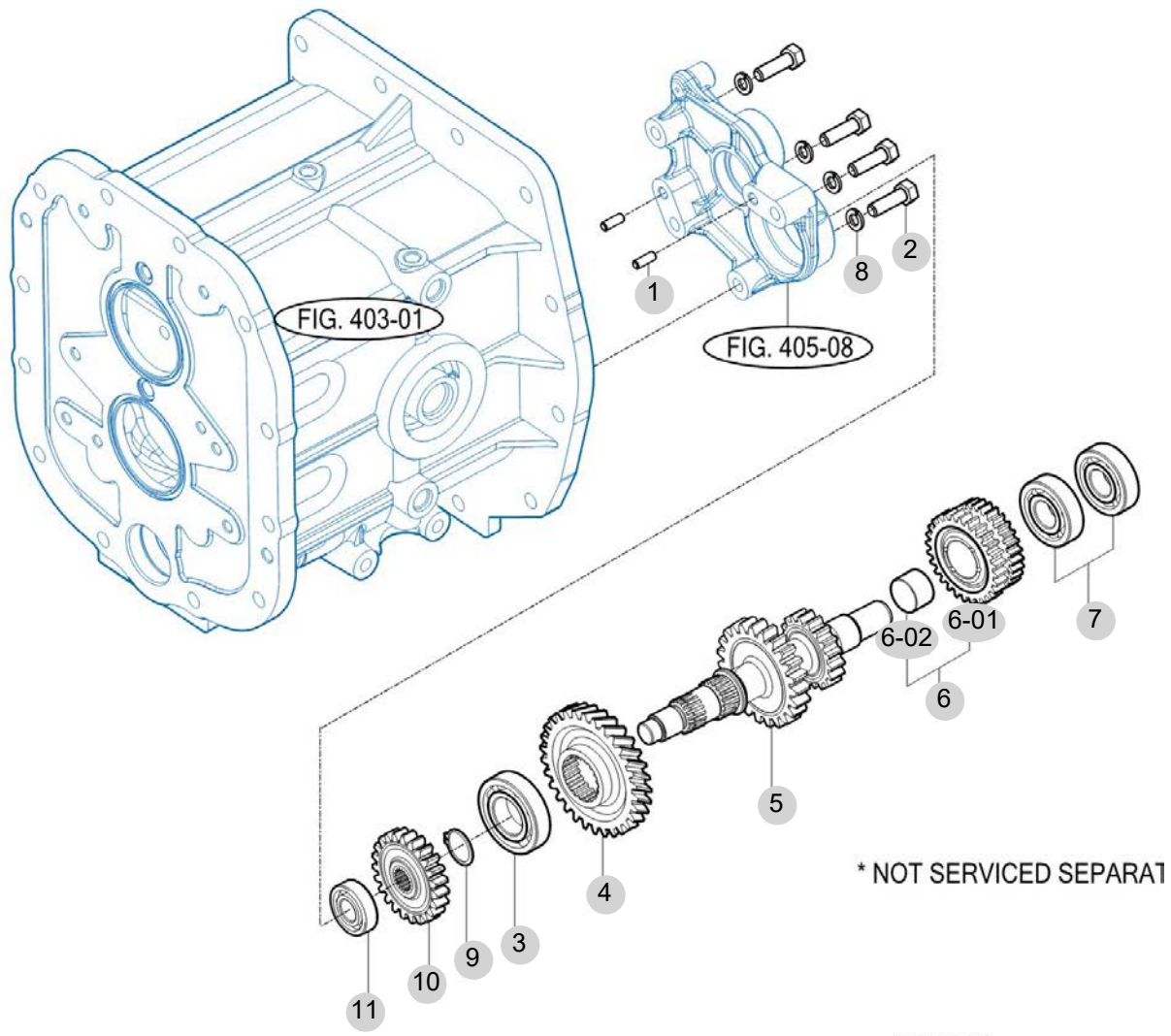
FIG 406

T475NHEU

SUB CHANGE GEARS

년/월
Year/Month

2022-12



NOTE

FIG 406 T475NHEU		SUB CHANGE GEARS						년/월 Year/Month
								2022-12
KEY NO		PART NO	DESCRIPTION	SPEC	QTY	REPAIR	EFFECTIVE DATE	REMARKS
406	1	V5201010022	평행핀(A)	10X22	2			
406	2	V2013612060	소형육각볼트(보통)	M12X60	4			
406	3	V6001106306	볼베어링	6306	1			
406	4	12382420020	헬리컬 기어(31)		1			
406	5	12382420010	부변속 기어(24-16)		1			
406	6	16702611301	기어(스퍼/29-28) ASSY		1			
406	6-01	16702611311	기어(스퍼/29-28)		1			
406	6-02	16702611320	부시(30X32X21)	30X32X21	1			
406	7	V6001106305	볼베어링	6305	2			
406	8	V4011600120	스프링와셔	M12	4			
406	9	V7041400300	C형멈춤링(축용)	30	1			
406	10	12382311040	스퍼 기어(21)		1			
406	11	V6001106204	볼베어링	6204	1			
NOTE								

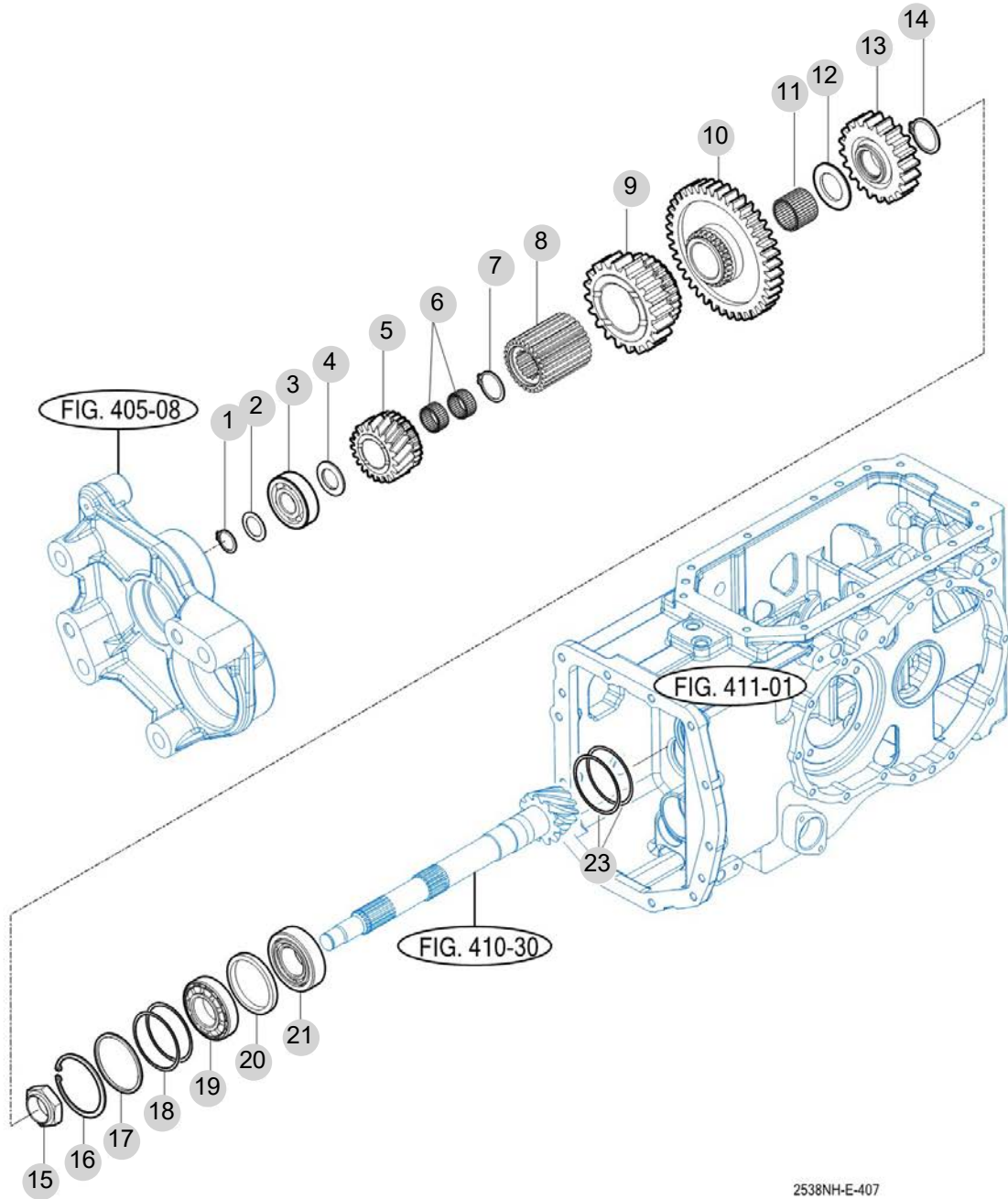
FIG 407

PINION GEARS

년/월
Year/Month

T475NHEU

2022-12



2538NH-E-407

NOTE

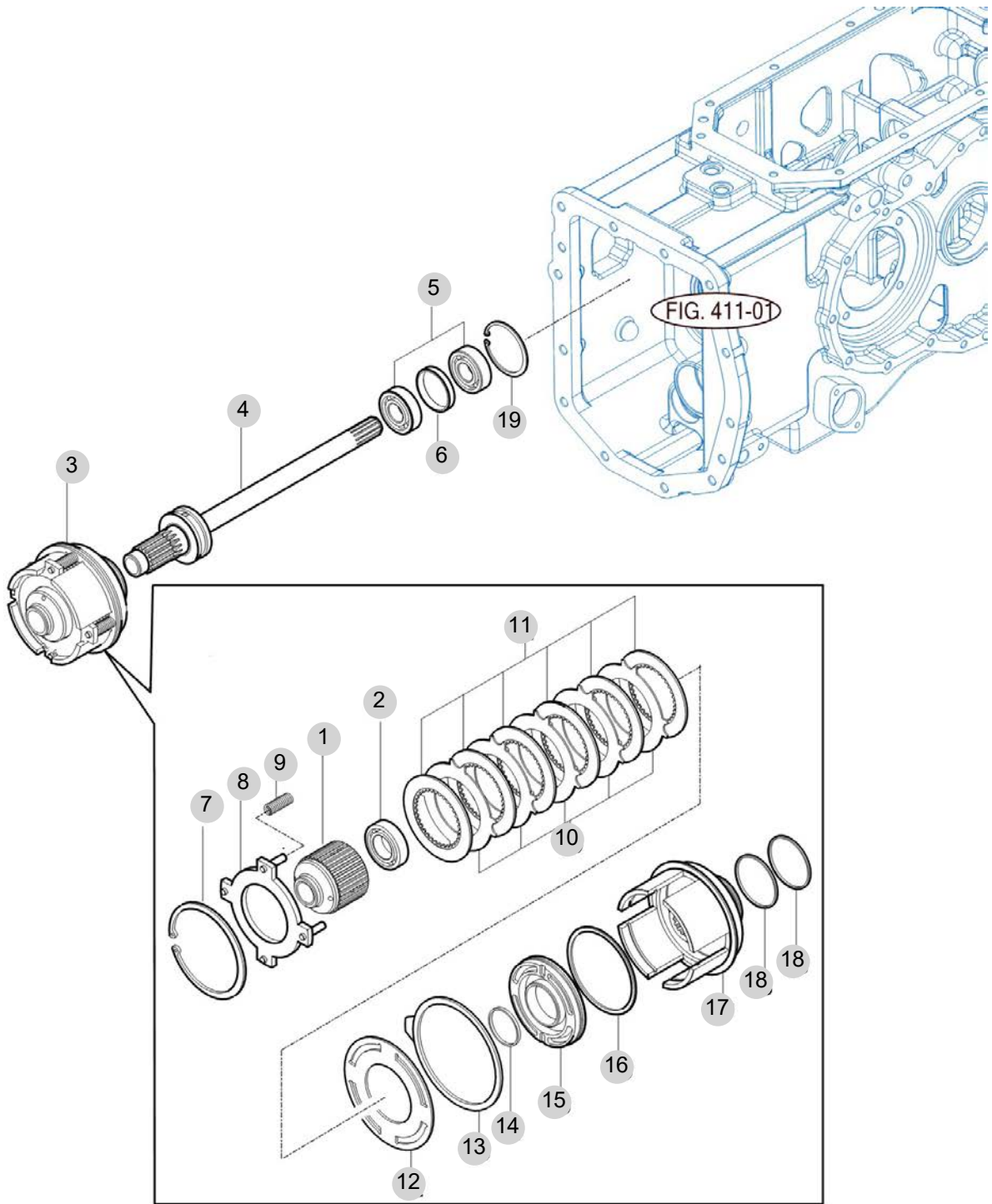
FIG 408

T475NHEU

P.T.O DRIVE SHAFT

년/월
Year/Month

2022-12



T303/353NC-E-408

NOTE

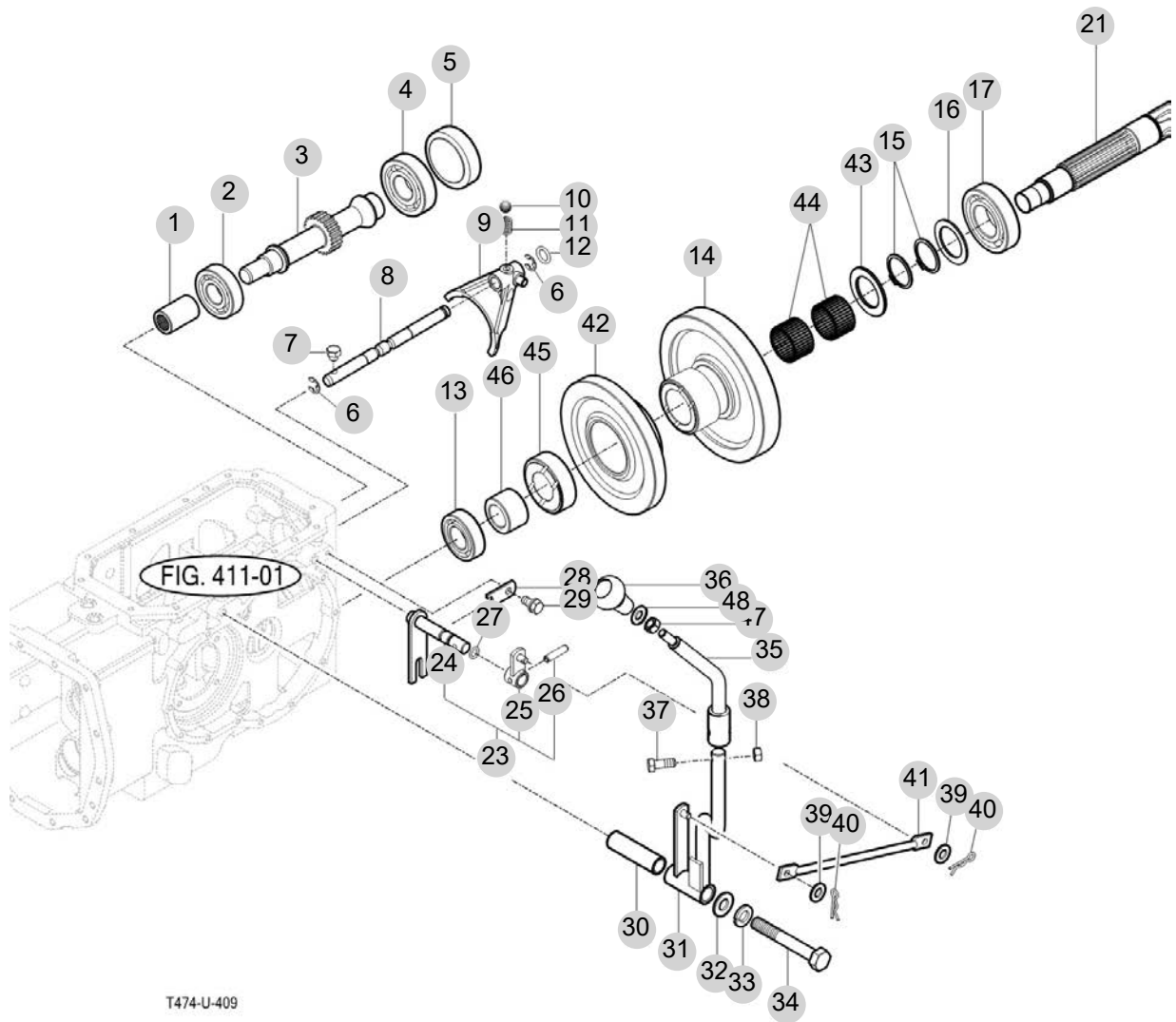
FIG 409

P.T.O CHANGE GEARS

년/월
Year/Month

2022-12

T475NHEU



20
22

NOTE

FIG 409		P.T.O CHANGE GEARS					년/월 Year/Month		
							2022-12		
T475NHEU		KEY NO	PART NO	DESCRIPTION	SPEC	QTY	REPAIR	EFFECTIVE DATE	REMARKS
409	1	14211340190	커플링			1			
409	2	V6001106305	볼베어링	6305		1			
409	3	12382543530	PTO 카운트 축			1			
409	4	V6001106306	볼베어링	6306		1			
409	5	14254330180	캡(72)			1			
409	6	V7081400100	E형멈춤링	Ø10		2			
409	7	15602231610	볼트(셋트/M8X16)			1			
409	8	12382540020	PTO 스테이			1			
409	9	16702540011M	포크(PTO)			1			
409	10	V6802000010	강구	5/16		1			
409	11	13022250030	시프터스프링			1			
409	12	V7201024010	O링(P)	P10		1			
409	13	V6001106205	볼베어링	6205		1			
409	14	12382530020	PTO 기어(53)			1			
409	15	V7041400350	C형멈춤링(축용)	Ø35		2			
409	16	14443140041	칼라(35X50X2)			1			
409	17	V6001106207	볼베어링	6207		1			
409	20	V7051400720	C형멈춤링(구멍용)	Ø72		1			
409	21	12382530010	PTO 샤프트			1			
409	22	16322732000	씰(오일) ASSY			1			
409	23	16702555102	리어 PTO 후크 SET			1			
409	24	16702542102	리어 PTO 후크 COMP			1			
409	25	16702432201	암(부변속) COMP			1			
409	26	V5801406025	스프링핀	6X25		1			
409	27	V7201024012	O링(P)	P12		1			
409	28	16702230371	플레이트			1			
409	29	V2173608016	소형육각볼트보통(S)	M8X16		1			
409	30	16702440070	허브(13X17X61)			1			
409	31	16702552103	PTO 레버 ,하 COMP			1			
409	32	V4111600120	평와셔	M12		1			
409	33	V4011600120	스프링와셔	M12		1			
409	34	V2013612085	소형육각볼트(보통)	M12X85		1			
409	35	13832552200GB	레버 COMP , PTO/상			1			
409	36	16992190102	그립(PTO)			1			
409	36	19682190100	그립(PTO)			1			
409	37	V2013608035	소형육각볼트(보통)	M8X35		1			
409	38	V3042600080	소형육각너트보통2종	M8		1			
409	39	V4111600080	평와셔	M8		2			
409	40	V5601600008	스냅핀	8		2			
409	41	16702553100	로드(236)			1			
409	42	12382530030	스퍼 기어(41)			1			
409	43	15642730082	와셔(35X55X03)	D=55		1			
409	44	V6544354026	니들베어링(케이지)			2			
409	45	15642730052	허브(35X62X20)			1			
409	46	12382530040	와셔(25X40X26)	D=40		1			
NOTE									

FIG 409		P.T.O CHANGE GEARS					년/월 Year/Month	
T475NHEU		2022-12						
KEY NO		PART NO	DESCRIPTION	SPEC	QTY	REPAIR	EFFECTIVE DATE	REMARKS
409	47	V3342600100	소형육각너트가는2종	M10	1			
409	48	V4111600100	평와셔	M10	1			
NOTE								

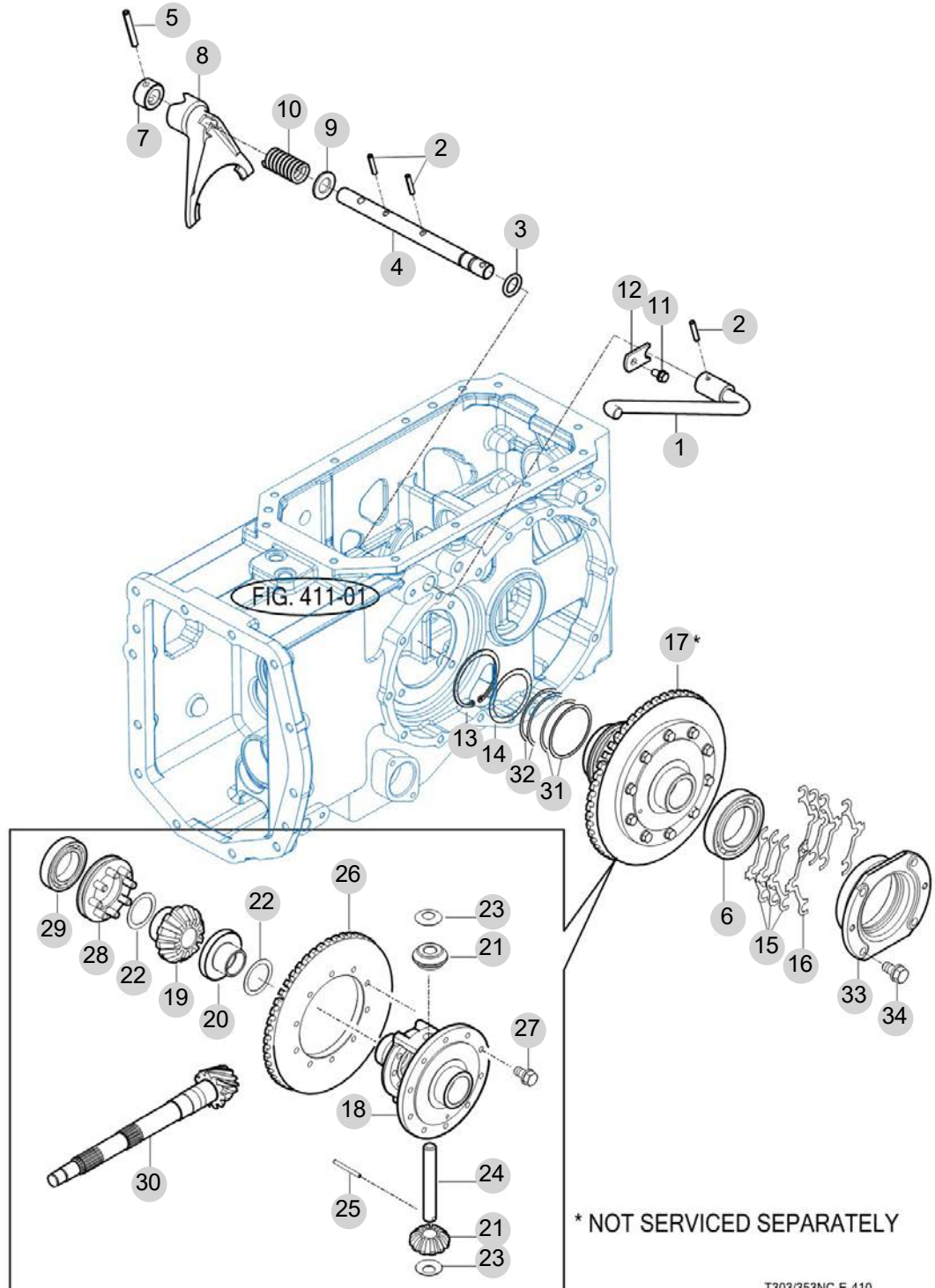
FIG 410

T475NHEU

DIFF LOCK

년/월
Year/Month

2022-12



T303/353NC-E-410

NOTE

FIG 410 T475NHEU	DIFF LOCK	년/월 Year/Month
		2022-12

KEY NO	PART NO	DESCRIPTION	SPEC	QTY	REPAIR	EFFECTIVE DATE	REMARKS
410	1	12383193100	디프록 페달 COMP				
410	2	V5801406032	스프링핀	6X32	3		
410	3	V7201024016	O링(P)	P16	1		
410	4	12383190151	디프록 축		1		
410	5	V5801408060	스프링핀	8X60	1		
410	6	V6041106011	볼베어링(HL)	6011HL1	1		
410	7	16703180161	허브 디프록		1		
410	8	16703180022M	포크(디프록)		1		
410	9	V4111600200	평와셔	M20	1		
410	10	17973030420	스프링		1		
410	11	V2173608016	소형육각볼트보통(S)	M8X16	1		
410	12	16703180191	플레이트		1		
410	13	V7051400750	C형멈춤링(구멍용)	Ø75	1		
410	14	16703180511	심(O/0.5)		1		
410	15	16703180080	심(LH/0.2)		6		
410	16	16703180090	심(LH/0.1)		2		
410	17	12633000002	리어 차동 장치 ASSY		1		
410	18	13003180013M	디프케이스		1		
410	19	13003180060	베벨기어(18)(RH)		1		
410	20	13003180031	베벨기어(18)(LH)		1		
410	21	13003180040	디프피니언(10)		2		
410	22	16703180521	스ラスト와셔		2		
410	23	13003180200	피니언스ラスト와셔		2		
410	24	13003180070	디프피니언축		1		
410	25	V5801405036	스프링핀	5X36	1		
410	26	16703002020	기어베벨(52T)		1		
410	27	V2173608020	소형육각볼트보통(S)	M8X20	10		
410	28	13003181202	디프록 클러치 COMP		1		
410	29	V6041106009	볼베어링(HL1)	6009HL1	1		
410	30	16703002012	드라이브피니언(9T)		1		
410	31	16703180181	심(RH/0.1)		2		
410	32	16703180171	심(RH/0.2)		2		
410	33	16703180052M	디프케이스메탈(R)		1		
410	34	V2173610025	소형육각볼트보통(S)	M10X25	4		

NOTE

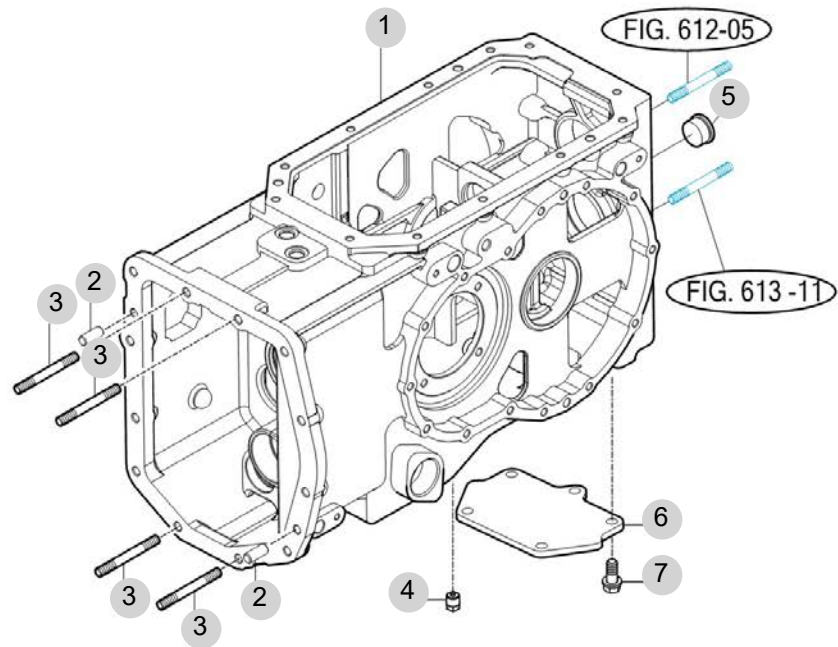
FIG 411

T475NHEU

TRANSMISSION REAR CASE

년/월
Year/Month

2022-12



T474-U-411

NOTE

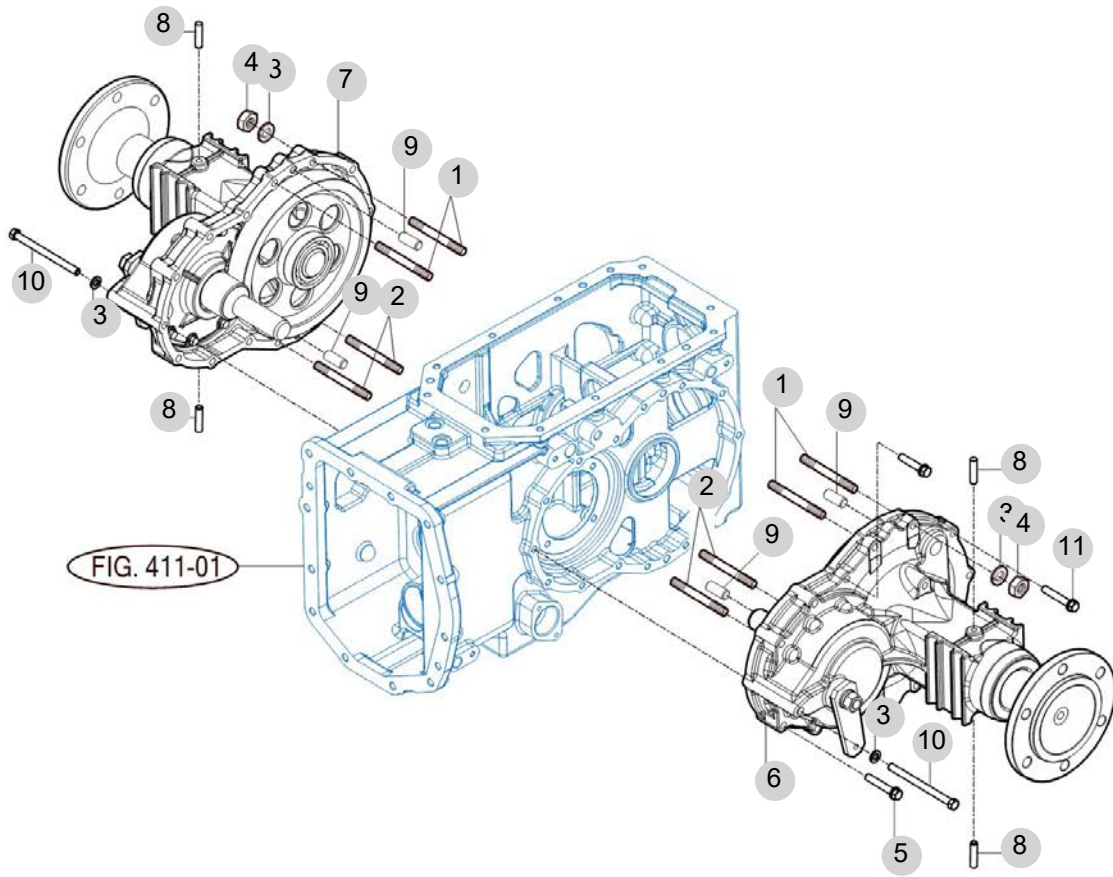
FIG 412

T475NHEU

REAR AXLE HOUSINGS (1)

년/월
Year/Month

2022-12



2538NH-E-412

NOTE

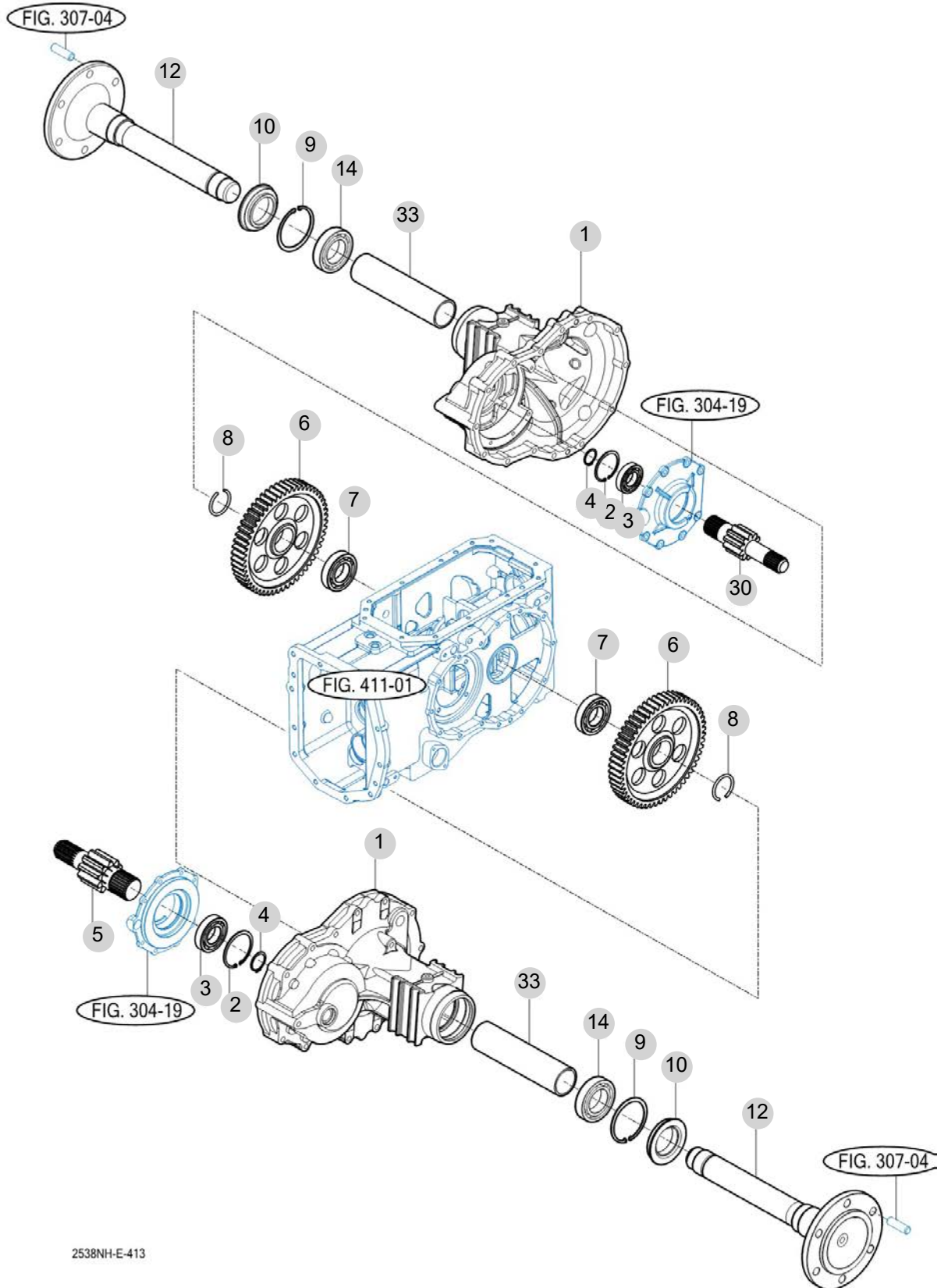
FIG 413

T475NHEU

REAR AXLE HOUSINGS (2)

년/월
Year/Month

2022-12



2538NH-E-413

NOTE

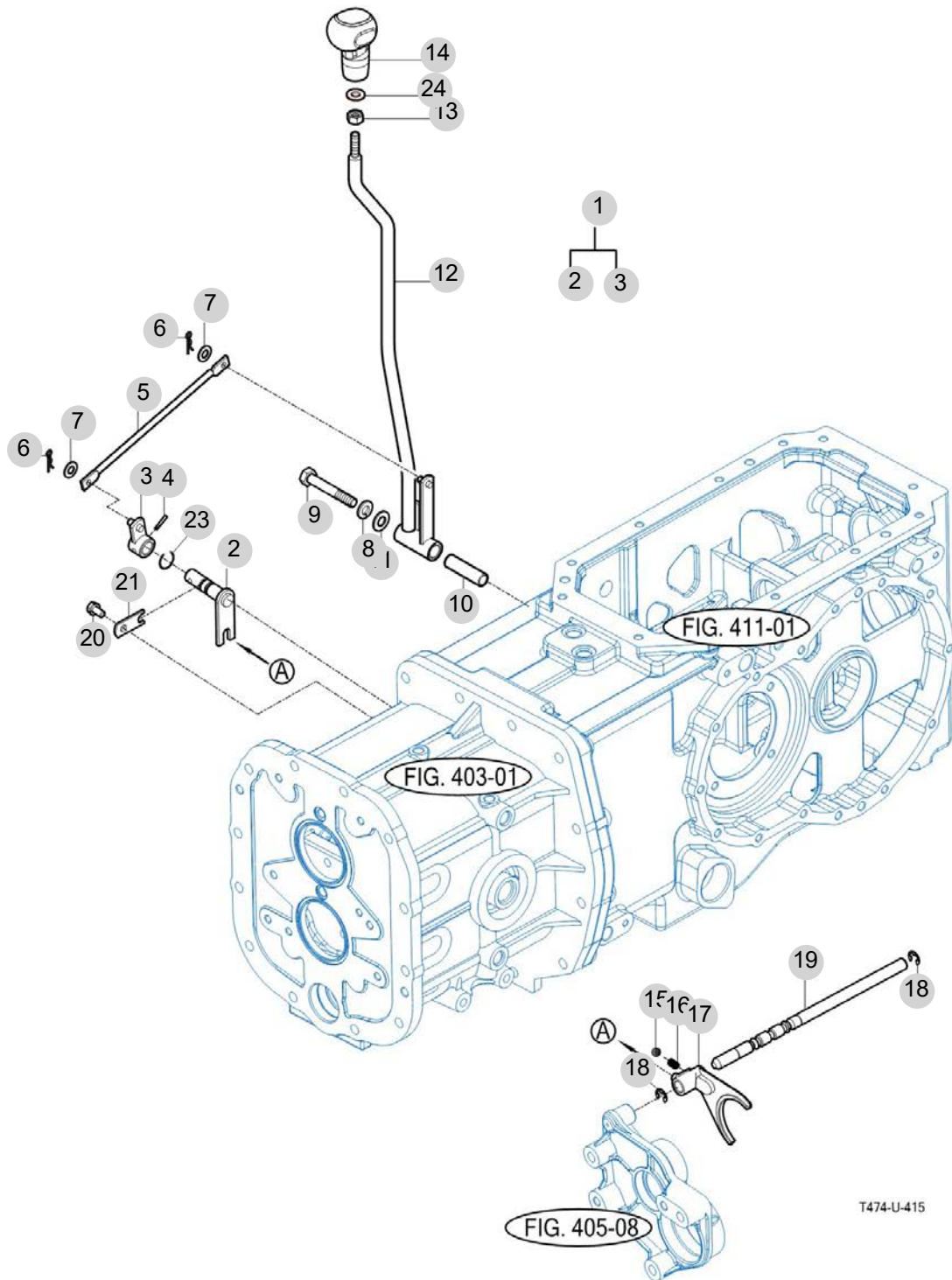
FIG 415

SUB CHANGE LEVER

년/월
Year/Month

2022-12

T475NHEU



NOTE

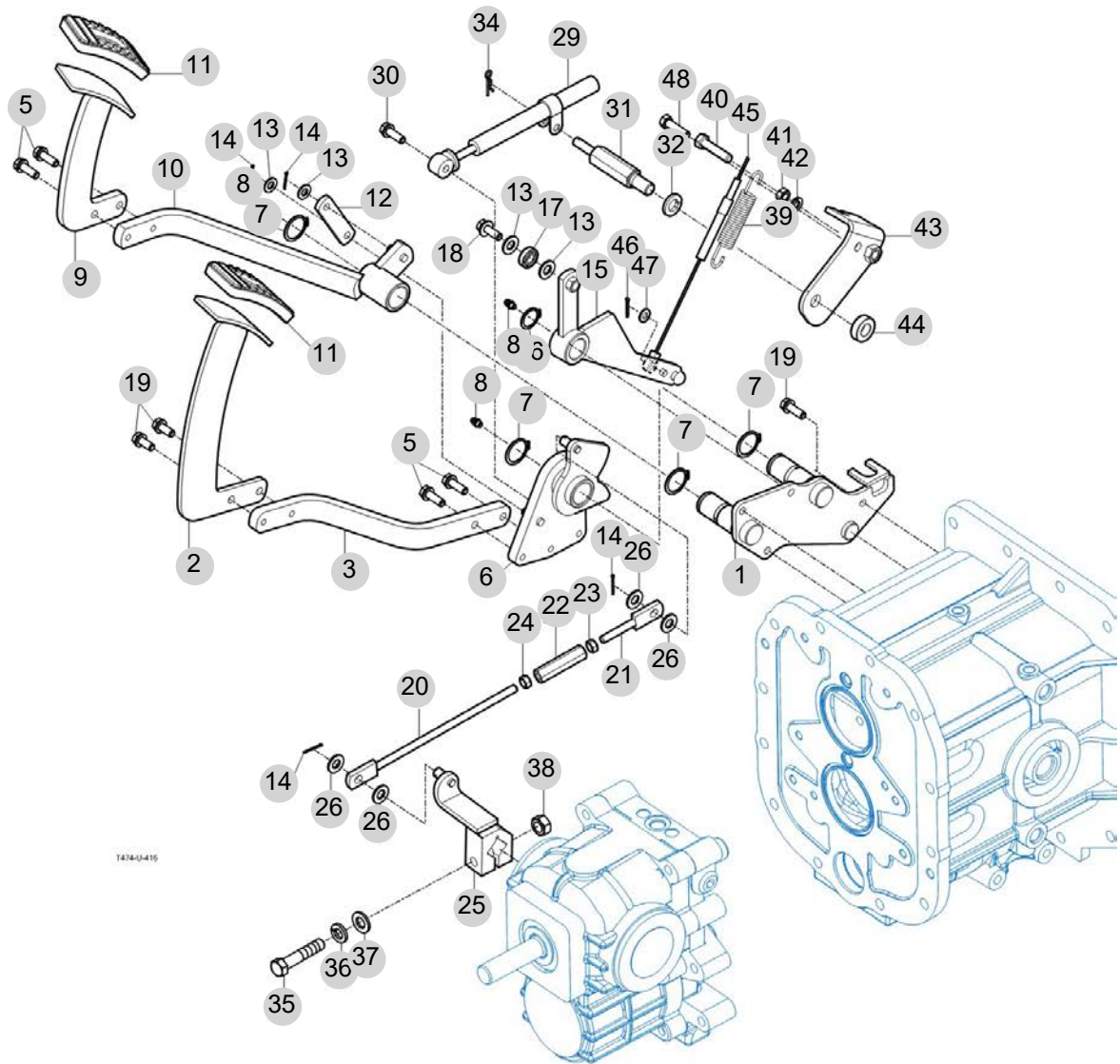
FIG 416

T475NHEU

FORWARD & REVERSE CONTROL LINKAGE

년/월
Year/Month

2022-12



NOTE

FIG 416 T475NHEU		FORWARD & REVERSE CONTROL LINKAGE					년/월 Year/Month	
							2022-12	
KEY NO	PART NO	DESCRIPTION	SPEC	QTY	REPAIR	EFFECTIVE DATE	REMARKS	
416	1	12382313201	HST 페달 브래킷 COMP			1		
416	2	14722312703GB	페달(전진) COMP			1		
416	3	14722310052	전진 플레이트			1		
416	5	V2173608025	소형육각볼트보통(S)	M8X25		4		
416	6	12382312300	전진 암 COMP			1		
416	7	V7041400250	C형멈춤링(축용)			4		
416	8	V7601500000	그리스니플(A-M6F)			3		
416	9	14722312802GB	페달(후진) COMP			1		
416	10	14722312603	암(후진) COMP			1		
416	11	14722312730	패드			2		
416	12	14722310023	플레이트(후진)			1		
416	13	V4111600080	평와셔	M8		4		
416	14	V5001920020	분할핀			4		
416	15	13832312501	캠 팔로어 암 COMP			1		
416	16	V7041400200	C형멈춤링(축용)			1		
416	17	14722310060	볼베어링(608DD)			1		
416	18	V2013608035	소형육각볼트(보통)	M8X35		1		
416	19	V2173608025	소형육각볼트보통(S)	M8X25		6		
416	20	12382325100	로드 COMP(LH)			1		
416	21	11102325200	로드 COMP(RH)			1		
416	22	16601220020	터언버클(M8,60)			1		
416	23	V3042600080	소형육각너트보통2종	M8		1		
416	24	15601320073	육각너트(SM,LH,M8)			1		
416	25	12382312101	홀더 브래킷 COMP			1		
416	26	V4111600100	평와셔	M10		4		
416	29	14722312401	오일 댐퍼			1		
416	30	V2183608035	소형육각볼트보통(SP)	M8X35		1		
416	31	10532310090	오일 댐퍼 핀			1		
416	32	V4011600120	스프링와셔	M12		1		
416	34	V5601600008	스냅핀			1		
416	35	V2173610055	소형육각볼트보통(S)	M10X55		1		
416	36	V4011600100	스프링와셔	M10		1		
416	37	V4111600100	평와셔	M10		1		
416	38	V3043600100	소형육각너트보통2종	M10		1		
416	39	14722310033	스프링(리턴)			1		
416	40	V2013608035	소형육각볼트(보통)	M8X35		1		
416	41	V3042600080	소형육각너트보통2종	M8		1		
416	42	V4011600080	스프링와셔			1		
416	43	13831163801	케이블 브래킷 COMP			1		
416	44	10532310080	칼라, 12X24X8			1		
416	45	13831162700	케이블(오토스로틀)ASSY			1		
416	46	V5001920015	분할핀			1		
416	47	V4111600060	평와셔	M6		1		
416	48	V2173608020	소형육각볼트보통(S)	M8X20		1		
NOTE								

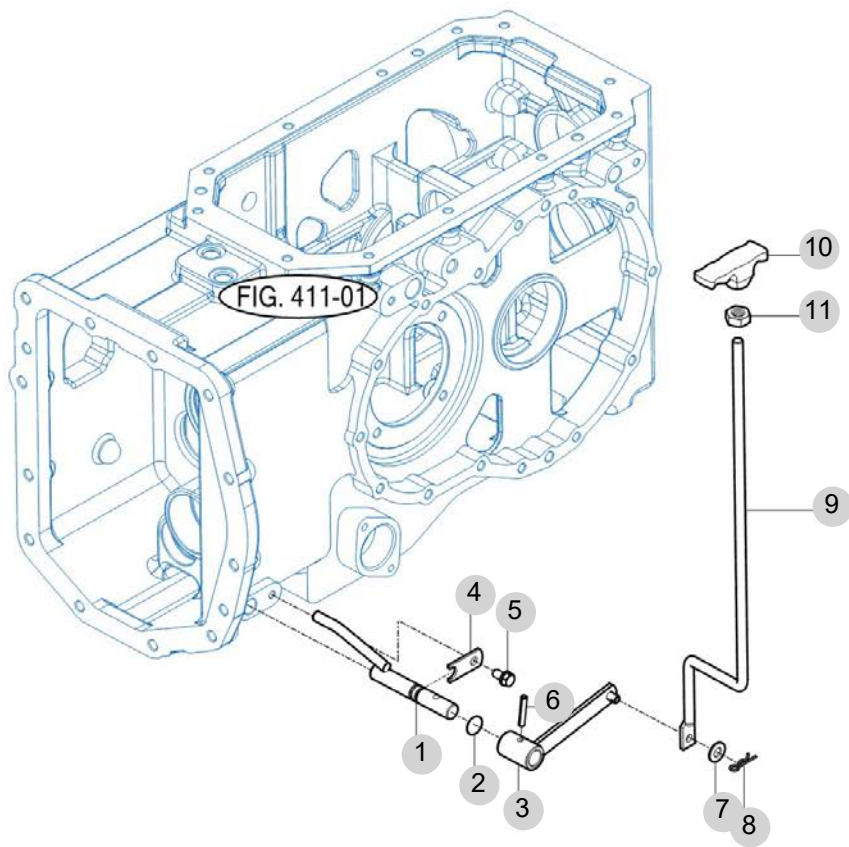
FIG 418

T475NHEU

4WD CHANGE LEVER

년/월
Year/Month

2022-12



2538NH-K-418

NOTE

5. 프런트 액슬 PART NO. T5

FIG 501 FRONT AXLE BRACKET	161
FIG 502 FRONT DIFF. GEARS & SHAFT	163
FIG 503 FRONT AXLE HOUSING	165
FIG 504 FRONT GEAR CASE (1)	167
FIG 505 FRONT GEAR CASE (2)	169

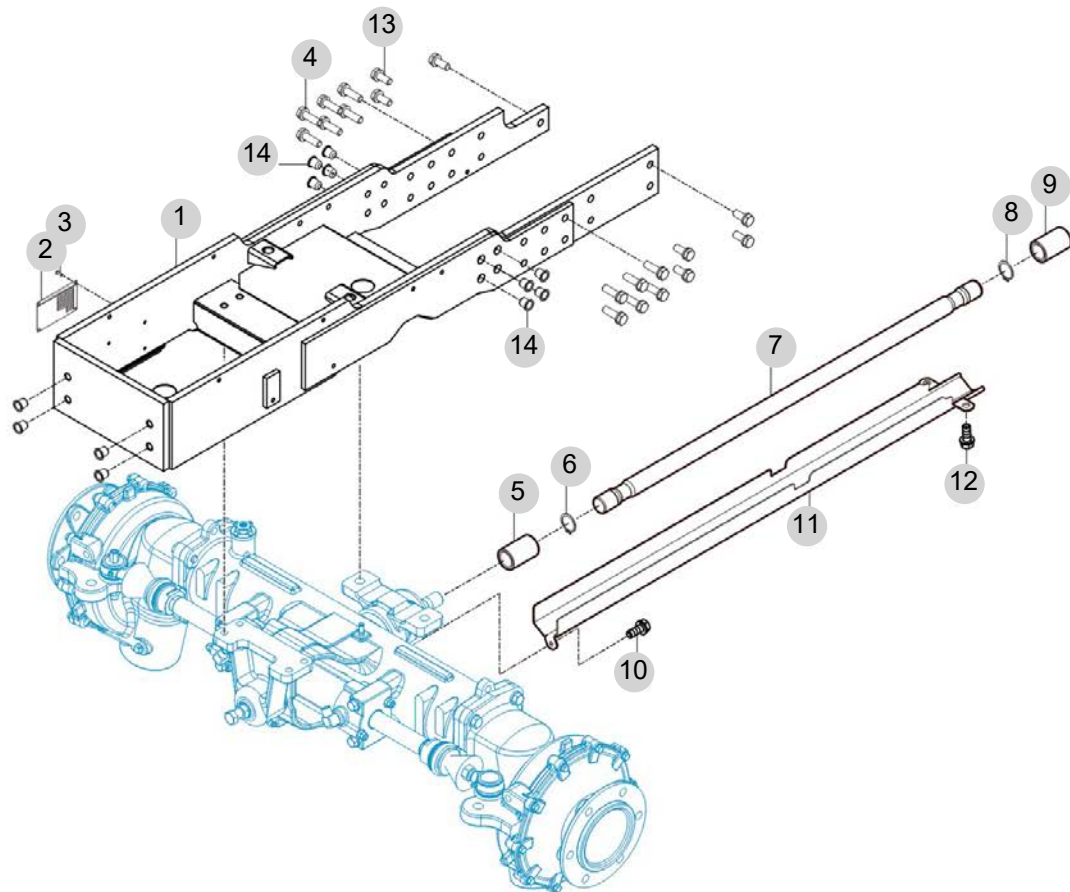
FIG 501

FRONT AXLE BRACKET

년/월
Year/Month

2022-12

T475NHEU



NOTE

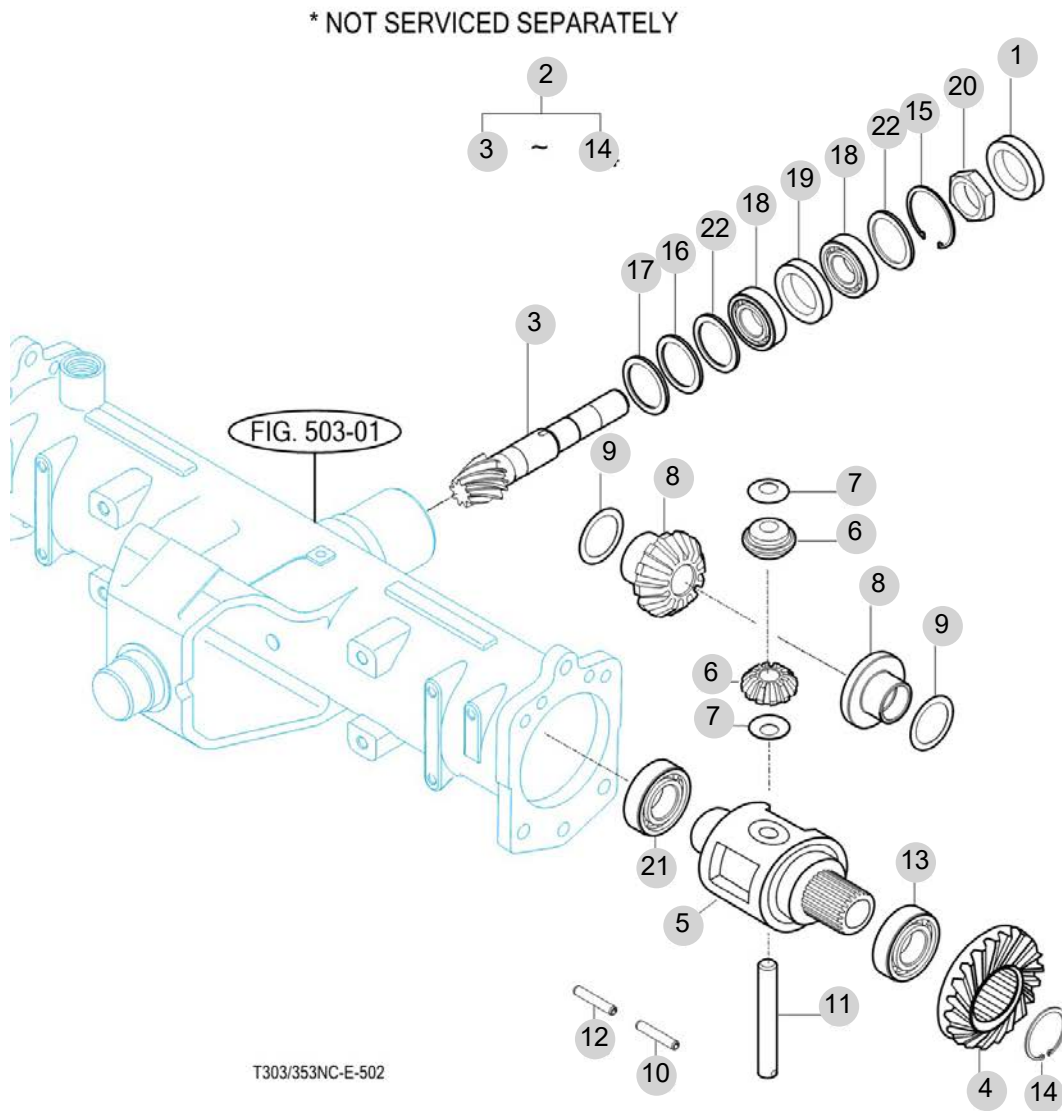
FIG 502

T475NHEU

FRONT DIFF. GEARS & SHAFT

년/월
Year/Month

2022-12



NOTE

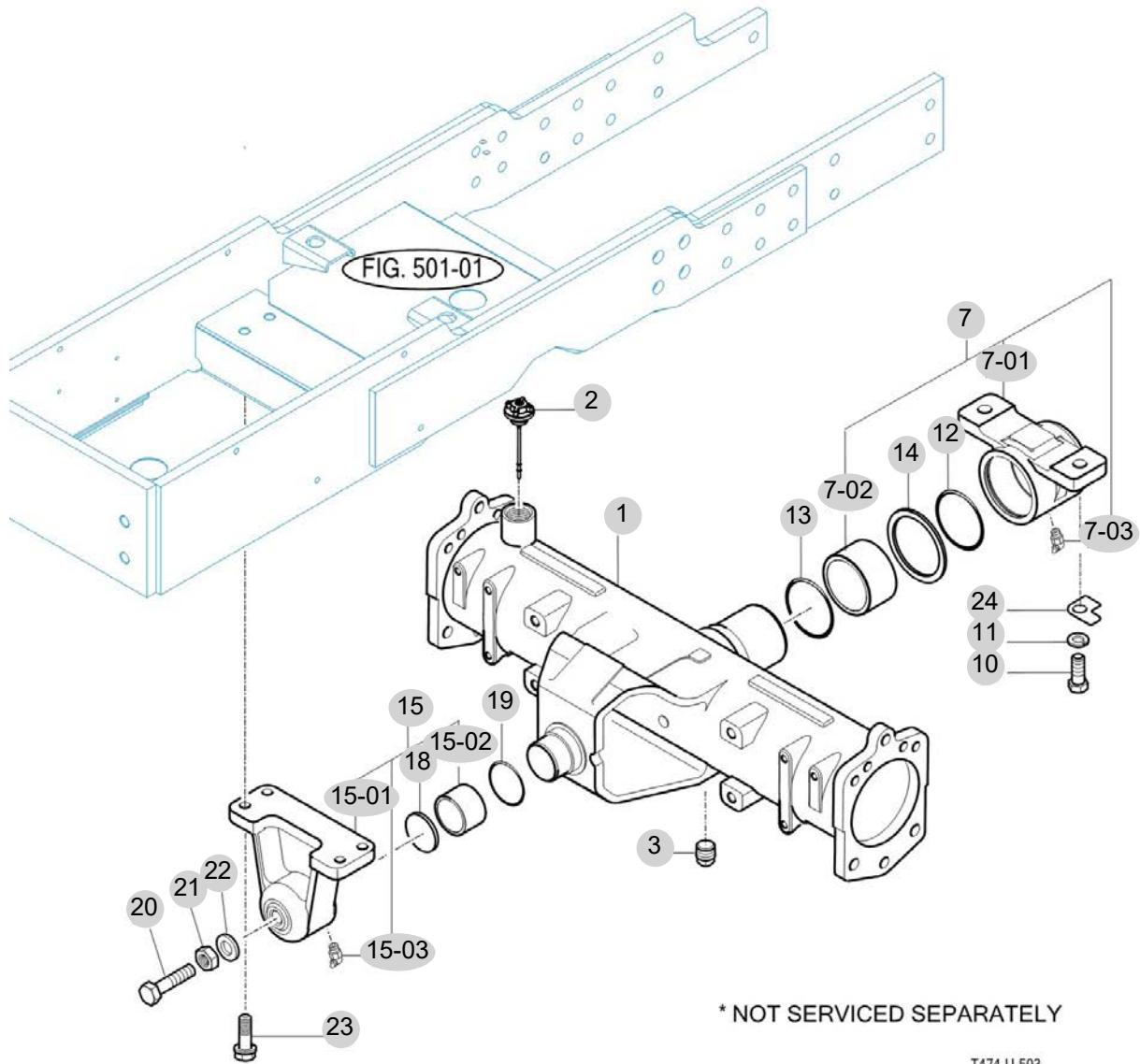
FIG 503

T475NHEU

FRONT AXLE HOUSING

년/월
Year/Month

2022-12



T474-U-503

NOTE

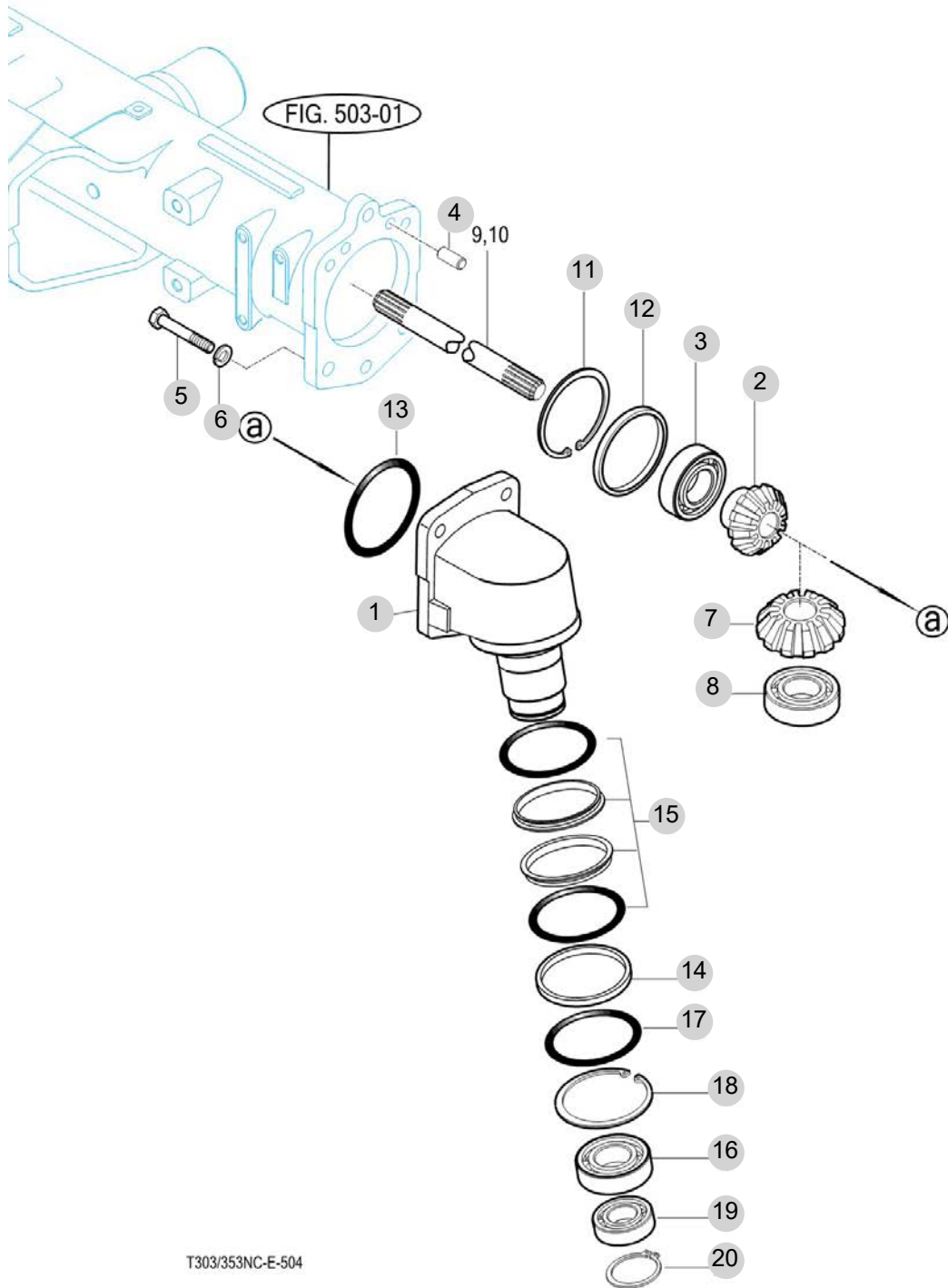
FIG 504

T475NHEU

FRONT GEAR CASE (1)

년/월
Year/Month

2022-12



NOTE

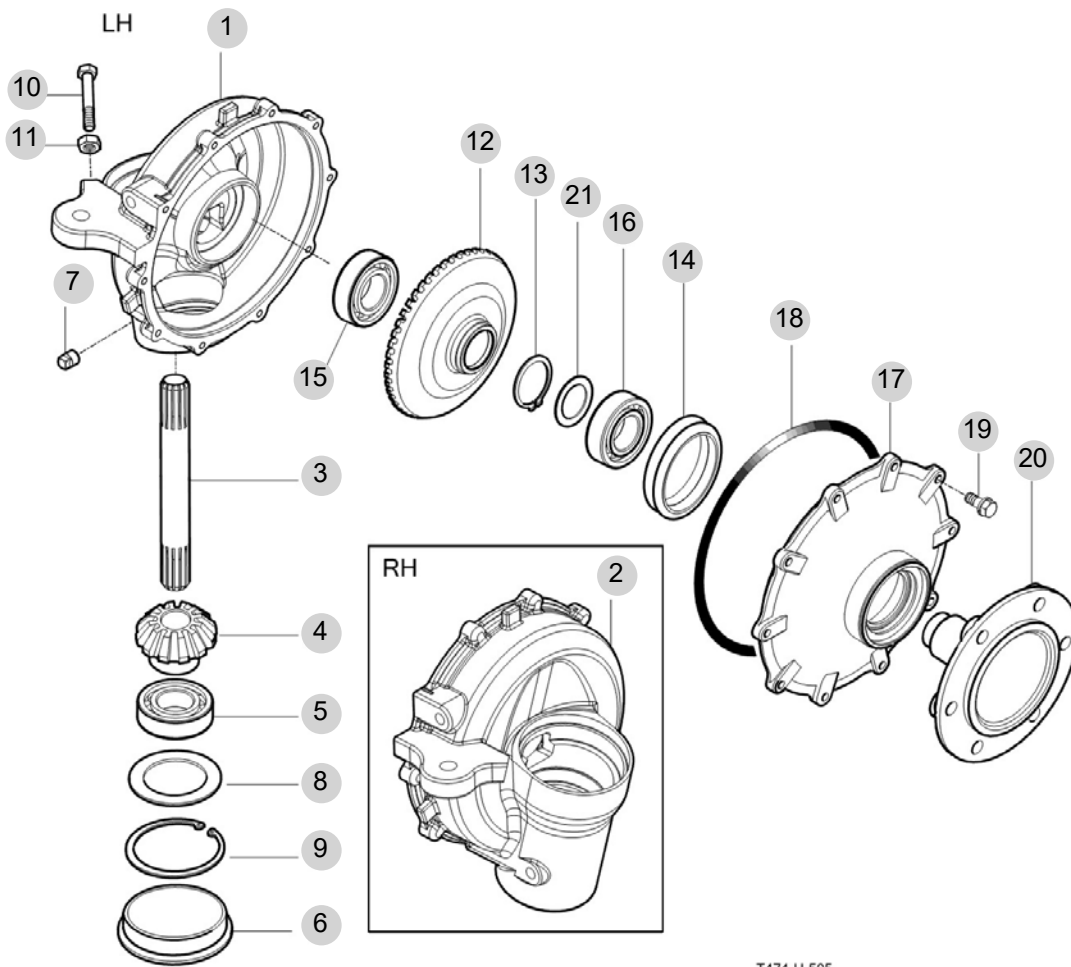
FIG 505

T475NHEU

FRONT GEAR CASE (2)

년/월
Year/Month

2022-12



T474-U-505

NOTE

6. 유압/3점링크 PART NO. T6

FIG 601 GEAR PUMP	172
FIG 602 CYLINDER CASE	174
FIG 603 LIFT ARM	176
FIG 604 CYLINDER	178
FIG 605 POSITION LINK (1)	180
FIG 606 POSITION LINK (2)	182
FIG 607 CONTROL VALVE	184
FIG 608 POSITION LEVER	186
FIG 609 HYDRAULIC PIPE (1)	188
FIG 610 HYDRAULIC PIPE (2)	191
FIG 611 EXTERIOR HYD. VALVE	193
FIG 612 3-POINT LINK	195
FIG 613 HITCH & COVER	198
FIG 614 EXTERIOR POSITION LEVER	200

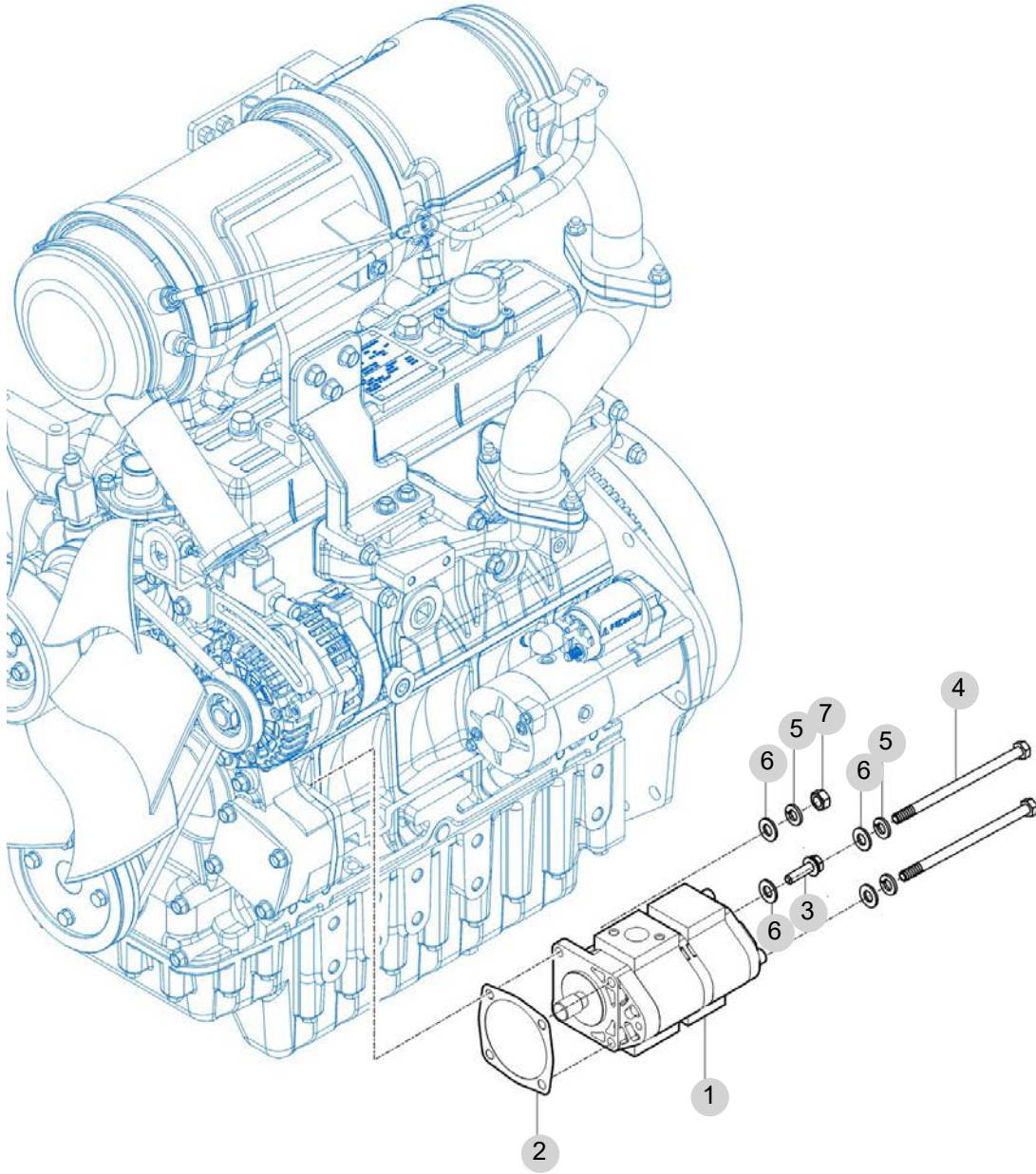
FIG 601

GEAR PUMP

년/월
Year/Month

T475NHEU

2022-12



NOTE

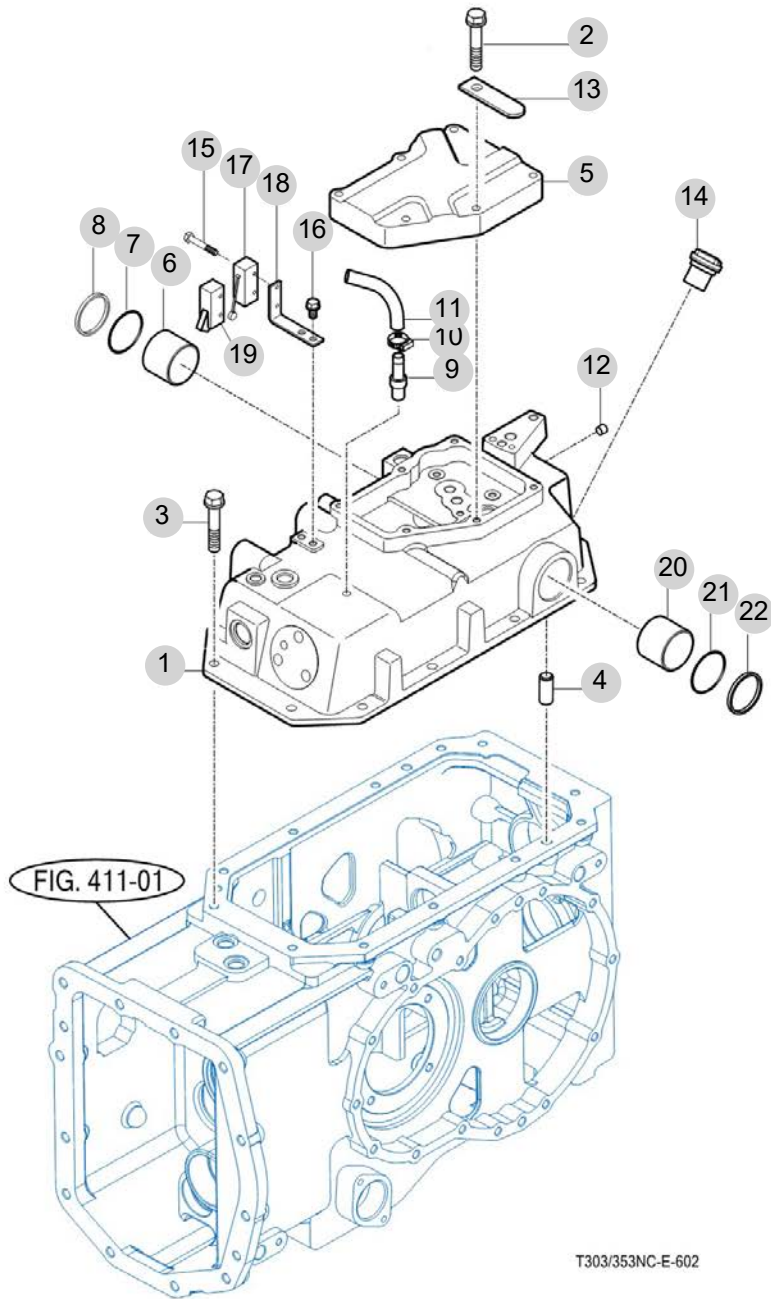
FIG 602

T475NHEU

CYLINDER CASE

년/월
Year/Month

2022-12



NOTE

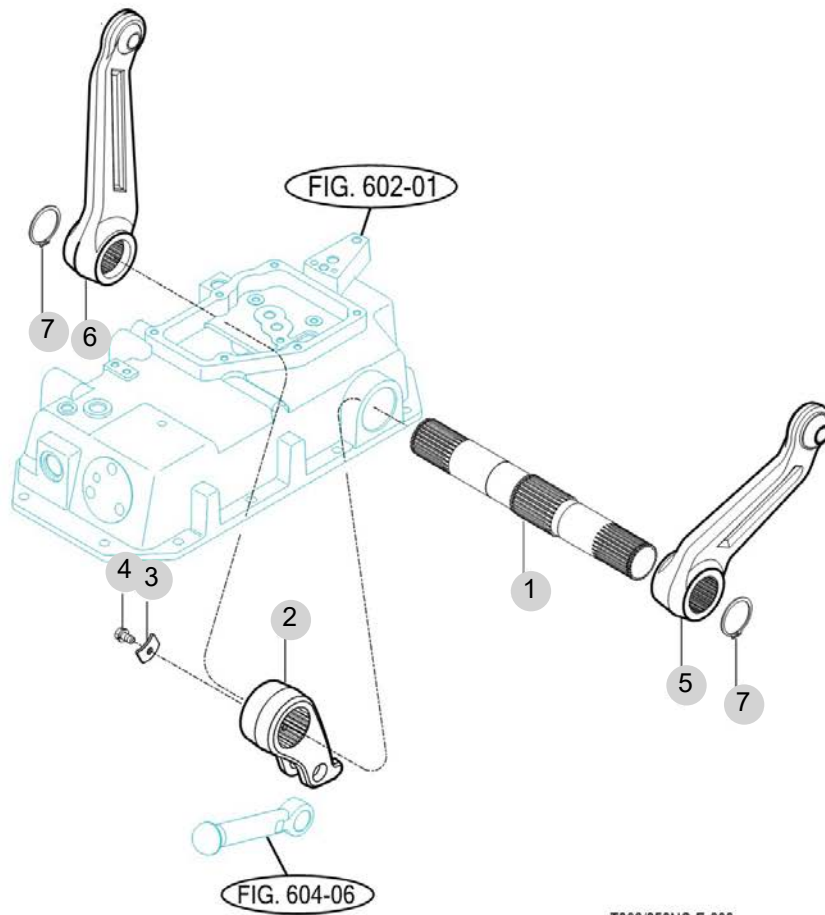
FIG 603

T475NHEU

LIFT ARM

년/월
Year/Month

2022-12



T303/353NC-E-603

NOTE

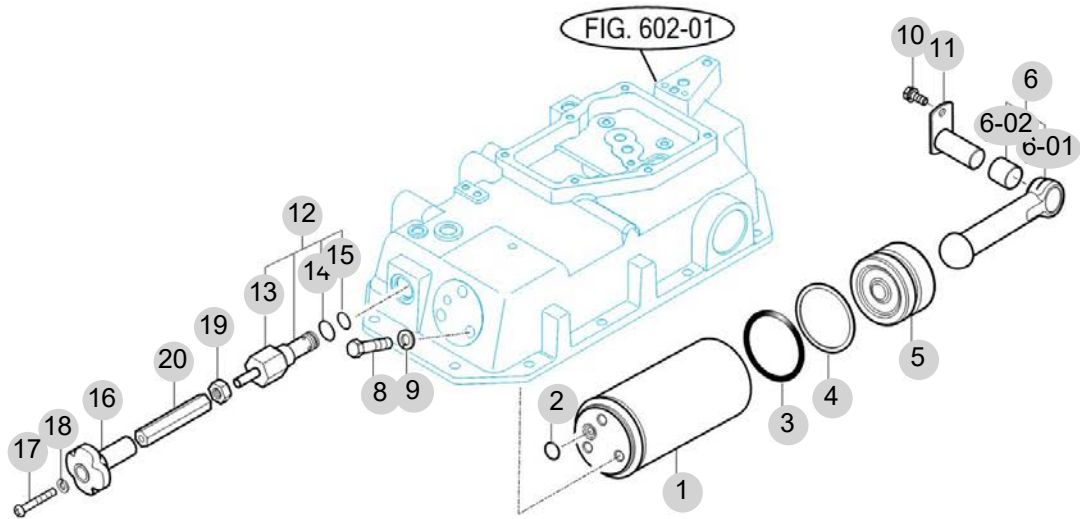
FIG 604

T475NHEU

CYLINDER

년/월
Year/Month

2022-12



T303/353NC-E-604

NOTE

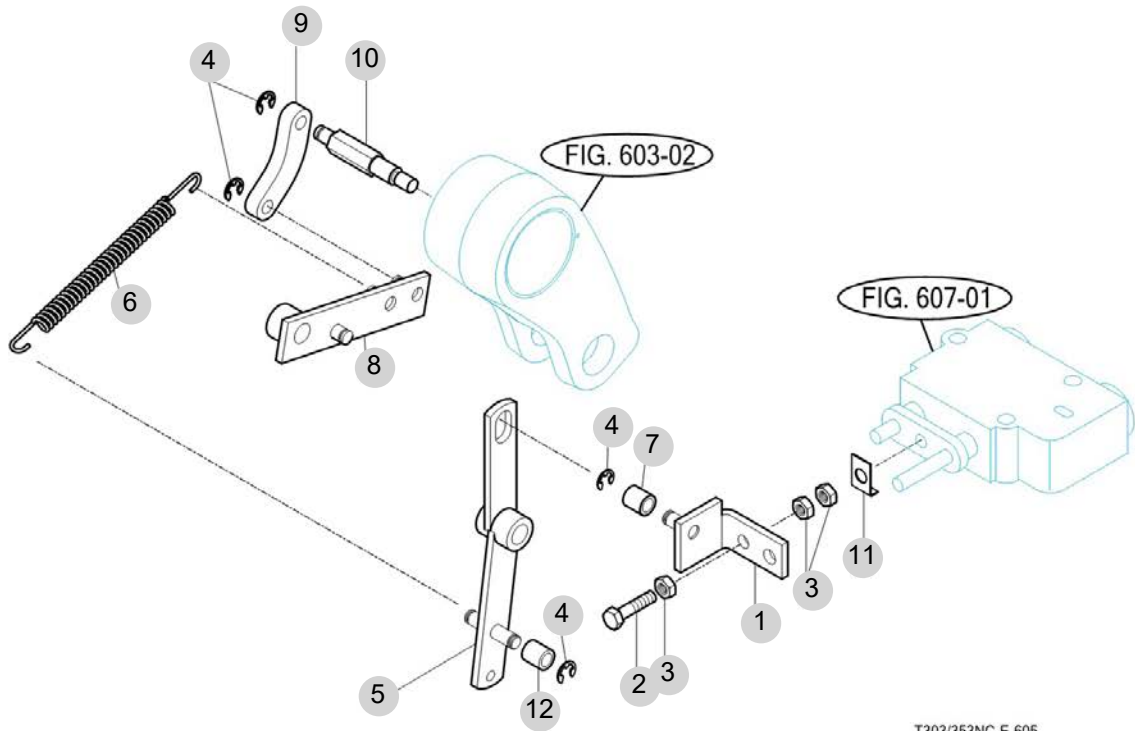
FIG 605

T475NHEU

POSITION LINK (1)

년/월
Year/Month

2022-12



T303/353NC-E-605

NOTE

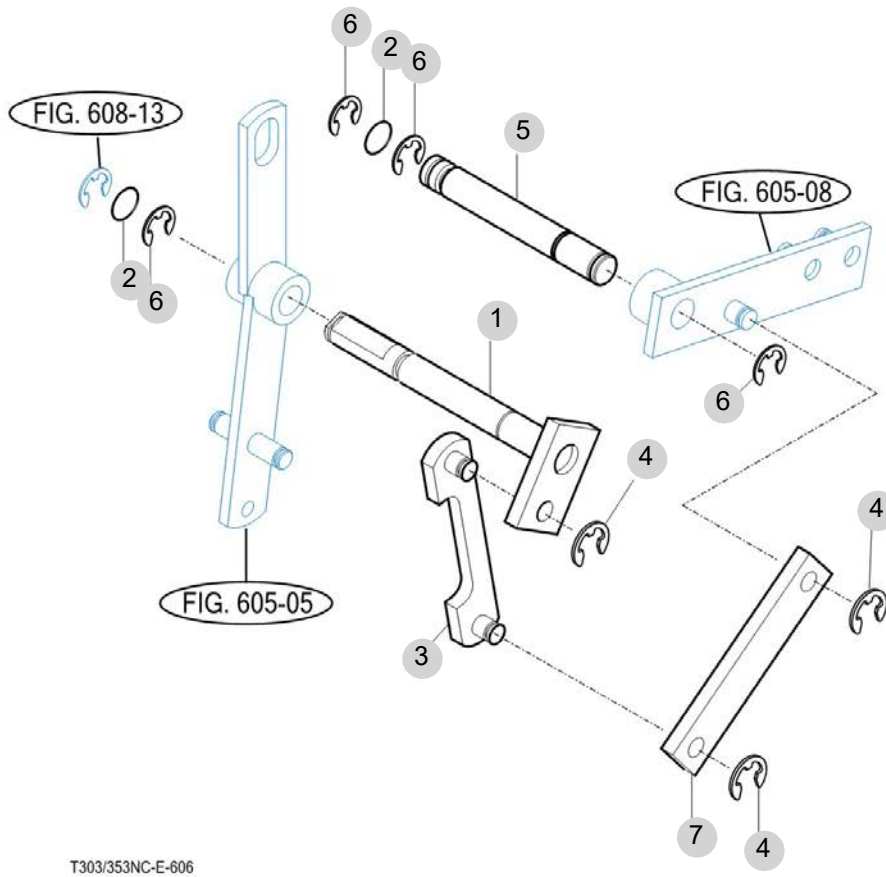
FIG 606

T475NHEU

POSITION LINK (2)

년/월
Year/Month

2022-12



T303/353NC-E-606

NOTE

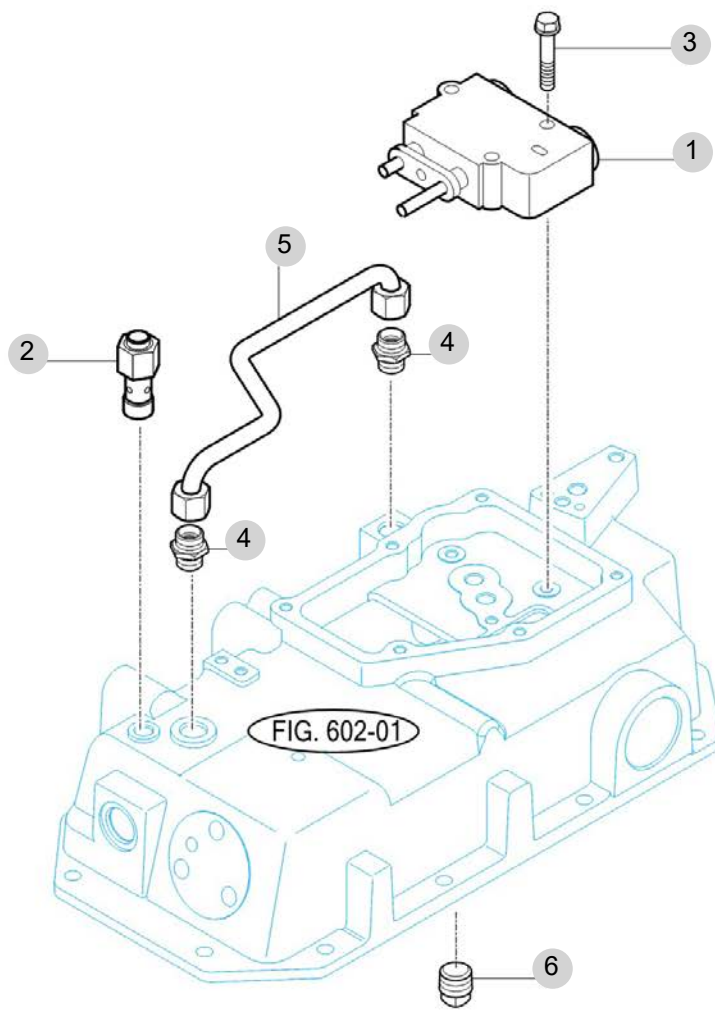
FIG 607

T475NHEU

CONTROL VALVE

년/월
Year/Month

2022-12



T303/353NC-E-607

NOTE

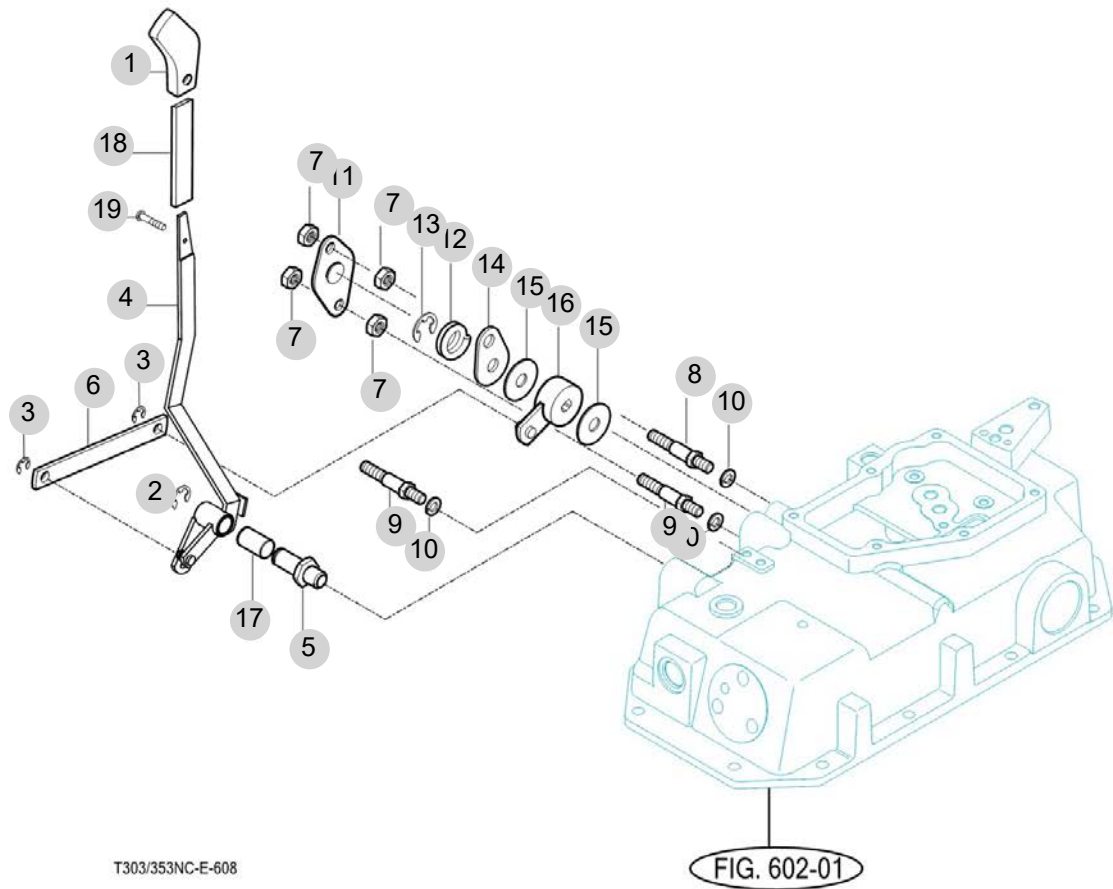
FIG 608

T475NHEU

POSITION LEVER

년/월
Year/Month

2022-12



NOTE

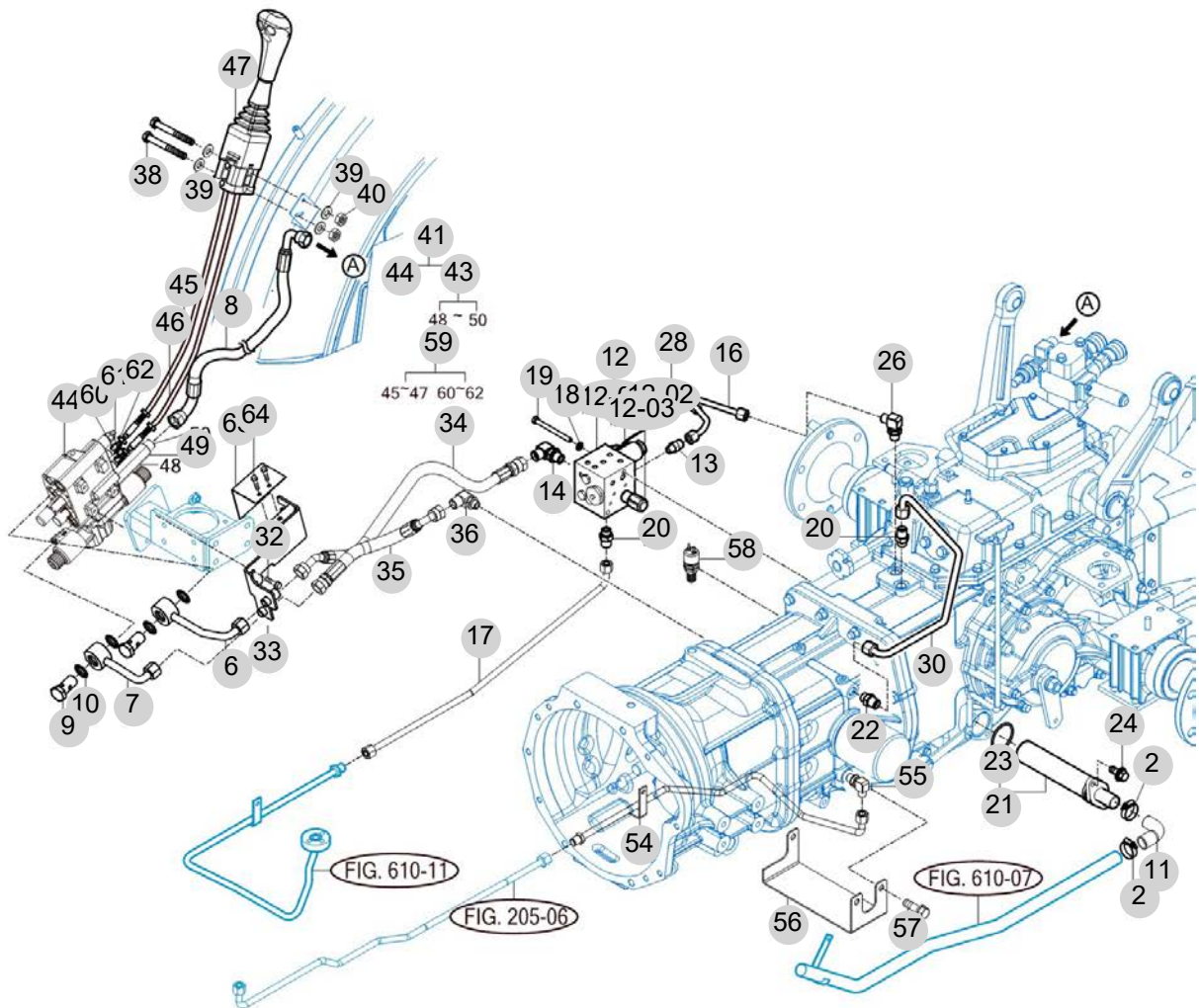
FIG 609

HYDRAULIC PIPE (1)

년/월
Year/Month

T475NHEU

2022-12



NOTE

FIG 609		HYDRAULIC PIPE (1)					년/월 Year/Month		
							2022-12		
T475NHEU		KEY NO	PART NO	DESCRIPTION	SPEC	QTY	REPAIR	EFFECTIVE DATE	REMARKS
609	2	18027090400	밴드 클램프 40 홀식			2			
609	6	13835412101GB	로더 파이프 COMP , P			1			
609	6	13835412102GB	로더 파이프 COMP , P			1			
609	7	13835412201GB	로더 파이프 COMP , T			1			
609	7	13835412202GB	로더 파이프 COMP , T			1			
609	8	13835152330	유압호스(1400)ASSY			1			
609	9	19555410082	아이 조인트 볼트 (PF1/2)			2			
609	9	13875410082	아이 조인트 볼트 (PF1/2)			2			
609	10	19557753010	본디드 썸 , PF1/2			4			
609	11	17405100011	엘보 호스			1			
609	12	14835182001	PTO밸브ASSY			1			
609	12-01	14725182101	PTO 밸브			1			
609	12-02	15640090001	릴리프밸브 ASSY			1			
609	12-03	14725182210	슬레노이드 코일			1			
609	13	14444080062	콘넥터			1			
609	14	17407362300	엘보(PF3/8,PF1/2)			1			
609	16	12385204200	PTO 파이프 COMP			1			
609	17	12385204701	딜리버리 파이프 COMP			1			
609	18	V4011600080	스프링와셔	M8		3			
609	19	V2013608090	소형육각볼트(보통)	M8X90		3			
609	20	16995304000	유니온(오링)			2			
609	21	16705105000	흡입필터 ASSY			1			
609	22	12385304000	유니온(M18 , PF3/8, 0.6 orifice)			1			
609	23	V7211031045	O링(G)	G45		1			
609	24	V2183610025	소형육각볼트보통(SP)	M10X25		2			
609	26	16705100100	엘보(PF3/8XM16)			1			
609	28	13267060022	드레인플러그			1			
609	30	12385204300	PTO 클러치 파이프 COMP			1			
609	32	V2173608016	소형육각볼트보통(S)	M8X16		2			
609	33	13835413101GB	로더 브래킷 COMP			1			
609	33	13815256100GB	로더 브래킷 COMP			1			
609	34	17685162201	유압호스(550)ASSY			1			
609	34	12644072600	유압호스(600)ASSY			1			
609	35	15895413200	유압호스(380)ASSY			1			
609	35	13815152200	유압호스(450)ASSY			1			
609	36	17407362300	엘보(PF3/8,PF1/2)			1			
609	38	V2173608085	소형육각볼트보통(S)	M8X85		2			
609	39	V4111600080	평와셔	M8		4			
609	40	V3042600080	소형육각너트보통2종	M8		2			
609	41	13817753000	로더밸브 SUB			1			
609	41	13805252000	로더밸브 SUB			1			
609	42	13817752000	로더밸브 조이스틱 ASSY			1			
609	42	13807752003	로더밸브 조이스틱 ASSY			1			
609	43	13835163000	라인필터 ASSY			1			
609	44	13877752100	로더밸브 ASSY			1			
NOTE									

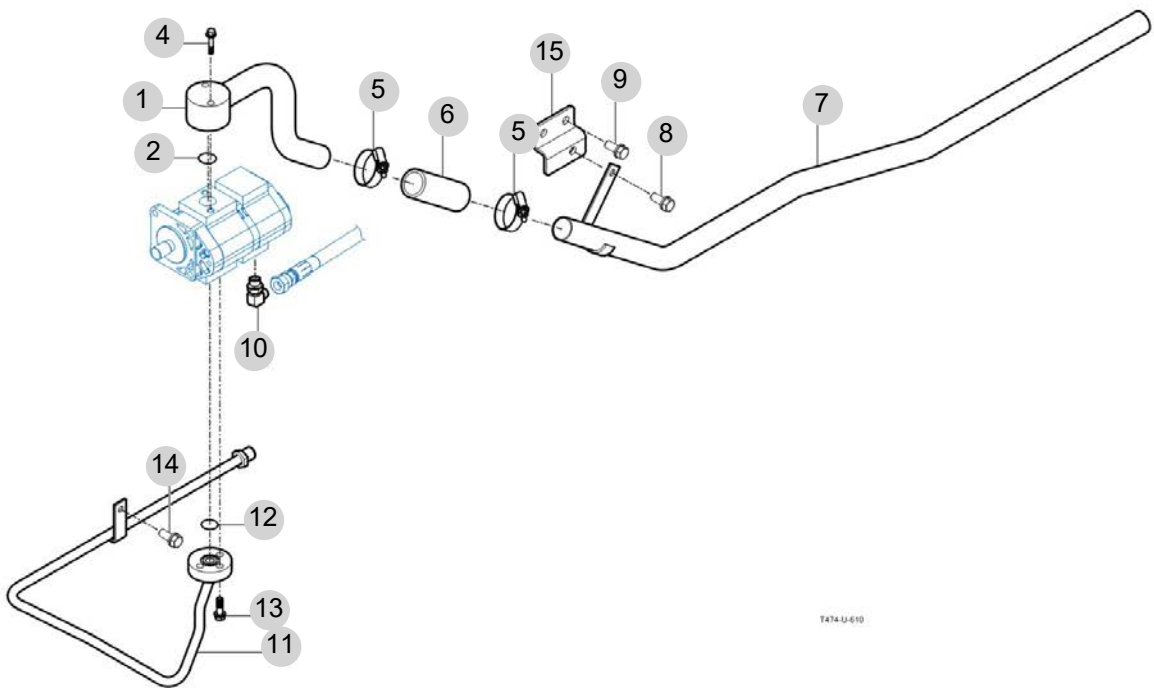
FIG 610

HYDRAULIC PIPE (2)

년/월
Year/Month

2022-12

T475NHEU



NOTE

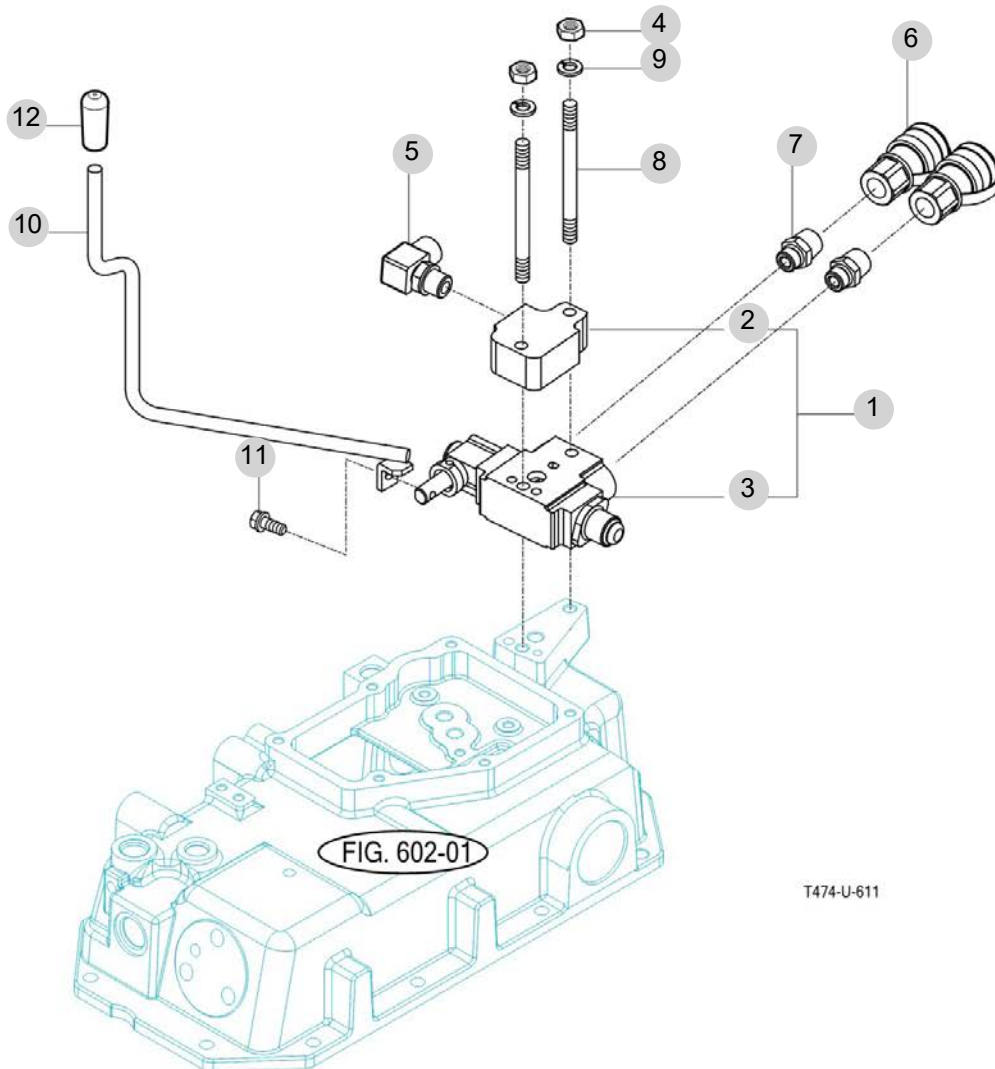
FIG 611

T475NHEU

EXTERIOR HYD. VALVE

년/월
Year/Month

2022-12



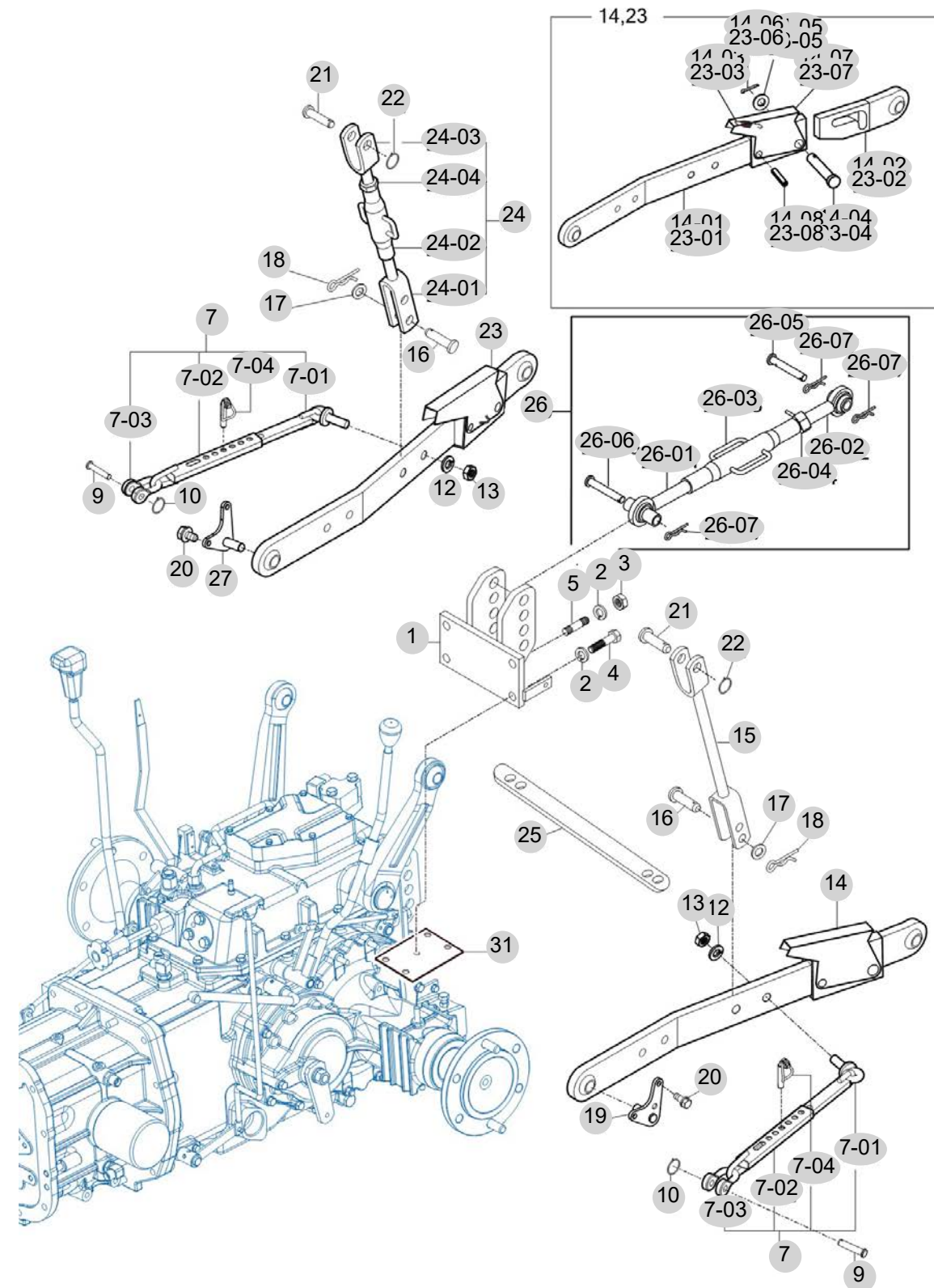
NOTE

FIG 612

3-POINT LINK

년/월
Year/Month

2022-12



NOTE

FIG 612		3-POINT LINK					년/월 Year/Month		
							2022-12		
T475NHEU		KEY NO	PART NO	DESCRIPTION	SPEC	QTY	REPAIR	EFFECTIVE DATE	REMARKS
612	1	16703172002GB	톱링크 브래킷 COMP			1			
612	2	V4011600140	스프링와셔	M14		4			
612	3	V3043600140	소형육각너트보통2종	M14		2			
612	4	V2014614035	소형육각볼트(보통)			2			
612	5	V2514414030	스터드볼트2종	M14X30		2			
612	7	10525142500	체인(체크) 조합			2			
612	7-01	10525142520	체크바 조합			2			
612	7-02	10525142510	체크소켓조합			2			
612	7-03	16705142520	체크체인 샤클			2			
612	7-04	17705254200	린치핀	M14		2			
612	9	79636110030	핀(12X48)			2			
612	10	16735240060	스프링(45)			2			
612	12	V4011600160	스프링와셔	M16		2			
612	13	V3013600160	육각너트보통2종	M16		2			
612	14	10525262300GB	로어링크ASSY(LH)			1			
612	14	10525262301GB	하부 링크 ASSY , LH			1			
612	14-01	10525262310	하부링크 SUB , LH/FR			1			
612	14-02	10525262320	하부링크 SUB , LH/RR			1			
612	14-03	15155262330	인장 스프링			1			
612	14-04	15155262340	핀 ,22X56			1			
612	14-05	V4111600220	평와셔	M22		1			
612	14-06	V5001940035	분할핀	4X35		1			
612	14-07	15155262350	손잡이			1			
612	14-08	15155262360	스프링핀			1			
612	15	10525243000GB	리프트로드(LH) COMP			1			
612	16	15605260014	핀(16X51)			2			
612	17	V4111600160	평와셔	M16		2			
612	18	V5601600160	스냅핀			2			
612	19	12385142200	핀(LH) COMP			2			
612	20	V2173612030	소형육각볼트보통(S)	M12X30		4			
612	21	16735243500	핀			2			
612	22	16735240060	스프링(45)			2			
612	23	10525262200GB	로어링크ASSY(RH)			1			
612	23	10525262201GB	하부 링크 ASSY , RH			1			
612	23-01	10525262210	하부링크 SUB , RH/FR			1			
612	23-02	10525262220	하부링크 SUB , RH/RR			1			
612	23-03	15155262330	인장 스프링			1			
612	23-04	15155262340	핀 ,22X56			1			
612	23-05	V4111600220	평와셔	M22		1			
612	23-06	V5001940035	분할핀	4X35		1			
612	23-07	15155262350	손잡이			1			
612	23-08	15155262360	스프링핀			1			
612	24	10525244000GB	리프트로드(RH)ASSY			1			
612	24-01	10525145200	포크(하)COMP			1			
612	24-02	16705145100	슬리브 COMP			1			
NOTE									

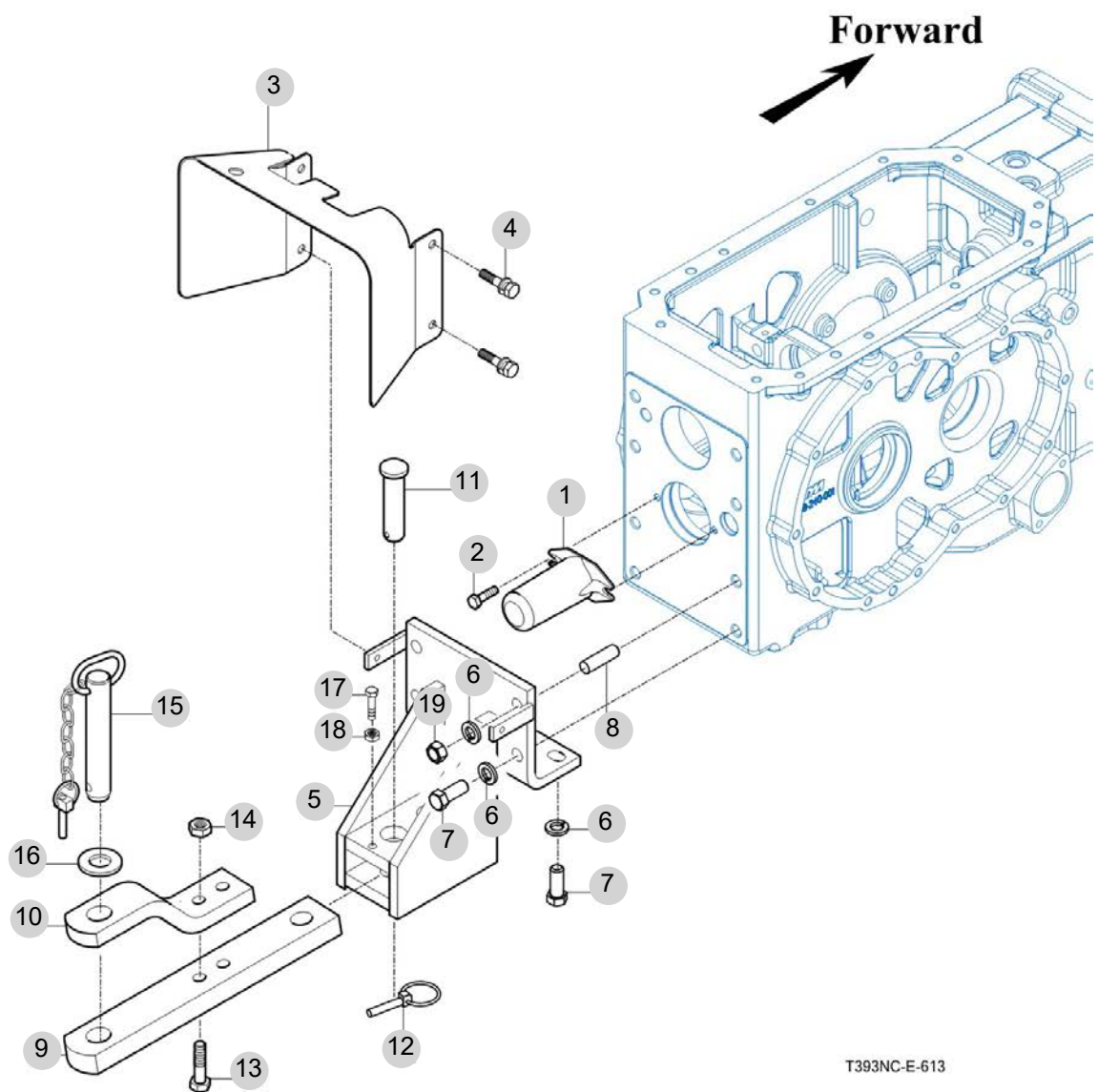
FIG 613

T475NHEU

HITCH & COVER

년/월
Year/Month

2022-12



T393NC-E-613

NOTE

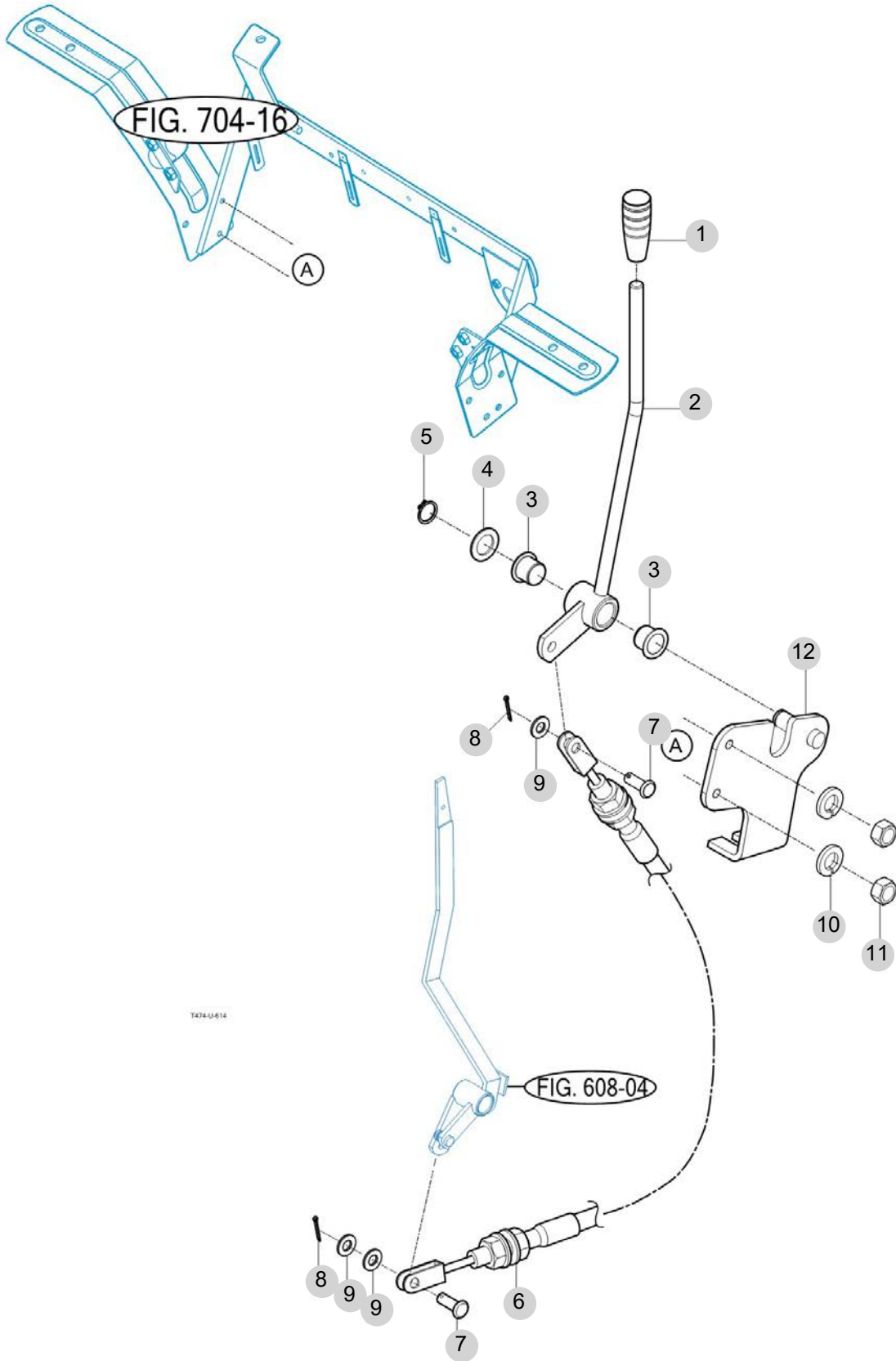
FIG 614

EXTERIOR POSITION LEVER

년/월
Year/Month

2022-12

T475NHEU



NOTE

7. 시트메탈/캐빈 PART NO. T7

FIG 701 HOOD FRAME	203
FIG 702 HOOD	206
FIG 703 EXTENSION COVER	209
FIG 704 FENDER & REAR FRAME	211
FIG 705 DASH PANEL	214
FIG 706 FLOOR PANEL	216
FIG 707 SEAT	218
FIG 708 FRONT & REAR MOUNTING	220
FIG 709 ROPS	222

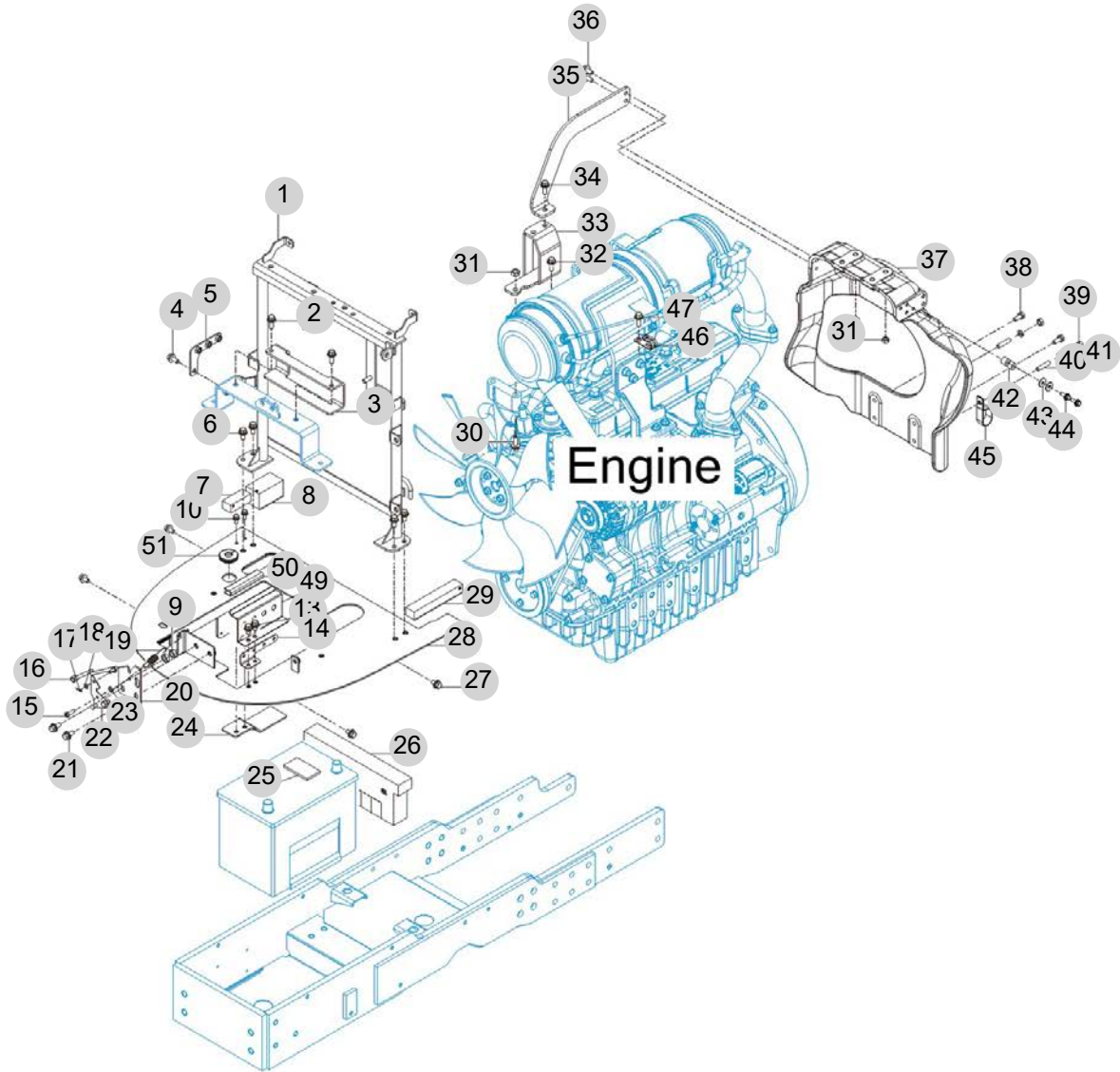
FIG 701

HOOD FRAME

년/월
Year/Month

T475NHEU

2022-12



NOTE

FIG 701		HOOD FRAME					년/월	
							Year/Month	
T475NHEU		2022-12						
KEY NO	PART NO	DESCRIPTION	SPEC	QTY	REPAIR	EFFECTIVE DATE	REMARKS	
701	1	13831031100GB	프레임 COMP , 프런트					
701	2	V2183608020	소형육각볼트보통(SP)	M8X20	2			
701	3	13831811400GB	브래킷, 배터리 고정		1			
701	3	13831811500GB	브래킷 COMP , 배터리		1			
701	4	V2183608020	소형육각볼트보통(SP)	M8X20	1			
701	5	13831613200GB	브래킷 COMP , 릴레이		1			
701	6	V2183608020	소형육각볼트보통(SP)	M8X20	4			
701	7	13831030700	인슐레이터 , B		1			
701	8	13831030800	인슐레이터 , C		1			
701	9	V3013600060	육각너트보통2종	M6	2			
701	10	V2123606016	육각볼트(SP)	M6X16	2			
701	13	V2183606016	소형육각볼트보통(SP)	M6X16	2			
701	14	13831613400GB	브래킷, 퓨즈		1			
701	15	V2323606020	십자홈육각볼트(SP)		1			
701	16	10986024300	로드 COMP, OPEN		1			
701	17	V5001925020	핀		1			
701	18	V4111600060	평와셔	M6	1			
701	19	14143120020	텐션스프링 (53)		1			
701	20	11106024210	후드스테이(B)		1			
701	21	V2183608020	소형육각볼트보통(SP)	M8X20	2			
701	22	11106024100	스테이(후드 A) COMP		1			
701	23	V4111600060	평와셔	M6	1			
701	24	13831052200GB	브래킷 COMP , 커버		1			
701	25	13151112011	인슐레이터(40X70)		1			
701	26	13831030500	인슐레이터 , 그릴플레이트		1			
701	27	V2183608016	소형육각볼트보통(SP)	M8X16	4			
701	28	10981052100GB	플레이트 COMP , 그릴		1			
701	29	13831030600	인슐레이터 , A		1			
701	30	V2173610055	소형육각볼트보통(S)	M10X55	1			
701	31	V3042600100	소형육각너트보통2종	M10	3			
701	32	V2183610025	소형육각볼트보통(SP)	M10X25	1			
701	33	13801712100GB	스탠드 COMP		1			
701	34	V2183608025	소형육각볼트보통(SP)	M8X25	1			
701	35	13831811200GB	지지대		1			
701	36	V2183608020	소형육각볼트보통(SP)	M8X20	2			
701	37	13831811100GB	엔진 리어 서포트		1			
701	38	V2173608025	소형육각볼트보통(S)	M8X25	2			
701	39	V3042600080	소형육각너트보통2종	M8	2			
701	40	V2513408025	스터드볼트2종		2			
701	41	V4011600080	스프링와셔	M8	2			
701	42	13831811300	스페이서		2			
701	43	V4111600060	평와셔	M6	2			
701	44	V2113606040	육각볼트(S)	M6X40	2			
701	45	14441010161	라디에이터호스클램프		1			
701	46	14256210040	하니스클램프(9)		1			
NOTE								

FIG 701 T475NHEU		HOOD FRAME						년/월 Year/Month
								2022-12
KEY NO	PART NO	DESCRIPTION	SPEC	QTY	REPAIR	EFFECTIVE DATE	REMARKS	
701	47	V2183608016	소형육각볼트보통(SP)	M8X16	1			
701	49	13831613500GB	퓨즈 커버		1			
701	50	16991600090	모서리보호대(70)		1			
701	51	12396510210	고무캡(30)		1			
NOTE								

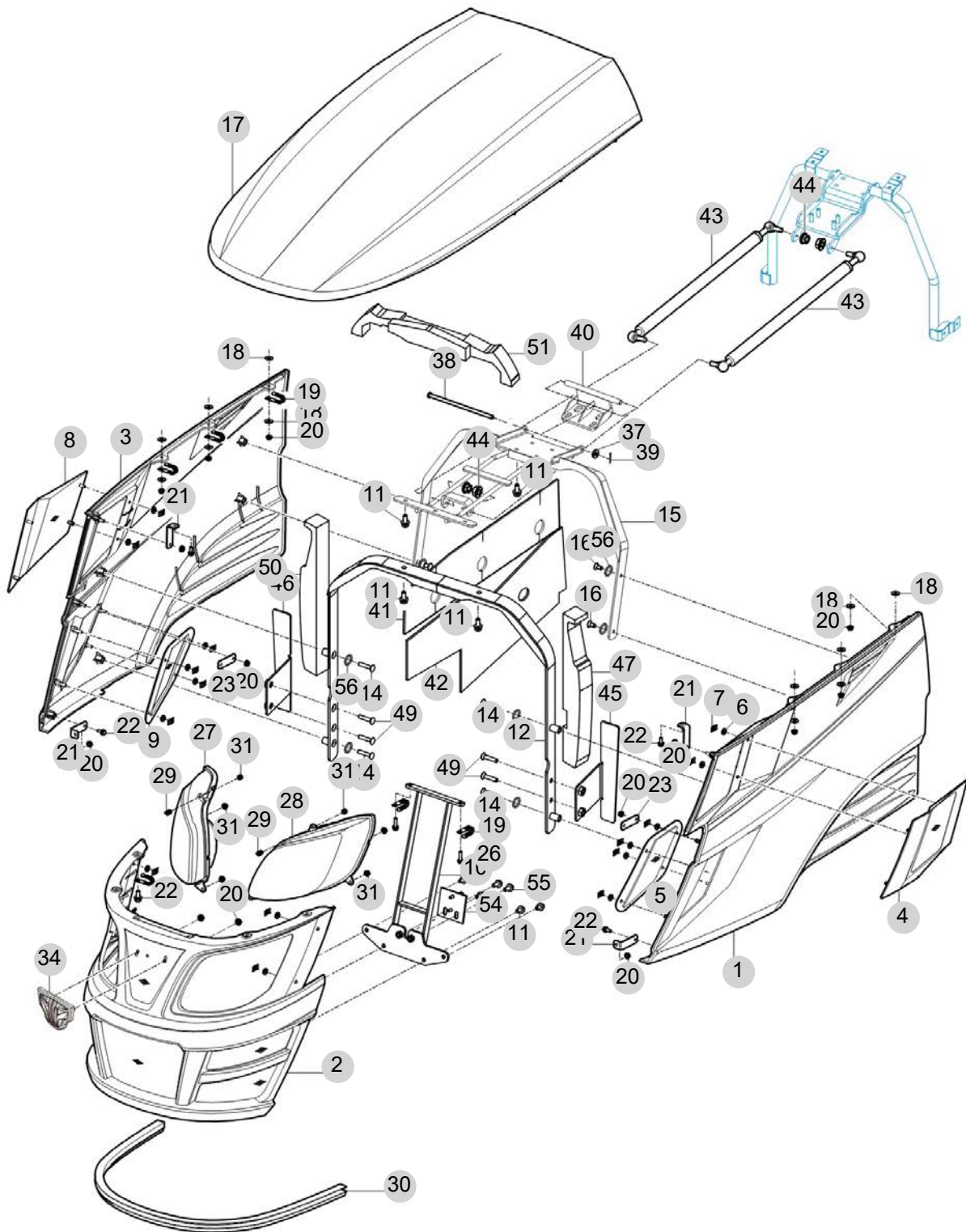
FIG 702

T475NHEU

HOOD

년/월
Year/Month

2022-12



NOTE

FIG 702		HOOD						년/월 Year/Month	
								2022-12	
T475NHEU		KEY NO	PART NO	DESCRIPTION	SPEC	QTY	REPAIR	EFFECTIVE DATE	REMARKS
702	1	17406203301SR	사이드 커버 COMP , 좌			1			
702	1	17406203302SR	사이드 커버 COMP , 좌			1			
702	1	17406203303SR	사이드 커버 COMP , 좌			1			
702	2	17406203200GB	그릴 COMP			1			
702	2	17406203201GB	그릴 COMP			1			
702	3	17406203401SR	사이드 커버 COMP , 우			1			
702	3	17406203402SR	사이드 커버 COMP , 우			1			
702	3	17406203403SR	사이드 커버 COMP , 우			1			
702	4	17406203500GB	네트 , 상/좌			1			
702	5	17406203600GB	네트 , 하/좌			1			
702	6	14446010150	네트와샤(6X14X3)			22			
702	7	V3501600060	스프링 너트			22			
702	8	17406203700GB	네트 , 상/우			1			
702	9	17406203800GB	네트 , 하/우			1			
702	10	18366202500GB	핀 COMP , 후드락			1			
702	11	V2183608020	소형육각볼트보통(SP)	M8X20		13			
702	12	13836202300GB	프레임 COMP , 전			1			
702	14	V1122608040	십자홈접시작은나사			4			
702	15	17406202700GB	후드 프레임 COMP , 후			1			
702	15	11866202700GB	후드 프레임 COMP , 후			1			
702	15	13836202701GB	후드 프레임 COMP , 후			1			
702	16	V1122608016	십자홈접시작은나사			4			
702	17	17406203101SR	후드 COMP			1			
702	17	17406203102SR	후드 COMP			1			
702	17	17406203103SR	후드 COMP			1			
702	18	35605033020	와이어인출용와셔			12			
702	19	37371720090	메인하니스 클램프(하)			6			
702	20	V3802600060	플랜지붙이육각너트			16			
702	21	17406203010GB	플레이트 , 상/사이드			4			
702	21	17406203011GB	플레이트 , 상/사이드			4			
702	21	17406203010GB	플레이트 , 상/사이드			4			
702	22	V2123606016	육각볼트(SP)	M6X16		8			
702	23	17406203020GB	플레이트 , 중/사이드			2			
702	26	V2123606025	육각볼트(SP)	M6X25		2			
702	27	17406525001	헤드램프 ASSY , 우			1			
702	27	17406525002	헤드램프 ASSY , 우			1			
702	28	17406524001	헤드램프 ASSY , 좌			1			
702	28	17406524002	헤드램프 ASSY , 좌			1			
702	29	36108010080	중자출구스프링(HC016)			2			
702	30	17406203900	인슐레이터 , 후드			1			
702	31	19027210060	나일론너트(M6)			6			
702	34	19959010011	엠블럼			1			
702	34	17406212000	엠블럼 ASSY , V5			1			
702	37	V4111600080	평와셔	M8		1			
702	38	13016202060	후드 핀			1			
NOTE									

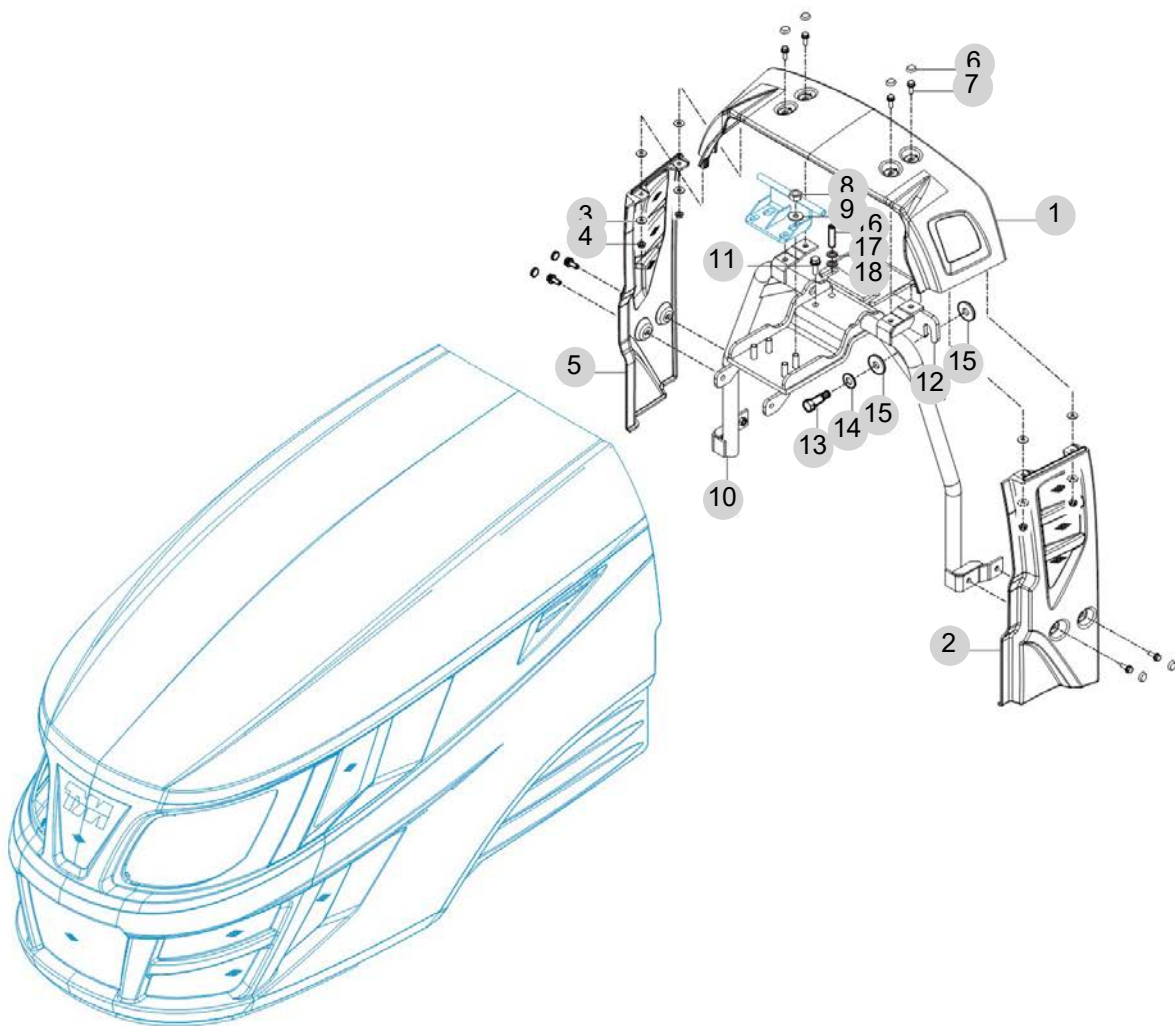
FIG 703

EXTENSION COVER

년/월
Year/Month

2022-12

T475NHEU



NOTE

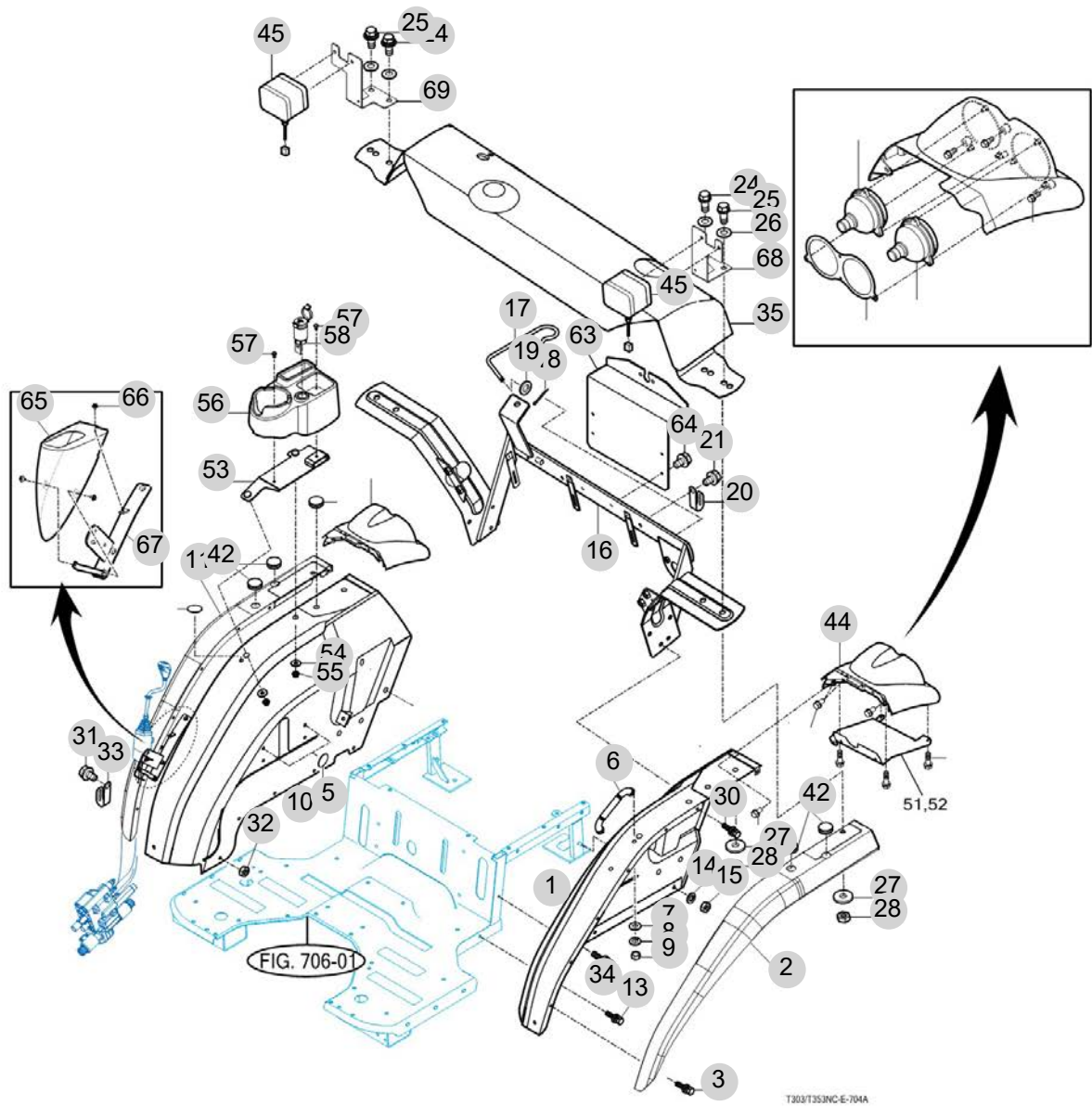
FIG 704

T475NHEU

FENDER & REAR FRAME

년/월
Year/Month

2022-12



NOTE

FIG 704		FENDER & REAR FRAME					년/월 Year/Month		
							2022-12		
T475NHEU		KEY NO	PART NO	DESCRIPTION	SPEC	QTY	REPAIR	EFFECTIVE DATE	REMARKS
704	1	14726063502SR	휀더(LH)COMP			1			
704	2	12656060041SR	훗받이 휀더 (LH)			1			
704	3	V2193606016	육각볼트(SPL)	M6X16		12			
704	4	V2123606012	육각볼트(SP)	M6X12		14			
704	5	16606070031	캡(9)			10			
704	6	14726071101	손잡이 COMP			1			
704	7	35602010150	결속축와셔			2			
704	8	V4011600080	스프링와셔	M8		2			
704	9	V3042600080	소형육각너트보통2종	M8		2			
704	10	14726063602SR	휀더(RH)COMP(PNT)			1			
704	11	10526060021SR	훗받이 휀더 (RH)			1			
704	12	13016060030	리어 램프 커버(우)			1			
704	13	V2183608020	소형육각볼트보통(SP)	M8X20		8			
704	14	V4011600080	스프링와셔	M8		4			
704	15	V3042600080	소형육각너트보통2종	M8		4			
704	16	16707035403SR	리어프레임(연료탱크)COMP			1			
704	17	14885251100	후크(톱링크)			1			
704	18	V5001920015	분할핀	2X15		1			
704	19	V4111600060	평와셔	M6		1			
704	20	14256210040	하니스클램프(9)			1			
704	21	V2123606012	육각볼트(SP)	M6X12		1			
704	24	V2173612040	소형육각볼트보통(S)			2			
704	25	V2173612035	소형육각볼트보통(S)			2			
704	26	V4111600120	평와셔			4			
704	27	36217020030	플리 와셔			4			
704	28	V3043600120	소형육각너트보통2종			4			
704	29	14326510210	고무캡(20)			2			
704	30	V2183608020	소형육각볼트보통(SP)	M8X20		2			
704	31	V2183608020	소형육각볼트보통(SP)	M8X20		1			
704	32	V3042600080	소형육각너트보통2종	M8		1			
704	33	14256210040	하니스클램프(9)			1			
704	34	V2183608035	소형육각볼트보통(SP)	M8X35		2			
704	35	14777036302SR	커버 COMP (연료탱크)			1			
704	35	14777036303SR	커버 COMP , 연료탱크			1			
704	38	V2193606020	육각볼트(SPL)			12			
704	39	13016061300	리어램프 고정플레이트			2			
704	40	13367023400	스톱램프 ASSY			2			
704	41	14527023300	방향지시등(REAR)ASSY			2			
704	42	16606510210	고무캡(30)			4			
704	44	13016060020	리어램프커버(좌)			1			
704	45	14886562000	차폭등 ASSY			2			
704	51	13016062000GB	리어램프 커버플레이트 COMP(좌)			1			
704	52	13016063000GB	리어 램프 커버 플레이트 COMP(우)			1			
704	53	11336640100SR	브래킷 COMP , 컵홀더			1			
704	53	11336640101SR	브래킷 COMP , 컵홀더			1			
NOTE									

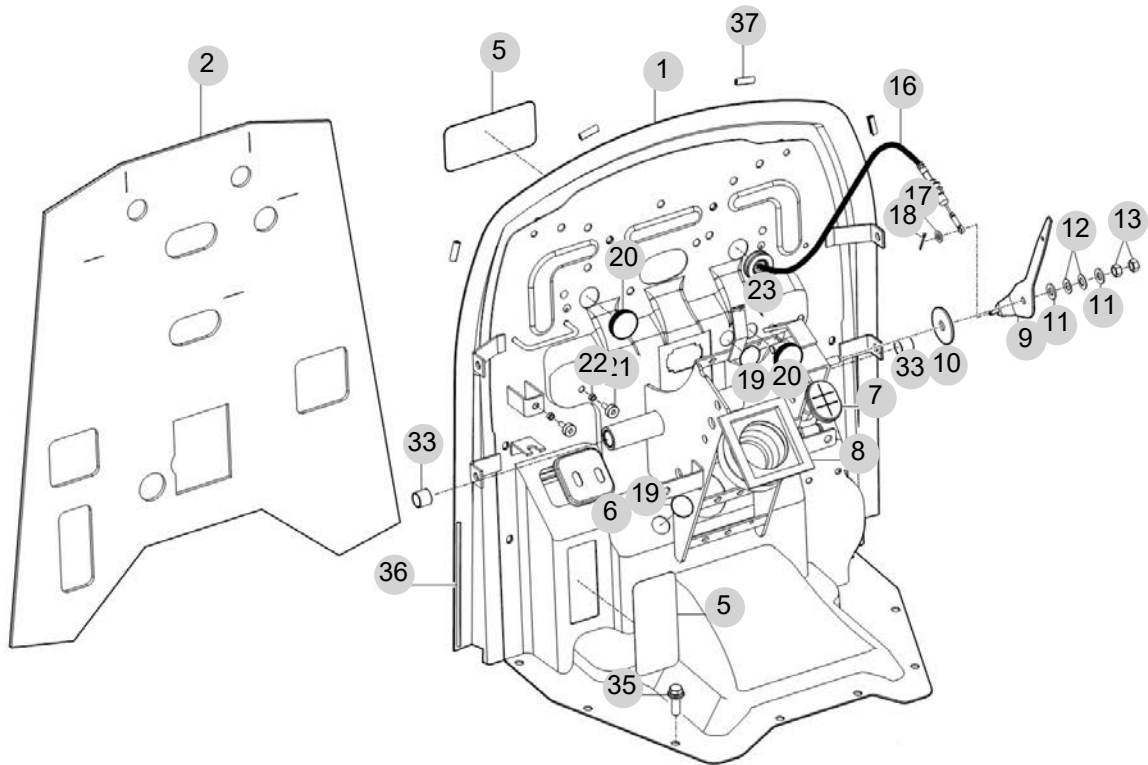
FIG 705

T475NHEU

DASHBOARD

년/월
Year/Month

2022-12



NOTE

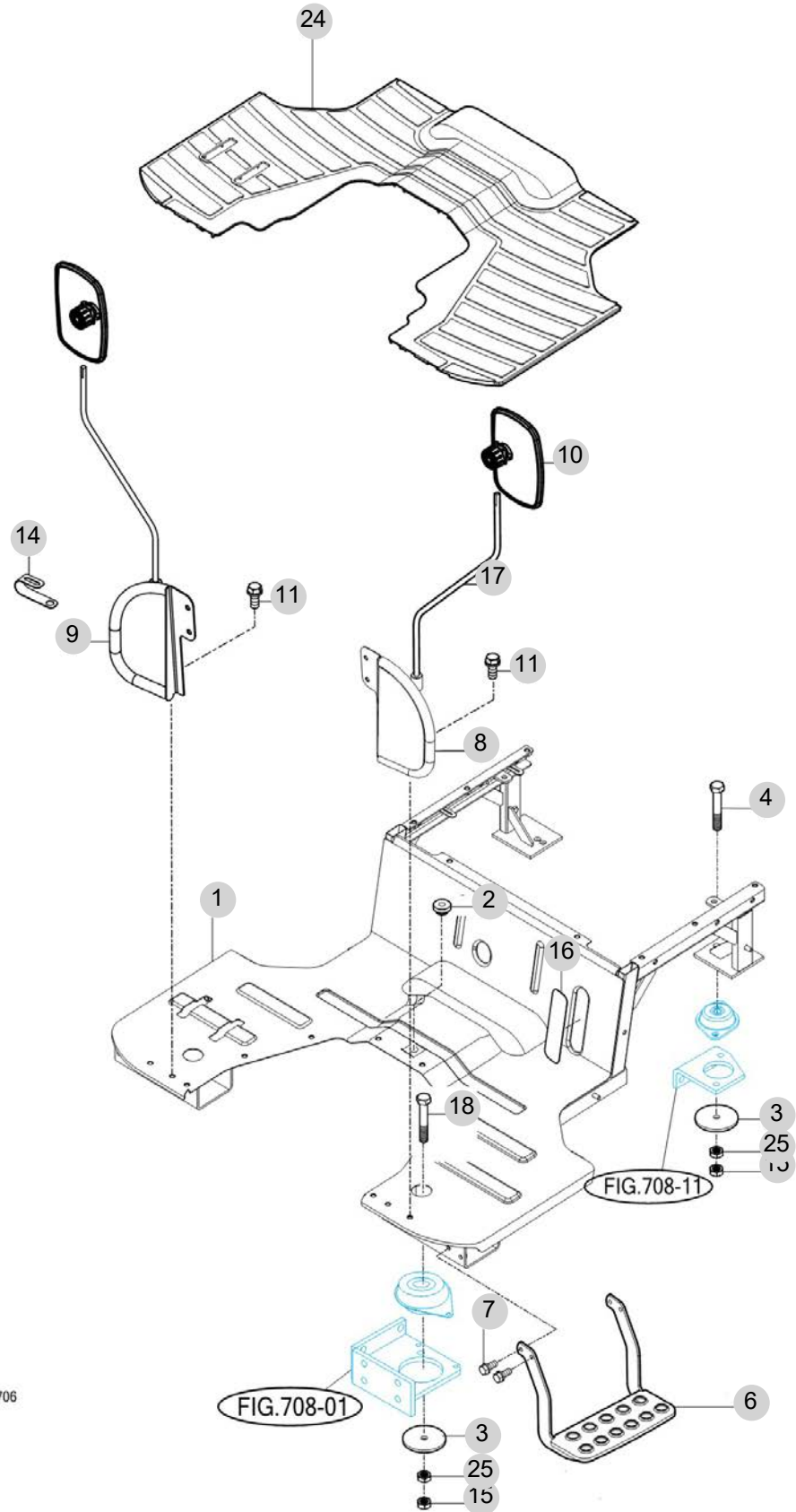
FIG 706

T475NHEU

FLOOR PANEL

년/월
Year/Month

2022-12



T474-U-706

NOTE

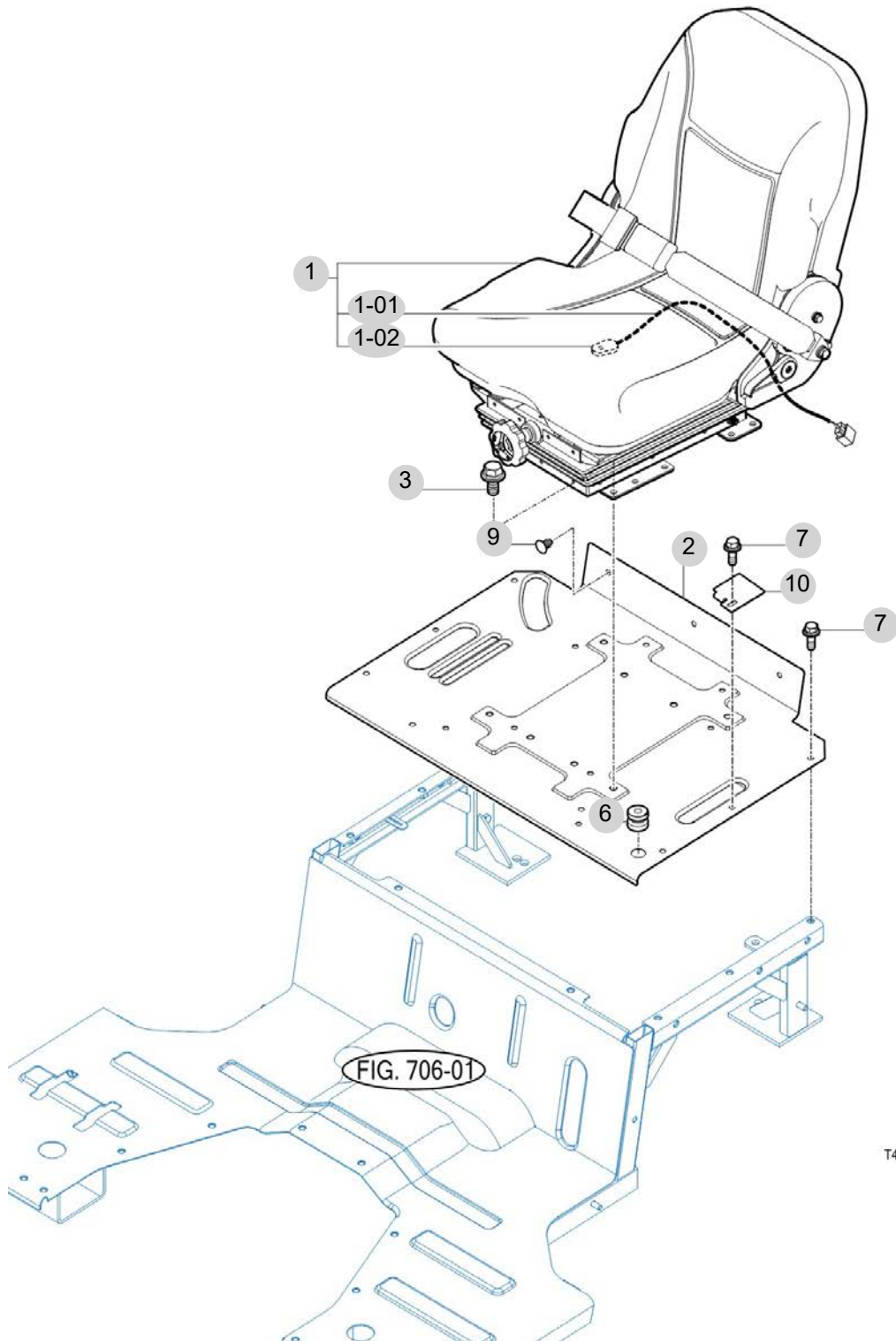
FIG 707

T475NHEU

SEAT

년/월
Year/Month

2022-12



NOTE

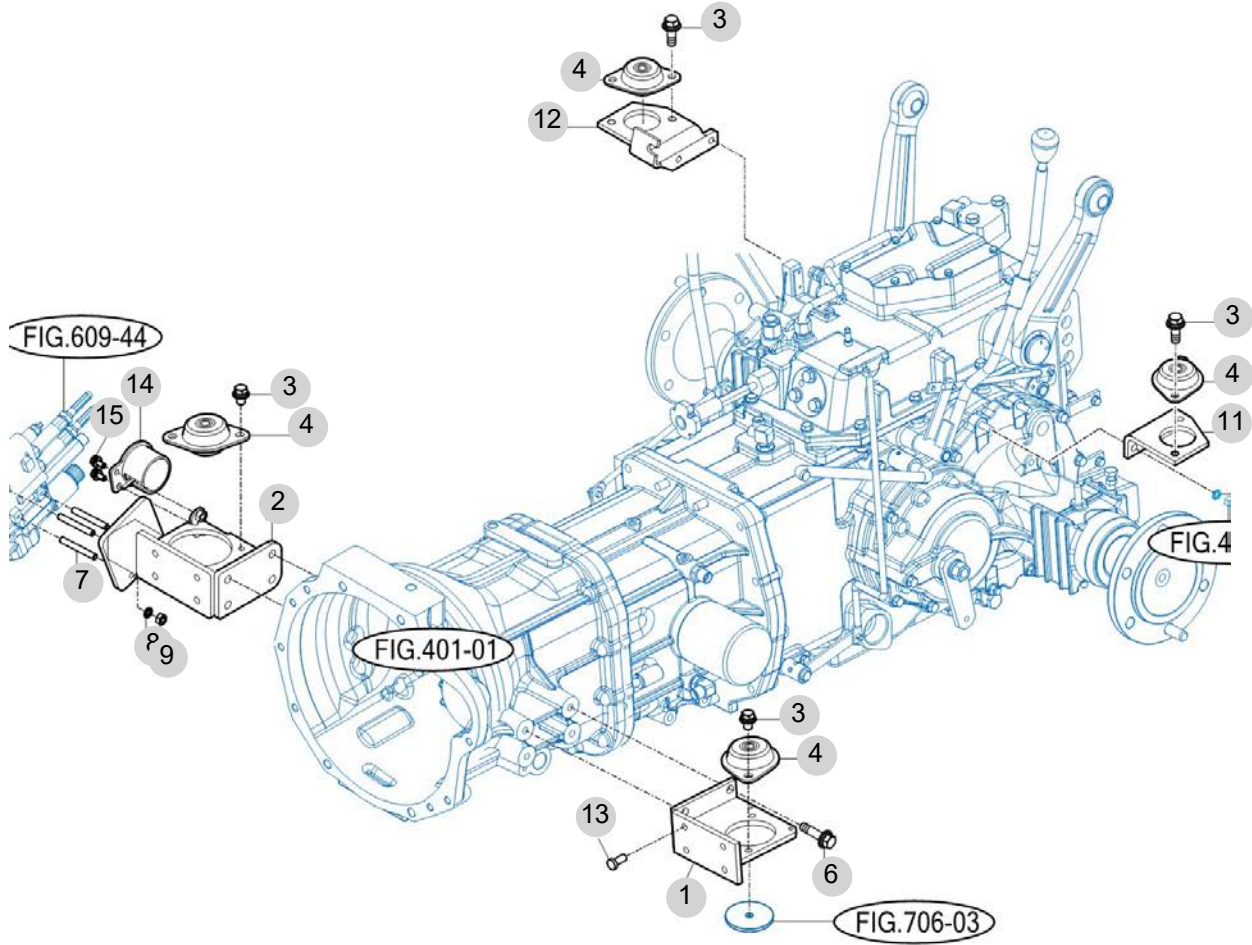
FIG 708

T475NHEU

FRONT & REAR MOUNTING

년/월
Year/Month

2022-12



T474-U-708

NOTE

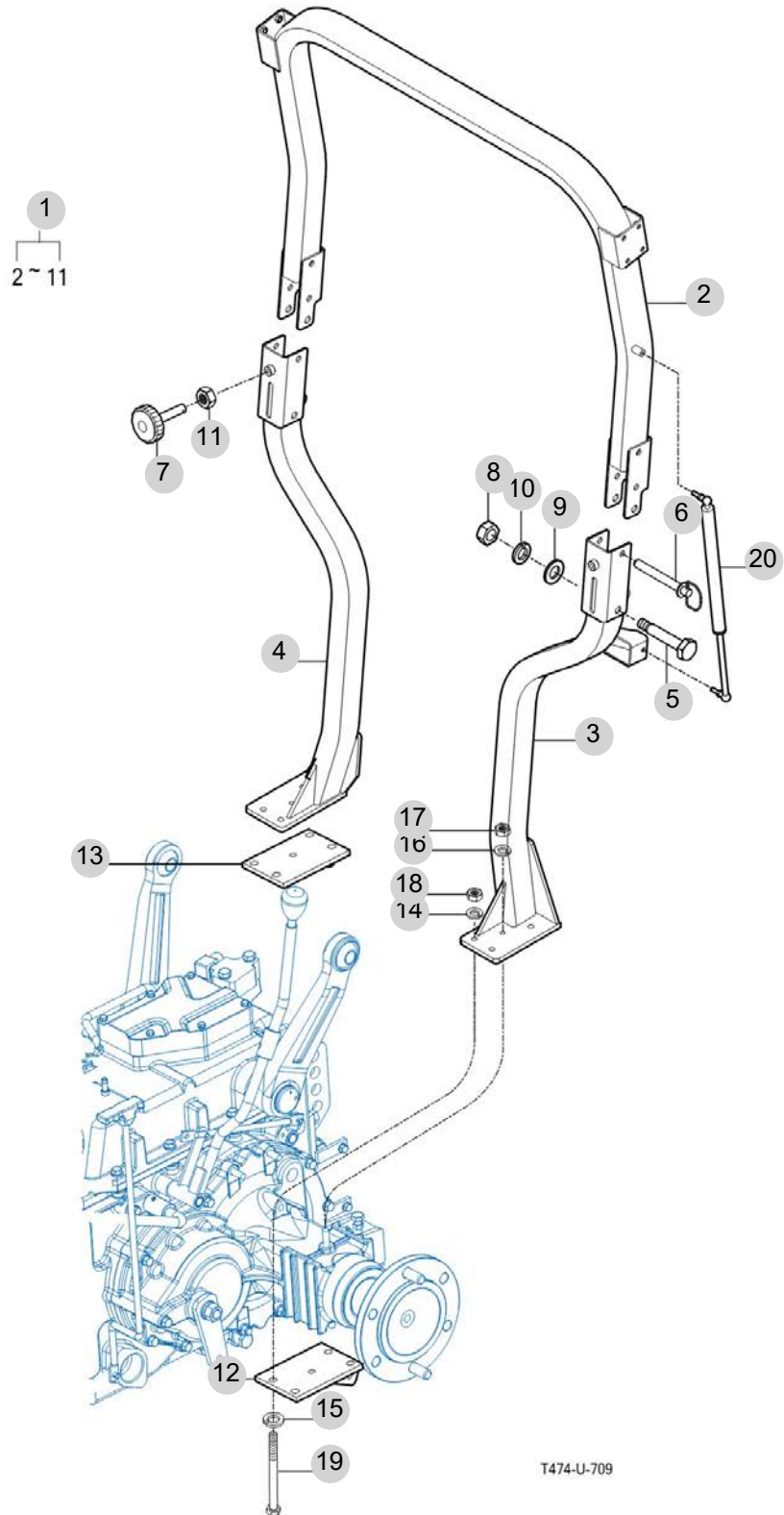
FIG 709

T475NHEU

ROPS

년/월
Year/Month

2022-12



NOTE

8. 전장 PART NO. T8

FIG 801 BATTERY & MOUNTING	225
FIG 802 LAMP	227
FIG 803 INSTRUMENT PANEL	229
FIG 804 ELECTRIC SYSTEM	231
FIG 805 HARNESS	233

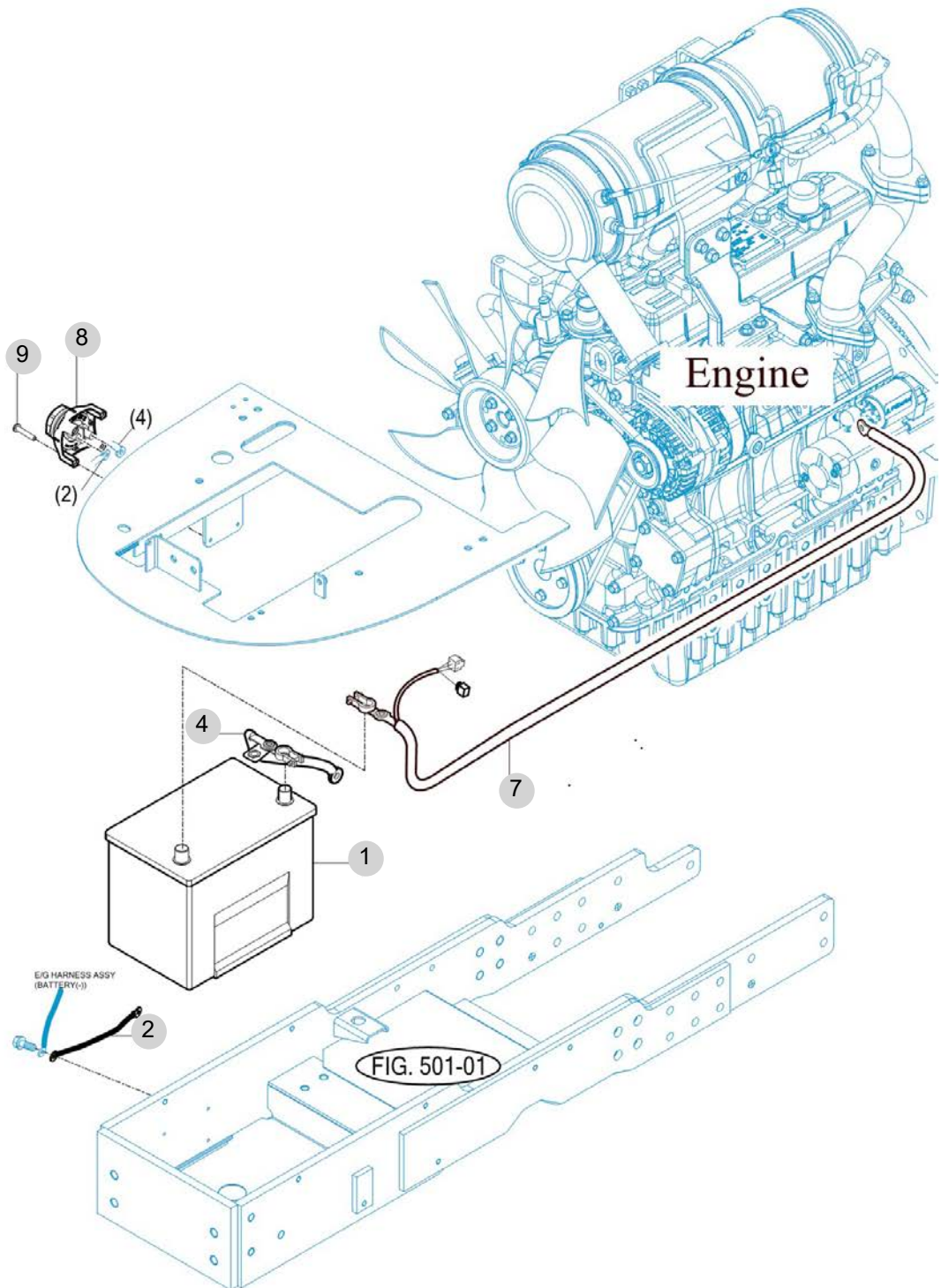
FIG 801

T475NHEU

BATTERY & MOUNTING

년/월
Year/Month

2022-12



NOTE

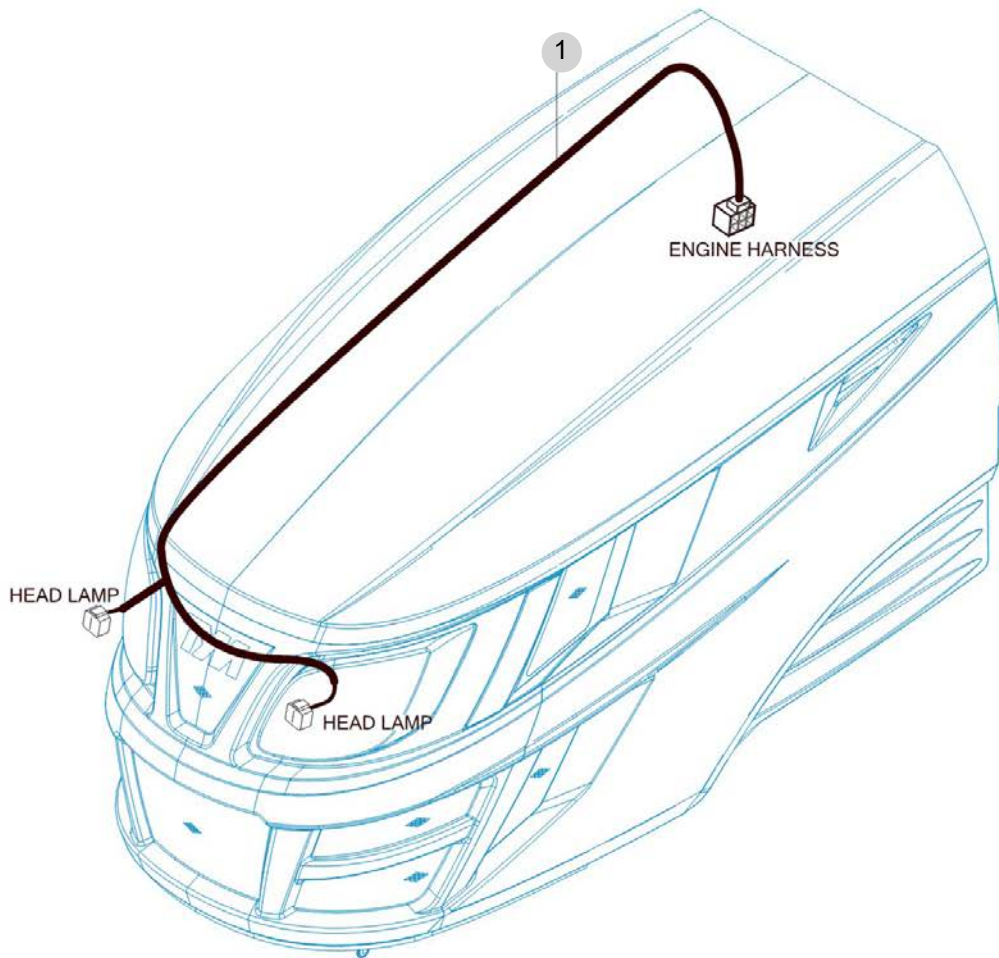
FIG 802

T475NHEU

LAMP

년/월
Year/Month

2022-12



NOTE

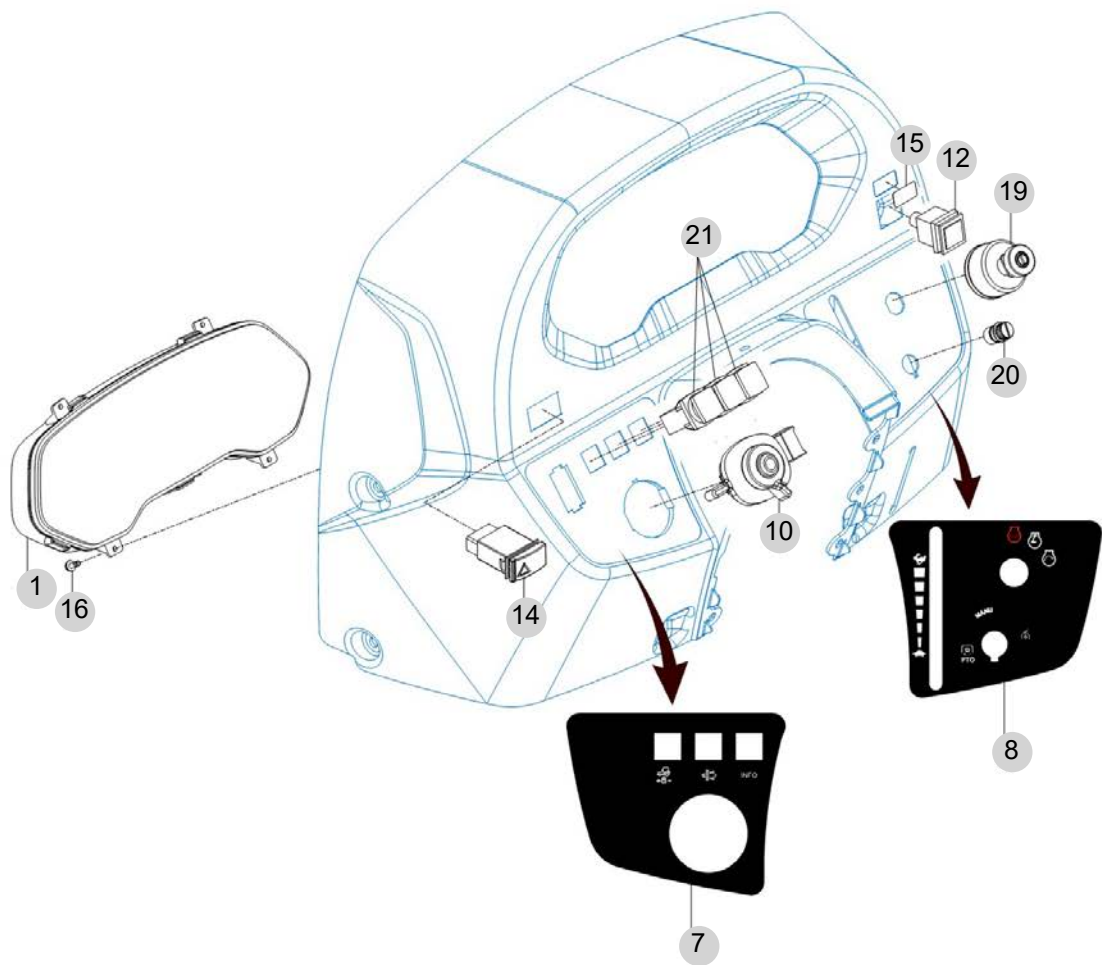
FIG 803

INSTRUMENT PANEL

년/월
Year/Month

T475NHEU

2022-12



NOTE

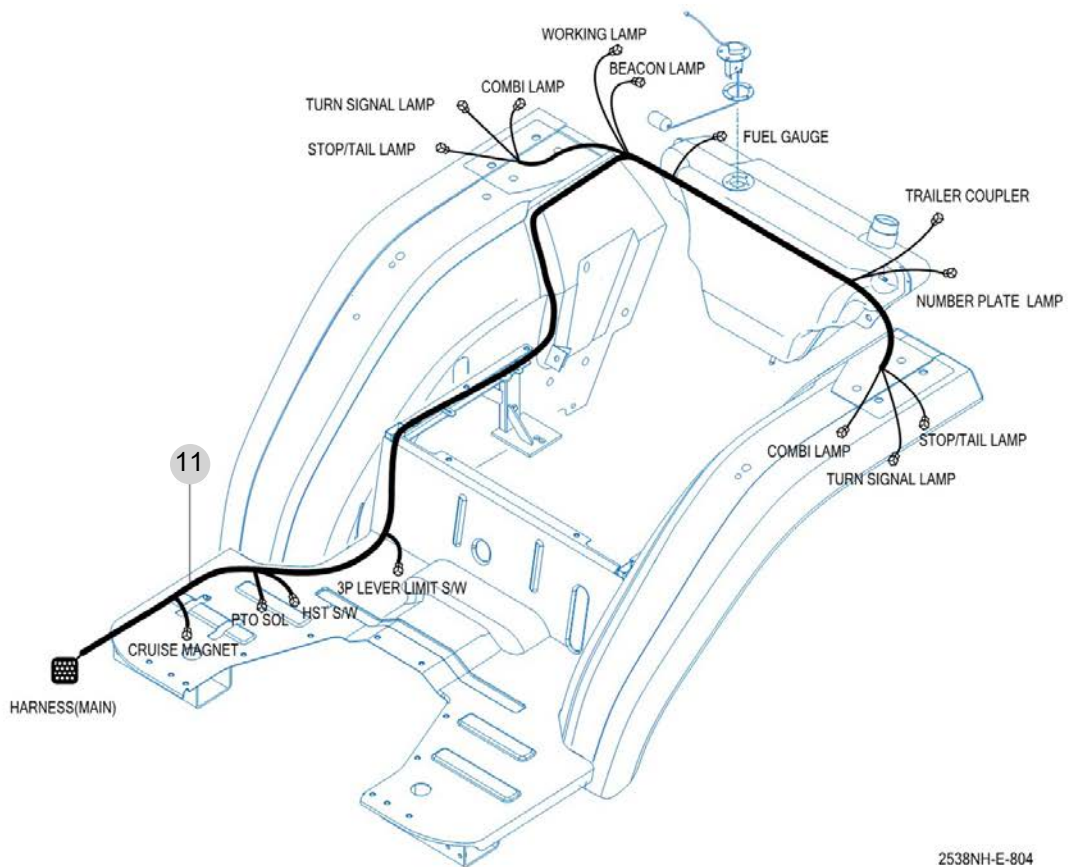
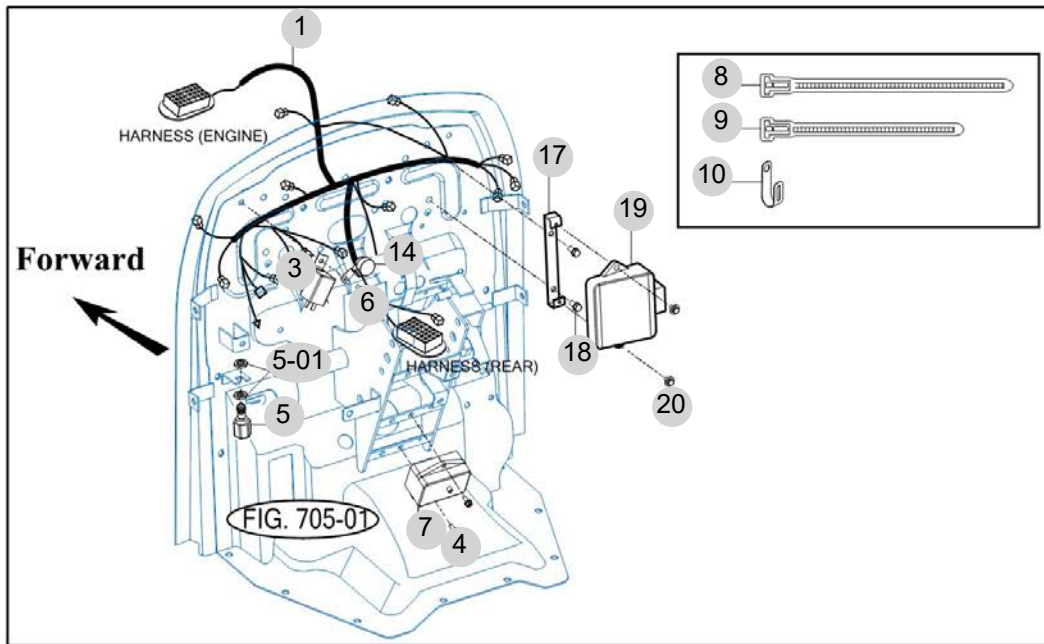
FIG 804

T475NHEU

ELECTRIC SYSTEM

년/월
Year/Month

2022-12



2538NH-E-804

NOTE

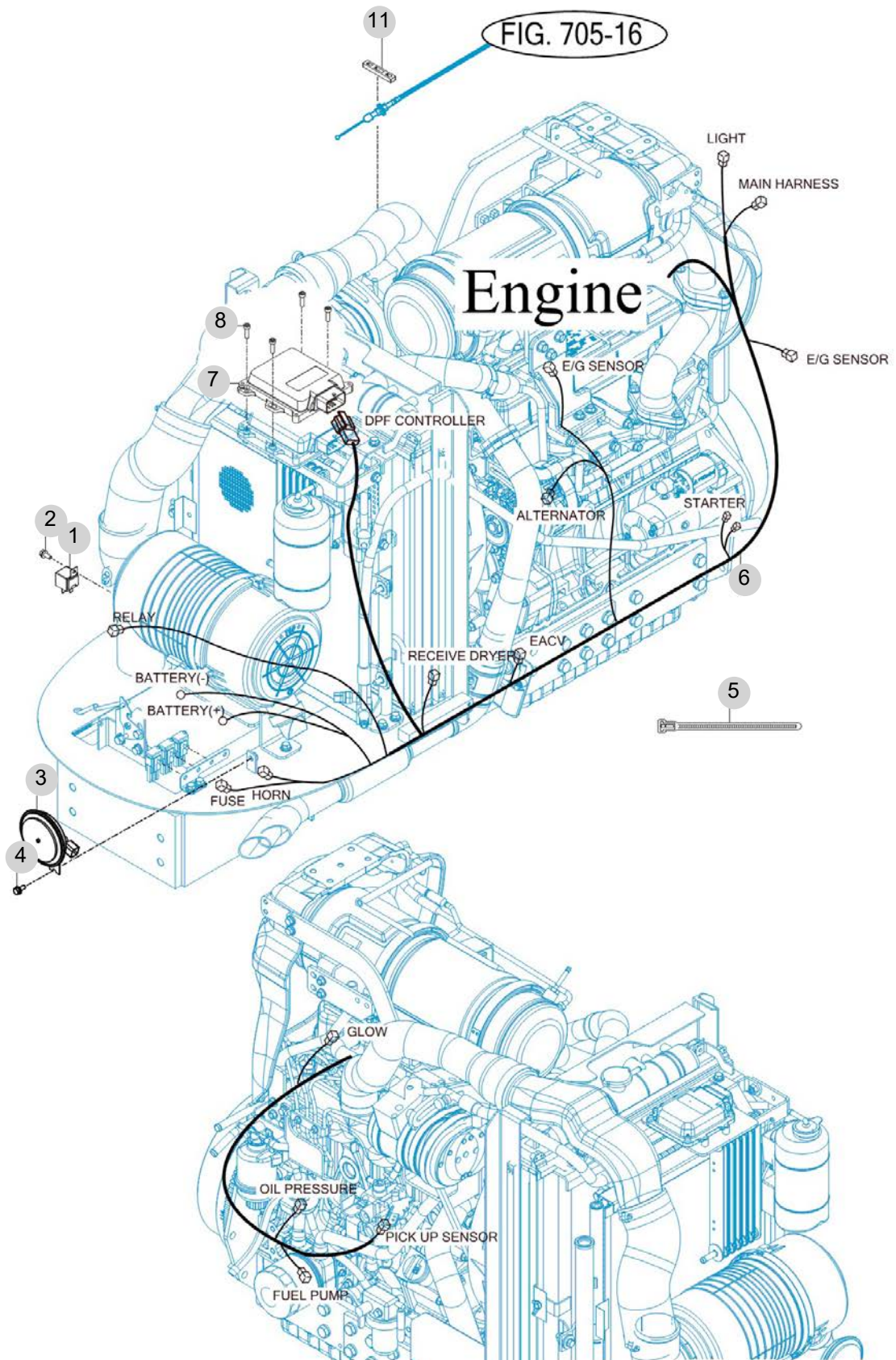
FIG 805

HARNESS

년/월
Year/Month

T475NHEU

2022-12



NOTE

9. 라벨/옵션 PART NO. T9

FIG 901 TOOL & ACCESSORY	236
FIG 902 WEIGHT	238
FIG 903-1 LABEL	240
FIG 903-2 LABEL	242

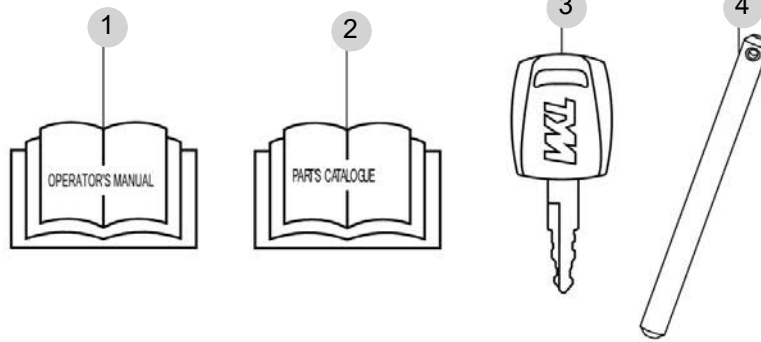
FIG 901

T475NHEU

TOOL & ACCESSORY

년/월
Year/Month

2022-12



T474-U-901

NOTE

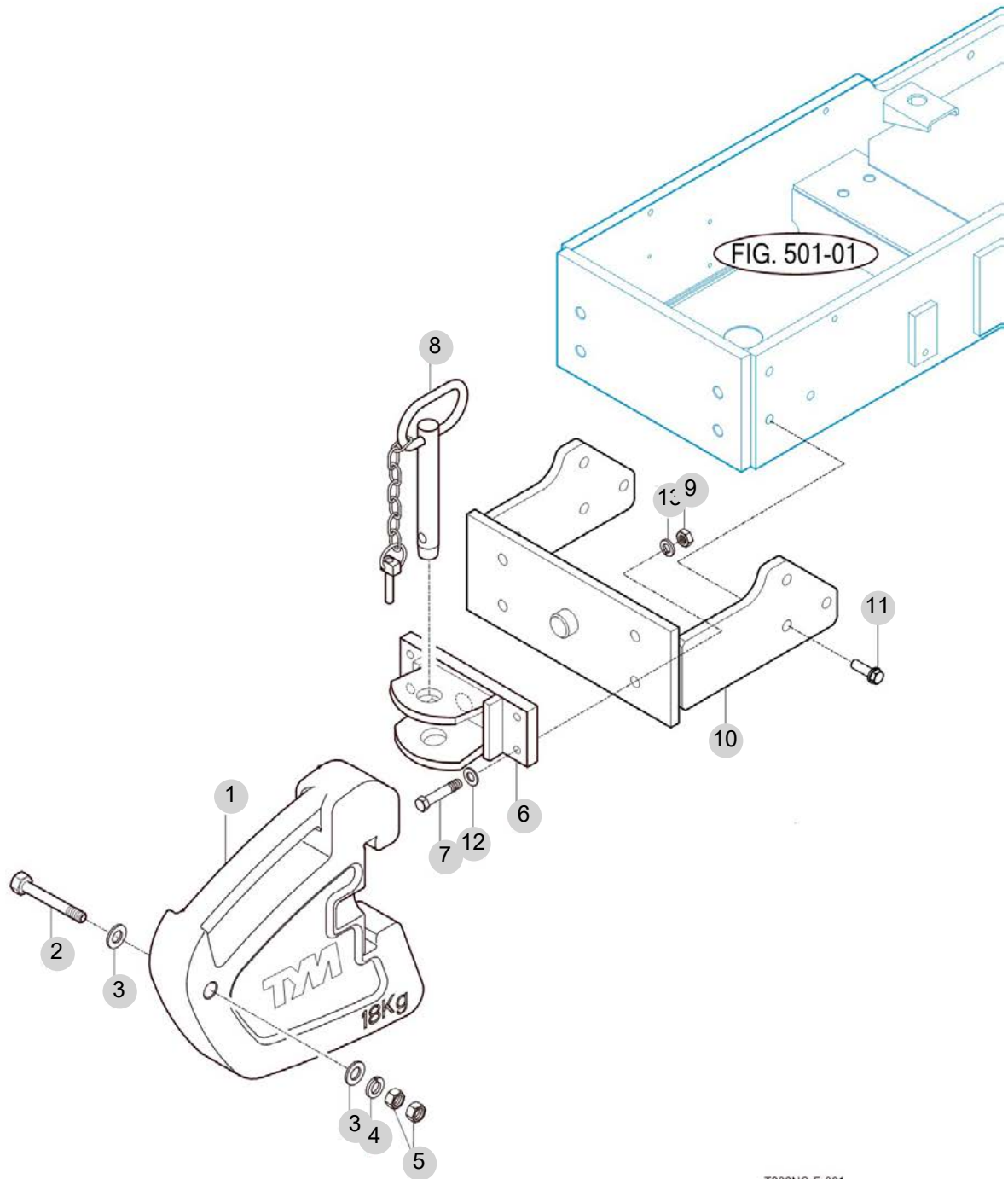
FIG 902

T475NHEU

WEIGHT

년/월
Year/Month

2022-12



T393NC-E-901

NOTE

FIG 903-1

LABEL

년/월
Year/Month

T475NHEU

2022-12

⚠ DANGER

This Tractor may tip over unexpectedly and quicker than an operator is able to jump free

1. Never operate a tractor without a proper Roll over Protection Structure (ROPS)
2. Always wear your seat belt when operating this tractor equipped with roll over protection.
3. Never pull from above or from the rear axle.
4. Do not operate the tractor on steep slopes or near drop offs
5. Avoid sharp high speed turns

Serious injury or death may result from tractor upsets.

1200-904-801-0

27

⚠ WARNING

Death or injury may result if this tractor over turns with the ROPS in the folded down position. Operate this tractor with the ROPS folded down only when necessary. Do not wear seat belt if operated with ROPS folded down

1220-904-902-0

26

BONNET LATCH OPEN

24

⚠ WARNING

Work in ventilated Area.

1200-910-003-0

11

⚠ DANGER

Do not ride except operator.

1200-910-004-0

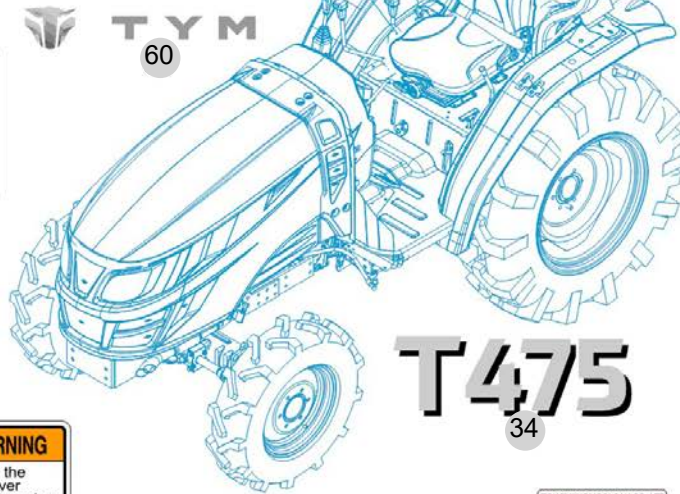
12

⚠ WARNING

Additions, alterations, cracking, damage or corrosion to this structure may adversely affect the performance of the ROPS.

1200-910-011-0

36



⚠ WARNING

Do not refuel the tractor while smoking or near naked flame or sparks. always stop engine before refueling tractors.

1200-910-007-0

15

⚠ WARNING

Do not use the sub shift lever at "H" position when driving backward.

1200-910-012-0

10

TYM YANGMOOLSAN CO., LTD

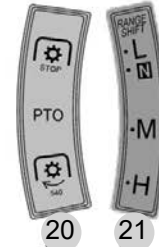
TYPE - TCC1

e13

00073 NS

T : 3.0 tonne
S : 300 kg

29



⚠ WARNING

Never use the diff-lock at high speed or on the road as this can cause rollover and injury.

1200-910-008-0

16



⚠ WARNING

Do not remove radiator cap while engine is hot. Hot steam will injure you.

1200-910-015-0

7

⚠ WARNING

Always fasten Your seat belt.

1200-910-014-0

13

⚠ CAUTION

Keep hands and clothing away from rotating fan and belts to prevent serious injury.

1200-910-012-0

6

⚠ CAUTION

Do not touch while the system is hot. It cause serious burns

1200-910-024-0

5



⚠ WARNING

LOCK → UNLOCK

LOCK BUTTEN

Push the butten to lock position with joystick lever is neutral whenever the implement is not operation.

1200-910-020-0

25



DPF regeneration procedure

When DPF lamp on and beep, follow below

Do this	Operate (about 30min)	Complete
1. Park outside safe location		
2. Stop all functions		
3. Parking brake ON		
4. Press clutch pedal (Mechanical)		
5. Engine speed to Max RPM		
6. Press the regen button		
7. Must remain with the vehicle		

DPF+EGT ON
+ Button blinking
Lamp off

For further details, consult your Operator's Manual

1200-910-021-0

49

NOTE

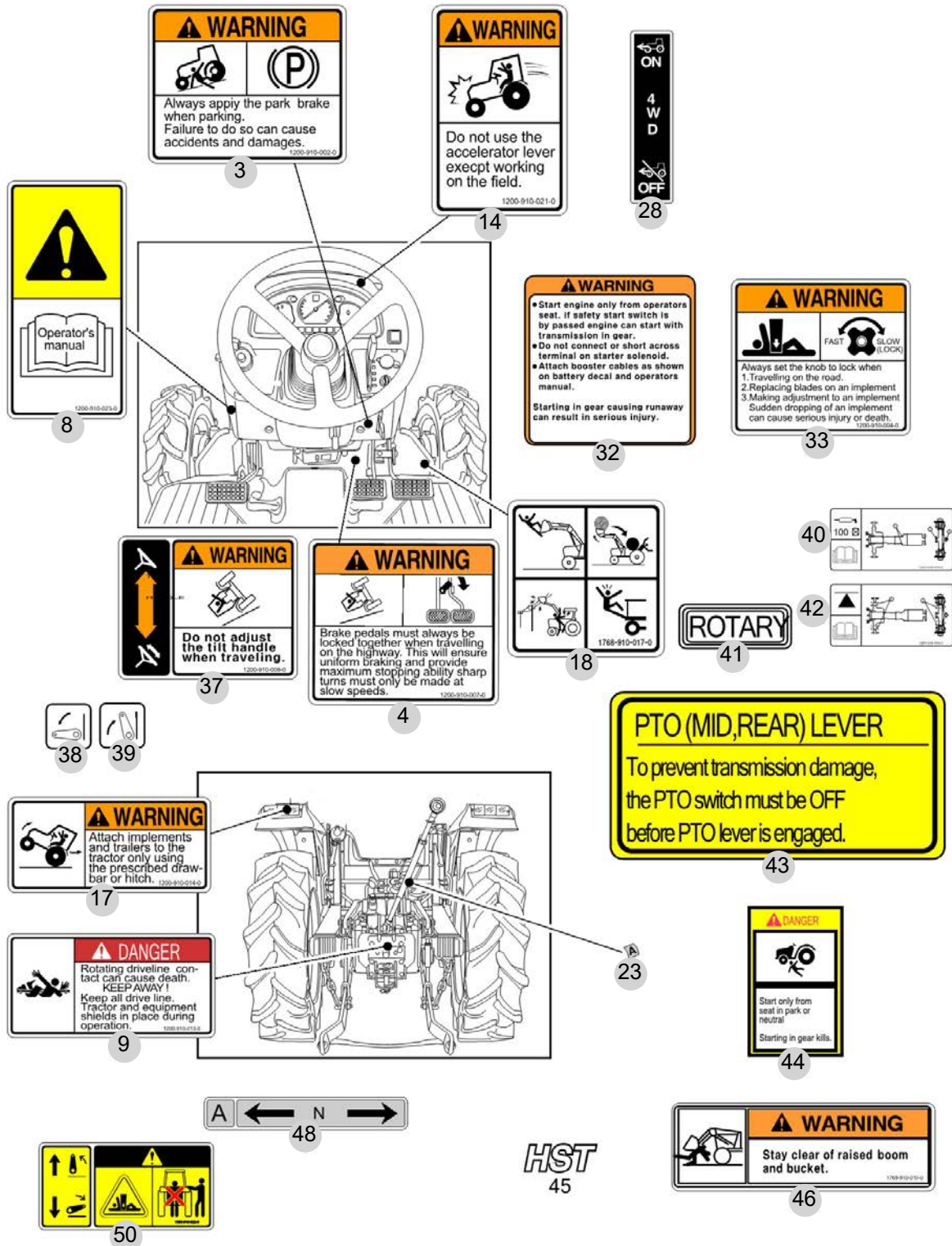
FIG 903-2

LABEL

년/월
Year/Month

T475NHEU

2022-12



NOTE

