

T25NHAU3

Parts Catalog

목 차

1. 엔진 PART NO. EG

FIG 100 ENGINE ASSY	6
FIG 101 CYLINDER BLOCK	8
FIG 102 GEAR HOUSING	10
FIG 103 OIL SUMP	12
FIG 104 CYLINDER HEAD & BONNET	14
FIG 105 EXHAUST MANIFOLD	17
FIG 106 CAMSHAFT & DRIVING GEAR	19
FIG 107 CRANKSHAFT & PISTON	21
FIG 108 LUB. OIL SYSTEM	23
FIG 109 COOLING WATER SYSTEM	25
FIG 110 FUEL INJECTION PUMP	27
FIG 111 GOVERNOR	29
FIG 112 FUEL INJECTION VALVE	31
FIG 113 FUEL FILTER	33
FIG 114 STARTING MOTOR	35
FIG 115 GENERATOR	37
FIG 116 ACCESORY	39

2. 엔진보기품 PART NO. T2

FIG 201 AIR CLEANER	42
FIG 202 RADIATOR	44
FIG 203 MUFFLER	46
FIG 204 FUEL TANK & FUEL LINE	48
FIG 205 ACCELERATOR	50
FIG 206 OIL COOLER	52

3. 클러치/브레이크/스티어링 PART NO. T3

FIG 301 FLYWHEEL COVER	55
FIG 302 SPEED CONTROL	57

FIG 303 BRAKE	60
FIG 304 BRAKE PEDAL & LINKAGE	62
FIG 305 STEERING WHEEL & DASH COVER	64
FIG 306 STEERING VALVE	66
FIG 307 STEERING CYLINDER	68
FIG 308 FRONT WHEEL	70
FIG 309 REAR WHEEL	72

4. 트랜스미션 PART NO. T4

FIG 401 INPUT SHAFT	75
FIG 402 HST	77
FIG 403 4WD DRIVE GEAR	79
FIG 404 RANGE GEARS	81
FIG 405 P.T.O DRIVE SHAFT	83
FIG 406 P.T.O SHAFT	85
FIG 408 DIFF LOCK	87
FIG 409 REAR TRANSMISSION CASE	89
FIG 410 REAR AXLE HOUSINGS	91
FIG 411 RANGE SHIFT LEVER	93
FIG 412 P.T.O CHANGE LEVER	95
FIG 413 4WD CHANGE LEVER	97

5. 프론트 액슬 PART NO. T5

FIG 501 FRAME	100
FIG 502 FRONT DIFFERENTIAL GEARS & SHAFT	102
FIG 503 FRONT AXLE HOUSING	104
FIG 504 FRONT GEAR CASE (1)	106
FIG 505 FRONT GEAR CASE (2)	108

6. 유압/3점링크 PART NO. T6

FIG 601 CYLINDER CASE	111
FIG 602 LIFT ARM	113
FIG 603 FLOW CONTROL VALVE	115
FIG 604 CONTROL VALVE LINKAGE	117
FIG 605 MAIN CONTROL VALVE	119

FIG 606 REMOTE CONTROL VALVE	121
FIG 607 POSITION LEVER LINKAGE	123
FIG 608 GEAR PUMP	125
FIG 609 HYDRAULIC HOSE (1)	127
FIG 610 HYDRAULIC HOSE (2)	129
FIG 611 PTO VALVE	131
FIG 612 3-POINT LINKAGE	133
FIG 613 JOYSTICK LEVER	136
FIG 614 HITCH & COVER	138

7. 시트메탈/캐빈 PART NO. T7

FIG 701 BONNET	141
FIG 702 DASH PANEL	143
FIG 703 FLOOR	145
FIG 704 SEAT	148
FIG 705 ROPS	150

8. 전장 PART NO. T8

FIG 801 BATTERY & MOUNTING	153
FIG 802 LIGHTS	155
FIG 803 INSTRUMENT PANEL	157
FIG 804 ELECTRIC SYSTEM	159
FIG 805 HARNESS	161
FIG 806 HARNESS	163

9. 라벨/옵션 PART NO. T9

FIG 901 TOOL & ACCESSORY	166
FIG 903 LABEL	168

1. 엔진 PART NO. EG

FIG 100 ENGINE ASSY	6
FIG 101 CYLINDER BLOCK	8
FIG 102 GEAR HOUSING	10
FIG 103 OIL SUMP	12
FIG 104 CYLINDER HEAD & BONNET	14
FIG 105 EXHAUST MANIFOLD	17
FIG 106 CAMSHAFT & DRIVING GEAR	19
FIG 107 CRANKSHAFT & PISTON	21
FIG 108 LUB. OIL SYSTEM	23
FIG 109 COOLING WATER SYSTEM	25
FIG 110 FUEL INJECTION PUMP	27
FIG 111 GOVERNOR	29
FIG 112 FUEL INJECTION VALVE	31
FIG 113 FUEL FILTER	33
FIG 114 STARTING MOTOR	35
FIG 115 GENERATOR	37
FIG 116 ACCESORY	39

FIG 100 T25NHAU3	ENGINE ASSY	년/월 Year/Month 2022-12
---------------------	-------------	------------------------------

ENGINE

1

NOTE	
------	--

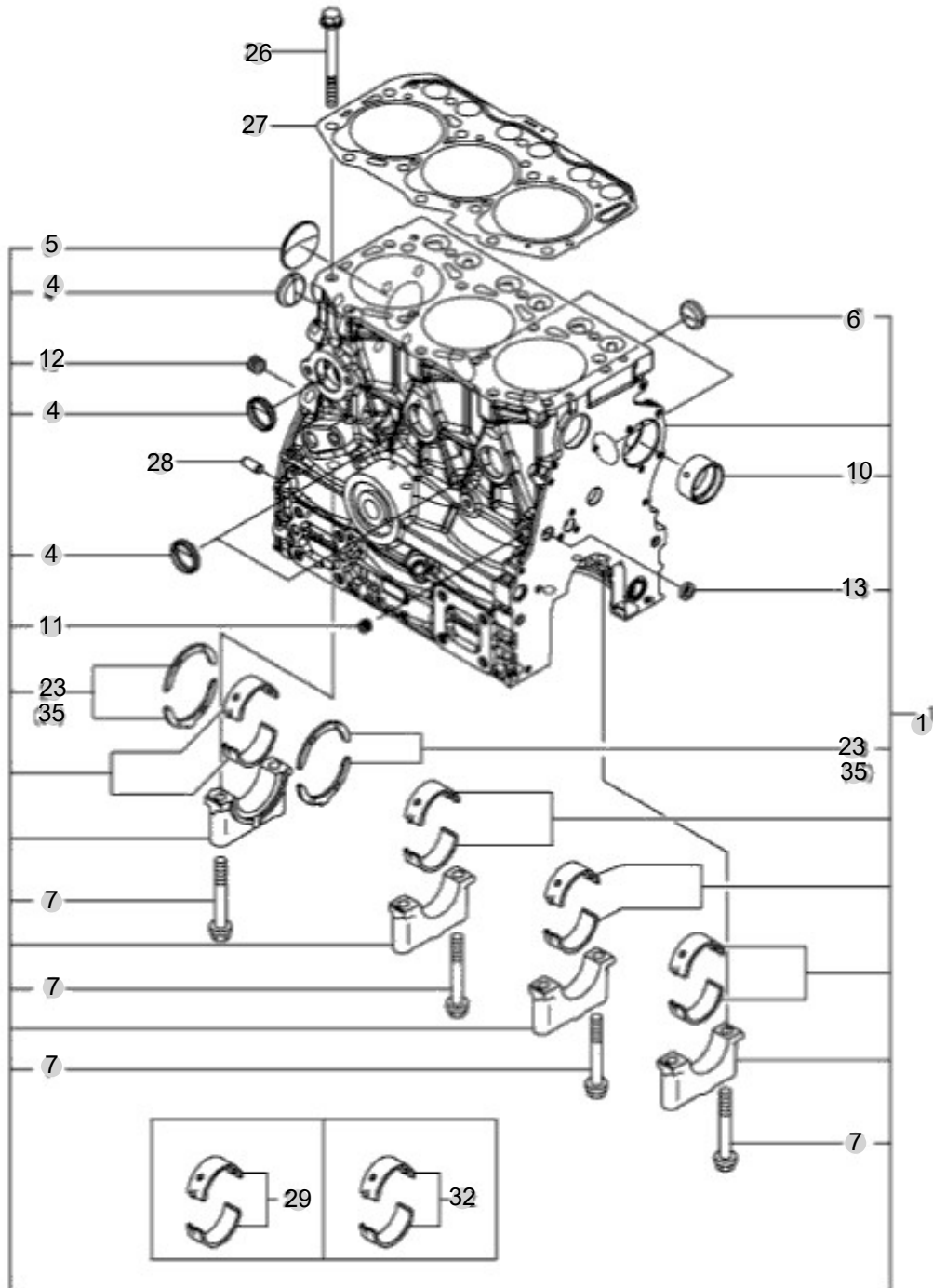
FIG 101

CYLINDER BLOCK

년/월
Year/Month

2022-12

T25NHAU3



NOTE

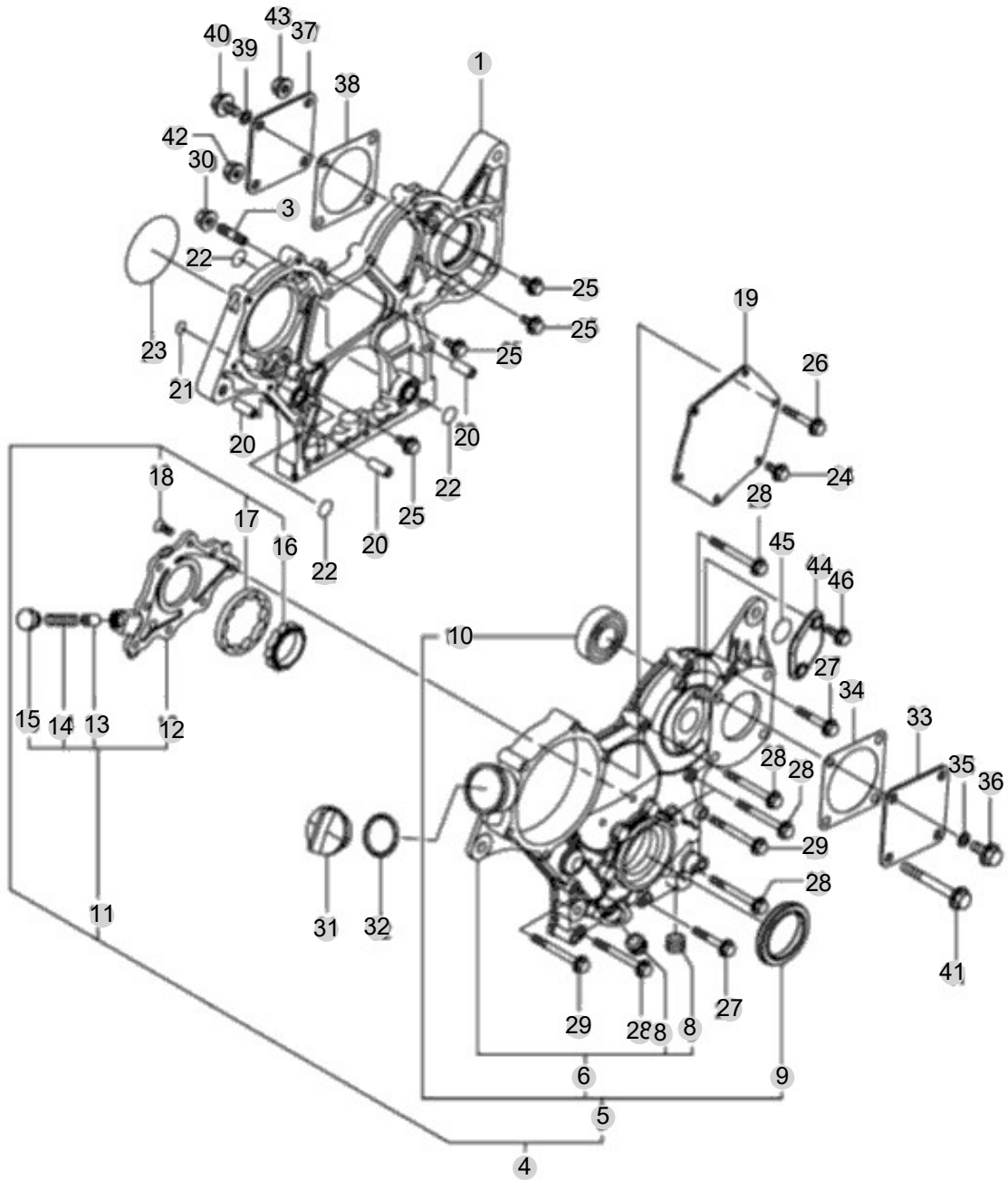
FIG 102

GEAR HOUSING

년/월
Year/Month

2022-12

T25NHAU3



NOTE

FIG 102		GEAR HOUSING					년/월 Year/Month		
							2022-12		
T25NHAU3		KEY NO	PART NO	DESCRIPTION	SPEC	QTY	REPAIR	EFFECTIVE DATE	REMARKS
102	1	119740-01501	CASE, GEAR			1			
102	3	119717-01570	STUD			3			
102	4	119751-01590	COVER ASSY, CASE			1			
102	5	719751-01500	COVER ASSY, CASE			1			
102	6	119751-01521	COVER, GEAR CASE			1			
102	8	23876-030000	PLUG, R03			2			
102	9	119717-01800	SEAL, OIL			1			
102	10	24101-062024	깊은 홈 볼베어링			1			
102	11	119717-32100	COVER ASSY, PUMP			1			
102	12	119717-32080	COVER, OIL PUMP			1			
102	13	129900-32130	VALVE, RELIEF			1			
102	14	129001-32320	SPRING			1			
102	15	129001-32330	PLUG			1			
102	16	119717-32110	ROTOR, INNER			1			
102	17	119717-32120	ROTOR, OUTER			1			
102	18	119802-32130	SCREW, M6X16			8			
102	19	119717-01750	COVER, PUMP			1			
102	20	119660-01911	PIPE, KNOCK 6X17			4			
102	21	119624-32040	O-RING, P12.0			1			
102	22	119717-32050	O-RING, P17.0			3			
102	23	121850-51960	O-RING, FUEL PUMP			1			
102	24	26106-060122	BOLT, M6X 12 PLATED			1			
102	25	26106-060162	BOLT, M6X 16 PLATED			4			
102	26	26106-060402	BOLT, M6X 40 PLATED			4			
102	27	26106-060402	BOLT, M6X 40 PLATED			2			
102	28	26106-060602	BOLT, M6X 60 PLATED			7			
102	29	26106-060652	BOLT, M6X 65 PLATED			2			
102	30	26306-080002	NUT, M8			3			
102	31	124160-01751	CAP, FILLER			1			
102	32	24311-000320	운동용 O링			1			
102	33	124240-01871	COVER, HYDRAULIC PUMP			1			
102	34	129C26-01890	GASKET, PUMP			1			
102	35	22190-080002	WASHER, SEAL 8			1			
102	36	26106-080142	BOLT, M8X 14 PLATED			1			
102	37	124240-01871	COVER, HYDRAULIC PUMP			1			
102	38	129C26-01890	GASKET, PUMP			1			
102	39	22190-080002	WASHER, SEAL 8			1			
102	40	26106-080142	BOLT, M8X 14 PLATED			1			
102	41	26106-080702	BOLT, M8X 70 PLATED			3			
102	42	26306-080002	NUT, M8			1			
102	43	26306-080002	NUT, M8			2			
102	44	121023-01551	COVER, TACHOMETER			1			
102	45	24341-000240	O-RING, 1AS24.0			1			
102	46	26106-060162	BOLT, M6X 16 PLATED			2			
NOTE									

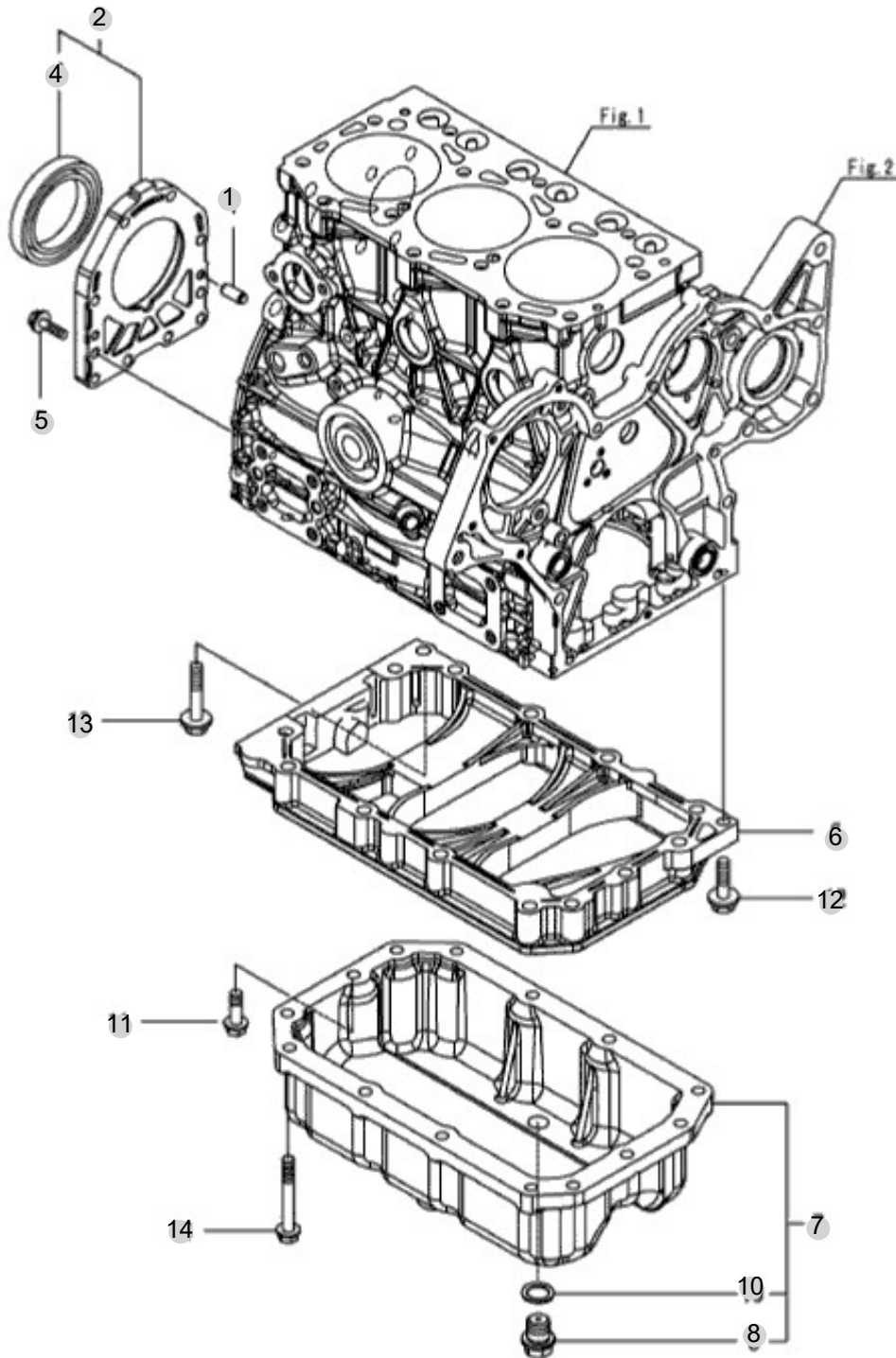
FIG 103

T25NHAU3

OIL SUMP

년/월
Year/Month

2022-12



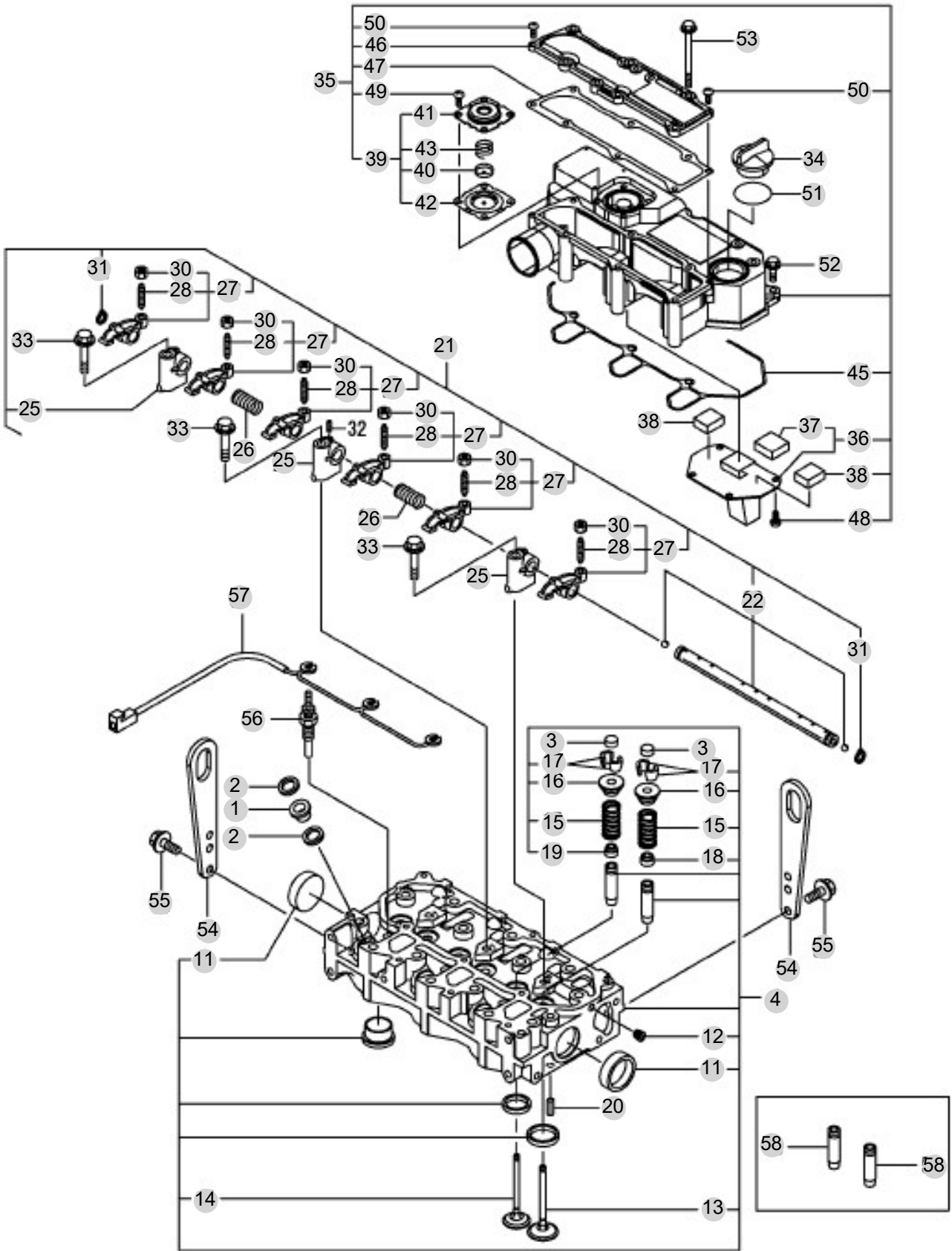
NOTE

FIG 104

CYLINDER HEAD & BONNET

년/월
Year/Month

2022-12



NOTE

FIG 104		CYLINDER HEAD & BONNET					년/월 Year/Month		
							2022-12		
T25NHAU3		KEY NO	PART NO	DESCRIPTION	SPEC	QTY	REPAIR	EFFECTIVE DATE	REMARKS
104	1	129901-11450	PROTECTOR, NOZZLE			3			
104	2	119600-11460	GASKET, NOZZLE			6			
104	3	105010-11490	CAP, VALVE			6			
104	4	119E10-11750	HEAD ASSY, CYLINDER			1			
104	11	119285-11990	PLUG, 35			2			
104	12	23876-005000	PLUG, R005			1			
104	13	119E10-11100	VALVE, INTAKE			3			
104	14	119E10-11110	VALVE, EXHAUST			3			
104	15	119717-11131	SPRING, VALVE			6			
104	16	129508-11180	RETAINER, SPRING			6			
104	17	119717-11190	COTTER, VALVE			12			
104	18	119717-11340	SEAL, VALVE STEM			3			
104	19	119717-11350	SEAL, VALVE STEM			3			
104	20	22351-060012	스프링핀			2			
104	21	119717-11200	SUPPORT ASSY, ROCKER			1			
104	22	119717-11240	SHAFT ASSY, ARM			1			
104	25	119717-11260	SUPPORT, ROCKER ARM			3			
104	26	119620-11280	SPRING, SHAFT			2			
104	27	119717-11650	ARM ASSY, ROCKER INT			6			
104	28	129150-11230	SCREW, VALVE ADJUST			6			
104	30	129150-11750	NUT, M8XP1.0			6			
104	31	22242-000120	RING, 12			2			
104	32	119260-11270	SCREW			1			
104	33	26106-080402	BOLT, M8X 40 PLATED			3			
104	34	124160-01751	CAP, FILLER			1			
104	35	119717-11381	BONNET ASSY, HEAD			1			
104	36	119717-03031	PLATE, BAFFLE			1			
104	37	119717-03070	BAFFLE, BREATHER			1			
104	38	119717-03070	BAFFLE, BREATHER			2			
104	39	119802-03100	DIAPHRAGM ASSY			1			
104	40	119802-03110	PLATE, DIAPHRAGM			1			
104	41	119802-03121	COVER, DIAPHRAGM			1			
104	42	119802-03131	DIAPHRAGM, BREATHER			1			
104	43	119802-03141	SPRING, DIAPHRAGM			1			
104	45	119718-11310	GASKET, BONNET			1			
104	46	119717-11320	COVER, BONNET			1			
104	47	119717-11331	GASKET, BONNET COVER			1			
104	48	22857-500100	SCREW, 5X10			4			
104	49	22857-500100	SCREW, 5X10			4			
104	50	22857-500160	SCREW, 5X16			2			
104	51	24311-000320	운동용O링			1			
104	52	26106-060202	BOLT, M6X 20 PLATED			3			
104	53	26106-060752	BOLT, M6X 75 PLATED			6			
104	54	129900-07900	LIFTER, ENGINE			2			
104	55	26106-080162	육각플랜지볼트			4			
NOTE									

FIG 105

EXHAUST MANIFOLD

년/월
Year/Month

T25NHAU3

2022-12

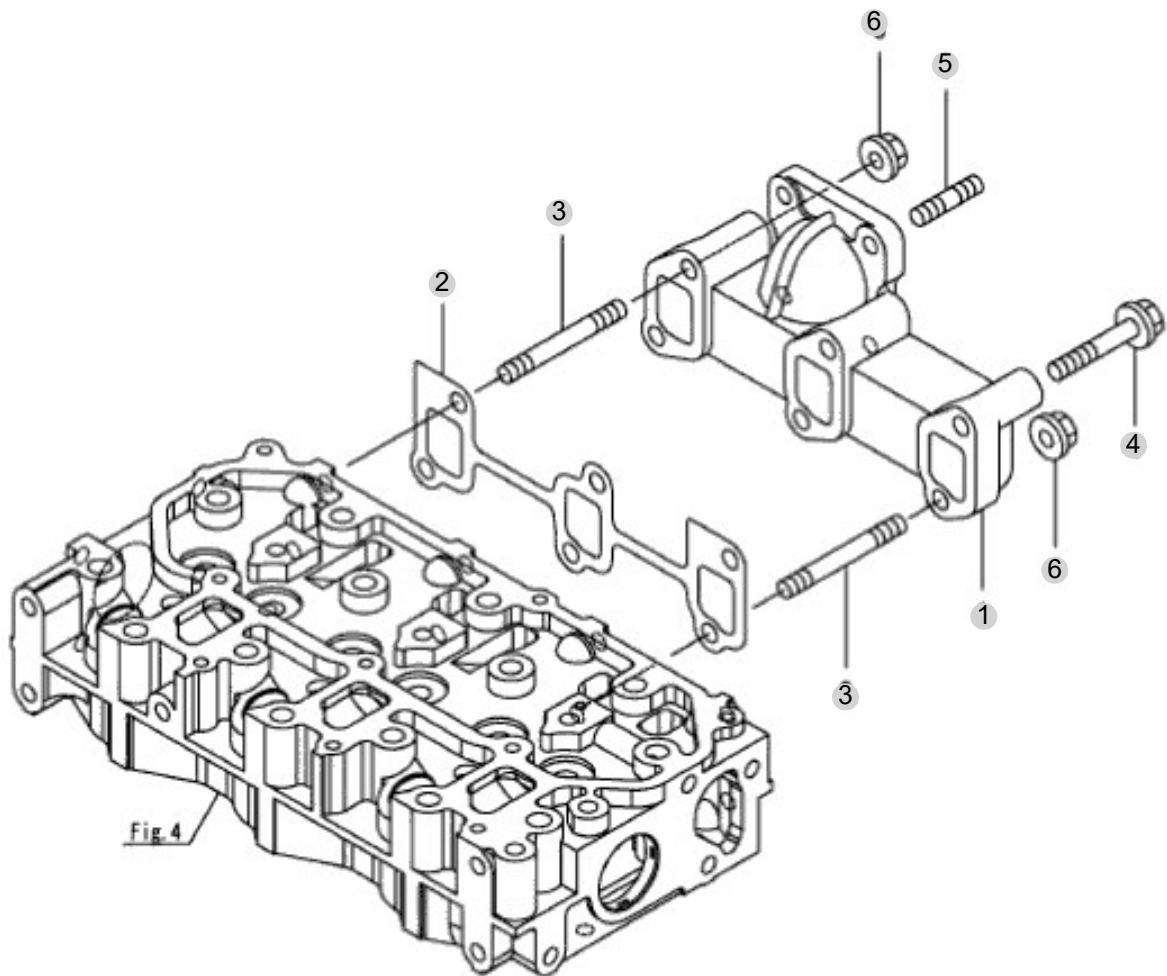


Fig. 4

NOTE

FIG 105 T25NHAU3		EXHAUST MANIFOLD					년/월 Year/Month	
						2022-12		
KEY NO		PART NO	DESCRIPTION	SPEC	QTY	REPAIR	EFFECTIVE DATE	REMARKS
105	1	119718-13100	MANIFOLD, EXHAUST		1			
105	2	119717-13110	GASKET, MANIFOLD		1			
105	3	119717-13600	STUD, M8X50		2			
105	4	129E00-13610	BOLT, M8X50 10.9		4			
105	5	119131-18320	STUD, M8X22		4			
105	6	26306-080002	NUT, M8		2			
NOTE								

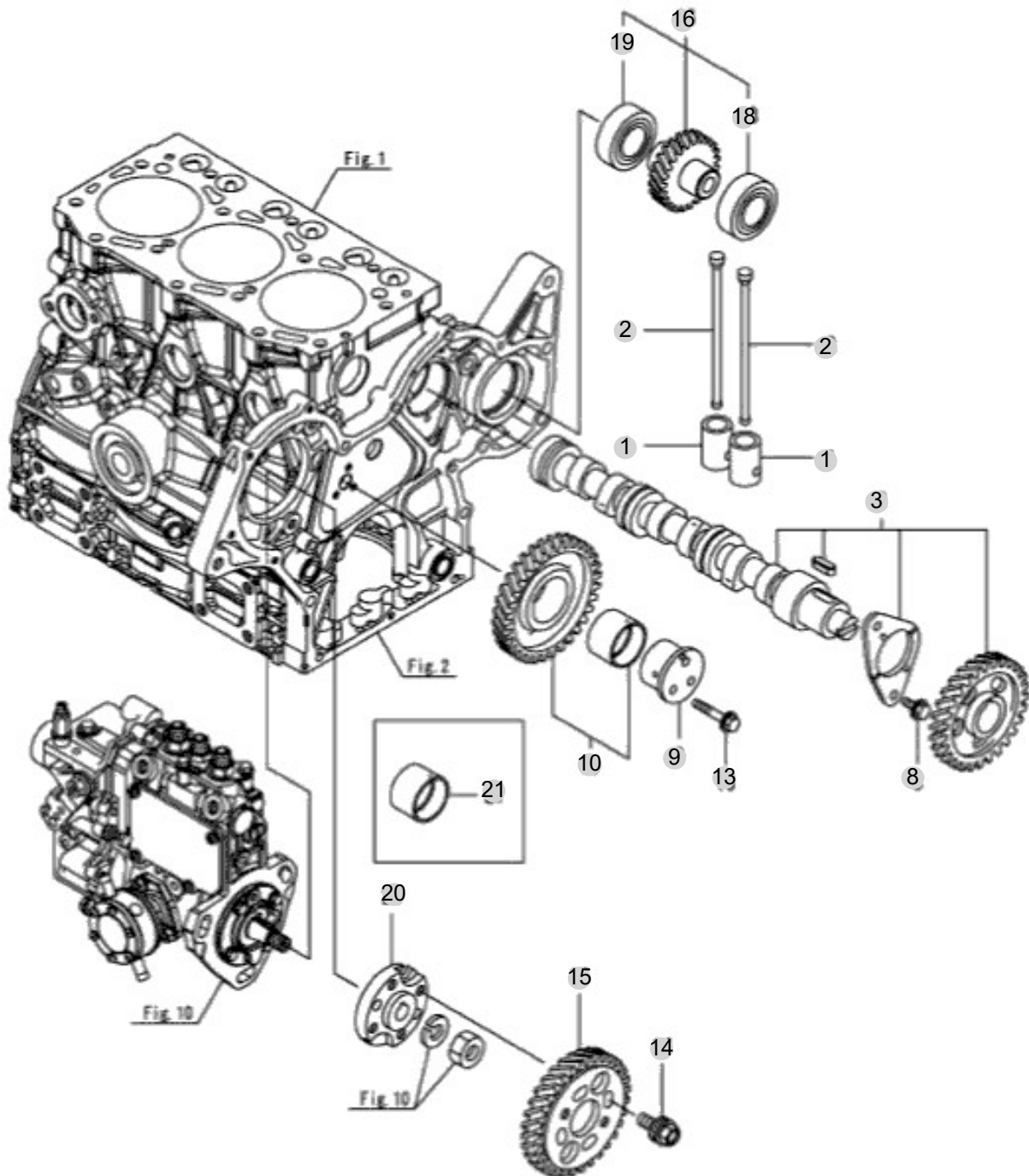
FIG 106

CAMSHAFT & DRIVING GEAR

년/월
Year/Month

2022-12

T25NHAU3



NOTE

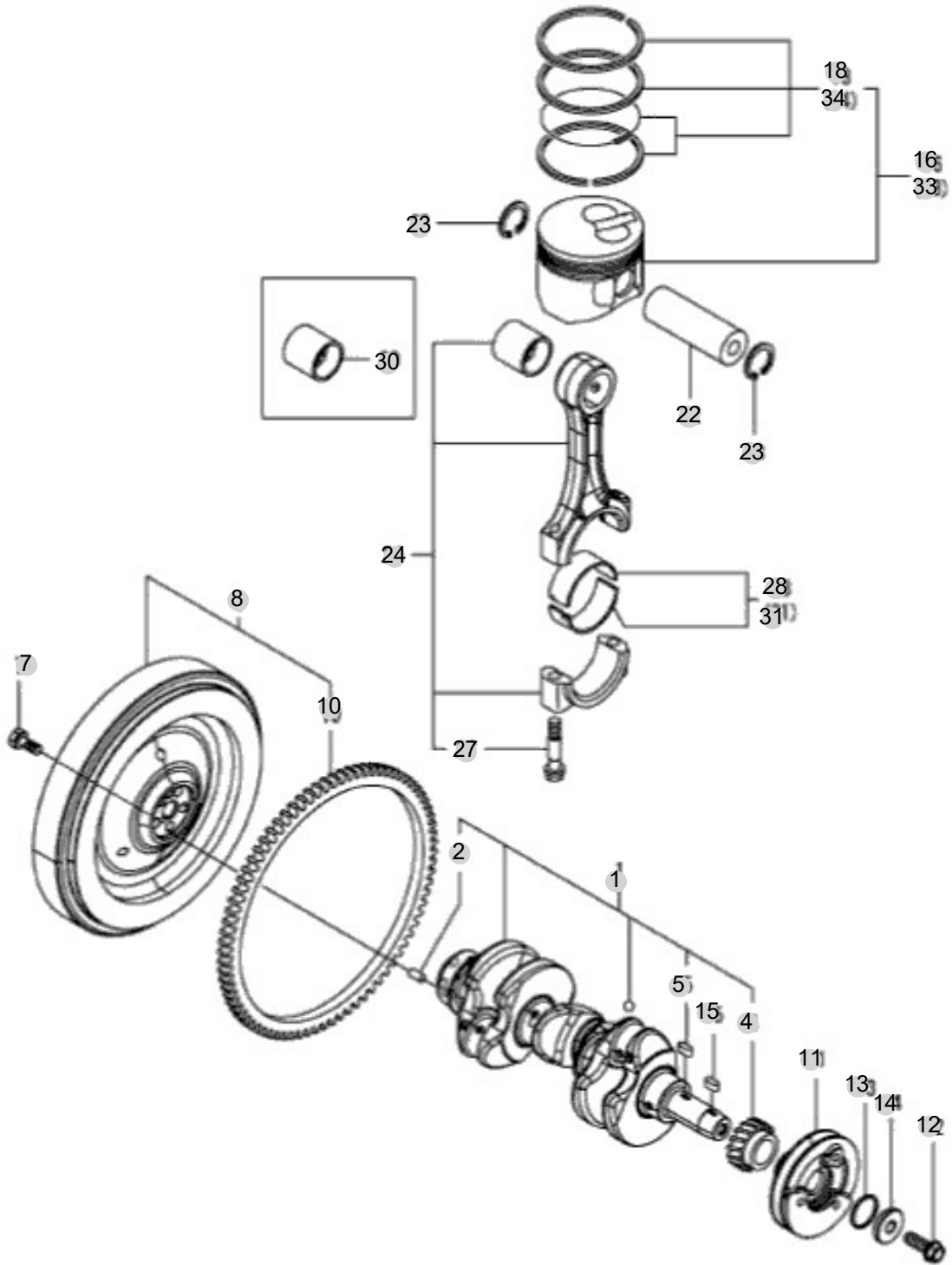
FIG 107

CRANKSHAFT & PISTON

년/월
Year/Month

2022-12

T25NHAU3



NOTE

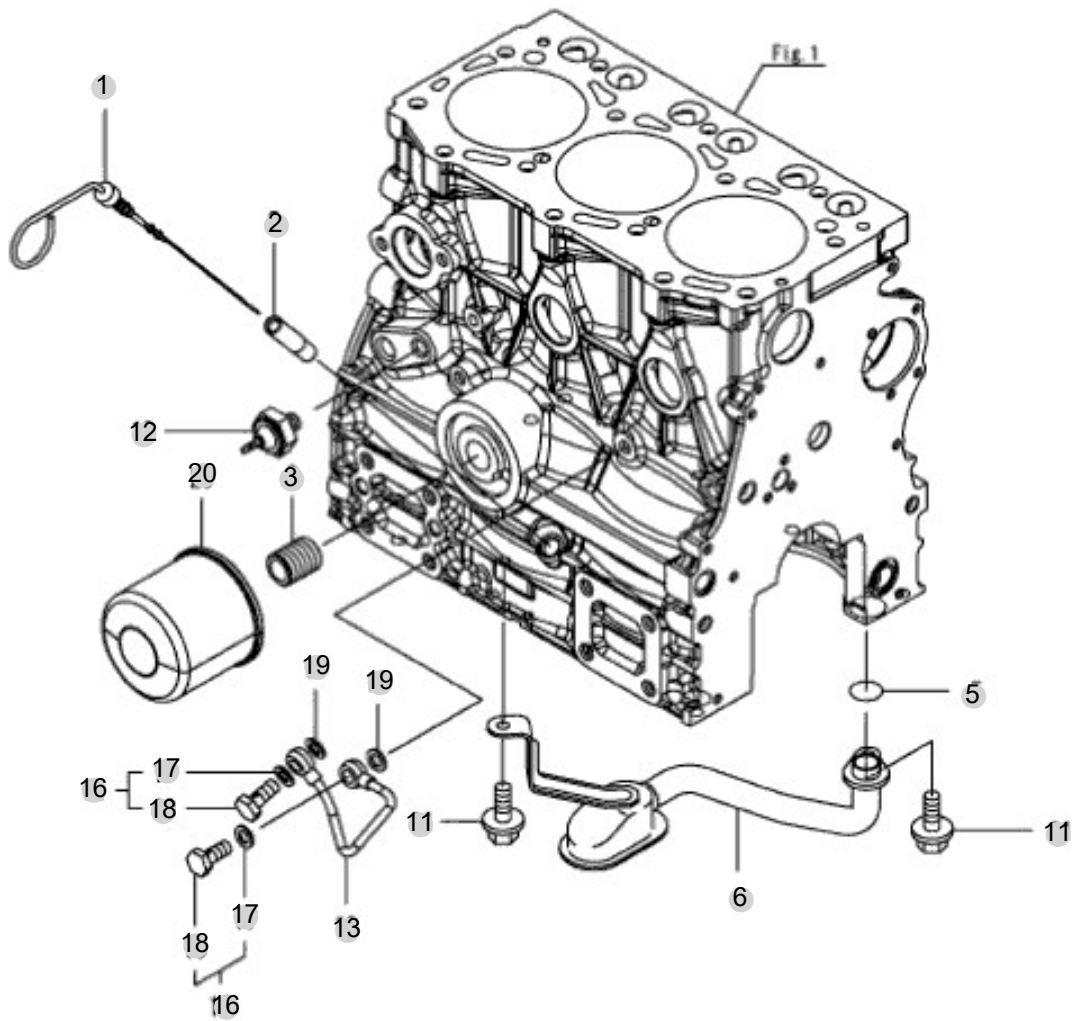
FIG 108

LUB. OIL SYSTEM

년/월
Year/Month

2022-12

T25NHAU3



NOTE

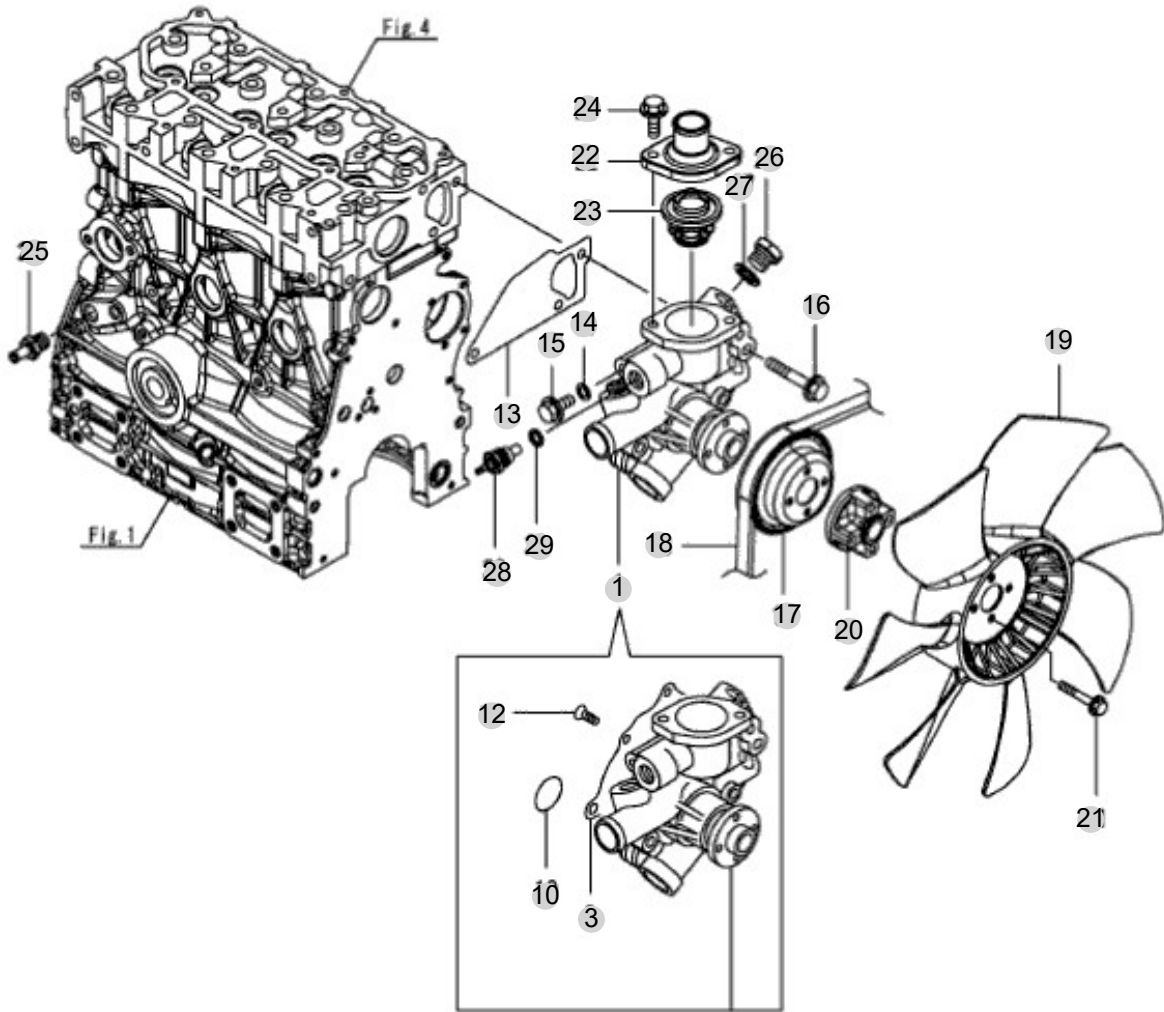
FIG 109

COOLING WATER SYSTEM

년/월
Year/Month

2022-12

T25NHAU3



NOTE

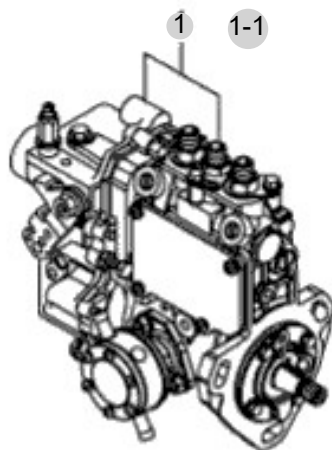
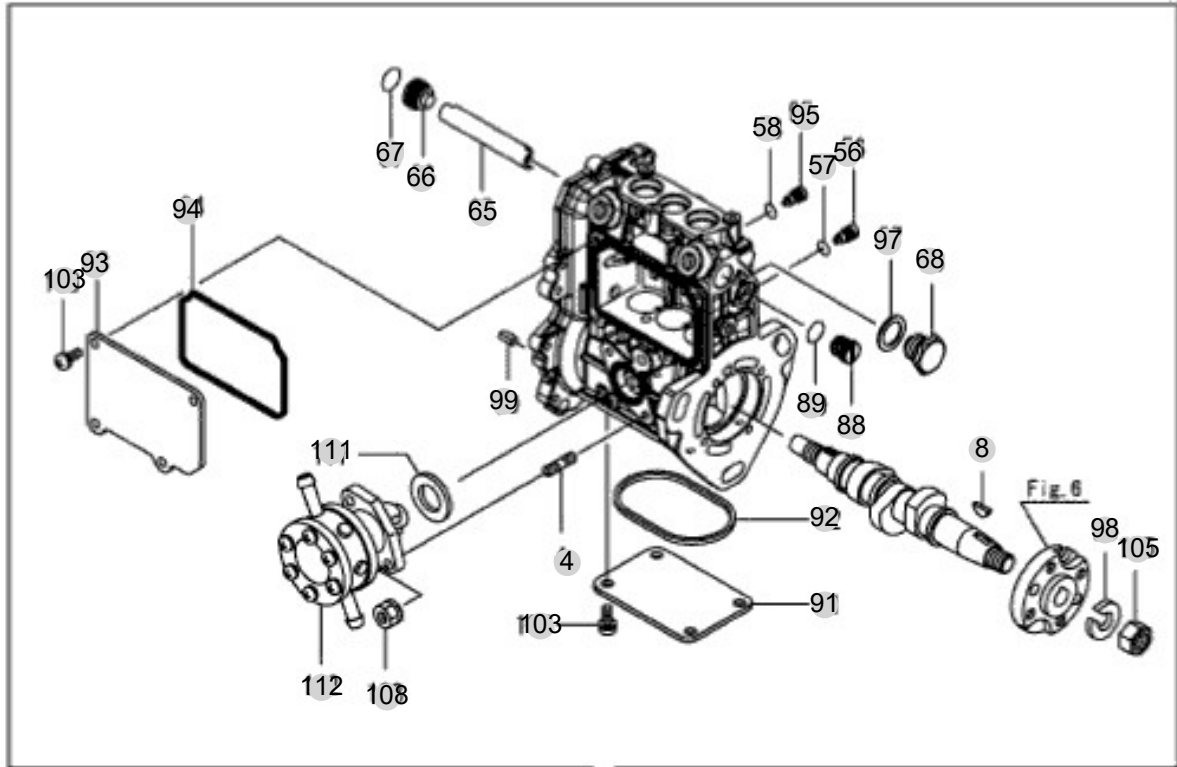
FIG 110

FUEL INJECTION PUMP

년/월
Year/Month

2022-12

T25NHAU3



NOTE

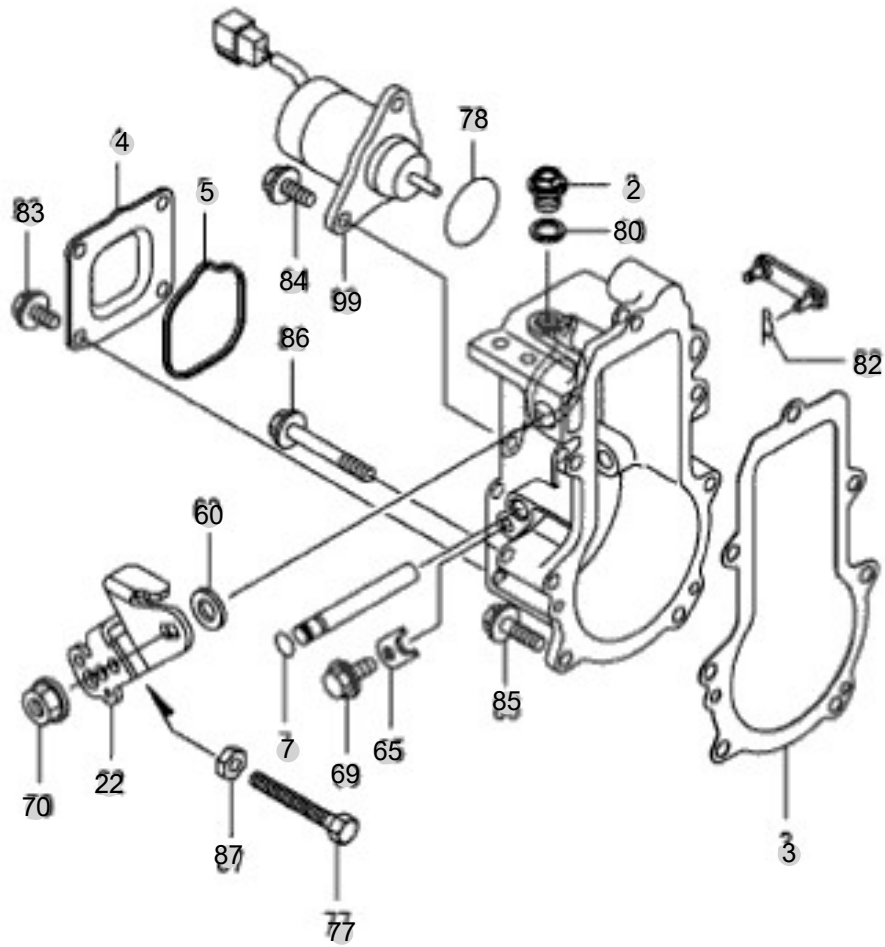
FIG 111

T25NHAU3

GOVERNOR

년/월
Year/Month

2022-12



NOTE

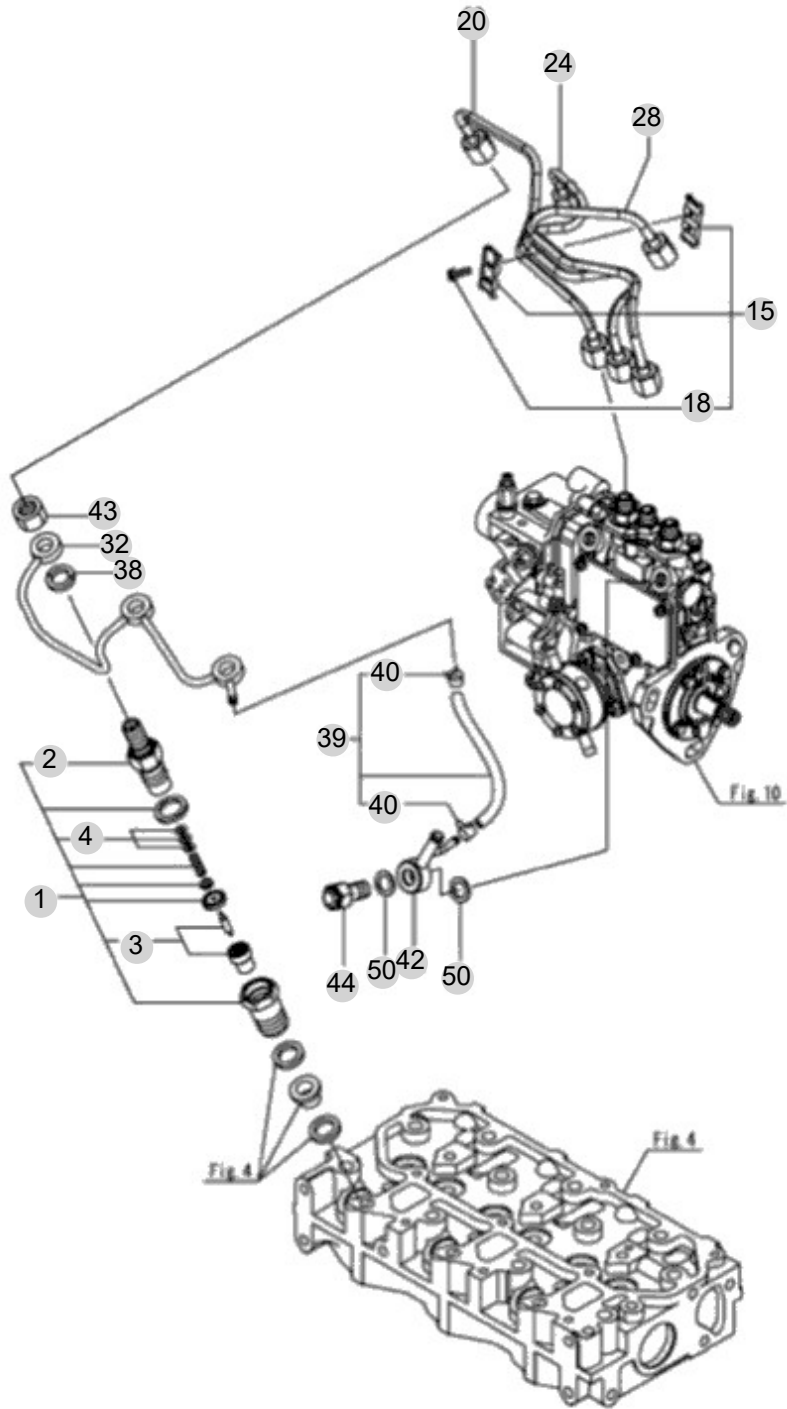
FIG 112

T25NHAU3

FUEL INJECTION VALVE

년/월
Year/Month

2022-12



NOTE

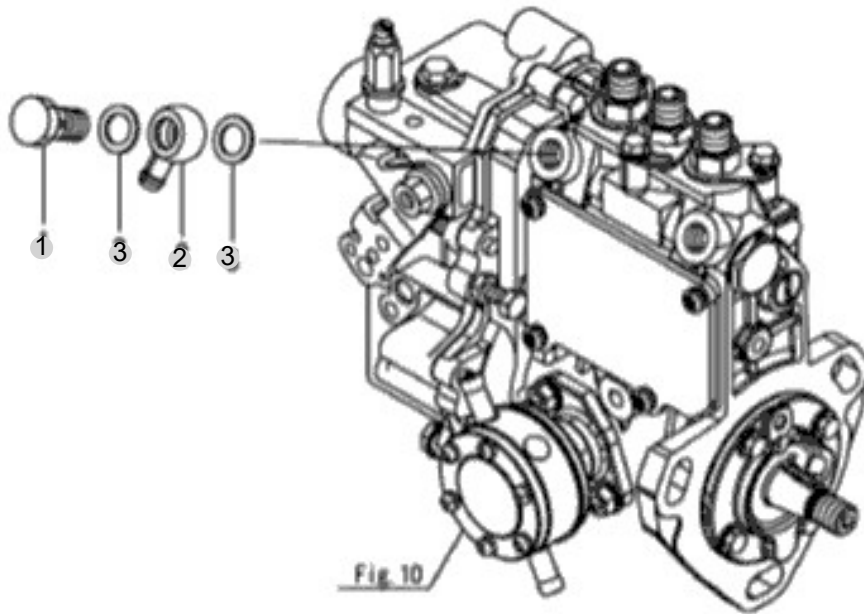
FIG 113

T25NHAU3

FUEL FILTER

년/월
Year/Month

2022-12



NOTE

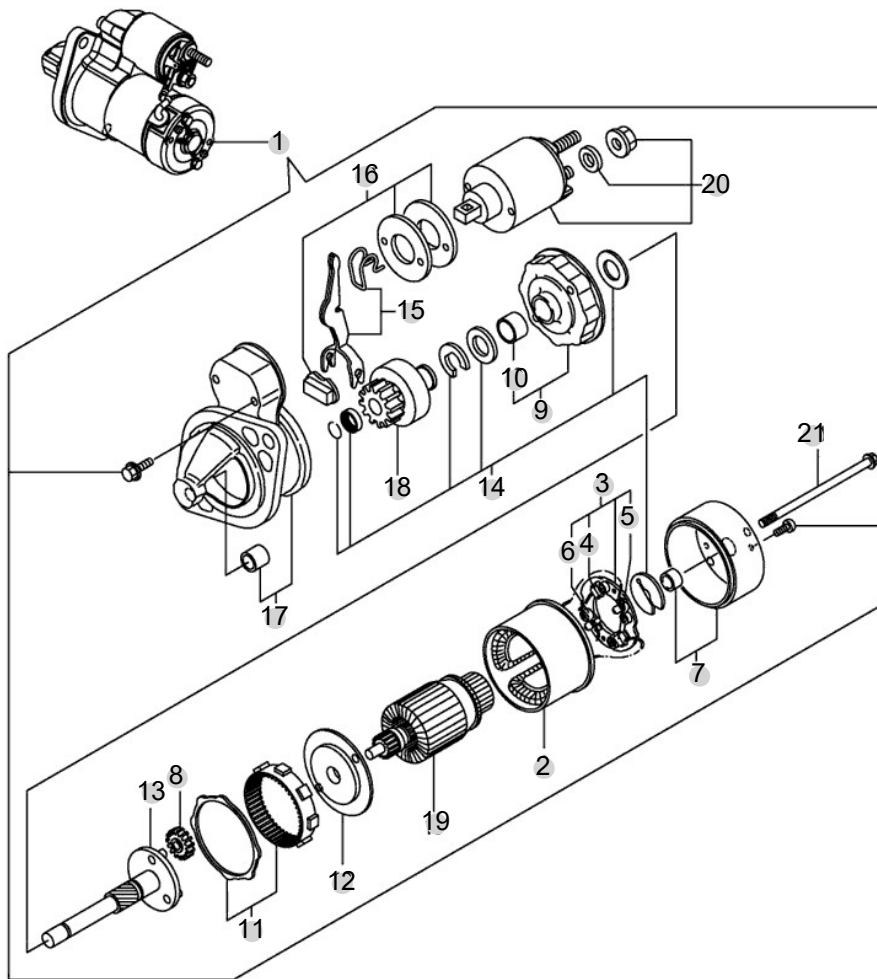
FIG 114

STARTING MOTOR

년/월
Year/Month

2022-12

T25NHAU3



NOTE

FIG 115

GENERATOR

년/월
Year/Month

2022-12

T25NHAU3

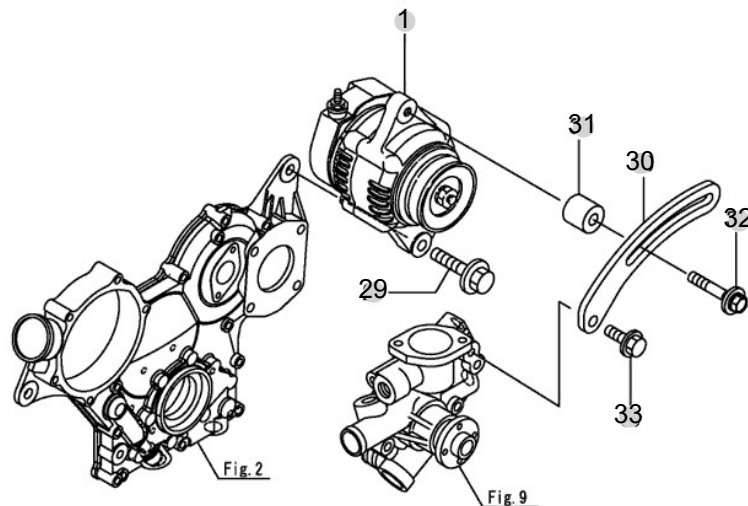
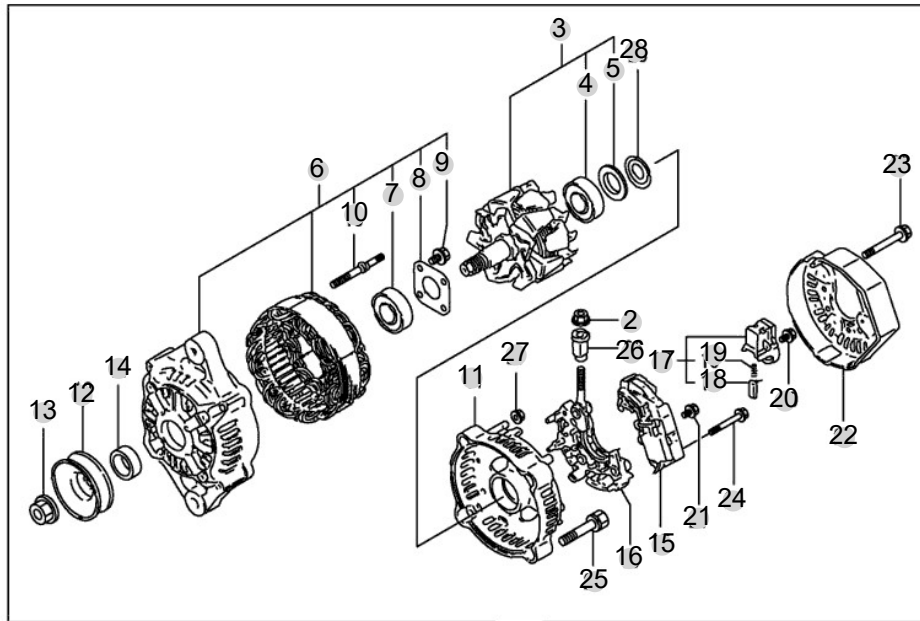


Fig.2

Fig.9

NOTE

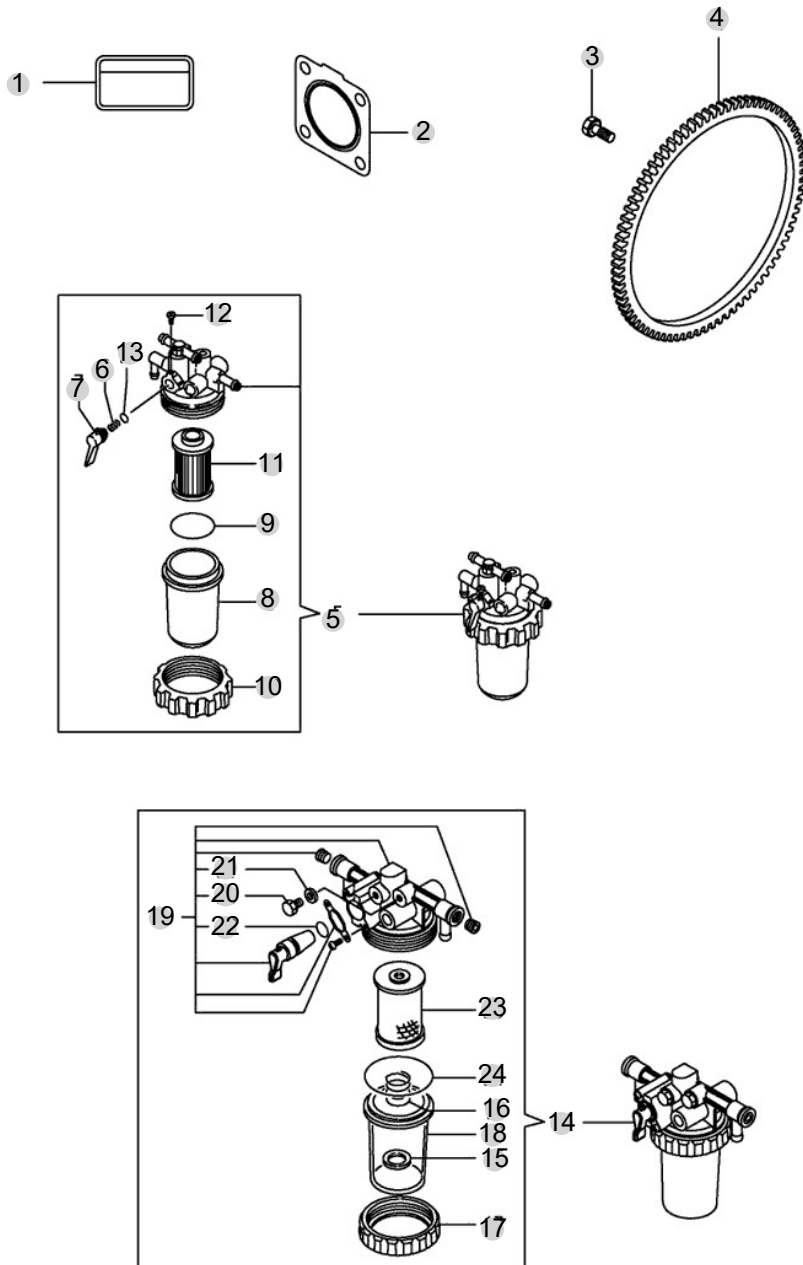
FIG 116

T25NHAU3

ACCESSORY

년/월
Year/Month

2022-12



NOTE

2. 엔진보기품 PART NO. T2

FIG 201 AIR CLEANER	42
FIG 202 RADIATOR	44
FIG 203 MUFFLER	46
FIG 204 FUEL TANK & FUEL LINE	48
FIG 205 ACCELERATOR	50
FIG 206 OIL COOLER	52

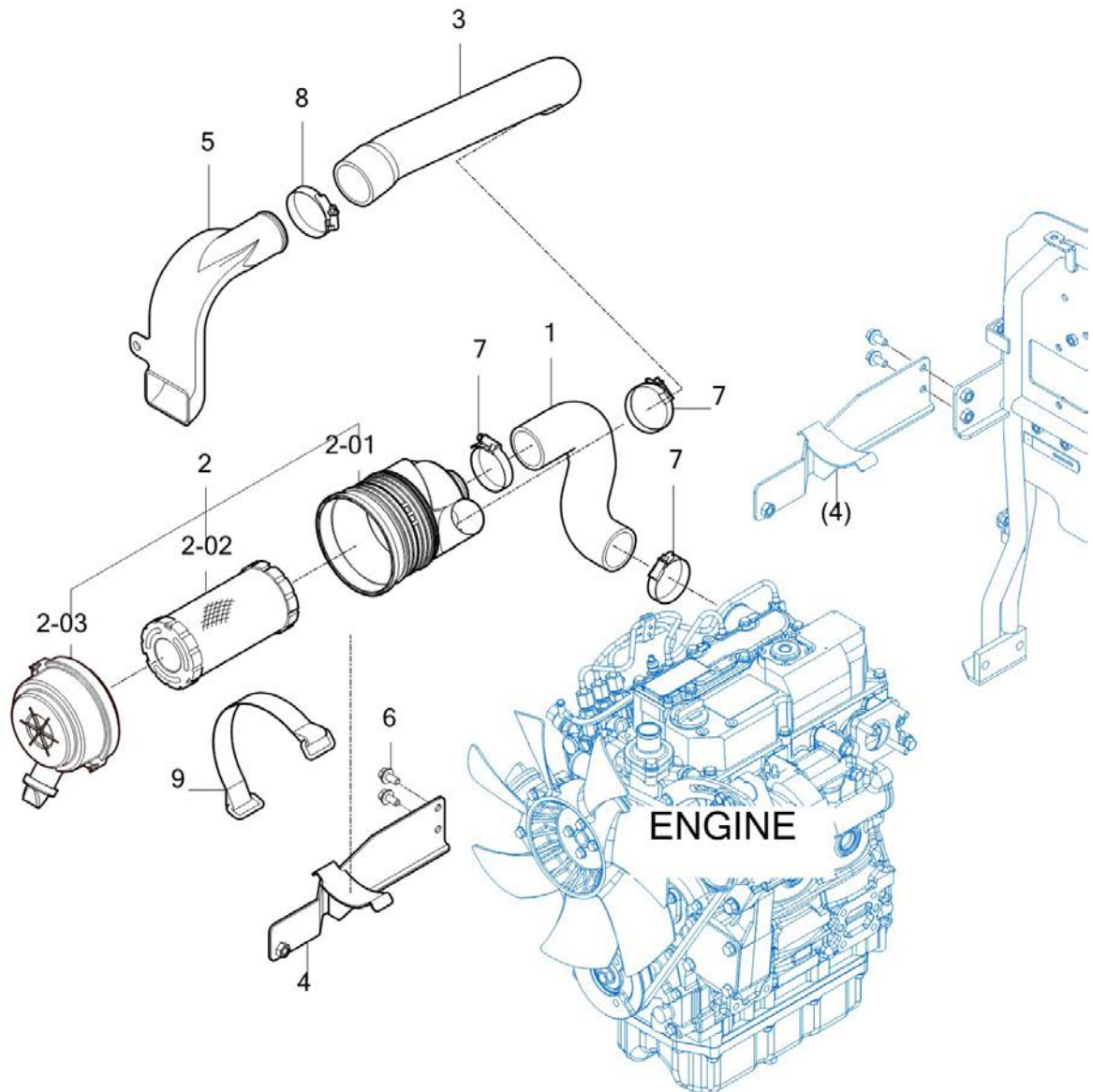
FIG 201

AIR CLEANER

년/월
Year/Month

2022-12

T25NHAU3



NOTE

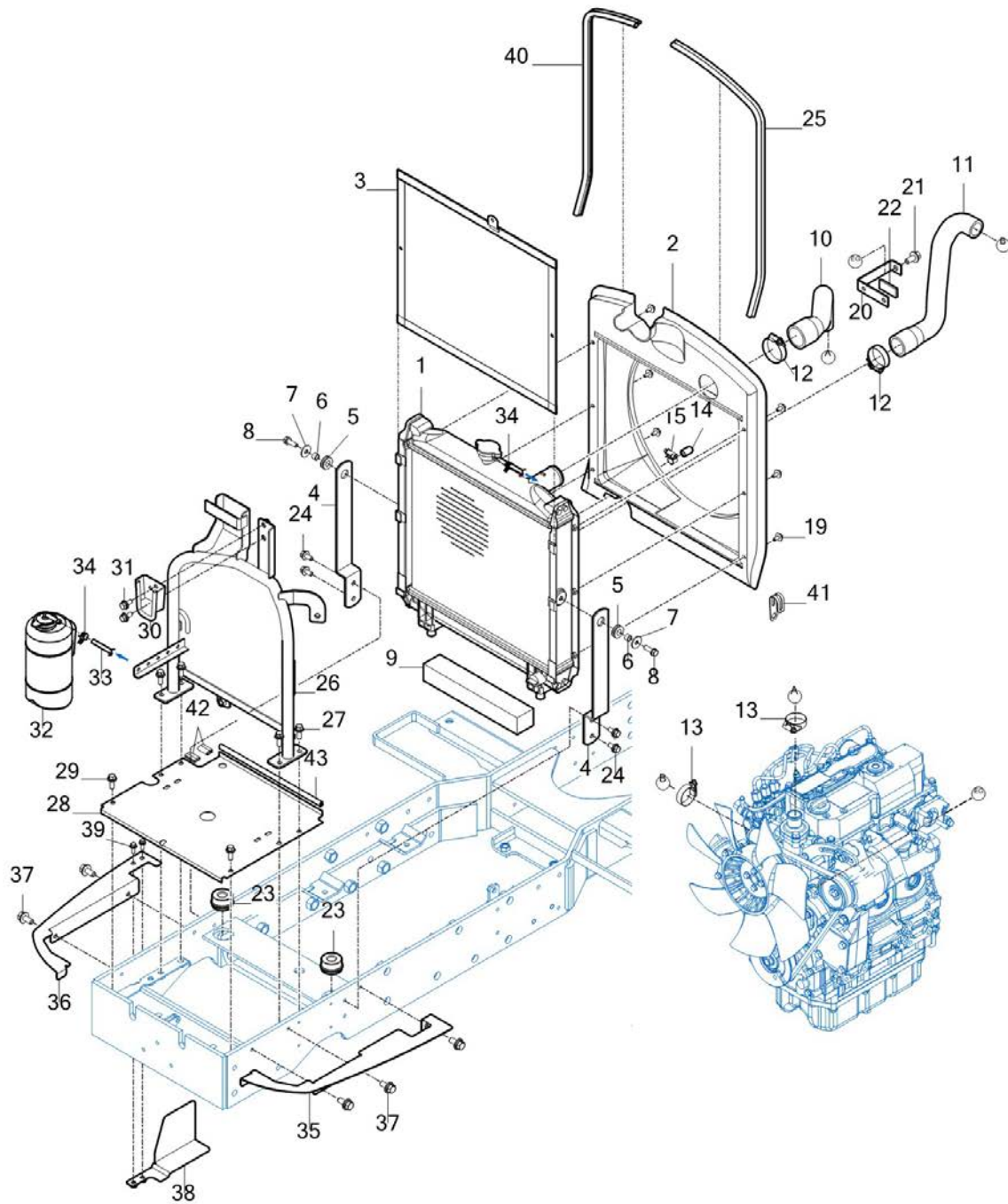
FIG 202

RADIATOR

년/월
Year/Month

2022-12

T25NHAU3



NOTE

FIG 202		RADIATOR						년/월 Year/Month	
T25NHAU3								2022-12	
KEY NO	PART NO	DESCRIPTION	SPEC	QTY	REPAIR	EFFECTIVE DATE	REMARKS		
202	1	13151043000	라디에이터 COMP						
202	2	11811521300	슈라우드						
202	3	13151042302GB	라디에이터 네트 COMP						
202	4	13151040031GB	라디에이터 고정 플레이트						
202	5	14046210300	그로맷						
202	6	15991040050	칼라(08X12X08)						
202	7	35602010150	결속축와셔						
202	8	V2173608025	소형육각볼트보통(S)						
202	9	11811030500	인슐레이터, 라디에이터						
202	10	11971511100	호스, 라디에이터 인렛						
202	11	11971511200	호스, 라디에이터 아웃렛						
202	12	18027090500	밴드 클램프 50 홀식						
202	13	18027090400	밴드 클램프 40 홀식						
202	14	12651040300	캡, 라디에이터						
202	15	18027090160	밴드 클램프 16 홀식						
202	19	V2193606016	육각볼트(SPL)						
202	20	11111040120GB	브래킷, 라디에이터 호스 고정						
202	21	V2183610025	소형육각볼트보통(SP)						
202	22	11101032400	스폰지, 에어클리너						
202	23	13151040040	라디에이터 쿠션						
202	24	V2183608020	소형육각볼트보통(SP)						
202	25	11811512300	인슐레이터, 우/슈라우드						
202	26	11811021100GB	프레임 COMP, 프런트						
202	27	V2183608025	소형육각볼트보통(SP)						
202	28	11811811210GB	베이스 플레이트						
202	29	V2183608016	소형육각볼트보통(SP)						
202	30	36753302201GB	홀더(탱크/리저브)COMP						
202	31	V2183608020	소형육각볼트보통(SP)						
202	32	16003302101	탱크(리저브)ASSY						
202	33	11811513100	호스, 470/리저버탱크						
202	34	36423600080	호스클립(D=12.5)						
202	35	11811811310GB	베이스 플레이트, 좌						
202	36	11811811410GB	베이스 플레이트, 우						
202	37	V2183608016	소형육각볼트보통(SP)						
202	38	11811811600GB	브래킷 COMP, 우/바람 가이드						
202	39	V2123606016	육각볼트(SP)						
202	40	11811512400	인슐레이터, 좌/슈라우드						
202	41	37371720090	메인 하니스 클램프(하)						
202	42	12626010200	인슐레이터, 사이드커버/하						
202	42	11811811700	웨더 스트립, E40						
202	43	17136040050	인슐레이터(서포트)						
NOTE									

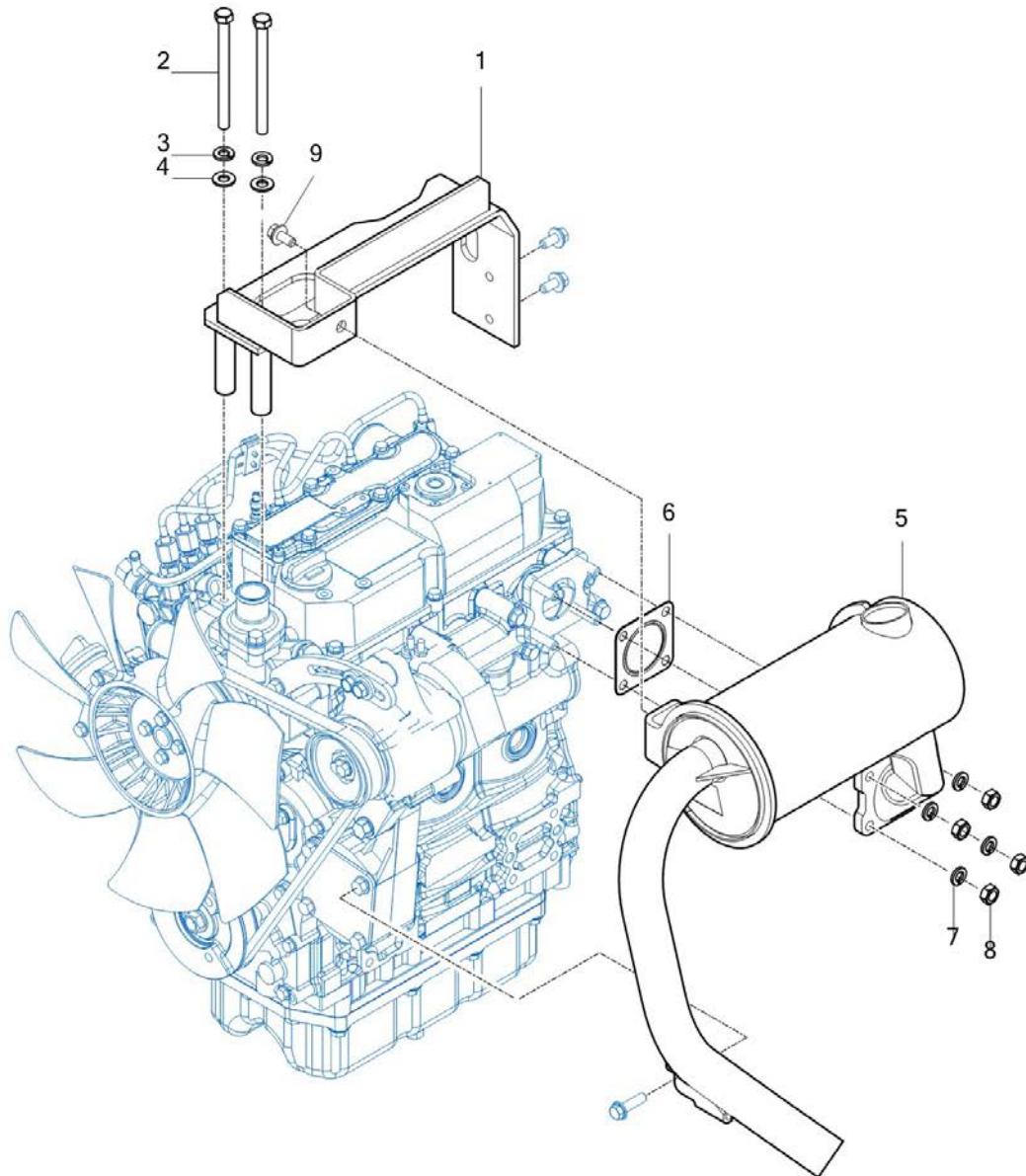
FIG 203

T25NHAU3

MUFFLER

년/월
Year/Month

2022-12



NOTE

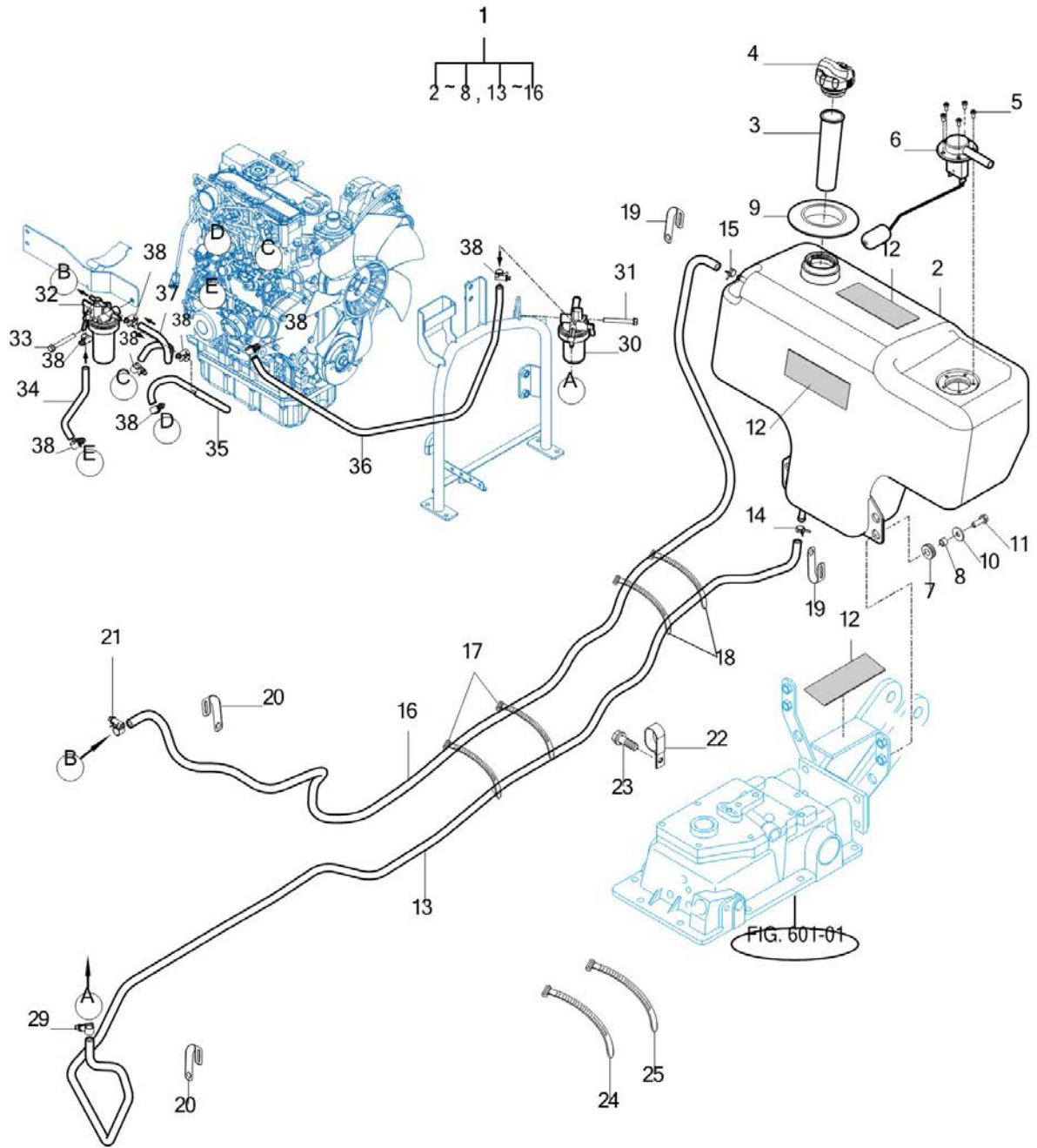
FIG 204

FUEL TANK & FUEL LINE

년/월
Year/Month

2022-12

T25NHAU3



NOTE

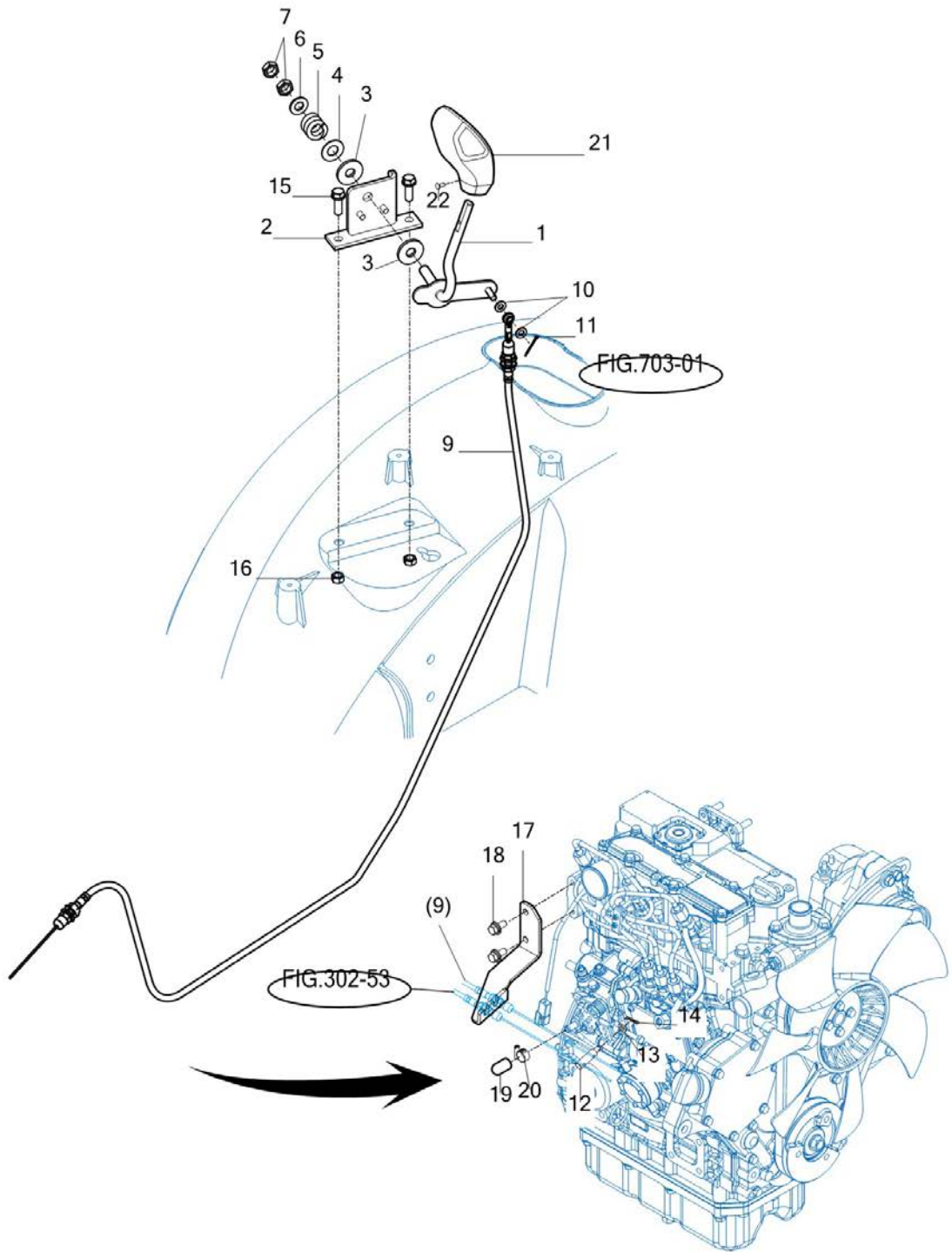
FIG 205

ACCELERATOR

년/월
Year/Month

2022-12

T25NHAU3



NOTE

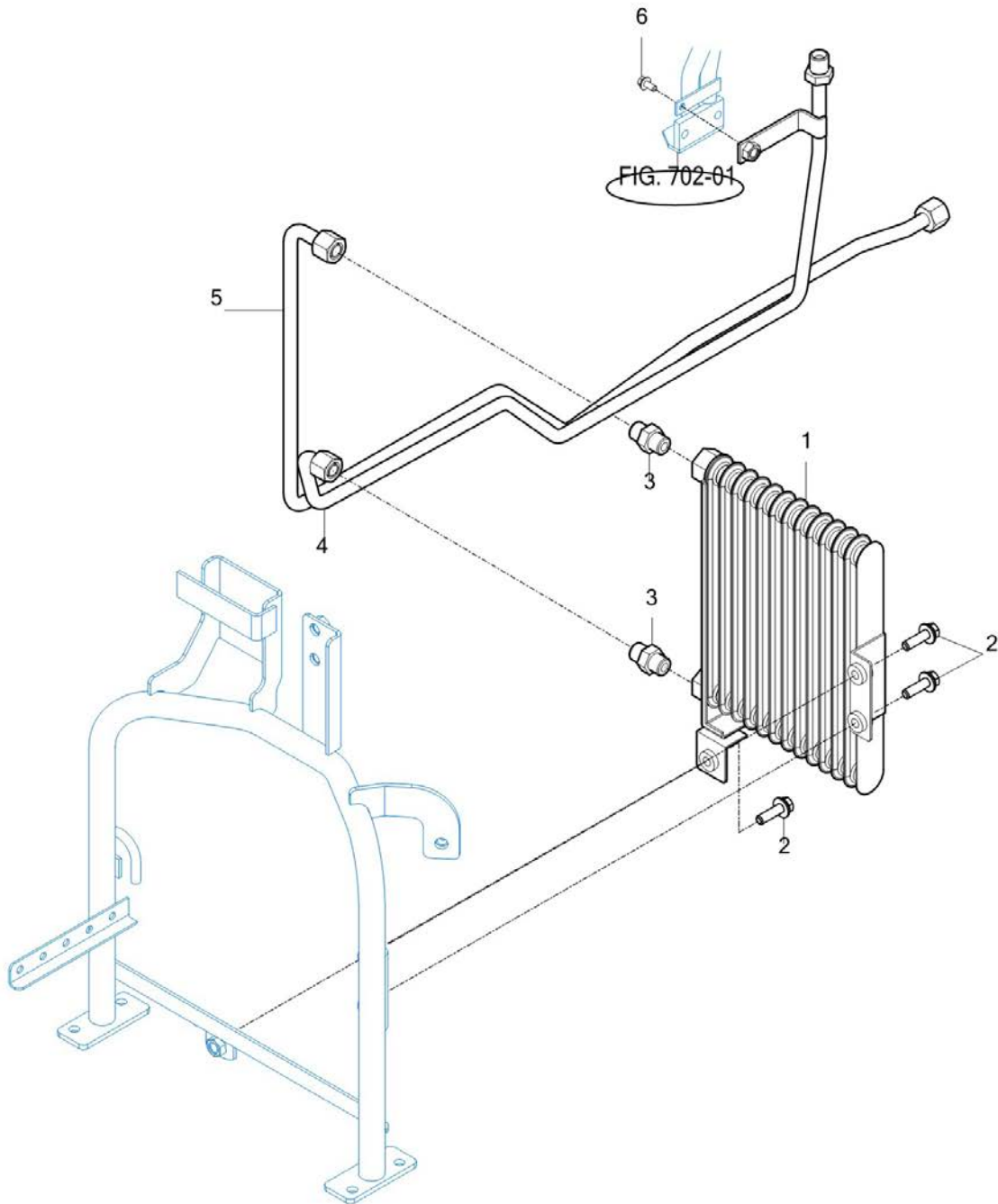
FIG 206

T25NHAU3

OIL COOLER

년/월
Year/Month

2022-12



NOTE

3. 클러치/브레이크/스티어링 PART NO. T3

FIG 301 FLYWHEEL COVER	55
FIG 302 SPEED CONTROL	57
FIG 303 BRAKE	60
FIG 304 BRAKE PEDAL & LINKAGE	62
FIG 305 STEERING WHEEL & DASH COVER	64
FIG 306 STEERING VALVE	66
FIG 307 STEERING CYLINDER	68
FIG 308 FRONT WHEEL	70
FIG 309 REAR WHEEL	72

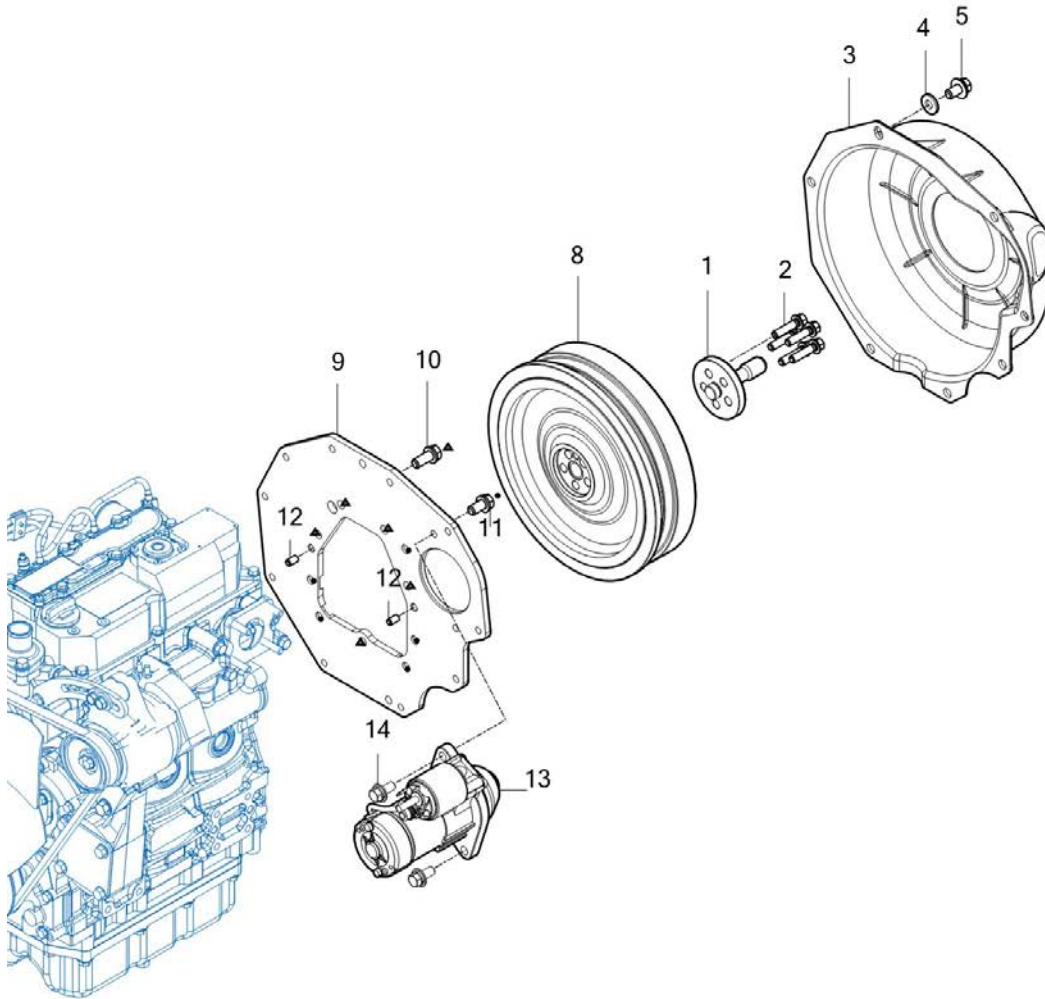
FIG 301

T25NHAU3

FLYWHEEL COVER

년/월
Year/Month

2022-12



NOTE

FIG 301		FLYWHEEL COVER						년/월 Year/Month	
								2022-12	
T25NHAU3		KEY NO	PART NO	DESCRIPTION	SPEC	QTY	REPAIR	EFFECTIVE DATE	REMARKS
301	1	11811010010	PTO 커플링			1			
301	2	14661019340	플라이휠 볼트			5			
301	3	11102100011	플라이휠 커버			1			
301	4	13377210020	와셔(11X24X3)			1			
301	5	V2183610020	소형육각볼트보통(SP)			5			
301	8	11111012000	플라이휠 ASSY			1			
301	9	11111480010GB	리어 플레이트			1			
301	10	V2173610025	소형육각볼트보통(S)			5			
301	11	V2173610020	소형육각볼트보통(S)			5			
301	12	V5201008016	평행핀(A)			2			
301	13	119125-77010	스타터			1			
301	14	V2183610025	소형육각볼트보통(SP)			2			
NOTE									

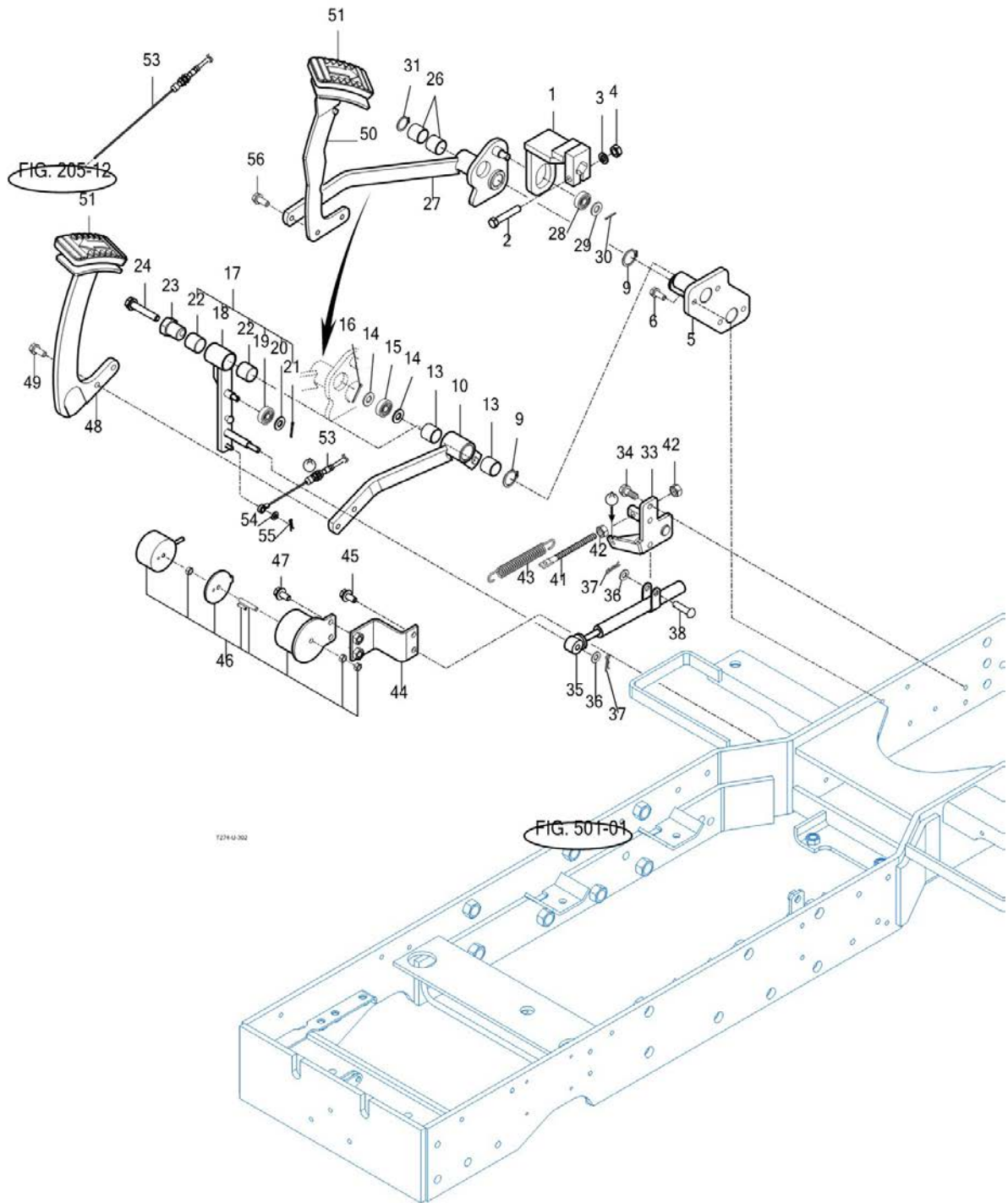
FIG 302

SPEED CONTROL

년/월
Year/Month

2022-12

T25NHAU3



NOTE

FIG 302		SPEED CONTROL						년/월 Year/Month	
								2022-12	
T25NHAU3		KEY NO	PART NO	DESCRIPTION	SPEC	QTY	REPAIR	EFFECTIVE DATE	REMARKS
302	1	11972322101	홀더 COMP			1			
302	1	11972322101	홀더 COMP			1			
302	2	V2013608045	소형육각볼트(보통)	M10X55		1			
302	2	V2013608045	소형육각볼트(보통)			1			
302	3	V4011600080	스프링와셔	M8		1			
302	3	V4011600080	스프링와셔			1			
302	4	V3042600080	소형육각너트보통2종	M8		1			
302	4	V3042600080	소형육각너트보통2종			1			
302	5	11972322200GB	핀 COMP			1			
302	6	V2173608020	소형육각볼트보통(S)	M8X20		4			
302	9	V7041400200	C형멈춤링(축용)	20		2			
302	10	11972323200GB	암(전진) COMP			1			
302	13	11972320030	DU부시(25X28X20)			2			
302	14	V4111600100	평와셔	M10		2			
302	15	V6001506000	볼베어링	6000DD		1			
302	16	V5001920015	분할핀	2X15		1			
302	17	11972324000	캠 SUB ASSY			1			
302	18	11972324100GB	암(캠) COMP			1			
302	19	14722310060	볼베어링(608DD)			1			
302	20	V4111600080	평와셔	M8		1			
302	21	V5001920015	분할핀	2x15		1			
302	22	11972320030	DU부시(25X28X20)			2			
302	23	11972320020	핀(중립)			1			
302	24	V2143610080	소형육각볼트가는(S)	M10X50		1			
302	26	11972320040	DU부시(25X28X30)			2			
302	27	11972322300GB	암 COMP(후진)			1			
302	28	V6001506000	볼베어링	6000DD		1			
302	29	V4111600100	평와셔	M10		1			
302	30	V5001920015	분할핀	2X15		1			
302	31	V7041400250	C형멈춤링(축용)			1			
302	33	11972325100GB	핀(스프링) COMP			1			
302	34	V2173608025	소형육각볼트보통(S)	M8X25		2			
302	35	13152312400	오일 댐퍼			1			
302	36	V4111600080	평와셔	M8		4			
302	37	V5601600008	스냅핀	8		4			
302	38	14043120060	요오크핀 (A)			1			
302	41	34522150080	체인 텐션 로드(82)			1			
302	42	V3043600080	소형육각너트보통2종	M8		2			
302	43	14722310033	스프링(리턴)			1			
302	44	13152332103DG	브래킷(크루즈) COMP			1			
302	44	13152332103GB	브래킷(크루즈) COMP			1			
302	45	V2173608020	소형육각볼트보통(S)	M8X20		2			
302	46	12382323000	크루저 컨트롤 마그네틱 ASSY			1			
302	46	12382323001	크루저 컨트롤 마그네틱 ASSY			1			
302	47	V2173608020	소형육각볼트보통(S)	M8X20		2			
NOTE									

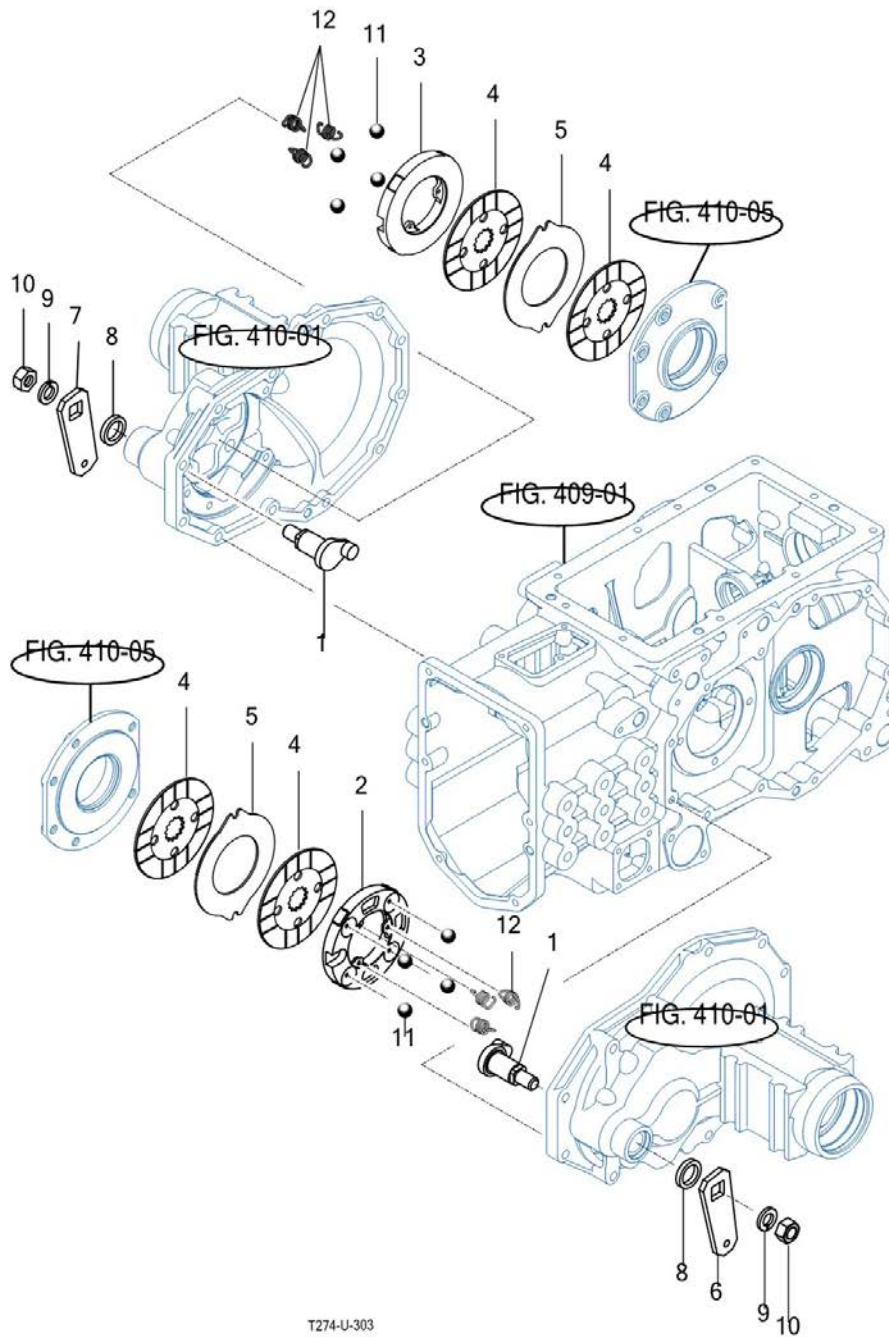
FIG 303

T25NHAU3

BRAKE

년/월
Year/Month

2022-12



NOTE

FIG 303 T25NHAU3		BRAKE					년/월 Year/Month			
							2022-12			
KEY NO		PART NO	DESCRIPTION	SPEC	QTY	REPAIR	EFFECTIVE DATE	REMARKS		
303	1	16703270011	캠		1					
303	2	13153270021M	브레이크 메탈(LH)		1					
303	3	13153270041M	브레이크 메탈(RH)		1					
303	4	13153272100	디스크 플레이트		4					
303	5	13153270030	세파레이터 플레이트		2					
303	6	13153270090	브레이크암		1					
303	7	13153270090	브레이크암		1					
303	8	V7441253506	오일살(D)		2					
303	9	V4011600160	스프링와셔	M16	2					
303	10	V3343600160	소형육각너트가는2종	M16	2					
303	11	V6802000019	볼		8					
303	12	16703272030	리턴스프링		6					
NOTE										

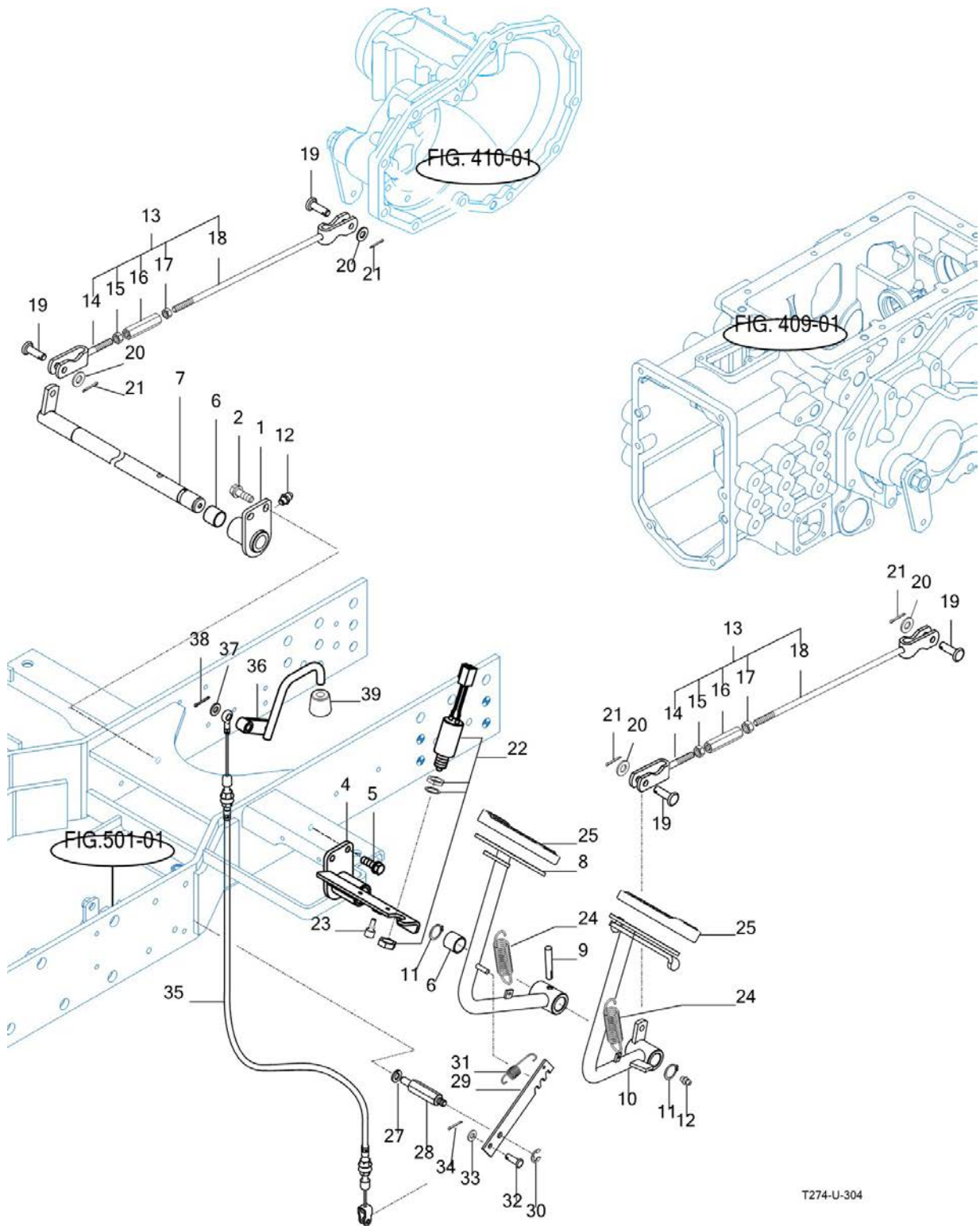
FIG 304

BRAKE PEDAL & LINKAGE

년/월
Year/Month

T25NHAU3

2022-12



T274-U-304

NOTE

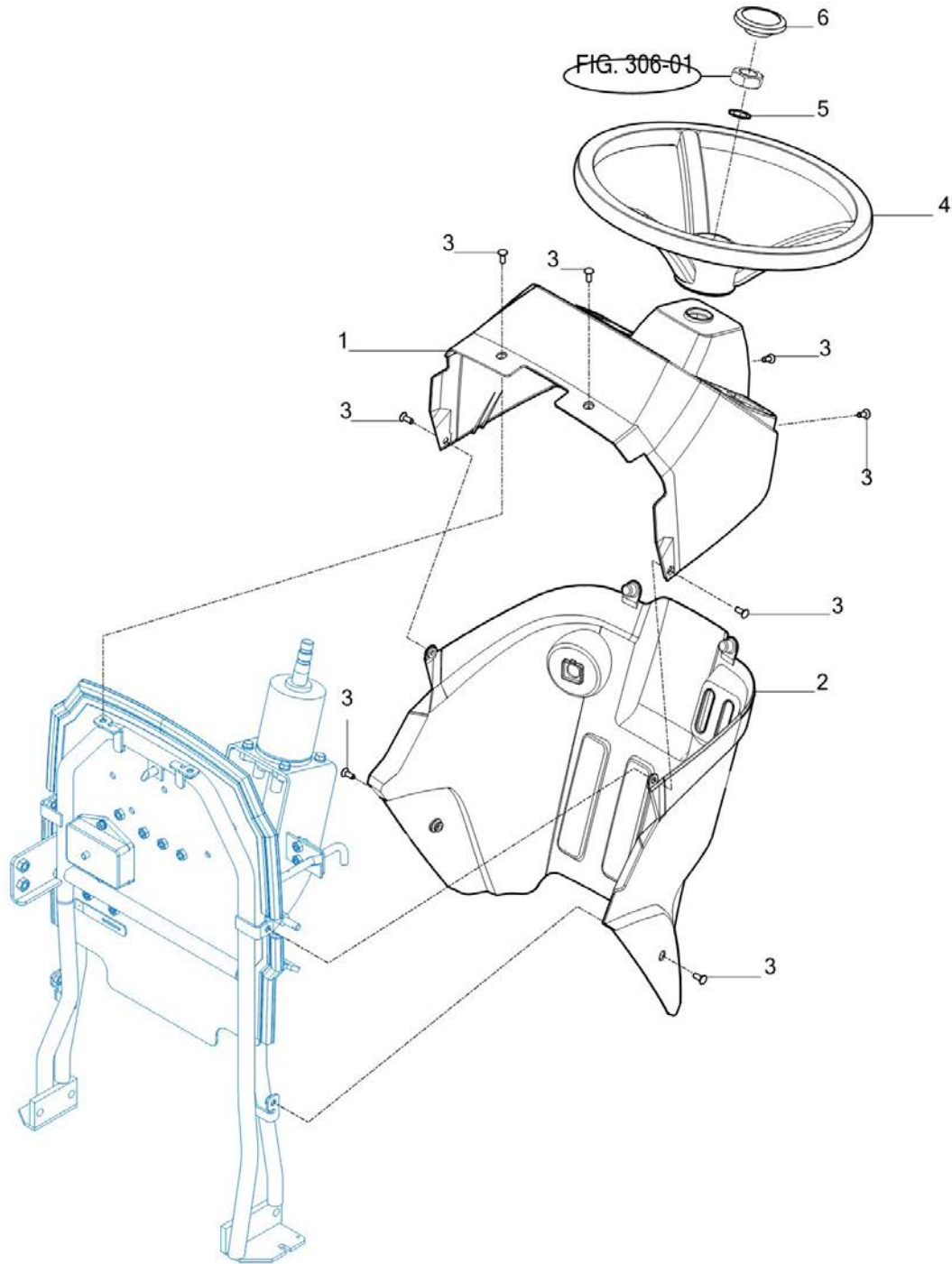
FIG 305

T25NHAU3

STEERING WHEEL & DASH COVER

년/월
Year/Month

2022-12



NOTE

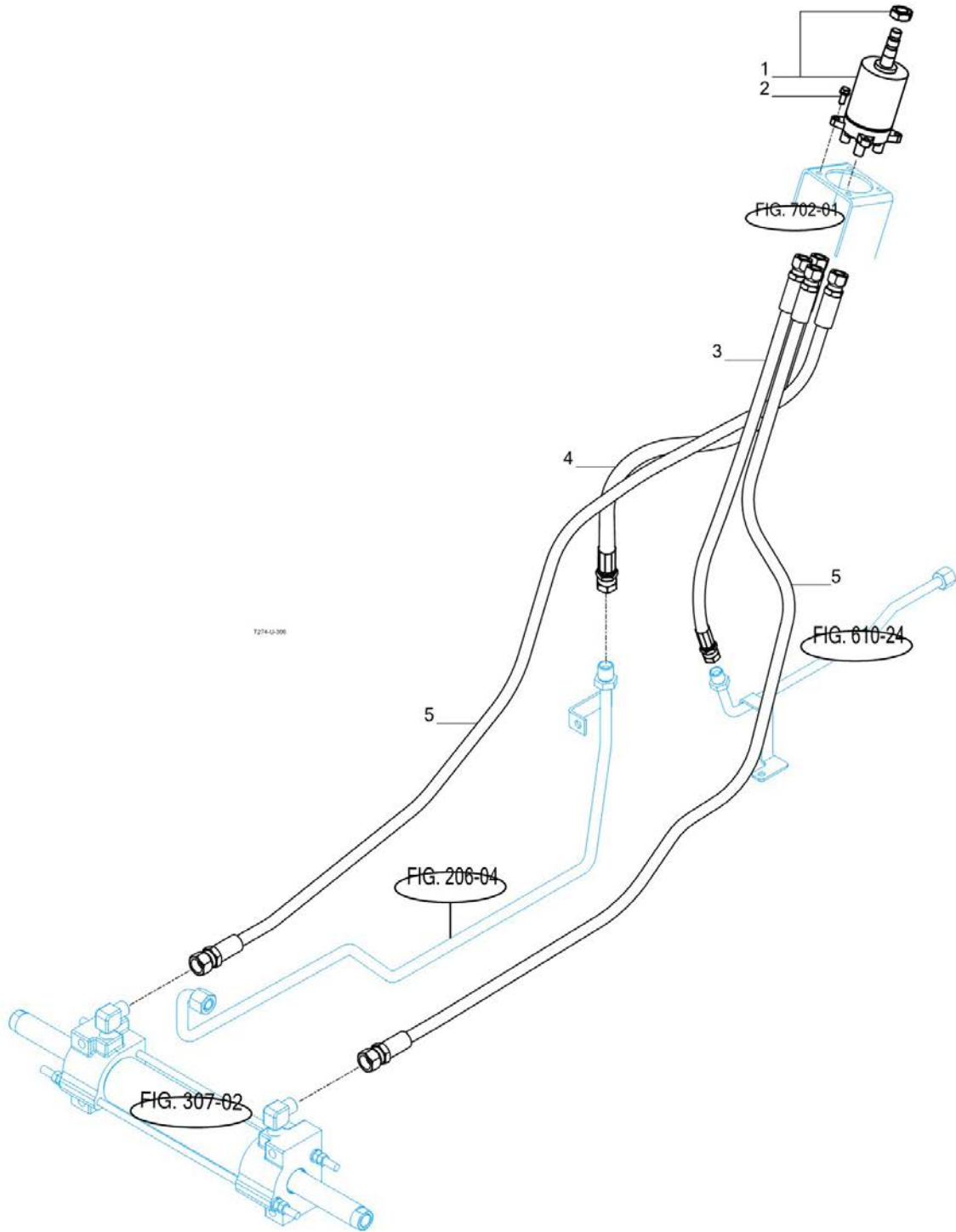
FIG 306

STEERING VALVE

년/월
Year/Month

T25NHAU3

2022-12



NOTE

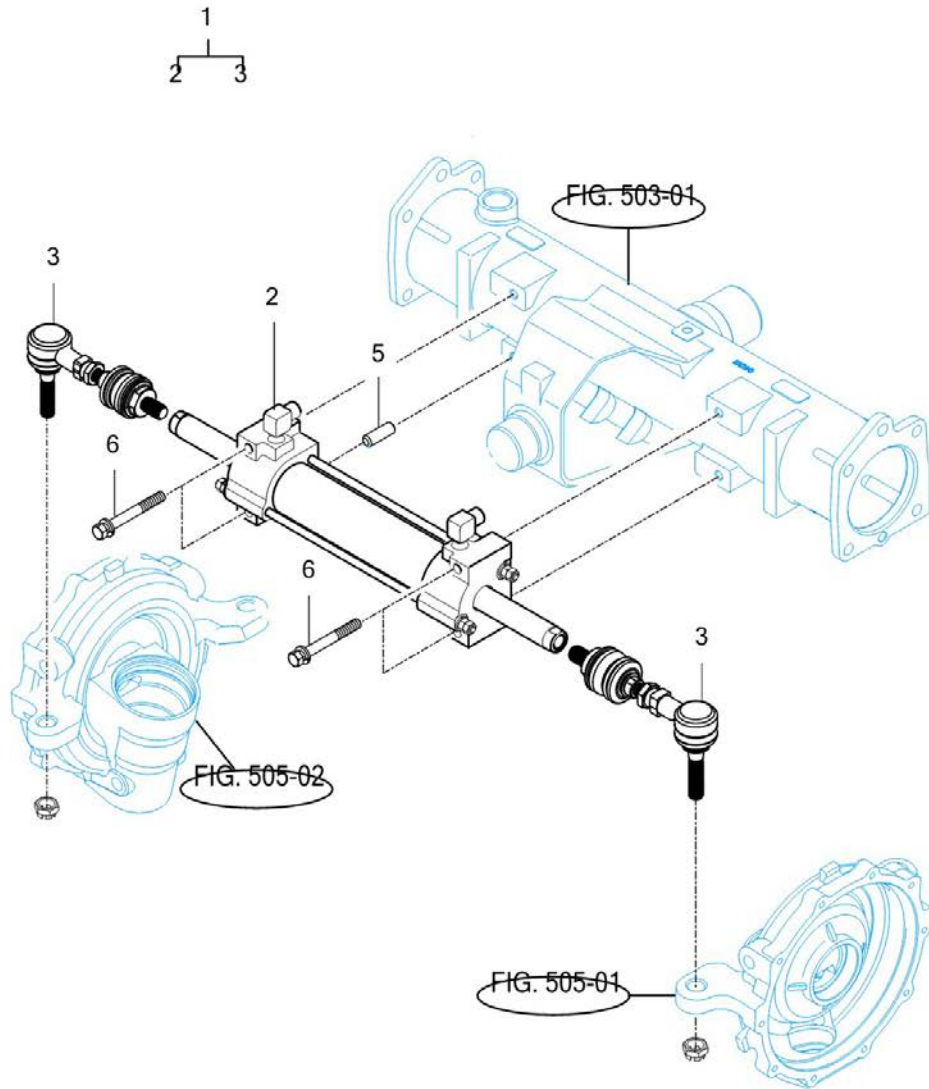
FIG 307

T25NHAU3

STEERING CYLINDER

년/월
Year/Month

2022-12



NOTE

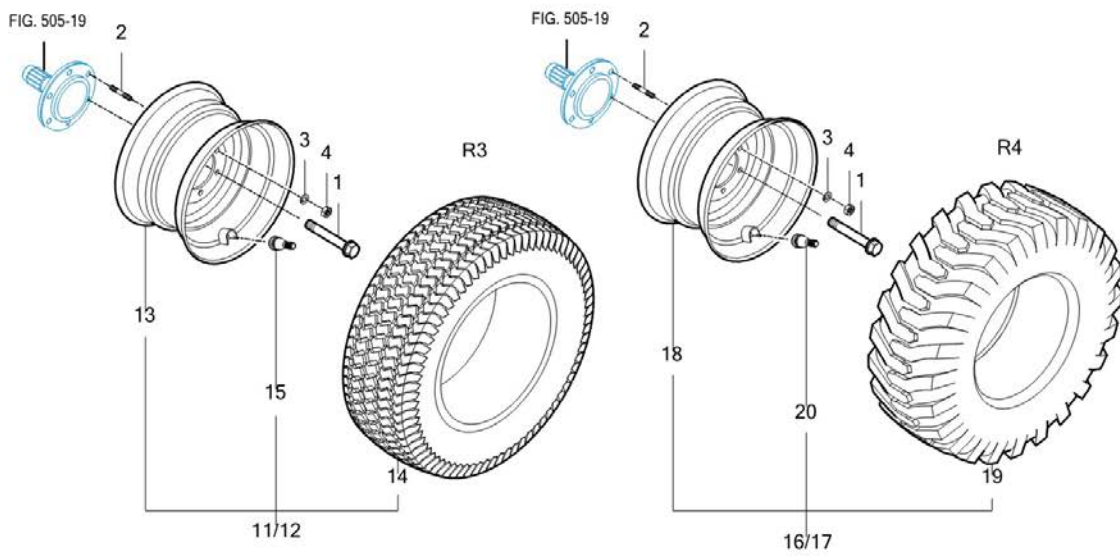
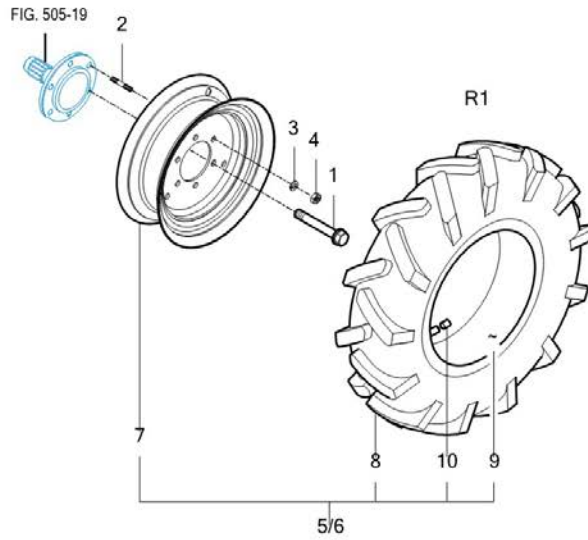
FIG 308

T25NHAU3

FRONT WHEEL

년/월
Year/Month

2022-12



NOTE

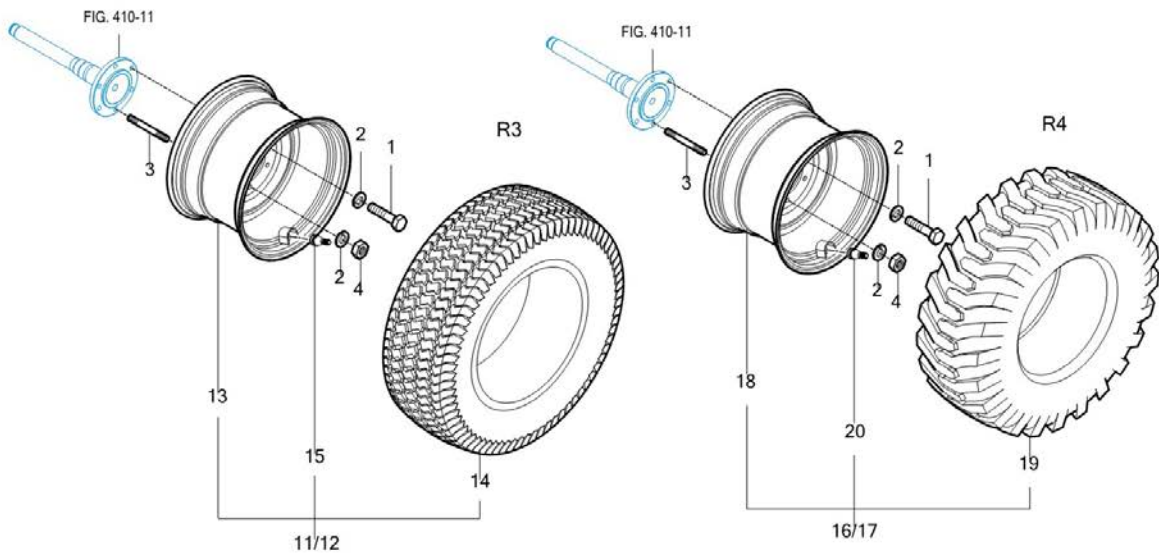
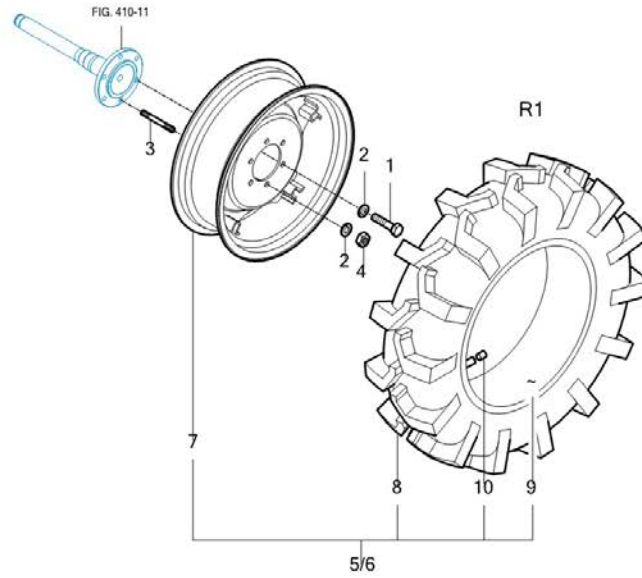
FIG 309

T25NHAU3

REAR WHEEL

년/월
Year/Month

2022-12



NOTE

4. 트랜스미션 PART NO. T4

FIG 401 INPUT SHAFT	75
FIG 402 HST	77
FIG 403 4WD DRIVE GEAR	79
FIG 404 RANGE GEARS	81
FIG 405 P.T.O DRIVE SHAFT	83
FIG 406 P.T.O SHAFT	85
FIG 408 DIFF LOCK	87
FIG 409 REAR TRANSMISSION CASE	89
FIG 410 REAR AXLE HOUSINGS	91
FIG 411 RANGE SHIFT LEVER	93
FIG 412 P.T.O CHANGE LEVER	95
FIG 413 4WD CHANGE LEVER	97

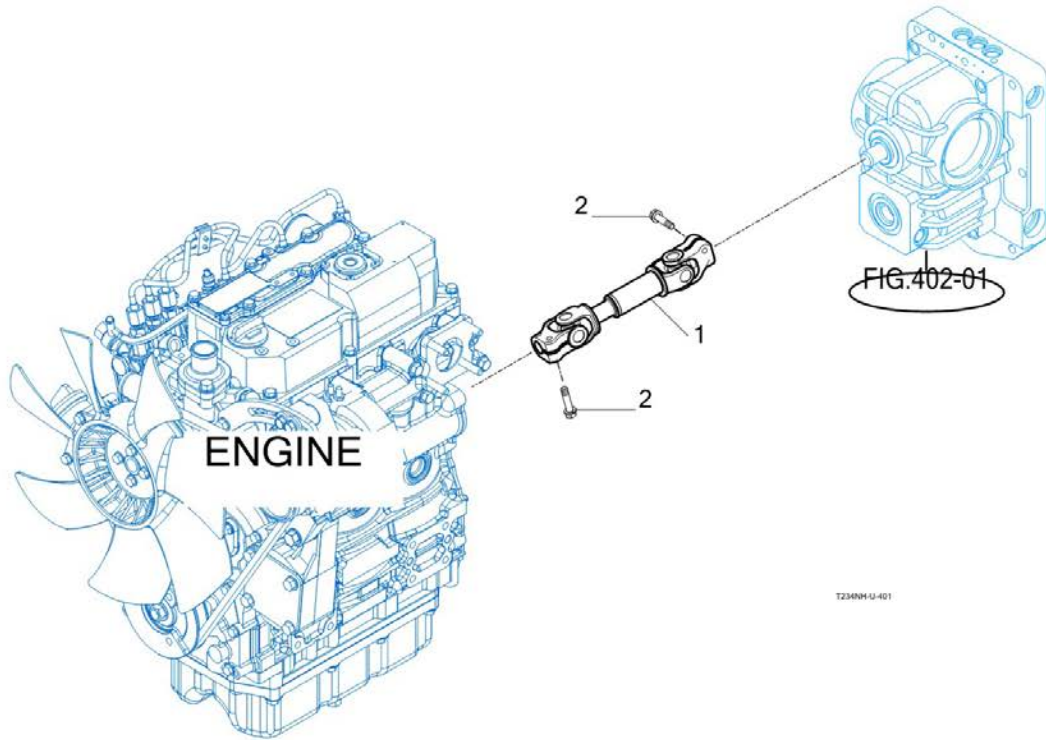
FIG 401

T25NHAU3

INPUT SHAFT

년/월
Year/Month

2022-12



NOTE

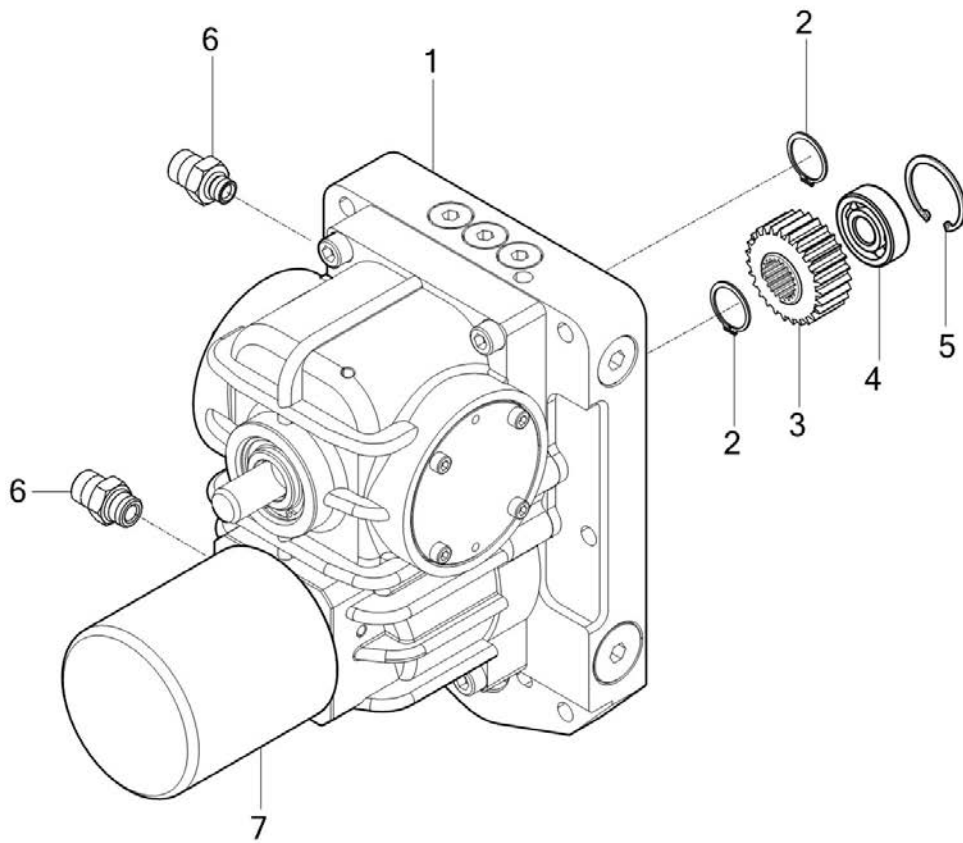
FIG 402

T25NHAU3

HST

년/월
Year/Month

2022-12



NOTE

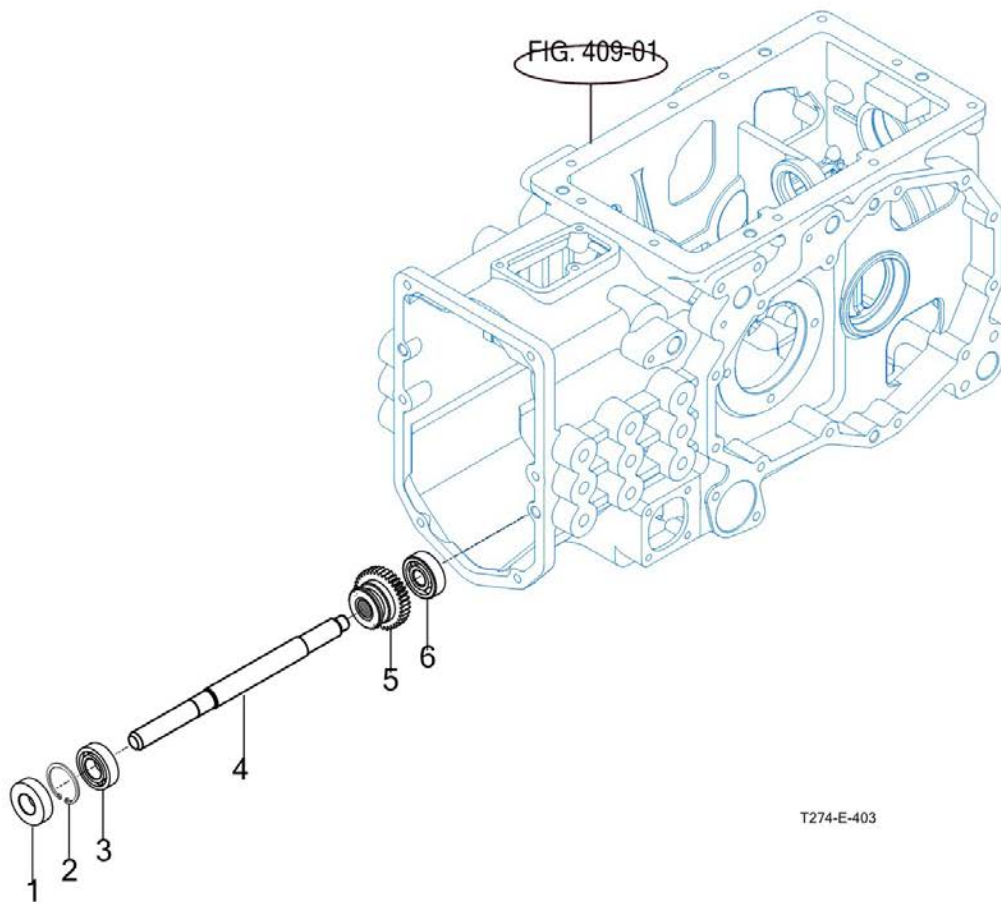
FIG 403

T25NHAU3

4WD DRIVE GEAR

년/월
Year/Month

2022-12



T274-E-403

NOTE

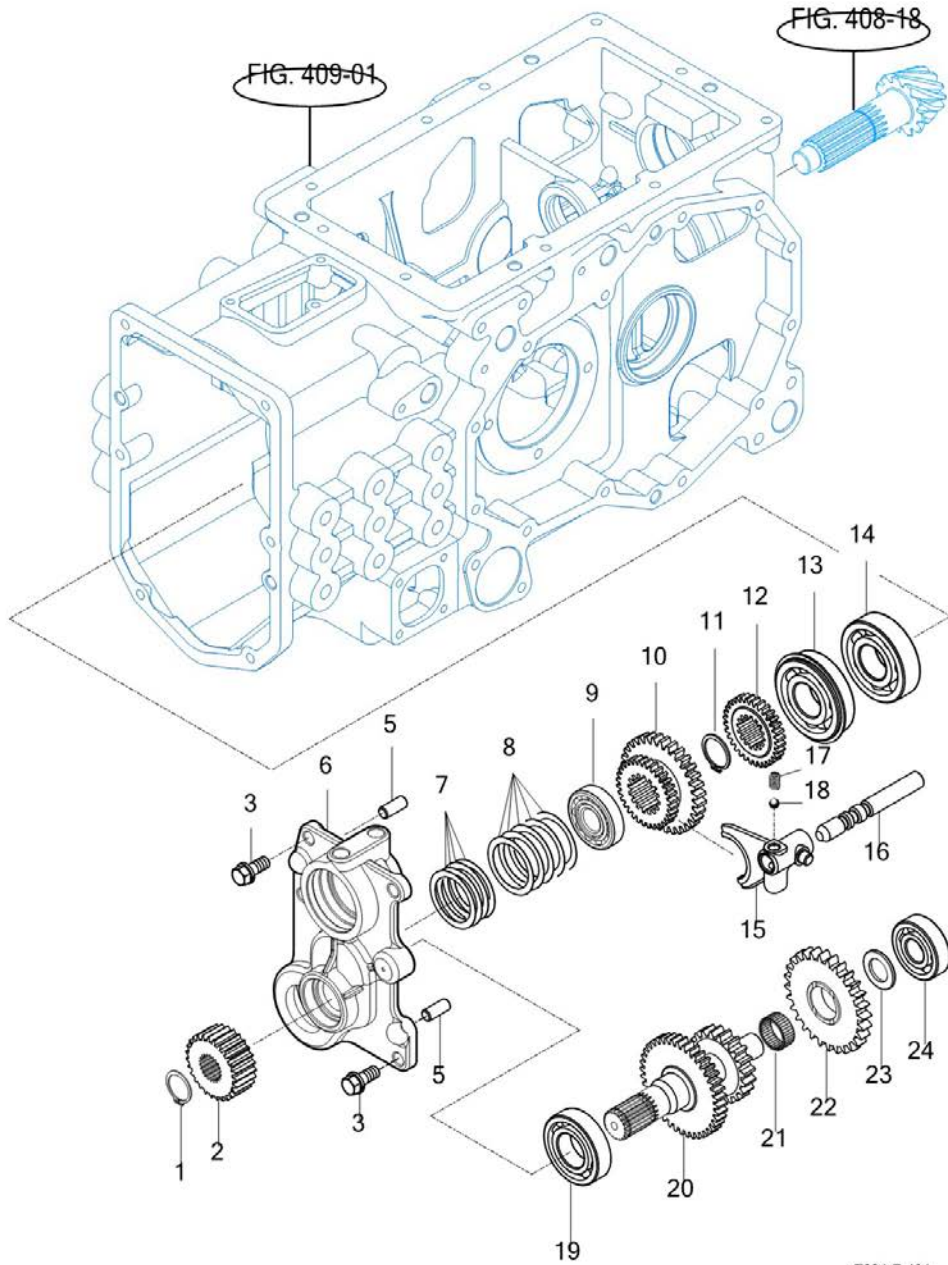
FIG 404

RANGE GEARS

년/월
Year/Month

2022-12

T25NHAU3



T234-E-404

NOTE

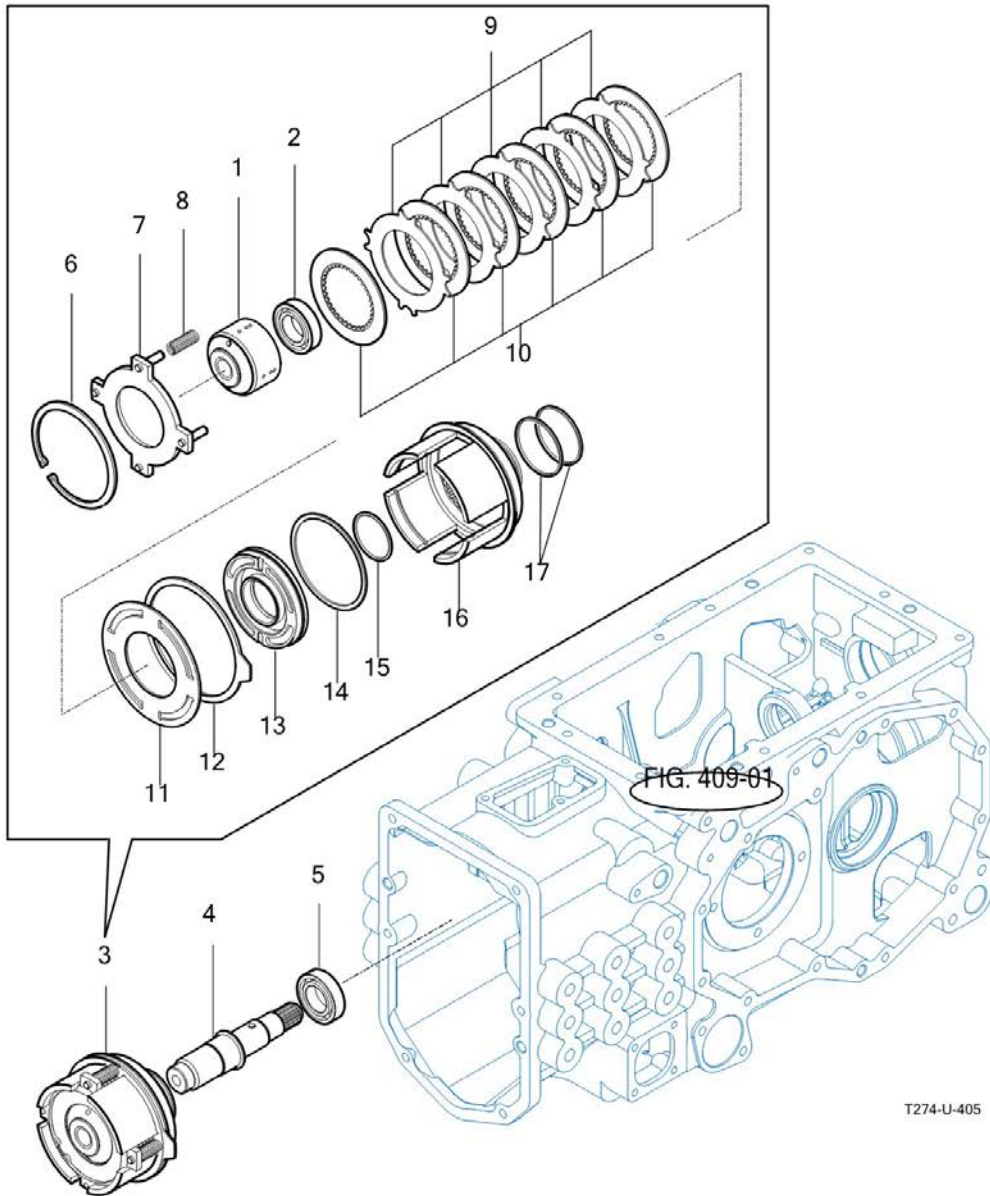
FIG 405

T25NHAU3

P.T.O DRIVE SHAFT

년/월
Year/Month

2022-12



T274-U-405

NOTE

FIG 405 T25NHAU3		P.T.O DRIVE SHAFT					년/월 Year/Month	
							2022-12	
KEY NO		PART NO	DESCRIPTION	SPEC	QTY	REPAIR	EFFECTIVE DATE	REMARKS
405	1	13152171021	허브(PTO 클러치)		1			
405	2	V6001106005	볼베어링	6005	1			
405	3	13152212000	PTO 클러치 ASSY		1			
405	4	13152171011	PTO 클러치 축		1			
405	5	V6001106005	볼베어링	6005	1			
405	6	V7051400950	C형멈춤링(구멍용)	95	1			
405	7	16702212030	플레이트 ASSY		1			
405	8	14722212040	스프링		4			
405	9	16342212050	클러치 플레이트		5			
405	10	15642212050	클러치 디스크		6			
405	11	15642212060	리턴 플레이트		1			
405	12	14722212070	디스크(브레이크)		1			
405	13	14722212020	피스톤		1			
405	14	15642212080	실링 (A)		1			
405	15	14722212090	링(피스톤)		1			
405	16	14722212010	케이스		1			
405	17	14462162180	실링 (B)		2			
NOTE								

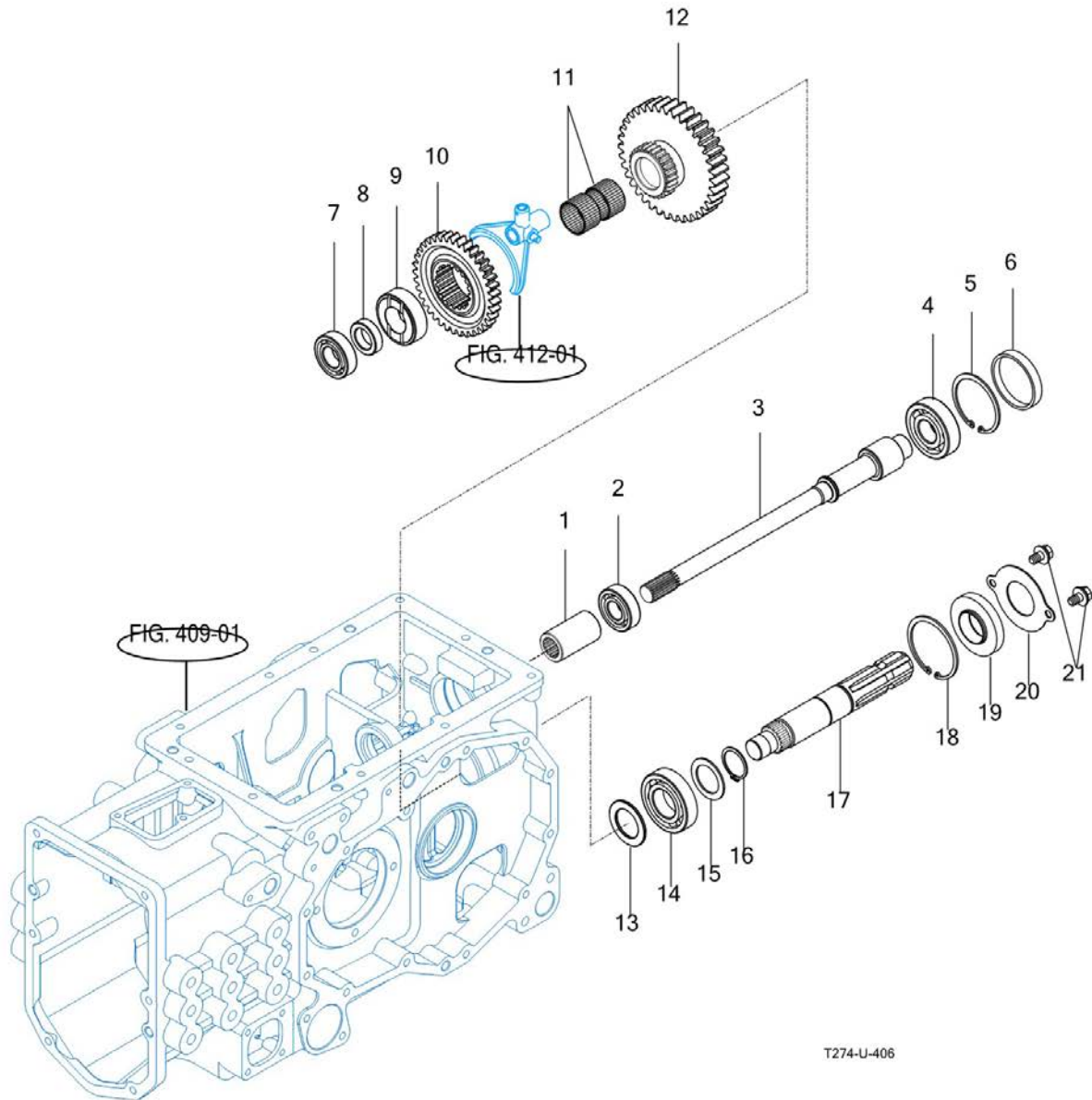
FIG 406

T25NHAU3

P.T.O SHAFT

년/월
Year/Month

2022-12



NOTE

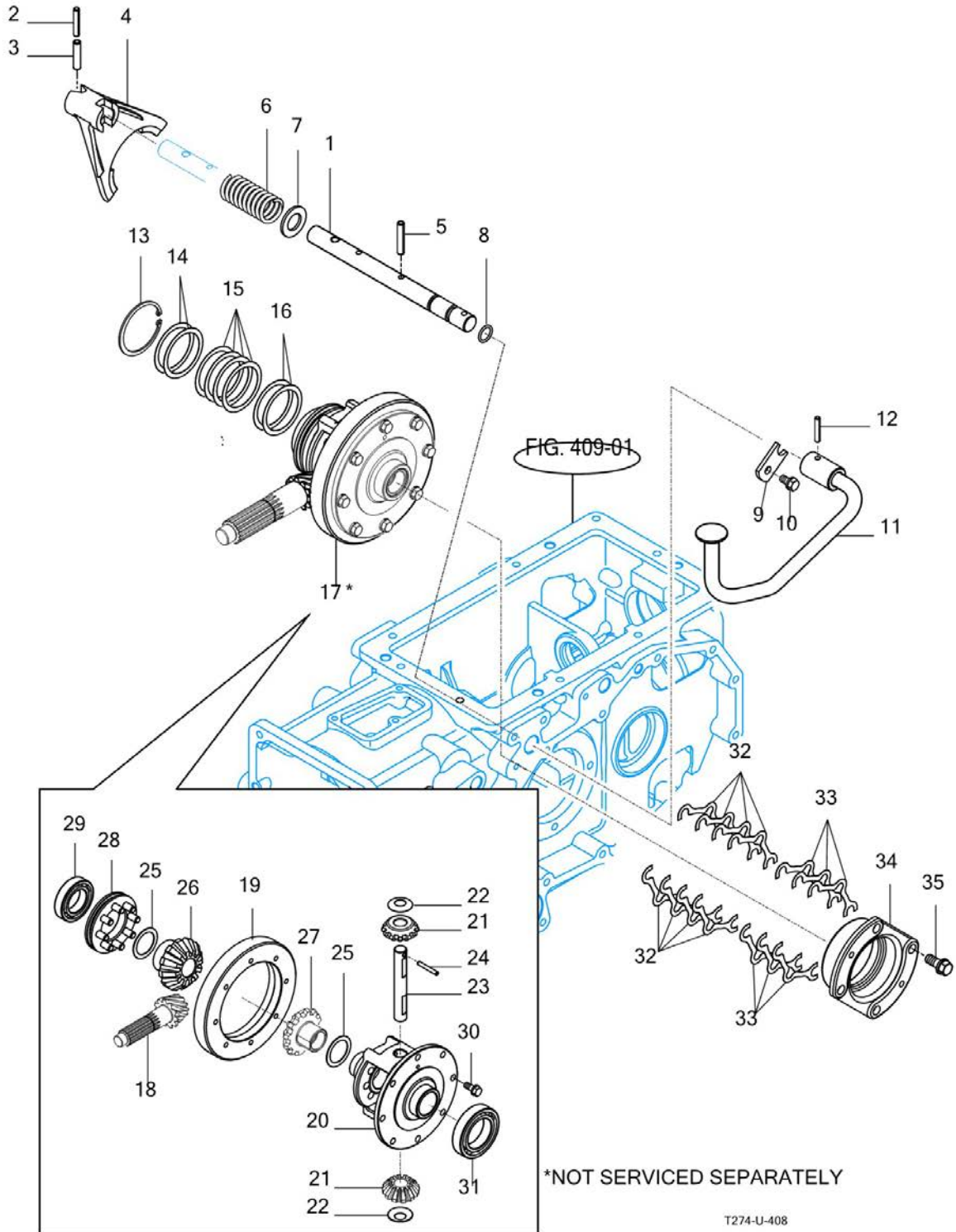
FIG 408

DIFF LOCK

년/월
Year/Month

T25NHAU3

2022-12



T274-U-408

NOTE

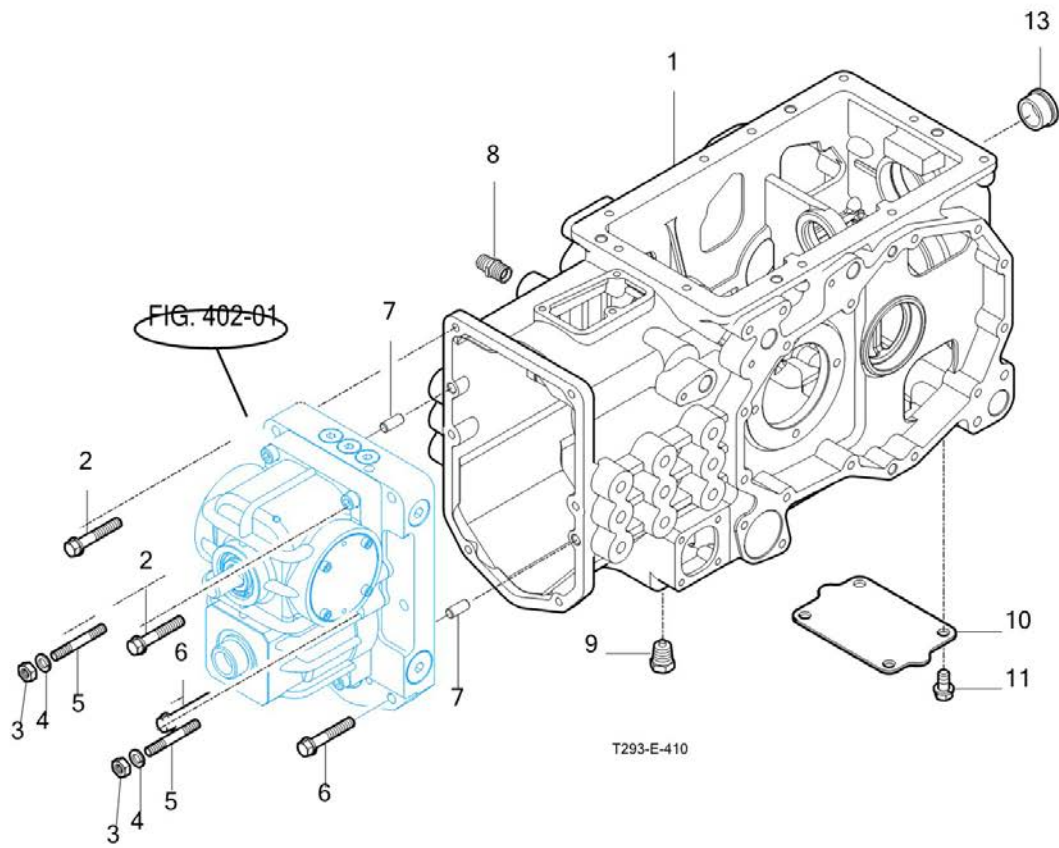
FIG 409

T25NHAU3

REAR TRANSMISSION CASE

년/월
Year/Month

2022-12



NOTE

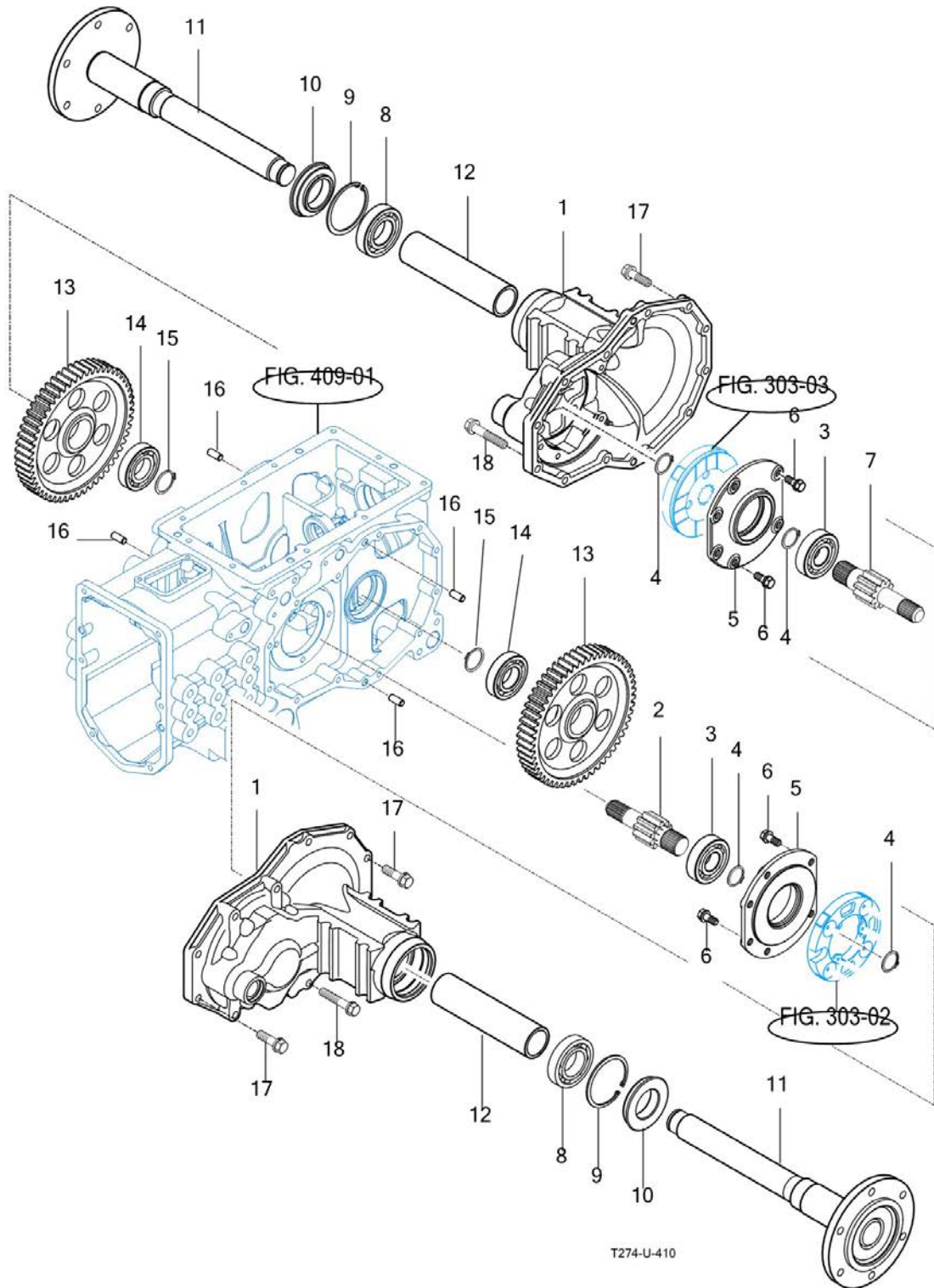
FIG 410

REAR AXLE HOUSINGS

년/월
Year/Month

T25NHAU3

2022-12



NOTE

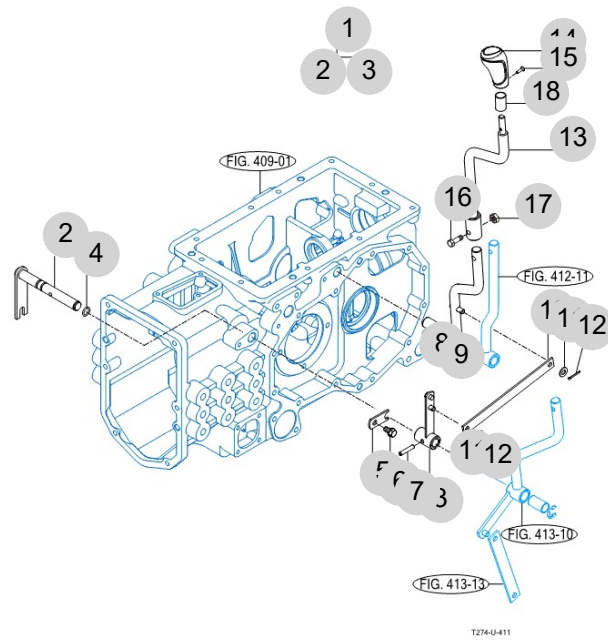
FIG 411

T25NHAU3

RANGE SHIFT LEVER

년/월
Year/Month

2022-12



T2764J-411

NOTE

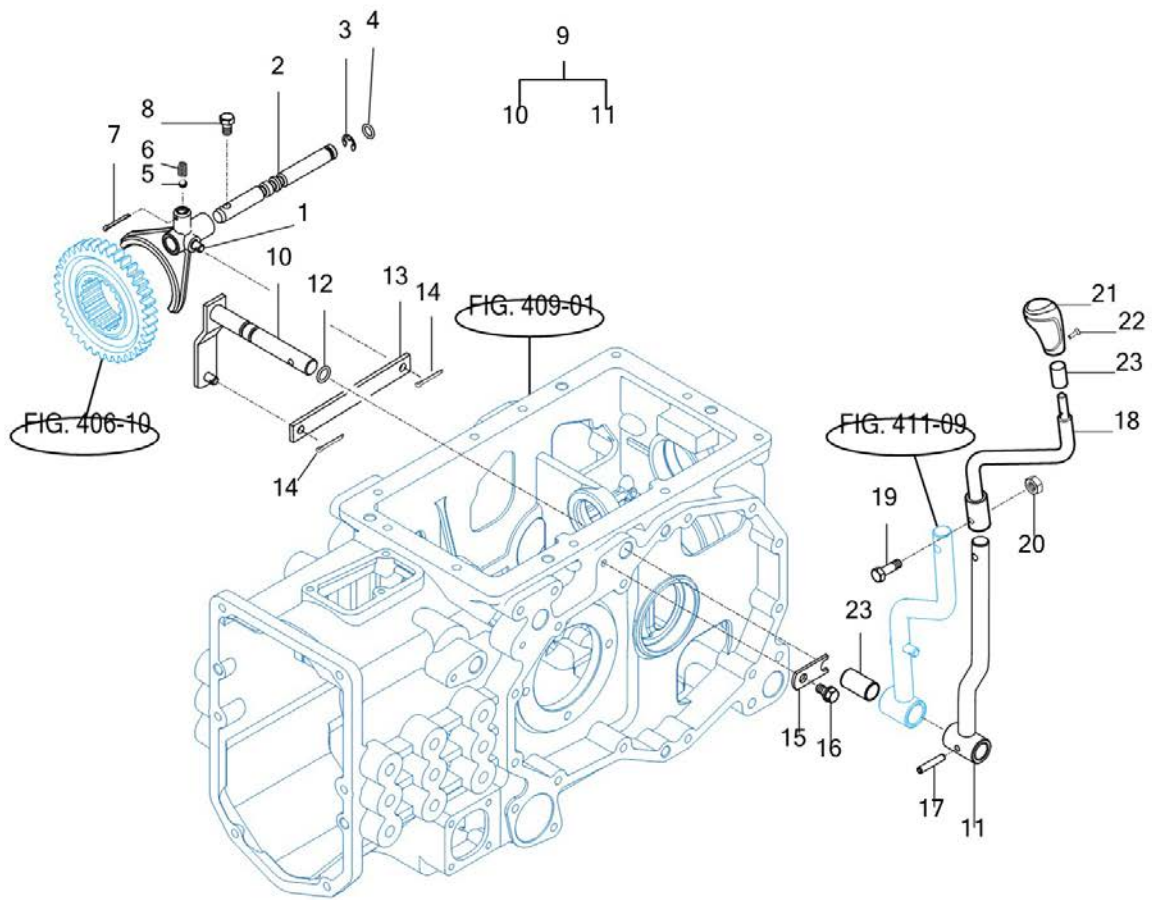
FIG 412

T25NHAU3

P.T.O CHANGE LEVER

년/월
Year/Month

2022-12



T274-U-412

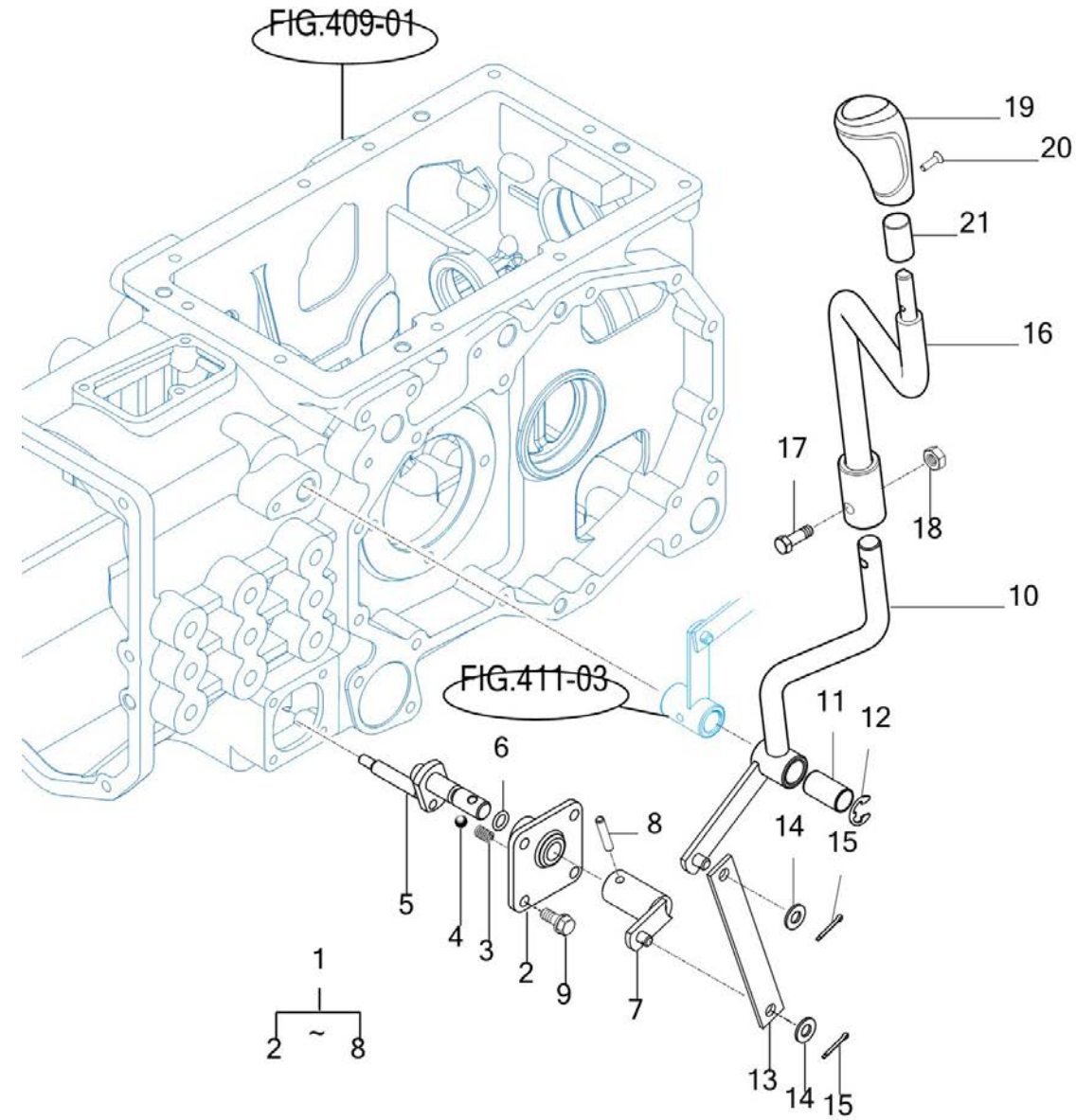
NOTE

FIG 413

4WD CHANGE LEVER

년/월
Year/Month

2022-12



T274-U-413

NOTE

5. 프런트 액슬 PART NO. T5

FIG 501 FRAME	100
FIG 502 FRONT DIFFERENTIAL GEARS & SHAFT	102
FIG 503 FRONT AXLE HOUSING	104
FIG 504 FRONT GEAR CASE (1)	106
FIG 505 FRONT GEAR CASE (2)	108

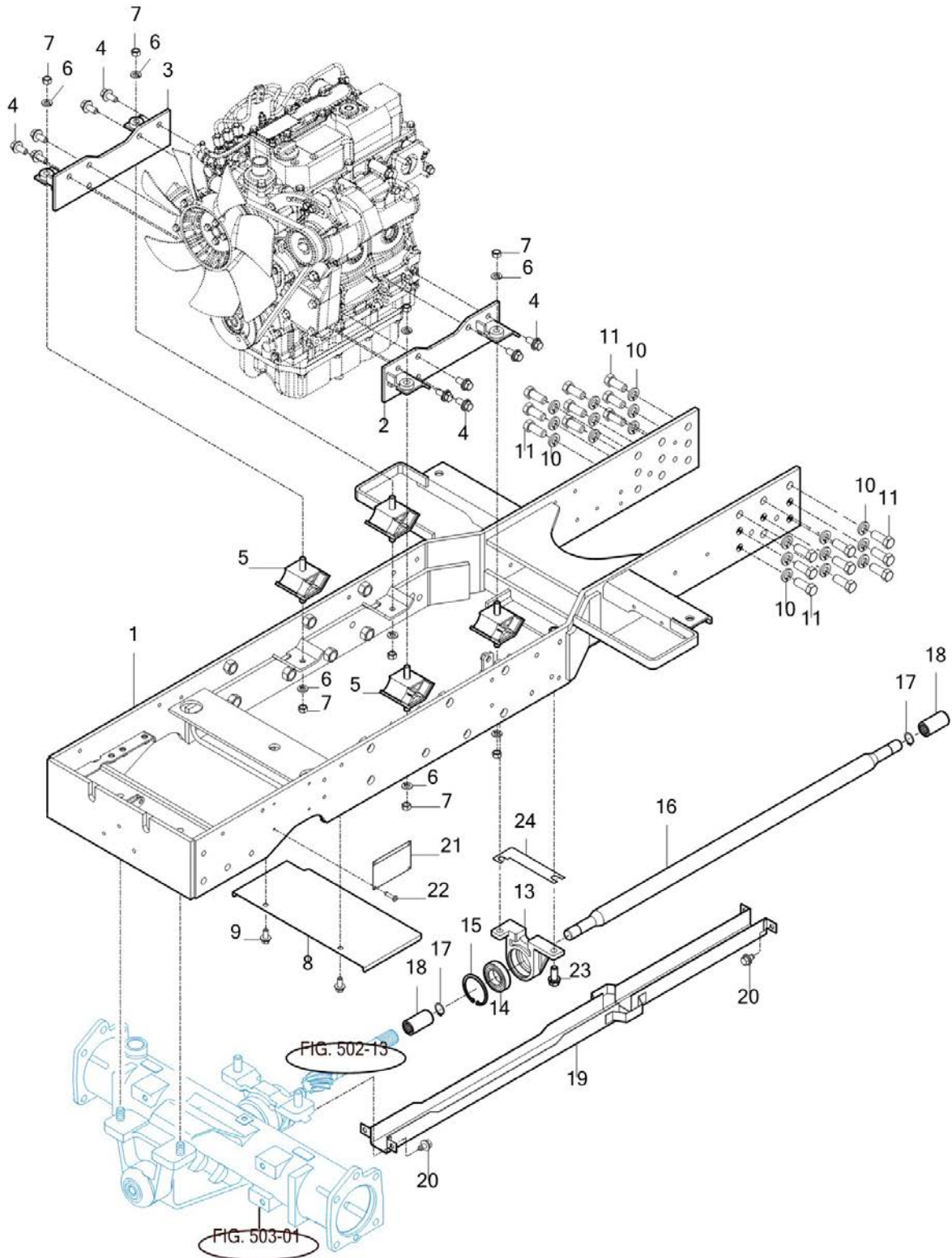
FIG 501

T25NHAU3

FRAME

년/월
Year/Month

2022-12



NOTE

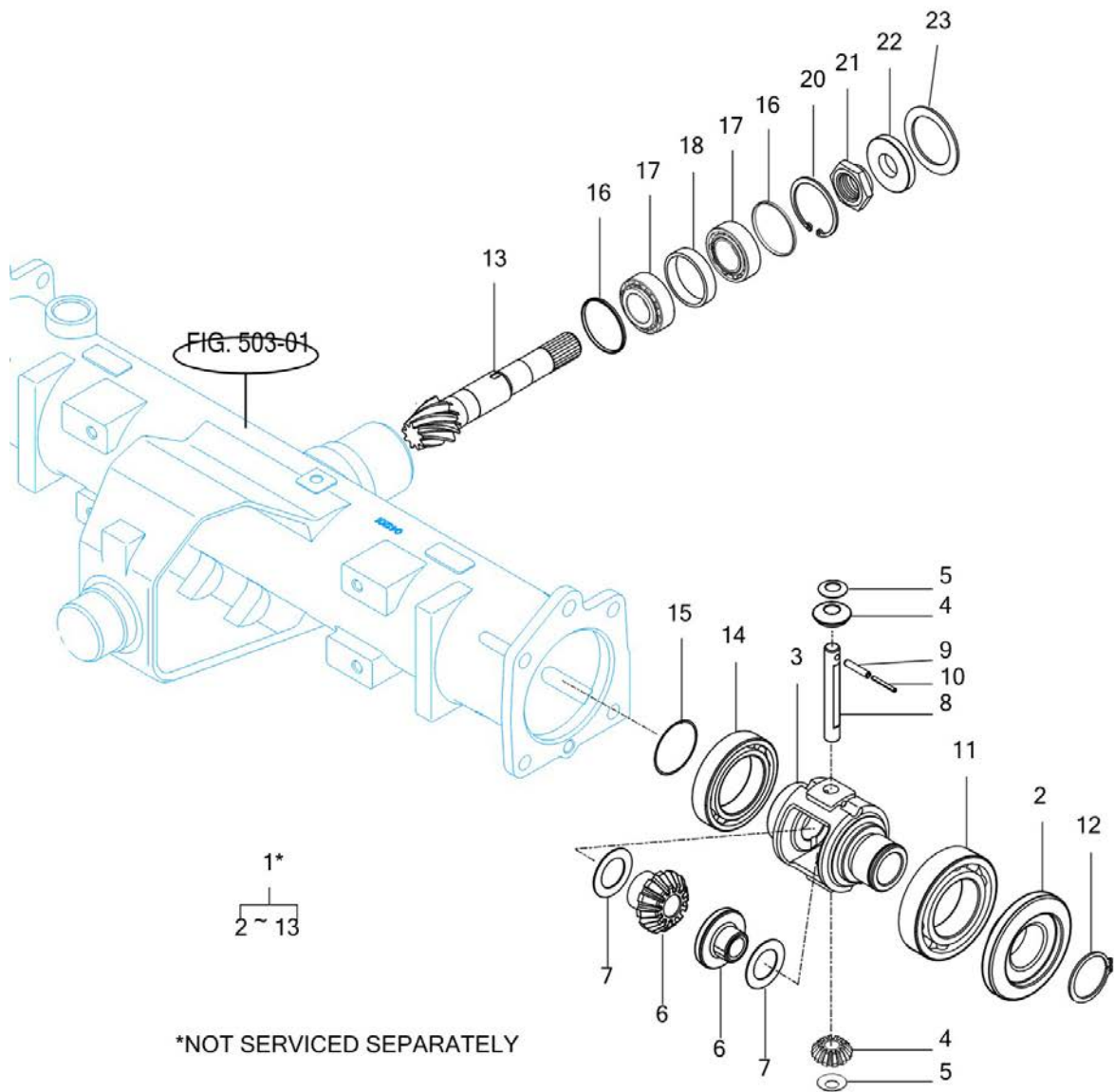
FIG 502

FRONT DIFFERENTIAL GEARS & SHAFT

년/월
Year/Month

T25NHAU3

2022-12



T293-E-502

NOTE

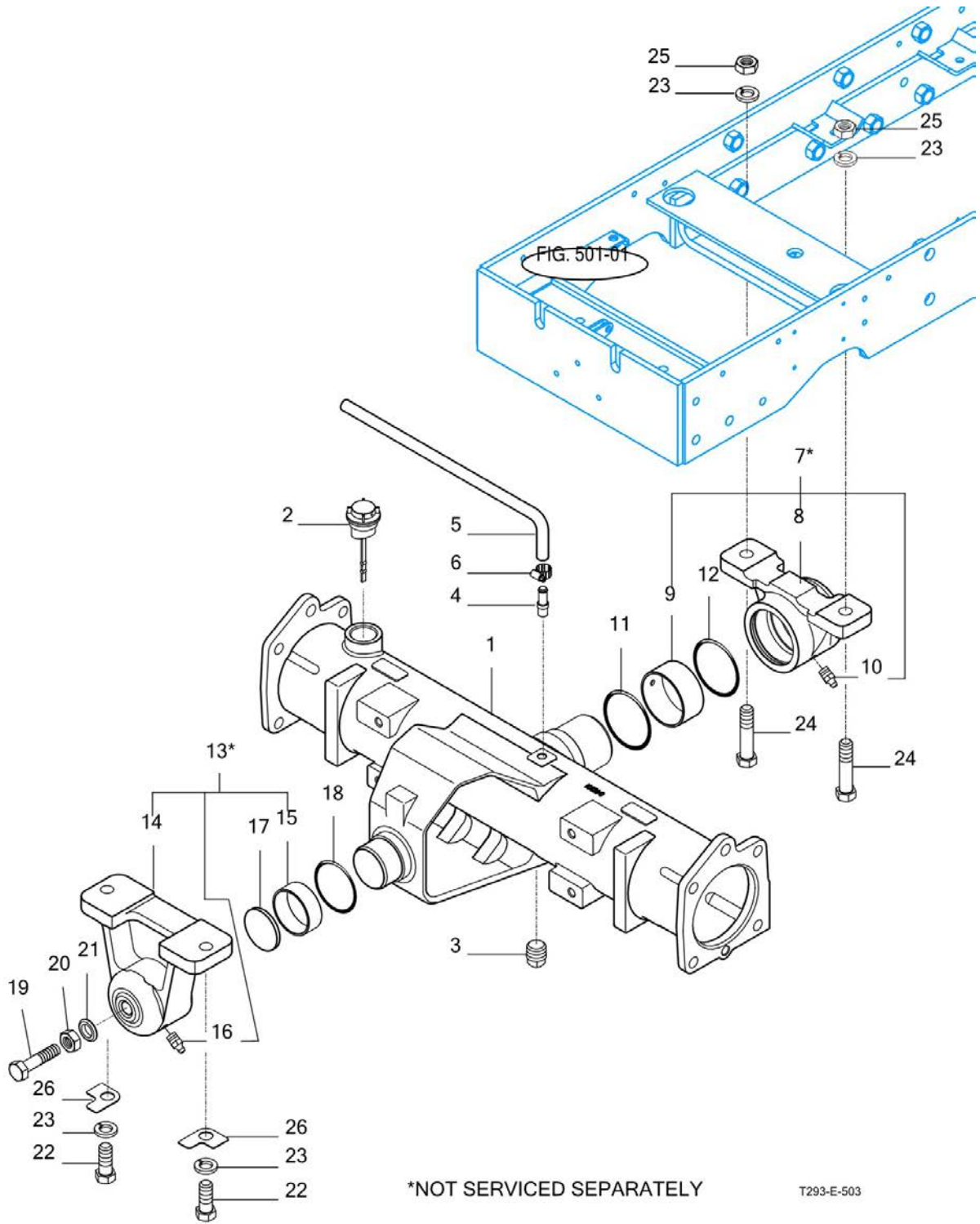
FIG 503

T25NHAU3

FRONT AXLE HOUSING

년/월
Year/Month

2022-12



NOTE

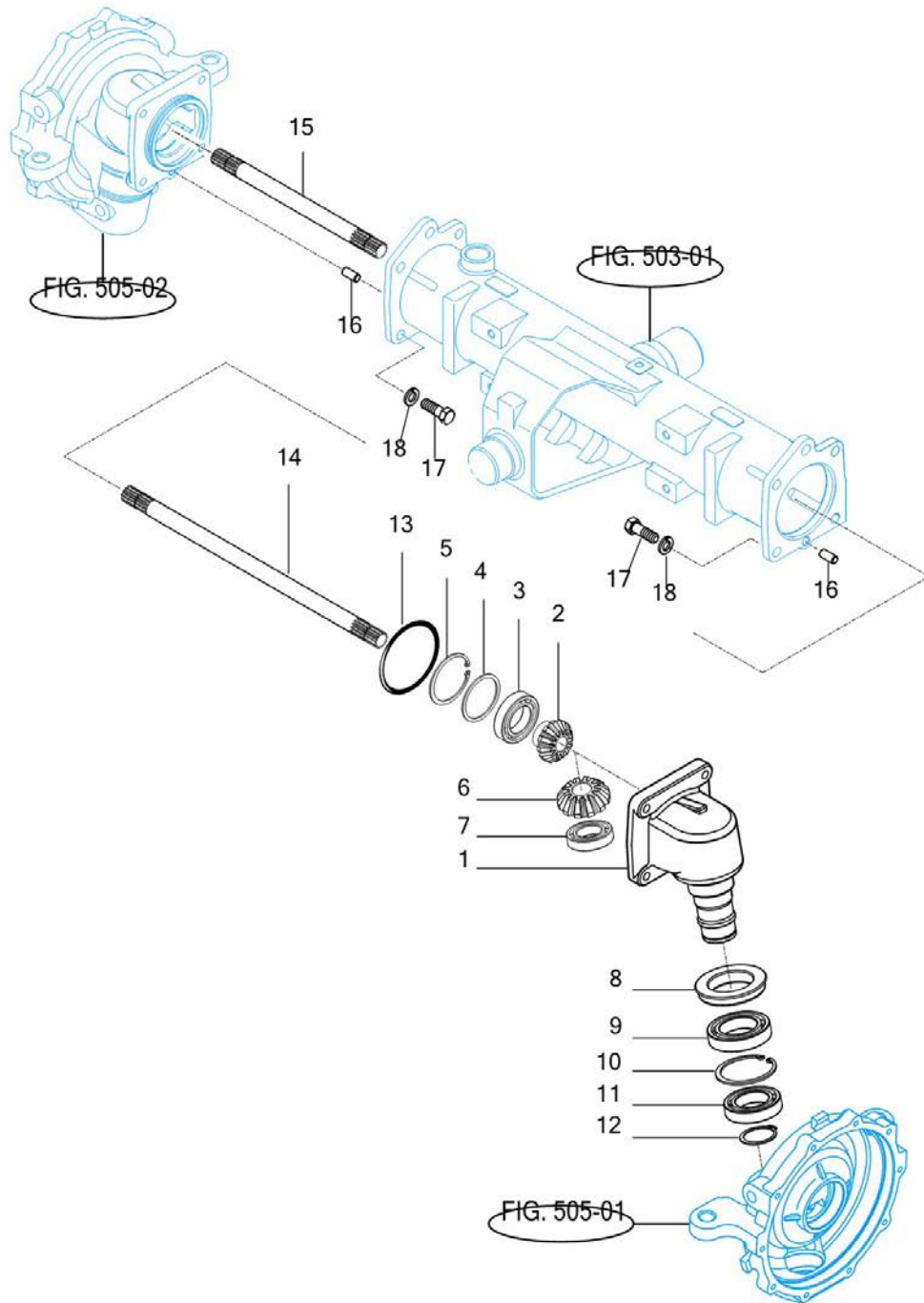
FIG 504

T25NHAU3

FRONT GEAR CASE (1)

년/월
Year/Month

2022-12



T293-E-504

NOTE

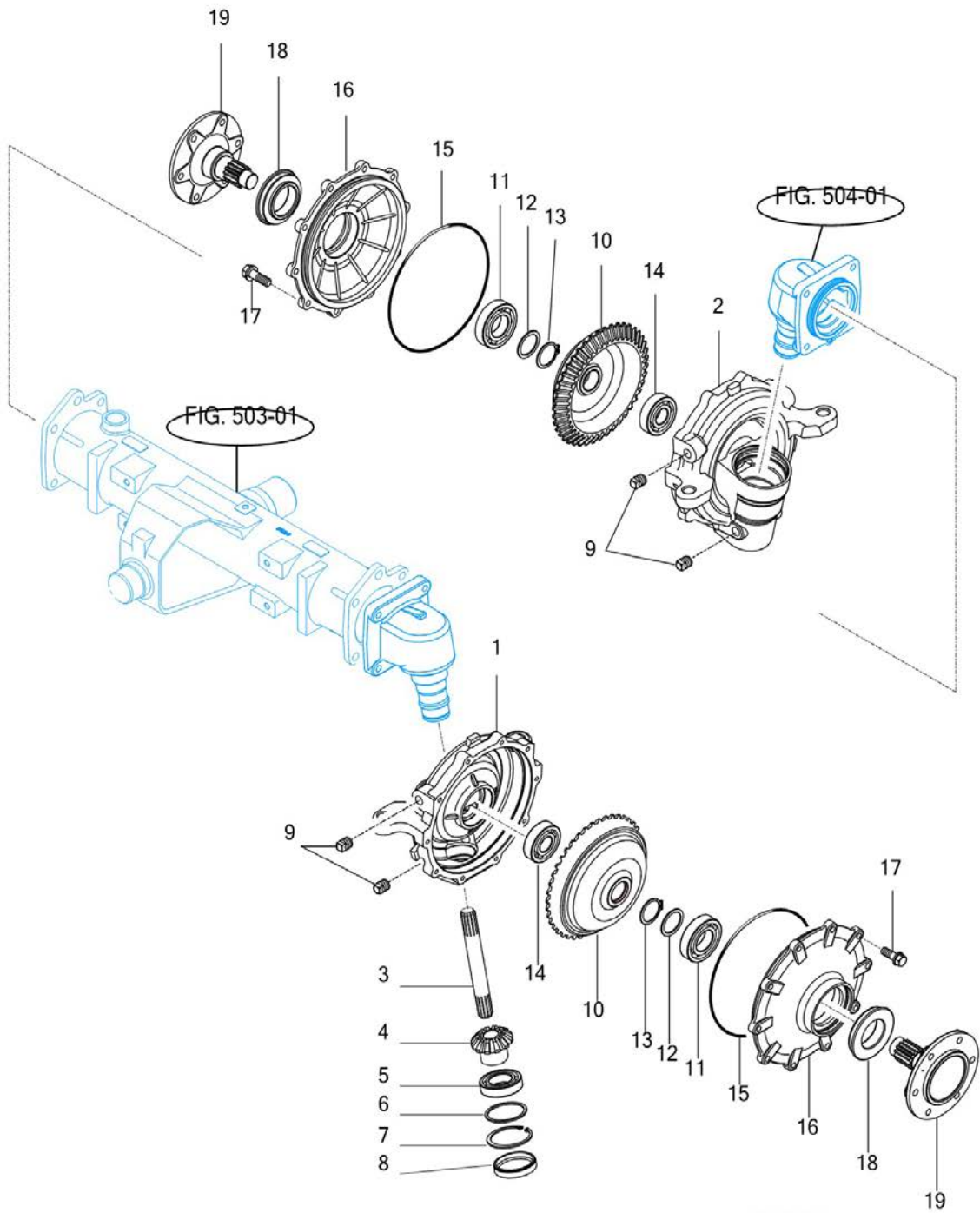
FIG 505

T25NHAU3

FRONT GEAR CASE (2)

년/월
Year/Month

2022-12



T293-E-505

NOTE

6. 유압/3점링크 PART NO. T6

FIG 601 CYLINDER CASE	111
FIG 602 LIFT ARM	113
FIG 603 FLOW CONTROL VALVE	115
FIG 604 CONTROL VALVE LINKAGE	117
FIG 605 MAIN CONTROL VALVE	119
FIG 606 REMOTE CONTROL VALVE	121
FIG 607 POSITION LEVER LINKAGE	123
FIG 608 GEAR PUMP	125
FIG 609 HYDRAULIC HOSE (1)	127
FIG 610 HYDRAULIC HOSE (2)	129
FIG 611 PTO VALVE	131
FIG 612 3-POINT LINKAGE	133
FIG 613 JOYSTICK LEVER	136
FIG 614 HITCH & COVER	138

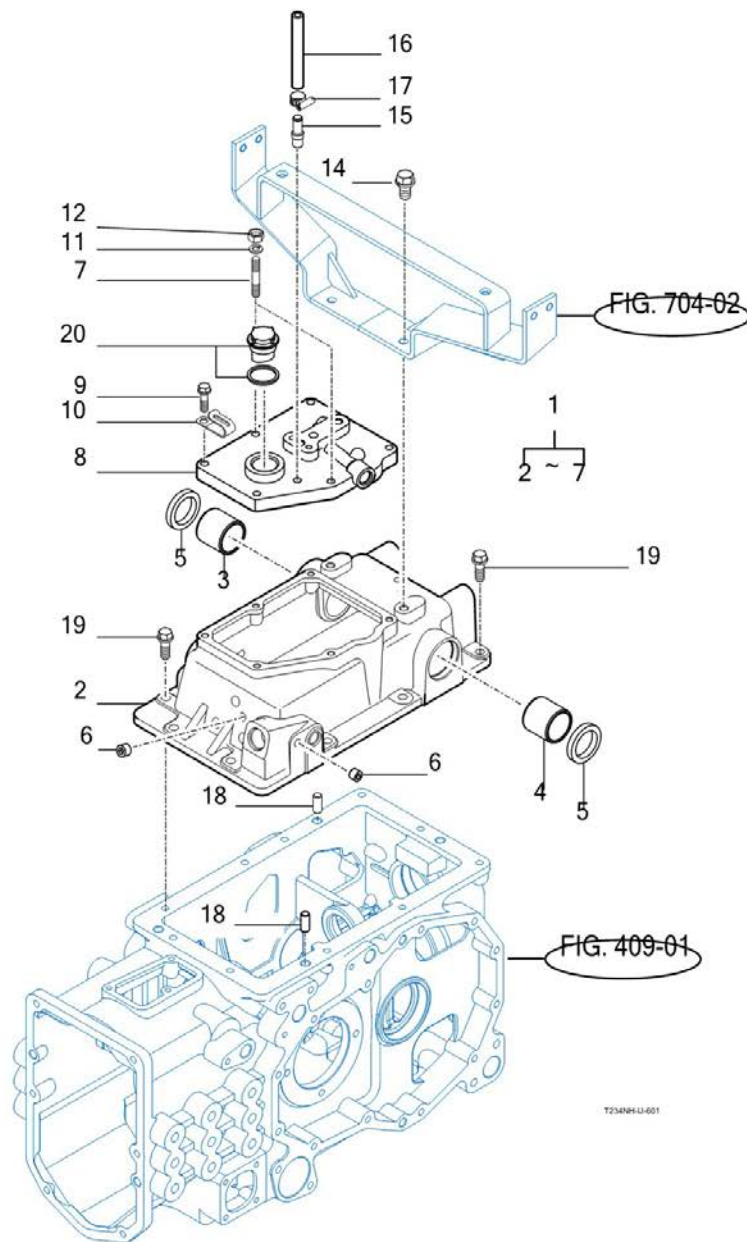
FIG 601

T25NHAU3

CYLINDER CASE

년/월
Year/Month

2022-12



NOTE

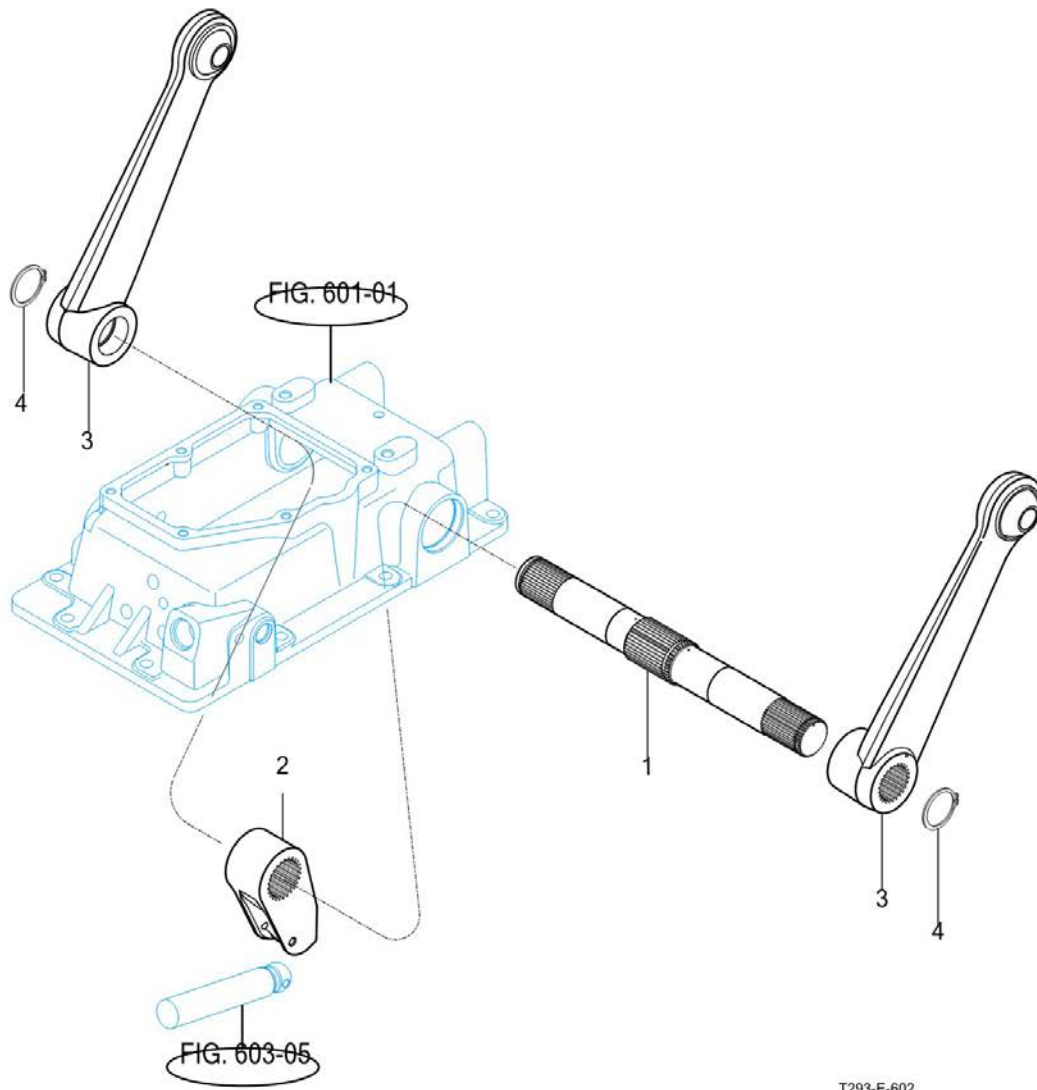
FIG 602

T25NHAU3

LIFT ARM

년/월
Year/Month

2022-12



T293-E-602

NOTE

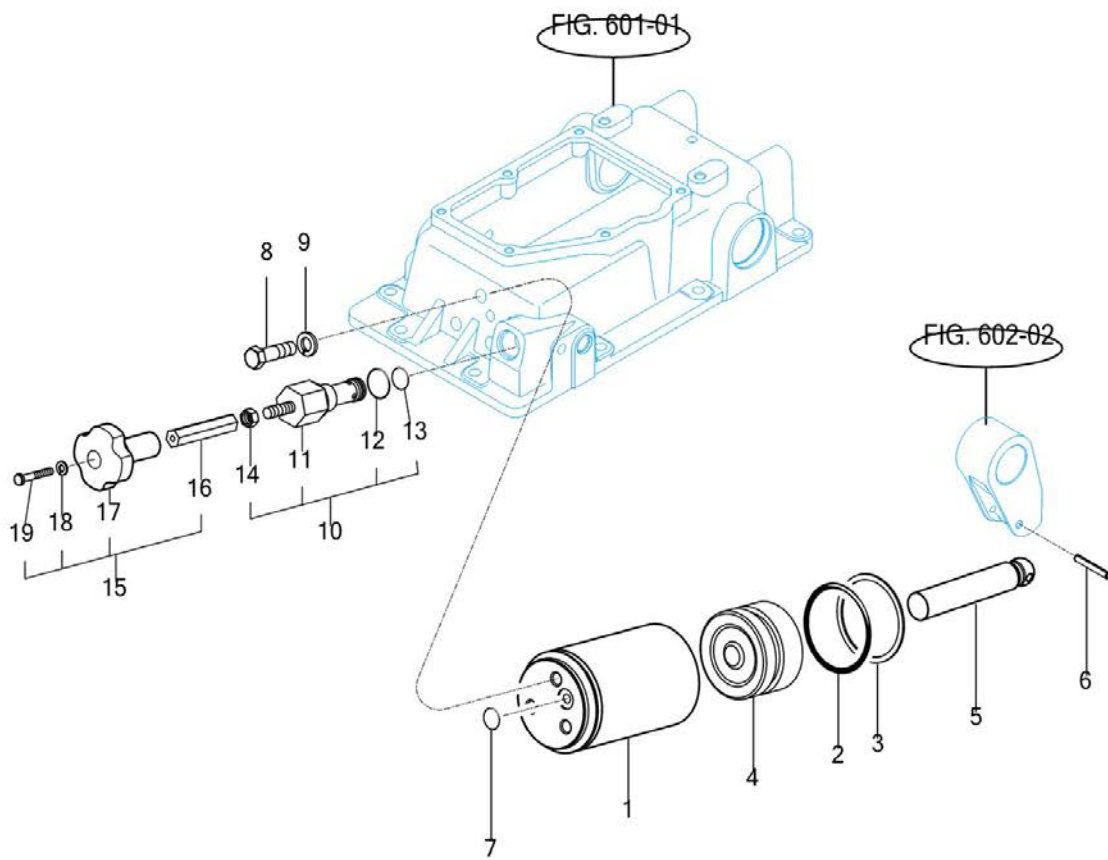
FIG 603

T25NHAU3

FLOW CONTROL VALVE

년/월
Year/Month

2022-12



T293-E-603

NOTE

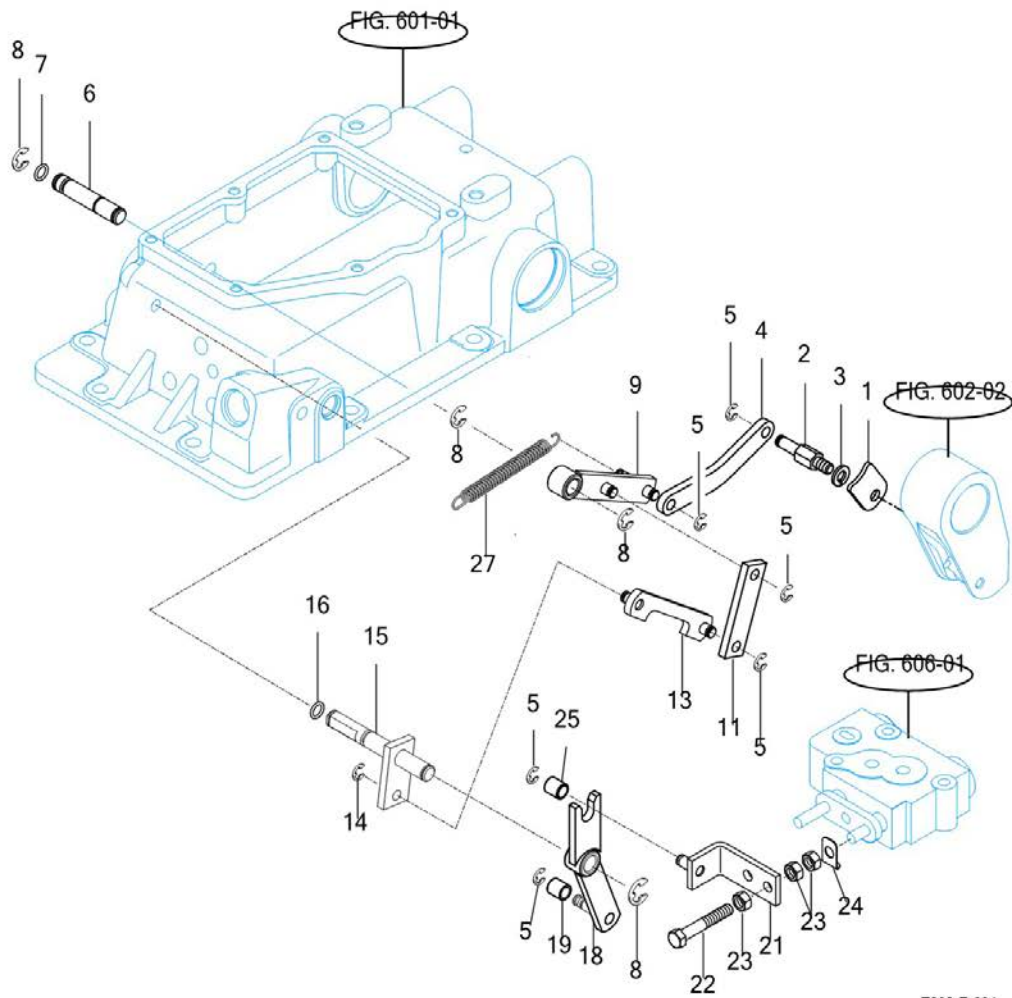
FIG 604

CONTROL VALVE LINKAGE

년/월
Year/Month

2022-12

T25NHAU3



T293-E-604

NOTE

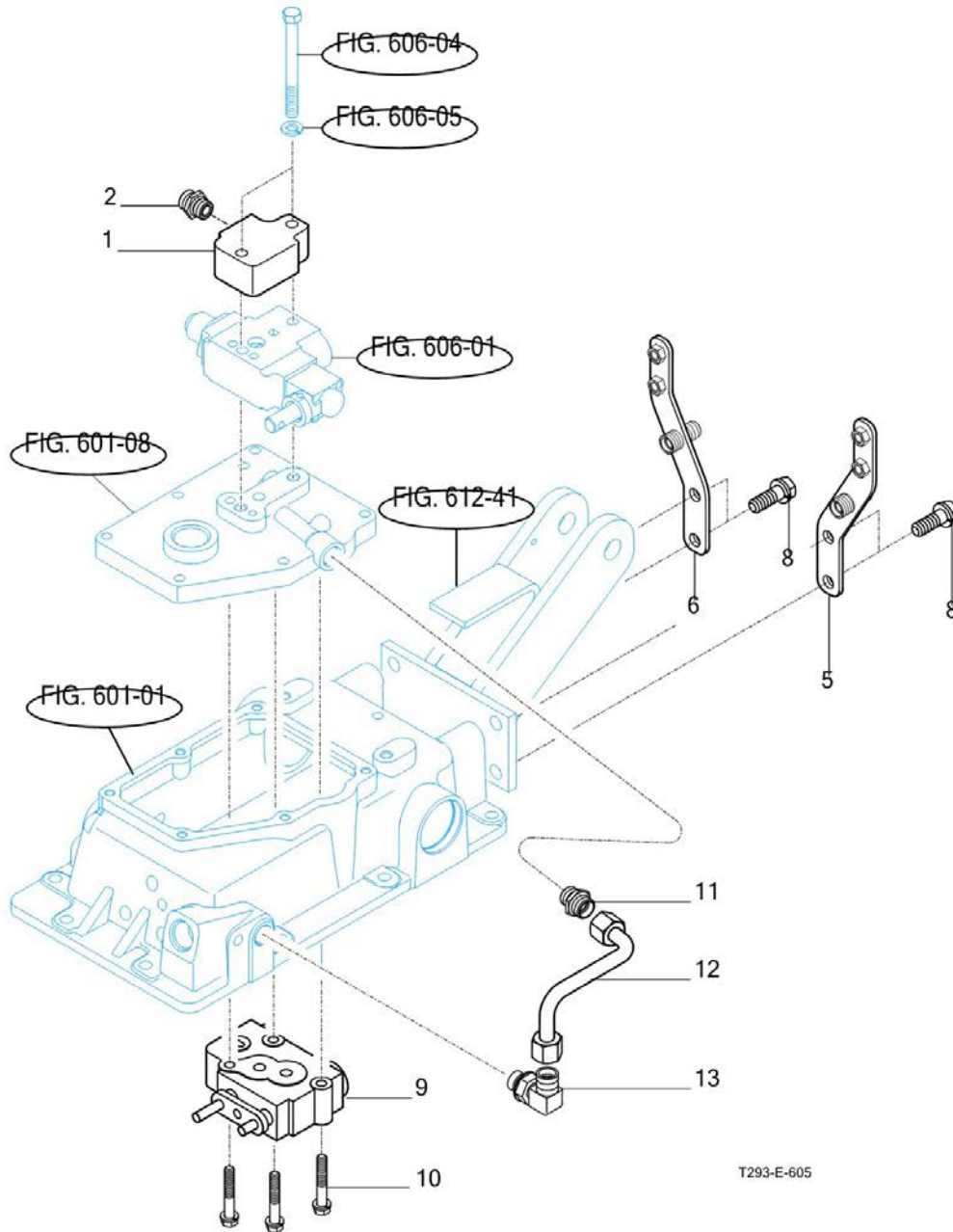
FIG 605

MAIN CONTROL VALVE

년/월
Year/Month

2022-12

T25NHAU3



NOTE

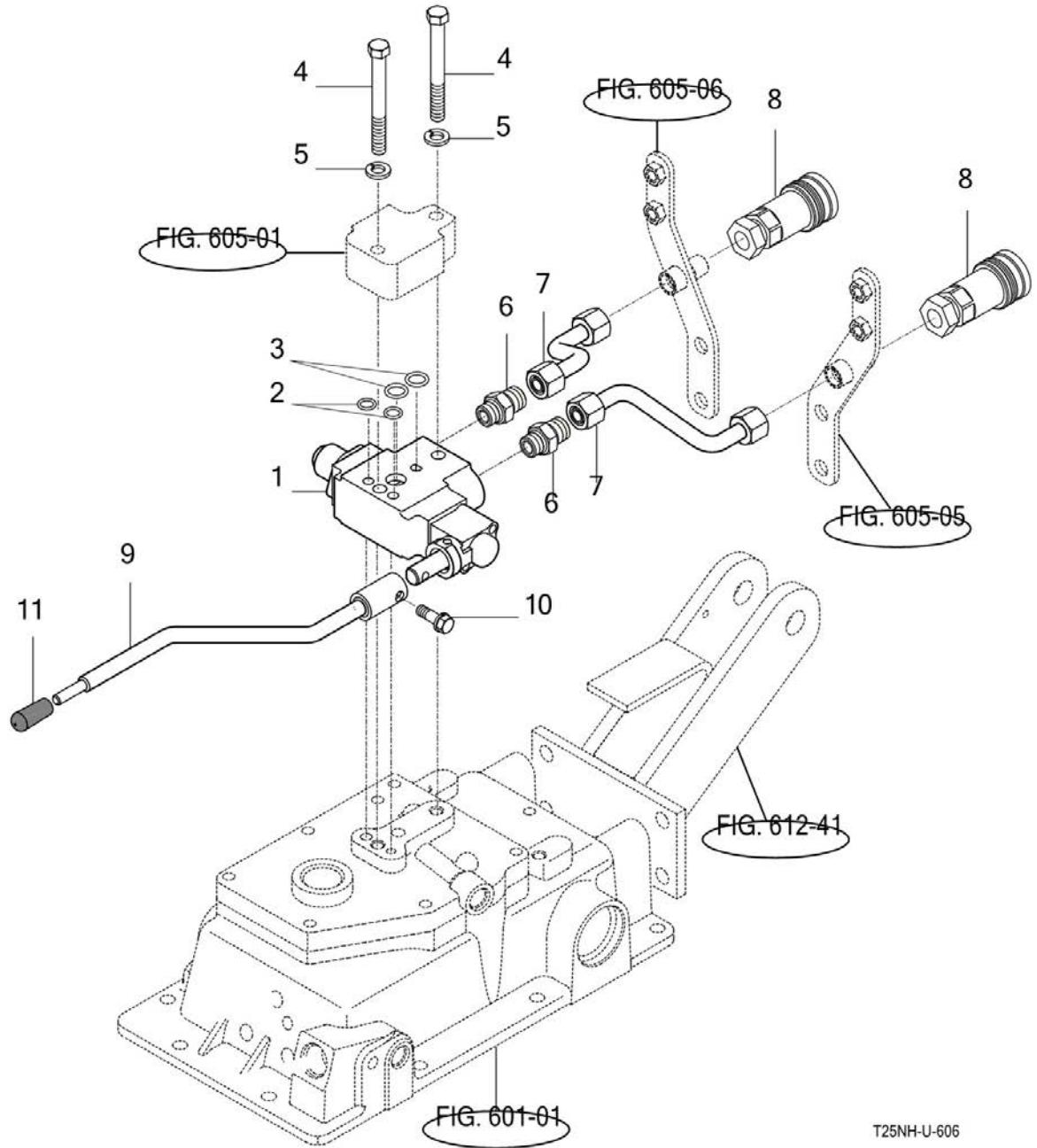
FIG 606

T25NHAU3

REMOTE CONTROL VALVE

년/월
Year/Month

2022-12



T25NH-U-606

NOTE

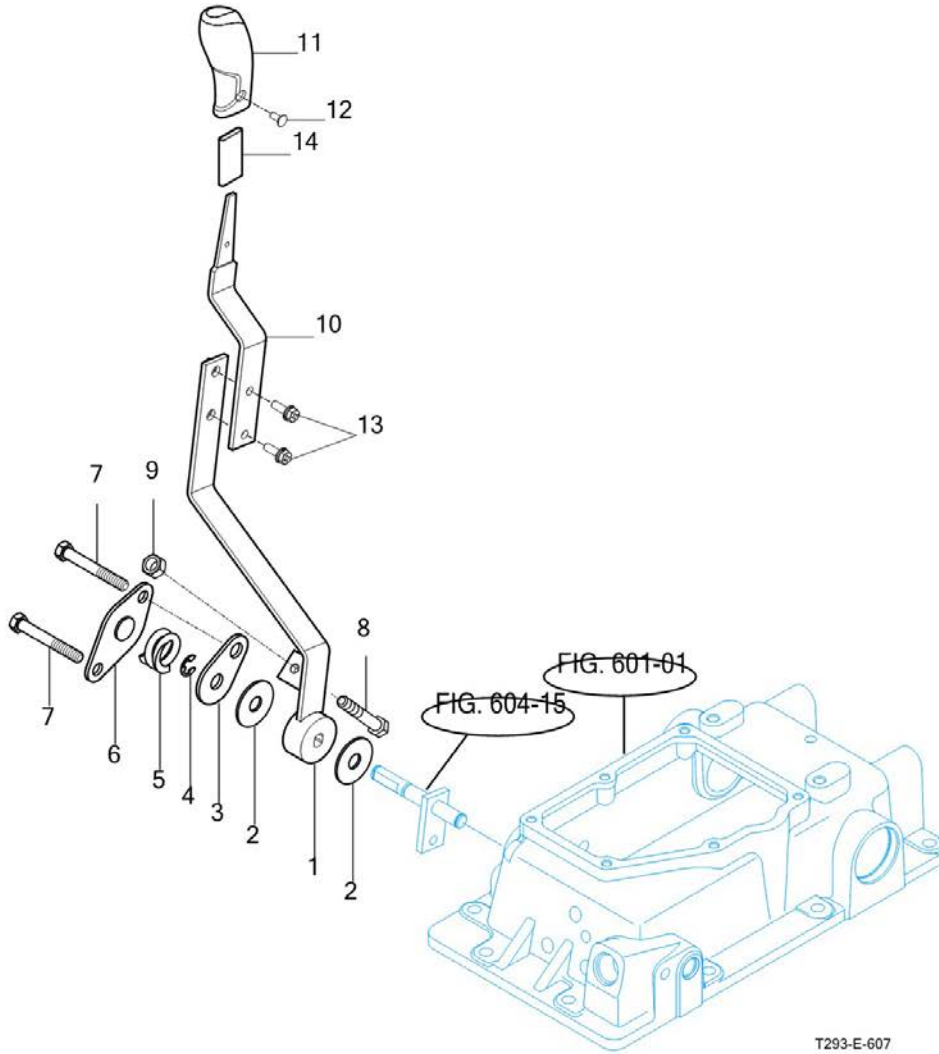
FIG 607

T25NHAU3

POSITION LEVER LINKAGE

년/월
Year/Month

2022-12



T293-E-607

NOTE

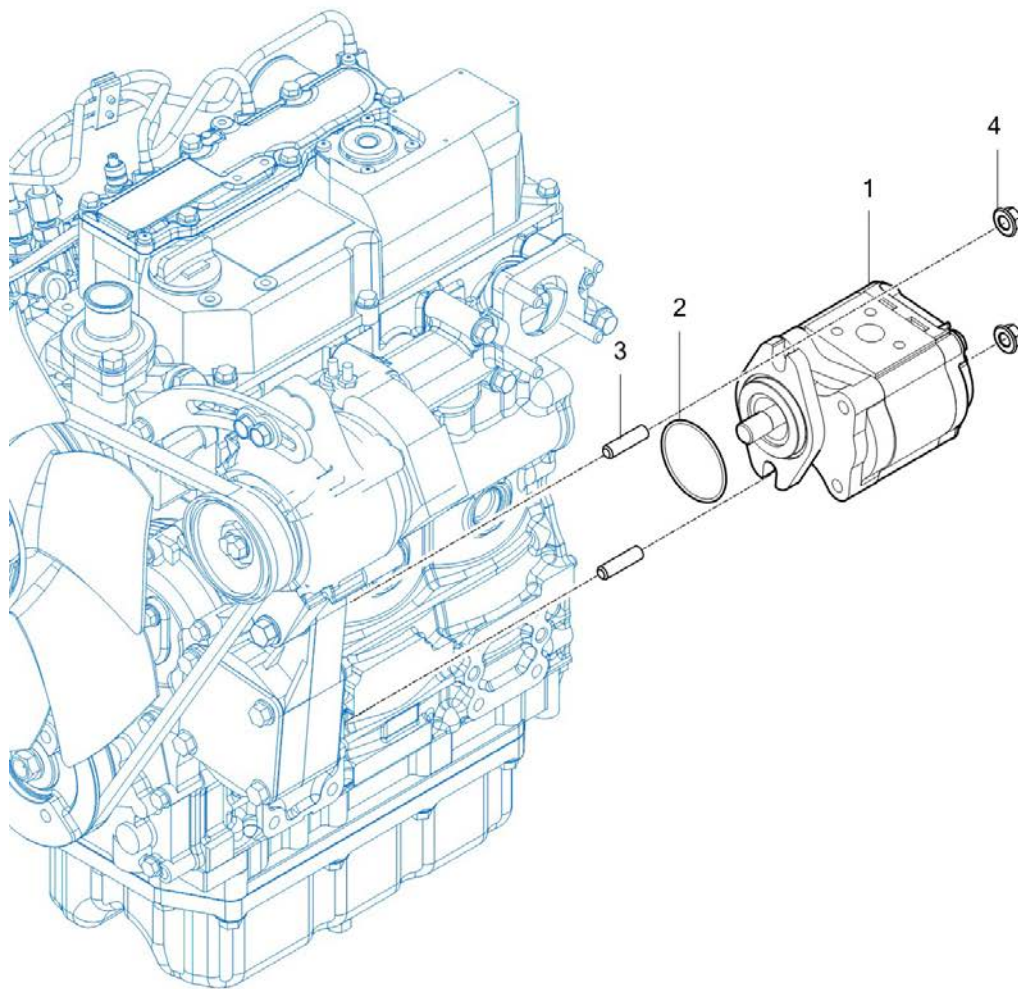
FIG 608

GEAR PUMP

년/월
Year/Month

T25NHAU3

2022-12



NOTE

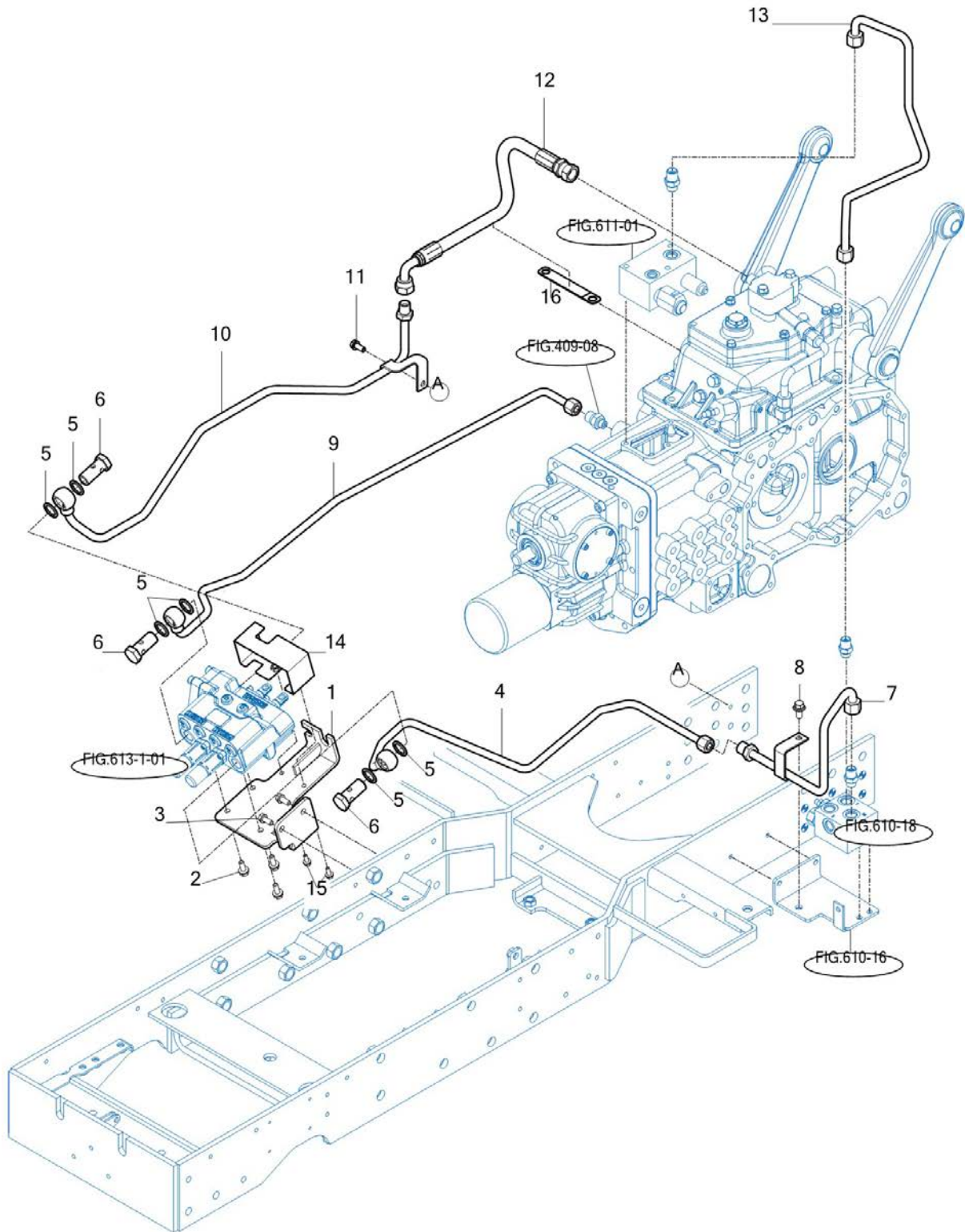
FIG 609

T25NHAU3

HYDRAULIC HOSE (1)

년/월
Year/Month

2022-12



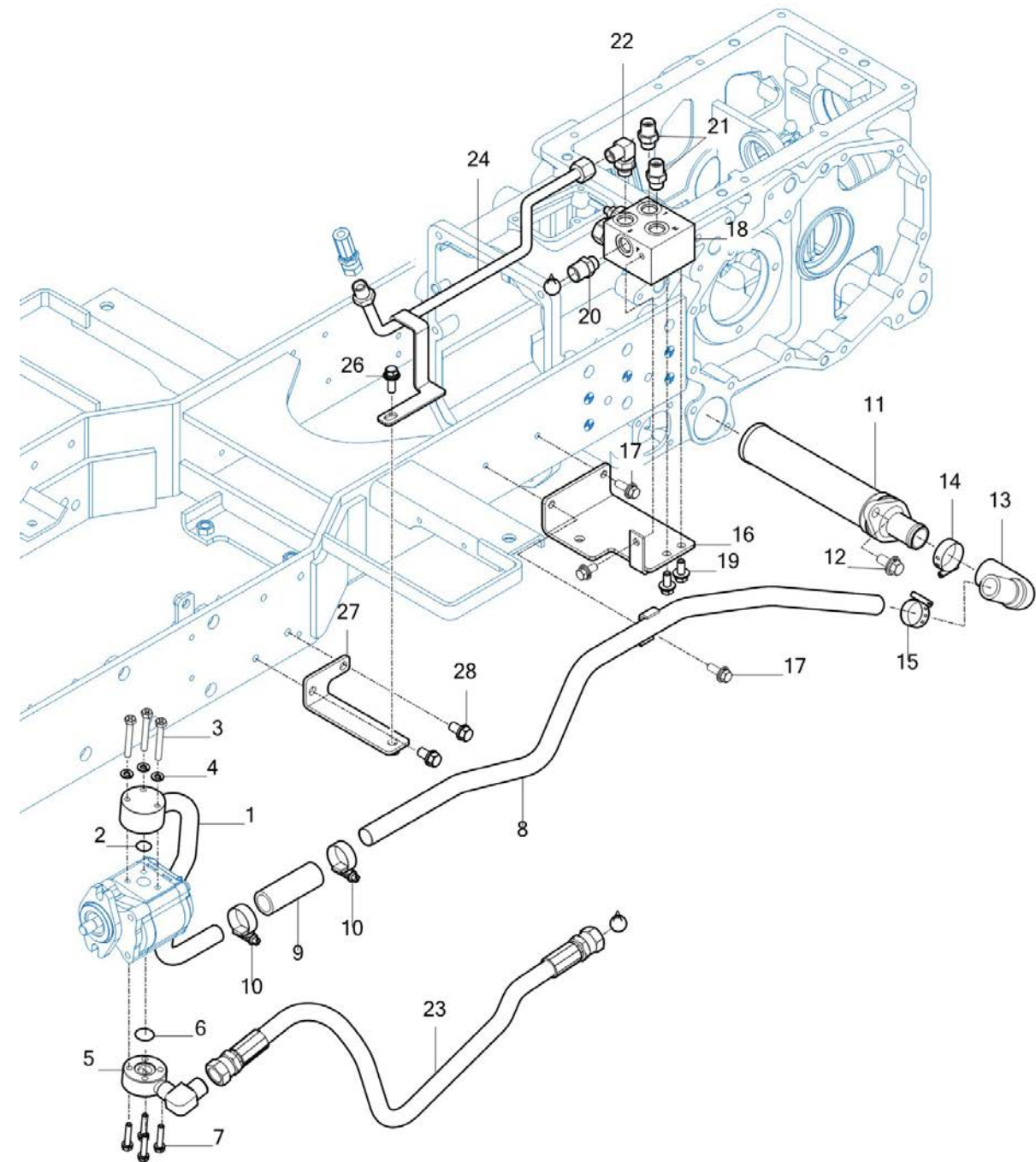
NOTE

FIG 610

HYDRAULIC HOSE (2)

년/월
Year/Month

2022-12



NOTE

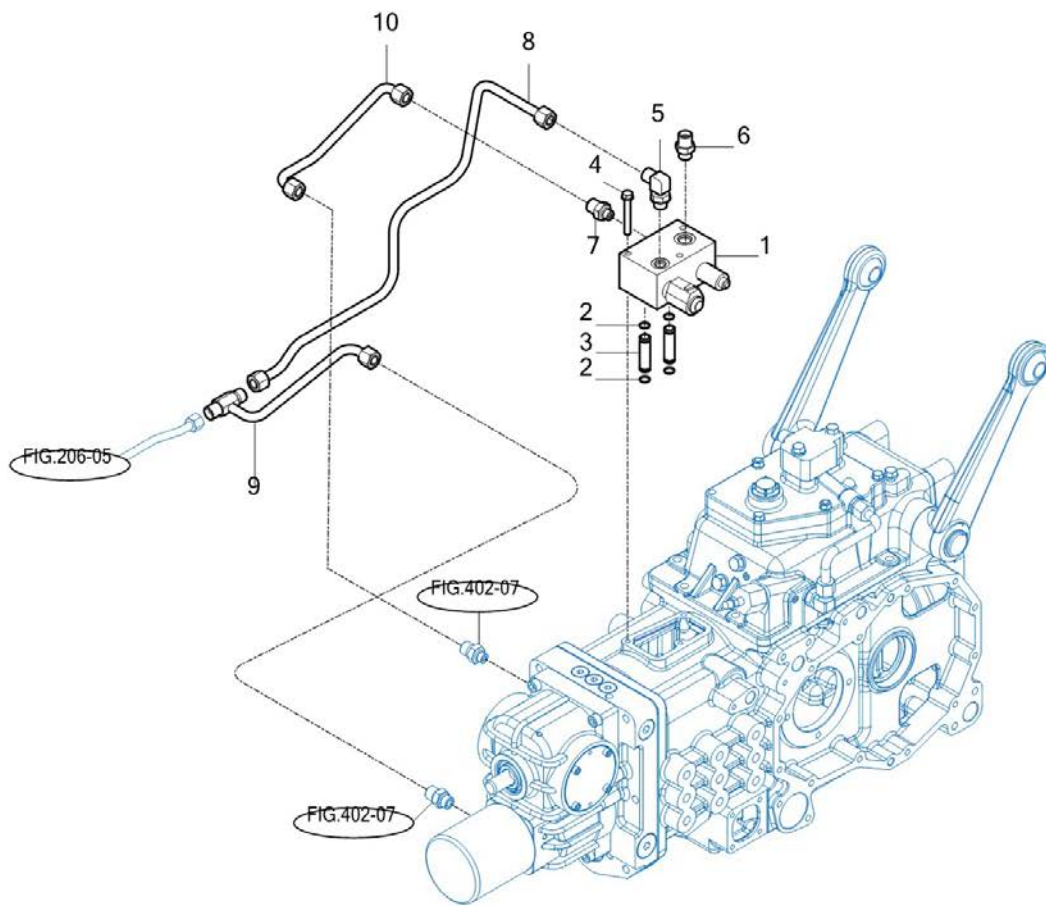
FIG 611

T25NHAU3

PTO VALVE

년/월
Year/Month

2022-12



NOTE

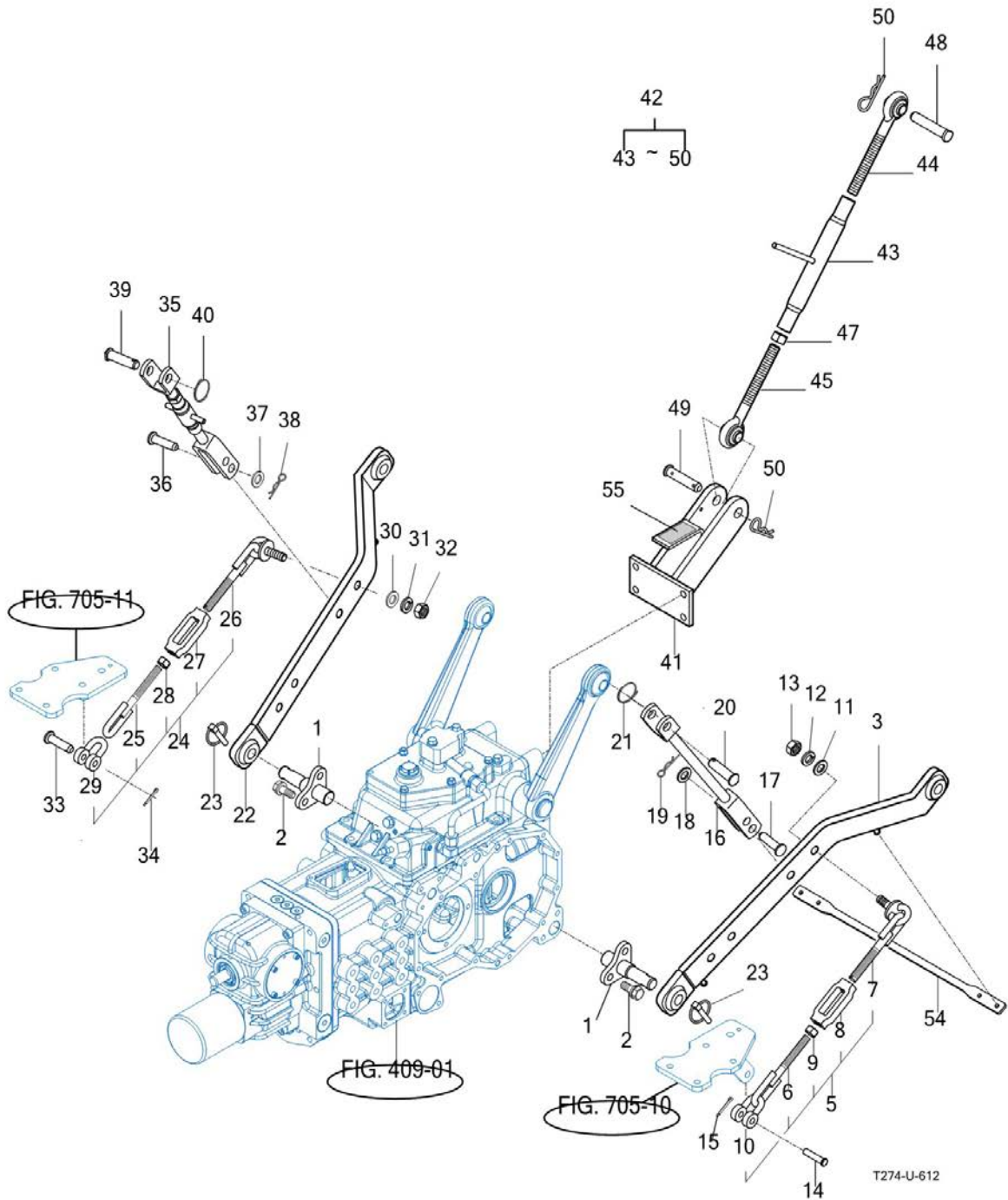
FIG 612

3-POINT LINKAGE

년/월
Year/Month

T25NHAU3

2022-12



NOTE

FIG 612		3-POINT LINKAGE					년/월	
							Year/Month	
T25NHAU3		2022-12						
KEY NO	PART NO	DESCRIPTION	SPEC	QTY	REPAIR	EFFECTIVE DATE	REMARKS	
612	1	13155205100	핀(115) COMP		2			
612	2	V2173612030	소형육각볼트보통(S)	M12X30	4			
612	3	13155202202	로어링크(좌) COMP		1			
612	5	13155202501	체인(체크) 조합		1			
612	6	14585142600	체인(체크,RH)COMP		1			
612	7	14585142700	체인(체크,LH)COMP		1			
612	8	13155202511	터언버클		1			
612	9	V3012600140	육각너트보통2종	M14	1			
612	10	14585142520	체크체인 샤클		1			
612	11	V4111600160	평와셔	M16	1			
612	12	V4011600160	스프링와셔	M16	1			
612	13	V3313600160	육각너트가는2종	M16	1			
612	14	79636110030	핀(12X48)		1			
612	15	V5001930020	분할핀	3X20	1			
612	16	13155202401	리프트로드(좌) COMP		1			
612	17	79636130050	핀(16X60)		1			
612	18	V4111600160	평와셔	M16	1			
612	19	13059310030	헤어핀(D=2.3)		1			
612	20	12505243500	핀		1			
612	21	12505240060	스프링		1			
612	22	13155203102	로어링크(우) COMP		1			
612	23	14215020020	링크핀		2			
612	24	13155202501	체인(체크) 조합		1			
612	25	14585142600	체인(체크,RH)COMP		1			
612	26	14585142700	체인(체크,LH)COMP		1			
612	27	13155202511	터언버클		1			
612	28	V3012600140	육각너트보통2종	M14	1			
612	29	14585142520	체크체인 샤클		1			
612	30	V4111600160	평와셔	M16	1			
612	31	V4011600160	스프링와셔	M16	1			
612	32	V3313600160	육각너트가는2종	M16	1			
612	33	79636110030	핀(12X48)		1			
612	34	V5001930020	분할핀	3X20	1			
612	35	13155203201	리프트로드(우) COMP		1			
612	36	79636130050	핀(16X60)		1			
612	37	V4111600160	평와셔	M16	1			
612	38	13059310030	헤어핀(D=2.3)		1			
612	39	12505243500	핀		1			
612	40	12505240060	스프링		1			
612	41	13155204104	톱링크 브래킷 COMP		1			
612	42	13155206002	톱링크 ASSY		1			
612	42	13155206003	톱링크 ASSY		1			
612	42	13155206004	톱링크 ASSY		1			
612	43	13155206111	턴버클		1			
612	44	13155206121	조인트(좌)		1			
NOTE								

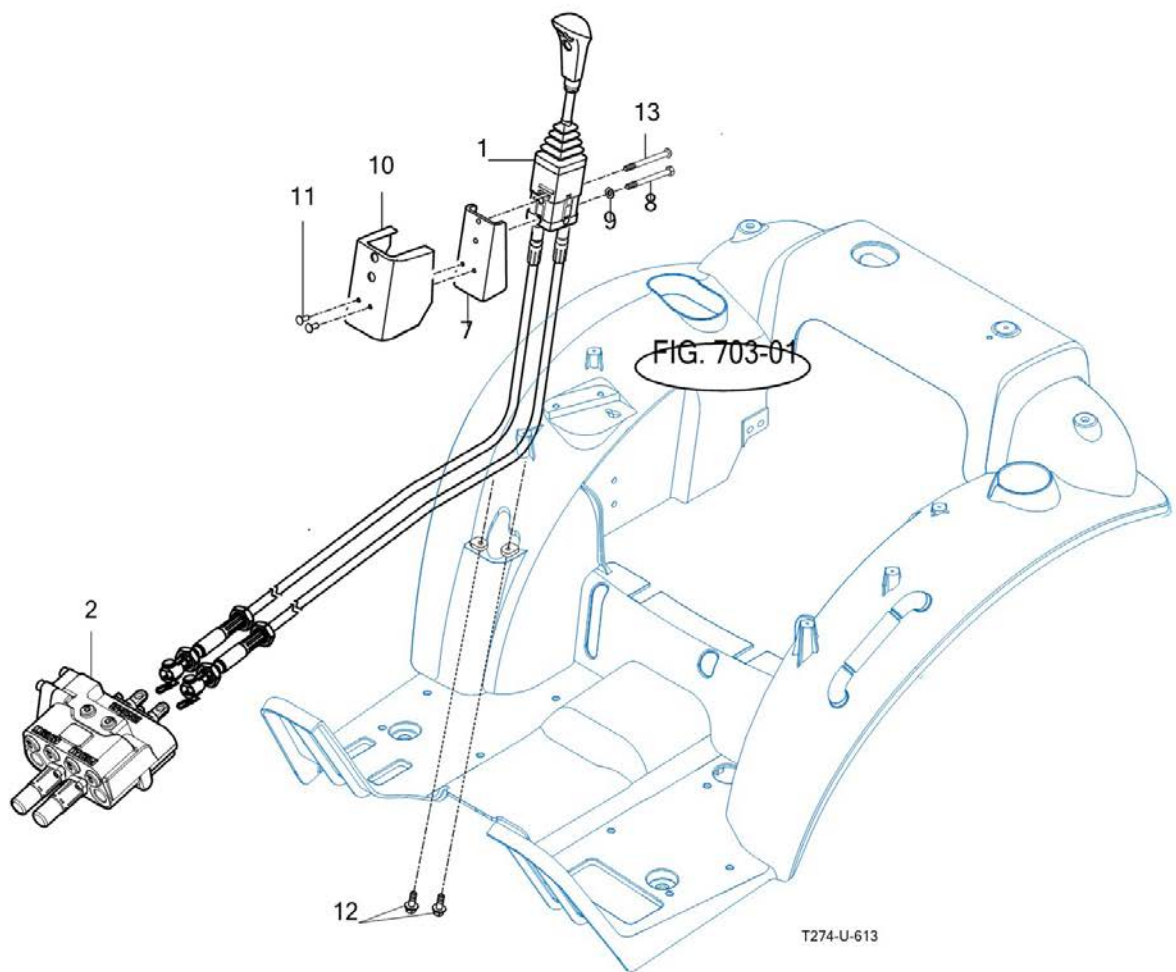
FIG 613

T25NHAU3

JOYSTICK LEVER

년/월
Year/Month

2022-12



NOTE

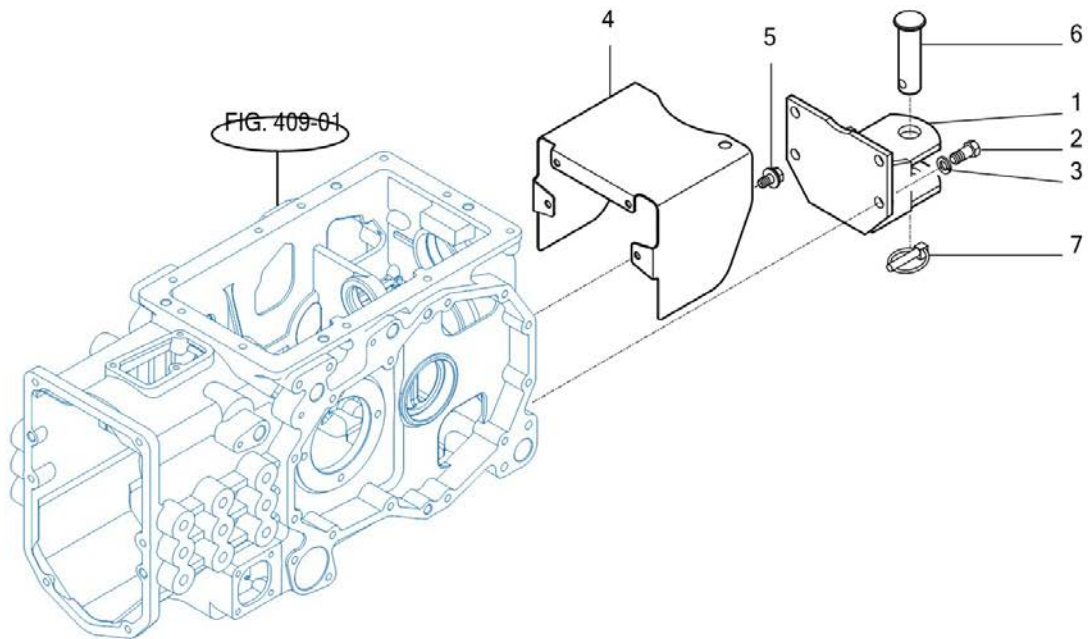
FIG 614

T25NHAU3

HITCH & COVER

년/월
Year/Month

2022-12



NOTE

7. 시트메탈/캐빈 PART NO. T7

FIG 701 BONNET	141
FIG 702 DASH PANEL	143
FIG 703 FLOOR	145
FIG 704 SEAT	148
FIG 705 ROPS	150

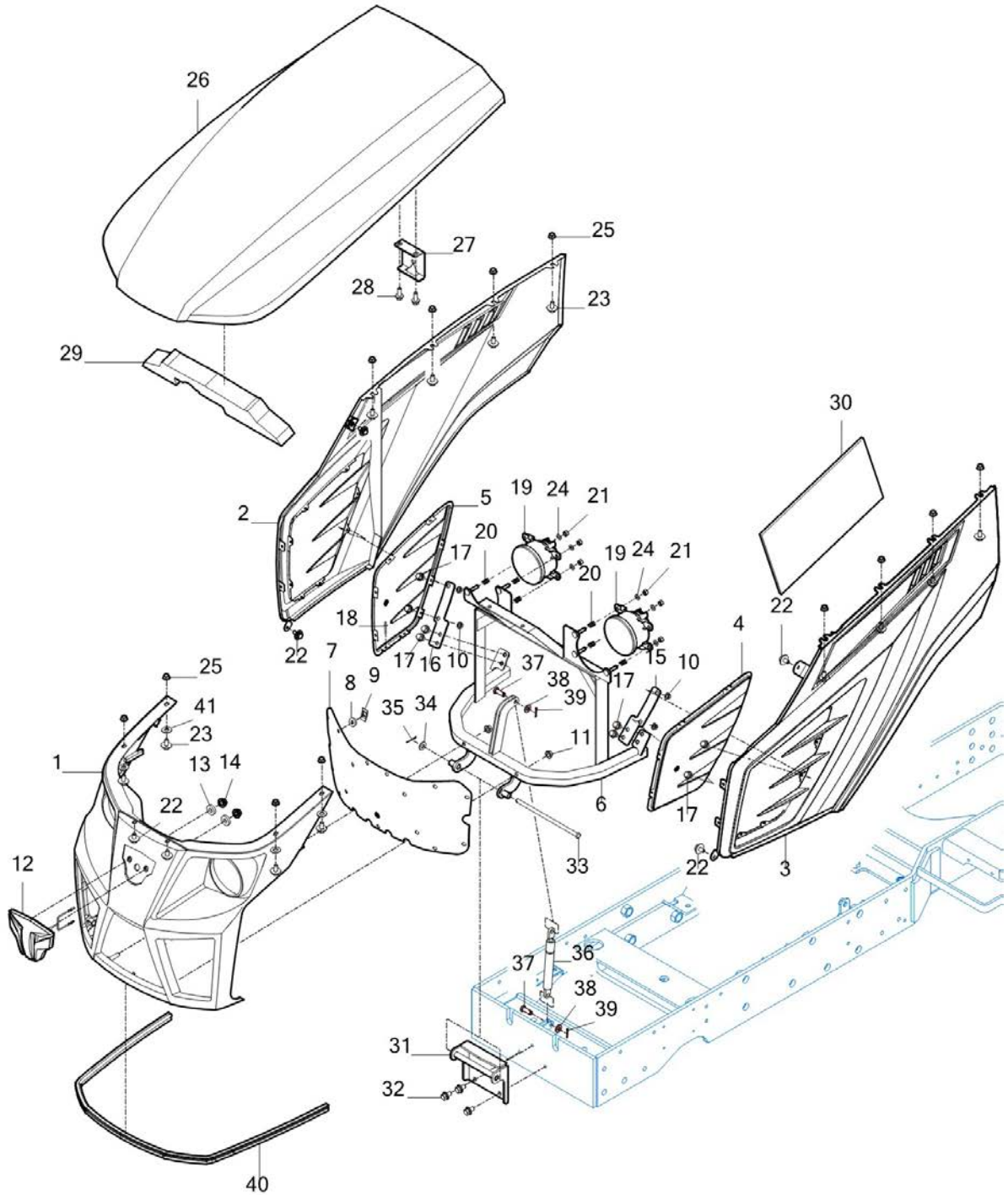
FIG 701

T25NHAU3

BONNET

년/월
Year/Month

2022-12



NOTE

FIG 701 T25NHAU3		BONNET						년/월 Year/Month
								2022-12
KEY NO	PART NO	DESCRIPTION	SPEC	QTY	REPAIR	EFFECTIVE DATE	REMARKS	
701	1	11816012400GB	그릴 COMP		1			
701	2	11816012300SR	사이드 패널 COMP, 우		1			
701	3	11816012200SR	사이드 패널 COMP, 좌		1			
701	4	11816020020GB	네트, 좌 / 사이드패널		1			
701	5	11816020030GB	네트, 우 / 사이드패널		1			
701	6	11816022100GB	후드 프레임 COMP		1			
701	7	11816020010GB	네트, 전 / 그릴		1			
701	8	14446010150	네트와샤(6X14X3)		15			
701	9	V3501600060	스프링 너트		15			
701	10	V3802600060	플랜지볼이육각너트		4			
701	10	V3802600060	플랜지볼이육각너트		4			
701	11	V3802600080	플랜지볼이육각너트		2			
701	12	11816010100	엠블럼 ASSY, LED		1			
701	13	V4111600060	평와셔		2			
701	14	V3802600060	플랜지볼이육각너트		2			
701	15	11816022210GB	고정 플레이트, 좌		1			
701	16	11816022310GB	고정 플레이트, 우		1			
701	17	V2193606016	육각볼트(SPL)		8			
701	18	V5502040093	브라인더리벳		14			
701	19	11816020090	헤드 램프 ASSY, LED		2			
701	20	16998010080	중자출구스프링(HC016)		6			
701	21	19027210060	나일론너트(M6)		6			
701	22	V2193606016	육각볼트(SPL)		6			
701	23	V2193606016	육각볼트(SPL)		12			
701	24	V4111600060	평와셔		6			
701	25	V3802600060	플랜지볼이육각너트		12			
701	26	11816012100SR	후드 COMP		1			
701	27	13156012213	스태이 브래킷		1			
701	28	V2183608020	소형육각볼트보통(SP)		2			
701	29	11816020060	인슐레이터, 상 / 후드		1			
701	30	16506010140	난연스폰지+은박지		1			
701	31	11816013100GB	브래킷 COMP, 힌지		1			
701	32	V2183608025	소형육각볼트보통(SP)		3			
701	33	13016202060	후드 핀		1			
701	34	V4111600080	평와셔		1			
701	35	V5001925020	핀		1			
701	36	11816022400	가스스프링, 70kgf		1			
701	37	14322420010	핀		2			
701	38	V4111600080	평와셔		2			
701	39	V5001925015	분할핀		2			
701	40	11816020050	인슐레이터, 측면 / 후드		1			
701	41	19026112050	와셔(6X30X2.3)		4			
NOTE								

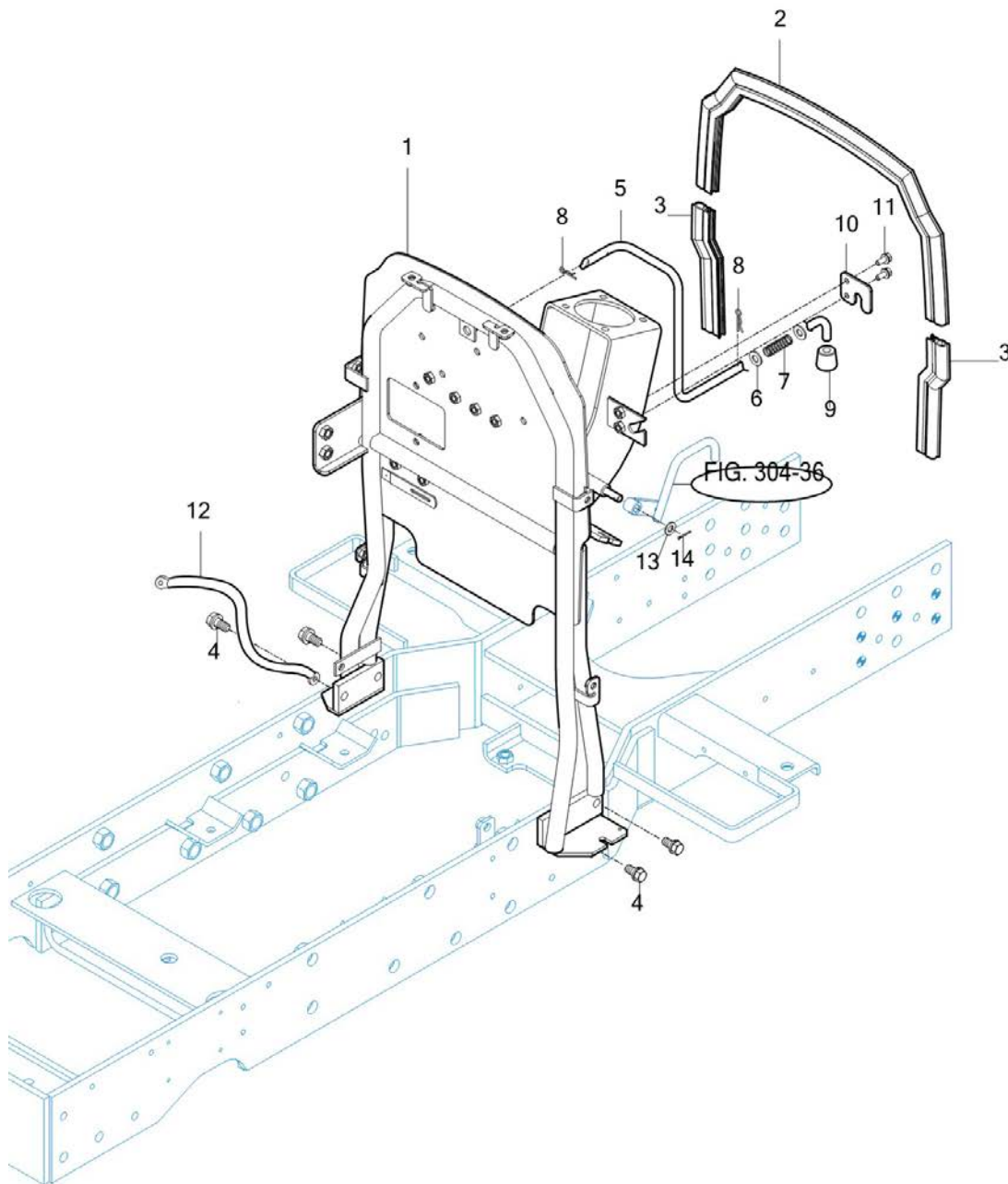
FIG 702

T25NHAU3

DASH PANEL

년/월
Year/Month

2022-12



NOTE

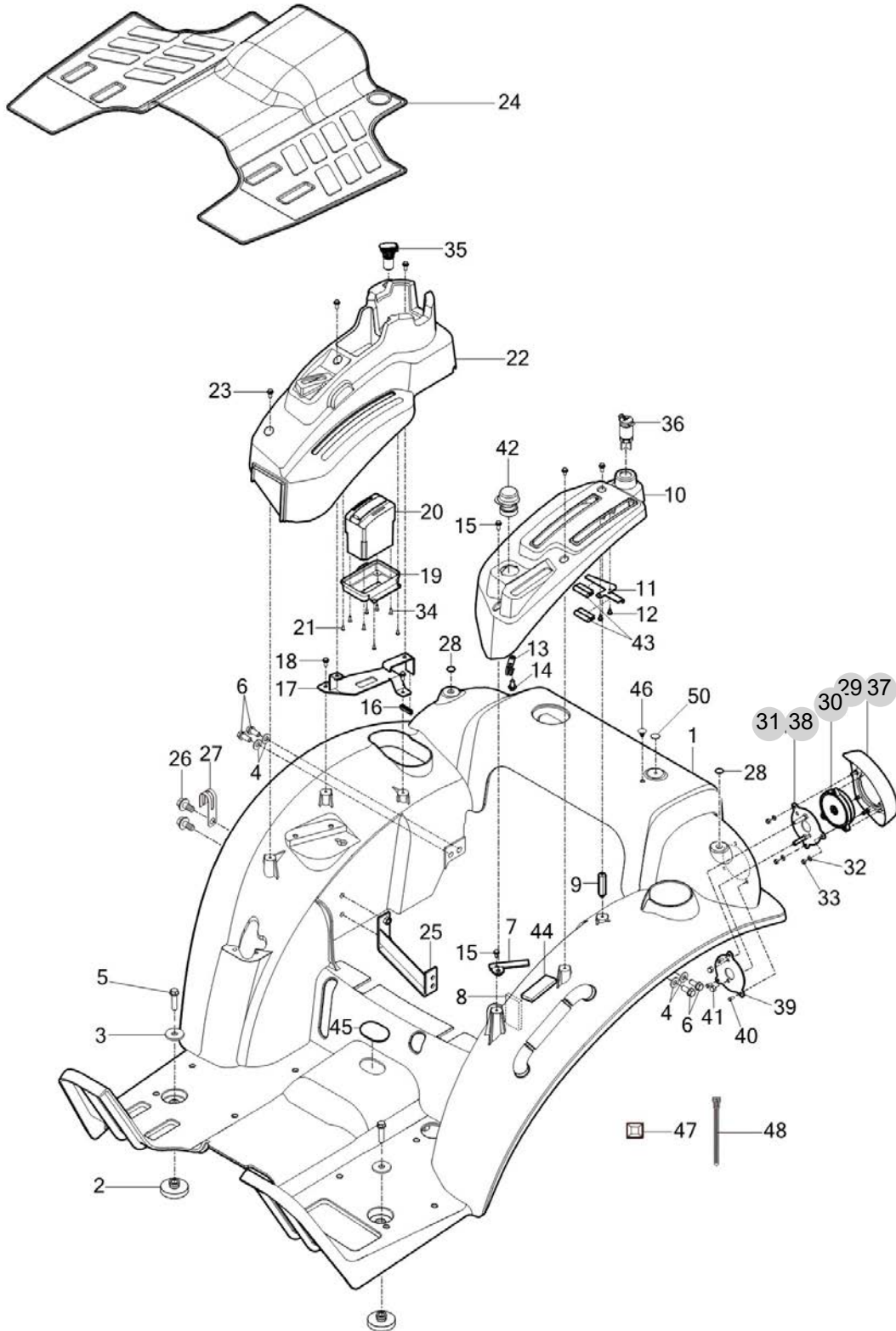
FIG 703

T25NHAU3

FLOOR

년/월
Year/Month

2022-12



NOTE

FIG 703		FLOOR					년/월 Year/Month	
T25NHAU3							2022-12	
KEY NO	PART NO	DESCRIPTION	SPEC	QTY	REPAIR	EFFECTIVE DATE	REMARKS	
703	1	13156402114SR	플로어 패널					
703	2	13156252121	인슐레이터	2				
703	3	13156252110	플레이트	2				
703	4	V4111600100	평와셔	M10	4			
703	5	V2173612040	소형육각볼트보통(S)	M12X40	2			
703	6	V2173610040	소형육각볼트보통(S)	M10X40	4			
703	7	11817082300GB	브래킷 COMP , 전/레버커버		1			
703	8	11816400010	인슐레이터, 4WD		1			
703	9	11817095440	볼트 , 커버		1			
703	10	11817082100	레버커버 SUB , 좌		1			
703	11	11816400020GB	PTO 레버 플레이트		1			
703	12	V1902605012	심자흡냄비태핑나사(3종)		2			
703	13	37371720090	메인하니스 클램프(하)		1			
703	14	19406110080	탭핑나사 , 트러스/6X16		1			
703	15	V1222806012	심자흡냄비작은나사(SP)		4			
703	16	11816030020	인슐레이터 , 우 / 레버커버		1			
703	17	11817082400GB	브래킷 COMP, 레버커버		1			
703	18	V1222806012	심자흡냄비작은나사(SP)		2			
703	19	11817082220	레버커버, 하/우		1			
703	20	11816602300	무선충전기 ASSY		1			
703	21	V1922604012	탭핑나사		4			
703	22	11817082210NG	레버커버, 상/우		1			
703	23	V1222806012	심자흡냄비작은나사(SP)		3			
703	24	13186412110	매트		1			
703	25	13196253100GB	휠더 지지 플레이트(RH)COMP		1			
703	26	V2183608025	소형육각볼트보통(SP)		2			
703	27	14256210040	하니스클램프(9)		1			
703	28	16606070031	캡(9)		2			
703	29	11817023500NG	정지등 램프커버 COMP , LH		1			
703	30	11817023400	스톱램프ASSY		2			
703	31	11817023700	정지등 고정 플레이트 COMP , LH		1			
703	32	V4011600060	스프링와셔		6			
703	33	V3412700080	소형육각캡너트		6			
703	34	V1122804012	심자흡접시작은나사		4			
703	35	11817018500	USB 소켓 ASSY		1			
703	36	10037018500	파워소켓ASSY		1			
703	37	11817023600NG	정지등 램프커버 COMP , RH		1			
703	38	11817023800	정지등 고정 플레이트 COMP , RH		1			
703	39	11817023710	정지등 고정 플레이트		2			
703	40	V1922605012	탭핑나사		6			
703	41	V3412700080	소형육각캡너트		4			
703	42	11106644000	PTO 스위치ASSY		1			
703	43	11816400030	인슐레이터 , 40 / 레버커버		2			
703	44	11816400040	인슐레이터, 하 / 4WD 레버		1			
703	45	14706300020	막음캡(슬로/리턴)		1			
NOTE								

FIG 703		FLOOR						년/월 Year/Month	REMARKS
								2022-12	
T25NHAU3									
KEY NO	PART NO	DESCRIPTION	SPEC	QTY	REPAIR	EFFECTIVE DATE			
703	46	15276040020	트림 클립(8)				1		
703	47	14536680010	타이 마운트				2		
703	48	13764020030	케이블타이(140)				2		
703	50	34520690510	막음쇠(A)				1		
NOTE									

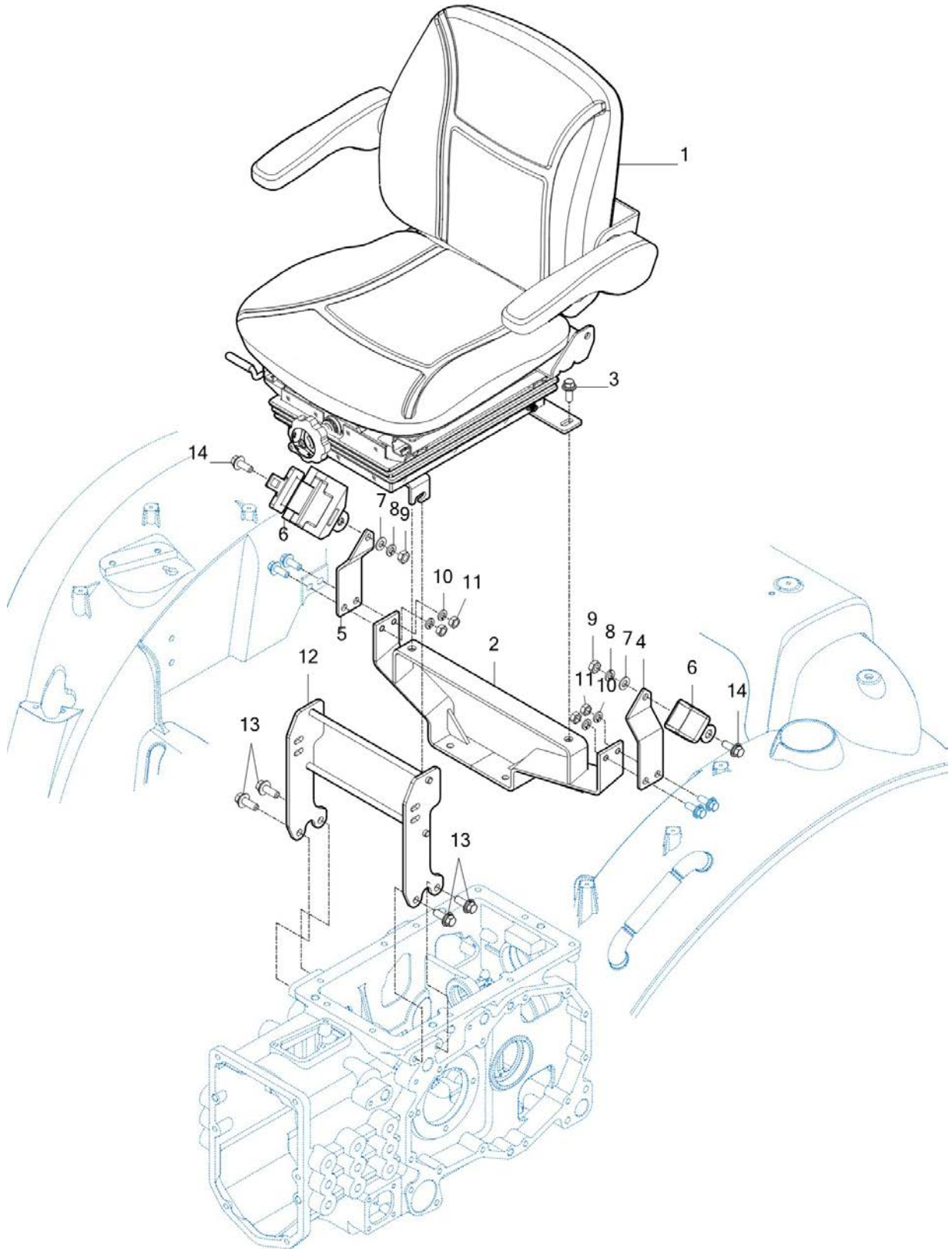
FIG 704

T25NHAU3

SEAT

년/월
Year/Month

2022-12



NOTE

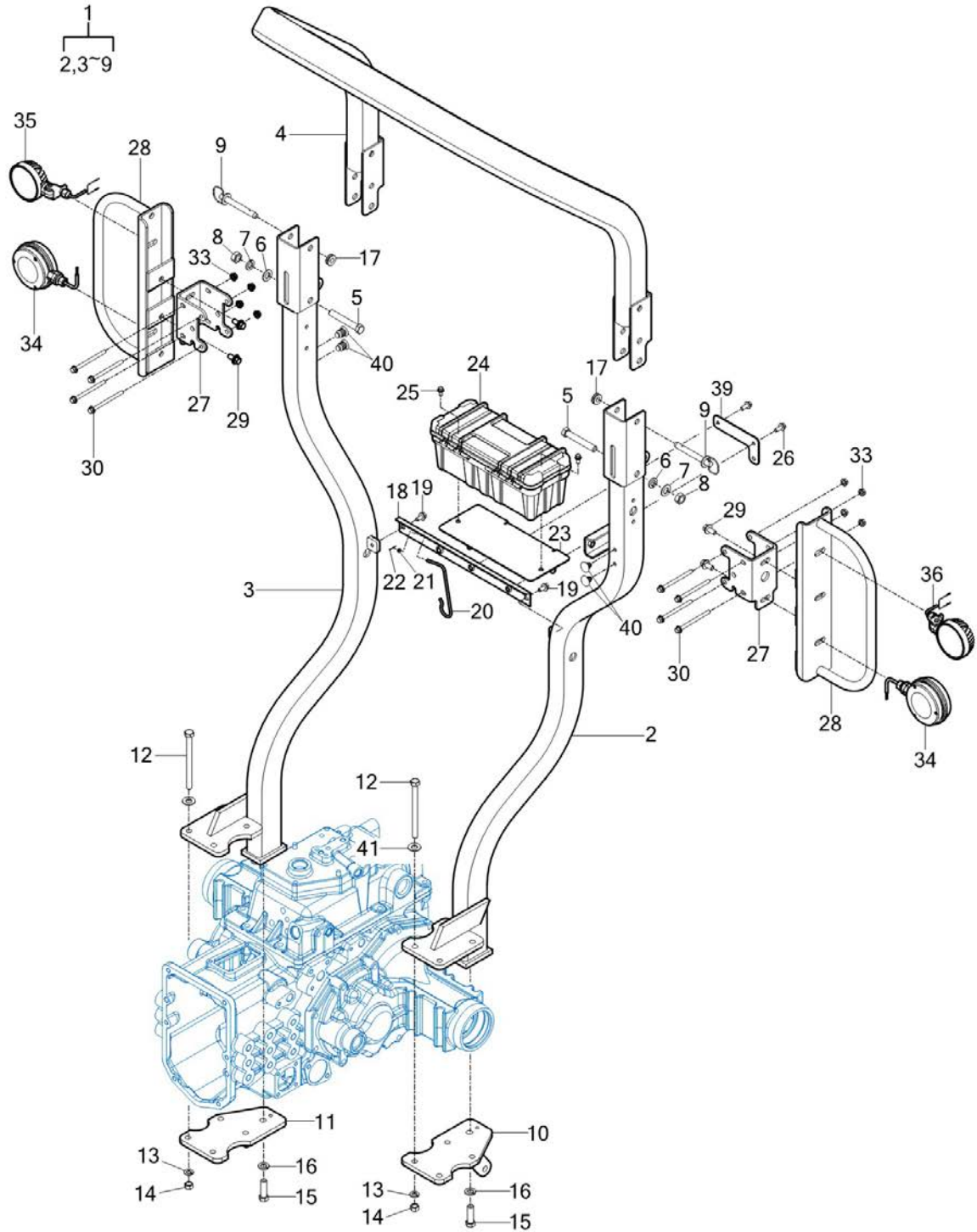
FIG 705

ROPS

년/월
Year/Month

T25NHAU3

2022-12



NOTE

8. 전장 PART NO. T8

FIG 801 BATTERY & MOUNTING	153
FIG 802 LIGHTS	155
FIG 803 INSTRUMENT PANEL	157
FIG 804 ELECTRIC SYSTEM	159
FIG 805 HARNESS	161
FIG 806 HARNESS	163

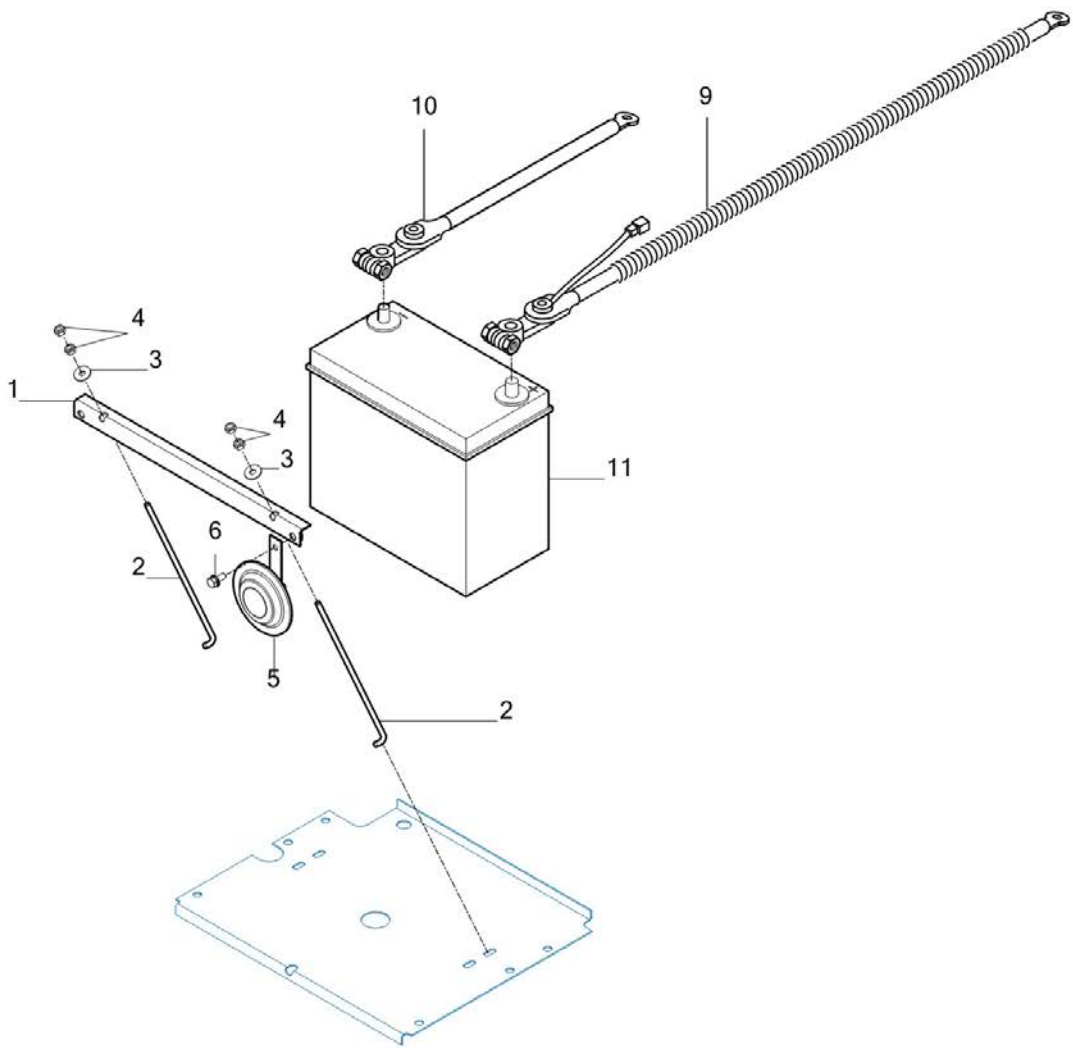
FIG 801

T25NHAU3

BATTERY & MOUNTING

년/월
Year/Month

2022-12



NOTE

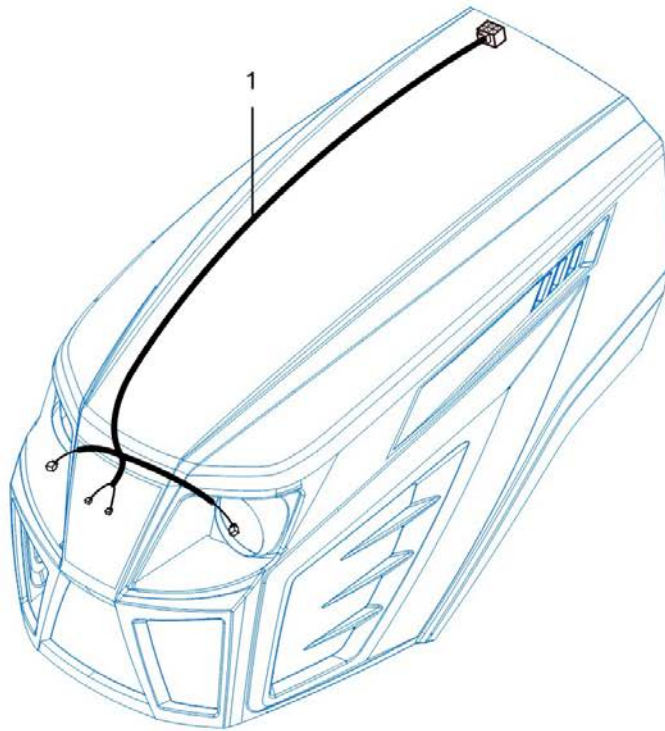
FIG 802

T25NHAU3

LIGHTS

년/월
Year/Month

2022-12



NOTE

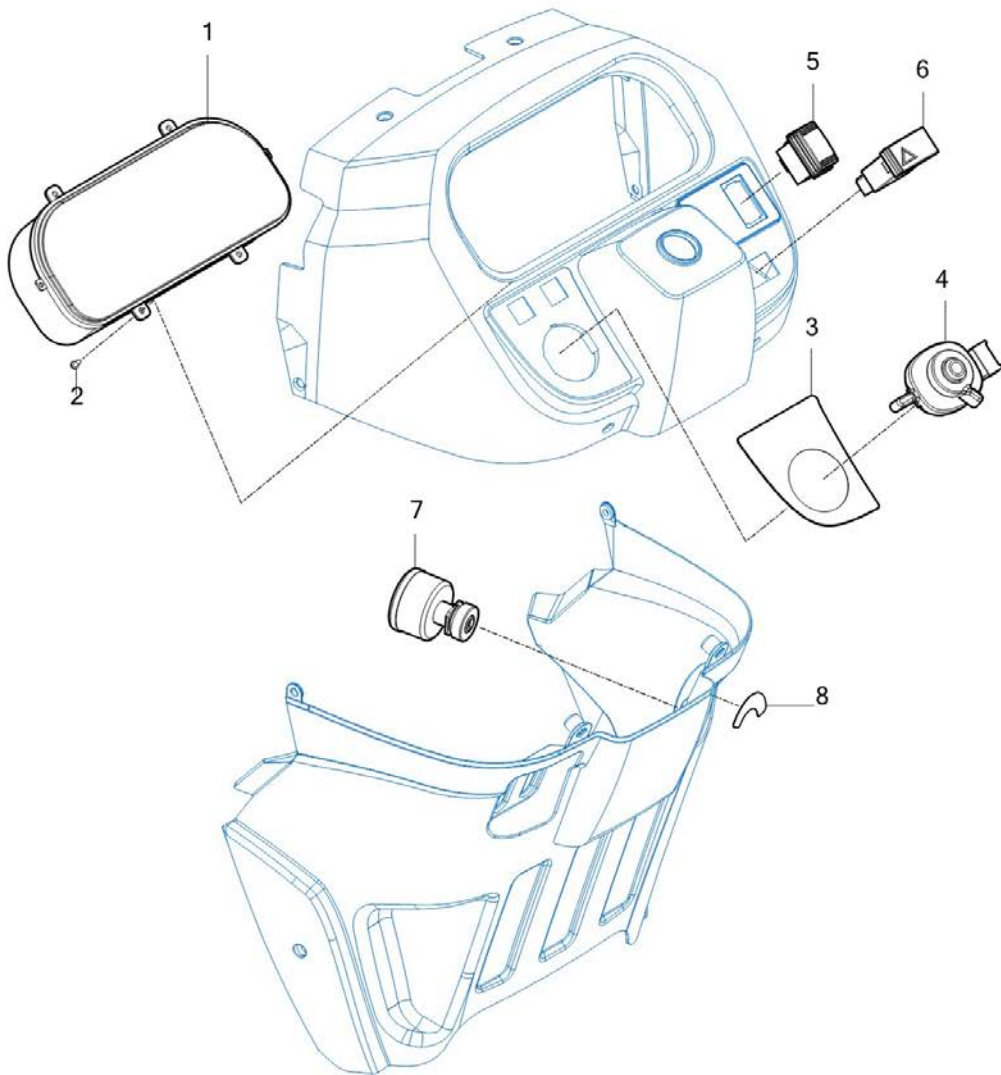
FIG 803

T25NHAU3

INSTRUMENT PANEL

년/월
Year/Month

2022-12



NOTE

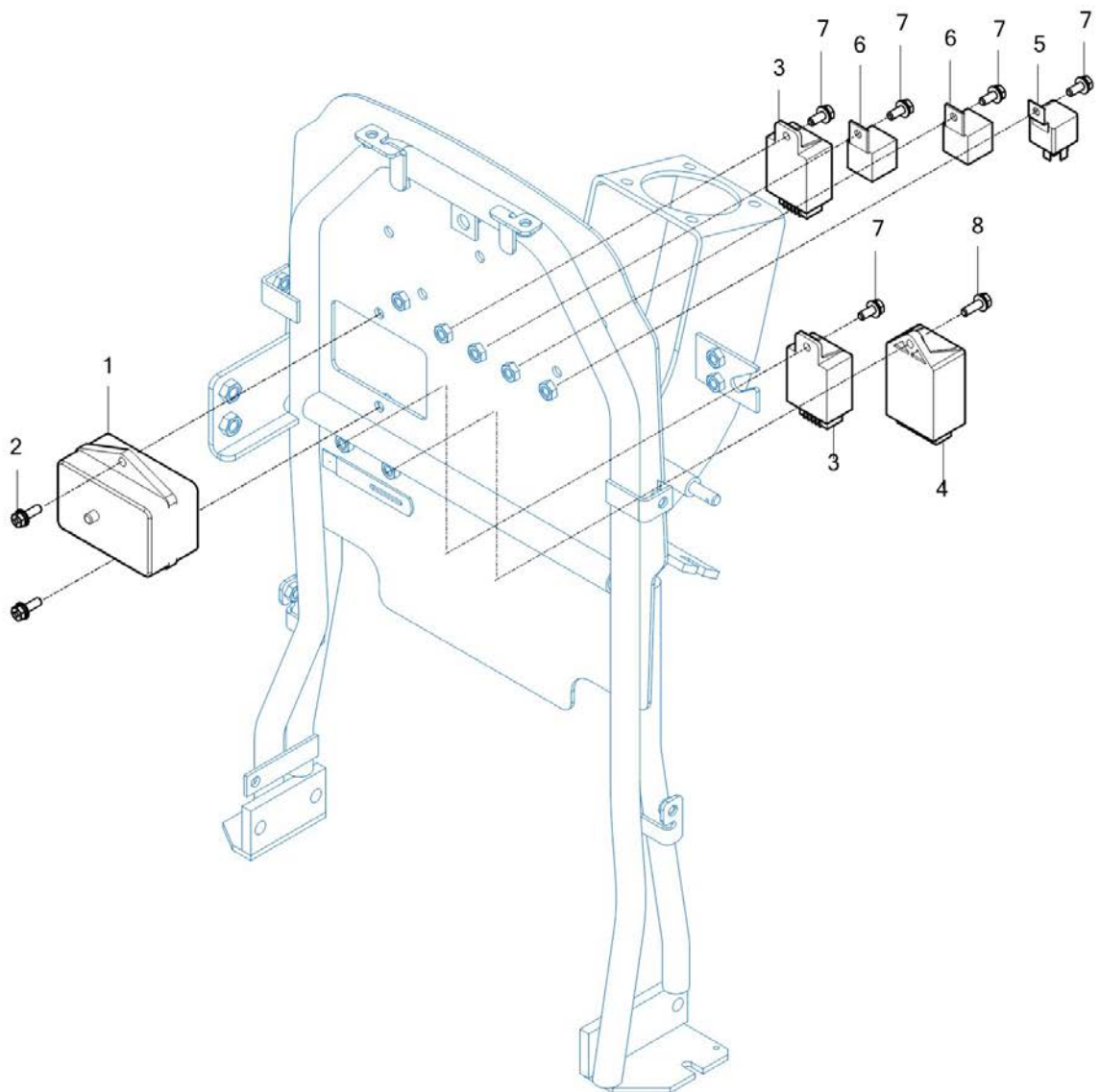
FIG 804

T25NHAU3

ELECTRIC SYSTEM

년/월
Year/Month

2022-12



NOTE

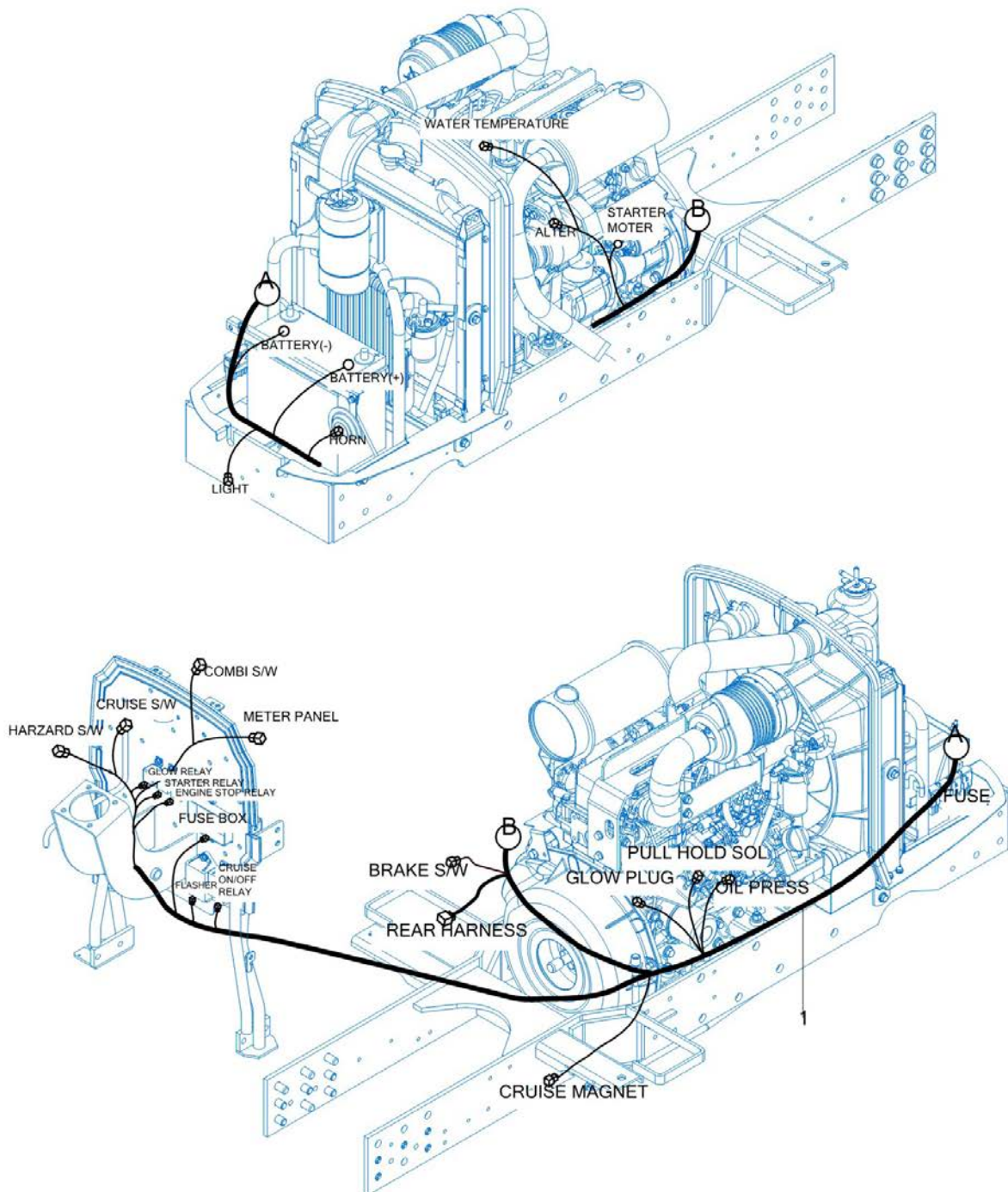
FIG 805

T25NHAU3

HARNESS

년/월
Year/Month

2022-12



NOTE

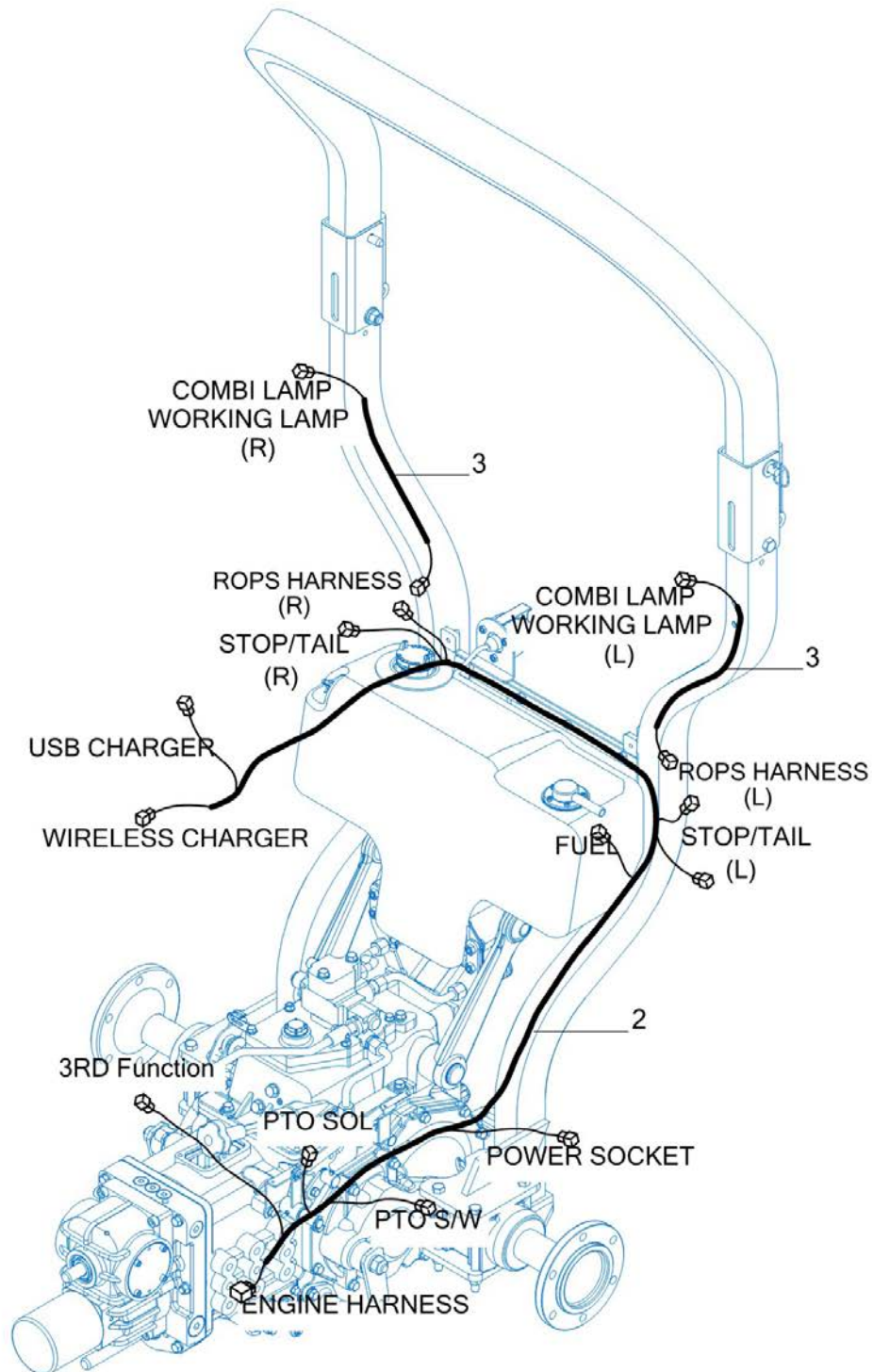
FIG 806

HARNESS

년/월
Year/Month

T25NHAU3

2022-12



NOTE

9. 라벨/옵션 PART NO. T9

FIG 901 TOOL & ACCESSORY

166

FIG 903 LABEL

168

FIG 904 OPTION

170

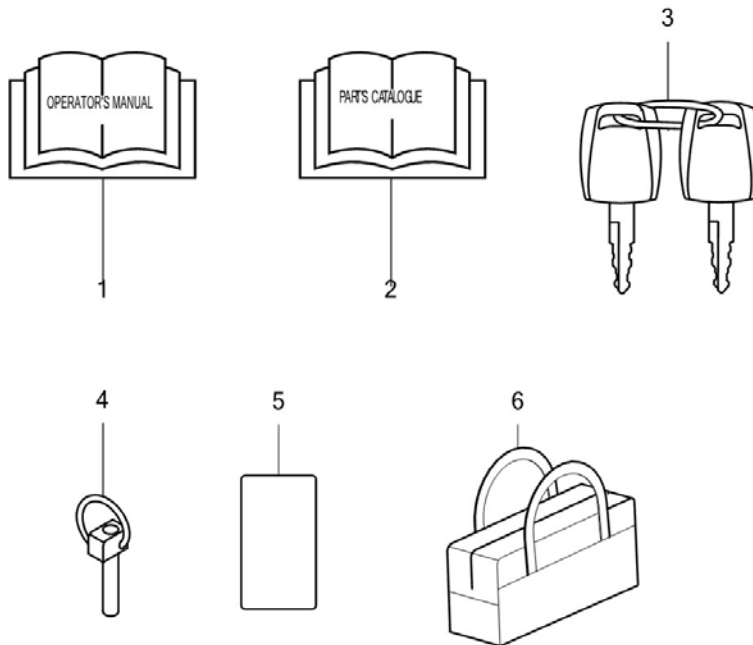
FIG 901

T25NHAU3

TOOL & ACCESSORY

년/월
Year/Month

2022-12



T274U-001

NOTE

FIG 903

LABEL

년/월
Year/Month

T25NHAU3

2022-12

WARNING

Always apply the park brake when parking. Failure to do so can cause accidents and damages.

1200-910-022-0

1

WARNING

Always set the knob to lock when

- 1.Travelling on the road.
- 2.Replacing blades on an implement
- 3.Making adjustment to an implement

Sudden dropping of an implement can cause serious injury or death.

1200-910-026-0

3

WARNING

Do not refuel the tractor while smoking or near naked flame or sparks. always stop engine before refueling tractors.

1200-910-025-0

4

WARNING

Never use the diff-lock at high speed or on the road as this can cause rollover and injury.

1200-910-028-0

5

WARNING

Brake pedals must always be locked together when travelling on the highway. This will ensure uniform braking and provide maximum stopping ability sharp turns must only be made at slow speeds.

1200-910-027-0

6

CAUTION

Keep hands and clothing away from rotating fan and belts to prevent serious injury.

1200-910-012-0

7

DANGER

Rotating driveline contact can cause death. **KEEP AWAY!** Keep all drive line. Tractor and equipment shields in place during operation.

1200-910-013-0

8

WARNING

Attach implements and trailers to the tractor only using the prescribed draw-bar or hitch.

1200-910-014-0

9

WARNING

Do not remove radiator cap while engine is hot. Hot steam will injure you.

1200-910-016-0

10

DANGER

Do not ride except operator.

1200-910-018-0

11

WARNING

Always fasten Your seat belt.

1000-910-019-0

12

CAUTION

Do not touch while the system is hot. It cause serious burns.

1200-910-024-0

14

T25

18

Operator's manual

1200-910-023-0

13

1700-910-025-0

1700-910-017-0

15

16

TYM-USA, Inc.

MODEL

Product Identification Number

MADE IN KOREA

www.tym.com

40

PARKING BRAKE

Press down the master brake pedal and lock the parking lever at the same time

1177-906-011-0

21

EPA REGULATION

USE ULTRA LOW SULFUR FUEL ONLY

26



41



WARNING

Additions, alterations, cracking, damage or corrosion to this structure may adversely affect the performance of the ROPS.

23

WARNING

Do not use the accelerator lever except working on the field.

1000-910-017-0

31



27

This ROPS frame was tested in accordance with OECD standard(Code7) for use on TYM tractor model T25 with a reference mass of 965kg. Manufactured by TYM, KOREA

1181-910-005-0

36

DANGER

This Tractor may tip over unexpectedly and quicker than an operator is able to jump free

- 1.Never operate a tractor without a proper Roll over Protection Structure.(ROPS)
- 2.Always wear your seat belt when operating this tractor equipped with roll over protection
- 3.Never pull from above or from the rear axle.
- 4.Do not operate the tractor on steep slopes or near drop offs
- 5.Avoid sharp high speed turns

Serious injury or death may result from tractor upsets.

1200-904-501-0

24

WARNING

Death or injury may result if this tractor over turns with the ROPS in the folded down position. Operate this tractor with the ROPS folded down only when necessary. Do not wear seat belt if operated with ROPS folded down

1200-904-502-0

25

WARNING

Push the button to lock position with joystick lever is neutral whenever the implement is not operation.

1000-910-024-0

32

WARNING

Stay clear of raised Boom and bucket.

1700-910-011-0

33

NOTE

FIG 904

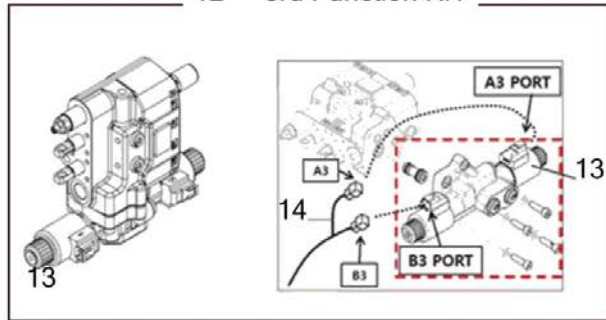
T25NHAU3

OPTION

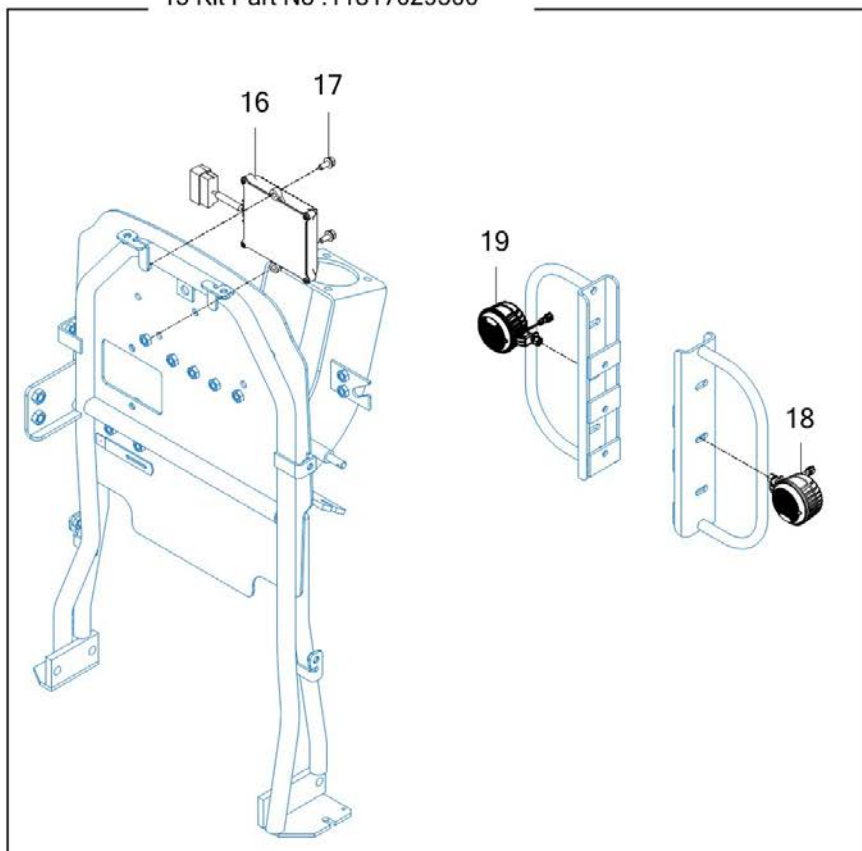
년/월
Year/Month

2022-12

12 3rd Function KIT



15 Kit Part No :11817029500



NOTE

