

T474NC

Parts Catalog

목 차

0. TRACTOR KIT PART NO. TK1

FIG 000 TRAILER SOCKET KIT 7

1. Engine PART NO. EG

FIG 100 ENGINE	11
FIG 101 CYLINDER BLOCK	13
FIG 102 OILJET ASS'Y OPTION	15
FIG 103 CRANK SHAFT	17
FIG 104 PISTON	19
FIG 105 CYLINDER HEAD	21
FIG 106 ROCKER LEVER	23
FIG 107 HEAD COVER	25
FIG 108 GEAR CASE	27
FIG 109 IDLE GEAR	29
FIG 110 CAM SHAFT	31
FIG 111 OIL PUMP	33
FIG 112 HYD. PUMP DRIVE	35
FIG 113 2ND BALANCE	37
FIG 114 OIL PAN	39
FIG 115 INTAKE MANIFOLD	41
FIG 116 EXHAUST MANIFOLD	43
FIG 117 DPF SUPPORT OPTION	45
FIG 118 TURBOCHARGER PLUMBING OPTION	47
FIG 119 BREATHER	49
FIG 120 FUEL INJECTION PUMP	51
FIG 121 FUEL INJECTION VALVE	53
FIG 122 FUEL PIPE ASS'Y	55
FIG 123 OIL FILTER	57
FIG 124 OIL COOLER	59
FIG 125 OIL GAUGUE	61
FIG 126 OIL FILLER CAP	63

FIG 127 COOLING WATER PUMP	65
FIG 128 CRANK SHAFT PULLEY	67
FIG 129 V-PULLEY	69
FIG 130 COOLING FAN	71
FIG 131 FLYWHEEL HOUSING	73
FIG 132 FLYWHEEL	75
FIG 133 GLOW PLUG ASS'Y OPTION	77
FIG 134 STARTING MOTOR	79
FIG 135 FUEL FILTER BRACKET ASS'Y	81
FIG 136 ALTERNATOR	83
FIG 137 V-BELT	85
FIG 138 FUEL FILTER	87
FIG 139 DPF SUPPORT	89
FIG 140 DATAPLATE	91
FIG 142 DPF ASS'Y	93
FIG 143 LIFT ASS'Y	95
FIG 144 COMP. DRIVE PULLEY ASS'Y OPTION	97
FIG 145 LOOSED PARTS	99

2. Engine Accessories PART NO. T2

FIG 201 AIR CLEANER	102
FIG 202 RADIATOR	104
FIG 203 MUFFLER	106
FIG 204 FUEL TANK & FILTER	108
FIG 205 ACCELERATOR	110

3. Clutch/Brake/Steering PART NO. T3

FIG 301 CLUTCH PEDAL	113
FIG 302 FLYWHEEL & CLUTCH	115
FIG 303 BRAKE PEDAL	117
FIG 304 BRAKE	119
FIG 306 FRONT WHEEL MOUNTING	121
FIG 307 REAR WHEEL MOUNTING	123
FIG 308 STEERING WHEEL	125
FIG 309 STEERING VALVE & PARKING	127
FIG 310 STEERING CYLINDER	129

4. Transmission PART NO. T4

FIG 401 TRANSMISSION FRONT CASE	132
FIG 402 INPUT METAL	134
FIG 403 INPUT GEAR	136
FIG 404 4WD DRIVE GEAR	138
FIG 405 MAIN CHANGE GEARS & REVERSE GEARS	140
FIG 406 SUB CHANGE GEARS	142
FIG 407 PINION GEARS	144
FIG 408 P.T.O DRIVE SHAFT	146
FIG 409 P.T.O CHANGE GEARS	148
FIG 410 DIFF LOCK	150
FIG 411 TRANSMISSION REAR CASE	152
FIG 412 REAR AXLE HOUSINGS (1)	154
FIG 413 REAR AXLE HOUSINGS (2)	156
FIG 414 MAIN CHANGE LEVER	158
FIG 415 SUB CHANGE LEVER	160
FIG 416 REVERSE LINK	162
FIG 417 REVERSE CHANGE LEVER	164
FIG 418 4WD CHANGE LEVER	166

5. Front Axle PART NO. T5

FIG 501 FRONT AXLE BRACKET	169
FIG 502 FRONT DIFF. GEARS & SHAFT	171
FIG 503 FRONT AXLE HOUSING	173
FIG 504 FRONT GEAR CASE (1)	175
FIG 505 FRONT GEAR CASE (2)	177

6. Hydraulic/3P-Link PART NO. T6

FIG 601 GEAR PUMP	180
FIG 602 CYLINDER CASE	182
FIG 603 LIFT ARM	184
FIG 604 CYLINDER	186
FIG 605 POSITION LINK (1)	188
FIG 606 POSITION LINK (2)	190

FIG 607 CONTROL VALVE	192
FIG 608 POSITION LEVER	194
FIG 609 HYDRAULIC PIPE (1)	196
FIG 610 HYDRAULIC PIPE (2)	199
FIG 611 EXTERIOR HYD VALVE	201
FIG 612 3-POINT LINK	203
FIG 613 HITCH & COVER	206
FIG 614 EXTERIOR POSITION LEVER	208

7. Sheet Metal & Cabin PART NO. T7

FIG 701 HOOD FRAME	211
FIG 702 HOOD	214
FIG 703 EXTENSION COVER	217
FIG 704 FENDER & REAR FRAME	219
FIG 705 DASH PANEL	222
FIG 706 FLOOR PANEL	224
FIG 707 SEAT	226
FIG 708 FRONT & REAR MOUNTING	228
FIG 709 ROPS	230

8. Electrical System PART NO. T8

FIG 801 BATTERY & MOUNTING	233
FIG 802 LAMP	235
FIG 803 INSTRUMENT PANEL	237
FIG 804 ELECTRIC SYSTEM	239
FIG 805 HARNESS	241

9. Label/Option PART NO. T9

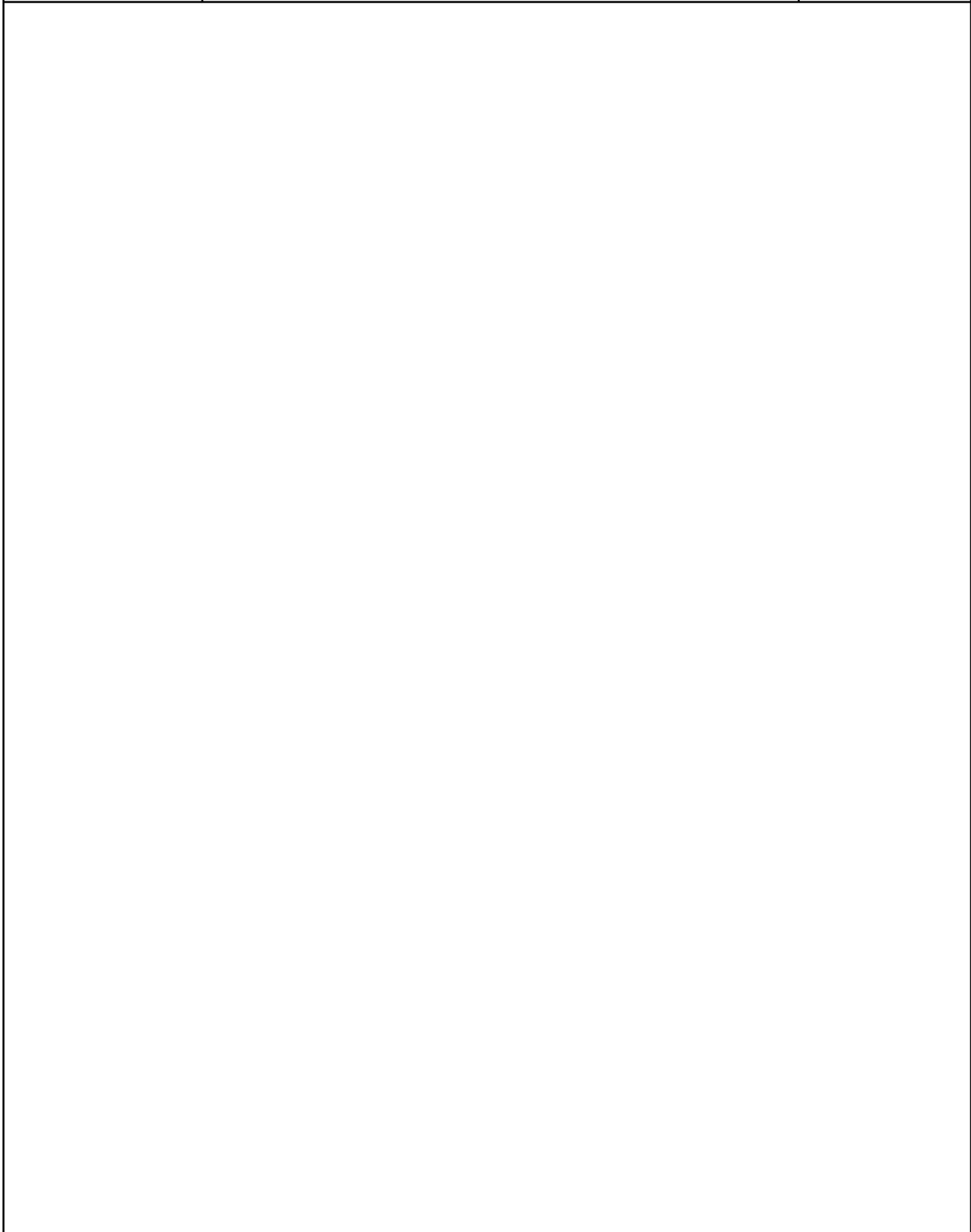
FIG 901 TOOL & ACCESSORY	244
FIG 902 LABEL	246
FIG 902 LABEL	248

0. TRACTOR KIT PART NO. TK1

FIG 000 TRAILER SOCKET KIT

7

FIG 000 T474NC	TRAILER SOCKET KIT	년/월 Year/Month 2022-12
-------------------	--------------------	------------------------------



NOTE	
------	--

1. Engine PART NO. EG

FIG 100 ENGINE	11
FIG 101 CYLINDER BLOCK	13
FIG 102 OILJET ASS'Y OPTION	15
FIG 103 CRANK SHAFT	17
FIG 104 PISTON	19
FIG 105 CYLINDER HEAD	21
FIG 106 ROCKER LEVER	23
FIG 107 HEAD COVER	25
FIG 108 GEAR CASE	27
FIG 109 IDLE GEAR	29
FIG 110 CAM SHAFT	31
FIG 111 OIL PUMP	33
FIG 112 HYD. PUMP DRIVE	35
FIG 113 2ND BALANCE	37
FIG 114 OIL PAN	39
FIG 115 INTAKE MANIFOLD	41
FIG 116 EXHAUST MANIFOLD	43
FIG 117 DPF SUPPORT OPTION	45
FIG 118 TURBOCHARGER PLUMBING OPTION	47
FIG 119 BREATHER	49
FIG 120 FUEL INJECTION PUMP	51
FIG 121 FUEL INJECTION VALVE	53
FIG 122 FUEL PIPE ASS'Y	55
FIG 123 OIL FILTER	57
FIG 124 OIL COOLER	59
FIG 125 OIL GAUGUE	61
FIG 126 OIL FILLER CAP	63
FIG 127 COOLING WATER PUMP	65
FIG 128 CRANK SHAFT PULLEY	67
FIG 129 V-PULLEY	69
FIG 130 COOLING FAN	71
FIG 131 FLYWHEEL HOUSING	73
FIG 132 FLYWHEEL	75
FIG 133 GLOW PLUG ASS'Y OPTION	77
FIG 134 STARTING MOTOR	79
FIG 135 FUEL FILTER BRACKET ASS'Y	81
FIG 136 ALTERNATOR	83
FIG 137 V-BELT	85

FIG 138 FUEL FILTER	87
FIG 139 DPF SUPPORT	89
FIG 140 DATAPLATE	91
FIG 142 DPF ASS'Y	93
FIG 143 LIFT ASS'Y	95
FIG 144 COMP. DRIVE PULLEY ASS'Y OPTION	97
FIG 145 LOOSED PARTS	99

FIG 100 T474NC	ENGINE	년/월 Year/Month
		2022-12
NOTE		

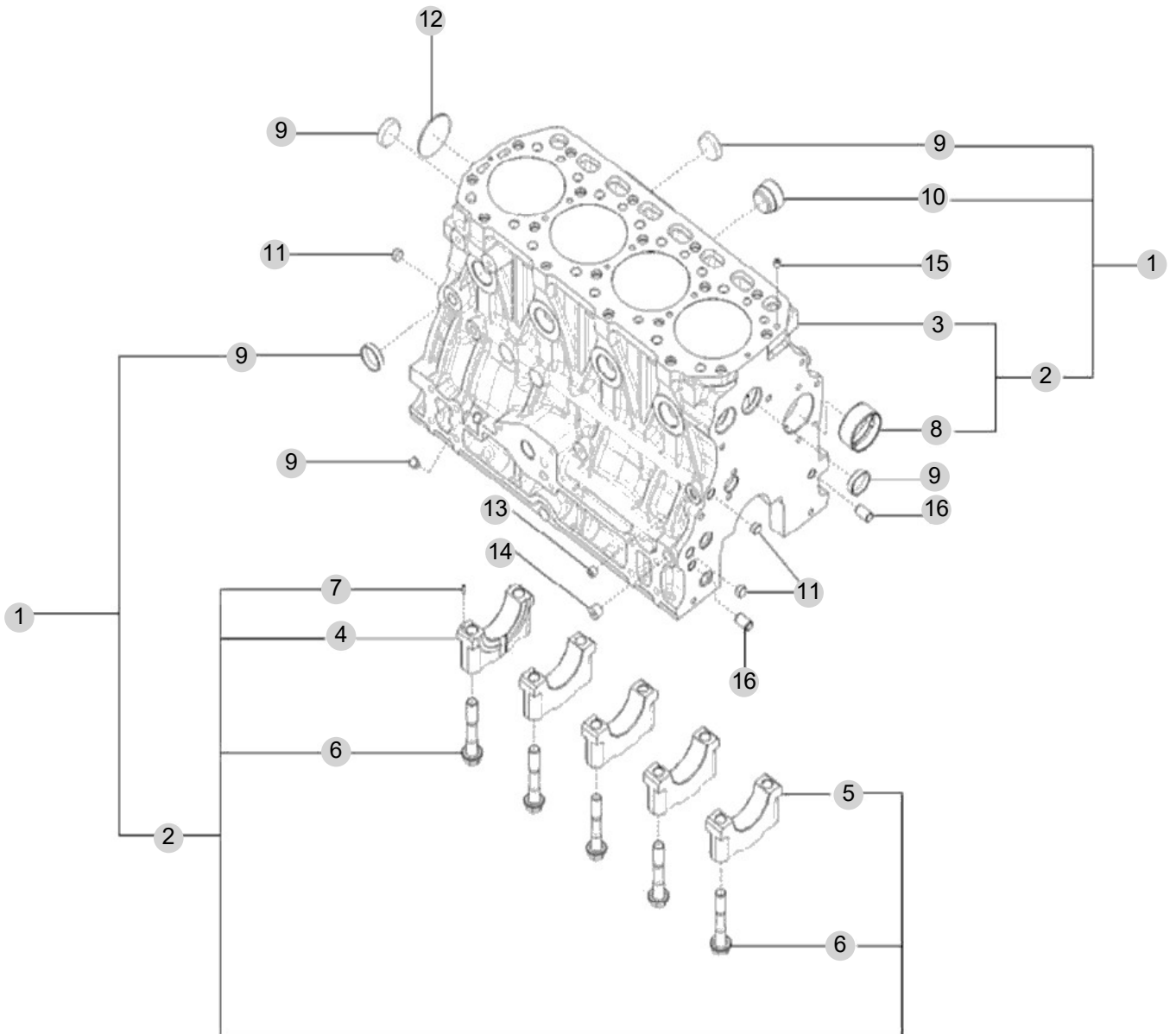
FIG 101

T474NC

CYLINDER BLOCK

년/월
Year/Month

2022-12



NOTE

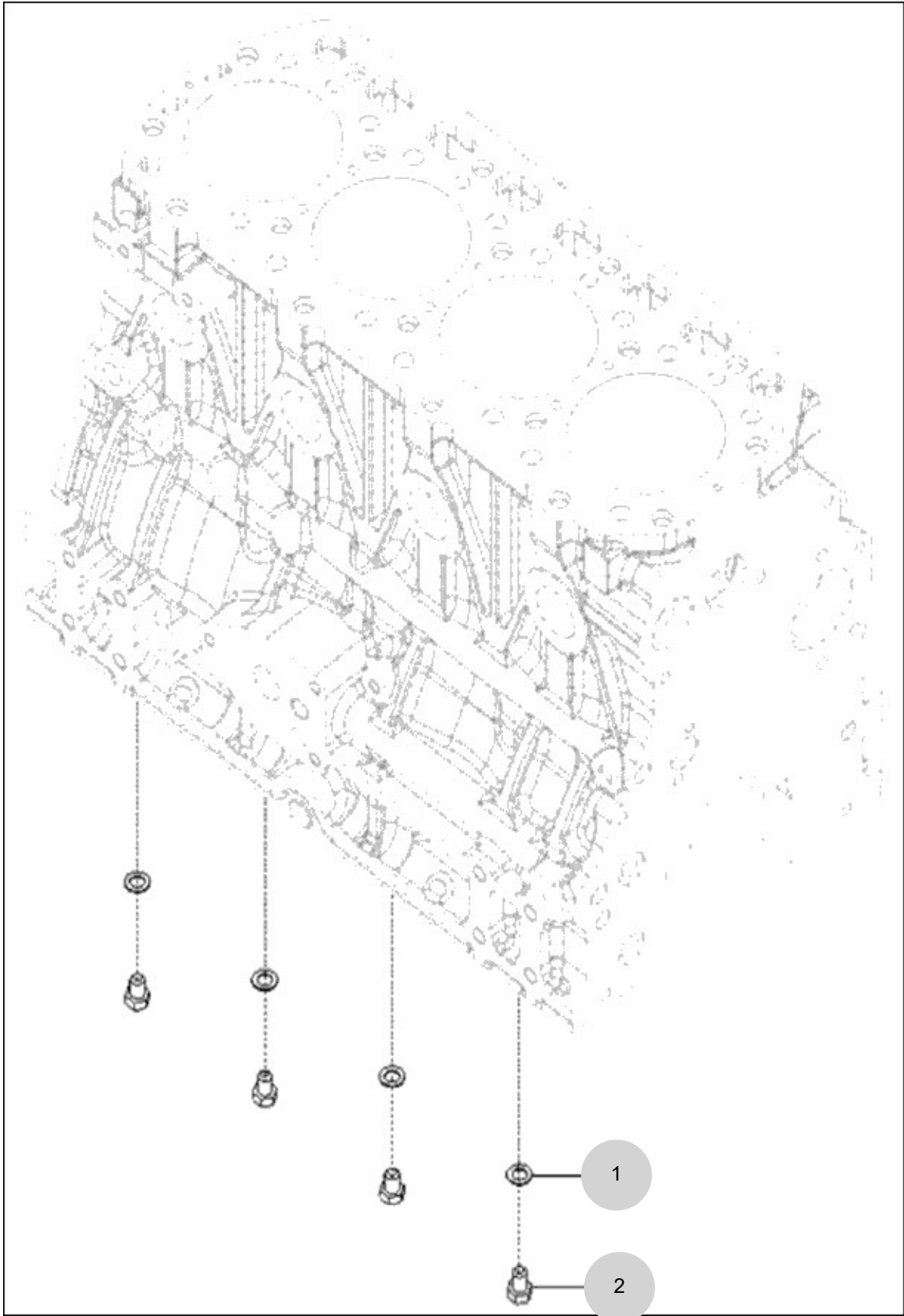
FIG 102

OILJET ASS'Y OPTION

년/월
Year/Month

T474NC

2022-12



NOTE

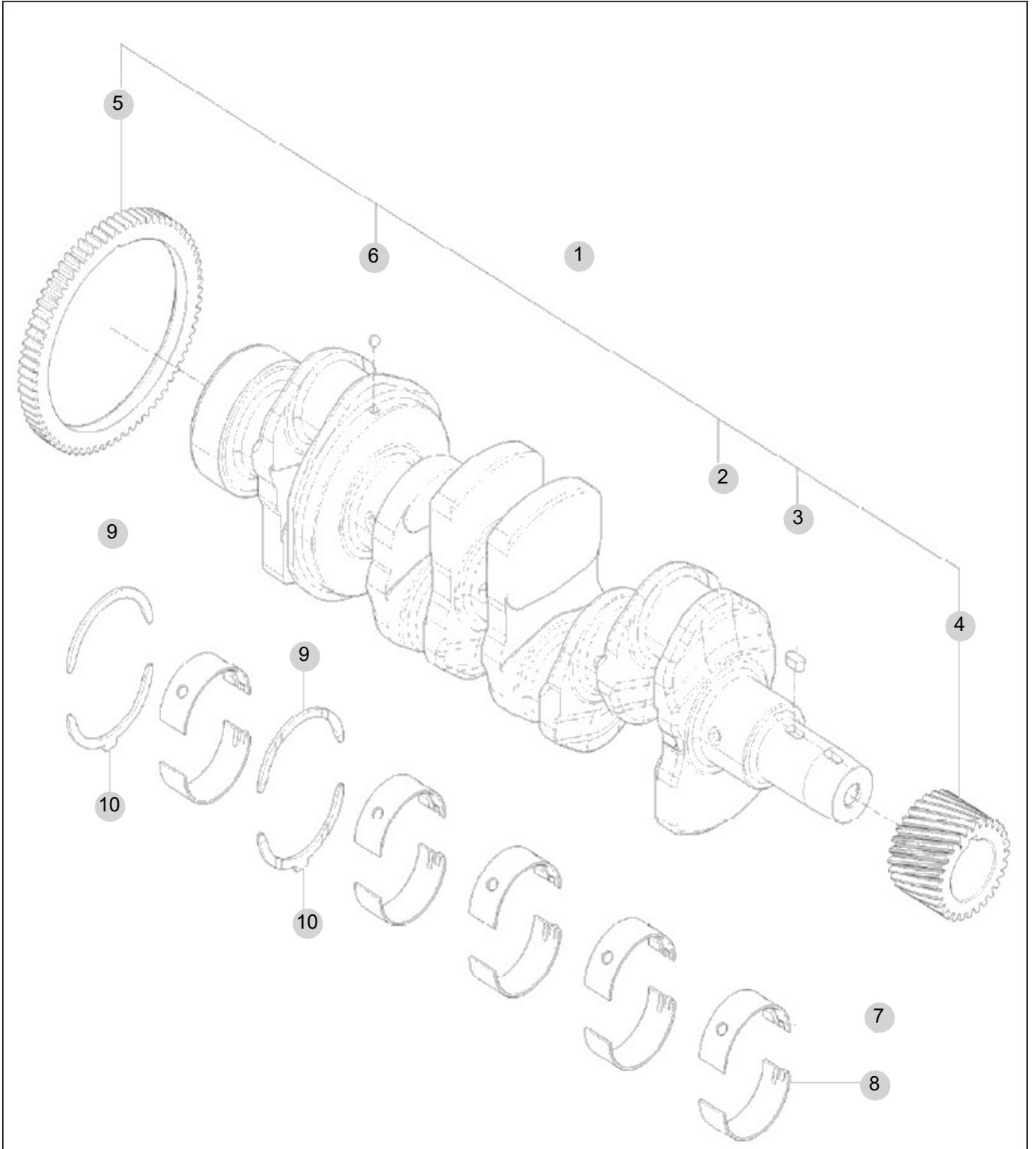
FIG 103

CRANK SHAFT

년/월
Year/Month

2022-12

T474NC



NOTE

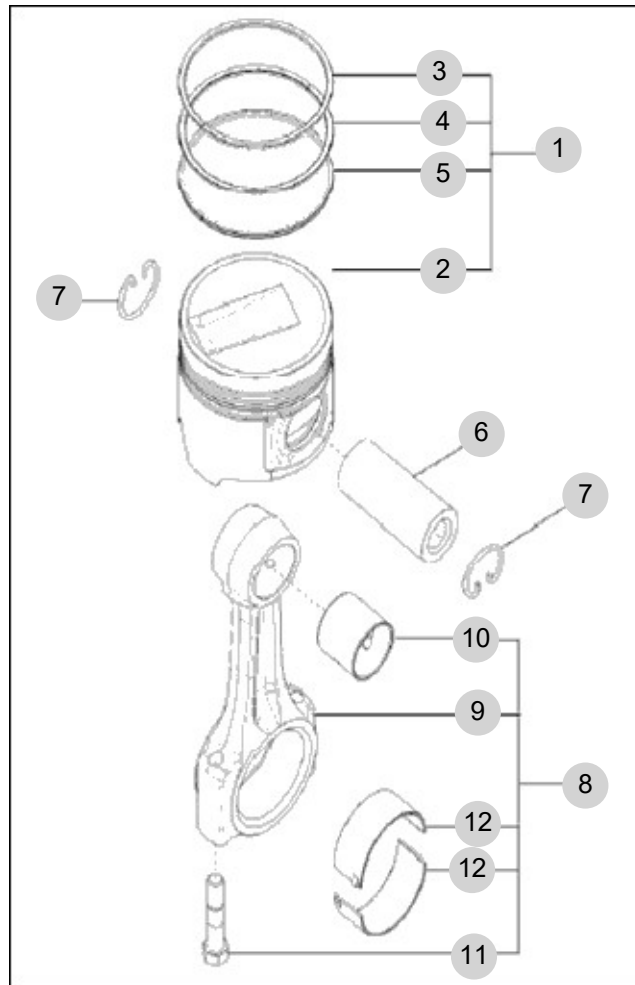
FIG 104

T474NC

PISTON

년/월
Year/Month

2022-12



NOTE

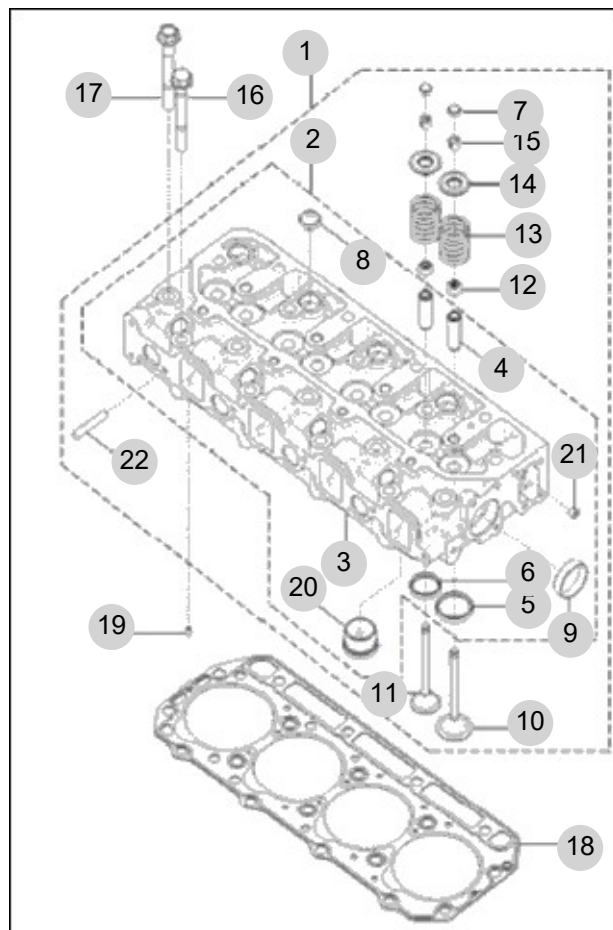
FIG 105

CYLINDER HEAD

년/월
Year/Month

2022-12

T474NC



NOTE

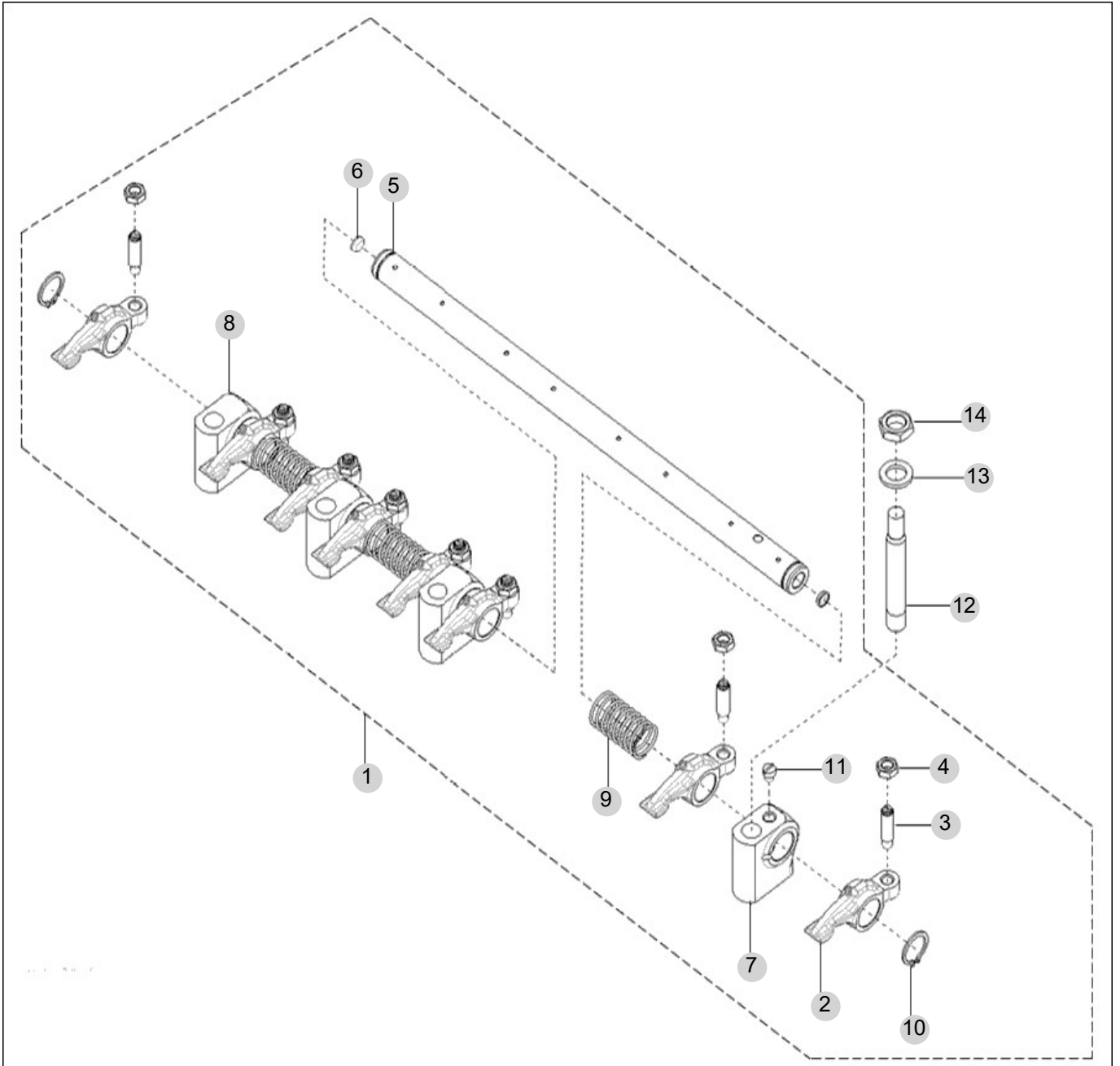
FIG 106

T474NC

ROCKER LEVER

년/월
Year/Month

2022-12



NOTE

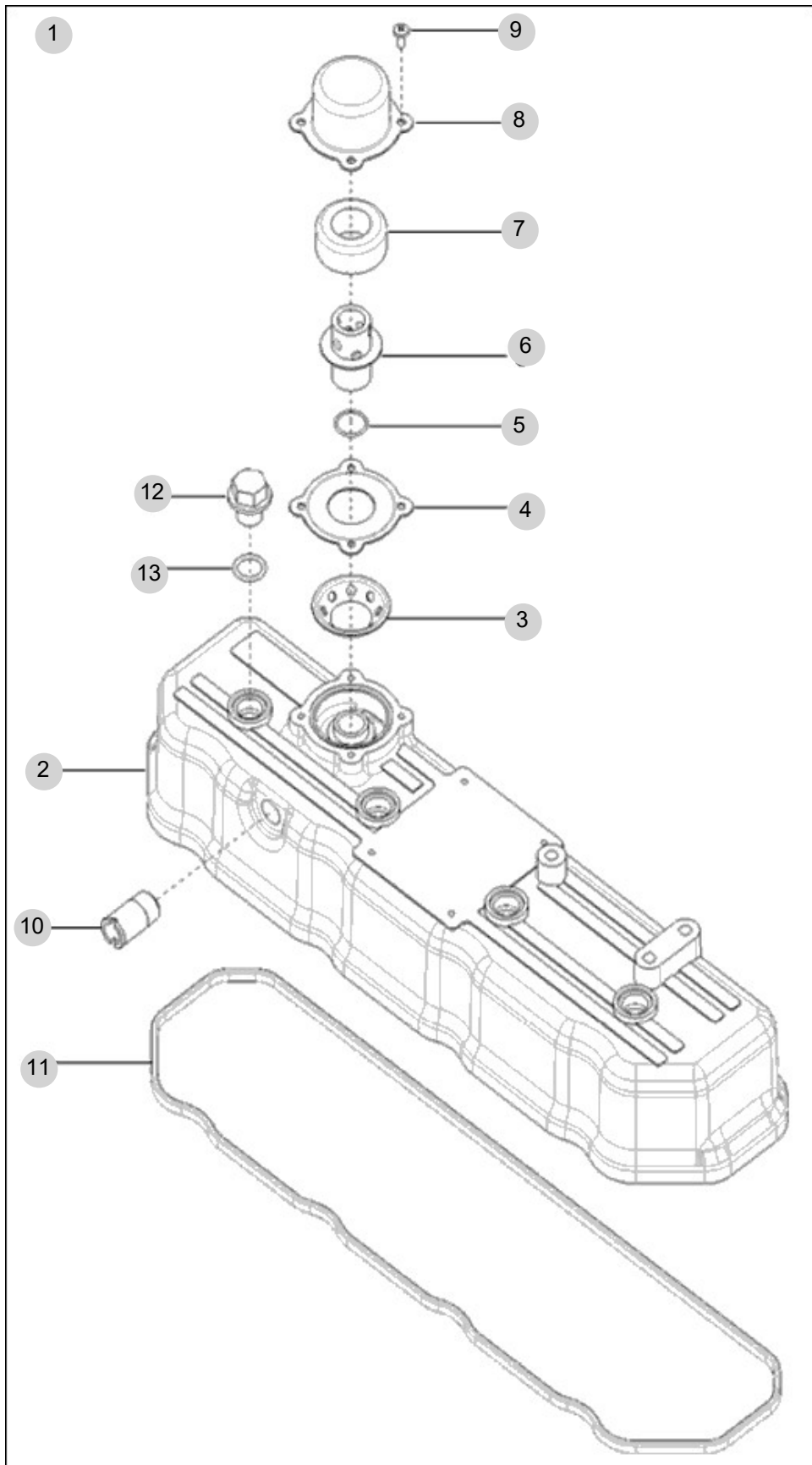
FIG 107

T474NC

HEAD COVER

년/월
Year/Month

2022-12



NOTE

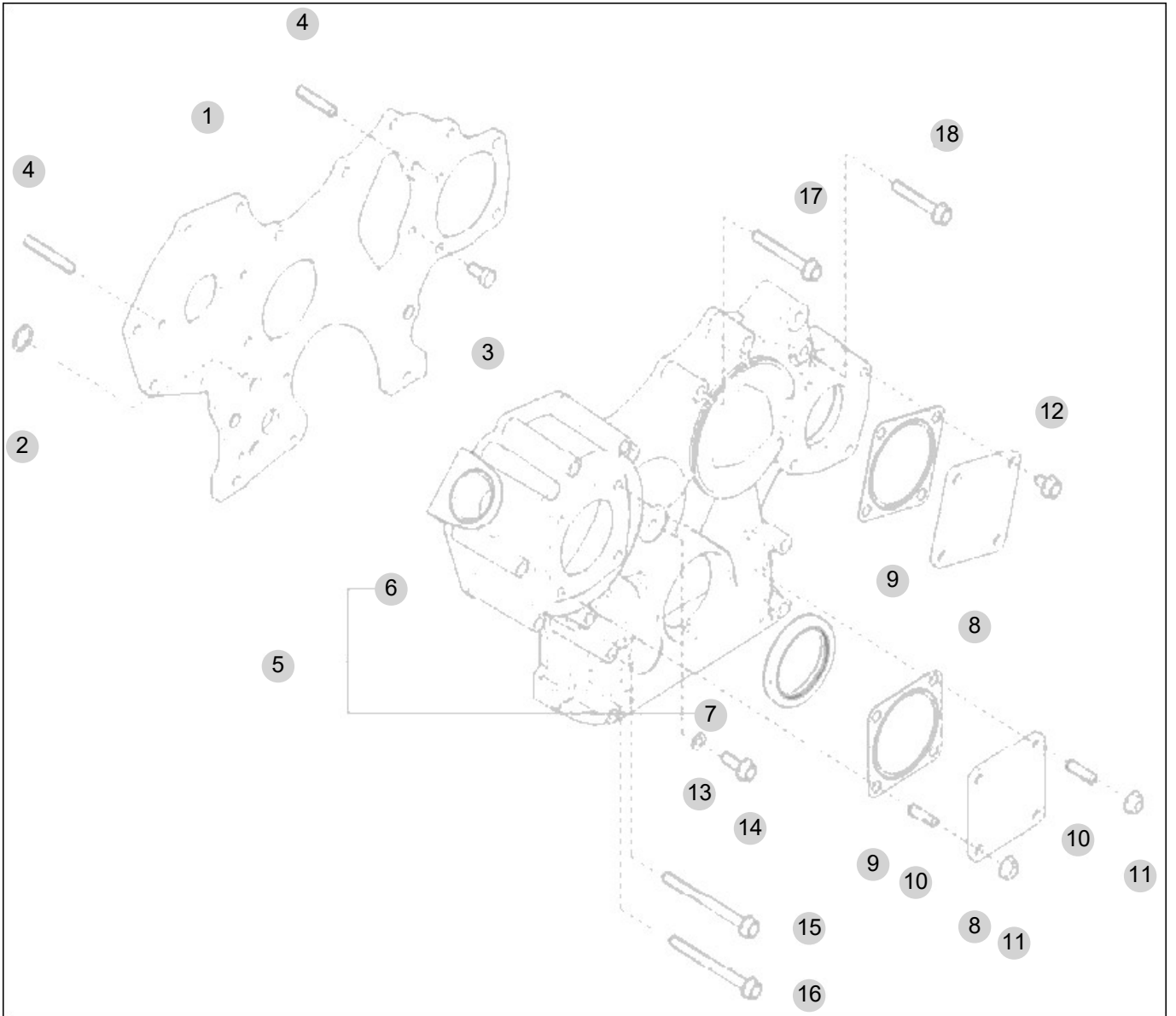
FIG 108

GEAR CASE

년/월
Year/Month

T474NC

2022-12



NOTE

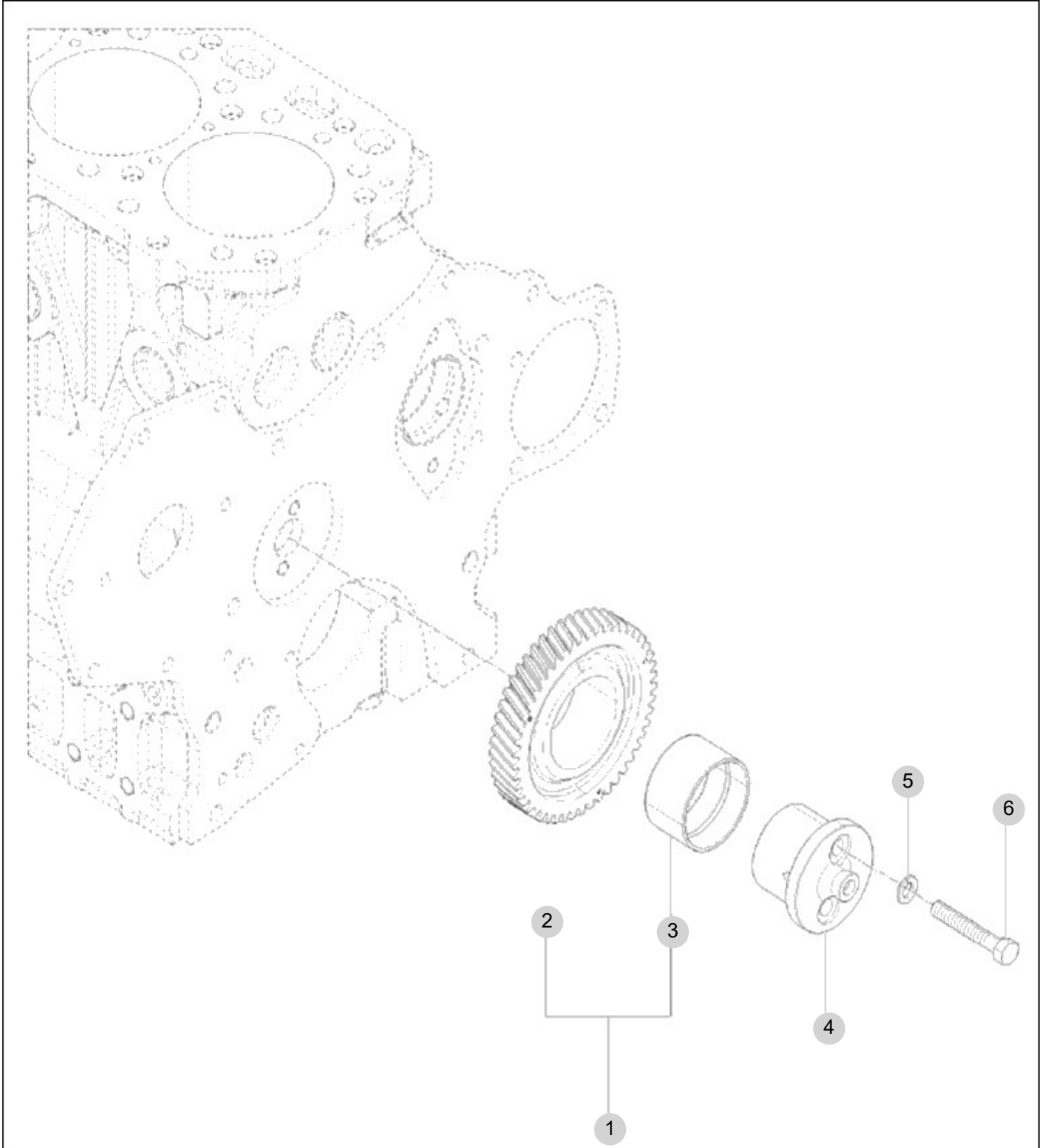
FIG 109

IDLE GEAR

년/월
Year/Month

T474NC

2022-12



NOTE

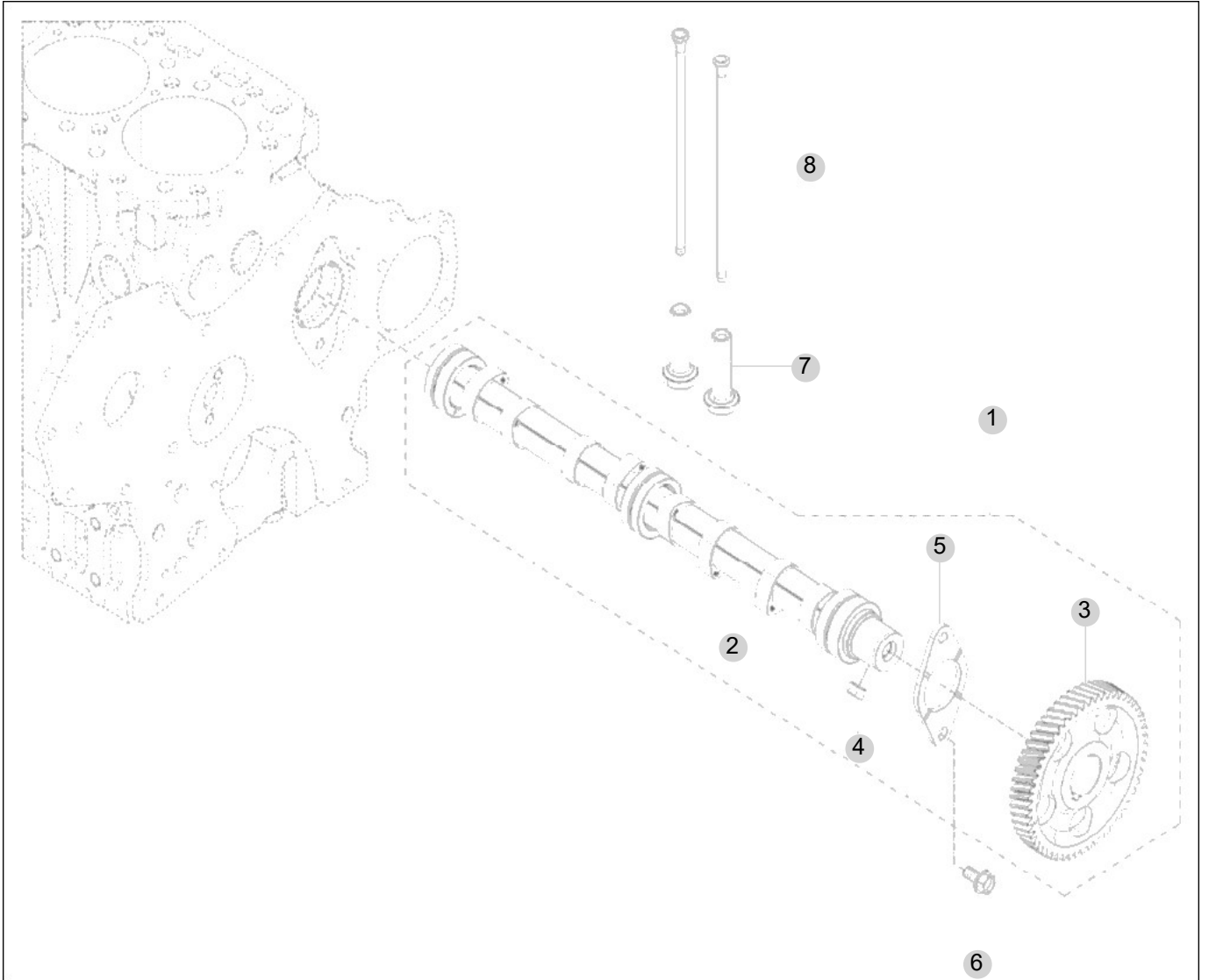
FIG 110

CAM SHAFT

년/월
Year/Month

T474NC

2022-12



NOTE

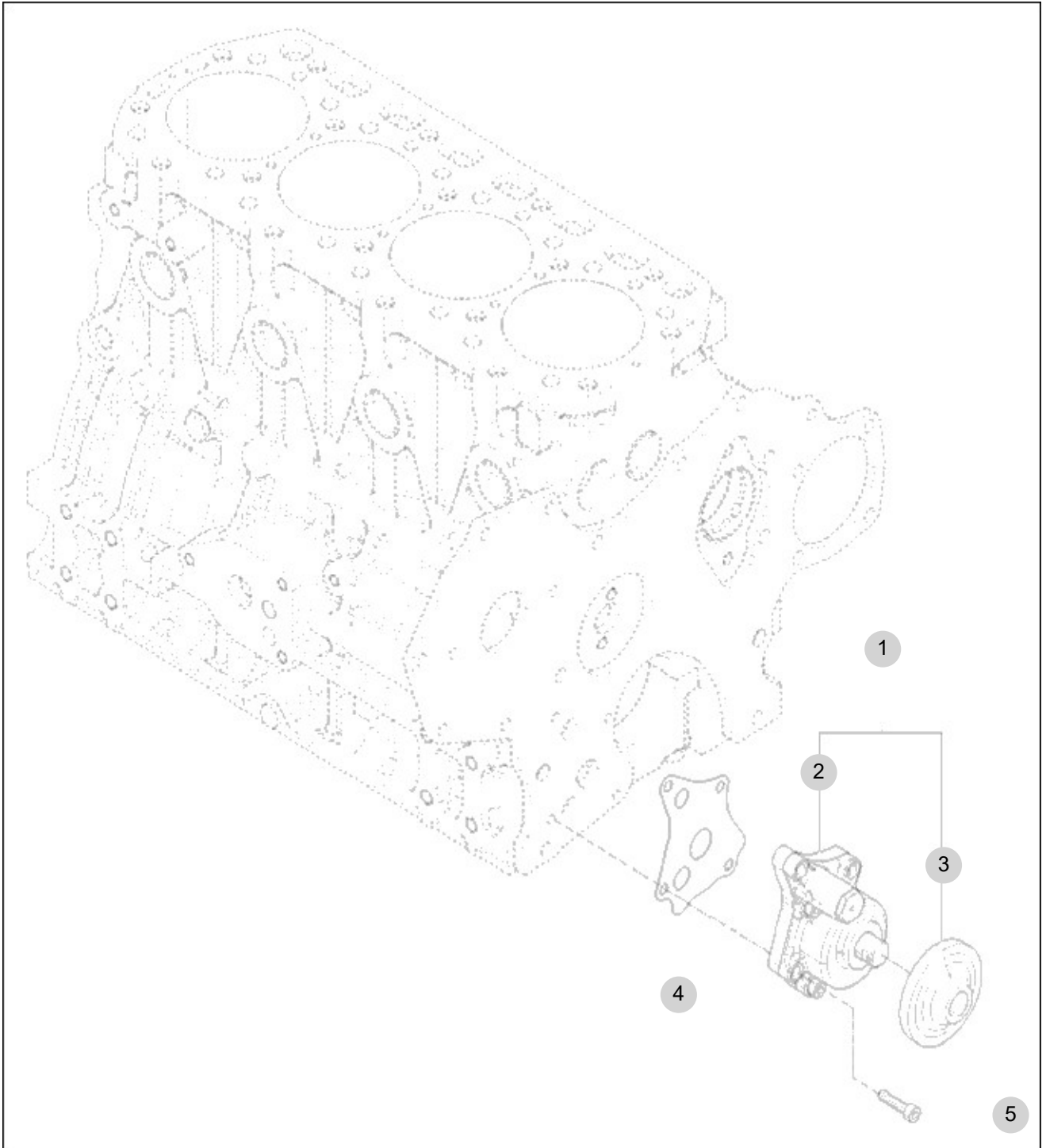
FIG 111

OIL PUMP

년/월
Year/Month

T474NC

2022-12



NOTE

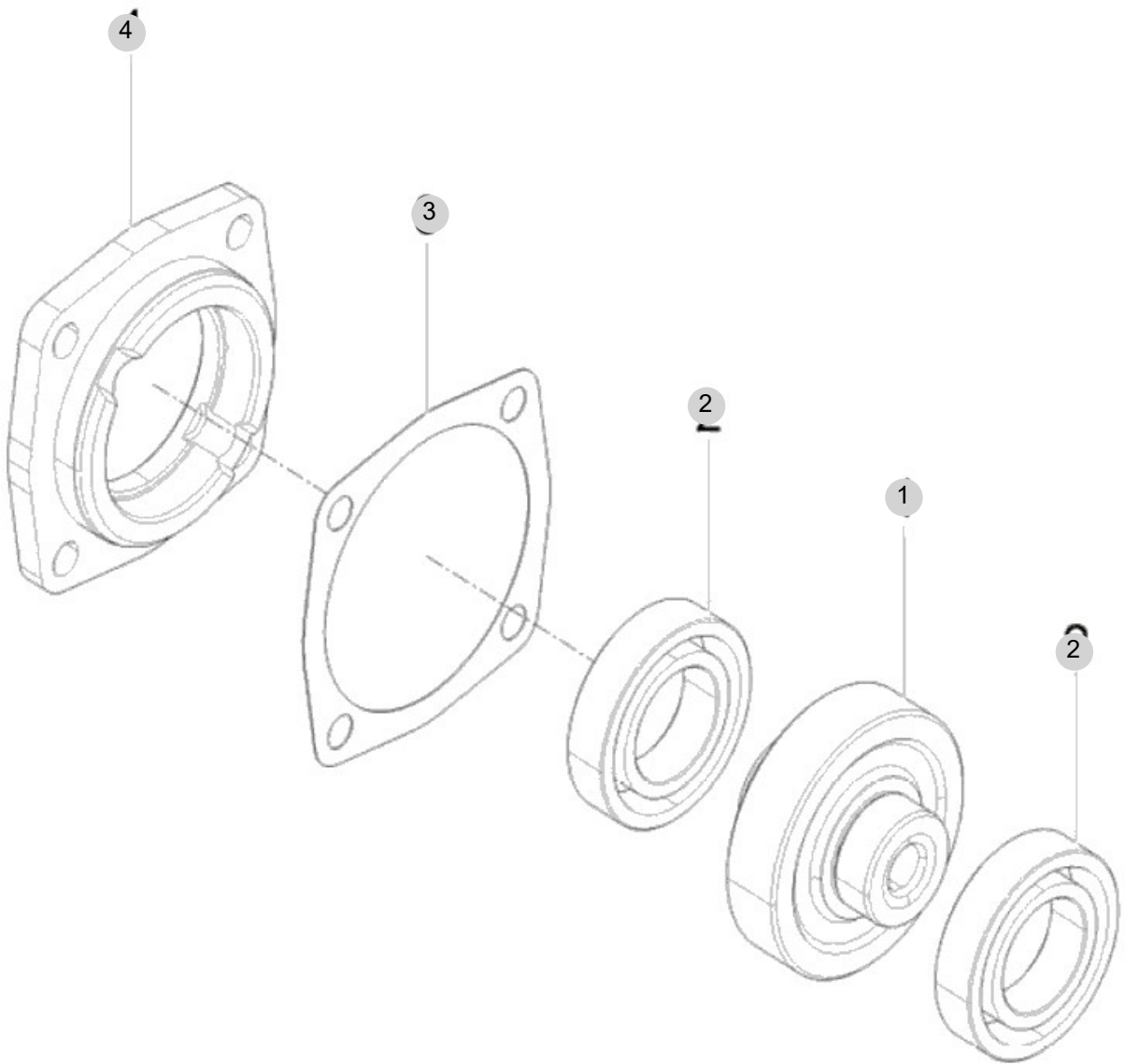
FIG 112

T474NC

HYD. PUMP DRIVE

년/월
Year/Month

2022-12



NOTE

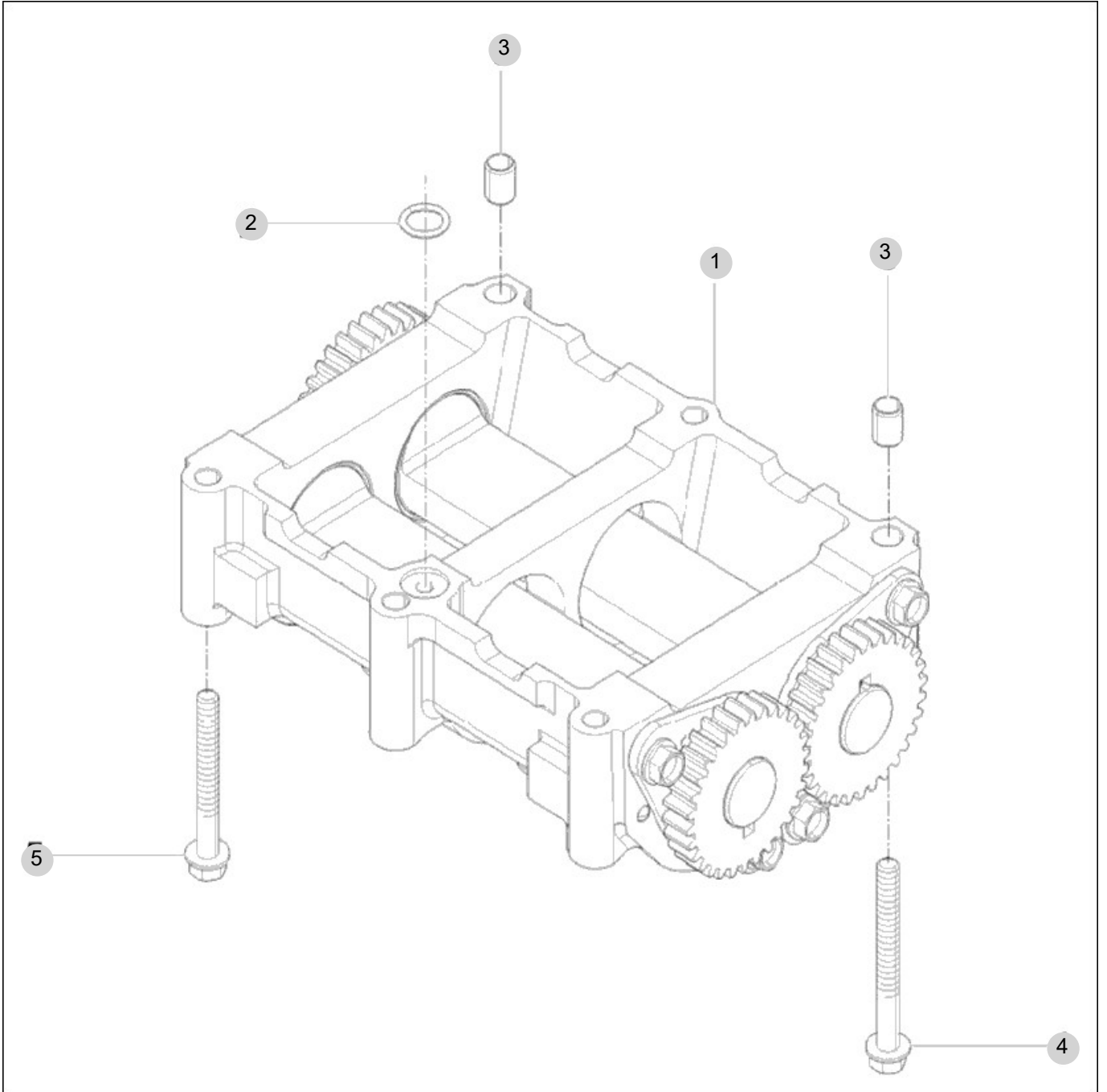
FIG 113

T474NC

2ND BALANCE

년/월
Year/Month

2022-12



NOTE

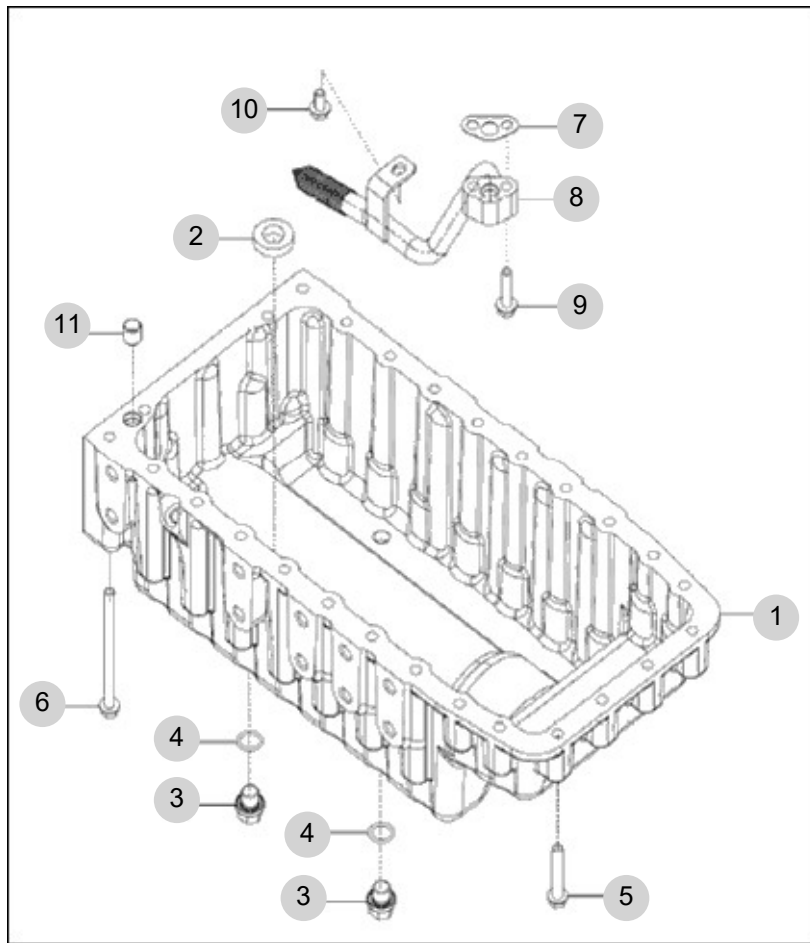
FIG 114

T474NC

OIL PAN

년/월
Year/Month

2022-12



NOTE

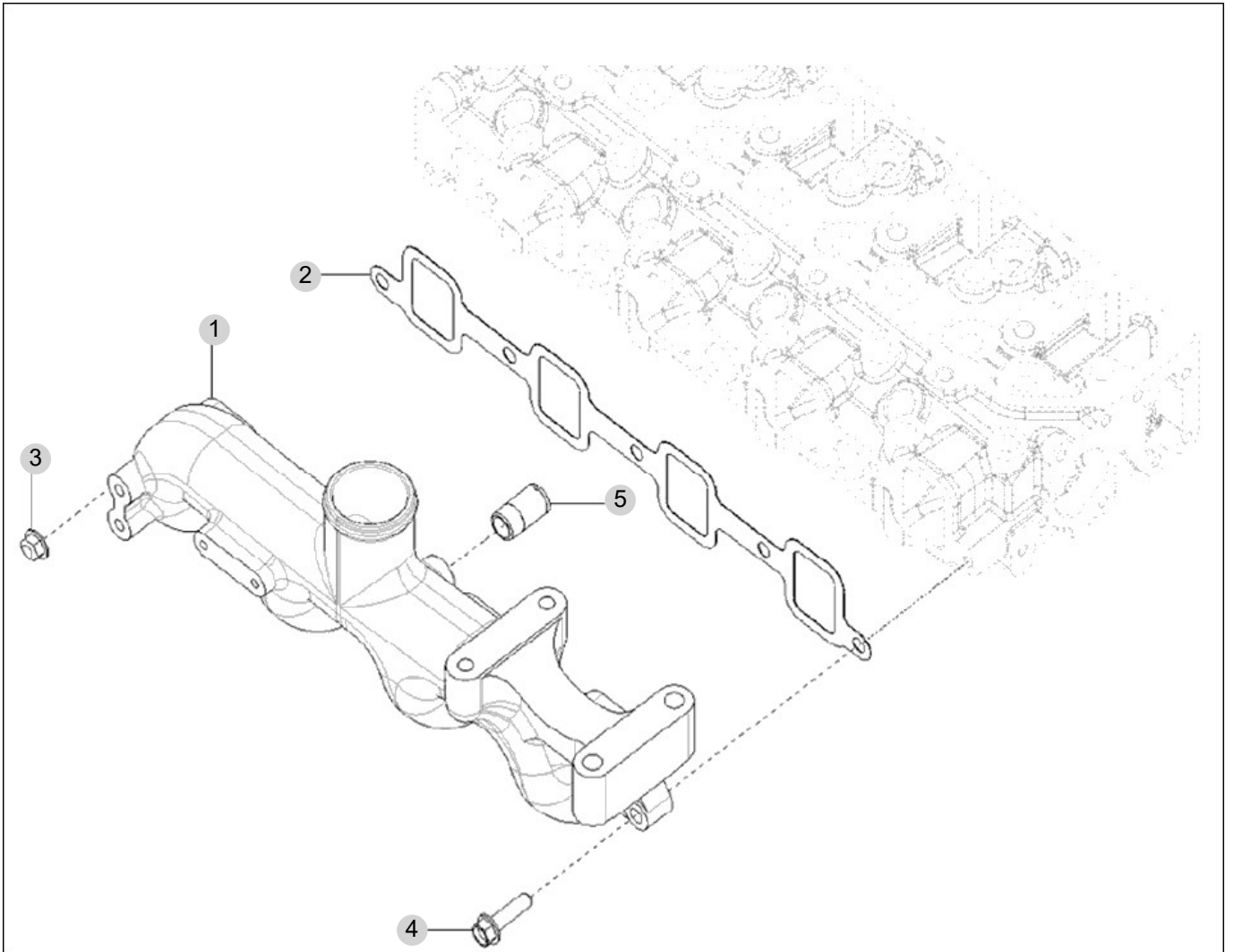
FIG 115

T474NC

INTAKE MANIFOLD

년/월
Year/Month

2022-12



NOTE

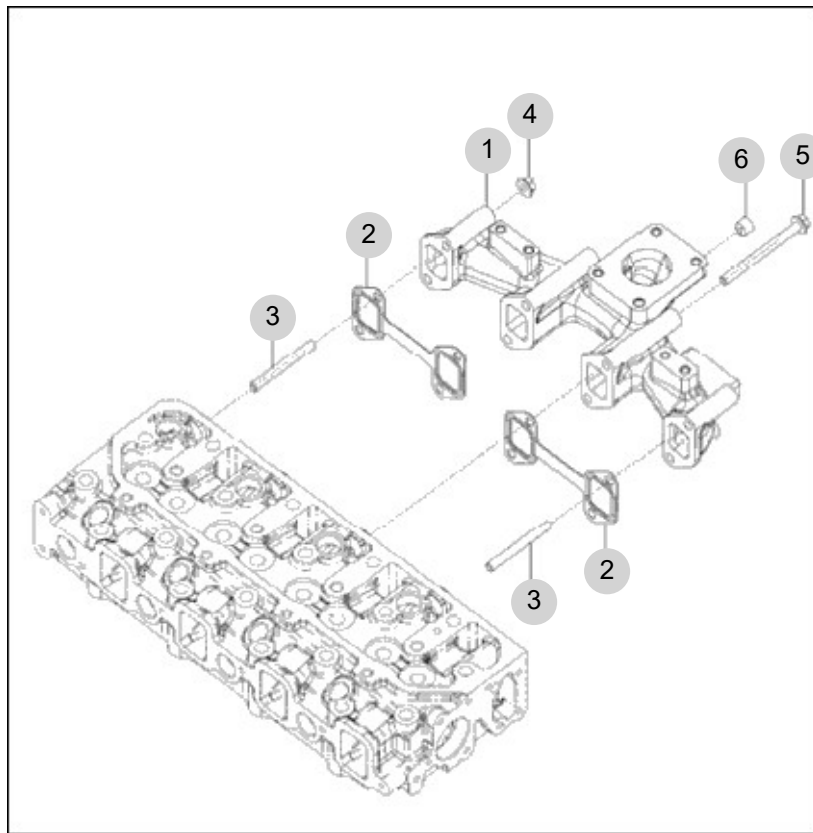
FIG 116

T474NC

EXHAUST MANIFOLD

년/월
Year/Month

2022-12



NOTE

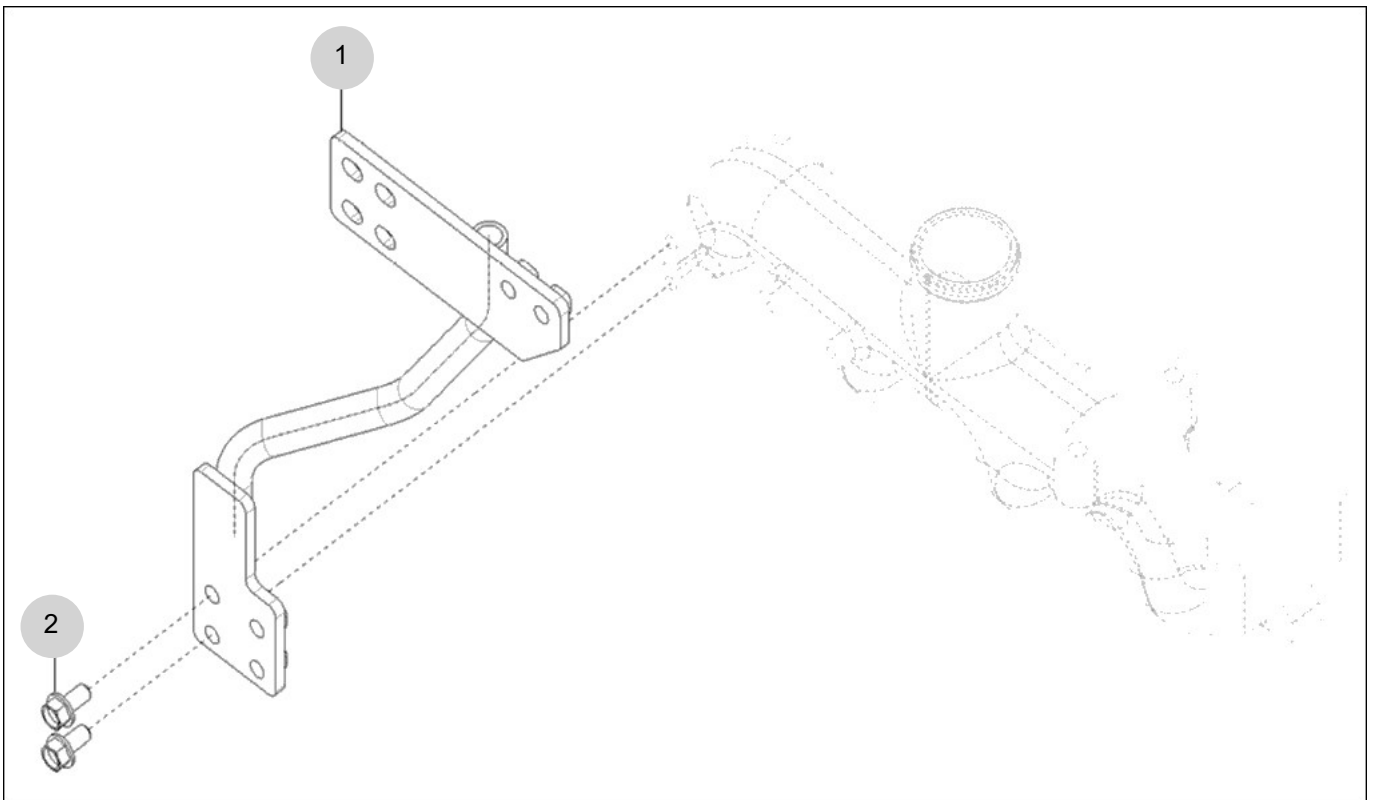
FIG 117

T474NC

DPF SUPPORT OPTION

년/월
Year/Month

2022-12



NOTE

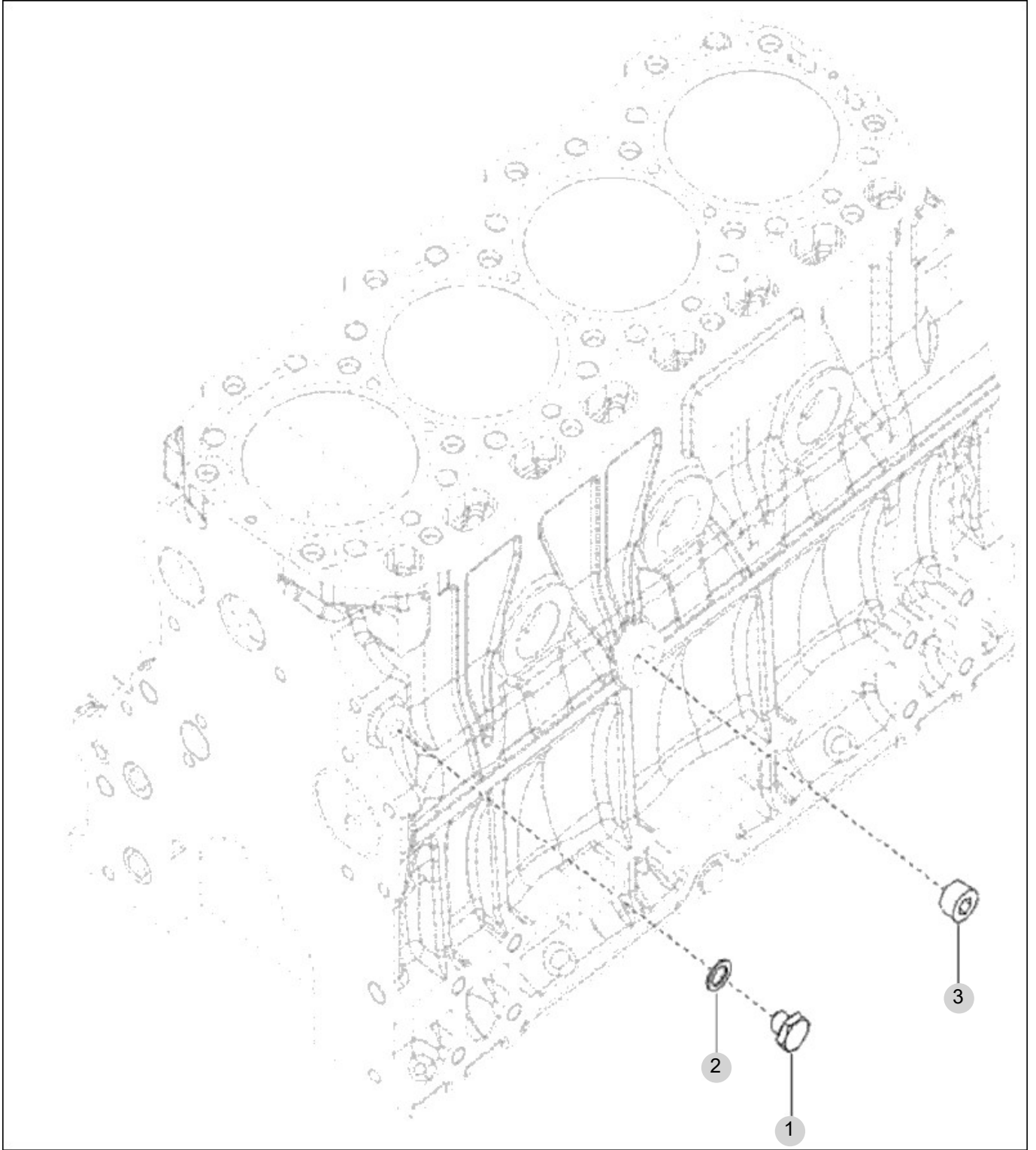
FIG 118

TURBOCHARGER PLUMBING OPTION

년/월
Year/Month

2022-12

T474NC



NOTE

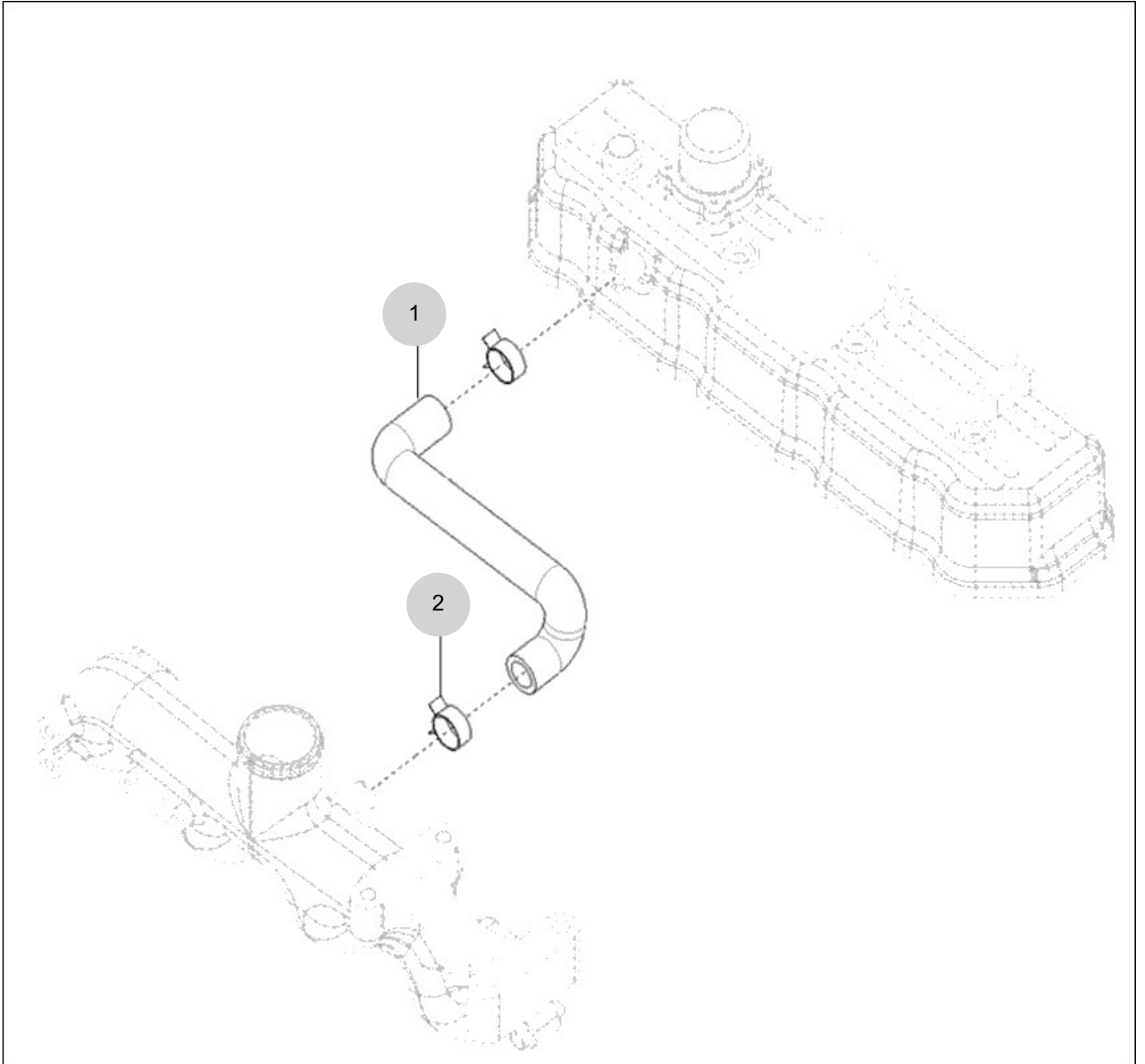
FIG 119

T474NC

BREATHER

년/월
Year/Month

2022-12



NOTE

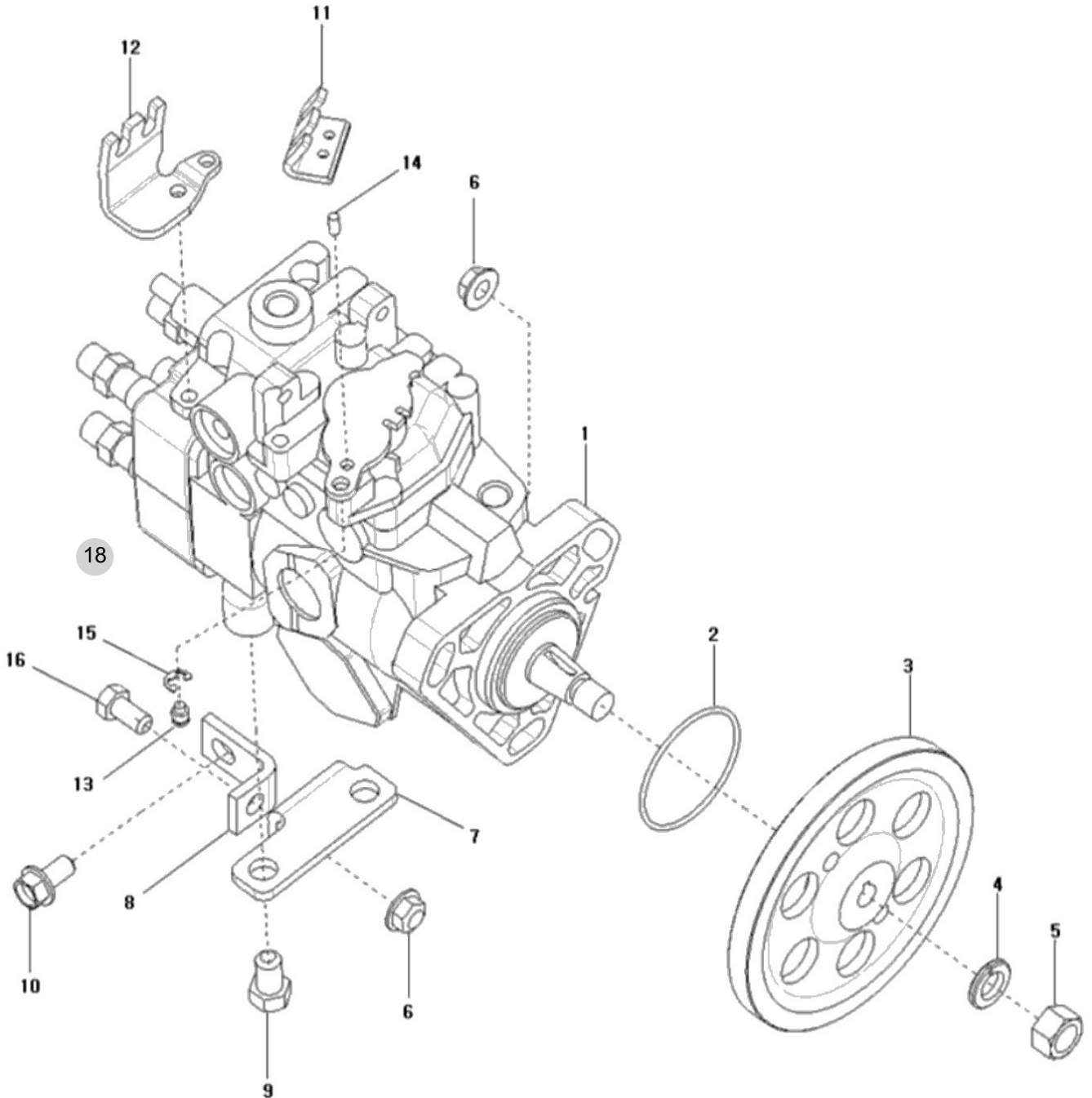
FIG 120

FUEL INJECTION PUMP

년/월
Year/Month

T474NC

2022-12



NOTE

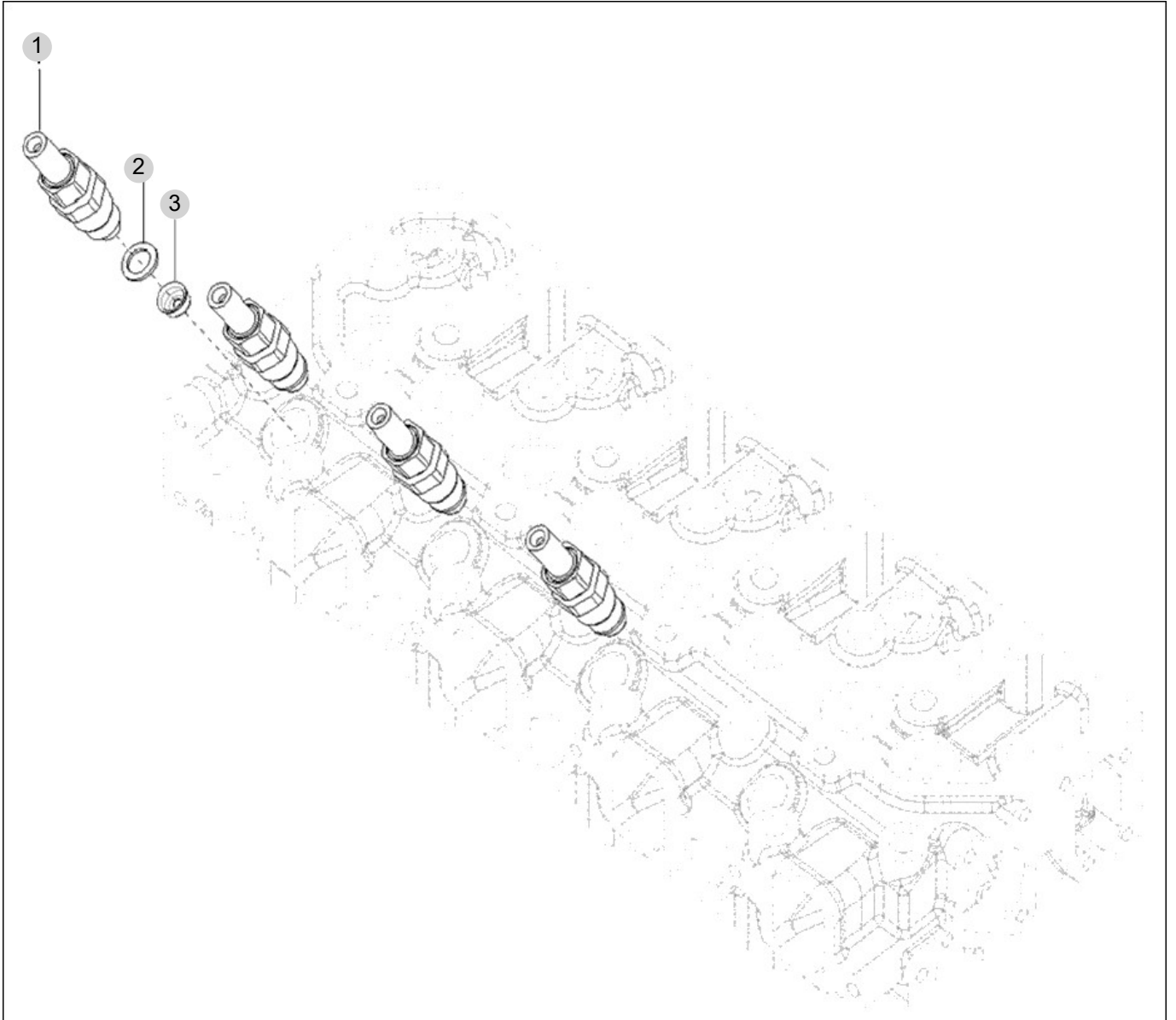
FIG 121

T474NC

FUEL INJECTION VALVE

년/월
Year/Month

2022-12



NOTE

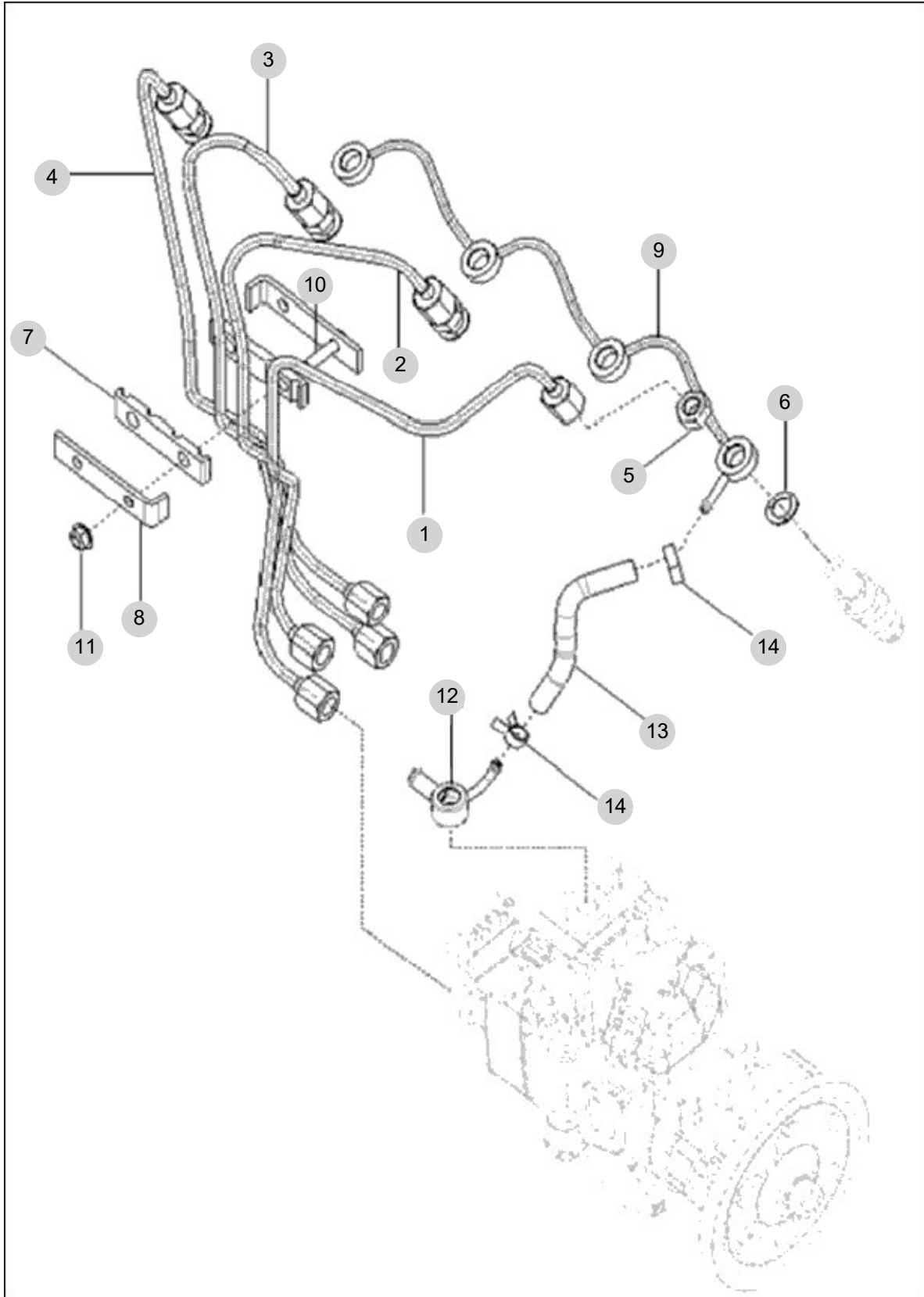
FIG 122

FUEL PIPE ASS'Y

년/월
Year/Month

T474NC

2022-12



NOTE

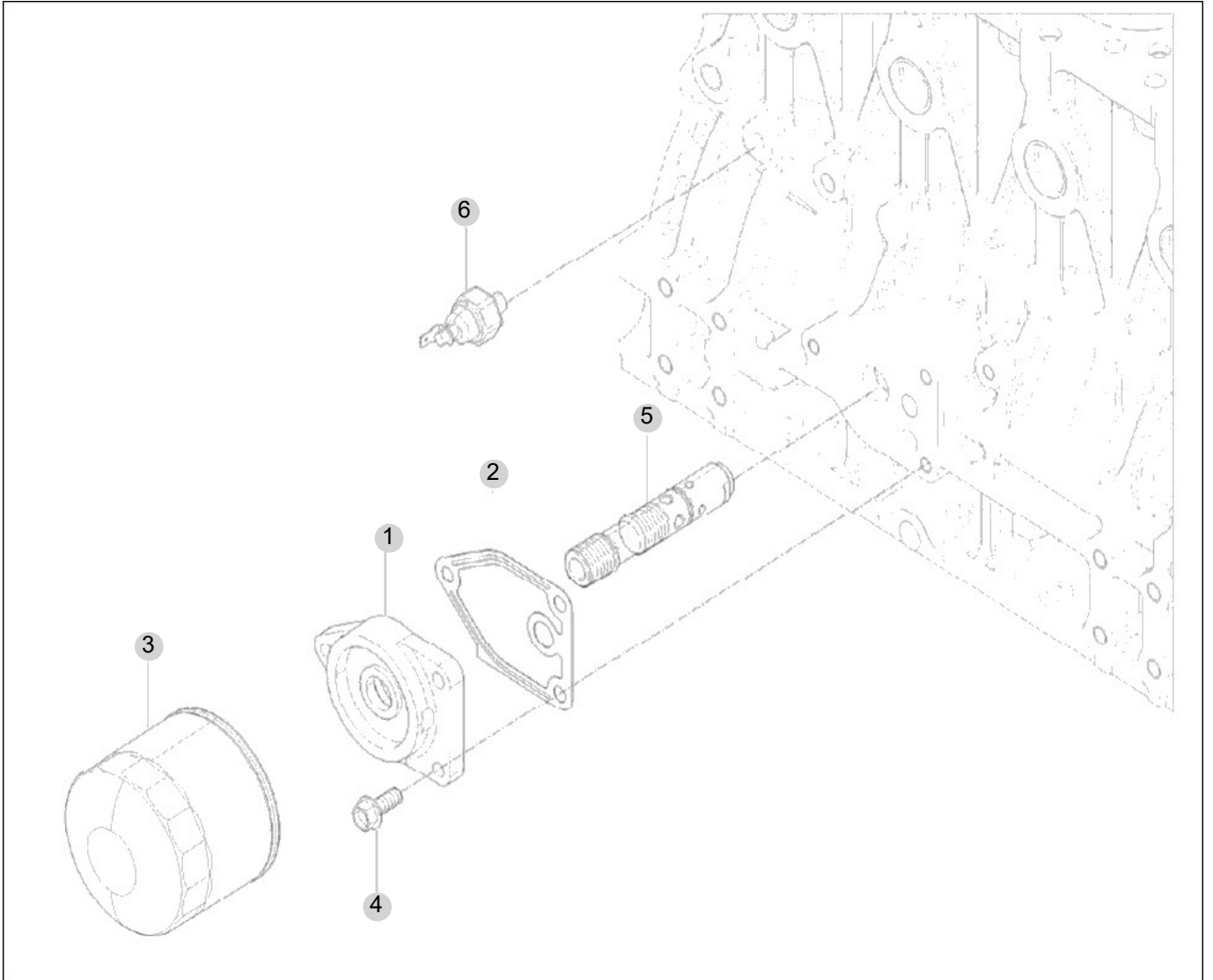
FIG 123

T474NC

OIL FILTER

년/월
Year/Month

2022-12



NOTE

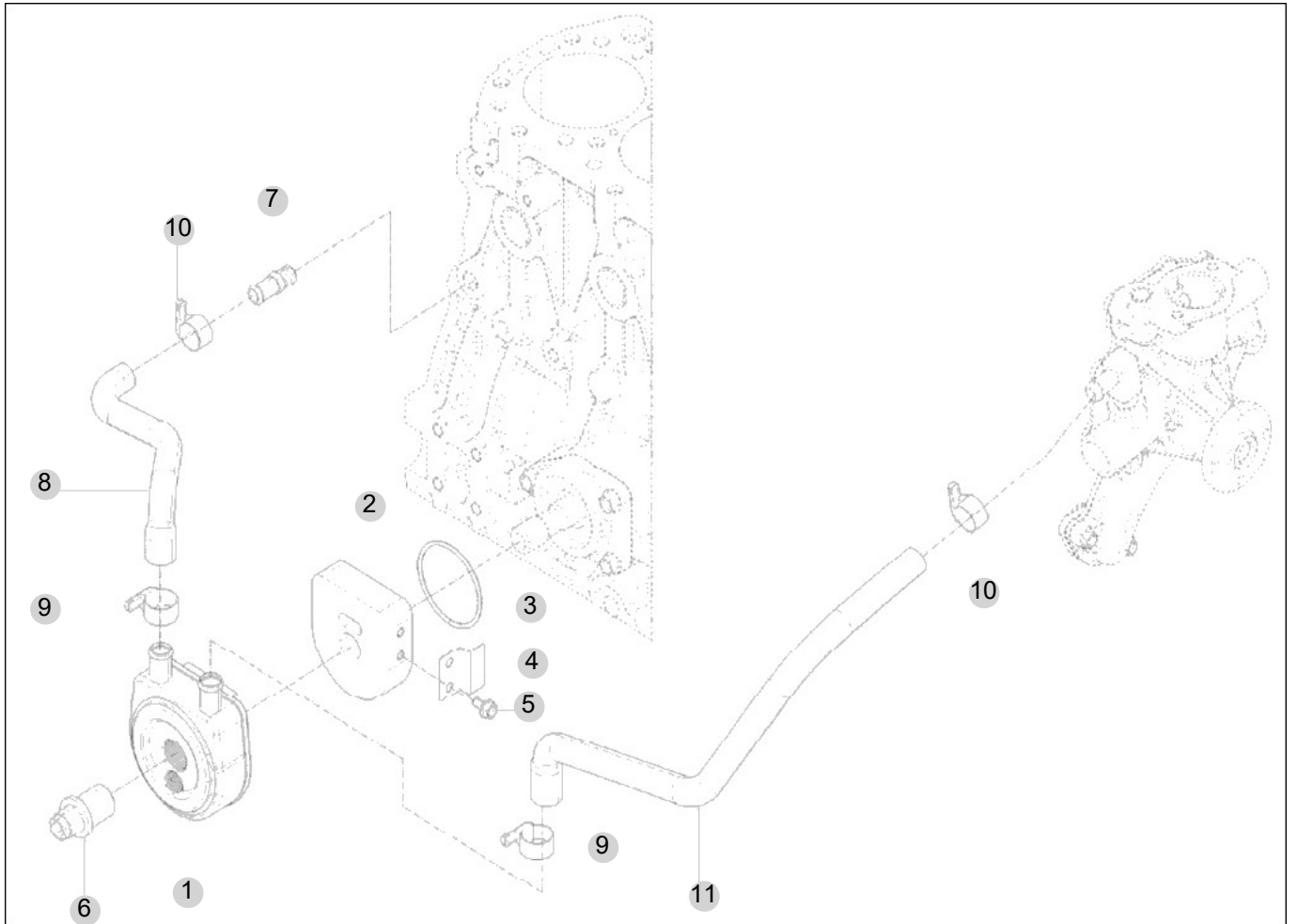
FIG 124

OIL COOLER

년/월
Year/Month

2022-12

T474NC



NOTE

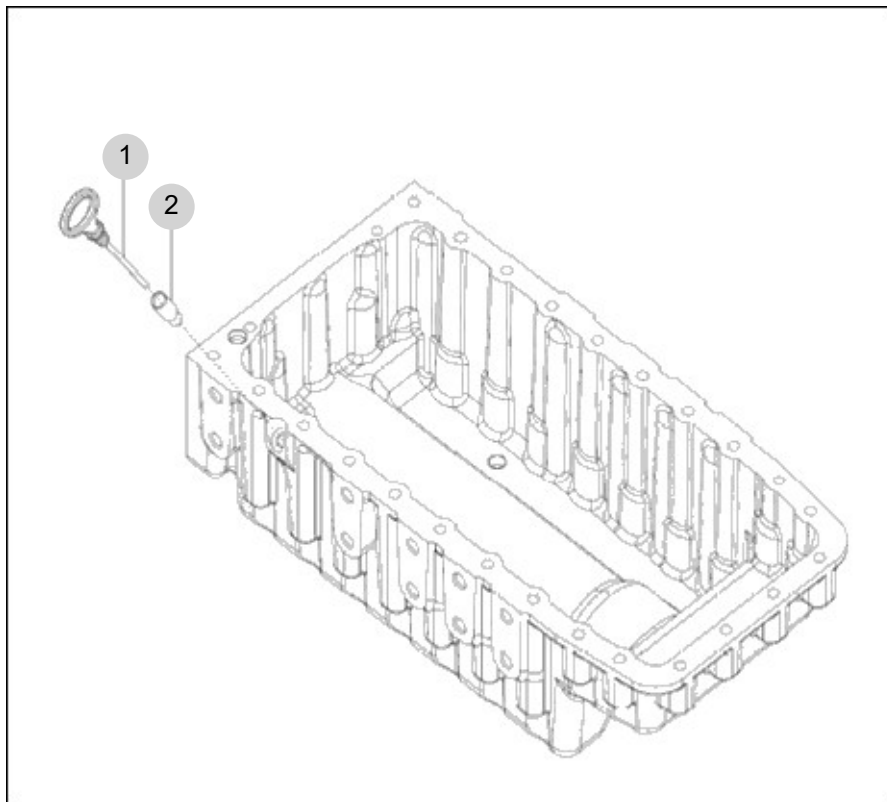
FIG 125

OIL GAUGUE

년/월
Year/Month

T474NC

2022-12



NOTE

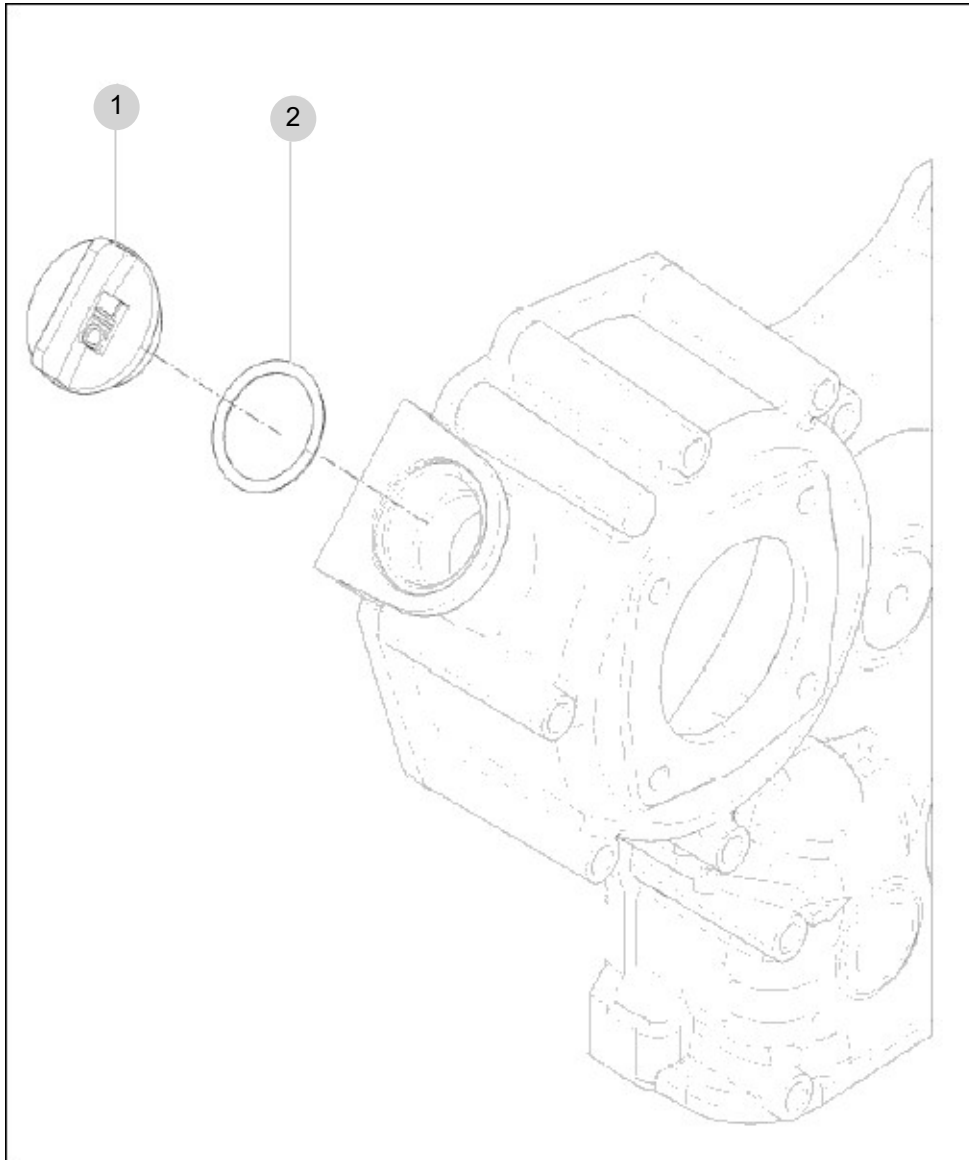
FIG 126

T474NC

OIL FILLER CAP

년/월
Year/Month

2022-12



NOTE

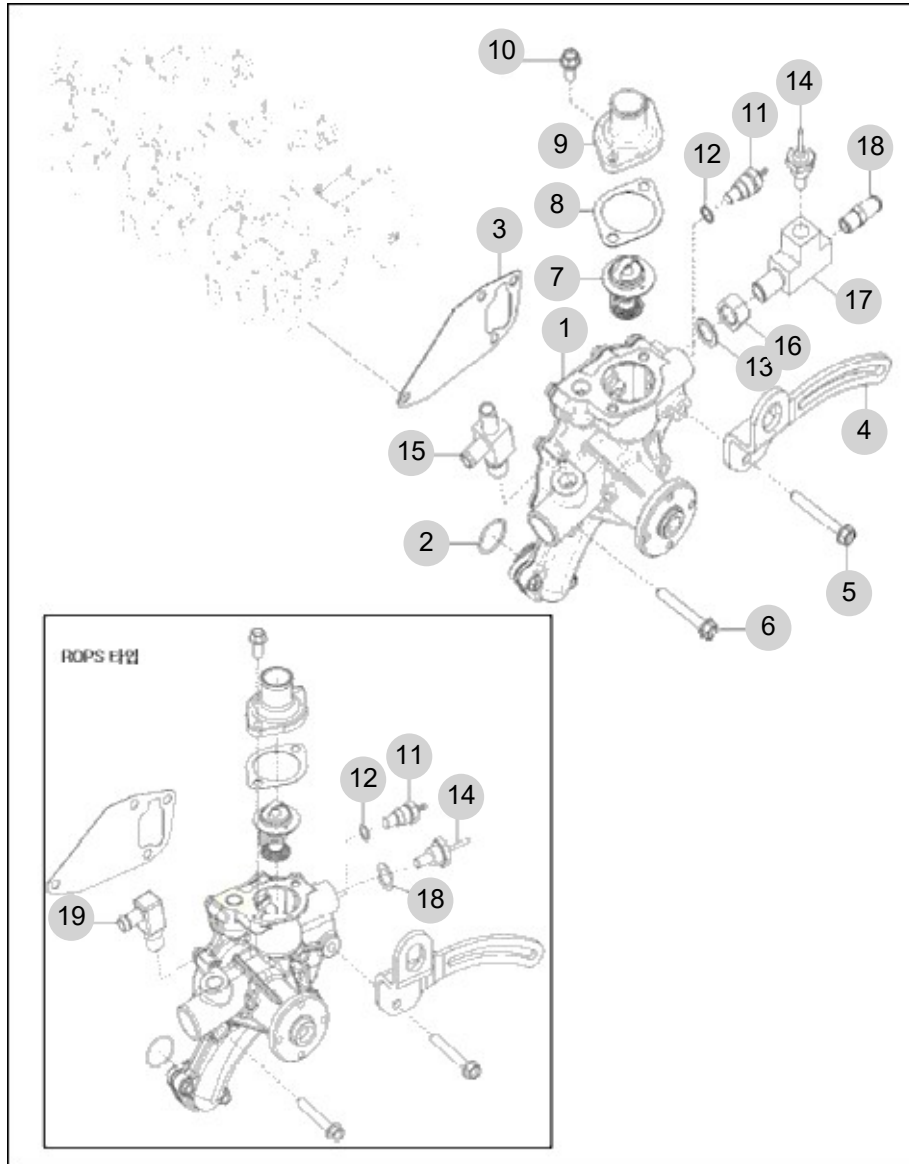
FIG 127

COOLING WATER PUMP

년/월
Year/Month

2022-12

T474NC



NOTE

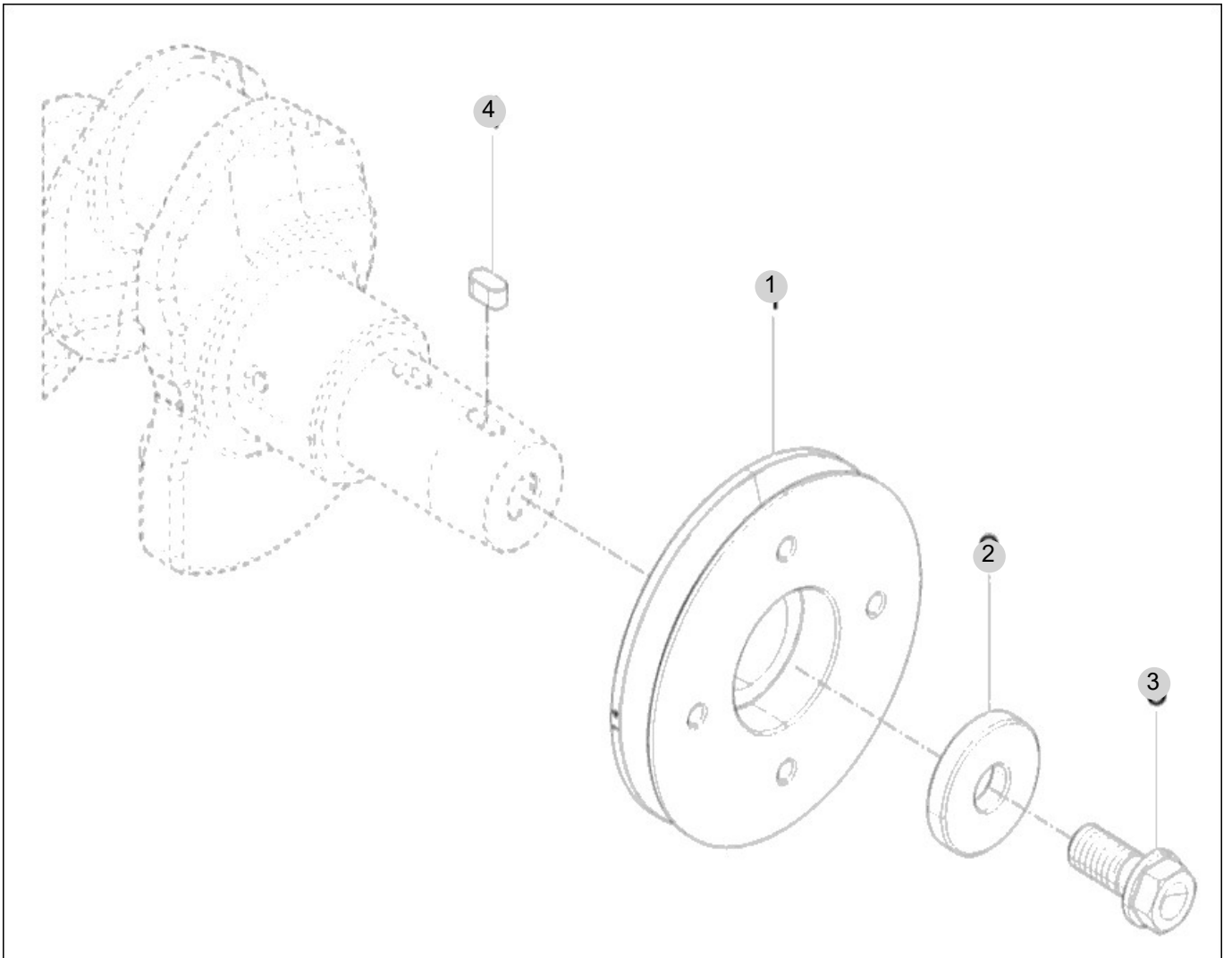
FIG 128

T474NC

CRANK SHAFT PULLEY

년/월
Year/Month

2022-12



NOTE

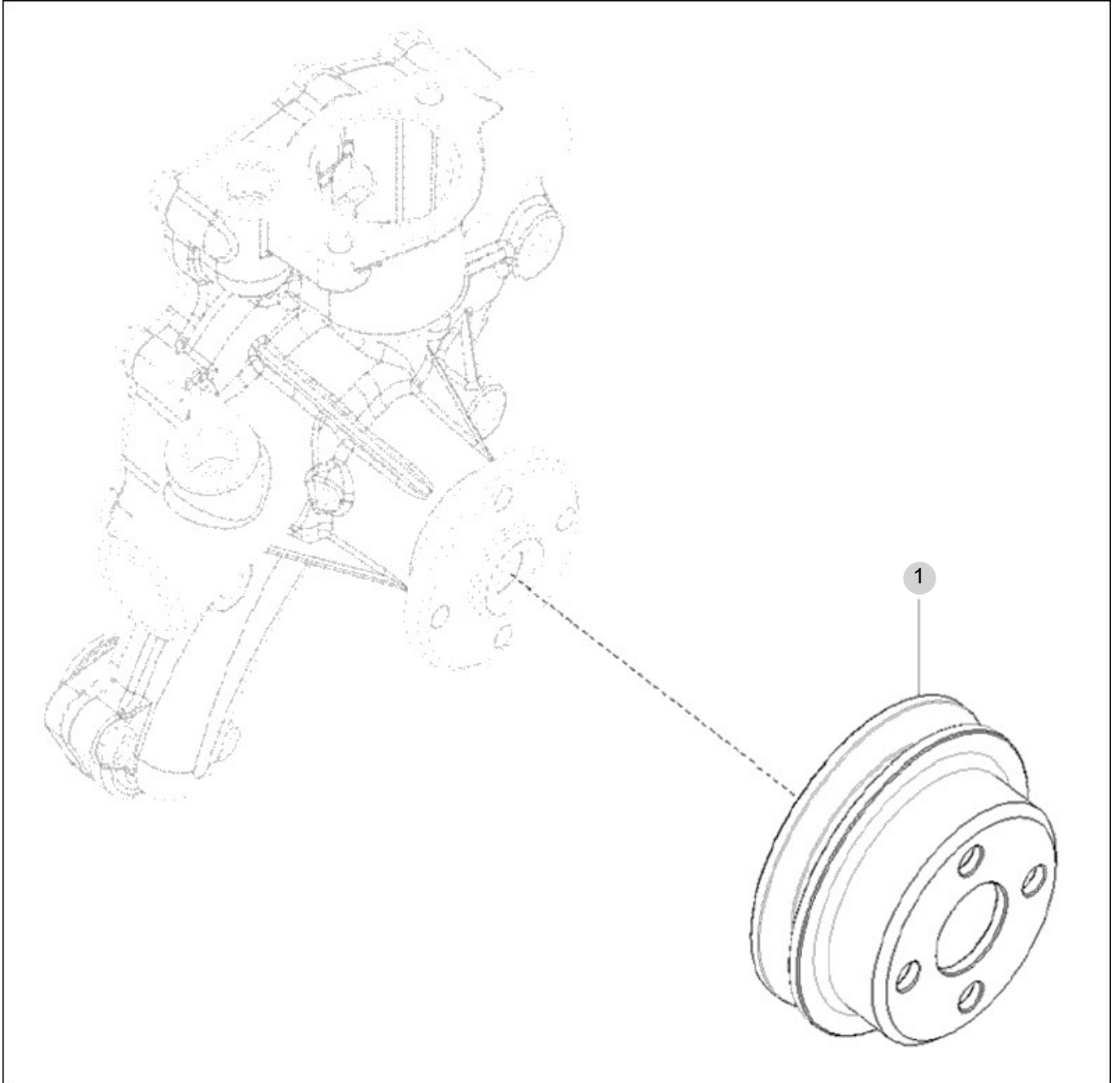
FIG 129

V-PULLEY

년/월
Year/Month

T474NC

2022-12



NOTE

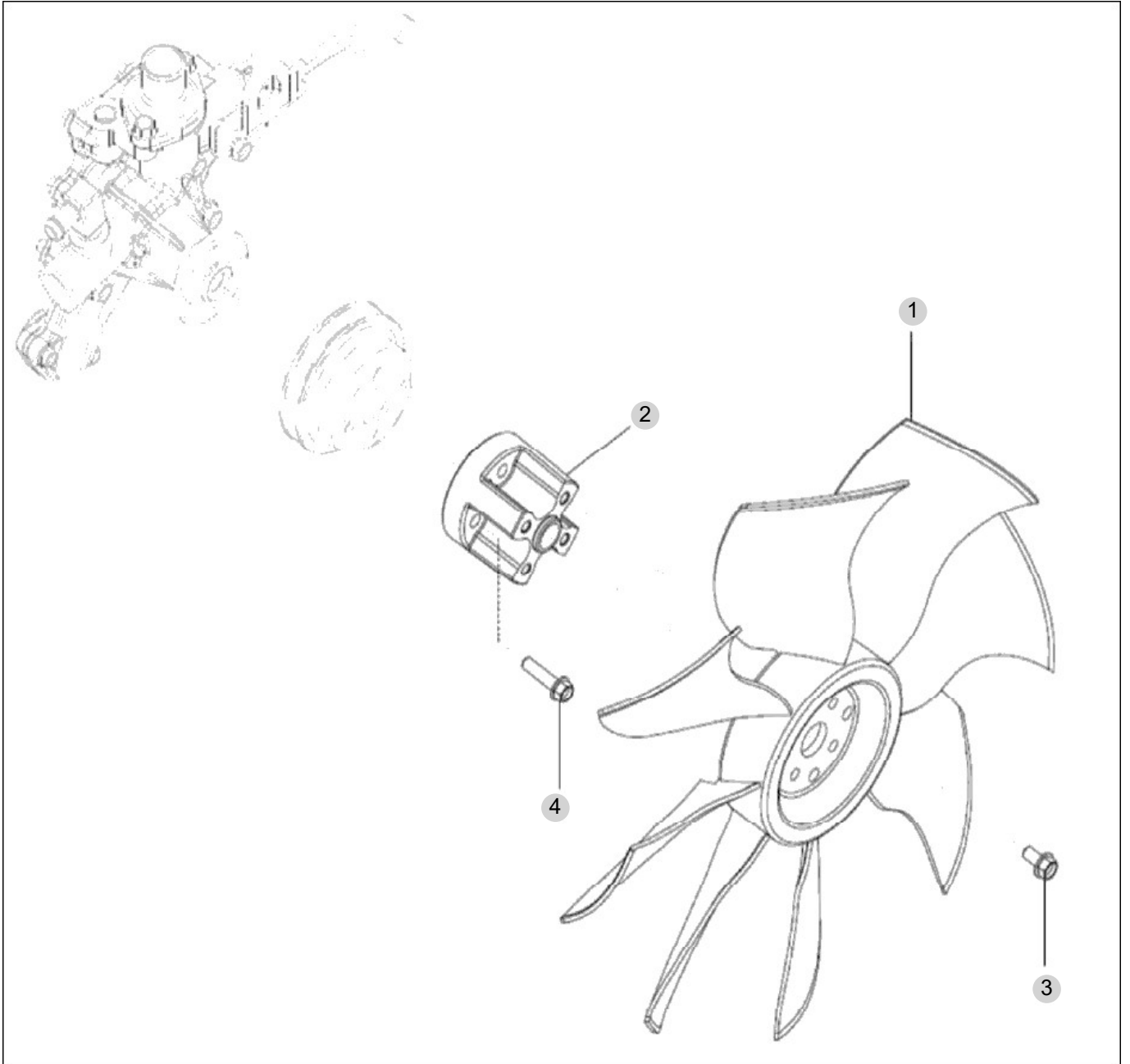
FIG 130

COOLING FAN

년/월
Year/Month

2022-12

T474NC



NOTE

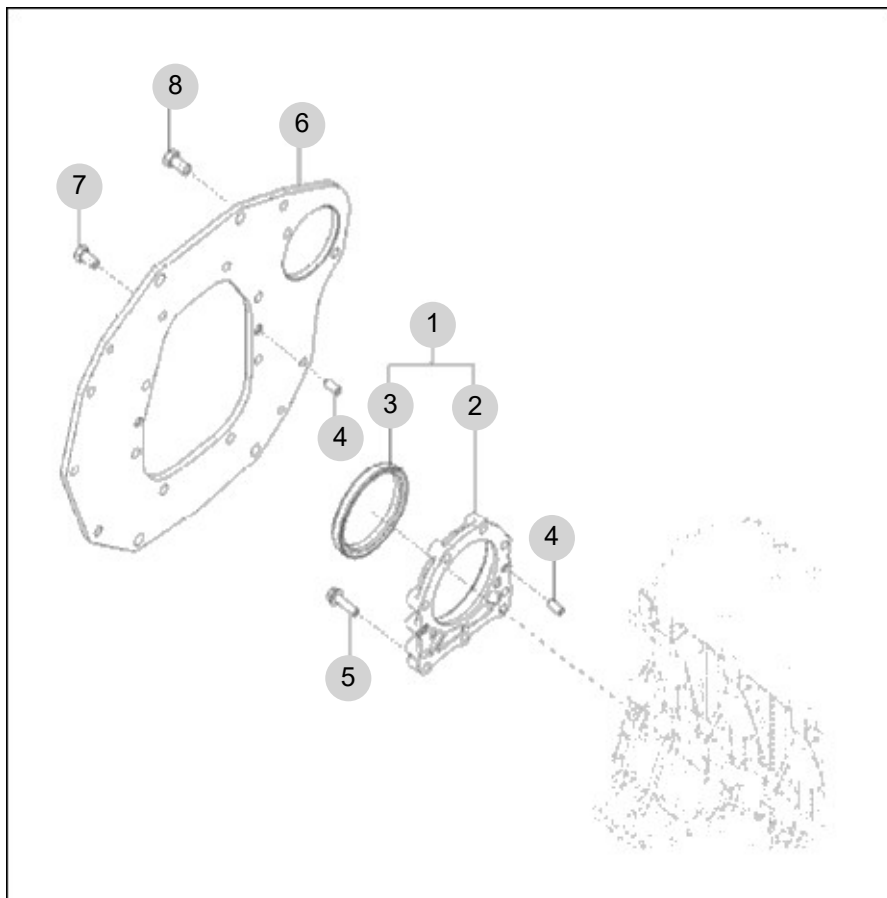
FIG 131

T474NC

FLYWHEEL HOUSING

년/월
Year/Month

2022-12



NOTE

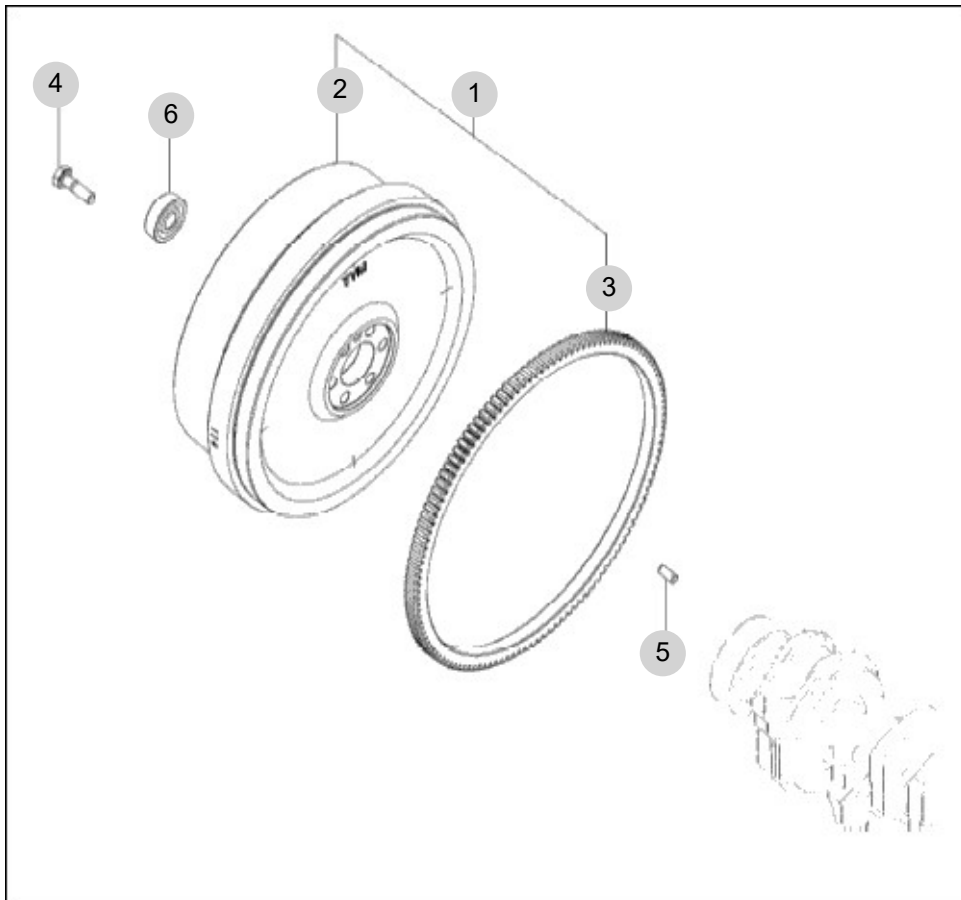
FIG 132

T474NC

FLYWHEEL

년/월
Year/Month

2022-12



NOTE

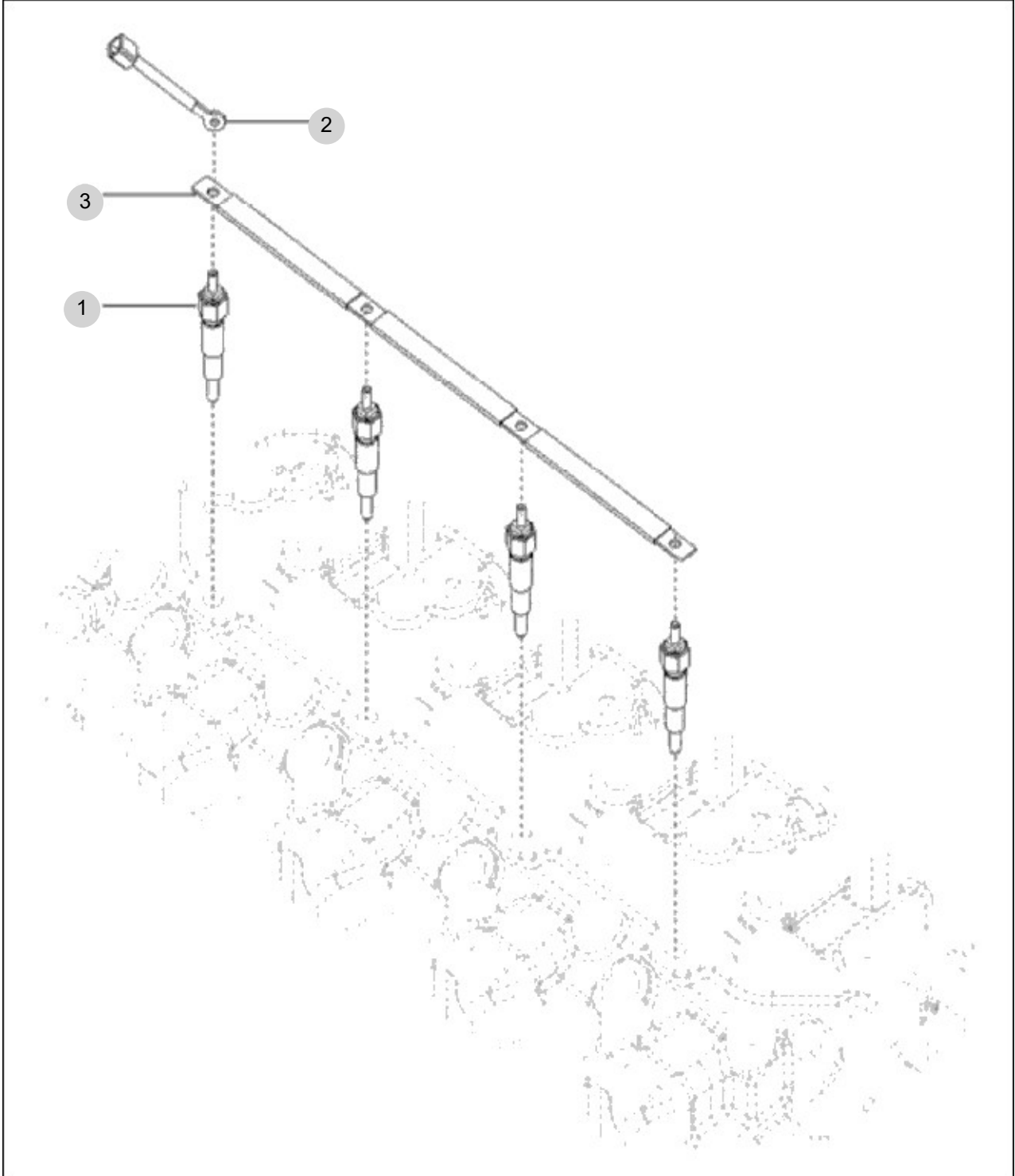
FIG 133

T474NC

GLOW PLUG ASS'Y OPTION

년/월
Year/Month

2022-12



NOTE

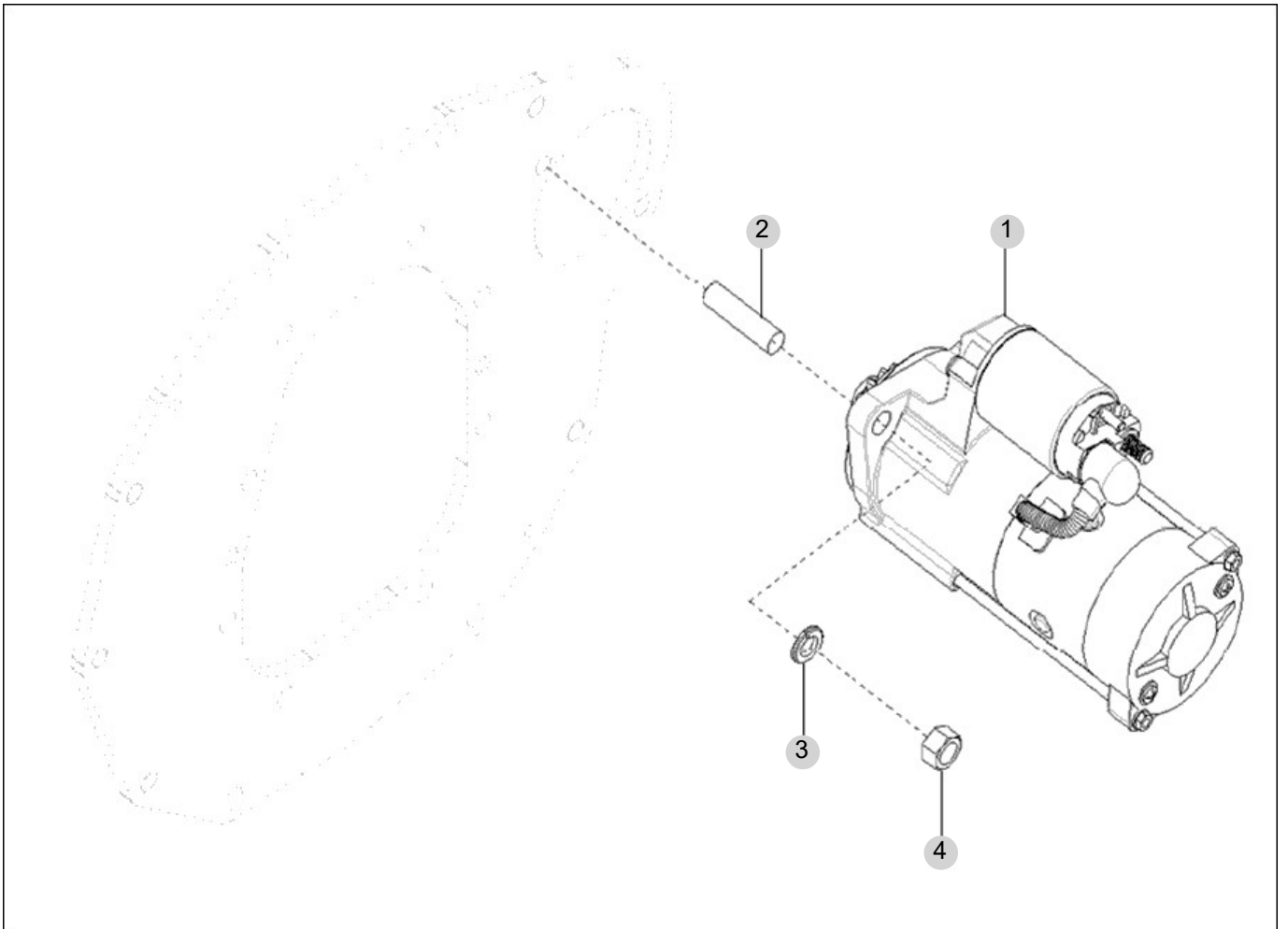
FIG 134

STARTING MOTOR

년/월
Year/Month

2022-12

T474NC



NOTE

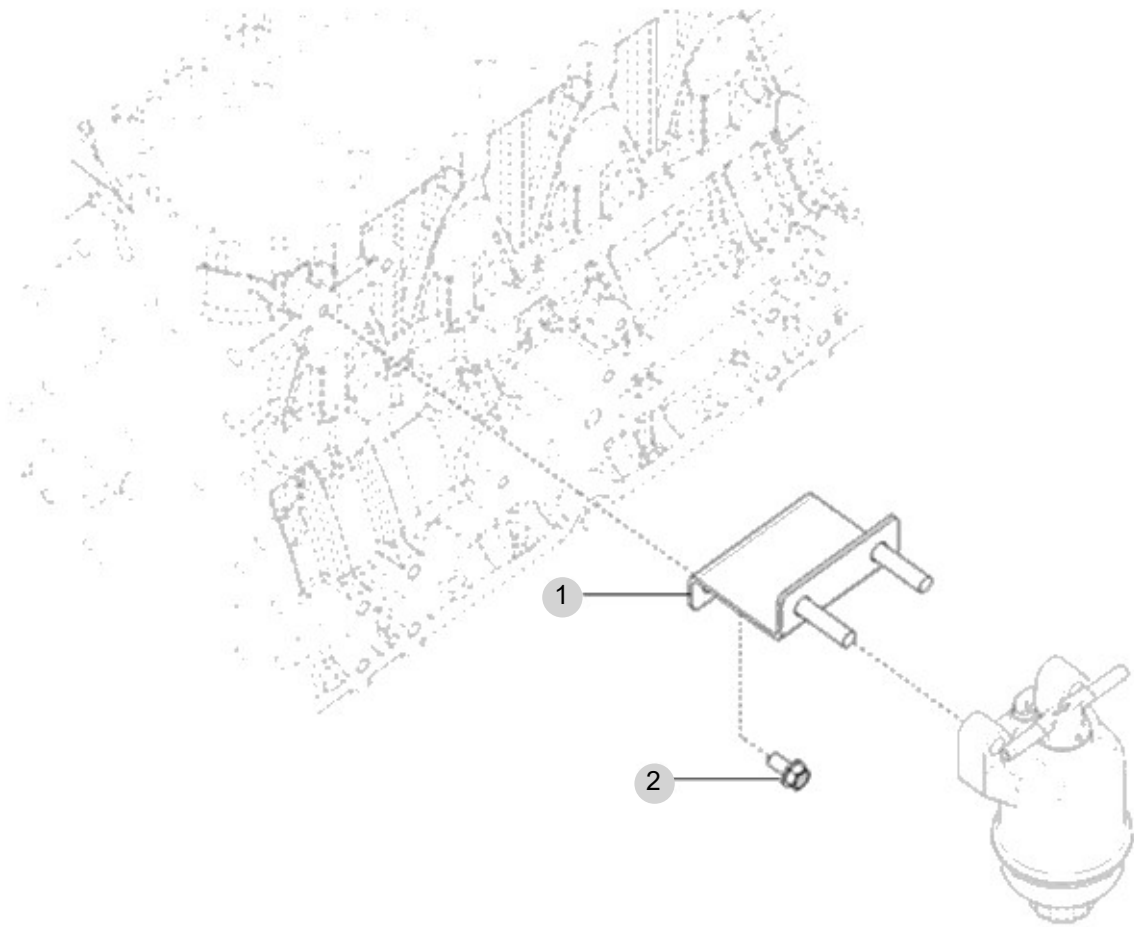
FIG 135

T474NC

FUEL FILTER BRACKET ASS'Y

년/월
Year/Month

2022-12



NOTE

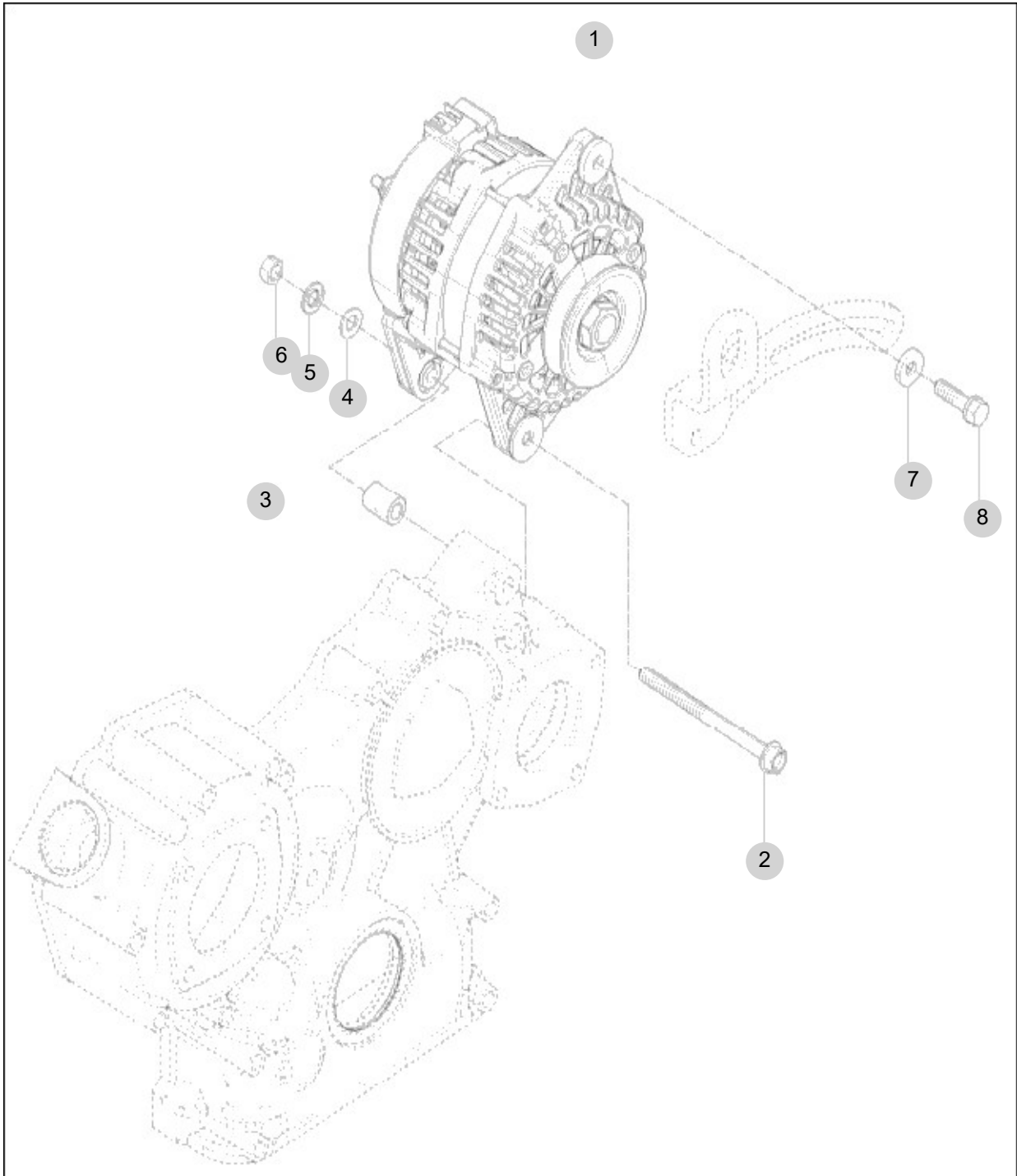
FIG 136

ALTERNATOR

년/월
Year/Month

2022-12

T474NC



NOTE

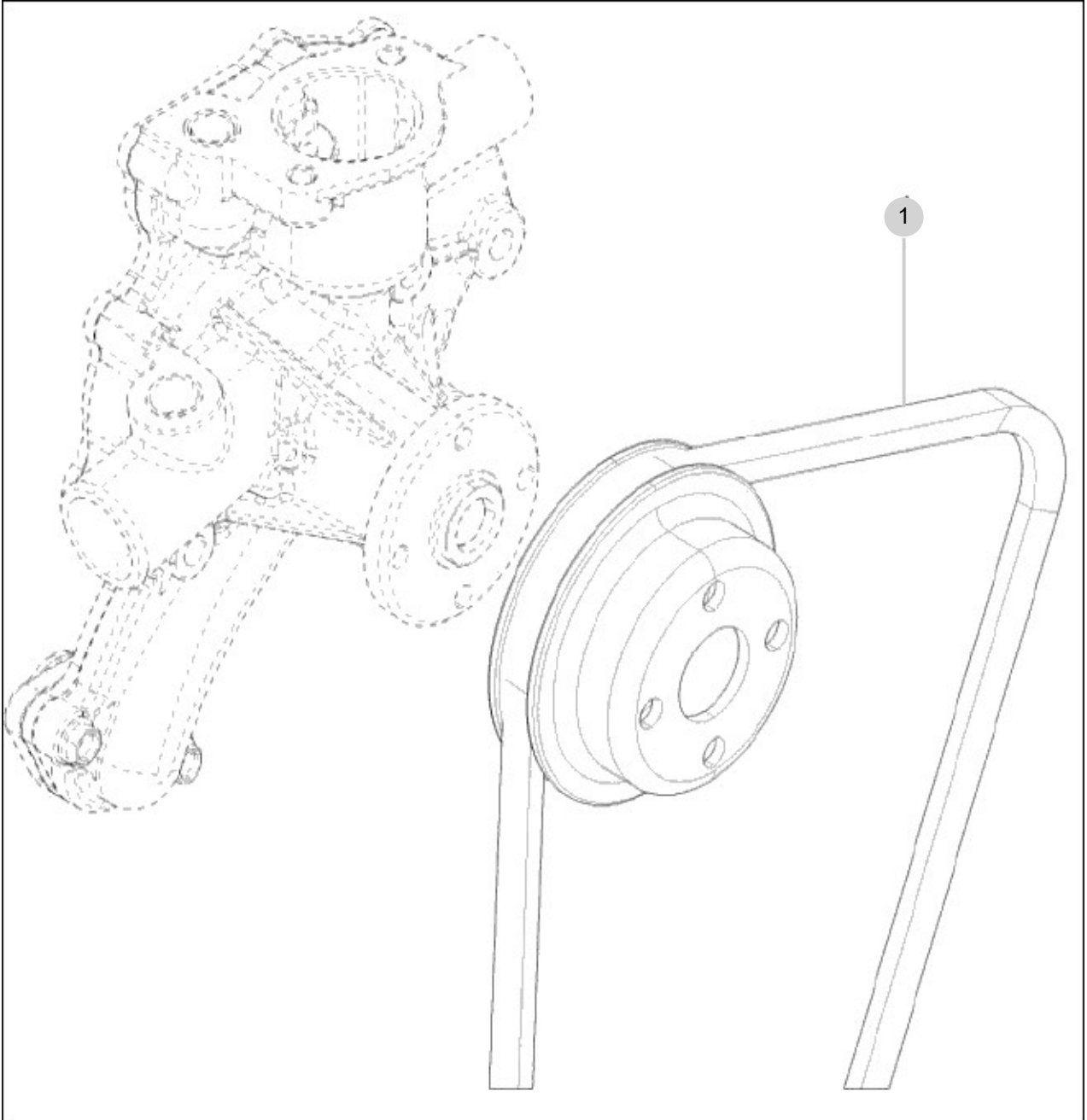
FIG 137

T474NC

V-BELT

년/월
Year/Month

2022-12



NOTE

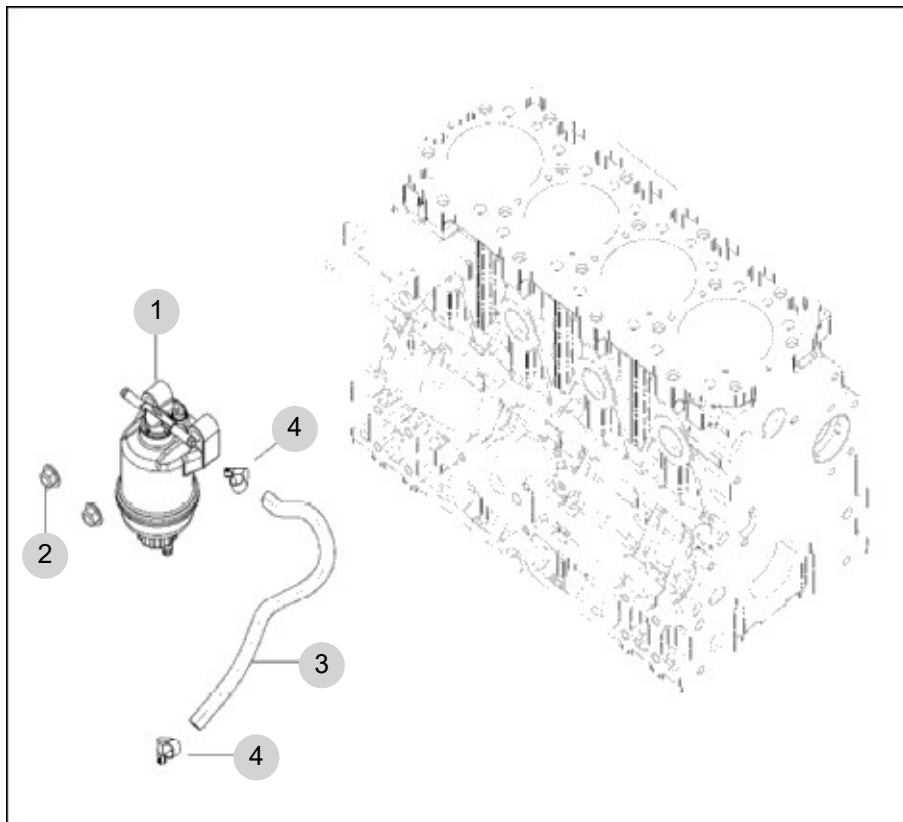
FIG 138

T474NC

FUEL FILTER

년/월
Year/Month

2022-12



NOTE

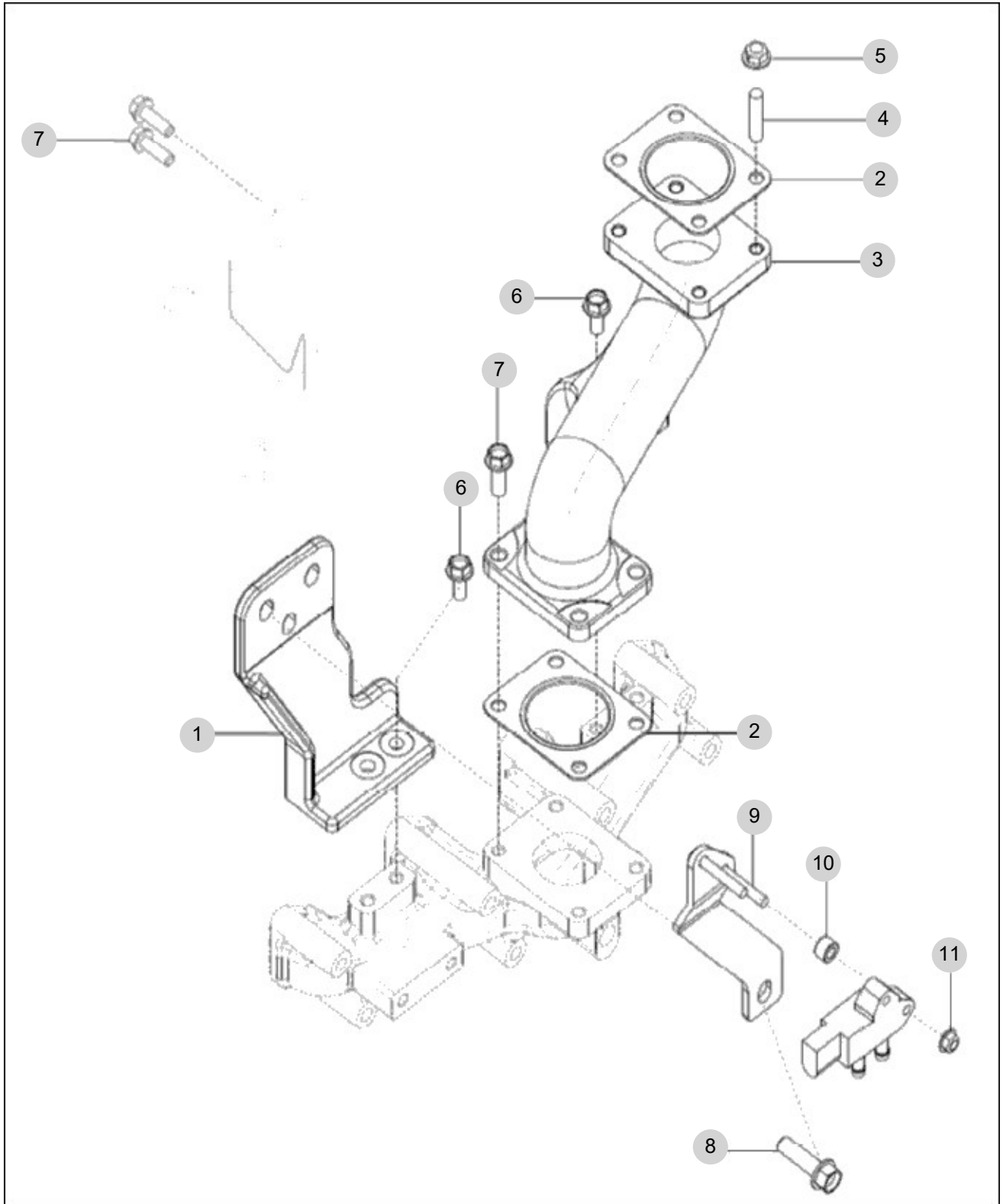
FIG 139

DPF SUPPORT

년/월
Year/Month

T474NC

2022-12



NOTE

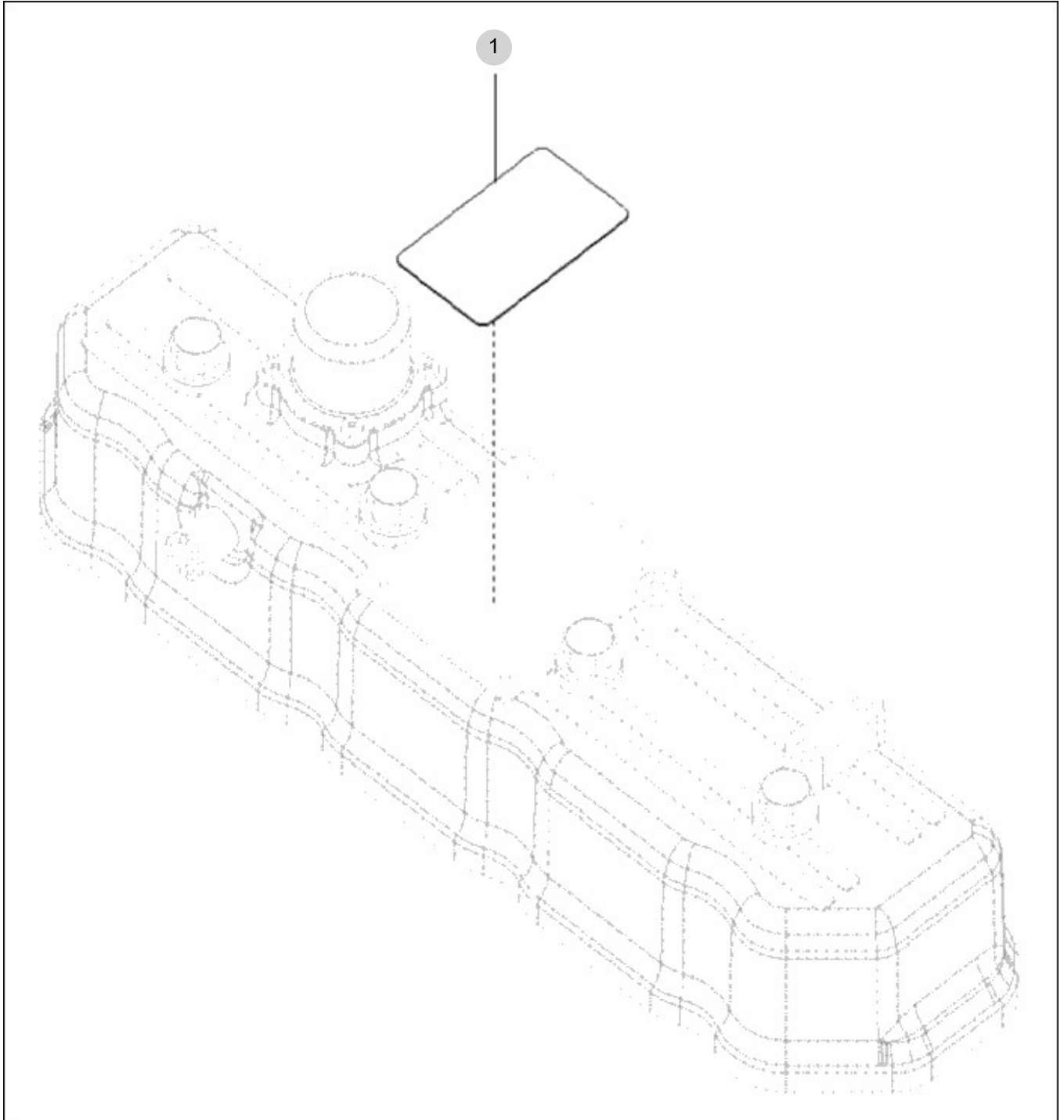
FIG 140

T474NC

DATAPLATE

년/월
Year/Month

2022-12



NOTE

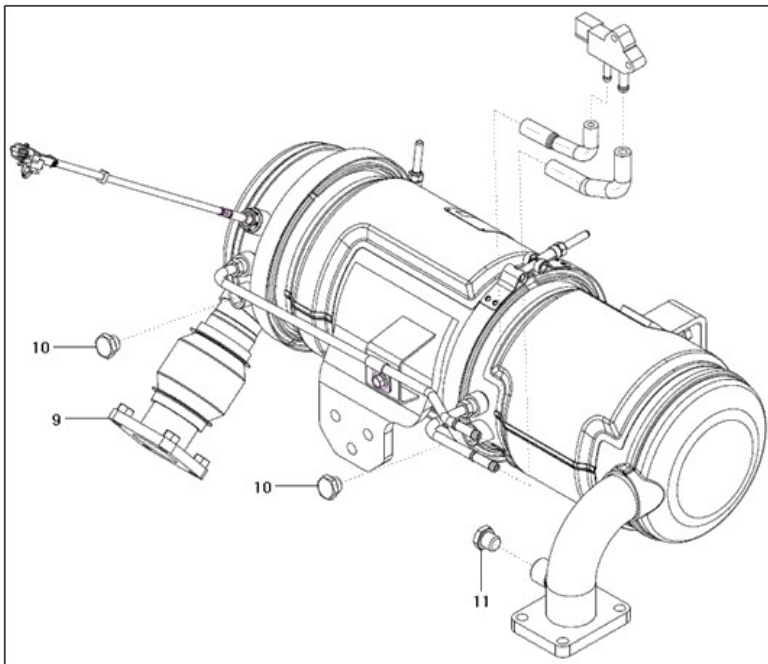
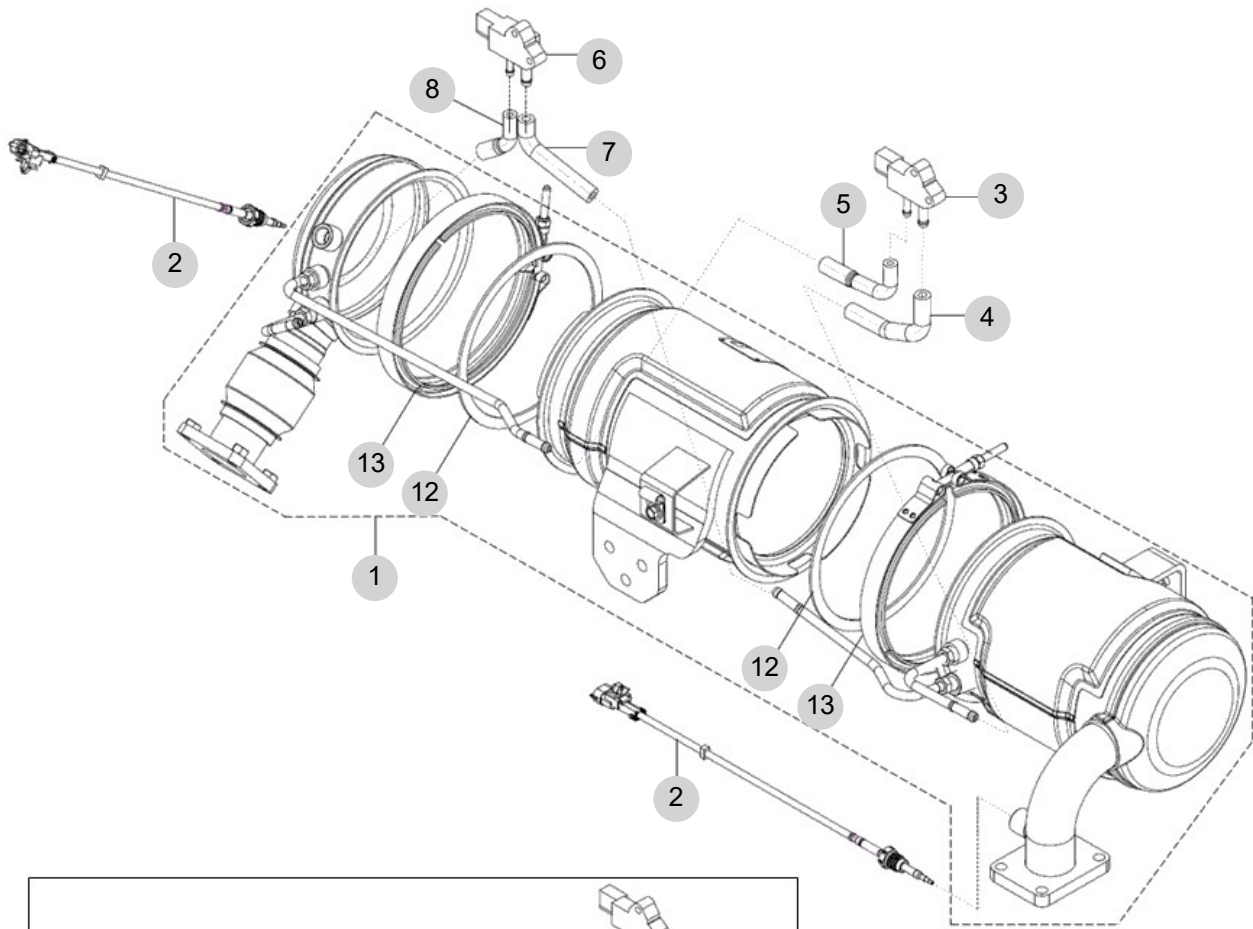
FIG 142

T474NC

DPF ASS'Y

년/월
Year/Month

2022-12



NOTE

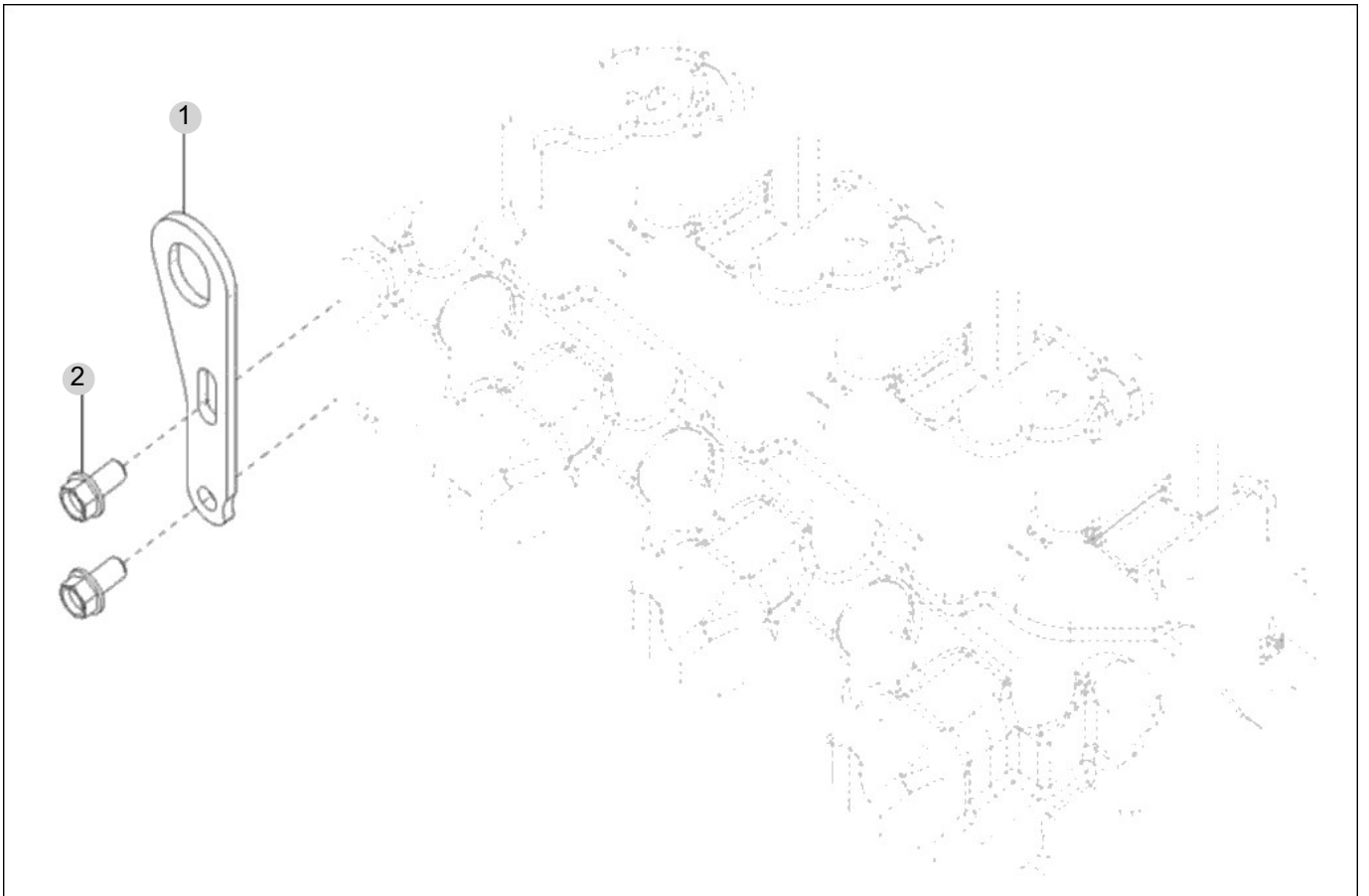
FIG 143

T474NC

LIFT ASS'Y

년/월
Year/Month

2022-12



NOTE

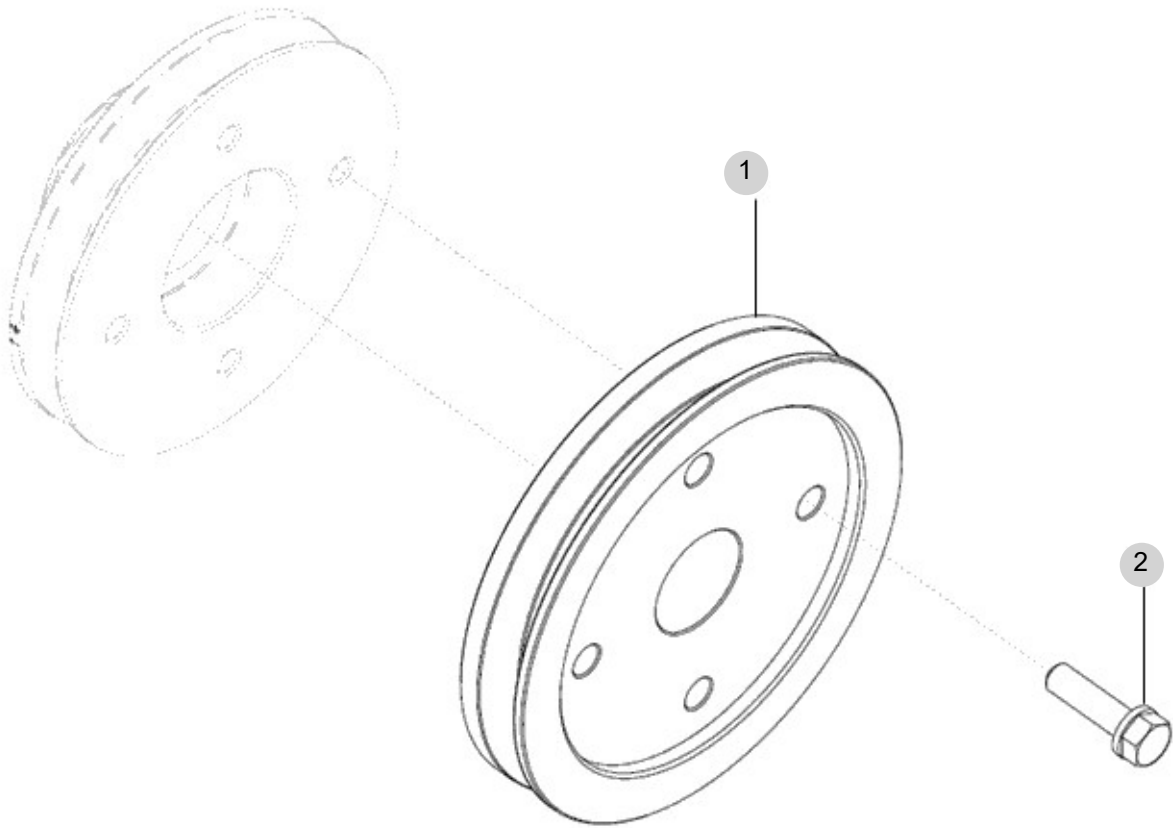
FIG 144

T474NC

COMP. DRIVE PULLEY ASS'Y OPTION

년/월
Year/Month

2022-12



NOTE

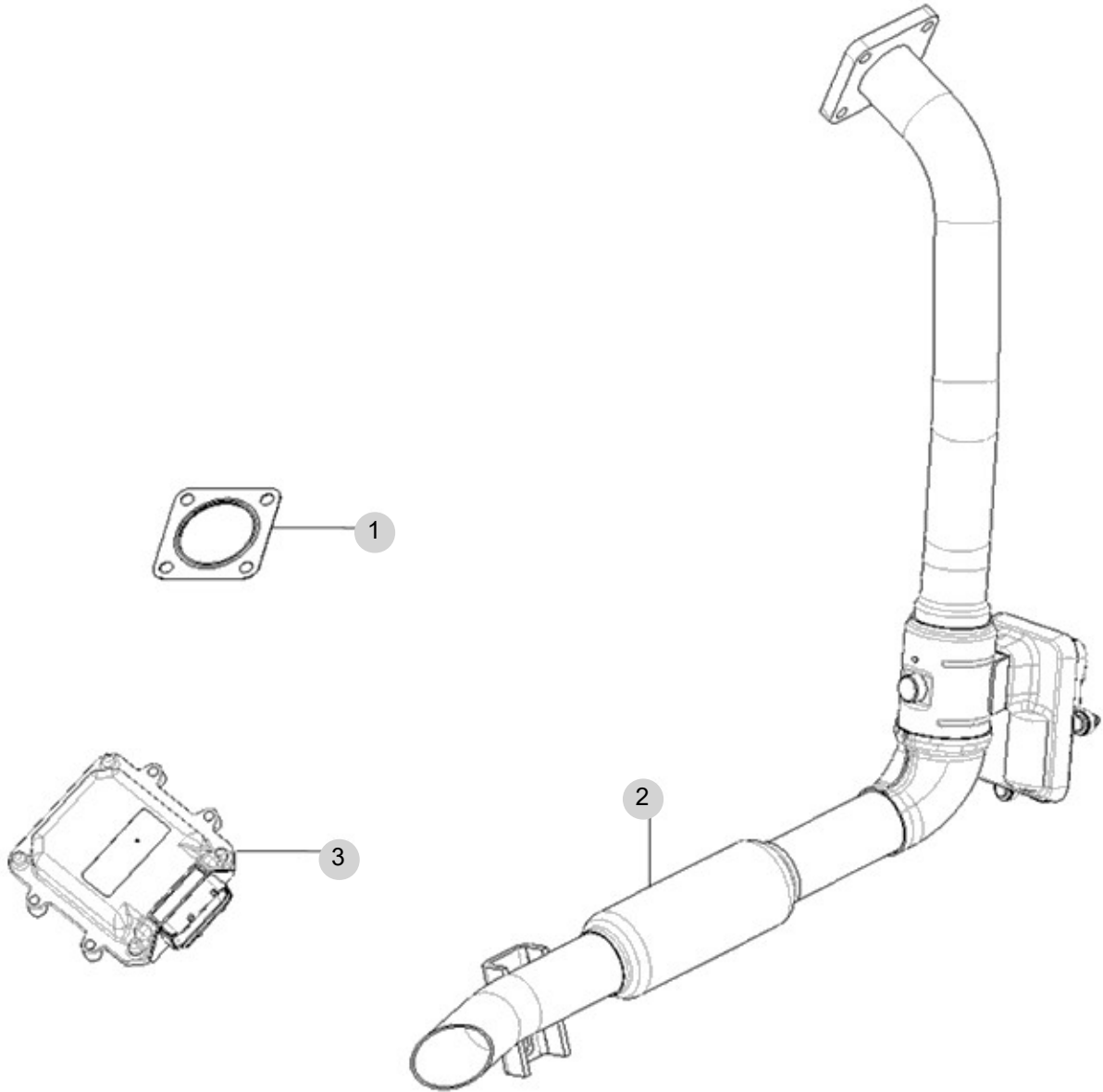
FIG 145

T474NC

LOOSED PARTS

년/월
Year/Month

2022-12



NOTE

2. Engine Accessories PART NO. T2

FIG 201 AIR CLEANER	102
FIG 202 RADIATOR	104
FIG 203 MUFFLER	106
FIG 204 FUEL TANK & FILTER	108
FIG 205 ACCELERATOR	110

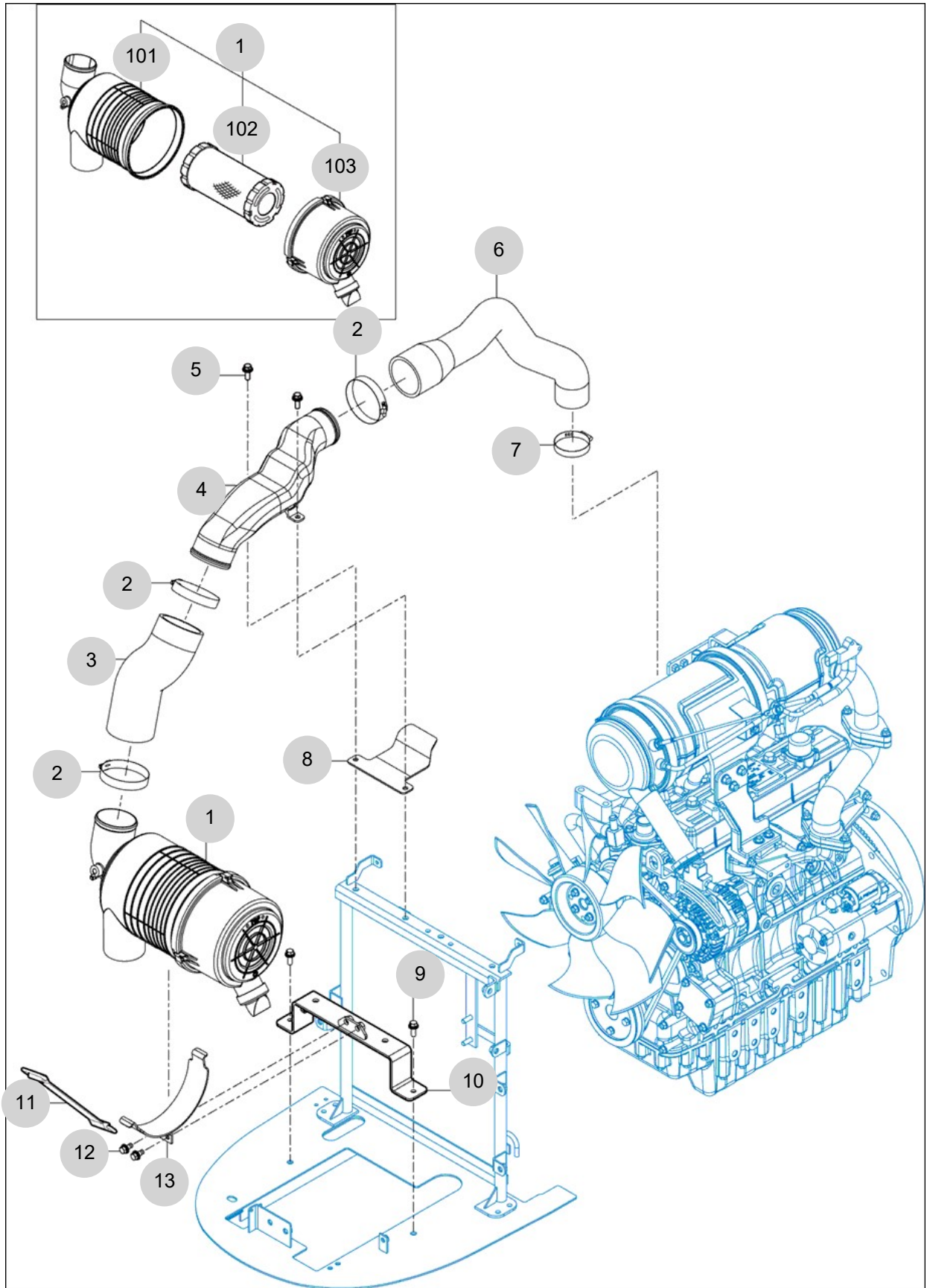
FIG 201

AIR CLEANER

년/월
Year/Month

2022-12

T474NC



NOTE

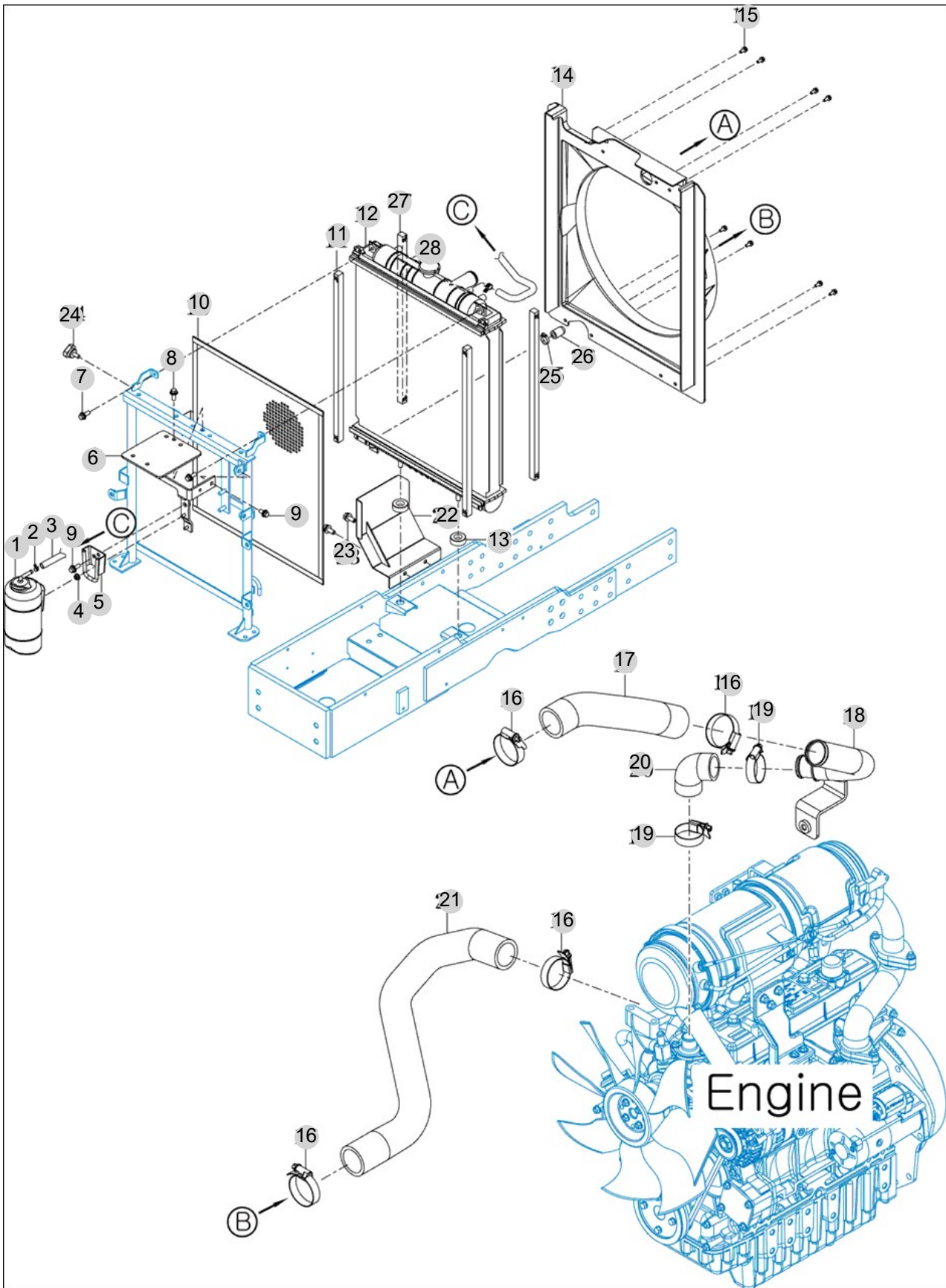
FIG 202

RADIATOR

년/월
Year/Month

2022-12

T474NC



NOTE

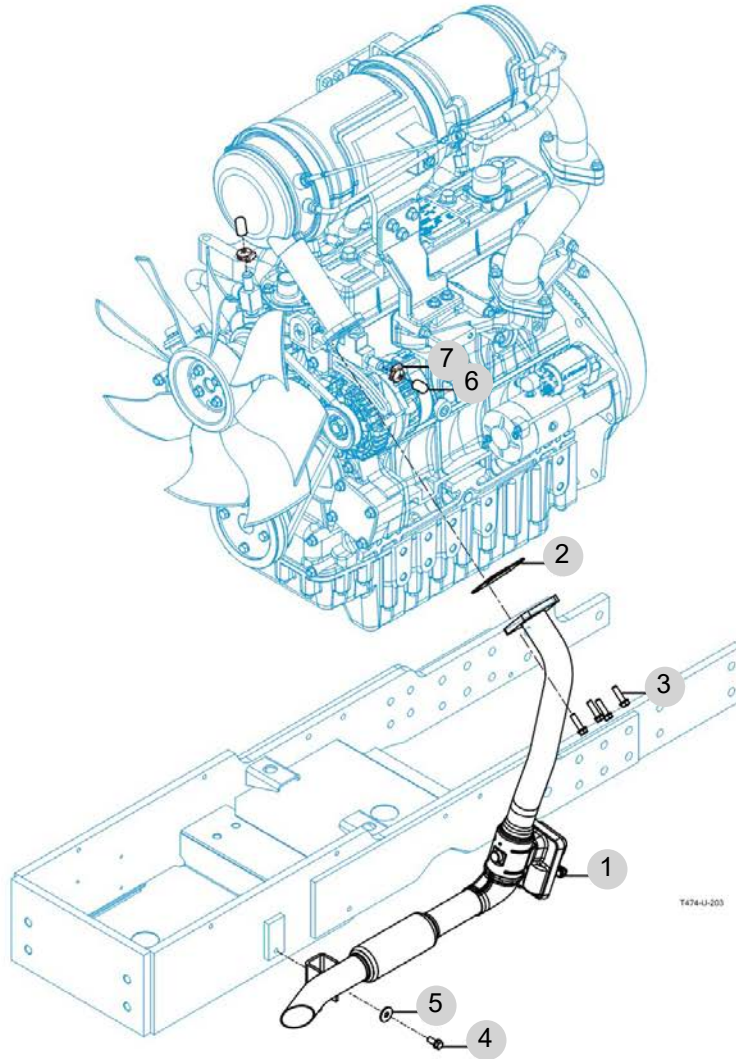
FIG 203

T474NC

MUFFLER

년/월
Year/Month

2022-12



NOTE

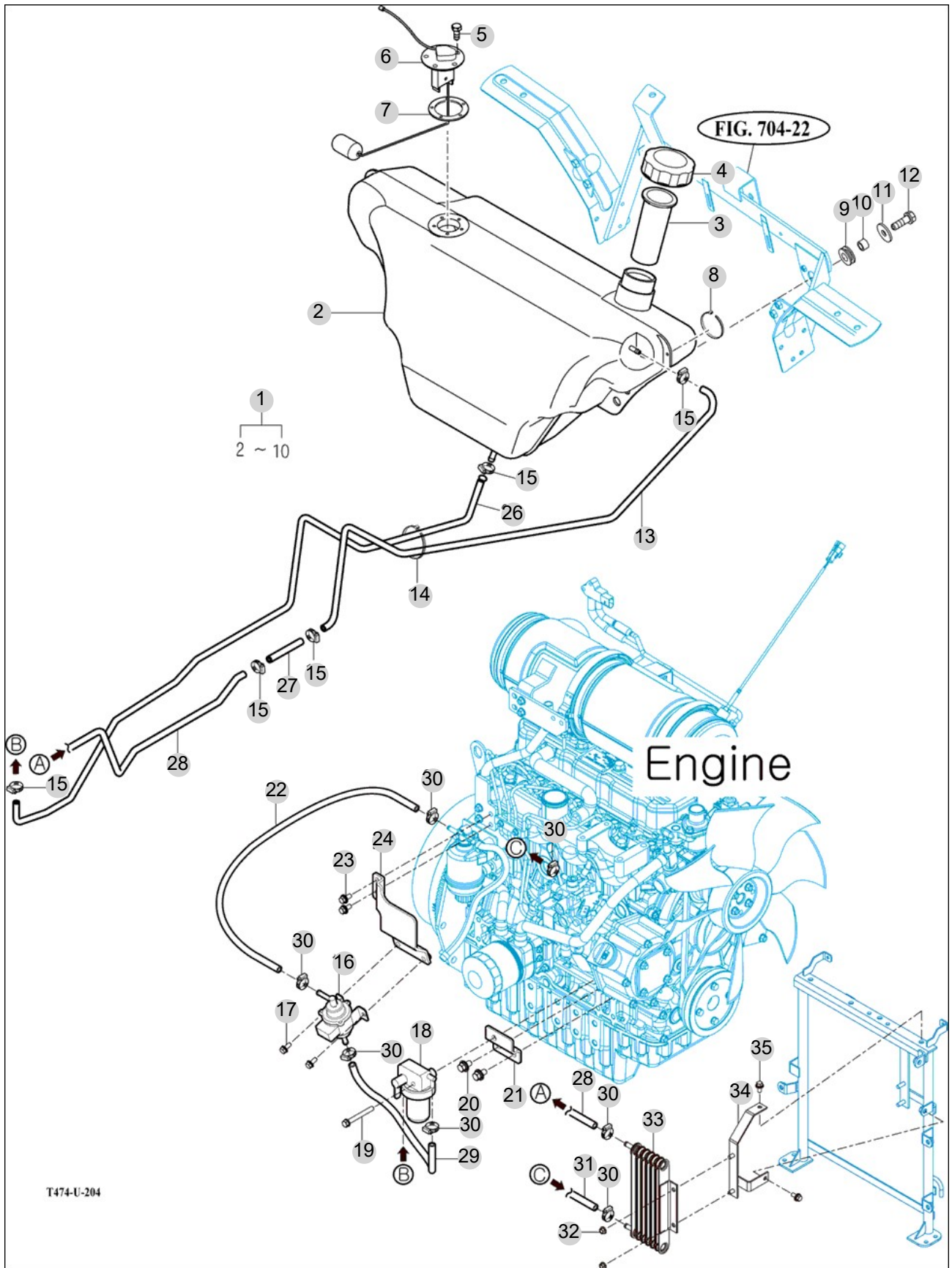
FIG 204

FUEL TANK & FILTER

년/월
Year/Month

2022-12

T474NC



NOTE

FIG 204		FUEL TANK & FILTER					년/월 Year/Month	
T474NC		2022-12						
KEY NO	PART NO	DESCRIPTION	SPEC	QTY	REPAIR	EFFECTIVE DATE	REMARKS	
204	1	12621116200	TANK SUB , FUEL					
204	2	12621112100	TANK COMP , FUEL					
204	3	16731112130	FILTER	1X1X1	1			
204	4	36523102201	CAP ASSY , TANK		1			
204	5	V2053605010	BOLT , HEX C/R	M5X10	5			
204	6	16706642301	GAUGE ASSY , FUEL TANK	1X1X1	1			
204	7	16996210370	PACKING	1X1X1	1			
204	8	13764020030	CABLE TIE , 140		3			
204	9	14046210300	GROMMET		4			
204	10	15991040050	COLLAR , 08X12X08	12X1.8	4			
204	11	35602010150	WASHER , BIND SHAFT	T=2.3	4			
204	12	V2173608025	BOLT , HEX/S	M8X25	4			
204	13	12341112231	HOSE , DRAIN/2210		1			
204	14	13764020030	CABLE TIE , 140		3			
204	15	37481850030	BAND CLAMP 18	1/2 3/4	5			
204	15	18027090200	BAND CLAMP 20 EMBO TYPE		4			
204	16	16999052300	PUMP ASSY , FUEL PUMP	1X1X1	1			
204	17	V2323606016	BOLT , C/R HEX/SP	M6X16	2			
204	18	15721022100	SEPARATOR , FUEL WATER	NC21100A	1			
204	19	V2173608070	BOLT , HEX/S	M8X70	1			
204	20	V2183610020	BOLT , HEX/SP	M10X20	2			
204	21	13831412600GB	BRACKET COMP , FILTER		1			
204	22	13831410010	FUEL HOSE E400		1			
204	23	V2183608025	BOLT , HEX/SP	M8X25	2			
204	24	13831412700GB	BRACKET COMP , FEED PUMP		1			
204	26	13811113100	HOSE ASSY , FUEL/FILTER		1			
204	27	17401117300	HOSE, JOINT		1			
204	28	13831113200	FUEL HOSE , RETURN		1			
204	29	13831410020	FUEL HOSE 430		1			
204	30	18027090160	BAND CLAMP 16 EMBO TYPE		7			
204	31	13831410030	FUEL HOSE 1400		1			
204	32	V3802600080	NUT , HEX FLANGE	M8	2			
204	33	18501044100	COOLER COMP, FUEL	1X1X1	1			
204	34	13831412100GB	BRACKET COMP , FUEL COOLER		1			
204	35	V2183608020	BOLT , HEX/SP	M8X20	2			
NOTE								

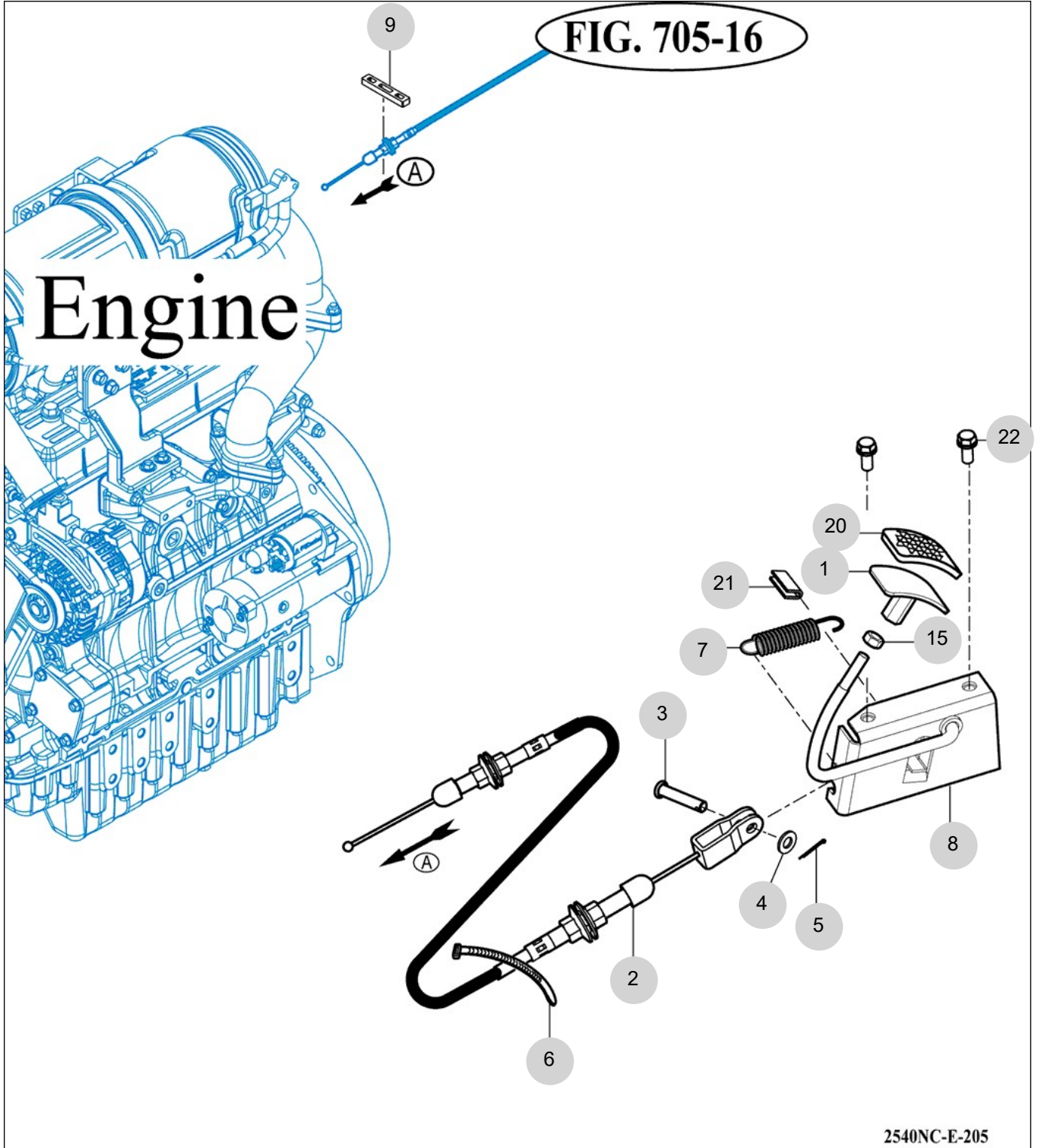
FIG 205

ACCELERATOR

년/월
Year/Month

T474NC

2022-12



2540NC-E-205

NOTE

3. Clutch/Brake/Steering PART NO. T3

FIG 301 CLUTCH PEDAL	113
FIG 302 FLYWHEEL & CLUTCH	115
FIG 303 BRAKE PEDAL	117
FIG 304 BRAKE	119
FIG 306 FRONT WHEEL MOUNTING	121
FIG 307 REAR WHEEL MOUNTING	123
FIG 308 STEERING WHEEL	125
FIG 309 STEERING VALVE & PARKING	127
FIG 310 STEERING CYLINDER	129

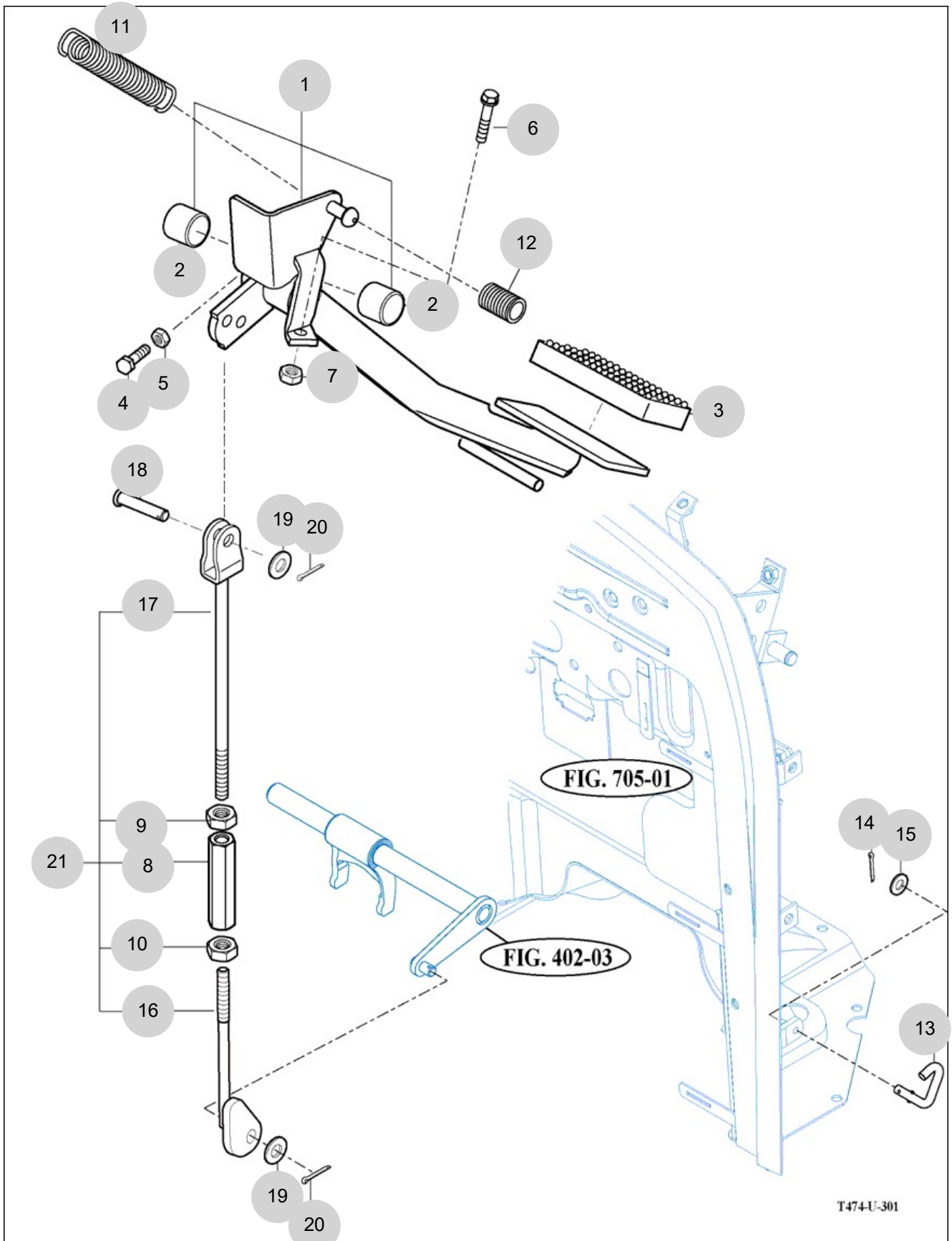
FIG 301

CLUTCH PEDAL

년/월
Year/Month

2022-12

T474NC



NOTE

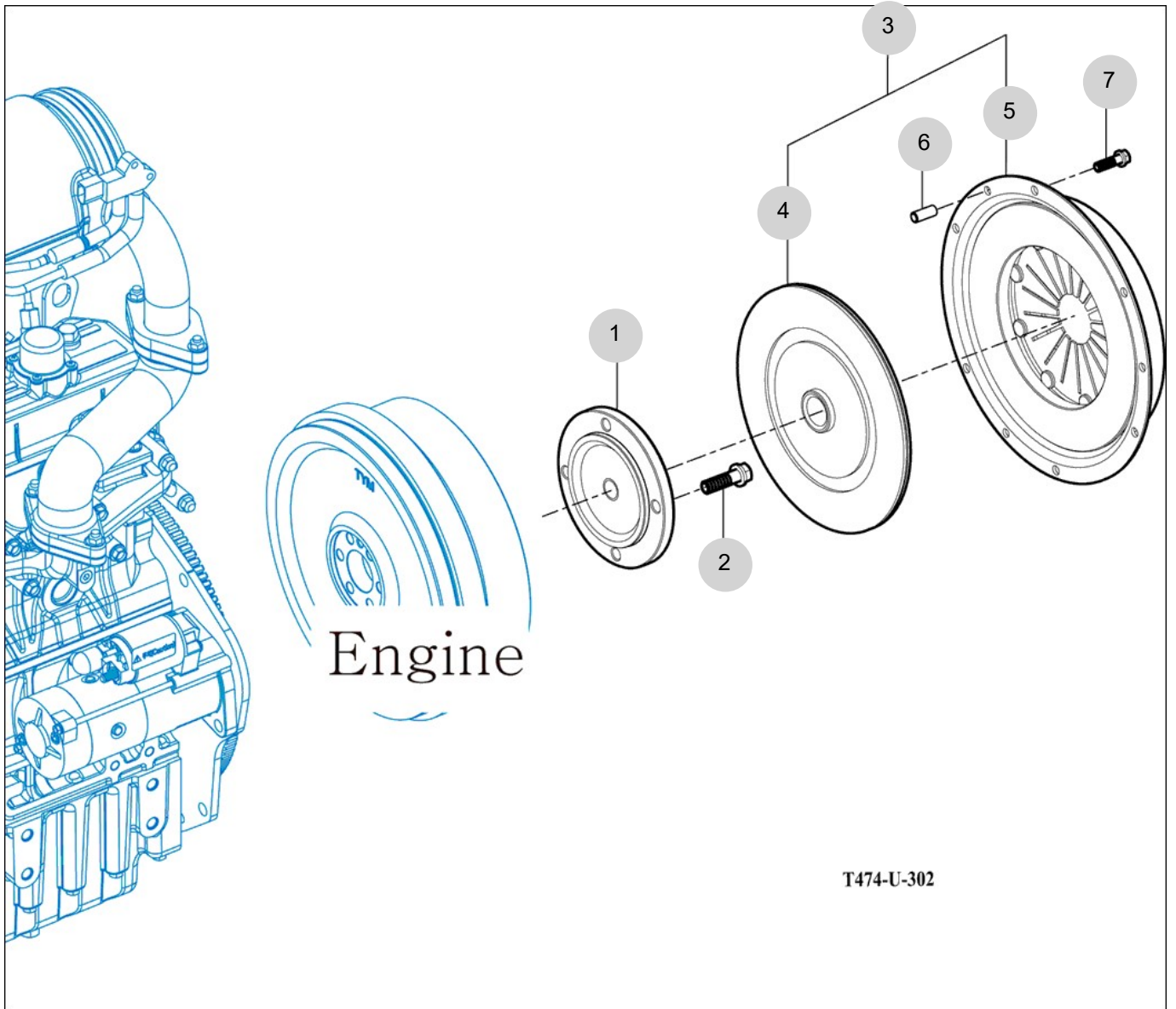
FIG 302

FLYWHEEL & CLUTCH

년/월
Year/Month

T474NC

2022-12



NOTE

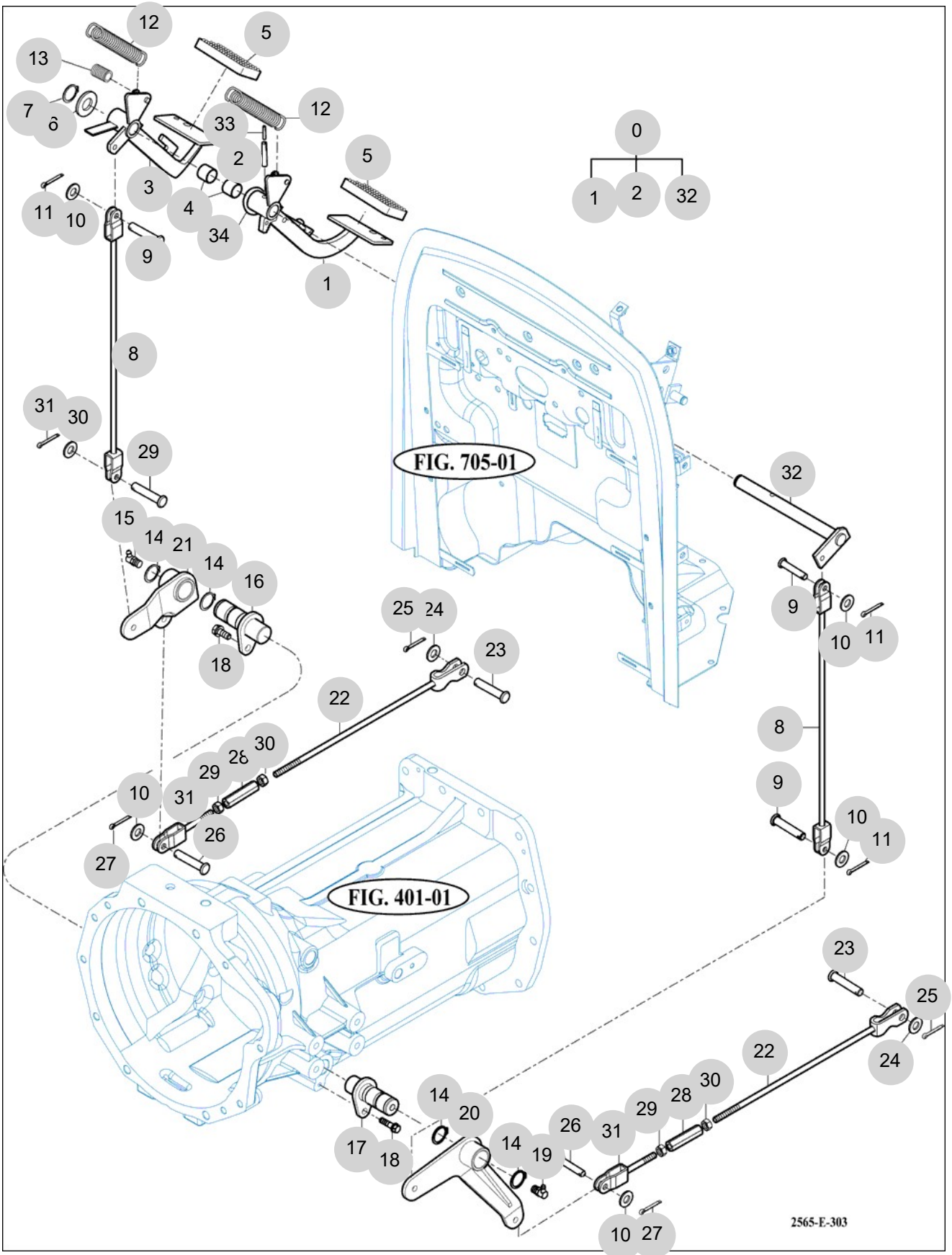
FIG 303

BRAKE PEDAL

년/월
Year/Month

T474NC

2022-12



NOTE

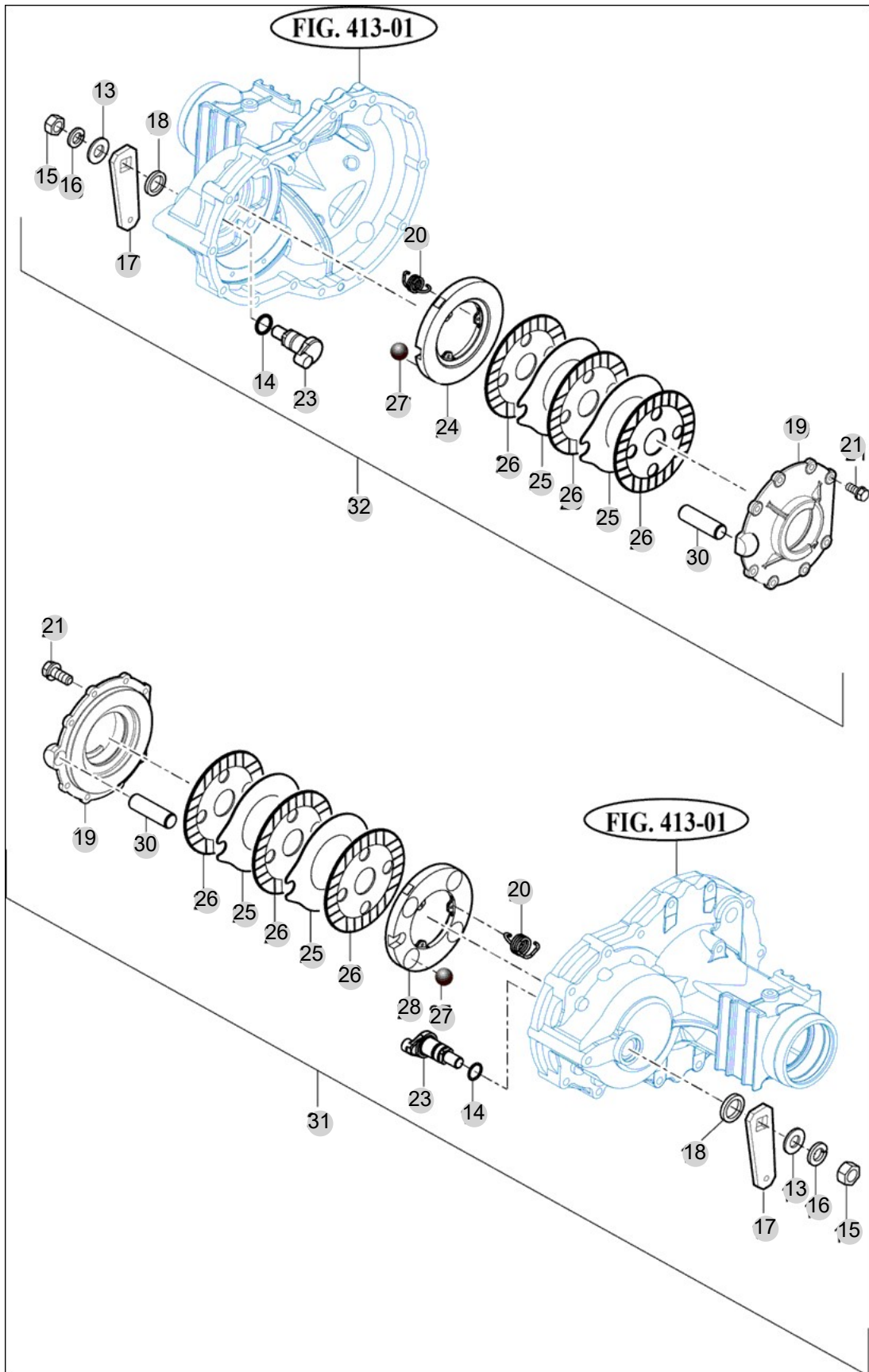
FIG 304

BRAKE

년/월
Year/Month

T474NC

2022-12



NOTE

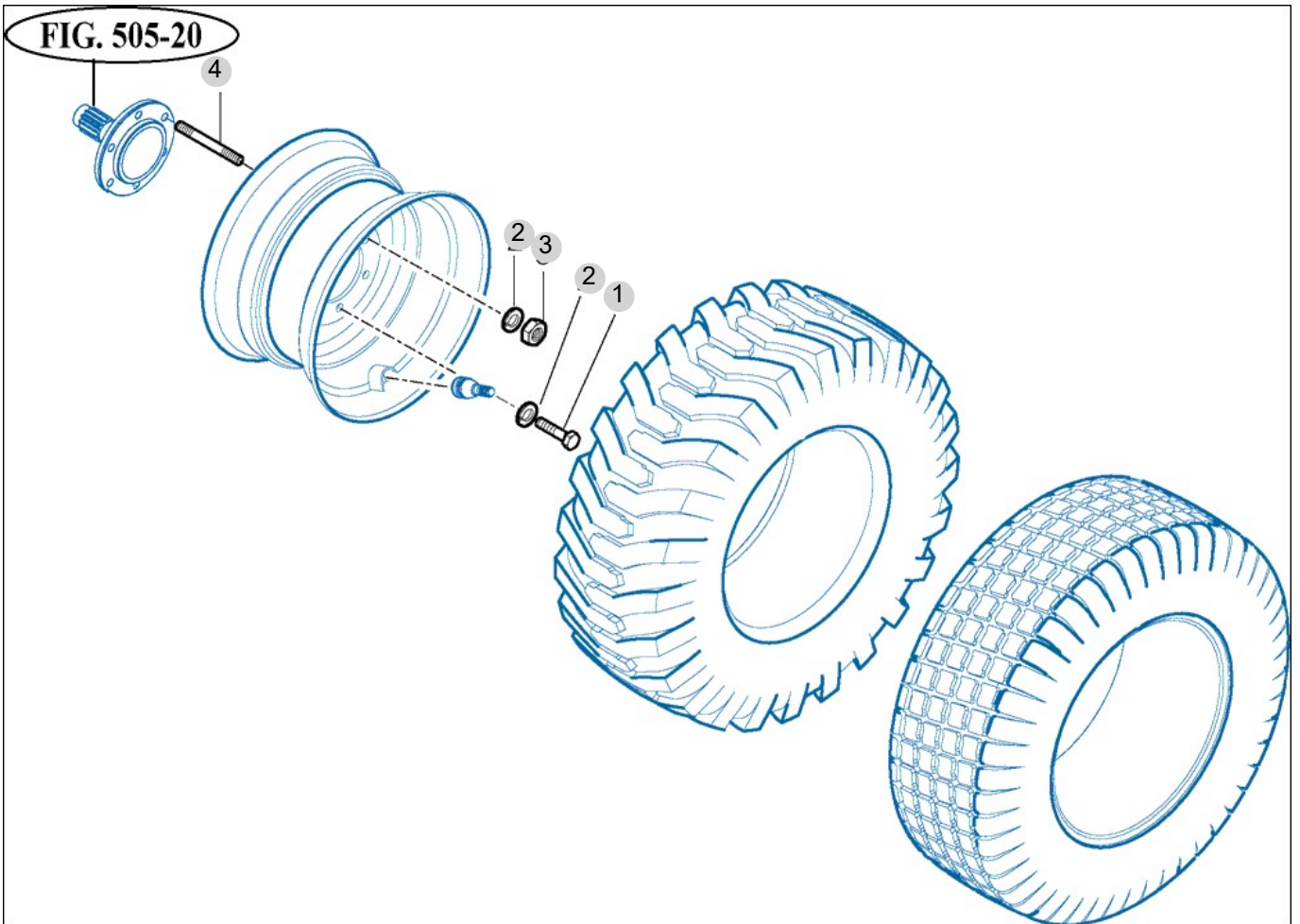
FIG 306

FRONT WHEEL MOUNTING

년/월
Year/Month

T474NC

2022-12



NOTE

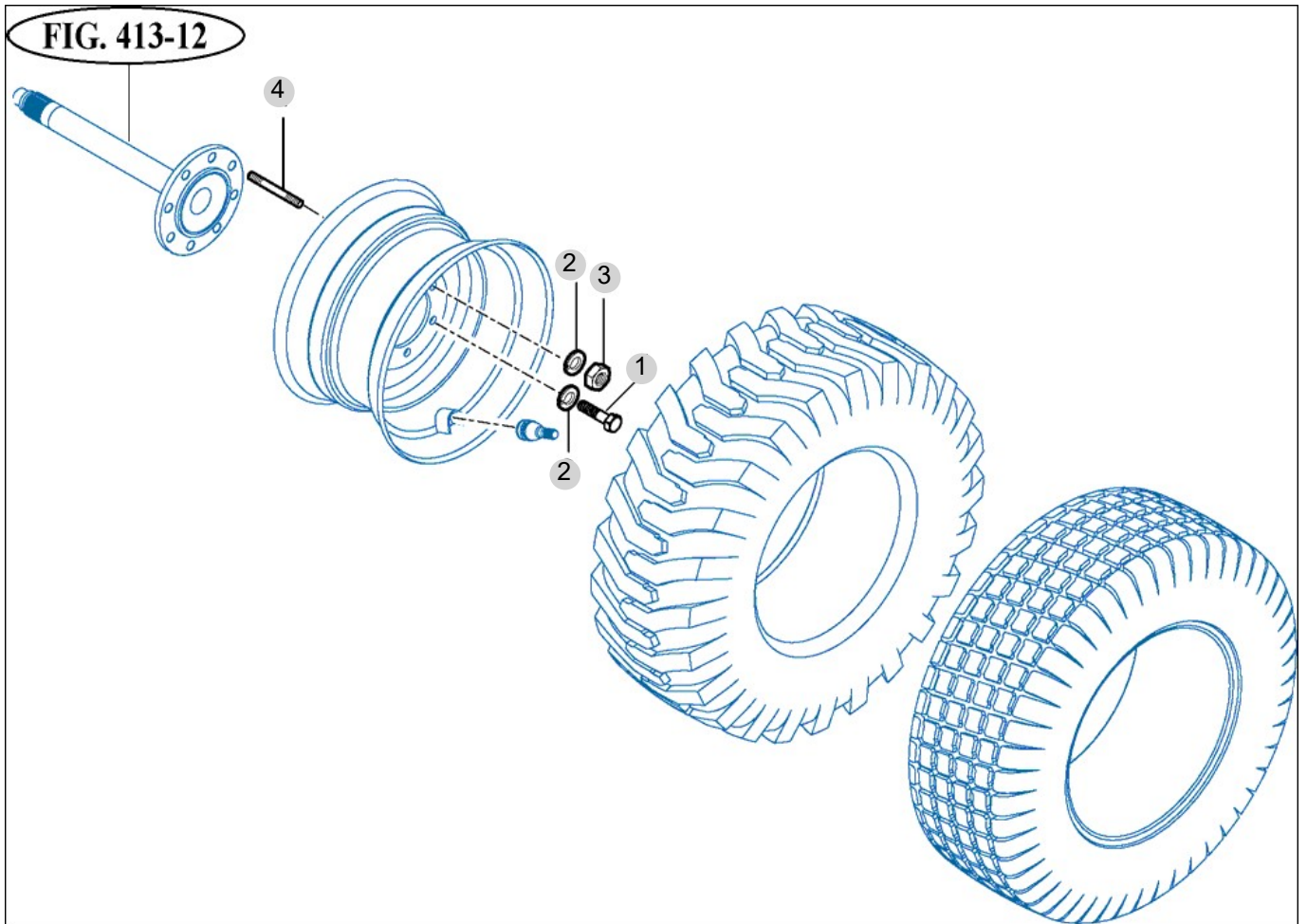
FIG 307

T474NC

REAR WHEEL MOUNTING

년/월
Year/Month

2022-12



NOTE

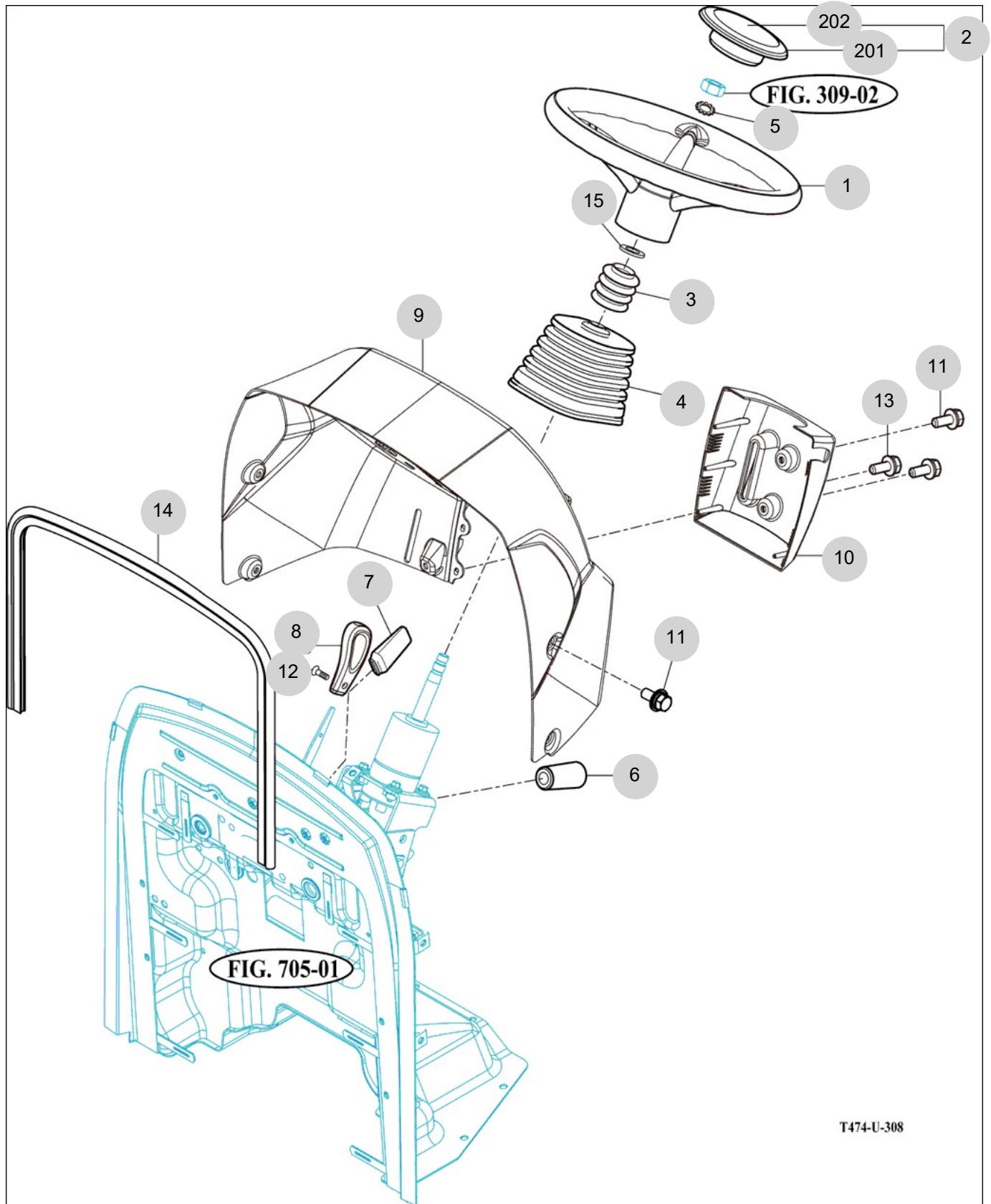
FIG 308

STEERING WHEEL

년/월
Year/Month

2022-12

T474NC



NOTE

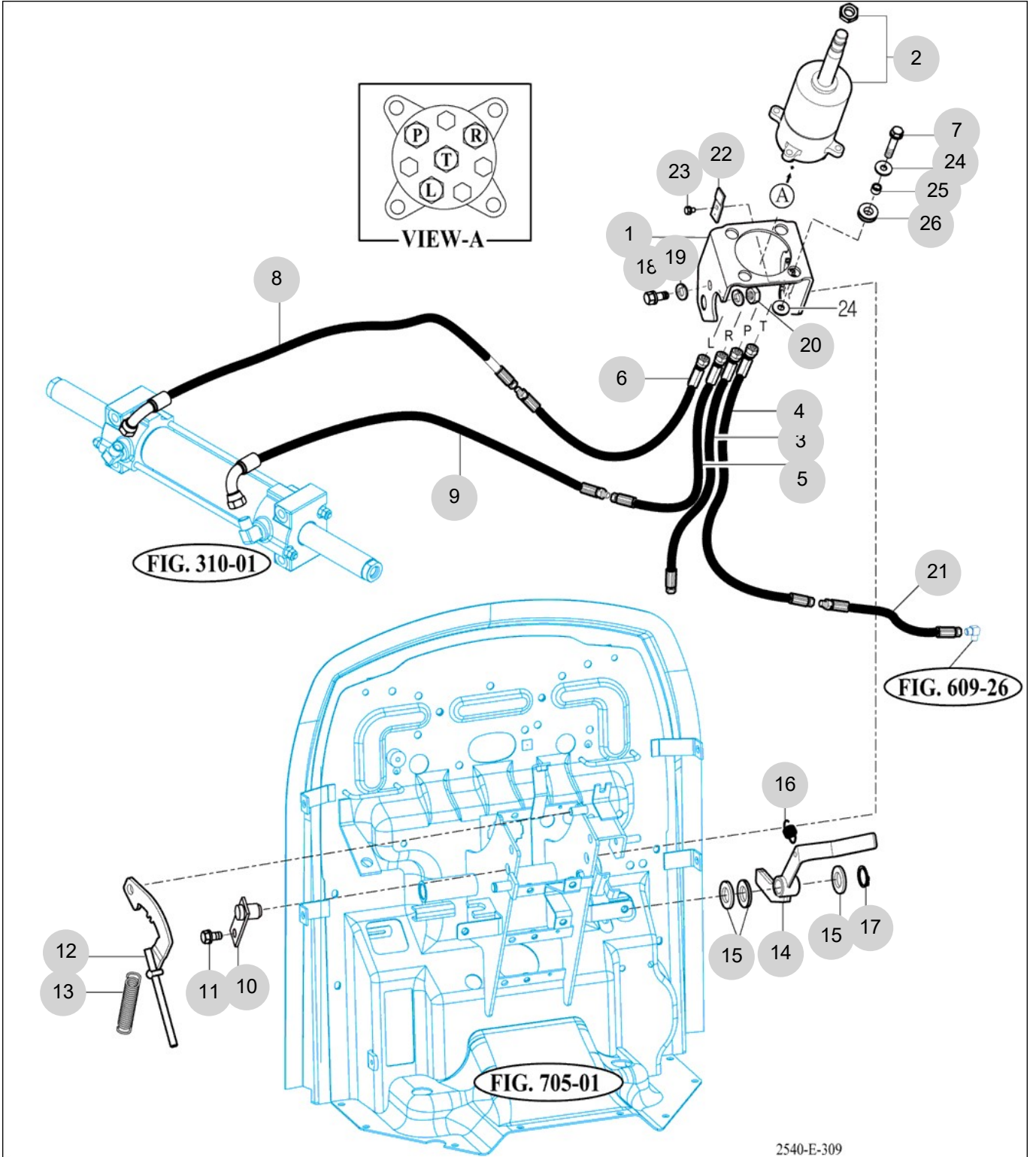
FIG 309

STEERING VALVE & PARKING

년/월
Year/Month

2022-12

T474NC



2540-E-309

NOTE

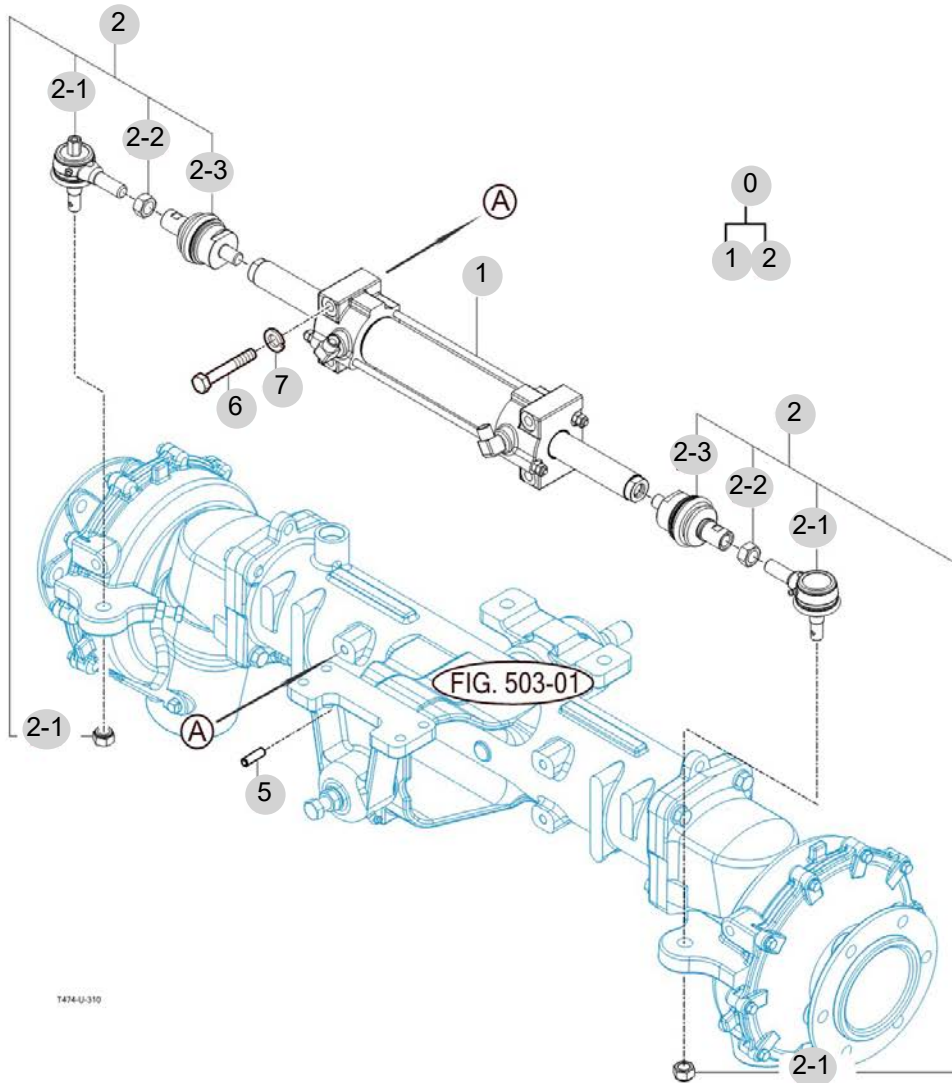
FIG 310

T474NC

STEERING CYLINDER

년/월
Year/Month

2022-12



T474U-310

NOTE

4. Transmission PART NO. T4

FIG 401 TRANSMISSION FRONT CASE	132
FIG 402 INPUT METAL	134
FIG 403 INPUT GEAR	136
FIG 404 4WD DRIVE GEAR	138
FIG 405 MAIN CHANGE GEARS & REVERSE GEARS	140
FIG 406 SUB CHANGE GEARS	142
FIG 407 PINION GEARS	144
FIG 408 P.T.O DRIVE SHAFT	146
FIG 409 P.T.O CHANGE GEARS	148
FIG 410 DIFF LOCK	150
FIG 411 TRANSMISSION REAR CASE	152
FIG 412 REAR AXLE HOUSINGS (1)	154
FIG 413 REAR AXLE HOUSINGS (2)	156
FIG 414 MAIN CHANGE LEVER	158
FIG 415 SUB CHANGE LEVER	160
FIG 416 REVERSE LINK	162
FIG 417 REVERSE CHANGE LEVER	164
FIG 418 4WD CHANGE LEVER	166

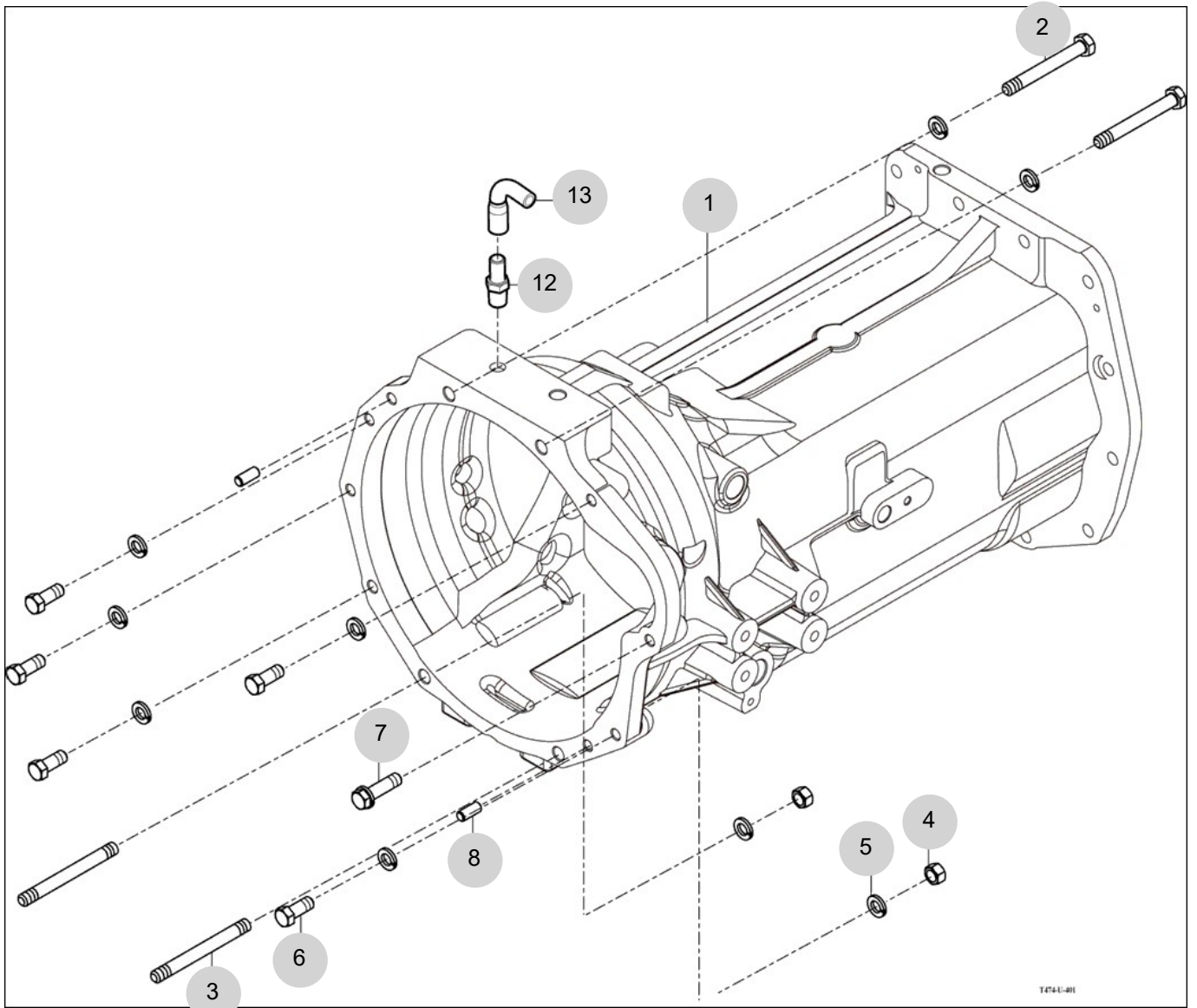
FIG 401

TRANSMISSION FRONT CASE

년/월
Year/Month

2022-12

T474NC



NOTE

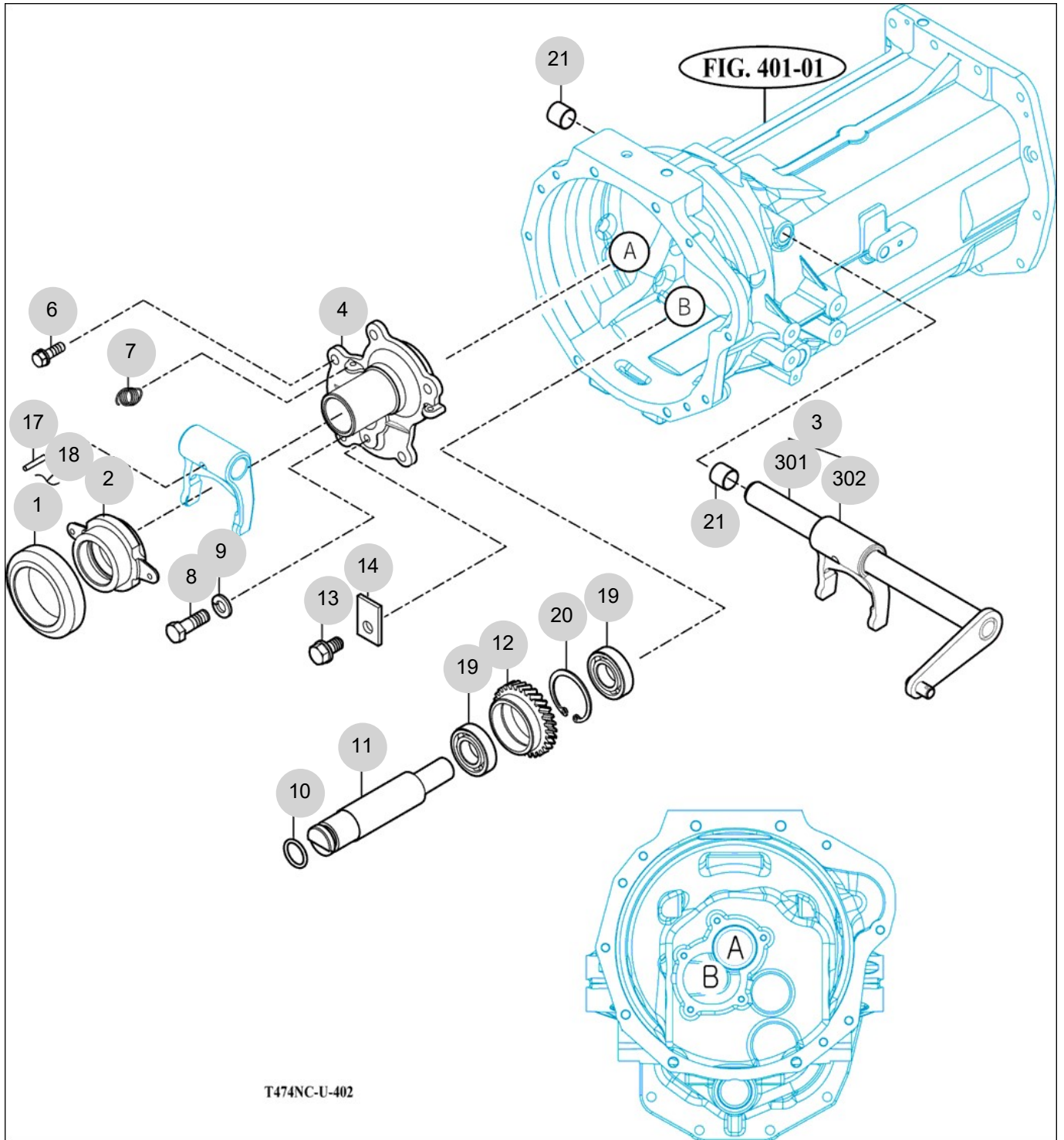
FIG 402

INPUT METAL

년/월
Year/Month

2022-12

T474NC



NOTE

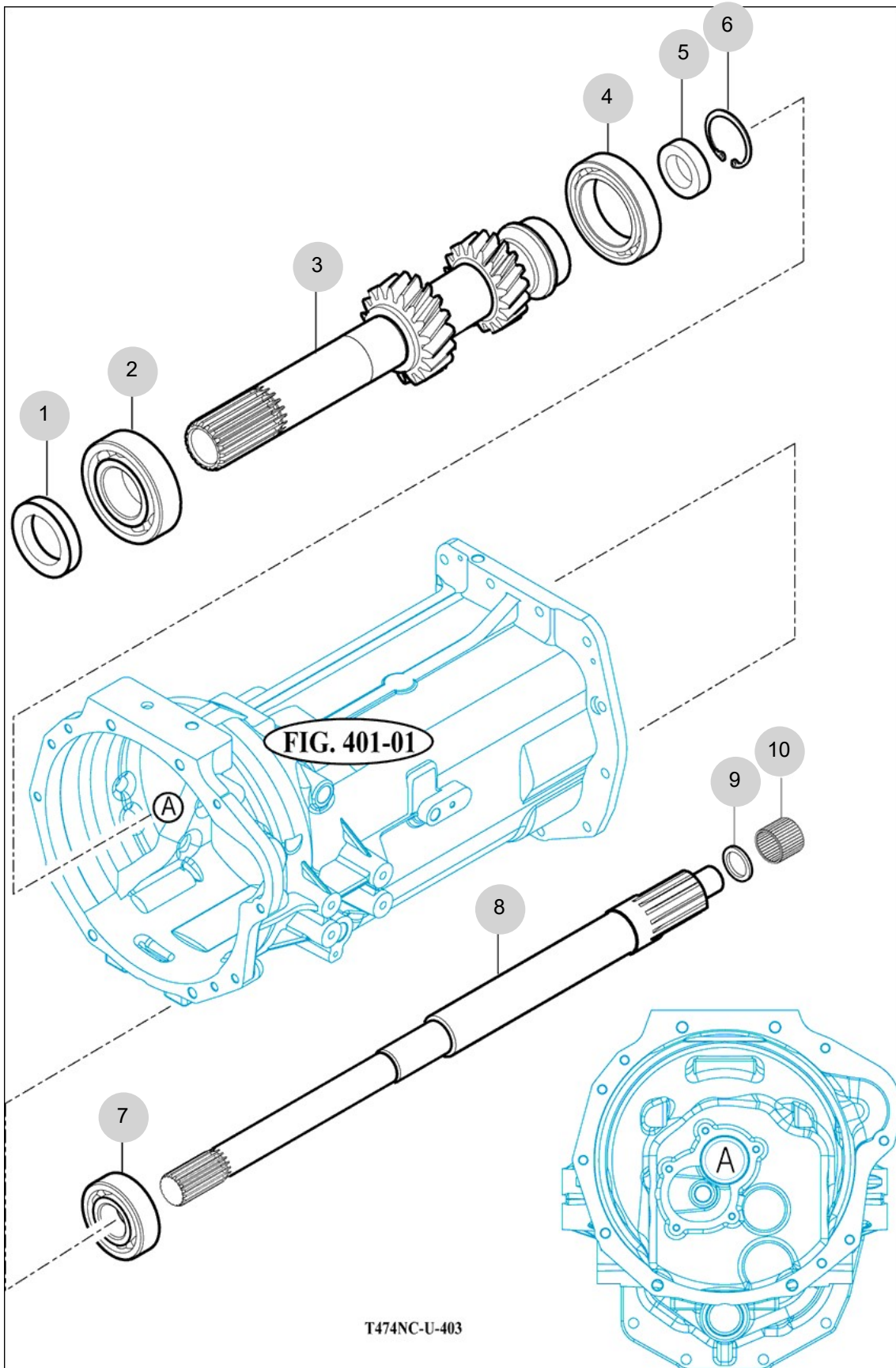
FIG 403

INPUT GEAR

년/월
Year/Month

2022-12

T474NC



NOTE

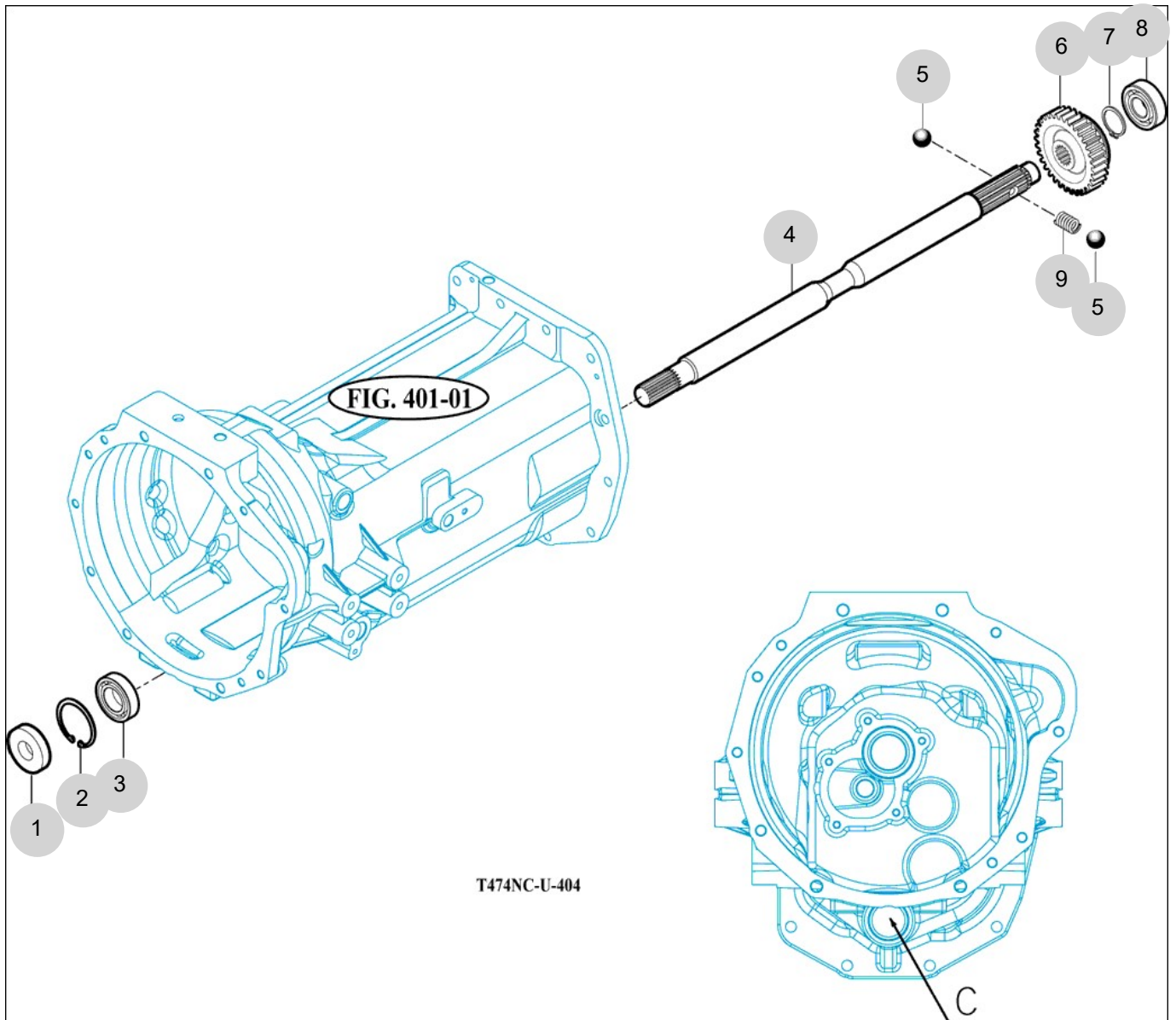
FIG 404

4WD DRIVE GEAR

년/월
Year/Month

T474NC

2022-12



NOTE

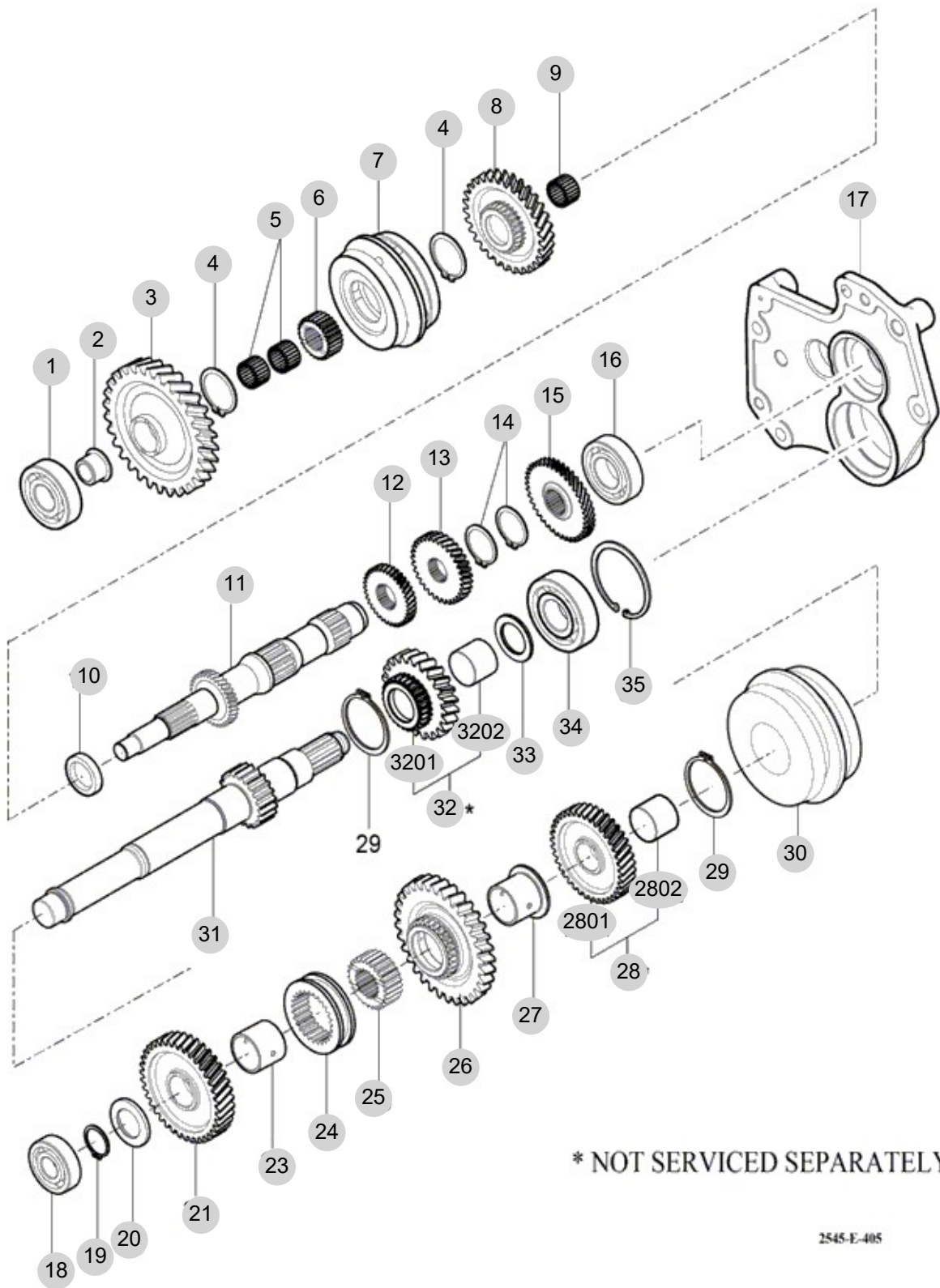
FIG 405

MAIN CHANGE GEARS & REVERSE GEARS

년/월
Year/Month

T474NC

2022-12



* NOT SERVICED SEPARATELY

2545-E-405

NOTE

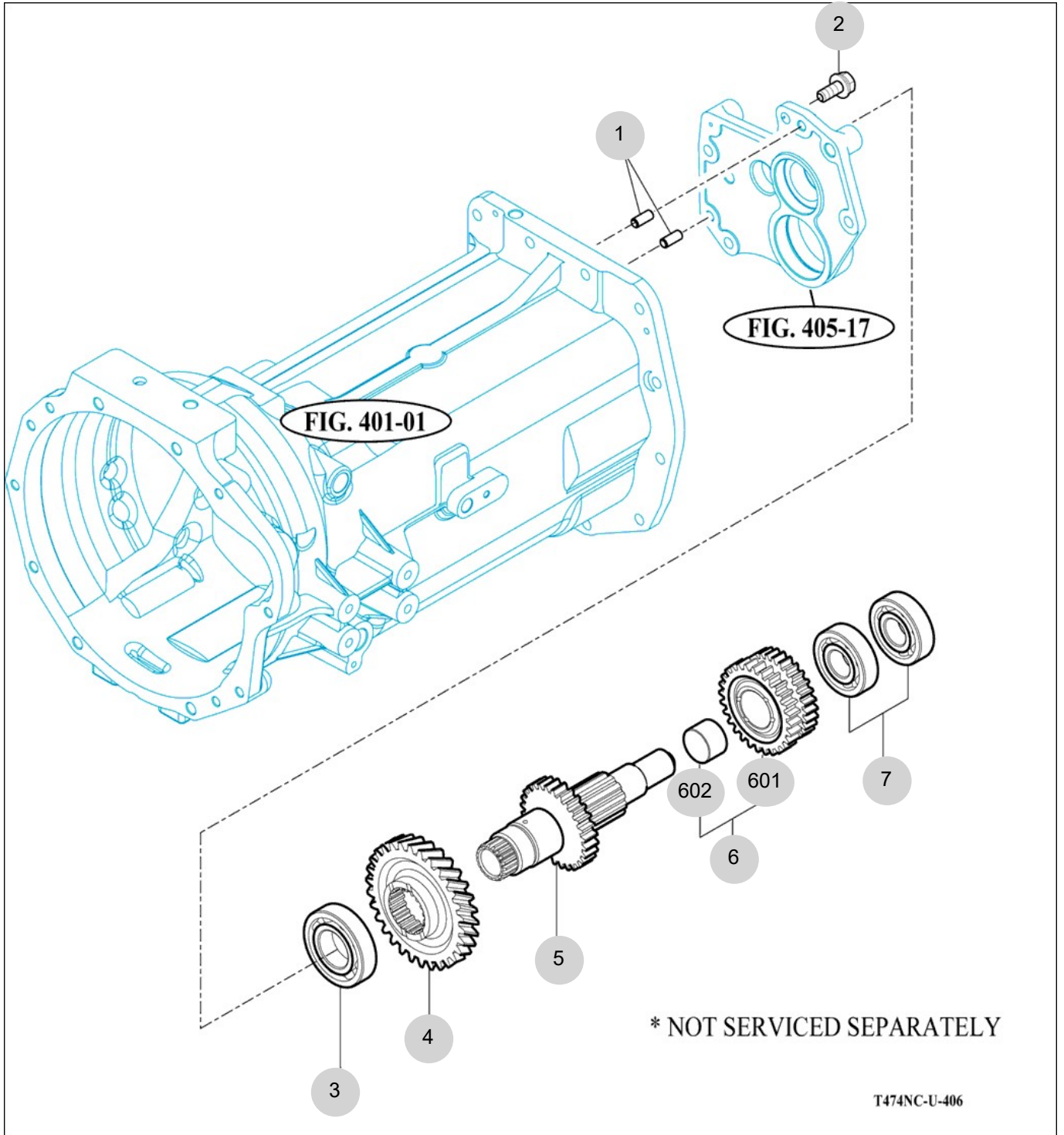
FIG 406

T474NC

SUB CHANGE GEARS

년/월
Year/Month

2022-12



NOTE

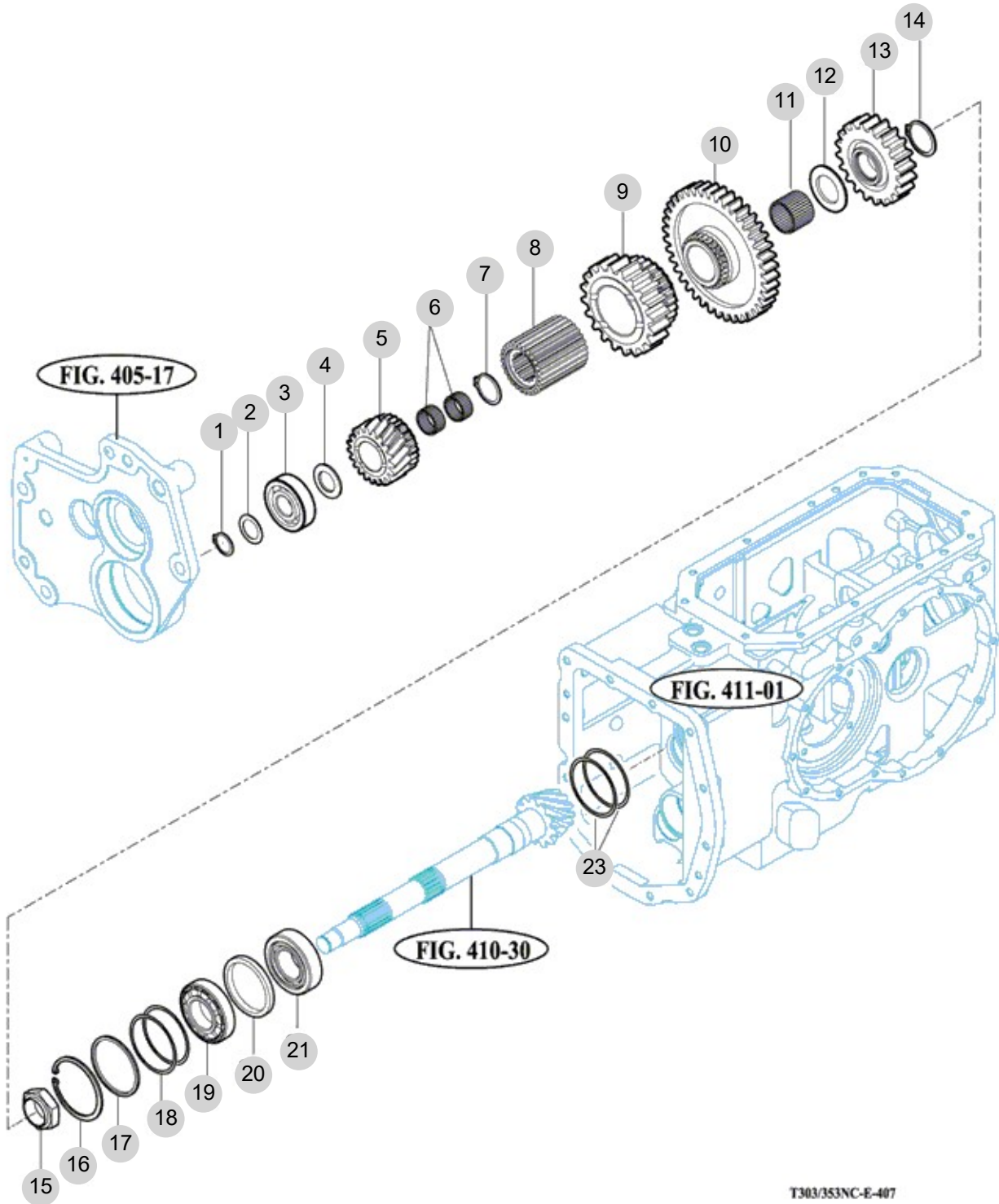
FIG 407

T474NC

PINION GEARS

년/월
Year/Month

2022-12



T303/353NC-E-407

NOTE

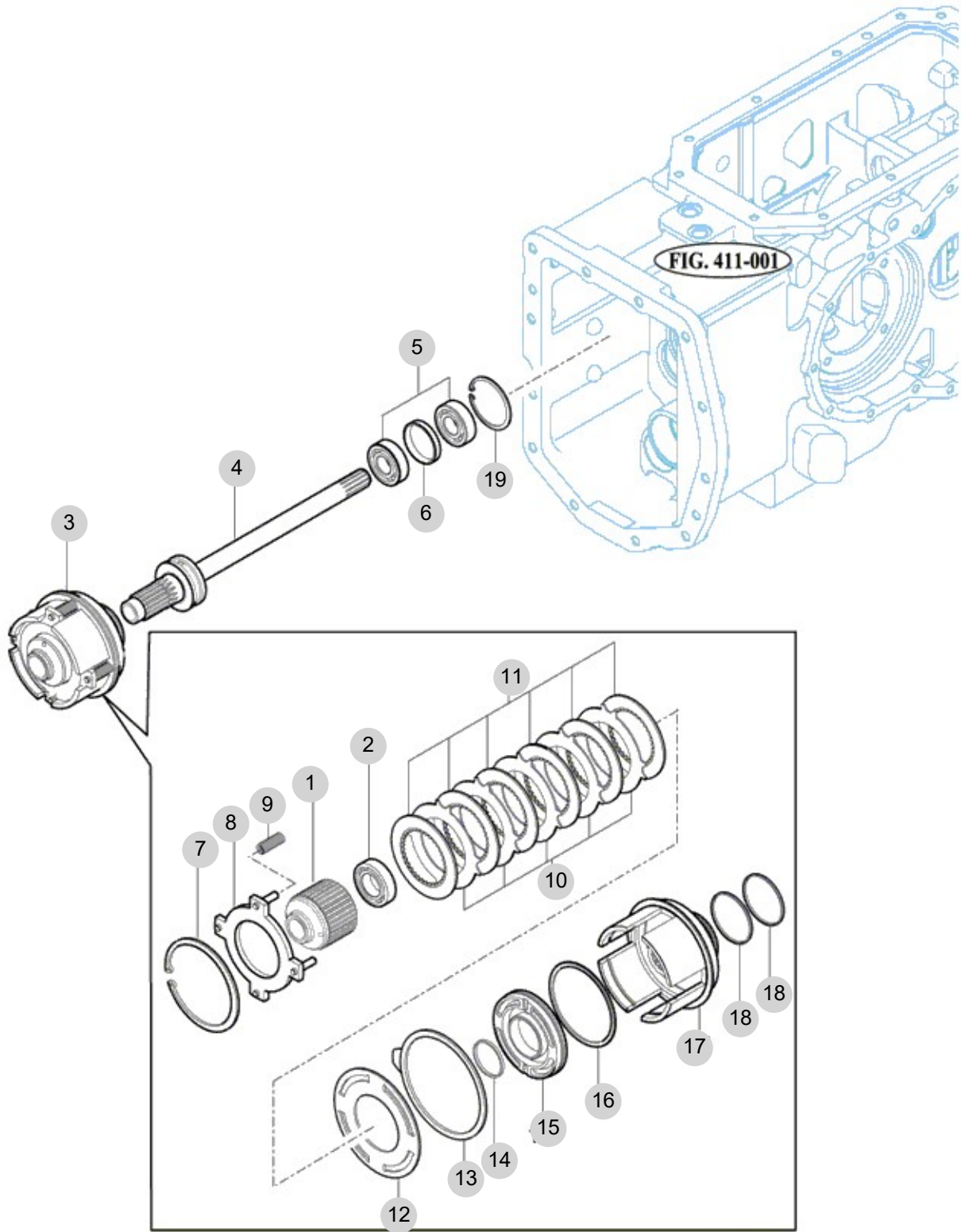
FIG 408

T474NC

P.T.O DRIVE SHAFT

년/월
Year/Month

2022-12



NOTE

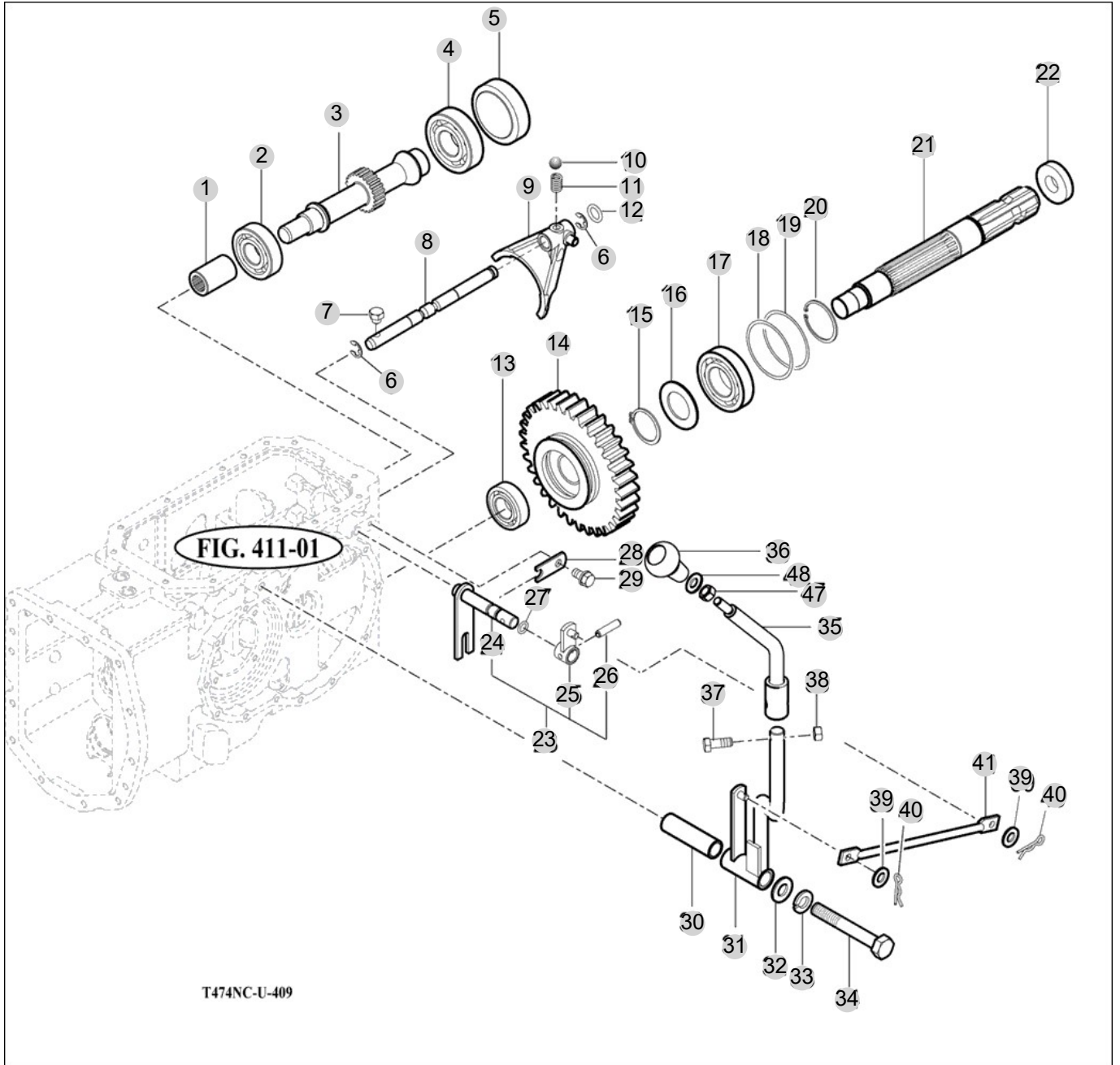
FIG 409

T474NC

P.T.O CHANGE GEARS

년/월
Year/Month

2022-12



NOTE

FIG 409		P.T.O CHANGE GEARS					년/월 Year/Month		
							2022-12		
T474NC		KEY NO	PART NO	DESCRIPTION	SPEC	QTY	REPAIR	EFFECTIVE DATE	REMARKS
409	1	14211340190	COUPLING	22X51	1				
409	2	V6041106305	BEARING , BALL/HL1	6305HL1	1				
409	3	13212543530	GEAR , SPUR PTO 11	1X1X1	1				
409	4	V6041106306	BEARING , BALL/HL1	6306HL1	1				
409	5	14254330180	CAP , 72		1				
409	6	V7081400100	E-RING	10	2				
409	7	15602231610	BOLT , SET M8X16	M8X16	1				
409	8	13212540020	STAY , PTO SHIFT	1X1X1	1				
409	9	16702540011M	FORK , PTO	1X1X1	1				
409	10	V6802000010	BALL , STEEL	5/16	1				
409	11	13022250030	SPRING , SHIFTER	D=1.4	1				
409	12	V7201024010	O-RING , P	P10	1				
409	13	V6041106205	BEARING , BALL/HL1	6205HL1	1				
409	14	13212543500	GEAR ,SPUR(PTO 54T)	1X1X1	1				
409	15	V7041400350	C-RING , SHAFT	35	1				
409	16	14443140041	COLLAR , 35X50X2	T=2	1				
409	17	V6001106207	BEARING , BALL	6207	1				
409	18	79642010080	SHIM , B		2				
409	19	16322730030	SHIM , 0.5	T=0.5	1				
409	20	V7051400720	C-RING , HOLE	72	1				
409	21	16703140011	SHAFT , PTO	1X1X1	1				
409	22	16322732000	SEAL ASSY , OIL		1				
409	23	16702555102	HOOK SET , RR PTO	1X1X1	1				
409	24	16702542102	HOOK COMP , RR PTO	1X1X1	1				
409	25	16702432201	ARM COMP , RANGE	1X1X1	1				
409	26	V5801406025	PIN , SPRING	6X25	1				
409	27	V7201024012	O-RING , P	P12	1				
409	28	16702230371	PLATE	T=3	1				
409	29	V2173608016	BOLT , HEX/S	M8X16	1				
409	30	16702440070	HUB(13*17*61)	17.3*2.35	1				
409	31	16702552103	LEVER COMP , PTO/DOWN	1X1X1	1				
409	32	V4111600120	WASHER , PLAIN	M12	1				
409	33	V4011600120	WASHER , SPRING	M12	1				
409	34	V2013612085	BOLT , HEX	M12X85	1				
409	35	13832552200GB	LEVER COMP ,PTO/UPPER		1				
409	36	16992190102	GRIP , PTO		1				
409	36	19682190100	GRIP , PTO		1				
409	37	V2013608035	BOLT , HEX	M8X35	1				
409	38	V3042600080	NUT , HEX/2	M8	1				
409	39	V4111600080	WASHER , PLAIN	M8	2				
409	40	V5601600008	PIN , SNAP	8	2				
409	41	16702553100	ROD , 236	D=9	1				
409	47	19027010010	NUT , HEX FINE/2	M10	1				
409	48	V4111600100	WASHER , PLAIN	M10	1				
NOTE									

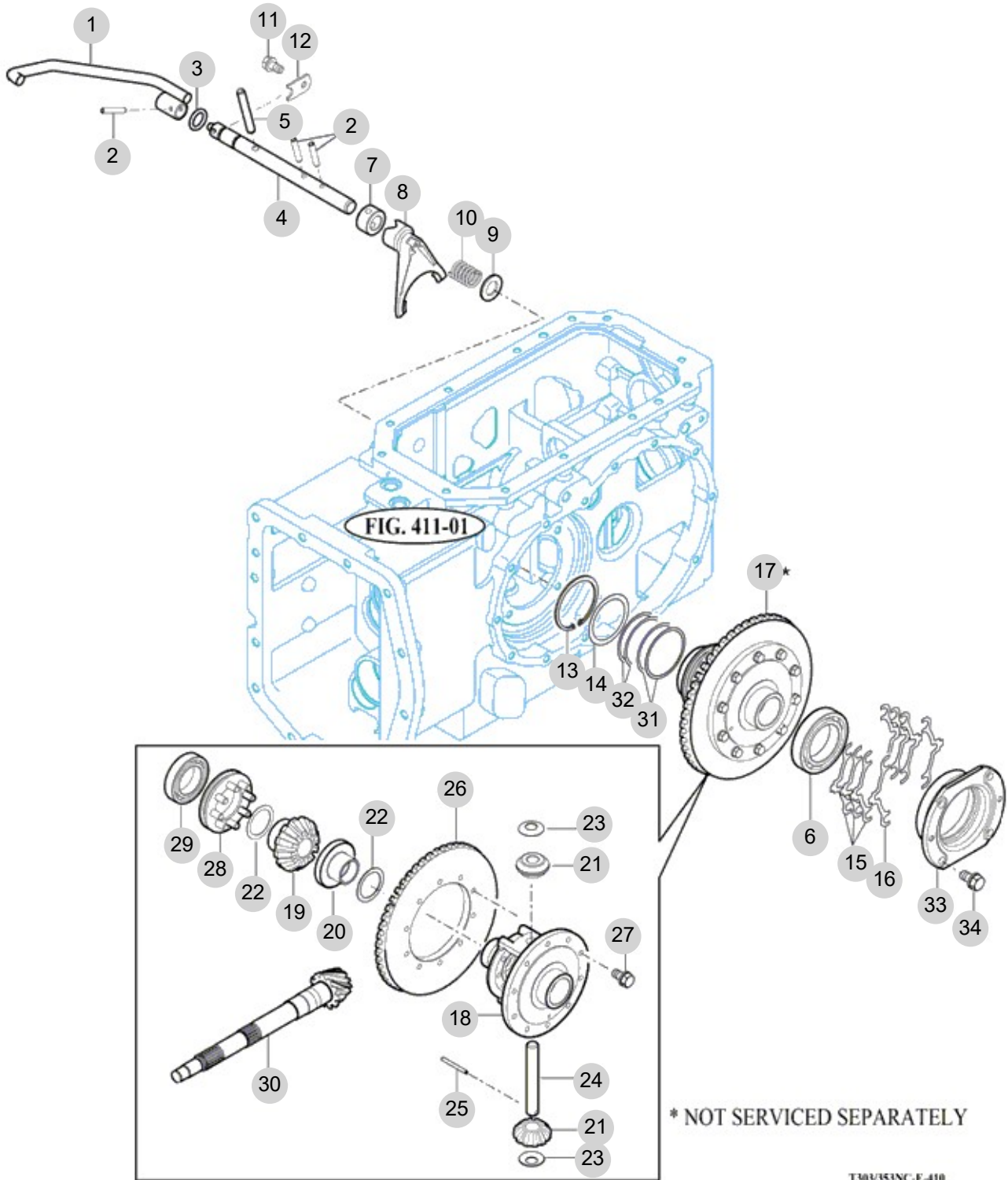
FIG 410

DIFF LOCK

년/월
Year/Month

T474NC

2022-12



T303/353NC-E-410

NOTE

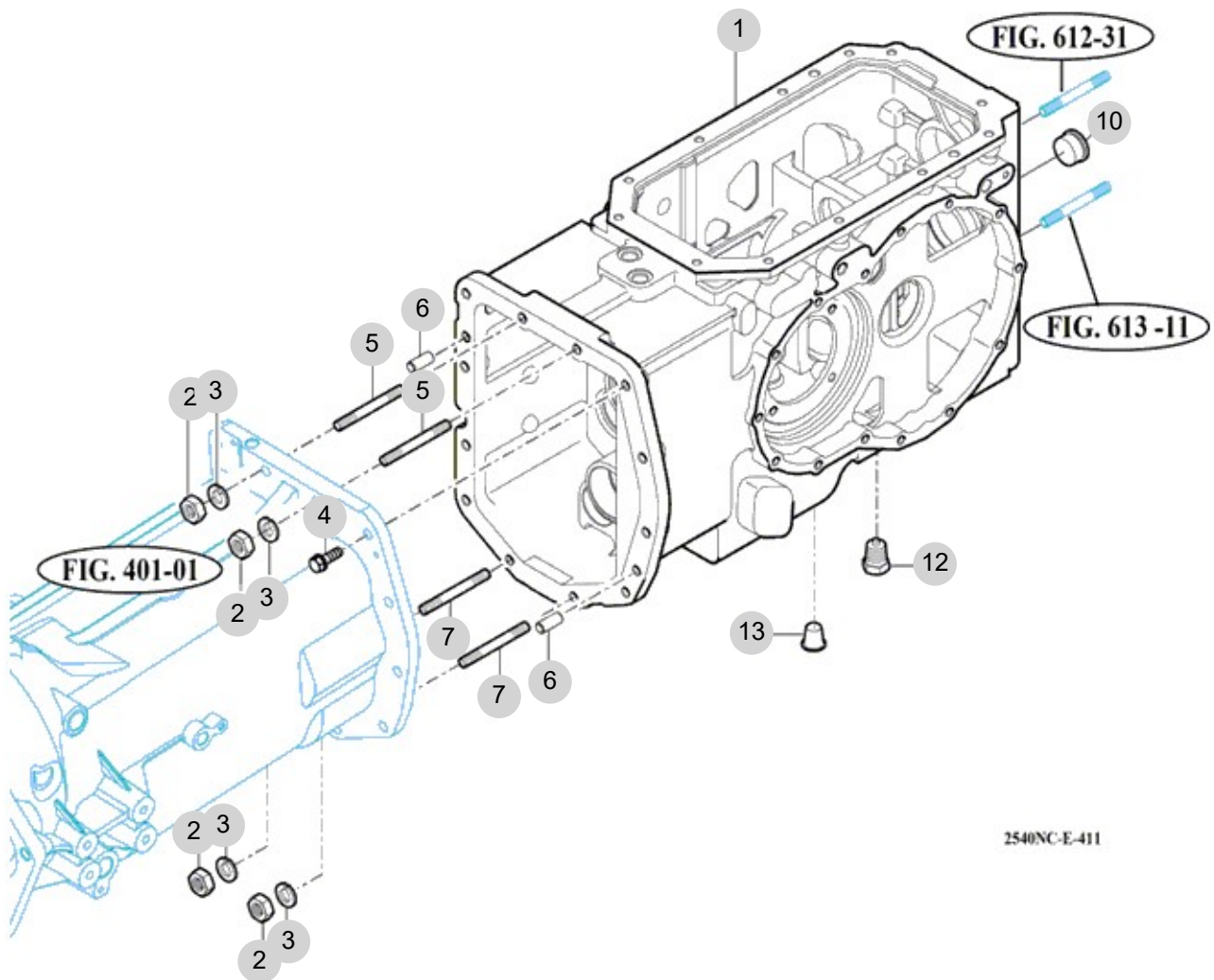
FIG 411

T474NC

TRANSMISSION REAR CASE

년/월
Year/Month

2022-12



2540NC-E-411

NOTE

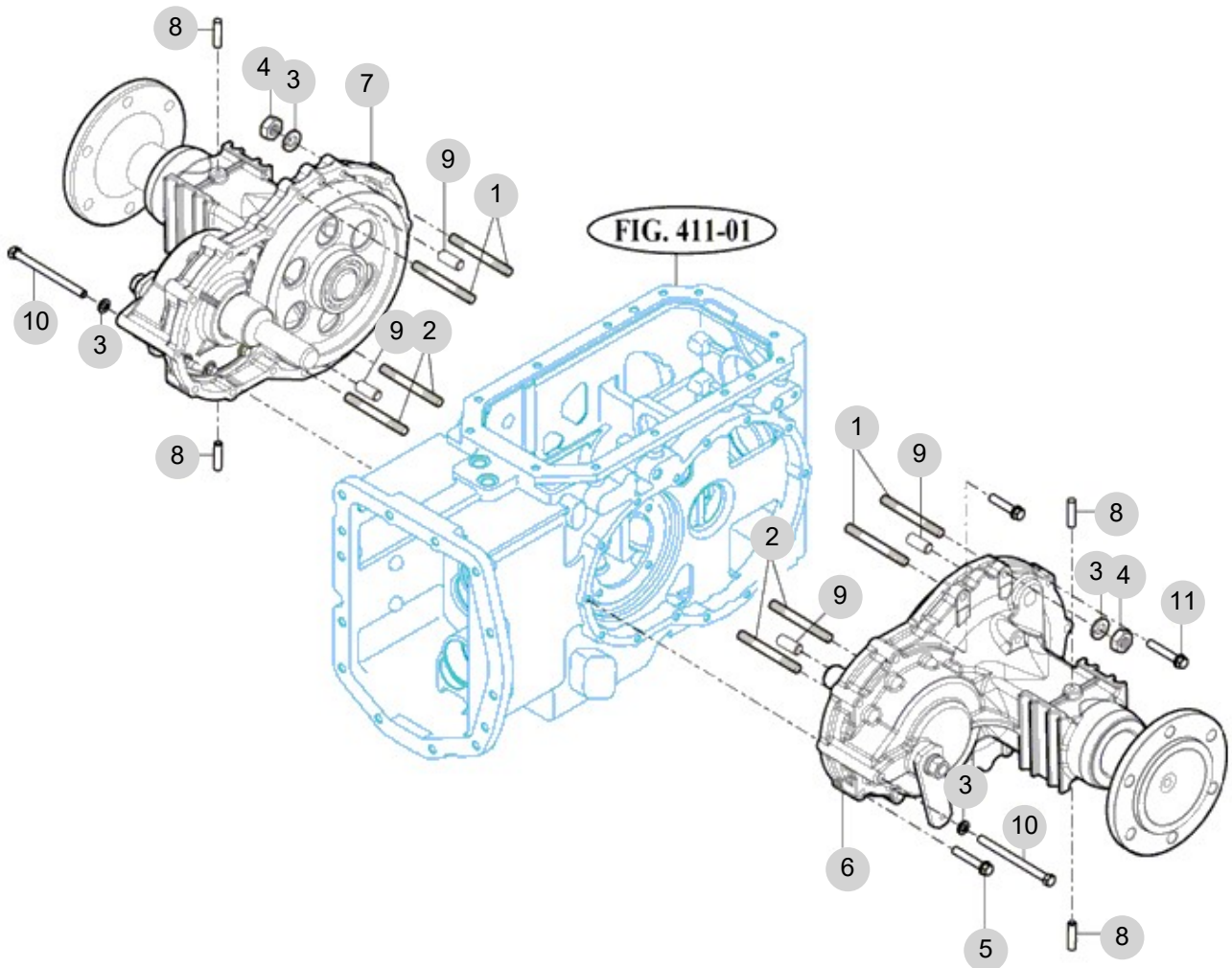
FIG 412

T474NC

REAR AXLE HOUSINGS (1)

년/월
Year/Month

2022-12



NOTE

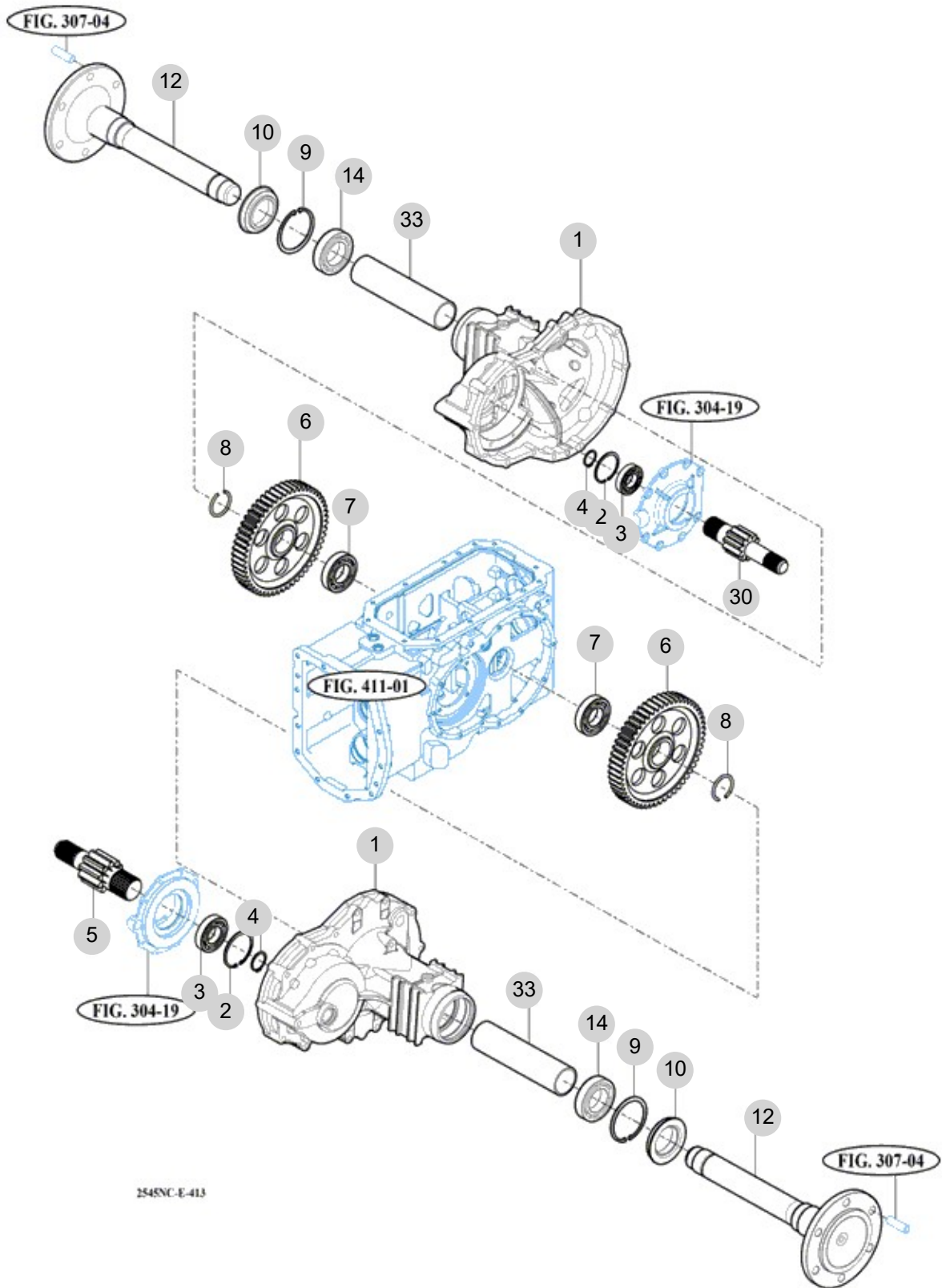
FIG 413

T474NC

REAR AXLE HOUSINGS (2)

년/월
Year/Month

2022-12



2545NC-E-413

NOTE

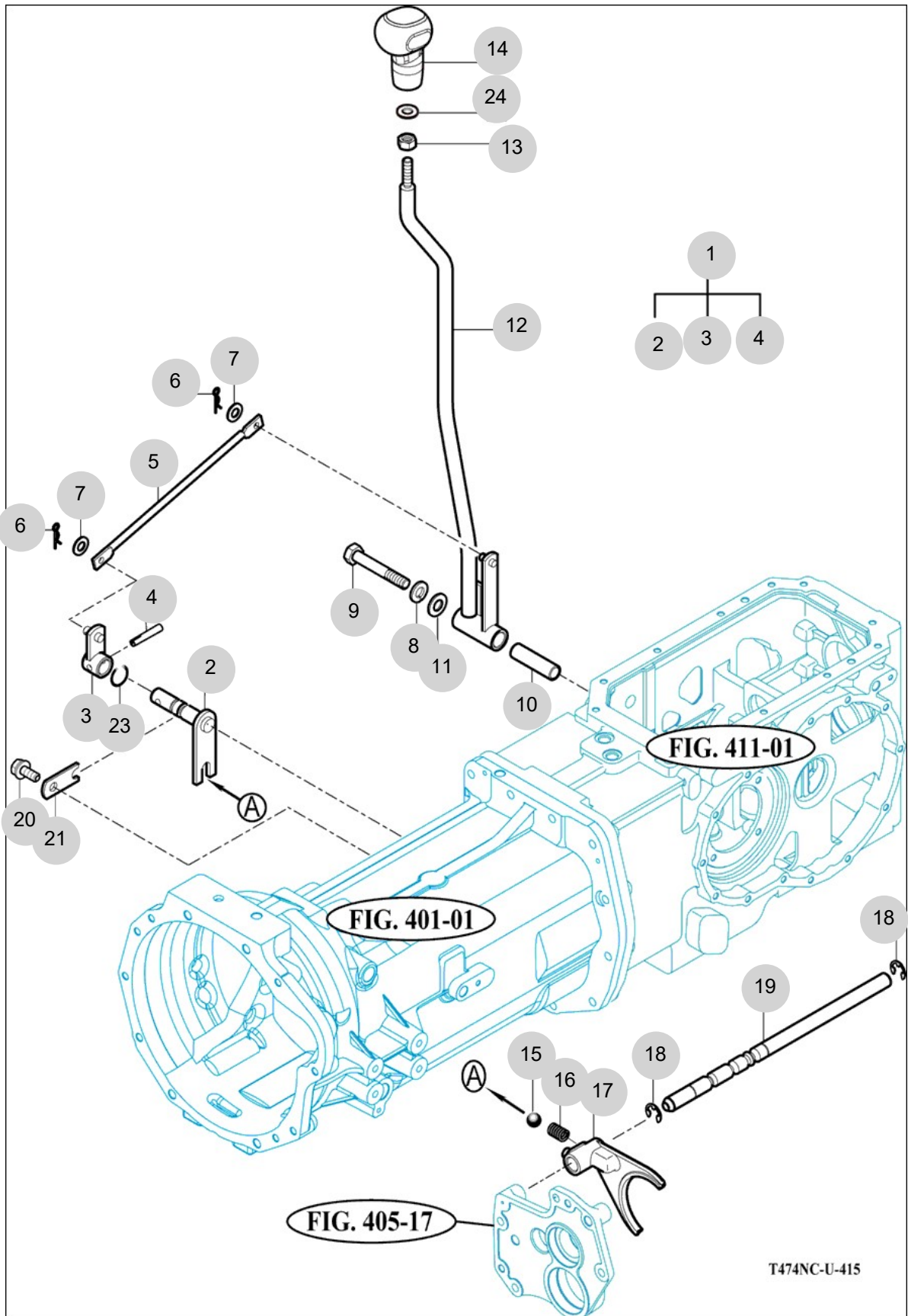
FIG 415

T474NC

SUB CHANGE LEVER

년/월
Year/Month

2022-12



NOTE

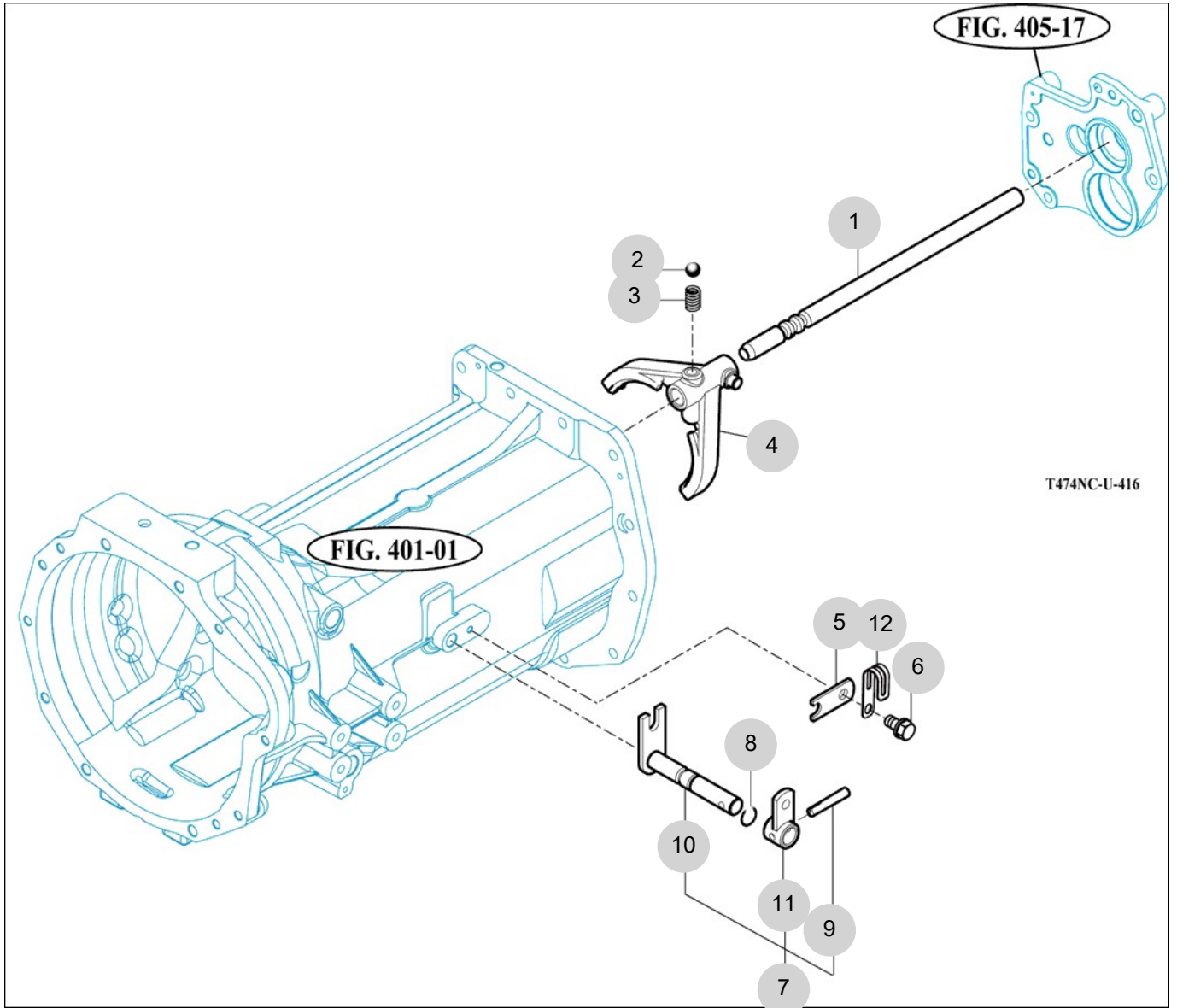
FIG 416

REVERSE LINK

년/월
Year/Month

T474NC

2022-12



NOTE

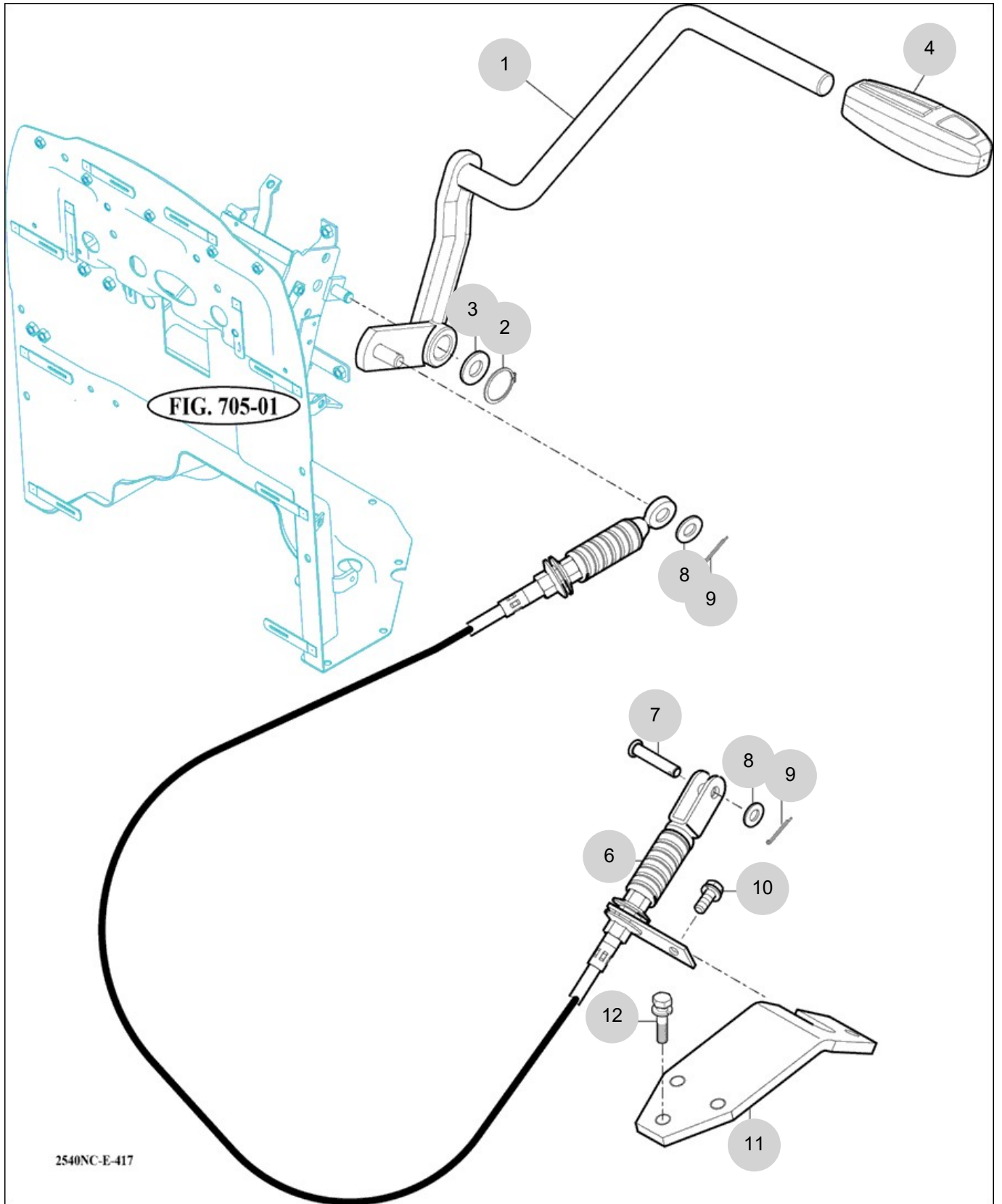
FIG 417

REVERSE CHANGE LEVER

년/월
Year/Month

T474NC

2022-12



2540NC-E-417

NOTE

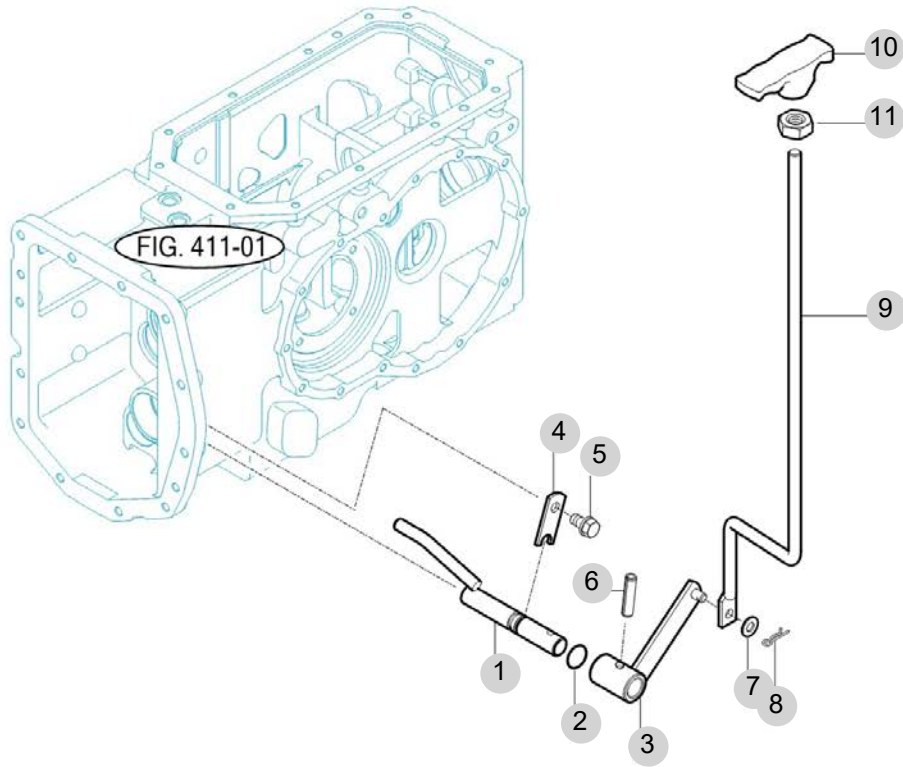
FIG 418

T474NC

4WD CHANGE LEVER

년/월
Year/Month

2022-12



T303/353NC-E-418

NOTE

5. Front Axle PART NO. T5

FIG 501 FRONT AXLE BRACKET	169
FIG 502 FRONT DIFF. GEARS & SHAFT	171
FIG 503 FRONT AXLE HOUSING	173
FIG 504 FRONT GEAR CASE (1)	175
FIG 505 FRONT GEAR CASE (2)	177

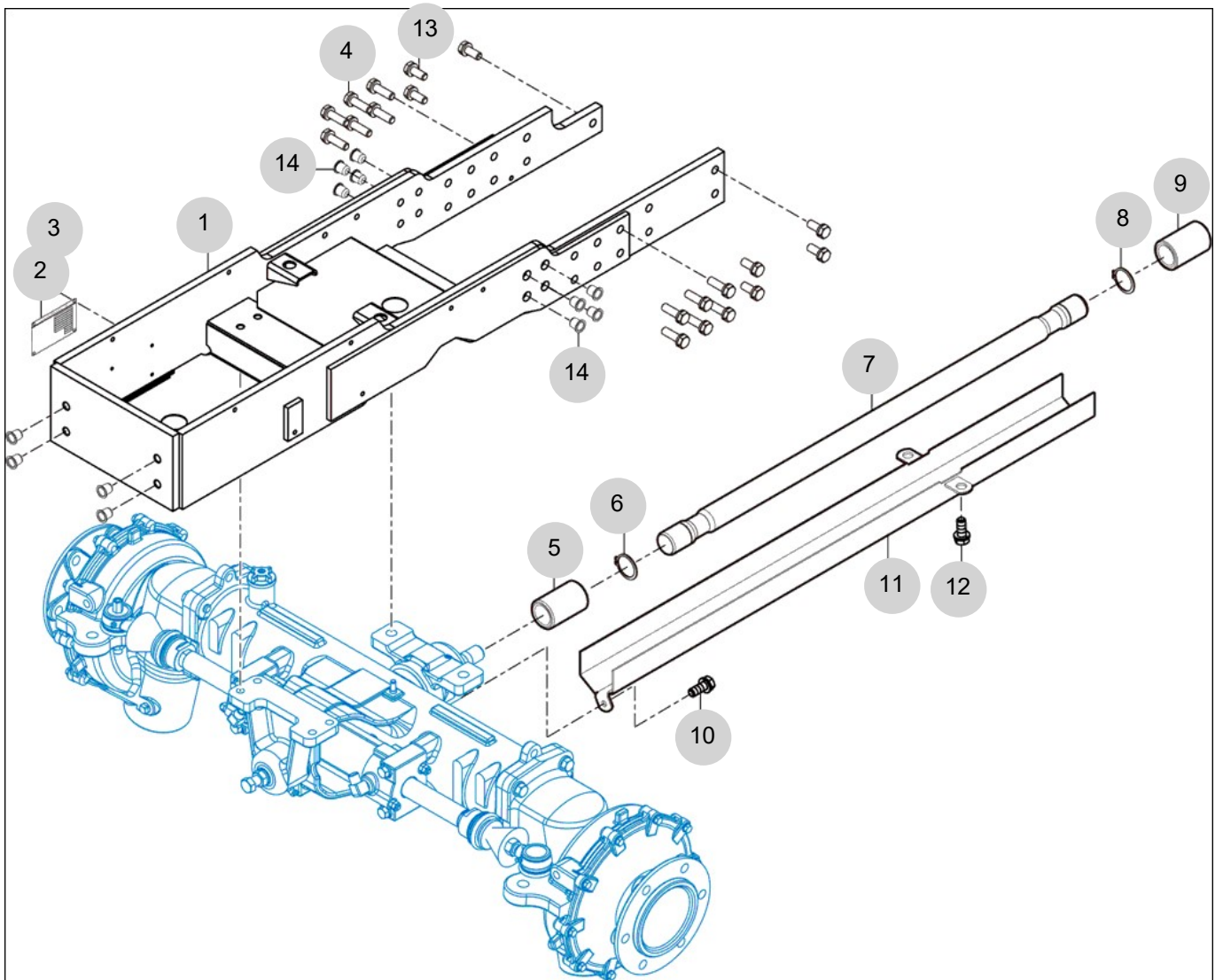
FIG 501

FRONT AXLE BRACKET

년/월
Year/Month

2022-12

T474NC



NOTE

FIG 502

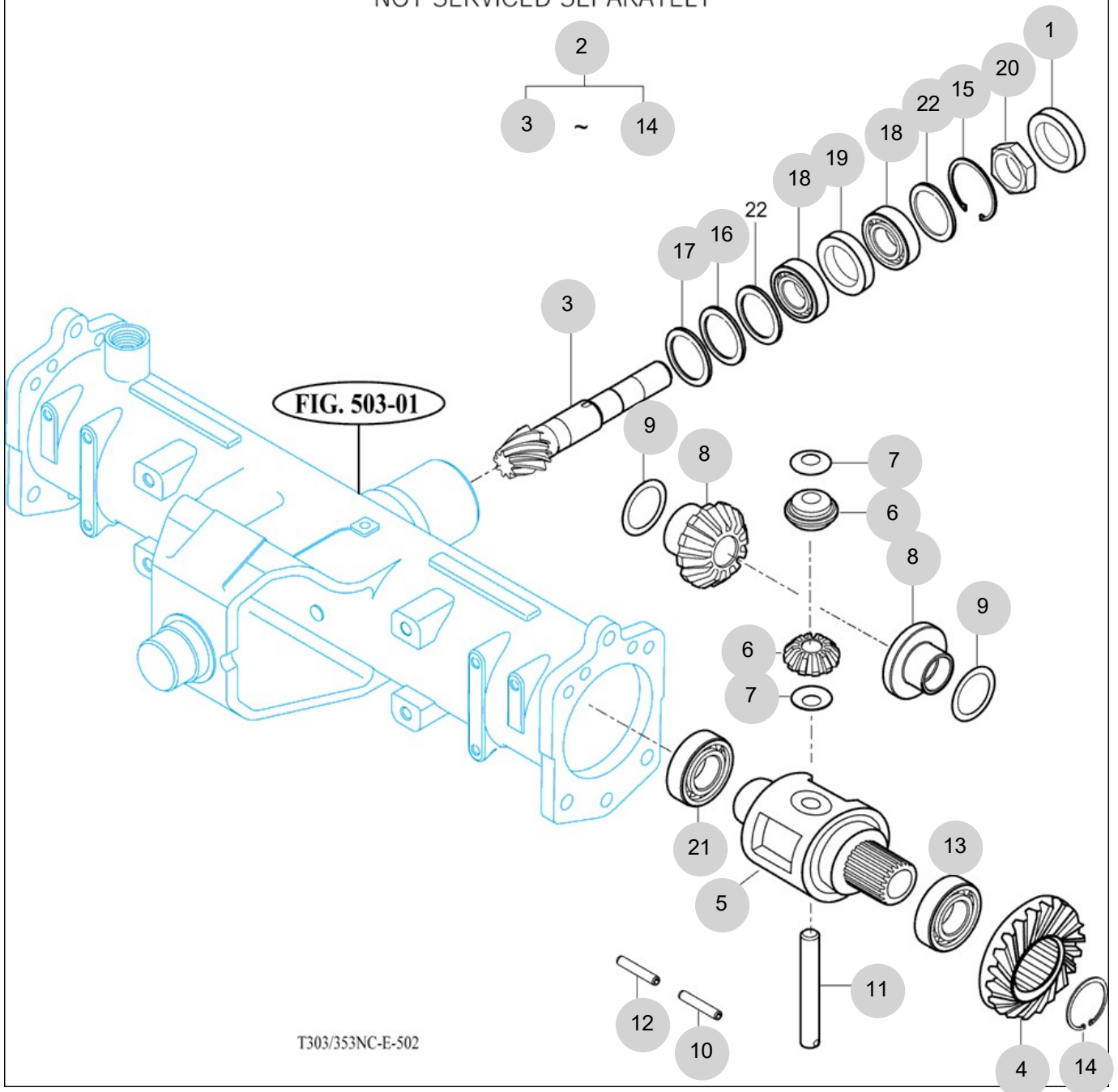
T474NC

FRONT DIFF. GEARS & SHAFT

년/월
Year/Month

2022-12

* NOT SERVICED SEPARATELY



T303/353NC-E-502

NOTE

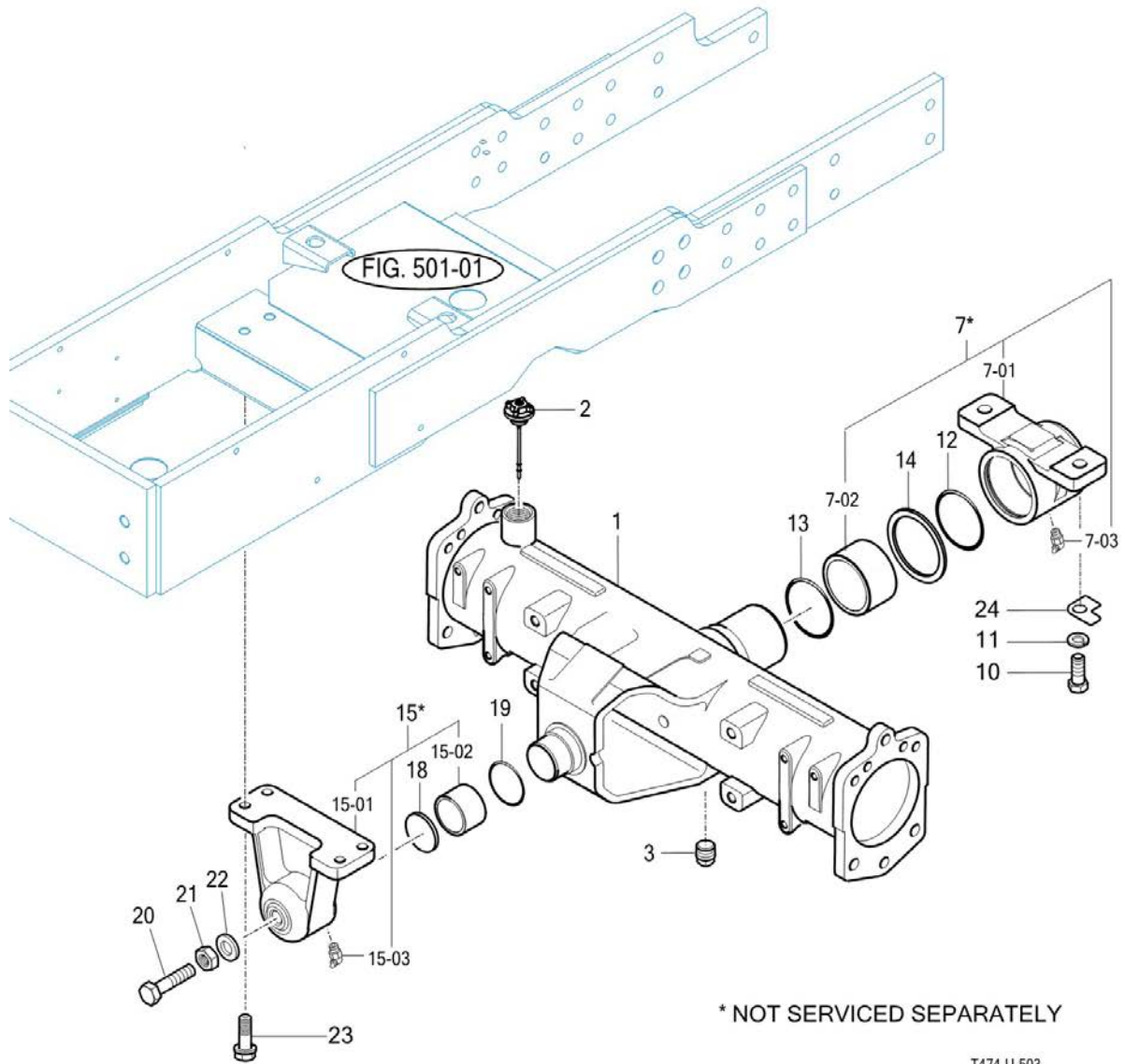
FIG 503

FRONT AXLE HOUSING

년/월
Year/Month

T474NC

2022-12



NOTE

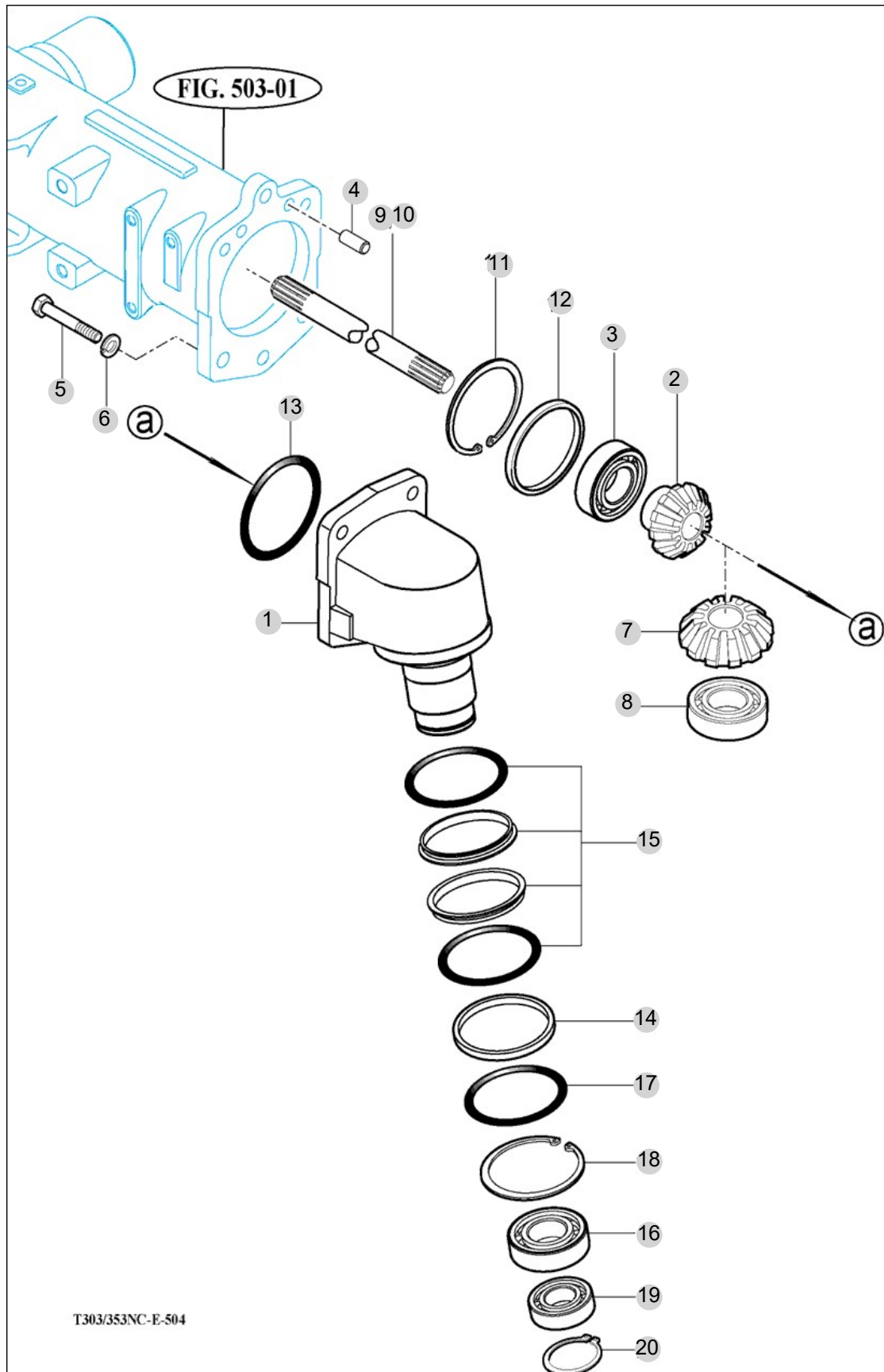
FIG 504

T474NC

FRONT GEAR CASE (1)

년/월
Year/Month

2022-12



NOTE

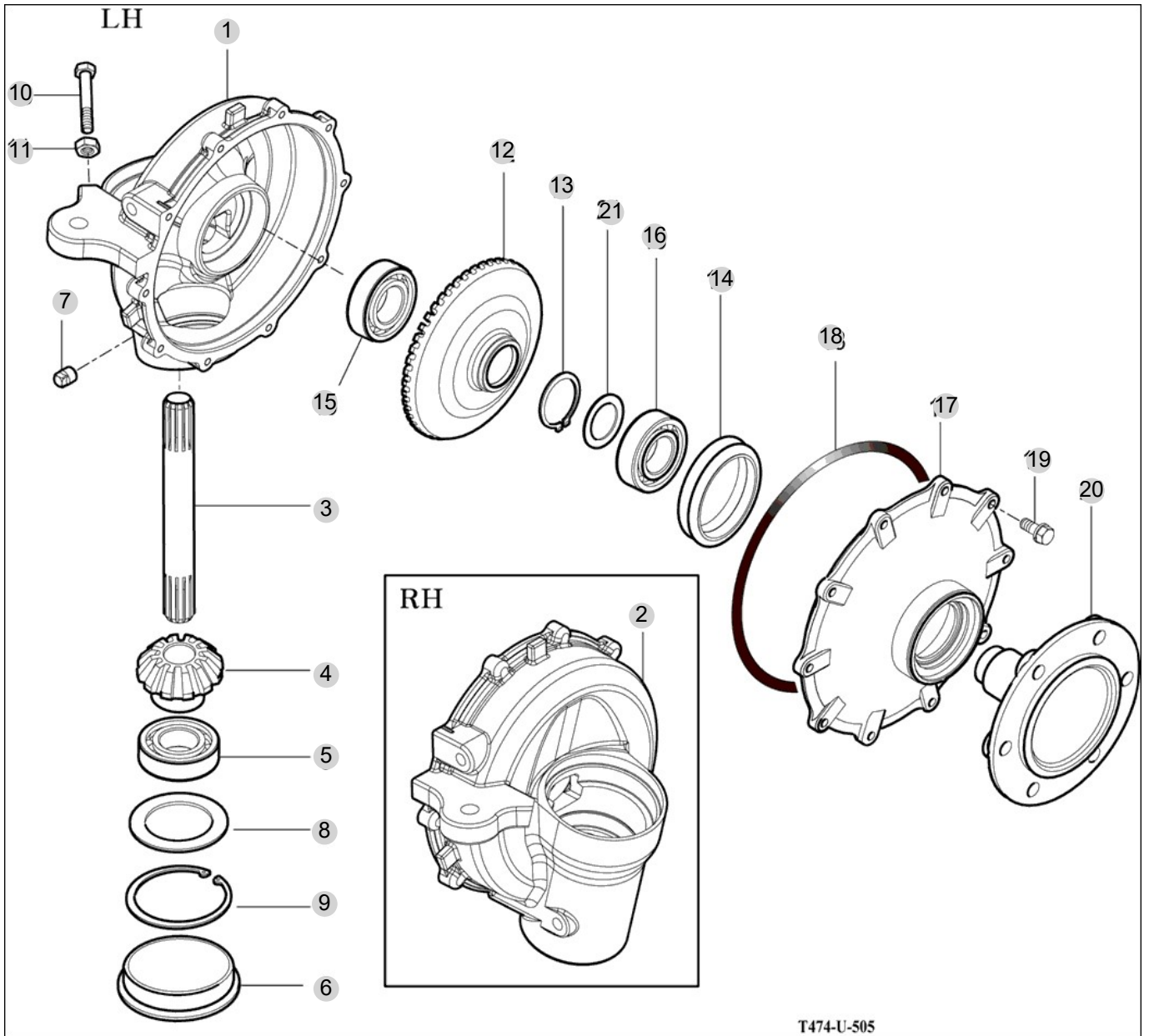
FIG 505

T474NC

FRONT GEAR CASE (2)

년/월
Year/Month

2022-12



NOTE

6. Hydraulic/3P-Link PART NO. T6

FIG 601 GEAR PUMP	180
FIG 602 CYLINDER CASE	182
FIG 603 LIFT ARM	184
FIG 604 CYLINDER	186
FIG 605 POSITION LINK (1)	188
FIG 606 POSITION LINK (2)	190
FIG 607 CONTROL VALVE	192
FIG 608 POSITION LEVER	194
FIG 609 HYDRAULIC PIPE (1)	196
FIG 610 HYDRAULIC PIPE (2)	199
FIG 611 EXTERIOR HYD VALVE	201
FIG 612 3-POINT LINK	203
FIG 613 HITCH & COVER	206
FIG 614 EXTERIOR POSITION LEVER	208

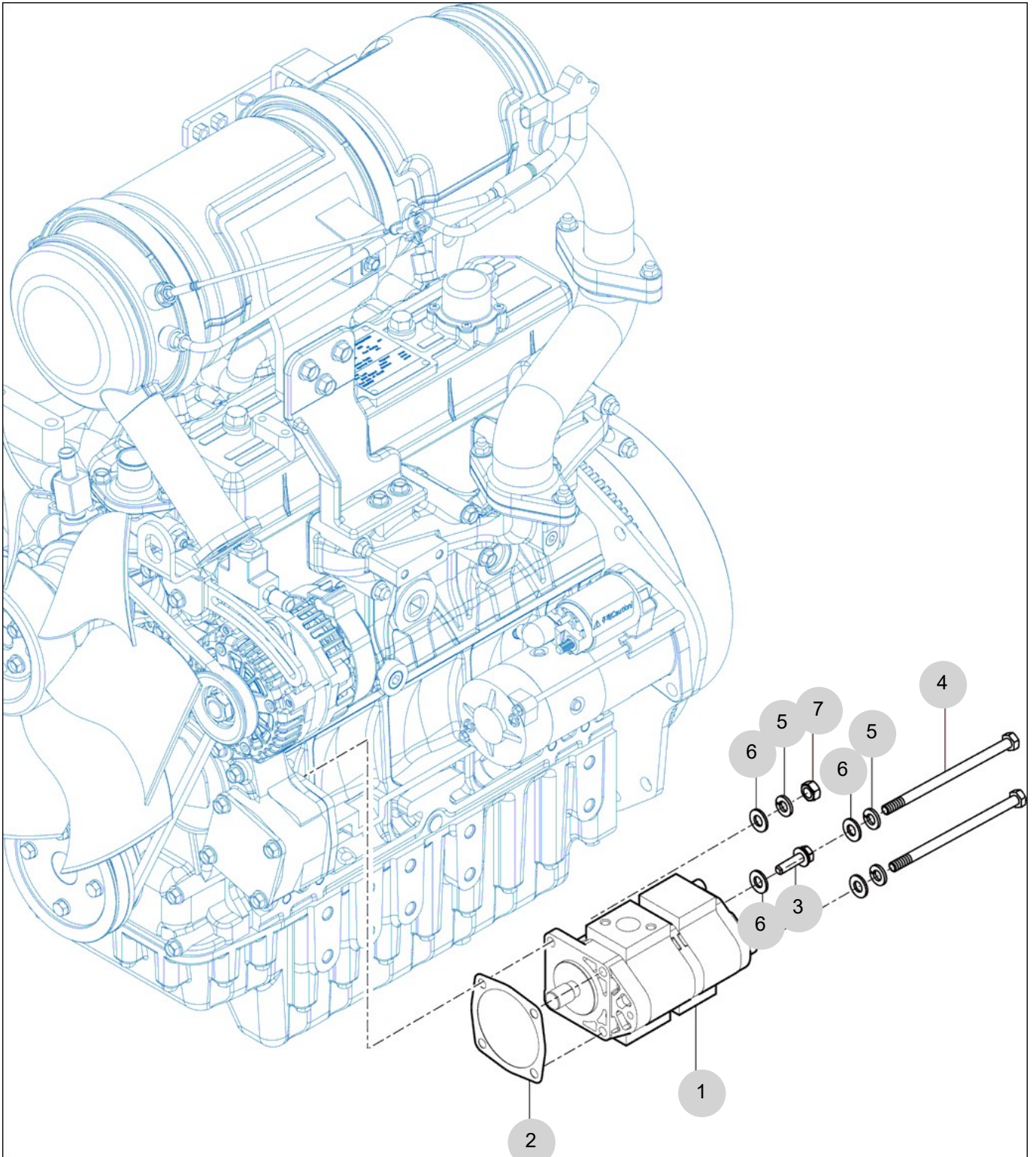
FIG 601

GEAR PUMP

년/월
Year/Month

T474NC

2022-12



NOTE

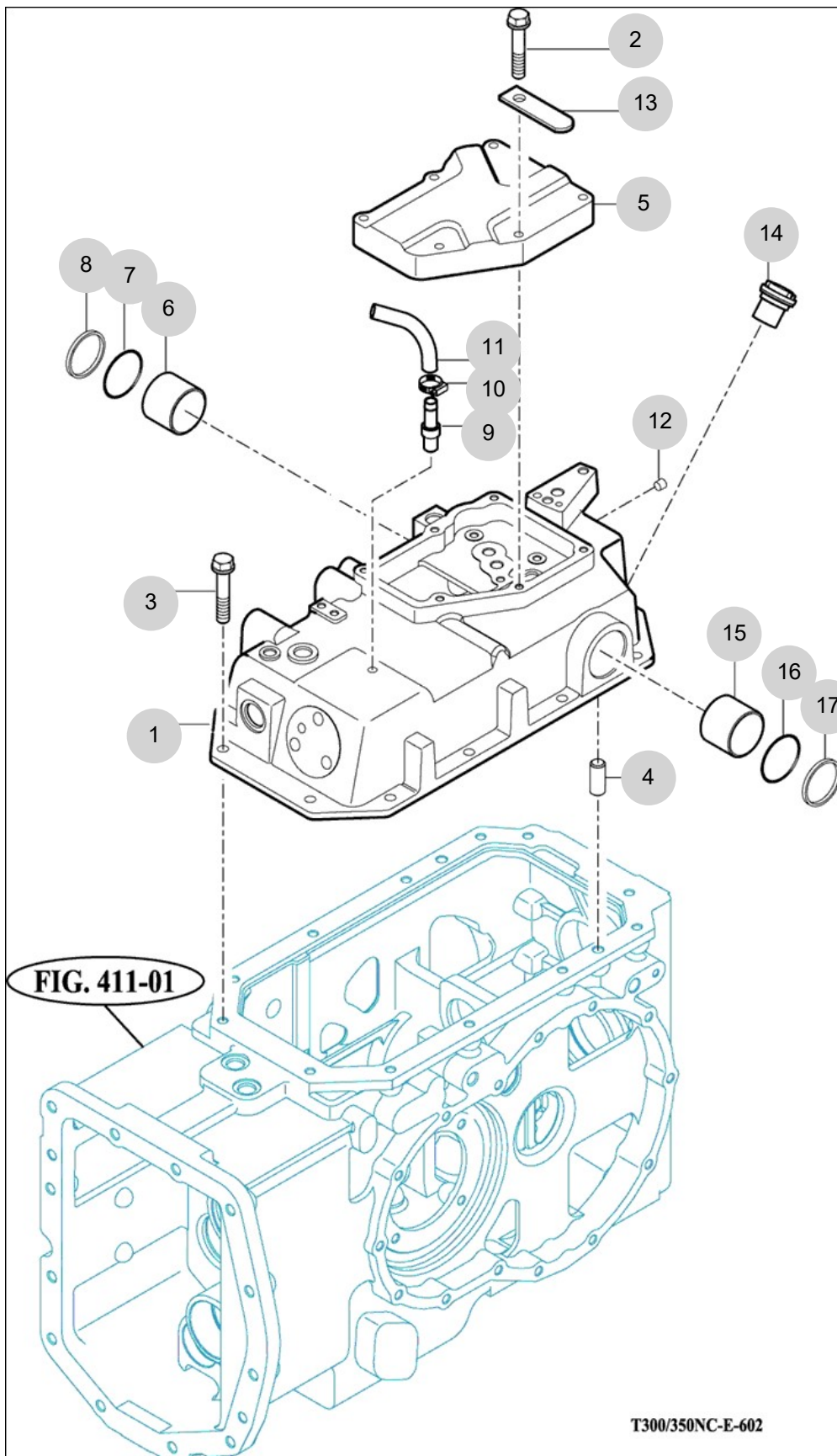
FIG 602

CYLINDER CASE

년/월
Year/Month

2022-12

T474NC



NOTE

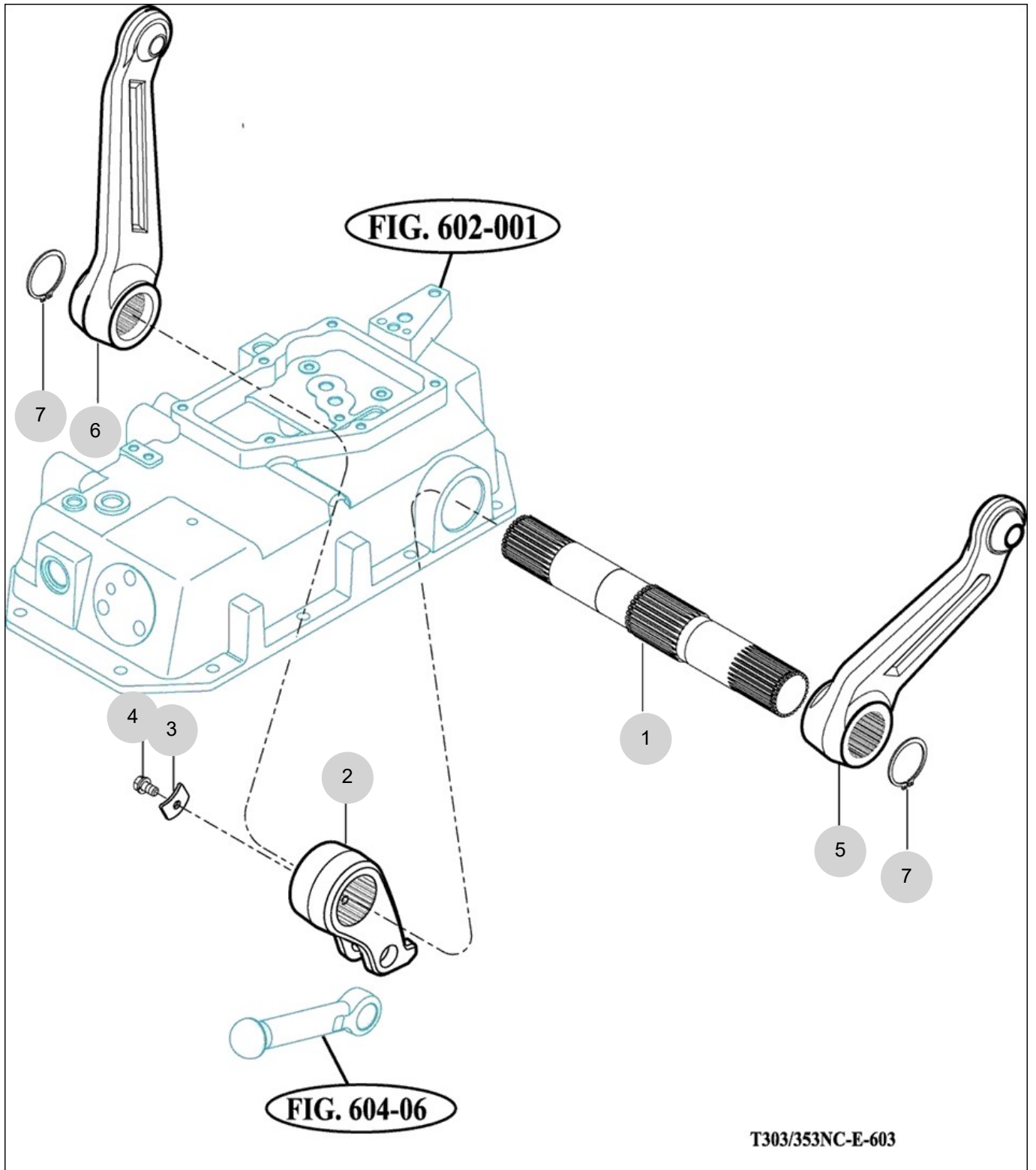
FIG 603

T474NC

LIFT ARM

년/월
Year/Month

2022-12



NOTE

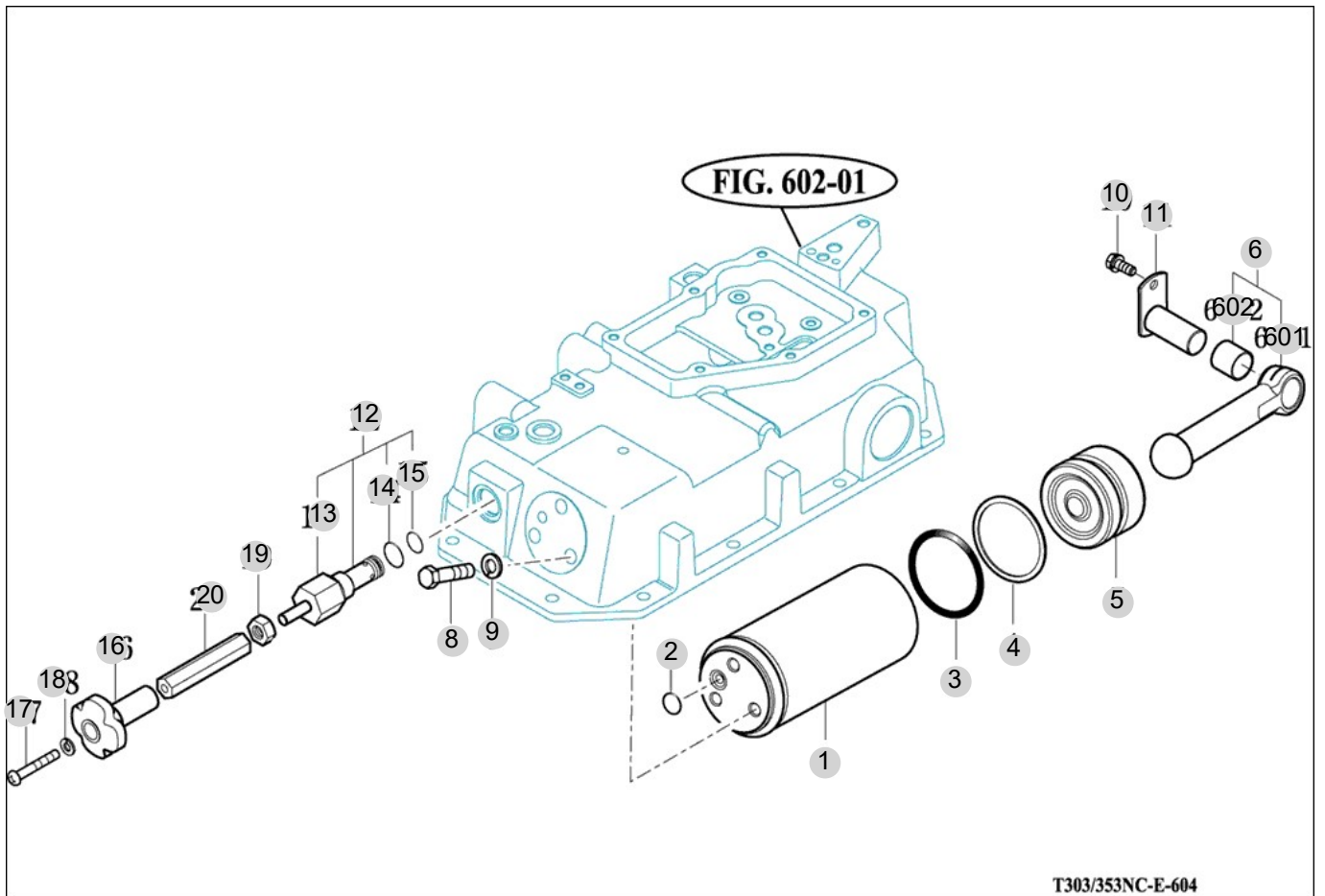
FIG 604

T474NC

CYLINDER

년/월
Year/Month

2022-12



T303/353NC-E-604

NOTE

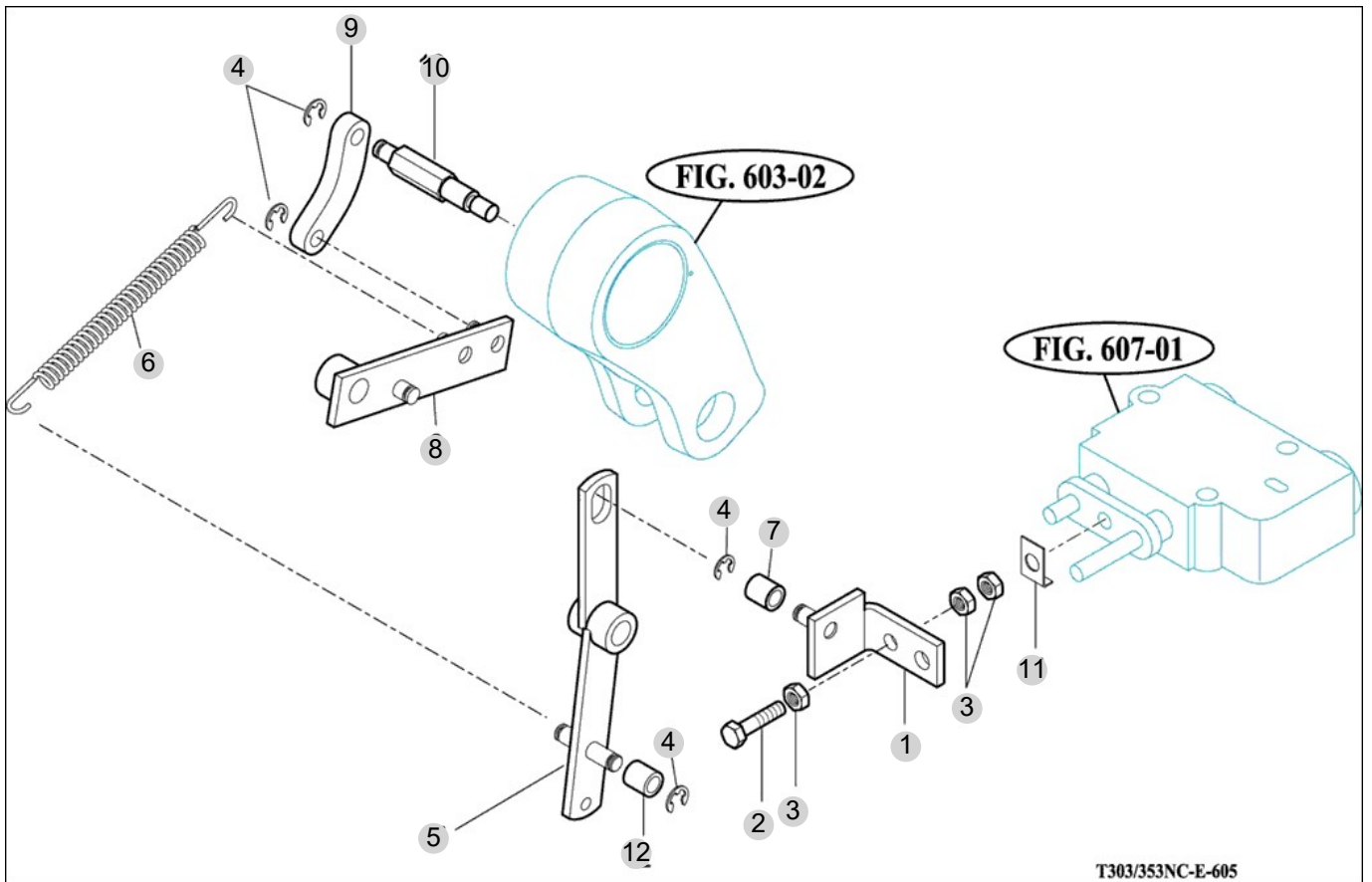
FIG 605

T474NC

POSITION LINK (1)

년/월
Year/Month

2022-12



T303/353NC-E-605

NOTE

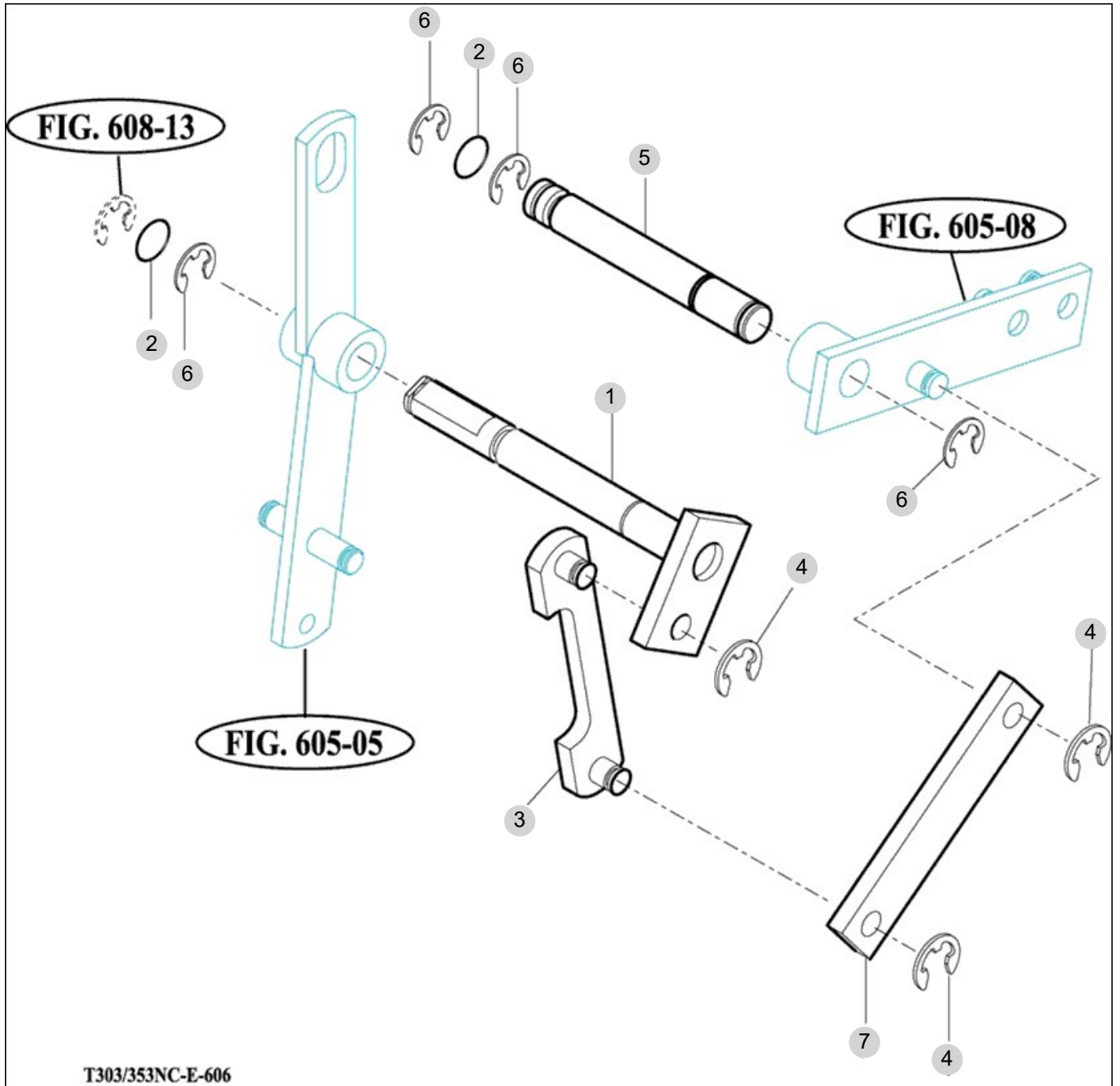
FIG 606

T474NC

POSITION LINK (2)

년/월
Year/Month

2022-12



NOTE

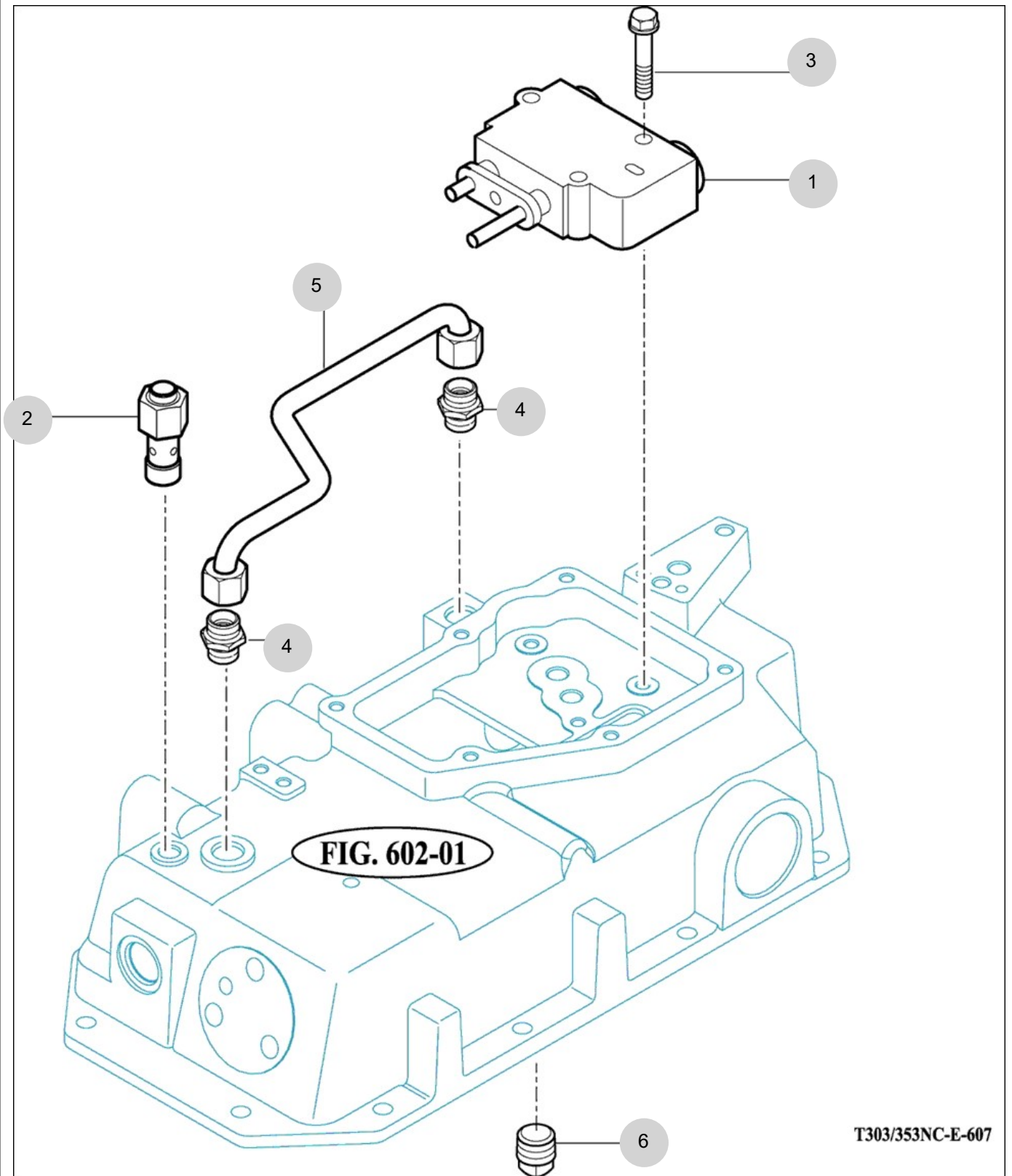
FIG 607

CONTROL VALVE

년/월
Year/Month

T474NC

2022-12



NOTE

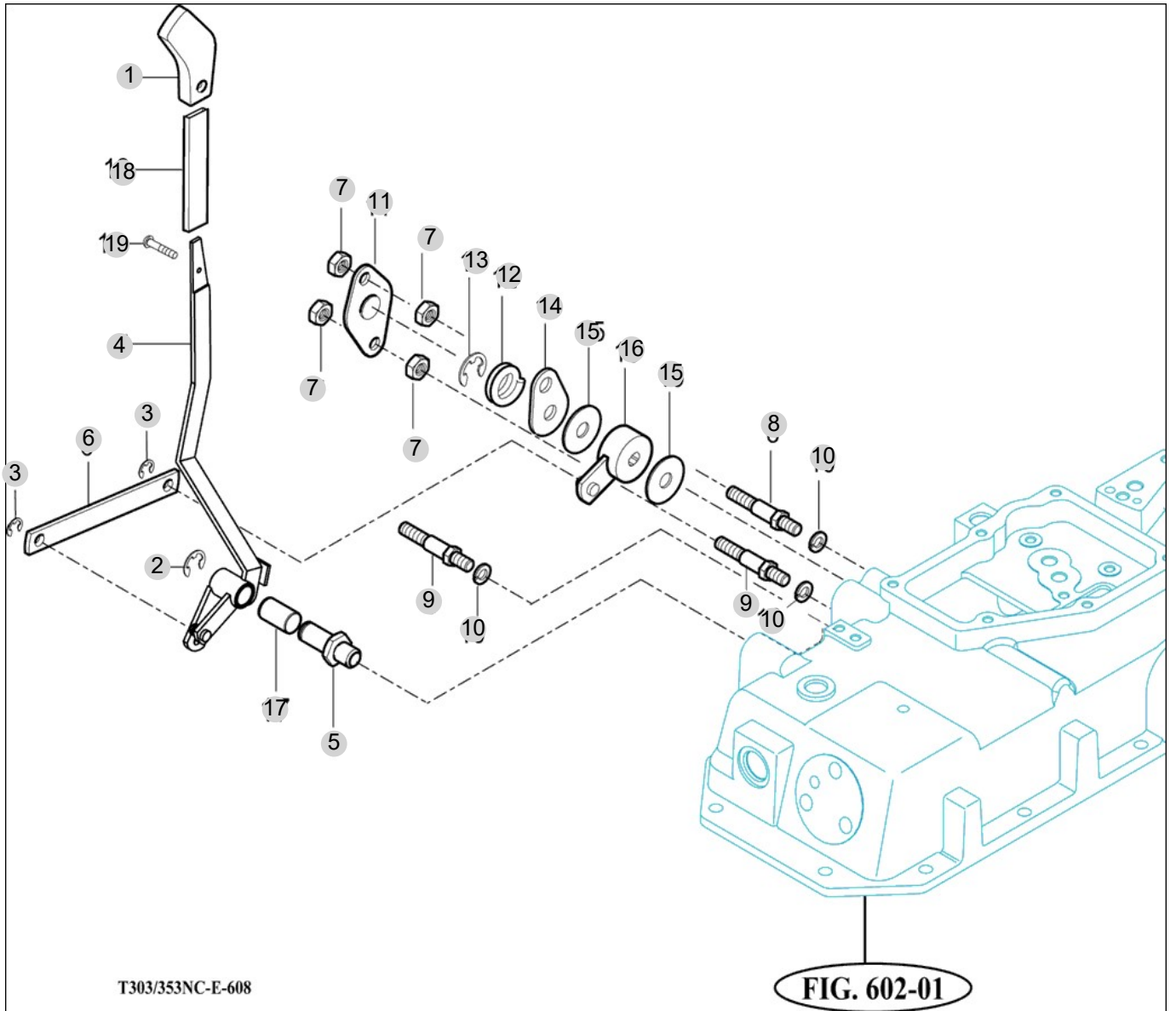
FIG 608

T474NC

POSITION LEVER

년/월
Year/Month

2022-12



NOTE

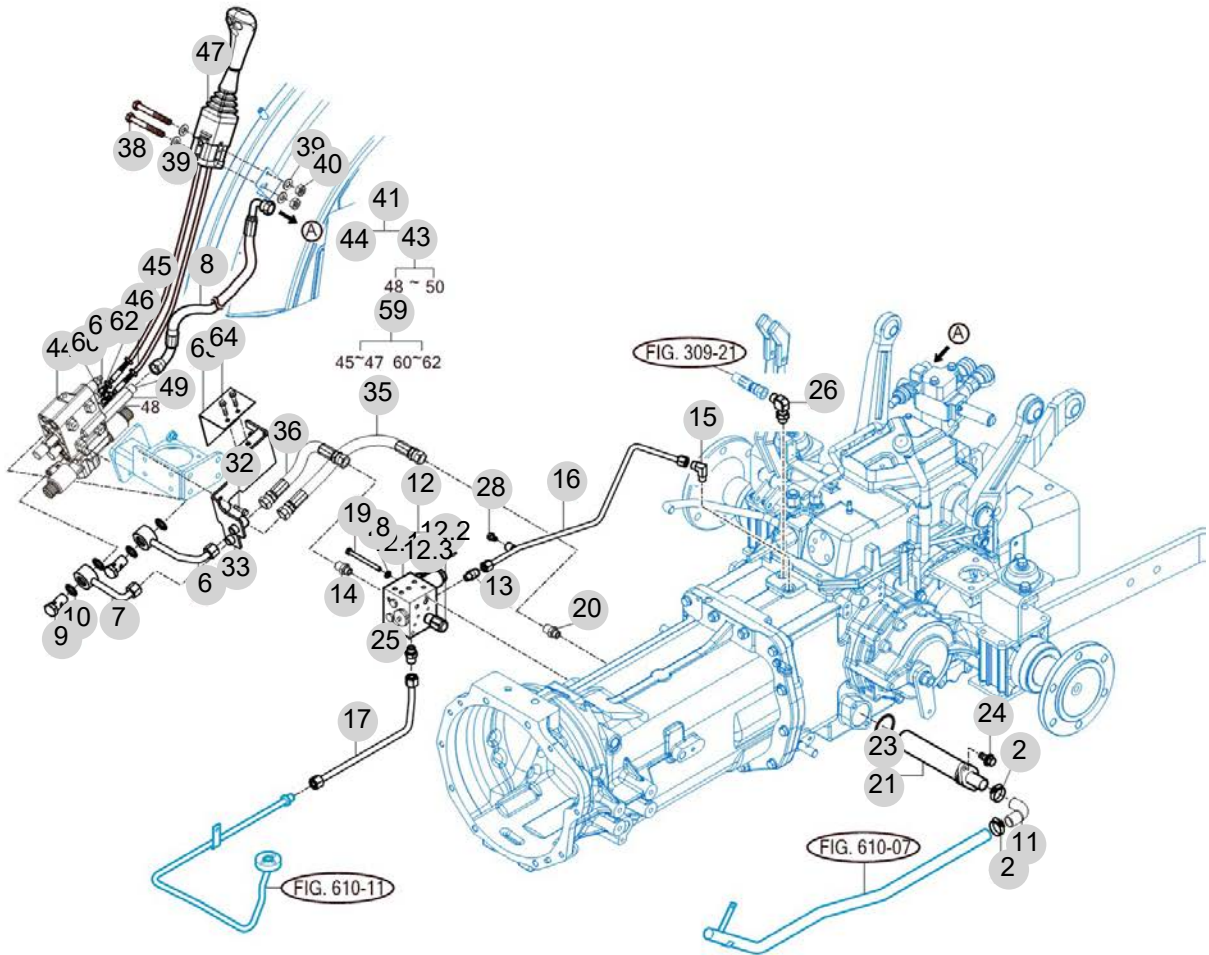
FIG 609

HYDRAULIC PIPE (1)

년/월
Year/Month

T474NC

2022-12



NOTE

FIG 609		HYDRAULIC PIPE (1)					년/월 Year/Month		
							2022-12		
T474NC		KEY NO	PART NO	DESCRIPTION	SPEC	QTY	REPAIR	EFFECTIVE DATE	REMARKS
609	2	18027090400	BAND CLAMP 40 EMBO TYPE			2			
609	6	13835412101GB	PIPE COMP , LOADER P			1			
609	6	13835412102GB	PIPE COMP , LOADER P			1			
609	7	13835412201GB	PIPE COMP , LOADER T			1			
609	7	13835412202GB	PIPE COMP , LOADER T			1			
609	8	13835152330	HOSE ASSY , HYD 1400			1			
609	9	19555410082	BOLT , EYE JOINT(PF1/2)			1			
609	9	13875410082	BOLT , EYE JOINT(PF1/2)			2			
609	10	19557753010	BONDED SEAL , PF1/2			4			
609	11	17405100011	HOSE			1			
609	12	14835182001	VALVE ASSY , PTO			1			
609	12.1	14725182101	VALVE , PTO			1			
609	12.2	15640090001	VALVE ASSY , RELIEF	PVR1-005-020		1			
609	12.3	14725182210	SOLENOID COIL	1X1X1		1			
609	13	14444080062	CONNECTOR			1			
609	14	17407362300	ELBOW , PF3/8 PF1/2	"PF3/8,PF1/2"		1			
609	15	16705100100	ELBOW UNIT , PF 3/8XM16	PF3/8XM16		1			
609	16	16705104201	PIPE COMP , PTO	1X1X1		1			
609	17	14945104702	PIPE COMP , RR DELIVERY			1			
609	18	V4011600080	WASHER , SPRING	M8		3			
609	19	V2013608090	BOLT , HEX	M8X90		3			
609	20	16995304000	UNION , O-RING	D25X25X36		1			
609	21	16705105000	FILTER ASSY , SUCTION	D51X92X265		1			
609	23	V7211031045	O-RING , G	G45		1			
609	24	V2183610025	BOLT , HEX/SP	M10X25		2			
609	25	16995304000	UNION , O-RING	D25X25X36		1			
609	26	14944050100	ELBOW PF3/8XM16 ,45			1			
609	28	13267060022	PLUG , DRAIN	육각 B=12		1			
609	32	V2173608016	BOLT , HEX/S	M8X16		2			
609	33	13835413101GB	BRACKET COMP , LOADER			1			
609	33	13815256100GB	BRACKET COMP , LOADER			1			
609	35	12924070010	HOSE ASSY , HYD 550	1X1X1		1			
609	36	17974072500	HOSE ASSY , HYD 510			1			
609	36	13825152200	HOSE ASSY , HYD 570			1			
609	38	V2173608085	BOLT , HEX/S	M8X85		2			
609	39	V4111600080	WASHER , PLAIN	M8		4			
609	40	V3042600080	NUT , HEX/2	M8		2			
609	41	13807753001	VALVE SUB , LOADER			1			
609	41	13805252000	VALVE SUB , LOADER			1			
609	42	13807752003	VALVE JOYSTIC ASSY , LOADER			1			
609	43	13835163000	FILTER ASSY , LINE			1			
609	44	13877752100	LOADER VALVE ASSY			1			
609	45	13807752400	JOYSTIC CABLE ASSY(770)			1			
609	45	13805252210	JOYSTIC CABLE ASSY(760)			1			
609	46	13827752300	JOYSTIC CABLE ASSY(790)			1			
NOTE									

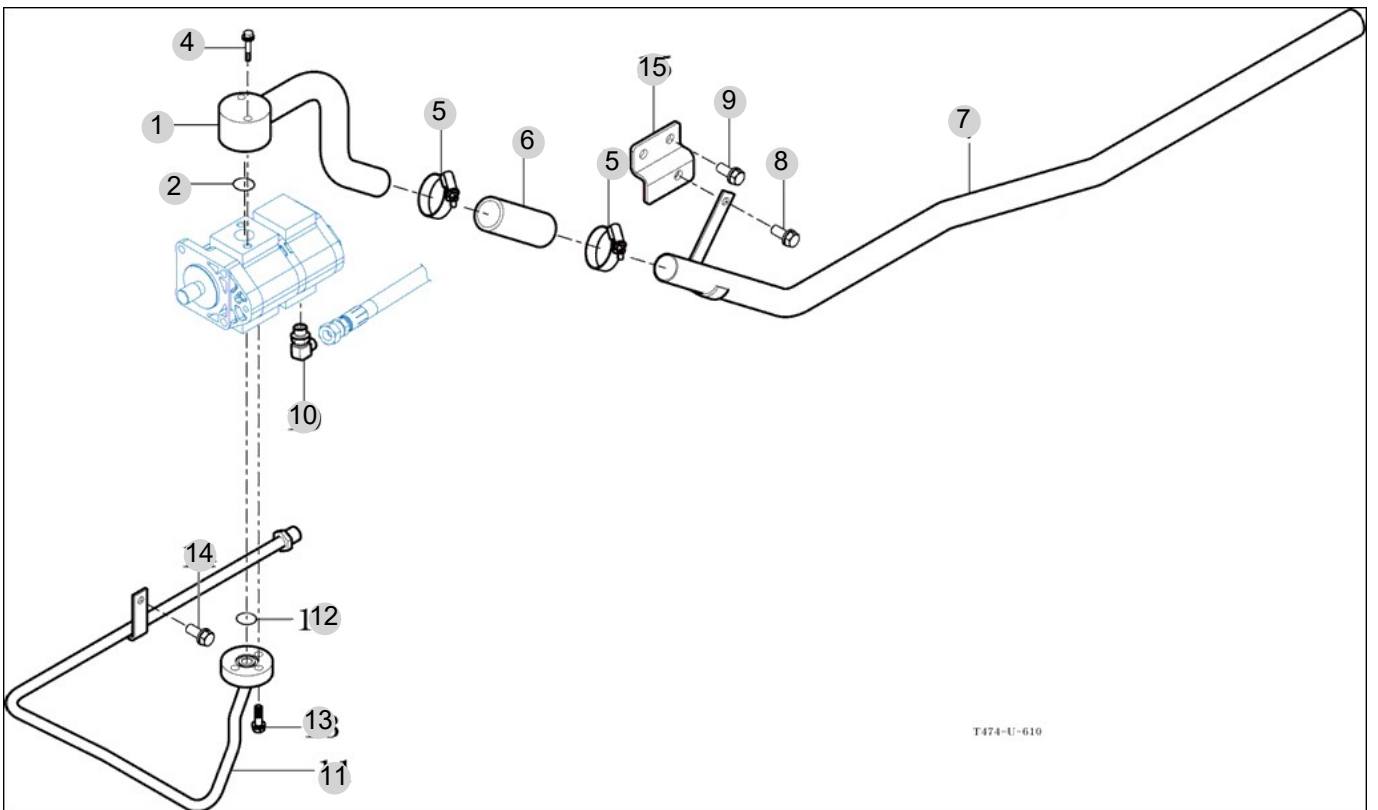
FIG 610

HYDRAULIC PIPE (2)

년/월
Year/Month

2022-12

T474NC



T474-U-610

NOTE

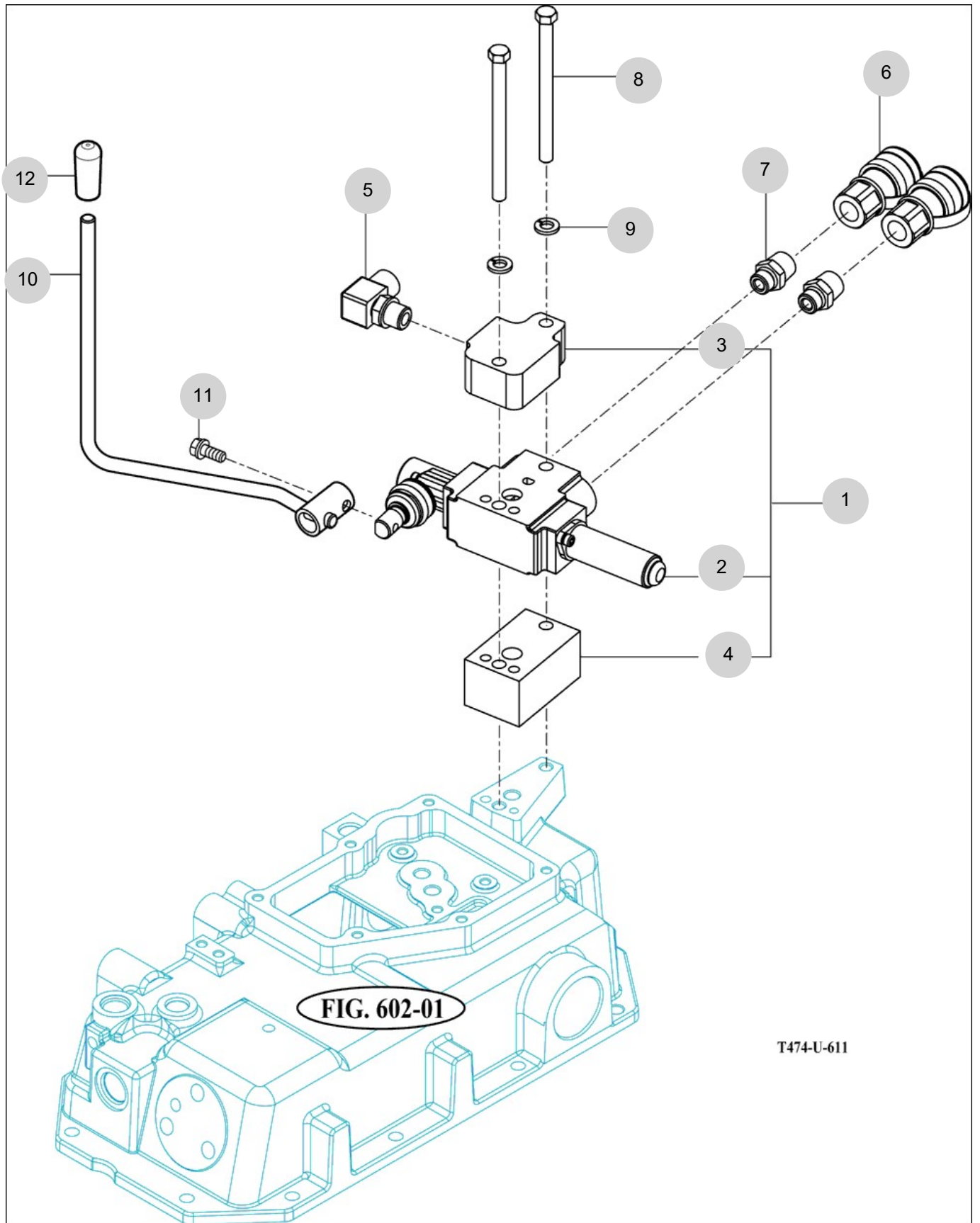
FIG 611

T474NC

EXTERIOR HYD VALVE

년/월
Year/Month

2022-12



T474-U-611

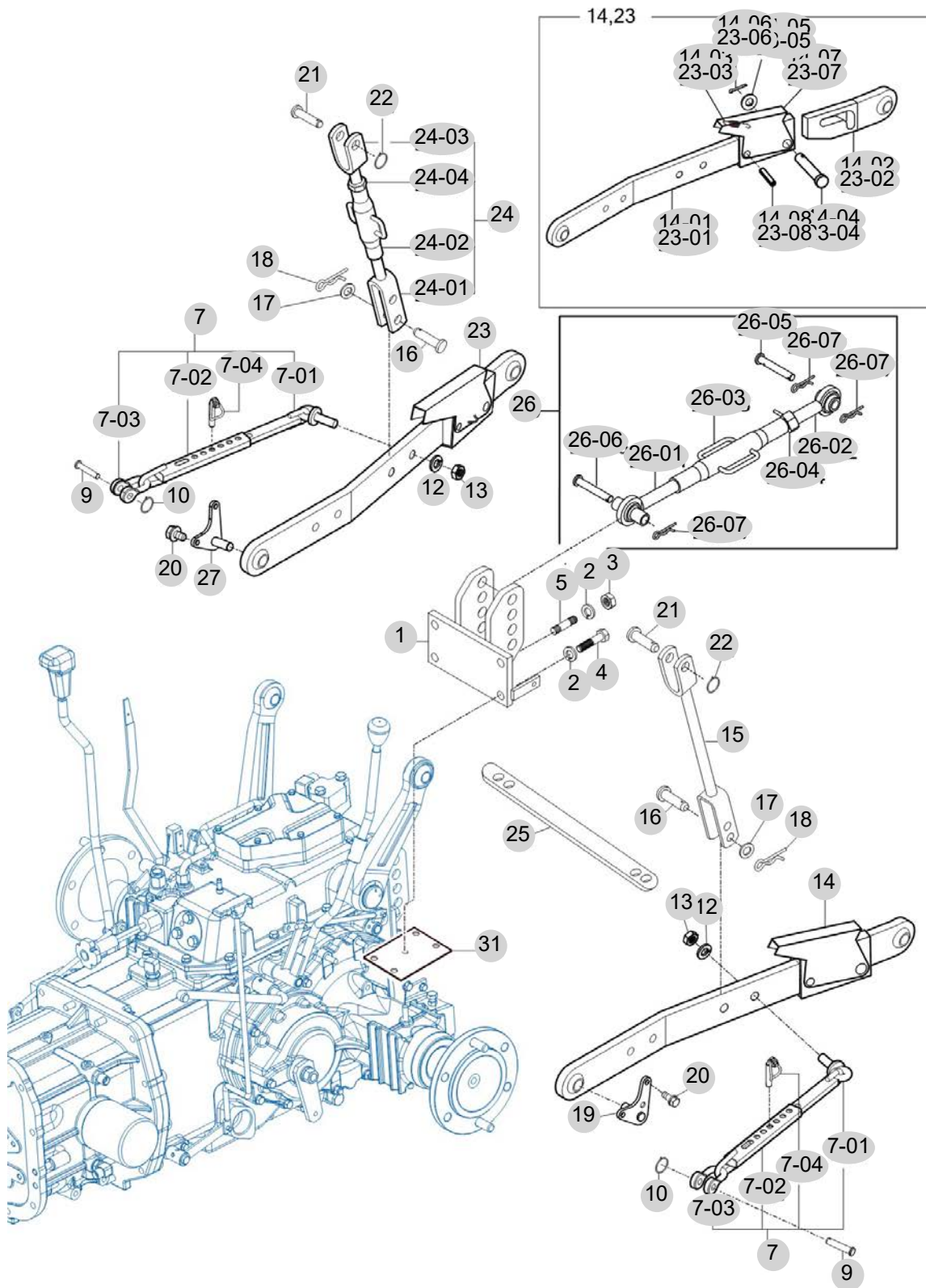
NOTE

FIG 612

3-POINT LINK

년/월
Year/Month

2022-12



NOTE

FIG 612		3-POINT LINK					년/월	
							Year/Month	
T474NC		2022-12						
KEY NO	PART NO	DESCRIPTION	SPEC	QTY	REPAIR	EFFECTIVE DATE	REMARKS	
612	1	16703172002GB	BRACKET COMP , TOP LINK		1			
612	2	V4011600140	WASHER , SPRING	M14	4			
612	3	V3043600140	NUT , HEX/2	M14	2			
612	4	V2014614035	BOLT , HEX		2			
612	5	V2514414030	BOLT , STUD/2	M14X30	2			
612	7	10525142500	CHAIN ASSY , CHECK		2			
612	7-01	10525142520	BAR COMP , CHECK		2			
612	7-02	10525142510	SOCKET COMP , CHECK		2			
612	7-03	16705142520	SHACKLE , CHECK CHAIN		2			
612	7-04	17705254200	PIN	M14	2			
612	9	79636110030	PIN , 12X48		2			
612	10	16735240060	Spring		2			
612	12	V4011600160	WASHER , SPRING	M16	2			
612	13	V3013600160	NUT , HEX/2	M16	2			
612	14	10525262300GB	LINK ASSY , LH LOWER		1			
612	14	10525262301GB	LOWER LINK ASSY , LH		1			
612	14-01	10525262310	LINK SUB , LOWER LH/FR		1			
612	14-02	10525262320	LINK SUB , LOWER LH/RR		1			
612	14-03	15155262330	SPRING , EXTENSION		1			
612	14-04	15155262340	PIN , 22X56		1			
612	14-05	V4111600220	WASHER , PLAIN	M22	1			
612	14-06	V5001940035	PIN , SPLIT	4X35	1			
612	14-07	15155262350	GRIP		1			
612	14-08	15155262360	PIN , SPRING		1			
612	15	10525243000GB	ROD ASSY , LIFT		1			
612	16	15605260014	PIN , 16X51		2			
612	17	V4111600160	WASHER , PLAIN	M16	2			
612	18	V5601600160	PIN , SNAP		2			
612	19	12385142200	PIN COMP , LH		2			
612	20	V2173612030	BOLT , HEX/S	M12X30	4			
612	21	16735243500	PIN		2			
612	22	16735240060	Spring		2			
612	23	10525262200GB	LINK ASSY , RH LOWER		1			
612	23	10525262201GB	LOWER LINK ASSY , RH		1			
612	23-01	10525262210	LINK SUB , LOWER RH/FR		1			
612	23-02	10525262220	LINK SUB , LOWER RH/RR		1			
612	23-03	15155262330	SPRING , EXTENSION		1			
612	23-04	15155262340	PIN , 22X56		1			
612	23-05	V4111600220	WASHER , PLAIN	M22	1			
612	23-06	V5001940035	PIN , SPLIT	4X35	1			
612	23-07	15155262350	GRIP		1			
612	23-08	15155262360	PIN , SPRING		1			
612	24	10525244000GB	ROD ASSY , RH LIFT		1			
612	24-01	10525145200	FORK COMP , LOW		1			
612	24-02	16705145100	SLIP COMP		1			
NOTE								

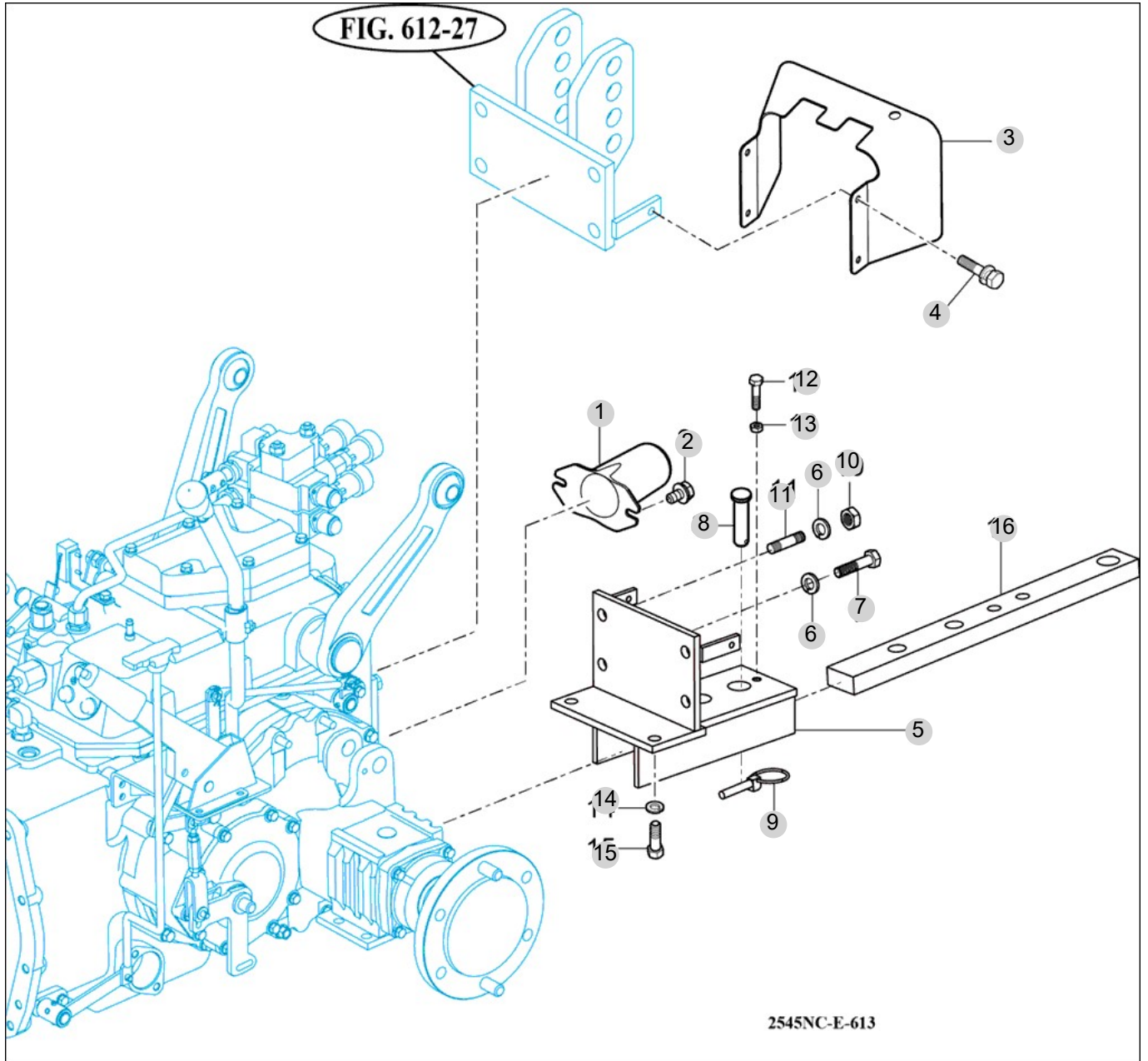
FIG 613

HITCH & COVER

년/월
Year/Month

2022-12

T474NC



NOTE

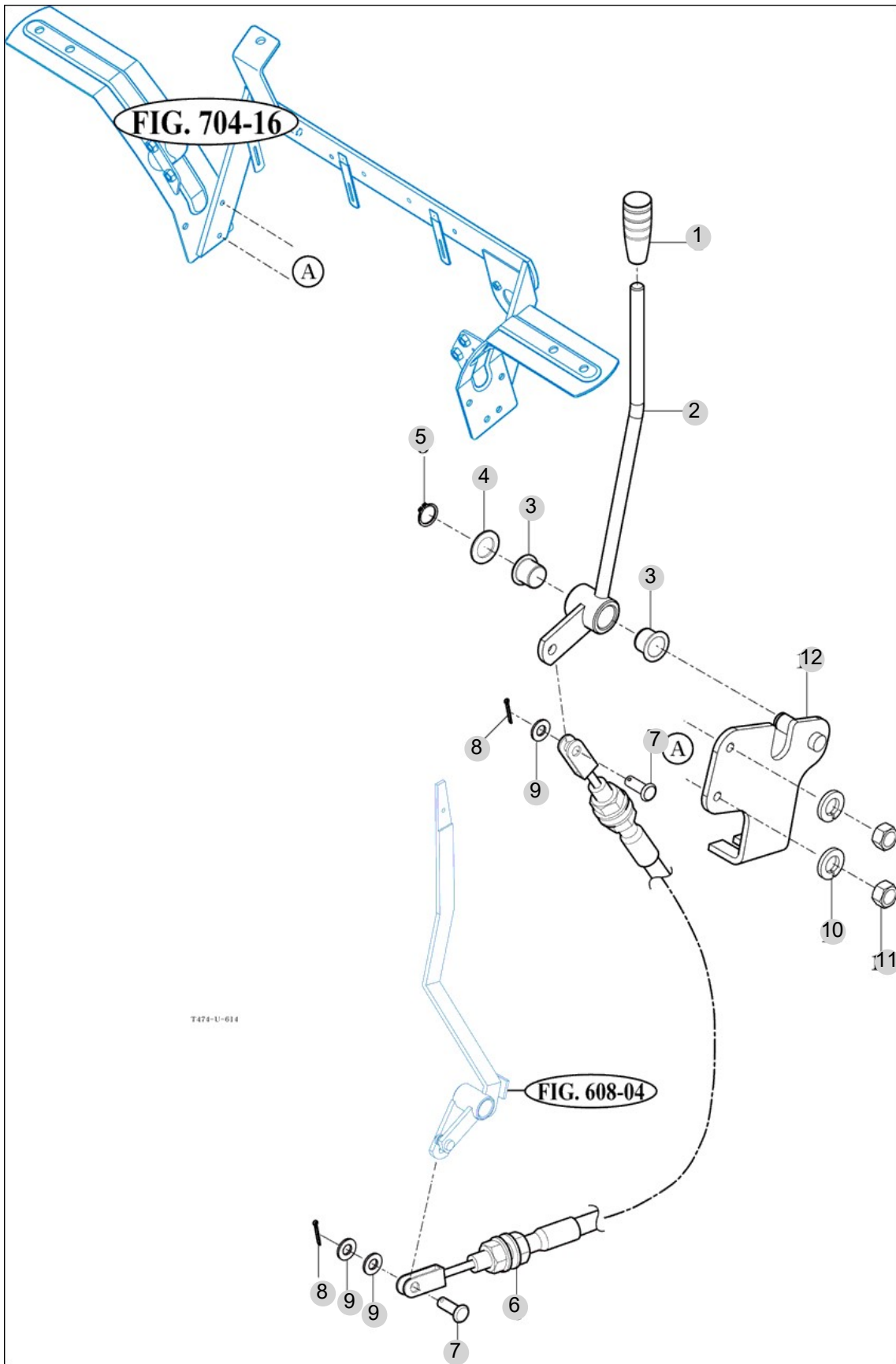
FIG 614

EXTERIOR POSITION LEVER

년/월
Year/Month

2022-12

T474NC



NOTE

7. Sheet Metal & Cabin PART NO. T7

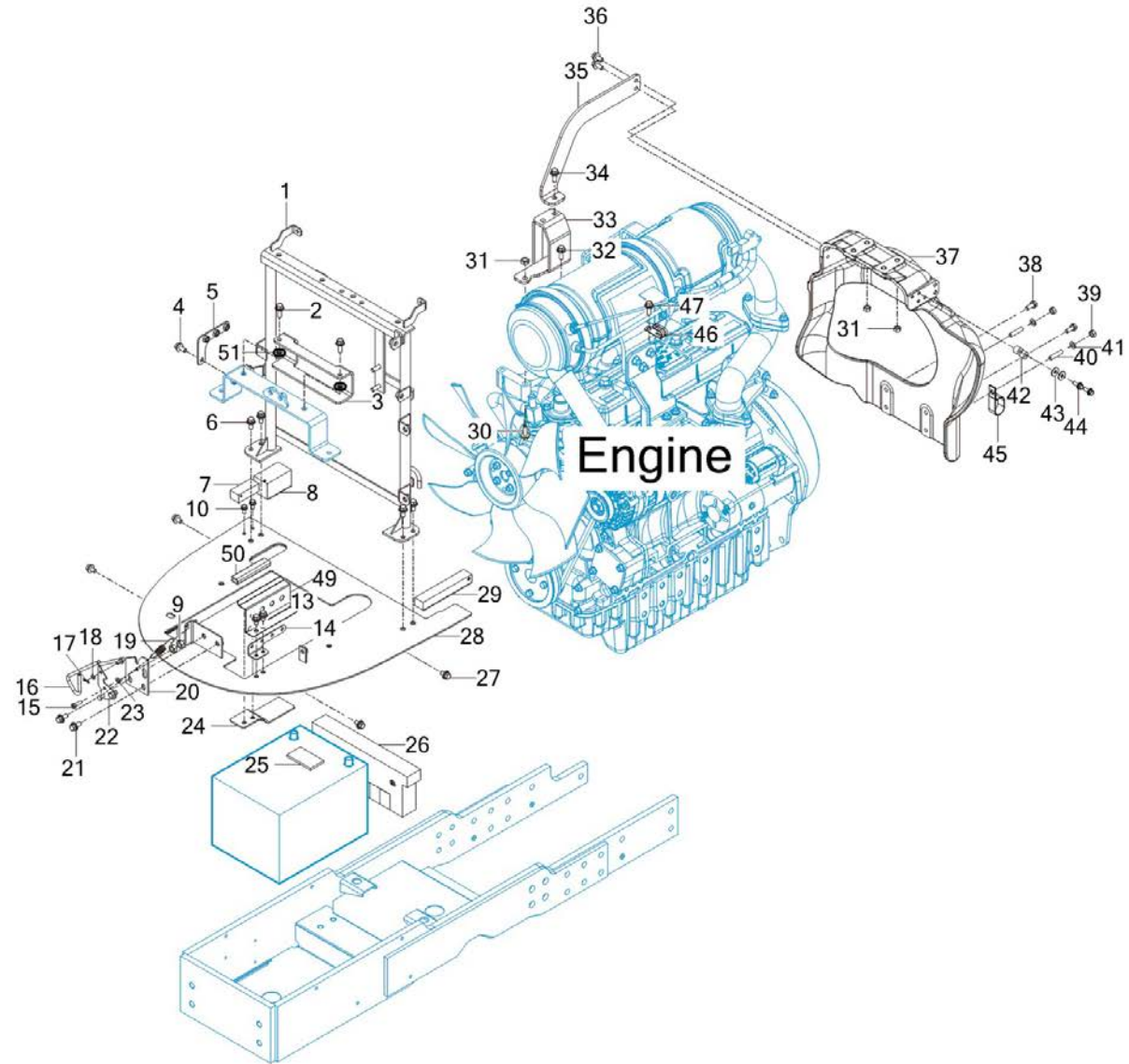
FIG 701 HOOD FRAME	211
FIG 702 HOOD	214
FIG 703 EXTENSION COVER	217
FIG 704 FENDER & REAR FRAME	219
FIG 705 DASHPANEL	222
FIG 706 FLOOR PANEL	224
FIG 707 SEAT	226
FIG 708 FRONT & REAR MOUNTING	228
FIG 709 ROPS	230

FIG 701

HOOD FRAME

년/월
Year/Month

2022-12



NOTE

FIG 701		HOOD FRAME					년/월 Year/Month		
							2022-12		
T474NC		KEY NO	PART NO	DESCRIPTION	SPEC	QTY	REPAIR	EFFECTIVE DATE	REMARKS
701	1	13831031100GB	FRAME COMP , FRONT			1			
701	2	V2183608020	BOLT , HEX/SP	M8X20		2			
701	2	V2183608030	BOLT , HEX/SP	M8X30		2			
701	3	13831811400GB	BRACKET , BATTERY FIX			1			
701	4	V2183608020	BOLT , HEX/SP	M8X20		1			
701	5	13831613200GB	BRACKET COMP , RELAY			1			
701	6	V2183608020	BOLT , HEX/SP	M8X20		4			
701	7	13831030700	INSULATOR , B			1			
701	8	13831030800	INSULATOR , C			1			
701	9	V3013600060	NUT .HEX NORMAL /2	M6		2			
701	10	V2123606016	BOLT , HEX /SP	M6X16		2			
701	13	V2183606016	BOLT , HEX/SP	M6X16		2			
701	14	13831613400GB	BRACKET , FUSE			1			
701	15	V2323606020	BOLT , C/R HEX/SP	M6X20		1			
701	16	18366024300	ROD COMP, OPEN			1			
701	17	V5001925020	PIN D2.5x20	2.5X20		1			
701	18	V4111600060	WASHER , PLAIN	M6		1			
701	19	14143120020	SPRING , TENSION 53	D=1.2		1			
701	19	11106020010	SPRING , TENSION 40			1			
701	20	11106024210	STAY , HOOD B			1			
701	21	V2183608020	BOLT , HEX/SP	M8X20		2			
701	22	11106024100	STAY COMP , HOOD A			1			
701	23	V4111600060	WASHER , PLAIN	M6		1			
701	24	13831052200GB	BRACKET COMP , COVER			1			
701	25	13151112011	INSULATOR , 40X70	T=5		1			
701	26	13831030500	INSULATE , GRILL PLATE			1			
701	27	V2183608016	BOLT , HEX/SP	M8X16		4			
701	28	13831052101GB	PLATE COMP , GRILL			1			
701	29	13831030600	INSULATOR , A			1			
701	30	V2173610055	BOLT , HEX/S	M10X55		1			
701	31	V3042600100	NUT , HEX/2	M10		3			
701	32	V2183610025	BOLT , HEX/SP	M10X25		1			
701	33	13801712100GB	STAND COMP			1			
701	34	V2183608025	BOLT , HEX/SP	M8X25		1			
701	35	13831811200GB	STRUT BAR			1			
701	36	V2183608020	BOLT , HEX/SP	M8X20		2			
701	37	13831811100GB	E/G REAR SUPPORTER			1			
701	38	V2173608025	BOLT , HEX/S	M8X25		2			
701	39	V3042600080	NUT , HEX/2	M8		2			
701	40	V2513408025	BOLT , STUD/2	M8X25		2			
701	41	V4011600080	WASHER , SPRING	M8		2			
701	42	13831811300	SPACER			2			
701	43	V4111600060	WASHER , PLAIN	M6		2			
701	44	V2113606040	BOLT , HEX /S	M6X40		2			
701	45	14441010161	CLAMP , RADIATOR HOSE	1X1X1		1			
NOTE									

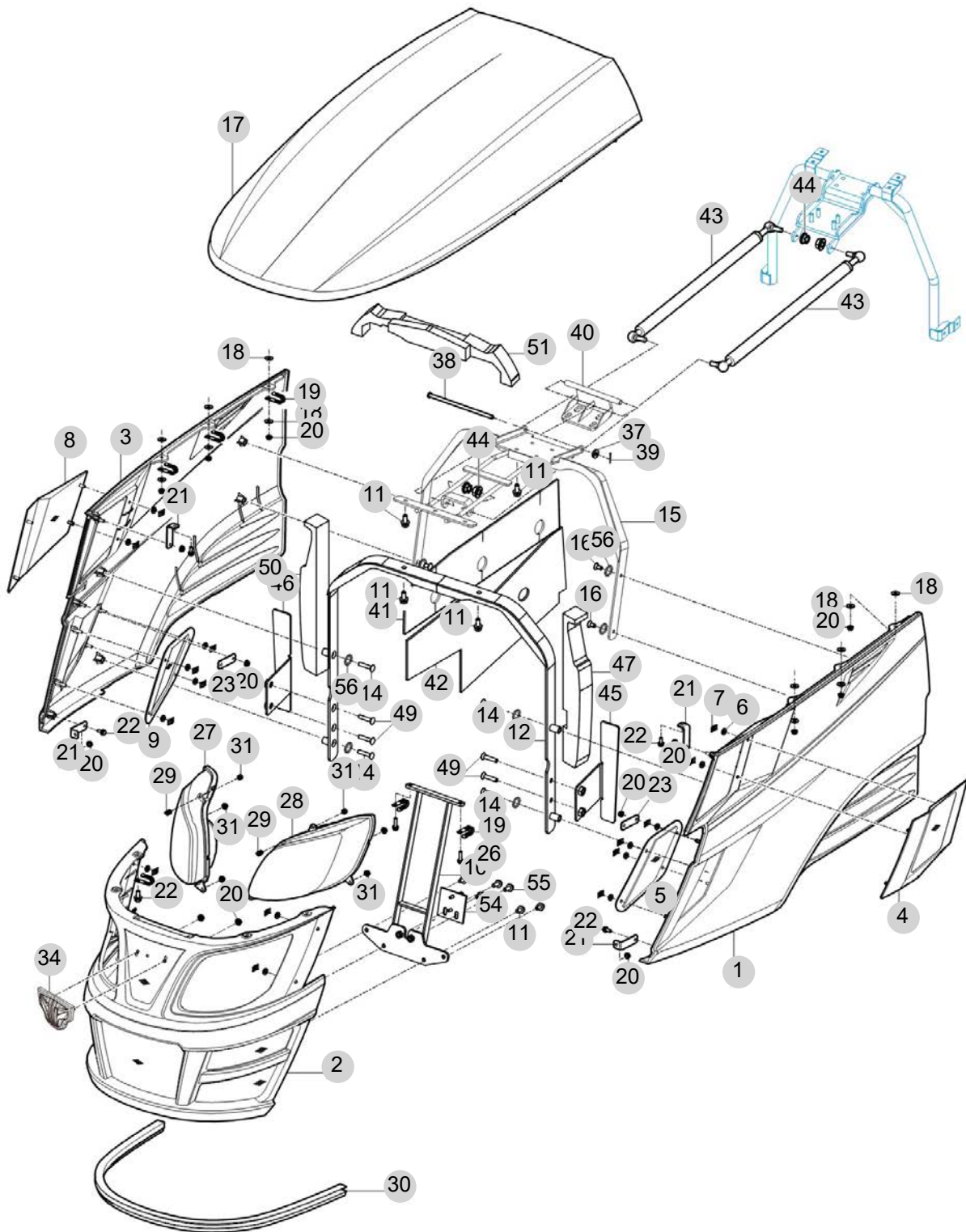
FIG 702

HOOD

년/월
Year/Month

2022-12

T474NC



NOTE

FIG 702		HOOD					년/월	
							Year/Month	
T474NC		2022-12						
KEY NO	PART NO	DESCRIPTION	SPEC	QTY	REPAIR	EFFECTIVE DATE	REMARKS	
702	1	17406203301SR	COVER COMP , SIDE/LH		1			
702	1	17406203302SR	COVER COMP , SIDE/LH		1			
702	1	17406203303SR	COVER COMP , SIDE/LH		1			
702	2	17406203200GB	GRILLE COMP		1			
702	2	17406203201GB	GRILLE COMP		1			
702	3	17406203401SR	COVER COMP , SIDE/RH		1			
702	3	17406203402SR	COVER COMP , SIDE/RH		1			
702	3	17406203403SR	COVER COMP , SIDE/RH		1			
702	4	17406203500GB	NET , UPR/LH		1			
702	5	17406203600GB	NET , LOW/LH		1			
702	6	14446010150	WASHER , NET		22			
702	7	V3501600060	NUT, PUSH-ON SPRING	M6	22			
702	8	17406203700GB	NET , UPR/RH		1			
702	9	17406203800GB	NET , LOW/RH		1			
702	10	18366202500GB	PIN COMP , HOOD LOCK		1			
702	11	V2183608020	BOLT , HEX/SP	M8X20	13			
702	12	13836202300GB	FRAME COMP , FR		1			
702	14	V1122608040	SCREW , C/R FLAT	M8X40	4			
702	15	17406202700GB	FRAME COMP , HOOD/RR		1			
702	15	11866202700GB	FRAME COMP , HOOD/RR		1			
702	15	13836202701GB	FRAME COMP , HOOD/RR		1			
702	16	V1122608016	SCREW , C/R FLAT	M8X16	4			
702	17	17406203101SR	HOOD COMP		1			
702	17	17406203102SR	HOOD COMP		1			
702	17	17406203103SR	HOOD COMP		1			
702	18	35605033020	WASHER , WIRE WITHDRAWAL	T=1.6	12			
702	19	37371720090	CLAMP , W/HARNES		6			
702	20	V3802600060	NUT , HEX FLANGE	M6	16			
702	21	17406203010GB	PLATE , UPR/SIDE		4			
702	21	17406203011GB	PLATE , UPR/SIDE		4			
702	21	17406203010GB	PLATE , UPR/SIDE		4			
702	22	V2123606016	BOLT , HEX /SP	M6X16	8			
702	23	17406203020GB	PLATE , MID/SIDE		2			
702	26	V2123606025	BOLT , HEX /SP	M6X25	2			
702	27	17406525001	HEAD LAMP ASSY , RH		1			
702	27	17406525002	HEAD LAMP ASSY , RH		1			
702	28	17406524001	HEAD LAMP ASSY , LH		1			
702	28	17406524002	HEAD LAMP ASSY , LH		1			
702	29	36108010080	SPRING , ENTRANCE FOR SEED(HC016)	D=1.6	2			
702	30	17406203900	INSULATOR , HOOD		1			
702	31	19027210060	NUT , NYLON , M6	M6XP1	6			
702	34	19959010010	EMBLEM	1X1X1	1			
702	34	19959010011	EMBLEM		1			
702	34	17406212000	EMBLEM ASSY , V5		1			
702	35	V4111600060	WASHER , PLAIN	M6	2			
NOTE								

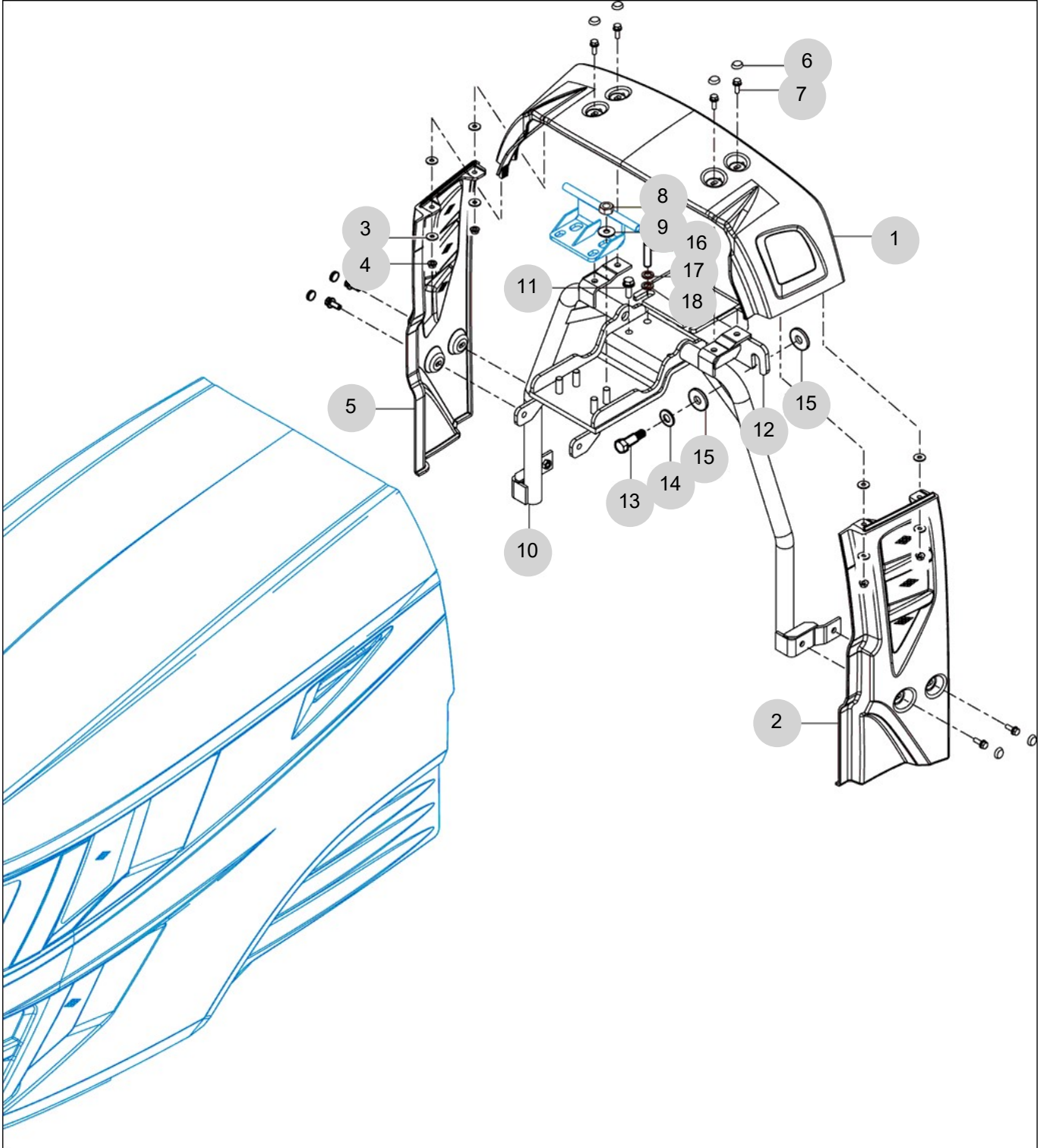
FIG 703

EXTENSION COVER

년/월
Year/Month

2022-12

T474NC



NOTE

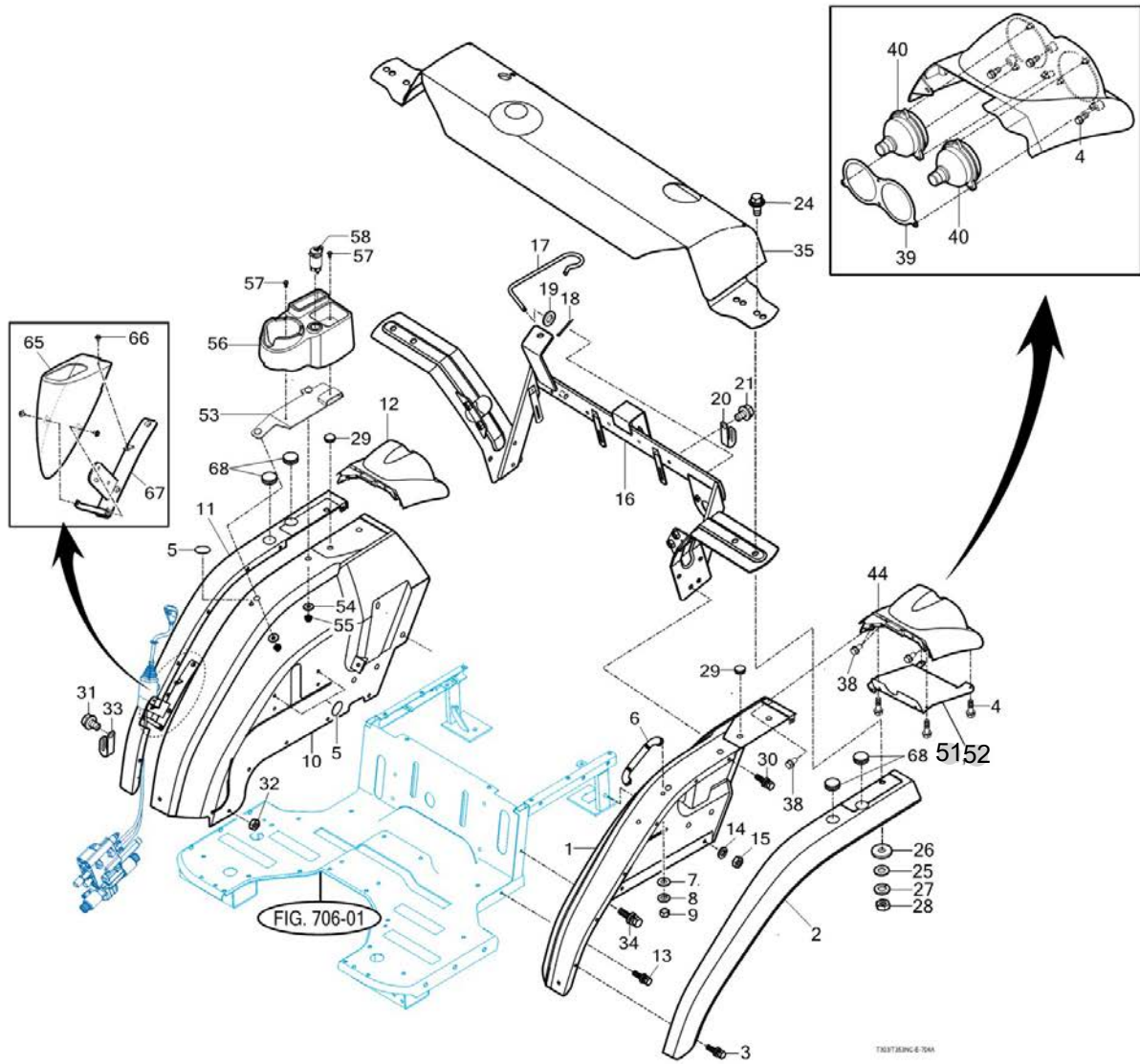
FIG 704

T474NC

FENDER & REAR FRAME

년/월
Year/Month

2022-12



NOTE

FIG 704		FENDER & REAR FRAME					년/월 Year/Month		
							2022-12		
T474NC		KEY NO	PART NO	DESCRIPTION	SPEC	QTY	REPAIR	EFFECTIVE DATE	REMARKS
704	1	14726063502SR	FENDER COMP , LH	1X1X1	1				
704	2	12656060040SR	FENDER , LH		1				
704	2	12656060041SR	FENDER , LH		1				
704	3	V2193606016	BOLT , HEX/SPL	M6X16	12				
704	4	V2123606012	BOLT , HEX /SP	M6X12	14				
704	5	16606070031	CAP , 9		10				
704	6	14726071101	GRIP COMP		1				
704	7	35602010150	WASHER , BIND SHAFT	T=2.3	2				
704	8	V4011600080	WASHER , SPRING	M8	2				
704	9	V3042600080	NUT , HEX/2	M8	2				
704	10	14726063602SR	FENDER COMP , RH	1X1X1	1				
704	11	10526060020SR	FENDER , RH MUD GUIDE		1				
704	11	10526060021SR	FENDER , RH MUD GUIDE		1				
704	12	13016060030	COVER , RH RR LAMP	1X1X1	1				
704	13	V2183608020	BOLT , HEX/SP	M8X20	8				
704	14	V4011600080	WASHER , SPRING	M8	4				
704	15	V3042600080	NUT , HEX/2	M8	4				
704	16	14977035400SR	FRAME COMP , RR FUEL TANK	1X1X1	1				
704	17	14885251100	HOOK , TOPLINK	D=5	1				
704	18	V5001920015	PIN , SPLIT	2X15	1				
704	19	V4111600060	WASHER , PLAIN	M6	1				
704	20	14256210040	CLAMP , 9		1				
704	21	V2123606012	BOLT , HEX /SP	M6X12	1				
704	24	V2173612035	BOLT , HEX/S	M12X35	4				
704	25	V4111600120	WASHER , PLAIN	M12	6				
704	26	36217020030	WASHER , PULLEY	T=4.5	4				
704	27	V4011600120	WASHER , SPRING	M12	6				
704	28	V3043600120	NUT , HEX/2	M12	6				
704	29	14326510210	CAP , RUBBER 20	1X1X1	2				
704	30	V2183608020	BOLT , HEX/SP	M8X20	2				
704	31	V2183608020	BOLT , HEX/SP	M8X20	1				
704	32	V3042600080	NUT , HEX/2	M8	1				
704	33	14256210040	CLAMP , 9		1				
704	34	V2183608035	BOLT , HEX/SP	M8X35	2				
704	35	14777036302SR	COVER COMP , TANK		1				
704	35	14777036303SR	COVER COMP , TANK		1				
704	38	V2193606020	BOLT , HEX/SPL	M6X20	12				
704	39	13016061300	FIX PLATE , RR LAMP	T=1.6	2				
704	40	17687023401	LAMP ASSY . STOP		4				
704	40	17687023401	LAMP ASSY . STOP	1X1X1	2				
704	44	13016060020	COVER ,LH RR LAMP	1X1X1	1				
704	51	13016062000GB	PLATE COMP , LH RR LAMPCOVER	T=1.6	1				
704	52	13016063000GB	PLATE COMP , RH RR LAMPCOVER	T=1.6	1				
704	53	11336640100SR	BRACKET COMP , CUP HOLDER		1				
704	53	11336640101SR	BRACKET COMP , CUP HOLDER		1				
NOTE									

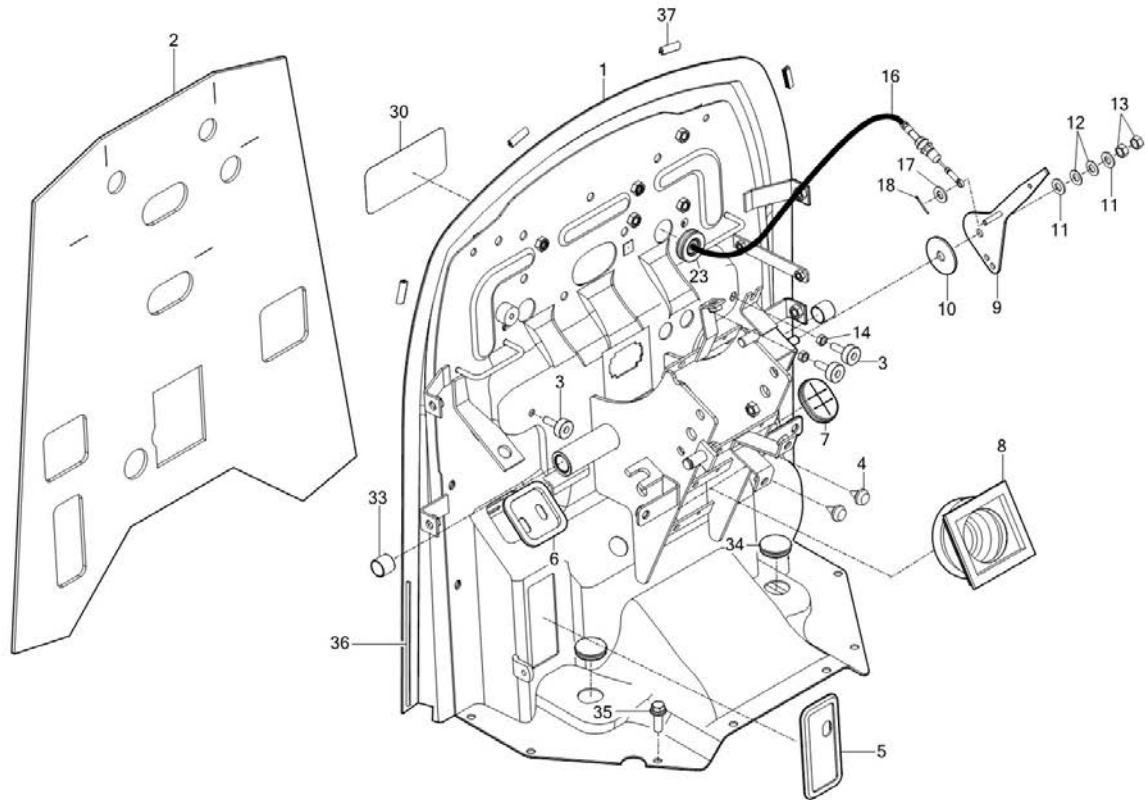
FIG 705

DASHBOARD

년/월
Year/Month

T474NC

2022-12



NOTE

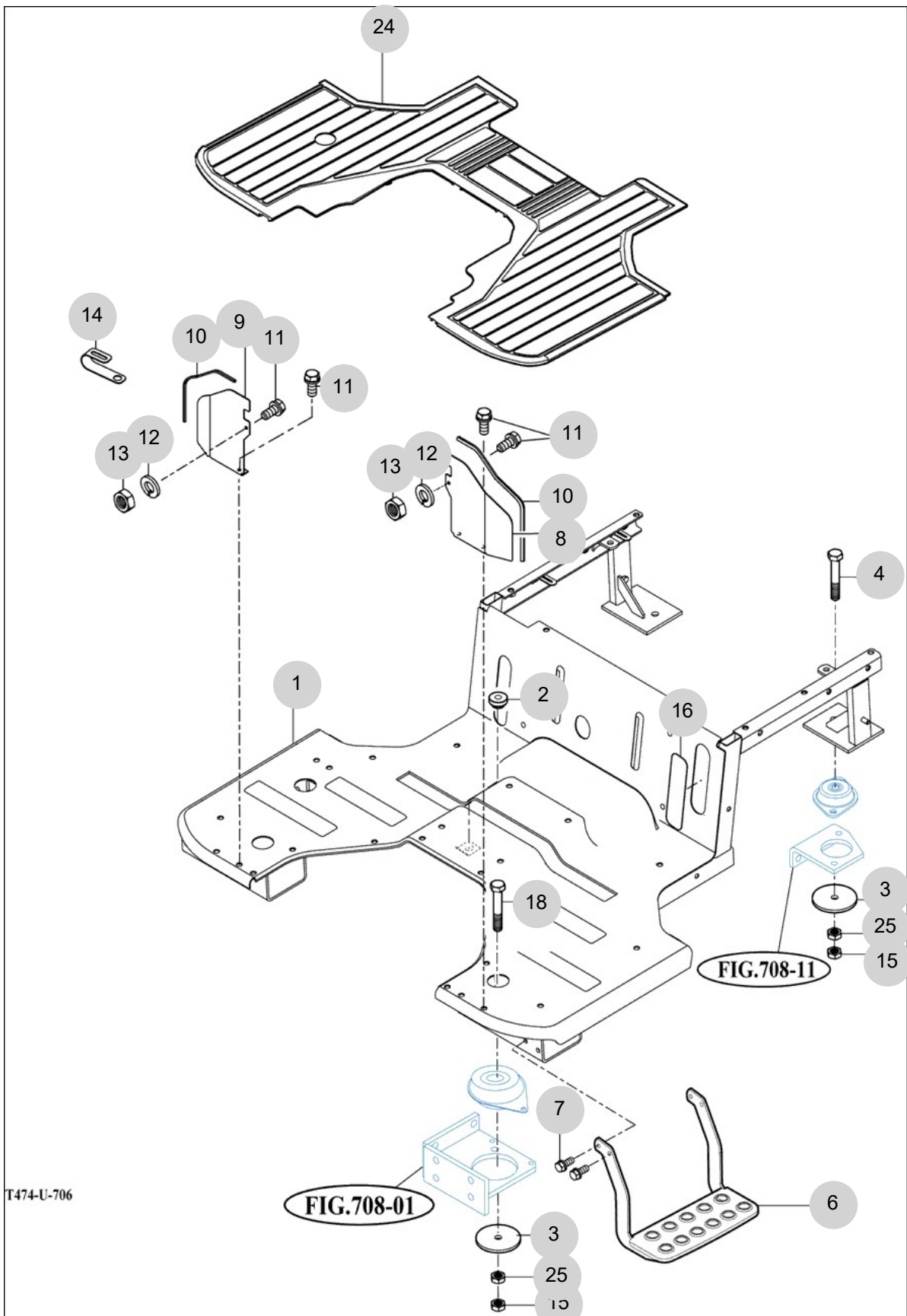
FIG 706

FLOOR PANEL

년/월
Year/Month

T474NC

2022-12



T474-U-706

FIG.708-01

FIG.708-11

NOTE

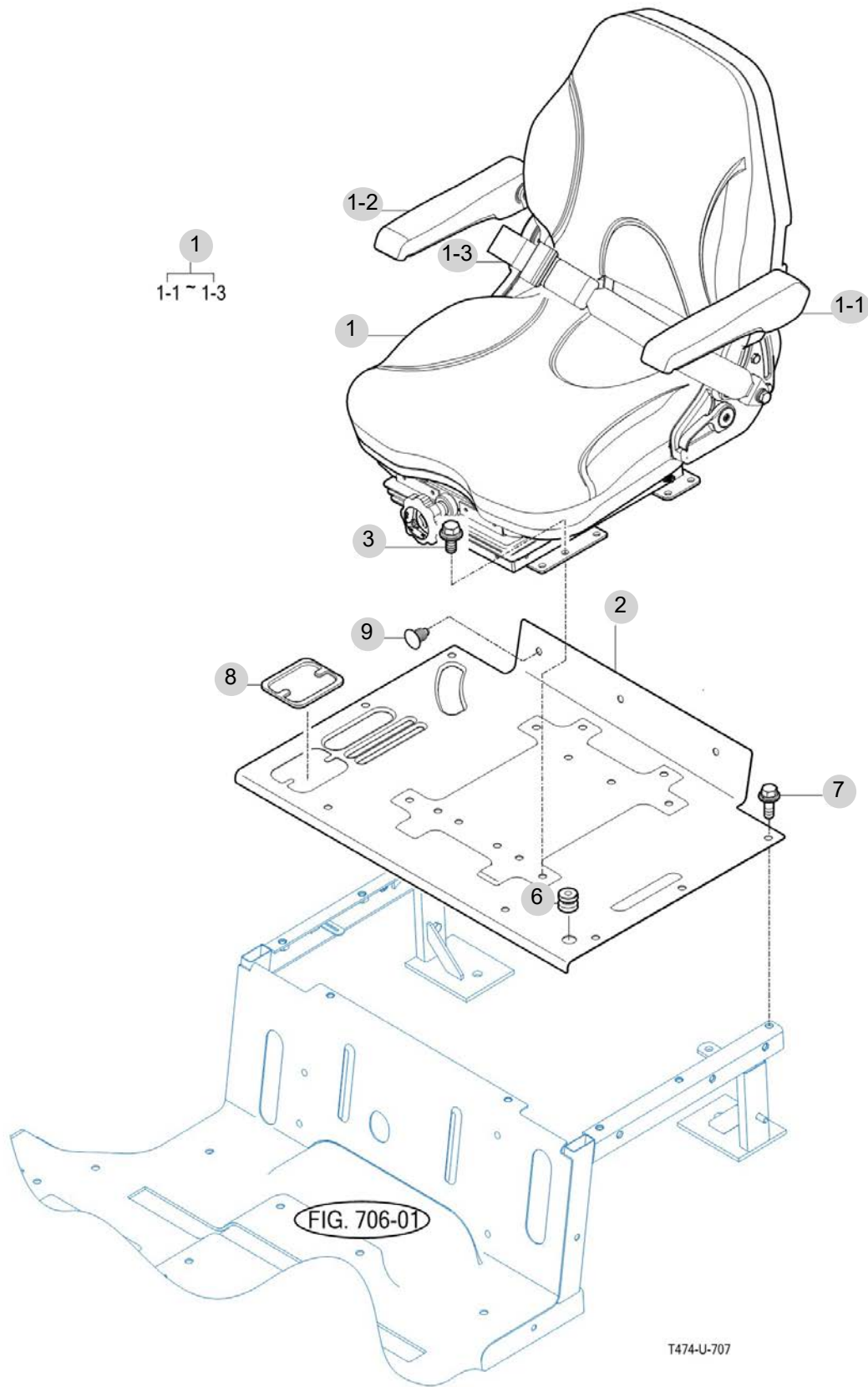
FIG 707

T474NC

SEAT

년/월
Year/Month

2022-12



NOTE

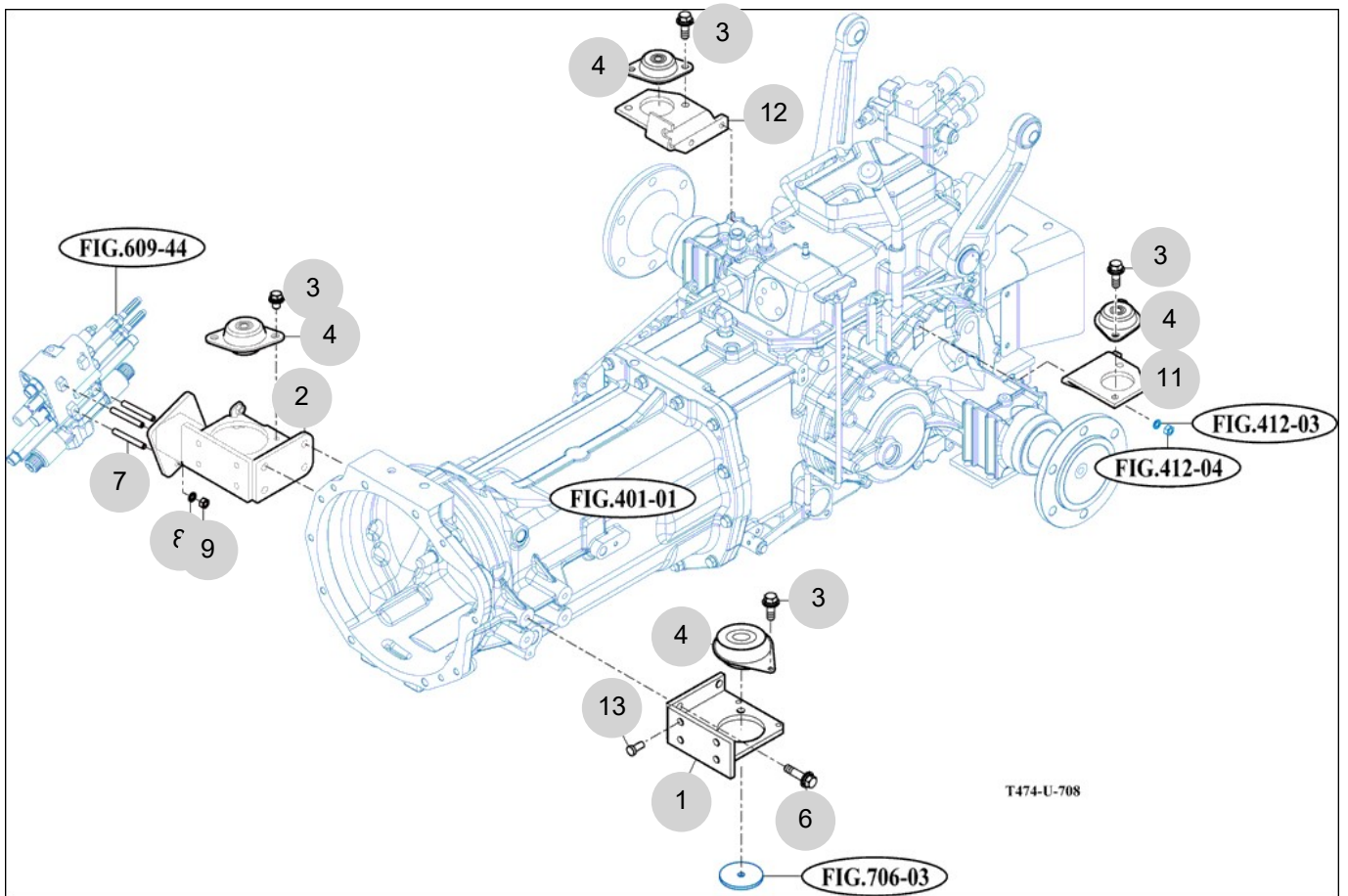
FIG 708

FRONT & REAR MOUNTING

년/월
Year/Month

T474NC

2022-12



NOTE

8. Electrical System PART NO. T8

FIG 801 BATTERY & MOUNTING	233
FIG 802 LAMP	235
FIG 803 INSTRUMENT PANEL	237
FIG 804 ELECTRIC SYSTEM	239
FIG 805 HARNESS	241

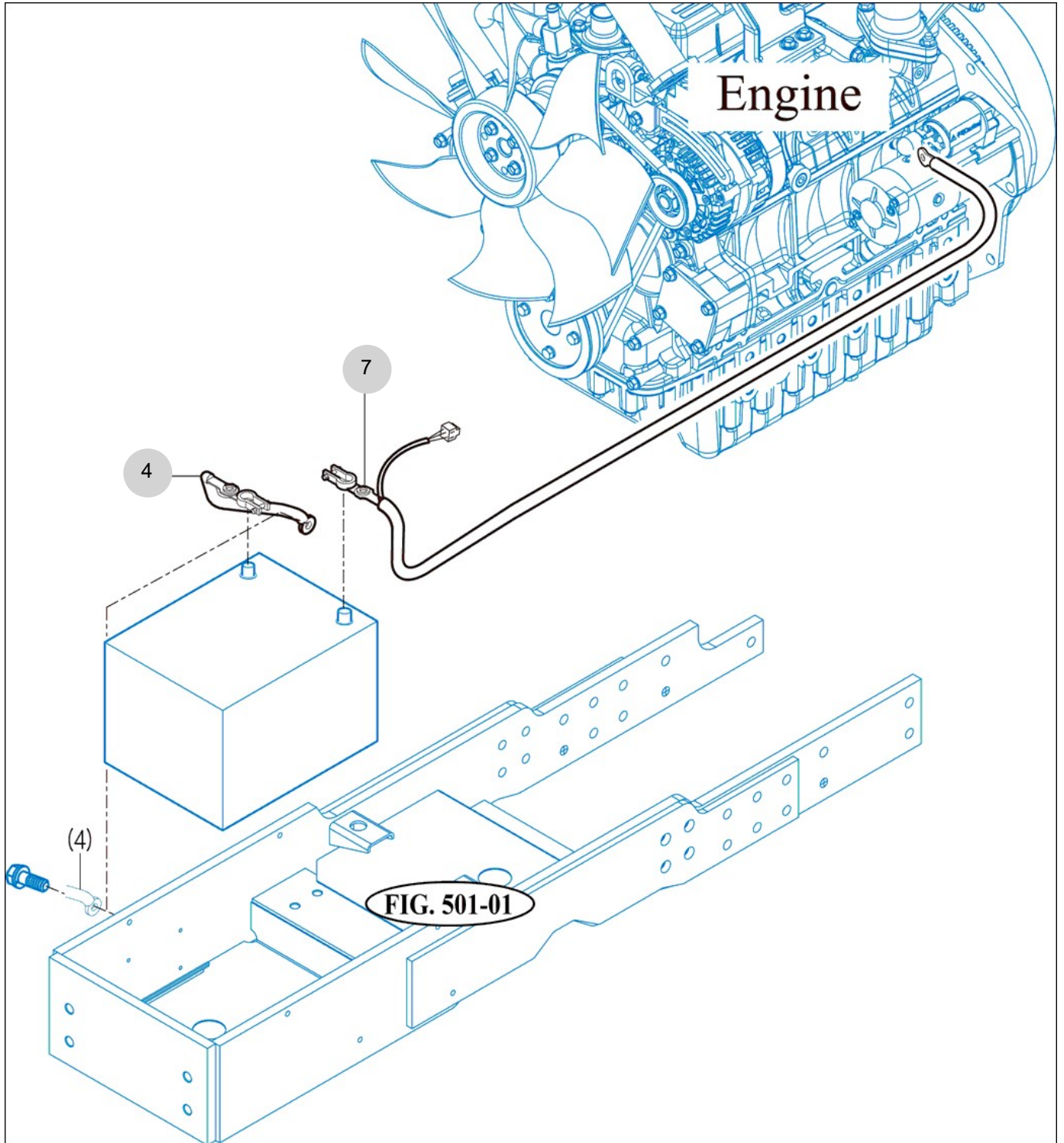
FIG 801

T474NC

BATTERY & MOUNTING

년/월
Year/Month

2022-12



NOTE

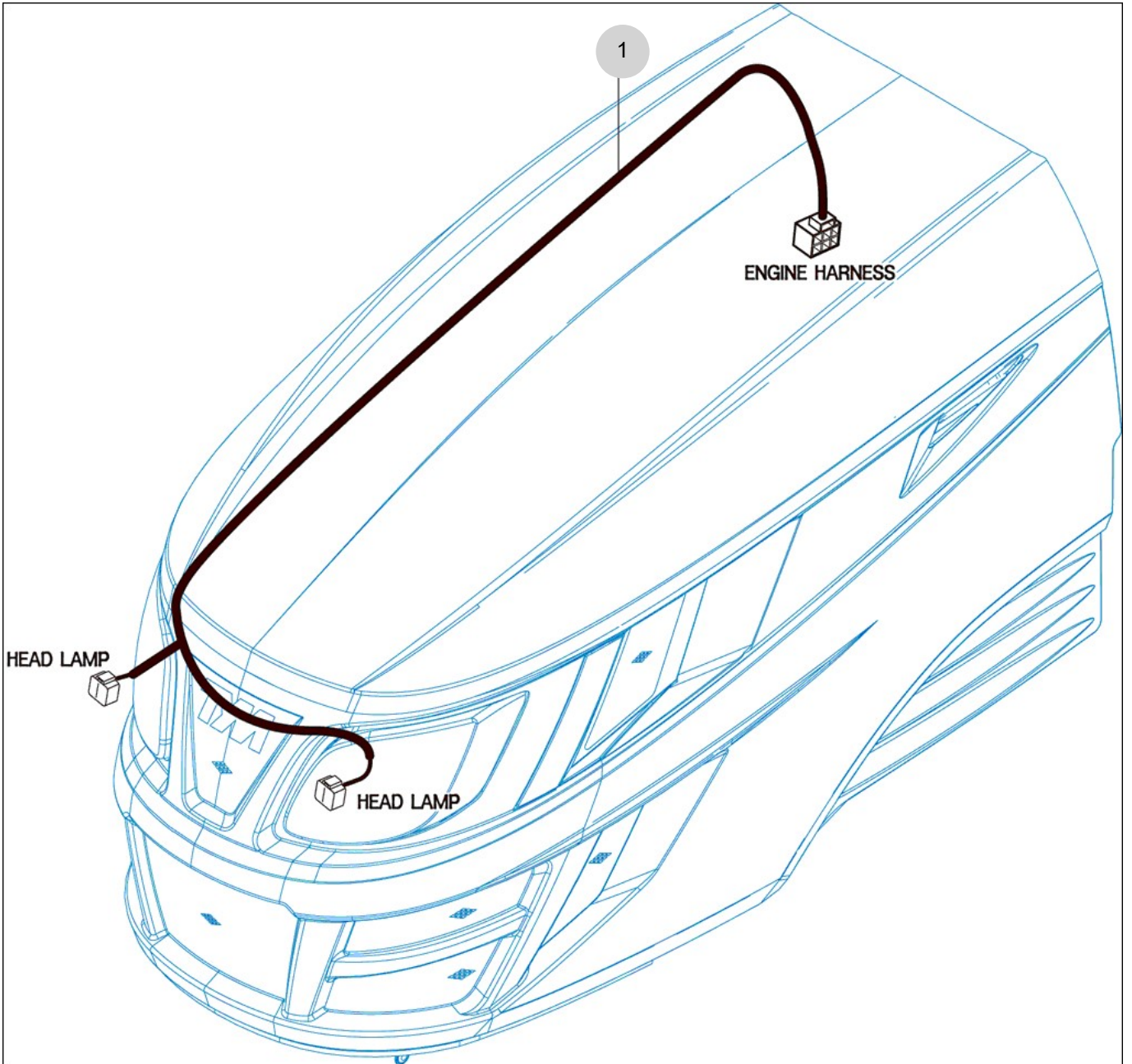
FIG 802

T474NC

LAMP

년/월
Year/Month

2022-12



NOTE

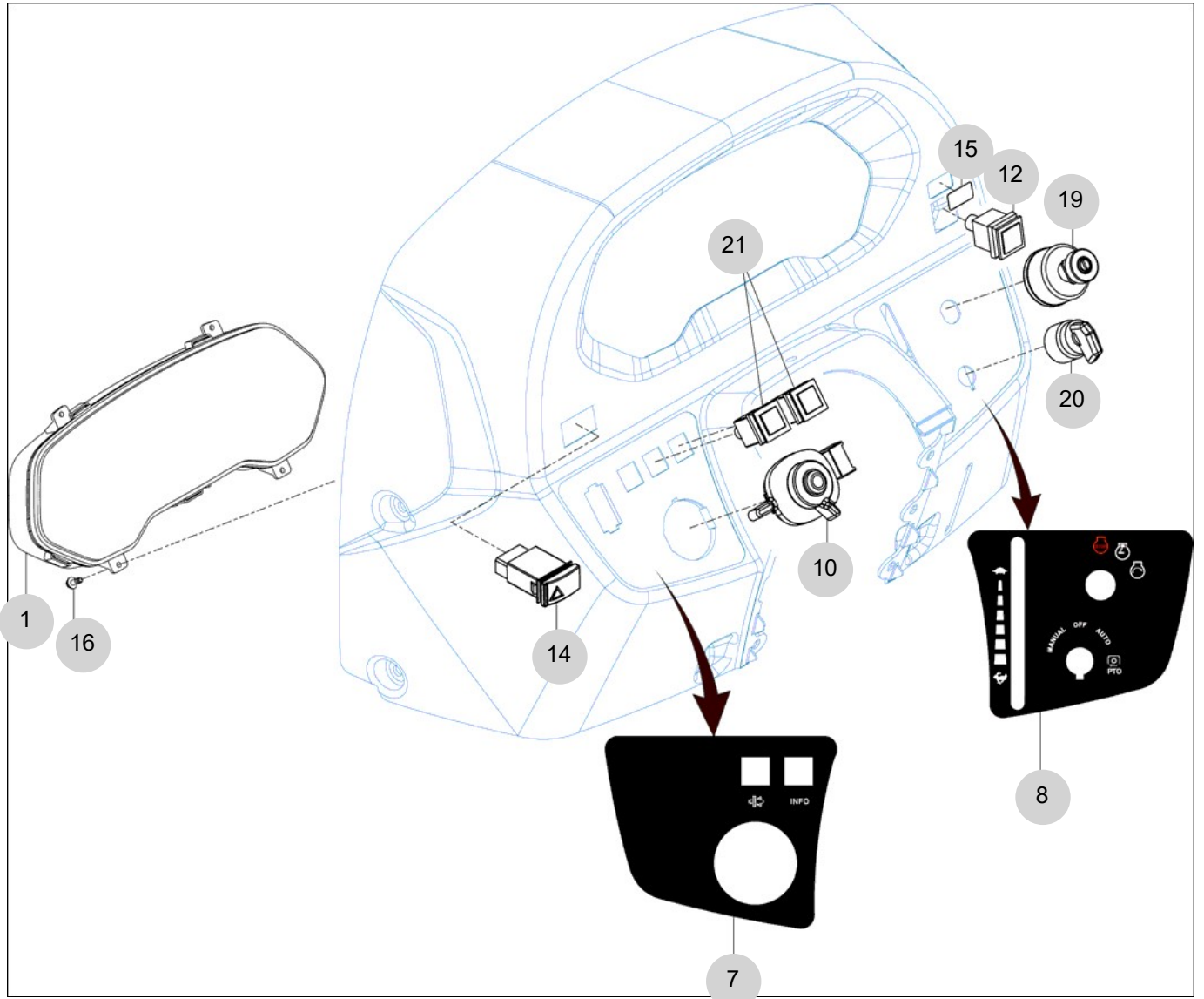
FIG 803

INSTRUMENT PANEL

년/월
Year/Month

T474NC

2022-12



NOTE

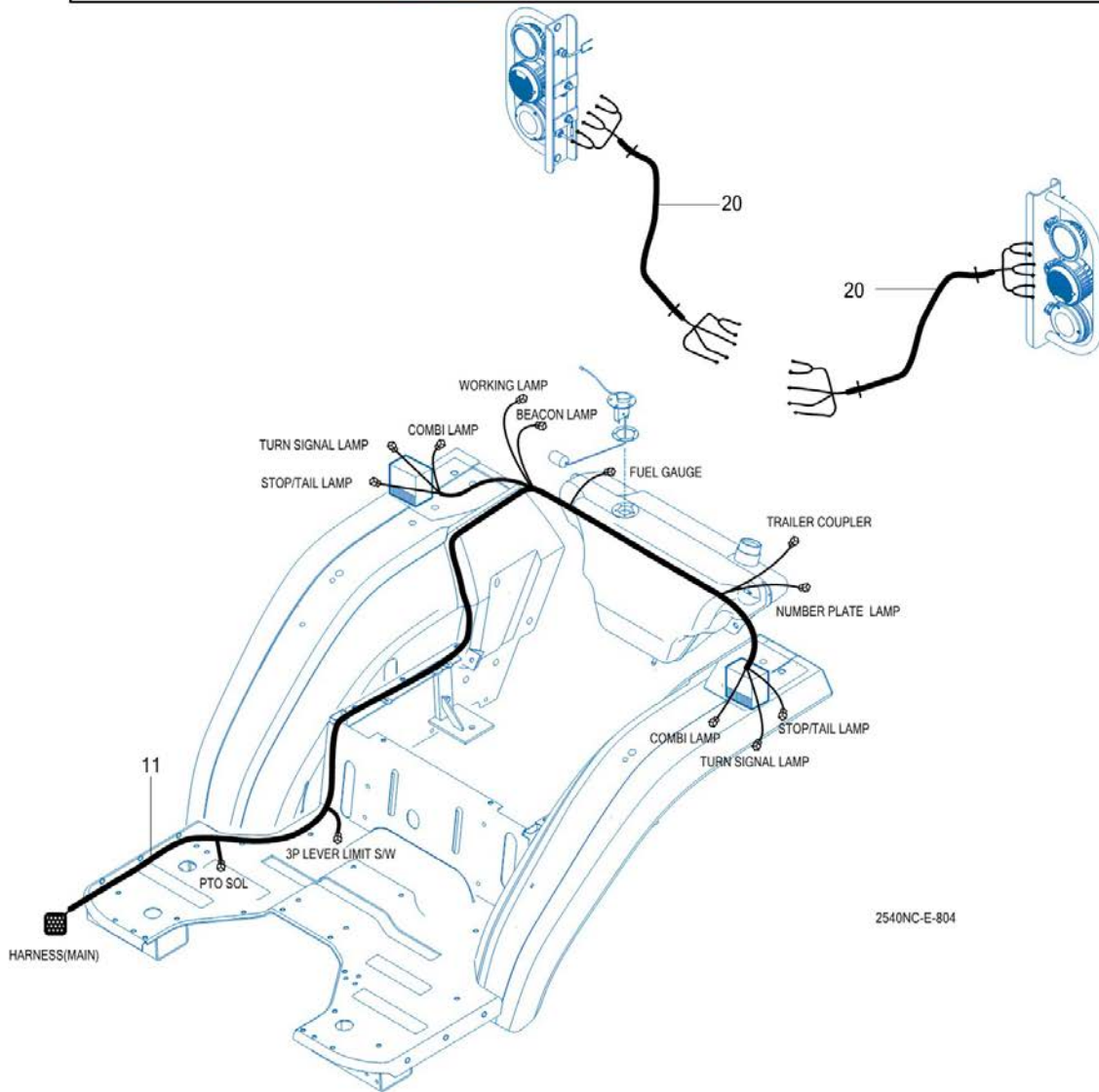
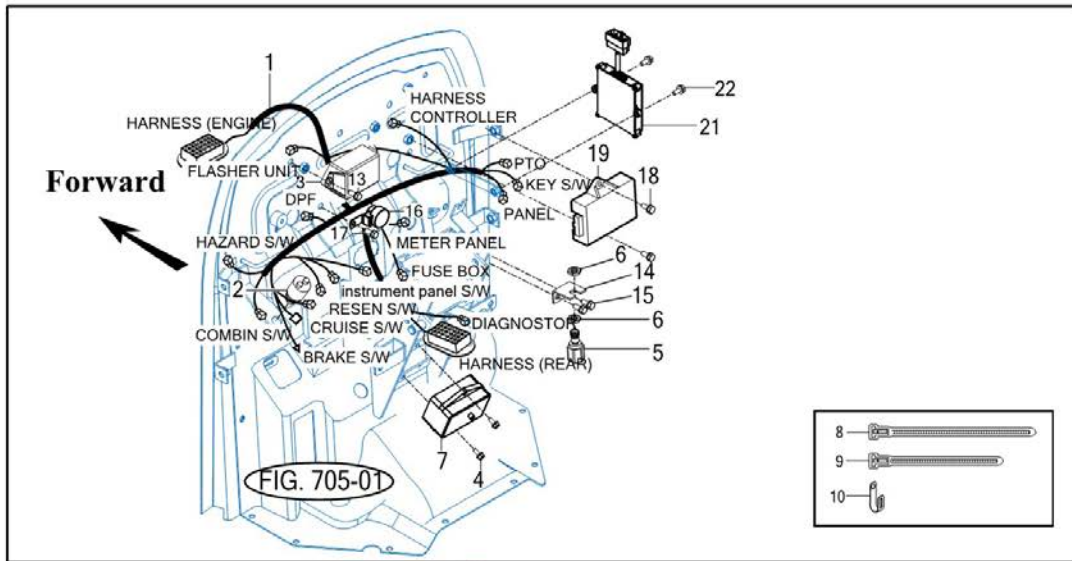
FIG 804

ELECTRIC SYSTEM

년/월
Year/Month

T474NC

2022-12



2540NC-E-804

NOTE

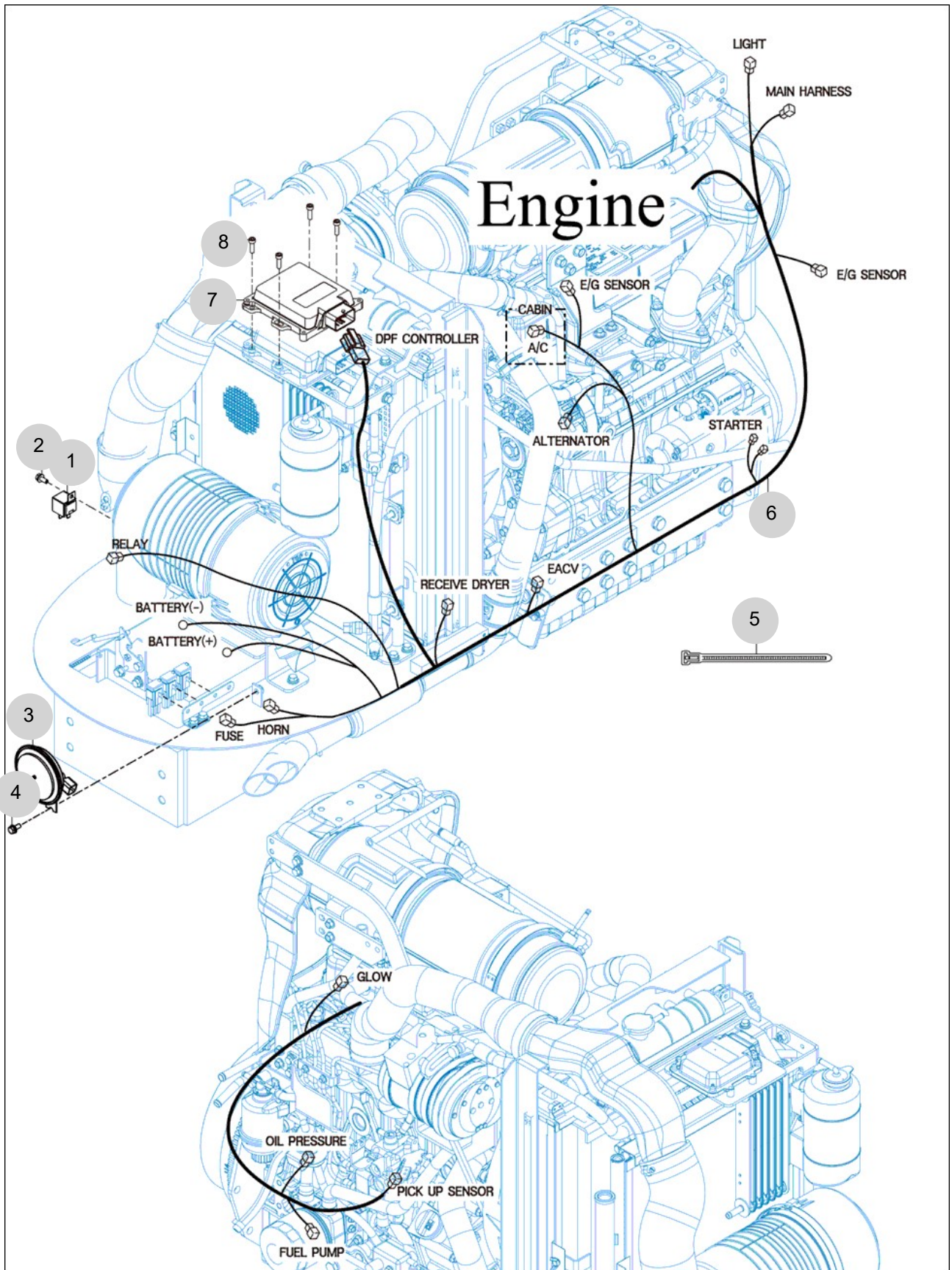
FIG 805

HARNESS

년/월
Year/Month

T474NC

2022-12



NOTE

9. Label/Option PART NO. T9

FIG 901 TOOL & ACCESSORY	244
FIG 902 LABEL	246
FIG 902 LABEL	248
FIG 903 OPTION	250

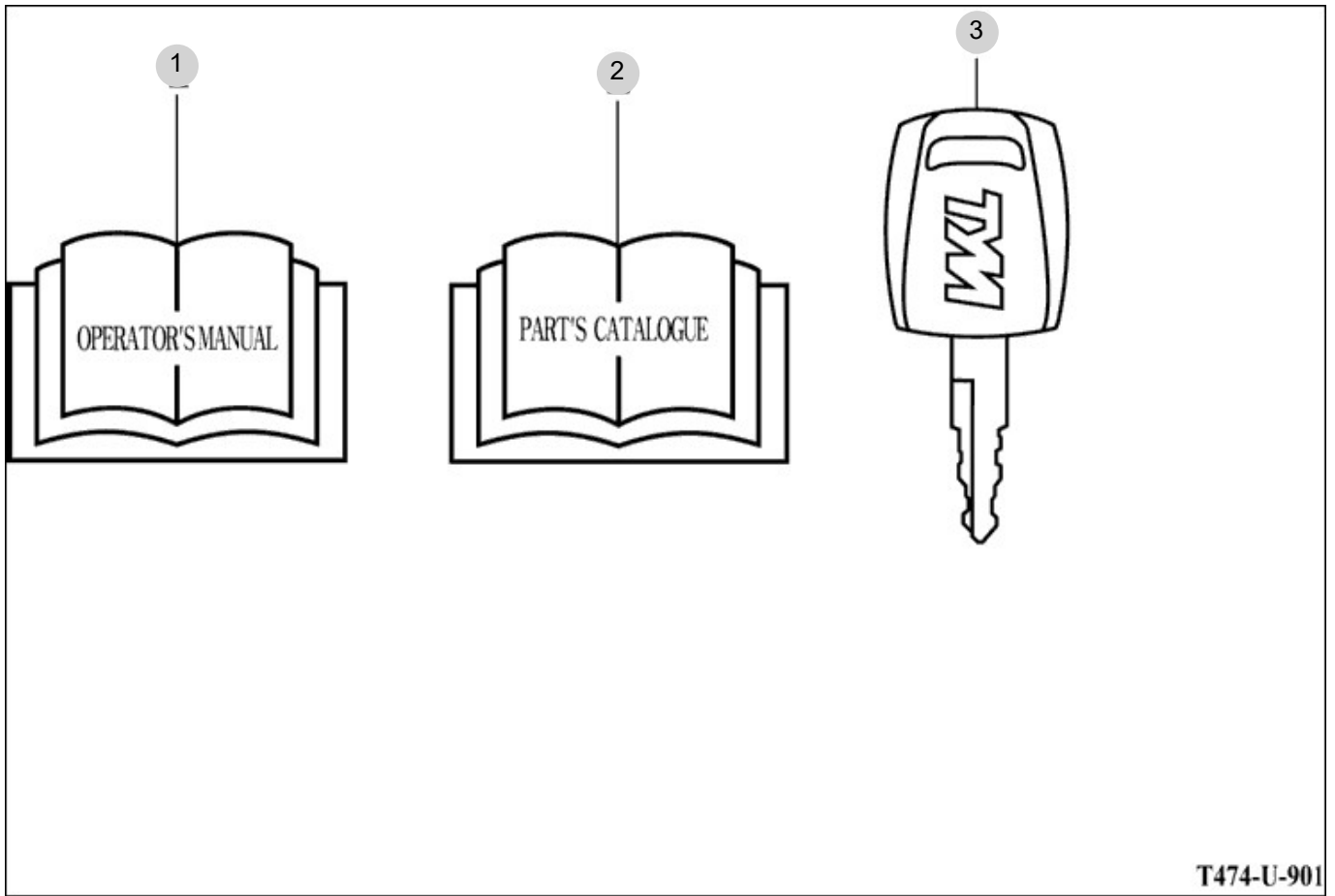
FIG 901

T474NC

TOOL & ACCESSORY

년/월
Year/Month

2022-12



T474-U-901

NOTE

FIG 901

T474NC

TOOL & ACCESSORY

년/월
Year/Month

2022-12

KEY NO		PART NO	DESCRIPTION	SPEC	QTY	REPAIR	EFFECTIVE DATE	REMARKS
901	1	13829400010	OPERATOR'S MANUAL		1			
901	1	13829400011	OPERATOR'S MANUAL		1			
901	2	13809400020	PARTS CATALOGUE , T474NC		1			
901	3	14527078721	KEY SET , TYM		1			
901	3	12147078721	KEY SET		1			
NOTE								

FIG 902

LABEL

년/월
Year/Month

T474NC

2022-12

⚠ DANGER

This Tractor may tip over unexpectedly and quicker than an operator is able to jump free

1. Never operate a tractor without a proper Roll over Protection Structure (ROPS)
2. Always wear your seat belt when operating this tractor equipped with roll over protection.
3. Never pull from above or from the rear axle.
4. Do not operate the tractor on steep slopes or near drop offs
5. Avoid sharp high speed turns

Serious injury or death may result from tractor upsets.

1200-904-801-0

27

⚠ WARNING

Death or injury may result if this tractor over turns with the ROPS in the folded down position. Operate this tractor with the ROPS folded down only when necessary. Do not wear seat belt if operated with ROPS folded down

1220-904-902-0

26

⚠ WARNING

Work in ventilated Area.

1200-910-003-0

11

⚠ DANGER

Do not ride except operator.

1200-910-003-0

12

The DPF filter was tested in accordance with ISO 22100 Standard (2008) for use in 100ppm SO4 factor model (2008, 2008) with a reference mass of 12000g. (Manufacturing from 2022)

1200-910-007-0

40

⚠ WARNING

Additions, alterations, cracking, damage or corrosion to this structure may adversely affect the performance of the ROPS.

1200-910-011-0

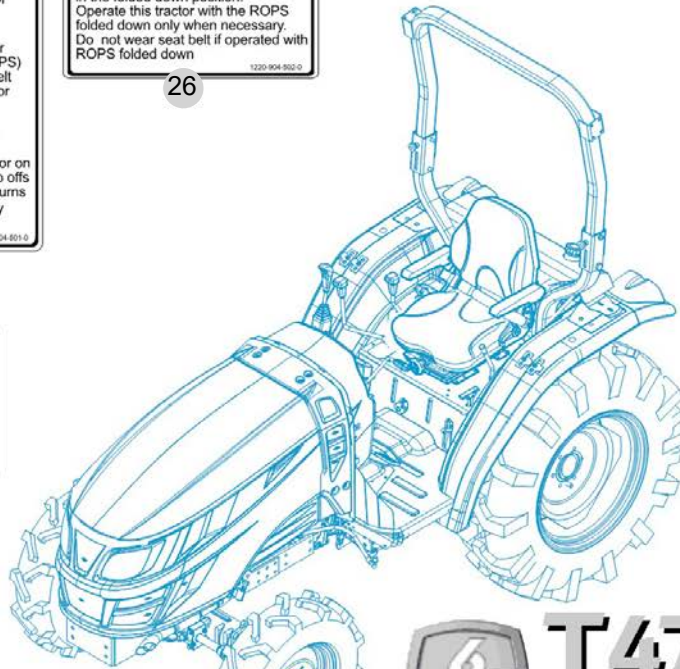
36

⚠ WARNING

Do not refuel the tractor while smoking or near naked flame or sparks. always stop engine before refueling tractors.

1200-910-007-0

15



⚠ WARNING

Do not use the sub shift lever at "H" position when driving backward.

1200-910-011-0

10

6 YEAR Limited Warranty

54

T474

TYM



⚠ WARNING

Never use the diff-lock at high speed or on the road as this can cause rollover and injury.

1200-910-006-0

16



⚠ WARNING

Do not remove radiator cap while engine is hot. Hot steam will injure you.

1200-910-015-0

7

⚠ WARNING

Always fasten Your seat belt.

1200-910-014-0

13

⚠ CAUTION

Keep hands and clothing away from rotating fan and belts to prevent serious injury.

1200-910-012-0

6

⚠ CAUTION

Do not touch while the system is hot. It cause serious burns

1200-910-024-0

5



⚠ WARNING

LOCK → UNLOCK

LOCK BUTTEN

Push the butten to lock position with joystick lever is neutral whenever the implement is not operation.

1789-010-009-0

25



DPF regeneration procedure

When DPF lamp on [icon] and beep, follow below

Do this	Operate (about 30min)	Complete
1. Park outside safe location		
2. Stop all functions		
3. Parking brake ON		
4. Engine speed to Max RPM		
5. Press the regen button		
6. Must remain with the vehicle		

DPF+EGT ON + Button blinking

Lamp off

For further details, consult your Owner's Manual

1200-910-001-0

49

NOTE

FIG 902

LABEL

년/월
Year/Month

T474NC

2022-12

3 **WARNING**
Always apply the park brake when parking. Failure to do so can cause accidents and damages. 1200-910-022-0

14 **WARNING**
Do not use the accelerator lever except working on the field. 1200-910-021-0

28 ON
4WD
OFF

39 EPA REGULATION
USE ULTRA LOW SULFUR FUEL ONLY

8 Operator's manual 1200-910-023-0

32 **WARNING**
• Start engine only from operators seat. If safety start switch is bypassed engine can start with transmission in gear.
• Do not connect or short across terminal on starter solenoid.
• Attach booster cables as shown on battery decal and operators manual.
Starting in gear causing runaway can result in serious injury.

33 **WARNING**
Always set the knob to lock when:
1. Travelling on the road.
2. Replacing blades on an implement
3. Making adjustment to an implement
Sudden dropping of an implement can cause serious injury or death. 1200-910-024-0

38 **DANGER**
Start only from seat, in park or neutral
Starting in gear kills

37 **WARNING**
Do not adjust the tilt handle when traveling. 1200-910-026-0

4 **WARNING**
Brake pedals must always be locked together when travelling on the highway. This will ensure uniform braking and provide maximum stopping ability sharp turns must only be made at slow speeds. 1200-910-027-0

18 1768-910-017-0

41 ROTARY

42 OFF REAR PTO ON

43 **PTO (MID,REAR) LEVER**
To prevent transmission damage, the PTO switch must be OFF before PTO lever is engaged.

17 **WARNING**
Attach implements and trailers to the tractor only using the prescribed drawbar or hitch. 1200-910-014-0

9 **DANGER**
Rotating driveline contact can cause death. KEEP AWAY!
Keep all drive line, tractor and equipment shields in place during operation. 1200-910-013-0

23 **24**

44 **SPEED TABLES**

APPLICATION	TRENCHER PLASTER	WATER PUMP	PLUG MOWER	PLow	DRIVE				
SPEED (km/h)	0	2	3	4	5	10	15	20	23
E/G: 2800rpm	[Graph showing RPM vs. Gear/PTO settings]								
MAIN SHFT	1	2	3	4	1	2	3	4	5
SUB SHFT	L	M	H						

48 A ← N →

50 [Safety icons: up/down arrows, warning triangle, and people]

45 [PTO lever with N and H markings]

46 **WARNING**
Stay clear of raised boom and bucket. 1768-910-010-0

NOTE

FIG 903

OPTION

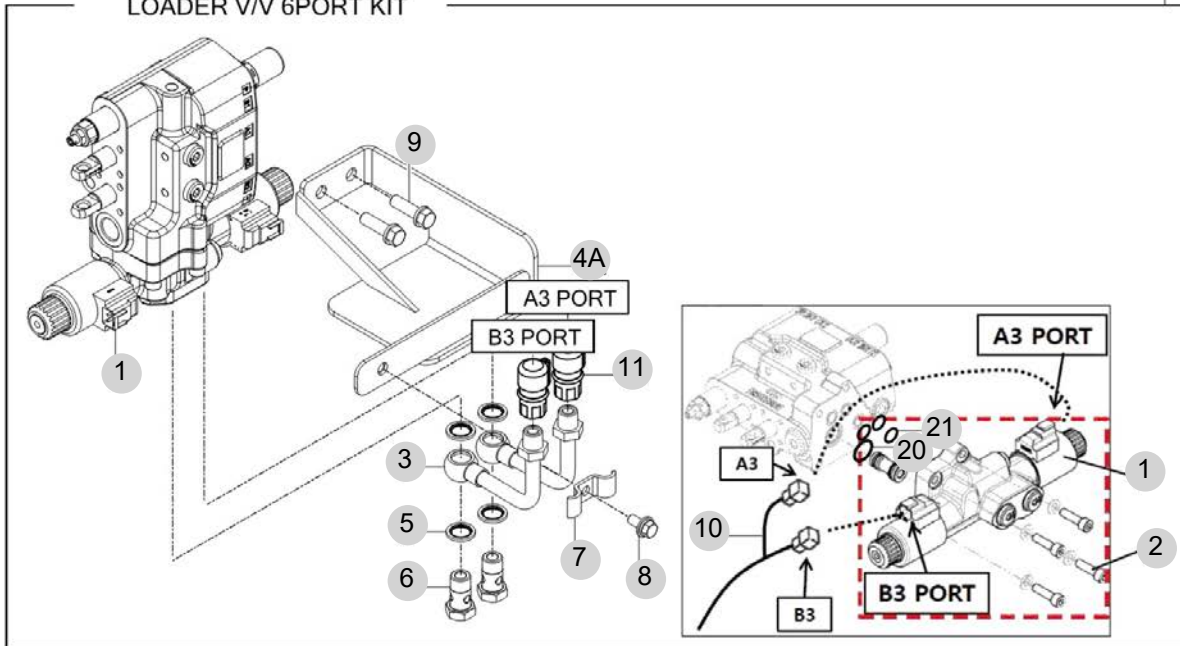
년/월
Year/Month

T474NC

2022-12

A

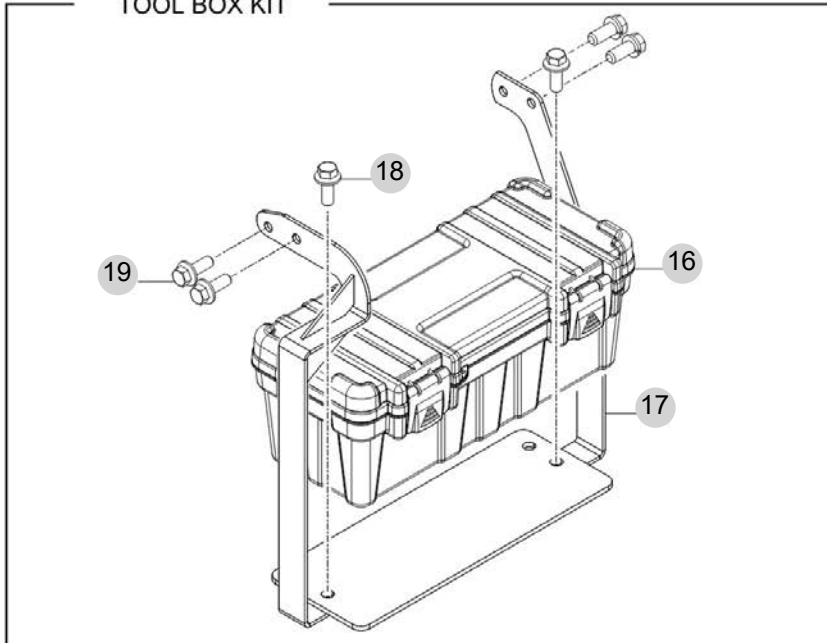
LOADER V/V 6PORT KIT



TRAILER SOCKET KIT



TOOL BOX KIT



NOTE

