

FIG 001-1

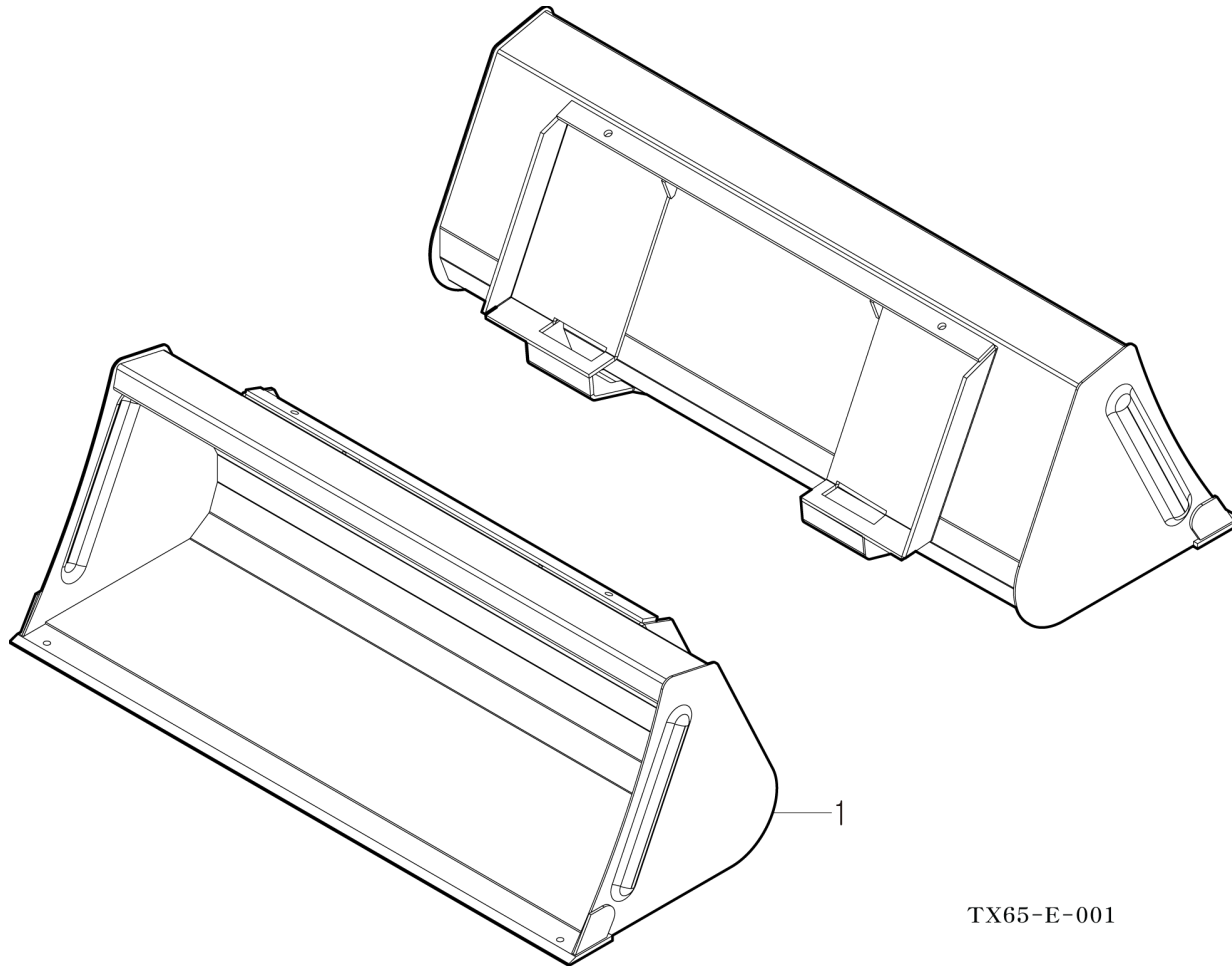
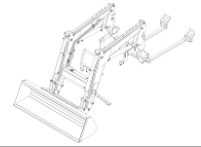
TX65SL

BUCKET (BOBCAT TYPE)

P1

Year / Month

2019 / 10



TX65-E-001

FIG 001-2

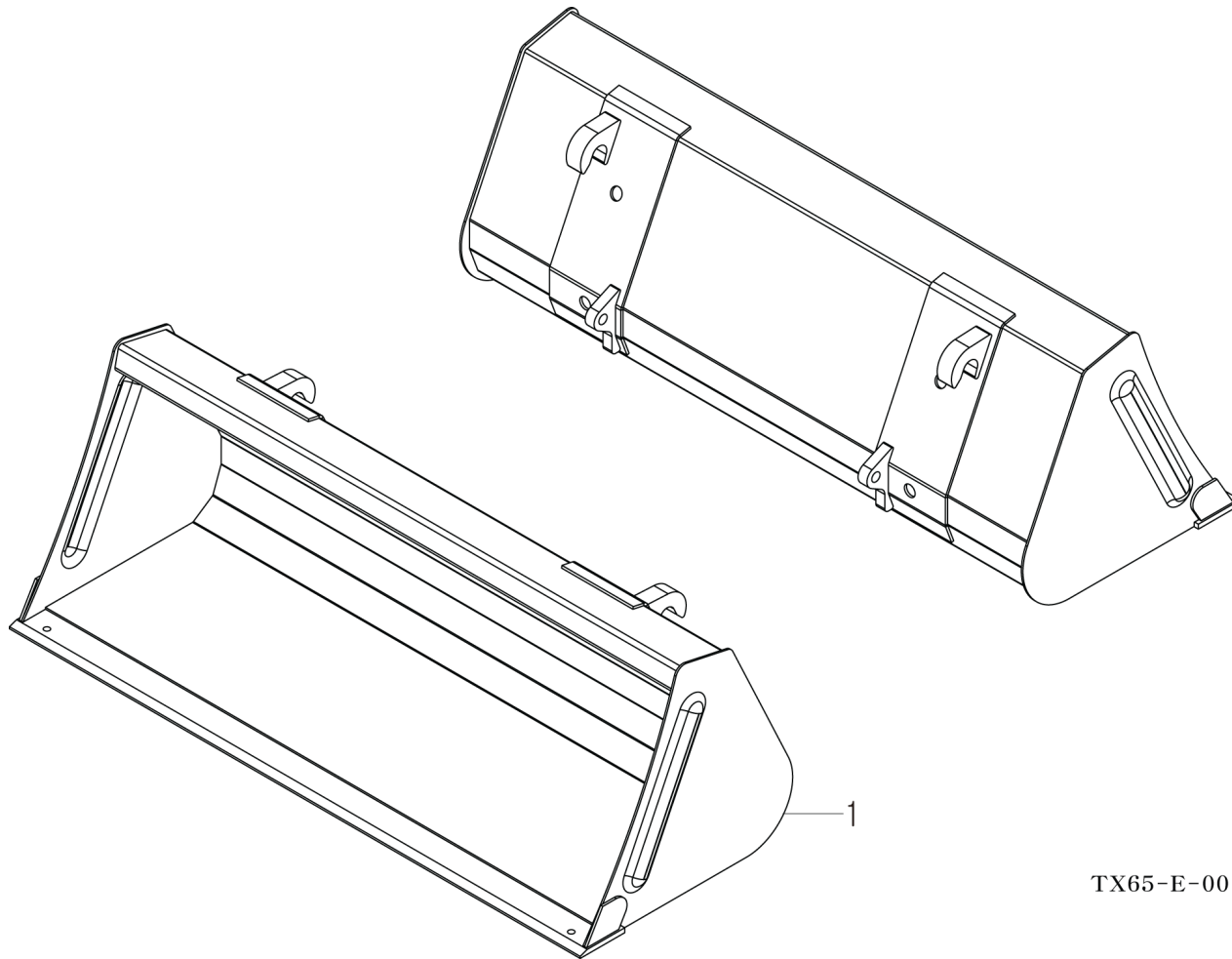
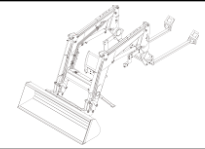
TX655SL-E

BUCKET (EURO TYPE)

P1

Year / Month

2019 / 10



TX65-E-001

QUICK ATTACHMENT ASS'Y (BOBCAT TYPE)

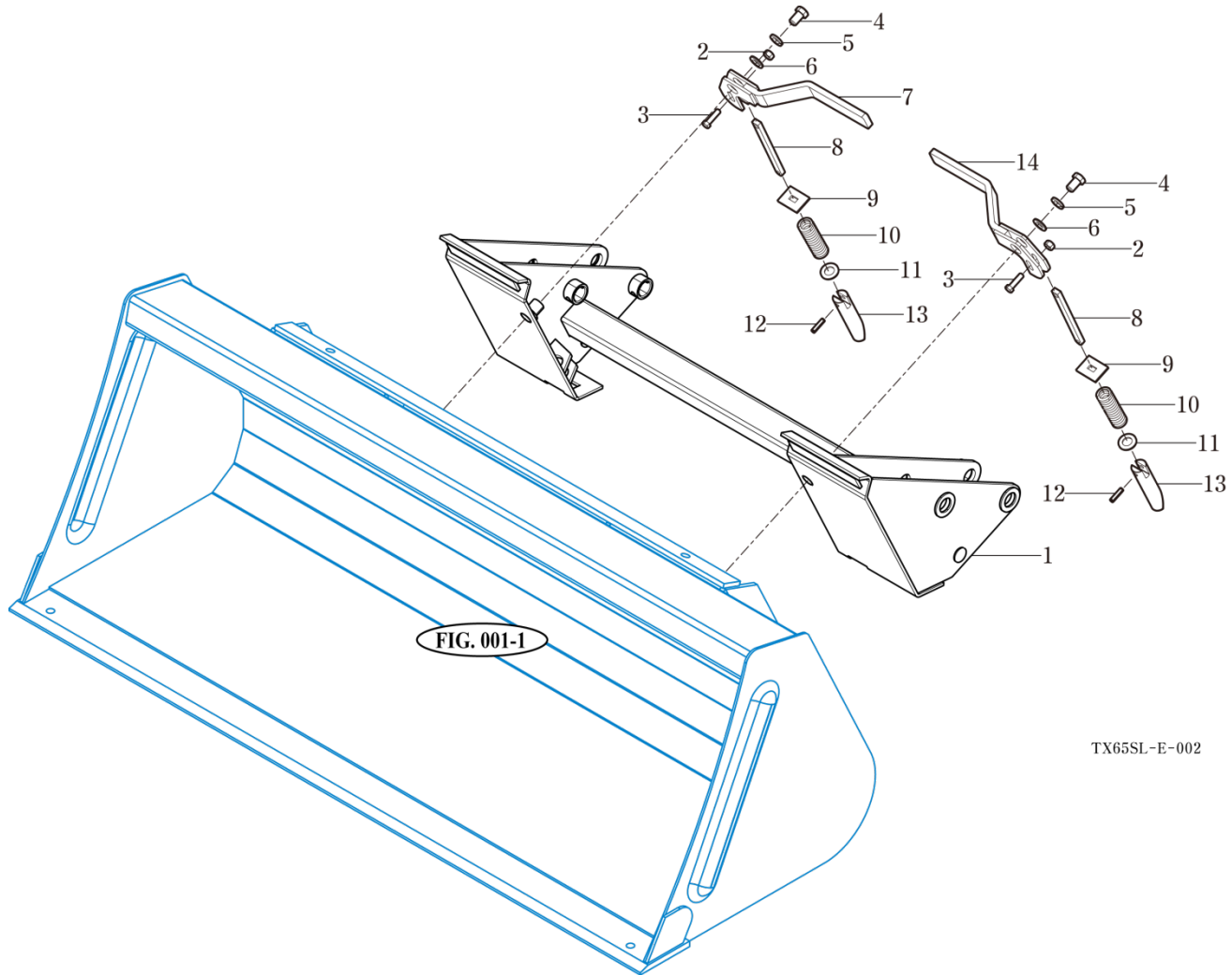
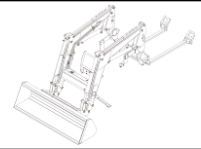


FIG. 001-1

FIG 002-2

TX65SL-E

QUICK ATTACHMENT ASS'Y (EURO TYPE)

P1

Year / Month

2019 / 10

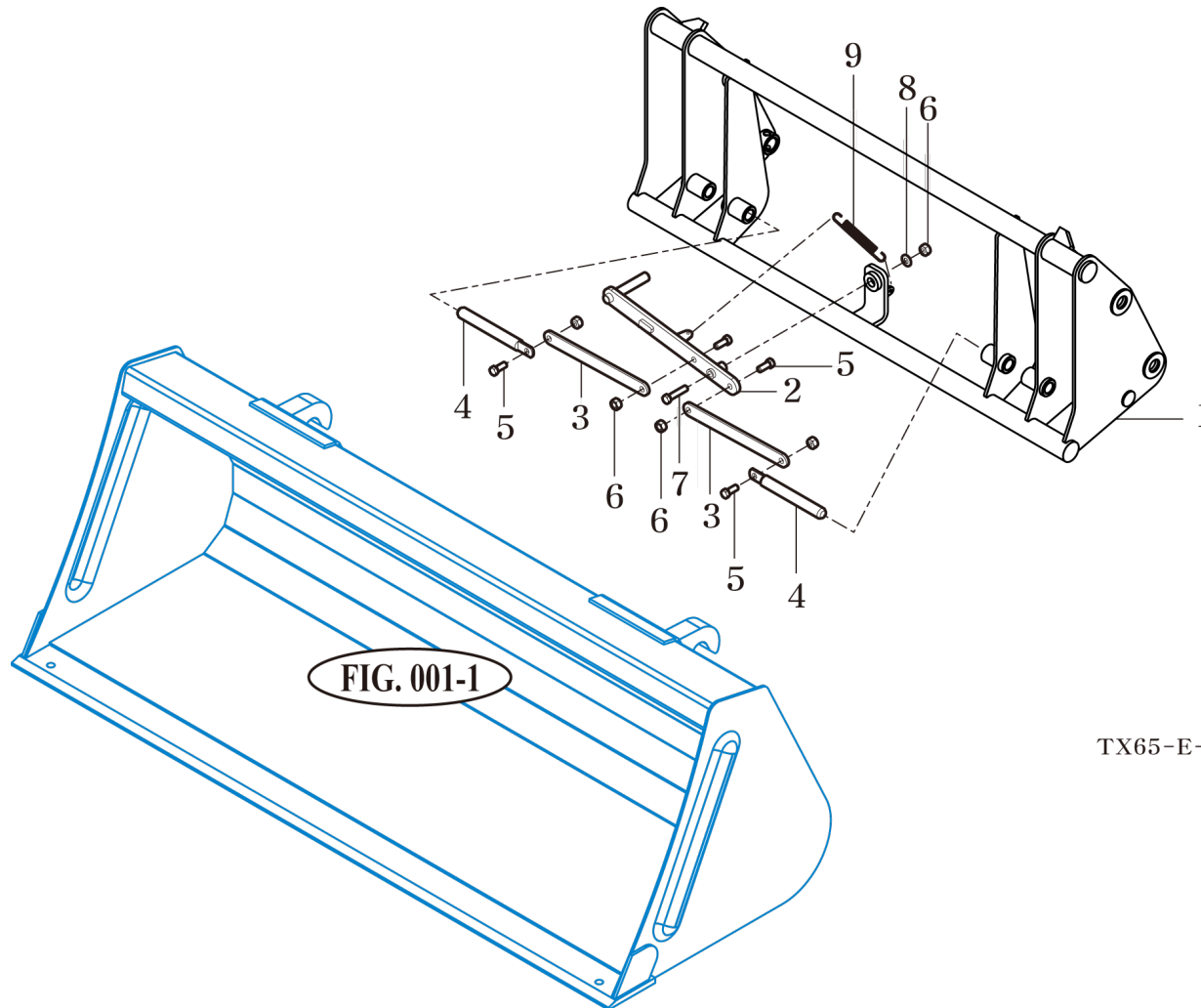
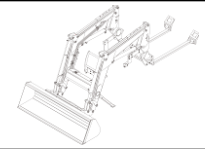


FIG. 001-1

TX65-E-002

FIG 003

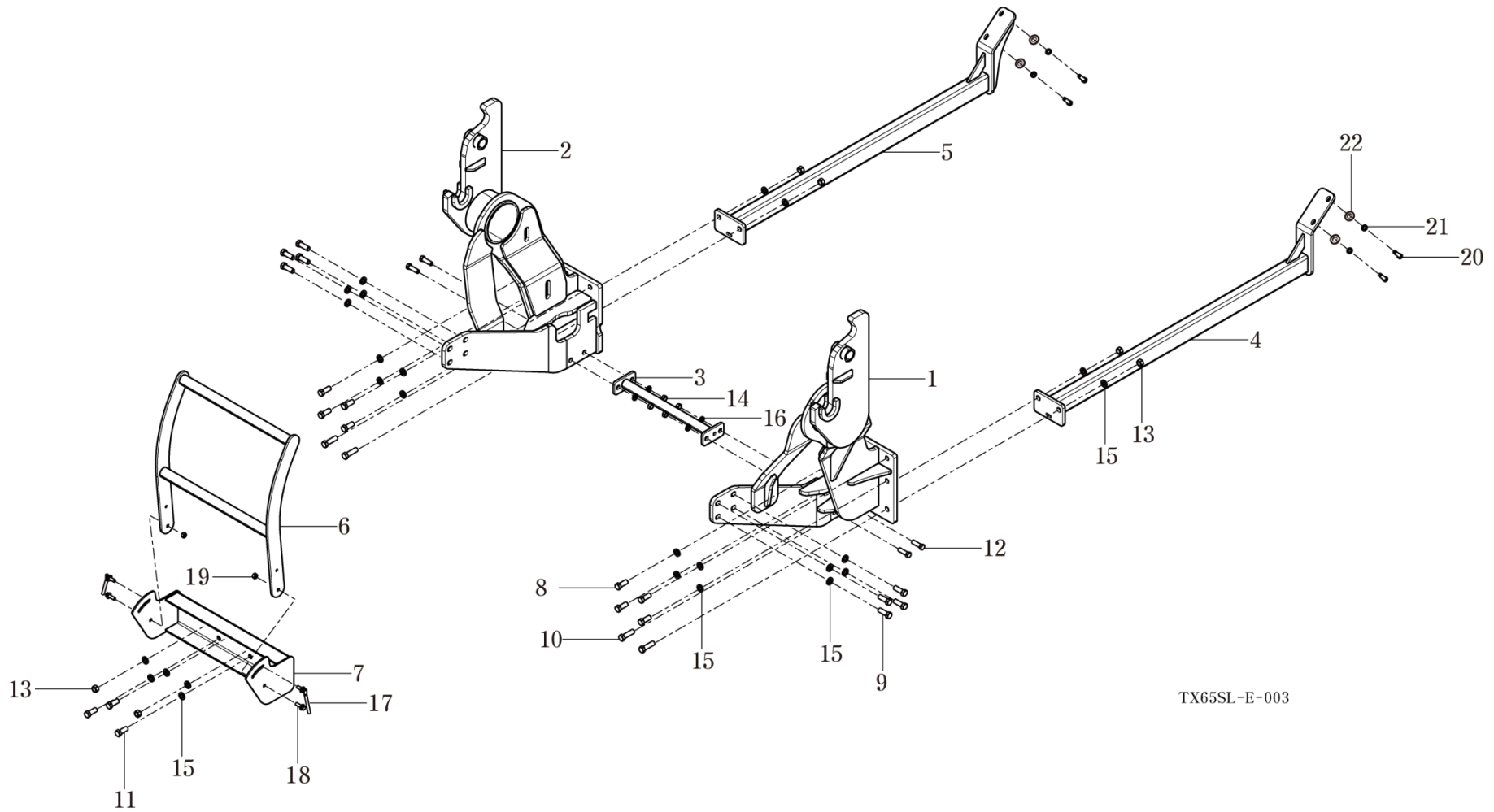
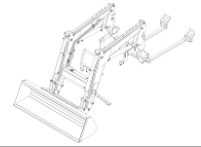
TX65SL

MOUNTING FRAME ASS'Y

P1

Year / Month

2019 / 10



TX65SL-E-003

FIG 004

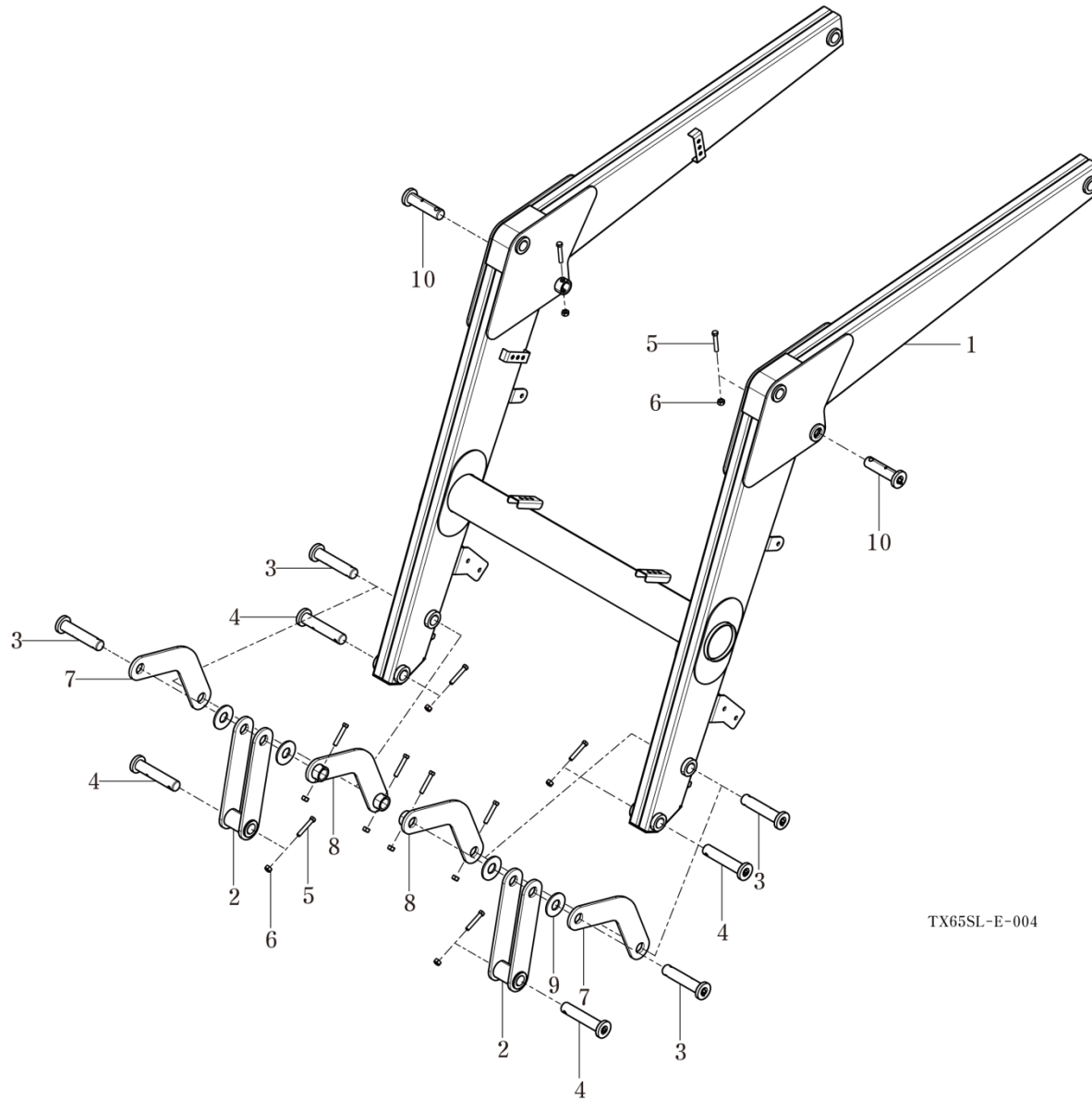
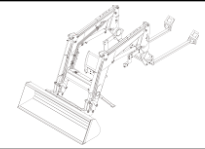
TX65SL

BOOM ASS'Y

P1

Year / Month

2019 / 10



TX65SL-E-004

FIG 005

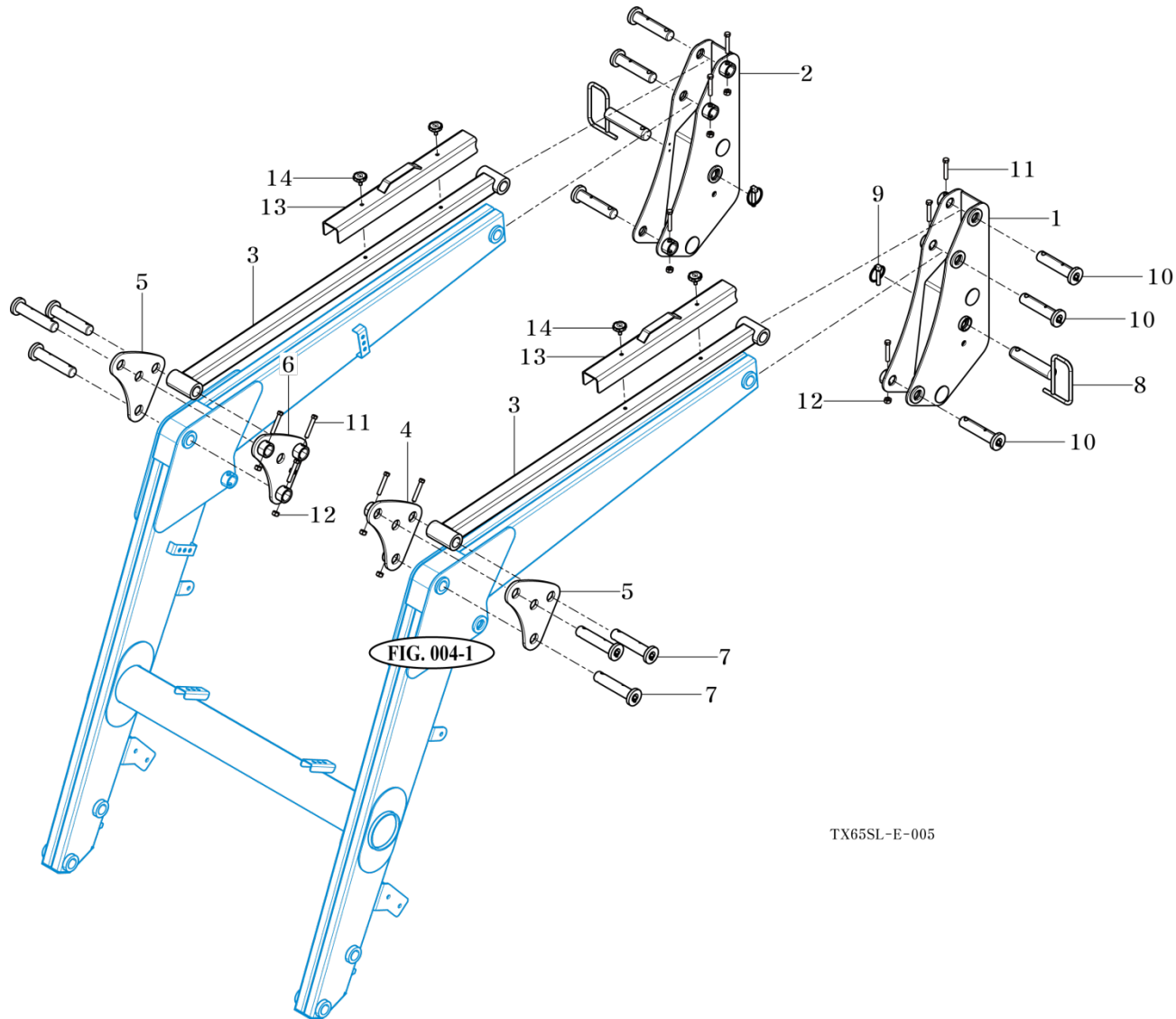
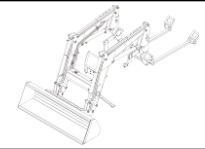
TX65SL

POST & SAFETY BAR ASSEMBLY

P1

Year / Month

2019 / 10



TX65SL-E-005

FIG 006

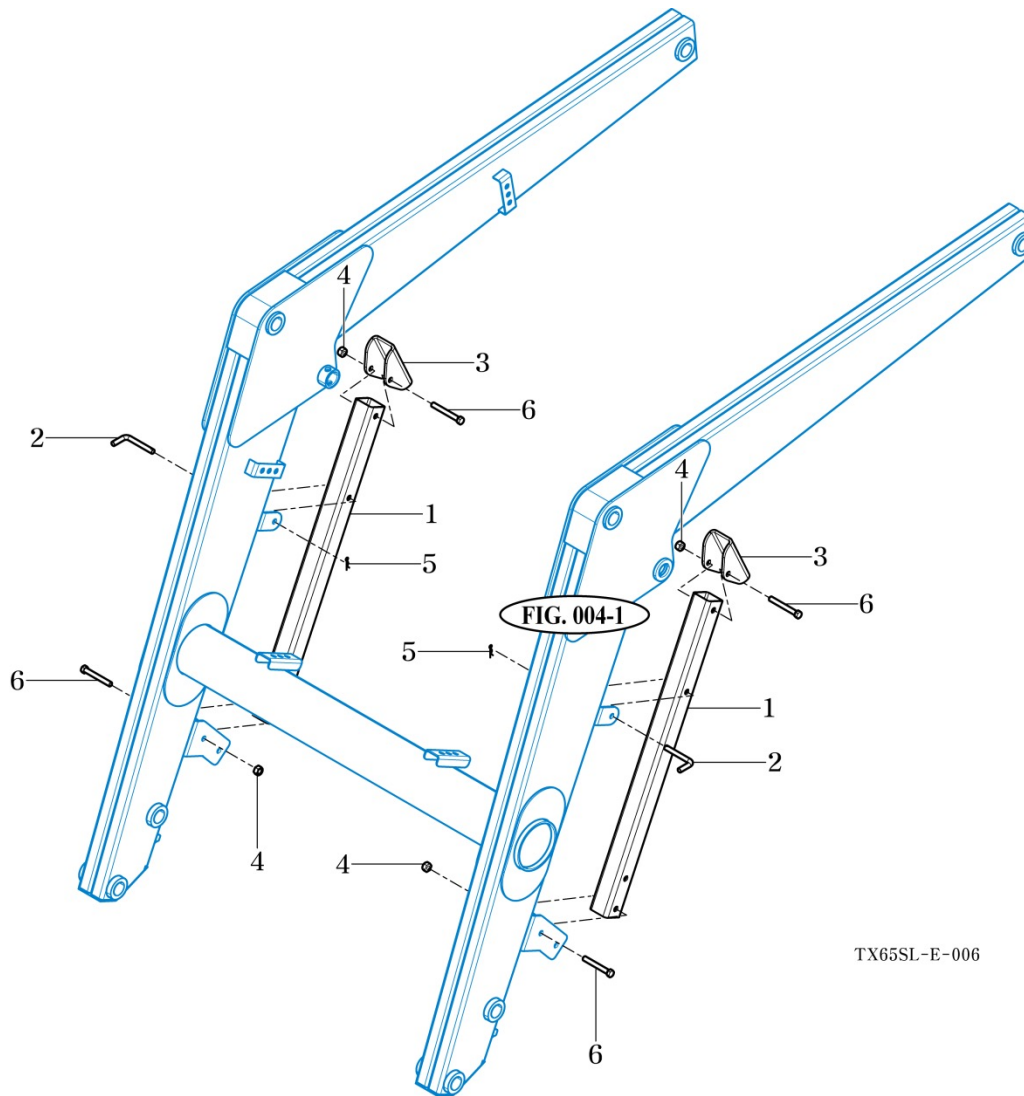
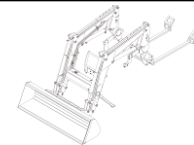
TX65SL

STAND ASSEMBLY

P1

Year / Month

2019 / 10



TX65SL-E-006

FIG 007

TX65SL

LOADER VALVE

P1

Year / Month

2019 / 10

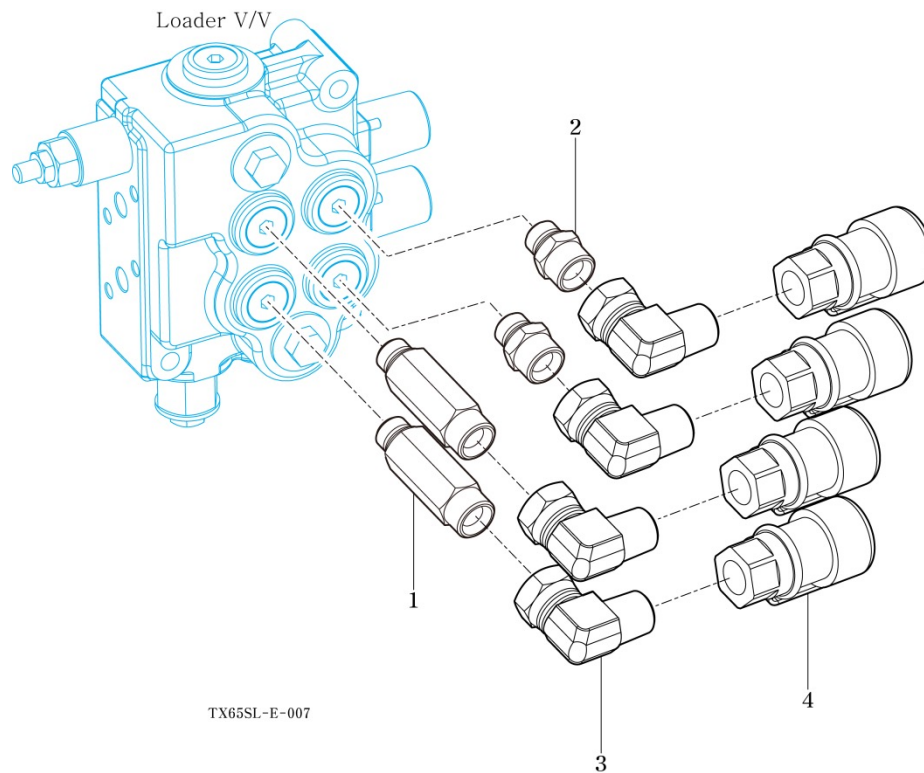
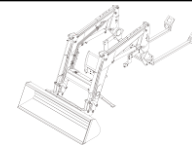


FIG 008-1

TX65SL

HYDRAULIC PIPING ASSEMBLY (Standard type)

P1

Year / Month

2019 / 10

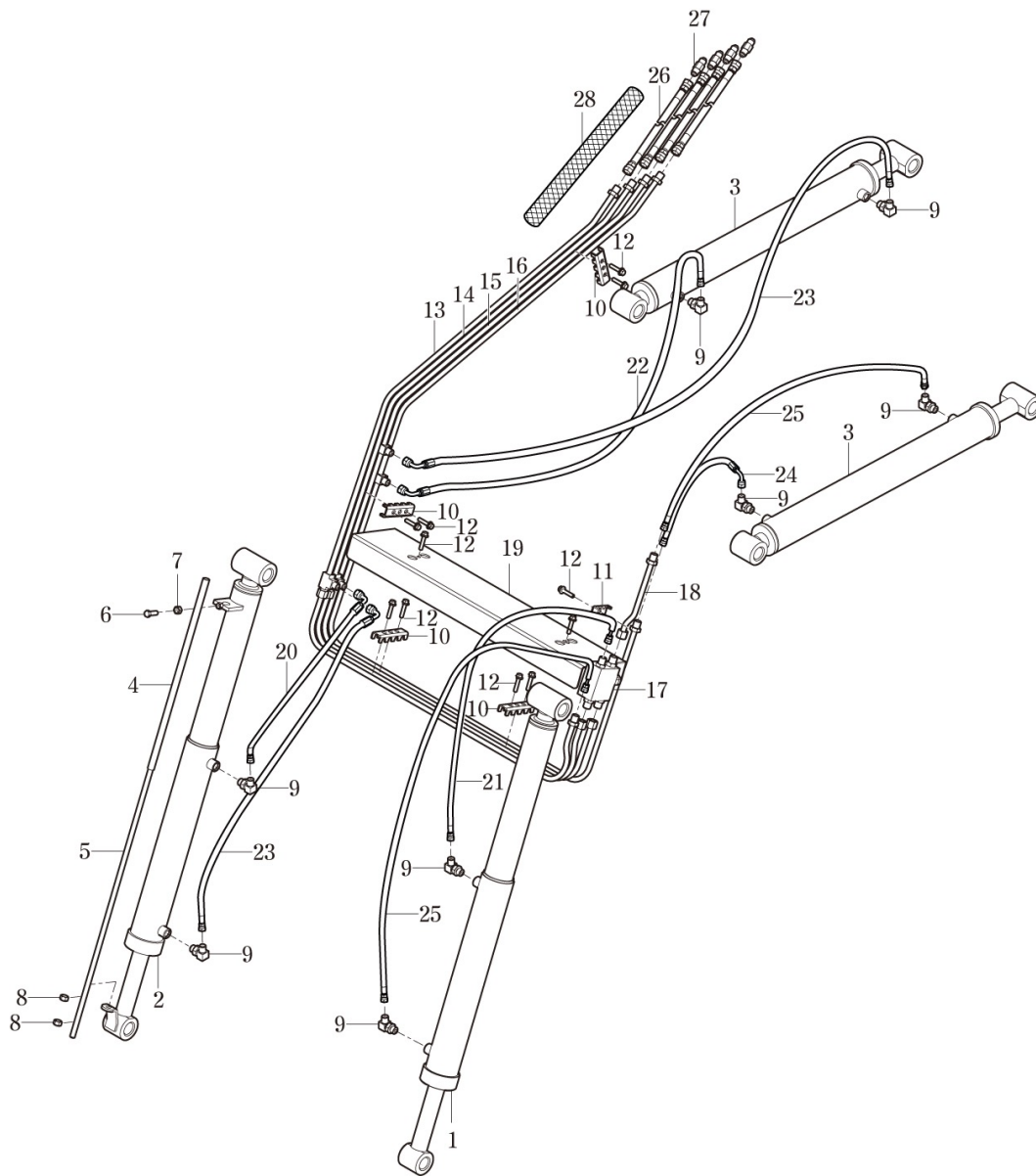
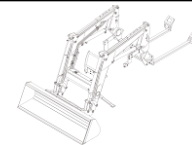



FIG 008-1		HYDRAULIC PIPING ASSEMBLY (Standard type)			P1	Year/Month 2019/10	
KEY NO.	PART NO.	DESCRIPTION	SPEC.	QTY.	EFFECTIVE DATE	REMARKS	
008 001	86403000162GB	CYLINDER ASSY , BUCKET LH		1			
008 002	86403000231GB	CYLINDER ASSY , BUCKET RH		1			
008 003	86403000262GB	CYLINDER ASSY , BOOM		2			
008 004	86603000301	GUIDE , BUCKET	D15.9X1.6	1			
008 005	86603000291	STUD , BUCKET	D12	1			
008 006	V2013610030	BOLT , HEX	M10X30	1			
008 007	V3043600100	NUT , HEX	M10	1			
008 008	V3043600120	NUT , HEX	M12	2			
008 009	36313530021	ADAPTER		8			
008 010	86502000060	BRACKET B	3.2T	4			
008 011	86502000070	BRACKET C	3.2T	1			
008 012	V2183608040	BOLT , HEX(SP)	M8X40	11			
008 013	86803005000	PIPE ASSY , ROLLBACK		1			
008 014	86803006000	PIPE ASSY , DUMP		1			
008 015	86803007000	PIPE ASSY , BOOM DOWN		1			
008 016	86803008000	PIPE ASSY , BOOM UP		1			
008 017	86603000702	VALVE ASSY , RELIEF		1			
008 018	86703006001	PIPE ASSY , G		1			
008 019	86803009010SR	COVER , PIPE		1			
008 020	85403000370	HOSE ASSY , HYD 820 / 90°	PF 3/8	1			
008 021	86503000380	HOSE ASSY , HYD 850	PF 3/8	1			
008 022	86503000360	HOSE ASSY , HYD 510 / 90°	PF 3/8	1			

FIG 008-1

TX65SL

HYDRAULIC PIPING ASSEMBLY (Standard type)

P2

Year / Month

2019 / 10

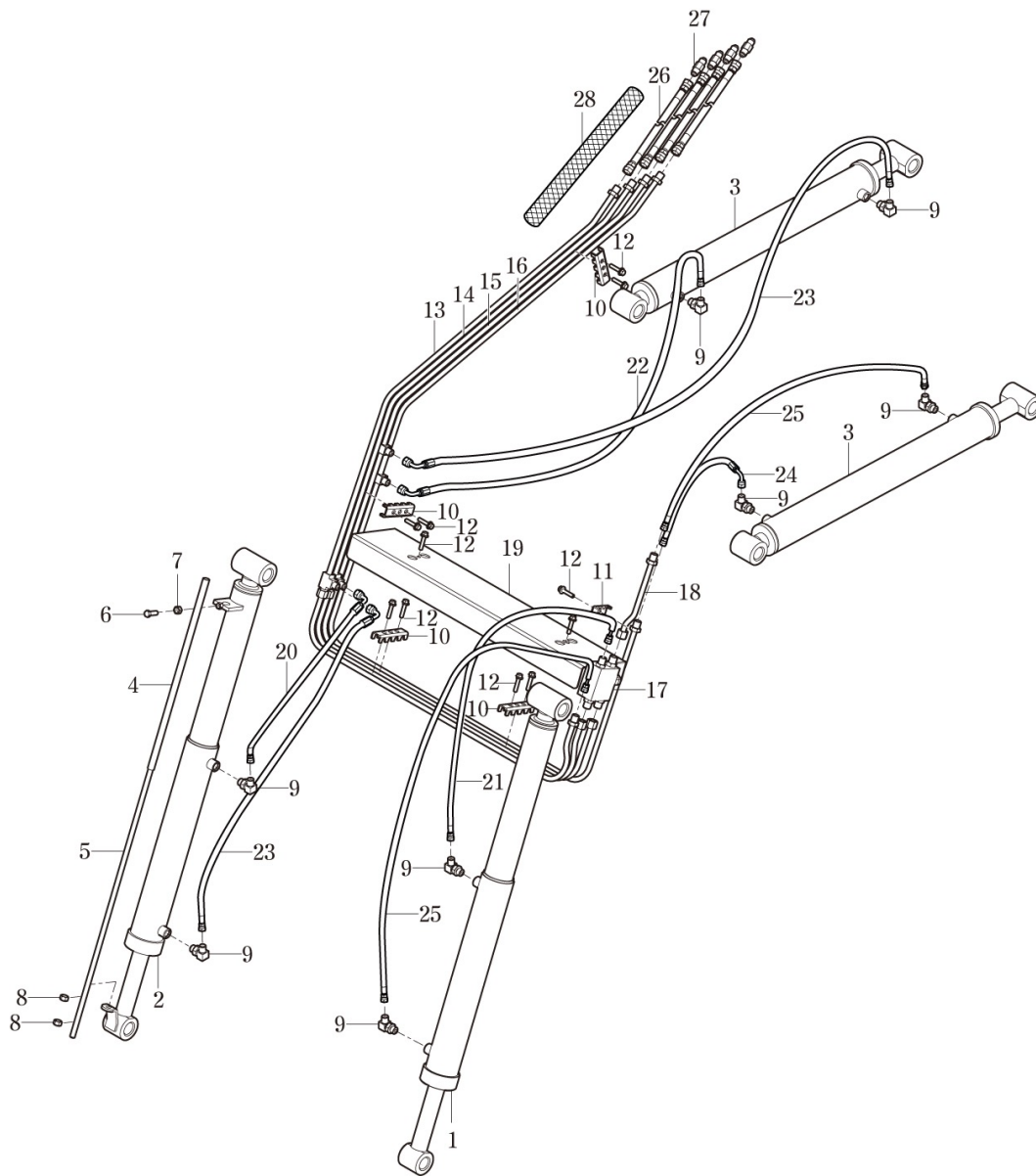
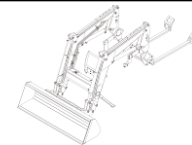


FIG 008-2

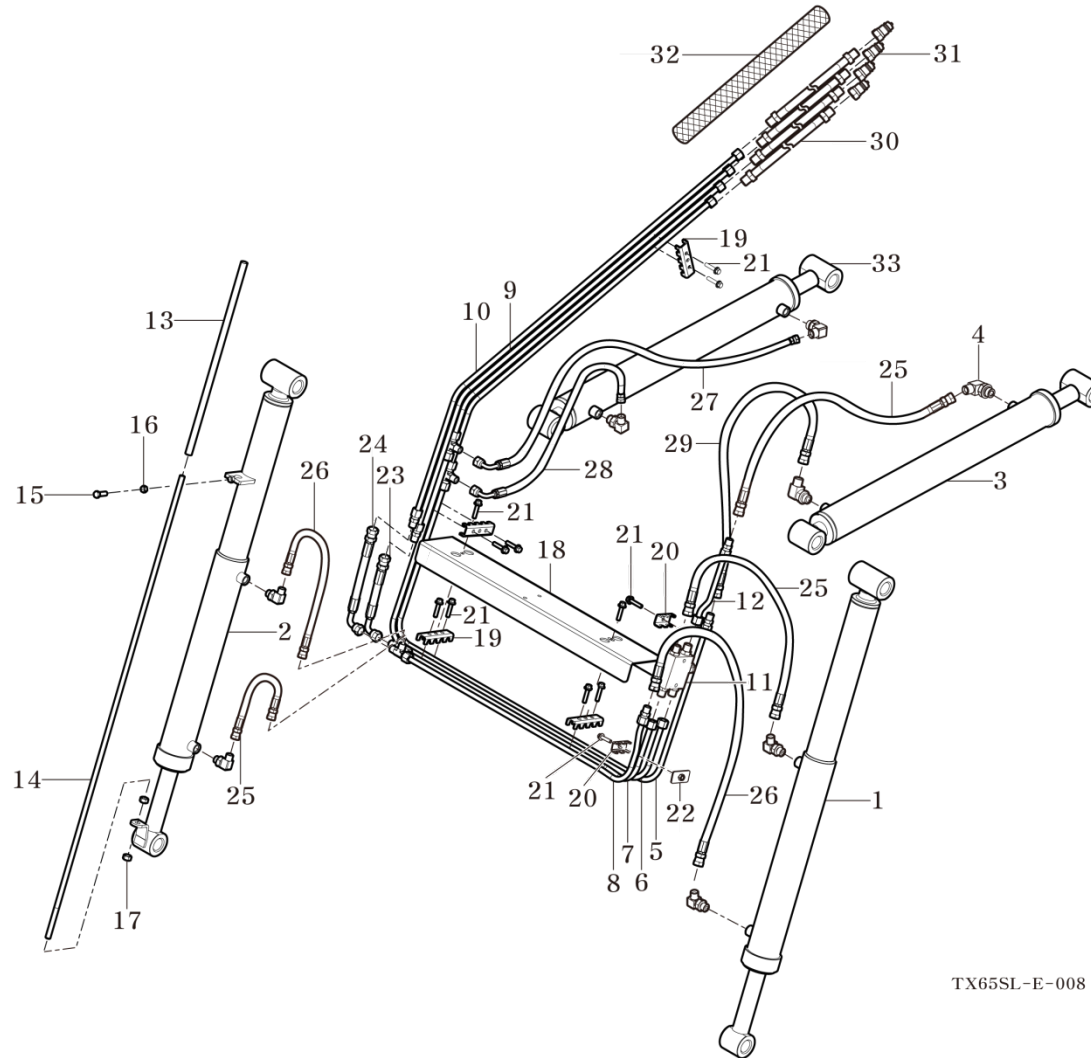
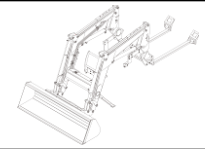
TX65SL

HYDRAULIC PIPING ASSEMBLY (3rd Function type)


P1

Year / Month

2019 / 10



TX65SL-E-008

FIG 008-2		HYDRAULIC PIPING ASSEMBLY (3rd Function type)			P1	Year/Month 2019/10	
KEY NO.	PART NO.	DESCRIPTION	SPEC.	QTY.	EFFECTIVE DATE	REMARKS	
008 001	86403000162GB	CYLINDER ASSY , BUCKET LH		1			
008 002	86403000231GB	CYLINDER ASSY , BUCKET RH		1			
008 003	86403000262GB	CYLINDER ASSY , BOOM LH		2			
008 004	36313530021	ADAPTER		8			
008 005	86803008000	PIPE ASSY , BOOM UP		1			
008 006	86803007000	PIPE ASSY , BOOM DOWN		1			
008 007	84703008200	PIPE ASSY , C		1			
008 008	86603007200	PIPE ASSY , F		1			
008 009	86903006100	PIPE A ASSY , UPPER		1			
008 010	86903005100	PIPE B ASSY , UPPER		1			
008 011	86603000702	VALVE ASSY , RELIEF		1			
008 012	86703006001	PIPE ASSY , G		1			
008 013	86603000301	GUIDE , BUCKET	Ø15.9X1.6	1			
008 014	86603000291	STUD , BUCKET	D12	1			
008 015	V2013610030	BOLT , HEX	M10X30	1			
008 016	V3043600100	NUT , HEX	M10	1			
008 017	V3043600120	NUT , HEX	M12	2			
008 018	84603009600SR	COVER , PIPE		1			
008 019	86502000060	BRACKET B	3.2T	4			
008 020	86502000070	BRACKET C	3.2T	2			
008 021	V2183608040	BOLT , HEX(SP)	M8X40	12			

HYDRAULIC PIPING ASSEMBLY (3rd Function type)

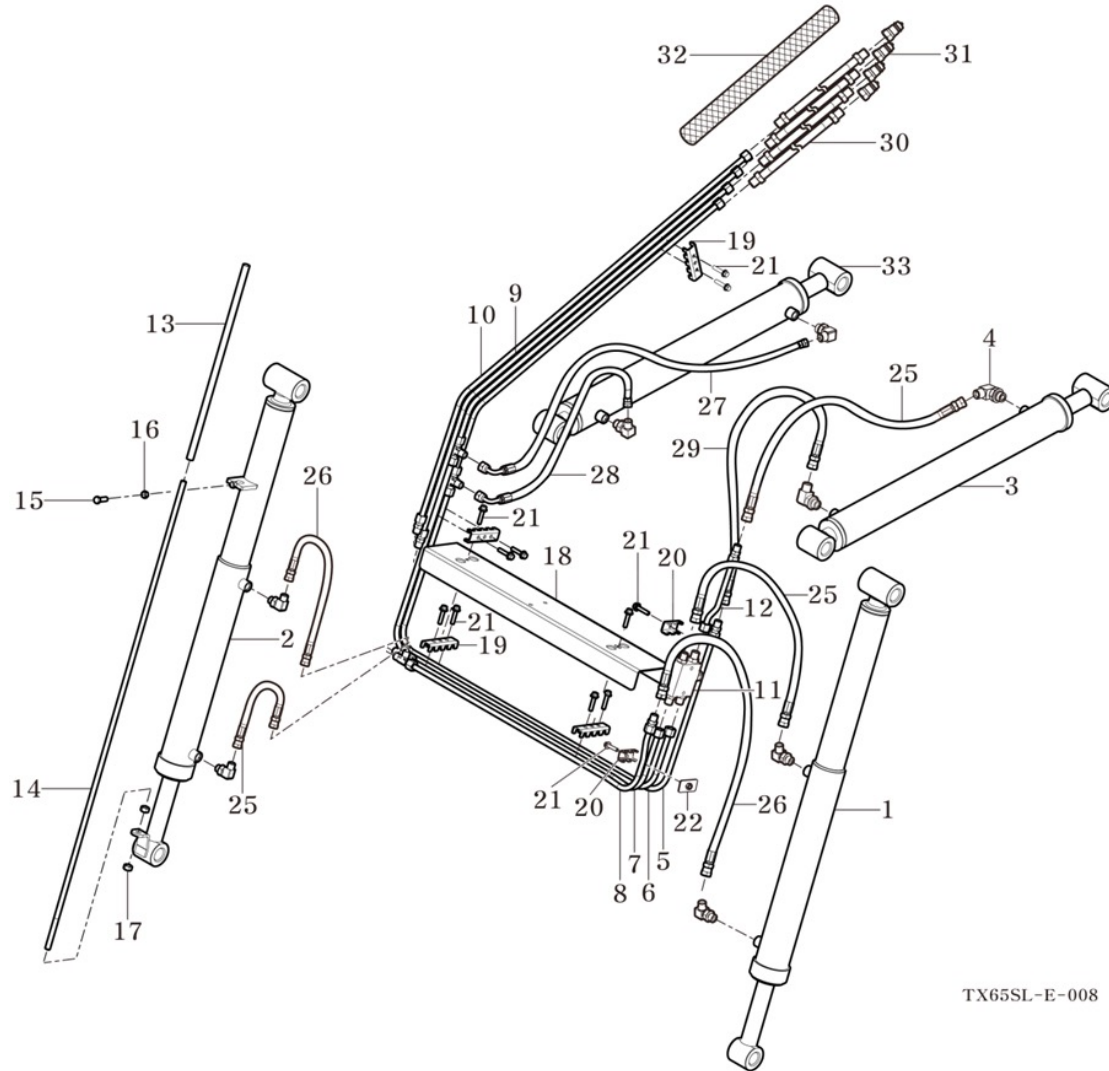
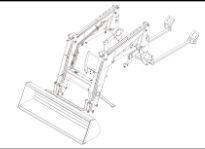


FIG 009

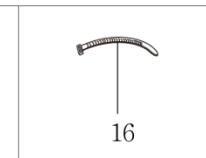
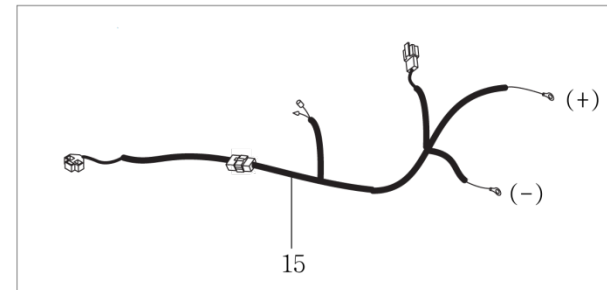
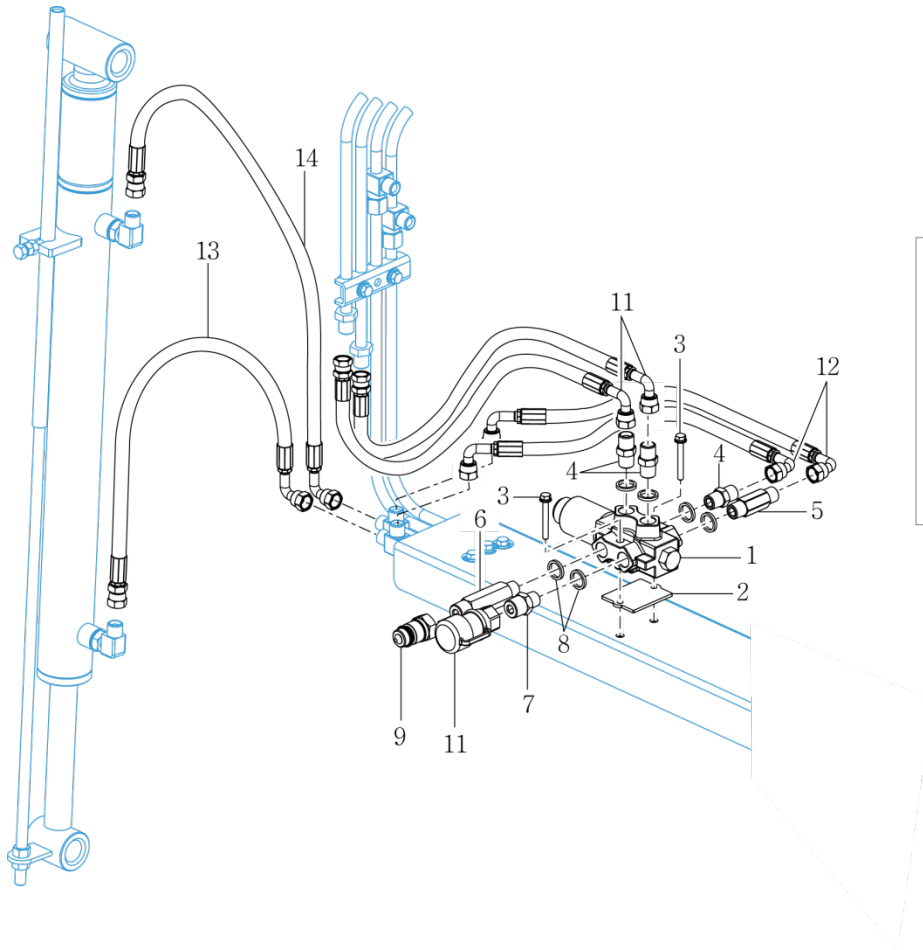
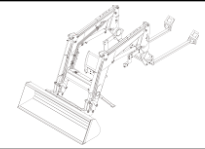
TX65SL

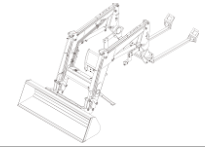
3rd FUNTION KIT

P1

Year / Month

2019 / 10





TM TX65

TX65 TM

TM CE

MODEL NO. _____

SERIAL NO. _____

THE TM GROUP CO., LTD.

TM

MODEL NO. _____

SERIAL NO. _____

THE TM GROUP CO., LTD.

WARNING

1. Add recommended rear wheel ballast and/or rear counter-weight for stability.
2. Move wheels to the widest recommended setting for increasing stability.
3. Move and turn tractor at low speeds.
4. In transport, carry the load lower.
5. Lower loader to the ground when parking.
6. Before servicing or adjusting equipment.
 - Lower the loader to the ground.
 - Shut off the engine.
7. Relieve hydraulic pressure before disconnecting oil lines.
8. Observe safety recommendation in Loader Operation Manual. 8540-500-008-1

WARNING

Crushing Hazard
Stay away from under lift arms and bucket!

1. Do not stand or work under a raised loader.
2. Support bucket and lift arms before working under the loader.
3. Lower the loader to the ground before leaving seat.

8540-500-004-1

WARNING

1. Read the operator's manual for complete operating instructions and safety.
2. Be sure that anyone operating the loader should be aware of safe operating practices and potential hazard.
3. Operate the loader from the operator's seat only.
4. Do not lift or carry anyone on the loader or work from bucket or attachment.
5. Do not work under the raised loader, bucket or attachment if it is not securely supported.
6. Avoid loose fill, rocks and holes; these can be dangerous for loader operation or movement.
7. Use extra caution when working on steep hills.
8. Avoid overhead power lines or obstacles when loader is raised.

8540-500-005-1

WARNING

NEVER USE FRONT END LOADER FOR TOWING OPERATIONS.

8540-500-002-1

DANGER

INSTALL SAFETY PROP BEFORE WORKING UNDER RAISED STRUCTURE

8540-500-009-1

TX65SL-E-010

