

T194NH

Parts Catalog

목 차

0. 트랙터 KIT PART NO. TK1

FIG 001 ADAPTER KIT	6
FIG 001 VALVE KIT, AUX	8

1. 엔진 PART NO. EG

FIG 100 ENGINE	11
FIG 101 CYLINDER BLOCK	13
FIG 102 GEAR HOUSING	15
FIG 103 MOUNTING FLANGE & OIL SUMP	17
FIG 104 CYLINDER HEAD & BONNET	19
FIG 106 CAMSHAFT & DRIVING GEAR	22
FIG 107 CRANKSHAFT & PISTON	24
FIG 108 LUB OIL SYSTEM	26
FIG 109 COOLING WATER SYSTEM	28
FIG 110 FUEL INJECTION PUMP	30
FIG 111 GOVERNOR	32
FIG 112 FUEL INJECTION VALVE	34
FIG 113 FUEL PIPE	36
FIG 114 STARTING MOTOR	38
FIG 115 GENERATOR	40
FIG 116 ACCESSORY	42
FIG 117 GASKET SET	44

2. 엔진보기품 PART NO. T2

FIG 201 AIR CLEANER	47
FIG 202 RADIATOR	49
FIG 203 MUFFLER	51
FIG 204 FUEL TANK & FUEL LINE	53
FIG 205 ACCELERATOR	55
FIG 206 FUEL FILTER	57

FIG 207 ENGINE MOUNTING	59
3. 클러치/브레이크/스티어링 PART NO. T3	
FIG 302 BRAKE PEDAL & LINKAGE	62
FIG 303 SPEED CONTROL	64
FIG 304 DASH COVER	66
FIG 305 STEERING VALVE	68
FIG 306 STEERING CYLINDER	70
FIG 307 TIRE	72
4. 트랜스미션 PART NO. T4	
FIG 401 INPUT SHAFT	75
FIG 402 HST	77
FIG 403 PTO CLUTCH SUB& RANGE GEAR SUB	79
FIG 404 SPIRAL BEVEL PINION & 4WD SHAFT SUB	81
FIG 405 INPUT METAL	83
FIG 406 P T O COUNT SHAFT SUB & REAR P.T.O SUB	85
FIG 407 MID P T O IDLE GEAR & MID P T O SUB	87
FIG 408 DIFF LOCK	89
FIG 409 REAR TRANSMISSION CASE	91
FIG 410 REAR AXLE HOUSING	93
FIG 411 RANGE SHIFT LEVER	95
FIG 412 P T O CHANGE LEVER	97
FIG 413 GEAR PUMP & PUMP IDLE GEAR SUB	99
5. 프론트 액슬 PART NO. T5	
FIG 501 FRONT DRIVE SHAFT	102
FIG 502 FRONT DIFFERENTIAL GEAR	104
FIG 503 FRONT AXLE HOUSING	106
FIG 504 FRONT GEAR CASE (1)	108
FIG 505 FRONT GEAR CASE (2)	110
6. 유압/3점링크 PART NO. T6	
FIG 601 CYLINDER CASE	113

FIG 602 LIFT ARM	115
FIG 603 FLOW CONTROL VALVE	117
FIG 604 MAIN CONTROL VALVE	119
FIG 605 HYDRAULIC SUB	121
FIG 606 HITCH & 3-POINT LINKAGE	123
FIG 607 MID MOWER	125

7. 시트메탈/캐빈 PART NO. T7

FIG 701 BONNET	128
FIG 702 FLOOR	130
FIG 703 SEAT	132
FIG 704 ROPS	134
FIG 705 LEVER COVER & FENDER	136
FIG 706 REARVIEW MIRRORS	138
FIG 707 FRONT GLASS	140
FIG 708 DOOR-LH	142
FIG 709 DOOR-RH	144
FIG 710 REAR GLASS	146
FIG 711 ROOF	148
FIG 712 WORKING LAMP & FENDER COVER	150
FIG 713 HEATER SUB	152
FIG 714 CABIN HARNESS	154
FIG 715 REAR WIPER KIT(OPTION)	156

8. 전장 PART NO. T8

FIG 801 BATTERY MOUNTING	159
FIG 802 INSTRUMENT PANEL	161
FIG 803 HARNESS(1)	163
FIG 804 HARNESS(2)	165

9. 라벨/옵션 PART NO. T9

FIG 901 TOOL & ACCESSORY	168
FIG 902 LABEL	170

0. 트랙터 KIT PART NO. TK1

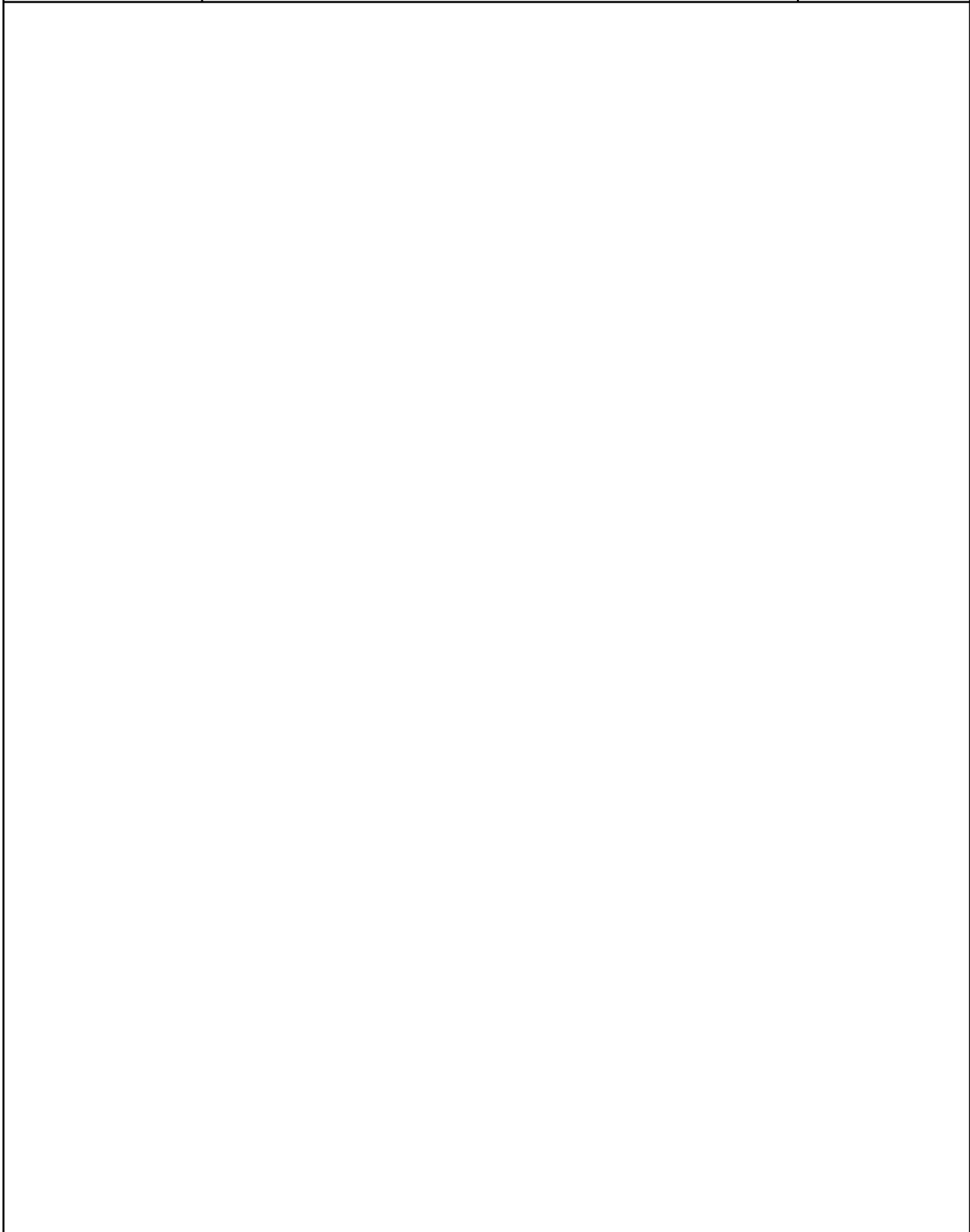
FIG 001 ADAPTER KIT

6

FIG 001 VALVE KIT, AUX

8

FIG 001 T194NH	ADAPTER KIT	년/월 Year/Month 2022-12
-------------------	-------------	------------------------------



NOTE	
------	--

FIG 001 T194NH	VALVE KIT, AUX	년/월 Year/Month 2022-12
-------------------	----------------	------------------------------

--	--

NOTE	
------	--

1. 엔진 PART NO. EG

FIG 100 ENGINE	11
FIG 101 CYLINDER BLOCK	13
FIG 102 GEAR HOUSING	15
FIG 103 MOUNTING FLANGE & OIL SUMP	17
FIG 104 CYLINDER HEAD & BONNET	19
FIG 106 CAMSHAFT & DRIVING GEAR	22
FIG 107 CRANKSHAFT & PISTON	24
FIG 108 LUB OIL SYSTEM	26
FIG 109 COOLING WATER SYSTEM	28
FIG 110 FUEL INJECTION PUMP	30
FIG 111 GOVERNOR	32
FIG 112 FUEL INJECTION VALVE	34
FIG 113 FUEL PIPE	36
FIG 114 STARTING MOTOR	38
FIG 115 GENERATOR	40
FIG 116 ACCESSORY	42
FIG 117 GASKET SET	44

FIG 100 T194NH	ENGINE	년/월 Year/Month 2022-12
-------------------	--------	------------------------------

INDUSTRIAL ENGINE
3TNV74F-NDKTF2

1

NOTE	
------	--

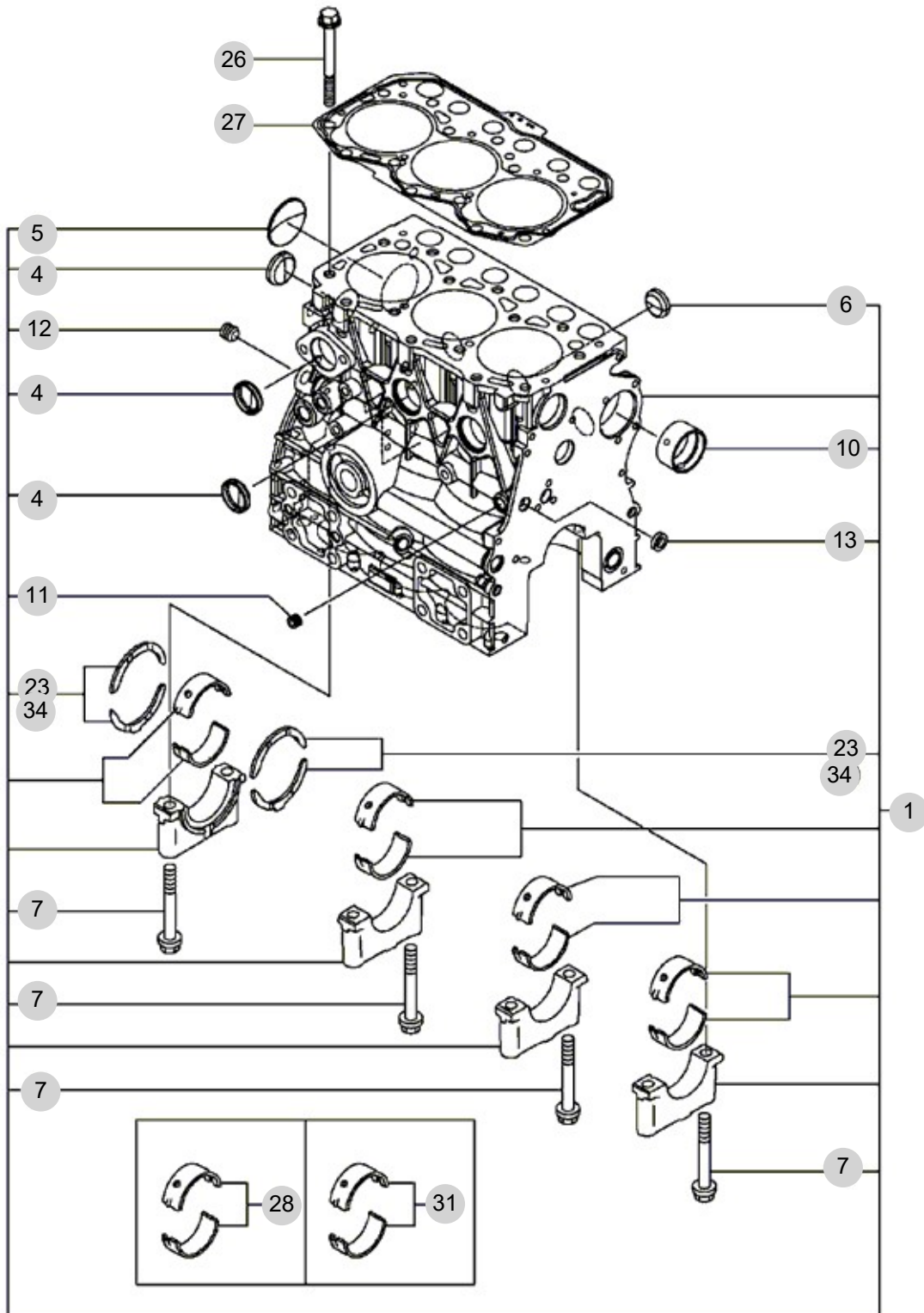
FIG 101

CYLINDER BLOCK

년/월
Year/Month

2022-12

T194NH



NOTE

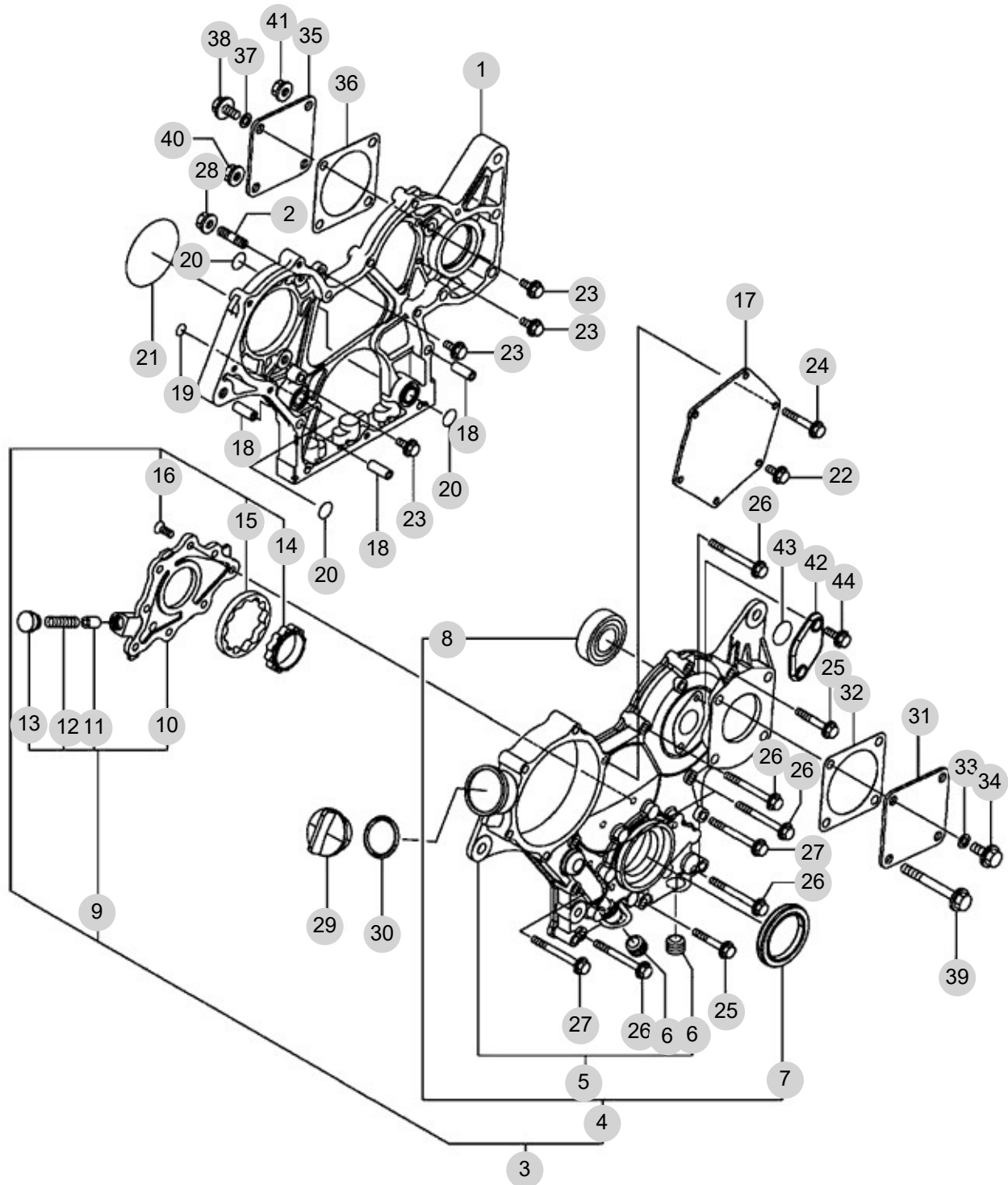
FIG 102

GEAR HOUSING

년/월
Year/Month

2022-12

T194NH



NOTE

FIG 102		GEAR HOUSING					년/월 Year/Month		
							2022-12		
T194NH		KEY NO	PART NO	DESCRIPTION	SPEC	QTY	REPAIR	EFFECTIVE DATE	REMARKS
102	1	119740-01501	CASE, GEAR			1			
102	2	119717-01570	STUD			3			
102	3	119751-01590	COVER ASSY, CASE			1			
102	4	719751-01500	COVER ASSY, CASE			1			
102	5	119751-01521	COVER, GEAR CASE			1			
102	6	23876-030000	PLUG, R03			2			
102	7	119717-01800	SEAL, OIL			1			
102	8	24101-062024	깊은홈 볼베어링			1			
102	9	119717-32100	COVER ASSY, PUMP			1			
102	10	119717-32080	COVER, OIL PUMP			1			
102	11	129900-32130	VALVE, RELIEF			1			
102	12	129001-32320	SPRING			1			
102	13	129001-32330	PLUG			1			
102	14	119717-32110	ROTOR, INNER			1			
102	15	119717-32120	ROTOR, OUTER			1			
102	16	119802-32130	SCREW, M6X16			8			
102	17	119717-01750	COVER, PUMP			1			
102	18	119660-01911	PIPE, KNOCK 6X17			4			
102	19	119624-32040	O-RING, P12.0			1			
102	20	119717-32050	O-RING, P17.0			3			
102	21	121850-51960	O-RING, FUEL PUMP			1			
102	22	26106-060122	BOLT, M6X 12 PLATED			1			
102	23	26106-060162	BOLT, M6X 16 PLATED			4			
102	24	26106-060402	BOLT, M6X 40 PLATED			4			
102	25	26106-060402	BOLT, M6X 40 PLATED			2			
102	26	26106-060602	BOLT, M6X 60 PLATED			7			
102	27	26106-060652	BOLT, M6X 65 PLATED			2			
102	28	26306-080002	NUT, M8			3			
102	29	124160-01751	CAP, FILLER			1			
102	30	24311-000320	운동용O링			1			
102	31	124240-01871	COVER, HYDRAULIC PUMP			1			
102	32	129C26-01890	GASKET, PUMP			1			
102	33	22190-080002	WASHER, SEAL 8			1			
102	34	26106-080122	BOLT, M8X 12 PLATED			1			
102	35	124240-01871	COVER, HYDRAULIC PUMP			1			
102	36	129C26-01890	GASKET, PUMP			1			
102	37	22190-080002	WASHER, SEAL 8			1			
102	38	26106-080142	BOLT, M8X 14 PLATED			1			
102	39	26106-080702	BOLT, M8X 70 PLATED			3			
102	40	26306-080002	NUT, M8			1			
102	41	26306-080002	NUT, M8			2			
102	42	121023-01551	COVER, TACHOMETER			1			
102	43	24341-000240	O-RING, 1AS24.0			1			
102	44	26106-060162	BOLT, M6X 16 PLATED			2			
NOTE									

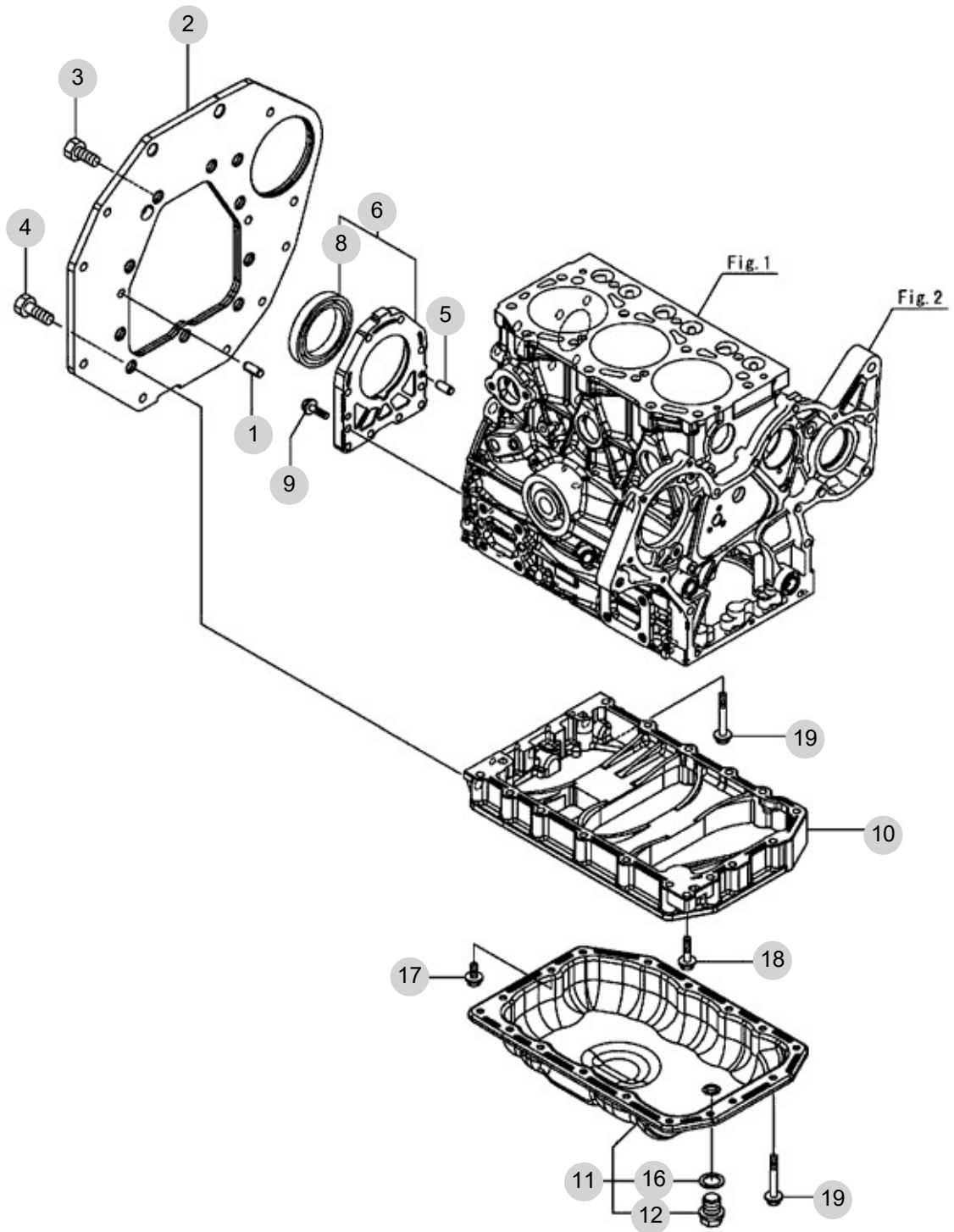
FIG 103

MOUNTING FLANGE & OIL SUMP

년/월
Year/Month

2022-12

T194NH



NOTE

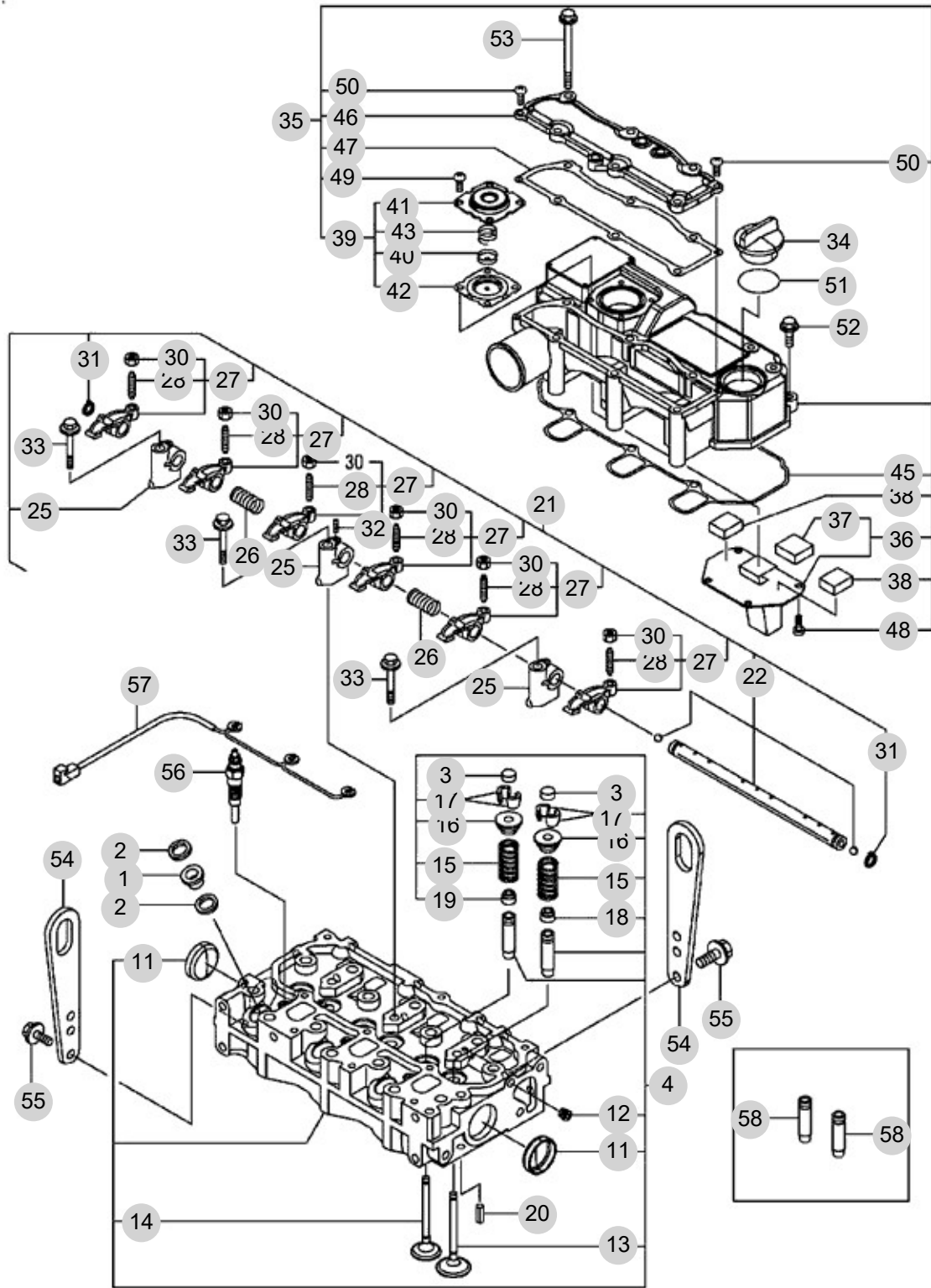
FIG 104

CYLINDER HEAD & BONNET

년/월
Year/Month

2022-12

T194NH



NOTE

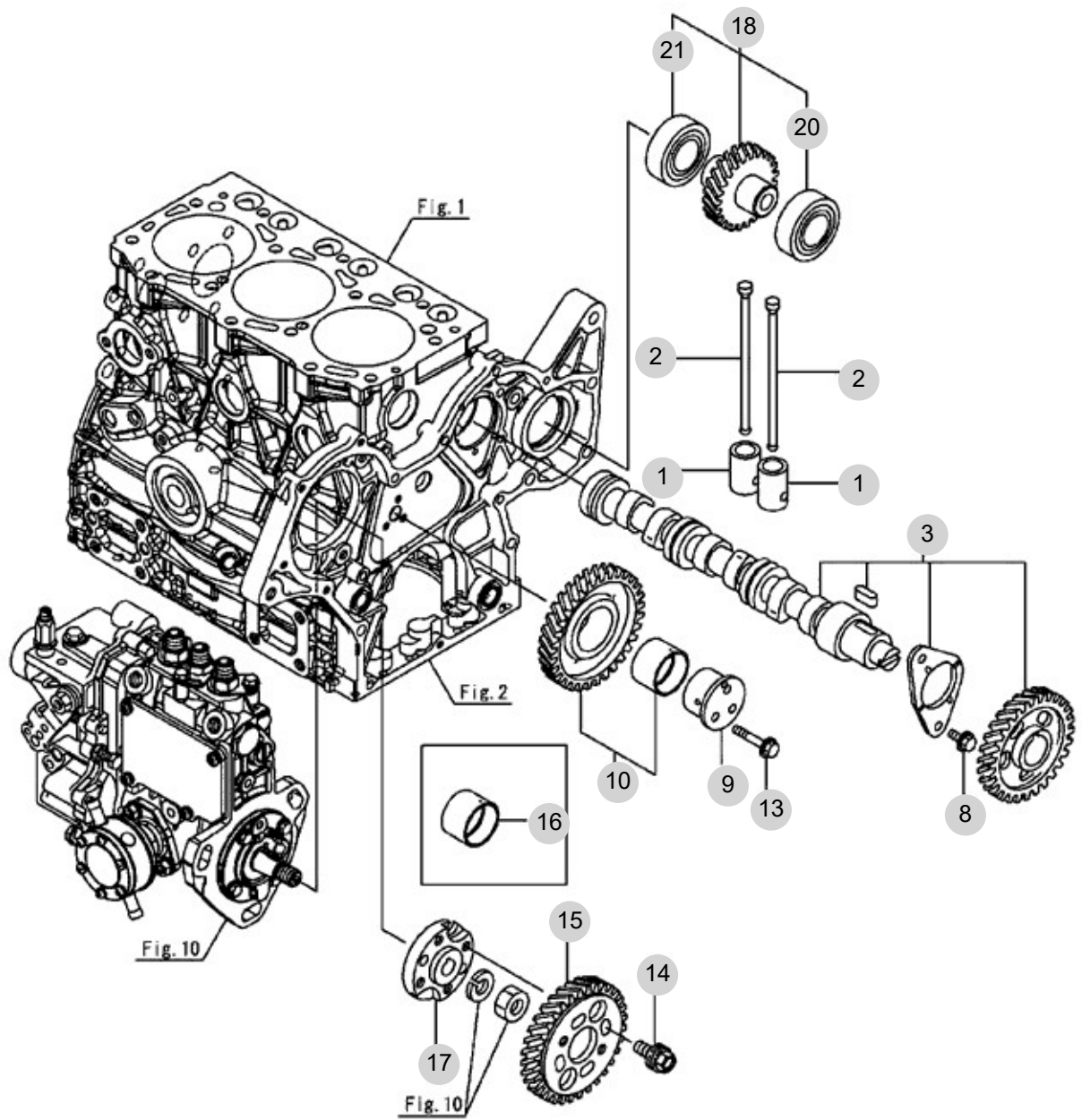
FIG 104		CYLINDER HEAD & BONNET					년/월 Year/Month		
							2022-12		
T194NH		KEY NO	PART NO	DESCRIPTION	SPEC	QTY	REPAIR	EFFECTIVE DATE	REMARKS
104	1	129901-11450	PROTECTOR, NOZZLE			3			
104	2	119600-11460	GASKET, NOZZLE			6			
104	3	105010-11490	CAP, VALVE			6			
104	4	119C10-11740	HEAD ASSY, CYLINDER			1			
104	11	119285-11990	PLUG, 35			2			
104	12	23876-005000	PLUG, R005			1			
104	13	119C10-11100	VALVE, INTAKE			3			
104	14	119C10-11110	VALVE, EXHAUST			3			
104	15	119717-11131	SPRING, VALVE			6			
104	16	129508-11180	RETAINER, SPRING			6			
104	17	119717-11190	COTTER, VALVE			12			
104	18	119717-11340	SEAL, VALVE STEM			3			
104	19	119717-11350	SEAL, VALVE STEM			3			
104	20	22351-060012	스프링핀			2			
104	21	119515-11200	SUPPORT ASSY, ROCKER			1			
104	22	119515-11240	SHAFT ASSY, ARM			1			
104	25	119717-11260	SUPPORT, ROCKER ARM			3			
104	26	119515-11280	SPRING, SHAFT			2			
104	27	119717-11650	ARM ASSY, ROCKER INT			6			
104	28	129150-11230	SCREW, VALVE ADJUST			6			
104	30	129150-11750	NUT, M8XP1.0 6			6			
104	31	22242-000120	RING, 12			2			
104	32	26979-050162	SCREW, M5X16			1			
104	33	26106-080402	BOLT, M8X 40 PLATED			3			
104	34	124160-01751	CAP, FILLER			1			
104	35	119515-11380	BONNET ASSY, HEAD			1			
104	36	119717-03031	PLATE, BAFFLE			1			
104	37	119717-03070	BAFFLE, BREATHER			1			
104	38	119717-03070	BAFFLE, BREATHER			2			
104	39	119802-03100	DIAPHRAGM ASSY			1			
104	40	119802-03110	PLATE, DIAPHRAGM			1			
104	41	119802-03121	COVER, DIAPHRAGM			1			
104	42	119802-03131	DIAPHRAGM, BREATHER			1			
104	43	119802-03141	SPRING, DIAPHRAGM			1			
104	45	119515-11310	GASKET, BONNET			1			
104	46	119515-11320	COVER, BONNET			1			
104	47	119515-11330	GASKET, BONNET COVER			1			
104	48	22857-500100	SCREW, 5X10			4			
104	49	22857-500100	SCREW, 5X10			4			
104	50	22857-500160	SCREW, 5X16			2			
104	51	24311-000320	운동용O링			1			
104	52	26106-060202	BOLT, M6X 20 PLATED			3			
104	53	26106-060752	BOLT, M6X 75 PLATED			6			
104	54	129900-07900	LIFTER, ENGINE			2			
104	55	26106-080162	육각플랜지볼트			4			
NOTE									

FIG 106

CAMSHAFT & DRIVING GEAR

년/월
Year/Month

2022-12



NOTE

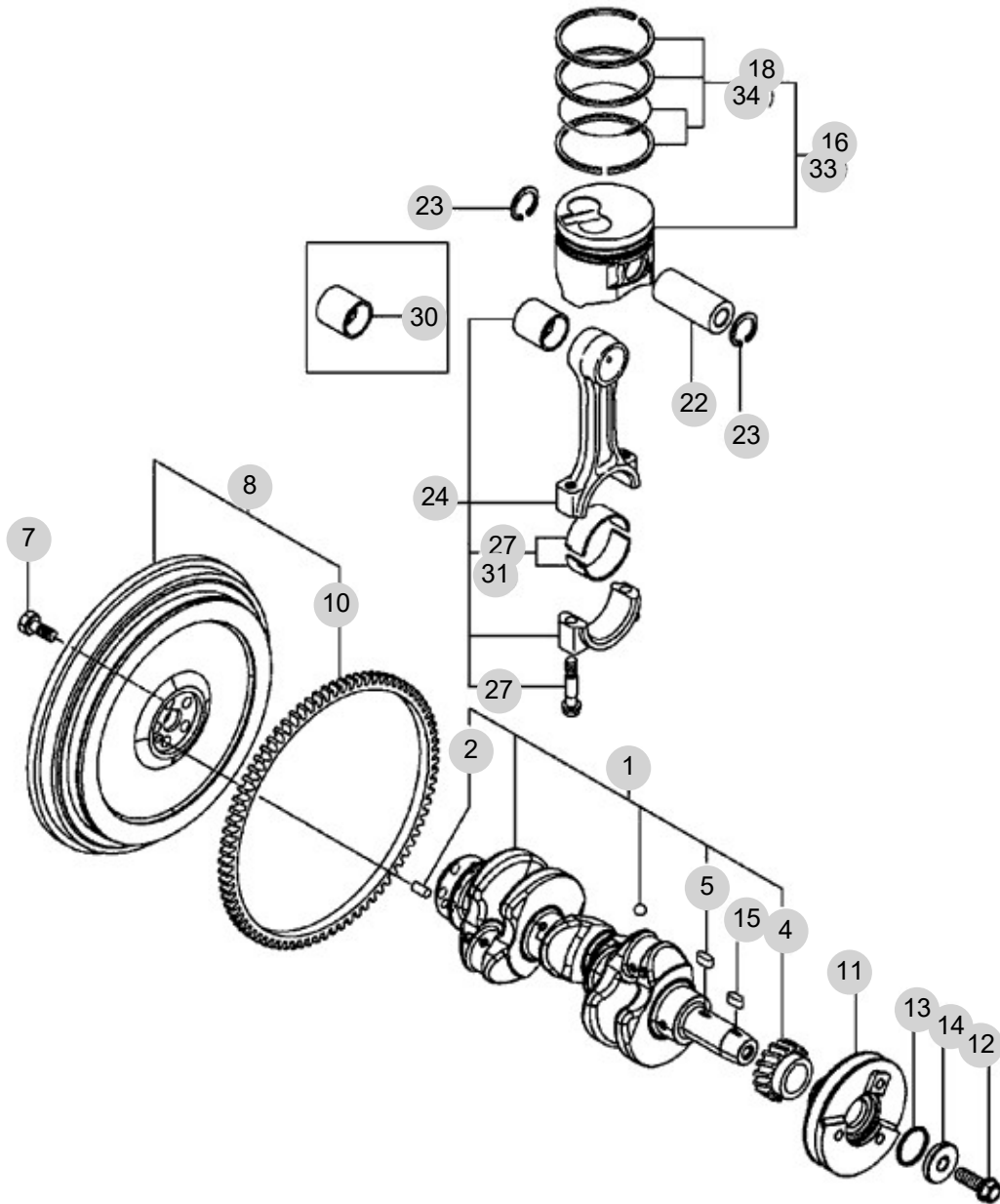
FIG 107

CRANKSHAFT & PISTON

년/월
Year/Month

2022-12

T194NH



NOTE

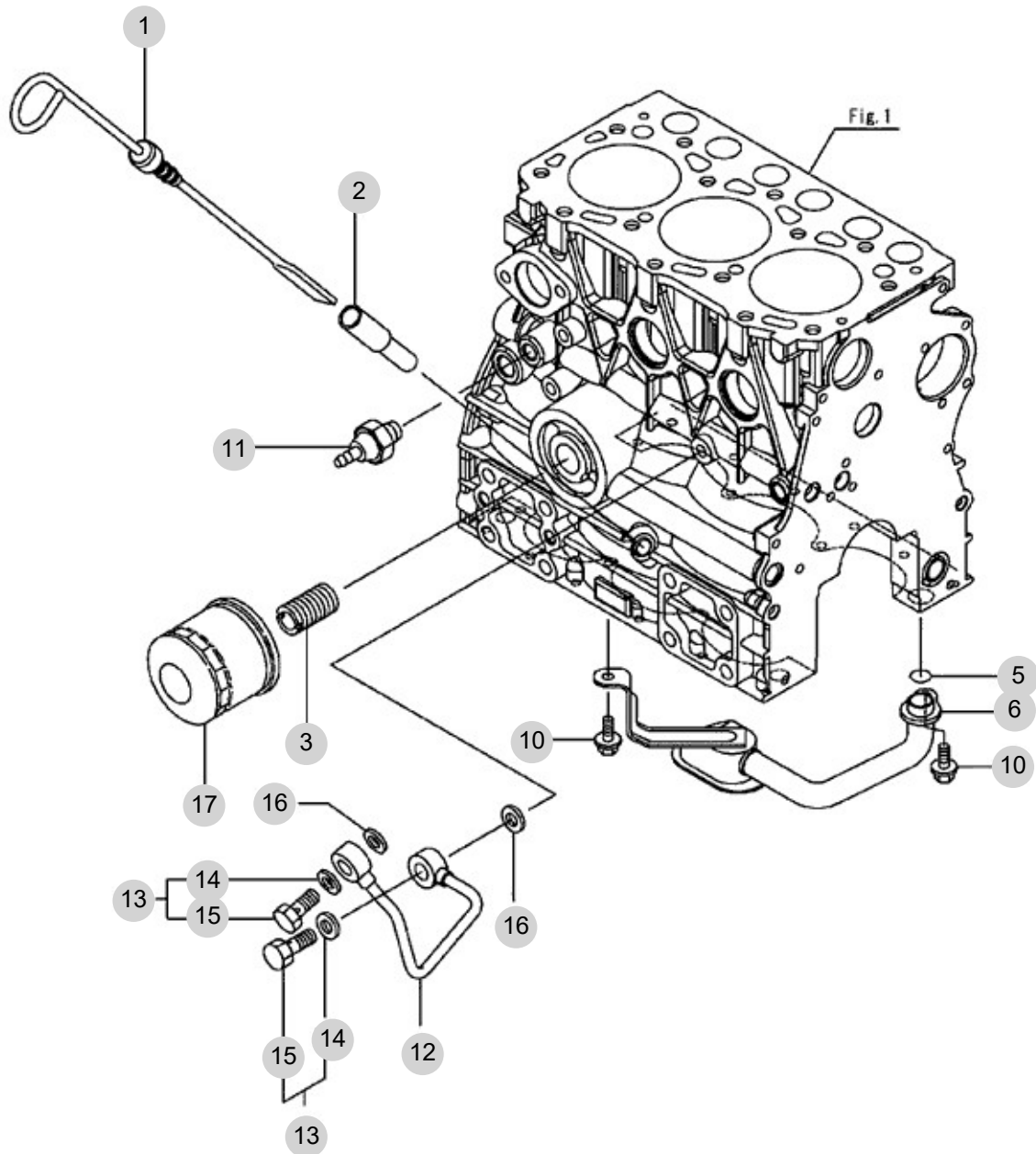
FIG 108

LUB OIL SYSTEM

년/월
Year/Month

2022-12

T194NH



NOTE

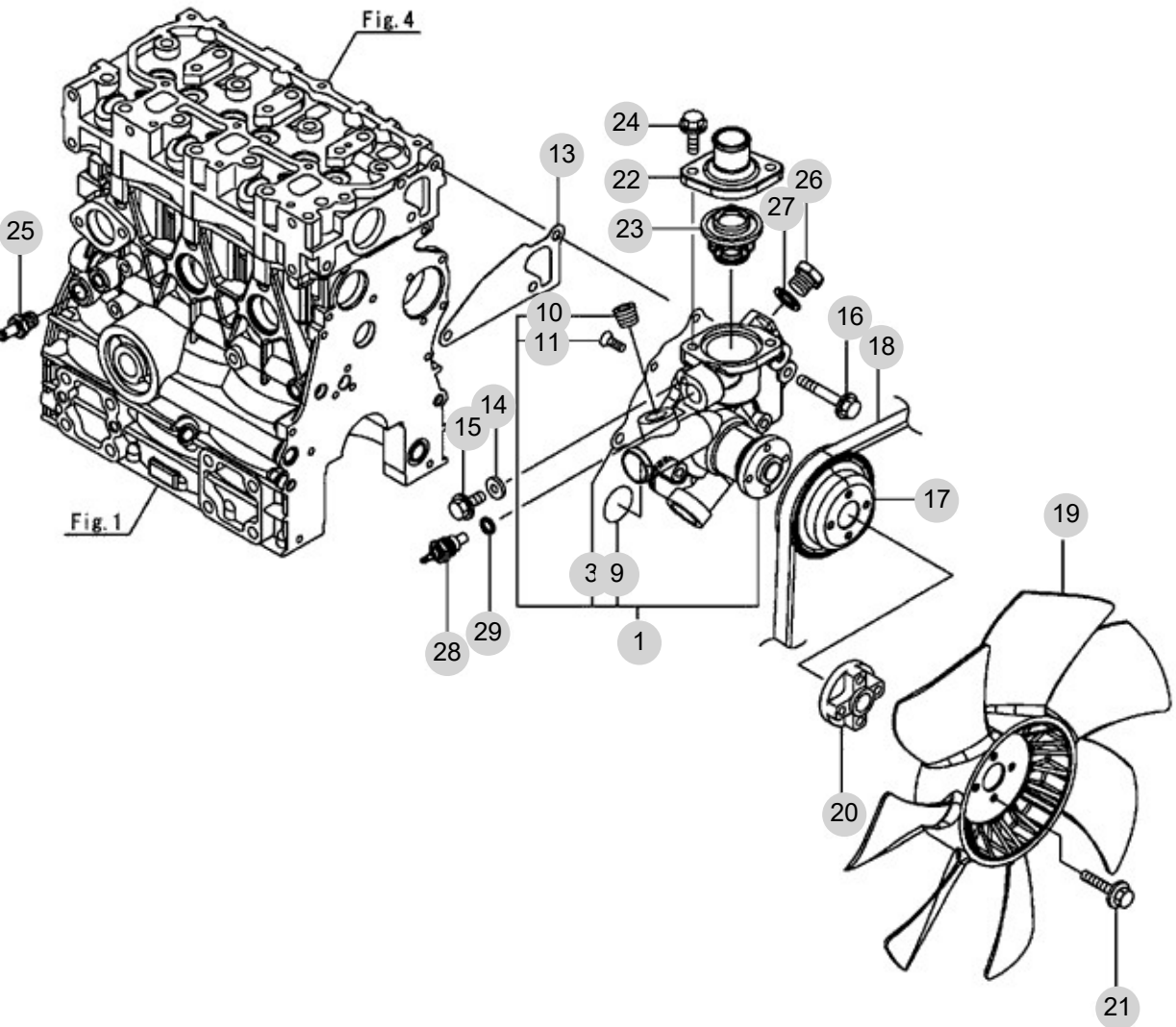
FIG 108 T194NH		LUB OIL SYSTEM						년/월 Year/Month
								2022-12
KEY NO	PART NO	DESCRIPTION	SPEC	QTY	REPAIR	EFFECTIVE DATE	REMARKS	
108	1	119517-34800	DIPSTICK, OIL			1		
108	2	121520-34810	GUIDE, DIPSTICK			1		
108	3	119717-35140	STUD			1		
108	5	119717-32060	O-RING, P15.0			1		
108	6	119534-35090	PIPE ASSY, OIL INLET			1		
108	10	26106-060102	BOLT, M6X 10 PLATED			2		
108	11	114250-39450	SWITCH, HYDRAULIC			1		
108	12	119717-39210	PIPE, PUMP			1		
108	13	129005-59830	BOLT ASSY, JOINT M8			2		
108	14	22190-080002	WASHER, SEAL 8			2		
108	15	23857-030000	BOLT, JOINT 3			2		
108	16	22190-080002	WASHER, SEAL 8			2		
108	17	119305-35151	FILTER ASSY, D68XL65			1		
NOTE								

FIG 109

COOLING WATER SYSTEM

년/월
Year/Month

2022-12



NOTE

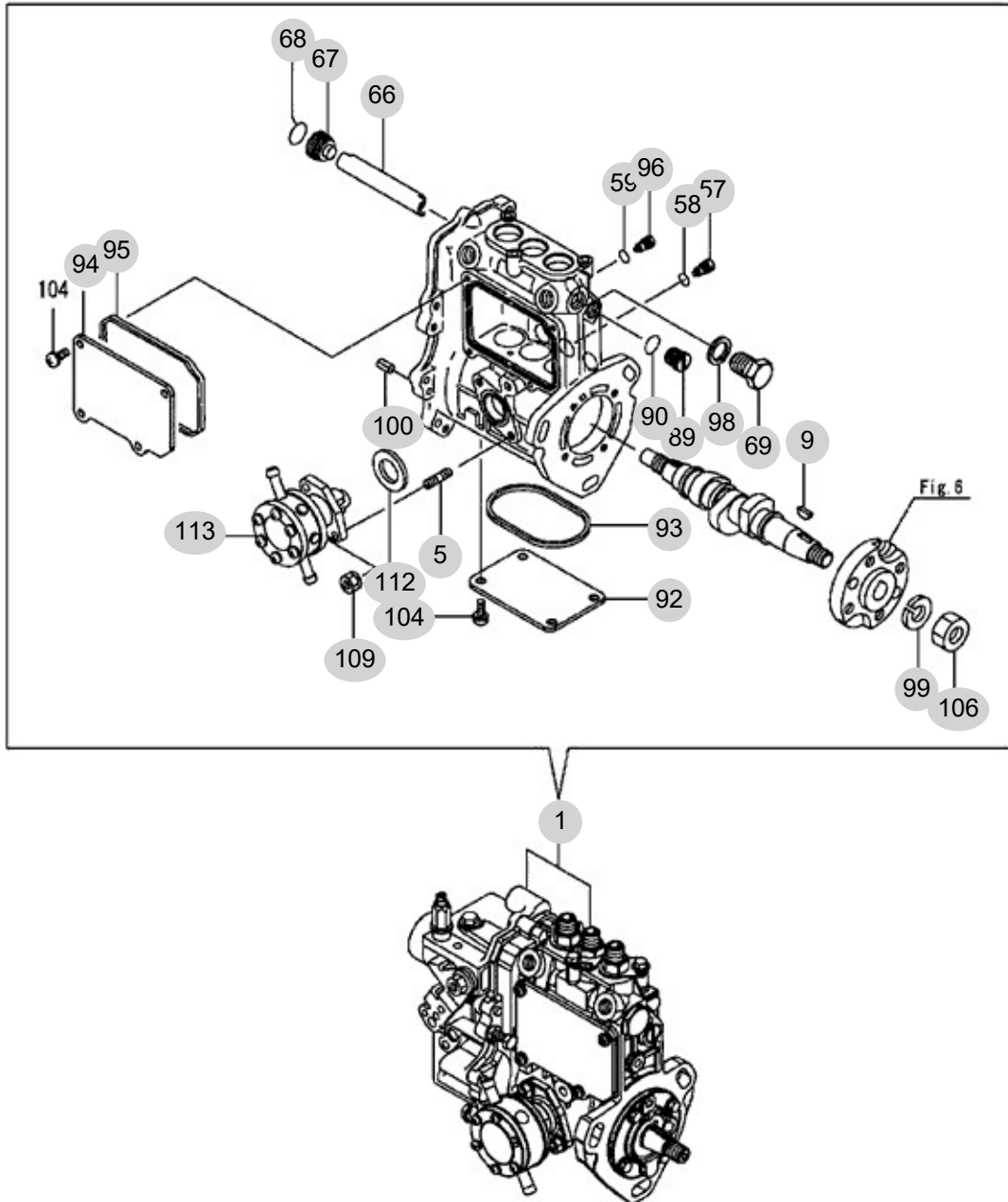
FIG 110

FUEL INJECTION PUMP

년/월
Year/Month

2022-12

T194NH



NOTE

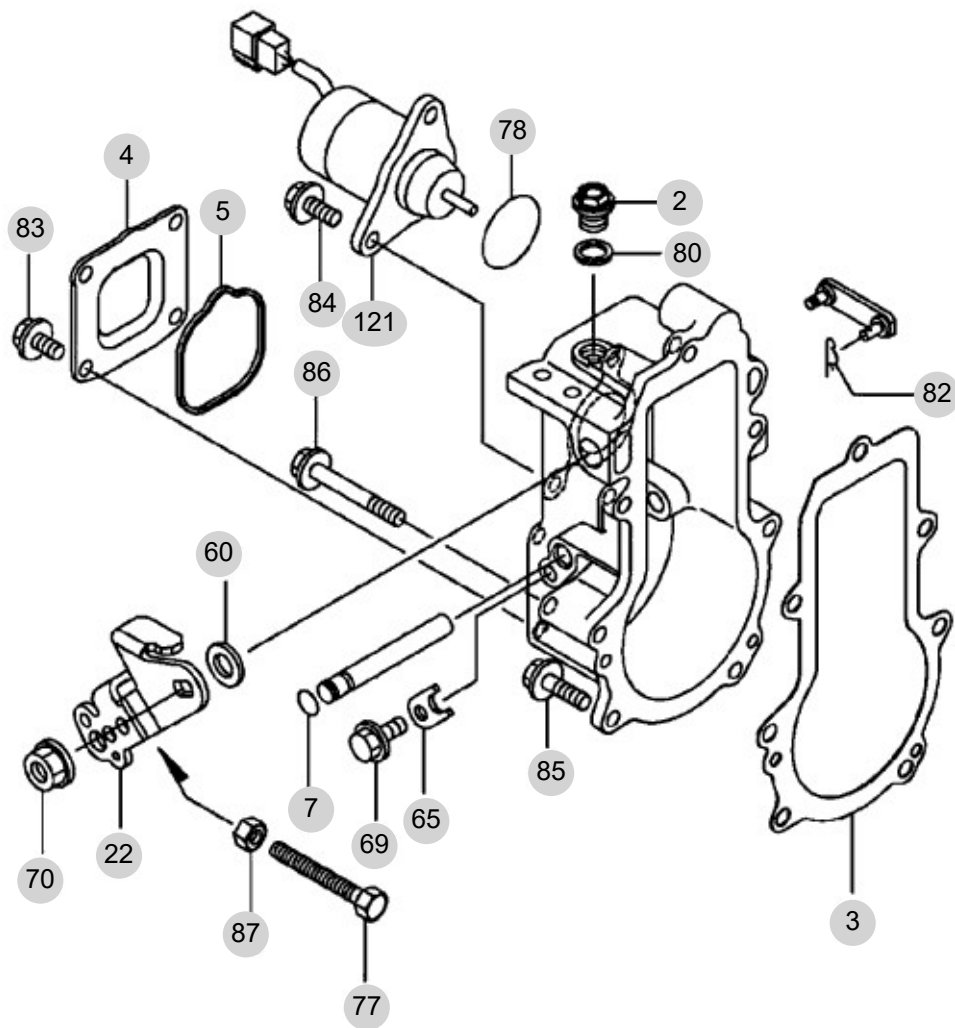
FIG 111

GOVERNOR

년/월
Year/Month

2022-12

T194NH



NOTE

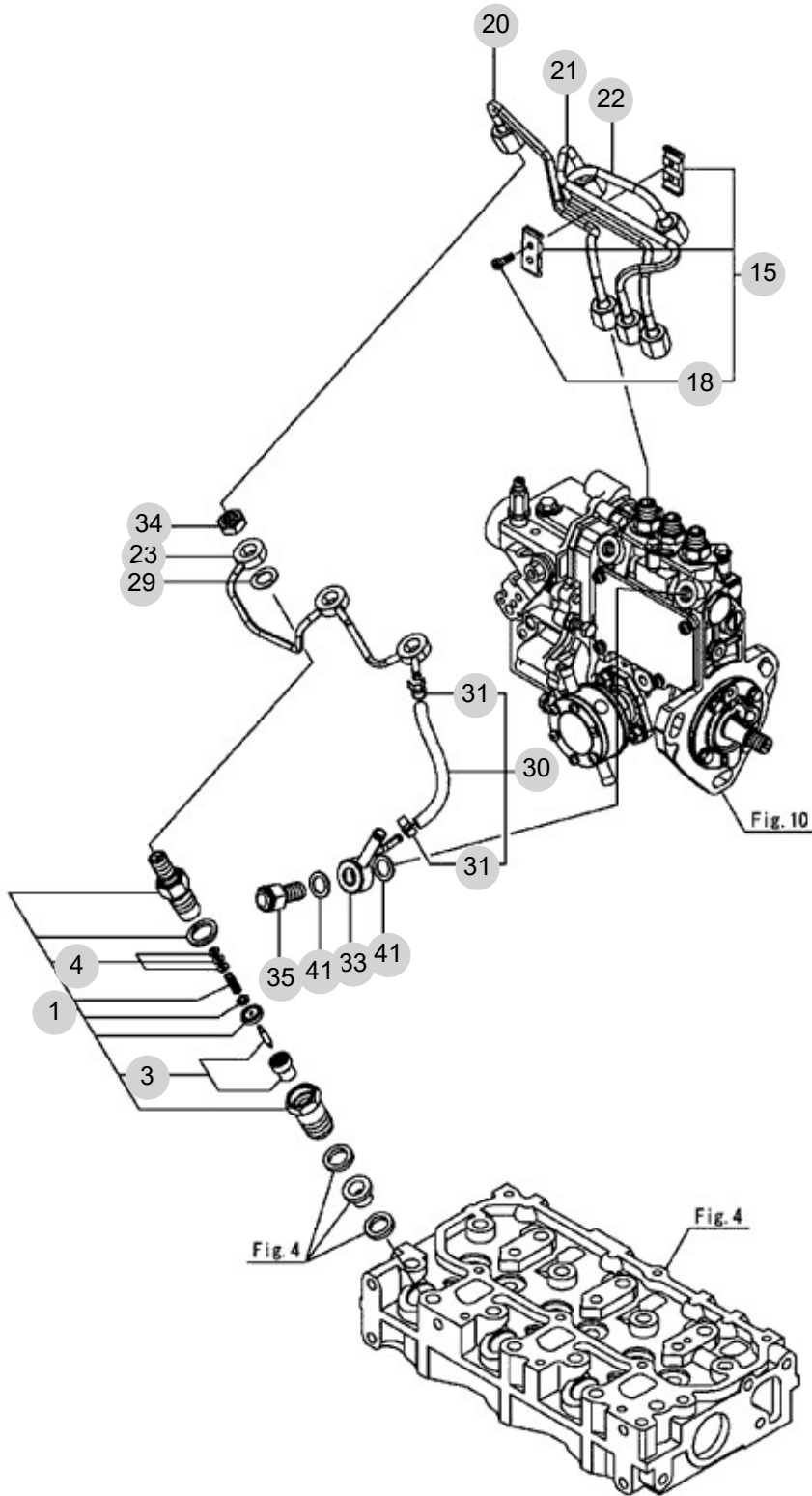
FIG 112

T194NH

FUEL INJECTION VALVE

년/월
Year/Month

2022-12



NOTE

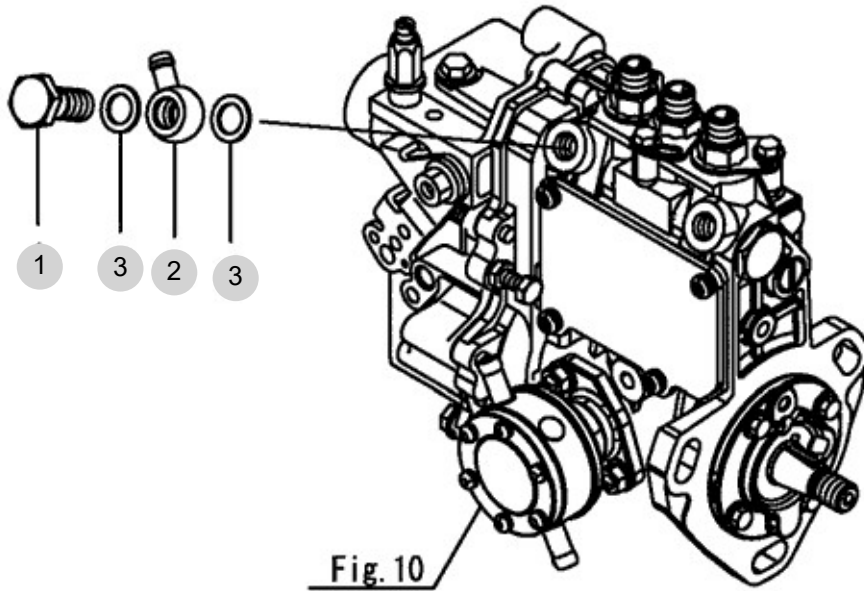
FIG 113

T194NH

FUEL PIPE

년/월
Year/Month

2022-12



NOTE

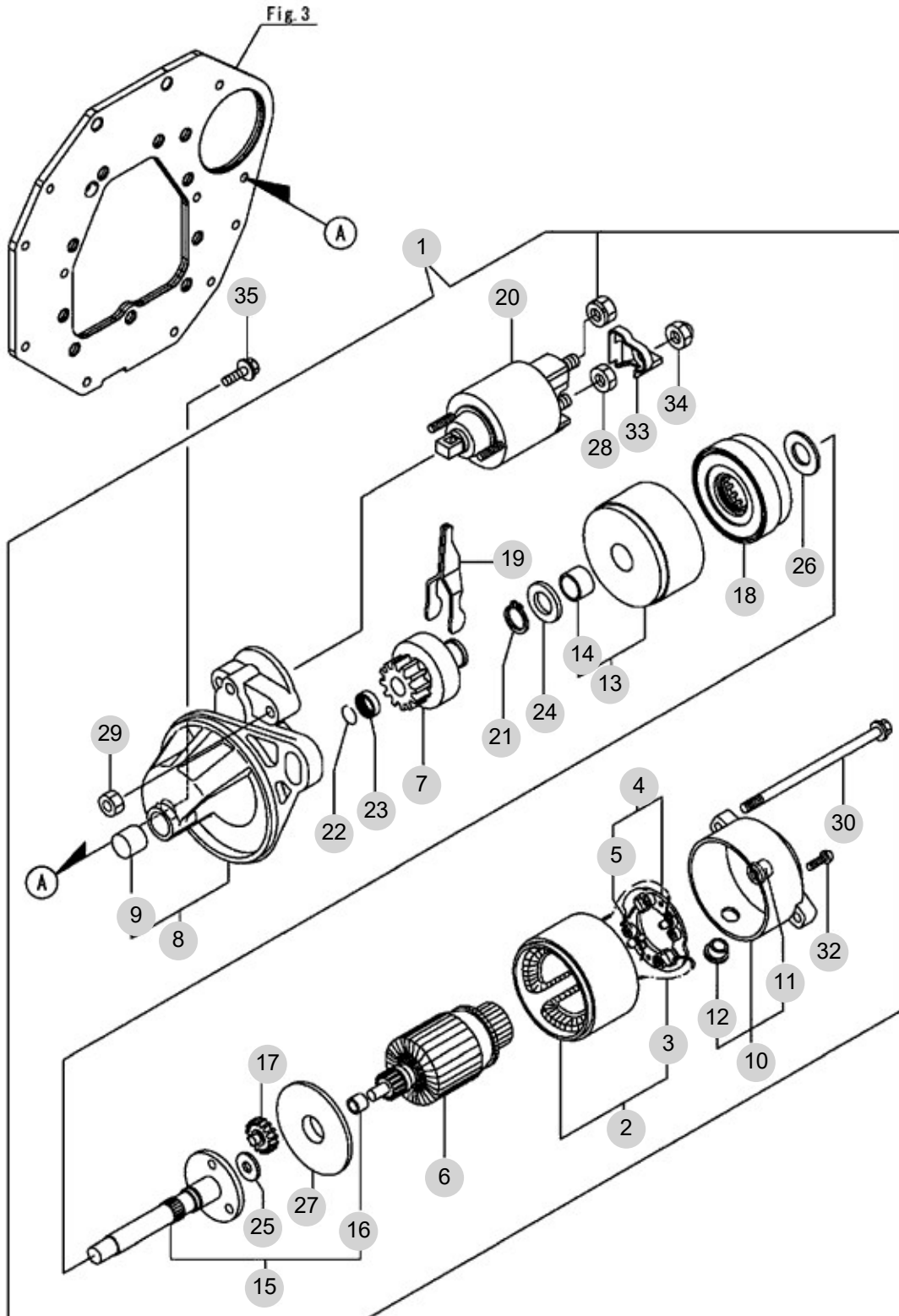
FIG 114

STARTING MOTOR

년/월
Year/Month

2022-12

T194NH



NOTE

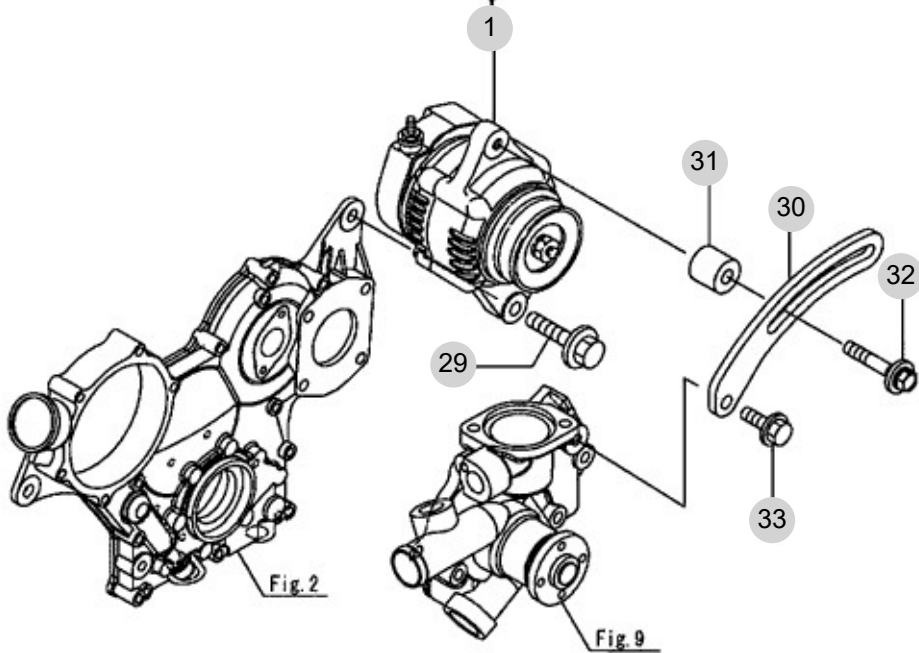
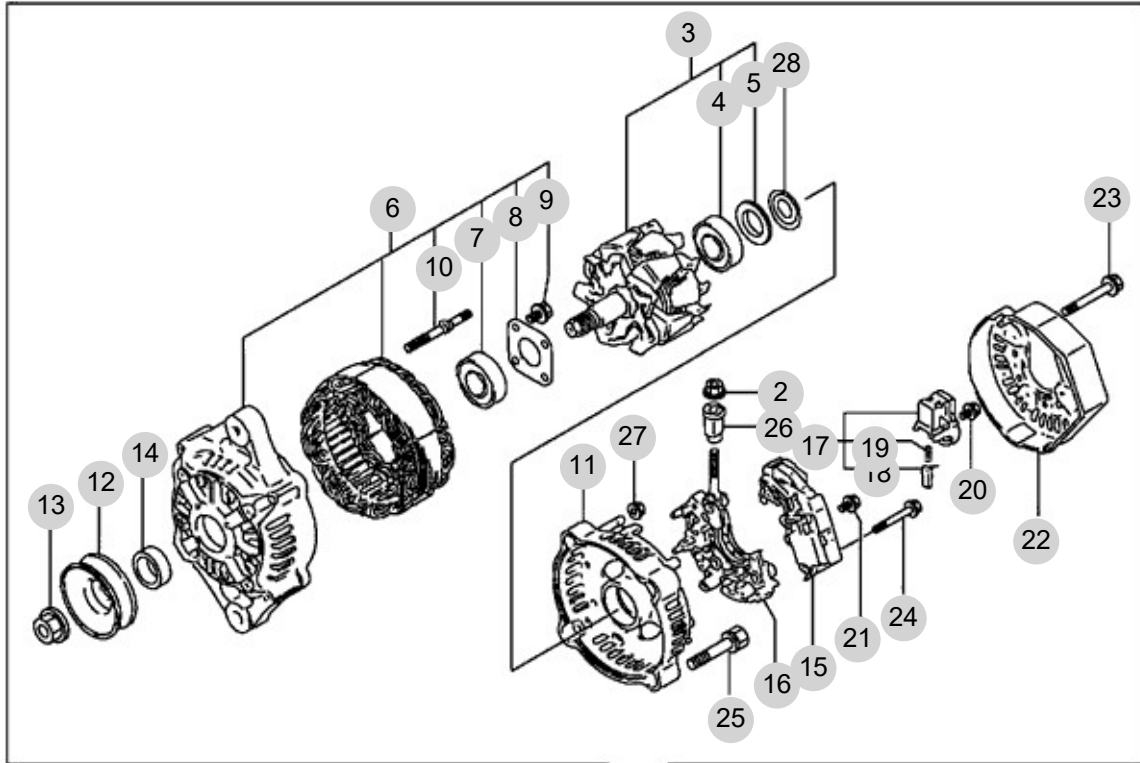
FIG 115

GENERATOR

년/월
Year/Month

2022-12

T194NH



NOTE

FIG 115 T194NH			GENERATOR					년/월 Year/Month	
								2022-12	
KEY NO	PART NO	DESCRIPTION	SPEC	QTY	REPAIR	EFFECTIVE DATE	REMARKS		
115	1	129423-77210	ALTERNATOR, 12V-40A		1				
115	2	X9490561001	NUT		1				
115	3	119620-77380	ROTOR ASSY		1				
115	4	123501-79240	BEARING, BALL		1				
115	5	119620-79250	COVER, BEARING		1				
115	6	119620-77421	FRAME ASSY, DRIVE		1				
115	7	119620-79200	BEARING, BALL		1				
115	8	119620-79210	PLATE, RETAINER		1				
115	9	119620-79220	SCREW		4				
115	10	119620-79230	STUD		2				
115	11	119620-77440	FRAME ASSY, REAR		1				
115	12	119620-77461	PULLEY, GENERATOR		1				
115	13	119620-77471	NUT		1				
115	14	119620-77490	COLLAR		1				
115	15	129423-77720	REGULATOR ASSY		1				
115	16	119620-79260	HOLDER ASSY		1				
115	17	129052-79270	HOLDER ASSY, BRUSH		1				
115	18	119620-77480	BRUSH ASSY, SUB		2				
115	19	119620-79280	SPRING		2				
115	20	119620-79290	SCREW		6				
115	21	119620-79300	SCREW		1				
115	22	129240-79300	COVER		1				
115	23	119620-79310	BOLT		3				
115	24	119620-79320	SCREW, W/WASHER		2				
115	25	119620-79330	BOLT		2				
115	26	119620-79340	BUSH, INSULATION		1				
115	27	119620-79350	NUT		2				
115	28	119620-79360	WASHER, THRUST		1				
115	29	26106-100452	BOLT, M10X 45 PLATED		1				
115	30	119515-77330	ADJUSTER, BELT		1				
115	31	124732-77340	SPACER, ADJUSTER		1				
115	32	129972-77341	BOLT, ADJUSTER L=50		1				
115	33	26106-080202	BOLT, M8X 20 PLATED	8X20	1				
NOTE									

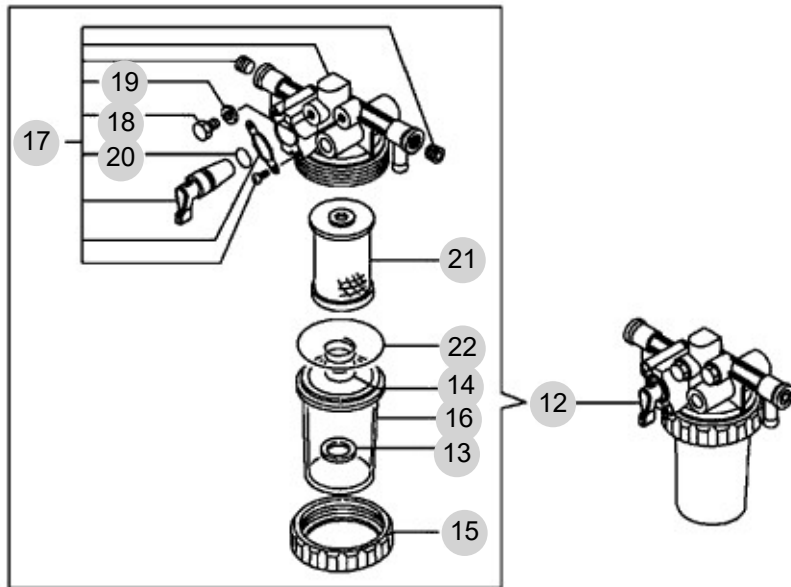
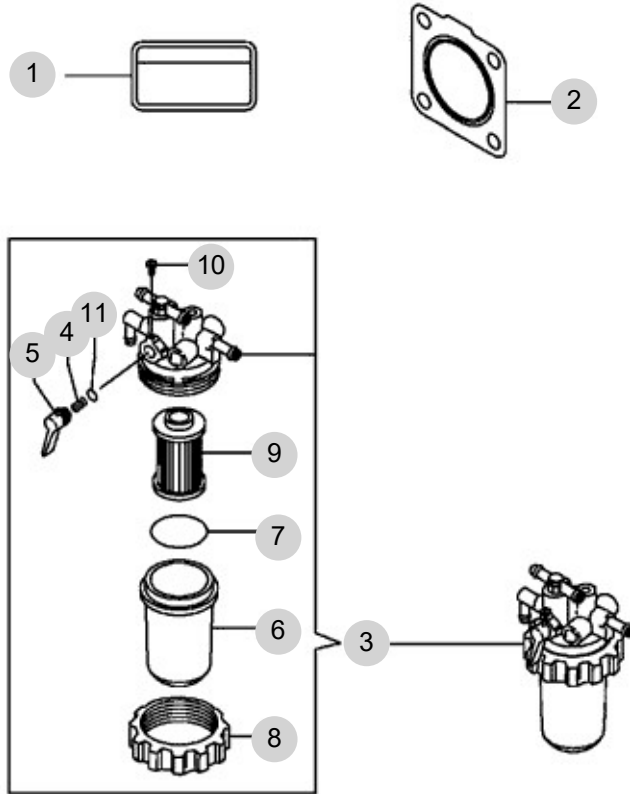
FIG 116

ACCESSORY

년/월
Year/Month

2022-12

T194NH



NOTE

FIG 116 T194NH	ACCESSORY	년/월 Year/Month
		2022-12

KEY NO	PART NO	DESCRIPTION	SPEC	QTY	REPAIR	EFFECTIVE DATE	REMARKS
116	1	114110-07761	라벨(연료사용주의)		1		
116	2	119515-13200	가스켓		1		
116	3	119740-55601	FO 필터		1		
116	4	104200-55330	SPRING, FUEL VALVE		1		
116	5	119810-55340	LEVER, FUEL		1		
116	6	121254-55510	CUP, FUEL STARINER		1		
116	7	102103-55520	O-RING, FILTER		1		
116	8	110250-55610	RING, CUP RETAINING		1		
116	9	119810-55650	SEPARATOR , FUEL WATER		1		
116	10	104200-55750	SCREW, M4		1		
116	11	24311-240100	운동용O링		1		
116	12	129335-55750	워터세퍼레이터		1		
116	13	129053-55640	FLOAT		1		
116	14	129053-55650	SPRING, SCREEN		1		
116	15	119833-55660	RING, RETAINING		1		
116	16	129335-55740	CUP		1		
116	17	129335-55770	BODY ASSY		1		
116	18	129242-55750	VALVE, AIR VENT		1		
116	19	129242-55760	GASKET, PLUG		1		
116	20	24311-000110	O-RING, 1AP11.0		1		
116	21	129335-55780	ELEMENT ASSY, FUEL		1		
116	22	24311-000440	O-RING, 1AP44.0		1		

NOTE	
------	--

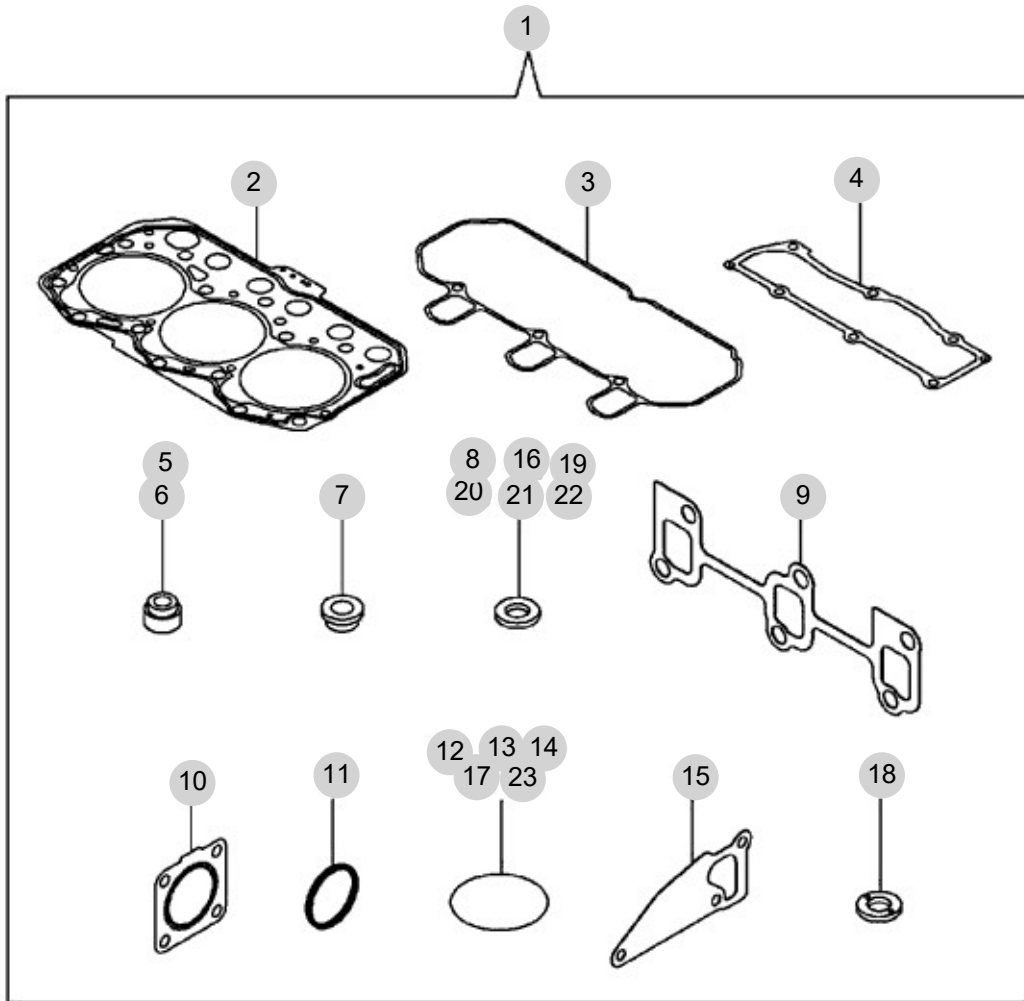
FIG 117

GASKET SET

년/월
Year/Month

2022-12

T194NH



22
14
16
13

12

23

NOTE

15

2. 엔진보기품 PART NO. T2

FIG 201 AIR CLEANER	47
FIG 202 RADIATOR	49
FIG 203 MUFFLER	51
FIG 204 FUEL TANK & FUEL LINE	53
FIG 205 ACCELERATOR	55
FIG 206 FUEL FILTER	57
FIG 207 ENGINE MOUNTING	59

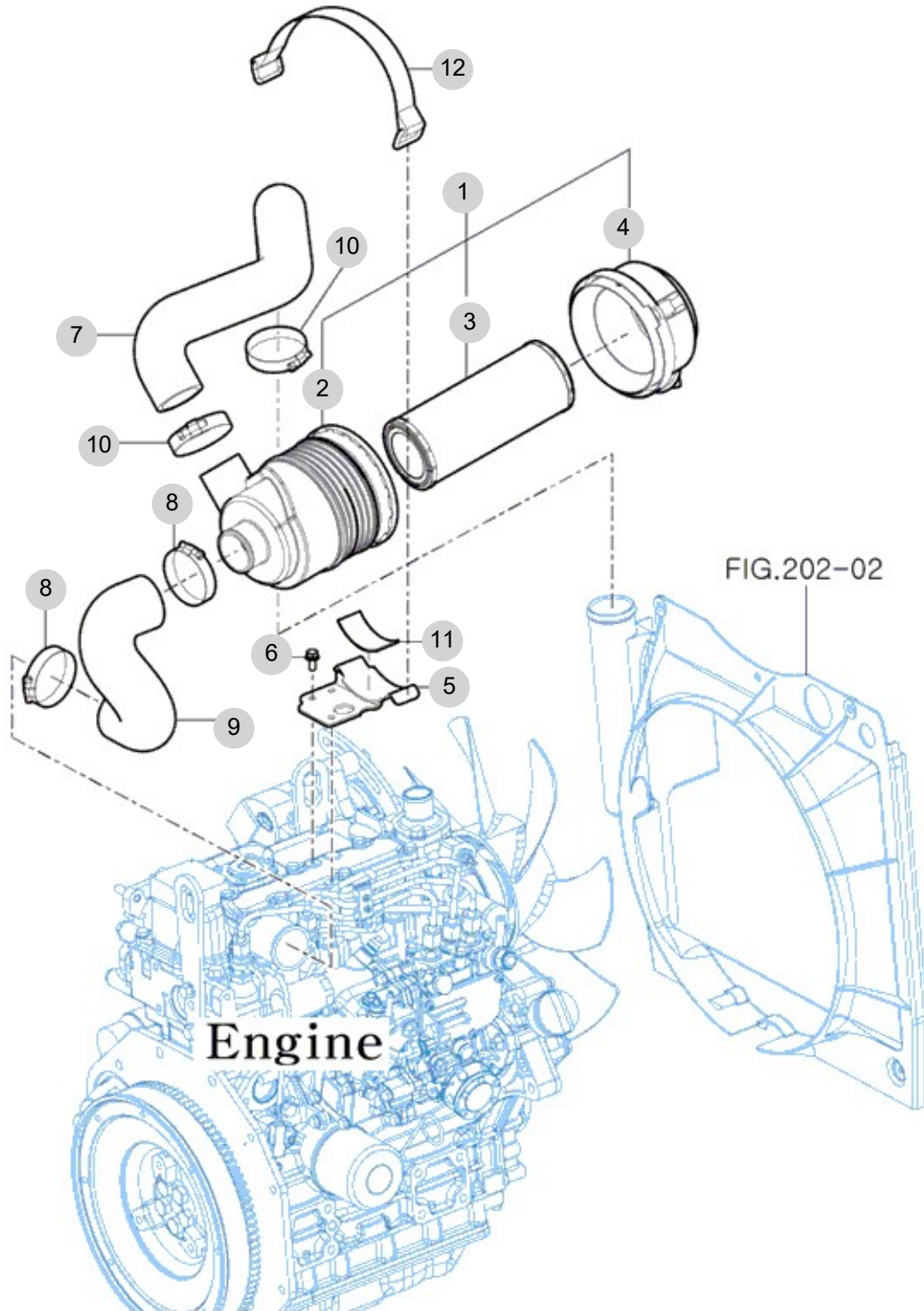
FIG 201

T194NH

AIR CLEANER

년/월
Year/Month

2022-12



NOTE

FIG 202

RADIATOR

년/월
Year/Month

2022-12

T194NH

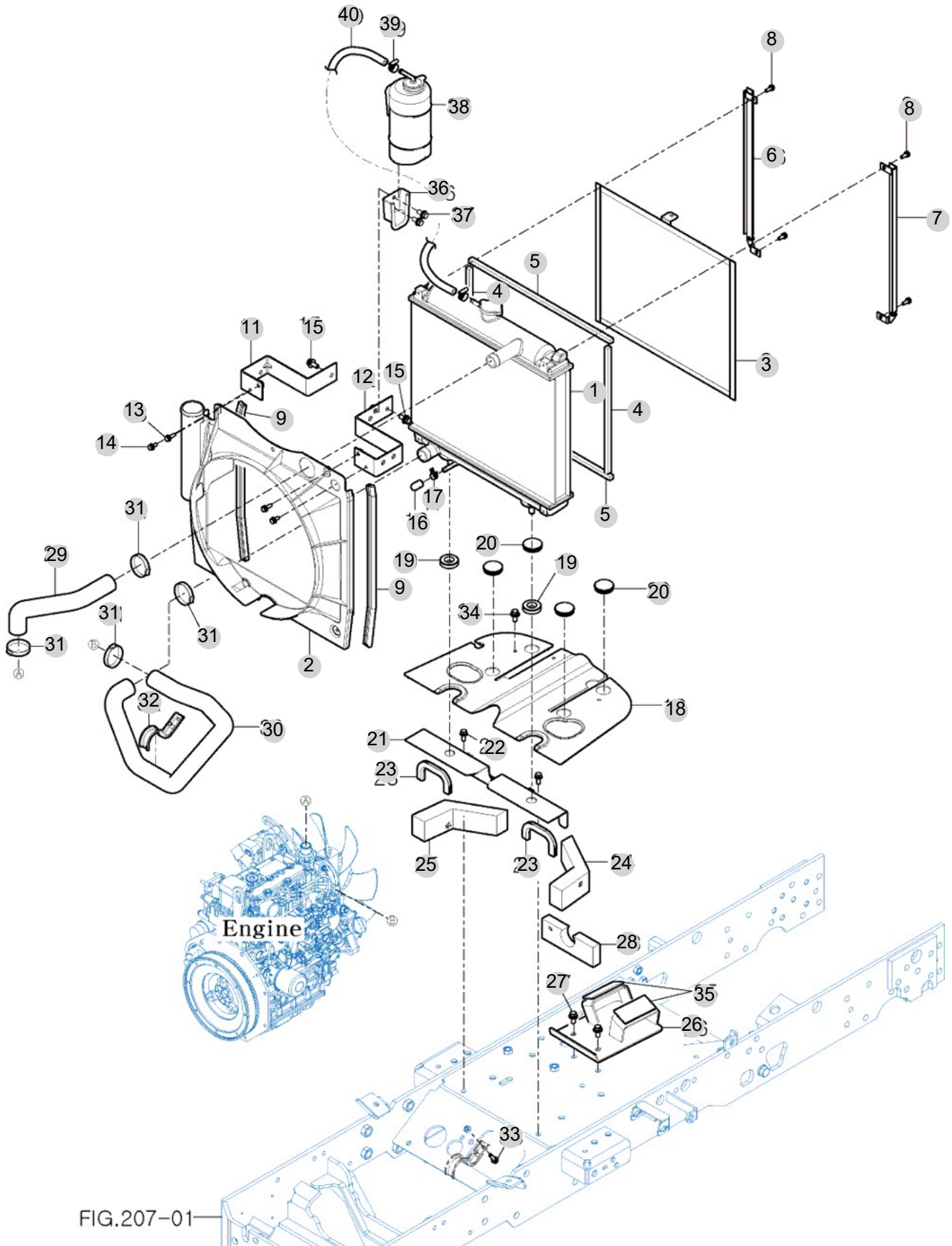


FIG.207-01

NOTE

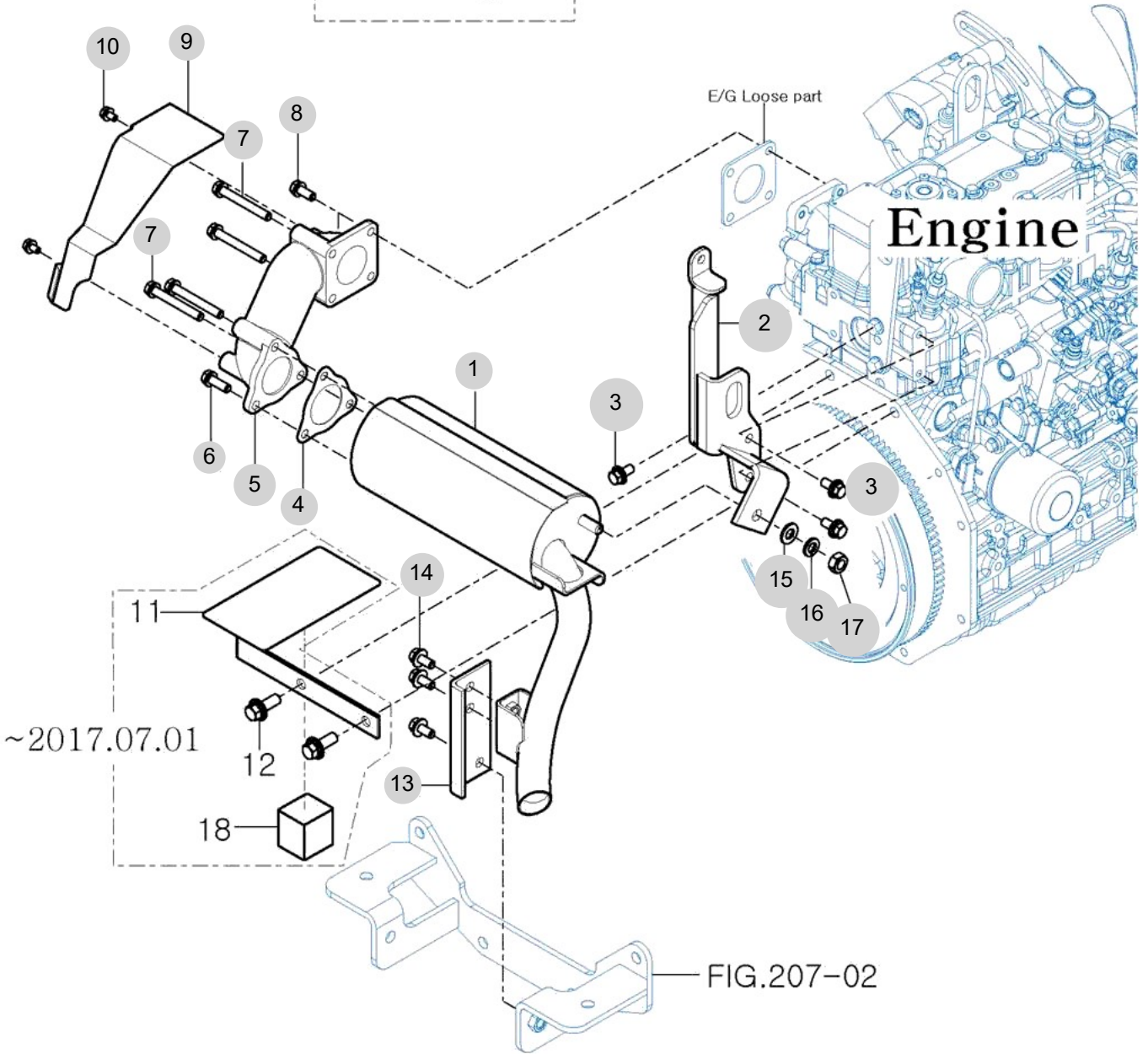
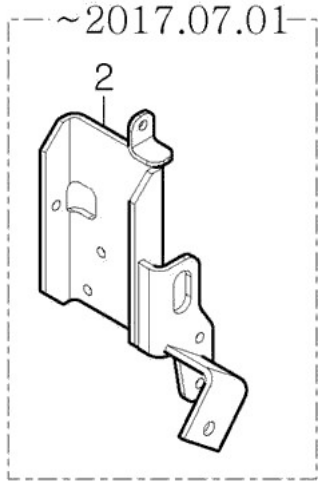
FIG 203

MUFFLER

년/월
Year/Month

2022-12

T194NH



NOTE

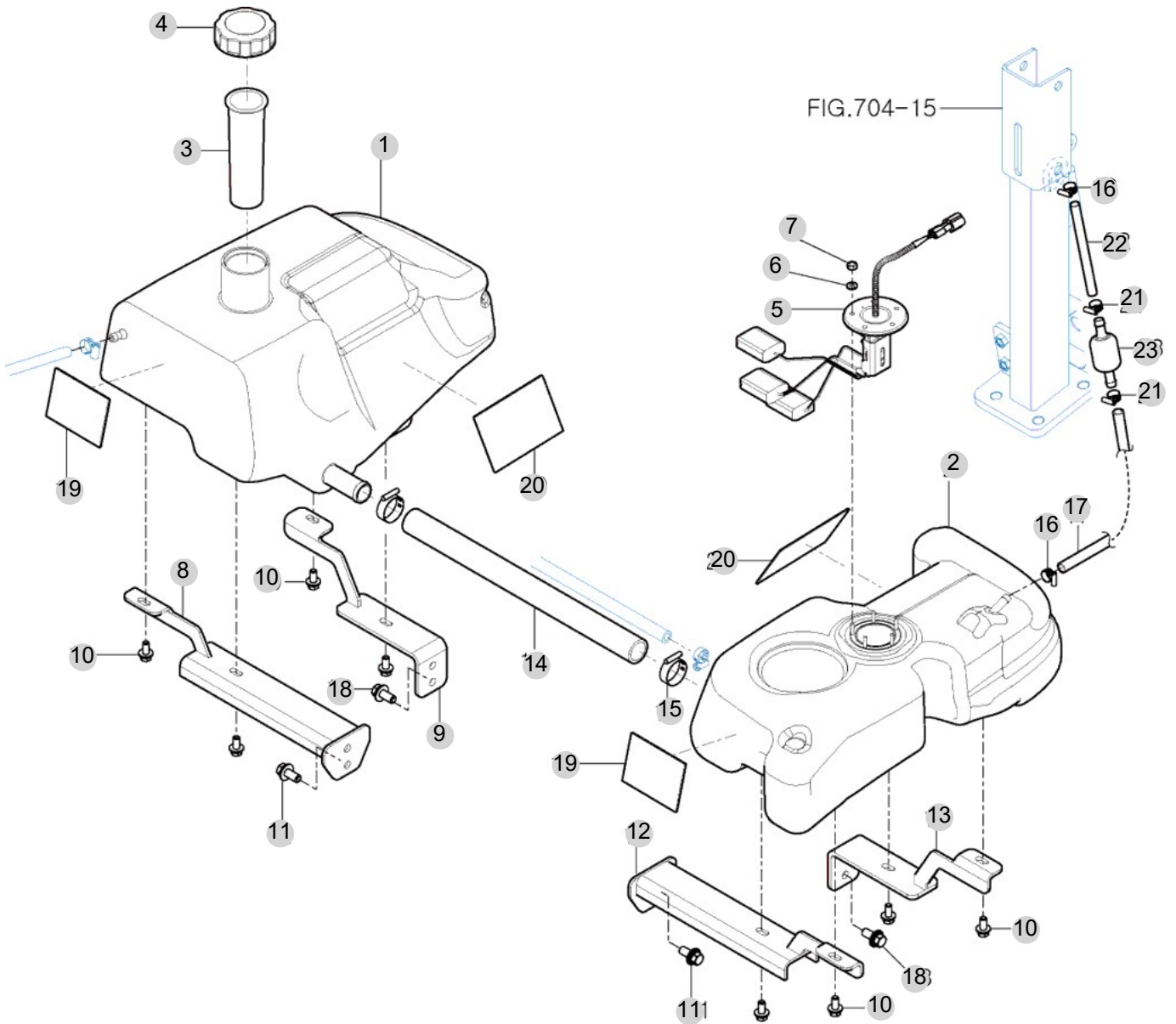
FIG 204

T194NH

FUEL TANK & FUEL LINE

년/월
Year/Month

2022-12



NOTE

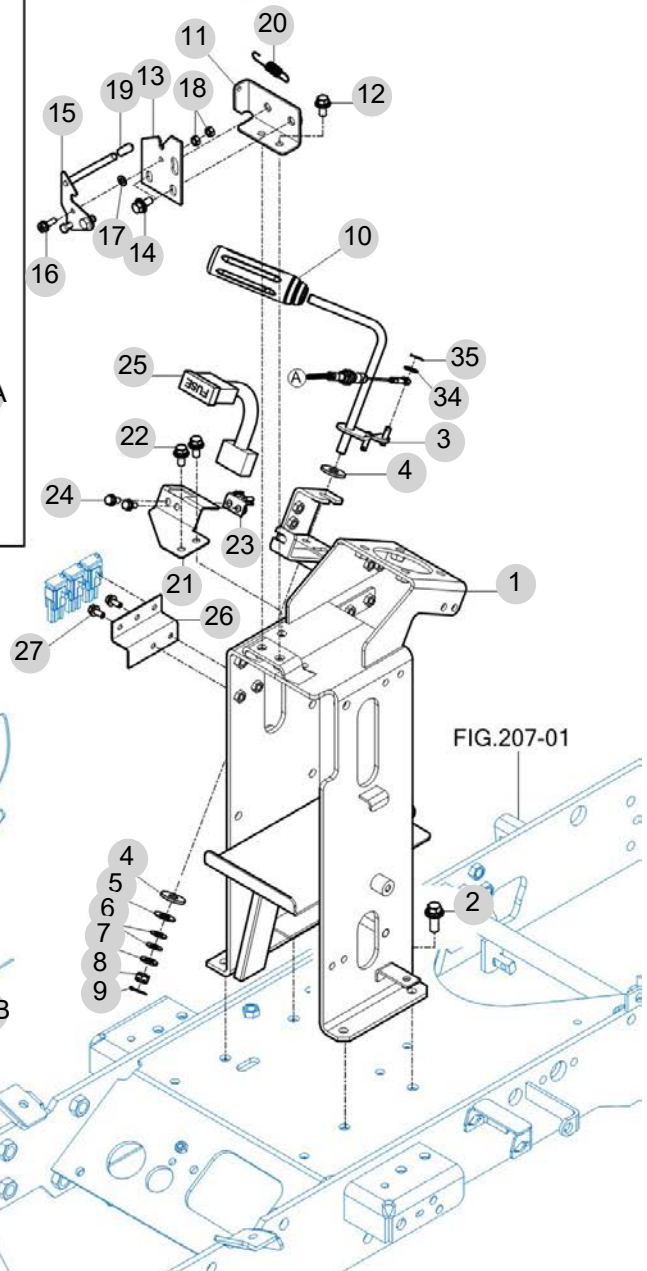
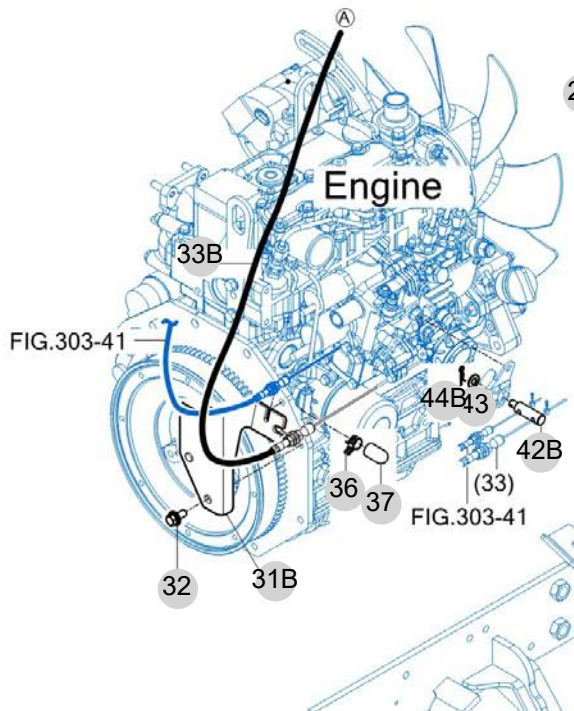
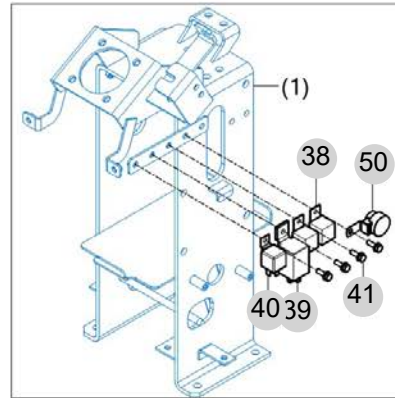
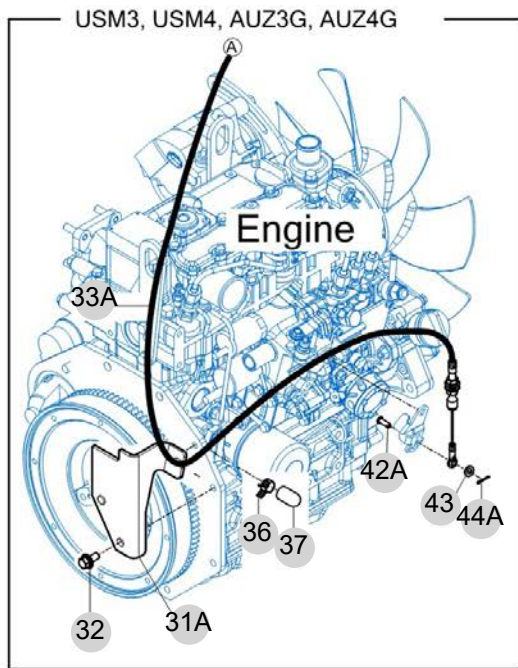
FIG 205

ACCELERATOR

년/월
Year/Month

2022-12

T194NH



NOTE

FIG 205		ACCELERATOR						년/월	Year/Month
								2022-12	
T194NH		KEY NO	PART NO	DESCRIPTION	SPEC	QTY	REPAIR	EFFECTIVE DATE	REMARKS
205	1	11611811000GB	대시패널 COMP			1			
205	2	V2183610025	소형육각볼트보통(SP)	M10X25		4			
205	3	11611812500GB	레버 COMP , 액셀레이터			1			
205	4	15965120021	라이닝(11X30X03)	T=3		2			
205	5	36104400180	소입폴리핀 와셔	T=1.0		1			
205	6	14527060010	접시스프링와셔/M10	M10		2			
205	7	V4111600100	평와셔	M10		1			
205	8	V3232600100	소형홍불이육각너트저형	M10		1			
205	9	V5001920015	분할핀	2X15		1			
205	10	17681170050	그립(리버스)	1X1X1		1			
205	11	14136011300GB	후드(잠금/G) COMP			1			
205	12	V2183608020	소형육각볼트보통(SP)	M8X20		2			
205	13	11616024210	후드 스테이 B			1			
205	14	V2183608020	소형육각볼트보통(SP)	M8X20		2			
205	15	11616024100	스테이 COMP , 후드 A			1			
205	16	V2003606020	육각볼트(보통)	M6X20		1			
205	17	V4111600060	평와셔	M6		1			
205	18	V3013600060	육각너트보통2종	M6		2			
205	19	14445070030	레버손잡이	1X1X1		1			
205	20	14143120020	텐션스프링 (53)	D=1.2		1			
205	21	11611812300GB	브래킷, 퓨즈박스			1			
205	22	V2183608020	소형육각볼트보통(SP)	M8X20		2			
205	23	18507024200	퓨즈박스 브래킷 COMP			1			
205	24	V2123606016	육각볼트(SP)	M6X16		2			
205	25	11616802500	퓨즈박스 ASSY			1			
205	26	11611812400GB	퓨즈 플레이트			1			
205	27	V2123606016	육각볼트(SP)	M6X16		2			
205	31B	10501611100GB	액셀 와이어 홀더 COMP			1			
205	32	V2183610020	소형육각볼트보통(SP)	M10X20		1			
205	33B	10501812600	액셀 케이블 ASS'Y			1			
205	34	V4111600060	평와셔	M6		1			
205	35	V5001920020	분할핀	2X20		1			
205	36	36423600080	호스클립(D=12.5)	21X15		1			
205	37	12651040300	캡 , 라디에이터	1X1X1		1			
205	38	11616212900	5P 릴레이			2			
205	39	15606642401	플레셔(3P/금색)	1X1X1		1			
205	40	17686641110	예열릴레이	1X1X1		1			
205	41	V2123606016	육각볼트(SP)	M6X16		4			
205	42B	11111162411	핀 , 액셀레이터			1			
205	43	V4111600060	평와셔	M6		1			
205	44B	V5601600008	스냅핀	8		1			
205	50	16586652000	부저조합			1			
NOTE									

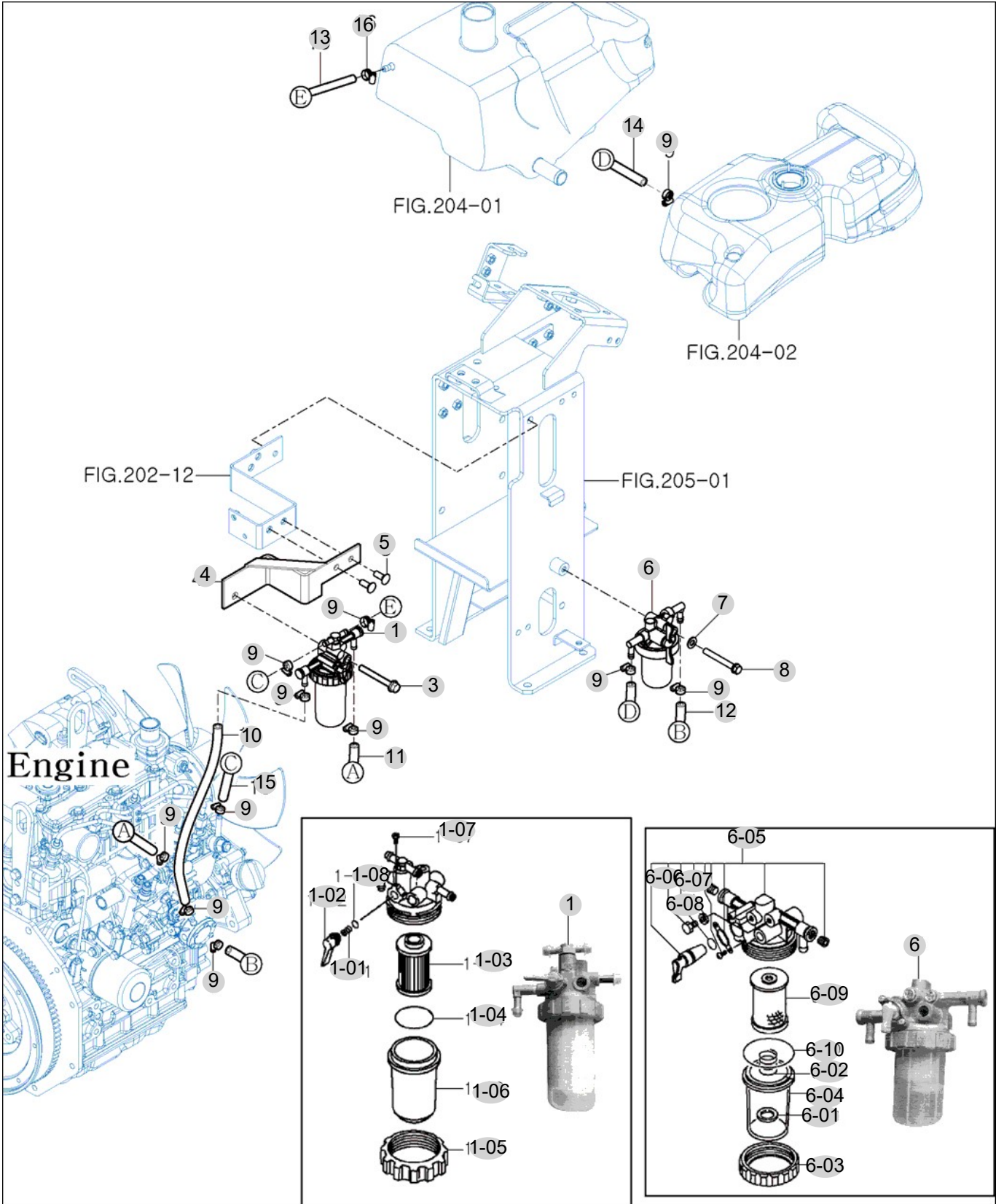
FIG 206

FUEL FILTER

년/월
Year/Month

2022-12

T194NH



NOTE

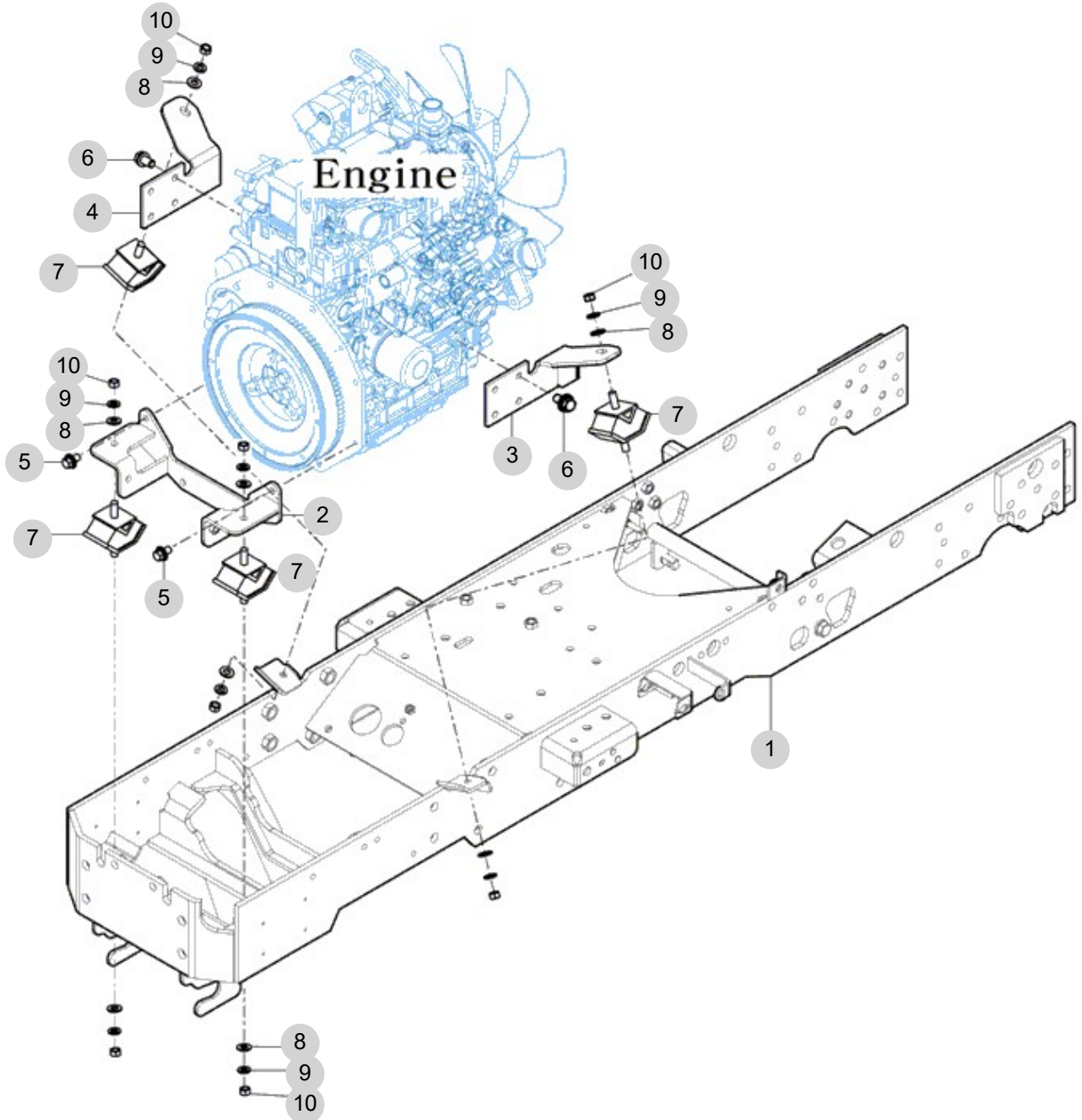
FIG 207

ENGINE MOUNTING

년/월
Year/Month

2022-12

T194NH



NOTE

3. 클러치/브레이크/스티어링 PART NO. T3

FIG 302 BRAKE PEDAL & LINKAGE	62
FIG 303 SPEED CONTROL	64
FIG 304 DASH COVER	66
FIG 305 STEERING VALVE	68
FIG 306 STEERING CYLINDER	70
FIG 307 TIRE	72

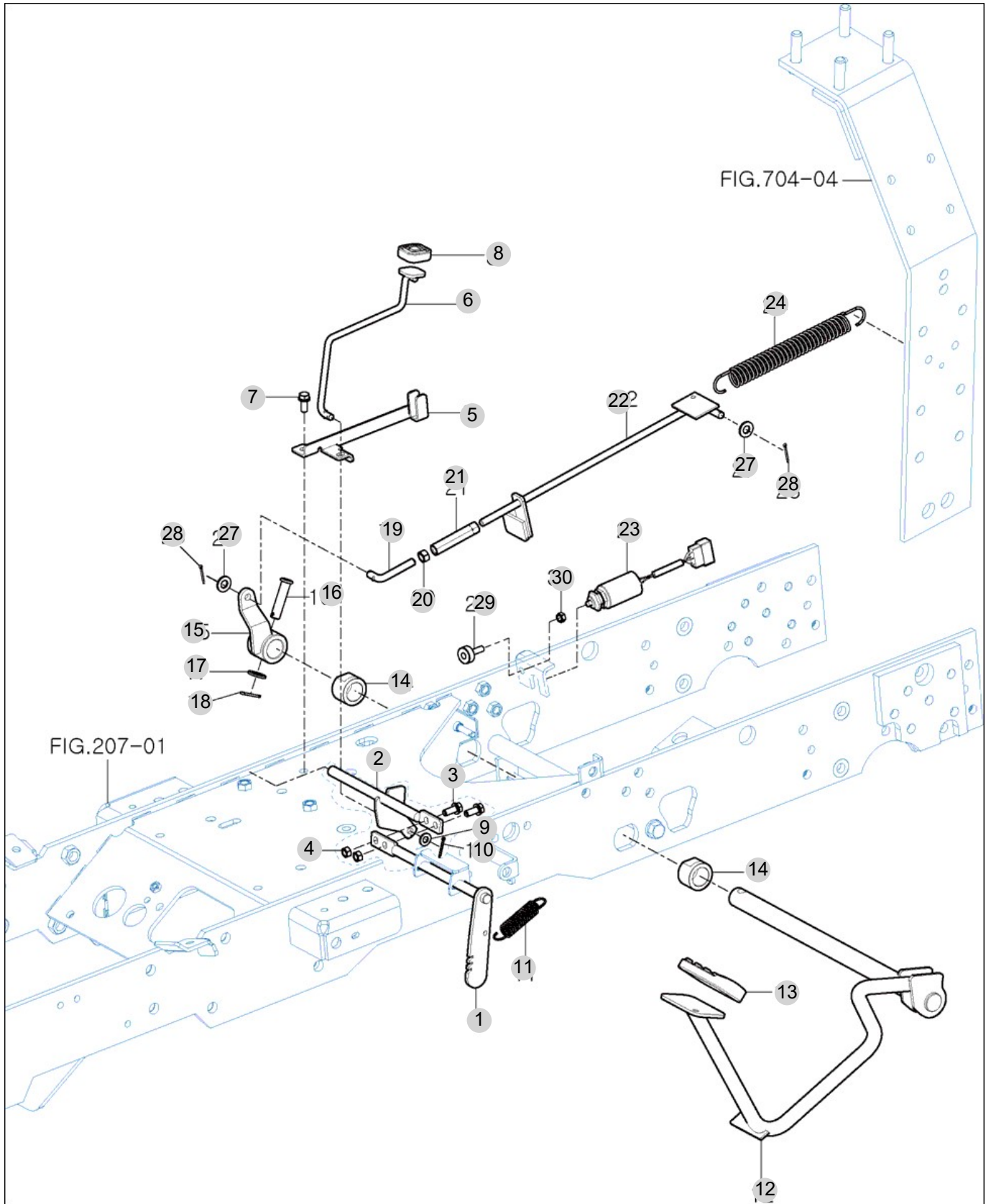
FIG 302

BRAKE PEDAL & LINKAGE

년/월
Year/Month

T194NH

2022-12



NOTE

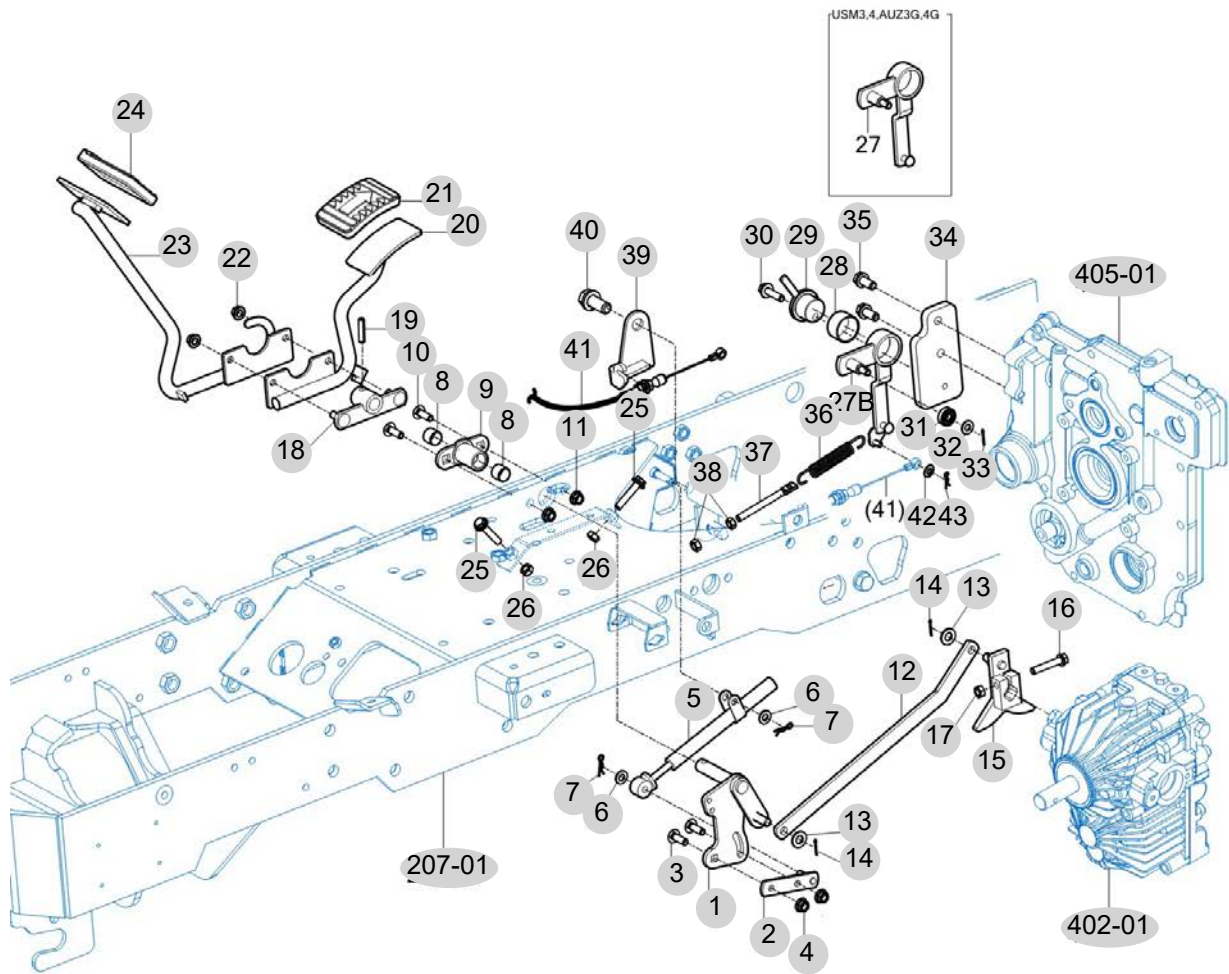
FIG 303

SPEED CONTROL

년/월
Year/Month

2022-12

T194NH



NOTE

FIG 303		SPEED CONTROL						년/월 Year/Month	
								2022-12	
T194NH		KEY NO	PART NO	DESCRIPTION	SPEC	QTY	REPAIR	EFFECTIVE DATE	REMARKS
303	1	11612326100	HST 페달 링크 COMP			1			
303	2	11612326200GB	댐퍼 핀 COMP			1			
303	3	11616402400	4각 목 동근머리 볼트			2			
303	4	V3802600080	플랜지볼이육각너트	M8		2			
303	5	14722312401	오일 댐퍼	1X1X1		1			
303	6	V4111600080	평와셔	M8		2			
303	7	V5601600008	스냅핀	8		2			
303	8	15603142910	부시(16X18X15)	LFB-1615		2			
303	9	11612320110GB	보스			1			
303	10	11612320050	4각 목 동근머리 볼트			2			
303	11	V3802600100	플랜지볼이육각너트	M10		2			
303	12	11612320040GB	컨트롤 플레이트			1			
303	13	V4111600100	평와셔	M10		2			
303	14	V5001920015	분할핀	2X15		2			
303	15	11612323000	홀더 COMP			1			
303	16	V2173608045	소형육각볼트보통(S)	M8X45		1			
303	17	V3042600080	소형육각너트보통2종	M8		1			
303	18	11612327000	페달보스 COMP			1			
303	19	V5801408036	스프링핀	8X36		1			
303	20	11632322100GB	페달 COMP(후)			1			
303	21	11612322010	패드 , 전진 페달			1			
303	22	V3802600080	플랜지볼이육각너트	M8		2			
303	23	11612322201GB	페달 COMP(전)			1			
303	24	14722312730	패드	1X1X1		1			
303	25	V2013608030	소형육각볼트(보통)	M8X30		2			
303	26	V3042600080	소형육각너트보통2종	M8		2			
303	27B	10502324200GB	캠 암 COMP			1			
303	27B	10502324200	캠 암 COMP			1			
303	28	11612324010	부시			1			
303	29	11612324400	중립 레버 COMP			1			
303	30	V2143610035	소형육각볼트가는(S)			1			
303	31	14722310060	볼베어링(608DD)			1			
303	32	V4111600080	평와셔	M8		1			
303	33	V5001920015	분할핀	2X15		1			
303	34	11612324311GB	브래킷			1			
303	35	V2174610035	소형육각볼트보통(S)	M10X35		2			
303	36	14722310033	스프링(리턴)	D=2.4		1			
303	37	34522150080	체인 텐션 로드(82)	D=8		1			
303	38	V3042600080	소형육각너트보통2종	M8		2			
303	39	10506253300GB	브래킷 COMP , 고정			1			
303	40	V2013614035	소형육각볼트(보통)	M14X35		1			
303	41	10501812700	케이블 ASSY , 오토스로틀 2130			1			
303	42	V4111600060	평와셔	M6		1			
303	43	V5601600006	스냅핀	6		1			
NOTE									

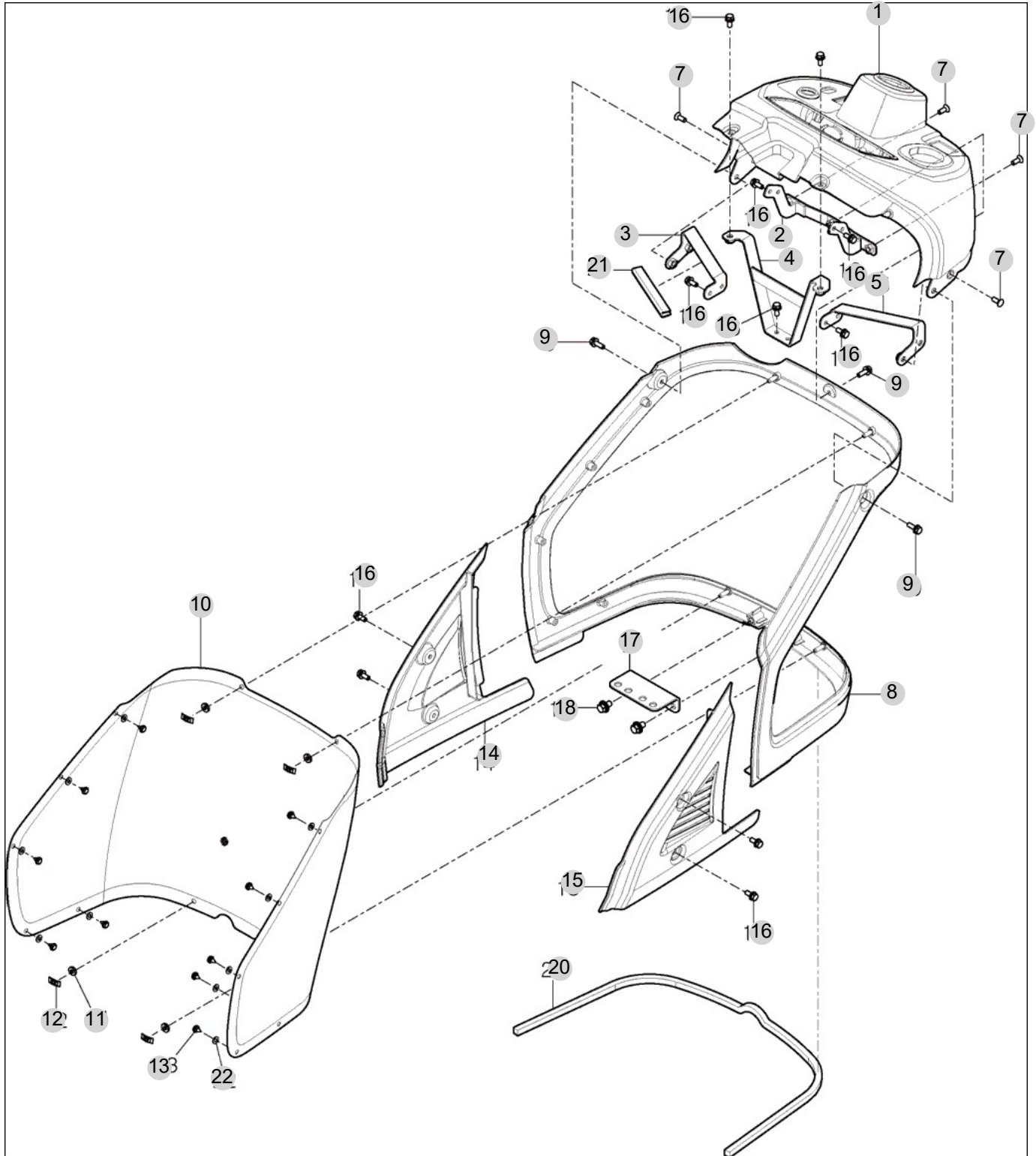
FIG 304

DASH COVER

년/월
Year/Month

2022-12

T194NH



NOTE

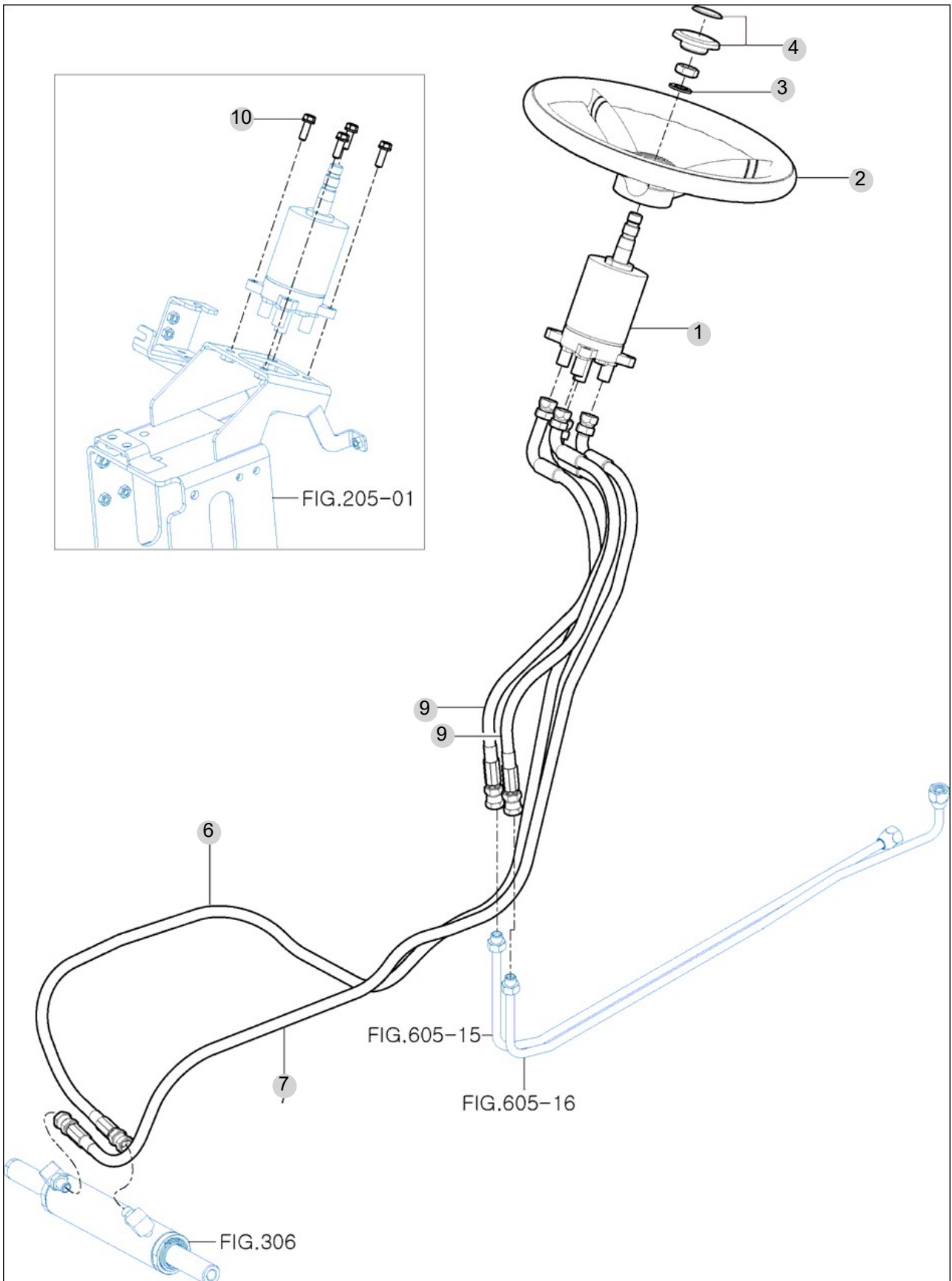
FIG 305

T194NH

STEERING VALVE

년/월
Year/Month

2022-12



NOTE

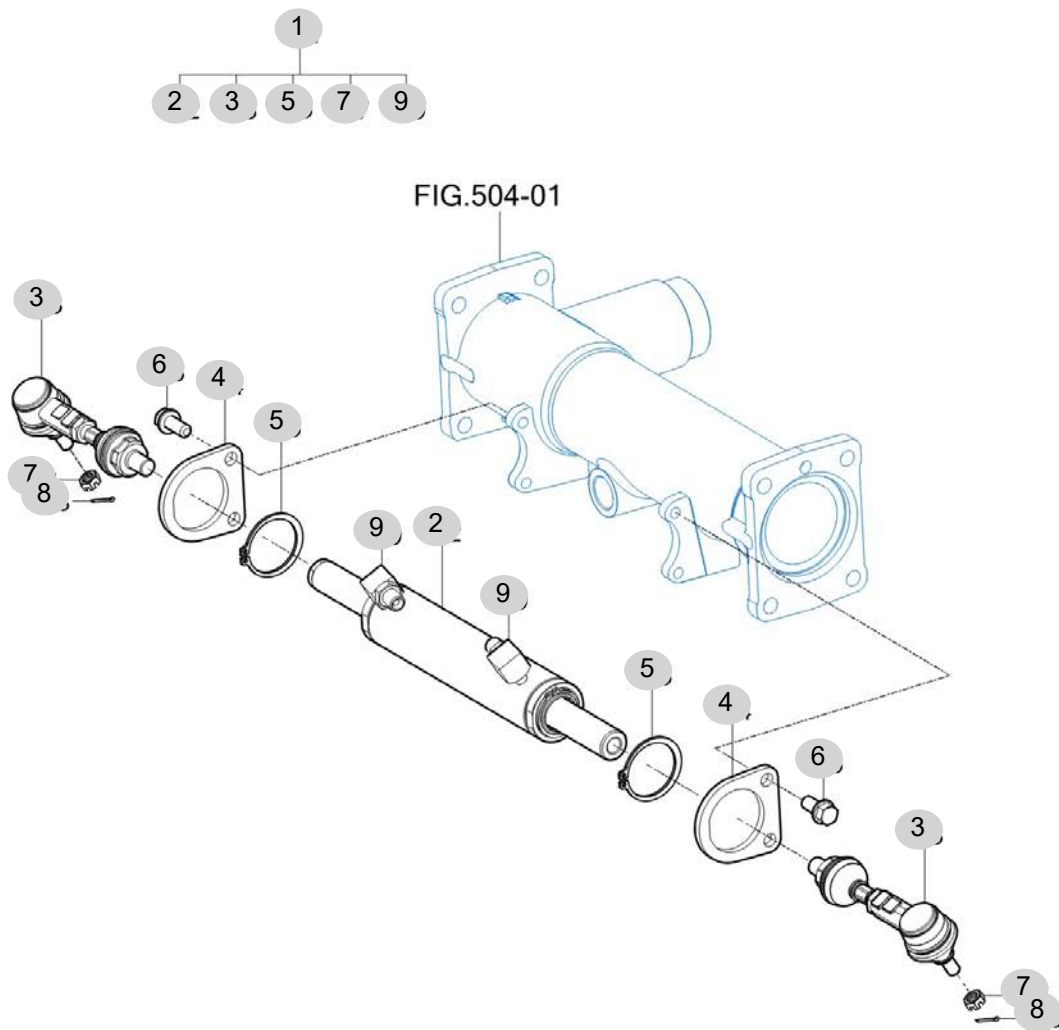
FIG 306

T194NH

STEERING CYLINDER

년/월
Year/Month

2022-12



NOTE

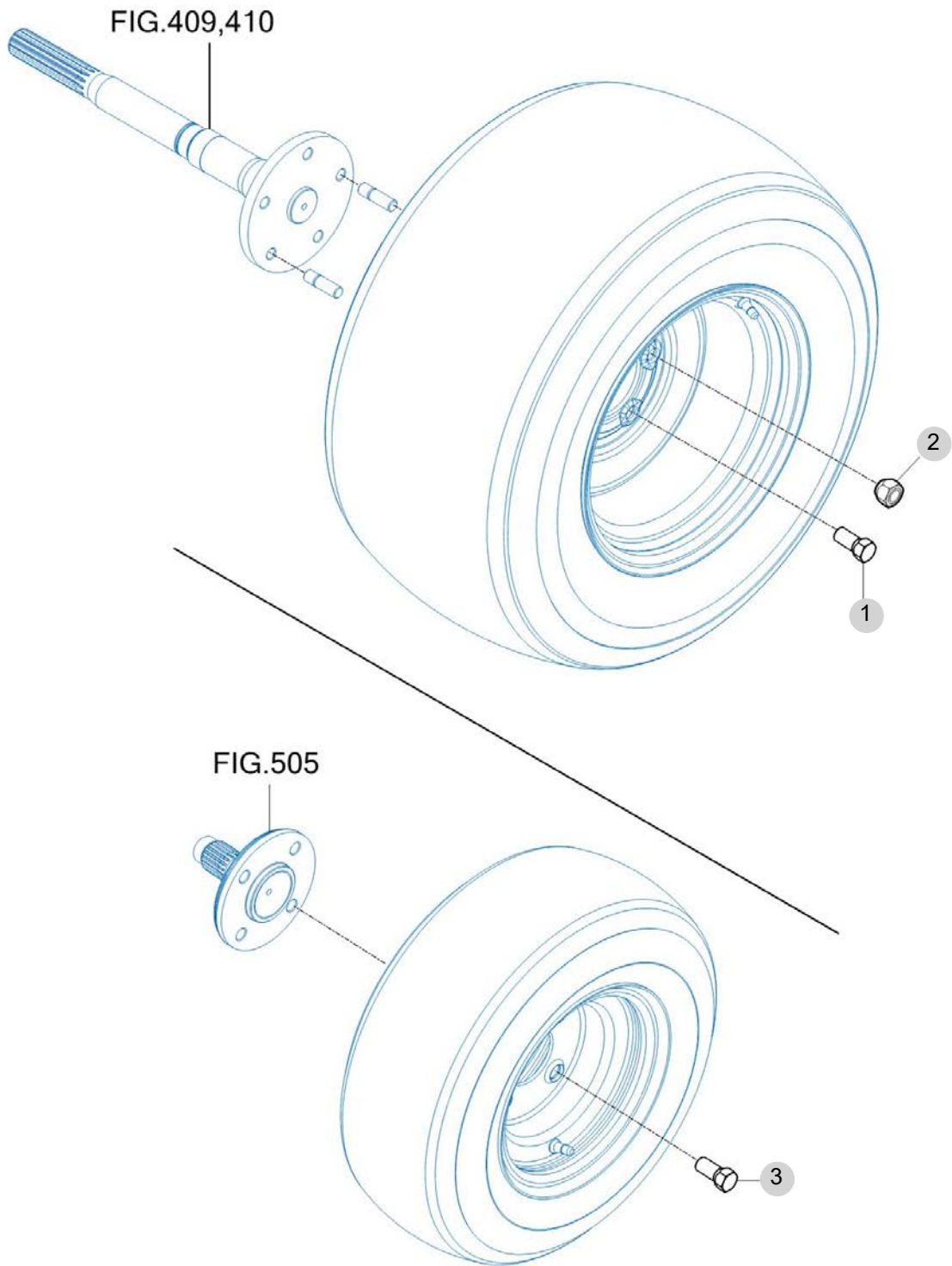
FIG 307

T194NH

TIRE

년/월
Year/Month

2022-12



NOTE

4. 트랜스미션 PART NO. T4

FIG 401 INPUT SHAFT	75
FIG 402 HST	77
FIG 403 PTO CLUTCH SUB& RANGE GEAR SUB	79
FIG 404 SPIRAL BEVEL PINION & 4WD SHAFT SUB	81
FIG 405 INPUT METAL	83
FIG 406 P T O COUNT SHAFT SUB & REAR P.T.O SUB	85
FIG 407 MID P T O IDLE GEAR & MID P T O SUB	87
FIG 408 DIFF LOCK	89
FIG 409 REAR TRANSMISSION CASE	91
FIG 410 REAR AXLE HOUSING	93
FIG 411 RANGE SHIFT LEVER	95
FIG 412 P T O CHANGE LEVER	97
FIG 413 GEAR PUMP & PUMP IDLE GEAR SUB	99

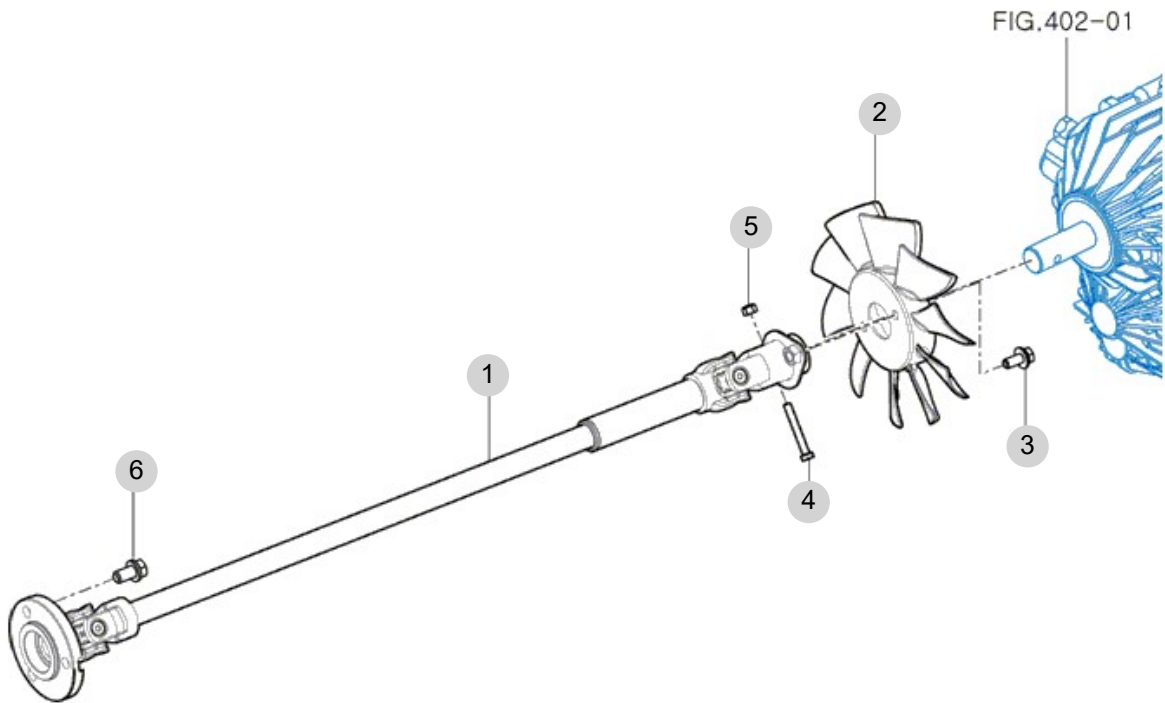
FIG 401

T194NH

INPUT SHAFT

년/월
Year/Month

2022-12



NOTE

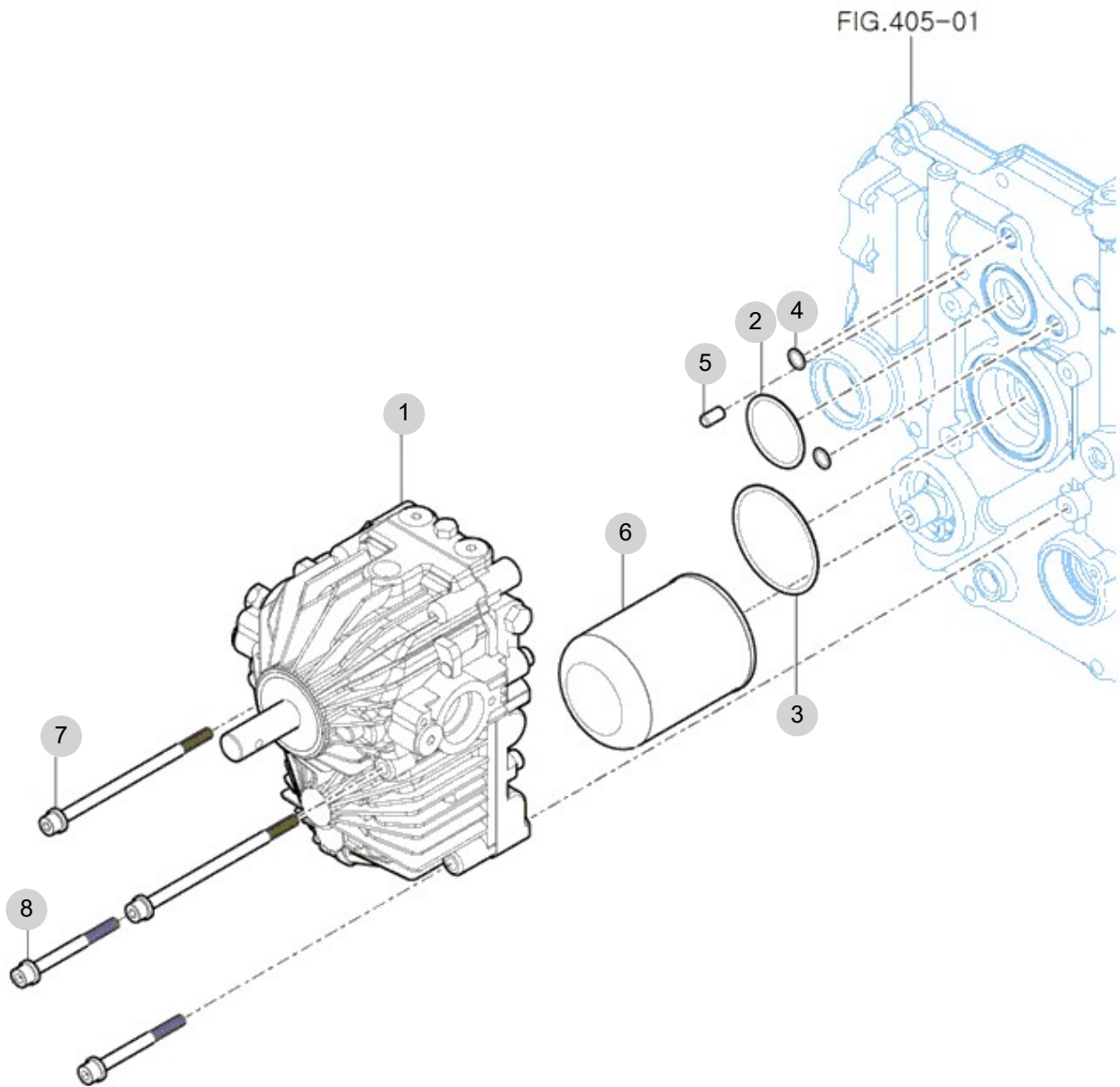
FIG 402

T194NH

HST

년/월
Year/Month

2022-12



NOTE

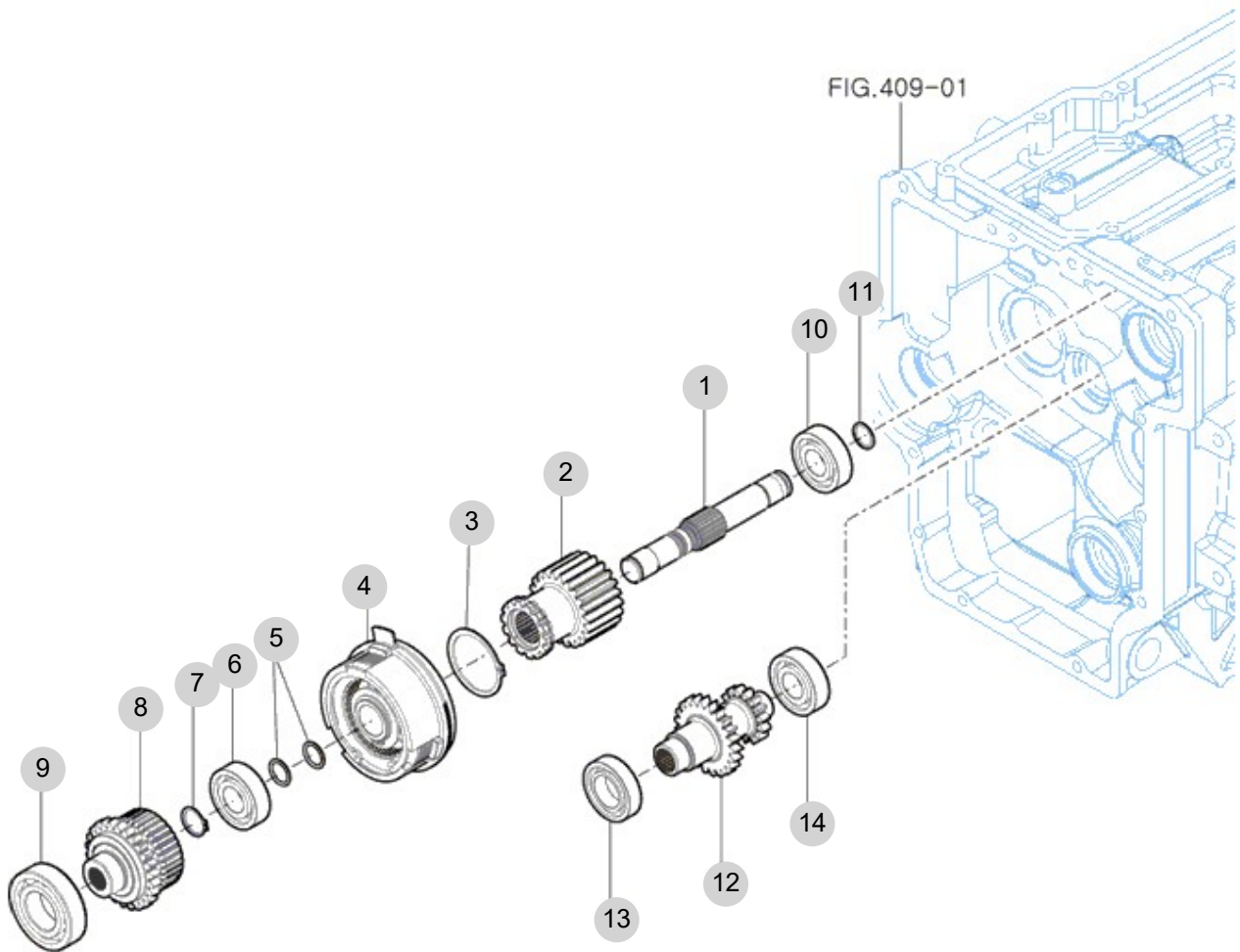
FIG 403

T194NH

PTO CLUTCH SUB& RANGE GEAR SUB

년/월
Year/Month

2022-12



NOTE

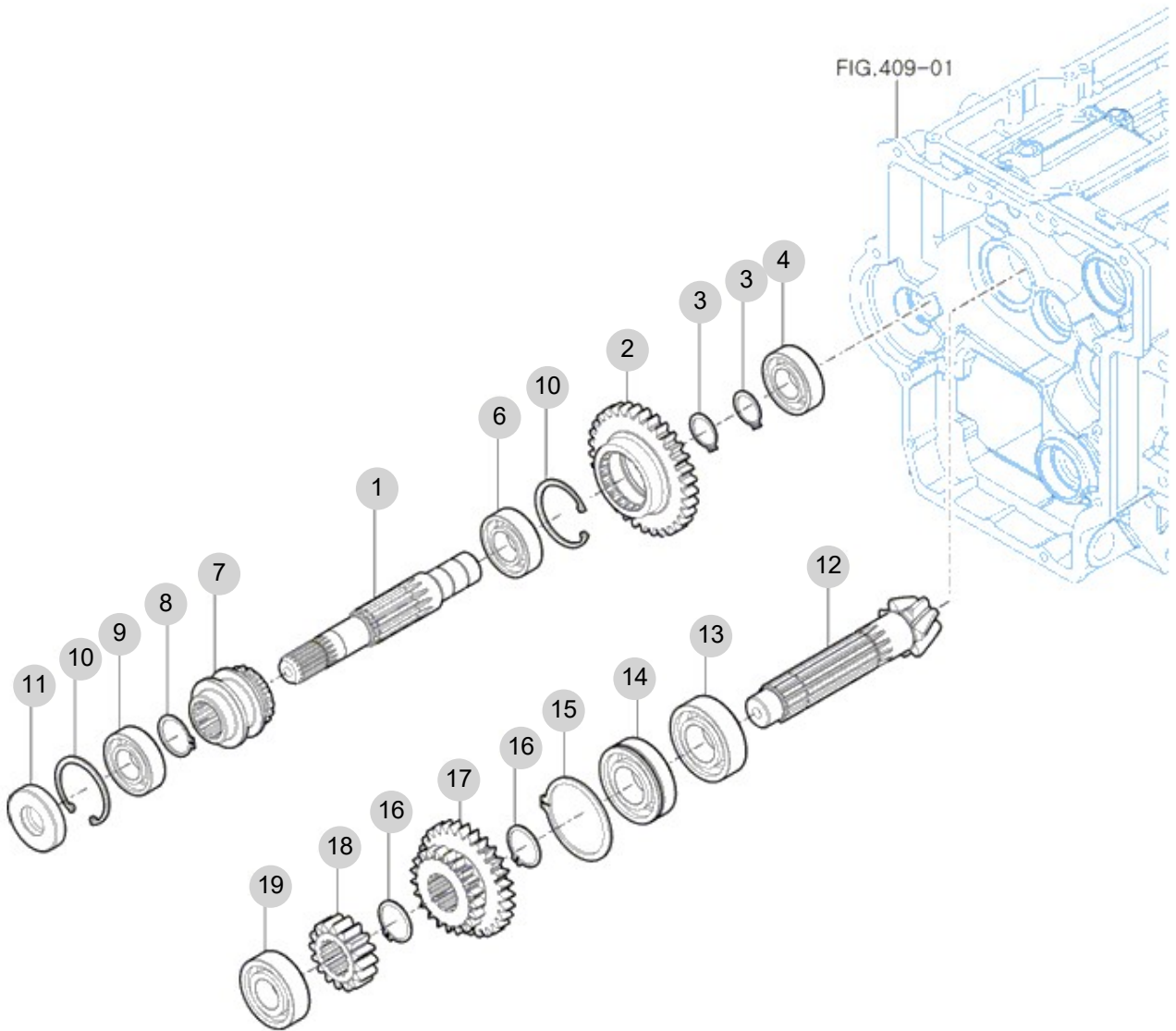
FIG 404

T194NH

SPIRAL BEVEL PINION & 4WD SHAFT SUB

년/월
Year/Month

2022-12



NOTE

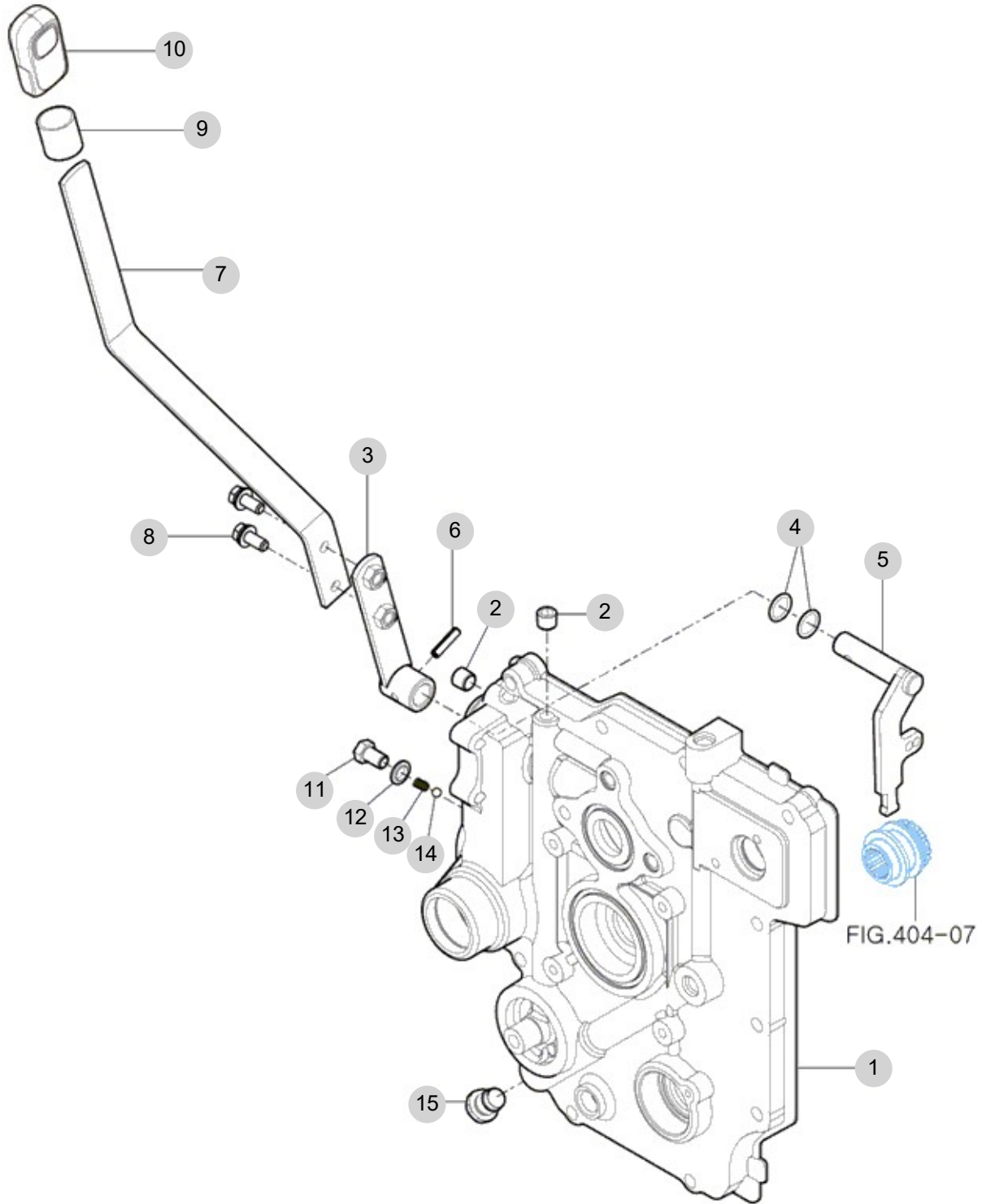
FIG 405

INPUT METAL

년/월
Year/Month

2022-12

T194NH



NOTE

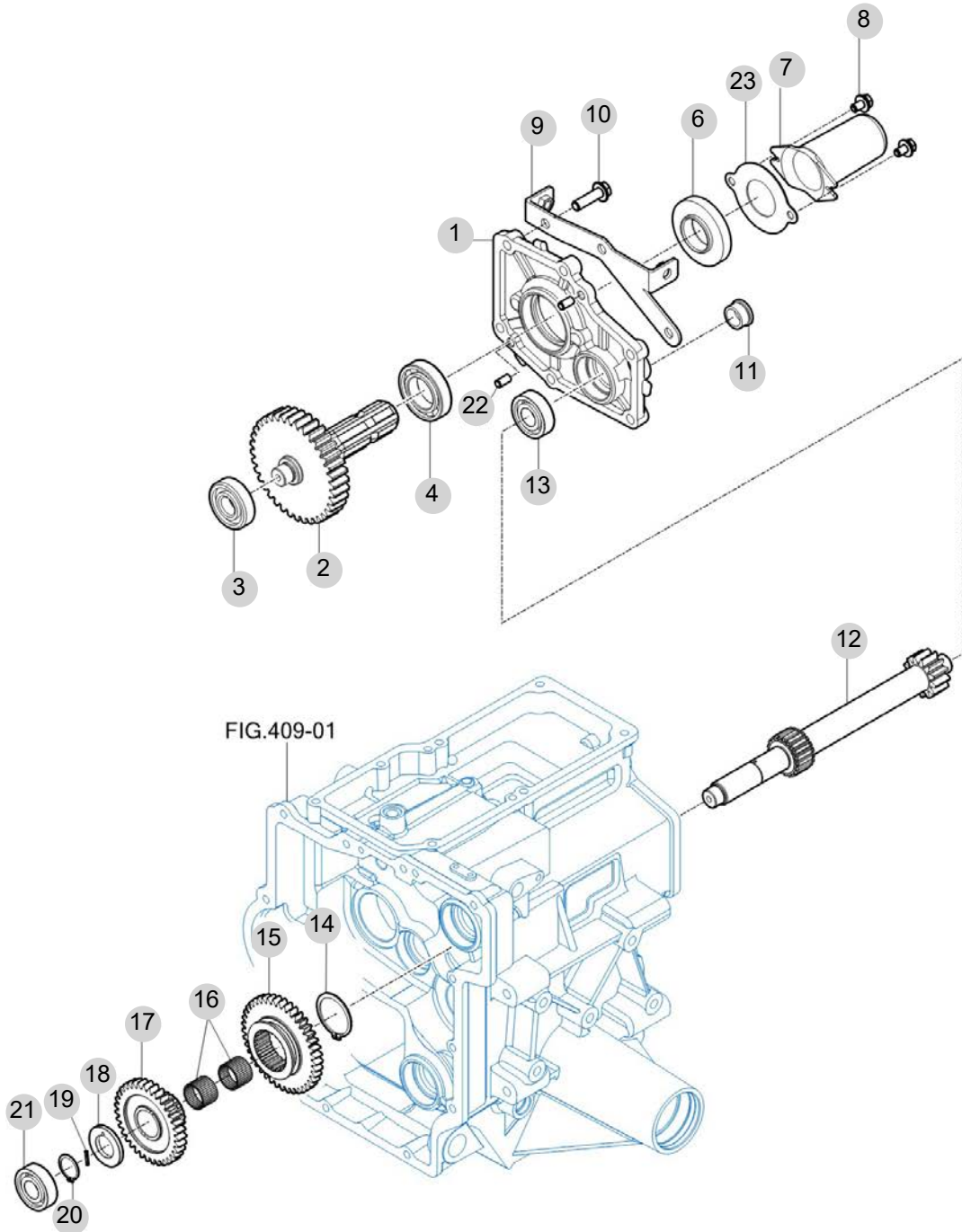
FIG 406

T194NH

P T O COUNT SHAFT SUB & REAR P.T.O SUB

년/월
Year/Month

2022-12



NOTE

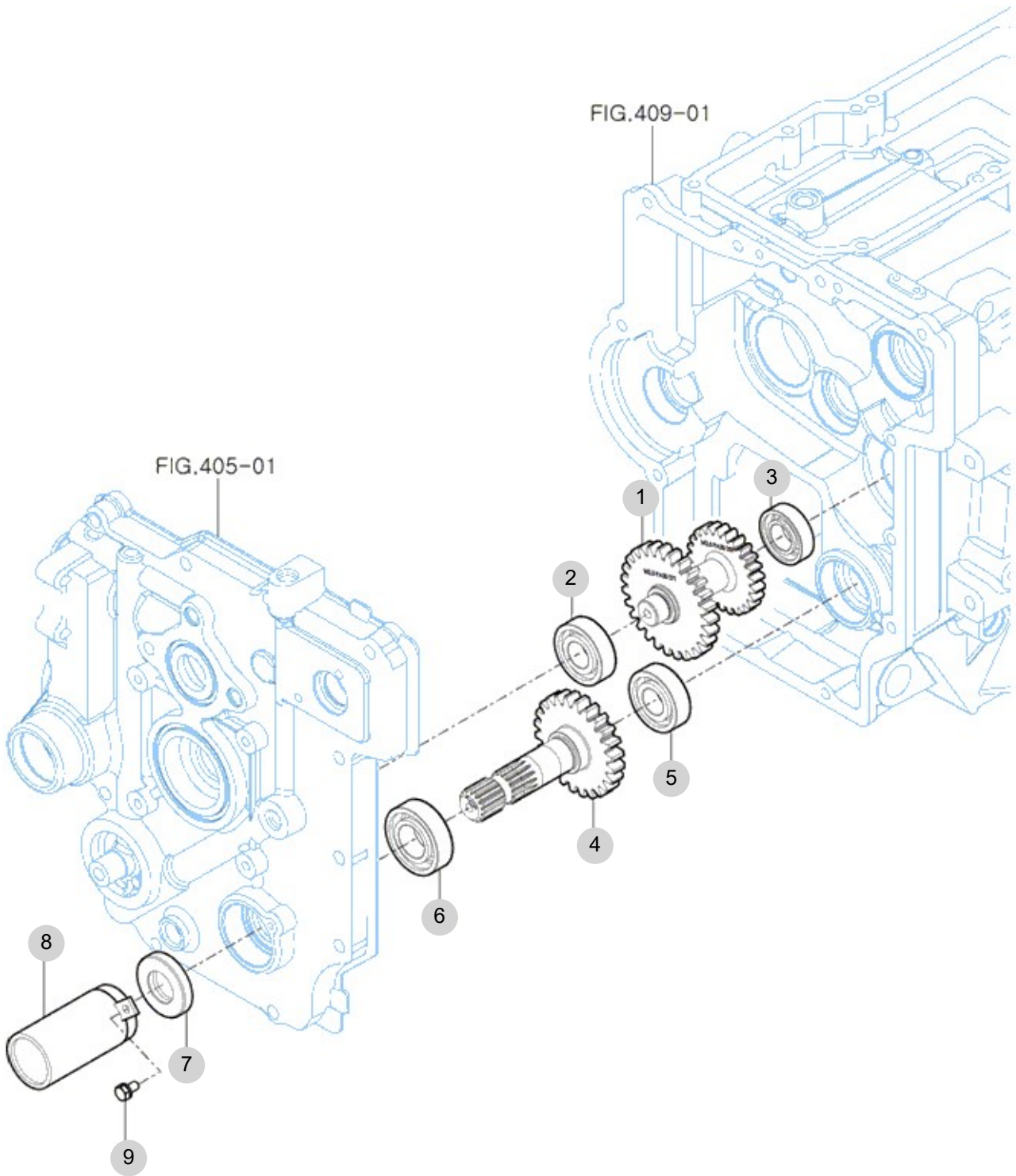
FIG 407

T194NH

MID P T O IDLE GEAR & MID P T O SUB

년/월
Year/Month

2022-12



NOTE

FIG 407 T194NH		MID P T O IDLE GEAR & MID P T O SUB						년/월 Year/Month
								2022-12
KEY NO	PART NO	DESCRIPTION	SPEC	QTY	REPAIR	EFFECTIVE DATE	REMARKS	
407	1	11612712110	기어 (스퍼 , 25T-27T)			1		
407	2	V6001106204	볼베어링	6204		1		
407	3	V6001106004	볼베어링	6004		1		
407	4	11612710010	미드 PTO 샤프트			1		
407	5	V6001106205	볼베어링	6205		1		
407	6	V6001106204	볼베어링	6204		1		
407	7	V7441254708	오일실(D)			1		
407	8	14722702100	PTO축 캠(MID)			1		
407	9	V2113606012	육각볼트(S)	M6X12		1		
NOTE								

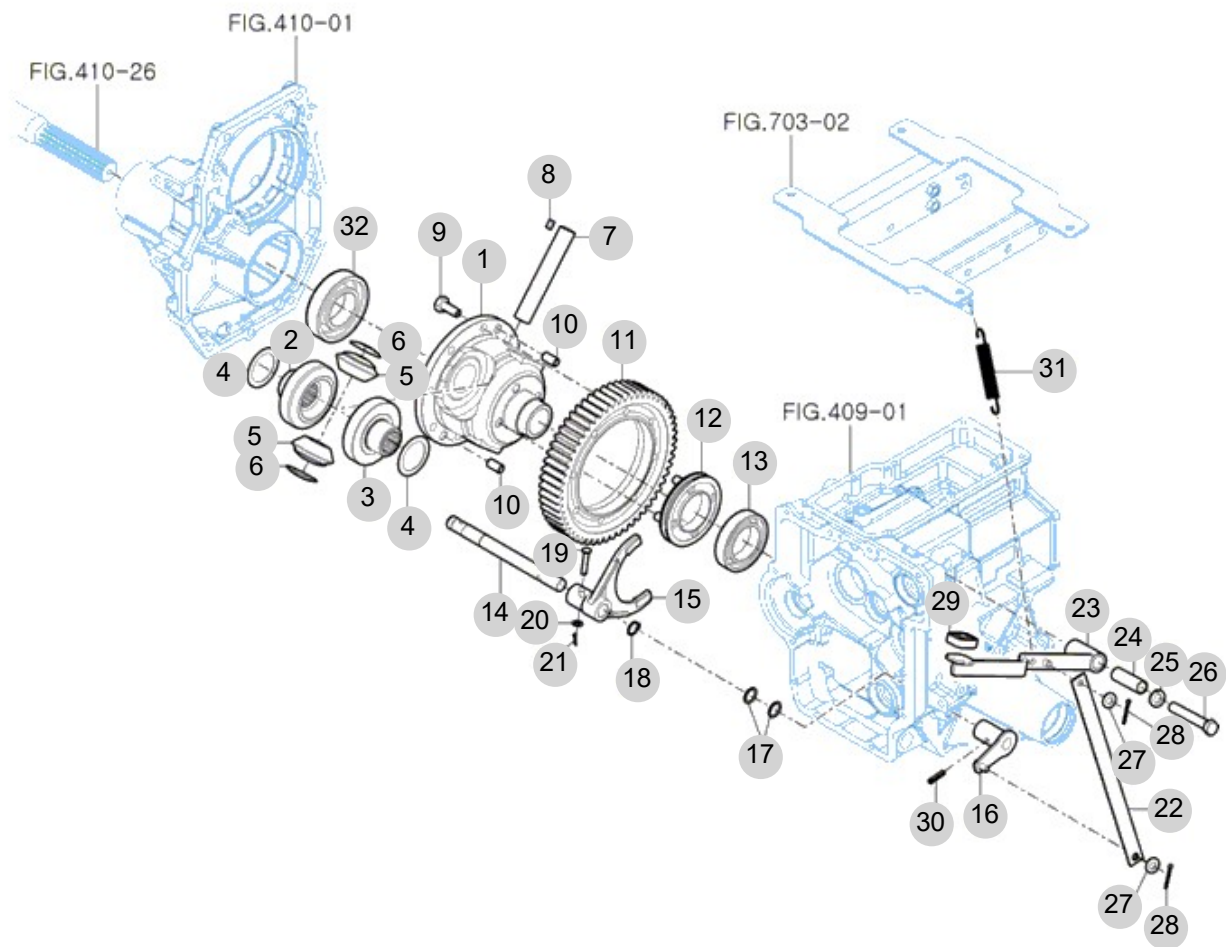
FIG 408

DIFF LOCK

년/월
Year/Month

T194NH

2022-12



NOTE

FIG 409

REAR TRANSMISSION CASE

년/월
Year/Month

2022-12

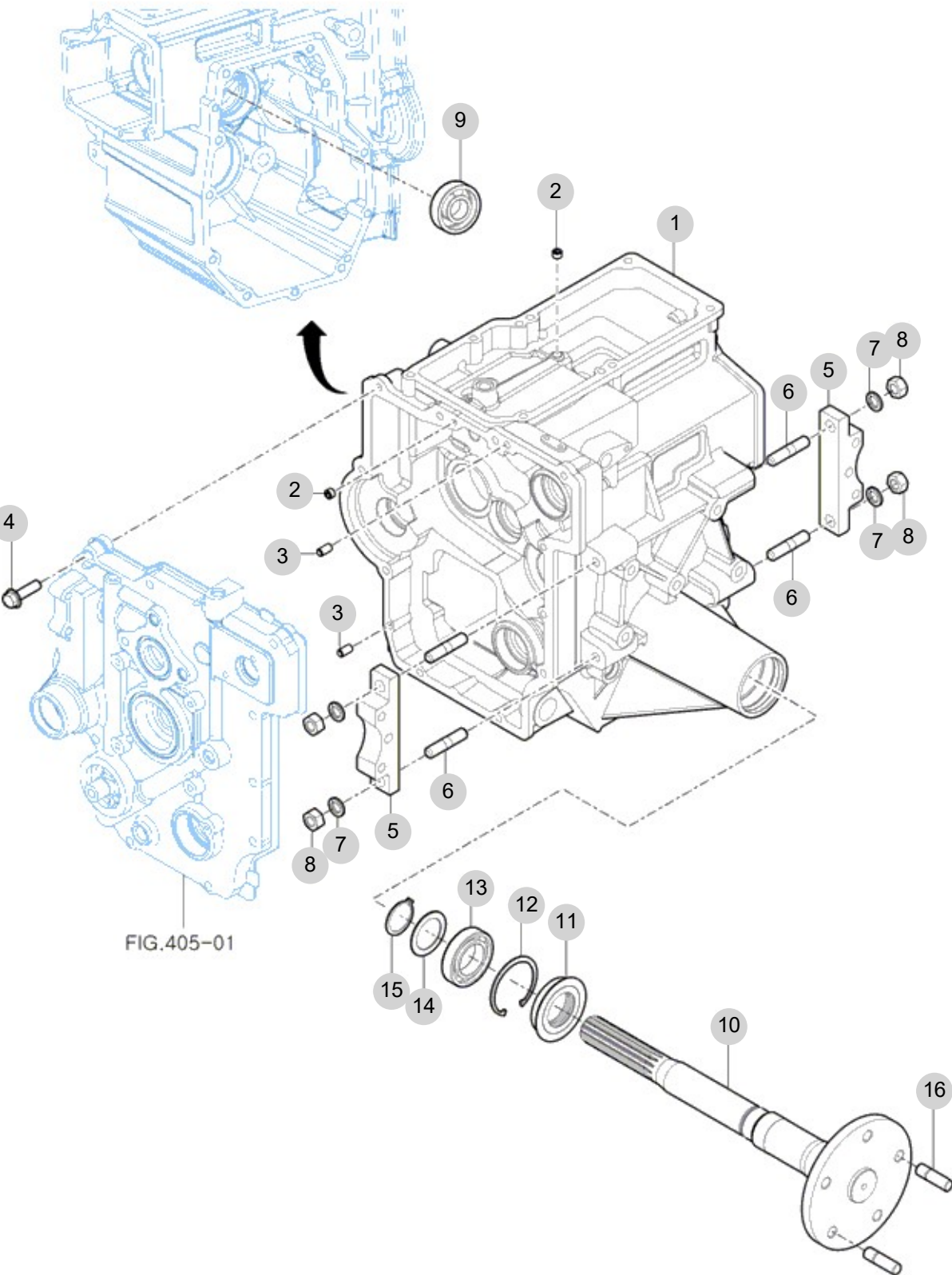


FIG.405-01

NOTE

FIG 409 T194NH	REAR TRANSMISSION CASE						년/월 Year/Month
							2022-12

KEY NO	PART NO	DESCRIPTION	SPEC	QTY	REPAIR	EFFECTIVE DATE	REMARKS
409	1	11612400010M	리어 TM 케이스		1		
409	2	V7801400002	플러그(육각구멍테이퍼)		2		
409	3	V5201010020	평행핀(A)	10X20	2		
409	4	V2403610035	플랜지볼이육각볼트		11		
409	5	11614074100	마운팅 브래킷		2		
409	6	V2514412040	스터드볼트2종	M12X40	4		
409	7	V4011600120	스프링와셔	M12	4		
409	8	V3042600120	소형육각너트보통2종	M12	4		
409	9	V6221100305	로울러베어링(NJ)		1		
409	10	11613247110	리어 휠 샤프트		1		
409	11	11103240030	차축살(40)		1		
409	12	V7051400620	C형멈춤링(구멍용)	62	1		
409	13	V6001106007	볼베어링	6007	1		
409	14	11613240030	와셔(35X50X02)		1		
409	15	V7041400350	C형멈춤링(축용)	35	1		
409	16	11613247120	휠 스테드볼트		2		
NOTE							

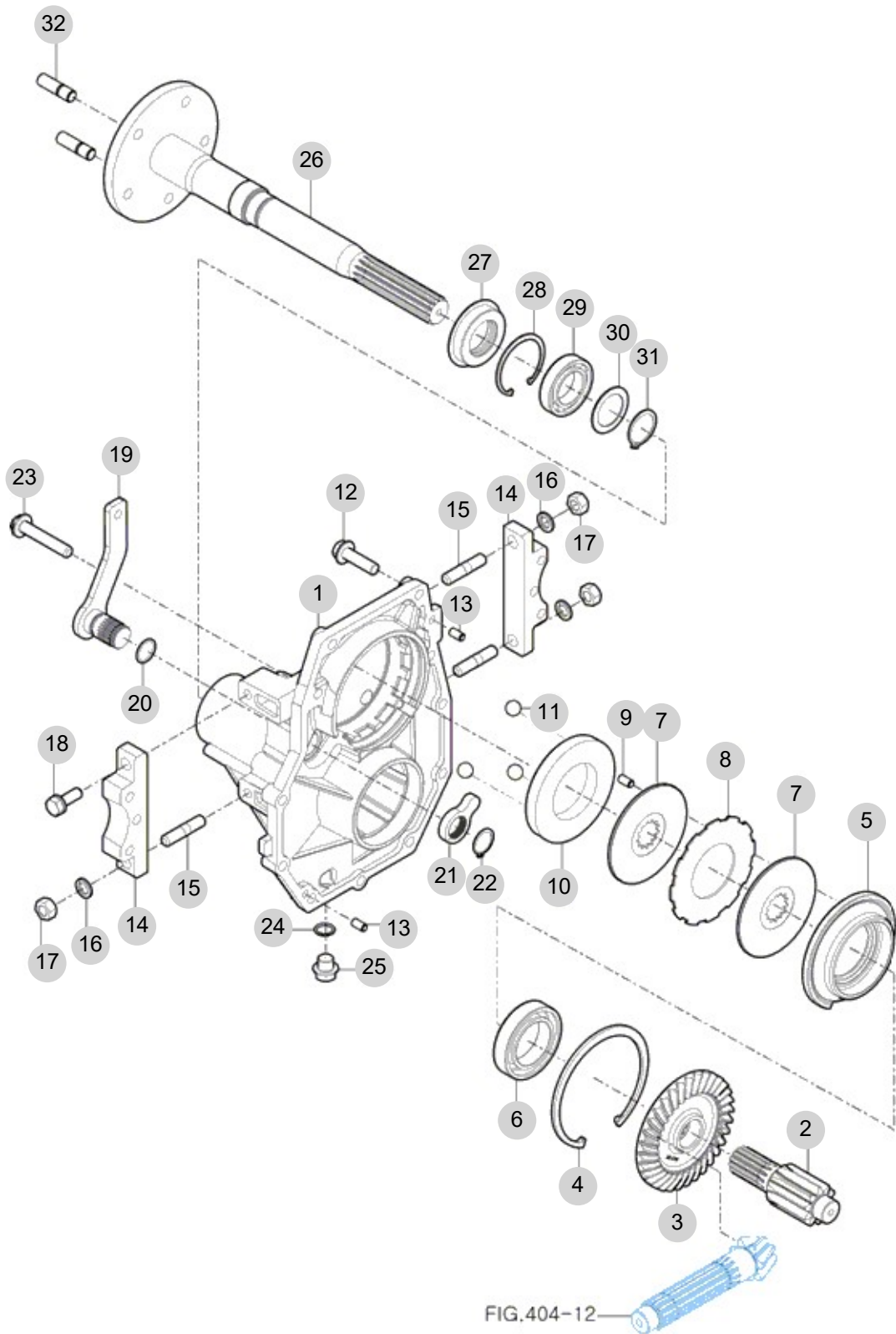
FIG 410

REAR AXLE HOUSING

년/월
Year/Month

2022-12

T194NH



NOTE

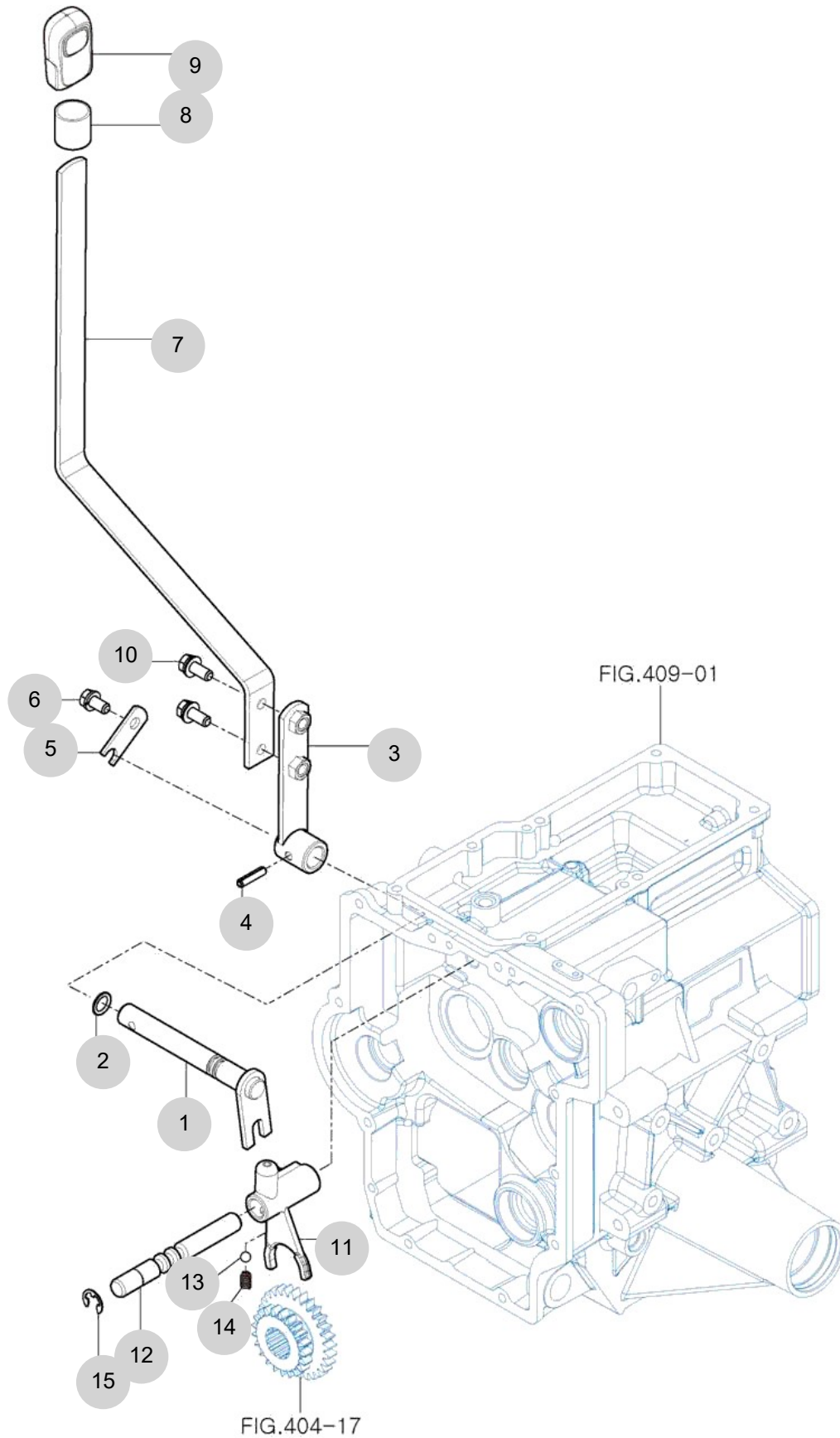
FIG 411

RANGE SHIFT LEVER

년/월
Year/Month

2022-12

T194NH



NOTE

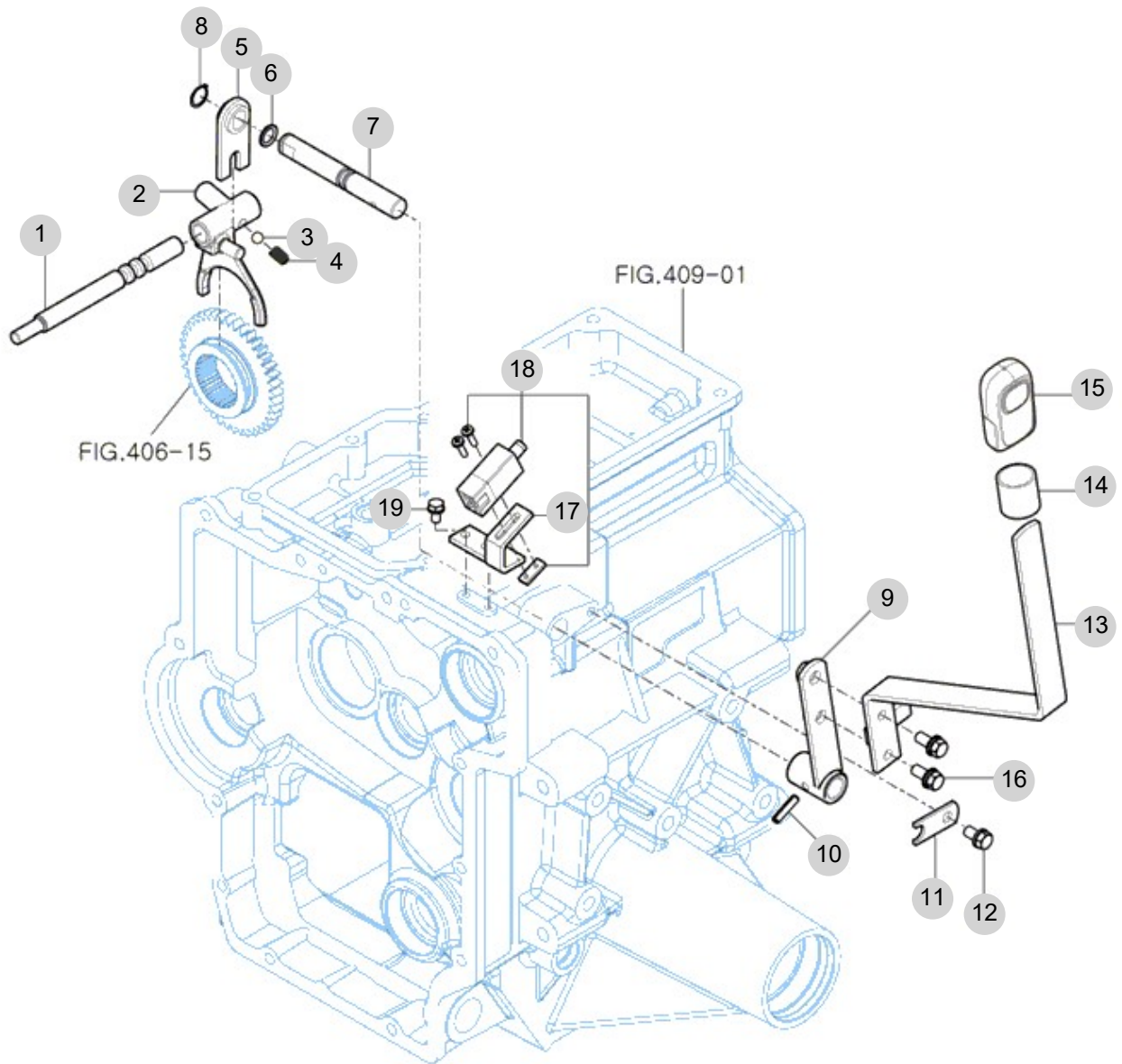
FIG 412

T194NH

P T O CHANGE LEVER

년/월
Year/Month

2022-12



NOTE

FIG 413

GEAR PUMP & PUMP IDLE GEAR SUB

년/월
Year/Month

2022-12

T194NH

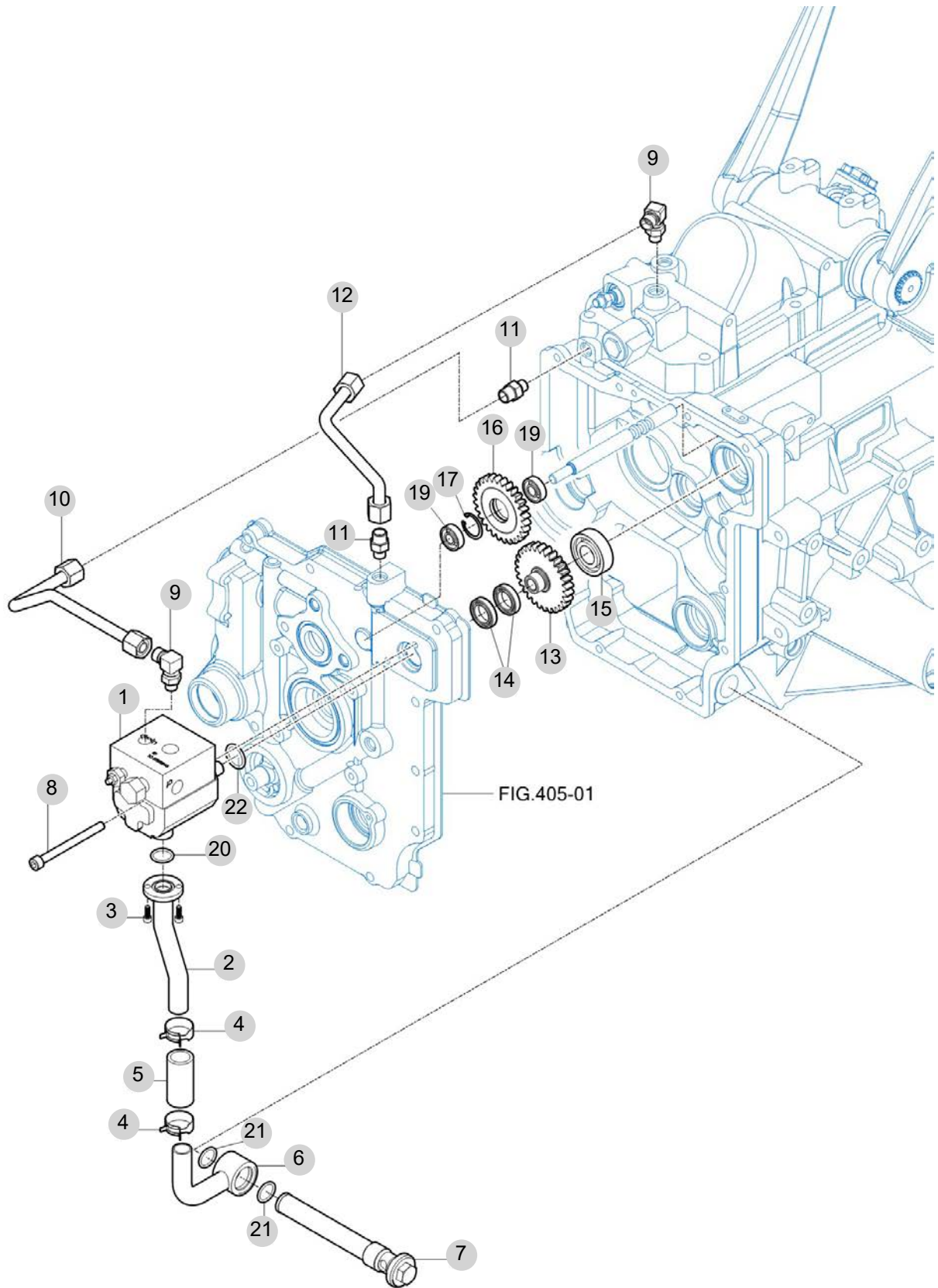


FIG.405-01

NOTE

5. 프런트 액슬 PART NO. T5

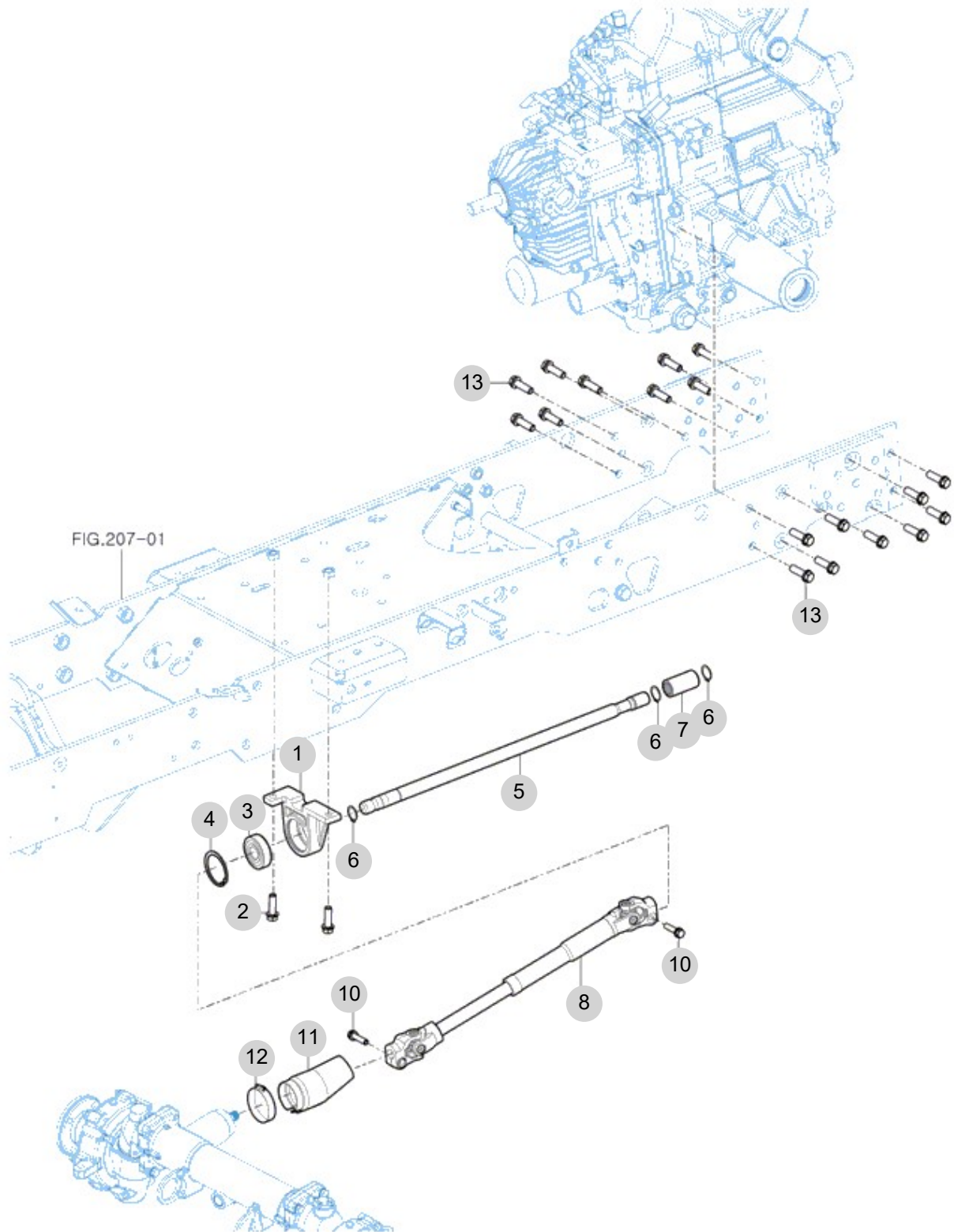
FIG 501 FRONT DRIVE SHAFT	102
FIG 502 FRONT DIFFERENTIAL GEAR	104
FIG 503 FRONT AXLE HOUSING	106
FIG 504 FRONT GEAR CASE (1)	108
FIG 505 FRONT GEAR CASE (2)	110

FIG 501

FRONT DRIVE SHAFT

년/월
Year/Month

2022-12



NOTE

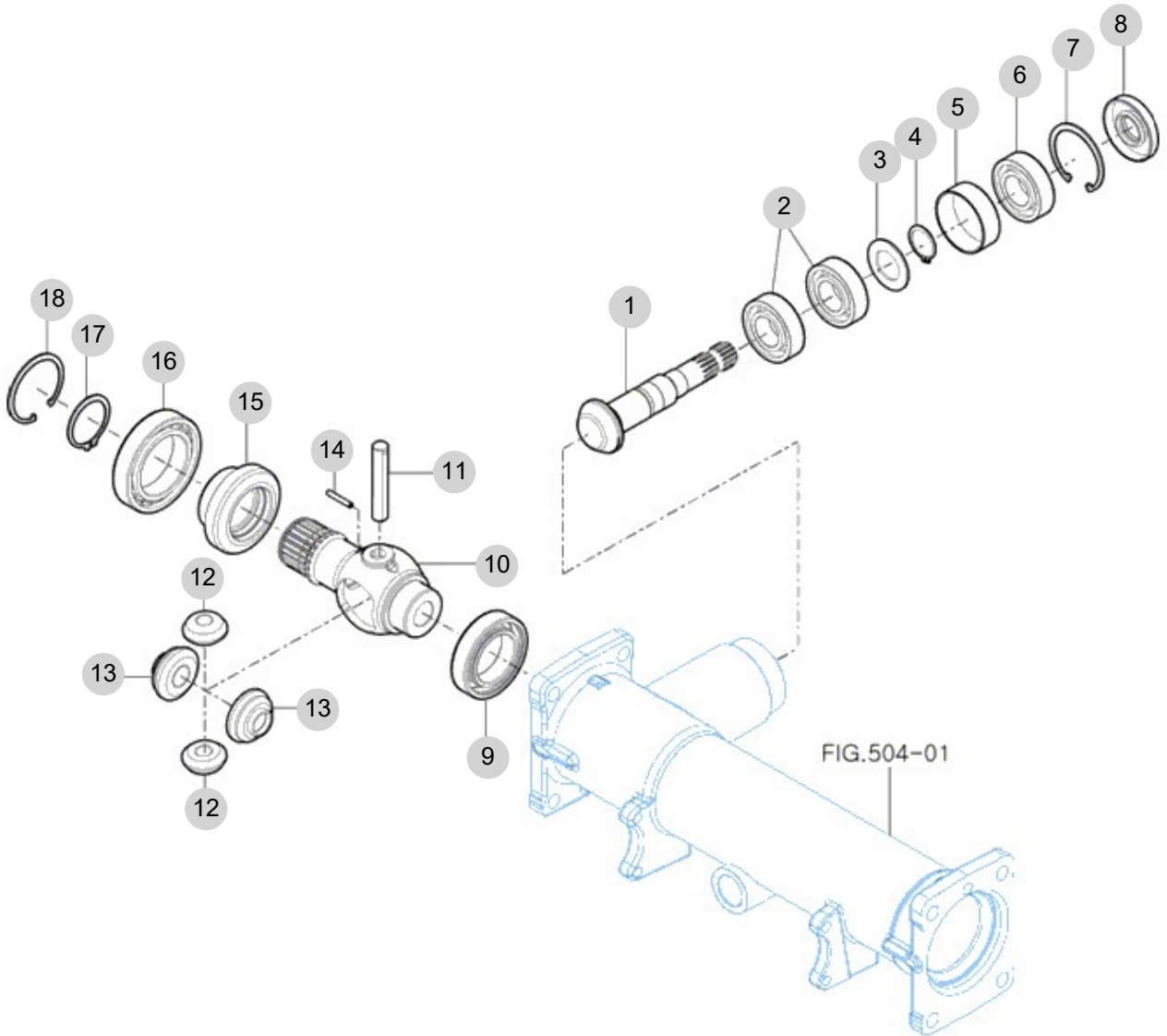
FIG 502

FRONT DIFFERENTIAL GEAR

년/월
Year/Month

2022-12

T194NH



NOTE

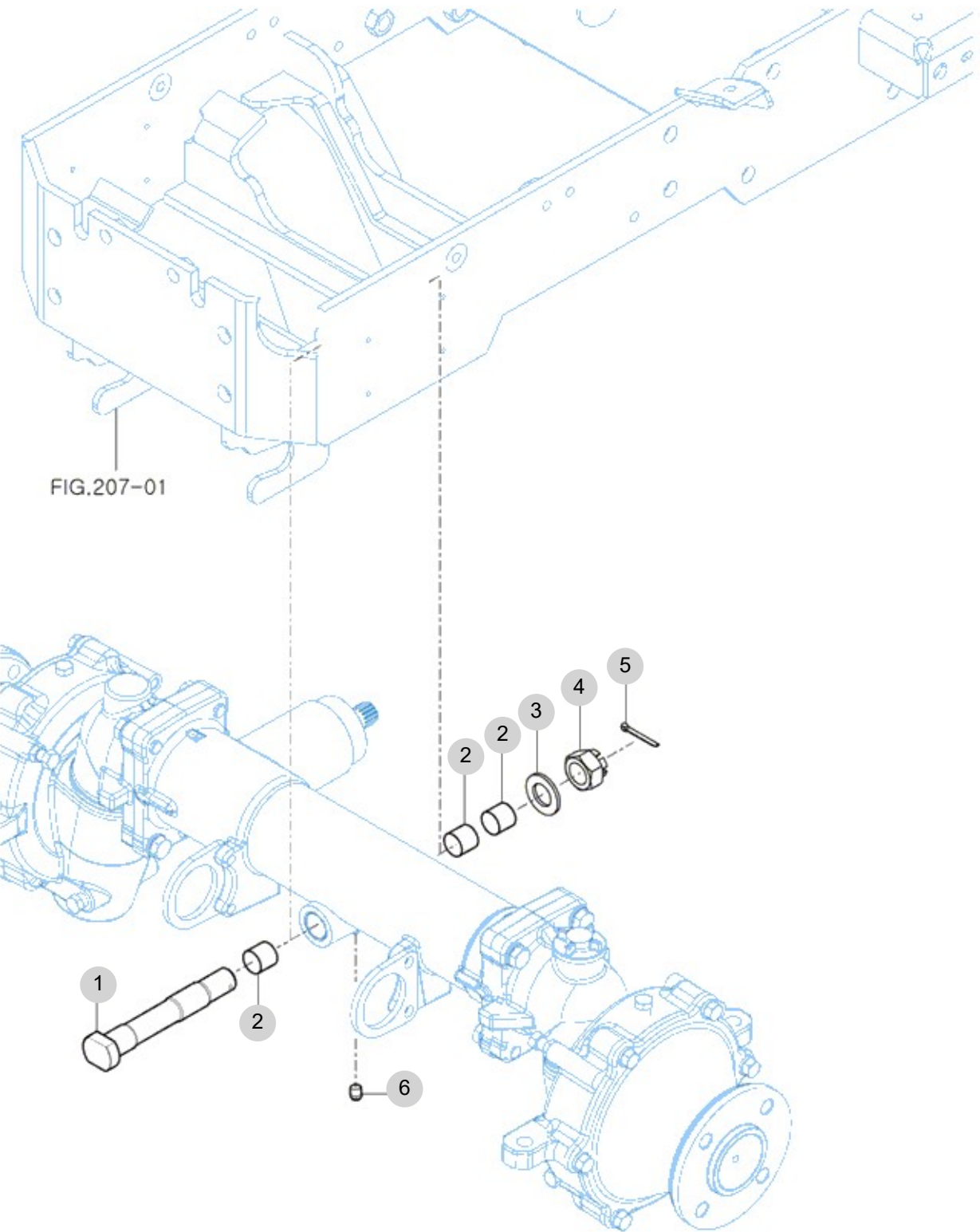
FIG 502 T194NH		FRONT DIFFERENTIAL GEAR					년/월 Year/Month	
							2022-12	
KEY NO	PART NO	DESCRIPTION	SPEC	QTY	REPAIR	EFFECTIVE DATE	REMARKS	
502	1	11614112110	베벨 피니언(9T)					
502	2	V6001106205	볼베어링	6205				
502	3	11614112130	와셔(25X42X2)					
502	4	V7041400250	C형멈춤링(축용)	25				
502	5	11614112120	칼라(48X52X17)					
502	6	V6001106205	볼베어링	6205				
502	7	V7051400520	C형멈춤링(구멍용)	52				
502	8	11614130180	오일실					
502	9	V6001106008	볼베어링	6008				
502	10	11614112260M	프런트 디프케이스					
502	11	11614112270	디프 피니언 샤프트					
502	12	11104112230	디프 피니언(11)					
502	13	11104112220	디프 기어(15)					
502	14	V5801404025	스프링핀	4X25				
502	15	11614112210	베벨기어(18T)					
502	16	V6001106010	볼베어링	6010				
502	17	V7041400400	C형멈춤링(축용)	40				
502	18	V7051400800	C형멈춤링(구멍용)	80				
NOTE								

FIG 503

FRONT AXLE HOUSING

년/월
Year/Month

2022-12



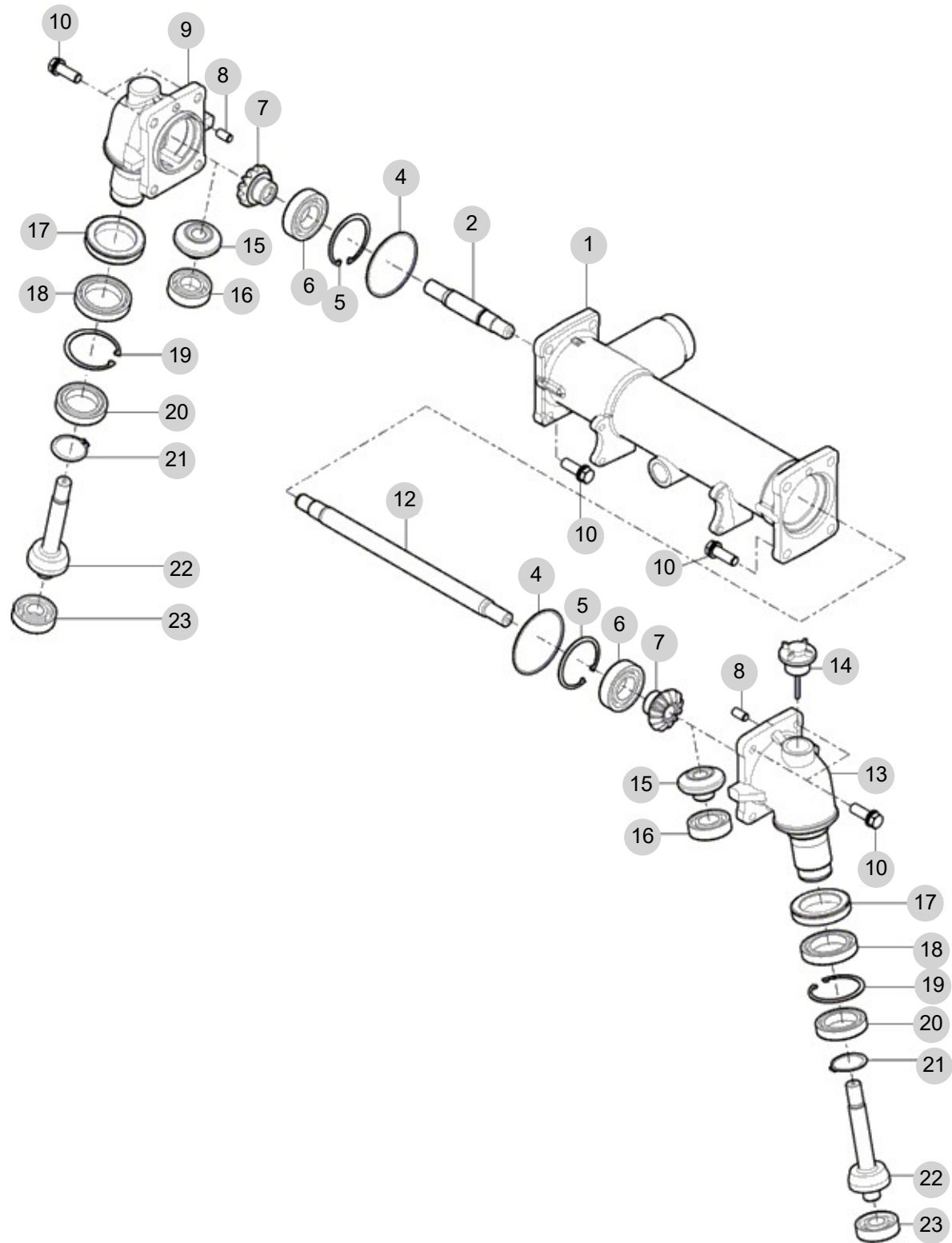
NOTE

FIG 504

FRONT GEAR CASE (1)

년/월
Year/Month

2022-12



NOTE

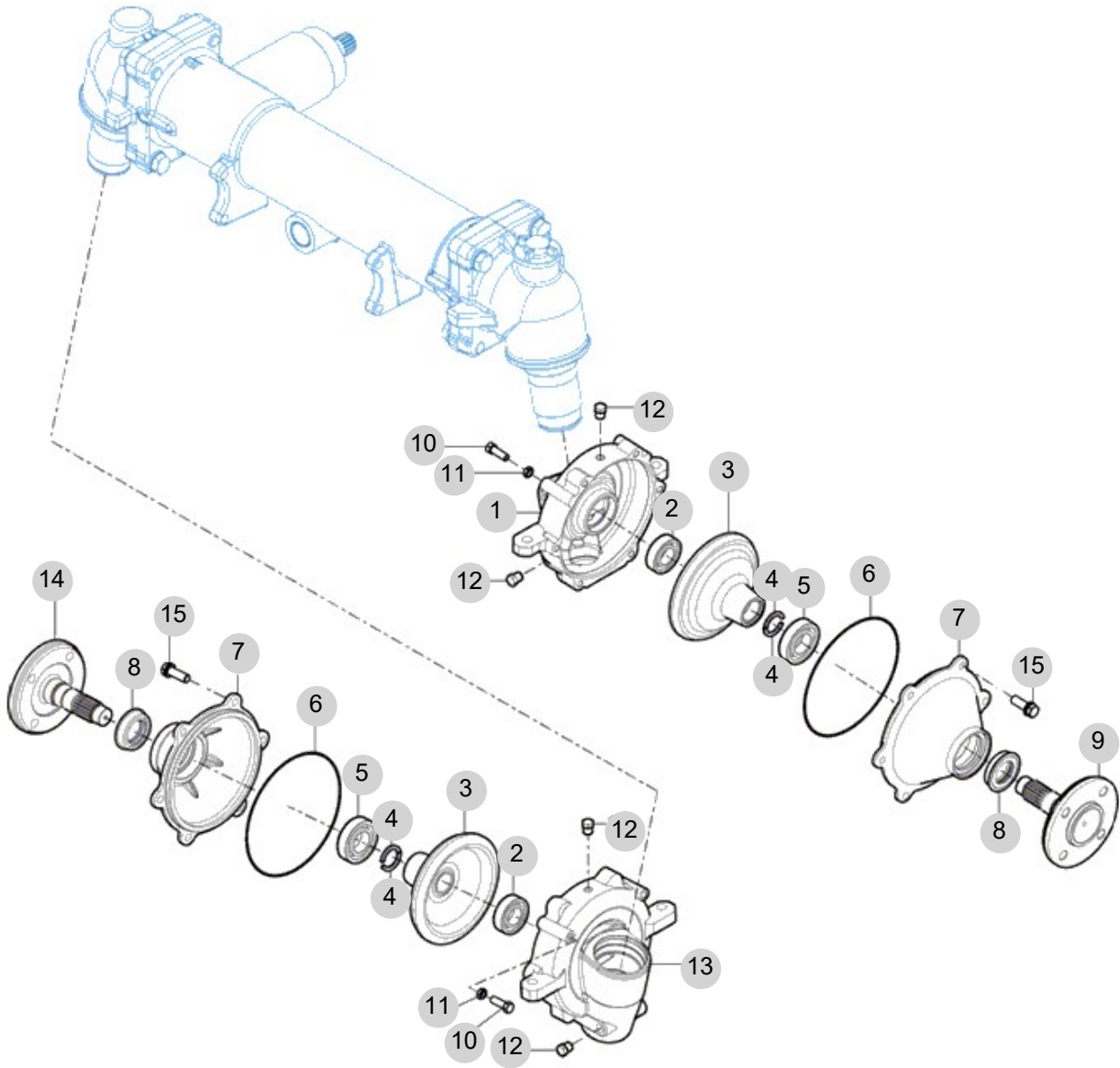
FIG 505

T194NH

FRONT GEAR CASE (2)

년/월
Year/Month

2022-12



NOTE

6. 유압/3점링크 PART NO. T6

FIG 601 CYLINDER CASE	113
FIG 602 LIFT ARM	115
FIG 603 FLOW CONTROL VALVE	117
FIG 604 MAIN CONTROL VALVE	119
FIG 605 HYDRAULIC SUB	121
FIG 606 HITCH & 3-POINT LINKAGE	123
FIG 607 MID MOWER	125

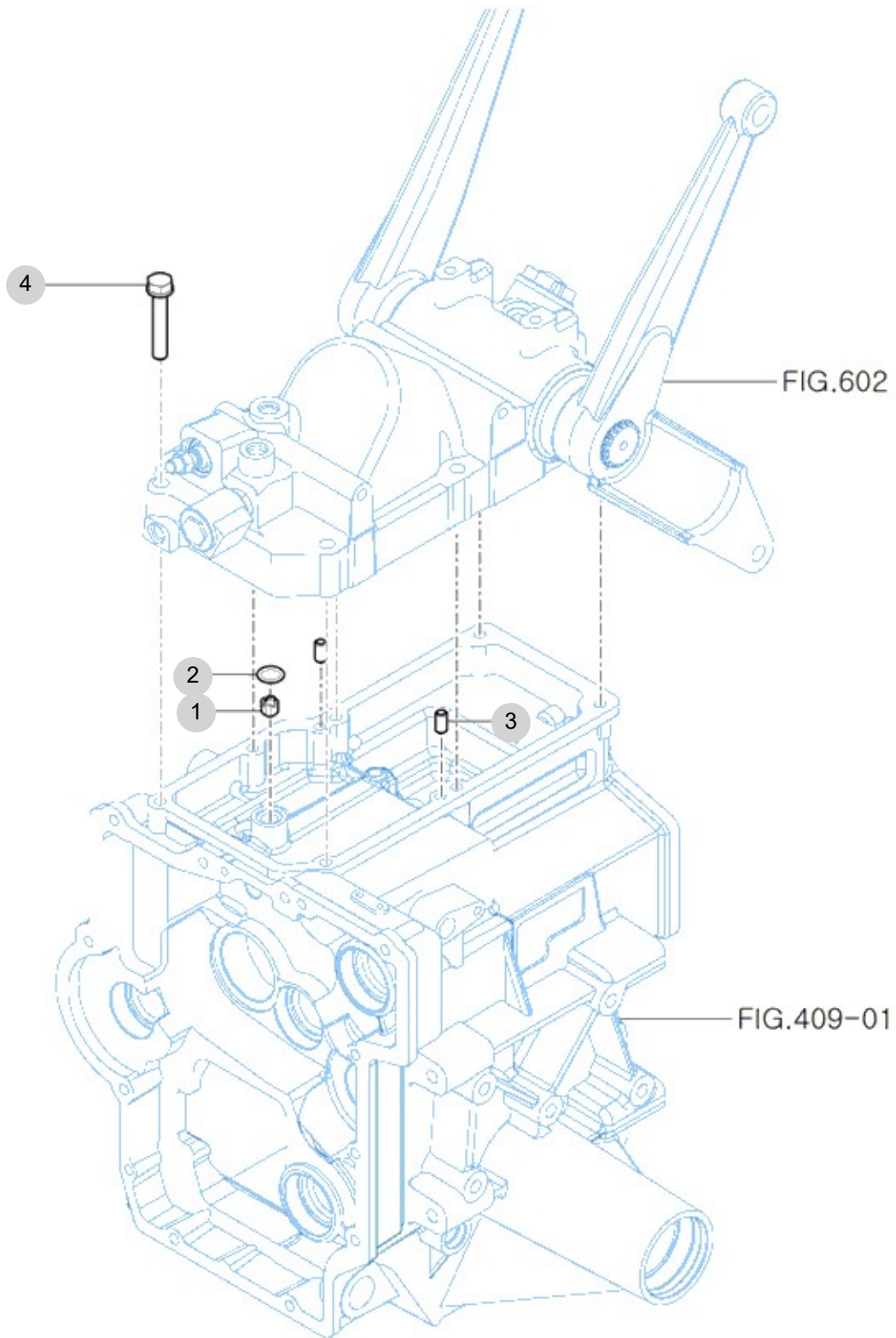
FIG 601

T194NH

CYLINDER CASE

년/월
Year/Month

2022-12



NOTE

FIG 602

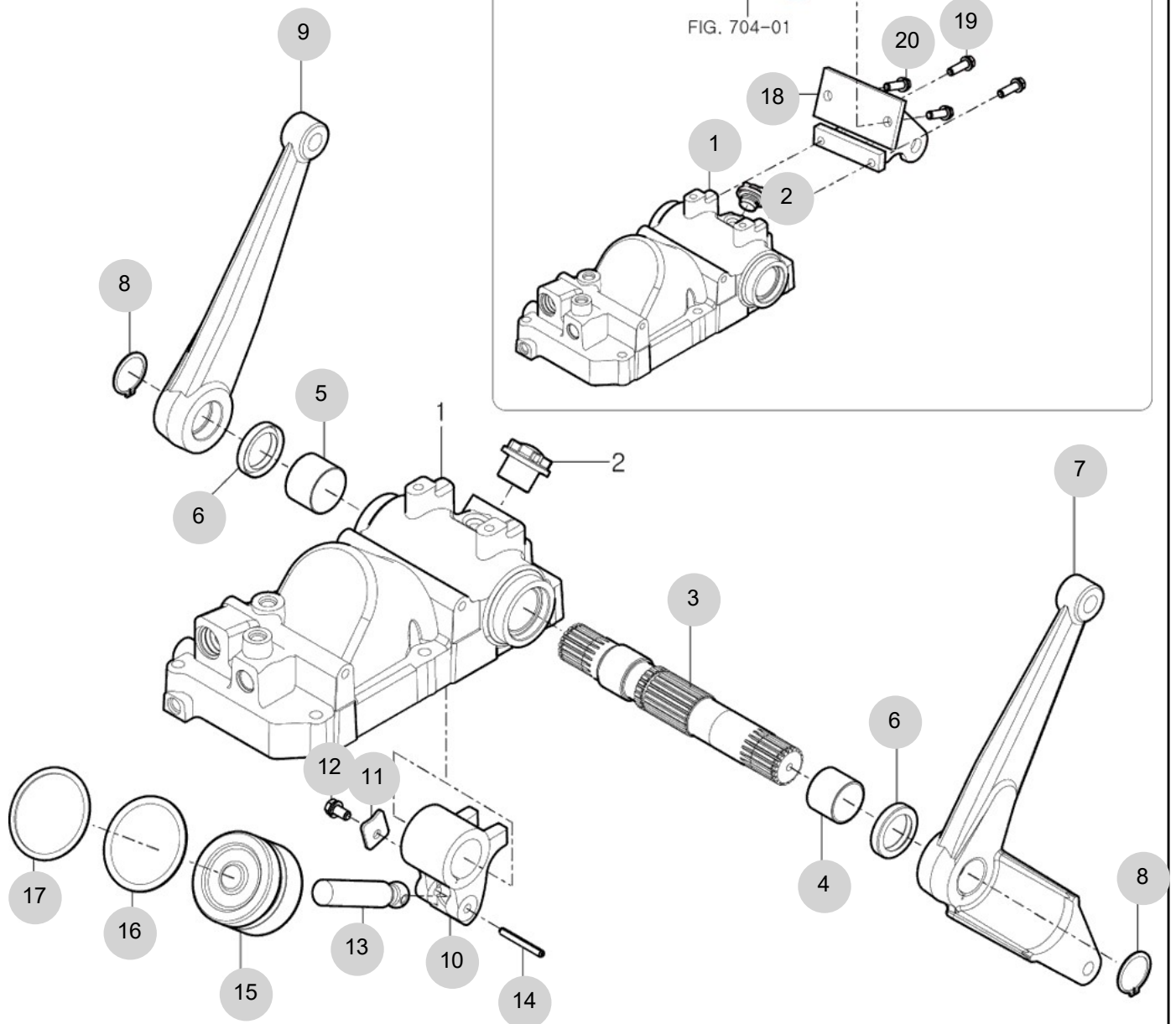
T194NH

LIFT ARM

년/월
Year/Month

2022-12

2019.09.01~



NOTE

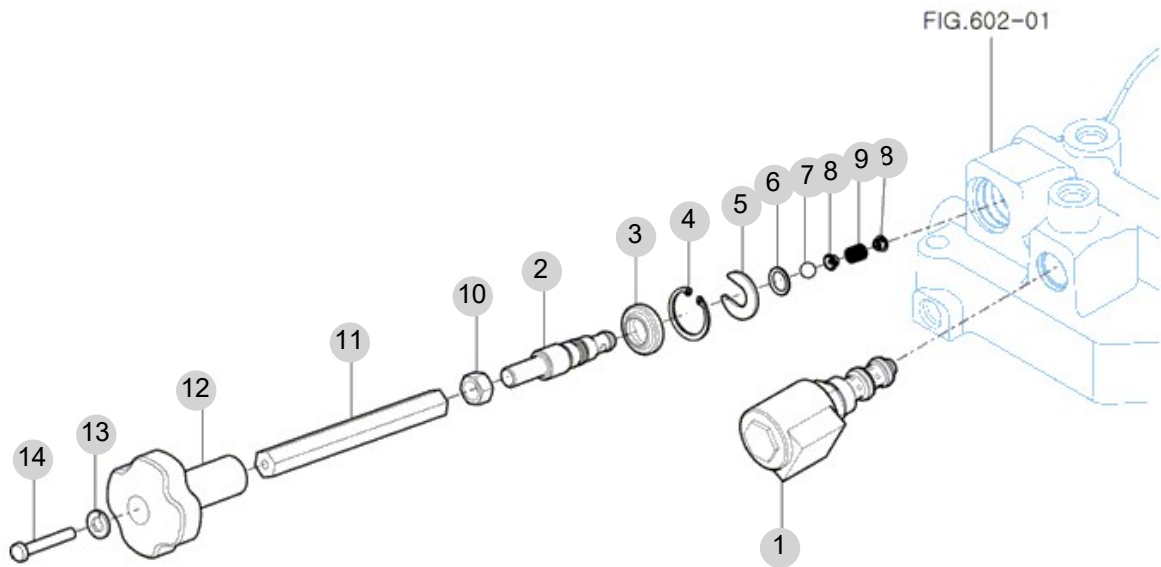
FIG 603

T194NH

FLOW CONTROL VALVE

년/월
Year/Month

2022-12



NOTE

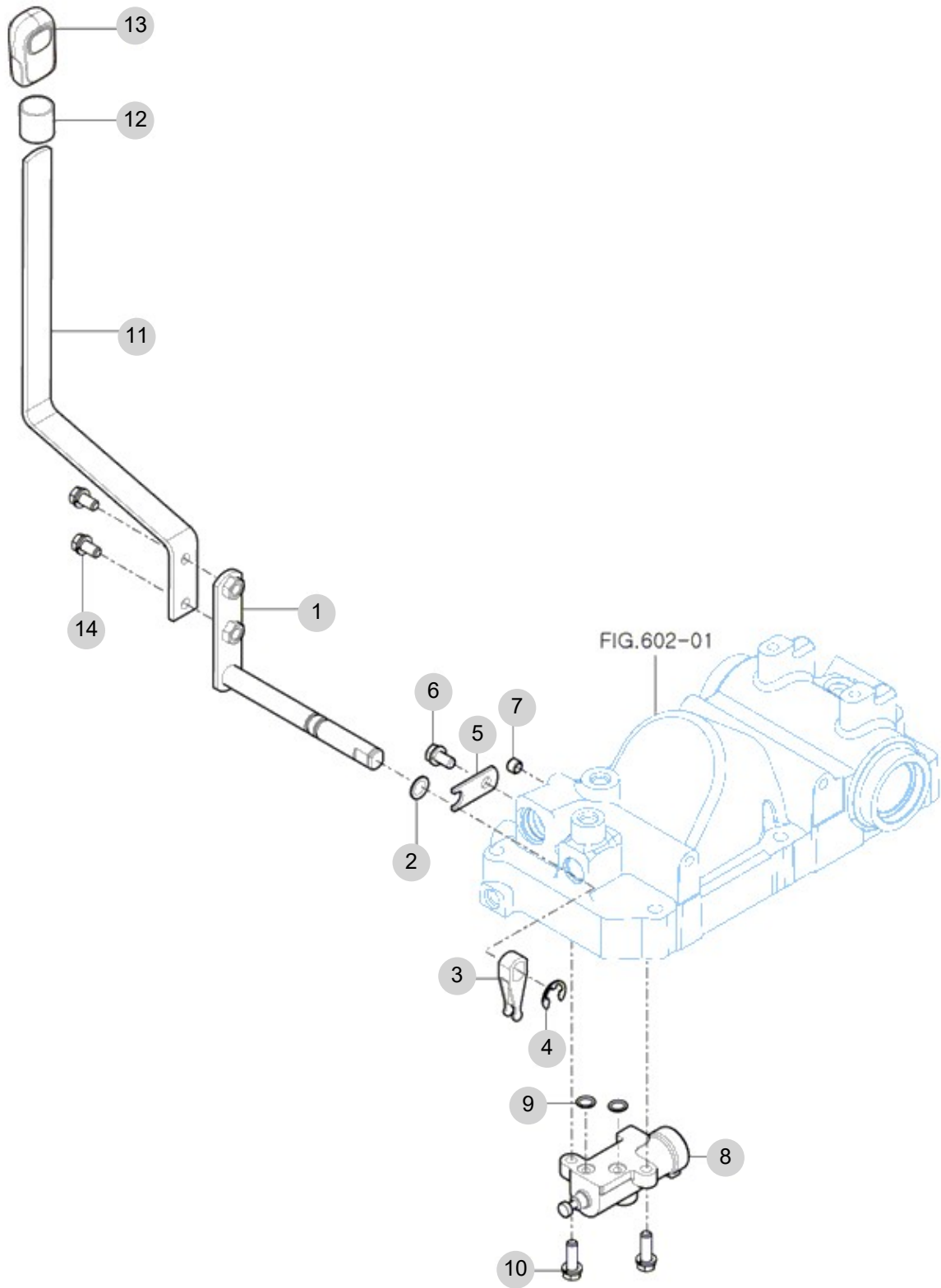
FIG 604

MAIN CONTROL VALVE

년/월
Year/Month

2022-12

T194NH



NOTE

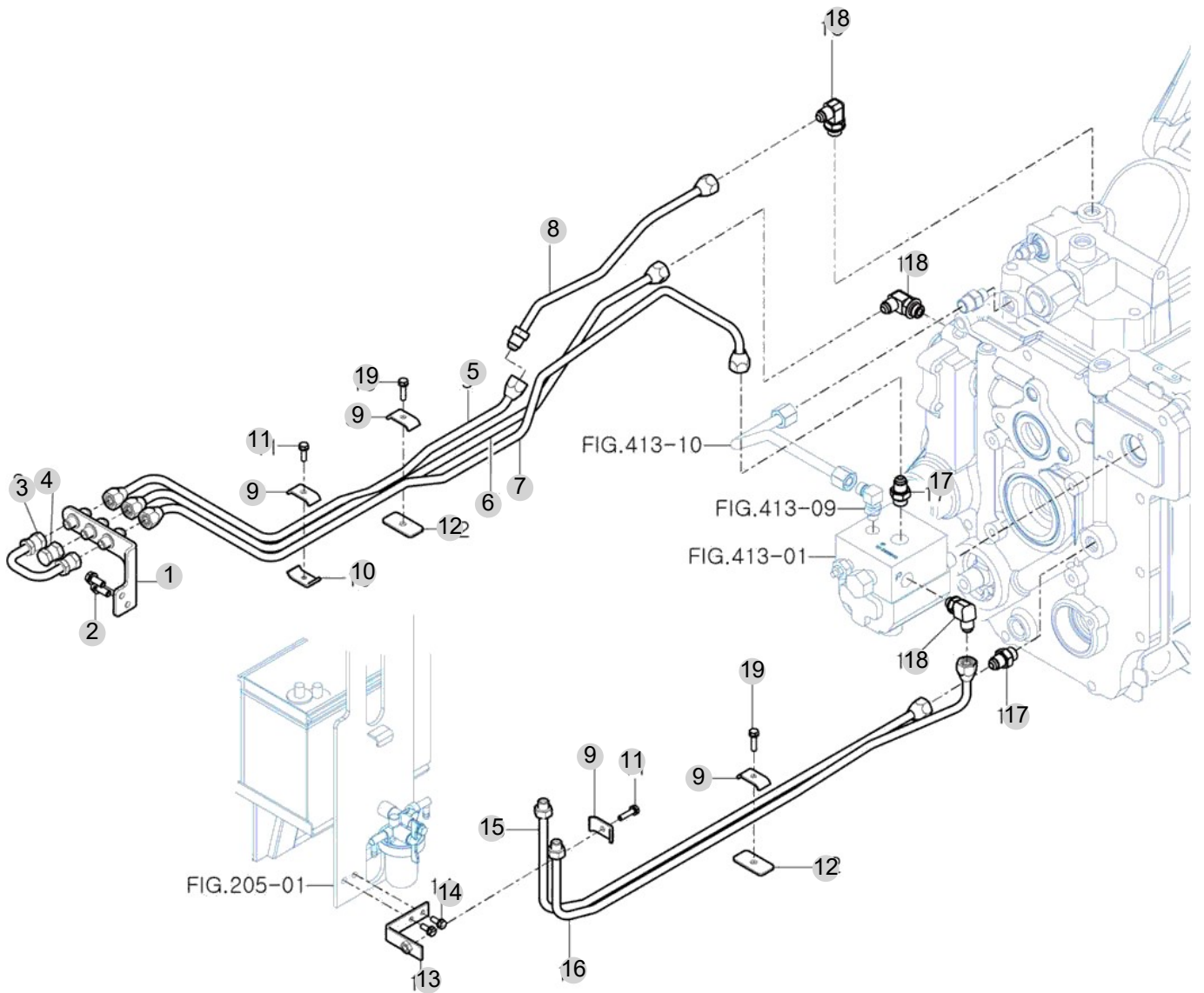
FIG 605

HYDRAULIC SUB

년/월
Year/Month

T194NH

2022-12



NOTE

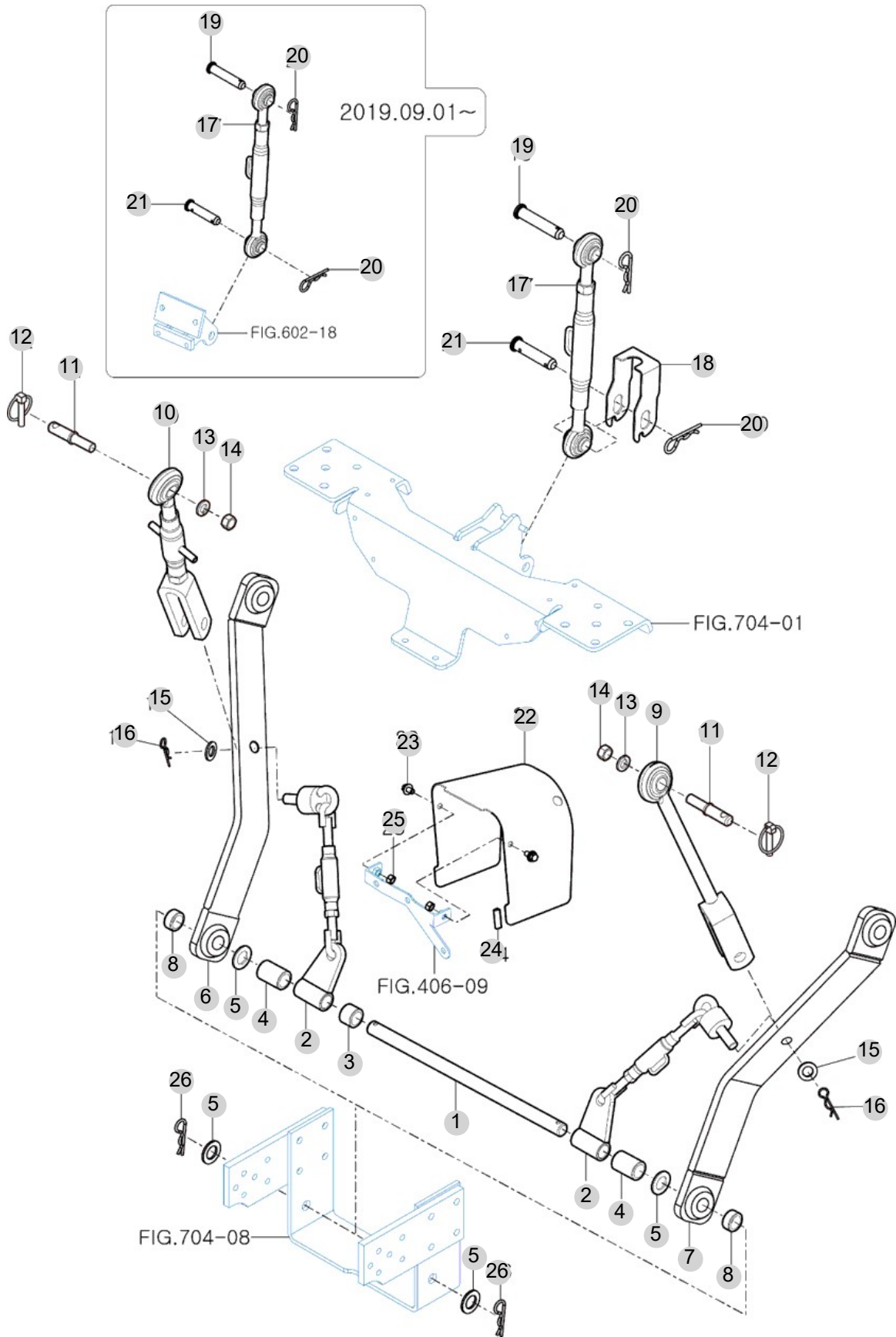
FIG 606

T194NH

HITCH & 3-POINT LINKAGE

년/월
Year/Month

2022-12



NOTE

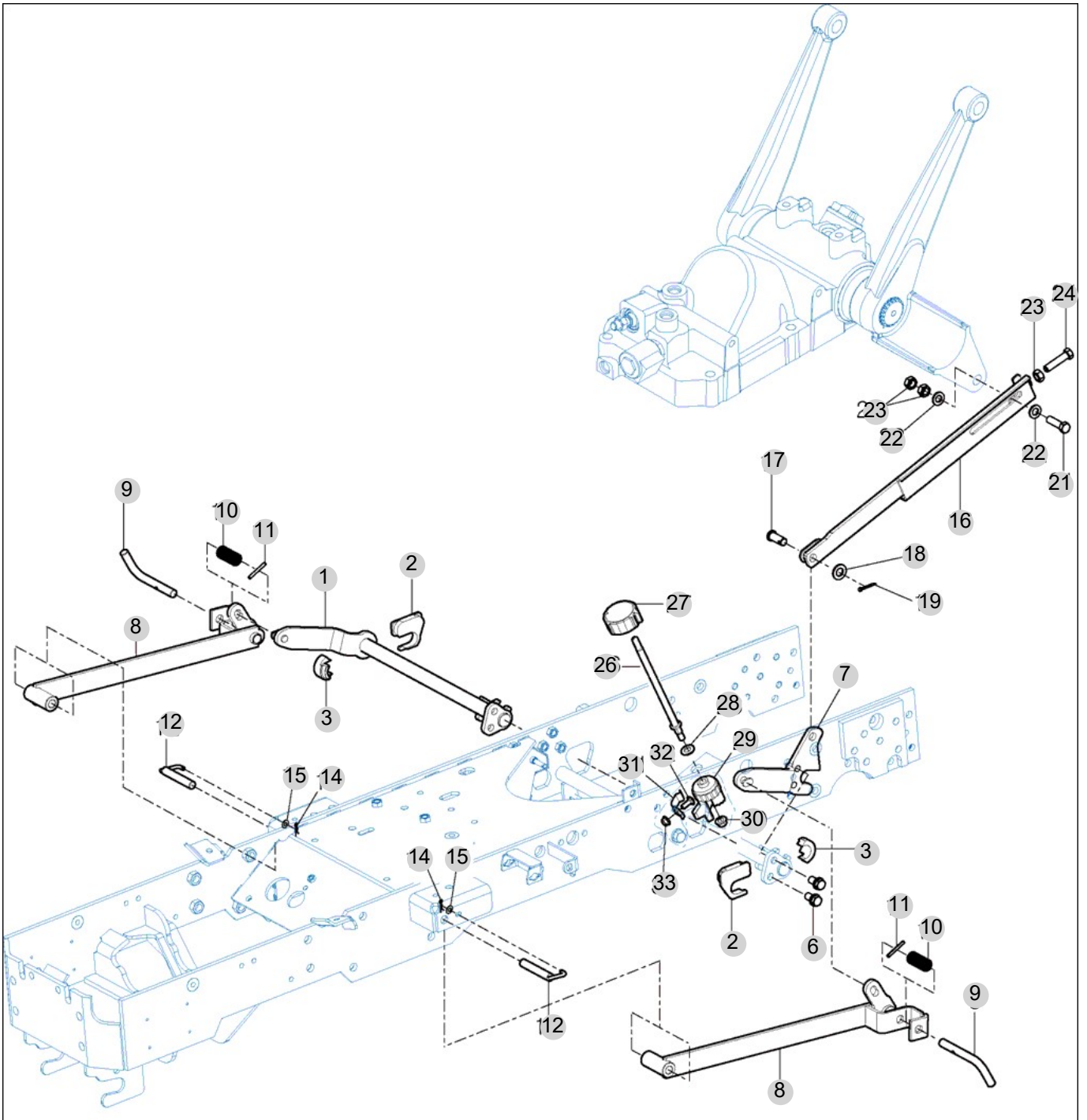
FIG 607

MID MOWER

년/월
Year/Month

2022-12

T194NH



NOTE

7. 시트메탈/캐빈 PART NO. T7

FIG 701 BONNET	128
FIG 702 FLOOR	130
FIG 703 SEAT	132
FIG 704 ROPS	134
FIG 705 LEVER COVER & FENDER	136
FIG 706 REARVIEW MIRRORS	138
FIG 707 FRONT GLASS	140
FIG 708 DOOR-LH	142
FIG 709 DOOR-RH	144
FIG 710 REAR GLASS	146
FIG 711 ROOF	148
FIG 712 WORKING LAMP & FENDER COVER	150
FIG 713 HEATER SUB	152
FIG 714 CABIN HARNESS	154
FIG 715 REAR WIPER KIT(OPTION)	156

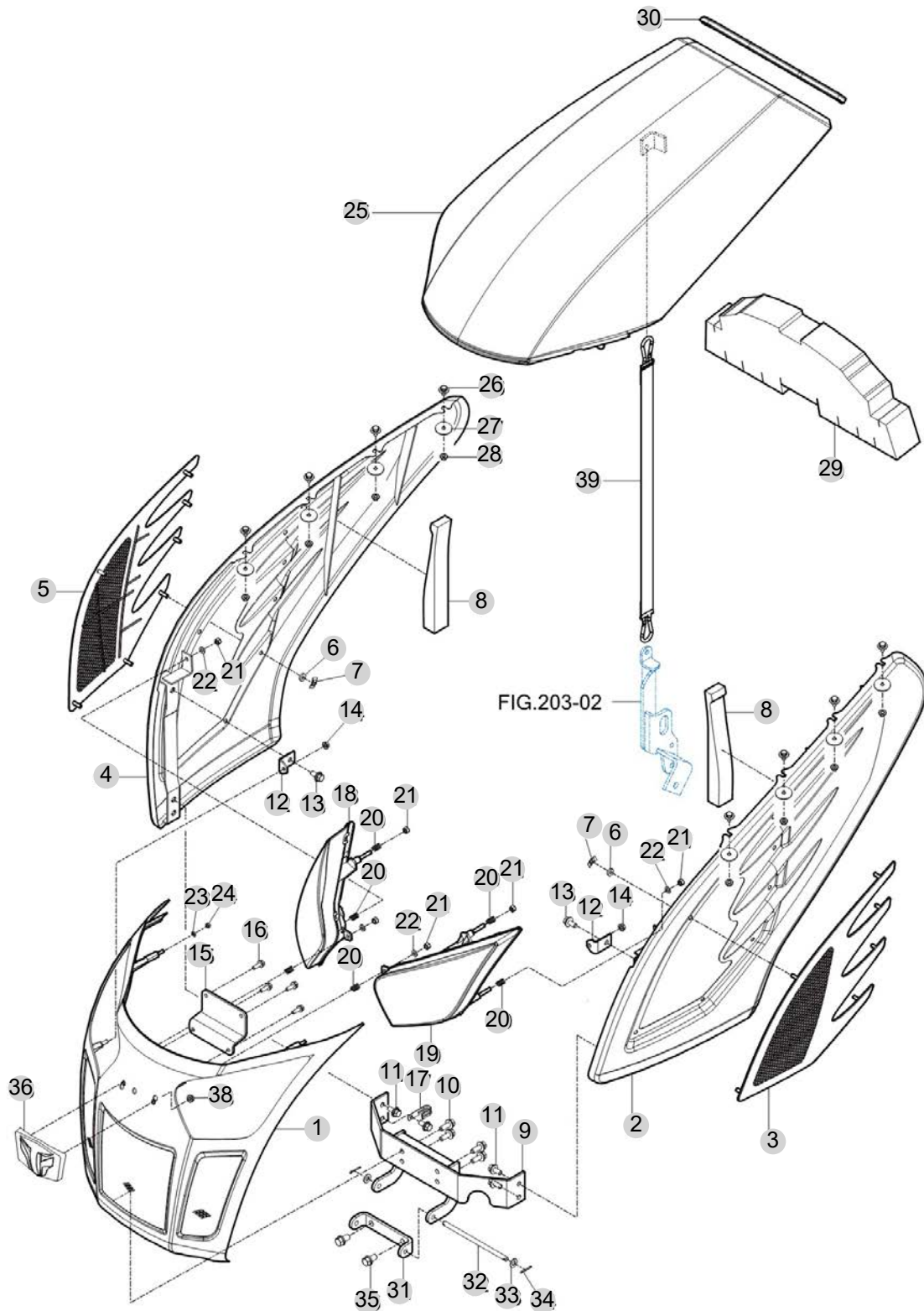
FIG 701

T194NH

BONNET

년/월
Year/Month

2022-12



NOTE

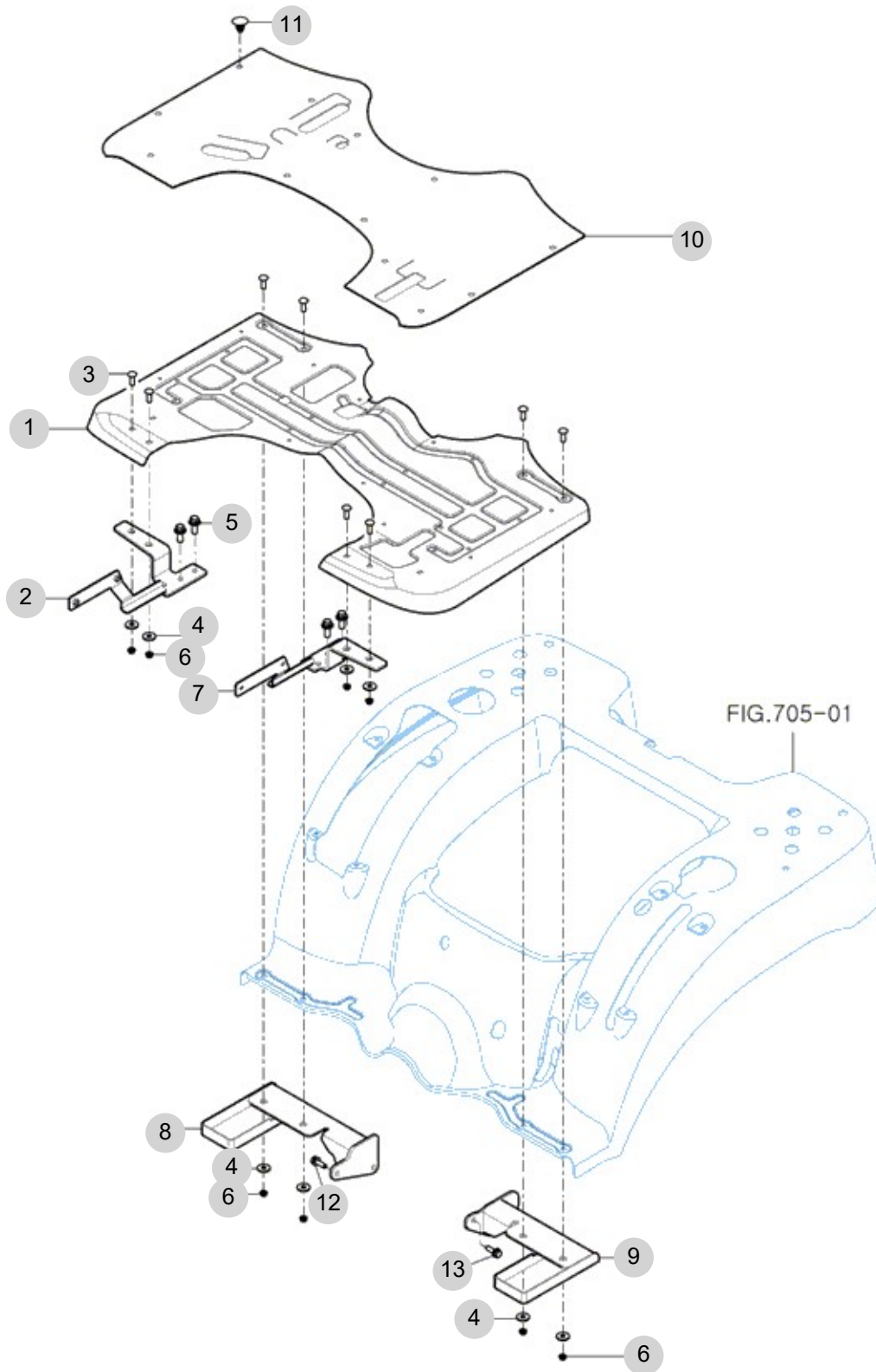
FIG 702

T194NH

FLOOR

년/월
Year/Month

2022-12



NOTE

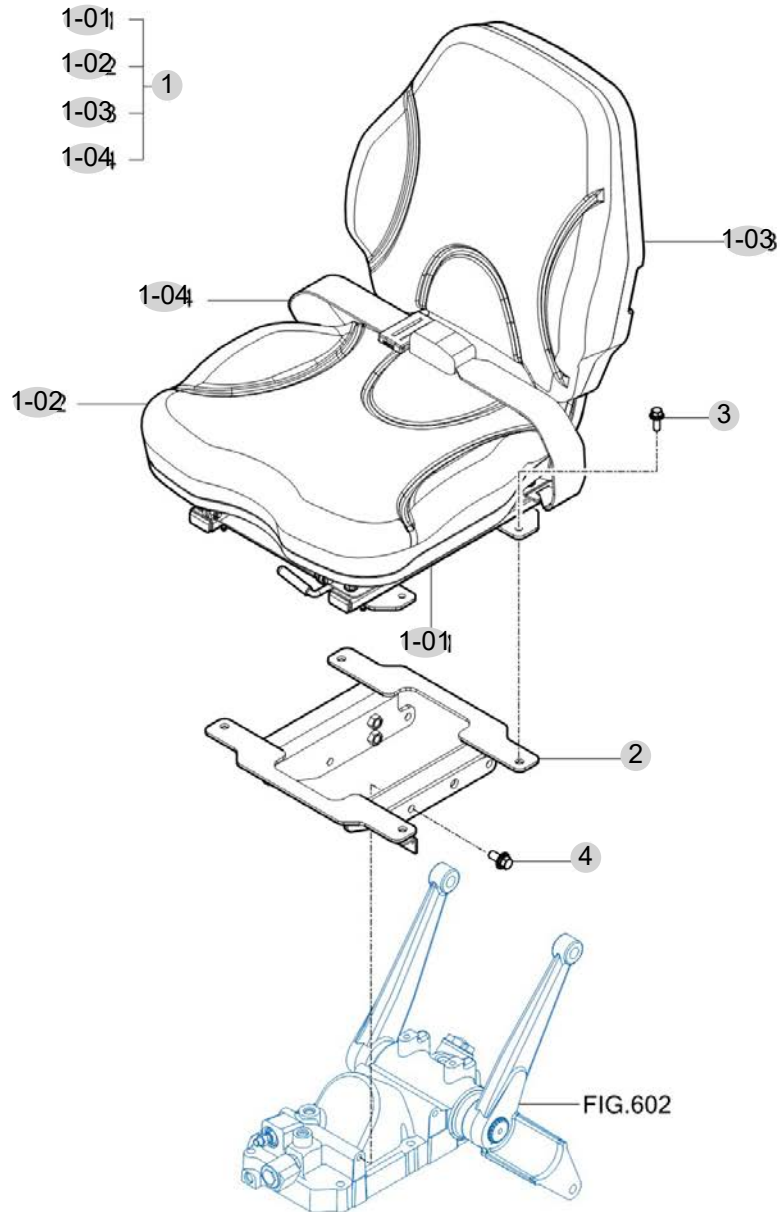
FIG 703

T194NH

SEAT

년/월
Year/Month

2022-12



NOTE

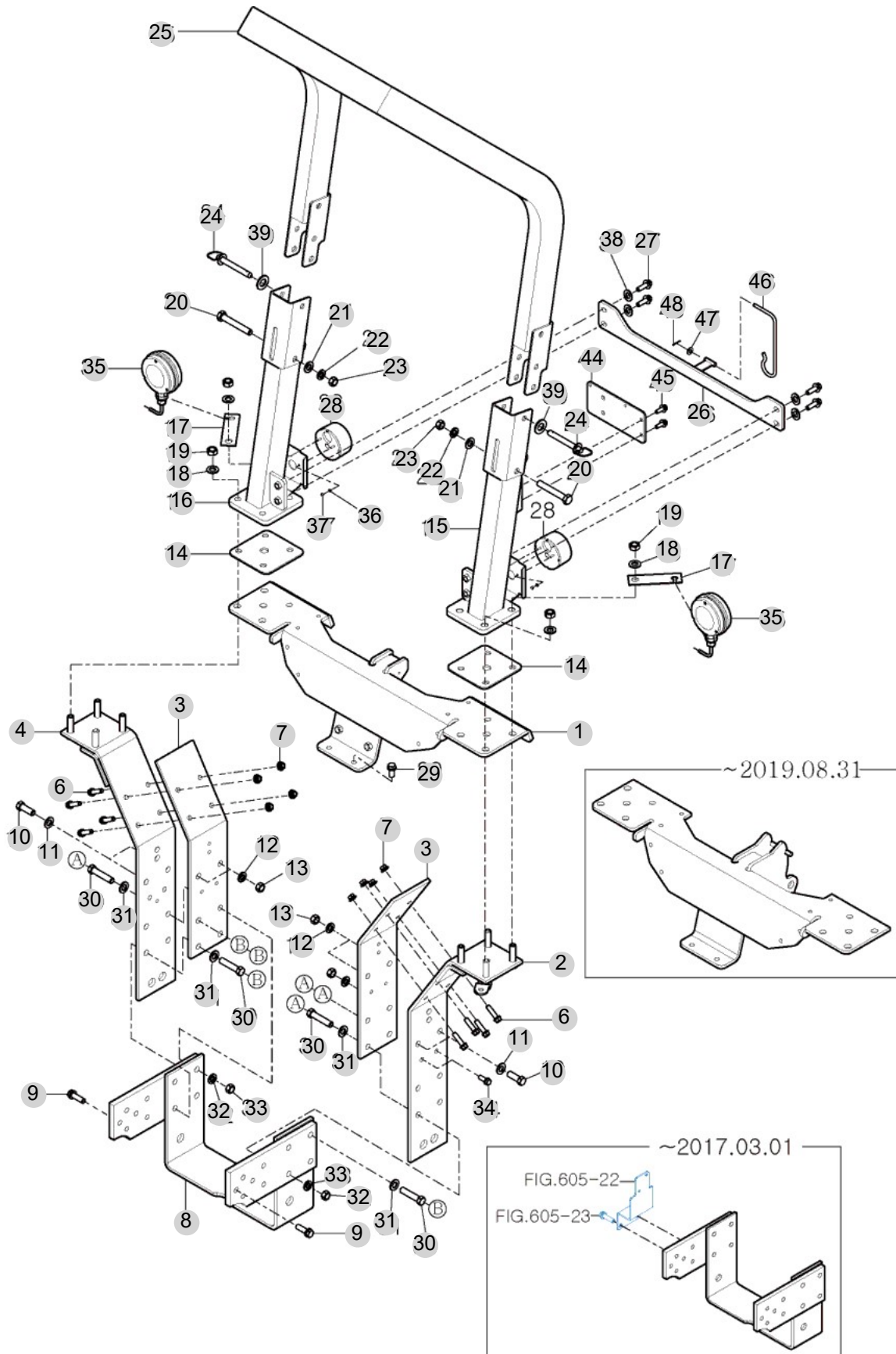
FIG 704

ROPS

년/월
Year/Month

T194NH

2022-12



NOTE

FIG 704		ROPS					년/월 Year/Month	
T194NH							2022-12	
KEY NO	PART NO	DESCRIPTION	SPEC	QTY	REPAIR	EFFECTIVE DATE	REMARKS	
704	1	11657022600GB	프레임 COMP , 중/서포트					
704	2	11617022400GB	프레임 COMP , 좌/서포트					
704	3	11617022700GB	보강 브래킷 , 중/서포트					
704	4	11617022500GB	프레임 COMP , 우/서포트					
704	6	V2173610035	소형육각볼트보통(S)	M10X35	8			
704	7	V3802600100	플랜지볼이육각너트	M10	8			
704	8	11615212101GB	프레임 COMP , 히치					
704	9	V2174612040	소형육각볼트보통(S)	M12X40	12			
704	10	V2013614040	소형육각볼트(보통)	M14X40	4			
704	11	V4111600140	평와셔	M14	4			
704	12	V4011600140	스프링와셔	M14	4			
704	13	V3043600140	소형육각너트보통2종	M14	4			
704	14	11617022900	패드(ROPS)		2			
704	15	11617022102GB	프레임 COMP , 좌/하/ROPS					
704	16	11617022200GB	프레임 COMP , 우/하/ROPS					
704	17	11616562111GB	플레이트 , 램프		2			
704	18	V4011600140	스프링와셔	M14	8			
704	19	V3043600140	소형육각너트보통2종	M14	8			
704	20	V2014614095	소형육각볼트(보통)	14X95	2			
704	21	V4111600140	평와셔	M14	2			
704	22	V4011600140	스프링와셔	M14	2			
704	23	V3043600140	소형육각너트보통2종	M14	2			
704	24	11107027500	고정핀 조합		2			
704	25	11617024100GB	프레임 COMP , 상					
704	26	11657022300GB	프레임 COMP , 크로스					
704	27	V2174610035	소형육각볼트보통(S)	M10X35	4			
704	28	11106563002	스톱램프 ASSY		2			
704	29	V2173610030	소형육각볼트보통(S)	M10X30	2			
704	30	V2004614070	소형육각볼트(보통)		8			
704	31	V4111600140	평와셔	M14	8			
704	32	V4011600140	스프링와셔	M14	8			
704	33	V3043600140	소형육각너트보통2종	M14	8			
704	34	V2183610025	소형육각볼트보통(SP)	M10X25	2			
704	35	11616562000	램프 ASSY, 양면 방향지시등		2			
704	36	V4011600050	스프링와셔	M5	4			
704	37	V3002600050	육각너트보통1종	M5	4			
704	38	V4111600100	평와셔	M10	4			
704	39	19027722030	그로맷(15X36X3)	1X1X1	2			
704	44	11617012120GB	서포트 플레이트 , SMV					
704	45	V2183608025	소형육각볼트보통(SP)	M8X25	2			
704	46	16705251100	후크(튐링크)	D=5	1			
704	47	V4111600050	평와셔	M5	1			
704	48	V5001920015	분할핀	2X15	1			
NOTE								

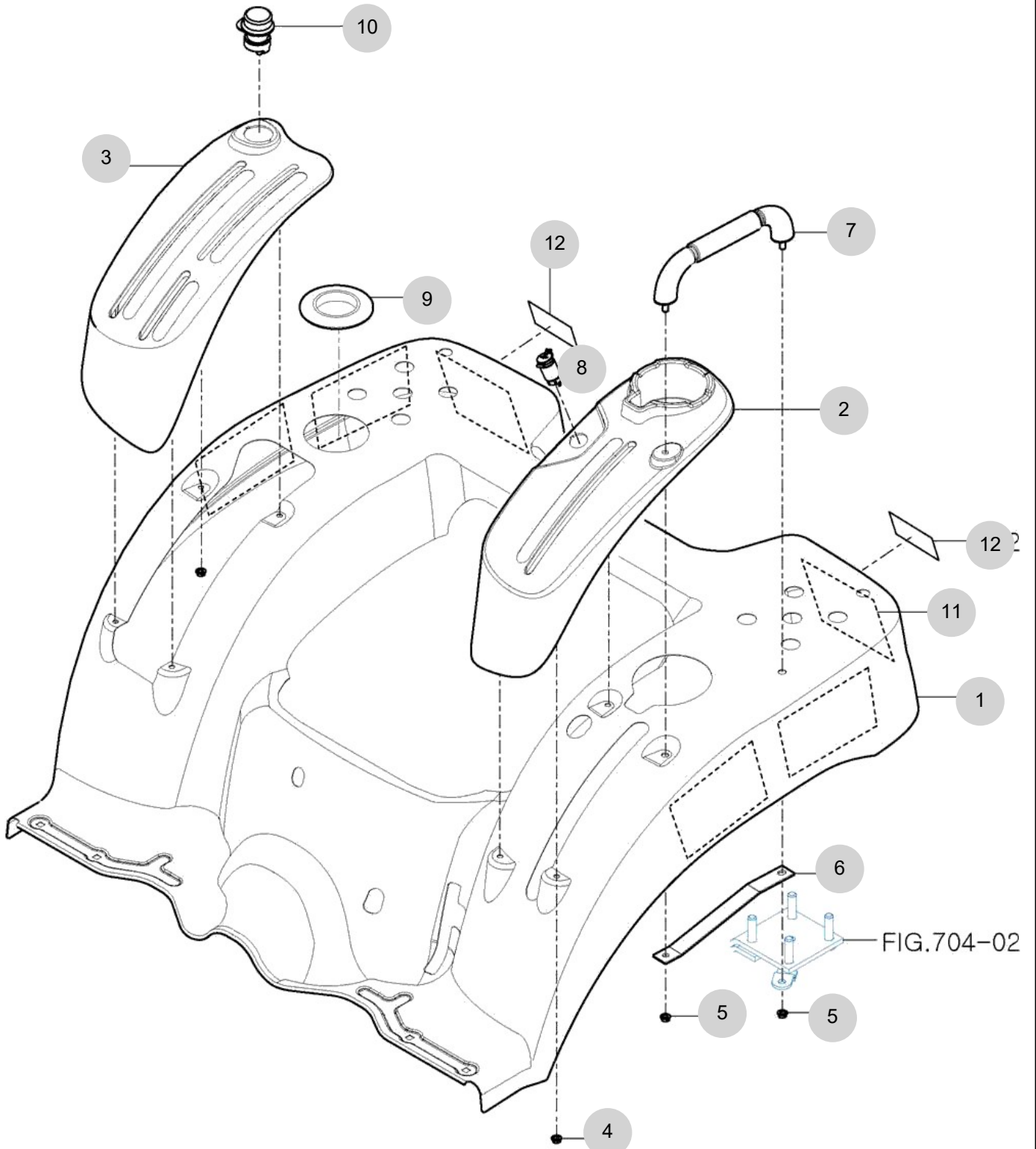
FIG 705

T194NH

LEVER COVER & FENDER

년/월
Year/Month

2022-12



NOTE

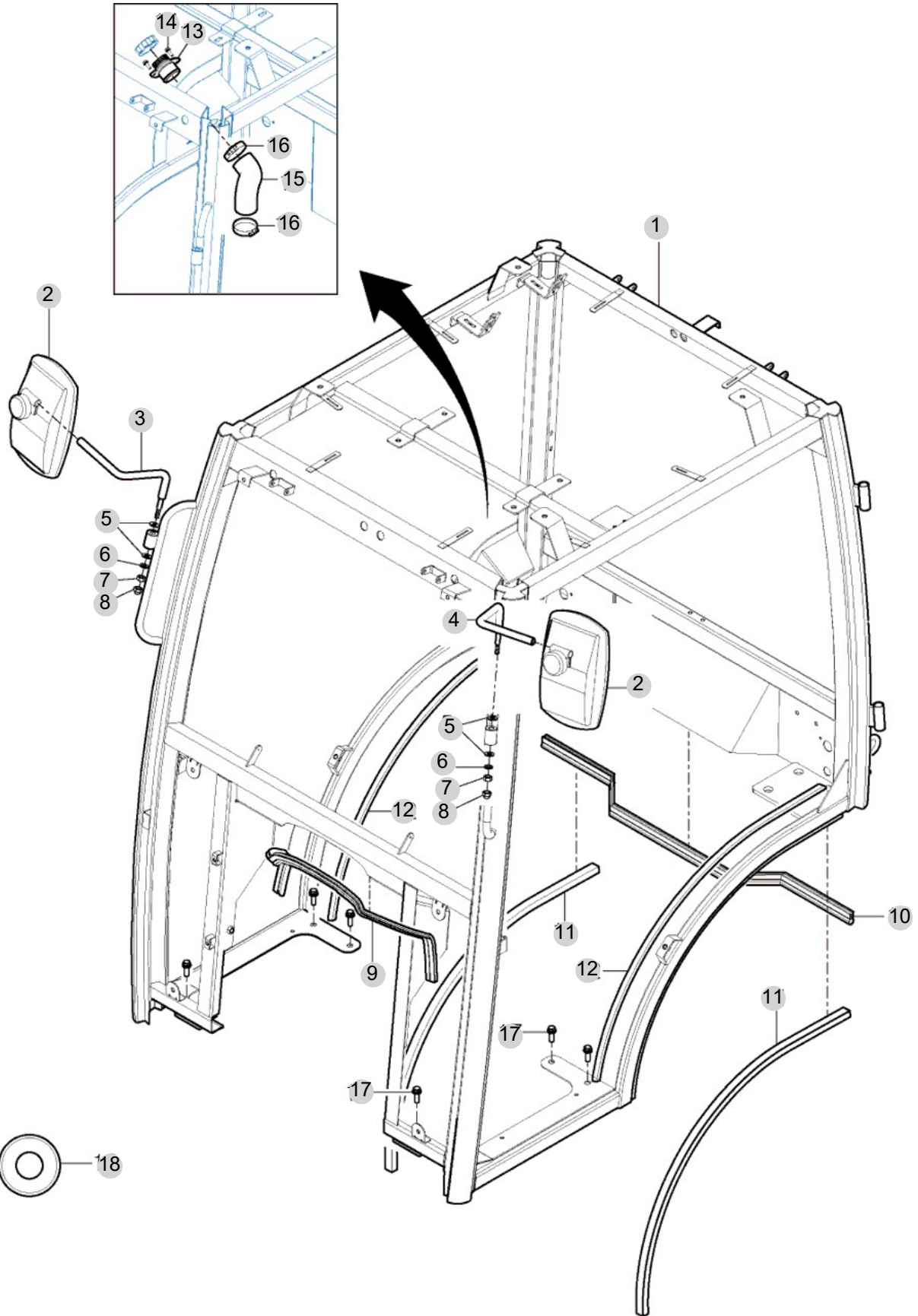
FIG 706

REARVIEW MIRRORS

년/월
Year/Month

2022-12

T194NH



NOTE

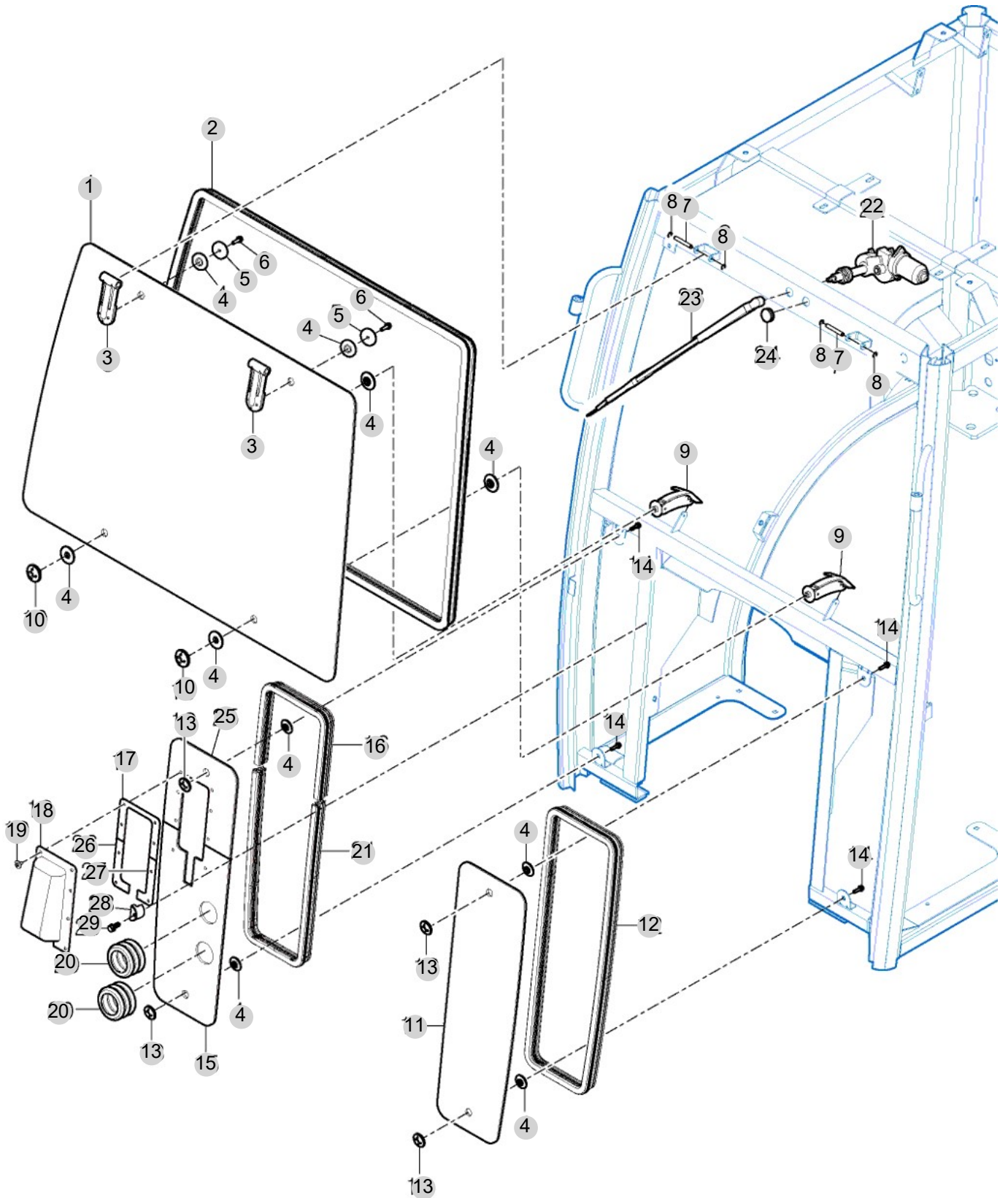
FIG 707

FRONT GLASS

년/월
Year/Month

2022-12

T194NH



NOTE

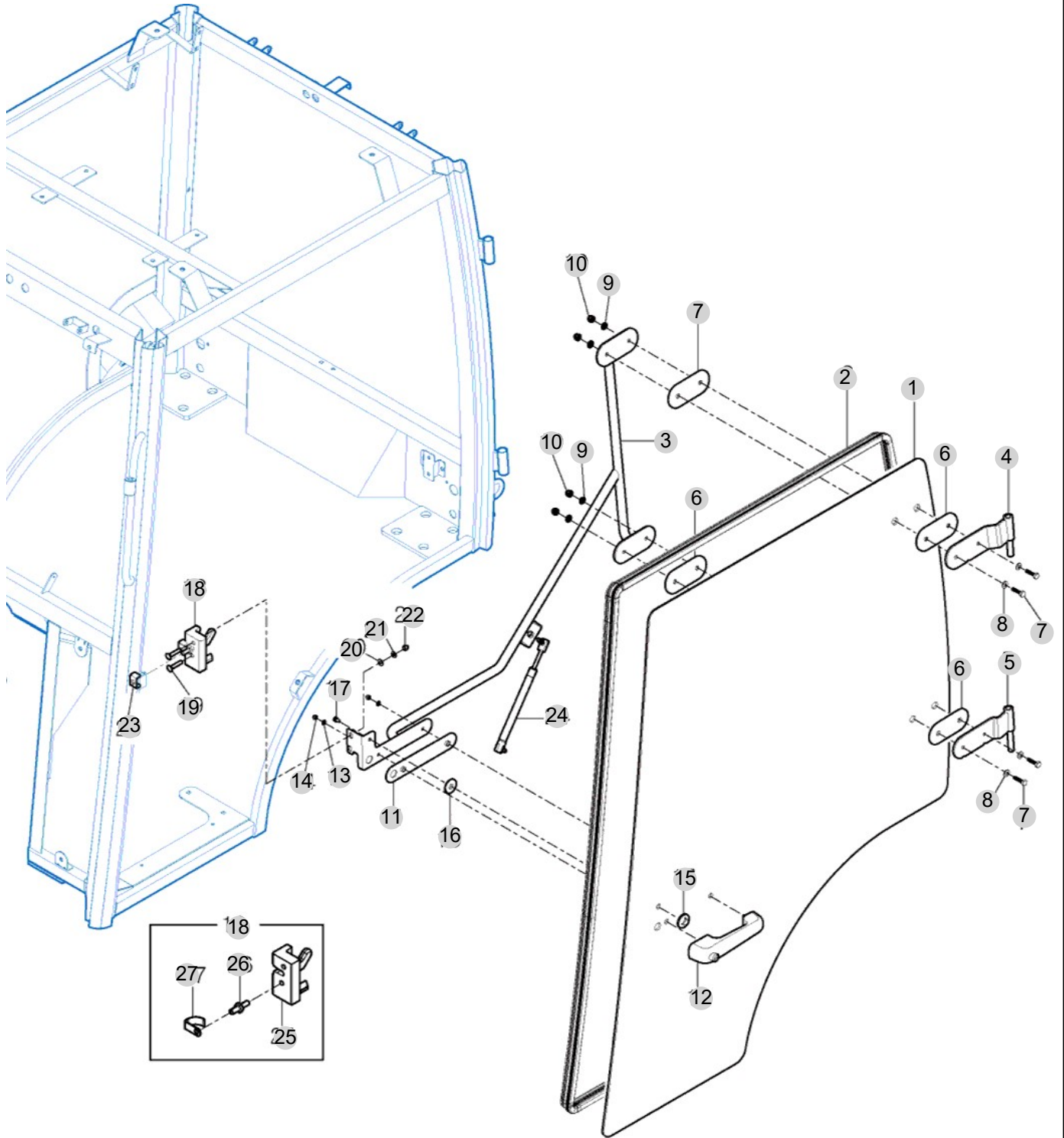
FIG 708

DOOR-LH

년/월
Year/Month

T194NH

2022-12



NOTE

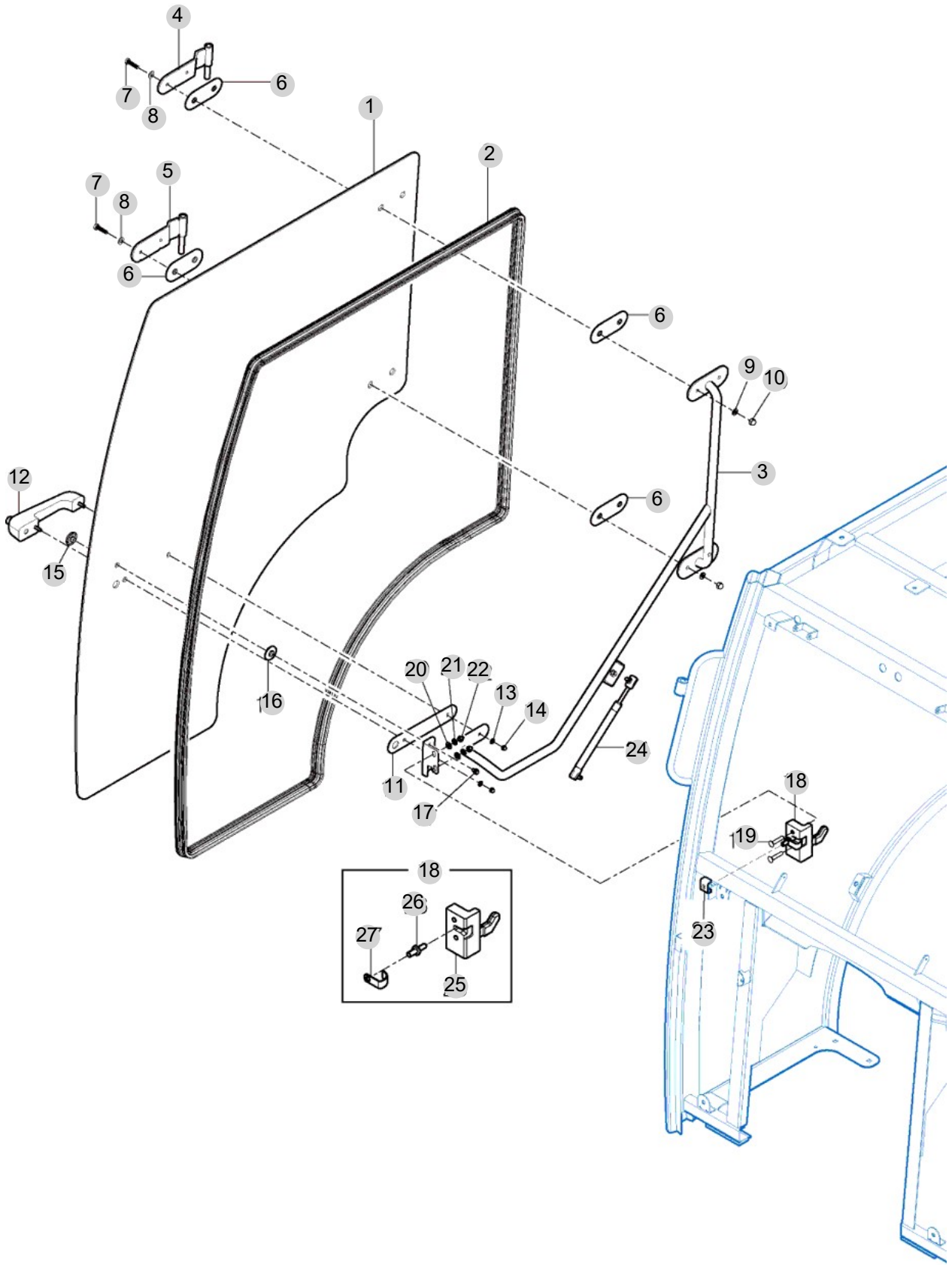
FIG 709

DOOR-RH

년/월
Year/Month

2022-12

T194NH



NOTE

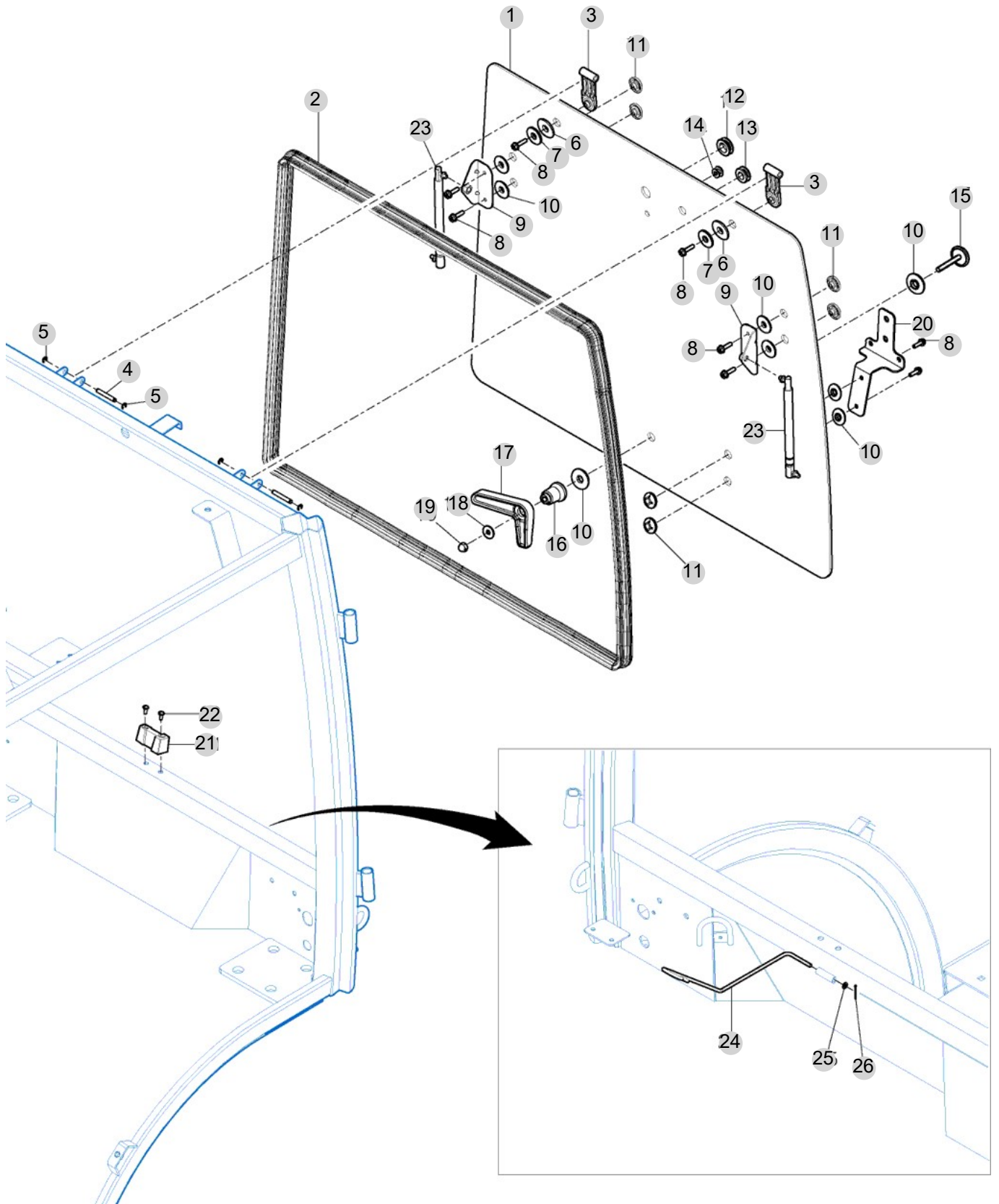
FIG 710

REAR GLASS

년/월
Year/Month

2022-12

T194NH



NOTE

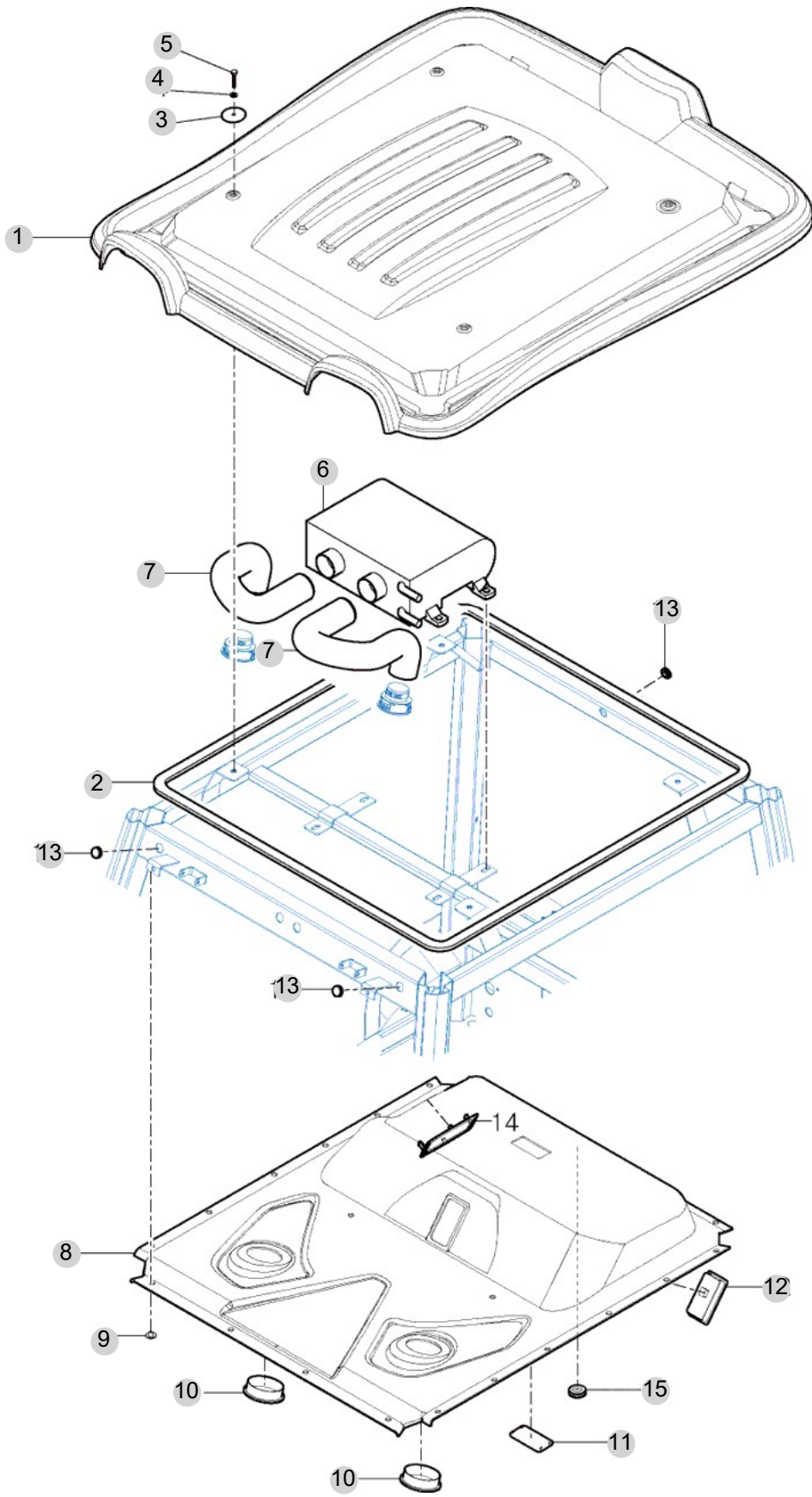
FIG 711

T194NH

ROOF

년/월
Year/Month

2022-12



NOTE

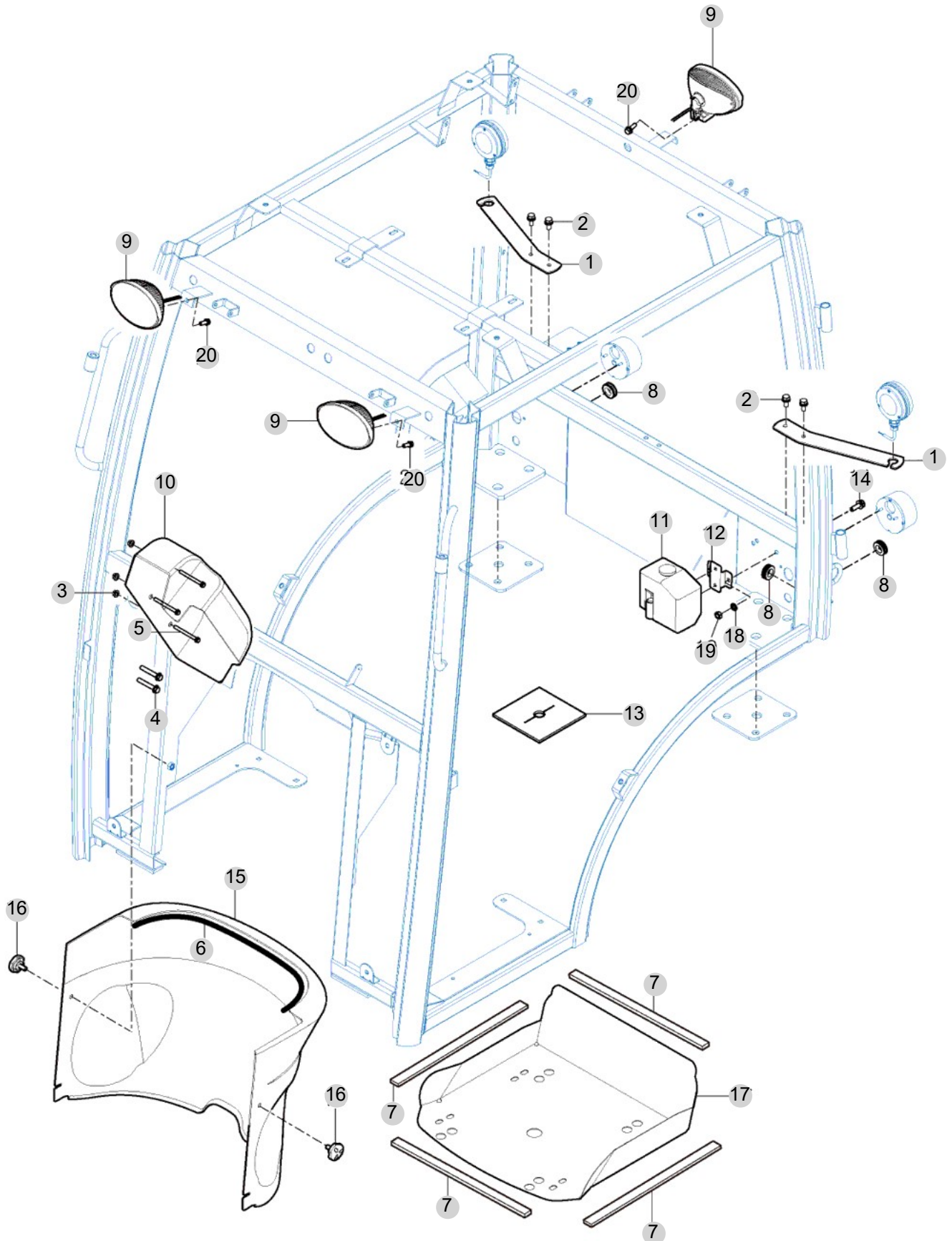
FIG 712

WORKING LAMP & FENDER COVER

년/월
Year/Month

2022-12

T194NH



NOTE

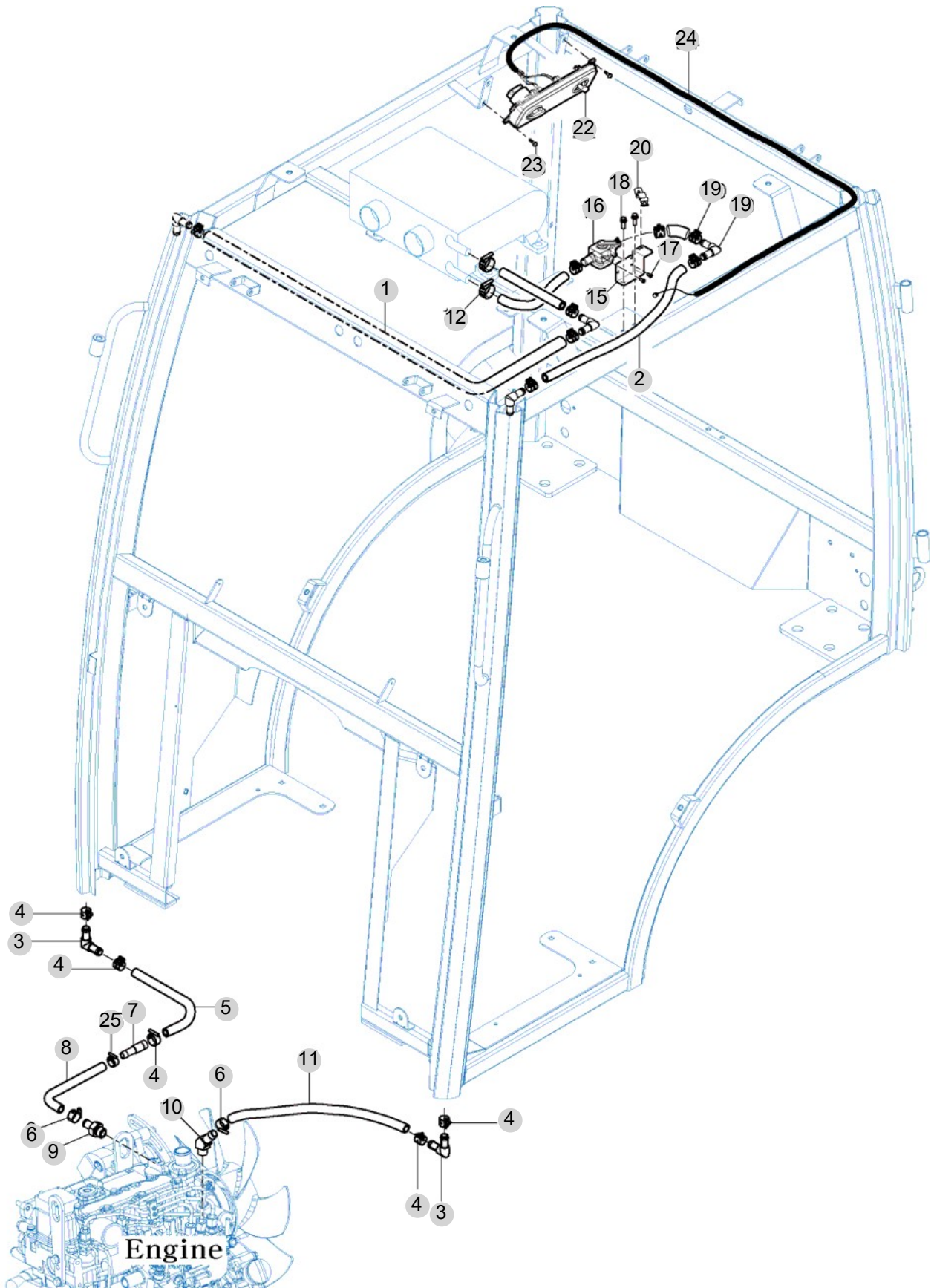
FIG 713

HEATER SUB

년/월
Year/Month

2022-12

T194NH



NOTE

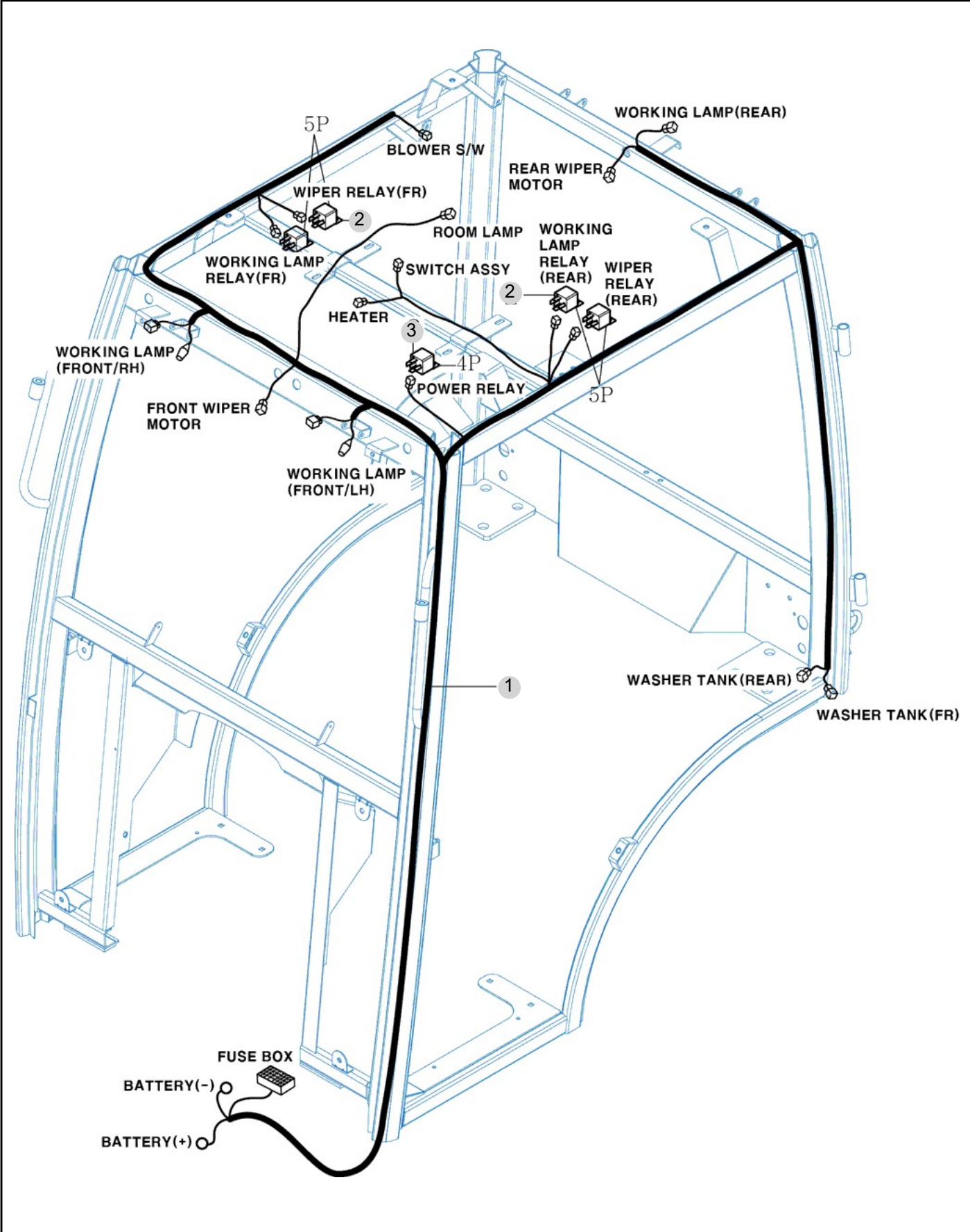
FIG 714

CABIN HARNESS

년/월
Year/Month

T194NH

2022-12



NOTE

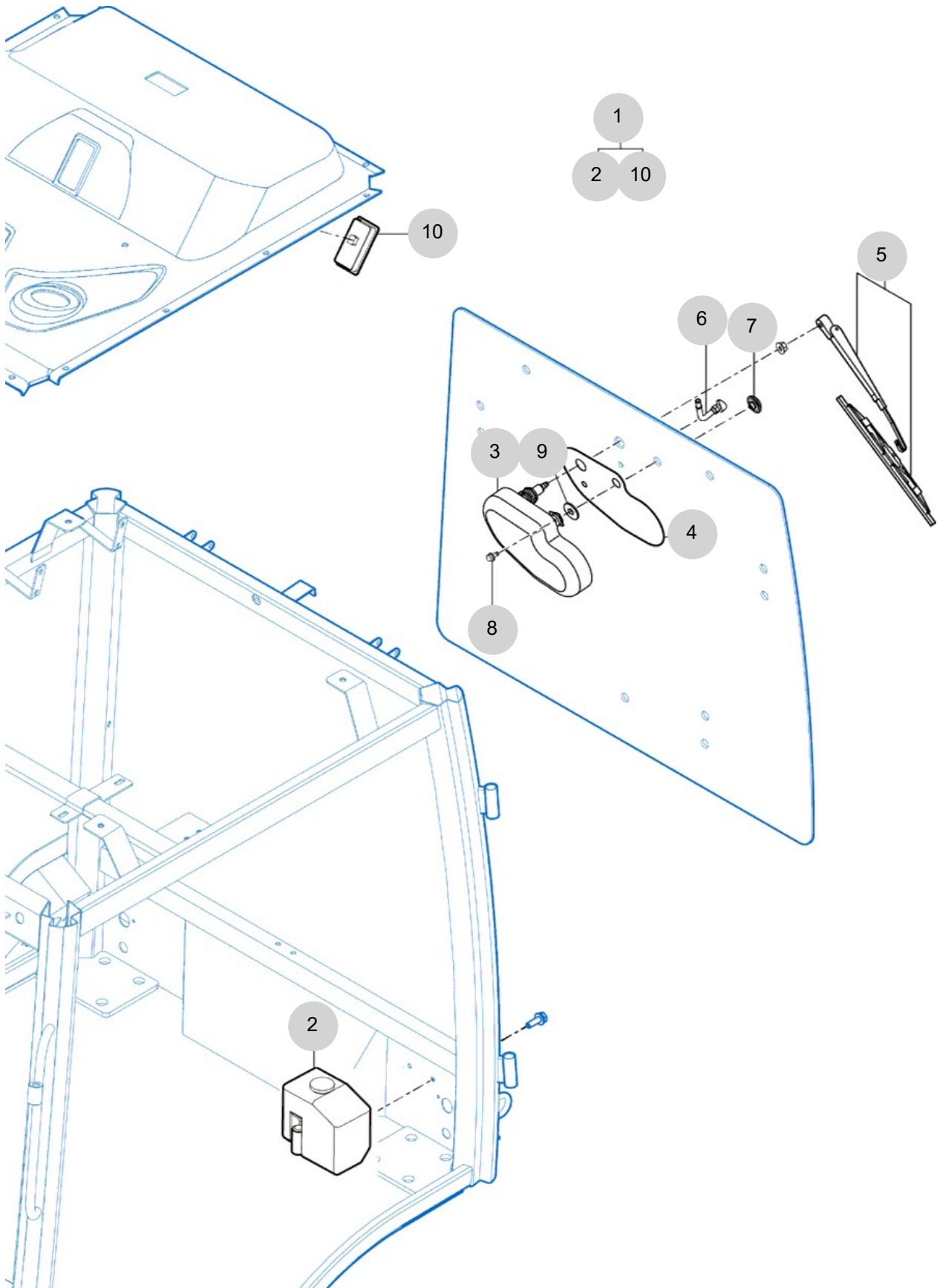
FIG 715

REAR WIPER KIT(OPTION)

년/월
Year/Month

2022-12

T194NH



NOTE

8. 전장 PART NO. T8

FIG 801 BATTERY MOUNTING	159
FIG 802 INSTRUMENT PANEL	161
FIG 803 HARNESS(1)	163
FIG 804 HARNESS(2)	165

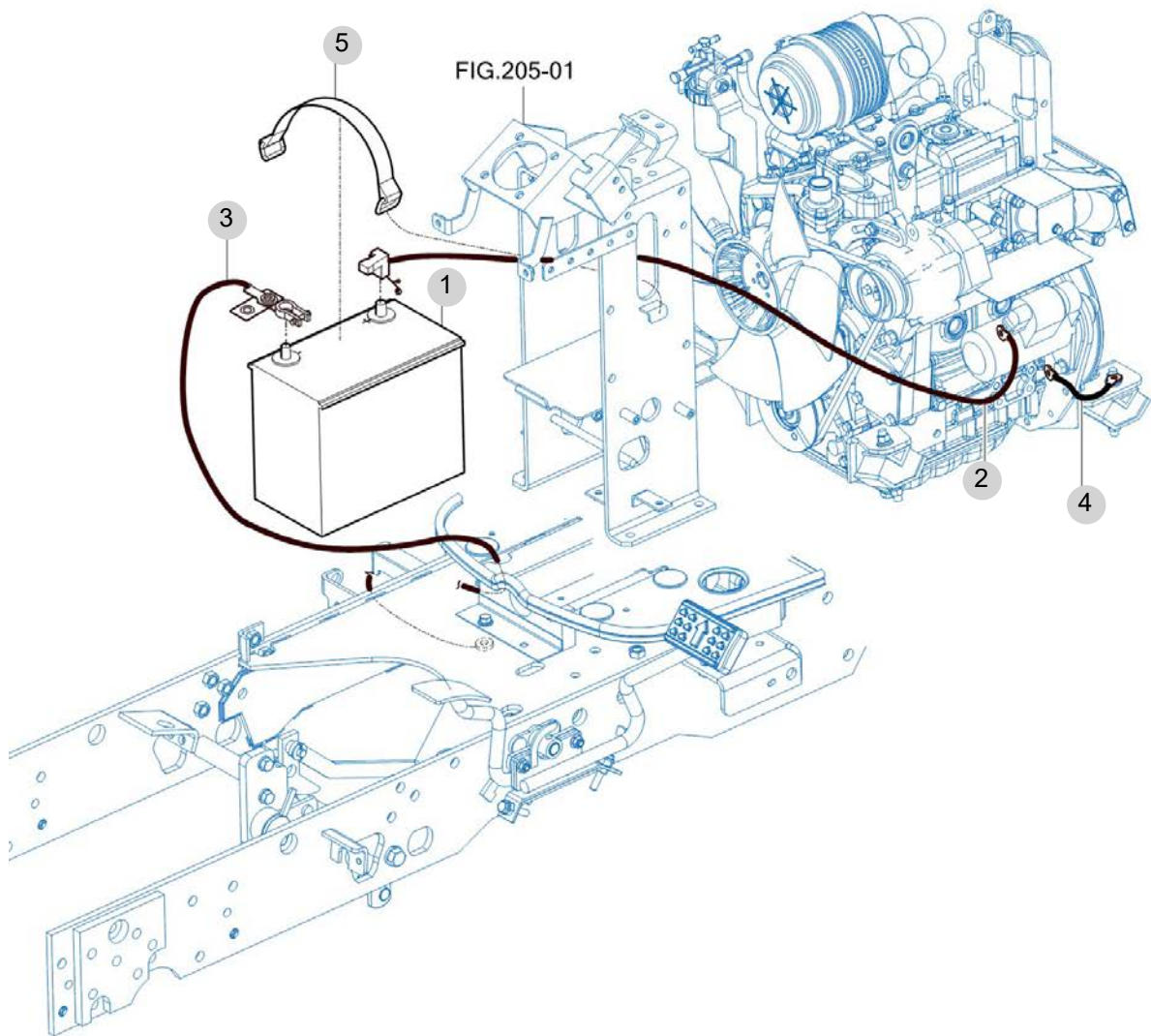
FIG 801

T194NH

BATTERY MOUNTING

년/월
Year/Month

2022-12



NOTE

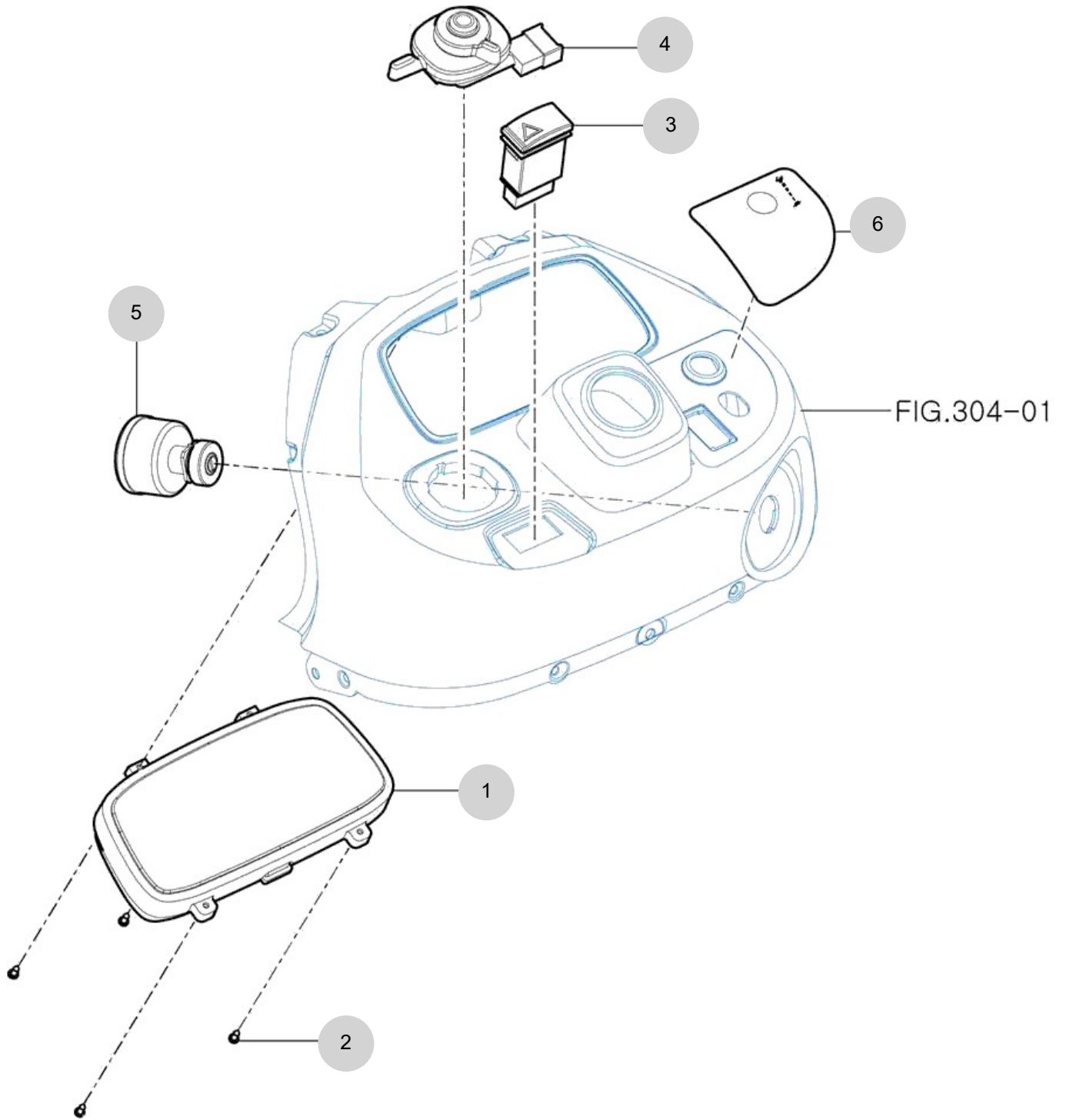
FIG 802

INSTRUMENT PANEL

년/월
Year/Month

2022-12

T194NH



NOTE

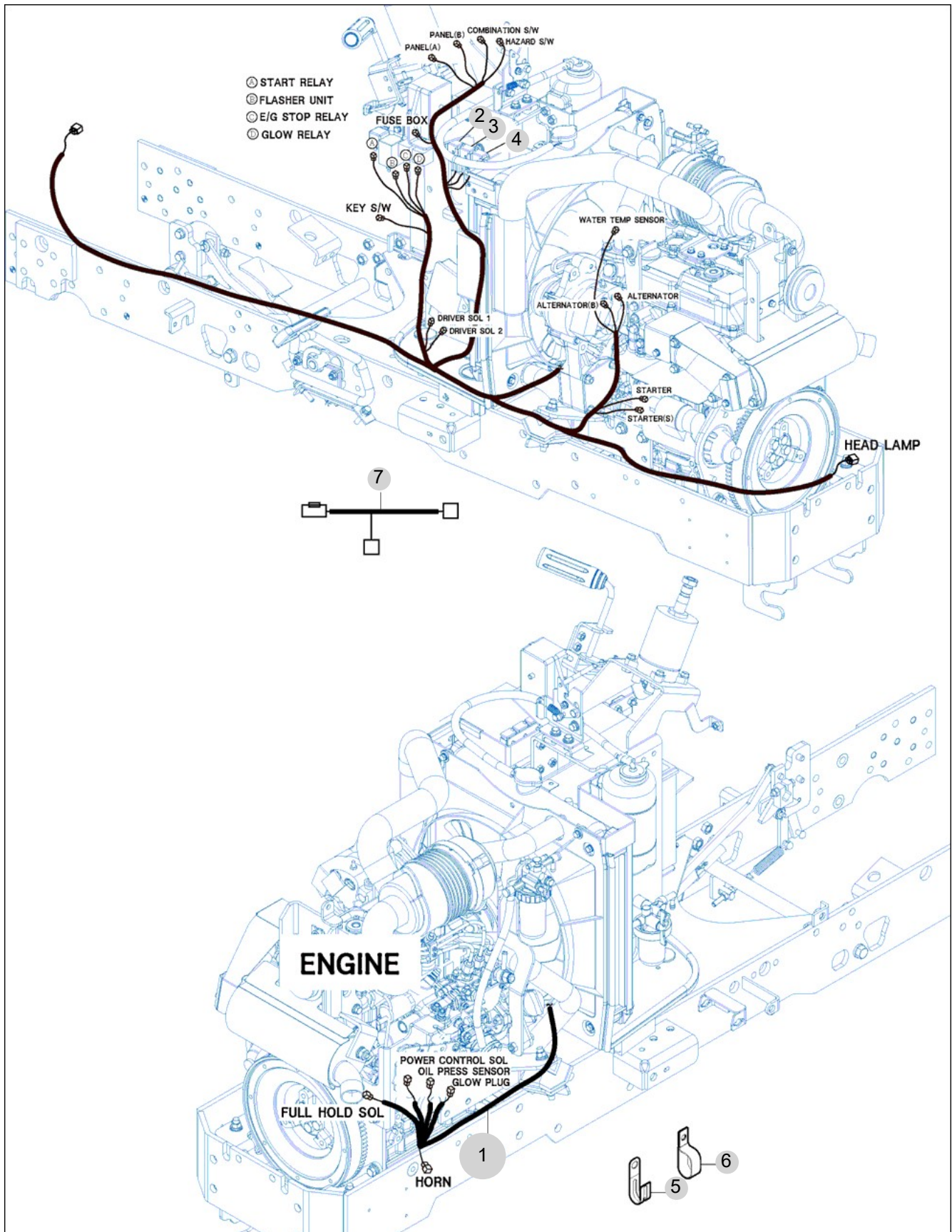
FIG 803

HARNESS(1)

년/월
Year/Month

2022-12

T194NH



NOTE

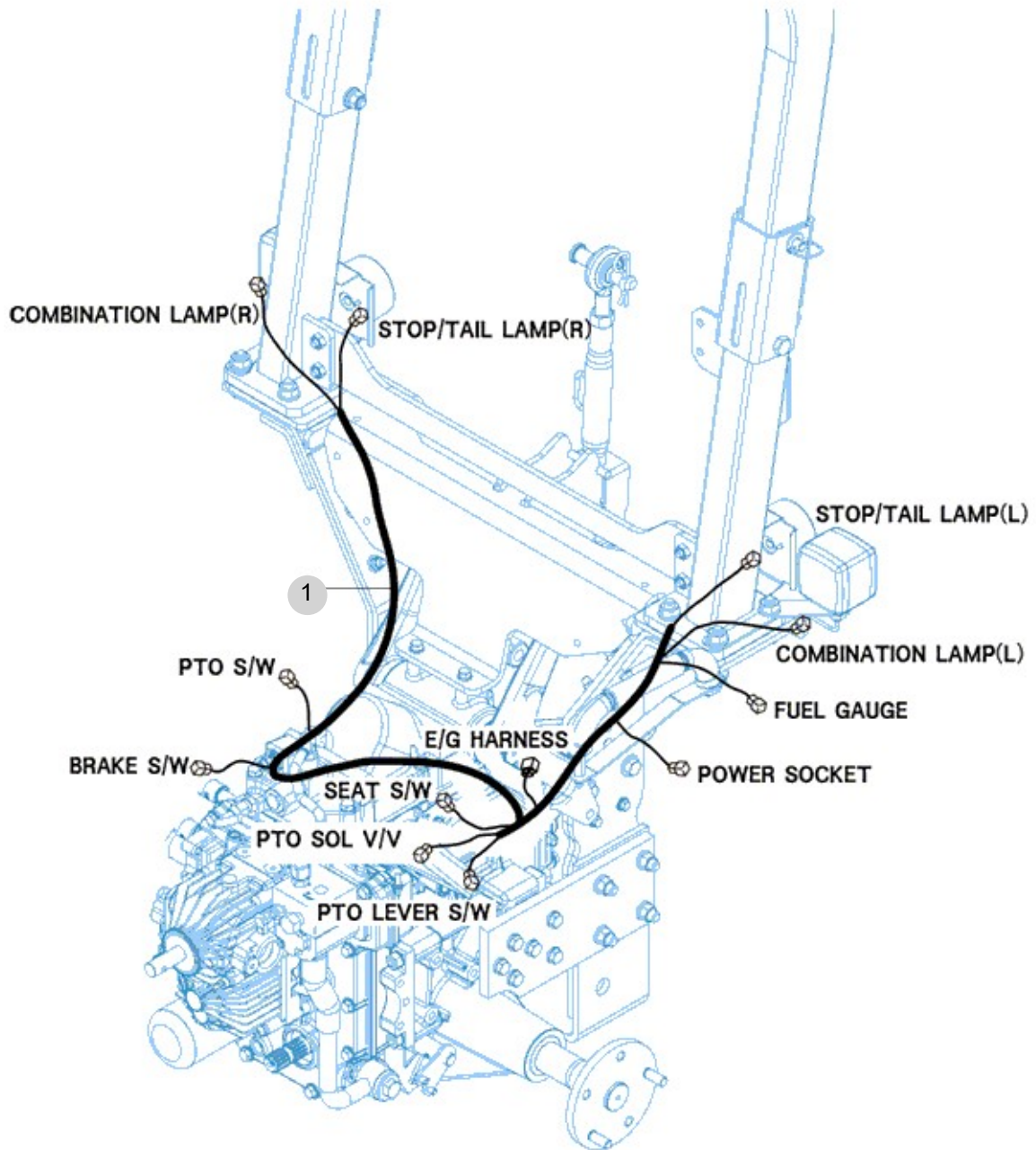
FIG 804

HARNESS(2)

년/월
Year/Month

2022-12

T194NH



NOTE

9. 라벨/옵션 PART NO. T9

FIG 901 TOOL & ACCESSORY	168
FIG 902 LABEL	170
FIG 905 AUXILIARY VALVE KIT(OPTION)	172

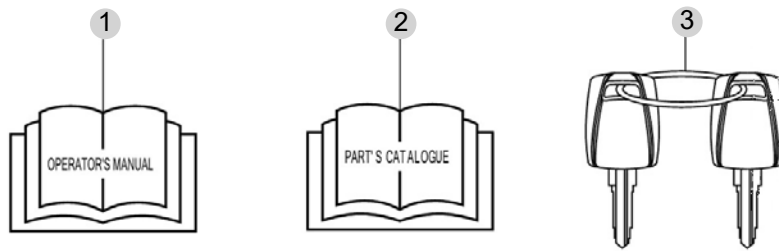
FIG 901

T194NH

TOOL & ACCESSORY

년/월
Year/Month

2022-12



NOTE

FIG 902

LABEL

년/월
Year/Month

T194NH

2022-12

PARKING BRAKE
Press down the master brake pedal and lock the parking lever at the same time

2

WARNING
Always apply the park brake when parking. Failure to do so can cause accidents and damages.

3

WARNING
• Start engine only from operators seat, if safety start switch is by passed engine can start with transmission in gear.
• Do not connect or short across terminal on starter solenoid.
• Attach booster cables as shown on battery decal and operators manual.
Starting in gear causing runaway can result in serious injury.

4



5

DANGER
Do not ride except operator.

7

WARNING
Always fasten Your seat belt.

8

WARNING
Additions, alterations, cracking, damage or corrosion to this structure may adversely affect the performance of the ROPS.

18

T194

1

TYM

52

DANGER
This Tractor may tip over unexpectedly and quicker than an operator is able to jump free:
1. Never operate a tractor without a proper Roll over Protection Structure (ROPS)
2. Always wear your seat belt when operating this tractor equipped with roll over protection.
3. Never pull from above or from the rear axle.
4. Do not operate the tractor on steep slopes or near drop offs.
5. Avoid sharp high speed turns. Serious injury or death may result from tractor upsets.

19

WARNING
Death or injury may result if this tractor over turns with the ROPS in the folded down position. Operate this tractor with the ROPS folded down only when necessary. Do not wear seat belt if operated with ROPS folded down.

20

TYM YANG MOO SAN
SERIAL NUMBER: 195
VIN: SV e13 0140

21



25

26

EPA REGULATION
USE ULTRA LOW SULFUR FUEL ONLY

22

WARNING
Do not use the tractor while alcohol or drugs are present in your system. Do not use the tractor while impaired by alcohol or drugs. Do not use the tractor while impaired by medication.

23

WARNING
Do not use the accelerator lever except working on the field.

24



WARNING
Do not remove radiator cap while engine is hot. Hot steam will injure you.

9

WARNING
Traveling on the road:
1. Making adjustments to an implement while traveling can cause serious injury or death.
2. Sudden dropping of an implement can cause serious injury or death.

10

WARNING
Never use the differential lock at high speed or on the road as this can cause rollover and injury.

11

CAUTION
Keep hands and clothing away from rotating fan and belts to prevent serious injury.

12



16

HOT

14

CAUTION
Do not touch while the system is hot. It cause serious burns.

15

Operator's manual

13

6 YEAR Limited Warranty

17

32

WARNING
Breathable Diesel engine exhaust exposes you to chemicals known to the State of California to cause cancer and birth defects or other reproductive harm. Always start and operate the engine in a well-ventilated area. Do not inhale exhaust. Do not get oil on your skin. Do not modify or tamper with the exhaust system. For more information go to www.P65Warnings.ca.gov/Deisel

40

WARNING
Cancer and Reproductive Harm
www.P65Warnings.ca.gov

41



50



51



WARNING
Attach implements and trailers to the tractor only using the prescribed drawbar or hitch.

28

DANGER
Rotating driveline contact can cause death. KEEP AWAY! Keep all drive line, Tractor and equipment shields in place during operation.

29

NOTE

FIG 902 T194NH		LABEL					년/월 Year/Month	
							2022-12	
KEY NO	PART NO	DESCRIPTION	SPEC	QTY	REPAIR	EFFECTIVE DATE		
902	1	11619010041	마크, T194		2			
902	1	11619010042	마크, /T194		2			
902	2	14729040130	라벨(코션/파킹)		1			
902	3	12009100020	라벨, 경고/파킹		1			
902	4	12609040620	경고(스타터)		1			
902	5	12127025110	라벨, 스타터		1			
902	7	12009100160	라벨, 위험/동승금지		1			
902	8	12009100190	라벨, 경고/안전벨트		1			
902	9	12009100150	라벨, 경고/라디에이터캡		1			
902	10	12009100040	라벨, 경고/스톱밸브		1			
902	11	12009100060	라벨, 경고/차동고정		1			
902	12	12009100120	라벨, 주의/팬		1			
902	13	12009100230	라벨, 주의/취급		1			
902	14	11209100250	라벨, 주의/HOT		1			
902	15	12009100240	라벨, 주의/소음기		1			
902	16	17689200050	라벨, 취급/차동고정		1			
902	17	T0019010021	기종 명판(수출용)		1			
902	17	T0019110050	형식명판, 미국		1			
902	1701	V5502040093	브라인더리벳		4			
902	18	12209045051	라벨, 경고/개조		1			
902	19	12209045010	라벨(ROPS위험)		1			
902	20	12209045020	라벨(ROPS경고)		1			
902	21	11619040691	형식마크(ROPS)		1			
902	22	18711201100	라벨, 초저유황경유		1			
902	23	12009100050	라벨, 경고/화기염금		1			
902	24	12009100210	라벨, 경고/스로틀		1			
902	25	11619100040	라벨, 포지션 레버		1			
902	26	11619100030	라벨, 부변속 레버		1			
902	27	11619100020	라벨, 4WD 레버		1			
902	28	12009100140	라벨, 경고/견인		1			
902	29	12009100130	라벨, 위험/PTO		1			
902	31	11619100010	라벨, PTO 변속 레버		1			
902	32	13379100150	6년 보증 라벨		1			
902	40	11449100020	라벨, 경고/캘리포니아 P65 A		1			
902	41	11449100030	라벨, 경고/캘리포니아 P65 B		1			
902	50	93805000100	라벨, 화살표		1			
902	51	93805000090	라벨, 다이얼		1			
902	52	11659010020	라벨, /TYM 25		1			
NOTE								

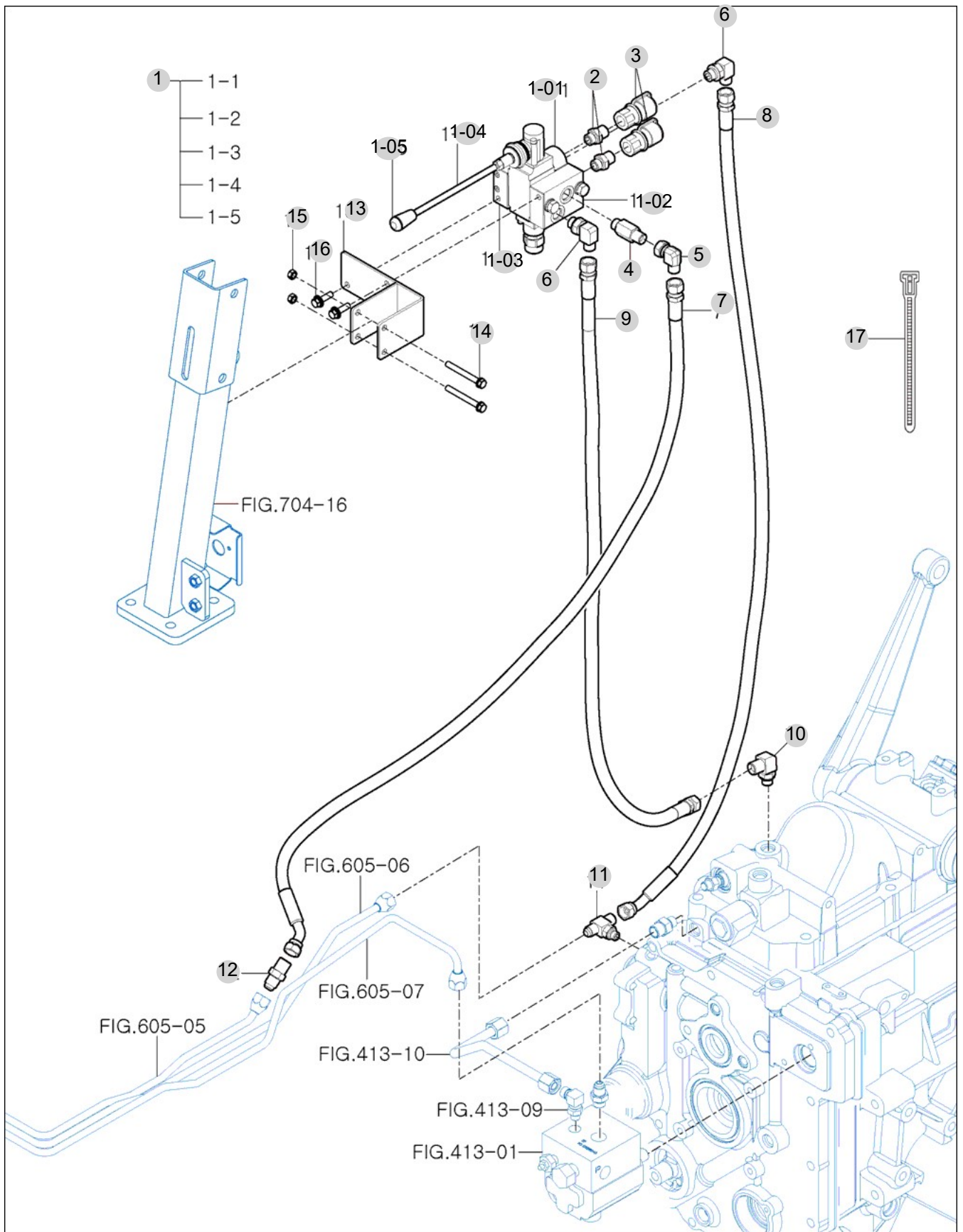
FIG 905

AUXILIARY VALVE KIT(OPTION)

년/월
Year/Month

2022-12

T194NH



NOTE

