

T654SMEU1

Parts Catalog

# 목 차

---

## 1. Engine PART NO. EG

|  |    |
|--|----|
| FIG 00 EG  | 7  |
| FIG 01 0512 4184, 0512 4259, 0512 4281, 0512 4051                  | 9  |
| FIG 02 0512 4368   | 11 |
| FIG 05 0512 4036, 0512 4130, 0512 4238, 0512 4321                  | 13 |
| FIG 06 0512 4003   | 15 |
| FIG 07 0512 4005   | 17 |
| FIG 08 0512 4312, 0512 4050, 0512 4246                             | 19 |
| FIG 09 0512 4044, 0512 4320  | 21 |
| FIG 10 0512 4284   | 23 |
| FIG 11 0512 4004, 0512 4045, 0512 4046                             | 25 |
| FIG 14 0512 4027   | 27 |
| FIG 15 0512 4120, 0506 4400, 0512 4000                             | 29 |
| FIG 16 0512 4261   | 31 |
| FIG 17 0512 4052   | 33 |
| FIG 19 0512 4047   | 35 |
| FIG 20 0512 4224   | 37 |
| FIG 21 0512 4009, 0512 4008, 0512 4299                             | 39 |
| FIG 22 0512 4345, 0512 4392  | 41 |
| FIG 27 0511 8909   | 43 |
| FIG 37 0512 4331   | 45 |
| FIG 38 0512 4055   | 47 |
| FIG 41 0512 4143, 0512 4058, 0512 4097, 0512 4257                  | 49 |
| FIG 43 0512 4384   | 51 |
| FIG 44 0512 4062, 0512 4256, 0512 4393, 0512 4400                  | 53 |
| FIG 48-1 0511 7723, 0512 4011, 0512 4098, 0512 4127, 0512 4292     | 55 |
| FIG 48-2 0512 4128, 0512 4293, 0512 4334, 0512 4338, 0512 4343     | 57 |
| FIG 51 0512 4060, 0512 4104, 0512 4300, 0512 4329                  | 59 |
| FIG 63 0512 4010   | 61 |
| FIG 83 0512 4176, 0512 4180, 0512 4251, 0512 4337, 0512 4339, 0512 | 63 |
| FIG 90 0512 4355   | 65 |

## 2. Engine Accessories PART NO. T2

|                     |    |
|---------------------|----|
| FIG 201 AIR CLEANER | 68 |
|---------------------|----|

|                                 |    |
|---------------------------------|----|
| FIG 202 RADIATOR                | 70 |
| FIG 203 MUFFLER & EXHAUST PIPE  | 73 |
| FIG 204 FUEL TANK               | 76 |
| FIG 205 FUEL FILTER & FUEL PUMP | 78 |
| FIG 206 BLOCK HEATER            | 80 |

### 3. Clutch/Brake/Steering PART NO. T3

|                                 |     |
|---------------------------------|-----|
| FIG 301 CLUTCH                  | 83  |
| FIG 302 CLUTCH PEDAL            | 85  |
| FIG 303 BRAKE                   | 88  |
| FIG 304 BRAKE PEDAL & LINK      | 90  |
| FIG 305 FRONT WHEEL             | 92  |
| FIG 306 REAR WHEEL              | 94  |
| FIG 307 POWER STEERING WHEEL    | 96  |
| FIG 308 POWER STEERING VALVE    | 98  |
| FIG 309 POWER STEERING CYLINDER | 100 |
| FIG 310 HAND BRAKE & BRAKE      | 102 |

### 4. Transmission PART NO. T4

|                                  |     |
|----------------------------------|-----|
| FIG 401 TRANSMISSION FRONT CASE  | 105 |
| FIG 402 FORWARD & BACKWARD GEARS | 107 |
| FIG 403 CHANGE GEARS             | 109 |
| FIG 404 REVERSE GEARS            | 111 |
| FIG 405 P.T.O DRIVE SHAFT        | 113 |
| FIG 406 MAIN CHANGE LEVER        | 115 |
| FIG 407 REVERSE CHANGE LEVER     | 117 |
| FIG 408 TRANSMISSION MID CASE    | 119 |
| FIG 409 TRANSMISSION REAR CASE   | 121 |
| FIG 410 SUB CHANGE GEARS         | 123 |
| FIG 411 SUB CHANGE SHIFTER       | 125 |
| FIG 412 CREEP CHANGE             | 127 |
| FIG 413-2 DRIVE GEARS            | 129 |
| FIG 414 4WD CHANGE LEVER         | 131 |
| FIG 415 P.T.O CHANGE GEARS       | 133 |
| FIG 416 P.T.O CHANGE SHIFTER     | 135 |
| FIG 417 REAR DIFFERENTIAL GEARS  | 137 |

|                           |     |
|---------------------------|-----|
| FIG 418 REAR AXLE HOUSING | 140 |
|---------------------------|-----|

## 5. Front Axle PART NO. T5

|                                  |     |
|----------------------------------|-----|
| FIG 501 FRONT AXLE SUPPORT       | 143 |
| FIG 502 FRONT DRIVE SHAFT        | 145 |
| FIG 503 FRONT AXLE HOUSING       | 147 |
| FIG 504 FRONT DIFFERENTIAL GEARS | 149 |
| FIG 505 FRONT GEAR CASE (1)      | 151 |
| FIG 506 FRONT GEAR CASE (2)      | 153 |
| FIG 507 FRONT GEAR CASE (3)      | 155 |

## 6. Hydraulic/3P-Link PART NO. T6

|  |     |
|--|-----|
| FIG 601 CYLINDER CASE                  | 158 |
| FIG 602 LIFT ARM                       | 160 |
| FIG 603 CYLINDER                       | 162 |
| FIG 604 POSITION LINK                  | 164 |
| FIG 605 CONTROL VALVE                  | 166 |
| FIG 606 DRAFT LINK                     | 168 |
| FIG 607 POSITION & DRAFT LEVER         | 170 |
| FIG 608 EXTERIOR HYD. VALVE(OPTION_6P) | 173 |
| FIG 608 EXTERIOR HYD. VALVE            | 175 |
| FIG 609 HYDRAULIC PIPE                 | 177 |
| FIG 610 JOYSTICK                       | 179 |
| FIG 611B HITCH & 3-P LINK (EU)         | 181 |
| FIG 612B LOWER LINK & LIFT ROD(EU)     | 184 |
| FIG 613-2 HYDRAULIC HOSE(EU)           | 186 |

## 7. Sheet Metal & Cabin PART NO. T7

|                                   |     |
|-----------------------------------|-----|
| FIG 701 HOOD                      | 189 |
| FIG 702 FRONT FRAME               | 191 |
| FIG 703 SIDE SUPPORT & FRAME HOOD | 193 |
| FIG 704 LEVER COVER & STEP        | 196 |
| FIG 705 FRONT & REAR MOUNTING     | 198 |
| FIG 706 SEAT & MAT                | 200 |
| FIG 709 DOOR                      | 202 |



|                            |     |
|----------------------------|-----|
| FIG 710 FRONT GLASS        | 205 |
| FIG 711 SIDE GLASS         | 207 |
| FIG 712 REAR GLASS         | 209 |
| FIG 713 SUB FENDER & COVER | 211 |
| FIG 714 MIRROR             | 213 |
| FIG 715 HEATER & AIR-CON   | 215 |
| FIG 715-2 HEATER & AIR-CON | 217 |
| FIG 716 FENDER COVER       | 219 |
| FIG 717 ROOF               | 221 |
| FIG 718 CABIN INTERIOR     | 223 |

## 8. Electrical System PART NO. T8

|                             |     |
|-----------------------------|-----|
| FIG 801 BATTERY & MOUNTING  | 226 |
| FIG 802 HARNESS             | 228 |
| FIG 803 LIGHT & BACK LAMP   | 230 |
| FIG 804 INSTRUMENT PANEL    | 232 |
| FIG 805 ELECTRIC SYSTEM (1) | 234 |
| FIG 806 ELECTRIC SYSTEM (2) | 236 |

## 9. Label/Option PART NO. T9

|                          |     |
|--------------------------|-----|
| FIG 901 TOOL & ACCESSORY | 239 |
| FIG 902 WEIGHT           | 241 |
| FIG 903 LABEL            | 243 |

## 1. Engine PART NO. EG

|  |    |
|--|----|
| FIG 00 EG  | 7  |
| FIG 01 0512 4184, 0512 4259, 0512 4281, 0512 4051                  | 9  |
| FIG 02 0512 4368   | 11 |
| FIG 05 0512 4036, 0512 4130, 0512 4238, 0512 4321                  | 13 |
| FIG 06 0512 4003   | 15 |
| FIG 07 0512 4005   | 17 |
| FIG 08 0512 4312, 0512 4050, 0512 4246                             | 19 |
| FIG 09 0512 4044, 0512 4320  | 21 |
| FIG 10 0512 4284   | 23 |
| FIG 11 0512 4004, 0512 4045, 0512 4046                             | 25 |
| FIG 14 0512 4027   | 27 |
| FIG 15 0512 4120, 0506 4400, 0512 4000                             | 29 |
| FIG 16 0512 4261   | 31 |
| FIG 17 0512 4052   | 33 |
| FIG 19 0512 4047   | 35 |
| FIG 20 0512 4224   | 37 |
| FIG 21 0512 4009, 0512 4008, 0512 4299                             | 39 |
| FIG 22 0512 4345, 0512 4392  | 41 |
| FIG 27 0511 8909   | 43 |
| FIG 37 0512 4331   | 45 |
| FIG 38 0512 4055   | 47 |
| FIG 41 0512 4143, 0512 4058, 0512 4097, 0512 4257                  | 49 |
| FIG 43 0512 4384   | 51 |
| FIG 44 0512 4062, 0512 4256, 0512 4393, 0512 4400                  | 53 |
| FIG 48-1 0511 7723, 0512 4011, 0512 4098, 0512 4127, 0512 4292     | 55 |
| FIG 48-2 0512 4128, 0512 4293, 0512 4334, 0512 4338, 0512 4343     | 57 |
| FIG 51 0512 4060, 0512 4104, 0512 4300, 0512 4329                  | 59 |
| FIG 63 0512 4010   | 61 |
| FIG 83 0512 4176, 0512 4180, 0512 4251, 0512 4337, 0512 4339, 0512 | 63 |
| FIG 90 0512 4355   | 65 |

|                     |    |                              |
|---------------------|----|------------------------------|
| FIG 00<br>T654SMEU1 | EG | 년/월<br>Year/Month<br>2022-12 |
|---------------------|----|------------------------------|

|  |  |
|--|--|
|  |  |
|--|--|

|      |  |
|------|--|
| NOTE |  |
|------|--|



FIG 01

0512 4184, 0512 4259, 0512 4281, 0512 4051

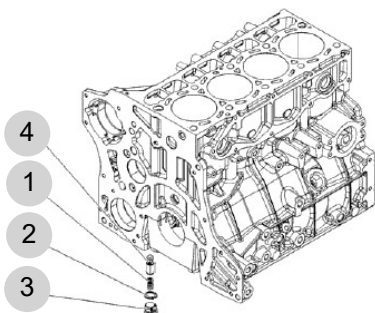
년/월  
Year/Month

2022-12

T654SMEU1

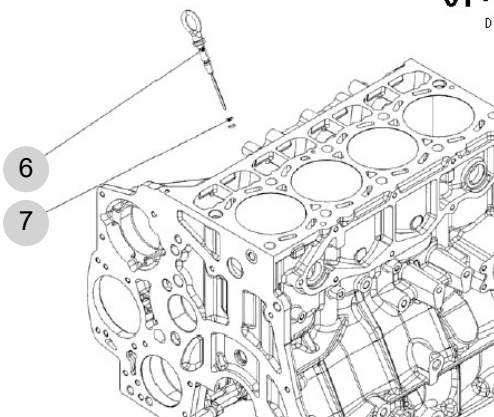
**01 - 0512 4051**

PRESSURESTAT



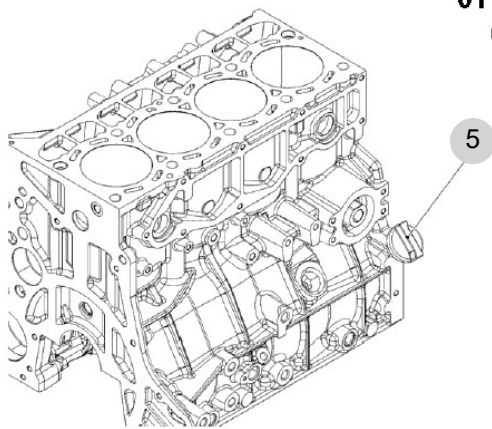
**01 - 0512 4259**

DIPSTICK



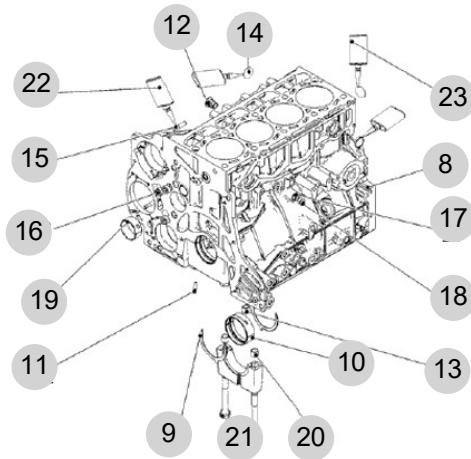
**01 - 0512 4184**

FILLER CAP



**01 - 0512 4281**

CRANKCASE



NOTE



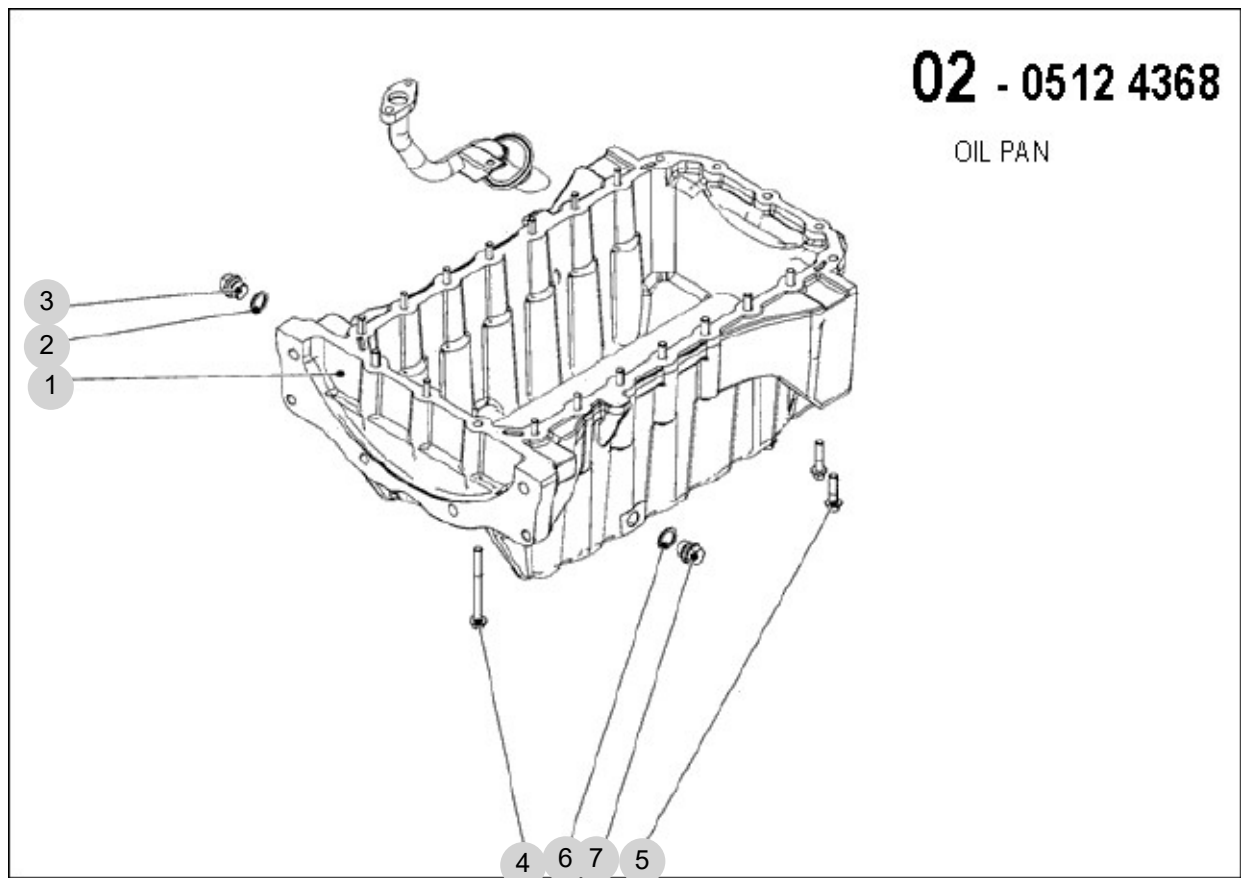
FIG 02

0512 4368

년/월  
Year/Month

2022-12

T654SMEU1



NOTE





FIG 05

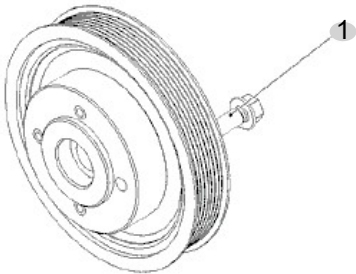
0512 4036, 0512 4130, 0512 4238, 0512 4321

년/월  
Year/Month

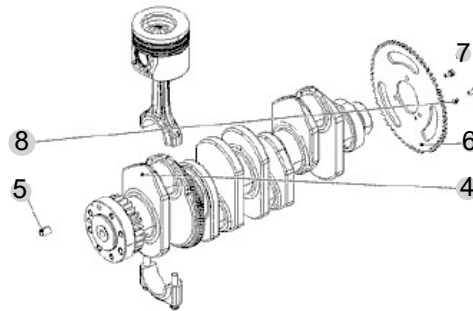
2022-12

T654SMEU1

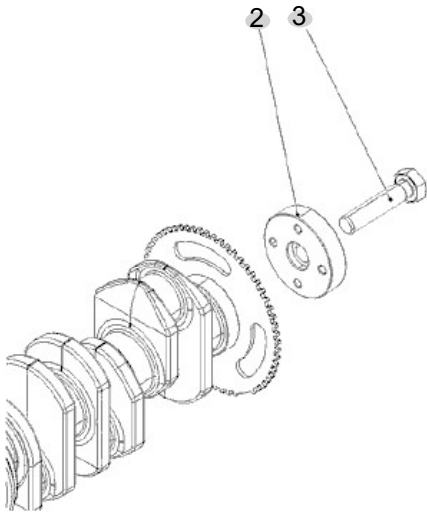
**05 - 0512 4036**  
FASTENINGS



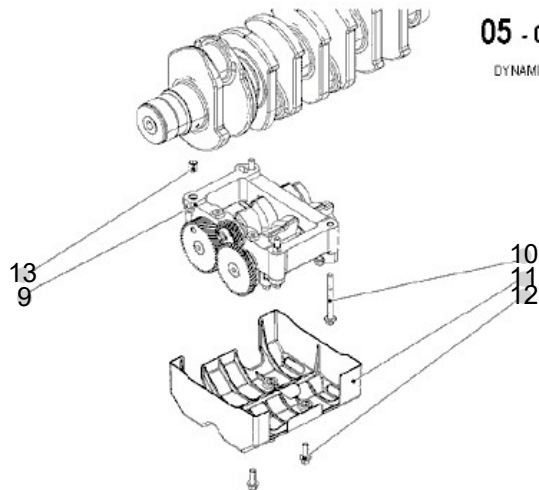
**05 - 0512 4238**  
CRANKSHAFT



**05 - 0512 4130**  
CRANKSHAFT ACCESS.



**05 - 0512 4321**  
DYNAMIC BALANCER



NOTE



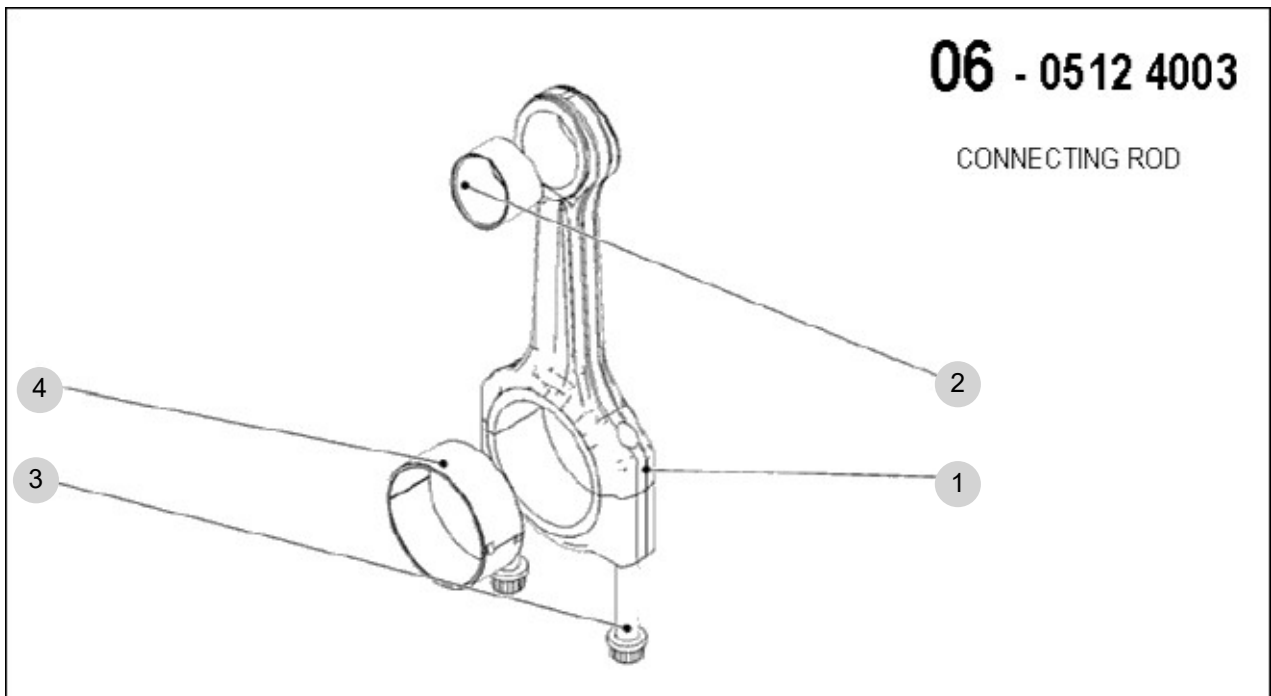
FIG 06

0512 4003

년/월  
Year/Month

2022-12

T654SMEU1



NOTE



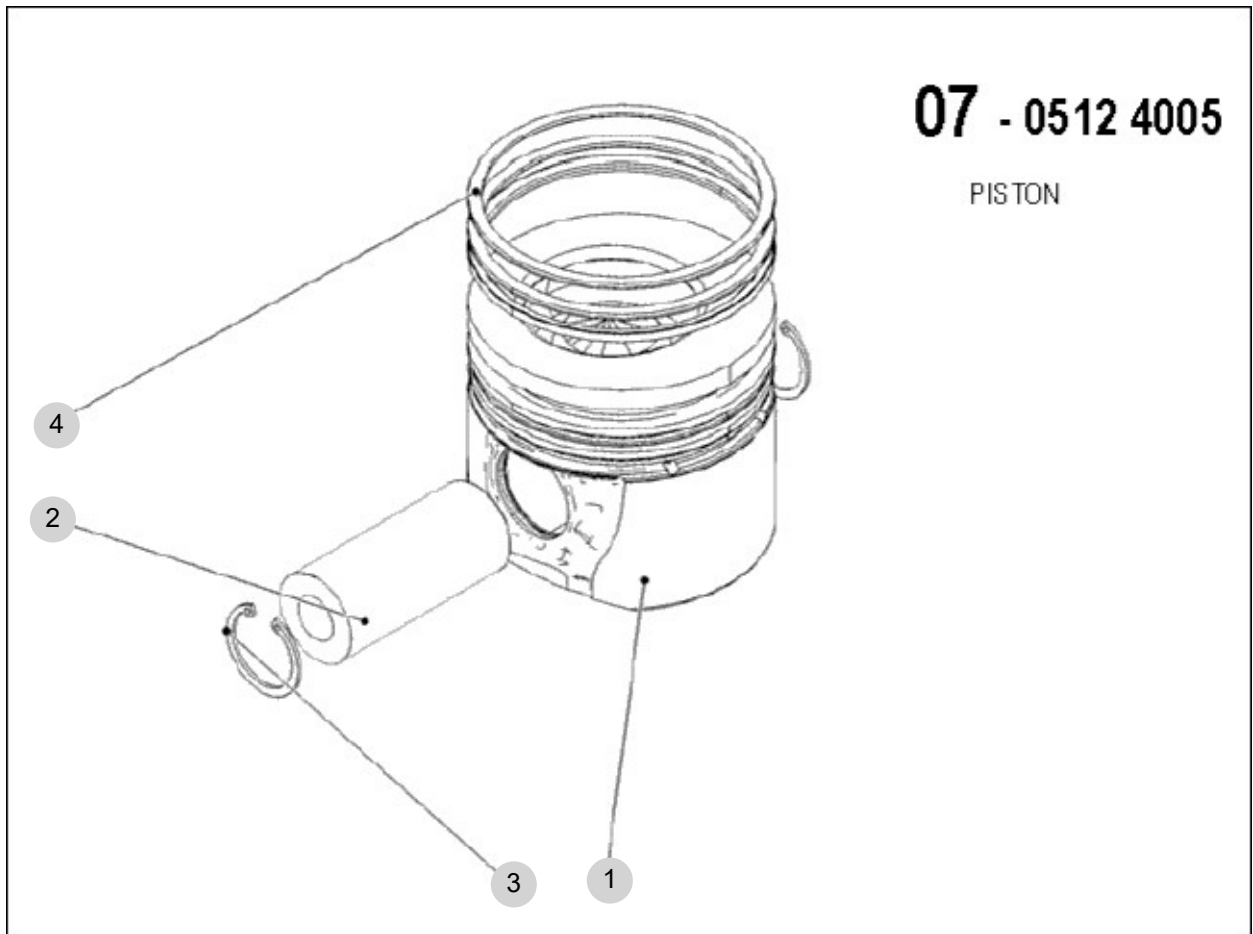
FIG 07

0512 4005

년/월  
Year/Month

2022-12

T654SMEU1



NOTE



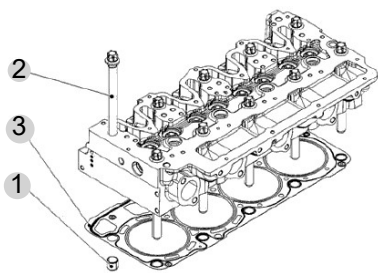
FIG 08

T654SMEU1

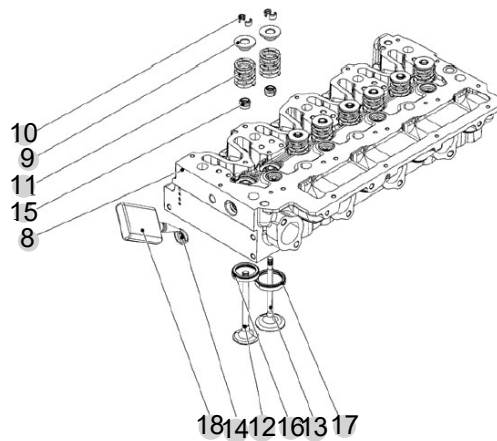
0512 4312, 0512 4050, 0512 4246

년/월  
Year/Month

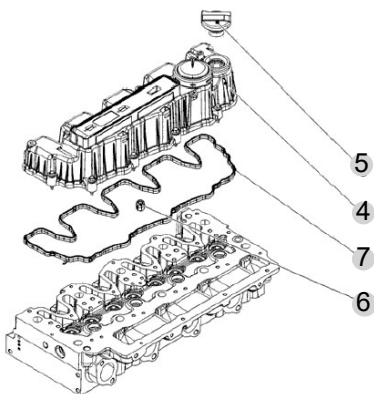
2022-12



**08 - 0512 4050**  
FASTENINGS



**08 - 0512 4312**  
CYLINDER HEAD



**08 - 0512 4246**  
VALVE MECHAN COVER

NOTE





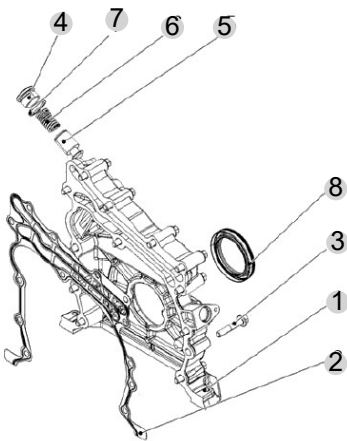
FIG 09

0512 4044, 0512 4320

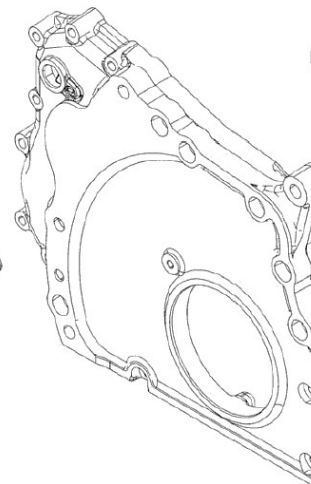
년/월  
Year/Month

2022-12

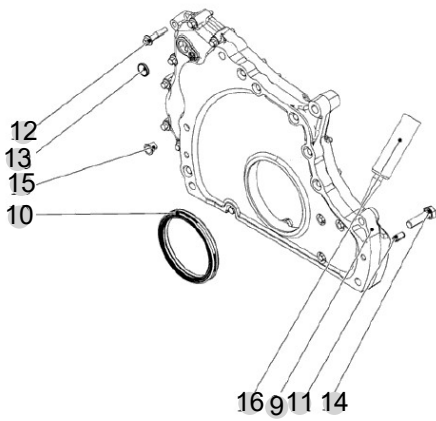
T654SMEU1



**09 - 0512 4044**  
FRONT COVER



**09 - 0512 4406**  
SEALING RING



**09 - 0512 4320**  
GEARCASE

NOTE



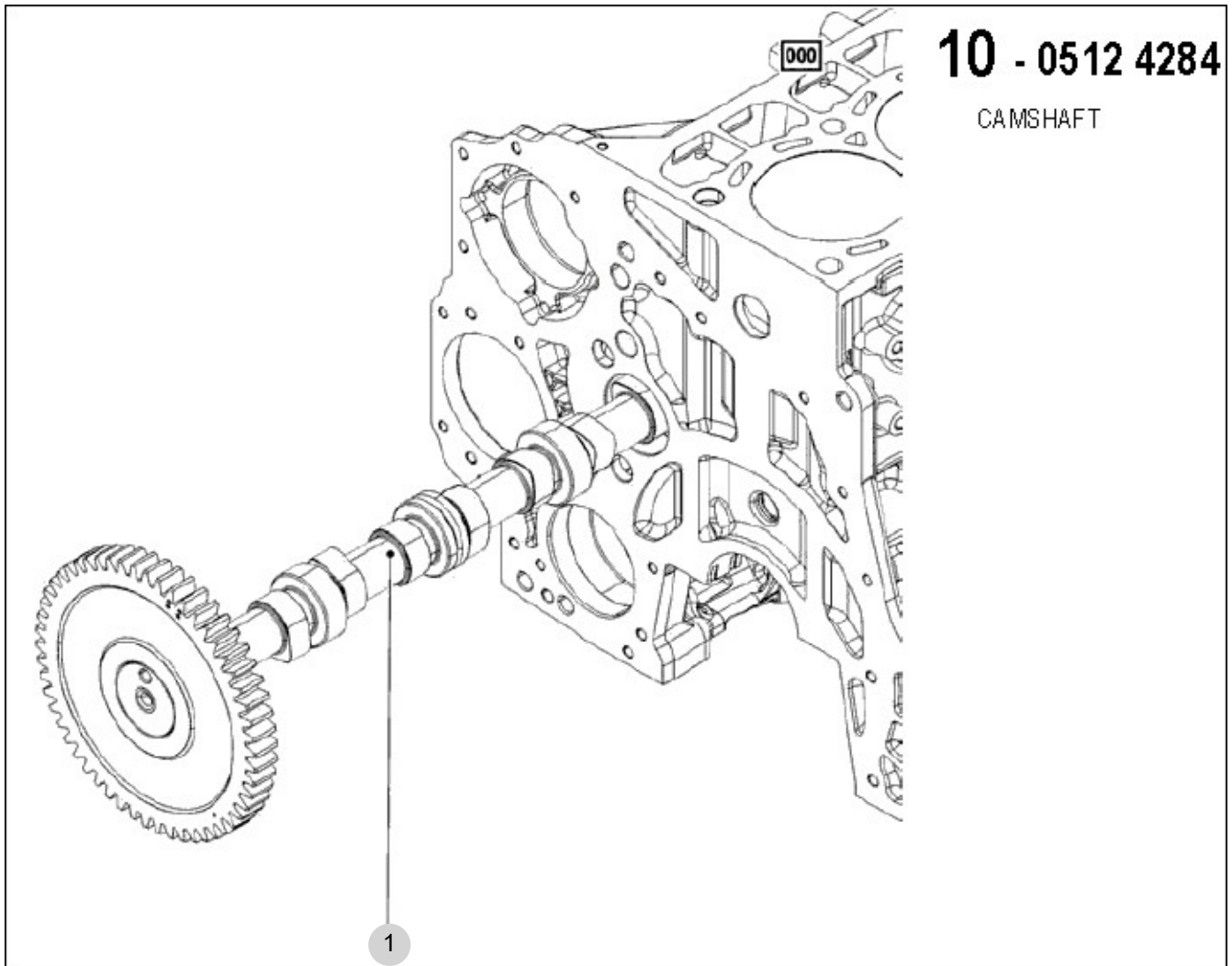
FIG 10

0512 4284

년/월  
Year/Month

2022-12

T654SMEU1



NOTE



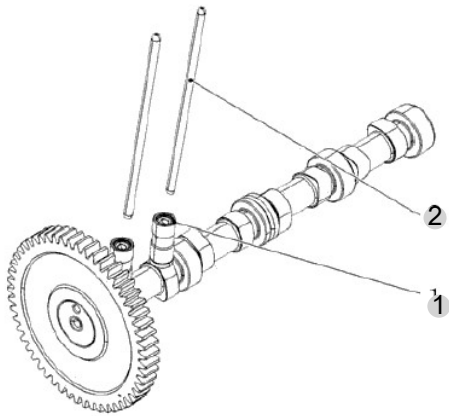
FIG 11

0512 4004, 0512 4045, 0512 4046

년/월  
Year/Month

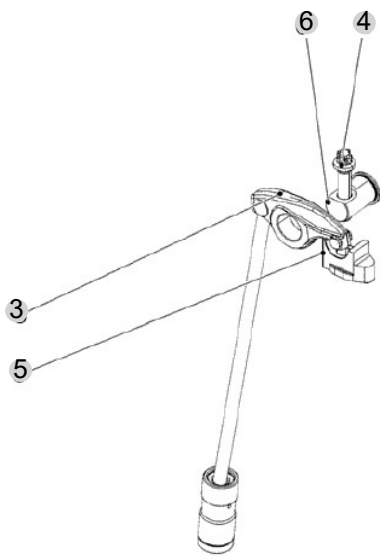
2022-12

T654SMEU1



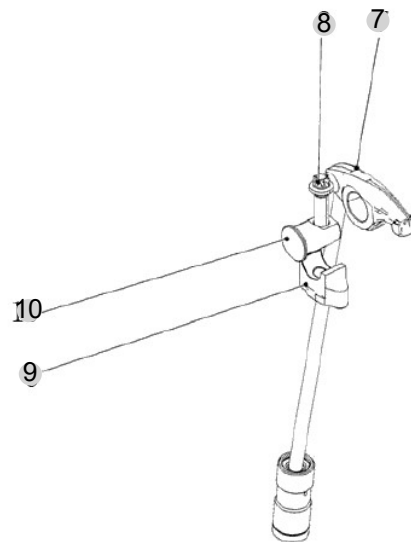
**11 - 0512 4004**

VALVE DRIVE



**11 - 0512 4045**

ROCKER ARM OUTLET



**11 - 0512 4046**

ROCKER ARM INLET

NOTE



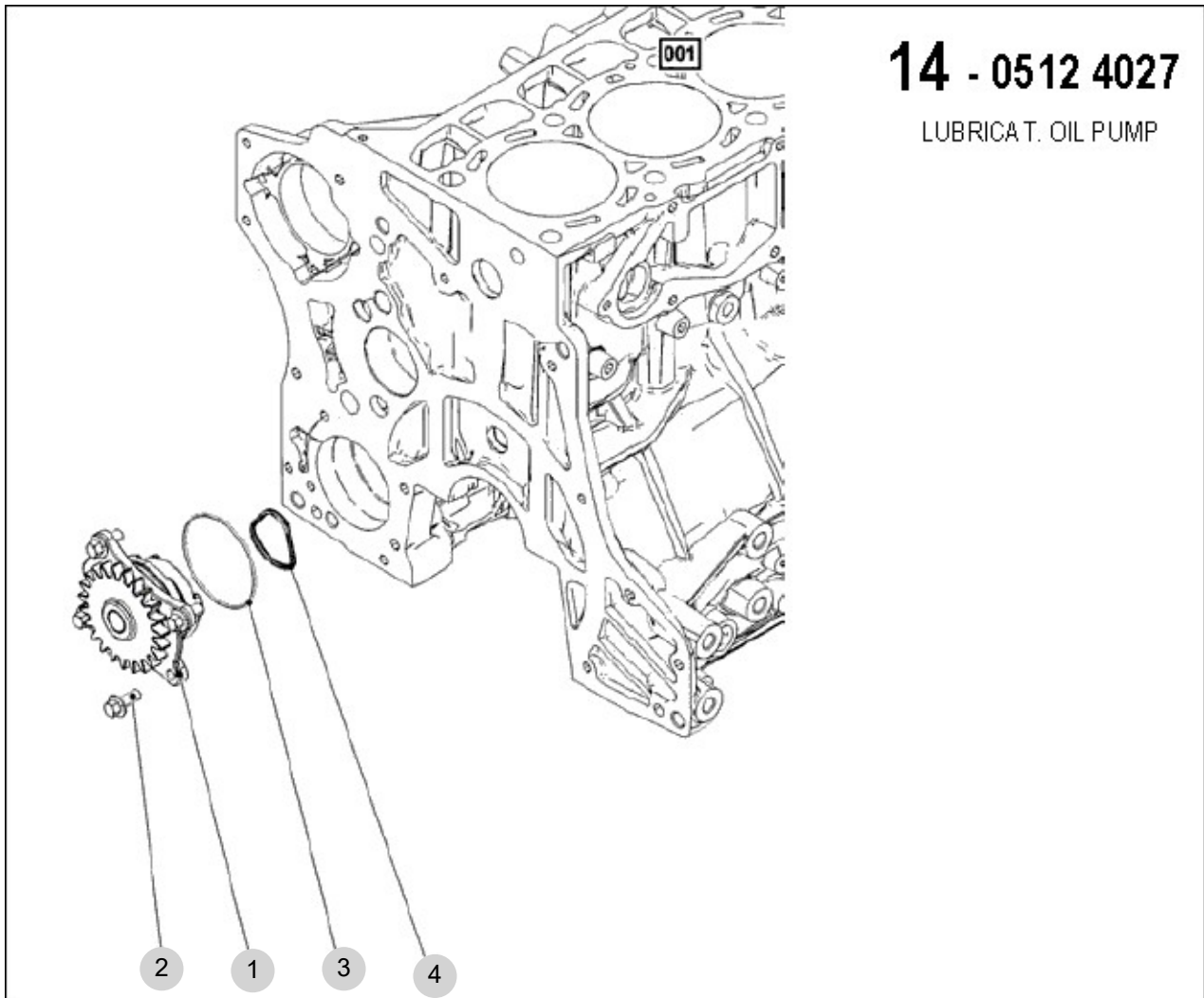
FIG 14

0512 4027

년/월  
Year/Month

2022-12

T654SMEU1



NOTE





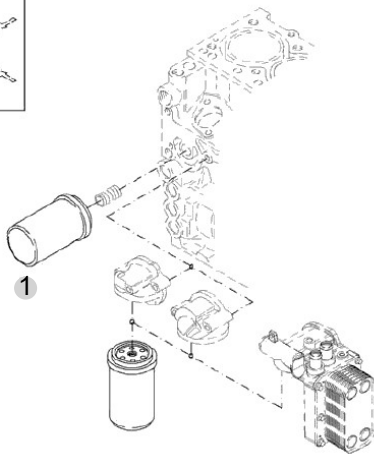
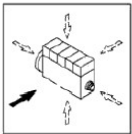
FIG 15

0512 4120, 0506 4400, 0512 4000

년/월  
Year/Month

2022-12

T654SMEU1

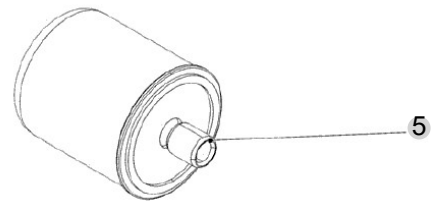


**15 - 0506 4400**

LUBRIC. OIL FILTER

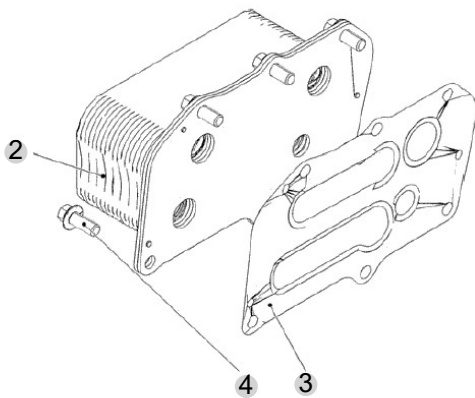
**15 - 0512 4120**

OIL FILTER ASSY



**15 - 0512 4000**

OIL COOLER



NOTE



FIG 16

0512 4261

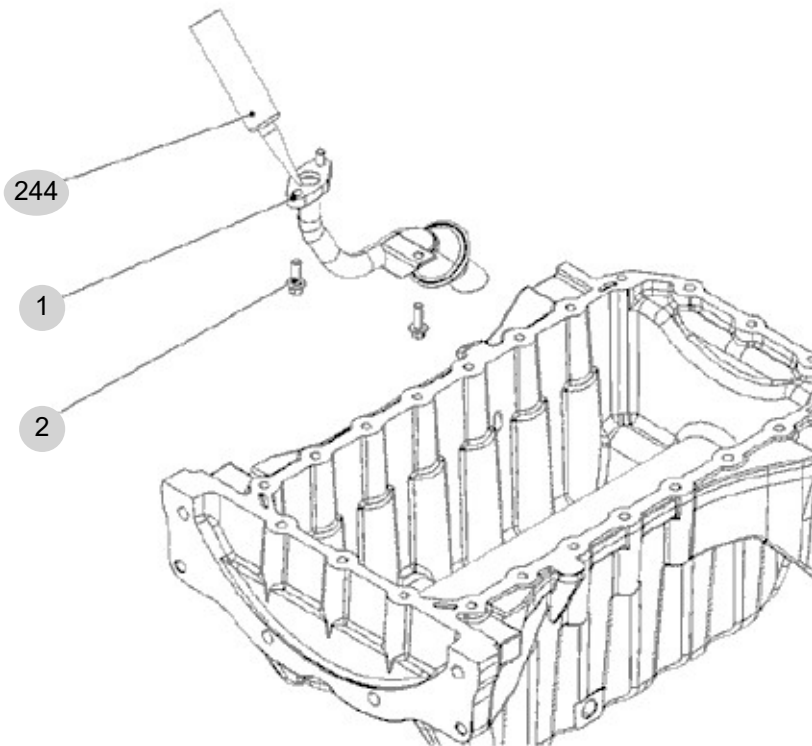
년/월  
Year/Month

2022-12

T654SMEU1

**16 - 0512 4261**

OIL SUCTION PIPE



NOTE



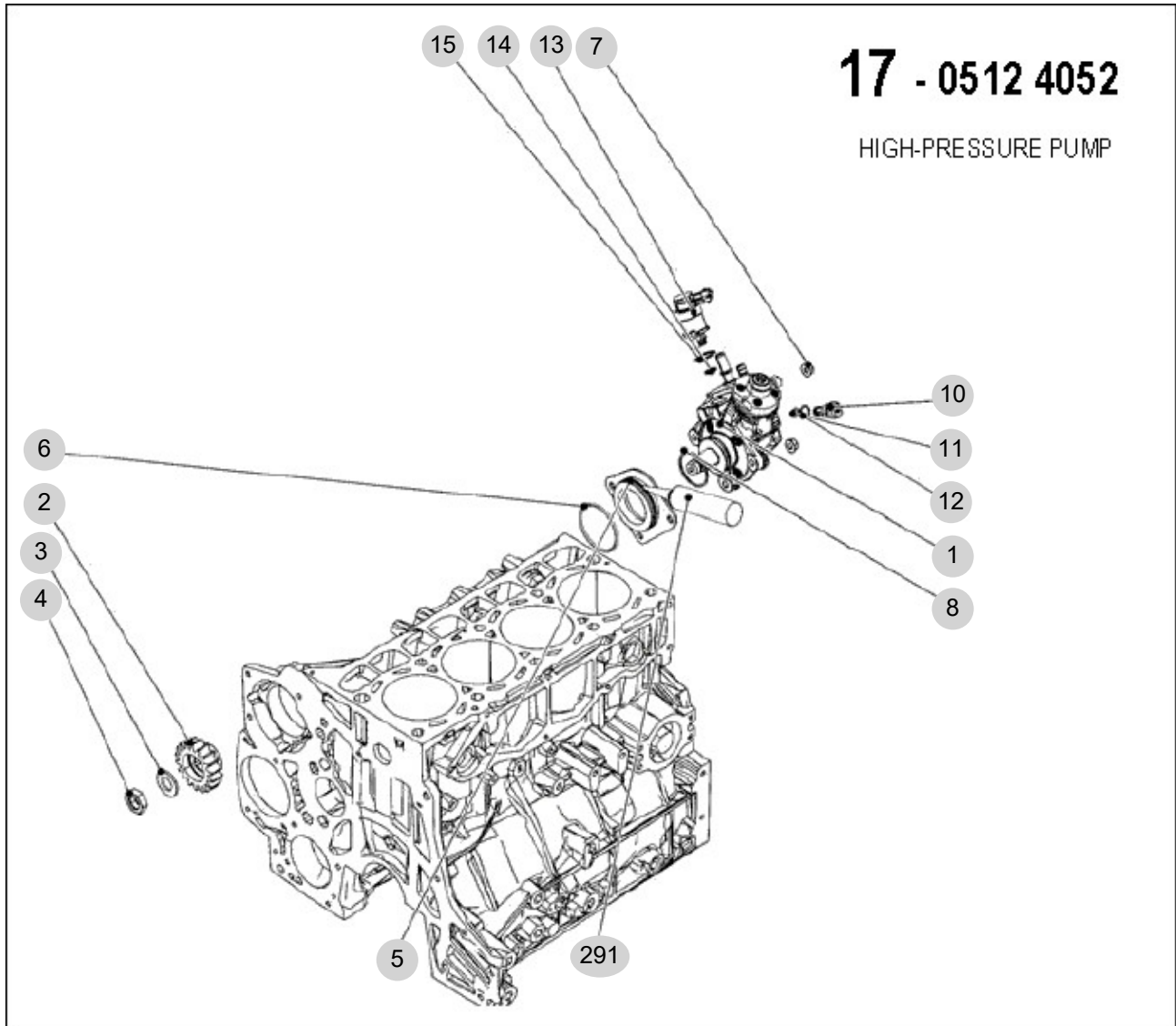
FIG 17

0512 4052

년/월  
Year/Month

2022-12

T654SMEU1



NOTE



FIG 19

0512 4047

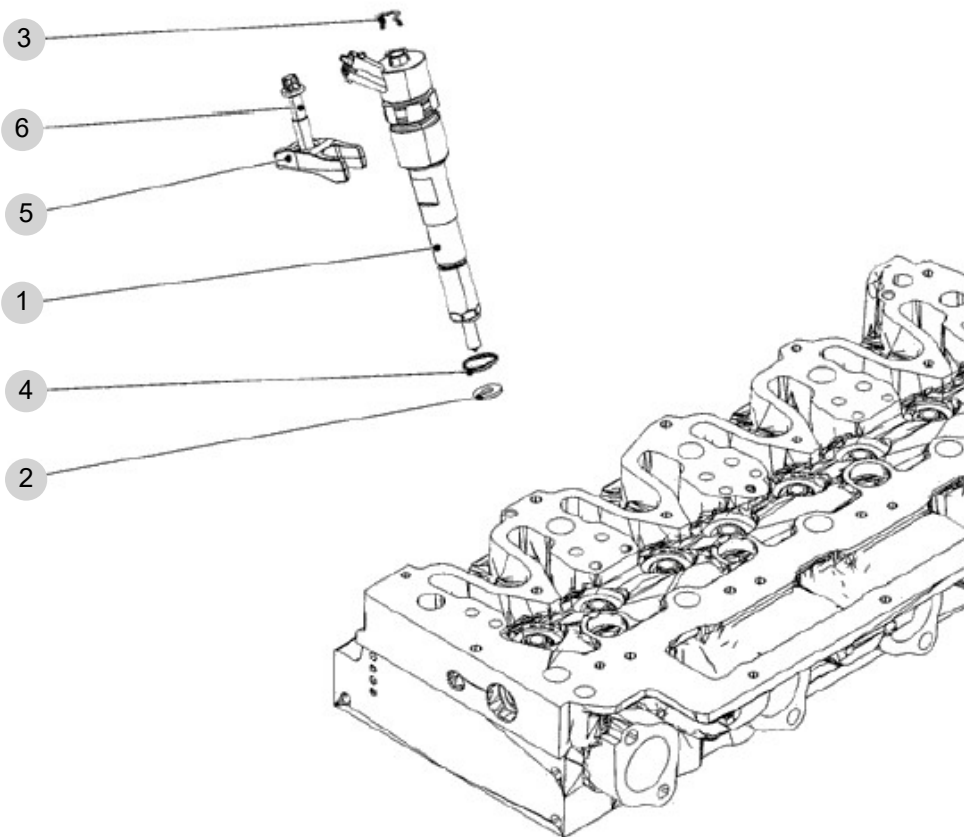
년/월  
Year/Month

2022-12

T654SMEU1

**19 - 0512 4047**

FUEL INJECTOR



NOTE





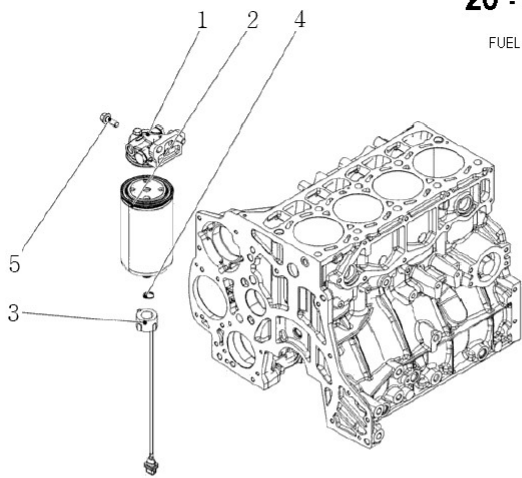
FIG 20

0512 4224

년/월  
Year/Month

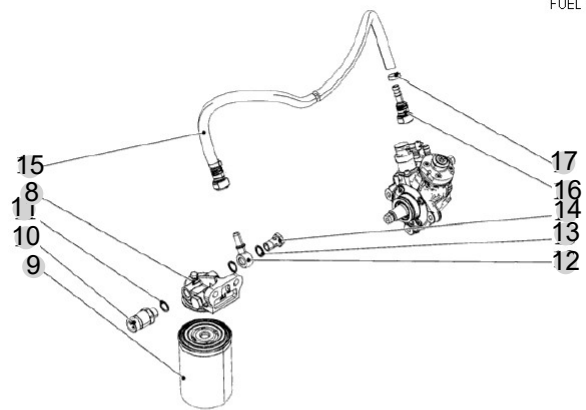
2022-12

T654SMEU1



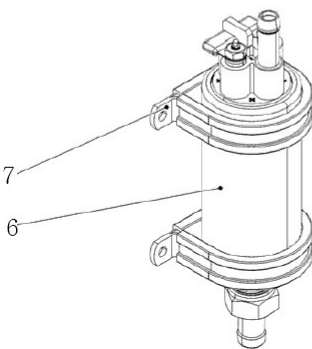
**20 - 0512 4064**

FUEL PREFILTER



**20 - 0512 4224**

FUEL FILTER



**20 - 0512 4140**

FUEL SUPPLY PUMP

NOTE



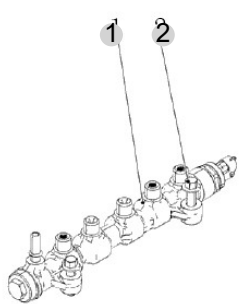
FIG 21

0512 4009, 0512 4008, 0512 4299

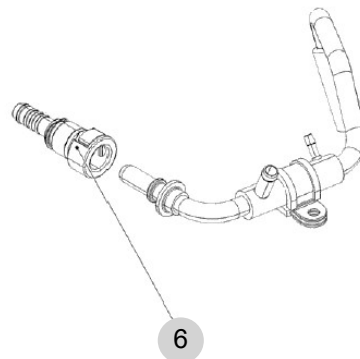
년/월  
Year/Month

2022-12

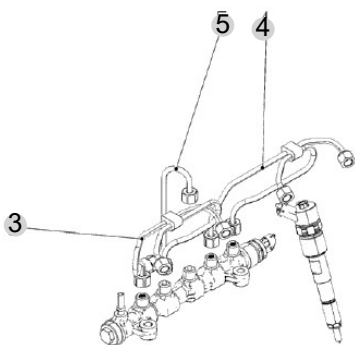
T654SMEU1



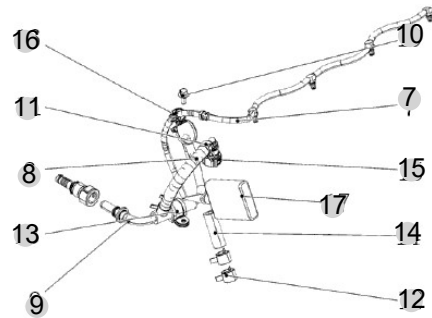
**21 - 0512 4008**  
RAIL



**21 - 0512 4286**  
QUICK-CLUTCH COUP.



**21 - 0512 4009**  
HIGH PRESSURE PIPE



**21 - 0512 4299**  
FUEL LINE

NOTE



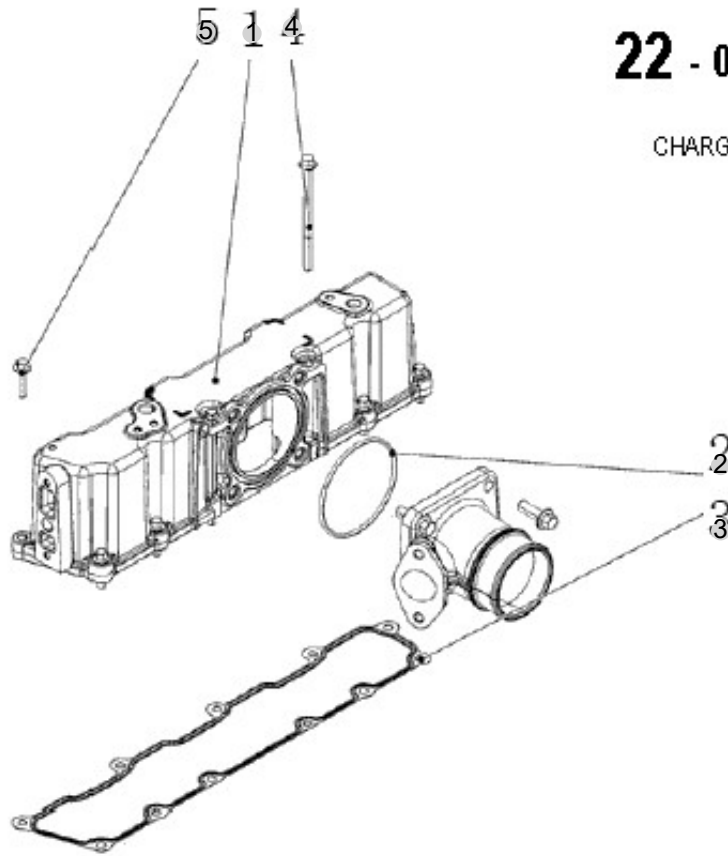
FIG 22

0512 4345, 0512 4392

년/월  
Year/Month

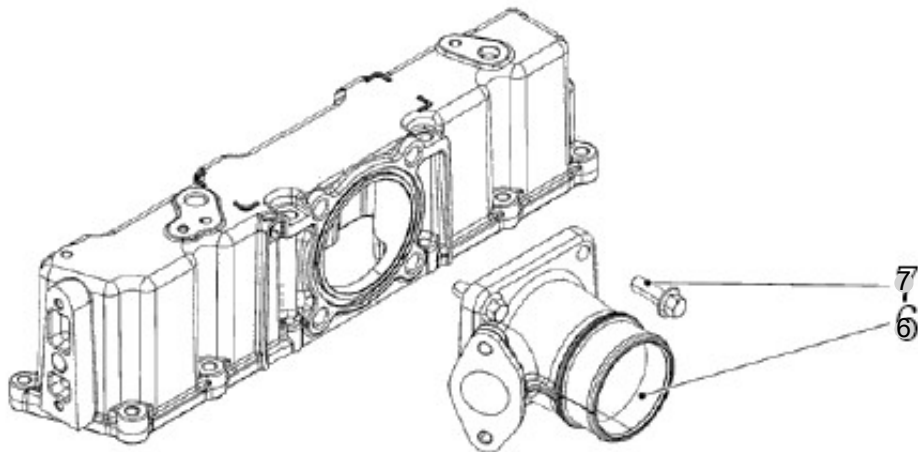
2022-12

T654SMEU1



**22 - 0512 4392**

CHARGE AIR ELBOW



NOTE



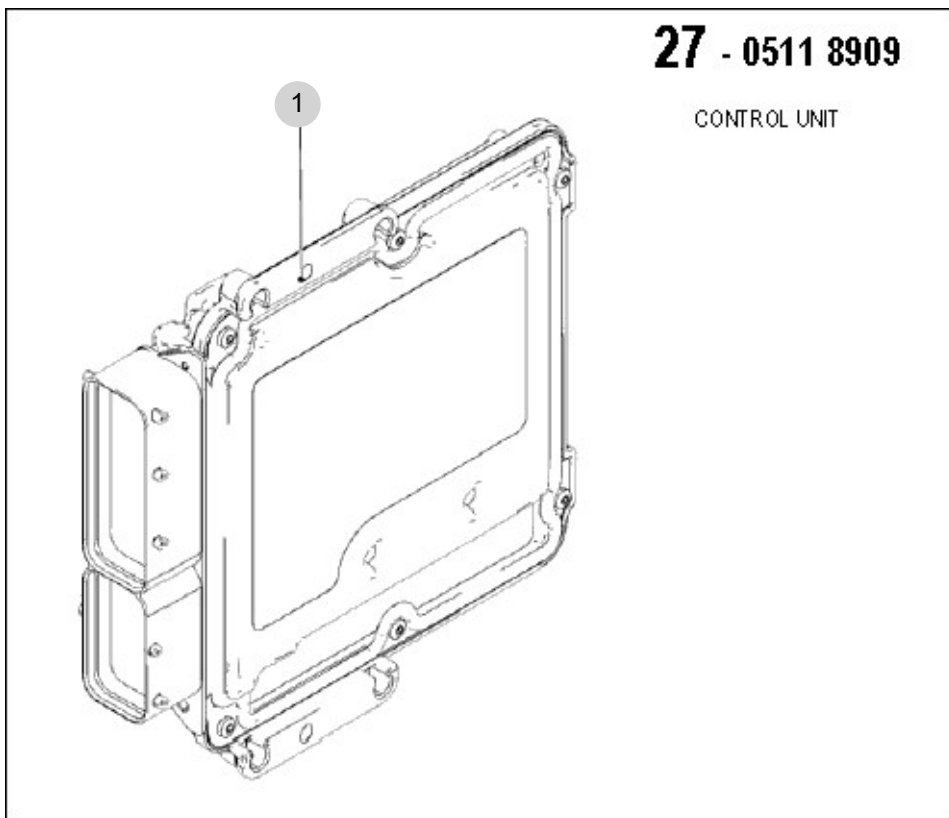
FIG 27

0511 8909

년/월  
Year/Month

2022-12

T654SMEU1



NOTE





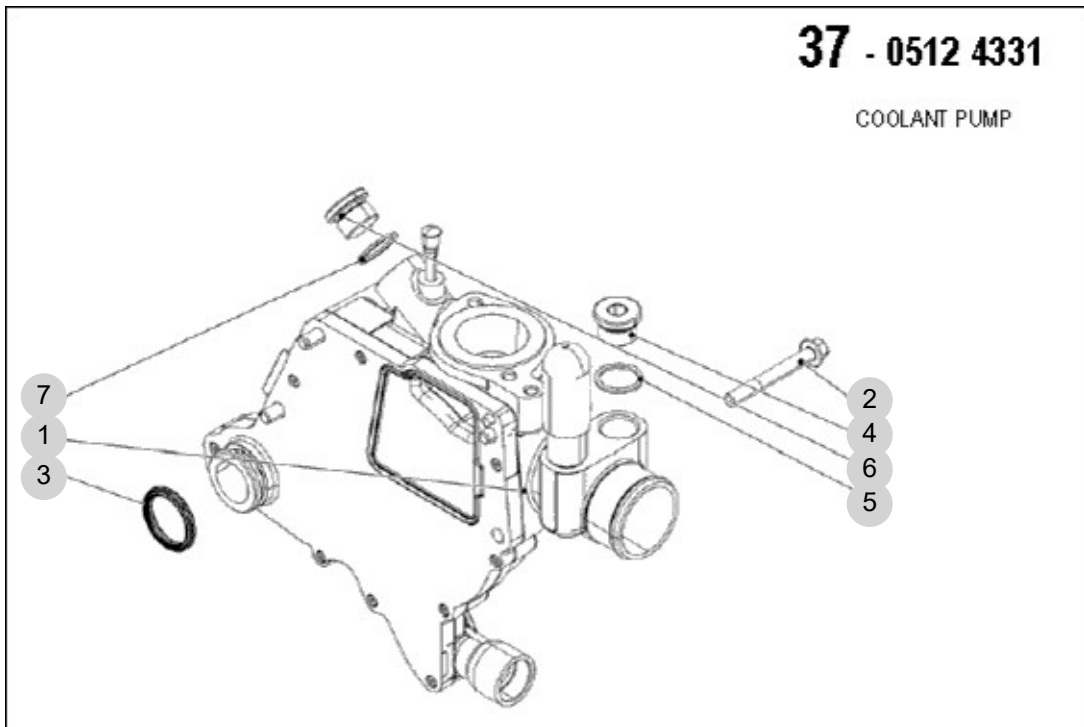
FIG 37

0512 4331

년/월  
Year/Month

2022-12

T654SMEU1



NOTE



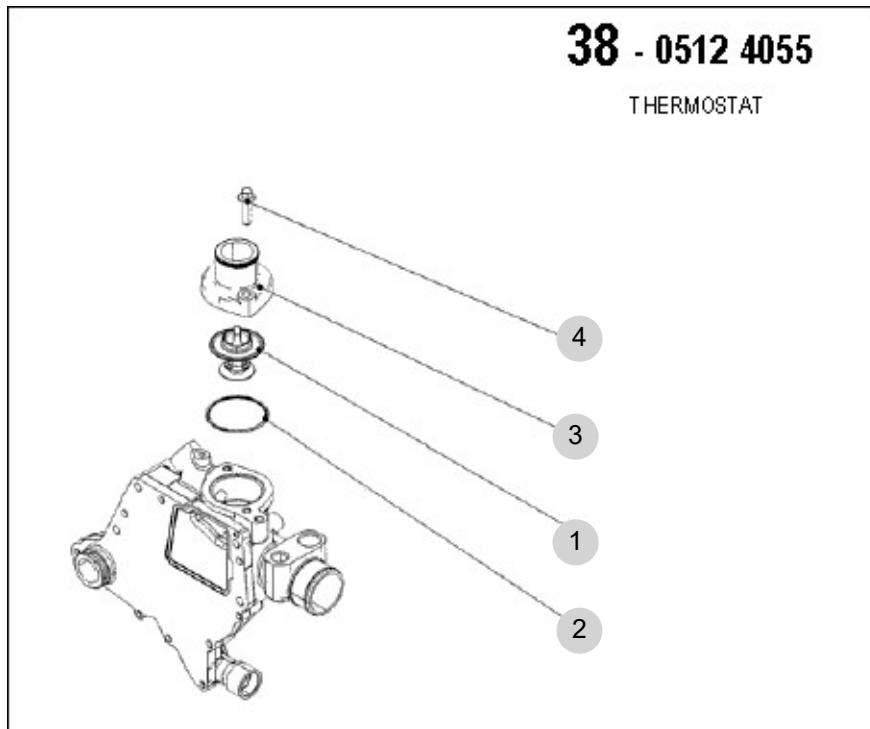
FIG 38

T654SMEU1

0512 4055

년/월  
Year/Month

2022-12



NOTE



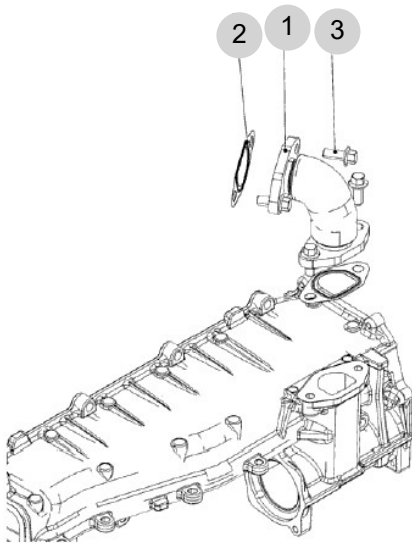
FIG 41

0512 4143, 0512 4058, 0512 4097, 0512 4257

년/월  
Year/Month

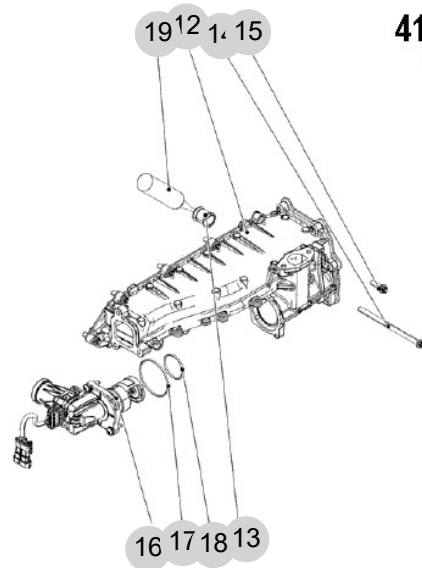
2022-12

T654SMEU1



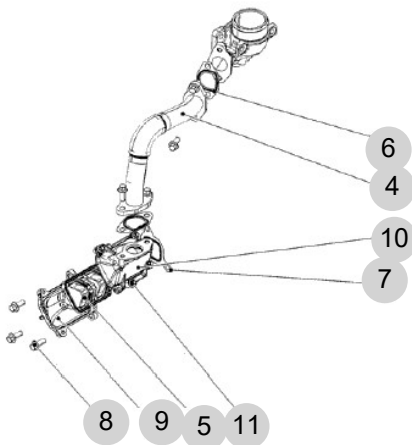
**41 - 0512 4058**

PIPELINE/LEAD



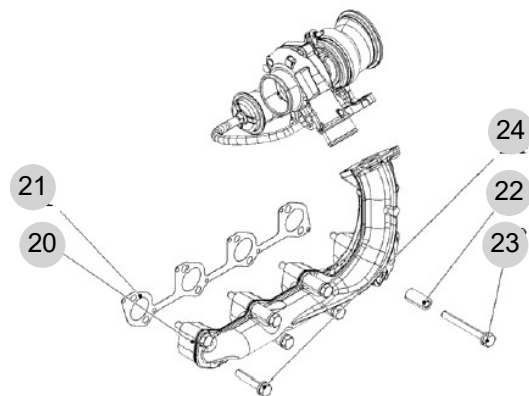
**41 - 0512 4143**

EGR-MODULE



**41 - 0512 4097**

PIPELINE/LEAD



**41 - 0512 4257**

EXHAUST MANIFOLD

NOTE



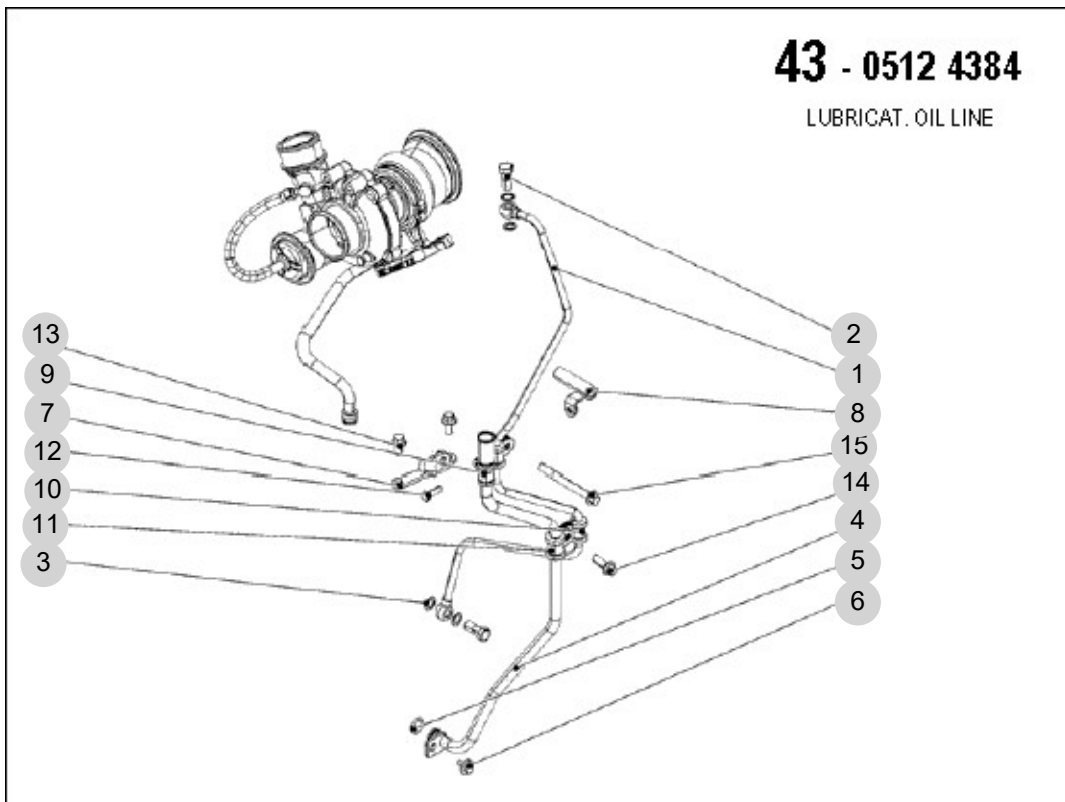
FIG 43

0512 4384

년/월  
Year/Month

2022-12

T654SMEU1



NOTE





FIG 44

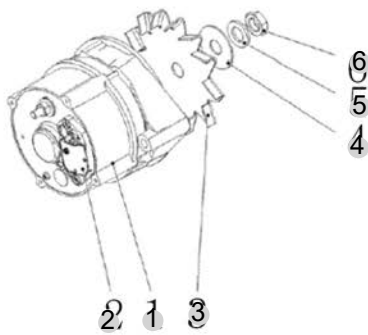
0512 4062, 0512 4256, 0512 4393, 0512 4400

년/월  
Year/Month

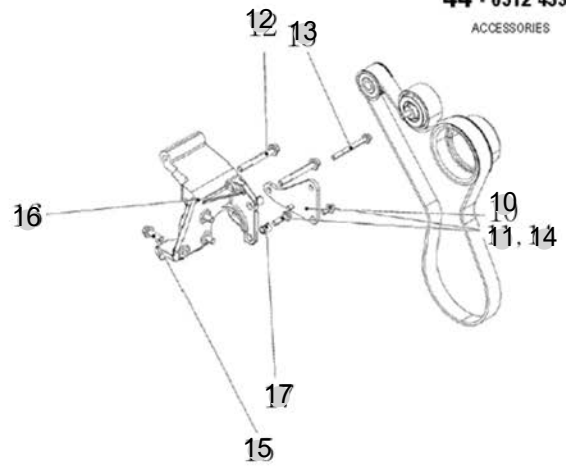
2022-12

T654SMEU1

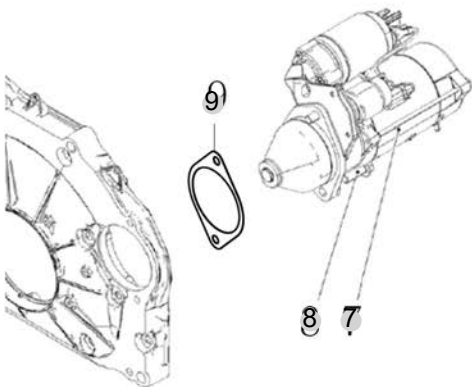
**44 - 0512 4062**  
GENERATOR



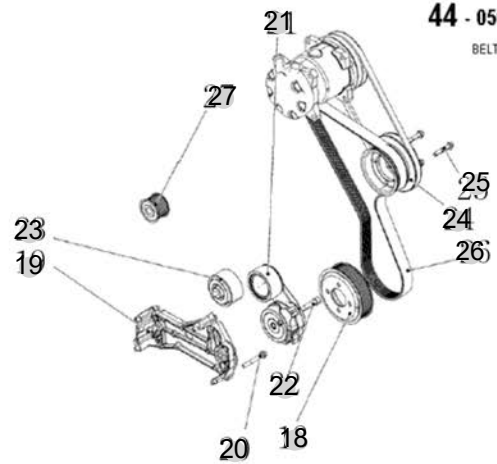
**44 - 0512 4393**  
ACCESSORIES



**44 - 0512 4256**  
STARTER



**44 - 0512 4400**  
BELT DRIVE



NOTE



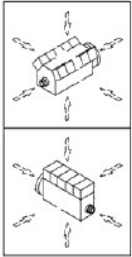
FIG 48-1

0511 7723, 0512 4011, 0512 4098, 0512 4127,  
0512 4292

년/월  
Year/Month

2022-12

T654SMEU1



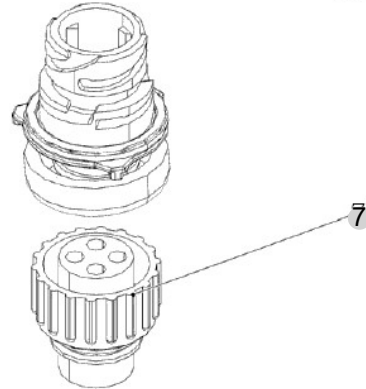
**48 - 0511 7723**

ATTACHMENT PLUG



**48 - 0512 4098**

PLUG-IN CONNECTOR

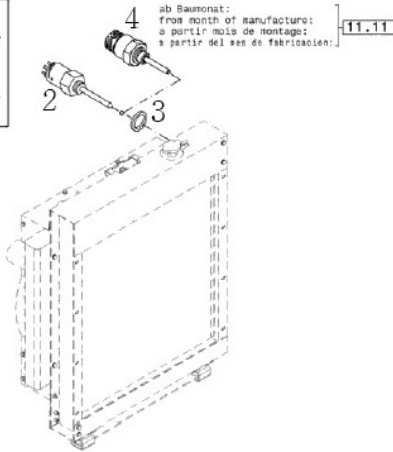
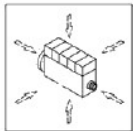
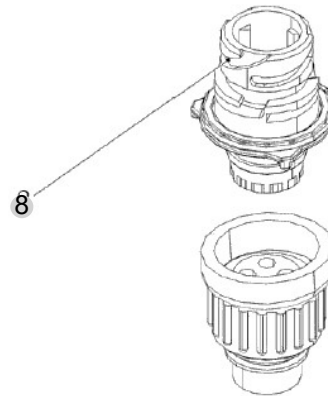


**48 - 0512 4127**

PLUG-IN CONNECTOR

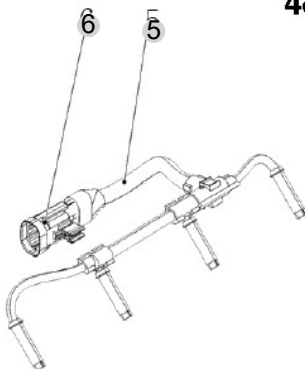
**48 - 0511 8568**

LEVEL SWITCH



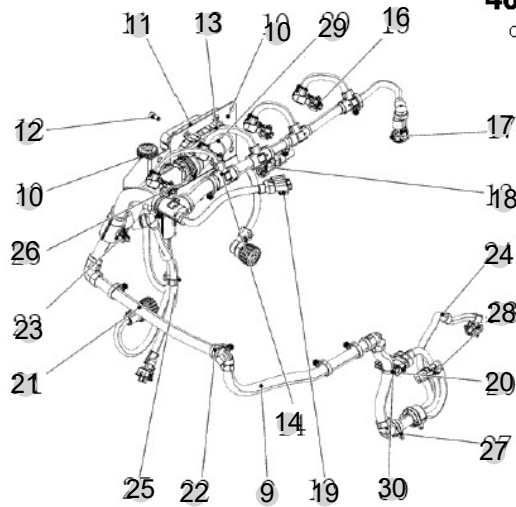
**48 - 0512 4011**

CABLE HARNESS



**48 - 0512 4292**

CABLE HARNESS



NOTE



FIG 48-2

0512 4128, 0512 4293, 0512 4334, 0512 4338,  
0512 4343

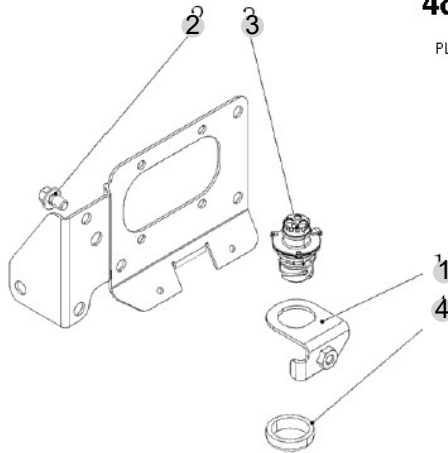
년/월  
Year/Month

2022-12

T654SMEU1

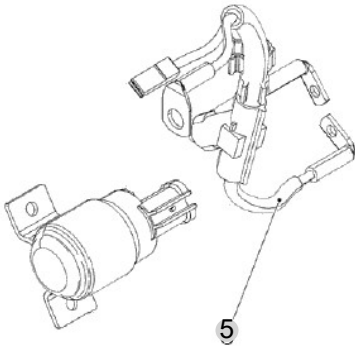
**48 - 0512 4128**

PLUG-IN CONNECTOR



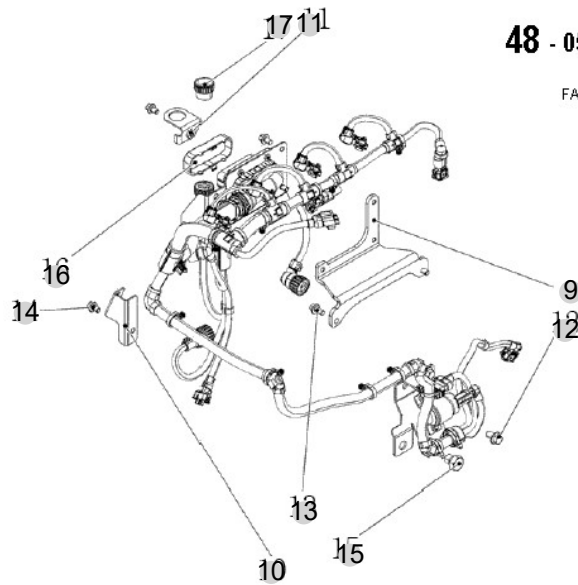
**48 - 0512 4293**

CONNECTING PIPE



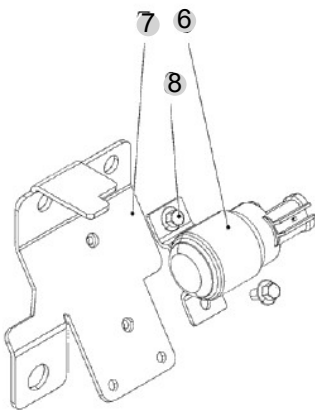
**48 - 0512 4338**

FASTENINGS



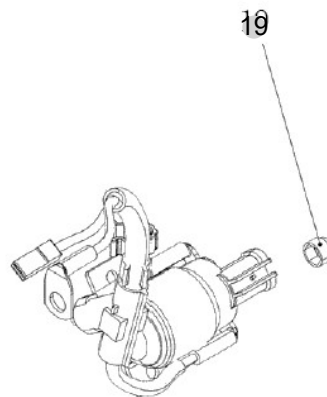
**48 - 0512 4334**

RELAY



**48 - 0512 4343**

PROTECTING CAP



NOTE

| KEY NO |    | PART NO   | DESCRIPTION       | SPEC | QTY | REPAIR | EFFECTIVE DATE | REMARKS |
|--------|----|-----------|-------------------|------|-----|--------|----------------|---------|
| 48-2   | 1  | 0413 1768 | BRACKET           |      | 1   |        |                |         |
| 48-2   | 2  | 0118 3644 | HEXAGON BOLT      |      | 1   |        |                |         |
| 48-2   | 3  | 0421 6831 | PLUG IN CONNECTOR |      | 1   |        |                |         |
| 48-2   | 4  | 0421 4227 | FASTENING RING    |      | 1   |        |                |         |
| 48-2   | 5  | 0421 0230 | ELECTRIC LINE     |      | 1   |        |                |         |
| 48-2   | 6  | 0421 6031 | RELAY             |      | 1   |        |                |         |
| 48-2   | 7  | 0421 1050 | BRACKET           |      | 1   |        |                |         |
| 48-2   | 8  | 0118 1442 | HEXAGON BOLT      |      | 2   |        |                |         |
| 48-2   | 9  | 0413 1771 | ANGLE SUPPORT     |      | 1   |        |                |         |
| 48-2   | 10 | 0421 0802 | RETAINING PLATE   |      | 1   |        |                |         |
| 48-2   | 11 | 0413 1768 | BRACKET           |      | 1   |        |                |         |
| 48-2   | 12 | 0114 8690 | HEXAGON BOLT      |      | 2   |        |                |         |
| 48-2   | 13 | 0118 1436 | HEXAGON BOLT      |      | 2   |        |                |         |
| 48-2   | 14 | 0118 3644 | HEXAGON BOLT      |      | 5   |        |                |         |
| 48-2   | 15 | 0114 3017 | HEXAGON BOLT      |      | 1   |        |                |         |
| 48-2   | 16 | 0421 4452 | CAP               |      | 1   |        |                |         |
| 48-2   | 17 | 0421 3431 | PROTECTING CAP    |      | 1   |        |                |         |
| 48-2   | 19 | 0118 2593 | PROTECTING CAP    |      | 1   |        |                |         |
|        |    |           |                   |      |     |        |                |         |
|        |    |           |                   |      |     |        |                |         |
|        |    |           |                   |      |     |        |                |         |
|        |    |           |                   |      |     |        |                |         |
|        |    |           |                   |      |     |        |                |         |
|        |    |           |                   |      |     |        |                |         |
|        |    |           |                   |      |     |        |                |         |
|        |    |           |                   |      |     |        |                |         |
|        |    |           |                   |      |     |        |                |         |
|        |    |           |                   |      |     |        |                |         |
|        |    |           |                   |      |     |        |                |         |
|        |    |           |                   |      |     |        |                |         |
|        |    |           |                   |      |     |        |                |         |
|        |    |           |                   |      |     |        |                |         |
|        |    |           |                   |      |     |        |                |         |
|        |    |           |                   |      |     |        |                |         |
|        |    |           |                   |      |     |        |                |         |
|        |    |           |                   |      |     |        |                |         |
|        |    |           |                   |      |     |        |                |         |
|        |    |           |                   |      |     |        |                |         |
|        |    |           |                   |      |     |        |                |         |
|        |    |           |                   |      |     |        |                |         |
|        |    |           |                   |      |     |        |                |         |
|        |    |           |                   |      |     |        |                |         |
| NOTE   |    |           |                   |      |     |        |                |         |

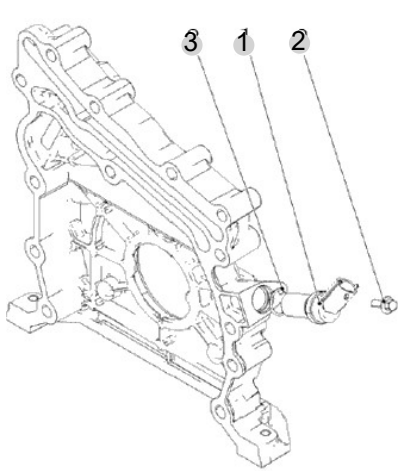
FIG 51

0512 4060, 0512 4104, 0512 4300, 0512 4329

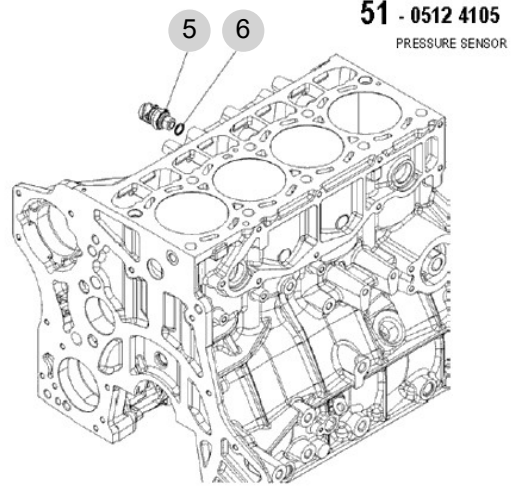
년/월  
Year/Month

2022-12

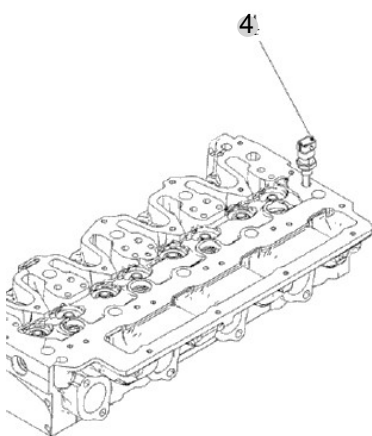
T654SMEU1



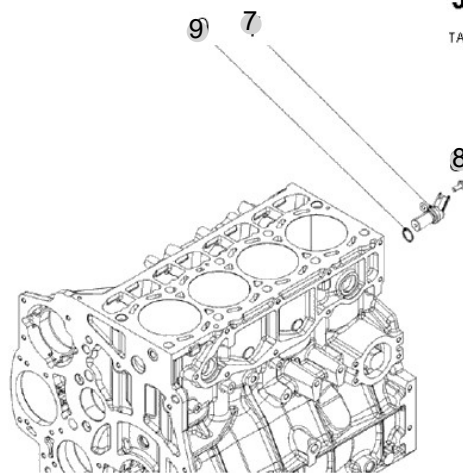
**51 - 0512 4060**  
TACHO-GENERATOR



**51 - 0512 4105**  
PRESSURE SENSOR

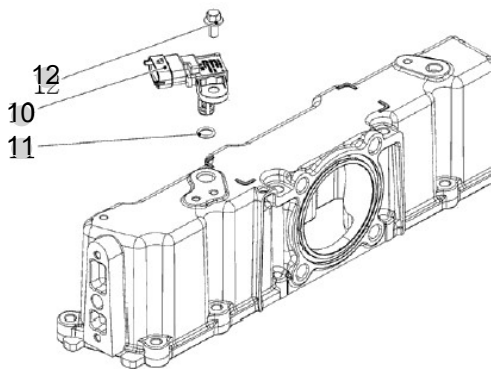


**51 - 0512 4104**  
TEMPER. TRANSMITTER



**51 - 0512 4300**  
TACHO-GENERATOR

**51 - 0512 4329**  
SENSOR



NOTE





FIG 63

0512 4010

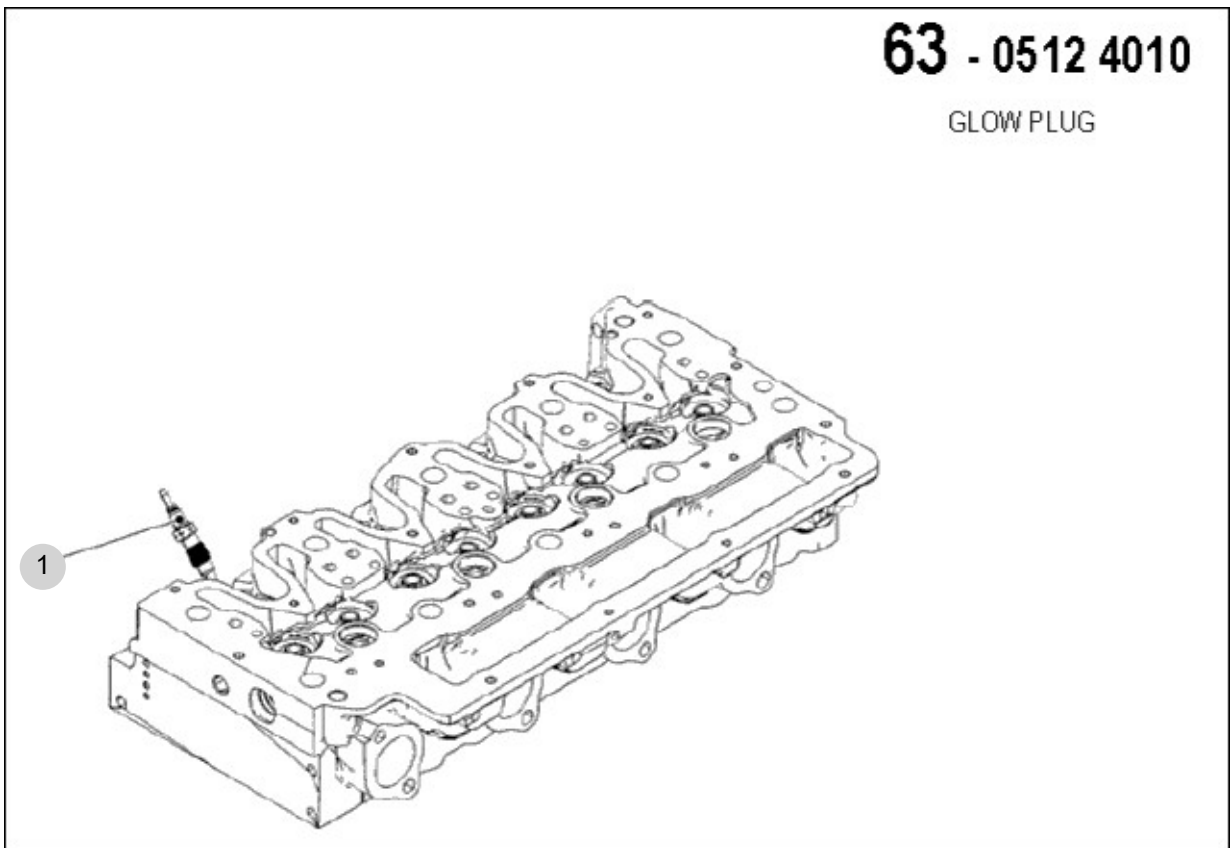
년/월  
Year/Month

2022-12

T654SMEU1

**63 - 0512 4010**

GLOW PLUG



NOTE



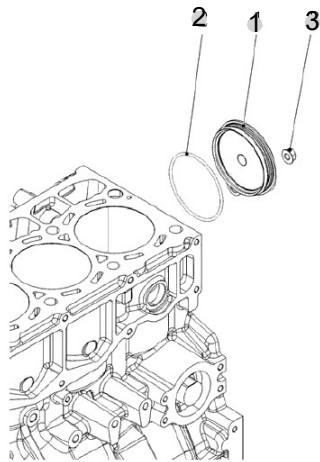
FIG 83

T654SMEU1

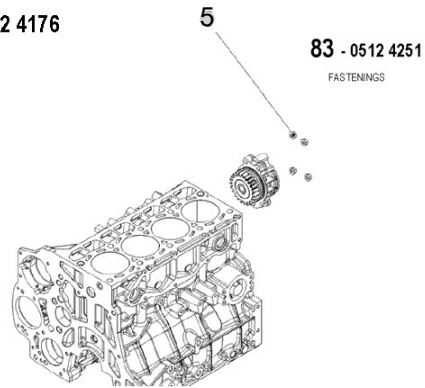
0512 4176, 0512 4180, 0512 4251, 0512 4337,  
0512 4339, 0512

년/월  
Year/Month

2022-12



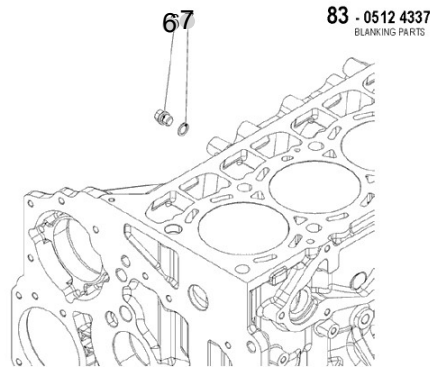
**83 - 0512 4176**  
COVER



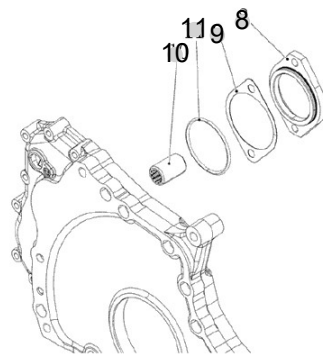
**83 - 0512 4251**  
FASTENINGS



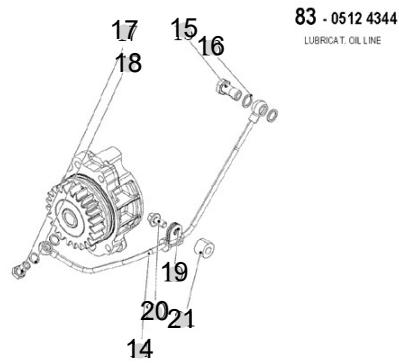
**83 - 0512 4180**  
O-SEAL



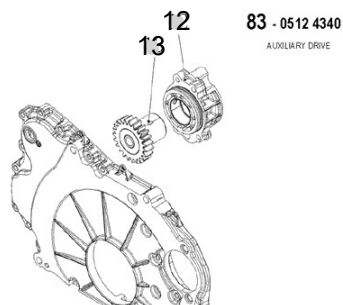
**83 - 0512 4337**  
BLANKING PARTS



**83 - 0512 4339**  
ADAPTERFLANSCH



**83 - 0512 4344**  
LUBRICAT. OIL LINE



**83 - 0512 4340**  
AUXILIARY DRIVE

NOTE



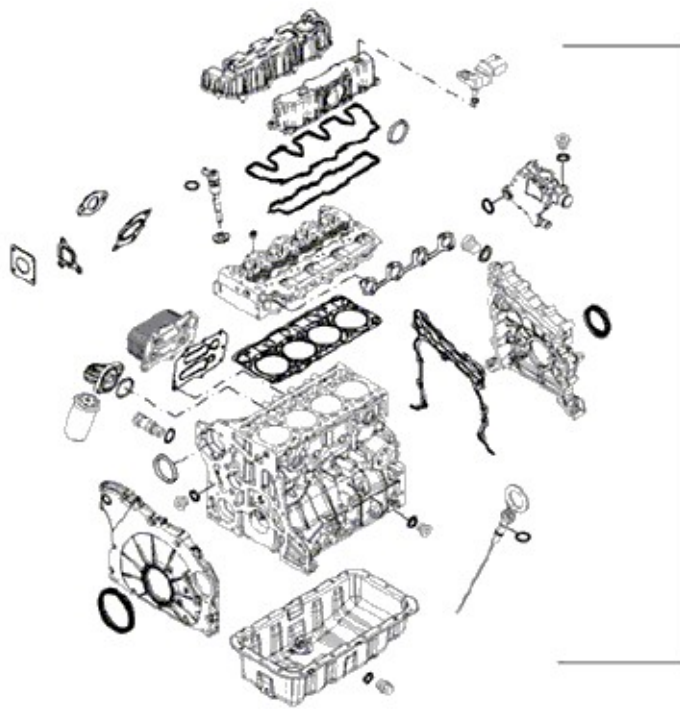
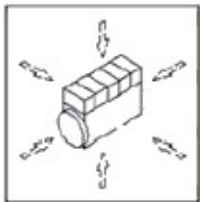
FIG 90

0512 4355

년/월  
Year/Month

2022-12

T654SMEU1



**90 - 0512 4355**

GASKET SET

1

NOTE



## 2. Engine Accessories PART NO. T2

|                                 |    |
|---------------------------------|----|
| FIG 201 AIR CLEANER             | 68 |
| FIG 202 RADIATOR                | 70 |
| FIG 203 MUFFLER & EXHAUST PIPE  | 73 |
| FIG 204 FUEL TANK               | 76 |
| FIG 205 FUEL FILTER & FUEL PUMP | 78 |
| FIG 206 BLOCK HEATER            | 80 |

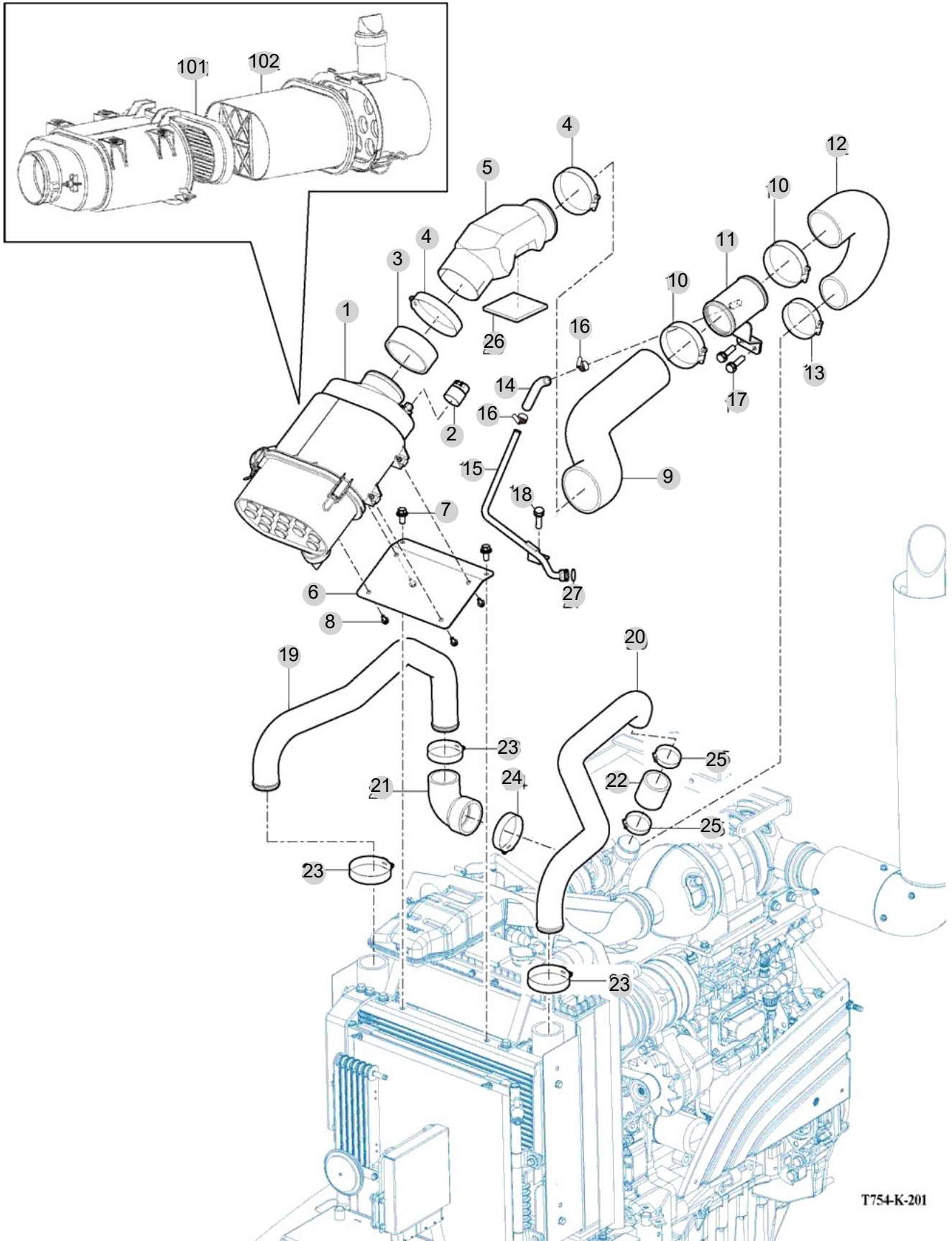
FIG 201

AIR CLEANER

년/월  
Year/Month

2022-12

T654SMEU1



T754-K-201

NOTE





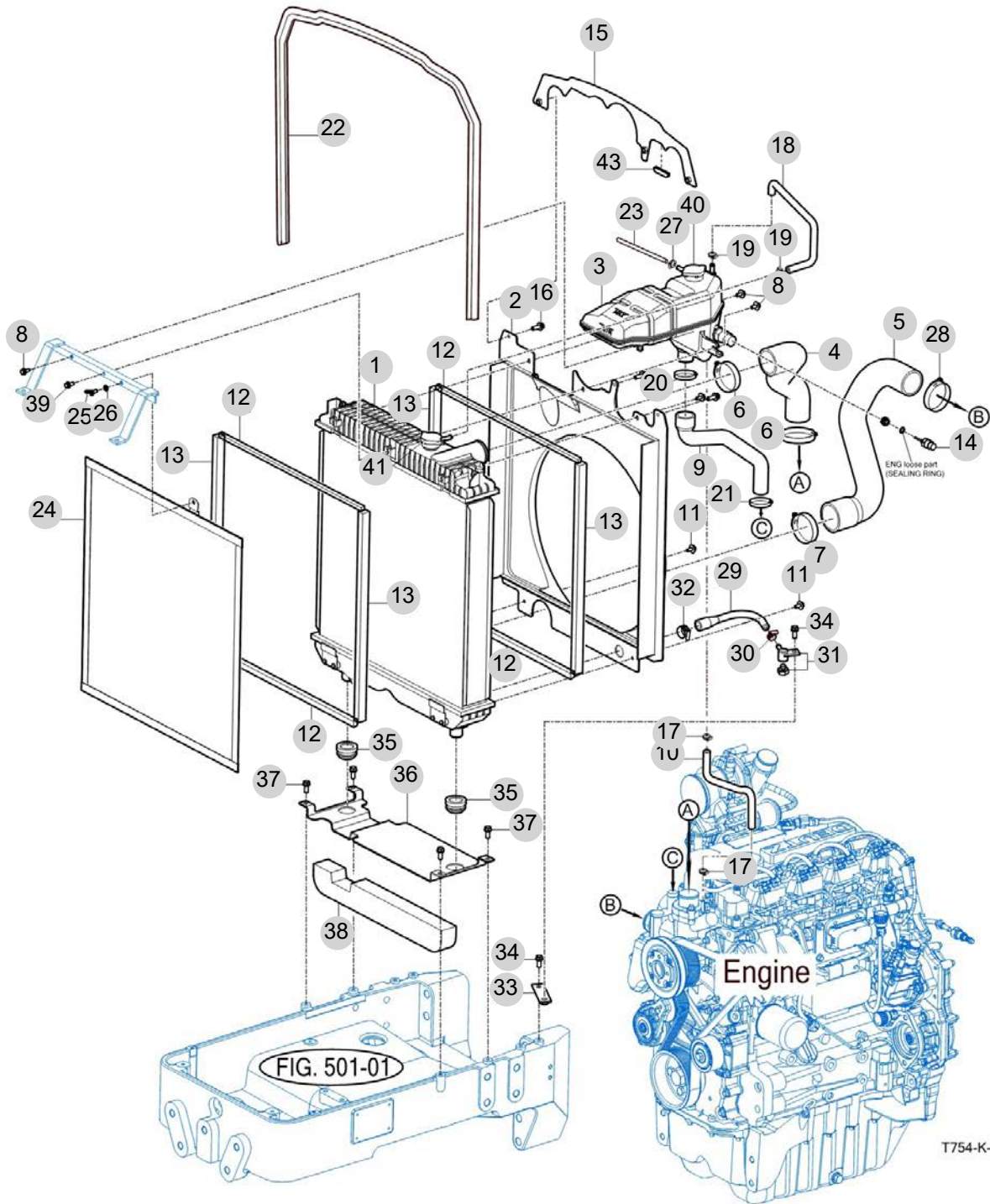
FIG 202

RADIATOR

년/월  
Year/Month

2022-12

T654SMEU1



NOTE

| FIG 202<br>T654SMEU1 |         | RADIATOR      |                         |              |        |                | 년/월<br>Year/Month |  |
|----------------------|---------|---------------|-------------------------|--------------|--------|----------------|-------------------|--|
|                      |         |               |                         |              |        |                | 2022-12           |  |
| KEY NO               | PART NO | DESCRIPTION   | SPEC                    | QTY          | REPAIR | EFFECTIVE DATE | REMARKS           |  |
| 202                  | 1       | 18021042500   | RADIATOR ASSY           |              | 1      |                |                   |  |
| 202                  | 2       | 18021042201   | SHROUD                  |              | 1      |                |                   |  |
| 202                  | 3       | 18021041002   | RESERVE TANK            |              | 1      |                |                   |  |
| 202                  | 3       | 18021041003   | RESERVOIR TANK          |              | 1      |                |                   |  |
| 202                  | 4       | 18021040010   | HOSE , RADIATOR INLET   |              | 1      |                |                   |  |
| 202                  | 5       | 18021040020   | HOSE , RADIATOR/OUTLET  |              | 1      |                |                   |  |
| 202                  | 6       | 18027090600   | BAND CLAMP 60 EMBO TYPE |              | 2      |                |                   |  |
| 202                  | 7       | 18027090700   | BAND CLAMP 70 EMBO TYPE |              | 1      |                |                   |  |
| 202                  | 8       | V2193606025   | BOLT , HEX/SPL          | M6X25        | 3      |                |                   |  |
| 202                  | 9       | 18021040030   | HOSE ID22               |              | 1      |                |                   |  |
| 202                  | 10      | 18028200081   | HOSE 290                |              | 1      |                |                   |  |
| 202                  | 11      | V2193606016   | BOLT , HEX/SPL          | M6X16        | 3      |                |                   |  |
| 202                  | 12      | 16601042340   | SPONGE , 495            |              | 4      |                |                   |  |
| 202                  | 13      | 10011042360   | SPONGE , 20X15          | 20X15X490    | 4      |                |                   |  |
| 202                  | 14      | 04218100      | LEVEL SWITCH            |              | 1      |                |                   |  |
| 202                  | 15      | 18021042300GB | PLATE COMP , SEAL C     |              | 1      |                |                   |  |
| 202                  | 16      | V2323606016   | BOLT , C/R HEX/SP       | M6X16        | 3      |                |                   |  |
| 202                  | 17      | 37481850030   | BAND CLAMP 18           |              | 1      |                |                   |  |
| 202                  | 17      | 18027090160   | BAND CLAMP 16 EMBO TYPE |              | 2      |                |                   |  |
| 202                  | 18      | 18021040041   | HOSE RD TANK            |              | 1      |                |                   |  |
| 202                  | 19      | 14501410050   | BAND CLAMP 16           |              | 2      |                |                   |  |
| 202                  | 19      | 18027090160   | BAND CLAMP 16 EMBO TYPE |              | 2      |                |                   |  |
| 202                  | 20      | 14241010050   | WIRE CLAMP 42           |              | 1      |                |                   |  |
| 202                  | 20      | 18027090500   | BAND CLAMP 50 EMBO TYPE |              | 1      |                |                   |  |
| 202                  | 21      | 18027090400   | BAND CLAMP 40 EMBO TYPE |              | 1      |                |                   |  |
| 202                  | 22      | 10031040320   | INSULATOR               |              | 1      |                |                   |  |
| 202                  | 23      | 18021040050   | HOSE , BREATHER 500     |              | 1      |                |                   |  |
| 202                  | 24      | 17811042300GB | NET COMP , RADIATOR     |              | 1      |                |                   |  |
| 202                  | 25      | V2712606012   | BOLT , WING             | M6X12        | 1      |                |                   |  |
| 202                  | 26      | V4111600060   | WASHER , PLAIN          | M6           | 1      |                |                   |  |
| 202                  | 27      | 14501410050   | BAND CLAMP 16           |              | 2      |                |                   |  |
| 202                  | 27      | 18027090160   | BAND CLAMP 16 EMBO TYPE |              | 1      |                |                   |  |
| 202                  | 28      | 18027090600   | BAND CLAMP 60 EMBO TYPE |              | 1      |                |                   |  |
| 202                  | 29      | 19021040091   | HOSE(210)               | 1X1X1        | 1      |                |                   |  |
| 202                  | 30      | 14501410050   | BAND CLAMP 16           |              | 1      |                |                   |  |
| 202                  | 30      | 18027090160   | BAND CLAMP 16 EMBO TYPE | 1/2 3/4      | 1      |                |                   |  |
| 202                  | 31      | 15231041000   | CONNECTOR               |              | 1      |                |                   |  |
| 202                  | 32      | 37681850160   | BAND CLAMP 25           |              | 1      |                |                   |  |
| 202                  | 32      | 18027090250   | BAND CLAMP 25 EMBO TYPE |              | 1      |                |                   |  |
| 202                  | 33      | 16991041100GB | PLATE COMP , CONNECTOR  | 1X1X1        | 1      |                |                   |  |
| 202                  | 34      | V2183608025   | BOLT , HEX/SP           | M8X25        | 1      |                |                   |  |
| 202                  | 35      | 19021040020   | CUSHION RADIATOR        | 1X1X1        | 2      |                |                   |  |
| 202                  | 36      | 17131142100GB | SUPPORT , RADIATOR      | 480X150X38.5 | 1      |                |                   |  |
| 202                  | 37      | V2183608020   | BOLT , HEX/SP           | M8X20        | 4      |                |                   |  |
| 202                  | 38      | 18021040500   | INSULATOR , RADIATOR    |              | 1      |                |                   |  |
| NOTE                 |         |               |                         |              |        |                |                   |  |



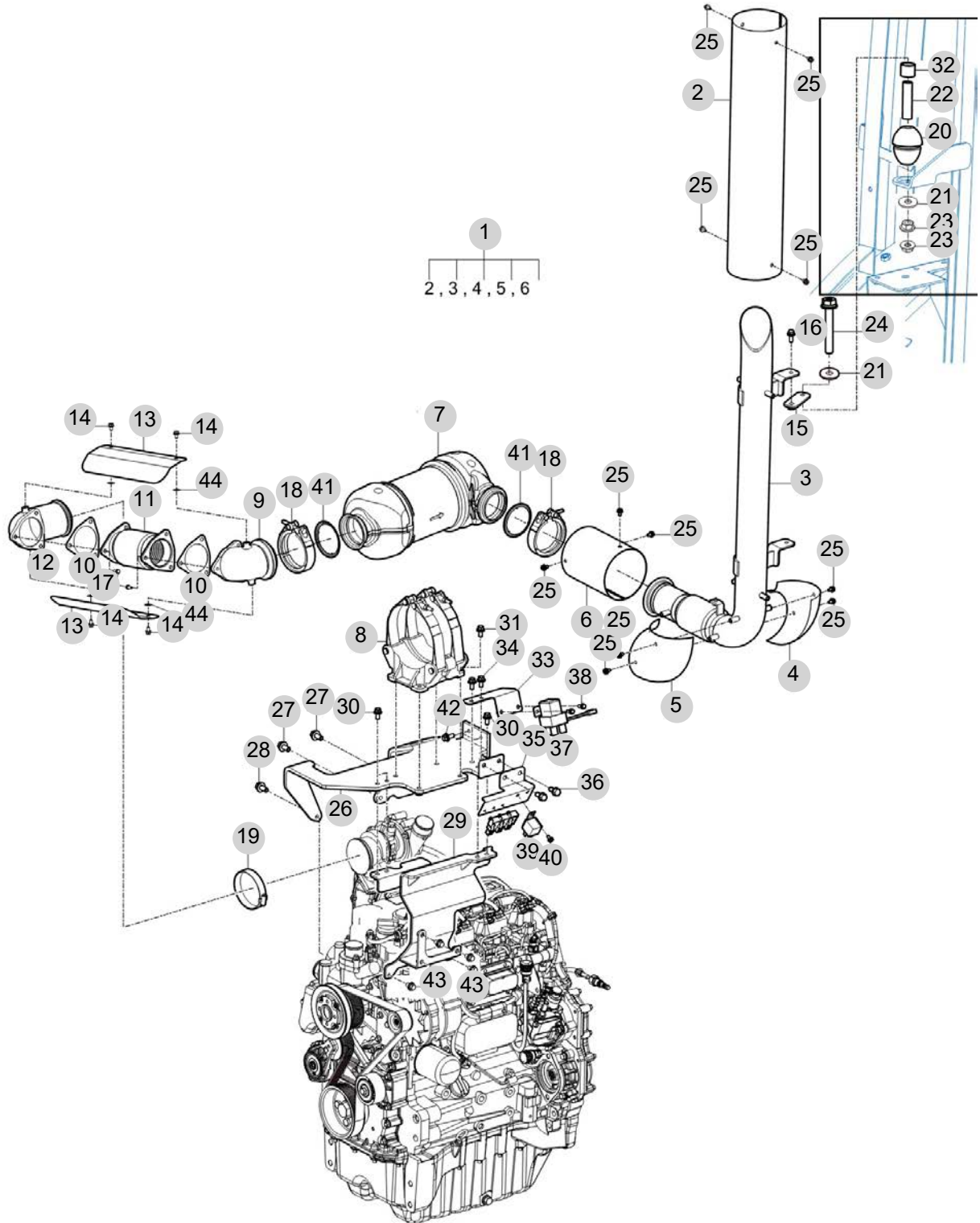
FIG 203

MUFFLER & EXHAUST PIPE

년/월  
Year/Month

2022-12

T654SMEU1



NOTE

| FIG 203<br>T654SMEU1 |         | MUFFLER & EXHAUST PIPE |                          |       |        |                | 년/월<br>Year/Month |  |
|----------------------|---------|------------------------|--------------------------|-------|--------|----------------|-------------------|--|
|                      |         |                        |                          |       |        |                | 2022-12           |  |
| KEY NO               | PART NO | DESCRIPTION            | SPEC                     | QTY   | REPAIR | EFFECTIVE DATE | REMARKS           |  |
| 203                  | 1       | 18021061001            | EXHAUST PIPE ASSY        |       | 1      |                |                   |  |
| 203                  | 1       | 18021061002            | EXHAUST PIPE ASSY        |       | 1      |                |                   |  |
| 203                  | 1       | 18021061003            | EXHAUST PIPE ASSY        |       | 1      |                |                   |  |
| 203                  | 7       | 04603915               | CATALYST ax rd 90(DOC)   |       | 1      |                |                   |  |
| 203                  | 7       | 04605726               | CATALYST ax rd 90(DOC)   |       | 1      |                |                   |  |
| 203                  | 8       | 04604243               | BRACKET (DOC MOUNT)      |       | 1      |                |                   |  |
| 203                  | 8       | 04605741               | BRACKET (DOC MOUNT)      |       | 1      |                |                   |  |
| 203                  | 9       | 18021061600DD          | ELBOW / DOC              |       | 1      |                |                   |  |
| 203                  | 10      | 18021061800            | GASKET , BELLOWS         |       | 2      |                |                   |  |
| 203                  | 11      | 18021061700DD          | BELLOWS COMP             |       | 1      |                |                   |  |
| 203                  | 12      | 18021061500DD          | ELBOW / TC               |       | 1      |                |                   |  |
| 203                  | 13      | 18021062100DD          | PLATE , INSULATOR        |       | 1      |                |                   |  |
| 203                  | 13      | 18021062400DD          | PLATE COMP , INSULATION  |       | 1      |                |                   |  |
| 203                  | 14      | V2123606016            | BOLT , HEX /SP           | M6X16 | 4      |                |                   |  |
| 203                  | 15      | 18021061900GB          | CONNECTOR COMP           |       | 1      |                |                   |  |
| 203                  | 16      | V2183608020            | BOLT , HEX/SP            | M8X20 | 1      |                |                   |  |
| 203                  | 17      | V2173608020            | BOLT , HEX/S             | M8X20 | 6      |                |                   |  |
| 203                  | 18      | 04603585               | CLIP                     |       | 1      |                |                   |  |
| 203                  | 18      | 04607110               | CLIP                     |       | 2      |                |                   |  |
| 203                  | 19      | 04602018               | CLIP                     |       | 1      |                |                   |  |
| 203                  | 20      | 18501058010            | RUBBER, VIBRATION        | 1X1X1 | 2      |                |                   |  |
| 203                  | 21      | 35605033020            | WASHER , WIRE WITHDRAWAL | T=1.6 | 4      |                |                   |  |
| 203                  | 22      | 18501058020            | SPACER                   | 1X1X1 | 2      |                |                   |  |
| 203                  | 23      | V3802600060            | NUT , HEX FLANGE         | M6    | 4      |                |                   |  |
| 203                  | 24      | V2003606090            | BOLT , HEX               | M6X90 | 2      |                |                   |  |
| 203                  | 25      | V2327006012            | BOLT , C/R HEX/SP        | M6X12 | 11     |                |                   |  |
| 203                  | 26      | 18021051503GB          | BRACKET COMP , DOC       |       | 1      |                |                   |  |
| 203                  | 27      | V2183608025            | BOLT , HEX/SP            | M8X25 | 2      |                |                   |  |
| 203                  | 28      | V2183608025            | BOLT , HEX/SP            | M8X25 | 1      |                |                   |  |
| 203                  | 29      | 18021052500GB          | BRACKET COMP , DOC SIDE  |       | 1      |                |                   |  |
| 203                  | 30      | V2183608030            | BOLT , HEX/SP            | M8X30 | 4      |                |                   |  |
| 203                  | 31      | V2183608035            | BOLT , HEX/SP            | M8X35 | 4      |                |                   |  |
| 203                  | 32      | 15701062000            | COLLAR 20X7X20           |       | 2      |                |                   |  |
| 203                  | 32      | 15701062001            | COLLAR 20X7X15           |       | 2      |                |                   |  |
| 203                  | 33      | 18021051601GB          | BKT COMP , GLOW RELAY    |       | 1      |                |                   |  |
| 203                  | 34      | V2183608025            | BOLT , HEX/SP            | M8X25 | 2      |                |                   |  |
| 203                  | 35      | 18021052101GB          | BKT COMP , FUSE          |       | 1      |                |                   |  |
| 203                  | 36      | V2183608025            | BOLT , HEX/SP            | M8X25 | 2      |                |                   |  |
| 203                  | 37      | 10036802800            | RELAY ASSY , GLOW        |       | 1      |                |                   |  |
| 203                  | 38      | V2123606016            | BOLT , HEX /SP           | M6X16 | 2      |                |                   |  |
| 203                  | 39      | 11616212900            | RELAY 5P                 |       | 1      |                |                   |  |
| 203                  | 40      | V2123606016            | BOLT , HEX /SP           | M6X16 | 1      |                |                   |  |
| 203                  | 41      | 04600004               | GASKET DOC               |       | 2      |                |                   |  |
| 203                  | 42      | V2183608025            | BOLT , HEX/SP            | M8X25 | 2      |                |                   |  |
| 203                  | 43      | V2183608020            | BOLT , HEX/SP            | M8X20 | 5      |                |                   |  |
| NOTE                 |         |                        |                          |       |        |                |                   |  |



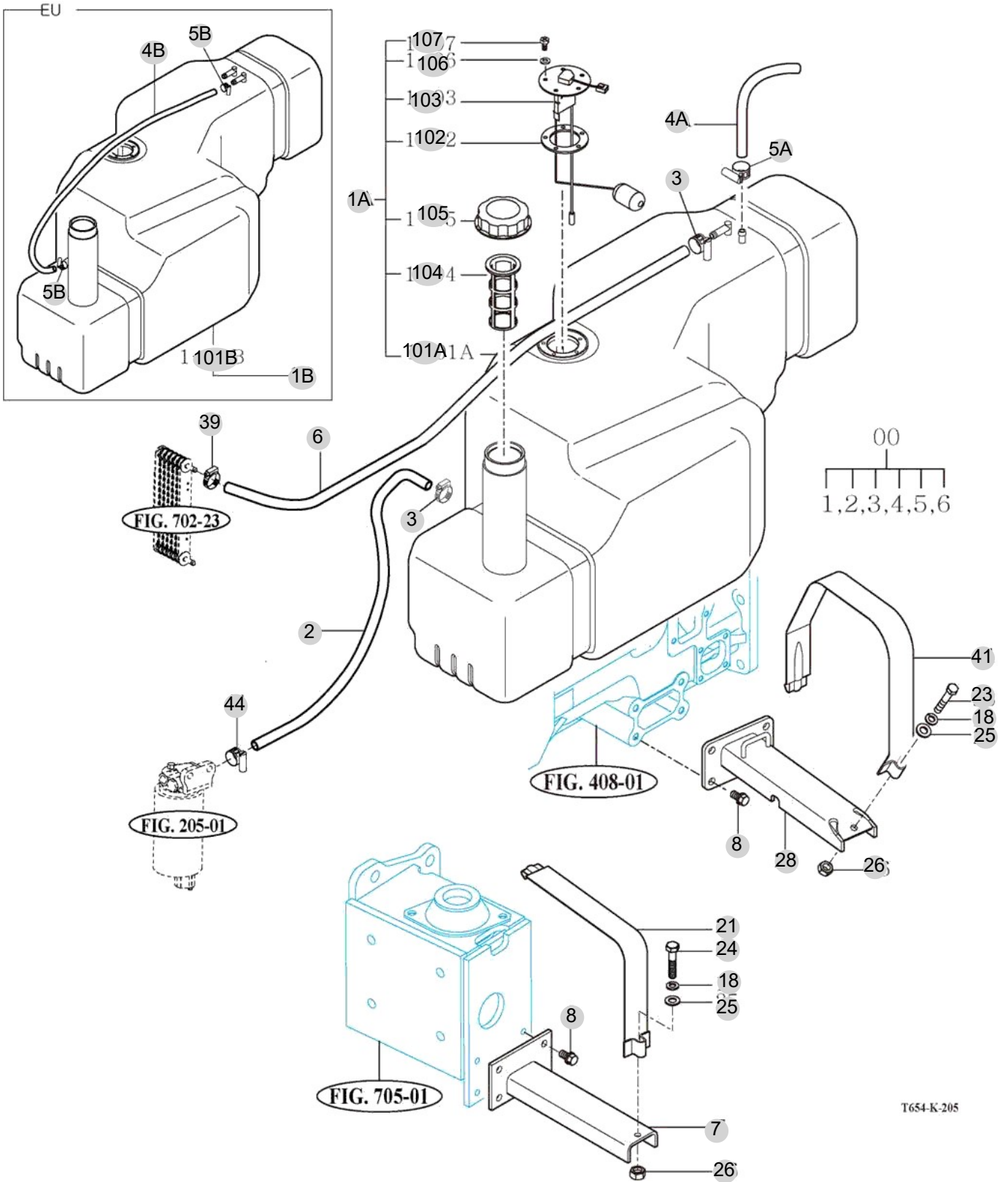
FIG 204

FUEL TANK

년/월  
Year/Month

2022-12

T654SMEU1



T654-K-205

NOTE



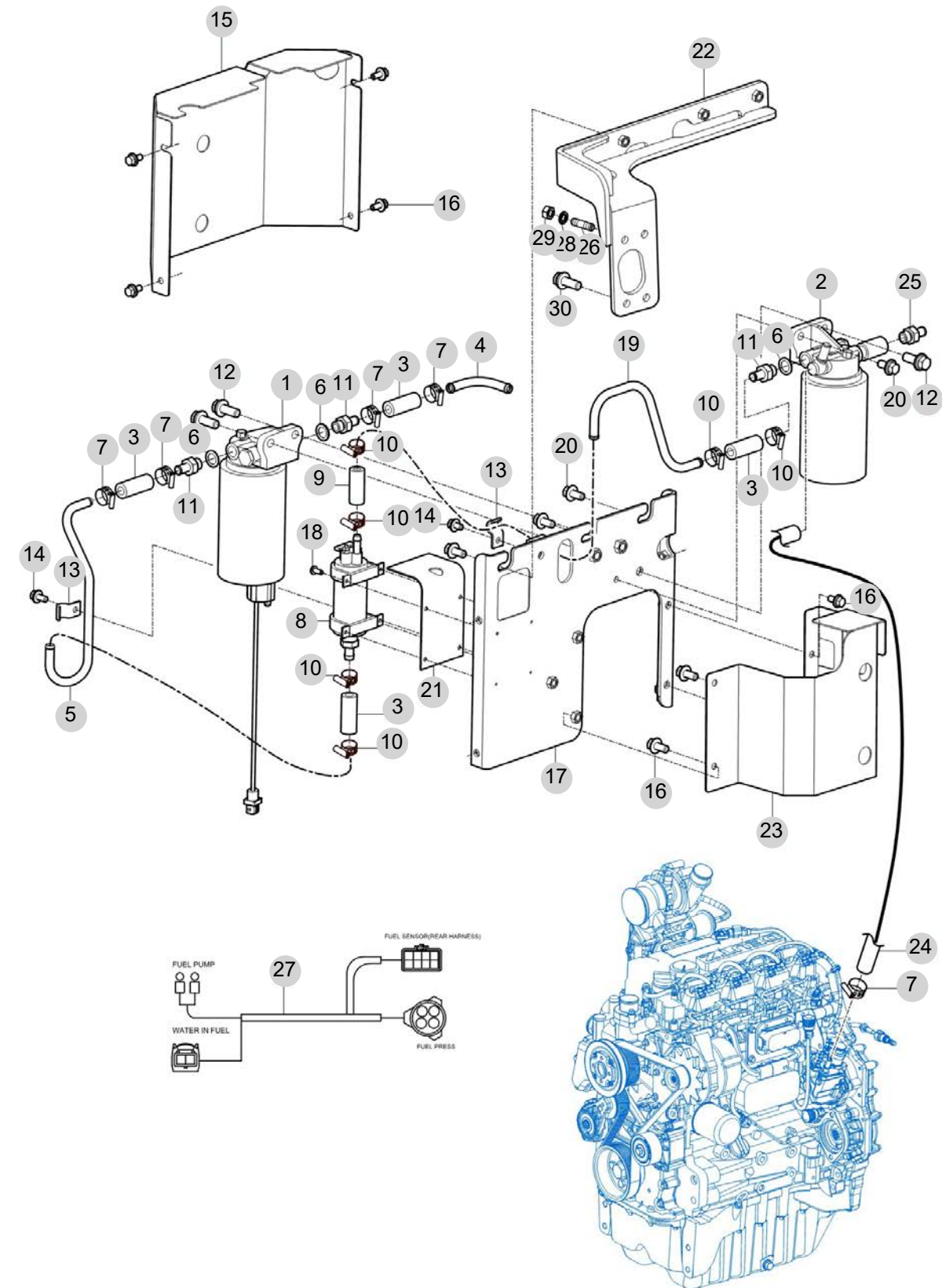


FIG 205

FUEL FILTER & FUEL PUMP

년/월  
Year/Month

2022-12



NOTE



FIG 206

T654SMEU1

BLOCK HEATER

년/월  
Year/Month

2022-12



NOTE



### 3. Clutch/Brake/Steering PART NO. T3

|                                 |     |
|---------------------------------|-----|
| FIG 301 CLUTCH                  | 83  |
| FIG 302 CLUTCH PEDAL            | 85  |
| FIG 303 BRAKE                   | 88  |
| FIG 304 BRAKE PEDAL & LINK      | 90  |
| FIG 305 FRONT WHEEL             | 92  |
| FIG 306 REAR WHEEL              | 94  |
| FIG 307 POWER STEERING WHEEL    | 96  |
| FIG 308 POWER STEERING VALVE    | 98  |
| FIG 309 POWER STEERING CYLINDER | 100 |
| FIG 310 HAND BRAKE & BRAKE      | 102 |

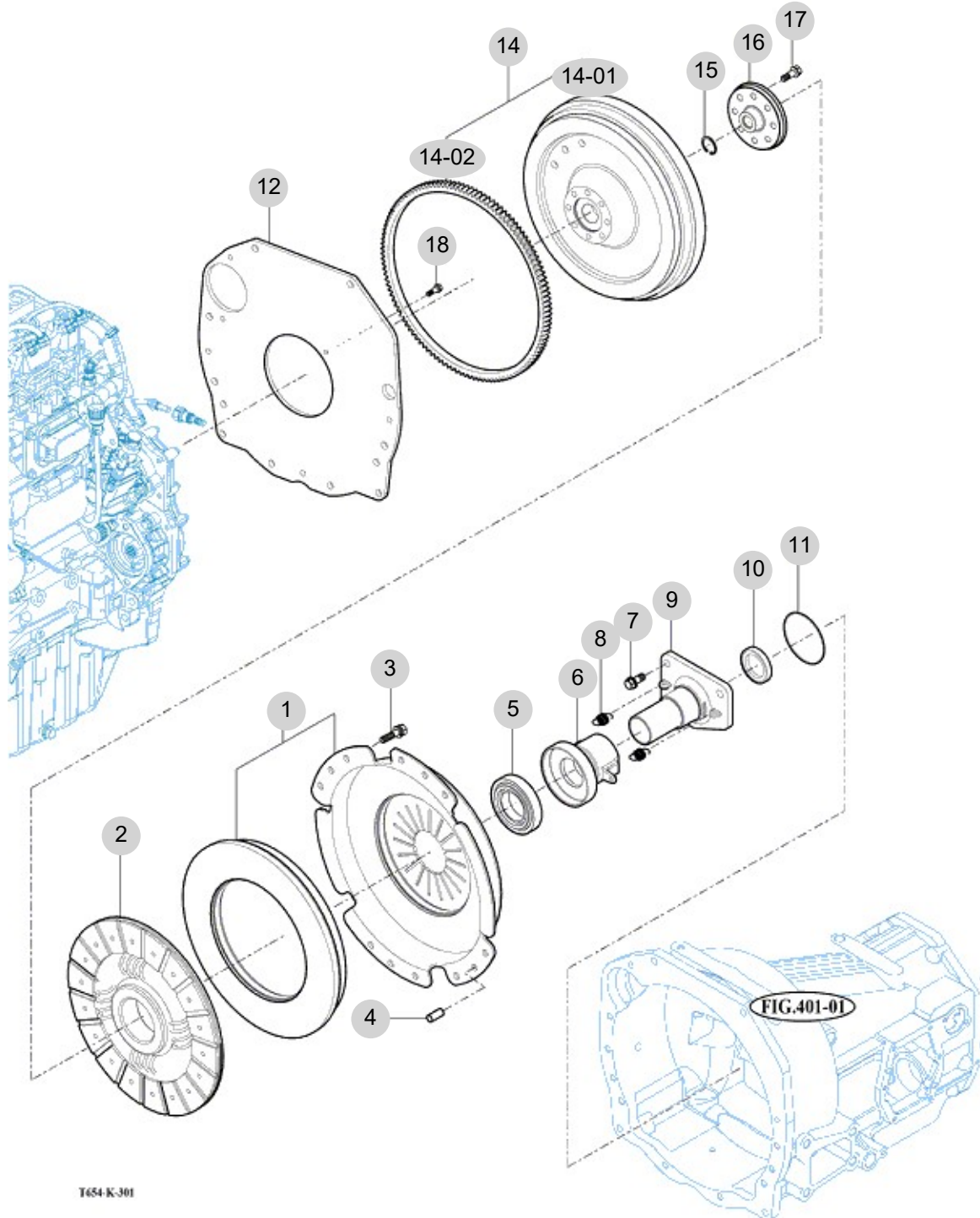
FIG 301

CLUTCH

년/월  
Year/Month

2022-12

T654SMEU1



NOTE



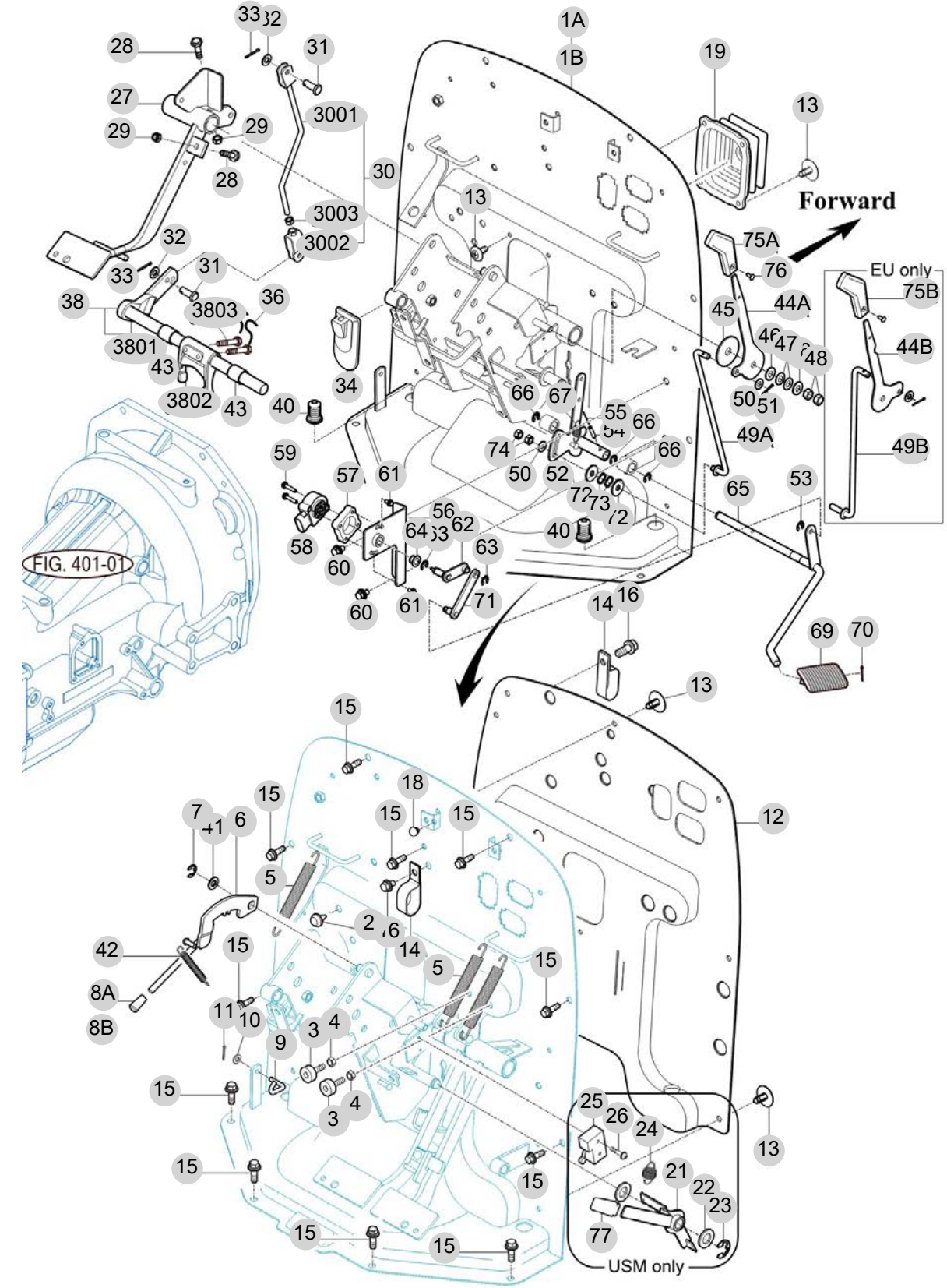


FIG 302

CLUTCH PEDAL

년/월  
Year/Month

2022-12



NOTE

| FIG 302<br>T654SMEU1 |         | CLUTCH PEDAL  |                           |             |        |                | 년/월<br>Year/Month |  |
|----------------------|---------|---------------|---------------------------|-------------|--------|----------------|-------------------|--|
|                      |         |               |                           |             |        |                | 2022-12           |  |
| KEY NO               | PART NO | DESCRIPTION   | SPEC                      | QTY         | REPAIR | EFFECTIVE DATE | REMARKS           |  |
| 302                  | 1B      | 15716304200GB | PANEL COMP , DASH         |             |        | 1              |                   |  |
| 302                  | 2       | 14326160020   | RUBBER , CUSHION          | 1X1X1       |        | 1              |                   |  |
| 302                  | 3       | 14216020051   | RUBBER , CUSHION B        | 1X1X1       |        | 2              |                   |  |
| 302                  | 4       | V3043600080   | NUT , HEX/2               | M8          |        | 2              |                   |  |
| 302                  | 5       | 14041200080   | RETURN SPRING , CLUTCH    | HL2000공용    |        | 3              |                   |  |
| 302                  | 6       | 14724042401GB | LEVER COMP , TILT         | 1X1X1       |        | 1              |                   |  |
| 302                  | 7       | V7081400090   | E-RING                    | 9           |        | 1              |                   |  |
| 302                  | 8B      | 14445070030   | GRIP , LEVER              |             |        | 1              |                   |  |
| 302                  | 9       | 15441230050   | ROD                       | D=5.25 5.3  |        | 1              |                   |  |
| 302                  | 10      | V4111600060   | WASHER , PLAIN            | M6          |        | 1              |                   |  |
| 302                  | 11      | V5001920020   | PIN , SPLIT               | 2X20        |        | 1              |                   |  |
| 302                  | 12      | 18027071991   | INSULATOR,DASH            |             |        | 1              |                   |  |
| 302                  | 13      | 17686040020   | RIVET SET , black         | SV625       |        | 13             |                   |  |
| 302                  | 14      | 14441010161   | CLAMP , RADIATOR HOSE     | 1X1X1       |        | 2              |                   |  |
| 302                  | 15      | V2183608016   | BOLT , HEX/SP             | M8X16       |        | 10             |                   |  |
| 302                  | 16      | V2183608020   | BOLT , HEX/SP             | M8X20       |        | 2              |                   |  |
| 302                  | 18      | 15276040020   | CLIP , TRIM               | 1X1X1       |        | 2              |                   |  |
| 302                  | 19      | 19996300010   | BOOT,STEERING/HOSE        | T=1.5       |        | 1              |                   |  |
| 302                  | 27      | 19991332100GB | PEDAL COMP , CLUTCH       | 340*100*150 |        | 1              |                   |  |
| 302                  | 28      | V2013608030   | BOLT , HEX                | M8X30       |        | 2              |                   |  |
| 302                  | 29      | V3043600080   | NUT , HEX/2               | M8          |        | 2              |                   |  |
| 302                  | 30      | 15701330000GB | ROD SUB , CLUTCH          |             |        | 1              |                   |  |
| 302                  | 30      | 15701330000   | ROD SUB , CLUTCH          |             |        | 1              |                   |  |
| 302                  | 30      | 15701330000   | ROD SUB , CLUTCH          |             |        | 1              |                   |  |
| 302                  | 3001    | 15701333100   | ROD COMP , CLUTCH         |             |        | 1              |                   |  |
| 302                  | 3002    | 19991333200   | HOOK COMP                 | 66*22*18.5  |        | 1              |                   |  |
| 302                  | 3003    | V3042600080   | NUT , HEX/2               | M8          |        | 1              |                   |  |
| 302                  | 31      | 14322420010   | PIN                       | D=8         |        | 2              |                   |  |
| 302                  | 32      | V4111600100   | WASHER , PLAIN            | M10         |        | 2              |                   |  |
| 302                  | 33      | V5001925020   | PIN D2.5x20               | 2.5X20      |        | 2              |                   |  |
| 302                  | 34      | 14526300210   | BOOT,CLUTCH PEDAL         | 1X1X1       |        | 1              |                   |  |
| 302                  | 36      | V5901012150   | WIRE , STEEL              | 1.2X150     |        | 1              |                   |  |
| 302                  | 38      | 15701302000   | BAR SET                   |             |        | 1              |                   |  |
| 302                  | 38-01   | 15701302100   | BAR COMP                  |             |        | 1              |                   |  |
| 302                  | 38-02   | 18011300010M  | FORK , RELEASE            |             |        | 1              |                   |  |
| 302                  | 38-03   | 16791300020   | BOLT , FORK/RELEASE       |             |        | 1              |                   |  |
| 302                  | 40      | 14521160090   | BOOT , BRAKE ROD          | 1X1X1       |        | 2              |                   |  |
| 302                  | 41      | V4111600120   | WASHER , PLAIN            | M12         |        | 1              |                   |  |
| 302                  | 42      | 16001200080   | RETURN SPRING , BRAKE     | 1X1X1       |        | 1              |                   |  |
| 302                  | 43      | 14521302150   | BUSH , BAR COMP           | 1X1X1       |        | 2              |                   |  |
| 302                  | 44B     | 18181162110   | PLATE , THROTTLE LEVER    |             |        | 1              |                   |  |
| 302                  | 45      | 14141170050   | LINING , 13X50X3          | T=3         |        | 1              |                   |  |
| 302                  | 46      | V4111600100   | WASHER , PLAIN            | M10         |        | 2              |                   |  |
| 302                  | 47      | 14527060010   | WASHER , JERBSI SPRING/10 | M10         |        | 1              |                   |  |
| 302                  | 48      | V3342600100   | NUT , HEX FINE/2          | M10         |        | 1              |                   |  |
| NOTE                 |         |               |                           |             |        |                |                   |  |



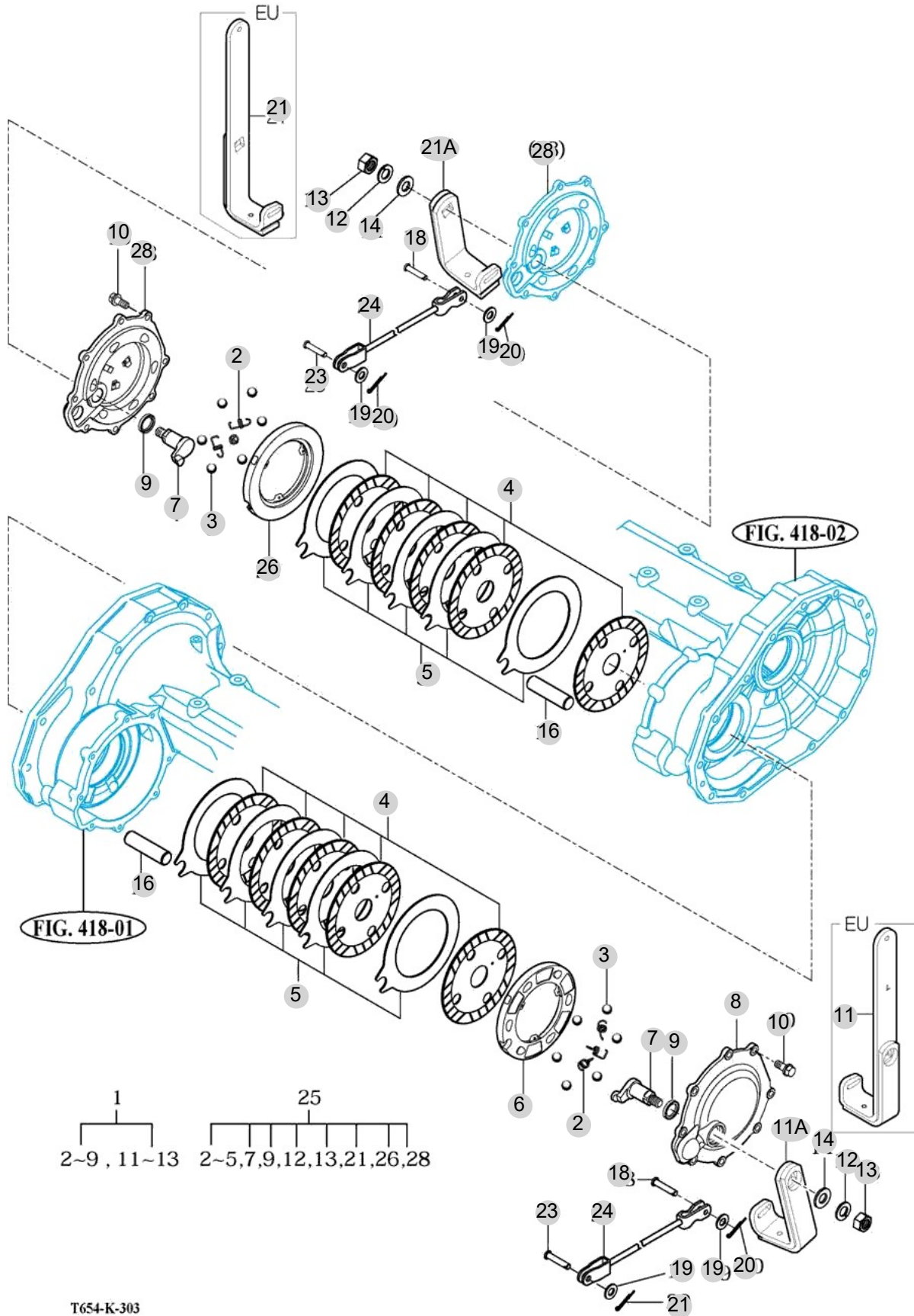
FIG 303

BRAKE

년/월  
Year/Month

2022-12

T654SMEU1



T654-K-303

NOTE



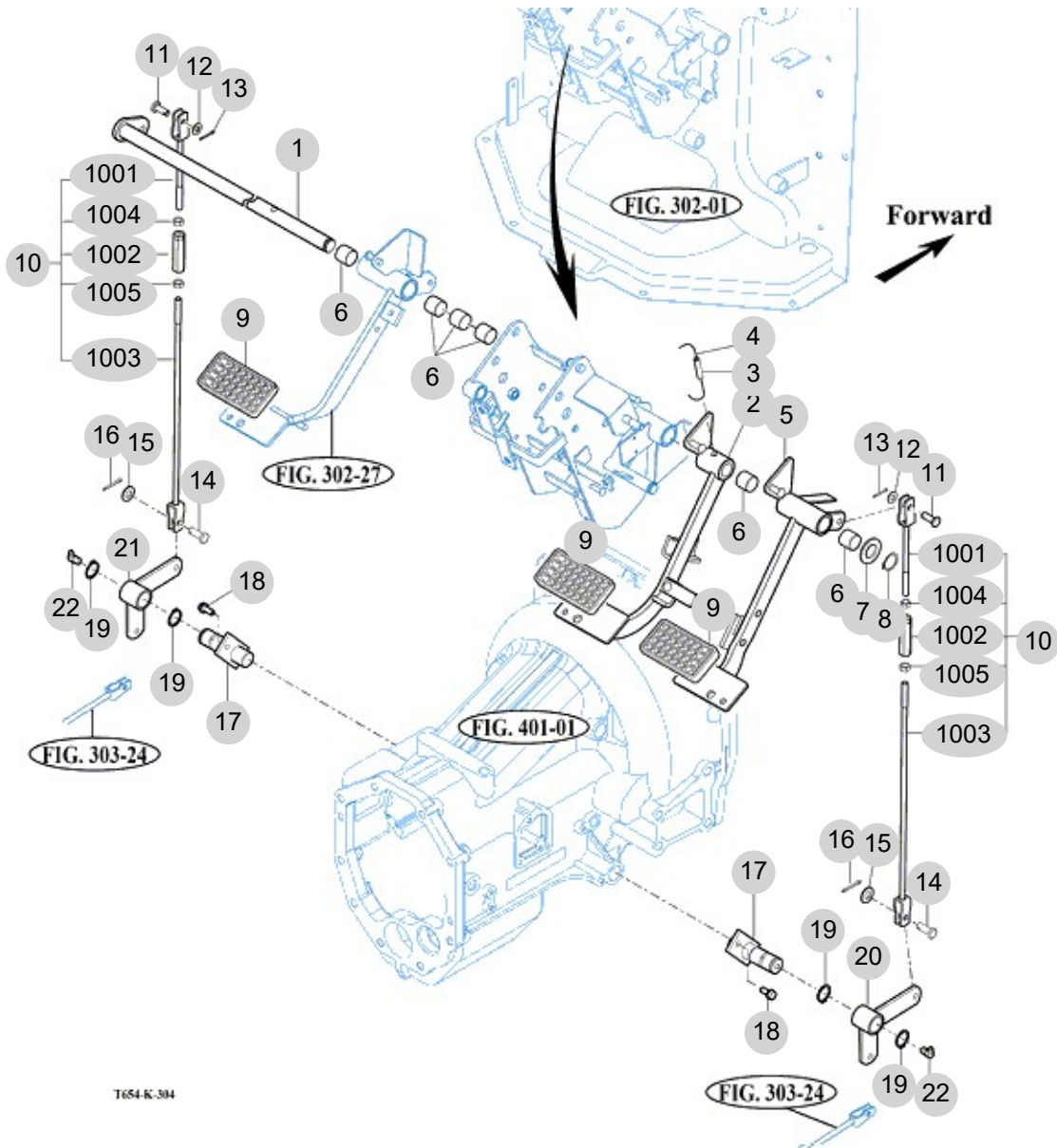
FIG 304

BRAKE PEDAL & LINK

년/월  
Year/Month

2022-12

T654SMEU1



T654-K-304

NOTE





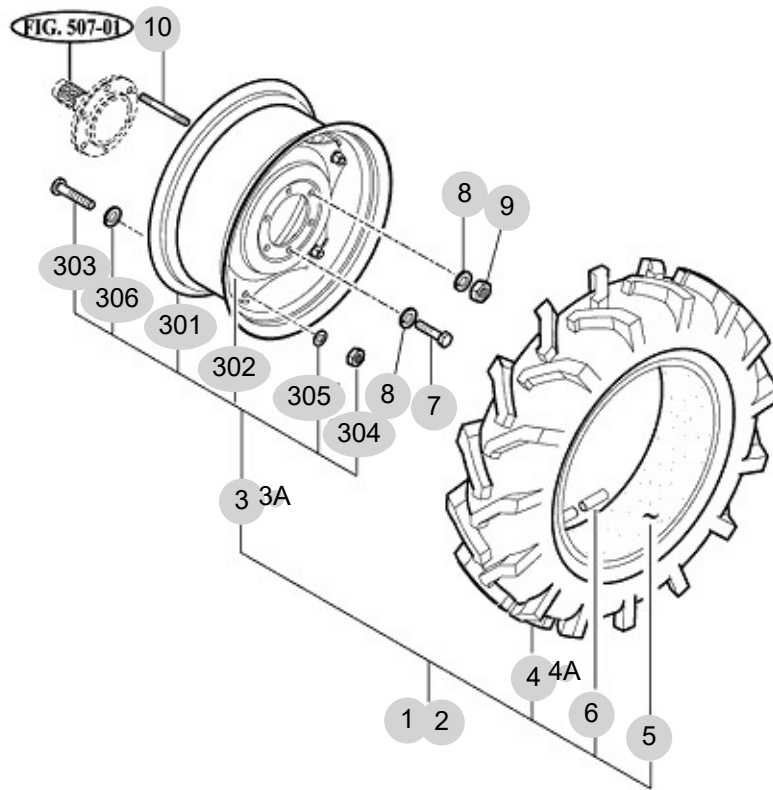
FIG 305

FRONT WHEEL

년/월  
Year/Month

2022-12

T654SMEU1



T552/T552NC-K-305A

NOTE





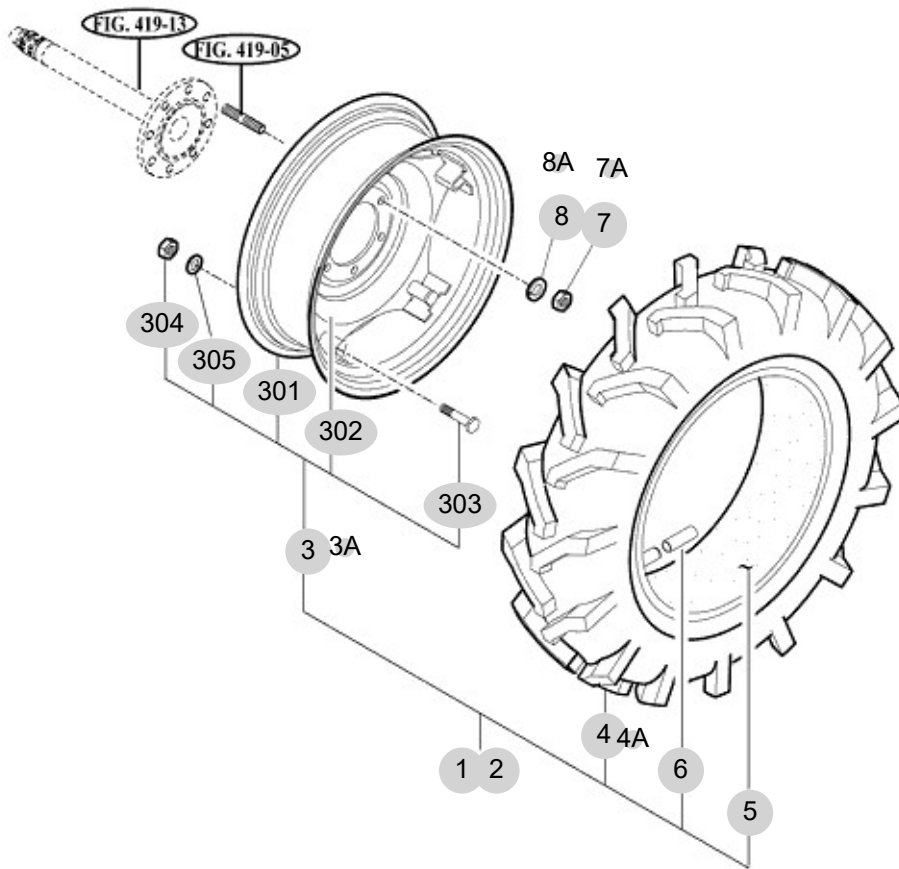
FIG 306

REAR WHEEL

년/월  
Year/Month

2022-12

T654SMEU1



T623TQP-K-306

NOTE

| FIG 306   |     | REAR WHEEL    |                             |                |      |     | 년/월<br>Year/Month |                |         |
|-----------|-----|---------------|-----------------------------|----------------|------|-----|-------------------|----------------|---------|
|           |     |               |                             |                |      |     | 2022-12           |                |         |
| T654SMEU1 |     | KEY NO        | PART NO                     | DESCRIPTION    | SPEC | QTY | REPAIR            | EFFECTIVE DATE | REMARKS |
| 306       | 1   | 17973202100   | TIRE ASSY , LH 14.9-30-8    | 1X1X1          | 1    |     |                   |                |         |
| 306       | 2   | 17973292200   | TIRE ASSY , RH 14.9-30-8    | 1X1X1          | 1    |     |                   |                |         |
| 306       | 3   | 19963182100MS | WHEEL , RR 12-30 , PAINTING | 1X1X1          | 2    |     |                   |                |         |
| 306       | 3A  | 18643182100   | WHEEL ASSY , W10-32         |                | 2    |     |                   |                |         |
| 306       | 301 | 17973182120   | RIM , 12-30                 | 1X1X1          | 2    |     |                   |                |         |
| 306       | 302 | 16993182110   | DISK , WHEEL 28             | 1X1X1          | 2    |     |                   |                |         |
| 306       | 303 | 15263202031   | BOLT                        |                | 12   |     |                   |                |         |
| 306       | 304 | 15263202041   | NUT                         |                | 12   |     |                   |                |         |
| 306       | 305 | 15263202050   | WASHER                      | 2.6T           | 12   |     |                   |                |         |
| 306       | 4   | 17546102100   | TIRE(14.9-30-8PR)           | 14.9-30,8PR,R1 | 2    |     |                   |                |         |
| 306       | 4A  | 17973302200   | TIRE , 12.4-32              |                | 2    |     |                   |                |         |
| 306       | 5   | 17973200010   | TUBE , 14.9-30-8            | 1X1X1          | 2    |     |                   |                |         |
| 306       | 6   | 16994370020   | CAP , TIRE VALVE            | A형             | 2    |     |                   |                |         |
| 306       | 7   | V3343600220   | NUT , HEX FINE/2            | M22            | 16   |     |                   |                |         |
| 306       | 8   | V4011600220   | WASHER , SPRING             | M22            | 16   |     |                   |                |         |
|           |     |               |                             |                |      |     |                   |                |         |
|           |     |               |                             |                |      |     |                   |                |         |
|           |     |               |                             |                |      |     |                   |                |         |
|           |     |               |                             |                |      |     |                   |                |         |
|           |     |               |                             |                |      |     |                   |                |         |
|           |     |               |                             |                |      |     |                   |                |         |
|           |     |               |                             |                |      |     |                   |                |         |
|           |     |               |                             |                |      |     |                   |                |         |
|           |     |               |                             |                |      |     |                   |                |         |
|           |     |               |                             |                |      |     |                   |                |         |
|           |     |               |                             |                |      |     |                   |                |         |
|           |     |               |                             |                |      |     |                   |                |         |
|           |     |               |                             |                |      |     |                   |                |         |
|           |     |               |                             |                |      |     |                   |                |         |
|           |     |               |                             |                |      |     |                   |                |         |
|           |     |               |                             |                |      |     |                   |                |         |
|           |     |               |                             |                |      |     |                   |                |         |
|           |     |               |                             |                |      |     |                   |                |         |
|           |     |               |                             |                |      |     |                   |                |         |
|           |     |               |                             |                |      |     |                   |                |         |
|           |     |               |                             |                |      |     |                   |                |         |
|           |     |               |                             |                |      |     |                   |                |         |
|           |     |               |                             |                |      |     |                   |                |         |
|           |     |               |                             |                |      |     |                   |                |         |
| NOTE      |     |               |                             |                |      |     |                   |                |         |

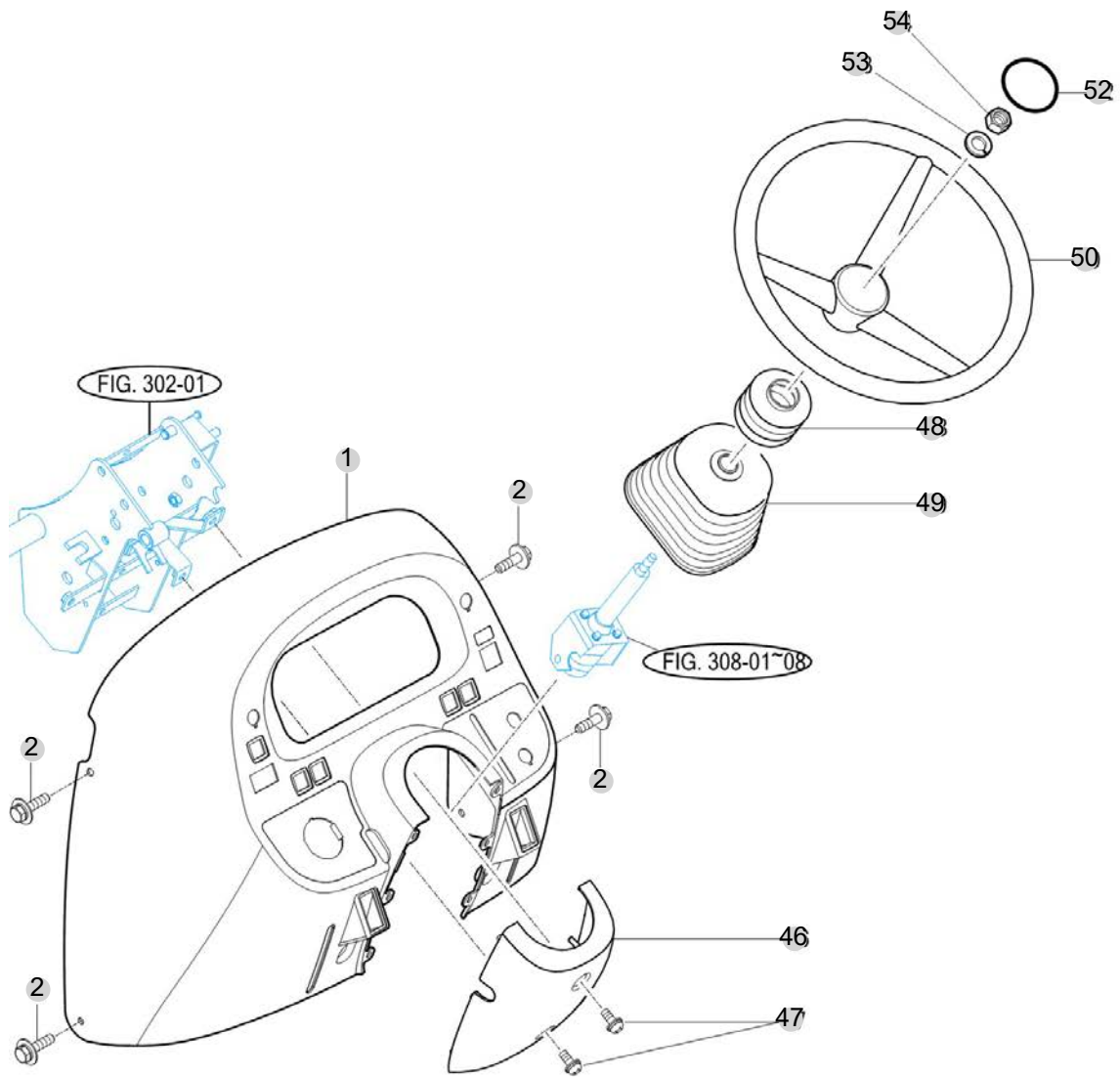
FIG 307

POWER STEERING WHEEL

년/월  
Year/Month

2022-12

T654SMEU1



T653-K-307

NOTE



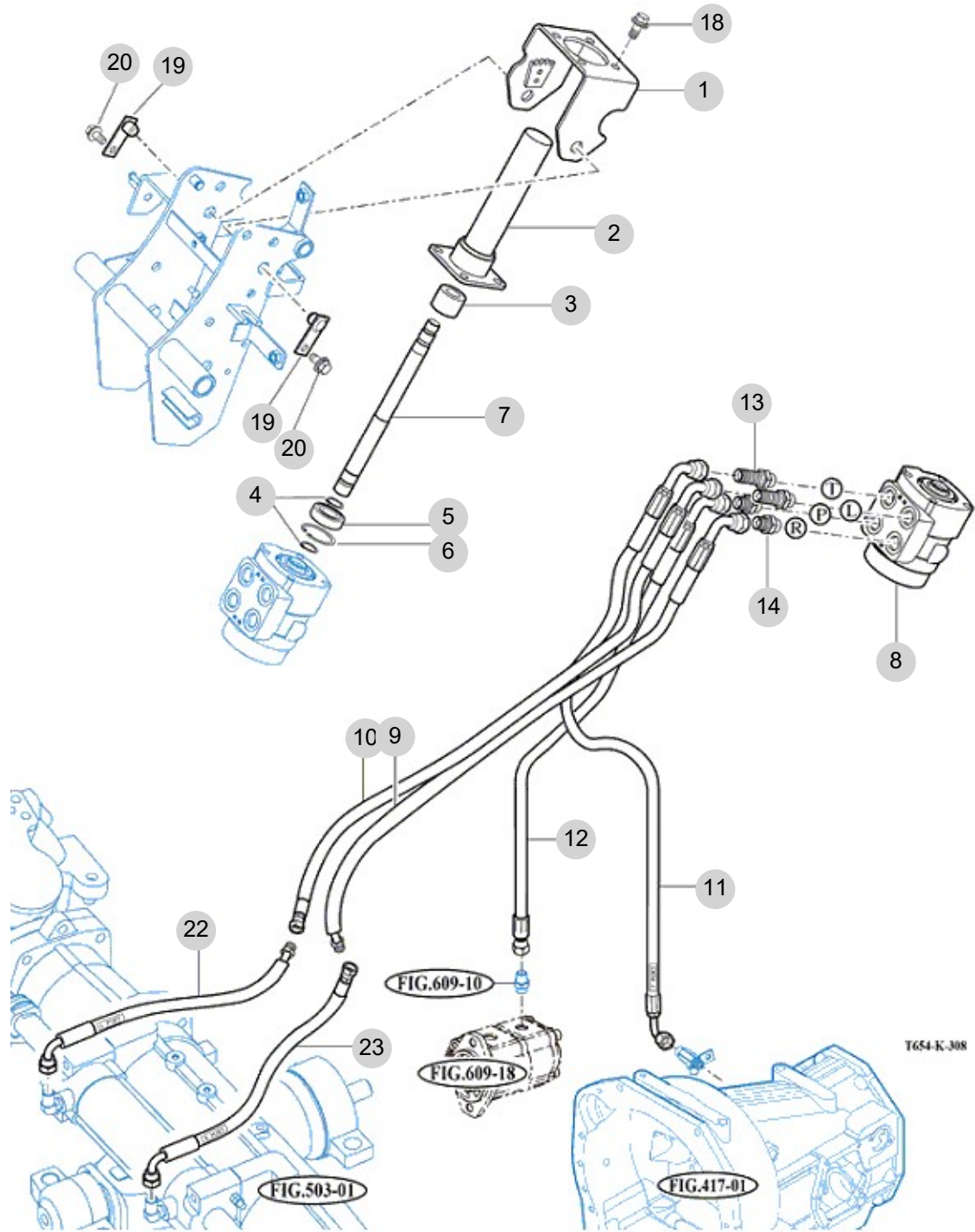
FIG 308

POWER STEERING VALVE

년/월  
Year/Month

2022-12

T654SMEU1



NOTE



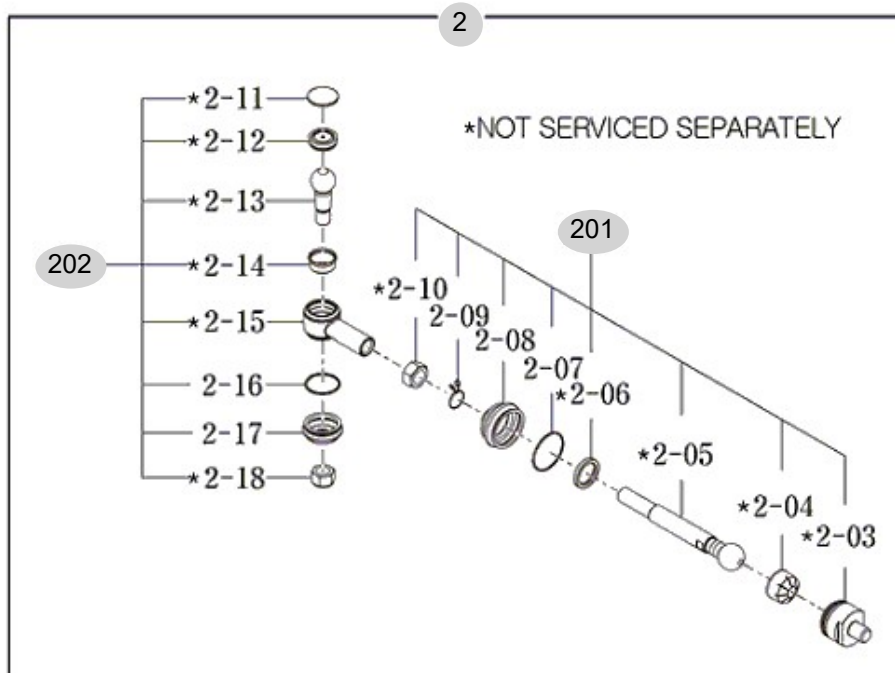
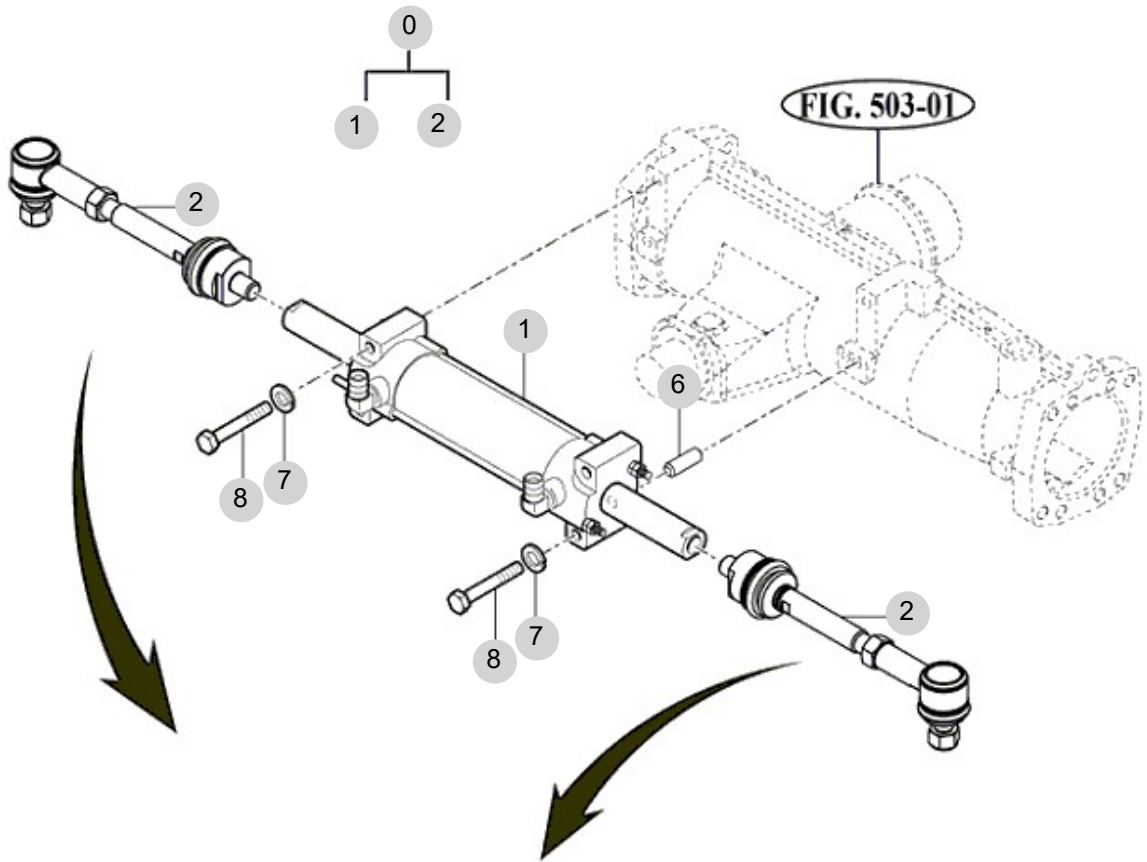
FIG 309

POWER STEERING CYLINDER

년/월  
Year/Month

2022-12

T654SMEU1



TX553/653/703-K-309

NOTE





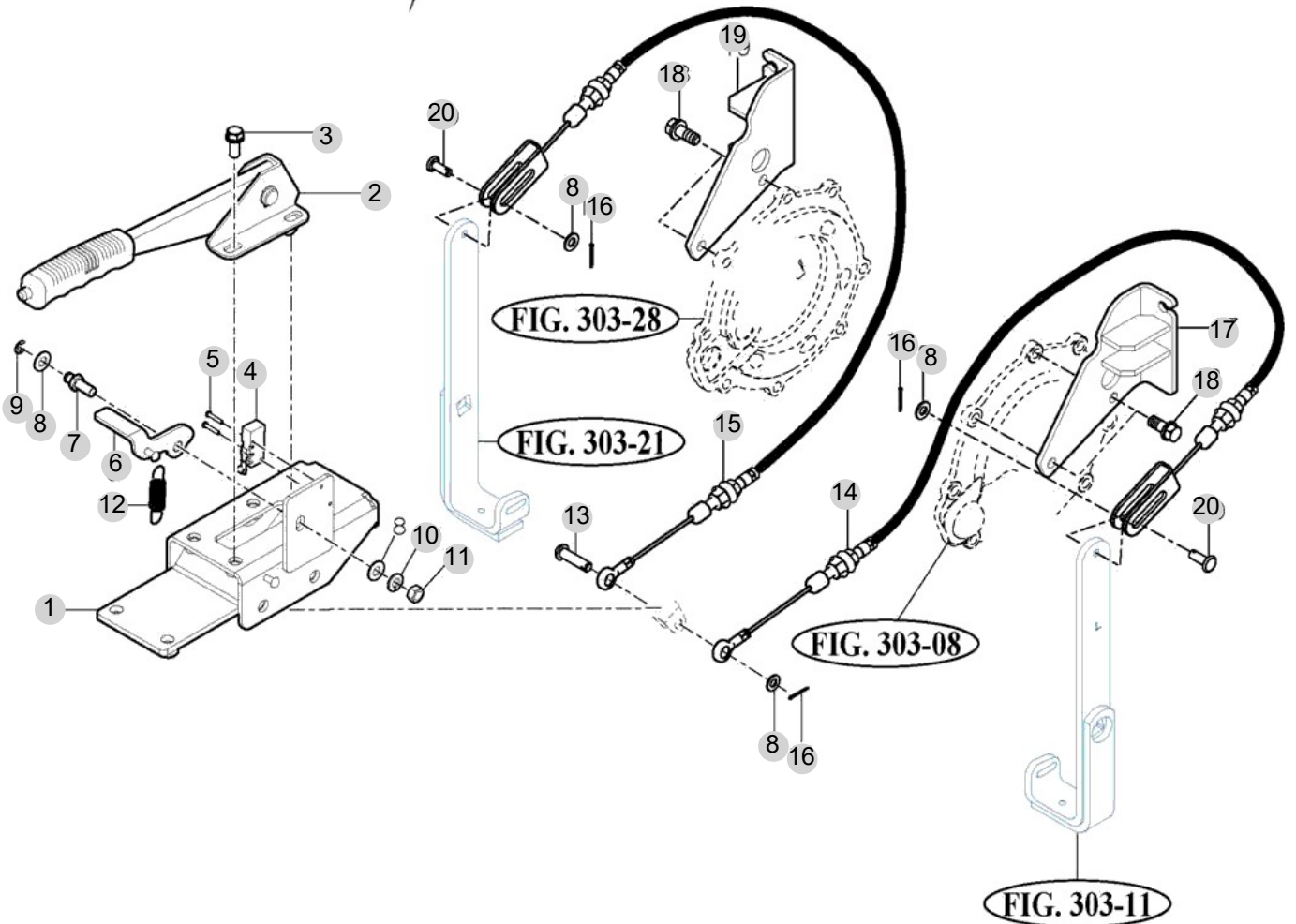
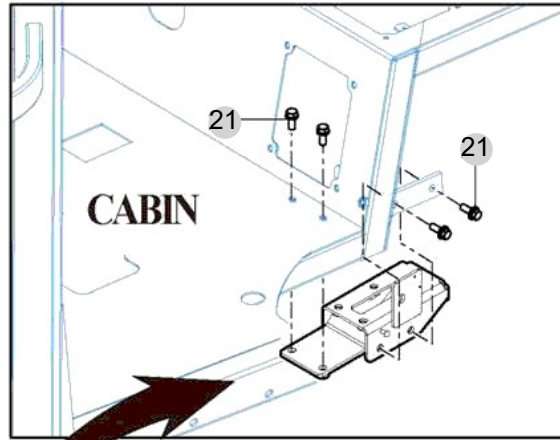
FIG 310

HAND BRAKE & BRAKE

년/월  
Year/Month

2022-12

T654SMEU1



NOTE



## 4. Transmission PART NO. T4

|                                  |     |
|----------------------------------|-----|
| FIG 401 TRANSMISSION FRONT CASE  | 105 |
| FIG 402 FORWARD & BACKWARD GEARS | 107 |
| FIG 403 CHANGE GEARS             | 109 |
| FIG 404 REVERSE GEARS            | 111 |
| FIG 405 P.T.O DRIVE SHAFT        | 113 |
| FIG 406 MAIN CHANGE LEVER        | 115 |
| FIG 407 REVERSE CHANGE LEVER     | 117 |
| FIG 408 TRANSMISSION MID CASE    | 119 |
| FIG 409 TRANSMISSION REAR CASE   | 121 |
| FIG 410 SUB CHANGE GEARS         | 123 |
| FIG 411 SUB CHANGE SHIFTER       | 125 |
| FIG 412 CREEP CHANGE             | 127 |
| FIG 413-2 DRIVE GEARS            | 129 |
| FIG 414 4WD CHANGE LEVER         | 131 |
| FIG 415 P.T.O CHANGE GEARS       | 133 |
| FIG 416 P.T.O CHANGE SHIFTER     | 135 |
| FIG 417 REAR DIFFERENTIAL GEARS  | 137 |
| FIG 418 REAR AXLE HOUSING        | 140 |

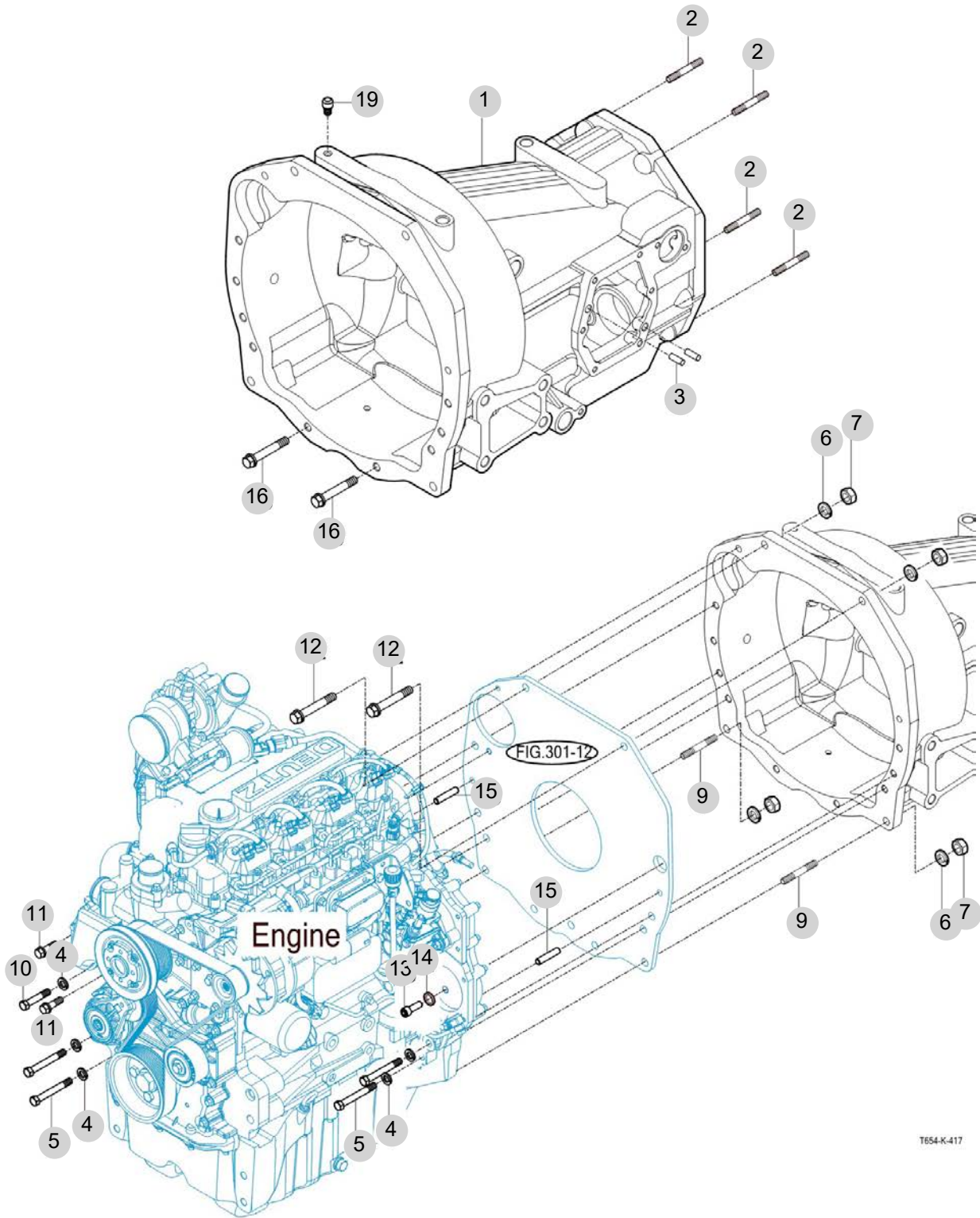
FIG 401

TRANSMISSION FRONT CASE

년/월  
Year/Month

2022-12

T654SMEU1



T654-K-417

NOTE



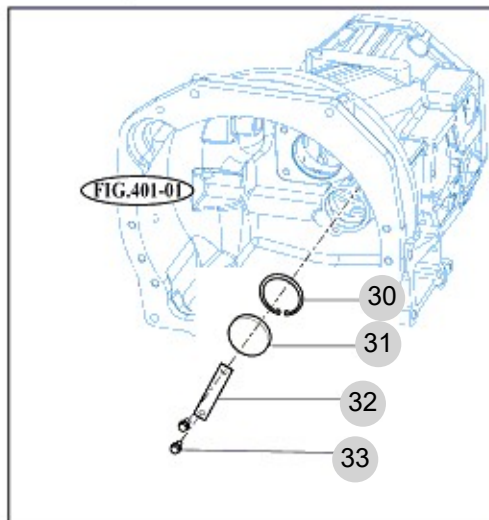
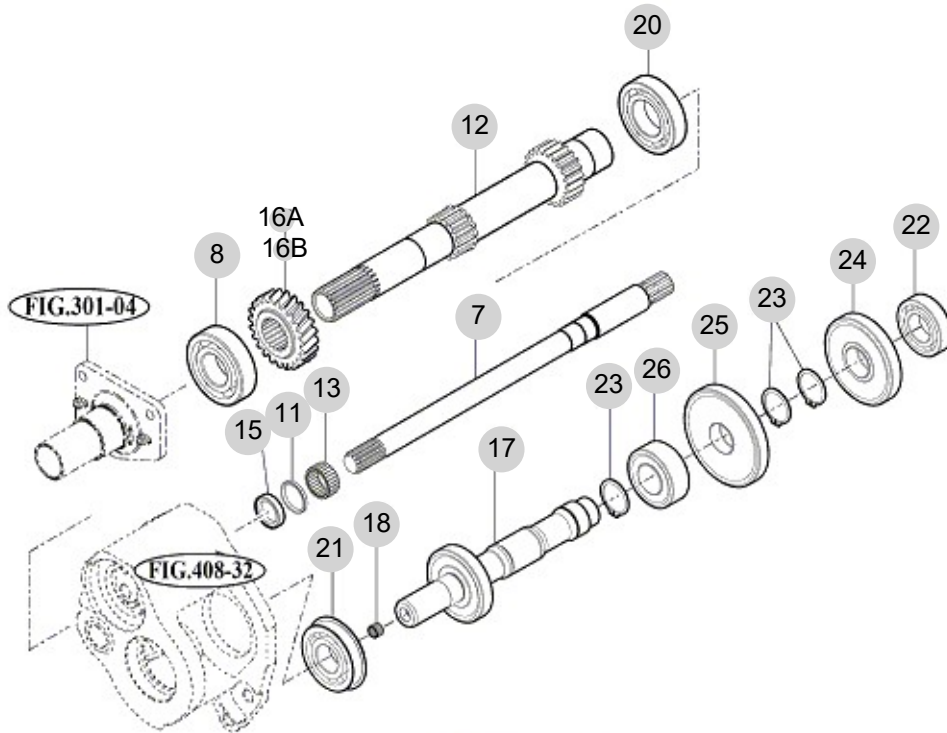
FIG 402

FORWARD & BACKWARD GEARS

년/월  
Year/Month

2022-12

T654SMEU1



\*NOT SERVICED SEPARATELY

T654-E-402

NOTE





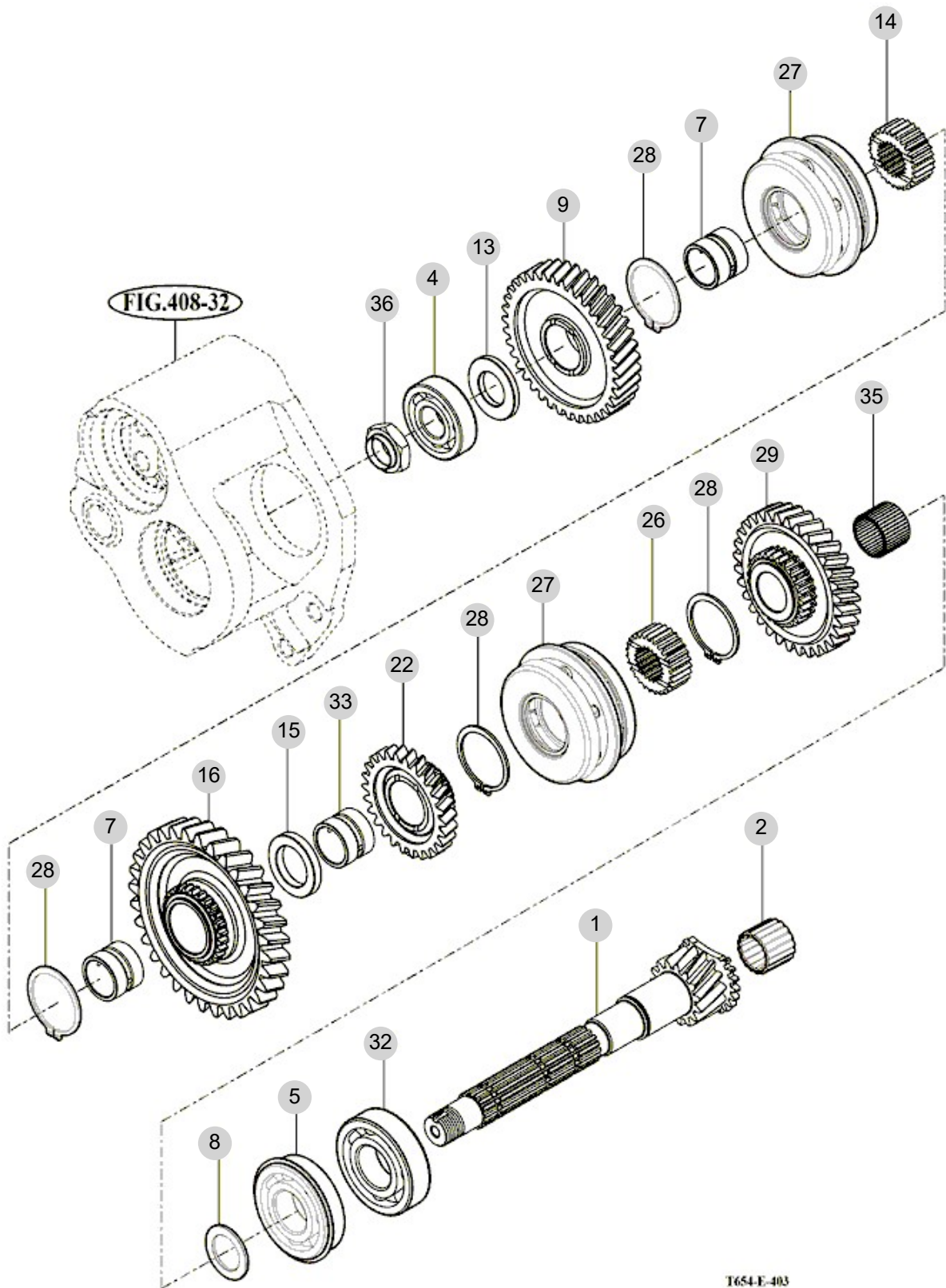
FIG 403

CHANGE GEARS

년/월  
Year/Month

2022-12

T654SMEU1



NOTE

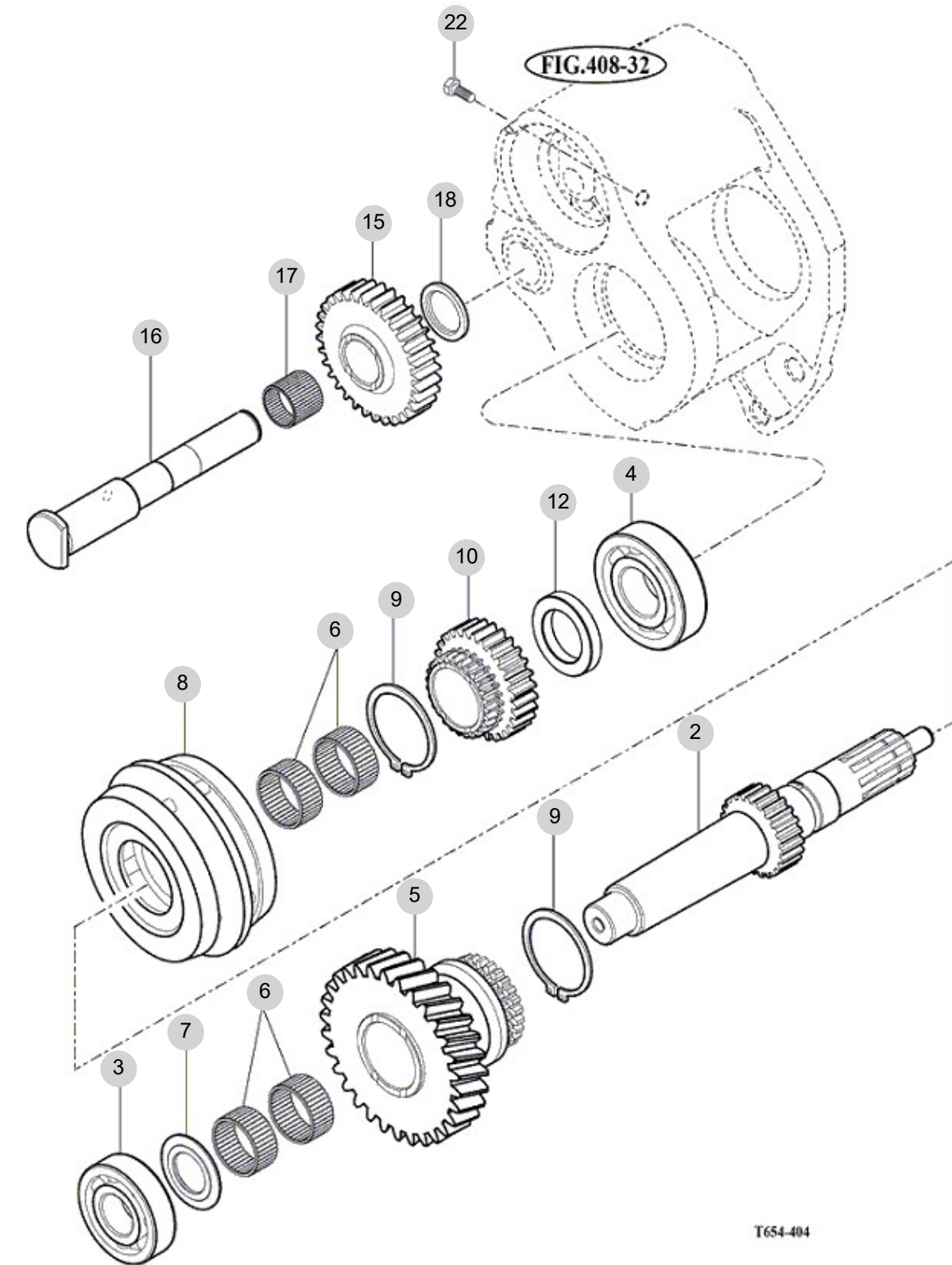


FIG 404

REVERSE GEARS

년/월  
Year/Month

2022-12



NOTE



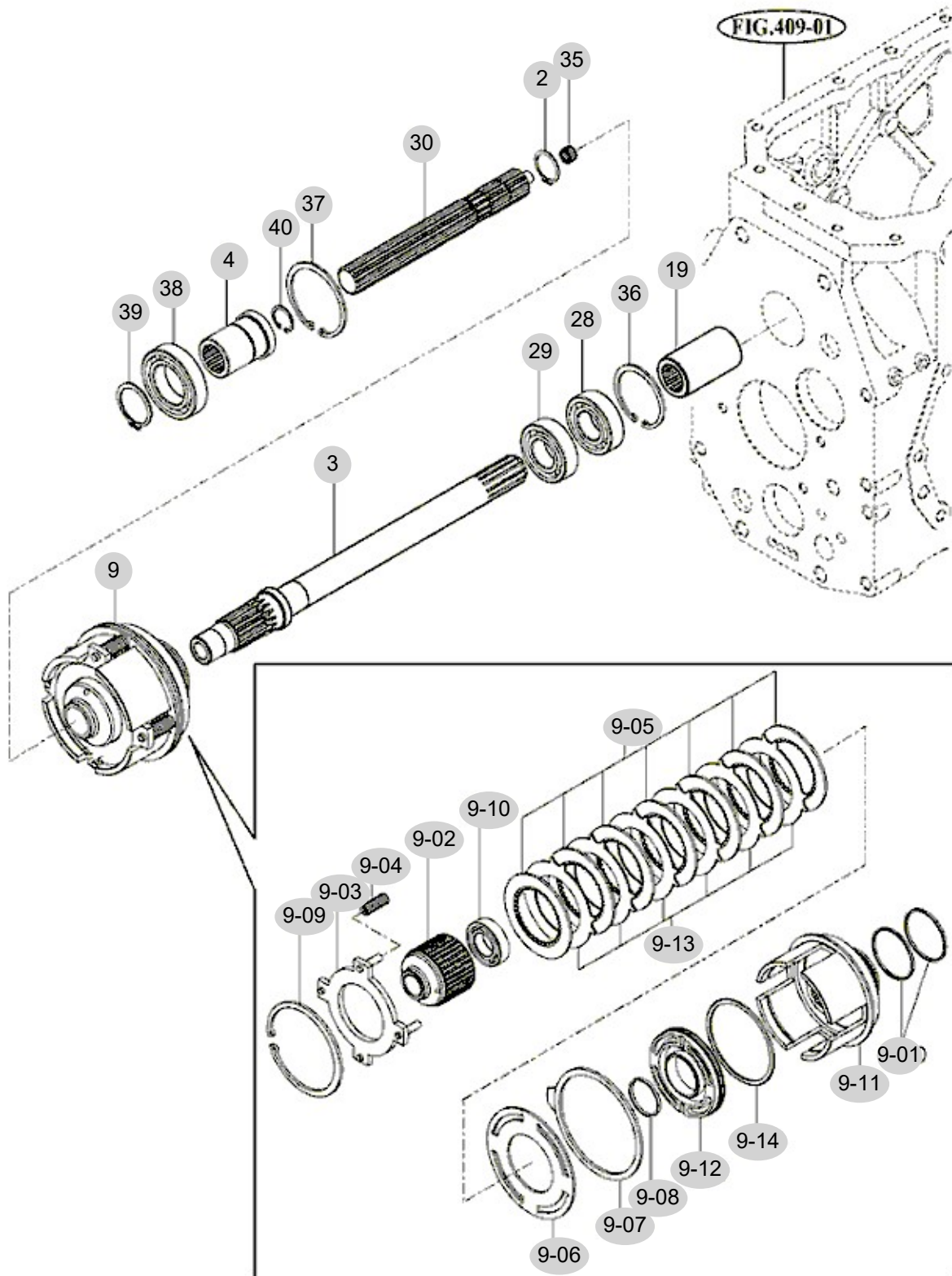
FIG 405

P.T.O DRIVE SHAFT

년/월  
Year/Month

2022-12

T654SMEU1



T543/T603-E-405A

NOTE





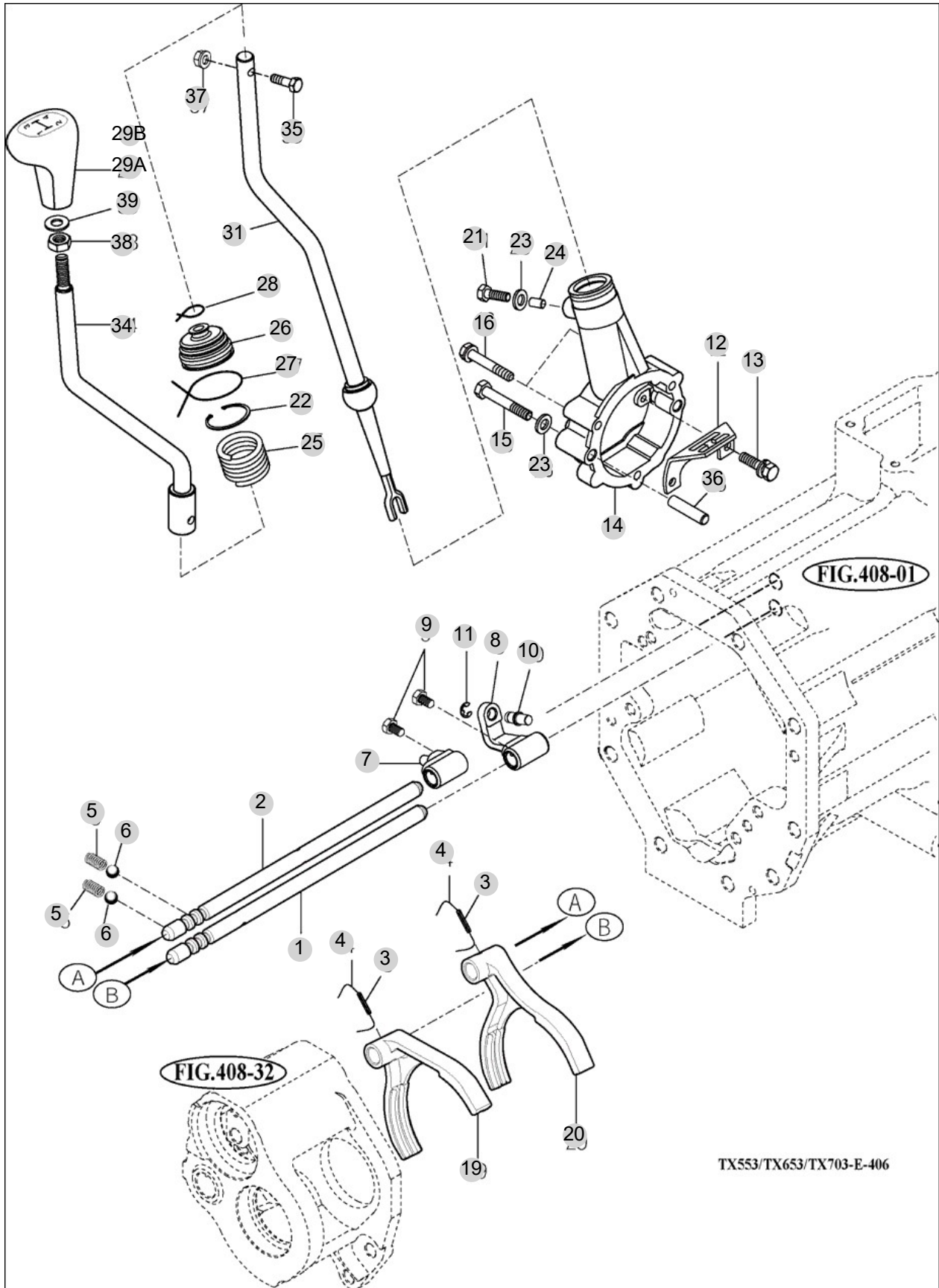
FIG 406

MAIN CHANGE LEVER

년/월  
Year/Month

2022-12

T654SMEU1



TX553/TX653/TX703-E-406

NOTE

| FIG 406   |         |               | MAIN CHANGE LEVER              |                       |        |                |         | 년/월<br>Year/Month | REMARKS |
|-----------|---------|---------------|--------------------------------|-----------------------|--------|----------------|---------|-------------------|---------|
| T654SMEU1 |         |               |                                |                       |        |                |         | 2022-12           |         |
| KEY NO    | PART NO | DESCRIPTION   | SPEC                           | QTY                   | REPAIR | EFFECTIVE DATE | REMARKS |                   |         |
| 406       | 1       | 15702230110   | STAY , SHIFTER (1-2)           |                       |        |                |         |                   |         |
| 406       | 2       | 15702230120   | STAY , SHIFTER (3-4)           |                       |        |                |         |                   |         |
| 406       | 3       | V5801406025   | PIN , SPRING                   | 6X25                  | 2      |                |         |                   |         |
| 406       | 4       | V5901012150   | WIRE , STEEL                   | 1.2X150               | 2      |                |         |                   |         |
| 406       | 5       | 13022250030   | SPRING , SHIFTER               | D=1.4                 | 2      |                |         |                   |         |
| 406       | 6       | V6802000010   | BALL , STEEL                   | 5/16                  | 2      |                |         |                   |         |
| 406       | 7       | 15642230033M  | LINK                           |                       | 1      |                |         |                   |         |
| 406       | 8       | 15642230043M  | LINK                           |                       | 1      |                |         |                   |         |
| 406       | 9       | 15602231600   | BOLT , SET SEAL LOCK           | M8X16                 | 2      |                |         |                   |         |
| 406       | 9       | 15602231610   | BOLT , SET M8X16               |                       | 2      |                |         |                   |         |
| 406       | 10      | 15602230124   | PIN , 10X28                    | D=13                  | 1      |                |         |                   |         |
| 406       | 11      | V7081400070   | E-RING                         | 7                     | 1      |                |         |                   |         |
| 406       | 12      | 15602230074   | GUIDE                          | T=3.5                 | 1      |                |         |                   |         |
| 406       | 13      | V2173608016   | BOLT , HEX/S                   | M8X16                 | 2      |                |         |                   |         |
| 406       | 14      | 15612230027M  | METAL , MAIN                   |                       | 1      |                |         |                   |         |
| 406       | 15      | V2013608050   | BOLT , HEX                     | M8X50                 | 1      |                |         |                   |         |
| 406       | 16      | V2173608050   | BOLT . HEX/S                   | M8X50                 | 2      |                |         |                   |         |
| 406       | 19      | 18012230010M  | FORK , SHIFTER MAIN            |                       | 1      |                |         |                   |         |
| 406       | 20      | 17972230020M  | FORK , SHIFTER MAIN            |                       | 1      |                |         |                   |         |
| 406       | 21      | 16007060020   | BOLT . DRAIN                   | M8X12XP1.25           | 1      |                |         |                   |         |
| 406       | 22      | V7051400320   | C-RING , HOLE                  | 32                    | 1      |                |         |                   |         |
| 406       | 23      | 15602230085   | SEAL                           | WF-8-15-1.WF-8-15-1.6 | 2      |                |         |                   |         |
| 406       | 24      | V5201006016   | PIN , PARALLEL/A               | 6X16                  | 1      |                |         |                   |         |
| 406       | 25      | 15602900063   | SPRING , C020                  | D=2.6                 | 1      |                |         |                   |         |
| 406       | 26      | 14442180090   | BOOT , CHANGE LEVER            |                       | 1      |                |         |                   |         |
| 406       | 27      | V5901010180   | WIRE , STEEL                   | 1.0X180               | 1      |                |         |                   |         |
| 406       | 28      | V5901010070   | WIRE , STEEL                   | 1.0X70                | 1      |                |         |                   |         |
| 406       | 29A     | 18022810071   | GRIP , MAIN SHIFT              |                       | 1      |                |         |                   |         |
| 406       | 29B     | 18182810070   | GRIP , MAIN SHIFT              |                       | 1      |                |         |                   |         |
| 406       | 31      | 19992912000   | LEVER COMP , MAIN SHIFTER BAR/ | 3.7X9.5X62.5          | 1      |                |         |                   |         |
| 406       | 34      | 14522913101GB | LEVER COMP , BAR 16            |                       | 1      |                |         |                   |         |
| 406       | 35      | V2013608035   | BOLT , HEX                     | M8X35                 | 1      |                |         |                   |         |
| 406       | 36      | V5201010022   | PIN , PARALLEL/A               | 10X22                 | 2      |                |         |                   |         |
| 406       | 37      | V3042600080   | NUT , HEX/2                    | M8                    | 1      |                |         |                   |         |
| 406       | 38      | V3342600100   | NUT , HEX FINE/2               | M10                   | 1      |                |         |                   |         |
| 406       | 39      | V4111600100   | WASHER , PLAIN                 | M10                   | 1      |                |         |                   |         |
|           |         |               |                                |                       |        |                |         |                   |         |
|           |         |               |                                |                       |        |                |         |                   |         |
|           |         |               |                                |                       |        |                |         |                   |         |
|           |         |               |                                |                       |        |                |         |                   |         |
|           |         |               |                                |                       |        |                |         |                   |         |
|           |         |               |                                |                       |        |                |         |                   |         |
|           |         |               |                                |                       |        |                |         |                   |         |
|           |         |               |                                |                       |        |                |         |                   |         |
|           |         |               |                                |                       |        |                |         |                   |         |
|           |         |               |                                |                       |        |                |         |                   |         |
|           |         |               |                                |                       |        |                |         |                   |         |
|           |         |               |                                |                       |        |                |         |                   |         |
| NOTE      |         |               |                                |                       |        |                |         |                   |         |



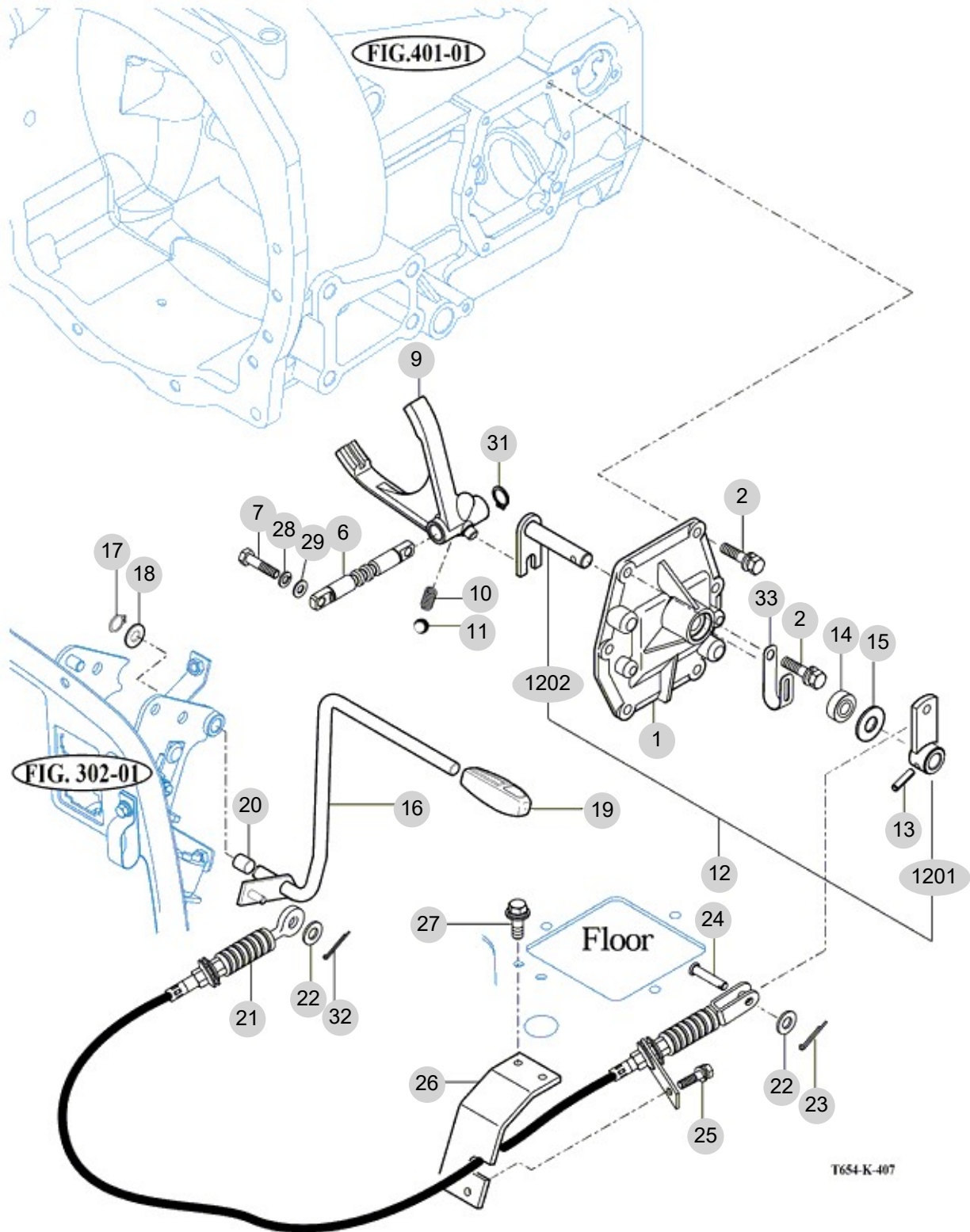
FIG 407

REVERSE CHANGE LEVER

년/월  
Year/Month

2022-12

T654SMEU1



NOTE



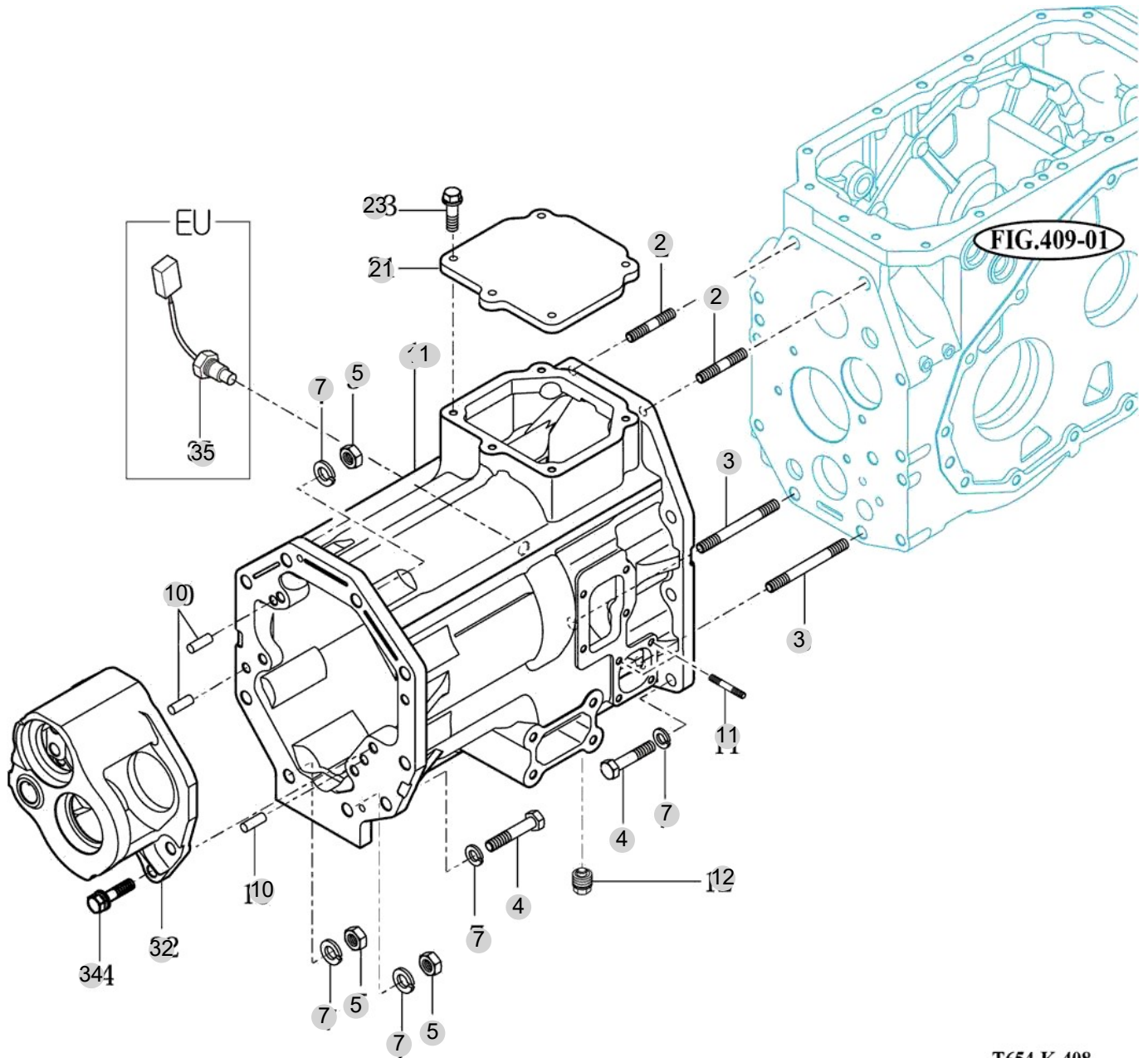
FIG 408

TRANSMISSION MID CASE

년/월  
Year/Month

2022-12

T654SMEU1



T654-K-408

NOTE

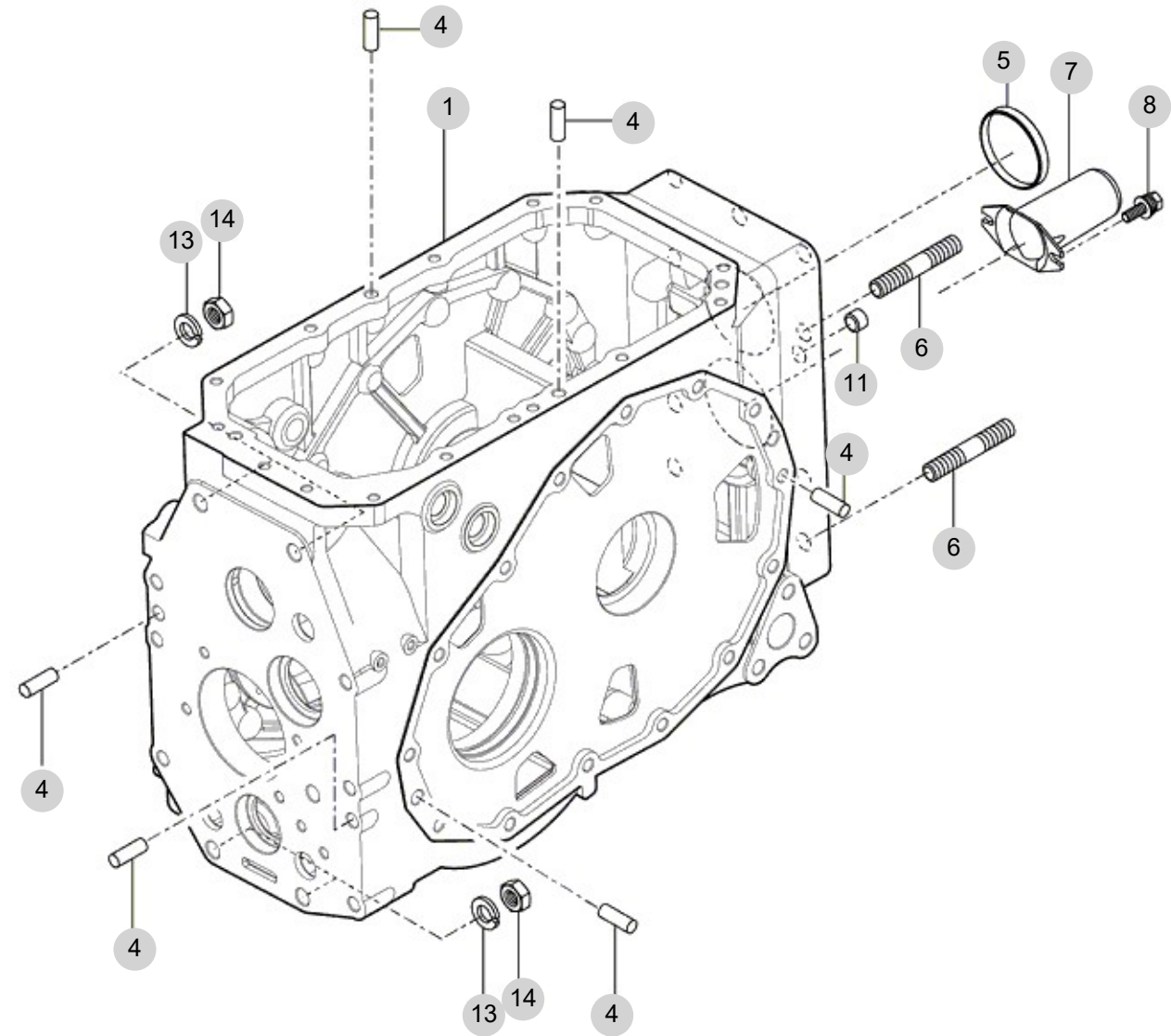


FIG 409

TRANSMISSION REAR CASE

년/월  
Year/Month

2022-12



TX553/653/703-E-409

NOTE



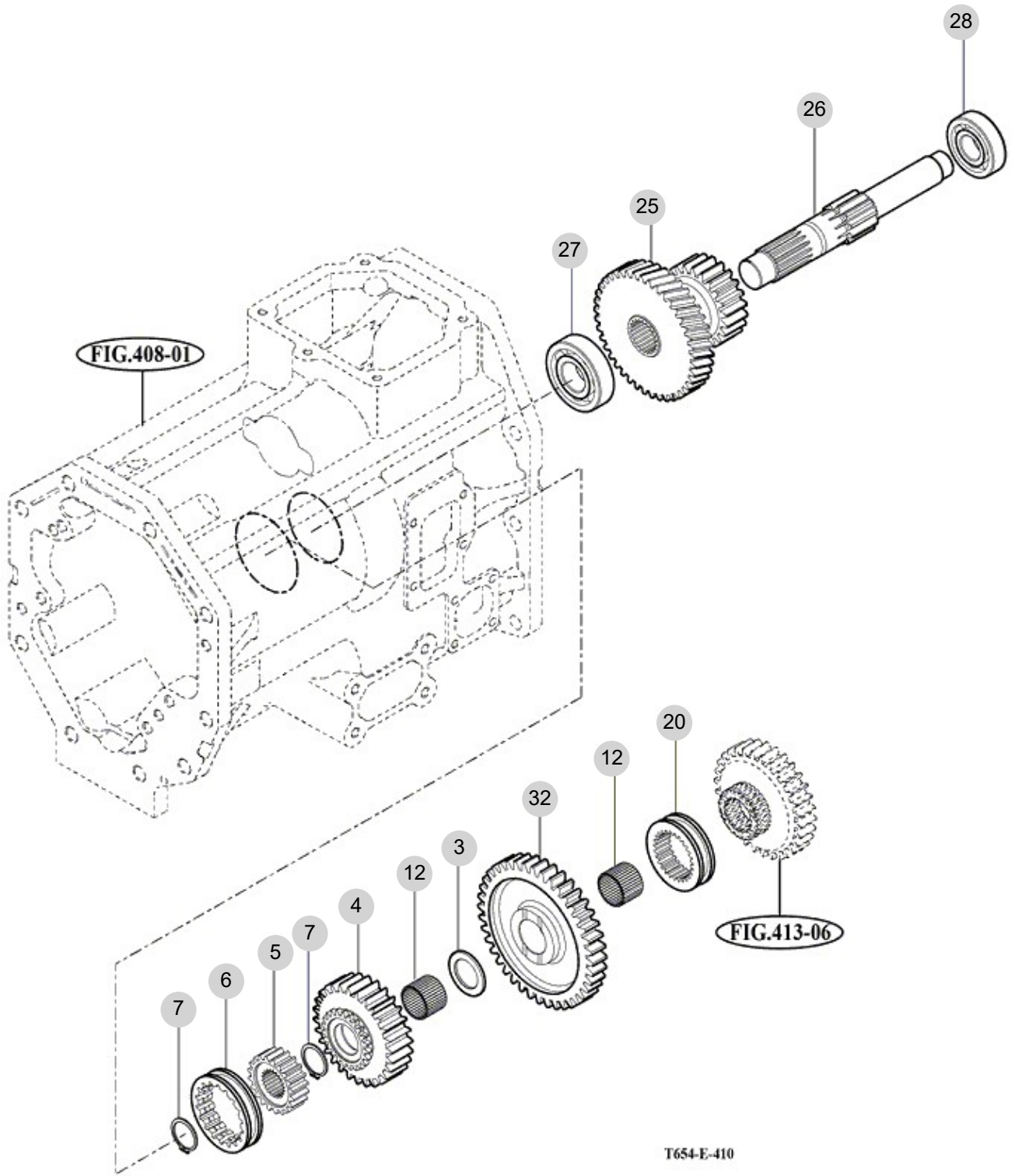
FIG 410

SUB CHANGE GEARS

년/월  
Year/Month

2022-12

T654SMEU1



NOTE





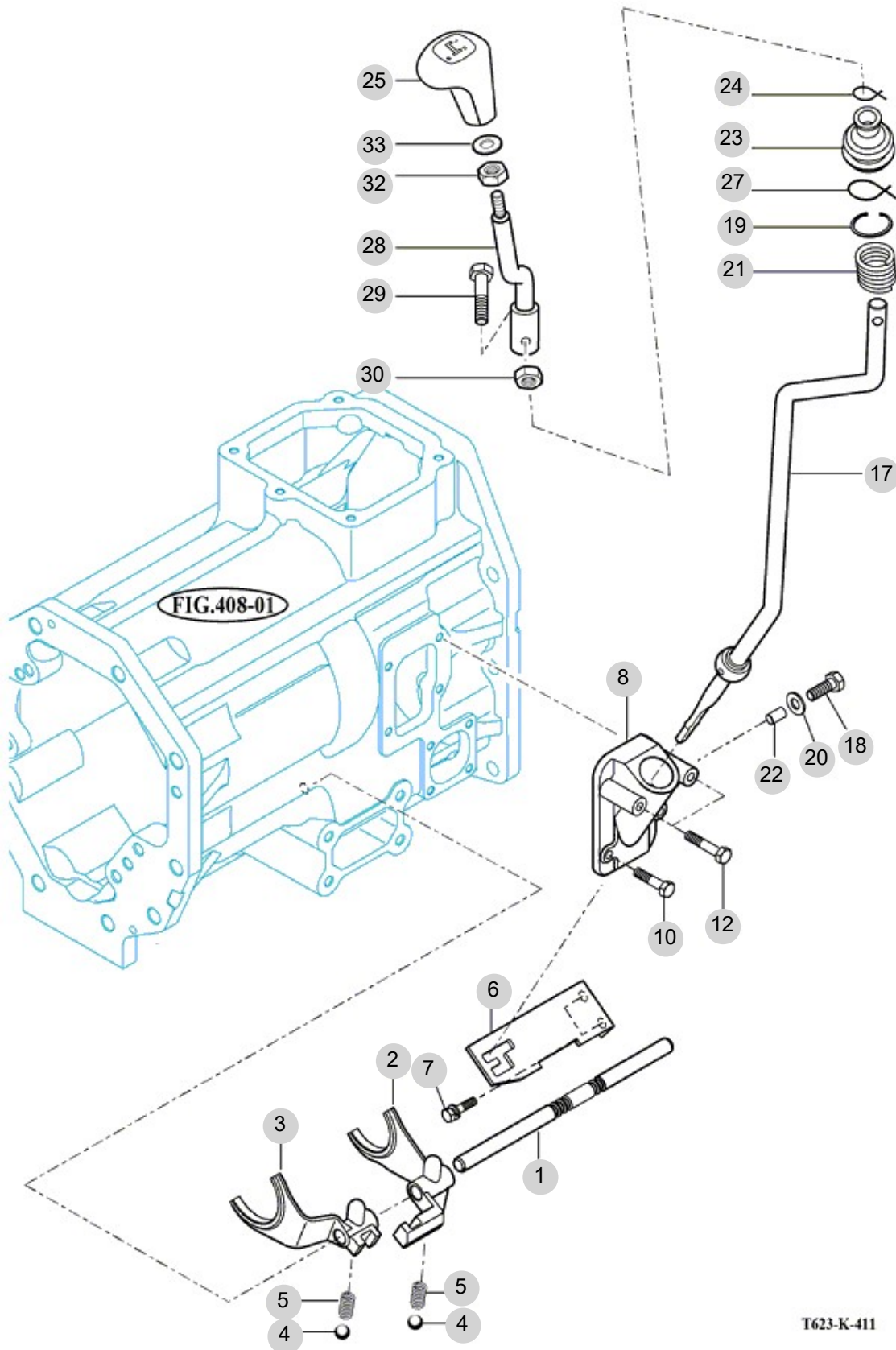
FIG 411

SUB CHANGE SHIFTER

년/월  
Year/Month

2022-12

T654SMEU1



T623-K-411

NOTE



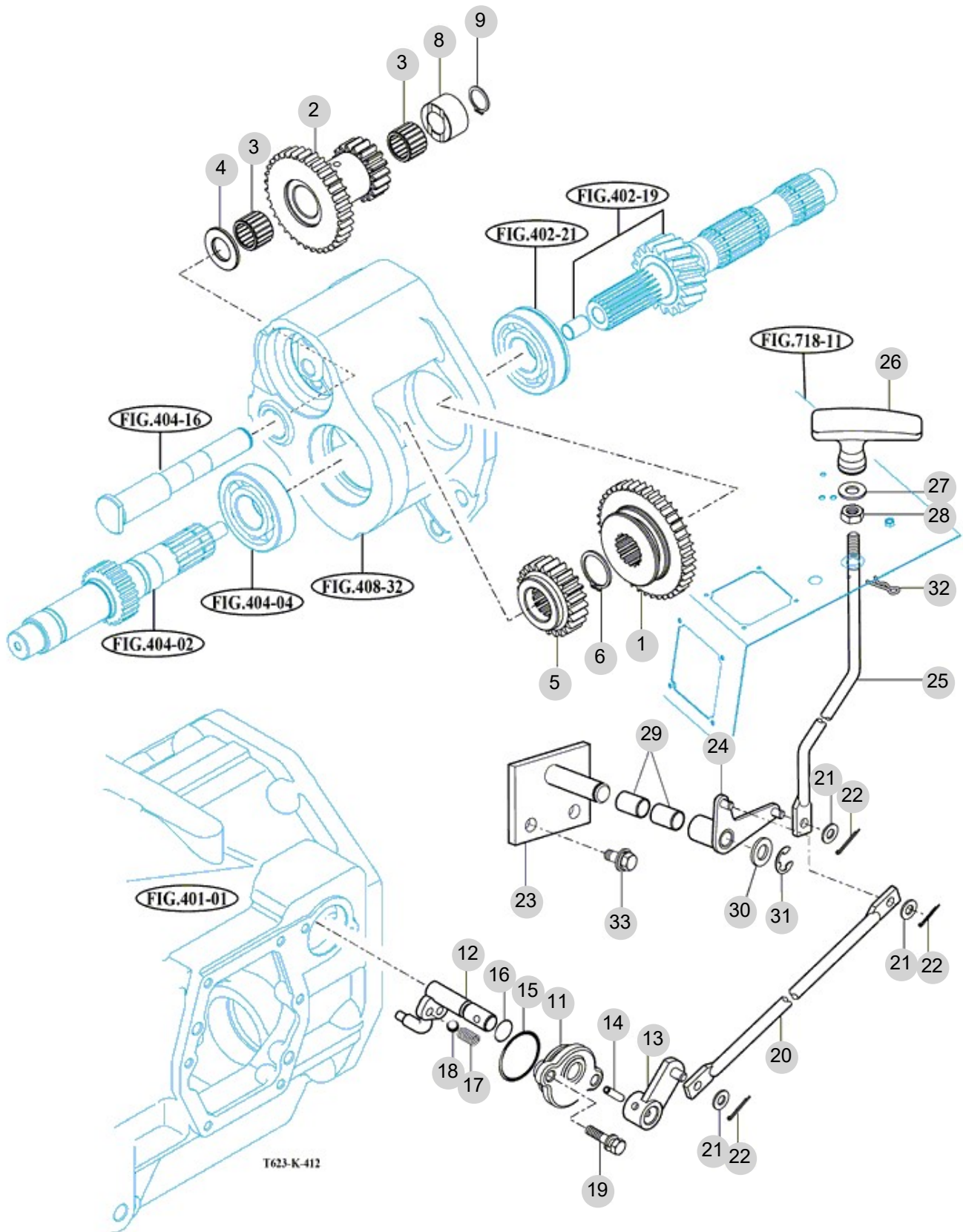
FIG 412

CREEP CHANGE

년/월  
Year/Month

2022-12

T654SMEU1



NOTE



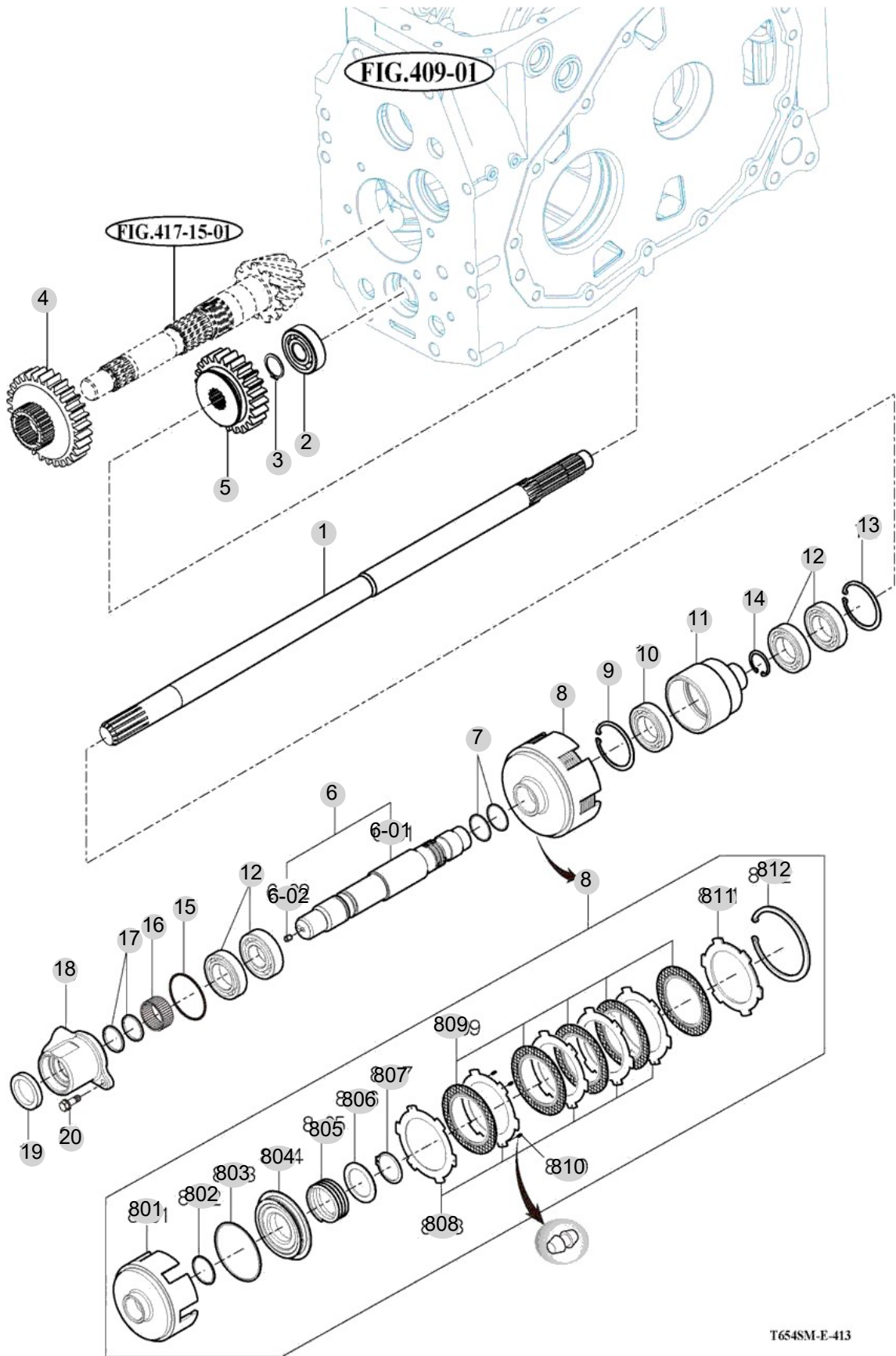
FIG 413-2

DRIVE GEARS

년/월  
Year/Month

2022-12

T654SMEU1



T654SM-E-413

NOTE





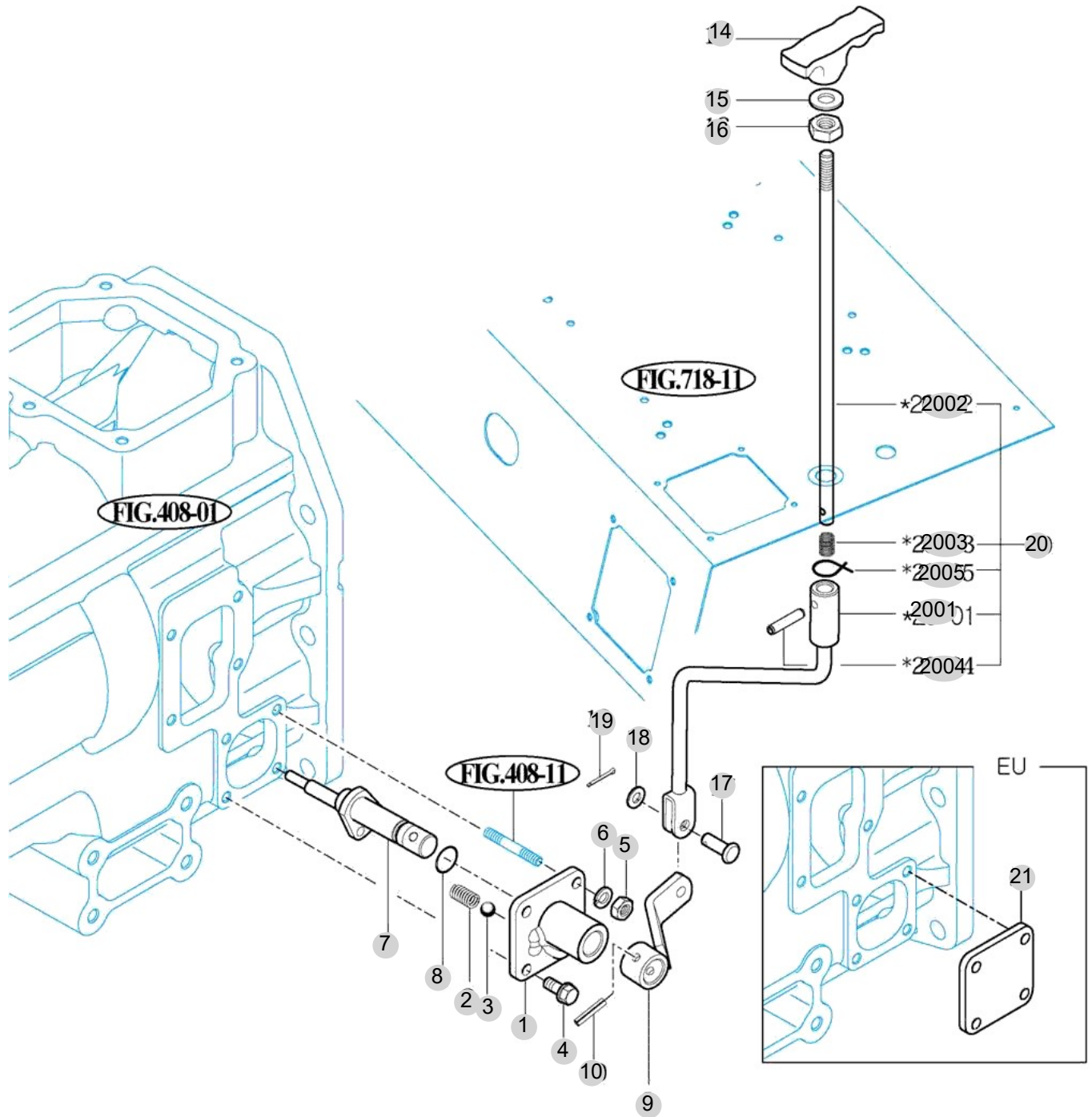
FIG 414

4WD CHANGE LEVER

년/월  
Year/Month

2022-12

T654SMEU1



T623-K-414

\*NOT SERVICED SEPARATELY

NOTE



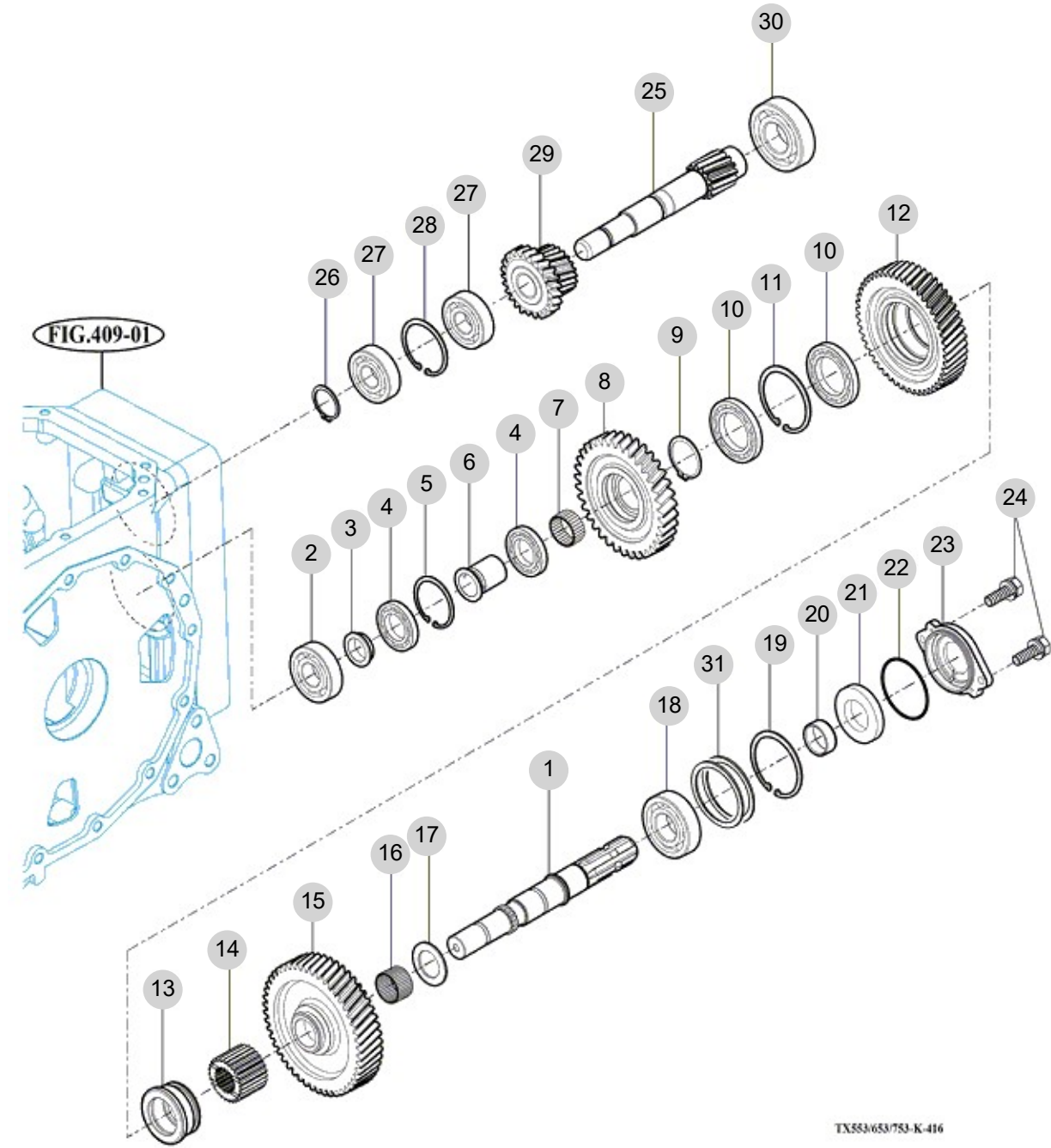


FIG 415

P.T.O CHANGE GEARS

년/월  
Year/Month

2022-12



TX553/653/753-K-416

NOTE



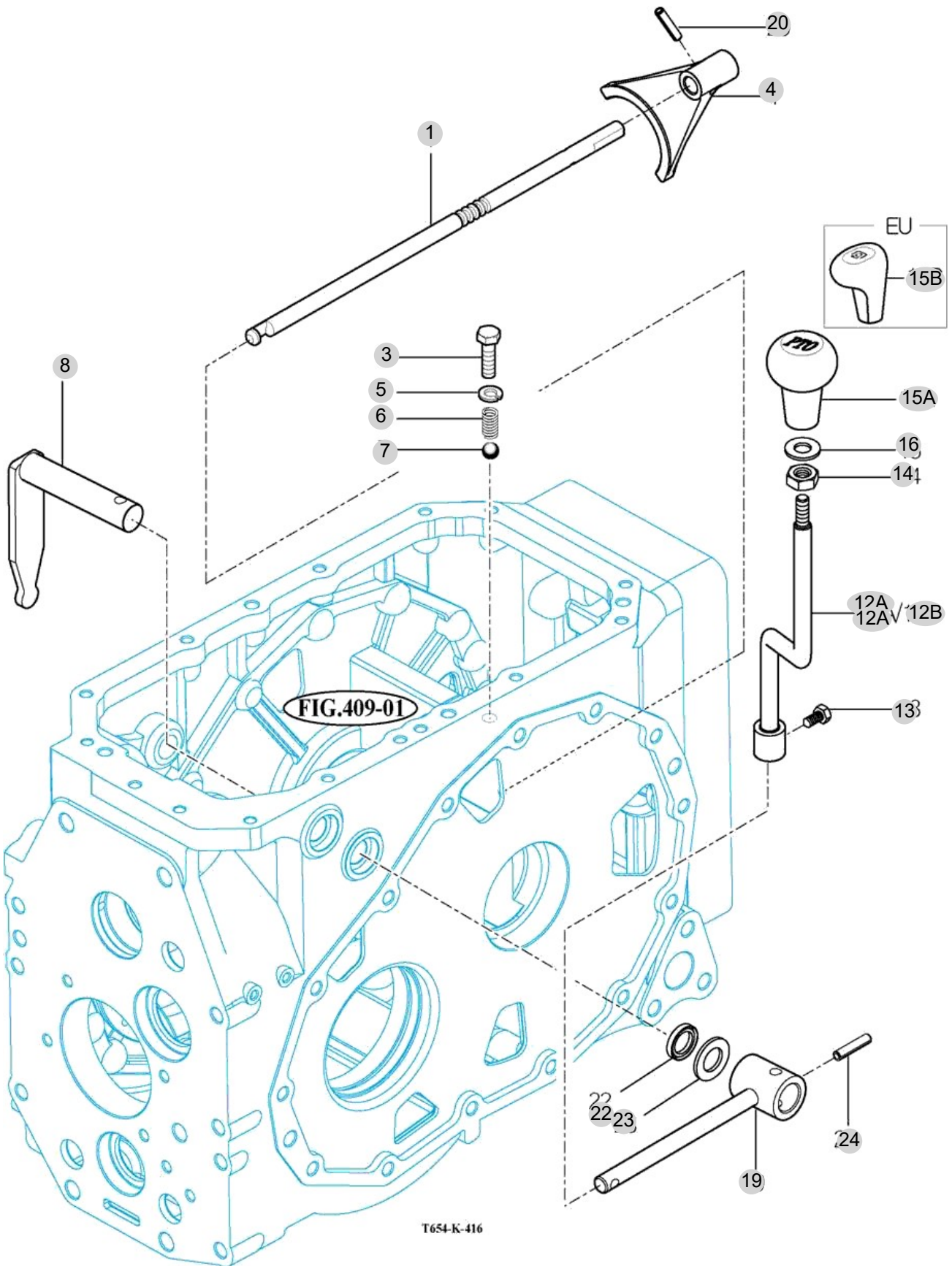
FIG 416

P.T.O CHANGE SHIFTER

년/월  
Year/Month

2022-12

T654SMEU1



NOTE



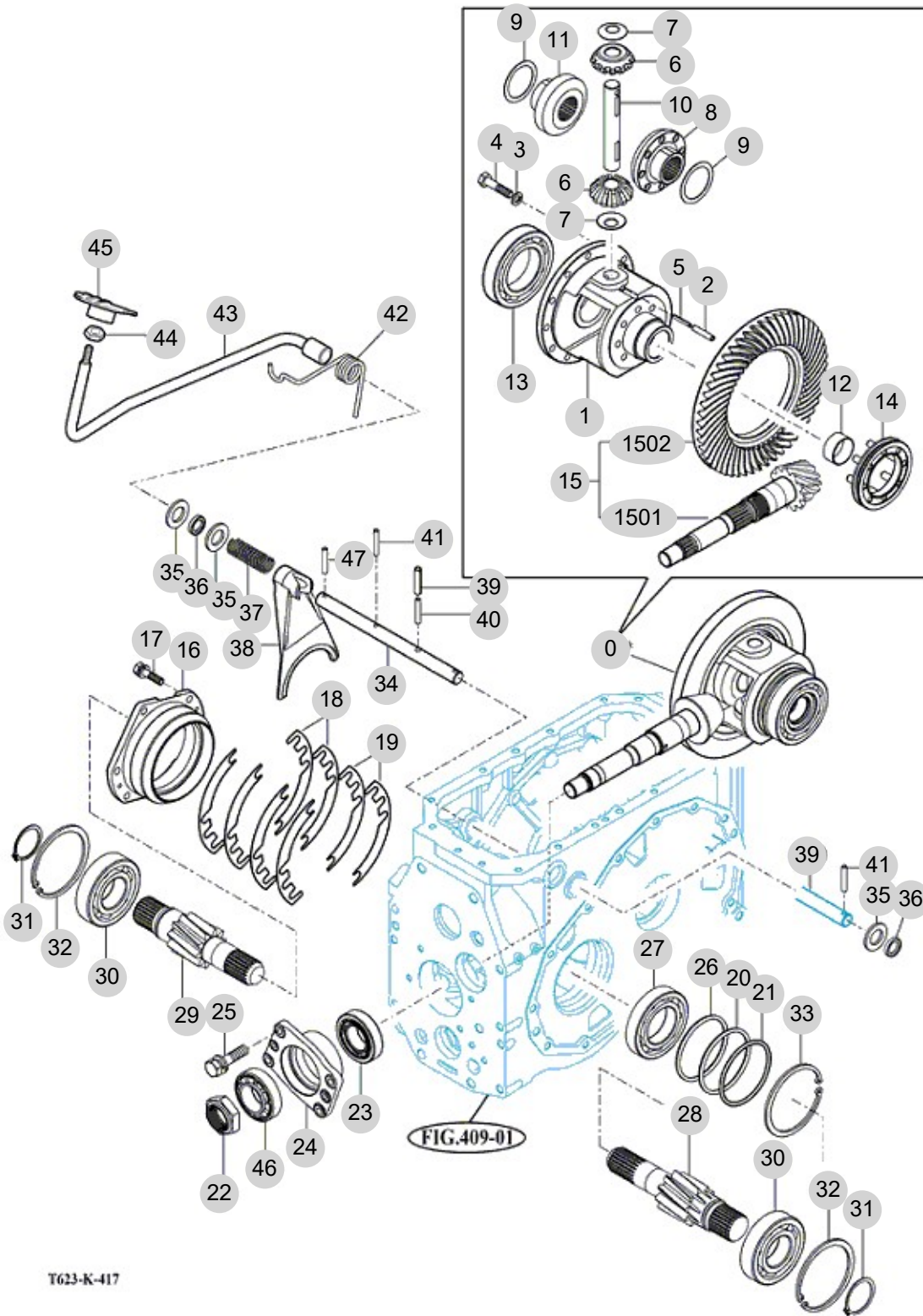
FIG 417

REAR DIFFERENTIAL GEARS

년/월  
Year/Month

2022-12

T654SMEU1



T623-K-417

NOTE

| FIG 417   |      | REAR DIFFERENTIAL GEARS |                        |                       |      |     | 년/월<br>Year/Month |                |         |
|-----------|------|-------------------------|------------------------|-----------------------|------|-----|-------------------|----------------|---------|
|           |      |                         |                        |                       |      |     | 2022-12           |                |         |
| T654SMEU1 |      | KEY NO                  | PART NO                | DESCRIPTION           | SPEC | QTY | REPAIR            | EFFECTIVE DATE | REMARKS |
| 417       | 0    | 19963031000             | DIFF SET , RR T553     | 1X1X1                 | 1    |     |                   |                |         |
| 417       | 1    | 17973030011M            | CASE , DIFF            |                       | 1    |     |                   |                |         |
| 417       | 2    | V5801408040             | PIN , SPRING           | 8X50                  | 1    |     |                   |                |         |
| 417       | 3    | V4011600100             | WASHER , SPRING        | M10                   | 12   |     |                   |                |         |
| 417       | 4    | V2024610025             | BOLT , HEX FINE        | M10X25                | 12   |     |                   |                |         |
| 417       | 5    | V5801405036             | PIN , SPRING           | 5X36                  | 1    |     |                   |                |         |
| 417       | 6    | 17973030060             | PINION , DIFF 10       | 1X1X1                 | 2    |     |                   |                |         |
| 417       | 7    | 17973030070             | COLLAR , PINION        | T=1                   | 2    |     |                   |                |         |
| 417       | 8    | 17973030091             | GEAR , BEVEL 16LH      | 1X1X1                 | 1    |     |                   |                |         |
| 417       | 9    | 17973030100             | COLLAR , THRUST        | T=1                   | 2    |     |                   |                |         |
| 417       | 10   | 17973030110             | SHAFT , DIFF PINION    | 1X1X1                 | 1    |     |                   |                |         |
| 417       | 11   | 17973030121             | GEAR , BEVEL 16RH      | 1X1X1                 | 1    |     |                   |                |         |
| 417       | 12   | 17973030030             | BUSH , 40X44X20        | 404420                | 1    |     |                   |                |         |
| 417       | 13   | V6001106214             | BEARING , BALL         | 6214                  | 1    |     |                   |                |         |
| 417       | 14   | 17973033400             | SLEEVE COMP            | 1X1X1                 | 1    |     |                   |                |         |
| 417       | 15   | 19963022100             | GEAR SET , 11-48T      |                       | 1    |     |                   |                |         |
| 417       | 1501 | 19963022110             | PINION , BEVEL 11T     | 1X1X1                 | 1    |     |                   |                |         |
| 417       | 1502 | 17973022120             | GEAR , BEVEL 48T       | 1X1X1                 | 1    |     |                   |                |         |
| 417       | 16   | 17973030131M            | METAL , DIFF           |                       | 1    |     |                   |                |         |
| 417       | 17   | V2173610030             | BOLT , HEX/S           | M10X30                | 6    |     |                   |                |         |
| 417       | 18   | 17973030160             | SHIM , 0.2             | T=0.2                 | 8    |     |                   |                |         |
| 417       | 19   | 17973030150             | SHIM , 0.1             | 1X1X1                 | 2    |     |                   |                |         |
| 417       | 20   | 17973030201             | SHIM , 95X109.8X1.5    | T=1.5                 | 1    |     |                   |                |         |
| 417       | 21   | 14523010050             | SHIM , 0.1             | T=0.1                 | 1    |     |                   |                |         |
| 417       | 22   | 17973030020             | NUT , M40 P1,5         | 육각B=55                | 1    |     |                   |                |         |
| 417       | 23   | V6321132208             | BEARING , TAPER-ROLLER |                       | 1    |     |                   |                |         |
| 417       | 24   | 15703010040M            | METAL , PINION         |                       | 1    |     |                   |                |         |
| 417       | 25   | V2173610035             | BOLT , HEX/S           | M10X35                | 4    |     |                   |                |         |
| 417       | 26   | 14523010100             | SHIM , 0.2             | T=0.2                 | 1    |     |                   |                |         |
| 417       | 27   | V6001106212             | BEARING , BALL         | 6212                  | 1    |     |                   |                |         |
| 417       | 28   | 19963030280             | PINION , LH WHEEL      | 1X1X1                 | 1    |     |                   |                |         |
| 417       | 29   | 19963030290             | PINION , RH WHEEL      | 1X1X1                 | 1    |     |                   |                |         |
| 417       | 30   | V6001106310             | BEARING , BALL         | 6310                  | 2    |     |                   |                |         |
| 417       | 31   | V7041400500             | C-RING , SHAFT         | 50                    | 2    |     |                   |                |         |
| 417       | 32   | V7051401100             | C-RING , HOLE          | 110                   | 2    |     |                   |                |         |
| 417       | 33   | V7051401100             | C-RING , HOLE          | 110                   | 1    |     |                   |                |         |
| 417       | 34   | 17973030391             | SHAFT , DIFF LOCK      | D=20                  | 1    |     |                   |                |         |
| 417       | 35   | V4111600200             | WASHER , PLAIN         | M20                   | 3    |     |                   |                |         |
| 417       | 36   | V7421203007             | SEAL , OIL/G           | G203006               | 2    |     |                   |                |         |
| 417       | 37   | 17973030420             | SPRING                 | (D=3.6)<br>X22.5X74.5 | 1    |     |                   |                |         |
| 417       | 38   | 17973030431M            | FORK , DIFF            |                       | 1    |     |                   |                |         |
| 417       | 39   | V5801408036             | PIN , SPRING           | 8X36                  | 1    |     |                   |                |         |
| 417       | 40   | V5801405036             | PIN , SPRING           | 5X36                  | 1    |     |                   |                |         |
| 417       | 41   | V5801406032             | PIN , SPRING           | 6X32                  | 2    |     |                   |                |         |
| 417       | 42   | 14523160020             | SPRING , DIFF PEDAL    | D=5.5                 | 1    |     |                   |                |         |
| NOTE      |      |                         |                        |                       |      |     |                   |                |         |





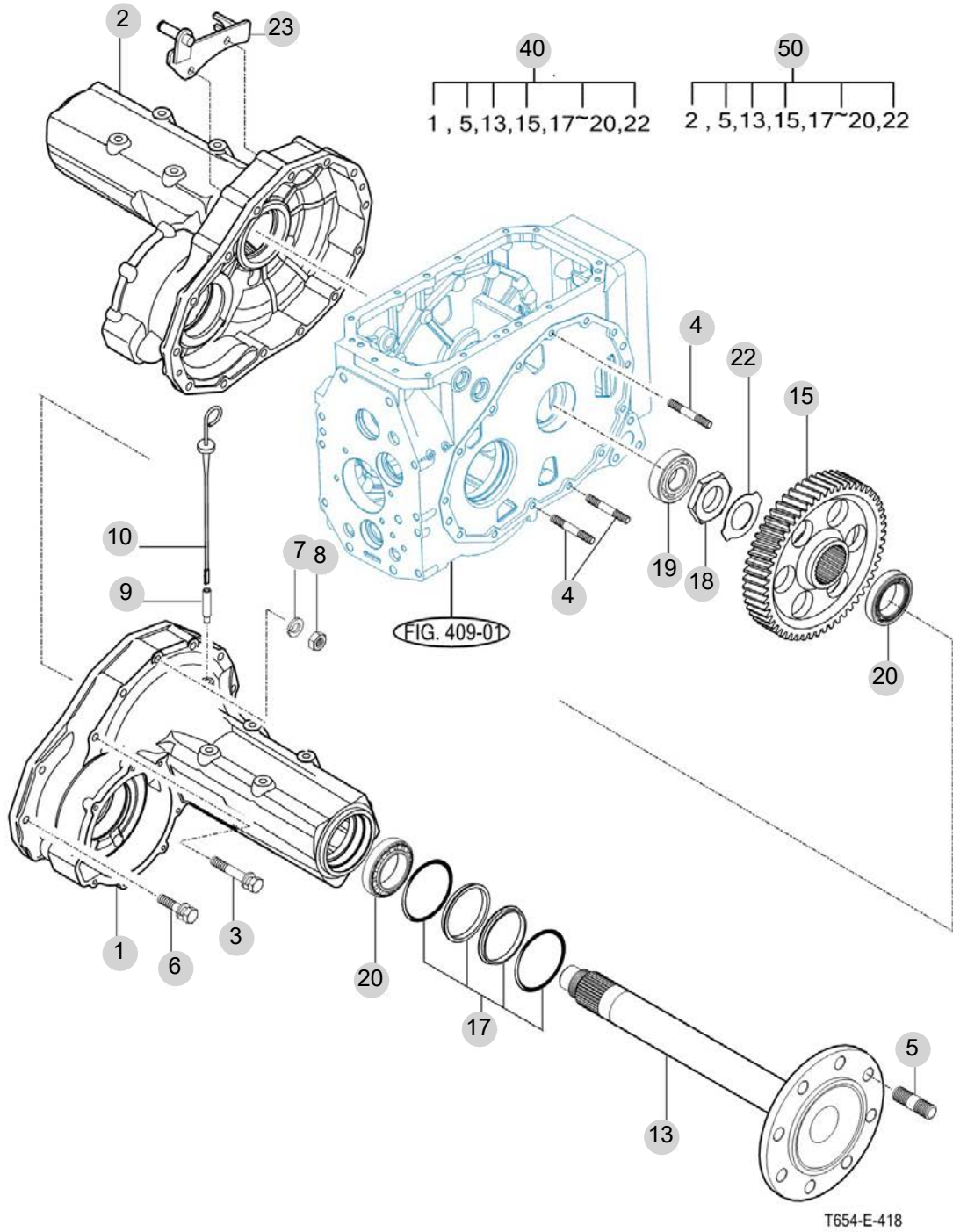
FIG 418

REAR AXLE HOUSING

년/월  
Year/Month

2022-12

T654SMEU1



NOTE





## 5. Front Axle PART NO. T5

|                                  |     |
|----------------------------------|-----|
| FIG 501 FRONT AXLE SUPPORT       | 143 |
| FIG 502 FRONT DRIVE SHAFT        | 145 |
| FIG 503 FRONT AXLE HOUSING       | 147 |
| FIG 504 FRONT DIFFERENTIAL GEARS | 149 |
| FIG 505 FRONT GEAR CASE (1)      | 151 |
| FIG 506 FRONT GEAR CASE (2)      | 153 |
| FIG 507 FRONT GEAR CASE (3)      | 155 |

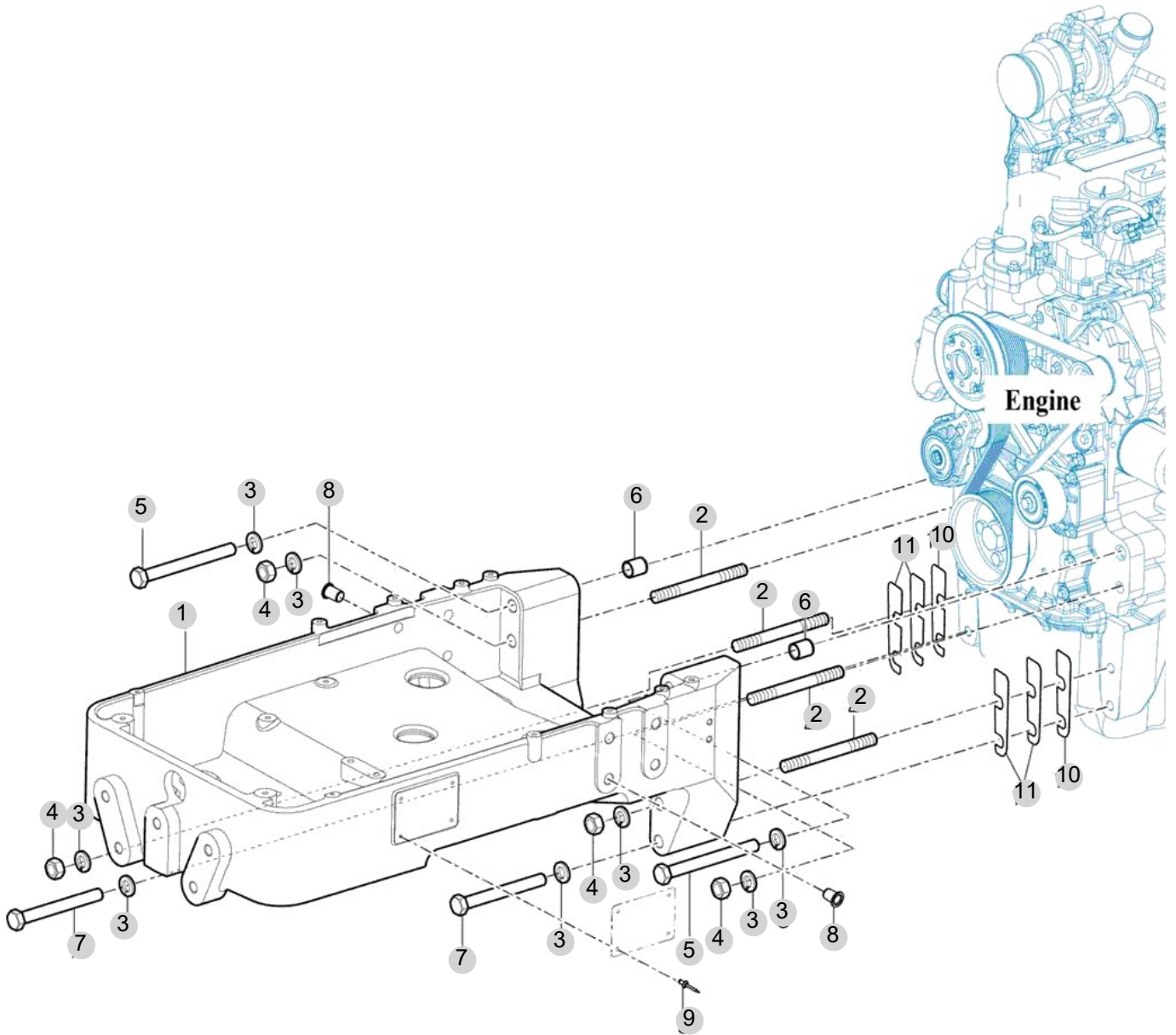
FIG 501

FRONT AXLE SUPPORT

년/월  
Year/Month

2022-12

T654SMEU1



T754-K-501

NOTE



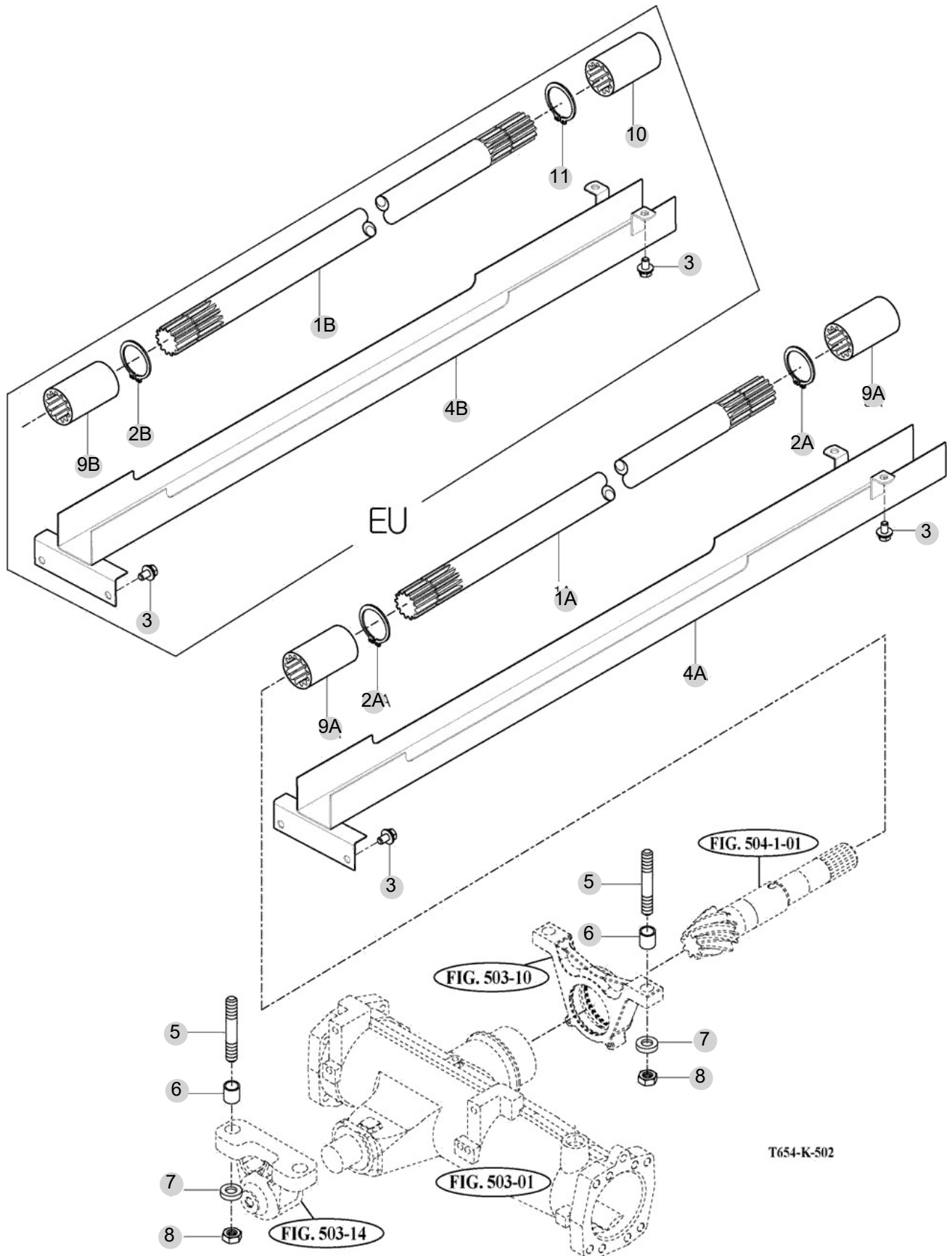
FIG 502

FRONT DRIVE SHAFT

년/월  
Year/Month

2022-12

T654SMEU1



T654-K-502

NOTE



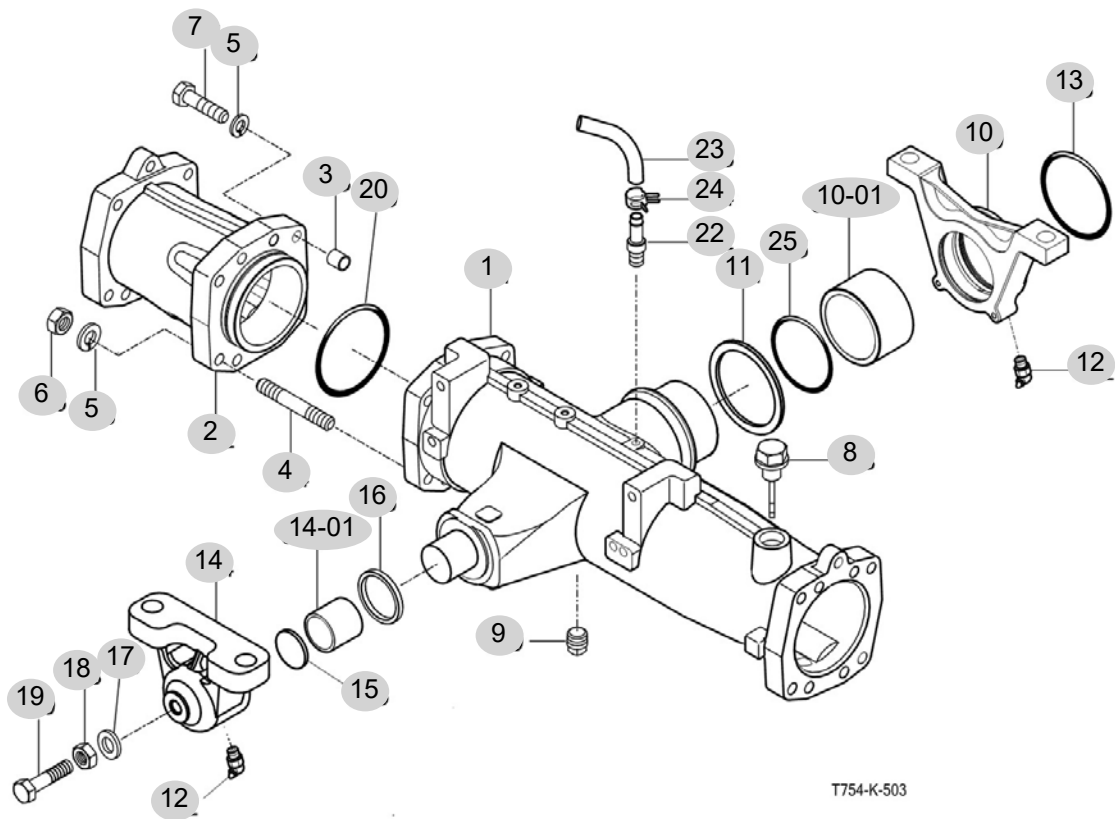
FIG 503

FRONT AXLE HOUSING

년/월  
Year/Month

2022-12

T654SMEU1



T754-K-503

NOTE





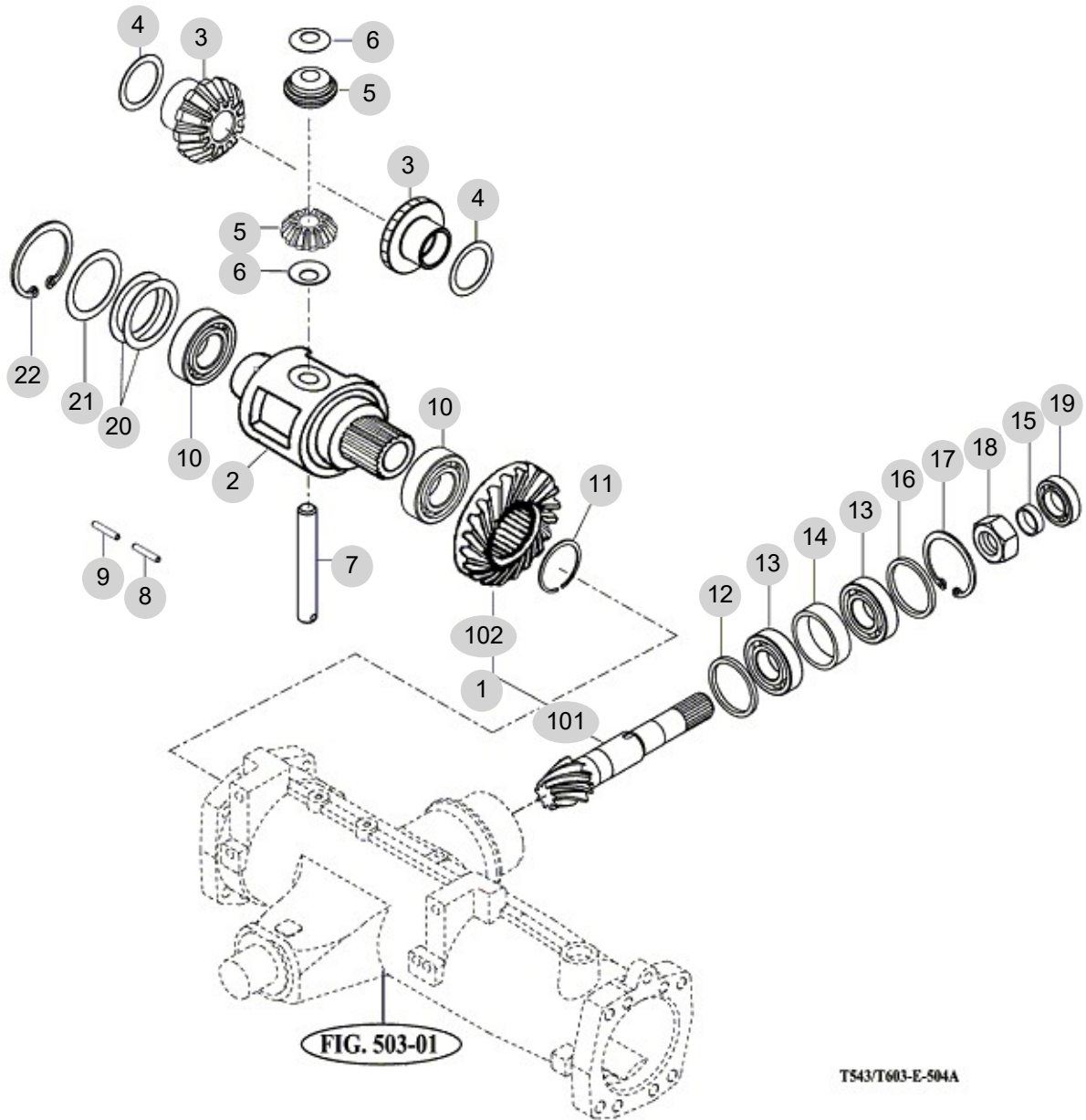
FIG 504

FRONT DIFFERENTIAL GEARS

년/월  
Year/Month

2022-12

T654SMEU1



NOTE



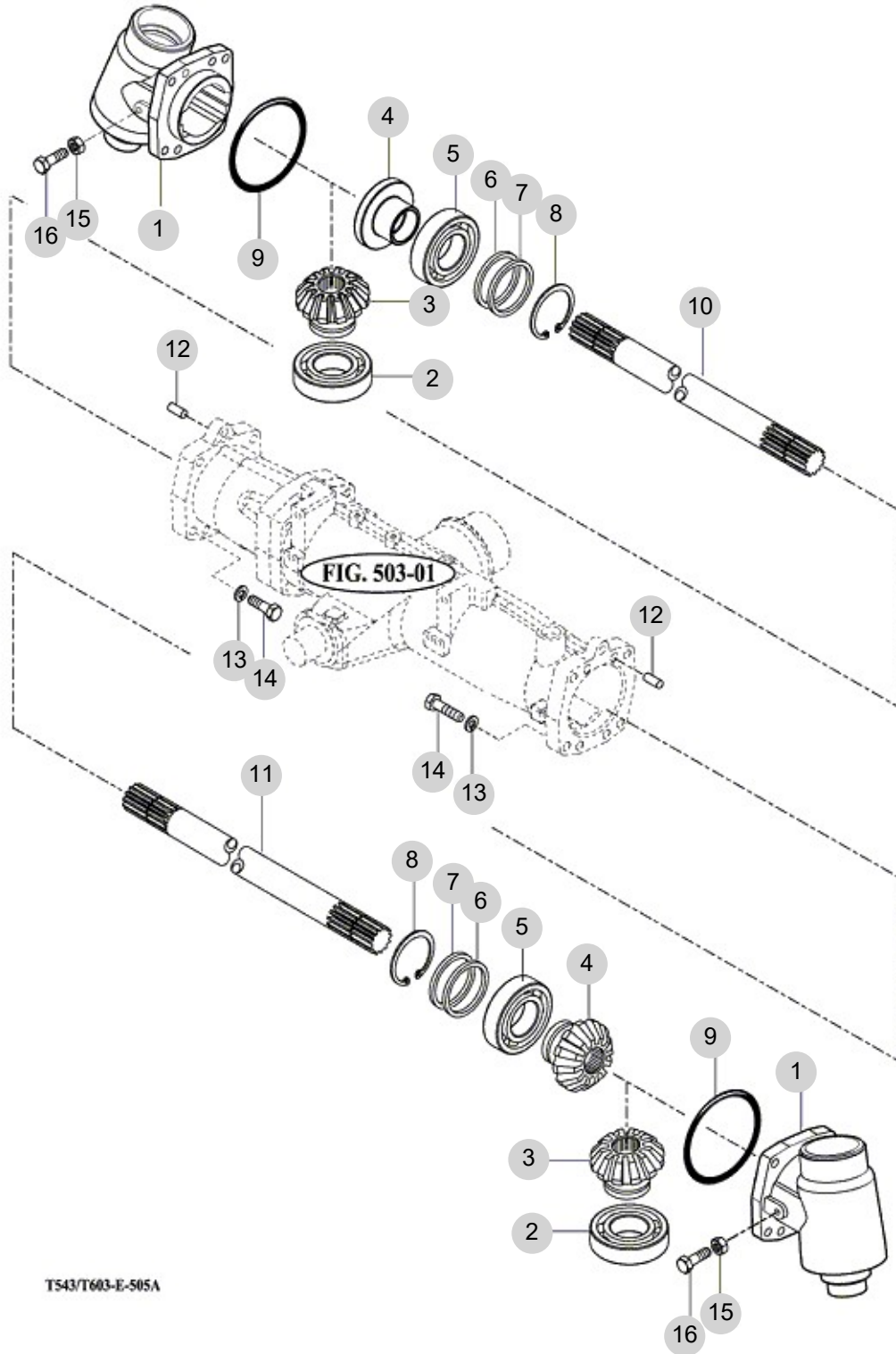
FIG 505

FRONT GEAR CASE (1)

년/월  
Year/Month

2022-12

T654SMEU1



T543/T603-E-505A

NOTE



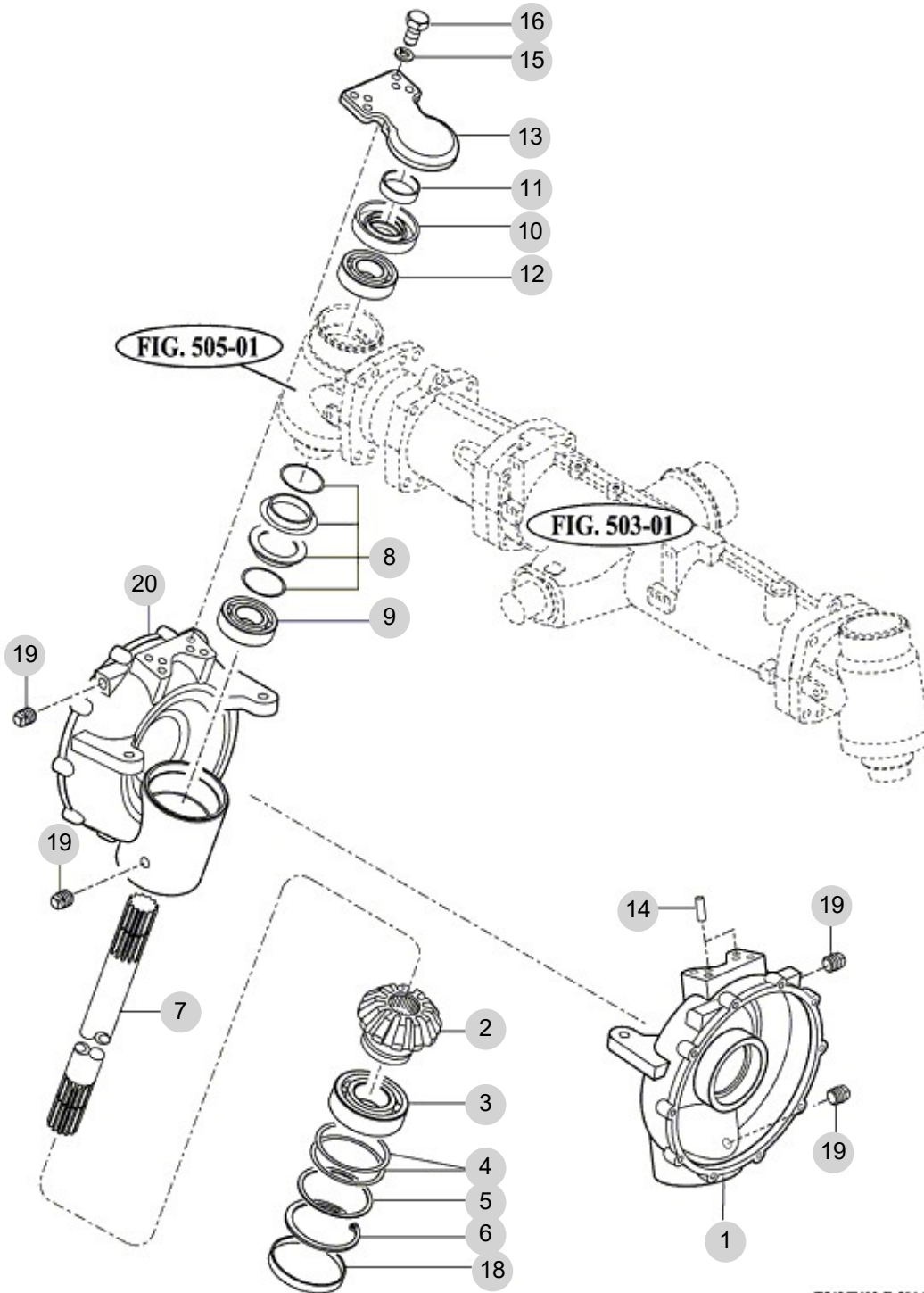
FIG 506

T654SMEU1

FRONT GEAR CASE (2)

년/월  
Year/Month

2022-12



T543/T603-E-506A

NOTE



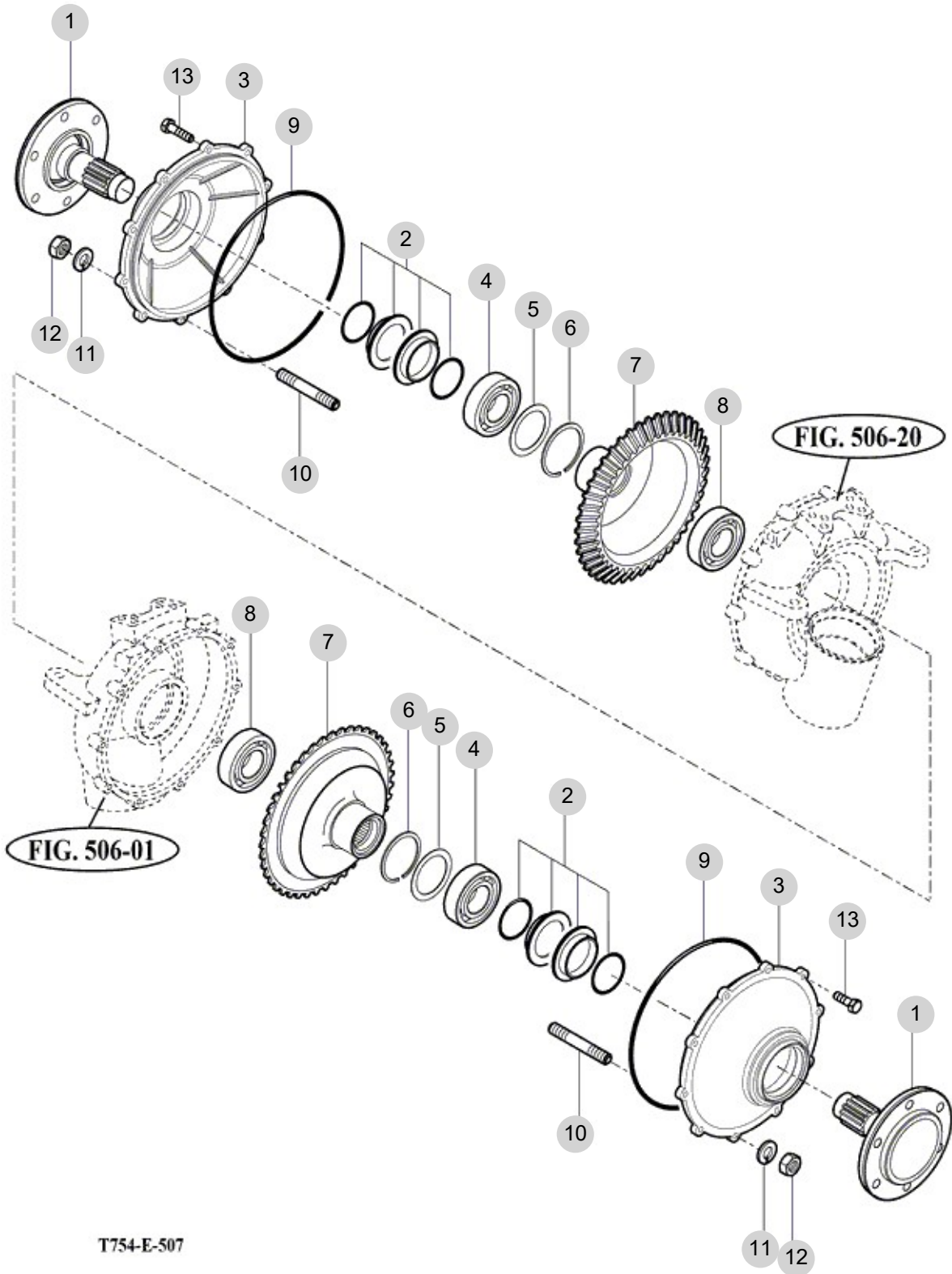
FIG 507

FRONT GEAR CASE (3)

년/월  
Year/Month

2022-12

T654SMEU1



NOTE





## 6. Hydraulic/3P-Link PART NO. T6

|  |     |
|--|-----|
| FIG 601 CYLINDER CASE                  | 158 |
| FIG 602 LIFT ARM                       | 160 |
| FIG 603 CYLINDER                       | 162 |
| FIG 604 POSITION LINK                  | 164 |
| FIG 605 CONTROL VALVE                  | 166 |
| FIG 606 DRAFT LINK                     | 168 |
| FIG 607 POSITION & DRAFT LEVER         | 170 |
| FIG 608 EXTERIOR HYD. VALVE(OPTION_6P) | 173 |
| FIG 608 EXTERIOR HYD. VALVE            | 175 |
| FIG 609 HYDRAULIC PIPE                 | 177 |
| FIG 610 JOYSTICK                       | 179 |
| FIG 611B HITCH & 3-P LINK (EU)         | 181 |
| FIG 612B LOWER LINK & LIFT ROD(EU)     | 184 |
| FIG 613-2 HYDRAULIC HOSE(EU)           | 186 |

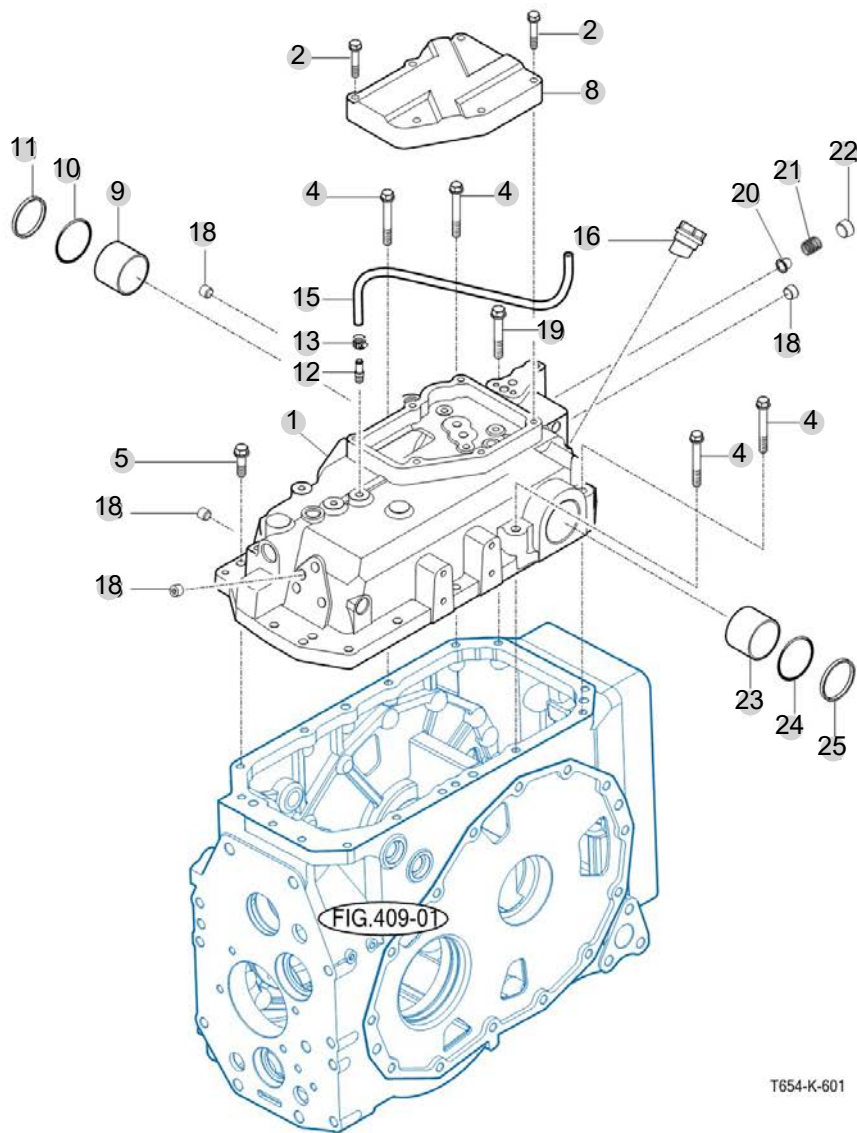
FIG 601

T654SMEU1

CYLINDER CASE

년/월  
Year/Month

2022-12



NOTE



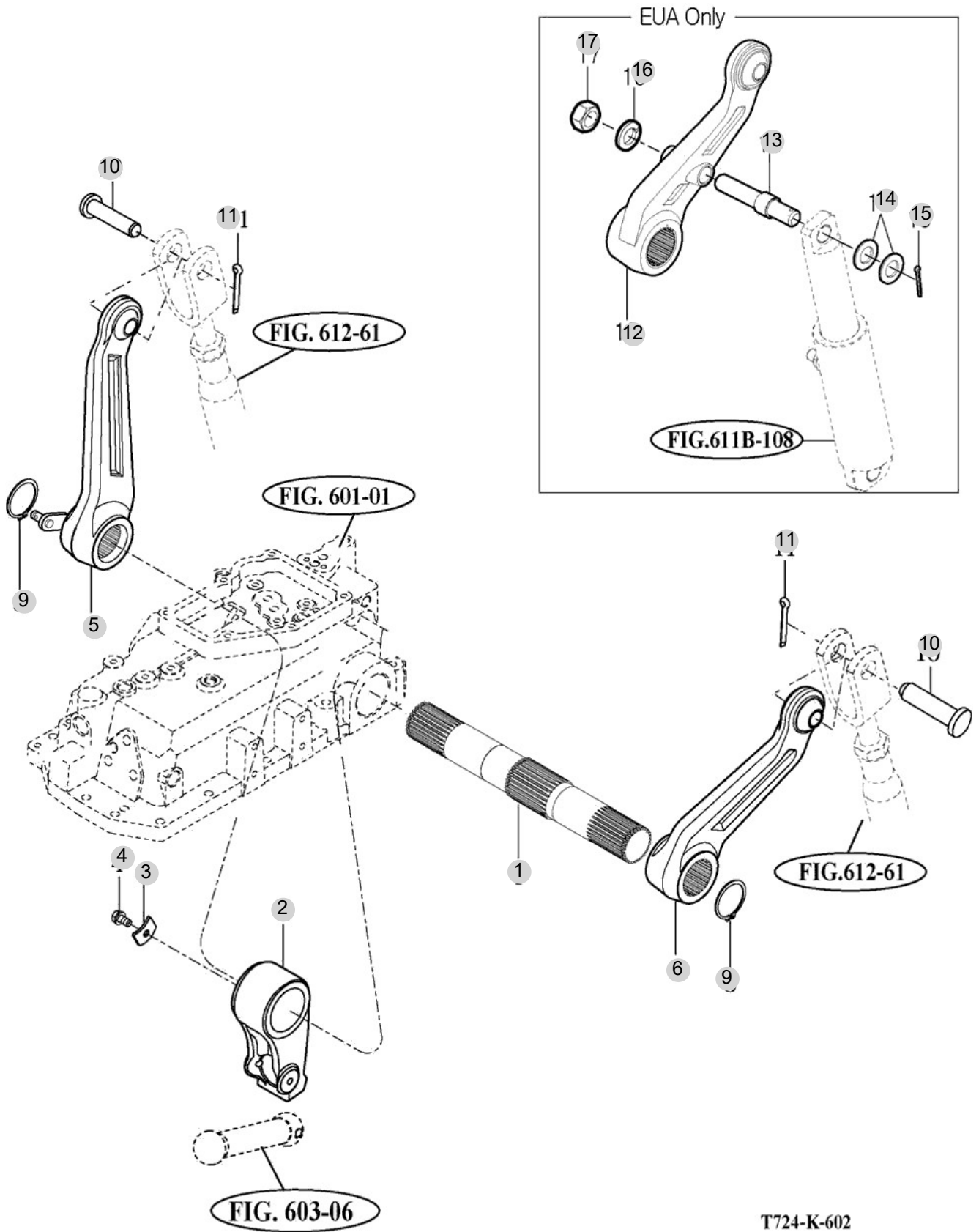
FIG 602

LIFT ARM

년/월  
Year/Month

2022-12

T654SMEU1



NOTE

| FIG 602<br>T654SMEU1 |    | LIFT ARM     |                  |               |   |  | 년/월<br>Year/Month |         |                   |         |
|----------------------|----|--------------|------------------|---------------|---|--|-------------------|---------|-------------------|---------|
|                      |    |              |                  |               |   |  | 2022-12           |         | EFFECTIVE<br>DATE | REMARKS |
|                      |    |              |                  |               |   |  | KEY NO            | PART NO |                   |         |
| 602                  | 1  | 17995020010M | BAR              |               | 1 |  |                   |         |                   |         |
| 602                  | 1  | 17995020011M | BAR              |               | 1 |  |                   |         |                   |         |
| 602                  | 2  | 17995020021M | LIFT , CRANK     | T=0.08        | 1 |  |                   |         |                   |         |
| 602                  | 3  | 17995020030  | PLATE            | T=3.2         | 1 |  |                   |         |                   |         |
| 602                  | 4  | V2173608016  | BOLT , HEX/S     | M8X16         | 1 |  |                   |         |                   |         |
| 602                  | 5  | 17995020200M | ARM ASSY , LIFT  | 7.8X12.1X32.4 | 1 |  |                   |         |                   |         |
| 602                  | 9  | V7041400480  | C-RING , SHAFT   | 48            | 2 |  |                   |         |                   |         |
| 602                  | 10 | 17995200021  | PIN , 19X76      | D=19          | 2 |  |                   |         |                   |         |
| 602                  | 11 | V5001950035  | PIN , SPLIT      | 5X35          | 2 |  |                   |         |                   |         |
| 602                  | 12 | 18095020200M | ARM COMP , LIFT  |               | 1 |  |                   |         |                   |         |
| 602                  | 13 | 18095800071  | PIN , 20X135     |               | 1 |  |                   |         |                   |         |
| 602                  | 14 | 18095800020  | WASHER , 21X37X2 |               | 2 |  |                   |         |                   |         |
| 602                  | 15 | V5001950035  | PIN , SPLIT      | 5X35          | 1 |  |                   |         |                   |         |
| 602                  | 16 | V4011600200  | WASHER , SPRING  | M20           | 1 |  |                   |         |                   |         |
| 602                  | 17 | V3042600200  | NUT , HEX/2      | M20           | 1 |  |                   |         |                   |         |
|                      |    |              |                  |               |   |  |                   |         |                   |         |
|                      |    |              |                  |               |   |  |                   |         |                   |         |
|                      |    |              |                  |               |   |  |                   |         |                   |         |
|                      |    |              |                  |               |   |  |                   |         |                   |         |
|                      |    |              |                  |               |   |  |                   |         |                   |         |
|                      |    |              |                  |               |   |  |                   |         |                   |         |
|                      |    |              |                  |               |   |  |                   |         |                   |         |
|                      |    |              |                  |               |   |  |                   |         |                   |         |
|                      |    |              |                  |               |   |  |                   |         |                   |         |
|                      |    |              |                  |               |   |  |                   |         |                   |         |
|                      |    |              |                  |               |   |  |                   |         |                   |         |
|                      |    |              |                  |               |   |  |                   |         |                   |         |
|                      |    |              |                  |               |   |  |                   |         |                   |         |
|                      |    |              |                  |               |   |  |                   |         |                   |         |
|                      |    |              |                  |               |   |  |                   |         |                   |         |
|                      |    |              |                  |               |   |  |                   |         |                   |         |
|                      |    |              |                  |               |   |  |                   |         |                   |         |
|                      |    |              |                  |               |   |  |                   |         |                   |         |
|                      |    |              |                  |               |   |  |                   |         |                   |         |
|                      |    |              |                  |               |   |  |                   |         |                   |         |
|                      |    |              |                  |               |   |  |                   |         |                   |         |
|                      |    |              |                  |               |   |  |                   |         |                   |         |
|                      |    |              |                  |               |   |  |                   |         |                   |         |
|                      |    |              |                  |               |   |  |                   |         |                   |         |
|                      |    |              |                  |               |   |  |                   |         |                   |         |
|                      |    |              |                  |               |   |  |                   |         |                   |         |
| NOTE                 |    |              |                  |               |   |  |                   |         |                   |         |

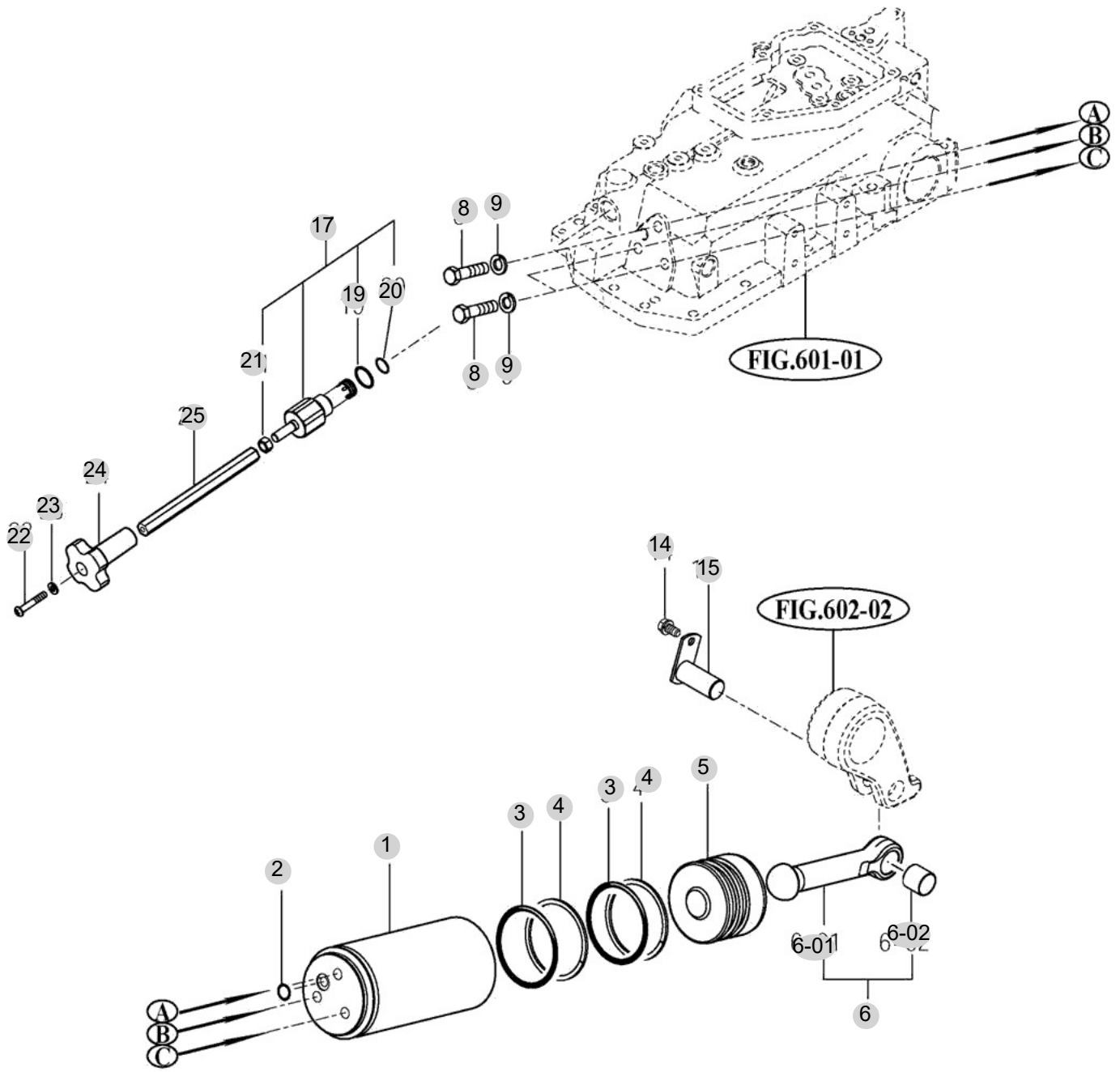
FIG 603

CYLINDER

년/월  
Year/Month

2022-12

T654SMEU1



T543/T603-E-603A

NOTE



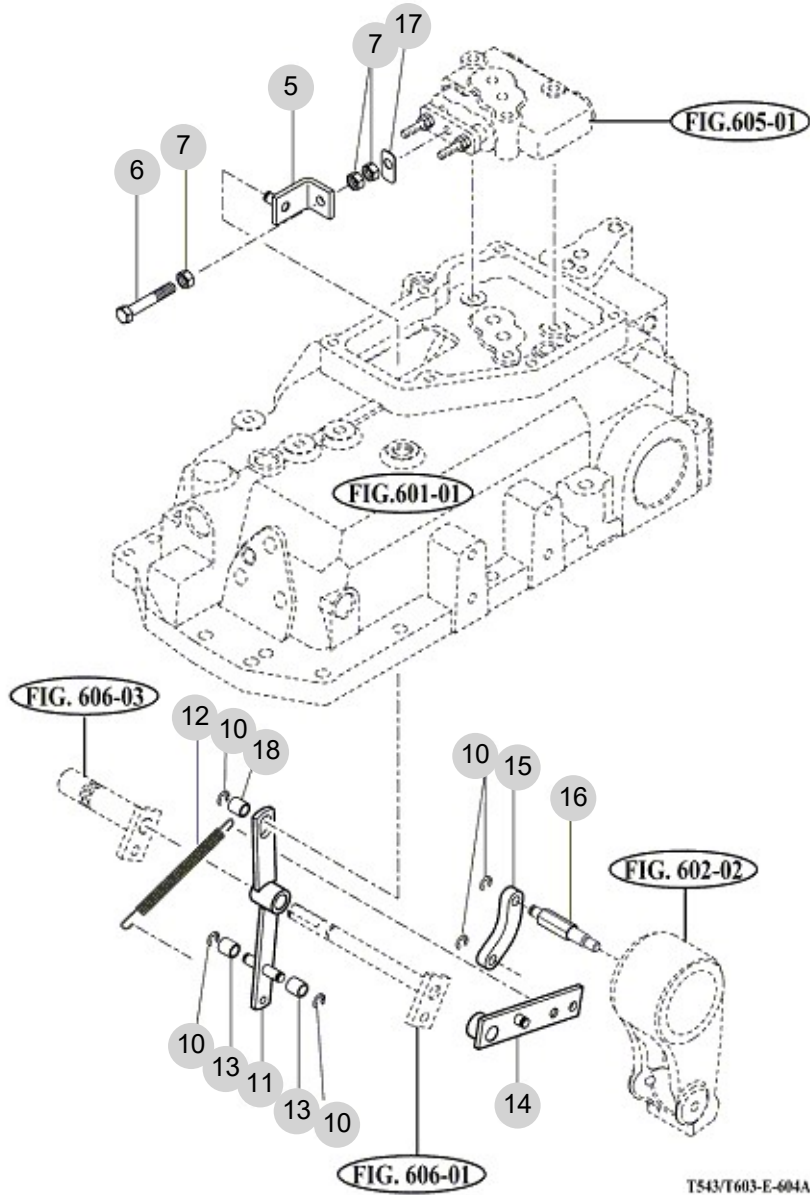
FIG 604

POSITION LINK

년/월  
Year/Month

2022-12

T654SMEU1



NOTE





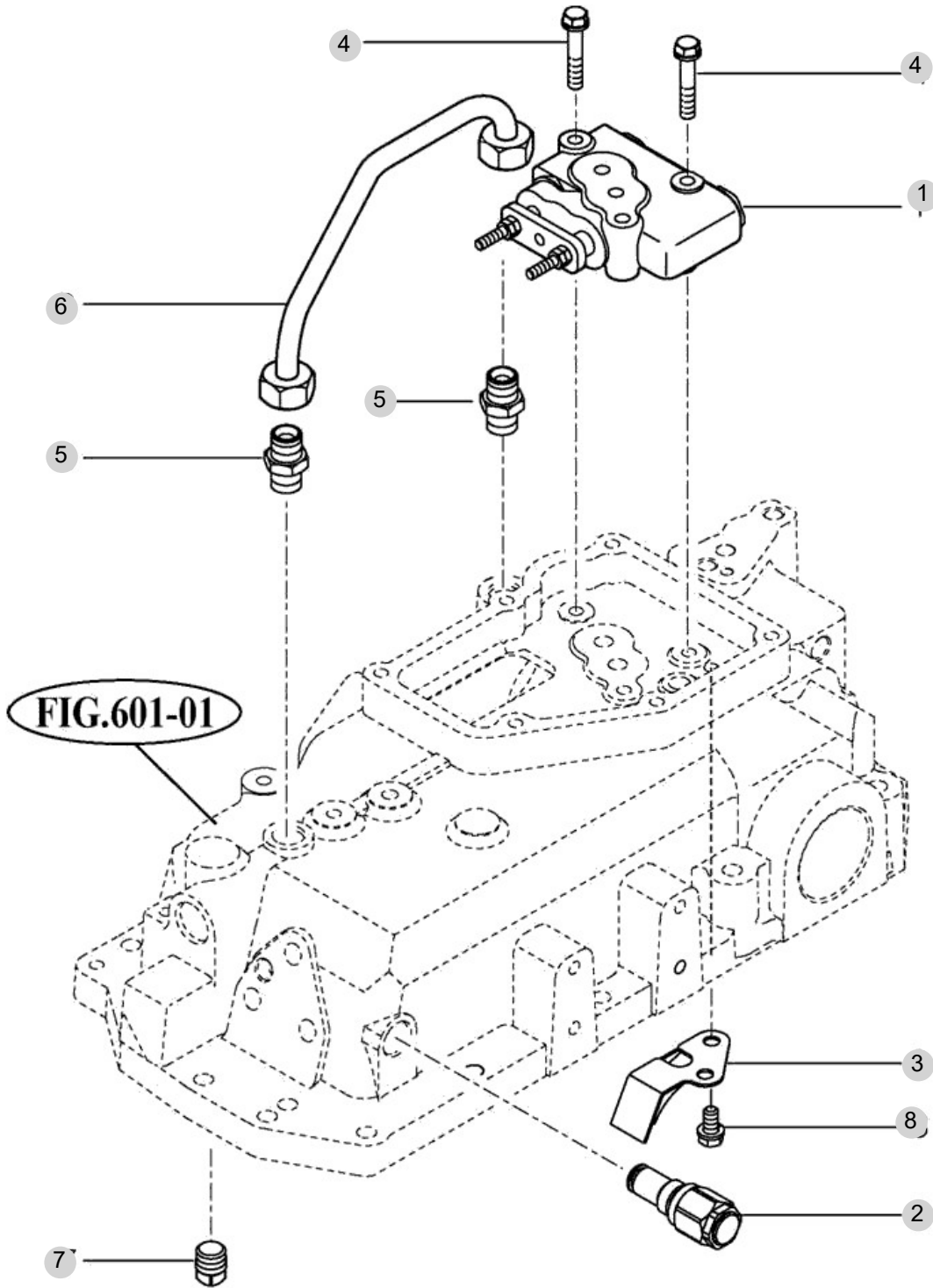
FIG 605

CONTROL VALVE

년/월  
Year/Month

2022-12

T654SMEU1



T543/T603-E-605A

NOTE



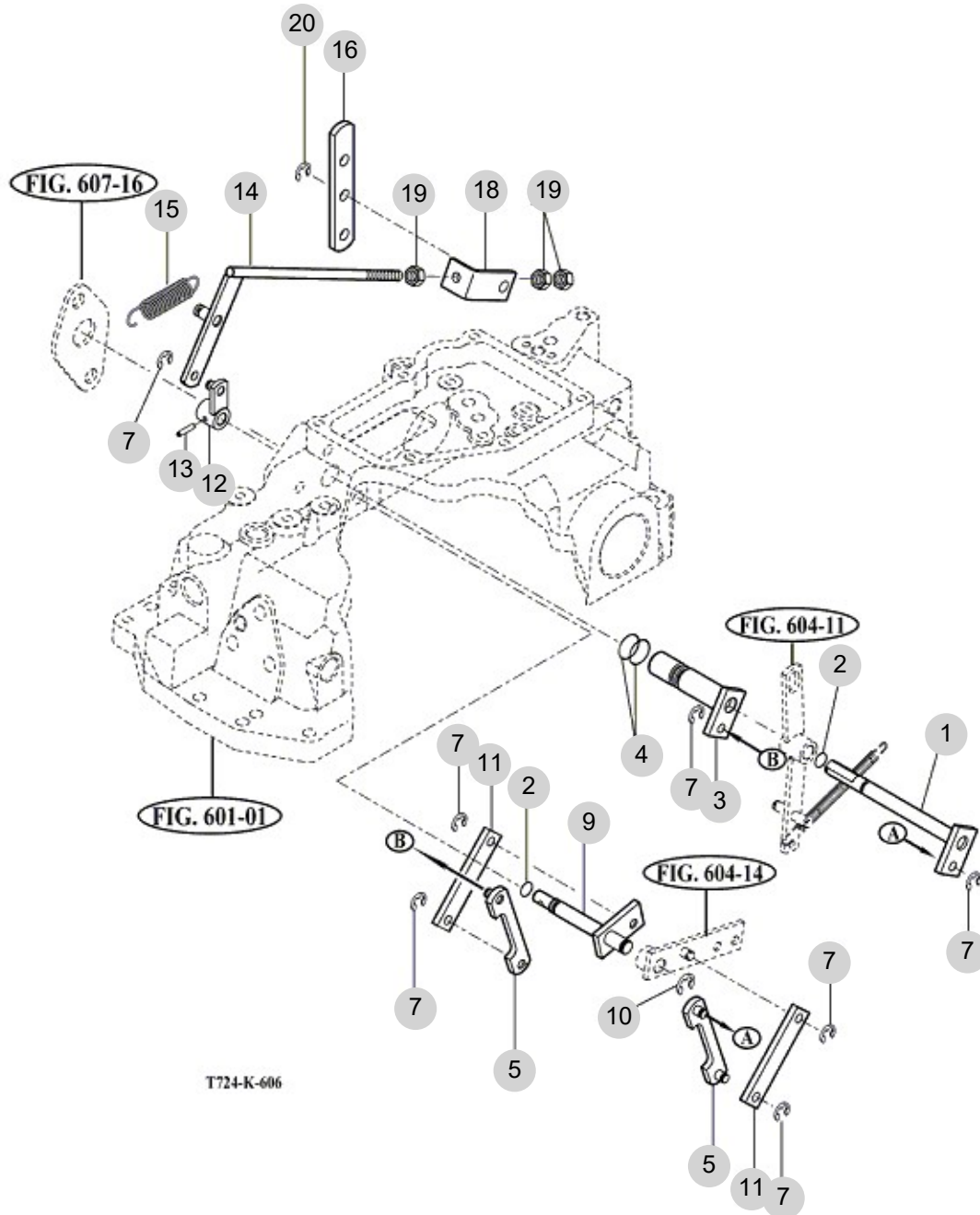
FIG 606

DRAFT LINK

년/월  
Year/Month

2022-12

T654SMEU1



NOTE

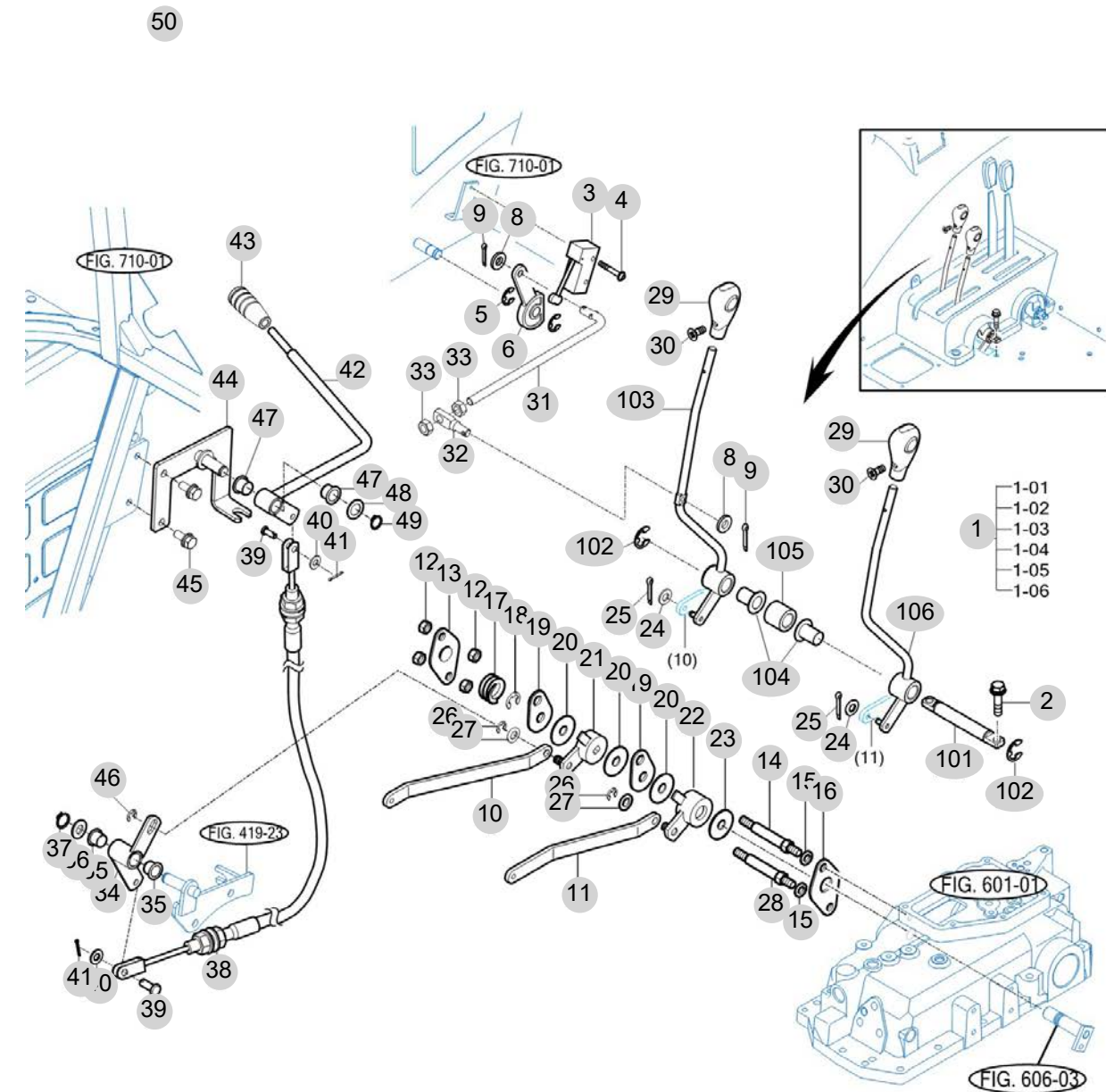


FIG 607

POSITION & DRAFT LEVER

년/월  
Year/Month

2022-12



T654-K-607

NOTE

| FIG 607<br>T654SMEU1 |         | POSITION & DRAFT LEVER |                               |            |        |                | 년/월<br>Year/Month |  |
|----------------------|---------|------------------------|-------------------------------|------------|--------|----------------|-------------------|--|
|                      |         |                        |                               |            |        |                | 2022-12           |  |
| KEY NO               | PART NO | DESCRIPTION            | SPEC                          | QTY        | REPAIR | EFFECTIVE DATE | REMARKS           |  |
| 607                  | 1       | 19997092101            | REVER SUB , POSITION/DRAFT    | 1X1X1      | 1      |                |                   |  |
| 607                  | 101     | 14527092110            | SHAFT                         | D=16       | 1      |                |                   |  |
| 607                  | 102     | V7081400150            | E-RING                        | 15         | 2      |                |                   |  |
| 607                  | 103     | 19997092201GB          | LEVER COMP , POSITION         | 400*50*100 | 1      |                |                   |  |
| 607                  | 104     | 14527092120            | BUSH, NYLON/16X18X27          | 1X1X1      | 2      |                |                   |  |
| 607                  | 105     | 14527092251            | COLLER , SPACE                | D=30       | 1      |                |                   |  |
| 607                  | 106     | 19997092301GB          | LEVER COMP , DRAFT            | 400*50*100 | 1      |                |                   |  |
| 607                  | 2       | V2183608020            | BOLT , HEX/SP                 | M8X20      | 2      |                |                   |  |
| 607                  | 3       | 16606742301            | SWITCH ASSY . LIMIT           |            | 1      |                |                   |  |
| 607                  | 4       | V1222604025            | SCREW , C/R PAN/SP            | M4X25      | 2      |                |                   |  |
| 607                  | 5       | V7081400080            | E-RING                        | 8          | 2      |                |                   |  |
| 607                  | 6       | 14527090020            | CAM , SENSER                  | 1X1X1      | 1      |                |                   |  |
| 607                  | 8       | V4111600060            | WASHER , PLAIN                | M6         | 2      |                |                   |  |
| 607                  | 9       | V5001920020            | PIN , SPLIT                   | 2X20       | 2      |                |                   |  |
| 607                  | 10      | 19995070120            | PLATE , POSITION              | 19X6T      | 1      |                |                   |  |
| 607                  | 11      | 19995070140            | PLATE , DRAFTER               | 19X6T      | 1      |                |                   |  |
| 607                  | 12      | V3043600100            | NUT , HEX/2                   | M10        | 4      |                |                   |  |
| 607                  | 13      | 17995070140            | PLATE , C                     | 3.2T       | 1      |                |                   |  |
| 607                  | 14      | 17995070150            | BOLT , SUPPORT                | H14X108.9  | 1      |                |                   |  |
| 607                  | 15      | V4011600100            | WASHER , SPRING               | M10        | 2      |                |                   |  |
| 607                  | 16      | 17995070170            | PLATE , D                     | 3.2TX90X50 | 1      |                |                   |  |
| 607                  | 17      | 17995070180            | SPRING                        | 33X23      | 1      |                |                   |  |
| 607                  | 18      | V7081400120            | E-RING                        | 12         | 1      |                |                   |  |
| 607                  | 19      | 17995070200            | PLATE , A                     | 3.2TX40X62 | 2      |                |                   |  |
| 607                  | 20      | 13835070210            | PLATE , FRICTION              |            | 3      |                |                   |  |
| 607                  | 21      | 14525070221            | ARM COMP , POSITION           | 1X1X1      | 1      |                |                   |  |
| 607                  | 22      | 14525070230            | ARM COMP , DRAFT LEVER        |            | 1      |                |                   |  |
| 607                  | 23      | 13835070220            | PLATE , FRICTION              |            | 1      |                |                   |  |
| 607                  | 24      | V4111600060            | WASHER , PLAIN                | M6         | 2      |                |                   |  |
| 607                  | 25      | V5001920020            | PIN , SPLIT                   | 2X20       | 2      |                |                   |  |
| 607                  | 26      | V7081400080            | E-RING                        | 8          | 2      |                |                   |  |
| 607                  | 27      | V4111600100            | WASHER , PLAIN                | M10        | 2      |                |                   |  |
| 607                  | 28      | 17995070340            | BOLT , SUPPORT                |            | 1      |                |                   |  |
| 607                  | 29      | 19027592011            | KNOB , AUX LEVER              | 1X1X1      | 2      |                |                   |  |
| 607                  | 30      | V1122804012            | SCREW , C/R FLAT              | M4X12      | 2      |                |                   |  |
| 607                  | 31      | 19997090010            | ROD,SWITCH                    | 6*150*28   | 1      |                |                   |  |
| 607                  | 32      | 19997090210            | PIN , POSITION ROD            | 10.6*32*8  | 1      |                |                   |  |
| 607                  | 33      | V3002600060            | NUT , HEX/1                   | M6         | 2      |                |                   |  |
| 607                  | 34      | 19955070500GB          | ARM COMP , EXTERIOR POSITION  | 1X1X1      | 1      |                |                   |  |
| 607                  | 35      | 15602870024            | BUSH , 16X24X15               |            | 2      |                |                   |  |
| 607                  | 36      | 36212110030            | WASHER , TENSION ARM          |            | 1      |                |                   |  |
| 607                  | 37      | V7041400160            | C-RING , SHAFT                |            | 1      |                |                   |  |
| 607                  | 38      | 18175070700            | CABLE, EXTERNAL POSITION ASSY |            | 1      |                |                   |  |
| 607                  | 39      | 14322420010            | PIN                           |            | 2      |                |                   |  |
| 607                  | 40      | V4111600080            | WASHER , PLAIN                |            | 2      |                |                   |  |
| NOTE                 |         |                        |                               |            |        |                |                   |  |





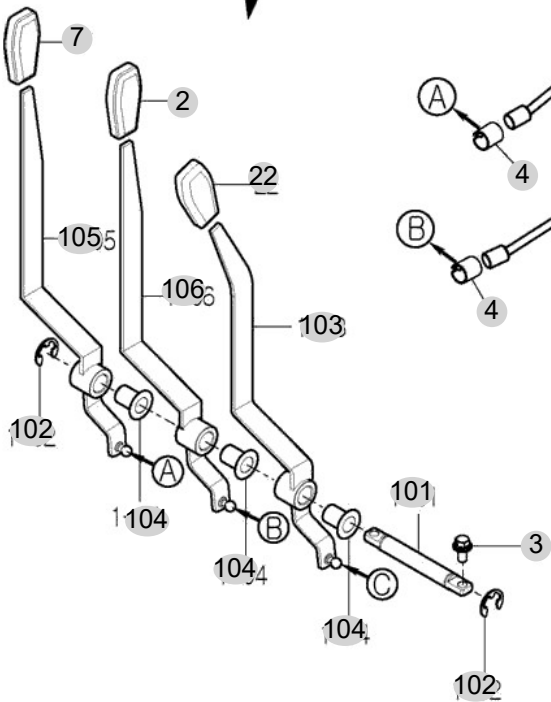
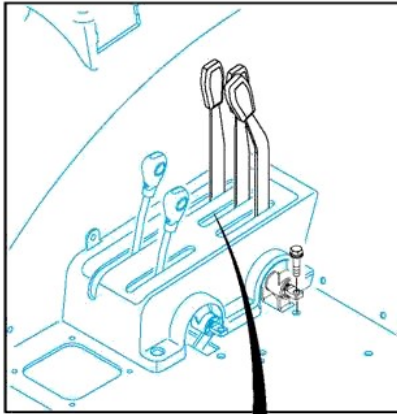
FIG 608

EXTERIOR HYD. VALVE(OPTION\_6P)

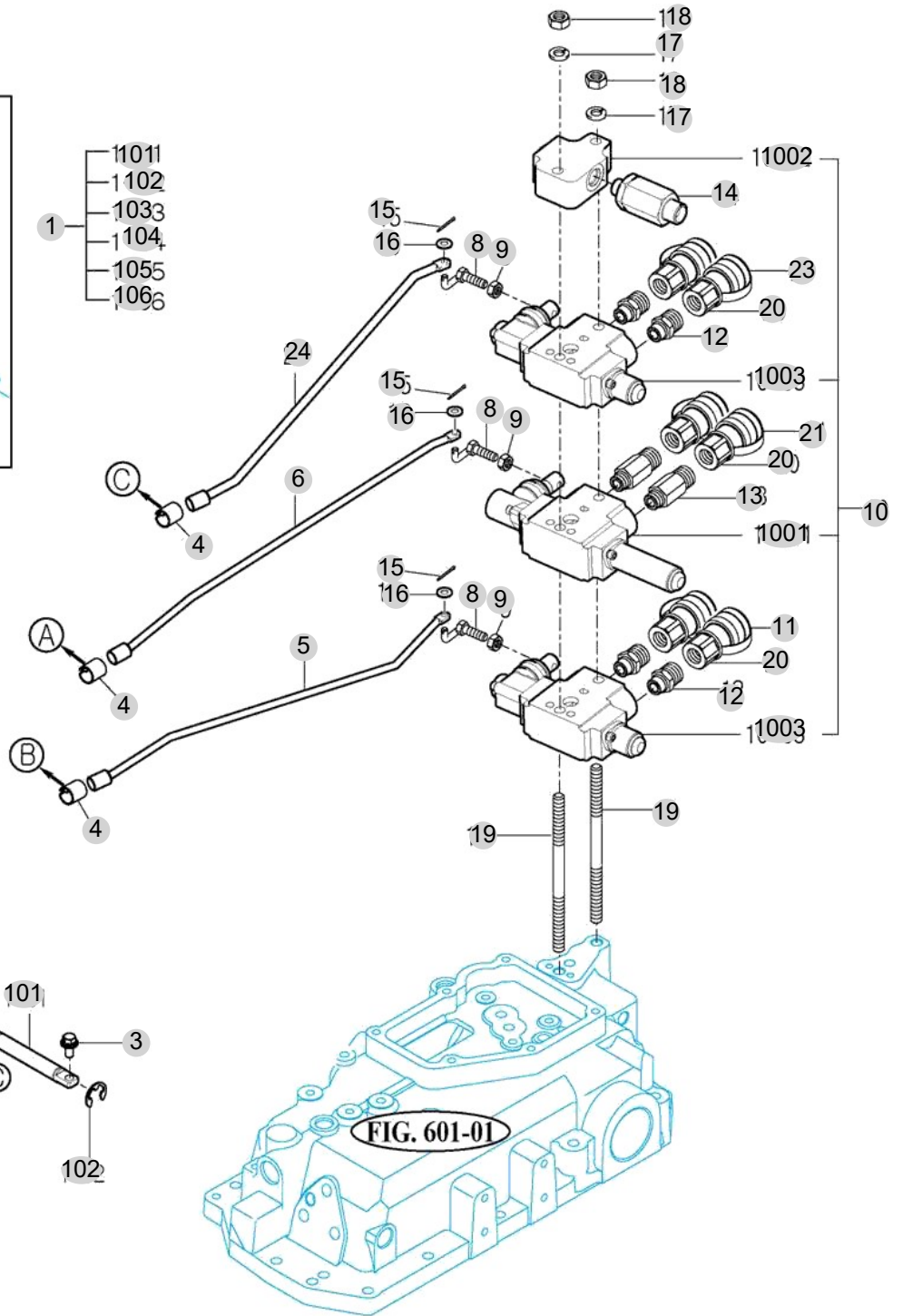
년/월  
Year/Month

2022-12

T654SMEU1



T754-K-608



NOTE



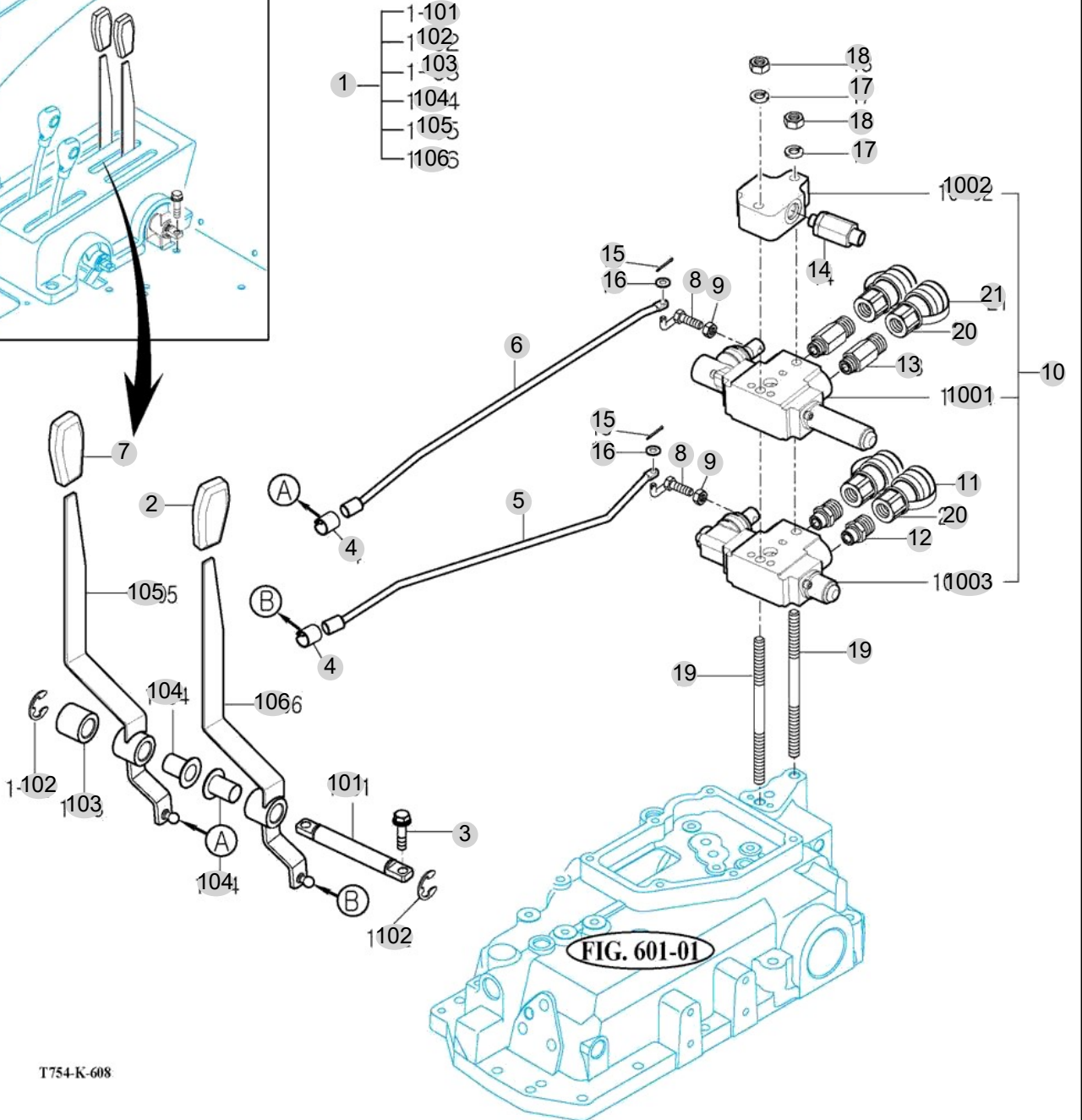
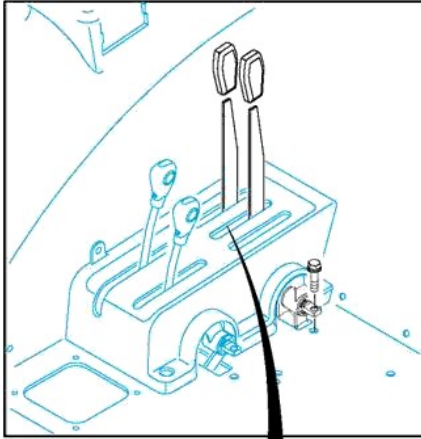
FIG 608

EXTERIOR HYD. VALVE

년/월  
Year/Month

2022-12

T654SMEU1



T754-K-608

NOTE

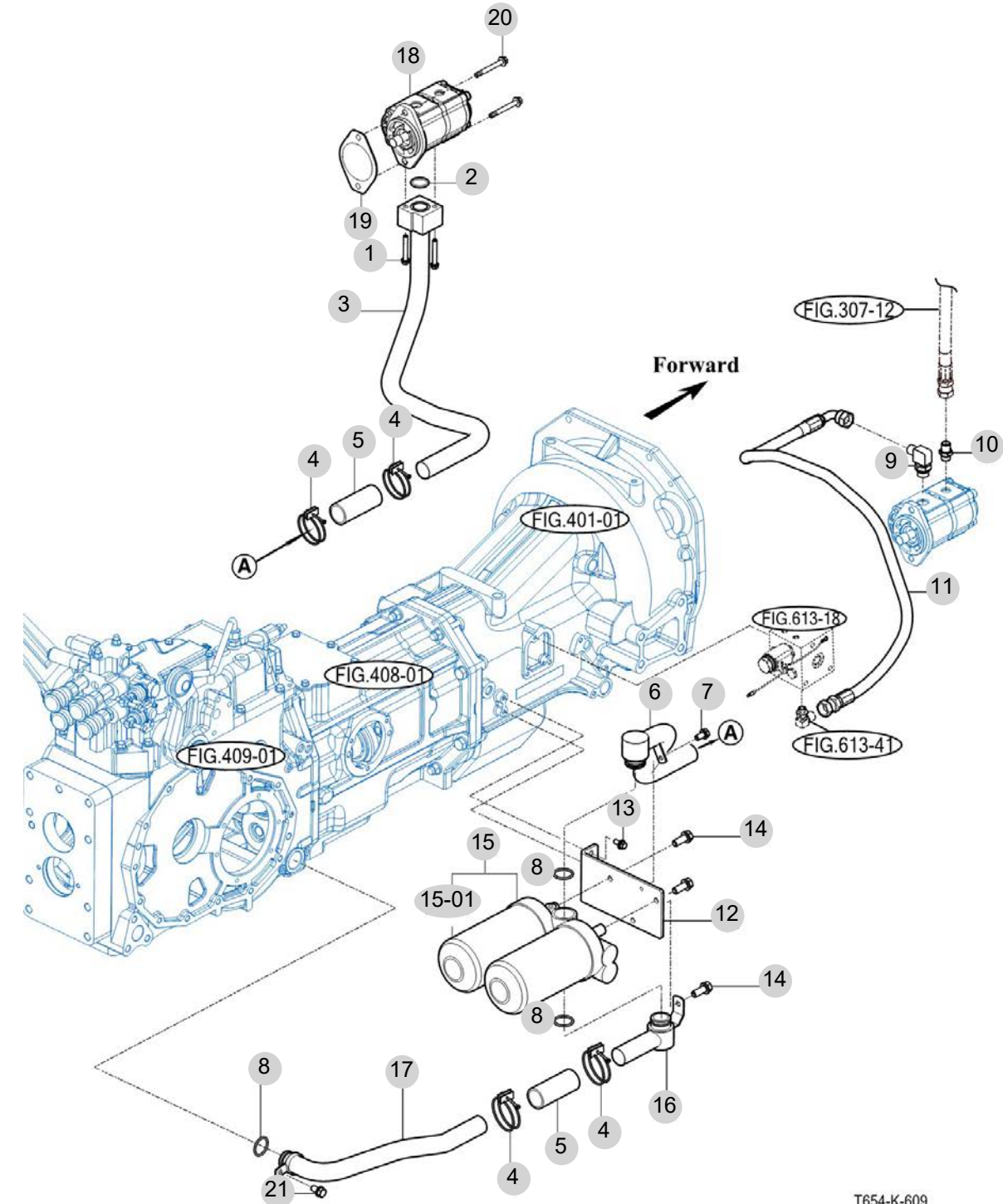


FIG 609

HYDRAULIC PIPE

년/월  
Year/Month

2022-12



T654-K-609

NOTE





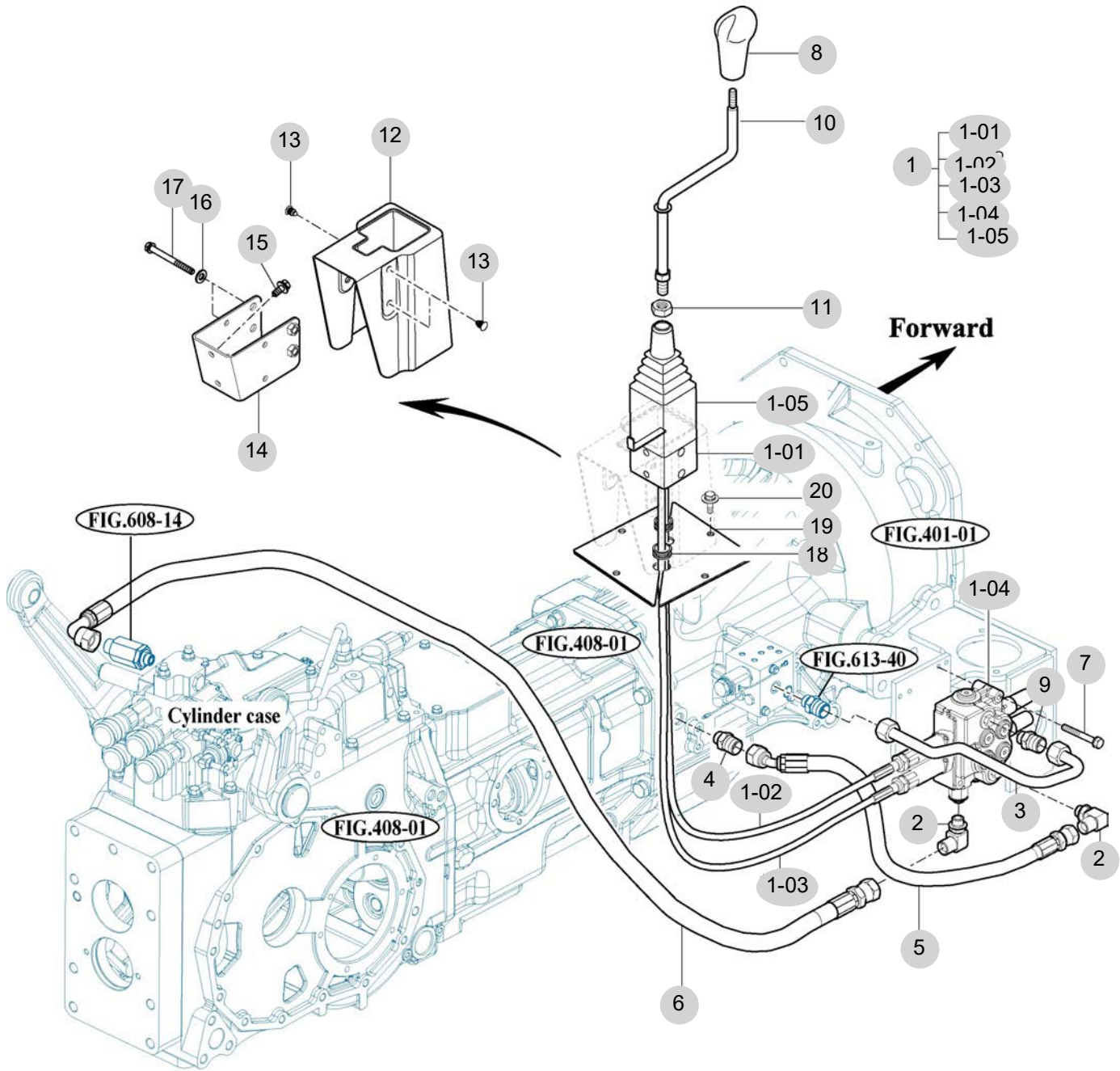
FIG 610

JOYSTICK

년/월  
Year/Month

2022-12

T654SMEU1



T654-K-610

NOTE







| FIG 611B  |      | HITCH & 3-P LINK (EU) |                               |             |      |     |        | 년/월<br>Year/Month |         |
|-----------|------|-----------------------|-------------------------------|-------------|------|-----|--------|-------------------|---------|
|           |      |                       |                               |             |      |     |        | 2022-12           |         |
| T654SMEU1 |      | KEY NO                | PART NO                       | DESCRIPTION | SPEC | QTY | REPAIR | EFFECTIVE DATE    | REMARKS |
| 611B      | 1    | 18015202000GB         | BRACKET COMP , DRAW BAR/SWING | 246*20*440  | 1    |     |        |                   |         |
| 611B      | 2    | V2013614035           | BOLT , HEX                    | M14X35      | 4    |     |        |                   |         |
| 611B      | 3    | V4011600140           | WASHER , SPRING               | M14         | 4    |     |        |                   |         |
| 611B      | 4    | V2013616035           | BOLT , HEX                    | M16X35      | 2    |     |        |                   |         |
| 611B      | 5    | V3043600160           | NUT , HEX/2                   | M16         | 4    |     |        |                   |         |
| 611B      | 6    | V4011600160           | WASHER , SPRING               | M16         | 4    |     |        |                   |         |
| 611B      | 7    | 17332470010GB         | LINK , DRAW BAR SWING         | 65X35X660   | 1    |     |        |                   |         |
| 611B      | 8    | 18992470020GB         | LINK , HITCH                  | 1X1X1       | 1    |     |        |                   |         |
| 611B      | 9    | 17332472010           | PIN , DRAWBAR                 | D=28        | 1    |     |        |                   |         |
| 611B      | 10   | 15189240160           | NUT , NYLON , M16             | 1X1X1       | 2    |     |        |                   |         |
| 611B      | 11   | V2004616080           | BOLT , HEX                    | M16X80      | 2    |     |        |                   |         |
| 611B      | 12   | S0973063031           | PIN ASSY                      | D=19        | 2    |     |        |                   |         |
| 611B      | 13   | V2173610020           | BOLT , HEX/S                  |             | 1    |     |        |                   |         |
| 611B      | 13   | S2169908420           | PIN , SNAP/28                 | 1X1X1       | 1    |     |        |                   |         |
| 611B      | 15   | 14215020020           | PIN , LINK                    |             | 1    |     |        |                   |         |
| 611B      | 16   | 15645220011           | PIN , 19X86                   | D=19        | 2    |     |        |                   |         |
| 611B      | 17   | 14445140051           | PIN , 19                      | D=4.5       | 2    |     |        |                   |         |
| 611B      | 21   | 15705222000GB         | BRACKET COMP                  |             | 1    |     |        |                   |         |
| 611B      | 22   | V2013616035           | BOLT , HEX                    | M16X35      | 3    |     |        |                   |         |
| 611B      | 23   | V4011600080           | WASHER , SPRING               | M8          | 5    |     |        |                   |         |
| 611B      | 24   | 19995222100           | LINK COMP                     | 1X1X1       | 1    |     |        |                   |         |
| 611B      | 25   | 15645250010           | PIN , 19X122                  | D=19        | 2    |     |        |                   |         |
| 611B      | 27   | 15645220020           | PIN , 19X95                   | D=19        | 1    |     |        |                   |         |
| 611B      | 28   | 14445140051           | PIN , 19                      | D=4.5       | 3    |     |        |                   |         |
| 611B      | 29   | 17975254100           | BRACKET COMP , LH             | 1X1X1       | 1    |     |        |                   |         |
| 611B      | 30   | 13605200012GB         | COVER , SHIELD                | 1X1X1       | 1    |     |        |                   |         |
| 611B      | 31   | V2183608016           | BOLT , HEX/SP                 | M8X16       | 4    |     |        |                   |         |
| 611B      | 34   | 17975254200           | BRACKET COMP , RH             | 1X1X1       | 1    |     |        |                   |         |
| 611B      | 35   | V2013614030           | BOLT , HEX                    | M14X30      | 8    |     |        |                   |         |
| 611B      | 38   | 17975252710           | PIN , LOWER LINK              |             | 1    |     |        |                   |         |
| 611B      | 39   | 17975252810           | PIN , LOWER LINK              | 1X1X1       | 1    |     |        |                   |         |
| 611B      | 41   | V4011600140           | WASHER , SPRING               | M14         | 6    |     |        |                   |         |
| 611B      | 43   | V2013614060           | BOLT , HEX                    | M14X60      | 6    |     |        |                   |         |
| 611B      | 50   | 17135200500           | BRACKET ASSY                  | 1X1X1       | 1    |     |        |                   |         |
| 611B      | 55   | 17995201002GB         | LINK ASSY . TOP LINK          | 1X1X1       | 1    |     |        |                   |         |
| 611B      | 5501 | 17995201300           | ROD COMP , RH                 | 1X1X1       | 1    |     |        |                   |         |
| 611B      | 5502 | 17995201101           | ROD COMP , LH                 |             | 1    |     |        |                   |         |
| 611B      | 5503 | 17995201202           | SLEEVE COMP                   | 1X1X1       | 1    |     |        |                   |         |
| 611B      | 5504 | 17995201400           | NUT , LOCK M12                | 육각 B=30     | 1    |     |        |                   |         |
| 611B      | 61   | 17995201500           | BALL , TOP LINK               | 1X1X1       | 1    |     |        |                   |         |
| 611B      | 63   | 14215020020           | PIN , LINK                    |             | 2    |     |        |                   |         |
| 611B      | 80   | 17995253005           | LINK ASSY , ADJUSTER          | 566X58X44   | 2    |     |        |                   |         |
| 611B      | 81   | 17995253102           | ROD ASSY , TIE                | 1X1X1       | 2    |     |        |                   |         |
| 611B      | 82   | 17995253200           | PIN COMP                      |             | 1    |     |        |                   |         |
| 611B      | 82   | 19405206400           | LINCHPIN(14) ASSY             | 1X1X1       | 4    |     |        |                   |         |
| NOTE      |      |                       |                               |             |      |     |        |                   |         |



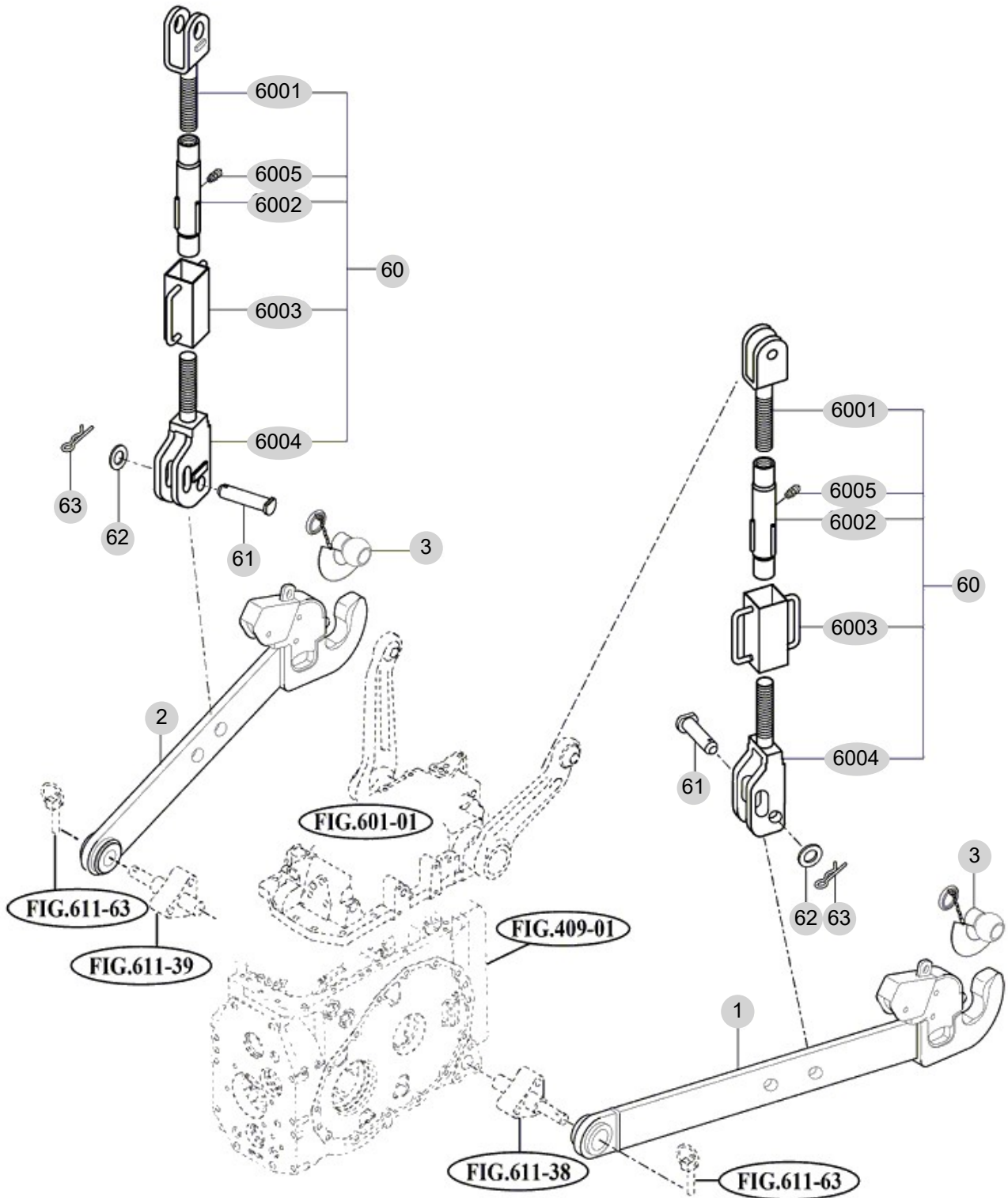
FIG 612B

T654SMEU1

LOWER LINK & LIFT ROD(EU)

년/월  
Year/Month

2022-12



T654-K-612B

NOTE



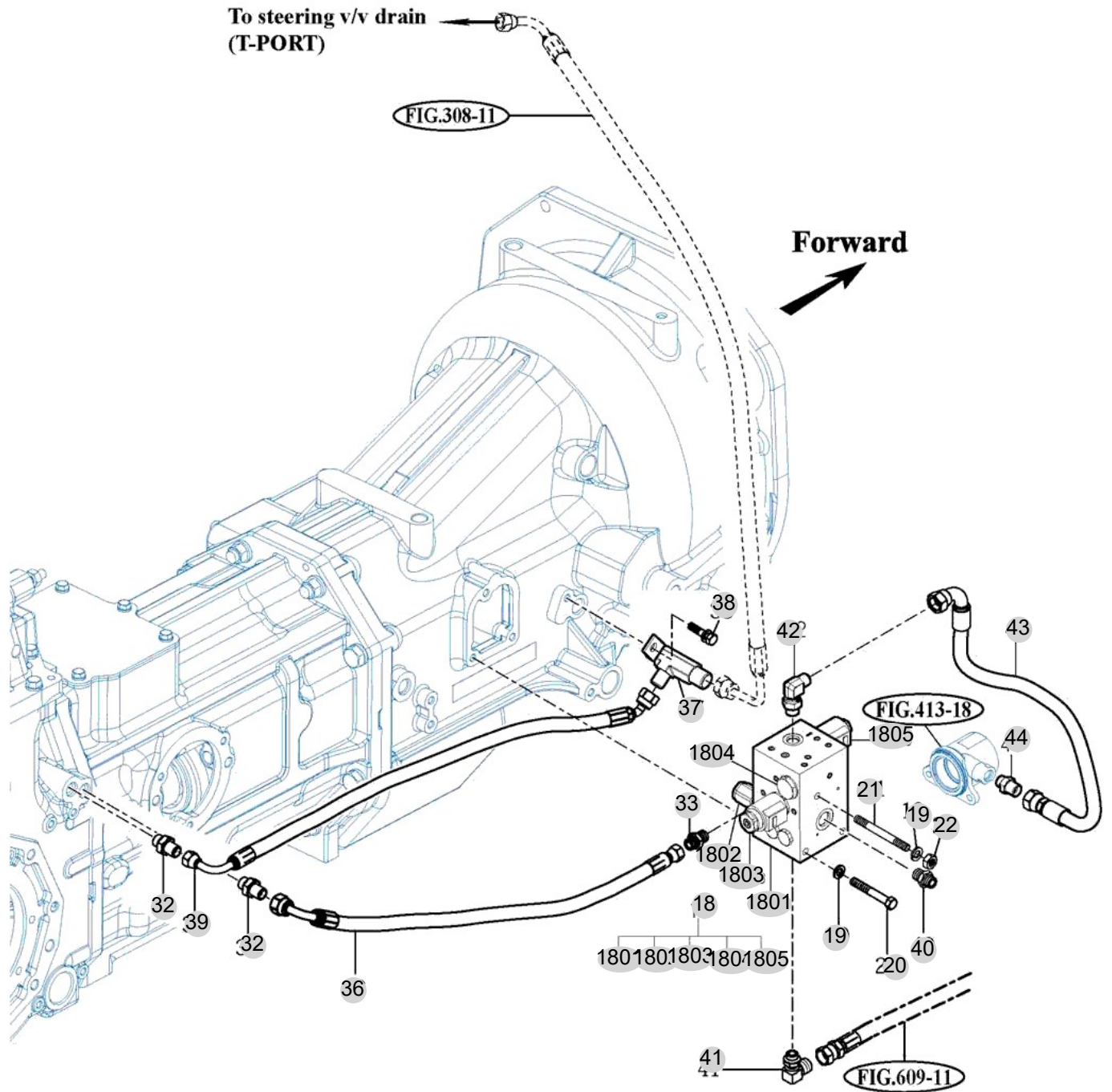
FIG 613-2

HYDRAULIC HOSE(EU)

년/월  
Year/Month

2022-12

T654SMEU1



T654-K-614

NOTE



## 7. Sheet Metal & Cabin PART NO. T7

|                                   |     |
|-----------------------------------|-----|
| FIG 701 HOOD                      | 189 |
| FIG 702 FRONT FRAME               | 191 |
| FIG 703 SIDE SUPPORT & FRAME HOOD | 193 |
| FIG 704 LEVER COVER & STEP        | 196 |
| FIG 705 FRONT & REAR MOUNTING     | 198 |
| FIG 706 SEAT & MAT                | 200 |
| FIG 709 DOOR                      | 202 |
| FIG 710 FRONT GLASS               | 205 |
| FIG 711 SIDE GLASS                | 207 |
| FIG 712 REAR GLASS                | 209 |
| FIG 713 SUB FENDER & COVER        | 211 |
| FIG 714 MIRROR                    | 213 |
| FIG 715 HEATER & AIR-CON          | 215 |
| FIG 715-2 HEATER & AIR-CON        | 217 |
| FIG 716 FENDER COVER              | 219 |
| FIG 717 ROOF                      | 221 |
| FIG 718 CABIN INTERIOR            | 223 |



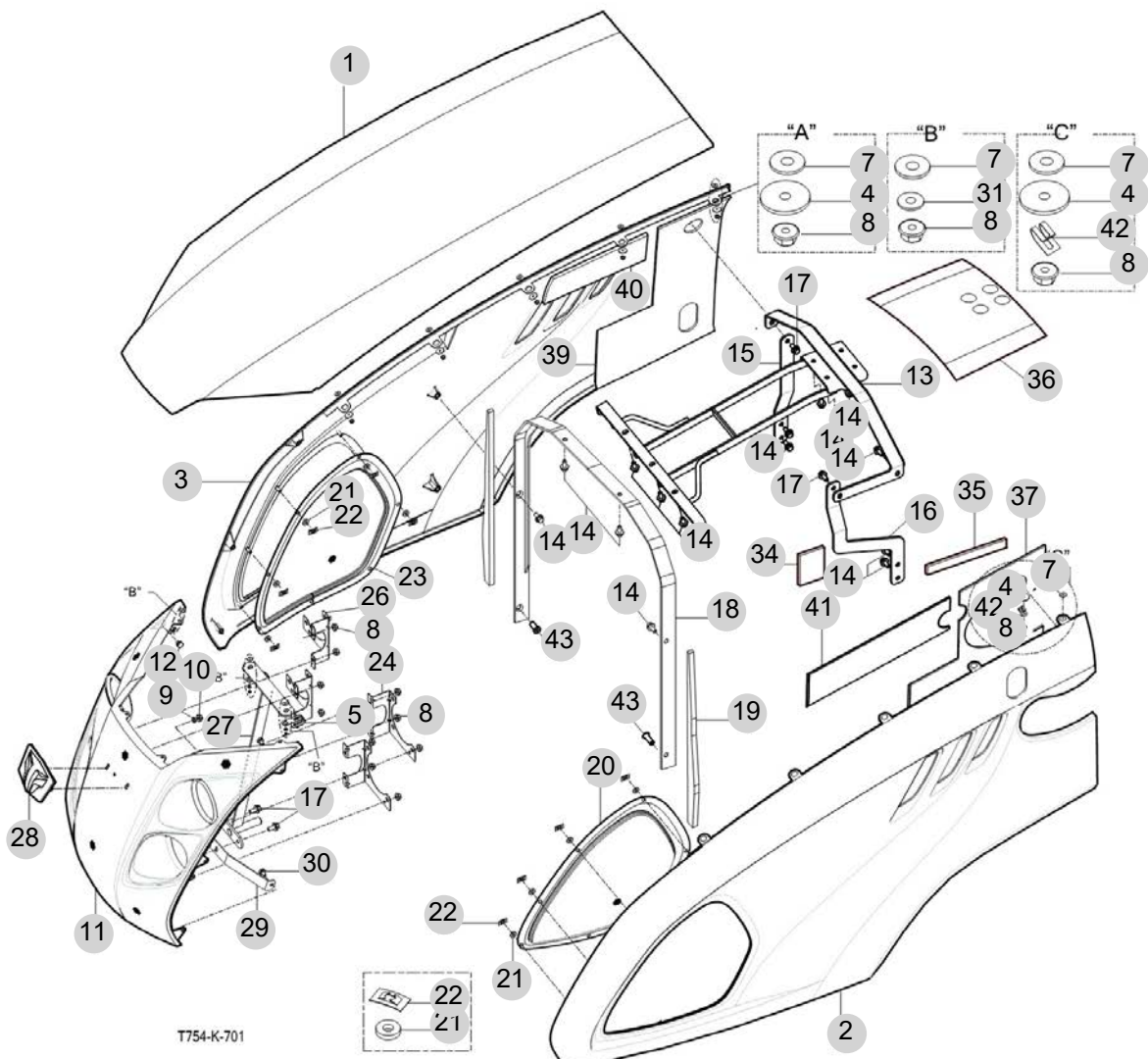
FIG 701

T654SMEU1

HOOD

년/월  
Year/Month

2022-12



NOTE

| FIG 701   |         | HOOD          |                           |                        |        |                | 년/월        |  |
|-----------|---------|---------------|---------------------------|------------------------|--------|----------------|------------|--|
|           |         |               |                           |                        |        |                | Year/Month |  |
| T654SMEU1 |         |               |                           | 2022-12                |        |                |            |  |
| KEY NO    | PART NO | DESCRIPTION   | SPEC                      | QTY                    | REPAIR | EFFECTIVE DATE | REMARKS    |  |
| 701       | 1       | 17136112100SR | HOOD COVER COMP           | 1253.6X542.4X3<br>47.5 | 1      |                |            |  |
| 701       | 2       | 17136112201SR | PANEL COMP , LH SIDE      |                        | 1      |                |            |  |
| 701       | 3       | 17136112300SR | PANEL COMP , RH SIDE      | 1338.7X764.9X1<br>20   | 1      |                |            |  |
| 701       | 4       | 19026112050   | WASHER , 6X30X2.3         | T=2.3                  | 10     |                |            |  |
| 701       | 5       | 14256210040   | CLAMP , 9                 |                        | 2      |                |            |  |
| 701       | 7       | 35605033020   | WASHER , WIRE WITHDRAWAL  | T=1.6                  | 14     |                |            |  |
| 701       | 8       | V3802600060   | NUT , HEX FLANGE          | M6                     | 26     |                |            |  |
| 701       | 9       | V4111600060   | WASHER , PLAIN            |                        | 2      |                |            |  |
| 701       | 10      | V3802600060   | NUT , HEX FLANGE          |                        | 2      |                |            |  |
| 701       | 11      | 17136112401GB | COVER COMP , FRONT GRILLE | 548X521.6X382.<br>6    | 1      |                |            |  |
| 701       | 12      | V2193606016   | BOLT , HEX/SPL            | M6X16                  | 4      |                |            |  |
| 701       | 13      | 18026112500GB | FRAME COMP , HOOD         |                        | 1      |                |            |  |
| 701       | 14      | V2183608016   | BOLT , HEX/SP             | M8X16                  | 16     |                |            |  |
| 701       | 15      | 17136112090GB | PLATE , RH                | 344X32X33              | 1      |                |            |  |
| 701       | 16      | 17136112081GB | PLATE , LH                | 177X344X33             | 1      |                |            |  |
| 701       | 17      | V2183608020   | BOLT , HEX/SP             | M8X20                  | 4      |                |            |  |
| 701       | 18      | 10016112701GB | FRONT FRAME COMP, HOOD    | 1X1X1                  | 1      |                |            |  |
| 701       | 19      | 17136112060   | INSULATOR , SIDE PANEL    | 520X29.5X12            | 2      |                |            |  |
| 701       | 20      | 17136112032GB | GRILLE , LH               |                        | 1      |                |            |  |
| 701       | 21      | 14446010150   | WASHER , NET              |                        | 14     |                |            |  |
| 701       | 22      | V3501600060   | NUT, PUSH-ON SPRING       | M6                     | 14     |                |            |  |
| 701       | 23      | 17136112042GB | GRILLE , RH               |                        | 1      |                |            |  |
| 701       | 24      | 17136410010GB | PLATE , LH LAMP           | 129X124X46.2           | 2      |                |            |  |
| 701       | 26      | 17136410020GB | PLATE , RH LAMP           | 129X124X46.2           | 2      |                |            |  |
| 701       | 27      | 17136112601GB | PIN COMP , HOOD/LOCK      | 116X404X192            | 1      |                |            |  |
| 701       | 28      | 17136010100   | EMBLEM ASSY , HOOD        |                        | 1      |                |            |  |
| 701       | 29      | 17136112800GB | BRACKET , GRILL           | 1*1*1                  | 1      |                |            |  |
| 701       | 30      | V2193606020   | BOLT , HEX/SPL            | M6X20                  | 2      |                |            |  |
| 701       | 31      | V4111600060   | WASHER , PLAIN            | M6                     | 4      |                |            |  |
| 701       | 34      | 17136110500   | INSULATOR , A             | 120*80*10              | 1      |                |            |  |
| 701       | 35      | 17136110600   | INSULATOR , C             | 1280*32*10             | 1      |                |            |  |
| 701       | 36      | 17136110800   | INSULATOR , D             | 450*333*5              | 1      |                |            |  |
| 701       | 37      | 17826110030   | INSULATOR , LH/SIDE       |                        | 1      |                |            |  |
| 701       | 39      | 17136110022   | INSULATOR , RH COVER      | 413X534*5              | 1      |                |            |  |
| 701       | 40      | 17136110060   | INSULATOR , F             | 500X208*5              | 1      |                |            |  |
| 701       | 41      | 17136110070   | INSULATOR , G             | 500X208*5              | 1      |                |            |  |
| 701       | 42      | 37371720090   | CLAMP , W/HARNES          |                        | 5      |                |            |  |
| 701       | 43      | V1122808020   | SCREW , C/R FLAT          | M8X20                  | 2      |                |            |  |
|           |         |               |                           |                        |        |                |            |  |
|           |         |               |                           |                        |        |                |            |  |
|           |         |               |                           |                        |        |                |            |  |
|           |         |               |                           |                        |        |                |            |  |
|           |         |               |                           |                        |        |                |            |  |
|           |         |               |                           |                        |        |                |            |  |
|           |         |               |                           |                        |        |                |            |  |
|           |         |               |                           |                        |        |                |            |  |
|           |         |               |                           |                        |        |                |            |  |
|           |         |               |                           |                        |        |                |            |  |
|           |         |               |                           |                        |        |                |            |  |
|           |         |               |                           |                        |        |                |            |  |
|           |         |               |                           |                        |        |                |            |  |
|           |         |               |                           |                        |        |                |            |  |
| NOTE      |         |               |                           |                        |        |                |            |  |

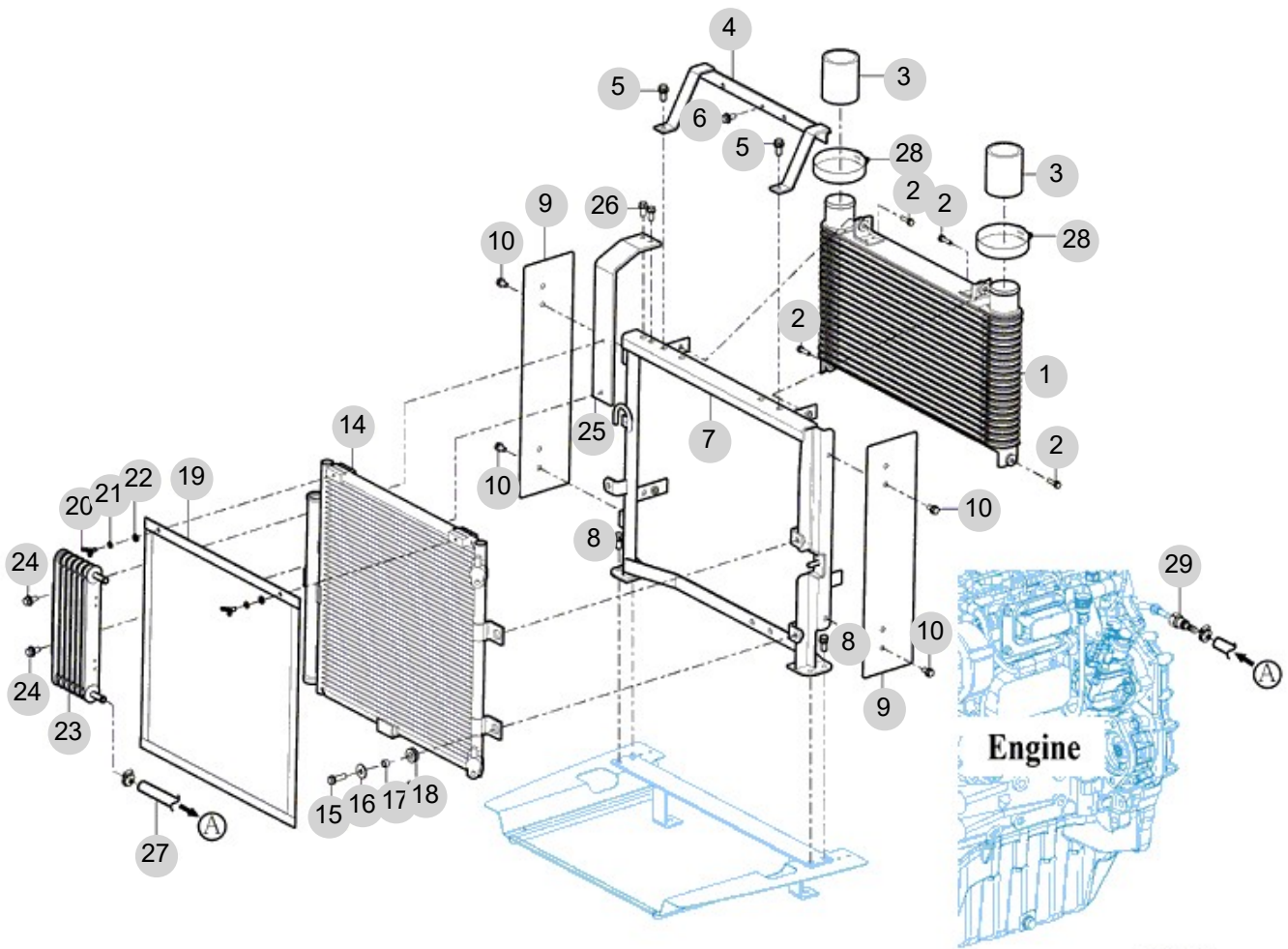
FIG 702

FRONT FRAME

년/월  
Year/Month

2022-12

T654SMEU1



NOTE



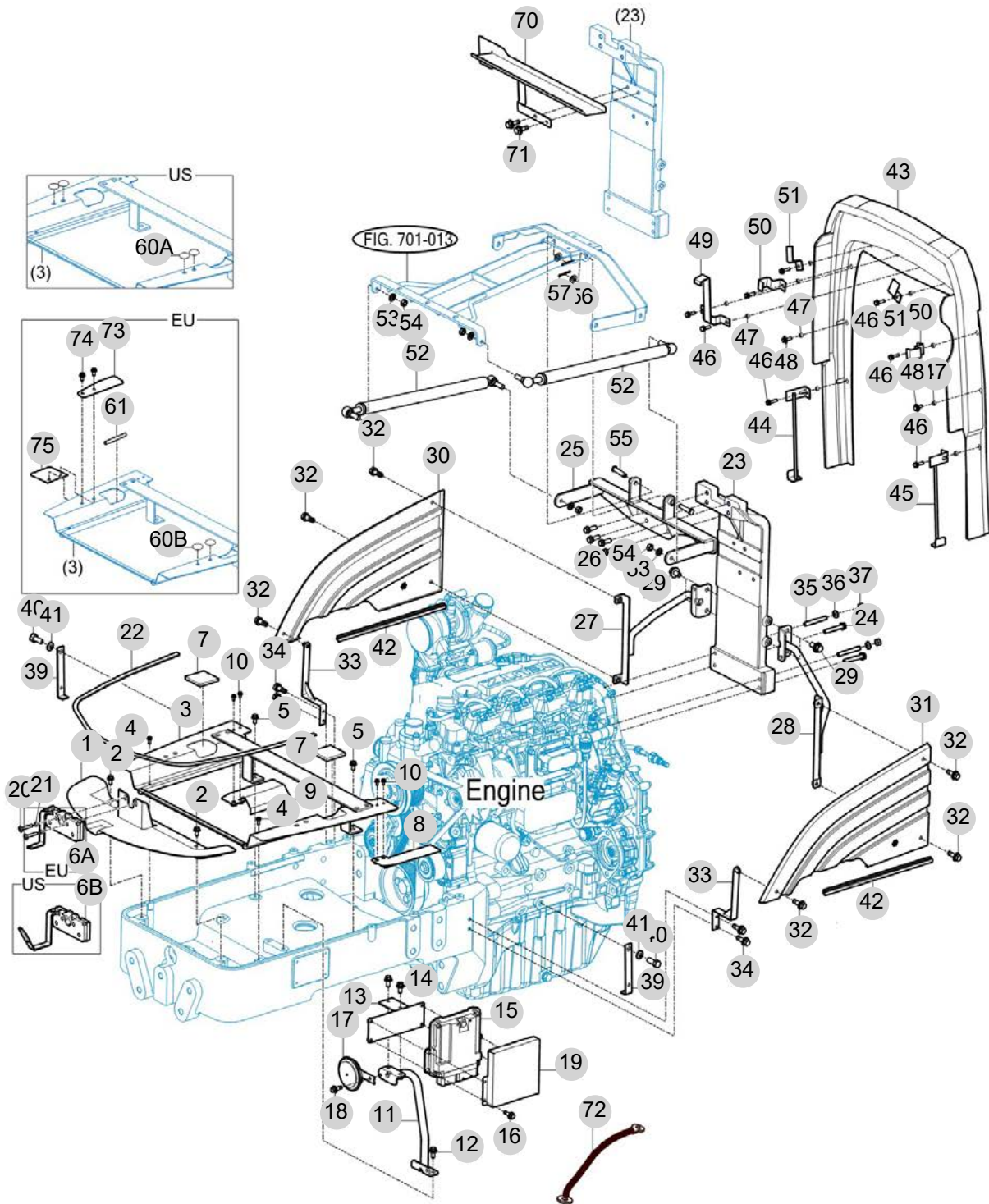
FIG 703

SIDE SUPPORT & FRAME HOOD

년/월  
Year/Month

2022-12

T654SMEU1



T754-K-703

NOTE

| FIG 703<br>T654SMEU1 |         | SIDE SUPPORT & FRAME HOOD |                        |           |        |                | 년/월<br>Year/Month |  |
|----------------------|---------|---------------------------|------------------------|-----------|--------|----------------|-------------------|--|
|                      |         |                           |                        |           |        |                | 2022-12           |  |
| KEY NO               | PART NO | DESCRIPTION               | SPEC                   | QTY       | REPAIR | EFFECTIVE DATE | REMARKS           |  |
| 703                  | 1       | 18014103101GB             | PLATE COMP, LOW/FR     |           | 1      |                |                   |  |
| 703                  | 2       | V2173608020               | BOLT, HEX/S            | M8X20     | 2      |                |                   |  |
| 703                  | 3       | 18026022102GB             | FRAME COMP, BETTERY    |           | 1      |                |                   |  |
| 703                  | 4       | V2113606016               | BOLT, HEX /S           | M6X16     | 2      |                |                   |  |
| 703                  | 5       | V2183608020               | BOLT, HEX/SP           | M8X20     | 2      |                |                   |  |
| 703                  | 6A      | 18026014800               | LOCK COMP, HOOD        |           | 1      |                |                   |  |
| 703                  | 7       | 10031040020               | INSULATOR, RADIATOR    | T=10      | 2      |                |                   |  |
| 703                  | 8       | 17136012400GB             | COVER COMP, LH         | 170X64X37 | 1      |                |                   |  |
| 703                  | 9       | 17136012300GB             | COVER COMP, RH         | 170X64X37 | 1      |                |                   |  |
| 703                  | 10      | V2123606012               | BOLT, HEX /SP          | M6X12     | 4      |                |                   |  |
| 703                  | 11      | 18021051100               | ECU STAND COMP         |           | 1      |                |                   |  |
| 703                  | 11      | 18021051100GB             | ECU STAND COMP         |           | 1      |                |                   |  |
| 703                  | 12      | V2184610025               | BOLT, HEX/SP           | M10X25    | 2      |                |                   |  |
| 703                  | 13      | 18021051200               | BRACKET COMP, ECU      |           | 1      |                |                   |  |
| 703                  | 13      | 18021051200GB             | BRACKET COMP, ECU      |           | 1      |                |                   |  |
| 703                  | 14      | V2184608020               | BOLT, HEX/SP           | M8X20     | 2      |                |                   |  |
| 703                  | 15      | 02959610                  | CONTROL UNIT (ECU)     |           | 1      |                |                   |  |
| 703                  | 16      | V2123606025               | BOLT, HEX /SP          | M6X25     | 4      |                |                   |  |
| 703                  | 17      | 13266212003               | HORN                   |           | 1      |                |                   |  |
| 703                  | 18      | V2123606016               | BOLT, HEX /SP          | M6X16     | 1      |                |                   |  |
| 703                  | 19      | 18021025200GB             | COVER, ECU             |           | 1      |                |                   |  |
| 703                  | 20      | V2053606035               | BOLT, HEX C/R          | M6X35     | 2      |                |                   |  |
| 703                  | 21      | V3802600060               | NUT, HEX FLANGE        | M6        | 2      |                |                   |  |
| 703                  | 22      | 10034100010               | INSULATOR, HOOD        |           | 1      |                |                   |  |
| 703                  | 23      | 18026050011GB             | HOOD SUPPORT           |           | 1      |                |                   |  |
| 703                  | 24      | V2173608050               | BOLT . HEX/S           | M8X50     | 2      |                |                   |  |
| 703                  | 25      | 17136052102GB             | HINGE COMP, HOOD       |           | 1      |                |                   |  |
| 703                  | 25      | 17136052103GB             | HINGE COMP, HOOD       |           | 1      |                |                   |  |
| 703                  | 26      | V2173610035               | BOLT, HEX/S            | M10X35    | 4      |                |                   |  |
| 703                  | 27      | 18026022500GB             | STAY COMP, RH          |           | 1      |                |                   |  |
| 703                  | 28      | 18026022400GB             | STAY COMP, LH          |           | 1      |                |                   |  |
| 703                  | 29      | V2183610020               | BOLT, HEX/SP           | M10X20    | 4      |                |                   |  |
| 703                  | 30      | 17136113021GB             | SUPPORT, RH SIDE       |           | 1      |                |                   |  |
| 703                  | 31      | 17136113011GB             | SUPPORT, LH SIDE       |           | 1      |                |                   |  |
| 703                  | 32      | V2123806012               | BOLT . HEX /SP         | M6X12     | 6      |                |                   |  |
| 703                  | 33      | 18026022600GB             | FRAME COMP, SIDE       |           | 2      |                |                   |  |
| 703                  | 34      | V2183608020               | BOLT, HEX/SP           | M8X20     | 4      |                |                   |  |
| 703                  | 35      | V2513408050               | BOLT, STUD/2           | M8X50     | 2      |                |                   |  |
| 703                  | 36      | V4011600080               | WASHER, SPRING         | M8        | 2      |                |                   |  |
| 703                  | 37      | V3042600080               | NUT, HEX/2             | M8        | 2      |                |                   |  |
| 703                  | 38      | 14541063080               | SEAL, LH               | 1X1X1     | 1      |                |                   |  |
| 703                  | 39      | 18024050010GB             | BRACKET, STEERING HOSE |           | 2      |                |                   |  |
| 703                  | 40      | V2013614030               | BOLT, HEX              | M14X30    | 2      |                |                   |  |
| 703                  | 41      | V4011600140               | WASHER, SPRING         | M14       | 2      |                |                   |  |
| 703                  | 42      | 17136040050               | INSULATOR, SUPPORT     |           | 2      |                |                   |  |
| NOTE                 |         |                           |                        |           |        |                |                   |  |





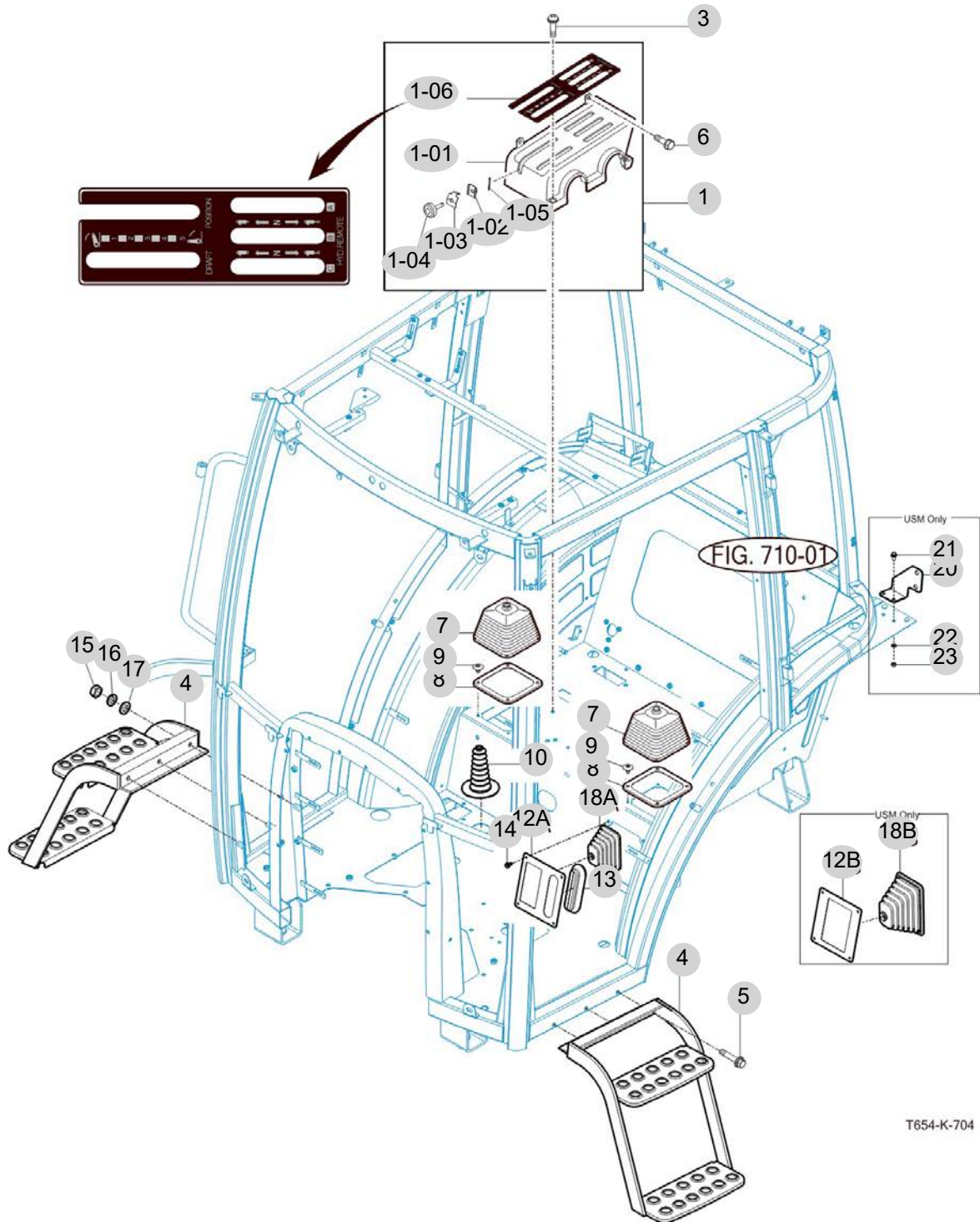
FIG 704

LEVER COVER & STEP

년/월  
Year/Month

2022-12

T654SMEU1



T654-K-704

NOTE





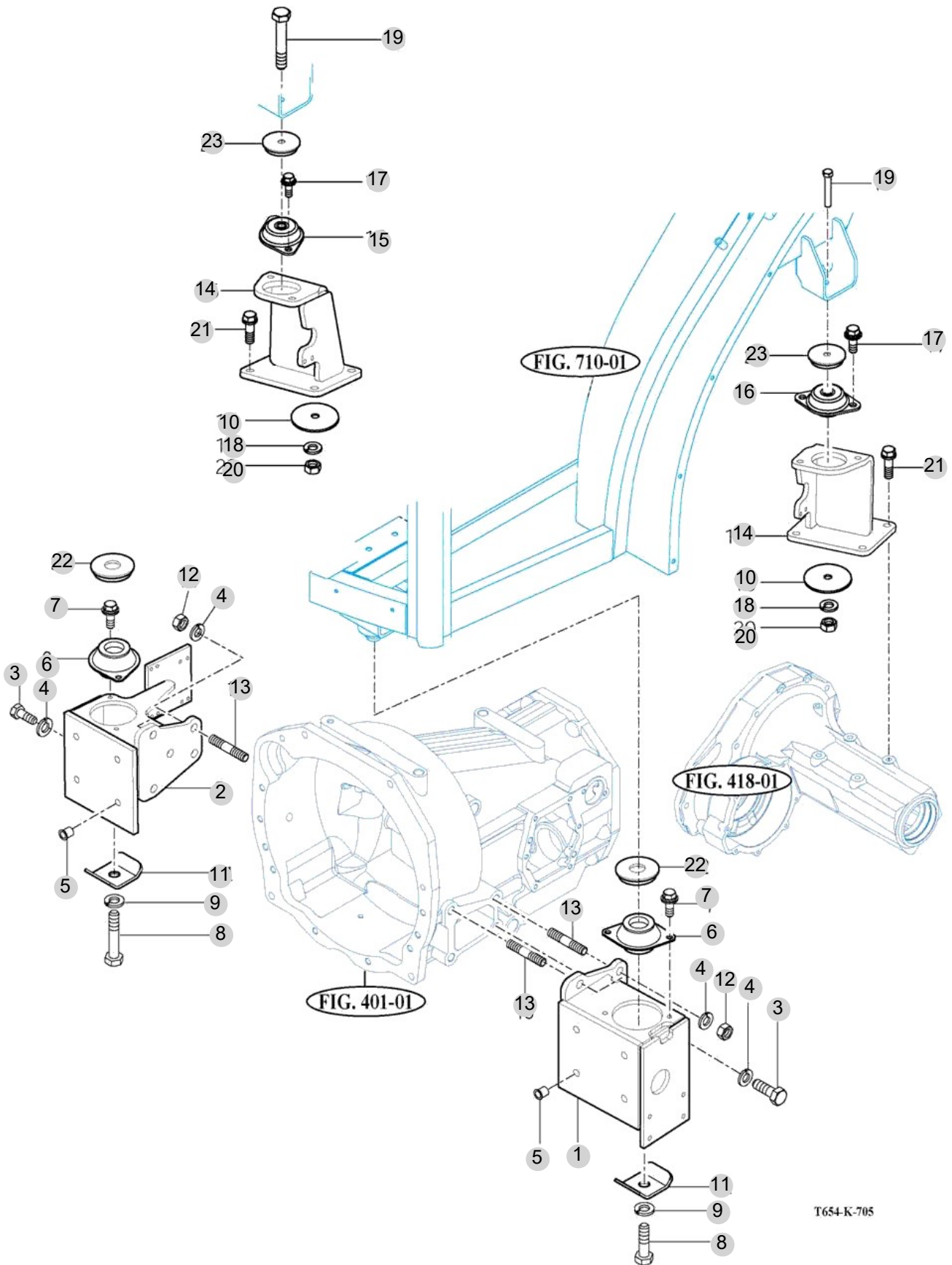
FIG 705

FRONT & REAR MOUNTING

년/월  
Year/Month

2022-12

T654SMEU1



T654-K-705

NOTE



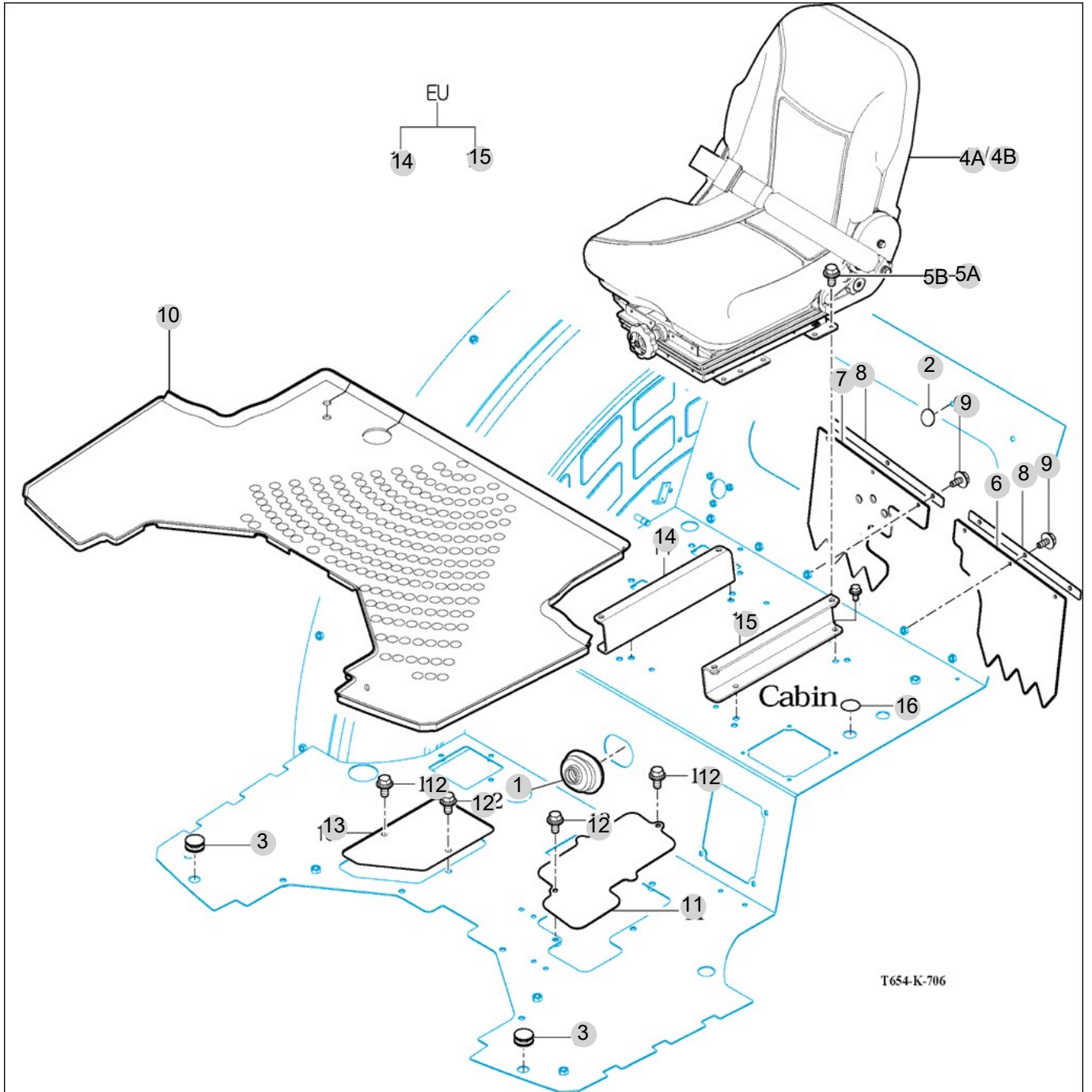
FIG 706

SEAT & MAT

년/월  
Year/Month

2022-12

T654SMEU1



NOTE



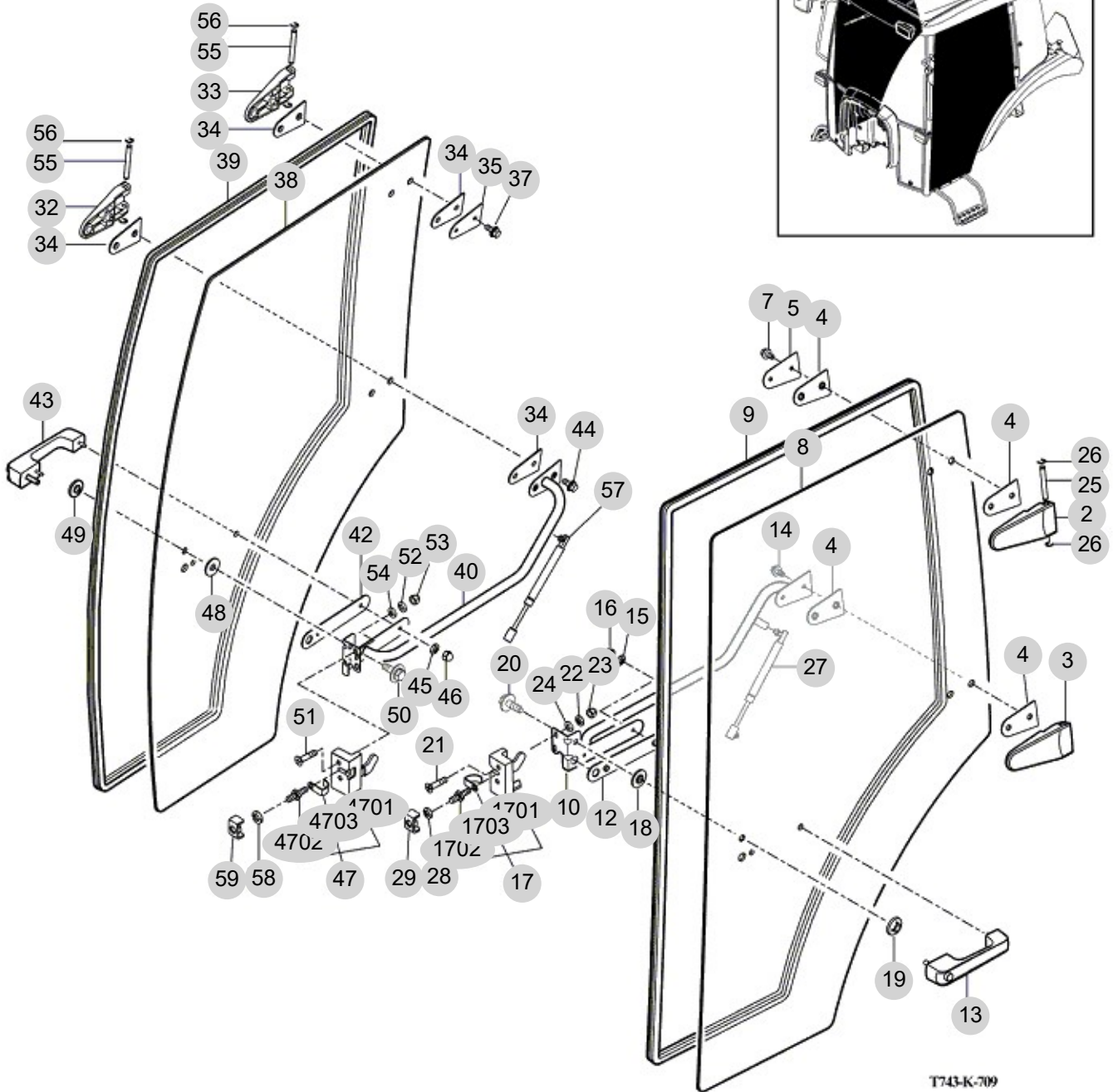
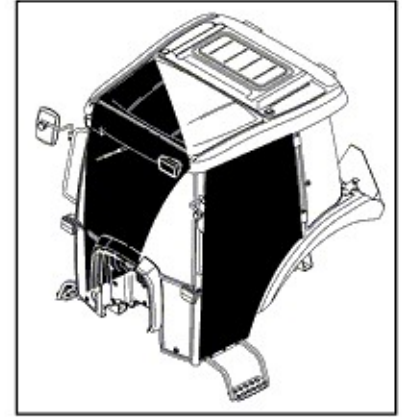
FIG 709

DOOR

년/월  
Year/Month

2022-12

T654SMEU1



NOTE

| FIG 709<br>T654SMEU1 |         | DOOR          |                          |       |        |                | 년/월<br>Year/Month |  |
|----------------------|---------|---------------|--------------------------|-------|--------|----------------|-------------------|--|
|                      |         |               |                          |       |        |                | 2022-12           |  |
| KEY NO               | PART NO | DESCRIPTION   | SPEC                     | QTY   | REPAIR | EFFECTIVE DATE | REMARKS           |  |
| 709                  | 2       | 14527052300   | HINGE COMP , UPR/LH      | 1X1X1 | 1      |                |                   |  |
| 709                  | 3       | 14527052400   | HINGE COMP , UPR/RH      | 1X1X1 | 1      |                |                   |  |
| 709                  | 4       | 14527052110   | GASKET , DOOR HINGE      | 1X1X1 | 4      |                |                   |  |
| 709                  | 5       | 14527052120GB | PLATE , DOOR HINGE       | 1X1X1 | 1      |                |                   |  |
| 709                  | 7       | V2183608020   | BOLT , HEX/SP            | M8X20 | 2      |                |                   |  |
| 709                  | 8       | 14527052131   | GLASS , LH/ DOOR         | 6T    | 1      |                |                   |  |
| 709                  | 9       | 14527052140   | INSULATOR/DOOR           | 1X1X1 | 1      |                |                   |  |
| 709                  | 10      | 14527052500GB | GUIDE COMP ,LH/ DOOR     | 1X1X1 | 1      |                |                   |  |
| 709                  | 12      | 14527052150   | GASKET,DOOR GRIP         | 1X1X1 | 1      |                |                   |  |
| 709                  | 13      | 14527052600   | GRIP ASSY, LOCK/HANDLE   | 1X1X1 | 1      |                |                   |  |
| 709                  | 14      | V2183608020   | BOLT , HEX/SP            | M8X20 | 2      |                |                   |  |
| 709                  | 15      | V4011600060   | WASHER , SPRING          | M6    | 2      |                |                   |  |
| 709                  | 16      | V3402700060   | NUT , HEX CAP            | M6    | 2      |                |                   |  |
| 709                  | 17      | 14527052700   | LOCK SET , LH/DOOR       | 1X1X1 | 1      |                |                   |  |
| 709                  | 1701    | 14527052710   | LOCK ASSY, LH/DOOR       | 1X1X1 | 1      |                |                   |  |
| 709                  | 1702    | 14527052720   | STRIKER                  | 1X1X1 | 1      |                |                   |  |
| 709                  | 1703    | 14527052730   | GUARD                    | 1X1X1 | 1      |                |                   |  |
| 709                  | 18      | 15817401130   | GROMMET , 13X17X02       |       | 1      |                |                   |  |
| 709                  | 19      | 14527042500   | NUT COMP , GLASS         | 1X1X1 | 1      |                |                   |  |
| 709                  | 20      | V2193606012   | BOLT , HEX/SPL           | M6X12 | 1      |                |                   |  |
| 709                  | 21      | V1122608040   | SCREW , C/R FLAT         | M8X40 | 2      |                |                   |  |
| 709                  | 22      | V4011600080   | WASHER , SPRING          | M8    | 2      |                |                   |  |
| 709                  | 23      | V3412700080   | NUT , SMALL CAP          | M8    | 2      |                |                   |  |
| 709                  | 24      | V4111600080   | WASHER , PLAIN           | M8    | 2      |                |                   |  |
| 709                  | 25      | 14527041110   | PIN, HINGE DOOR          | D=8   | 2      |                |                   |  |
| 709                  | 26      | V7082400070   | E-RING                   | 7     | 4      |                |                   |  |
| 709                  | 27      | 14527301080   | DAMPER ASSY , DOOR       | 1X1X1 | 1      |                |                   |  |
| 709                  | 28      | V4011600100   | WASHER , SPRING          | M10   | 1      |                |                   |  |
| 709                  | 29      | 14527062500GB | BRACKET COMP , DOOR LOCK | 1X1X1 | 1      |                |                   |  |
| 709                  | 32      | 14527052300   | HINGE COMP , UPR/LH      | 1X1X1 | 1      |                |                   |  |
| 709                  | 33      | 14527052400   | HINGE COMP , UPR/RH      | 1X1X1 | 1      |                |                   |  |
| 709                  | 34      | 14527052110   | GASKET , DOOR HINGE      | 1X1X1 | 4      |                |                   |  |
| 709                  | 35      | 14527052120GB | PLATE , DOOR HINGE       | 1X1X1 | 1      |                |                   |  |
| 709                  | 37      | V2183608020   | BOLT , HEX/SP            | M8X20 | 2      |                |                   |  |
| 709                  | 38      | 14527053131   | GLASS , RH/ DOOR         | 6T    | 1      |                |                   |  |
| 709                  | 39      | 14527052140   | INSULATOR/DOOR           | 1X1X1 | 1      |                |                   |  |
| 709                  | 40      | 14527053500GB | GUIDE COMP ,RH/DOOR      | 1X1X1 | 1      |                |                   |  |
| 709                  | 42      | 14527052150   | GASKET,DOOR GRIP         | 1X1X1 | 1      |                |                   |  |
| 709                  | 43      | 14527052600   | GRIP ASSY, LOCK/HANDLE   | 1X1X1 | 1      |                |                   |  |
| 709                  | 44      | V2183608020   | BOLT , HEX/SP            | M8X20 | 2      |                |                   |  |
| 709                  | 45      | V4011600060   | WASHER , SPRING          | M6    | 2      |                |                   |  |
| 709                  | 46      | V3402700060   | NUT , HEX CAP            | M6    | 2      |                |                   |  |
| 709                  | 47      | 14527053700   | LOCK SET , RH/DOOR       | 1X1X1 | 1      |                |                   |  |
| 709                  | 4701    | 14527053710   | LOCK ASSY, RH/DOOR       | 1X1X1 | 1      |                |                   |  |
| 709                  | 4702    | 14527052720   | STRIKER                  | 1X1X1 | 1      |                |                   |  |
| NOTE                 |         |               |                          |       |        |                |                   |  |



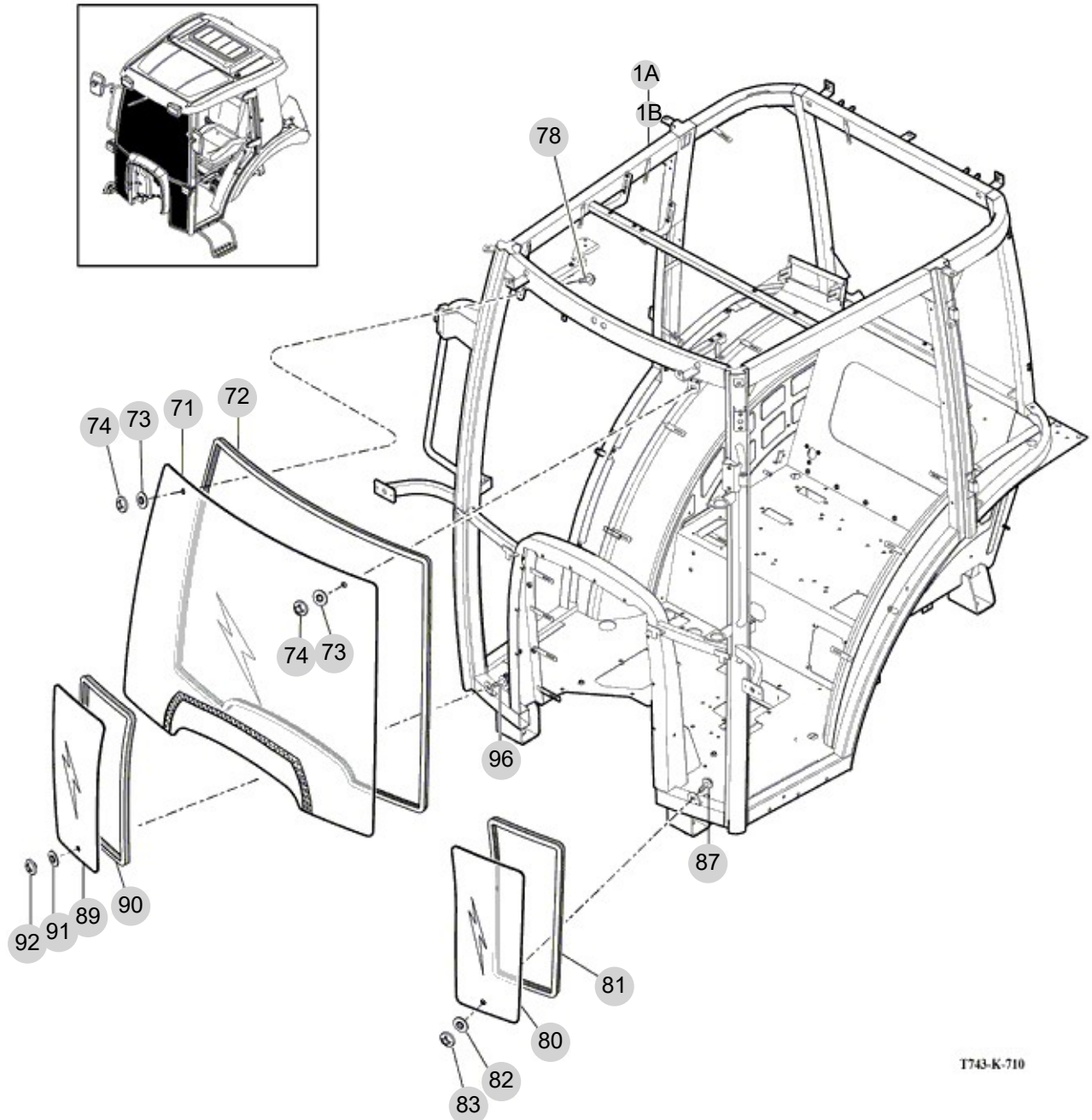


FIG 710

FRONT GLASS

년/월  
Year/Month

2022-12



T743-K-710

NOTE



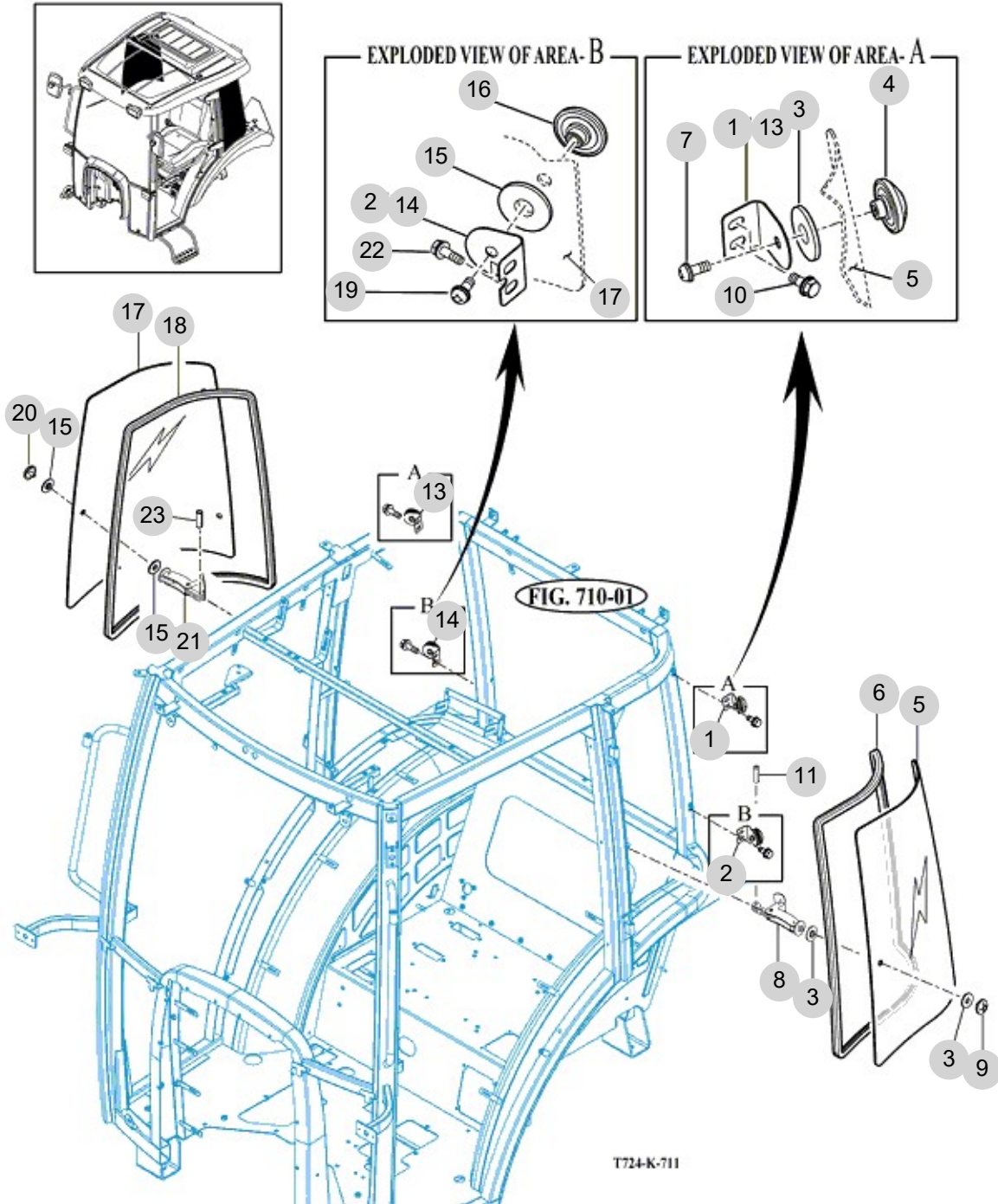
FIG 711

SIDE GLASS

년/월  
Year/Month

2022-12

T654SMEU1



NOTE



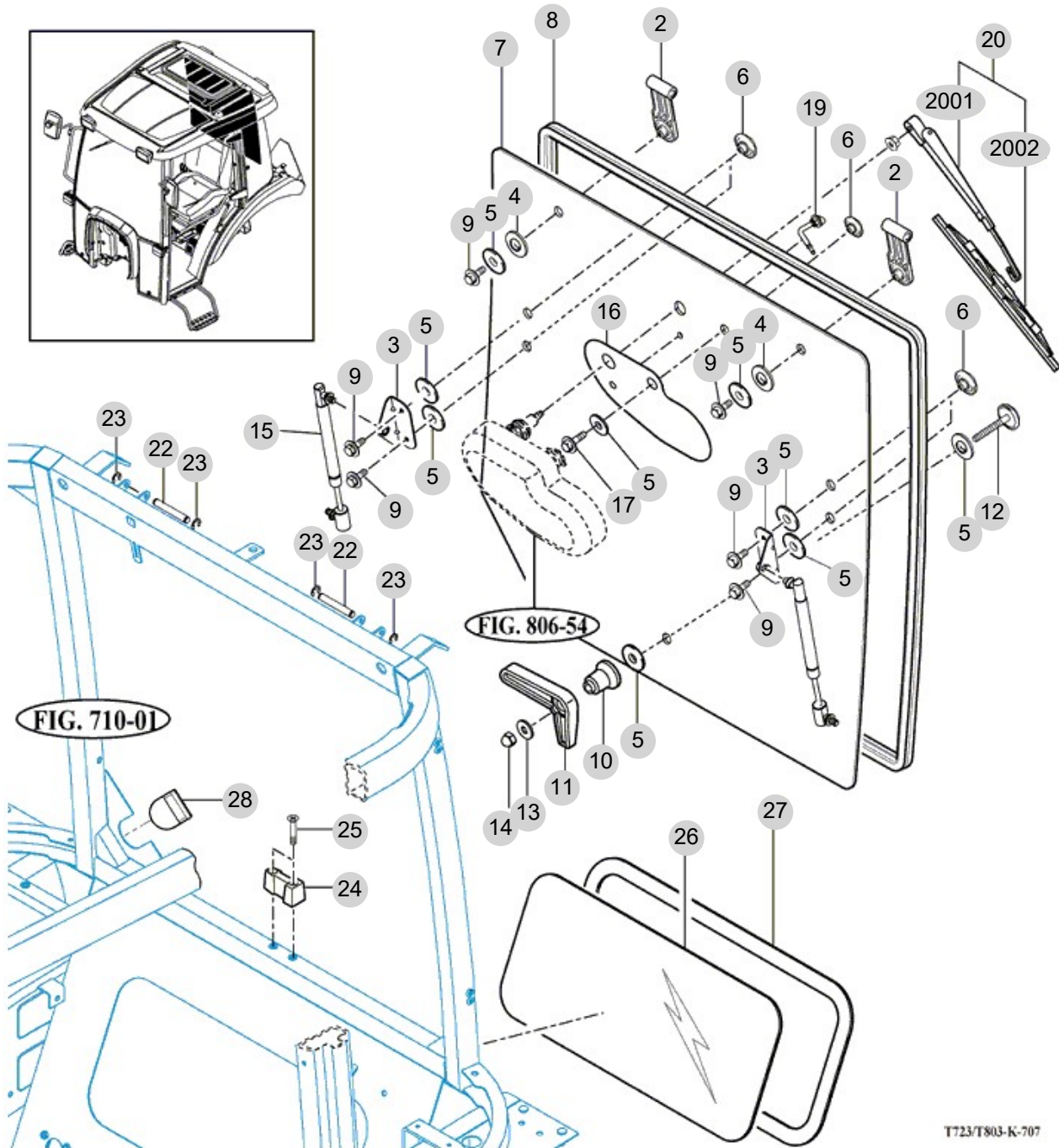
FIG 712

REAR GLASS

년/월  
Year/Month

2022-12

T654SMEU1



T723/T803-K-707

NOTE





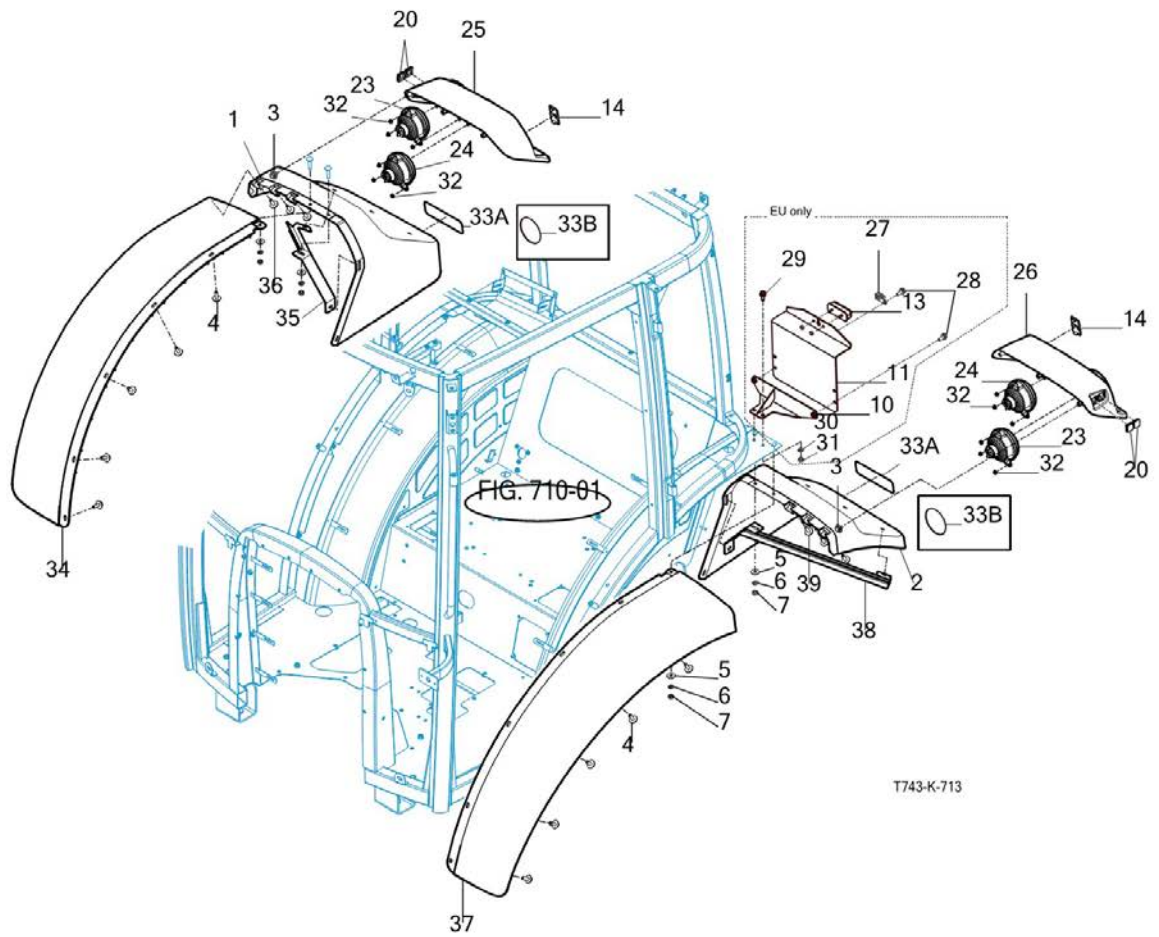
FIG 713

SUB FENDER & COVER

년/월  
Year/Month

2022-12

T654SMEU1



T743-K-713

NOTE

|                |  |                               |  |  |  |  |                   |  |
|----------------|--|-------------------------------|--|--|--|--|-------------------|--|
| <b>FIG 713</b> |  | <b>SUB FENDER &amp; COVER</b> |  |  |  |  | 년/월<br>Year/Month |  |
| T654SMEU1      |  |                               |  |  |  |  | 2022-12           |  |

| KEY NO | PART NO | DESCRIPTION   | SPEC                              | QTY   | REPAIR | EFFECTIVE DATE | REMARKS |
|--------|---------|---------------|-----------------------------------|-------|--------|----------------|---------|
| 713    | 1       | 18017064012SR | FENDER , RH                       | 1     |        |                |         |
| 713    | 1       | 11447064020SR | FENDER , RH                       | 1     |        |                |         |
| 713    | 2       | 18017063012SR | FENDER , LH                       | 1     |        |                |         |
| 713    | 2       | 11447063020SR | FENDER , LH                       | 1     |        |                |         |
| 713    | 3       | V2193606012   | BOLT , HEX/SPL                    | M6X12 | 12     |                |         |
| 713    | 4       | V2193606020   | BOLT , HEX/SPL                    | M6X20 | 10     |                |         |
| 713    | 5       | 16997013020   | WASHER , EVAPORATOR COVER         |       | 8      |                |         |
| 713    | 6       | V4011600060   | WASHER , SPRING                   | M6    | 8      |                |         |
| 713    | 7       | V3012600060   | NUT , HEX/2                       | M6    | 8      |                |         |
| 713    | 10      | 18017015501GB | BRACKET COMP , NUMBER PLATE       |       | 1      |                |         |
| 713    | 11      | 13607010012GB | NUMBER PLATE                      |       | 1      |                |         |
| 713    | 13      | 14887024000   | LAMP ASSY , NUMBER PLATE          |       | 1      |                |         |
| 713    | 14      | 14527063311   | CAP,SWITCH                        |       | 2      |                |         |
| 713    | 14      | 14527063311   | CAP,SWITCH                        |       | 1      |                |         |
| 713    | 20      | 19156460020   | PLUG , SWITCH                     |       | 4      |                |         |
| 713    | 23      | 11447023300   | LAMP ASSY , RR COMBINATION        |       | 2      |                |         |
| 713    | 24      | 13367023400   | LAMP ASSY , STOP                  |       | 1      |                |         |
| 713    | 24      | 11447023400   | LAMP ASSY , STOP                  |       | 2      |                |         |
| 713    | 25      | 10017064022   | COVER , LAMP/RH                   |       | 1      |                |         |
| 713    | 25      | 10017064023   | COVER , LAMP/RH                   |       | 1      |                |         |
| 713    | 25      | 10017064024   | COVER , LAMP/RH                   |       | 1      |                |         |
| 713    | 26      | 10017063025   | RAMP COVER , LH                   |       | 1      |                |         |
| 713    | 26      | 10017063022   | COVER , LAMP/LH                   |       | 1      |                |         |
| 713    | 26      | 10017063023   | COVER , LH/LAMP                   |       | 1      |                |         |
| 713    | 26      | 10017063024   | COVER , LH/LAMP                   |       | 1      |                |         |
| 713    | 26      | 10017063025   | RAMP COVER , LH                   |       | 1      |                |         |
| 713    | 27      | 14256210040   | CLAMP , 9                         |       | 1      |                |         |
| 713    | 28      | V2183608020   | BOLT , HEX/SP                     |       | 2      |                |         |
| 713    | 29      | V2183608025   | BOLT , HEX/SP                     |       | 2      |                |         |
| 713    | 30      | V4011600080   | WASHER , SPRING                   |       | 2      |                |         |
| 713    | 31      | V3042600080   | NUT , HEX/2                       |       | 2      |                |         |
| 713    | 32      | V3802600060   | NUT , HEX FLANGE                  | M6    | 12     |                |         |
| 713    | 33B     | 11446571000   | REAR REFLECTOR                    |       | 2      |                |         |
| 713    | 34      | 11447064100SR | FENDER , RH                       |       | 1      |                |         |
| 713    | 35      | 11447052000GB | BRACKET COMP , EXTENTION COVER/LH |       | 1      |                |         |
| 713    | 36      | V2193606020   | BOLT , HEX/SPL                    | M6X20 | 3      |                |         |
| 713    | 37      | 11447063100SR | FENDER , LH FORNT                 |       | 1      |                |         |
| 713    | 38      | 11447051000GB | BRACKET COMP , EXTENTION COVER/LH |       | 1      |                |         |
| 713    | 39      | V2193606020   | BOLT , HEX/SPL                    | M6X20 | 3      |                |         |
|        |         |               |                                   |       |        |                |         |
|        |         |               |                                   |       |        |                |         |
|        |         |               |                                   |       |        |                |         |
|        |         |               |                                   |       |        |                |         |
|        |         |               |                                   |       |        |                |         |
|        |         |               |                                   |       |        |                |         |
|        |         |               |                                   |       |        |                |         |
|        |         |               |                                   |       |        |                |         |
|        |         |               |                                   |       |        |                |         |
|        |         |               |                                   |       |        |                |         |
|        |         |               |                                   |       |        |                |         |
|        |         |               |                                   |       |        |                |         |
|        |         |               |                                   |       |        |                |         |
|        |         |               |                                   |       |        |                |         |

|      |  |
|------|--|
| NOTE |  |
|------|--|



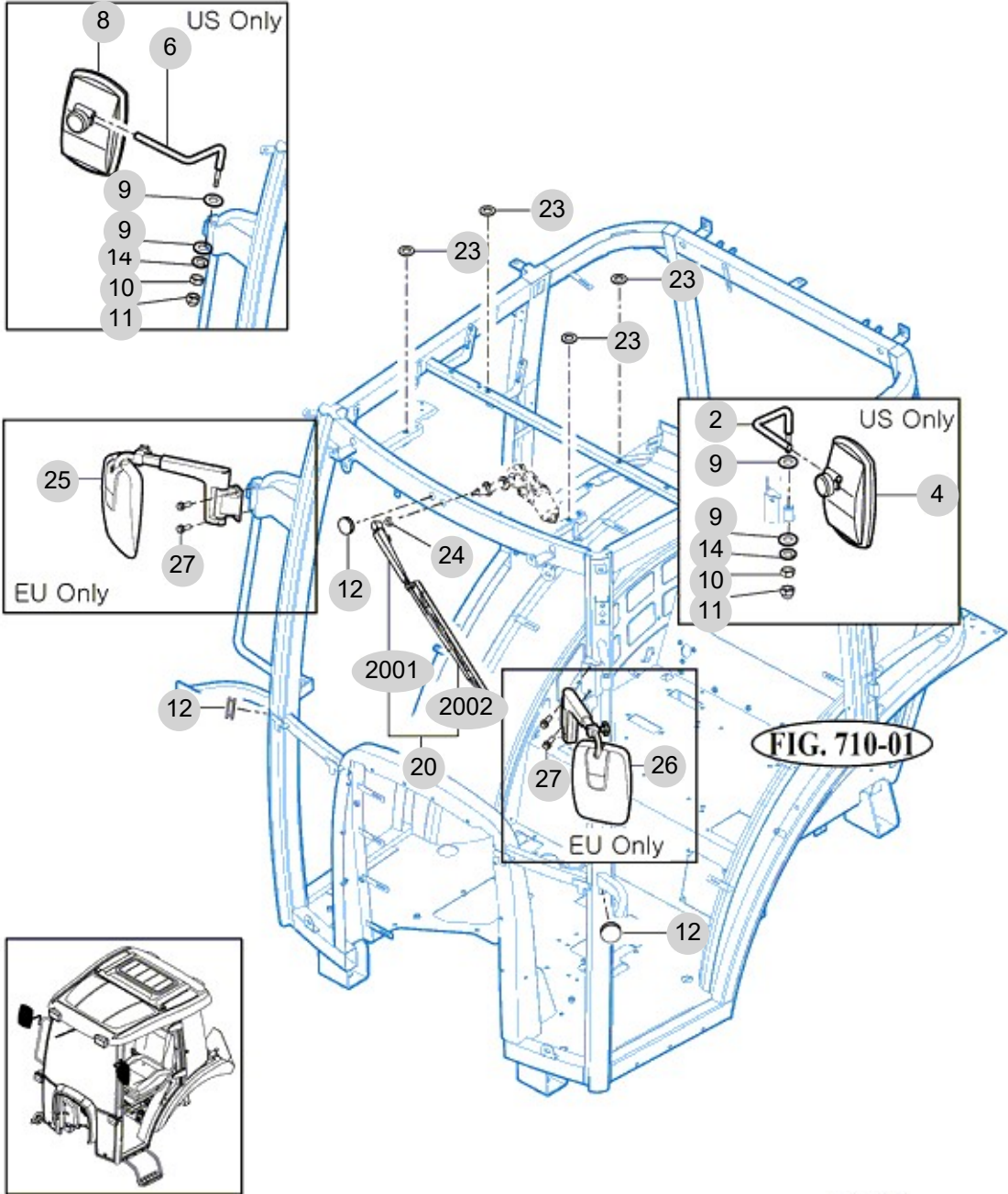
FIG 714

T654SMEU1

# MIRROR

년/월  
Year/Month

2022-12



T743-K-714

NOTE



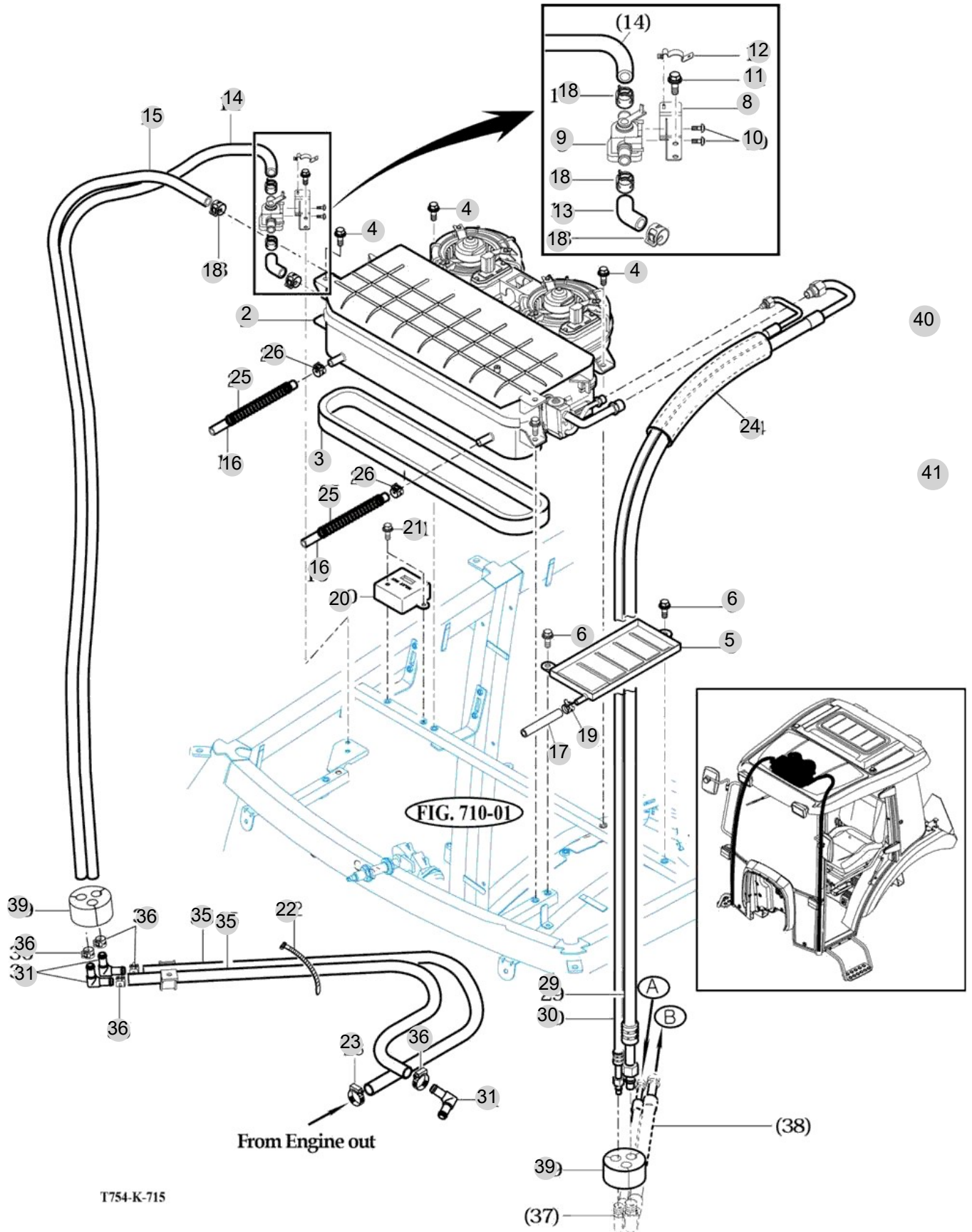
FIG 715

HEATER & AIR-CON

년/월  
Year/Month

2022-12

T654SMEU1



NOTE

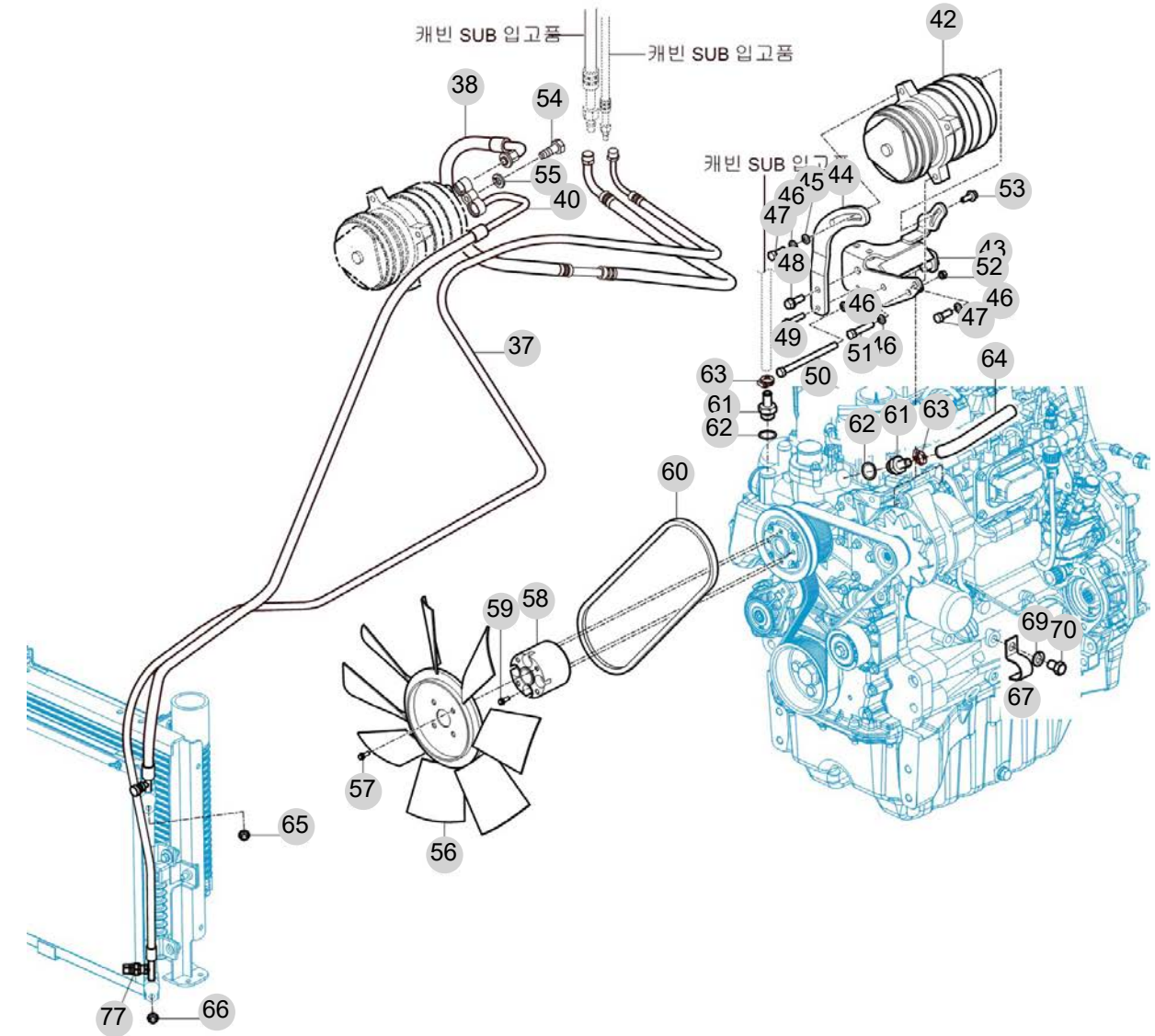


FIG 715-2

HEATER & AIR-CON

년/월  
Year/Month

2022-12



NOTE





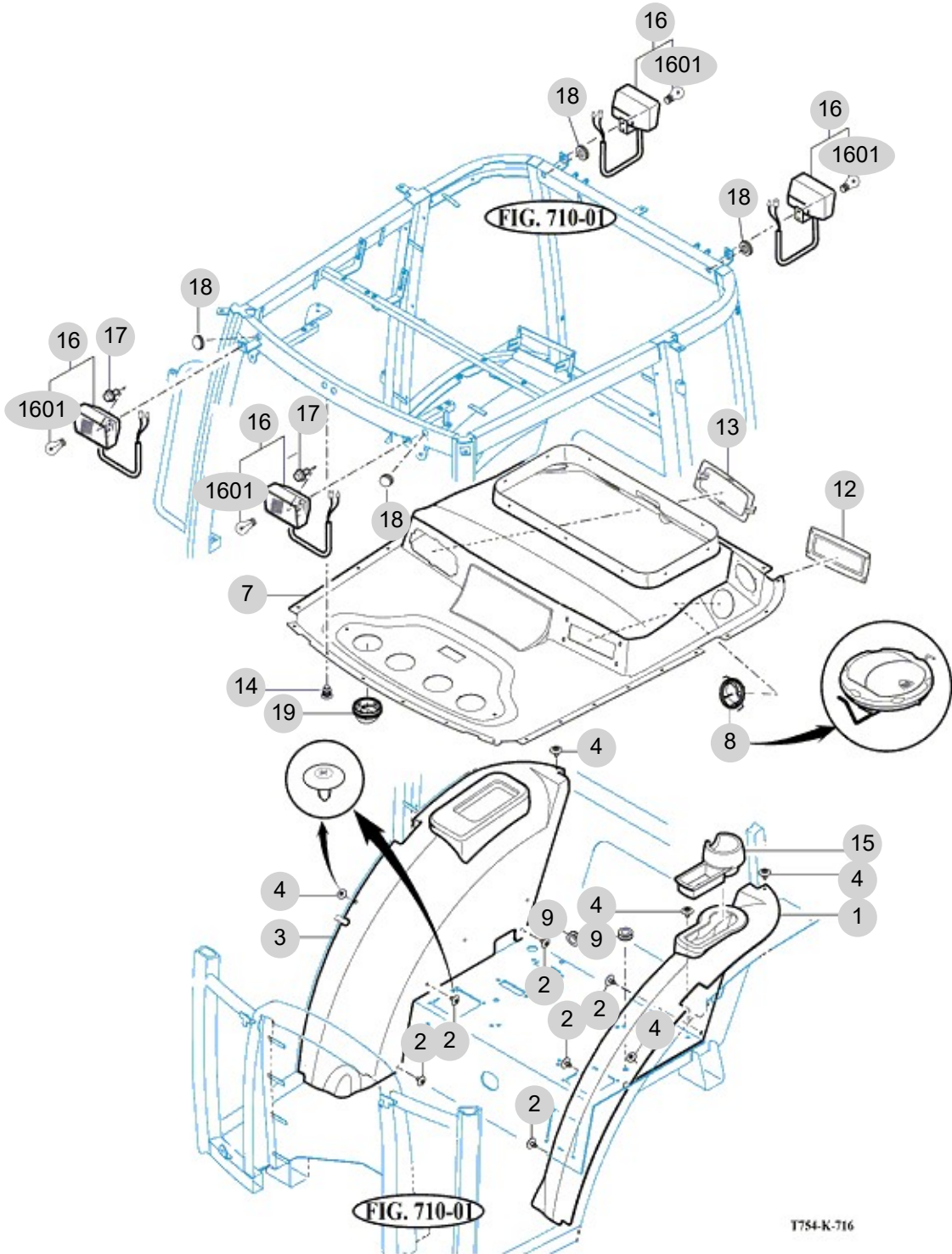
FIG 716

FENDER COVER

년/월  
Year/Month

2022-12

T654SMEU1



NOTE





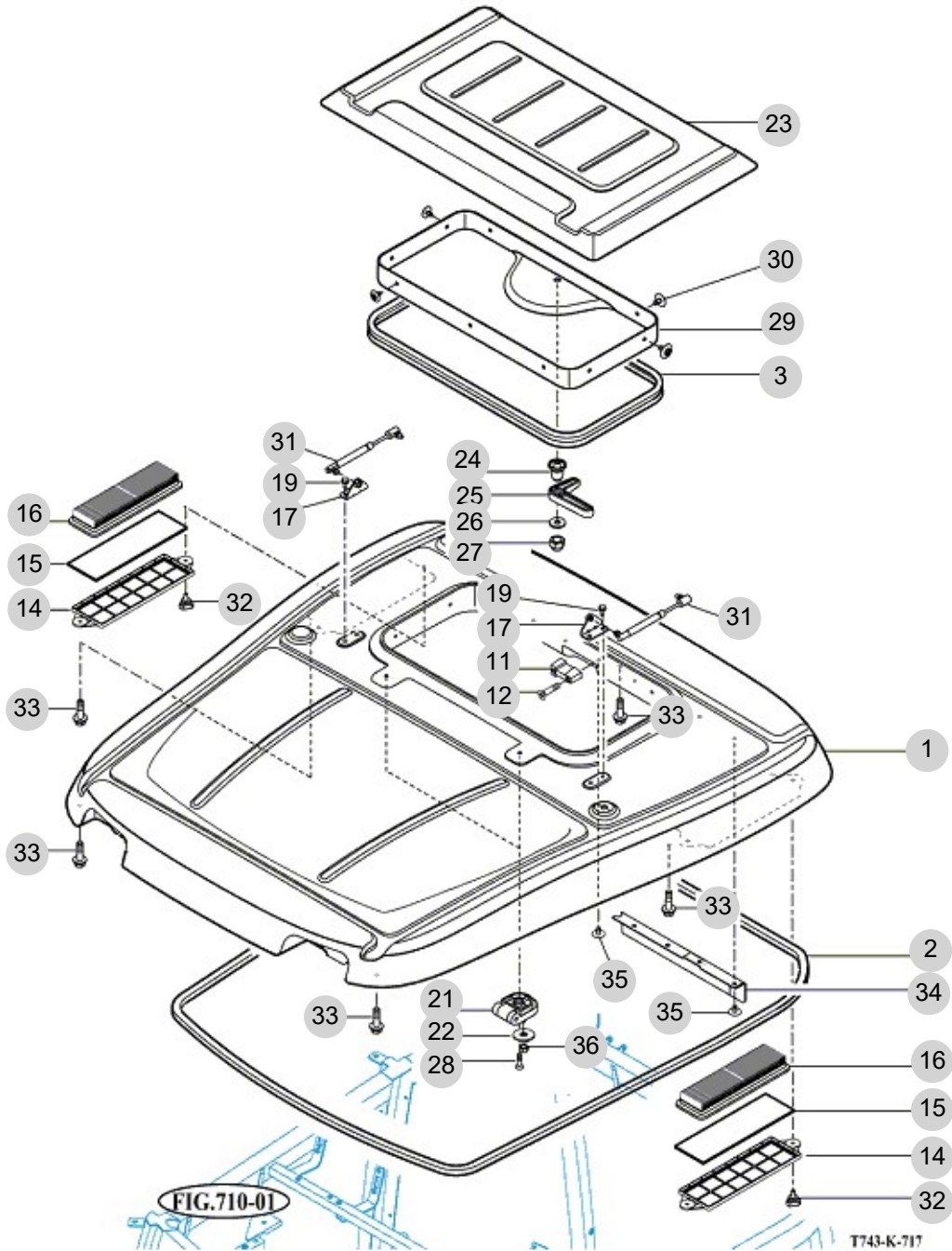
FIG 717

T654SMEU1

ROOF

년/월  
Year/Month

2022-12



NOTE



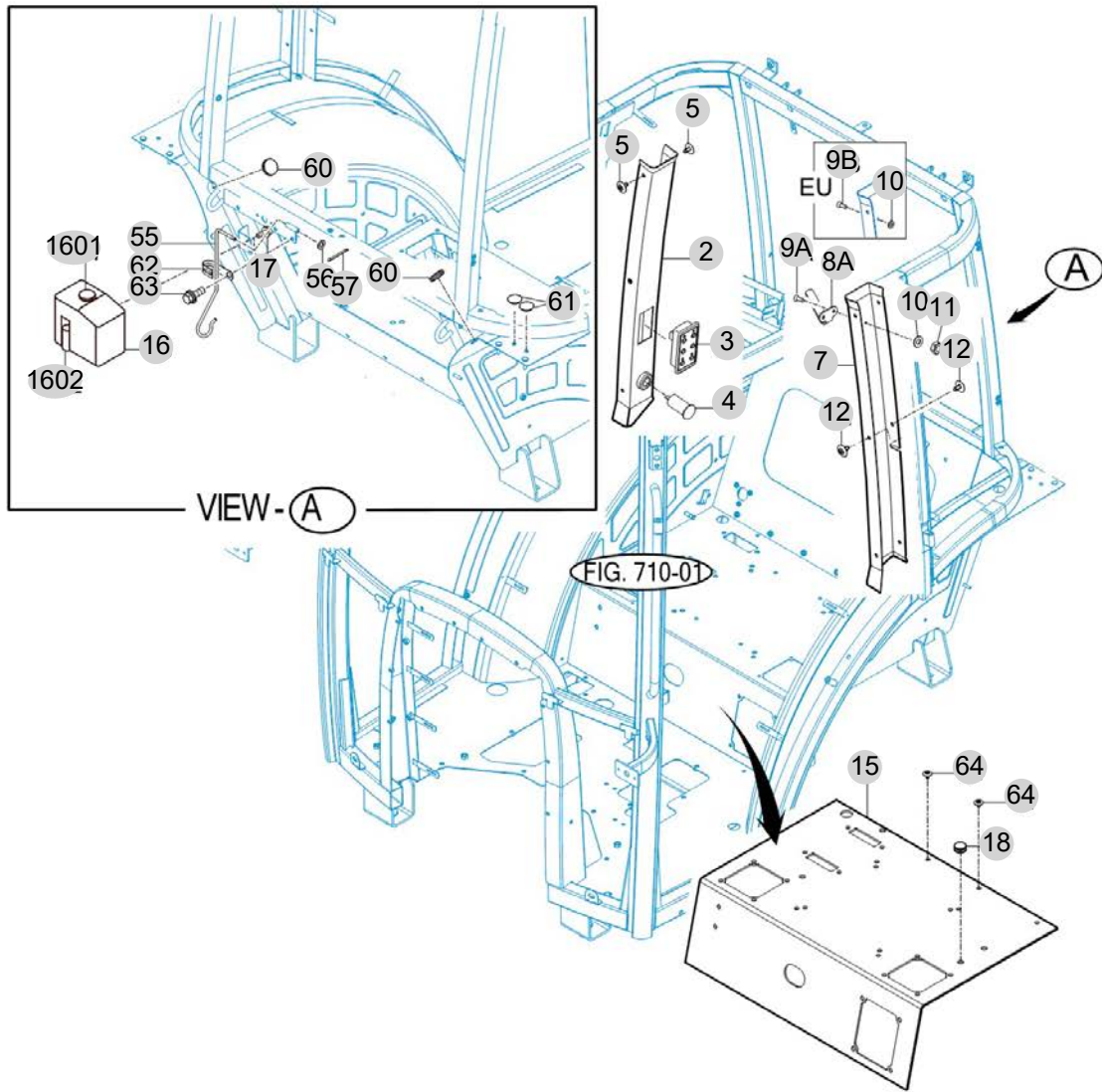
FIG 718

CABIN INTERIOR

년/월  
Year/Month

2022-12

T654SMEU1



T654-K-718

NOTE



## 8. Electrical System PART NO. T8

|                             |     |
|-----------------------------|-----|
| FIG 801 BATTERY & MOUNTING  | 226 |
| FIG 802 HARNESS             | 228 |
| FIG 803 LIGHT & BACK LAMP   | 230 |
| FIG 804 INSTRUMENT PANEL    | 232 |
| FIG 805 ELECTRIC SYSTEM (1) | 234 |
| FIG 806 ELECTRIC SYSTEM (2) | 236 |

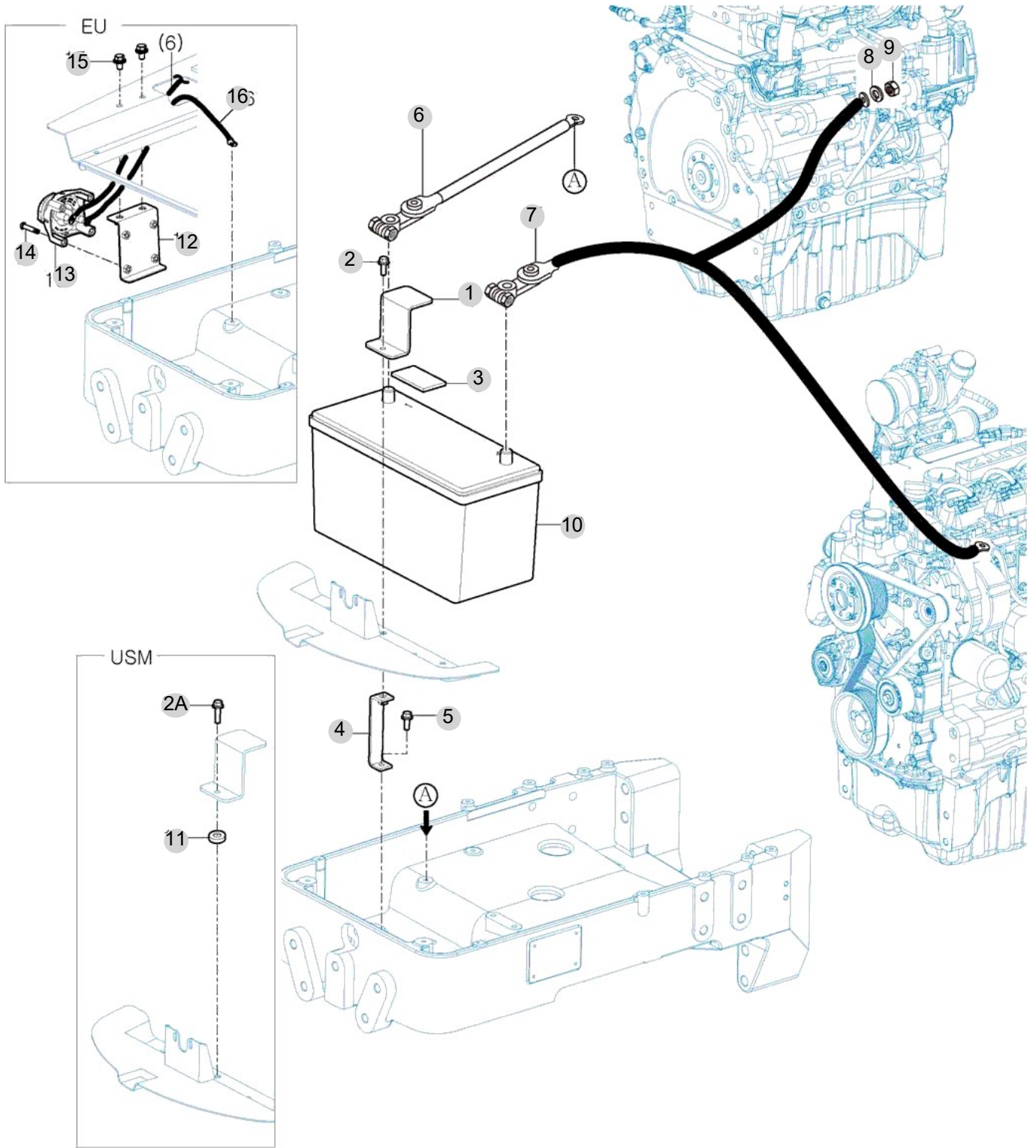
FIG 801

BATTERY & MOUNTING

년/월  
Year/Month

2022-12

T654SMEU1



NOTE





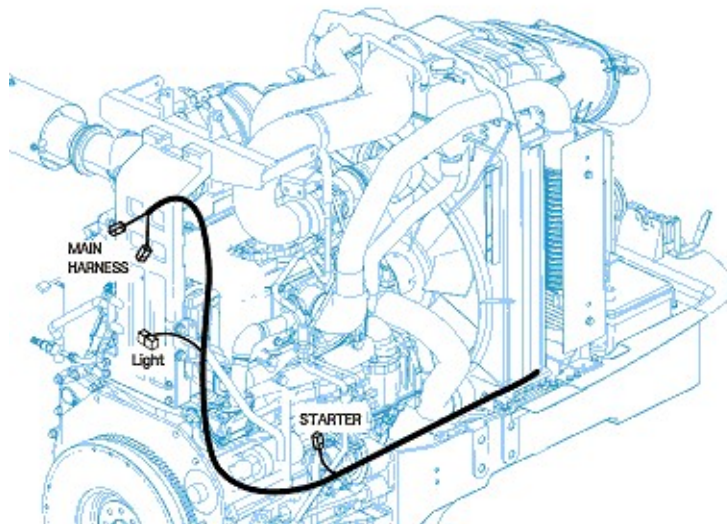
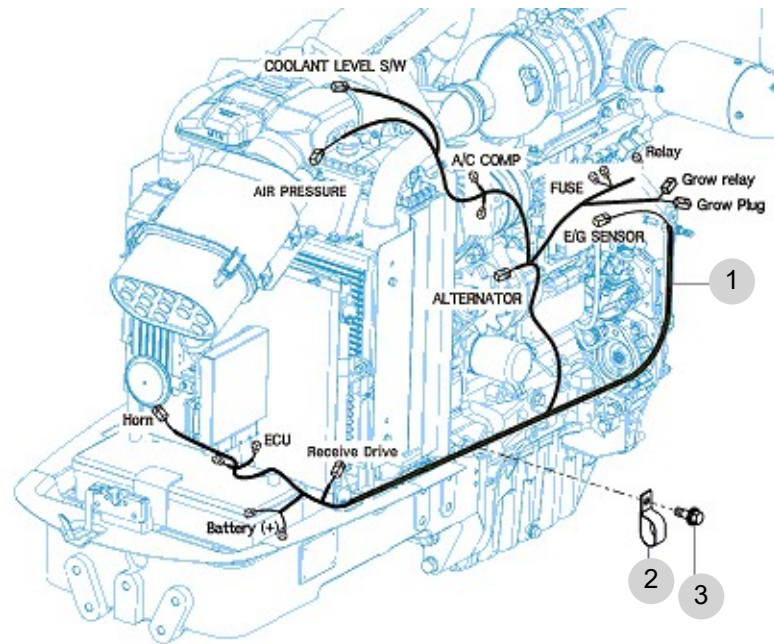
FIG 802

HARNESS

년/월  
Year/Month

2022-12

T654SMEU1



NOTE



| FIG 802<br>T654SMEU1 |         | HARNES      |                       |       |        |                |         | 년/월<br>Year/Month |  |
|----------------------|---------|-------------|-----------------------|-------|--------|----------------|---------|-------------------|--|
|                      |         |             |                       |       |        |                |         | 2022-12           |  |
| KEY NO               | PART NO | DESCRIPTION | SPEC                  | QTY   | REPAIR | EFFECTIVE DATE | REMARKS |                   |  |
| 802                  | 1       | 18026682203 | HARNES ASSY , ENGINE  |       | 1      |                |         |                   |  |
| 802                  | 1       | 18026682204 | HARNES ASSY , ENGINE  |       | 1      |                |         |                   |  |
| 802                  | 1       | 18026682205 | HARNES ASSY , ENGINE  |       | 1      |                |         |                   |  |
| 802                  | 2       | 14441010161 | CLAMP , RADIATOR HOSE | 1X1X1 | 1      |                |         |                   |  |
| 802                  | 3       | V2183608016 | BOLT , HEX/SP         | M8X16 | 1      |                |         |                   |  |
|                      |         |             |                       |       |        |                |         |                   |  |
|                      |         |             |                       |       |        |                |         |                   |  |
|                      |         |             |                       |       |        |                |         |                   |  |
|                      |         |             |                       |       |        |                |         |                   |  |
|                      |         |             |                       |       |        |                |         |                   |  |
|                      |         |             |                       |       |        |                |         |                   |  |
|                      |         |             |                       |       |        |                |         |                   |  |
|                      |         |             |                       |       |        |                |         |                   |  |
|                      |         |             |                       |       |        |                |         |                   |  |
|                      |         |             |                       |       |        |                |         |                   |  |
|                      |         |             |                       |       |        |                |         |                   |  |
|                      |         |             |                       |       |        |                |         |                   |  |
|                      |         |             |                       |       |        |                |         |                   |  |
|                      |         |             |                       |       |        |                |         |                   |  |
|                      |         |             |                       |       |        |                |         |                   |  |
|                      |         |             |                       |       |        |                |         |                   |  |
|                      |         |             |                       |       |        |                |         |                   |  |
|                      |         |             |                       |       |        |                |         |                   |  |
|                      |         |             |                       |       |        |                |         |                   |  |
|                      |         |             |                       |       |        |                |         |                   |  |
|                      |         |             |                       |       |        |                |         |                   |  |
|                      |         |             |                       |       |        |                |         |                   |  |
|                      |         |             |                       |       |        |                |         |                   |  |
|                      |         |             |                       |       |        |                |         |                   |  |
|                      |         |             |                       |       |        |                |         |                   |  |
|                      |         |             |                       |       |        |                |         |                   |  |
|                      |         |             |                       |       |        |                |         |                   |  |
|                      |         |             |                       |       |        |                |         |                   |  |
|                      |         |             |                       |       |        |                |         |                   |  |
|                      |         |             |                       |       |        |                |         |                   |  |
|                      |         |             |                       |       |        |                |         |                   |  |
|                      |         |             |                       |       |        |                |         |                   |  |
|                      |         |             |                       |       |        |                |         |                   |  |
|                      |         |             |                       |       |        |                |         |                   |  |
| NOTE                 |         |             |                       |       |        |                |         |                   |  |

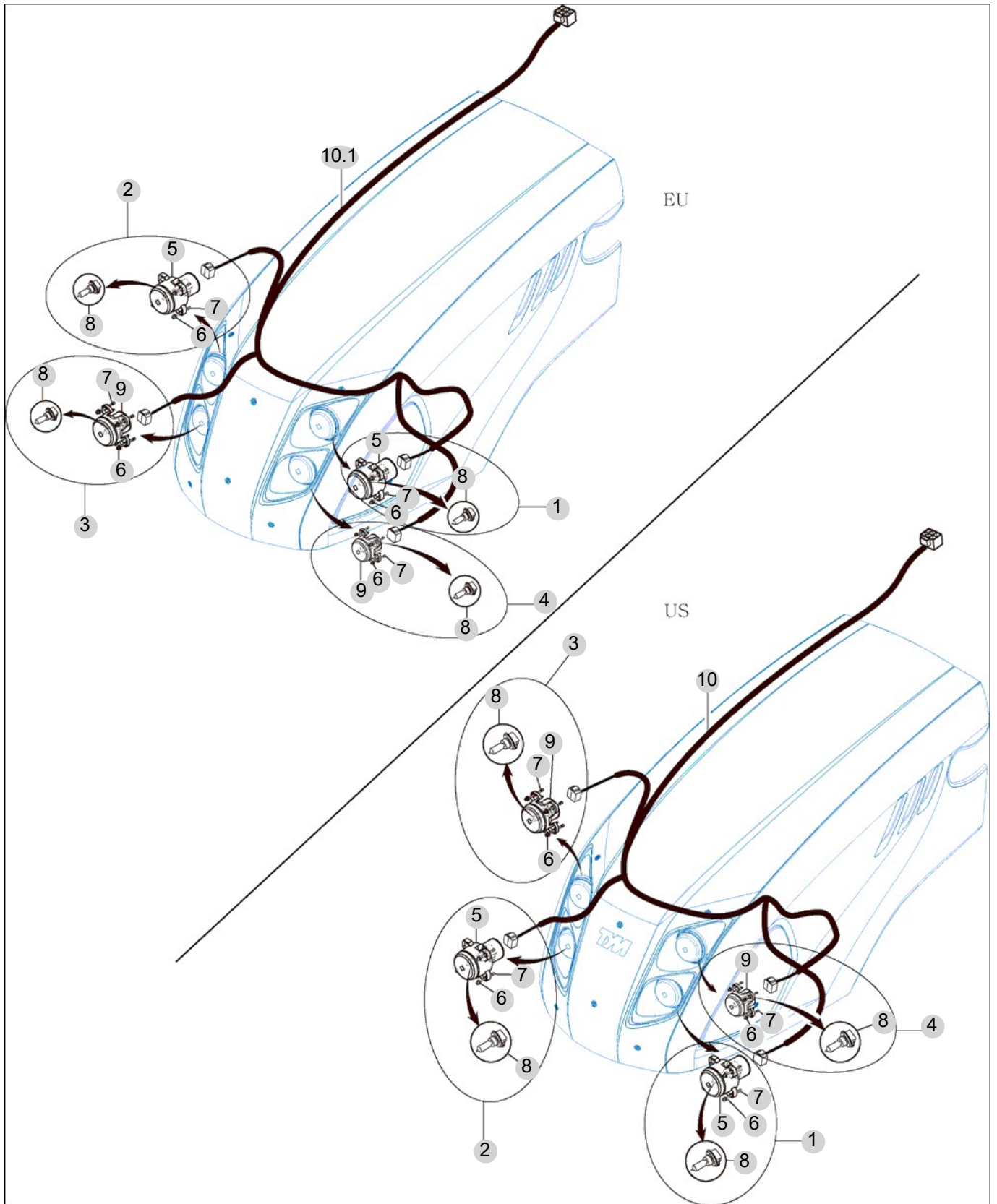
FIG 803

LIGHT & BACK LAMP

년/월  
Year/Month

2022-12

T654SMEU1



NOTE



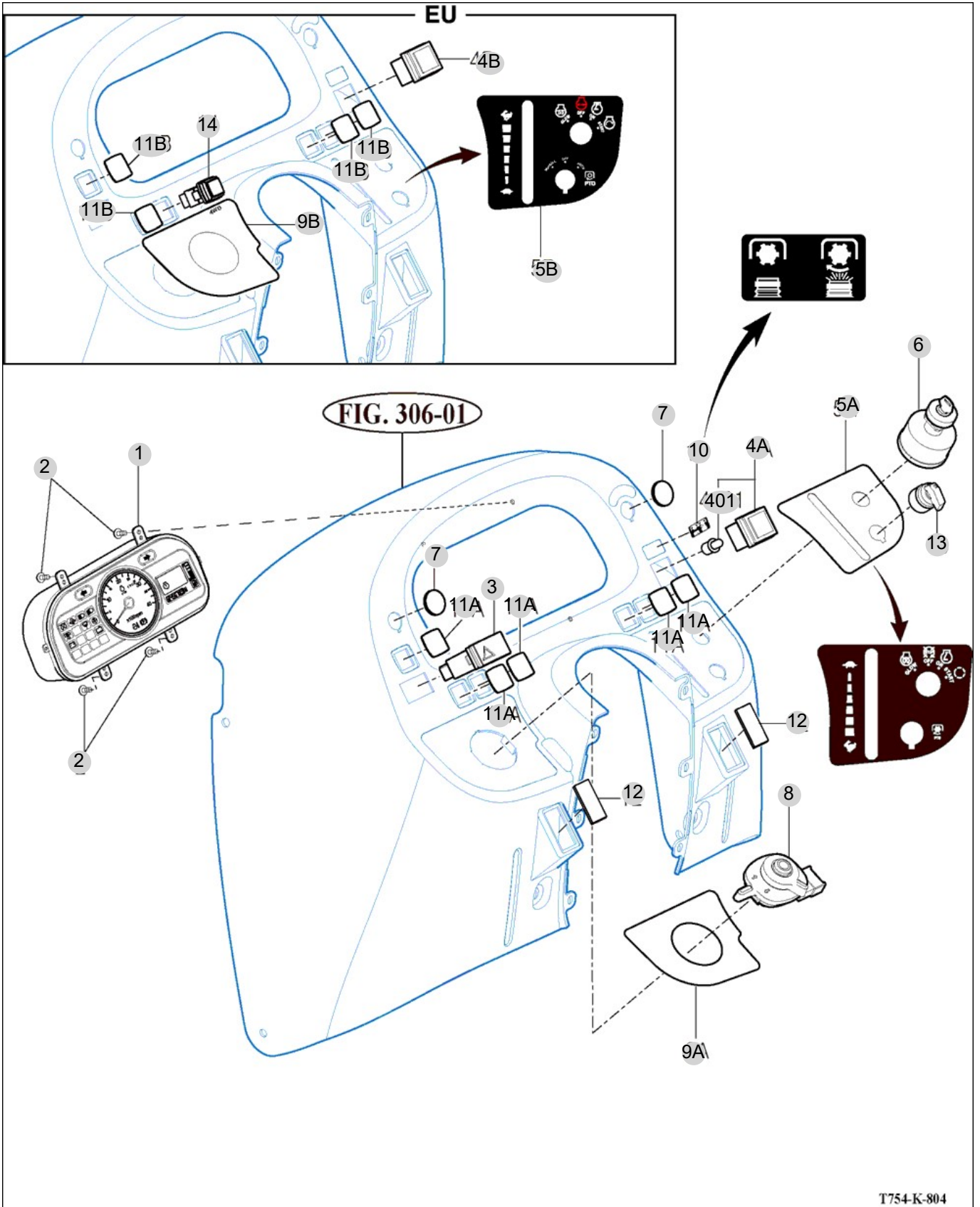
FIG 804

INSTRUMENT PANEL

년/월  
Year/Month

2022-12

T654SMEU1



NOTE



FIG 805

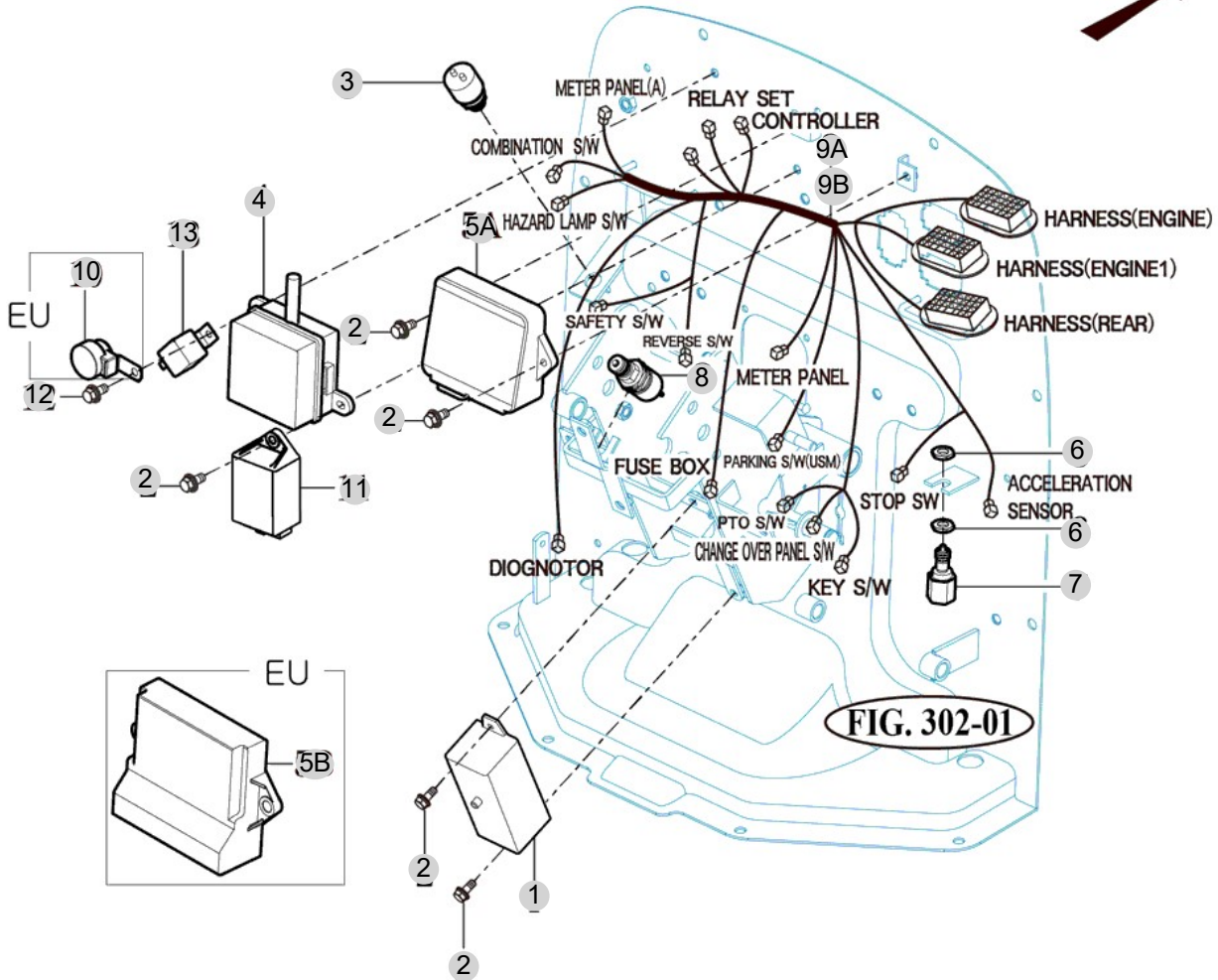
ELECTRIC SYSTEM (1)

년/월  
Year/Month

2022-12

T654SMEU1

Forward



T754-K-805

NOTE





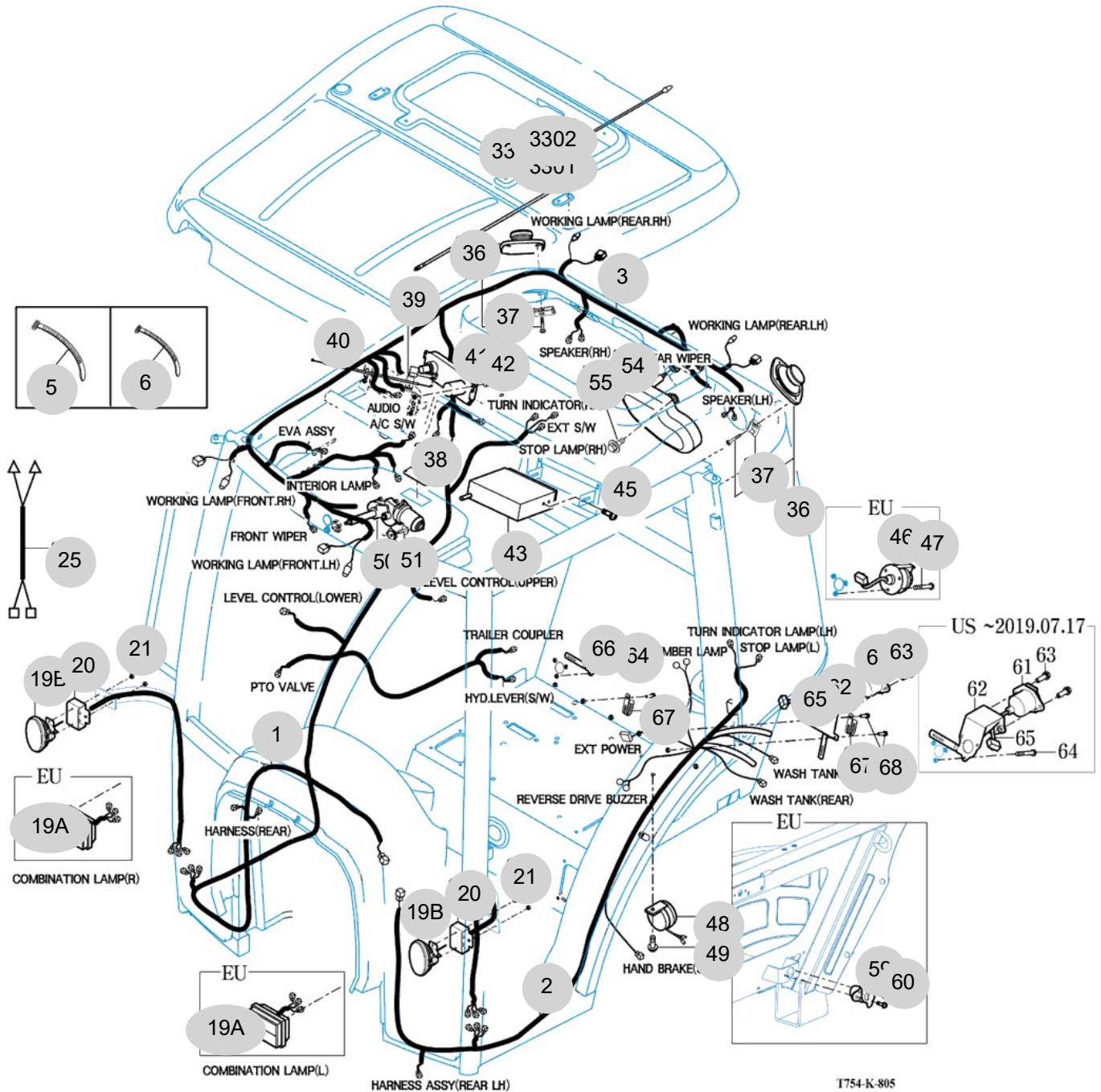
FIG 806

ELECTRIC SYSTEM (2)

년/월  
Year/Month

2022-12

T654SMEU1



T754-K-805

NOTE



| FIG 806   |         | ELECTRIC SYSTEM (2) |                          |         |        |                |         | 년/월<br>Year/Month |
|-----------|---------|---------------------|--------------------------|---------|--------|----------------|---------|-------------------|
| T654SMEU1 |         |                     |                          |         |        |                | 2022-12 |                   |
| KEY NO    | PART NO | DESCRIPTION         | SPEC                     | QTY     | REPAIR | EFFECTIVE DATE | REMARKS |                   |
| 806       | 1       | 18016683102         | HARNESS ASSY , REAR      |         | 1      |                |         |                   |
| 806       | 1       | 18016683103         | HARNESS ASSY , REAR      |         | 1      |                |         |                   |
| 806       | 1       | 18016683104         | HARNESS ASSY , REAR      |         | 1      |                |         |                   |
| 806       | 1       | 18016683105         | HARNESS ASSY , REAR      |         | 1      |                |         |                   |
| 806       | 1       | 18016683106         | HARNESS ASSY , REAR      |         | 1      |                |         |                   |
| 806       | 2       | 18016683201         | HARNESS ASSY , REAR LH   |         | 1      |                |         |                   |
| 806       | 2       | 18016683201         | HARNESS ASSY , REAR LH   |         | 1      |                |         |                   |
| 806       | 2       | 18016683202         | HARNESS ASSY , REAR LH   |         | 1      |                |         |                   |
| 806       | 2       | 18016683203         | HARNESS ASSY , REAR LH   |         | 1      |                |         |                   |
| 806       | 2       | 18016683204         | HARNESS ASSY , REAR LH   |         | 1      |                |         |                   |
| 806       | 3       | 14527024905         | HARNESS ,CABIN           |         | 1      |                |         |                   |
| 806       | 3       | 14527024906         | HARNESS ,CABIN           |         | 1      |                |         |                   |
| 806       | 5       | 13424020060         | CABLE TIE , 300          | 1X1X1   | 5      |                |         |                   |
| 806       | 6       | 13764020030         | CABLE TIE , 140          |         | 5      |                |         |                   |
| 806       | 19A     | 13606562000         | LAMP , POSITION          |         | 2      |                |         |                   |
| 806       | 33      | 14527072300         | ANTENNA ASSY             | 1X1X1   | 1      |                |         |                   |
| 806       | 3301    | 14527072310         | ANTENNA                  | 1X1X1   | 1      |                |         |                   |
| 806       | 3302    | V1907004020         | SCREW , TAPPING C/R PAN  | M4X20   | 2      |                |         |                   |
| 806       | 36      | 14527025501         | SPEAKER ASSY             |         | 2      |                |         |                   |
| 806       | 37      | 14527073120         | SPRING NUT, SCREW        | M4      | 8      |                |         |                   |
| 806       | 38      | 16997024500         | LAMP ASSY , ROOM         | 12V 10W | 1      |                |         |                   |
| 806       | 39      | 17687025300         | CLIP , CABLE             | 1X1X1   | 1      |                |         |                   |
| 806       | 40      | 14527082230         | CABLE ASSY, WATER VALVE  | 1X1X1   | 1      |                |         |                   |
| 806       | 41      | 14527082220         | CONTROLLER ASSY, AIR CON | 1X1X1   | 1      |                |         |                   |
| 806       | 42      | V1112605012         | SCREW , C/R PAN          | M5X12   | 4      |                |         |                   |
| 806       | 43      | 17817024804         | CD PLAYER ASSY           |         | 1      |                |         |                   |
| 806       | 45      | V1222605016         | SCREW , C/R PAN/SP       | M5X16   | 2      |                |         |                   |
| 806       | 46      | 13267028202         | SOCKET ASSY , TRAILER    |         | 1      |                |         |                   |
| 806       | 47      | V1112605030         | SCREW , C/R PAN          | M5X30   | 3      |                |         |                   |
| 806       | 48      | 34522812402         | BUZZER ASSY              |         | 1      |                |         |                   |
| 806       | 49      | V2183608020         | BOLT , HEX/SP            | M8X20   | 1      |                |         |                   |
| 806       | 50      | 14527062600         | MOTOR ASSY, FR/ WIPER    | 1X1X1   | 1      |                |         |                   |
| 806       | 50      | 14527062600         | MOTOR ASSY, FR/ WIPER    |         | 1      |                |         |                   |
| 806       | 50      | 14527062601         | MOTOR ASSY, FR/ WIPER    |         | 1      |                |         |                   |
| 806       | 51      | V2193606020         | BOLT , HEX/SPL           | M6X20   | 1      |                |         |                   |
| 806       | 54      | 16997032000         | MOTOR ASSY , WIPER       |         | 1      |                |         |                   |
| 806       | 54      | 16997032000         | MOTOR ASSY , WIPER       |         | 1      |                |         |                   |
| 806       | 54      | 16997032001         | MOTOR ASSY , WIPER       |         | 1      |                |         |                   |
| 806       | 55      | V2193606020         | BOLT , HEX/SPL           | M6X20   | 1      |                |         |                   |
| 806       | 59      | 18717028201         | POWER SOCKET ASSY        |         | 1      |                |         |                   |
| 806       | 60      | V1222805016         | SCREW , C/R PAN/SP       | M5X16   | 2      |                |         |                   |
|           |         |                     |                          |         |        |                |         |                   |
|           |         |                     |                          |         |        |                |         |                   |
|           |         |                     |                          |         |        |                |         |                   |
| NOTE      |         |                     |                          |         |        |                |         |                   |

## 9. Label/Option PART NO. T9

|                          |     |
|--------------------------|-----|
| FIG 901 TOOL & ACCESSORY | 239 |
| FIG 902 WEIGHT           | 241 |
| FIG 903 LABEL            | 243 |
| FIG 903 LABEL            | 245 |

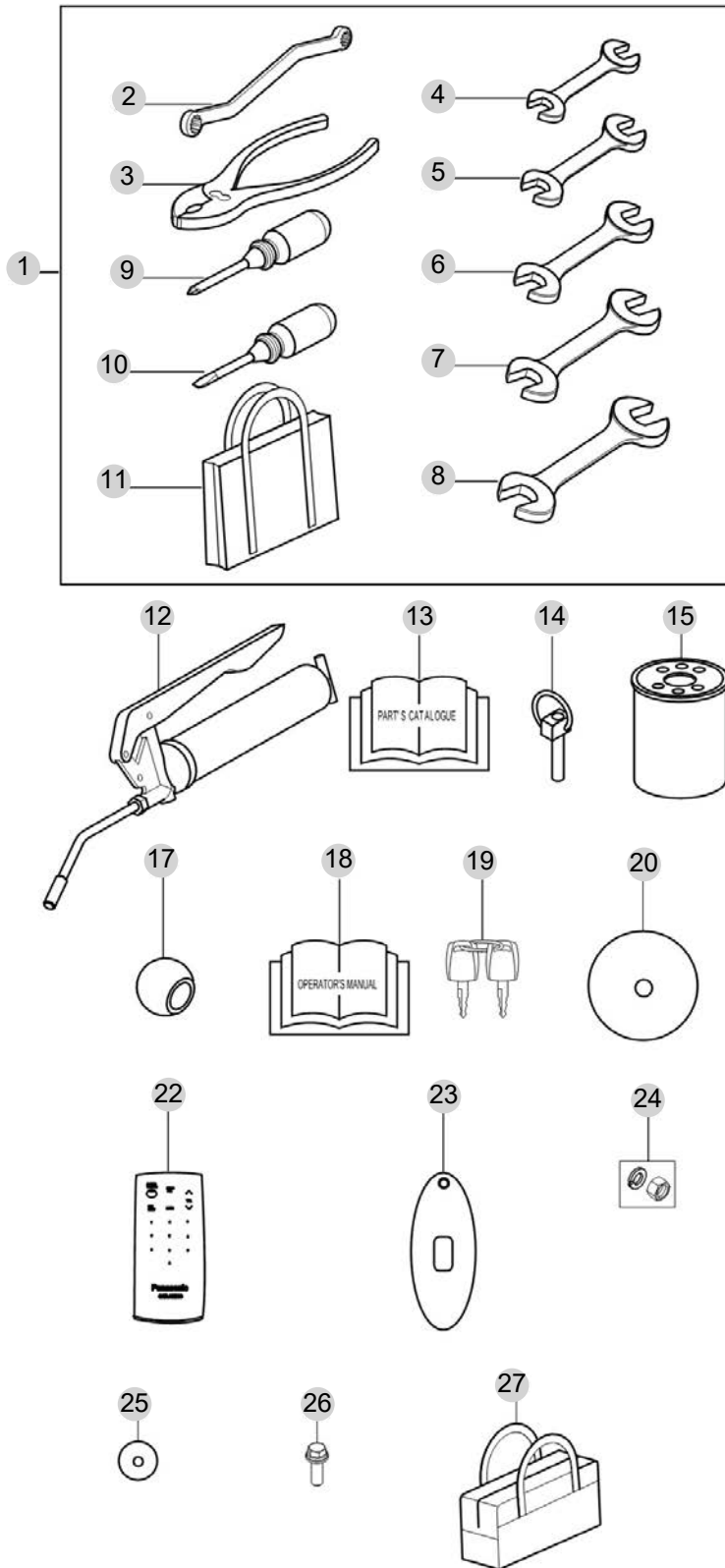
FIG 901

TOOL & ACCESSORY

년/월  
Year/Month

2022-12

T654SMEU1



NOTE



FIG 902

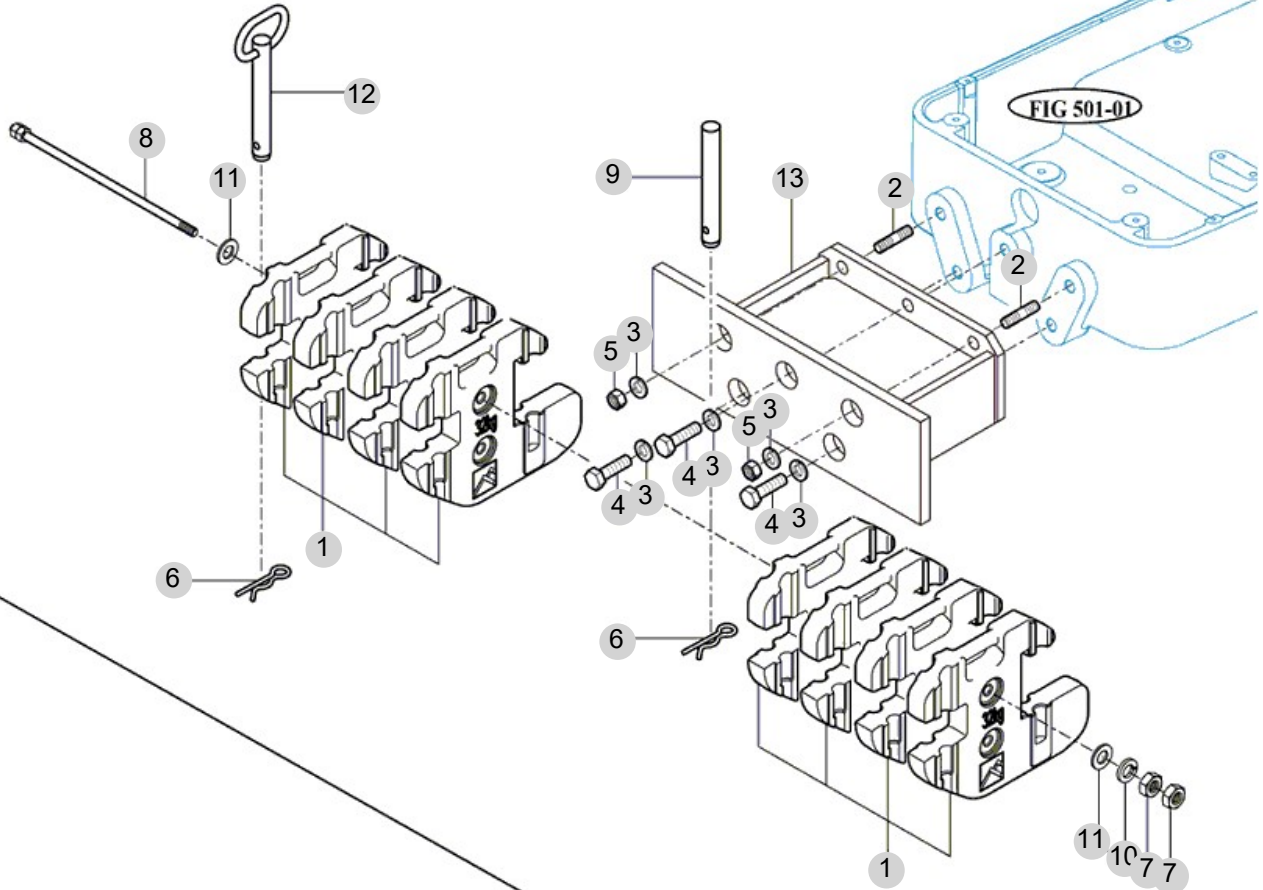
WEIGHT

년/월  
Year/Month

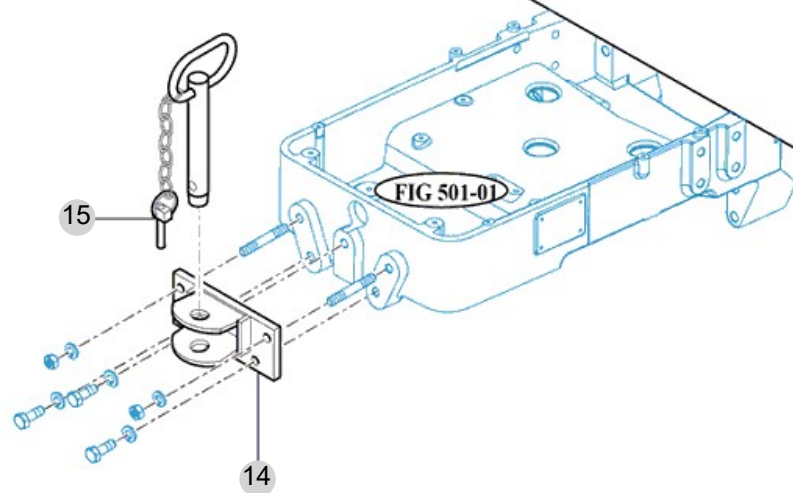
2022-12

T654SMEU1

**(WEIGHT)**



**(TOWING HOOK)**



NOTE



FIG 903

LABEL

년/월  
Year/Month

T654SMEU1

2022-12

**Inner/Outer air Ventilation**

- When grills of rear and both sides are opened, inner air will ventilate in.
- For effective use, open it when operate heater or air conditioner and close when ventilate fresh air.

1220-904-122-1

18

# T654

51

90



**⚠ DANGER**

Do not ride except operator.

1220-910-016-0

6

**⚠ CAUTION**

Do not touch while the system is hot. It cause serious burns.

1220-910-024-6

33



32B

TYM CORPORATION

| CATEGORY | TOTAL |    |    |
|----------|-------|----|----|
|          | A1    | A2 | A3 |
| T-1      | 12    | 18 | 12 |
| B-1      | 12    | 18 | 12 |
| B-2      | 12    | 18 | 12 |
| B-3      | 12    | 18 | 12 |
| B-4      | 12    | 18 | 12 |

Manufactured by TYM CORPORATION

32A

**⚠ WARNING**

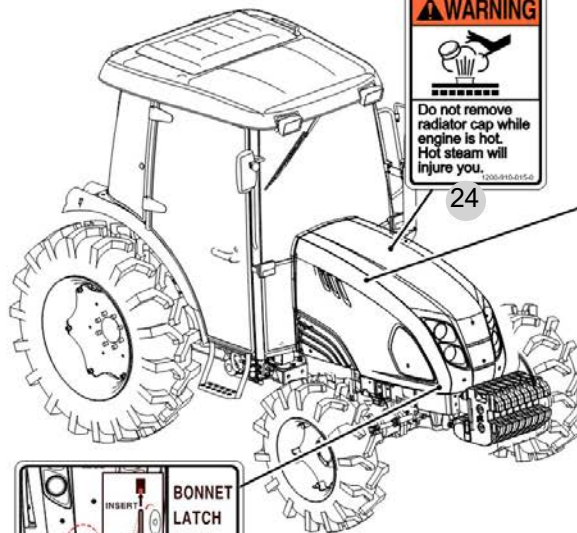
Do not refuel the tractor while smoking or near naked flame or sparks. always stop engine before refueling tractors.

1220-910-025-6

17



87



**⚠ WARNING**

Do not remove radiator cap while engine is hot. Hot steam will injure you.

1220-910-017-6

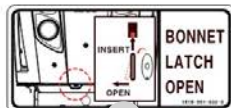
24

**⚠ CAUTION**

Keep hands and clothing away from rotating fan and belts to prevent serious injury.

1220-910-012-0

23



88

NOTE





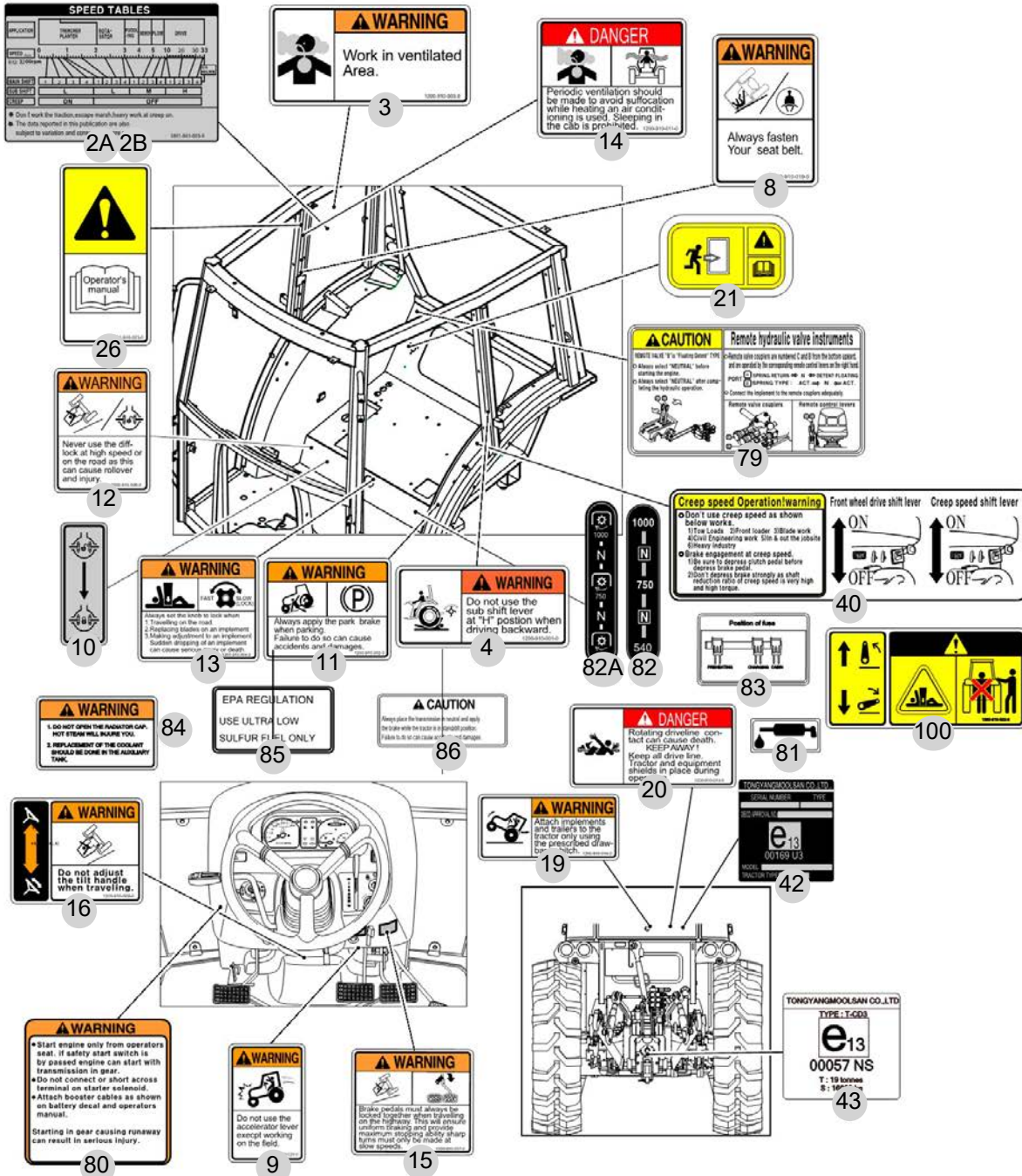
FIG 903

LABEL

년/월  
Year/Month

T654SMEU1

2022-12



NOTE

