

F50CN_EU_FL(AC02116) TRACTOR

Parts Catalogue



CONTENTS

GROUP NO	GROUP NAME	PAGE
G. ENGINE		
A01_007	CYLINDER BLOCK	6
A02_005	DRIVE PULLY	8
A03_004	CRANK SHAFT PULLEY	10
A04_005	GLOW PLUG ASS'Y OPTION	12
A05_005	CRANK SHAFT ASS'Y OPTION	14
A06_004	BREATHER OPTION	16
A07_005	CAMSHAFT	18
A08_006	ALTERNATOR	20
A09_007	COOLING WATER PUMP	22
A10_010	COOLING FAN SPACER	24
A11_007	INJECTOR	26
A12_017	FUEL INJECTON	28
A13_005	PLUMBING, FUEL	30
A14_003	FUEL FILTER BRACKET	33
A16_018	FUEL FILTER ASS'Y OPTION	35
A17_012	INTAKE MANIFOLD ASS'Y OPTION	37
A18_011	FLYWHEEL	39
A19_007	FLYWHEEL HOUSING	41
A20_010	HEAD, CYLINDER	43
A21_004	HEAD COVER	45
A23_009	TURBOCHARGER SUPPORT ASS'Y OPTION	47
A25_002	OIL JET ASS'Y OPTION	49
A26_005	COOLER, ENGINE OIL	51
A27_005	OIL PAN ASS'Y OPTION	53
A28_001	PUMP, LUBRICATING OIL	55
A29_005	FILTER, LUBRICATING OIL	57
A30_003	FRONT GEAR ACCESSORY DRIVE	59
A31_007	PISTON	61
A32_003	LEVER, LOCKER	63
A33_013	EXHAUST MANIFOLD	65
A35_002	IDLE GEAR	67
A36_004	COVER, FRONT GEAR	69
A37_001	BALANCE ASS'Y	71
A38_009	GAUGE, OIL LEVEL	73

CONTENTS

GROUP NO	GROUP NAME	PAGE
G. ENGINE		
A39_001	OIL FILLER CAP	75
A40_003	LIFT ASS'Y OPTION	77
A41_001	COMP,DRIVE PULLEY ASS'Y OPTION	79
A42_003	MOTER, STARTIONS	81
A43_001	DPF SUPPORT OPTION	83
A44_006	DPF MOUNTING OPTION	85
A45_001	DPF	87
A48_006	V-BELT	89
B. ENGINE ACCESSORIES		
B01010	FUEL TANK	91
B02020B	RADIATOR	93
B03010B	AIR CLEANER	95
B05011	LEVER ACCELERATOR	97
C. CLUTCH, BREAK, LEVER		
C01030	CLUTCH PEDAL	99
C02000	BRAKE	101
C02010	BRAKE PEDAL	103
C02050	PARKING BRAKE	106
C04010	SHUTTLE ASS'Y	108
C04040	DIFFERENTIAL	110
D. HYDRAULIC		
D01010A	HYD PUMP A	112
D01020B	LOW PRESSURE PIPE	114
D01040	HYD FILTER	116
D02010	STEERING COLUMN	118
D02030	P.S.T HOSE	120
D02040A	P.S.T CYLINDER	122
E. FRONT AXLE		
E01010A	FRONT AXLE CASE	124
E01013	SPACER	126
E01030A	GEAR CASE, FRONT AXLE	128
E01070A	FRONT DRIVE SHAFT	131
E01080A	TIEROAD	133
F. TRANSMISSION		

CONTENTS

GROUP NO	GROUP NAME	PAGE
F. TRANSMISSION		
F01010	CLUTCH HOUSING	135
F01020	TRANSMISSION CASE	137
F01030	REAR AXLE HOUSING	140
F02010	CLUTCH RELEASE	143
F02020	CLUTCH SHAFT	145
F02030	SHUTTLE SHAFT	147
F03010	MAIN SHIFT DRIVE SHAFT	149
F03040	RANGE SHIFT GEAR	151
F04010	FORNT DRIVE SHAFT	153
F05020	RING GEAR&DIFF.GEAR ASS'Y	155
F05020	RING GEAR&DIFF.GEAR ASS'Y	157
F07030	PTO DRIVE SHAFT	159
F07070	MAIN P.T.O SHAFT	161
F08021	FORK, MAIN SHIFT	163
F08060	FORK, PTO SHIFT	166
F10010	CASE, HYD CYLINDER	168
F10020	LIFT ARM	170
F10030	SAFETY VALVE	172
F10040	STOP VALVE	174
F10061	DRAFT/POSITION CONTROL LEVER	176
F10063	DRAFT CONTROL LEVER	178
F10064	POSITION CONTROL LEVER	180
F10120	REAR SCV	182
F11020	LEVER ASS'Y, RANGE SHIFT	185
F11080	4WD LEVER	187
G. SHEET METAL, CABIN		
G01020	BONNET	189
G01021	BONNET URETHANE	191
G01040	LOCKING ASS'Y, BONNET	193
G01060B	BONNET SUPPORT	195
G01080B	FRONT AXLE BRACKET	197
G02010-A	CABIN FRAME ASS'Y	199
G02010-B	CABIN FRAME ASS'Y	201
G02011	PILLAR COVER ASS'Y	203

CONTENTS

GROUP NO	GROUP NAME	PAGE
G. SHEET METAL, CABIN		
G02020	DASHBOARD	205
G02030	SIDE MIRROR ASS'Y	207
G02050_J	DOOR ASS'Y	209
G02050_W	DOOR ASS'Y	212
G02071	FRONT WINDOW ASS'Y	214
G02072	REAR WINDOWS ASS'Y	216
G02131	ROOF/OUTER	218
G02132	ROOF/INNER	220
G02140	DRIVER'S SEAT	222
G02180	FENDER COVER	224
G02190	FENDER	226
G03010	A/C ASS'Y, CABIN	228
G03020	A/C DUCT ASS'Y	230
G03091	COMPRESSOR	232
G03092	TENSION PULLY	234
G05020	TOP LINK, LIFT LINK	236
G05030	LOWER LINK	238
G05070	DRAWBAR HITCH	240
H. ELECTRICALS, HARNESS		
H01030	BATTERY	242
H03000	HARNESS	244
H04050	SWITCH	246
I. WEIGHT, TOOLS, TIRE		
I03000C	NAME PLATE	248
I03060	NUMBER PLATE ASS'Y	250
I05020	REAR WHEEL&TIRE(AGRI)	252

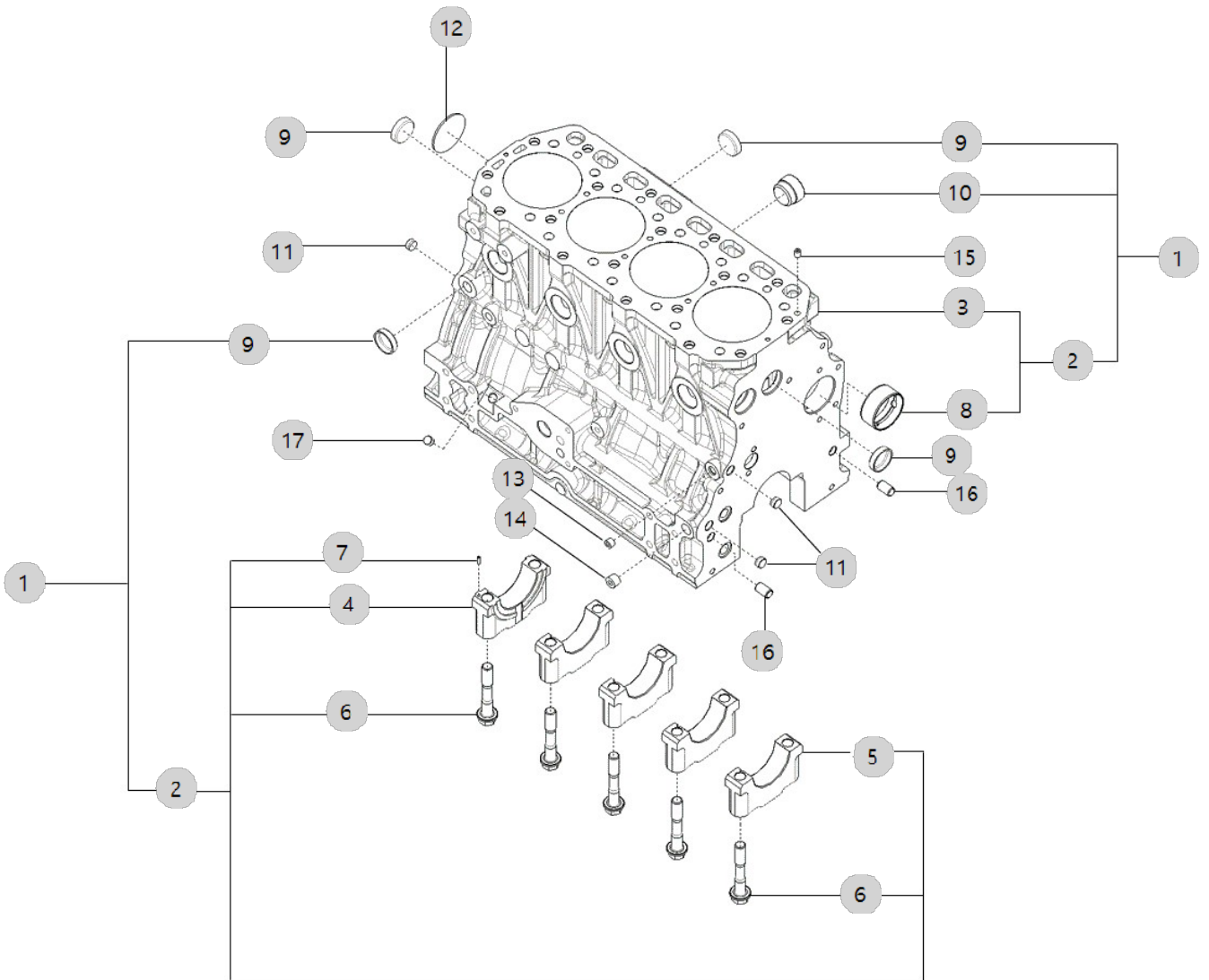
A01_007

A2300N4-ETC_5
(AB00331)

CYLINDER BLOCK

Year/Month

2022-12-16



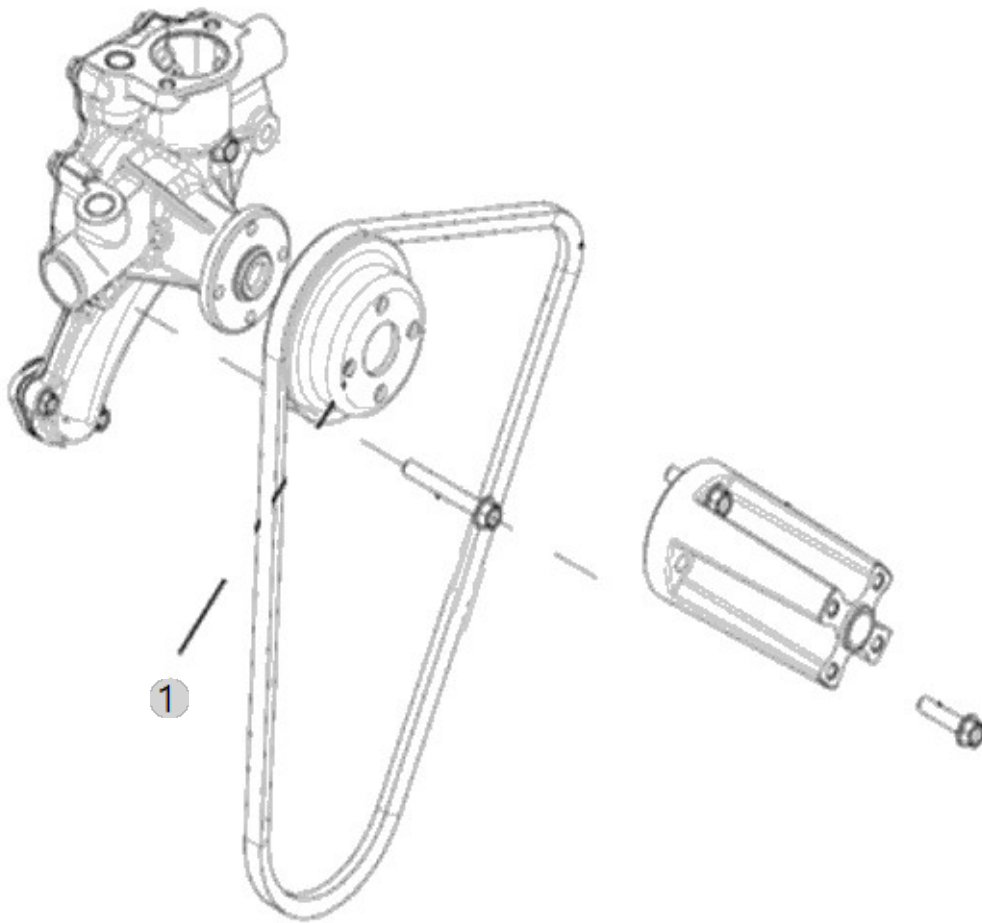
A02_005

A2300N4-ETC_5
(AB00331)

DRIVE PULLEY

Year/Month

2022-12-16



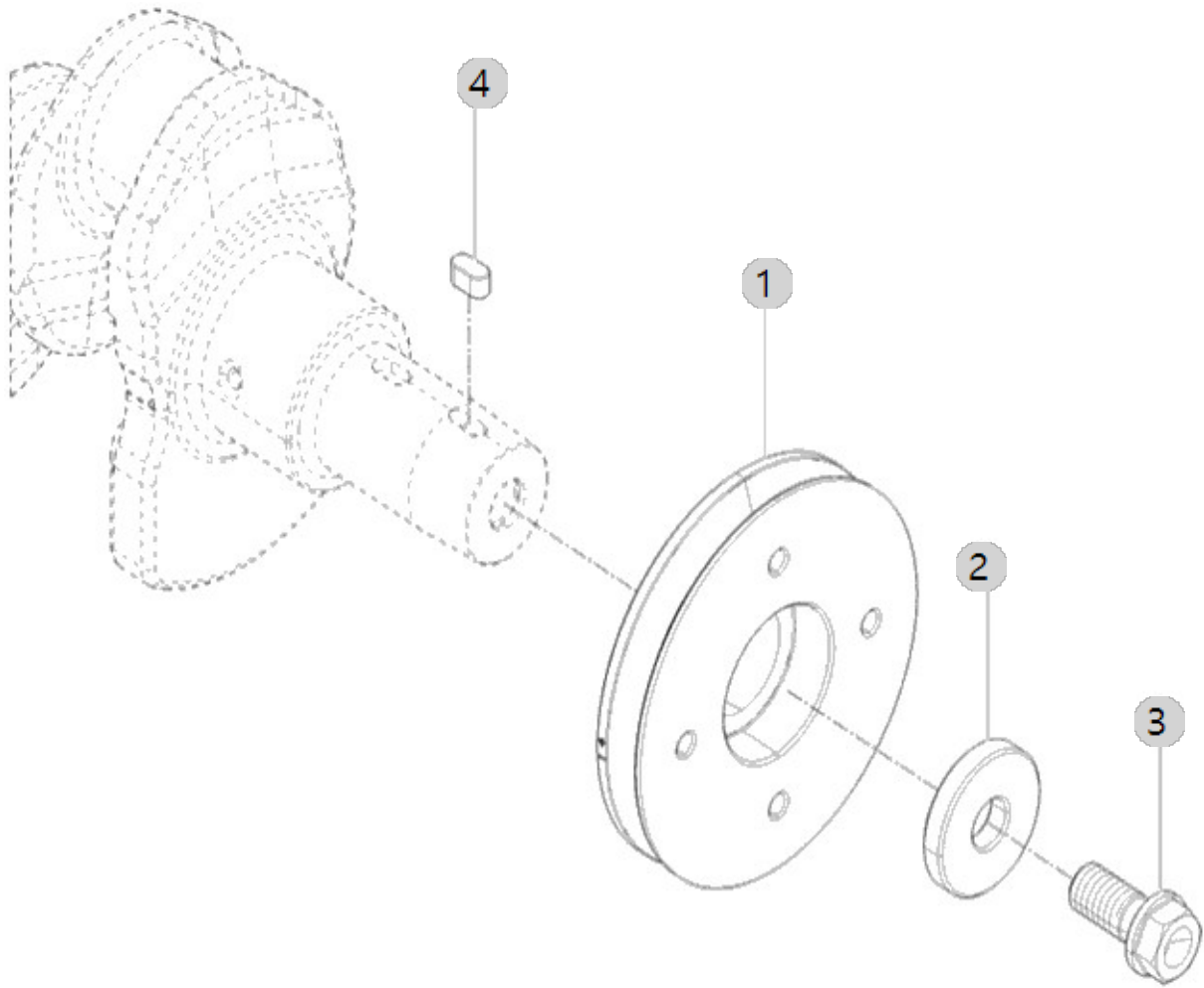
A03_004

A2300N4-ETC_5
(AB00331)

CRANK SHAFT PULLEY

Year/Month

2022-12-16



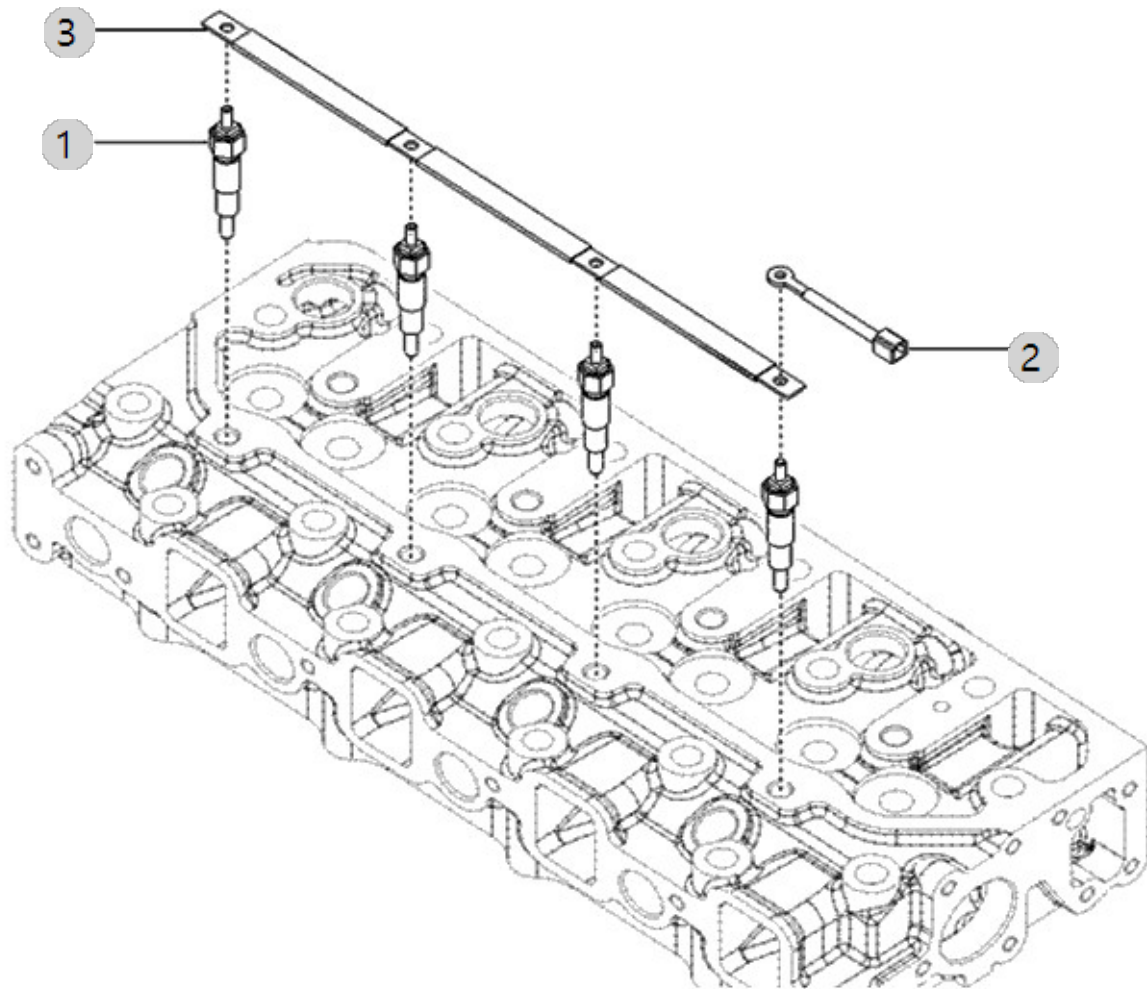
A04_005

A2300N4-ETC_5
(AB00331)

GLOW PLUG ASS'Y OPTION

Year/Month

2022-12-16



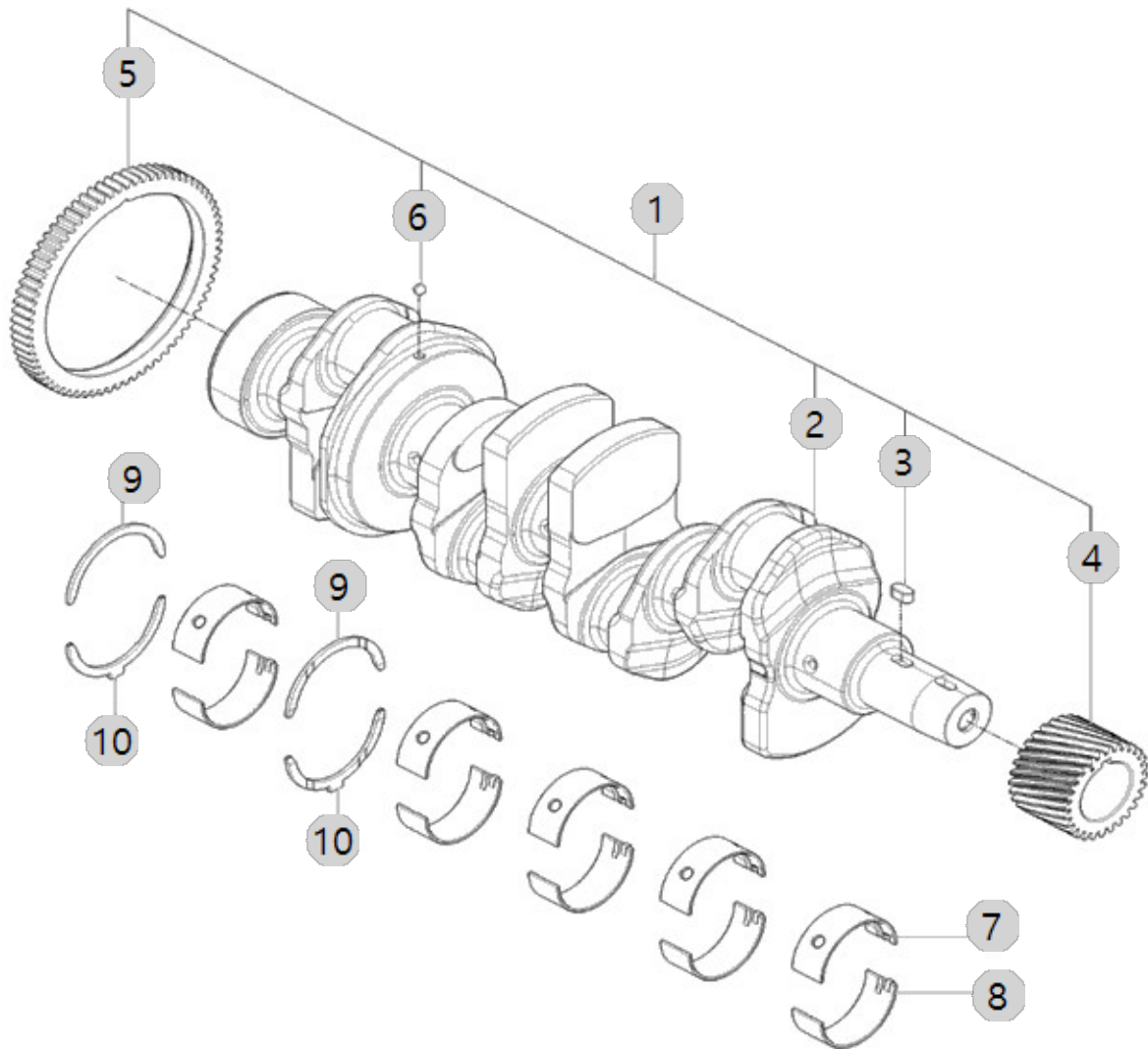
A05_005

A2300N4-ETC_5
(AB00331)

CRANK SHAFT ASS'Y OPTION

Year/Month

2022-12-16



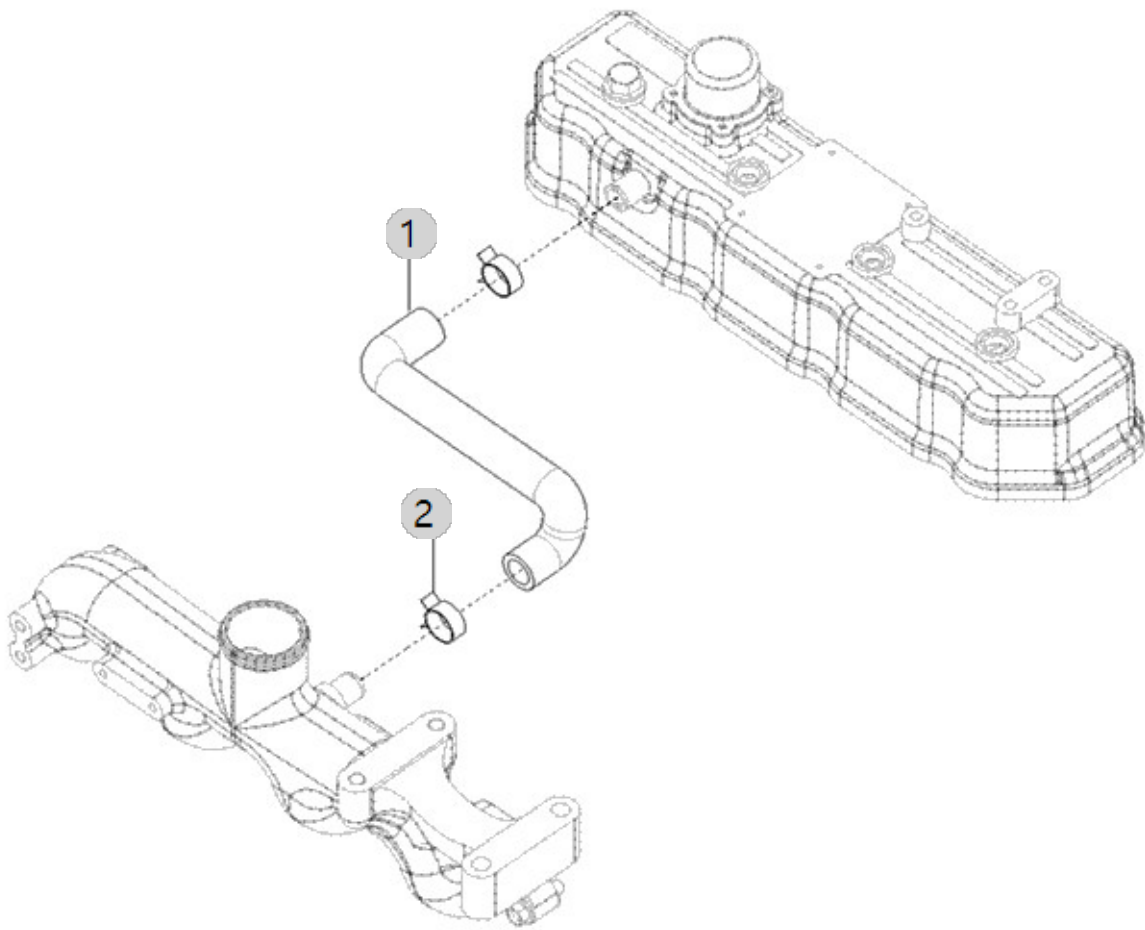
A06_004

A2300N4-ETC_5
(AB00331)

BREATHER OPTION

Year/Month

2022-12-16



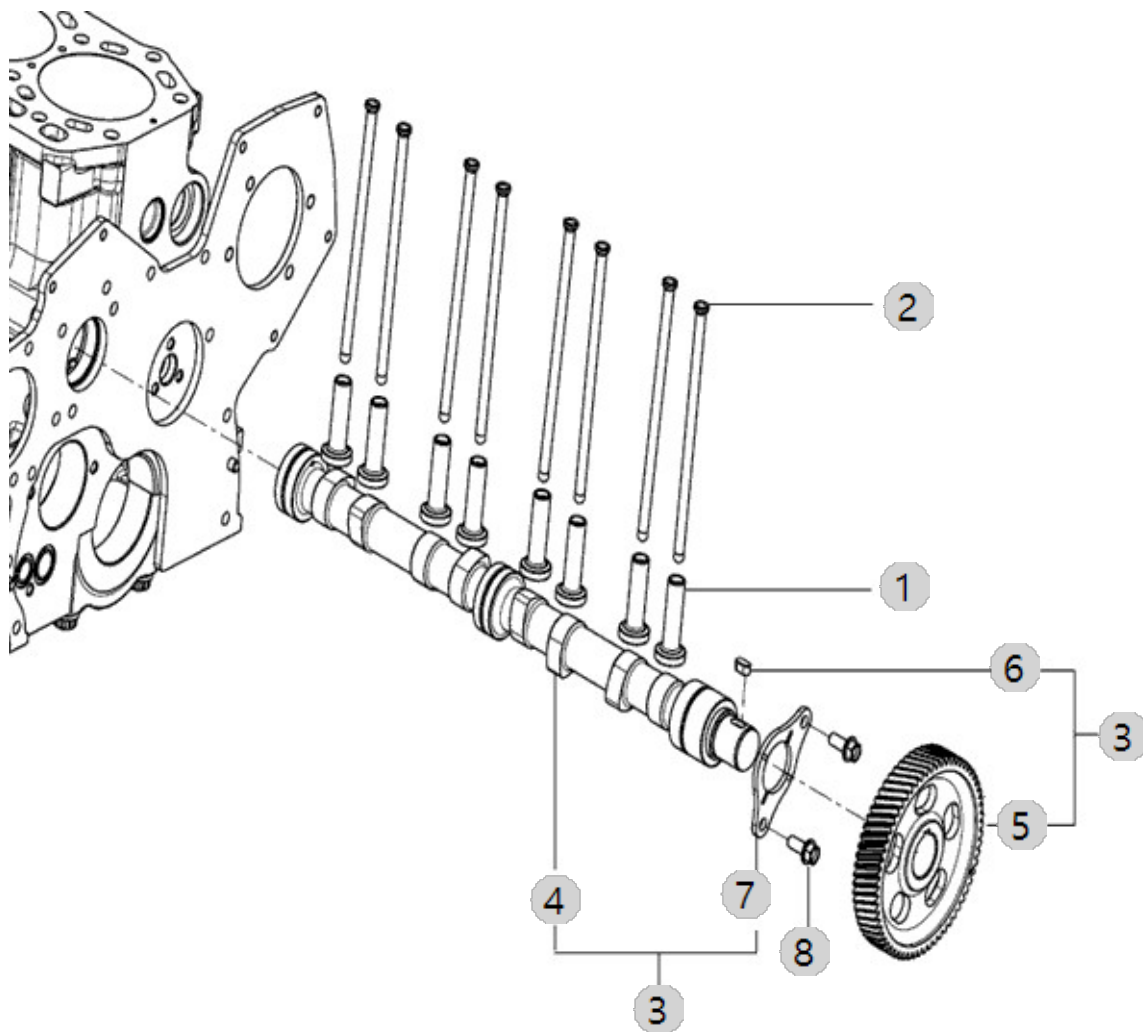
A07_005

A2300N4-ETC_5
(AB00331)

CAMSHAFT

Year/Month

2022-12-16



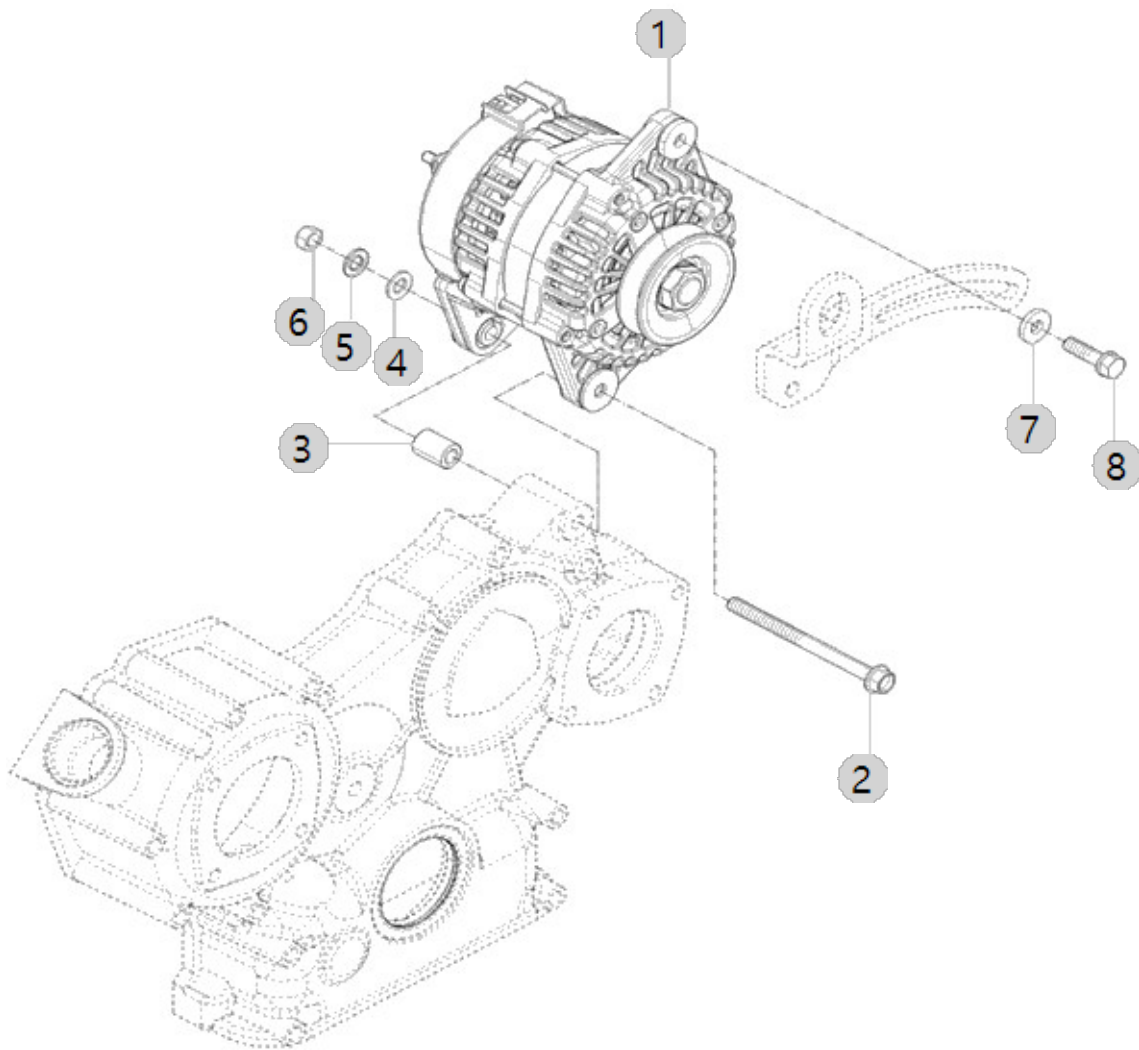
A08_006

A2300N4-ETC_5
(AB00331)

ALTERNATOR

Year/Month

2022-12-16



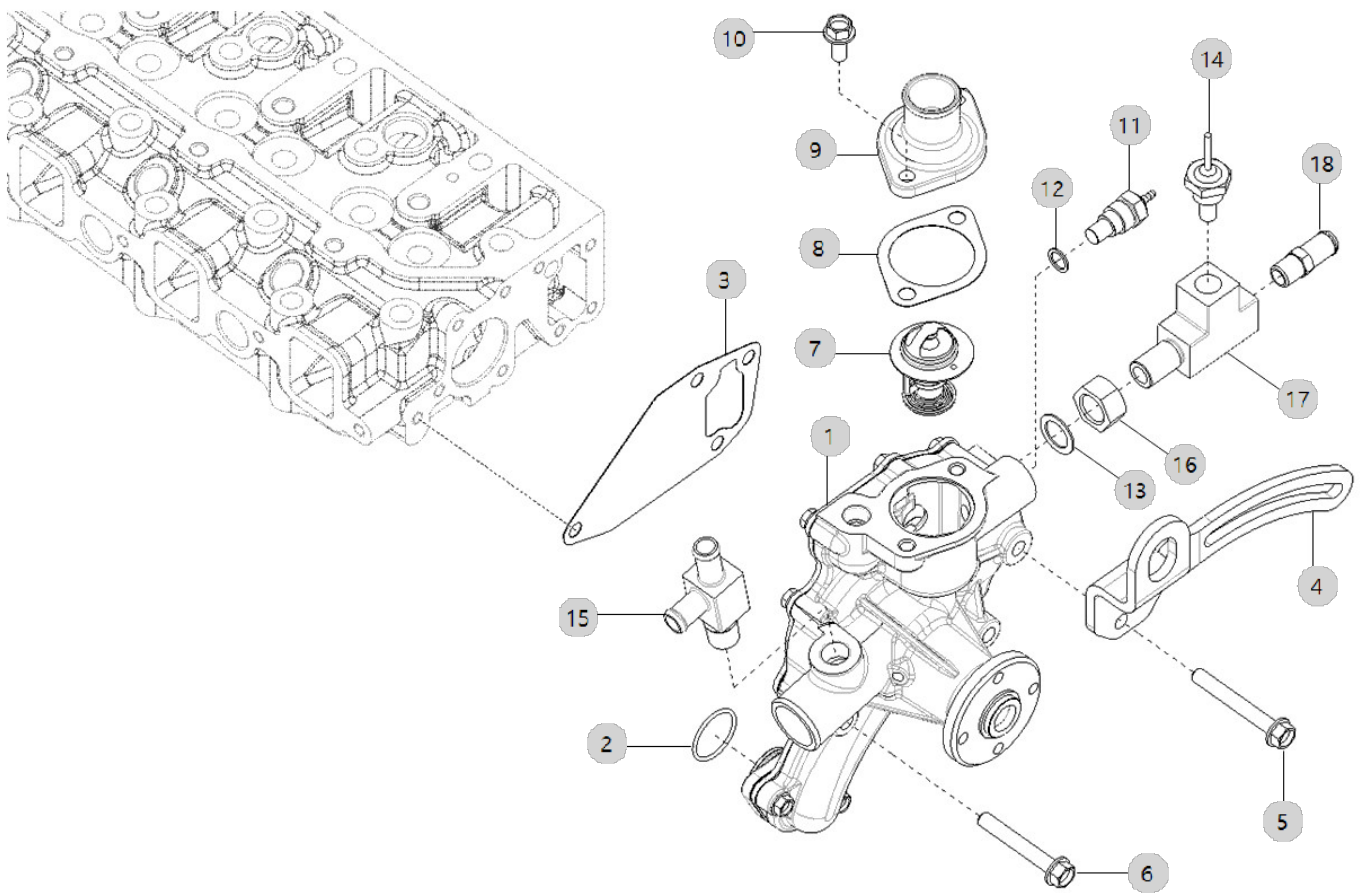
A09_007

A2300N4-ETC_5
(AB00331)

COOLING WATER PUMP

Year/Month

2022-12-16



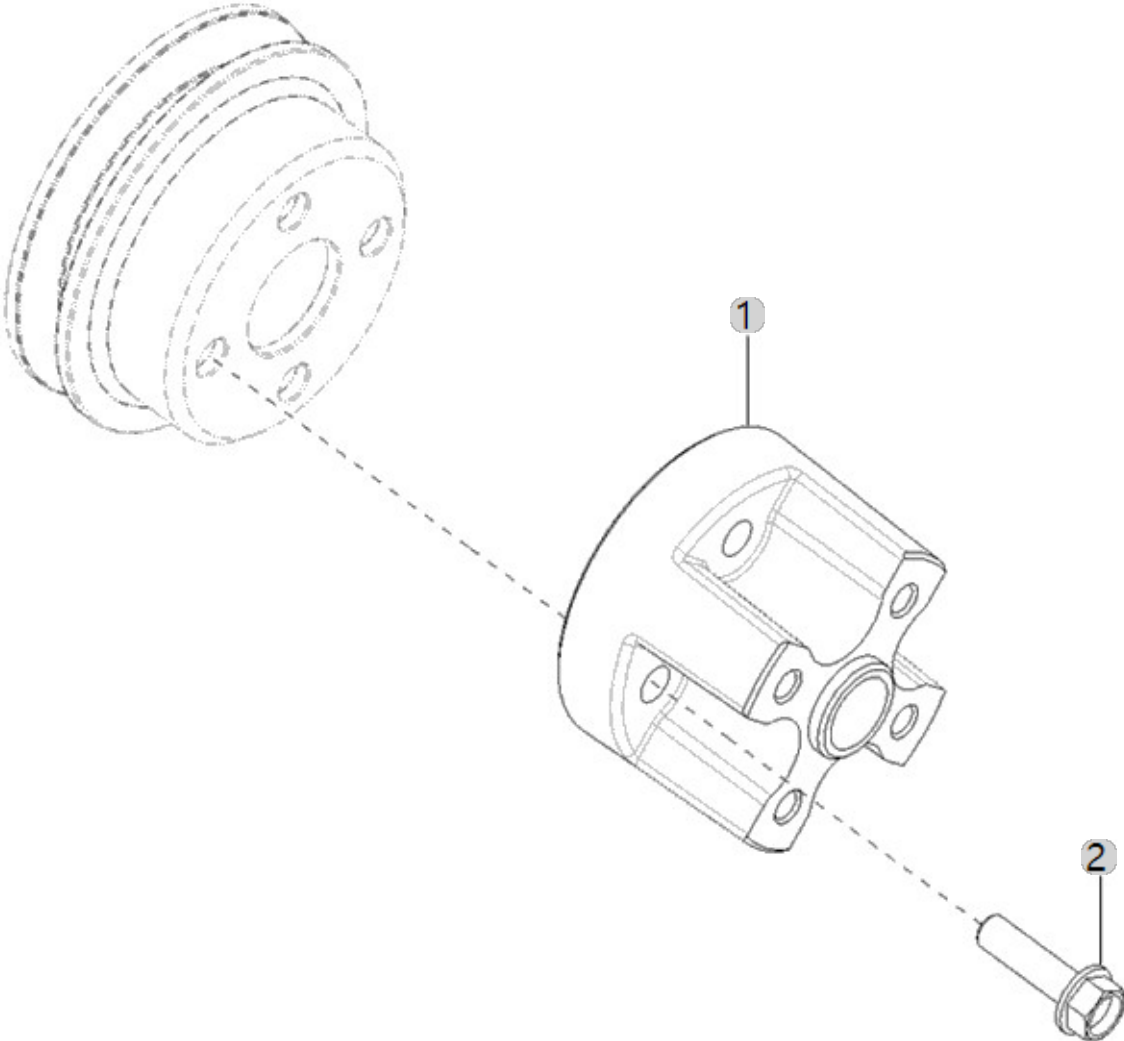
A10_010

A2300N4-ETC_5
(AB00331)

COOLING FAN SPACER

Year/Month

2022-12-16



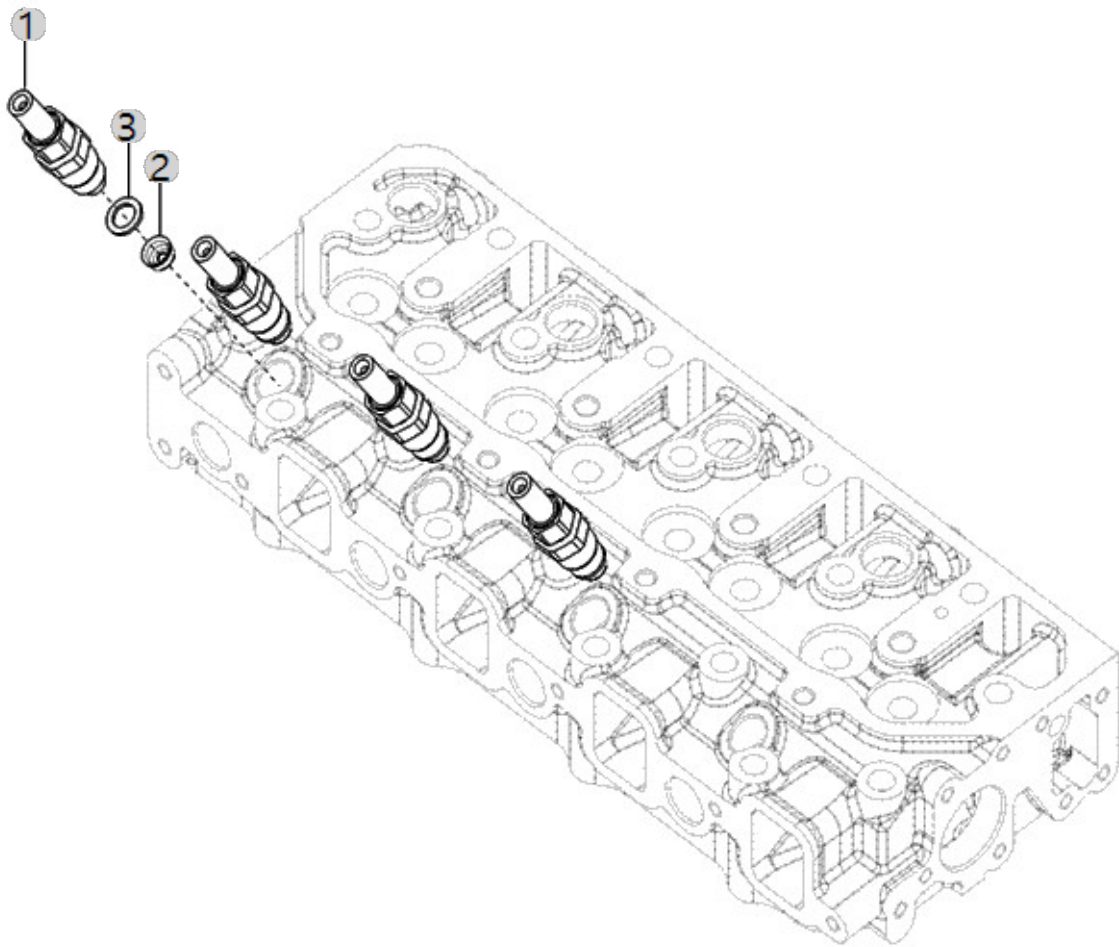
A11_007

A2300N4-ETC_5
(AB00331)

INJECTOR

Year/Month

2022-12-16



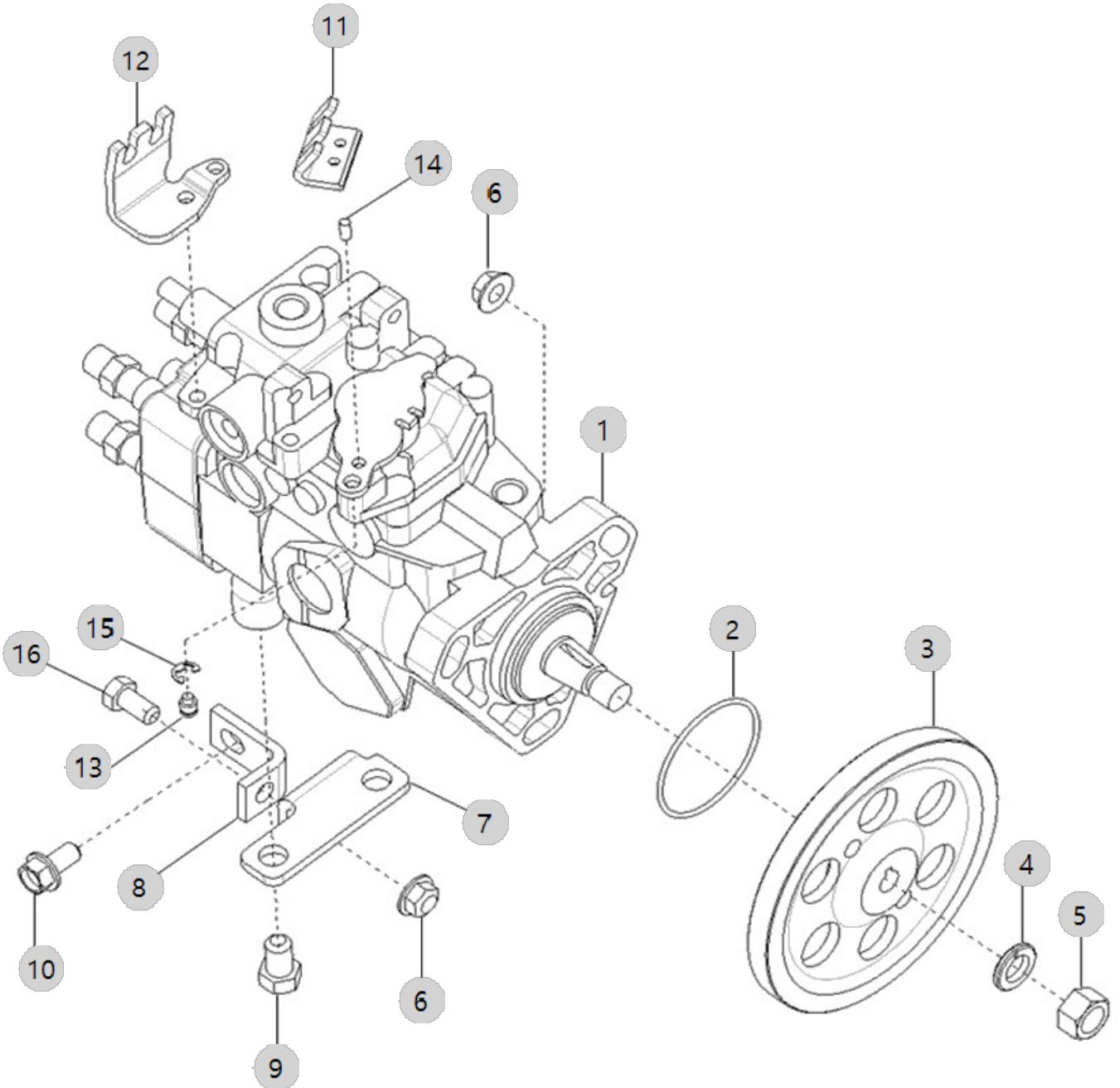
A12_017

A2300N4-ETC_5
(AB00331)

FUEL INJECTOR

Year/Month

2022-12-16



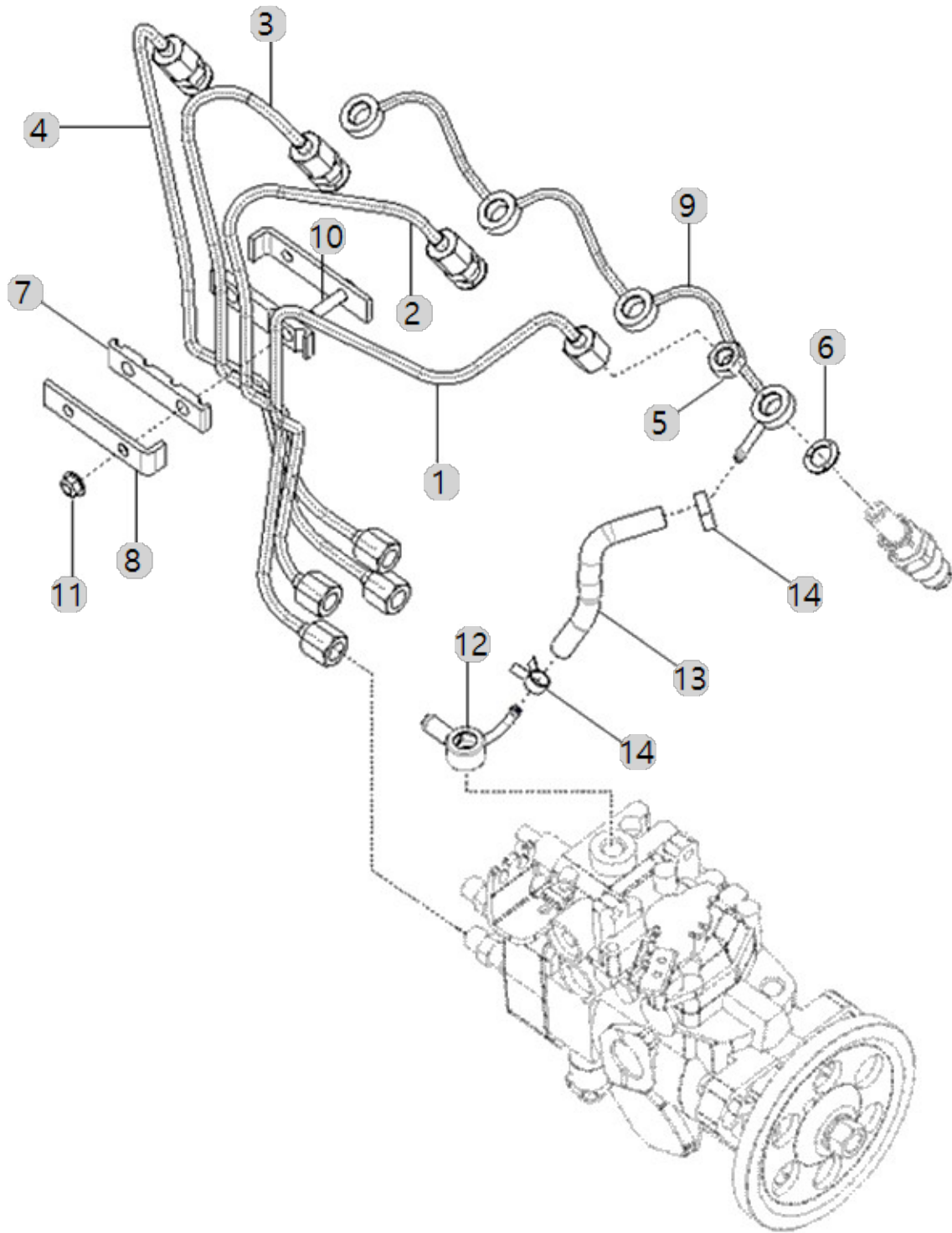
A13_005

A2300N4-ETC_5
(AB00331)

PLUMBING, FUEL

Year/Month

2022-12-16



A13_005 A2300N4-ETC_5 (AB00331)		PLUMBING, FUEL				Year/Month 2022-12-16
순번 (NO)	부품번호 (PART NO)	품명 (PART NAME)	품명 (PART NAME)	수량 (QTY)	규격 (SPEC)	비고 (REMARK)
1	HRA150050DB0	299,A202322,연료파이프조합(A)	PIPE ASSY, FUEL SUPPLY A	1		
1	HRA150050DC0	연료파이프조합(A)	TUBE,INJECTOR FUEL SUPPLY	1		
1	HRA150050DB0	299,A202322,연료파이프조합(A)	PIPE ASSY, FUEL SUPPLY A	1		
1	HRA150050DB0	299,A202322,연료파이프조합(A)	PIPE ASSY, FUEL SUPPLY A	1		
2	HRA150060DB0	300,A202322,연료파이프조합(B)	PIPE ASSY, FUEL SUPPLY (B)	1		
2	HRA150060DB0	300,A202322,연료파이프조합(B)	PIPE ASSY, FUEL SUPPLY (B)	1		
2	HRA150060DB0	300,A202322,연료파이프조합(B)	PIPE ASSY, FUEL SUPPLY (B)	1		
2	HRA150060DC0	연료파이프조합(B)	TUBE,INJECTOR FUEL SUPPLY	1		
3	HRA150070DC0	연료파이프조합(C)	TUBE,INJECTOR FUEL SUPPLY	1		
3	HRA150070DB0	301,A202322,연료파이프조합(C)	PIPE ASSY, FUEL SUUPPLY C	1		
3	HRA150070DB0	301,A202322,연료파이프조합(C)	PIPE ASSY, FUEL SUUPPLY C	1		
3	HRA150070DB0	301,A202322,연료파이프조합(C)	PIPE ASSY, FUEL SUUPPLY C	1		
4	HRA150080DC0	연료파이프조합(D)	TUBE,INJECTOR FUEL SUPPLY	1		
4	HRA150080DB0	302,A202322,연료파이프조합(D)	PIPE ASSY, FUEL SUPPLY D	1		
4	HRA150080DB0	302,A202322,연료파이프조합(D)	PIPE ASSY, FUEL SUPPLY D	1		
4	HRA150080DB0	302,A202322,연료파이프조합(D)	PIPE ASSY, FUEL SUPPLY D	1		
5	HK13450000A4	육각고정너트	NUT,REGULARHEXAGON	4	M12X1.5	
5	HK13450000A4	육각고정너트	NUT,REGULARHEXAGON	4	M12X1.5	
5	HK13450000A4	육각고정너트	NUT,REGULARHEXAGON	4	M12X1.5	
5	HK13450000A4	육각고정너트	NUT,REGULARHEXAGON	4	M12X1.5	
6	HK13440000A4	306,ALL,패킹(조인트)(와류실)	GASKET,FUELMANIFOLD	4		
6	HK13440000A4	306,ALL,패킹(조인트)(와류실)	GASKET,FUELMANIFOLD	4		
6	HK13440000A4	306,ALL,패킹(조인트)(와류실)	GASKET,FUELMANIFOLD	4		
6	HK13440000A4	306,ALL,패킹(조인트)(와류실)	GASKET,FUELMANIFOLD	4		
7	HRA1502700A4	462,ALL,브래킷고무	RUBBER,BRACKET	2		
7	HRA1502700A4	462,ALL,브래킷고무	RUBBER,BRACKET	2		
7	HRA1502700A4	462,ALL,브래킷고무	RUBBER,BRACKET	2		
7	HRA1502700A4	462,ALL,브래킷고무	RUBBER,BRACKET	2		
8	HRA1502800A4	브래킷판	CLAMP,TUBE	1	T 3.2	
8	HRA1502800A4	브래킷판	CLAMP,TUBE	2	T 3.2	
8	HRA1502800A4	브래킷판	CLAMP,TUBE	1	T 3.2	
8	HRA1502800A4	브래킷판	CLAMP,TUBE	1	T 3.2	
8	HRA1502800B4	브래킷판	CLAMP,TUBE	2	T 3.2	
9	HRA1500900C3	퇴유파이프조합	PIPE ASSY, FUEL RETURN	1		
9	HRA1500900D3	퇴유파이프조합	PIPE ASSY, FUEL	1		
9	HRA1500900C3	퇴유파이프조합	PIPE ASSY, FUEL RETURN	1		
9	HRA1500900C3	퇴유파이프조합	PIPE ASSY, FUEL RETURN	1		
10	HRA1502600B4	브래킷(연료파이프)	BRACKET,PIPE	1		
10	HRA1502600B4	브래킷(연료파이프)	BRACKET,PIPE	1		
10	HRA1502600B4	브래킷(연료파이프)	BRACKET,PIPE	1		
10	HRA1502600B4	브래킷(연료파이프)	BRACKET,PIPE	1		
11	26367-060002	플랜지너트	Nut, Hexa (Φ6)	2	M6XP1.0	
11	26367-060002	플랜지너트	Nut, Hexa (Φ6)	2	M6XP1.0	
11	26367-060002	플랜지너트	Nut, Hexa (Φ6)	2	M6XP1.0	
11	26367-060002	플랜지너트	Nut, Hexa (Φ6)	2	M6XP1.0	

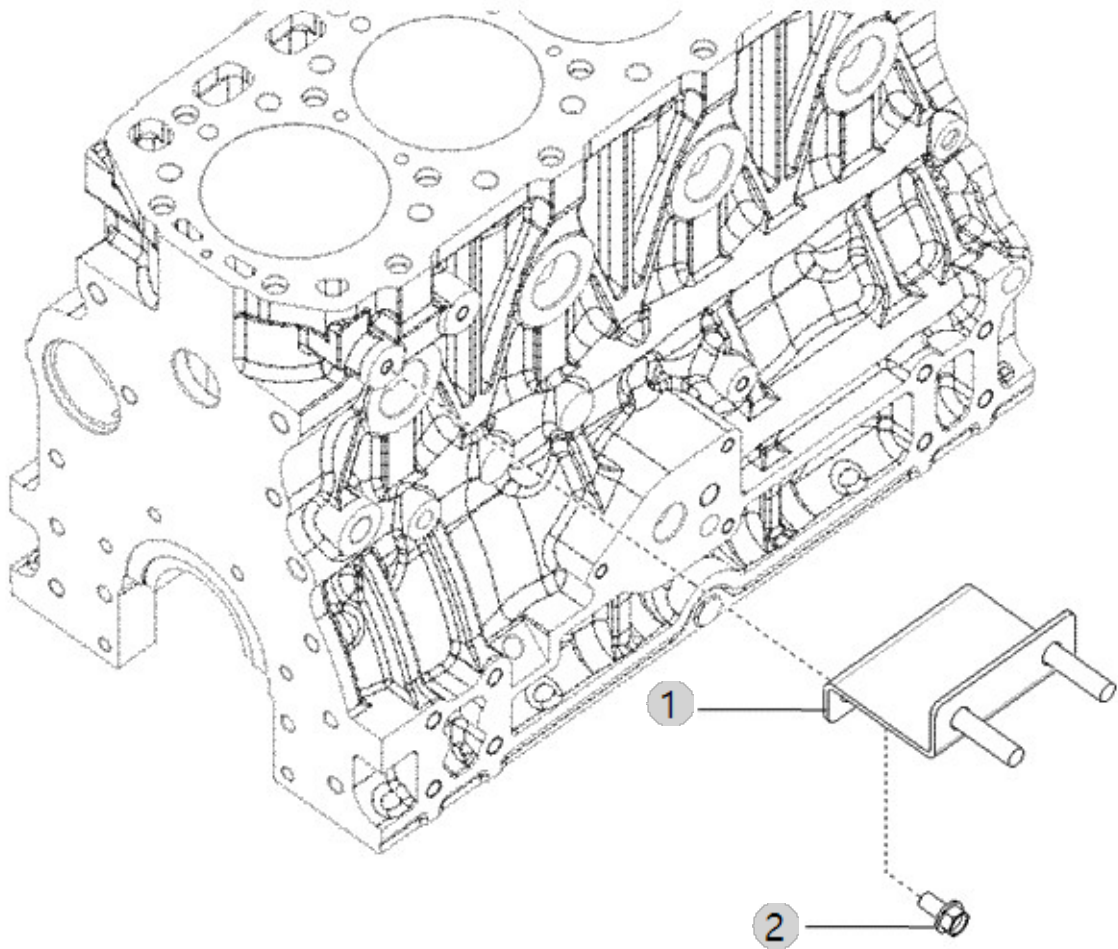
A14_003

A2300N4-ETC_5
(AB00331)

FUEL FILTER BRACKET

Year/Month

2022-12-16



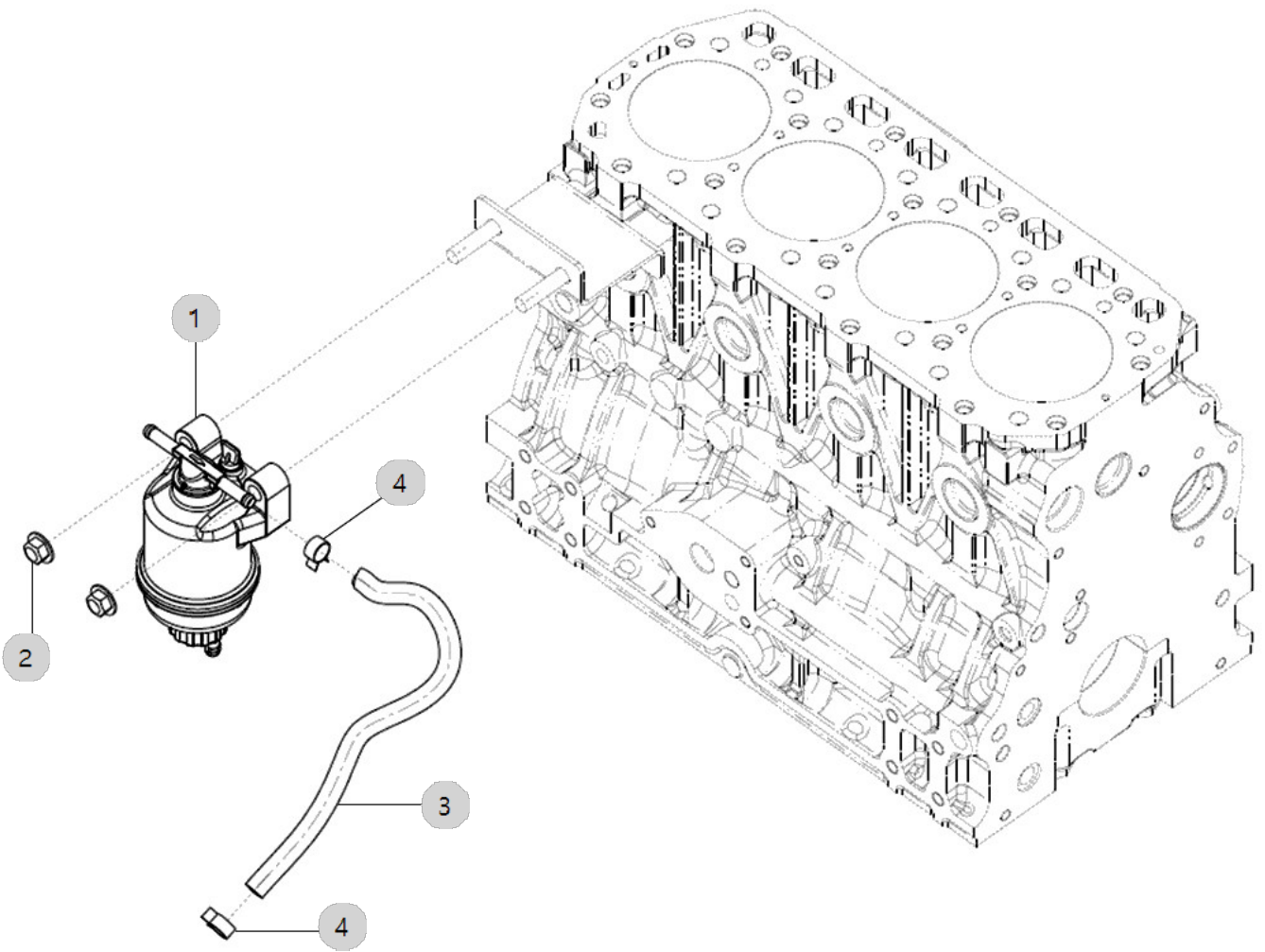
A16_018

A2300N4-ETC_5
(AB00331)

FUEL FILTER ASS'Y OPTION

Year/Month

2022-12-16



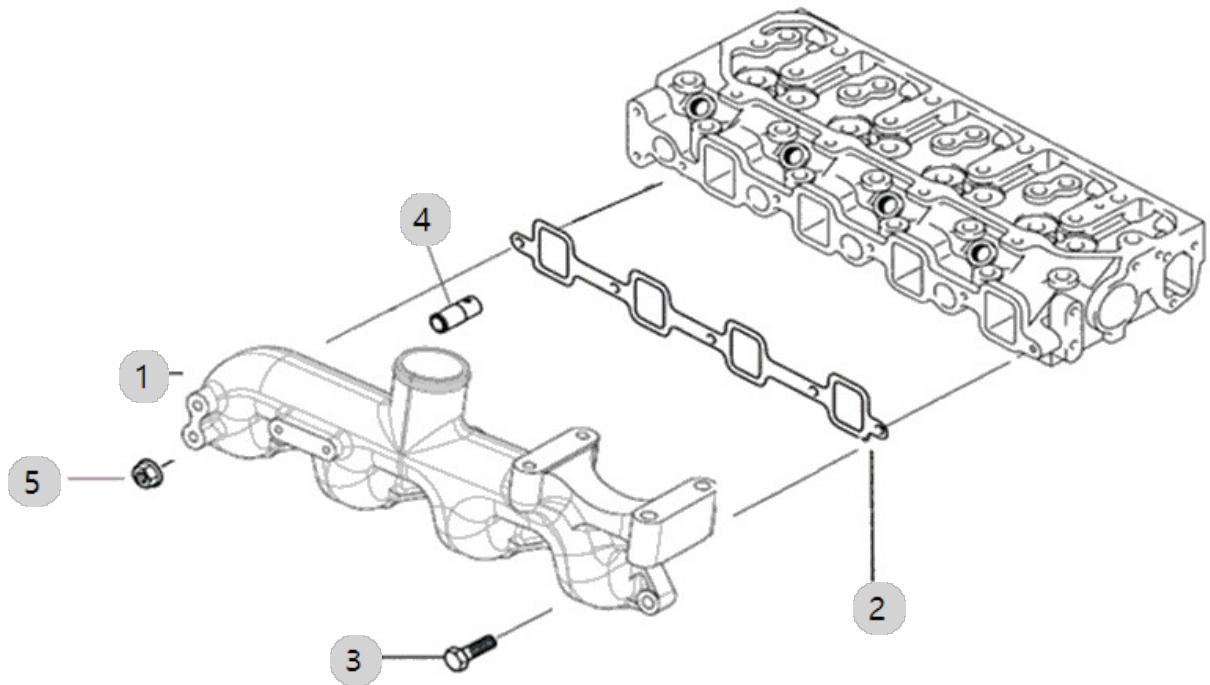
A17_012

A2300N4-ETC_5
(AB00331)

INTAKE MANIFOLD ASS'Y OPTION

Year/Month

2022-12-16



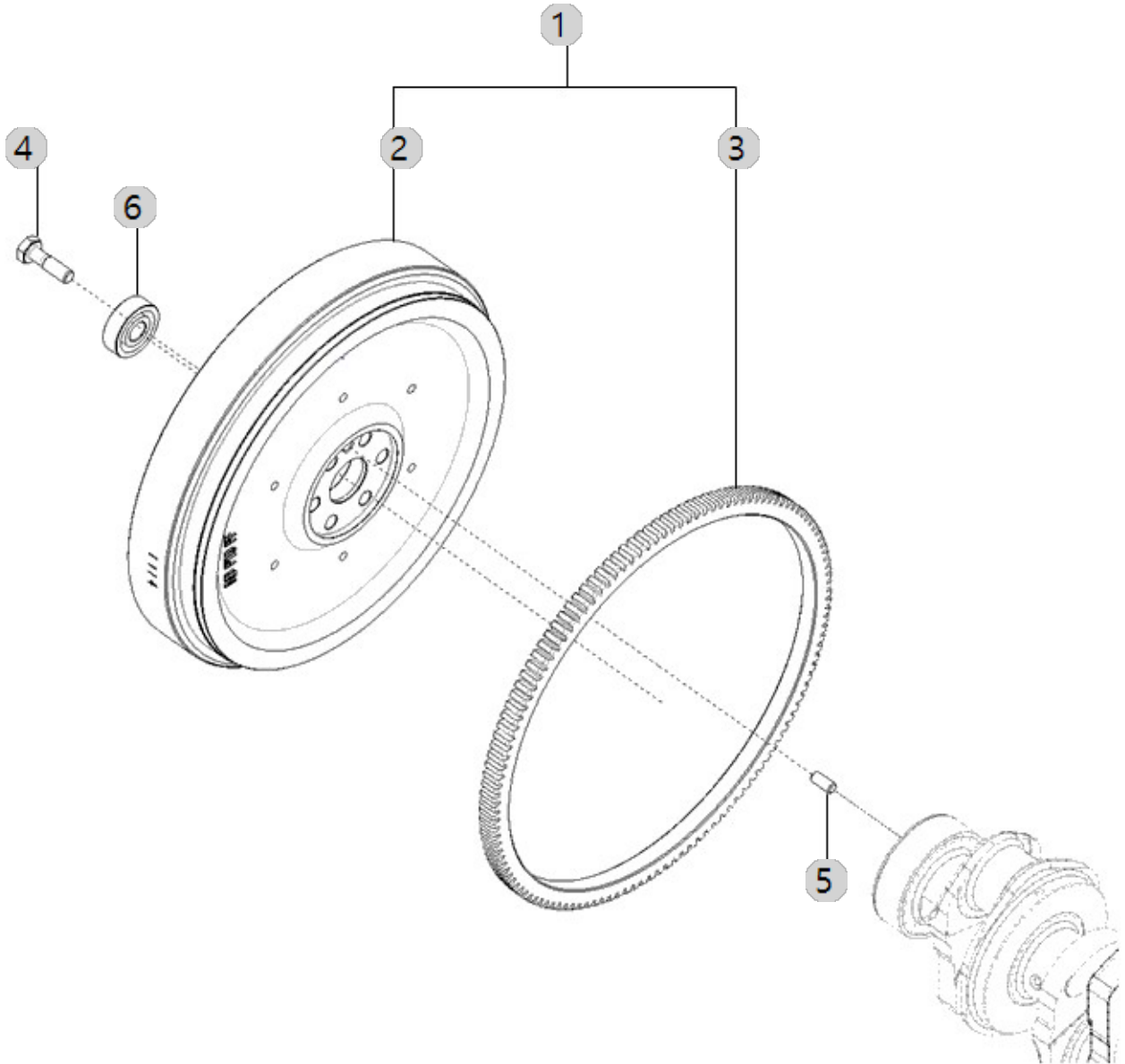
A18_011

A2300N4-ETC_5
(AB00331)

FLYWHEEL

Year/Month

2022-12-16



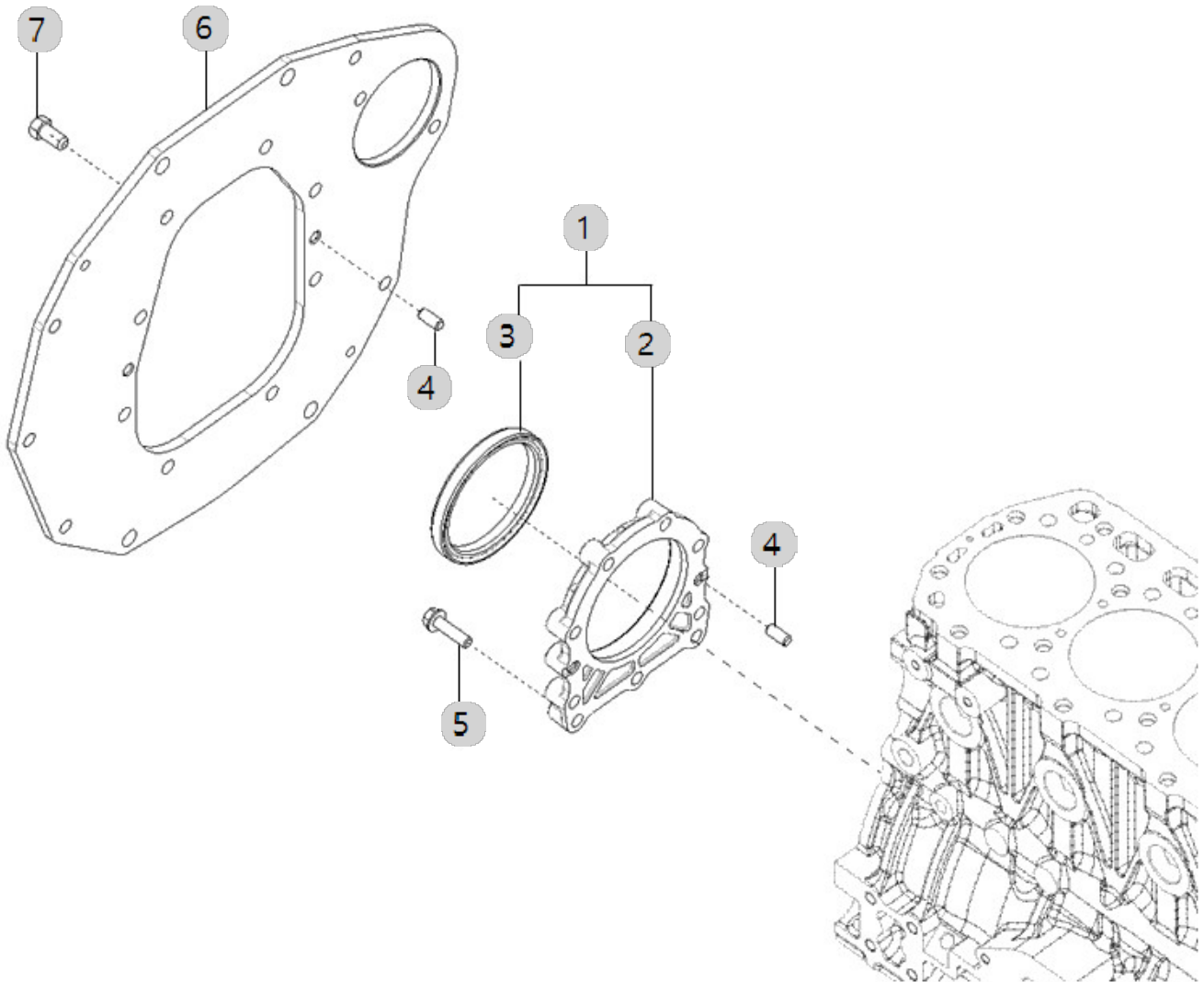
A19_007

A2300N4-ETC_5
(AB00331)

FLYWHEEL HOUSING

Year/Month

2022-12-16



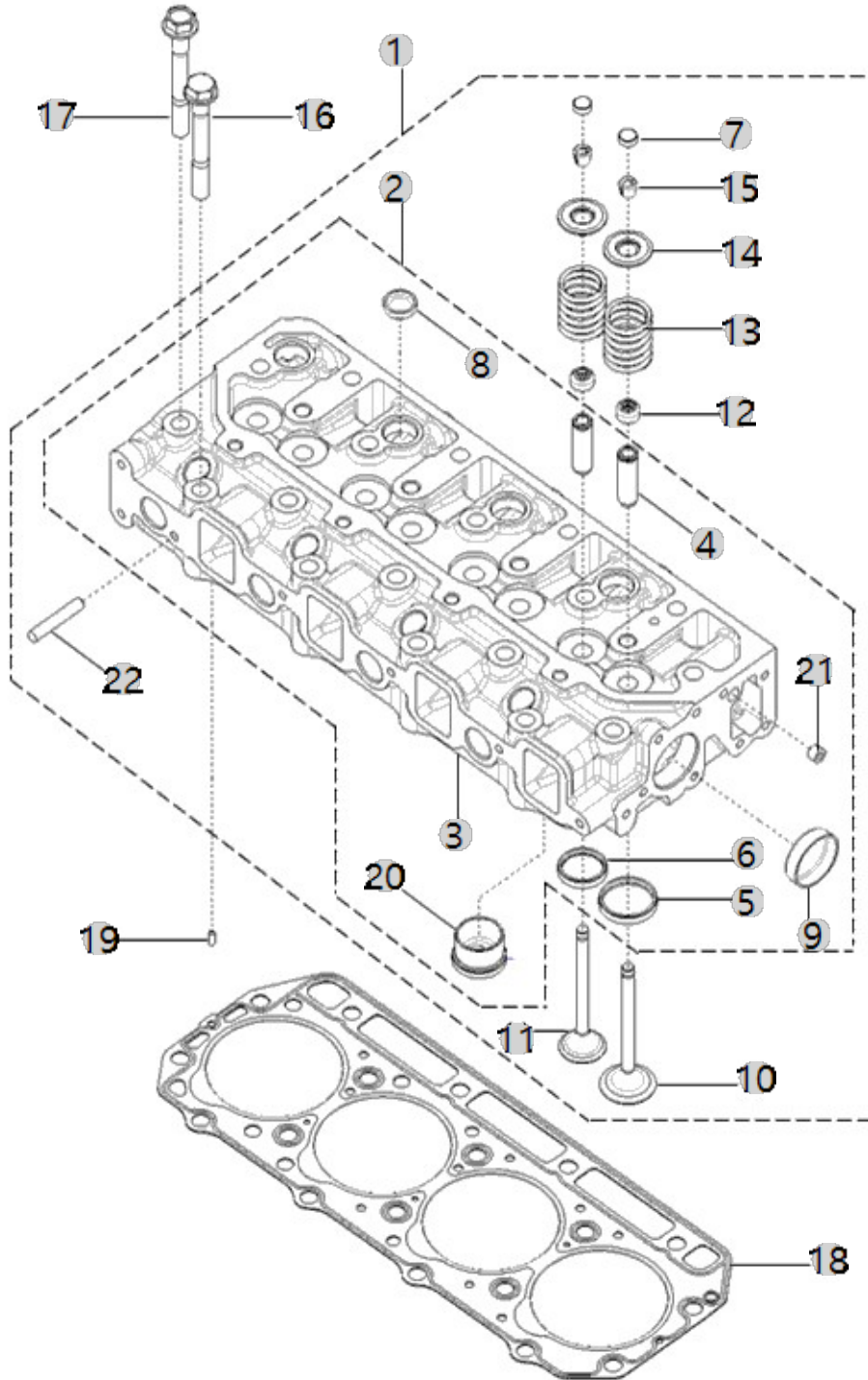
A20_010

A2300N4-ETC_5
(AB00331)

HEAD, CYLINDER

Year/Month

2022-12-16



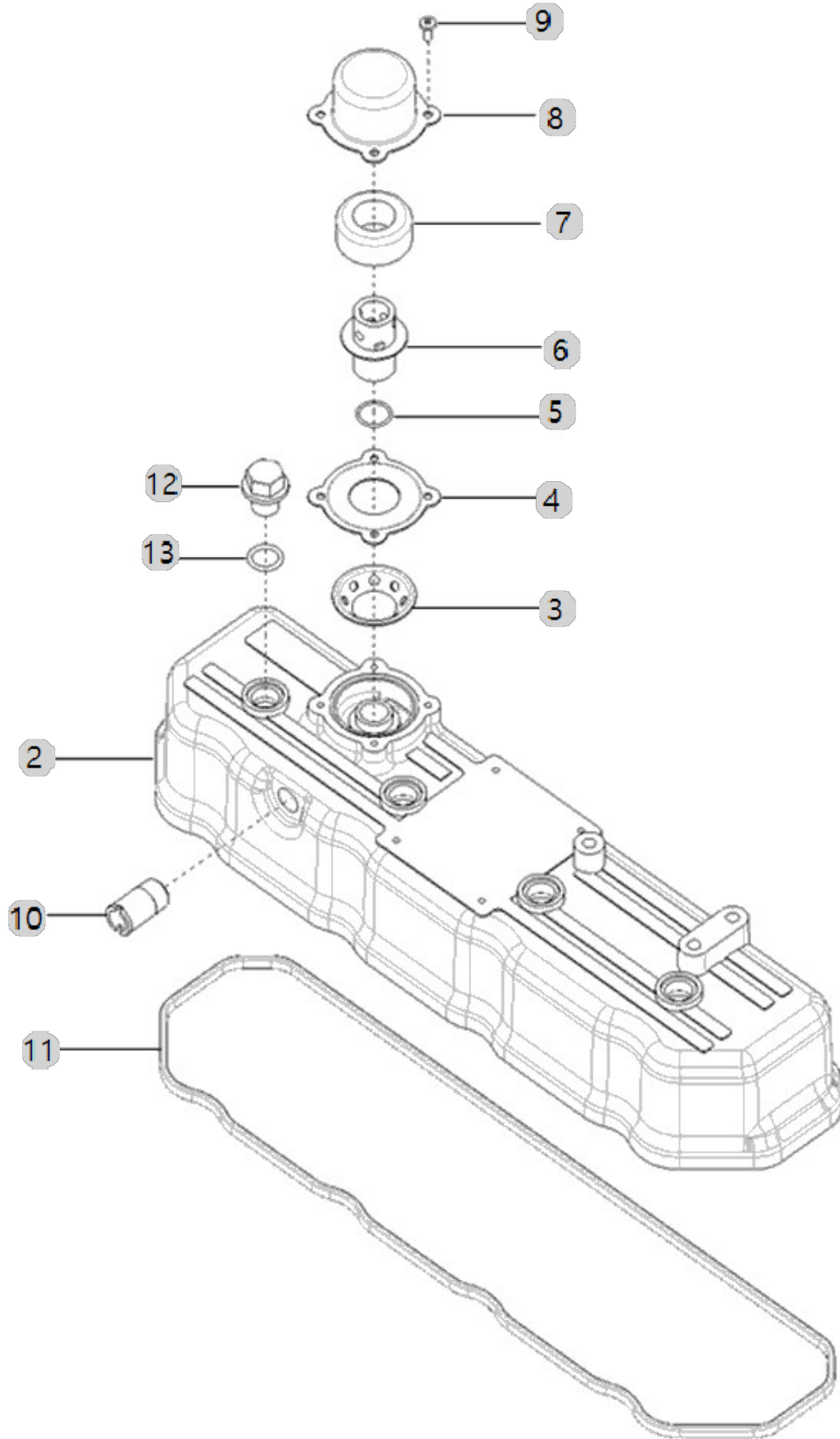
A21_004

A2300N4-ETC_5
(AB00331)

HEAD COVER

Year/Month

2022-12-16



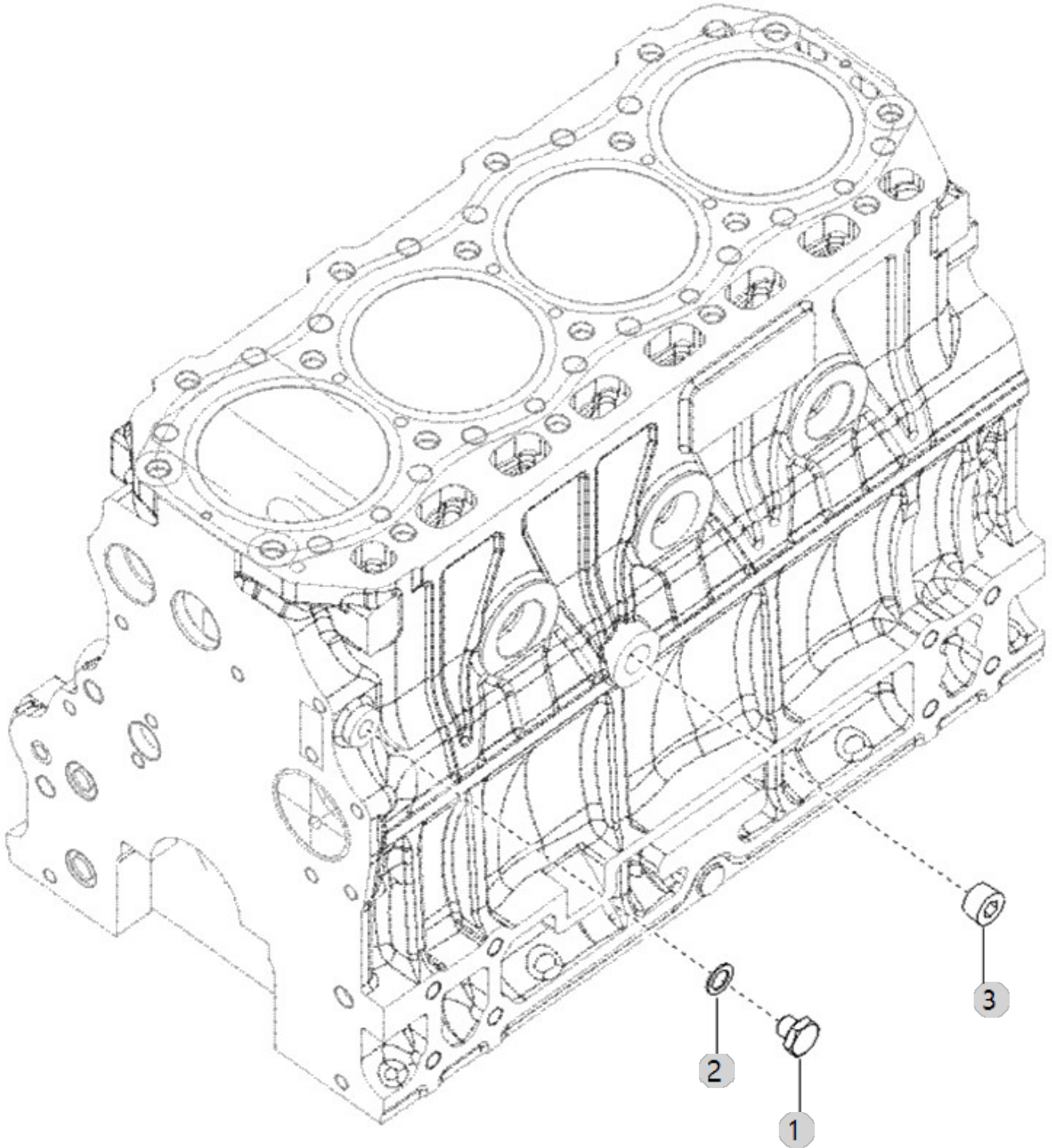
A23_009

A2300N4-ETC_5
(AB00331)

TURBOCHARGER SUPPORT ASS'Y OPTION

Year/Month

2022-12-16



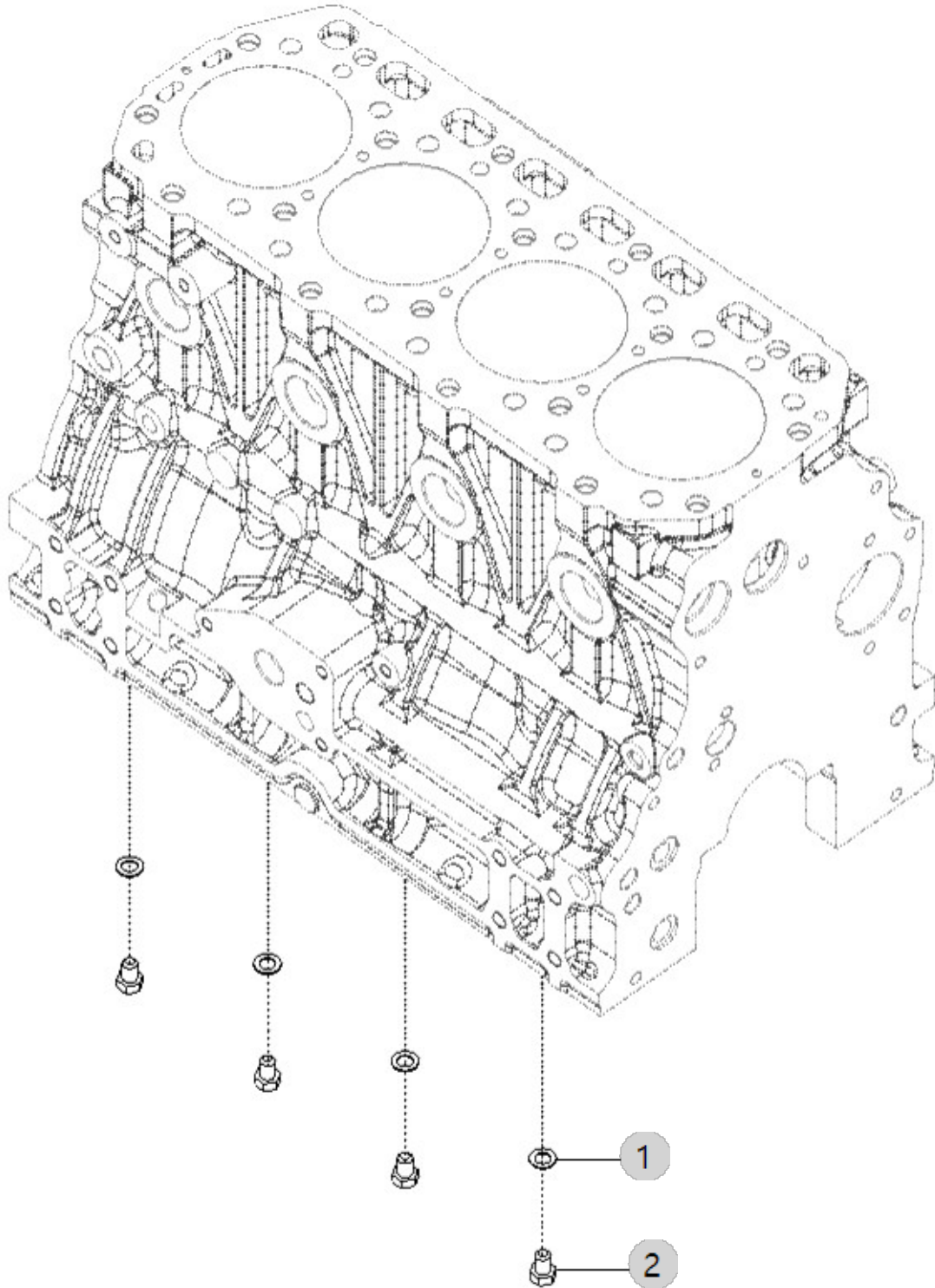
A25_002

A2300N4-ETC_5
(AB00331)

OIL JET ASS'Y OPTION

Year/Month

2022-12-16



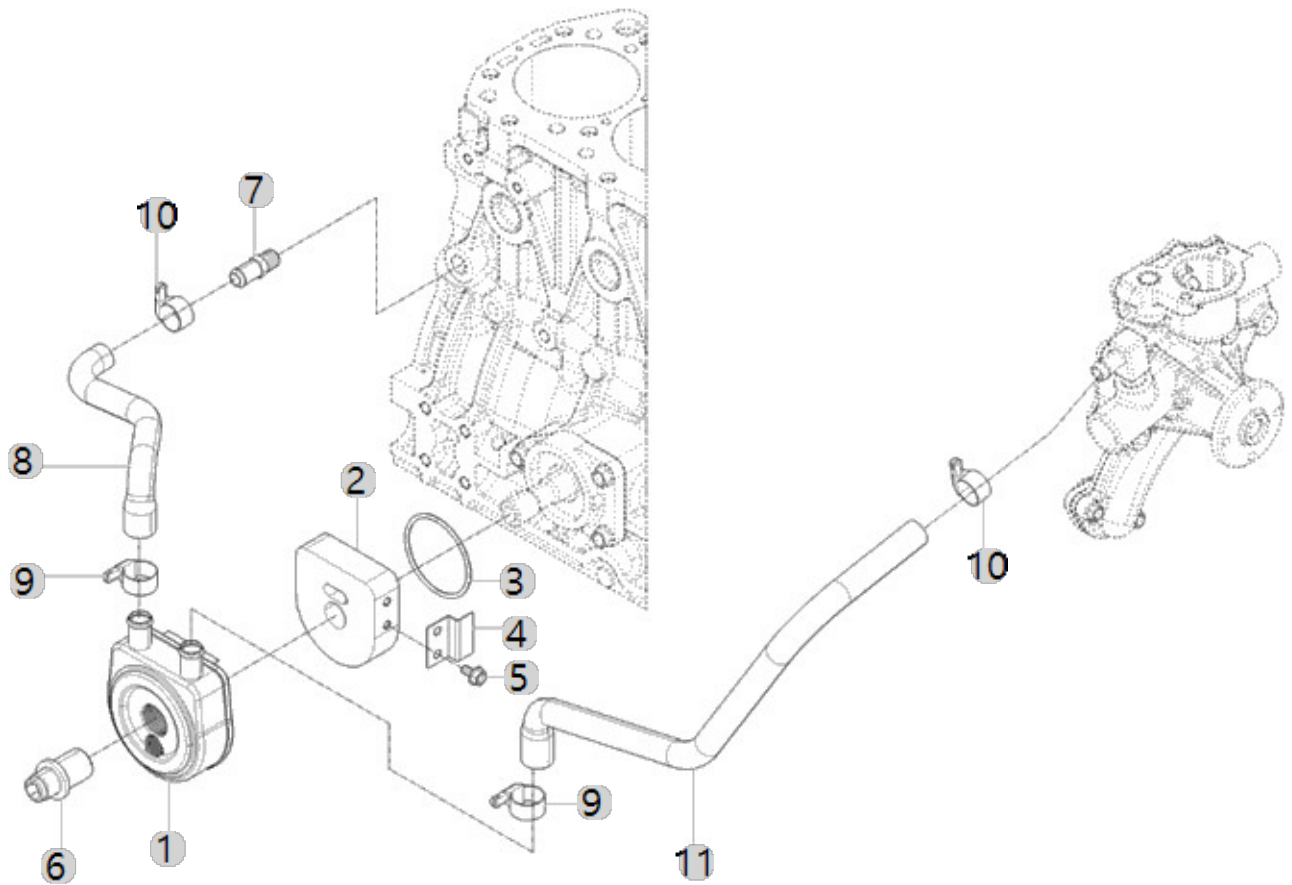
A26_005

A2300N4-ETC_5
(AB00331)

COOLER, ENGINE OIL

Year/Month

2022-12-16



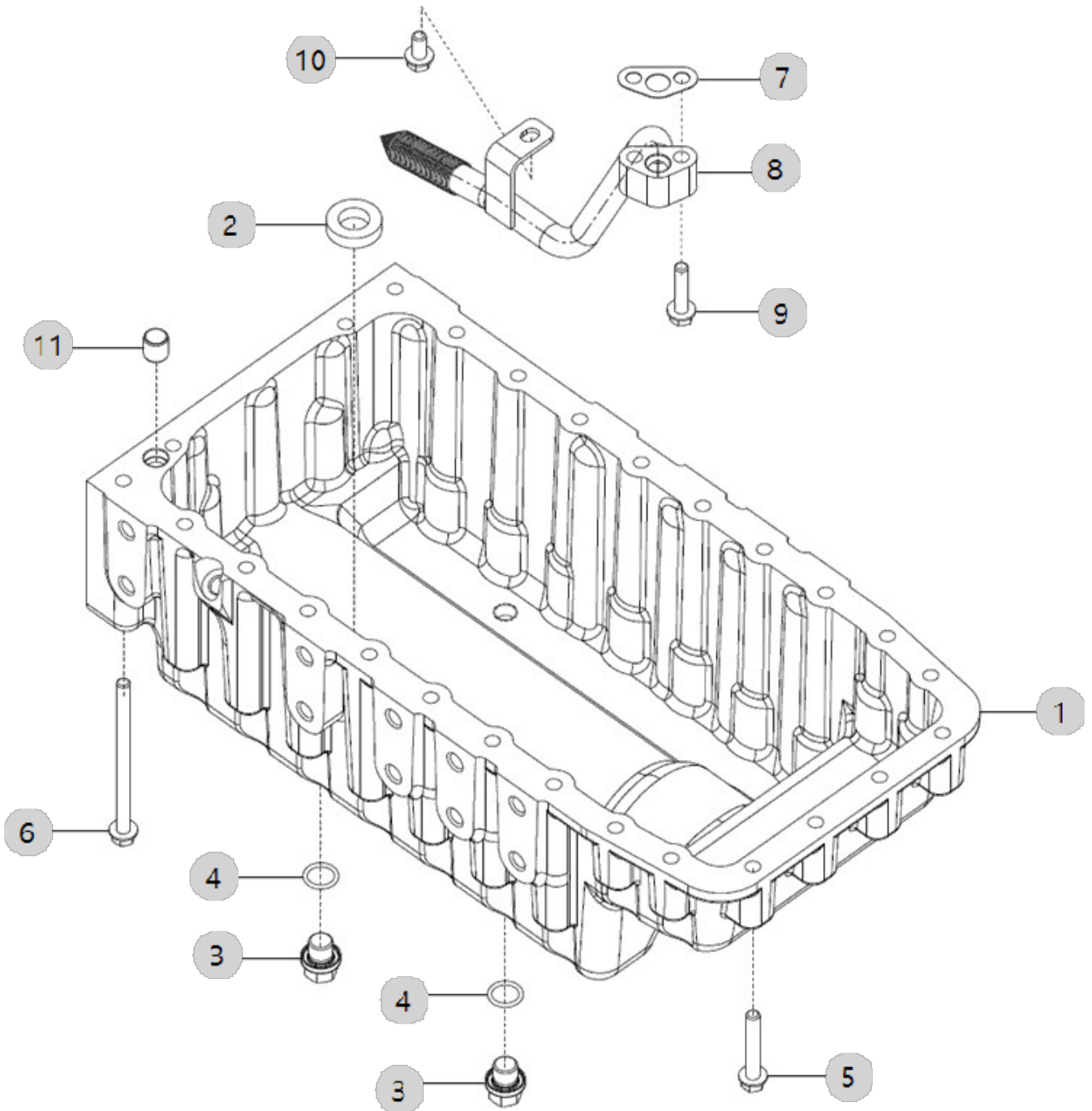
A27_005

A2300N4-ETC_5
(AB00331)

OIL PAN ASS'Y OPTION

Year/Month

2022-12-16



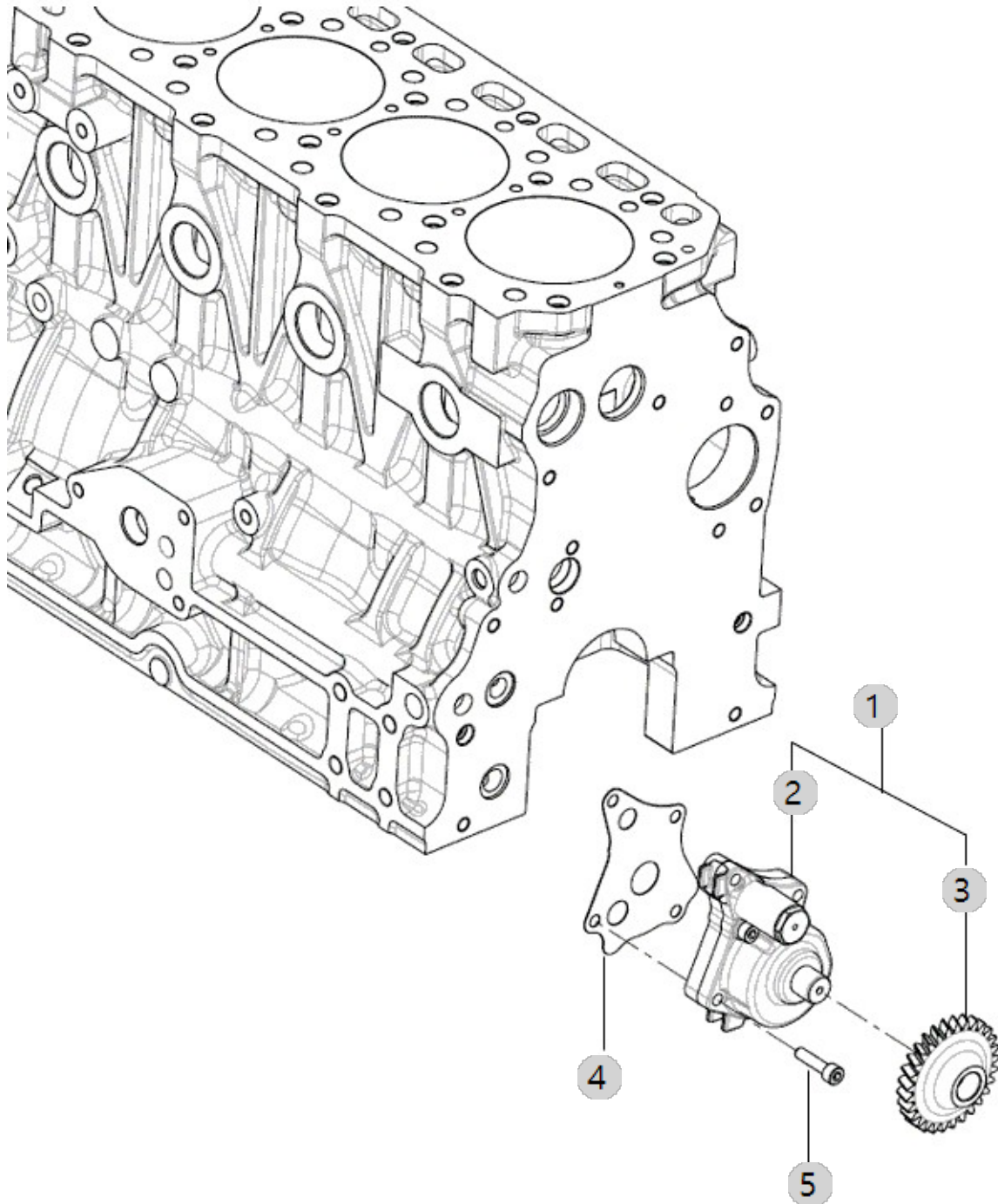
A28_001

A2300N4-ETC_5
(AB00331)

PUMP, LUBRICATING OIL

Year/Month

2022-12-16



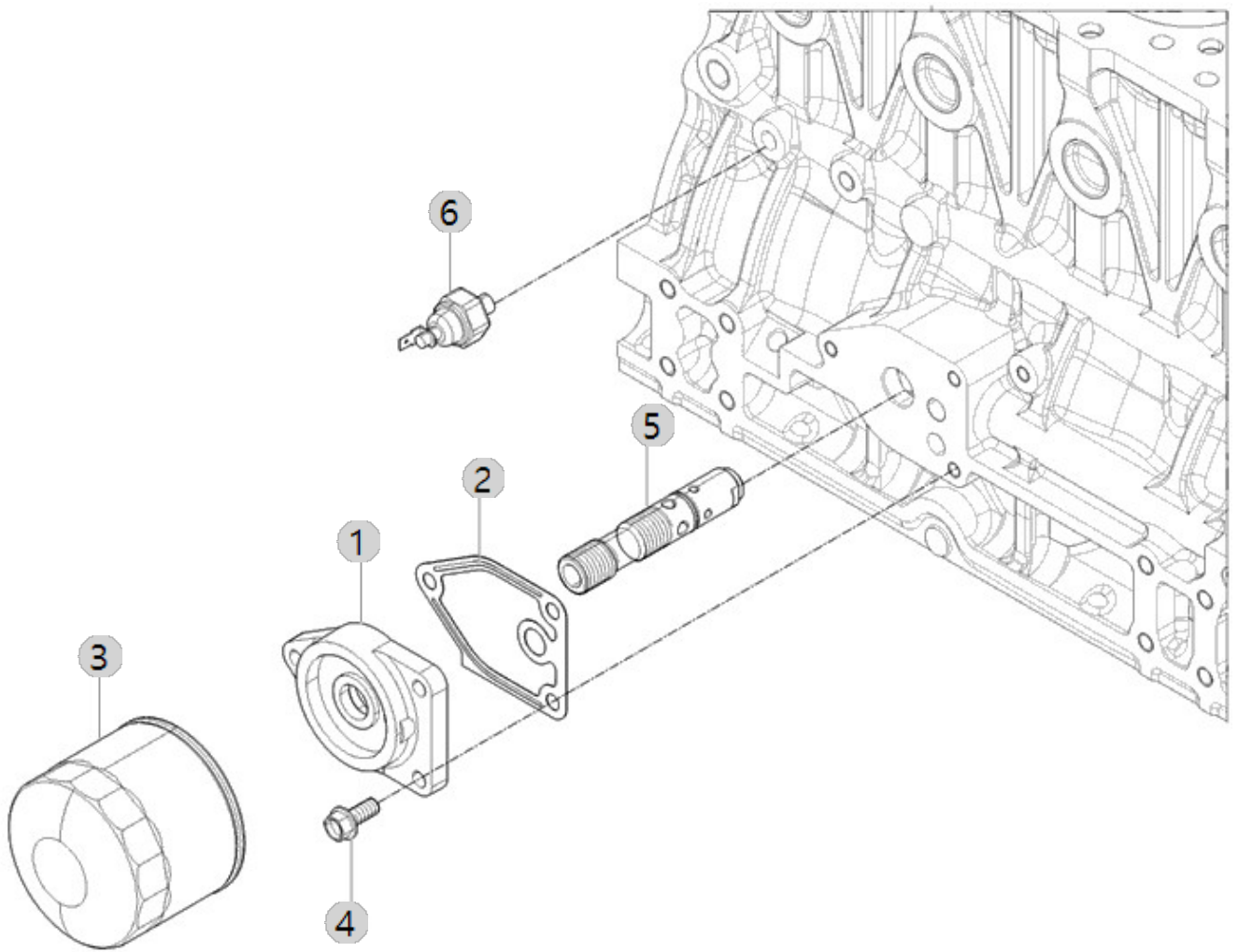
A29_005

A2300N4-ETC_5
(AB00331)

FILTER, LUBRICATING OIL

Year/Month

2022-12-16



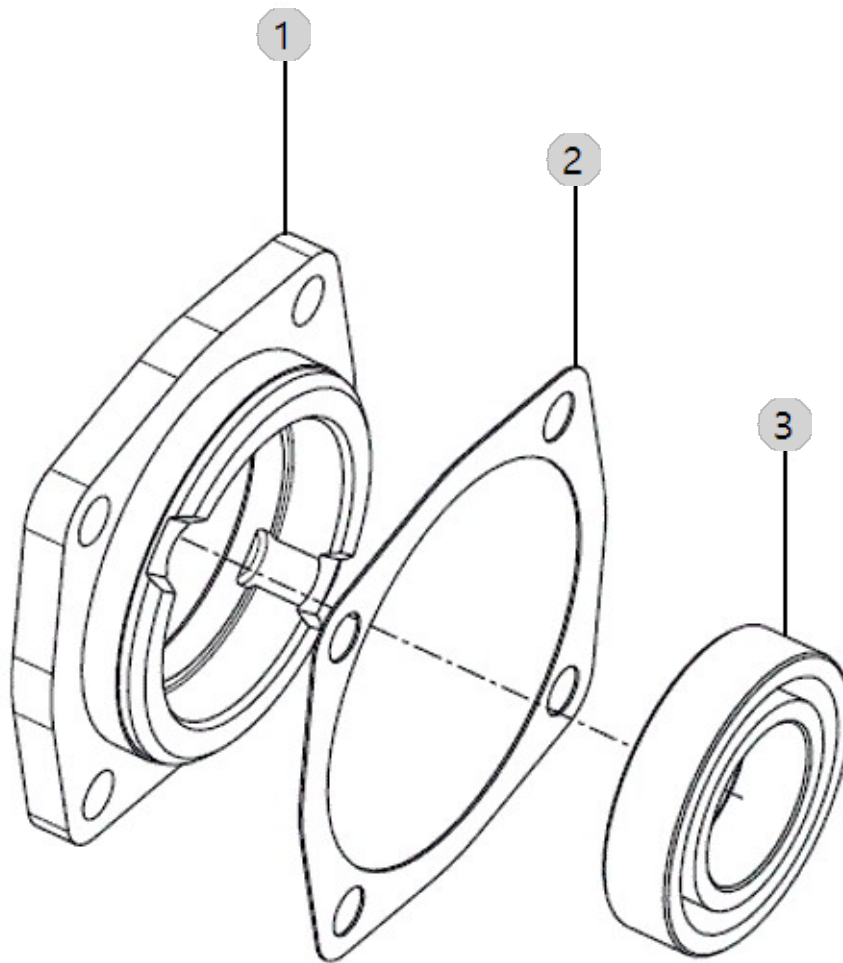
A30_003

A2300N4-ETC_5
(AB00331)

FRONT GEAR ACCESSORY DRIVE

Year/Month

2022-12-16



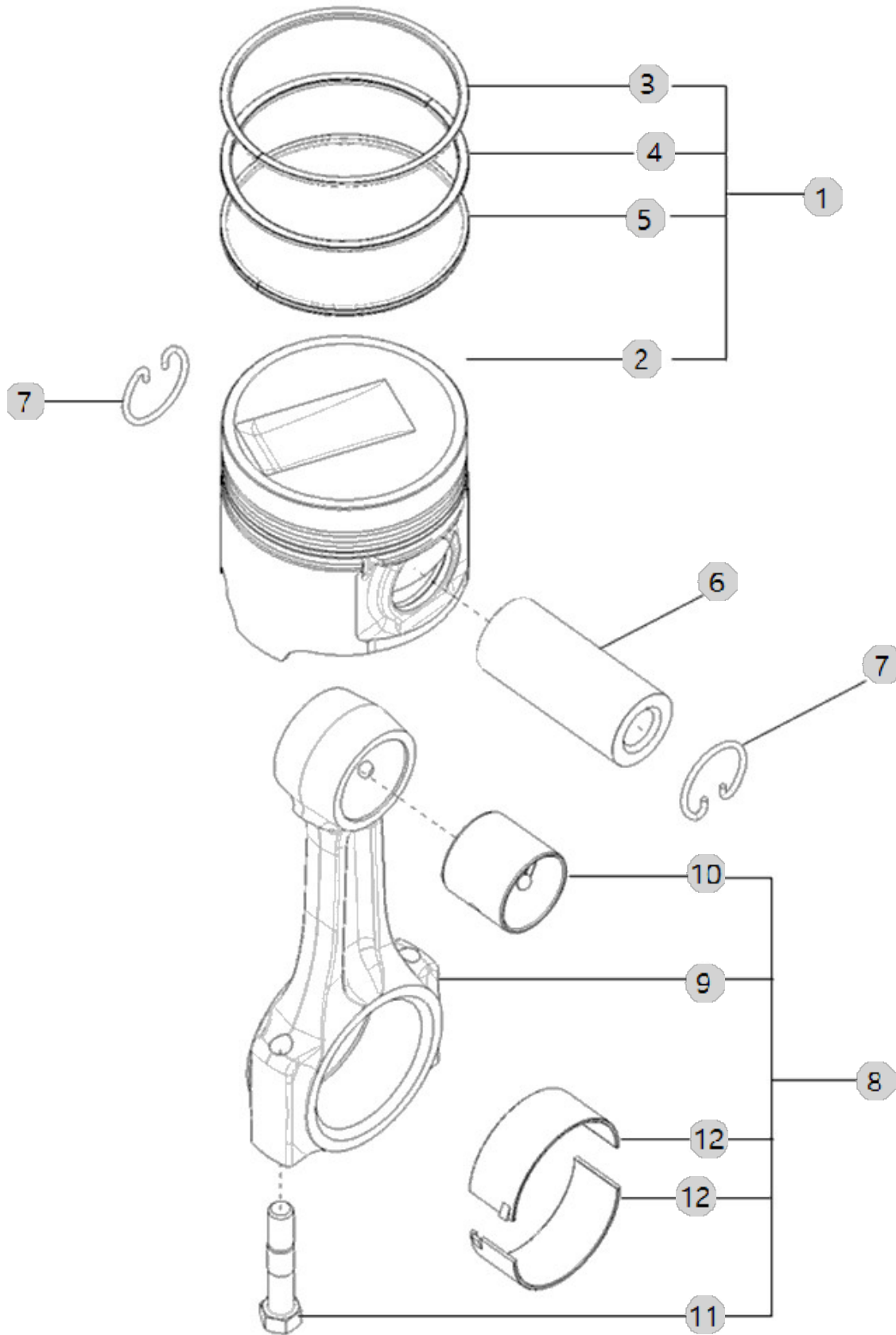
A31_007

A2300N4-ETC_5
(AB00331)

PISTON

Year/Month

2022-12-16



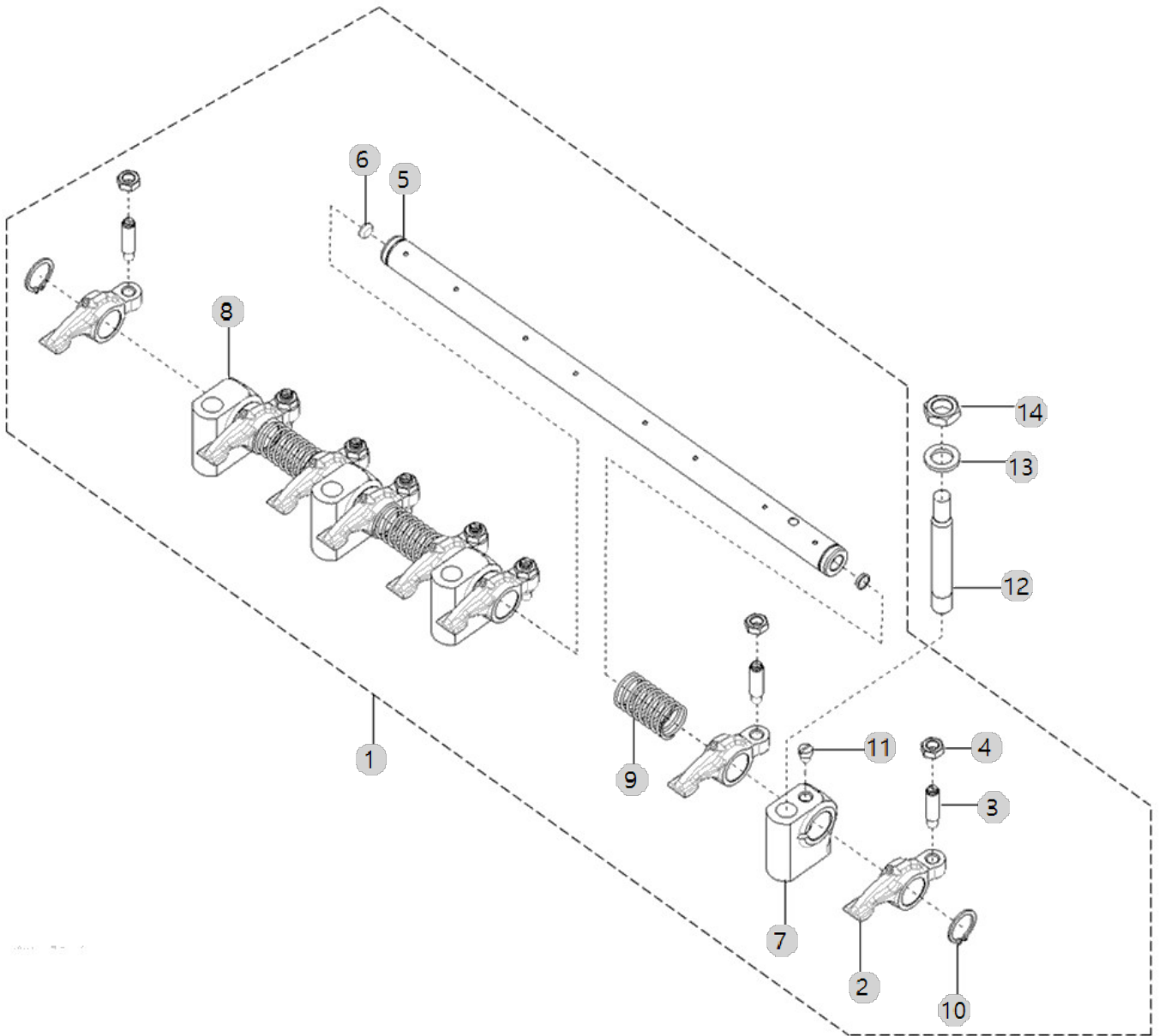
A32_003

A2300N4-ETC_5
(AB00331)

LEVER, LOCKER

Year/Month

2022-12-16



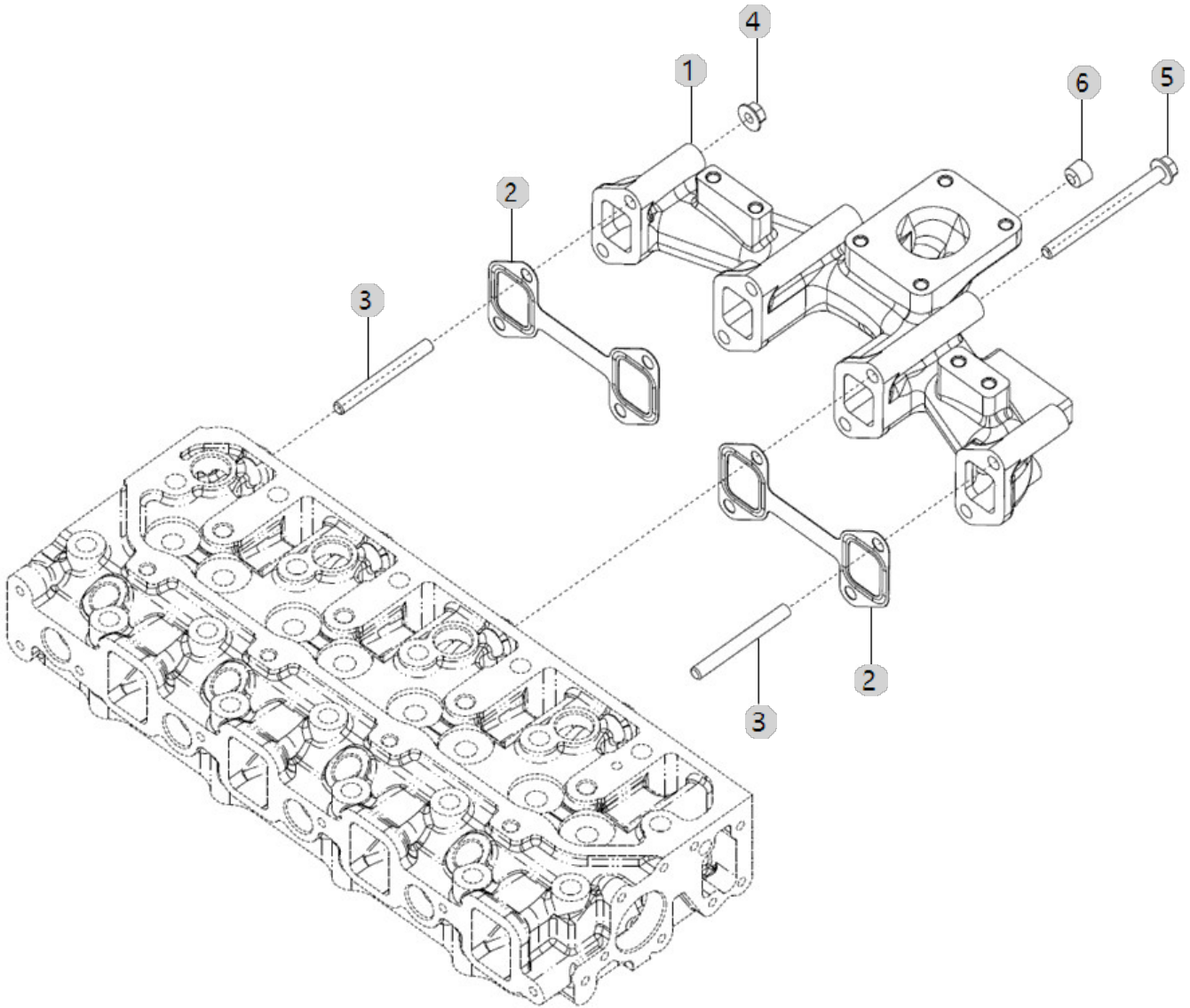
A33_013

A2300N4-ETC_5
(AB00331)

EXHAUST MANIFOLD

Year/Month

2022-12-16



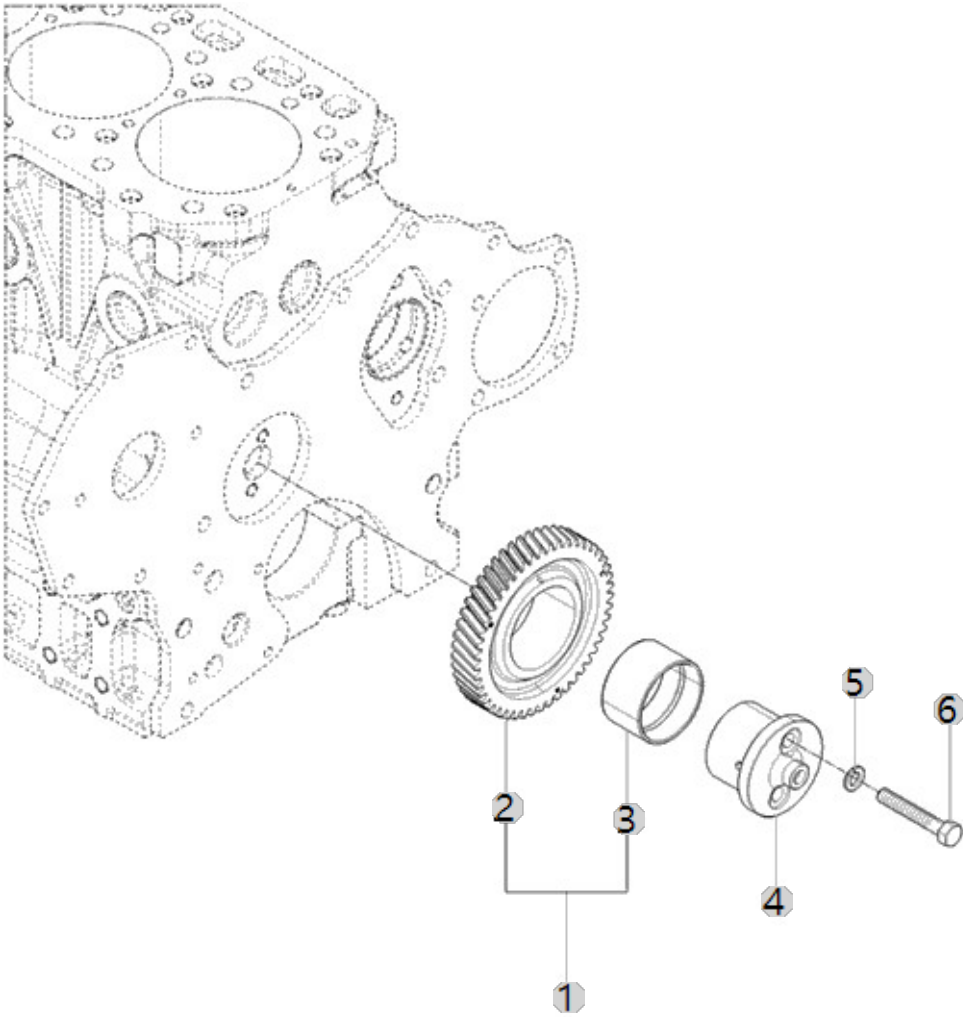
A35_002

A2300N4-ETC_5
(AB00331)

IDLE GEAR

Year/Month

2022-12-16



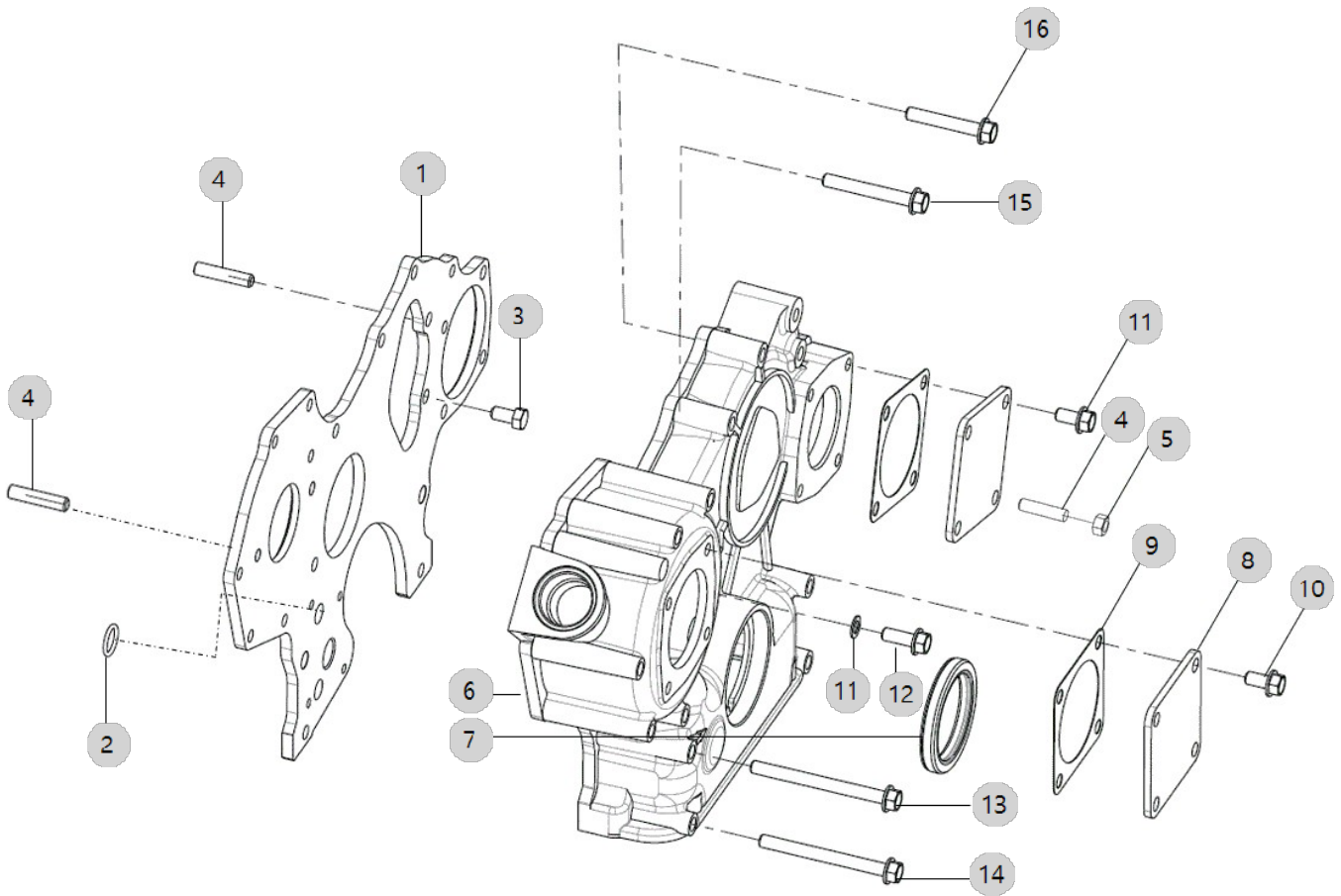
A36_004

A2300N4-ETC_5
(AB00331)

COVER, FRONT GEAR

Year/Month

2022-12-16



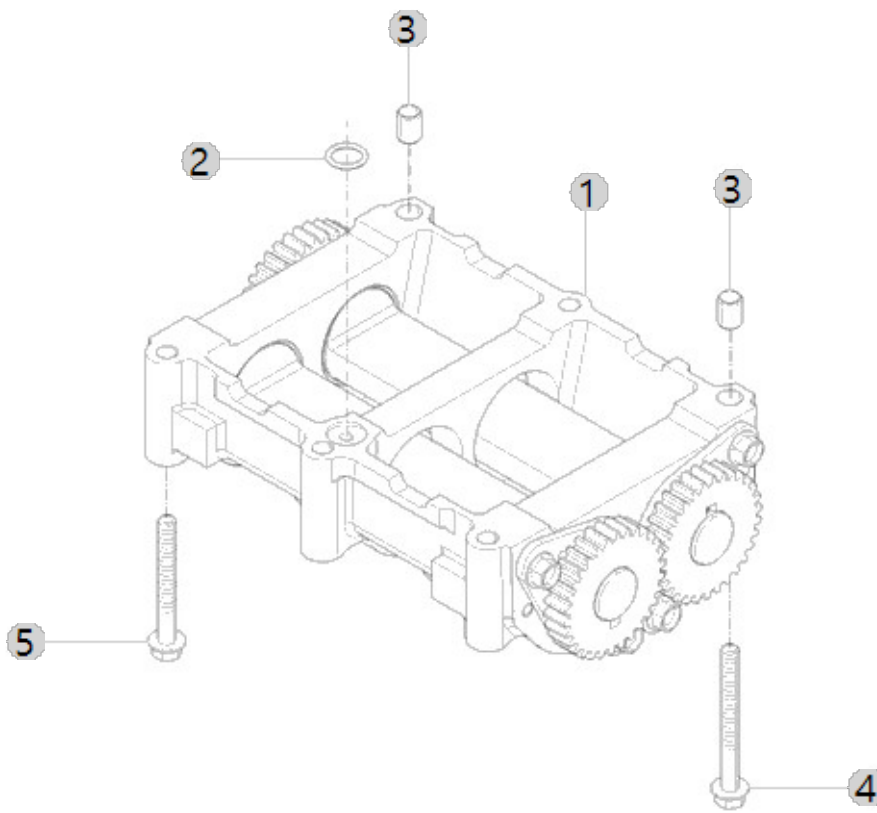
A37_001

A2300N4-ETC_5
(AB00331)

BALANCE ASS'Y

Year/Month

2022-12-16



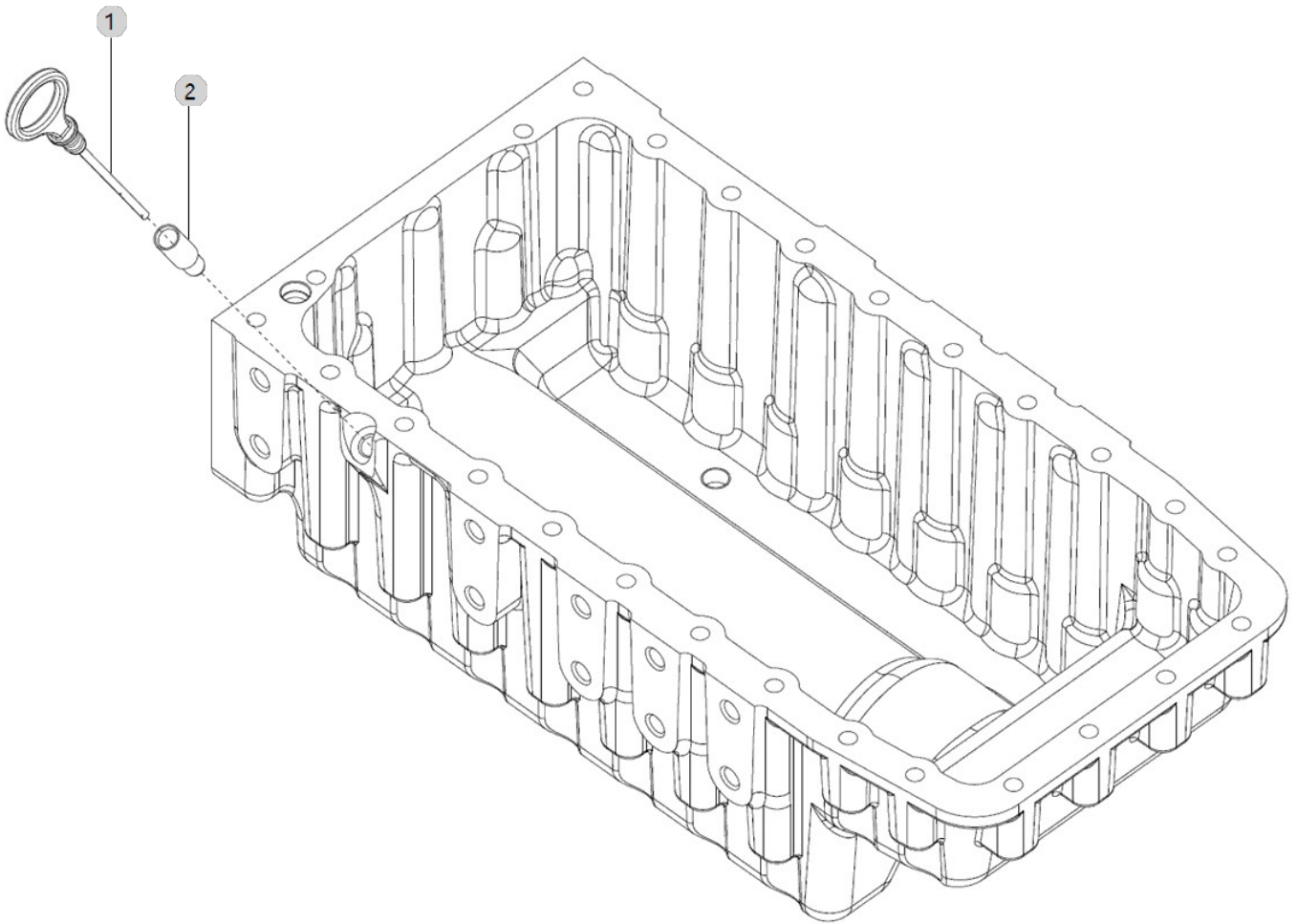
A38_009

A2300N4-ETC_5
(AB00331)

GAUGE, OIL LEVEL

Year/Month

2022-12-16



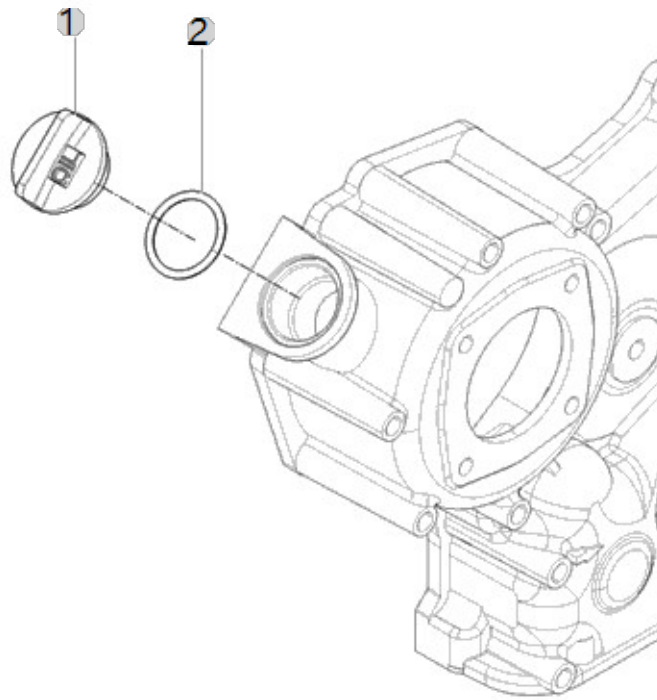
A39_001

A2300N4-ETC_5
(AB00331)

OIL FILLER CAP

Year/Month

2022-12-16



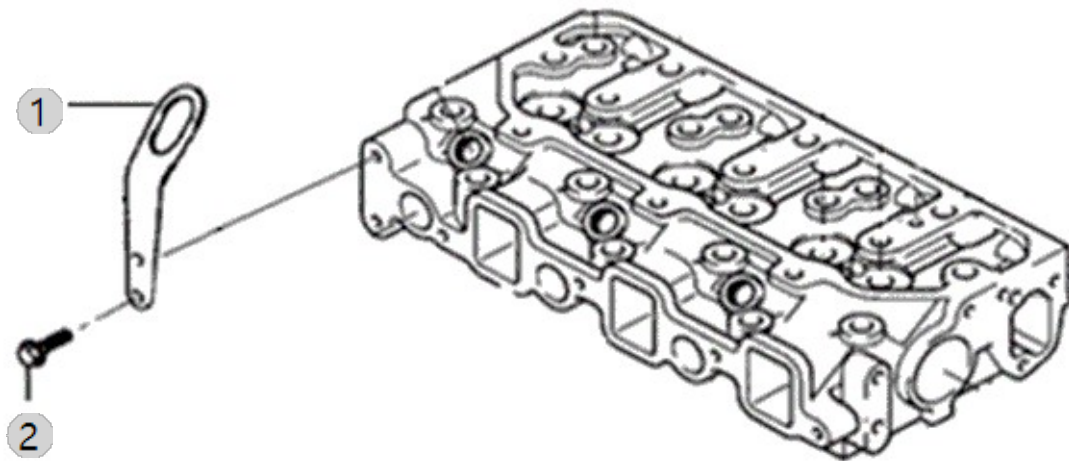
A40_003

A2300N4-ETC_5
(AB00331)

LIFT ASS'Y OPTION

Year/Month

2022-12-16



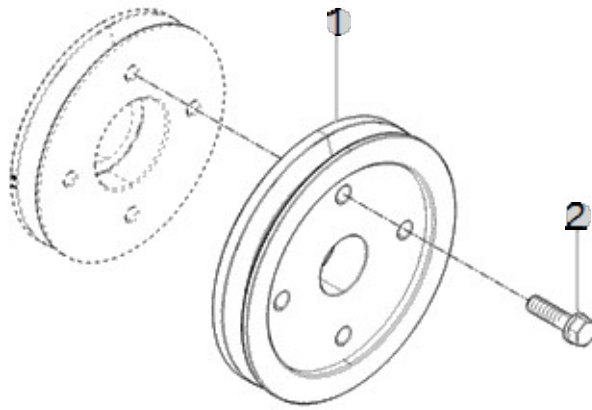
A41_001

A2300N4-ETC_5
(AB00331)

COMP,DRIVE PULLEY ASS'Y OPTION

Year/Month

2022-12-16



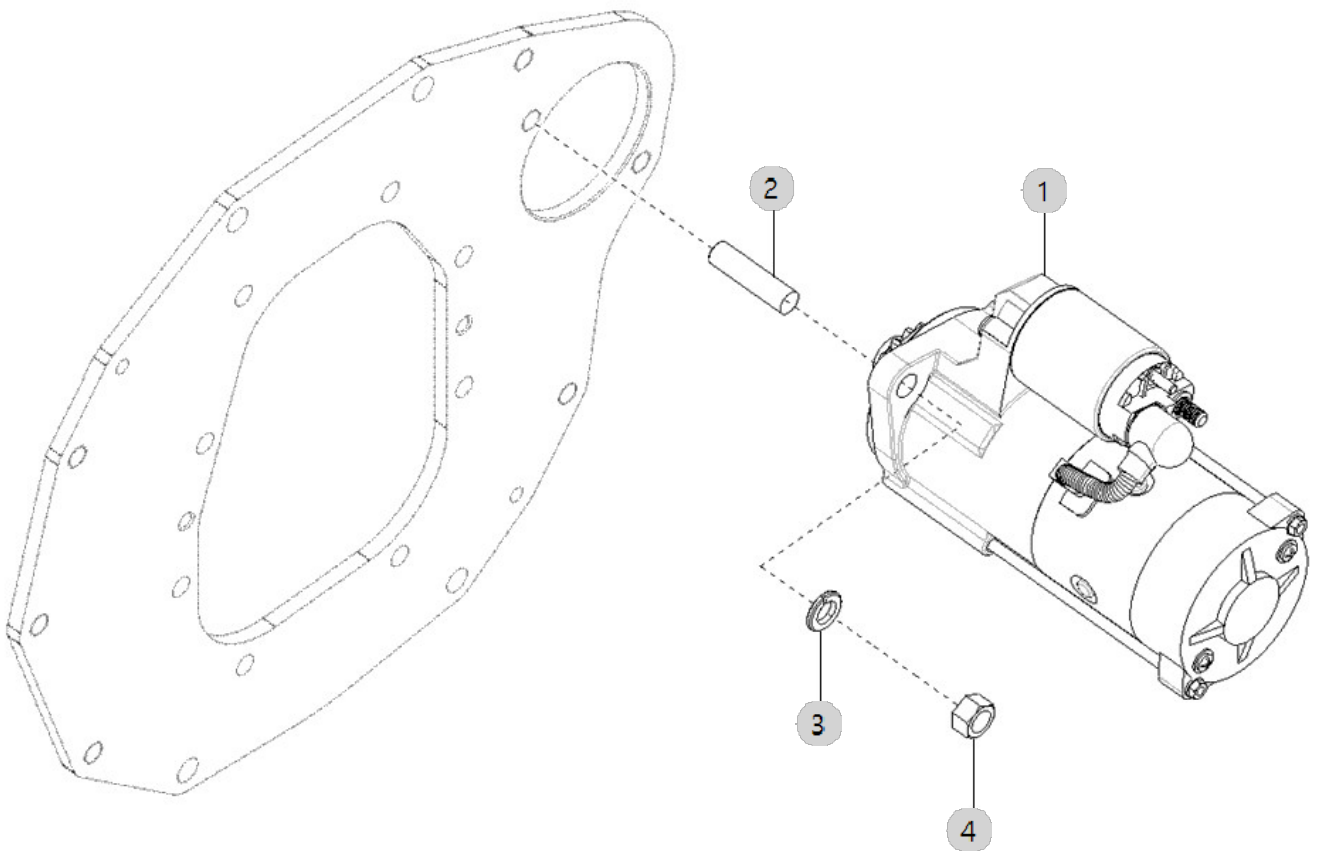
A42_003

A2300N4-ETC_5
(AB00331)

MOTER, STARTIONS

Year/Month

2022-12-16



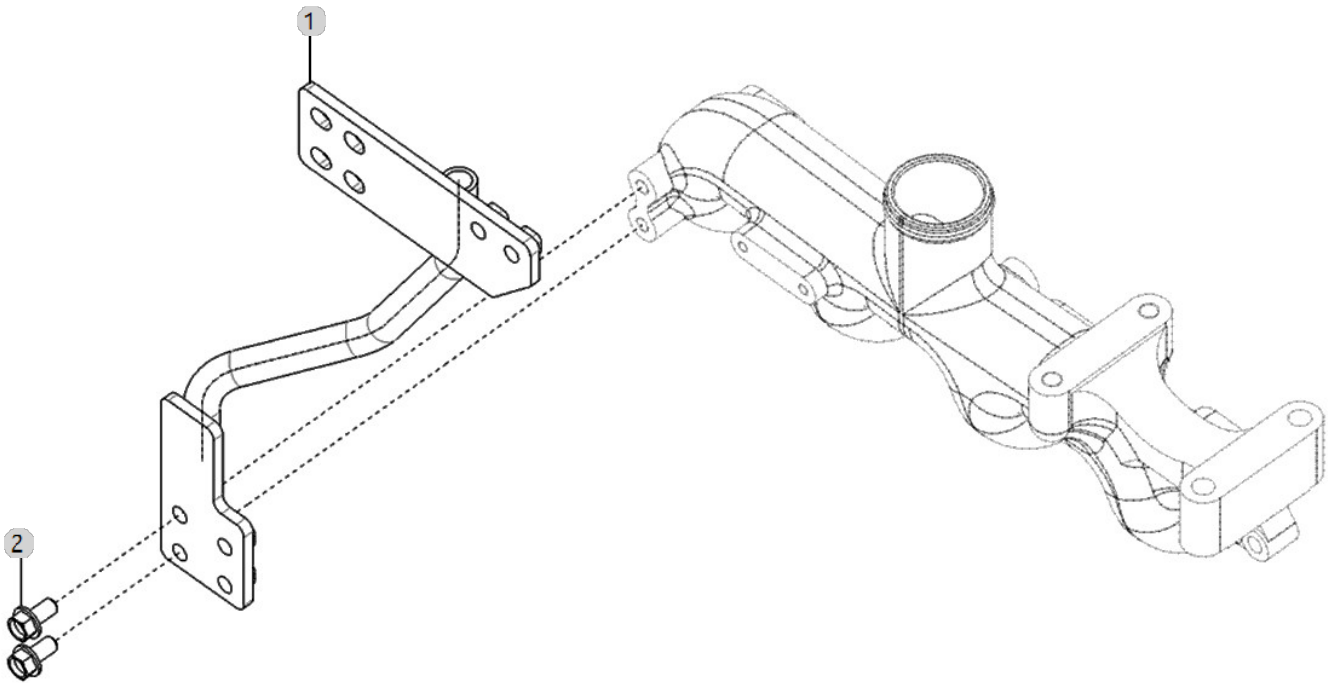
A43_001

A2300N4-ETC_5
(AB00331)

DPF SUPPORT OPTION

Year/Month

2022-12-16



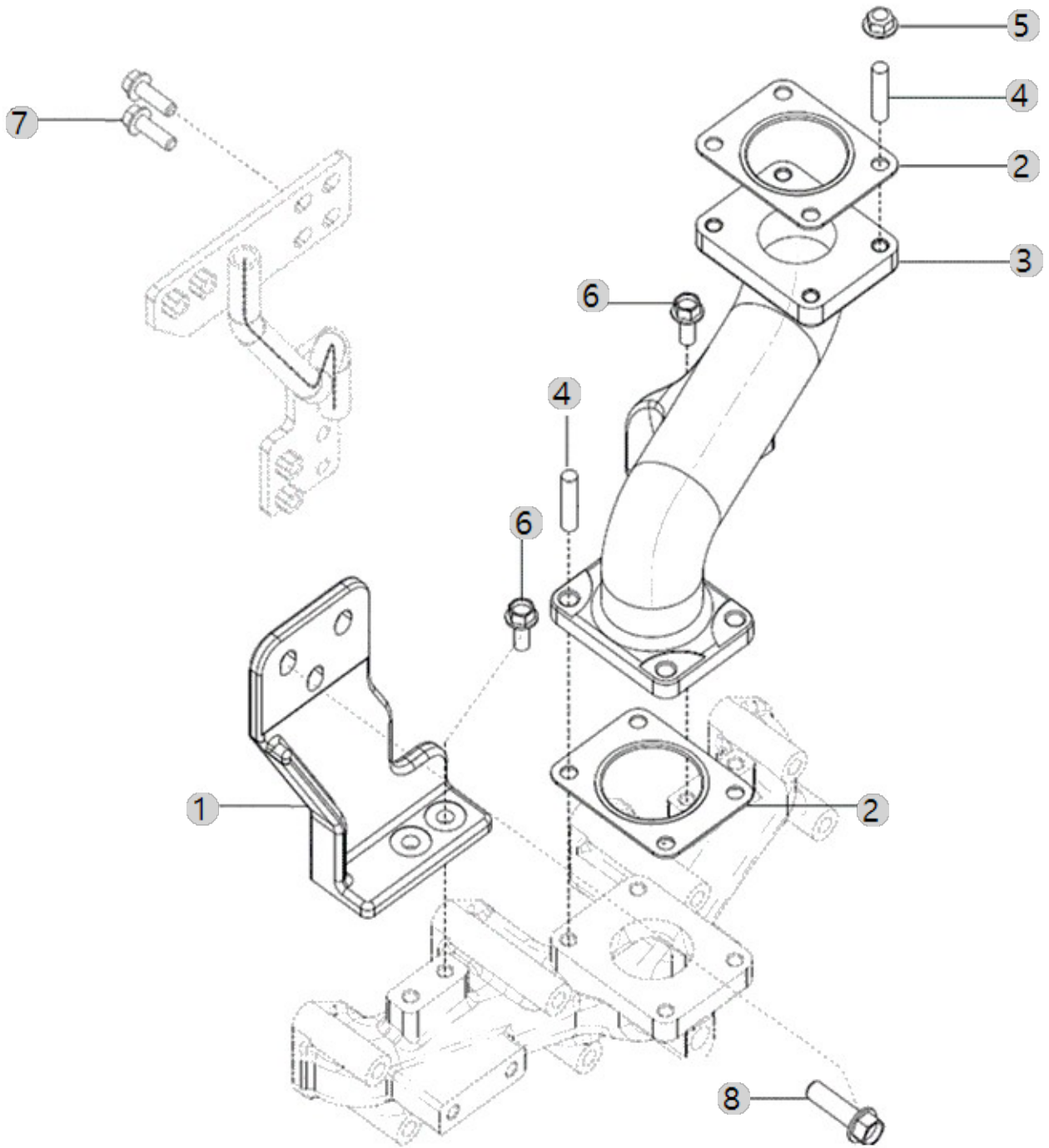
A44_006

A2300N4-ETC_5
(AB00331)

DPF MOUNTING OPTION

Year/Month

2022-12-16



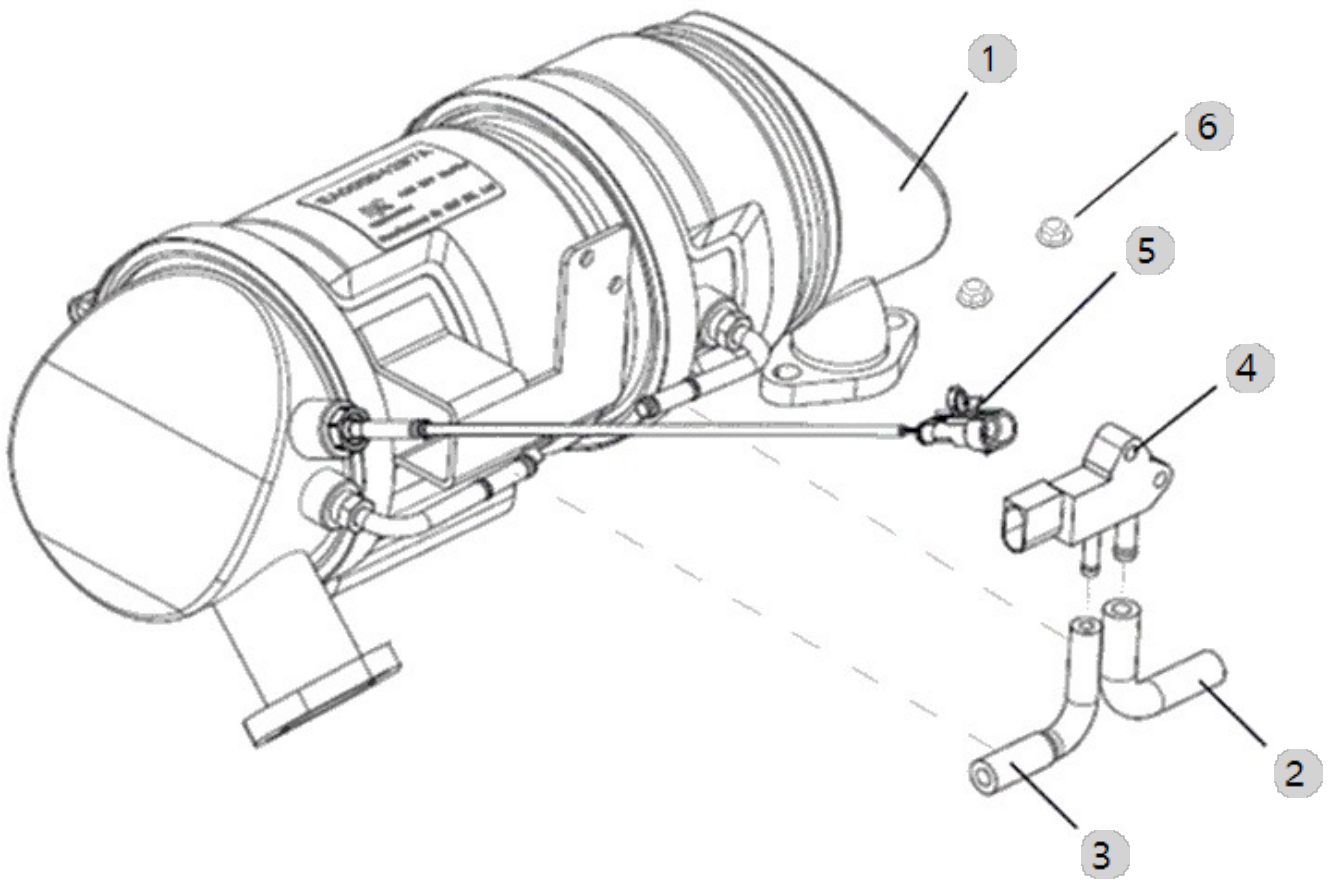
A45_001

A2300N4-ETC_5
(AB00331)

DPF

Year/Month

2022-12-16



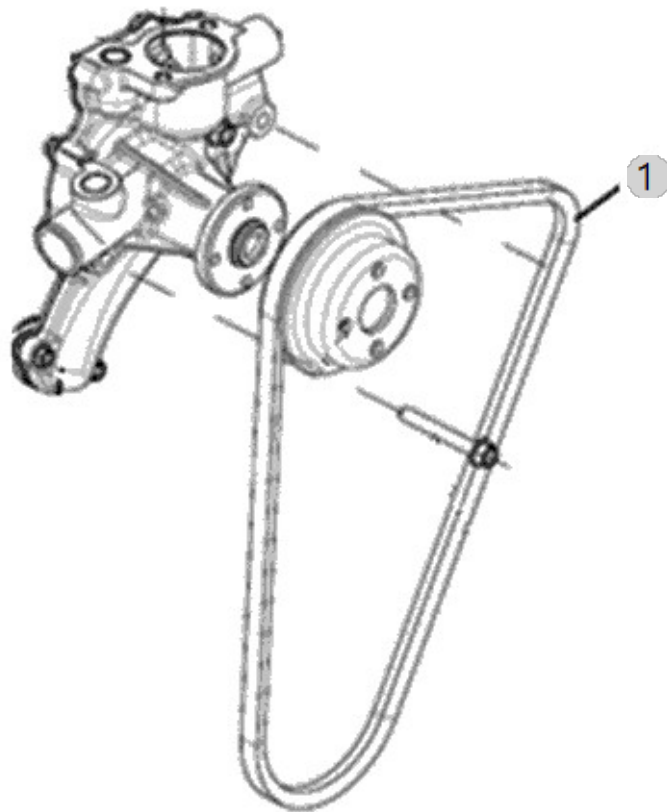
A48_006

A2300N4-ETC_5
(AB00331)

V-BELT

Year/Month

2022-12-16



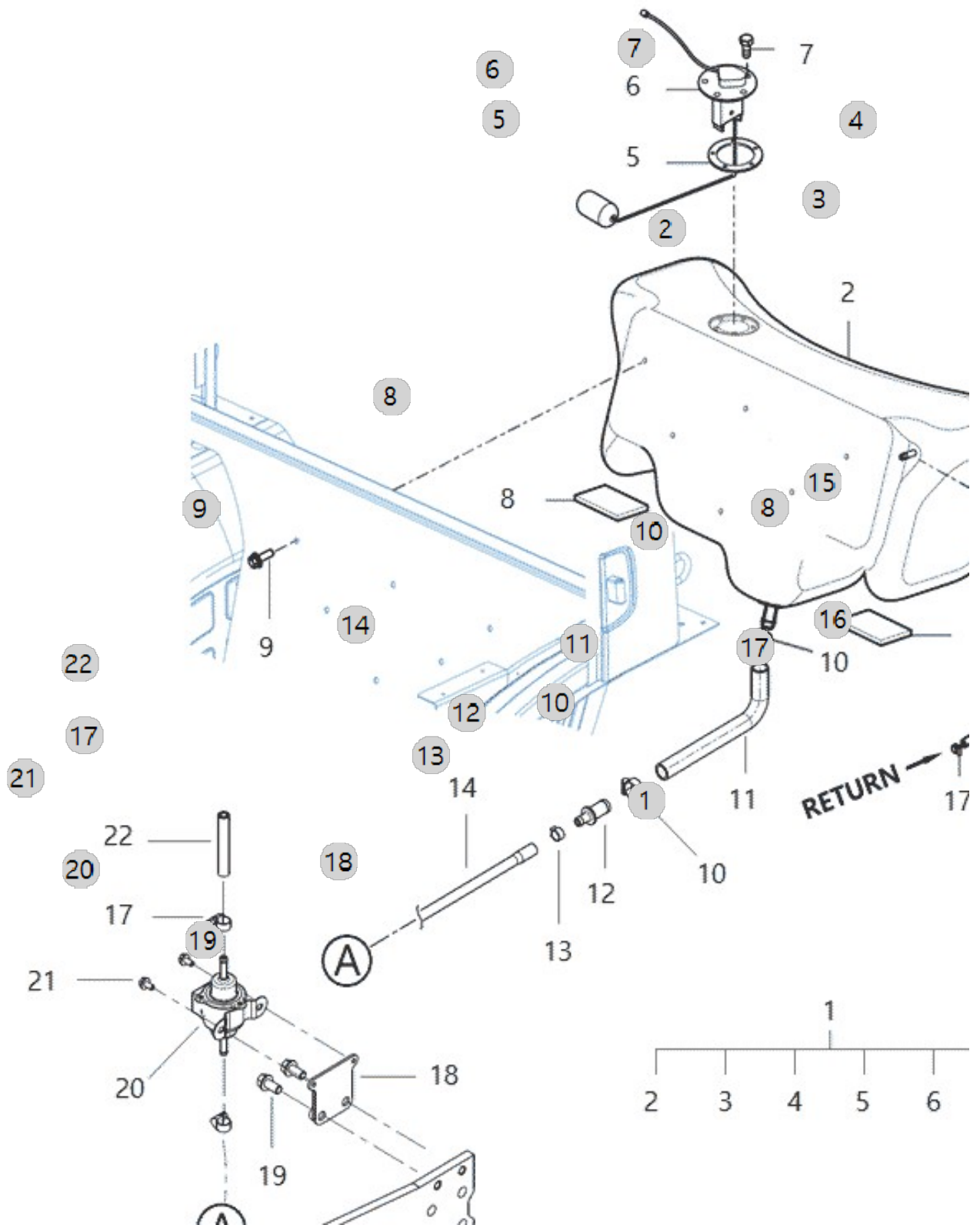
B01010

F50CN_EU_FL
(AC02116)

FUEL TANK

Year/Month

2022-12-16



B01010 F50CN_EU_FL (AC02116)		FUEL TANK				Year/Month 2022-12-16
순번 (NO)	부품번호 (PART NO)	품명 (PART NAME)	품명 (PART NAME)	수량 (QTY)	규격 (SPEC)	비고 (REMARK)
1	TA00055614E	연료탱크 SUB ASSY	TANK SUB ASSY , FUEL	1		
1	TA00055614G	연료탱크 SUB ASSY	FUEL TANK SUB ASS'Y	1		
1	TA00055614B	연료탱크 SUB ASSY	TANK SUB ASSY , FUEL	1		
1	TA00055614D	연료탱크 SUB ASSY	TANK SUB ASSY , FUEL	1		
1	TA00055614F	연료탱크 SUB ASS'Y	FUEL TANK SUB ASS'Y	1		
1	TA00055614C	연료탱크 SUB ASSY	TANK SUB ASSY , FUEL	1		
2	TA00054279B	연료탱크조합(K3C)	FUEL TANK ASSY	1		
3	TA00056576A	연료여과망	FUEL TANK STRAINER	1		
4	TA00037880A	주유구 캡	FUEL CAP	1		
5	TA00055617A	고무팩킹	PACKING	1		
6	HA00001859A	연료센더 (K3C)	FUEL SENDER	1		
6-1	HA00001486A	연료센서 (K3C)	FUEL SENSOR	1		
7	26116-050122	육각볼트	HEXBOLT	5	M5X0.8X12	
8	TA00055620A	연료탱크 방진고무	RUBBER, FUEL TANK	2		
9	26014-080162	와셔조립육각볼트(+SW,PW)	Bolt, Hexa (8-16)	6	M8X1.25X16	
10	23000-028000	호스클램프28	Clamp, Hose (Φ28)	2		
11	TA00055931A	연결호스	HOSE, CONNECTION	1		
12	TA00055932A	아답터	ADAPTOR	1		
13	23080-015000	호스클램프	Clamp, Hose (Φ15)	1	D15	
14	TA00057950A	연료호스(1400)	FUEL HOSE	1		
15	23000-016000	호스클립	Clip, Hose (Φ16)	1	D16	
16	TA00055929A	연료호스(드레인)	HOSE, DRAIN	1		
17	23080-013000	호스 클립	Clamp, Hose (Φ13)	3	D13	
18	TC51420000C4	스테인(펌프)	STAY ASSY	1	T=3.2	
18	TC51420000B	스테인(펌프)	STAY(PUMP)	1		
19	26106-100202	육각플랜지볼트	HEX BOLT, (10-20)	2	M10XP1.5X20	
20	HF20190000A2	피드펌프	PUMP ASSY, FUEL FEED	1		
21	26106-060122	육각플랜지볼트	HEX BOLT (6-12)	2	M6XP1.0X12	
22	TA00053805A	연료호스	HOSE, FUEL	1		

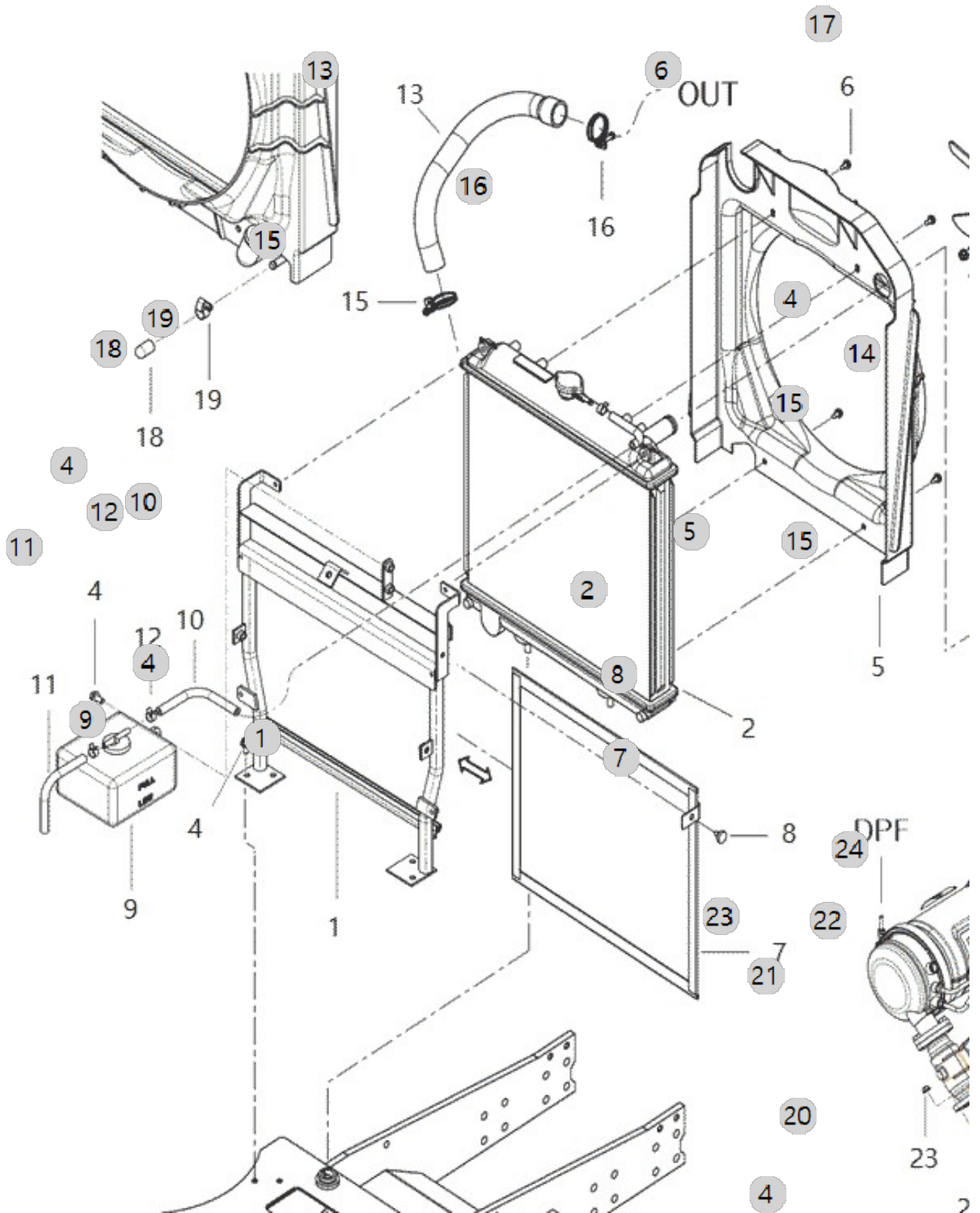
B02020B

F50CN_EU_FL
(AC02116)

RADIATOR

Year/Month

2022-12-16



B02020B F50CN_EU_FL (AC02116)		RADIATOR				Year/Month 2022-12-16
순번 (NO)	부품번호 (PART NO)	품명 (PART NAME)	품명 (PART NAME)	수량 (QTY)	규격 (SPEC)	비고 (REMARK)
1	TA00054696B	라디에이터브래킷조합(K3C-4)	RADIATOR BRACKET ASS'Y	1		
1	TA00054696D	라디에이터브래킷조합(K3C-4)	RADIATOR BRACKET ASS'Y, K3C-4	1		
1	TA00054696C	라디에이터브래킷조합(K3C-4)	RADIATOR BRACKET ASS'Y, K3C-4	1		
2	EA00003972A	라디에이터(3.5mm피치)	RADIATOR	1		
3	26014-060252	와셔조립육각볼트(+SW,PW)	Bolt, Hexa (6-25)	2	M06X1.00X02	
4	26106-080162	플랜지볼트8X16	SCREW,HEXFLANGEHEADCAP	7	M8XP1.25X16	
5	TA00059144A	슈라우드(K3C)	SHROUD	1		
6	HRA1203200A4	태핑나사	TAPPINGSCREW	4		
7	TA00059146A	방진망조합	MESH, DUST	1		
7	TA00059146B	방진망조합	DUSTPROOF MESH ASS'Y	1		
8	CA00009493A	고정나사(검정)	FIX BOLT (BLACK)	1		
9	TA00041471B	냉각수보조탱크조합	SUB TANK ASS'Y	1		
9	TA00041471A	냉각수 보조탱크 조합	SUB TANK ASS'Y	1		
10	23980-730250	플로토호스	FLOAT HOSE	1	7.3X250	
11	23980-730800	플루우트호스(에어브리더)	HOSE(AIR BREATHER)	1	D7.3X800	
12	23080-013000	호스 클립	Clamp, Hose (Φ13)	2	D13	
13	TA00049957B	냉각수 호스B	COOLING WATER HOSE B	1		
13	TA00049957A	냉각수 호스B	COOLING WATER HOSE B	1		
14	TA00060727A	냉각수호스A	COOLING WATER HOSE A	1		
15	23010-038000	호스밴드	HOSEBAND	3	D38	
16	23010-040000	호스밴드40	HOSEBAND	1	D40	
17	TA00036706A	냉각팬, DynaQ-C (d=415mm)	Fan, Cooling	1		
18	HRC1201200A4	오일쿨러캡	CAP,COOLER	1		
19	23000-016000	호스클립	Clip, Hose (Φ16)	1	D16	
20	TA00060420A	배기파이프 조합(RESONATOR)	EXHAUST PIPE ASSY(RESONATOR)	1		
21	EA00006088A	가스켓(배기밸브)	GASKET, ASSEMBLE TYPE ELECTRONIC EXHAUST VALVE	2	T2.0	
22	26106-080302	육각플랜지볼트	HEX BOLT, FLANGE	3	M8XP1.25X30	
23	26367-080002	259, 육각플랜지너트	HEX FLANGE NUT (Φ8)	3	M8XP1.25	
24	EA00005795C	전자식배기밸브ASS'Y(조립식)	ELECTRONIC EXHAUST VALVE ASS'Y (ASSEMBLE TYPE)	1		
24	EA00005795B	전자식배기밸브ASS'Y(조립식)	ELECTRONIC EXHAUST VALVE ASS'Y (ASSEMBLE TYPE)	1		

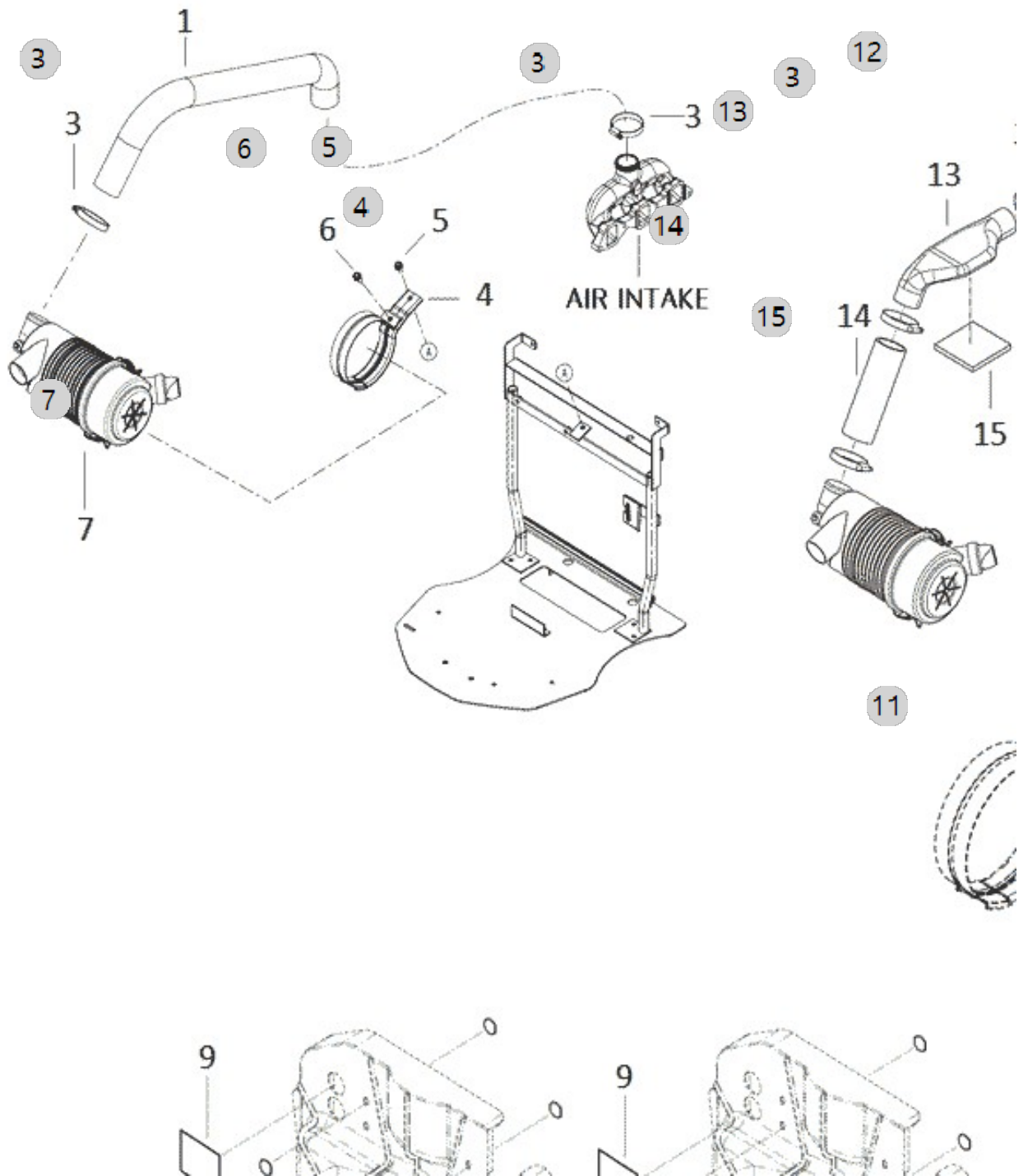
B03010B

F50CN_EU_FL
(AC02116)

AIR CLEANER

Year/Month

2022-12-16



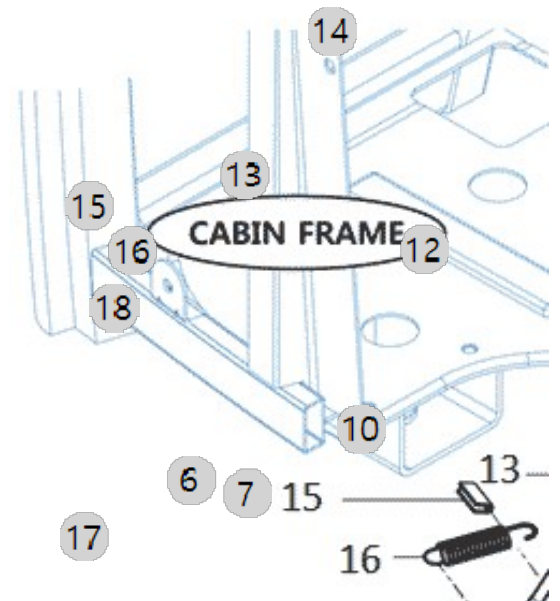
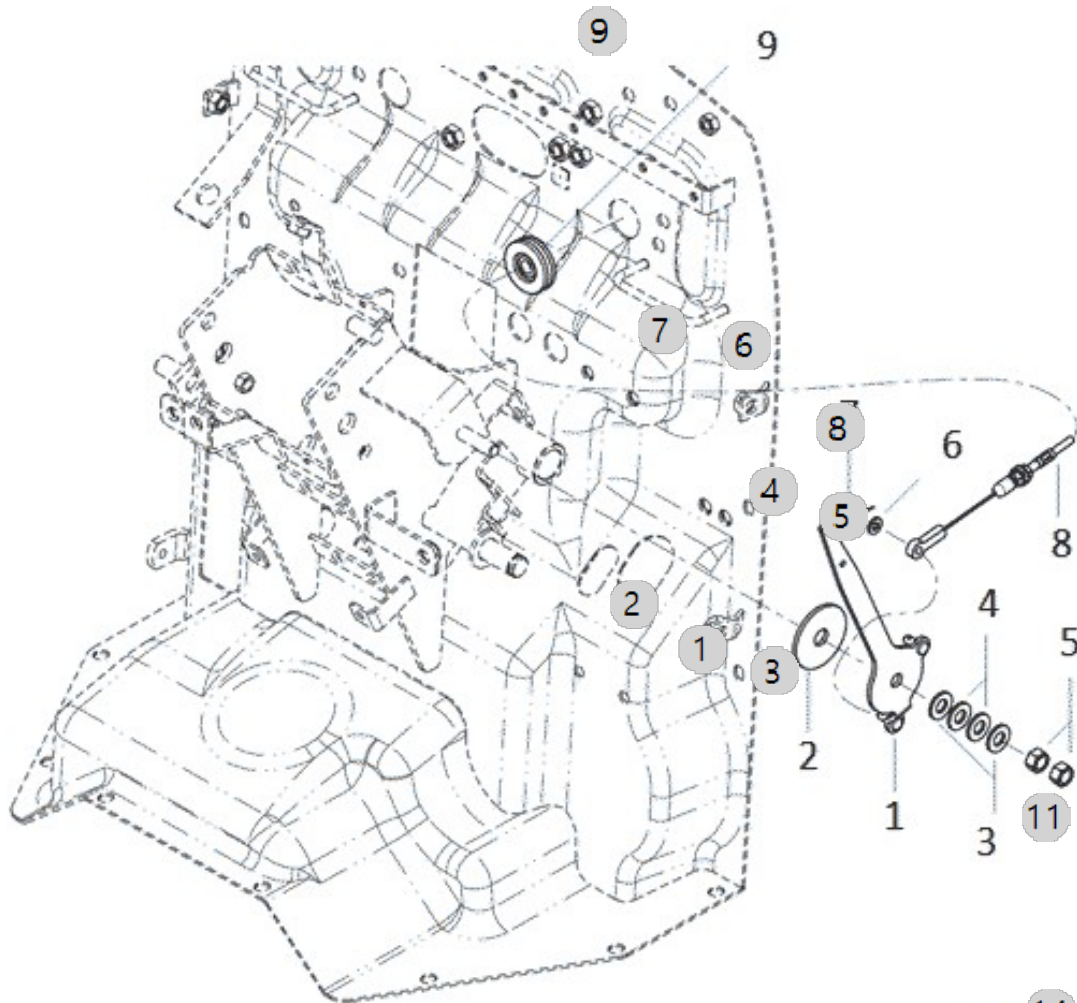
B05011

F50CN_EU_FL
(AC02116)

LEVER ACCELERATOR

Year/Month

2022-12-16



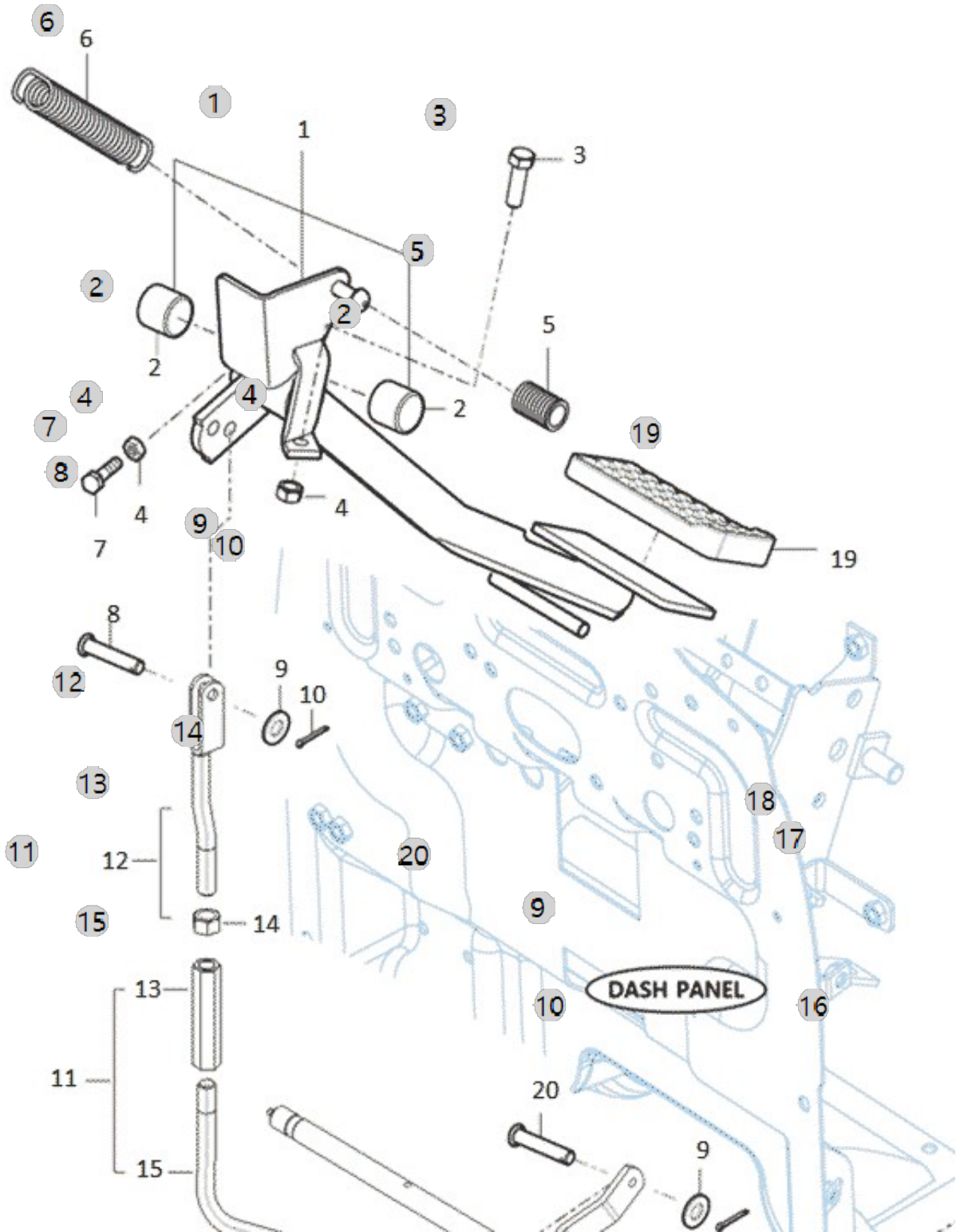
C01030

F50CN_EU_FL
(AC02116)

CLUTCH PEDAL

Year/Month

2022-12-16



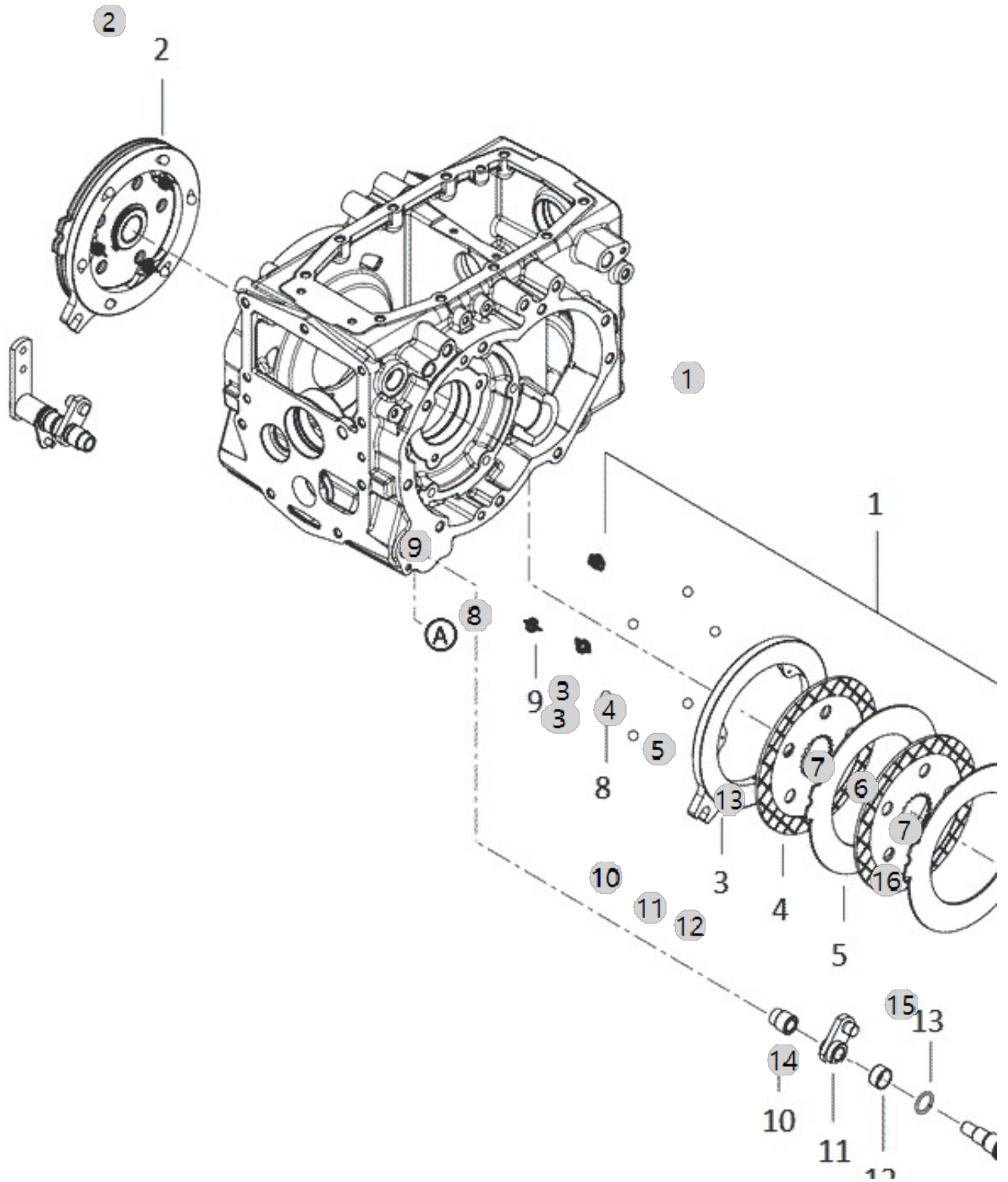
C02000

F50CN_EU_FL
(AC02116)

BRAKE

Year/Month

2022-12-16



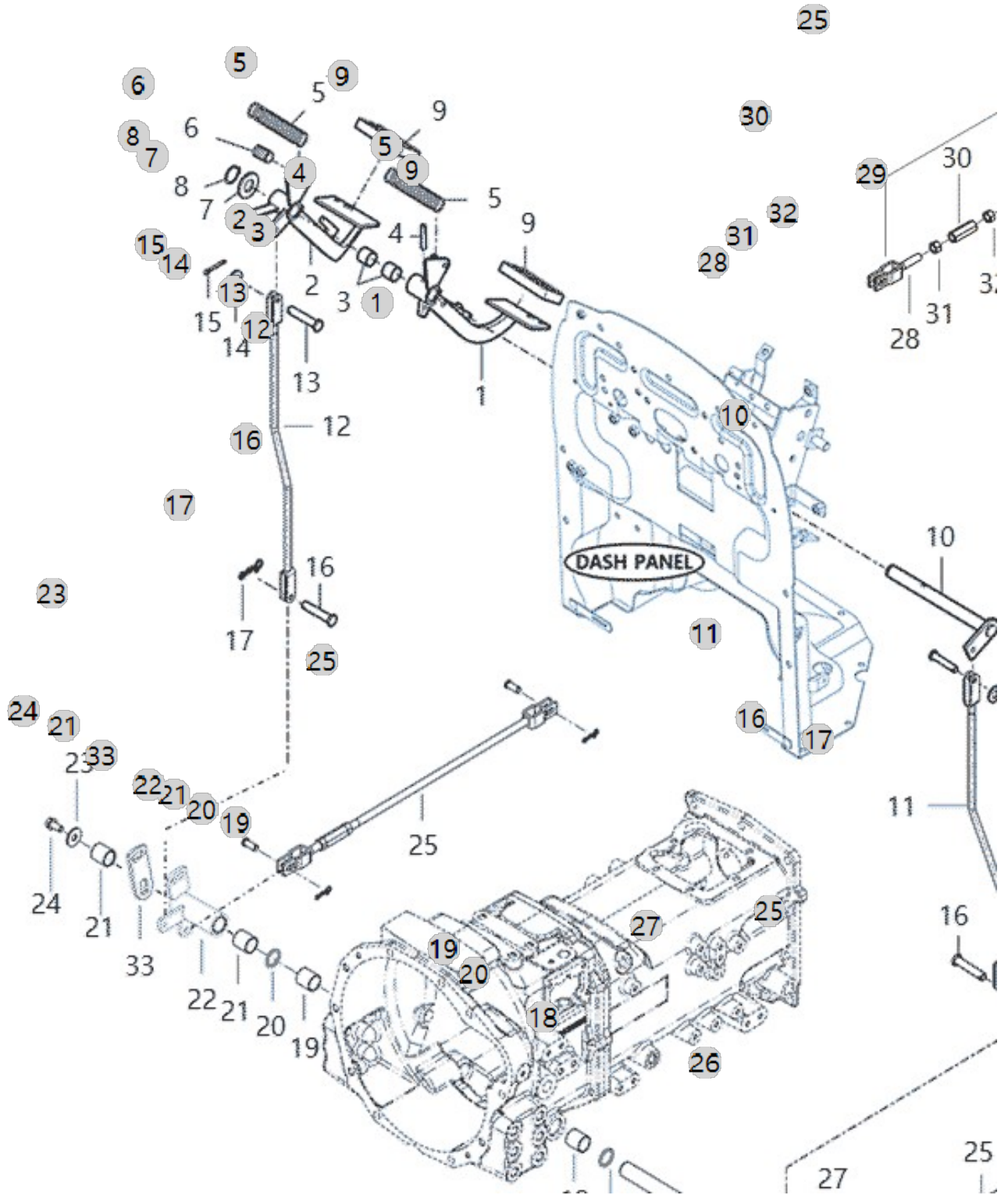
C02010

F50CN_EU_FL
(AC02116)

BRAKE PEDAL

Year/Month

2022-12-16



C02010		BRAKE PEDAL				Year/Month
F50CN_EU_FL (AC02116)						2022-12-16
순번 (NO)	부품번호 (PART NO)	품명 (PART NAME)	품명 (PART NAME)	수량 (QTY)	규격 (SPEC)	비고 (REMARK)
1	TA00055598B	페달(브레이크, LH)COMP	PEDAL COMP , LH BRAKE	1		
1	TA00055598A	페달(브레이크, LH)COMP	PEDAL COMP , LH BRAKE	1		
2	TA00055603A	페달(브레이크, RH)COMP	PEDAL COMP , RH BRAKE	1		
2	TA00055603B	페달(브레이크, RH)COMP	PEDAL COMP , RH BRAKE	1		
3	TA00051760A	부시(20X23X20)	BUSH , 20X23X20	2		
4	22351-080036	스프링핀8X36	PIN, SPRING (8-36)	1	D8X36	
5	TA00052470A	클러치 리턴 스프링	RETURN SPRING , CLUTCH	2		
5	TA00052470B	클러치 리턴 스프링	RETURN SPRING , CLUTCH	2		
6	TA00055565A	튜브(콜게이트/015)	TUBE , CORRUGATE 015	2		
7	22137-200000	평와셔	WASHER , PLAIN	1		
8	22242-000200	축용스냅링20	SNAP RING, SHAFT (Φ 20)	1	D20(축용)	
9	TA00055564A	패드	PAD	2		
10	TA00055595B	암(브레이크)COMP	ARM(BRAKE) COMP	1		
10	TA00055595A	암(브레이크)COMP	ARM , BRAKE	1		
11	TA00054019A	브레이크 로드(L)	ROD ASSY, BRAKE(L)	1		
11	TA00054019C	브레이크 로드(L)	ROD ASSY, BRAKE(L)	1		
11	TA00054019B	브레이크 로드(L)	ROD ASSY, BRAKE(L)	1		
12	TA00054021B	브레이크 로드(R)	ROD ASSY, BRAKE(R)	1		
12	TA00054021A	브레이크 로드(R)	ROD ASSY, BRAKE(R)	1		
13	TA00051397B	핀	PIN	2		
13	TA00051397A	핀	PIN	2		
14	22137-080000	와셔8	WASHER, PLAIN (Φ 08)	2	M8	
15	22417-200200	할핀	PIN , COTTER (2-20)	2	D1.8	
16	22487-080160	두부핀 8X16	PIN, HEAD (08-16)	2	D8X16	
17	22360-080000	스냅핀8	PIN , SNAP (8Φ)	2	D8	
18	TA00061381B	브레이크 축 조합	BRAKE SAHFT ASS'Y	1		
18	TA00061381A	브레이크 축 조합	BRAKE SAHFT ASSY	1		
19	24550-025300	드라이부시	DRY BUSH	2	25X30	
20	24311-000250	O-RINGP25	O-RING, DYNAMIC (Φ25)	2		
21	24550-025300	드라이부시	DRY BUSH	2	25X30	
22	TA00061384B	브레이크 링크(우)조합	BRAKE LINK ASS'Y, RH	1		
22	TA00061384A	브레이크 링크(우)조합	BRAKE LINK ASSY, RIGHT	1		
23	22157-100000	평와셔	WASHER, PLAIN (Φ 10)	1	M10	
24	26106-100202	육각플랜지볼트	HEX BOLT, (10-20)	1	M10XP1.5X20	
25	TA00038925A	브레이크 로드 조합	ROD ASSY	2		
25	TA00038925C	브레이크 로드 조합	BRAKE ROD ASS'Y	2		
25	TA00038925E	브레이크 로드 조합	BRAKE ROD ASS'Y	2		
25	TA00038925B	브레이크 로드 조합	ROD ASSY	2		
25	TA00038925D	브레이크 로드 조합	BRAKE ROD ASS'Y	2		
26	22487-100200	두부핀 10X20	PIN, HEAD (10-20)	4	D10X20	
27	RR51230000B4	빠짐방지 스패핀 10	SNAP PIN	4	D1.8	
27	RR51230000D4	빠짐방지 스패핀 10	PIN 10, COME-OFF SNAP	4	D1.8	
27	RR51230000C	빠짐방지 스패핀 10	SNAP PIN	4		
27	RR51230000C4	빠짐방지 스패핀 10	PIN 10, COME-OFF SNAP	4	D1.8	
28	TA00036183A	로드(좌)	ROD ASSY L	2		

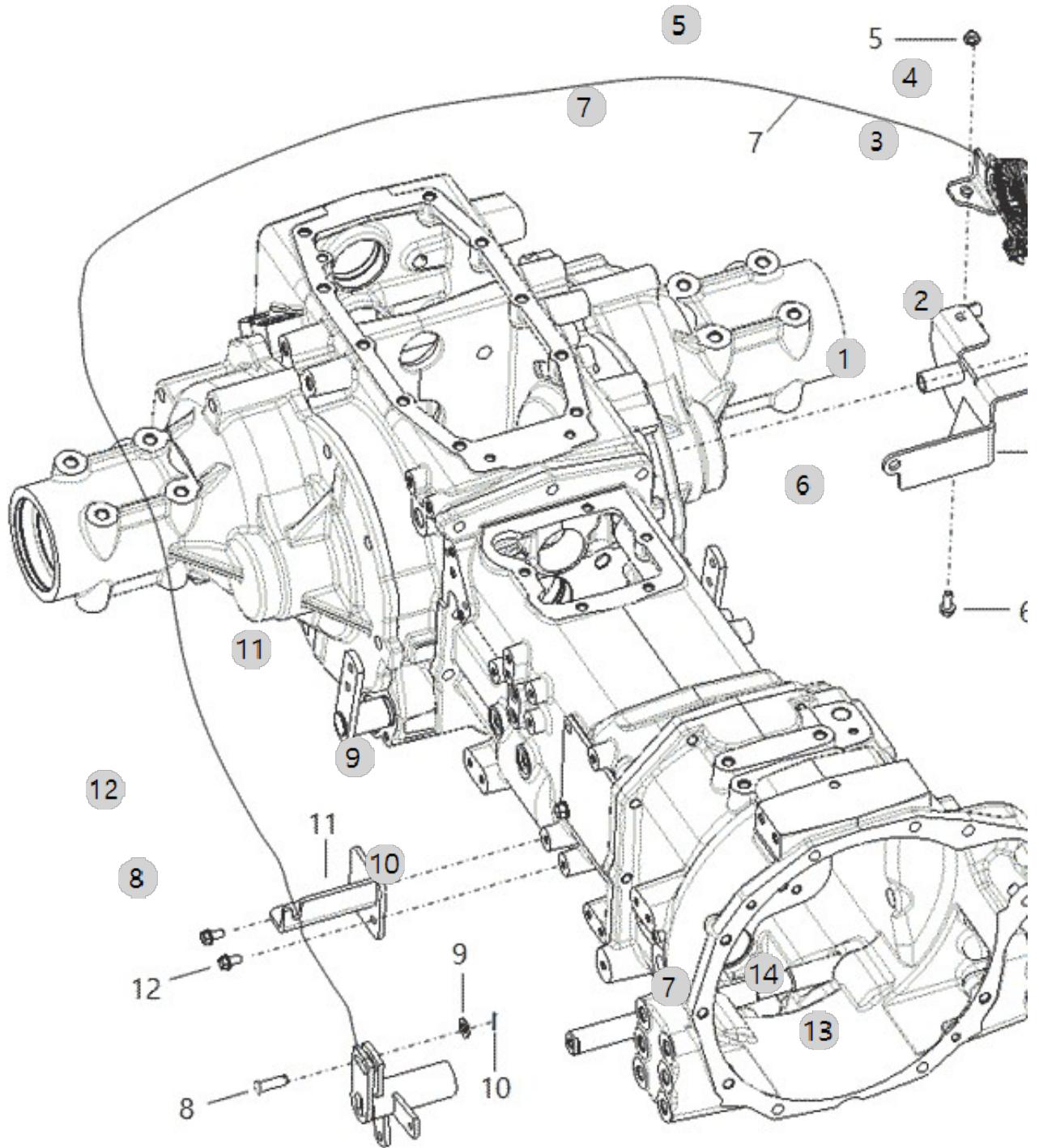
C02050

F50CN_EU_FL
(AC02116)

PARKING BRAKE

Year/Month

2022-12-16



7 14

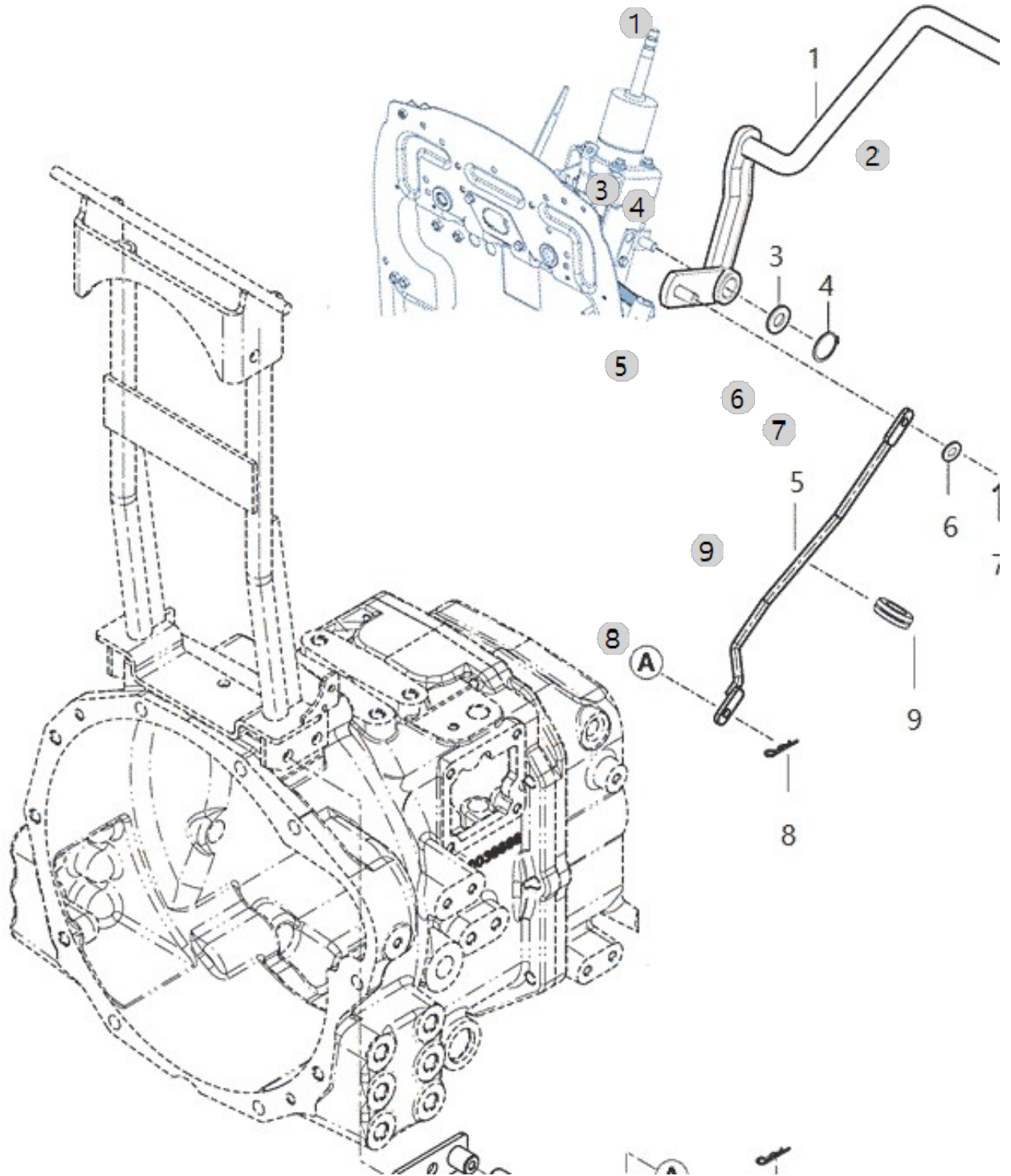
C04010

F50CN_EU_FL
(AC02116)

SHUTTLE ASS'Y

Year/Month

2022-12-16



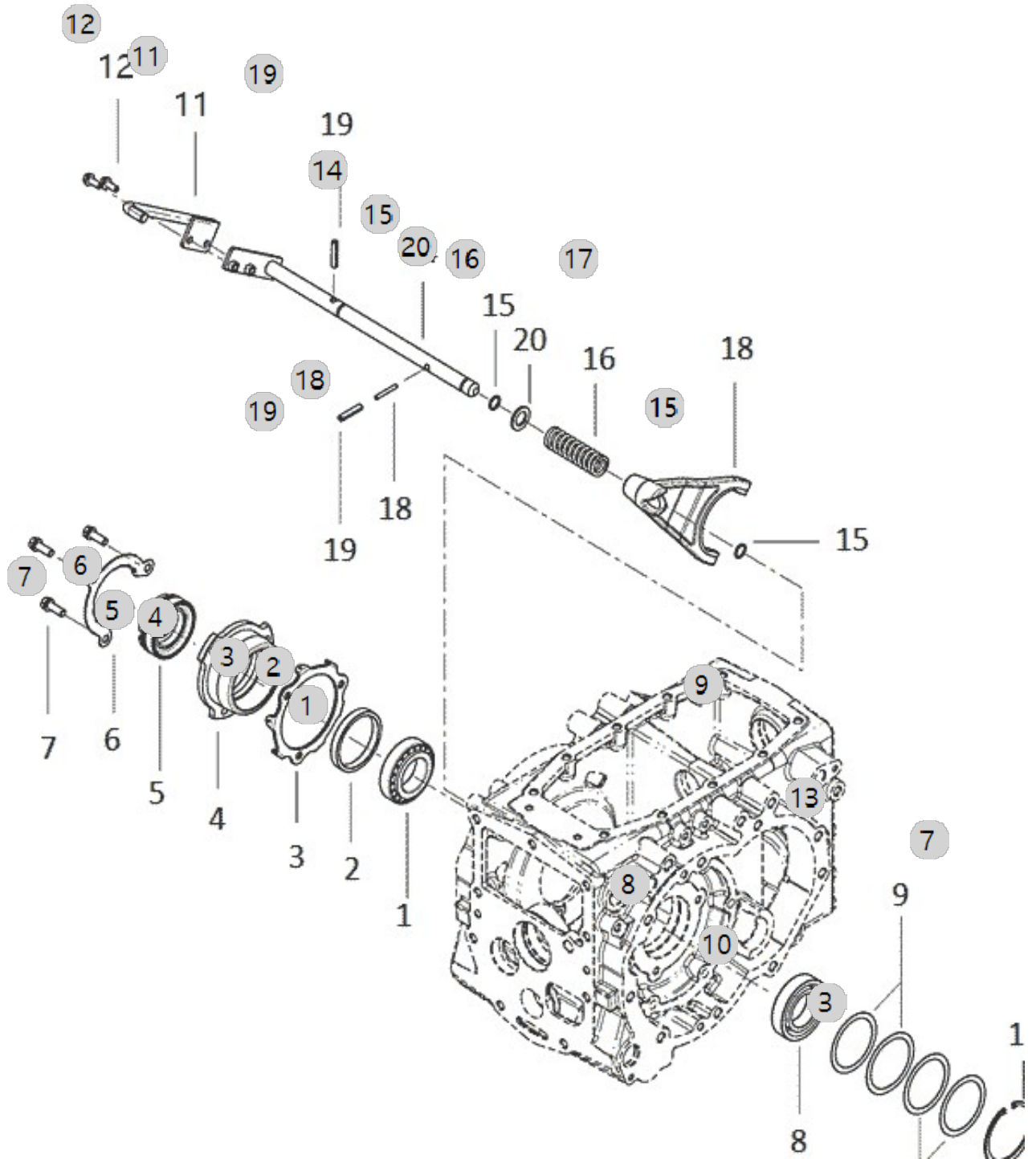
C04040

F50CN_EU_FL
(AC02116)

DIFFERENTIAL

Year/Month

2022-12-16



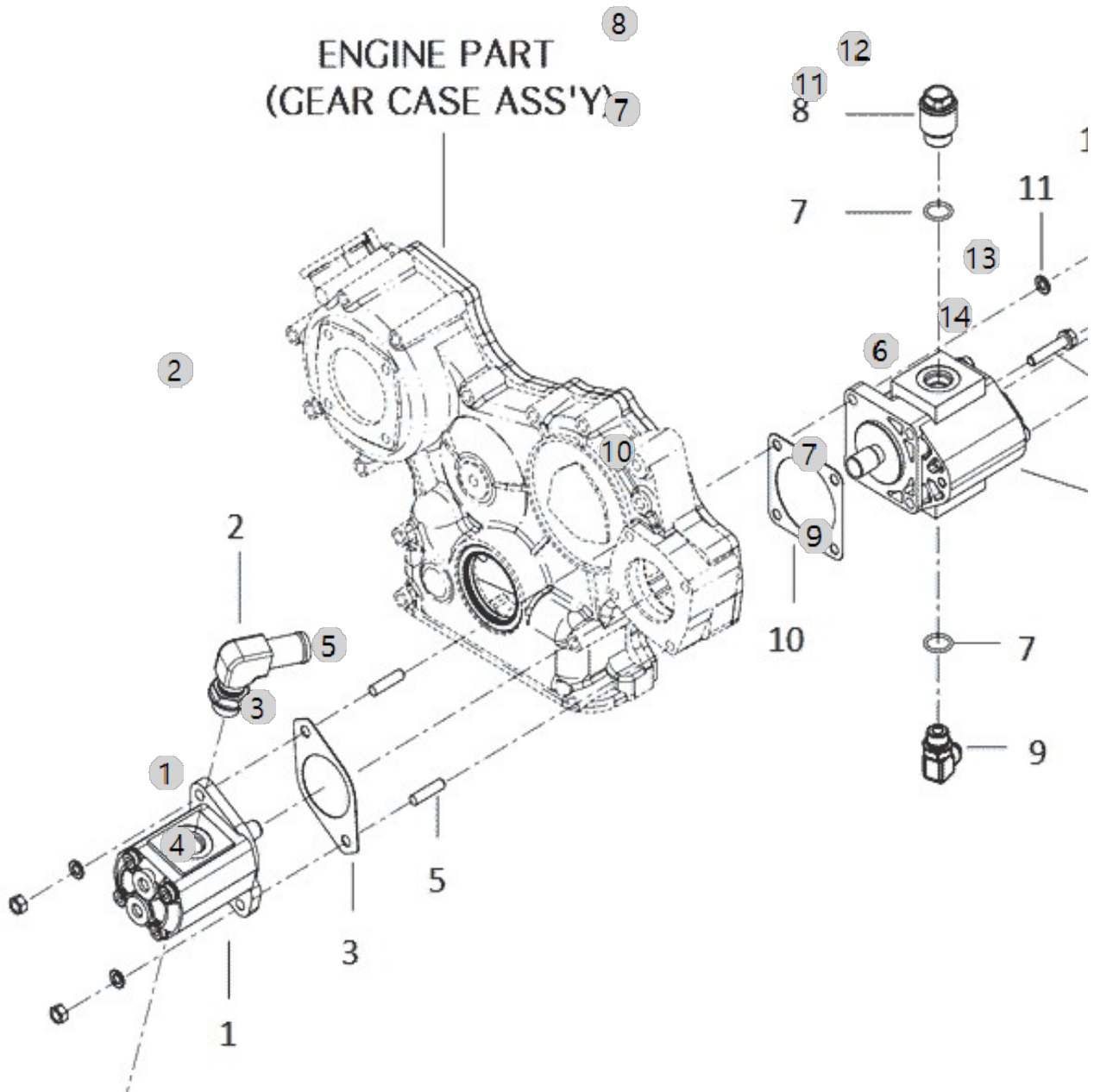
D01010A

F50CN_EU_FL
(AC02116)

HYD PUMP A

Year/Month

2022-12-16



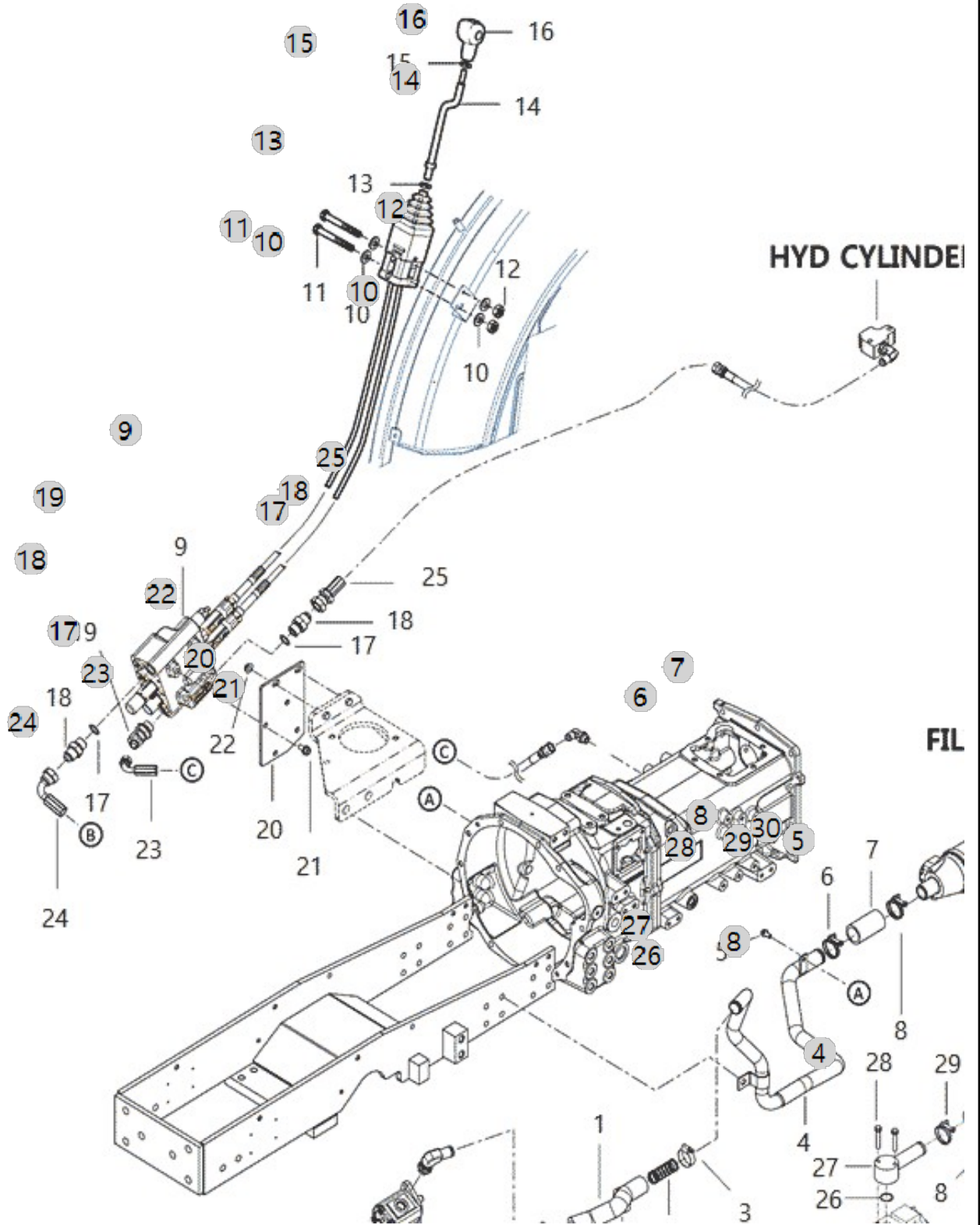
D01020B

F50CN_EU_FL
(AC02116)

LOW PRESSURE PIPE

Year/Month

2022-12-16



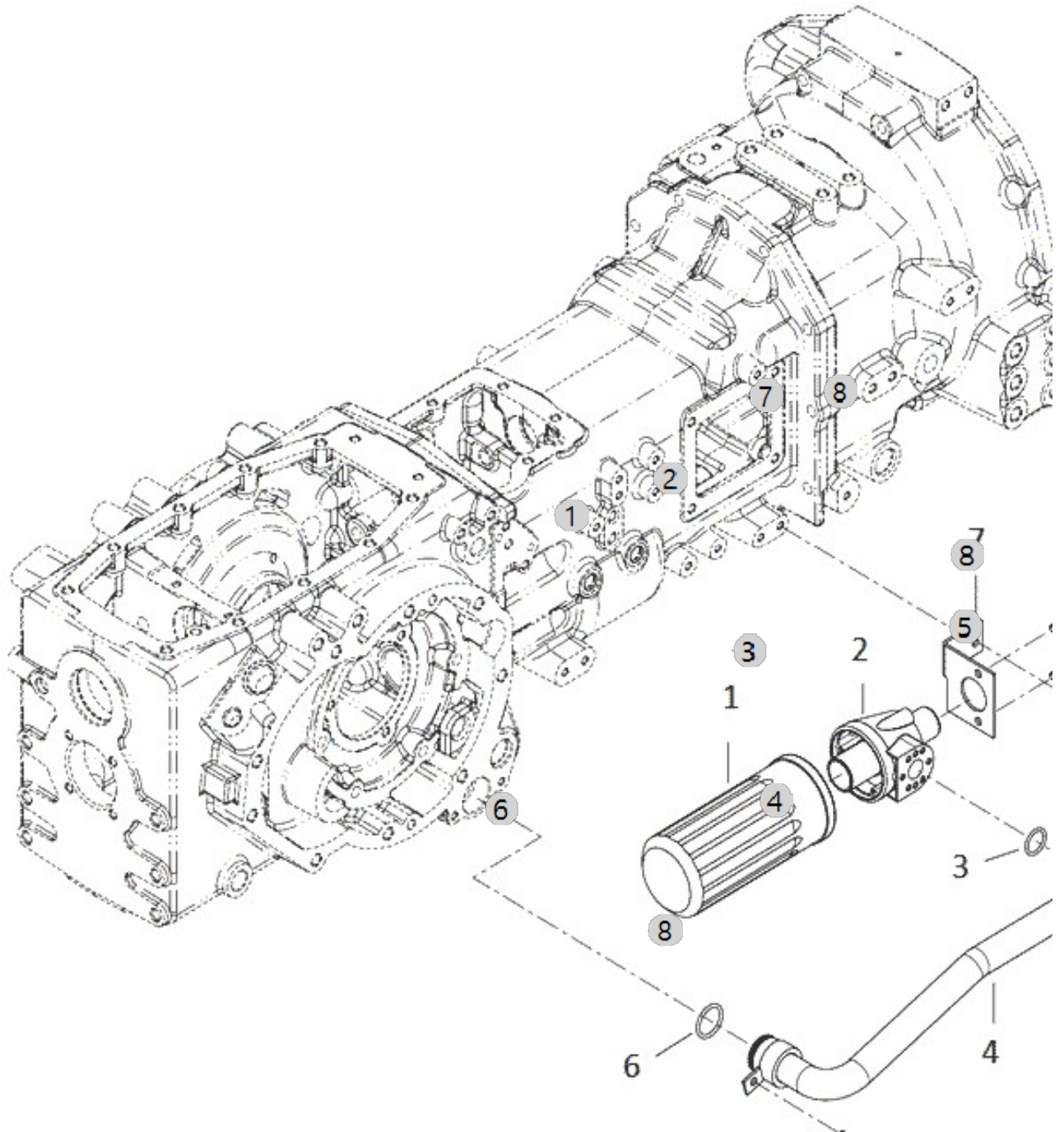
D01040

F50CN_EU_FL
(AC02116)

HYD FILTER

Year/Month

2022-12-16



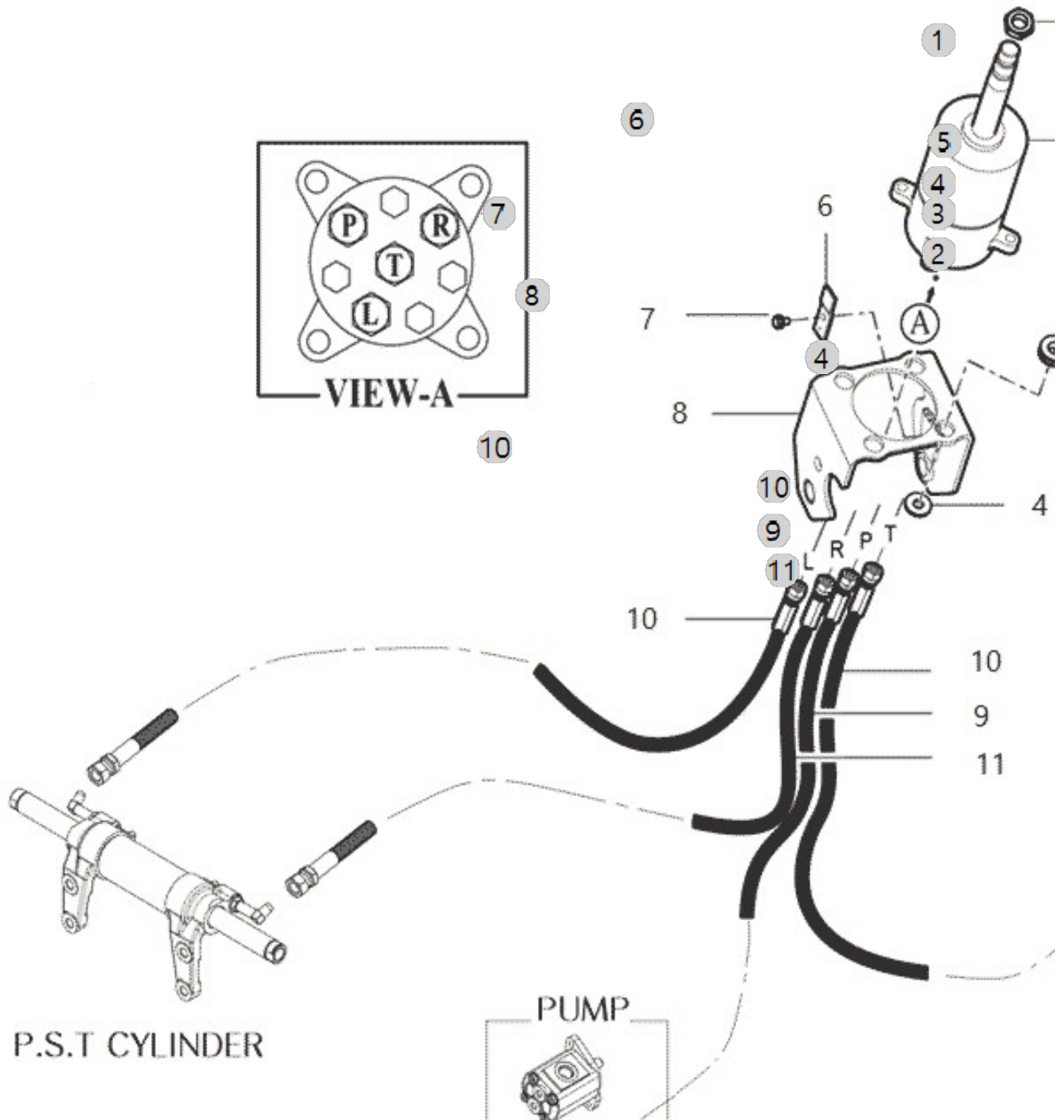
D02030

F50CN_EU_FL
(AC02116)

P.S.T HOSE

Year/Month

2022-12-16



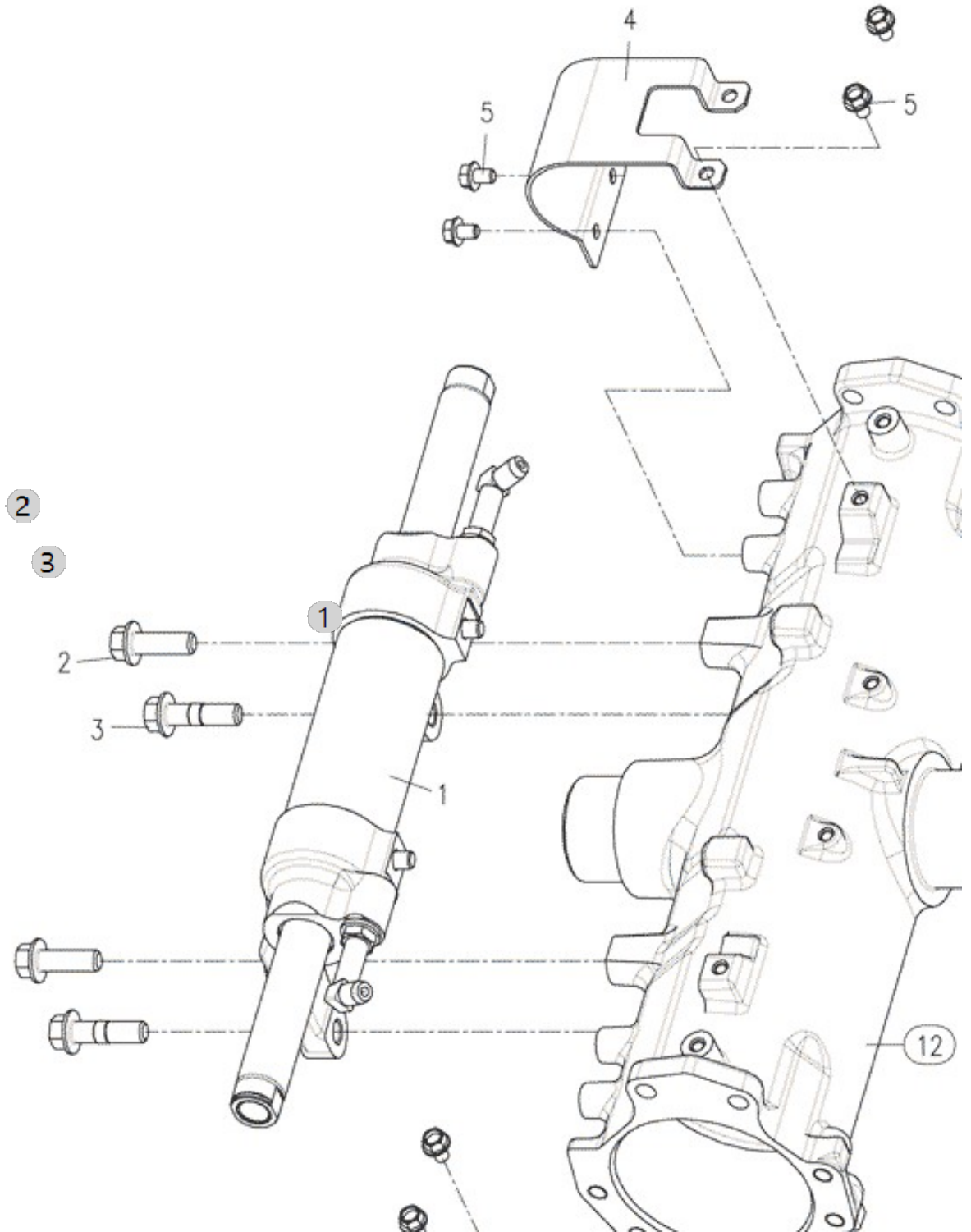
D02040A

F50CN_EU_FL
(AC02116)

P.S.T CYLINDER

Year/Month

2022-12-16



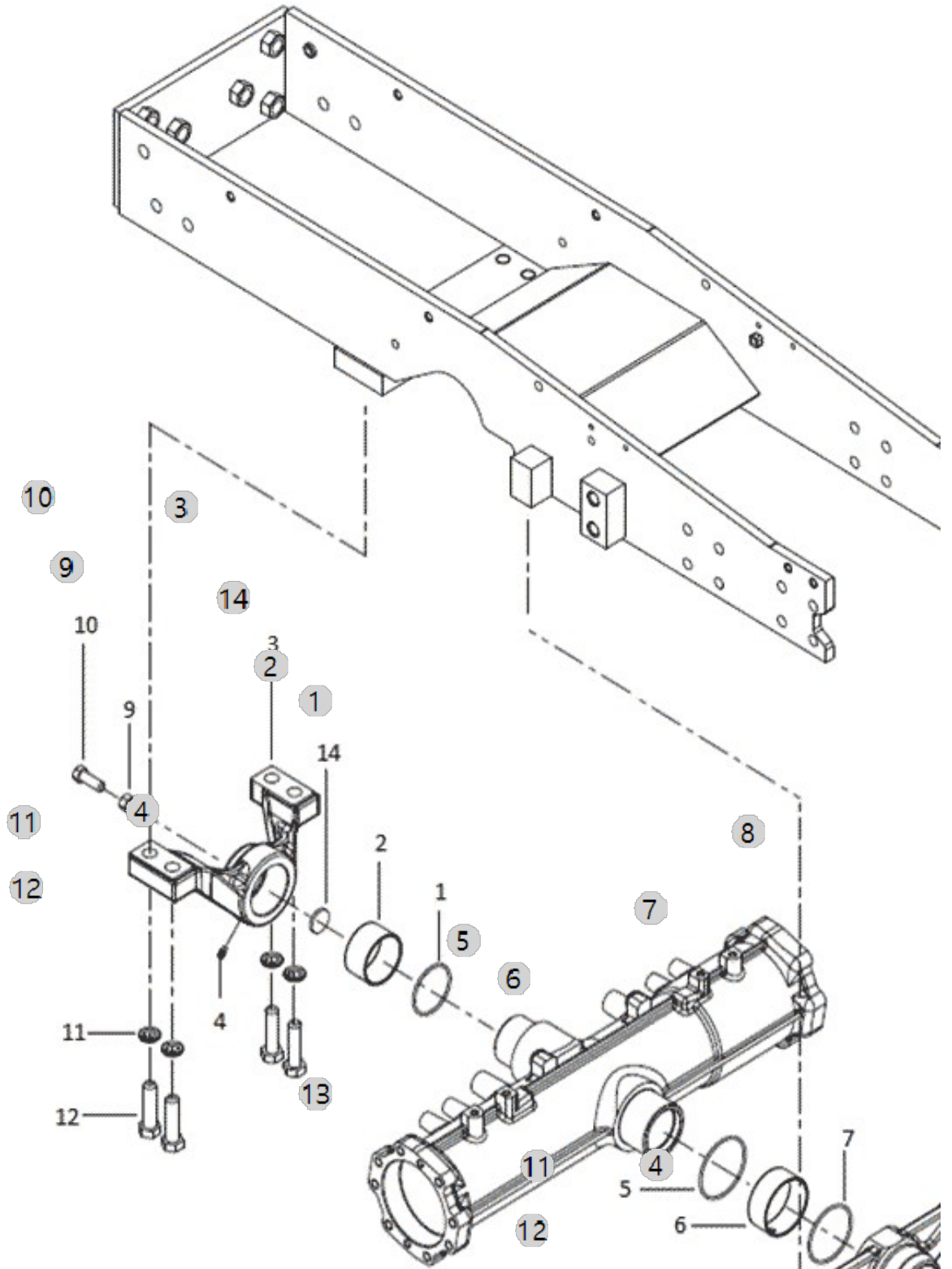
E01010A

F50CN_EU_FL
(AC02116)

FRONT AXLE CASE

Year/Month

2022-12-16



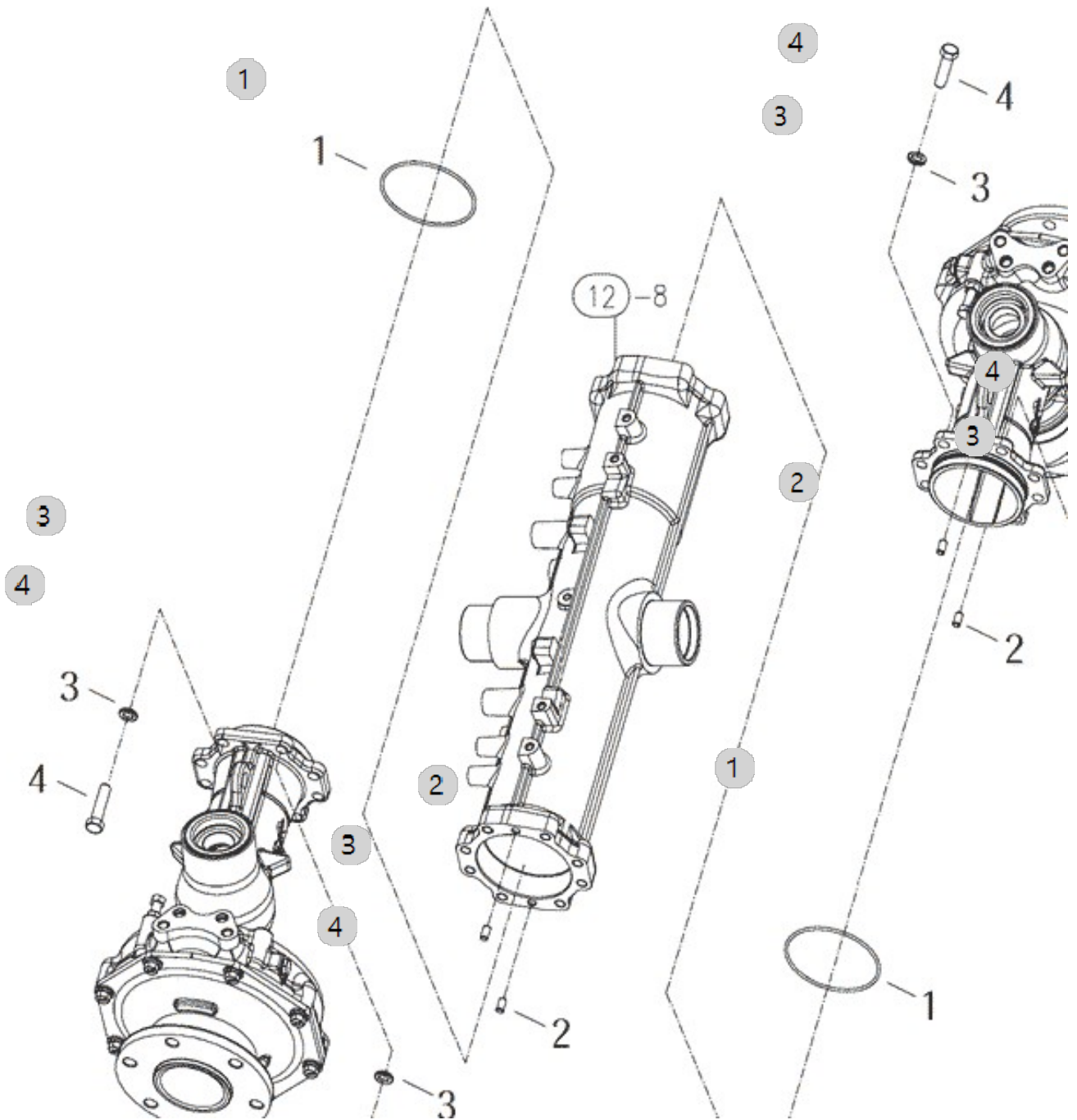
E01013

F50CN_EU_FL
(AC02116)

SPACER

Year/Month

2022-12-16



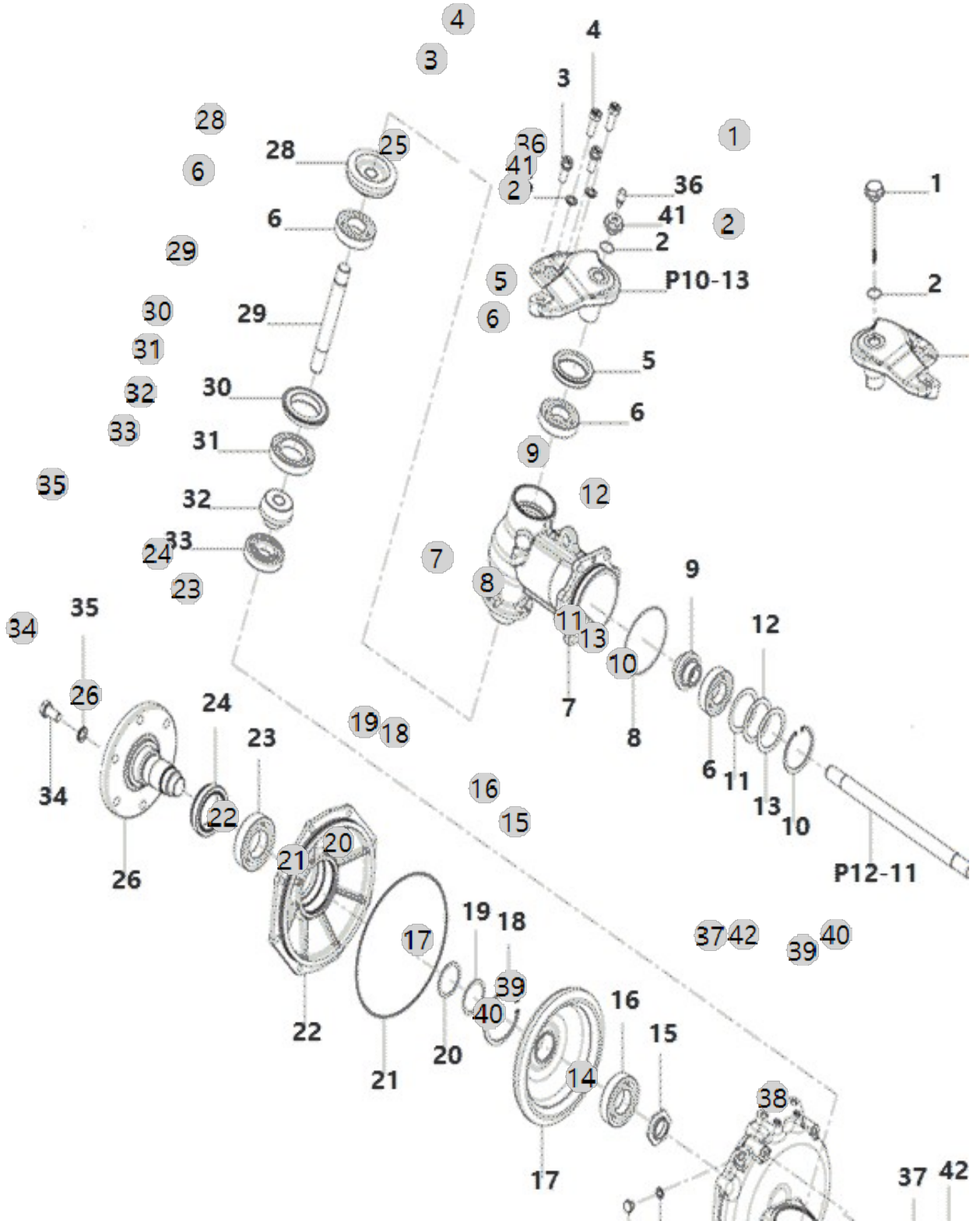
E01030A

F50CN_EU_FL
(AC02116)

GEAR CASE, FRONT AXLE

Year/Month

2022-12-16



E01030A F50CN_EU_FL (AC02116)		GEAR CASE, FRONT AXLE				Year/Month 2022-12-16
순번 (NO)	부품번호 (PART NO)	품명 (PART NAME)	품명 (PART NAME)	수량 (QTY)	규격 (SPEC)	비고 (REMARK)
1	TA00041646A	검유봉	DIP STICK	1		
2	24311-000220	O-RING1AP-22.0	O-RING, DYNAMIC (Φ22)	2	1A P22.0	
3	TA00033468C	와셔조립육각볼트	BOLT W/ WASHER	4		
3	TA00033468B	와셔조립육각볼트	BOLT W/ WASHER	4		
4	TA00033475A	리머볼트	RIMER BOLT	4		
4	TA00033475B	리머볼트	SPACER	4		
5	FE78010000B	오일실 (특수) 55x72x13.5	OIL SEAL (55X72X13.5)	2	55X72X13.5	
6	24101-062074	볼베어링6207	BALL BEARING (#6207)	6	#6207	
7	TA00041533B	프런트기어케이스	FRONT GEAR CASE L	2		
8	24321-001050	O-링	O-RING	2		
9	TA00033461A	전1축피니언9T	PINION, FRONT 1ST SHAFT	2		
9	TA00033461B	전1축피니언9T	PINION, FRONT 1ST SHAFT	2		
10	22252-000720	구멍용스냅링72	RING, CIRCLIP (Φ 72)	2	D72	
11	TA00033489A	심 0.2T	SHIM 0.2T	2		
12	TA00033488A	심 0.3T	SHIM 0.3T	2		
13	TA00033487A	심 0.5T	SHIM 0.5T	2		
14	TA00033458B	프런트기어박스	GEAR BOX, FRONT	2		
15	TA00033481A	로크너트	LOCK NUT	2		
16	24101-062084	볼베어링6208	Bearing, Ball (#6208)	2	#6208	
17	TA00033474A	베벨기어 49T	GEAR, BEVEL 49T	2		
18	22252-000850	써클립85H	RING, CIRCLIP (Φ 85)	2		
19	TA00033486A	심 0.2T	SHIM 0.2T	1		
20	TA00033485A	심 0.5T	SHIM 0.5T	1		
21	TA00033939A	O링	O RING	2		
22	TA00033459B	프런트베어링케이스	BEARING CASE, FRONT	1		
23	24101-062094	볼베어링6209	BALL BEARING (#6209)	2	#6209	
24	TA00041359A	오일실	OILSEAL	2		
25	22217-120000	스프링와셔	WASHER, SPRING (Φ 12)	2	M12	
26	TA00033460E	프런트스핀들	SPINDLE, FRONT	2		
26	TA00033460D	프런트스핀들	SPINDLE, FRONT	2		
26	TA00033460B	프런트스핀들	SPINDLE, FRONT	2		
27	TA00033469B	와셔조립육각볼트	BOLT W/ WASHER	16		
27	TA00033469A	와셔조립육각볼트	BOLT W/ WASHER	16		
28	TA00033463A	전2축기어	FRONT 2ND AXLE LH	2		
29	TA00033464A	전2축	FRONT 2ND SHAFT	2		
30	TC60110000A3	오일실(AJ)	SEAL, OIL	2		
31	24101-060104	볼베어링6010	Bearing, Ball (#6010)	2	#6010	
32	TA00033473A	베벨기어 11T	GEAR, BEVEL 11T	2		
33	TC60340000A4	베어링TM207C3	BEARING(TM207C3)	2	TM207C3	
34	TD23120000B4	프런트 허브 볼트(M14X28)	BOLT	12	M14XP1.5	
34	TD23120000A4	보울트(M14X28)	BOLT	12	M14XP1.5	
35	22217-140000	스프링와셔14	WASHER, SPRING (Φ 14)	12	M14	
36	TA00049842A	에어브리더(STEEL)	AIR BREATHER	1		
36	TA00049842B	에어브리더(STEEL)	AIR BREATHER	1		
37	TA00058880A	스톱퍼(30.5)	STOPPER(30.5)	2		

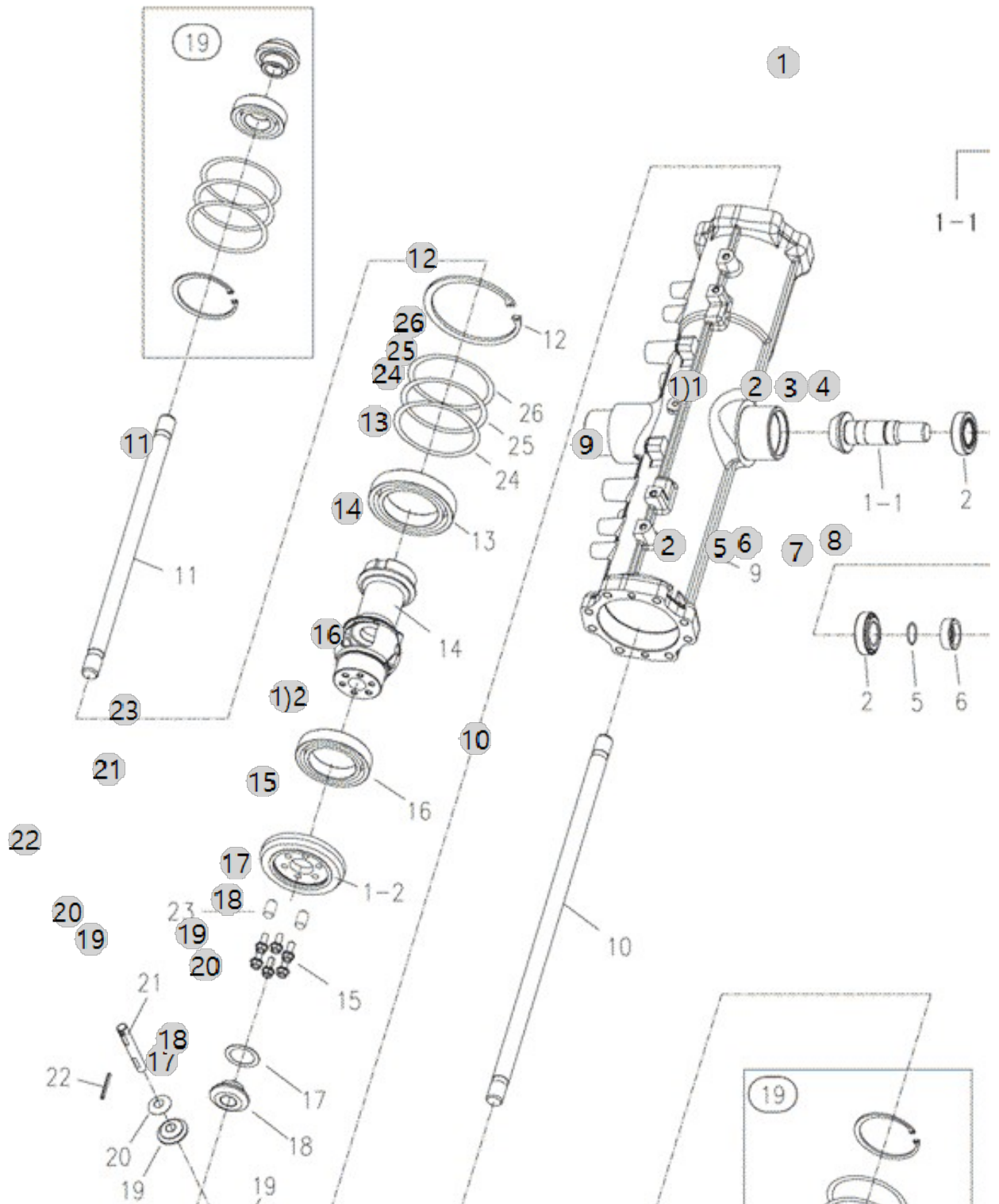
E01070A

F50CN_EU_FL
(AC02116)

FRONT DRIVE SHAFT

Year/Month

2022-12-16



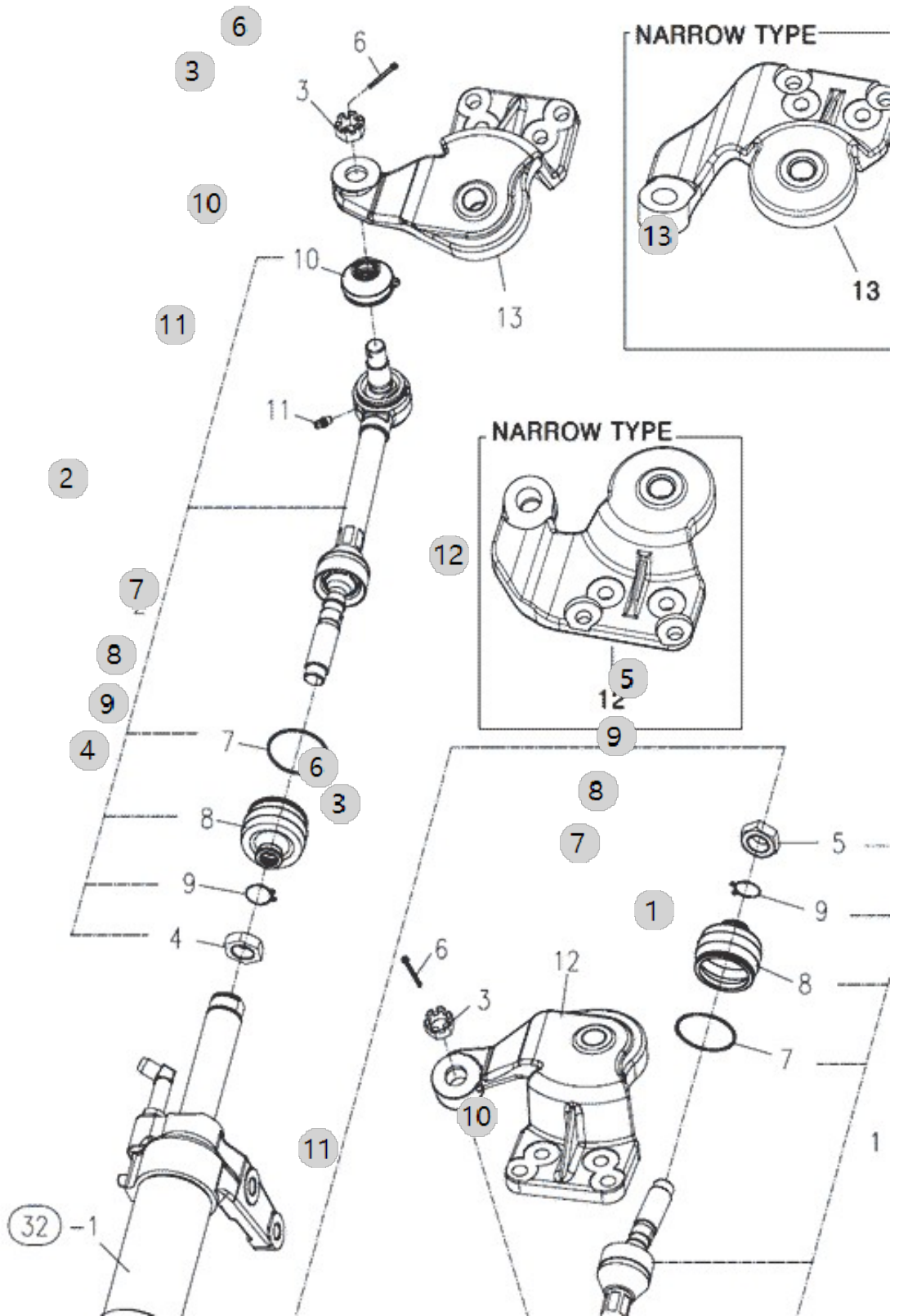
E01080A

F50CN_EU_FL
(AC02116)

TIEROAD

Year/Month

2022-12-16



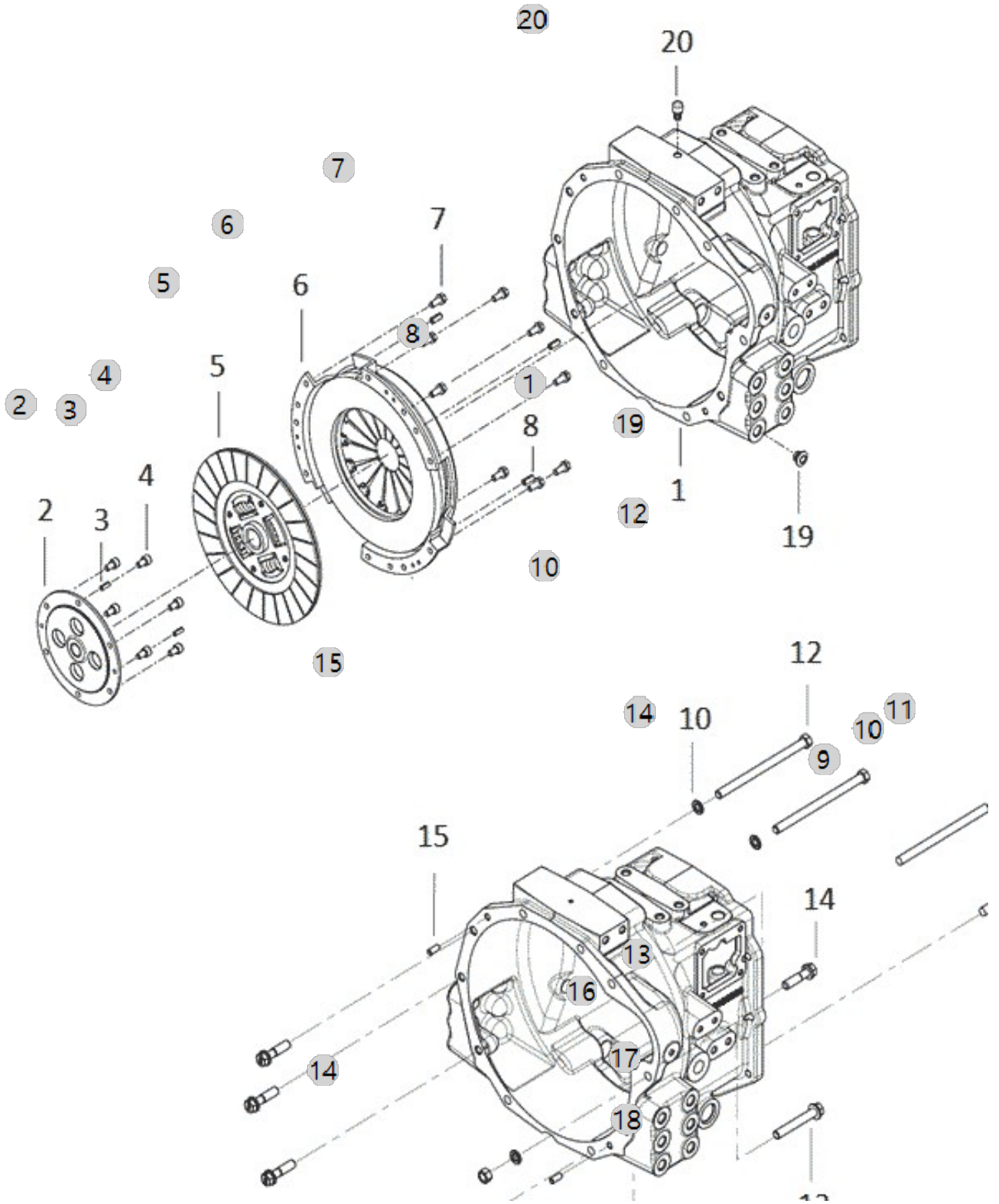
F01010

BRANSON K3C
TM_EU(AC01543)

CLUTCH HOUSING

Year/Month

2022-12-16



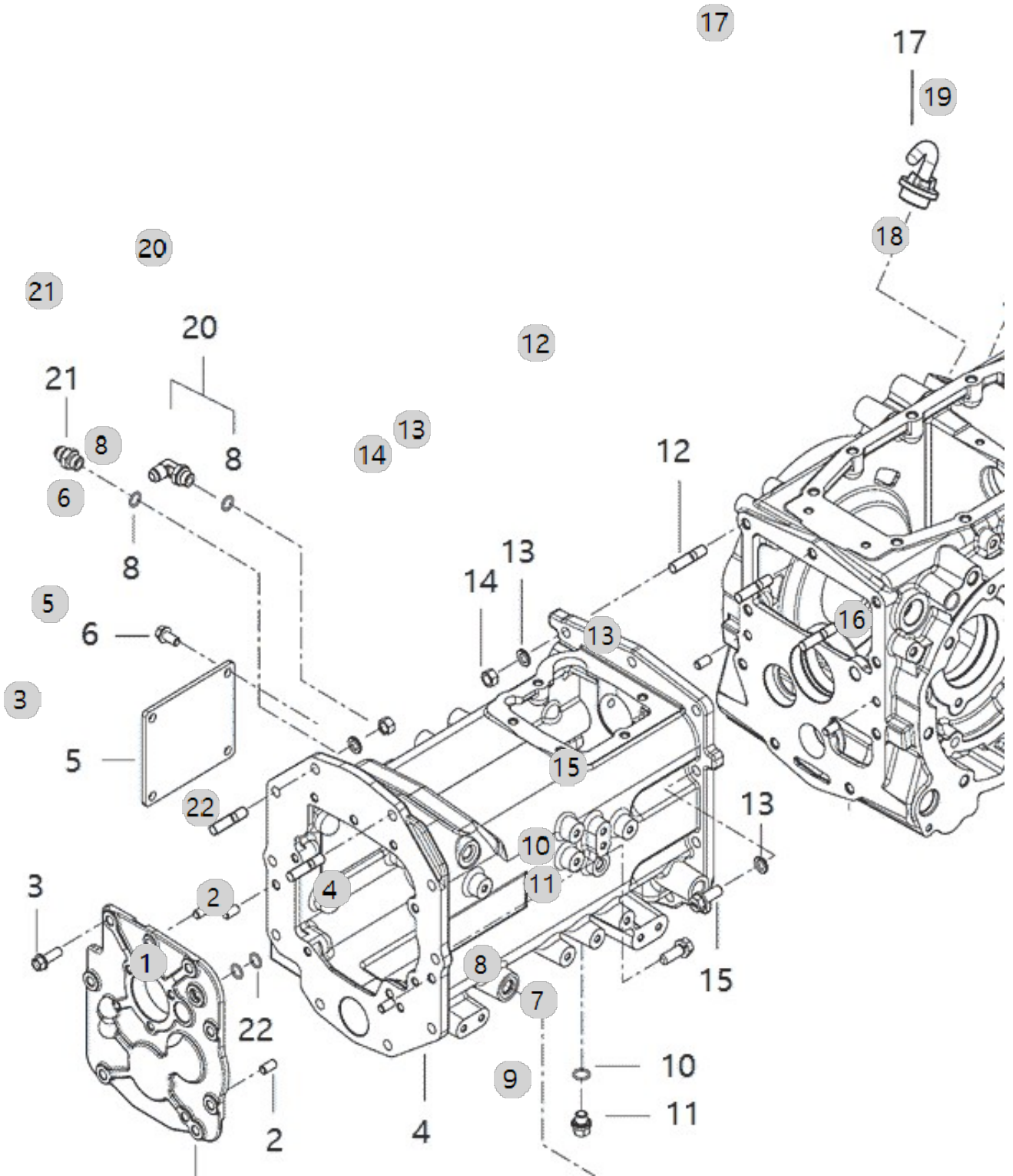
F01020

BRANSON K3C
TM_EU(AC01543)

TRANSMISSION CASE

Year/Month

2022-12-16



F01020 BRANSON K3C TM_EU(AC01543)	TRANSMISSION CASE				Year/Month
					2022-12-16

순번 (NO)	부품번호 (PART NO)	품명 (PART NAME)	품명 (PART NAME)	수량 (QTY)	규격 (SPEC)	비고 (REMARK)
1	TA00038262C	플레이트	PLATE	1		
1	TA00038262B	플레이트	PLATE	1		
1	TA00038262D	플레이트	PLATE	1		
2	22312-100180	평행핀	PIN, DOWEL (10-18)	6	D10X18	
3	26106-100302	육각플랜지볼트	HEXFLANGE BOLT	7	M10XP1.5X30	DEL.20211013
4	TA00038687H	미션케이스	MISSION CASE	1		
4	TA00038687C	미션케이스	MISSION CASE	1		
4	TA00038687E	미션케이스	MISSION CASE	1		
4	TA00038687G	미션케이스	MISSION CASE	1		
4	TA00038687B	미션케이스	MISSION CASE	1		
4	TA00038687D	미션케이스	MISSION CASE	1		
4	TA00038687F	미션케이스	MISSION CASE	1		
4	TA00038687I	미션케이스	MISSION CASE	1		
4	TA00038687J	미션케이스	MISSION CASE	1		
4	TA00038687K	미션케이스	MISSION CASE	1		
4	TA00038687M	미션케이스	MISSION CASE	1		
4	TA00038687N	미션케이스	MISSION CASE	1		
4	TA00038687O	미션케이스	MISSION CASE	1		
5	TA00038613A	주변속 포크커버	MAIN SHIFT FORK COVER	1		DEL.20211013
6	26106-100202	육각플랜지볼트	HEX BOLT, (10-20)	4	M10XP1.5X20	
7	NTA1130100A9	몸체	PLUG	1		
8	24311-000140	441,ALL,O-RINGP-14	O-RING, DYNAMIC (Φ14)	3	P14	
9	NTA1130000A4	플러그	PLUG	1	PF3/8	DEL.20211013
9	NTA1130000B4	플러그	PLUG	1		DEL.20211013
10	24311-000160	O-링 P 16	O-RING, DYNAMIC (Φ16)	2	P16	
11	TB28120000C4	퇴유플러그	DRAIN PLUG	2	M14XP1.5	
11	TB28120000D4	퇴유플러그	PLUG	2	D23	
12	FT80120000A4	심음볼트(12X38)	StudBolt(12X38)	5		DEL.20211013
12	FT80120000B4	심음볼트	STUD BOLT(12X38)	5		DEL.20211013
13	22217-120000	스프링와셔	WASHER, SPRING (Φ 12)	19	M12	
14	26716-120002	295,ALL,육각너트	HEXA NUT295	5	M12X1.75	
15	TH22090000A4	보울트(M12xP1.75x35)	BOLT (M12 P1.75X35)	14	NONE	DEL.20211013
15	TH22090000B4	보울트(M12xP1.75x35)	WASHER ASSY HEX BOLT	14	-	DEL.20211013
16	TA00043199C	후차축케이스(HST)	REAR AXLE CASE	1		
16	TA00043199H	후차축케이스(HST)	REAR AXLE CASE	1		
16	TA00043199B	후차축케이스(HST)	REAR AXLE CASE	1		
16	TA00043199D	후차축케이스(HST)	REAR AXLE CASE	1		
16	TA00043199F	후차축케이스(HST)	REAR AXLE CASE	1		
16	TA00043199G	후차축케이스(HST)	REAR AXLE CASE	1		
17	FT80370000A4	주유구캡	CAP,INTAKE	1		
18	24311-000180	O-RING(P18)	O-RING, DYNAMIC (Φ18)	1	P18	
19	TA00038076A	검유봉	LOD	1		
19	TA00038076B	검유봉	LOD	1		
20	CEE4050000A	자리부착엘보3/8	ELBOW(3/8)	1		
20	CEE4050000B4	자리부착엘보3/8	ELBOW(3/8)	1		DEL.20211013

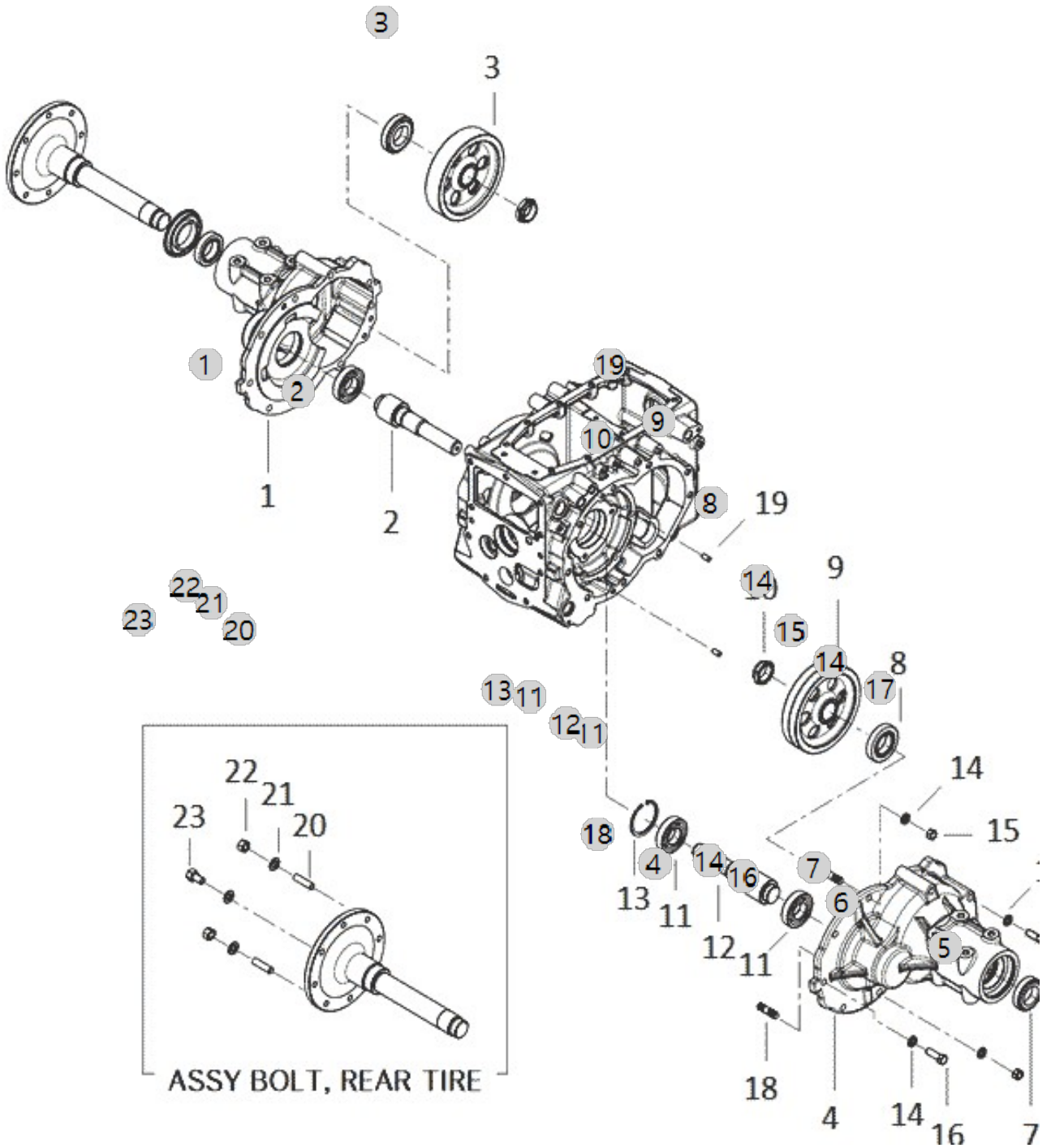
F01030

BRANSON K3C
TM_EU(AC01543)

REAR AXLE HOUSING

Year/Month

2022-12-16



F01030 BRANSON K3C TM_EU(AC01543)		REAR AXLE HOUSING				Year/Month 2022-12-16
순번 (NO)	부품번호 (PART NO)	품명 (PART NAME)	품명 (PART NAME)	수량 (QTY)	규격 (SPEC)	비고 (REMARK)
1	TA00038690C	후차축하우징(R)	REAR AXLE HOUSING R	1		
1	TA00038690B	후차축하우징(R)	REAR AXLE HOUSING R	1		
1	TA00038690D	후차축하우징(R)	REAR AXLE HOUSING R	1		
1	TA00038690E	후차축하우징(R)	REAR AXLE HOUSING R	1		
1	TA00038690G	후차축하우징(R)	REAR AXLE HOUSING R	1		
2	TA00038395B	파이널 피니언(우)	FINAL_REAR_PINION(R)	1		
2	TA00038395C	파이널 피니언(우)	FINAL_REAR_PINION(R)	1		
2	TA00038395D	파이널 피니언(우)	FINAL_REAR_PINION(R)	1		
2	TA00038395E	파이널 피니언(우)	FINAL_REAR_PINION(R)	1		
3	TA00038393B	파이널기어(우)	FINAL_REAR_GEAR (R)	1		
3	TA00038393C	파이널기어(우)	FINAL_REAR_GEAR (R)	1		
4	TA00038689C	후차축하우징(좌)	REAR AXLE HOUSING L	1		
4	TA00038689B	후차축하우징(좌)	REAR AXLE HOUSING L	1		
4	TA00038689D	후차축하우징(좌)	REAR AXLE HOUSING L	1		
4	TA00038689E	후차축하우징(좌)	REAR AXLE HOUSING L	1		
4	TA00038689G	후차축하우징(좌)	REAR AXLE HOUSING L	1		
5	TA00038361C	후차축	REAR AXLE SHAFT	2		
5	TA00038361B	후차축	REAR AXLE SHAFT	2		
5	TA00038361D	후차축	REAR AXLE SHAFT	2		
6	TA00033423A	오일실(후차축)	SEAL, OIL (REAR AXLE)	2		
7	24141-320090	테이퍼롤러베어링	TAPER ROLLER BEARING	2	NONE	
8	24141-302090	테이퍼롤러베어링	BEARING	2	NONE	
9	TA00038359B	파이널기어(좌)	FINAL RING GEAR	1		
9	TA00038359C	파이널기어(좌)	FINAL RING GEAR	1		
10	TA00038354A	로크너트	LOCK NUT	2		
10	TA00038354B	락너트(K3)	LOCK NUT	2		
11	TT21040000A4	볼베어링(TMB208)	BEARING	4	TMB208	
12	TA00038394B	파이널 피니언(좌)	FINAL_REAR_PINION(L)	1		
12	TA00038394C	파이널 피니언(좌)	FINAL_REAR_PINION(L)	1		
12	TA00038394D	파이널 피니언(좌)	FINAL_REAR_PINION(L)	1		
12	TA00038394E	파이널 피니언(좌)	FINAL_REAR_PINION(L)	1		
13	22252-000800	구멍용스냅링80	RING, CIRCLIP (Φ 80)	2	D80	
14	22217-140000	스프링와셔14	WASHER, SPRING (Φ 14)	18	M14	
15	26716-140002	육각너트	NUT	4	M14X2.0	
16	FT08110000A4	볼트(M14X42)	BOLT(M14X42)	6	M14XP2.0X42	
16	FT08110000B4	볼트	BOLT(M14X42)	6	M14XP2.0X42	
17	TA00038428B	볼트(M14x130)	BOLT	8		
17	TA00038428C	볼트(M14x130)	BOLT	8		
18	FB80120000A4	심음볼트(M14X38)	STUD BOLT(M14X38)	4	M14XP2.0X38	
18	FB80120000B4	심음볼트(M14X38)	STUD BOLT(M14X38)	4		
19	22312-100180	평행핀	PIN, DOWEL (10-18)	4	D10X18	
20	TT85150000A4	심음볼트	Bolt	4	M14XP1.5	
20	TT85150000B4	심음볼트	BOLT	4	M14XP1.5	
21	TB29430000A4	와셔	WASHER	16	T3.5X35X35	
21	TB29430000B4	와셔	WASHER	16		

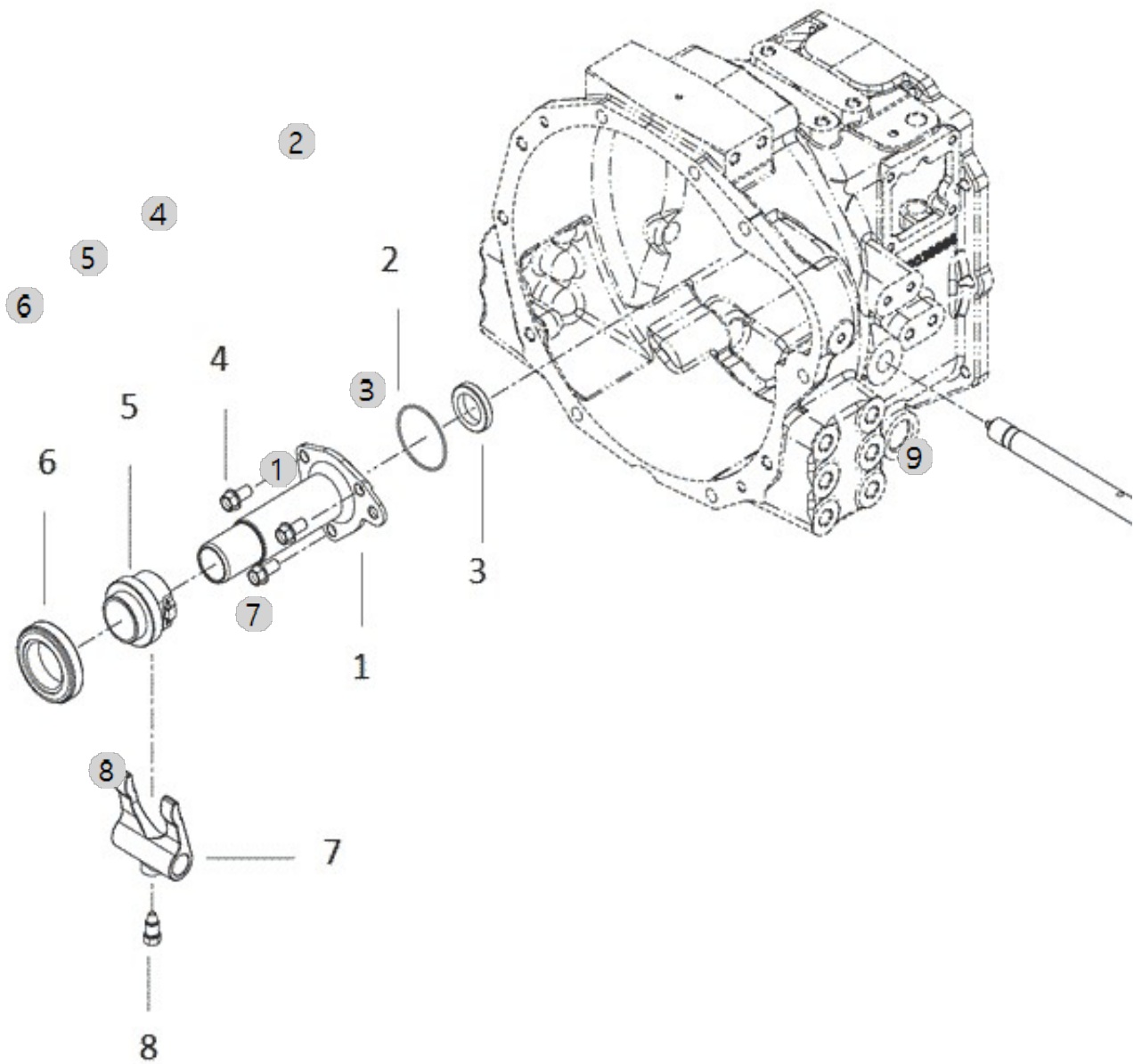
F02010

BRANSON K3C
TM_EU(AC01543)

CLUTCH RELEASE

Year/Month

2022-12-16



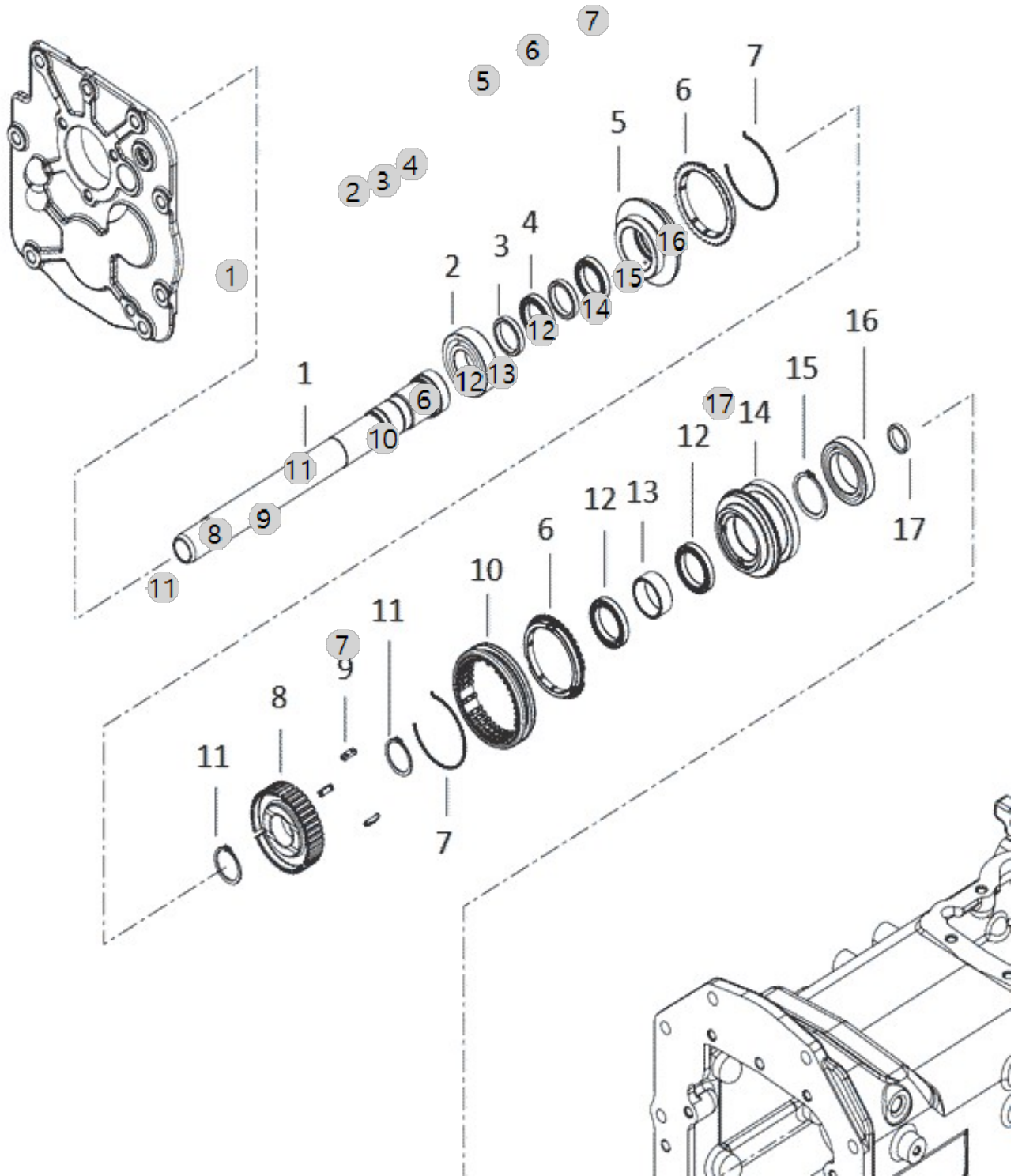
F02020

BRANSON K3C
TM_EU(AC01543)

CLUTCH SHAFT

Year/Month

2022-12-16



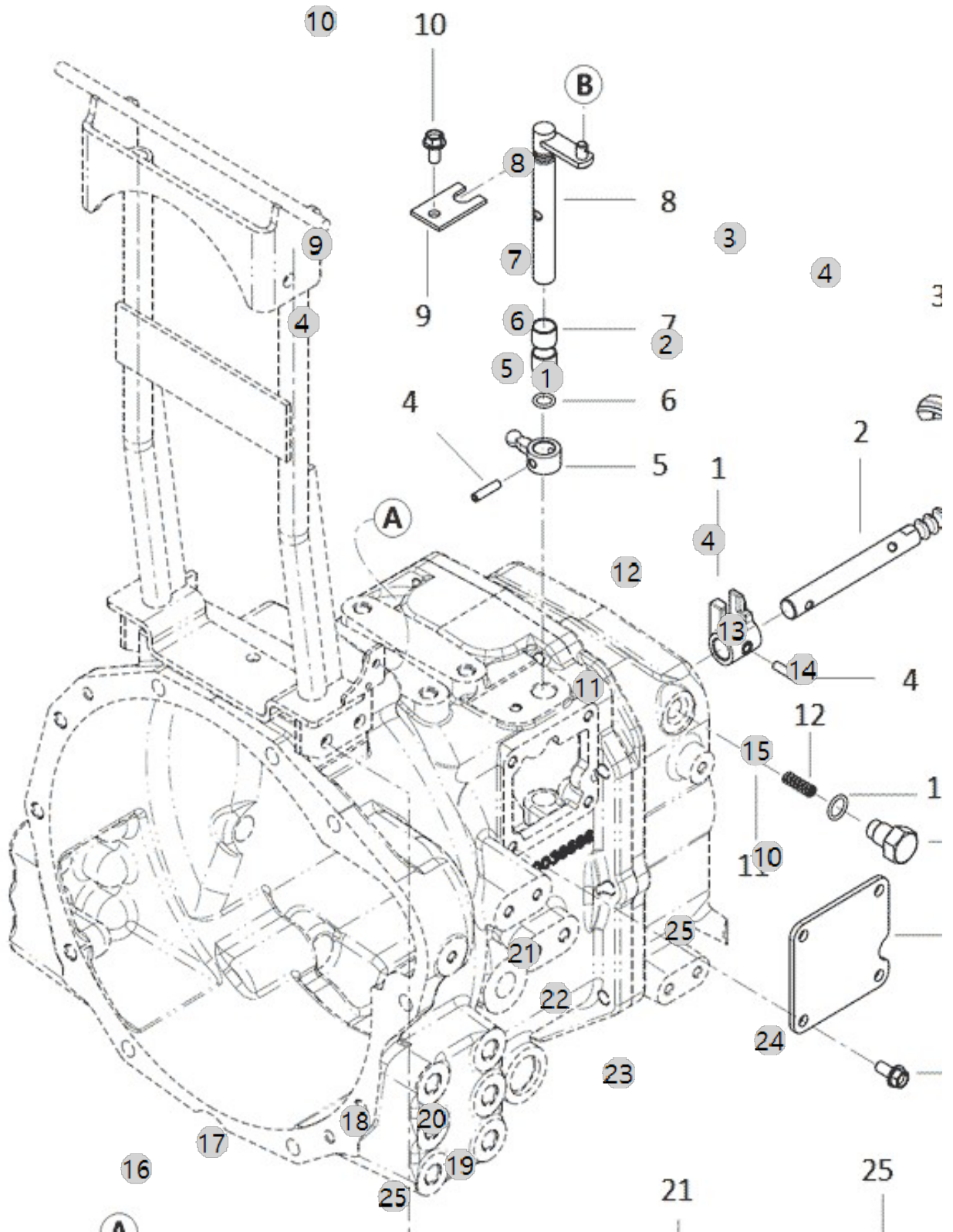
F02030

BRANSON K3C
TM_EU(AC01543)

SHUTTLE SHAFT

Year/Month

2022-12-16



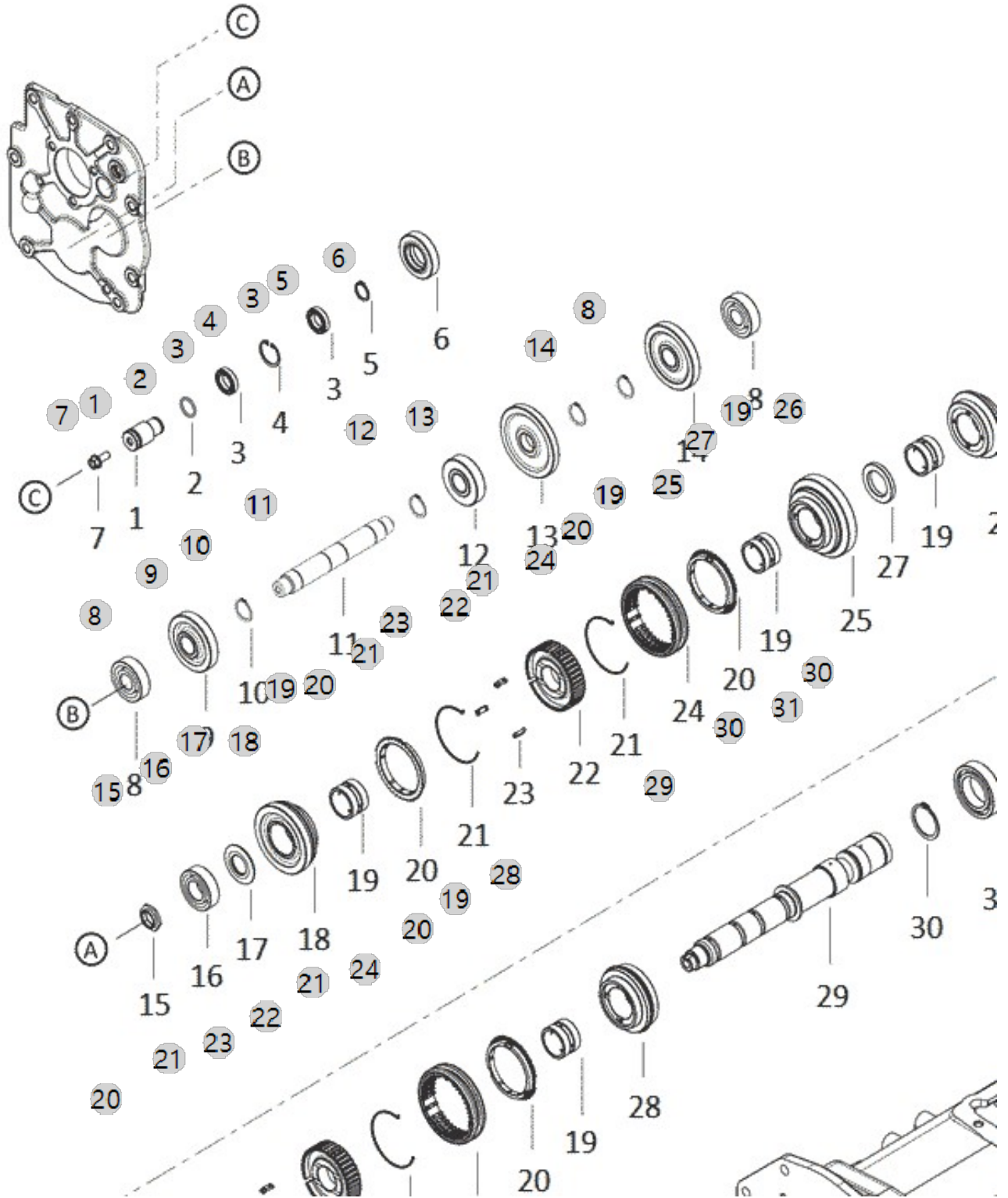
F03010

BRANSON K3C
TM_EU(AC01543)

MAIN SHIFT DRIVE SHAFT

Year/Month

2022-12-16



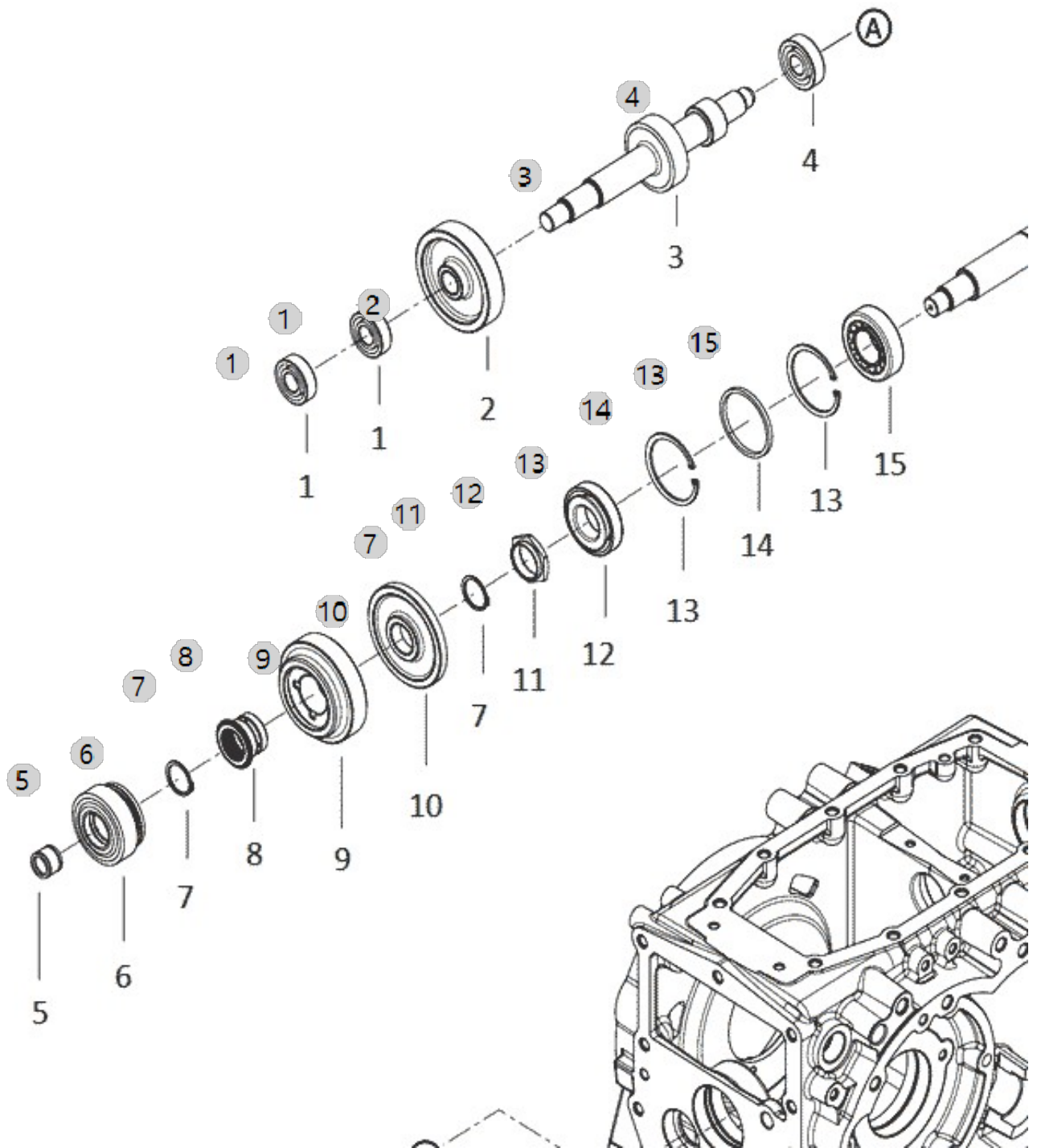
F03040

BRANSON K3C
TM_EU(AC01543)

RANGE SHIFT GEAR

Year/Month

2022-12-16



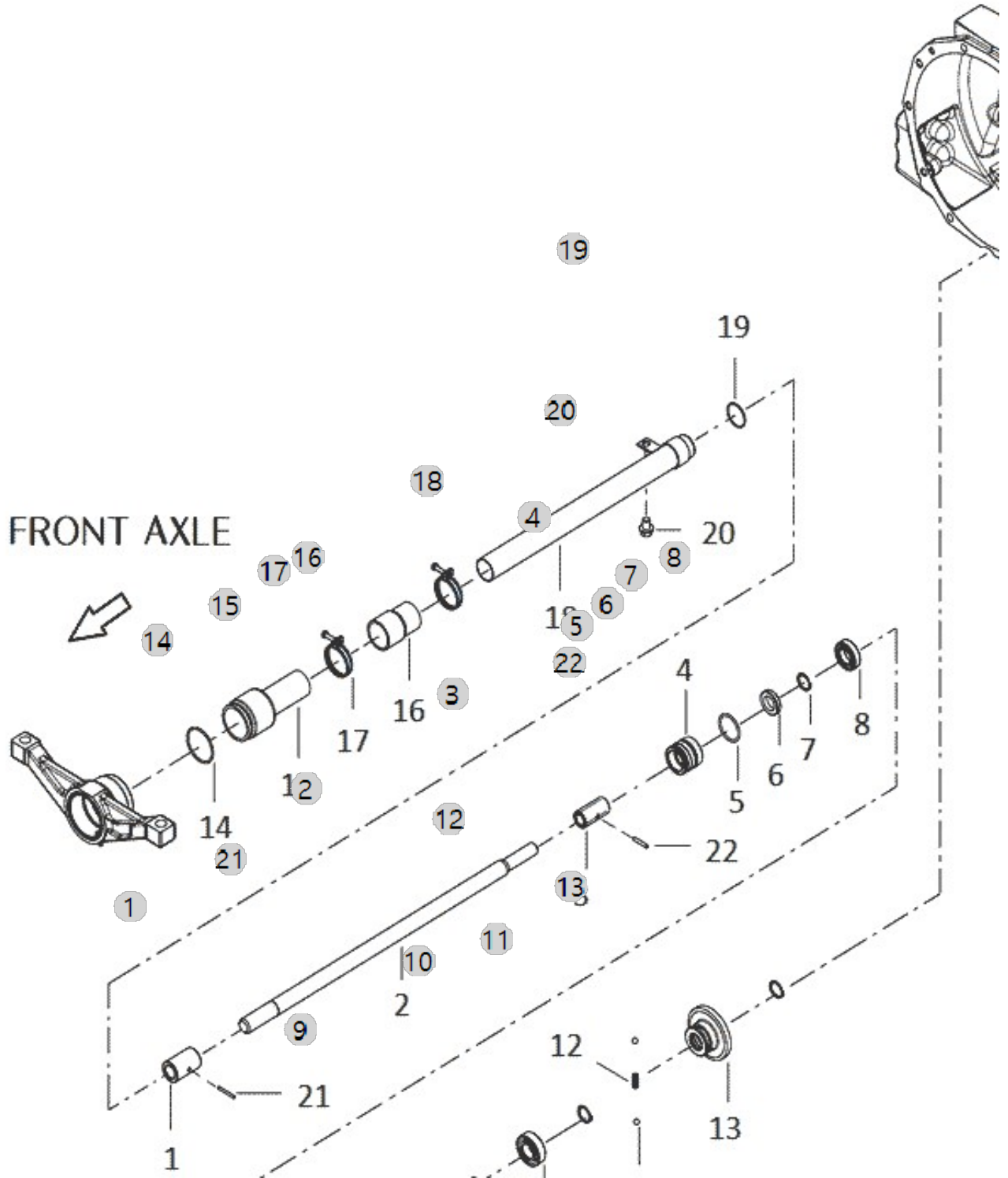
F04010

BRANSON K3C
TM_EU(AC01543)

FORNT DRIVE SHAFT

Year/Month

2022-12-16



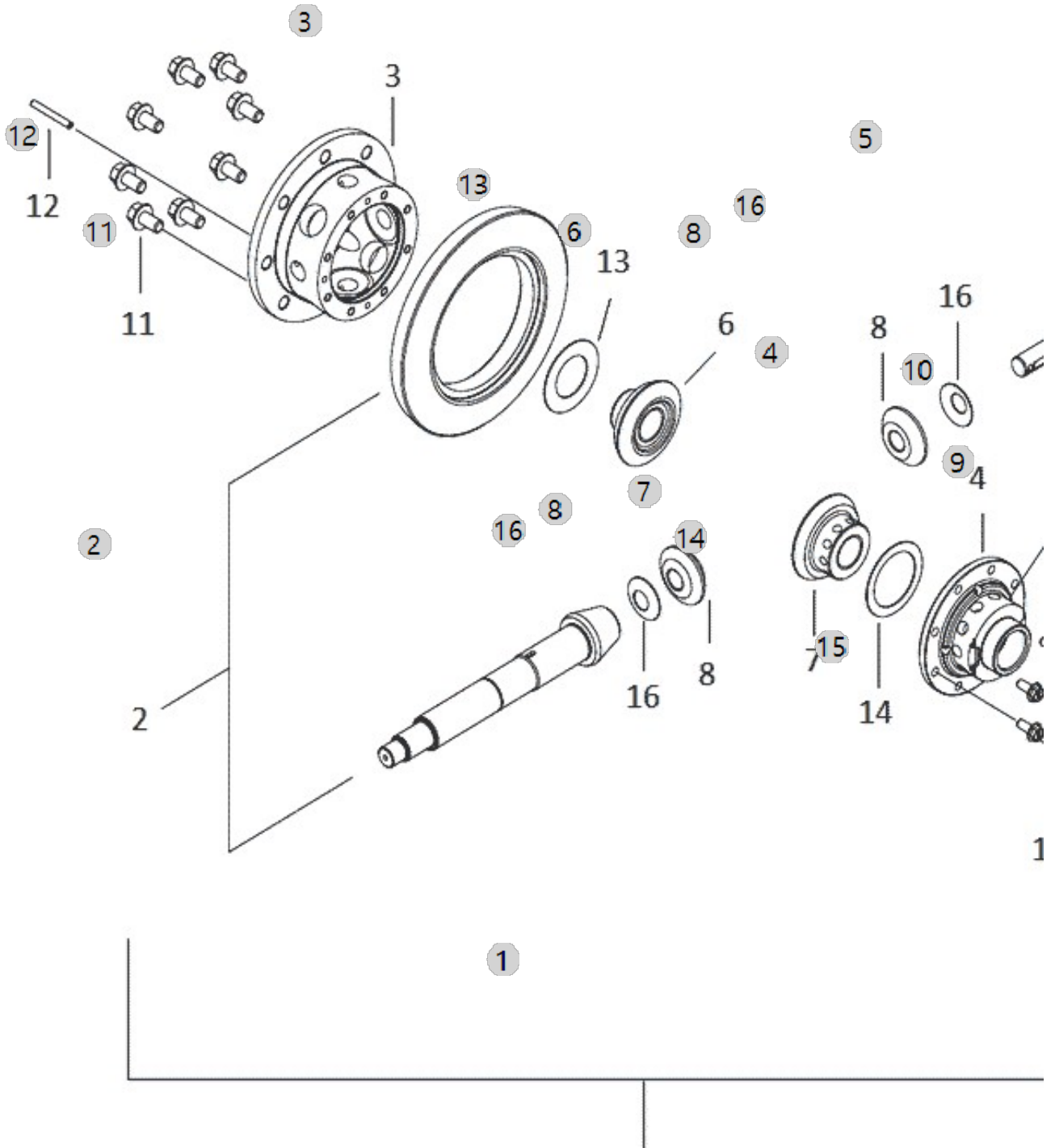
F05020

BRANSON K3C
TM_EU(AC01543)

RING GEAR&DIFF.GEAR ASS'Y

Year/Month

2022-12-16



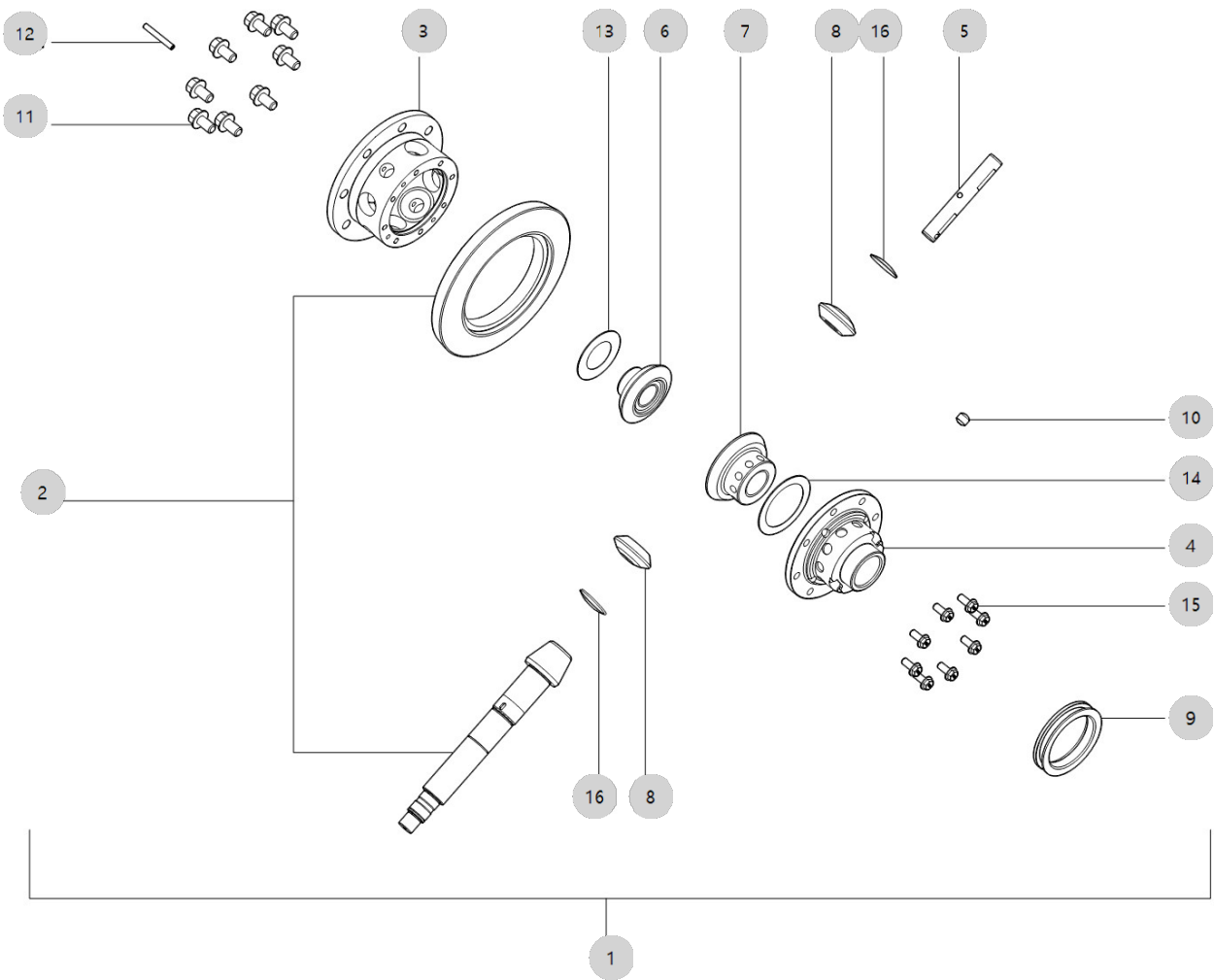
F05020

BRANSON K3C
TM_EU(AC01543)

RING GEAR&DIFF.GEAR ASS'Y

Year/Month

2022-12-16



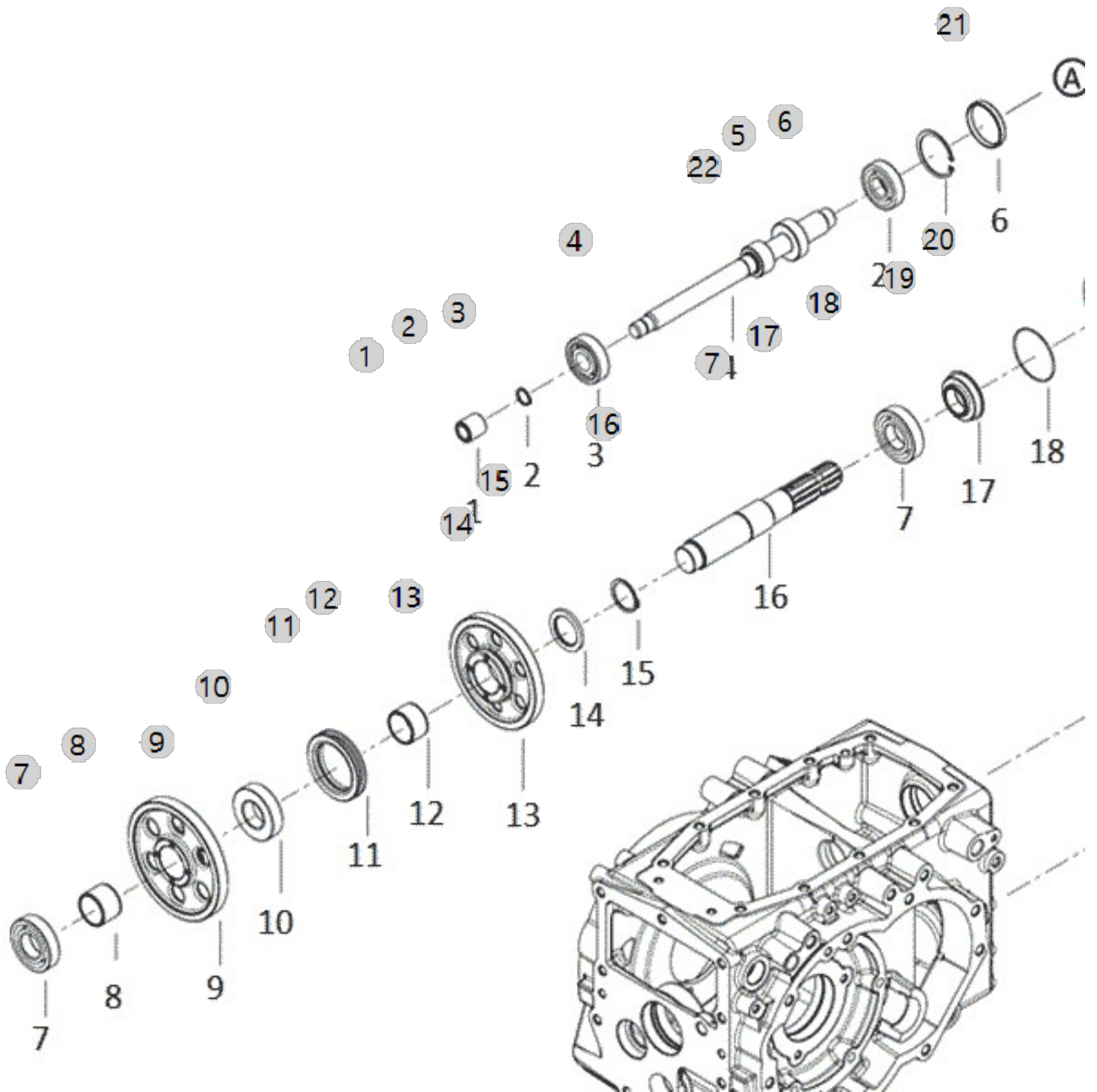
F07030

BRANSON K3C
TM_EU(AC01543)

PTO DRIVE SHAFT

Year/Month

2022-12-16



F07070

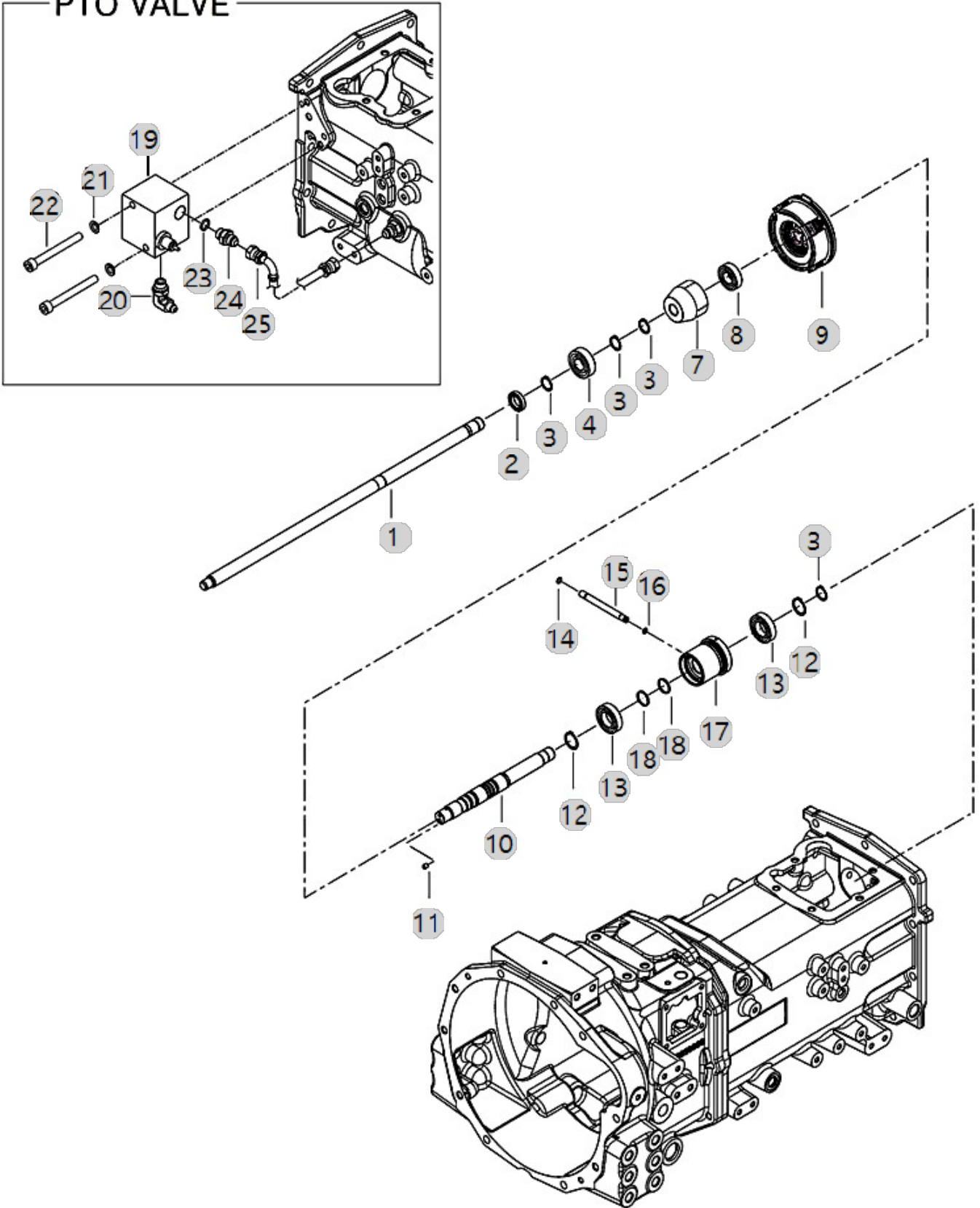
BRANSON K3C
TM_EU(AC01543)

MAIN P.T.O SHAFT

Year/Month

2022-12-16

PTO VALVE



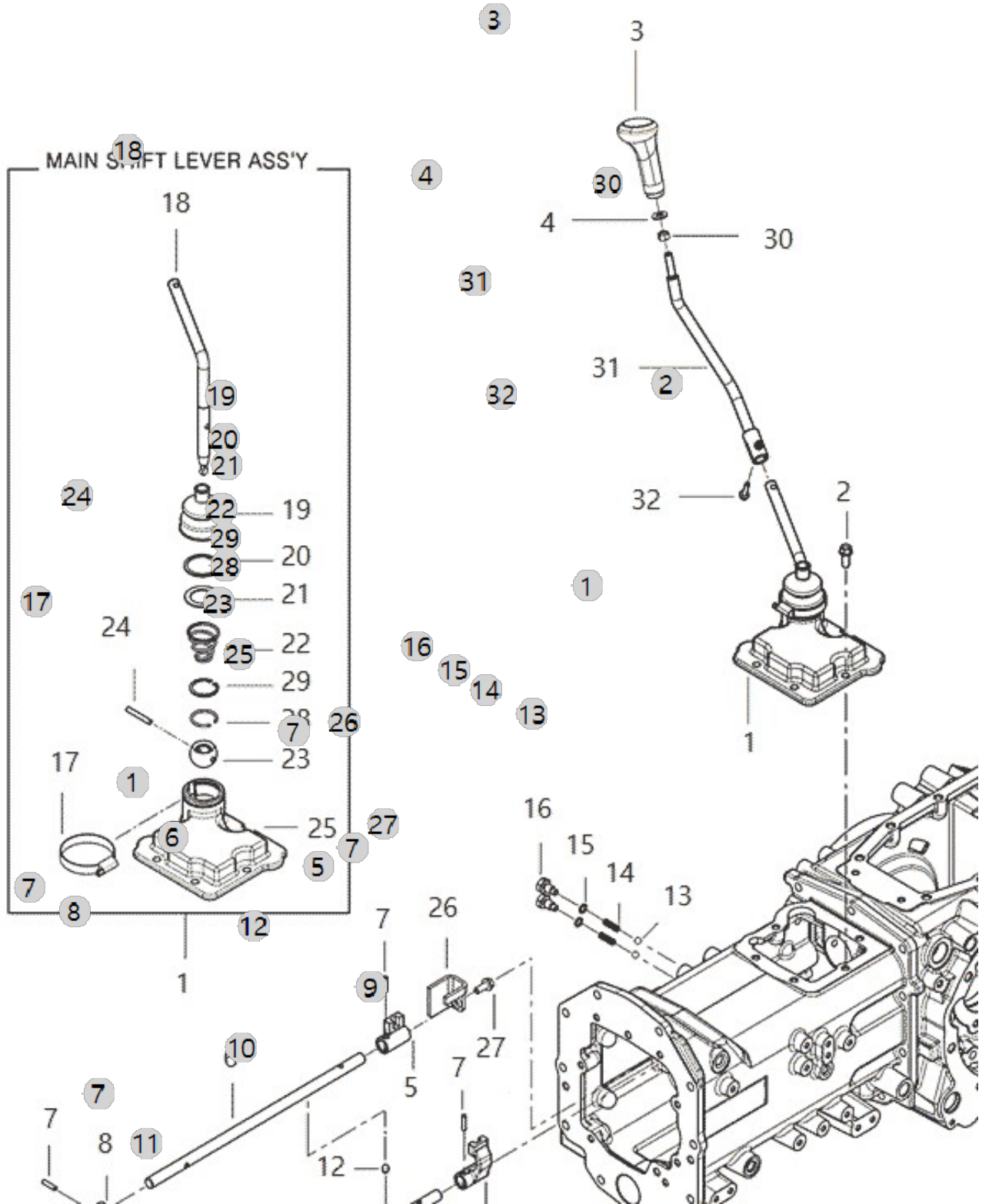
F08021

BRANSON K3C
TM_EU(AC01543)

FORK, MAIN SHIFT

Year/Month

2022-12-16



F08021 BRANSON K3C TM_EU(AC01543)	FORK, MAIN SHIFT	Year/Month
		2022-12-16

순번 (NO)	부품번호 (PART NO)	품명 (PART NAME)	품명 (PART NAME)	수량 (QTY)	규격 (SPEC)	비고 (REMARK)
1	TA00054414E	주변속 레버 조합(K3C)	MAIN SHIFT LEVER ASS'Y(K3C)	1		
1	TA00054414B	주변속 레버 조합(K3C)	MAIN SHIFT LEVER ASS'Y	1		
1	TA00054414C	주변속 레버 조합(K3C)	MAIN SHIFT LEVER ASS'Y	1		
1	TA00054414D	주변속 레버 조합(K3C)	MAIN SHIFT LEVER ASS'Y	1		
2	26106-100202	육각플랜지볼트	HEX BOLT, (10-20)	5	M10XP1.5X20	
3	TA00051452A	그립(주변속)	GRIP , MAIN	1		
3	TA00064855A	그립(주변속)	GRIP, MAIN SHIFT	1		
4	22137-100000	평와셔 10	WASHER, PLAIN (Φ 10)	1	M10	
5	TA00038581B	주변속시프터(1-2)	MAIN SHIFT(1-2)	1		
6	TA00038579A	주변속 포크축(1-2)	RAIL, MAIN SHIFT(1-2)	1		
6	TA00038579C	주변속 포크축(1-2)	SHAFT, MAIN SHIFT(1-2)	1		
7	22351-060025	SPRINGPIN6X25	PIN, SPRING (6-25)	4	D6X25	
8	TA00038716A	주변속 포크(1-2)	FORK(1ST-2ND),MAIN SHIFT	1		
9	TA00038595B	주변속 시프터	MAIN SHIFTER	1		
10	TA00038580A	주변속 포크축(3-4)	RAIL, MAIN SHIFT	1		
10	TA00038580B	주변속 포크축(3-4)	RAIL, MAIN SHIFT	1		
10	TA00038580C	주변속 포크축(3-4)	FORK SHAFT, MAIN SHIFT(3-4)	1		
11	TA00038730A	주변속포크(3-4)	FORK(3RD-4TH),MAIN SHIFT	1		
12	TA00038594A	핀	PIN	1		
13	24190-110001	강구11/32	Ball, Steel (11/32)	2	11/32	
14	TA00038502A	스프링	SPRING	2		DEL.20211013
15	24311-240100	O-링(P형)	SEAL, O-RING	2	P10	
16	TA00038540B	볼트	BOLT, RAIL	2		
16	TA00038540A	볼트	BOLT, RAIL	2		
17	23000-070000	351,A22,호스클램프70	CLAMP,HOSE	1	D70	
18	TA00057985C	주변속레버(하)	MAIN SHIFT LEVER, LOWER	1		
18	TA00057985A	주변속레버(하)	LEVER(LOWER), MAIN SHIFT	1		
18	TA00057985B	주변속레버(하)	LEVER(LOWER), MAIN SHIFT	1		
19	TA00017457A	변속레버부츠	BOOTS	1		
20	22252-000500	구멍용스냅링 50	RING, CIRCLIP (Φ 50)	1	D50	
21	TA00038639B	스페이스	SPACER	1		
22	TA00038649A	스프링	SPRING	1		
23	FGG3140000C	시프터볼	BALL	1		
23	FGG3140000B4	시프터 볼	SHIFT BALL	1		
23	FGG3140000C4	시프터 볼	SHIFT BALL	1		
24	FGG3150000B	핀	PIN	1		
24	FGG3150000B4	핀(D6)	PIN(D 6)	1		
25	TA00038655B	주변속 케이스	MAIN SHIFT CASE	1		
25	TA00038655C	주변속 케이스	MAIN SHIFT CASE	1		
25	TA00038655D	주변속 케이스	MAIN SHIFT CASE	1		
26	TA00051011A	주변속 시프터 홀더	HOLDER, MAIN SHIFTER	1		
26	TA00051011B	주변속 시프터 홀더	HOLDER, MAIN SHIFTER	1		
27	26106-080252	육각플랜지볼트	SCREW,HEXFLANGEHEADCAP	1	M8XP1.25X25	
28	TA00001246A	환형스냅링	WIRE SNAP RING	1	D3.2	
29	22252-000400	서어클립40	RING, CIRCLIP (Φ 40)	1	D40	

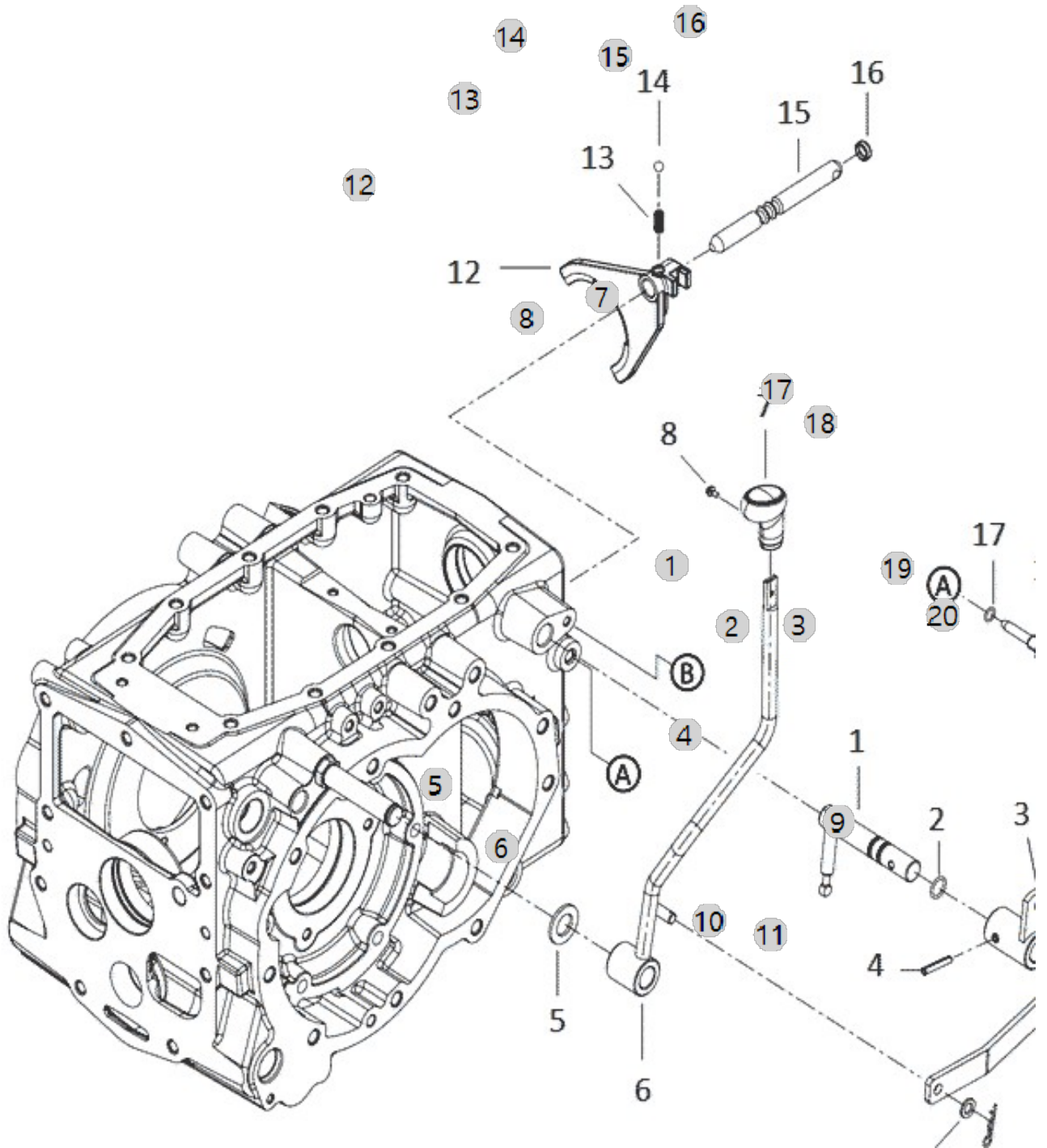
F08060

BRANSON K3C
TM_EU(AC01543)

FORK, PTO SHIFT

Year/Month

2022-12-16



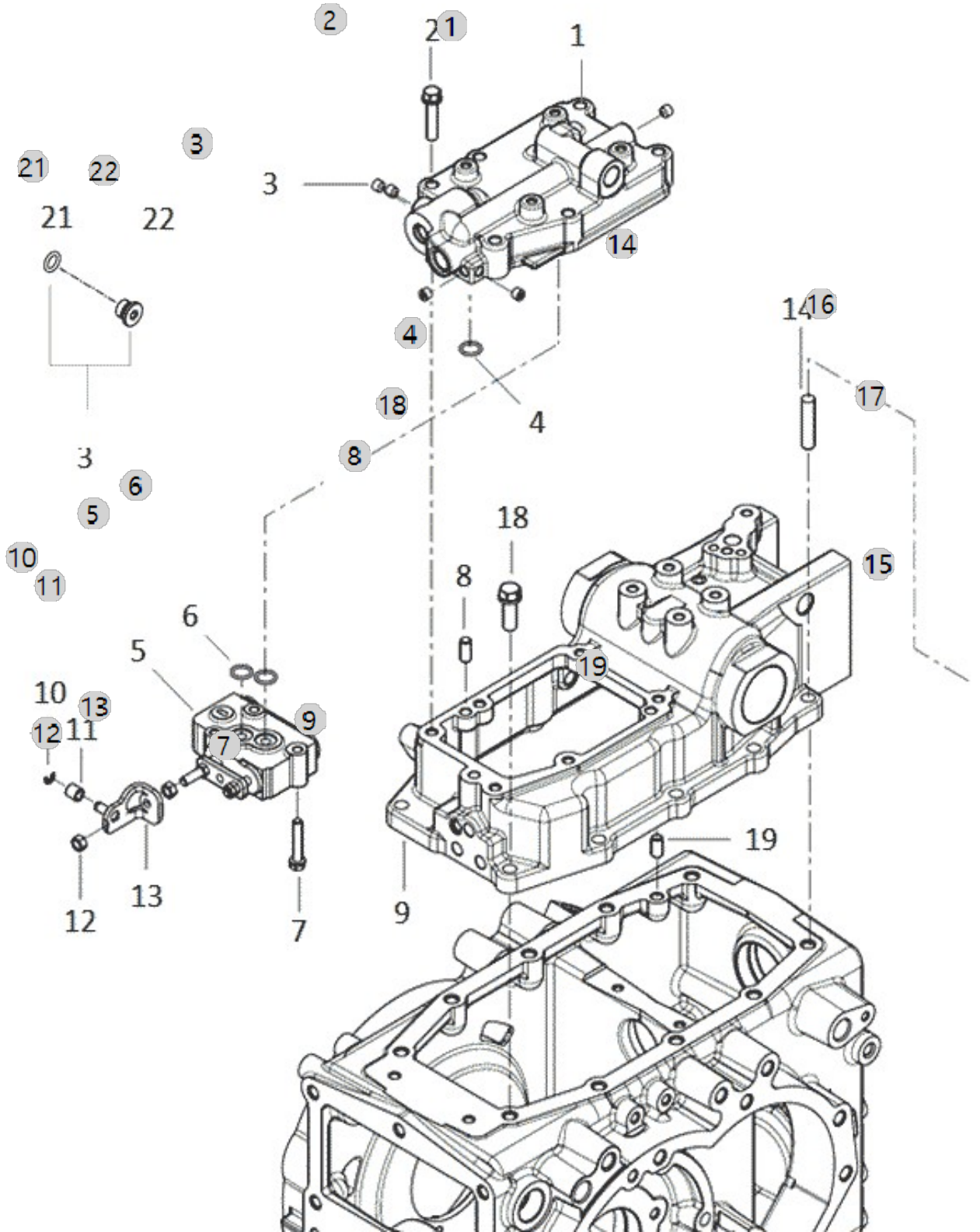
F10010

BRANSON K3C
TM_EU(AC01543)

CASE, HYD CYLINDER

Year/Month

2022-12-16



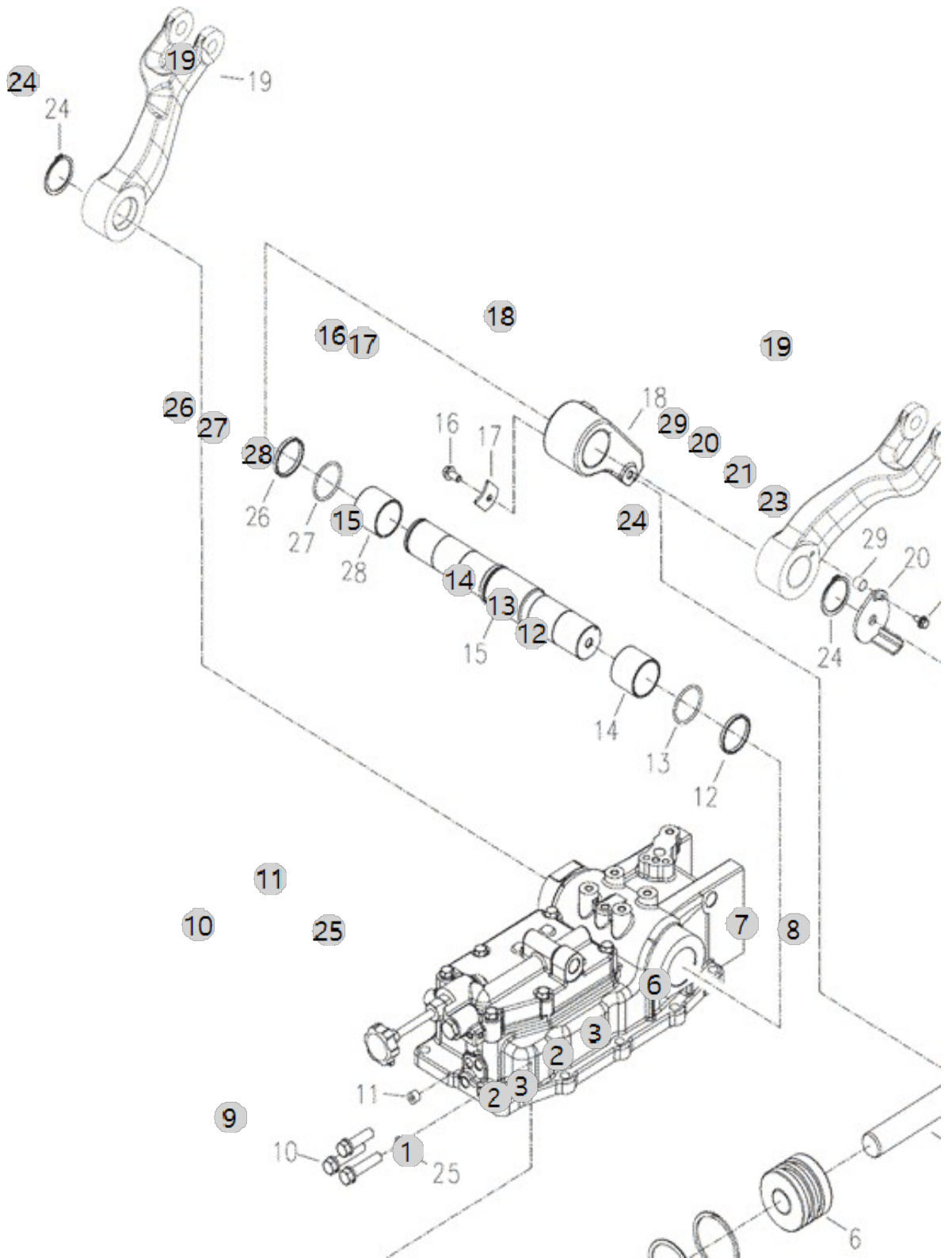
F10020

BRANSON K3C
TM_EU(AC01543)

LIFT ARM

Year/Month

2022-12-16



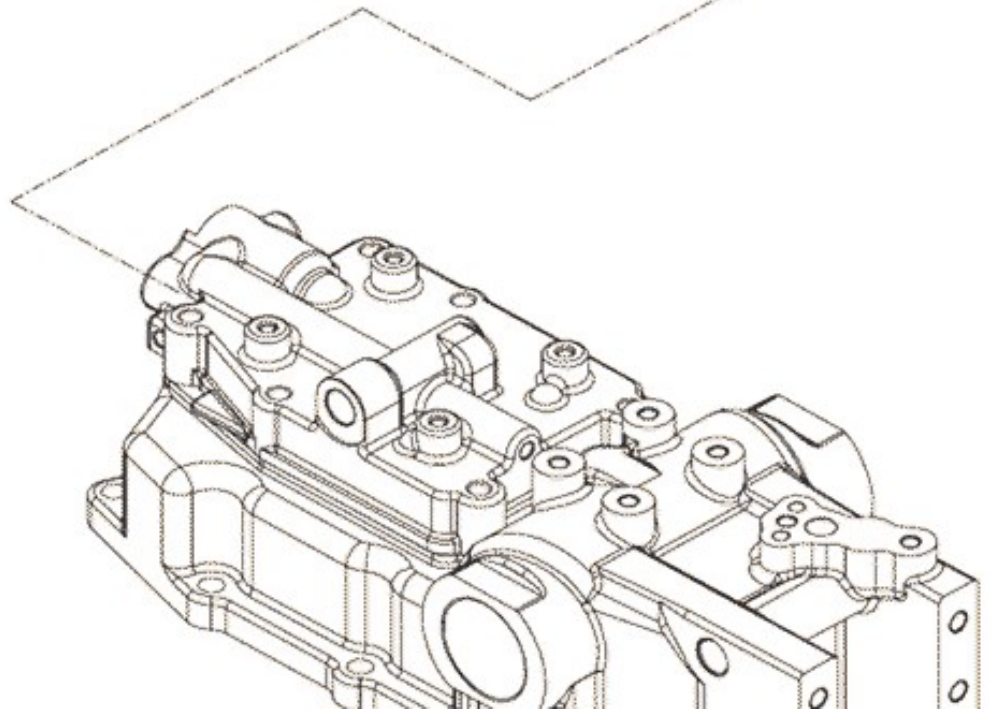
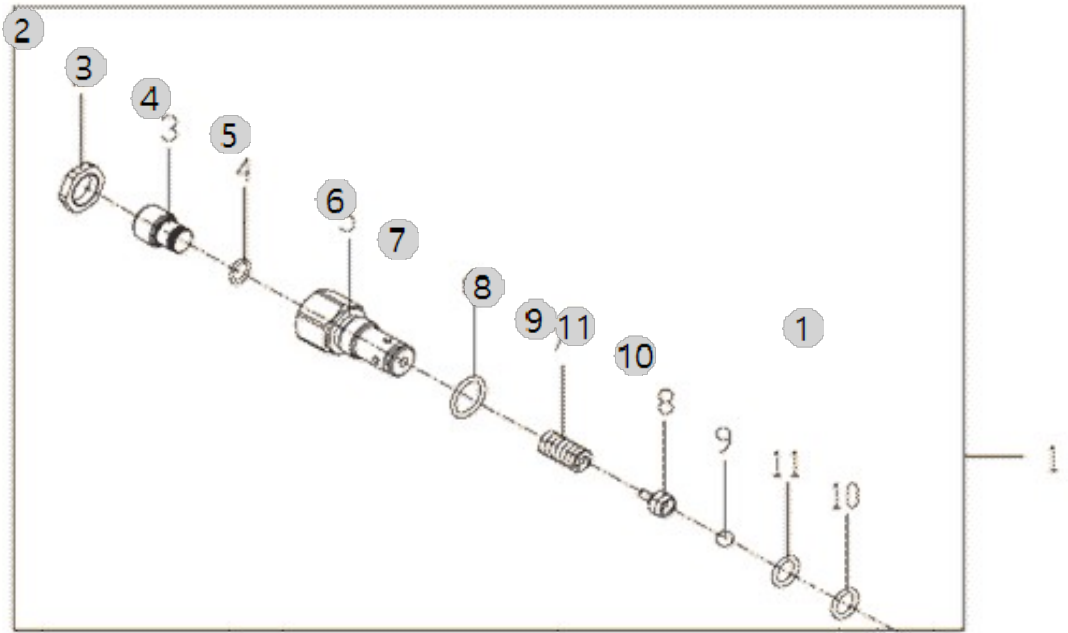
F10030

BRANSON K3C
TM_EU(AC01543)

SAFETY VALVE

Year/Month

2022-12-16



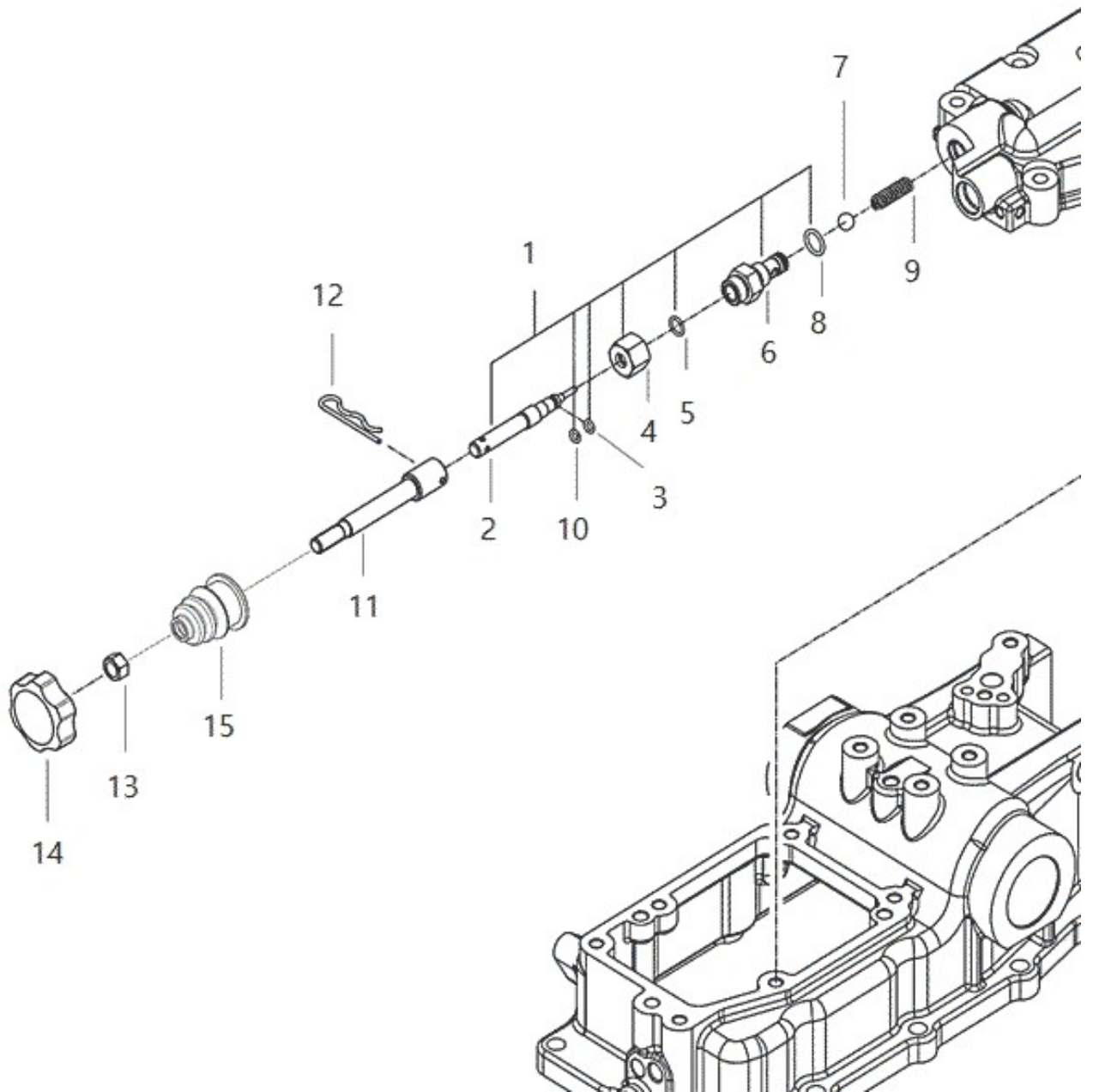
F10040

BRANSON K3C
TM_EU(AC01543)

STOP VALVE

Year/Month

2022-12-16



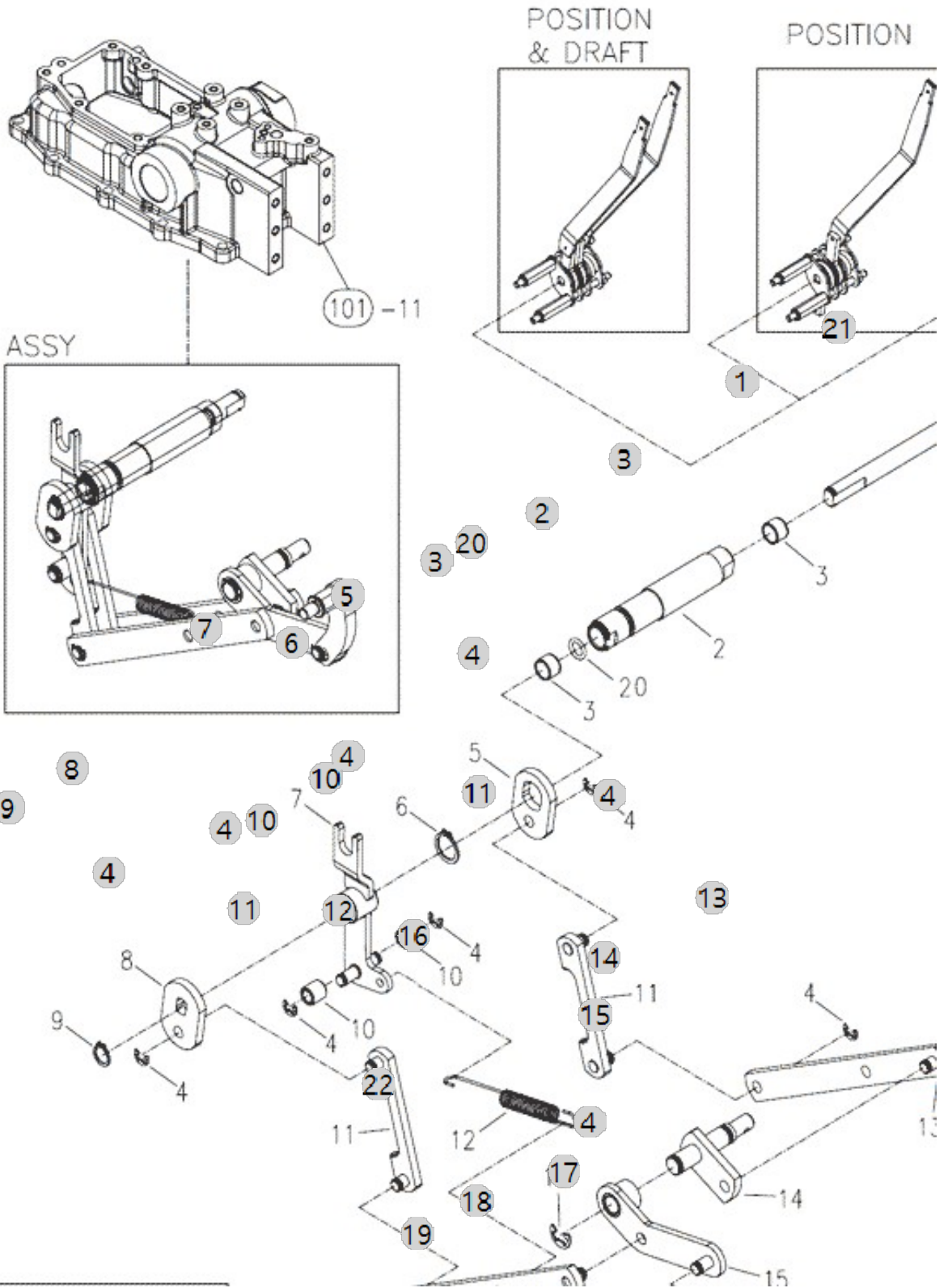
F10061

BRANSON K3C
TM_EU(AC01543)

DRAFT/POSITION CONTROL LEVER

Year/Month

2022-12-16



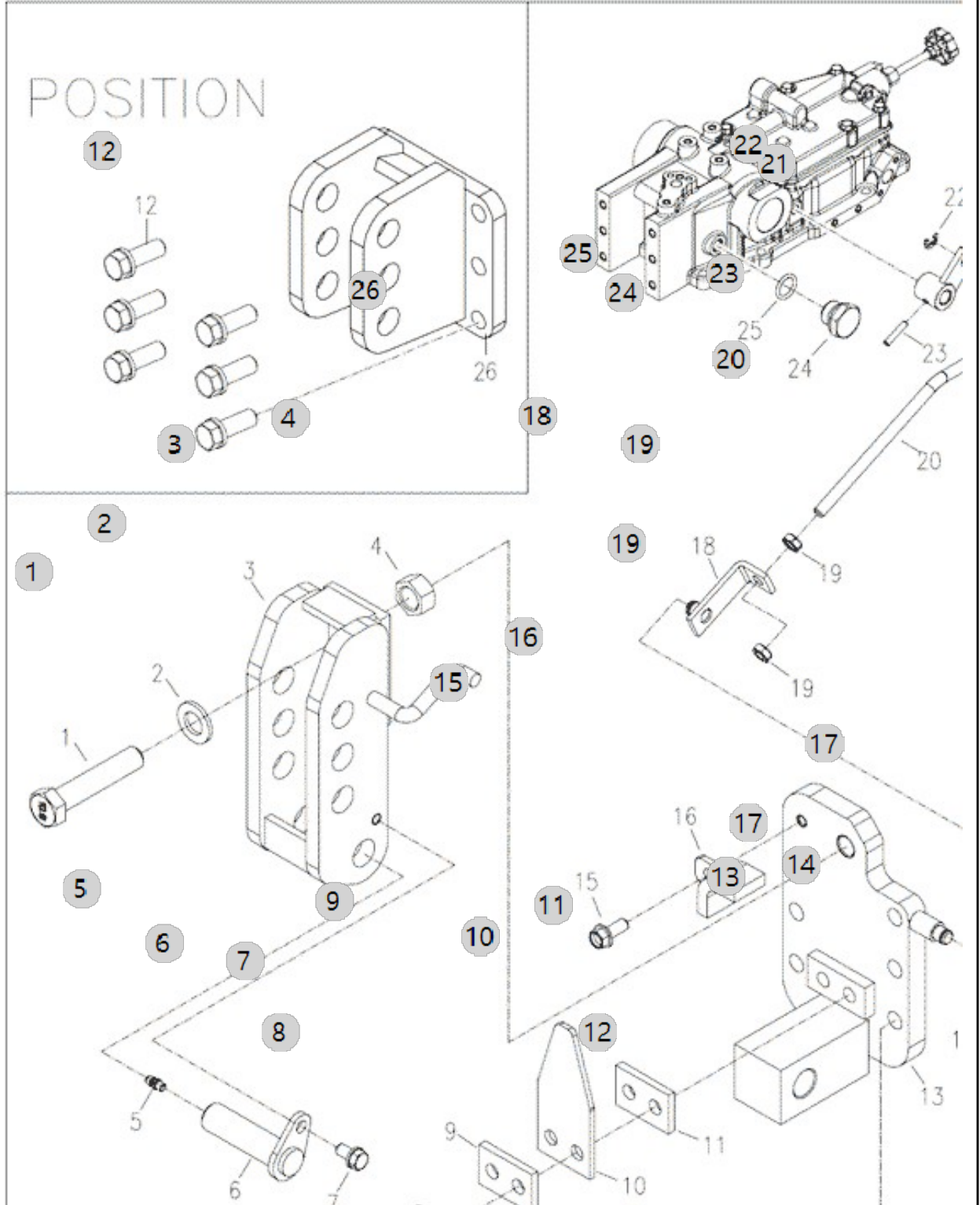
F10063

BRANSON K3C
TM_EU(AC01543)

DRAFT CONTROL LEVER

Year/Month

2022-12-16



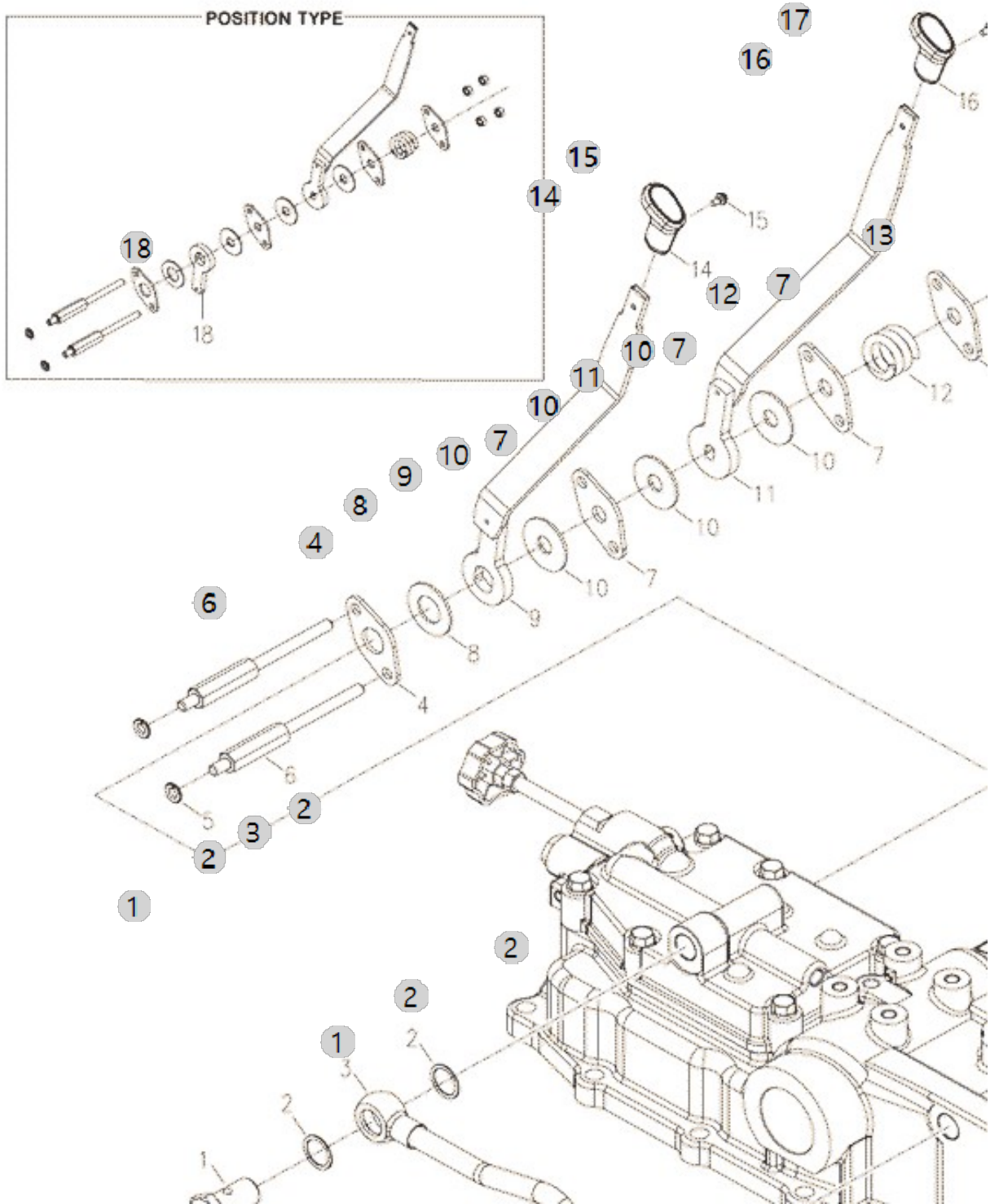
F10064

BRANSON K3C
TM_EU(AC01543)

POSITION CONTROL LEVER

Year/Month

2022-12-16



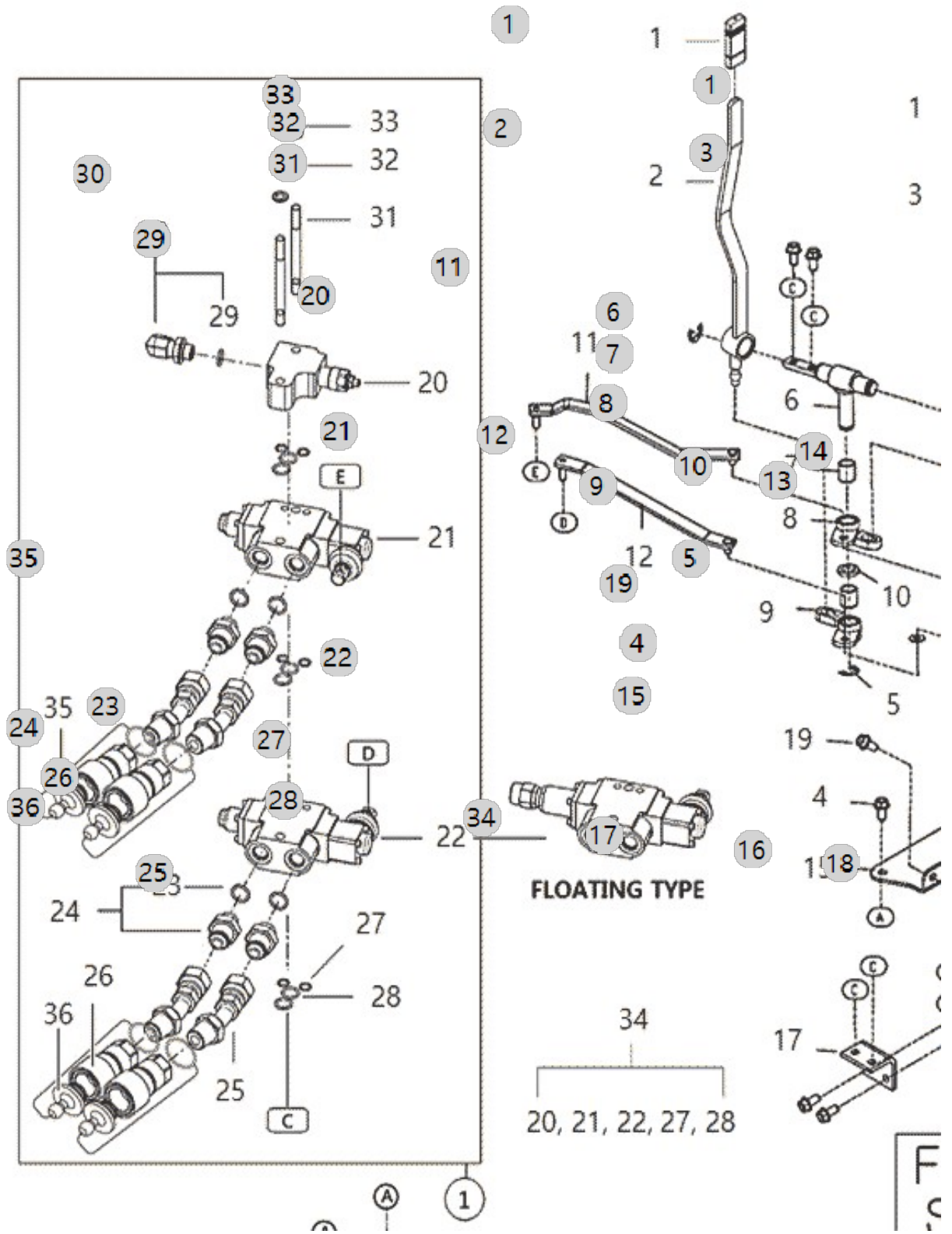
F10120

BRANSON K3C
TM_EU(AC01543)

REAR SCV

Year/Month

2022-12-16



F10120 BRANSON K3C TM_EU(AC01543)		REAR SCV				Year/Month 2022-12-16
순번 (NO)	부품번호 (PART NO)	품명 (PART NAME)	품명 (PART NAME)	수량 (QTY)	규격 (SPEC)	비고 (REMARK)
1	RN7530000A4	레버 손잡이	GRIP, LEVER(BLACK)	2		
2	TA00055308A	레버A조합(K3C)	LEVER ASS'Y(A)	1		
2	TA00055308B	레버A조합(K3C)	LEVER ASS'Y(A)	1		
3	TA00055309A	레버B조합(K3C)	LEVER ASS'Y(B)	1		
3	TA00055309B	레버B조합(K3C)	LEVER ASS'Y(B)	1		
4	26106-080162	플랜지볼트8X16	SCREW,HEXFLANGEHEADCAP	6	M8XP1.25X16	
5	22272-000120	E형스냅링12	RING, CIRCLIP (Φ 12)	3	D12	
6	TA00034042A	축 조합	SHAFT ASS'Y	1		
6	TA00034042B	축 조합	SHAFT ASS'Y	1		
6	TA00034042C	축 조합	SHAFT ASS'Y	1		
6	TA00034042D	축 조합	SHAFT ASS'Y	1		
7	24550-016200	드라이부시16X20	DRY BUSH 16X20	4		
8	TA00036430A	보스 A 조합 PTO 3단	BOSS B ASS'Y PTO 3SD	1		
8	TA00036430B	보스 A 조합 PTO 3단	BOSS B ASS'Y PTO 3SD	1		
9	TA00036429A	보스 B 조합 PTO 3단	BOSS B ASS'Y PTO 3SD	1		
9	TA00036429B	보스 B 조합 PTO 3단	BOSS B ASS'Y PTO 3SD	1		
10	TA00034062A	플레이트	PLATE	1		
11	TA00036297A	링크 2 조합	LINK ASSY 2	1		
11	TA00036297B	링크 2 조합	LINK ASSY 2	1		
11	TA00036297C	링크 2 조합	LINK ASSY 2	1		
12	TA00034019A	링크1조합	LINK 1 ASS'Y	1		
12	TA00034019B	링크1조합	LINK 1 ASS'Y	1		
13	22137-080000	와셔8	WASHER, PLAIN (Φ 08)	4	M8	
14	22417-200200	할핀	PIN , COTTER (2-20)	4	D1.8	
15	TA00036443B	브래킷	BRACKET	1		
15	TA00036443C	브래킷	BRACKET	1		
16	TA00036941A	SCV 고정 레버 브래킷 조합	HOLDING BRACKET, SCV LEVER	1		
16	TA00036941B	SCV 고정 레버 브래킷 조합	HOLDING BRACKET, SCV LEVER	1		
17	TA00036949A	고정브라켓	BRACKET	1		
17	TA00036949B	고정브라켓	BRACKET	1		
18	26106-100162	플랜지볼트M10X16	SCREW,HEXFLANGEHEADCAP	2	M10XP1.5X16	
19	26106-080182	444,ALL,플랜지볼트	SCREW,HEXFLANGEHEADCAP	4		
20	TA00033977A	컨트롤 릴리프	COVER RELIEF	1		
20	TA00033977B	컨트롤 릴리프	COVER RELIEF	1		
20	TA00033977C	컨트롤 릴리프	COVER RELIEF	1		
21	TA00034056B	SCV 2	BLOCK 2	1		
21	TA00034056A	SCV 2	SCV 2	1		
21	TA00034056C	SCV 2	BLOCK 2	1		
22	TA00028226A	SCV 1	REAR SCV 1	1		
22	TA00028226B	SCV 1	SCV	1		
22	TA00028226C	SCV 1	SCV 1	1		
22	TA00048561A	SCV(FLOATING)	SCV(FLOATING)	1		
22	TA00048561C	SCV(FLOATING)	SCV(FLOATING)	1		
22	TA00048561B	SCV(FLOATING)	SCV(FLOATING)	1		
23	24311-000160	O-링 P 16	O-RING, DYNAMIC (Φ16)	4	P16	

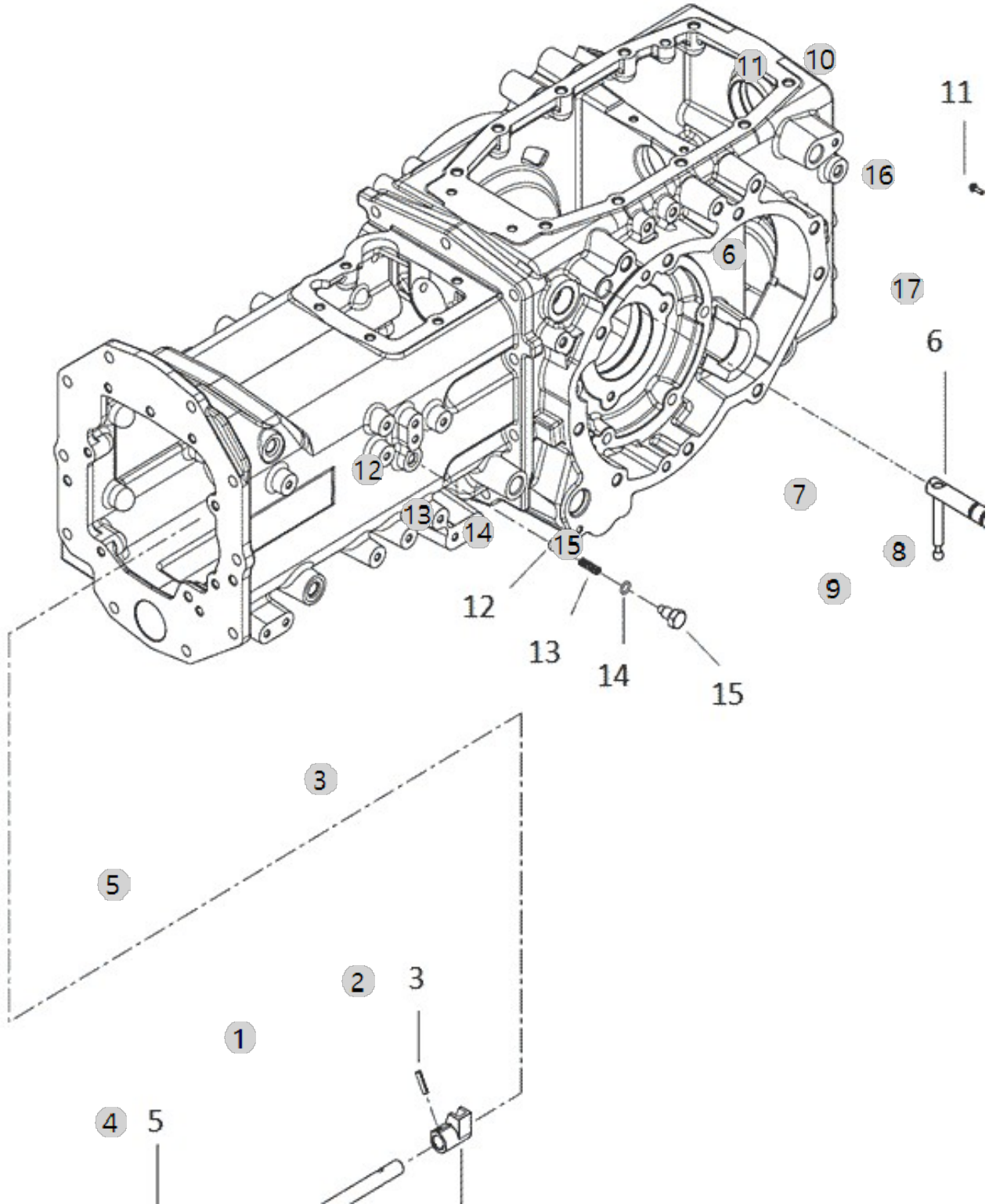
F11020

BRANSON K3C
TM_EU(AC01543)

LEVER ASS'Y, RANGE SHIFT

Year/Month

2022-12-16



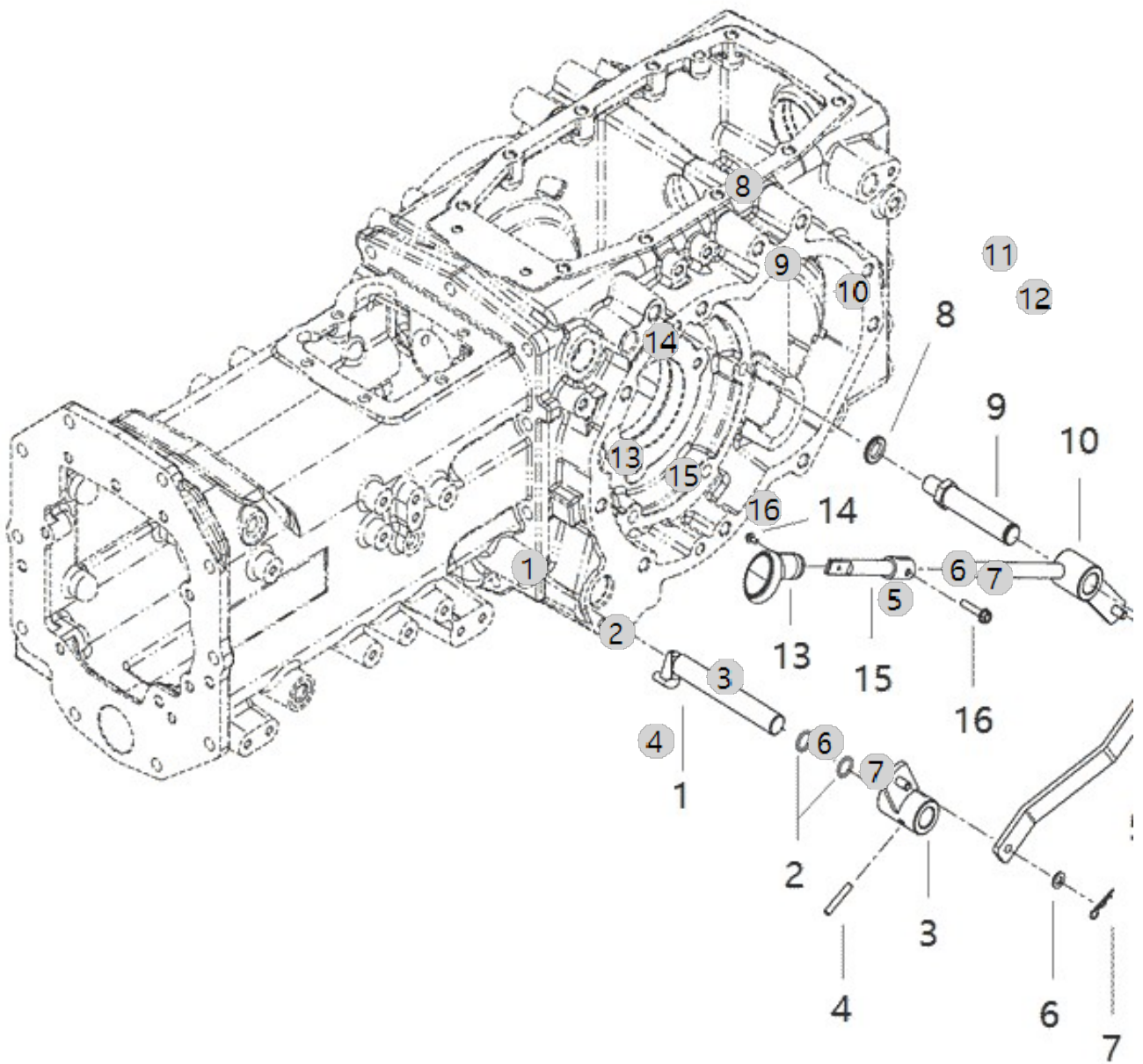
F11080

BRANSON K3C
TM_EU(AC01543)

4WD LEVER

Year/Month

2022-12-16



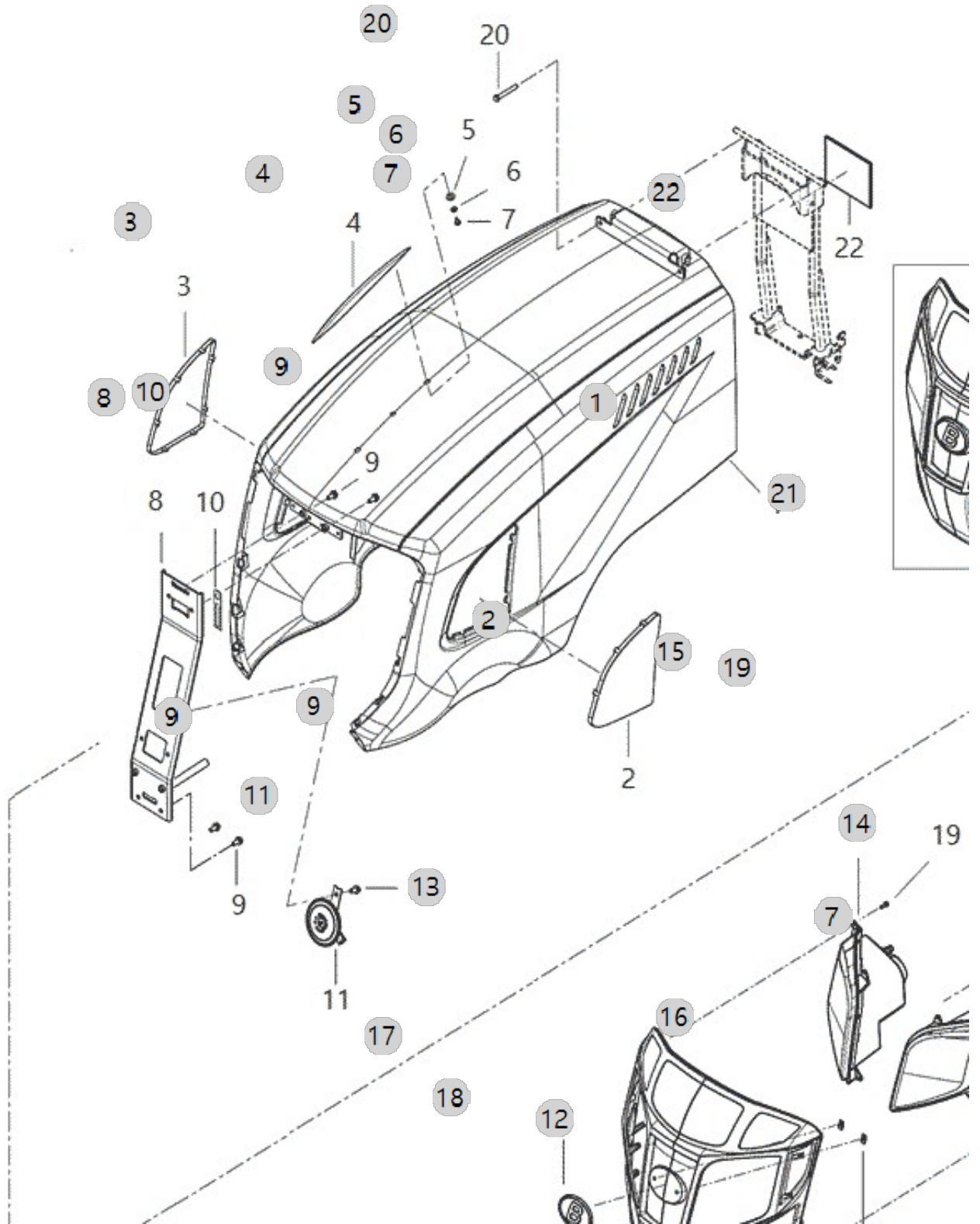
G01020

F50CN_EU_FL
(AC02116)

BONNET

Year/Month

2022-12-16



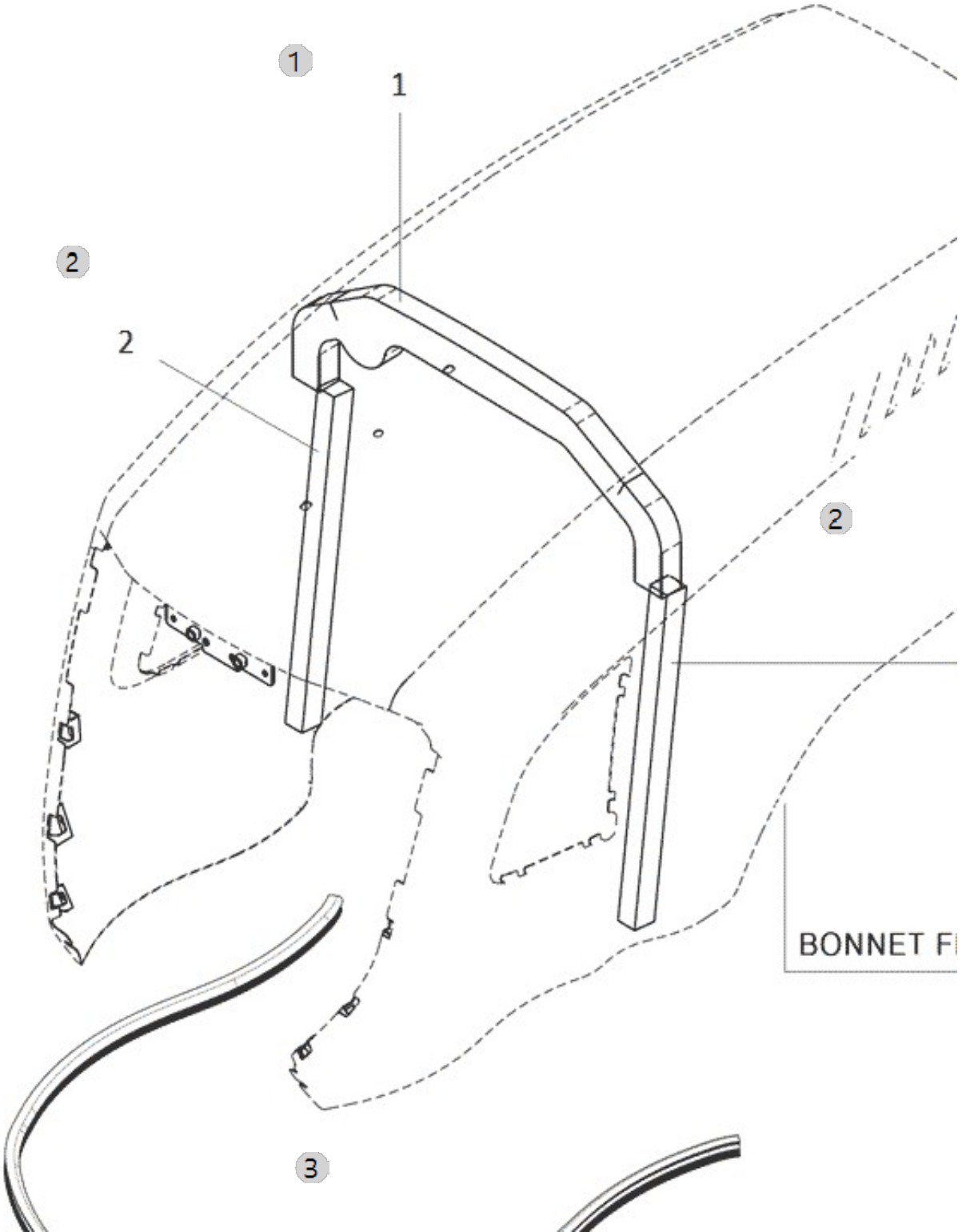
G01021

F50CN_EU_FL
(AC02116)

BONNET URETHANE

Year/Month

2022-12-16



BONNET F

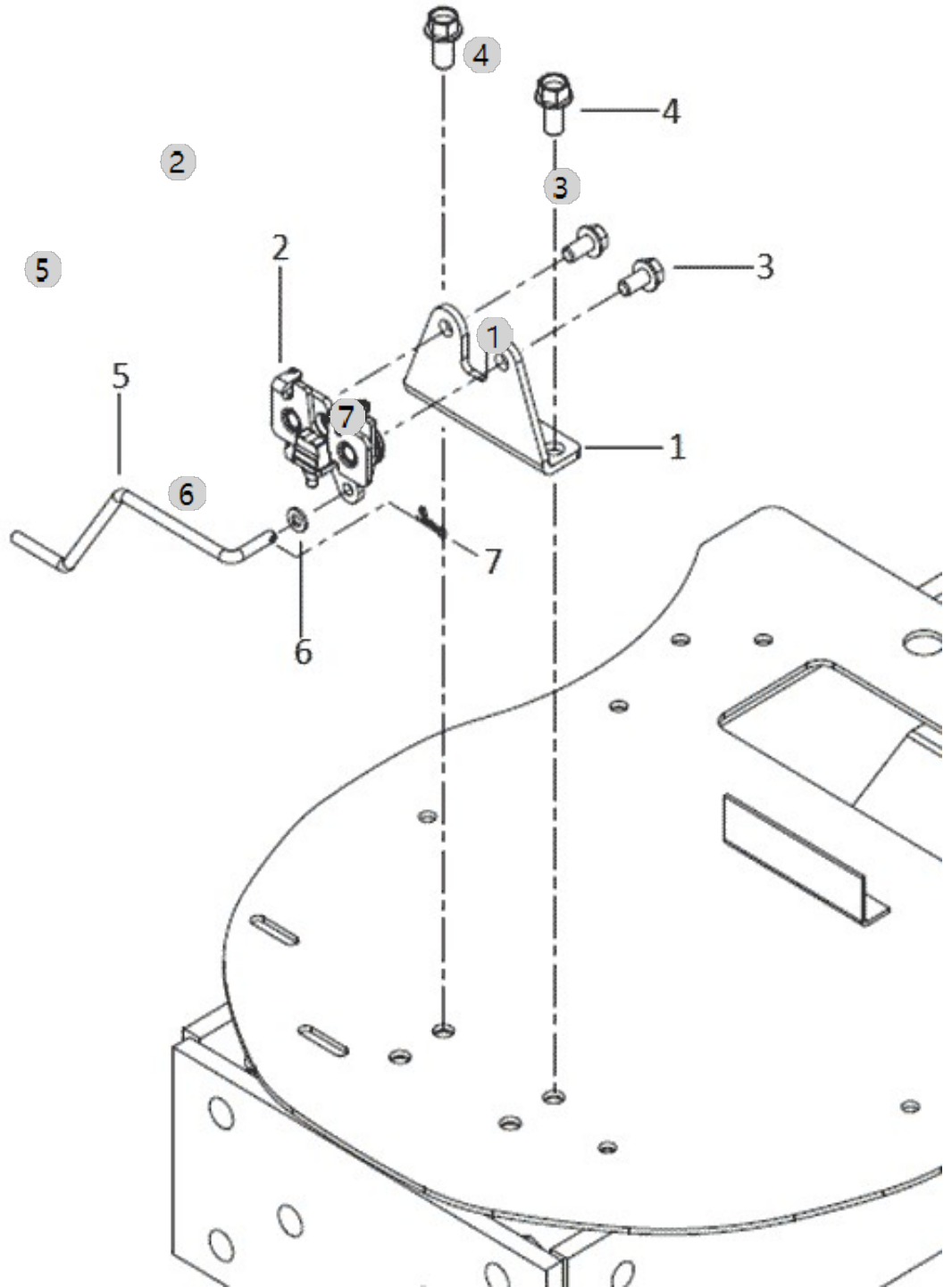
G01040

F50CN_EU_FL
(AC02116)

LOCKING ASS'Y, BONNET

Year/Month

2022-12-16



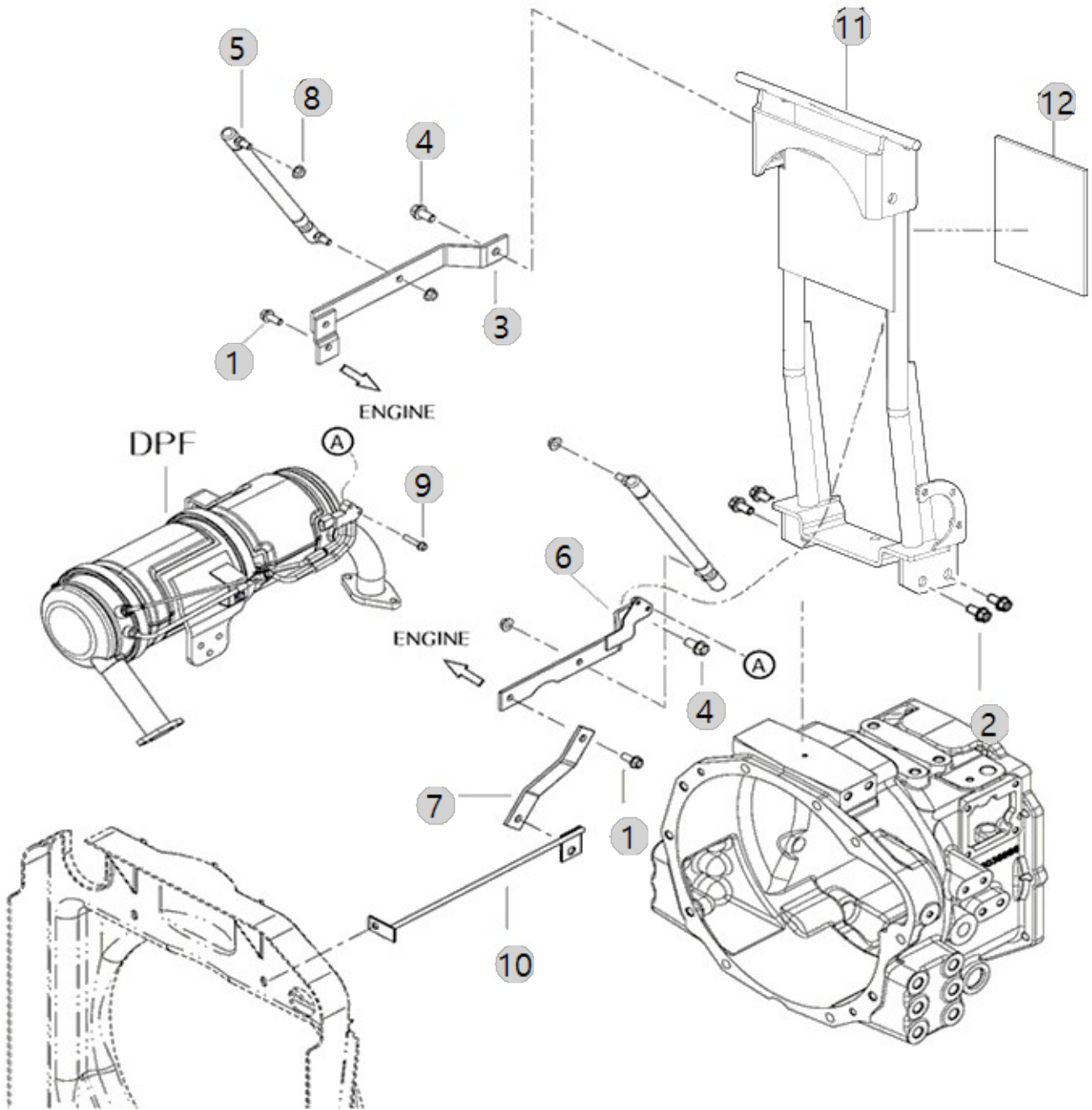
G01060B

F50CN_EU_FL
(AC02116)

BONNET SUPPORT

Year/Month

2022-12-16



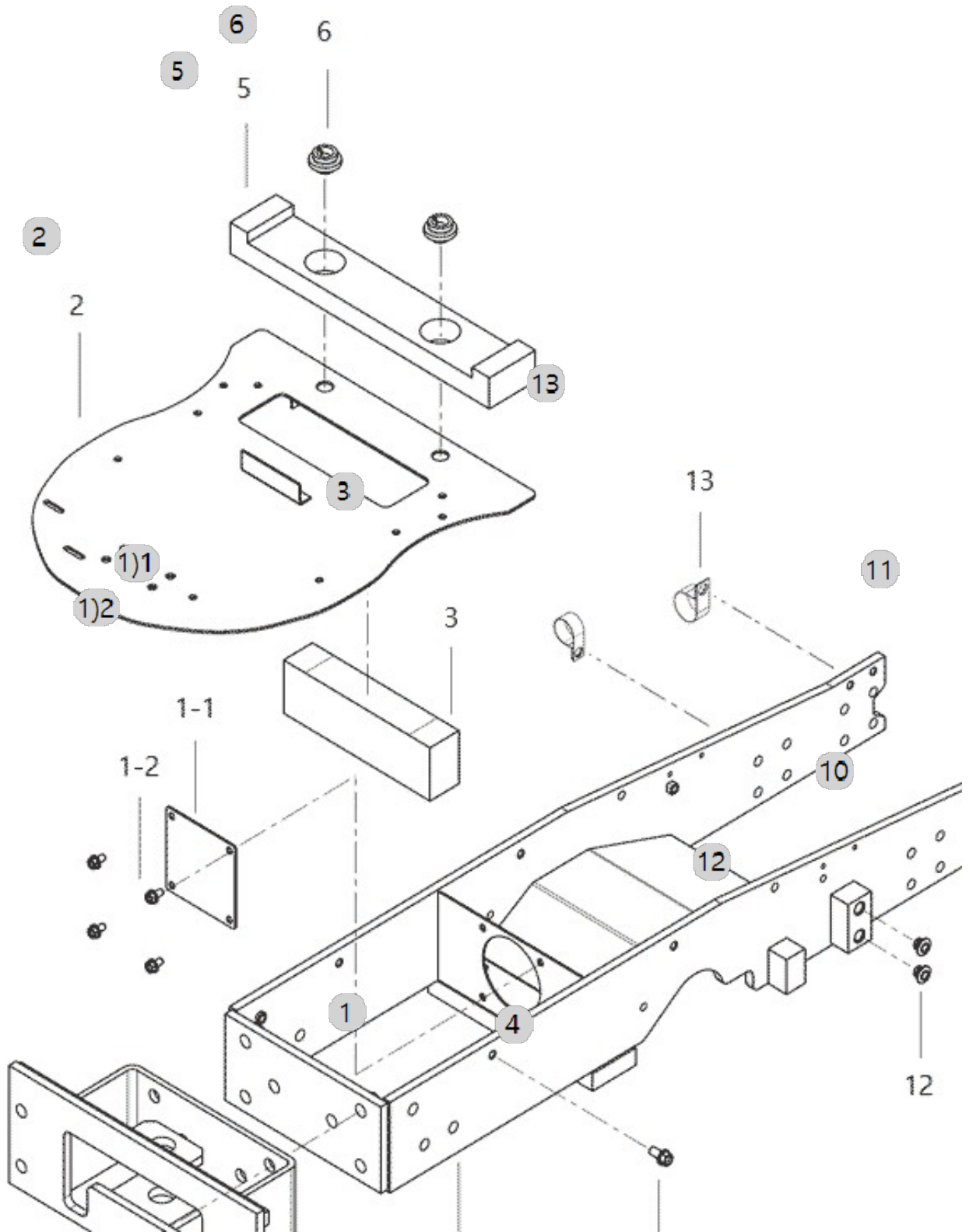
G01080B

F50CN_EU_FL
(AC02116)

FRONT AXLE BRACKET

Year/Month

2022-12-16



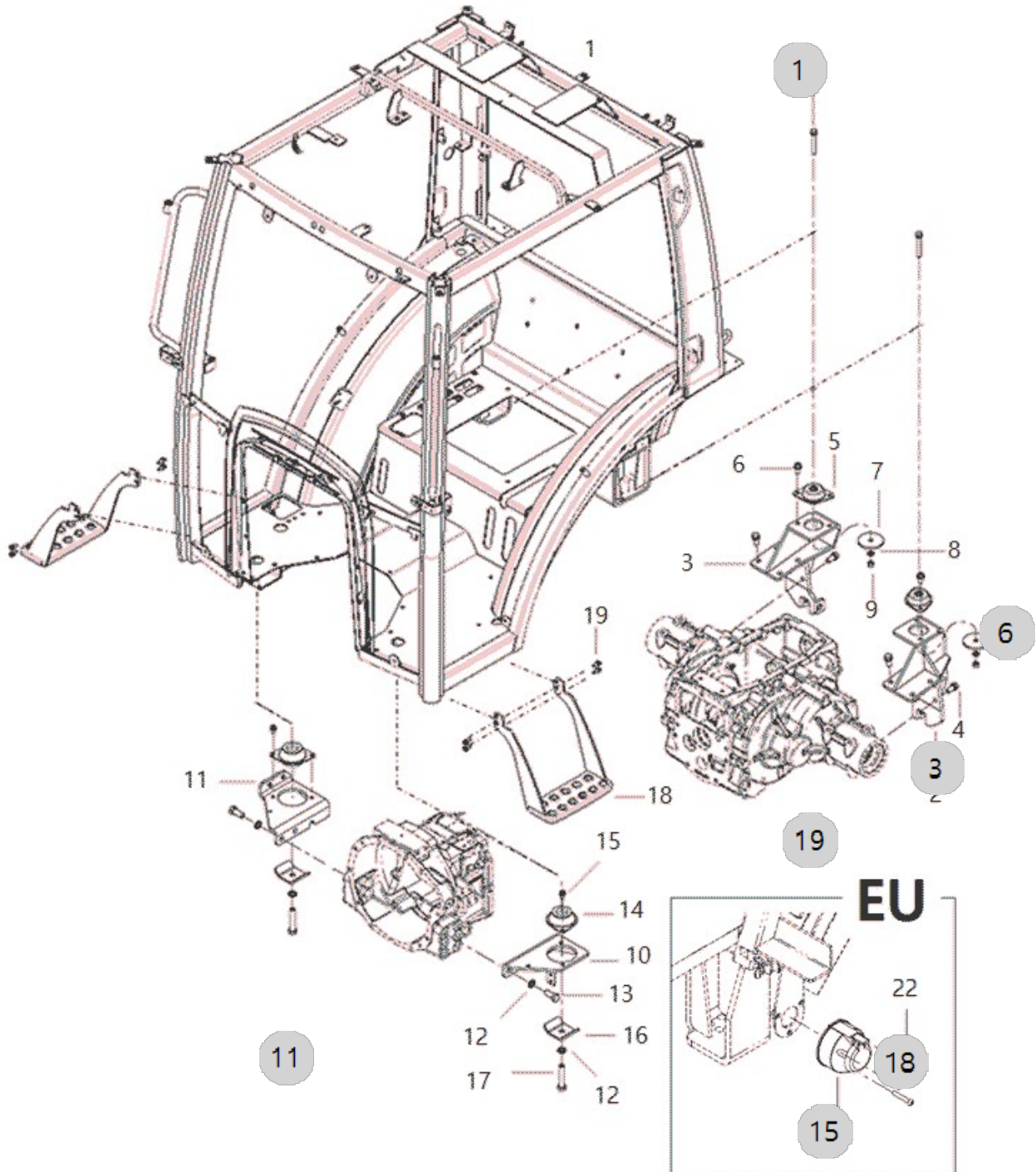
G02010-A

F50CN_EU_FL
(AC02116)

CABIN FRAME ASS'Y

Year/Month

2022-12-16



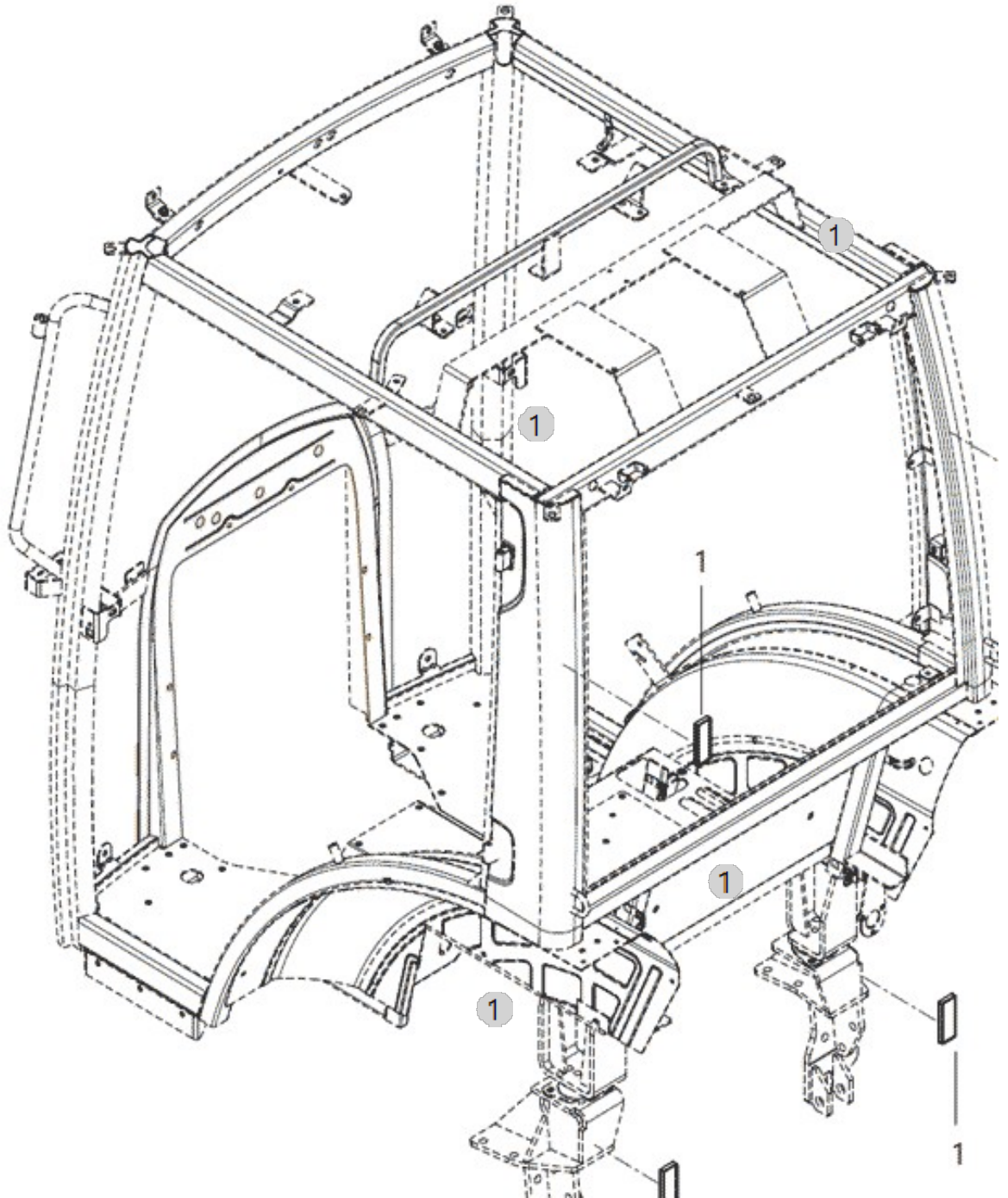
G02010-B

F50CN_EU_FL
(AC02116)

CABIN FRAME ASS'Y

Year/Month

2022-12-16



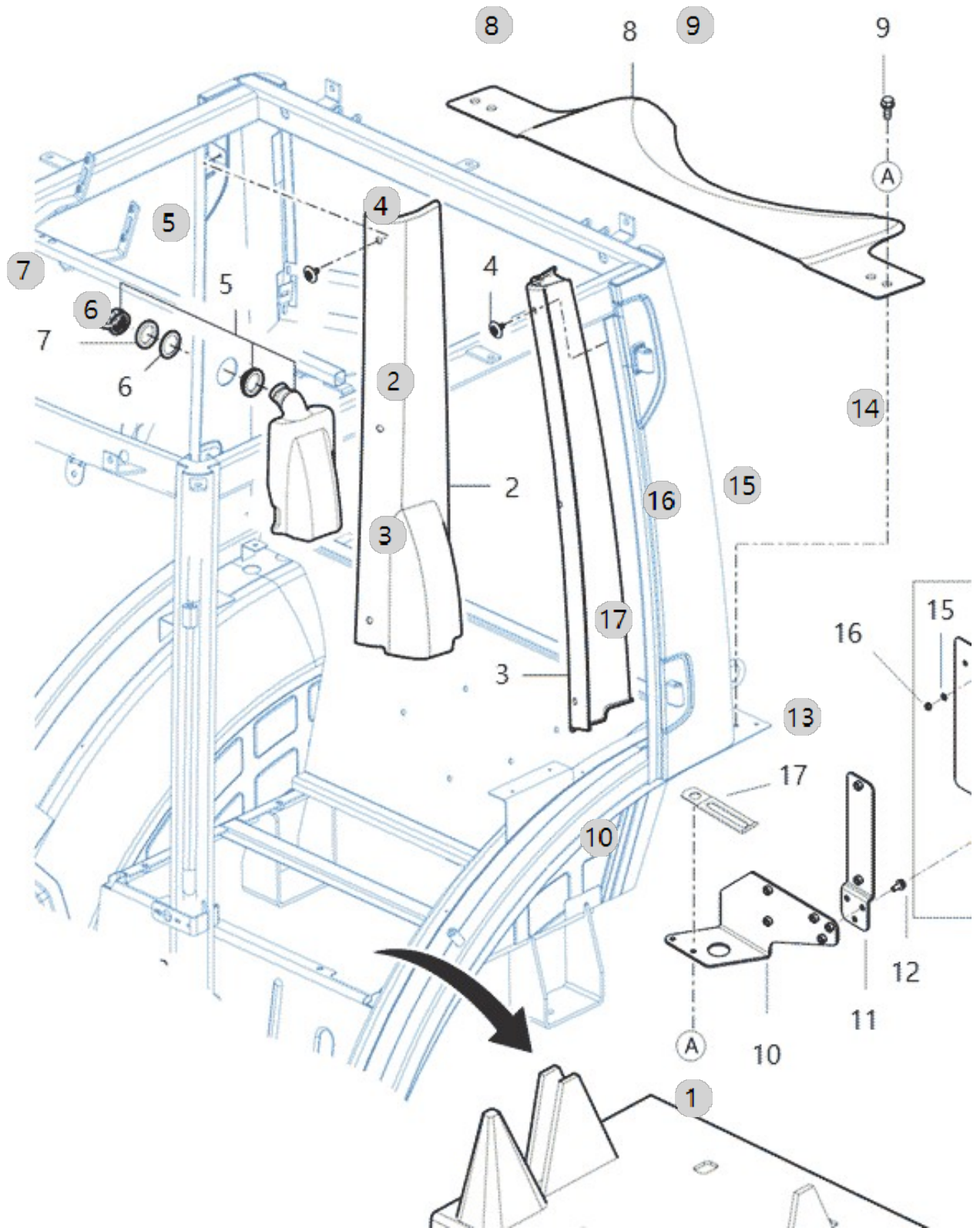
G02011

F50CN_EU_FL
(AC02116)

PILLAR COVER ASS'Y

Year/Month

2022-12-16



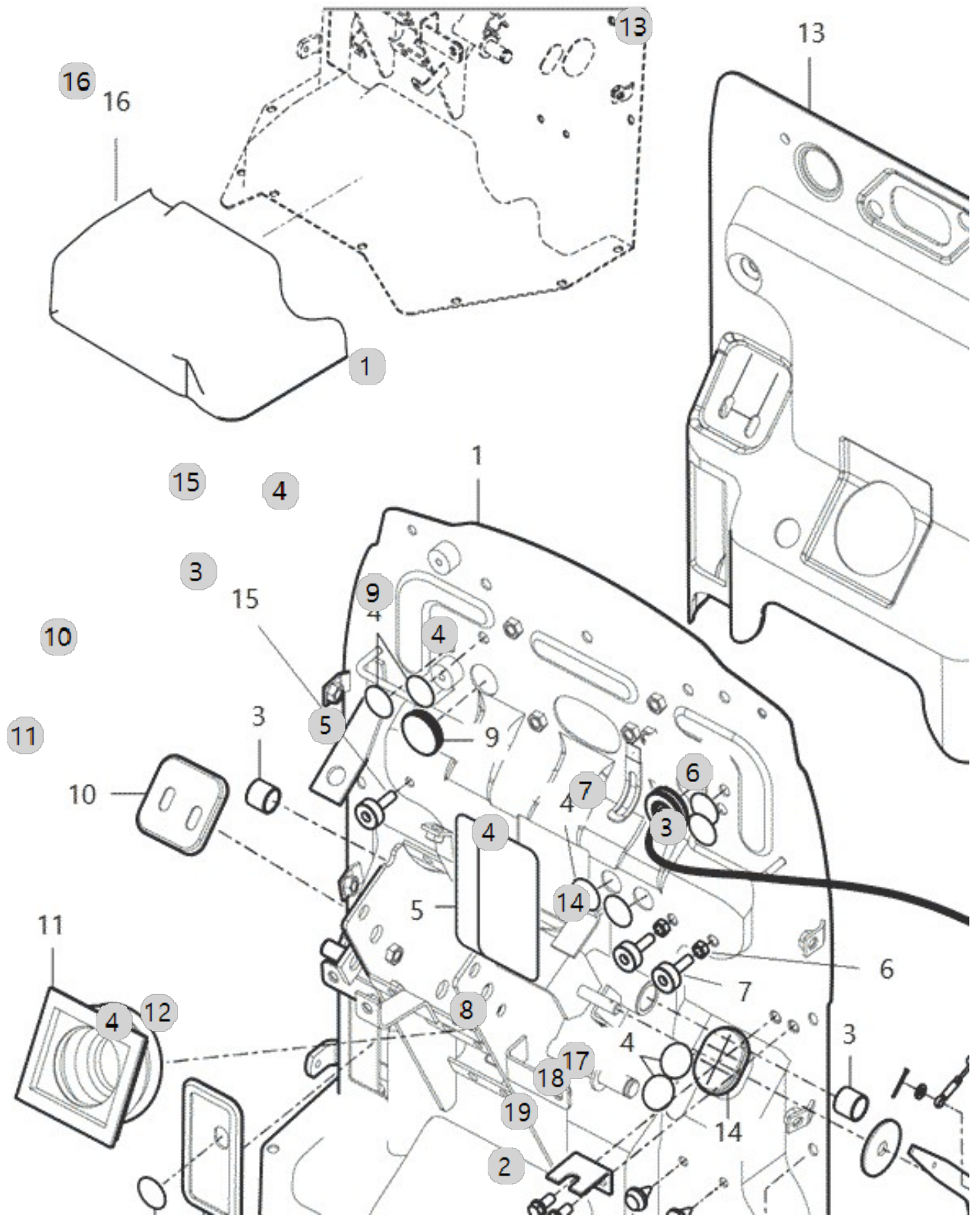
G02020

F50CN_EU_FL
(AC02116)

DASHBOARD

Year/Month

2022-12-16



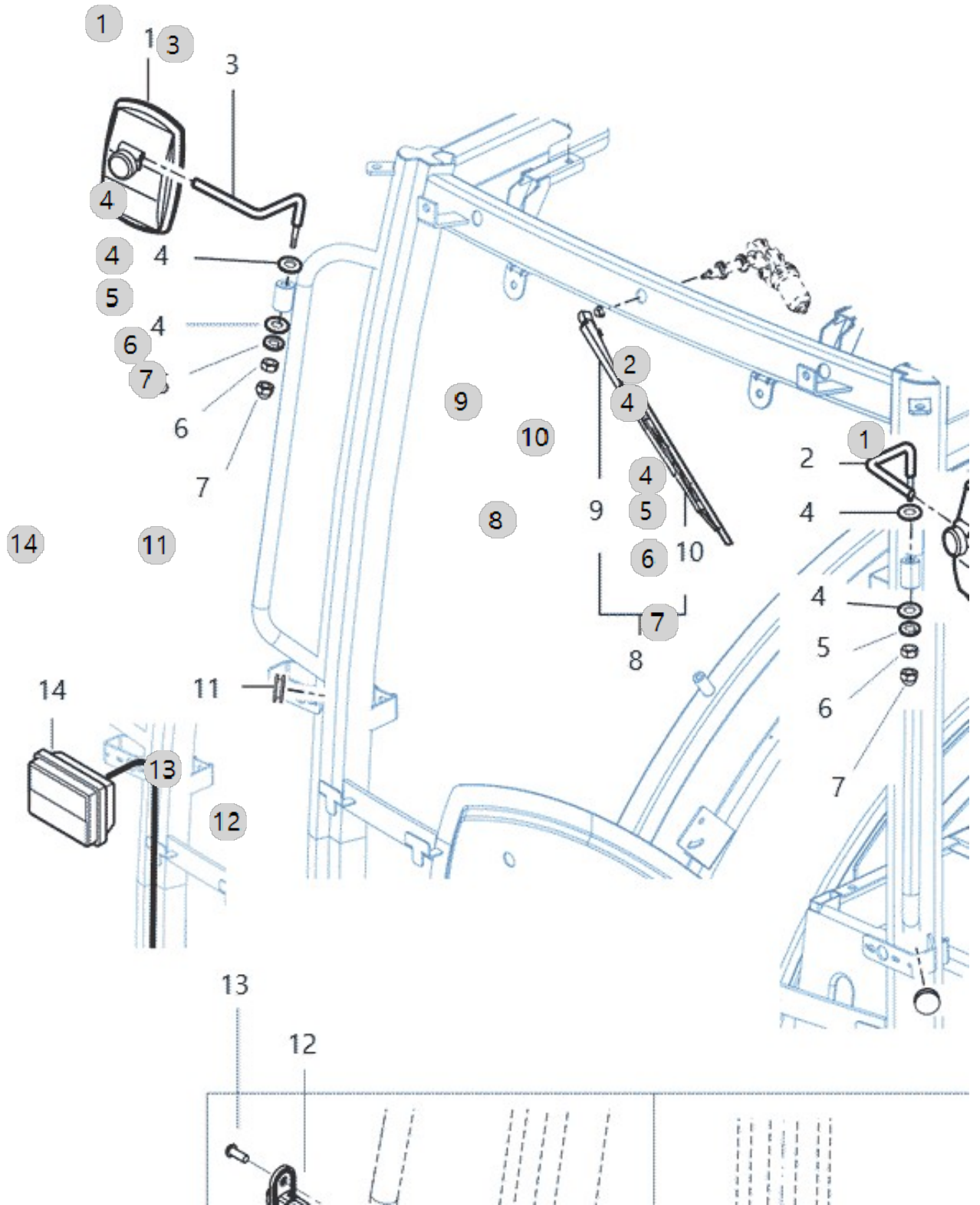
G02030

F50CN_EU_FL
(AC02116)

SIDE MIRROR ASS'Y

Year/Month

2022-12-16



G02050_J

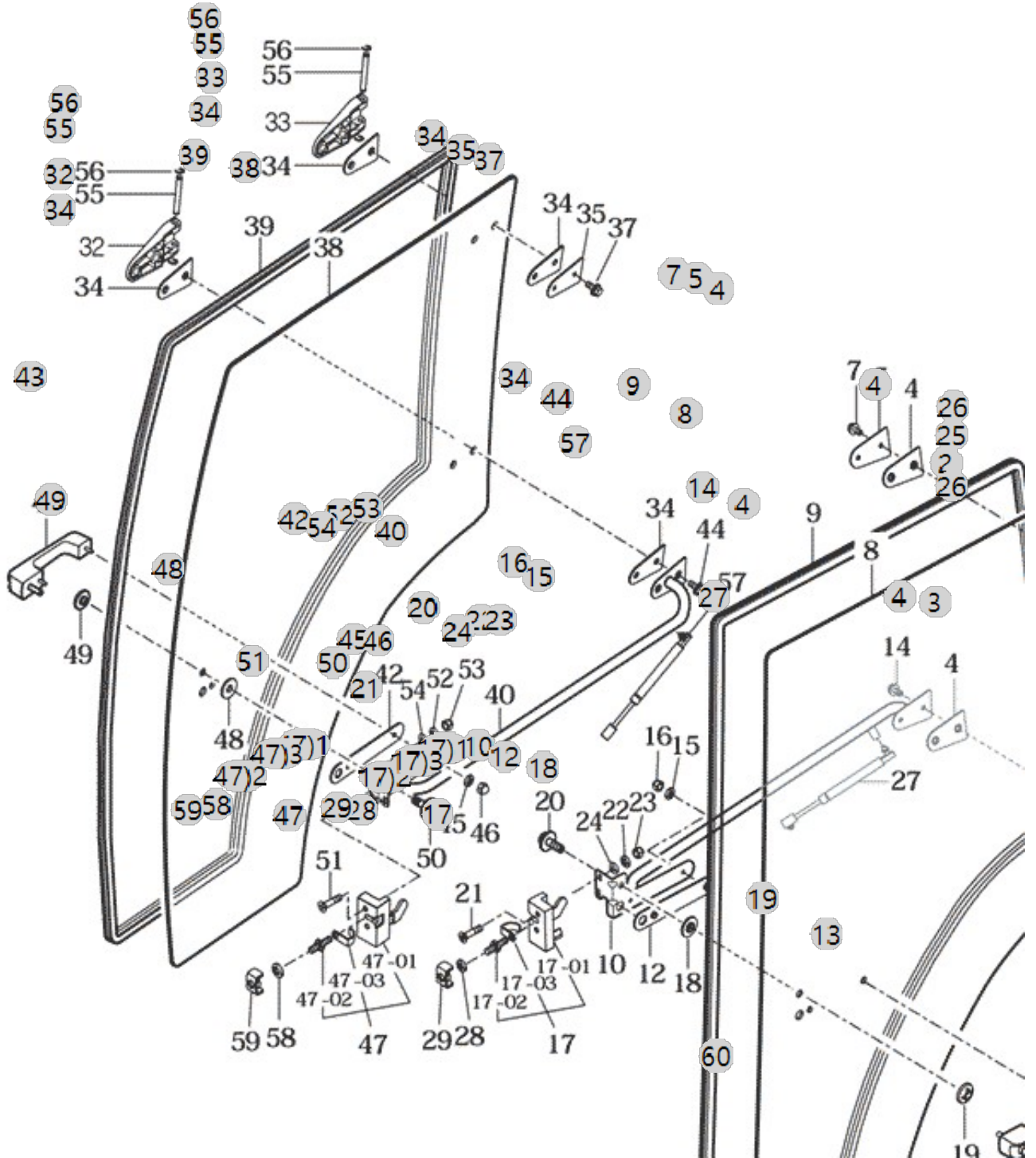
F50CN_EU_FL
(AC02116)

DOOR ASS'Y

Year/Month

2022-12-16

61



G02050_J F50CN_EU_FL (AC02116)		DOOR ASS'Y				Year/Month 2022-12-16
순번 (NO)	부품번호 (PART NO)	품명 (PART NAME)	품명 (PART NAME)	수량 (QTY)	규격 (SPEC)	비고 (REMARK)
2	TA00055490A	도어힌지조합 , 상/LH	HINGE COMP , UPR/LH	1		
3	TA00055491A	도어힌지조합 , 상/RH	HINGE COMP , UPR/RH	1		
4	TA00055492A	개스킷, 도어힌지	GASKET , DOOR HINGE	4		
5	TA00055501A	플레이트,도어힌지	PLATE , DOOR HINGE	1		
7	26014-080202	와셔볼이볼트(PW+SW)	BOLT, HEX. 8-20	2	M8XP1.25X20	
8	TA00055493A	그라스 도어/LH	GLASS LH/ DOOR	1		
9	TA00055494A	인슐레이터 , 도어	INSULATOR , DOOR	1		
10	TA00055502A	가이드 조합 , LH/도어	GUIDE COMP , LH/ DOOR	1		
12	TA00055495A	개스킷, 도어손잡이	GASKET,DOOR GRIP	1		
13	TA00055496A	잠금장치 손잡이ASSY	GRIP ASSY, LOCK/HANDLE	1		
14	26014-080202	와셔볼이볼트(PW+SW)	BOLT, HEX. 8-20	2	M8XP1.25X20	
15	22217-060000	스프링와셔	WASHER, SPRING (Φ 06)	2	M6	
16	26656-060002	캡너트	NUT, CAP	2	M6	
17	TA00055497A	록크SET,LH/도어	LOCK SET , LH/DOOR	1		
17)1	TA00055500A	로크ASSY,LH/도어	LOCK ASSY, LH/DOOR	1		
17)2	TA00055498A	스트라이크	STRIKER	1		
17)3	TA00055499A	가이드	GUARD	1		
18	TA00051654A	크로메트(13X17X02)	GROMMET , 13X17X02	1		
19	TA00051656A	그라스너트조합	NUT COMP , GLASS	1		
20	26014-060122	와셔조립육각볼트(+SW,PW)	Bolt, Hexa (6-12)	1	M6X1.0X12	
21	26577-080402	(+)자홈접시작은나사	SCREW , C/R FLAT	2	M8X40	
22	22217-080000	스프링와셔8	WASHER, SPRING (Φ 08)	2	M8	
23	26656-080002	캡너트M8	CAP NUT M8	2		
24	22137-080000	와셔8	WASHER, PLAIN (Φ 08)	2	M8	
25	TA00055506A	핀 , 도어힌지	PIN, HINGE DOOR	2		
26	22272-000070	E형스냅링	RING, CIRCLIP (Φ 07)	4	D7	
27	TA00055507A	댐퍼(도어)ASSY_20kg	DAMPER ASSY , DOOR	1		
28	22217-100000	스프링와셔	WASHER, SPRING (Φ 10)	1	M10	
29	TA00055508A	브래킷 조합,도어로크	BRACKET COMP , DOOR LOCK	1		
32	TA00055490A	도어힌지조합 , 상/LH	HINGE COMP , UPR/LH	1		
33	TA00055491A	도어힌지조합 , 상/RH	HINGE COMP , UPR/RH	1		
34	TA00055492A	개스킷, 도어힌지	GASKET , DOOR HINGE	4		
35	TA00055501A	플레이트,도어힌지	PLATE , DOOR HINGE	1		
37	26014-080202	와셔볼이볼트(PW+SW)	BOLT, HEX. 8-20	2	M8XP1.25X20	
38	TA00055511A	그라스 , 도어/RH	GLASS , RH/DOOR	1		
39	TA00055494A	인슐레이터 , 도어	INSULATOR , DOOR	1		
40	TA00055512A	가이드 조합 , RH/도어	GUIDE COMP , RH/DOOR	1		
42	TA00055495A	개스킷, 도어손잡이	GASKET,DOOR GRIP	1		
43	TA00055496A	잠금장치 손잡이ASSY	GRIP ASSY, LOCK/HANDLE	1		
44	26014-080202	와셔볼이볼트(PW+SW)	BOLT, HEX. 8-20	2	M8XP1.25X20	
45	22217-060000	스프링와셔	WASHER, SPRING (Φ 06)	2	M6	
46	26656-060002	캡너트	NUT, CAP	2	M6	
47	TA00055515A	록크SET,RH/도어	LOCK SET , RH/DOOR	1		
47)1	TA00055516A	로크ASSY,RH/도어	LOCK ASSY, RH/DOOR	1		
47)2	TA00055498A	스트라이크	STRIKER	1		

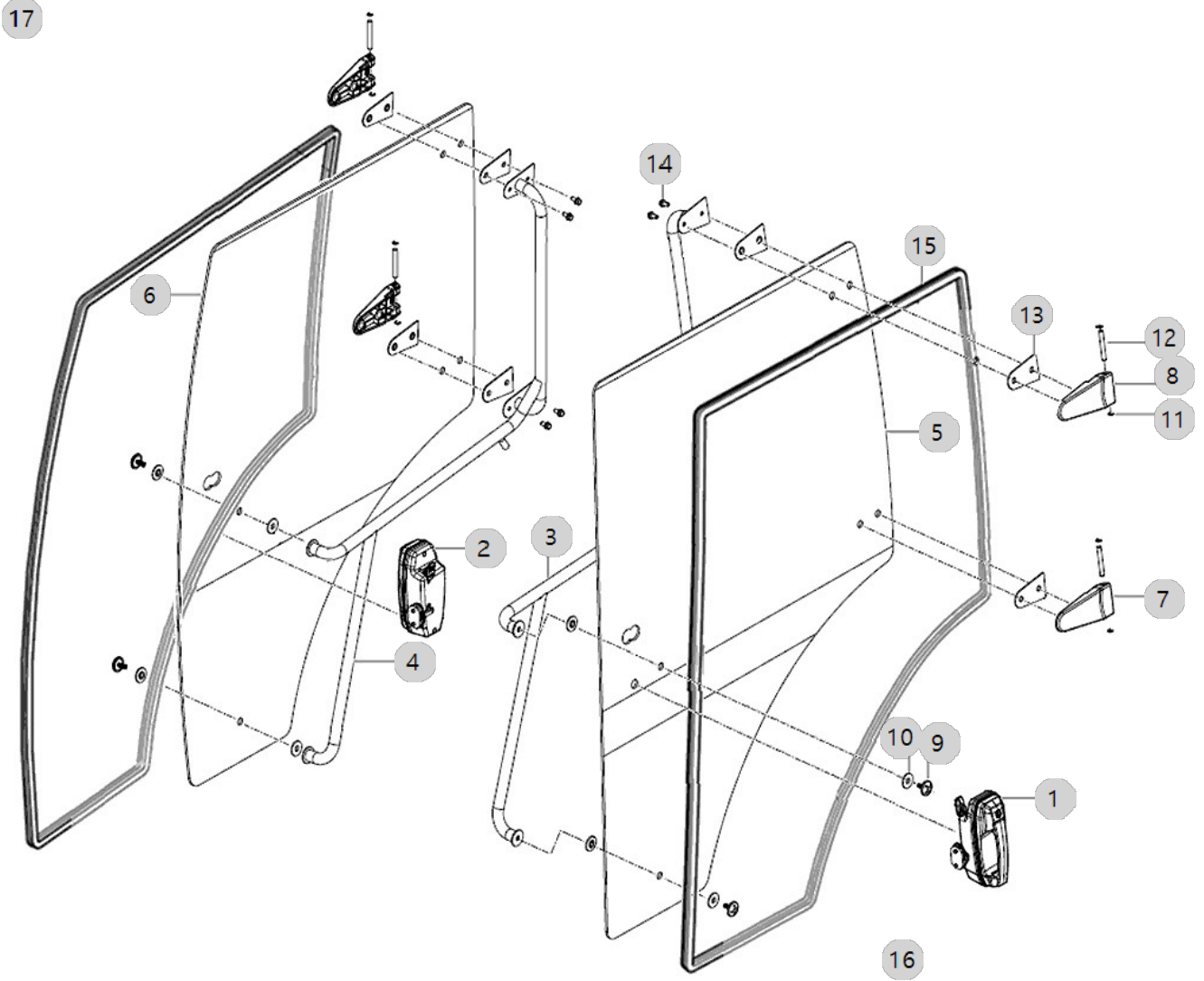
G02050_W

F50CN_EU_FL
(AC02116)

DOOR ASS'Y

Year/Month

2022-12-16



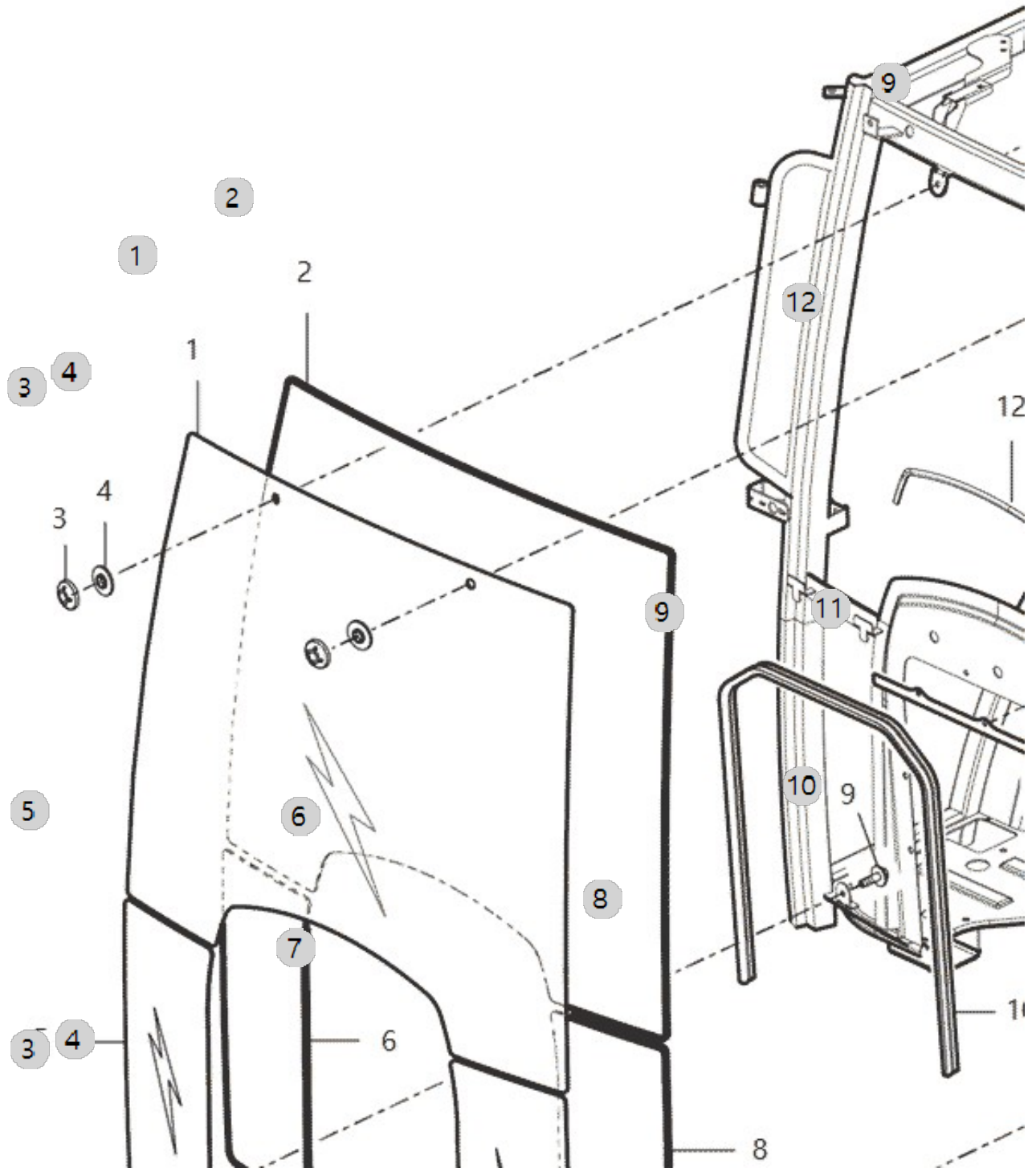
G02071

F50CN_EU_FL
(AC02116)

FRONT WINDOW ASS'Y

Year/Month

2022-12-16



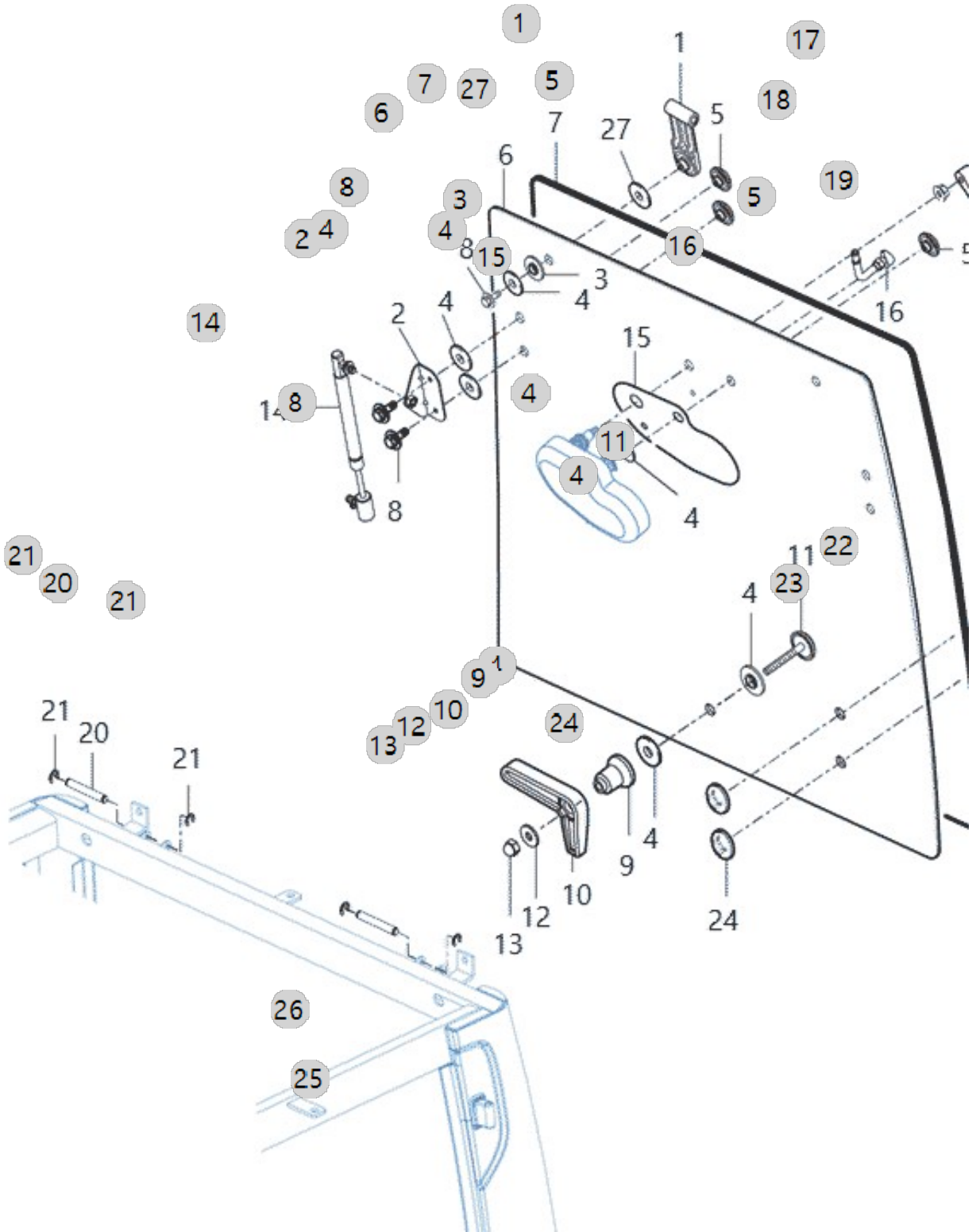
G02072

F50CN_EU_FL
(AC02116)

REAR WINDOWS ASS'Y

Year/Month

2022-12-16



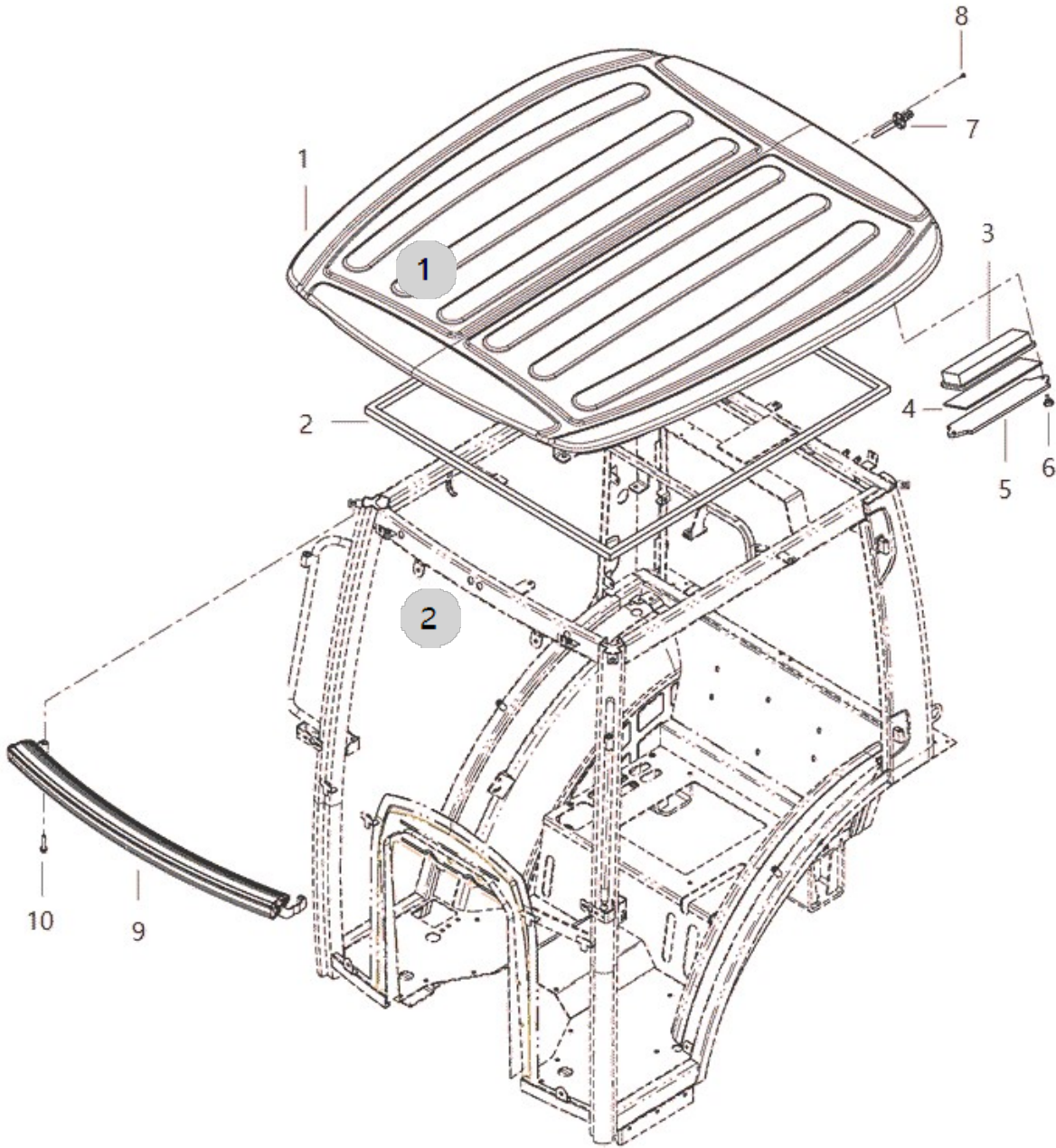
G02131

F50CN_EU_FL
(AC02116)

ROOF/OUTER

Year/Month

2022-12-16



10

9

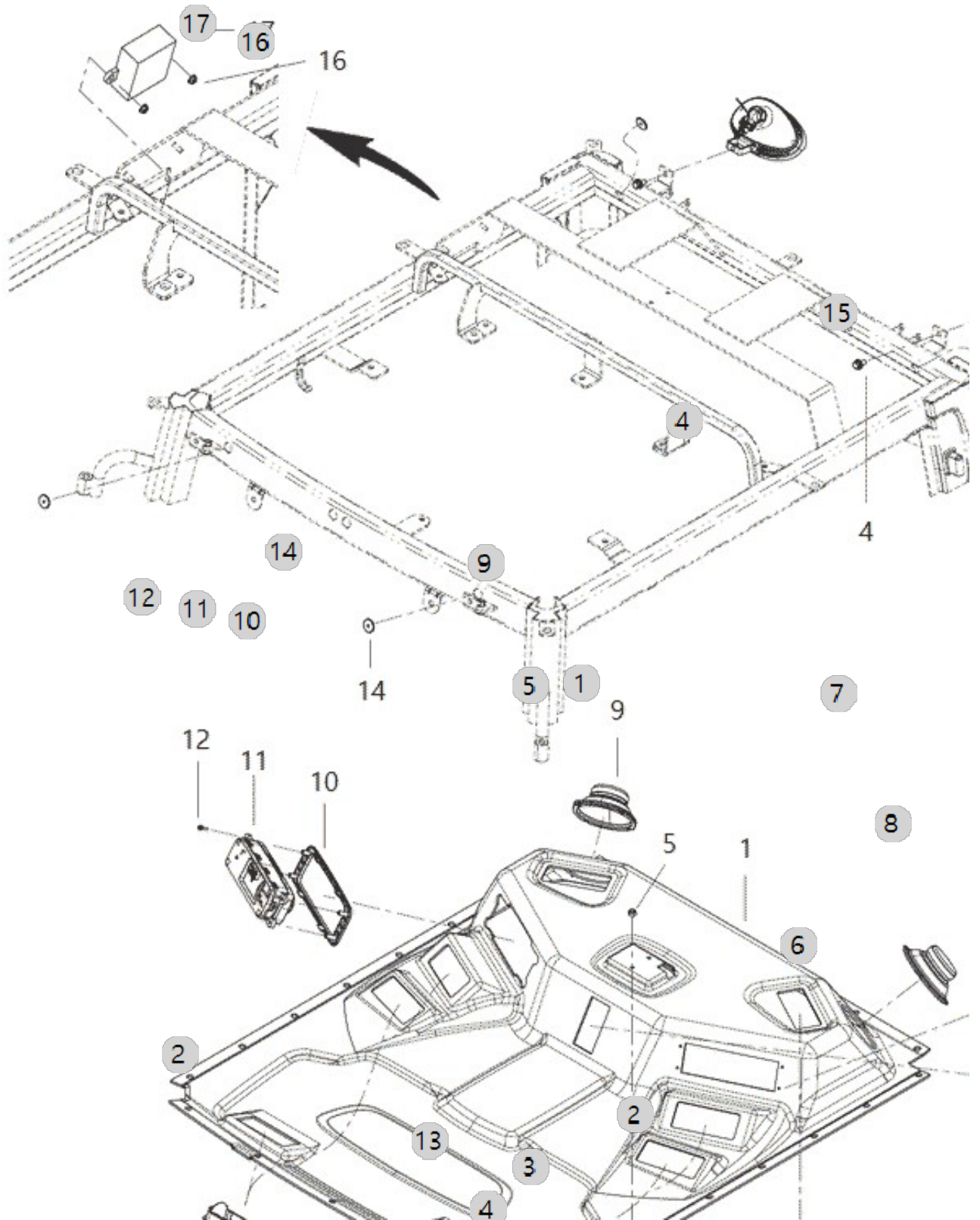
G02132

F50CN_EU_FL
(AC02116)

ROOF/INNER

Year/Month

2022-12-16



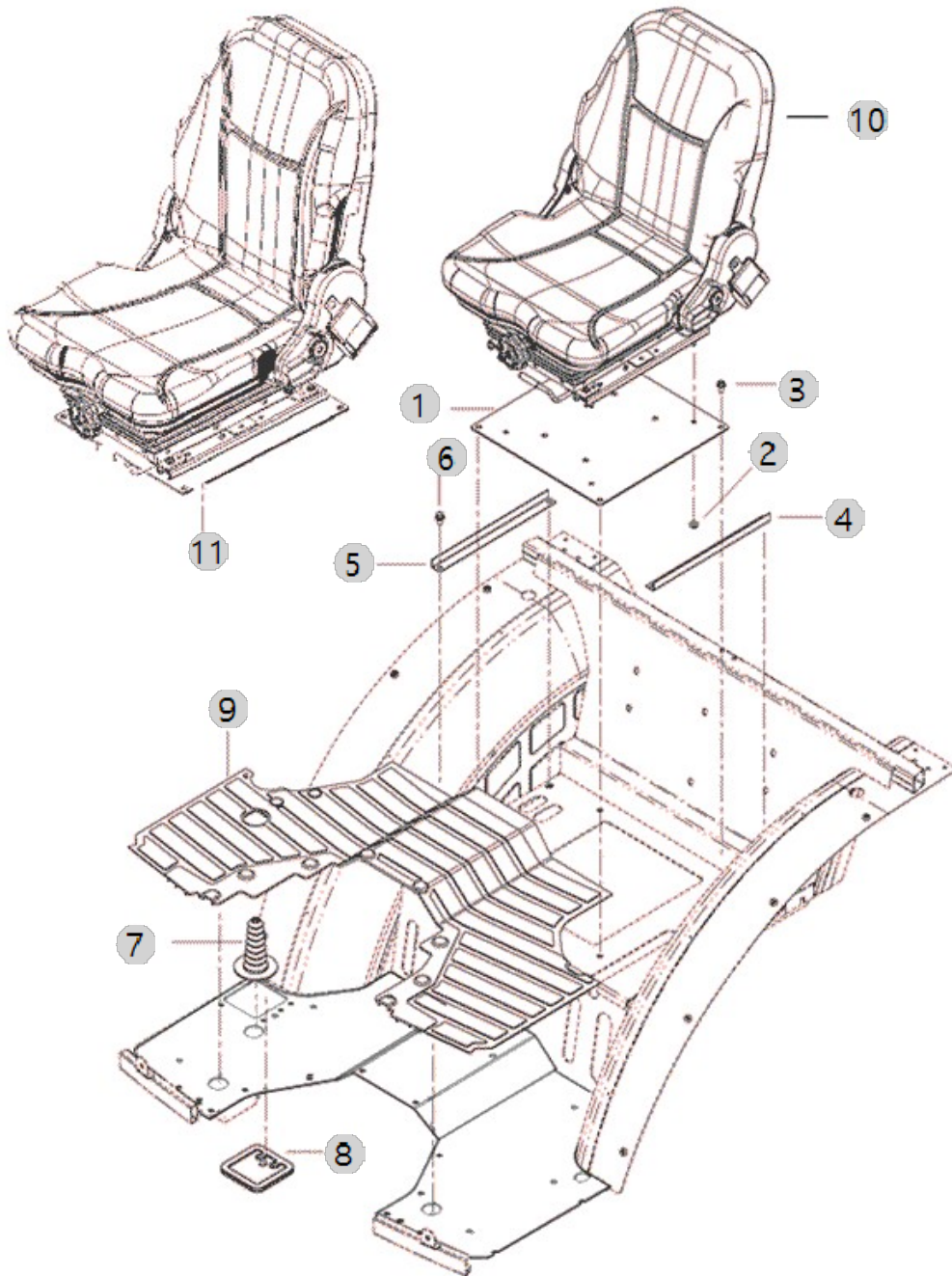
G02140

F50CN_EU_FL
(AC02116)

DRIVER'S SEAT

Year/Month

2022-12-16



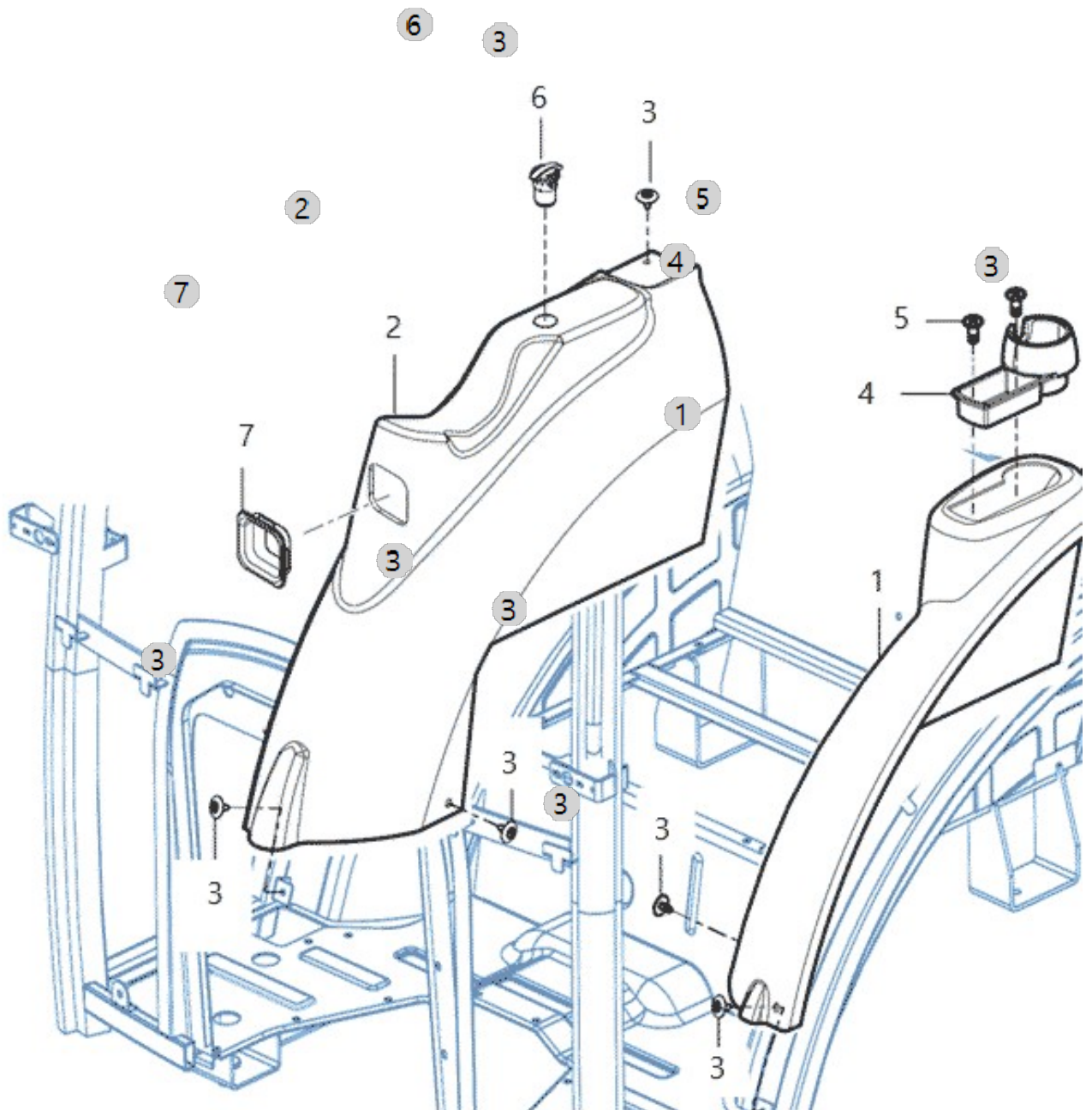
G02180

F50CN_EU_FL
(AC02116)

FENDER COVER

Year/Month

2022-12-16



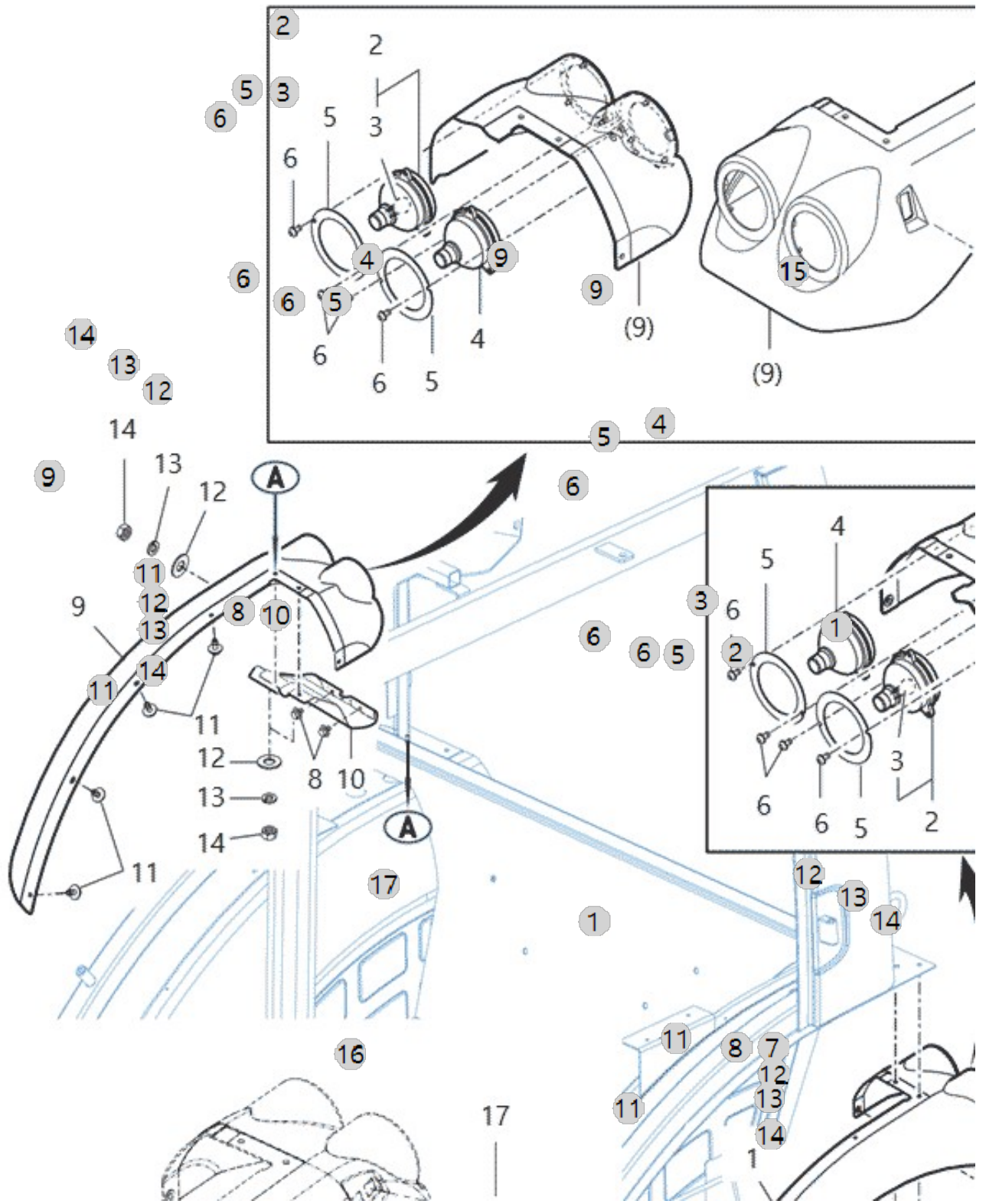
G02190

F50CN_EU_FL
(AC02116)

FENDER

Year/Month

2022-12-16



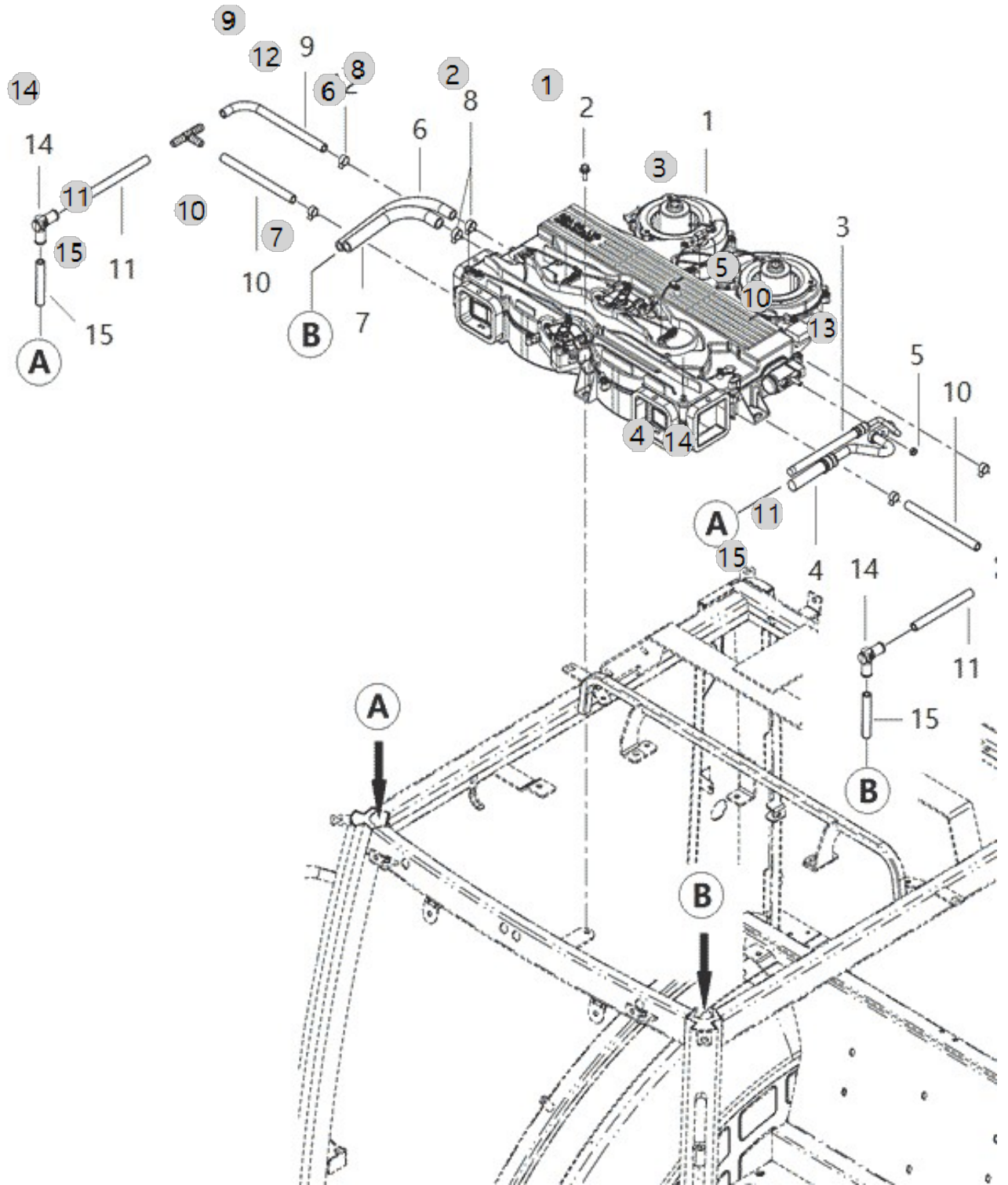
G03010

F50CN_EU_FL
(AC02116)

A/C ASS'Y, CABIN

Year/Month

2022-12-16



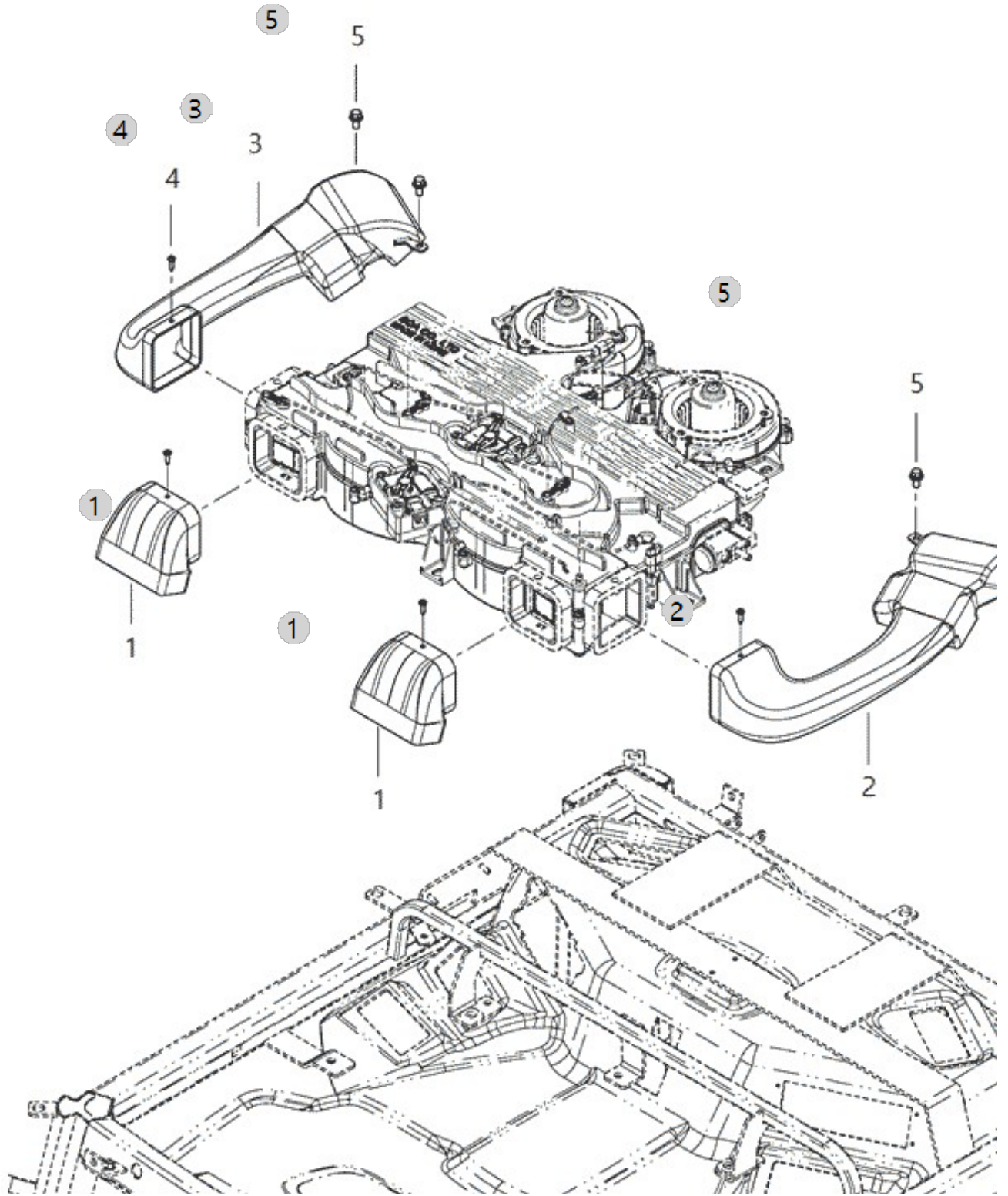
G03020

F50CN_EU_FL
(AC02116)

A/C DUCT ASS'Y

Year/Month

2022-12-16



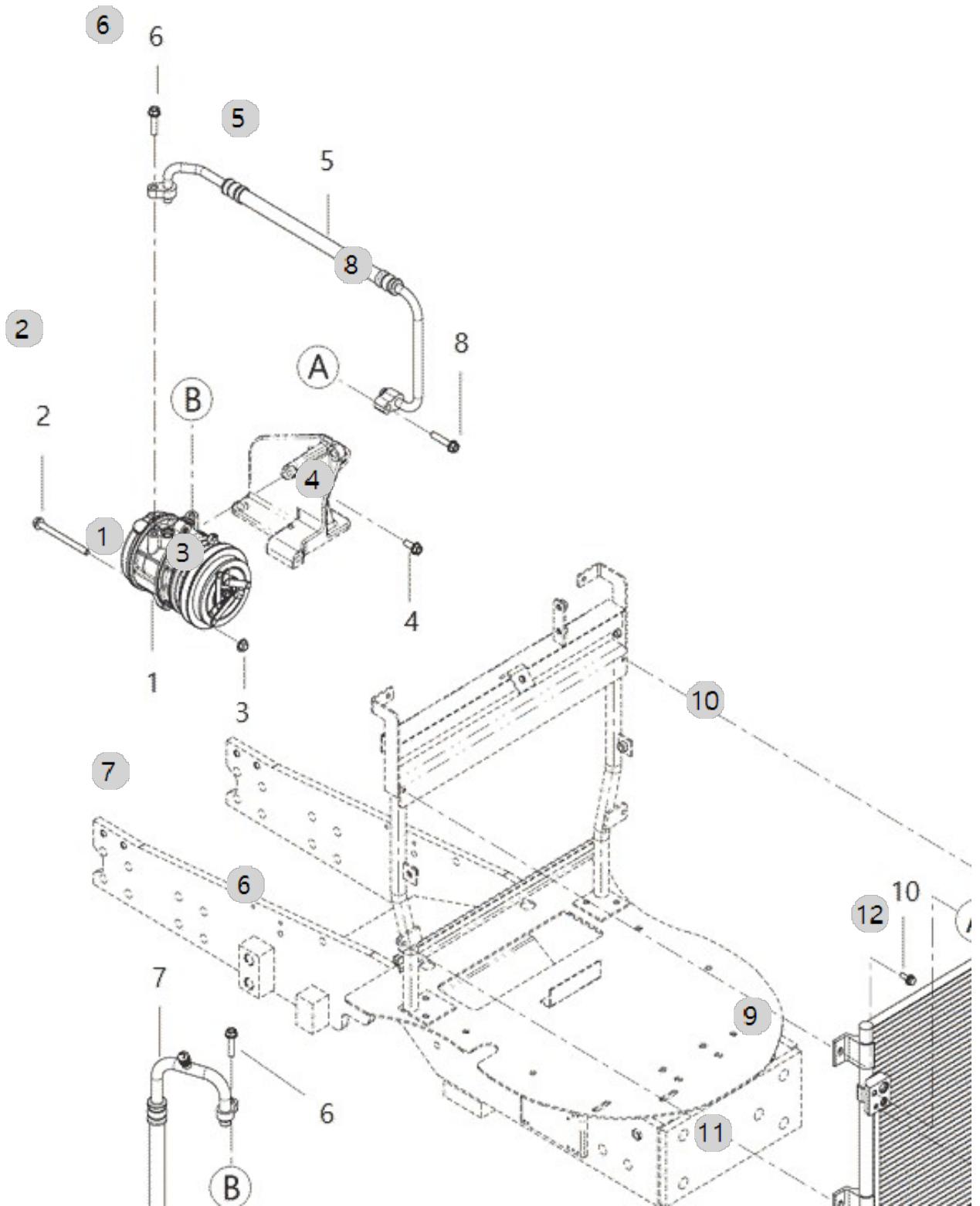
G03091

F50CN_EU_FL
(AC02116)

COMPRESSOR

Year/Month

2022-12-16



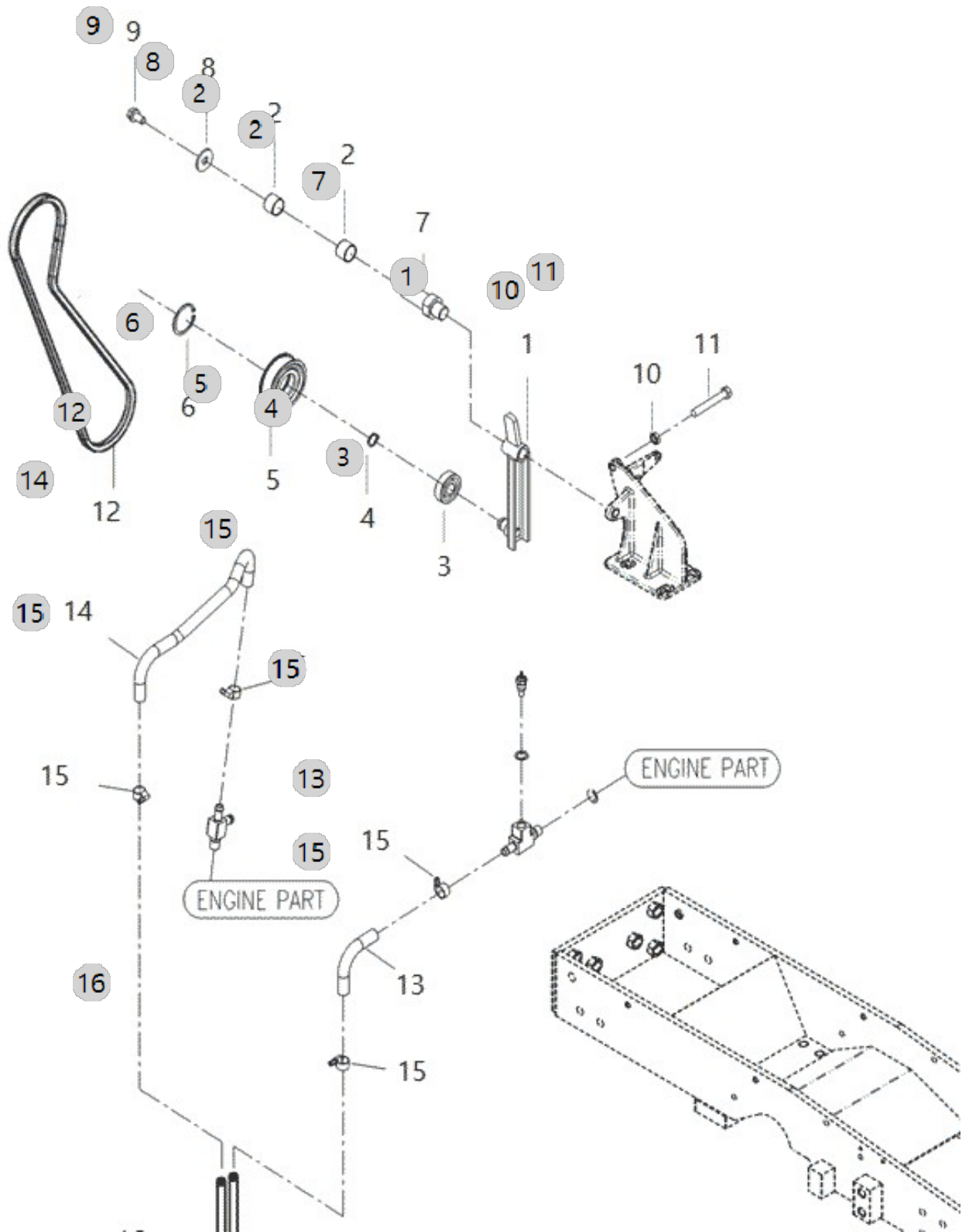
G03092

F50CN_EU_FL
(AC02116)

TENSION PULLY

Year/Month

2022-12-16



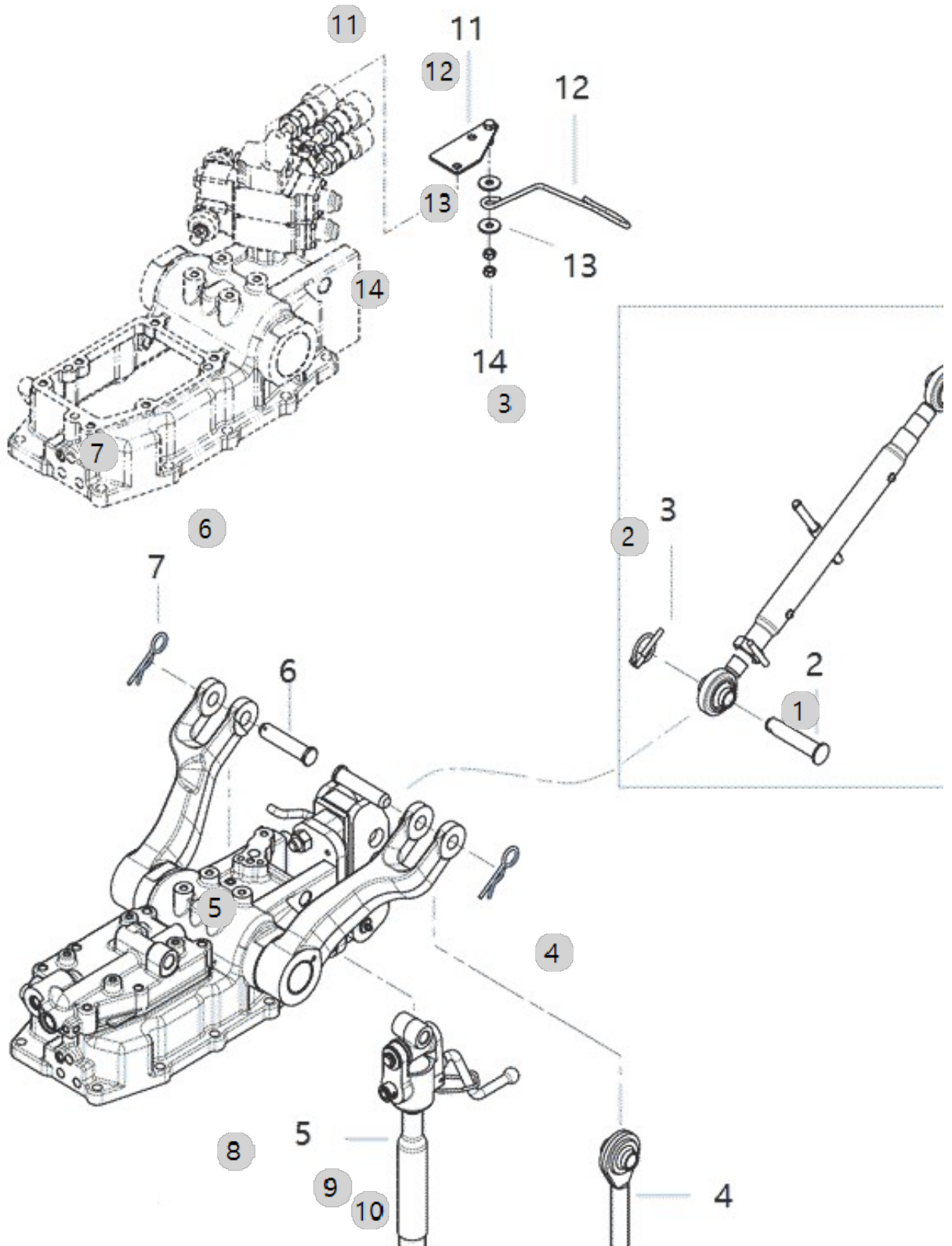
G05020

F50CN_EU_FL
(AC02116)

TOP LINK, LIFT LINK

Year/Month

2022-12-16



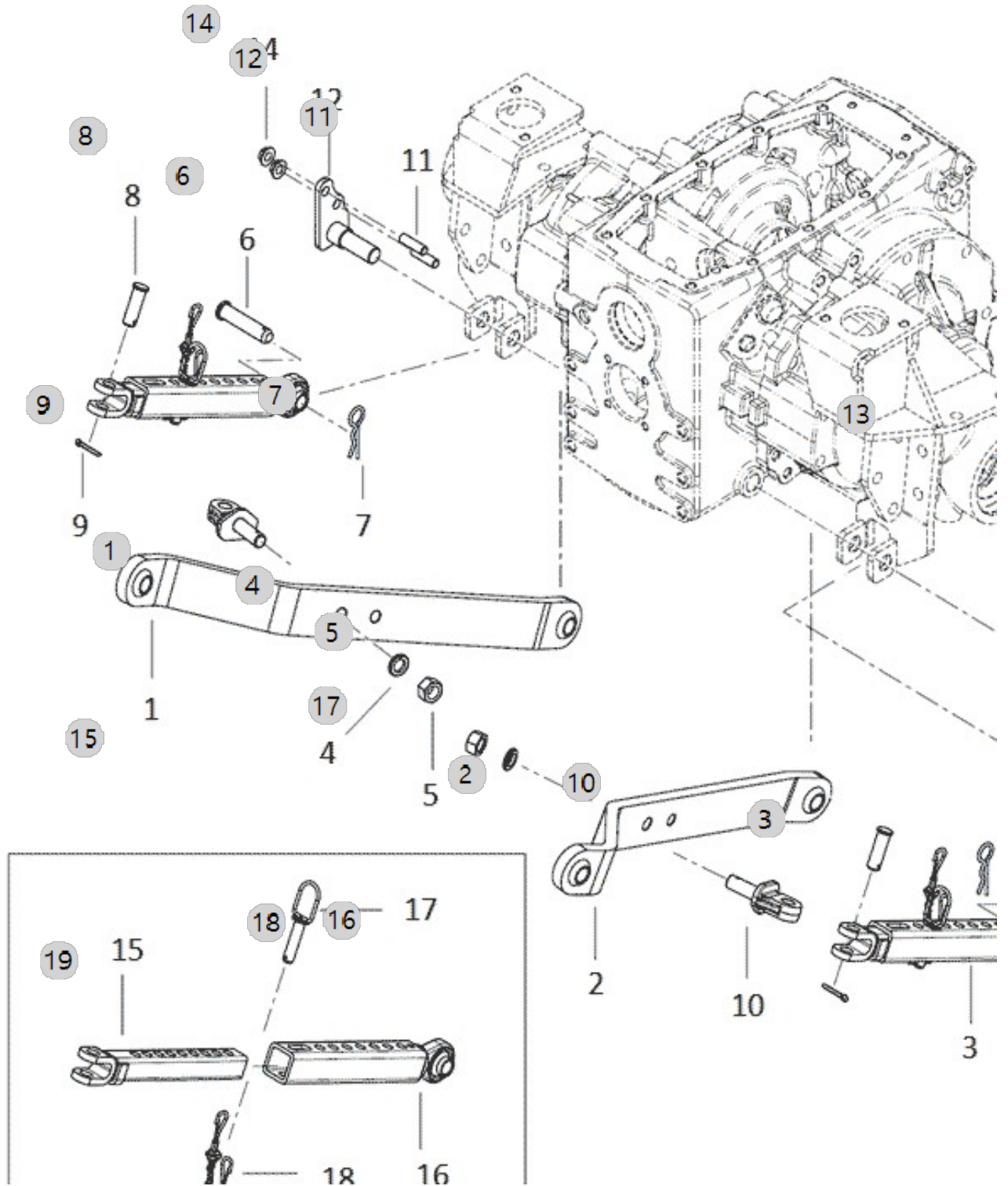
G05030

F50CN_EU_FL
(AC02116)

LOWER LINK

Year/Month

2022-12-16



G05030 F50CN_EU_FL (AC02116)		LOWER LINK				Year/Month 2022-12-16
순번 (NO)	부품번호 (PART NO)	품명 (PART NAME)	품명 (PART NAME)	수량 (QTY)	규격 (SPEC)	비고 (REMARK)
1	TA00055188C	하부링크조합(좌)	LOWER LINK ASS'Y L	1		
1	TA00055188E	하부링크조합(좌)	LOWER LINK ASS'Y L	1		
1	TA00055188B	하부링크조합(좌)	LOWER LINK(L)	1		
1	TA00055188D	하부링크조합(좌)	LOWER LINK ASS'Y L	1		
2	TA00055189D	하부링크조합(우)	LOWER LINK ASS'Y R	1		
2	TA00055189C	하부링크조합(우)	LOWER LINK ASS'Y R	1		
2	TA00055189E	하부링크조합(우)	LOWER LINK ASS'Y R	1		
2	TA00055189B	하부링크조합(우)	LOWER LINK(R)	1		
3	TA00041947B	체크-바(K3)	CHECK-BAR	2		
3	TA00041947D	체크-바(K3)	CHECK-BAR	2		
3	TA00041947C	체크-바(K3)	CHECK-BAR(K3)	2		
3	TA00041947E	체크-바(K3)	CHECK-BAR	2		
4	22217-180000	스프링와셔	WASHER, SPRING (Φ 18)	2	M18	
5	26736-180002	너트	NUT	2	M18	
6	TTE7290000C4	핀	PIN	2	D19	
6	TTE7290000B	핀	PIN	2		
7	TA00059528A	빠짐방지 스냅핀16	SNAP PIN	2		
8	FTF0090000B4	책체인 핀	PIN, CHECK CHAIN	2		
8	FTF0090000D4	책체인 핀	PIN, CHECK CHAIN	2		
8	FTF0090000A4	책체인핀	PIN, CHECK CHAIN	2		
8	FTF0090000C4	책체인 핀	PIN, CHECK CHAIN	2		
9	22417-500320	할핀	PIN , COTTER (5-32)	2	5X32	
10	TA00016119A	연결볼트(PF)	EYE BOLT, LOWER LINK	2		
10	TA00016119C	연결볼트(PF)	BOLT	2		
10	TA00016119B	연결볼트(PF)	BOLT	2		
11	26216-120252	심음볼트	STUD BOLT	4	12X25	
12	TA00039356C	하부링크핀(좌)	LOWER LINK PIN(LH)	1		
12	TA00039356B	하부링크 핀(좌)	LOWER LINK PIN(LH)	1		
13	TA00039490C	하부링크 핀(우) 조합	LOWER LINK PIN RH ASSY	1		
13	TA00039490B	하부링크 핀(우) 조합	LOWER LINK PIN RH ASSY	1		
14	26367-120002	플랜지너트	NUT	4		
15	TA00041949A	체크-바R	CHECKBAR R	2		
16	TA00041948B	체크-바F	CHECKBAR F	2		
16	TA00041948C	체크-바F	CHECKBAR F	2		
17	FBF0050000A4	체크 핀	CONNECT PIN -> FBF0020000A2	2	-	
17	FBF0050000C4	체크 핀	PIN	2	-	
17	FBF0050000B4	체크 핀	CONNECT PIN	2	-	
18	FBF0060000A4	연결고리	CONNECT LINK	2	-	
18	FBF0060000B4	연결고리	HOOK	2	-	
19	22360-140000	스냅핀	PIN , SNAP (4Φ)	2	D14	

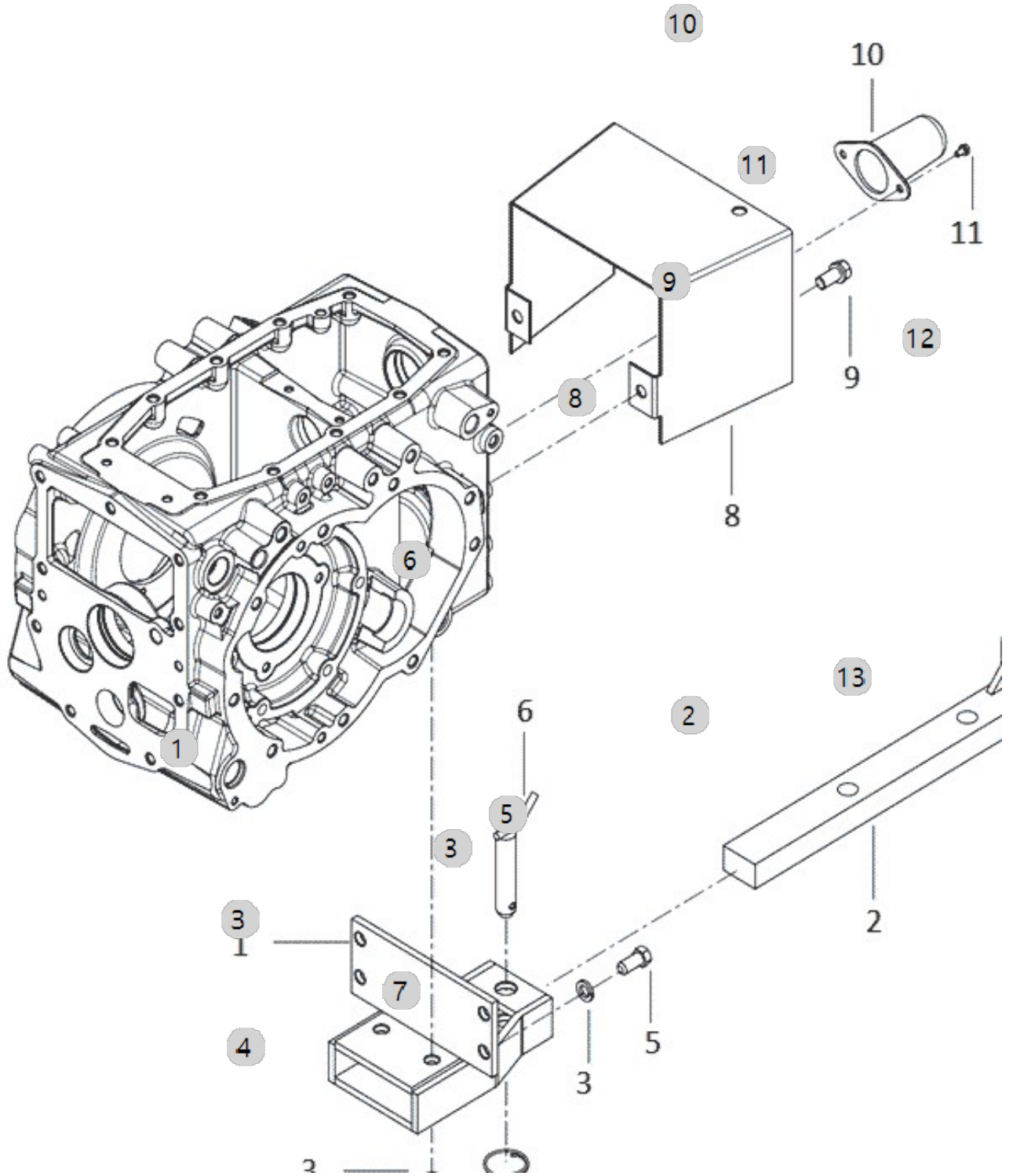
G05070

F50CN_EU_FL
(AC02116)

DRAWBAR HITCH

Year/Month

2022-12-16



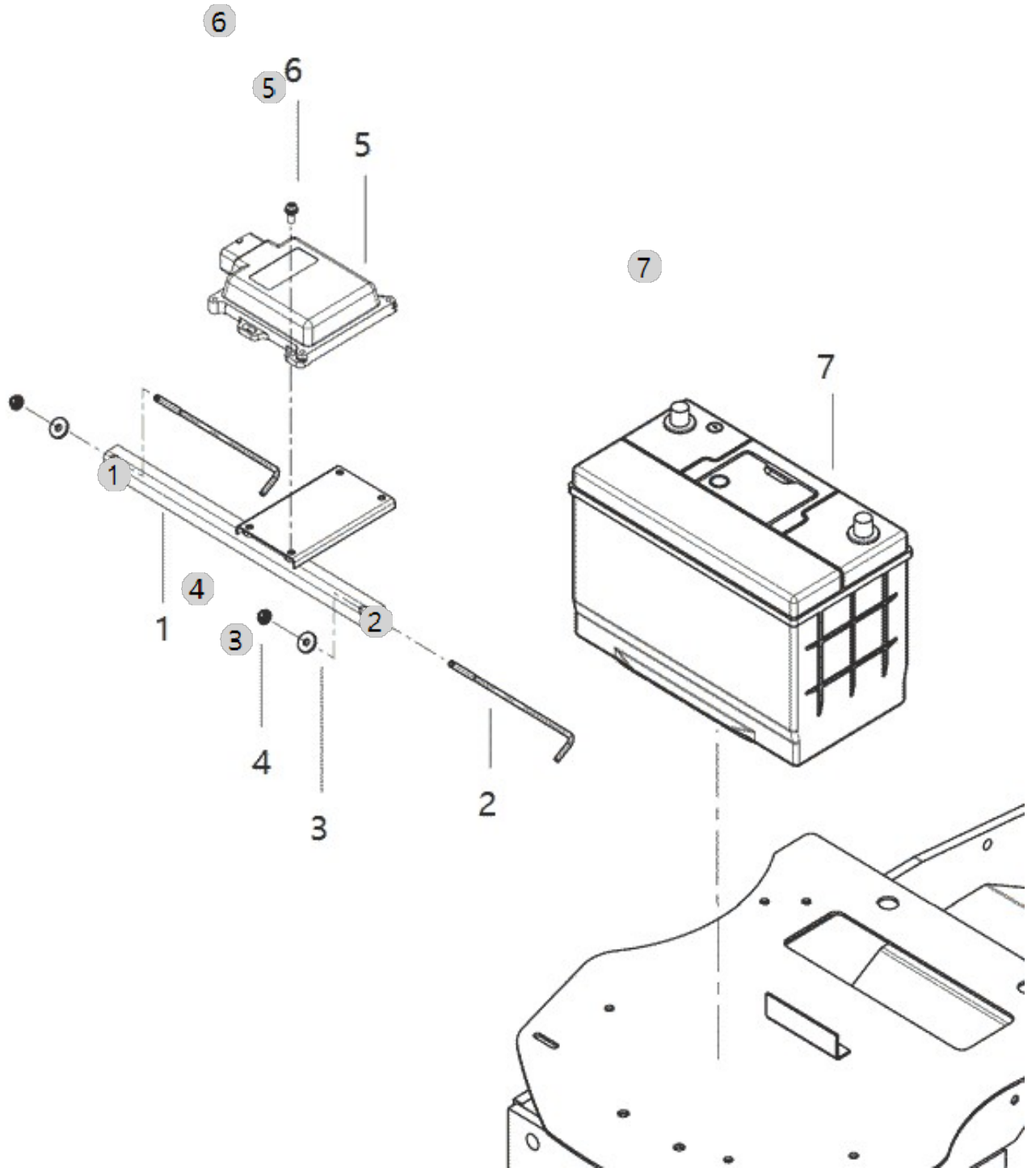
H01030

F50CN_EU_FL
(AC02116)

BATTERY

Year/Month

2022-12-16



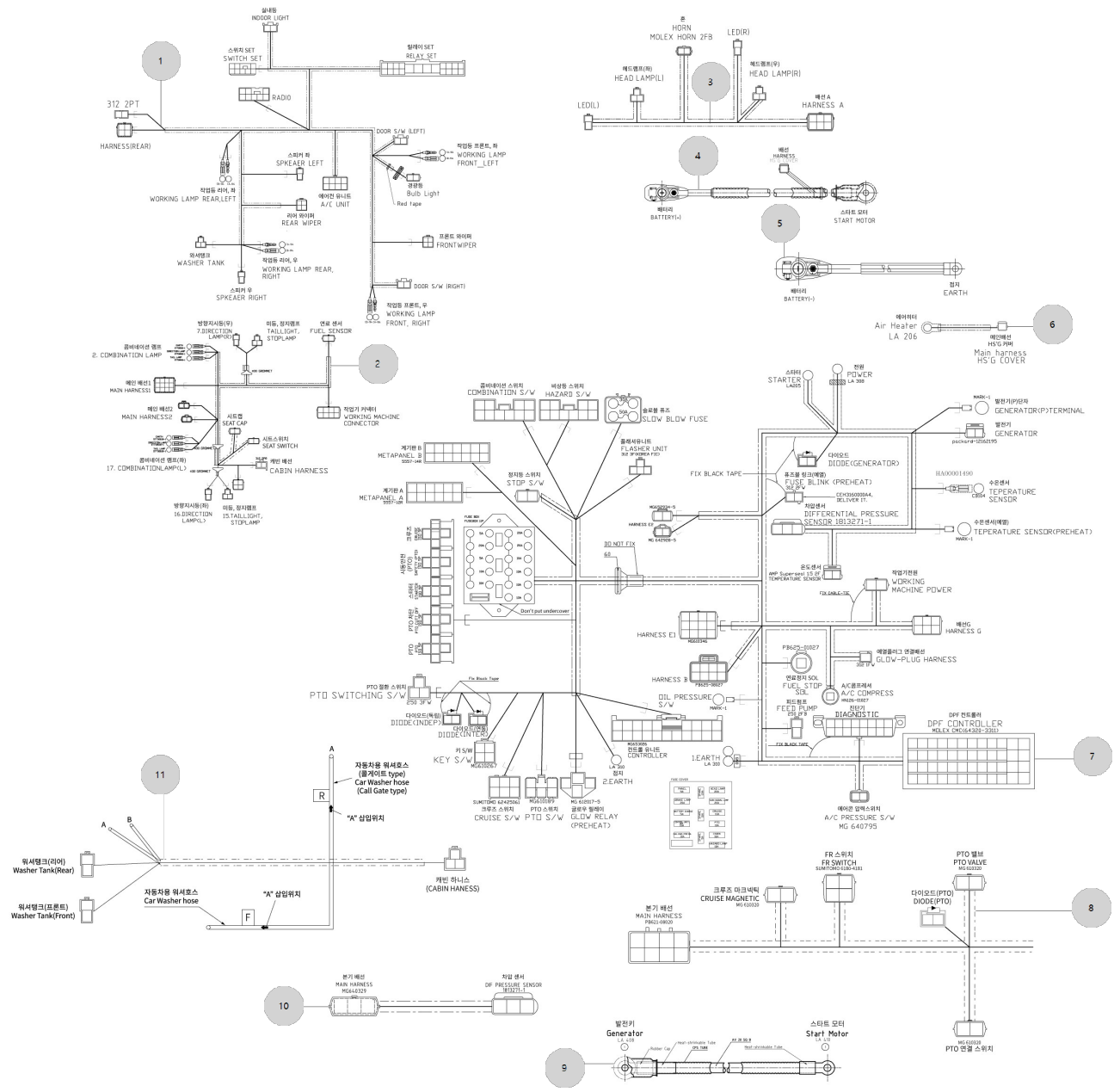
H03000

F50CN_EU_FL
(AC02116)

HARNESS

Year/Month

2022-12-16



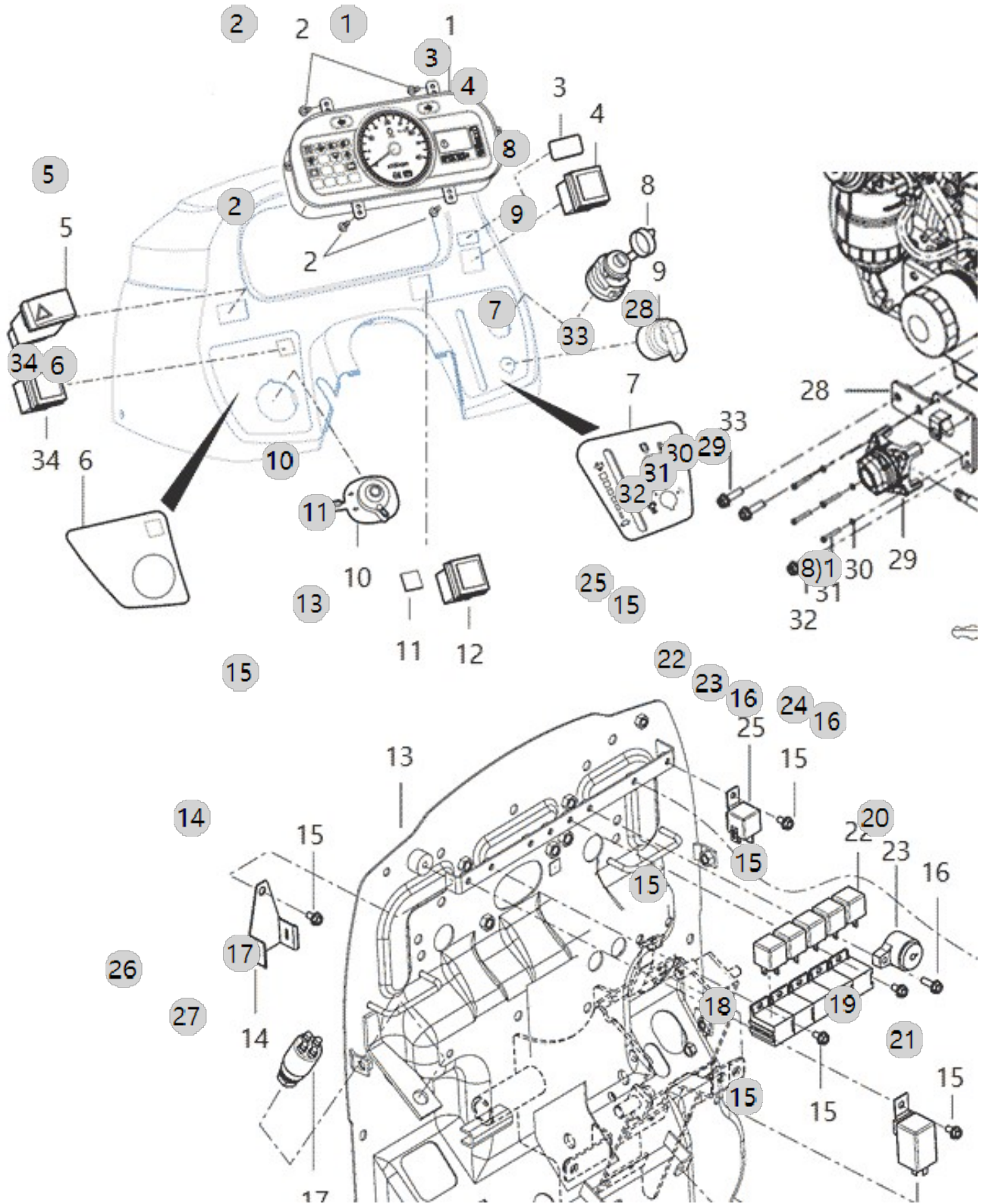
H04050

F50CN_EU_FL
(AC02116)

SWITCH

Year/Month

2022-12-16



H04050 F50CN_EU_FL (AC02116)		SWITCH				Year/Month 2022-12-16
순번 (NO)	부품번호 (PART NO)	품명 (PART NAME)	품명 (PART NAME)	수량 (QTY)	규격 (SPEC)	비고 (REMARK)
1	HA00001566A	계기판(K3C)	PANEL COMP, DASH	1		
2	26023-040102	와셔조립남비작은나사(SW+PW)	SCREW W/WASHER	4	M4X10	
3	TA00055449A	라벨,PTO	LABEL,PTO	1		
4	HA00001554A	PTO스위치	PTO SWITCH	1		
5	HA00001476A	비상등스위치(K3C)	HAZARD S/W	1		
6	TA00059371A	라벨 LH 콘트롤(DPF)	LABEL , LH CONTROL	1		
7	TA00055448A	라벨 RH 콘트롤	LABEL , RH CONTROL	1		
8	HA00001500B	키스위치(K3C)	KEY S/W	1		
8	HA00001500A	키스위치(K3C)	KEY S/W	1		
8	TA00052576A	키 SET	KEY SET	1		
8	HA00002184A	Key Set (구 KM)	KEY SET	1		
9	HA00001472A	PTO 전환 스위치 (K3 C)	PTO CHANGE-OVER SWITCH	1		
10	HA00000067A	콤비네이션스위치 2	COMBINATION SWITCH	1		
11	TA00055452A	플러그(외부제어스위치)	PLUG , SWITCH	1		
13	TA00054444C	대시 판넬 조합	DASH PANEL ASS'Y	1		
13	TA00054444B	대시 판넬 조합	DASH PANEL ASS'Y	1		
14	CA00004121B	휴즈블링크스테이	FUSIBLE LINK STAY	1		
15	26013-060162	와셔조립육각볼트(+SW)	Bolt, Hexa (6-16)	7	M6XP1.0X16	
16	26013-060202	와셔조립육각볼트(+SW)	Bolt, Hexa (6-20)	1	M6X1.0X20	
17	HA00000361A	클러치 안전스위치	SWITCH,SAFETY	1		
18	HA00001368A	시그널 플래셔	FLASHER SET	1		
19	TA00055609A	플레이트(L,24X40)	PLATE , 24X40	1		
20	TZC5110000A3	스톱램프스위치	STOPLAMP SWITCH	1		
21	26013-080202	와셔조립육각볼트(+SW)	Bolt, Hexa (8-20)	2	M8XP1.25X20	
22	FTC5130000A3	릴레이(5P)	RELAY(5P)	4		
23	RN66310000A3	경보버저	BUZZER	1		
24	HA00001782A	컨트롤유닛	CONTROL UNIT	1		
25	FTB9160000A3	글로우릴레이	GLOW RELAY (12V-70A)	1		
26	HA00001435A	리프트센서(무접점)조합	LIFT SENSOR	1		
27	26106-060202	육각플랜지볼트(6*20)	HEXFLANGEBOLT	1	M6X1.0X20	
28	TA00053734B	전원차단스위치브라켓	BRACKET ASSY	1		
28	TA00053734A	전원차단스위치브라켓	BRACKET ASSY	1		
29	HA00001352B	전원차단스위치	POWER DOWN SWITCH	1		
29	HA00001352A	전원차단스위치	POWER DOWN SWITCH	1		
30	22217-040000	스프링와셔4	WASHER, SPRING (Φ 04)	4	M4	
31	26557-040302	(+)자흠남비작은나사	+SCREW	4	M4XP0.7X30	
32	26106-080302	육각플랜지볼트	HEX BOLT, FLANGE	2	M8XP1.25X30	
33	26106-080252	육각플랜지볼트	SCREW,HEXFLANGEHEADCAP	1	M8XP1.25X25	
34	HA00001153A	재생 스위치	INHIBIT S/W	1		

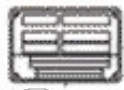
I03000C

F50CN_EU_FL
(AC02116)

NAME PLATE

Year/Month

2022-12-16



1

Branson F36C

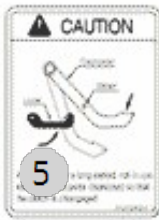
Branson F36Cn

2

4



4



5



6



8



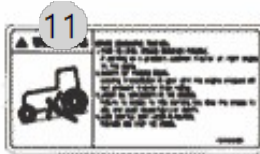
9



10



10



11

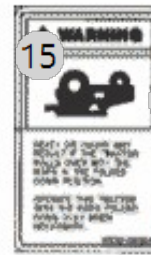


12

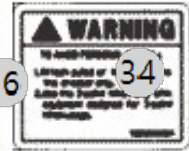
13



14



15



16

34



1

17

18

13

20

14



17



18



28

19

29



20



21



22

23

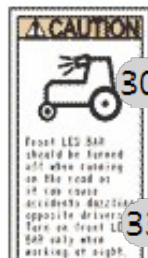
24

25

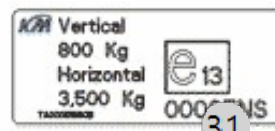
26



26



33



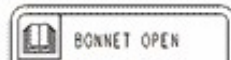
28

31



35

29



I03000C F50CN_EU_FL (AC02116)		NAME PLATE				Year/Month 2022-12-16
순번 (NO)	부품번호 (PART NO)	품명 (PART NAME)	품명 (PART NAME)	수량 (QTY)	규격 (SPEC)	비고 (REMARK)
1	TA00051439B	형식명판	STATIONARY PLATE	1		
2	TA00056829A	본네트명판(F47Cn)	NAME PLATE, BONNET	2		
4	TZE5160000B3	안전주의명판	NAME PLATE, SAFETY	1	NONE	
5	NTE4130000B4	싱글클러치취급명판	NAME PLATE	1	0.05T	
5	NTE4130000C4	싱글클러치취급명판	NAME PLATE	1	NONE	
6	TZE4190000C4	급유주의명판	LABEL, FUEL CAUTION	1	NONE	
6	TZE4190000D4	급유주의명판	NAMEPLATE, FEED FUEL	1	NONE	
7	TZE5770000B3	주의명판(비탈)	MARK,WARNING	1	NONE	
8	TZE5130000C4	주의명판	NAME PLATE, CAUTION	1	NONE	
9	TA00036924A	경고 명판	WARNING NAMEPLAET	1		
10	TZE5180000C4	회전체주의명판	NAME PLATE, REVOLUTION	1	NONE	
11	TZE5140000B3	하차시경고명판	NAME PLATE, DOWN LOAD	1	NONE	
12	TZE5170000C3	ROPS경고명판	NAMEPLATE, ROPS CAUTION	1	NONE	
12	TZE5170000B3	ROPS경고명판	NAME PLATE, ROPS CAUTION	1	0.05T	
13	NTE5150000C4	경고명판(안전벨트)	NAMEPLATE,SEATBELT	1	0.05T	
14	NTE5210000C4	경고명판(안전)	NAMEPLATE,SAFETY	1	0.05T	
15	TZE5120000B4	장착경고명판	NAME PLATE, EQUIP	1	NONE	
16	NTE5220000C4	위험명판	NAMEPLATE,DANGER	1	0.05T	
17	TA00015596B	PTO경고명판	PTO WARNING PLATE	1	0.05T	
18	TZE4100000B4	브레이크페달명판	LABEL,BRAKEPEDAL	1	0.05T	
19	TZE5110000C4	스타터위험명판	MANE PLATE, START	1	NONE	
20	TZE4130000B4	차동명판	LABEL,DIFFERENTIAL	1	NONE	
21	TZE4150000A4	주차브레이크고정명판	LABEL, PAKING BRAKE	1	0.05TX25X56	
22	TA00036922B	유압리프트명판	LIFT STICKER	1		
22	TA00036922A	유압리프트명판	LIFT STICKER	1		
23	TA00057940A	부변속 명판	NAME PLATE, SUB SHIFT	1		
23	TA00057940B	부변속 명판	NAMEPLATE, RANGE SHIFT	1		
24	TA00040423B	PTO명판	NAME PLATE, PTO	1		
25	TZE5050000B4	전륜구동명판	LABEL,FRONTDRIVE	1	NONE	
26	TA00062797A	CABIN형식명판(N)_S5	CABIN NAME PLATE(N)_S5	1		
27	TA00057453A	주의명판(LED BAR)	NAME PLATE, LED BAR	1		
28	TA00062798A	드로우바 명판_S5	드로우바 명판_S5	1		
29	TA00051427B	비상탈출명판	ESCAPE PLATE	1		
30	TA00053519A	본네트 개폐명판(K3)	BONNET OPEN PLATE(K3)	1		
31	TA00053623A	그리스주입명판	GREASE PLATE	1		
32	TA00049354A	NARROW 명판	NAME PLATE, NARROW	2		
33	TA00055861A	BRANSON 양각명판	NAME PLATE, BRANSON	1		
34	TA00028501A	경고주의명판(영문)	NAME PLATE	1		
35	TA00028504A	경고주의명판(영문)	NAME PLATE	1		

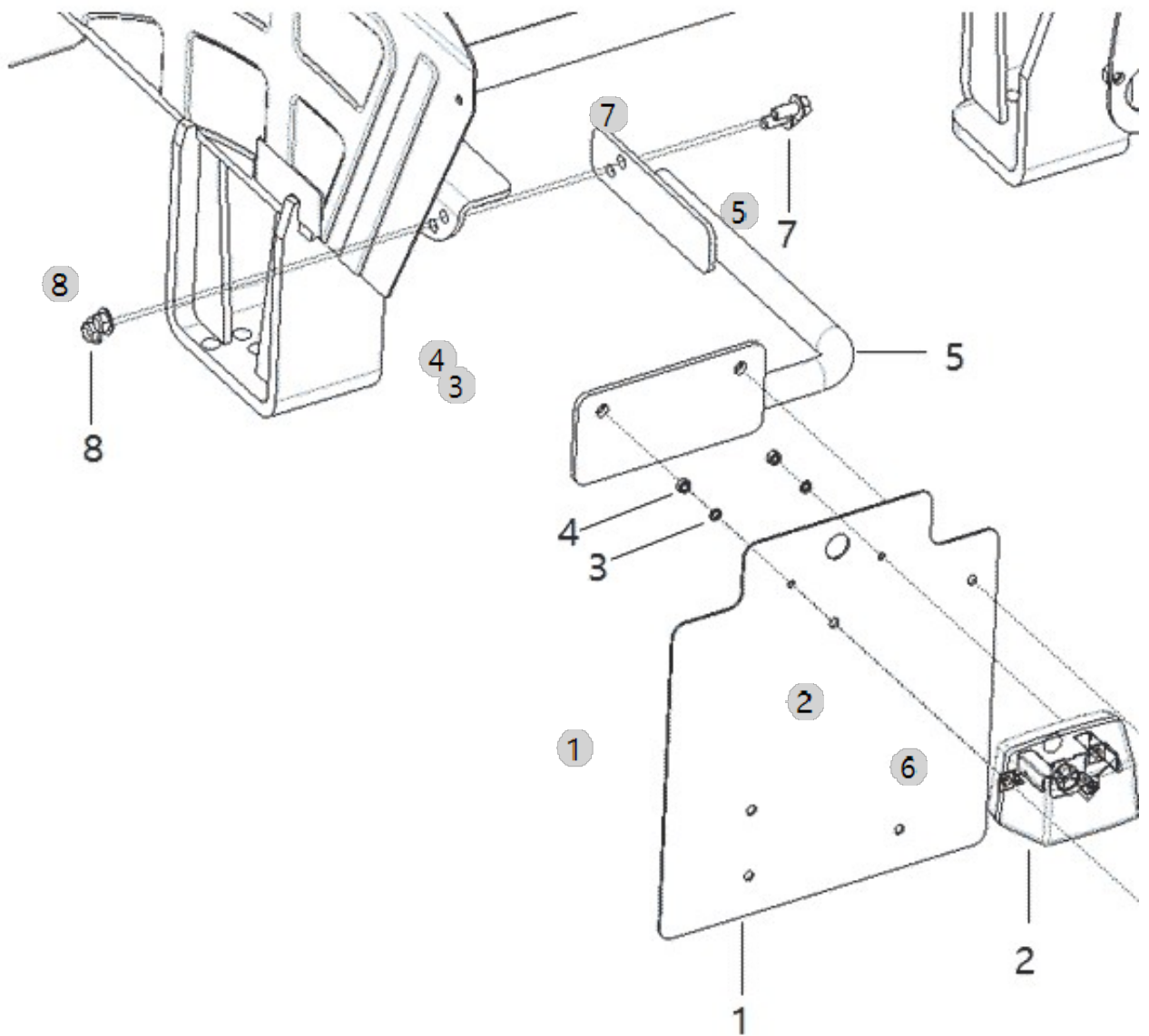
I03060

F50CN_EU_FL
(AC02116)

NUMBER PALTE ASS'Y

Year/Month

2022-12-16



I05020

F50CN_EU_FL
(AC02116)

REAR WHEEL&TIRE(AGRI)

Year/Month

2022-12-16

TURF

