

T495SHEU1

Parts Catalog

목 차

1. 엔진 PART NO. EG

FIG 100 ENGINE	9
FIG 101 CYLINDER BLOCK	11
FIG 102B OILJET ASS'Y OPTION(T494)	13
FIG 103 CRANK SHAFT	15
FIG 104 PISTON	17
FIG 105 CYLINDER HEAD	19
FIG 106 ROCKER LEVER	21
FIG 107 HEAD COVER	23
FIG 108 GEAR CASE	25
FIG 109 IDLE GEAR	27
FIG 110 CAM SHAFT	29
FIG 111 OIL PUMP	31
FIG 112 HYD. PUMP DRIVE	33
FIG 113 2ND BALANCE	35
FIG 114 OIL PAN	37
FIG 115B INTAKE MANIFOLD(T494)	39
FIG 116B EXHAUST MANIFOLD(T494)	41
FIG 117B TURBOCHARGER ASS'Y(T494)	43
FIG 118B TURBOCHARGER PLUMBING OPTION(T494)	45
FIG 119B BREATHER(T494)	47
FIG 120 FUEL INJECTION PUMP	49
FIG 121 FUEL INJECTION VALVE	51
FIG 122 FUEL PIPE ASS'Y	53
FIG 123 OIL FILTER	55
FIG 124 OIL COOLER	57
FIG 125 OIL GAUGUE	59
FIG 126 OIL FILLER CAP	61
FIG 127 COOLING WATER PUMP	63
FIG 128 CRANK SHAFT PULLEY	65
FIG 129 V-PULLEY	67
FIG 130 COOLING FAN	69

FIG 131 FLYWHEEL HOUSING	71
FIG 132 FLYWHEEL	73
FIG 133 GLOW PLUG ASS'Y OPTION	75
FIG 134 STARTING MOTOR	77
FIG 135 FUEL FILTER BRACKET ASS'Y	79
FIG 136 ALTERNATOR	81
FIG 137 V-BELT	83
FIG 138 FUEL FILTER	85
FIG 139B DPF SUPPORT (T494)	87
FIG 140 DATAPLATE	89
FIG 142B DPF ASS'Y (T494)	91
FIG 143 LIFT ASS'Y	93
FIG 144 COMP . DRIVE PULLEY ASS'Y OPTION	95
FIG 147 LOOSED PARTS	97

2. 엔진보기품 PART NO. T2

FIG 201B AIR CLEANER(T495)	100
FIG 202 RADIATOR	102
FIG 203 MUFFLER	104
FIG 204 FUEL HOSE & FILTER	106
FIG 205 FUEL TANK	108
FIG 206 ACCELERATOR	110
FIG 207 OIL COOLER	112

3. 클러치/브레이크/스티어링 PART NO. T3

FIG 301 FLYWHEEL HOUSING	115
FIG 302 CLUTCH PEDAL	117
FIG 303 BRAKE	119
FIG 304 BRAKE PEDAL & LINK	121
FIG 305A FRONT WHEEL	123
FIG 305A REAR WHEEL	125
FIG 305B FRONT WHEEL (R4 OPTION)	127
FIG 305B REAR WHEEL (R4 OPTION)	129
FIG 307 POWER STEERING WHEEL	131
FIG 308 POWER STEERING VALVE	133
FIG 309 POWER STEERING CYLINDER	135

FIG 310 HST CONTROL LINK	137
--------------------------	-----

4. 트랜스미션 PART NO. T4

FIG 401 TRANSMISSION FRONT CASE	141
FIG 402 HST	143
FIG 403 MID TRANSMISSION CASE	145
FIG 404 TRANSTER GEAR SET	147
FIG 405 TRANSMISSION REAR CASE	149
FIG 406 SUB CHANGE GEARS	151
FIG 407 SUB CHANGE SHIFTER	153
FIG 408 DRIVE GEARS	155
FIG 409 4WD CHANGE LEVER	157
FIG 410 P.T.O DRIVE SHAFT	159
FIG 411 P.T.O CHANGE GEARS	161
FIG 412 P.T.O CHANGE LEVER	163
FIG 413 4WD CHANGE LEVER	166

5. 프런트 액슬 PART NO. T5

FIG 501 FRONT AXLE SUPPORT	169
FIG 502 FRONT DRIVE SHAFT	171
FIG 503 FRONT AXLE HOUSING	173
FIG 504 FRONT DIFFERENTIAL GEARS	175
FIG 505 FRONT GEAR CASE (1)	177
FIG 506 FRONT GEAR CASE (2)	179
FIG 507 FRONT GEAR CASE (3)	181

6. 유압/3점링크 PART NO. T6

FIG 601 CYLINDER CASE	184
FIG 602 LIFT ARM	186
FIG 603 CYLINDER	188
FIG 604 POSITION LINK	190
FIG 605 CONTROL VALVE	192
FIG 606 DRAFT LINK	194
FIG 607 POSITION & DRAFT LEVER (1)	196
FIG 607-2 POSITION & DRAFT LEVER (2)[SAP 가져오기]에서 생성함.	198

FIG 608 EXTERIOR HYD.VALVE	200
FIG 609 HYDRAULIC PIPE	202
FIG 610 JOYSTICK	204
FIG 612 HITCH & 3-POINT LINK	207
FIG 613 LOWER LINK & LIFT ROD	210

7. 시트메탈/캐빈 PART NO. T7

FIG 701 BONNET FRAME	213
FIG 702A BONNET (1)	215
FIG 702B BONNET (2)	217
FIG 703 EXTENSION COVER	219
FIG 704A LEVER COVER & STEP	221
FIG 705 FRONT & REAR MOUNTING	223
FIG 706 SEAT & MAT	225
FIG 709 DOOR	227
FIG 710A FRONT GLASS	230
FIG 711 SIDE GLASS	232
FIG 712 REAR GLASS	234
FIG 713A SUB FENDER & COVER	236
FIG 714A MIRROR	238
FIG 715A HEATER & AIR-CON	240
FIG 715B HEATER & AIR-CON	242
FIG 716 FENDER COVER	244
FIG 717 ROOF	246
FIG 718 CABIN INTERIOR	248

8. 전장 PART NO. T8

FIG 801 BATTERY MOUNTING	251
FIG 802 HARNESS LAMP	253
FIG 803 INSTRUMENT PANEL	255
FIG 804 ELECTRIC SYSTEM (1)	257
FIG 805A ELECTRIC SYSTEM (2)	259
FIG 806 ELECTRIC SYSTEM (3)	261

9. 라벨/옵션 PART NO. T9

FIG 901 TOOL & ACCESSORY	264
--------------------------	-----

FIG 902 WEIGHT
FIG 903 LABEL

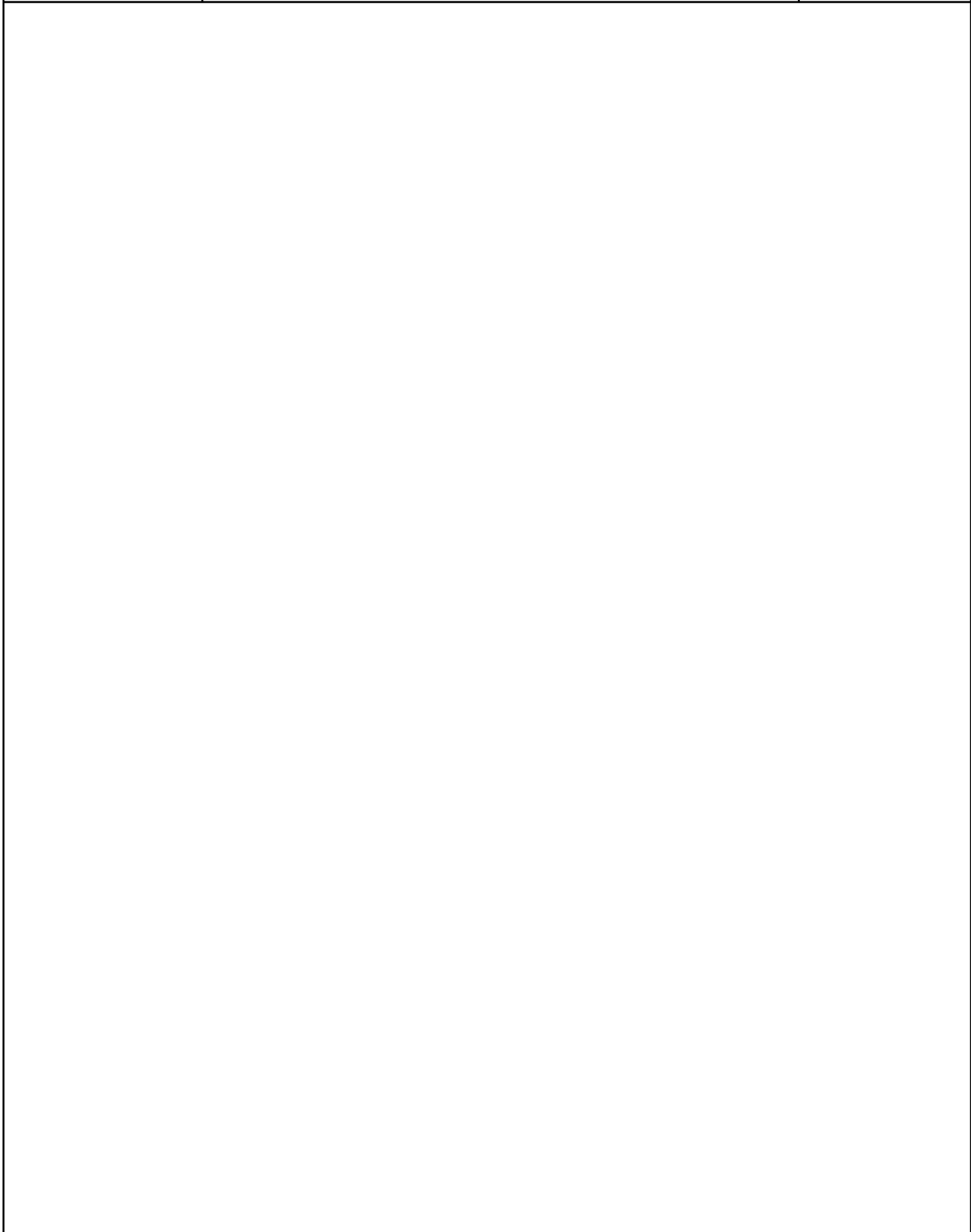
266
268

1. 엔진 PART NO. EG

FIG 100 ENGINE	9
FIG 101 CYLINDER BLOCK	11
FIG 102B OILJET ASS'Y OPTION(T494)	13
FIG 103 CRANK SHAFT	15
FIG 104 PISTON	17
FIG 105 CYLINDER HEAD	19
FIG 106 ROCKER LEVER	21
FIG 107 HEAD COVER	23
FIG 108 GEAR CASE	25
FIG 109 IDLE GEAR	27
FIG 110 CAM SHAFT	29
FIG 111 OIL PUMP	31
FIG 112 HYD. PUMP DRIVE	33
FIG 113 2ND BALANCE	35
FIG 114 OIL PAN	37
FIG 115B INTAKE MANIFOLD(T494)	39
FIG 116B EXHAUST MANIFOLD(T494)	41
FIG 117B TURBOCHARGER ASS'Y(T494)	43
FIG 118B TURBOCHARGER PLUMBING OPTION(T494)	45
FIG 119B BREATHER(T494)	47
FIG 120 FUEL INJECTION PUMP	49
FIG 121 FUEL INJECTION VALVE	51
FIG 122 FUEL PIPE ASS'Y	53
FIG 123 OIL FILTER	55
FIG 124 OIL COOLER	57
FIG 125 OIL GAUGUE	59
FIG 126 OIL FILLER CAP	61
FIG 127 COOLING WATER PUMP	63
FIG 128 CRANK SHAFT PULLEY	65
FIG 129 V-PULLEY	67
FIG 130 COOLING FAN	69
FIG 131 FLYWHEEL HOUSING	71
FIG 132 FLYWHEEL	73
FIG 133 GLOW PLUG ASS'Y OPTION	75
FIG 134 STARTING MOTOR	77
FIG 135 FUEL FILTER BRACKET ASS'Y	79
FIG 136 ALTERNATOR	81
FIG 137 V-BELT	83

FIG 138 FUEL FILTER	85
FIG 139B DPF SUPPORT (T494)	87
FIG 140 DATAPLATE	89
FIG 142B DPF ASS'Y (T494)	91
FIG 143 LIFT ASS'Y	93
FIG 144 COMP . DRIVE PULLEY ASS'Y OPTION	95
FIG 147 LOOSED PARTS	97

FIG 100 T495SHEU1	ENGINE	년/월 Year/Month 2022-12
----------------------	--------	------------------------------



NOTE	
------	--

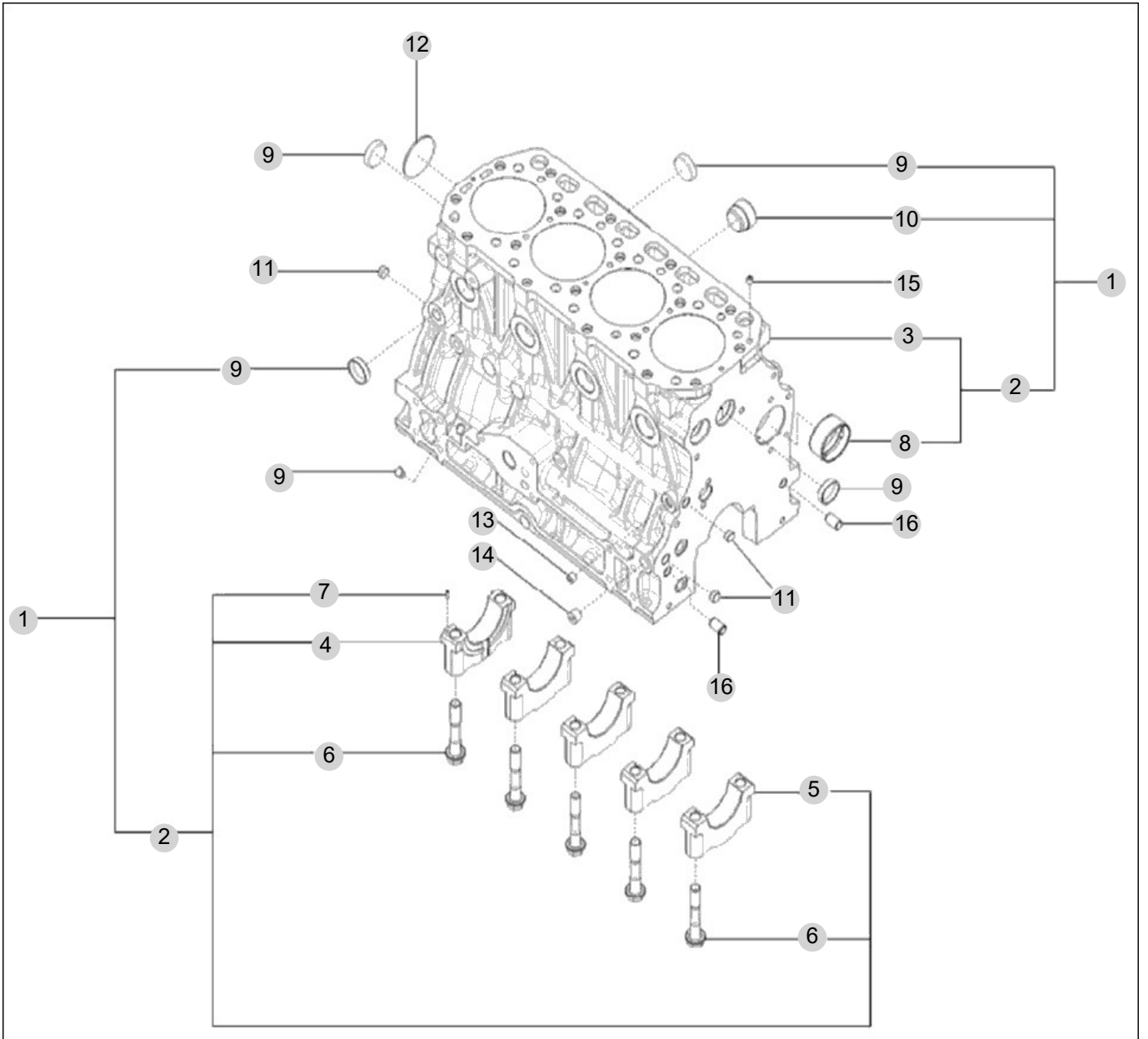
FIG 101

CYLINDER BLOCK

년/월
Year/Month

2022-12

T495SHEU1



NOTE

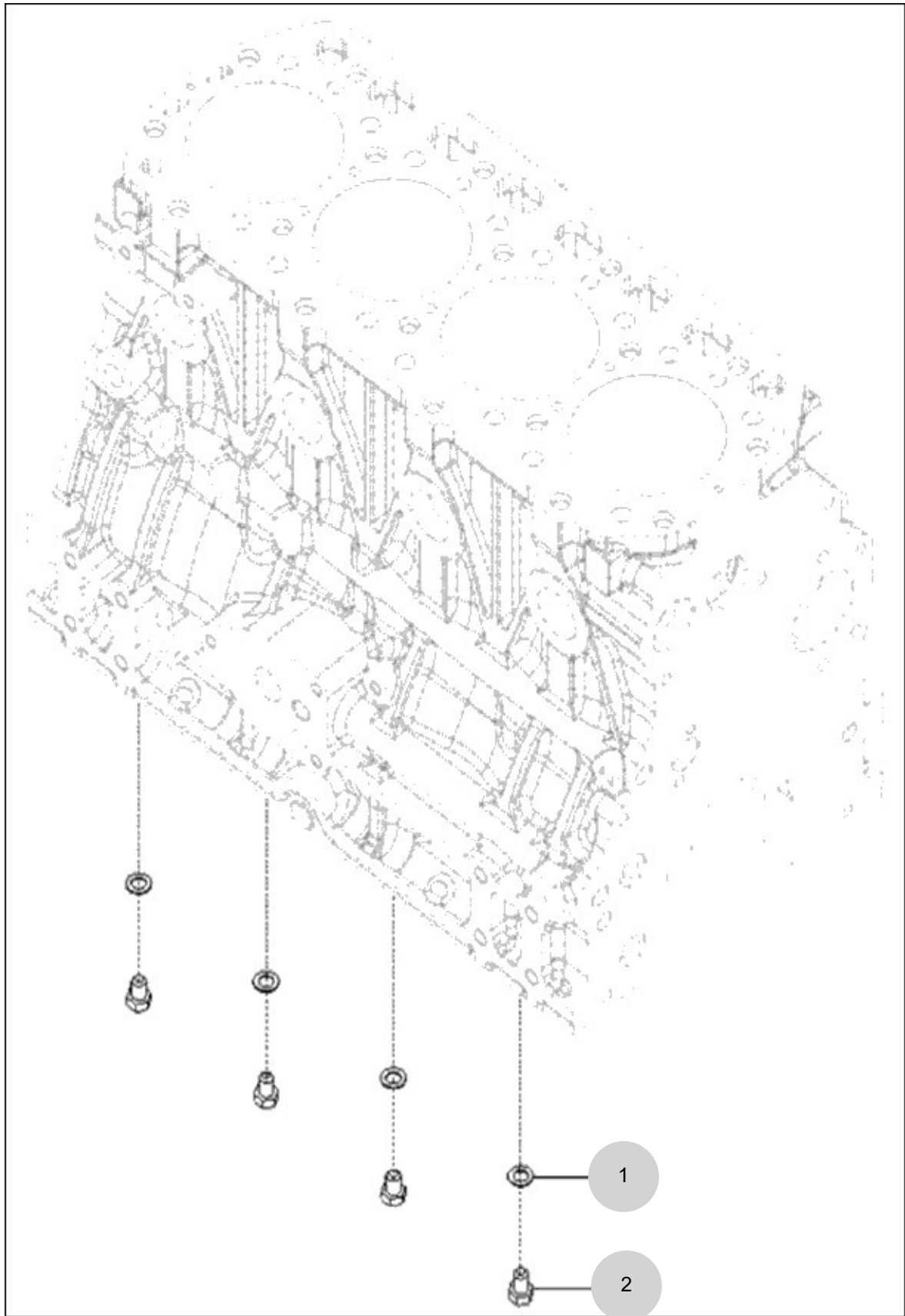
FIG 102B

OILJET ASS'Y OPTION(T494)

년/월
Year/Month

2022-12

T495SHEU1



NOTE

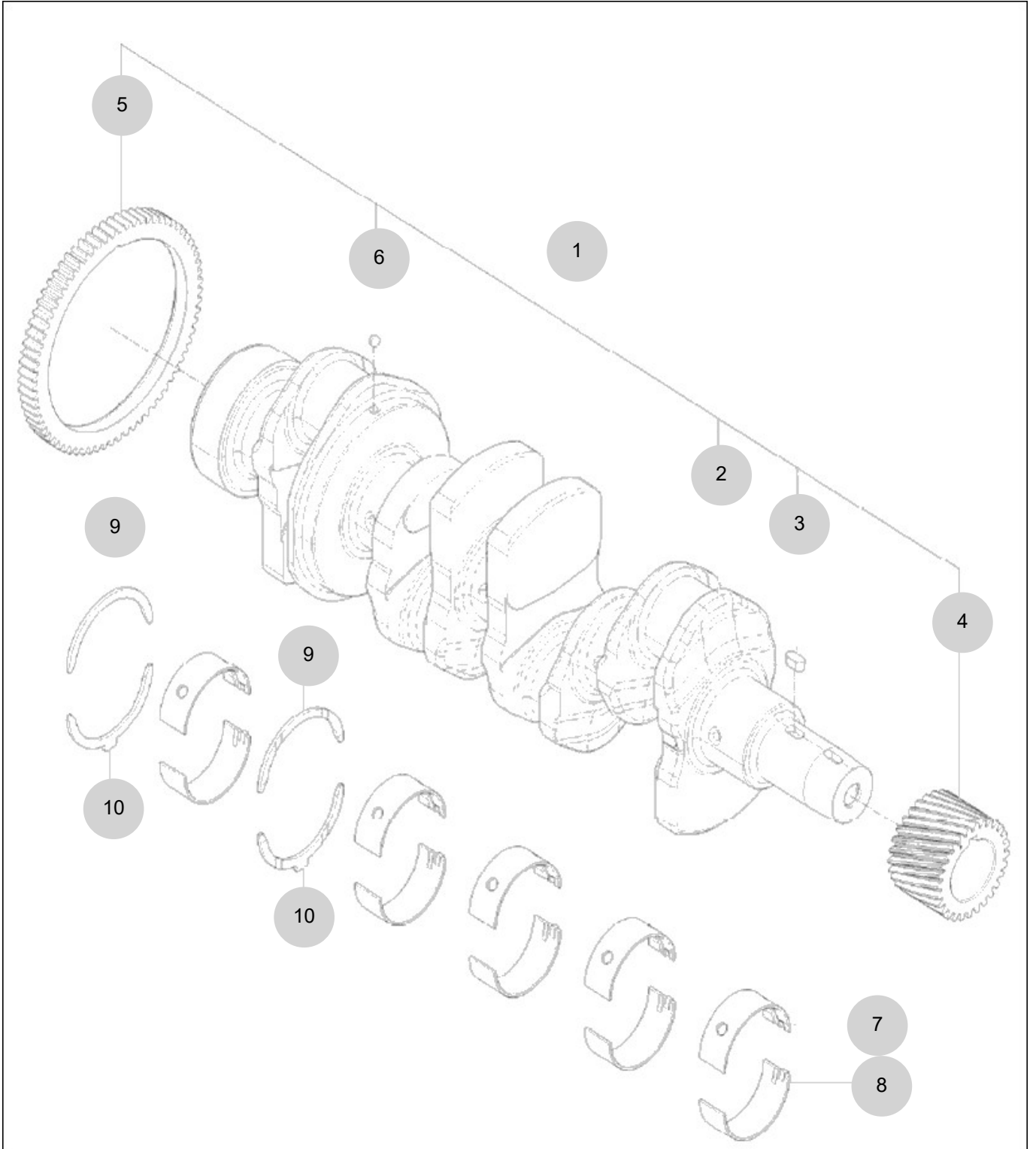
FIG 103

CRANK SHAFT

년/월
Year/Month

2022-12

T495SHEU1



NOTE

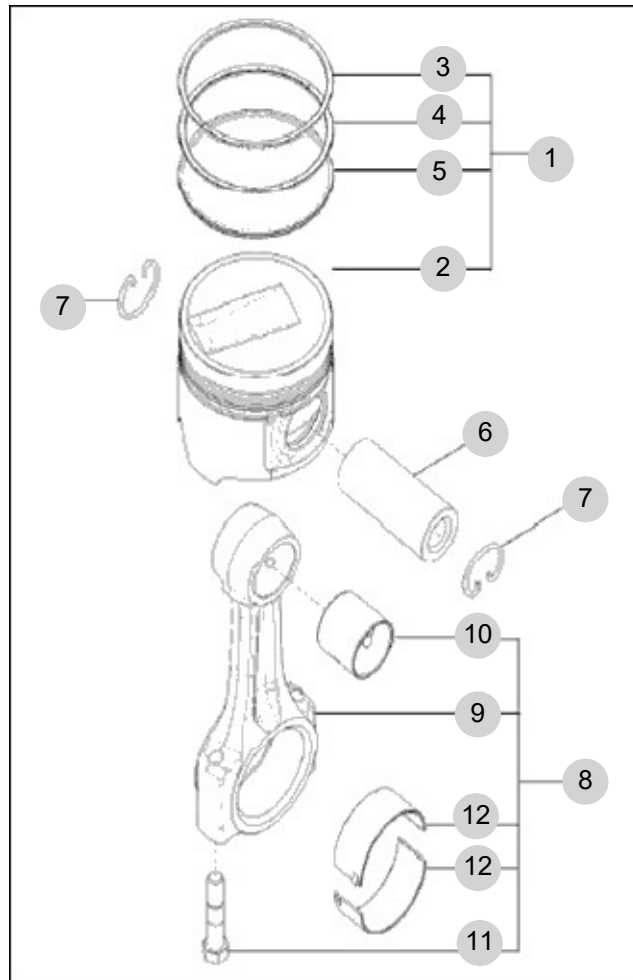
FIG 104

PISTON

년/월
Year/Month

2022-12

T495SHEU1



NOTE

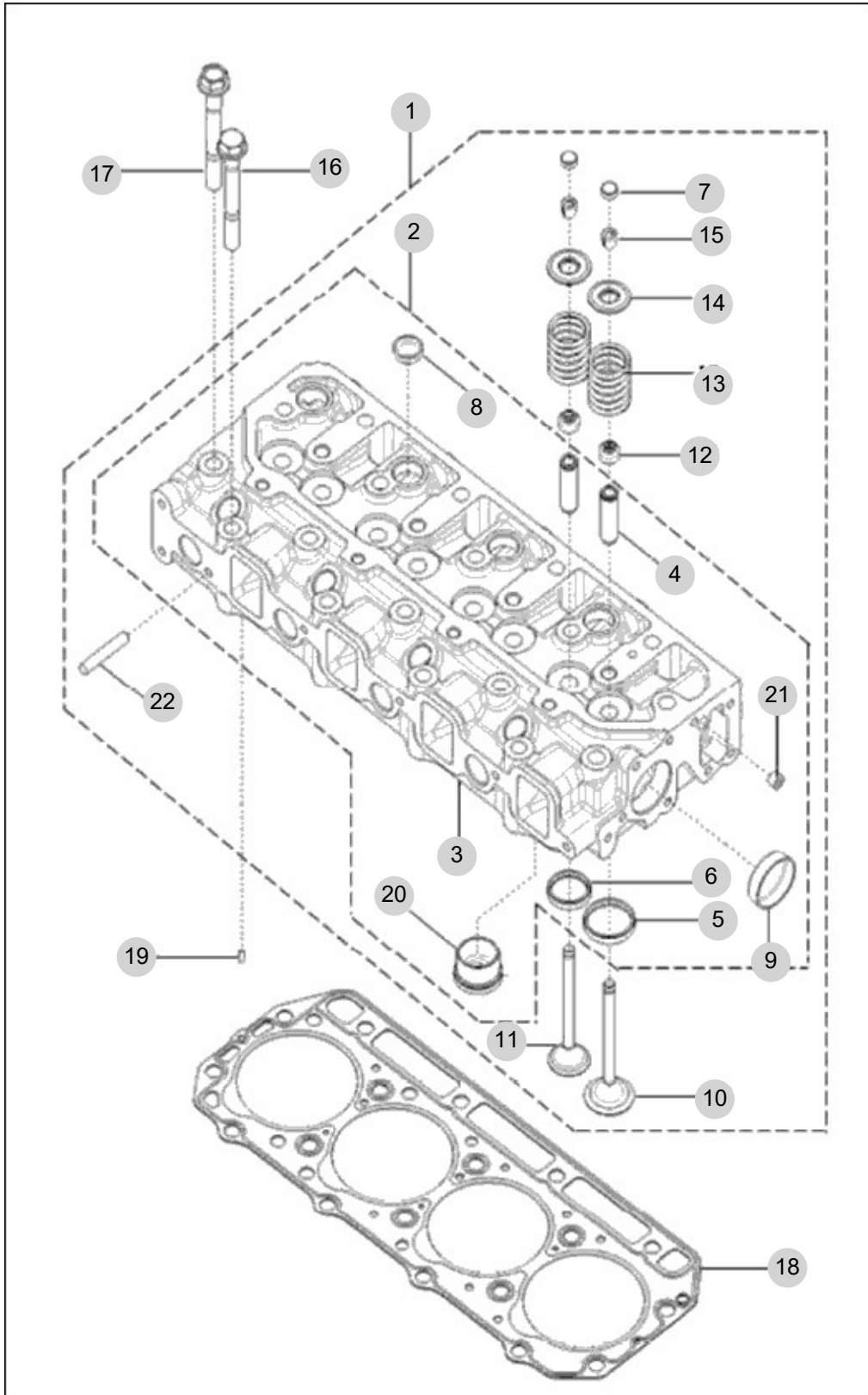
FIG 105

CYLINDER HEAD

년/월
Year/Month

2022-12

T495SHEU1



NOTE

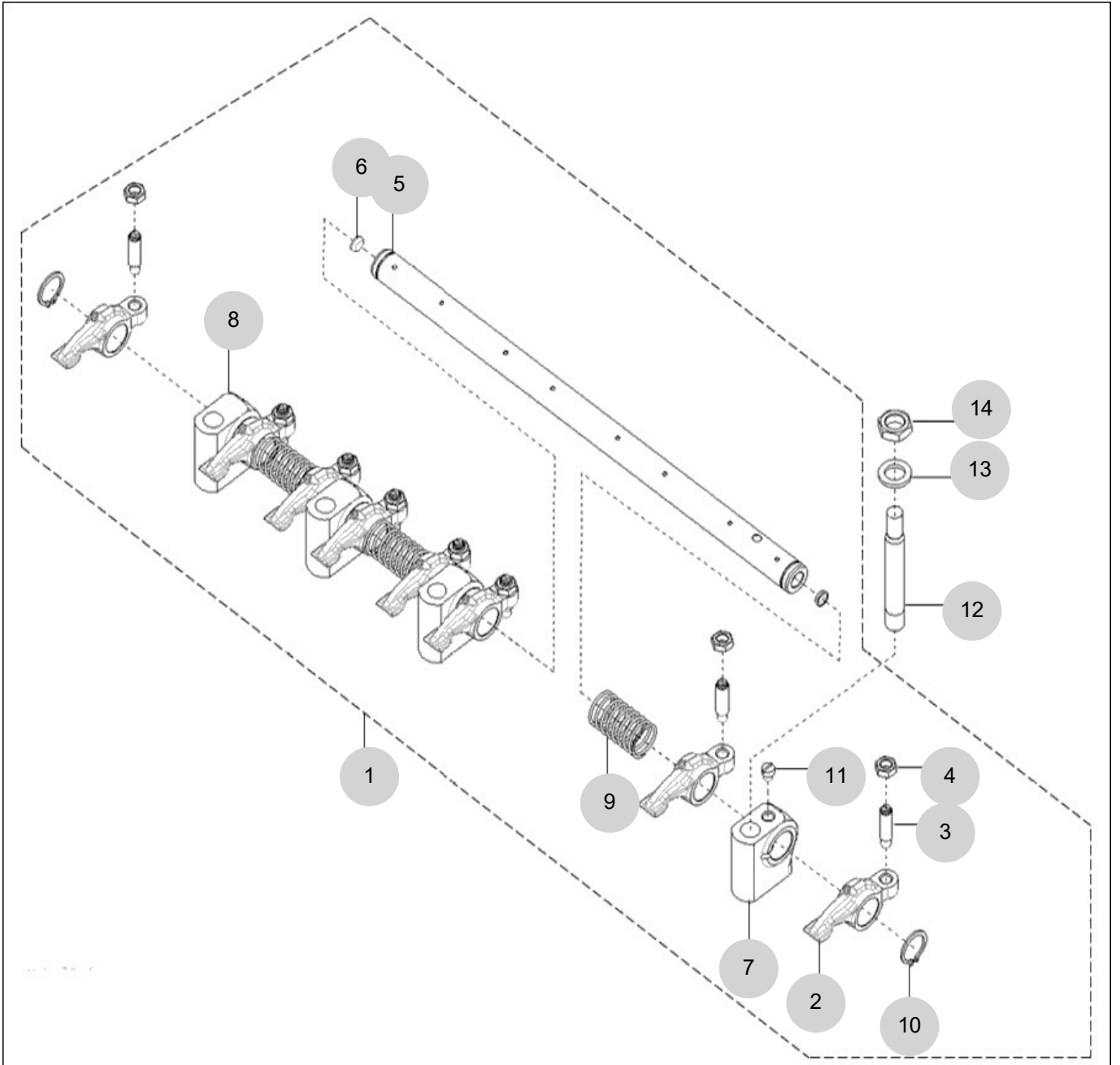
FIG 106

ROCKER LEVER

년/월
Year/Month

2022-12

T495SHEU1



NOTE

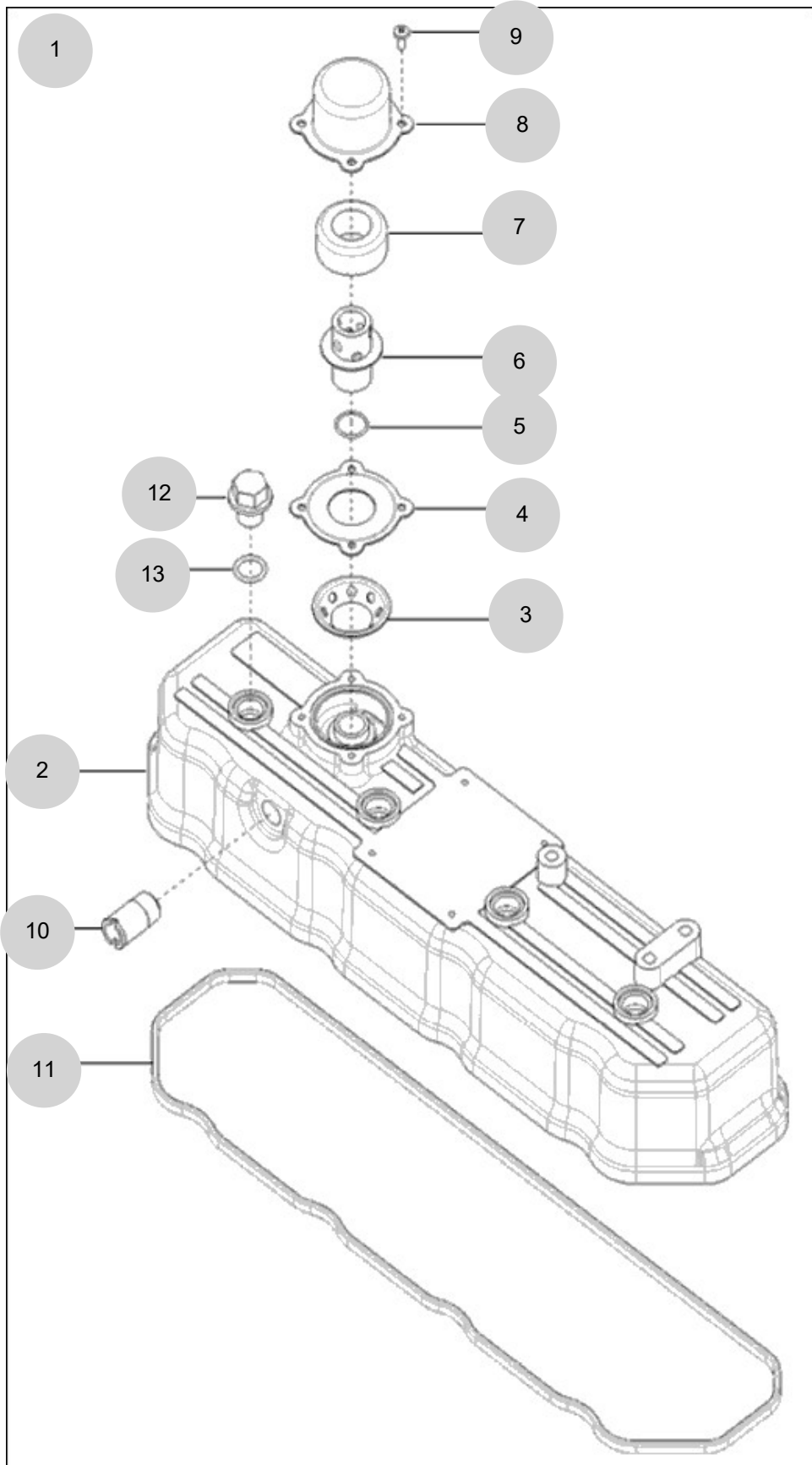
FIG 107

HEAD COVER

년/월
Year/Month

2022-12

T495SHEU1



NOTE

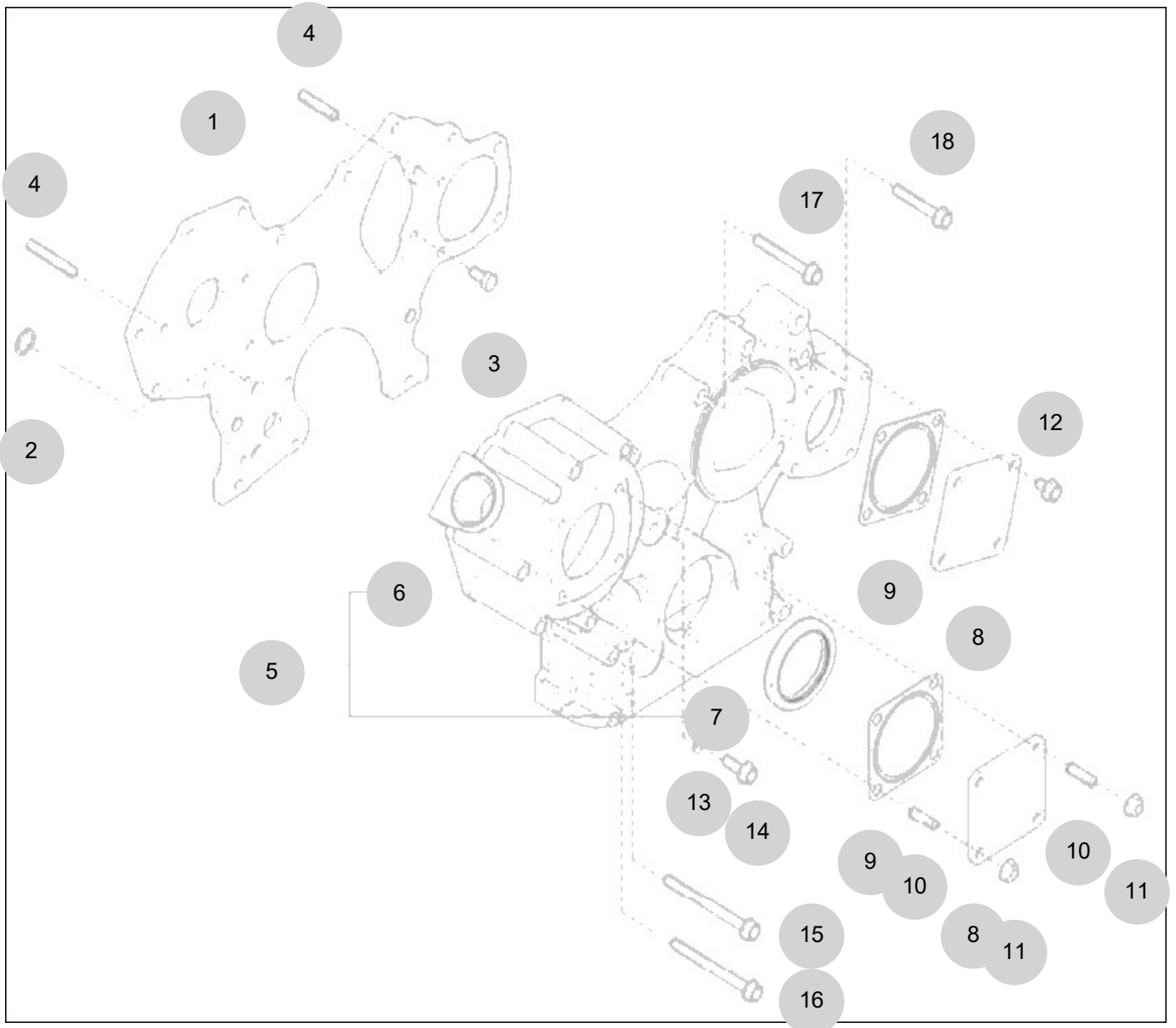
FIG 108

GEAR CASE

년/월
Year/Month

T495SHEU1

2022-12



NOTE

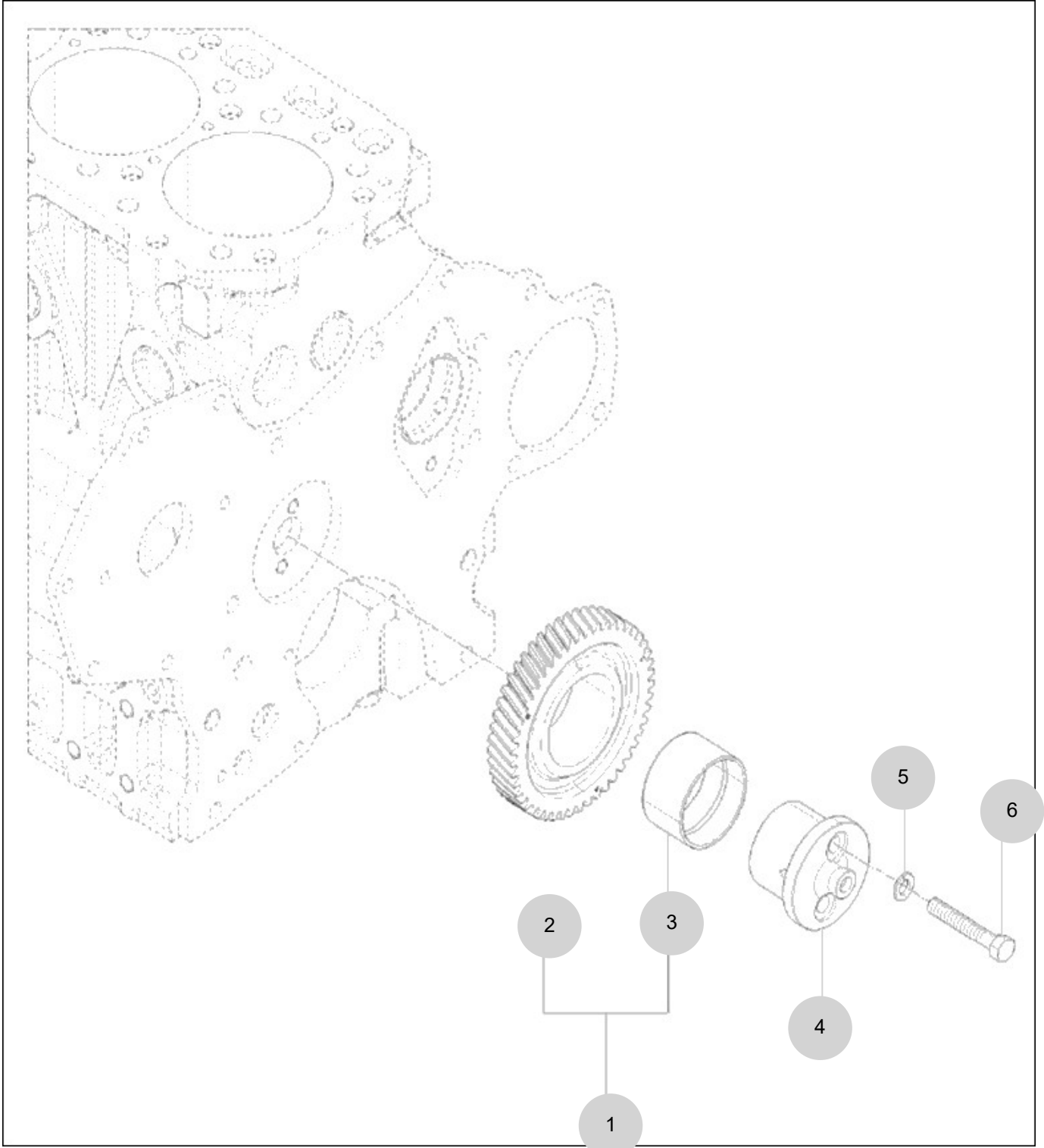
FIG 109

IDLE GEAR

년/월
Year/Month

T495SHEU1

2022-12



NOTE

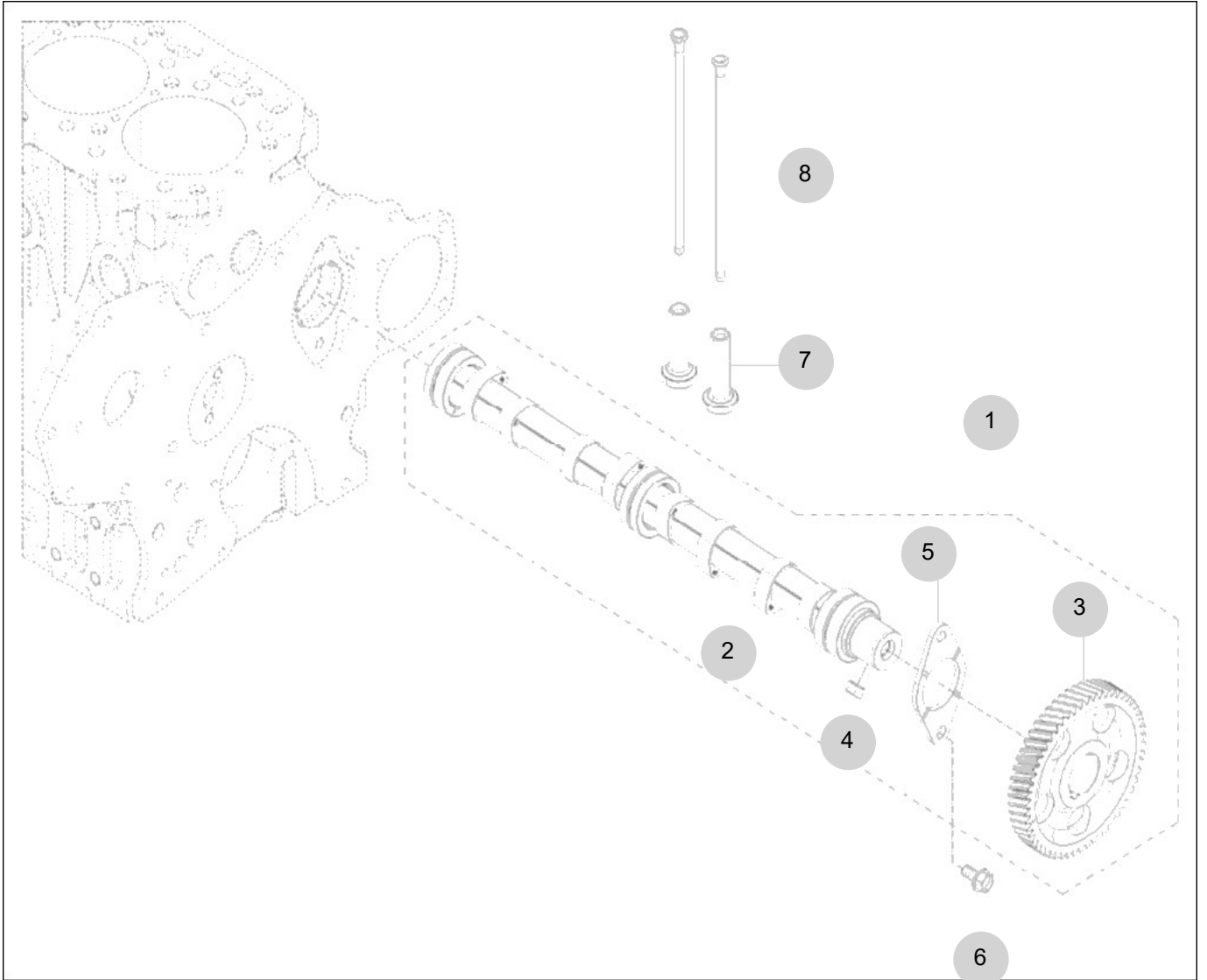
FIG 110

CAM SHAFT

년/월
Year/Month

2022-12

T495SHEU1



NOTE

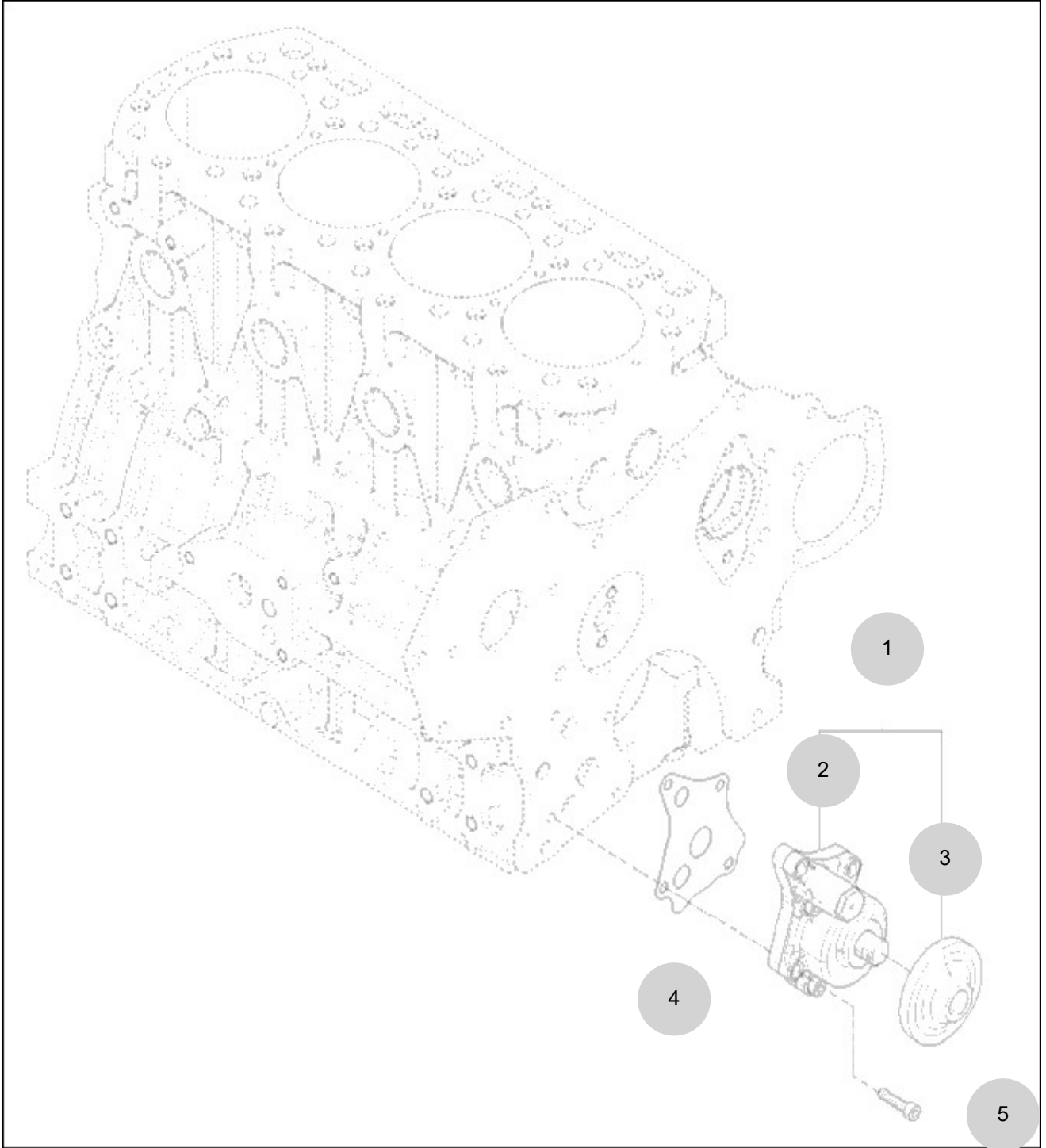
FIG 111

OIL PUMP

년/월
Year/Month

2022-12

T495SHEU1



NOTE

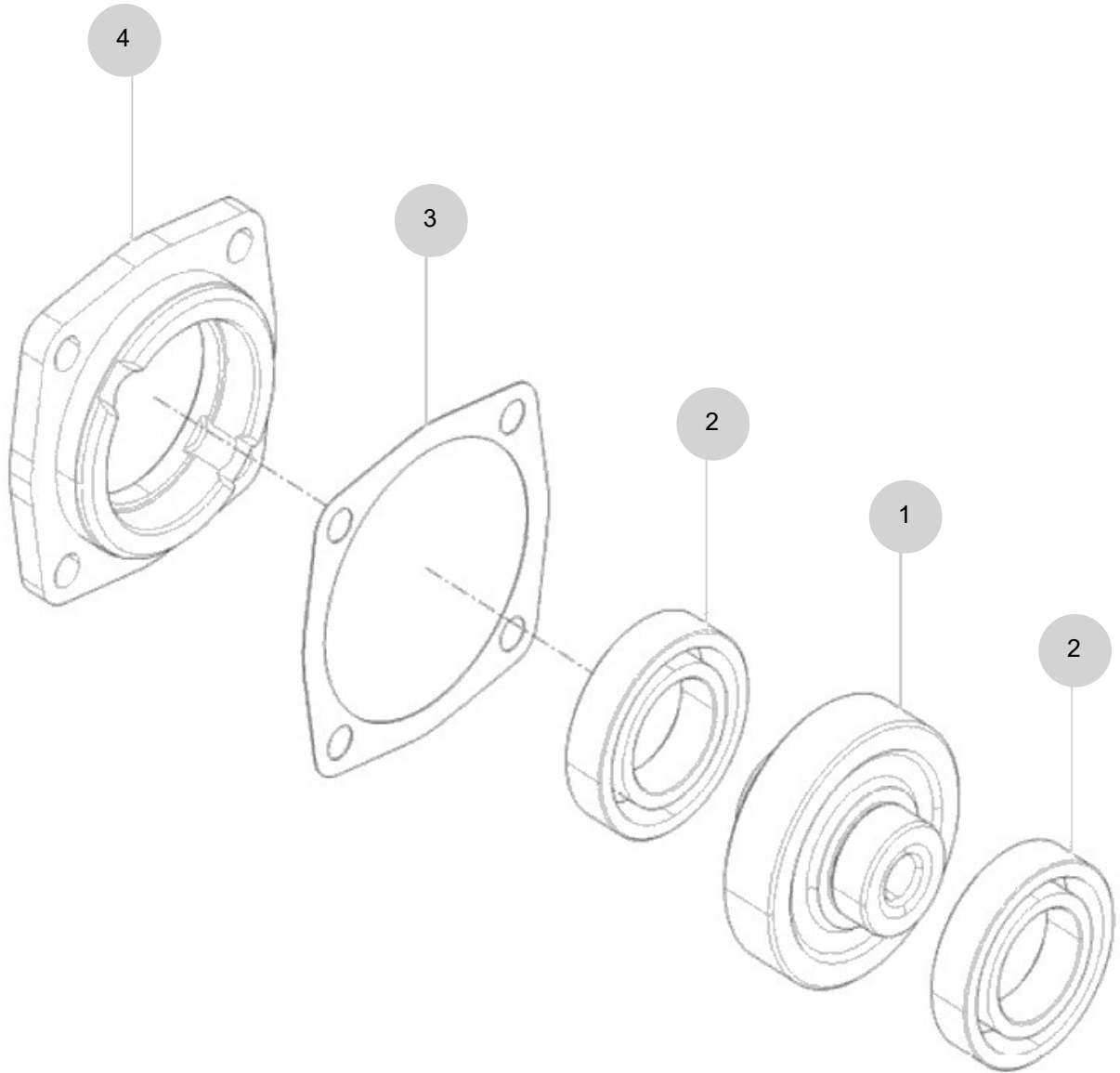
FIG 112

HYD. PUMP DRIVE

년/월
Year/Month

T495SHEU1

2022-12



NOTE

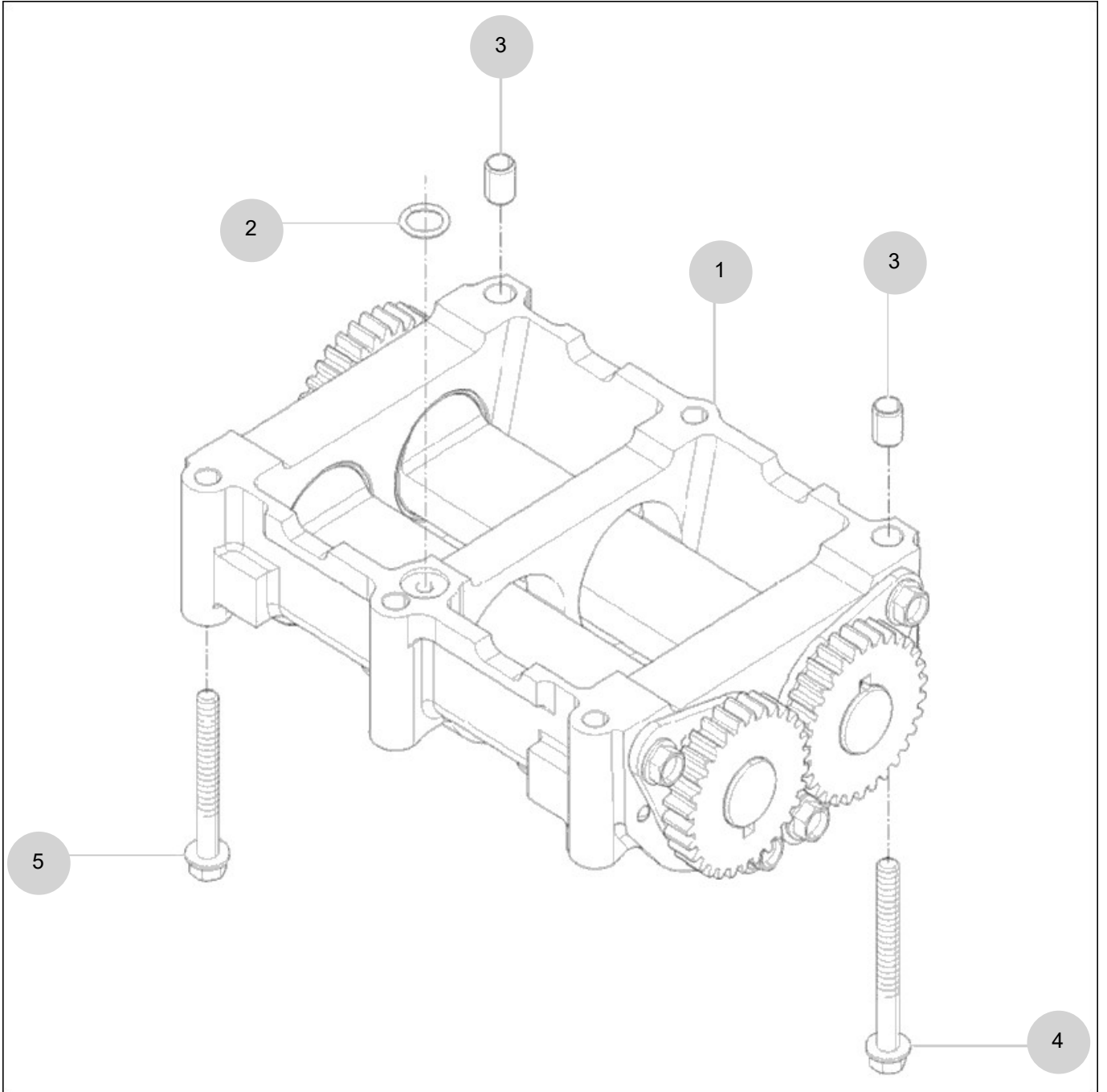
FIG 113

2ND BALANCE

년/월
Year/Month

T495SHEU1

2022-12



NOTE

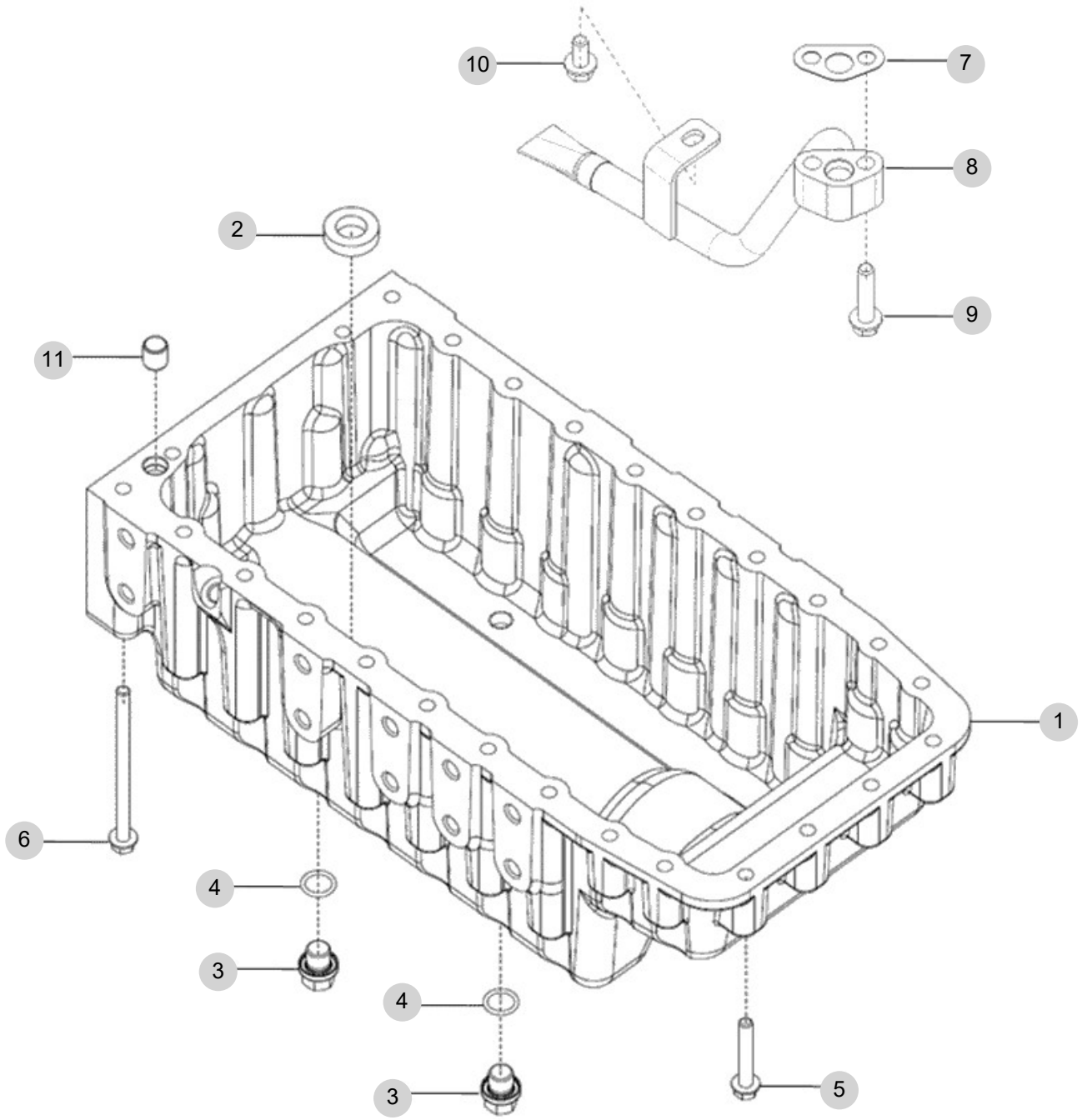
FIG 114

T495SHEU1

OIL PAN

년/월
Year/Month

2022-12



NOTE

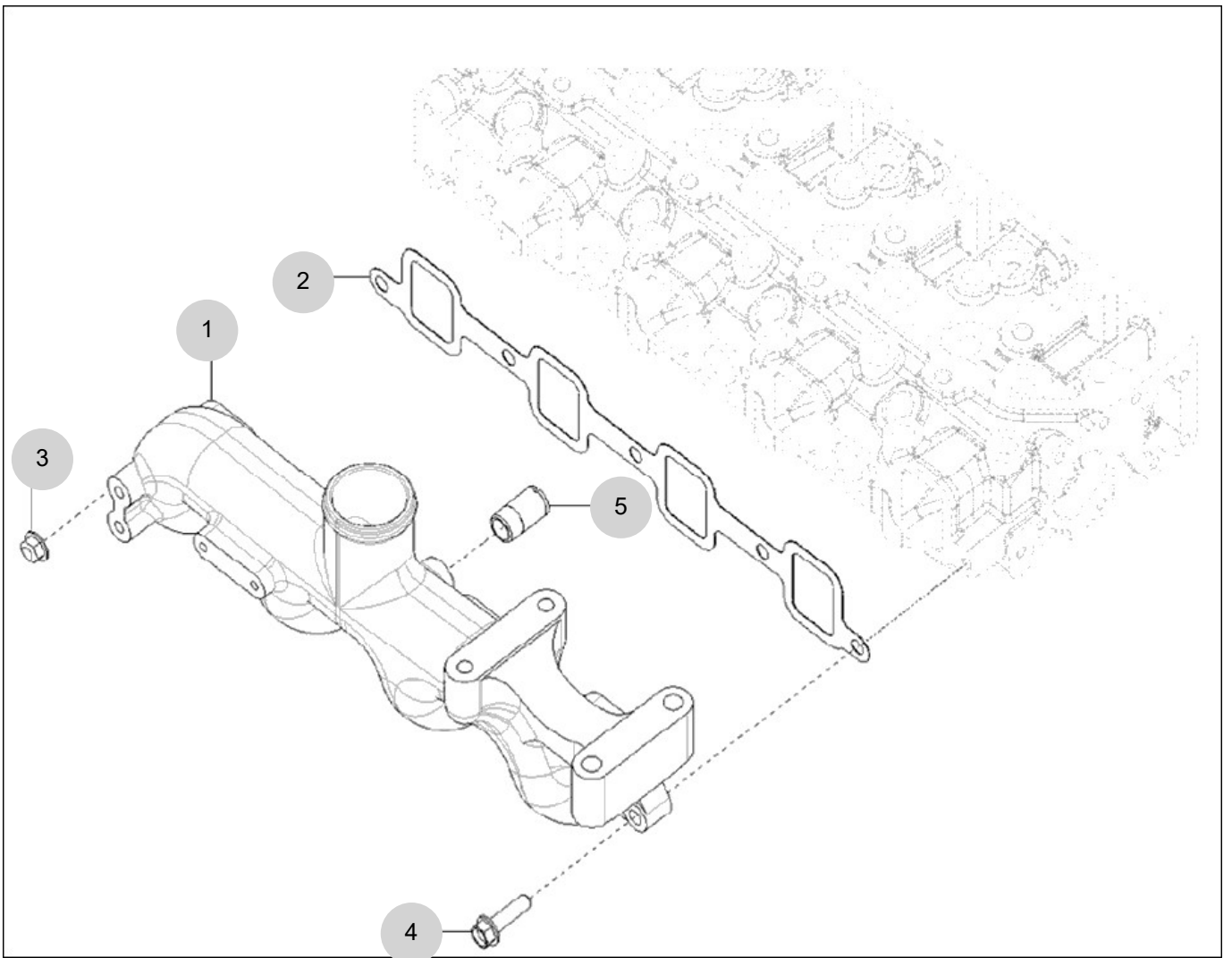
FIG 115B

T495SHEU1

INTAKE MANIFOLD(T494)

년/월
Year/Month

2022-12



NOTE

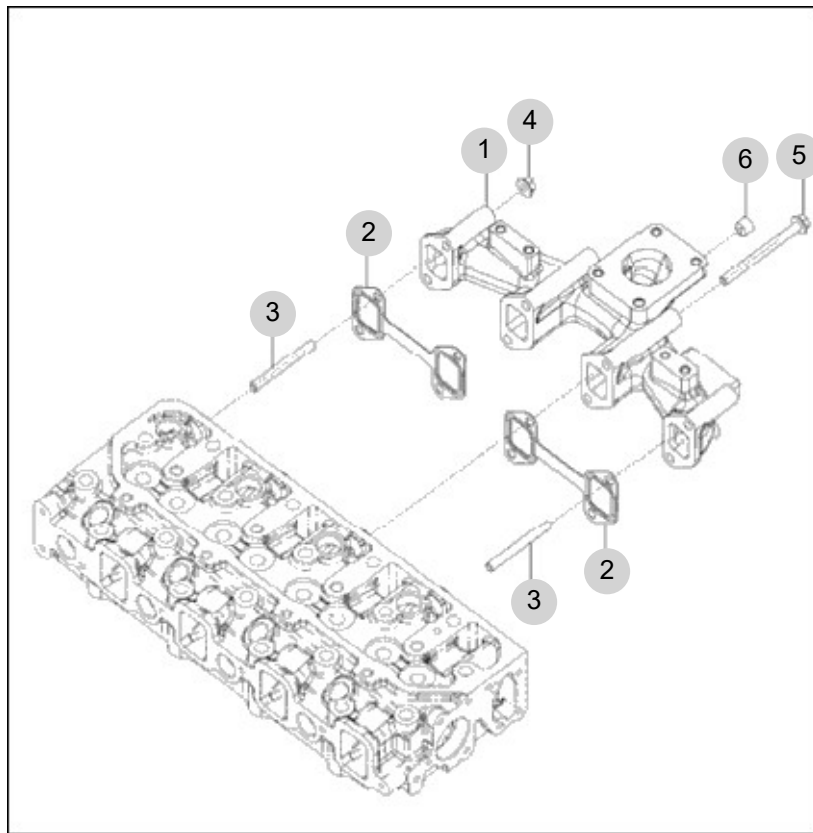
FIG 116B

T495SHEU1

EXHAUST MANIFOLD(T494)

년/월
Year/Month

2022-12



NOTE

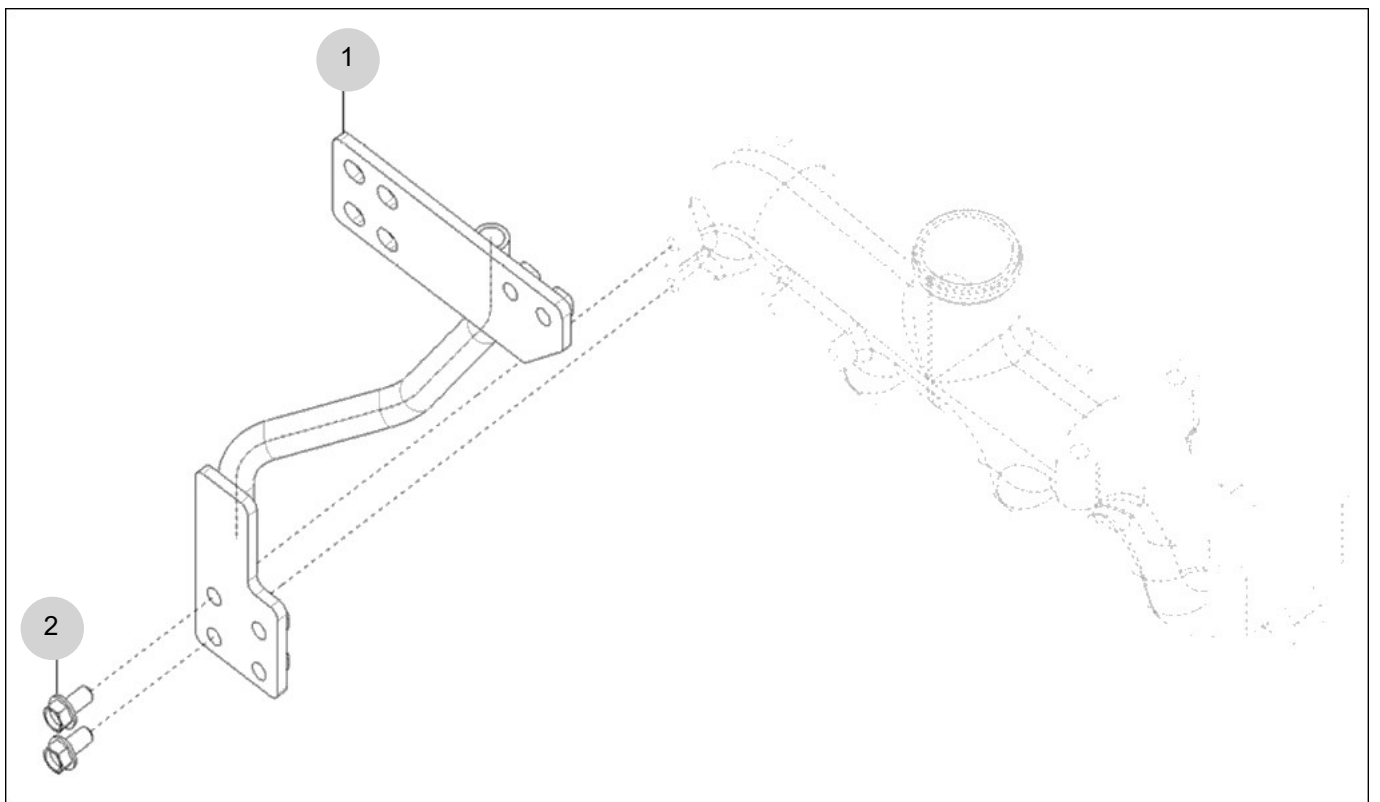
FIG 117B

TURBOCHARGER ASS'Y(T494)

년/월
Year/Month

2022-12

T495SHEU1



NOTE

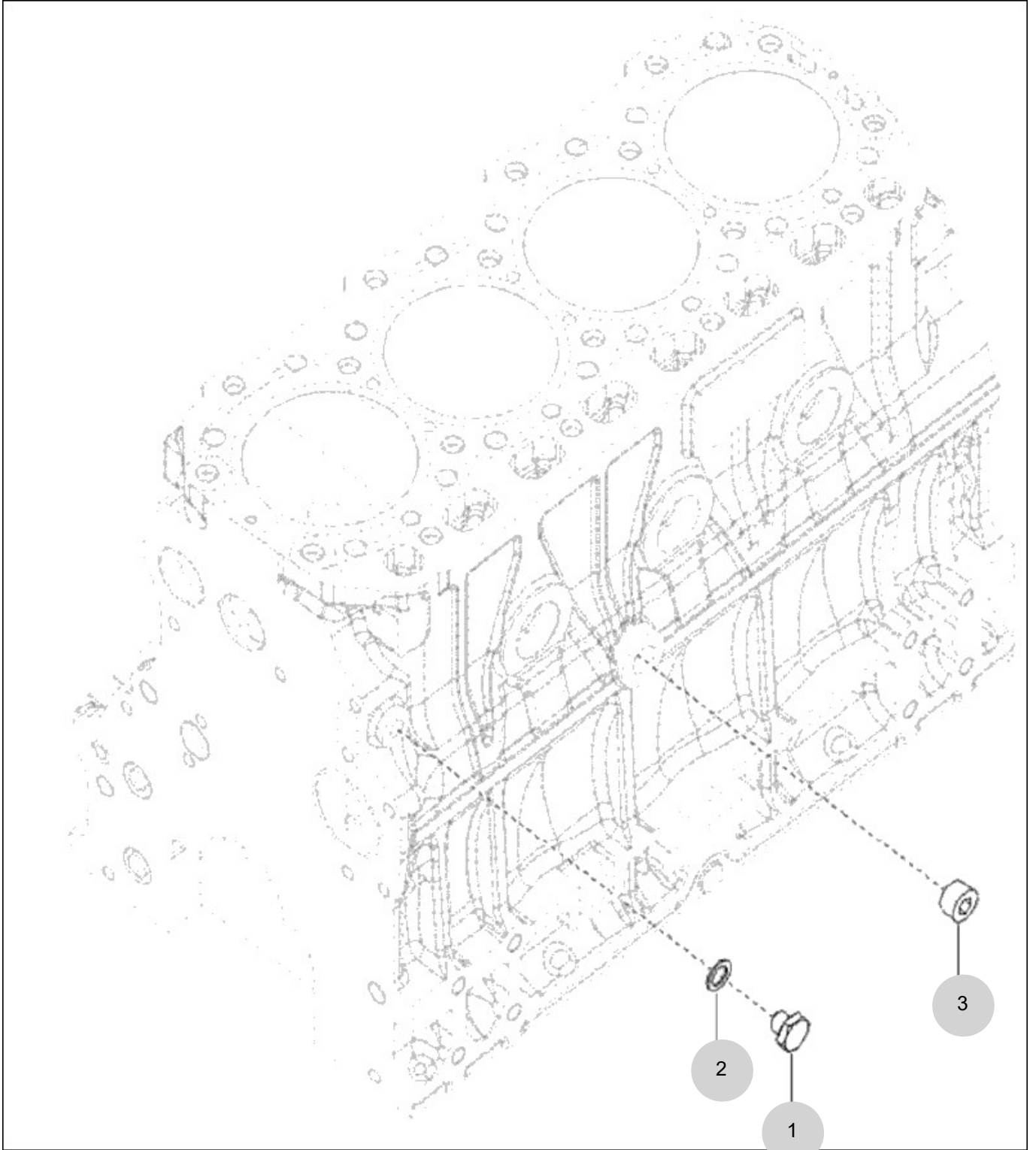
FIG 118B

TURBOCHARGER PLUMBING OPTION(T494)

년/월
Year/Month

2022-12

T495SHEU1



NOTE

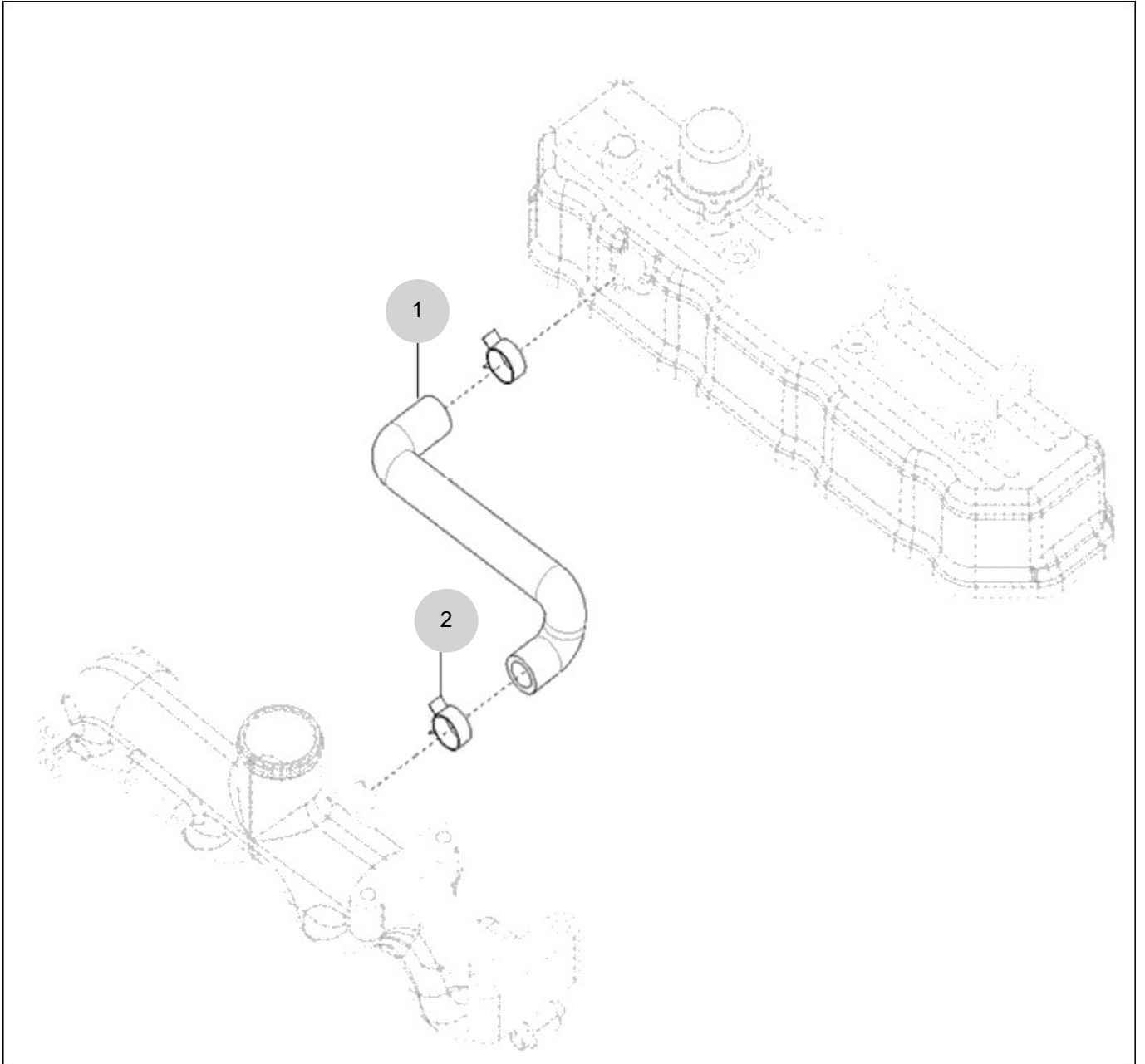
FIG 119B

BREATHER(T494)

년/월
Year/Month

2022-12

T495SHEU1



NOTE

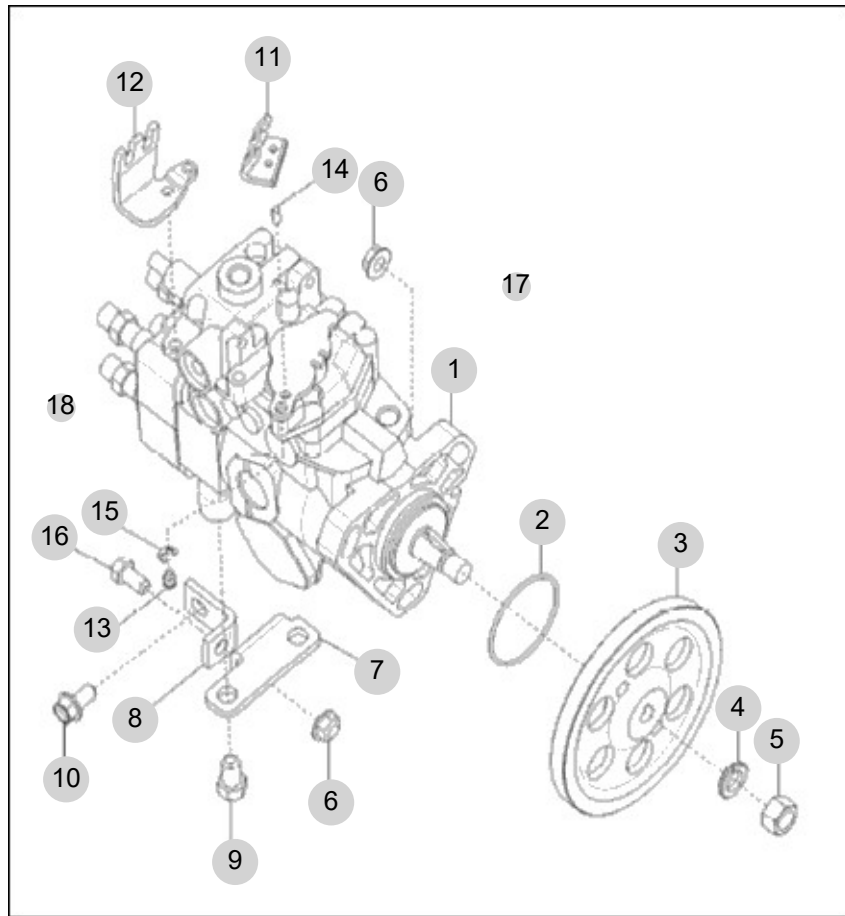
FIG 120

FUEL INJECTION PUMP

년/월
Year/Month

2022-12

T495SHEU1



NOTE

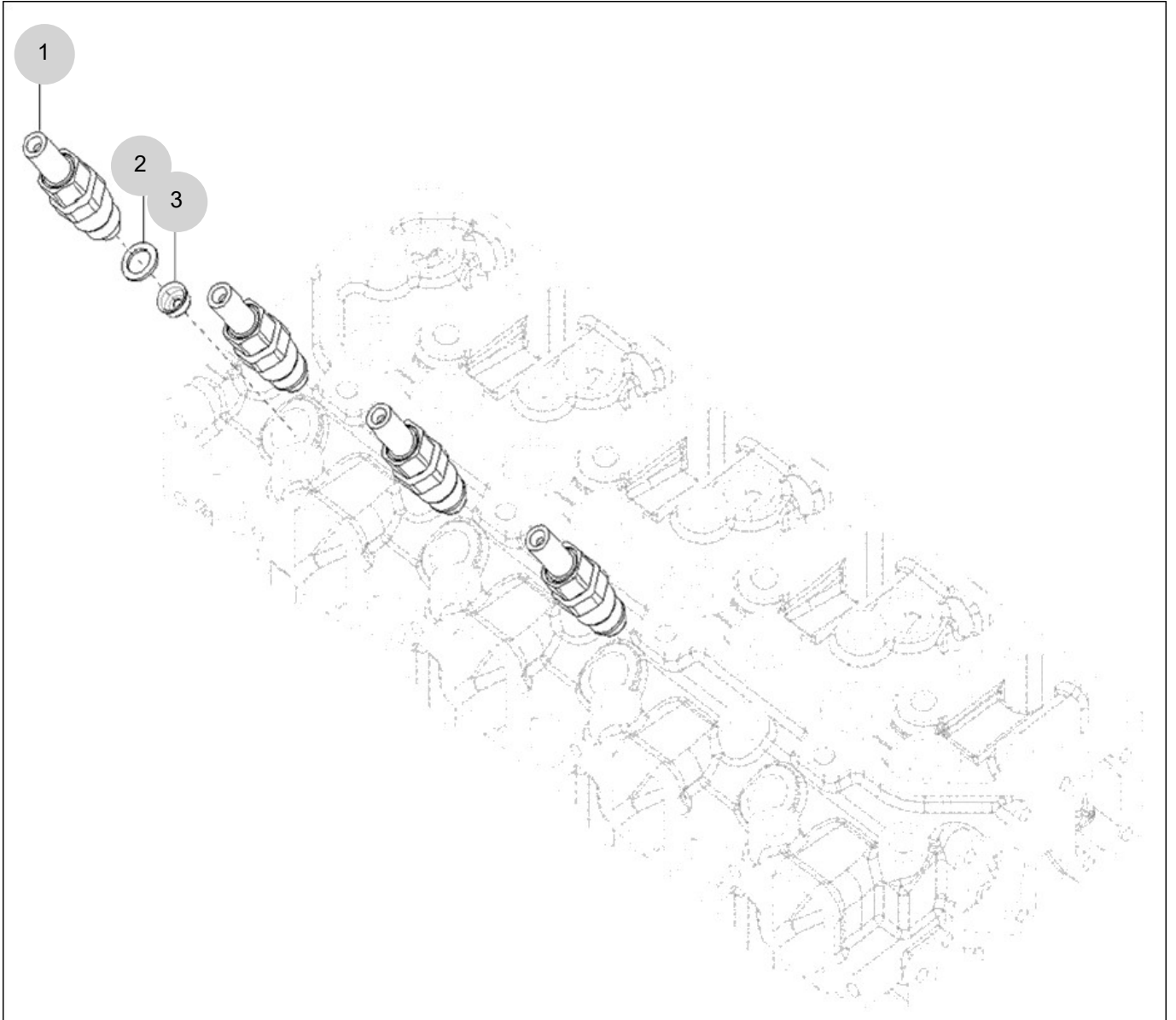
FIG 121

FUEL INJECTION VALVE

년/월
Year/Month

T495SHEU1

2022-12



NOTE

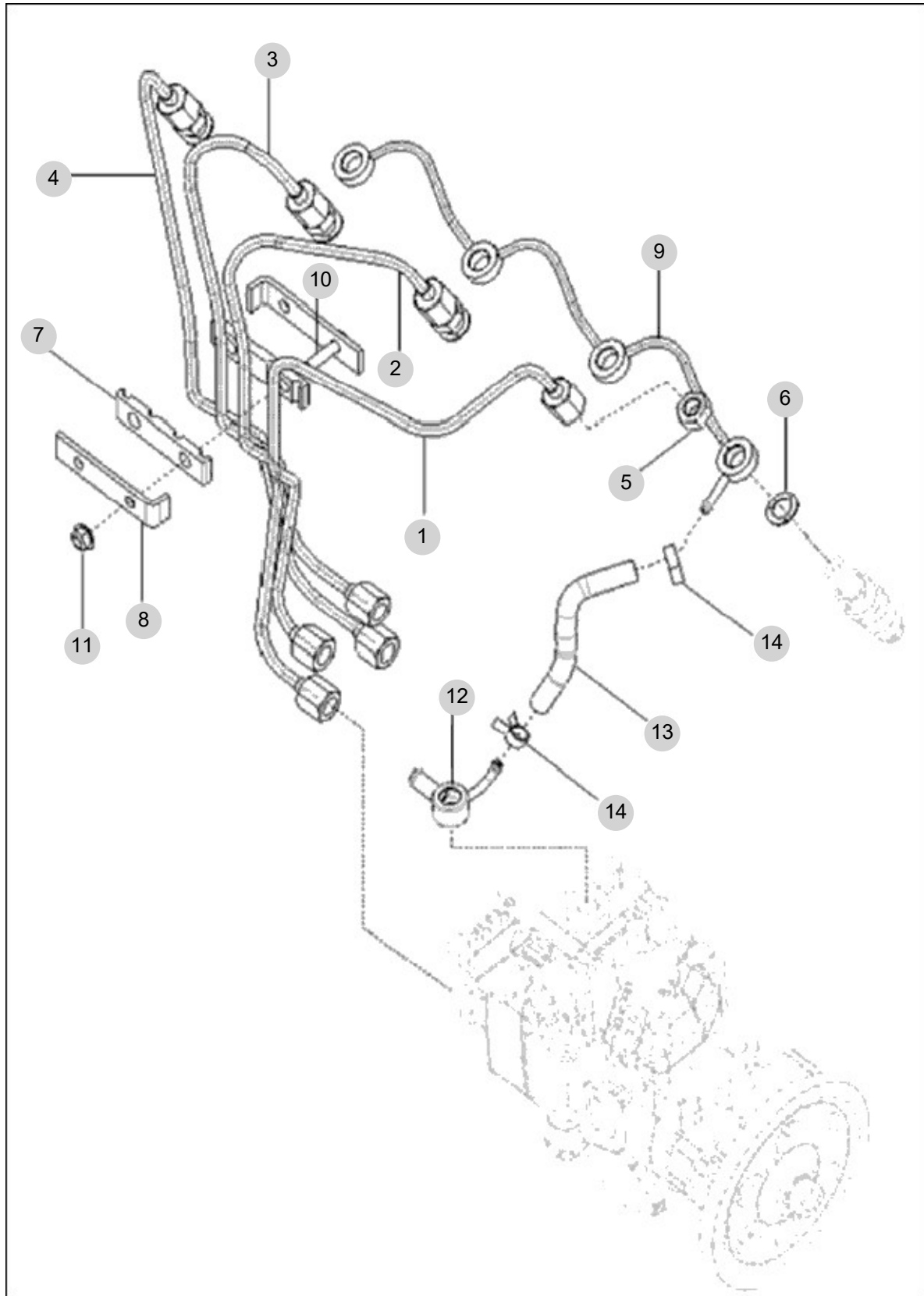
FIG 122

FUEL PIPE ASS'Y

년/월
Year/Month

2022-12

T495SHEU1



NOTE

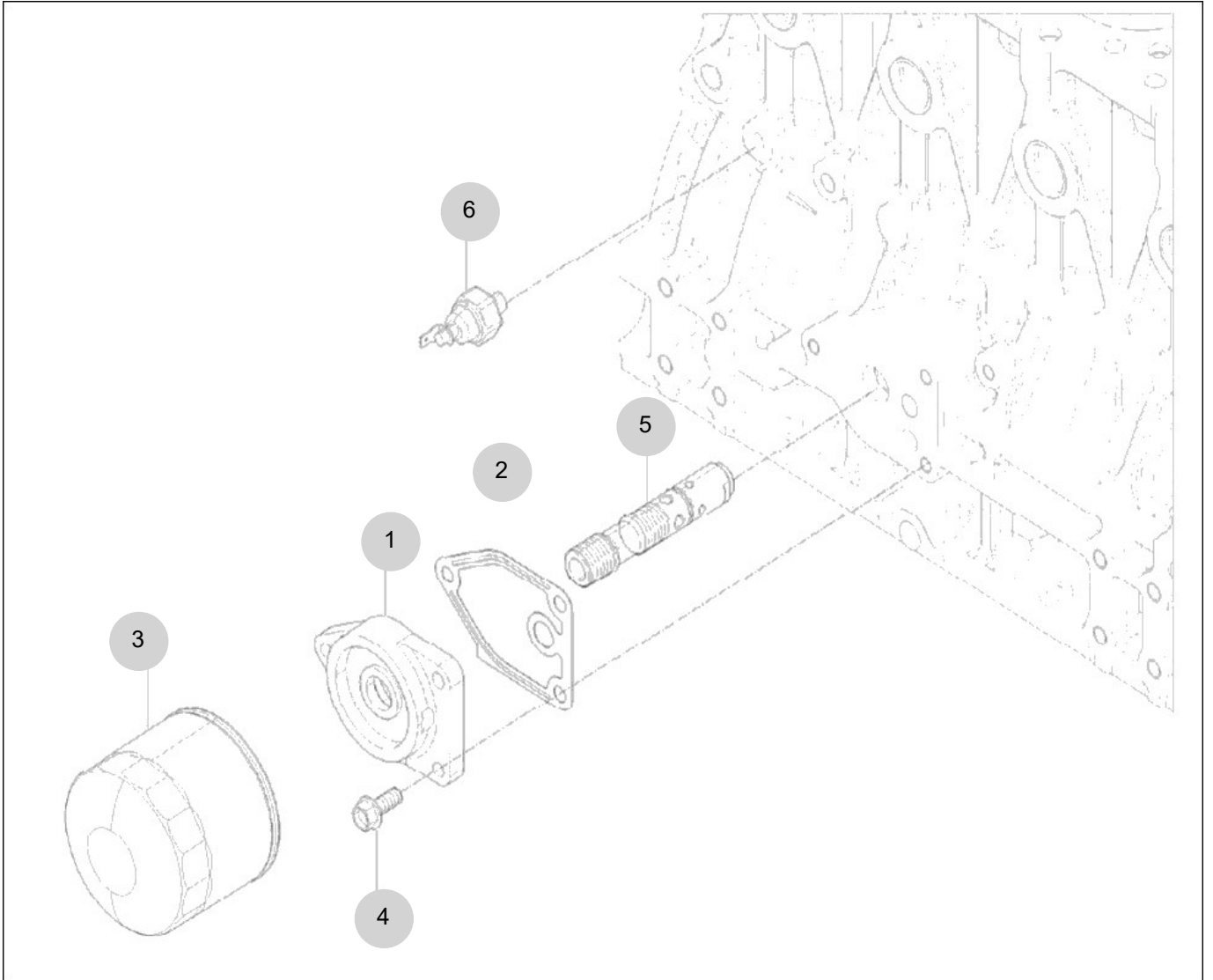
FIG 123

T495SHEU1

OIL FILTER

년/월
Year/Month

2022-12



NOTE

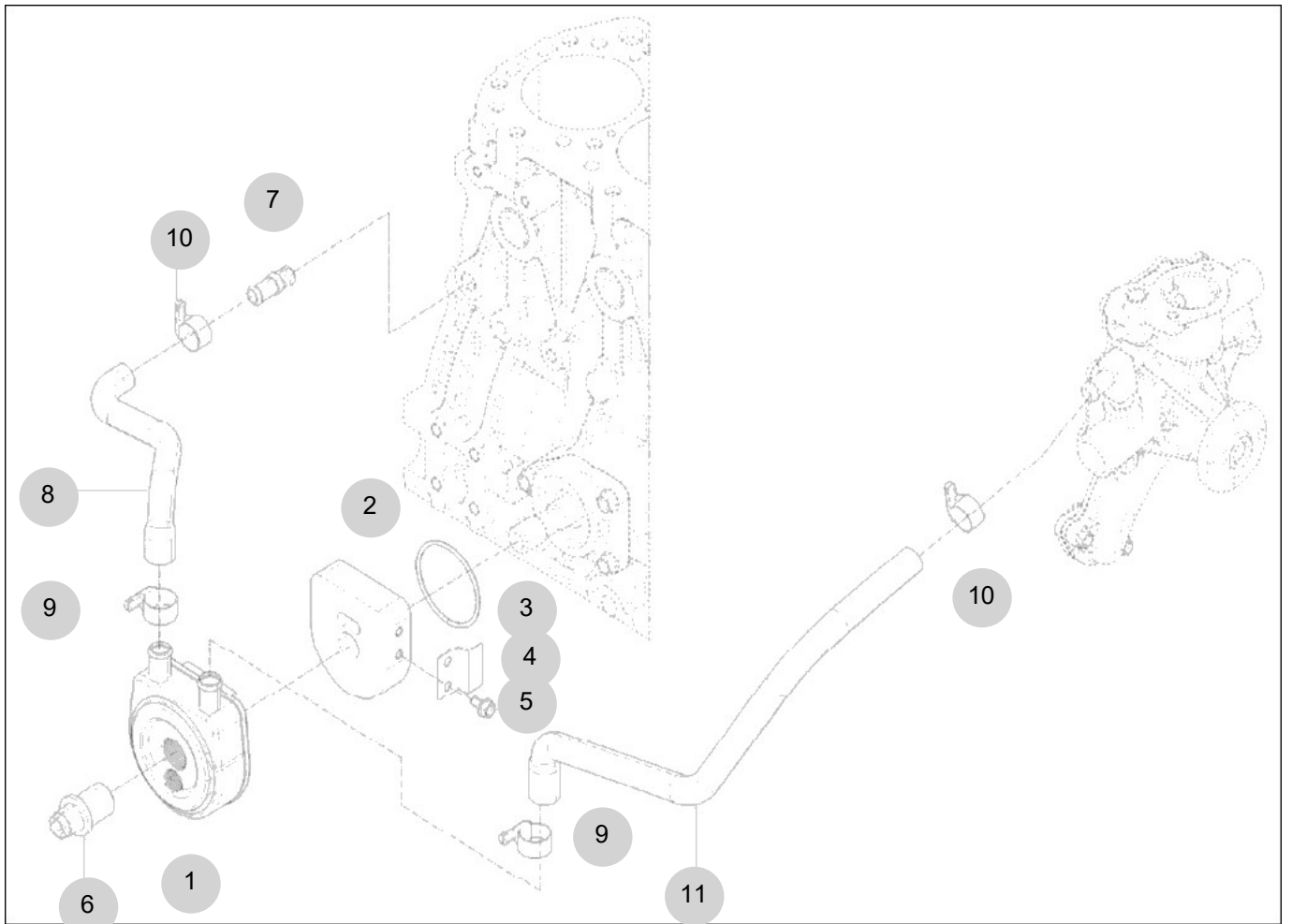
FIG 124

OIL COOLER

년/월
Year/Month

T495SHEU1

2022-12



NOTE

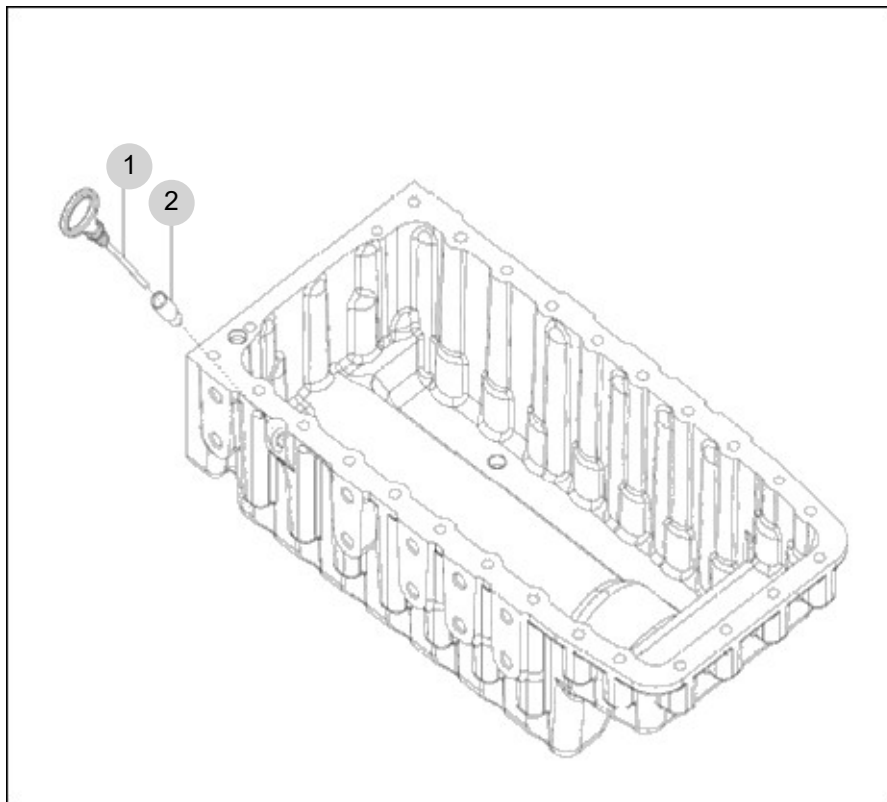
FIG 125

OIL GAUGUE

년/월
Year/Month

2022-12

T495SHEU1



NOTE

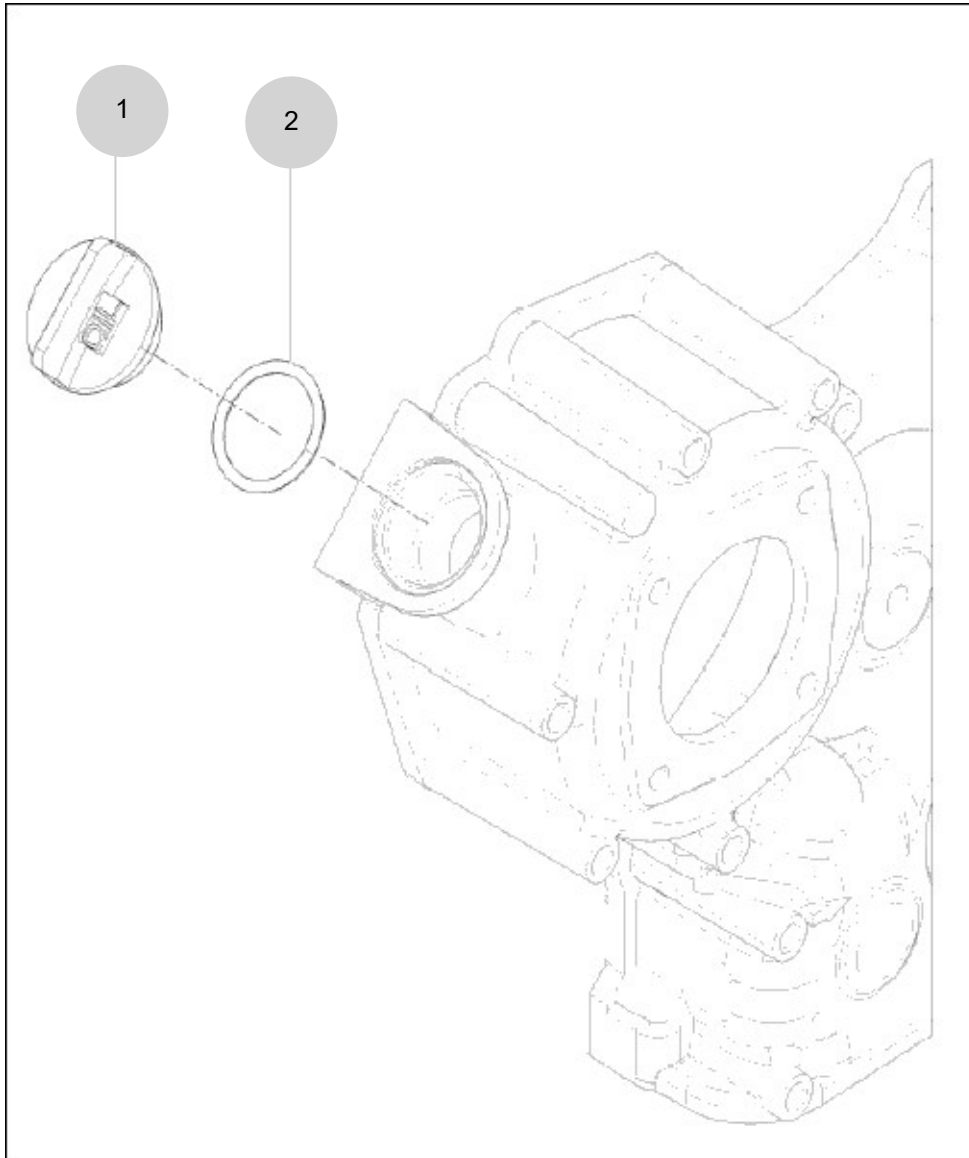
FIG 126

T495SHEU1

OIL FILLER CAP

년/월
Year/Month

2022-12



NOTE

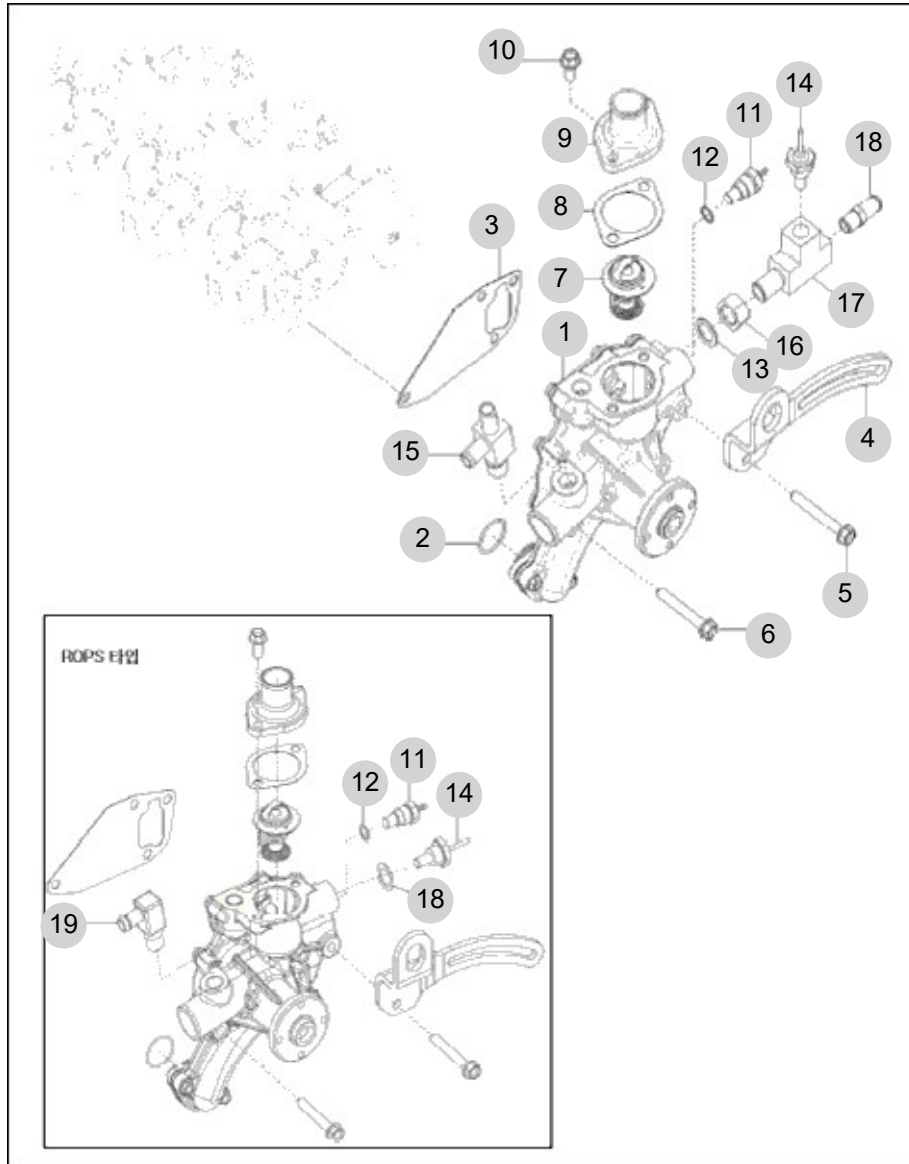
FIG 127

COOLING WATER PUMP

년/월
Year/Month

2022-12

T495SHEU1



NOTE

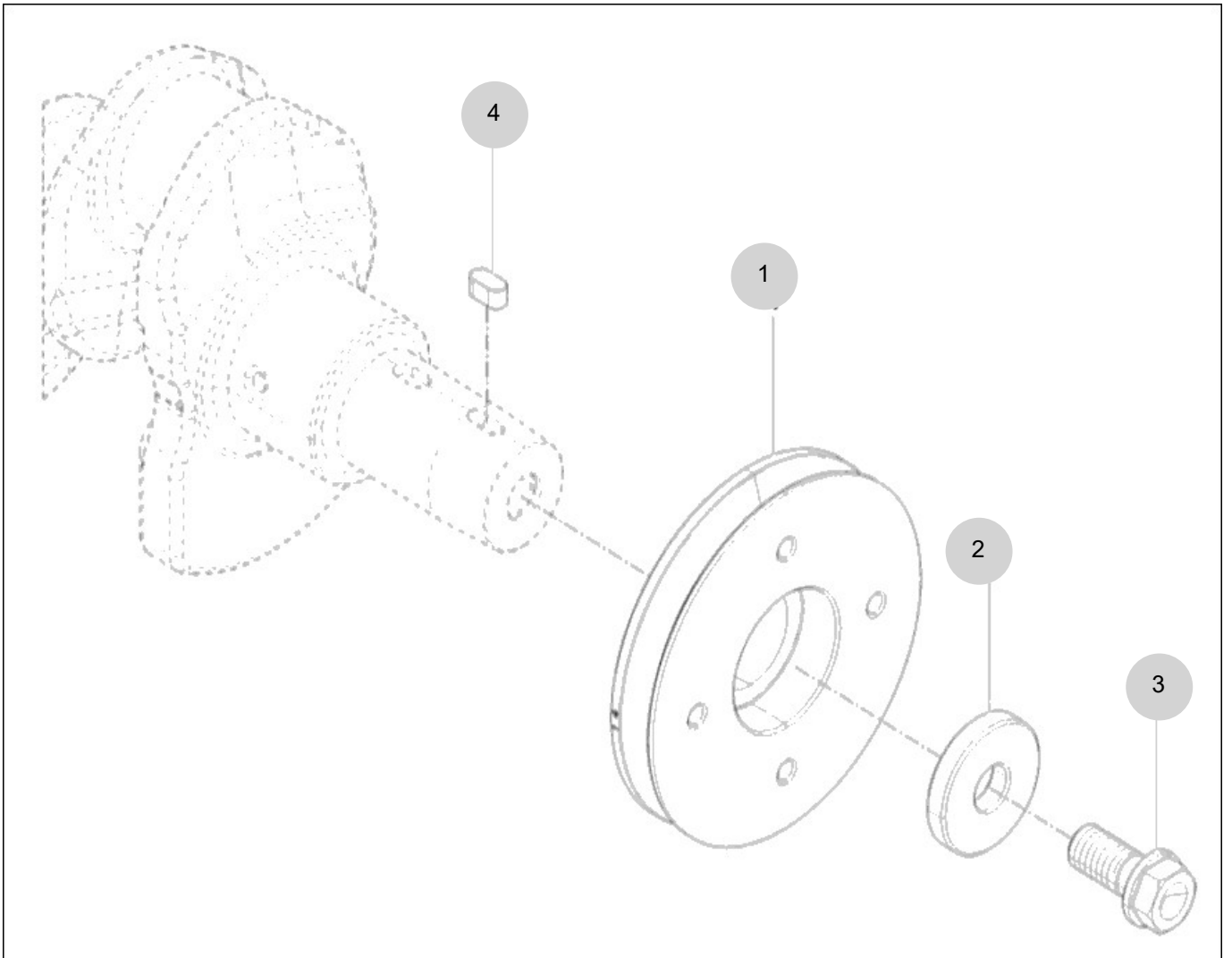
FIG 128

CRANK SHAFT PULLEY

년/월
Year/Month

2022-12

T495SHEU1



NOTE

FIG 128 T495SHEU1		CRANK SHAFT PULLEY						년/월 Year/Month	
								2022-12	
KEY NO	PART NO	DESCRIPTION	SPEC	QTY	REPAIR	EFFECTIVE DATE	REMARKS		
128	1	HRU0020100C	V-PULLEY(CRANK SHAFT)	1					
128	2	HRA0800800A	WASHER(V-PULLEY)	1					
128	3	HH09090000A	BOLT(V-PULLEY)	1					
128	4	22512-070140	KEY, SQUARE	1					
NOTE									

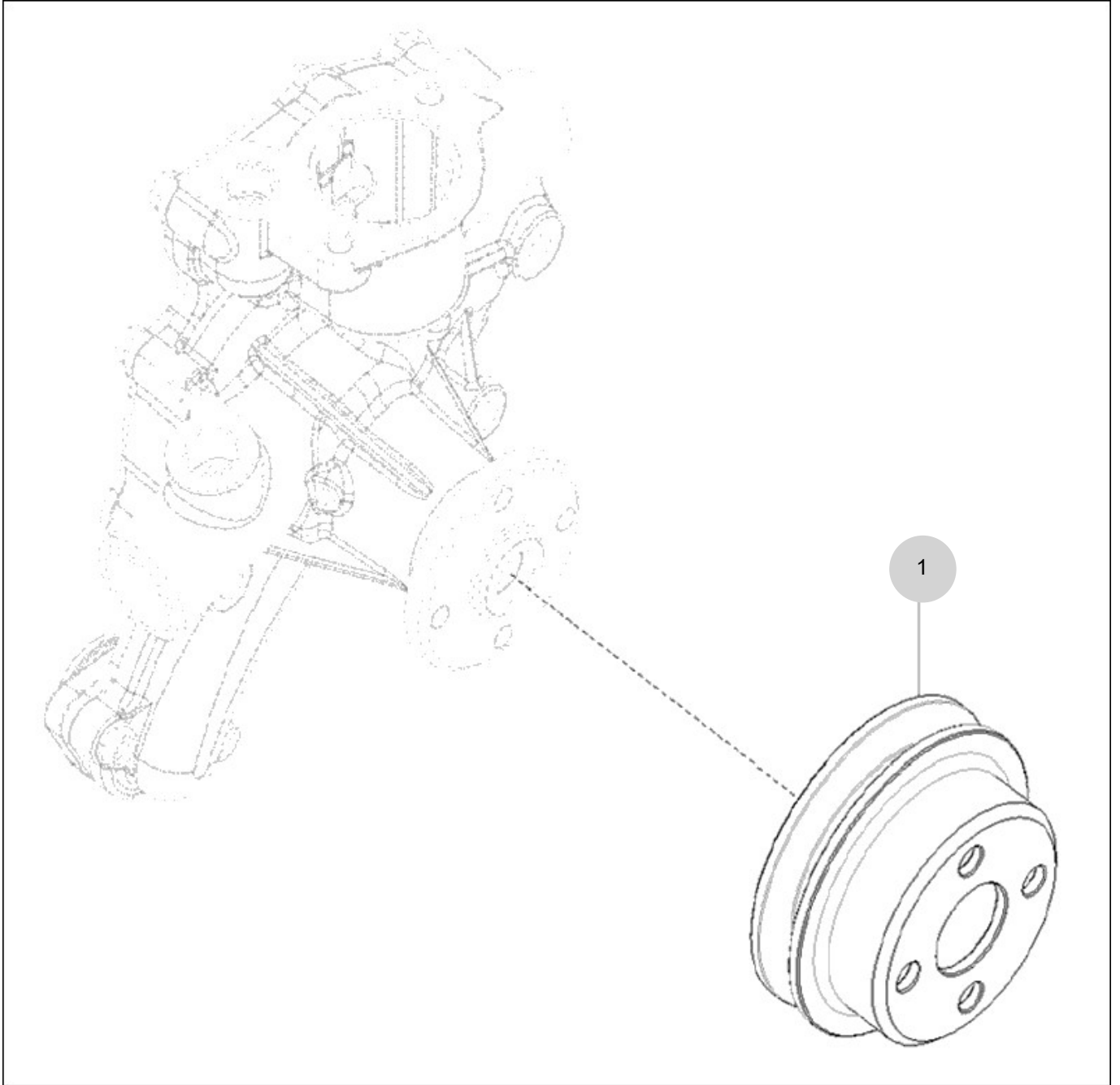
FIG 129

V-PULLEY

년/월
Year/Month

2022-12

T495SHEU1



NOTE

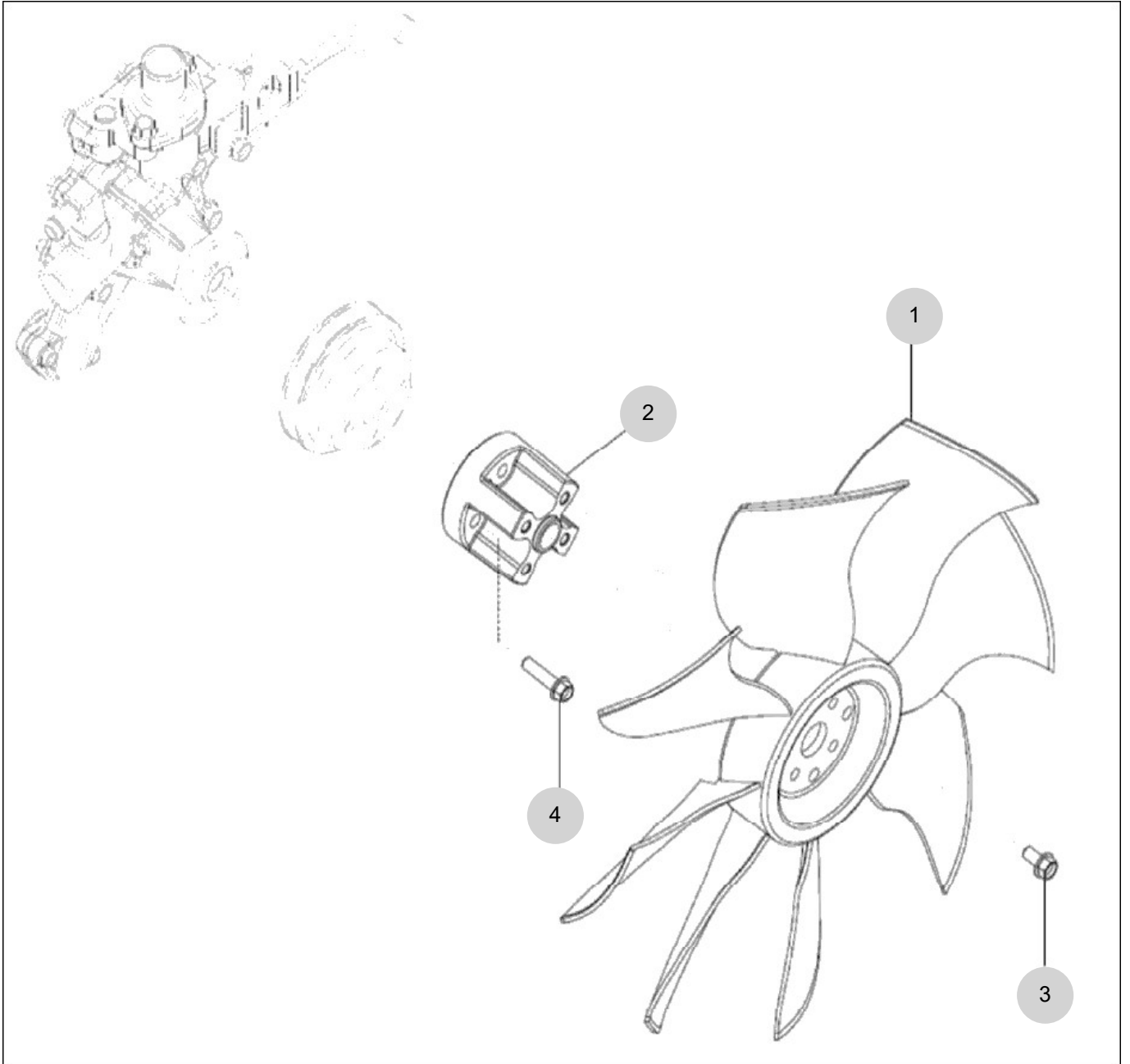
FIG 130

COOLING FAN

년/월
Year/Month

2022-12

T495SHEU1



NOTE

FIG 130		COOLING FAN						년/월 Year/Month
T495SHEU1								2022-12
KEY NO	PART NO	DESCRIPTION	SPEC	QTY	REPAIR	EFFECTIVE DATE	REMARKS	
130	1	EA00005866A	냉각팬(원 팬/442)					
130	2	EA00004968A	SPACER	60 mm				
130	3	26106-080162	육각플랜지볼트					
130	4	26106-080322	육각플랜지볼트					
NOTE								

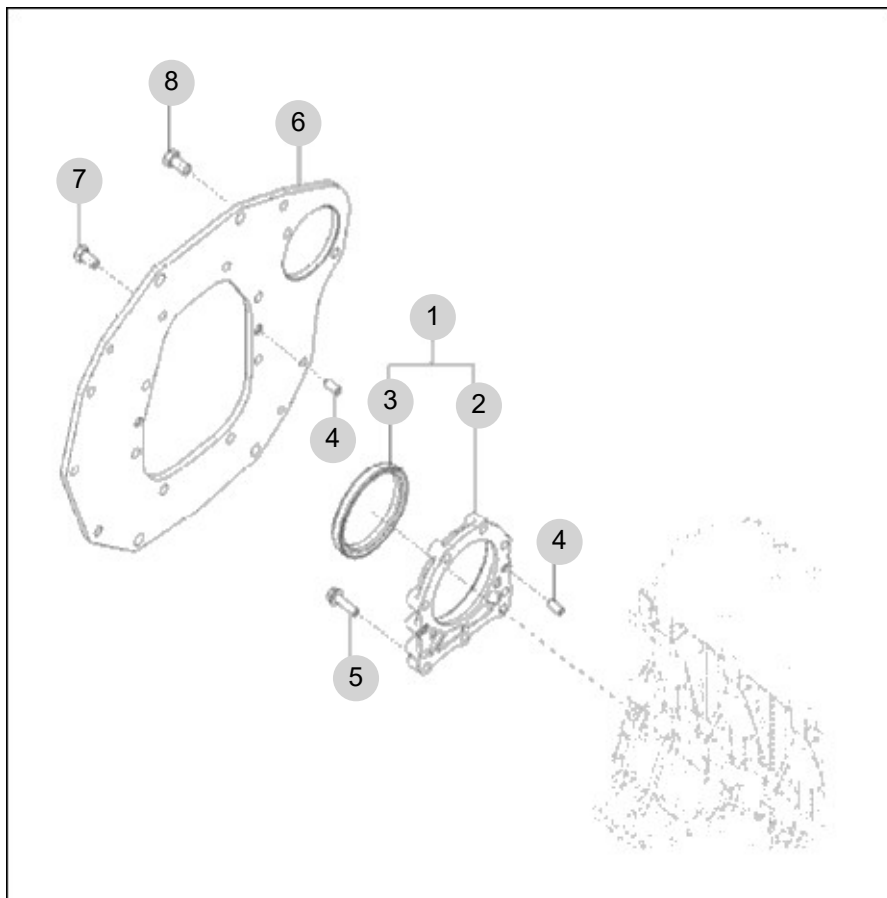
FIG 131

FLYWHEEL HOUSING

년/월
Year/Month

2022-12

T495SHEU1



NOTE

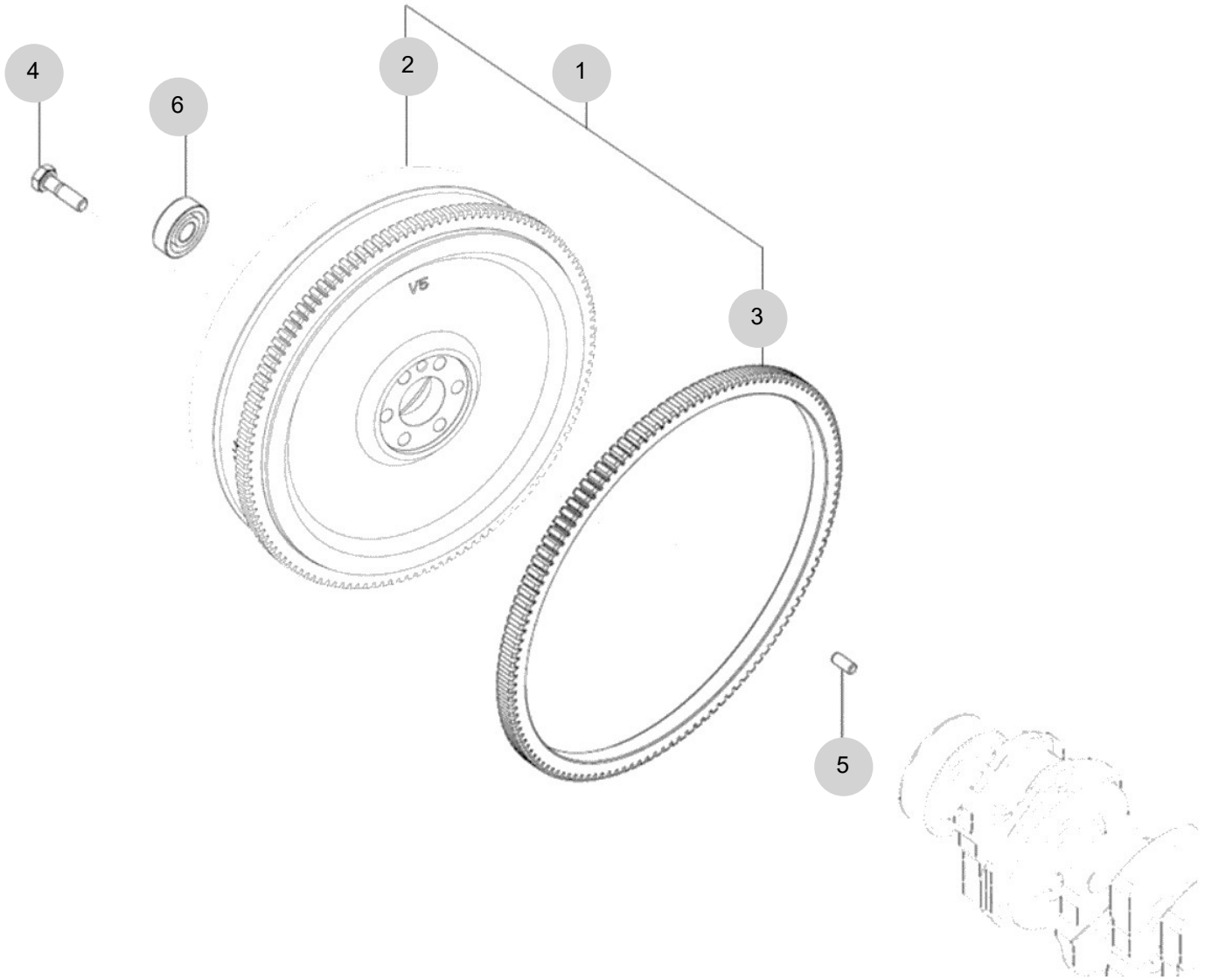
FIG 132

FLYWHEEL

년/월
Year/Month

2022-12

T495SHEU1



NOTE

FIG 132		FLYWHEEL						년/월 Year/Month	
								2022-12	
T495SHEU1		KEY NO	PART NO	DESCRIPTION	SPEC	QTY	REPAIR	EFFECTIVE DATE	REMARKS
132	1	EA00005604A	FLYWHEEL ASSY			1			
132	2	EA00005605A	FLYWHEEL			1			
132	3	HA07070000A	링 기어			1			
132	4	HRC0801000A	BOLT, FLYWHEEL			6			
132	5	22312-080160	핀(22312080160-로 주문변경)			1			
132	6	24104-063024	깊은홈 볼베어링			1			
NOTE									

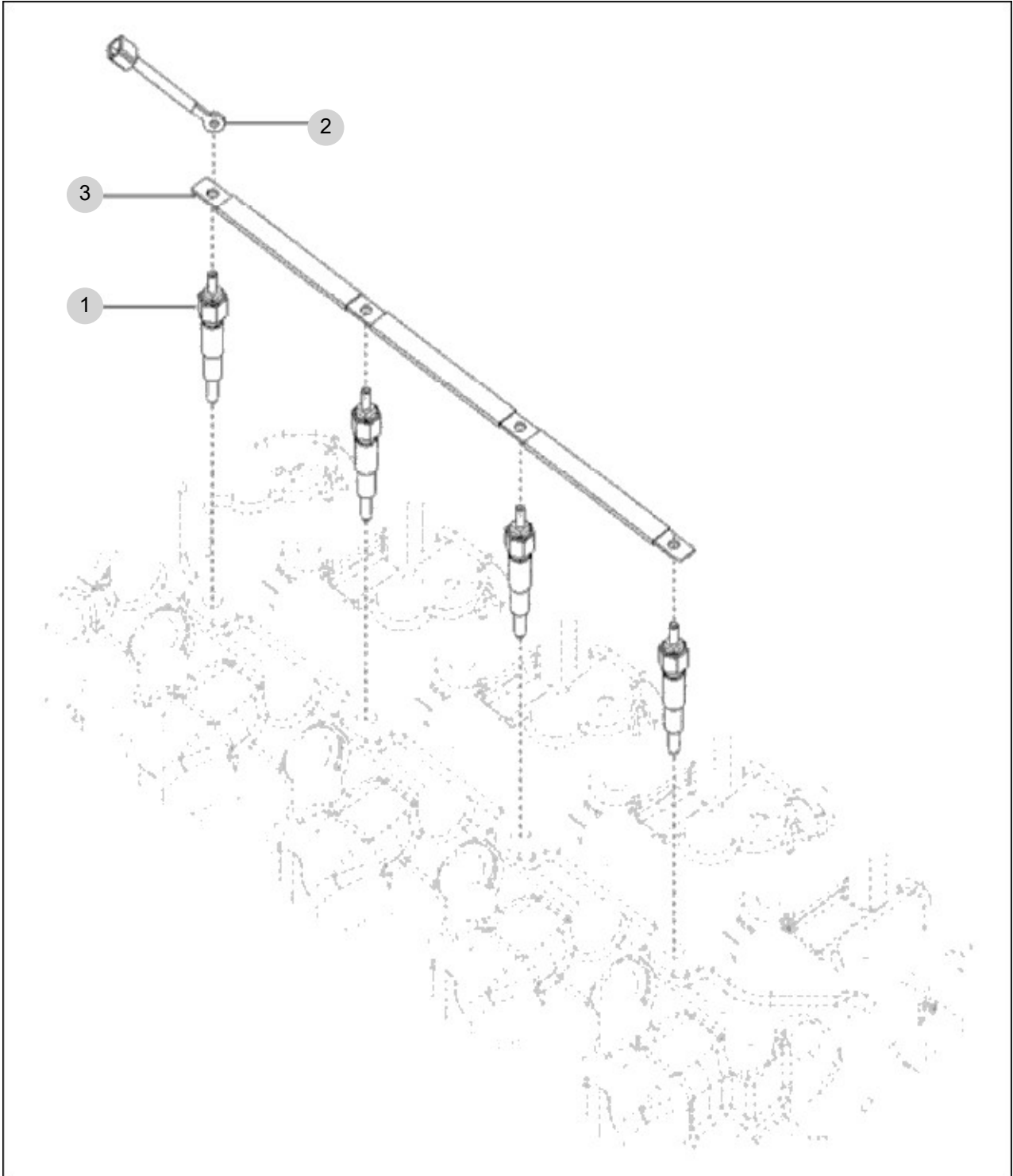
FIG 133

GLOW PLUG ASS'Y OPTION

년/월
Year/Month

2022-12

T495SHEU1



NOTE

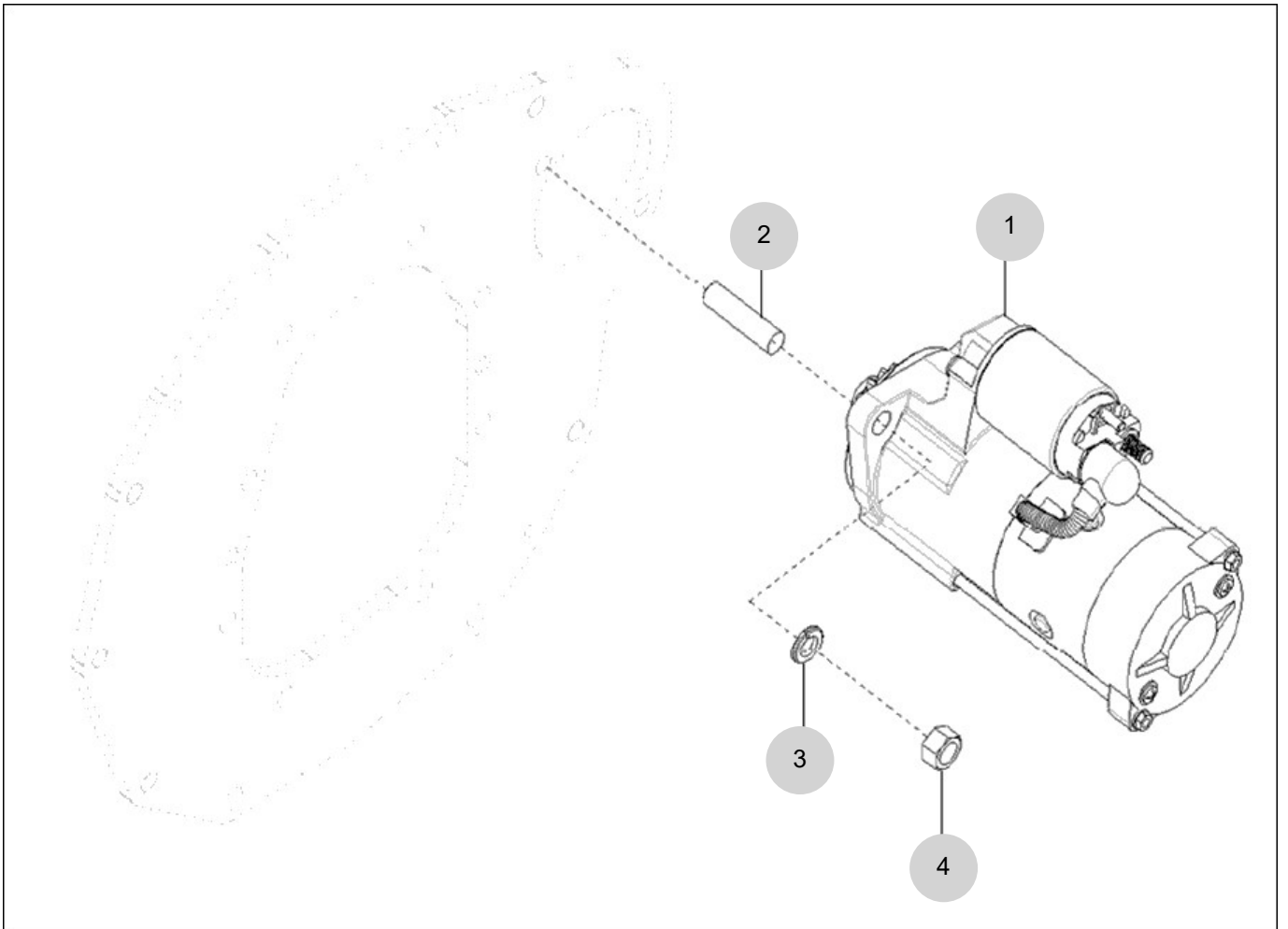
FIG 134

STARTING MOTOR

년/월
Year/Month

T495SHEU1

2022-12



NOTE

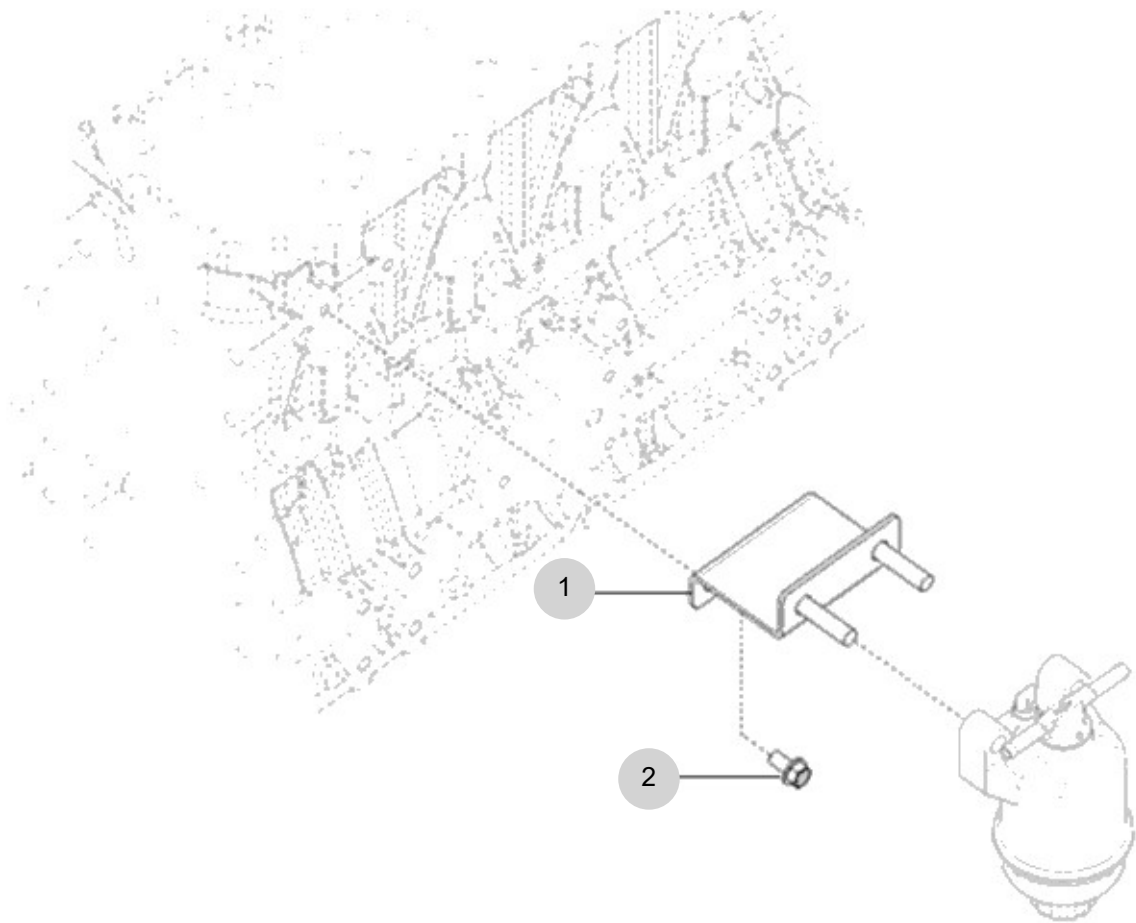
FIG 135

FUEL FILTER BRACKET ASS'Y

년/월
Year/Month

2022-12

T495SHEU1



NOTE

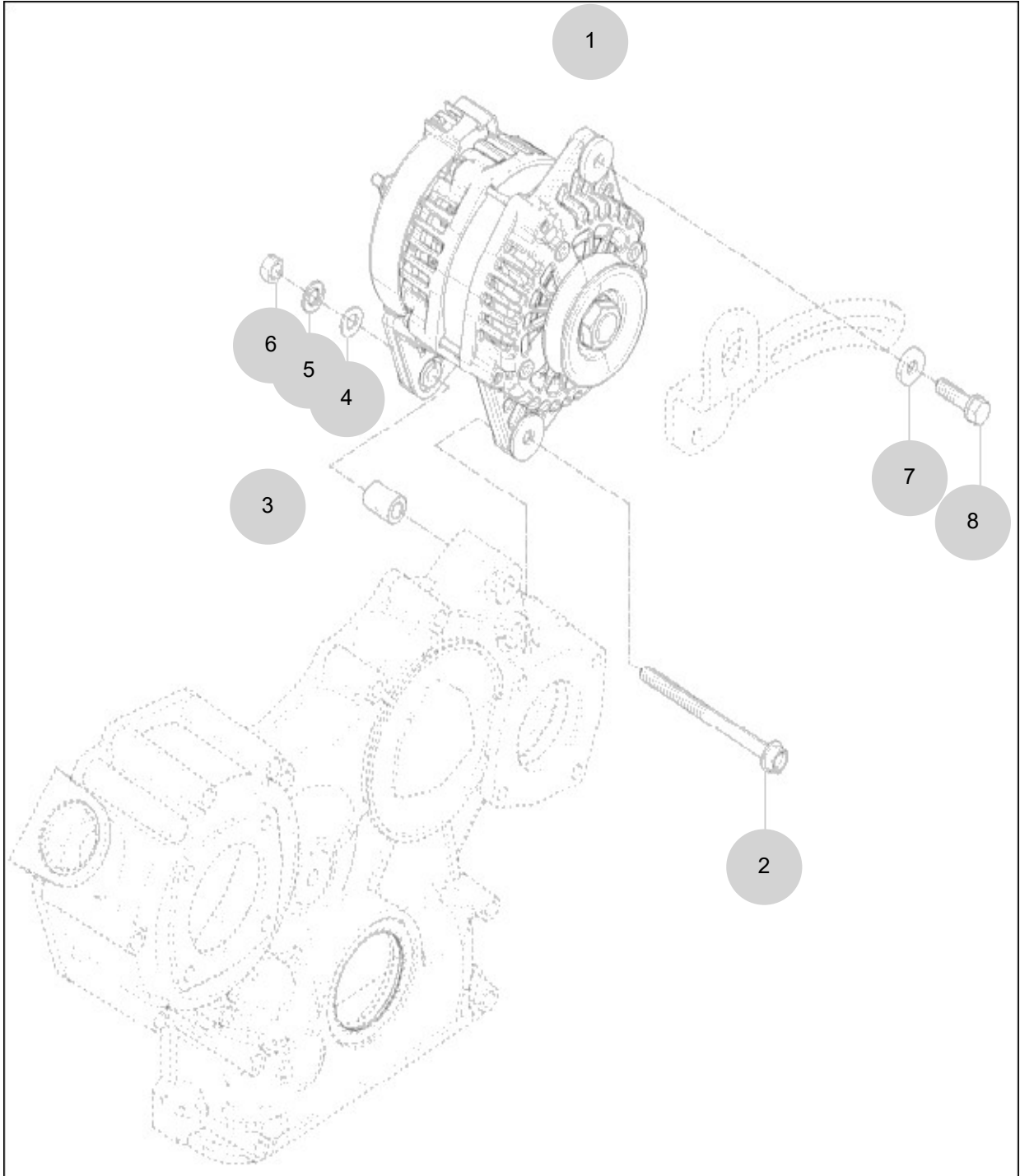
FIG 136

ALTERNATOR

년/월
Year/Month

2022-12

T495SHEU1



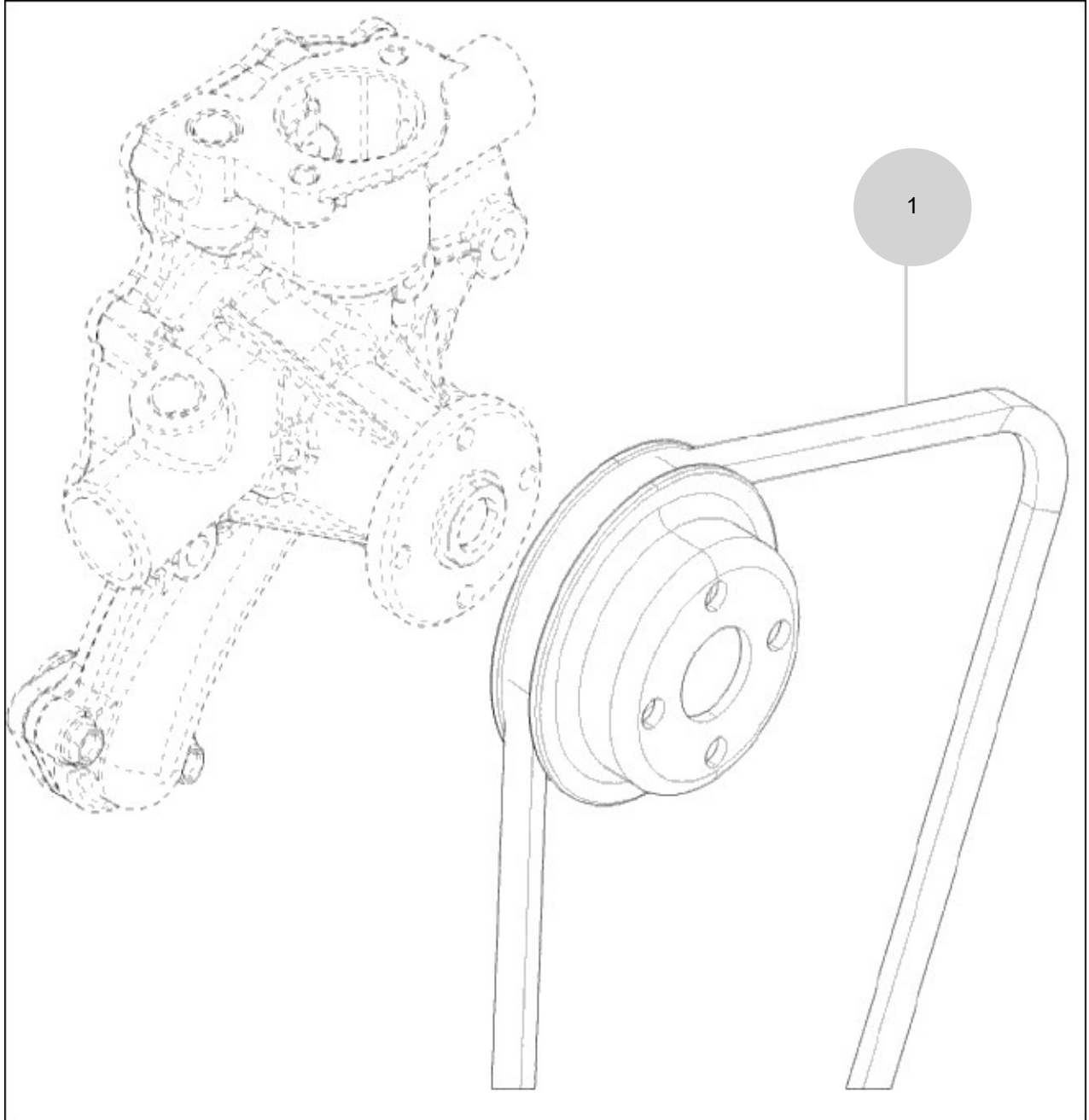
NOTE

FIG 137

V-BELT

년/월
Year/Month

2022-12



NOTE

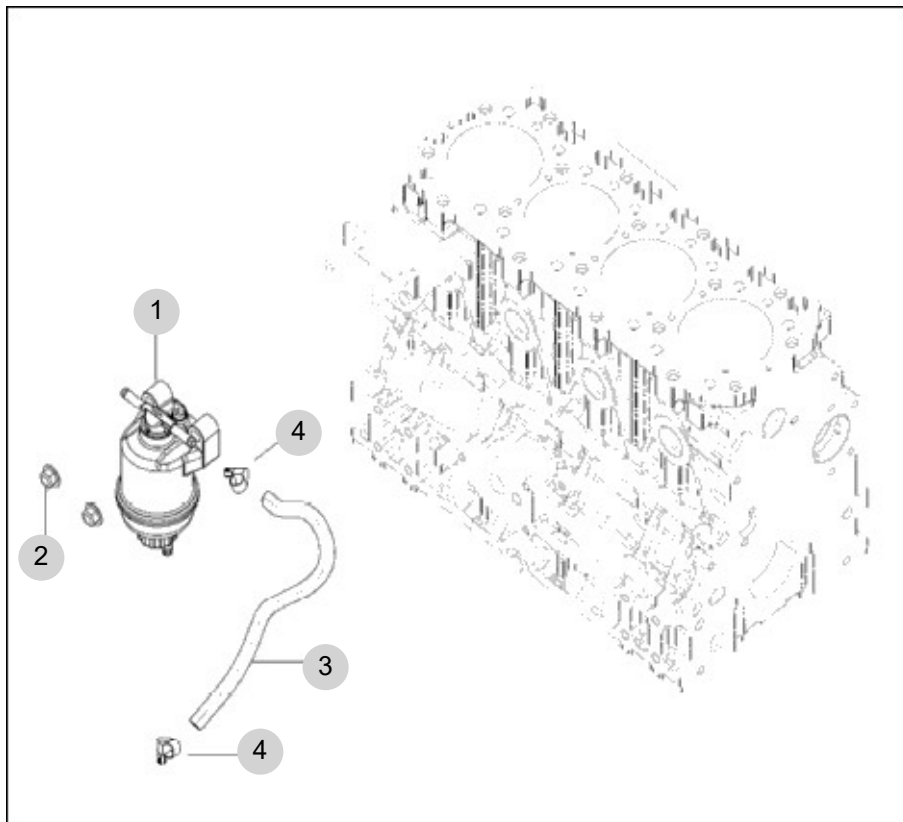
FIG 138

FUEL FILTER

년/월
Year/Month

T495SHEU1

2022-12



NOTE

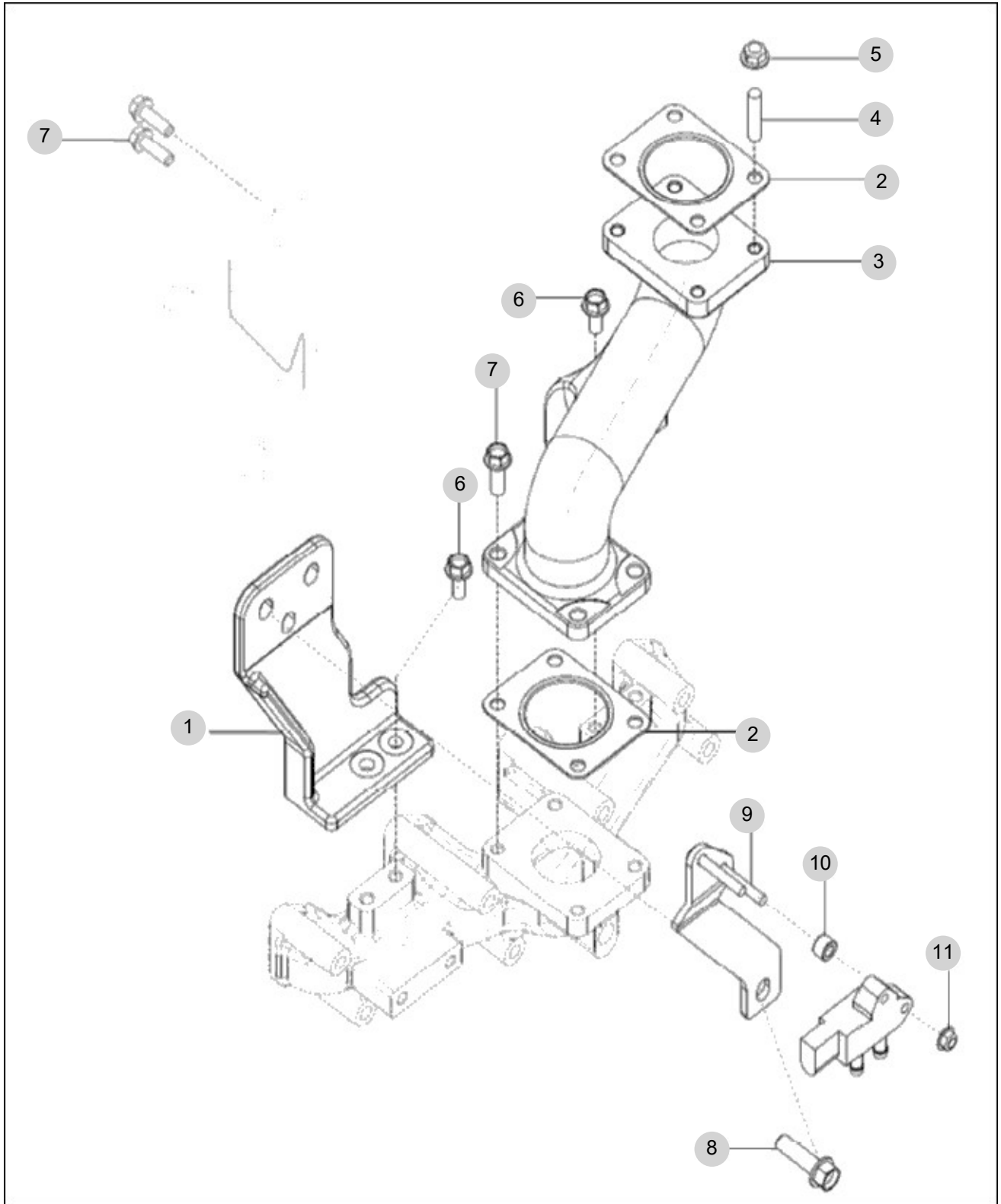
FIG 139B

DPF SUPPORT (T494)

년/월
Year/Month

2022-12

T495SHEU1



NOTE

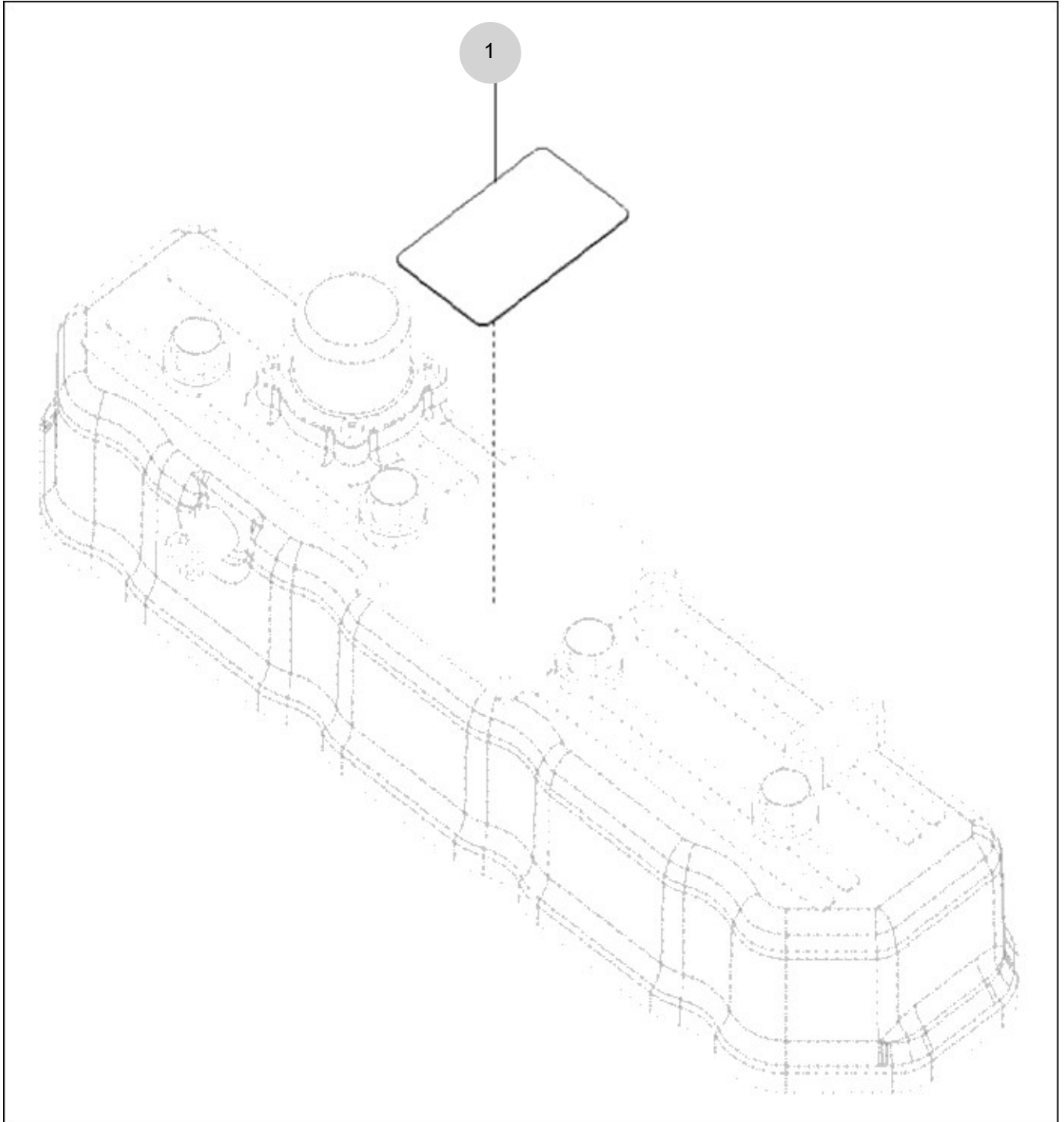
FIG 140

DATAPLATE

년/월
Year/Month

2022-12

T495SHEU1



NOTE

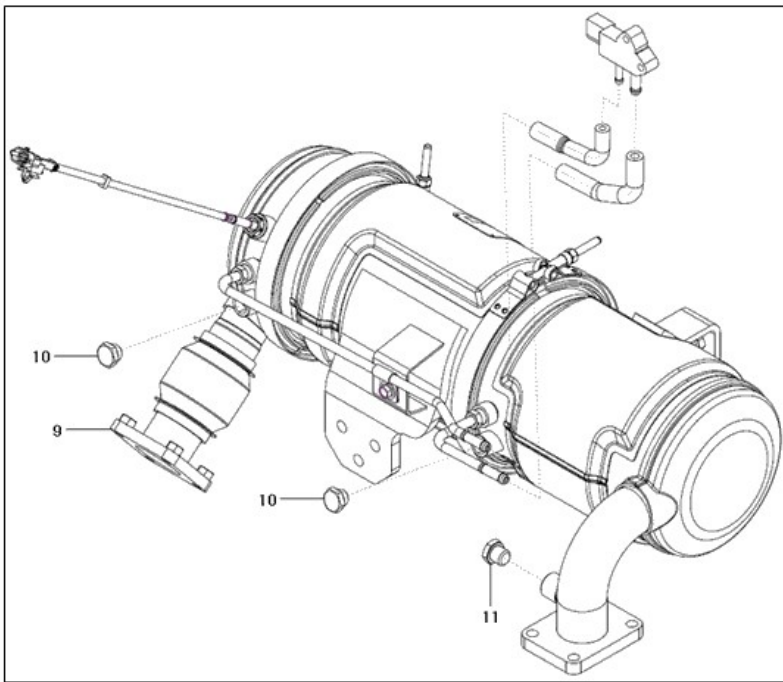
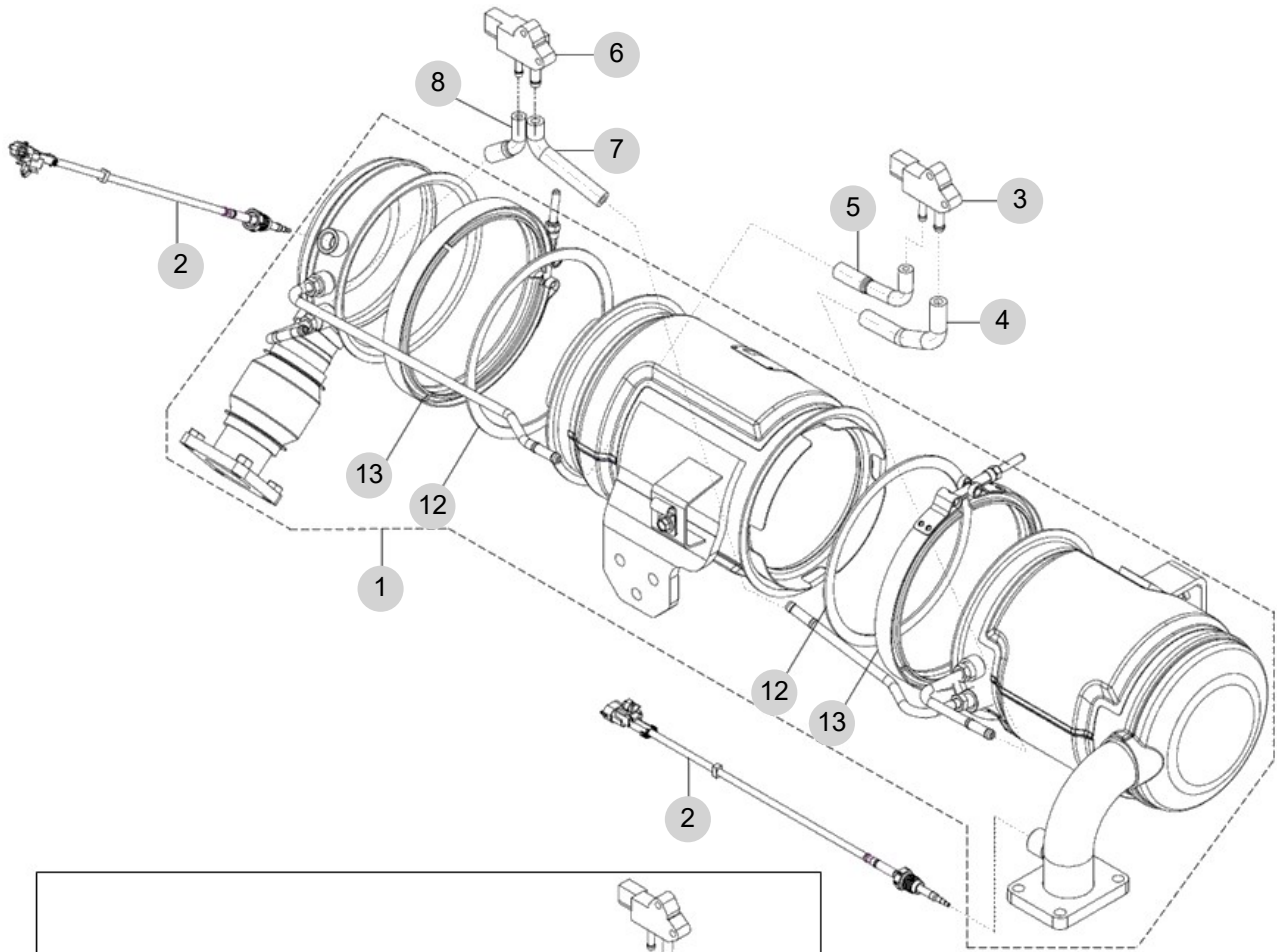
FIG 142B

DPF ASS'Y (T494)

년/월
Year/Month

2022-12

T495SHEU1



NOTE

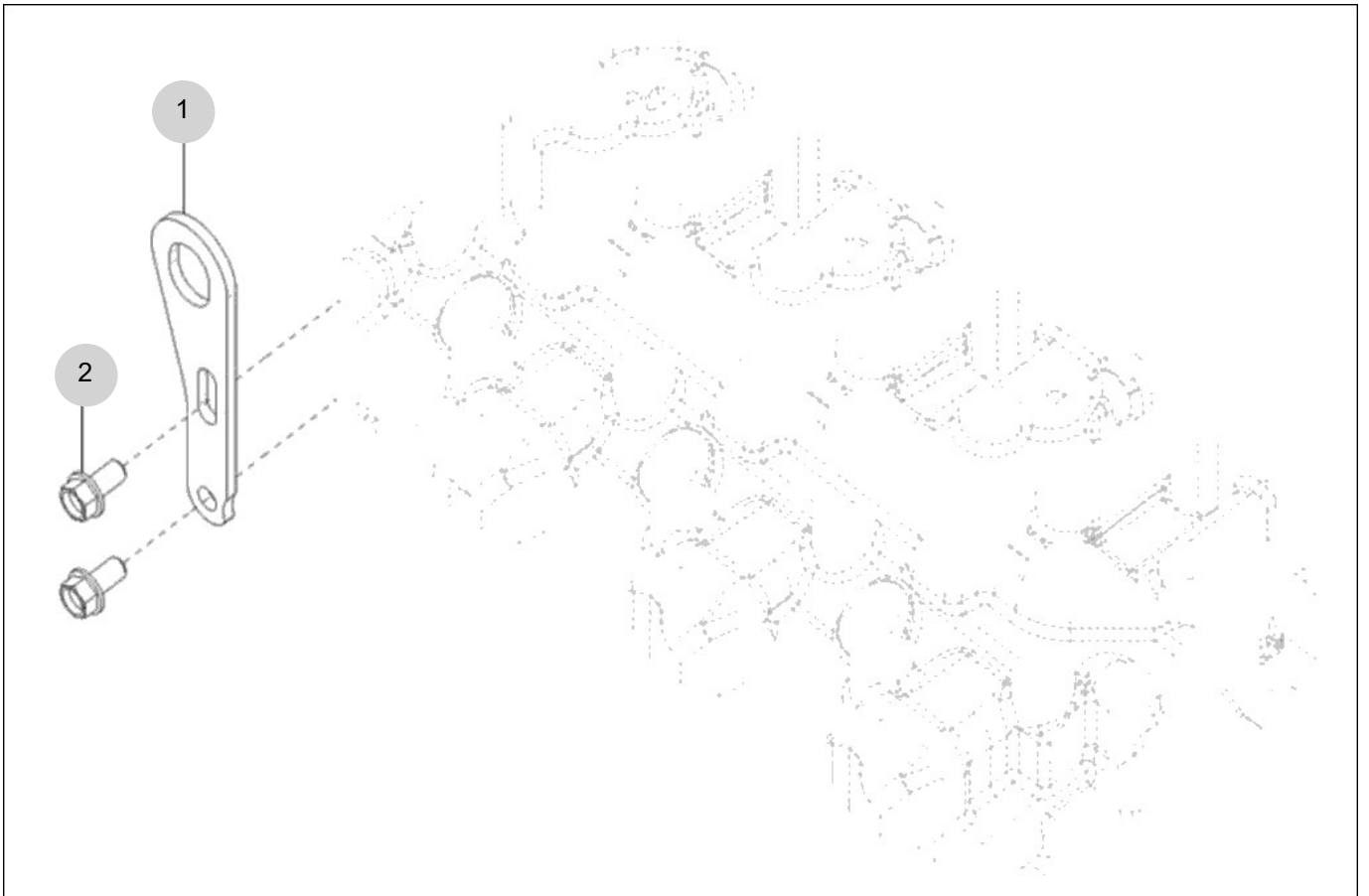
FIG 143

LIFT ASS'Y

년/월
Year/Month

2022-12

T495SHEU1



NOTE

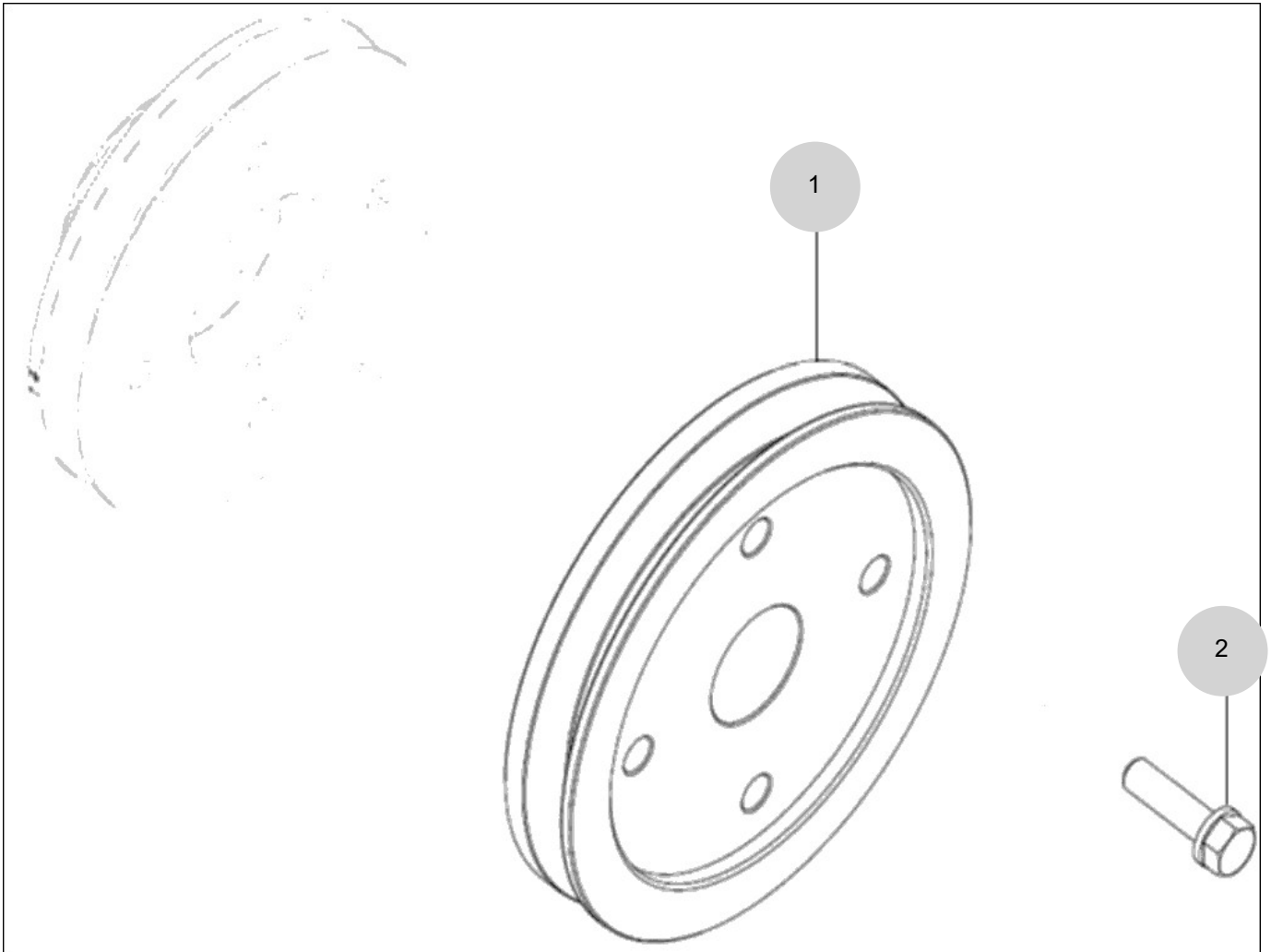
FIG 144

COMP . DRIVE PULLEY ASS'Y OPTION

년/월
Year/Month

2022-12

T495SHEU1



NOTE

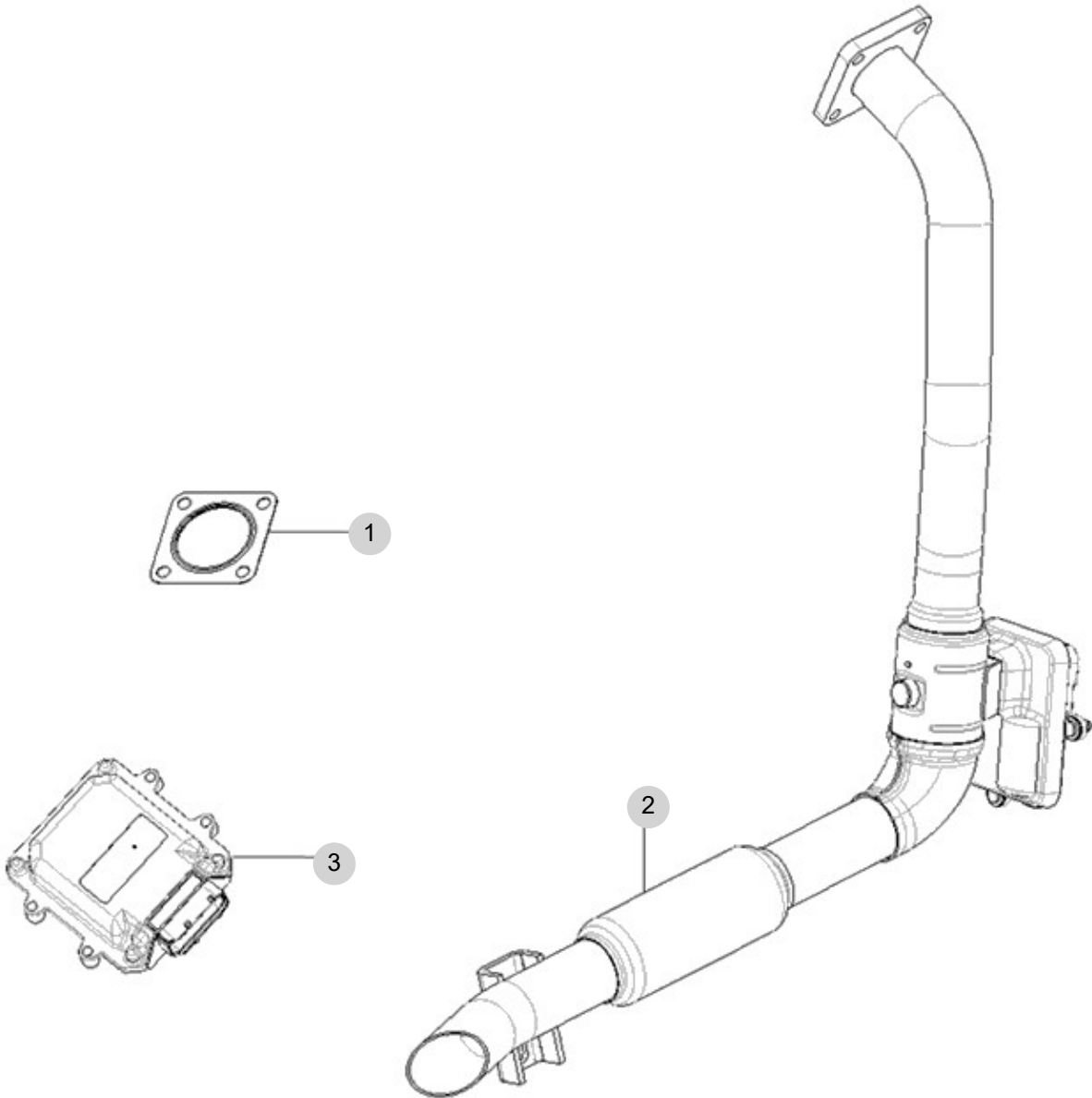
FIG 147

LOOSED PARTS

년/월
Year/Month

2022-12

T495SHEU1



NOTE

2. 엔진보기품 PART NO. T2

FIG 201B AIR CLEANER(T495)	100
FIG 202 RADIATOR	102
FIG 203 MUFFLER	104
FIG 204 FUEL HOSE & FILTER	106
FIG 205 FUEL TANK	108
FIG 206 ACCELERATOR	110
FIG 207 OIL COOLER	112

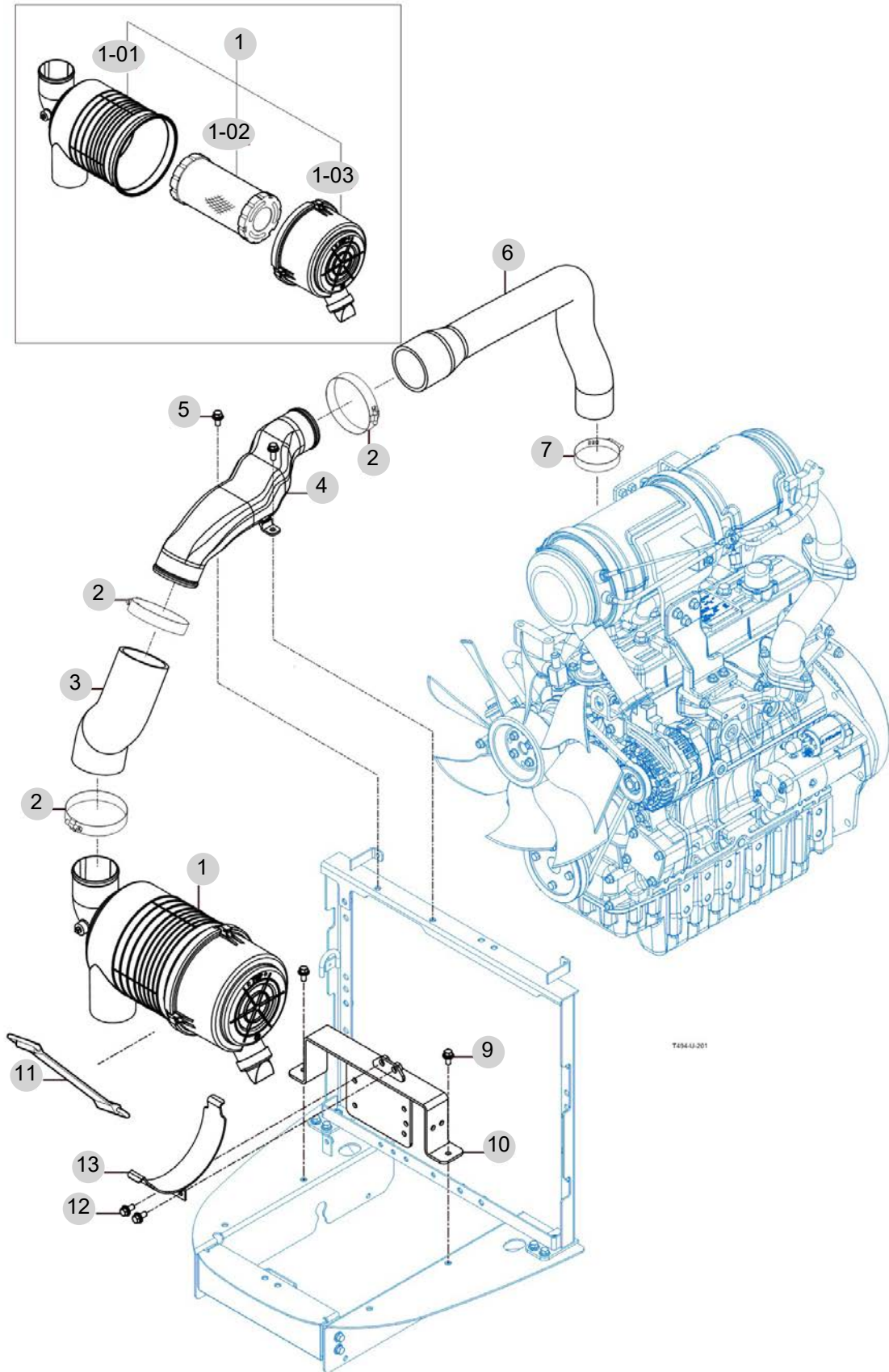
FIG 201B

AIR CLEANER(T495)

년/월
Year/Month

2022-12

T495SHEU1



NOTE

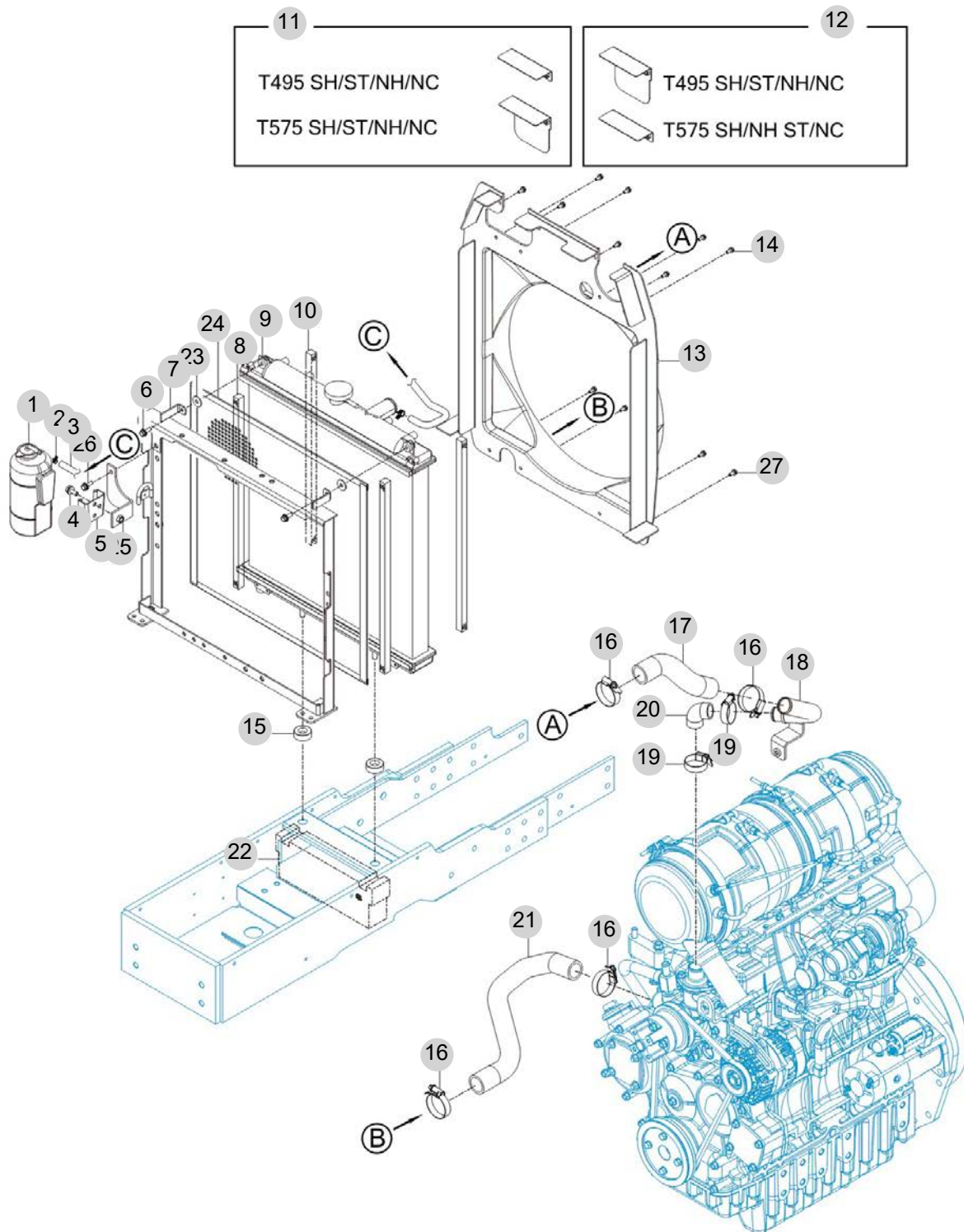
FIG 202

RADIATOR

년/월
Year/Month

T495SHEU1

2022-12



NOTE

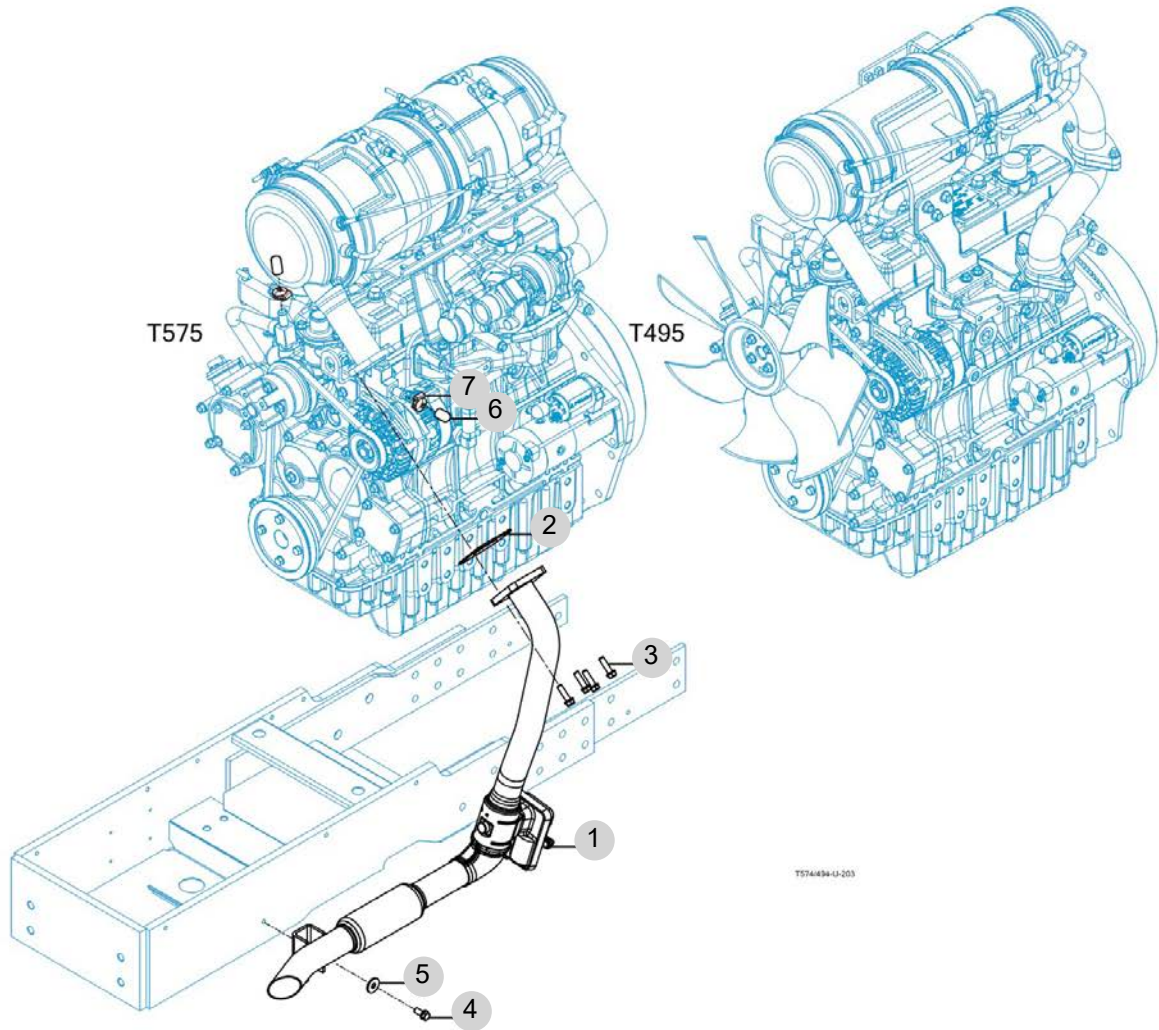
FIG 203

MUFFLER

년/월
Year/Month

2022-12

T495SHEU1



NOTE

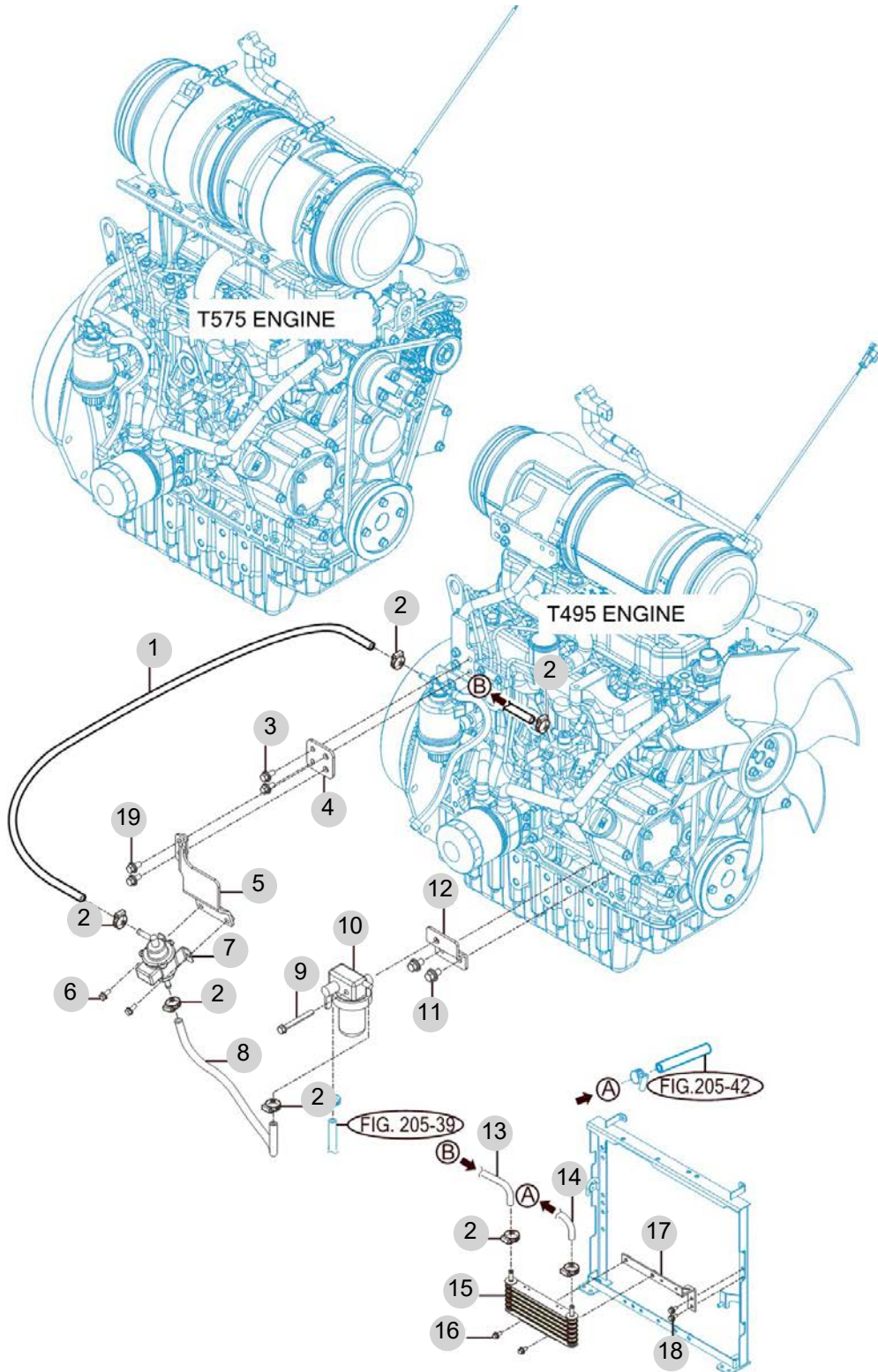
FIG 204

FUEL HOSE & FILTER

년/월
Year/Month

2022-12

T495SHEU1



NOTE

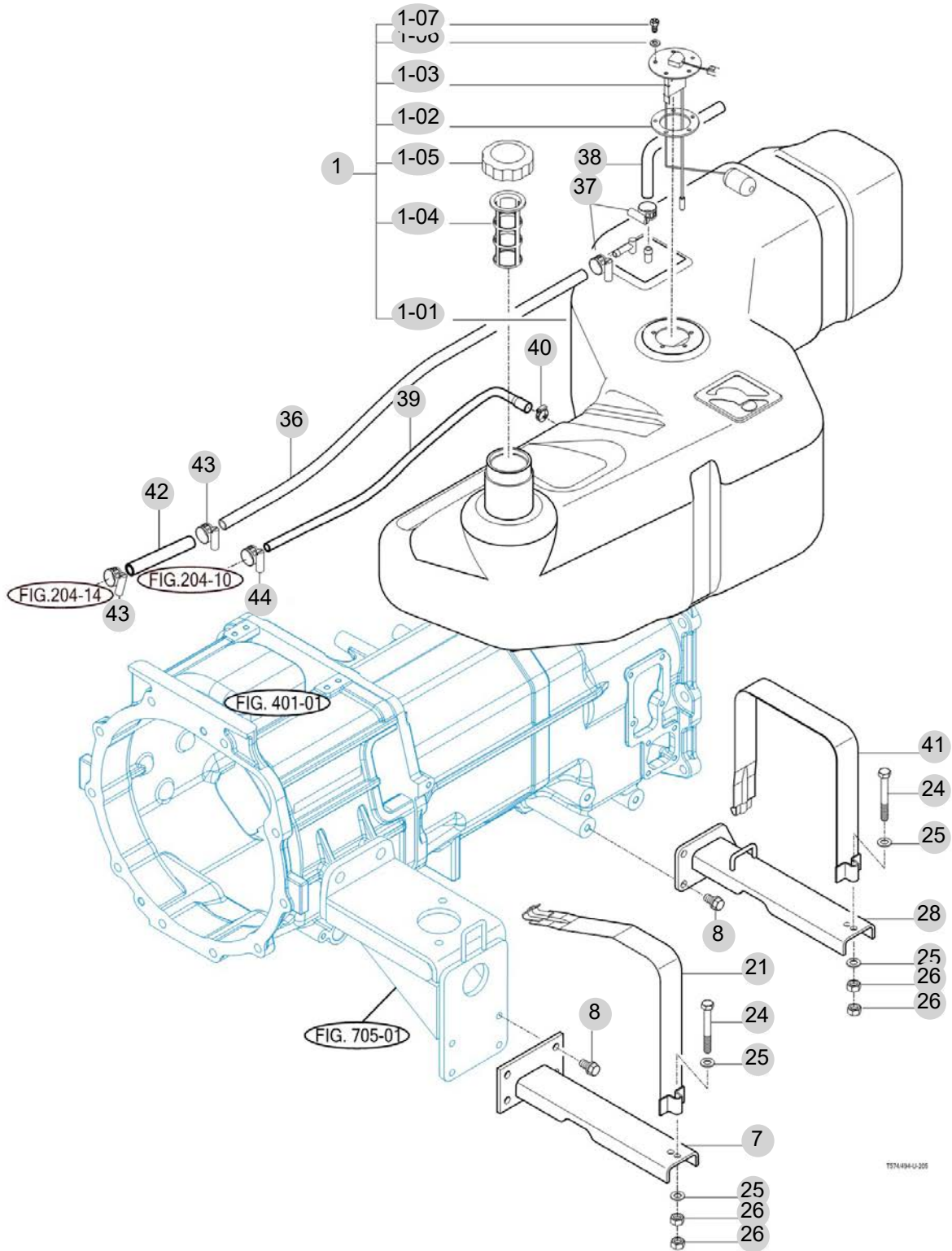
FIG 205

T495SHEU1

FUEL TANK

년/월
Year/Month

2022-12



NOTE

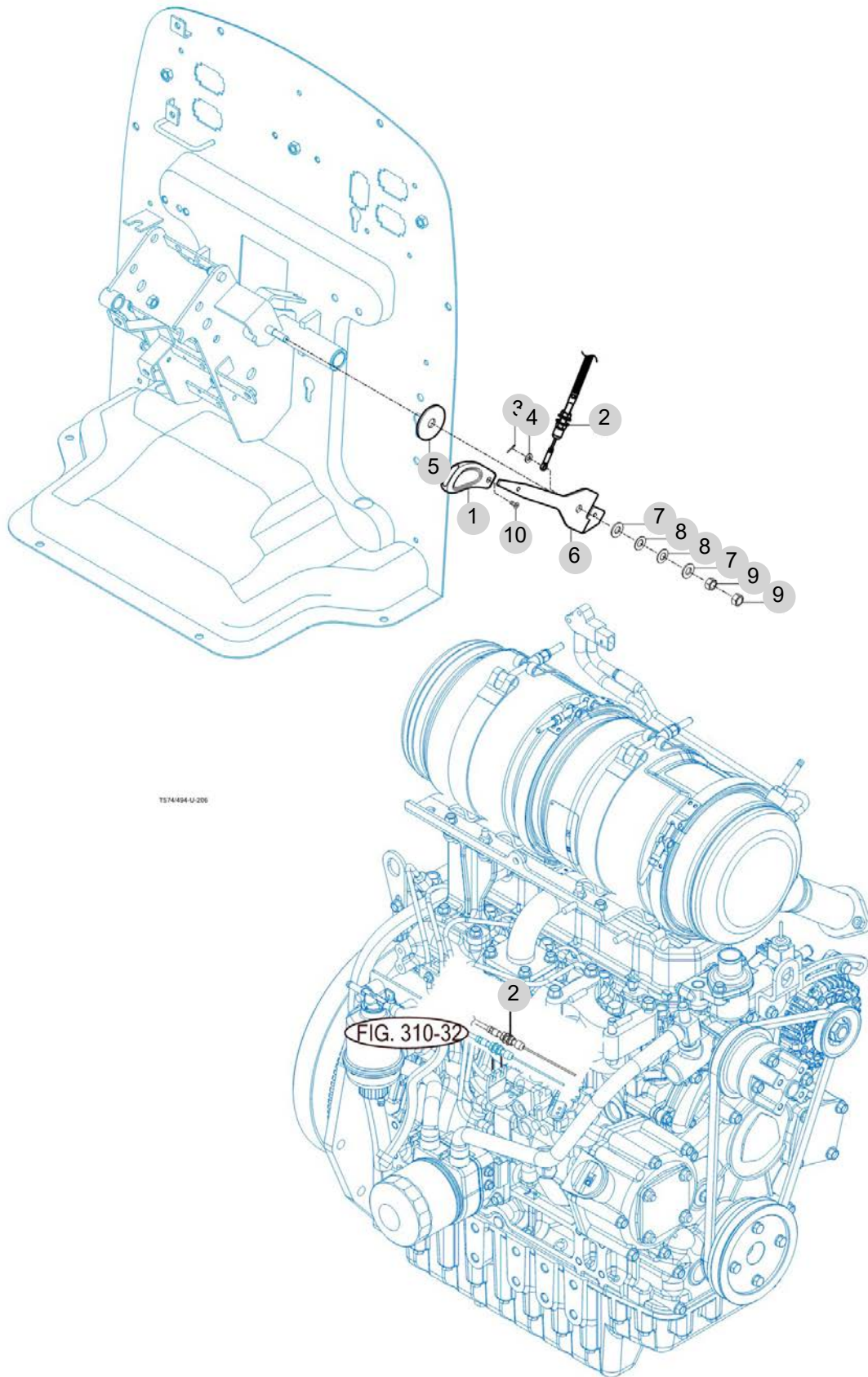
FIG 206

ACCELERATOR

년/월
Year/Month

2022-12

T495SHEU1



TS74494-U-206

FIG. 310-32

NOTE

FIG 206 T495SHEU1		ACCELERATOR						년/월 Year/Month	REMARKS
								2022-12	
KEY NO	PART NO	DESCRIPTION	SPEC	QTY	REPAIR	EFFECTIVE DATE			
206	1	13837553300	그립 , 스톨				1		
206	2	13831162200	케이블(H스톨)ASSY				1		
206	3	V5001916010	분할핀				1		
206	4	V4111600060	평와셔	M6			1		
206	5	14141170050	라이닝 (13X50X3)				1		
206	6	11061162200	레버 COMP , 스톨				1		
206	7	V4111600100	평와셔	M10			2		
206	8	14527060010	접시스프링와셔/M10				2		
206	9	V3342600100	소형육각너트가는2종	M10			2		
206	10	V1122605012	심자흡접시작은나사				1		
NOTE									

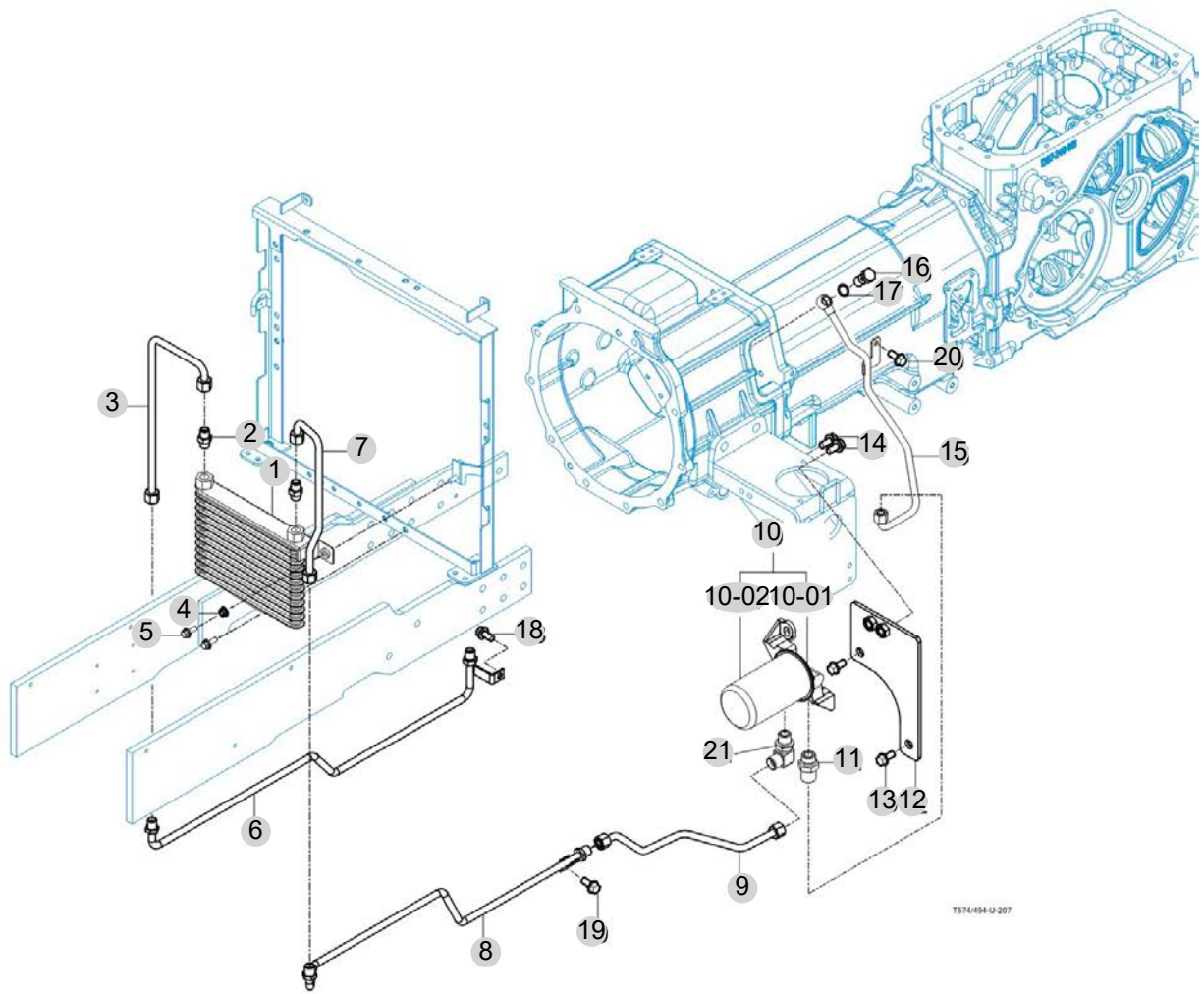
FIG 207

OIL COOLER

년/월
Year/Month

T495SHEU1

2022-12



T574494-U-207

NOTE

<p>FIG 207</p> <p>T495SHEU1</p>	OIL COOLER	년/월 Year/Month 2022-12
--	-------------------	------------------------------

KEY NO	PART NO	DESCRIPTION	SPEC	QTY	REPAIR	EFFECTIVE DATE	REMARKS
207	1	14721062003	오일 쿨러 COMP		1		
207	2	14721062300	유니온(오일쿨러) UNIT		2		
207	3	13875402200GB	쿨러파이프 COMP , IN 전		1		
207	4	V3802600080	플랜지볼이육각너트	M8	1		
207	5	V2183608025	소형육각볼트보통(SP)	M8X25	2		
207	6	13875402100GB	쿨러파이프 COMP , IN 후		1		
207	7	13875402301GB	쿨러파이프 COMP , OUT 전		1		
207	8	13875402401GB	쿨러파이프 COMP , OUT 중		1		
207	9	13875402500GB	쿨러파이프 COMP , OUT 후		1		
207	9	13875402501GB	파이프 COMP , OUT /쿨러 R		1		
207	10	19265154100	필터 SUB , 라인		1		
207	10	15535152000	HST 필터 ASSY		1		
207	10-01	19265154120	헤드 , 필터		1		
207	10-01	35543542410	필터헤드		1		
207	10-02	19265154110	FILTER COMP , HST		1		
207	10-02	15532302100	HST 필터 COMP		1		
207	11	16995304000	유니온(오링)		1		
207	11	15535152401	유니온(PT1, M18)		2		
207	12	17465154400GB	브래킷 COMP , 필터		1		
207	12	15535153100GB	필터 브래킷 COMP		1		
207	13	V2183608025	소형육각볼트보통(SP)		2		
207	13	V2173608020	소형육각볼트보통(S)	M8X20	2		
207	14	V2173608030	소형육각볼트보통(S)	M8X30	4		
207	14	V2173608030	소형육각볼트보통(S)		2		
207	15	13875403101	HST 파이프 COMP , IN		1		
207	15	13875403102	파이프 COMP , IN HST		1		
207	16	19405182831	아이 조인트 볼트(PF3/8)		1		
207	17	19405160050	본디드셀 , PF3/8		1		
207	18	V2173610020	소형육각볼트보통(S)	M10X20	1		
207	19	V2173608016	소형육각볼트보통(S)	M8X16	1		
207	20	V2173608016	소형육각볼트보통(S)	M8X16	1		
207	21	14725100100	엘보 PF 3/8xM18		1		

NOTE

3. 클러치/브레이크/스티어링 PART NO. T3

FIG 301 FLYWHEEL HOUSING	115
FIG 302 CLUTCH PEDAL	117
FIG 303 BRAKE	119
FIG 304 BRAKE PEDAL & LINK	121
FIG 305A FRONT WHEEL	123
FIG 305A REAR WHEEL	125
FIG 305B FRONT WHEEL (R4 OPTION)	127
FIG 305B REAR WHEEL (R4 OPTION)	129
FIG 307 POWER STEERING WHEEL	131
FIG 308 POWER STEERING VALVE	133
FIG 309 POWER STEERING CYLINDER	135
FIG 310 HST CONTROL LINK	137

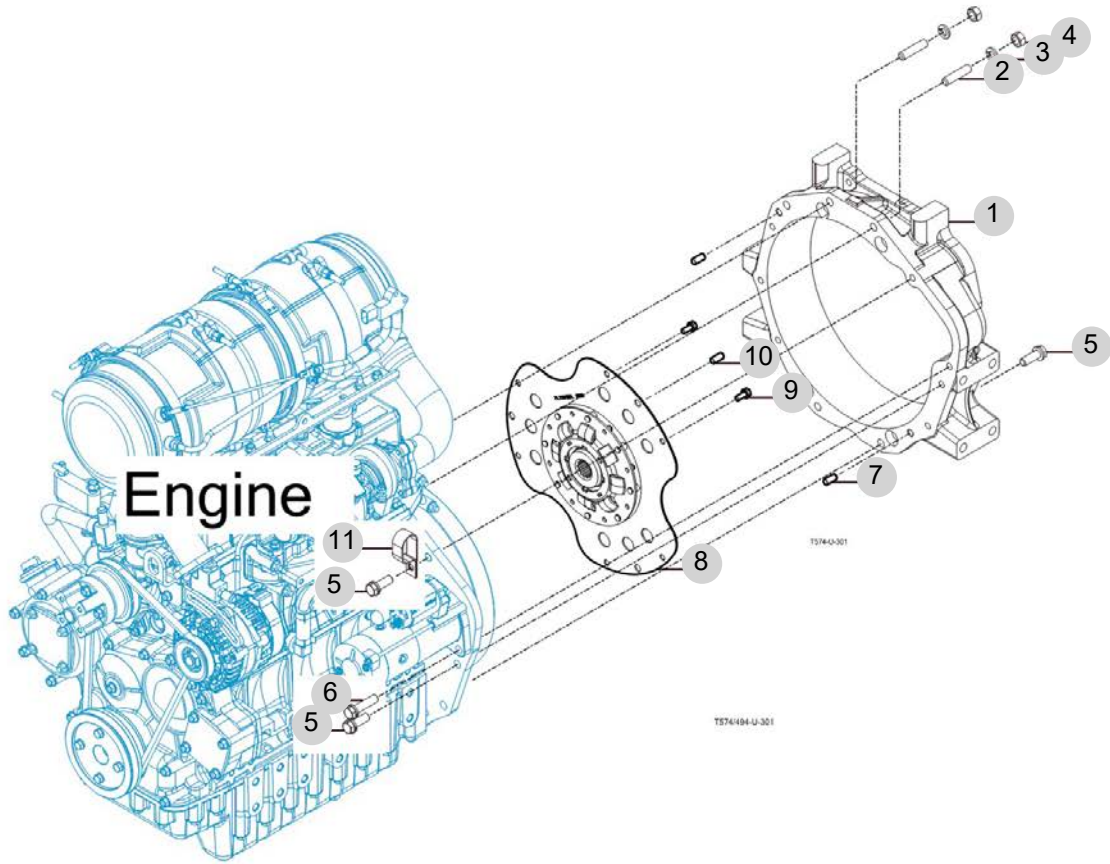
FIG 301

FLYWHEEL HOUSING

년/월
Year/Month

2022-12

T495SHEU1



NOTE

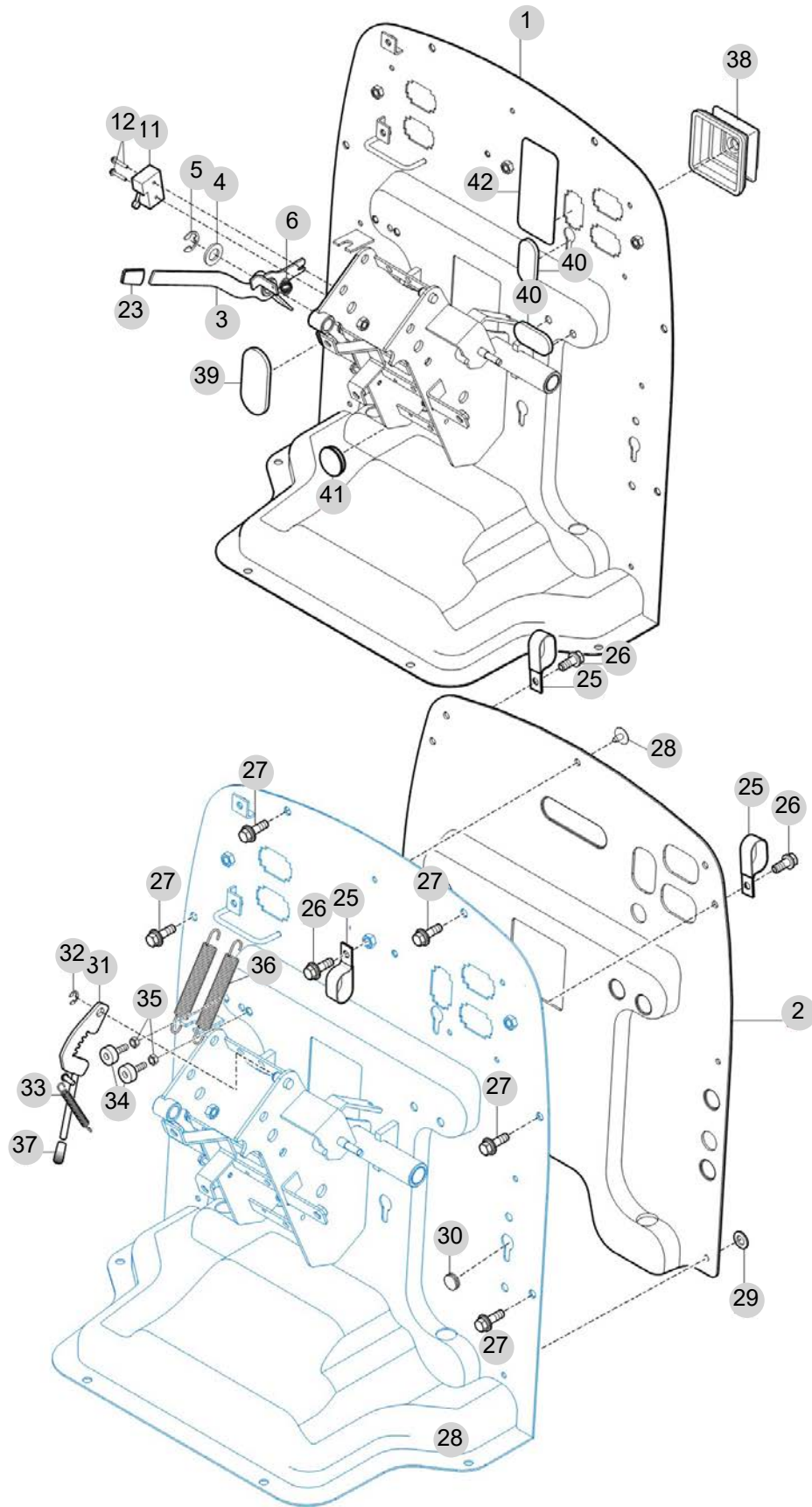
FIG 302

CLUTCH PEDAL

년/월
Year/Month

2022-12

T495SHEU1



NOTE

FIG 302		CLUTCH PEDAL						년/월	REMARKS
								Year/Month	
								2022-12	
T495SHEU1		KEY NO	PART NO	DESCRIPTION	SPEC	QTY	REPAIR	EFFECTIVE DATE	
302	1	11076303200GB	대시 패널 COMP			1			
302	2	17467071991	인슐레이터, 대시			1			
302	3	15533293300GB	파킹레버COMP			1			
302	4	V4111600160	평와셔	M16		1			
302	5	V7081400150	E형멈춤링	15		1			
302	6	14321200040	텐션스프링(31)			1			
302	11	16756214701	안전스위치ASSY			1			
302	12	V1222604025	심자흡냄비작은나사(SP)	M4X25		2			
302	23	12133030020	그림, 오렌지			1			
302	25	14441010161	라디에이터호스클램프			3			
302	26	V2183608020	소형육각볼트보통(SP)	M8X20		3			
302	27	V2183608016	소형육각볼트보통(SP)	M8X16		10			
302	28	17686040020	리벳 SET(흑색)			9			
302	29	V4111600080	평와셔	M8		2			
302	30	14326510210	고무캡(20)			1			
302	31	14724042401	틸트레버 COMP			1			
302	32	V7081400090	E형멈춤링	9		1			
302	33	16001200080	브레이크리턴스프링			1			
302	34	14216020051	컷션고무(B)			2			
302	35	V3043600080	소형육각너트보통2종	M8		2			
302	36	14041200080	클러치리턴스프링			2			
302	37	14445070030	레버손잡이			1			
302	38	14526300011	부츠,스티어링호스			1			
302	39	14546301230	인슐레이터(클러치페달)			1			
302	40	15536300030	인슐레이터(클러치페달)			2			
302	41	16606510210	고무캡(30)			1			
302	42	12386400011	막음라벨, 클러치			1			
NOTE									

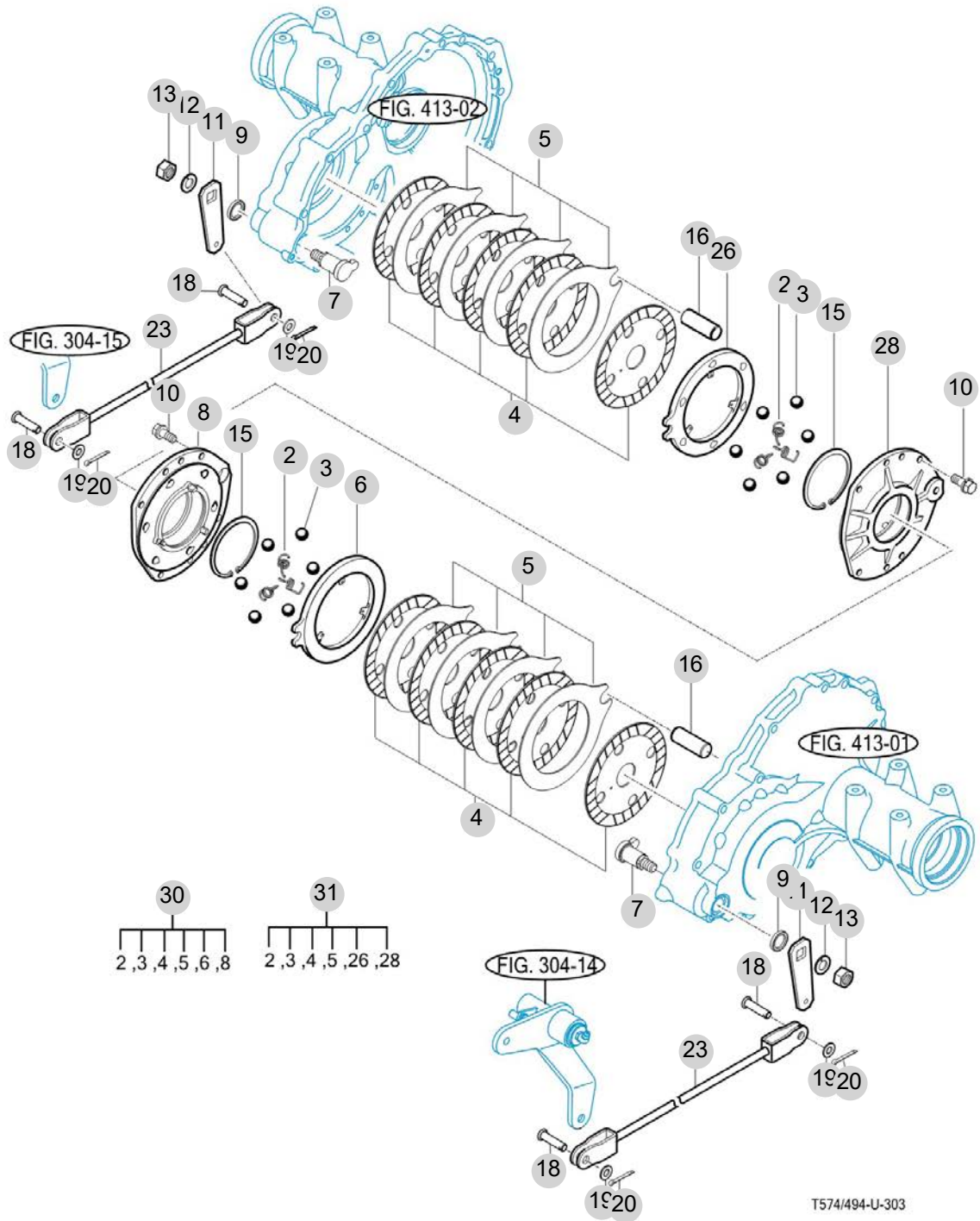
FIG 303

T495SHEU1

BRAKE

년/월
Year/Month

2022-12



T574/494-U-303

NOTE

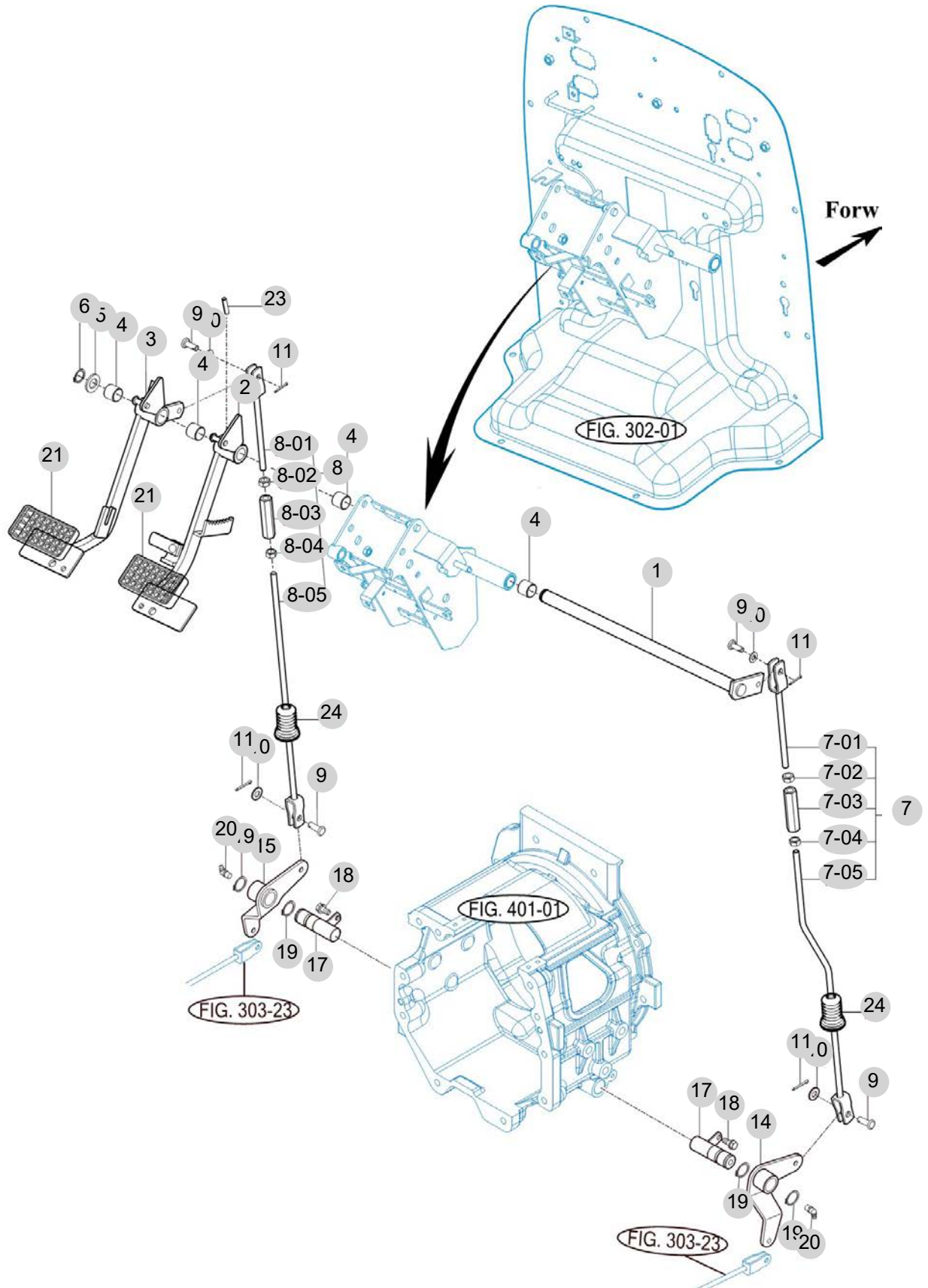
FIG 304

BRAKE PEDAL & LINK

년/월
Year/Month

2022-12

T495SHEU1



NOTE

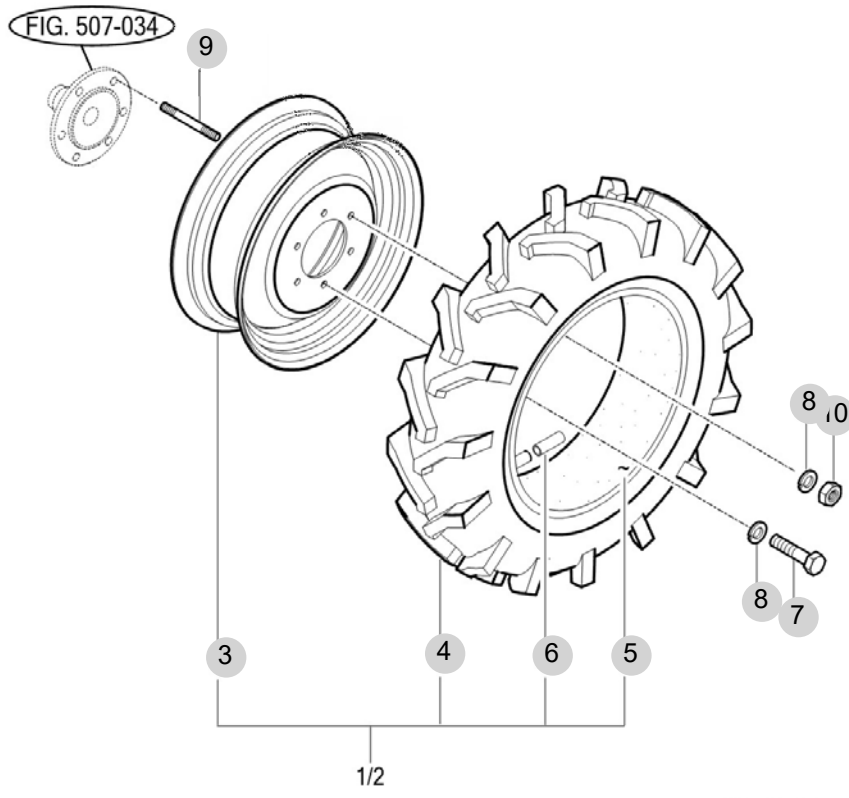
FIG 305A

FRONT WHEEL

년/월
Year/Month

2022-12

T495SHEU1



NOTE

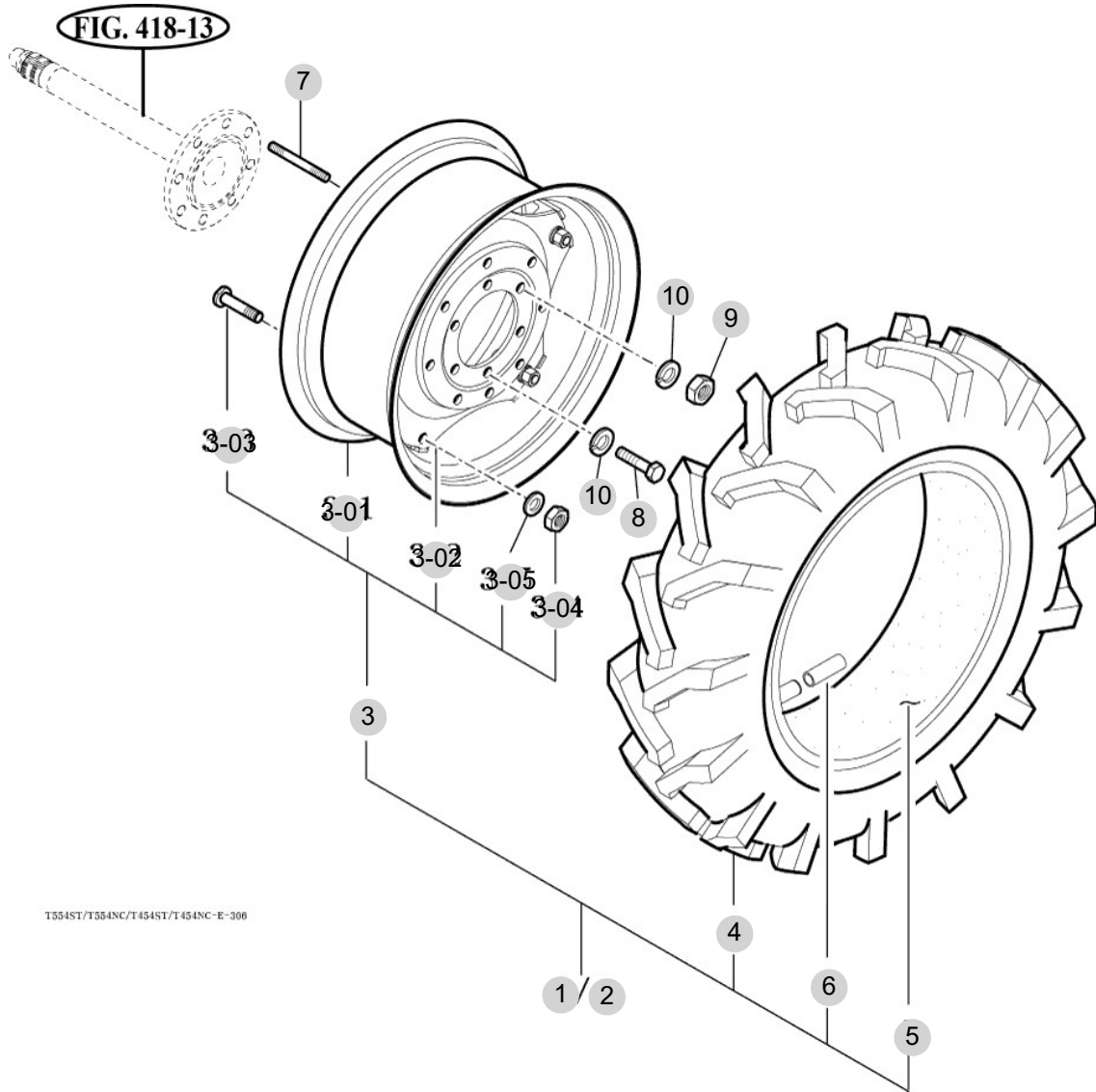
FIG 305A

REAR WHEEL

년/월
Year/Month

2022-12

T495SHEU1



T354ST/T354NC/T454ST/T454NC-E-300

NOTE

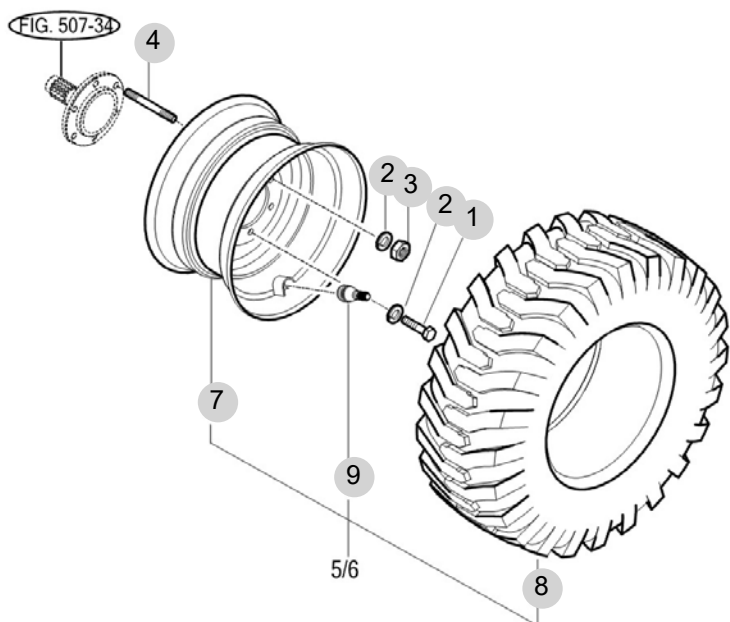
FIG 305B

T495SHEU1

FRONT WHEEL (R4 OPTION)

년/월
Year/Month

2022-12



T503HST-E-305B

NOTE

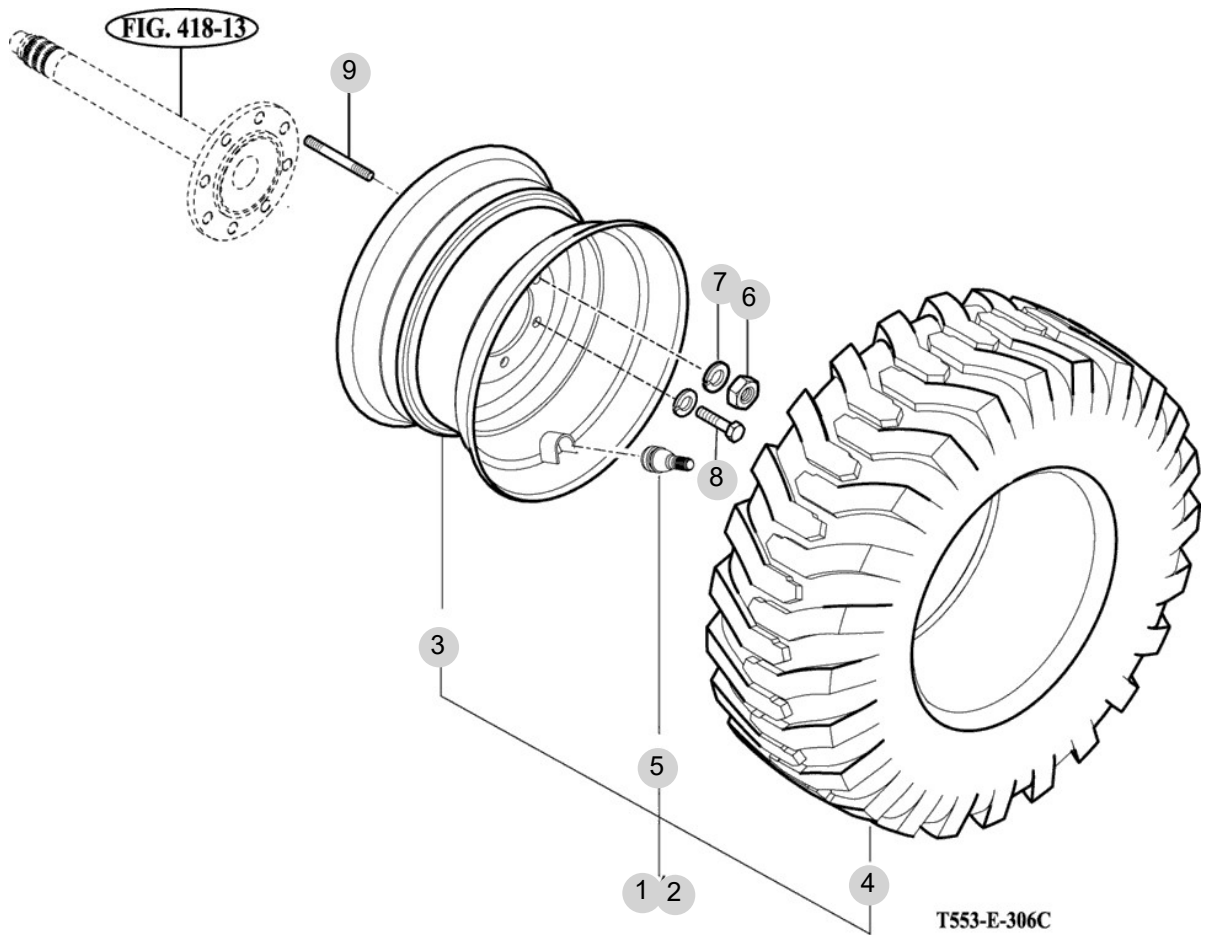
FIG 305B

T495SHEU1

REAR WHEEL (R4 OPTION)

년/월
Year/Month

2022-12



NOTE

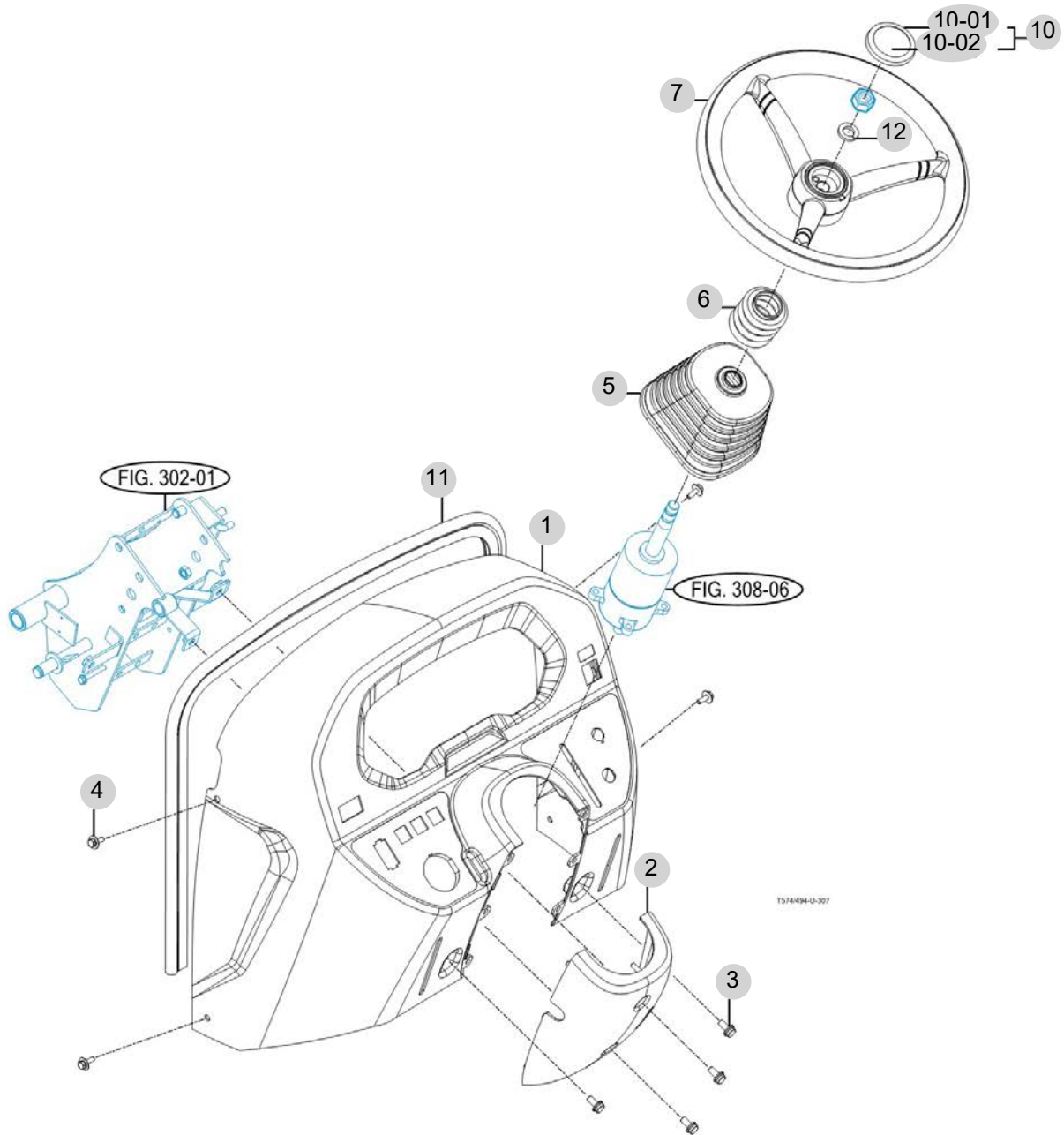
FIG 307

T495SHEU1

POWER STEERING WHEEL

년/월
Year/Month

2022-12



NOTE

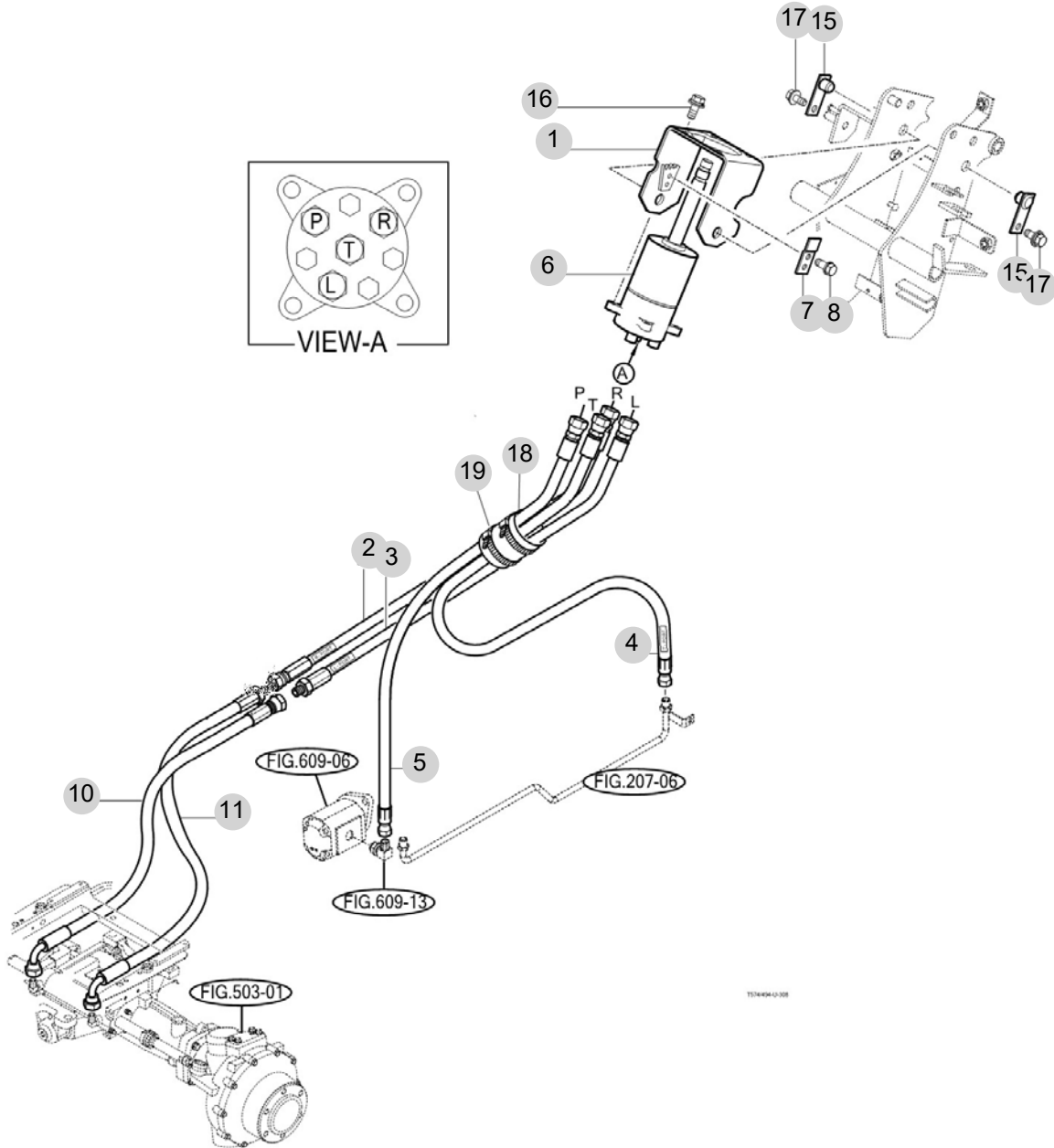
FIG 308

T495SHEU1

POWER STEERING VALVE

년/월
Year/Month

2022-12



NOTE

FIG 308 T495SHEU1		POWER STEERING VALVE					년/월 Year/Month	
							2022-12	
KEY NO	PART NO	DESCRIPTION	SPEC	QTY	REPAIR	EFFECTIVE DATE	REMARKS	
308	1	14524043302GB	브래킷조합,스티어링밸브			1		
308	2	13874072600	유압호스(950)ASSY			1		
308	3	13874072501	유압호스(880)ASSY			1		
308	4	17484073500	유압호스 (1180) ASSY			1		
308	4	13874072800	유압호스 (1180) ASSY			1		
308	5	17415103400	유압호스(1130)ASSY			1		
308	6	14524054002	스티어링밸브 유닛			1		
308	6	13874042100	스티어링밸브 유닛			1		
308	7	14724040201	플레이트(가이드)			1		
308	8	V2113606010	육각볼트(S)	M6X10		1		
308	10	13874072701	유압호스(820)ASSY			1		
308	11	17484052800	유압호스(820)ASSY			1		
308	15	16754042100GB	핀(16X21/LH)COMP			2		
308	16	V2183608020	소형육각볼트보통(SP)	M8X20		4		
308	17	V2183608020	소형육각볼트보통(SP)	M8X20		2		
308	18	14524041110	패드, 호스			1		
308	19	13424020060	케이블타이(300)			5		
NOTE								

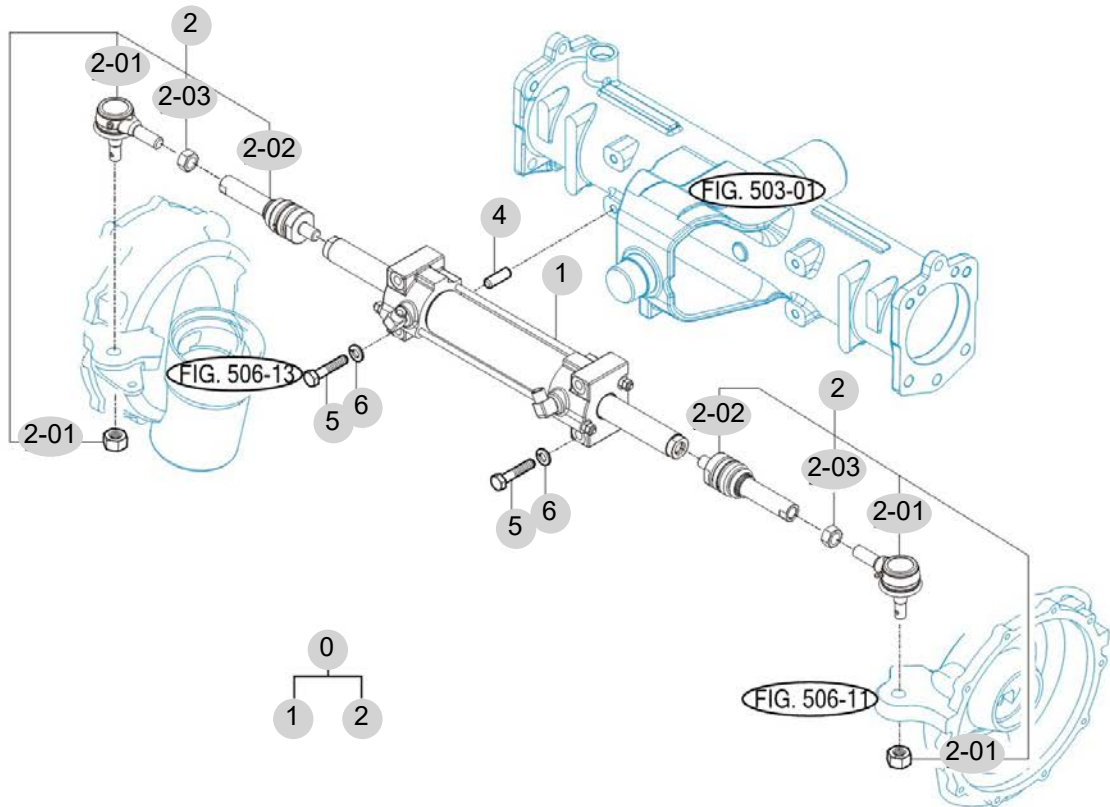
FIG 309

POWER STEERING CYLINDER

년/월
Year/Month

2022-12

T495SHEU1



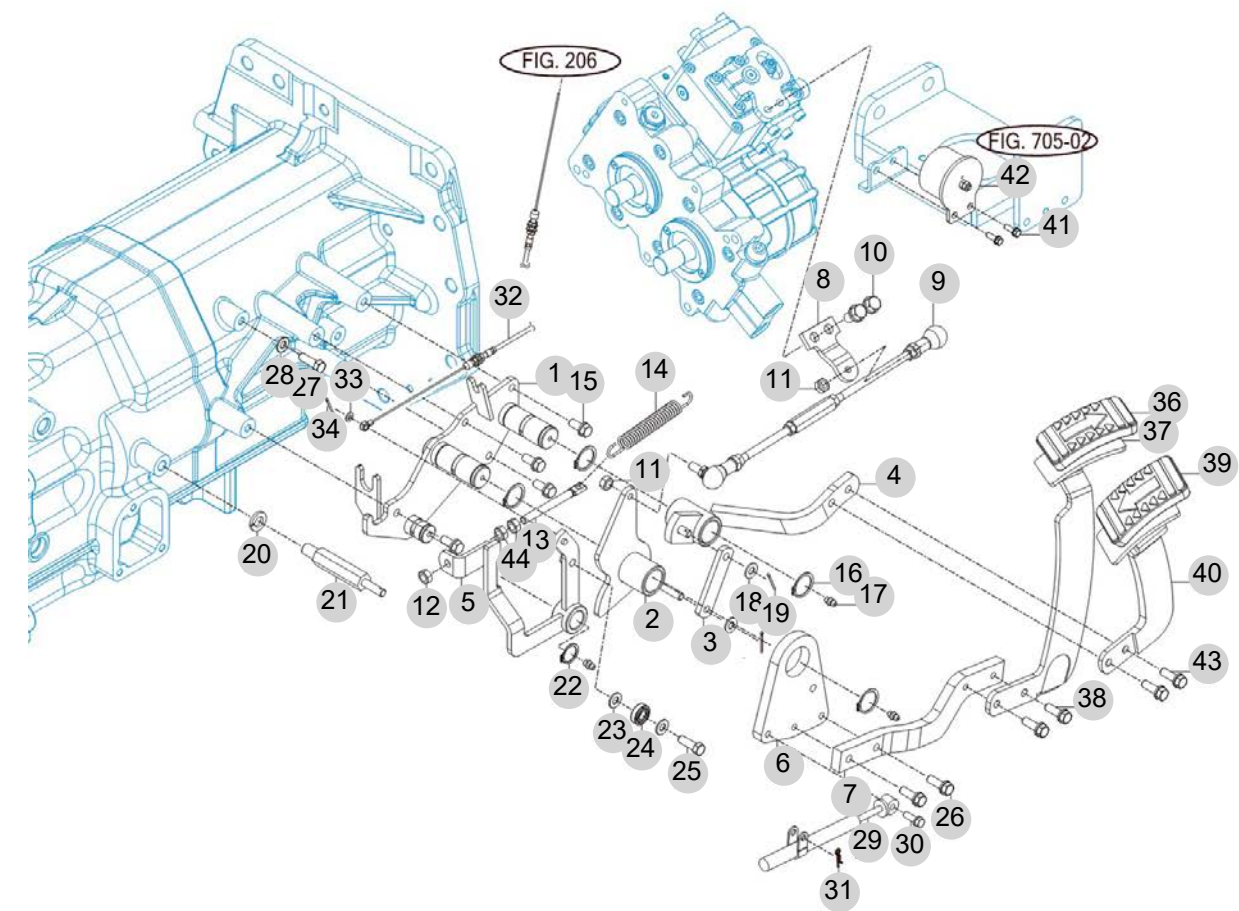
NOTE

FIG 310

HST CONTROL LINK

년/월
Year/Month

2022-12



NOTE

FIG 310 T495SHEU1		HST CONTROL LINK					년/월 Year/Month	
							2022-12	
KEY NO	PART NO	DESCRIPTION	SPEC	QTY	REPAIR	EFFECTIVE DATE	REMARKS	
310	1	13872313200	HST 페달 브래킷 COMP		1			
310	2	13872312300	전진 암 COMP		1			
310	3	14722310023	플레이트(후진)		1			
310	4	13872312600	리버스 암 COMP		1			
310	5	13872312501	캠 팔로워 암 COMP		1			
310	6	13872312330	컨트롤 플레이트		1			
310	7	13872310050	전진 플레이트		1			
310	8	13872312111	HST 암 플레이트		1			
310	8	13872312112	HST 암 플레이트		1			
310	9	13872325001	HST 로드 ASSY		1			
310	9	13872325002	HST 로드 ASSY		1			
310	10	V2173608025	소형육각볼트보통(S)	M8X25	2			
310	11	V3043600080	소형육각너트보통2종	M8	2			
310	12	V3043600080	소형육각너트보통2종	M8	1			
310	13	34522150080	체인 텐션 로드(82)		1			
310	14	14722310033	스프링(리턴)		1			
310	15	V2173608020	소형육각볼트보통(S)	M8X20	4			
310	16	V7041400250	C형멈춤링(축용)		4			
310	17	V7601500000	그리스니플(A-M6F)		3			
310	18	V4111600080	평와셔	M8	2			
310	19	V5001920020	분할핀		2			
310	20	V4011600120	스프링와셔	M12	1			
310	21	14722310041	오일 댐퍼 핀		1			
310	22	V7041400200	C형멈춤링(축용)		1			
310	23	V4111600080	평와셔	M8	2			
310	24	14722310060	볼베어링(608DD)		1			
310	25	V2013608025	소형육각볼트(보통)	M8X25	1			
310	26	V2173608025	소형육각볼트보통(S)	M8X25	2			
310	27	V2013608045	소형육각볼트(보통)		1			
310	27	V2013608040	소형육각볼트(보통)	M8X40	1			
310	28	V3042600080	소형육각너트보통2종	M8	1			
310	29	11102321000	오일 댐퍼(110)		1			
310	30	V2183608030	소형육각볼트보통(SP)	M8X30	1			
310	31	V5601600008	스냅핀		1			
310	32	13871162700	케이블(오토스로틀)ASSY		1			
310	33	V4111600060	평와셔	M6	1			
310	34	V5001920015	분할핀		1			
310	36	14722312730	패드		1			
310	37	13872312700GB	전진 페달 COMP		1			
310	38	V2173608020	소형육각볼트보통(S)	M8X20	2			
310	39	14722312730	패드		1			
310	40	13872312800GB	후진 페달 COMP		1			
310	40	13872312801GB	후진 페달 COMP		1			
310	41	V2173608020	소형육각볼트보통(S)	M8X20	2			
310	42	12382323000	크루저 컨트롤 마그네틱 ASSY		1			
NOTE								

4. 트랜스미션 PART NO. T4

FIG 401 TRANSMISSION FRONT CASE	141
FIG 402 HST	143
FIG 403 MID TRANSMISSION CASE	145
FIG 404 TRANSTER GEAR SET	147
FIG 405 TRANSMISSION REAR CASE	149
FIG 406 SUB CHANGE GEARS	151
FIG 407 SUB CHANGE SHIFTER	153
FIG 408 DRIVE GEARS	155
FIG 409 4WD CHANGE LEVER	157
FIG 410 P.T.O DRIVE SHAFT	159
FIG 411 P.T.O CHANGE GEARS	161
FIG 412 P.T.O CHANGE LEVER	163
FIG 413 4WD CHANGE LEVER	166

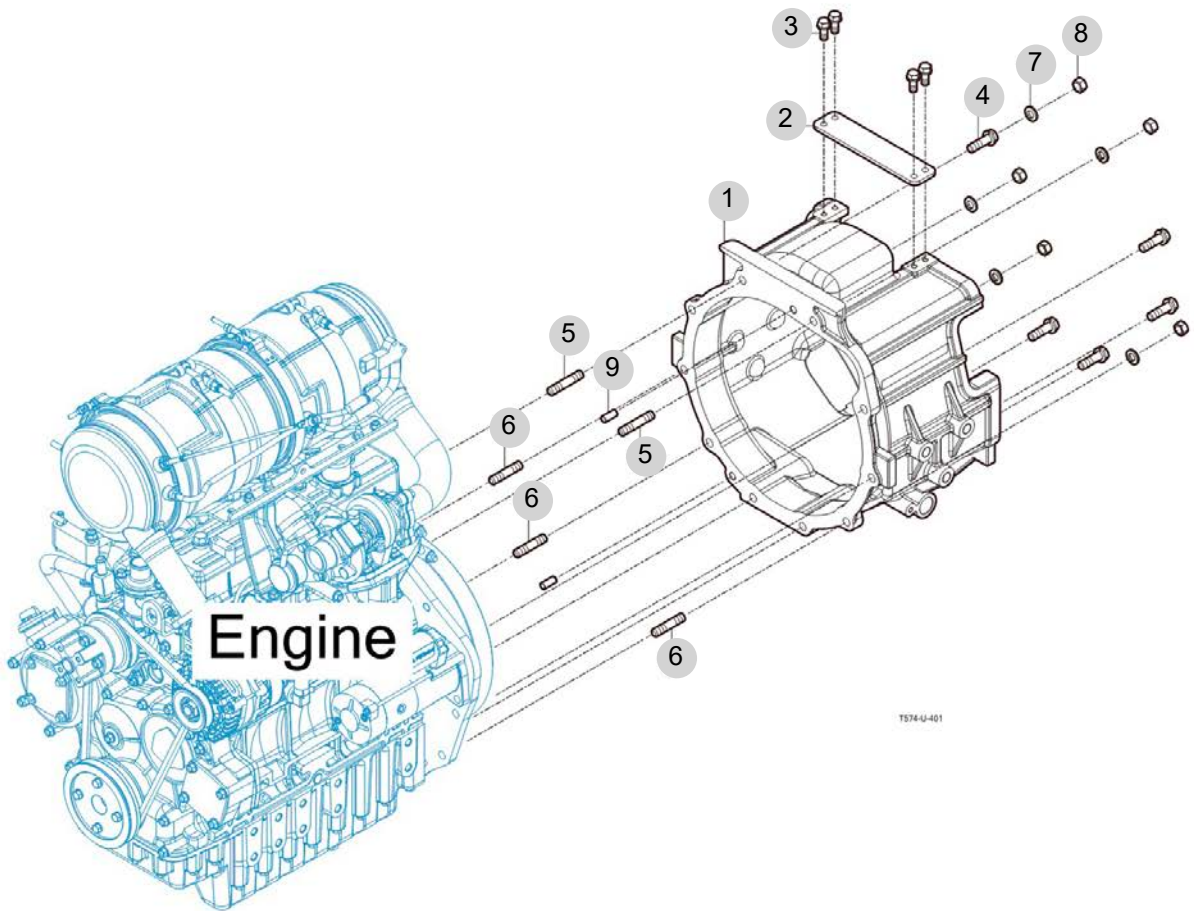
FIG 401

TRANSMISSION FRONT CASE

년/월
Year/Month

2022-12

T495SHEU1



NOTE

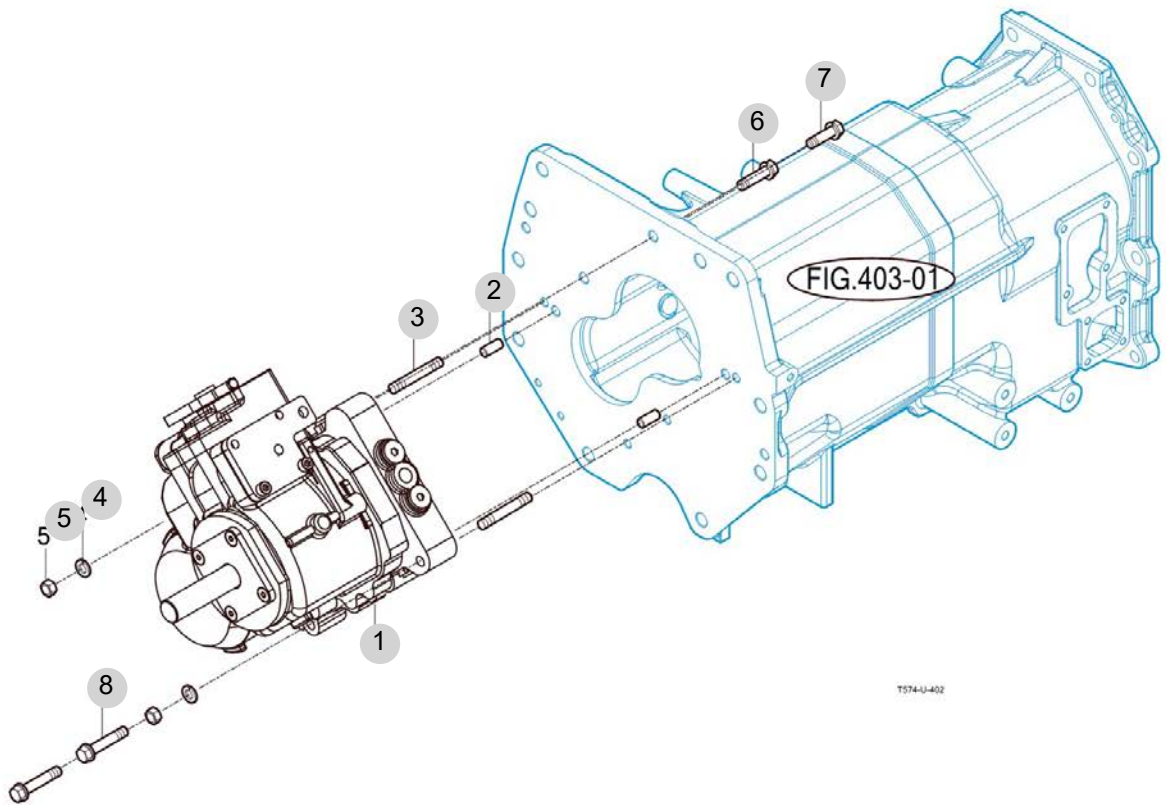
FIG 402

T495SHEU1

HST

년/월
Year/Month

2022-12



T574-U-402

NOTE

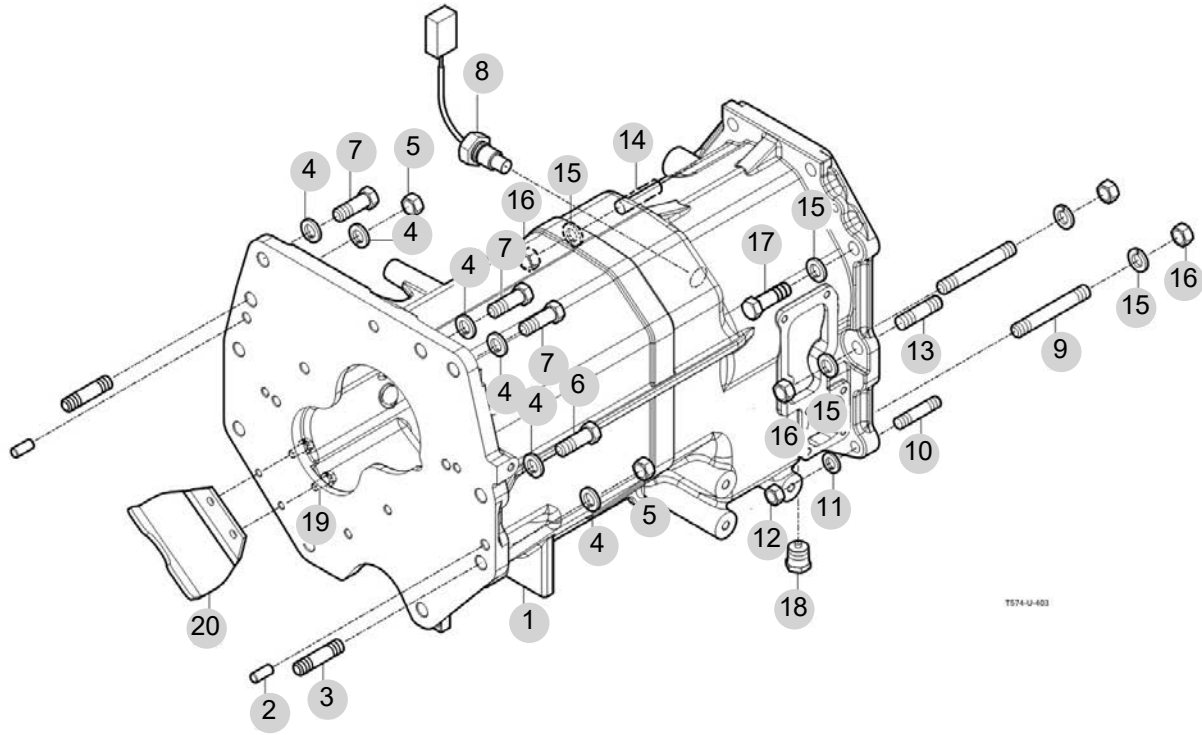
FIG 403

MID TRANSMISSION CASE

년/월
Year/Month

2022-12

T495SHEU1



T574-U-403

NOTE

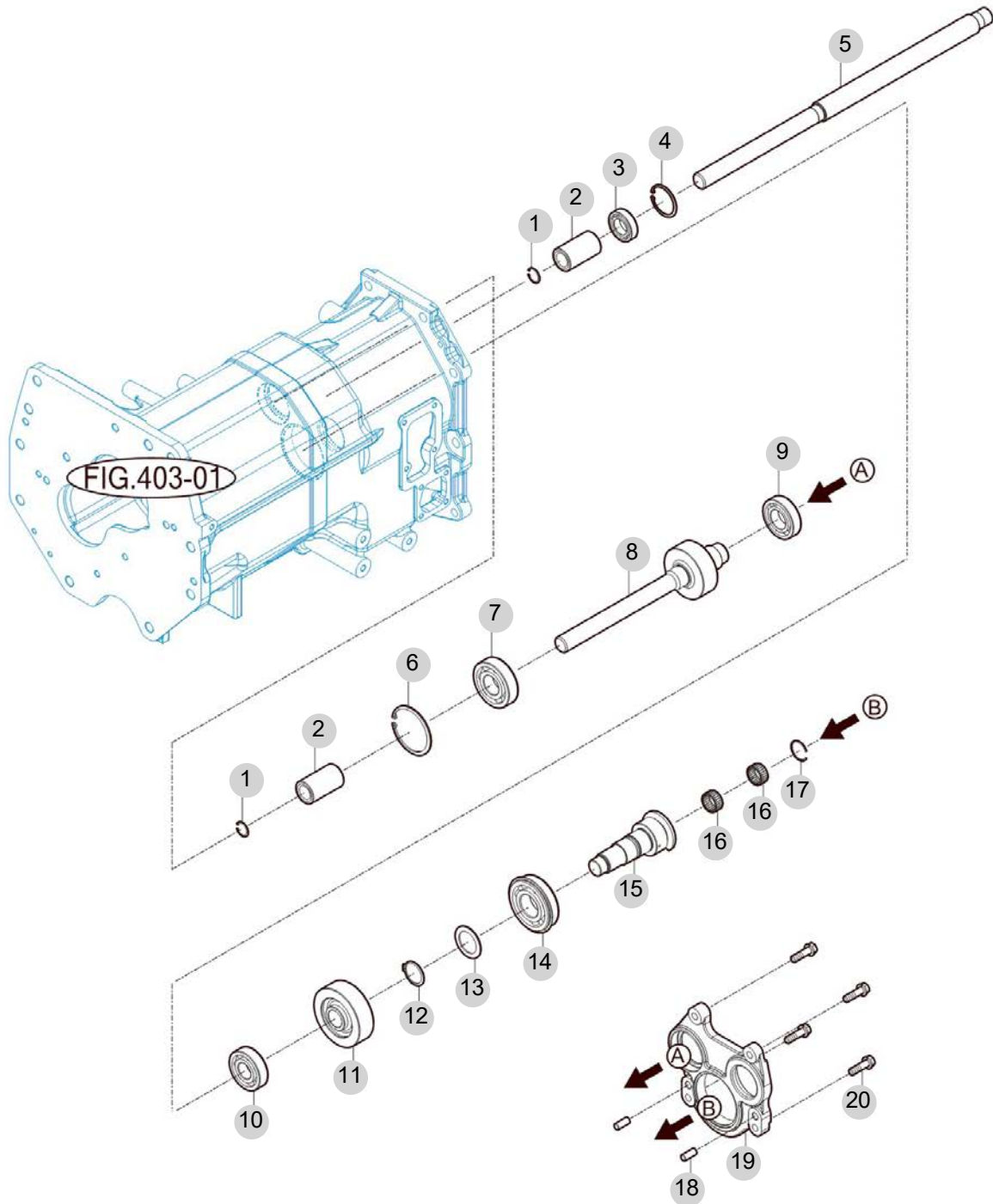
FIG 404

TRANSFER GEAR SET

년/월
Year/Month

2022-12

T495SHEU1



NOTE

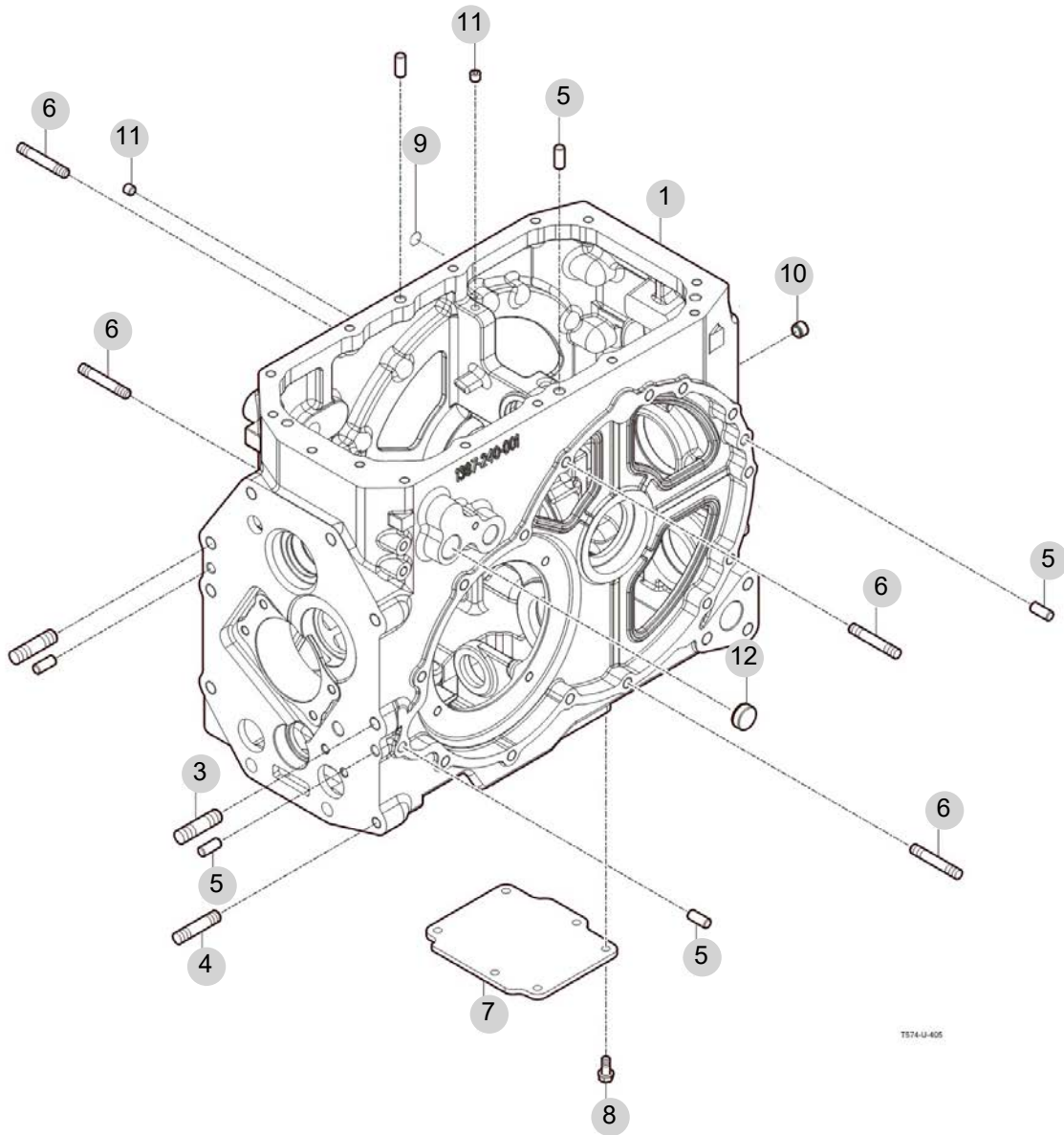
FIG 405

TRANSMISSION REAR CASE

년/월
Year/Month

2022-12

T495SHEU1



NOTE

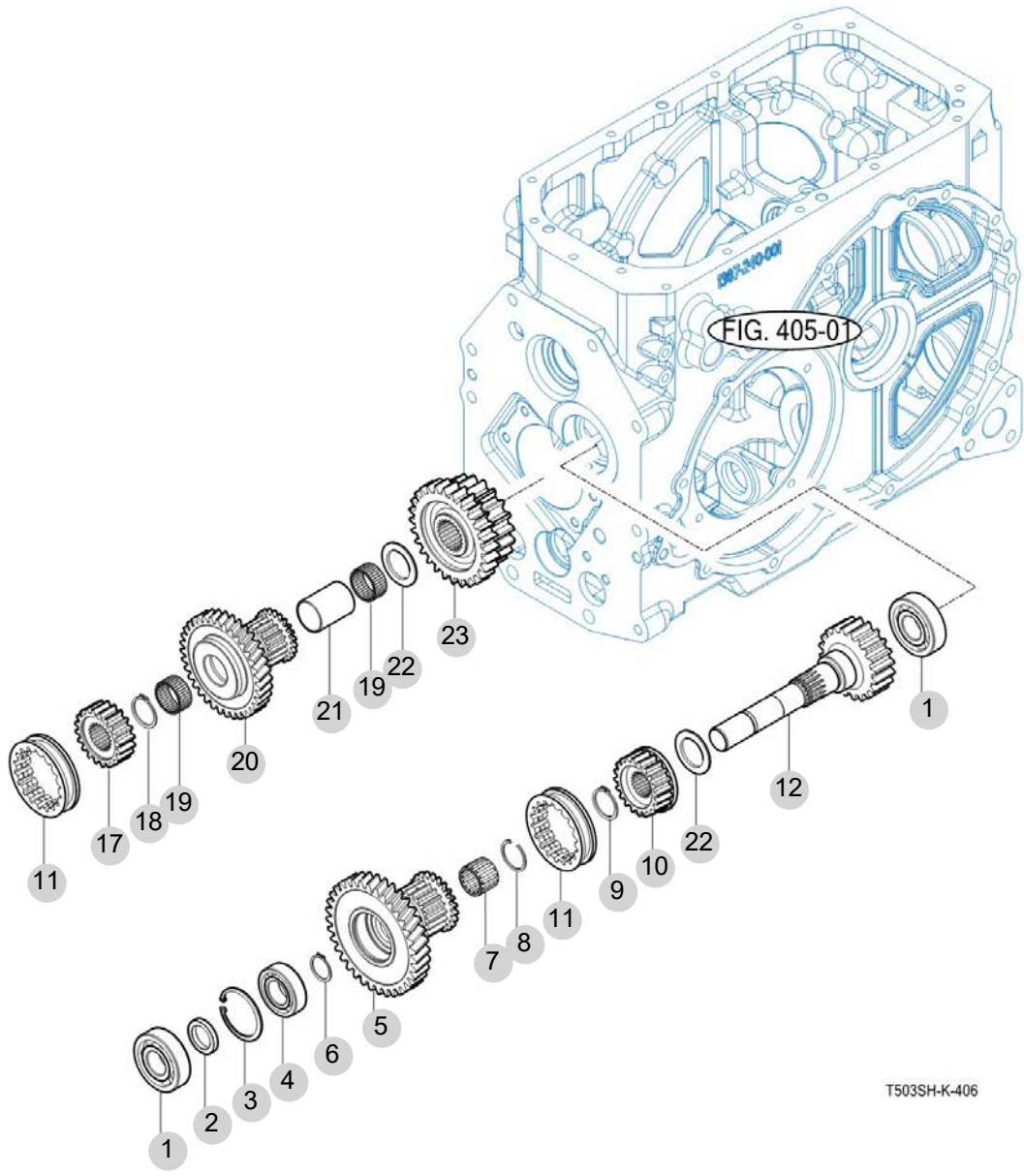
FIG 406

SUB CHANGE GEARS

년/월
Year/Month

T495SHEU1

2022-12



T503SH-K-406

NOTE

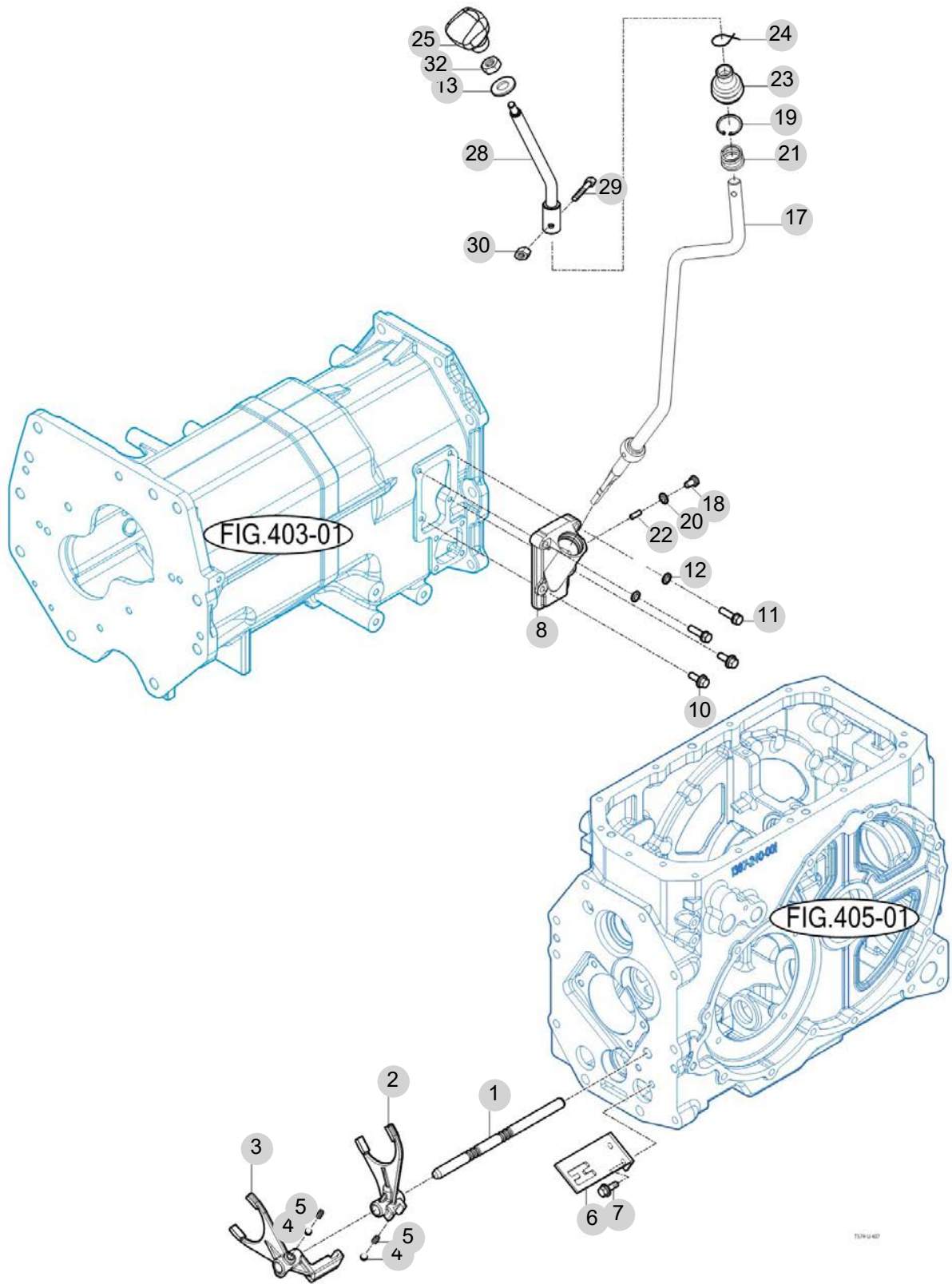
FIG 407

SUB CHANGE SHIFTER

년/월
Year/Month

2022-12

T495SHEU1



NOTE

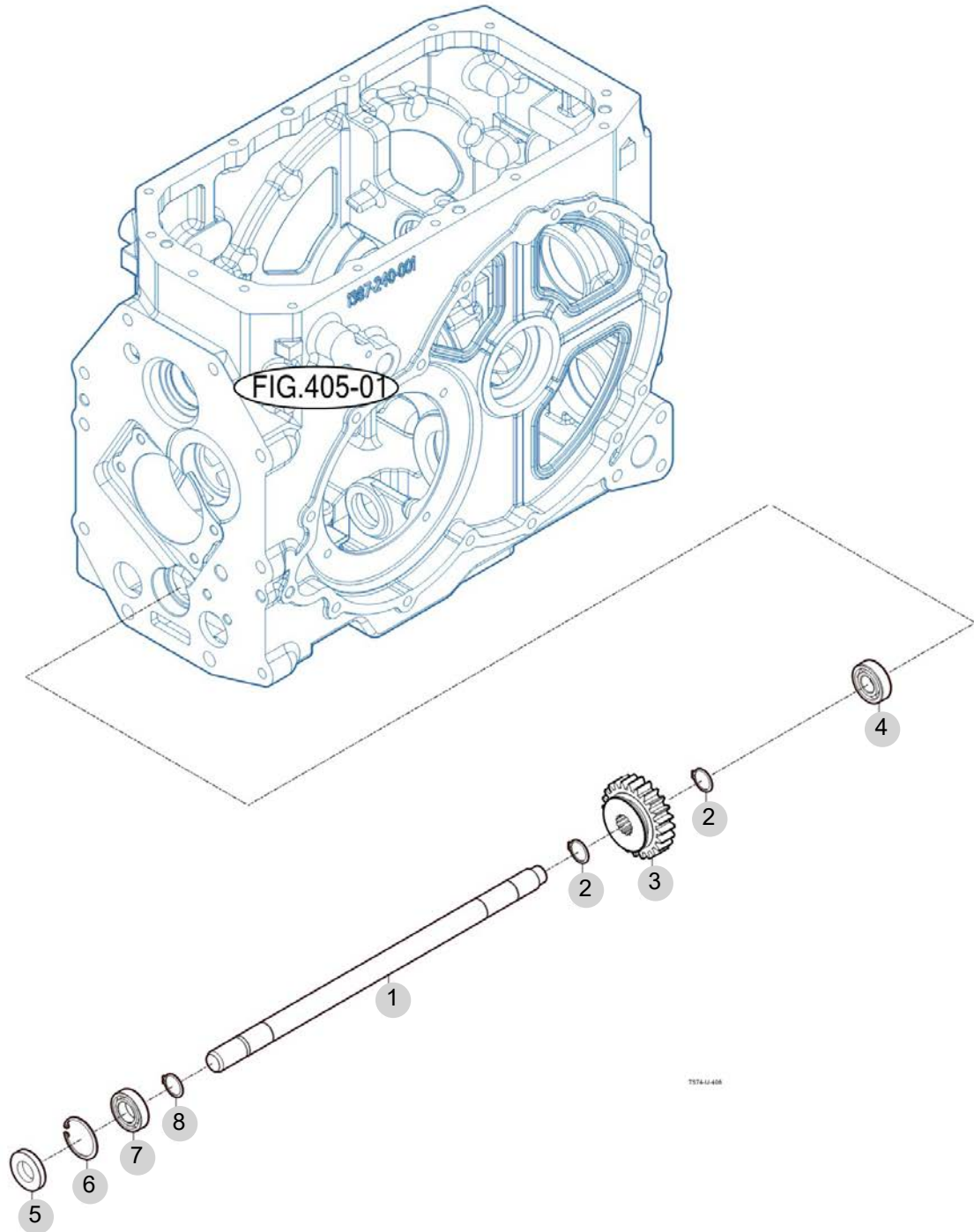
FIG 408

DRIVE GEARS

년/월
Year/Month

T495SHEU1

2022-12



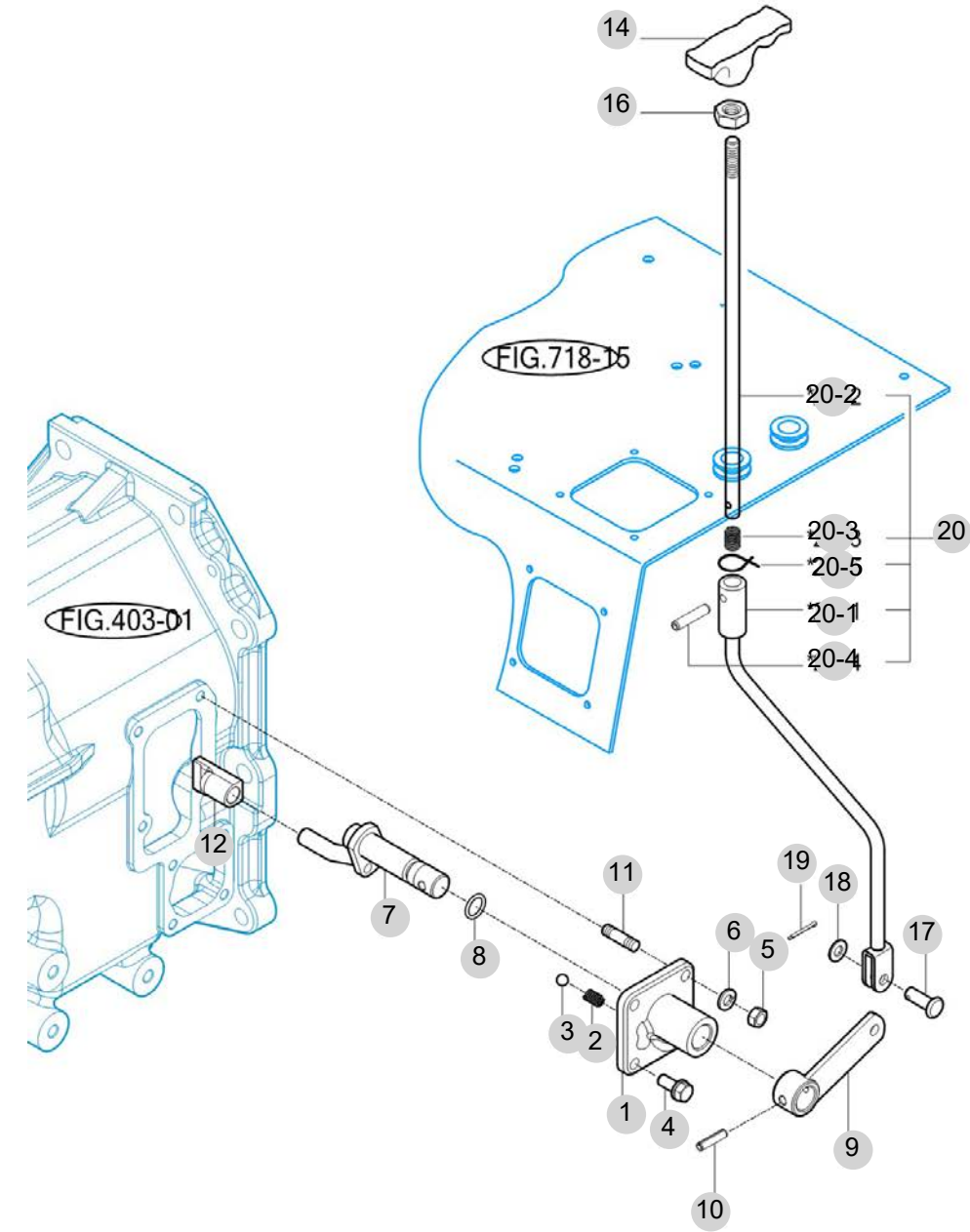
NOTE

FIG 409

4WD CHANGE LEVER

년/월
Year/Month

2022-12



*NOT SERVICED SEPARATELY

T574-U-409

NOTE

FIG 409 T495SHEU1	4WD CHANGE LEVER	년/월 Year/Month
		2022-12

KEY NO	PART NO	DESCRIPTION	SPEC	QTY	REPAIR	EFFECTIVE DATE	REMARKS
409	1	15602650021M	메탈(시프터)				
409	2	13022250030	시프터스프링				
409	3	V6802000010	강구	5/16			
409	4	V2173608020	소형육각볼트보통(S)	M8X20			
409	5	V3042600080	소형육각너트보통2종	M8			
409	6	V4011600080	스프링와셔	M8			
409	7	13872652200	4WD 샤프트 암 COMP				
409	8	V7201024014	O링(P)	P14			
409	9	14522652000	암 COMP				
409	10	V5801406025	스프링핀	6X25			
409	11	V2513408020	스터드볼트2종	8X20			
409	12	18012282020	4륜 암 메탈				
409	14	16702190060	그립(4WD)				
409	15	V4111600100	평와셔	M10			
409	16	V3342600100	소형육각너트가는2종	M10			
409	17	14322420010	핀				
409	18	V4111600080	평와셔	M8			
409	19	V5001925020	핀	2.5X20			
409	20	14522882102GB	로드(4WD)ASSY				
409	20-01	14522882300	로드(LOWER)COMP				
409	20-02	14522882140	로드(UPPER)				
409	20-03	14522882200	스프링				
409	20-04	V5801405020	스프링핀				
409	20-05	V5901010070	철선				

NOTE

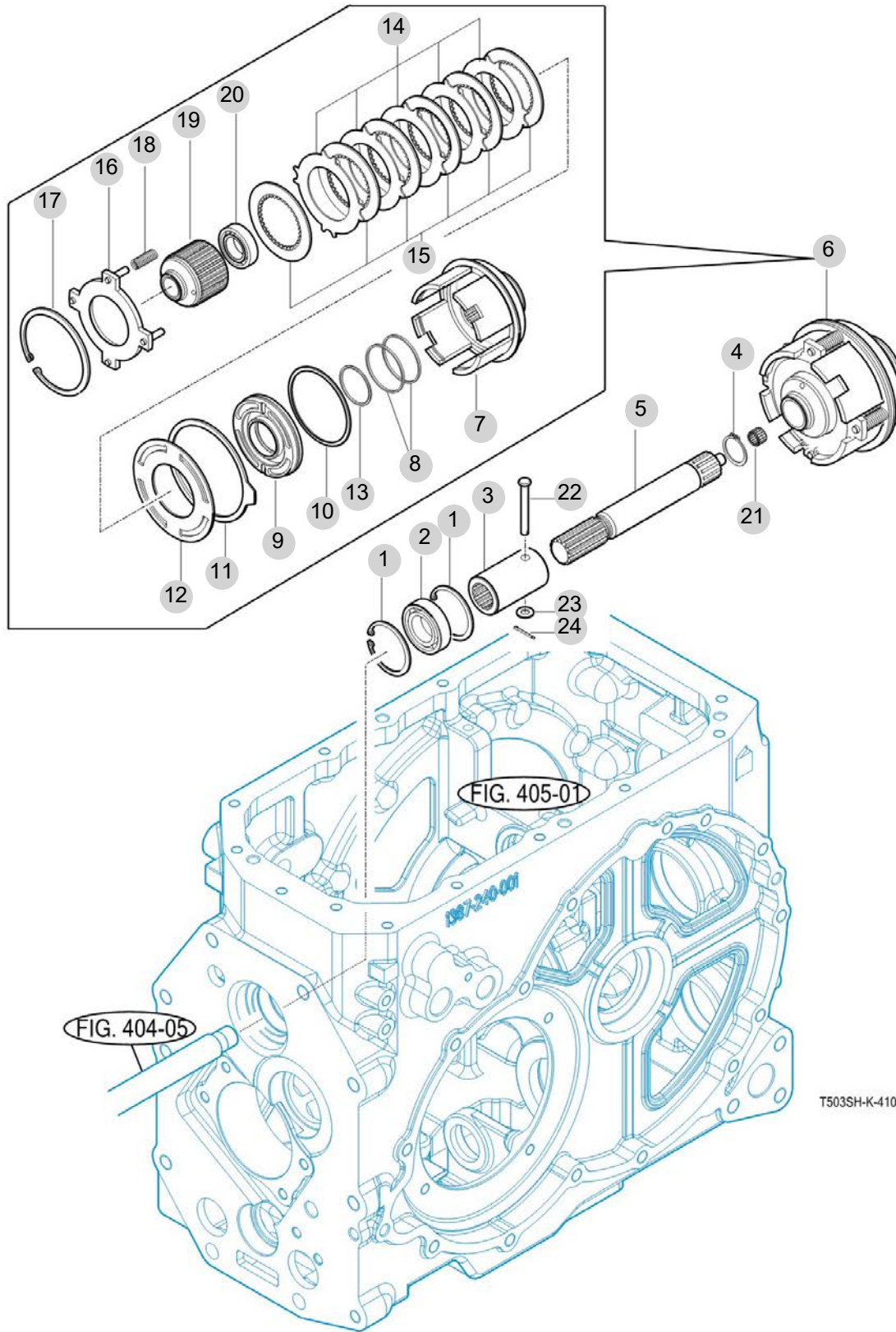
FIG 410

P.T.O DRIVE SHAFT

년/월
Year/Month

2022-12

T495SHEU1



NOTE

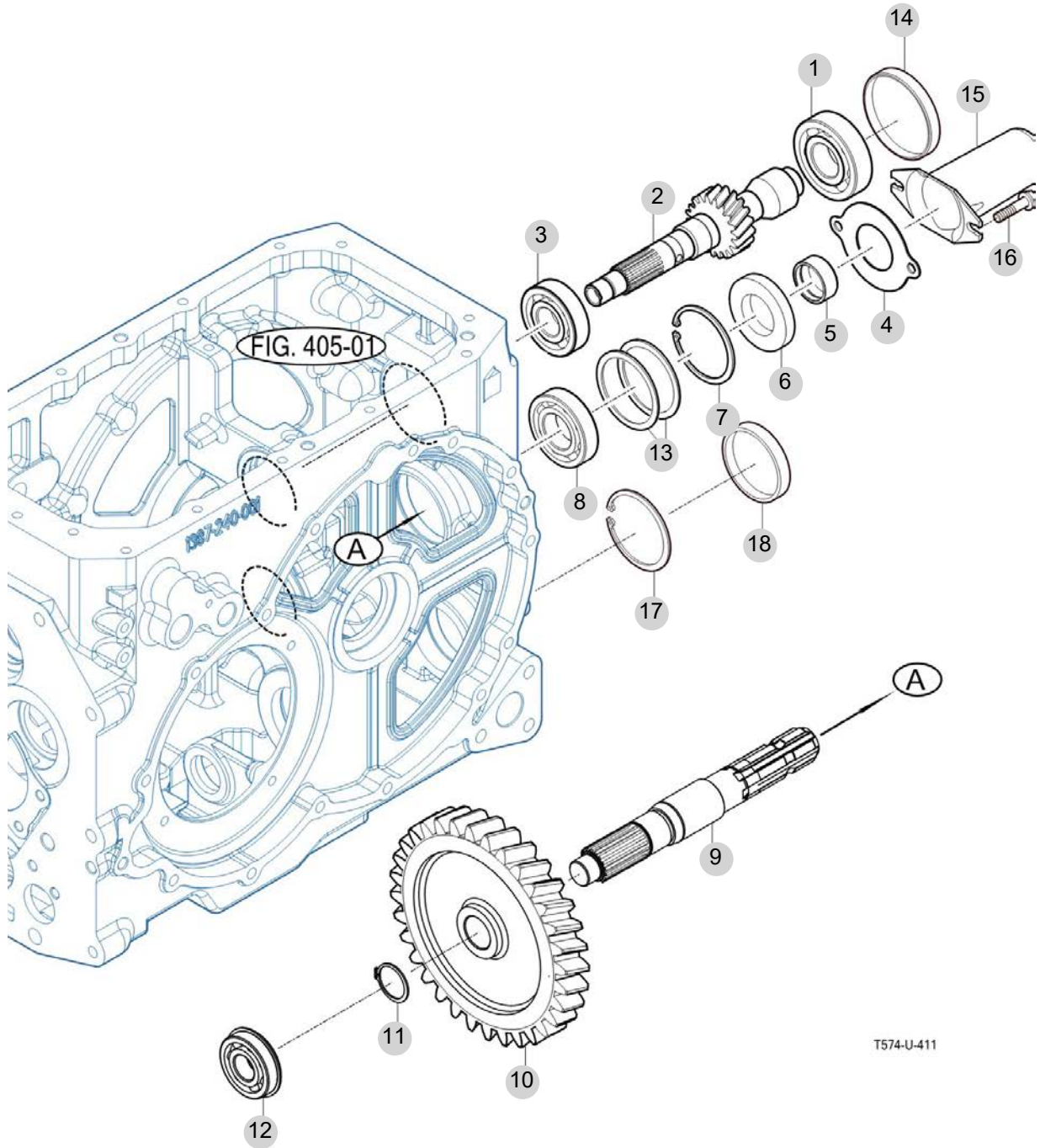
FIG 411

P.T.O CHANGE GEARS

년/월
Year/Month

2022-12

T495SHEU1



NOTE

FIG 411		P.T.O CHANGE GEARS						년/월 Year/Month	
								2022-12	
KEY NO		PART NO	DESCRIPTION	SPEC	QTY	REPAIR	EFFECTIVE DATE	REMARKS	
411	1	V6041106306	볼베어링(HL1)		1				
411	2	15152700020	기어(헬리컬/12)		1				
411	3	V6041106305	볼베어링(HL1)		1				
411	4	16322730040	커버(플레이트)		1				
411	5	14522200041	슬리브(PTO축)		1				
411	6	16322732010	씰(오일)		1				
411	7	V7051400720	C형멈춤링(구멍용)		1				
411	8	V6041106207	볼베어링(HL1)		1				
411	9	13872730010	PTO 샤프트		1				
411	10	13872730030	기어(헬리컬, 58)		1				
411	11	V7041400350	C형멈춤링(축용)		1				
411	12	V6041606305	볼베어링(HL1NR)		1				
411	13	79642010080	심(B)		2				
411	14	14254330180	캠(72)		1	C			
411	15	14443140091	PTO축 캡		1				
411	16	V2183608016	소형육각볼트보통(SP)	M8X16	2				
411	17	V7051400620	C형멈춤링(구멍용)	62	1				
411	18	14443140080	씰(62)		1				
NOTE									

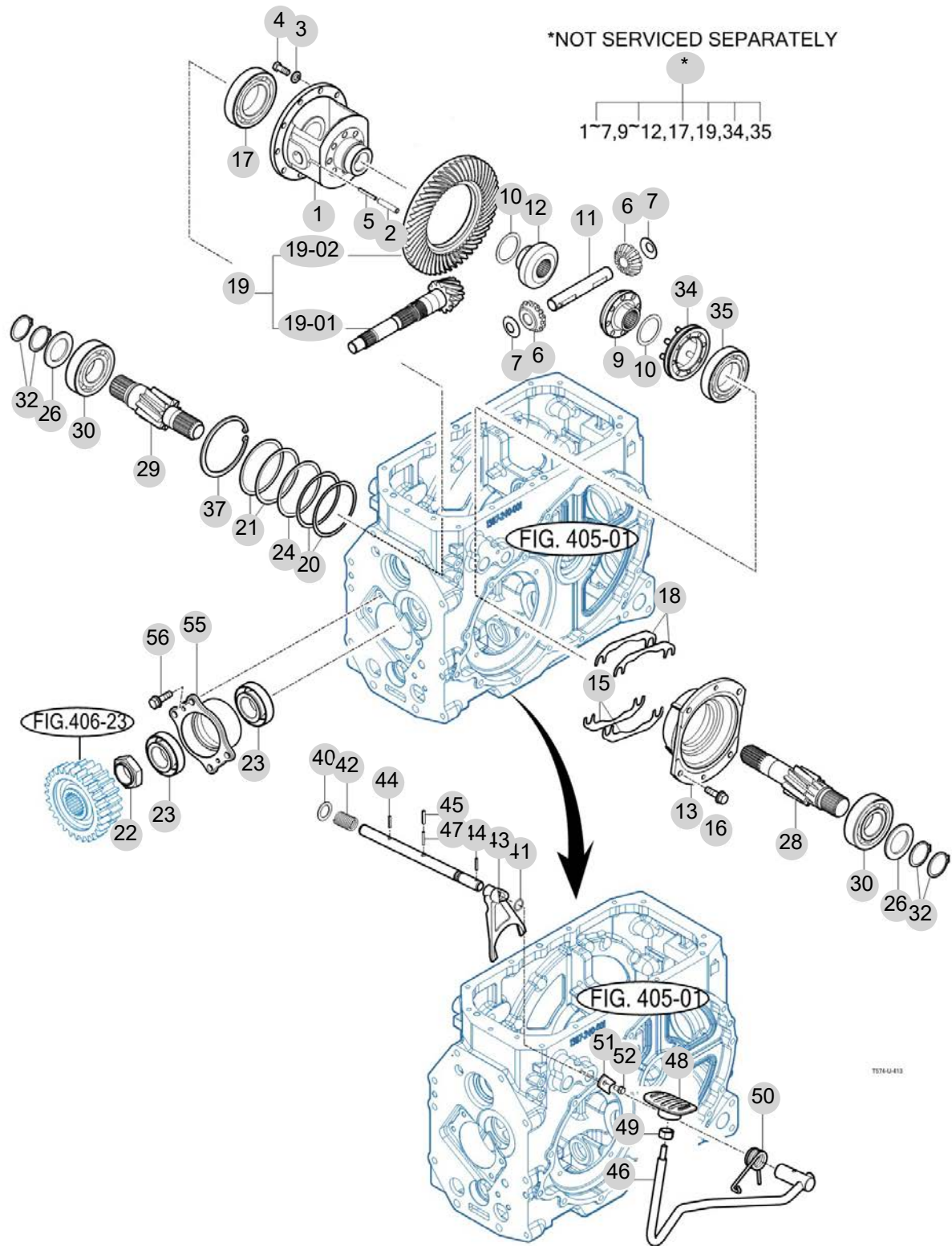
FIG 412

P.T.O CHANGE LEVER

년/월
Year/Month

2022-12

T495SHEU1



NOTE

FIG 412 T495SHEU1		P.T.O CHANGE LEVER					년/월 Year/Month	
							2022-12	
KEY NO	PART NO	DESCRIPTION	SPEC	QTY	REPAIR	EFFECTIVE DATE	REMARKS	
412	0	14523031001	리어차동장치(47PS)ASSY			1		
412	1	14523030010M	케이스(디프)			1		
412	2	V5801408040	스프링핀	8X40		1		
412	3	V4011600100	스프링와셔	M10		10		
412	4	V2024610025	소형육각볼트(가는)	M10X25		10		
412	5	V5801405036	스프링핀	5X36		1		
412	6	14523180041	피니언(차동)			2		
412	7	14523030080	칼라(피니언)			2		
412	9	14523180061	피니언(베벨/16 LH)			1		
412	10	14523030100	와셔(스러스트)			2		
412	11	14523030110	디프피니언샤프트			1		
412	12	14523180031	피니언(베벨/16 RH)			1		
412	13	14523030131M	메탈(LH/디프케이스)			1		
412	15	14523010090	심(B)	T=0.2		4		
412	16	V2173610025	소형육각볼트보통(S)	M10X25		4		
412	17	V6001106212	볼베어링	6212		1		
412	18	14523010080	심(A)	T=0.1		2		
412	19	14523022100	기어(10X41)SET			1		
412	19-01	14523022111	베벨피니언			1		
412	19-02	14523022120	스파이럴베벨기어			1		
412	20	14523010050	심(0.1)	T=0.1		1		
412	22	15533030020	너트(M40XP1.5)			1		
412	23	V6321132208	테이퍼로올러베어링(보통)	32208CR		2		
412	24	14523010100	심(0.2)	T=0.2		2		
412	26	15133060030	스러스트칼라(45X68X4)			2		
412	28	14523060011	피니언(헬리컬/11/LH)			1		
412	29	14523060021	피니언(헬리컬/11/RH)			1		
412	30	V6041106309	볼베어링(HL1)	6309		2		
412	32	V7041400450	C형멈춤링(축용)	45		4		
412	34	14523033400	슬리브COMP			1		
412	35	V6001106211	볼베어링	6211		1		
412	37	V7051401100	C형멈춤링(구멍용)	R110		1		
412	39	15533193010	디프록 샤프트			1		
412	40	V4111600200	평와셔	M20		1		
412	41	V7201024016	O링(P)	P16		1		
412	42	17973030420	스프링			1		
412	43	14523190011M	포크(디프록)			1		
412	44	V5801406032	스프링핀	6X32		2		
412	45	V5801408036	스프링핀	8X36		1		
412	46	15533193100	디프록페달COMP			1		
412	47	V5801405036	스프링핀	5X36		1		
412	48	14521220120	페달COMP,액셀			1		
412	49	V3342600100	소형육각너트가는2종	M10		1		
412	50	15533190020	스프링(디프 페달)			1		
412	50	15533190021	스프링(디프 페달)			1		
NOTE								

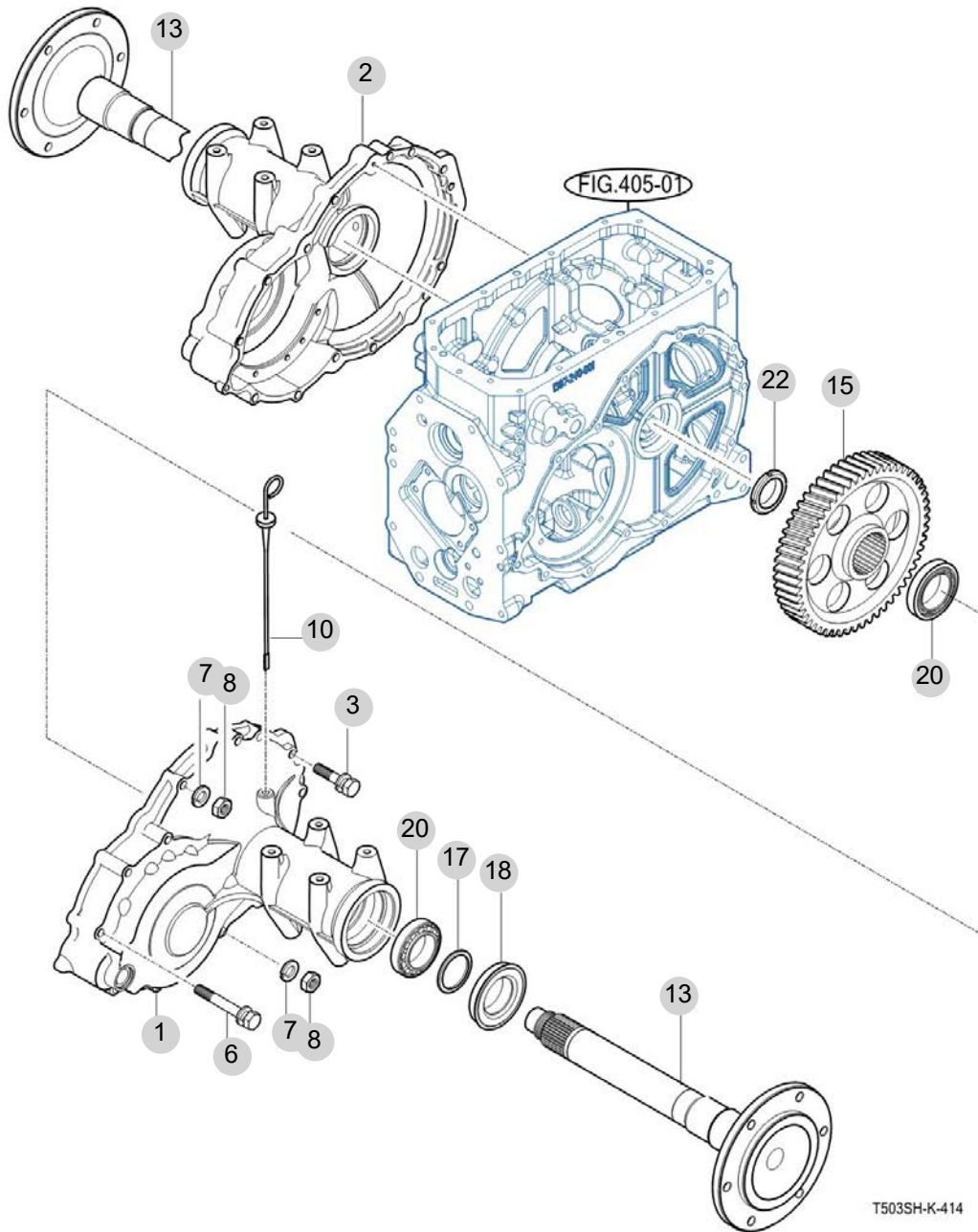
FIG 413

4WD CHANGE LEVER

년/월
Year/Month

2022-12

T495SHEU1



NOTE

5. 프런트 액슬 PART NO. T5

FIG 501 FRONT AXLE SUPPORT	169
FIG 502 FRONT DRIVE SHAFT	171
FIG 503 FRONT AXLE HOUSING	173
FIG 504 FRONT DIFFERENTIAL GEARS	175
FIG 505 FRONT GEAR CASE (1)	177
FIG 506 FRONT GEAR CASE (2)	179
FIG 507 FRONT GEAR CASE (3)	181

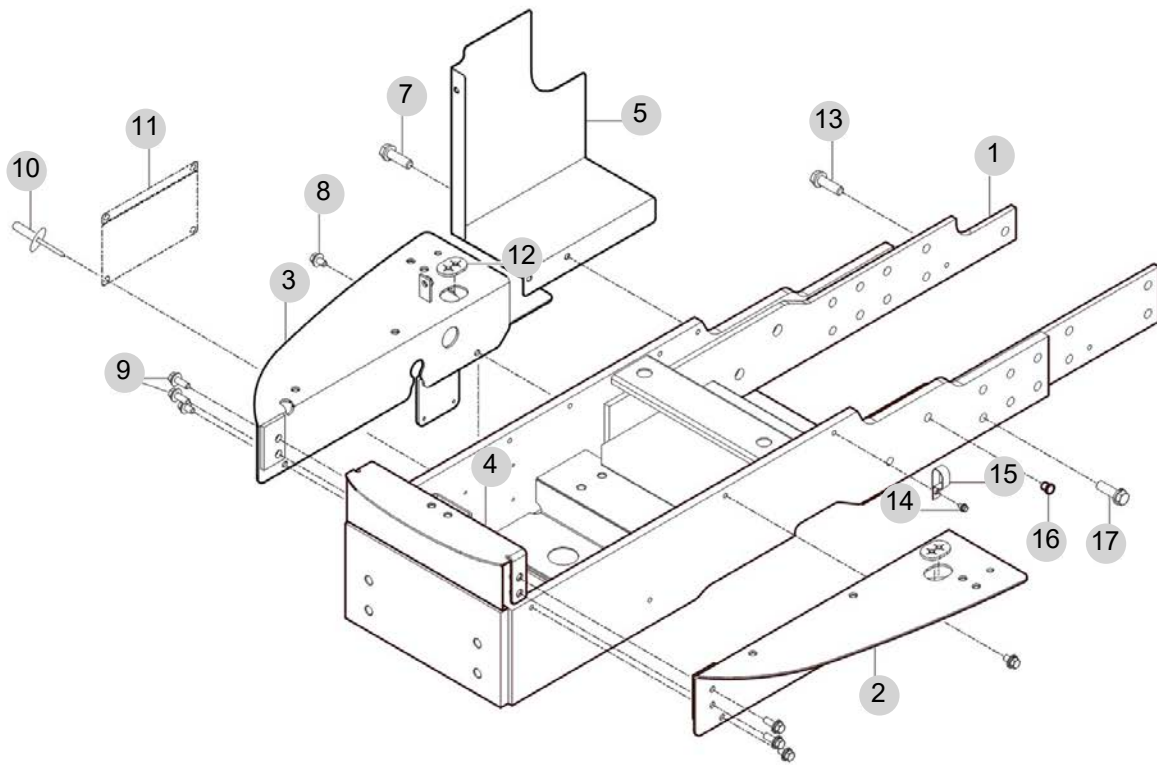
FIG 501

FRONT AXLE SUPPORT

년/월
Year/Month

2022-12

T495SHEU1



TS74494-U-501

NOTE

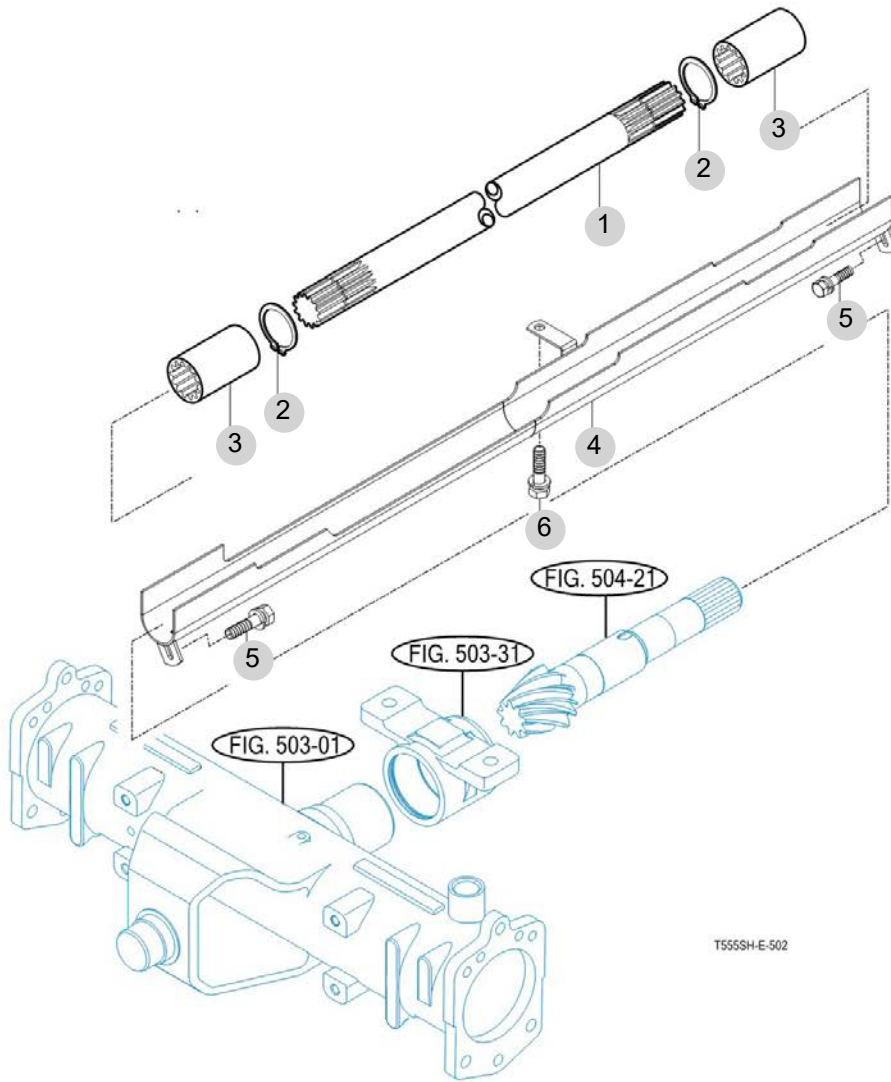
FIG 502

FRONT DRIVE SHAFT

년/월
Year/Month

2022-12

T495SHEU1



NOTE

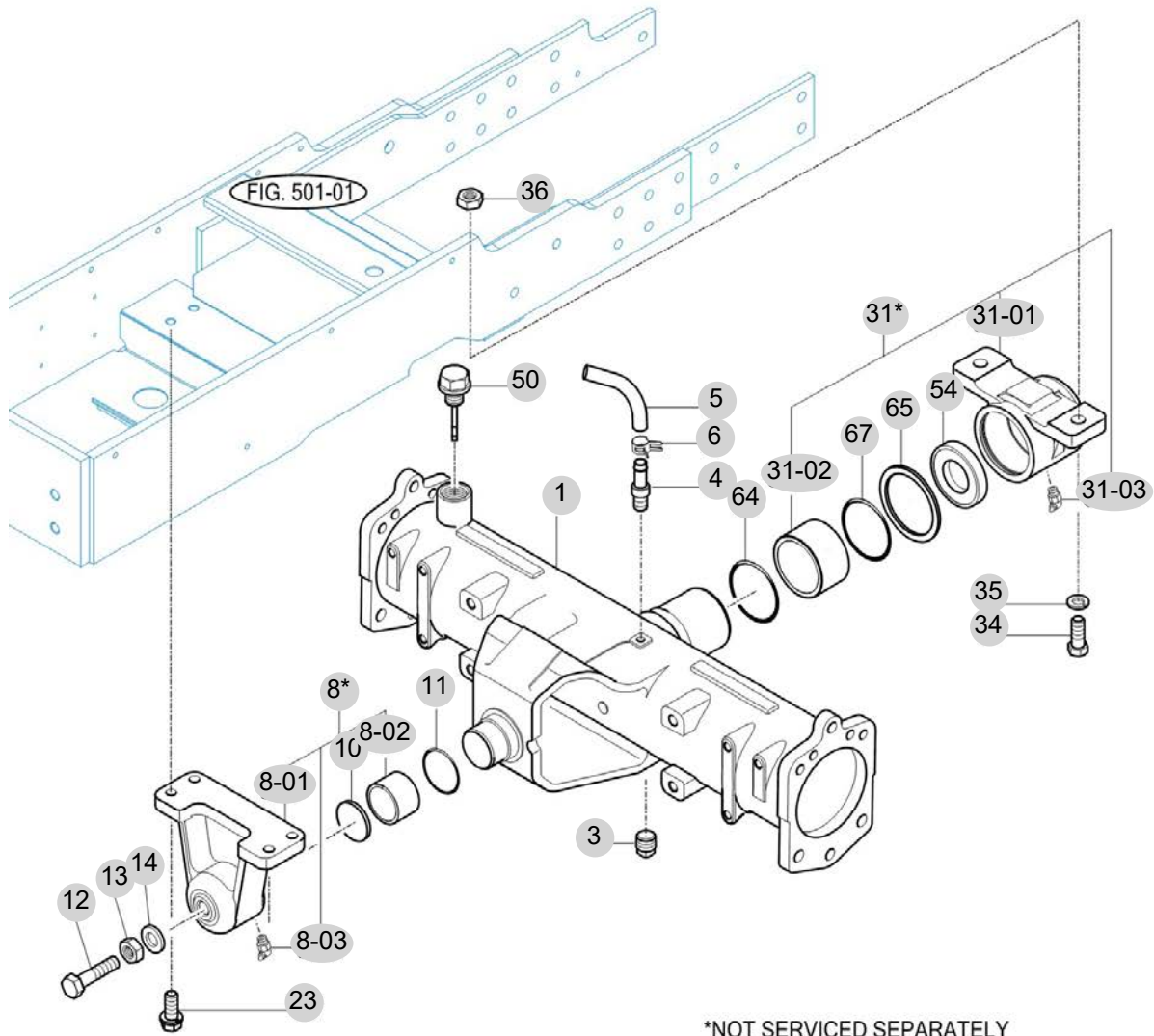
FIG 503

FRONT AXLE HOUSING

년/월
Year/Month

2022-12

T495SHEU1



T574494-U-503

NOTE

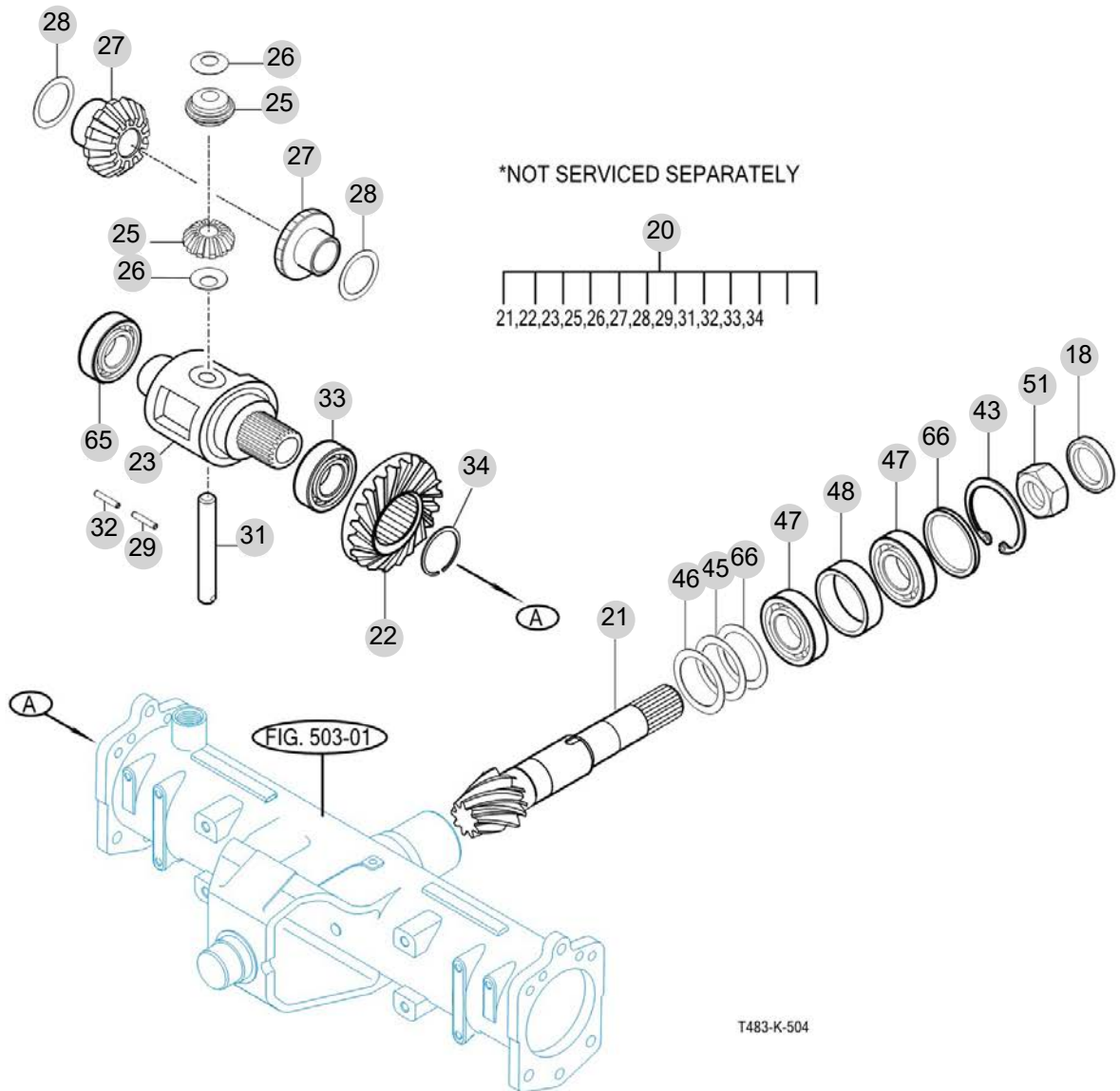
FIG 504

FRONT DIFFERENTIAL GEARS

년/월
Year/Month

2022-12

T495SHEU1



NOTE

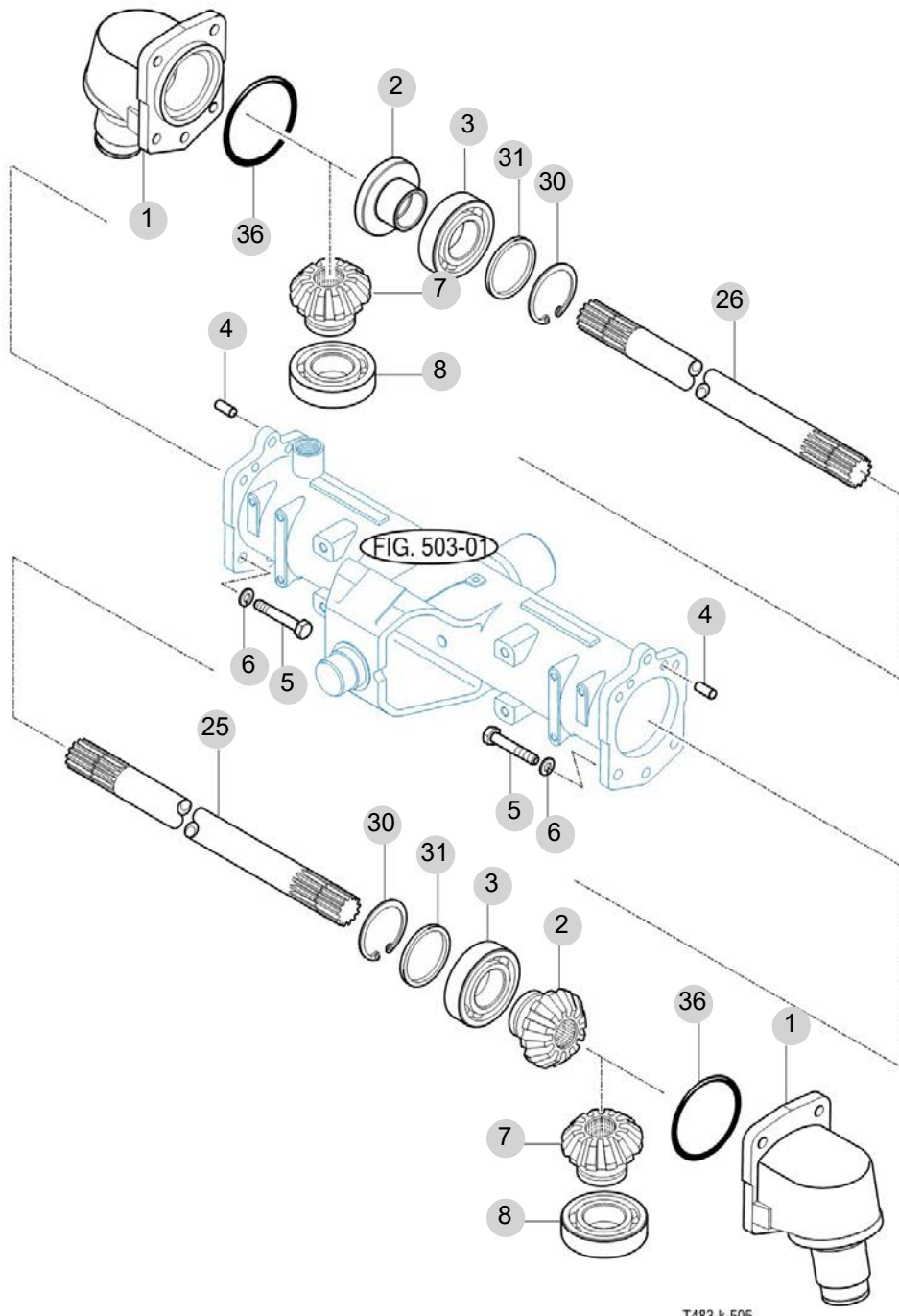
FIG 505

T495SHEU1

FRONT GEAR CASE (1)

년/월
Year/Month

2022-12



NOTE

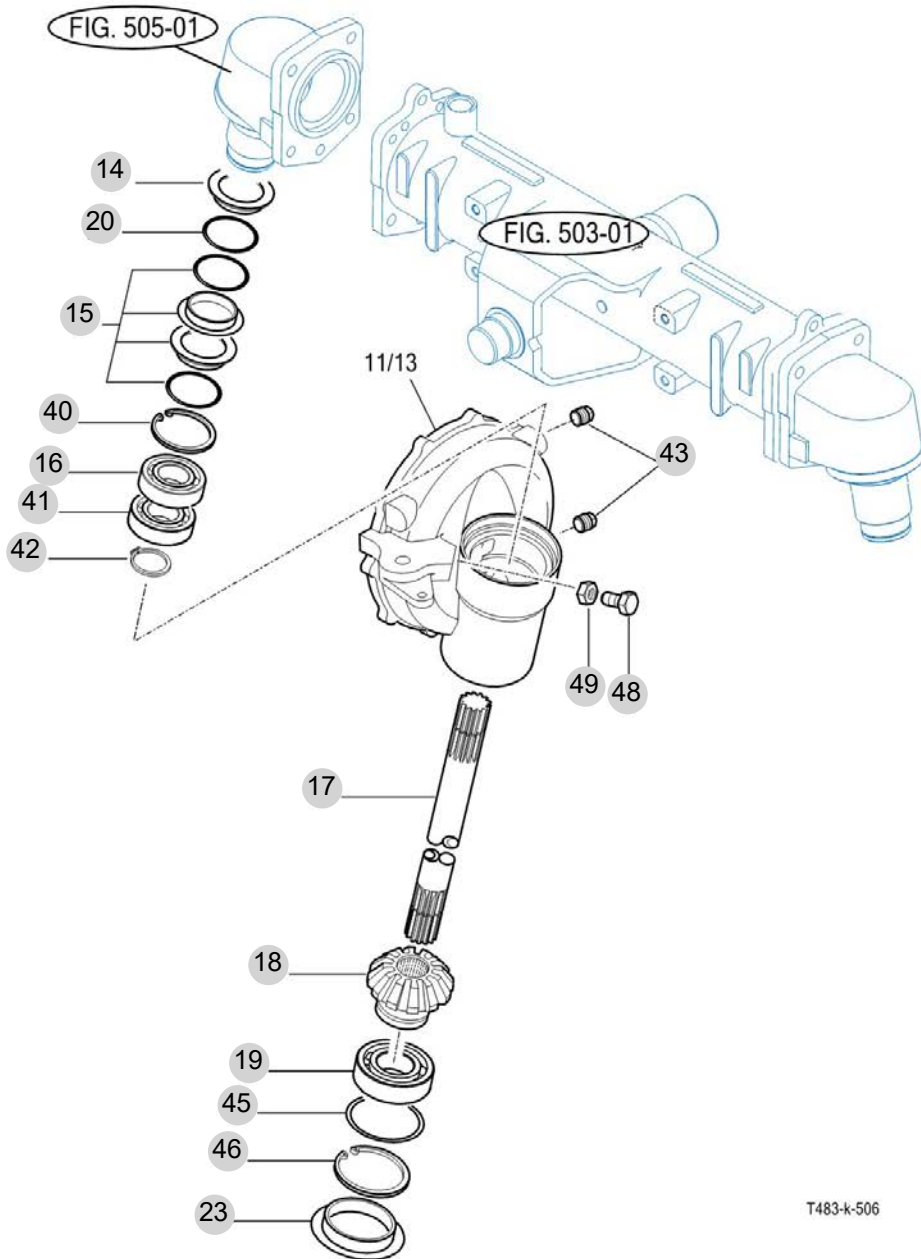
FIG 506

T495SHEU1

FRONT GEAR CASE (2)

년/월
Year/Month

2022-12



T483-k-506

NOTE

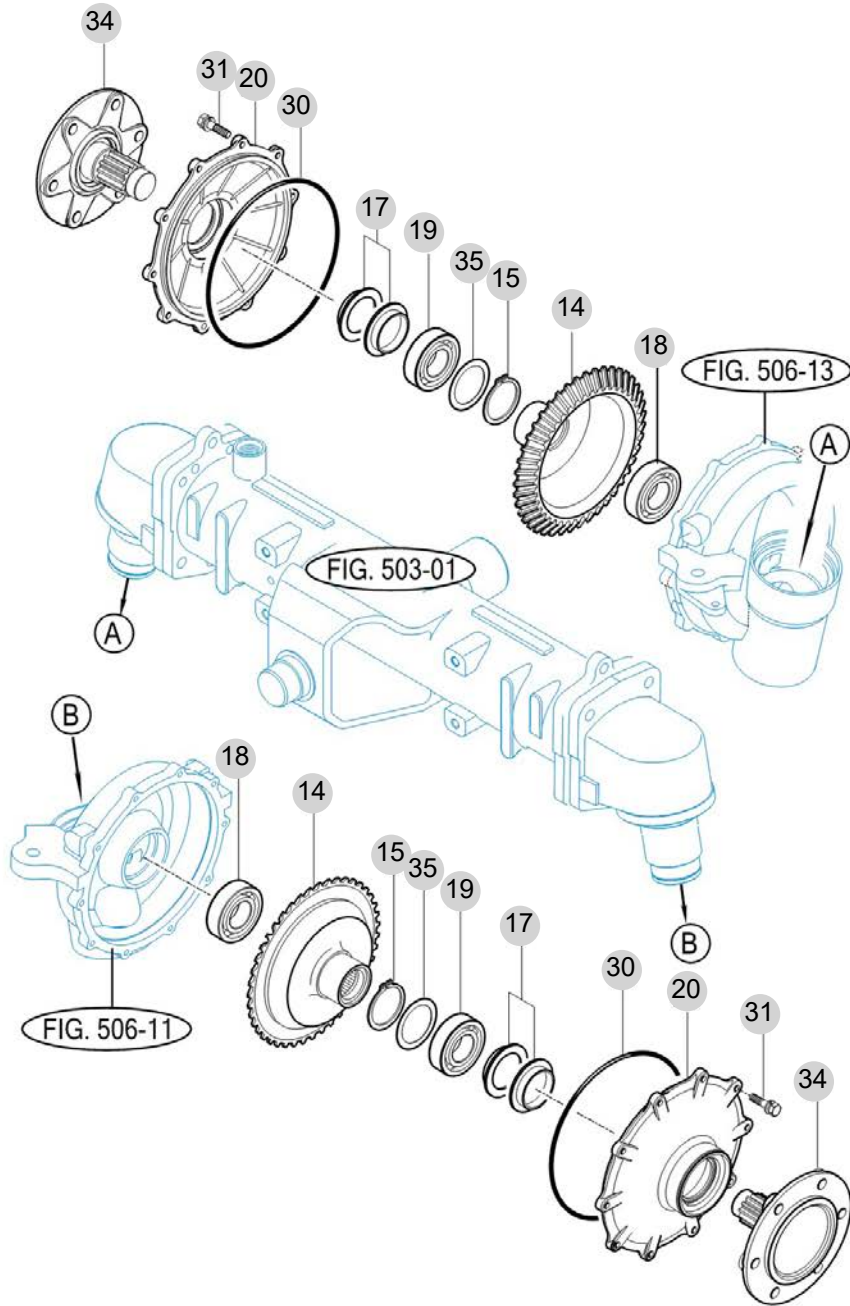
FIG 507

T495SHEU1

FRONT GEAR CASE (3)

년/월
Year/Month

2022-12



T483-k-507

NOTE

6. 유압/3점링크 PART NO. T6

FIG 601 CYLINDER CASE	184
FIG 602 LIFT ARM	186
FIG 603 CYLINDER	188
FIG 604 POSITION LINK	190
FIG 605 CONTROL VALVE	192
FIG 606 DRAFT LINK	194
FIG 607 POSITION & DRAFT LEVER (1)	196
FIG 607-2 POSITION & DRAFT LEVER (2)[SAP 가져오기]에서 생성함.	198
FIG 608 EXTERIOR HYD.VALVE	200
FIG 609 HYDRAULIC PIPE	202
FIG 610 JOYSTICK	204
FIG 612 HITCH & 3-POINT LINK	207
FIG 613 LOWER LINK & LIFT ROD	210

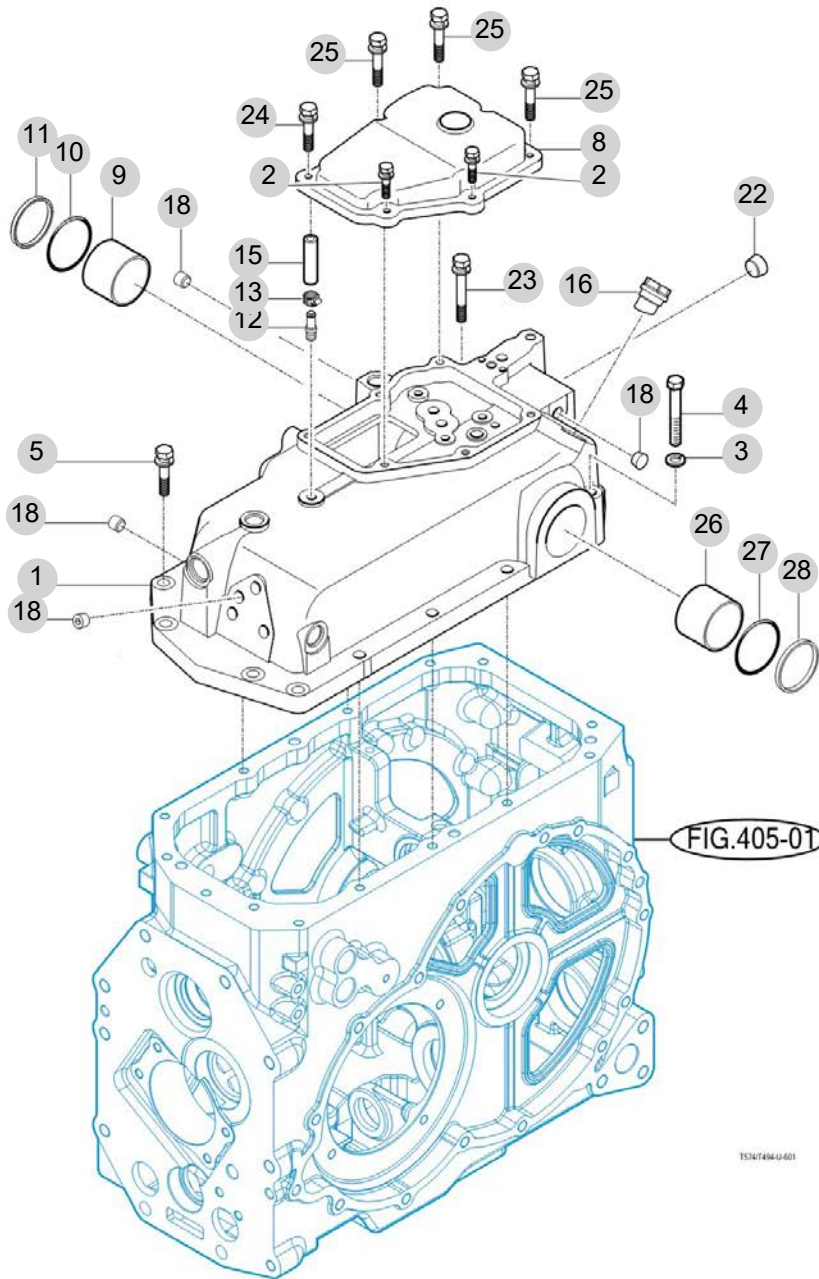
FIG 601

CYLINDER CASE

년/월
Year/Month

2022-12

T495SHEU1



TSJUT495U-001

NOTE

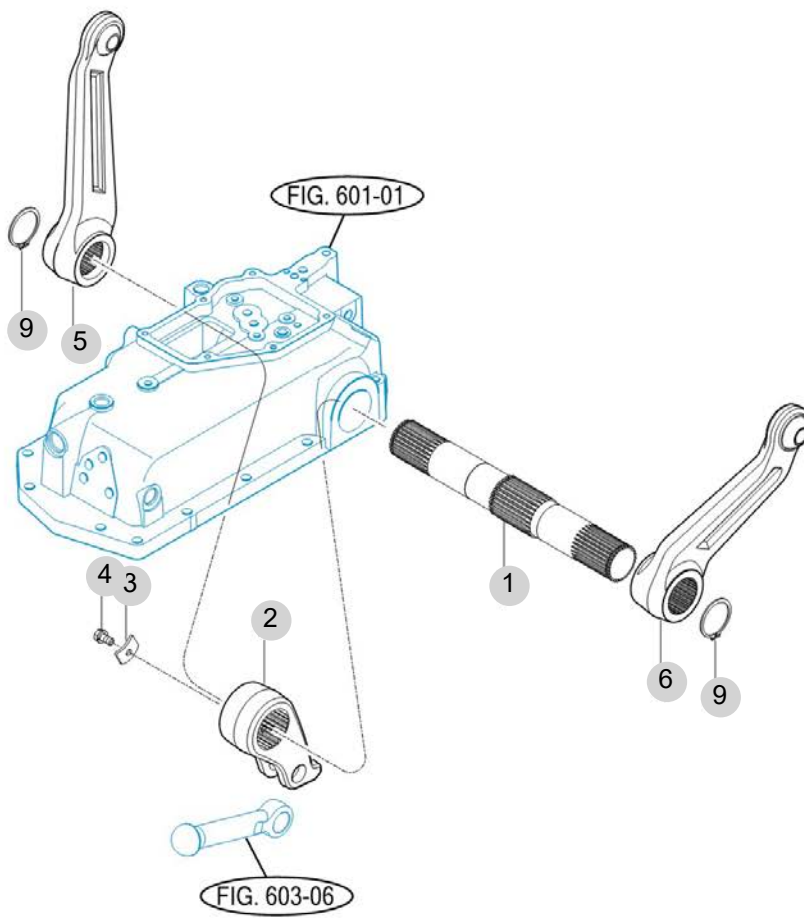
FIG 602

T495SHEU1

LIFT ARM

년/월
Year/Month

2022-12



T483-K-602

NOTE

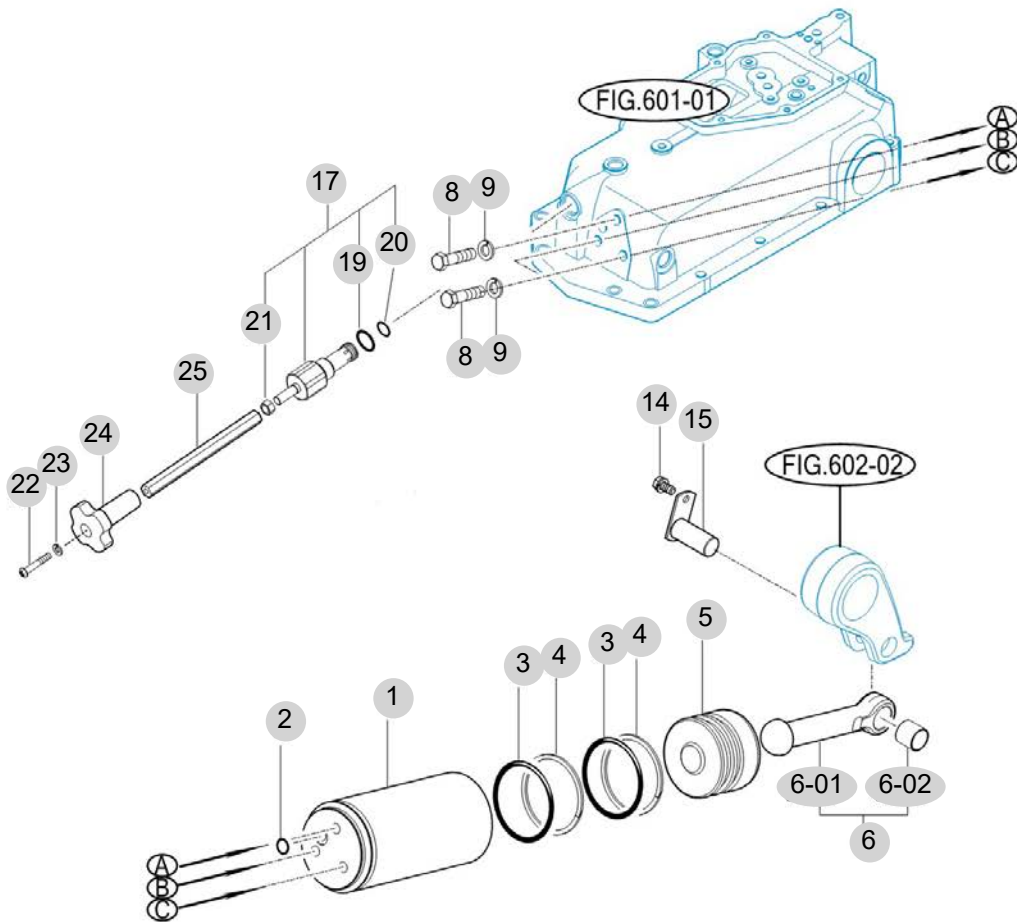
FIG 603

T495SHEU1

CYLINDER

년/월
Year/Month

2022-12



T483-K-603

NOTE

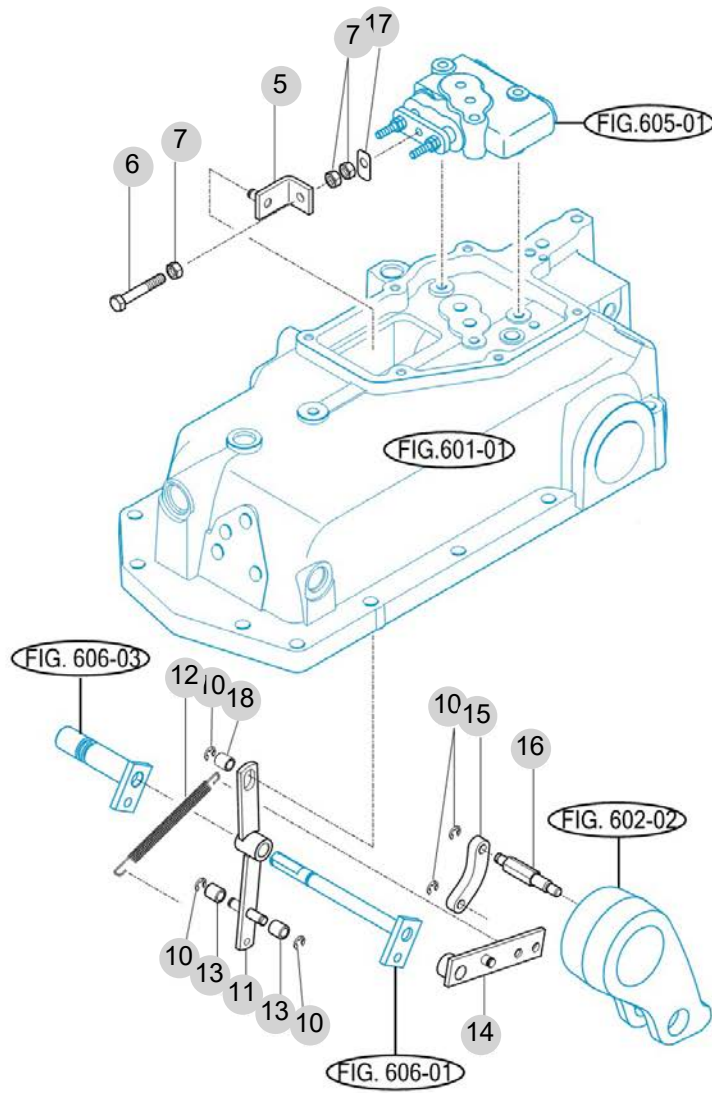
FIG 604

T495SHEU1

POSITION LINK

년/월
Year/Month

2022-12



T483-K-604

NOTE

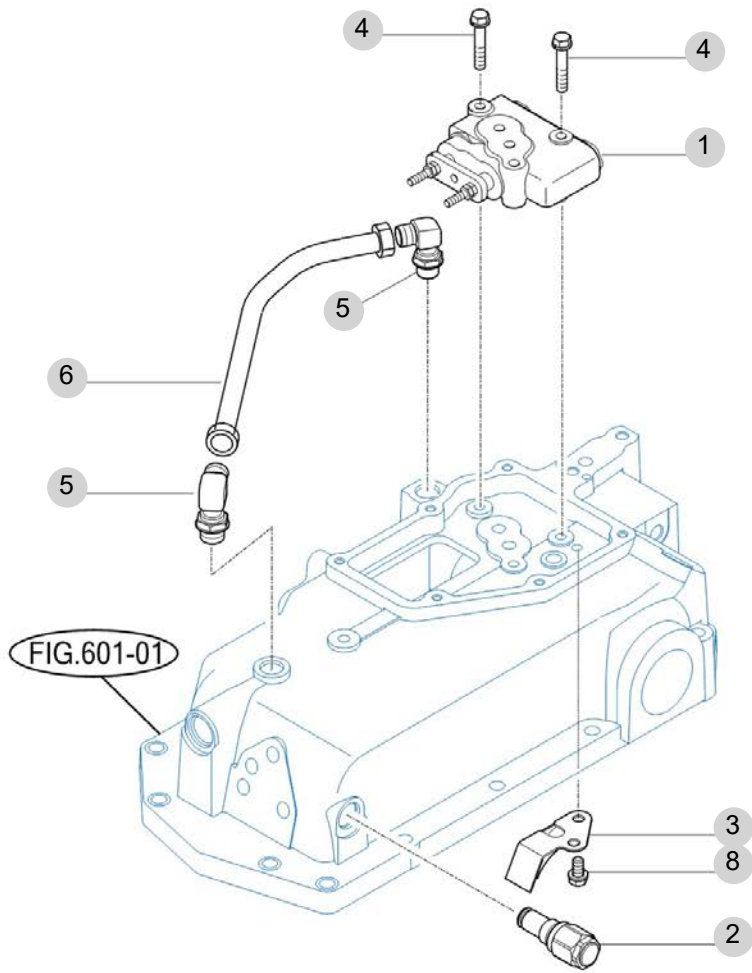
FIG 605

T495SHEU1

CONTROL VALVE

년/월
Year/Month

2022-12



T483-K-605

NOTE

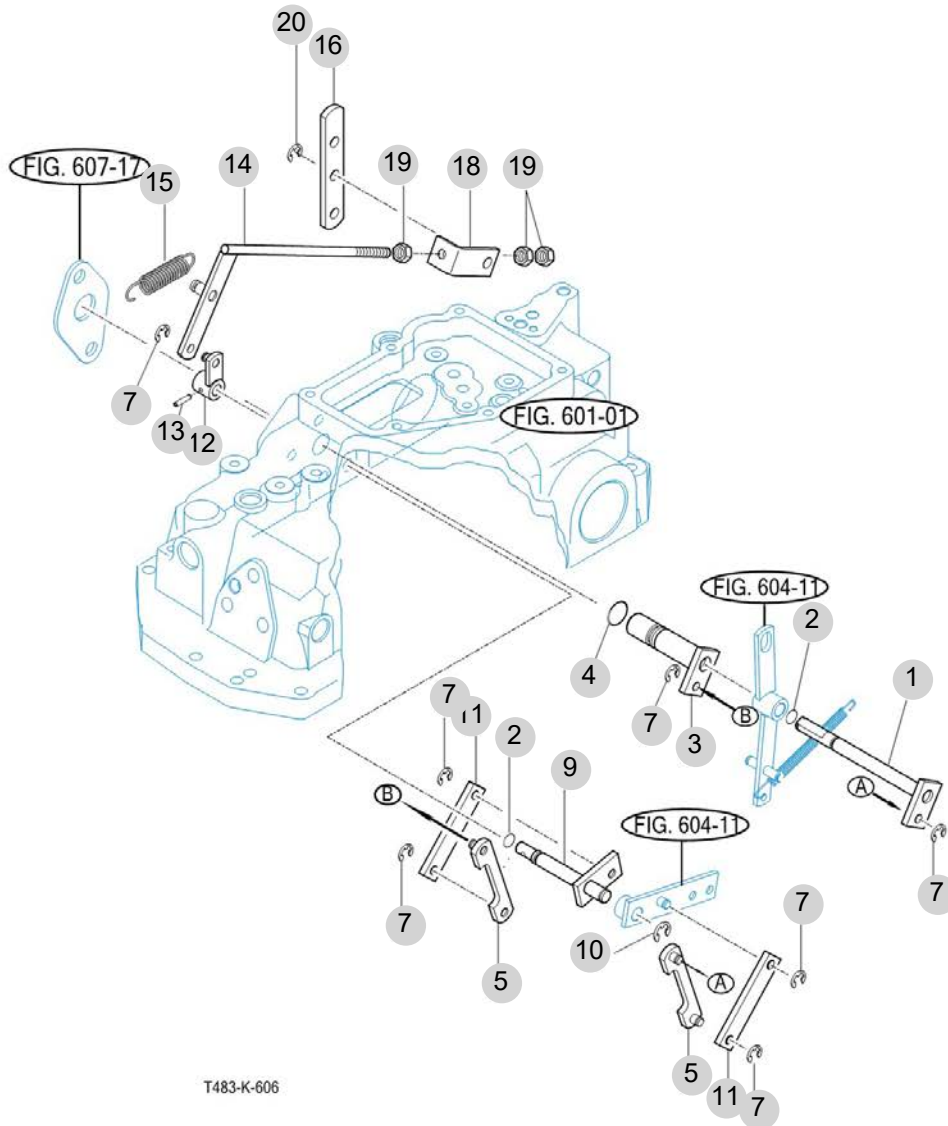
FIG 606

DRAFT LINK

년/월
Year/Month

T495SHEU1

2022-12



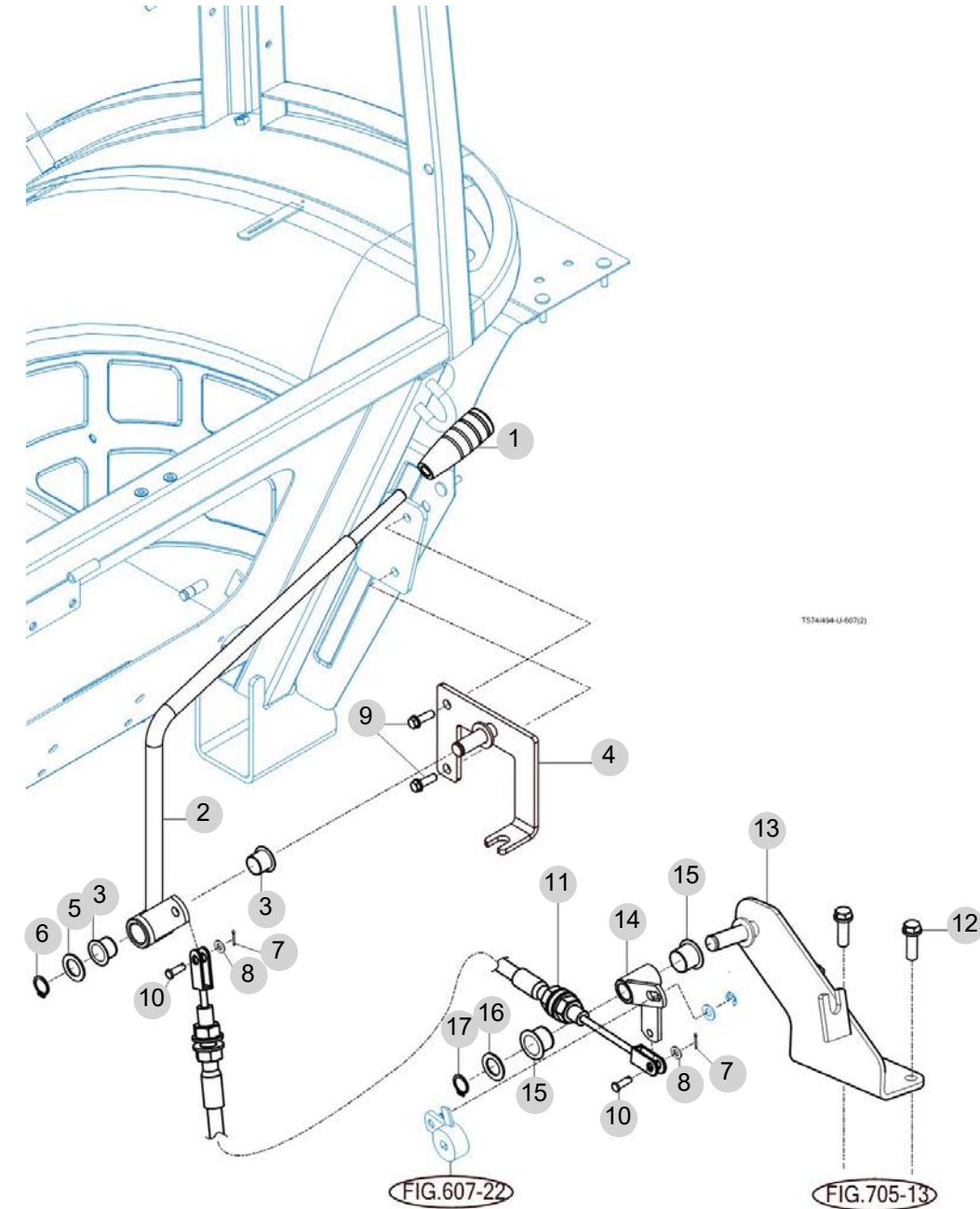
NOTE

FIG 607-2

POSITION & DRAFT LEVER (2)[SAP 가져오기]
에서 생성함.

년/월
Year/Month

2022-12



NOTE

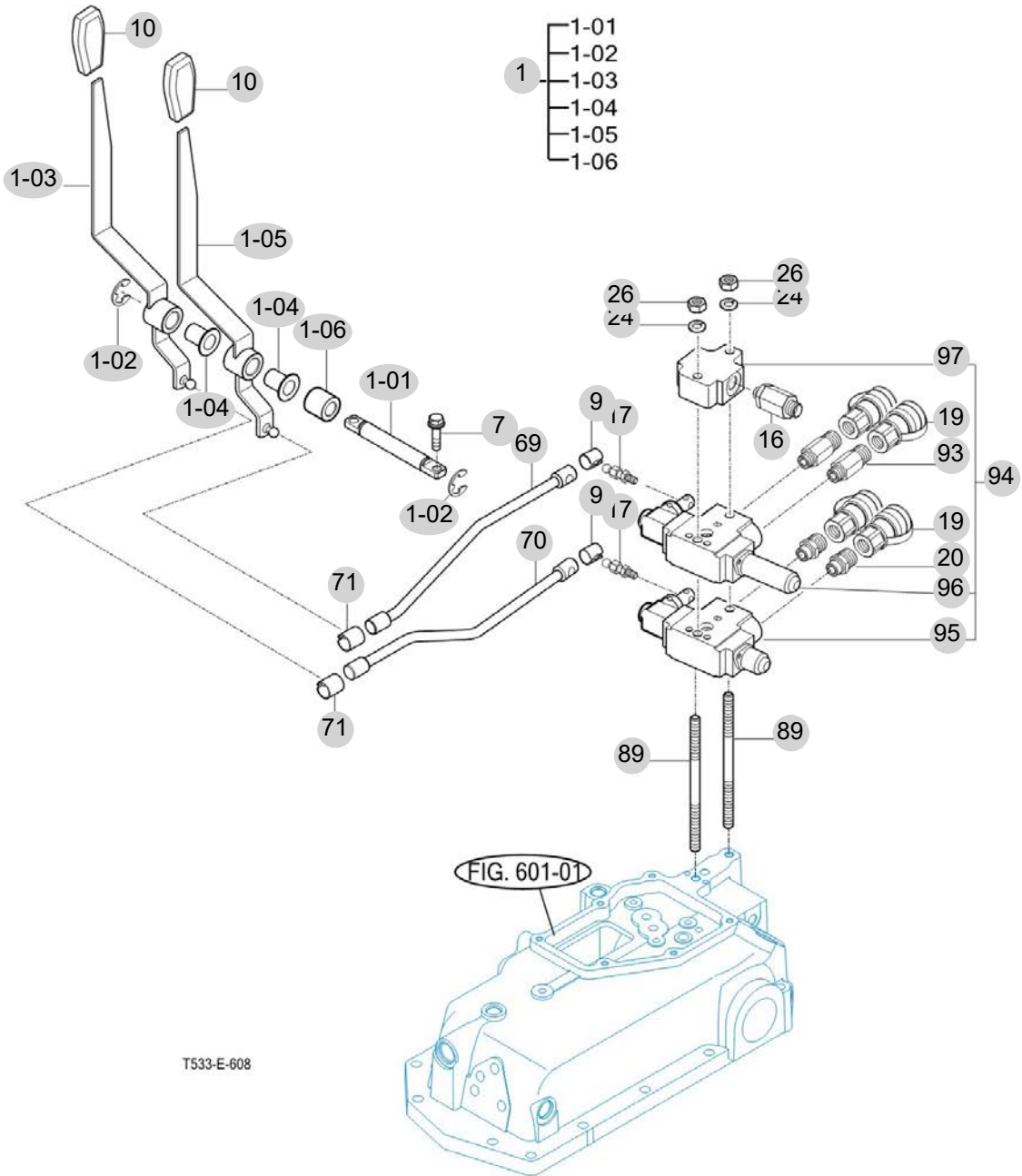
FIG 608

EXTERIOR HYD.VALVE

년/월
Year/Month

2022-12

T495SHEU1



T533-E-608

NOTE

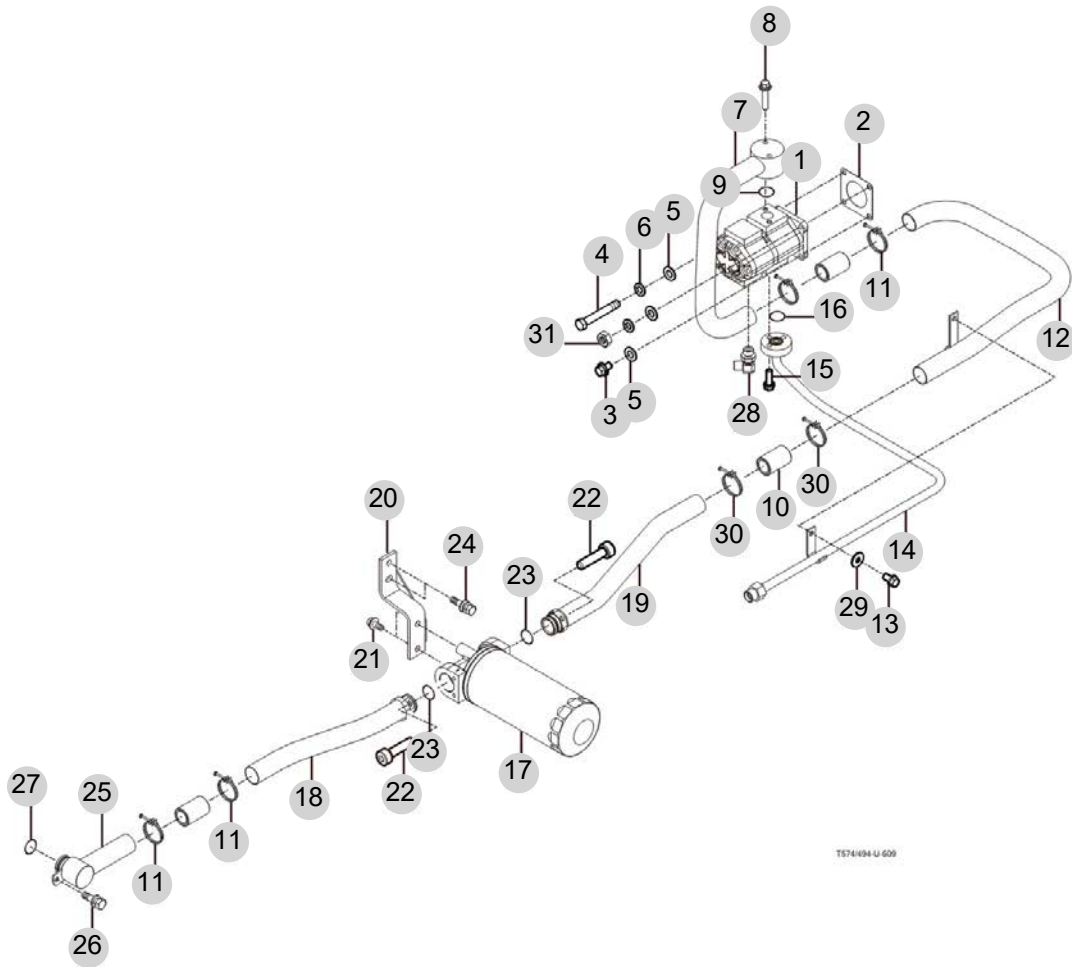
FIG 609

HYDRAULIC PIPE

년/월
Year/Month

2022-12

T495SHEU1



T574694 U 609

NOTE

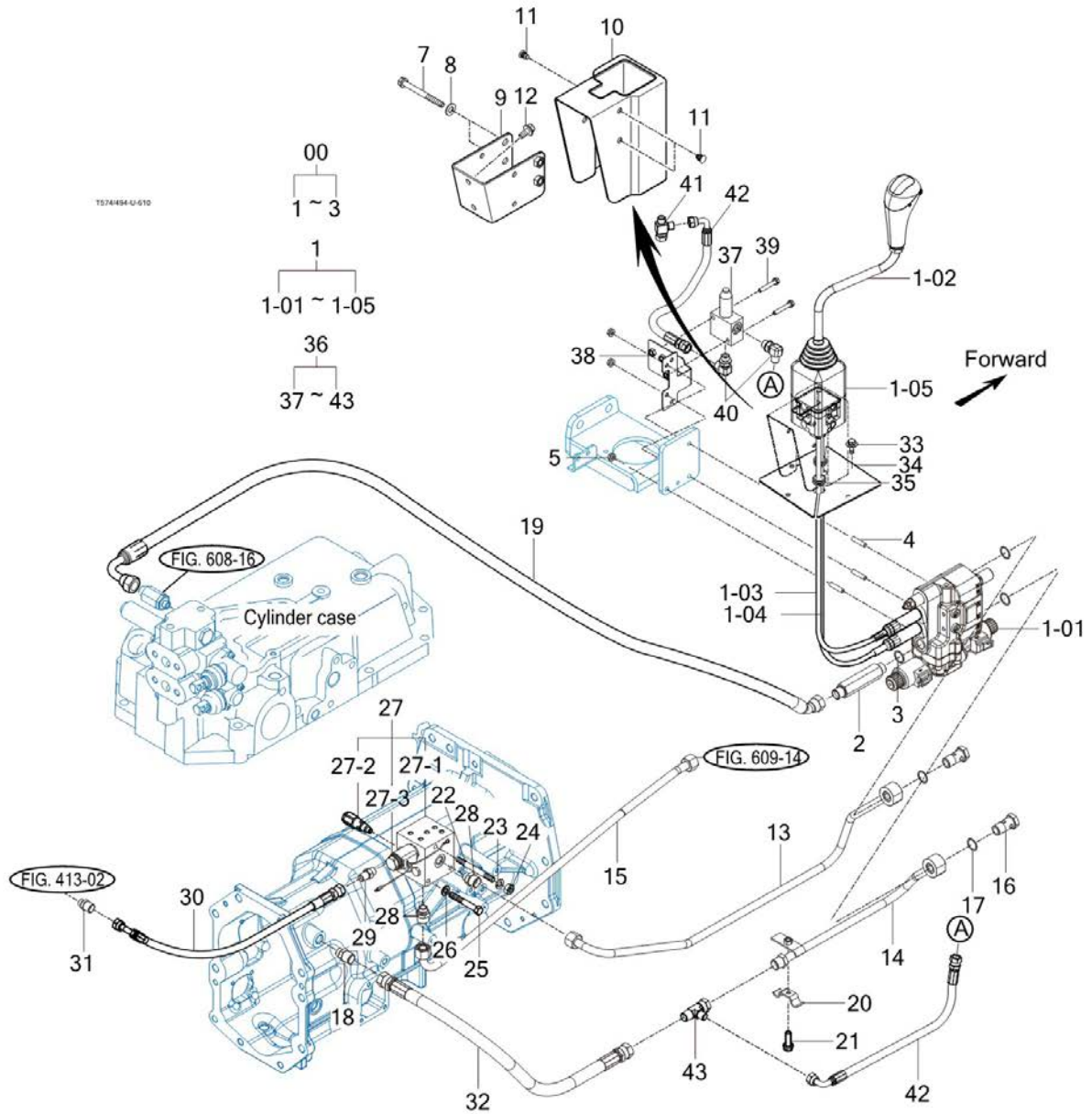
FIG 610

JOYSTICK

년/월
Year/Month

2022-12

T495SHEU1



NOTE

FIG 610 T495SHEU1		JOYSTICK					년/월 Year/Month	
							2022-12	
KEY NO	PART NO	DESCRIPTION	SPEC	QTY	REPAIR	EFFECTIVE DATE	REMARKS	
610	0	13877753000	로더밸브 SUB		1			
610	1	13877752000	로더밸브 조이스틱 ASSY		1			
610	1-01	13877752100	로더밸브 ASSY		1			
610	1-02	13877752200	조이스틱 레버 ASSY		1			
610	1-03	13877752300	조이스틱 케이블 ASSY ,상(720)		1			
610	1-04	13877752400	조이스틱 케이블 ASSY ,하(770)		1			
610	1-05	13877752500	부츠 ASSY		1			
610	2	13805410050	유니온(PF1/2-130)		1			
610	3	19557753010	본디드 썸 , PF1/2		1			
610	4	V2513408025	스터드볼트2종	8X25	3			
610	5	V3802600080	플랜지볼이육각너트	M8	3			
610	7	V2173608085	소형육각볼트보통(S)	M8X85	2			
610	8	V4111600080	평와셔	M8	2			
610	9	14527103100GB	조이스틱브래킷		1			
610	10	14527100010	커버(조이스틱/T483)		1			
610	11	15276040020	트림 클립(8)		3			
610	12	V2183608020	소형육각볼트보통(SP)	M8X20	2			
610	13	13875412101	로더파이프 COMP , P		1			
610	14	13875412201	로더파이프 COMP , T		1			
610	15	13875102201GB	메인파이프 COMP , 후		1			
610	16	13875410081	아이 조인트 볼트 (PF1/2)		2			
610	17	19557753010	본디드 썸 , PF1/2		4			
610	18	17995161130	유니온(PF3/8,PF1/2)		1			
610	19	13875202300	유압호스(1550)ASSY		1			
610	20	18715404700	클립		1			
610	21	V2173608016	소형육각볼트보통(S)	M8X16	1			
610	22	V2513408090	스터드볼트2종	8X90	1			
610	23	V4011600080	스프링와셔	M8	1			
610	24	V3042600080	소형육각너트보통2종	M8	1			
610	25	V2013608090	소형육각볼트(보통)	M8X90	2			
610	26	V4011600080	스프링와셔	M8	1			
610	27	13875182000	PTO밸브ASSY		1			
610	27	17975182001	PTO밸브ASSY		1			
610	27-1	14725182100	PTO 밸브		1			
610	27-2	16490110001	릴리프밸브ASSY		1			
610	27-3	14725182210	솔레노이드 코일		1			
610	28	14135160010	유니온 , PF3/8 M22		2			
610	29	37681850141	어댑터(직선)		1			
610	30	18717562060	유압호스(520)ASSY		1			
610	31	17971850140	어댑터(직선, PF1/4)		1			
610	32	13875202200	유압호스(750)ASSY		1			
610	33	V2193606016	육각볼트(SPL)	M6X16	4			
610	34	17685161810GB	플레이트(썸)		2			
610	35	14526300530	인솔레이터(조이스틱)		2			
610	36	13875410000	릴리프밸브 SET		1			
NOTE								

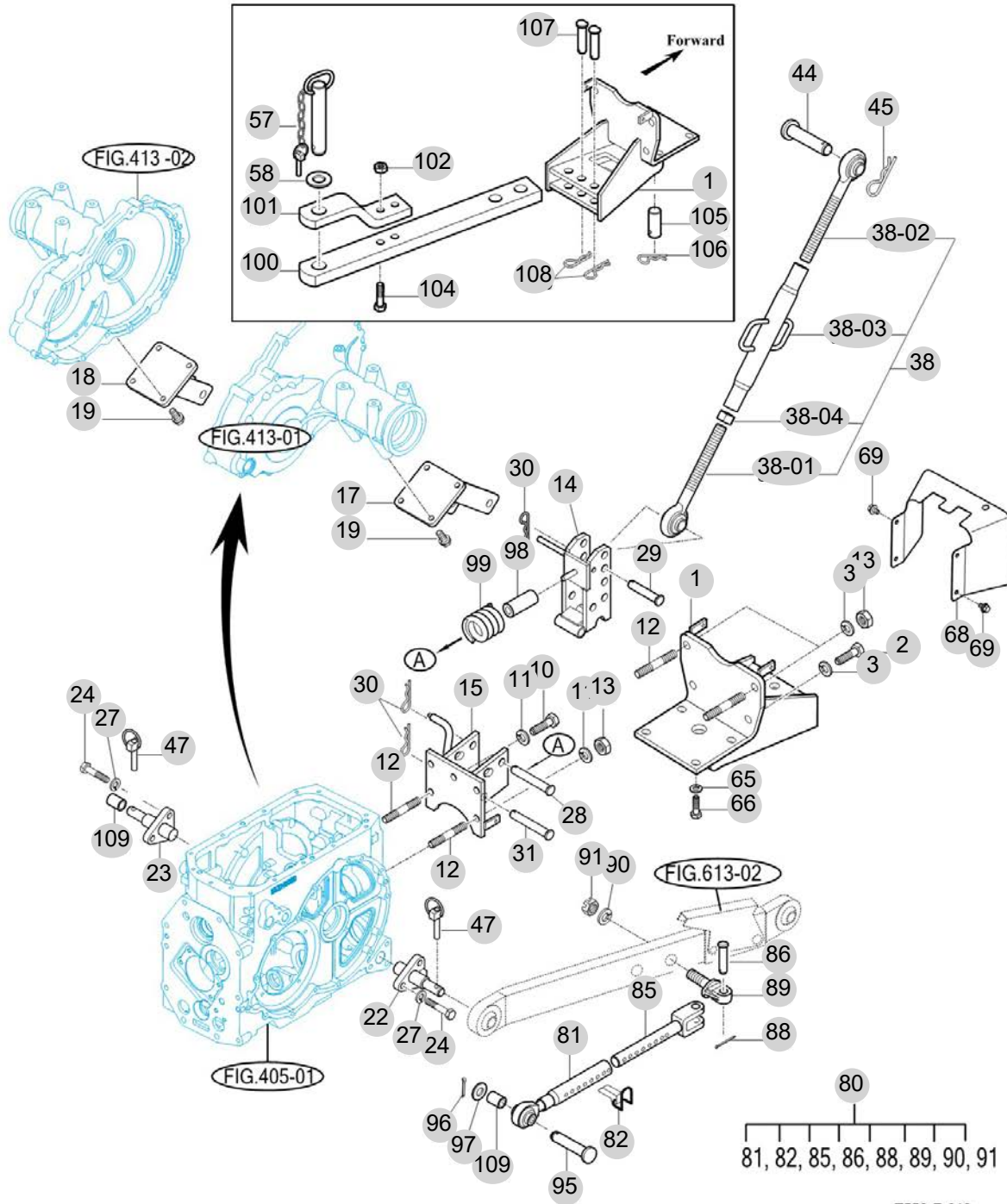
FIG 612

HITCH & 3-POINT LINK

년/월
Year/Month

2022-12

T495SHEU1



T553-E-612

NOTE

FIG 612		HITCH & 3-POINT LINK						년/월 Year/Month	
								2022-12	
T495SHEU1		KEY NO	PART NO	DESCRIPTION	SPEC	QTY	REPAIR	EFFECTIVE DATE	REMARKS
612	1	15535202002GB	스윙드로바 브래킷, COMP			1			
612	1	15535202003GB	스윙드로바 브래킷, COMP			1			
612	2	V2013616035	소형육각볼트(보통)	M16X35		2			
612	3	V4011600160	스프링와셔	M16		4			
612	10	V2013616035	소형육각볼트(보통)	M16X35		3			
612	11	V4011600160	스프링와셔	M16		5			
612	12	V2513416035	스터드볼트2종	M16X35		4			
612	13	V3043600160	소형육각너트보통2종	M16		4			
612	14	16735222102GB	링크 COMP			1			
612	15	15185222000GB	브래킷 COMP			1			
612	17	14525254100GB	브래킷(후)COMP			1			
612	18	14525254100GB	브래킷(후)COMP			1			
612	19	V2173612030	소형육각볼트보통(S)	M12X30		8			
612	22	15685252204	핀(L) COMP			1			
612	23	15685252801	핀(R) COMP			1			
612	24	V2013614040	소형육각볼트(보통)	M14X40		6			
612	27	V4011600140	스프링와셔	M14		6			
612	28	15645250010	핀(19X122)			1			
612	29	15645220020	핀(19X95)			1			
612	30	14445140051	헤어핀(19)			3			
612	31	15645250010	핀(19X122)			1			
612	38	16505245501GB	톱링크ASSY			1			
612	38	16505245502GB	톱링크 ASSY			1			
612	38-01	16505245510	톱링크COMP(RH)			1			
612	38-02	16505245520	톱링크COMP(LH)			1			
612	38-03	14555140251	턴버클 조합(톱링크)			1			
612	38-04	16505245530	육각너트			1			
612	44	15645220011	핀(19X86)			1			
612	45	14445140051	헤어핀(19)			1			
612	47	14215020020	링크핀			2			
612	57	S0973063031	핀ASSY			1			
612	58	15252470010	쿠션고무			1			
612	65	V4011600140	스프링와셔	M14		4			
612	66	V2013614035	소형육각볼트(보통)	M14X35		4			
612	68	13605200012GB	커버(씰드)			1			
612	69	V2183608016	소형육각볼트보통(SP)			4			
612	80	15155253000GB	조정링크(완)ASSY			2			
612	81	15155253100	로드 SUB, FR			2			
612	82	17705254200	린치핀			2			
612	85	15155253300	로드 SUB, RR			2			
612	86	15155253400	핀, ø20X59			2			
612	88	V5001940035	분할핀	4.0X35		2			
612	89	15155253500	아이볼트			2			
612	90	V4111600220	평와셔	M22		2			
612	91	V3343600220	소형육각너트가는2종	M22		2			
NOTE									

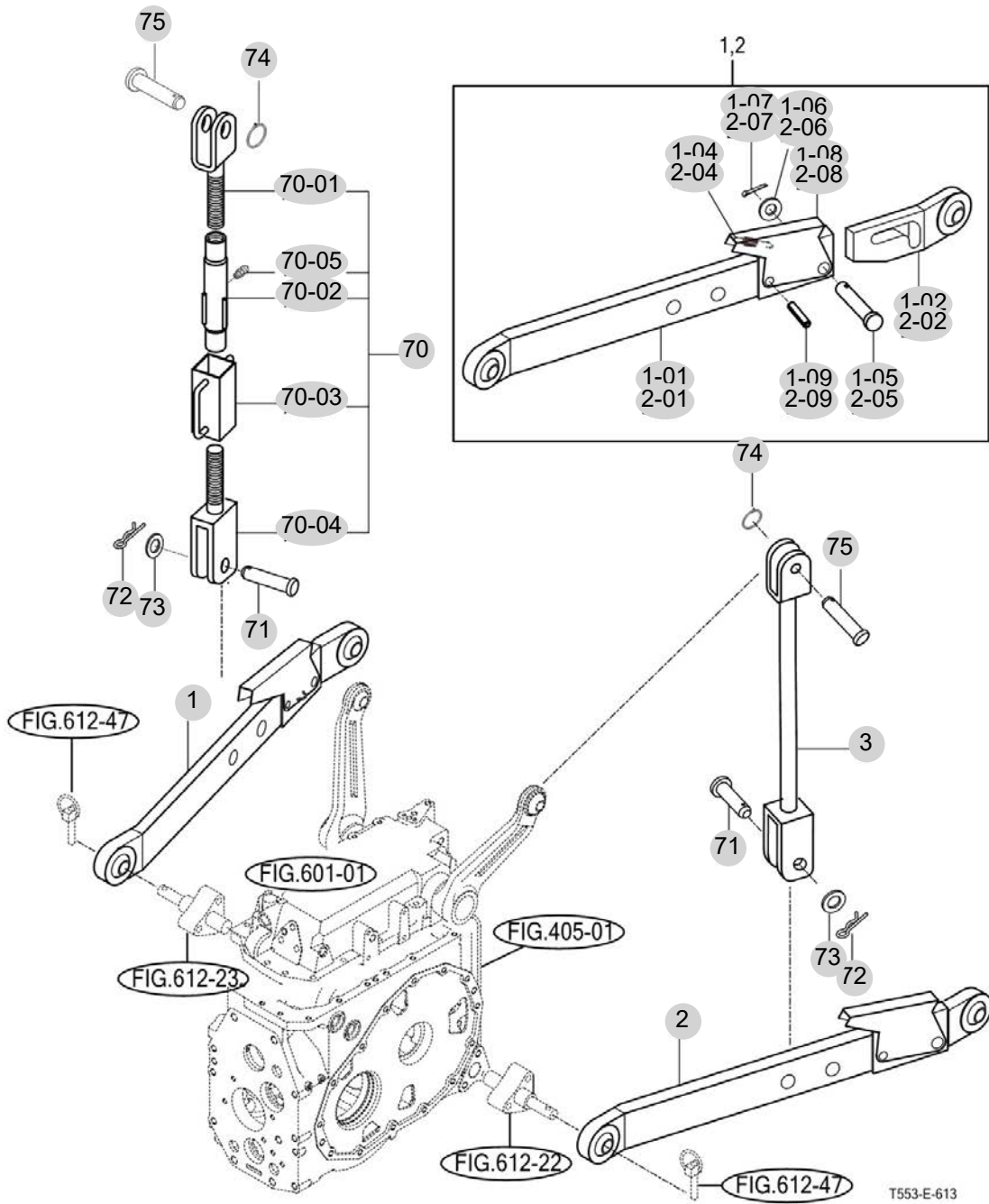
FIG 613

LOWER LINK & LIFT ROD

년/월
Year/Month

T495SHEU1

2022-12



NOTE

7. 시트메탈/캐빈 PART NO. T7

FIG 701 BONNET FRAME	213
FIG 702A BONNET (1)	215
FIG 702B BONNET (2)	217
FIG 703 EXTENSION COVER	219
FIG 704A LEVER COVER & STEP	221
FIG 705 FRONT & REAR MOUNTING	223
FIG 706 SEAT & MAT	225
FIG 709 DOOR	227
FIG 710A FRONT GLASS	230
FIG 711 SIDE GLASS	232
FIG 712 REAR GLASS	234
FIG 713A SUB FENDER & COVER	236
FIG 714A MIRROR	238
FIG 715A HEATER & AIR-CON	240
FIG 715B HEATER & AIR-CON	242
FIG 716 FENDER COVER	244
FIG 717 ROOF	246
FIG 718 CABIN INTERIOR	248

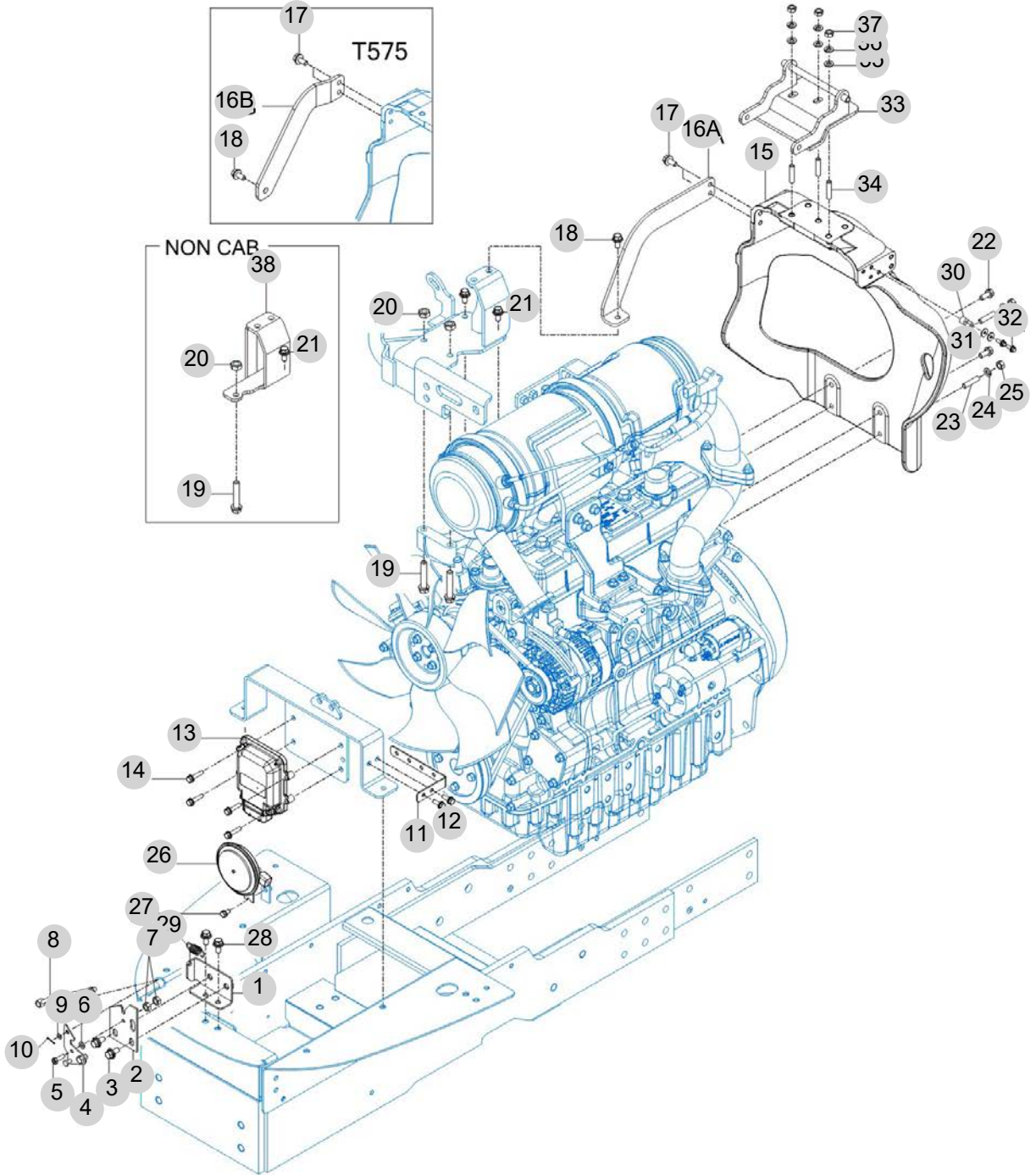
FIG 701

BONNET FRAME

년/월
Year/Month

2022-12

T495SHEU1



NOTE

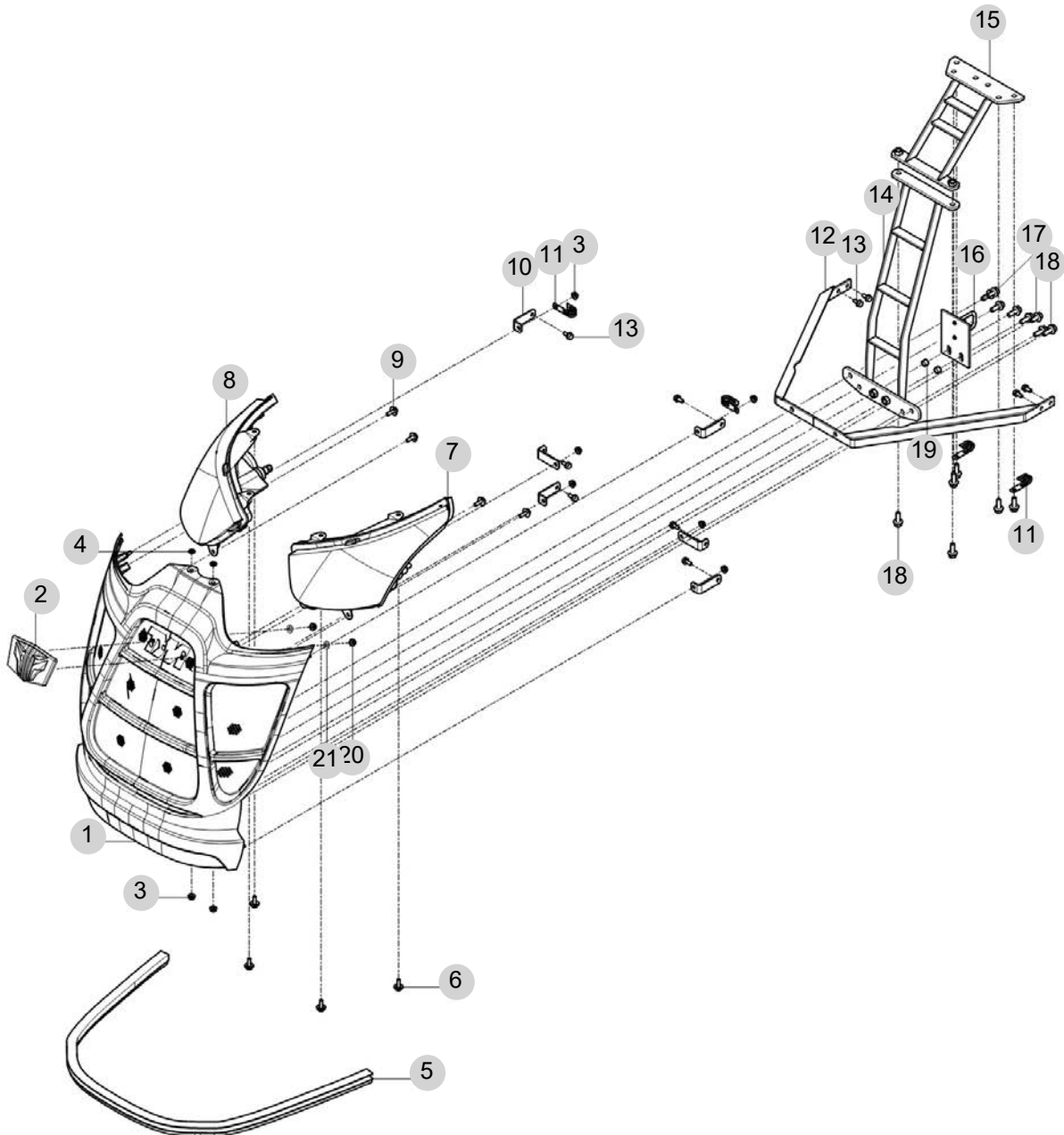
FIG 702A

BONNET (1)

년/월
Year/Month

2022-12

T495SHEU1



NOTE

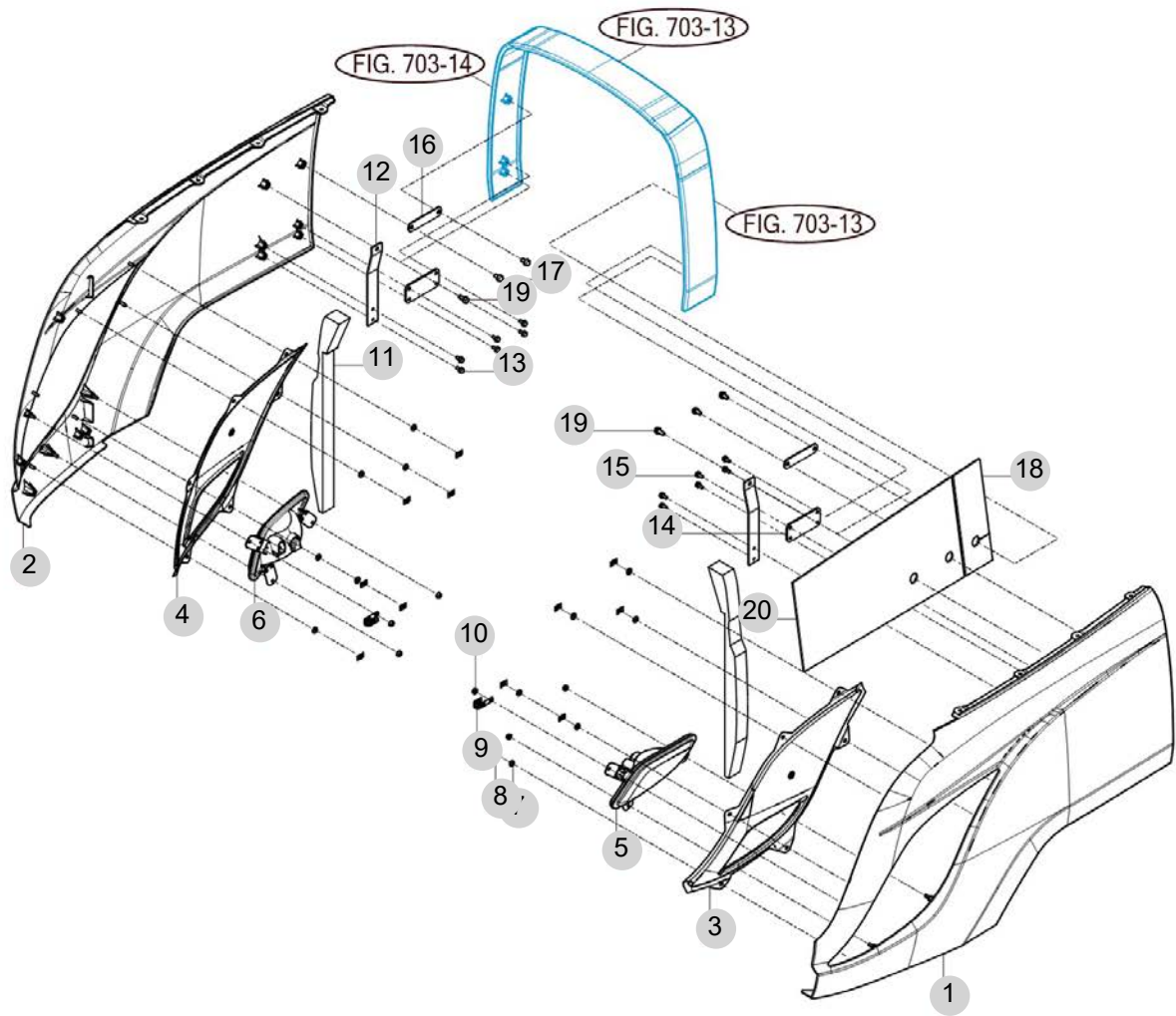
FIG 702B

BONNET (2)

년/월
Year/Month

2022-12

T495SHEU1



NOTE

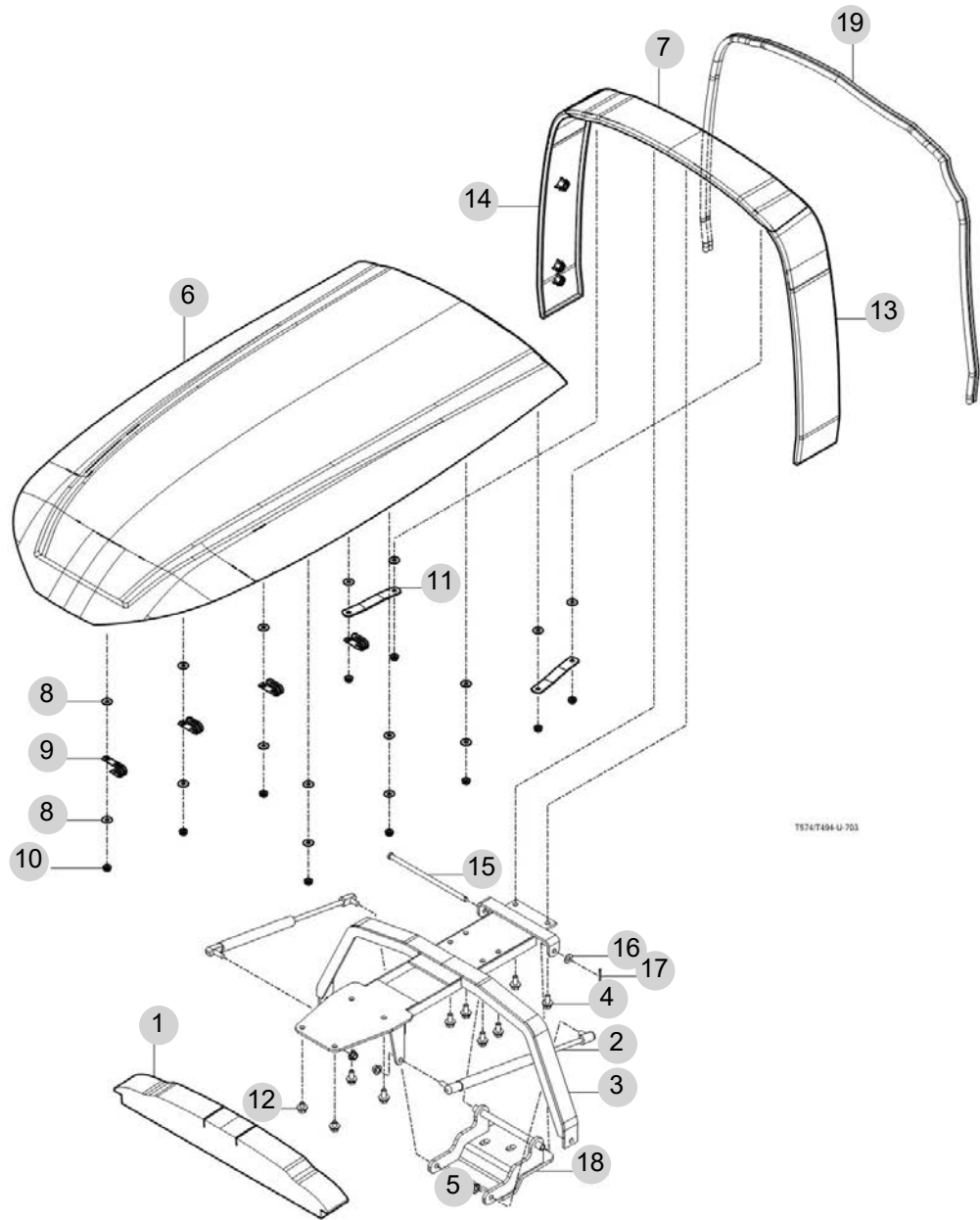
FIG 703

EXTENSION COVER

년/월
Year/Month

2022-12

T495SHEU1



NOTE

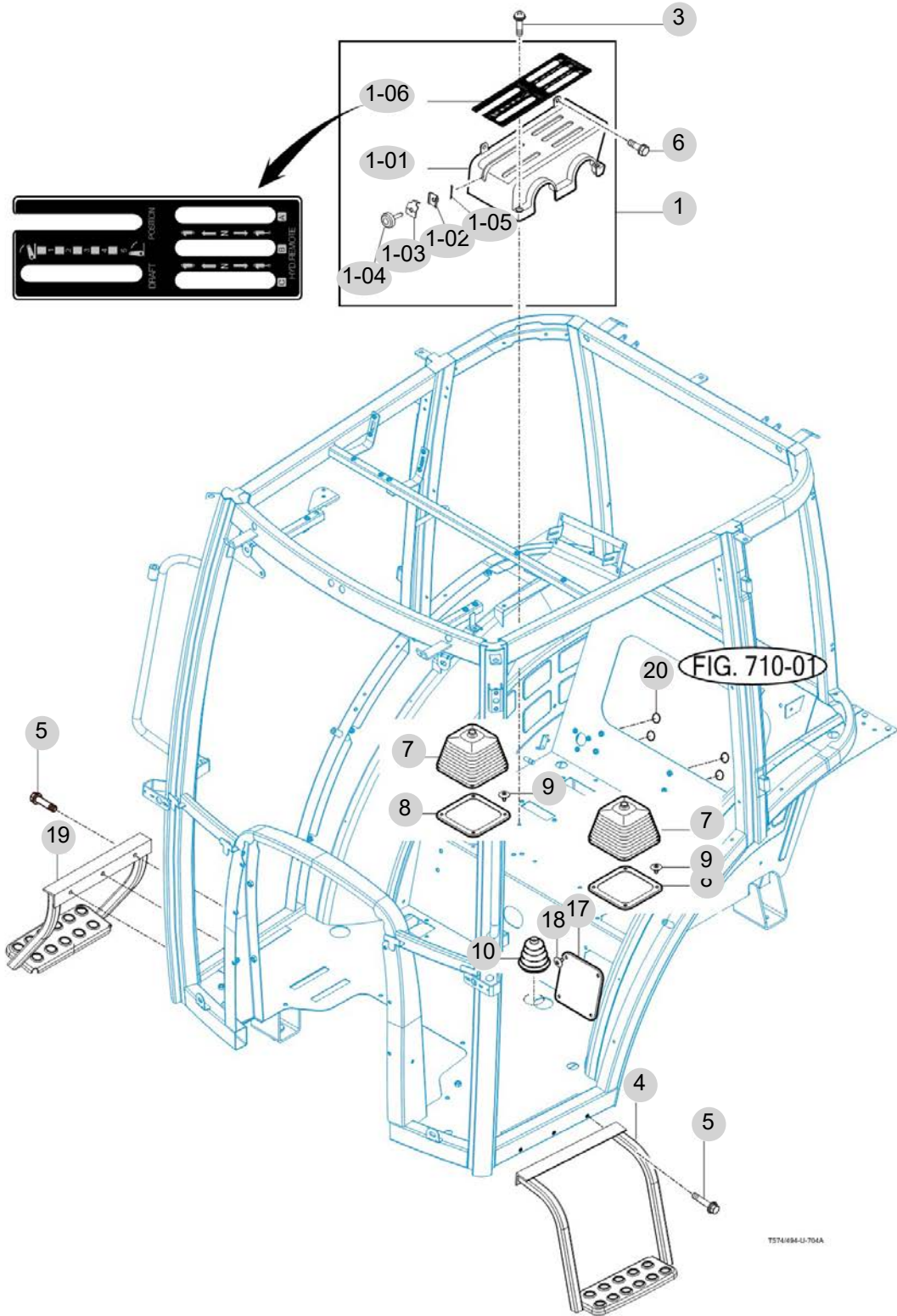
FIG 704A

T495SHEU1

LEVER COVER & STEP

년/월
Year/Month

2022-12



TST4954-U-704A

NOTE

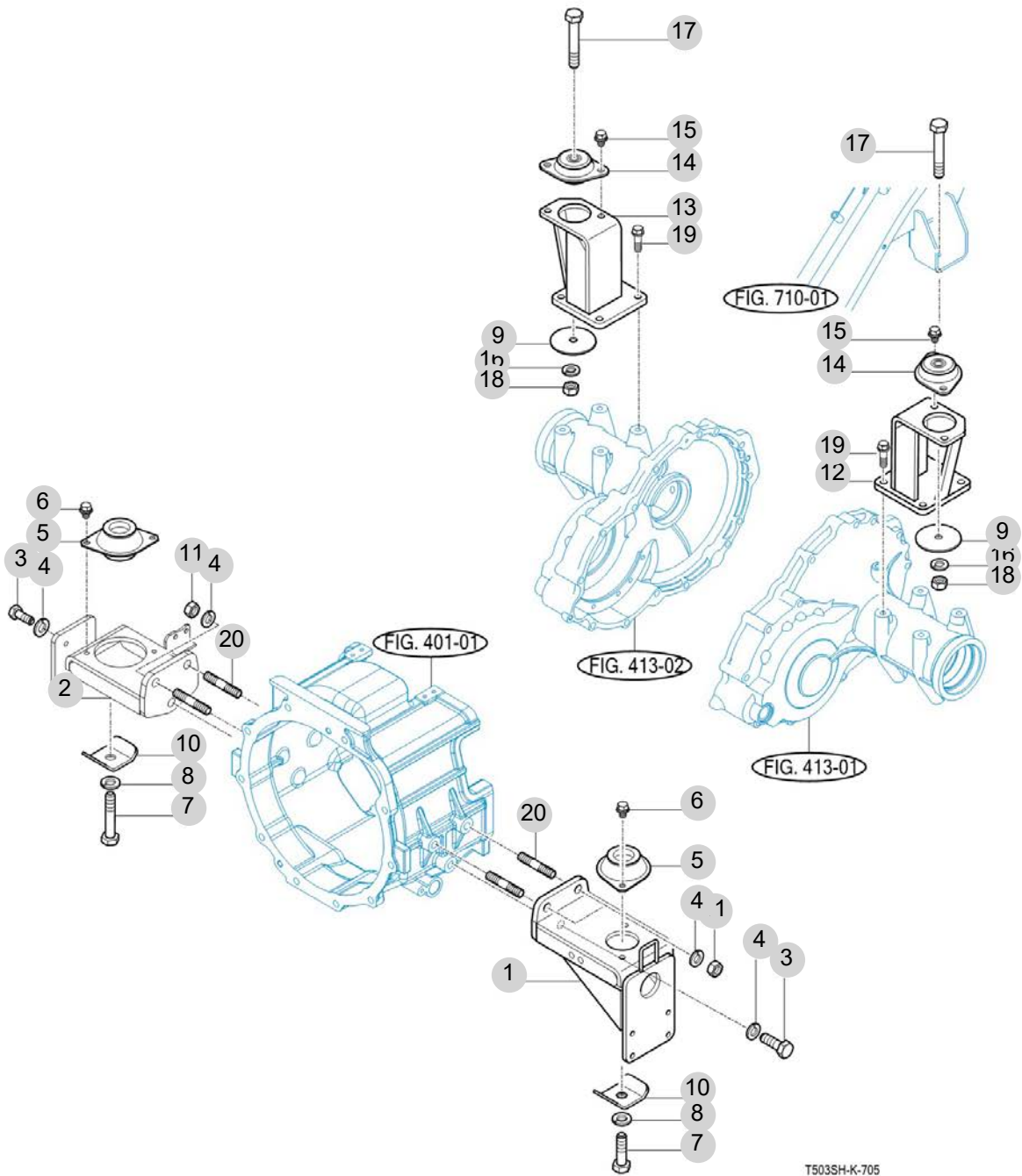
FIG 705

FRONT & REAR MOUNTING

년/월
Year/Month

2022-12

T495SHEU1



T503SH-K-705

NOTE

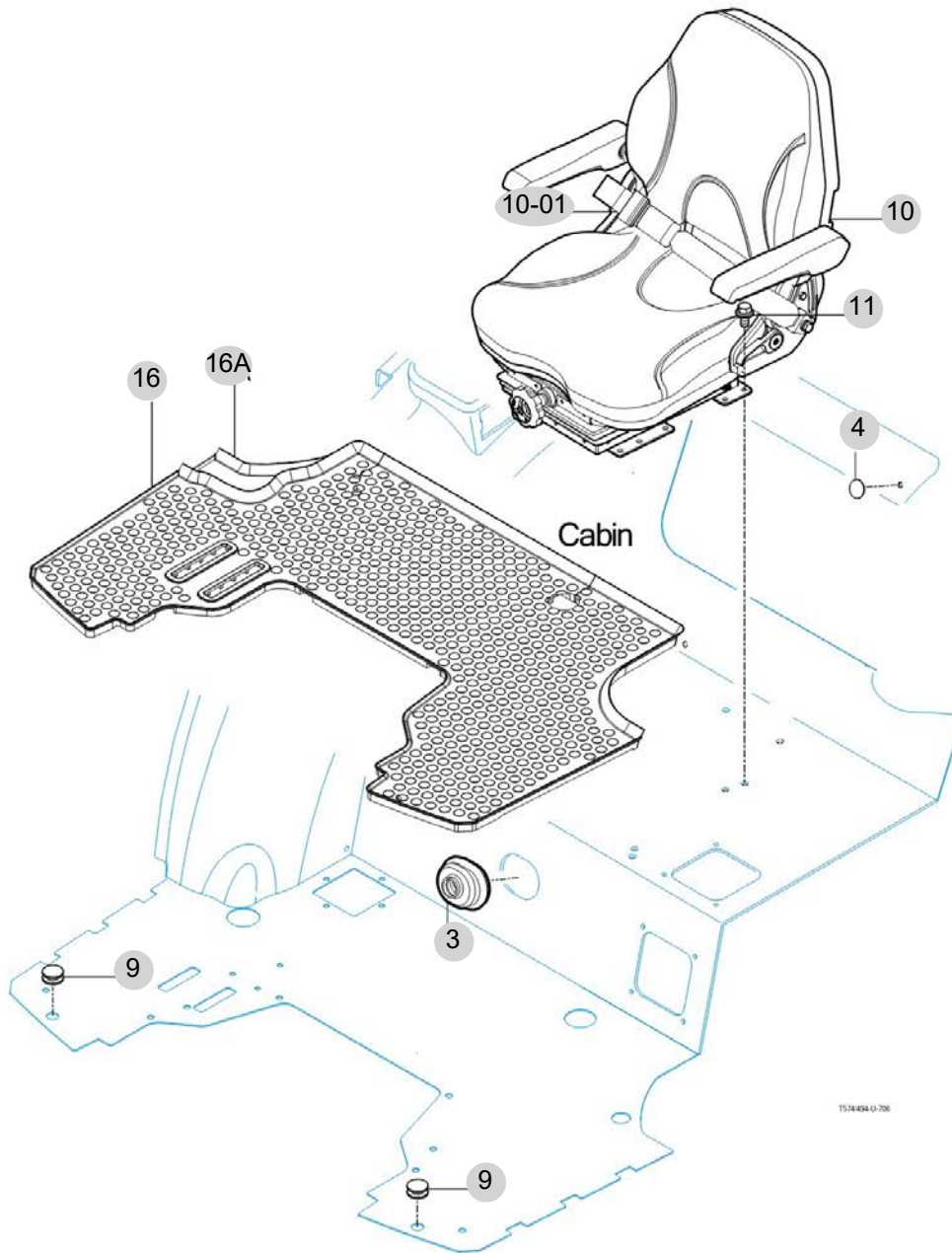
FIG 706

SEAT & MAT

년/월
Year/Month

2022-12

T495SHEU1



NOTE

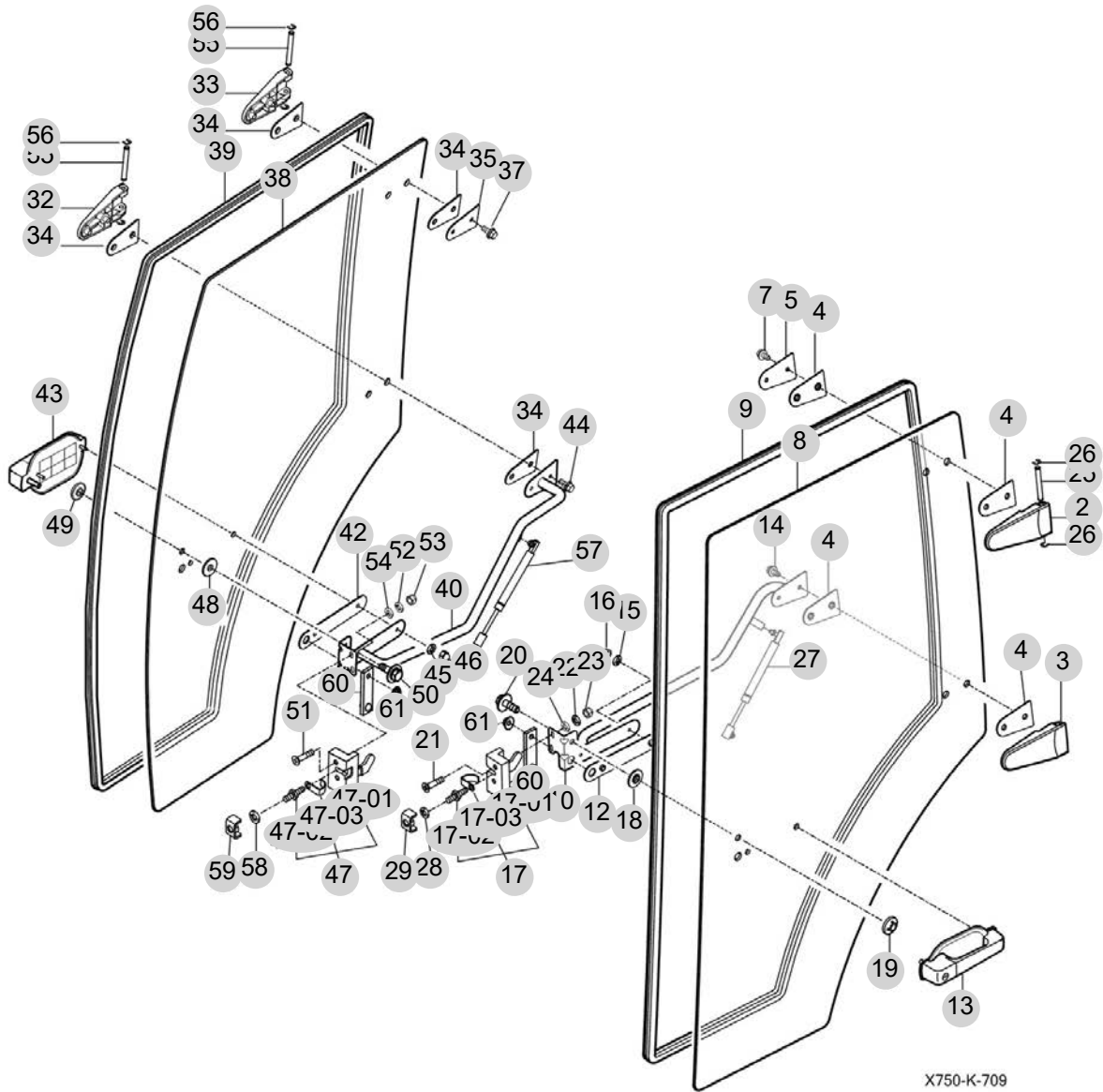
FIG 709

DOOR

년/월
Year/Month

T495SHEU1

2022-12



NOTE

FIG 709		DOOR					년/월 Year/Month	
T495SHEU1							2022-12	
KEY NO	PART NO	DESCRIPTION	SPEC	QTY	REPAIR	EFFECTIVE DATE	REMARKS	
709	2	14527052300	도어힌지조합, 상/LH		1			
709	3	14527052400	도어힌지조합, 상/RH		1			
709	4	14527052110	개스킷, 도어힌지		4			
709	5	14527052120GB	플레이터,도어힌지		1			
709	7	V2183608020	소형육각볼트보통(SP)	M8X20	2			
709	8	14527052131	그라스, 도어/LH	6t	1			
709	9	14527052140	인슐레이터 / 도어		1			
709	10	14527052500GB	가이드 조합/LH/도어		1			
709	12	14527052150	개스킷, 도어손잡이		1			
709	13	17827052600	손잡이 ASSY, 잠금장치		1			
709	14	V2183608020	소형육각볼트보통(SP)	M8X20	2			
709	15	V4011600060	스프링와셔	M6	2			
709	16	V3402700060	육각캡너트	M6	2			
709	17	17827052700	라쳇 ASSY, 좌/도어		1			
709	17-01	17827052710	록 ASSY, 좌/도어		1			
709	17-02	14527052720	스트라이크		1			
709	17-03	14527052730	가이드		1			
709	18	15817401130	크로메트(13X17X02)		1			
709	19	14527042500	그라스너트조합		1			
709	20	V2193606012	육각볼트(SPL)	M6X12	1			
709	21	V1122608040	심자흡점시작은나사	M8X40	2			
709	22	V4011600080	스프링와셔	M8	2			
709	23	V3412700080	소형육각캡너트	M8	2			
709	24	V4111600080	평와셔		2			
709	25	14527041110	핀, 도어힌지	D=8	2			
709	26	V7082400070	E형멈춤링(sus)	7	4			
709	27	14527301080	댐퍼(도어)ASSY_20kg	20KG	1			
709	28	V4011600100	스프링와셔	M10	1			
709	29	14527062500GB	브래킷 조합,도어록		1			
709	32	14527052300	도어힌지조합, 상/LH		1			
709	33	14527052400	도어힌지조합, 상/RH		1			
709	34	14527052110	개스킷, 도어힌지		4			
709	35	14527052120GB	플레이터,도어힌지		1			
709	37	V2183608020	소형육각볼트보통(SP)	M8X20	2			
709	38	14527053131	그라스, 도어/RH	6t	1			
709	39	14527052140	인슐레이터 / 도어		1			
709	40	17827053500GB	가이드 COMP, 우/도어		1			
709	42	14527052150	개스킷, 도어손잡이		1			
709	43	17827052600	손잡이 ASSY, 잠금장치		1			
709	44	V2183608020	소형육각볼트보통(SP)	M8X20	2			
709	45	V4011600060	스프링와셔	M6	2			
709	46	V3402700060	육각캡너트	M6	2			
709	47	17827053700	라쳇 ASSY, 우/도어		1			
709	47-01	17827053710	록 ASSY, 우/도어		1			
709	47-02	14527052720	스트라이크		1			
NOTE								

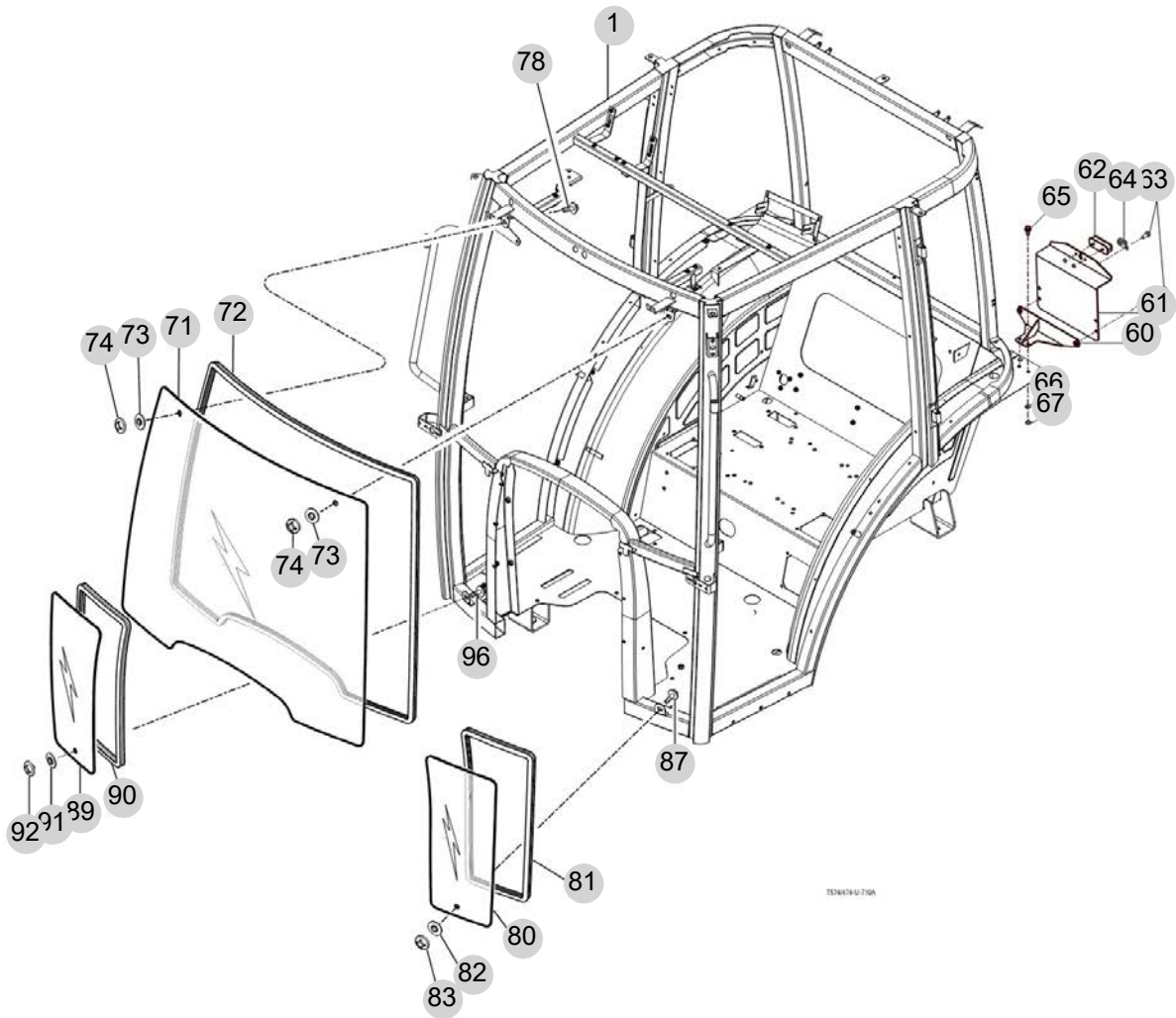
FIG 710A

FRONT GLASS

년/월
Year/Month

2022-12

T495SHEU1



NOTE

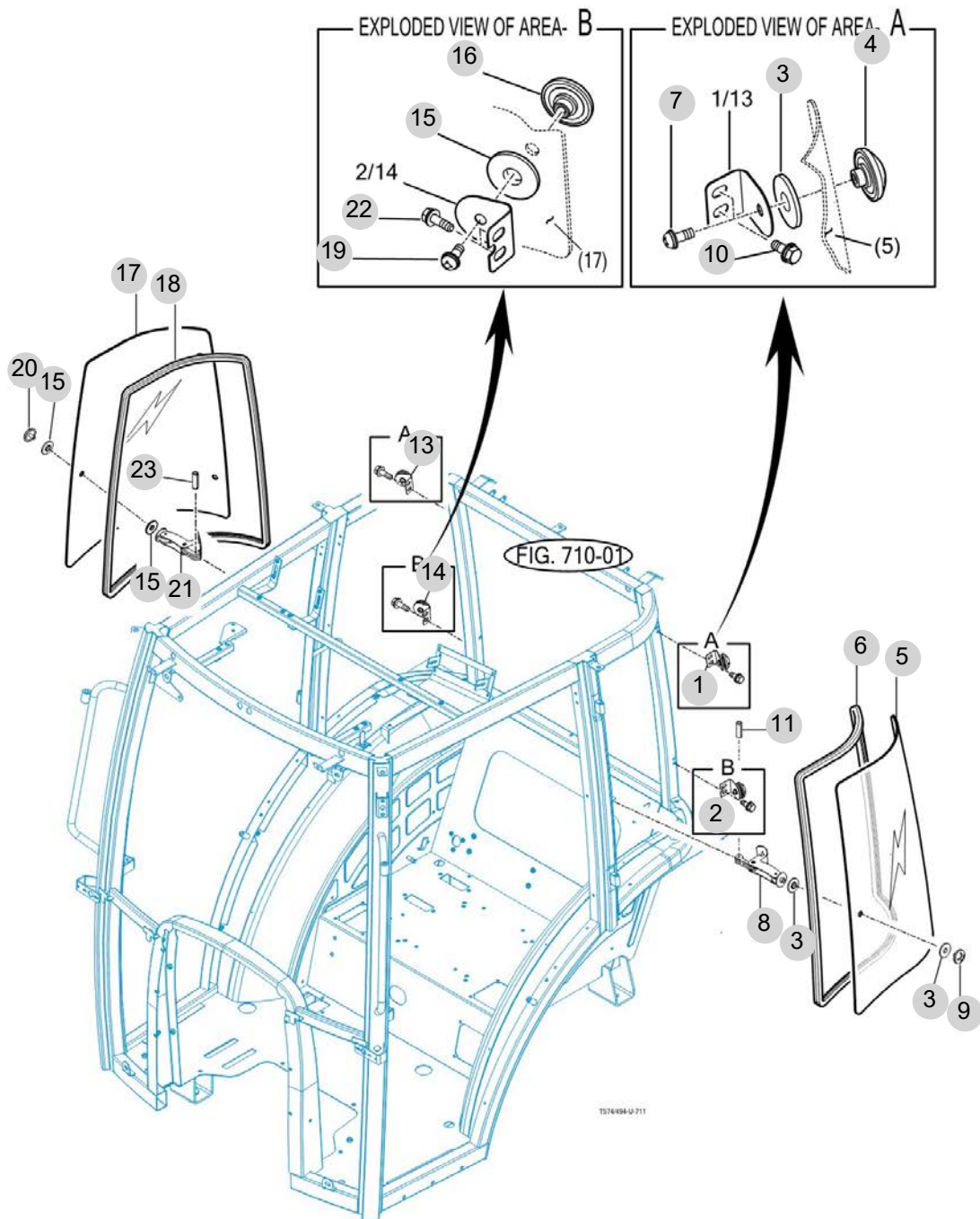
FIG 711

SIDE GLASS

년/월
Year/Month

2022-12

T495SHEU1



NOTE

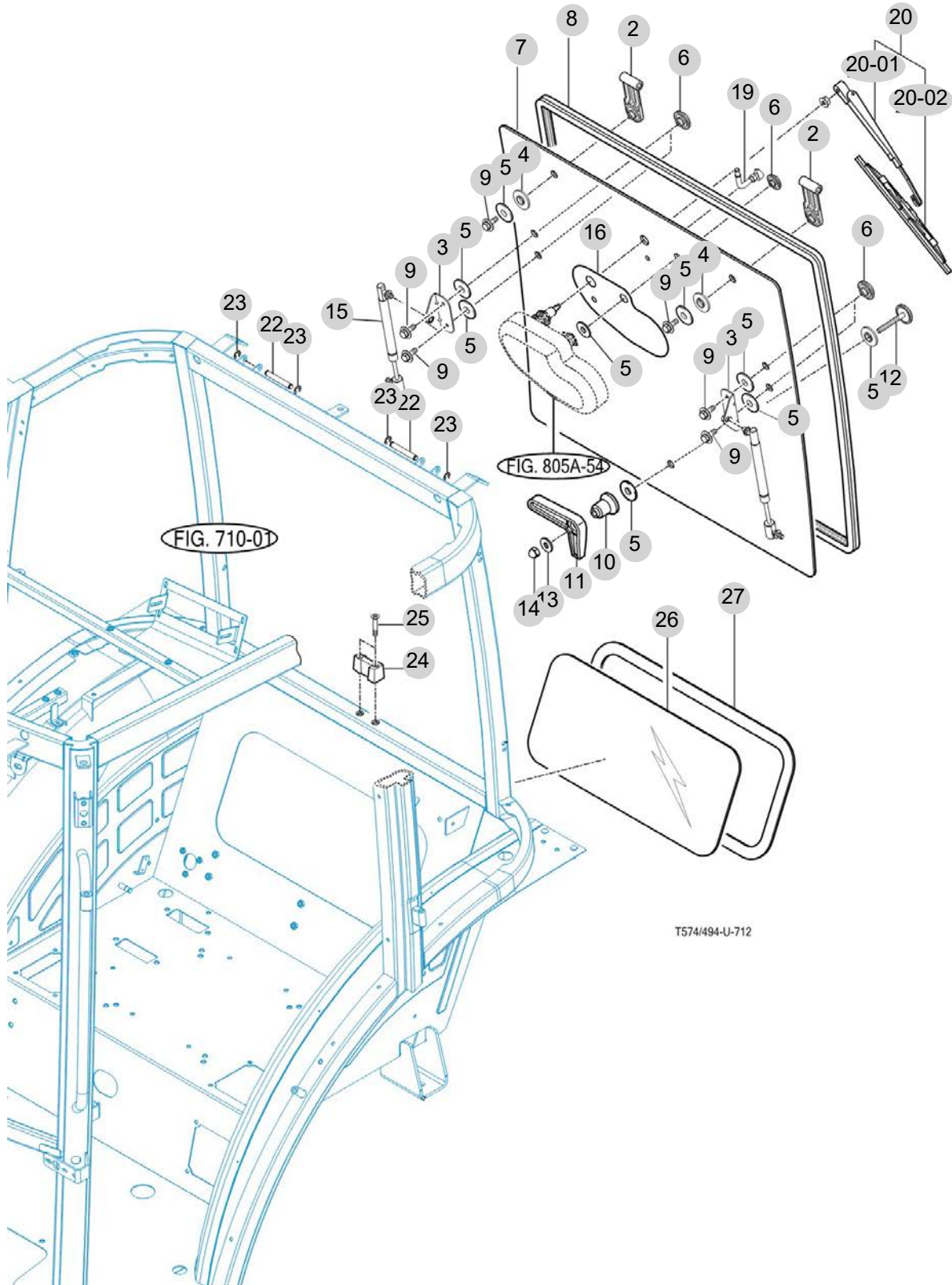
FIG 712

REAR GLASS

년/월
Year/Month

2022-12

T495SHEU1



NOTE

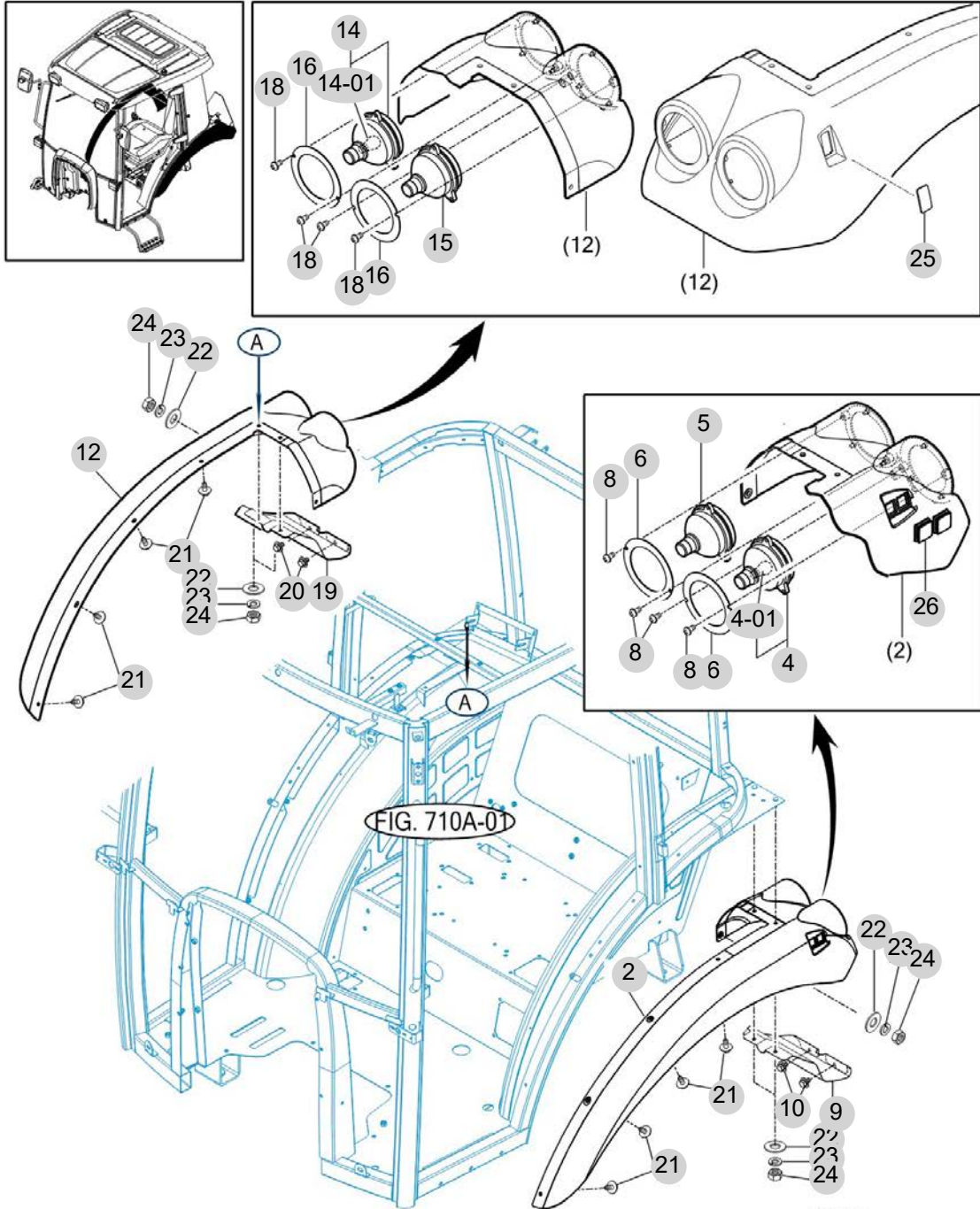
FIG 713A

SUB FENDER & COVER

년/월
Year/Month

2022-12

T495SHEU1



T574954-U-713A

NOTE

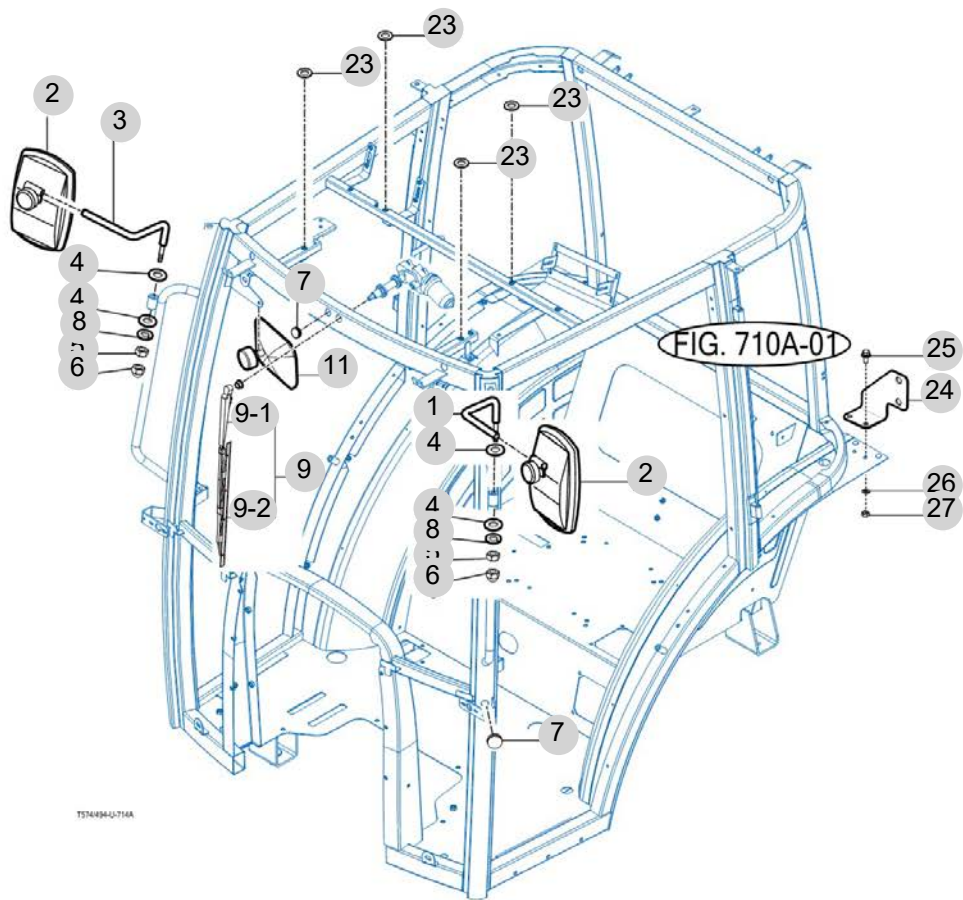
FIG 714A

T495SHEU1

MIRROR

년/월
Year/Month

2022-12



T374984-U-714A

NOTE

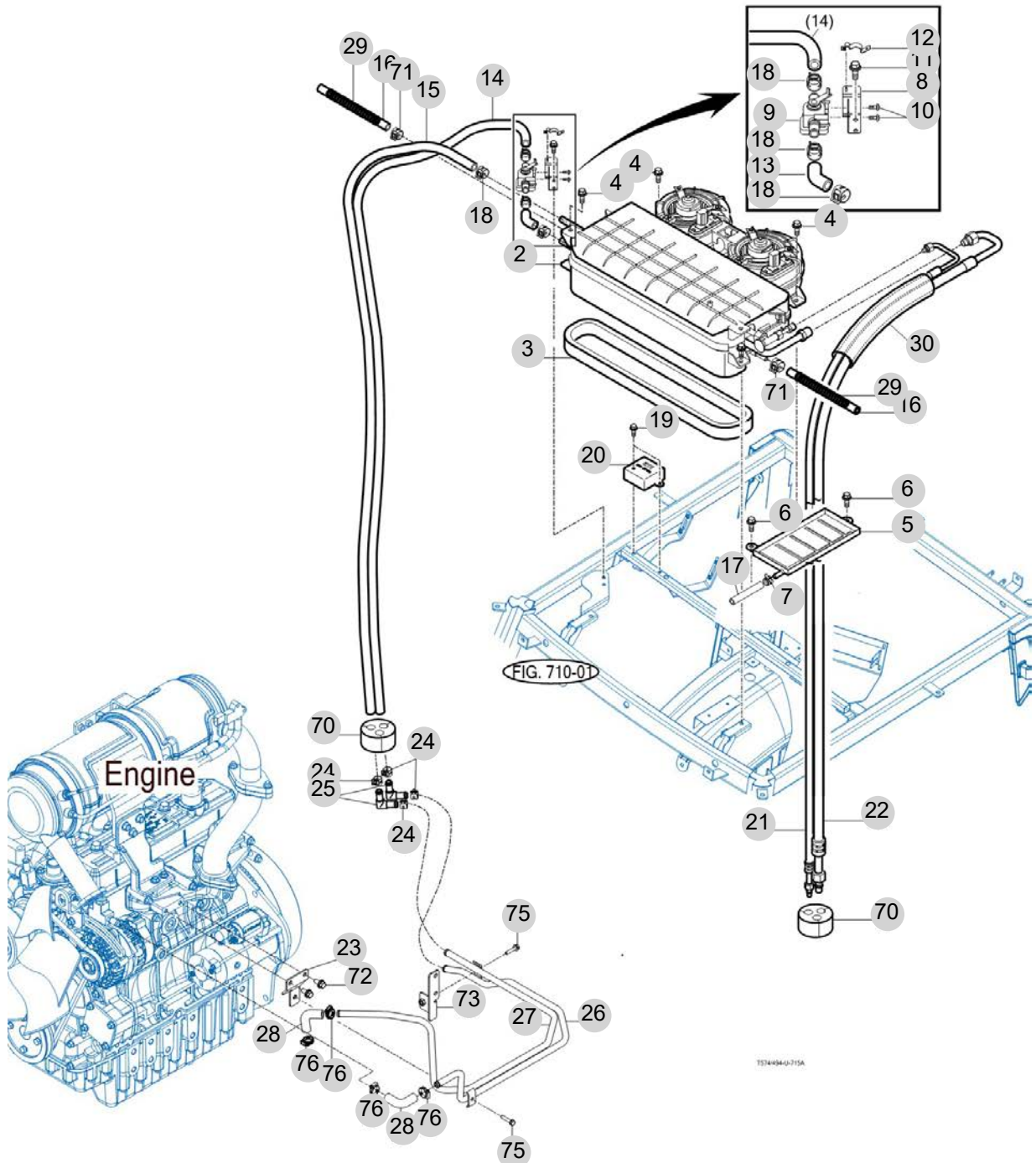
FIG 715A

HEATER & AIR-CON

년/월
Year/Month

2022-12

T495SHEU1



NOTE

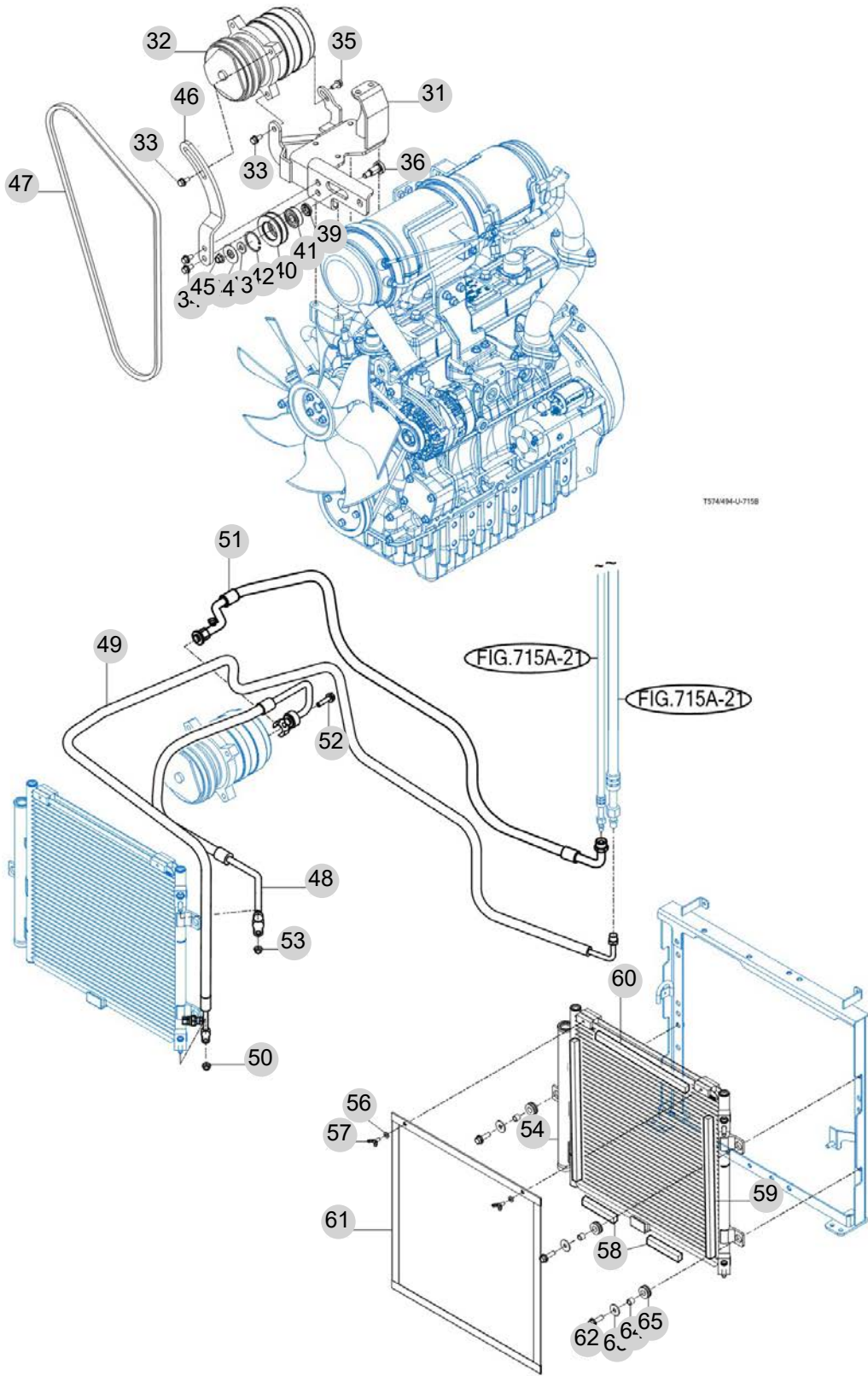
FIG 715B

HEATER & AIR-CON

년/월
Year/Month

2022-12

T495SHEU1



NOTE

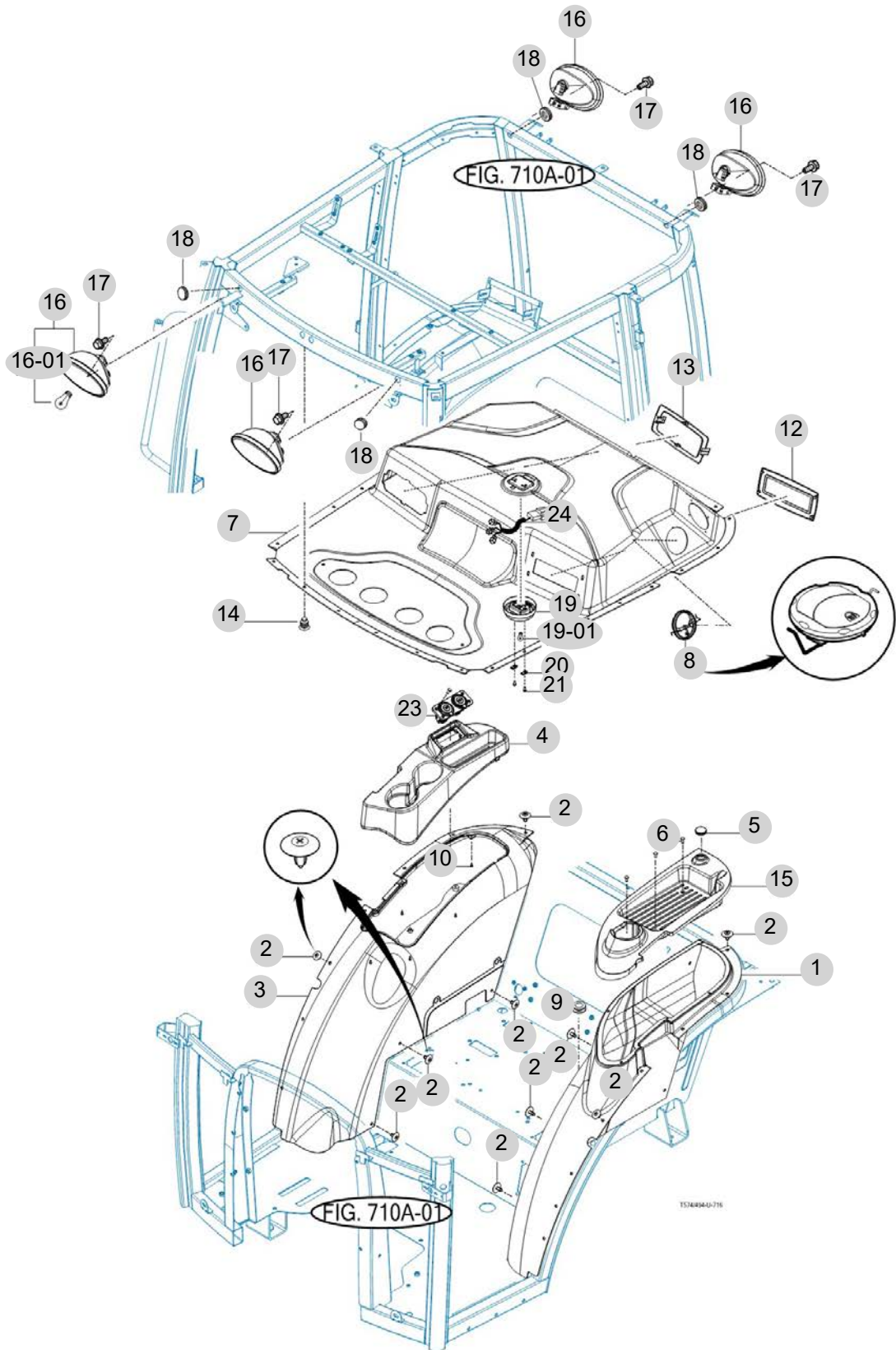
FIG 716

T495SHEU1

FENDER COVER

년/월
Year/Month

2022-12



NOTE

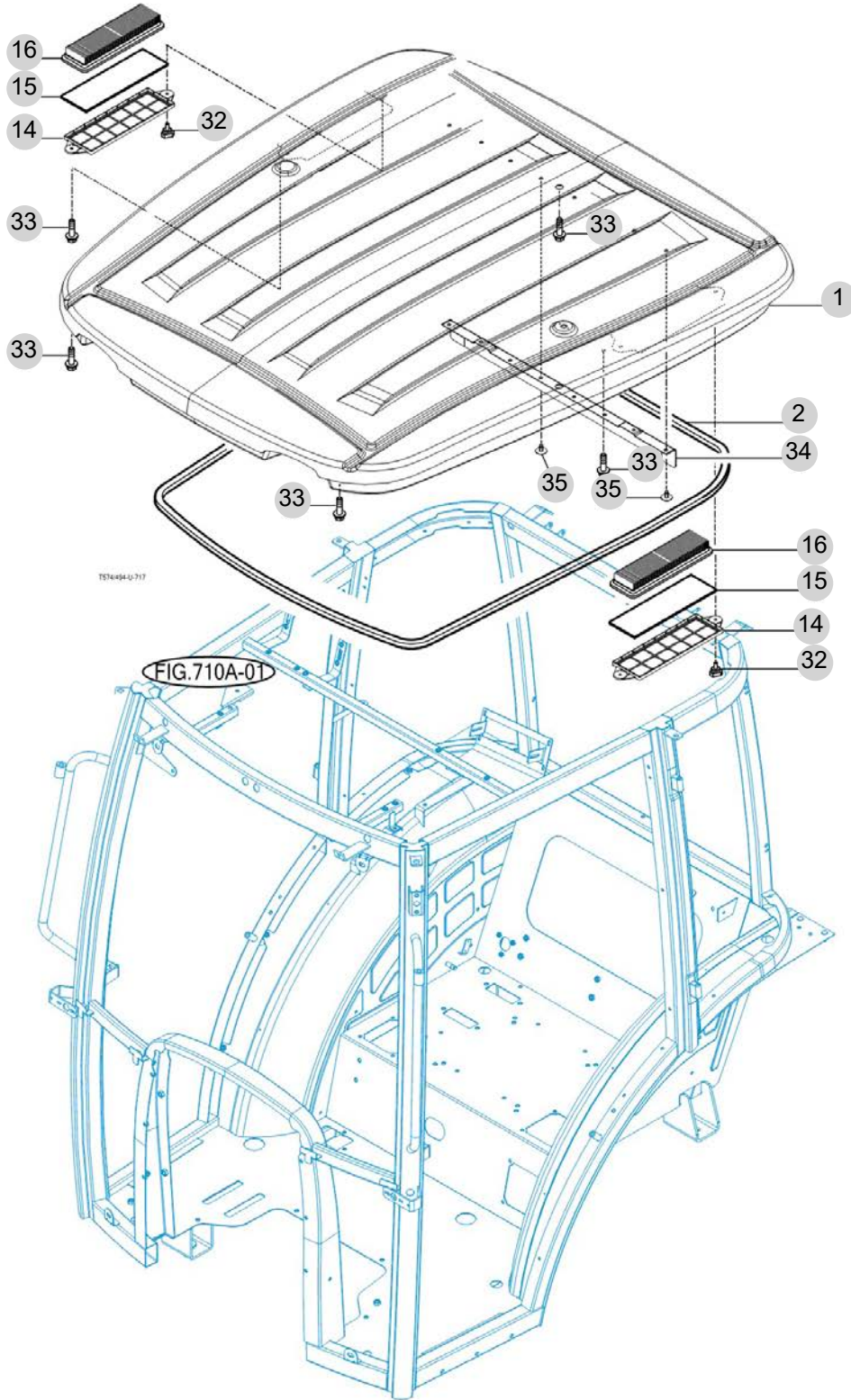
FIG 717

T495SHEU1

ROOF

년/월
Year/Month

2022-12



NOTE

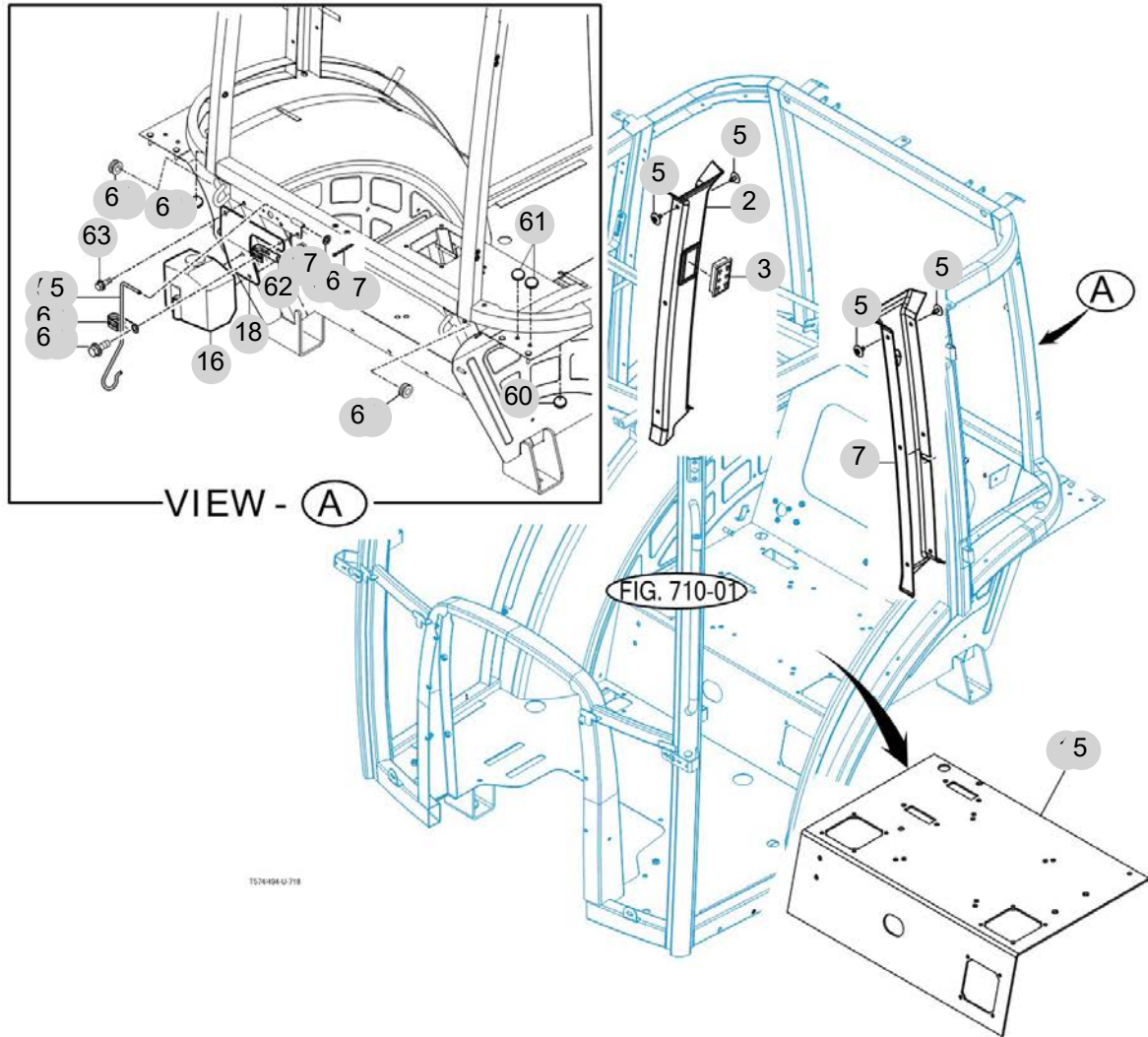
FIG 718

CABIN INTERIOR

년/월
Year/Month

T495SHEU1

2022-12



NOTE

8. 전장 PART NO. T8

FIG 801 BATTERY MOUNTING	251
FIG 802 HARNESS LAMP	253
FIG 803 INSTRUMENT PANEL	255
FIG 804 ELECTRIC SYSTEM (1)	257
FIG 805A ELECTRIC SYSTEM (2)	259
FIG 806 ELECTRIC SYSTEM (3)	261

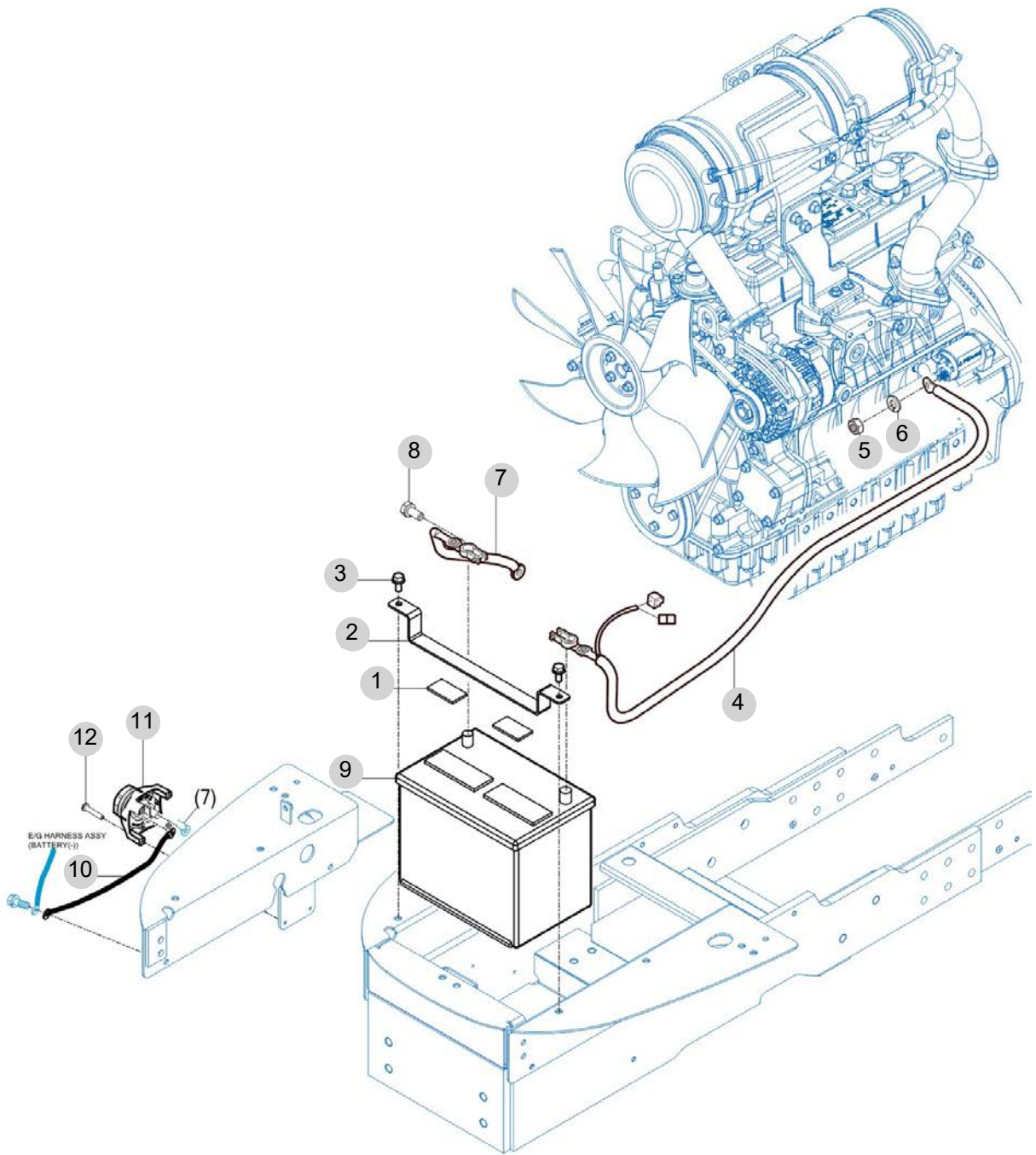
FIG 801

BATTERY MOUNTING

년/월
Year/Month

2022-12

T495SHEU1



NOTE

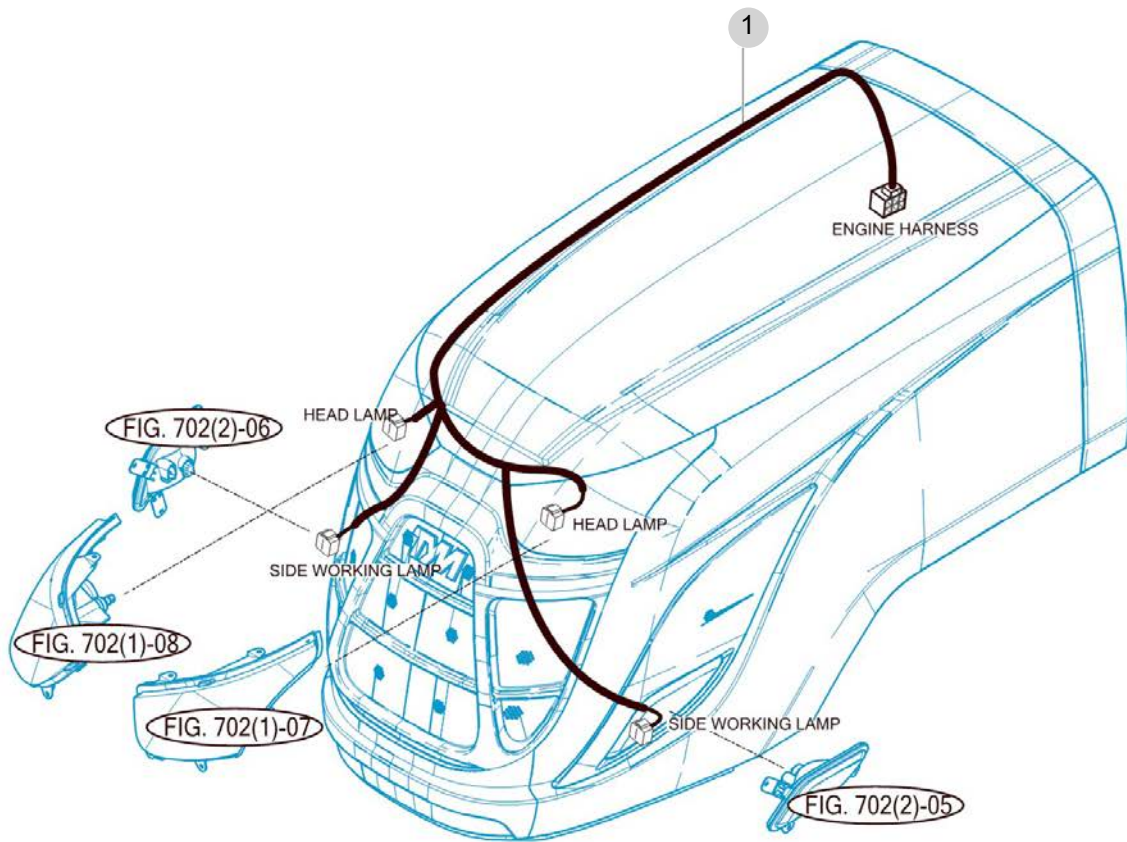
FIG 802

HARNESS LAMP

년/월
Year/Month

2022-12

T495SHEU1



NOTE

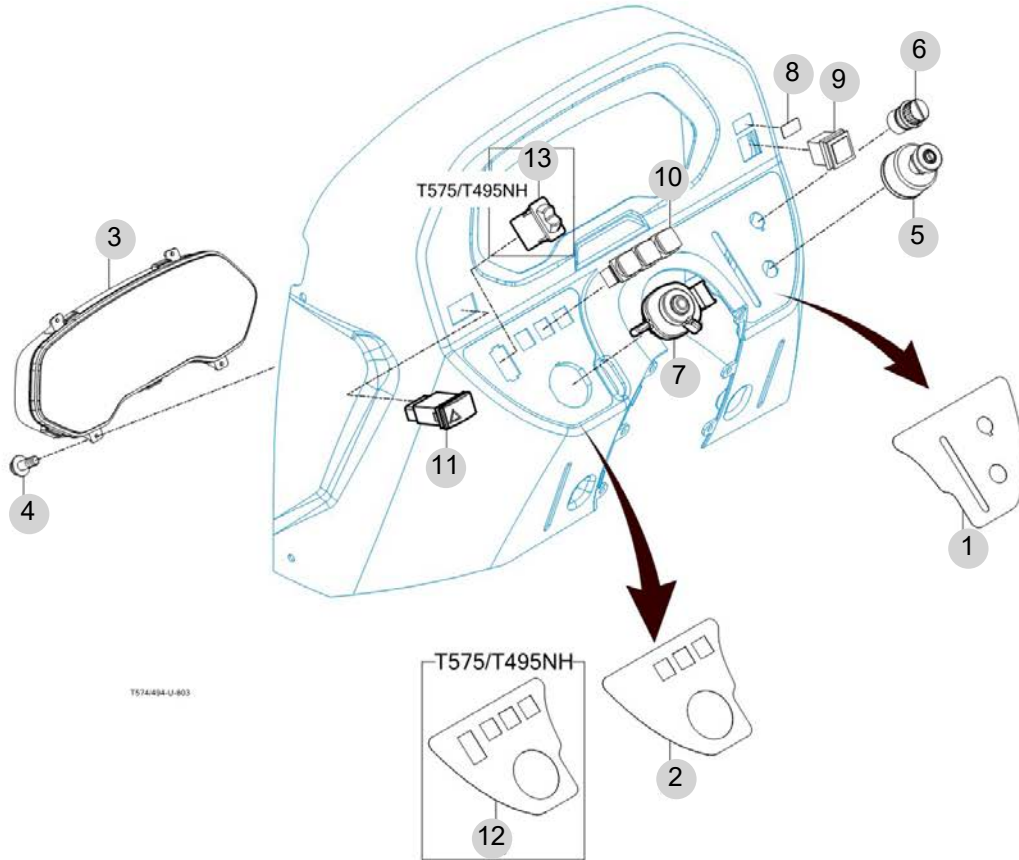
FIG 803

INSTRUMENT PANEL

년/월
Year/Month

2022-12

T495SHEU1



NOTE

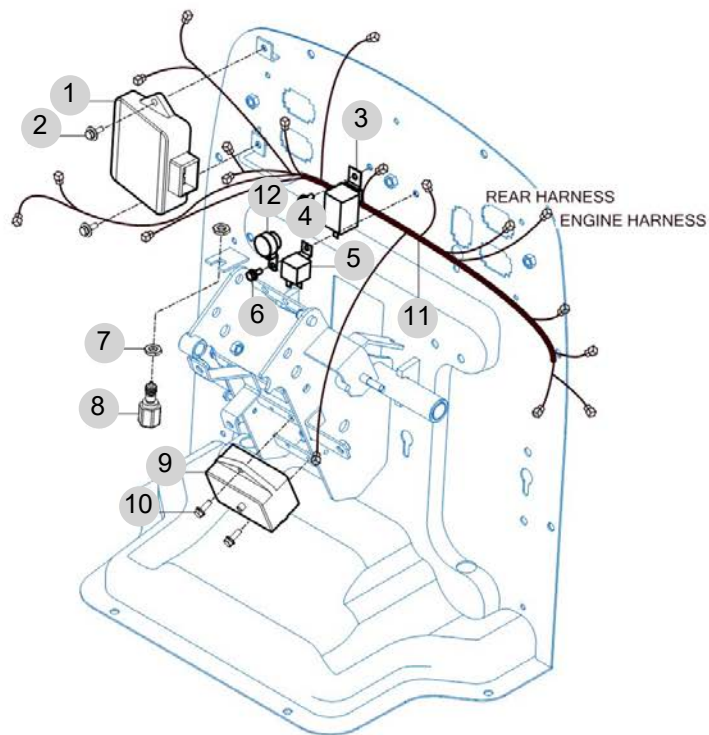
FIG 804

ELECTRIC SYSTEM (1)

년/월
Year/Month

2022-12

T495SHEU1



NOTE

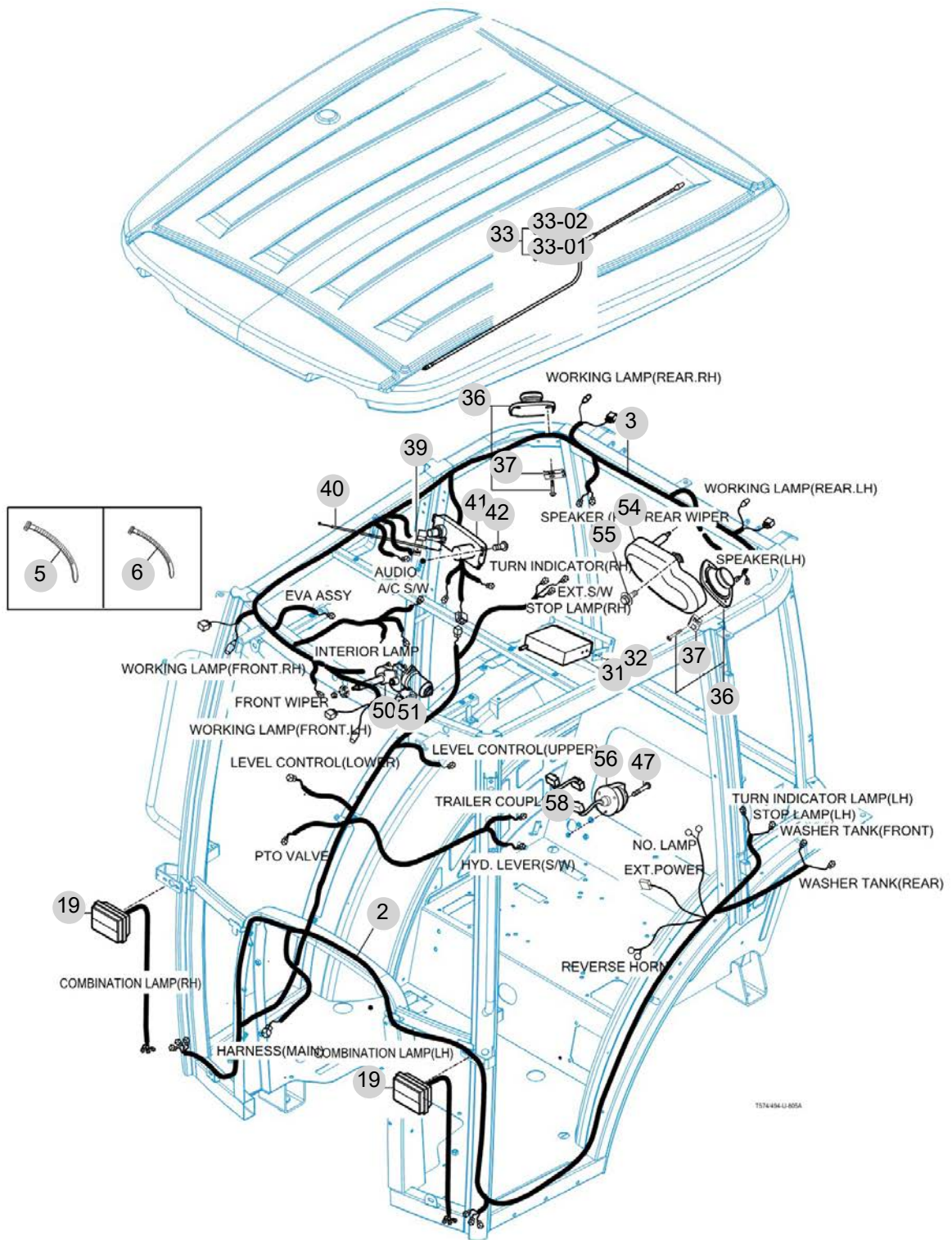
FIG 805A

ELECTRIC SYSTEM (2)

년/월
Year/Month

2022-12

T495SHEU1



T57495A-U-805A

NOTE

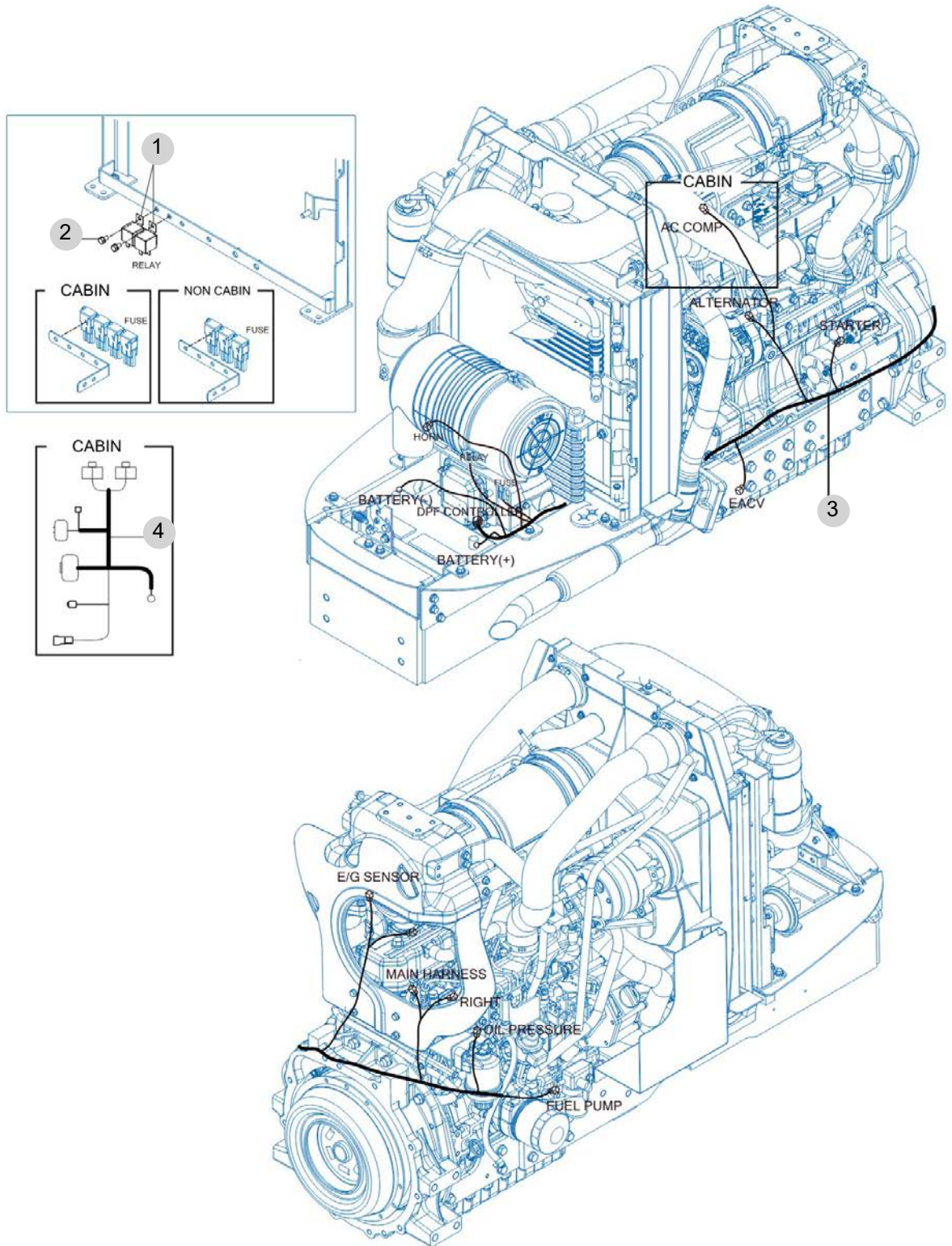
FIG 806

ELECTRIC SYSTEM (3)

년/월
Year/Month

T495SHEU1

2022-12



NOTE

9. 라벨/옵션 PART NO. T9

FIG 901 TOOL & ACCESSORY	264
FIG 902 WEIGHT	266
FIG 903 LABEL	268
FIG 903-2 LABEL	270

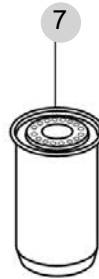
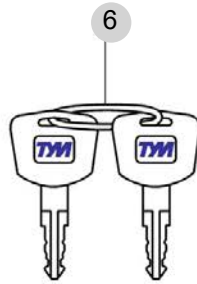
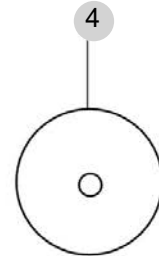
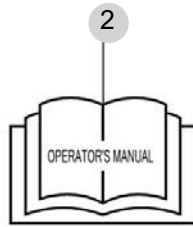
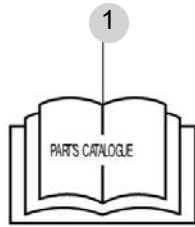
FIG 901

TOOL & ACCESSORY

년/월
Year/Month

T495SHEU1

2022-12



NOTE

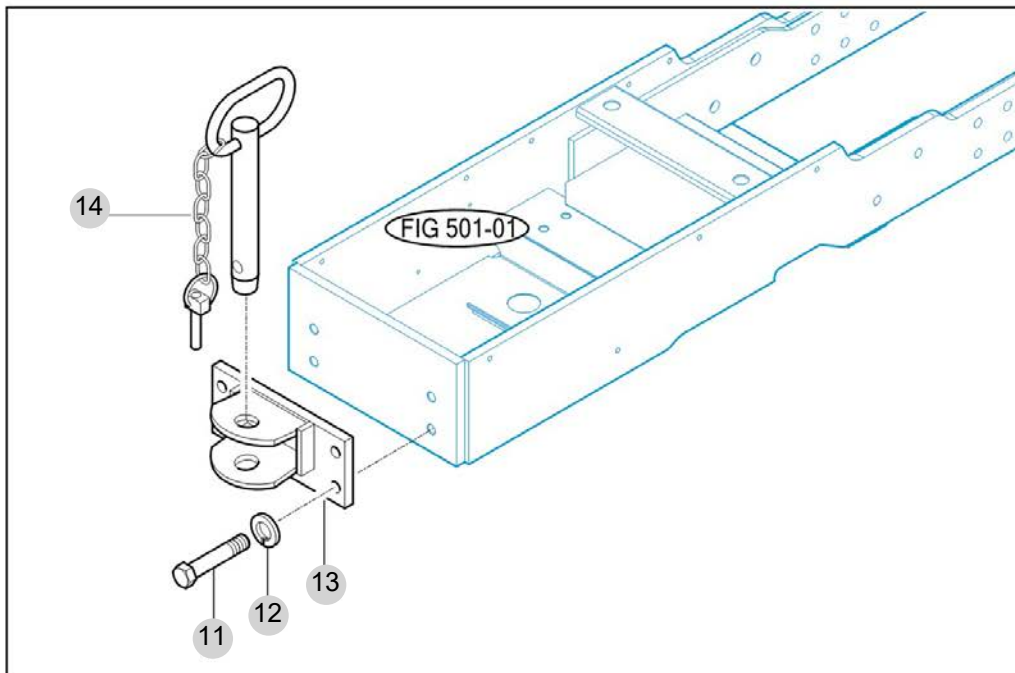
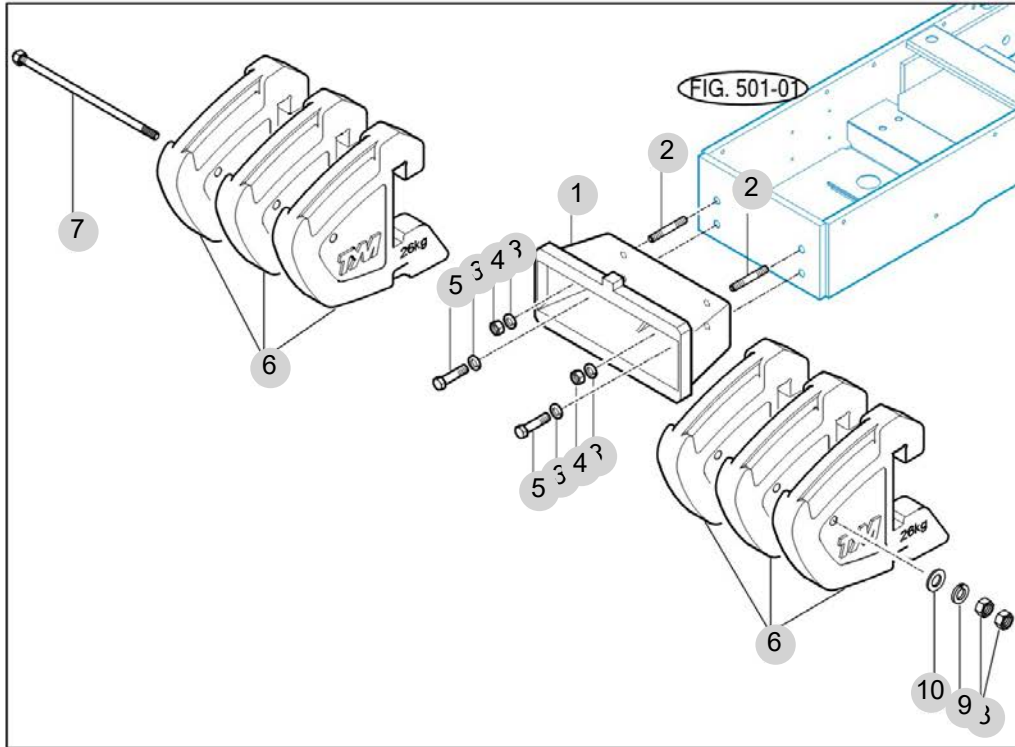
FIG 902

WEIGHT

년/월
Year/Month

T495SHEU1

2022-12



T575-E-902

NOTE

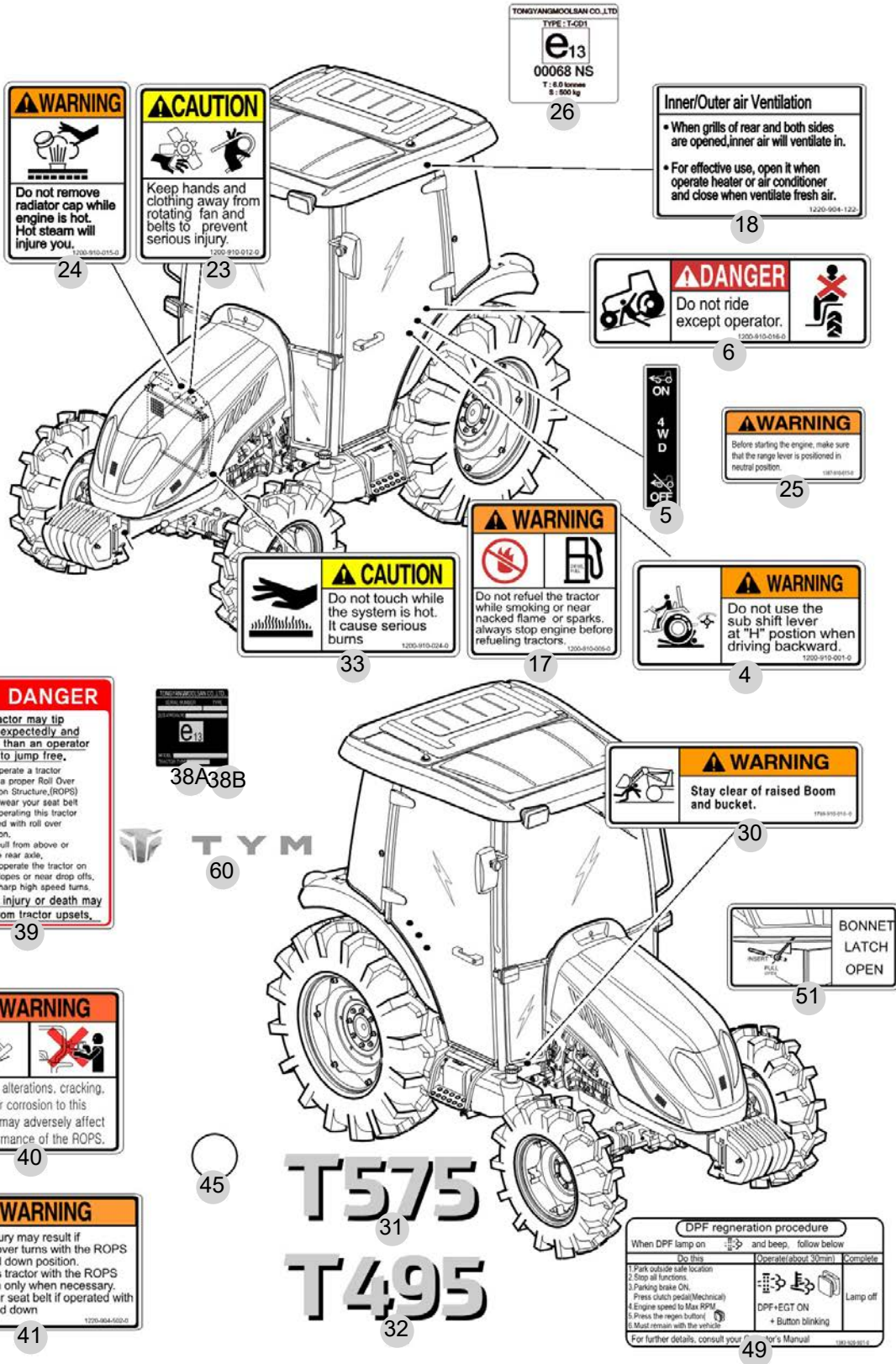
FIG 903

T495SHEU1

LABEL

년/월
Year/Month

2022-12



NOTE

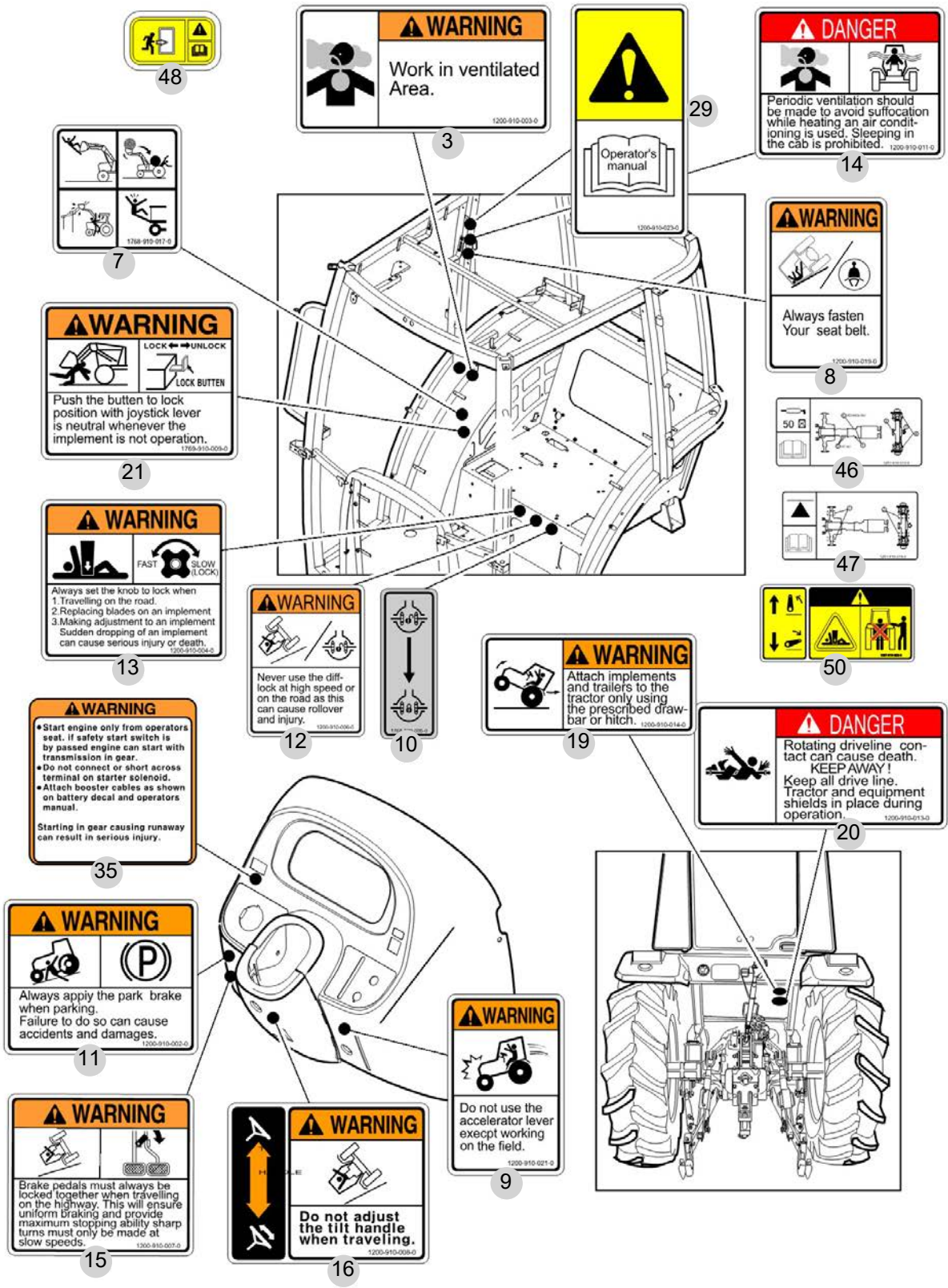
FIG 903-2

LABEL

년/월
Year/Month

T495SHEU1

2022-12



NOTE

